



Illustrated Parts Manual

Model
ERT4069
ERT4769

PVC
2204

P/N
31220319

February 5, 2024 - Rev E

ANSI

CE



UK
CA

AS/NZS



An Oshkosh Corporation Company

REVISION LOG

April 4, 2022 - A - Original Issue of Manual (Edited to B/M 1001263400 Rev F & 1001263470 Rev G)
October 10, 2022 - B - Revised Manual (Edited to B/M 1001263400 Rev I & 1001263470 Rev J)
February 1, 2023 - C - Revised Manual (Edited to B/M 1001263400 Rev J & 1001263470 Rev L)
August 28, 2023 - D - Revised Manual (Edited to B/M 1001263400 Rev J & 1001263470 Rev L)
February 5, 2024 - E - Revised Manual (Edited to B/M 1001263400 Rev M & 1001263470 Rev O)

GENERAL INFORMATION

SECTION 6 CYLINDER

FIGURE 6-3. LIFT CYLINDER ASSEMBLY

PG# Model Designation Manual #

SECTION 6 CYLINDER

FIGURE 6-3. LIFT CYLINDER ASSEMBLY

ITEM #	PART NUMBER	QTY	DESCRIPTION	REV
	1001140104	Ref	LIFT CYLINDER ASSEMBLY	B
1	0100011	AR	Compound, Locking	
2	0630305	3	Capscrew 1/4-20 x 1-1/8	
3	0791003	1	Screw #10-24 x 3/8	
4	0961897	1	Bushing, Tapered	
5	1320136	1	Clamp, Cable	
6	1683063	1	Head	
7	2220683	1	Plug, O-Ring	
8	2220685	2	Plug, O-Ring	
9	2220686	1	Plug, O-Ring	
10	3020039	AR	Lubricant	
11	3480282	1	Piston	
12	3760371	1	Ring, Washer	
13	3931420	8	Capscrew 1/4-20 x 1-1/4	
14	3931824	8	Capscrew 1/2-13 x 1-1/2	
15	3951003	1	Setscrew #10-24 x 3/8	
16	4100099	1	Spacer	
17	4640999	1	Cartridge, Holding Valve (Non Vented)	
18	4641248	1	Cartridge, Countbalance Valve (Non Vented)	
19	70004186	1	Kit, Seal - 4641248 Cartridge Valve	
20	100117991	1	Sensor, Cylinder Length	
21	100118070	1	Cap, Retainer	
22	100118084	1	Barrel	
21A	0961950	2	Bushing	
22A	100118086	1	Rod	
22A	0961950	2	Bushing	
100	1001139996	1	Kit, Seal (Includes Items 101-109)	
101	See Note	2	Ring, Wear (Note: Use p/n 1001139996)	
102	See Note	1	Ring, Back-Up (Note: Use p/n 1001139996)	
103	See Note	2	Ring, Lock (Note: Use p/n 1001139996)	
104	See Note	2	Ring, Back-Up (Note: Use p/n 1001139996)	
105	See Note	2	O-Ring (Note: Use p/n 1001139996)	
106	See Note	1	O-Ring (Note: Use p/n 1001139996)	
107	See Note	1	Seal (Note: Use p/n 1001139996)	
108	See Note	1	Wiper, Rod (Note: Use p/n 1001139996)	
109	See Note	2	Seal (Note: Use p/n 1001139996)	
200	1001119105	1	Kit, Sensor Magnet (Includes Items 201-203)	
201	See Note		Sleeve, Spacer (Note: Use p/n 1001119105)	
202	1001118066		Magnet, Sensor	
203	1001118069	1	Ring, Internal Retaining	

Manual # Model Designation PG#

1) MACHINE IDENTIFICATION

Machines are identified by model and in some cases a combination of models, serial number (SN) or regional standard (i.e ANSI, CE, CSA). Components may also be identified by SN or manufacturer. Common components that may be identified by these characteristics are engines and hydraulic components.

2) PARTS MANUAL ORGANIZATION

Product information in this manual is organized under section titles. Frame, Cylinder, Hydraulic and Electrical are a few examples. Each section is organized by figure and page number. The information within the Figure is then organized by item number, part number, description and corresponding illustration (s).

3) TABLE OF CONTENTS (NOT SHOWN)

A table of contents is found toward the beginning of the manual. Figure number, description and page number are provided for quick reference to the page containing the related information.

4) RECOMMENDED SPARE PARTS (NOT SHOWN)

The Recommended Spare Parts List, located near the end of the manual, reference most frequently used maintenance parts.

5) PART NUMBER INDEX (NOT SHOWN)

A numerical index listing all part numbers and the corresponding page number(s) appears at the back of the manual.

GENERAL INFORMATION

6) NON-SERVICED PARTS

In some instances, it is necessary to display non-serviced parts, assemblies or installations. In the case of assemblies and installations there will be a Ref in the Qty. column. In case of parts that are not available for service within assemblies or components, there will be a NSS (Not Sold Separately) or NLA (No Longer Available) listed in the Qty. column of the manual.

7) PARTS LIST ITEM NUMBERS

Numbers shown in the item# column correspond to numbers used in the associated illustration (s). Item numbers which are missing from the sequence in the parts list are not used on that page.

8) INDENTED PARTS DESCRIPTION

An indented part description is included in the item under which it is indented.

9) ABBREVIATION AND SYMBOLS

AC.....	Alternating Current	L.....	Liter
ADE.....	Advanced Design Electronics	LB(LBS).....	Pounds
AG.....	Agricultural	LCD.....	Liquid Crystal Display
ANSI.....	American National Standards Institute	LED.....	Light Emitting Diodes
AR.....	As Required	LH.....	Left Hand
ASSY.....	Assembly	LRC.....	Low Rated Countries
AUS.....	Australia	LSS.....	Load Sensing System
AUX.....	Auxiliary	M(m).....	Metric/Meter
AWG.....	American Wire Gauge	MM(mm).....	Milimeter
B/M.....	Bill of Material	mA.....	Miliamps
CAC.....	Charge Air Cooler	NLA.....	No Longer Available
CE.....	European Conformity	NPT.....	National Pipe Threads
CCW.....	Counter Clockwise	NSS.....	Not Sold Separately
CM.....	Centimeter	OD.....	Outside Diameter
CW.....	Clockwise	ORB.....	O-Ring Boss
CSA.....	Canadian Standards Association	ORFS.....	O-Ring Face Seal
CYL.....	Cylinder	OZ (oz).....	Ounces
DIA.....	Diameter	PG.....	Page
DC.....	Direct Current	PN.....	Part Number
DEF.....	Diesel Exhaust Fluid	QT(qt.).....	Quarts
EMS.....	Emergency Stop	QTY.....	Quantity
ENG.....	Engine	REF.....	Reference
FT(ft).....	Feet	REV.....	Revision Level
GA(Ga).....	Gauge	RH.....	Right Hand
HRC.....	High Rated Countries	SAE.....	Society of Automotive Engineers
HVAC.....	Heating, Ventilating, and Air Conditioning	SN.....	Serial Number
HYD.....	Hydraulic	SPEC(S).....	Specifications
Hz.....	Hertz	T/T.....	Turntable
ID.....	Inside Diameter	UGM.....	Universal Ground Module
IN.....	inches	V.....	Volts
ISO.....	International Organization for Standards	W.....	Watts
JIC.....	Joint Industry Council	#.....	Number
KG.....	Kilogram		

10) ILLUSTRATION REFERENCE LETTERS

When necessary, illustrations may contain reference letters that are intended to track information (i. e. hoses, harnesses) from one point to another or to track visual enlargement of components to show details that may be located in another area on the illustration.

Note: Due to continuous product improvements, JLG Industries, Inc. reserves the right to make specification changes without prior notification. Contact JLG Industries, Inc. for updated information.

TABLE OF CONTENTS

SECTION 1 - FRAME.....	11
FIGURE 1-1. AXLE INSTALLATION - SINGLE OSCILLATING (WITHOUT SENSORS).....	12
FIGURE 1-2. AXLE INSTALLATION - SINGLE OSCILLATING (WITH SENSORS).....	14
FIGURE 1-3. STEERING INSTALLATION - ELECTRIC (2WS).....	16
FIGURE 1-4. DRIVE INSTALLATION - ELECTRIC (2WD).....	18
FIGURE 1-5. DRIVE HUB ASSEMBLY.....	22
FIGURE 1-6. DRIVE MOTOR ASSEMBLY.....	26
FIGURE 1-7. HUB/SPINDLE ASSEMBLY (2WD FRONT).....	28
FIGURE 1-8. TIRE AND WHEEL INSTALLATION - FOAM-FILLIED.....	30
FIGURE 1-9. TIRE AND WHEEL INSTALLATION - FOAM-FILLIED NON-MARKING.....	32
FIGURE 1-10. TIRE AND WHEEL INSTALLATION - FOAM-FILLIED TURF NON-MARKING.....	34
FIGURE 1-11. BATTERY INSTALLATION - 310AH BATTERIES.....	36
FIGURE 1-12. BATTERY INSTALLATION - 375AH BATTERIES.....	38
FIGURE 1-13. LEVELING JACKS INSTALLATION - PARTIAL COVERS.....	40
FIGURE 1-14. LEVELING JACKS INSTALLATION - FULL COVERS.....	42
FIGURE 1-15. LEVELING JACK VALVE ASSEMBLY.....	44
FIGURE 1-16. ONBOARD GENERATOR INSTALLATION.....	46
FIGURE 1-17. ONBOARD GENERATOR INSTALLATION.....	48
FIGURE 1-18. ONBOARD GENERATOR ASSEMBLY.....	50
FIGURE 1-19. ONBOARD GENERATOR TRAY INSTALLATION.....	54
FIGURE 1-20. ONBOARD GENERATOR TRAY INSTALLATION.....	56
FIGURE 1-21. ERT4069 CLEANGUARD INSTALLATION.....	58
FIGURE 1-22. ERT4769 CLEANGUARD INSTALLATION.....	60
FIGURE 1-23. ERT4069 LADDER INSTALLATION.....	62
FIGURE 1-24. ERT4769 LADDER INSTALLATION (Prior to SN M200064517, Including M200064812, M200064905 and M200065100, Excluding M200063438).....	64
FIGURE 1-25. ERT4769 LADDER INSTALLATION (SN M200064517 to Present, Including M200063438, Excluding M200064812, M200064905 and M200065100).....	66
FIGURE 1-26. ERT4069 FRAME COVERS INSTALLATION.....	68
FIGURE 1-27. ERT4769 FRAME COVERS INSTALLATION.....	70
SECTION 2 - GROUND CONTROLS.....	73
FIGURE 2-1. HYDRAULIC COMPONENTS INSTALLATION (Prior to SN M200085708, Prior to SN M200085707).....	74
FIGURE 2-2. HYDRAULIC COMPONENTS INSTALLATION (SN M200085779 to Present, SN M200085780 to Present).....	76
FIGURE 2-3. VALVE ASSEMBLY - MAIN CONTROL.....	78
FIGURE 2-4. HYDRAULIC TANK ASSEMBLY.....	80
FIGURE 2-5. GROUND CONTROL PANEL INSTALLATION - ERT4069 (Prior to SN M200059275).....	82
FIGURE 2-6. GROUND CONTROL PANEL INSTALLATION - ERT4069 (SN M200059275 to Present).....	84
FIGURE 2-7. GROUND CONTROL PANEL INSTALLATION - ERT4769 (Prior to SN M200059582, Excluding M200059569 and M200059570).....	86
FIGURE 2-8. GROUND CONTROL PANEL INSTALLATION - ERT4769 (SN M200059582 to Present, Including M200059569 and M200059570).....	88
FIGURE 2-9. GROUND CONTROL ASSEMBLY.....	90
FIGURE 2-10. BATTERY CHARGER INSTALLATION (NO PLUG) (Prior to SN M200063428, Including M200063533, M200063633, M200064812, M200065100 and M200065191).....	92
FIGURE 2-11. BATTERY CHARGER INSTALLATION (NO PLUG) (SN M200063428 to Present, Excluding M200063533, M200063633, M200064812, M200065100 and M200065191).....	94

TABLE OF CONTENTS

FIGURE 2-12. BATTERY CHARGER INSTALLATION (110V PLUG)	96
FIGURE 2-13. BATTERY CHARGER INSTALLATION (AUSTRALIAN PLUG) (Prior to SN M200063428, Including M200063533, M200063633, M200064812, M200065100 and M200065191).....	98
FIGURE 2-14. BATTERY CHARGER INSTALLATION (AUSTRALIAN PLUG) (SN M200063428 to Present, Excluding M200063533, M200063633, M200064812, M200065100 and M200065191).....	100
FIGURE 2-15. BATTERY CHARGER INSTALLATION (CHINA PLUG) (Prior to SN M200063428, Including M200063533, M200063633, M200064812, M200065100 and M200065191).....	102
FIGURE 2-16. BATTERY CHARGER INSTALLATION (CHINA PLUG) (SN M200063428 to Present, Excluding M200063533, M200063633, M200064812, M200065100 and M200065191).....	104
FIGURE 2-17. BATTERY CHARGER INSTALLATION (KOREAN PLUG) (Prior to SN M200063428, Including M200063533, M200063633, M200064812, M200065100 and M200065191).....	106
FIGURE 2-18. BATTERY CHARGER INSTALLATION (KOREAN PLUG) (SN M200063428 to Present, Excluding M200063533, M200063633, M200064812, M200065100 and M200065191).....	108
FIGURE 2-19. ALARM INSTALLATION (HORN).....	110
FIGURE 2-20. ALARM INSTALLATION (WHITE NOISE).....	112
FIGURE 2-21. STROBE LIGHT INSTALLATION - SINGLE.....	114
FIGURE 2-22. STROBE LIGHT INSTALLATION - DUAL	116
FIGURE 2-23. NO BEACON (COVERS).....	118
FIGURE 2-24. HOODS INSTALLATION	120
SECTION 3 - ENGINE	123
FIGURE 3-1. ENGINE MOUNTING INSTALLATION (GENSET).....	124
FIGURE 3-2. KUBOTA ENGINE INSTALLATION (GENSET).....	126
FIGURE 3-3. ENGINE ASSEMBLY (Prior to SN M200065379, Including M200065386 and M200065389)	128
FIGURE 3-4. ENGINE ASSEMBLY (SN M200065379 to Present, Excluding M200065386 and M200065389).....	130
FIGURE 3-5. KUBOTA MOTOR/GENERATOR ASSEMBLY	132
FIGURE 3-6. KUBOTA ENGINE COMPONENTS.....	134
FIGURE 3-7. ENGINE FUEL LINES INSTALLATION (GENSET).....	136
FIGURE 3-8. ENGINE HOOD AND DOOR INSTALLATION (GENSET) (Prior to SN M200065379, Including M200065386 and M200065389)	138
FIGURE 3-9. ENGINE HOOD AND DOOR INSTALLATION (GENSET) (SN M200065379 to Present, Excluding M200065386 and M200065389)	140
FIGURE 3-10. ENGINE ELECTRICAL INSTALLATION (GENSET)	142
FIGURE 3-11. EXHAUST INSTALLATION (GENSET)	144
SECTION 4 - SCISSORS ARMS	147
FIGURE 4-1. ERT4069 ARMS INSTALLATION.....	148
FIGURE 4-2. ERT4069 ARMS ASSEMBLY	150
FIGURE 4-3. ERT4069 CYLINDER AND LIFT DOWN VALVE ASSEMBLY	154
FIGURE 4-4. ERT4769 ARMS INSTALLATION.....	156
FIGURE 4-5. ERT4769 ARMS ASSEMBLY	158
FIGURE 4-6. ERT4769 CYLINDER AND LIFT DOWN VALVE ASSEMBLY	162
FIGURE 4-7. ERT4769 CYLINDER AND LIFT DOWN VALVE ASSEMBLY	164
SECTION 5 - PLATFORM	167
FIGURE 5-1. PLATFORM INSTALLATION.....	168
FIGURE 5-2. PLATFORM EXTENSION INSTALLATION (SINGLE) (Prior to SN M200066648, Including M200066734, Excluding M200066636)	170
FIGURE 5-3. PLATFORM EXTENSION INSTALLATION (SINGLE) (SN M200066648 to Present, Prior to SN M200087169, Prior to SN M200087438, Including M200066636, Excluding M200066734).....	172

TABLE OF CONTENTS

FIGURE 5-4. PLATFORM EXTENSION INSTALLATION (SINGLE) (SN M200087242 to Present, SN M200087777 to Present)	174
FIGURE 5-5. PLATFORM RAILS INSTALLATION (SINGLE EXTENSION)	176
FIGURE 5-6. PLATFORM RAILS INSTALLATION WITH PLUGS (SINGLE EXTENSION)	180
FIGURE 5-7. PLATFORM CONTROL BOX INSTALLATION - SIDE MOUNT	184
FIGURE 5-8. PLATFORM CONTROL BOX INSTALLATION	186
FIGURE 5-9. CONTROLLER ASSEMBLY	188
SECTION 6 - CYLINDER	191
FIGURE 6-1. AXLE LOCKOUT CYLINDER ASSEMBLY	192
FIGURE 6-2. LEVELING JACK CYLINDER ASSEMBLY	194
FIGURE 6-3. ERT4069 & ERT4769 LIFT CYLINDER ASSEMBLY - LOWER	196
FIGURE 6-4. ERT4769 LIFT CYLINDER ASSEMBLY - UPPER	198
FIGURE 6-5. STEER CYLINDER ASSEMBLY	200
SECTION 7 - HYDRAULIC	203
FIGURE 7-1. HYDRAULIC DIAGRAM - LEVELING JACKS	204
FIGURE 7-2. HYDRAULIC DIAGRAM - STANDARD	206
FIGURE 7-3. HYDRAULIC DIAGRAM - STANDARD (SN M200085779 to Present, SN M200085780 to Present)	210
SECTION 8 - ELECTRICAL	213
FIGURE 8-1. ERT4069 & ERT4769 ELECTRICAL LAYOUT	214
FIGURE 8-2. AC BOX AT PLATFORM INSTALLATION - 110V GFI (ALL SPECS EXCEPT AUSTRALIAN, CE & UK CA SPECS)	224
FIGURE 8-3. AC BOX AT PLATFORM INSTALLATION - 110V IEC YELLOW (CE & UK CA SPECS)	226
FIGURE 8-4. AC BOX AT PLATFORM INSTALLATION - 220V IEC BLUE (CE & UK CA SPECS)	228
FIGURE 8-5. AC BOX AT PLATFORM INSTALLATION - 220V CEE7 POST GROUND (CE & UK CA SPECS)	230
FIGURE 8-6. AC BOX AT PLATFORM INSTALLATION - 220V CEE7 SIDE GROUND (CE & UK CA SPECS)	232
FIGURE 8-7. AC BOX AT PLATFORM INSTALLATION - 220V AFSINT 107 (CE & UK CA SPECS)	234
FIGURE 8-8. AC BOX AT PLATFORM INSTALLATION - 220V CUSTOMER SUPPLIED PLUG & RECEPTACLE (ALL SPECS EXCEPT AUSTRALIAN, CE & UK CA SPECS)	236
FIGURE 8-9. AC BOX AT PLATFORM INSTALLATION - 220V CUSTOMER SUPPLIED COMPONENTS (ALL SPECS)	238
FIGURE 8-10. AUX DESCENT HARNESS	240
FIGURE 8-11. BREAKER BOX KIT - 1 DOUBLE BREAKER	242
FIGURE 8-12. BREAKER BOX KIT - 1 DOUBLE & 1 SINGLE BREAKER	244
FIGURE 8-13. CHARGER CORD PLUG INSTALLATION - 110V - IEC YELLOW (CE & UK CA SPEC)	246
FIGURE 8-14. CHARGER CORD PLUG INSTALLATION - 220V - IEC BLUE (CE & UK CA SPEC)	248
FIGURE 8-15. CHARGER CORD PLUG INSTALLATION - 220V - CEE7 POST GROUND (CE & UK CA SPEC)	250
FIGURE 8-16. CHARGER CORD PLUG INSTALLATION - 220V - CEE7 SIDE GROUND (CE & UK CA SPEC)	252
FIGURE 8-17. CHARGER CORD PLUG INSTALLATION - 220V - AFSINT 107 KEYED GROUND (CE & UK CA SPEC)	254
FIGURE 8-18. CHASSIS HARNESS (Prior to SN M200059275, Including M200059580)	256
FIGURE 8-19. CHASSIS HARNESS (SN M200059275 to Present, Excluding M200059580)	260
FIGURE 8-20. ERT4069 GROUND TO PLATFORM HARNESS	264
FIGURE 8-21. ERT4769 GROUND TO PLATFORM HARNESS	266
FIGURE 8-22. LEVELING JACK HARNESS	268
FIGURE 8-23. ERT4069 & ERT4769 LIFT DOWN HARNESS - LOWER	270
FIGURE 8-24. ERT4769 LIFT DOWN HARNESS - UPPER	272

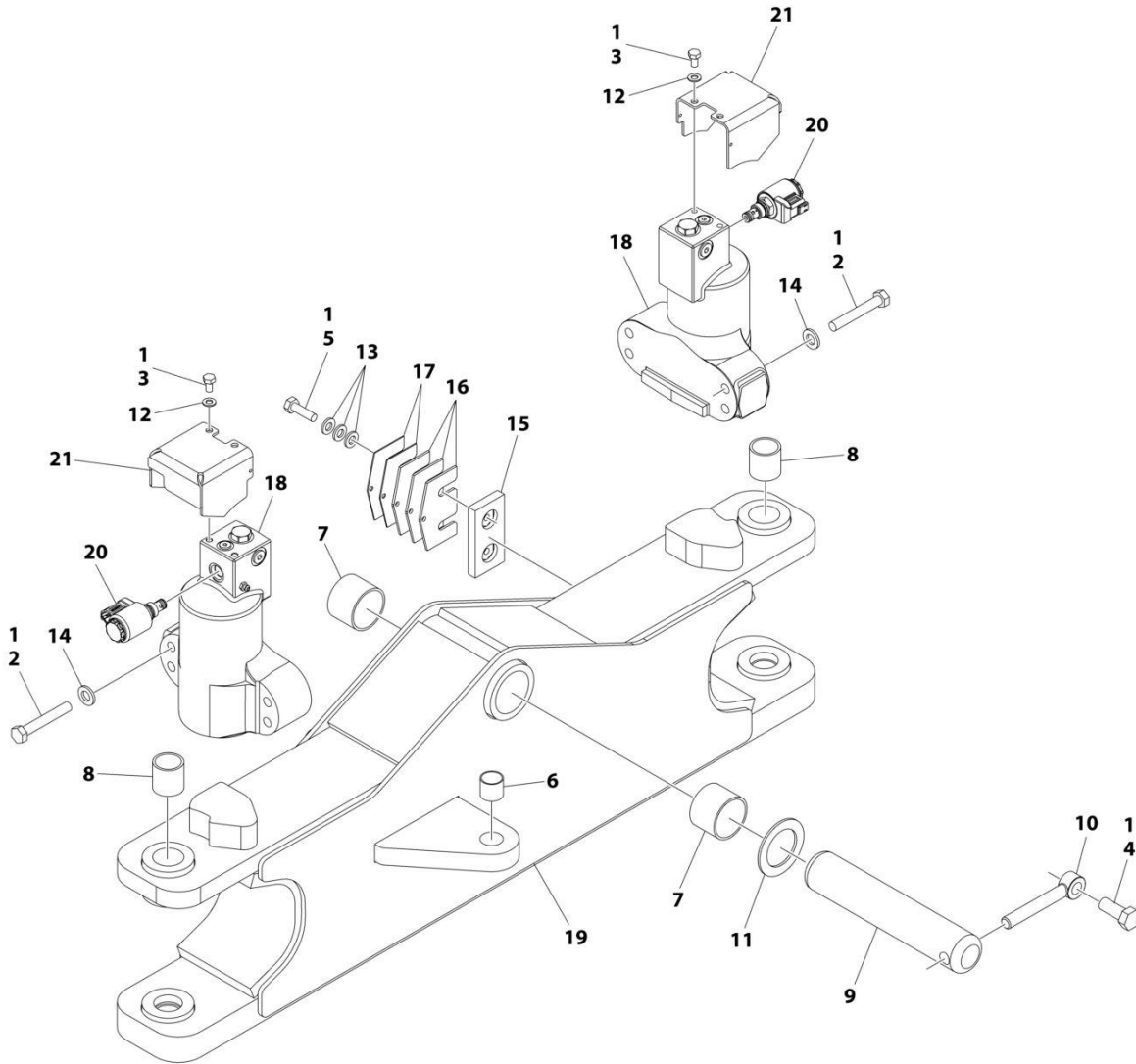
TABLE OF CONTENTS

FIGURE 8-25. LSS HARNESS	274
FIGURE 8-26. MECHRON GENSET HARNESS	276
FIGURE 8-27. ONBOARD GENERATOR CABLE	278
FIGURE 8-28. PLATFORM HARNESS	280
FIGURE 8-29. PLATFORM CABLE INSTALLATION – WITHOUT FOOTSWITCH	282
FIGURE 8-30. PLATFORM CABLE HARNESS – WITHOUT FOOTSWITCH	284
FIGURE 8-31. PLATFORM CABLE INSTALLATION – WITH FOOTSWITCH	286
FIGURE 8-32. PLATFORM CABLE HARNESS – WITH FOOTSWITCH	288
FIGURE 8-33. PLATFORM CONTROL BOX HARNESS	290
FIGURE 8-34. RECEPTACLE BOX KIT - 110V GFI	292
FIGURE 8-35. RECEPTACLE BOX KIT - 110V IEC YELLOW	294
FIGURE 8-36. RECEPTACLE BOX KIT - 220V IEC BLUE	296
FIGURE 8-37. RECEPTACLE BOX KIT - 220V POST GROUND	298
FIGURE 8-38. RECEPTACLE BOX KIT - 220V SIDE GROUND	300
FIGURE 8-39. RECEPTACLE BOX KIT - 220V KEYED GROUND	302
FIGURE 8-40. TILT SENSOR HARNESS	304
FIGURE 8-41. TRACTION HARNESS	306
SECTION 9 - DECALS	309
FIGURE 9-1. ERT4069 DECAL INSTALLATION - ANSI SPECS (ENGLISH LANGUAGE)	310
FIGURE 9-2. ERT4069 DECAL INSTALLATION - AUSTRALIAN,CE & UK CA SPECS (ENGLISH LANGUAGE)	312
FIGURE 9-3. ERT4069 DECAL INSTALLATION - BRAZIL SPECS (SPANISH/PORTUGUESE LANGUAGES)	314
FIGURE 9-4. ERT4069 DECAL INSTALLATION - CE & UK CA SPECS	316
FIGURE 9-5. ERT4069 DECAL INSTALLATION - CHINA SPECS (ENGLISH/CHINESE LANGUAGES)	318
FIGURE 9-6. ERT4069 DECAL INSTALLATION - CSA SPECS (ENGLISH/FRENCH LANGUAGES)	320
FIGURE 9-7. ERT4069 DECAL INSTALLATION - KOREAN SPECS (ENGLISH/KOREAN LANGUAGES)	322
FIGURE 9-8. ERT4069 DECAL INSTALLATION - LATIN AMERICAN SPECS (ENGLISH/SPANISH LANGUAGES)	324
FIGURE 9-9. ERT4769 DECAL INSTALLATION - ANSI SPECS (ENGLISH LANGUAGE)	326
FIGURE 9-10. ERT4769 DECAL INSTALLATION - AUSTRALIAN,CE & UK CA SPECS (ENGLISH LANGUAGE)	328
FIGURE 9-11. ERT4769 DECAL INSTALLATION - BRAZIL SPECS (SPANISH/PORTUGUESE LANGUAGES)	330
FIGURE 9-12. ERT4769 DECAL INSTALLATION - CE & UK CA SPECS	332
FIGURE 9-13. ERT4769 DECAL INSTALLATION - CHINA SPECS (ENGLISH/CHINESE LANGUAGES)	334
FIGURE 9-14. ERT4769 DECAL INSTALLATION - CSA SPECS (ENGLISH/FRENCH LANGUAGES)	336
FIGURE 9-15. ERT4769 DECAL INSTALLATION - KOREAN SPECS (ENGLISH/KOREAN LANGUAGES)	338
FIGURE 9-16. ERT4769 DECAL INSTALLATION - LATIN AMERICAN SPECS (ENGLISH/SPANISH LANGUAGES)	340
FIGURE 9-17. DECAL INSTALLATION - OPTIONS	342
SECTION 10 - RECOMMENDED SERVICE PARTS STOCK	345
FIGURE 10-1. RECOMMENDED SERVICE PARTS STOCK	346
SECTION 11 - SPECIAL OPTIONS/ACCESSORIES/KITS	349
FIGURE 11-1. SPECIAL OPTIONS/ACCESSORIES/KITS	350
PART NUMBER INDEX	353

SECTION 1 - FRAME

SECTION 1 - FRAME

FIGURE 1-1. AXLE INSTALLATION - SINGLE OSCILLATING (WITHOUT SENSORS)



ART_1001260485

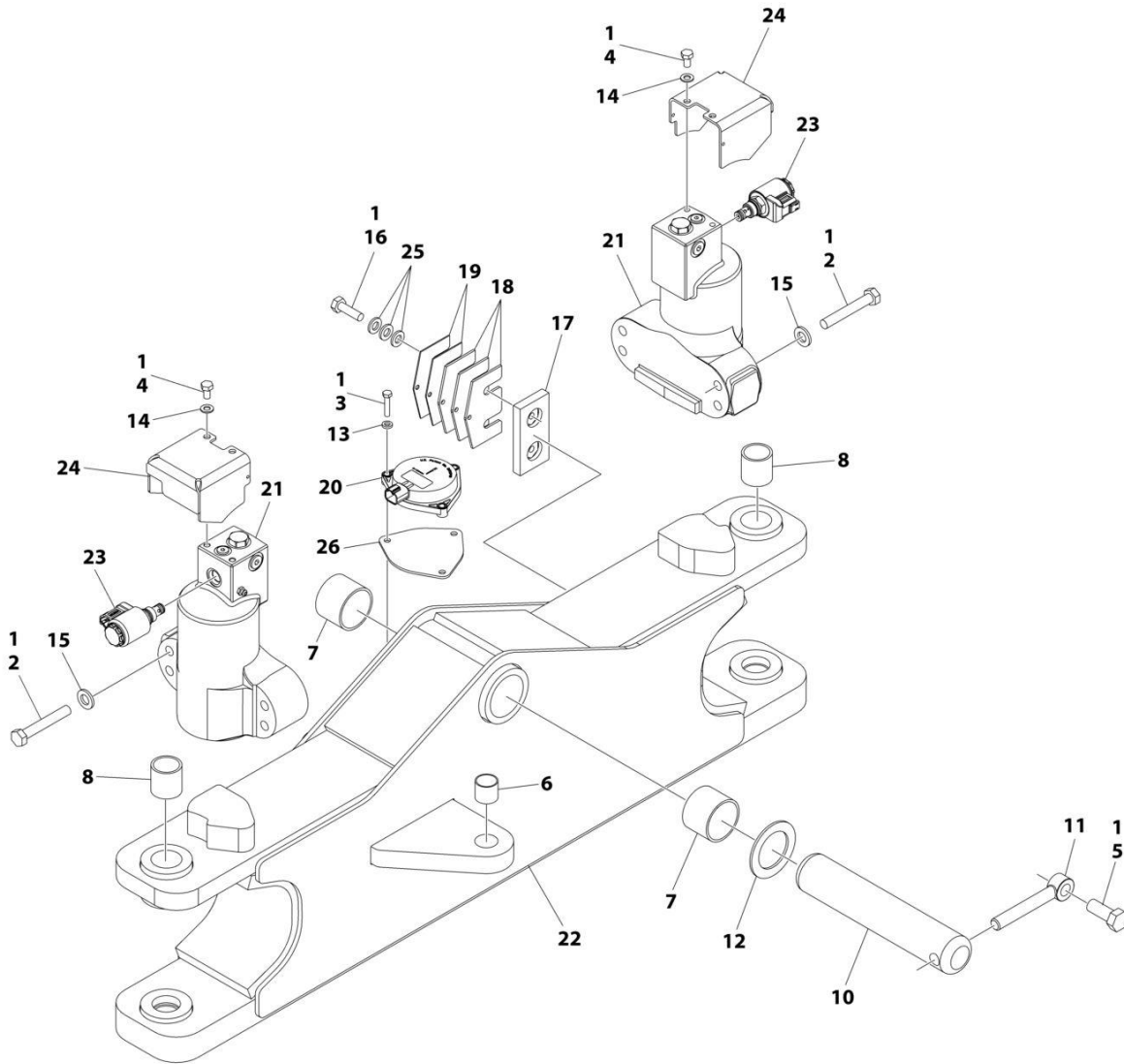
SECTION 1 - FRAME

FIGURE 1-1. AXLE INSTALLATION - SINGLE OSCILLATING (WITHOUT SENSORS)

ITEM	PART NUMBER	QTY	DESCRIPTION	REV
	1001260485	Ref	AXLE INSTALLATION (WITHOUT SENSOR)	B
1	0100011	AR	Compound, Locking	
2	0711224	8	Bolt M12 x 80	
3	0760807	4	Bolt M8 x 14	
4	0761616	1	Bolt M16 x 40	
5	0771015	4	Bolt M10 x 35	
6	0961890	1	Bushing	
7	0961950	2	Bearing	
8	0962220	4	Bushing	
9	3422592	1	Pin	
10	3841258	1	Keeper, Rod	
11	4740229	1	Thrustwasher	
12	4811900	4	Washer M8	
13	5241000	AR	Washer M10	
14	5241200	8	Washer M12	
15	1001118511	2	Pad, Wear	
16	1001118518	AR	Shim 11Ga	
17	1001118519	AR	Shim 16Ga	
18	1001245046	2	Cylinder Assembly - Axle (See Separate Breakdown in CYLINDER Section)	
19	1001247019	1	Axle	
20	1001248196	2	Cartridge, Valve - Directional	
20	7024502	2	Seal Kit - 7001248196 Valve	
20	7027628	2	Coil	
20	70001365	2	Nut, Coil	
21	1001248834	2	Cover	

SECTION 1 - FRAME

FIGURE 1-2. AXLE INSTALLATION - SINGLE OSCILLATING (WITH SENSORS)



ART_1001244391

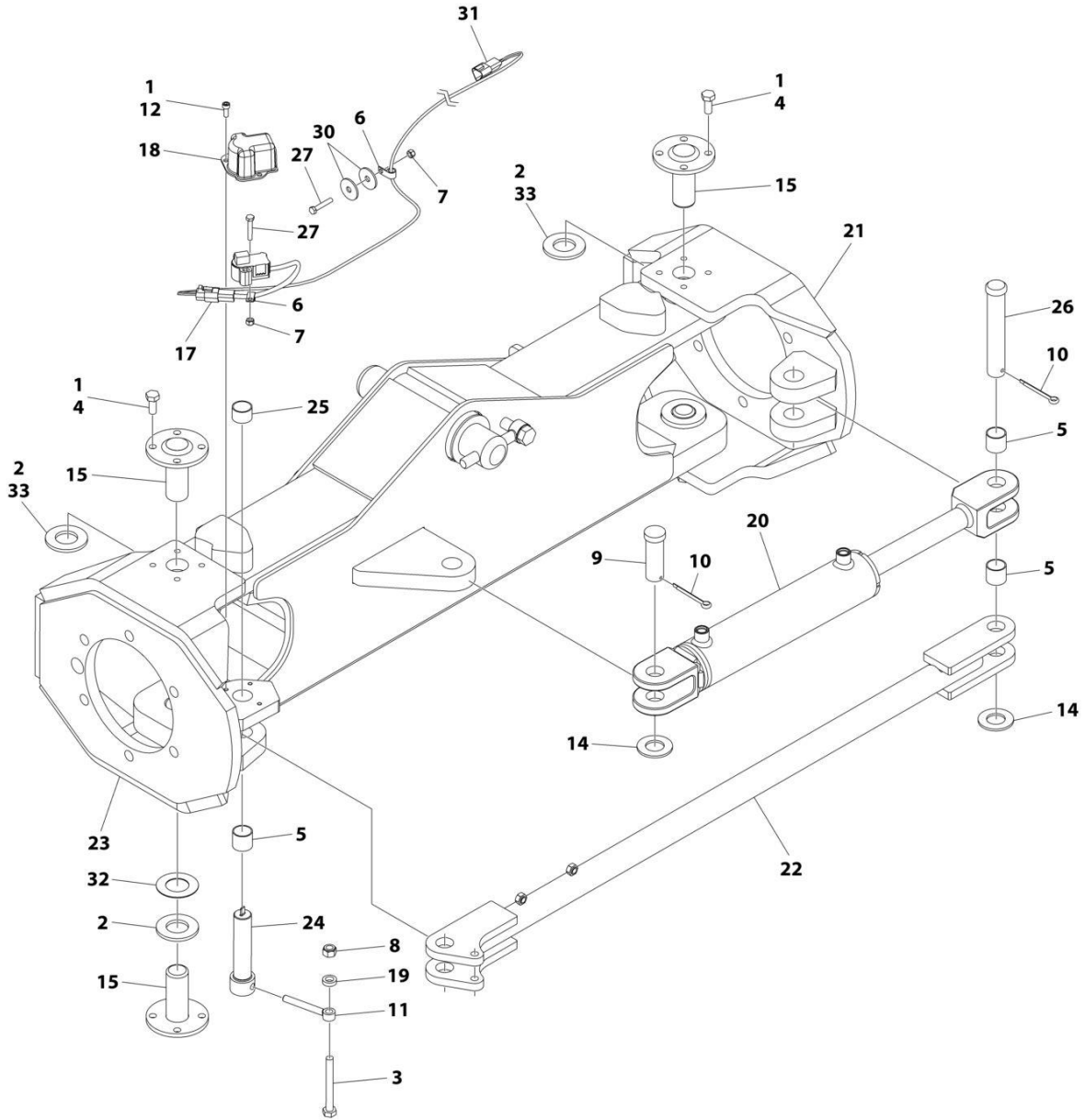
SECTION 1 - FRAME

FIGURE 1-2. AXLE INSTALLATION - SINGLE OSCILLATING (WITH SENSORS)

ITEM	PART NUMBER	QTY	DESCRIPTION	REV
	1001244391	Ref	AXLE INSTALLATION (WITH SENSOR)	D
1	0100011	AR	Compound, Locking	
2	0711224	8	Bolt M12 x 80	
3	0760614	3	Bolt M6 x 30	
3	4010615	3	Bolt M6 x 35	
4	0760807	4	Bolt M8 x 14	
5	0761616	1	Bolt M16 x 40	
6	0961890	1	Bushing	
7	0961950	2	Bearing	
8	0962220	4	Bushing	
10	3422592	1	Pin	
11	3841258	1	Keeper, Rod	
12	4740229	1	Thrustwasher	
13	4811700	3	Washer M6	
14	4811900	4	Washer M8	
15	5241200	8	Washer M12	
16	0771015	4	Bolt M10 x 35	
17	1001118511	2	Pad, Wear	
18	1001118518	AR	Shim 11Ga	
19	1001118519	AR	Shim 16Ga	
20	1001244934	1	Sensor, Tilt	
21	1001245046	2	Cylinder Assembly - Axle (See Separate Breakdown in CYLINDER Section)	
22	1001247019	1	Axle	
23	1001248196	2	Cartridge, Valve - Directional	
23	7024502	2	Seal Kit - 1001248196 Valve	
23	7027628	2	Coil	
23	70001365	2	Nut, Coil	
24	1001248834	2	Cover	
25	5241000	AR	Washer M10	
26	1001272777	1	Gasket	

SECTION 1 - FRAME

FIGURE 1-3. STEERING INSTALLATION - ELECTRIC (2WS)



ART_1001250520

SECTION 1 - FRAME

FIGURE 1-3. STEERING INSTALLATION - ELECTRIC (2WS)

ITEM	PART NUMBER	QTY	DESCRIPTION	REV
	1001250520	Ref	STEERING INSTALLATION - ELECTRIC	D
1	0100011	AR	Compound, Locking	
2	0440237	2	Thrustwasher (3/16 Thickness)	
3	0701026	1	Bolt M10 x 90	
4	0761012	16	Bolt M10 x 25	
5	0961890	3	Bushing	
6	1320043	2	Clamp	
7	3290605	2	Nut M6	
8	3291005	1	Nut M10	
9	3431622	1	Pin	
10	3450608	2	Pin, Cotter	
11	3841143	1	Keeper	
12	4031707	2	Bolt M6 x 16	
14	4712600	2	Washer 1	
15	1001139141	4	Kingpin	
17	1001161117	1	Sensor, Steer Angle	
18	1001169423	1	Cover	
19	1001245459	1	Sleeve, Spacer	
20	1001246107	1	Cylinder Assembly - Steer (See Separate Breakdown in CYLINDER Section)	
21	1001249297	1	Spindle	
22	1001250637	1	Tie-Rod	
23	1001251725	1	Spindle	
24	1001251727	1	Pin	
25	1001253868	1	Bearing	
26	1001255526	1	Pin	
27	0760615	2	Bolt M6 x 35	
28	4240017	AR	Tie-Strap (Not Shown)	
30	1001195089	2	Washer	
31	1001255064	1	Harness, Steer Angle Sensor	
32	1001151395	2	Shim	
33	0440162	1	Thrustwasher (1/8 Thickness)	

SECTION 1 - FRAME

FIGURE 1-4. DRIVE INSTALLATION - ELECTRIC (2WD)

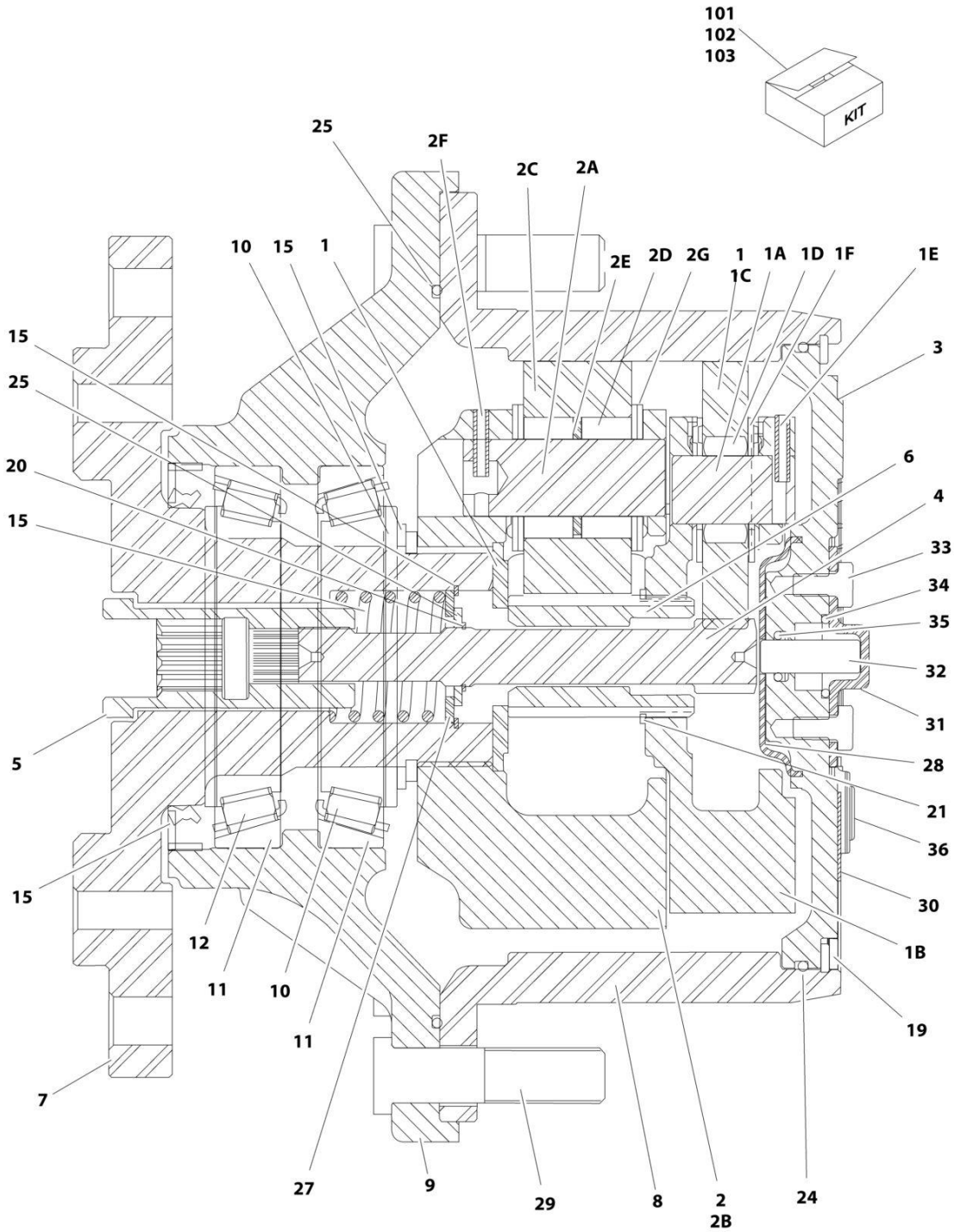
ITEM	PART NUMBER	QTY	DESCRIPTION	REV
	1001247420	Ref	DRIVE INSTALLATION - 2WD	H
1	0100011	AR	Compound, Locking	
2	0100019	AR	Compound, Locking	
3	0100020	AR	Sealant	
4	0641610	8	Bolt 3/8 x 1-1/4	
5	0641812	8	Bolt 1/2 x 1-1/2	
6	0682013	12	Bolt 5/8 x 1-5/8	
7	0771619	12	Bolt M16 x 55	
8	2780282	2	Hub Assembly - Front (See Separate Breakdown in this Section)	
11	3331611	12	Nut M16	
12	4891600	8	Washer 3/8	
13	4711800	8	Washer 1/2	
14	5241600	24	Washer M16	
15	4892000	12	Washer 5/8	
16	1001182960	2	Seal	
17	1001184854	2	Drive Motor/Brake Assembly	G
17A	1001182550	2	Drive Motor Assembly (See Separate Breakdown in this Section)	
17B	1001184852	2	Drive Brake Assembly	
17B	70005415	2	O-Ring Between Brake and Motor (Not Shown)	
17C	4031707	8	Capscrew M6 x 16	
17D	1001109892	8	Washer M6	
18	1001214174	2	Hub Spindle Assembly - Front (See Separate Breakdown in this Section)	
19	1001219722	2	Plate	
20	1001220271	2	Seal	
21	0100035	AR	Compound, Locking	
23	0630587	2	Bolt M6 x 25	
24	0700512	4	Bolt M5 x 25	
25	0700814	9	Bolt M8 x 30	
27	0760508	2	Bolt M5 x 16	
28	3290505	6	Nut M5	
29	3290605	2	Nut M6	
30	3290805	1	Nut M8	
32	4031608	8	Bolt M5 x 20	
33	4240084	1	Strap, Anti-Static	
34	4811600	12	Washer M5	
35	4811702	2	Washer M6	
36	4811902	10	Washer M8	
38	4872000	1	Washer M10	
39	1001174447	1	Converter	
40	1001248064	1	Module, Drive/Pump	
41	1001248066	1	Module, Drive	
42	1001250886	1	Housing	
43	1001255057	1	Harness, Traction (See Separate Breakdown in ELECTRICAL Section)	
44	1001255058	1	Cable, Generator to Pump (+)	
45	1001255059	1	Cable, Generator to Pump (-)	
46	1001255060	1	Cable, Left Drive/Brake Motor Power	
47	1001255061	1	Cable, Right Drive/Brake Motor Power	
48	1001255062	1	Cable, Drive Module (-)	

SECTION 1 - FRAME

ITEM	PART NUMBER	QTY	DESCRIPTION	REV
49	1001255063	1	Cable, Drive/Pump Module (-)	
50	1001255610	2	Shield	
51	1001256186	1	Harness, Right Drive/Brake Motor	
52	1001256187	1	Harness, Left Drive/Brake Motor	
53	1001260781	1	Decal – Fuse Box	

SECTION 1 - FRAME

FIGURE 1-5. DRIVE HUB ASSEMBLY



ART_2780282

FIGURE 1-5. DRIVE HUB ASSEMBLY

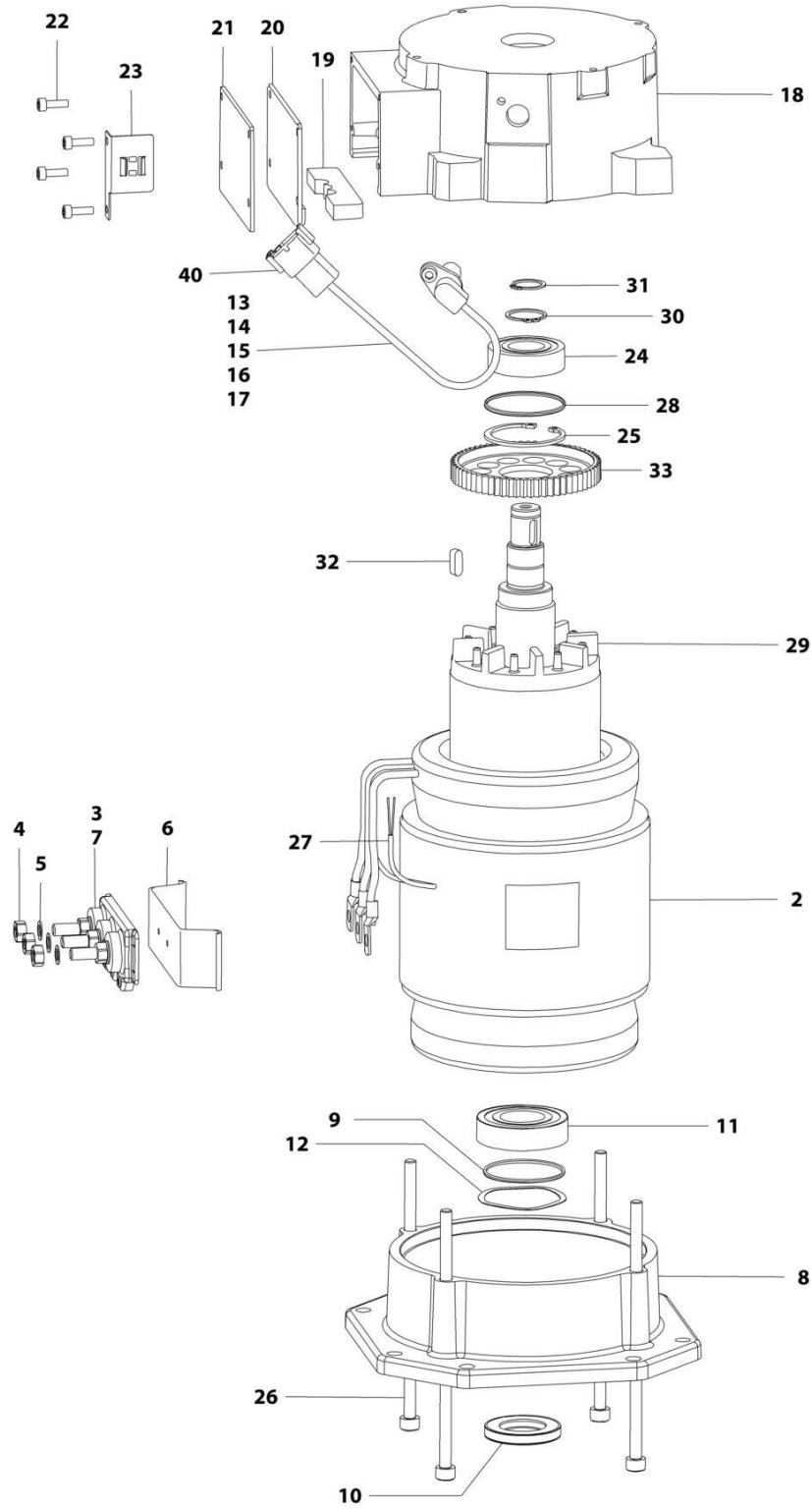
ITEM	PART NUMBER	QTY	DESCRIPTION	REV
	2780282	Ref	DRIVE HUB ASSEMBLY	D
1	70001366	1	Carrier Sub Assembly	
1A	See Note	NSS	Shaft, Planet (Note: Use Item 1)	
1B	See Note	NSS	Carrier (Note: Use Item 1)	
1C	See Note	NSS	Gear, Planet (Note: Use Item 1)	
1D	See Note	NSS	Bearing, Needle (Note: Use Item 1)	
1E	See Note	NSS	Rollpin (Note: Use Item 1)	
1F	See Note	NSS	Thrustwasher (Note: Use Item 1)	
2	70001367	1	Carrier, Input	
2A	See Note	NSS	Shaft, Planet (Note: Use Item 2)	
2B	See Note	NSS	Carrier (Note: Use Item 2)	
2C	See Note	NSS	Gear, Planet (Note: Use Item 2)	
2D	See Note	NSS	Bearing, Needle (Note: Use Item 2)	
2E	See Note	NSS	Spacer, Thrust (Note: Use Item 2)	
2F	See Note	NSS	Rollpin (Note: Use Item 2)	
2G	See Note	NSS	Thrustwasher (Note: Use Item 2)	
2H	See Note	NSS	Thrustwasher (Note: Use Item 2)	
3	See Note	NSS	Cover (Note: Use Item 103)	
4	70001369	1	Shaft, Input	
5	70001370	1	Coupling	
6	70001371	1	Shaft, Sun Gear	
7	70001372	1	Spindle	
8	70001373	1	Gear, Ring	
9	See Note	NSS	Housing (Note: Not Available - Purchase Complete Assembly)	
10	See Note	NSS	Cone, Bearing (Note: Use Item 101)	
11	See Note	NSS	Cup, Bearing (Note: Use Item 101)	
12	See Note	NSS	Cone, Bearing (Note: Use Item 101)	
13	7017009	1	Thrustwasher	
15	See Note	NSS	Seal, Lip (Note: Use Item 102)	
16	70001374	1	Spring	
17	70001375	1	Ring, Retaining (Internal)	
18	See Note	NSS	Ring, Retaining (Note: Use Item 102)	
19	7024738	1	Ring, Retaining (Note: Use Item 102)	
20	70001376	1	Ring, Retaining (External)	
21	70001377	1	Ring, Retaining (External)	
22	7000281	4	Screw (Not Shown - ID Plate Screws)	
23	7017022	3	Screw (Not Shown - Located on Front of Hub)	
24	See Note	NSS	O-Ring (Note: Use Item 102)	
25	See Note	NSS	O-Ring (Note: Use Item 102)	
26	70001378	1	Spacer, Thrust	
27	70001379	1	Thrustwasher	
28	7024741	1	Spacer, Thrust	
29	7007640	9	Stud, Wheel	
30	See Note	NSS	Flange, Plate (Note: Use Item 103)	
31	See Note	NSS	Cap, Disengage (Note: Use Item 103)	
32	See Note	NSS	Pin, Dowel (Note: Use Item 103)	
33	See Note	NSS	Bolt (Note: Use Item 103)	
34	See Note	NSS	O-Ring (Note: Use Item 103)	
35	See Note	NSS	O-Ring (Note: Use Item 103)	
36	See Note	NSS	O-Ring (Note: Use Item 103)	

SECTION 1 - FRAME

ITEM	PART NUMBER	QTY	DESCRIPTION	REV
101	7017007	1	Planet Gear Bearing Kit (Includes Items 10-12)	
102	70001380	1	Planet Gear Seal Kit (Includes Items 15, 18, 24 & 25)	
103	70001368	1	Cover/Cap/Disengage Kit (Includes Items 3 & 30-36)	

SECTION 1 - FRAME

FIGURE 1-6. DRIVE MOTOR ASSEMBLY



ART_1001182550

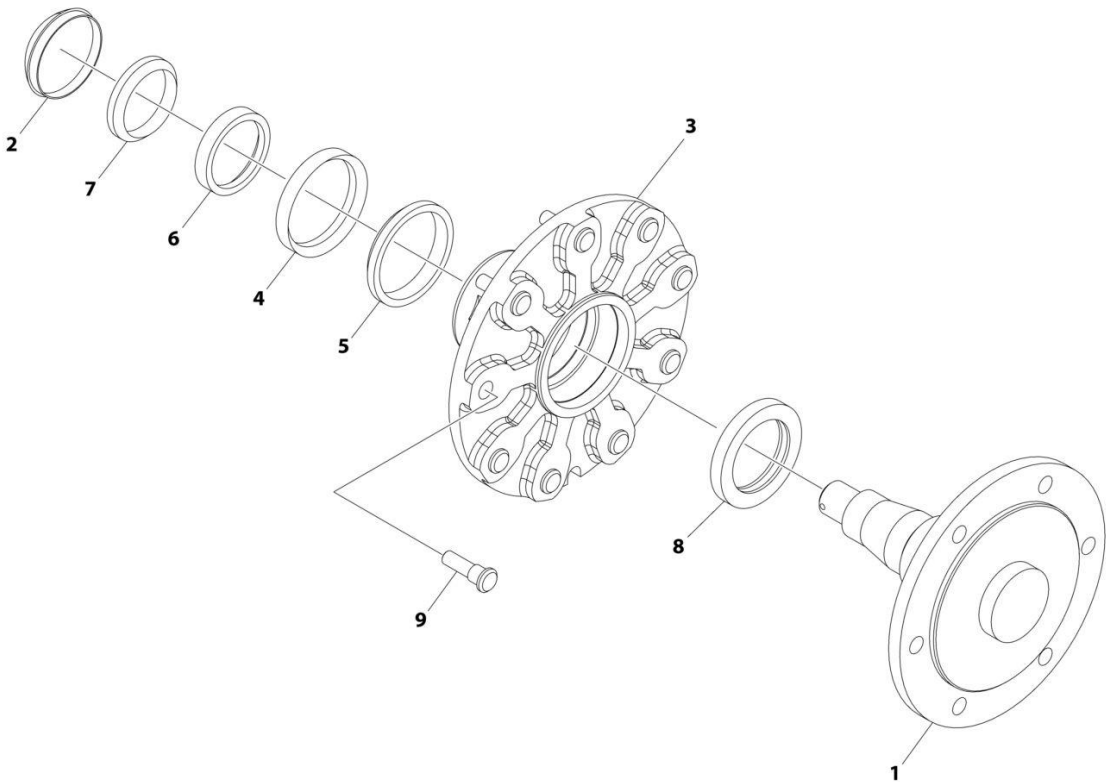
SECTION 1 - FRAME

FIGURE 1-6. DRIVE MOTOR ASSEMBLY

ITEM	PART NUMBER	QTY	DESCRIPTION	REV
	1001182550	Ref	DRIVE MOTOR ASSEMBLY	F
2	70005385	1	Stator	
3	70005386	1	Board, Terminal	
4	70005387	3	Nut M8	
5	70005388	3	Washer M8	
6	70005389	1	Base, Terminal	
7	70005390	2	Screw M5 x 14	
8	70005391	1	Plate, Drive End	
9	70004811	1	O-Ring	
10	70005392	1	Seal, Shaft	
11	70004809	1	Bearing	
12	70005393	1	Washer, Wavy	
13	70005394	1	Sensor (Includes Items 14-17)	
14	70005395	1	Screw M8 x 16	
15	70005396	1	Wedge	
16	70005397	1	Connector	
17	4460516	4	Pin, Male	
18	70005398	1	Shield, End	
19	70005399	1	Seal	
20	70005400	1	Seal	
21	70005401	1	Cover	
22	70005402	4	Screw M5 x 16	
23	70005403	1	Plate, Retaining	
24	70005404	1	Bearing	
25	70005405	1	Clip, Retainer	
26	70005406	4	Screw M8 x 180	
27	70005407	1	Temperature, Sensor	
28	70005408	1	O-Ring	
29	70005409	1	Rotor	
30	70004820	1	Clip, Retainer	
31	70005410	1	Clip, Retainer	
32	70005411	1	Key	
33	70005412	1	Gear	
40	1001190577	1	Connector - 8 Position	
40	4460516	8	Pin	

SECTION 1 - FRAME

FIGURE 1-7. HUB/SPINDLE ASSEMBLY (2WD FRONT)



ART_1001214174

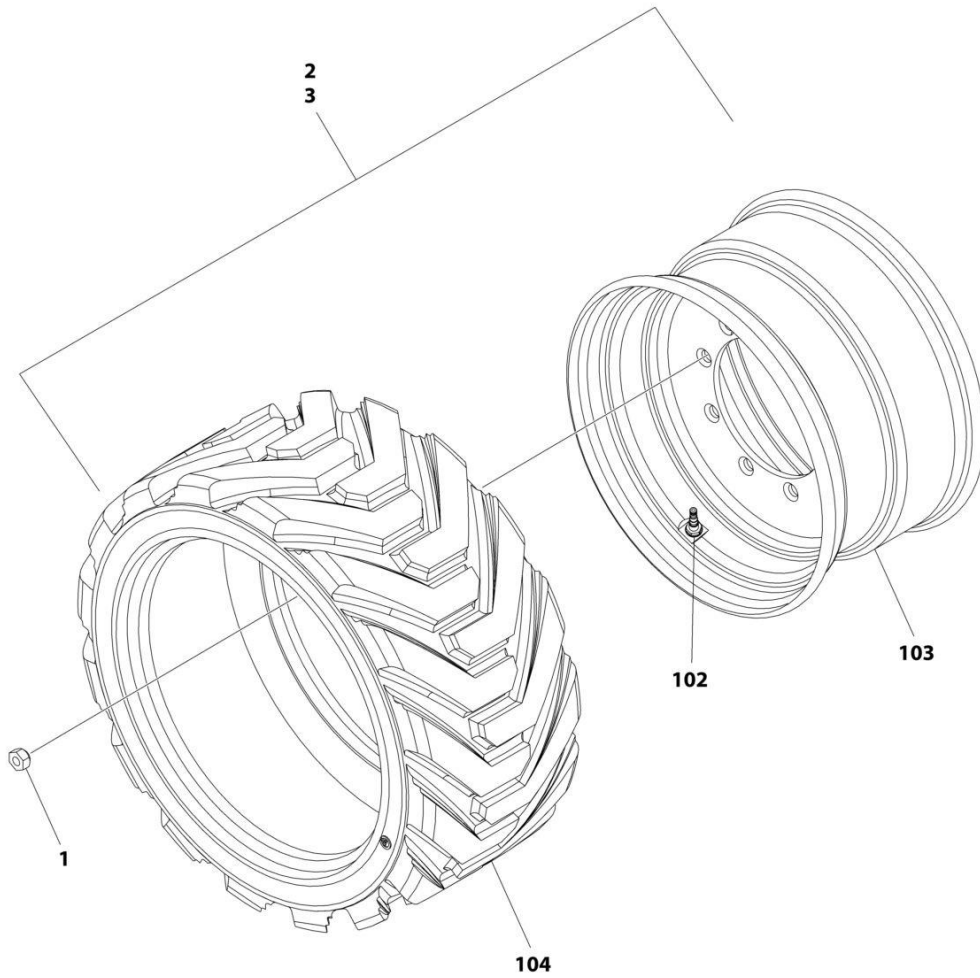
SECTION 1 - FRAME

FIGURE 1-7. HUB/SPINDLE ASSEMBLY (2WD FRONT)

ITEM	PART NUMBER	QTY	DESCRIPTION	REV
	1001214174	Ref	HUB - SPINDLE ASSEMBLY (2WD)	C
1	See Note	NSS	Spindle, Adapter (Note: Not Available for Purchase)	
2	7020033	1	Cap, Dust	
3	7020035	1	Hub, Casting	
4	7020036	1	Cup, Bearing	
5	7020037	1	Cone, Bearing	
6	7020038	1	Cup, Bearing	
7	7020039	1	Cone, Bearing	
8	7020040	1	Seal	
9	7020041	9	Stud	

SECTION 1 - FRAME

FIGURE 1-8. TIRE AND WHEEL INSTALLATION - FOAM-FILLIED



ART_1001244775

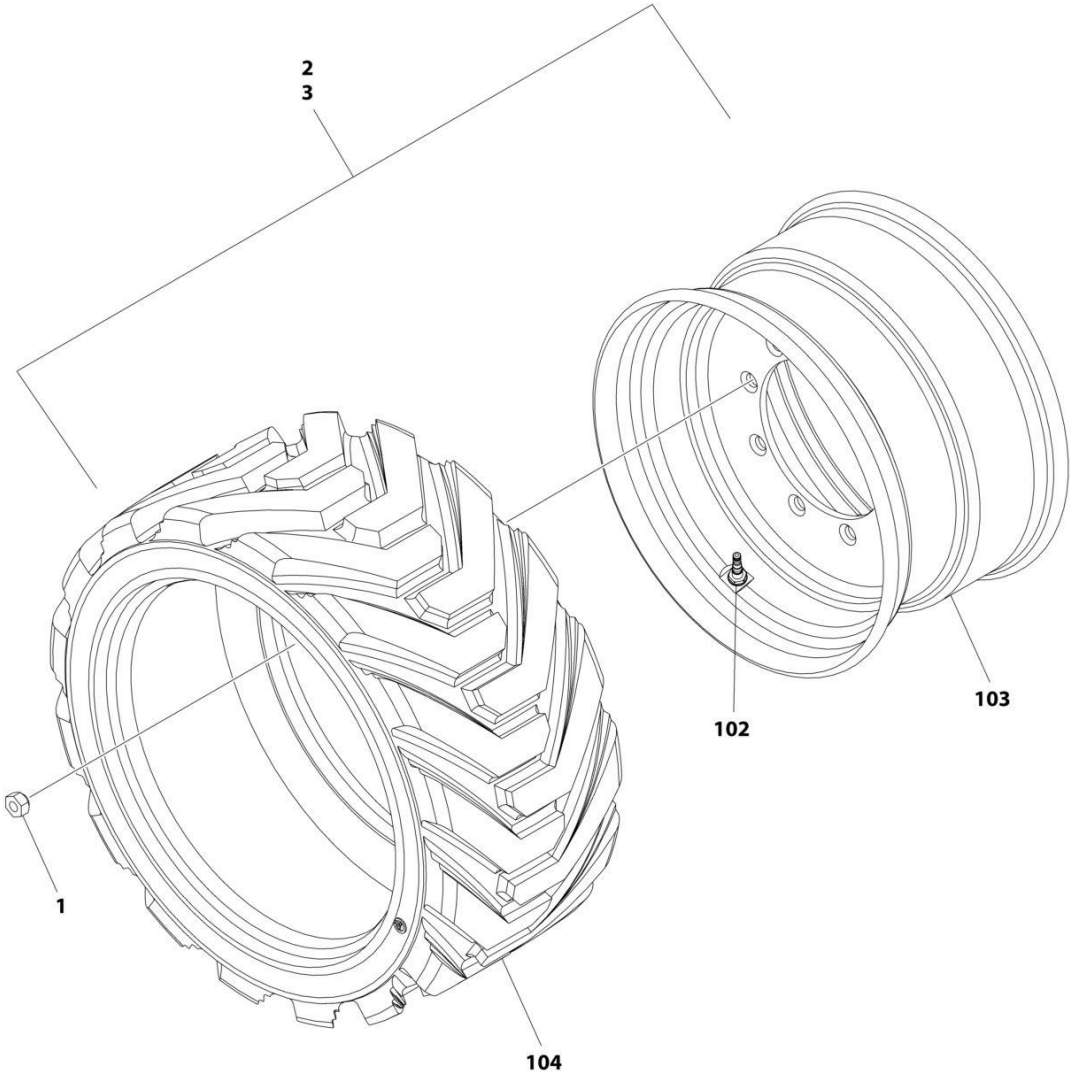
SECTION 1 - FRAME

FIGURE 1-8. TIRE AND WHEEL INSTALLATION - FOAM-FILLIED

ITEM	PART NUMBER	QTY	DESCRIPTION	REV
	1001244775	Ref	TIRE AND WHEEL INSTALLATION - 26 X12D460 FOAM-FILLED	A
		Ref	Note: Assemblies may require ballast/foam filling to manufacturer's specification prior to installing on a machine. Refer to Operation and Safety or Service and Maintenance Manuals. Purchase individual tire and/or rim only if able to foam fill tire and wheel assembly, otherwise, purchase complete assembly.	
1	3300106	36	Nut, Wheel	
2	1001249341	2	Tire and Wheel Assembly - Left Side	A
3	1001249342	2	Tire and Wheel Assembly - Right Side	A
102	4641122	1	Valve, Air	
103	1001249352	1	Rim, Wheel - 18 x 10	
104	1001249353	1	Tire, 26 x 12D460, Lug Tire	

SECTION 1 - FRAME

FIGURE 1-9. TIRE AND WHEEL INSTALLATION - FOAM-FILLIED NON-MARKING



ART_1001249340

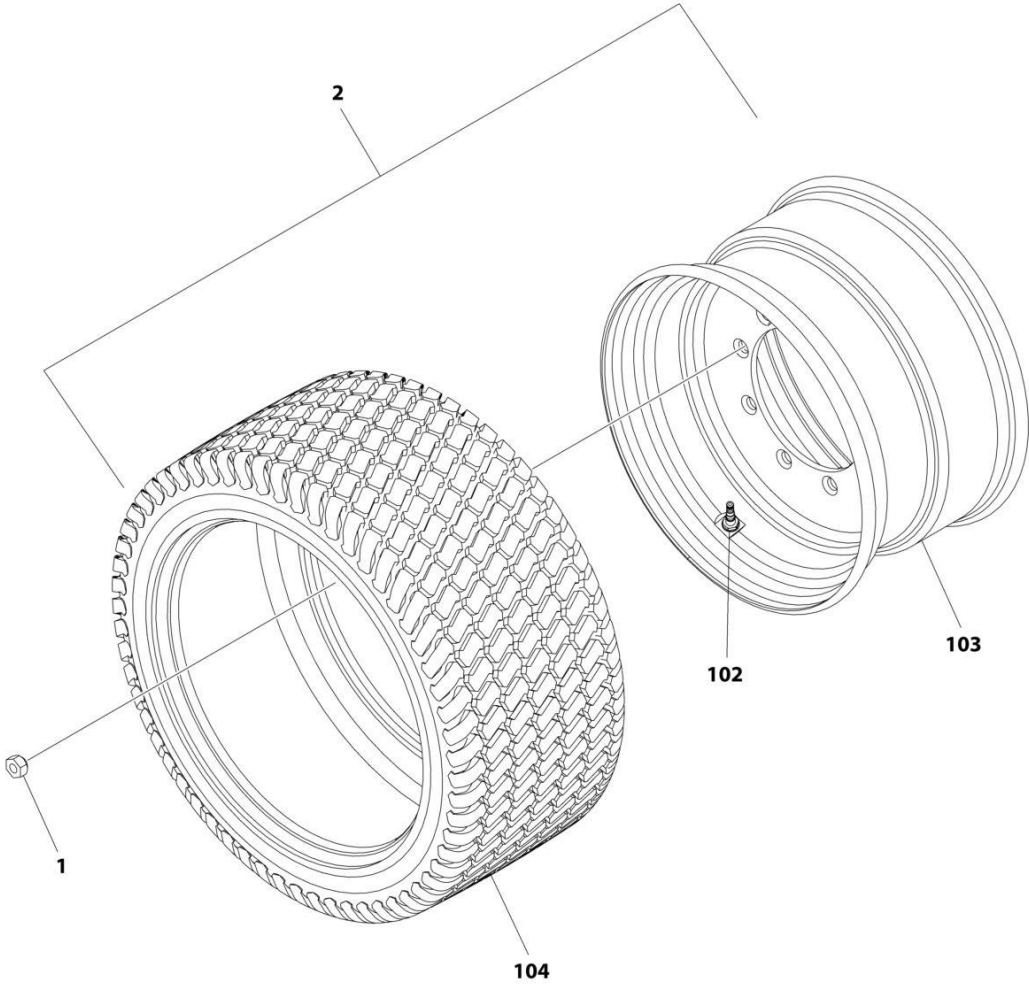
SECTION 1 - FRAME

FIGURE 1-9. TIRE AND WHEEL INSTALLATION - FOAM-FILLIED NON-MARKING

ITEM	PART NUMBER	QTY	DESCRIPTION	REV
	1001249340	Ref	TIRE AND WHEEL INSTALLATION - 26 X 12D460 FOAM-FILLED NON-MARKING	A
		Ref	Note: Assemblies may require ballast/foam filling to manufacturer's specification prior to installing on a machine. Refer to Operation and Safety or Service and Maintenance Manuals. Purchase individual tire and/or rim only if able to foam fill tire and wheel assembly, otherwise, purchase complete assembly.	
1	3300106	36	Nut, Wheel	
2	1001249343	2	Tire and Wheel Assembly - Left Side	A
3	1001249344	2	Tire and Wheel Assembly - Right Side	A
102	4641122	1	Valve, Air	
103	1001249352	1	Rim, Wheel - 18 x 10	
104	1001249354	1	Tire, 26 x 12D460, Lug Tire Non-Marking	

SECTION 1 - FRAME

FIGURE 1-10. TIRE AND WHEEL INSTALLATION - FOAM-FILLED TURF NON-MARKING



ART_1001259386

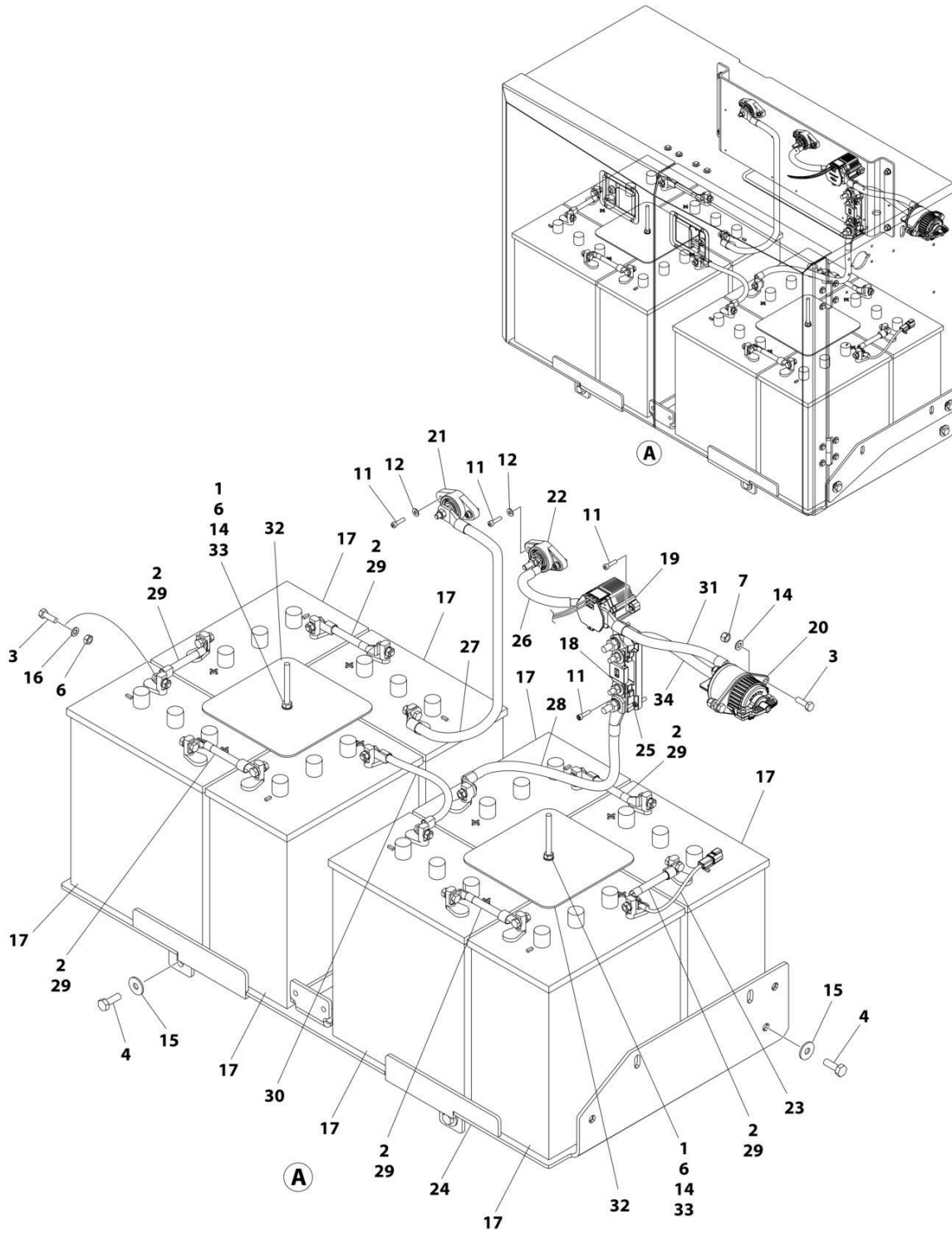
SECTION 1 - FRAME

FIGURE 1-10. TIRE AND WHEEL INSTALLATION - FOAM-FILLIED TURF NON-MARKING

ITEM	PART NUMBER	QTY	DESCRIPTION	REV
	1001259386	Ref	TIRE AND WHEEL INSTALLATION - 26 X 12D460 FOAM-FILLED TURF	A
		Ref	Note: Assemblies may require ballast/foam filling to manufacturer's specification prior to installing on a machine. Refer to Operation and Safety or Service and Maintenance Manuals. Purchase individual tire and/or rim only if able to foam fill tire and wheel assembly, otherwise, purchase complete assembly.	
1	3300106	36	Nut, Wheel	
2	1001258287	4	Tire and Wheel Assembly	A
102	4641122	1	Valve, Air	
103	1001249352	1	Rim, Wheel - 18 x 10	
104	1001259202	1	Tire, 26 x 12D460 Turf	

SECTION 1 - FRAME

FIGURE 1-11. BATTERY INSTALLATION - 310AH BATTERIES



ART_1001246886

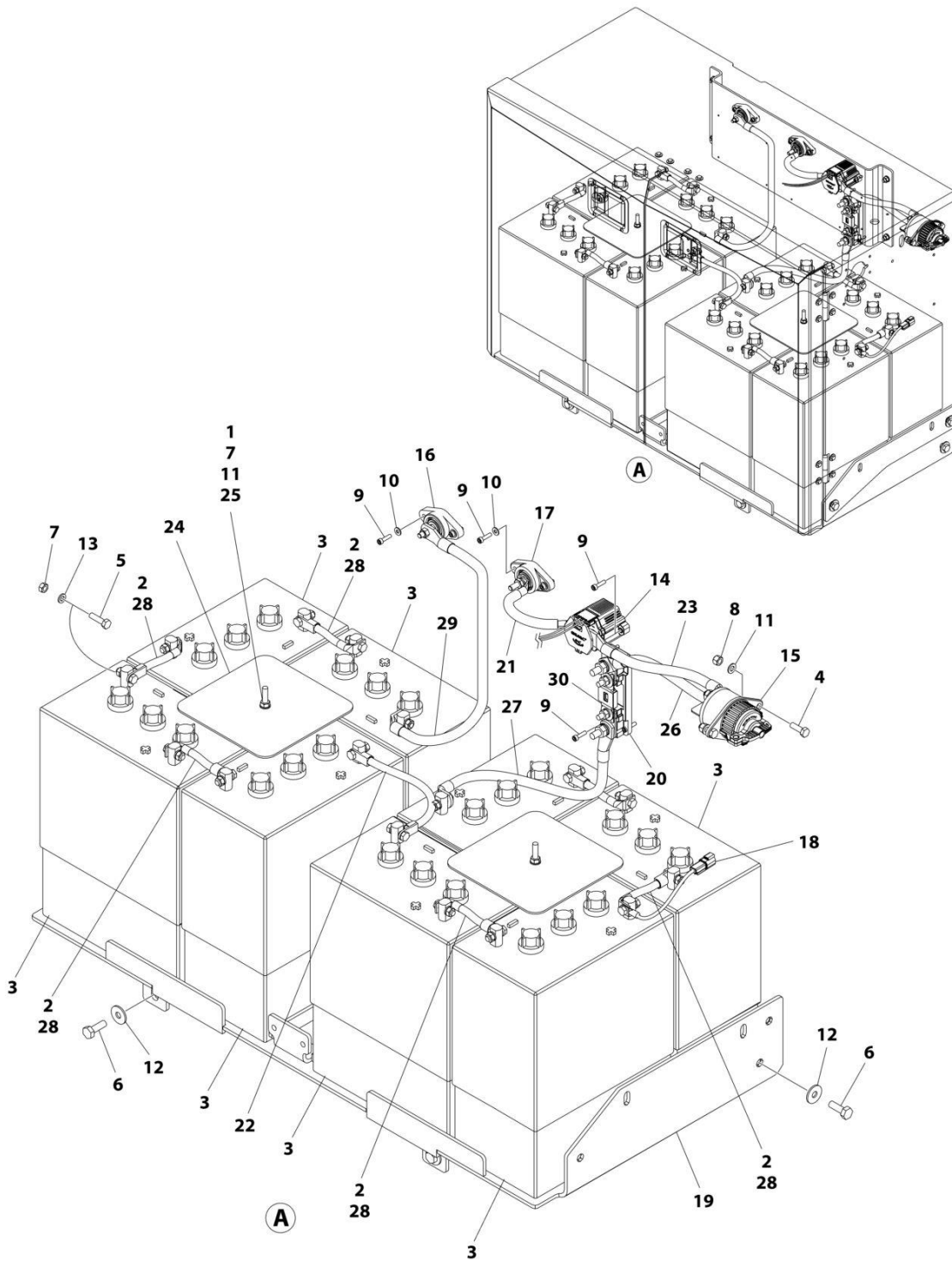
SECTION 1 - FRAME

FIGURE 1-11. BATTERY INSTALLATION - 310AH BATTERIES

ITEM	PART NUMBER	QTY	DESCRIPTION	REV
	1001246886	Ref	BATTERY INSTALLATION	D
1	0100011	AR	Compound, Locking	
2	0100051	AR	Grease, Terminal	
3	0760812	18	Bolt M8 x 25	
4	0771014	4	Bolt M10 x 30	
6	3290801	18	Nut M8	
7	3290805	2	Nut M8	
11	4031608	10	Bolt M5 x 20	
12	4711000	4	Washer #10	
14	4811900	4	Washer M8	
15	4812002	4	Washer M10	
16	4831900	16	Washer M8	
17	1001105091	8	Battery (6V)	
18	1001260530	1	Fuse, 355 AMP	
19	1001272006	1	Relay, 48V	
20	1001170483	1	Switch, Battery Disconnect	
21	1001186860	1	Stud, Power Distribution	
22	1001212359	1	Stud, Power Distribution	
23	1001225131	1	Harness, Temperature Sensor	
23	4460464	2	Terminal	
23	4460897	1	Connector – 2 Position	
23	1001102771	1	Sensor, Temperature	
24	1001247608	1	Tray	
25	1001254835	1	Fuse, Holder	
26	1001255640	1	Cable, Battery	
27	1001255641	1	Cable, Battery	
28	1001255642	1	Cable, Battery	
29	1001255643	6	Cable, Battery	
30	1001255644	1	Cable, Battery	
31	1001255645	1	Cable, Disconnect	
32	1001256014	2	Plate	
33	1001256021	2	Bolt	
34	1001256453	1	Cable, Disconnect	

SECTION 1 - FRAME

FIGURE 1-12. BATTERY INSTALLATION - 375AH BATTERIES



ART_1001254821

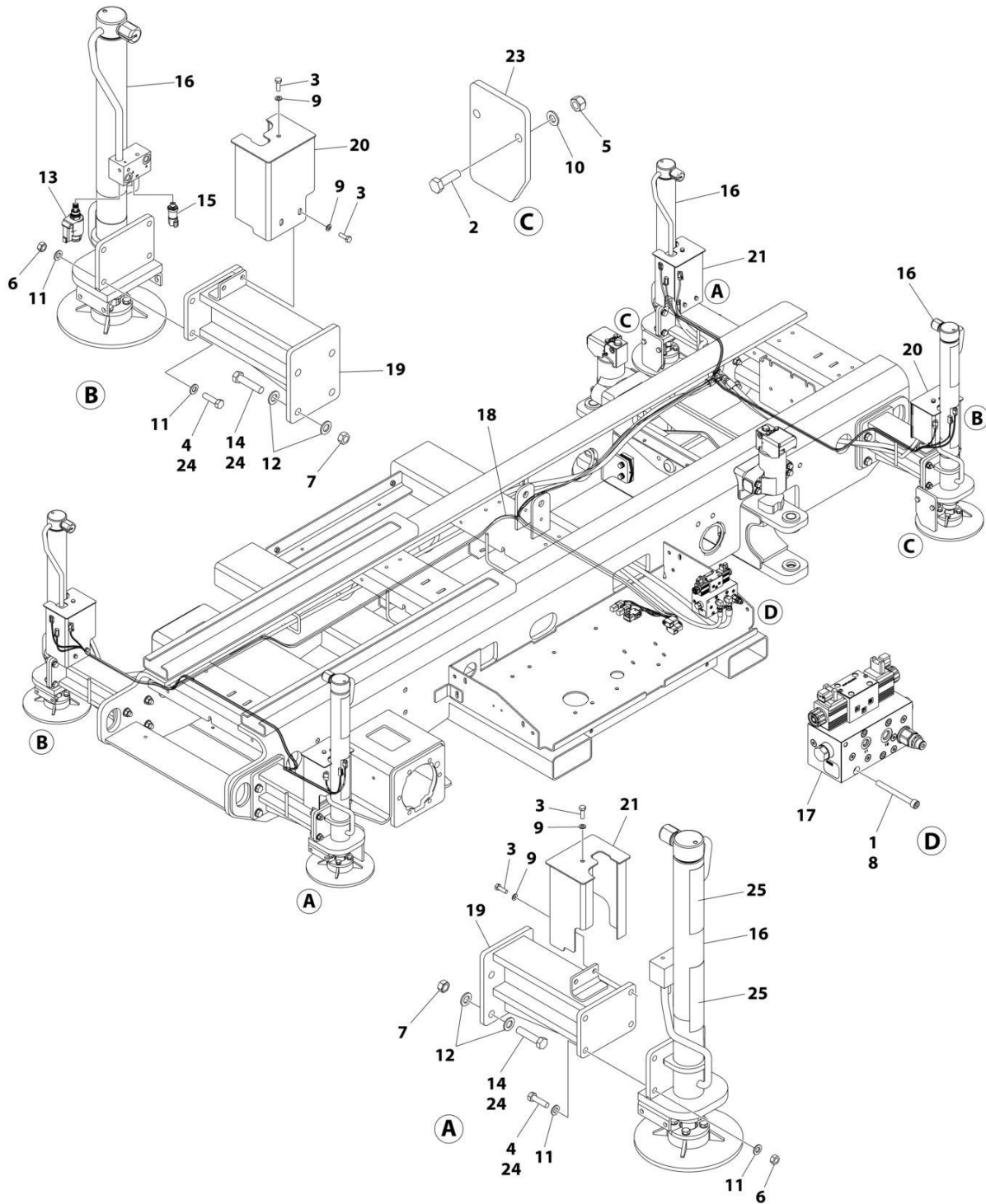
SECTION 1 - FRAME

FIGURE 1-12. BATTERY INSTALLATION - 375AH BATTERIES

ITEM	PART NUMBER	QTY	DESCRIPTION	REV
	1001254821	Ref	BATTERY INSTALLATION	C
1	0100011	AR	Compound, Locking	
2	0100051	AR	Grease, Terminal	
3	1001293088	1	Battery, 706HD	
4	0760812	2	Bolt M8 x 25	
5	0760814	16	Bolt M8 x 30	
6	0771014	4	Bolt M10 x 30	
7	3290801	18	Nut M8	
8	3290805	2	Nut M8	
9	4031608	10	Bolt M5 x 20	
10	4711000	4	Washer #10	
11	4811900	4	Washer M8	
12	4812002	4	Washer M10	
13	4831900	16	Washer M8	
14	1001272006	1	Relay, 48V	
15	1001170483	1	Switch, Battery Disconnect	
16	1001186860	1	Stud, Power Distribution	
17	1001212359	1	Stud, Power Distribution	
18	1001225131	1	Harness, Temperature Sensor	
18	4460464	2	Terminal	
18	4460897	1	Connector - 2 Position	
18	1001102771	1	Sensor, Temperature	
19	1001247608	1	Tray	
20	1001254835	1	Fuse, Holder	
21	1001255640	1	Cable, Battery	
22	1001255644	1	Cable, Battery	
23	1001255645	1	Cable, Disconnect	
24	1001256014	2	Plate	
25	1001256021	2	Bolt	
26	1001256453	1	Cable, Disconnect	
27	1001259459	1	Cable, Battery	
28	1001259460	6	Cable, Battery	
29	1001259461	1	Cable, Battery	
30	1001260530	1	Fuse, 355 AMP	

SECTION 1 - FRAME

FIGURE 1-13. LEVELING JACKS INSTALLATION - PARTIAL COVERS



ART_1001246885

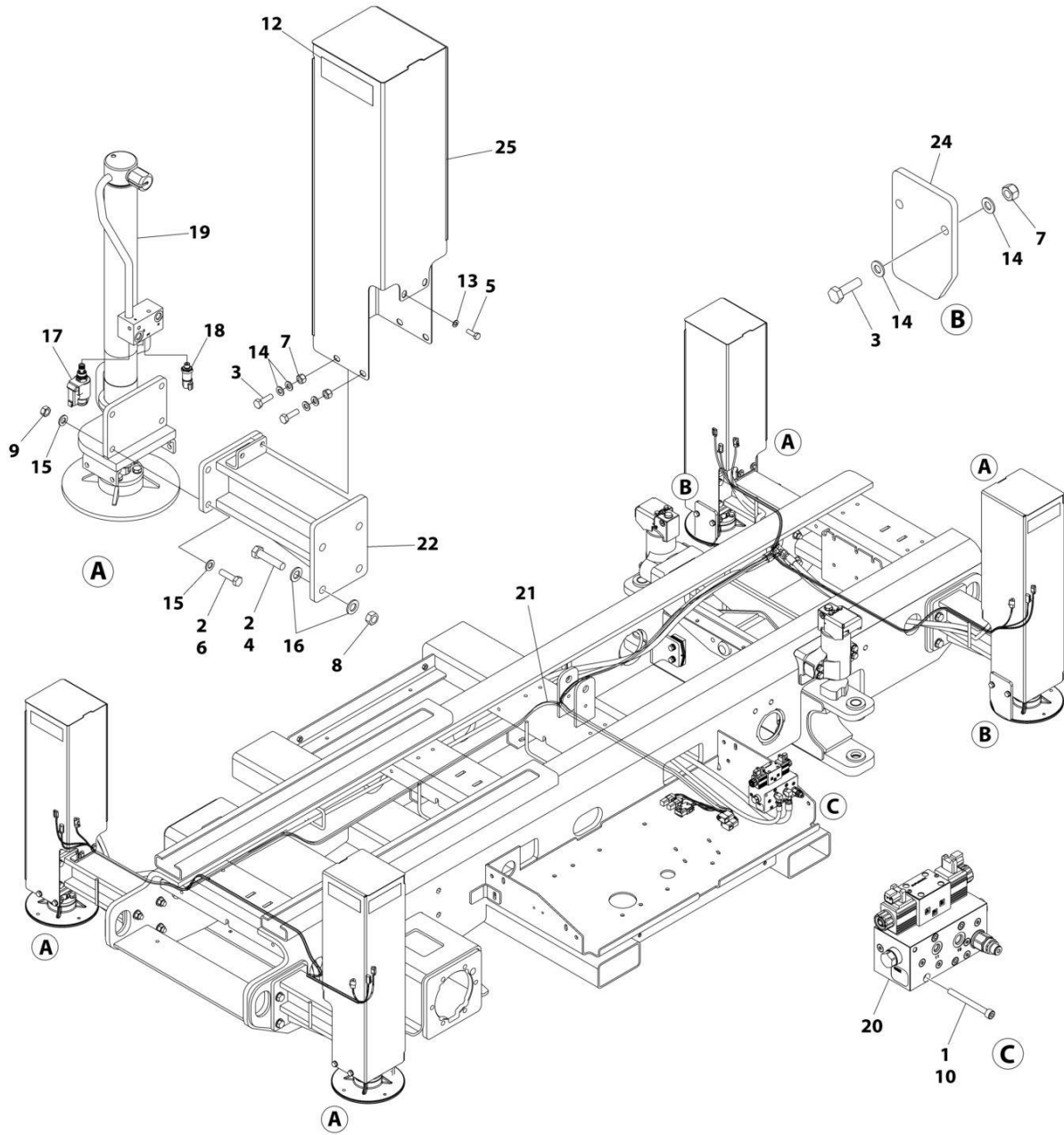
SECTION 1 - FRAME

FIGURE 1-13. LEVELING JACKS INSTALLATION - PARTIAL COVERS

ITEM	PART NUMBER	QTY	DESCRIPTION	REV
	1001246885	Ref	LEVELING JACKS INSTALLATION	D
1	0100011	AR	Compound, Locking	
2	0701015	8	Bolt M10 x 35	
3	0760812	12	Bolt M8 x 25	
4	0761217	16	Bolt M12 x 45	
5	3291005	8	Nut M10	
6	3331211	16	Nut M12	
7	3291601	16	Nut M16	
8	4031920	4	Capscrew M8 x 80	
9	4811900	12	Washer M8	
10	4812000	8	Washer M10	
11	4812100	32	Washer M12	
12	5241600	32	Washer M16	
13	1001103761	4	Cartridge, Valve	
13	7024497	1	Cartridge Less Coil	
13	7024502	1	Seal Kit	
13	70001965	1	Coil	
13	7024506	1	Nut, Coil	
14	0701622	16	Bolt M16 x 70	
15	1001227516	4	Sensor, Leveling Jacks Pressure	
16	1001243256	4	Cylinder Assembly - Leveling Jacks (See Separate Breakdown in CYLINDER Section)	
17	1001247380	1	Valve Assembly - Leveling Jacks (See Separate Breakdown in this Section)	
18	1001248863	1	Harness, Leveling Jack (See Separate Breakdown in ELECTRICAL Section)	
19	1001249407	4	Frame, Leveling Jack	
20	1001249914	2	Cover, Jack (Right)	
21	1001249915	2	Cover, Jack (Left)	
22	1001250342	1	Hydraulic Diagram - Leveling Jacks (Not Shown - See Separate Breakdown in HYDRAULIC Section)	
23	1001250353	4	Plate	
24	0100019	AR	Compound, Locking	
25	4420051	5 ft/144cm	Tape, Safety	
26	4240017	AR	Tie-Strap (Not Shown)	

SECTION 1 - FRAME

FIGURE 1-14. LEVELING JACKS INSTALLATION - FULL COVERS



ART_1001274495

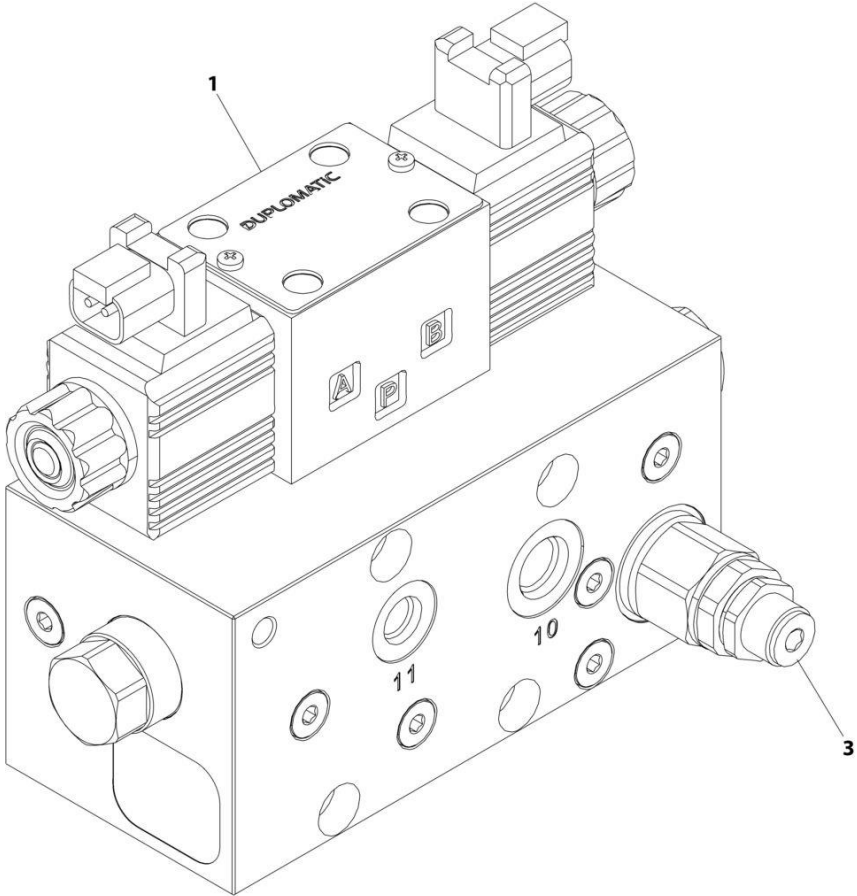
SECTION 1 - FRAME

FIGURE 1-14. LEVELING JACKS INSTALLATION - FULL COVERS

ITEM	PART NUMBER	QTY	DESCRIPTION	REV
	1001274495	Ref	LEVELING JACKS INSTALLATION	B
1	0100011	AR	Compound, Locking	
2	0100019	AR	Compound, Locking	
3	0701015	16	Bolt M10 x 35	
4	0701622	16	Bolt M16 x 70	
5	0760812	8	Bolt M8 x 25	
6	0761217	16	Bolt M12 x 45	
7	3291005	16	Nut M10	
8	3291601	16	Nut M16	
9	3331211	16	Nut M12	
10	4031920	4	Capscrew M8 x 80	
11	4240017	AR	Tie-Strap (Not Shown)	
12	4420051	4 ft/123cm	Tape, Safety	
13	4811902	8	Washer M8	
14	4812000	32	Washer M10	
15	4812100	32	Washer M12	
16	5241600	32	Washer M16	
17	1001103761	4	Cartridge, Valve	
17	7024497	1	Cartridge Less Coil	
17	7024502	1	Seal Kit	
17	70001965	1	Coil	
17	7024506	1	Nut, Coil	
18	1001227516	4	Sensor, Leveling Jacks Pressure	
19	1001243256	4	Cylinder Assembly - Leveling Jacks (See Separate Breakdown in CYLINDER Section)	
20	1001247380	1	Valve Assembly - Leveling Jacks (See Separate Breakdown in this Section)	
21	1001248863	1	Harness, Leveling Jack (See Separate Breakdown in ELECTRICAL Section)	
22	1001249407	4	Frame, Leveling Jack	
23	1001250342	1	Hydraulic Diagram - Leveling Jacks (Not Shown - See Separate Breakdown in HYDRAULIC Section)	
24	1001250353	4	Plate	
25	1001271360	4	Cover, Jack	

SECTION 1 - FRAME

FIGURE 1-15. LEVELING JACK VALVE ASSEMBLY



ART_1001247380

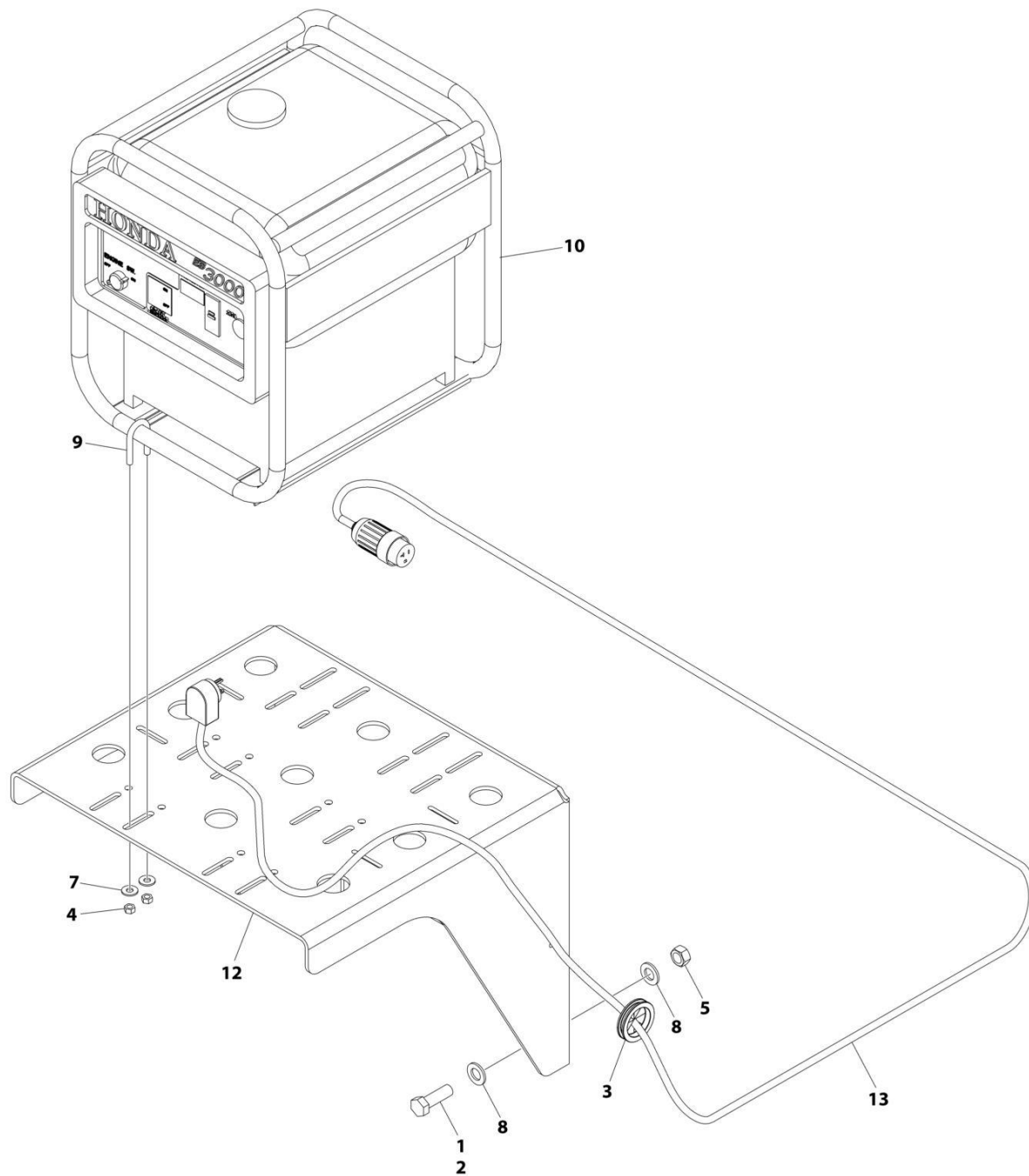
SECTION 1 - FRAME

FIGURE 1-15. LEVELING JACK VALVE ASSEMBLY

ITEM	PART NUMBER	QTY	DESCRIPTION	REV
	1001247380	Ref	LEVELING JACK VALVE ASSEMBLY	D
1	70007760	1	Valve, Directional	
3	70007761	1	Cartridge, Relief Valve	
4	70007762	1	Cartridge, Shuttle Valve (Not Shown)	

SECTION 1 - FRAME

FIGURE 1-16. ONBOARD GENERATOR INSTALLATION



ART_1001265192

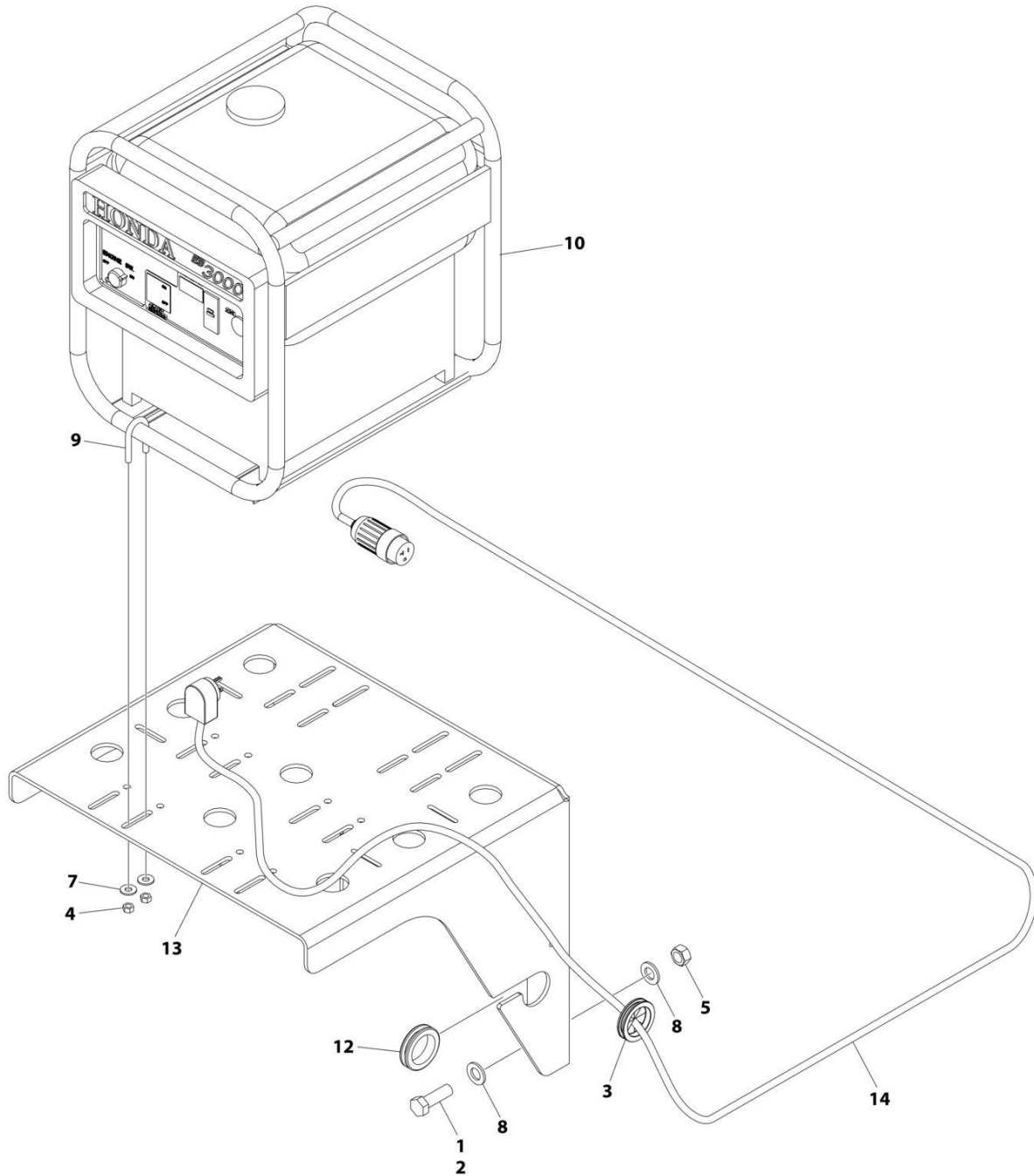
SECTION 1 - FRAME

FIGURE 1-16. ONBOARD GENERATOR INSTALLATION

ITEM	PART NUMBER	QTY	DESCRIPTION	REV
	1001265192	Ref	ONBOARD GENERATOR INSTALLATION	A
1	0100011	AR	Compound, Locking	
2	0771618	4	Bolt M16 x 50 Class 10.9	
3	2540045	1	Grommet	
4	3311505	8	Nut 5/16	
5	3331611	4	Nut M16 Class 10	
7	4751500	8	Washer 5/16	
8	5241600	8	Washer M16	
9	1001120264	4	U-Bolt 5/16 x 1	
10	1001130309	1	Onboard Generator Assembly(See Separate Breakdown in this Section)	
12	1001265082	1	Tray, Mounting	
13	1001266233	1	Generator Cable (See Separate Breakdown in ELECTRICAL Section)	

SECTION 1 - FRAME

FIGURE 1-17. ONBOARD GENERATOR INSTALLATION



ART_1001259429

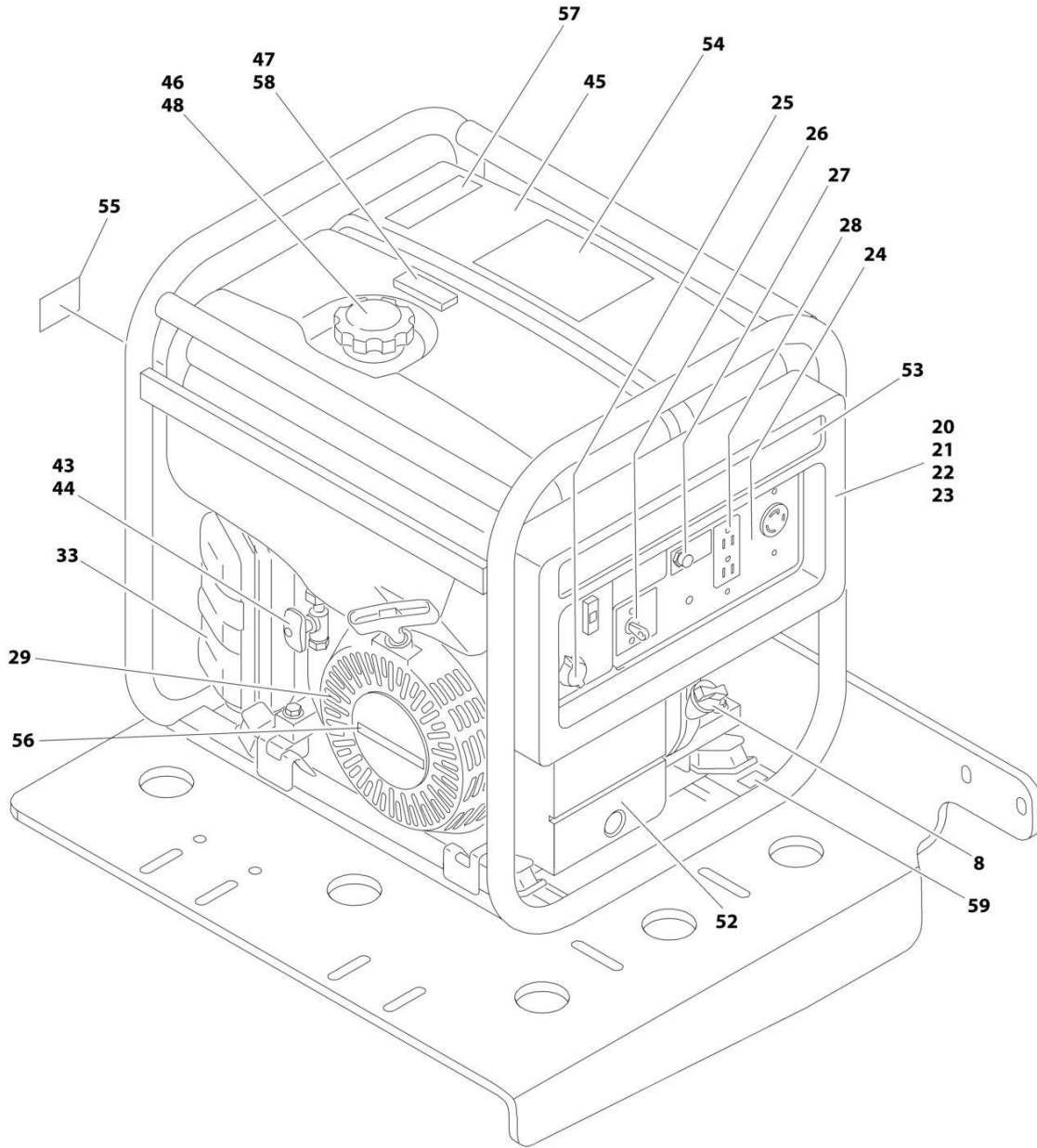
SECTION 1 - FRAME

FIGURE 1-17. ONBOARD GENERATOR INSTALLATION

ITEM	PART NUMBER	QTY	DESCRIPTION	REV
	1001259429	Ref	ONBOARD GENERATOR INSTALLATION	B
1	0100011	AR	Compound, Locking	
2	0771618	4	Bolt M16 x 50 Class 10.9	
3	2540045	1	Grommet	
4	3311505	8	Nut 5/16	
5	3331611	4	Nut M16 Class 10	
7	4751500	8	Washer 5/16	
8	5241600	8	Washer M16	
9	1001120264	4	U-Bolt 5/16 x 1	
10	1001130309	1	Onboard Generator Assembly(See Separate Breakdown in this Section)	
12	1001244865	1	Grommet	
13	1001259284	1	Tray, Mounting	
14	1001266233	1	Generator Cable (See Separate Breakdown in ELECTRICAL Section)	

SECTION 1 - FRAME

FIGURE 1-18. ONBOARD GENERATOR ASSEMBLY



ART_1001130309

SECTION 1 - FRAME

FIGURE 1-18. ONBOARD GENERATOR ASSEMBLY

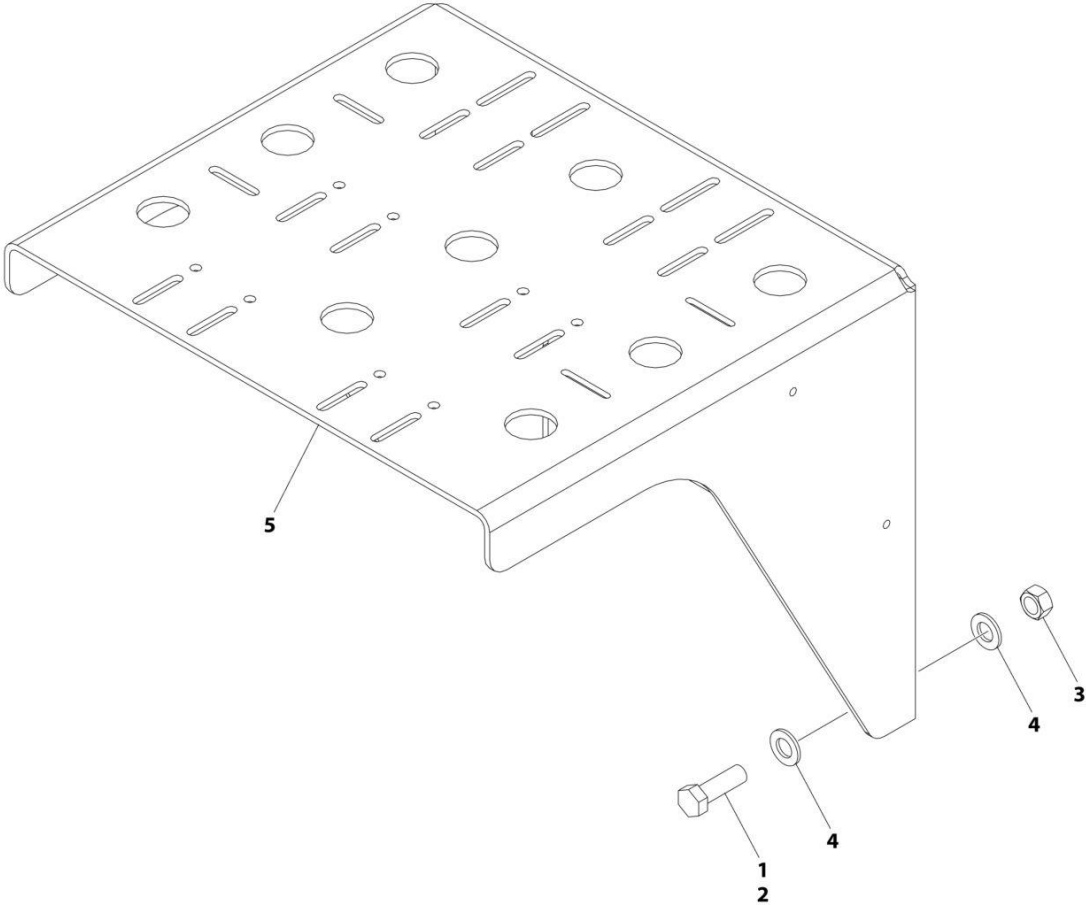
ITEM	PART NUMBER	QTY	DESCRIPTION	REV
	1001130309	Ref	ONBOARD GENERATOR ASSEMBLY	B
1	70003558	1	Gasket, Cylinder Head (Not Shown)	
2	70003559	1	Gasket, Cylinder Head Cover (Not Shown)	
3	70003560	1	Gasket, Exhaust (Exhaust Pipe to Cylinder Head) (Not Shown)	
4	7027391	1	Plug, Spark - Denso Brand (Not Shown)	
5	70002770	1	Plug, Spark - NGK Brand (Not Shown)	
6	70003561	1	Switch Assembly, Oil Level (Not Shown)	
7	70003507	1	O-Ring, Oil Level Switch (Not Shown)	
8	70002771	1	Cap, Oil Filler	
9	7027388	1	Cap, Secondary Oil Filler (Not Shown)	
10	70003565	1	Carburetor Assembly (Not Shown) (Includes Items 11-13)	
11	70003562	1	Gasket Set - Carburetor (Not Shown)	
12	70003563	1	Float Set - Carburetor (Not Shown) (Includes Item 13 and Gaskets)	
13	70003564	1	Drain Screw Set (Not Shown) (Includes Gasket)	
14	70003566	1	Insulator, Carburetor (Not Shown)	
15	70002776	1	Gasket, Insulator to Block (Not Shown)	
16	70003567	1	Spacer, Carburetor (Not Shown)	
17	70002777	1	Gasket, Carburetor to Insulator (Not Shown)	
18	70003568	1	Coil, Charging (Not Shown)	
19	7027398	1	Suppressor, Noise (Not Shown)	
20	70003572	1	Control Box Assembly (Includes Items 21-28)	
21	70003569	1	Module, Ignition	
22	70003570	1	Harness, Wiring	
23	70003571	1	Harness, Secondary Wiring	
24	70003573	1	Decal - Control Panel	
25	70002783	1	Switch, Engine Stop	
26	70003574	1	Breaker, Circuit (20A)	
27	70003575	1	Protector, Circuit (20A)	
28	70003576	1	Receptacle (20A-125V)	
29	70003577	1	Recoil Starter Assembly (Includes Items 30-32)	
30	70003578	1	Spring, Recoil Starter (Not Shown)	
31	70003579	1	Handle, Recoil Starter Rope (Not Shown)	
32	70002774	1	Rope, Recoil Starter (Not Shown)	
33	70003582	1	Cover, Air Cleaner	
34	70003581	4	Spring, Air Cleaner Housing/Cover (Not Shown)	
35	70003583	1	Seal, Air Cleaner Cover (Not Shown)	
36	70003580	1	Element, Air Cleaner (Inner) (Not Shown)	
37	70003584	1	Element, Air Cleaner (Outer) (Not Shown)	
38	70003585	1	Muffler (Not Shown)	
39	70003588	1	Gasket, Exhaust Pipe to Block (Not Shown)	
40	70003589	1	Arrester, Spark (Not Shown)	
41	70003586	1	Shield, Muffler (Outer) (Not Shown)	
42	70003587	1	Shield, Muffler (Inner) (Not Shown)	
43	70003590	1	Petcock Assembly (Includes Item 44)	
44	70003591	1	Screen, Fuel Strainer	
45	70003592	1	Tank, Fuel	
46	70003593	1	Cap, Fuel Filler	
47	70003594	1	Gauge, Fuel	
48	7027395	1	Filter, Fuel Tank	

SECTION 1 - FRAME

ITEM	PART NUMBER	QTY	DESCRIPTION	REV
49	70003595	1	Cable, Ground (Frame) (Not Shown)	
50	70003596	1	Generator Assembly (Not Shown)	
51	70003597	1	Grommet, AC Cord (Not Shown)	
52	70003598	1	Cycloconverter, Unit	
53	70003599	1	Decal - Generator Model	
54	70003600	1	Decal - Operator Warning	
55	70003601	1	Decal - Choke	
56	70003602	1	Decal - Cycloconverter	
57	70003603	1	Decal - Exhaust Caution	
58	70003604	1	Decal - Fuel Indication	
59	70003605	1	Decal - Oil Caution	

SECTION 1 - FRAME

FIGURE 1-19. ONBOARD GENERATOR TRAY INSTALLATION



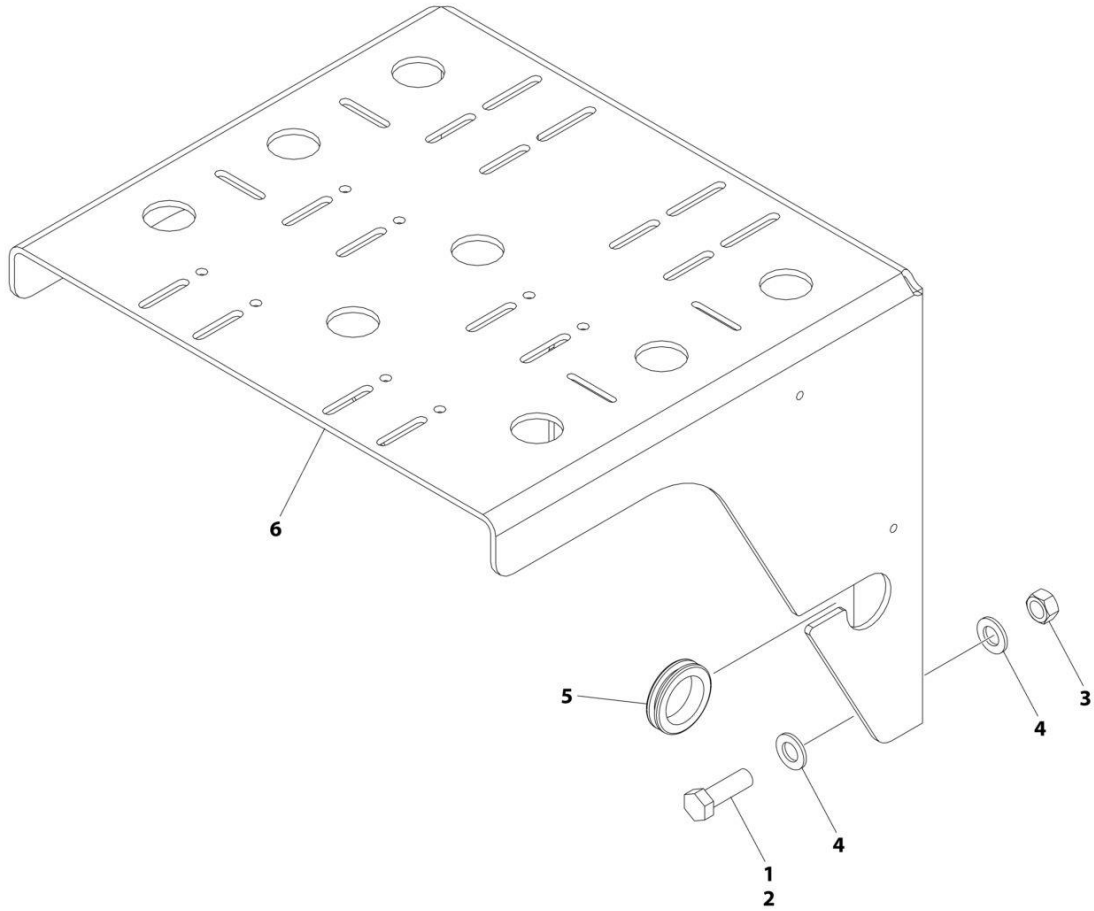
ART_1001265193

FIGURE 1-19. ONBOARD GENERATOR TRAY INSTALLATION

ITEM	PART NUMBER	QTY	DESCRIPTION	REV
	1001265193	Ref	GENERATOR TRAY INSTALLATION	A
1	0100011	AR	Compound, Locking	
2	0771618	4	Bolt M16 x 50 Class 10.9	
3	3331611	4	Nut M16 Class 10	
4	5241600	8	Washer M16	
5	1001265082	1	Tray, Mounting	

SECTION 1 - FRAME

FIGURE 1-20. ONBOARD GENERATOR TRAY INSTALLATION



ART_1001265194

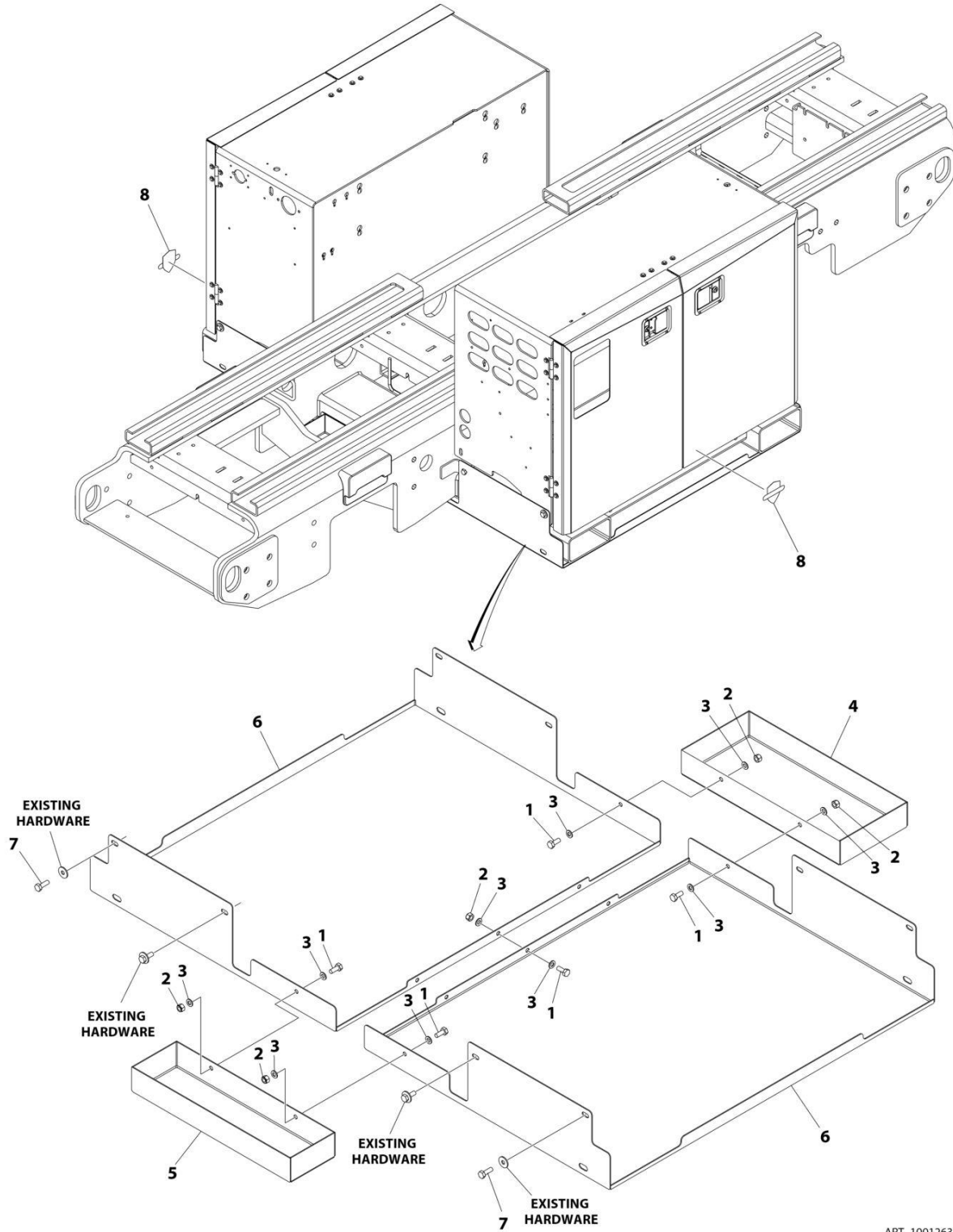
SECTION 1 - FRAME

FIGURE 1-20. ONBOARD GENERATOR TRAY INSTALLATION

ITEM	PART NUMBER	QTY	DESCRIPTION	REV
	1001265194	Ref	GENERATOR TRAY INSTALLATION	B
1	0100011	AR	Compound, Locking	
2	0771618	4	Bolt M16 x 50 Class 10.9	
3	3331611	4	Nut M16 Class 10	
4	5241600	8	Washer M16	
5	1001244865	1	Grommet	
6	1001259284	1	Tray, Mounting	

SECTION 1 - FRAME

FIGURE 1-21. ERT4069 CLEANGUARD INSTALLATION



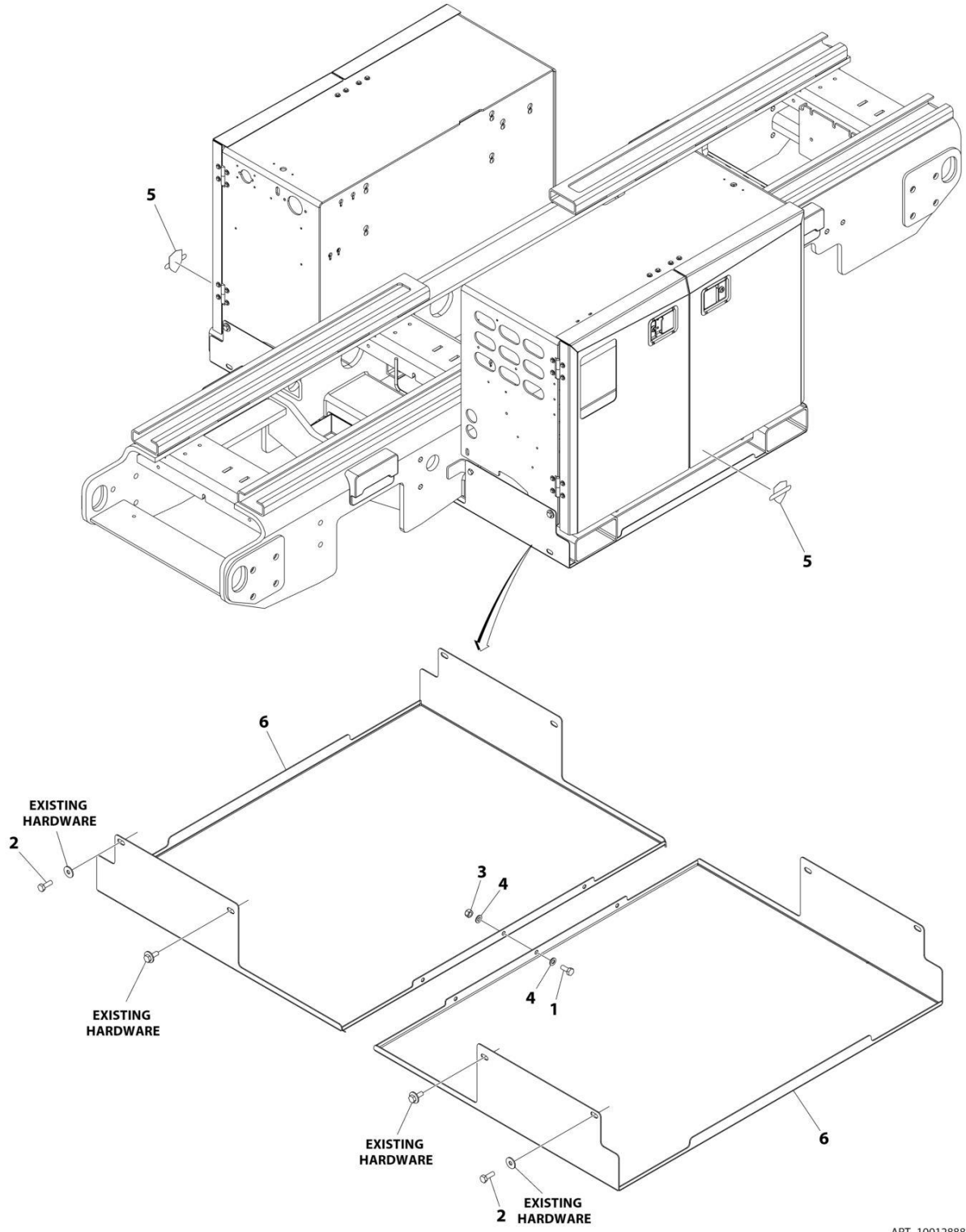
ART_1001263596

FIGURE 1-21. ERT4069 CLEANGUARD INSTALLATION

ITEM	PART NUMBER	QTY	DESCRIPTION	REV
	1001263596	Ref	CLEANGUARD INSTALLATION	C
1	0761012	7	Bolt M10 x 25	
2	3291005	7	Nut M10	
3	4812000	14	Washer M10	
4	1001263557	1	Tray, Cleanguard	
5	1001263558	1	Tray, Cleanguard	
6	1001263605	2	Tray, Cleanguard	
7	0761014	4	Bolt M10 x 30	
8	1001262581	2	Decal, Clean Guard	

SECTION 1 - FRAME

FIGURE 1-22. ERT4769 CLEANGUARD INSTALLATION



ART_1001288871

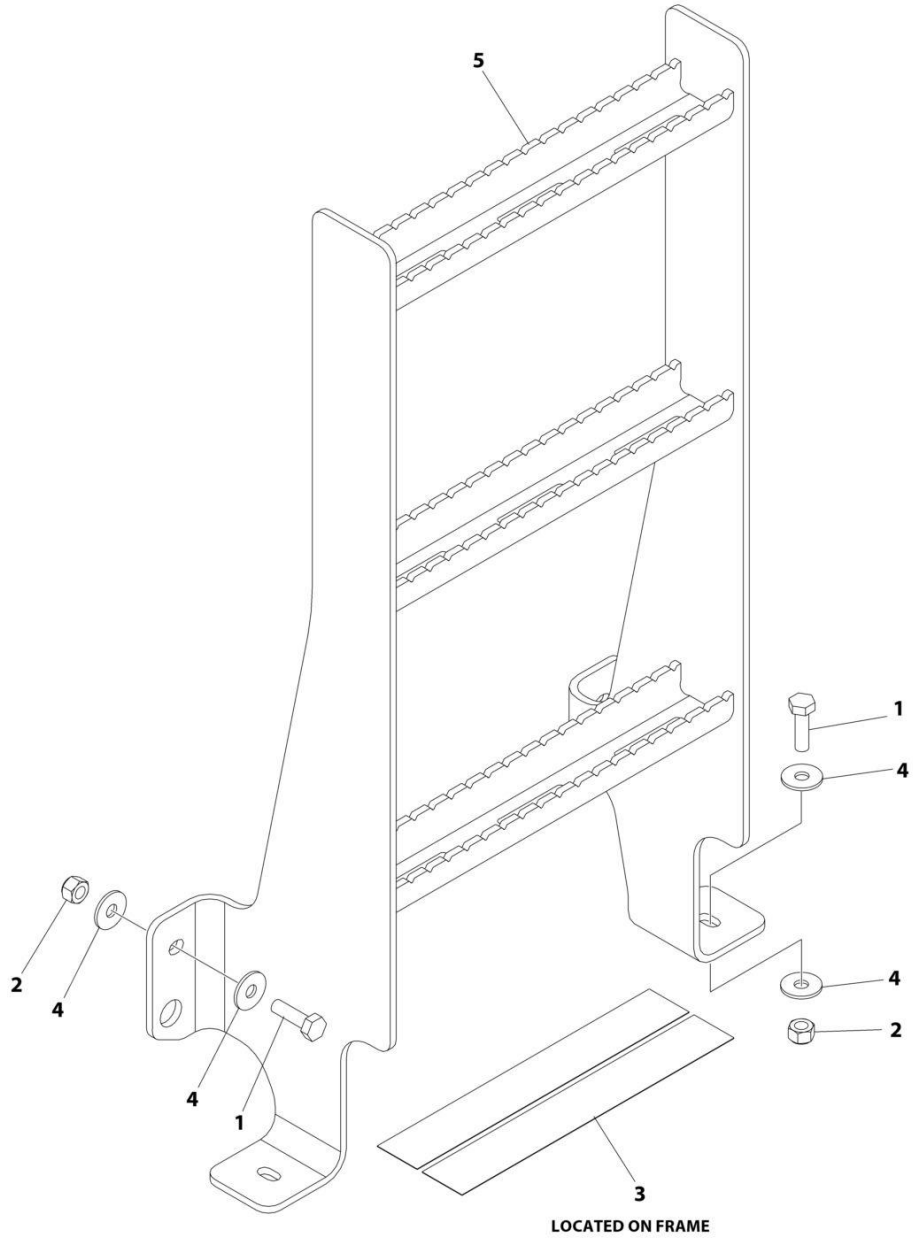
SECTION 1 - FRAME

FIGURE 1-22. ERT4769 CLEANGUARD INSTALLATION

ITEM	PART NUMBER	QTY	DESCRIPTION	REV
	1001288871	Ref	CLEANGUARD INSTALLATION	A
1	0761012	3	Bolt M10 x 25	
2	0761014	4	Bolt M10 x 30	
3	3291005	3	Nut M10	
4	4812000	6	Washer M10	
5	1001262581	2	Decal, Clean Guard	
6	1001288872	2	Tray, Cleanguard	

SECTION 1 - FRAME

FIGURE 1-23. ERT4069 LADDER INSTALLATION



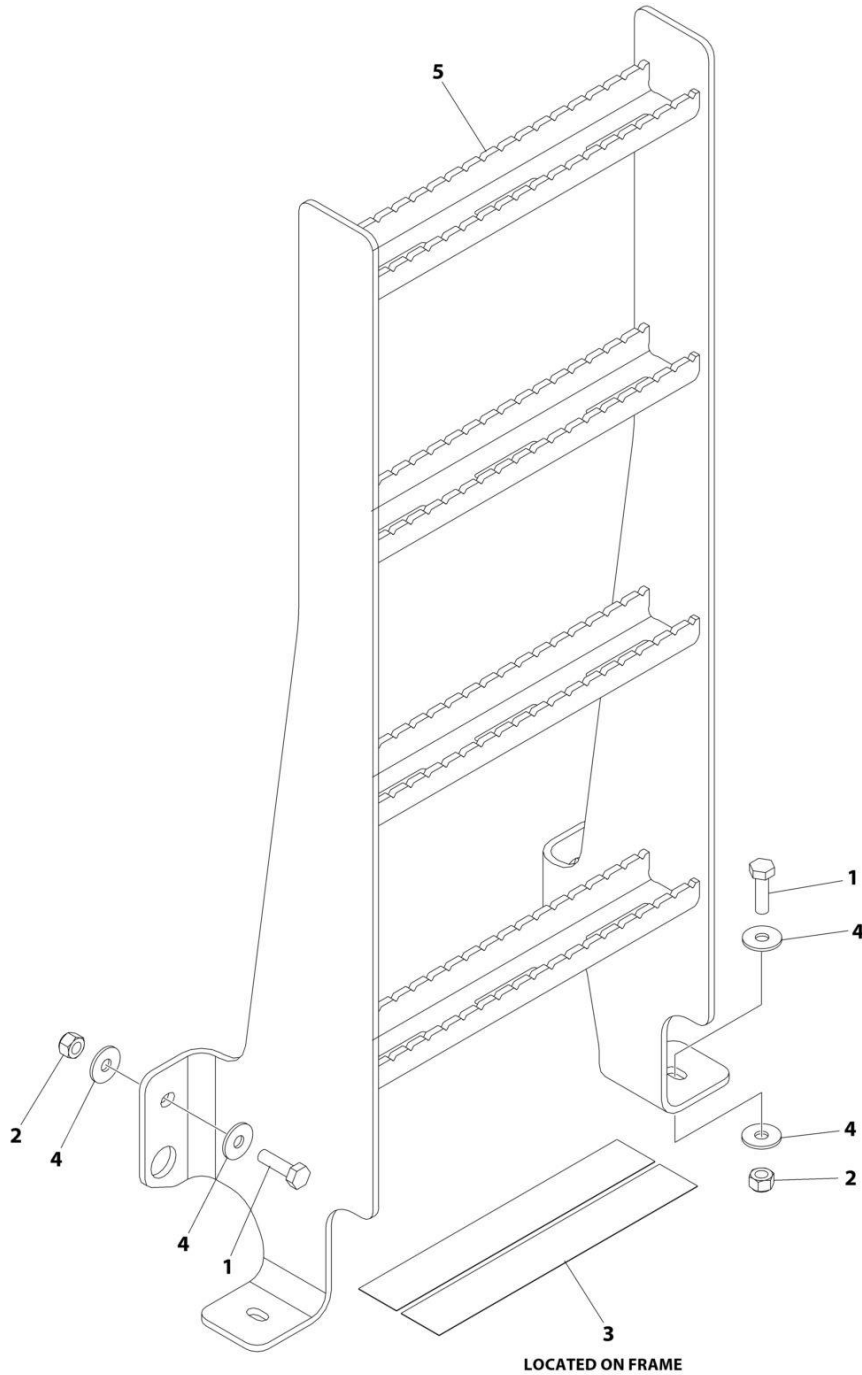
ART_1001247425

FIGURE 1-23. ERT4069 LADDER INSTALLATION

ITEM	PART NUMBER	QTY	DESCRIPTION	REV
	1001247425	Ref	LADDER INSTALLATION	B
1	0761015	4	Bolt M10 x 35	
2	3291005	4	Nut M10	
3	4420070	2	Tape, Anti-Skid	
4	4812002	8	Washer M10	
5	1001247353	1	Ladder	

SECTION 1 - FRAME

FIGURE 1-24. ERT4769 LADDER INSTALLATION (Prior to SN M200064517, Including M200064812, M200064905 and M200065100, Excluding M200063438)



ART_1001256562

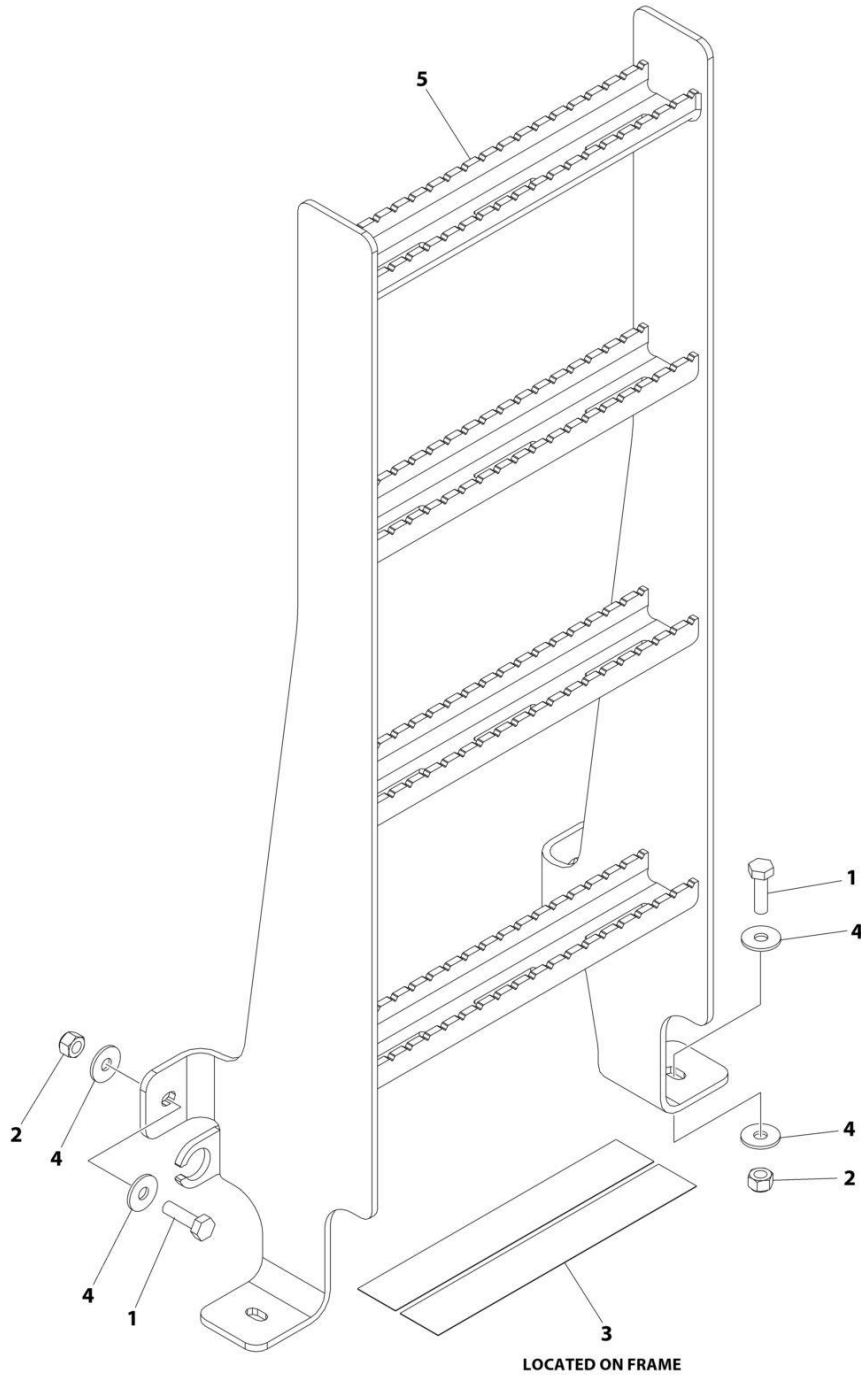
SECTION 1 - FRAME

FIGURE 1-24. ERT4769 LADDER INSTALLATION (Prior to SN M200064517, Including M200064812, M200064905 and M200065100, Excluding M200063438)

ITEM	PART NUMBER	QTY	DESCRIPTION	REV
	1001256562	Ref	LADDER INSTALLATION	A
1	0761015	4	Bolt M10 x 35	
2	3291005	4	Nut M10	
3	4420070	2	Tape, Anti-Skid	
4	4812002	8	Washer M10	
5	1001256561	1	Ladder	

SECTION 1 - FRAME

FIGURE 1-25. ERT4769 LADDER INSTALLATION (SN M200064517 to Present, Including M200063438, Excluding M200064812, M200064905 and M200065100)



ART_1001256562_B

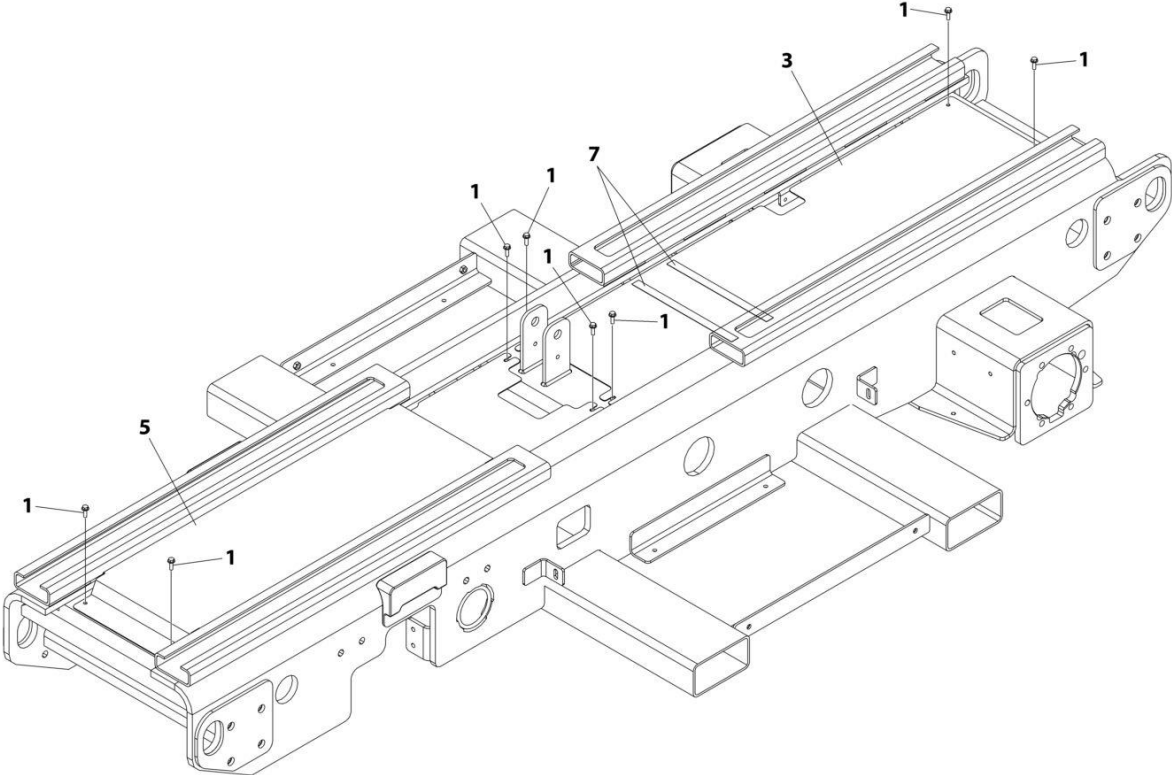
SECTION 1 - FRAME

FIGURE 1-25. ERT4769 LADDER INSTALLATION (SN M200064517 to Present, Including M200063438, Excluding M200064812, M200064905 and M200065100)

ITEM	PART NUMBER	QTY	DESCRIPTION	REV
	1001256562	Ref	LADDER INSTALLATION	B
1	0761015	4	Bolt M10 x 35	
2	3291005	4	Nut M10	
3	4420070	2	Tape, Anti-Skid	
4	4812002	8	Washer M10	
5	1001294378	1	Ladder	

SECTION 1 - FRAME

FIGURE 1-26. ERT4069 FRAME COVERS INSTALLATION



ART_1001245440

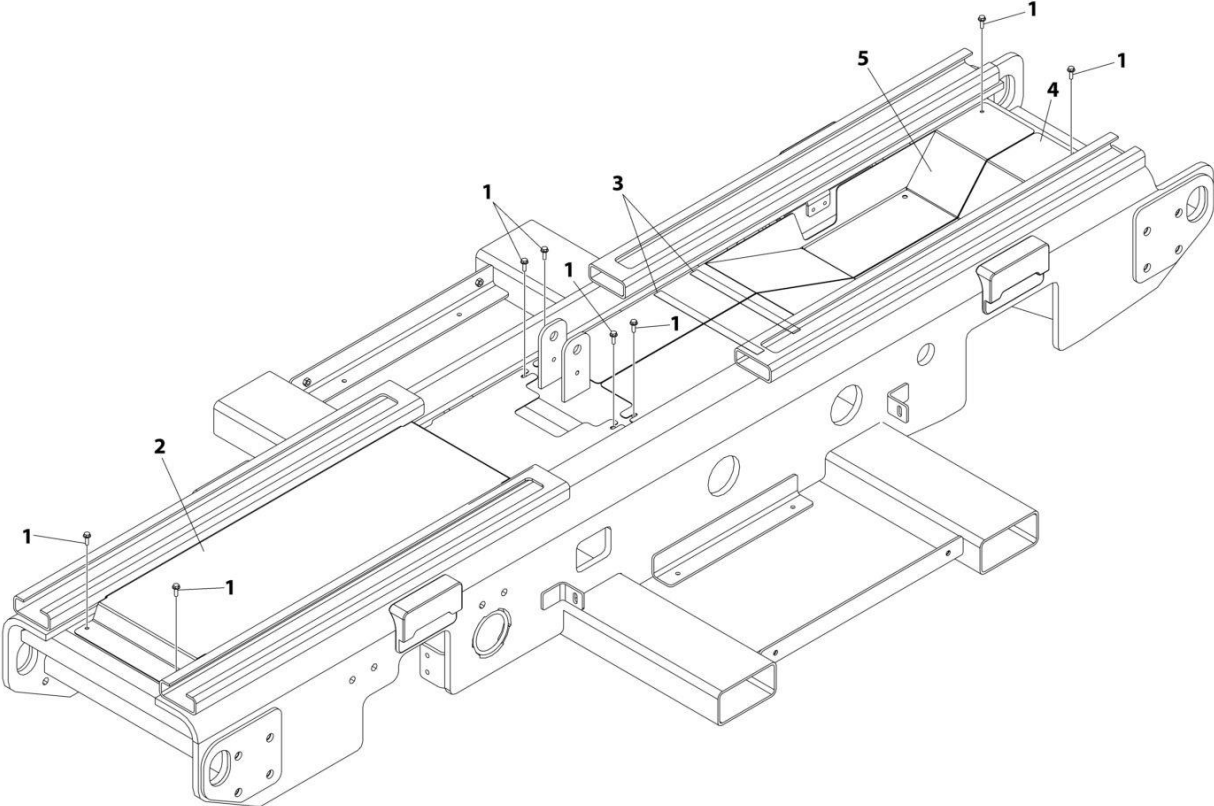
SECTION 1 - FRAME

FIGURE 1-26. ERT4069 FRAME COVERS INSTALLATION

ITEM	PART NUMBER	QTY	DESCRIPTION	REV
	1001245440	Ref	FRAME COVERS INSTALLATION	D
1	5250812	8	Bolt M8 x 25	
3	1001245381	1	Cover (Rear)	
5	1001283427	1	Cover (Front)	
7	1001258188	2 ft	Tape, Foam	

SECTION 1 - FRAME

FIGURE 1-27. ERT4769 FRAME COVERS INSTALLATION



ART_1001262140

SECTION 1 - FRAME

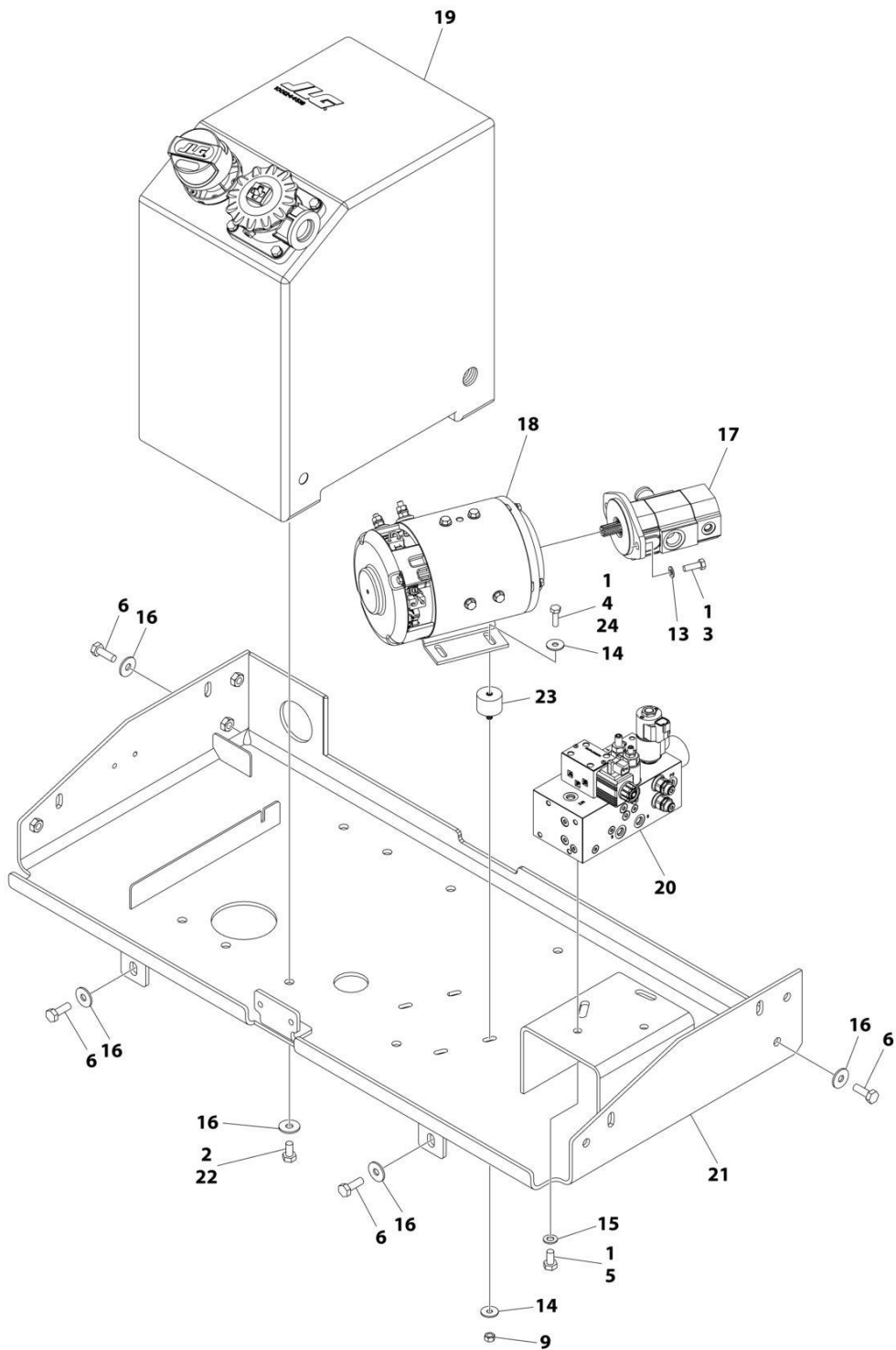
FIGURE 1-27. ERT4769 FRAME COVERS INSTALLATION

ITEM	PART NUMBER	QTY	DESCRIPTION	REV
	1001262140	Ref	FRAME COVERS INSTALLATION	B
1	5250812	8	Bolt M8 x 25	
2	1001283427	1	Cover (Front)	
3	1001258188	2 ft	Tape, Foam	
4	1001262994	1	Plate, Cover	
5	1001263081	1	Plate, Cover	

SECTION 2 - GROUND CONTROLS

SECTION 2 - GROUND CONTROLS

FIGURE 2-1. HYDRAULIC COMPONENTS INSTALLATION (Prior to SN M200085708, Prior to SN M200085707)



ART_1001246091

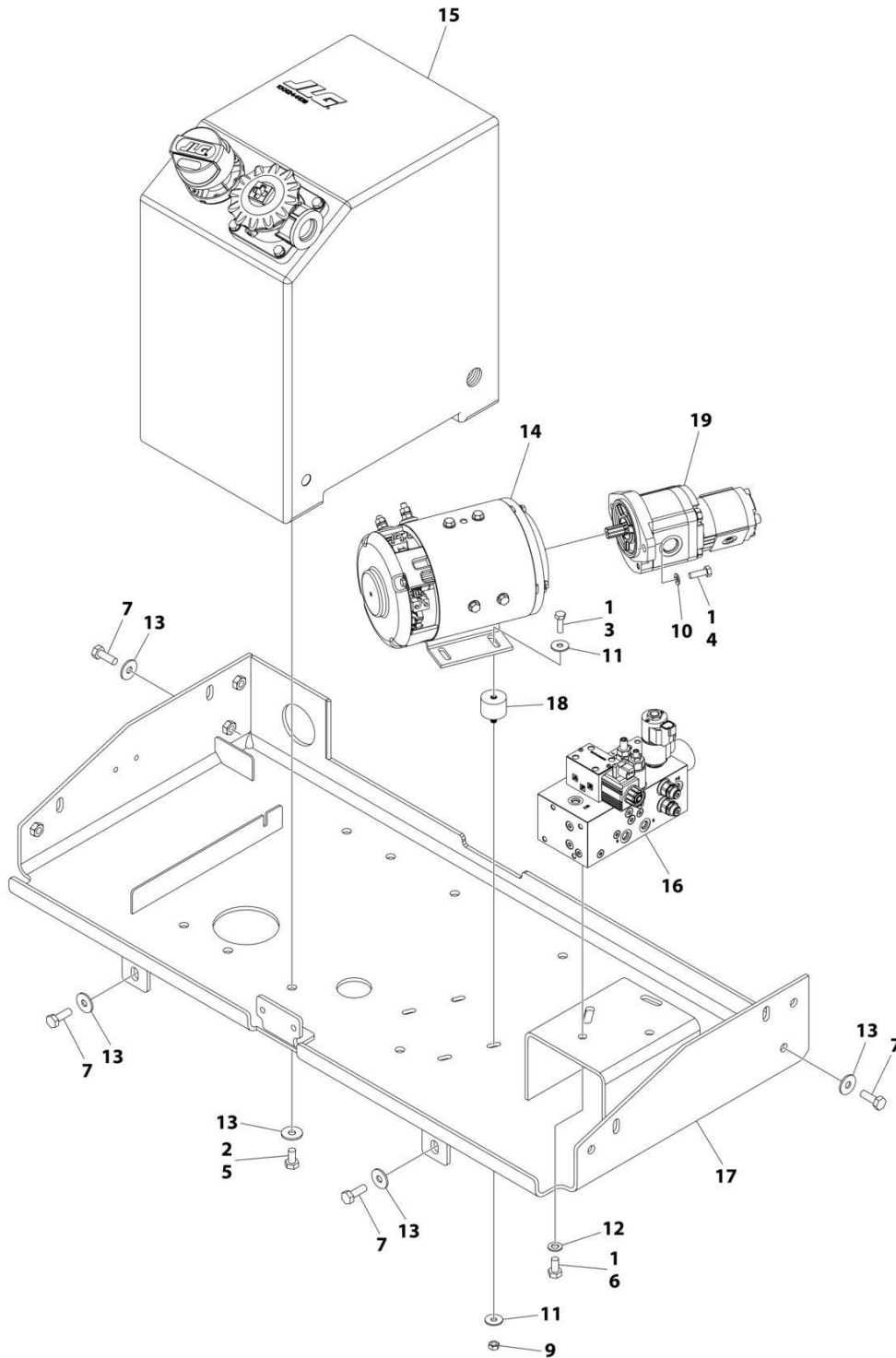
SECTION 2 - GROUND CONTROLS

FIGURE 2-1. HYDRAULIC COMPONENTS INSTALLATION (Prior to SN M200085708, Prior to SN M200085707)

ITEM	PART NUMBER	QTY	DESCRIPTION	REV
	1001246091	Ref	HYDRAULIC COMPONENTS INSTALLATION	F
1	0100011	AR	Compound, Locking	
2	0100035	AR	Compound, Locking	
3	0760812	2	Bolt M8 x 25	
4	0770812	4	Bolt M8 x 25	
5	0771010	4	Bolt M10 x 20	
6	0771014	4	Bolt M10 x 30	
9	3290801	4	Nut M8	
13	4811900	2	Washer M8	
14	4811902	8	Washer M8	
15	4812000	4	Washer M10	
16	4812002	8	Washer M10	
17	1001246382	1	Pump	
18	1001246383	1	Generator	
19	1001246555	1	Tank Assembly - Hydraulic (See Separate Breakdown in this Section)	
20	1001247381	1	Valve, Electric (See Separate Breakdown in this Section)	
21	1001247630	1	Tray	
22	0761010	4	Bolt M10 x 20	
23	1001273525	4	Isolator (41.3mm/1-5/8inch)	
23	1001287360	4	Isolator (47.8mm/1-7/8inch)	
24	0760806	4	Bolt M8 x 12	

SECTION 2 - GROUND CONTROLS

FIGURE 2-2. HYDRAULIC COMPONENTS INSTALLATION (SN M200085779 to Present, SN M200085780 to Present)



ART_1001285817

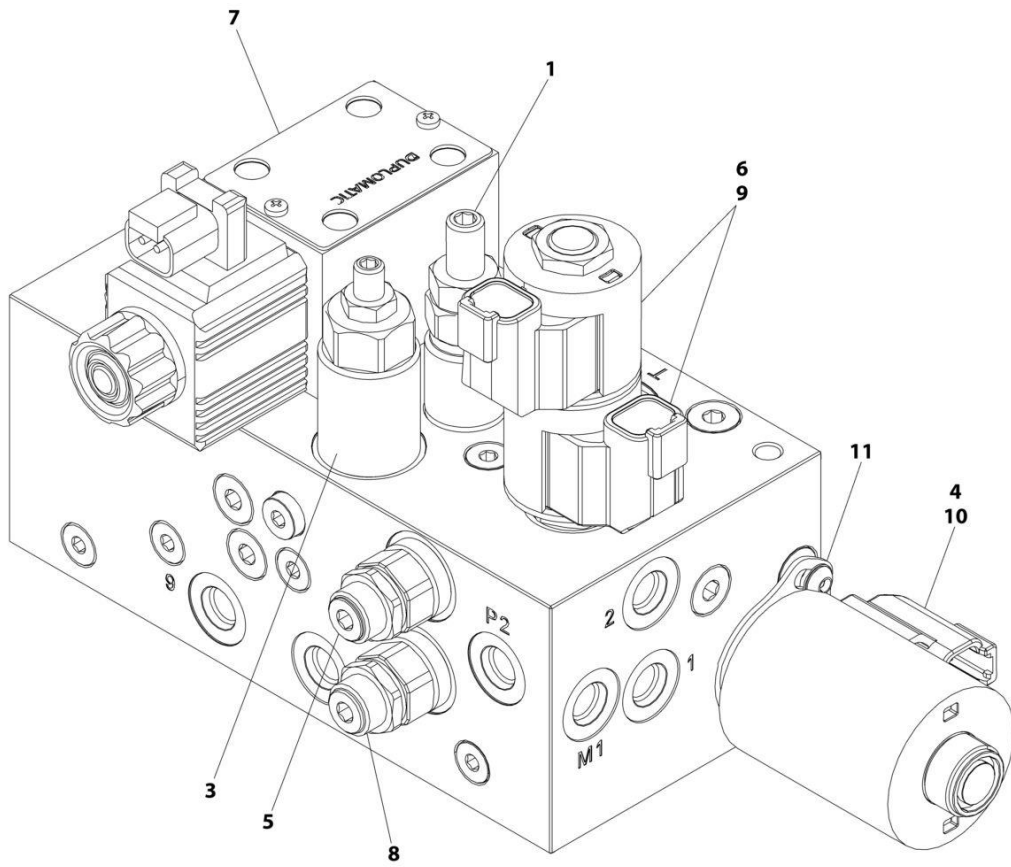
SECTION 2 - GROUND CONTROLS

FIGURE 2-2. HYDRAULIC COMPONENTS INSTALLATION (SN M200085779 to Present, SN M200085780 to Present)

ITEM	PART NUMBER	QTY	DESCRIPTION	REV
	1001285817	Ref	HYDRAULIC COMPONENTS INSTALLATION	A
1	0100011	AR	Compound, Locking	
2	0100035	AR	Compound, Locking	
3	0760806	4	Bolt M8 x 12	
4	0760812	2	Bolt M8 x 25	
5	0761010	4	Bolt M10 x 20	
6	0771010	4	Bolt M10 x 20	
7	0771014	4	Bolt M10 x 30	
8	3020037	AR	Lube (Not Shown)	
9	3290801	4	Nut M8	
10	4811900	2	Washer M8	
11	4811902	8	Washer M8	
12	4812000	4	Washer M10	
13	4812002	8	Washer M10	
14	1001246383	1	Generator	
15	1001246555	1	Tank Assembly - Hydraulic (See Separate Breakdown in this Section)	
16	1001247381	1	Valve, Electric (See Separate Breakdown in this Section)	
17	1001247630	1	Tray	
18	1001273525	4	Isolator	
19	1001285003	1	Pump	

SECTION 2 - GROUND CONTROLS

FIGURE 2-3. VALVE ASSEMBLY - MAIN CONTROL



ART_1001247381

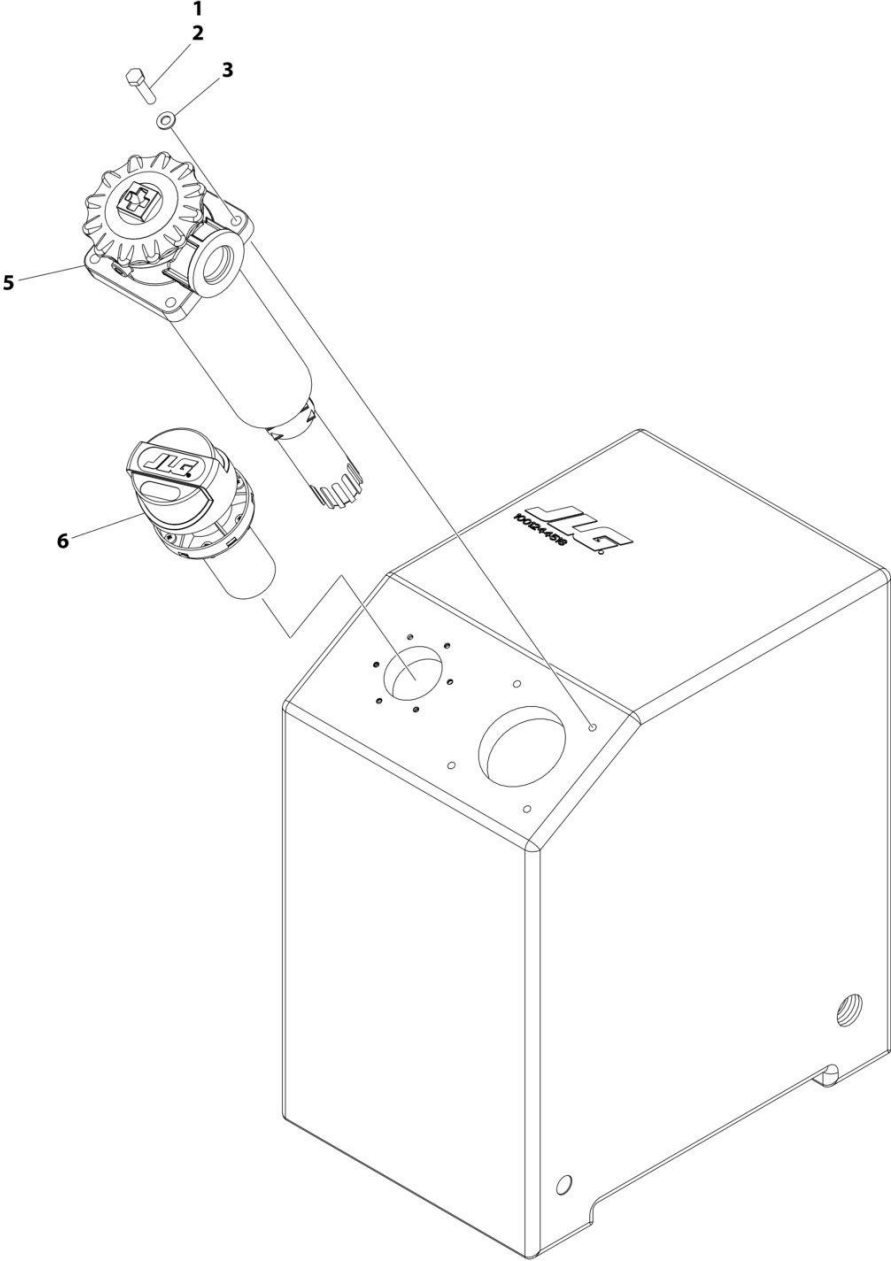
SECTION 2 - GROUND CONTROLS

FIGURE 2-3. VALVE ASSEMBLY - MAIN CONTROL

ITEM	PART NUMBER	QTY	DESCRIPTION	REV
	1001247381	Ref	VALVE ASSEMBLY - MAIN CONTROL	D
1	70007774	1	Cartridge, Relief Valve (Main)	
3	70007768	1	Cartridge, Pressure Reducing/Relieving Valve (Axle Charge)	
4	70006786	1	Cartridge, Valve (Flow Control)	
4	7012925	1	Seal Kit - 70006786 Valve	
5	70007769	1	Cartridge, Relief Valve (Steer)	
6	70007772	1	Valve, Directional (Steer)	
6	7017402	1	Seal Kit - 70007772 Valve	
7	70007771	1	Valve, Directional (Lift Enable)	
8	70007764	1	Cartridge, Relief Valve (Steer)	
9	70002386	2	Coil	
10	70003789	1	Coil	
11	70007773	1	Lockdown Kit	

SECTION 2 - GROUND CONTROLS

FIGURE 2-4. HYDRAULIC TANK ASSEMBLY



ART_1001246555

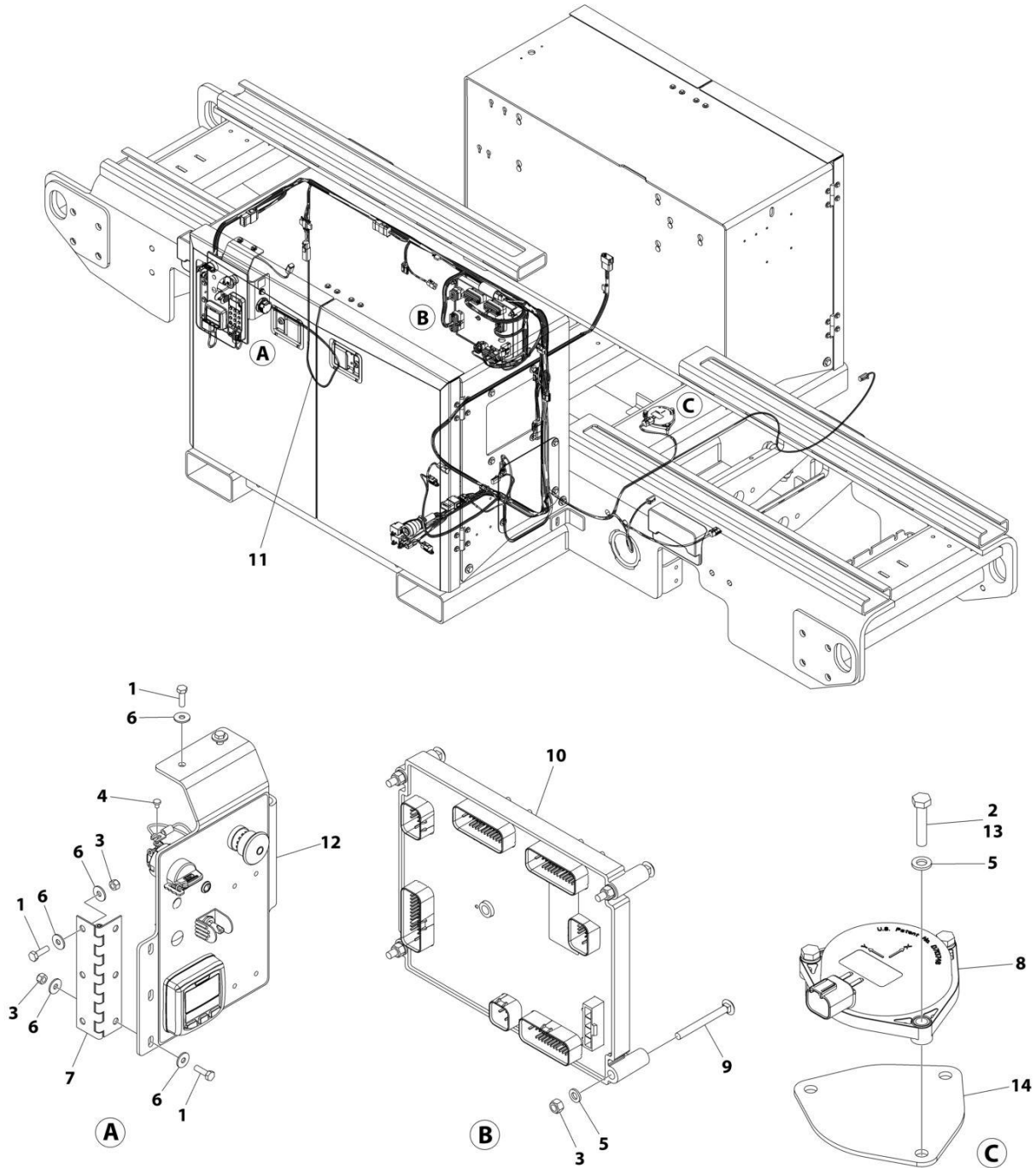
SECTION 2 - GROUND CONTROLS

FIGURE 2-4. HYDRAULIC TANK ASSEMBLY

ITEM	PART NUMBER	QTY	DESCRIPTION	REV
	1001246555	Ref	TANK ASSEMBLY	D
1	0100035	AR	Compound, Locking	
2	0760815	4	Bolt M8 x 35	
3	4811900	4	Washer M8	
5	1001246553	1	Filter, Hydraulic Tank	
5	70007035	1	Element, Filter	
6	1001248371	1	Filter, Filler/Breather	

SECTION 2 - GROUND CONTROLS

FIGURE 2-5. GROUND CONTROL PANEL INSTALLATION - ERT4069 (Prior to SN M200059275)



ART_1001254548

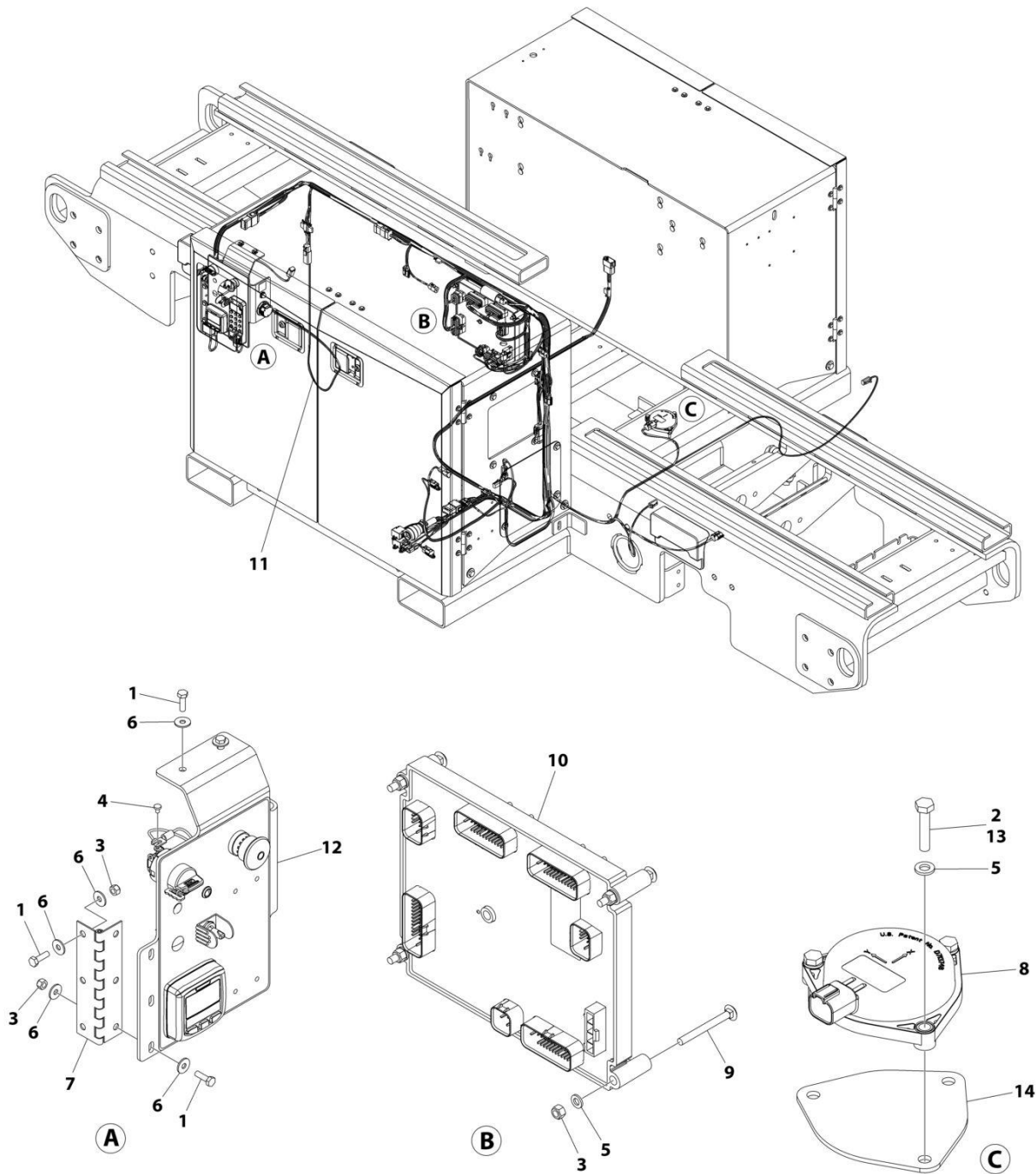
SECTION 2 - GROUND CONTROLS

FIGURE 2-5. GROUND CONTROL PANEL INSTALLATION - ERT4069 (Prior to SN M200059275)

ITEM	PART NUMBER	QTY	DESCRIPTION	REV
	1001254548	Ref	GROUND CONTROL PANEL INSTALLATION	C
1	0760610	8	Bolt M6 x 20	
2	0760614	3	Bolt M6 x 30	
2	4010615	3	Bolt M6 x 35	
3	3290605	10	Nut M6	
4	4010403	3	Screw M4 x 6	
5	4811700	7	Washer M6	
6	4811702	14	Washer M6	
7	1001110188	1	Hinge	
8	1001244934	1	Sensor, Tilt	
9	1001248039	4	Bolt M6 x 60	
10	1001249777	1	Module, Ground Control (Note: Re-calibration Required when Replaced)	
11	1001254403	1	Chassis Harness (See Separate Breakdown in ELECTRICAL Section)	
12	1001257885	1	Ground Control Assembly (See Separate Breakdown in this Section)	
13	0100011	AR	Compound, Locking	
14	1001272777	1	Gasket	

SECTION 2 - GROUND CONTROLS

FIGURE 2-6. GROUND CONTROL PANEL INSTALLATION - ERT4069 (SN M200059275 to Present)



ART_1001254548_D

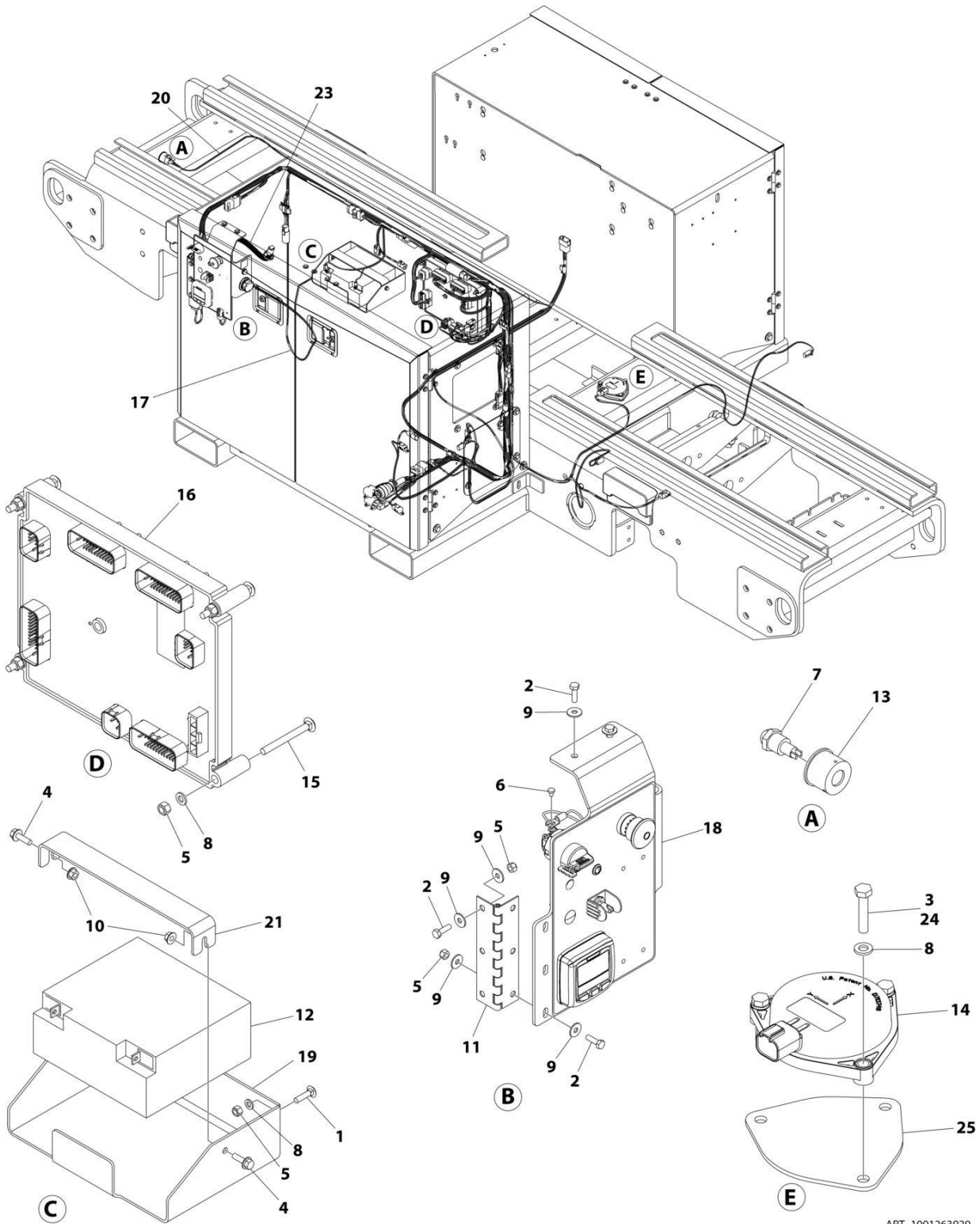
SECTION 2 - GROUND CONTROLS

FIGURE 2-6. GROUND CONTROL PANEL INSTALLATION - ERT4069 (SN M200059275 to Present)

ITEM	PART NUMBER	QTY	DESCRIPTION	REV
	1001254548	Ref	GROUND CONTROL PANEL INSTALLATION	D
1	0760610	8	Bolt M6 x 20	
2	0760614	3	Bolt M6 x 30	
2	4010615	3	Bolt M6 x 35	
3	3290605	10	Nut M6	
4	4010403	3	Screw M4 x 6	
5	4811700	7	Washer M6	
6	4811702	14	Washer M6	
7	1001110188	1	Hinge	
8	1001244934	1	Sensor, Tilt	
9	1001248039	4	Bolt M6 x 60	
10	1001249777	1	Module, Ground Control (Note: Re-calibration Required when Replaced)	
	1001282345	1	Chassis Harness (See Separate Breakdown in ELECTRICAL Section)	
12	1001257885	1	Ground Control Assembly (See Separate Breakdown in this Section)	
13	0100011	AR	Compound, Locking	
14	1001272777	1	Gasket	

SECTION 2 - GROUND CONTROLS

FIGURE 2-7. GROUND CONTROL PANEL INSTALLATION - ERT4769 (Prior to SN M200059582, Excluding M200059569 and M200059570)



ART_1001263929

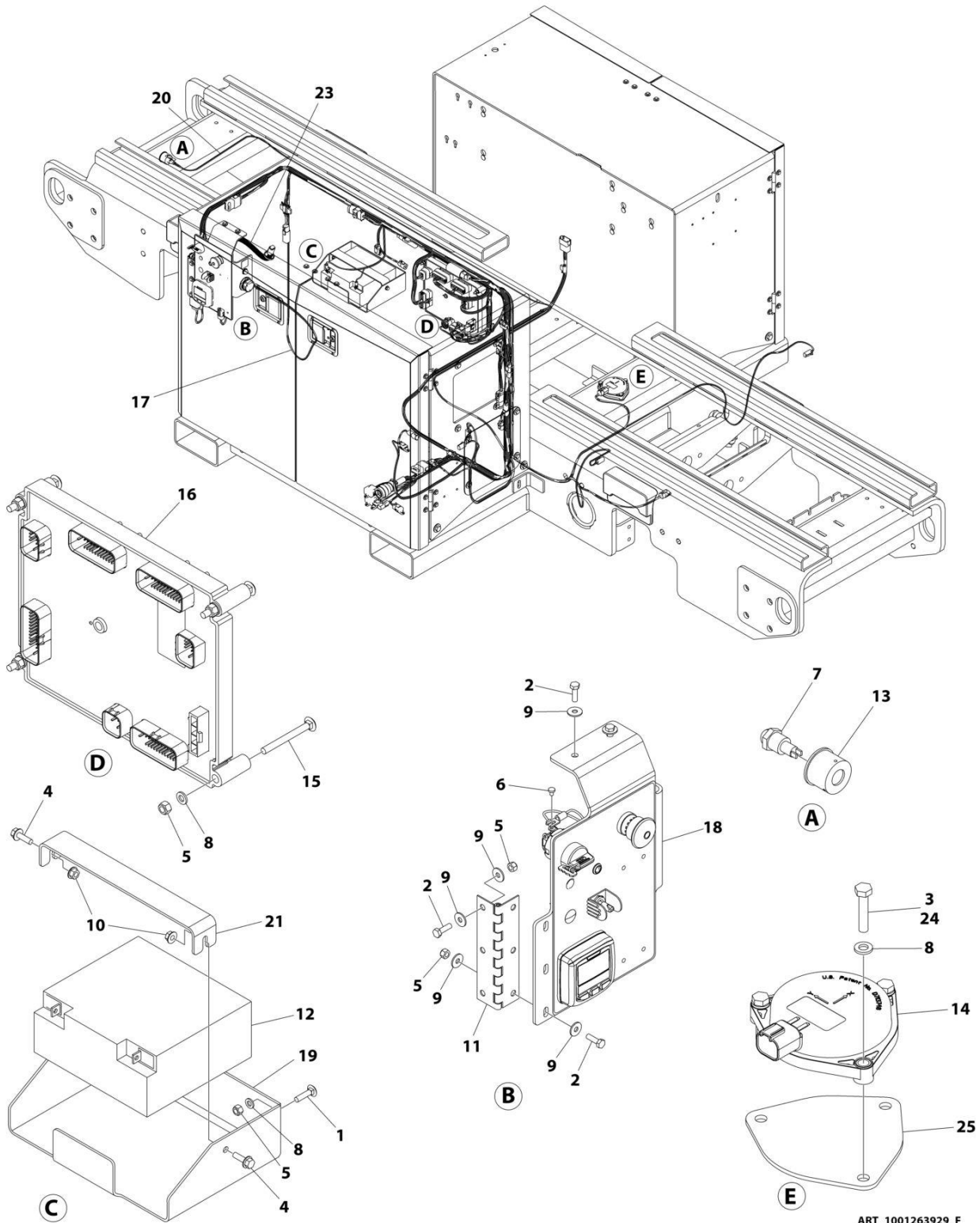
SECTION 2 - GROUND CONTROLS

FIGURE 2-7. GROUND CONTROL PANEL INSTALLATION - ERT4769 (Prior to SN M200059582, Excluding M200059569 and M200059570)

ITEM	PART NUMBER	QTY	DESCRIPTION	REV
	1001263929	Ref	GROUND CONTROL PANEL INSTALLATION	E
1	0630587	2	Bolt M6 x 25	
2	0760610	8	Bolt M6 x 20	
3	4010615	3	Bolt M6 x 35	
4	0780610	2	Bolt M6 x 20	
5	3290605	12	Nut M6	
6	4010403	3	Screw M4 x 6	
7	4360387	1	Switch, Yellow Push Button	
8	4811700	9	Washer M6	
9	4811702	14	Washer M6	
10	5260600	2	Nut M6	
11	1001110188	1	Hinge	
12	1001172394	1	Battery, 12V	
13	1001176469	1	Shroud, Push Button Switch	
14	1001244934	1	Sensor, Tilt	
15	1001248039	4	Bolt M6 x 60	
16	1001249777	1	Module, Ground Control (Note: Re-calibration Required when Replaced)	
17	1001254403	1	Chassis Harness (See Separate Breakdown in ELECTRICAL Section)	
18	1001257885	1	Ground Control Assembly (See Separate Breakdown in this Section)	
19	1001263446	1	Bracket, Auxiliary Battery	
20	1001263448	1	Harness, Auxiliary	
21	1001263480	1	Strap, Auxiliary Battery	
22	4240017	AR	Tie-Strap (Not Shown)	
23	1001265053	1	Conduit	
24	0100011	AR	Compound, Locking	
25	1001272777	1	Gasket, Angle Sensor	

SECTION 2 - GROUND CONTROLS

FIGURE 2-8. GROUND CONTROL PANEL INSTALLATION - ERT4769 (SN M200059582 to Present, Including M200059569 and M200059570)



ART_1001263929_F

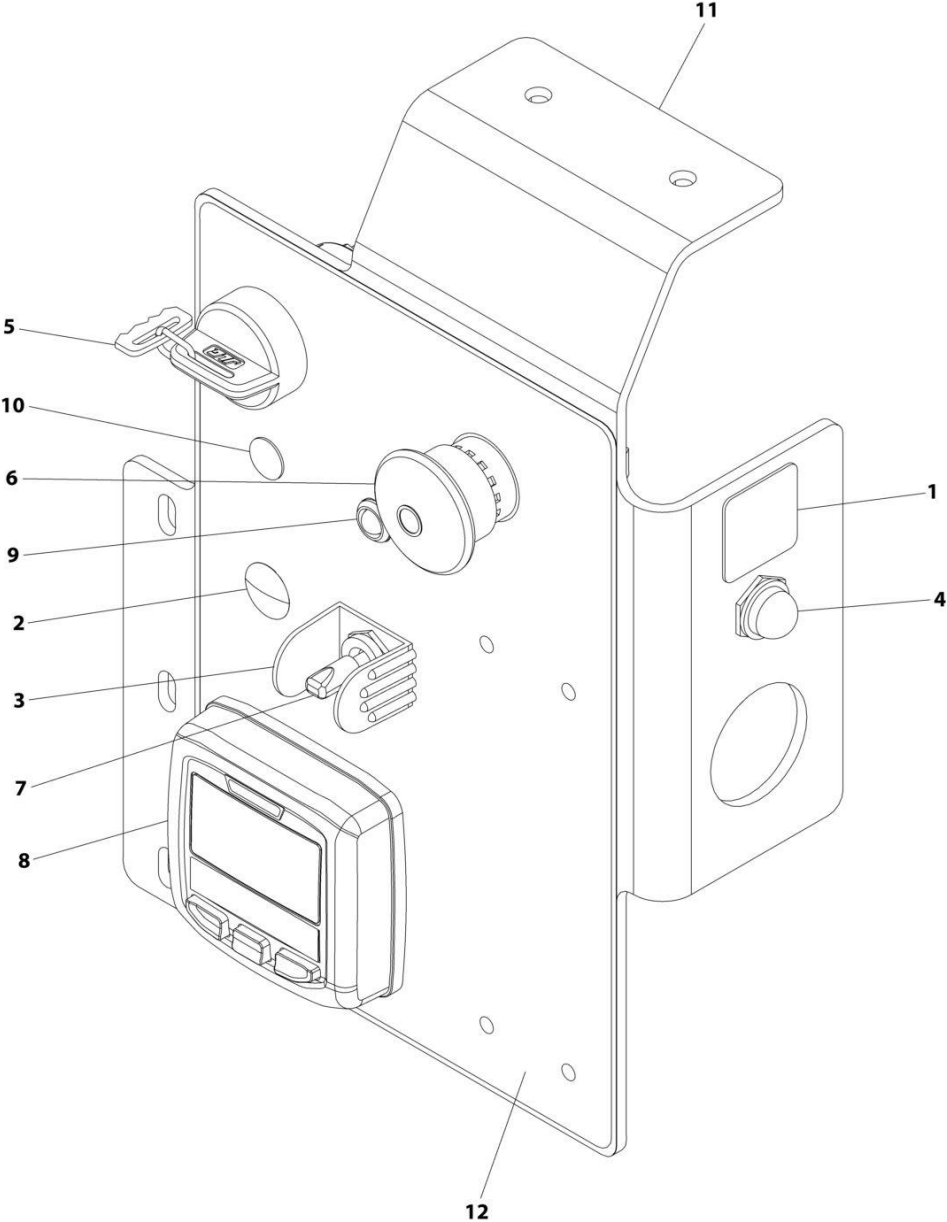
SECTION 2 - GROUND CONTROLS

FIGURE 2-8. GROUND CONTROL PANEL INSTALLATION - ERT4769 (SN M200059582 to Present, Including M200059569 and M200059570)

ITEM	PART NUMBER	QTY	DESCRIPTION	REV
	1001263929	Ref	GROUND CONTROL PANEL INSTALLATION	E
1	0630587	2	Bolt M6 x 25	
2	0760610	8	Bolt M6 x 20	
3	4010615	3	Bolt M6 x 35	
4	0780610	2	Bolt M6 x 20	
5	3290605	12	Nut M6	
6	4010403	3	Screw M4 x 6	
7	4360387	1	Switch, Yellow Push Button	
8	4811700	9	Washer M6	
9	4811702	14	Washer M6	
10	5260600	2	Nut M6	
11	1001110188	1	Hinge	
12	1001172394	1	Battery, 12V	
13	1001176469	1	Shroud, Push Button Switch	
14	1001244934	1	Sensor, Tilt	
15	1001248039	4	Bolt M6 x 60	
16	1001249777	1	Module, Ground Control (Note: Re-calibration Required when Replaced)	
17	1001254403	1	Chassis Harness (See Separate Breakdown in ELECTRICAL Section)	
18	1001257885	1	Ground Control Assembly (See Separate Breakdown in this Section)	
19	1001263446	1	Bracket, Auxiliary Battery	
20	1001263448	1	Harness, Auxiliary	
21	1001263480	1	Strap, Auxiliary Battery	
22	4240017	AR	Tie-Strap (Not Shown)	
23	1001265053	1	Conduit	
24	0100011	AR	Compound, Locking	
25	1001272777	1	Gasket, Angle Sensor	

SECTION 2 - GROUND CONTROLS

FIGURE 2-9. GROUND CONTROL ASSEMBLY



ART_1001257885

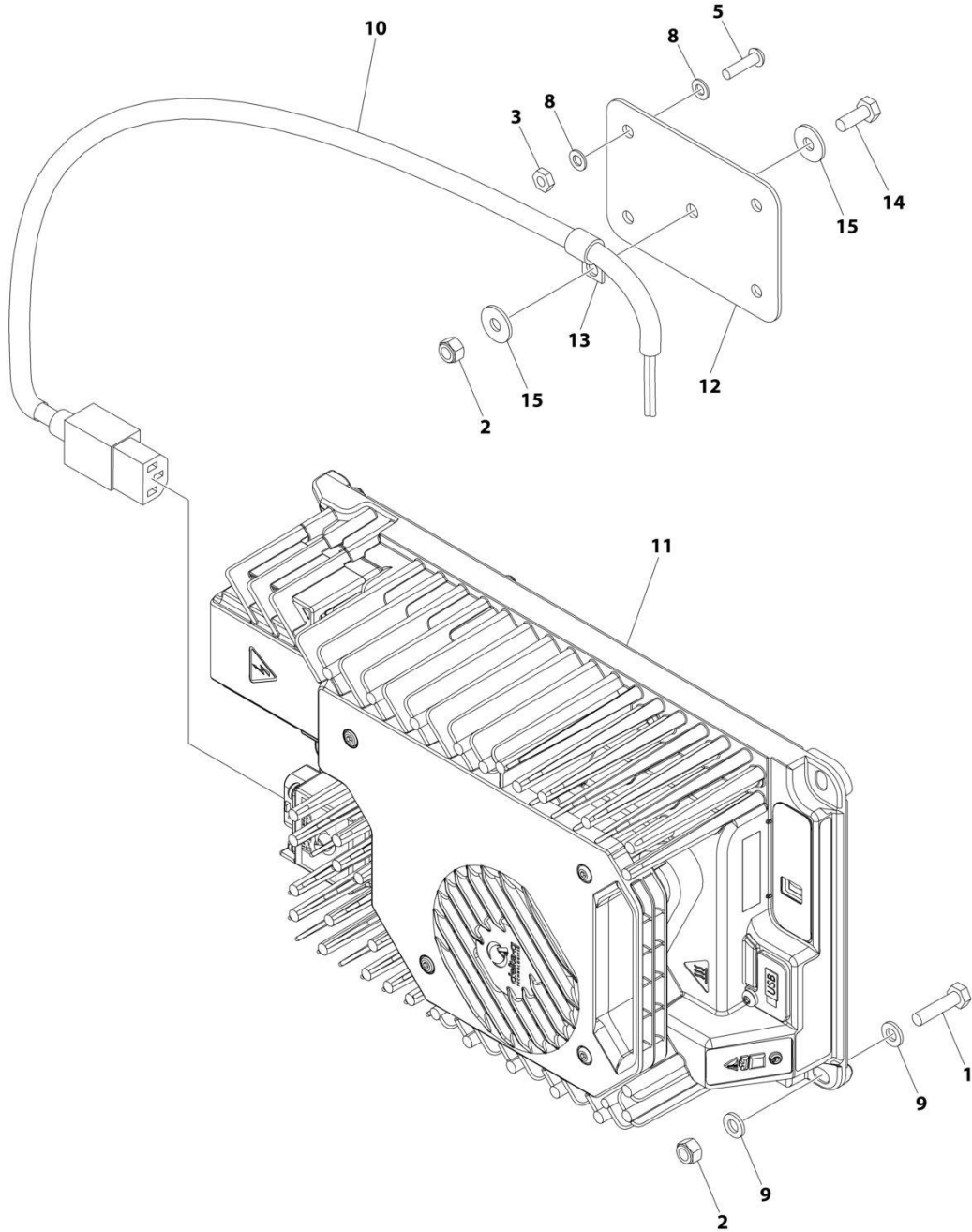
SECTION 2 - GROUND CONTROLS

FIGURE 2-9. GROUND CONTROL ASSEMBLY

ITEM	PART NUMBER	QTY	DESCRIPTION	REV
	1001257885	Ref	GROUND CONTROL ASSEMBLY	D
1	1706679	1	Decal - Brake Release	
2	3520026	1	Plug	
3	4060802	1	Guard, Switch	
4	4360387	1	Switch, Push Button	
5	4360469	1	Switch, Key	
5	2860030	1Set	Key, Replacement	
6	1001274559	1	Switch, Emergency Stop (Plastic)	
6	4360475	1	Switch, Emergency Stop (Metal)	
6	7020175	1	Cap	
6	7020176	1	Block, Contact	
7	4360524	1	Switch, Toggle	
8	1001171482	1	Gauge, Display	
9	1001182680	1	Light, LED	
10	1001226421	1	Plug	
11	1001257884	1	Bracket	
11	1001258920	1	Decal - Ground Control	

SECTION 2 - GROUND CONTROLS

FIGURE 2-10. BATTERY CHARGER INSTALLATION (NO PLUG) (Prior to SN M200063428, Including M200063533, M200063633, M200064812, M200065100 and M200065191)



ART_1001254881

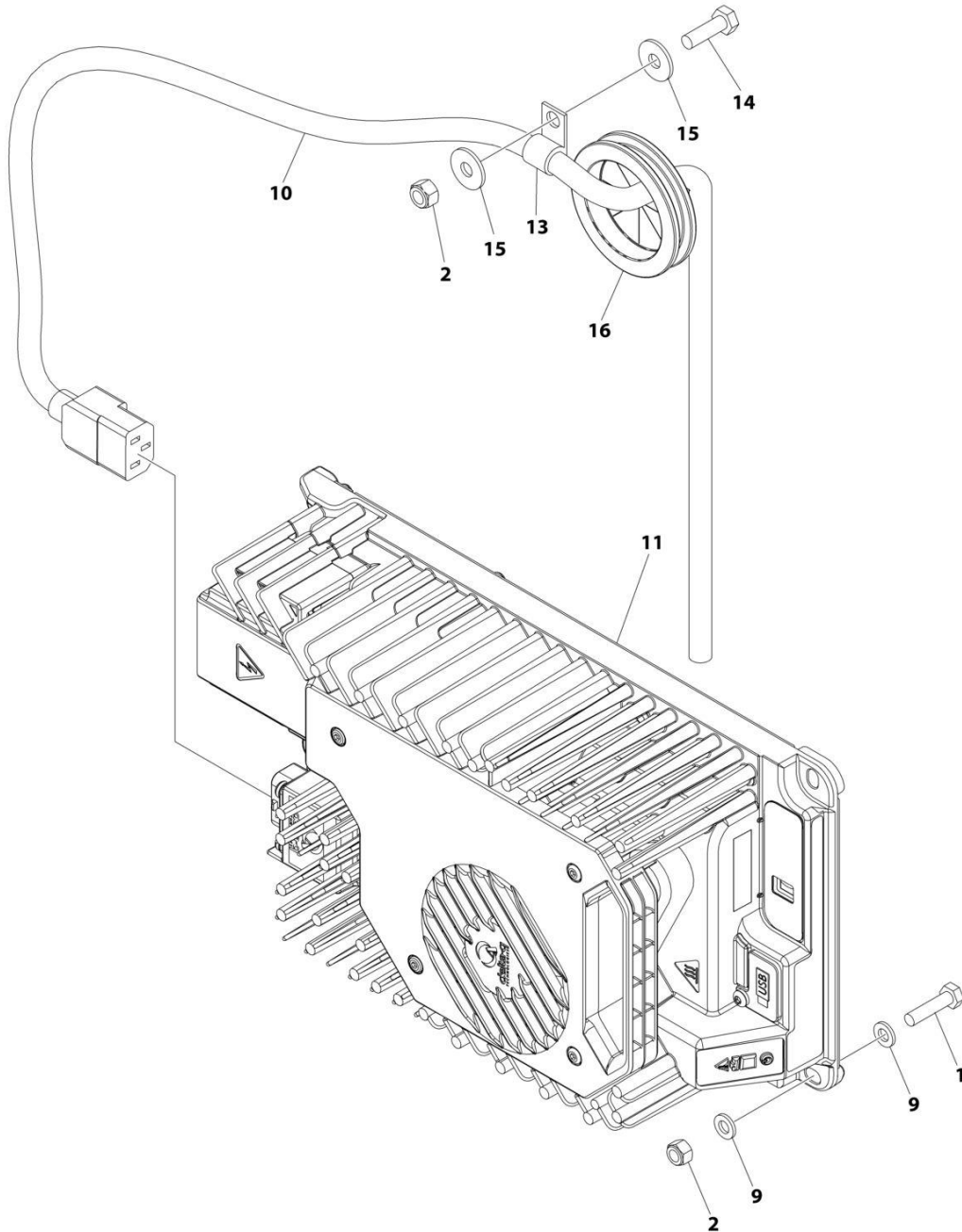
SECTION 2 - GROUND CONTROLS

FIGURE 2-10. BATTERY CHARGER INSTALLATION (NO PLUG) (Prior to SN M200063428, Including M200063533, M200063633, M200064812, M200065100 and M200065191)

ITEM	PART NUMBER	QTY	DESCRIPTION	REV
	1001254881	Ref	BATTERY CHARGER INSTALLATION	B
1	0700612	4	Bolt M6 x 25	
2	3290605	5	Nut M6	
3	3311005	4	Nut #10	
5	3911012	4	Screw #10 x 3/4	
8	4811600	8	Washer M5	
9	4811700	8	Washer M6	
10	1001263824	1	Cable, AC	
11	1001265677	1	Charger Assembly	
12	1001266001	1	Cover	
13	1321293	1	Clamp	
14	0760608	1	Bolt M6 x 16	
15	4811702	2	Washer M6	

SECTION 2 - GROUND CONTROLS

FIGURE 2-11. BATTERY CHARGER INSTALLATION (NO PLUG) (SN M200063428 to Present, Excluding M200063533, M200063633, M200064812, M200065100 and M200065191)



ART_1001254881_C

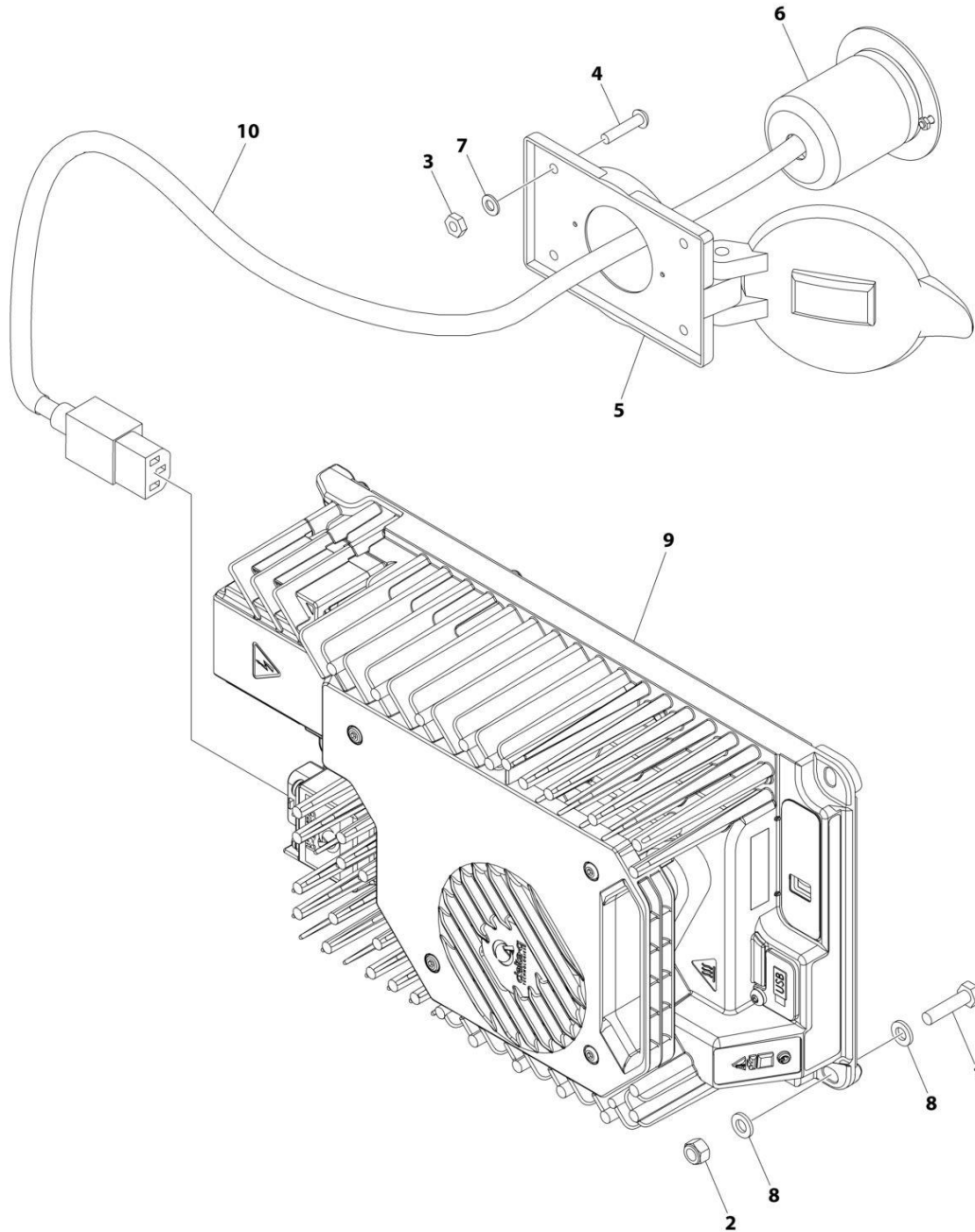
SECTION 2 - GROUND CONTROLS

FIGURE 2-11. BATTERY CHARGER INSTALLATION (NO PLUG) (SN M200063428 to Present, Excluding M200063533, M200063633, M200064812, M200065100 and M200065191)

ITEM	PART NUMBER	QTY	DESCRIPTION	REV
	1001254881	Ref	BATTERY CHARGER INSTALLATION	C
1	0700612	4	Bolt M6 x 25	
2	3290605	5	Nut M6	
9	4811700	8	Washer M6	
10	1001207974	1	Cable, AC	
11	1001265677	1	Charger Assembly	
13	1321293	1	Clamp	
14	0760610	1	Bolt M6 x 20	
15	4811702	2	Washer M6	
16	2540045	1	Grommet	

SECTION 2 - GROUND CONTROLS

FIGURE 2-12. BATTERY CHARGER INSTALLATION (110V PLUG)



ART_1001251440

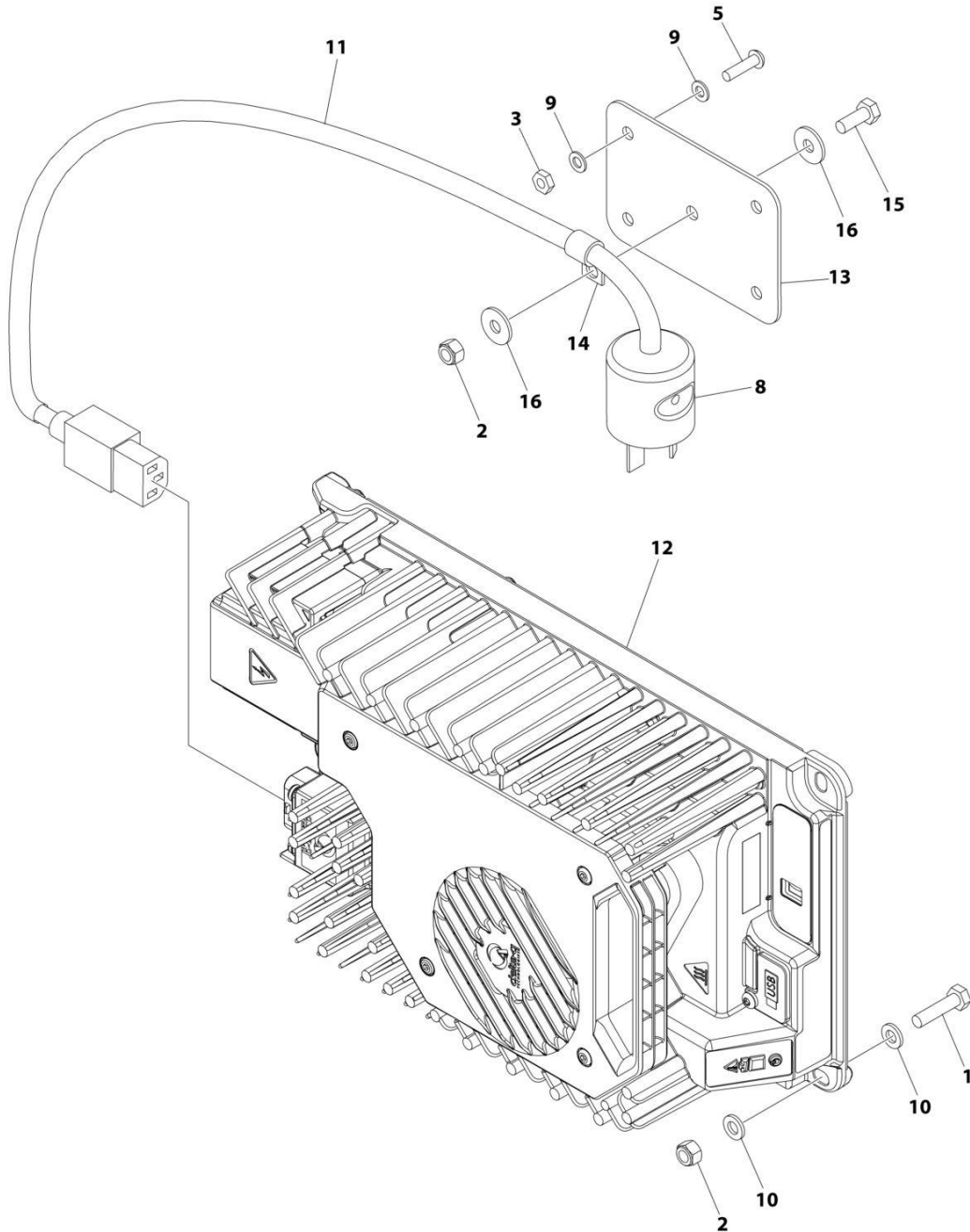
SECTION 2 - GROUND CONTROLS

FIGURE 2-12. BATTERY CHARGER INSTALLATION (110V PLUG)

ITEM	PART NUMBER	QTY	DESCRIPTION	REV
	1001251440	Ref	BATTERY CHARGER INSTALLATION	C
1	0700612	4	Bolt M6 x 25	
2	3290605	4	Nut M6	
3	3311005	4	Nut #10	
4	3911014	4	Screw #10 x 7/8	
5	4460802	1	Cover, Terminal	
6	4460803	1	Terminal, Plug	
7	4811600	4	Washer M5	
8	4811700	8	Washer M6	
9	1001265677	1	Charger Assembly	
10	1001263824	1	Cable, Charger to Receptacle	

SECTION 2 - GROUND CONTROLS

FIGURE 2-13. BATTERY CHARGER INSTALLATION (AUSTRALIAN PLUG) (Prior to SN M200063428, Including M200063533, M200063633, M200064812, M200065100 and M200065191)



ART_1001254883

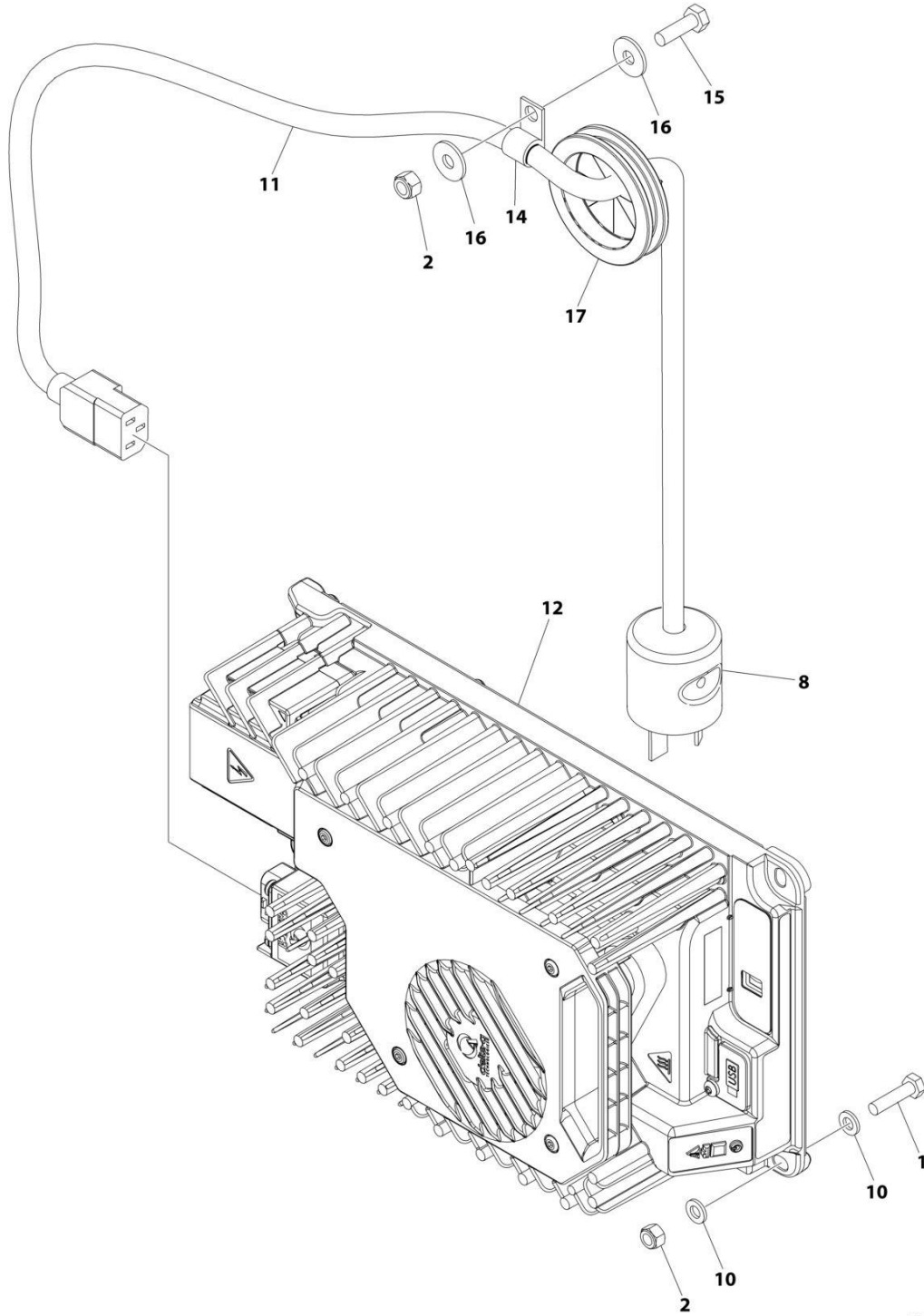
SECTION 2 - GROUND CONTROLS

FIGURE 2-13. BATTERY CHARGER INSTALLATION (AUSTRALIAN PLUG) (Prior to SN M200063428, Including M200063533, M200063633, M200064812, M200065100 and M200065191)

ITEM	PART NUMBER	QTY	DESCRIPTION	REV
	1001254883	Ref	BATTERY CHARGER INSTALLATION	B
1	0700612	4	Bolt M6 x 25	
2	3290605	5	Nut M6	
3	3311005	4	Nut #10	
5	3911012	4	Screw #10 x 3/4	
8	4460805	1	Plug	
9	4811600	8	Washer M5	
10	4811700	8	Washer M6	
11	1001263824	1	Cable, AC	
12	1001265677	1	Charger Assembly	
13	1001266001	1	Cover	
14	1321293	1	Clamp	
15	0760608	1	Bolt M6 x 16	
16	4811702	2	Washer M6	

SECTION 2 - GROUND CONTROLS

FIGURE 2-14. BATTERY CHARGER INSTALLATION (AUSTRALIAN PLUG) (SN M200063428 to Present, Excluding M200063533, M200063633, M200064812, M200065100 and M200065191)



ART_1001254883_C

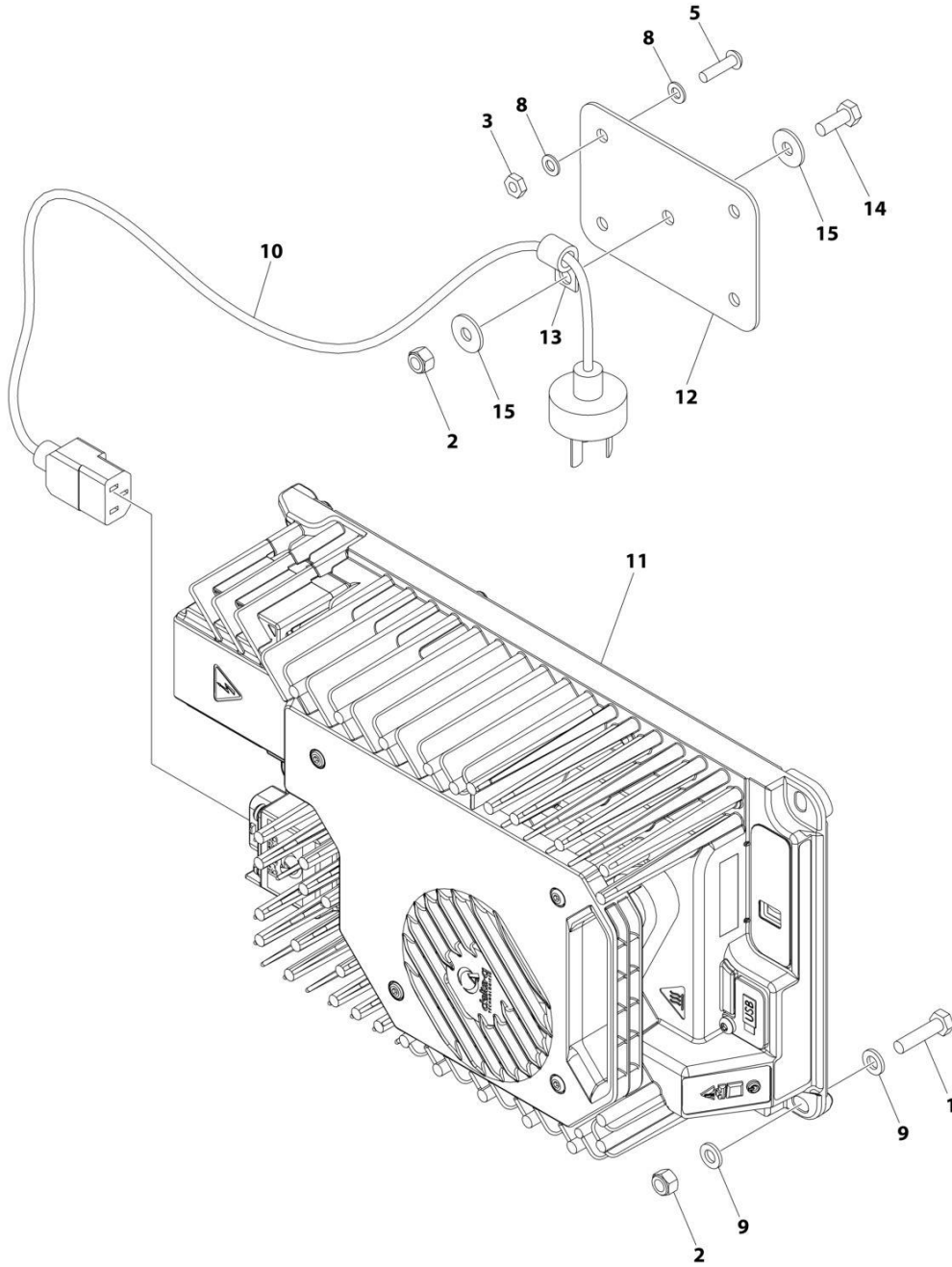
SECTION 2 - GROUND CONTROLS

FIGURE 2-14. BATTERY CHARGER INSTALLATION (AUSTRALIAN PLUG) (SN M200063428 to Present, Excluding M200063533, M200063633, M200064812, M200065100 and M200065191)

ITEM	PART NUMBER	QTY	DESCRIPTION	REV
	1001254883	Ref	BATTERY CHARGER INSTALLATION	C
1	0700612	4	Bolt M6 x 25	
2	3290605	5	Nut M6	
8	4460805	1	Plug	
10	4811700	8	Washer M6	
11	1001207974	1	Cable, AC	
12	1001265677	1	Charger Assembly	
14	1321293	1	Clamp	
15	0760610	1	Bolt M6 x 20	
16	4811702	2	Washer M6	
17	2540045	1	Grommet	

SECTION 2 - GROUND CONTROLS

FIGURE 2-15. BATTERY CHARGER INSTALLATION (CHINA PLUG) (Prior to SN M200063428, Including M200063533, M200063633, M200064812, M200065100 and M200065191)



ART_1001254880

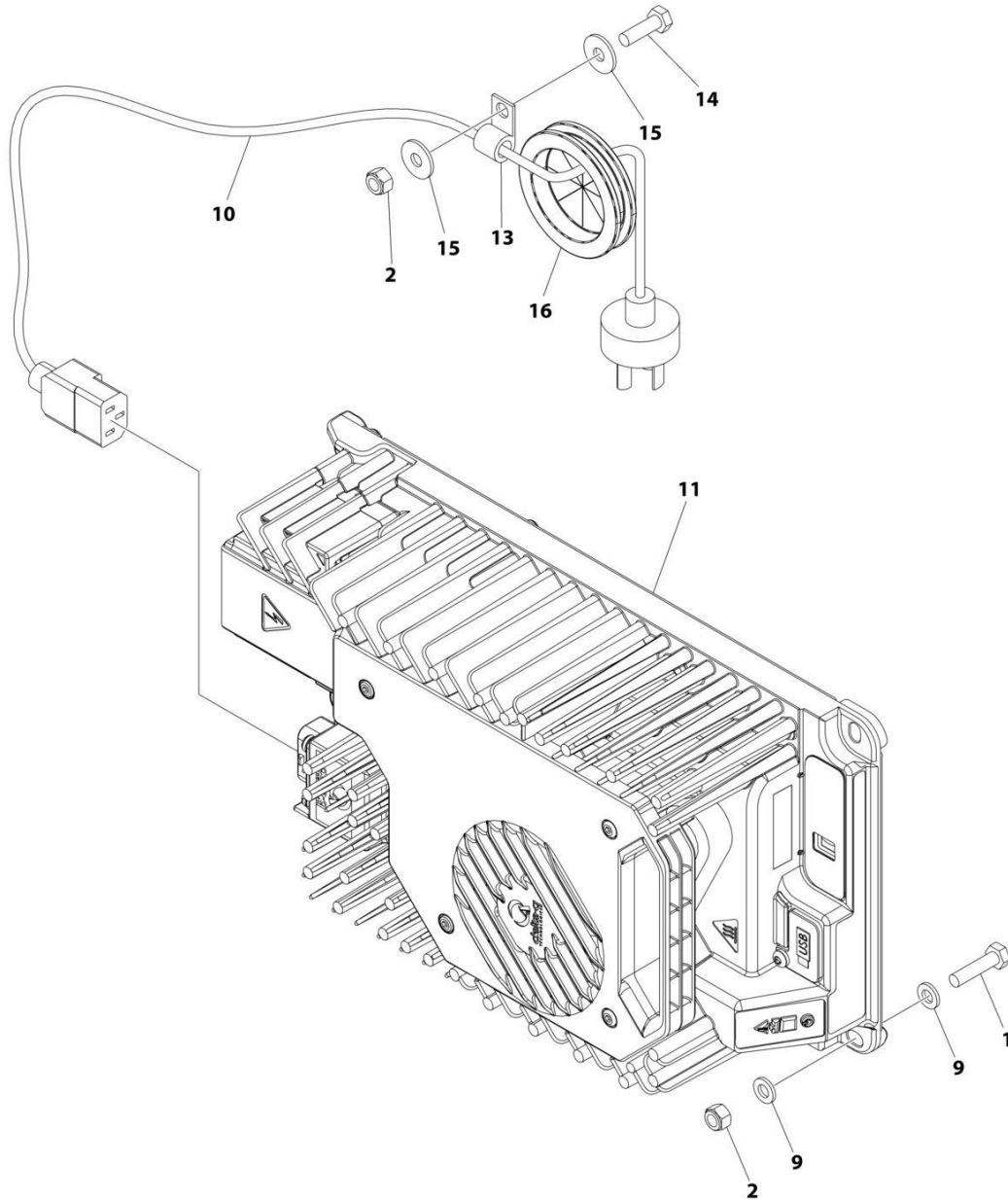
SECTION 2 - GROUND CONTROLS

**FIGURE 2-15. BATTERY CHARGER INSTALLATION (CHINA PLUG) (Prior to SN M200063428,
Including M200063533, M200063633, M200064812, M200065100 and M200065191)**

ITEM	PART NUMBER	QTY	DESCRIPTION	REV
	1001254880	Ref	BATTERY CHARGER INSTALLATION	B
1	0700612	4	Bolt M6 x 25	
2	3290605	5	Nut M6	
3	3311005	4	Nut #10	
5	3911012	4	Screw #10 x 3/4	
8	4811600	8	Washer M5	
9	4811700	8	Washer M6	
10	1001207973	1	Cable, AC	
11	1001265677	1	Charger Assembly	
12	1001266001	1	Cover	
13	1321293	1	Clamp	
14	0760608	1	Bolt M6 x 16	
15	4811702	2	Washer M6	

SECTION 2 - GROUND CONTROLS

FIGURE 2-16. BATTERY CHARGER INSTALLATION (CHINA PLUG) (SN M200063428 to Present, Excluding M200063533, M200063633, M200064812, M200065100 and M200065191)



ART_1001254880_C

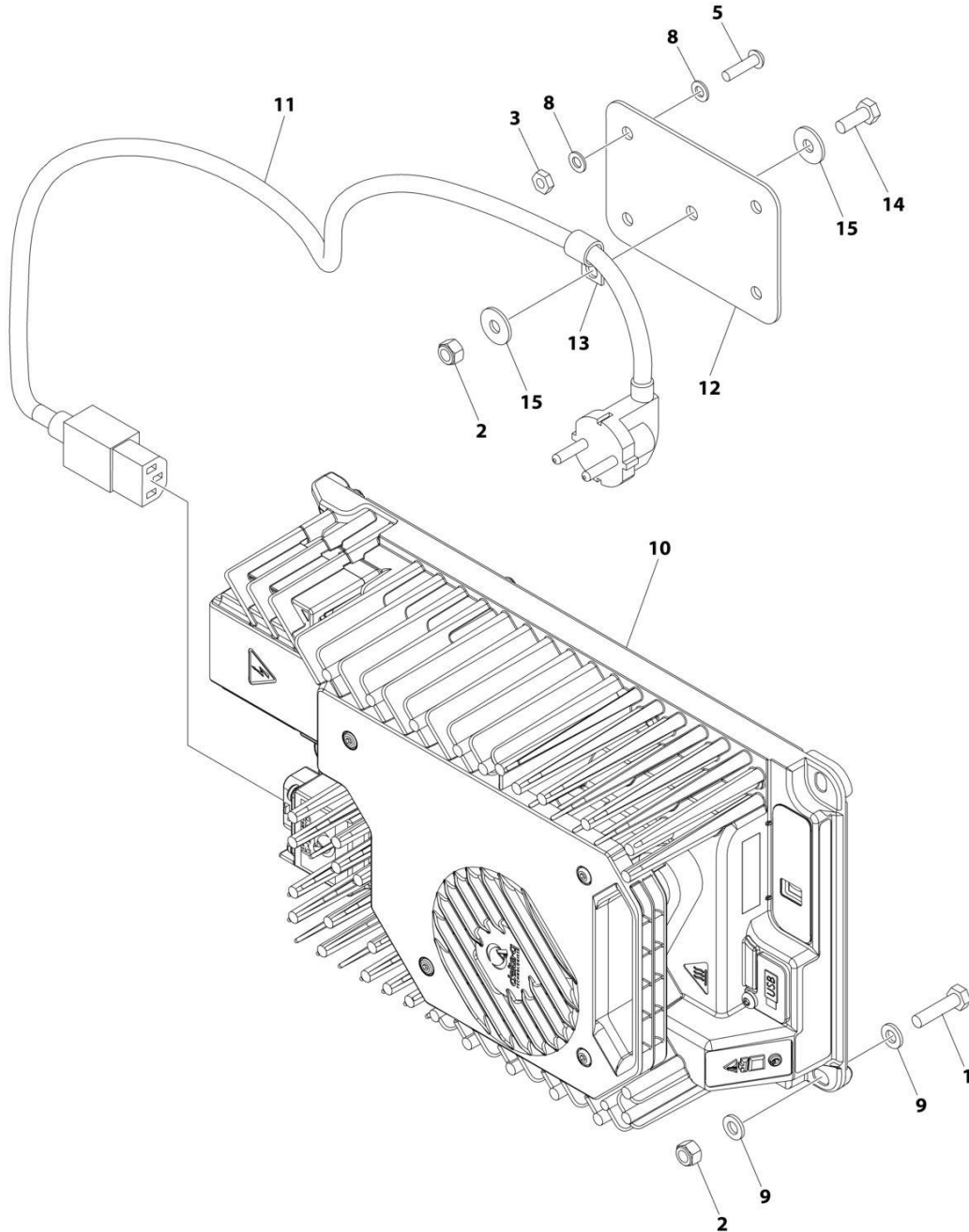
SECTION 2 - GROUND CONTROLS

FIGURE 2-16. BATTERY CHARGER INSTALLATION (CHINA PLUG) (SN M200063428 to Present, Excluding M200063533, M200063633, M200064812, M200065100 and M200065191)

ITEM	PART NUMBER	QTY	DESCRIPTION	REV
	1001254880	Ref	BATTERY CHARGER INSTALLATION	C
1	0700612	4	Bolt M6 x 25	
2	3290605	5	Nut M6	
9	4811700	8	Washer M6	
10	1001207973	1	Cable, AC	
11	1001265677	1	Charger Assembly	
13	1321293	1	Clamp	
14	0760610	1	Bolt M6 x 20	
15	4811702	2	Washer M6	
16	2540045	1	Grommet	

SECTION 2 - GROUND CONTROLS

FIGURE 2-17. BATTERY CHARGER INSTALLATION (KOREAN PLUG) (Prior to SN M200063428, Including M200063533, M200063633, M200064812, M200065100 and M200065191)



ART_1001254882

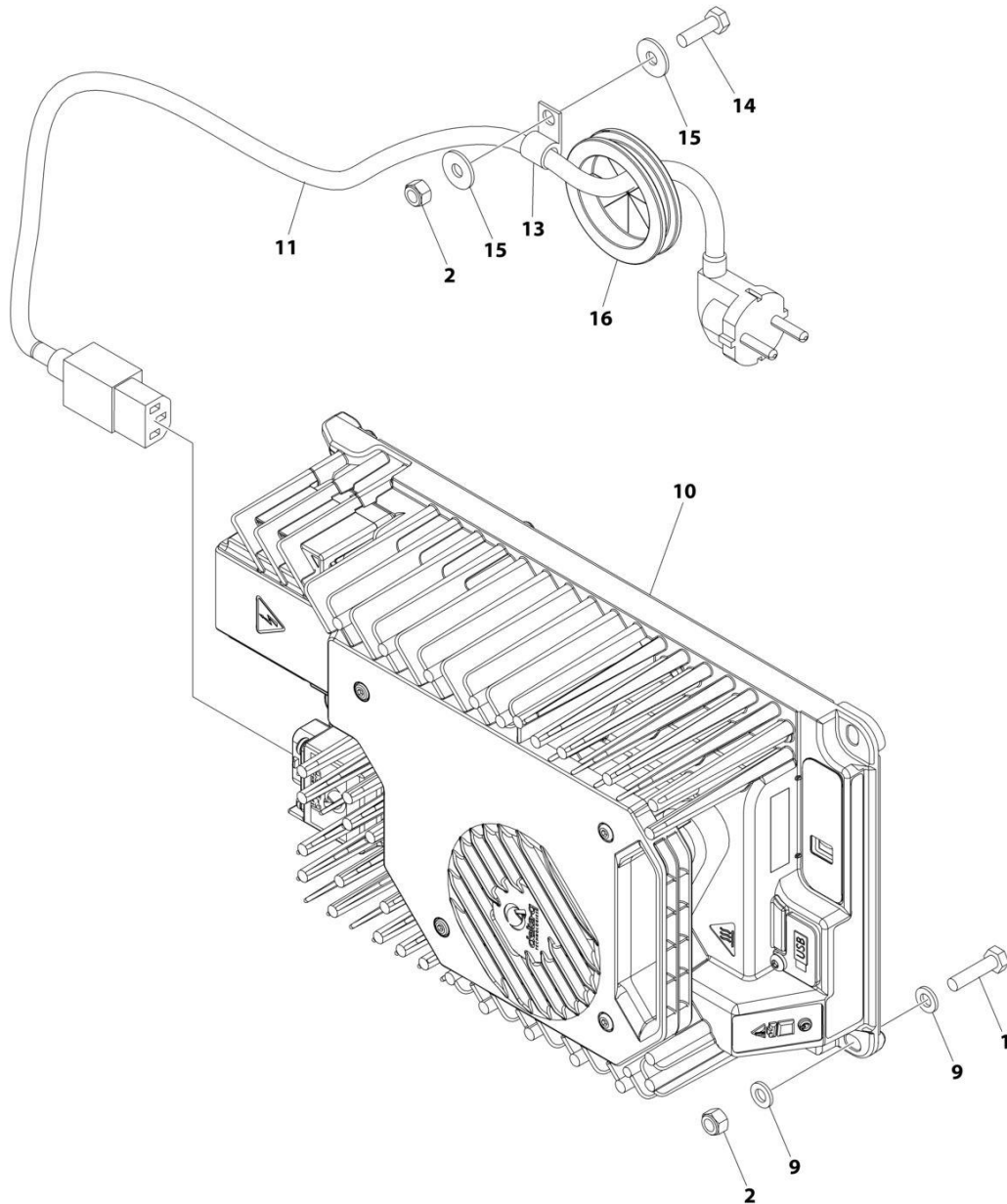
SECTION 2 - GROUND CONTROLS

FIGURE 2-17. BATTERY CHARGER INSTALLATION (KOREAN PLUG) (Prior to SN M200063428, Including M200063533, M200063633, M200064812, M200065100 and M200065191)

ITEM	PART NUMBER	QTY	DESCRIPTION	REV
	1001254882	Ref	BATTERY CHARGER INSTALLATION	B
1	0700612	4	Bolt M6 x 25	
2	3290605	5	Nut M6	
3	3311005	4	Nut #10	
5	3911012	4	Screw #10 x 3/4	
8	4811600	8	Washer M5	
9	4811700	8	Washer M6	
10	1001265677	1	Charger Assembly	
11	1001265678	1	Cable, AC	
12	1001266001	1	Cover	
13	1321293	1	Clamp	
14	0760608	1	Bolt M6 x 16	
15	4811702	2	Washer M6	

SECTION 2 - GROUND CONTROLS

FIGURE 2-18. BATTERY CHARGER INSTALLATION (KOREAN PLUG) (SN M200063428 to Present, Excluding M200063533, M200063633, M200064812, M200065100 and M200065191)



ART_1001254882_C

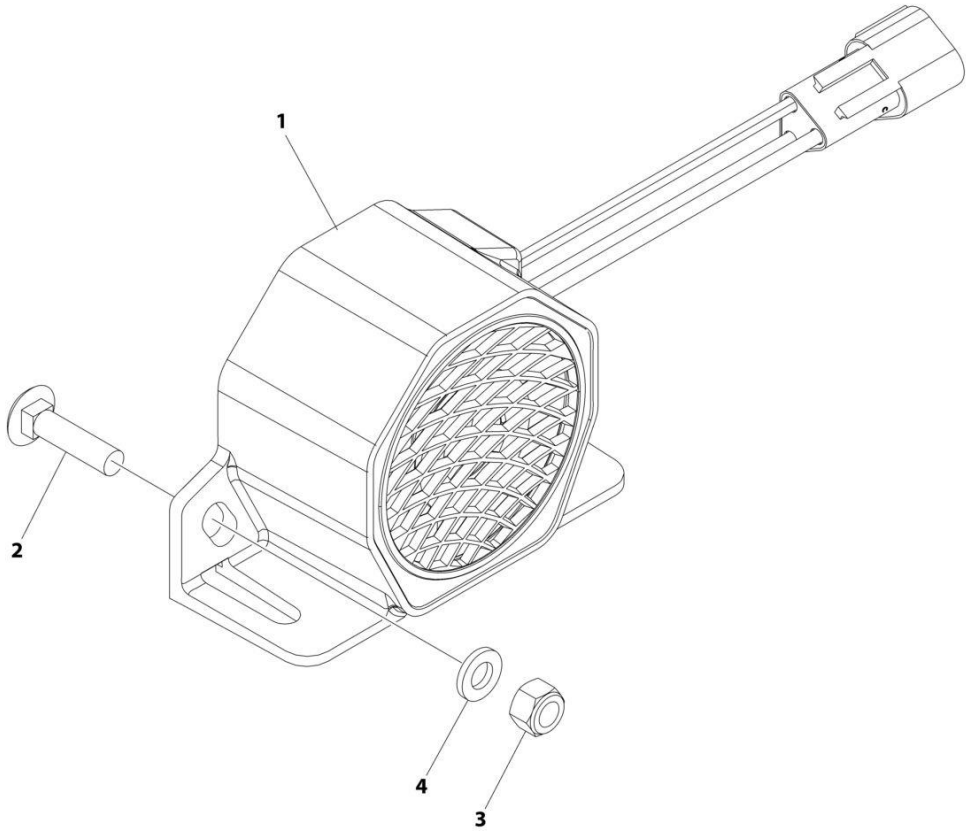
SECTION 2 - GROUND CONTROLS

FIGURE 2-18. BATTERY CHARGER INSTALLATION (KOREAN PLUG) (SN M200063428 to Present, Excluding M200063533, M200063633, M200064812, M200065100 and M200065191)

ITEM	PART NUMBER	QTY	DESCRIPTION	REV
	1001254882	Ref	BATTERY CHARGER INSTALLATION	C
1	0700612	4	Bolt M6 x 25	
2	3290605	5	Nut M6	
9	4811700	8	Washer M6	
10	1001265677	1	Charger Assembly	
11	1001265678	1	Cable, AC	
13	1321293	1	Clamp	
14	0760610	1	Bolt M6 x 20	
15	4811702	2	Washer M6	
16	2540045	1	Grommet	

SECTION 2 - GROUND CONTROLS

FIGURE 2-19. ALARM INSTALLATION (HORN)



ART_1001250678

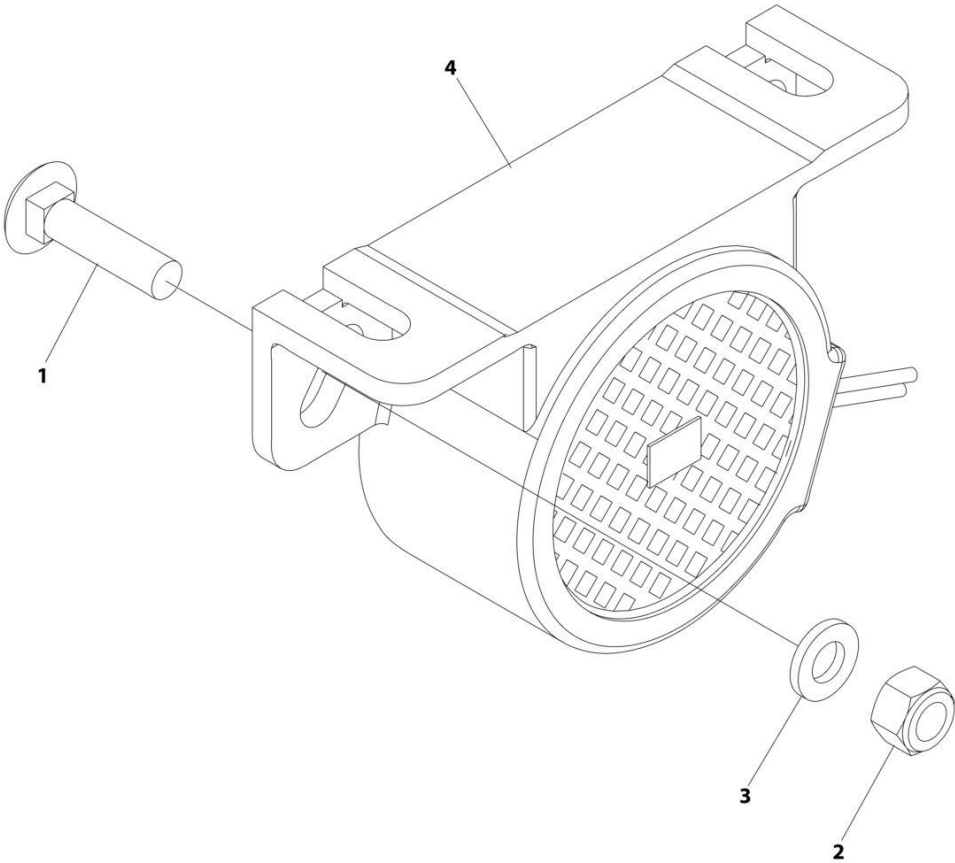
SECTION 2 - GROUND CONTROLS

FIGURE 2-19. ALARM INSTALLATION (HORN)

ITEM	PART NUMBER	QTY	DESCRIPTION	REV
	1001250678	Ref	ALARM INSTALLATION	C
1	0140043	1	Alarm	
2	0630587	2	Bolt M6 x 25	
3	3290605	2	Nut M6	
4	4811700	2	Washer M6	

SECTION 2 - GROUND CONTROLS

FIGURE 2-20. ALARM INSTALLATION (WHITE NOISE)



ART_1001249309

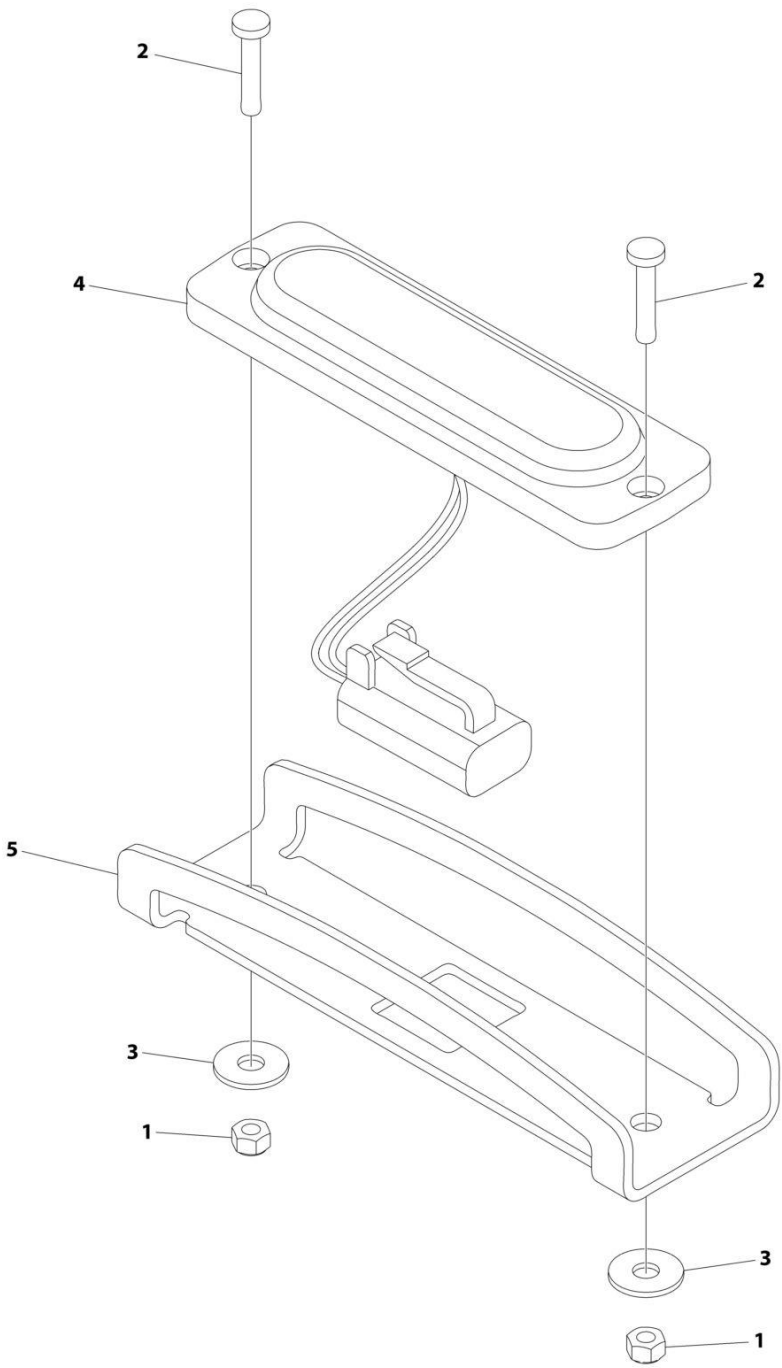
SECTION 2 - GROUND CONTROLS

FIGURE 2-20. ALARM INSTALLATION (WHITE NOISE)

ITEM	PART NUMBER	QTY	DESCRIPTION	REV
	1001249309	Ref	ALARM INSTALLATION	C
1	0630587	2	Bolt M6 x 25	
2	3290605	2	Nut M6	
3	4811700	2	Washer M6	
4	1001184682	1	Alarm	
4	4460897	1	Receptacle, Female - 2 Position	
4	4460464	2	Pin, Male	

SECTION 2 - GROUND CONTROLS

FIGURE 2-21. STROBE LIGHT INSTALLATION - SINGLE



ART_1001249306

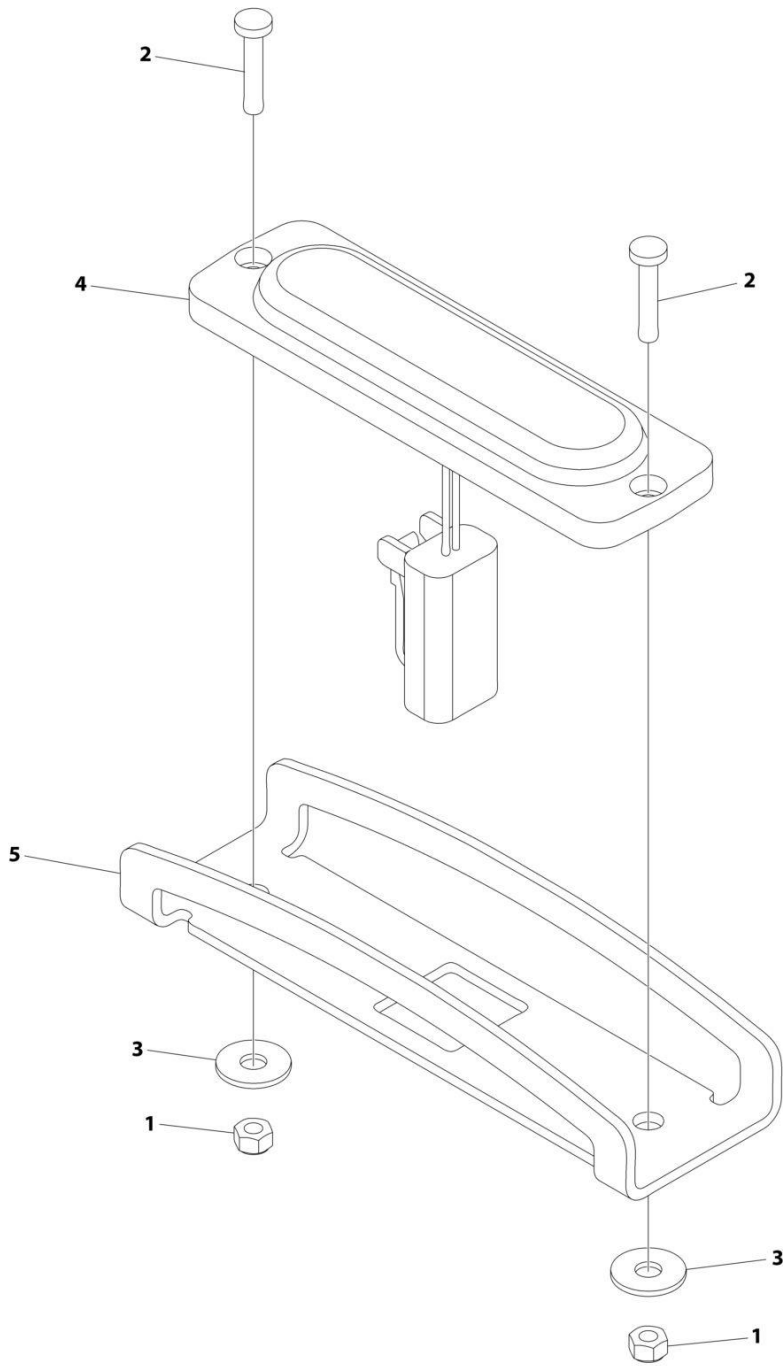
SECTION 2 - GROUND CONTROLS

FIGURE 2-21. STROBE LIGHT INSTALLATION - SINGLE

ITEM	PART NUMBER	QTY	DESCRIPTION	REV
	1001249306	Ref	STROBE LIGHT INSTALLATION - SINGLE	B
1	3290305	4	Nut M3	
2	4010308	4	Screw M3 x16	
3	1001091102	6	Washer M4	
4	1001239224	1	Lamp, Beacon	
4	4460891	1	Plug, Male - 2 Position	
4	4460465	2	Socket, Female	
5	1001242539	1	Guard	
6	1001263345	1	Cover, Hood (Not Shown - Located on Opposite Hood)	

SECTION 2 - GROUND CONTROLS

FIGURE 2-22. STROBE LIGHT INSTALLATION - DUAL



ART_1001249307

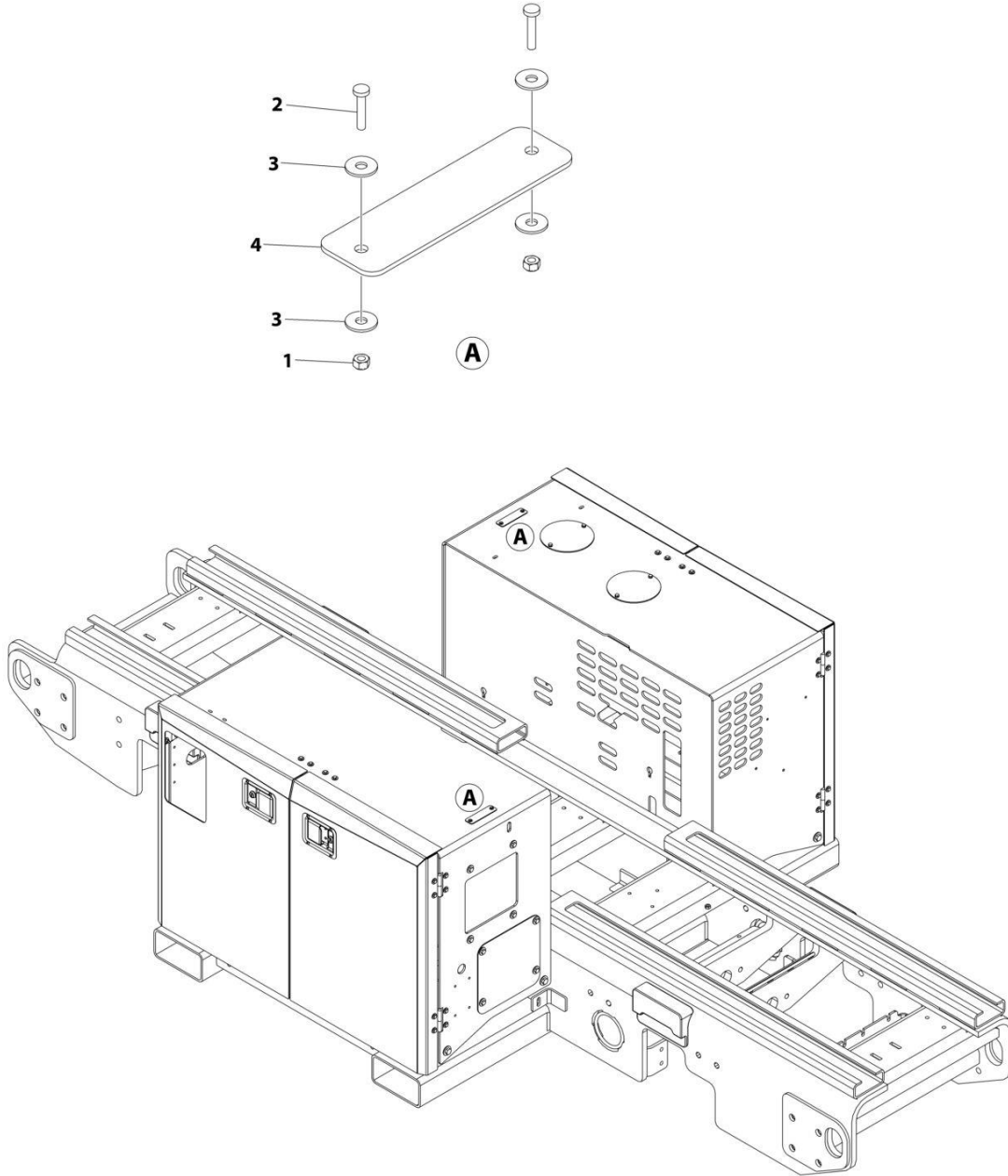
SECTION 2 - GROUND CONTROLS

FIGURE 2-22. STROBE LIGHT INSTALLATION - DUAL

ITEM	PART NUMBER	QTY	DESCRIPTION	REV
	1001249307	Ref	STROBE LIGHT INSTALLATION - DUAL	A
1	3290305	4	Nut M3	
2	4010308	4	Screw M3 x16	
3	1001091102	4	Washer M4	
4	1001239224	2	Lamp, Beacon	
4	4460891	1	Plug, Male - 2 Position	
4	4460465	2	Socket, Female	
5	1001242539	2	Guard	

SECTION 2 - GROUND CONTROLS

FIGURE 2-23. NO BEACON (COVERS)



ART_1001267649

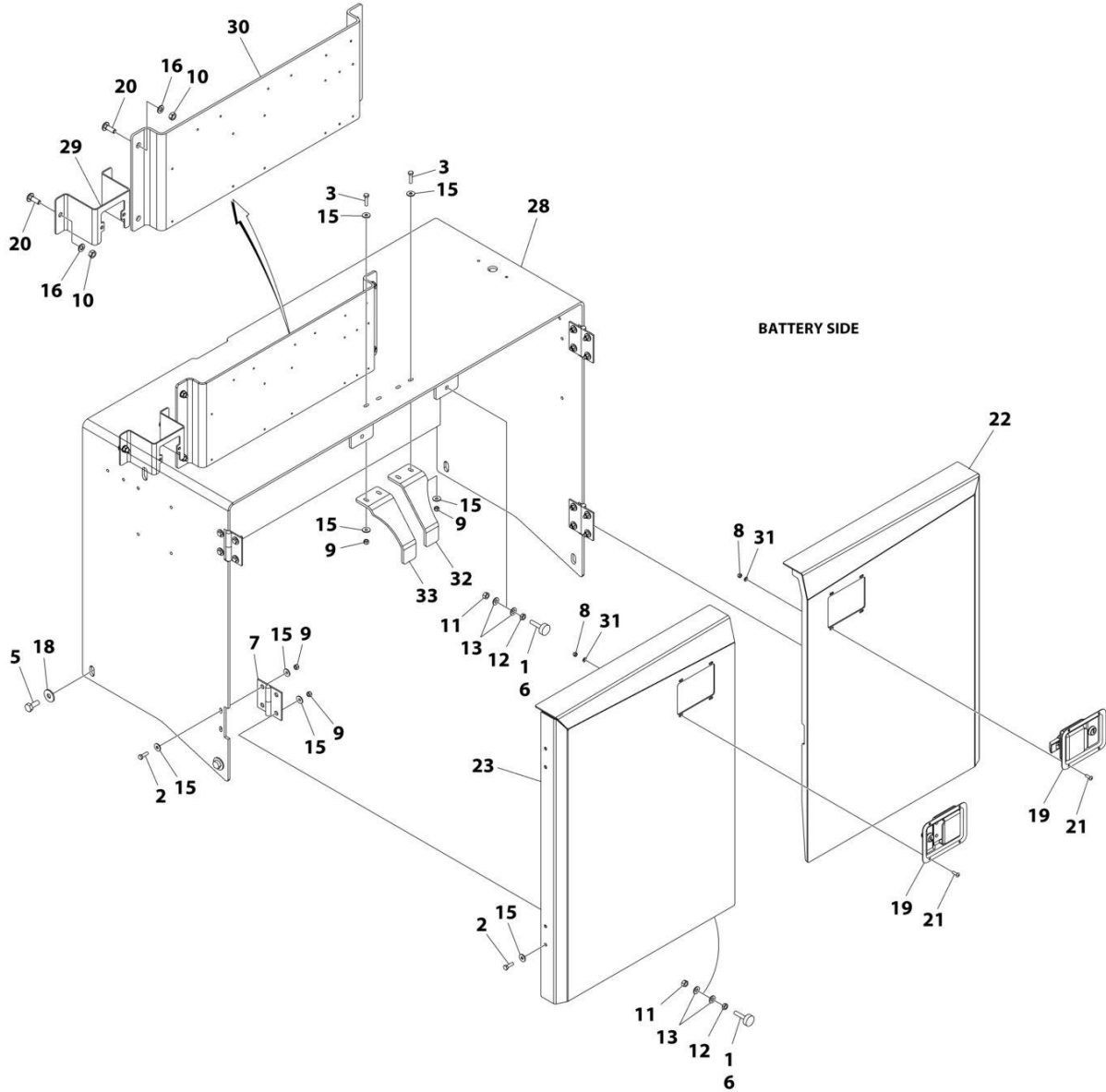
SECTION 2 - GROUND CONTROLS

FIGURE 2-23. NO BEACON (COVERS)

ITEM	PART NUMBER	QTY	DESCRIPTION	REV
	1001267649	Ref	NO BEACON (COVERS)	A
1	3290305	4	Nut M3	
2	4010308	4	Screw M3 x16	
3	1001091102	8	Washer M4	
4	1001263345	2	Cover, Hood	

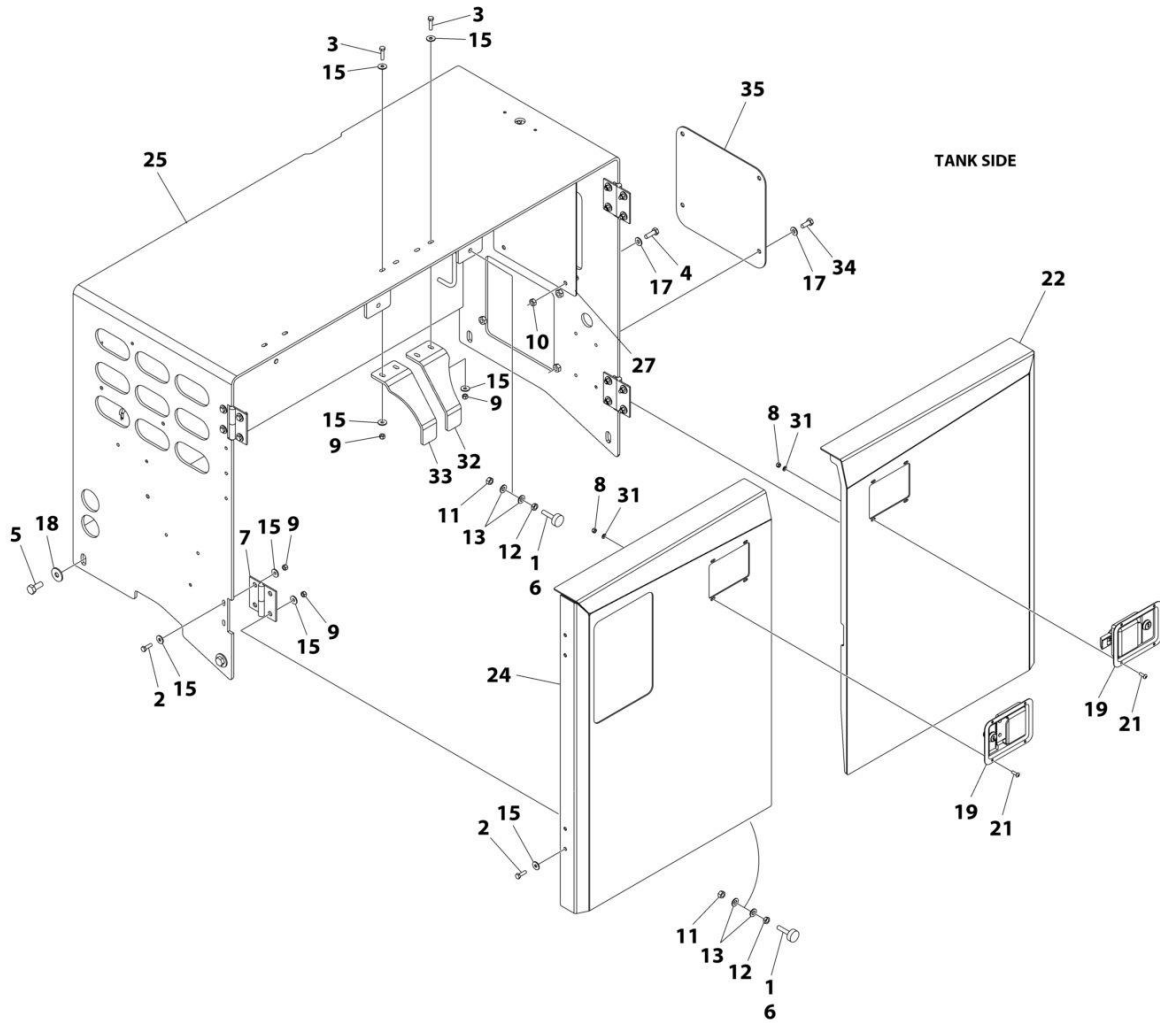
SECTION 2 - GROUND CONTROLS

FIGURE 2-24. HOODS INSTALLATION



ART_1001254827_1OF2

SECTION 2 - GROUND CONTROLS



ART_1001254827_20F2

SECTION 2 - GROUND CONTROLS

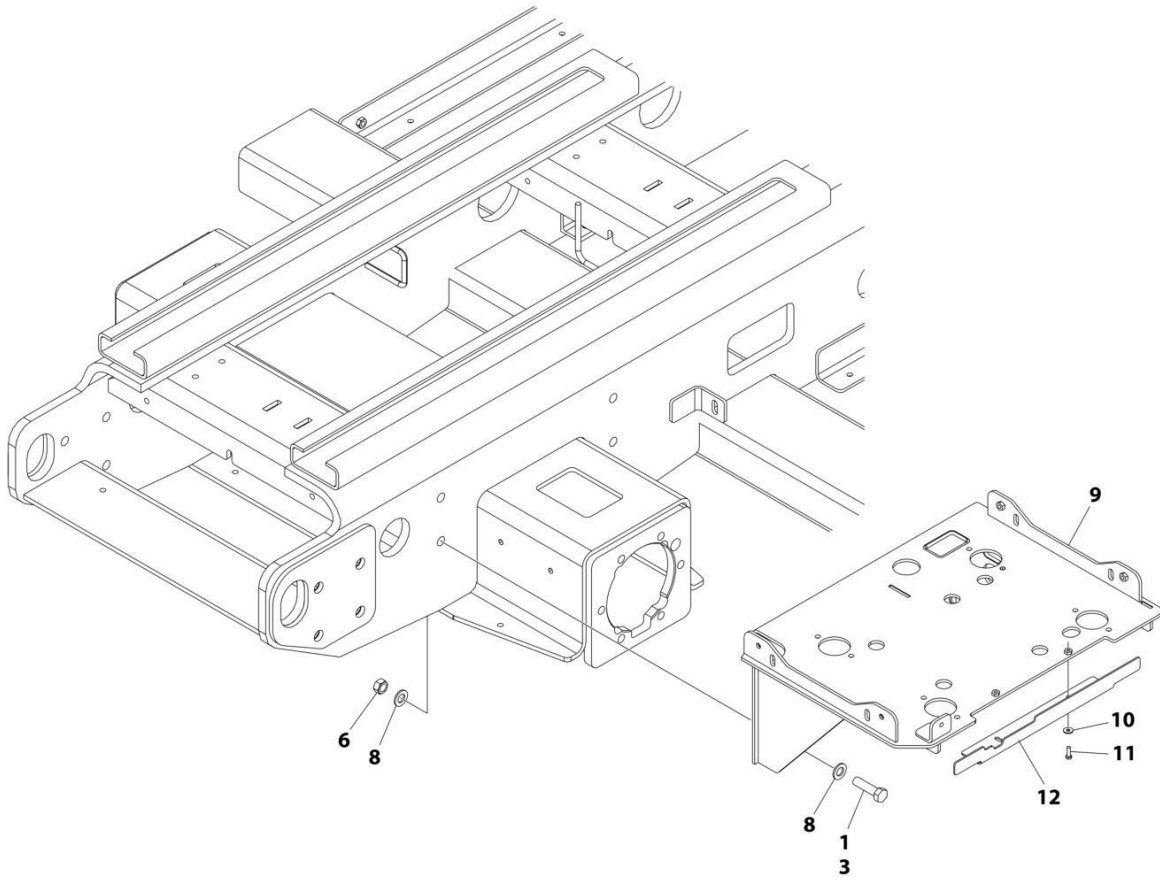
FIGURE 2-24. HOODS INSTALLATION

ITEM	PART NUMBER	QTY	DESCRIPTION	REV
	1001254827	Ref	HOODS INSTALLATION	E
1	0100011	AR	Compound, Locking	
2	0760610	32	Bolt M6 x 20	
3	0760612	8	Bolt M6 x 25	
4	0770812	4	Bolt M8 x 25	
5	0761012	8	Bolt M10 x 25	
6	1001260334	8	Bumper	
7	2600216	8	Hinge	
8	3290505	16	Nut M5	
9	3290605	40	Nut M6	
10	3290801	10	Nut M8	
11	3311501	8	Nut 5/16	
12	3311502	8	Nut 5/16	
13	4711500	16	Washer 5/16	
15	4811702	80	Washer M6	
16	4811900	6	Washer M8	
17	4811902	12	Washer M8	
18	4812002	8	Washer M10	
19	1001257454	4	Latch, Lock	
20	1001218448	6	Bolt	
21	1001234348	16	Screw M5 x 16 Grade 10.9	
22	1001247637	2	Door (Hydraulic Side RH/Engine Side RH)	
23	1001247638	1	Door (Engine Side LH)	
24	1001247639	1	Door (Hydraulic Side LH)	
25	1001248043	1	Shield (Hydraulic Side)	
27	1001248162	1	Cover	
28	1001255815	1	Cover, Battery	
29	1001256372	1	Bracket	
30	1001256373	1	Bracket	
31	4811600	16	Washer M5	
32	1001257688	2	Bracket, Striker	
33	1001257689	2	Bracket, Striker	
34	0760810	4	Bolt M8 x 20	
35	1001263930	1	Cover	

SECTION 3 - ENGINE

SECTION 3 - ENGINE

FIGURE 3-1. ENGINE MOUNTING INSTALLATION (GENSET)



ART_1001259032

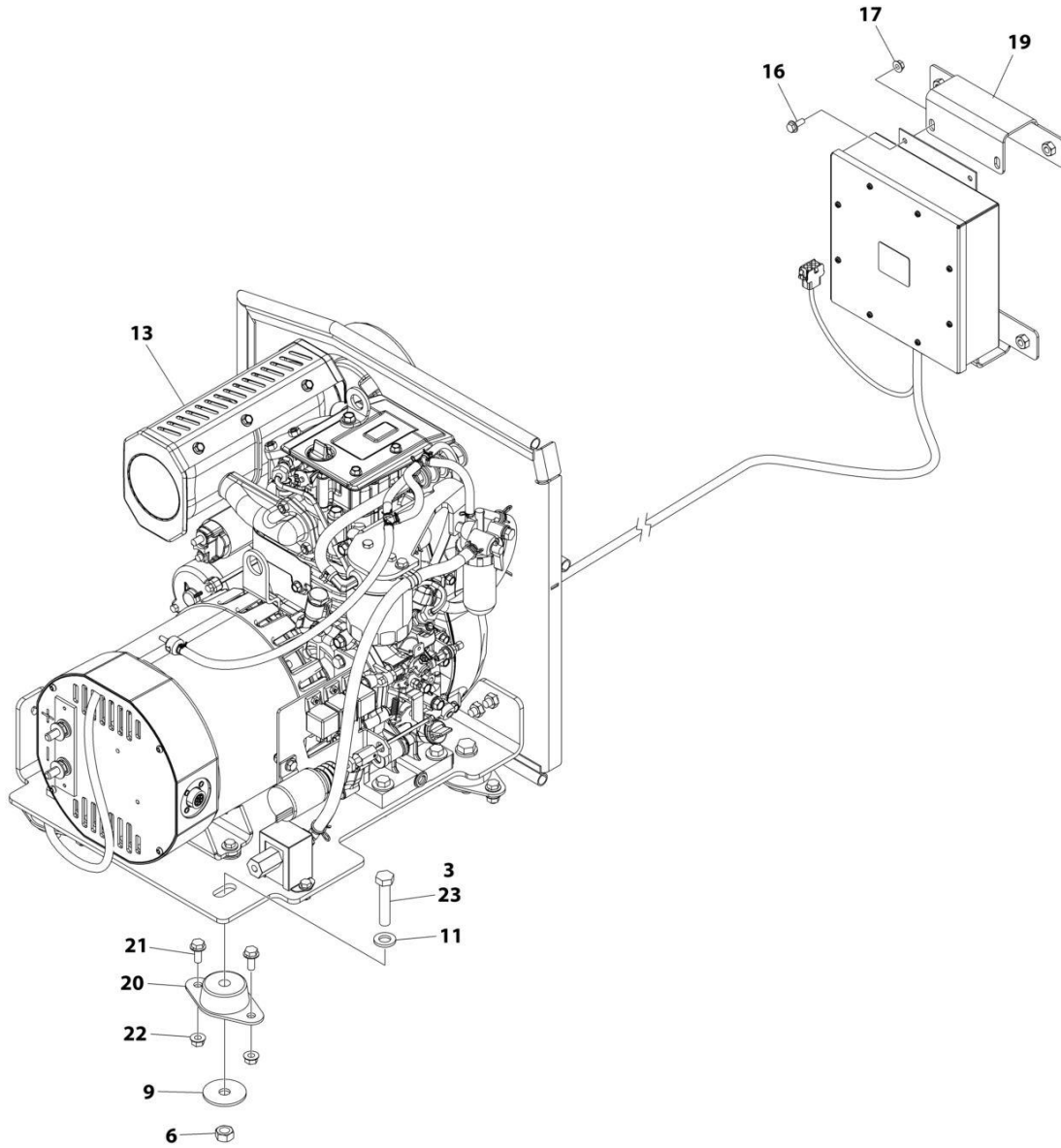
SECTION 3 - ENGINE

FIGURE 3-1. ENGINE MOUNTING INSTALLATION (GENSET)

ITEM	PART NUMBER	QTY	DESCRIPTION	REV
	1001259032	Ref	ENGINE INSTALLATION	C
1	0100011	AR	Compound, Locking	
3	0761620	4	Bolt M16 x 60	
6	3331611	4	Nut M16	
8	5241600	8	Washer M16	
9	1001290338	1	Bracket	
10	4811702	2	Washer M6	
11	0760610	2	Bolt M6 x 20	
12	1001290309	1	Bracket	

SECTION 3 - ENGINE

FIGURE 3-2. KUBOTA ENGINE INSTALLATION (GENSET)



ART_1001259030

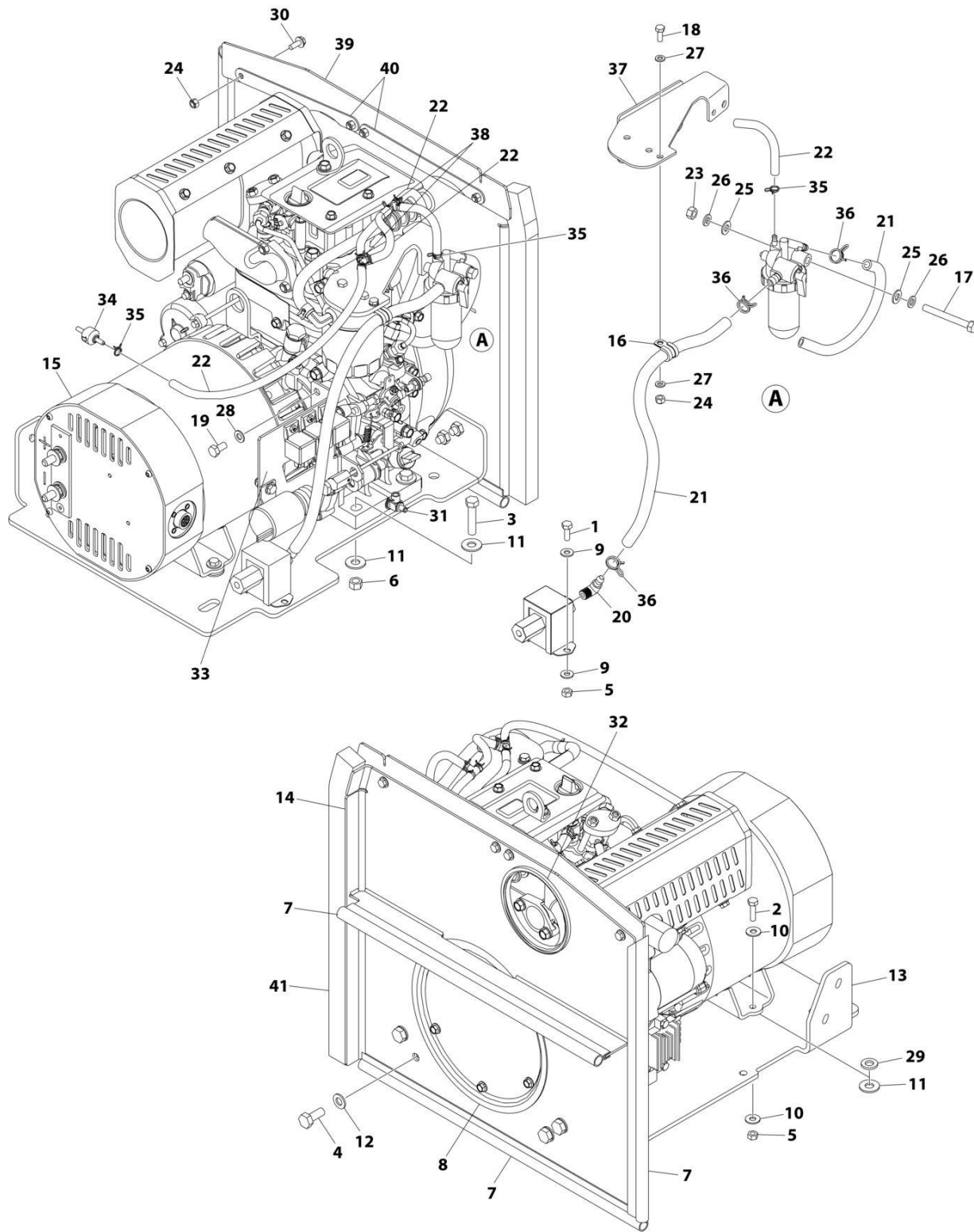
SECTION 3 - ENGINE

FIGURE 3-2. KUBOTA ENGINE INSTALLATION (GENSET)

ITEM	PART NUMBER	QTY	DESCRIPTION	REV
	1001259030	Ref	ENGINE INSTALLATION	D
3	0711220	4	Bolt M12 x 60	
6	3331211	4	Nut M12	
9	4740274	4	Washer	
11	5241200	4	Washer M12	
13	1001278112	1	Kubota Engine (See Separate Breakdown in this Section)	
16	5250608	4	Bolt 6 x 16	
17	5260600	4	Nut M6	
19	1001260677	2	Bracket	
20	3200425	4	Mount, Motor	
21	5250810	8	Bolt 8 x 20	
22	5260800	8	Nut M8	
23	0100011	AR	Compound, Locking	

SECTION 3 - ENGINE

FIGURE 3-3. ENGINE ASSEMBLY (Prior to SN M200065379, Including M200065386 and M200065389)



ART_1001278112

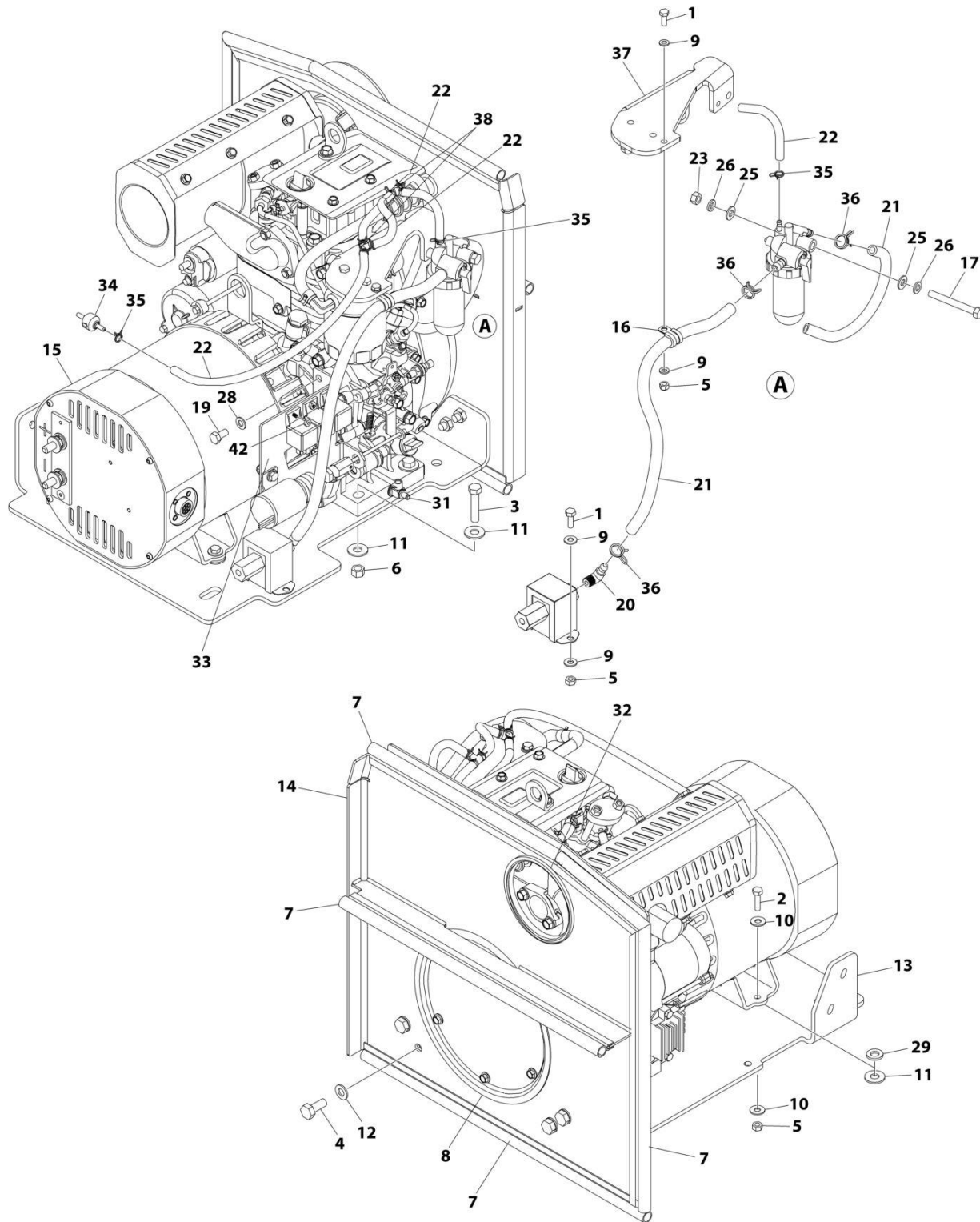
SECTION 3 - ENGINE

FIGURE 3-3. ENGINE ASSEMBLY (Prior to SN M200065379, Including M200065386 and M200065389)

ITEM	PART NUMBER	QTY	DESCRIPTION	REV
	1001278112	Ref	ENGINE ASSEMBLY	B
1	0641406	2	Bolt 1/4 x 3/4	
2	0641408	2	Bolt 1/4x 1	
3	0641614	4	Bolt 3/8 x 1-3/4	
4	0771012	4	Bolt M10 x 25	
5	3311405	4	Nut 1/4	
6	3311605	4	Nut 3/8	
7	3960389	4.59 ft /1.4m	Seal	
8	3960418	2.29 ft /0.699m	Seal	
9	4711400	4	Washer 1/4	
10	4751400	4	Washer 1/4	
11	4751600	10	Washer 3/8	
12	4812000	4	Washer M10	
13	1001288644	1	Tray, Engine	
14	1001288385	1	Bracket	
15	1001278480	1	Kubota Motor/Generator Assembly (See Separate Breakdown in this Section)	
16	80630	1	Clamp	
17	0681522	1	Bolt 5/16 x 2-3/4	
18	0760608	1	Bolt M6 x 16	
19	0760808	2	Bolt M8 x 16	
20	2220805	1	Fitting, Barbed 90	
21	2720058	2.37 ft /0.723m	Hose	
22	2720271	3.96 ft /1.21m	Hose	
23	3271501	1	Nut 5/16	
24	3290605	5	Nut M6	
25	4711500	2	Washer 5/16	
26	4761500	2	Washer 5/16	
27	4811700	2	Washer M6	
28	4811900	2	Washer M8	
29	5241000	2	Washer M10	
30	5250608	4	Bolt 6 x 16	
31	1001161497	1	Valve, Oil Drain	
32	1001288387	1.25 ft /0.382m	Seal	
33	1001288405	1	Bracket	
34	1001288419	1	Valve	
35	1001288420	10	Clamp	
36	1001288421	4	Clamp	
37	1001288642	1	Bracket	
38	1001288851	2	Fitting, Barbed	
39	1001290307	1	Seal	
40	1001291006	2	Plate,Support	
41	1001291027	1	Seal	

SECTION 3 - ENGINE

FIGURE 3-4. ENGINE ASSEMBLY (SN M200065379 to Present, Excluding M200065386 and M200065389)



ART_1001278112_C

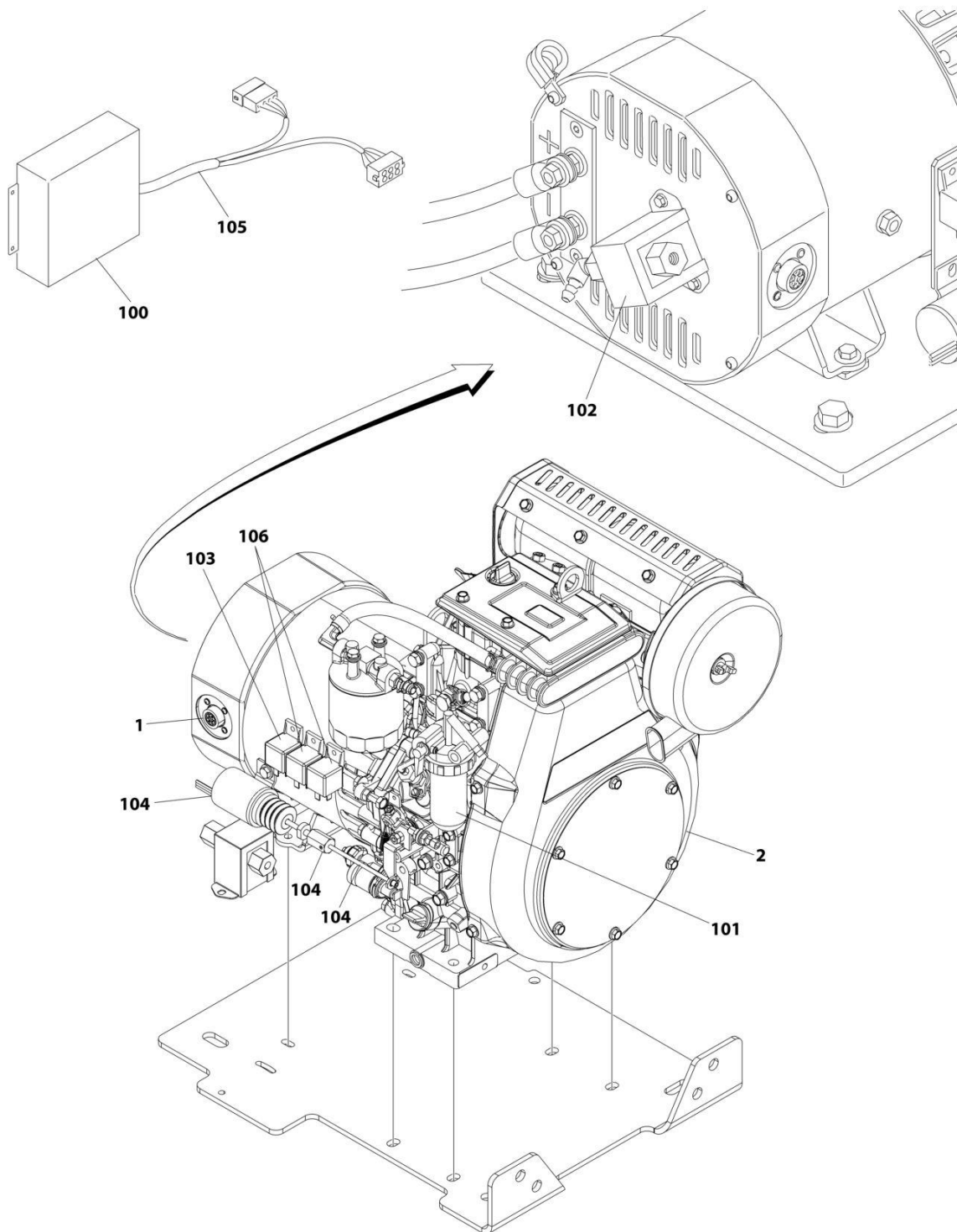
SECTION 3 - ENGINE

FIGURE 3-4. ENGINE ASSEMBLY (SN M200065379 to Present, Excluding M200065386 and M200065389)

ITEM	PART NUMBER	QTY	DESCRIPTION	REV
	1001278112	Ref	ENGINE ASSEMBLY	C
1	0641406	3	Bolt 1/4 x 3/4	
2	0641408	2	Bolt 1/4x 1	
3	0641614	4	Bolt 3/8 x 1-3/4	
4	0681608	4	Bolt 3/8 x 1	
5	3311405	5	Nut 1/4	
6	3311605	4	Nut 3/8	
7	3960389	4.59 ft /1.4m	Seal	
8	3960418	2.29 ft /0.699m	Seal	
9	4711400	6	Washer 1/4	
10	4751400	4	Washer 1/4	
11	4751600	10	Washer 3/8	
12	4711600	4	Washer 3/8	
13	1001293686	1	Tray, Engine	
14	1001293687	1	Bracket	
15	1001278480	1	Kubota Motor/Generator Assembly (See Separate Breakdown in this Section)	
16	80630	1	Clamp	
17	0681522	1	Bolt 5/16 x 2-3/4	
19	0760808	2	Bolt M8 x 16	
20	2220805	1	Fitting, Barbed 90	
21	2720058	2.37 ft /0.723m	Hose	
22	2720271	3.96 ft /1.21m	Hose	
23	3271501	1	Nut 5/16	
25	4711500	2	Washer 5/16	
26	4761500	2	Washer 5/16	
28	4811900	2	Washer M8	
29	5241000	2	Washer M10	
31	1001161497	1	Valve, Oil Drain	
32	1001288387	1.25 ft /0.382m	Seal	
33	1001294785	1	Bracket	
34	1001288419	1	Valve	
35	1001288420	10	Clamp	
36	1001288421	4	Clamp	
37	1001293326	1	Bracket	
38	1001288851	2	Fitting, Barbed	
42	3310801	3	Nut #8	

SECTION 3 - ENGINE

FIGURE 3-5. KUBOTA MOTOR/GENERATOR ASSEMBLY



ART_1001278480

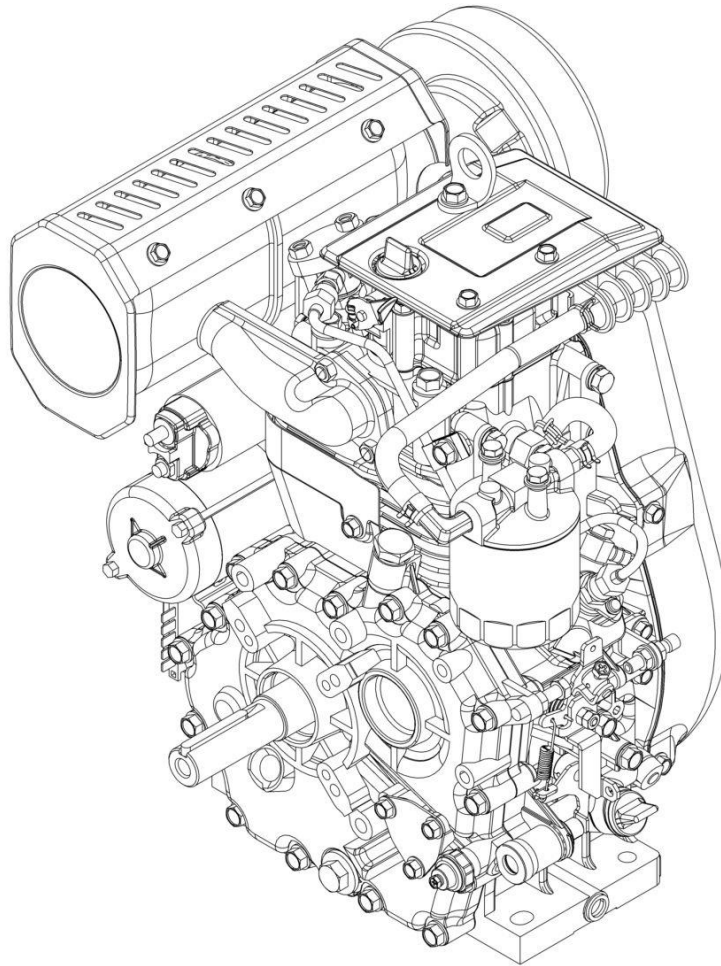
SECTION 3 - ENGINE

FIGURE 3-5. KUBOTA MOTOR/GENERATOR ASSEMBLY

ITEM	PART NUMBER	QTY	DESCRIPTION	REV
	1001278480	Ref	KUBOTA MOTOR/GENERATOR ASSEMBLY	C
1	1001288354	1	Generator	
2	1001288358	1	Engine, Kubota (See Separate Breakdown in this Section)	
100	1001280706	1	Module, Engine Control	
101	1001288364	1	Inline Fuel Check Valve Assembly	
102	1001288363	1	Pump, Fuel	
103	70000322	1	Relay	
104	70000321	1	Solenoid, Fuel	
104	70003618	1	Adapter, Solenoid	
104	70003619	1	Screw	
105	70000328	1	Harness, Generator	
106	70000323	2	Relay	

SECTION 3 - ENGINE

FIGURE 3-6. KUBOTA ENGINE COMPONENTS



ART_1001288358

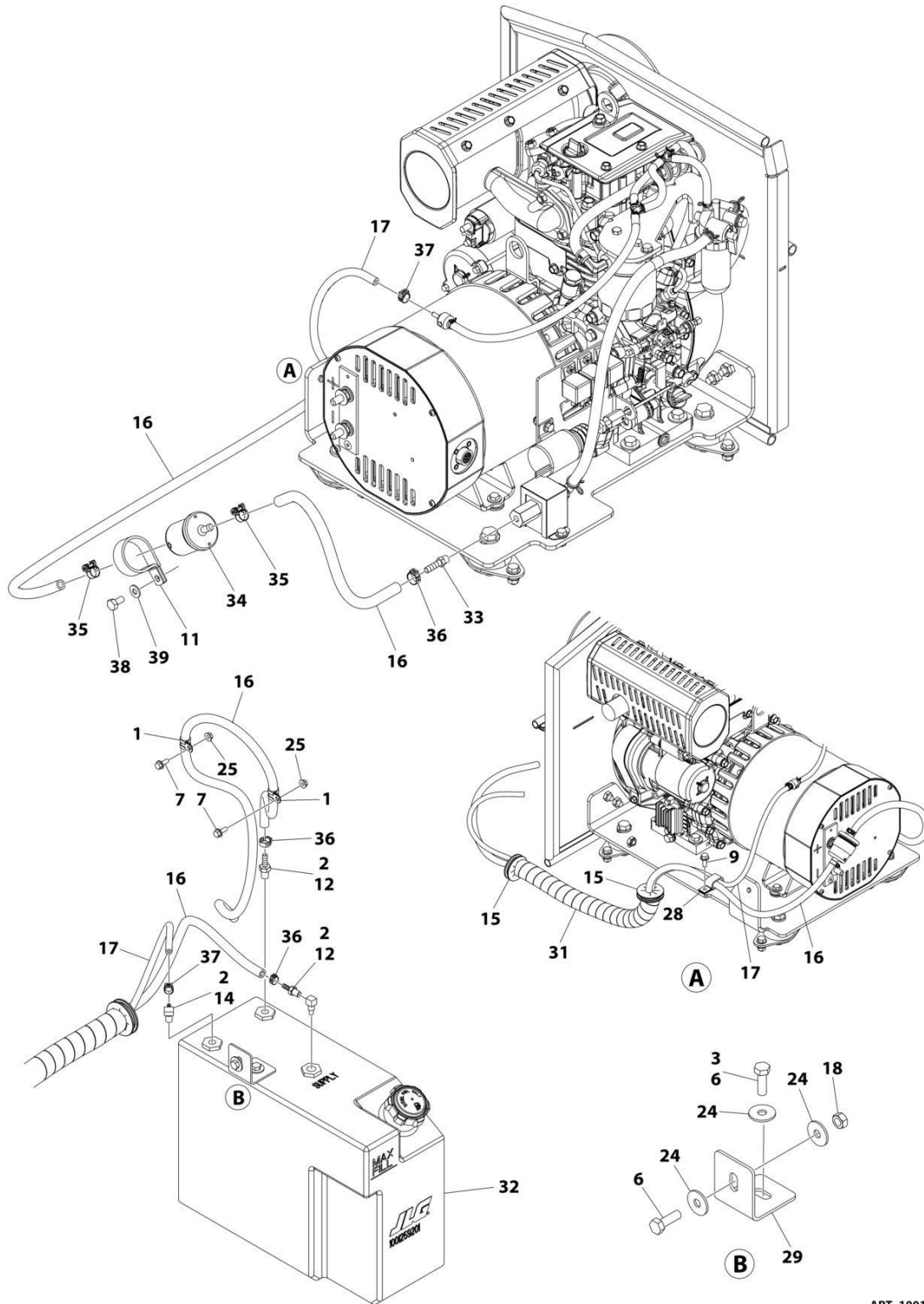
SECTION 3 - ENGINE

FIGURE 3-6. KUBOTA ENGINE COMPONENTS

ITEM	PART NUMBER	QTY	DESCRIPTION	REV
	1001288358 See Note	Ref Ref	ENGINE, KUBOTA Note: No Service Parts Available at Time of Printing.	A

SECTION 3 - ENGINE

FIGURE 3-7. ENGINE FUEL LINES INSTALLATION (GENSET)



ART_1001259031

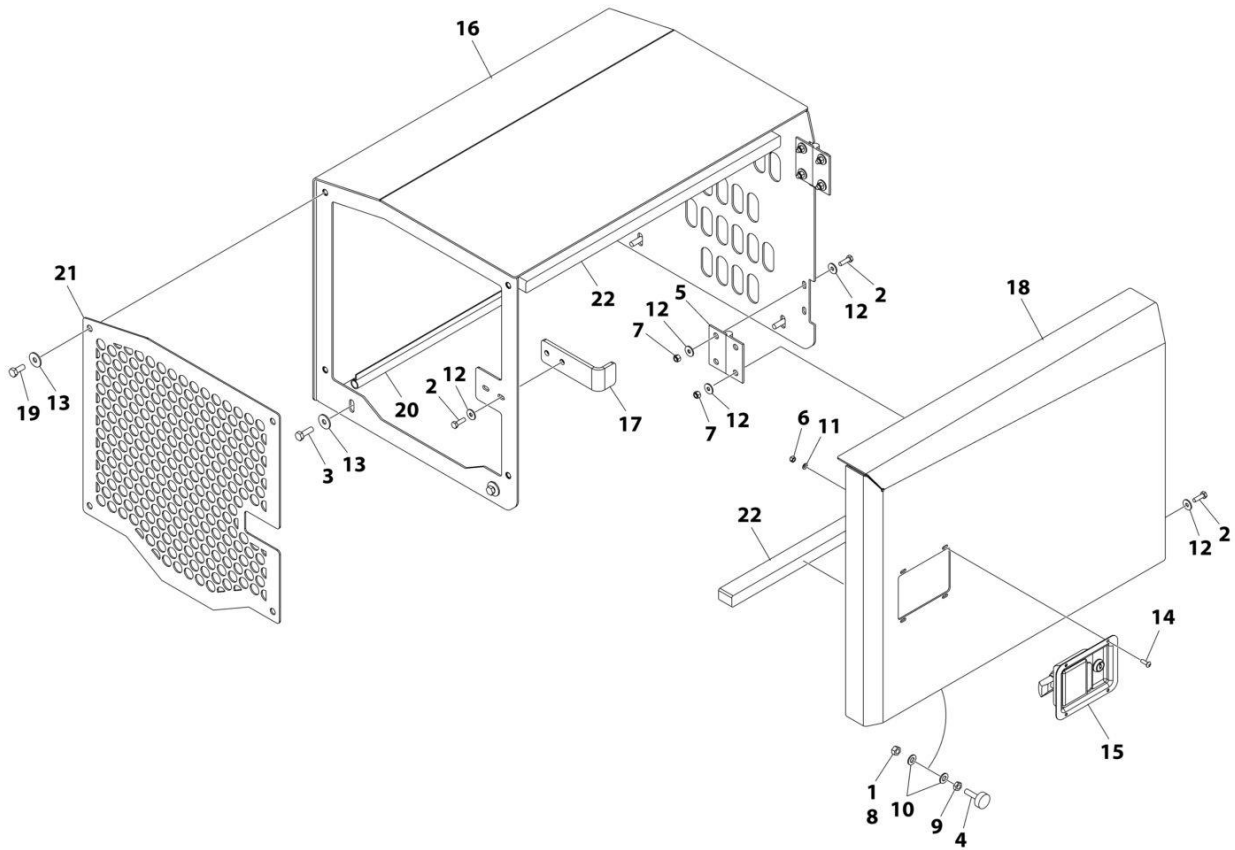
SECTION 3 - ENGINE

FIGURE 3-7. ENGINE FUEL LINES INSTALLATION (GENSET)

ITEM	PART NUMBER	QTY	DESCRIPTION	REV
	1001259031	Ref	FUEL LINES INSTALLATION	D
1	80630	2	Clamp	
2	0100020	AR	Sealant	
3	0100035	AR	Compound, Locking	
6	0700812	2	Bolt M8 x 25	
7	0780608	2	Bolt M6 x 16	
9	0780810	1	Bolt M8 x 20	
11	1320265	1	Clamp	
12	2180348	2	Fitting, Barb	
14	2221047	1	Fitting, 90 Barb	
15	2540045	2	Grommet	
16	2720058	11 ft/ 3.35m	Hose	
17	2720271	4.5 ft/ 1.34m	Hose	
18	3290801	1	Nut M8	
24	4811902	3	Washer M8	
25	5260600	2	Nut M6	
28	1001026127	1	Clamp	
29	1001258837	1	Bracket	
31	1001259240	1	Shield	
32	1001262074	1	Tank Assembly	
32	1001259201	1	Tank	
32	1001193336	1	Cap, Fuel (Non-Vented)	
33	2220794	1	Fitting, Straight Barb	
34	1001255422	1	Filter/Strainer, Fuel	
35	1001174486	2	Clamp	
36	1001263657	3	Clamp	
37	1001263658	2	Clamp	
38	0641404	1	Bolt 1/4 x 1/2	
39	4711400	1	Washer 1/4	

SECTION 3 - ENGINE

FIGURE 3-8. ENGINE HOOD AND DOOR INSTALLATION (GENSET) (Prior to SN M200065379, Including M200065386 and M200065389)



ART_1001259033

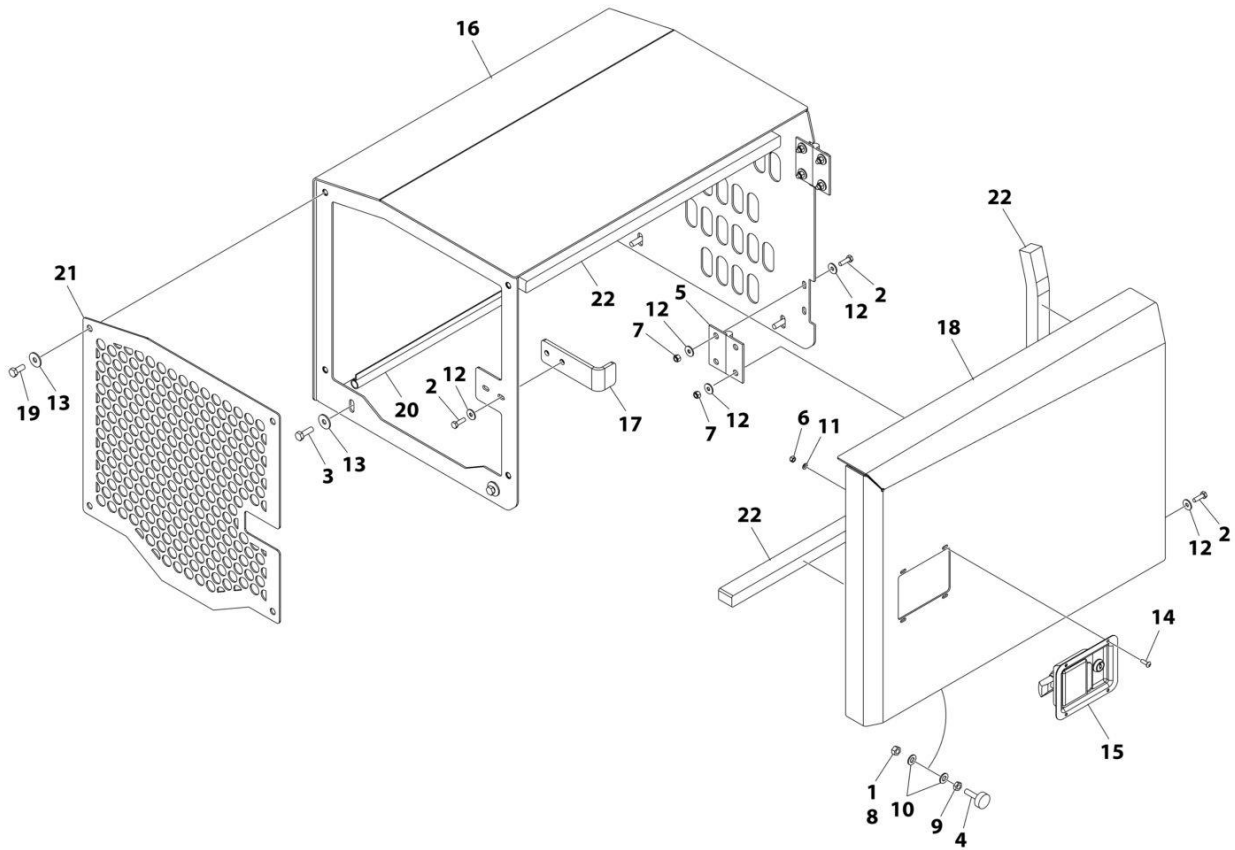
SECTION 3 - ENGINE

**FIGURE 3-8. ENGINE HOOD AND DOOR INSTALLATION (GENSET) (Prior to SN M200065379,
Including M200065386 and M200065389)**

ITEM	PART NUMBER	QTY	DESCRIPTION	REV
	1001259033	Ref	HOODS INSTALLATION	C
1	0100011	AR	Compound, Locking	
2	0760610	10	Bolt M6 x 20	
3	0770812	4	Bolt M8 x 25	
4	0940049	1	Stopper	
5	2600216	2	Hinge	
6	3290505	4	Nut M5	
7	3290605	8	Nut M6	
8	3311501	1	Nut 5/16	
9	3311502	1	Nut 5/16	
10	4711500	2	Washer 5/16	
11	4811600	4	Washer M5	
12	4811702	18	Washer M6	
13	4811902	8	Washer M8	
14	1001234348	4	Screw M5 x 16 Grade 10.9	
15	1001257454	1	Latch, Lock	
16	1001290343	1	Panel	
17	1001258870	1	Bracket	
18	1001290351	1	Door	
19	0760810	4	Bolt M8 x 20	
20	3960389	1.8 ft /0.57m	Seal	
21	1001290310	1	Plate	
22	1001291027	2	Seal	

SECTION 3 - ENGINE

FIGURE 3-9. ENGINE HOOD AND DOOR INSTALLATION (GENSET) (SN M200065379 to Present, Excluding M200065386 and M200065389)



ART_1001259033_D

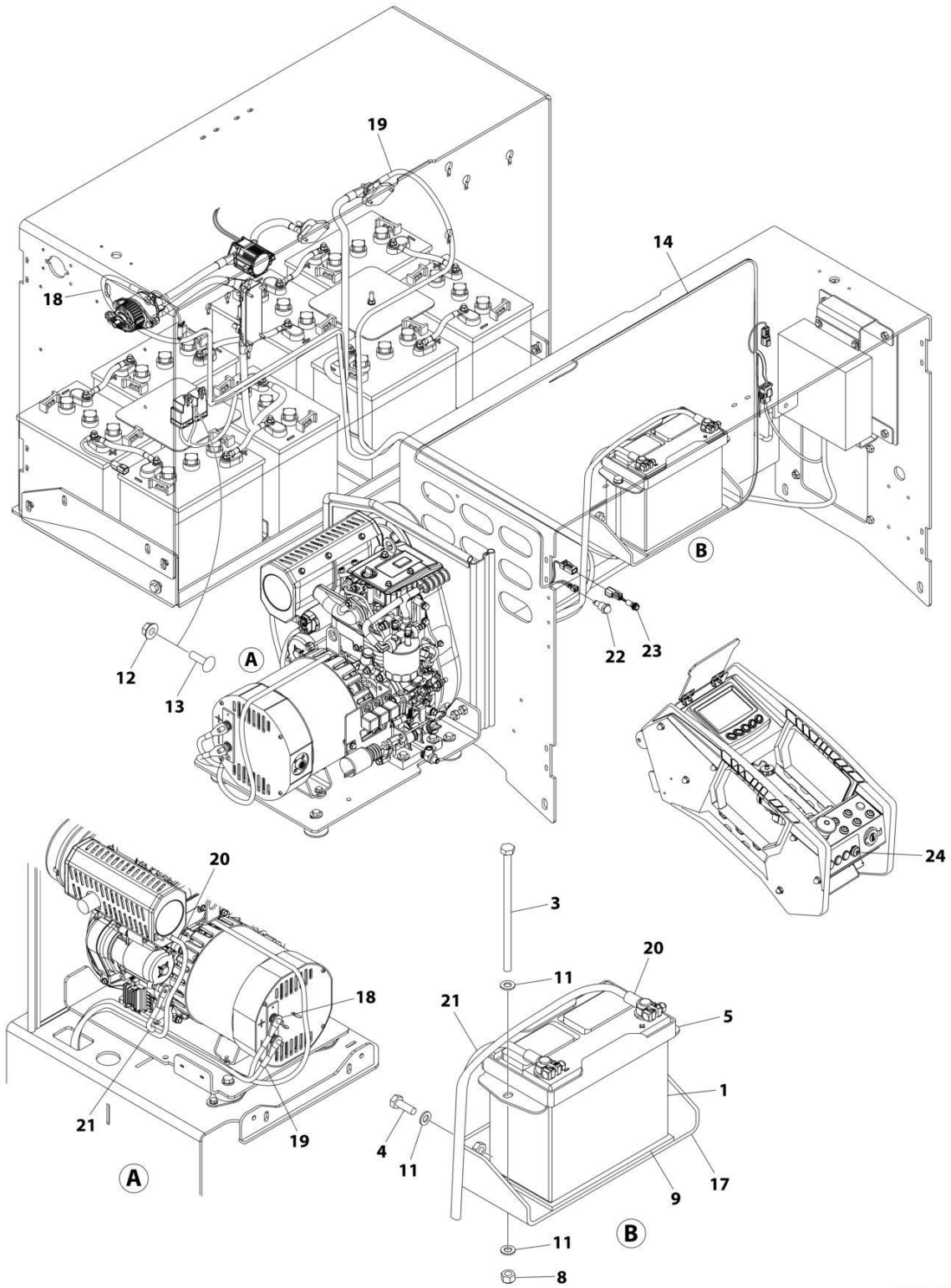
SECTION 3 - ENGINE

**FIGURE 3-9. ENGINE HOOD AND DOOR INSTALLATION (GENSET) (SN M200065379 to Present,
Excluding M200065386 and M200065389)**

ITEM	PART NUMBER	QTY	DESCRIPTION	REV
	1001259033	Ref	HOODS INSTALLATION	D
1	0100011	AR	Compound, Locking	
2	0760610	10	Bolt M6 x 20	
3	0770812	4	Bolt M8 x 25	
4	0940049	1	Stopper	
5	2600216	2	Hinge	
6	3290505	4	Nut M5	
7	3290605	8	Nut M6	
8	3311501	1	Nut 5/16	
9	3311502	1	Nut 5/16	
10	4711500	2	Washer 5/16	
11	4811600	4	Washer M5	
12	4811702	18	Washer M6	
13	4811902	8	Washer M8	
14	1001234348	4	Screw M5 x 16 Grade 10.9	
15	1001257454	1	Latch, Lock	
16	1001293918	1	Panel	
17	1001293914	1	Bracket	
18	1001293585	1	Door	
19	0760810	4	Bolt M8 x 20	
20	3960389	1.8 ft /0.57m	Seal	
21	1001293586	1	Plate	
22	1001294774	3	Seal	

SECTION 3 - ENGINE

FIGURE 3-10. ENGINE ELECTRICAL INSTALLATION (GENSET)



ART_1001259034

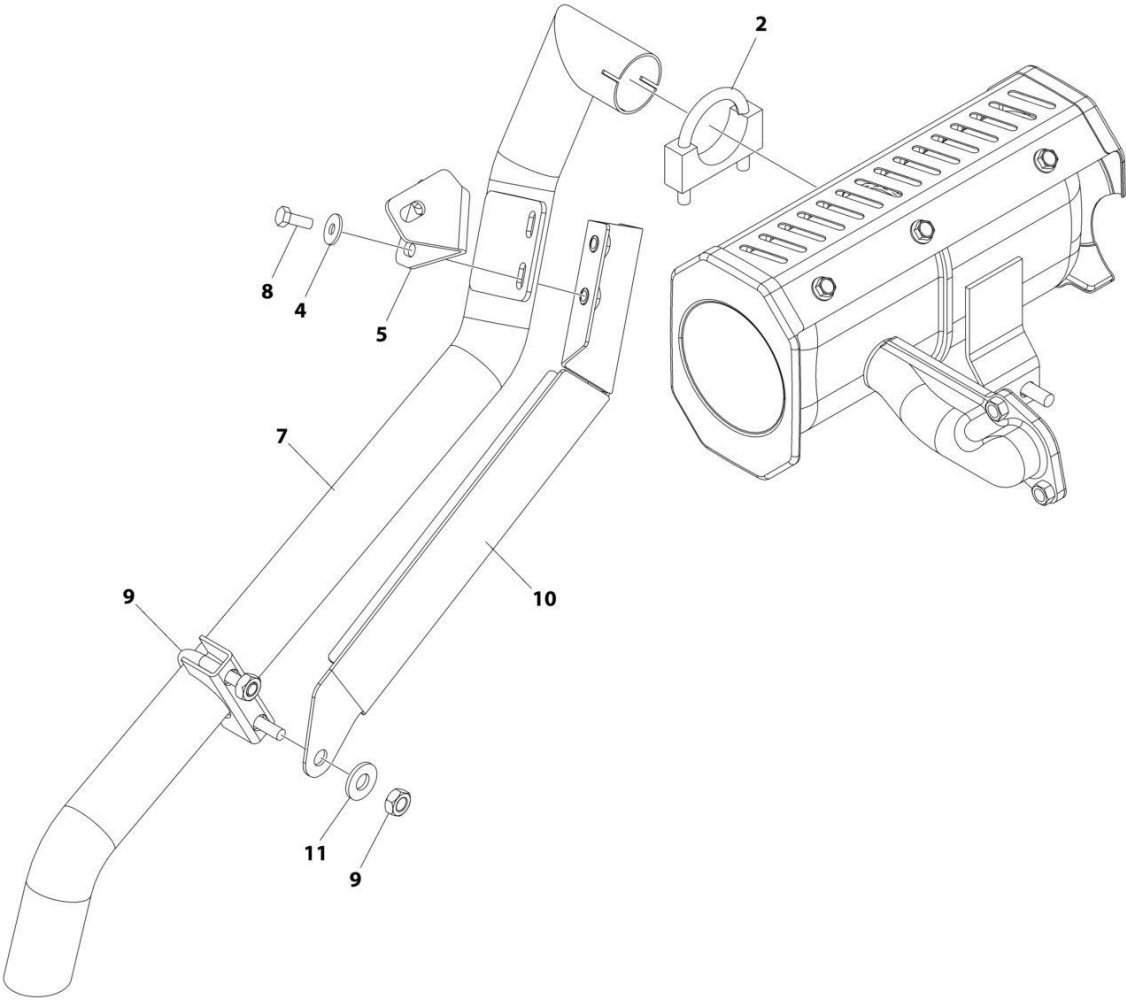
SECTION 3 - ENGINE

FIGURE 3-10. ENGINE ELECTRICAL INSTALLATION (GENSET)

ITEM	PART NUMBER	QTY	DESCRIPTION	REV
	1001259034	Ref	ENGINE ELECTRICAL INSTALLATION - DIESEL	D
1	0400201	1	Battery	
3	0701037	2	Bolt M10 x 200	
4	0771014	2	Bolt M10 x 30	
5	0902659	1	Bracket, Battery	
8	3291005	2	Nut M10	
9	3980035	1	Seat, Battery	
11	4812000	6	Washer M10	
12	5260600	2	Nut M6	
13	1001100451	2	Bolt M6 x 20	
14	1001255067	1	Harness, Mechron Genset (See Separate Breakdown in ELECTRICAL Section)	
17	1001260678	1	Bracket	
18	1001260903	1	Cable - Generator Positive	
19	1001260904	1	Cable - Generator Negative	
20	1001260952	1	Cable - Battery Positive	
21	1001260953	1	Cable - Battery Negative	
22	4360387	1	Switch, Push Button	
23	1001182680	1	Light, LED	
24	1001250684	1	Switch, Push Button (Platform Control Box)	
25	4240018	1	Tie-Strap (Not Shown)	

SECTION 3 - ENGINE

FIGURE 3-11. EXHAUST INSTALLATION (GENSET)



ART_1001259035

SECTION 3 - ENGINE

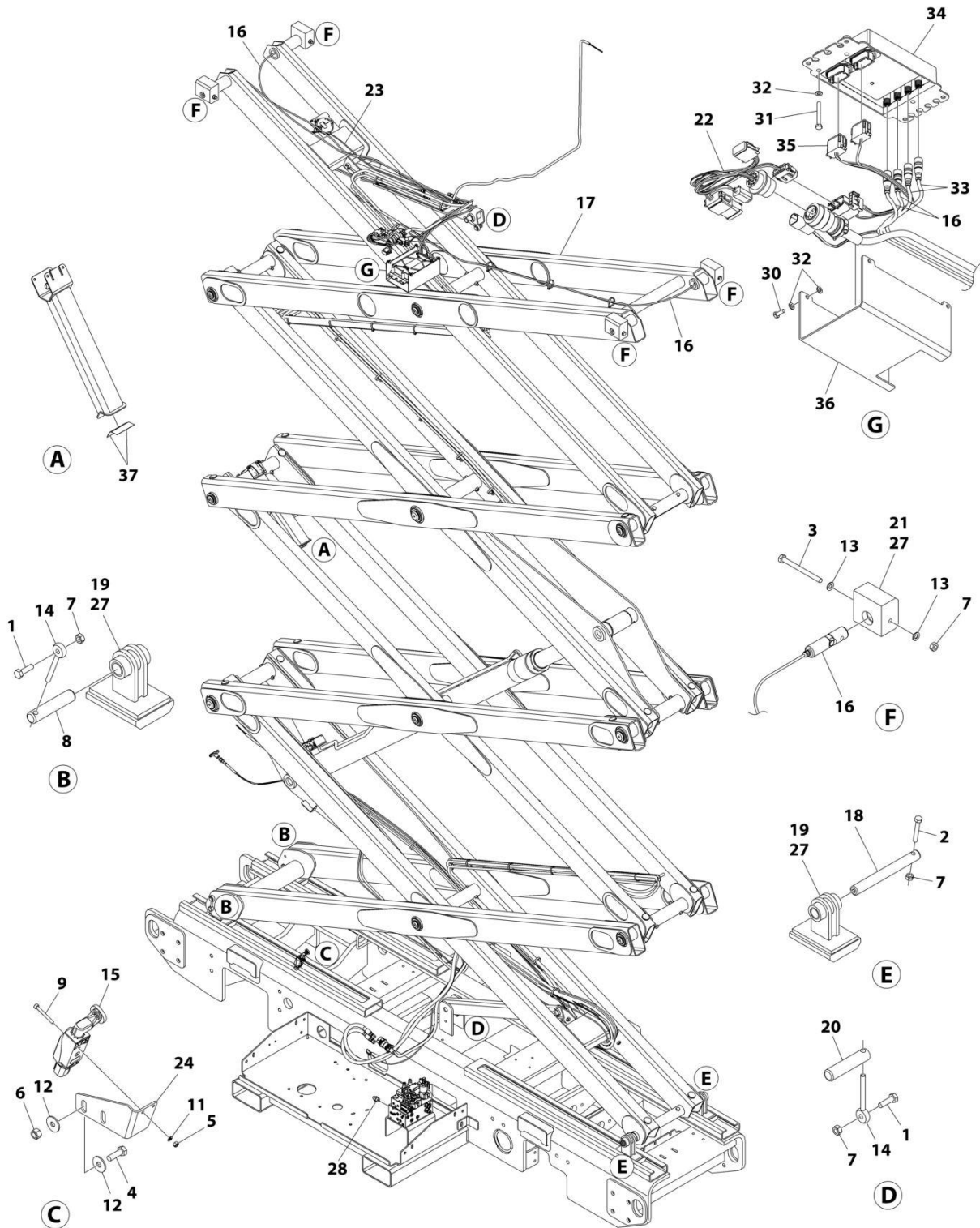
FIGURE 3-11. EXHAUST INSTALLATION (GENSET)

ITEM	PART NUMBER	QTY	DESCRIPTION	REV
	1001259035	Ref	EXHAUST INSTALLATION	D
2	1320135	1	Clamp	
4	4811702	2	Washer M6	
5	1001277750	1	Beacket	
7	1001290347	1	Pipe	
8	0760610	2	Bolt M6 x 20	
9	1320274	1	Clamp	
10	1001290345	1	Shield	
11	4811902	1	Washer M8	

SECTION 4 - SCISSORS ARMS

SECTION 4 - SCISSORS ARMS

FIGURE 4-1. ERT4069 ARMS INSTALLATION



ART_1001248822

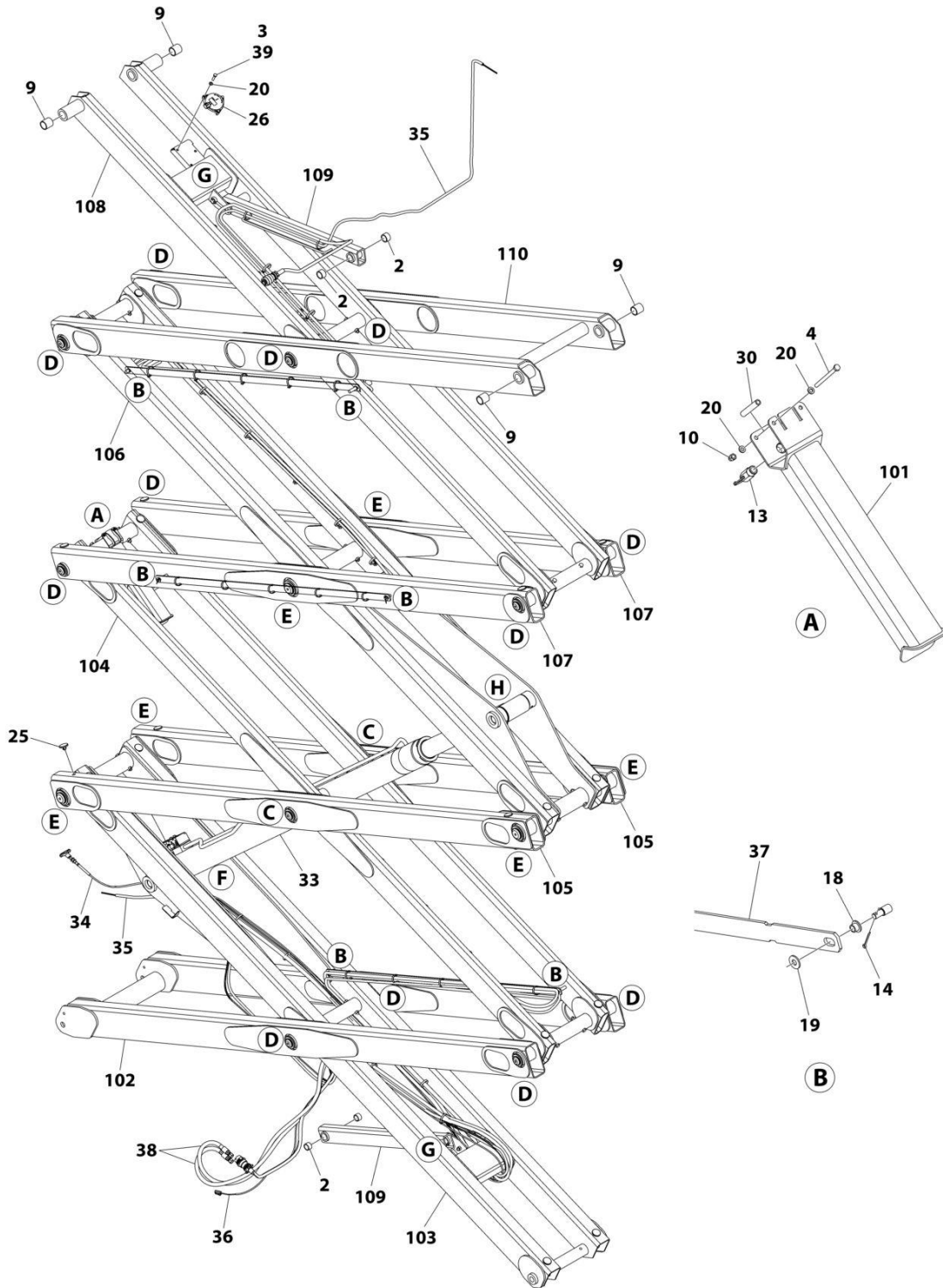
SECTION 4 - SCISSORS ARMS

FIGURE 4-1. ERT4069 ARMS INSTALLATION

ITEM	PART NUMBER	QTY	DESCRIPTION	REV
	1001248822	Ref	ARMS INSTALLATION	E
1	0701015	4	Bolt 10 x 35	
2	0701022	2	Bolt 10 x 70	
3	0701029	4	Bolt 10 x 120	
4	0760812	2	Bolt M8 x 25	
5	3290405	2	Nut M4	
6	3290805	2	Nut M8	
7	3291007	10	Nut M10	
8	3422943	2	Pin	
9	4031511	2	Capscrew M4 x 35	
11	4811400	2	Washer M4	
12	4811902	4	Washer M8	
13	4812000	8	Washer M10	
14	1001270098	4	Pin, Keeper	
15	1001145548	1	Switch, Limit	
15	1001284972	1	Switch, Limit	
16	3422938	4	Pin	
17	1001247369	1	Arm Assembly (See Separate Breakdown in this Section)	
18	1001247521	2	Pin	
19	1001247667	4	Support, Slider	
20	1001247669	2	Pin	
21	1001247671	4	Block, Slide	
22	1001264939	1	Harness, Platform (See Separate Breakdown in ELECTRICAL Section)	
23	1001249091	1	Harness, Tilt Sensor (See Separate Breakdown in ELECTRICAL Section)	
24	1001257587	1	Bracket	
27	3020029	AR	Lubricant	
28	2220372	1	Fitting, Straight JIC/ORB	
29	4240018	AR	Tie - Strap (Not Shown)	
30	0760608	4	Bolt M6 x 16	
31	0700618	3	Bolt M6 x 50	
32	4811700	11	Washer M6	
33	1061020	2	Cable, Extension (1.5 Meter)	
34	1600387	1	Module, Load Sense (Note: Recalibration Required When Replaced)	
35	1001226830	1	Harness Load Sense (See Separate Breakdown in ELECTRICAL Section)	
36	1001263662	1	Cover	
37	1001189762	2	Tape	

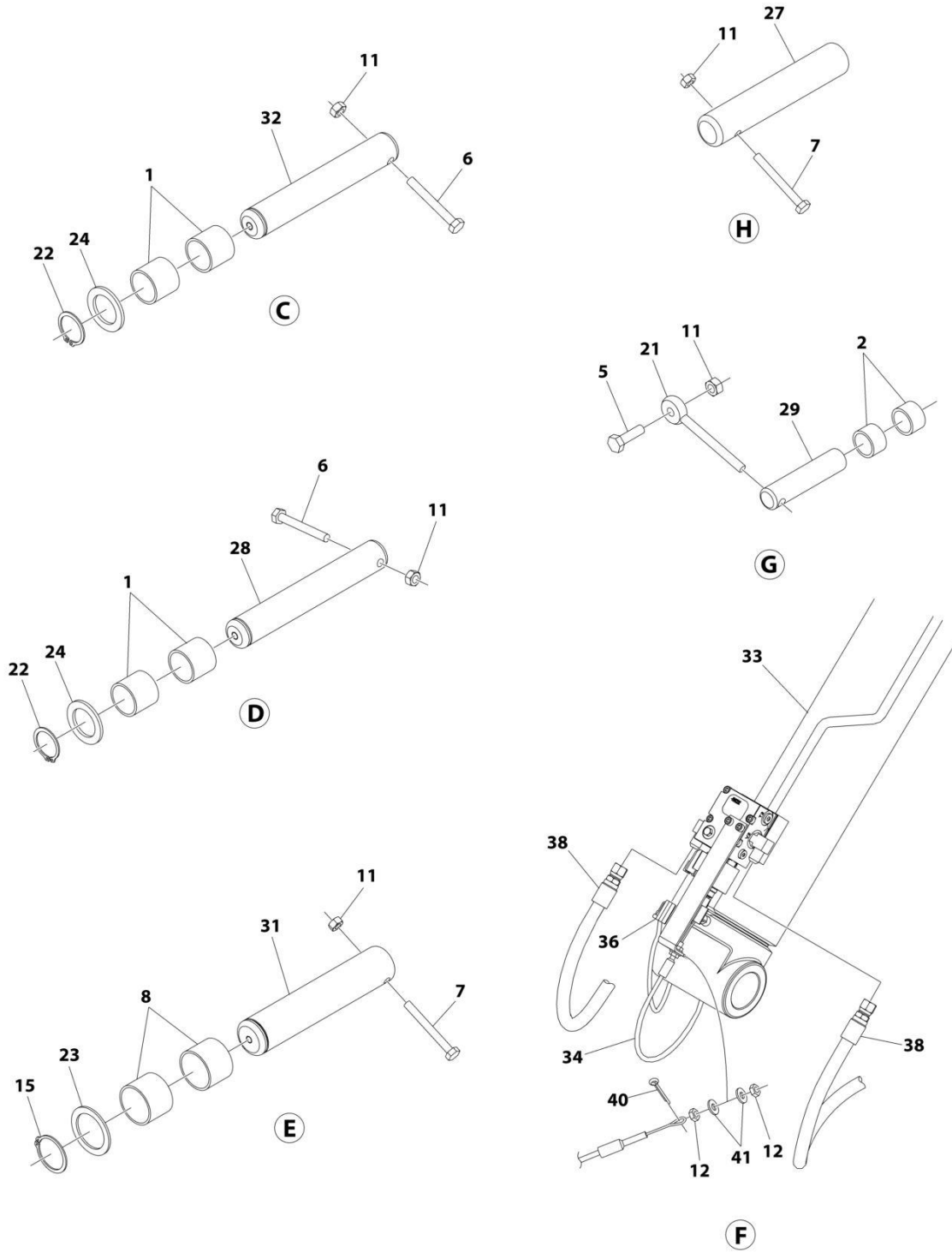
SECTION 4 - SCISSORS ARMS

FIGURE 4-2. ERT4069 ARMS ASSEMBLY



ART_1001247369_1OF2

SECTION 4 - SCISSORS ARMS



ART_1001247369_20F2

SECTION 4 - SCISSORS ARMS

FIGURE 4-2. ERT4069 ARMS ASSEMBLY

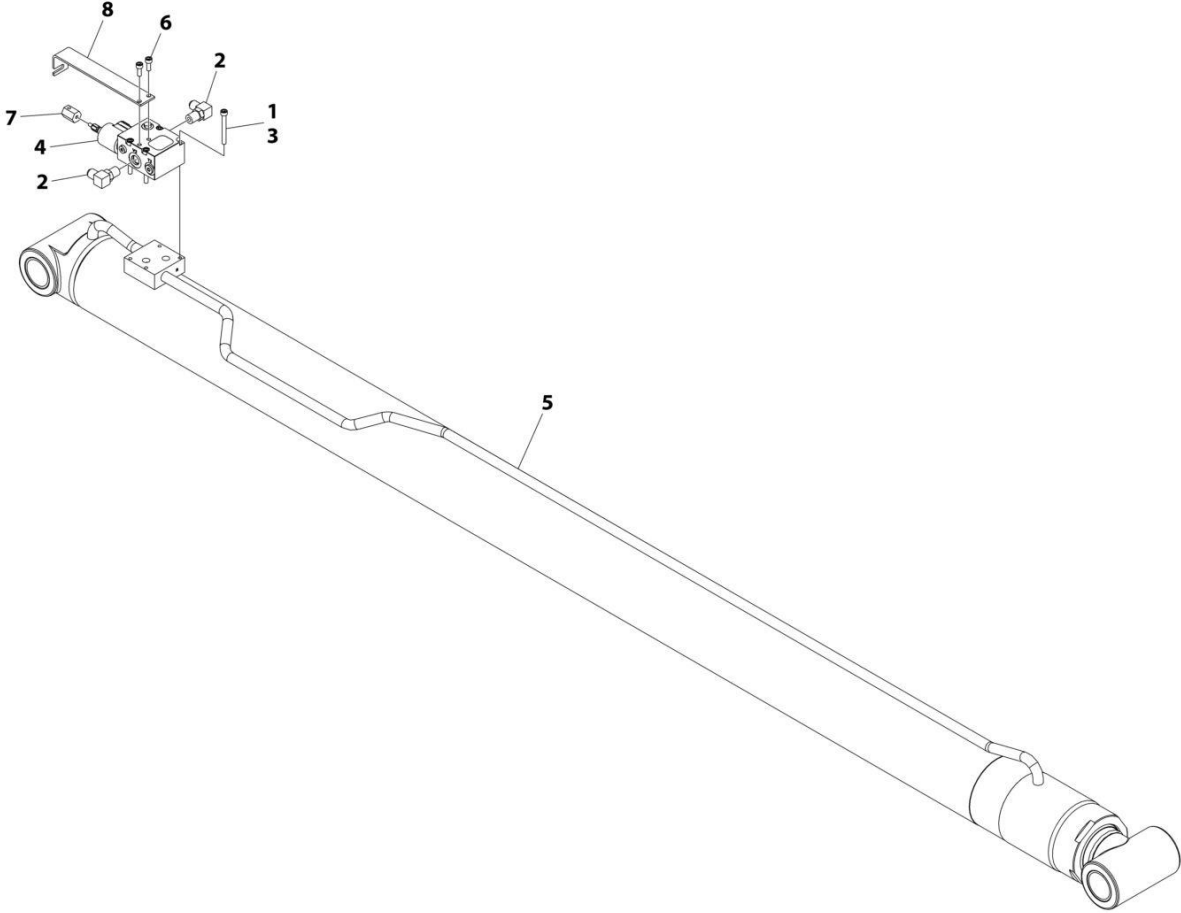
ITEM	PART NUMBER	QTY	DESCRIPTION	REV
	1001247369	Ref	ARMS ASSEMBLY	D
1	0440241	28	Bearing	
2	0440264	8	Bearing	
3	0700612	3	Bolt M6 x 25	
4	0700624	2	Bolt M6 x 80	
5	0701015	2	Bolt M10 x 35	
6	0701024	14	Bolt M10 x 80	
7	0701026	8	Bolt M10 x 90	
8	0961950	12	Bushing	
9	0962220	4	Bushing	
10	3290606	2	Nut M6	
11	3291007	24	Nut M10	
12	3321402	2	Nut 1/4	
13	3423151	1	Pin	
14	3450304	6	Pin, Cotter 3/32 x 1	
15	3760493	6	Ring, Retaining	
17	4240018	AR	Tie - Strap (Not Shown)	
18	4740480	6	Washer (Plastic Insert)	
19	4751500	6	Washer 5/16	
20	4811700	7	Washer M6	
21	1001270098	2	Pin, Keeper	
22	1001099560	14	Ring, Retaining	
23	1001197405	6	Washer	
24	1001217457	14	Washer	
25	1001228533	24	Bumper	
26	1001244934	1	Sensor, Tilt	
27	1001247522	2	Pin	
28	1001247524	12	Pin	
29	1001247669	2	Pin	
30	1001247670	2	Sleeve	
31	1001247835	6	Pin	
32	1001249637	2	Pin	
33	1001256128	1	Cylinder Lift Down Valve Assembly (See Separate Breakdown in this Section)	
34	1001265848	1	Cable, Manual Descent	
35	1001259135	1	Harness, Ground To Platform (See Separate Breakdown in ELECTRICAL Section)	
36	1001259139	1	Harness Lift Down (See Separate Breakdown in ELECTRICAL Section)	
37	1001259497	3	Bar, Cable	
38	1001260897	2	Hose	
39	0100011	AR	Compound, Locking	
40	3450405	1	Pin, Cotter 1/8 x 1-1/4	
41	4711400	2	Washer 1/4	
100	1001247377	1	Arm Kit (Not Shown)	C
101	1001247672	1	Prop, Arm	
102	1001256889	1	Arm, Outboard (Lower)	
103	1001257752	1	Arm, Inboard (Lower)	
104	1001257754	1	Arm, Inboard (Lower Mid)	
105	1001257755	2	Arm, Outboard (Lower Mid)	

SECTION 4 - SCISSORS ARMS

ITEM	PART NUMBER	QTY	DESCRIPTION	REV
106	1001257756	1	Arm, Inboard (Upper Mid)	
107	1001257757	2	Arm, Outboard (Upper Mid)	
108	1001257758	1	Arm, Inboard (Upper)	
109	1001257760	2	Tube, Arm Center Link	
110	1001258814	1	Arm, Outboard (Upper)	

SECTION 4 - SCISSORS ARMS

FIGURE 4-3. ERT4069 CYLINDER AND LIFT DOWN VALVE ASSEMBLY



ART_1001256128

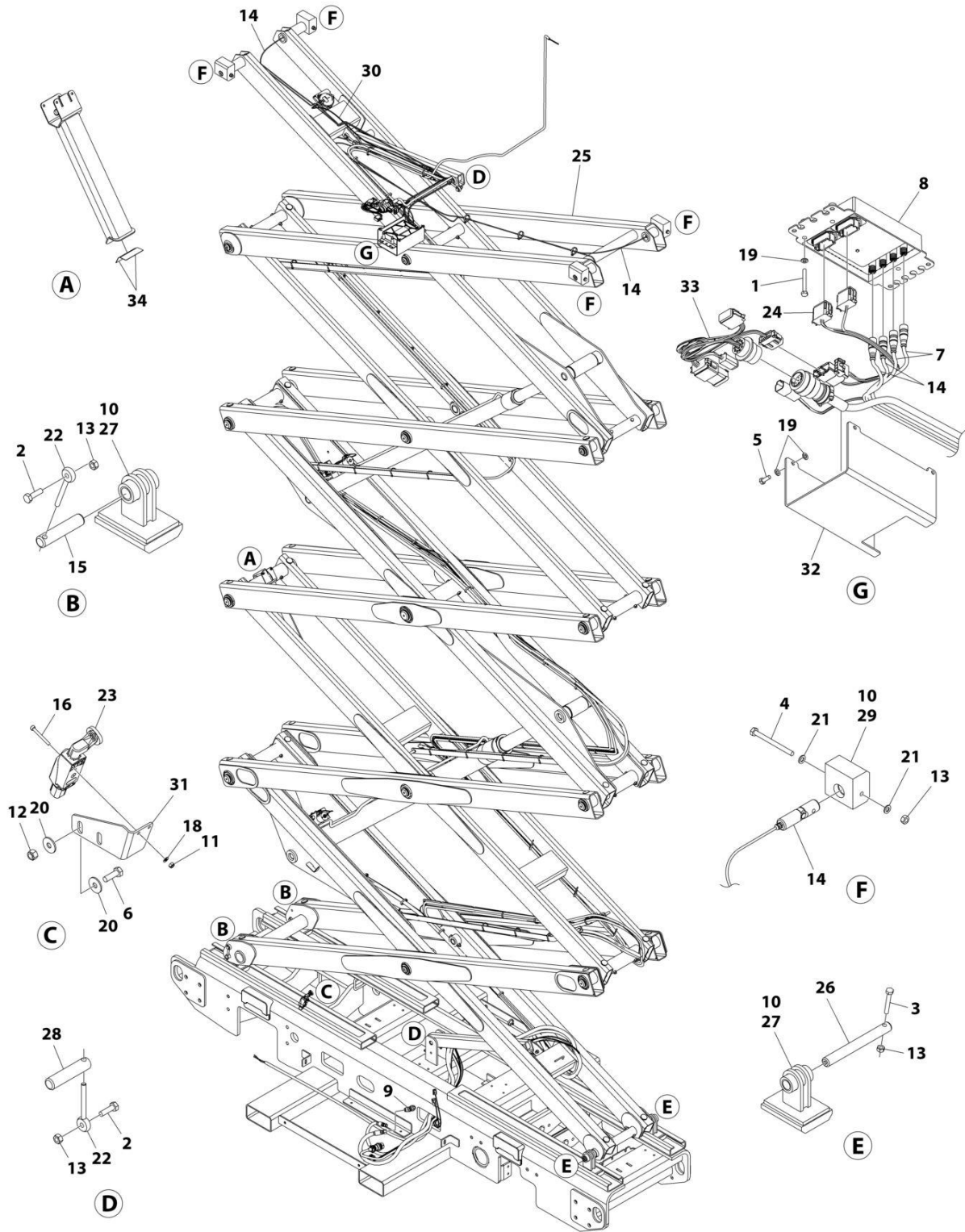
SECTION 4 - SCISSORS ARMS

FIGURE 4-3. ERT4069 CYLINDER AND LIFT DOWN VALVE ASSEMBLY

ITEM	PART NUMBER	QTY	DESCRIPTION	REV
	1001256128	Ref	CYLINDER AND LIFT DOWN VALVE ASSEMBLY	C
1	0100011	AR	Compound, Locking	
2	2220473	2	Fitting, 90 JIC/ORB	
3	1001118878	4	Capscrew M6 x 55	
4	1001244904	1	Valve, Lift Down (No Service Parts Available)	
5	1001255394	1	Lift Cylinder Assembly (See Separate Breakdown in CYLINDER Section)	
6	4031707	2	Capscrew M6 x 16	
7	1001265744	1	Adapter	
8	1001265761	1	Bracket	

SECTION 4 - SCISSORS ARMS

FIGURE 4-4. ERT4769 ARMS INSTALLATION



ART_1001248823

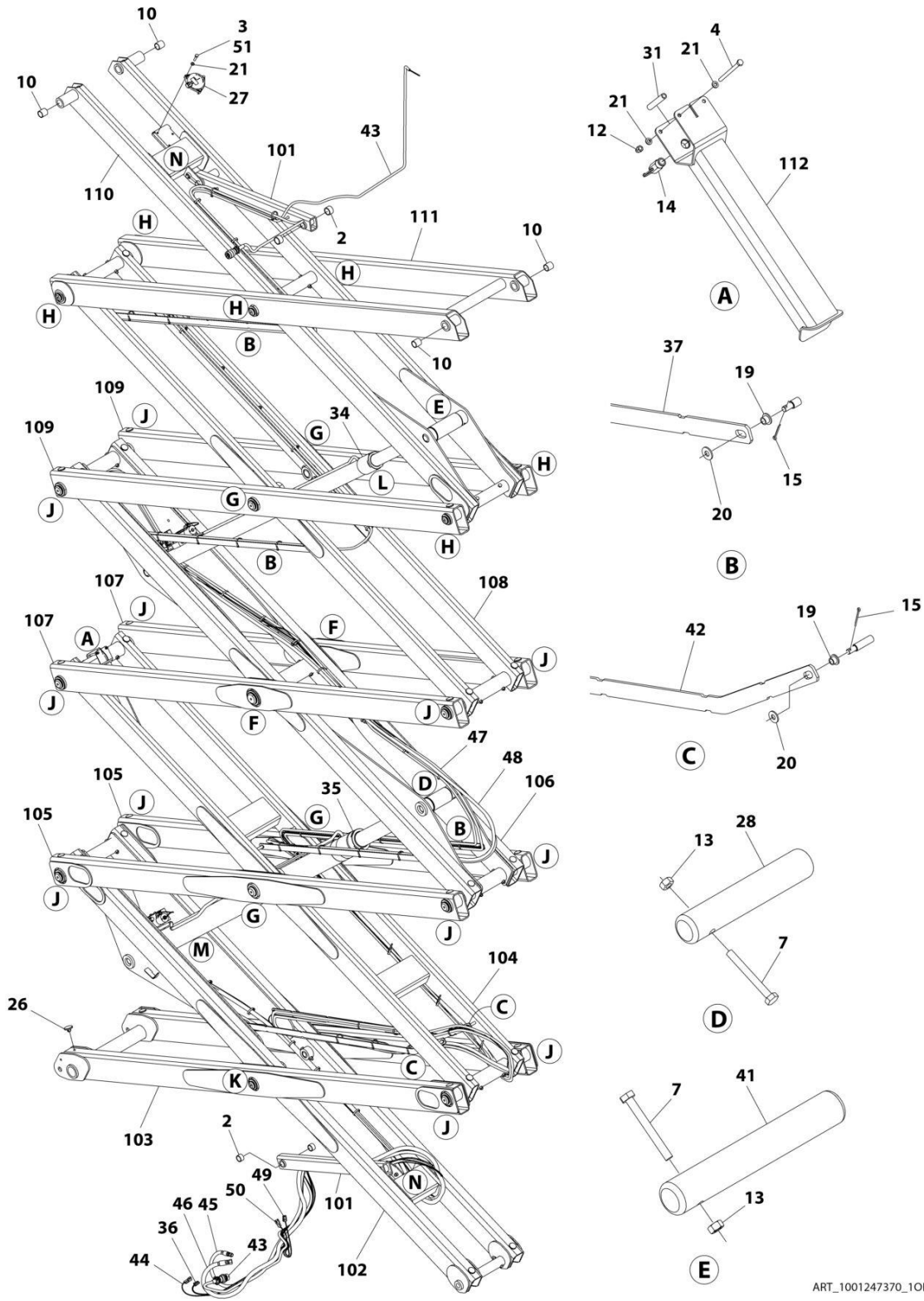
SECTION 4 - SCISSORS ARMS

FIGURE 4-4. ERT4769 ARMS INSTALLATION

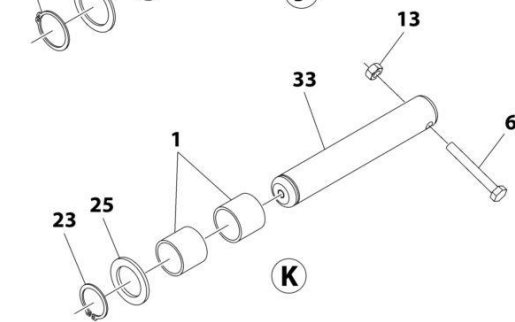
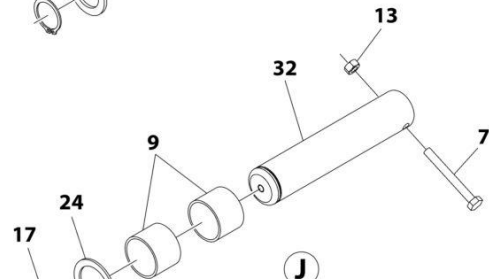
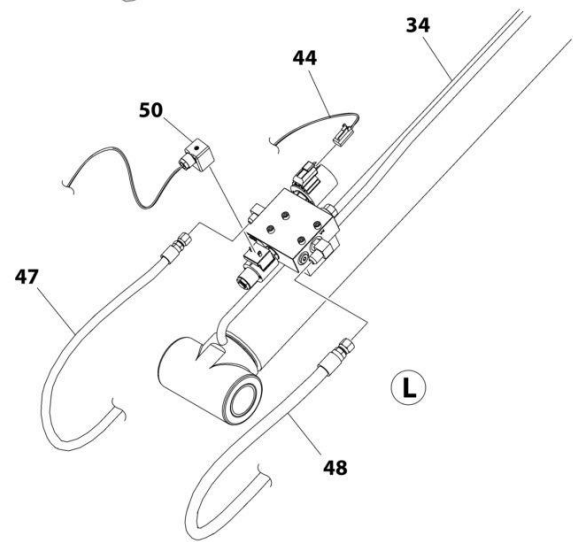
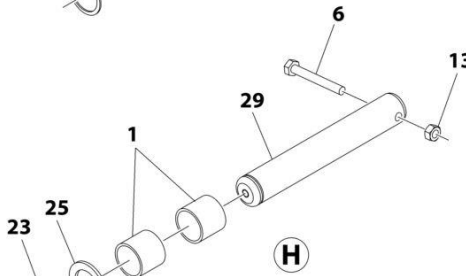
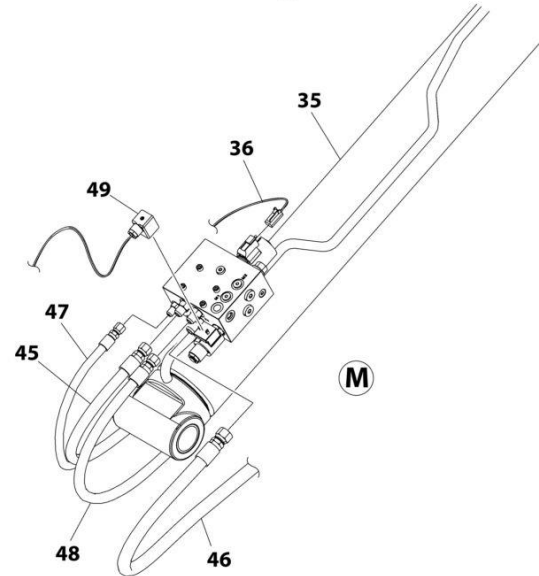
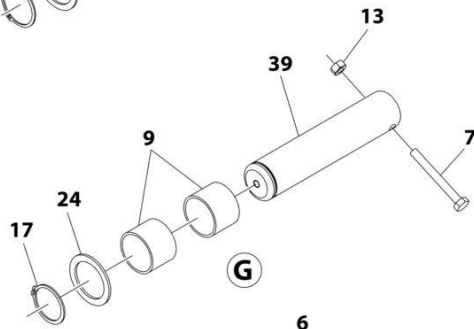
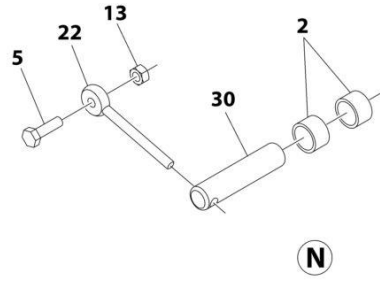
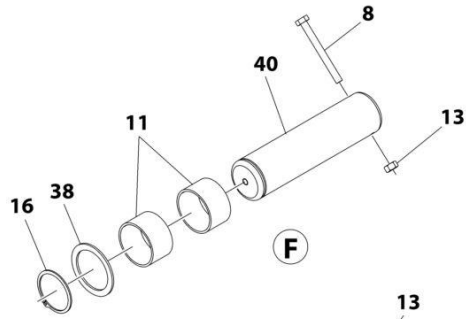
ITEM	PART NUMBER	QTY	DESCRIPTION	REV
	1001248823	Ref	ARMS INSTALLATION - RT4769	D
1	0700618	3	Bolt M6 x 50	
2	0701015	4	Bolt 10 x 35	
3	0701022	2	Bolt 10 x 70	
4	0701029	4	Bolt 10 x 120	
5	0760608	4	Bolt M6 x 16	
6	0760812	2	Bolt M8 x 25	
7	1061020	2	Cable, Extension (1.5 Meter)	
8	1600387	1	Module, Load Sense (Note: Recalibration Required When Replaced)	
9	2220500	1	Fitting, 45 JIC/ORB	
10	3020029	AR	Lubricant	
11	3290405	2	Nut M4	
12	3290805	2	Nut M8	
13	3291007	10	Nut M10	
14	3422938	4	Pin	
15	3422943	2	Pin	
16	4031511	2	Capscrew M4 x 35	
17	4240018	AR	Tie - Strap (Not Shown)	
18	4811400	2	Washer M4	
19	4811700	11	Washer M6	
20	4811902	4	Washer M8	
21	4812000	8	Washer M10	
22	1001270098	4	Pin, Keeper	
23	1001145548	1	Switch, Limit	
23	1001284972	1	Switch, Limit	
24	1001226830	1	Harness Load Sense (See Separate Breakdown in ELECTRICAL Section)	
25	1001247370	1	Arm Assembly (See Separate Breakdown in this Section)	
26	1001247521	2	Pin	
27	1001247667	4	Support, Slider	
28	1001247669	2	Pin	
29	1001247671	4	Block, Slide	
30	1001249091	1	Harness, Tilt Sensor (See Separate Breakdown in ELECTRICAL Section)	
31	1001257587	1	Bracket	
32	1001263662	1	Cover	
33	1001264939	1	Harness, Platform (See Separate Breakdown in ELECTRICAL Section)	
34	1001189762	2	Tape	

SECTION 4 - SCISSORS ARMS

FIGURE 4-5. ERT4769 ARMS ASSEMBLY



SECTION 4 - SCISSORS ARMS



ART_1001247370_2OF2

SECTION 4 - SCISSORS ARMS

FIGURE 4-5. ERT4769 ARMS ASSEMBLY

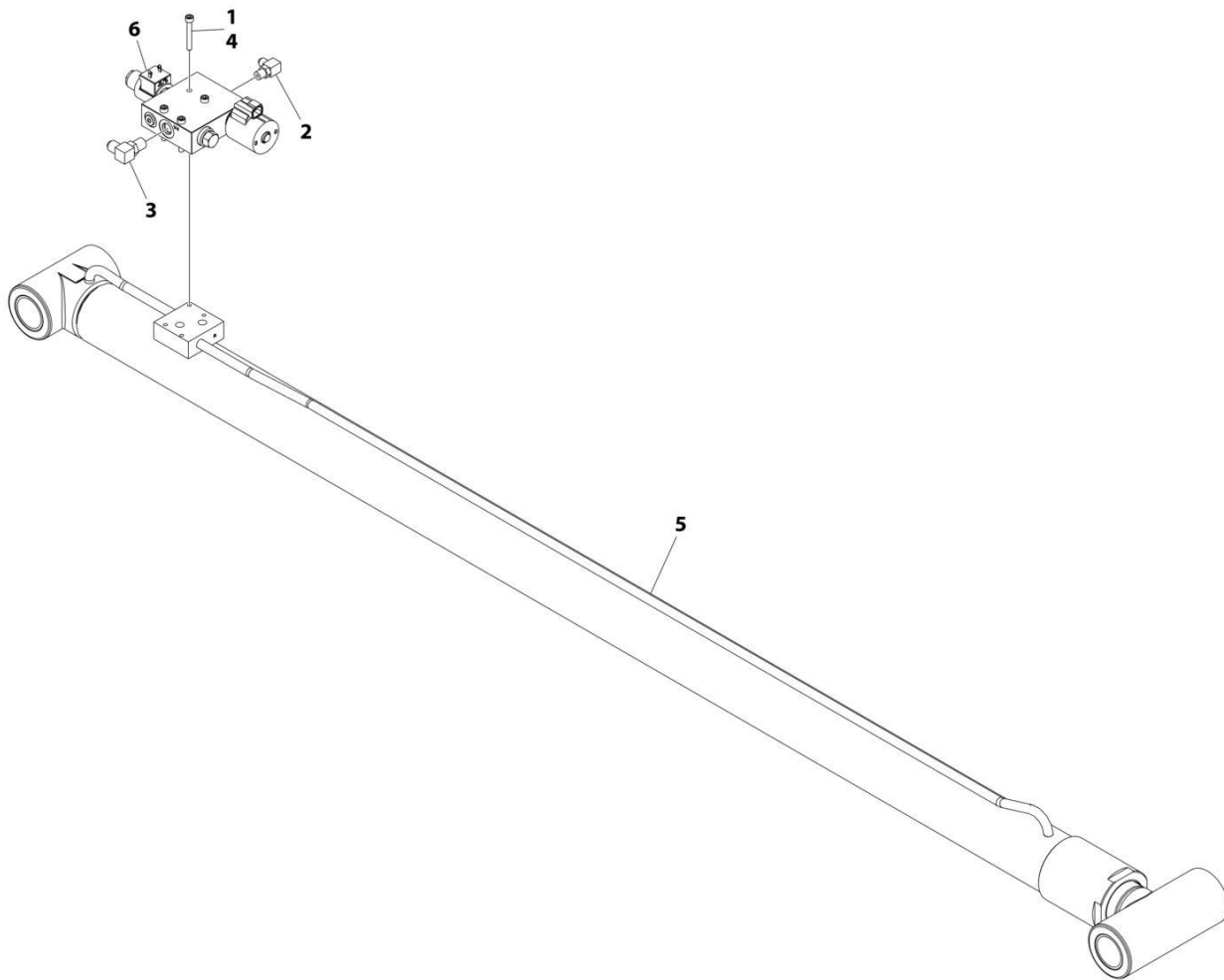
ITEM	PART NUMBER	QTY	DESCRIPTION	REV
	1001247370	Ref	ARMS ASSEMBLY - RT4769	D
1	0440241	16	Bearing	
2	0440264	8	Bearing	
3	0700612	3	Bolt M6 x 25	
4	0700626	2	Bolt M6 x 90	
5	0701015	2	Bolt M10 x 35	
6	0701024	8	Bolt M10 x 80	
7	0701026	20	Bolt M10 x 90	
8	0701027	2	Bolt M10 x 100	
8	0701028	2	Bolt M10 x 110	
9	0961950	32	Bushing	
10	0962220	4	Bushing	
11	0962406	4	Bushing	
12	3290606	2	Nut M6	
13	3291007	32	Nut M10	
14	3423151	1	Pin	
15	3450304	12	Pin, Cotter 3/32 x 1	
16	1001260406	2	Ring, Retaining	
17	3760493	16	Ring, Retaining	
18	4240018	AR	Tie - Strap (Not Shown)	
19	4740480	12	Washer (Plastic Insert)	
20	4751500	12	Washer 5/16	
21	4811700	7	Washer M6	
22	1001270098	2	Pin, Keeper	
23	1001099560	8	Ring, Retaining	
24	1001197405	16	Washer	
25	1001217457	8	Washer	
26	1001228533	32	Bumper	
27	1001244934	1	Sensor, Tilt	
28	1001247522	3	Pin	
29	1001247524	6	Pin	
30	1001247669	2	Pin	
31	1001247670	2	Sleeve	
32	1001247835	12	Pin	
33	1001249637	2	Pin	
34	1001256460	1	Cylinder Lift Down Valve Assembly - Upper (See Separate Breakdown in this Section)	
35	1001256461	1	Cylinder Lift Down Valve Assembly - Lower (See Separate Breakdown in this Section)	
36	1001259139	1	Harness, Lift Down - Lower (See Separate Breakdown in ELECTRICAL Section)	
37	1001259497	4	Bar, Cable	
38	1001260352	2	Washer	
39	1001260527	4	Pin	
40	1001260528	2	Pin	
41	1001260529	1	Pin	
42	1001261270	2	Bar, Cable	
43	1001262141	1	Harness, Ground To Platform (See Separate Breakdown in ELECTRICAL Section)	
44	1001262142	1	Harness, Lift Down - Upper (See Separate Breakdown in ELECTRICAL Section)	

SECTION 4 - SCISSORS ARMS

ITEM	PART NUMBER	QTY	DESCRIPTION	REV
45	1001262179	1	Hose	
46	1001262197	1	Hose	
47	1001262198	1	Hose	
48	1001262199	1	Hose	
49	1001262404	1	Cable, Lower Aux Valve	
50	1001262407	1	Cable, Upper Aux Valve	
51	0100011	AR	Compound, Locking	
100	1001247378	1	Arm Kit (Not Shown)	
101	1001257760	2	Tube, Arm Center Link	
102	1001259529	1	Arm, Inboard (Lower)	
103	1001259530	1	Arm, Outboard (Lower)	
104	1001259531	1	Arm, Inboard (Lower Mid)	
105	1001259532	2	Arm, Outboard (Lower Mid)	
106	1001259533	1	Arm, Inboard (Mid)	
107	1001259534	2	Arm, Outboard (Mid)	
108	1001259535	1	Arm, Inboard (Upper Mid)	
109	1001259536	2	Arm, Outboard (Upper Mid)	
110	1001259537	1	Arm, Inboard (Upper)	
111	1001259538	1	Arm, Outboard (Upper)	
112	1001261273	1	Prop, Arm	

SECTION 4 - SCISSORS ARMS

FIGURE 4-6. ERT4769 CYLINDER AND LIFT DOWN VALVE ASSEMBLY



ART_1001256460

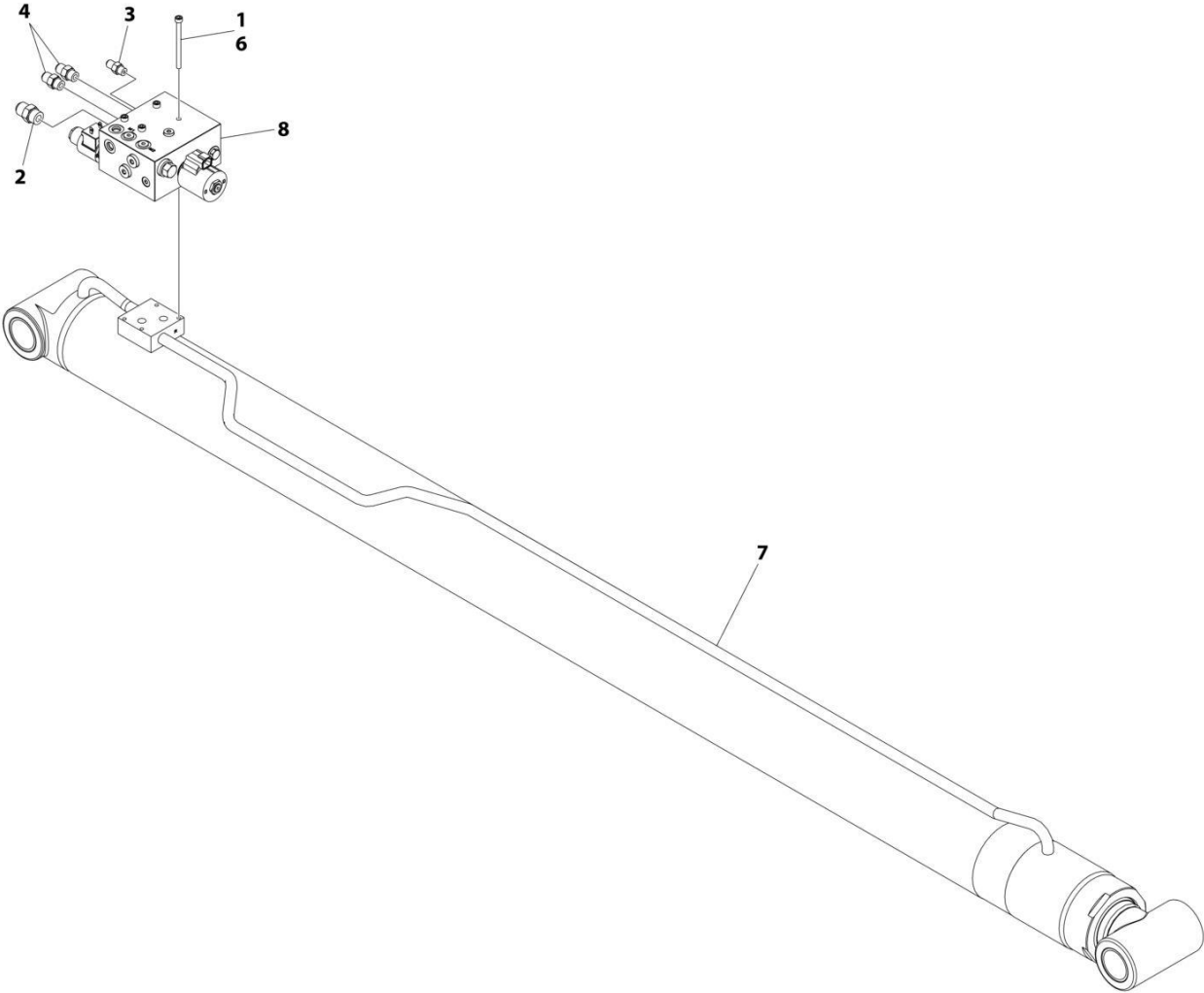
SECTION 4 - SCISSORS ARMS

FIGURE 4-6. ERT4769 CYLINDER AND LIFT DOWN VALVE ASSEMBLY

ITEM	PART NUMBER	QTY	DESCRIPTION	REV
	1001256460	Ref	CYLINDER AND LIFT DOWN VALVE ASSEMBLY	B
1	0100011	AR	Compound, Locking	
2	2220466	1	Fitting, 90 JIC/ORB	
3	2220473	1	Fitting, 90 JIC/ORB	
4	4031713	4	Bolt M6 x 45	
5	1001255902	1	Lift Cylinder Assembly (See Separate Breakdown in CYLINDER Section)	
6	1001256397	1	Valve, Lift Down (No Service Parts Available)	

SECTION 4 - SCISSORS ARMS

FIGURE 4-7. ERT4769 CYLINDER AND LIFT DOWN VALVE ASSEMBLY



ART_1001256461

SECTION 4 - SCISSORS ARMS

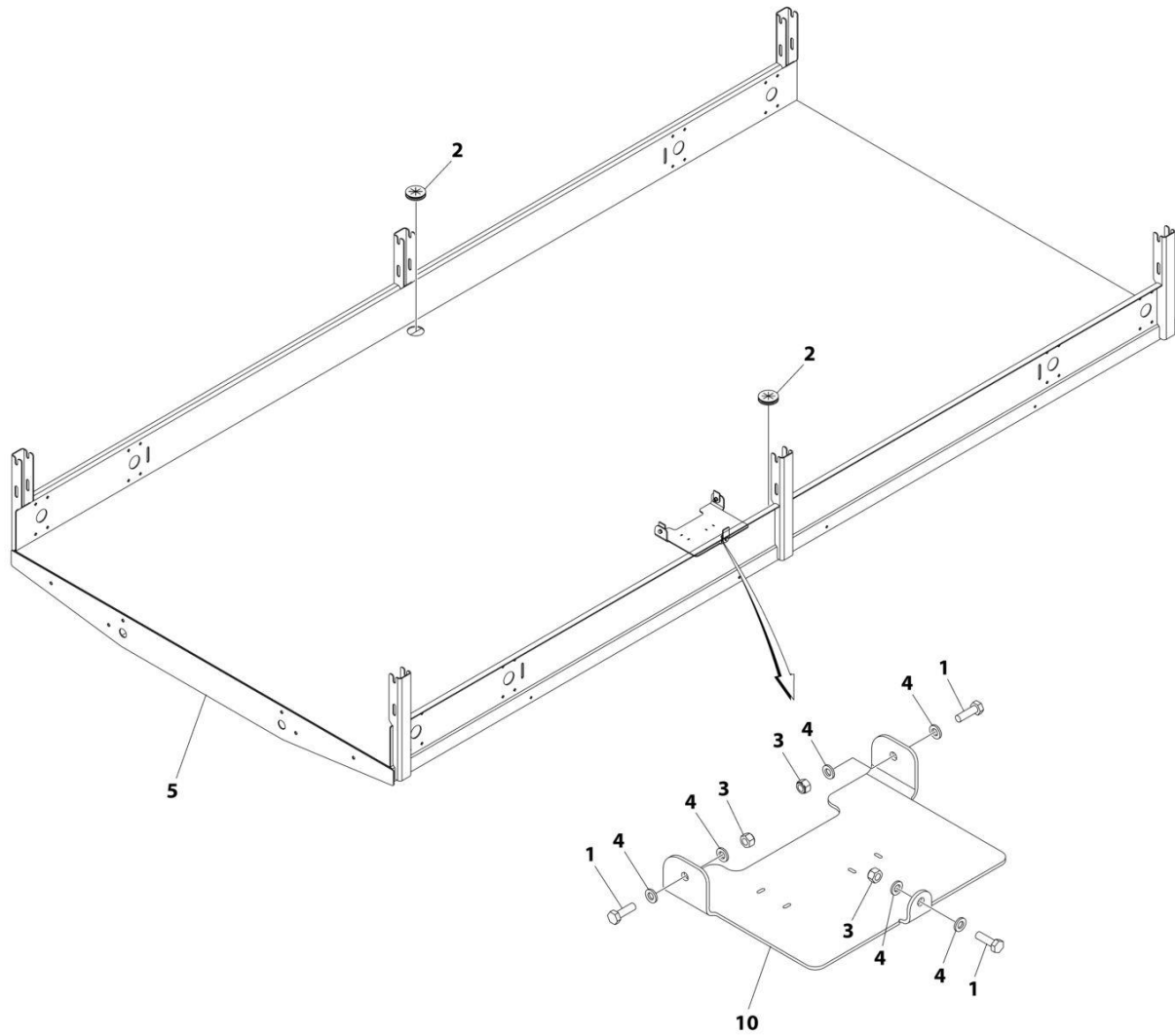
FIGURE 4-7. ERT4769 CYLINDER AND LIFT DOWN VALVE ASSEMBLY

ITEM	PART NUMBER	QTY	DESCRIPTION	REV
	1001256461	Ref	CYLINDER AND LIFT DOWN VALVE ASSEMBLY	C
1	0100011	AR	Compound, Locking	
2	2220373	1	Fitting, Straight JIC/ORB	
3	2220415	1	Fitting, Straight JIC/ORB	
4	2220371	2	Fitting, Straight JIC/ORB	
6	4031720	4	Bolt M6 x 80	
7	1001255394	1	Lift Cylinder Assembly (See Separate Breakdown in CYLINDER Section)	
8	1001256341	1	Valve, Lift Down (No Service Parts Available)	

SECTION 5 - PLATFORM

SECTION 5 - PLATFORM

FIGURE 5-1. PLATFORM INSTALLATION



ART_1001244381

SECTION 5 - PLATFORM

FIGURE 5-1. PLATFORM INSTALLATION

ITEM	PART NUMBER	QTY	DESCRIPTION	REV
	1001244381	Ref	PLATFORM MOUNT INSTALLATION	B
1	0760610	3	Bolt M6 x 20	
2	2540045	2	Grommet	
3	3290605	3	Nut M6	
4	4811700	6	Washer M6	
5	1001245250	1	Platform	
10	1001251328	1	Cover	

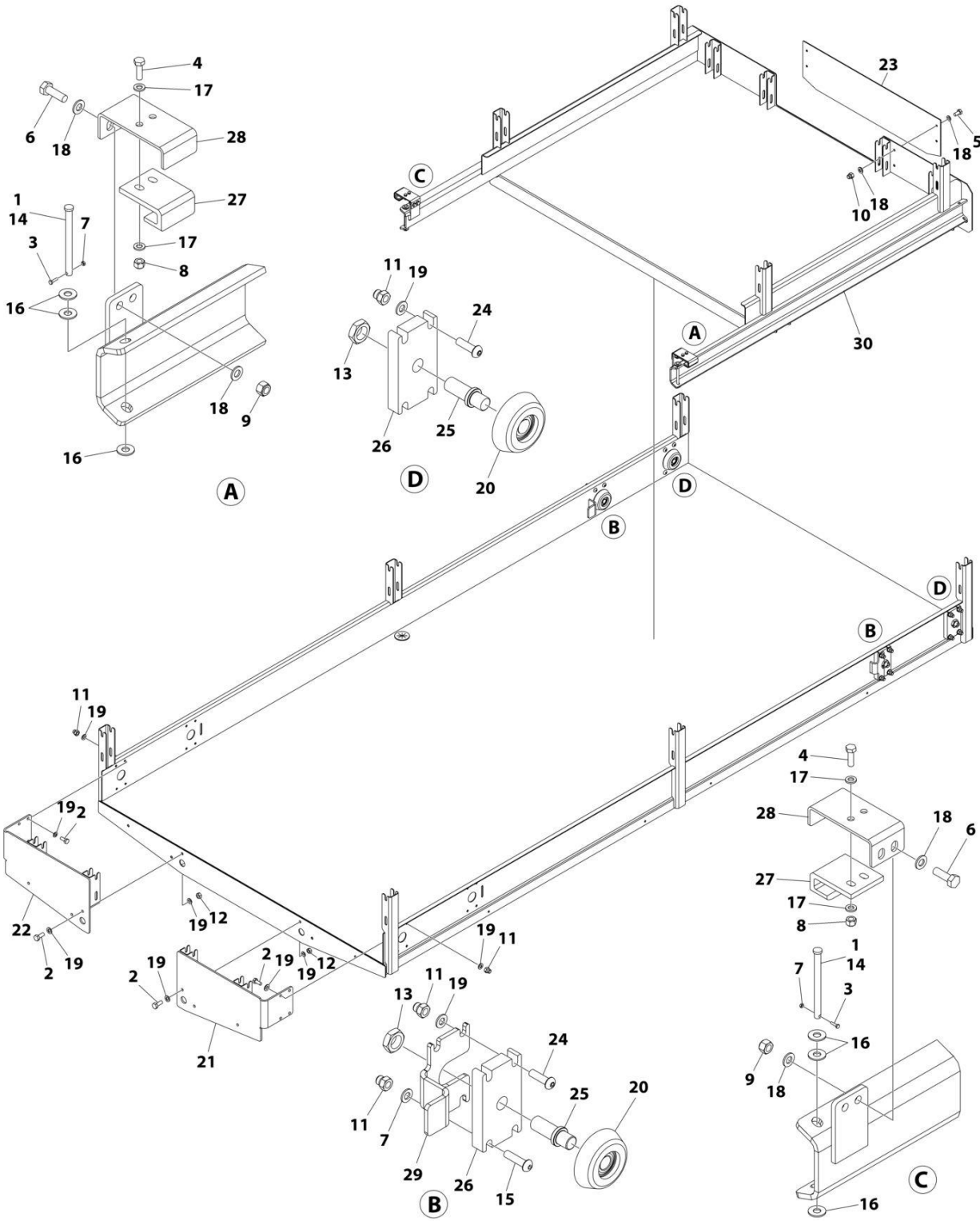
SECTION 5 - PLATFORM

FIGURE 5-2. PLATFORM EXTENSION INSTALLATION (SINGLE) (Prior to SN M200066648, Including M200066734, Excluding M200066636)

ITEM	PART NUMBER	QTY	DESCRIPTION	REV
	1001244382	Ref	PLATFORM WITH SINGLE EXTENSION INSTALLATION	F
2	0760808	4	Bolt M8 x 16	
3	0761008	2	Bolt M10 x 16	
4	3290806	4	Nut M8 x 1-1/4	
5	3291007	6	Nut M10 x 1-1/2	
6	4811900	16	Washer M8	
7	4812000	46	Washer M10	
8	1001261123	12	Screw M10 x 35	
9	3900394	4	Capscrew M10 x 1-1/2	
10	1001245479	1	Extension, Platform	
11	1001248933	4	Roller	
12	1001248990	2	Plate	
13	1001248991	1	Plate	
14	1001262640	4	Bracket	
15	1001250355	1	Plate	
16	1001250356	1	Plate	
17	1001250627	1	Plate	
18	1001250640	1	Plate	
19	0701012	14	Capscrew M10 x 25	
20	3291006	24	Nut M10	
21	3292002	4	Nut M20	
22	1001262639	4	Pin	
23	0760610	4	Bolt M6 x 20	
24	0760812	4	Bolt M6 x 25	
25	3290605	4	Nut M6	
26	3290805	4	Nut M8	
27	4811700	8	Washer M6	
28	1001265684	2	Brace, Extension leg Strap	
29	1001265821	2	Bracket, Extension Back Strap	
30	4420062	AR	Tape (Not Shown)	

SECTION 5 - PLATFORM

FIGURE 5-3. PLATFORM EXTENSION INSTALLATION (SINGLE) (SN M200066648 to Present, Prior to SN M200087169, Prior to SN M200087438, Including M200066636, Excluding M200066734)



ART_1001292993

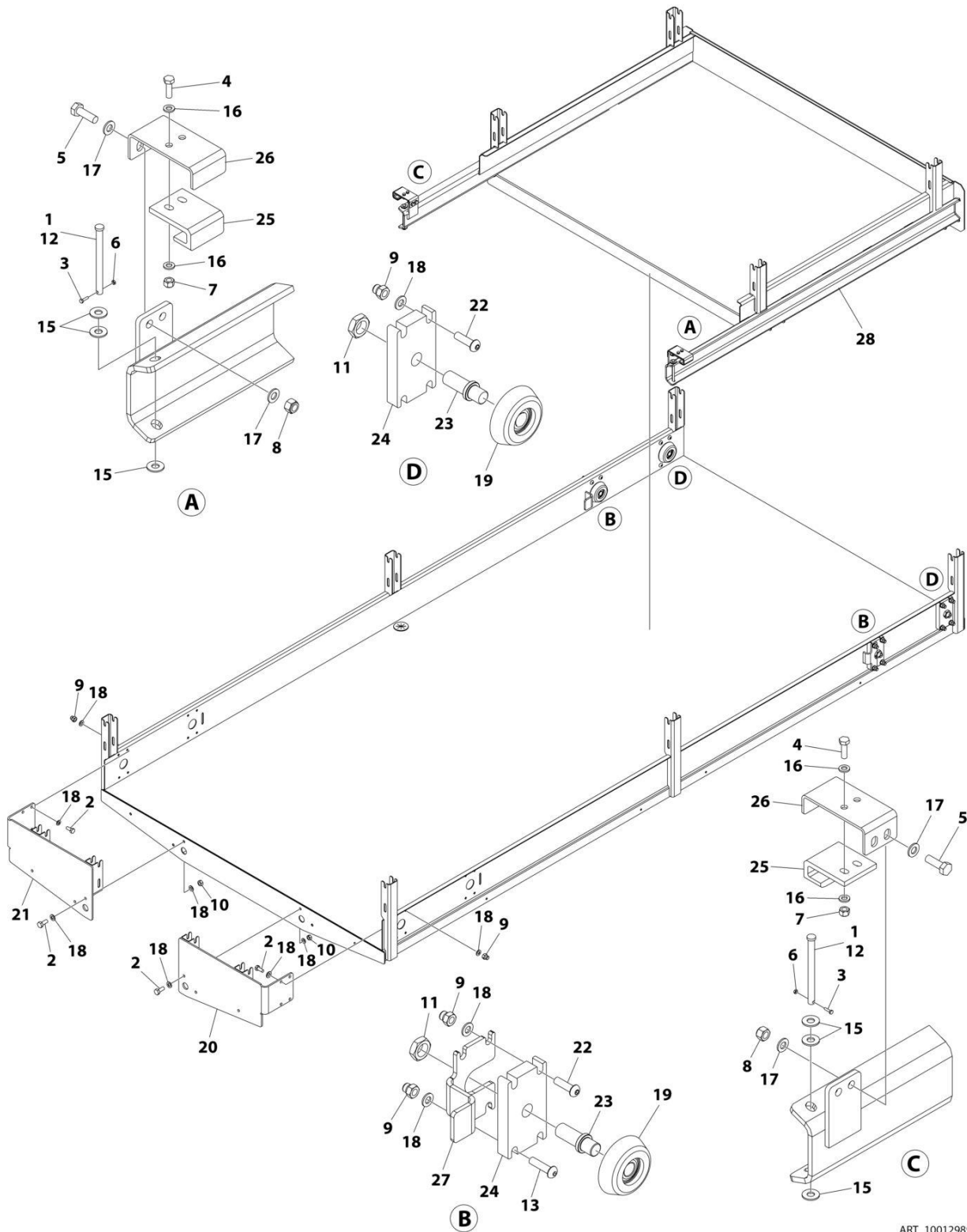
SECTION 5 - PLATFORM

FIGURE 5-3. PLATFORM EXTENSION INSTALLATION (SINGLE) (SN M200066648 to Present, Prior to SN M200087169, Prior to SN M200087438, Including M200066636, Excluding M200066734)

ITEM	PART NUMBER	QTY	DESCRIPTION	REV
	1001292993	Ref	PLATFORM EXTENSION INSTALLATION (SINGLE)	B
1	100011	AR	Compound, Locking	
2	0701012	14	Capscrew M10 x 25	
3	0760306	2	Bolt M3 x 12	
4	0760610	4	Bolt M6 x 20	
5	0760808	4	Bolt M8 x 16	
6	0760812	4	Bolt M6 x 25	
7	3290301	2	Nut M3	
8	3290605	4	Nut M6	
9	3290805	4	Nut M8	
10	3290806	4	Nut M8 x 1-1/4	
11	3291006	24	Nut M10	
12	3291007	6	Nut M10 x 1-1/2	
13	3292002	4	Nut M20	
14	3430636	2	Pin	
15	3900394	8	Capscrew M10 x 1-1/2	
16	4751600	6	Washer 3/8	
17	4811700	8	Washer M6	
18	4811900	16	Washer M8	
19	4812000	44	Washer M10	
20	1001248933	4	Roller	
21	1001250355	1	Plate	
22	1001250356	1	Plate	
23	1001250627	1	Plate	
24	1001261123	8	Screw M10 x 35	
25	1001262639	4	Pin	
26	1001262640	4	Bracket	
27	1001265684	2	Brace, Extension leg Strap	
28	1001265821	2	Bracket, Extension Back Strap	
29	1001292989	2	Plate	
30	1001292991	1	Extension, Platform	
31	4420062	AR	Tape (Not Shown)	

SECTION 5 - PLATFORM

FIGURE 5-4. PLATFORM EXTENSION INSTALLATION (SINGLE) (SN M200087242 to Present, SN M200087777 to Present)



ART_1001298938

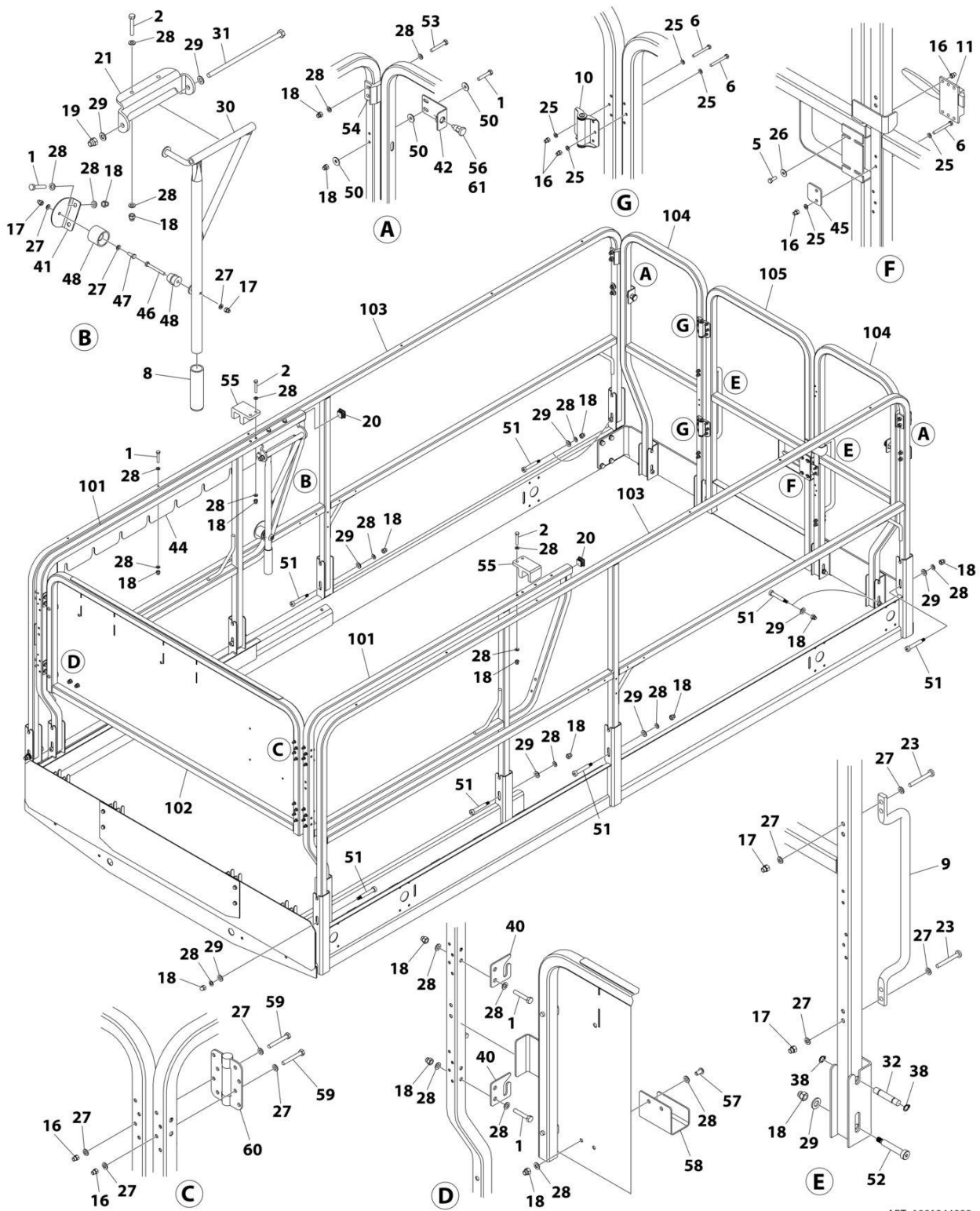
SECTION 5 - PLATFORM

FIGURE 5-4. PLATFORM EXTENSION INSTALLATION (SINGLE) (SN M200087242 to Present, SN M200087777 to Present)

ITEM	PART NUMBER	QTY	DESCRIPTION	REV
	1001298938	Ref	PLATFORM EXTENSION INSTALLATION (SINGLE)	A
1	0100011	AR	Compound, Locking	
2	0701012	14	Bolt M10 x 25	
3	0760306	2	Bolt M3 x 12	
4	0760610	4	Bolt M6 x 20	
5	0760812	4	Bolt M8 x 25	
6	3290301	2	Nut M3	
7	3290605	4	Nut M6	
8	3290805	4	Nut M8	
9	3291006	24	Nut M10	
10	3291007	6	Nut M10	
11	3292002	4	Nut M20	
12	3430636	2	Pin	
13	3900394	8	Capscrew M10 x 1-1/2	
14	4420062	AR	Tape (Not Shown)	
15	4751600	6	Washer 3/8	
16	4811700	8	Washer M6	
17	4811900	8	Washer M8	
18	4812000	44	Washer M10	
19	1001248933	4	Roller	
20	1001250355	1	Plate	
21	1001250356	1	Plate	
22	1001261123	8	Screw M10 x 35	
23	1001262639	4	Pin	
24	1001262640	4	Bracket	
25	1001265684	2	Brace, Extension leg Strap	
26	1001265821	2	Bracket, Extension Back Strap	
27	1001292989	2	Plate	
28	1001298937	1	Extension, Platform	

SECTION 5 - PLATFORM

FIGURE 5-5. PLATFORM RAILS INSTALLATION (SINGLE EXTENSION)



ART_1001244888

SECTION 5 - PLATFORM

FIGURE 5-5. PLATFORM RAILS INSTALLATION (SINGLE EXTENSION)

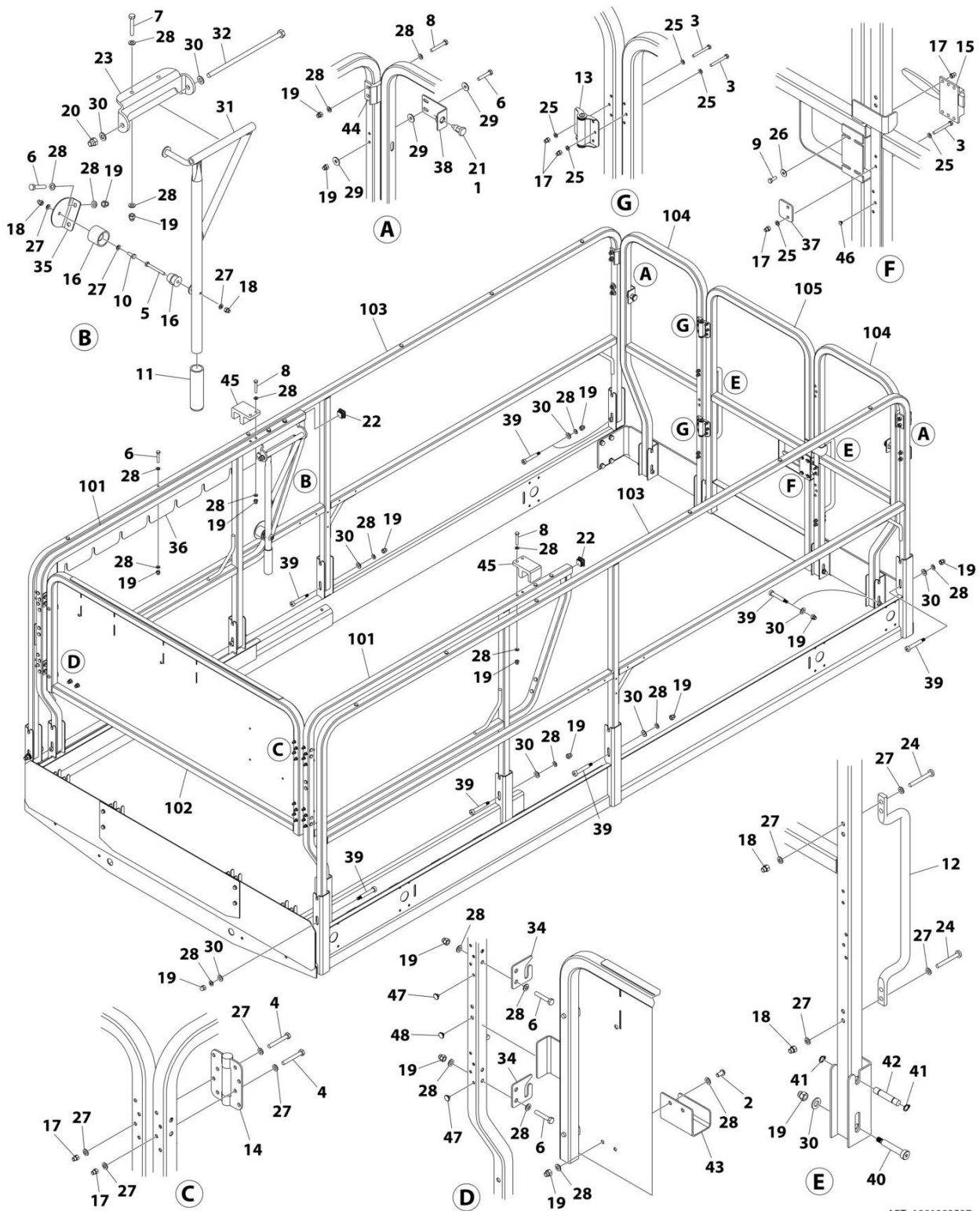
ITEM	PART NUMBER	QTY	DESCRIPTION	REV
	1001244888	Ref	RAIL INSTALLATION - PLATFORM WITH SINGLE EXTENSION	F
1	0700817	13	Bolt M8 x 45	
2	0700818	6	Bolt M8 x 50	
5	0760507	4	Bolt M8 x 14	
6	0700517	14	Bolt M5 x 45	
8	2560088	1	Grip, Handle	
9	2560176	2	Handle	
10	2600253	2	Hinge	
11	2940074	1	Latch	
16	3290506	34	Nut M5 x 3/4	
17	3290606	10	Nut M6 x 1	
18	3290806	39	Nut M8 x 1-1/4	
19	3291006	1	Nut M10	
20	3520072	2	Plug	
21	3537609	1	Plate, Pivot	
23	4010618	8	Screw M6 x 50	
25	4811600	40	Washer M5	
26	4811602	4	Washer M5	
27	4811700	51	Washer M6	
28	4811900	54	Washer M8	
29	4812000	16	Washer M10	
30	4846181	1	Handle (LH)	
31	1001195137	1	Bolt M10 x 240	
32	1001262495	2	Rod	
38	1001262454	4	Ring	
40	1001250829	2	Plate, Rotary Latch	
41	1001250830	1	Plate, Handle Latch	
42	1001258936	2	Plate, Rail	
44	1001294421	1	Plate, Extension	
45	1001253149	1	Plate, Gate Latch	
46	0700619	1	Bolt M6 x 55	
47	0760608	1	Bolt M6 x 16	
48	2940127	1	Latch	
50	4811902	12	Washer M8	
51	1001262399	12	Bolt M8 x 55	
52	1001262400	2	Bolt M8 x 50	
53	0700819	4	Bolt M8 x 55	
54	1001263628	2	Pad	
55	1001263629	2	Pad	
56	3422744	2	Pin, Plunger	
57	0630615	2	Bolt M8 x 16	
58	1001263269	1	Plate	
59	0700617	16	Bolt M6 x 45	
60	2600285	2	Hinge	
61	0100011	AR	Compound, Locking	
100	1001265846	1	Rail, Single Extension Kit	
101	1001248840	2	Rail, Extension Side	
102	1001248986	1	Rail, Extension Front	
103	1001249882	2	Rail, Platform Side	
104	1001249883	2	Rail, Platform Rear	

SECTION 5 - PLATFORM

ITEM	PART NUMBER	QTY	DESCRIPTION	REV
105	1001249884	1	Rail, Platform Gate	

SECTION 5 - PLATFORM

FIGURE 5-6. PLATFORM RAILS INSTALLATION WITH PLUGS (SINGLE EXTENSION)



ART_1001293537

SECTION 5 - PLATFORM

FIGURE 5-6. PLATFORM RAILS INSTALLATION WITH PLUGS (SINGLE EXTENSION)

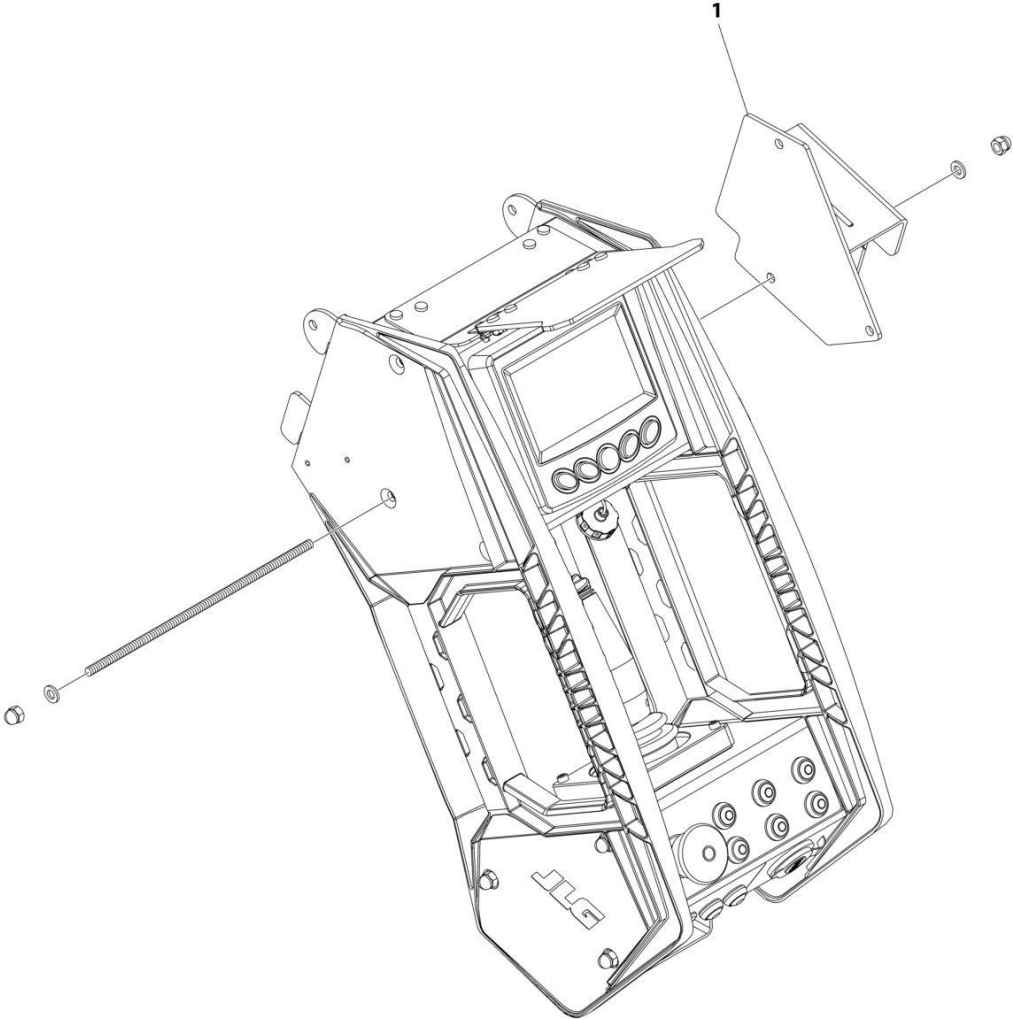
ITEM	PART NUMBER	QTY	DESCRIPTION	REV
	1001293537	Ref	PLATFORM RAILS INSTALLATION WITH PLUGS (SINGLE EXTENSION)	B
1	0100011	AR	Compound, Locking	
2	0630615	2	Bolt M8 x 16	
3	0700517	14	Bolt M5 x 45	
4	0700617	16	Bolt M6 x 45	
5	0700619	1	Bolt M6 x 55	
6	0700817	13	Bolt M8 x 45	
7	0700818	2	Bolt M8 x 50	
8	0700819	8	Bolt M8 x 55	
9	0760507	4	Bolt M8 x 14	
10	0760608	1	Bolt M6 x 16	
11	2560088	1	Grip, Handle	
12	2560176	2	Handle	
13	2600253	2	Hinge	
14	2600285	2	Hinge	
15	2940074	1	Latch	
16	2940127	1	Latch	
17	3290506	34	Nut M5 x 3/4	
18	3290606	10	Nut M6 x 1	
19	3290806	39	Nut M8 x 1-1/4	
20	3291006	1	Nut M10	
21	3422744	2	Pin, Plunger	
22	3520072	2	Plug	
23	3537609	1	Plate, Pivot	
24	4010618	8	Screw M6 x 50	
25	4811600	40	Washer M5	
26	4811602	4	Washer M5	
27	4811700	51	Washer M6	
28	4811900	54	Washer M8	
29	4811902	12	Washer M8	
30	4812000	16	Washer M10	
31	4846181	1	Handle (LH)	
32	1001195137	1	Bolt M10 x 240	
34	1001250829	2	Plate, Rotary Latch	
35	1001250830	1	Plate, Handle Latch	
36	1001294421	1	Plate, Extension	
37	1001253149	1	Plate, Gate Latch	
38	1001258936	2	Plate, Rail	
39	1001262399	12	Bolt M8 x 55	
40	1001262400	2	Bolt M8 x 50	
41	1001262454	4	Ring	
42	1001262495	2	Rod	
43	1001263269	1	Plate	
44	1001263628	2	Pad	
45	1001263629	2	Pad	
46	1001293198	32	Plug	
47	1001293199	16	Plug	
48	1001293200	42	Plug	
100	1001265846	1	Rail, Single Extension Kit	

SECTION 5 - PLATFORM

ITEM	PART NUMBER	QTY	DESCRIPTION	REV
101	1001248840	2	Rail, Extension Side	
102	1001248986	1	Rail, Extension Front	
103	1001249882	2	Rail, Platform Side	
104	1001249883	2	Rail, Platform Rear	
105	1001249884	1	Rail, Platform Gate	

SECTION 5 - PLATFORM

FIGURE 5-7. PLATFORM CONTROL BOX INSTALLATION - SIDE MOUNT



ART_1001265916

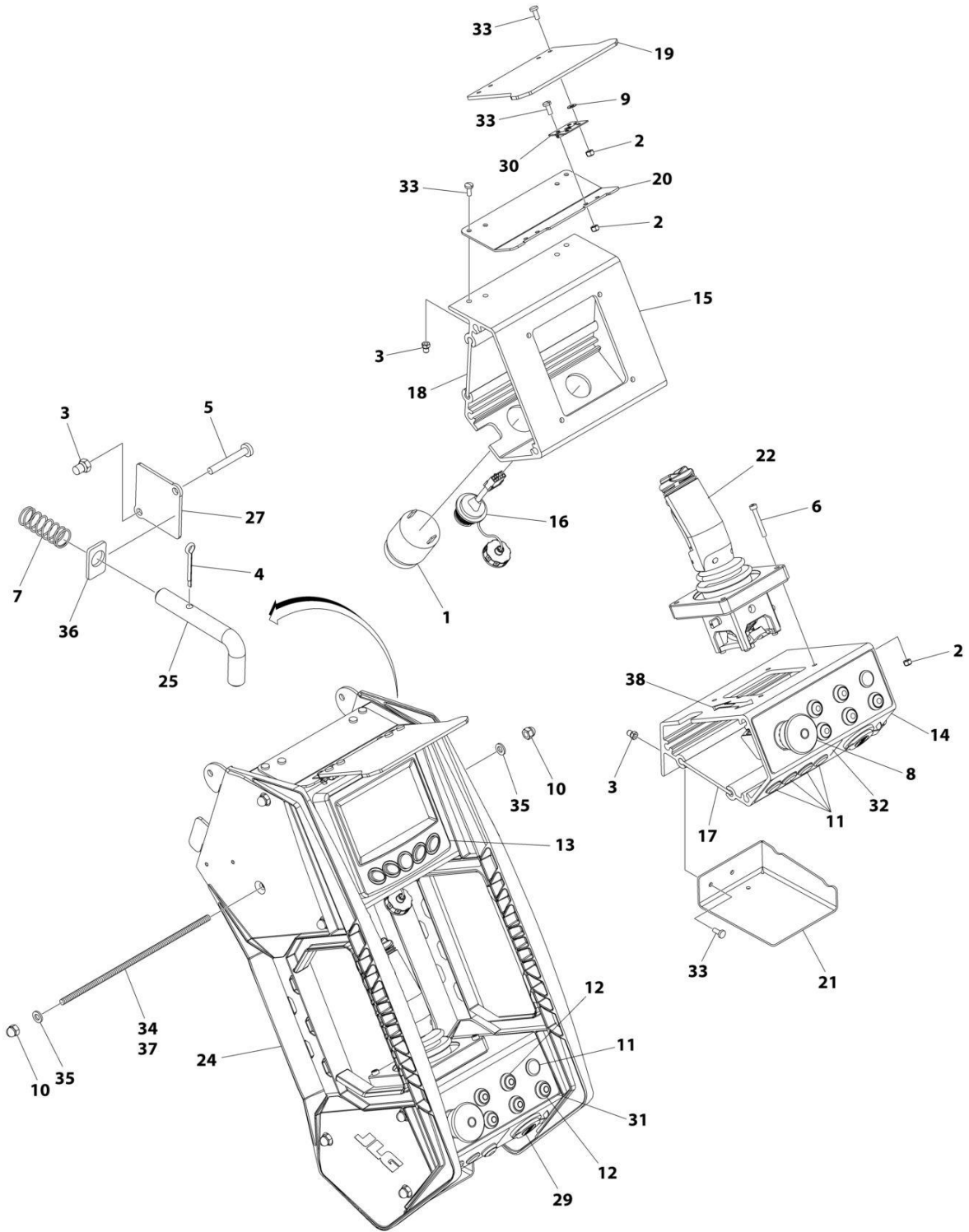
SECTION 5 - PLATFORM

FIGURE 5-7. PLATFORM CONTROL BOX INSTALLATION - SIDE MOUNT

ITEM	PART NUMBER	QTY	DESCRIPTION	REV
	1001265916	Ref	PLATFORM CONSOLE BOX INSTALLATION	B
1	1001265532	1	Bracket, Control Box Sidemount	
2	0100011	1	Compound, Locking (Not Shown - Use on Mounting Hardware)	

SECTION 5 - PLATFORM

FIGURE 5-8. PLATFORM CONTROL BOX INSTALLATION



ART_1001248176_H

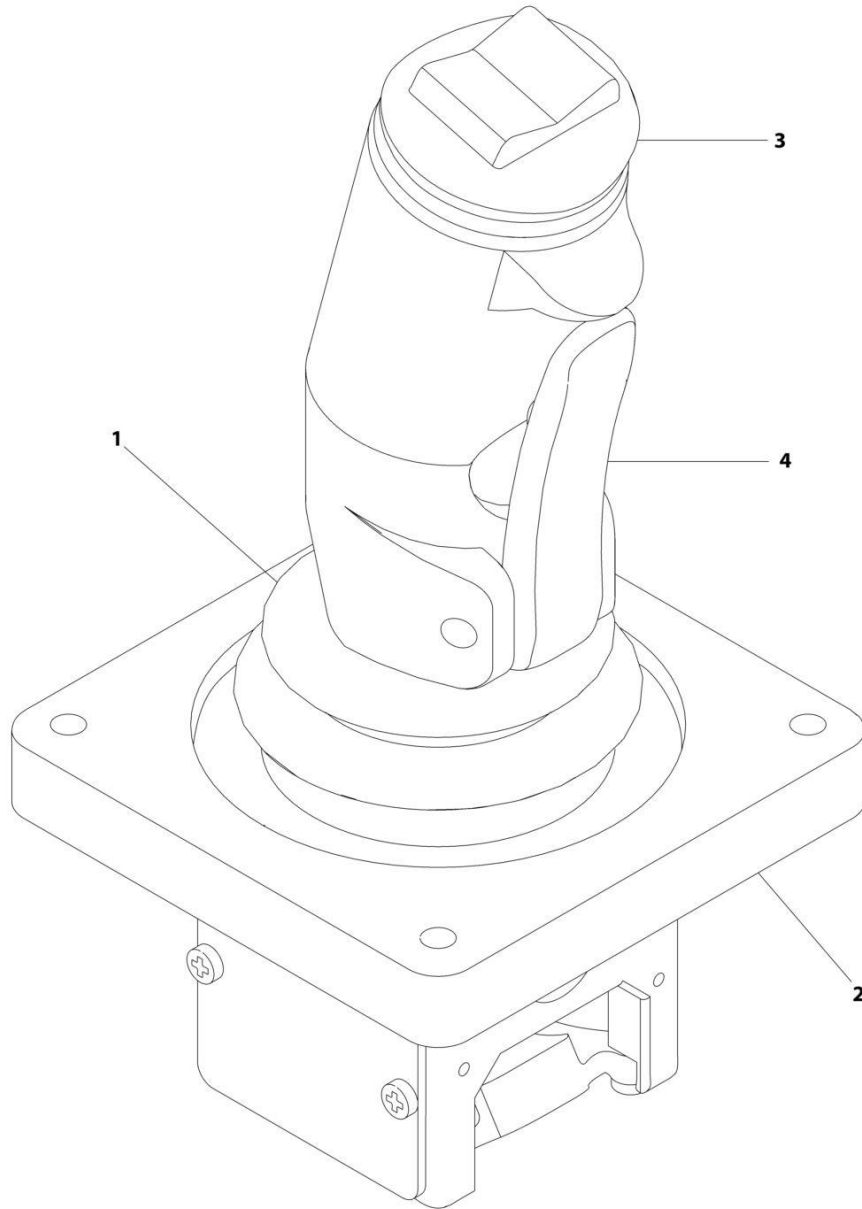
SECTION 5 - PLATFORM

FIGURE 5-8. PLATFORM CONTROL BOX INSTALLATION

ITEM	PART NUMBER	QTY	DESCRIPTION	REV
	1001248176	Ref	PLATFORM CONSOLE BOX INSTALLATION	H
1	0140030	1	Alarm	
2	3290405	12	Nut M4	
3	3290406	8	Nut M4	
4	3450303	1	Cotter Pin	
5	4010414	2	Bolt M4 x 30	
6	4031510	4	Bolt M4 x 30	
7	4160214	1	Spring, Door Latch	
8	1001274559	1	Switch, Emergency Stop (Plastic)	
8	4360475	1	Switch, Emergency Stop (Metal)	
8	7020175	1	Cap	
8	7020176	1	Block, Contact	
9	4811400	4	Washer M4	
10	1001108603	12	Nut M6 x 1	
11	1001176626	5	Cap	
12	1001226749	5	Switch	
13	1001244932	1	Control, Scissor Display	
14	1001246583	1	Housing, Lower Extrusion	
15	1001246584	1	Housing, Upper Extrusion	
16	1001246823	1	USB Port	
17	1001246863	1	Cover, Lower Extrusion	
18	1001246864	1	Cover, Upper Extrusion	
19	1001246979	1	Shield, Display	
20	1001247313	1	Mount, Display Shield	
21	1001247443	1	Plate, Phone Holder	
22	1001247682	1	Controller Assembly (See Separate Breakdown in this Section)	
23	1001249049	1	Harness, Platform Control Box (Not Shown - See Separate Breakdown in ELECTRICAL Section)	
24	1001249259	2	Panel, Control Box Side	
25	1001250682	1	Pin	
27	1001250692	1	Panel, Latch Cover	
29	1001253800	1	USB Port	
30	1001254119	2	Hinge	
31	1001257078	1	Decal - Platform Function	
32	1001257079	1	Decal - Platform Function	
33	4010405002	14	Bolt M4 x 10	
34	1001255461	6	Stud M6	
35	4811700	12	Washer M6	
36	1001262098	1	Plate, Control Box Latch	
37	0100011	AR	Compound, Locking	
38	1703819	1	Decal - Direction Arrow	

SECTION 5 - PLATFORM

FIGURE 5-9. CONTROLLER ASSEMBLY



ART_1001247682

SECTION 5 - PLATFORM

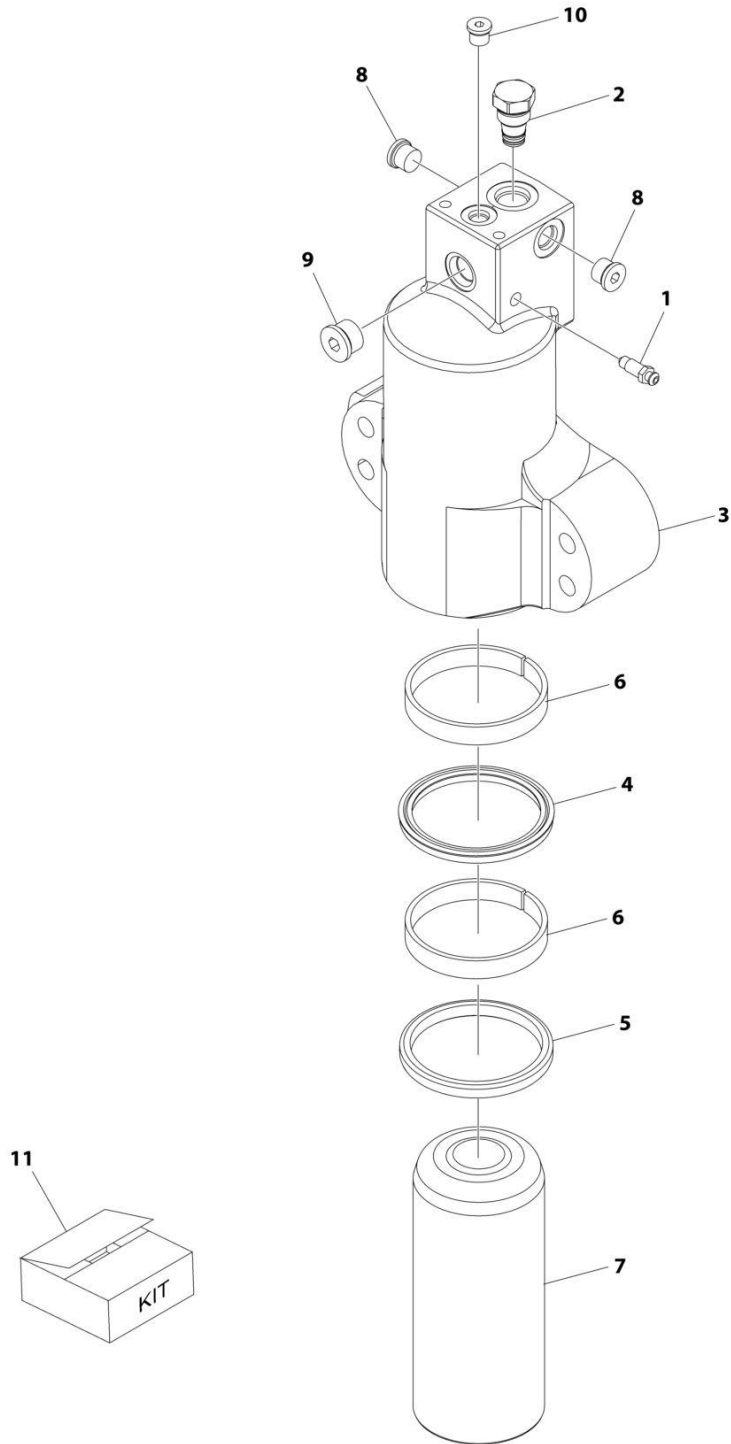
FIGURE 5-9. CONTROLLER ASSEMBLY

ITEM	PART NUMBER	QTY	DESCRIPTION	REV
	1001247682	Ref	DRIVE/STEER CONTROLLER ASSEMBLY (LCD)	B
1	70001250	1	Boot, Panel	
2	70001252	1	Gasket, Mounting	
2	70001251	1	Bezel, Mounting	
3	70007506	1	Handle Repair Kit (Includes handle gasket, item#4 push button and item #4 lever installed in front handle half, back handle half, top actuator, boot and hardware.)	
3	70000084	1	Cap, Rubber	
3	70000082	1	Microswitch	
3	7027766	1	Ring, Retaining	
3	7027365	1	Actuator, Handle	
3	70001253	1	Gasket, Handle	
3	70000683	4	Washer, Neoprene	
3	70000685	2	Spacer, Plastic	
3	70000686	2	Screw (Top)	
3	70000684	2	Screw (Bottom)	
4	7027367	1	Switch, Push Button	
4	7027765	1	Lever, Enable	

SECTION 6 - CYLINDER

SECTION 6 - CYLINDER

FIGURE 6-1. AXLE LOCKOUT CYLINDER ASSEMBLY



ART_1001245046

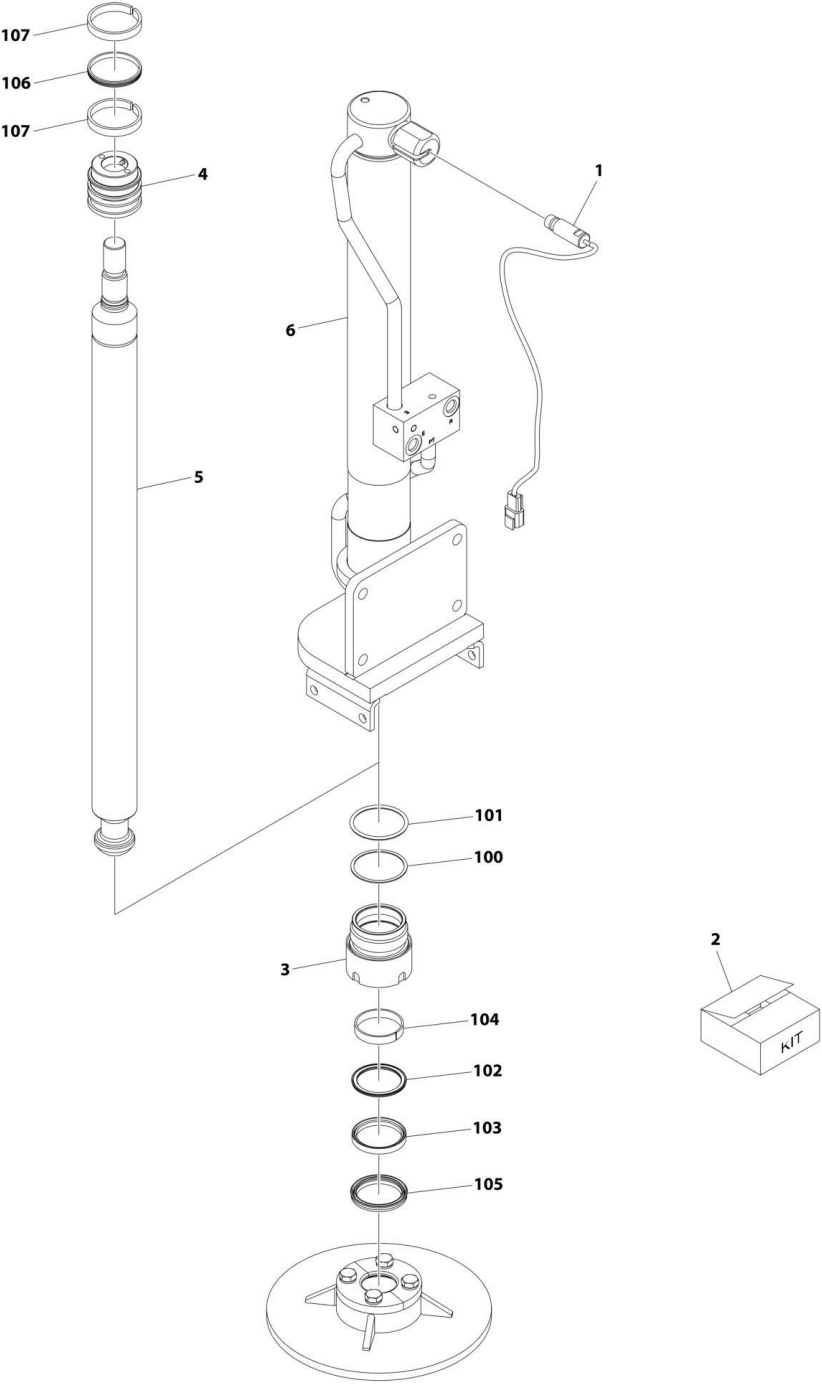
SECTION 6 - CYLINDER

FIGURE 6-1. AXLE LOCKOUT CYLINDER ASSEMBLY

ITEM	PART NUMBER	QTY	DESCRIPTION	REV
	1001245046	Ref	AXLE LOCKOUT CYLINDER ASSEMBLY	D
		Ref	Note: Original Cylinder May Have Been Replaced with Service Replacement. Identify PN Stamped on Cylinder Before Ordering Parts.	
1	4640858	1	Valve, Bleeder	
2	1001248671	1	Cartridge, Valve	
3	1001245653	1	Barrel	
4	See Note	NSS	Seal, Rod (Note: use p/n 70007678)	
5	See Note	NSS	Wiper (Note: use p/n 70007678)	
6	See Note	NSS	Ring, Wear (Note: use p/n 70007678)	
7	70007679	1	Rod	
8	2220885	2	Plug #6	
9	2220886	1	Plug #8	
10	2220883	1	Plug #4	
11	70007678	1	Kit, Seal (Includes Items 4-6)	

SECTION 6 - CYLINDER

FIGURE 6-2. LEVELING JACK CYLINDER ASSEMBLY



ART_1001243256

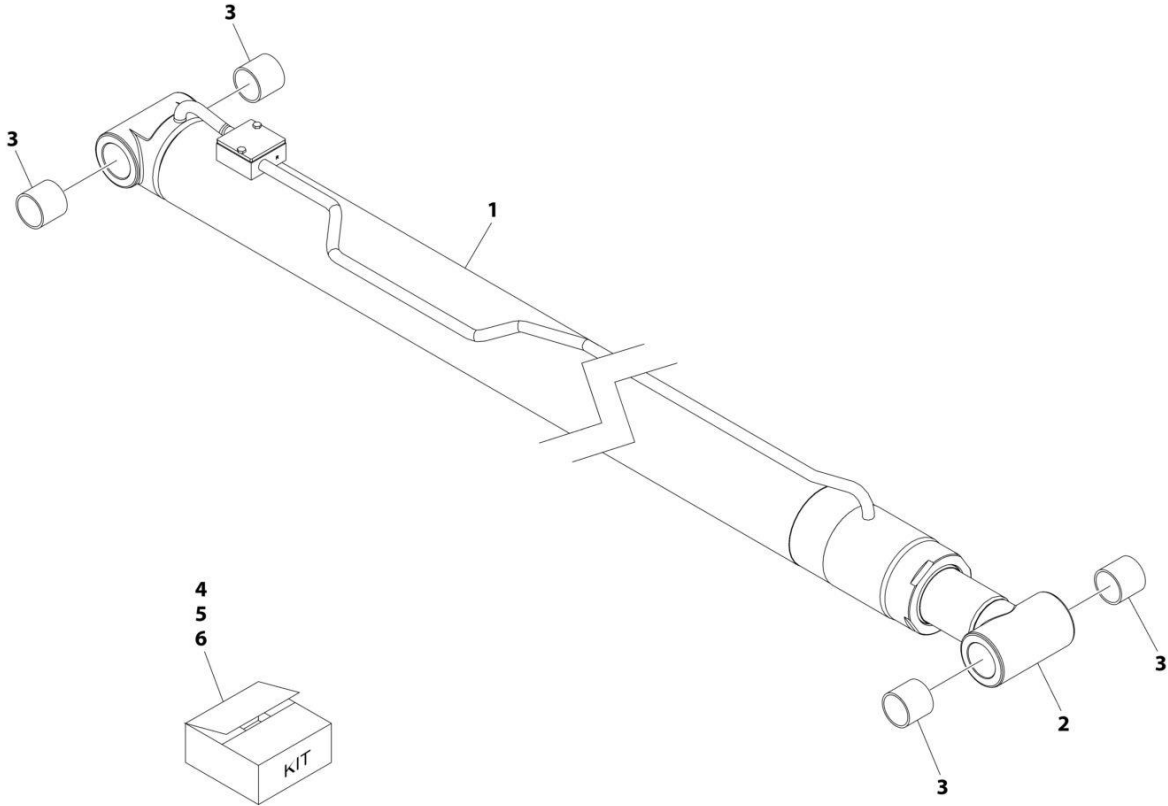
SECTION 6 - CYLINDER

FIGURE 6-2. LEVELING JACK CYLINDER ASSEMBLY

ITEM	PART NUMBER	QTY	DESCRIPTION	REV
	1001243256	Ref	LEVELING JACK CYLINDER ASSEMBLY	E
	See Note	Ref	Note: Original Cylinder May Have Been Replaced with Service Replacement. Identify PN Stamped on Cylinder Before Ordering Parts.	
1	1001246658	1	Sensor, Leveling Jacks Proximity	
2	70007709	1	Kit, Seal (Includes Items 100-107)	
3	70007710	1	Retainer	
4	70007711	1	Piston	
5	70007712	1	Rod	
6	See Note	1	Barrel (Note: Use PN 1001243256)	
100	See Note	NSS	Ring, Backup (Note: use p/n 70007709)	
101	See Note	NSS	O-Ring (Note: use p/n 70007709)	
102	See Note	NSS	Ring, Buffer (Note: use p/n 70007709)	
103	See Note	NSS	Seal, Rod (Note: use p/n 70007709)	
104	See Note	NSS	Ring, Wear (Note: use p/n 70007709)	
105	See Note	NSS	Wiper (Note: use p/n 70007709)	
106	See Note	NSS	Seal, Piston (Note: use p/n 70007709)	
107	See Note	NSS	Ring, Wear (Note: use p/n 70007709)	

SECTION 6 - CYLINDER

FIGURE 6-3. ERT4069 & ERT4769 LIFT CYLINDER ASSEMBLY - LOWER



ART_1001255394

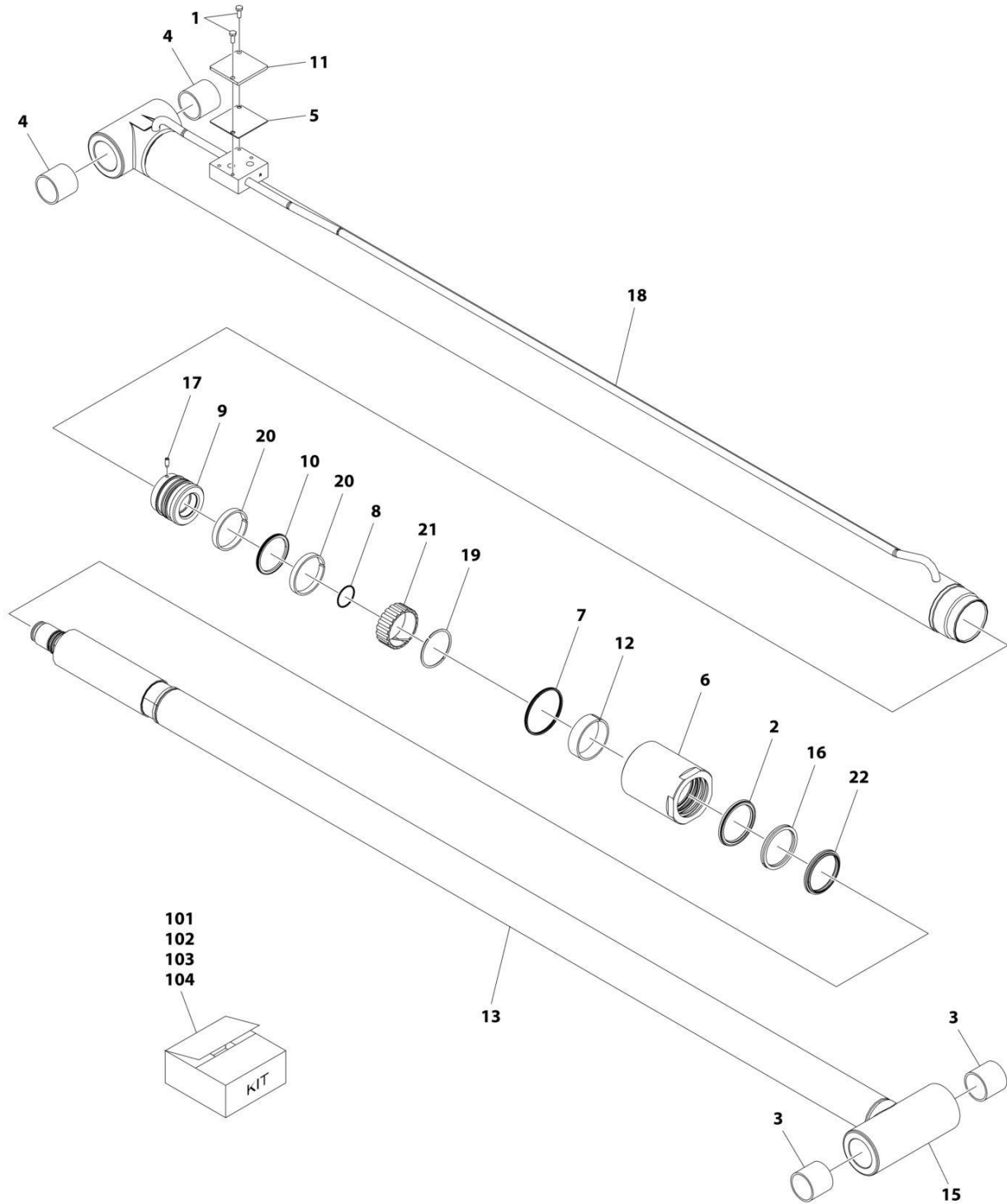
SECTION 6 - CYLINDER

FIGURE 6-3. ERT4069 & ERT4769 LIFT CYLINDER ASSEMBLY - LOWER

ITEM	PART NUMBER	QTY	DESCRIPTION	REV
	1001255394	Ref	CYLINDER ASSEMBLY - LIFT Note: Original Cylinder May Have Been Replaced with Service Replacement. Identify PN Stamped on Cylinder Before Ordering Parts.	D
		Ref		
1	Note	NSS	Barrel (Note: Use PN 1001255394)	
2	70007949	1	Rod Kit (Includes Rod & Rod End)	
3	70007950	4	Bushing	
4	70007715	1	Piston Kit (Includes Piston, Piston Seal, Wear Ring & Setscrew)	
5	70007948	1	Head/Retainer Kit (Includes Head, Head Seal, Buffer Ring, Piston Seal, Retainer, Wear Ring & Wiper),	
6	70007947	1	Seal Kit (Includes Buffer Ring, Head Seal, Piston Seals, Wear Rings & Wiper)	

SECTION 6 - CYLINDER

FIGURE 6-4. ERT4769 LIFT CYLINDER ASSEMBLY - UPPER



ART_1001255902

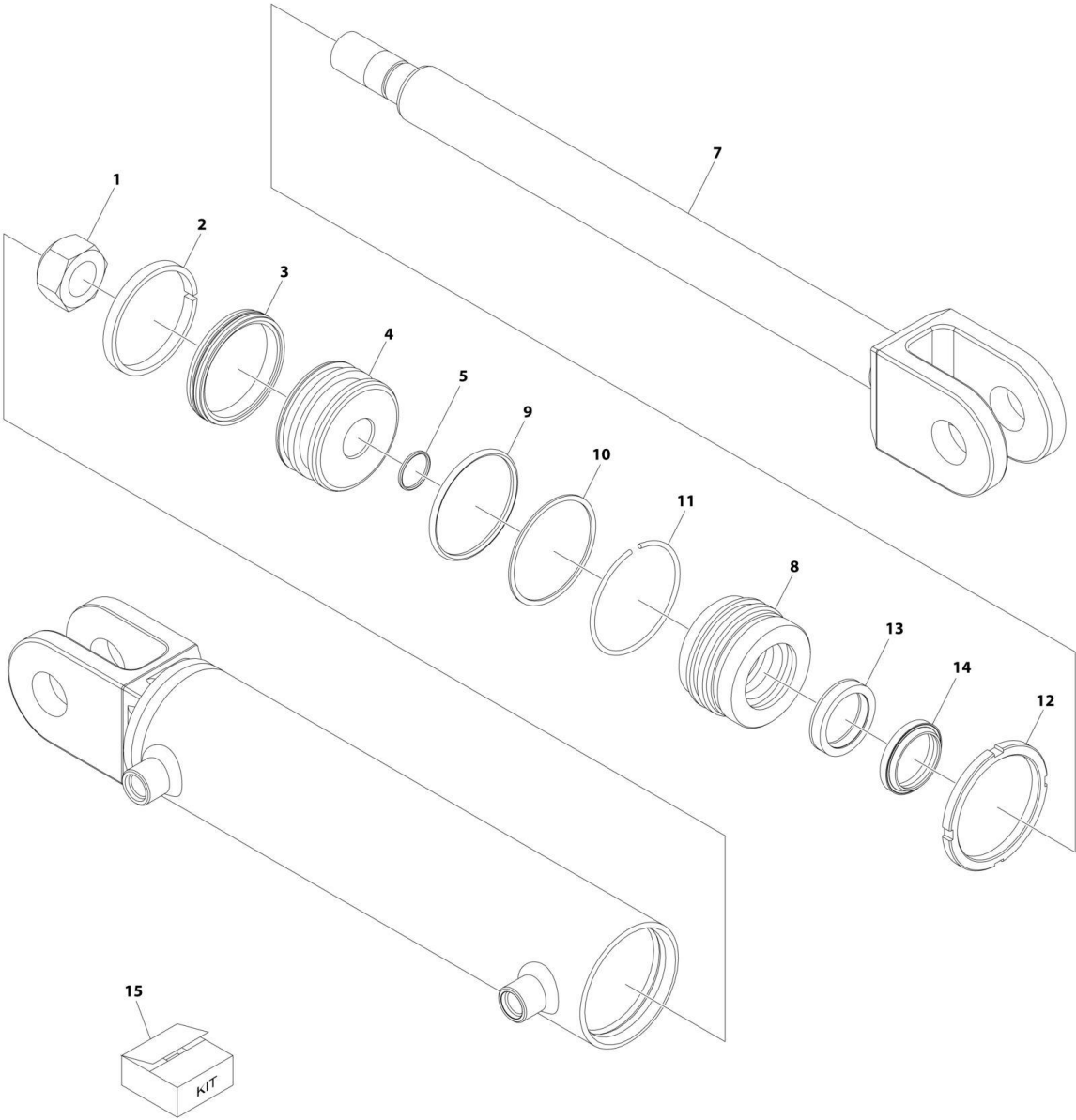
SECTION 6 - CYLINDER

FIGURE 6-4. ERT4769 LIFT CYLINDER ASSEMBLY - UPPER

ITEM	PART NUMBER	QTY	DESCRIPTION	REV
	1001255902	Ref	CYLINDER ASSEMBLY - LIFT	D
		Ref	Note: Original Cylinder May Have Been Replaced with Service Replacement. Identify PN Stamped on Cylinder Before Ordering Parts.	
1	See Note	NSS	Bolt (Note: Purchase Locally)	
2	See Note	NSS	Ring, Buffer (Note: Use Kit PN 70008568 or 70008569)	
3	70007950	2	Bushing	
4	70008572	2	Bushing	
5	See Note	NSS	Gasket (Note: Purchase Complete Assembly)	
6	See Note	NSS	Head (Note: Purchase Complete Assembly)	
7	See Note	NSS	Seal, Head (Note: Use Kit PN 70008568 or 70008569)	
8	See Note	NSS	O-Ring (Note: Use Kit PN 70008568)	
9	See Note	NSS	Piston (Note: Use Kit PN 70008570)	
10	See Note	NSS	Seal, Piston (Note: Use Kit PN 70008568 or 70008570)	
11	See Note	NSS	Plate (Note: Purchase Complete Assembly)	
12	See Note	NSS	Retainer (Note: Use Kit PN 70008569)	
13	See Note	NSS	Rod (Note: Use Kit PN 70008571)	
14	See Note	NSS	Bushing, Rod (Not Shown) (Note: Use Kit PN 70008568 or 70008569)	
15	See Note	NSS	End, Rod (Note: Use Kit PN 70008571)	
16	See Note	NSS	Seal, Rod (Note: Use Kit PN 70008568 or 70008569)	
17	See Note	NSS	Setscrew (Note: Use Kit PN 70008570)	
18	See Note	NSS	Barrel (Note: Purchase Complete Assembly)	
19	See Note	NSS	Ring, Stop (Note: Use Kit PN 70008571)	
20	See Note	NSS	Ring, Wear (Note: Use Kit PN 70008568 or 70008570)	
21	See Note	NSS	Ring, Wear (Note: Use Kit PN 70008568)	
22	See Note	NSS	Wiper (Note: Use Kit PN 70008568 or 70008569)	
101	70008568	1	Kit, Service (Includes Items 2,7,10,14,16,20,21,22)	
102	70008569	1	Kit, Retainer (Includes Items 2,7,12,14,16,22)	
103	70008570	1	Kit, Piston (Includes Items 9,10,17,20)	
104	70008571	1	Kit, Rod (Includes Items 13,15,19)	

SECTION 6 - CYLINDER

FIGURE 6-5. STEER CYLINDER ASSEMBLY



ART_1001246107

SECTION 6 - CYLINDER

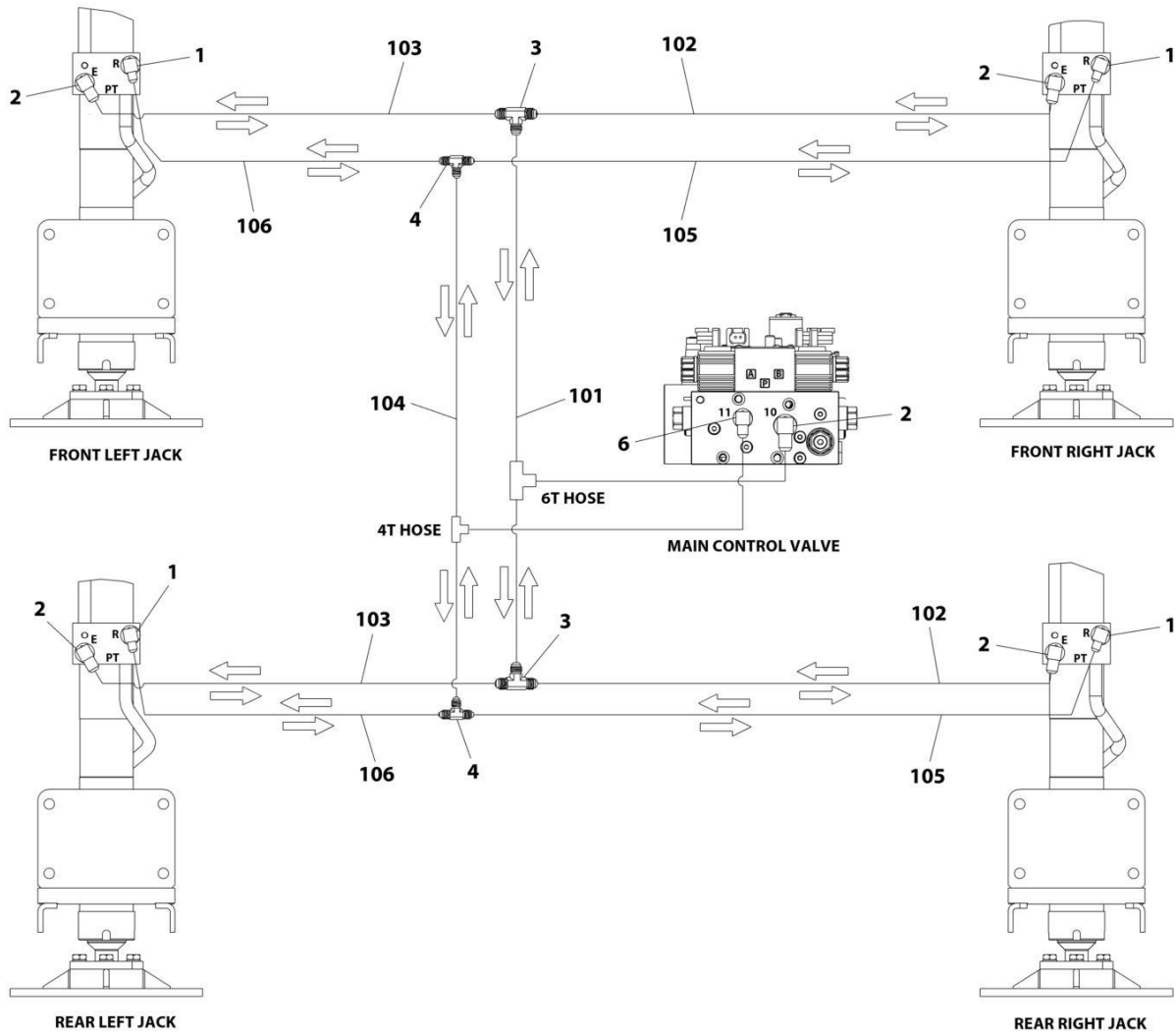
FIGURE 6-5. STEER CYLINDER ASSEMBLY

ITEM	PART NUMBER	QTY	DESCRIPTION	REV
	1001246107	Ref	STEER CYLINDER ASSEMBLY	B
		Ref	Note: Original Cylinder May Have Been Replaced with Service Replacement. Identify PN Stamped on Cylinder Before Ordering Parts.	
1	7001626	1	Nut	
2	See Note	NSS	Ring, Wear (Note: use p/n 70007610)	
3	See Note	NSS	Seal, Piston (Note: use p/n 70007610)	
4	70007607	1	Piston	
5	See Note	NSS	O-Ring (Note: use p/n 70007610)	
7	70007608	1	Rod	
8	70007609	1	Guide	
9	See Note	NSS	O-Ring (Note: use p/n 70007610)	
10	See Note	NSS	Ring, Backup (Note: use p/n 70007610)	
11	See Note	NSS	Ring, Retaining (Note: use p/n 70007610)	
12	7001630	1	Nut	
13	See Note	NSS	Ring (Note: use p/n 70007610)	
14	See Note	NSS	Ring, Wiper (Note: use p/n 70007610)	
15	70007610	1	Kit, Seal (Includes Items 2, 3, 5, 8-10, 12, & 13)	

SECTION 7 - HYDRAULIC

SECTION 7 - HYDRAULIC

FIGURE 7-1. HYDRAULIC DIAGRAM - LEVELING JACKS



ART_1001250342

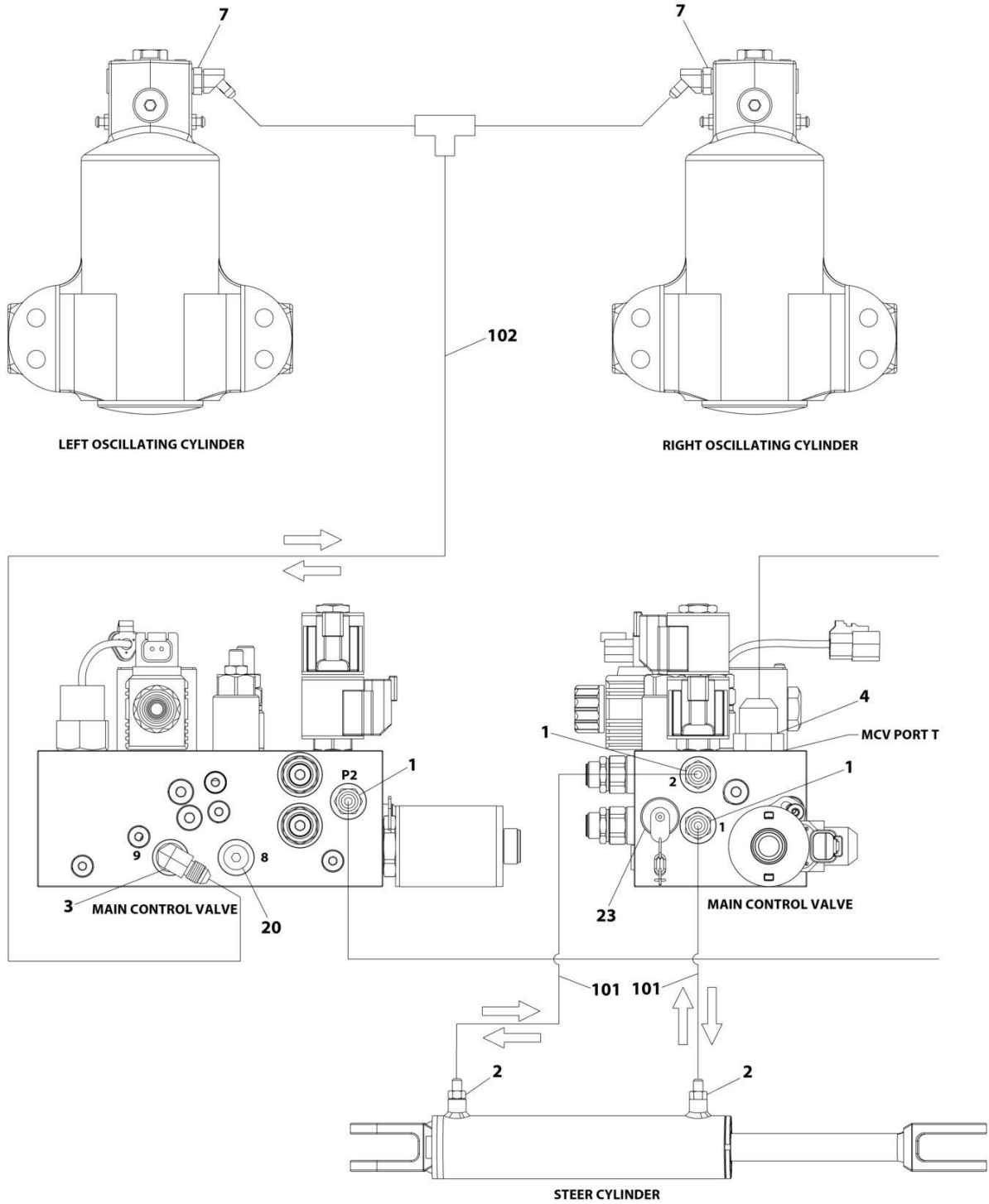
SECTION 7 - HYDRAULIC

FIGURE 7-1. HYDRAULIC DIAGRAM - LEVELING JACKS

ITEM	PART NUMBER	QTY	DESCRIPTION	REV
	1001250342	Ref	HYDRAULIC DIAGRAM - LEVELING JACKS	B
1	2220472	4	Fitting, 90 JIC/ORB	
2	2220473	5	Fitting, 90 JIC/ORB	
3	2220490	2	Fitting, Tee JIC/JIC/JIC	
4	2220504	2	Fitting, Tee JIC/JIC/JIC	
6	2220466	1	Fitting, 90 JIC/ORB	
100	1001260252	Ref	Hose Kit (Not Shown)	A
101	1001250307	1	Hose	
102	1001250308	2	Hose	
103	1001250309	2	Hose	
104	1001250310	1	Hose	
105	1001250311	2	Hose	
106	1001250312	2	Hose	

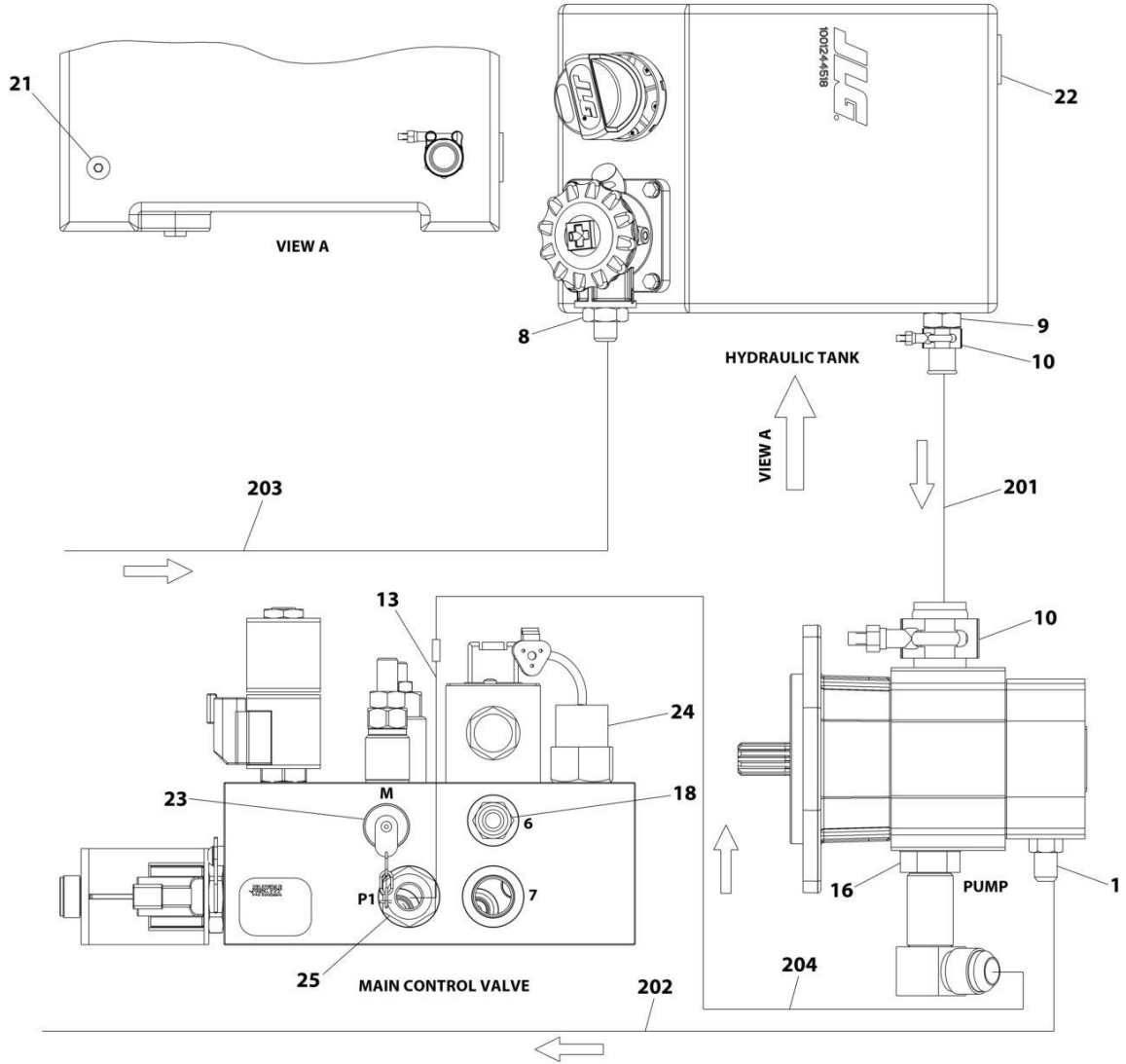
SECTION 7 - HYDRAULIC

FIGURE 7-2. HYDRAULIC DIAGRAM - STANDARD



ART_1001246103_10F2

SECTION 7 - HYDRAULIC



ART_1001246103_20F2

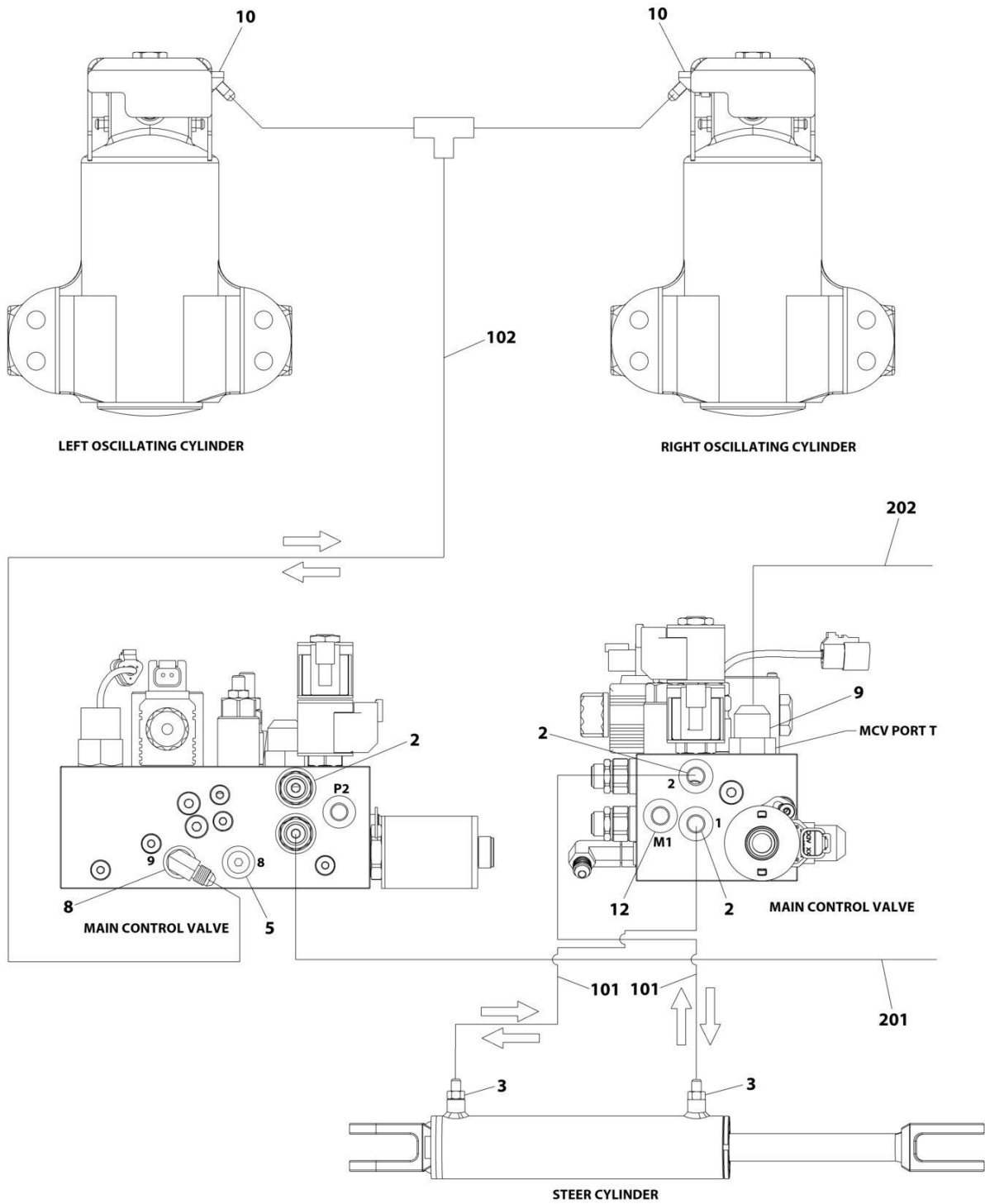
SECTION 7 - HYDRAULIC

FIGURE 7-2. HYDRAULIC DIAGRAM - STANDARD

ITEM	PART NUMBER	QTY	DESCRIPTION	REV
	1001246103	Ref	HYDRAULIC DIAGRAM – STANDARD	E
1	2220415	4	Fitting, Straight JIC/ORB	
2	2220582	2	Fitting, Straight JIC/ORB	
3	2220940	1	Fitting, 90 JIC/ORB	
4	2220947	1	Fitting	
7	2221040	2	Fitting, 45 JIC/ORB	
8	83451104	1	Fitting, Straight JIC/ORB	
9	1001127389	1	Fitting, Straight ORB/Barb	
10	1001143501	2	Clamp	
13	1001249610	1	Tube	
16	2221069	1	Fitting, 90 JIC/ORB	
18	2220371	1	Fitting, Straight JIC/ORB	
20	2220883	1	Plug	
21	2220886	1	Plug	
22	2220891	1	Plug	
23	2221086	2	Fitting, Test Port	
24	1001256875	1	Switch, Pressure	
25	2220852	1	Fitting, Straight JIC/ORB	
100	1001260251	1	Hose Kit (Not Shown)	A
101	1001248868	2	Hose	
102	1001248871	1	Hose	
200	1001260254	1	Hose Kit (Not Shown) (Includes Items 201-204)	C
201	1001250716	1	Hose	
202	1001250773	1	Hose	
203	1001250968	1	Hose	
204	1001273640	1	Hose	

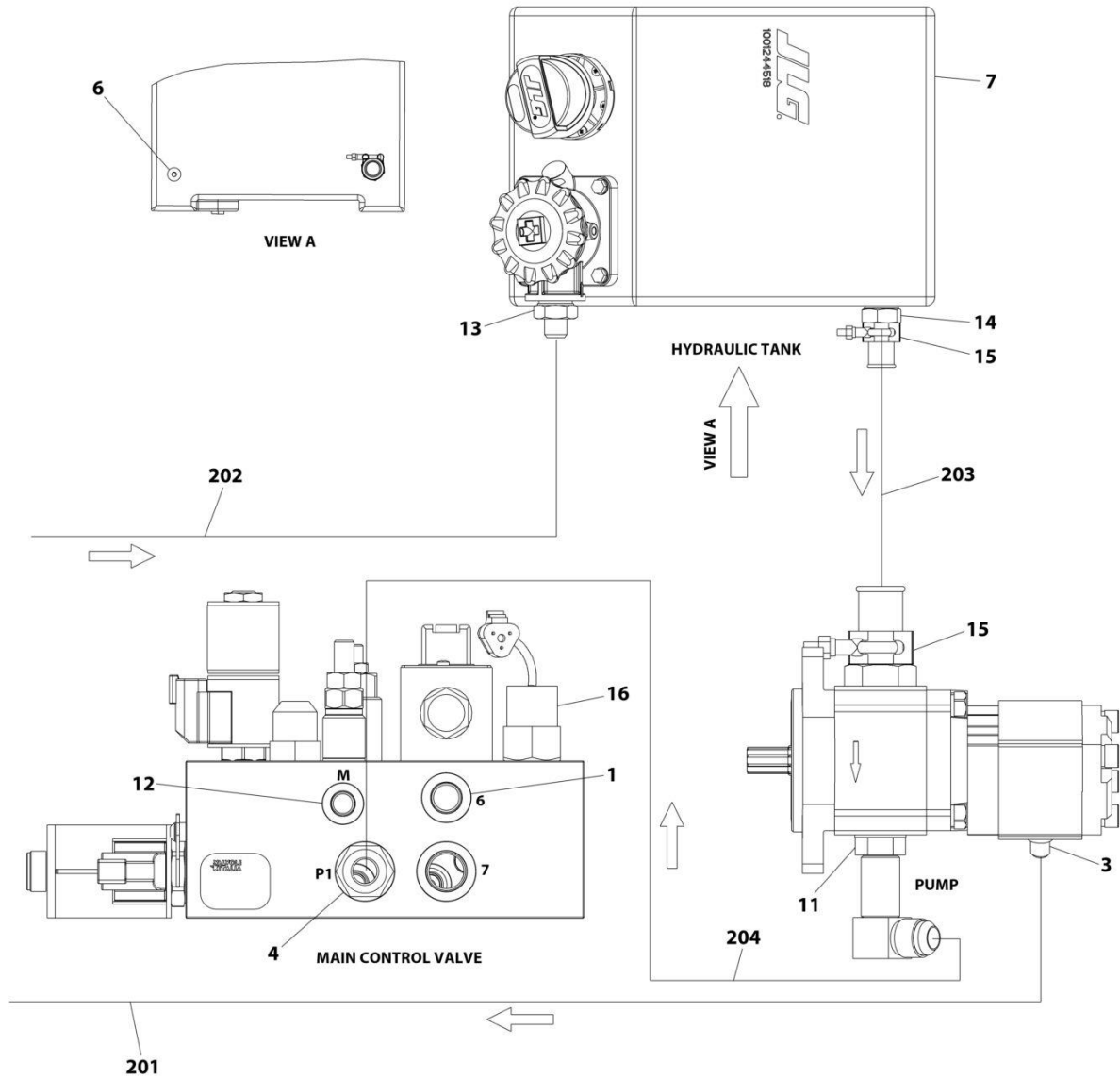
SECTION 7 - HYDRAULIC

FIGURE 7-3. HYDRAULIC DIAGRAM - STANDARD (SN M200085779 to Present, SN M200085780 to Present)



ART_1001293904_10F2

SECTION 7 - HYDRAULIC



ART_1001293904_20F2

SECTION 7 - HYDRAULIC

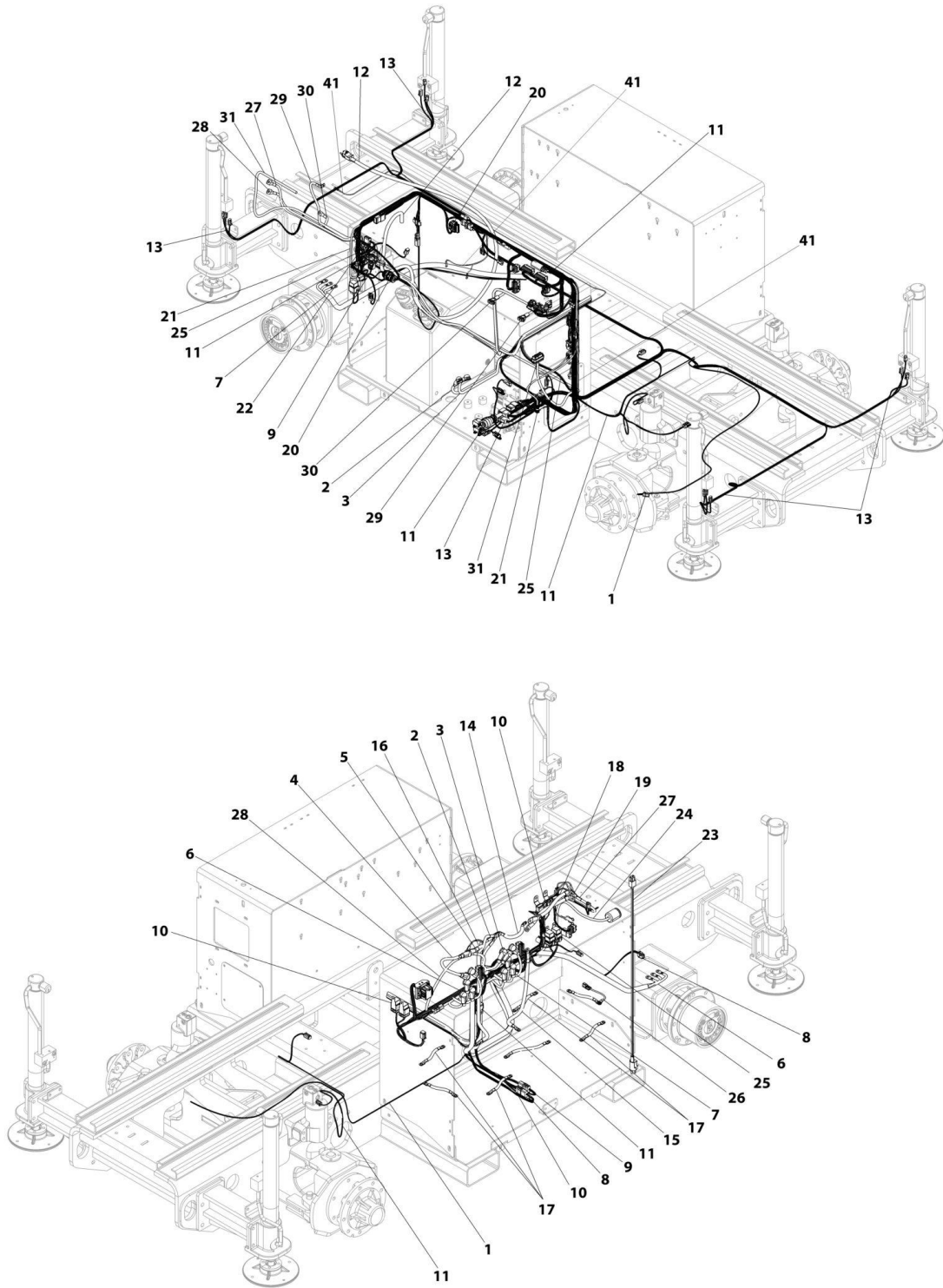
FIGURE 7-3. HYDRAULIC DIAGRAM - STANDARD (SN M200085779 to Present, SN M200085780 to Present)

ITEM	PART NUMBER	QTY	DESCRIPTION	REV
	1001293904	Ref	HYDRAULIC DIAGRAM - STANDARD	A
1	2220371	1	Fitting, Straight JIC/ORB	
2	2220415	3	Fitting, Straight JIC/ORB	
3	2220582	3	Fitting, Straight JIC/ORB	
4	2220852	1	Fitting, Straight JIC/ORB	
5	2220883	1	Plug	
6	2220886	1	Plug	
7	2220891	1	Plug	
8	2220940	1	Fitting, 90 JIC/ORB	
9	2220947	1	Fitting, Straight JIC/ORB	
10	2221040	2	Fitting, 45 JIC/ORB	
11	2221069	1	Fitting, 90 ORB/JIC	
12	2221086	2	Fitting, Test Port	
13	83451104	1	Fitting, Straight JIC/ORB	
14	1001127389	2	Fitting, Straight ORB/Barbed	
15	1001143501	2	Clamp	
16	1001256875	1	Switch, Pressure	
100	1001260251	1	Hose Kit (Not Shown)	A
101	1001248868	2	Hose	
102	1001248871	1	Hose	
200	1001293907	1	Hose Kit (Not Shown)	A
201	1001250773	1	Hose	
202	1001250968	1	Hose	
203	1001293905	1	Hose	
204	1001293906	1	Hose	

SECTION 8 - ELECTRICAL

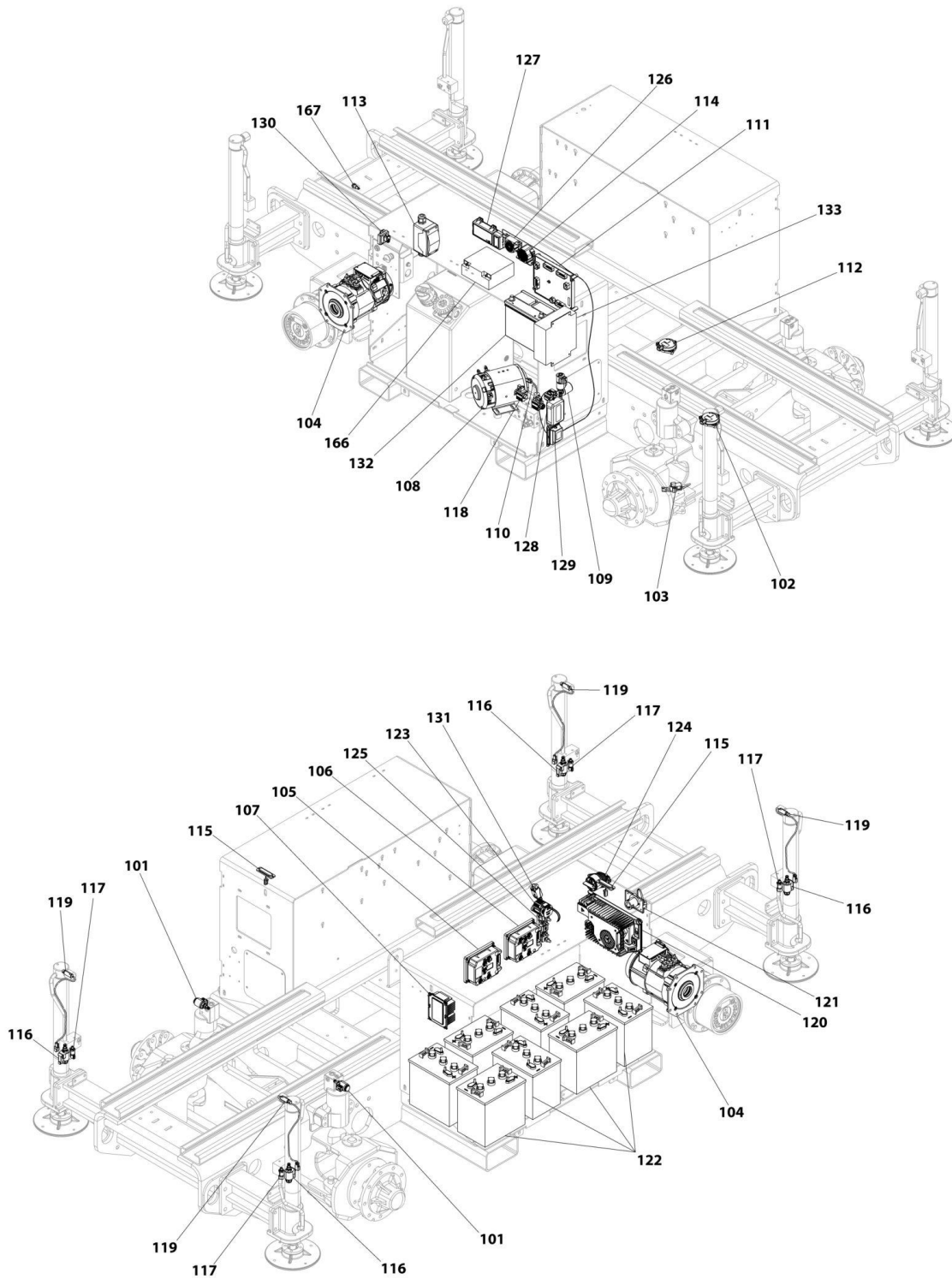
SECTION 8 - ELECTRICAL

FIGURE 8-1. ERT4069 & ERT4769 ELECTRICAL LAYOUT



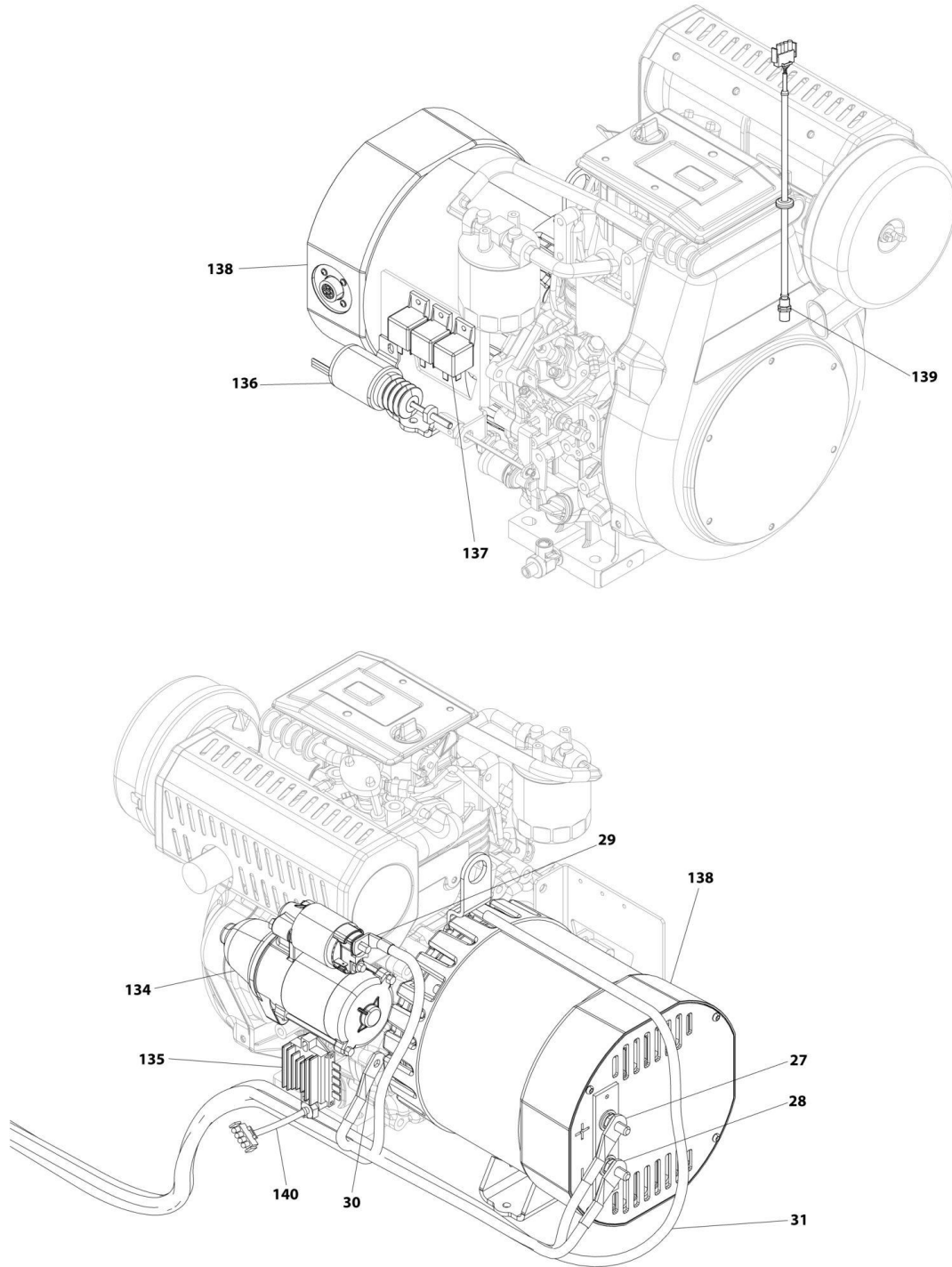
ART_ERT4769-ELECTRICAL_FRAME-HARNES

SECTION 8 - ELECTRICAL



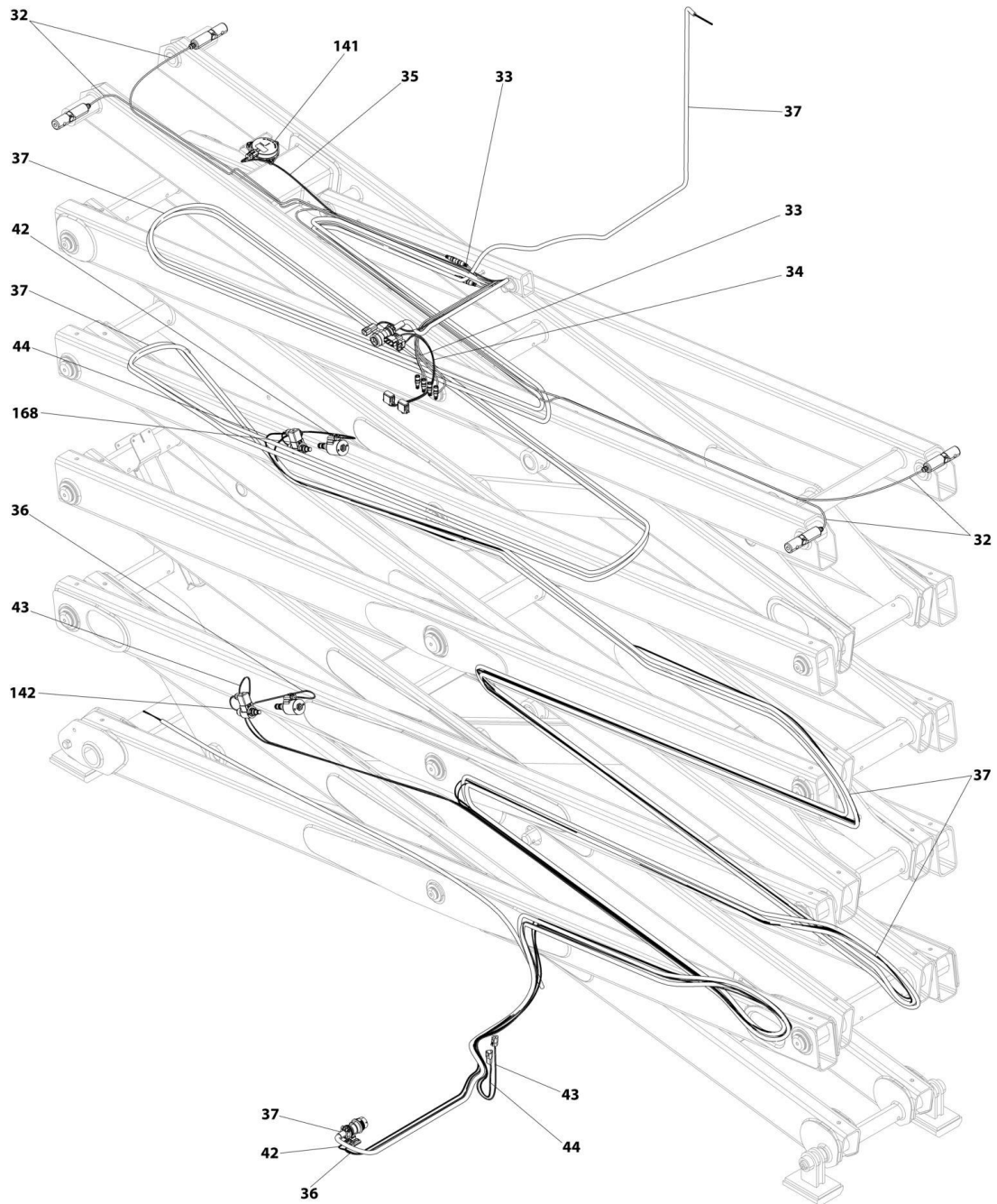
ART_ERT4769-ELECTRICAL_FRAME-COMPONENT

SECTION 8 - ELECTRICAL



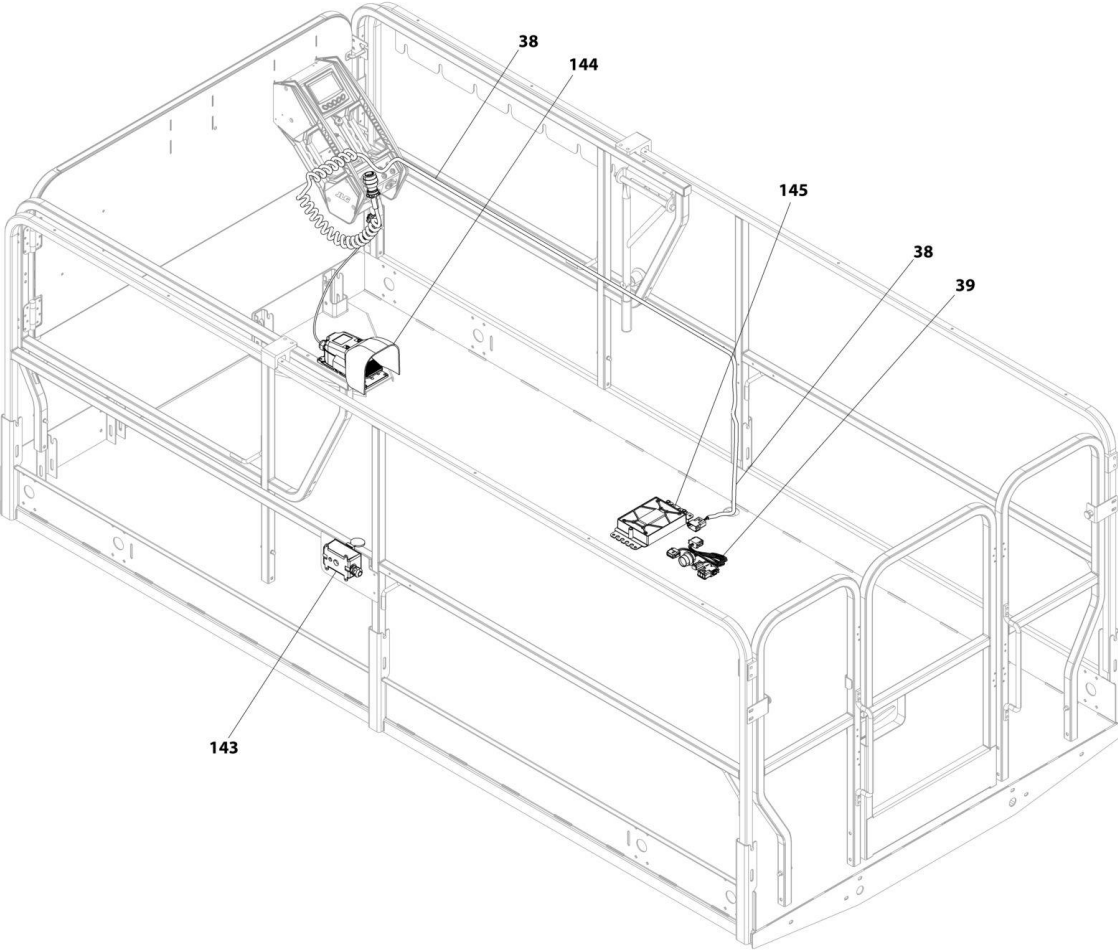
ART_ERT3369-ELECTRICAL_ENGINE-KUBOTAT4F

SECTION 8 - ELECTRICAL



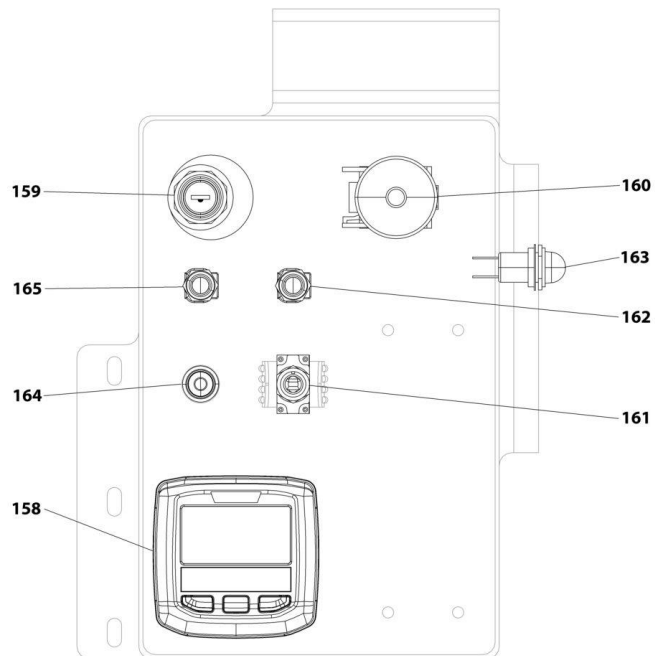
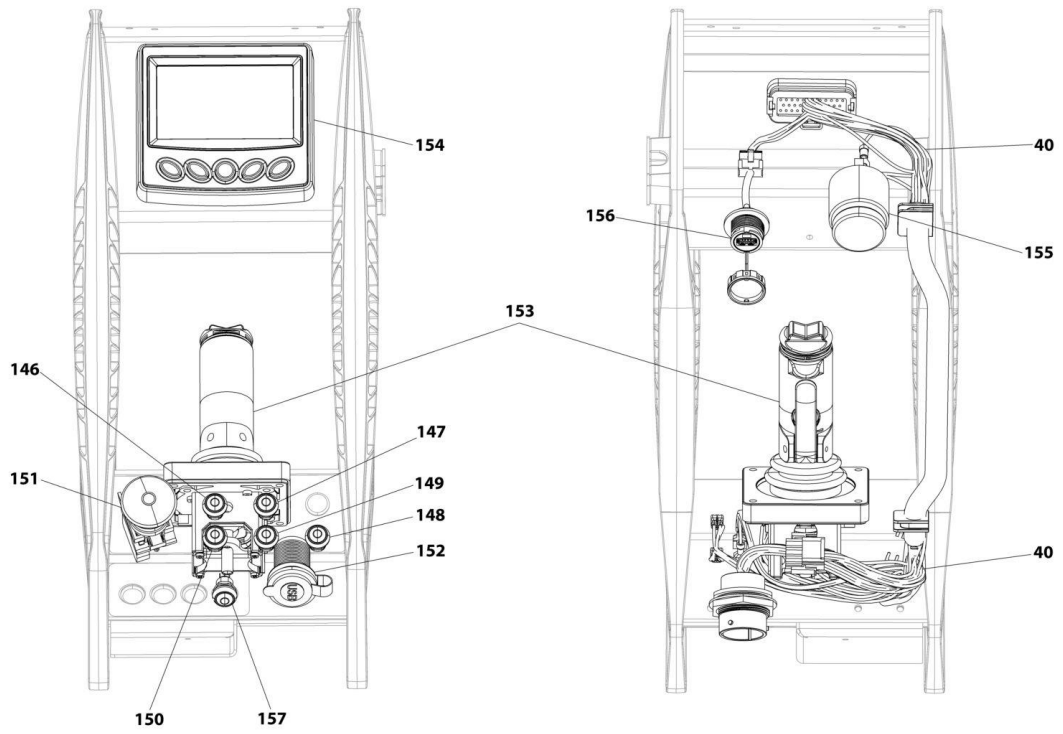
ART_ERT4769-ELECTRICAL_ARMS

SECTION 8 - ELECTRICAL



ART_ERT3369-ELECTRICAL_PLATFORM

SECTION 8 - ELECTRICAL



ART_ERT4769-ELECTRICAL_CONTROLS

SECTION 8 - ELECTRICAL

FIGURE 8-1. ERT4069 & ERT4769 ELECTRICAL LAYOUT

ITEM	PART NUMBER	QTY	DESCRIPTION	REV
		Ref	Note: This figure is for part identification only.	
		Ref	HARNESS LIST	
1		Ref	Harness, Steer Angle Sensor	
2		Ref	Cable, Generator to Pump (+)	
3		Ref	Cable, Generator to Pump (-)	
4		Ref	Cable, Drive Module (-)	
5		Ref	Cable, Drive/Pump Module (-)	
6		Ref	Cable, Left Drive/Brake Motor Power	
7		Ref	Cable, Right Drive/Brake Motor Power	
8		Ref	Harness, Left Drive/Brake Motor	
9		Ref	Harness, Right Drive/Brake Motor	
10		Ref	Harness, Traction	
11		Ref	Harness, Chassis	
12		Ref	Cable, 12/3	
13		Ref	Harness, Leveling Jacks	
14		Ref	Cable, Relay to Power Stud	
15		Ref	Cable, Battery to Fuse	
16		Ref	Cable, Battery to Power Stud	
17		Ref	Cable, Battery Jumper	
18		Ref	Cable, Battery Disconnect to Relay	
19		Ref	Cable, Battery Disconnect to Fuse	
20		Ref	Harness, Clearsky	
21		Ref	Harness, Telematics	
22		Ref	Harness, Xirgo Jumper	
23		Ref	Charger Cable with Plug	
24		Ref	Cable, Charger to Receptacle	
25		Ref	Harness, Genset	
26		Ref	Harness, Temperature Sensor	
27		Ref	Cable, Engine (+) to Battery Disconnect	
28		Ref	Cable, Engine (-) to Power Stud	
29		Ref	Cable, Engine to Battery (+)	
30		Ref	Cable, Engine to Battery (-)	
31		Ref	Harness, Generator	
32		Ref	Assembly, Load Sense Pin/Cable	
33		Ref	Cable, Load Sense Extension	
34		Ref	Harness, Load Sense	
35		Ref	Harness, Tilt Sensor	
36		Ref	Harness, Lower Lift Down	
37		Ref	Cable, AC Ground to Platform	
38		Ref	Harness, Platform Control Box	
39		Ref	Harness, Platform	
40		Ref	Harness, Platform Control Box	
41		Ref	Harness, Auxiliary Descent	
42		Ref	Harness, Upper Lift Down	
43		Ref	Harness, Lower Auxiliary Descent	
44		Ref	Harness, Upper Auxiliary Descent	
		Ref	COMPONENT LIST	
101		Ref	Solenoid, Axle Lock	
102		Ref	Sensor, Tilt	
103		Ref	Sensor, Steer Angle	

SECTION 8 - ELECTRICAL

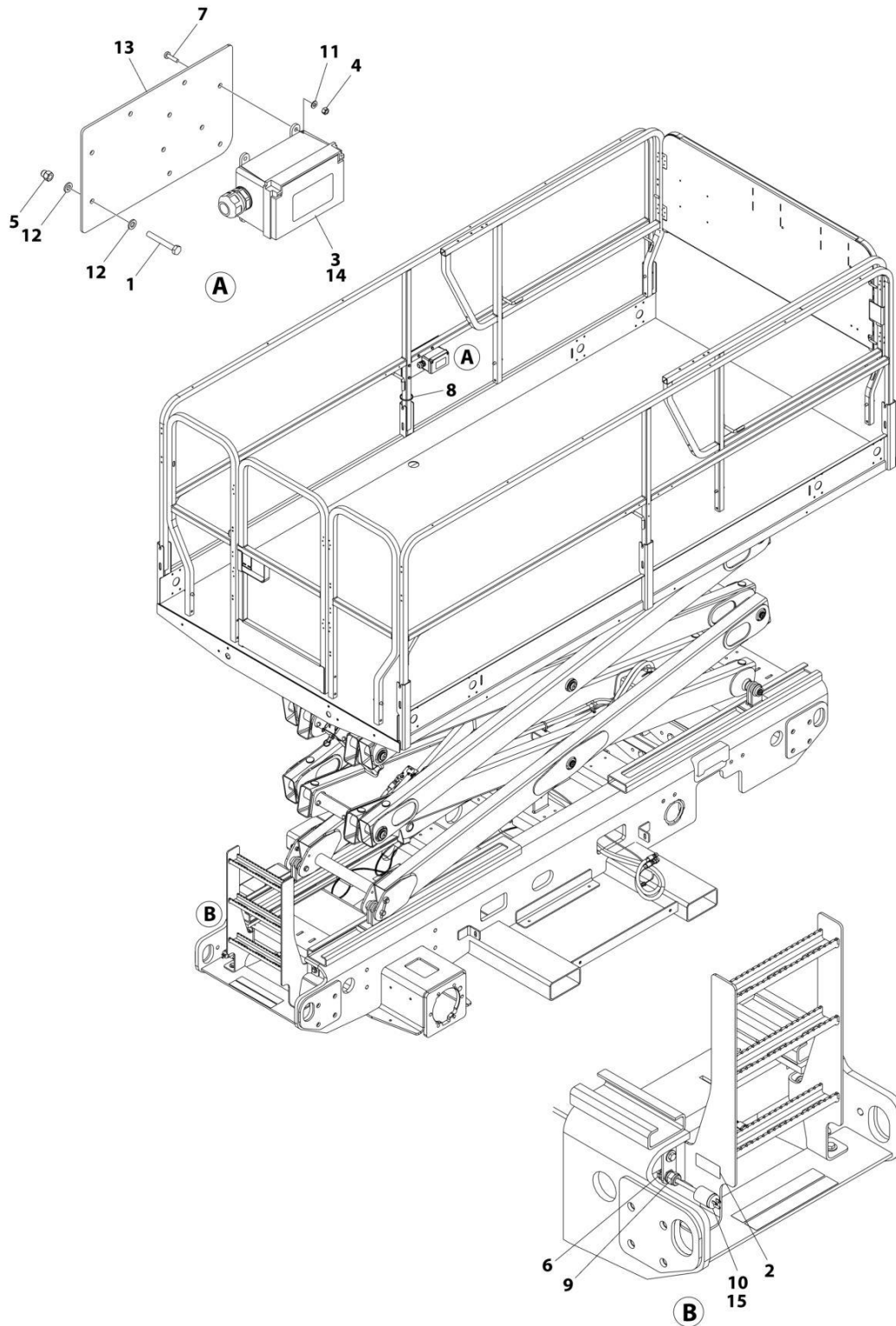
ITEM	PART NUMBER	QTY	DESCRIPTION	REV
104		Ref	Assembly, Drive Motor/Brake	
105		Ref	Module, Drive	
106		Ref	Module, Drive/Pump	
107		Ref	Converter	
108		Ref	Generator	
109		Ref	Solenoids, Main Control Valve	
110		Ref	Switch, Pressure	
111		Ref	Module, Ground Control	
112		Ref	Sensor, Tilt	
113		Ref	AC Breaker Box	
114		Ref	Alarm	
115		Ref	Beacon	
116		Ref	Solenoid, Leveling Jack Cylinder	
117		Ref	Sensor, Leveling Jacks Pressure	
118		Ref	Solenoid, Leveling Jacks Valve	
119		Ref	Sensor, Leveling Jacks Proximity	
120		Ref	Charger	
121		Ref	AC Receptacle	
122		Ref	Battery	
123		Ref	Relay	
124		Ref	Switch, Battery Disconnect	
125		Ref	Assembly, Fuse/Holder	
126		Ref	Alarm, White Noise	
127		Ref	Module, ClearSky Telematics CANBUS	
128		Ref	Antennae, ClearSky Telematics	
129		Ref	Module, ClearSky Telematics 3-Wire	
130		Ref	Voltage Regulator, ClearSky Telematics	
131		Ref	Switch, LSS Limit	
132		Ref	Battery	
133		Ref	Module, Engine Control	
134		Ref	Starter	
135		Ref	Regulator, Voltage	
136		Ref	Solenoid, Fuel	
137		Ref	Relay	
138		Ref	Alternator	
139		Ref	Sensor, Speed	
140		Ref	Sensor, Oil Temperature	
141		Ref	Sensor, Tilt	
142		Ref	Solenoid, Lower Lift Down	
143		Ref	AC Receptacle	
144		Ref	Footswitch	
145		Ref	Module, Load Sense	
146		Ref	Switch, Lift Select	
147		Ref	Switch, Drive Select	
148		Ref	Switch, Horn	
149		Ref	Switch, Speed Select	
150		Ref	Switch, Leveling Jacks	
151		Ref	Switch, Emergency Stop	
152		Ref	USB Port	
153		Ref	Joystick	
154		Ref	Display, Platform	

SECTION 8 - ELECTRICAL

ITEM	PART NUMBER	QTY	DESCRIPTION	REV
155		Ref	Alarm	
156		Ref	USB Port	
157		Ref	Switch, Genset Enable	
158		Ref	Display, Ground	
159		Ref	Switch, Key	
160		Ref	Switch, Emergency Stop	
161		Ref	Switch, Platform Lift/Lower	
162		Ref	Light, Load Sense Overload Indicator	
163		Ref	Switch, Brake Release	
164		Ref	Switch, Genset Start	
165		Ref	Light, Genset Indicator	
166		Ref	Battery	
167		Ref	Switch, Auxiliary Descent	
168		Ref	Solenoids, Upper Lift Down	

SECTION 8 - ELECTRICAL

FIGURE 8-2. AC BOX AT PLATFORM INSTALLATION - 110V GFI (ALL SPECS EXCEPT AUSTRALIAN, CE & UK CA SPECS)



ART_1001255001

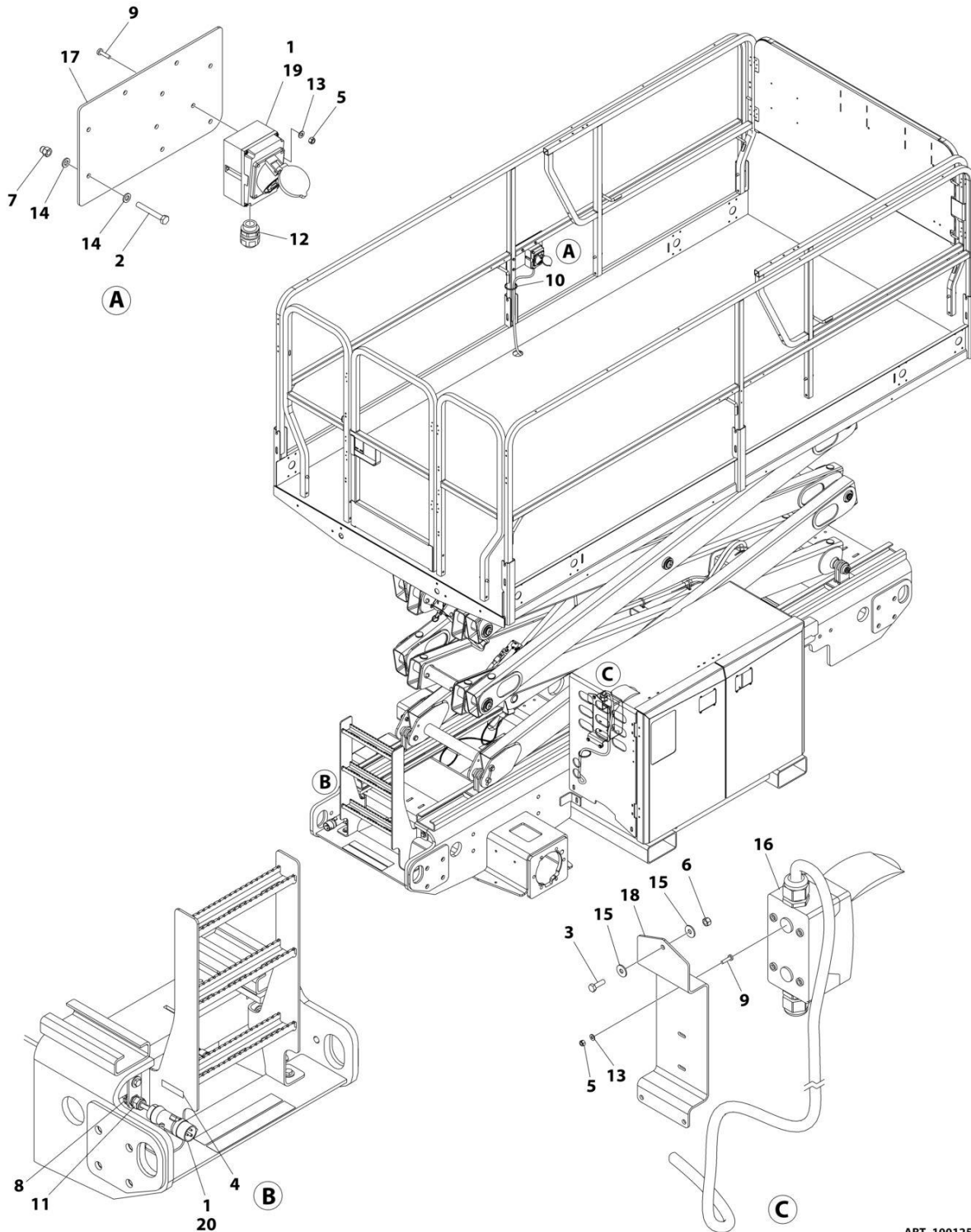
SECTION 8 - ELECTRICAL

FIGURE 8-2. AC BOX AT PLATFORM INSTALLATION - 110V GFI (ALL SPECS EXCEPT AUSTRALIAN, CE & UK CA SPECS)

ITEM	PART NUMBER	QTY	DESCRIPTION	REV
	1001255001	Ref	AC BOX AT PLATFORM INSTALLATION - 110V	B
1	0700617	4	Bolt M6 x 45	
2	1703464	1	Decal - AC Power	
3	2902431	1	Receptacle Box Kit - 110V GFI (See Separate Breakdown in this Section)	
4	3290405	4	Nut M4	
5	3290606	4	Nut M6 x 1	
6	3300048	1	Nut 3/4	
7	4010408	4	Screw M4 x 16	
8	4240017	AR	Tie-Strap	
9	4460071	1	Connector	
10	4460138	1	Plug, Male	
11	4811400	4	Washer M4	
12	4811700	8	Washer M6	
13	1001254613	1	Plate, Platform Plug Mount	
14	4460315	3	Terminal, Spade	
15	1001212268	3	Terminal	

SECTION 8 - ELECTRICAL

FIGURE 8-3. AC BOX AT PLATFORM INSTALLATION - 110V IEC YELLOW (CE & UK CA SPECS)



ART_1001255006

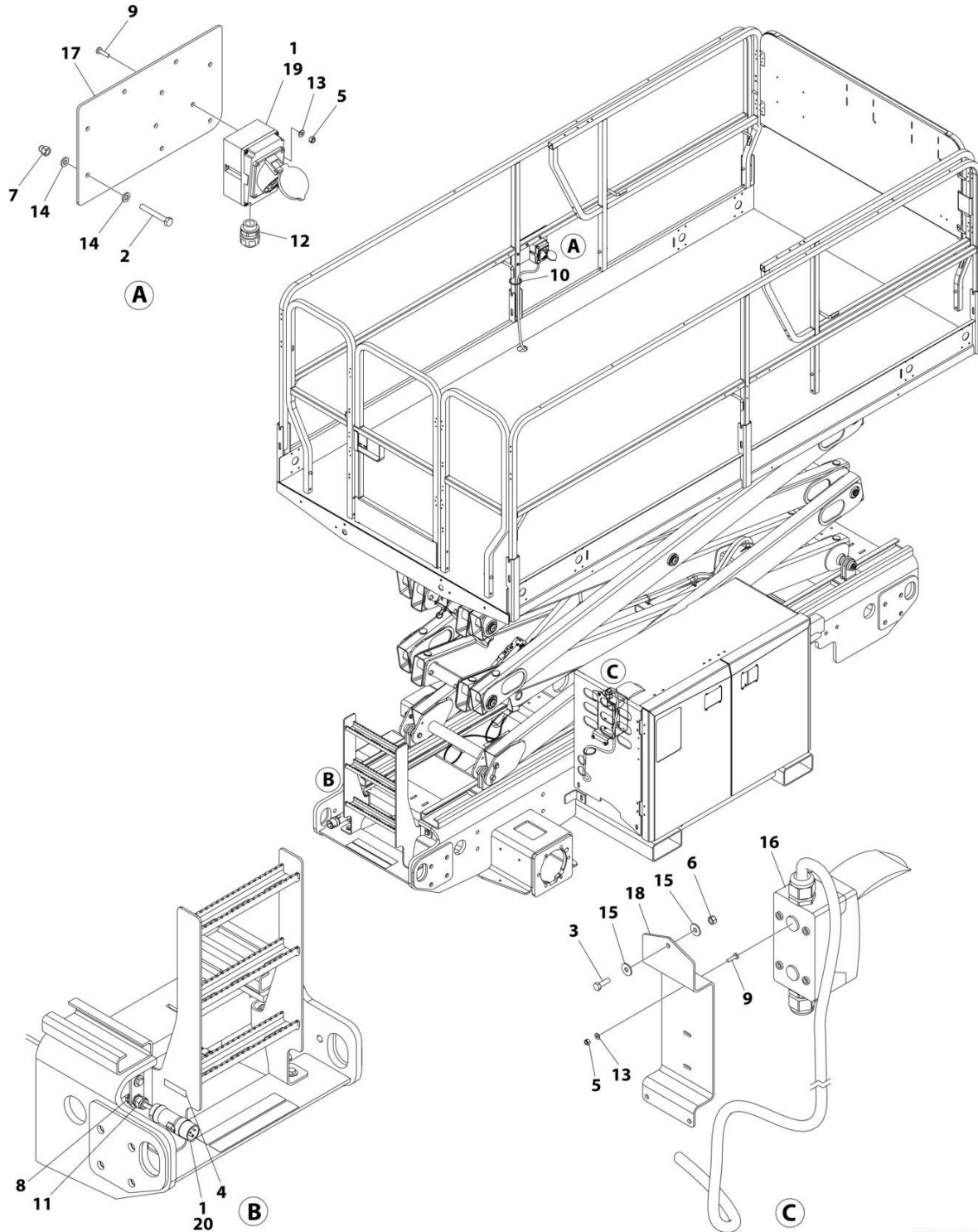
SECTION 8 - ELECTRICAL

FIGURE 8-3. AC BOX AT PLATFORM INSTALLATION - 110V IEC YELLOW (CE & UK CA SPECS)

ITEM	PART NUMBER	QTY	DESCRIPTION	REV
	1001255006	Ref	AC BOX AT PLATFORM INSTALLATION - 110V IEC YELLOW	B
1	0275216	1	Receptacle Box Kit - 110V IEC Yellow (See Separate Breakdown in this Section)	
2	0700617	4	Bolt M6 x 45	
3	0760610	3	Bolt M6 x 20	
4	1705325	1	Decal - 110 Volt	
5	3290405	4	Nut M4	
6	3290605	3	Nut M6	
7	3290606	4	Nut M6 x 1	
8	3300048	1	Nut 3/4	
9	4010408	4	Screw M4 x 16	
10	4240017	AR	Tie-Strap	
11	4460071	1	Connector, Water Tight	
12	4460968	1	Connector, Strain Relief	
13	4811400	4	Washer M4	
14	4811700	8	Washer M6	
15	4811702	6	Washer M6	
16	1001096070	1	Breaker Box Kit (See Separate Breakdown in this Section)	
17	1001254613	1	Plate, Platform Plug Mount	
18	1001261118	1	Bracket, Electric Box Mount	
19	4460315	3	Terminal, Spade	
20	1001212268	3	Terminal	

SECTION 8 - ELECTRICAL

FIGURE 8-4. AC BOX AT PLATFORM INSTALLATION - 220V IEC BLUE (CE & UK CA SPECS)



ART_1001255007

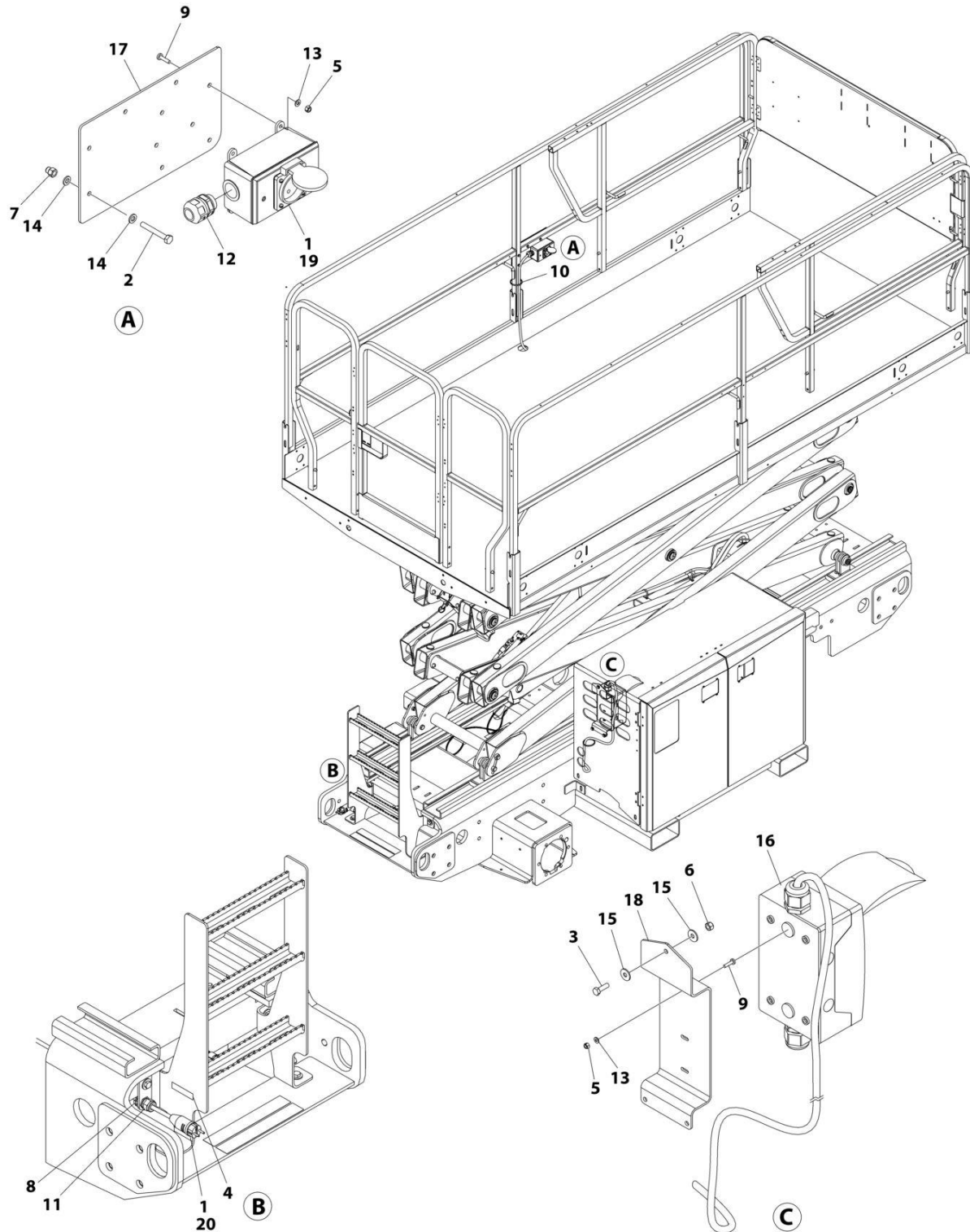
SECTION 8 - ELECTRICAL

FIGURE 8-4. AC BOX AT PLATFORM INSTALLATION - 220V IEC BLUE (CE & UK CA SPECS)

ITEM	PART NUMBER	QTY	DESCRIPTION	REV
	1001255007	Ref	AC BOX AT PLATFORM INSTALLATION - 220V IEC BLUE	B
1	0275217	1	Receptacle Box Kit - 220V IEC Blue (See Separate Breakdown in this Section)	
2	0700617	4	Bolt M6 x 45	
3	0760610	3	Bolt M6 x 20	
4	3252507	1	Decal - 220 Volt	
5	3290405	4	Nut M4	
6	3290605	3	Nut M6	
7	3290606	4	Nut M6 x 1	
8	3300048	1	Nut 3/4	
9	4010408	4	Screw M4 x 16	
10	4240017	AR	Tie-Strap	
11	4460071	1	Connector, Water Tight	
12	4460968	1	Connector, Strain Relief	
13	4811400	4	Washer M4	
14	4811700	8	Washer M6	
15	4811702	6	Washer M6	
16	1001096070	1	Breaker Box Kit (See Separate Breakdown in this Section)	
17	1001254613	1	Plate, Platform Plug Mount	
18	1001261118	1	Bracket, Electric Box Mount	
19	4460315	3	Terminal, Spade	
20	1001212268	3	Terminal	

SECTION 8 - ELECTRICAL

FIGURE 8-5. AC BOX AT PLATFORM INSTALLATION - 220V CEE7 POST GROUND (CE & UK CA SPECS)



ART_1001255004

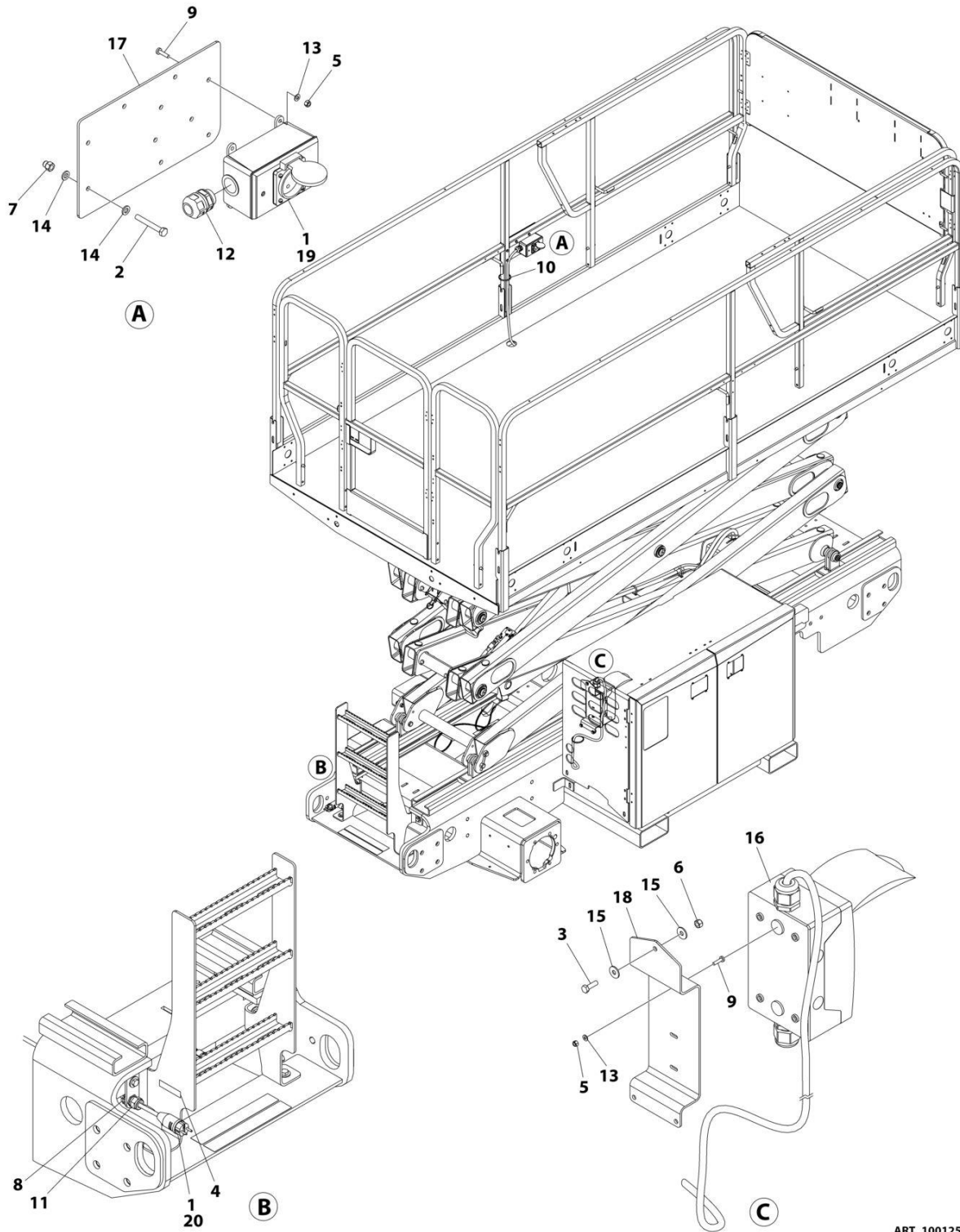
SECTION 8 - ELECTRICAL

FIGURE 8-5. AC BOX AT PLATFORM INSTALLATION - 220V CEE7 POST GROUND (CE & UK CA SPECS)

ITEM	PART NUMBER	QTY	DESCRIPTION	REV
	1001255004	Ref	AC BOX AT PLATFORM INSTALLATION - 220V CEE7 POST GROUND	B
1	0275452	1	Receptacle Box Kit - 220V CEE7 Post Ground 2X4 Box (See Separate Breakdown in this Section)	
2	0700617	4	Bolt M6 x 45	
3	0760610	3	Bolt M6 x 20	
4	3252507	1	Decal - 220 Volt	
5	3290405	6	Nut M4	
6	3290605	3	Nut M6	
7	3290606	4	Nut M6 x 1	
8	3300048	1	Nut 3/4	
9	4010408	6	Screw M4 x 16	
10	4240017	AR	Tie-Strap	
11	4460071	1	Connector, Water Tight	
12	4460662	1	Connector, Strain Relief	
13	4811400	6	Washer M4	
14	4811700	8	Washer M6	
15	4811702	6	Washer M6	
16	1001152486	1	Electric Assembly, Box and Breaker (See Separate Breakdown in this Section)	
17	1001254613	1	Plate, Platform Plug Mount	
18	1001261118	1	Bracket, Electric Box Mount	
19	4460315	3	Terminal, Spade	
20	1001212268	3	Terminal	

SECTION 8 - ELECTRICAL

FIGURE 8-6. AC BOX AT PLATFORM INSTALLATION - 220V CEE7 SIDE GROUND (CE & UK CA SPECS)



ART_1001255005

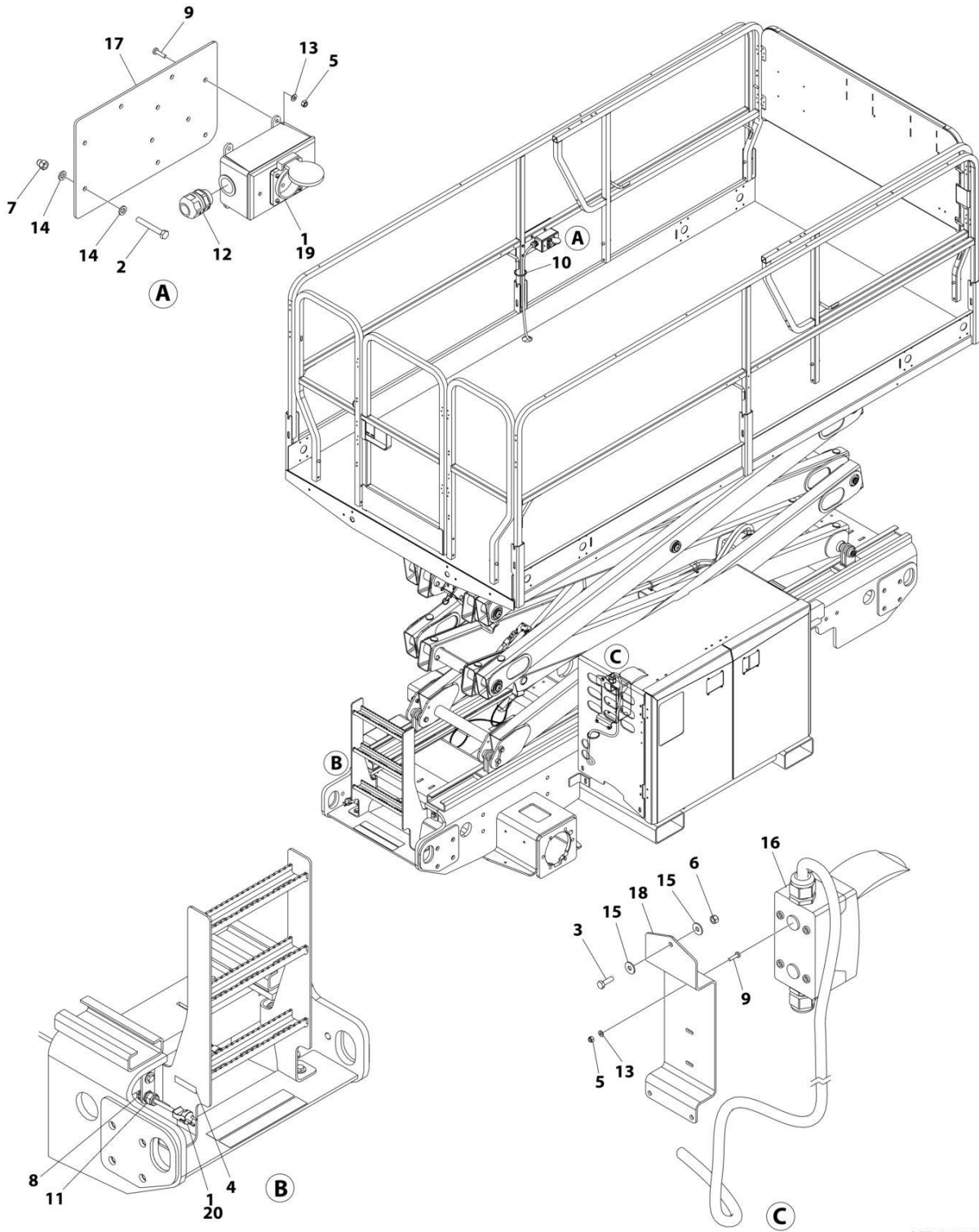
SECTION 8 - ELECTRICAL

FIGURE 8-6. AC BOX AT PLATFORM INSTALLATION - 220V CEE7 SIDE GROUND (CE & UK CA SPECS)

ITEM	PART NUMBER	QTY	DESCRIPTION	REV
	1001255005	Ref	AC BOX AT PLATFORM INSTALLATION - 220V CEE7 SIDE GROUND	B
1	0275453	1	Receptacle Box Kit - 220V CEE7 Side Ground 2X4 Box (See Separate Breakdown in this Section)	
2	0700617	4	Bolt M6 x 45	
3	0760610	3	Bolt M6 x 20	
4	3252507	1	Decal - 220 Volt	
5	3290405	6	Nut M4	
6	3290605	3	Nut M6	
7	3290606	4	Nut M6 x 1	
8	3300048	1	Nut 3/4	
9	4010408	6	Screw M4 x 16	
10	4240017	AR	Tie-Strap	
11	4460071	1	Connector, Water Tight	
12	4460662	1	Connector, Strain Relief	
13	4811400	6	Washer M4	
14	4811700	8	Washer M6	
15	4811702	6	Washer M6	
16	1001152486	1	Electric Assembly, Box and Breaker (See Separate Breakdown in this Section)	
17	1001254613	1	Plate, Platform Plug Mount	
18	1001261118	1	Bracket, Electric Box Mount	
19	4460315	3	Terminal, Spade	
20	1001212268	3	Terminal	

SECTION 8 - ELECTRICAL

FIGURE 8-7. AC BOX AT PLATFORM INSTALLATION - 220V AFSINT 107 (CE & UK CA SPECS)



ART_1001255008

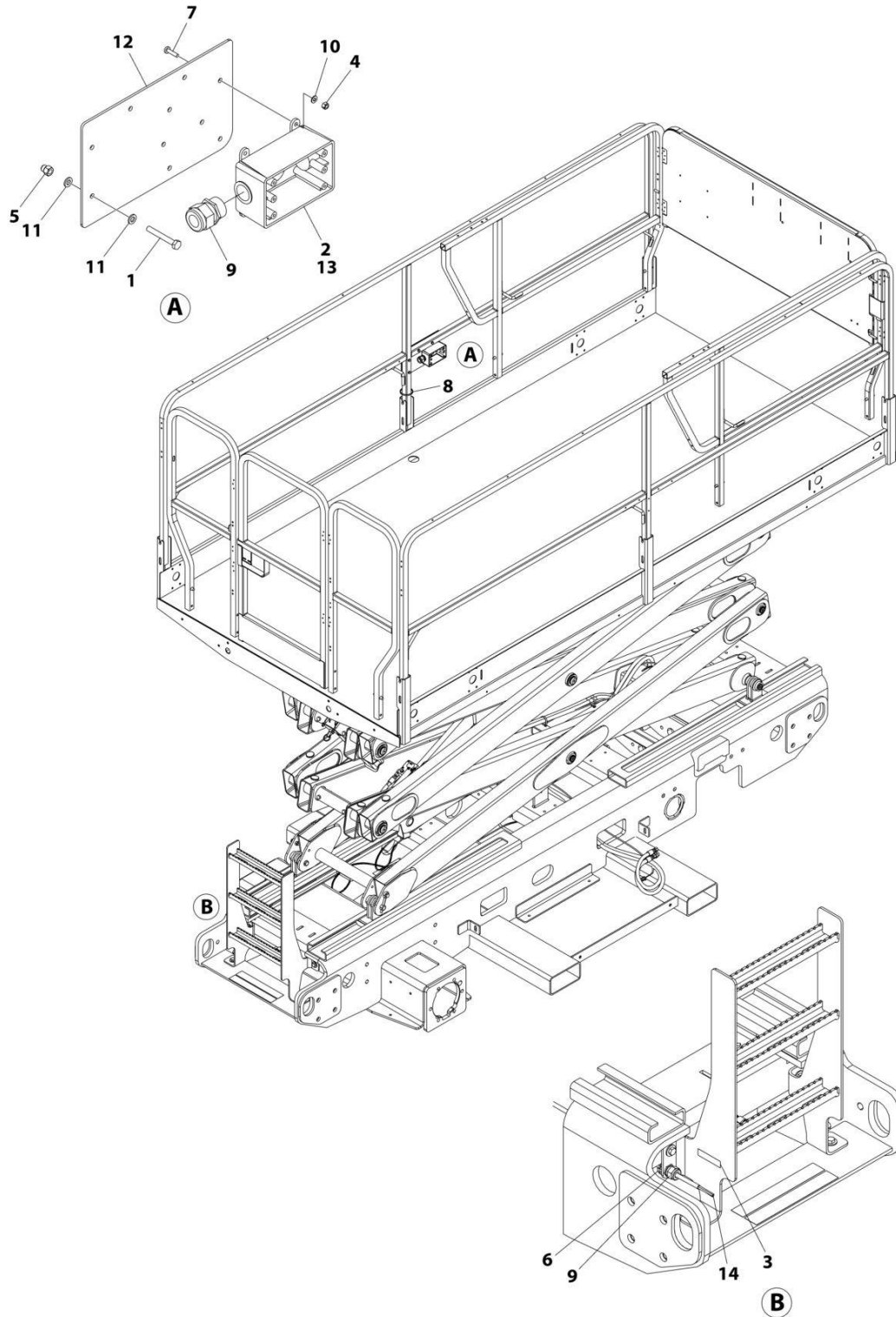
SECTION 8 - ELECTRICAL

FIGURE 8-7. AC BOX AT PLATFORM INSTALLATION - 220V AFSINT 107 (CE & UK CA SPECS)

ITEM	PART NUMBER	QTY	DESCRIPTION	REV
	1001255008	Ref	AC BOX AT PLATFORM INSTALLATION - 220V AFSINT 107	B
1	0275454	1	Receptacle Box Kit - 220V AFSINT 107 (See Separate Breakdown in this Section)	
2	0700617	4	Bolt M6 x 45	
3	0760610	3	Bolt M6 x 20	
4	3252507	1	Decal - 220 Volt	
5	3290405	6	Nut M4	
6	3290605	3	Nut M6	
7	3290606	4	Nut M6 x 1	
8	3300048	1	Nut 3/4	
9	4010408	6	Screw M4 x 16	
10	4240017	AR	Tie-Strap	
11	4460071	1	Connector, Water Tight	
12	4460662	1	Connector, Strain Relief	
13	4811400	6	Washer M4	
14	4811700	8	Washer M6	
15	4811702	6	Washer M6	
16	1001096070	1	Breaker Box Kit (See Separate Breakdown in this Section)	
17	1001254613	1	Plate, Platform Plug Mount	
18	1001261118	1	Bracket, Electric Box Mount	
19	4460315	3	Terminal, Spade	
20	1001212268	3	Terminal	

SECTION 8 - ELECTRICAL

FIGURE 8-8. AC BOX AT PLATFORM INSTALLATION - 220V CUSTOMER SUPPLIED PLUG & RECEPTACLE (ALL SPECS EXCEPT AUSTRALIAN, CE & UK CA SPECS)



ART_1001255002

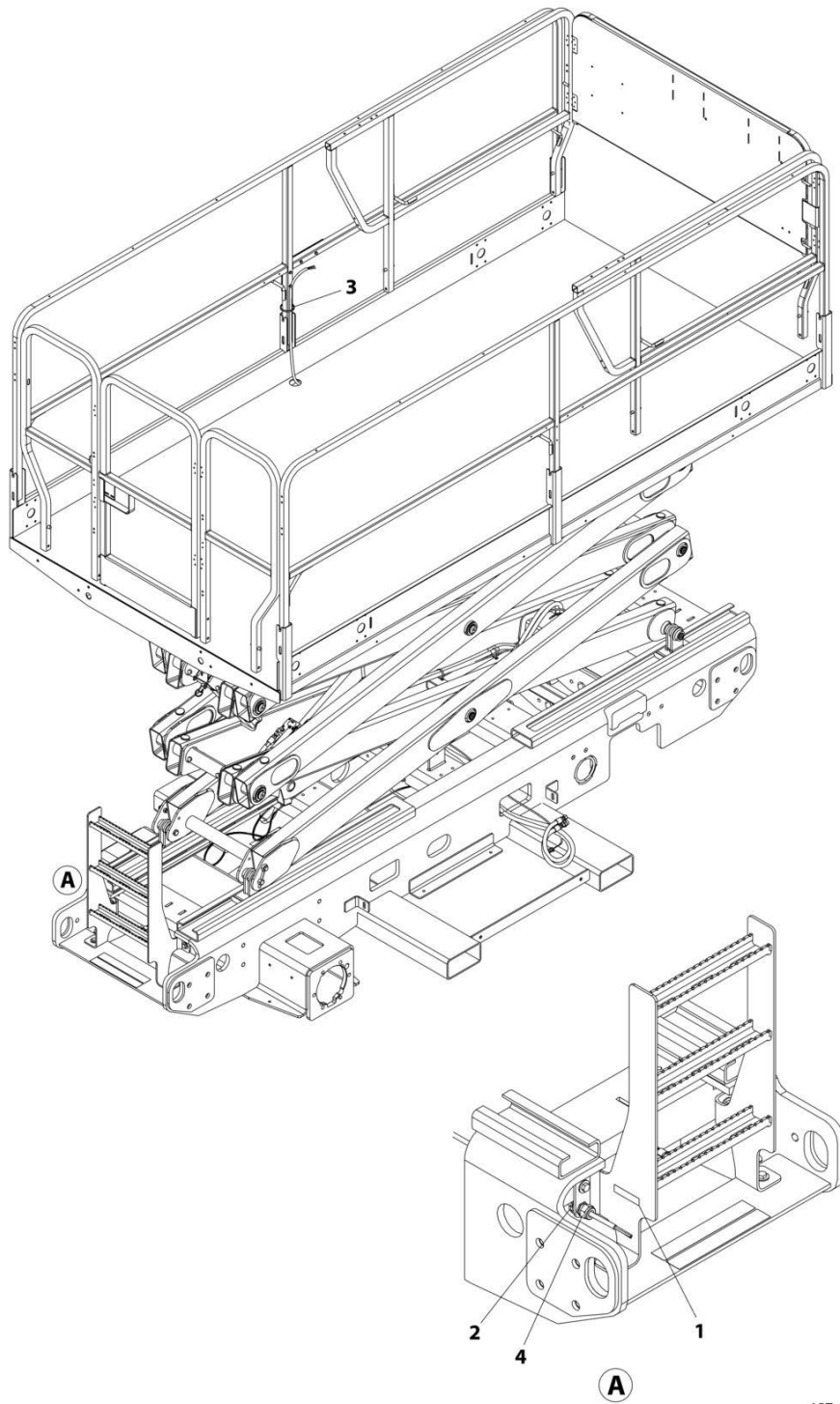
SECTION 8 - ELECTRICAL

FIGURE 8-8. AC BOX AT PLATFORM INSTALLATION - 220V CUSTOMER SUPPLIED PLUG & RECEPTACLE (ALL SPECS EXCEPT AUSTRALIAN, CE & UK CA SPECS)

ITEM	PART NUMBER	QTY	DESCRIPTION	REV
	1001255002	Ref	AC BOX AT PLATFORM INSTALLATION - 220V RECEPTACLE	B
1	0700617	4	Bolt M6 x 45	
2	0861731	1	Box, Receptacle	
3	3252507	1	Decal - 220 Volt	
4	3290405	4	Nut M4	
5	3290606	4	Nut M6 x 1	
6	3300048	1	Nut 3/4	
7	4010408	4	Screw M4 x 16	
8	4240017	AR	Tie-Strap	
9	4460071	2	Connector, Water Tight	
10	4811400	4	Washer M4	
11	4811700	8	Washer M6	
12	1001254613	1	Plate, Platform Plug Mount	
13	4460315	3	Terminal, Spade	
14	1001212268	3	Terminal	

SECTION 8 - ELECTRICAL

FIGURE 8-9. AC BOX AT PLATFORM INSTALLATION - 220V CUSTOMER SUPPLIED COMPONENTS
(ALL SPECS)



ART_1001255003

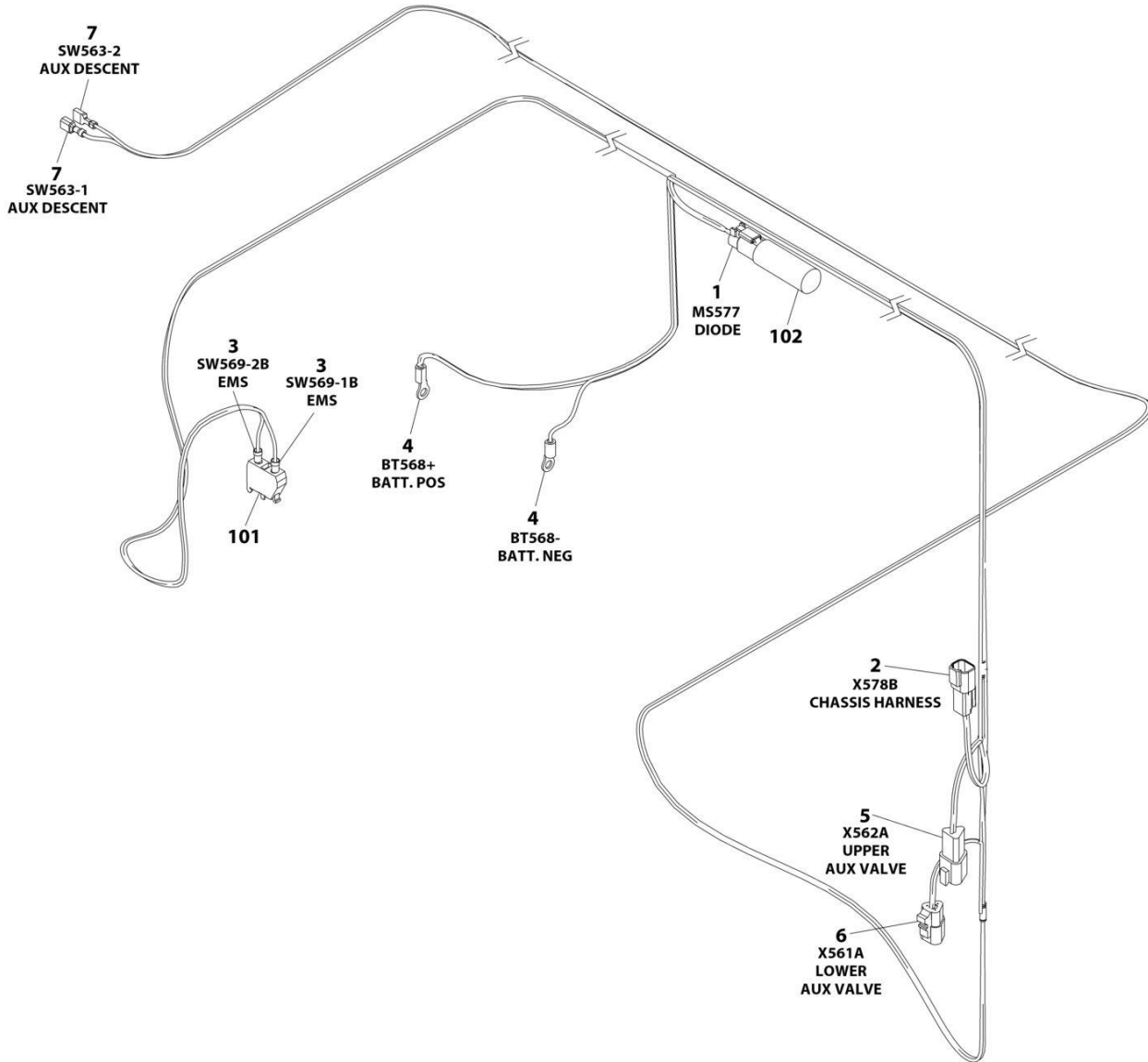
SECTION 8 - ELECTRICAL

**FIGURE 8-9. AC BOX AT PLATFORM INSTALLATION - 220V CUSTOMER SUPPLIED COMPONENTS
(ALL SPECS)**

ITEM	PART NUMBER	QTY	DESCRIPTION	REV
	1001255003	Ref	AC BOX AT PLATFORM INSTALLATION - 220V CUSTOMER SUPPLIED COMPONENTS	A
1	3252507	1	Decal - 220 Volt	
2	3300048	1	Nut 3/4	
3	4240017	AR	Tie-Strap	
4	4460071	1	Connector, Water Tight	

SECTION 8 - ELECTRICAL

FIGURE 8-10. AUX DESCENT HARNESS



ART_1001263448

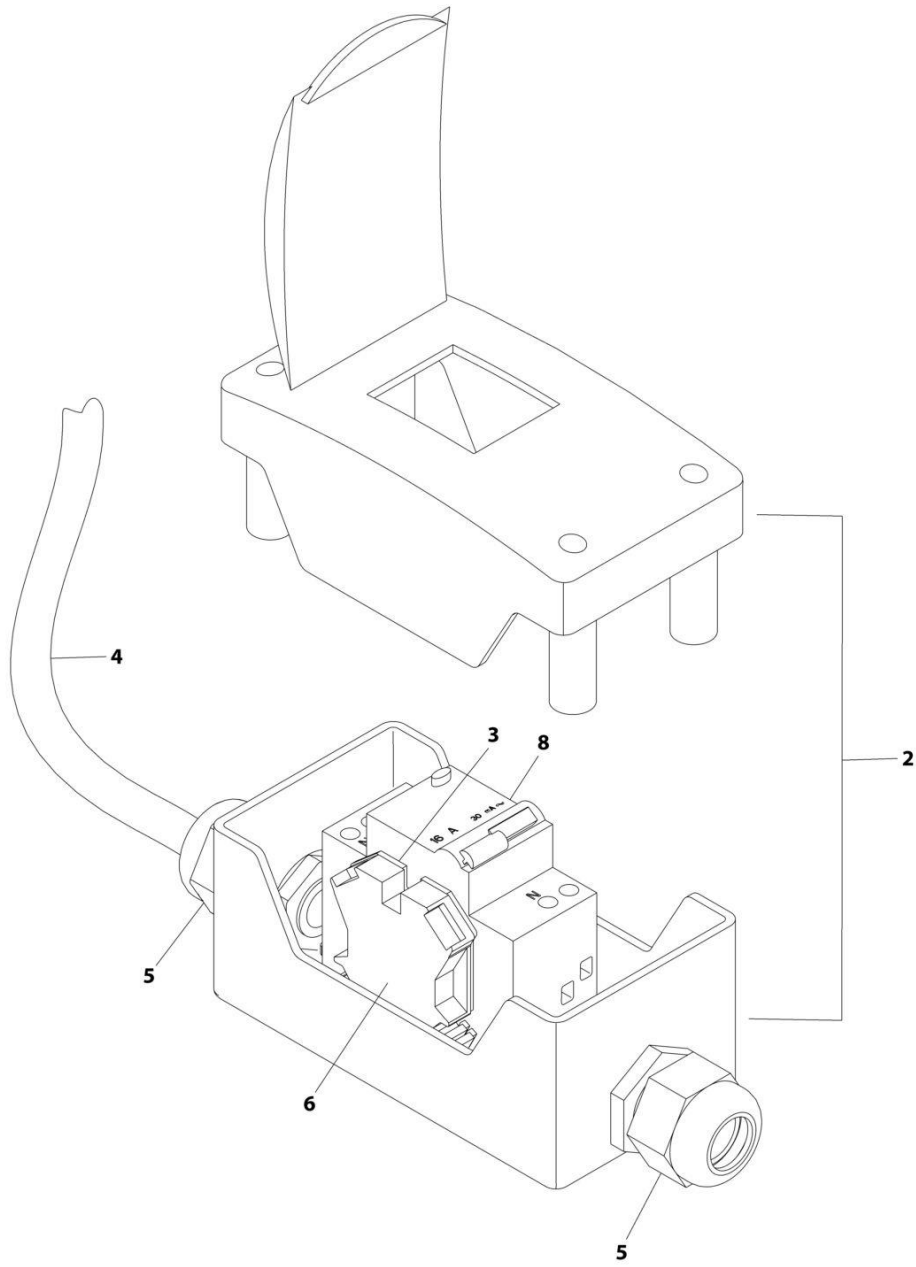
SECTION 8 - ELECTRICAL

FIGURE 8-10. AUX DESCENT HARNESS

ITEM	PART NUMBER	QTY	DESCRIPTION	REV
	1001263448	Ref	AUX DESCENT HARNESS	C
1	4460891	1	Connector	
1	4460465	2	Socket	
2	4460897	1	Connector	
2	4460464	2	Pin	
3	4460183	2	Terminal, Fork	
4	4460043	2	Terminal, Ring	
5	4460536	1	Connector	
5	4460464	2	Pin	
5	4460466	1	Plug	
6	4460539	1	Connector	
6	4460465	2	Socket	
6	4460466	1	Plug	
7	1001194421	2	Terminal, Female	
101	4360476	1	Switch, Contact	
102	1001263442	1	Diode	

SECTION 8 - ELECTRICAL

FIGURE 8-11. BREAKER BOX KIT - 1 DOUBLE BREAKER



ART_1001096070_E

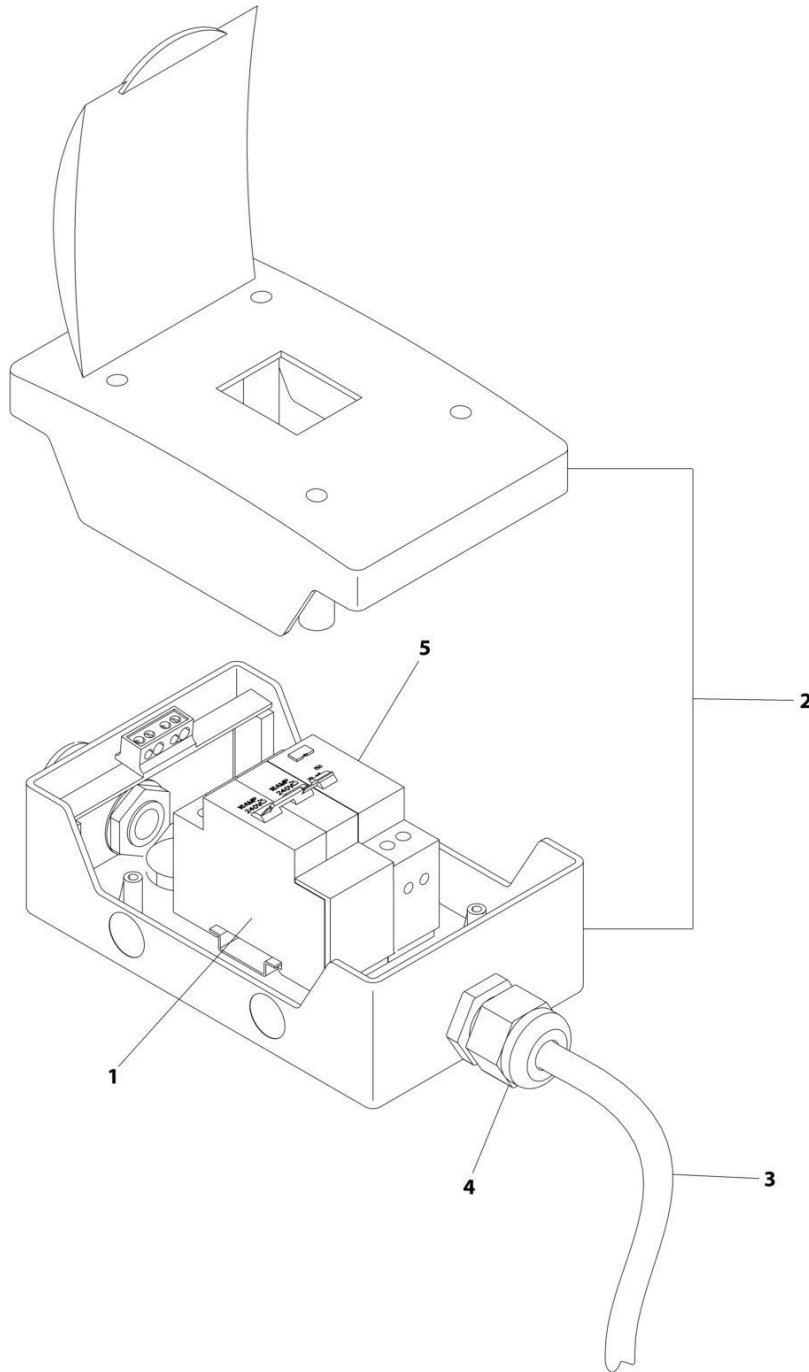
SECTION 8 - ELECTRICAL

FIGURE 8-11. BREAKER BOX KIT - 1 DOUBLE BREAKER

ITEM	PART NUMBER	QTY	DESCRIPTION	REV
	1001096070	Ref	BREAKER BOX KIT	E
2	0861880	1	Box	
3	4460956	1	Barrier, Terminal Block End	
4	1060908	12 ft/ 3.6m	Cable, 12/3	
5	1001097150	2	Connector, Strain Relief	
6	4460957	1	Block, Terminal	
8	1001181045	1	Breaker, 16Amp	

SECTION 8 - ELECTRICAL

FIGURE 8-12. BREAKER BOX KIT - 1 DOUBLE & 1 SINGLE BREAKER



ART_1001152486_C

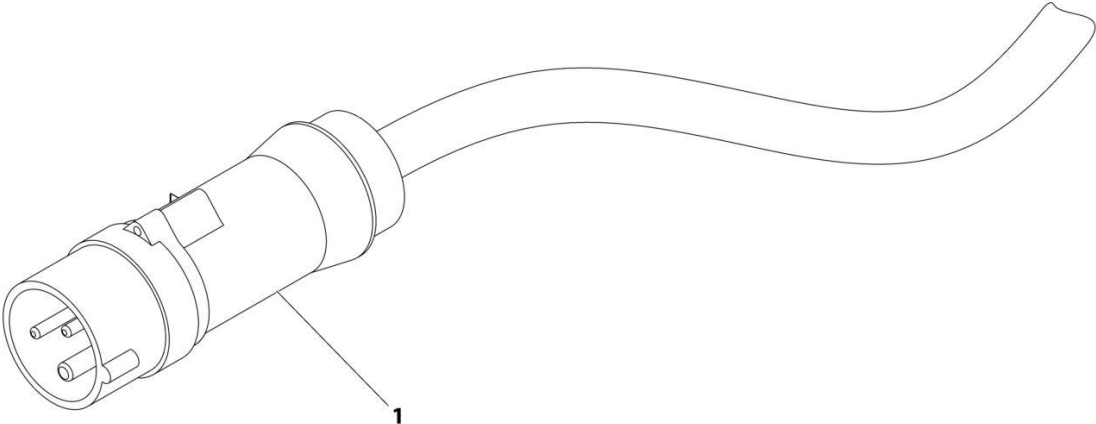
SECTION 8 - ELECTRICAL

FIGURE 8-12. BREAKER BOX KIT - 1 DOUBLE & 1 SINGLE BREAKER

ITEM	PART NUMBER	QTY	DESCRIPTION	REV
	1001152486	Ref	BREAKER BOX KIT	C
1	1001189172	1	Breaker, 16 Amp (Double)	
2	1001152483	1	Box	
3	1060908	12 ft/ 3.66m	Cable, 12/3	
4	1001097150	1	Connector, Strain Relief	
5	1001189171	1	Breaker, 30mA	

SECTION 8 - ELECTRICAL

FIGURE 8-13. CHARGER CORD PLUG INSTALLATION - 110V - IEC YELLOW (CE & UK CA SPEC)



ART_0275666

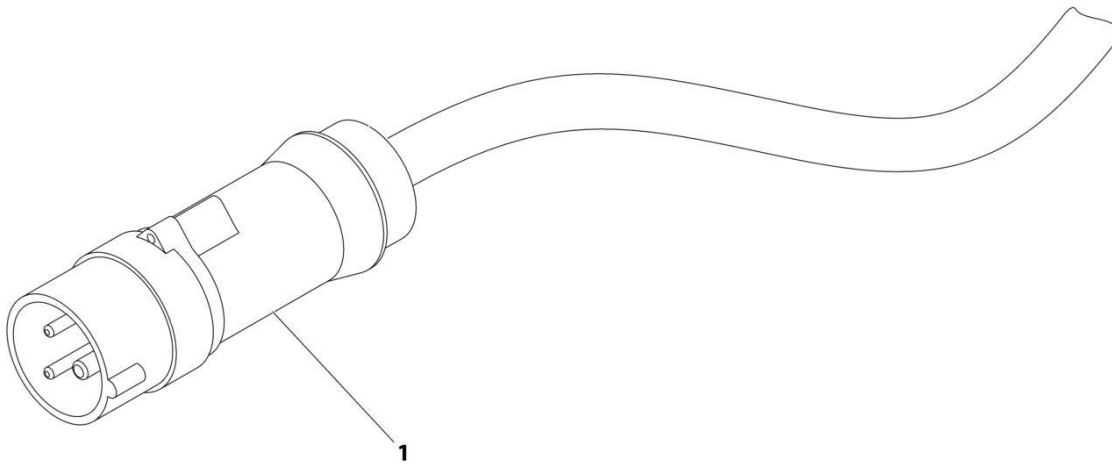
SECTION 8 - ELECTRICAL

FIGURE 8-13. CHARGER CORD PLUG INSTALLATION - 110V - IEC YELLOW (CE & UK CA SPEC)

ITEM	PART NUMBER	QTY	DESCRIPTION	REV
	0275666	Ref	CHARGER CORD PLUG INSTALLATION - 110V IEC YELLOW	B
1	4461196	1	PLUG Plug	

SECTION 8 - ELECTRICAL

FIGURE 8-14. CHARGER CORD PLUG INSTALLATION - 220V - IEC BLUE (CE & UK CA SPEC)



ART_0275667

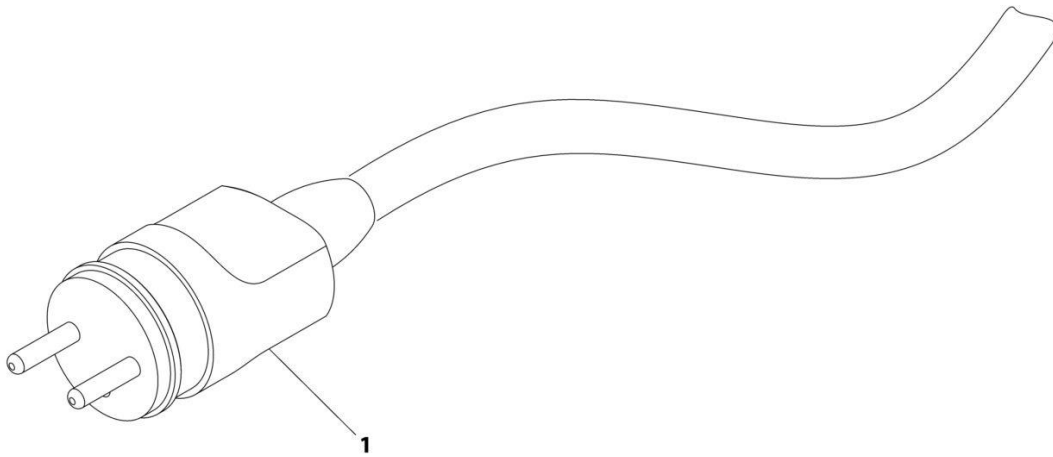
SECTION 8 - ELECTRICAL

FIGURE 8-14. CHARGER CORD PLUG INSTALLATION - 220V - IEC BLUE (CE & UK CA SPEC)

ITEM	PART NUMBER	QTY	DESCRIPTION	REV
1	0275667 4461199	Ref 1	CHARGER CORD PLUG INSTALLATION - 220V IEC BLUE PLUG Plug	B

SECTION 8 - ELECTRICAL

FIGURE 8-15. CHARGER CORD PLUG INSTALLATION - 220V - CEE7 POST GROUND (CE & UK CA SPEC)



ART_0275663

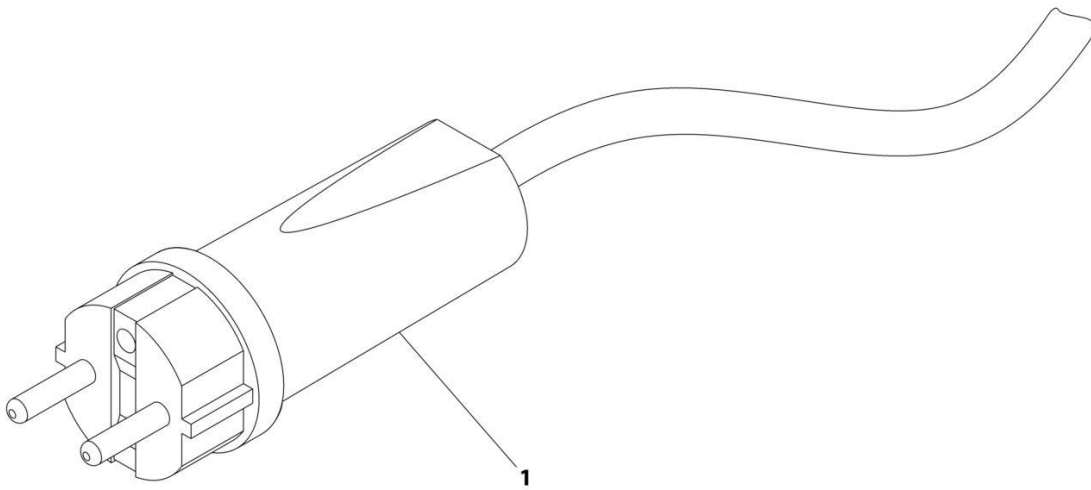
SECTION 8 - ELECTRICAL

FIGURE 8-15. CHARGER CORD PLUG INSTALLATION - 220V - CEE7 POST GROUND (CE & UK CA SPEC)

ITEM	PART NUMBER	QTY	DESCRIPTION	REV
	0275663	Ref	CHARGER CORD PLUG INSTALLATION - 220V CEE7 POST GROUND	C
1	4461205	1	Plug	

SECTION 8 - ELECTRICAL

FIGURE 8-16. CHARGER CORD PLUG INSTALLATION - 220V - CEE7 SIDE GROUND (CE & UK CA SPEC)



ART_0275664

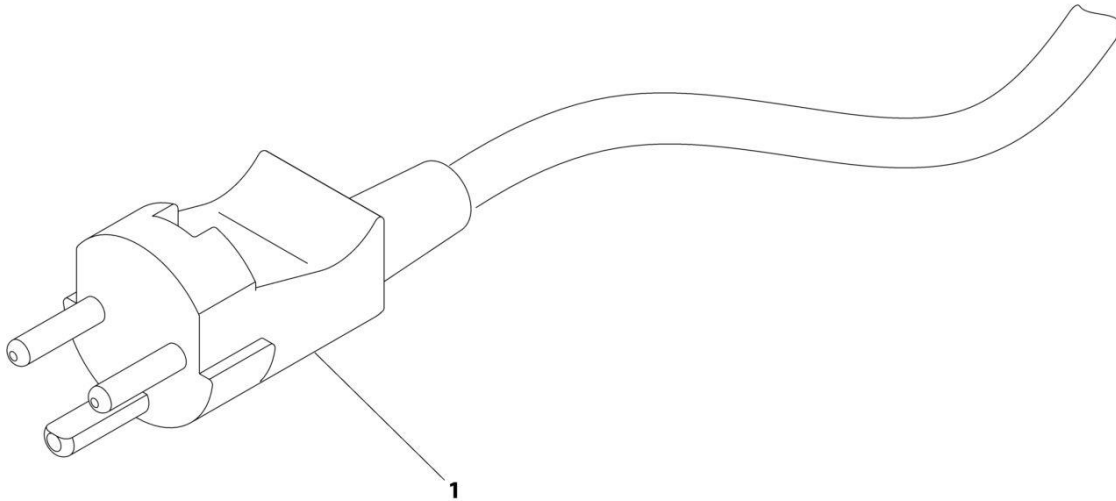
SECTION 8 - ELECTRICAL

FIGURE 8-16. CHARGER CORD PLUG INSTALLATION - 220V - CEE7 SIDE GROUND (CE & UK CA SPEC)

ITEM	PART NUMBER	QTY	DESCRIPTION	REV
	0275664	Ref	CHARGER CORD PLUG INSTALLATION - 220V CEE7 SIDE GROUND	A
1	4461205	1	Plug	

SECTION 8 - ELECTRICAL

FIGURE 8-17. CHARGER CORD PLUG INSTALLATION - 220V - AFSINT 107 KEYED GROUND (CE & UK CA SPEC)



ART_0275665

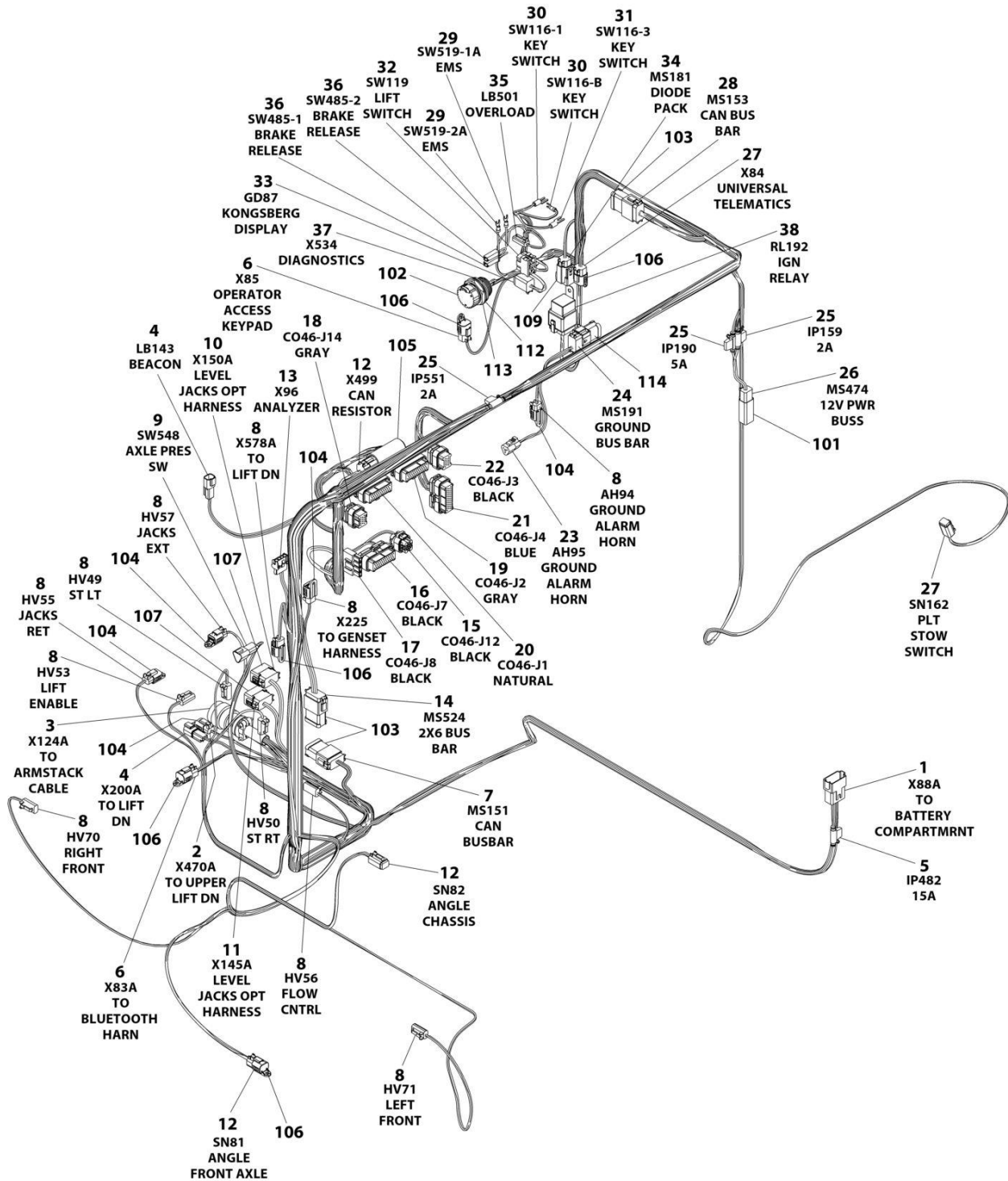
SECTION 8 - ELECTRICAL

FIGURE 8-17. CHARGER CORD PLUG INSTALLATION - 220V - AFSINT 107 KEYED GROUND (CE & UK CA SPEC)

ITEM	PART NUMBER	QTY	DESCRIPTION	REV
	0275665	Ref	CHARGER CORD PLUG INSTALLATION - 220V AFSINT 107 KEYED GROUND	B
1	4461249	1	Plug	

SECTION 8 - ELECTRICAL

FIGURE 8-18. CHASSIS HARNESS (Prior to SN M200059275, Including M200059580)



ART_1001254403

SECTION 8 - ELECTRICAL

FIGURE 8-18. CHASSIS HARNESS (Prior to SN M200059275, Including M200059580)

ITEM	PART NUMBER	QTY	DESCRIPTION	REV
	1001254403	Ref	CHASSIS HARNESS	G
1	4460970	1	Receptacle - 12 Position	
1	4460464	4	Pin, Male	
1	4460943	4	Pin, Male	
1	1001157891	2	Pin, Male	
1	4460466	2	Plug, Terminal	
2	4460891	1	Plug, Male - 2 Position	
2	4460465	2	Socket, Female	
3	4460754	1	Plug, Male - 14 Position	
3	4460465	12	Socket, Female	
3	4460944	2	Socket, Female	
4	4460897	2	Receptacle, Female - 2 Position	
4	4460464	4	Pin, Male	
5	2400066	2	Fuseholder with Cover	
6	4460884	2	Plug, Male - 4 Position	
6	4460465	4	Socket, Female	
6	4460944	4	Socket, Female	
7	4460933	1	Plug, Male - 12 Position	
7	4460944	8	Socket, Female	
7	4460466	4	Plug, Terminal	
8	4460891	11	Plug, Male - 2 Position	
8	4460465	22	Socket, Female	
9	4460536	1	Receptacle, Female - 3 Position	
9	4460464	3	Pin, Male	
10	4460933	1	Plug, Male - 12 Position	
10	4460465	12	Socket, Female	
11	4460836	1	Connector - 12 Position	
11	4460465	8	Socket, Female	
11	4460466	4	Plug, Terminal	
12	4460884	3	Plug, Male - 4 Position	
12	4460944	12	Socket, Female	
13	4460761	1	Plug, Male - 4 Position	
13	4460227	4	Terminal	
14	4460933	1	Plug, Male - 12 Position	
14	4460465	10	Socket, Female	
14	4460466	2	Plug, Terminal	
15	1001113961	1	Connector - 8 Position	
15	4460871	2	Terminal	
15	4460905	6	Plug, Terminal	
16	4460873	1	Connector - 35 Position	
16	4460871	30	Terminal	
16	4460905	5	Plug, Terminal	
17	4460878	1	Connector - 4 Position	
17	4460887	2	Terminal	
18	1001246859	1	Connector - 14 Position	
18	4460871	7	Terminal	
18	4460905	7	Plug, Terminal	
19	4460875	1	Connector - 35 Position	
19	4460871	18	Terminal	
19	4460905	17	Plug, Terminal	

SECTION 8 - ELECTRICAL

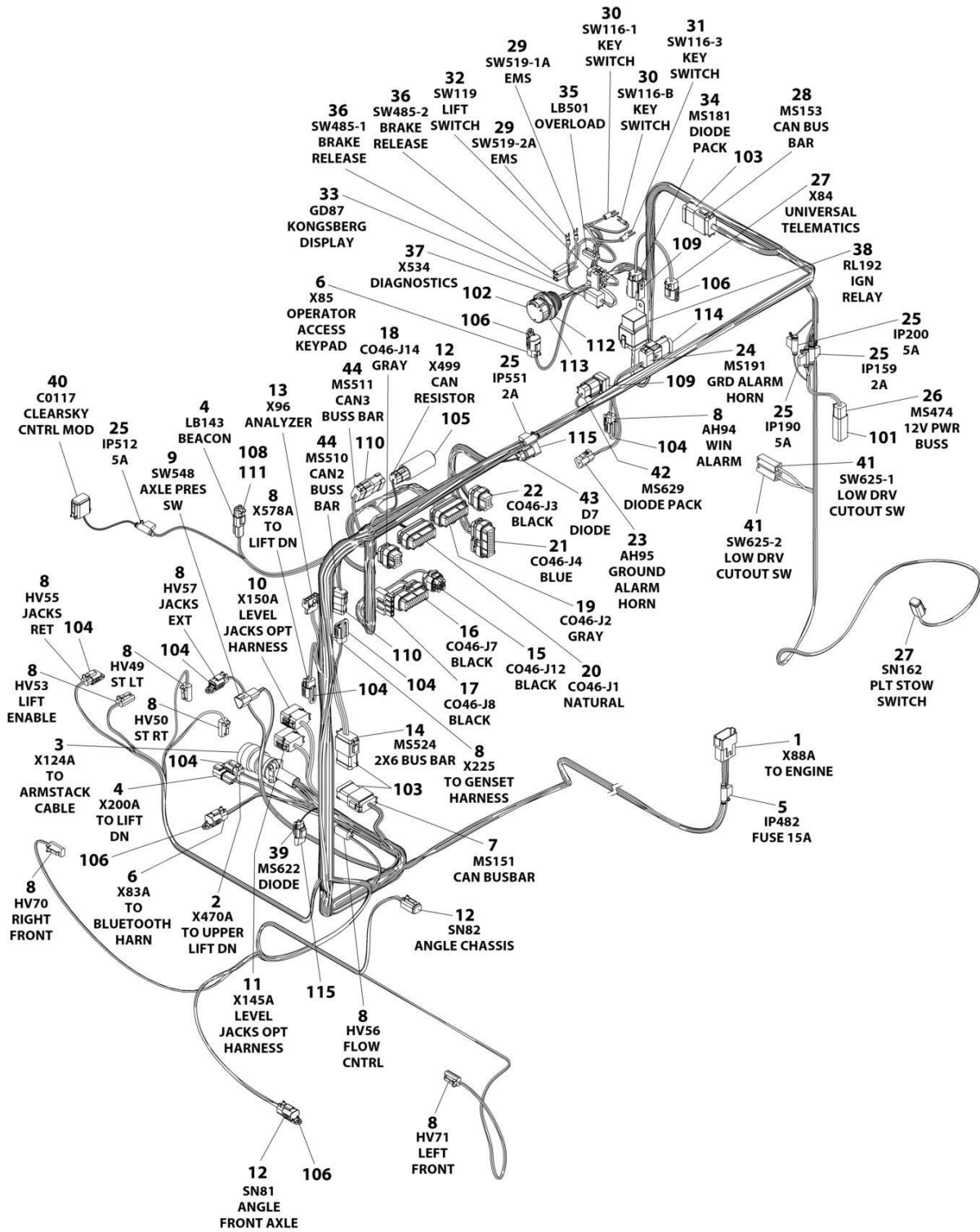
ITEM	PART NUMBER	QTY	DESCRIPTION	REV
20	4460874	1	Connector - 35 Position	
20	4460871	9	Terminal	
20	4460905	26	Plug, Terminal	
21	4460876	1	Connector - 35 Position	
21	4460871	18	Terminal	
21	4460905	17	Plug, Terminal	
22	4460872	1	Connector - 14 Position	
22	4460871	6	Terminal	
22	4460905	8	Plug, Terminal	
23	4460539	1	Plug, Male - 3 Position	
23	4460465	3	Socket, Female	
24	4460930	1	Plug, Male - 8 Position	
24	4460465	5	Socket, Female	
24	4460466	3	Plug, Terminal	
25	1001170764	3	Fuseholder with 20Amp Fuse	
26	4460884	1	Plug, Male - 4 Position	
26	4460942	2	Socket, Female	
26	4460465	1	Socket, Female	
26	4460466	1	Plug, Terminal	
27	4460884	2	Plug, Male - 4 Position	
27	4460465	8	Socket, Female	
28	4460933	1	Plug, Male - 12 Position	
28	4460465	12	Socket, Female	
29	4460183	2	Terminal, Fork	
30	4460144	2	Terminal, Fork	
31	4460806	1	Terminal, Fork	
32	4460418	1	Connector, Switch	
32	1001159186	3	Terminal	
33	4460894	1	Plug, Male - 6 Position	
33	4460465	2	Socket, Female	
33	4460944	2	Socket, Female	
33	4460466	2	Plug, Terminal	
34	4460884	1	Plug, Male - 4 Position	
34	4460465	3	Socket, Female	
34	4460466	1	Plug, Terminal	
35	1001126245	1	Connector - 2 Position	
35	4460928	2	Terminal	
36	4460260	2	Cover, Terminal	
36	4460259	2	Terminal	
37	1001112612	1	Connector - 9 Position	
37	4460464	3	Pin, Male	
37	4460943	2	Pin, Male	
37	4460466	4	Plug, Terminal	
38	1001117025	1	Connector, Relay	
38	1001116733	2	Terminal	
38	1001116732	2	Terminal	
38	1001128128	1	Plug, Terminal	
101	4460893	1	Buss Bar - 4 Position	
102	1001106736	1	Cap, Dust	
103	1001125677	3	Bussbar - 12 Position	
104	1001144295	5	Cap, Thermoplastic	

SECTION 8 - ELECTRICAL

ITEM	PART NUMBER	QTY	DESCRIPTION	REV
105	1001186231	1	Resistor Assembly	
106	1001192401	5	Cap, Dust	
107	1001215898	2	Cap, Dust	
109	1001152266	1	Connector - 4 Position	
112	1001125784	1	Washer	
113	1001125785	1	Nut	
114	4460984	1	Receptacle, Female - 8 Position	

SECTION 8 - ELECTRICAL

FIGURE 8-19. CHASSIS HARNESS (SN M200059275 to Present, Excluding M200059580)



ART_1001282345

SECTION 8 - ELECTRICAL

FIGURE 8-19. CHASSIS HARNESS (SN M200059275 to Present, Excluding M200059580)

ITEM	PART NUMBER	QTY	DESCRIPTION	REV
	1001282345	Ref	CHASSIS HARNESS	A
1	4460970	1	Connector	
1	4460464	4	Pin	
1	4460943	4	Pin	
1	1001157891	2	Pin	
1	4460466	2	Plug, Sealing	
2	4460891	1	Connector	
2	4460465	2	Socket	
3	4460754	1	Connector	
3	4460465	12	Socket	
3	4460944	2	Socket	
4	4460897	2	Connector	
4	4460464	4	Pin	
5	2400066	1	Fuseholder with Cover	
5	8229244	1	Fuse 15Amp	
6	4460884	2	Connector	
6	4460465	4	Socket	
6	4460944	4	Socket	
7	4460933	1	Connector	
7	4460944	8	Socket	
7	4460466	4	Plug, Sealing	
8	4460891	11	Connector	
8	4460465	22	Socket	
9	4460536	1	Connector	
9	4460464	3	Pin	
10	4460933	1	Connector	
10	4460465	12	Socket	
11	4460836	1	Connector	
11	4460465	8	Socket	
11	4460466	4	Plug, Sealing	
12	4460884	3	Connector	
12	4460944	12	Socket	
13	4460761	1	Connector	
13	4460227	4	Pin	
14	4460933	1	Connector	
14	4460465	10	Socket	
14	4460466	2	Plug, Sealing	
15	1001113961	1	Connector	
15	4460871	2	Socket	
15	4460905	6	Plug, Terminal	
16	4460873	1	Connector	
16	4460871	30	Socket	
16	4460905	5	Plug, Terminal	
17	4460878	1	Connector	
17	4460887	2	Socket	
18	1001246859	1	Connector	
18	4460871	7	Socket	
18	4460905	7	Plug, Terminal	
19	4460875	1	Connector	
19	4460871	18	Socket	

SECTION 8 - ELECTRICAL

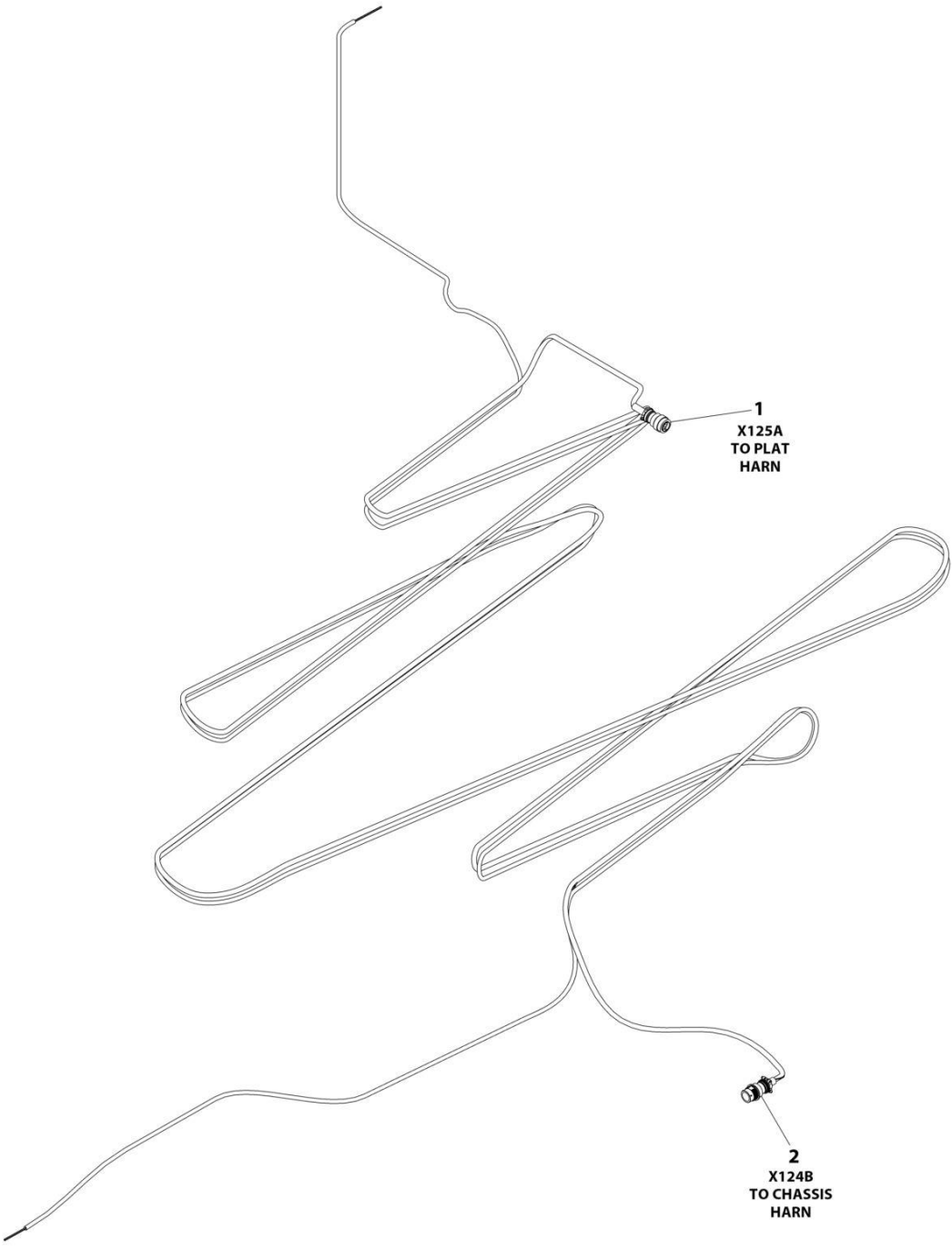
ITEM	PART NUMBER	QTY	DESCRIPTION	REV
19	4460905	17	Plug, Terminal	
20	4460874	1	Connector	
20	4460871	9	Socket	
20	4460905	26	Plug, Terminal	
21	4460876	1	Connector	
21	4460871	18	Socket	
21	4460905	17	Plug, Terminal	
22	4460872	1	Connector	
22	4460871	6	Socket	
22	4460905	8	Plug, Terminal	
23	4460539	1	Connector	
23	4460465	3	Socket	
24	4460930	1	Connector	
24	4460465	5	Socket	
24	4460466	3	Plug, Sealing	
25	1001170764	5	Fuseholder	
25	8229242	4	Fuse 5Amp	
25	1001196634	1	Fuse 2Amp	
26	4460884	1	Connector	
26	4460942	2	Socket	
26	4460465	1	Socket	
26	4460466	1	Plug, Sealing	
27	4460884	2	Connector	
27	4460465	8	Socket	
28	4460933	1	Connector	
28	4460465	12	Socket	
29	4460183	2	Terminal, Fork	
30	4460144	2	Terminal, Fork	
31	4460806	1	Terminal, Fork	
32	4460418	1	Connector, Switch	
32	1001159186	3	Socket	
33	4460894	1	Connector	
33	4460465	2	Socket	
33	4460944	2	Socket	
33	4460466	2	Plug, Sealing	
34	4460884	1	Connector	
34	4460465	3	Socket	
34	4460466	1	Plug, Sealing	
35	1001126245	1	Connector	
35	4460928	2	Socket	
36	4460260	2	Cover, Terminal	
36	4460259	2	Socket	
37	1001112612	1	Connector	
37	4460464	3	Pin	
37	4460943	2	Pin	
37	4460466	4	Plug, Sealing	
38	1001117025	1	Connector, Relay	
38	1001116733	2	Socket	
38	1001116732	2	Socket	
38	1001128128	1	Plug, Terminal	
39	4460884	1	Connector	

SECTION 8 - ELECTRICAL

ITEM	PART NUMBER	QTY	DESCRIPTION	REV
39	4460465	2	Socket	
40	4460930	1	Connector	
40	4460465	8	Socket	
41	4460260	2	Connector	
42	4460884	1	Connector	
42	4460465	4	Socket	
43	4460891	1	Connector	
43	4460465	2	Socket	
44	4460933	2	Connector	
44	4460465	12	Socket	
44	4460466	4	Plug, Sealing	
101	4460893	1	Connector	
102	1001106736	1	Cap, Dust	
103	1001125677	3	Connector	
104	1001144295	6	Cap, Dust	
105	1001186231	1	Resistor Assembly	
106	1001192401	4	Cap, Dust	
108	4460466	2	Plug, Sealing	
109	1001152266	2	Connector	
110	4460984	2	Connector	
111	4460891	1	Connector	
112	1001125784	1	Washer	
113	1001125785	1	Nut	
114	1001271799	1	Connector	
115	1001116816	2	Connector, Diode	

SECTION 8 - ELECTRICAL

FIGURE 8-20. ERT4069 GROUND TO PLATFORM HARNESS



ART_1001259135

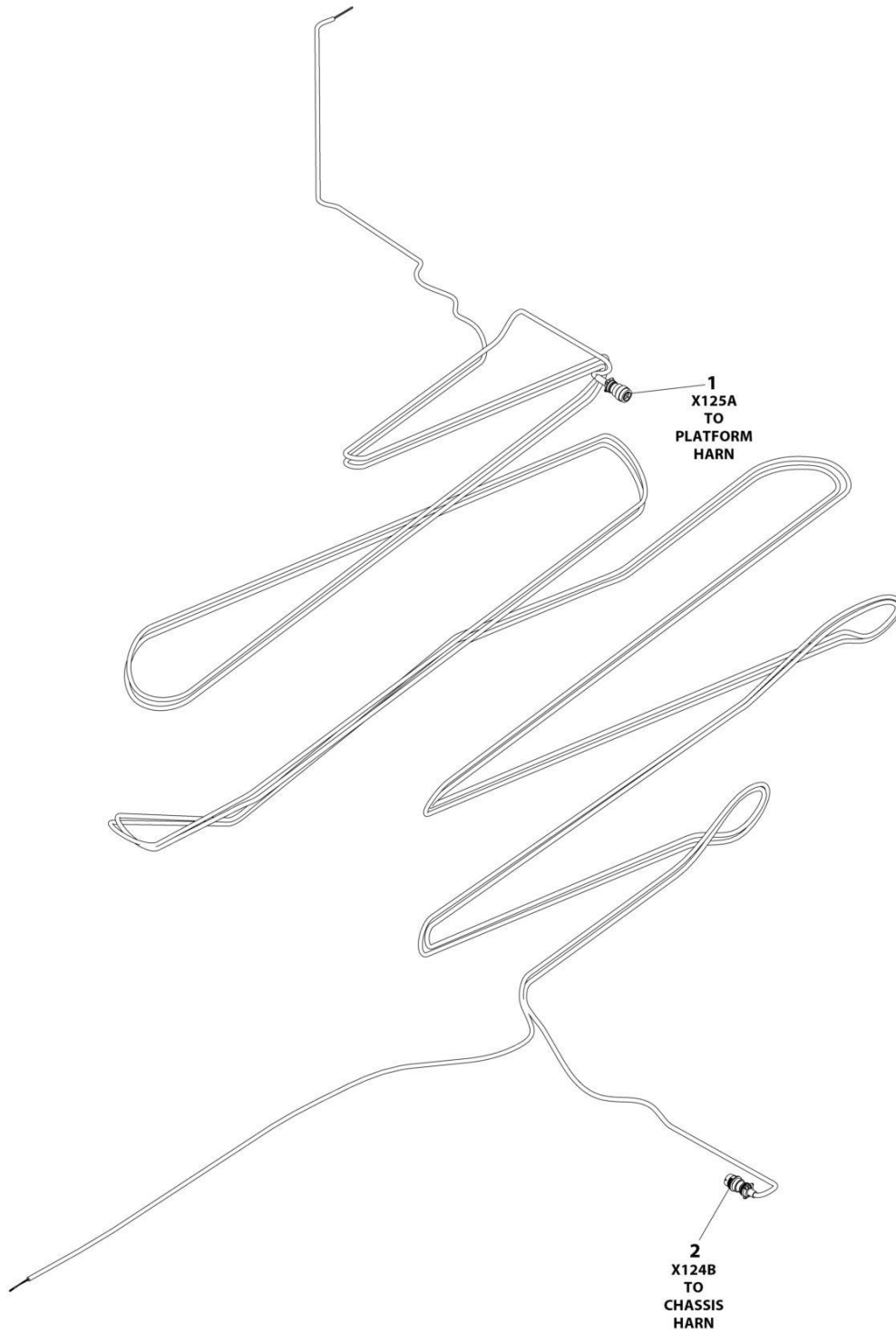
SECTION 8 - ELECTRICAL

FIGURE 8-20. ERT4069 GROUND TO PLATFORM HARNESS

ITEM	PART NUMBER	QTY	DESCRIPTION	REV
	1001259135	Ref	GROUND TO PLATFORM HARNESS	B
1	4460754	1	Connector - 14 Position	
1	4460465	12	Socket, Female	
1	4460944	2	Terminal	
2	1001156541	1	Connector - 14 Position	
2	4460464	12	Pin, Male	
2	4460943	2	Terminal	

SECTION 8 - ELECTRICAL

FIGURE 8-21. ERT4769 GROUND TO PLATFORM HARNESS



ART_1001262141

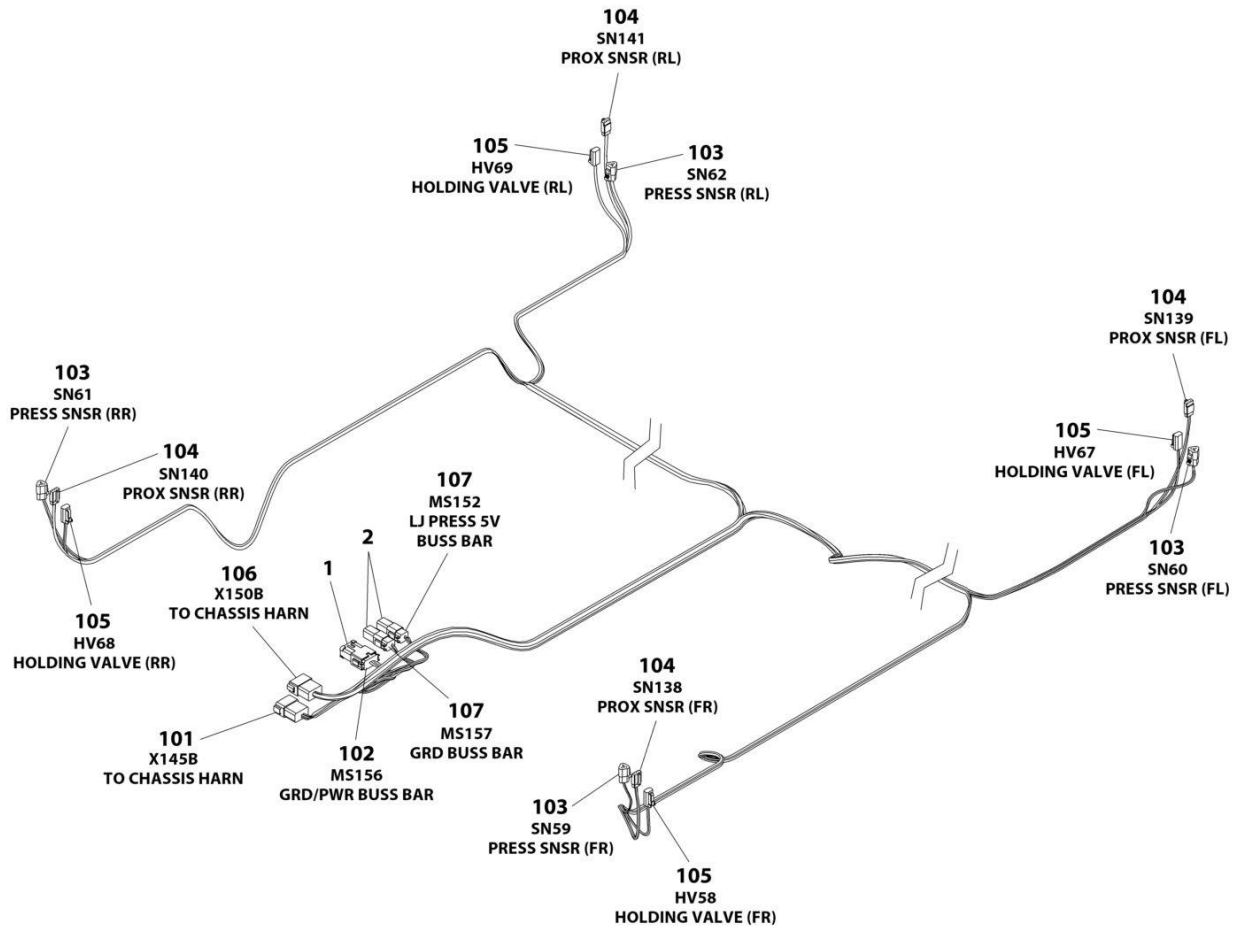
SECTION 8 - ELECTRICAL

FIGURE 8-21. ERT4769 GROUND TO PLATFORM HARNESS

ITEM	PART NUMBER	QTY	DESCRIPTION	REV
	1001262141	Ref	GROUND TO PLATFORM HARNESS	B
1	4460754	1	Connector - 14 Position	
1	4460465	12	Socket, Female	
1	4460944	2	Terminal	
2	1001156541	1	Connector - 14 Position	
2	4460464	12	Pin, Male	
2	4460943	2	Terminal	

SECTION 8 - ELECTRICAL

FIGURE 8-22. LEVELING JACK HARNESS



ART_1001248863

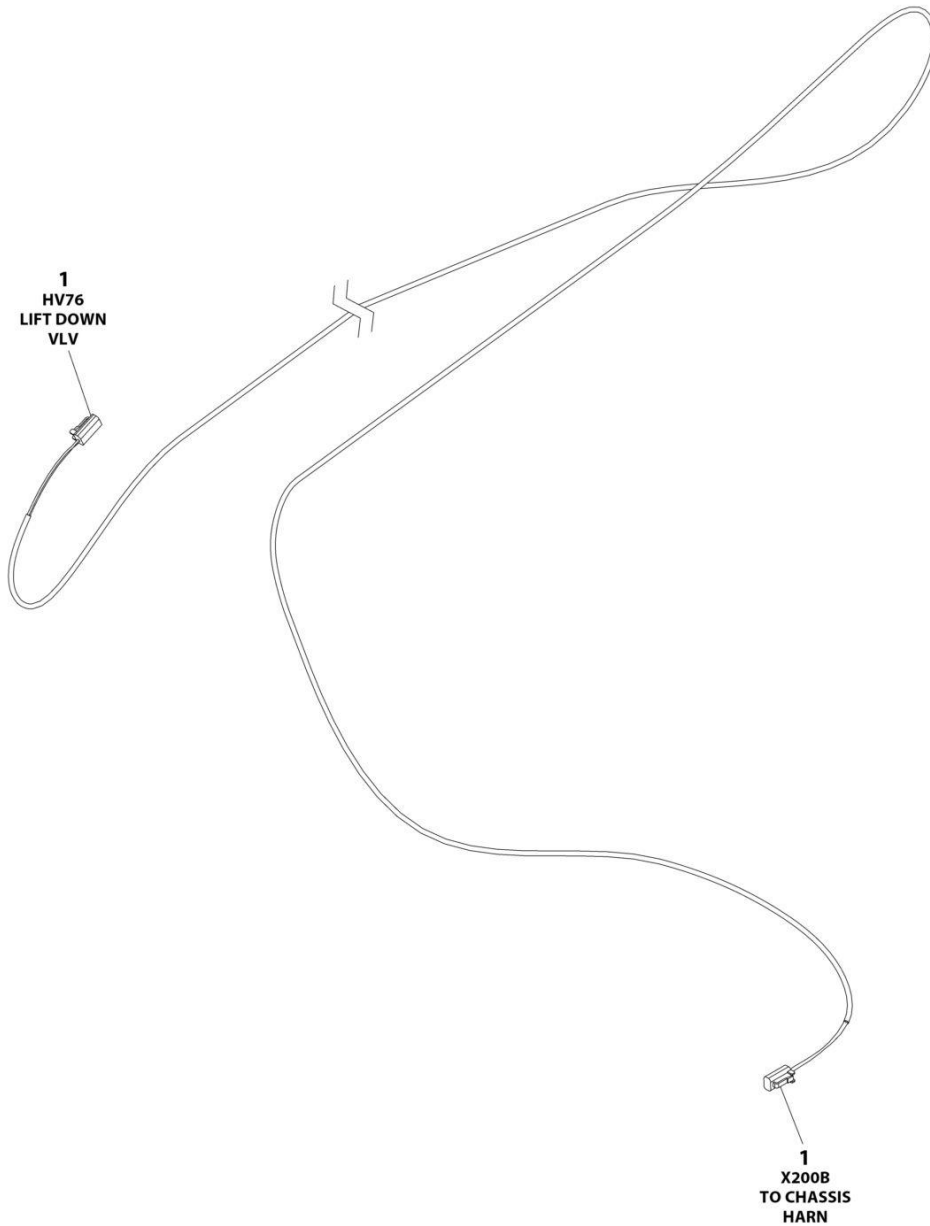
SECTION 8 - ELECTRICAL

FIGURE 8-22. LEVELING JACK HARNESS

ITEM	PART NUMBER	QTY	DESCRIPTION	REV
	1001248863	Ref	LEVELING JACK HARNESS	C
1	1001125677	1	Connector, 2 x 6 Bussbar (DT)	
2	4460892	2	Terminal, 6 Position Bussbar (DT)	
101	4460950	1	Receptacle, Female - 12 Position	
101	4460464	8	Pin, Male	
101	4460466	4	Plug, Terminal	
102	4460933	1	Plug, Male - 12 Position	
102	4460465	10	Socket, Female	
102	4460466	2	Plug, Terminal	
103	4460539	4	Plug, Male - 3 Position	
103	4460465	12	Socket, Female	
104	4460911	4	Connector - 3 Position	
104	1001116694	12	Terminal	
105	4460891	4	Plug, Male - 2 Position	
105	4460465	8	Socket, Female	
106	4460970	1	Receptacle - 12 Position	
106	4460464	12	Pin, Male	
107	4460894	2	Plug, Male - 6 Position	
107	4460465	10	Socket, Female	
107	4460466	2	Plug, Terminal	

SECTION 8 - ELECTRICAL

FIGURE 8-23. ERT4069 & ERT4769 LIFT DOWN HARNESS - LOWER



ART_1001259139

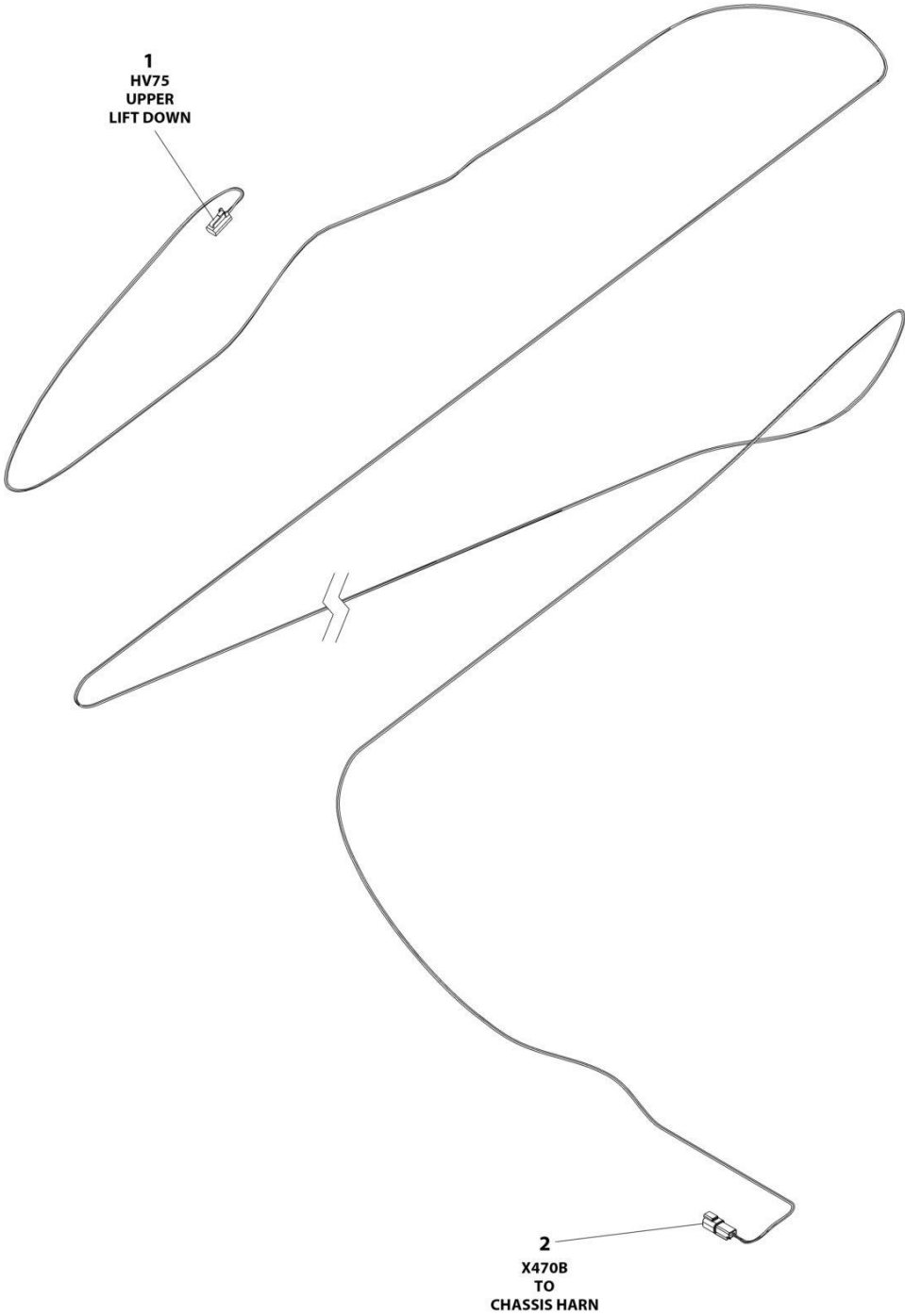
SECTION 8 - ELECTRICAL

FIGURE 8-23. ERT4069 & ERT4769 LIFT DOWN HARNESS - LOWER

ITEM	PART NUMBER	QTY	DESCRIPTION	REV
	1001259139	Ref	LIFT DOWN HARNESS	B
1	4460891	2	Connector - 2 Position	
1	4460465	4	Socket, Female	

SECTION 8 - ELECTRICAL

FIGURE 8-24. ERT4769 LIFT DOWN HARNESS - UPPER



ART_1001262142

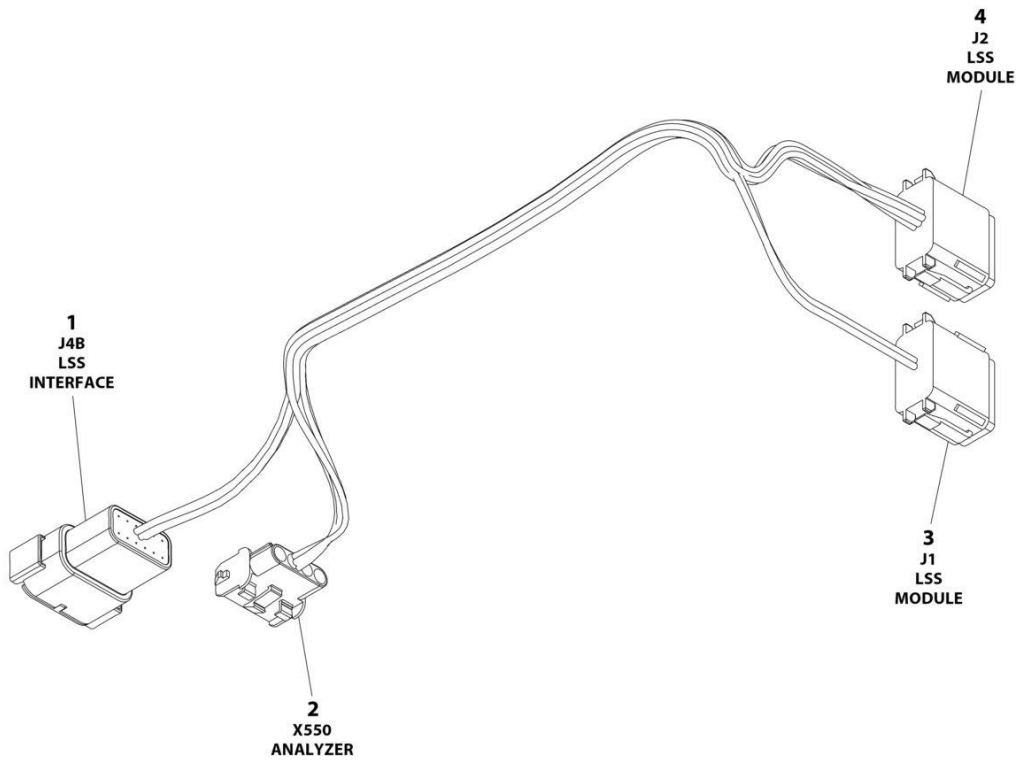
SECTION 8 - ELECTRICAL

FIGURE 8-24. ERT4769 LIFT DOWN HARNESS - UPPER

ITEM	PART NUMBER	QTY	DESCRIPTION	REV
	1001262142	Ref	LIFT DOWN HARNESS	A
1	4460891	1	Connector - 2 Position	
1	4460465	2	Socket, Female	
2	4460897	1	Receptacle, Female- 2 Position	
2	4460464	2	Pin, Male	

SECTION 8 - ELECTRICAL

FIGURE 8-25. LSS HARNESS



ART_1001226830

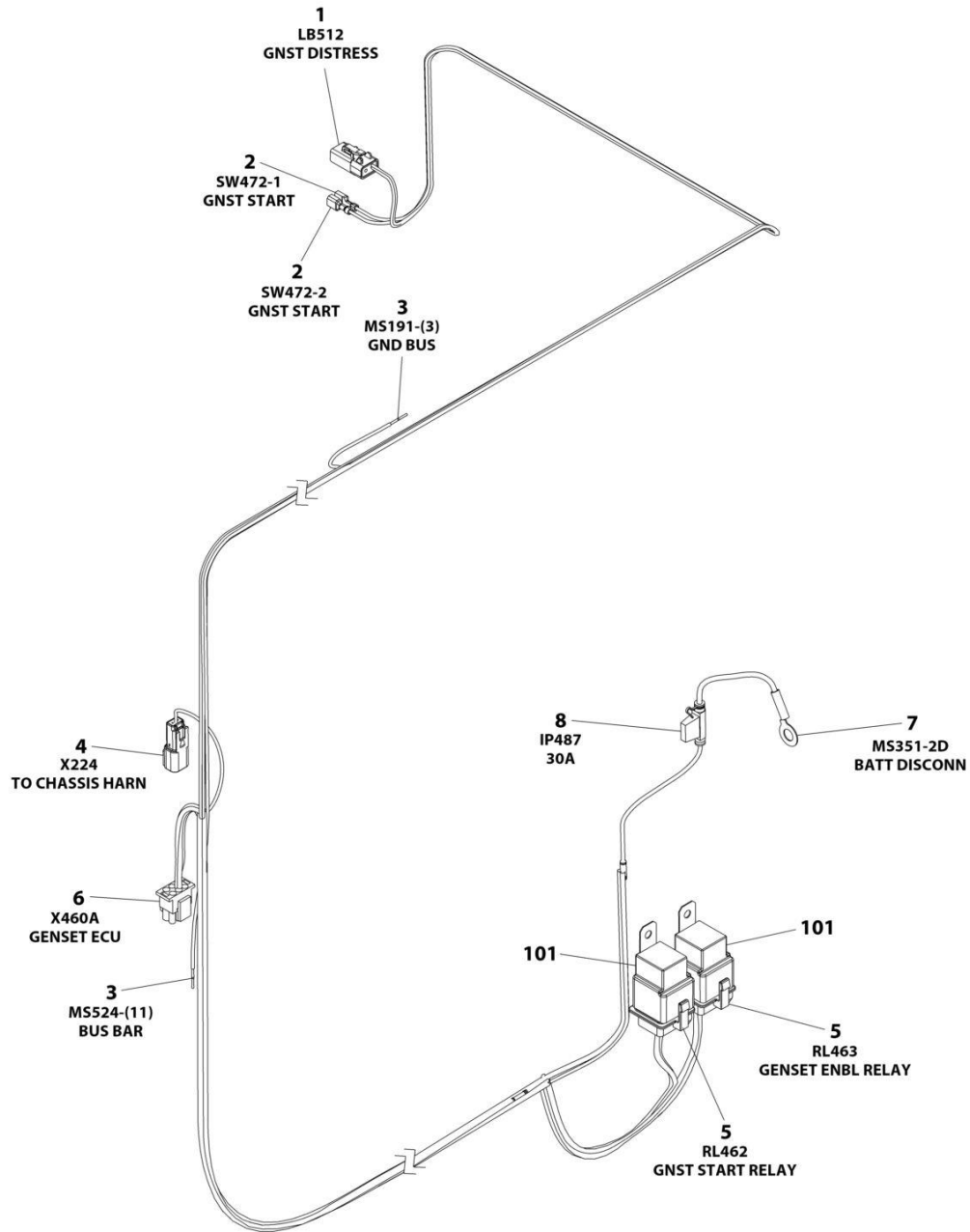
SECTION 8 - ELECTRICAL

FIGURE 8-25. LSS HARNESS

ITEM	PART NUMBER	QTY	DESCRIPTION	REV
	1001226830	Ref	LSS HARNESS	A
1	1001132170	1	Connector - 12 Position	
1	4460929	2	Pin, Male	
1	4460917	2	Pin, Male	
1	4460518	8	Plug, Terminal	
2	4460761	1	Receptacle, Female - 4 Position	
2	4460294	4	Pin, Male	
3	4460933	1	Connector - 12 Position	
3	4460465	2	Socket, Female	
3	4460466	10	Plug, Terminal	
4	4460836	1	Connector - 12 Position	
4	4460465	5	Socket, Female	
4	4460944	2	Socket, Female	
4	4460466	5	Plug, Terminal	

SECTION 8 - ELECTRICAL

FIGURE 8-26. MECHRON GENSET HARNESS



ART_1001255067

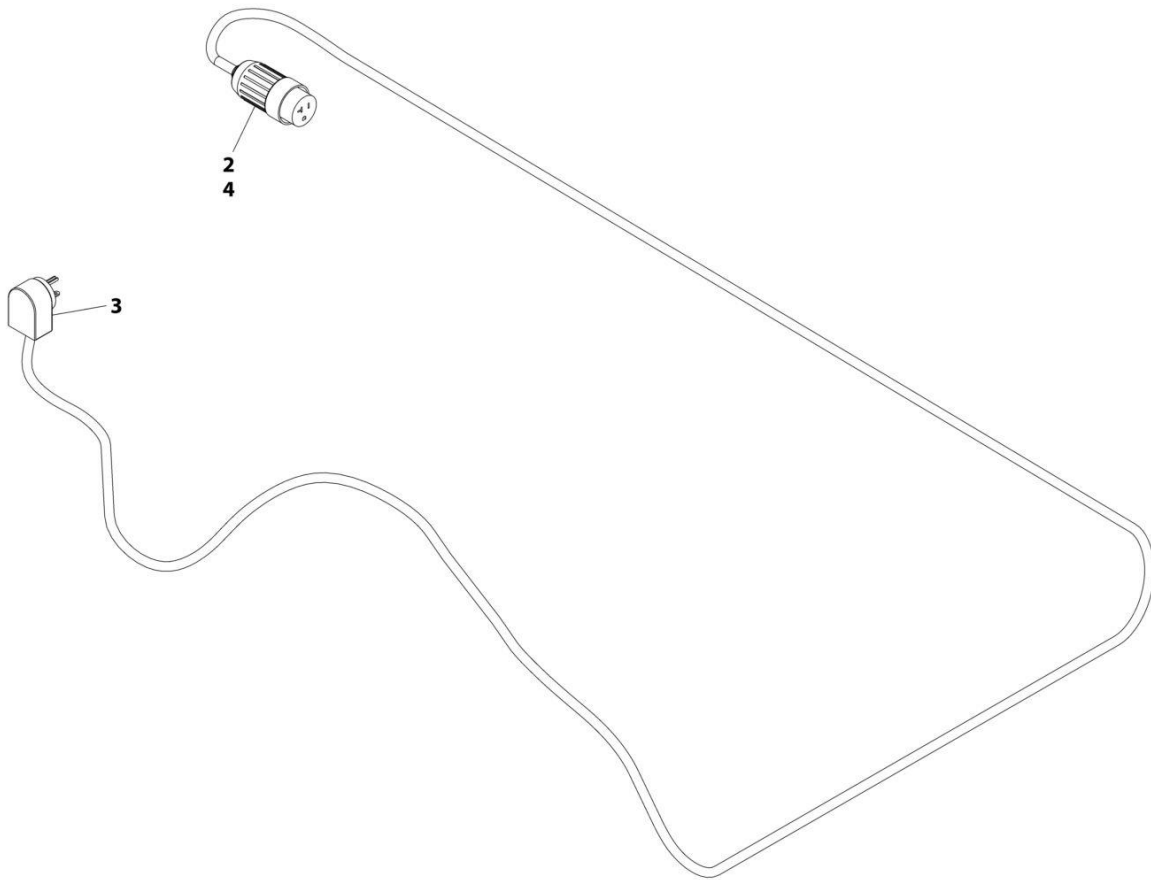
SECTION 8 - ELECTRICAL

FIGURE 8-26. MECHRON GENSET HARNESS

ITEM	PART NUMBER	QTY	DESCRIPTION	REV
	1001255067	Ref	MECHRON GENSET HARNESS	B
1	1001126245	1	Connector - 2 Position	
1	4460928	2	Terminal	
2	1001194421	2	Terminal, Female	
3	4460465	2	Socket, Female	
4	4460897	1	Receptacle, Female - 2 Position	
4	4460464	1	Pin, Male	
4	4460466	1	Plug, Terminal	
5	4460374	2	Connector	
5	1001116734	4	Terminal	
5	1001116732	4	Terminal	
5	1001128128	2	Plug, Terminal	
6	4460225	1	Connector - 6 Position	
6	4460705	2	Pin, Male	
6	1001118378	3	Pin, Male	
7	1001117110	1	Terminal, Ring	
8	1001170763	1	Fuseholder with 30Amp Fuse	
8	1001170762	1	Fuse 30Amp	
101	1001171295	2	Relay	

SECTION 8 - ELECTRICAL

FIGURE 8-27. ONBOARD GENERATOR CABLE



ART_1001266233

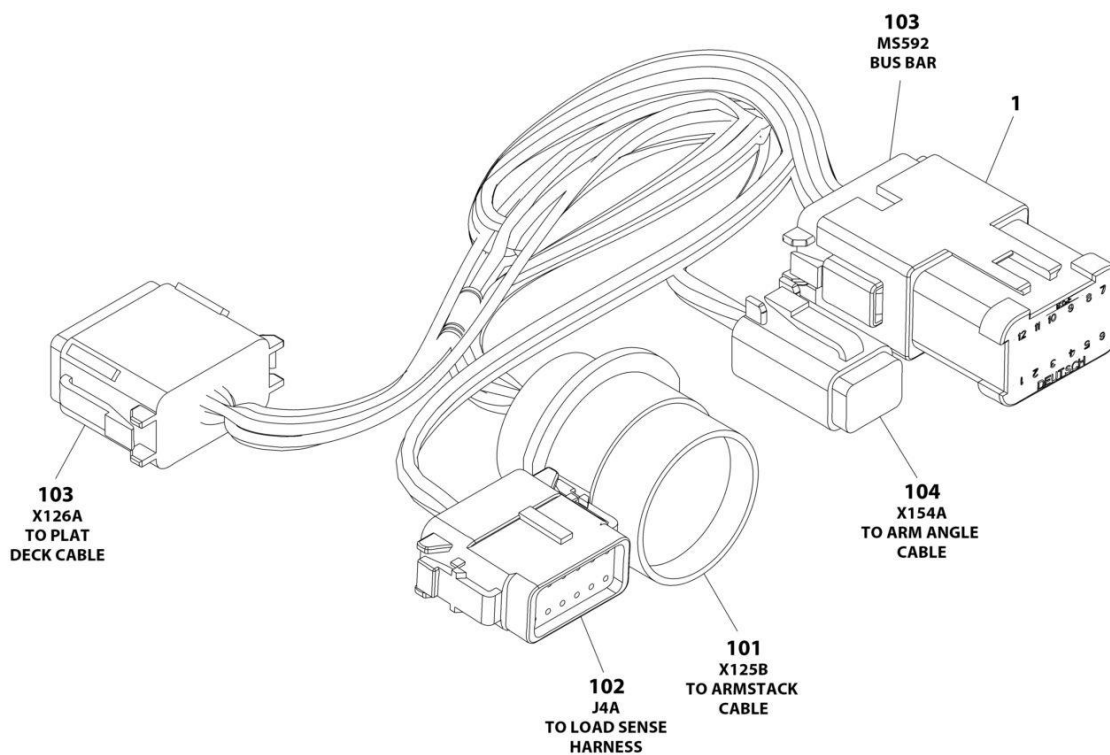
SECTION 8 - ELECTRICAL

FIGURE 8-27. ONBOARD GENERATOR CABLE

ITEM	PART NUMBER	QTY	DESCRIPTION	REV
	1001266233	Ref	ONBOARD GENERATOR CABLE	A
2	1001156351	1	Cover, Connector	
3	1001265225	1	Plug	
4	1001265226	1	Connector	

SECTION 8 - ELECTRICAL

FIGURE 8-28. PLATFORM HARNESS



ART_1001264939

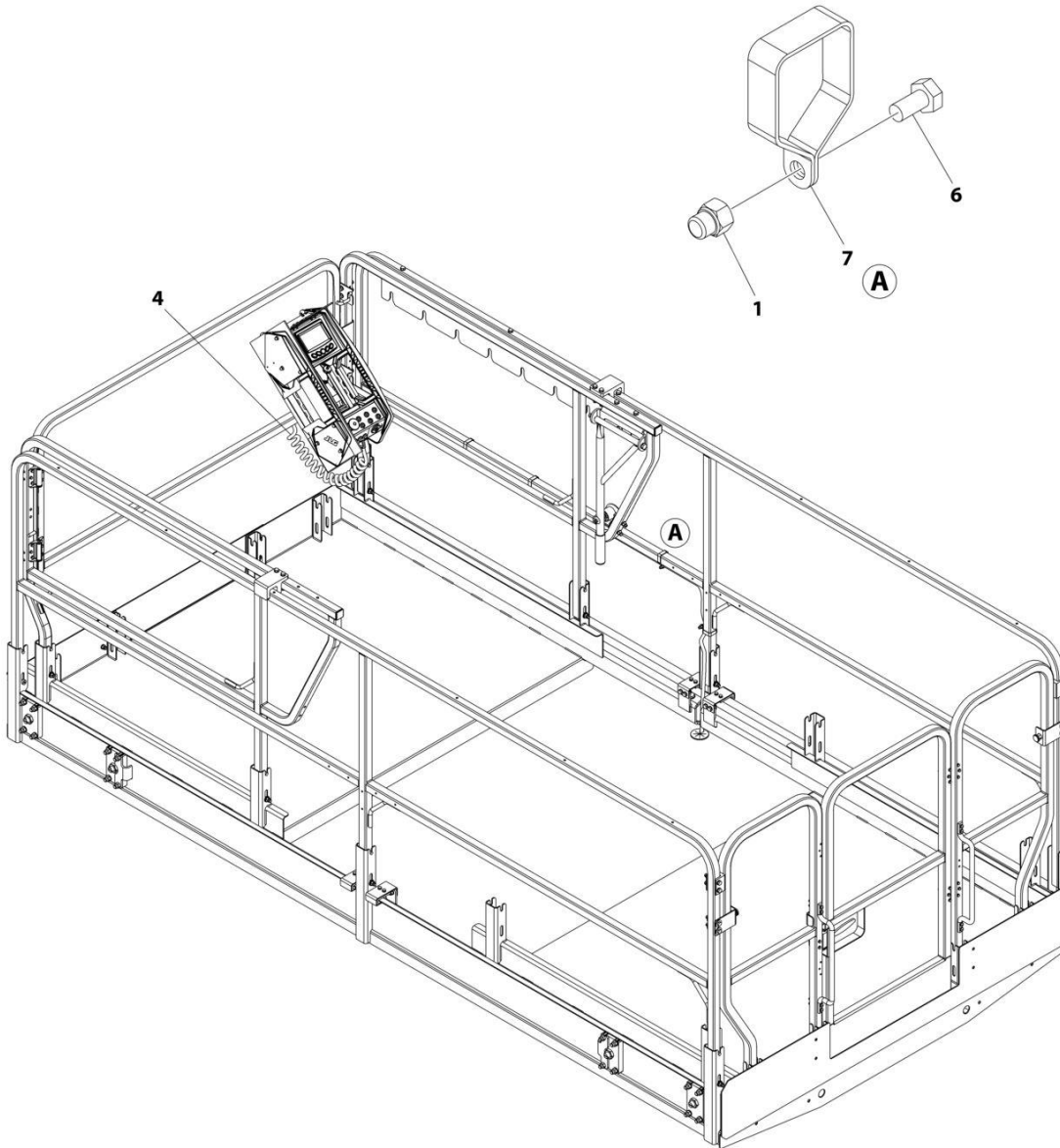
SECTION 8 - ELECTRICAL

FIGURE 8-28. PLATFORM HARNESS

ITEM	PART NUMBER	QTY	DESCRIPTION	REV
	1001264939	Ref	PLATFORM HARNESS	C
1	1001119020	1	Connector, Bussbar	
101	4460752	1	Connector - 14 Position	
101	4460464	8	Pin, Male	
101	4460943	2	Pin, Male	
101	4460466	4	Plug, Terminal	
102	1001116808	1	Connector - 12 Position	
102	4460928	2	Terminal	
102	4460918	2	Terminal	
102	4460518	8	Plug, Terminal	
103	4460933	2	Plug, Male - 12 Position	
103	4460465	21	Socket, Female	
103	4460466	3	Plug, Terminal	
104	4460884	1	Plug, Male - 4 Position	
104	4460465	4	Socket, Female	

SECTION 8 - ELECTRICAL

FIGURE 8-29. PLATFORM CABLE INSTALLATION – WITHOUT FOOTSWITCH



ART_1001254820

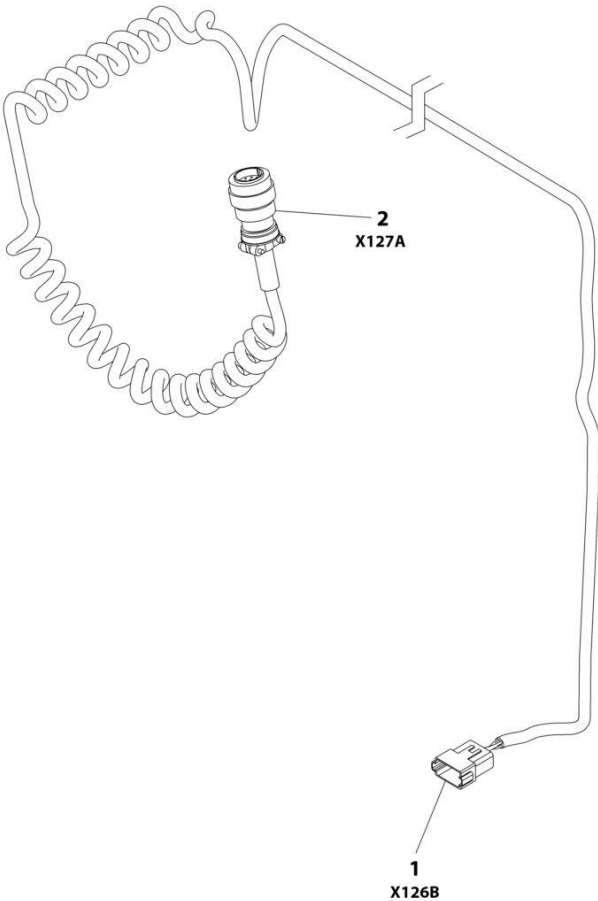
SECTION 8 - ELECTRICAL

FIGURE 8-29. PLATFORM CABLE INSTALLATION – WITHOUT FOOTSWITCH

ITEM	PART NUMBER	QTY	DESCRIPTION	REV
	1001254820	Ref	PLATFORM CABLE INSTALLATION – WITHOUT FOOTSWITCH	D
1	3290606	5	Nut M6 x 1	
4	1001249048	1	Cable, Platform Deck (See Separate Breakdown in this Section)	
6	0760606	5	Bolt M6 x 12	
7	1001220668	5	Clamp, Platform Cable Post	
8	4240018	1	Tie Strap (Not Shown)	

SECTION 8 - ELECTRICAL

FIGURE 8-30. PLATFORM CABLE HARNESS – WITHOUT FOOTSWITCH



ART_1001249048

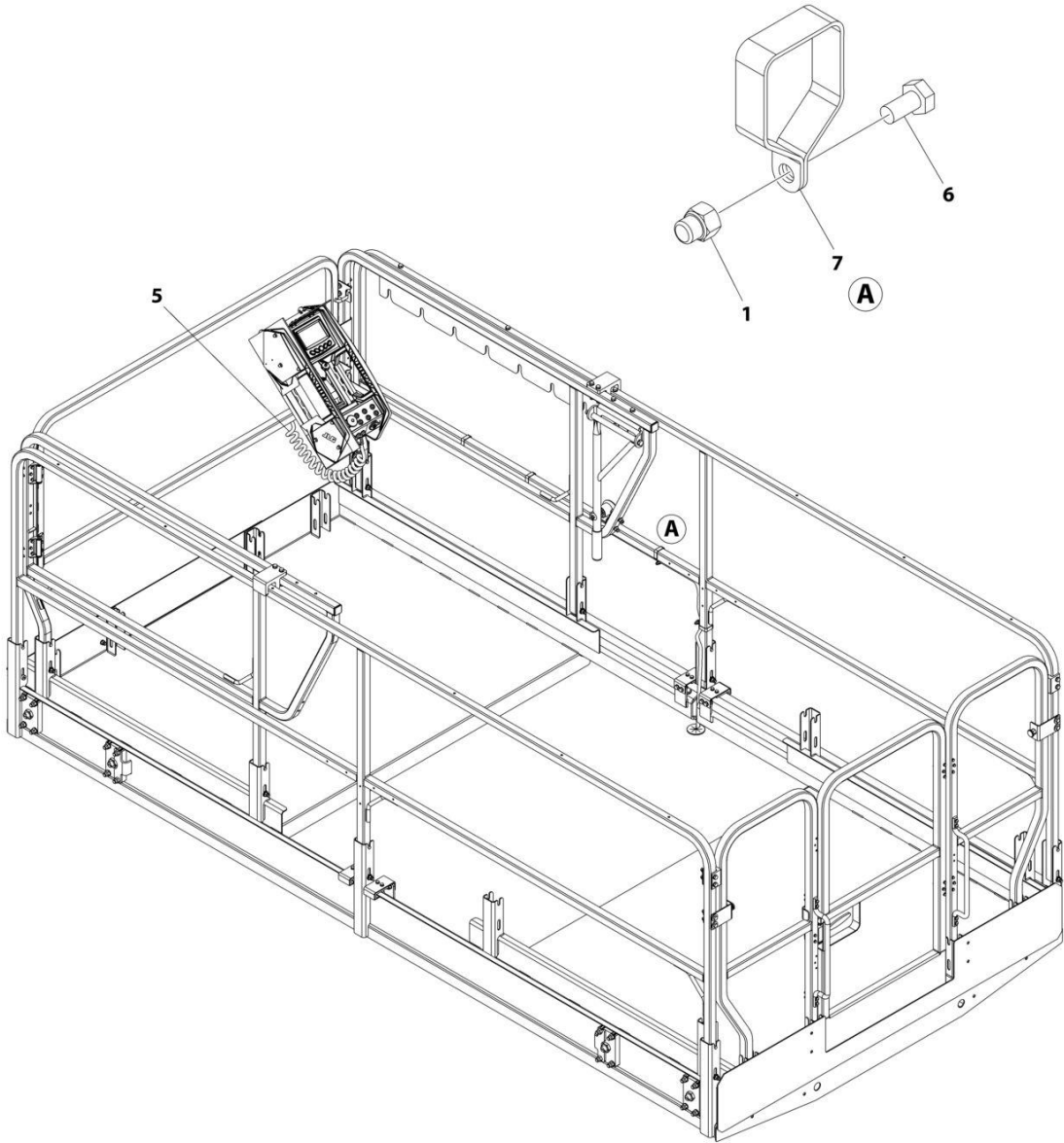
SECTION 8 - ELECTRICAL

FIGURE 8-30. PLATFORM CABLE HARNESS – WITHOUT FOOTSWITCH

ITEM	PART NUMBER	QTY	DESCRIPTION	REV
	1001249048	Ref	PLATFORM MODULE HARNESS – WITHOUT FOOTSWITCH	D
1	4460970	1	Plug, Male - 12 Position	
1	4460464	8	Pin, Male	
1	4460943	2	Pin, Male	
1	4460466	2	Plug, Terminal	
1	1001249190	1	Boot	
2	4460754	1	Receptacle, Female - 14 Position	
2	4460465	8	Socket, Femaile	
2	4460944	2	Socket, Femaile	
2	4460466	4	Plug, Terminal	

SECTION 8 - ELECTRICAL

FIGURE 8-31. PLATFORM CABLE INSTALLATION – WITH FOOTSWITCH



ART_1001258923

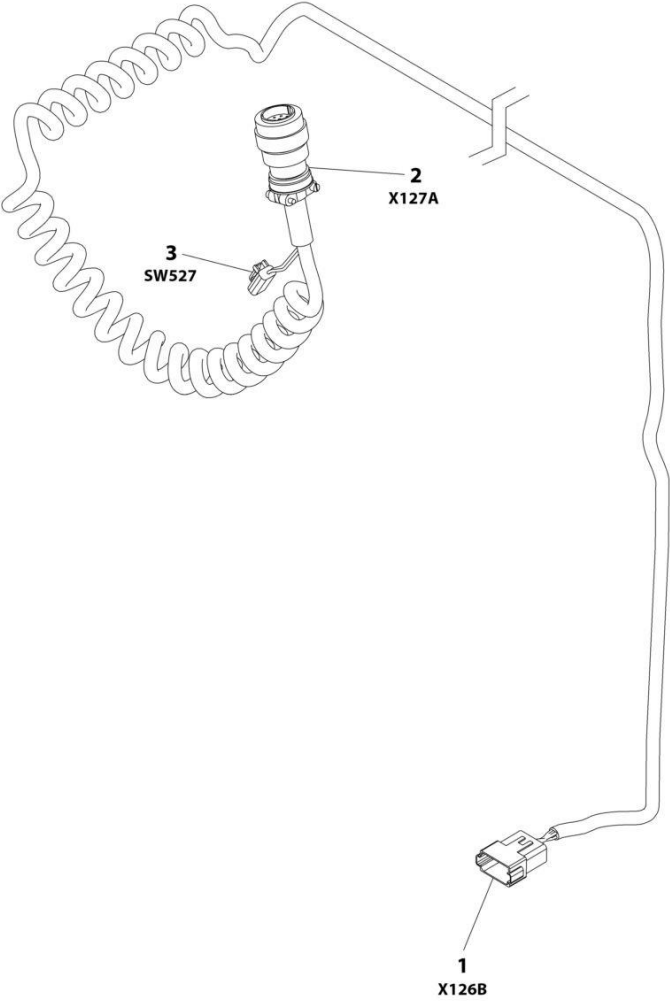
SECTION 8 - ELECTRICAL

FIGURE 8-31. PLATFORM CABLE INSTALLATION – WITH FOOTSWITCH

ITEM	PART NUMBER	QTY	DESCRIPTION	REV
	1001258923	Ref	PLATFORM CABLE INSTALLATION – WITH FOOTSWITCH	C
1	3290606	5	Nut M6 x 1	
5	1001258223	1	Harness, Platform Deck (See Separate Breakdown in this Section)	
6	0760606	5	Bolt M6 x 12	
7	1001220668	5	Clamp, Platform Cable Post	
8	4240018	1	Tie Strap (Not Shown)	

SECTION 8 - ELECTRICAL

FIGURE 8-32. PLATFORM CABLE HARNESS – WITH FOOTSWITCH



ART_1001258223

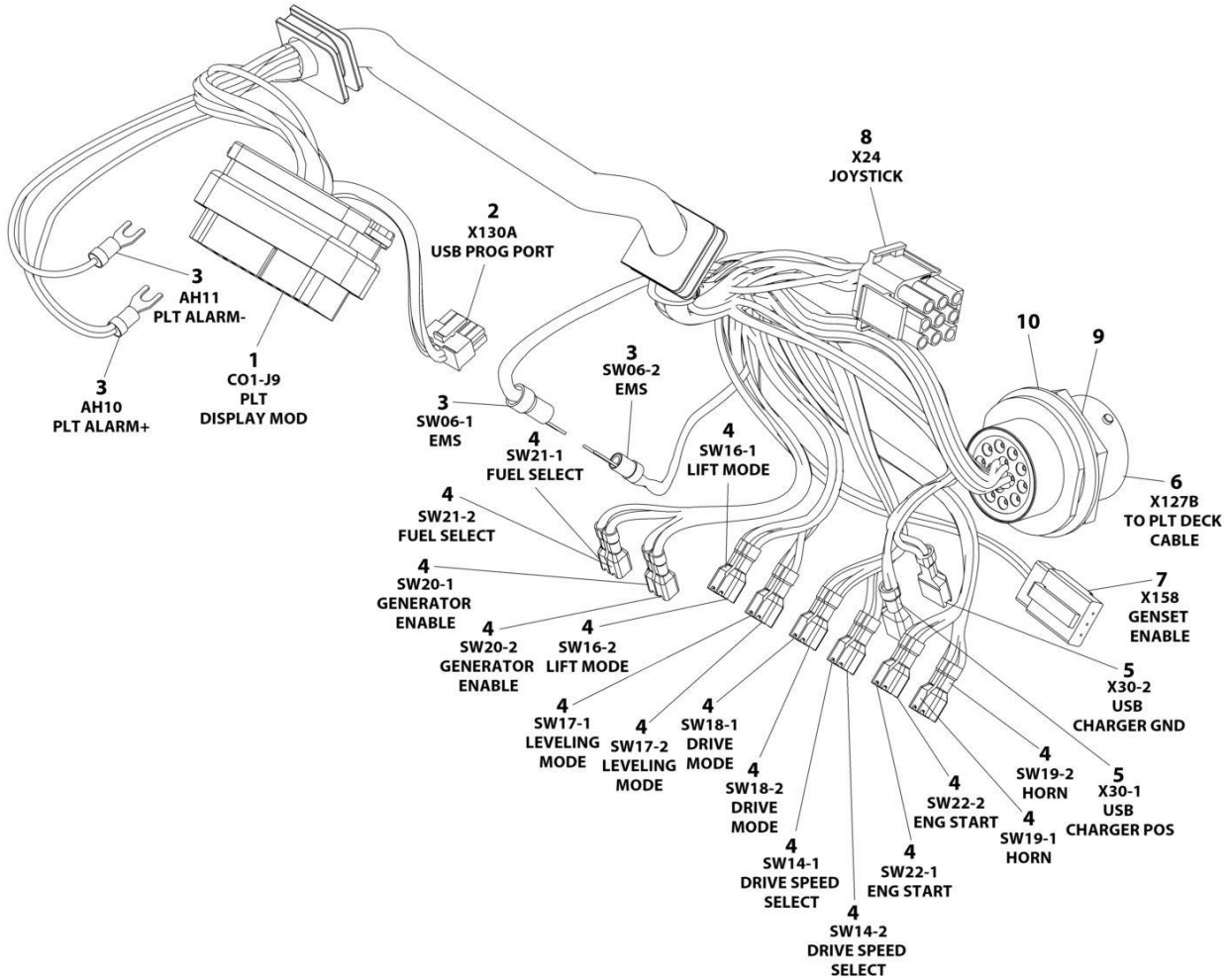
SECTION 8 - ELECTRICAL

FIGURE 8-32. PLATFORM CABLE HARNESS – WITH FOOTSWITCH

ITEM	PART NUMBER	QTY	DESCRIPTION	REV
	1001258223	Ref	PLATFORM MODULE HARNESS – WITH FOOTSWITCH	B
1	4460970	1	Plug, Male - 12 Position	
1	4460464	7	Pin, Male	
1	4460943	2	Pin, Male	
1	4460466	3	Plug, Terminal	
1	1001249190	1	Boot	
2	4460754	1	Receptacle, Female - 14 Position	
2	4460465	9	Socket, Female	
2	4460944	2	Socket, Female	
2	4460466	3	Plug, Terminal	
3	4460891	1	Plug, Male - 4 Position	
3	4460465	2	Socket, Female	

SECTION 8 - ELECTRICAL

FIGURE 8-33. PLATFORM CONTROL BOX HARNESS



ART_1001249049

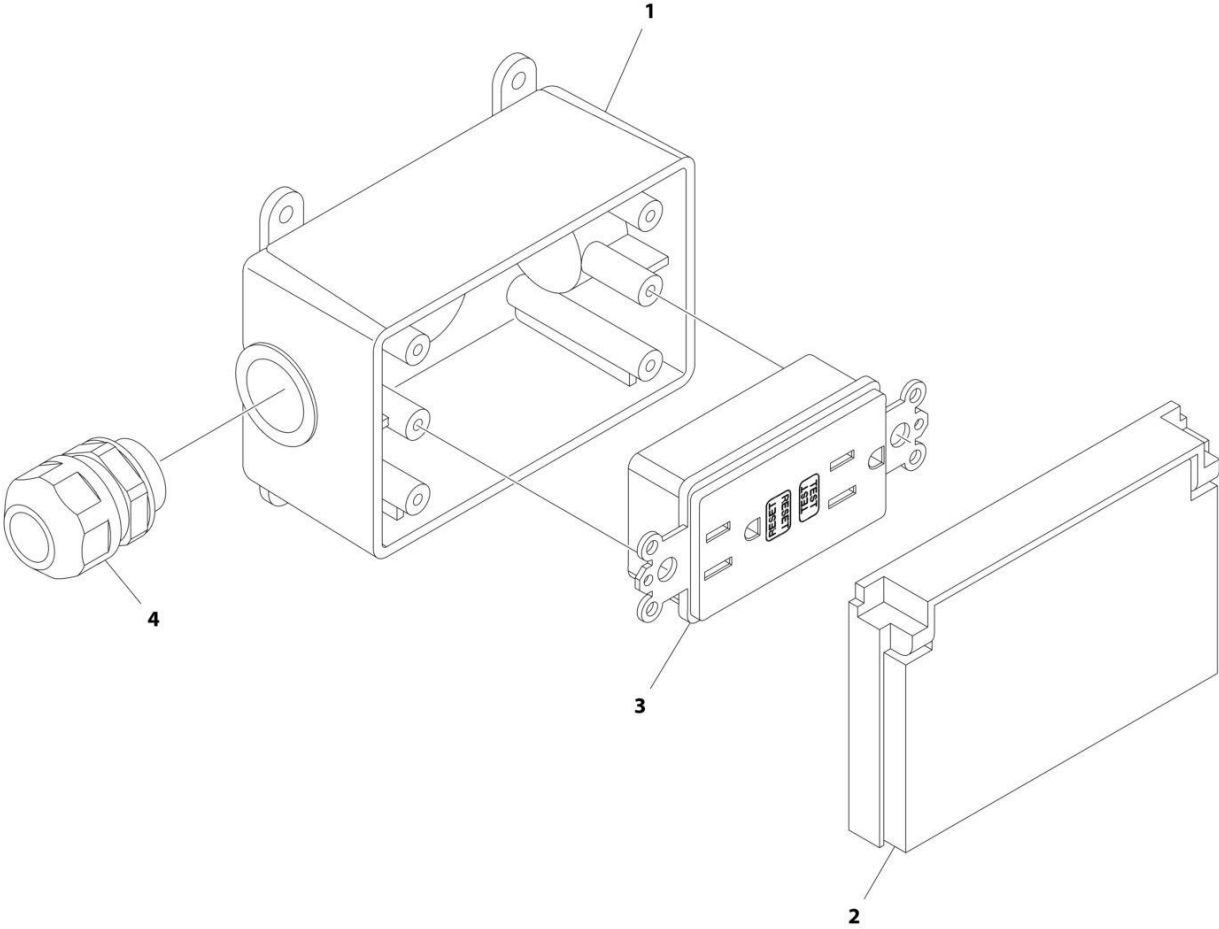
SECTION 8 - ELECTRICAL

FIGURE 8-33. PLATFORM CONTROL BOX HARNESS

ITEM	PART NUMBER	QTY	DESCRIPTION	REV
	1001249049	Ref	PLATFORM CONSOLE BOX HARNESS	G
1	4460873	1	Connector - 35 Position	
1	4460871	28	Pin, Male	
1	4460905	7	Plug, Terminal	
2	1001150735	1	Connector - 10 Position	
2	1001150889	5	Terminal	
3	4460183	4	Terminal, Fork	
4	1001201885	16	Receptacle, Female - 2 Position	
5	8220051	2	Terminal	
6	4461016	1	Connector - 14 Position	
6	4460464	11	Socket, Female	
6	4460466	1	Plug, Terminal	
6	4460943	2	Bussbar	
7	4460911	1	Plug, Male - 3 Position	
7	4460918	3	Terminal	
8	4460265	1	Plug, Male - 9 Position	
8	4460267	7	Terminal	
9	1001125784	1	Washer	
10	4460497	1	Terminal, Nut	

SECTION 8 - ELECTRICAL

FIGURE 8-34. RECEPTACLE BOX KIT - 110V GFI



ART_2902431

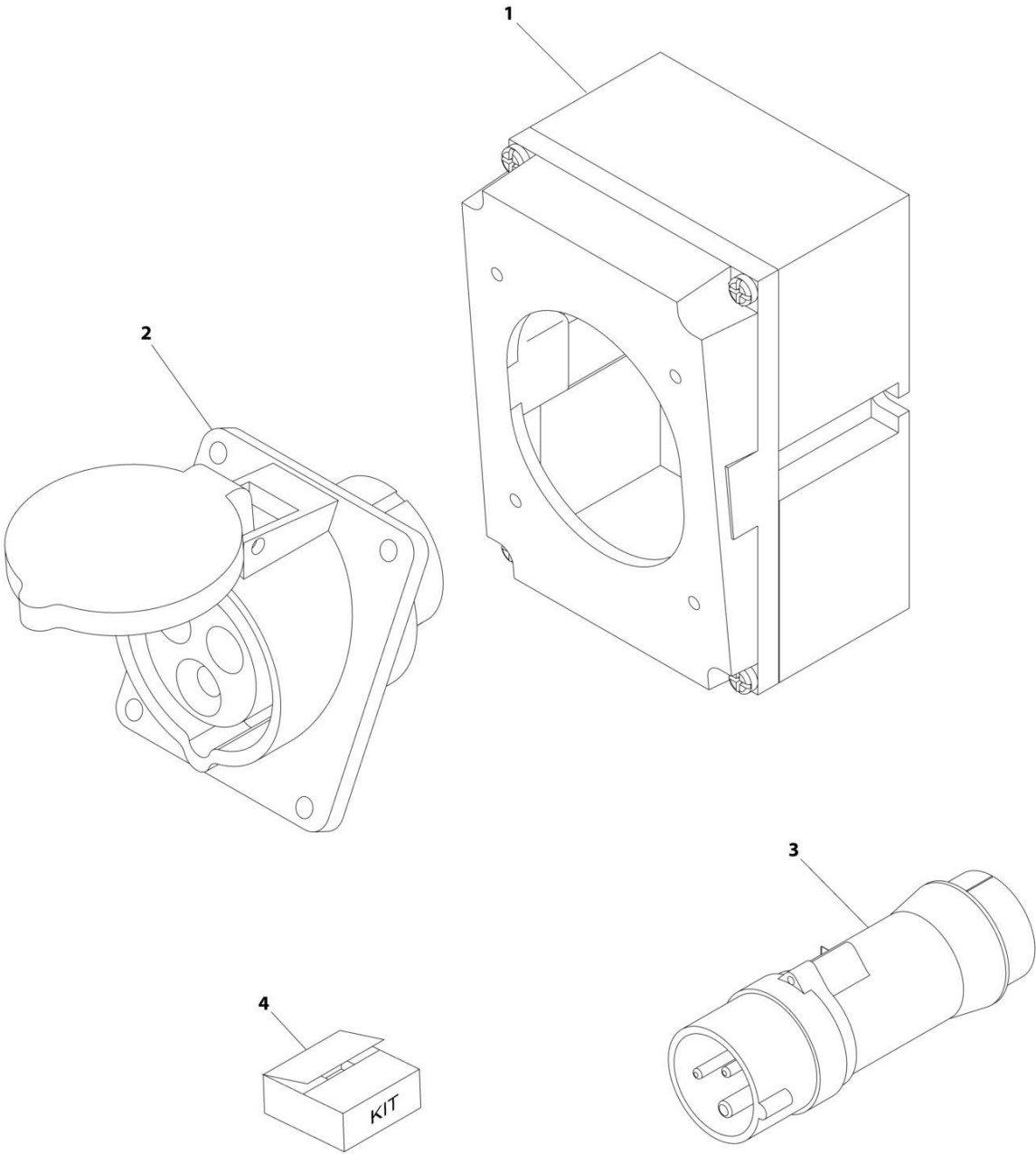
SECTION 8 - ELECTRICAL

FIGURE 8-34. RECEPTACLE BOX KIT - 110V GFI

ITEM	PART NUMBER	QTY	DESCRIPTION	REV
	2902431	Ref	RECEPTACLE BOX KIT - 110V GFI	D
1	0861731	1	Box, Receptacle	
2	1671207	1	Cover, Receptacle	
3	4460346	1	Receptacle	
4	4460662	1	Connector, Strain Relief	

SECTION 8 - ELECTRICAL

FIGURE 8-35. RECEPTACLE BOX KIT - 110V IEC YELLOW



ART_0275216

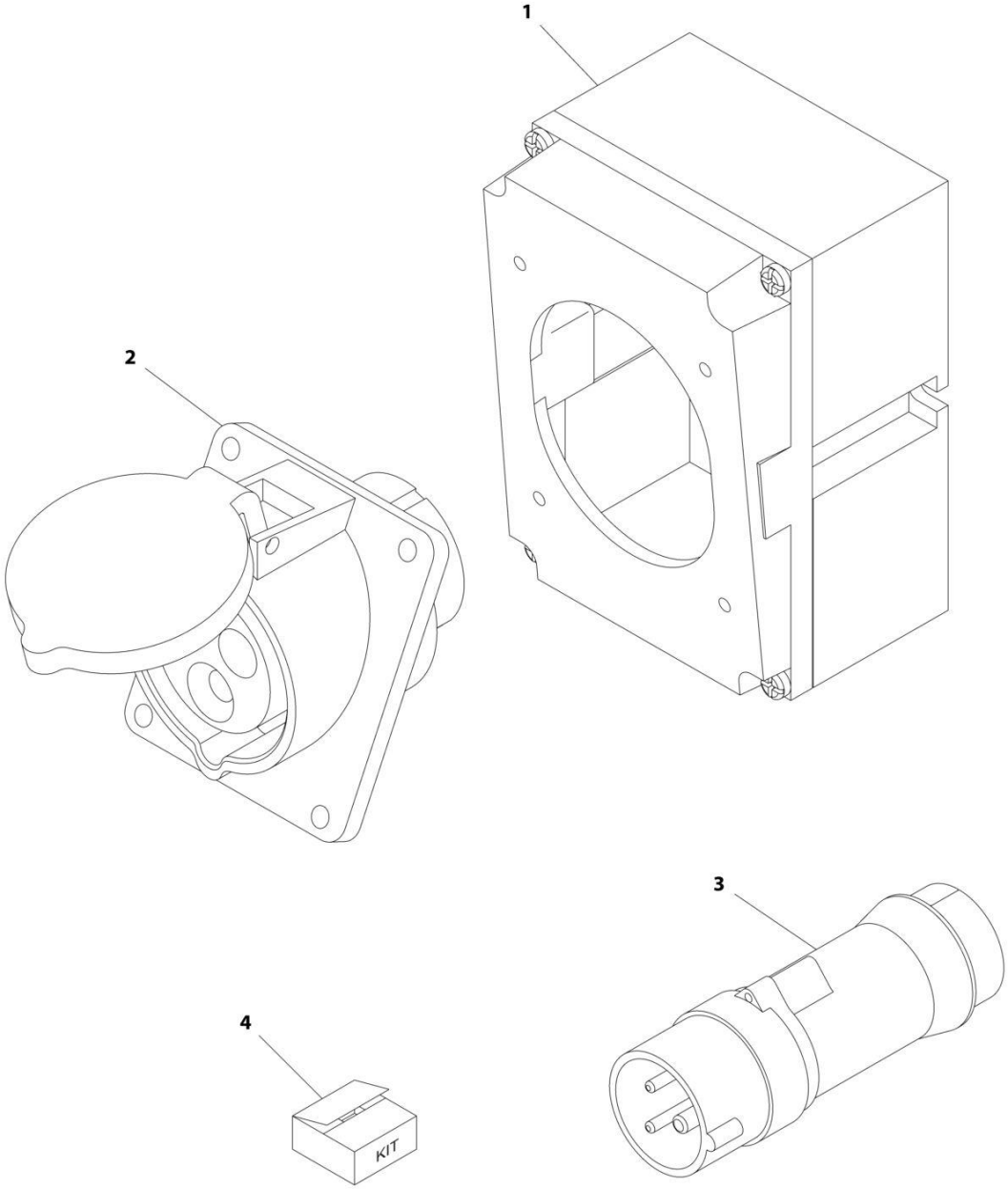
SECTION 8 - ELECTRICAL

FIGURE 8-35. RECEPTACLE BOX KIT - 110V IEC YELLOW

ITEM	PART NUMBER	QTY	DESCRIPTION	REV
	0275216	Ref	RECEPTACLE BOX KIT - 110V IEC YELLOW	B
1	0861781	1	Box, Switch	
2	4461198	1	Receptacle	
3	4461196	1	Plug, Male	
4	1001100341	1	Plug and Socket Kit (Includes Items 1-3 and Female Plug p/n 4461197)	

SECTION 8 - ELECTRICAL

FIGURE 8-36. RECEPTACLE BOX KIT - 220V IEC BLUE



ART_0275217

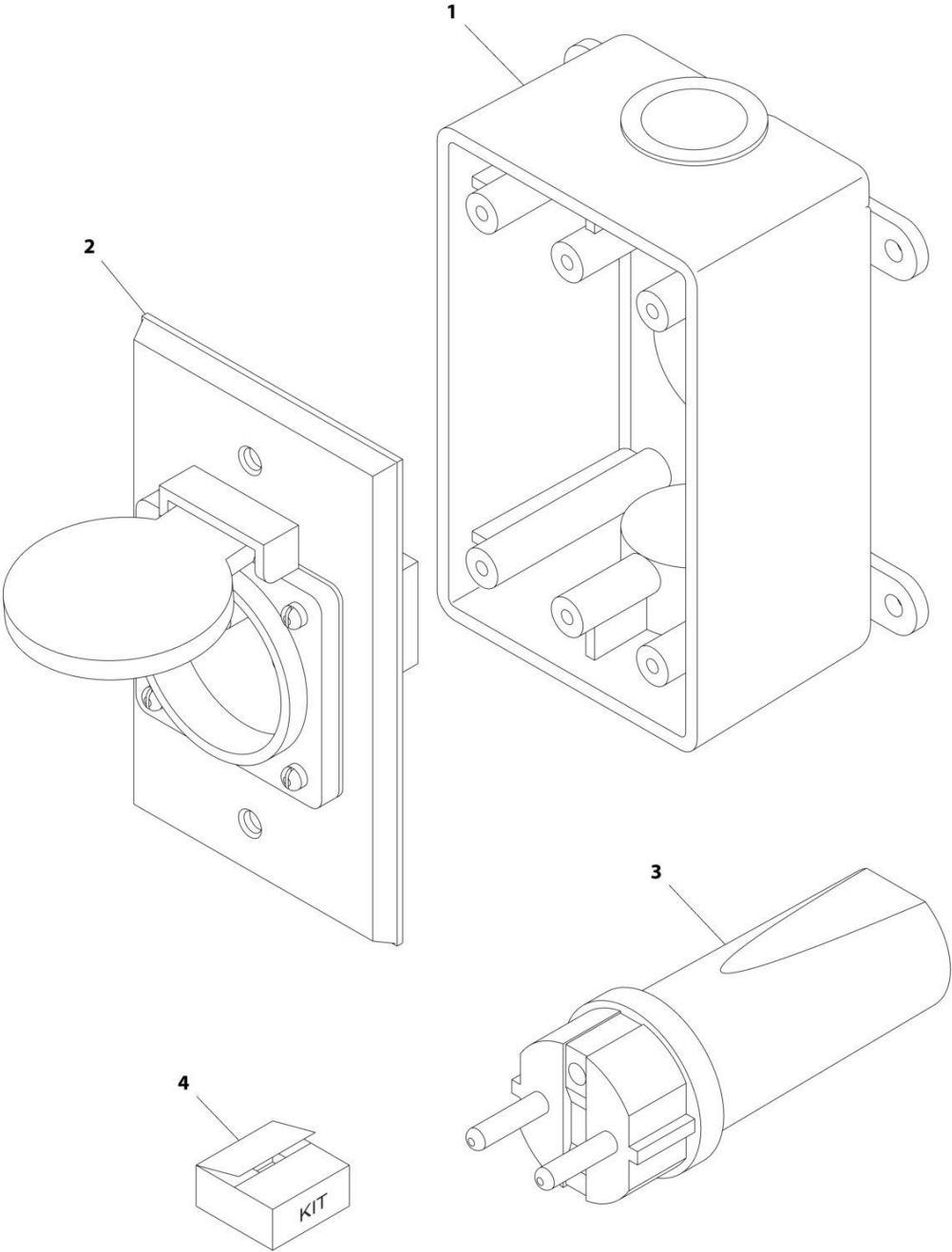
SECTION 8 - ELECTRICAL

FIGURE 8-36. RECEPTACLE BOX KIT - 220V IEC BLUE

ITEM	PART NUMBER	QTY	DESCRIPTION	REV
	0275217	Ref	RECEPTACLE BOX KIT - 220V IEC BLUE	B
1	0861781	1	Box, Switch	
2	4461201	1	Receptacle	
3	4461199	1	Plug, Male	
4	1001100342	1	Plug and Socket Kit (Includes Items 1-3 and Female Plug p/n 4461200)	

SECTION 8 - ELECTRICAL

FIGURE 8-37. RECEPTACLE BOX KIT - 220V POST GROUND



ART_0275452

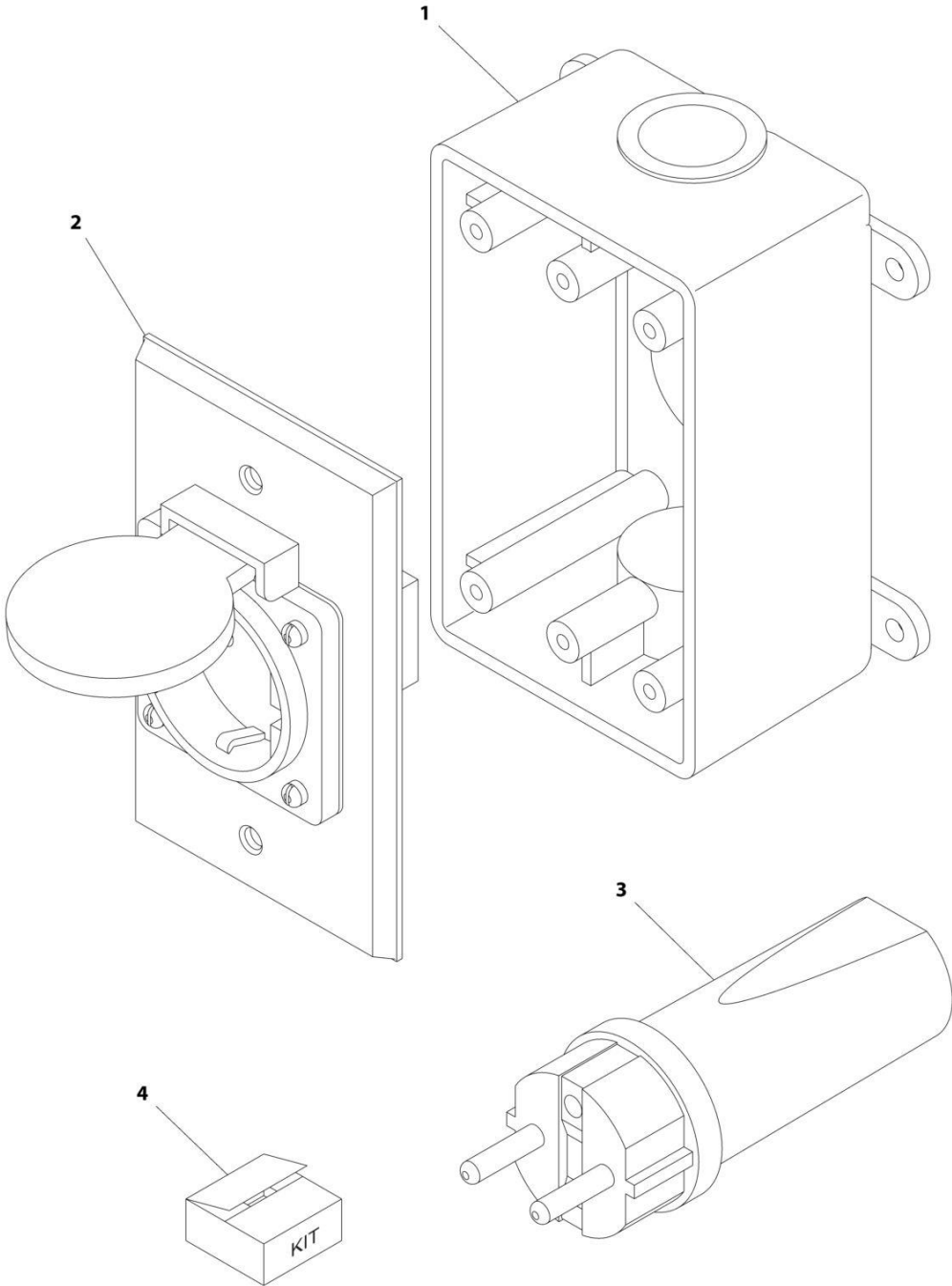
SECTION 8 - ELECTRICAL

FIGURE 8-37. RECEPTACLE BOX KIT - 220V POST GROUND

ITEM	PART NUMBER	QTY	DESCRIPTION	REV
	0275452	Ref	RECEPTACLE BOX KIT - 220V CEE7 POST GROUND	C
1	0861731	1	Box, Switch	
2	4461244	1	Receptacle	
3	4461205	1	Plug, Male	
4	1001100345	1	Plug and Socket Kit (Includes Items 1-3 and Female Plug p/n 4461206)	

SECTION 8 - ELECTRICAL

FIGURE 8-38. RECEPTACLE BOX KIT - 220V SIDE GROUND



ART_0275453

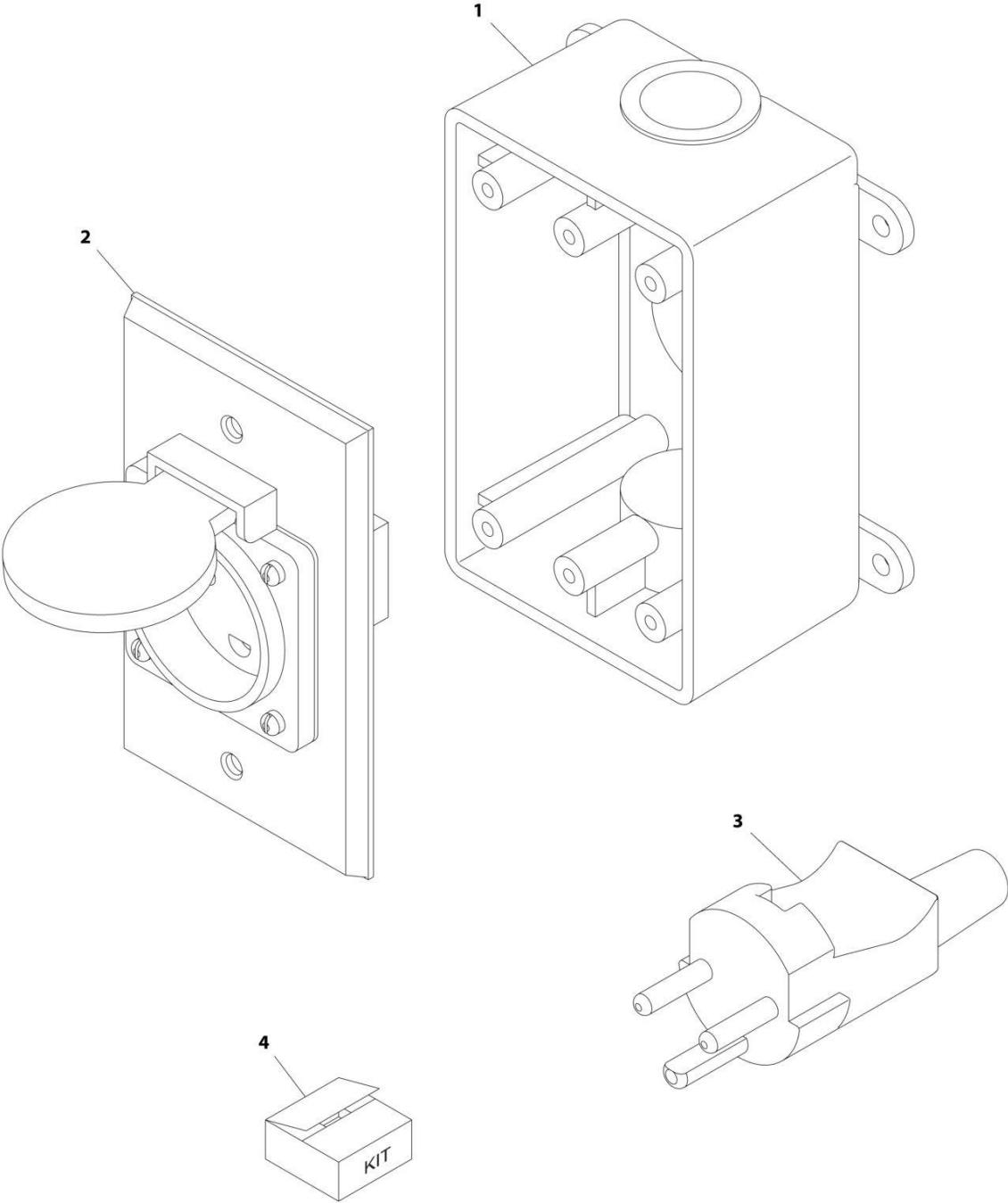
SECTION 8 - ELECTRICAL

FIGURE 8-38. RECEPTACLE BOX KIT - 220V SIDE GROUND

ITEM	PART NUMBER	QTY	DESCRIPTION	REV
	0275453	Ref	RECEPTACLE BOX KIT - 220V CEE7 SIDE GROUND	B
1	0861731	1	Box, Switch	
2	4461245	1	Receptacle	
3	4461205	1	Plug, Male	
4	1001100347	1	Plug and Socket Kit (Includes Items 1-3 and Female Plug p/n 4461206)	

SECTION 8 - ELECTRICAL

FIGURE 8-39. RECEPTACLE BOX KIT - 220V KEYED GROUND



ART_0275454

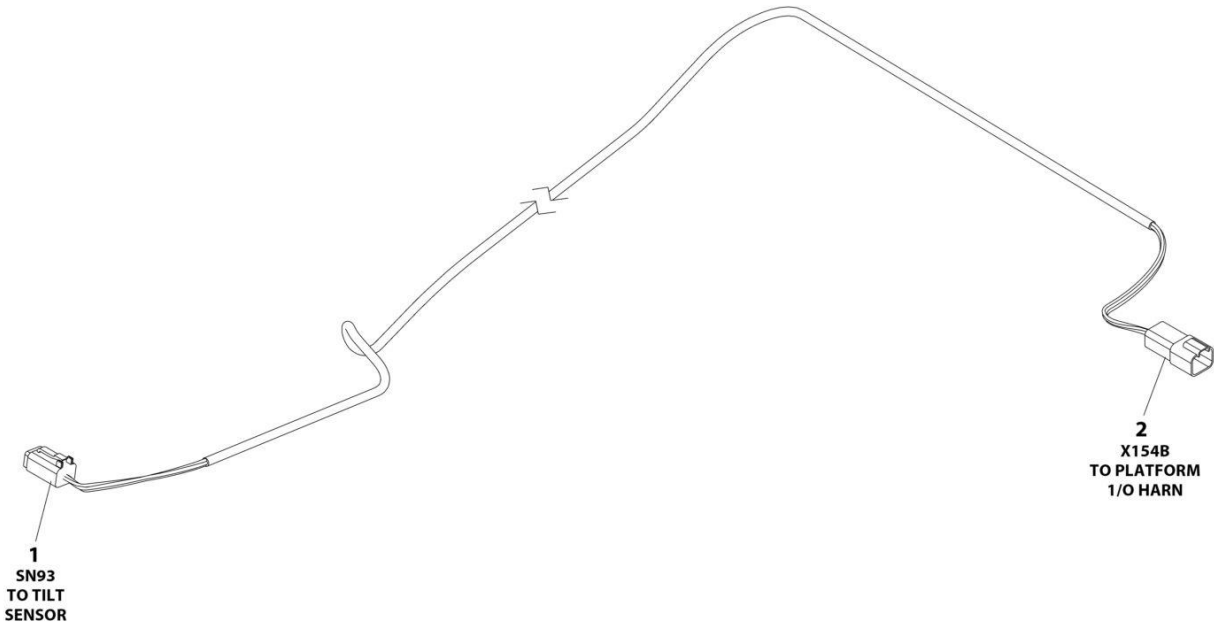
SECTION 8 - ELECTRICAL

FIGURE 8-39. RECEPTACLE BOX KIT - 220V KEYED GROUND

ITEM	PART NUMBER	QTY	DESCRIPTION	REV
	0275454	Ref	RECEPTACLE BOX KIT - 220V AFSINT 107	B
1	0861731	1	Box, Switch	
2	4461246	1	Receptacle	
3	4461249	1	Plug, Male	
4	1001100346	1	Plug and Socket Kit (Includes Items 1-3 and Female Plug p/n 4461250)	

SECTION 8 - ELECTRICAL

FIGURE 8-40. TILT SENSOR HARNESS



ART_1001249091

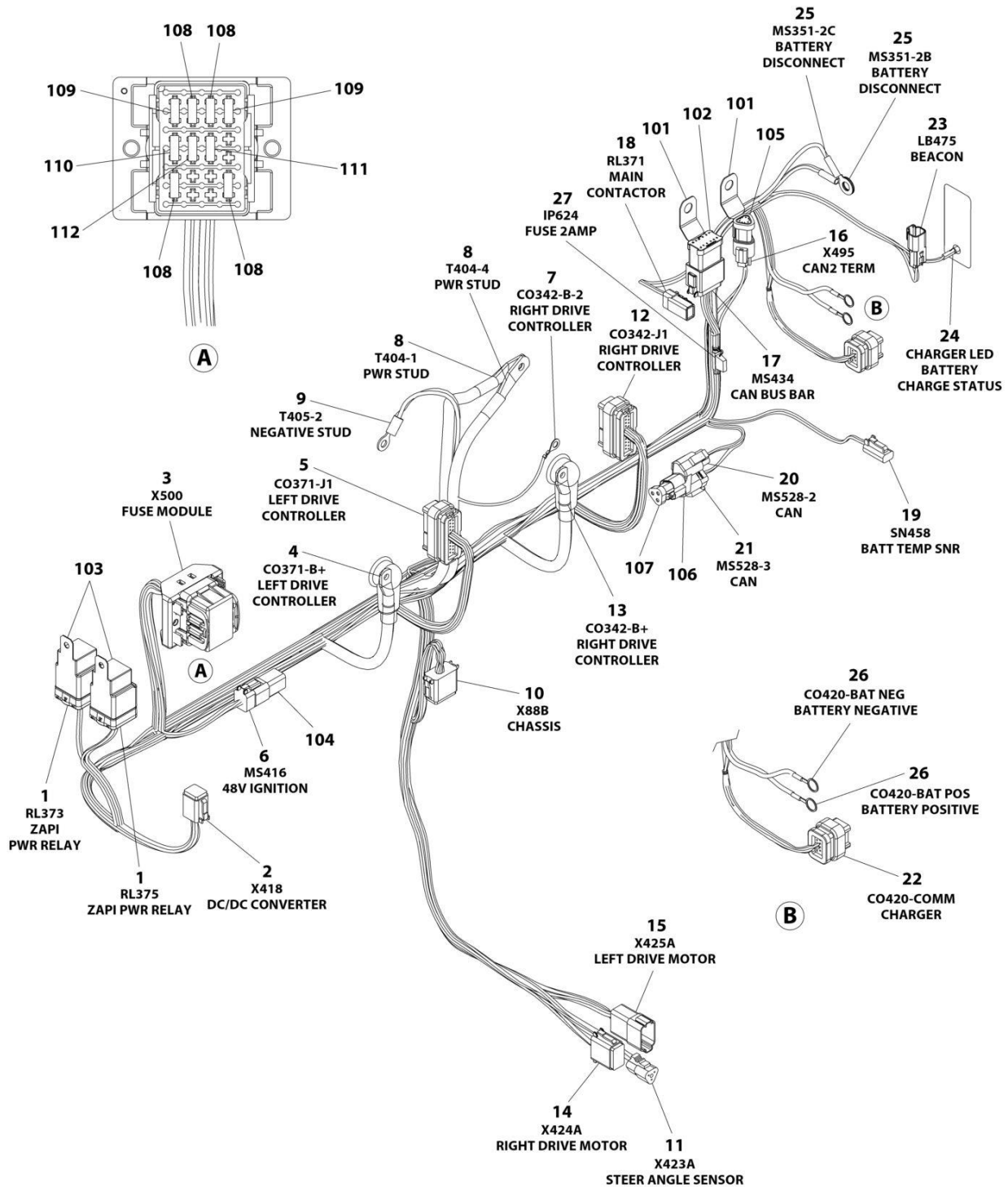
SECTION 8 - ELECTRICAL

FIGURE 8-40. TILT SENSOR HARNESS

ITEM	PART NUMBER	QTY	DESCRIPTION	REV
	1001249091	Ref	TILT SENSOR HARNESS	C
1	4460884	1	Plug, Male - 4 Position	
1	4460944	4	Socket, Female	
2	4460932	1	Receptacle, Female - 4 Position	
2	4460464	4	Pin, Male	

SECTION 8 - ELECTRICAL

FIGURE 8-41. TRACTION HARNESS



ART_1001255057

SECTION 8 - ELECTRICAL

FIGURE 8-41. TRACTION HARNESS

ITEM	PART NUMBER	QTY	DESCRIPTION	REV
	1001255057	Ref	TRACTION HARNESS	H
1	1001231398	2	Connector - 5 Position	
1	1001231400	4	Terminal	
1	1001231399	4	Terminal	
1	1001231406	2	Plug, Terminal	
1	1001231403	4	Seal, Terminal	
1	1001231404	4	Seal, Terminal	
2	4460894	1	Connector - 6 Position	
2	4460942	4	Socket, Female	
2	4460465	2	Socket, Female	
3	1001254035	1	Fuse Box Assembly	
3	1001166543	16	Terminal	
3	1001256109	2	Terminal	
3	4461008	6	Plug, Terminal	
3	4461054	12	Seal, Terminal	
3	1001126353	4	Seal, Terminal	
3	1001256116	2	Seal, Plug	
4	1001139524	1	Terminal, Ring	
5	4460873	1	Connector - 35 Position	
5	4460871	12	Terminal	
5	4460905	23	Plug, Terminal	
6	4460894	1	Plug, Male - 6 Position	
6	4460465	2	Socket, Female	
6	4460942	2	Socket, Female	
6	4460466	2	Plug, Terminal	
7	1001207173	1	Terminal, Ring	
8	1001117115	2	Terminal, Ring	
9	1001117107	1	Terminal, Ring	
10	4460933	1	Plug, Male - 12 Position	
10	4460465	4	Socket, Female	
10	4460944	4	Socket, Female	
10	1001157890	2	Socket, Female	
10	4460466	2	Plug, Terminal	
11	4460539	1	Plug, Male - 3 Position	
11	4460465	3	Socket, Female	
12	4460873	1	Connector - 35 Position	
12	4460871	15	Terminal	
12	4460905	20	Plug, Terminal	
13	1001139524	1	Terminal, Ring	
14	4460930	1	Plug, Male - 8 Position	
14	4460465	8	Socket, Female	
15	4460931	1	Receptacle, Female - 8 Position	
15	4460464	8	Pin, Male	
16	4461095	1	Plug, Male - 3 Position	
16	4460944	2	Socket, Female	
16	4460466	1	Plug, Terminal	
17	4460933	1	Plug, Male - 12 Position	
17	4460465	8	Socket, Female	
17	4460466	4	Plug, Terminal	
18	1001126245	1	Connector - 2 Position	

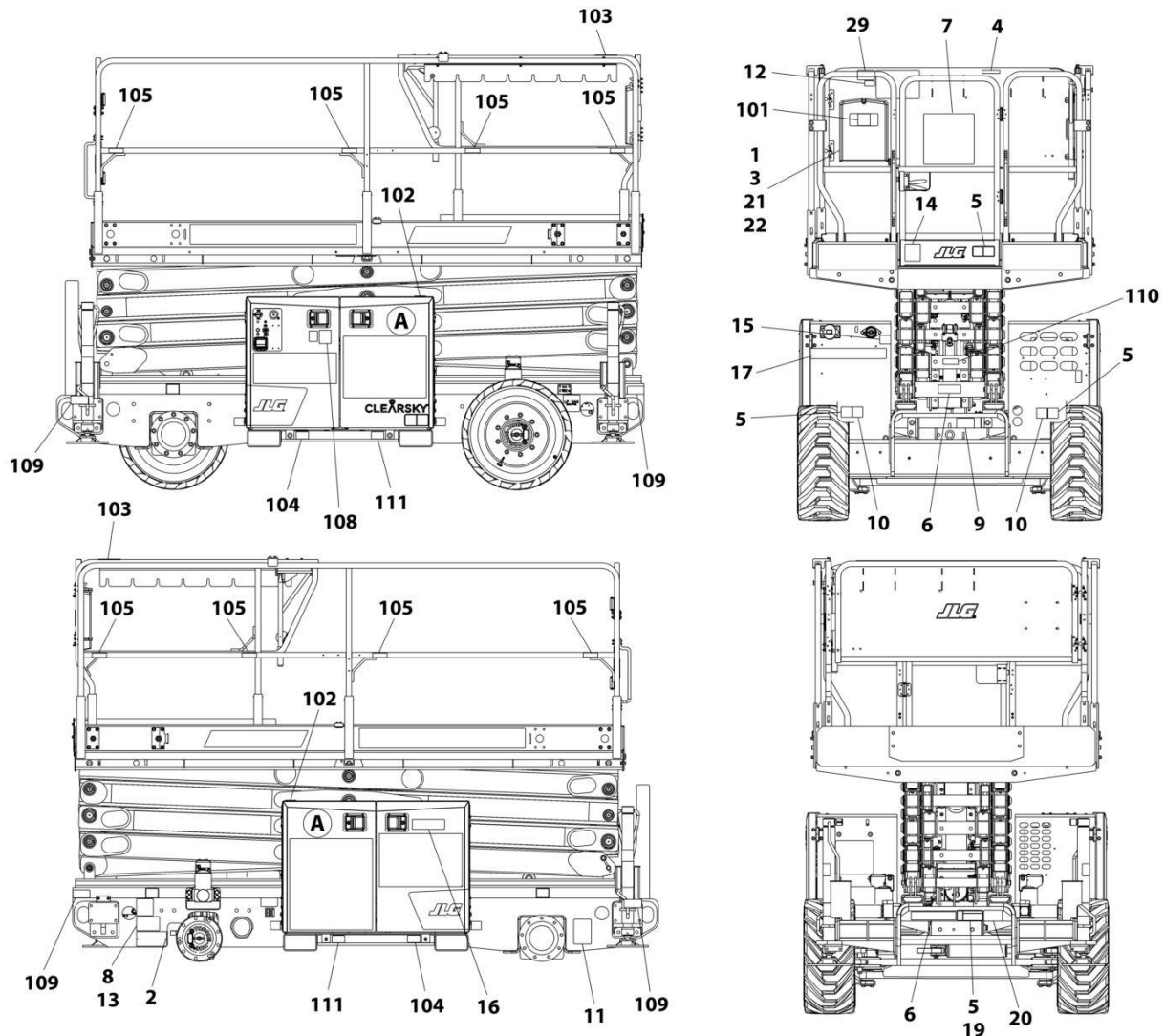
SECTION 8 - ELECTRICAL

ITEM	PART NUMBER	QTY	DESCRIPTION	REV
18	1001126008	1	Terminal	
19	4460891	1	Plug, Male - 2 Position	
19	4460465	2	Socket, Female	
20	4460539	1	Plug, Male - 3 Position	
20	4460944	2	Socket, Female	
20	4460466	1	Plug, Terminal	
21	1001116812	1	Plug, Male - 3 Position	
21	4460944	2	Socket, Female	
21	4460466	1	Plug, Terminal	
22	4460872	1	Connector - 14 Position	
22	4460871	6	Terminal	
22	4460905	8	Plug, Terminal	
23	4460897	1	Receptacle, Female - 2 Position	
23	4460464	2	Pin, Male	
24	1001250937	1	Cable, LED Indicator	
24	1001250886	1	Housing	
24	1001270272	1	Decal - Charge Indicator LED	
25	1001117110	2	Terminal, Ring	
26	4460019	2	Terminal, Ring	
27	1001170764	1	Fuse Holder	
27	1001196634	1	Fuse 2Amp	
101	1001120328	2	Mount	
102	1001125677	1	Bussbar - 12 Position	
103	1001171295	2	Relay	
104	4460892	1	Bussbar - 6 Position	
105	4461070	1	Connector - 3 Position	
106	4460945	1	Connector - 3 Way	
107	1001116815	1	Connector - 3 Position Plug	
108	1001170760	4	Fuse 10 Amp	
109	1001186489	2	Fuse 2 Amp	
110	1001253891	1	Fuse 7.5 Amp	
111	1001170761	1	Fuse 20 Amp	
112	1001170762	1	Fuse 30 Amp	

SECTION 9 - DECALS

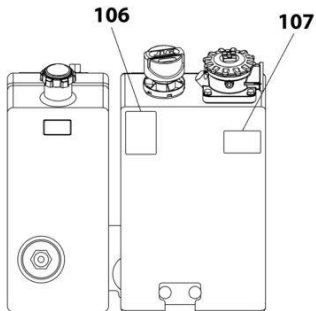
SECTION 9 - DECALS

FIGURE 9-1. ERT4069 DECAL INSTALLATION - ANSI SPECS (ENGLISH LANGUAGE)

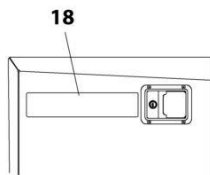


NOTE: ITEMS SHOWN MAY NOT BE REQUIRED FOR ALL SPECS. REFER TO PARTS LIST FOR USAGE.

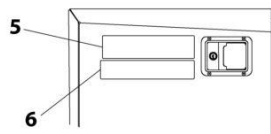
NOTE: ADDITIONAL DECALS CALLED OUT ON DECAL INSTALLATION - OPTIONS.



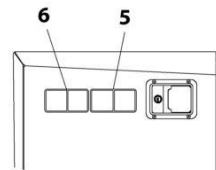
VIEW OF TANKS



ANSI SPECS
BOTH SIDES TYPICAL

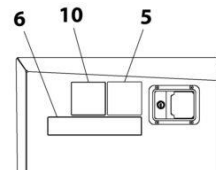


ENG/KOREAN/SPA/
POR/FRE SPECS
BOTH SIDES TYPICAL



AUSTRALIAN/CE SPECS
BOTH SIDES TYPICAL

A



ENG/CHINA SPECS
BOTH SIDES TYPICAL

ART_1001256771

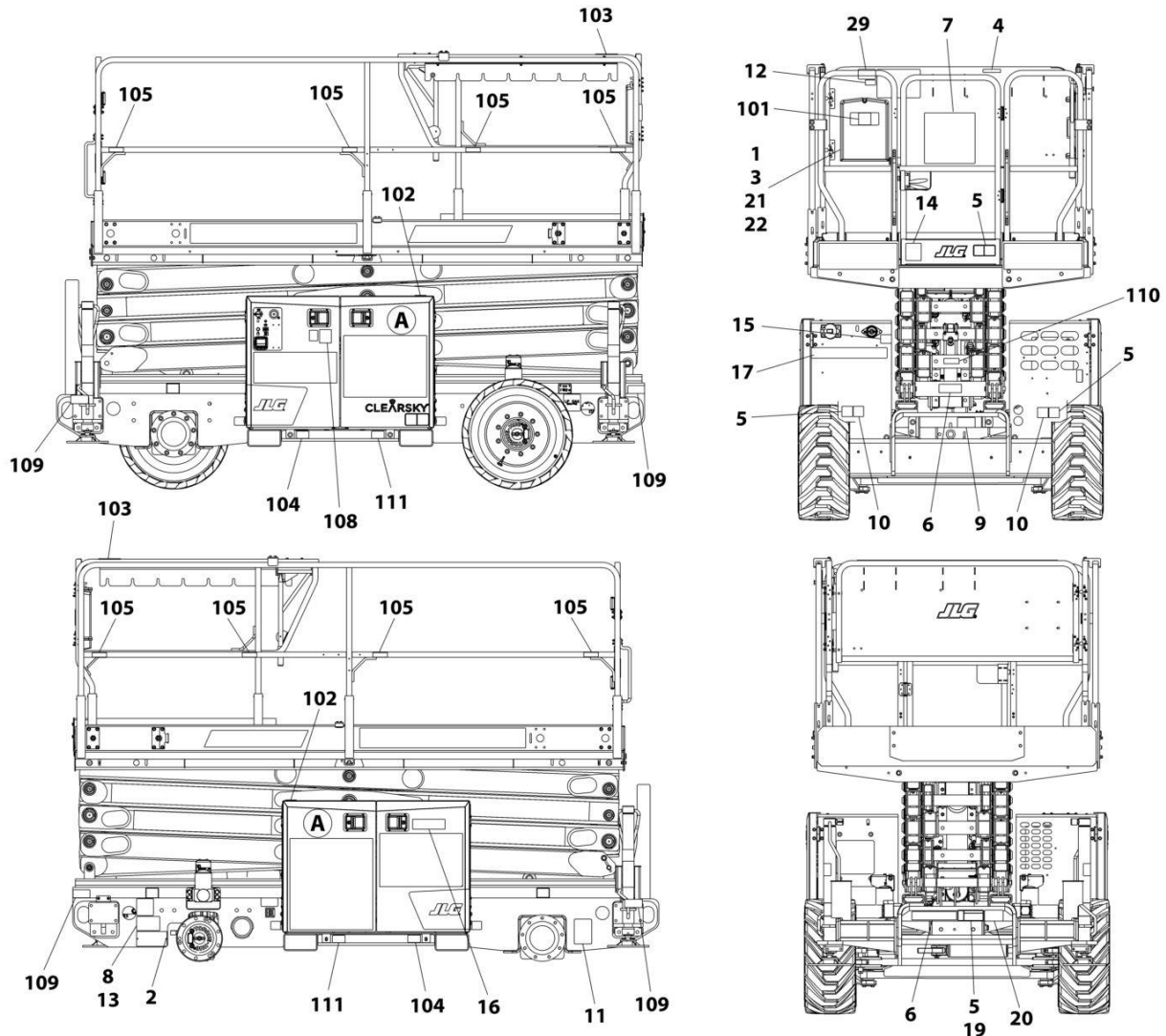
SECTION 9 - DECALS

FIGURE 9-1. ERT4069 DECAL INSTALLATION - ANSI SPECS (ENGLISH LANGUAGE)

ITEM	PART NUMBER	QTY	DESCRIPTION	REV
	1001256771	Ref	DECAL INSTALLATION	C
	1001264346	Ref	DECAL CHART DRAWING - ERT4069	E
1	0760610	4	Bolt M6 x 20	
2	2080057	2	Fastener	
3	0860520	1	Box, Manual Storage	
4	1703821	1	Decal - Control Box Location	
5	1001211779	2	Decal - Electrocutation	
6	1001211777	2	Decal - Crushing Hazard	
7	1703816	1	Decal - Danger/Warning	
8	1001223055	1	Decal - Yearly Inspection	
9	1703822	1	Decal - Manual Descent Instruction	
11	1001131270	1	Decal - Patent	
12	1001223453	1	Decal - ICES	
15	1702155	1	Decal - Battery Disconnect	
16	1703813	1	Decal - Warning Battery Ventilation	
17	1001146794	1	Decal - Battery/Charger Service	
18	1703818	2	Decal - Warning Crushing Hazard/Danger Electrocutation	
19	1705695	1	Decal - Danger Electrocutation	
21	3290605	4	Nut M6	
22	4811700	8	Washer M6	
100	1001256763	1	Decal Master Kit (Not Shown)	
101	1701640	1	Decal - Manual	
102	1703687	2	Decal - Direction Arrow	
103	1703819	2	Decal - Direction Arrow	
104	1001265579	2	Decal - Fork Lift	
105	1704277	8	Decal - Lanyard Attach	
106	1704412	1	Decal - Hydraulic Oil Chart	
107	70046028	1	Decal - Hydraulic Oil Level	
108	1001094708	1	Decal - Hydraulic Oil	
109	1001162864	4	Decal - Lift Point/Tie Down	
110	1001256865	1	Decal - Arm Prop	
111	1001265580	2	Decal - Fork Lift	

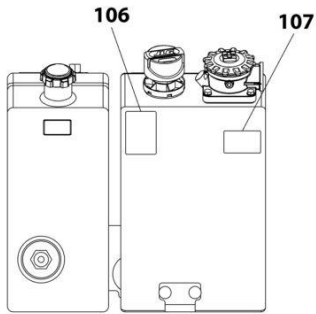
SECTION 9 - DECALS

FIGURE 9-2. ERT4069 DECAL INSTALLATION - AUSTRALIAN,CE & UK CA SPECS (ENGLISH LANGUAGE)

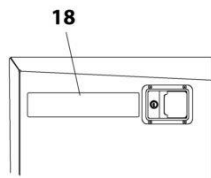


NOTE: ITEMS SHOWN MAY NOT BE REQUIRED FOR ALL SPECS. REFER TO PARTS LIST FOR USAGE.

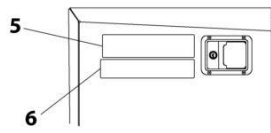
NOTE: ADDITIONAL DECALS CALLED OUT ON DECAL INSTALLATION - OPTIONS.



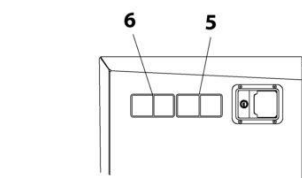
VIEW OF TANKS



ANSI SPECS
BOTH SIDES TYPICAL

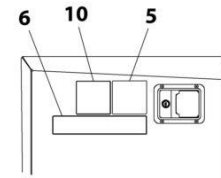


ENG/KOREAN/SPA/
POR/FRE SPECS
BOTH SIDES TYPICAL



AUSTRALIAN/CE SPECS
BOTH SIDES TYPICAL

(A)



ENG/CHINA SPECS
BOTH SIDES TYPICAL

ART_1001256778

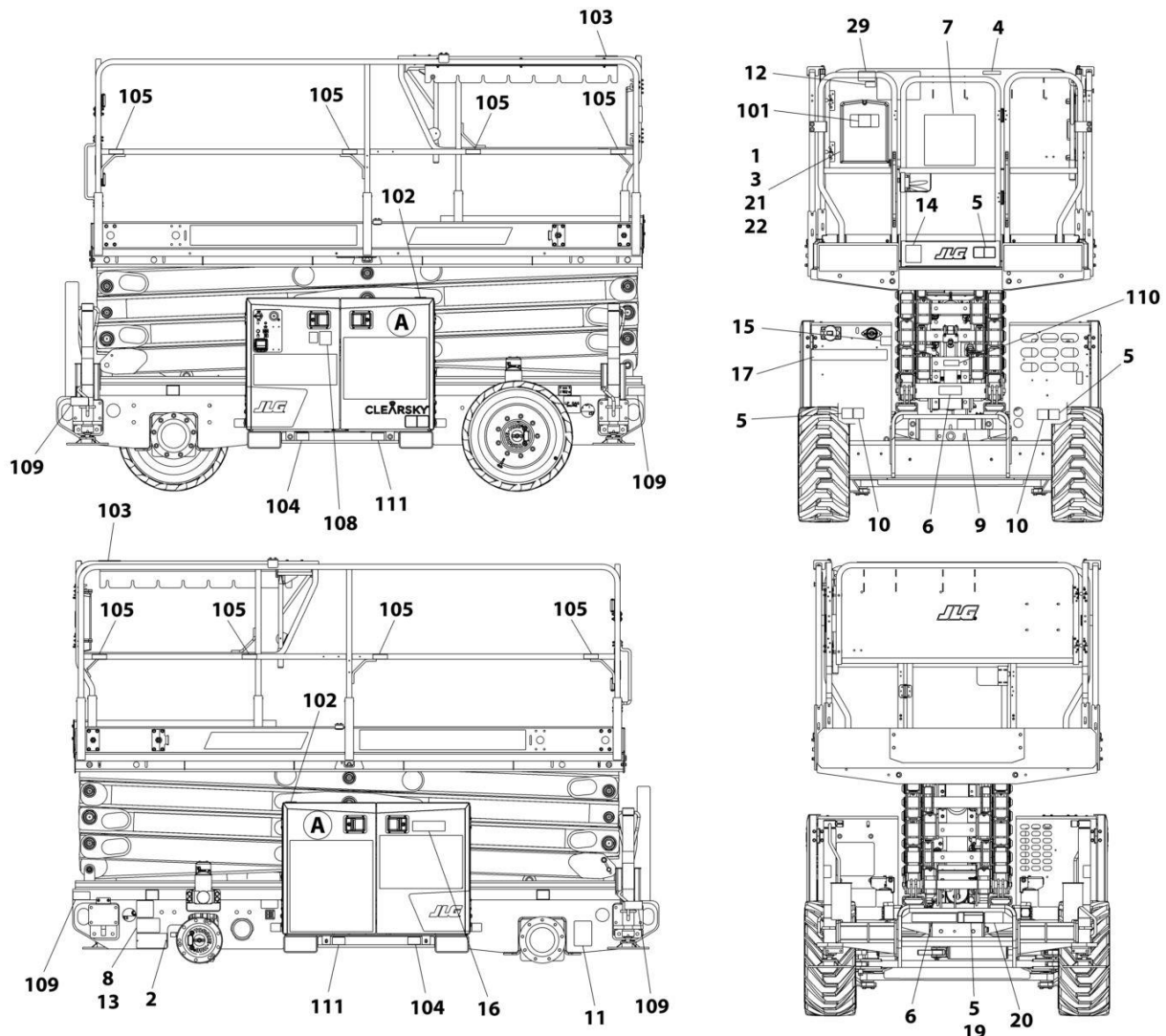
SECTION 9 - DECALS

FIGURE 9-2. ERT4069 DECAL INSTALLATION - AUSTRALIAN,CE & UK CA SPECS (ENGLISH LANGUAGE)

ITEM	PART NUMBER	QTY	DESCRIPTION	REV
	1001256778	Ref	DECAL INSTALLATION	C
	1001264346	Ref	DECAL CHART DRAWING - ERT4069	E
1	0760610	4	Bolt M6 x 20	
2	2080057	4	Fastener	
3	0860520	1	Box, Manual Storage	
5	1705671	6	Decal - Electrocution	
6	1705673	4	Decal - Crushing	
9	1703822	1	Decal - Manual Descent Instruction	
13	1705670	2	Decal - Fire Hazard	
15	1702155	1	Decal - Battery Disconnect	
17	1001146794	1	Decal - Battery/Charger Service	
21	3290605	4	Nut M6	
22	4811700	8	Washer M6	
100	1001256763	1	Decal Master Kit (Not Shown)	
101	1701640	1	Decal - Manual	
102	1703687	2	Decal - Direction Arrow	
103	1703819	2	Decal - Direction Arrow	
104	1001265579	2	Decal - Fork Lift	
105	1704277	8	Decal - Lanyard Attach	
106	1704412	1	Decal - Hydraulic Oil Chart	
107	70046028	1	Decal - Hydraulic Oil Level	
108	1001094708	1	Decal - Hydraulic Oil	
109	1001162864	4	Decal - Lift Point/Tie Down	
110	1001256865	1	Decal - Arm Prop	
111	1001265580	2	Decal - Fork Lift	

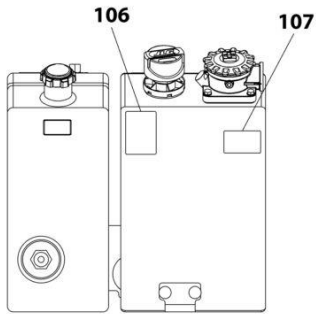
SECTION 9 - DECALS

FIGURE 9-3. ERT4069 DECAL INSTALLATION - BRAZIL SPECS (SPANISH/PORTUGUESE LANGUAGES)

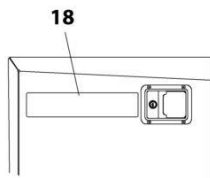


NOTE: ITEMS SHOWN MAY NOT BE REQUIRED FOR ALL SPECS. REFER TO PARTS LIST FOR USAGE.

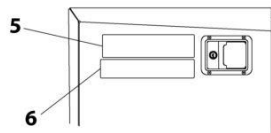
NOTE: ADDITIONAL DECALS CALLED OUT ON DECAL INSTALLATION - OPTIONS.



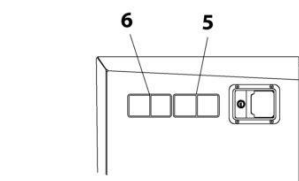
VIEW OF TANKS



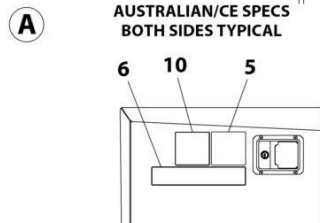
ANSI SPECS
BOTH SIDES TYPICAL



ENG/KOREAN/SPA/
POR/FRE SPECS
BOTH SIDES TYPICAL



AUSTRALIAN/CE SPECS
BOTH SIDES TYPICAL



ENG/CHINA SPECS
BOTH SIDES TYPICAL

ART_1001256774

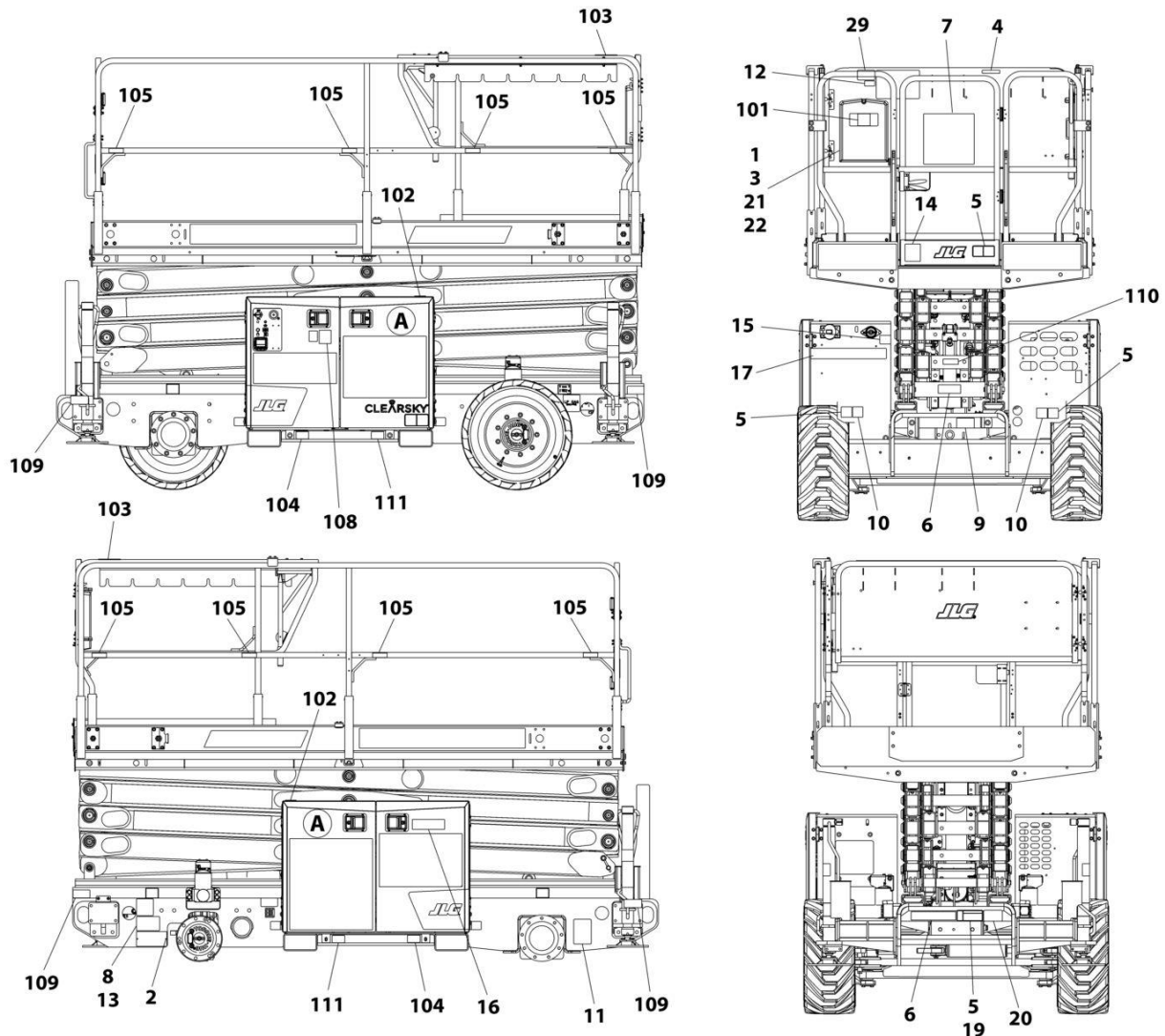
SECTION 9 - DECALS

FIGURE 9-3. ERT4069 DECAL INSTALLATION - BRAZIL SPECS (SPANISH/PORTUGUESE LANGUAGES)

ITEM	PART NUMBER	QTY	DESCRIPTION	REV
	1001256774	Ref	DECAL INSTALLATION	C
	1001264346	Ref	DECAL CHART DRAWING - ERT4069	E
1	0760610	4	Bolt M6 x 20	
2	2080057	2	Fastener	
3	0860520	1	Box, Manual Storage	
4	1704702	1	Decal - Control Box Location	
5	1705043	5	Decal - Danger Electrical Hazard	
6	1001216650	4	Decal - Crushing	
7	1704699	1	Decal - Danger/Warning	
8	1001224052	1	Decal - Yearly Inspection	
9	1703822	1	Decal - Manual Descent Instruction	
15	1702155	1	Decal - Battery Disconnect	
16	1704341	1	Decal - Warning Battery Ventilation	
17	1001146794	1	Decal - Battery/Charger Service	
21	3290605	4	Nut M6	
22	4811700	8	Washer M6	
100	1001256763	1	Decal Master Kit (Not Shown)	
101	1701640	1	Decal - Manual	
102	1703687	2	Decal - Direction Arrow	
103	1703819	2	Decal - Direction Arrow	
104	1001265579	2	Decal - Fork Lift	
105	1704277	8	Decal - Lanyard Attach	
106	1704412	1	Decal - Hydraulic Oil Chart	
107	70046028	1	Decal - Hydraulic Oil Level	
108	1001094708	1	Decal - Hydraulic Oil	
109	1001162864	4	Decal - Lift Point/Tie Down	
110	1001256865	1	Decal - Arm Prop	
111	1001265580	2	Decal - Fork Lift	

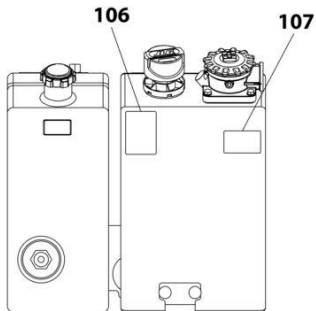
SECTION 9 - DECALS

FIGURE 9-4. ERT4069 DECAL INSTALLATION - CE & UK CA SPECS

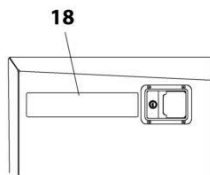


NOTE: ITEMS SHOWN MAY NOT BE REQUIRED FOR ALL SPECS. REFER TO PARTS LIST FOR USAGE.

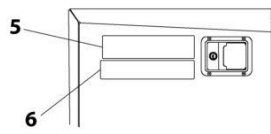
NOTE: ADDITIONAL DECALS CALLED OUT ON DECAL INSTALLATION - OPTIONS.



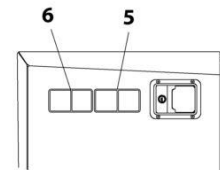
VIEW OF TANKS



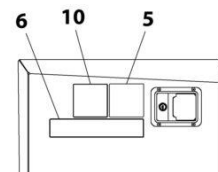
ANSI SPECS
BOTH SIDES TYPICAL



ENG/KOREAN/SPA/
POR/FRE SPECS
BOTH SIDES TYPICAL



AUSTRALIAN/CE SPECS
BOTH SIDES TYPICAL



ENG/CHINA SPECS
BOTH SIDES TYPICAL

ART_1001256777

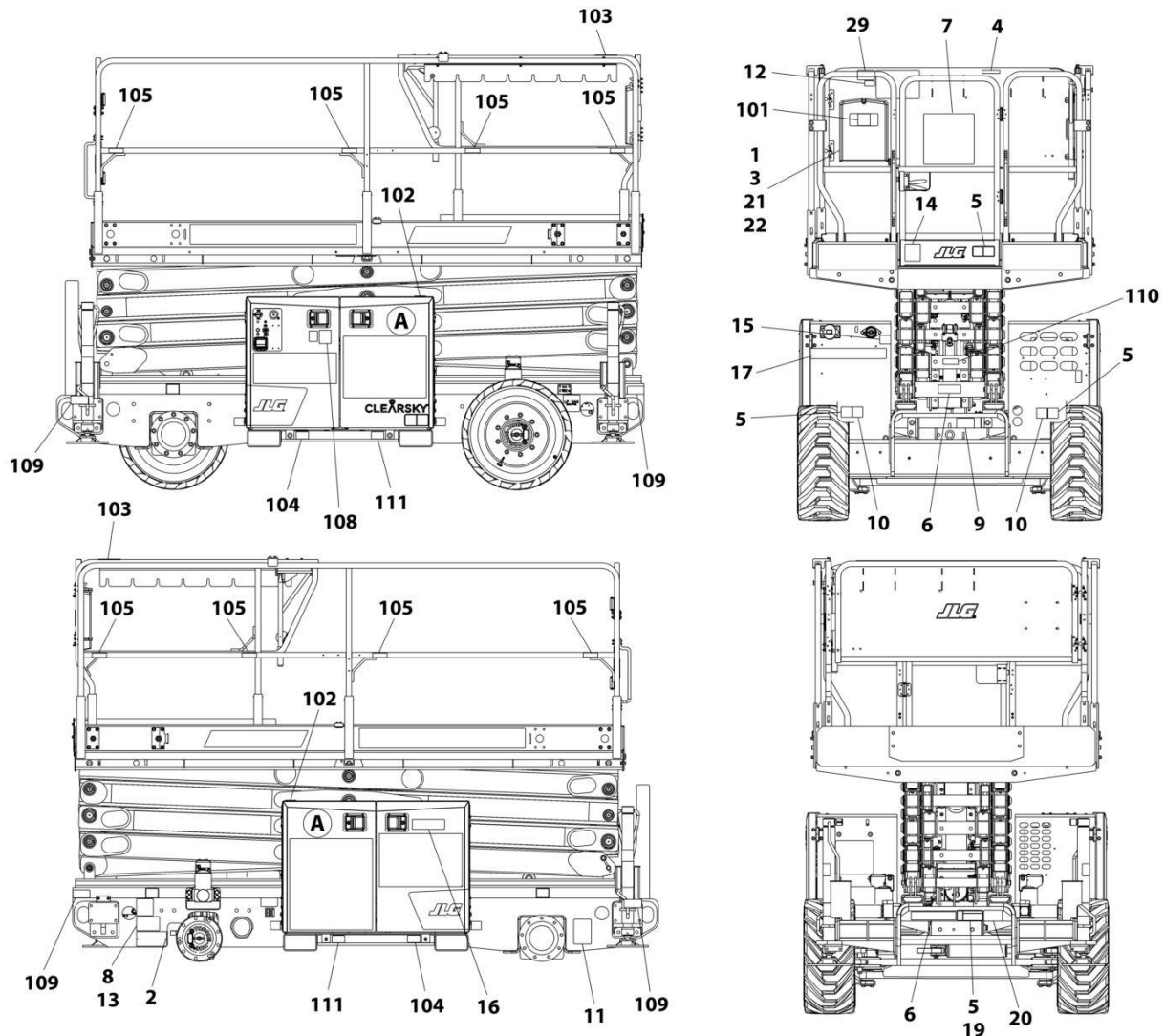
SECTION 9 - DECALS

FIGURE 9-4. ERT4069 DECAL INSTALLATION - CE & UK CA SPECS

ITEM	PART NUMBER	QTY	DESCRIPTION	REV
	1001256777	Ref	DECAL INSTALLATION	C
	1001264346	Ref	DECAL CHART DRAWING - ERT4069	E
1	0760610	4	Bolt M6 x 20	
2	2080057	2	Fastener	
3	0860520	1	Box, Manual Storage	
5	1705671	6	Decal - Electrocuttion	
6	1705673	4	Decal - Crushing	
9	1703822	1	Decal - Manual Descent Instruction	
13	1705670	2	Decal - Fire Hazard	
15	1702155	1	Decal - Battery Disconnect	
17	1001146795	1	Decal - Battery/Charger Service	
21	3290605	4	Nut M6	
22	4811700	8	Washer M6	
100	1001256763	1	Decal Master Kit (Not Shown)	
101	1701640	1	Decal - Manual	
102	1703687	2	Decal - Direction Arrow	
103	1703819	2	Decal - Direction Arrow	
104	1001265579	2	Decal - Fork Lift	
105	1704277	8	Decal - Lanyard Attach	
106	1704412	1	Decal - Hydraulic Oil Chart	
107	70046028	1	Decal - Hydraulic Oil Level	
108	1001094708	1	Decal - Hydraulic Oil	
109	1001162864	4	Decal - Lift Point/Tie Down	
110	1001256865	1	Decal - Arm Prop	
111	1001265580	2	Decal - Fork Lift	

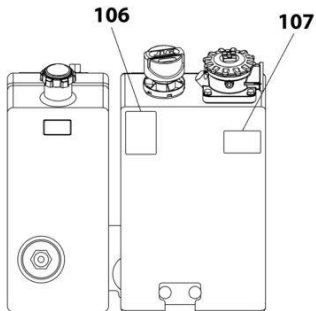
SECTION 9 - DECALS

FIGURE 9-5. ERT4069 DECAL INSTALLATION - CHINA SPECS (ENGLISH/CHINESE LANGUAGES)

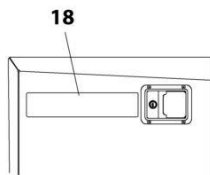


NOTE: ITEMS SHOWN MAY NOT BE REQUIRED FOR ALL SPECS. REFER TO PARTS LIST FOR USAGE.

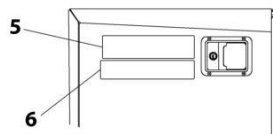
NOTE: ADDITIONAL DECALS CALLED OUT ON DECAL INSTALLATION - OPTIONS.



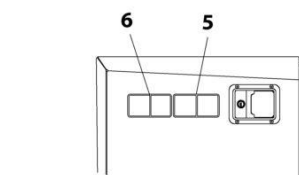
VIEW OF TANKS



ANSI SPECS
BOTH SIDES TYPICAL

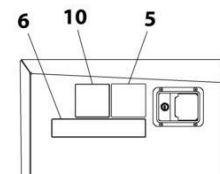


ENG/KOREAN/SPA/
POR/FRE SPECS
BOTH SIDES TYPICAL



AUSTRALIAN/CE SPECS
BOTH SIDES TYPICAL

A



ENG/CHINA SPECS
BOTH SIDES TYPICAL

ART_1001256773

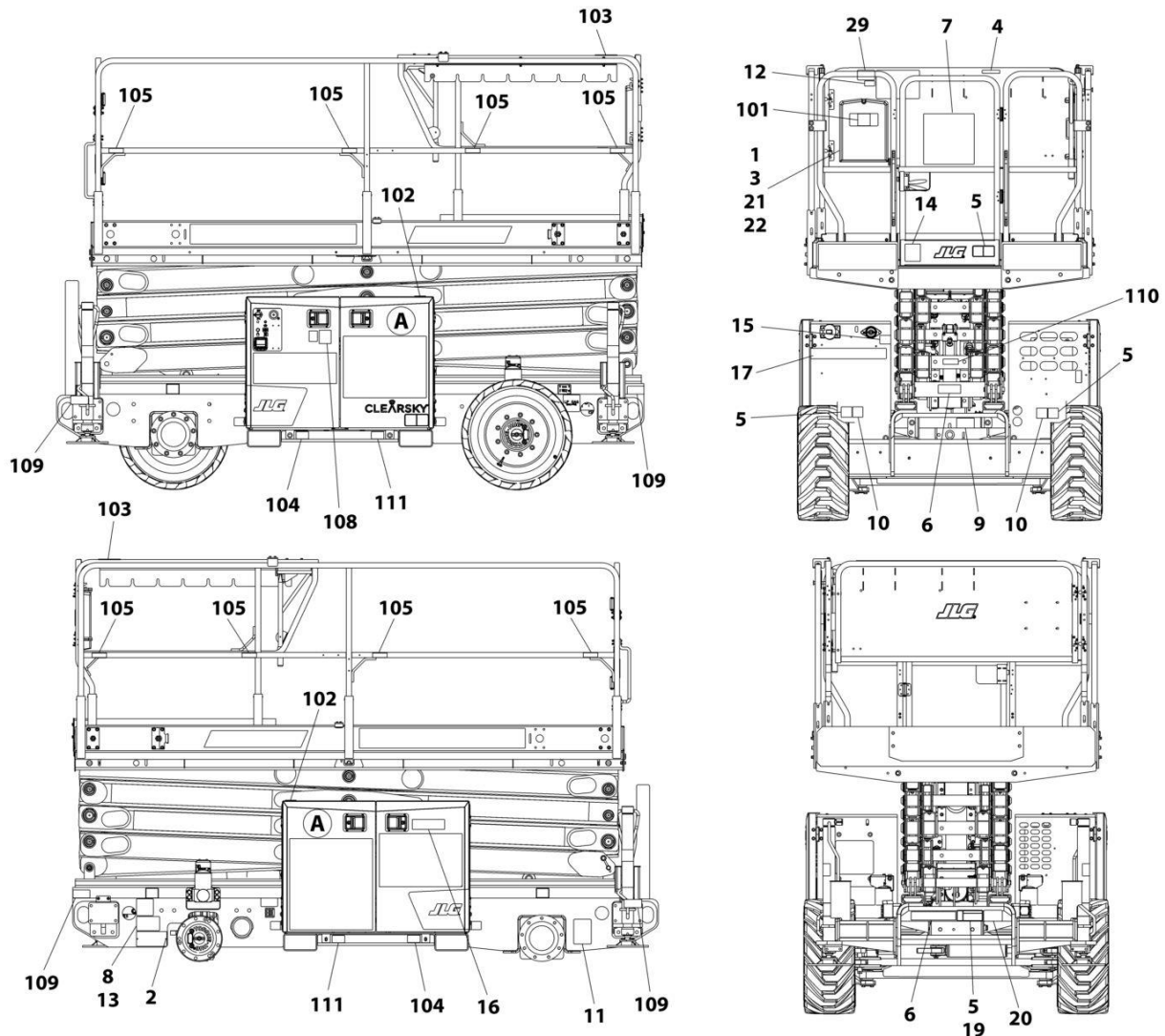
SECTION 9 - DECALS

FIGURE 9-5. ERT4069 DECAL INSTALLATION - CHINA SPECS (ENGLISH/CHINESE LANGUAGES)

ITEM	PART NUMBER	QTY	DESCRIPTION	REV
	1001256773	Ref	DECAL INSTALLATION	C
	1001264346	Ref	DECAL CHART DRAWING - ERT4069	E
1	0760610	4	Bolt M6 x 20	
2	2080057	2	Fastener	
3	0860520	1	Box, Manual Storage	
4	1705194	1	Decal - Control Box Location	
5	1001211779	4	Decal - Electrocutation	
6	1001215752	4	Decal - Crushing	
7	1705195	1	Decal - Danger/Warning	
8	1001224051	1	Decal - Yearly Inspection	
9	1703822	1	Decal - Manual Descent Instruction	
10	1001215747	4	Decal - Electrocutation	
15	1702155	1	Decal - Battery Disconnect	
16	1704344	1	Decal - Warning Battery Ventilation	
17	1001146794	1	Decal - Battery/Charger Service	
19	1705695	1	Decal - Danger Electrocutation	
20	1705944	1	Decal - Danger Electrocutation	
21	3290605	4	Nut M6	
22	4811700	8	Washer M6	
100	1001256763	1	Decal Master Kit (Not Shown)	
101	1701640	1	Decal - Manual	
102	1703687	2	Decal - Direction Arrow	
103	1703819	2	Decal - Direction Arrow	
104	1001265579	2	Decal - Fork Lift	
105	1704277	8	Decal - Lanyard Attach	
106	1704412	1	Decal - Hydraulic Oil Chart	
107	70046028	1	Decal - Hydraulic Oil Level	
108	1001094708	1	Decal - Hydraulic Oil	
109	1001162864	4	Decal - Lift Point/Tie Down	
110	1001256865	1	Decal - Arm Prop	
111	1001265580	2	Decal - Fork Lift	

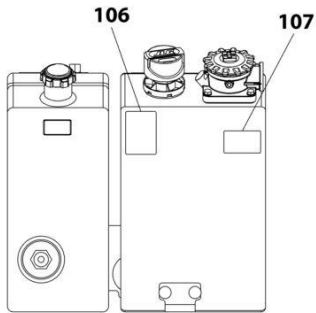
SECTION 9 - DECALS

FIGURE 9-6. ERT4069 DECAL INSTALLATION - CSA SPECS (ENGLISH/FRENCH LANGUAGES)

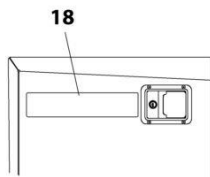


NOTE: ITEMS SHOWN MAY NOT BE REQUIRED FOR ALL SPECS. REFER TO PARTS LIST FOR USAGE.

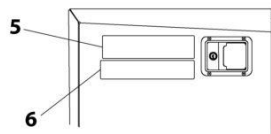
NOTE: ADDITIONAL DECALS CALLED OUT ON DECAL INSTALLATION - OPTIONS.



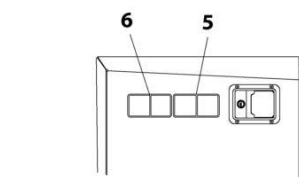
VIEW OF TANKS



ANSI SPECS
BOTH SIDES TYPICAL

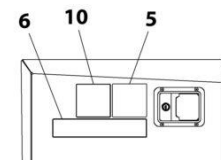


ENG/KOREAN/SPA/
POR/FRE SPECS
BOTH SIDES TYPICAL



AUSTRALIAN/CE SPECS
BOTH SIDES TYPICAL

A



ENG/CHINA SPECS
BOTH SIDES TYPICAL

ART_1001256776

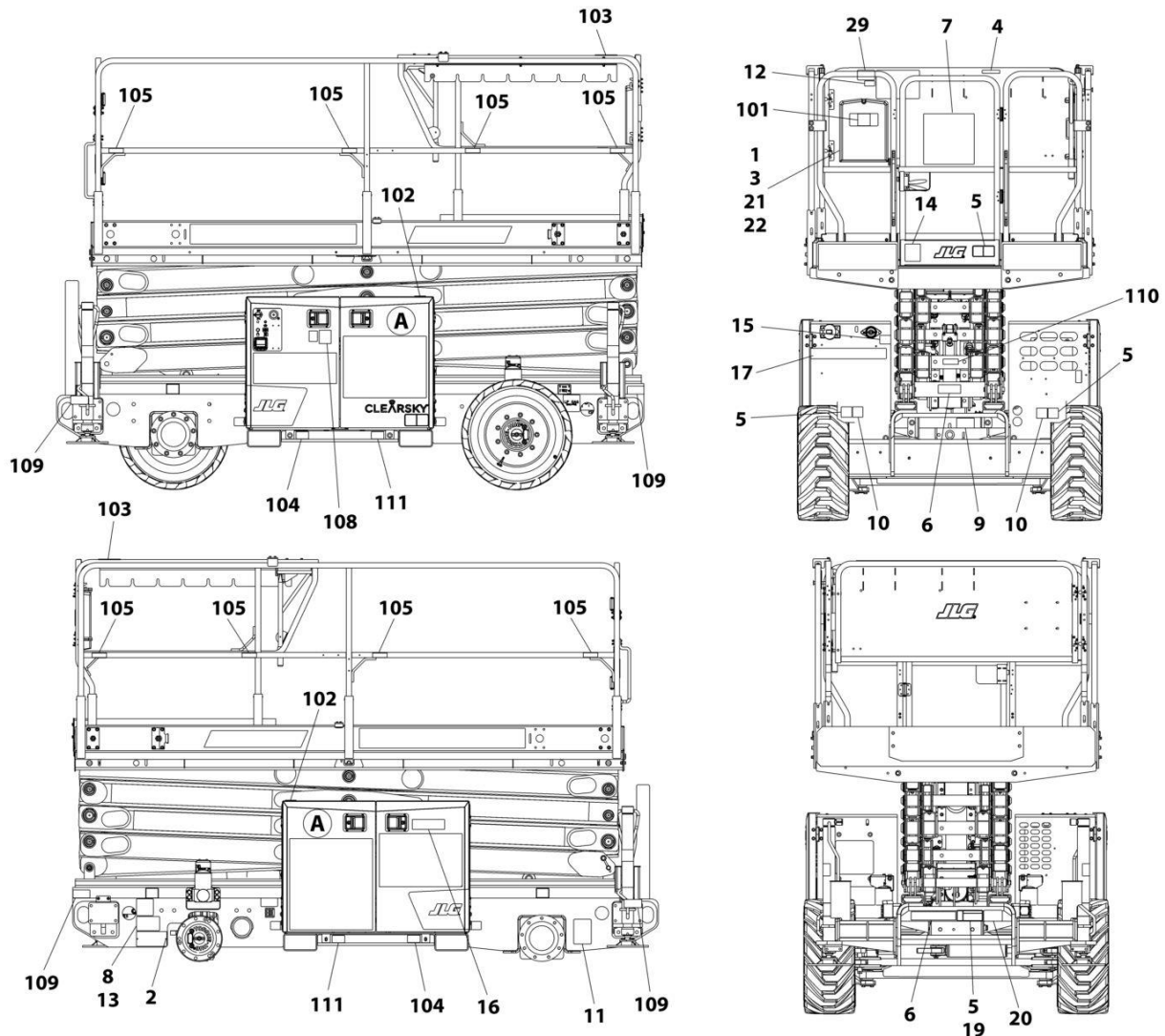
SECTION 9 - DECALS

FIGURE 9-6. ERT4069 DECAL INSTALLATION - CSA SPECS (ENGLISH/FRENCH LANGUAGES)

ITEM	PART NUMBER	QTY	DESCRIPTION	REV
	1001256776	Ref	DECAL INSTALLATION	C
	1001264346	Ref	DECAL CHART DRAWING - ERT4069	E
1	0760610	4	Bolt M6 x 20	
2	2080057	2	Fastener	
3	0860520	1	Box, Manual Storage	
4	1704687	1	Decal - Control Box Location	
5	1705040	5	Decal - Danger Electrocutation	
6	1001215755	4	Decal - Crushing	
7	1704684	1	Decal - Danger/Warning	
8	1001223971	1	Decal - Yearly Inspection	
9	1703822	1	Decal - Manual Descent Instruction	
11	1001131270	1	Decal - Patent	
12	1001228370	1	Decal - ICES	
15	1702155	1	Decal - Battery Disconnect	
16	1704340	1	Decal - Warning Battery Ventilation	
17	1001146794	1	Decal - Battery/Charger Service	
21	3290605	4	Nut M6	
22	4811700	8	Washer M6	
100	1001256763	1	Decal Master Kit (Not Shown)	
101	1701640	1	Decal - Manual	
102	1703687	2	Decal - Direction Arrow	
103	1703819	2	Decal - Direction Arrow	
104	1001265579	2	Decal - Fork Lift	
105	1704277	8	Decal - Lanyard Attach	
106	1704412	1	Decal - Hydraulic Oil Chart	
107	70046028	1	Decal - Hydraulic Oil Level	
108	1001094708	1	Decal - Hydraulic Oil	
109	1001162864	4	Decal - Lift Point/Tie Down	
110	1001256865	1	Decal - Arm Prop	
111	1001265580	2	Decal - Fork Lift	

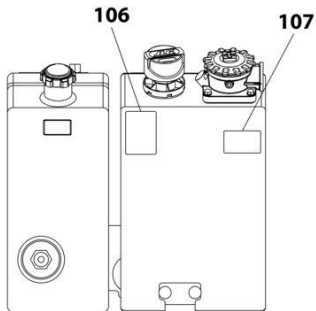
SECTION 9 - DECALS

FIGURE 9-7. ERT4069 DECAL INSTALLATION - KOREAN SPECS (ENGLISH/KOREAN LANGUAGES)

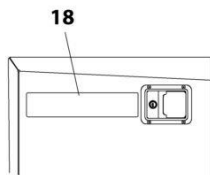


NOTE: ITEMS SHOWN MAY NOT BE REQUIRED FOR ALL SPECS. REFER TO PARTS LIST FOR USAGE.

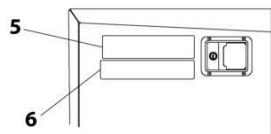
NOTE: ADDITIONAL DECALS CALLED OUT ON DECAL INSTALLATION - OPTIONS.



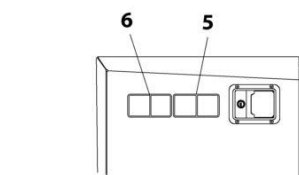
VIEW OF TANKS



ANSI SPECS
BOTH SIDES TYPICAL

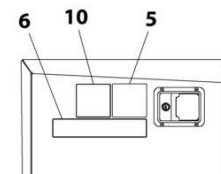


ENG/KOREAN/SPA/
POR/FRE SPECS
BOTH SIDES TYPICAL



AUSTRALIAN/CE SPECS
BOTH SIDES TYPICAL

A



ENG/CHINA SPECS
BOTH SIDES TYPICAL

ART_1001256772

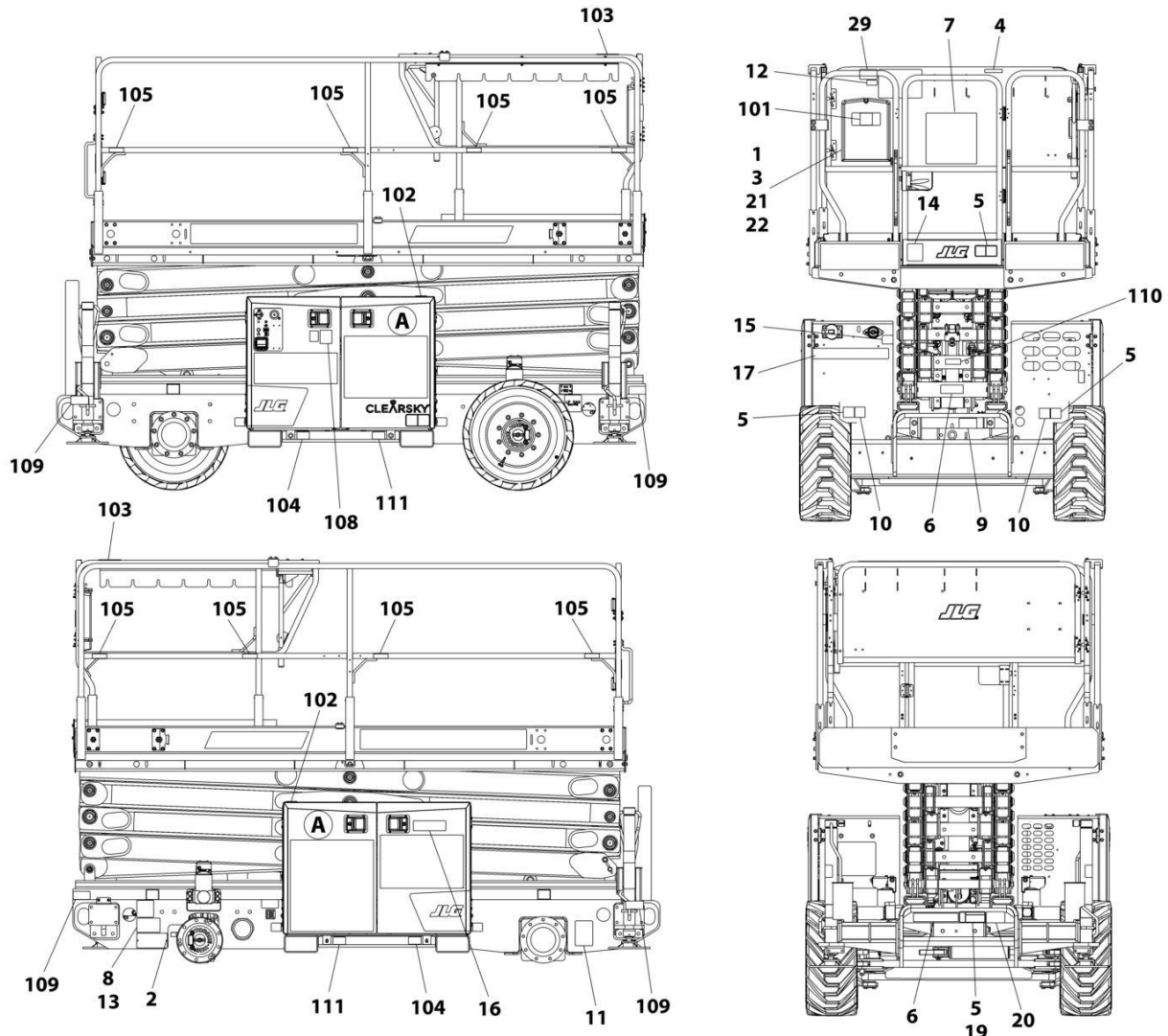
SECTION 9 - DECALS

FIGURE 9-7. ERT4069 DECAL INSTALLATION - KOREAN SPECS (ENGLISH/KOREAN LANGUAGES)

ITEM	PART NUMBER	QTY	DESCRIPTION	REV
	1001256772	Ref	DECAL INSTALLATION	C
	1001264346	Ref	DECAL CHART DRAWING - ERT4069	E
1	0760610	4	Bolt M6 x 20	
2	2080057	2	Fastener	
3	0860520	1	Box, Manual Storage	
4	1001162112	1	Decal - Control Box Location	
5	1001162114	5	Decal - Danger Electrical Hazard	
6	1001215751	4	Decal - Crushing	
7	1001162115	1	Decal - Danger Warning	
8	1001224048	1	Decal - Yearly Inspection	
9	1703822	1	Decal - Manual Descent Instruction	
15	1702155	1	Decal - Battery Disconnect	
16	1707022	1	Decal - Warning Battery Ventilation	
17	1001146794	1	Decal - Battery/Charger Service	
21	3290605	4	Nut M6	
22	4811700	8	Washer M6	
100	1001256763	1	Decal Master Kit (Not Shown)	
101	1701640	1	Decal - Manual	
102	1703687	2	Decal - Direction Arrow	
103	1703819	2	Decal - Direction Arrow	
104	1001265579	2	Decal - Fork Lift	
105	1704277	8	Decal - Lanyard Attach	
106	1704412	1	Decal - Hydraulic Oil Chart	
107	70046028	1	Decal - Hydraulic Oil Level	
108	1001094708	1	Decal - Hydraulic Oil	
109	1001162864	4	Decal - Lift Point/Tie Down	
110	1001256865	1	Decal - Arm Prop	
111	1001265580	2	Decal - Fork Lift	

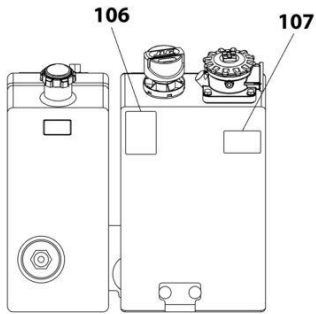
SECTION 9 - DECALS

FIGURE 9-8. ERT4069 DECAL INSTALLATION - LATIN AMERICAN SPECS (ENGLISH/SPANISH LANGUAGES)

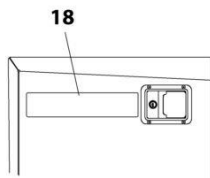


NOTE: ITEMS SHOWN MAY NOT BE REQUIRED FOR ALL SPECS. REFER TO PARTS LIST FOR USAGE.

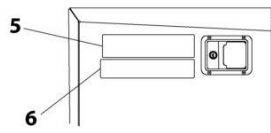
NOTE: ADDITIONAL DECALS CALLED OUT ON DECAL INSTALLATION - OPTIONS.



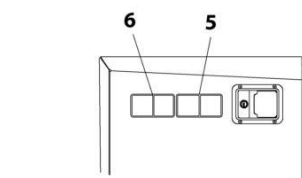
VIEW OF TANKS



ANSI SPECS
BOTH SIDES TYPICAL

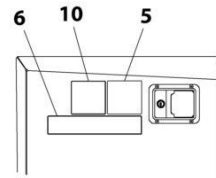


ENG/KOREAN/SPA/
POR/FRE SPECS
BOTH SIDES TYPICAL



AUSTRALIAN/CE SPECS
BOTH SIDES TYPICAL

(A)



ENG/CHINA SPECS
BOTH SIDES TYPICAL

ART_1001256775

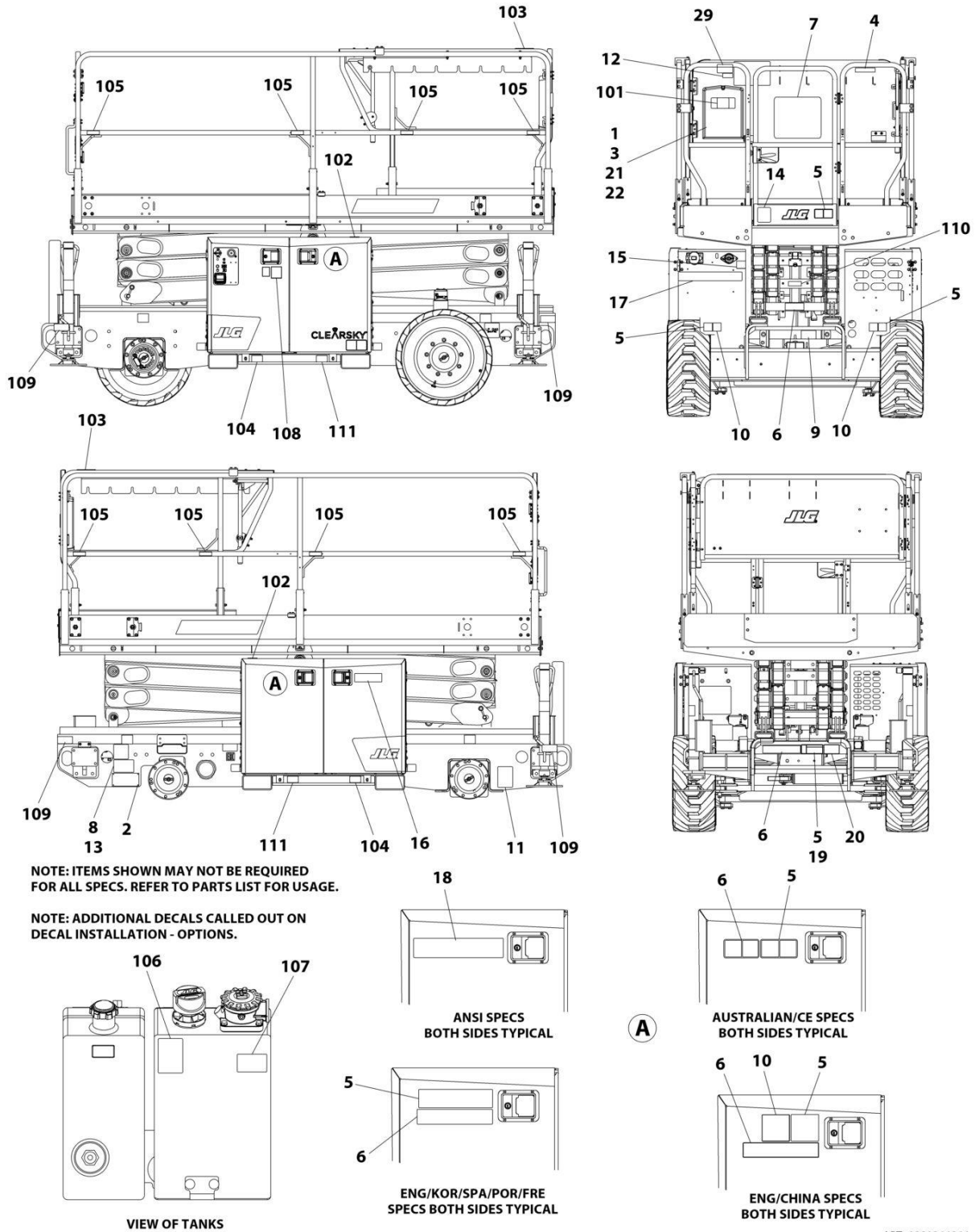
SECTION 9 - DECALS

FIGURE 9-8. ERT4069 DECAL INSTALLATION - LATIN AMERICAN SPECS (ENGLISH/SPANISH LANGUAGES)

ITEM	PART NUMBER	QTY	DESCRIPTION	REV
	1001256775	Ref	DECAL INSTALLATION	C
	1001264346	Ref	DECAL CHART DRAWING - ERT4069	E
1	0760610	4	Bolt M6 x 20	
2	2080057	2	Fastener	
3	0860520	1	Box, Manual Storage	
4	1704694	1	Decal - Control Box Location	
5	1705041	5	Decal - Danger Electrical Hazard	
6	1001215754	4	Decal - Crushing	
7	1704691	1	Decal - Danger/Warning	
8	1001224049	1	Decal - Yearly Inspection	
9	1703822	1	Decal - Manual Descent Instruction	
15	1702155	1	Decal - Battery Disconnect	
16	1704339	1	Decal - Warning Battery Ventilation	
17	1001146794	1	Decal - Battery/Charger Service	
21	3290605	4	Nut M6	
22	4811700	8	Washer M6	
100	1001256763	1	Decal Master Kit (Not Shown)	
101	1701640	1	Decal - Manual	
102	1703687	2	Decal - Direction Arrow	
103	1703819	2	Decal - Direction Arrow	
104	1001265579	2	Decal - Fork Lift	
105	1704277	8	Decal - Lanyard Attach	
106	1704412	1	Decal - Hydraulic Oil Chart	
107	70046028	1	Decal - Hydraulic Oil Level	
108	1001094708	1	Decal - Hydraulic Oil	
109	1001162864	4	Decal - Lift Point/Tie Down	
110	1001256865	1	Decal - Arm Prop	
111	1001265580	2	Decal - Fork Lift	

SECTION 9 - DECALS

FIGURE 9-9. ERT4769 DECAL INSTALLATION - ANSI SPECS (ENGLISH LANGUAGE)



ART_1001264964

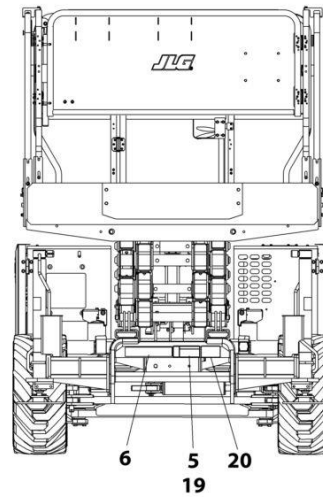
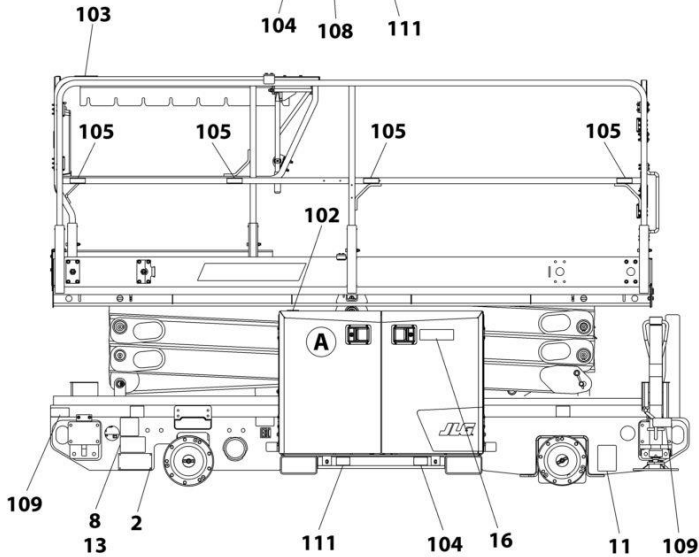
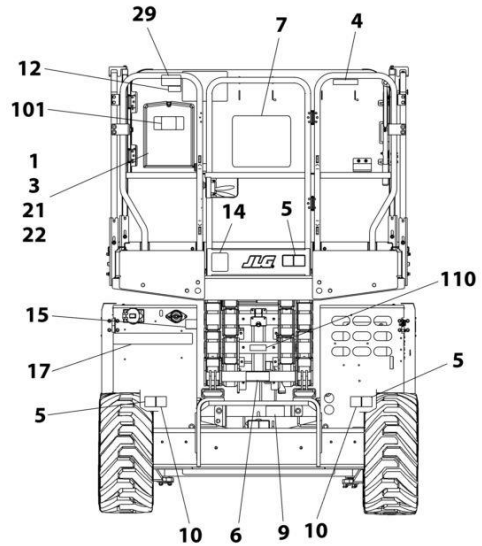
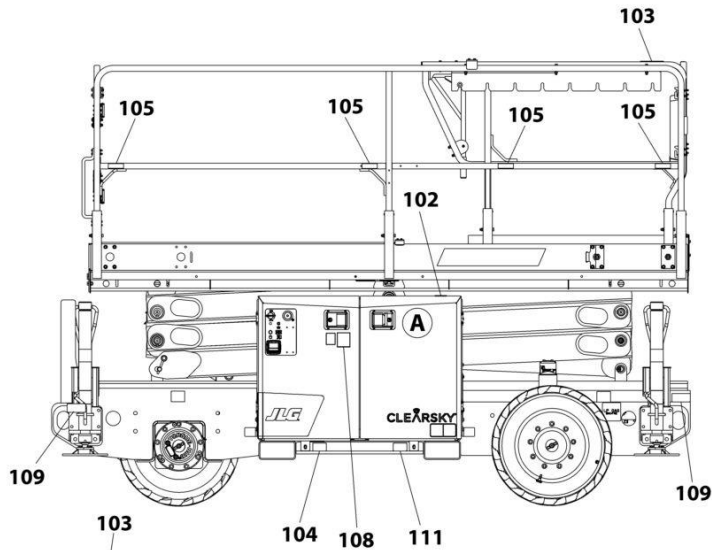
SECTION 9 - DECALS

FIGURE 9-9. ERT4769 DECAL INSTALLATION - ANSI SPECS (ENGLISH LANGUAGE)

ITEM	PART NUMBER	QTY	DESCRIPTION	REV
	1001264964	Ref	DECAL INSTALLATION	B
	1001264973	Ref	DECAL CHART DRAWING - ERT4769	C
1	0760610	4	Bolt M6 x 20	
2	2080057	2	Fastener	
3	0860520	1	Box, Manual Storage	
4	1703821	1	Decal - Control Box Location	
5	1001211779	2	Decal - Electrocutation	
6	1001211777	2	Decal - Crushing Hazard	
7	1703816	1	Decal - Danger/Warning	
8	1001223055	1	Decal - Yearly Inspection	
9	1001226116	1	Decal - Manual Descent Instruction	
11	1001131270	1	Decal - Patent	
12	1001223453	1	Decal - ICES	
15	1702155	1	Decal - Battery Disconnect	
16	1703813	1	Decal - Warning Battery Ventilation	
17	1001146794	1	Decal - Battery/Charger Service	
18	1703818	2	Decal - Warning Crushing Hazard/Danger Electrocutation	
19	1705695	1	Decal - Danger Electrocutation	
21	3290605	4	Nut M6	
22	4811700	8	Washer M6	
100	1001256763	1	Decal Master Kit (Not Shown)	
101	1701640	1	Decal - Manual	
102	1703687	2	Decal - Direction Arrow	
103	1703819	2	Decal - Direction Arrow	
104	1001265579	2	Decal - Fork Lift	
105	1704277	8	Decal - Lanyard Attach	
106	1704412	1	Decal - Hydraulic Oil Chart	
107	70046028	1	Decal - Hydraulic Oil Level	
108	1001094708	1	Decal - Hydraulic Oil	
109	1001162864	4	Decal - Lift Point/Tie Down	
110	1001256865	1	Decal - Arm Prop	
111	1001265580	2	Decal - Fork Lift	

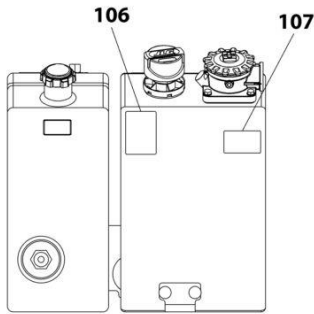
SECTION 9 - DECALS

FIGURE 9-10. ERT4769 DECAL INSTALLATION - AUSTRALIAN,CE & UK CA SPECS (ENGLISH LANGUAGE)

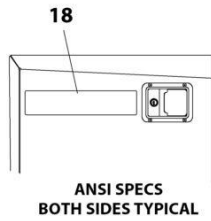


NOTE: ITEMS SHOWN MAY NOT BE REQUIRED FOR ALL SPECS. REFER TO PARTS LIST FOR USAGE.

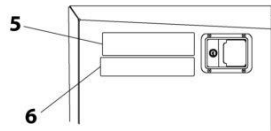
NOTE: ADDITIONAL DECALS CALLED OUT ON DECAL INSTALLATION - OPTIONS.



VIEW OF TANKS

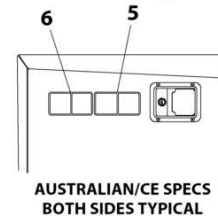


ANSI SPECS
BOTH SIDES TYPICAL

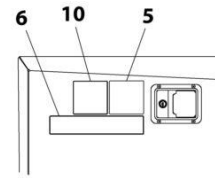


ENG/KOR/SPA/POR/FRE
SPECS BOTH SIDES TYPICAL

A



AUSTRALIAN/CE SPECS
BOTH SIDES TYPICAL



ENG/CHINA SPECS
BOTH SIDES TYPICAL

ART_1001264971

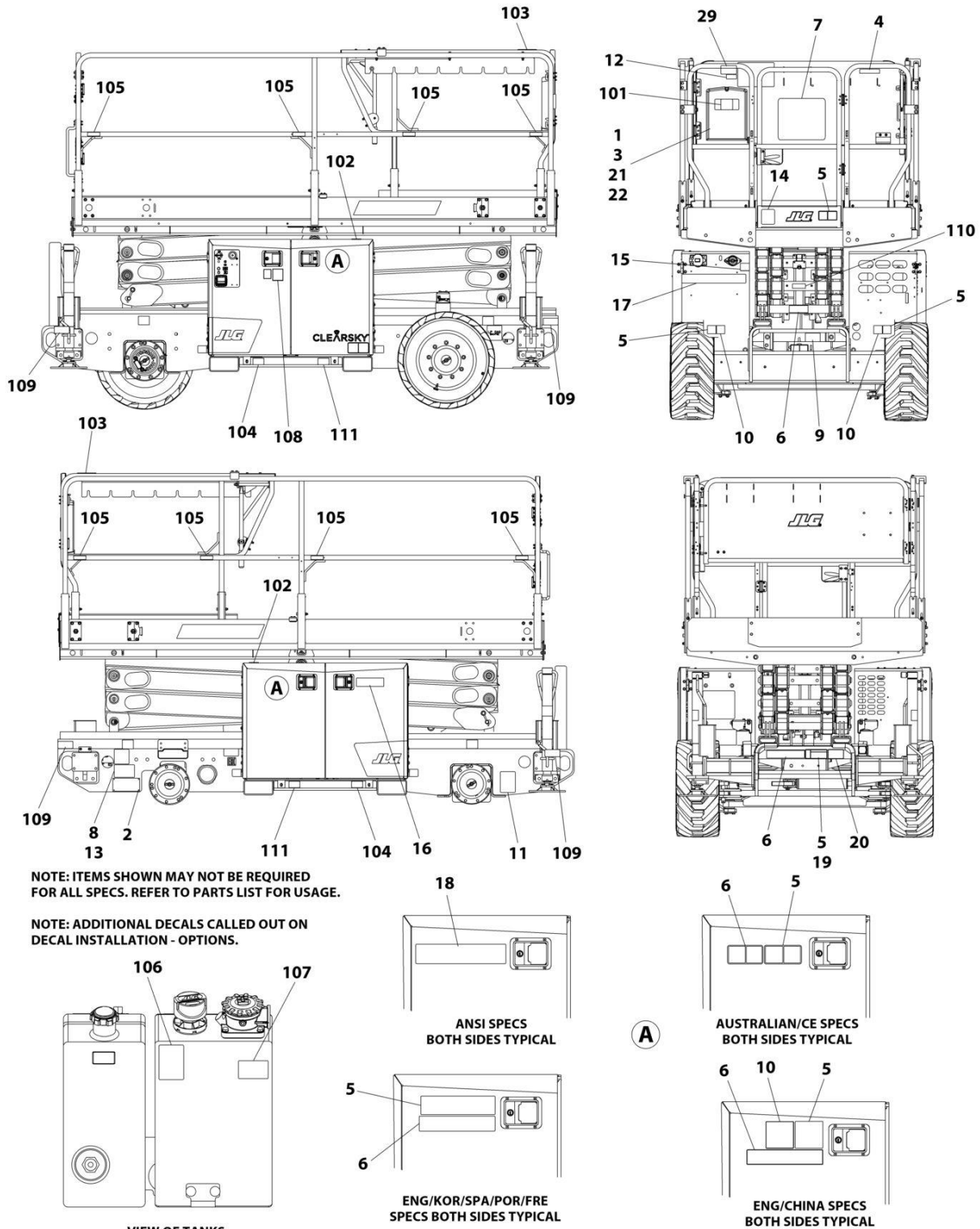
SECTION 9 - DECALS

FIGURE 9-10. ERT4769 DECAL INSTALLATION - AUSTRALIAN,CE & UK CA SPECS (ENGLISH LANGUAGE)

ITEM	PART NUMBER	QTY	DESCRIPTION	REV
	1001264971	Ref	DECAL INSTALLATION	B
	1001264973	Ref	DECAL CHART DRAWING - ERT4769	C
1	0760610	4	Bolt M6 x 20	
2	2080057	4	Fastener	
3	0860520	1	Box, Manual Storage	
5	1705671	6	Decal - Electrocution	
6	1705673	4	Decal - Crushing	
9	1001226116	1	Decal - Manual Descent Instruction	
13	1705670	2	Decal - Fire Hazard	
15	1702155	1	Decal - Battery Disconnect	
17	1001146794	1	Decal - Battery/Charger Service	
21	3290605	4	Nut M6	
22	4811700	8	Washer M6	
100	1001256763	1	Decal Master Kit (Not Shown)	
101	1701640	1	Decal - Manual	
102	1703687	2	Decal - Direction Arrow	
103	1703819	2	Decal - Direction Arrow	
104	1001265579	2	Decal - Fork Lift	
105	1704277	8	Decal - Lanyard Attach	
106	1704412	1	Decal - Hydraulic Oil Chart	
107	70046028	1	Decal - Hydraulic Oil Level	
108	1001094708	1	Decal - Hydraulic Oil	
109	1001162864	4	Decal - Lift Point/Tie Down	
110	1001256865	1	Decal - Arm Prop	
111	1001265580	2	Decal - Fork Lift	

SECTION 9 - DECALS

FIGURE 9-11. ERT4769 DECAL INSTALLATION - BRAZIL SPECS (SPANISH/PORTUGUESE LANGUAGES)



ART_1001264967

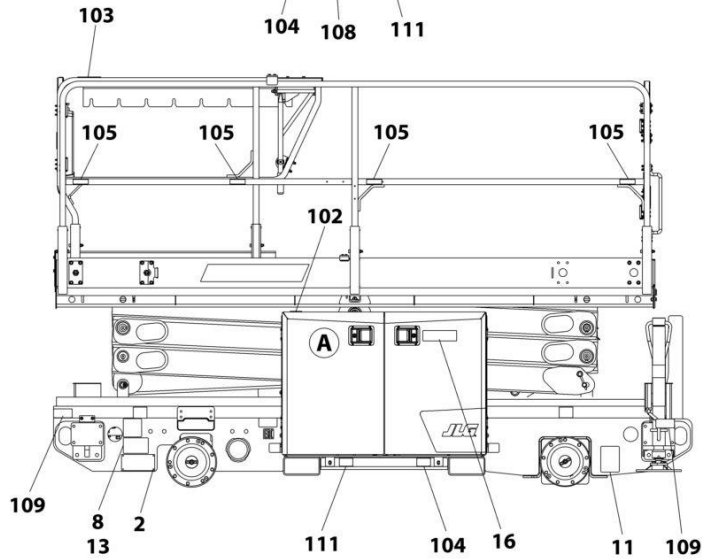
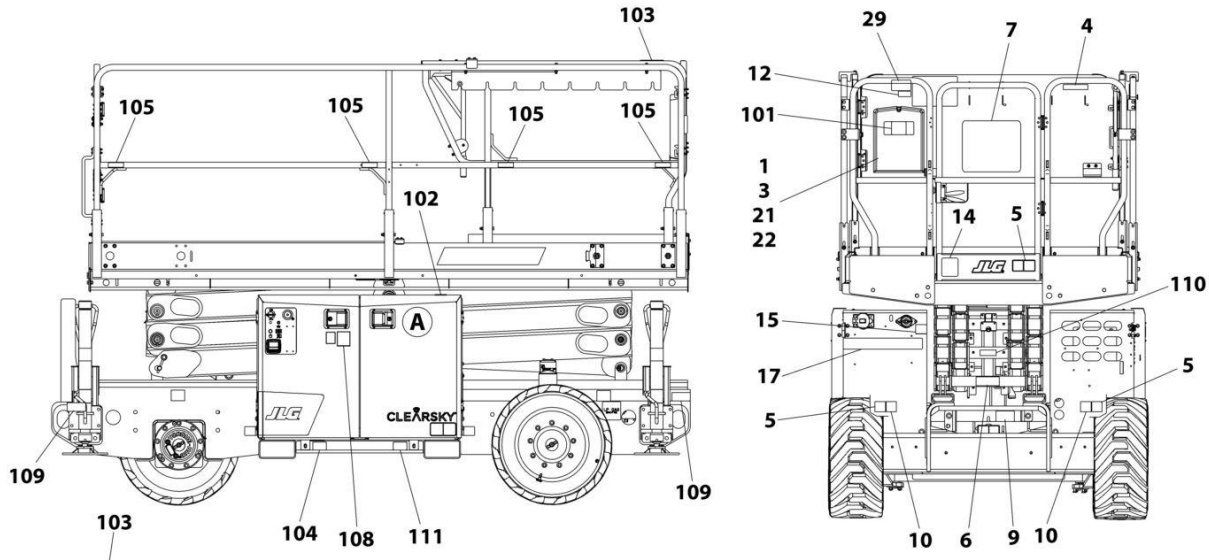
SECTION 9 - DECALS

FIGURE 9-11. ERT4769 DECAL INSTALLATION - BRAZIL SPECS (SPANISH/PORTUGUESE LANGUAGES)

ITEM	PART NUMBER	QTY	DESCRIPTION	REV
	1001264967	Ref	DECAL INSTALLATION	B
	1001264973	Ref	DECAL CHART DRAWING - ERT4769	C
1	0760610	4	Bolt M6 x 20	
2	2080057	2	Fastener	
3	0860520	1	Box, Manual Storage	
4	1704702	1	Decal - Control Box Location	
5	1705043	5	Decal - Danger Electrical Hazard	
6	1001216650	4	Decal - Crushing	
7	1704699	1	Decal - Danger/Warning	
8	1001224052	1	Decal - Yearly Inspection	
9	1001226116	1	Decal - Manual Descent Instruction	
15	1702155	1	Decal - Battery Disconnect	
16	1704341	1	Decal - Warning Battery Ventilation	
17	1001146794	1	Decal - Battery/Charger Service	
21	3290605	4	Nut M6	
22	4811700	8	Washer M6	
100	1001256763	1	Decal Master Kit (Not Shown)	
101	1701640	1	Decal - Manual	
102	1703687	2	Decal - Direction Arrow	
103	1703819	2	Decal - Direction Arrow	
104	1001265579	2	Decal - Fork Lift	
105	1704277	8	Decal - Lanyard Attach	
106	1704412	1	Decal - Hydraulic Oil Chart	
107	70046028	1	Decal - Hydraulic Oil Level	
108	1001094708	1	Decal - Hydraulic Oil	
109	1001162864	4	Decal - Lift Point/Tie Down	
110	1001256865	1	Decal - Arm Prop	
111	1001265580	2	Decal - Fork Lift	

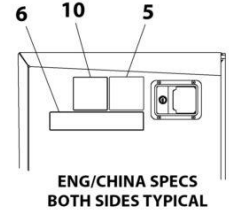
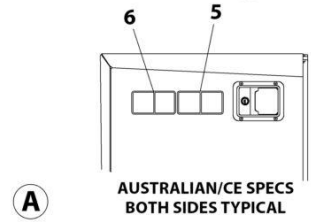
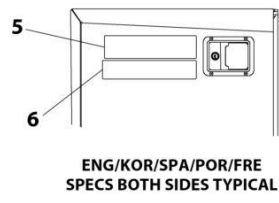
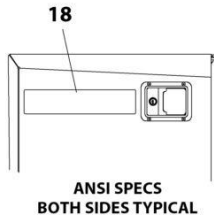
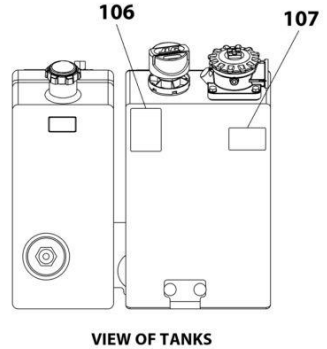
SECTION 9 - DECALS

FIGURE 9-12. ERT4769 DECAL INSTALLATION - CE & UK CA SPECS



NOTE: ITEMS SHOWN MAY NOT BE REQUIRED FOR ALL SPECS. REFER TO PARTS LIST FOR USAGE.

NOTE: ADDITIONAL DECALS CALLED OUT ON DECAL INSTALLATION - OPTIONS.



ART_1001264970

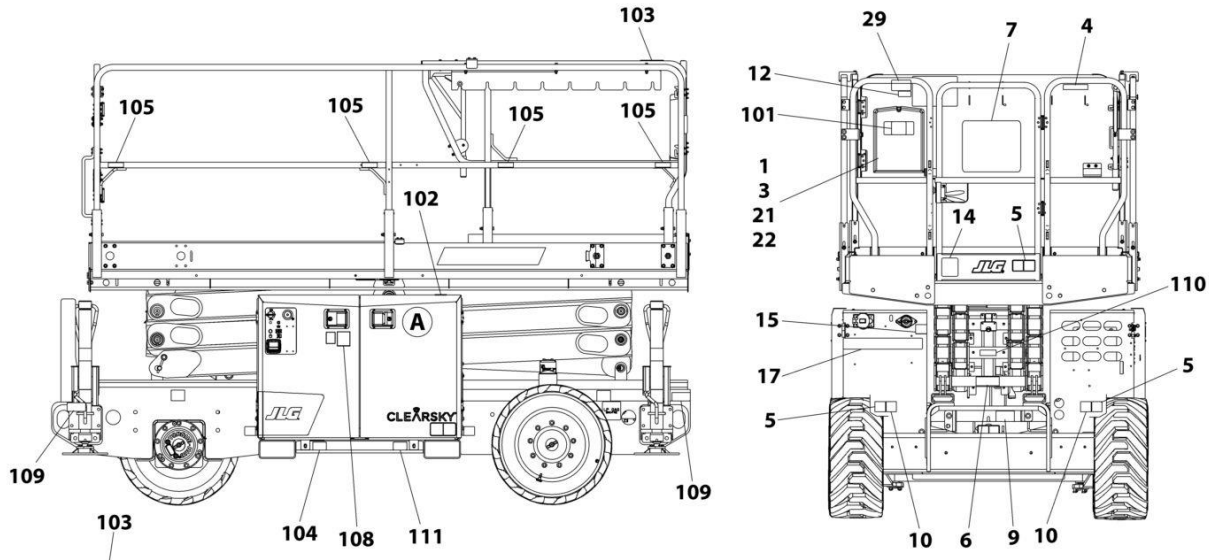
SECTION 9 - DECALS

FIGURE 9-12. ERT4769 DECAL INSTALLATION - CE & UK CA SPECS

ITEM	PART NUMBER	QTY	DESCRIPTION	REV
	1001264970	Ref	DECAL INSTALLATION	B
	1001264973	Ref	DECAL CHART DRAWING - ERT4769	C
1	0760610	4	Bolt M6 x 20	
2	2080057	2	Fastener	
3	0860520	1	Box, Manual Storage	
5	1705671	6	Decal - Electrocution	
6	1705673	4	Decal - Crushing	
9	1001226116	1	Decal - Manual Descent Instruction	
13	1705670	2	Decal - Fire Hazard	
15	1702155	1	Decal - Battery Disconnect	
17	1001146795	1	Decal - Battery/Charger Service	
21	3290605	4	Nut M6	
22	4811700	8	Washer M6	
100	1001256763	1	Decal Master Kit (Not Shown)	
101	1701640	1	Decal - Manual	
102	1703687	2	Decal - Direction Arrow	
103	1703819	2	Decal - Direction Arrow	
104	1001265579	2	Decal - Fork Lift	
105	1704277	8	Decal - Lanyard Attach	
106	1704412	1	Decal - Hydraulic Oil Chart	
107	70046028	1	Decal - Hydraulic Oil Level	
108	1001094708	1	Decal - Hydraulic Oil	
109	1001162864	4	Decal - Lift Point/Tie Down	
110	1001256865	1	Decal - Arm Prop	
111	1001265580	2	Decal - Fork Lift	

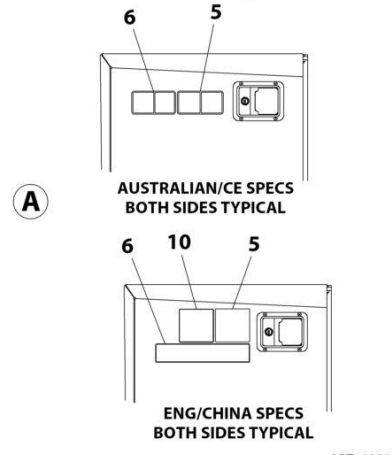
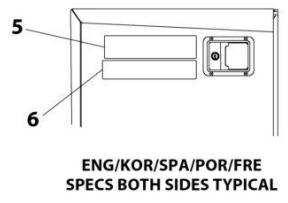
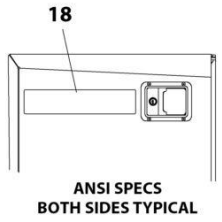
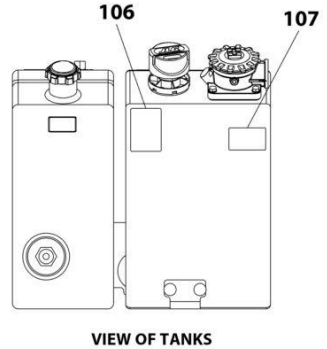
SECTION 9 - DECALS

FIGURE 9-13. ERT4769 DECAL INSTALLATION - CHINA SPECS (ENGLISH/CHINESE LANGUAGES)



NOTE: ITEMS SHOWN MAY NOT BE REQUIRED FOR ALL SPECS. REFER TO PARTS LIST FOR USAGE.

NOTE: ADDITIONAL DECALS CALLED OUT ON DECAL INSTALLATION - OPTIONS.



ART_1001264966

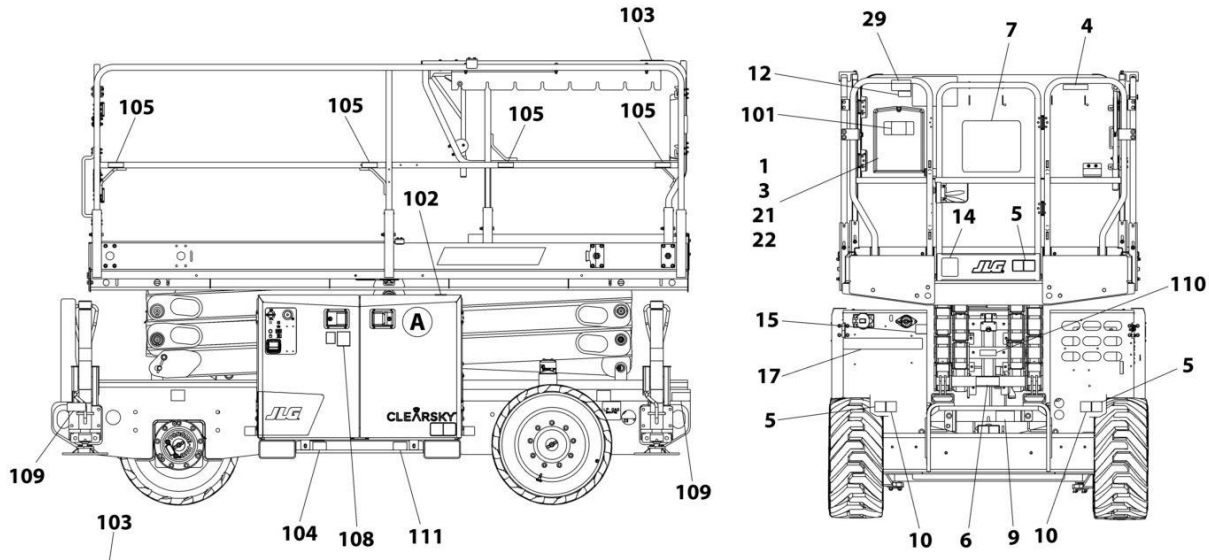
SECTION 9 - DECALS

FIGURE 9-13. ERT4769 DECAL INSTALLATION - CHINA SPECS (ENGLISH/CHINESE LANGUAGES)

ITEM	PART NUMBER	QTY	DESCRIPTION	REV
	1001264966	Ref	DECAL INSTALLATION	B
	1001264973	Ref	DECAL CHART DRAWING - ERT4769	C
1	0760610	4	Bolt M6 x 20	
2	2080057	2	Fastener	
3	0860520	1	Box, Manual Storage	
4	1705194	1	Decal - Control Box Location	
5	1001211779	4	Decal - Electrocutation	
6	1001215752	4	Decal - Crushing	
7	1705195	1	Decal - Danger/Warning	
8	1001224051	1	Decal - Yearly Inspection	
9	1001226116	1	Decal - Manual Descent Instruction	
10	1001215747	4	Decal - Electrocutation	
15	1702155	1	Decal - Battery Disconnect	
16	1704344	1	Decal - Warning Battery Ventilation	
17	1001146794	1	Decal - Battery/Charger Service	
19	1705695	1	Decal - Danger Electrocutation	
20	1705944	1	Decal - Danger Electrocutation	
21	3290605	4	Nut M6	
22	4811700	8	Washer M6	
100	1001256763	1	Decal Master Kit (Not Shown)	
101	1701640	1	Decal - Manual	
102	1703687	2	Decal - Direction Arrow	
103	1703819	2	Decal - Direction Arrow	
104	1001265579	2	Decal - Fork Lift	
105	1704277	8	Decal - Lanyard Attach	
106	1704412	1	Decal - Hydraulic Oil Chart	
107	70046028	1	Decal - Hydraulic Oil Level	
108	1001094708	1	Decal - Hydraulic Oil	
109	1001162864	4	Decal - Lift Point/Tie Down	
110	1001256865	1	Decal - Arm Prop	
111	1001265580	2	Decal - Fork Lift	

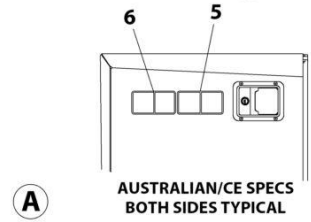
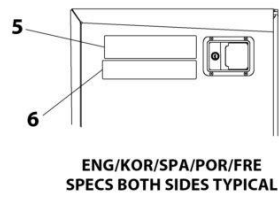
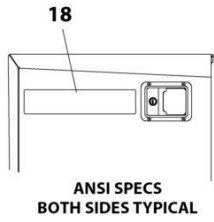
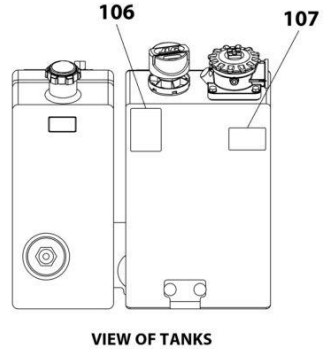
SECTION 9 - DECALS

FIGURE 9-14. ERT4769 DECAL INSTALLATION - CSA SPECS (ENGLISH/FRENCH LANGUAGES)

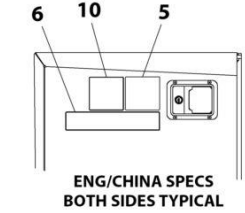


NOTE: ITEMS SHOWN MAY NOT BE REQUIRED FOR ALL SPECS. REFER TO PARTS LIST FOR USAGE.

NOTE: ADDITIONAL DECALS CALLED OUT ON DECAL INSTALLATION - OPTIONS.



(A)



ART_1001264969

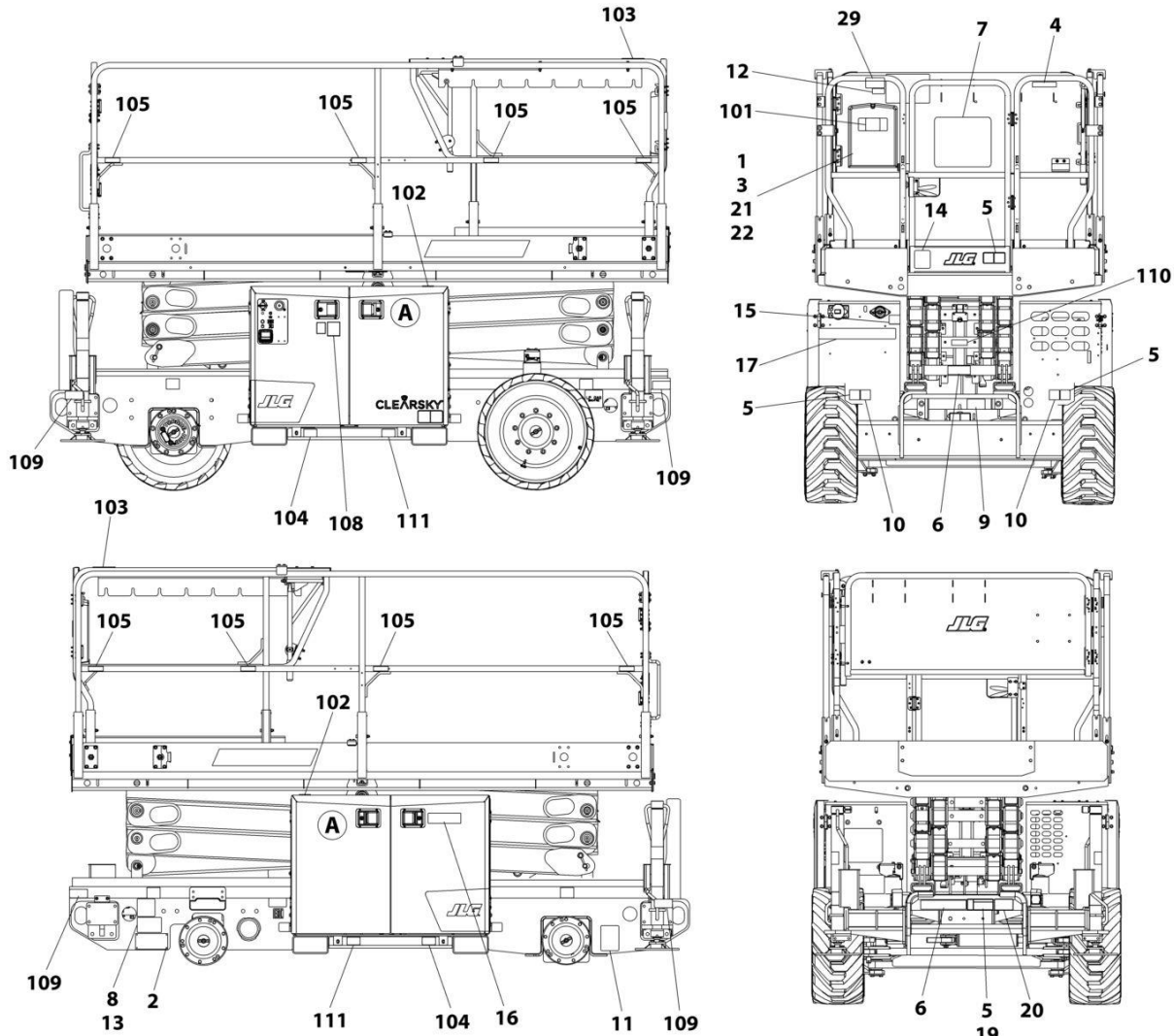
SECTION 9 - DECALS

FIGURE 9-14. ERT4769 DECAL INSTALLATION - CSA SPECS (ENGLISH/FRENCH LANGUAGES)

ITEM	PART NUMBER	QTY	DESCRIPTION	REV
	1001264969	Ref	DECAL INSTALLATION	B
	1001264973	Ref	DECAL CHART DRAWING - ERT4769	C
1	0760610	4	Bolt M6 x 20	
2	2080057	2	Fastener	
3	0860520	1	Box, Manual Storage	
4	1704687	1	Decal - Control Box Location	
5	1705040	5	Decal - Danger Electrocutation	
6	1001215755	4	Decal - Crushing	
7	1704684	1	Decal - Danger/Warning	
8	1001223971	1	Decal - Yearly Inspection	
9	1001226116	1	Decal - Manual Descent Instruction	
11	1001131270	1	Decal - Patent	
12	1001228370	1	Decal - ICES	
15	1702155	1	Decal - Battery Disconnect	
16	1704340	1	Decal - Warning Battery Ventilation	
17	1001146794	1	Decal - Battery/Charger Service	
21	3290605	4	Nut M6	
22	4811700	8	Washer M6	
100	1001256763	1	Decal Master Kit (Not Shown)	
101	1701640	1	Decal - Manual	
102	1703687	2	Decal - Direction Arrow	
103	1703819	2	Decal - Direction Arrow	
104	1001265579	2	Decal - Fork Lift	
105	1704277	8	Decal - Lanyard Attach	
106	1704412	1	Decal - Hydraulic Oil Chart	
107	70046028	1	Decal - Hydraulic Oil Level	
108	1001094708	1	Decal - Hydraulic Oil	
109	1001162864	4	Decal - Lift Point/Tie Down	
110	1001256865	1	Decal - Arm Prop	
111	1001265580	2	Decal - Fork Lift	

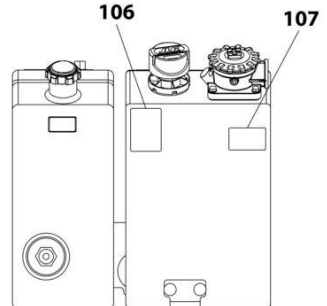
SECTION 9 - DECALS

FIGURE 9-15. ERT4769 DECAL INSTALLATION - KOREAN SPECS (ENGLISH/KOREAN LANGUAGES)

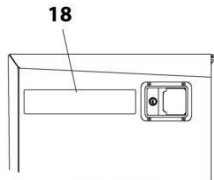


NOTE: ITEMS SHOWN MAY NOT BE REQUIRED FOR ALL SPECS. REFER TO PARTS LIST FOR USAGE.

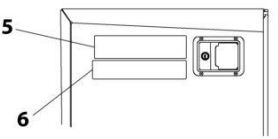
NOTE: ADDITIONAL DECALS CALLED OUT ON DECAL INSTALLATION - OPTIONS.



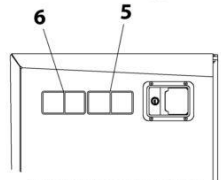
VIEW OF TANKS



ANSI SPECS
BOTH SIDES TYPICAL

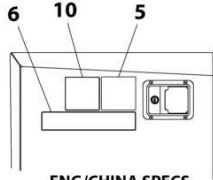


ENG/KOR/SPA/POR/FRE
SPECS BOTH SIDES TYPICAL



AUSTRALIAN/CE SPECS
BOTH SIDES TYPICAL

(A)



ENG/CHINA SPECS
BOTH SIDES TYPICAL

ART_1001264965

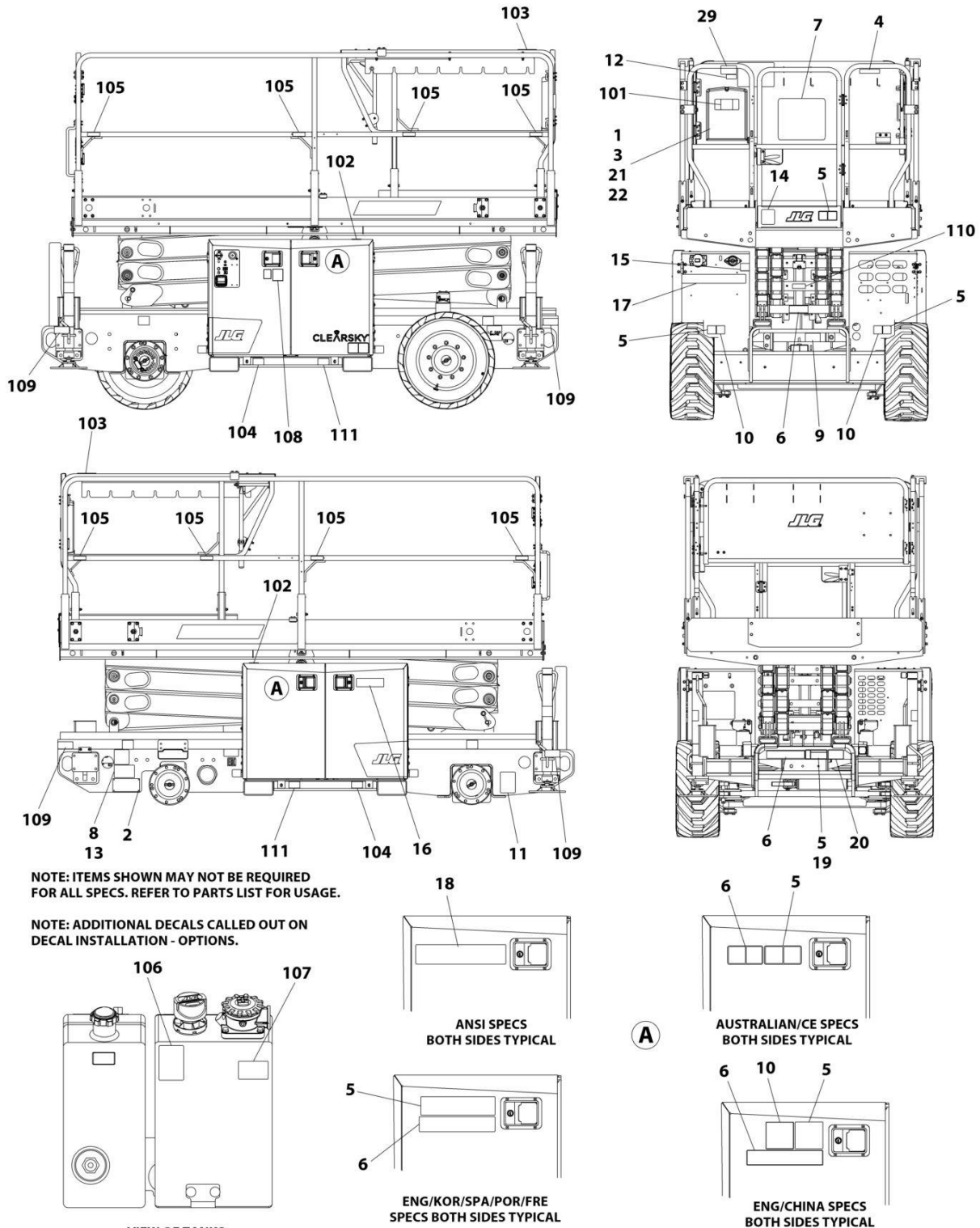
SECTION 9 - DECALS

FIGURE 9-15. ERT4769 DECAL INSTALLATION - KOREAN SPECS (ENGLISH/KOREAN LANGUAGES)

ITEM	PART NUMBER	QTY	DESCRIPTION	REV
	1001264965	Ref	DECAL INSTALLATION	B
	1001264973	Ref	DECAL CHART DRAWING - ERT4769	C
1	0760610	4	Bolt M6 x 20	
2	2080057	2	Fastener	
3	0860520	1	Box, Manual Storage	
4	1001162112	1	Decal - Control Box Location	
5	1001162114	5	Decal - Danger Electrical Hazard	
6	1001215751	4	Decal - Crushing	
7	1001162115	1	Decal - Danger Warning	
8	1001224048	1	Decal - Yearly Inspection	
9	1001226116	1	Decal - Manual Descent Instruction	
15	1702155	1	Decal - Battery Disconnect	
16	1707022	1	Decal - Warning Battery Ventilation	
17	1001146794	1	Decal - Battery/Charger Service	
21	3290605	4	Nut M6	
22	4811700	8	Washer M6	
100	1001256763	1	Decal Master Kit (Not Shown)	
101	1701640	1	Decal - Manual	
102	1703687	2	Decal - Direction Arrow	
103	1703819	2	Decal - Direction Arrow	
104	1001265579	2	Decal - Fork Lift	
105	1704277	8	Decal - Lanyard Attach	
106	1704412	1	Decal - Hydraulic Oil Chart	
107	70046028	1	Decal - Hydraulic Oil Level	
108	1001094708	1	Decal - Hydraulic Oil	
109	1001162864	4	Decal - Lift Point/Tie Down	
110	1001256865	1	Decal - Arm Prop	
111	1001265580	2	Decal - Fork Lift	

SECTION 9 - DECALS

FIGURE 9-16. ERT4769 DECAL INSTALLATION - LATIN AMERICAN SPECS (ENGLISH/SPANISH LANGUAGES)



ART_1001264968

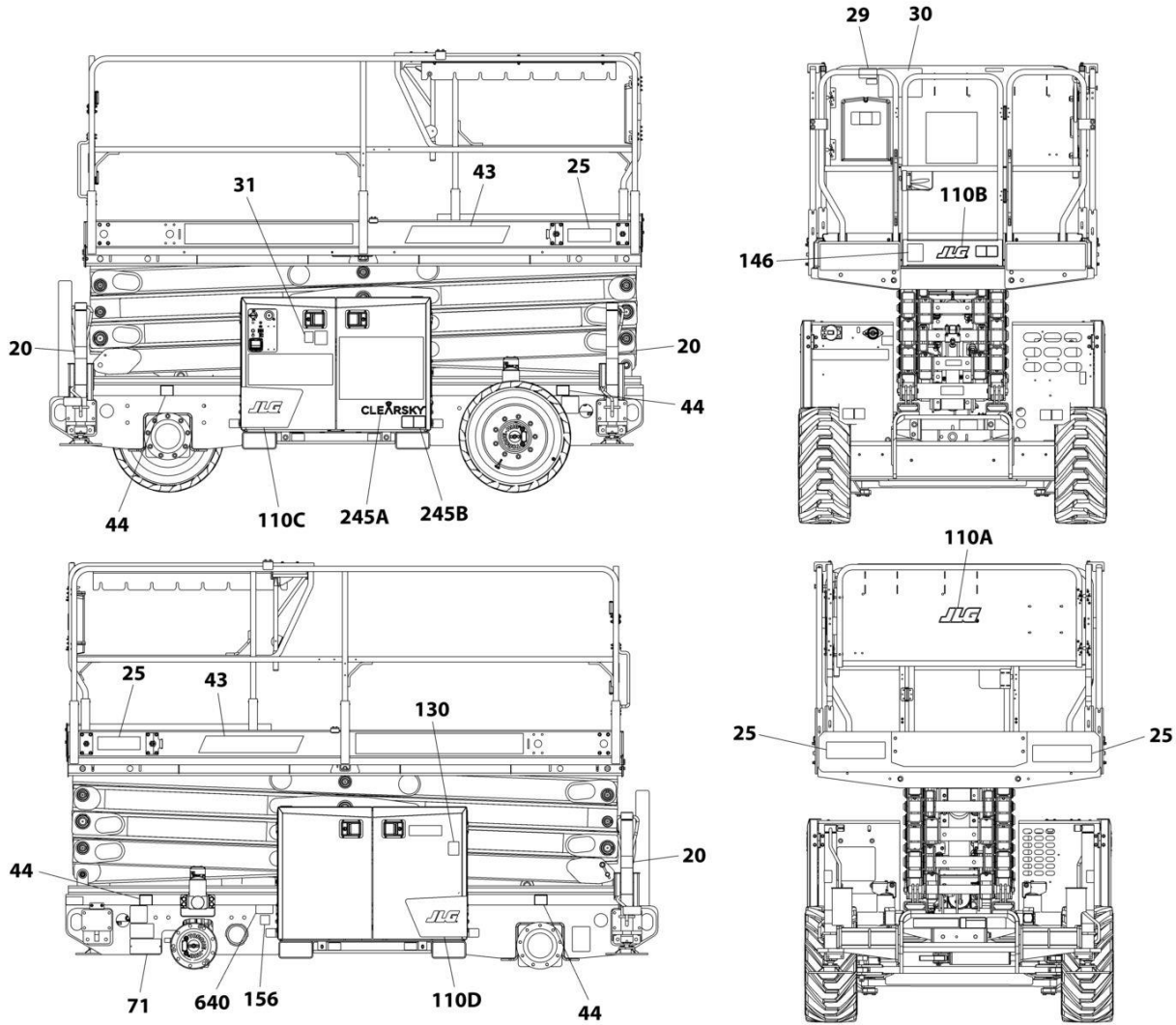
SECTION 9 - DECALS

FIGURE 9-16. ERT4769 DECAL INSTALLATION - LATIN AMERICAN SPECS (ENGLISH/SPANISH LANGUAGES)

ITEM	PART NUMBER	QTY	DESCRIPTION	REV
	1001264968	Ref	DECAL INSTALLATION	B
	1001264973	Ref	DECAL CHART DRAWING - ERT4769	C
1	0760610	4	Bolt M6 x 20	
2	2080057	2	Fastener	
3	0860520	1	Box, Manual Storage	
4	1704694	1	Decal - Control Box Location	
5	1705041	5	Decal - Danger Electrical Hazard	
6	1001215754	4	Decal - Crushing	
7	1704691	1	Decal - Danger/Warning	
8	1001224049	1	Decal - Yearly Inspection	
9	1001226116	1	Decal - Manual Descent Instruction	
15	1702155	1	Decal - Battery Disconnect	
16	1704339	1	Decal - Warning Battery Ventilation	
17	1001146794	1	Decal - Battery/Charger Service	
21	3290605	4	Nut M6	
22	4811700	8	Washer M6	
100	1001256763	1	Decal Master Kit (Not Shown)	
101	1701640	1	Decal - Manual	
102	1703687	2	Decal - Direction Arrow	
103	1703819	2	Decal - Direction Arrow	
104	1001265579	2	Decal - Fork Lift	
105	1704277	8	Decal - Lanyard Attach	
106	1704412	1	Decal - Hydraulic Oil Chart	
107	70046028	1	Decal - Hydraulic Oil Level	
108	1001094708	1	Decal - Hydraulic Oil	
109	1001162864	4	Decal - Lift Point/Tie Down	
110	1001256865	1	Decal - Arm Prop	
111	1001265580	2	Decal - Fork Lift	

SECTION 9 - DECALS

FIGURE 9-17. DECAL INSTALLATION - OPTIONS



NOTE: ITEMS SHOWN MAY NOT BE REQUIRED FOR ALL SPECS. REFER TO PARTS LIST FOR USAGE.

NOTE: ERT4069 SHOWN. ERT4769 DECAL LOCATIONS TYPICAL.

VIEW OF TANKS

ART_DECAL_OPTIONS_31219163

SECTION 9 - DECALS

FIGURE 9-17. DECAL INSTALLATION - OPTIONS

ITEM	PART NUMBER	QTY	DESCRIPTION	REV
		Ref	DECAL INSTALLATION - OPTIONS	
	1001264346	Ref	DECAL CHART DRAWING - ERT4069	E
	1001264973	Ref	DECAL CHART DRAWING - ERT4769	C
20		Ref	Decal - Leveling Jack Warning Options:	
20	1701214	4	Decal - Leveling Jack Warning (ANSI Specs)	
20	1701785	4	Decal - Leveling Jack Warning (Australian,CE & UK CA Specs)	
20	1704698	4	Decal - Leveling Jack Warning (Brazil Specs)	
20	1704690	4	Decal - Leveling Jack Warning (CSA Specs)	
20	1001215447	4	Decal - Leveling Jack Warning (Korean Specs)	
20	1704697	4	Decal - Leveling Jack Warning (Latin American Specs)	
25	1001254363	Ref	Corner Stripes Installation	C
25	4420051	4 ft /1.2m	Tape, Safety	
29	1001231801	1	Decal - Warning Prop 65	
30	1001256799	1	Decal - Capacity	
31	1701505	1	Decal - Fuel (Diesel)	
43	1001256785	2	Decal - Model (ERT4069)	
43	1001256786	2	Decal - Model (ERT4769)	
44	1001256792	4	Decal - Max Tire Load (ERT4069)	
44	1001262398	4	Decal - Max Tire Load (ERT4769)	
60A	1704286	1	Decal - Generator Warning (ANSI/ANSI Export Specs)	
60B	1704368	1	Decal - Generator Warning (ANSI/ANSI Export Specs)	
60C	1001093687	1	Decal - Generator Warning (ANSI/ANSI Export Specs)	
60D	1704371	1	Decal - Generator Warning (ANSI/ANSI Export Specs)	
60E	1704373	1	Decal - Generator Warning (ANSI/ANSI Export Specs)	
71	See Note	NSS	Decal - Manufacturers Serial Number (Note: Not Available for Purchase)	
110	1001265593	Ref	JLG Decals Installation	A
110A	1001256675	1	Decal - JLG	
110B	1001256676	1	Decal - JLG	
110C	1001265583	1	Decal - JLG (LH Door)	
110D	1001265584	1	Decal - JLG (RH Door)	
130		Ref	Decal - Warning Explosion/Fire Options:	
130	1704972	1	Decal - Warning Explosion/Fire (ANSI Specs)	
130	1706098	1	Decal - Warning Explosion/Fire (Australian,CE & UK CA Specs)	
130	1706059	1	Decal - Warning Explosion/Fire (Brazil Specs)	
130	1706060	1	Decal - Warning Explosion/Fire (China Specs)	
130	1706064	1	Decal - Warning Explosion/Fire (CSA Specs)	
130	1706061	1	Decal - Warning Explosion/Fire (Korean Specs)	
130	1706063	1	Decal - Warning Explosion/Fire (Latin American Specs)	
136	1001125387	1	Decal - Ultra Low Sulfur Fuel (ANSI & CSA Specs)	
136	1001139654	1	Decal - Ultra Low Sulfur Fuel (CE & UK CA Specs)	
146	1705084	1	Decal - Sound Power Level	
156	1001214029	Ref	EAC Decal Installation (Russian/CIS Specs)	
156	1001173703	1	Decal - EAC (Russian/CIS Specs)	
245	1001236984	Ref	Clearsky Decals Installation	A
245A	1001116208	1	Decal - Clearsky	
245B	1001120989	1	Decal - Radio Frequency	
245	1001296482	Ref	ClearSky Decals Installation	B
245A	1001120989	1	Decal - Radio Frequency	
245B	1001294815	1	Decal - ClearSky	

SECTION 9 - DECALS

ITEM	PART NUMBER	QTY	DESCRIPTION	REV
640	1001143852	1	Decal - Emissions Compliance (Diesel Machines) (Not Shown - Located near SN Nameplate) (ANSI Export, Australian, CE, China, Korean & UK CA Specs)	

SECTION 10 - RECOMMENDED SERVICE PARTS STOCK

SECTION 10 - RECOMMENDED SERVICE PARTS STOCK

SECTION 10 - RECOMMENDED SERVICE PARTS STOCK

FIGURE 10-1. RECOMMENDED SERVICE PARTS STOCK

ITEM	PART NUMBER	QTY	DESCRIPTION	REV
		Ref	Note: The following list will service one machine (built to current production per date on the front cover) with emergency repair parts which can be installed in the field. Parts from the list should be replaced when inventory is depleted to keep service parts stock supplied. For further information, contact your JLG dealer or the JLG Industries Parts Department.	
	1001189172	1	Breaker, 16 Amp (Double Breaker Box)	
	1001181045	1	Breaker, 16Amp (Single Breaker Box)	
	1001189171	1	Breaker, 30mA (Double Breaker Box)	
	70001965	1	Coil (Leveling Jack Installation)	
	7020176	1	Contact Block (Ground & Platform Control)	
	1001247682	1	Controller Assembly (Platform Console Box)	
		Ref	Engine - Kubota	
	70000313	12	Element, Air Cleaner	
	70000318	12	Element, Fuel Filter	
	70000319	12	Element, Oil Filter	
	70000329	2	Fuse, 15Amp	
	70000330	2	Fuse, 20Amp	
	70000326	1	Module, Engine Control	
	70000322	1	Relay	
	70000323	1	Relay	
	70007035	12	Element, Filter (Hydraulic Tank)	
	1001248371	1	Filler/Breather (Hydraulic Tank)	
	1001186489	2	Fuse, 2 Amp (Traction Harness)	
	1001253891	2	Fuse, 7.5 Amp (Traction Harness)	
	1001170760	2	Fuse, 10 Amp (Traction Harness)	
	1001170761	2	Fuse, 20 Amp (Traction Harness)	
	1001170762	2	Fuse, 30 Amp (Traction & Genset Harnesses)	
	1001260530	2	Fuse, 355 AMP (Battery Installations)	
	2940074	1	Latch (Platform)	
	2860030	1	Key, Replacement (Ground Control)	
	1001248066	1	Module, Drive	
	1001248064	1	Module, Drive/Pump (Drive Installation)	
	1001249777	1	Module, Ground Control	
	1600387	1	Module, Load Sense (Arms Installation)	
	1001171295	1	Relay (Traction & Genset Harness)	
	1001272006	1	Relay, 48V (Battery Installations)	
	70005394	1	Sensor (Drive Motor)	
	1001227516	1	Sensor, Leveling Jacks Pressure	
	1001246658	1	Sensor, Leveling Jacks Proximity	
	1001145548	1	Switch, Limit (Arms Installations)	
	1001256875	1	Sensor, Pressure (Hydraulic Diagram)	
	1001161117	1	Sensor, Steer Angle (Steering Installation)	
	1001102771	1	Sensor, Temperature (Battery Installations)	
	70005407	1	Sensor, Temperature (Drive Motor)	
	1001244934	1	Sensor, Tilt (Arms Installation, Axle Installation, & Ground Control)	
	1001226749	1	Switch (Platform Control Box)	
	1001170483	1	Switch, Battery Disconnect (Battery Installations)	
	4360475	1	Switch, Emergency Stop (Ground & Platform Control)	

SECTION 10 - RECOMMENDED SERVICE PARTS STOCK

ITEM	PART NUMBER	QTY	DESCRIPTION	REV
	4360469	1	Switch, Key (Ground Control)	
	4360387	1	Switch, Push Button (Ground Control)	
	1001250684	1	Switch, Push Button (Platform Control Box)	
	4360524	1	Switch, Toggle (Ground Control)	

SECTION 11 - SPECIAL OPTIONS/ACCESSORIES/KITS

SECTION 11 - SPECIAL OPTIONS/ACCESSORIES/KITS

SECTION 11 - SPECIAL OPTIONS/ACCESSORIES/KITS

FIGURE 11-1. SPECIAL OPTIONS/ACCESSORIES/KITS

ITEM	PART NUMBER	QTY	DESCRIPTION	REV
		Ref	Note: This list is to accommodate machines ordered with special equipment. Options may not be applicable to all models. For more specific parts information contact JLG Parts Department.	
		Ref	MISCELLANEOUS SPECIAL OPTIONS/ACCESSORIES/KITS	
		Ref	ClearSky (Telematics) Installation (Factory Installed) Options:	
	1001251506	Ref	ClearSky (Telematics) Installation - 3 Wire (Factory Installed) (ANSI and CSA Specs)	
	1001251522	Ref	ClearSky (Telematics) Installation - 3 Wire (Factory Installed) (ANSI Export, Korean, CE & UK CA Specs)	
	1001249646	Ref	ClearSky (Telematics) Installation - Canbus (Factory Installed) (ANSI and CSA Specs)	
	1001249647	Ref	ClearSky (Telematics) Installation - Canbus (Factory Installed) (ANSI Export, Korean, CE & UK CA Specs)	
	1001249648	Ref	ClearSky (Telematics) Installation - Canbus (Factory Installed) (Australian Specs)	
	1001285717	Ref	ClearSky (Telematics) CS550 Installation	
	1001293716	Ref	ClearSky (Telematics) without Beacon Installation	
	1001274179	Ref	Decal Kit - ERT4069	
	1001274180	Ref	Decal Kit - ERT4769	
	1001285686	Ref	Dual Extension Handles Installation	
	1001274431	Ref	Dual Beacon Kit	
		Ref	Electrical Connector Kits	
	1001148902	Ref	Electrical Connector Kit - Amp/Tyco Electrical Connectors	
	1001148903	Ref	Electrical Connector Kit - Deutsch DT Electrical Connectors	
	1001148904	Ref	Electrical Connector Kit - Deutsch HD Electrical Connectors	
	1001148905	Ref	Electrical Connector Kit - Packard Electrical Connectors	
	1001148906	Ref	Electrical Connector Kit - Various Electrical Connectors	
	1001252988	Ref	Fire Extinguisher Kit	
	1001255164	Ref	Footswitch Installation (Korean Specs)	
	1120485	Ref	Fuel, Cap (Protectoseal)	
	1001254826	Ref	Kubota Engine (Mechron Genset) Installation	
	1001289663	Ref	Kubota Engine (Mechron Genset) Assembly	
	1001265874	Ref	Low Height Restrict Installation	
	1001249310	Ref	Mobile Control Installation (Factory Installed)	
	1001281162	Ref	Mobile Control Kit	
	1001255080	Ref	Panel Carrier Installation	
	1001268573	Ref	Platform Worklights Installation ERT4069 (Factory Installed)	
	1001268575	Ref	Platform Worklights Installation ERT4769 (Factory Installed)	
	1001274349	Ref	Platform Work Light Kit - ERT4069	
	1001274351	Ref	Platform Work Light Kit - ERT4769	
	1001253150	Ref	Rail Mounted Pipe Rack Installation (Factory Installed)	
	1001255478	Ref	Rail Padding Kit - Single	
	1001274430	Ref	Single Beacon Kit	
	1001265875	Ref	SkySense Level 2 Installation	
	1001287887	Ref	Telematics Installation (Dealer Installed)	
	1001274432	Ref	White Noise Alarm Kit	
	1001255082	Ref	Workstation Installation	
	1001281164	Ref	Workstation Kit	
	1001266156	Ref	Service Kits & Tools	A
		Ref	Tools for Service	

SECTION 11 - SPECIAL OPTIONS/ACCESSORIES/KITS

ITEM	PART NUMBER	QTY	DESCRIPTION	REV
	2901443	Ref	Analyzer Kit	
	1001249695	Ref	Analyzer and Cable Kit	
	1001249941	Ref	Analyzer and Cable Kit (Battery Powered)	
	1001137005	Ref	Cable Kit, Software	
	7002821	Ref	Crimper, Wire	
	1001292227	Ref	Ground Control Panel Kit	
	1001291288	Ref	Heavy Duty Pipe Rack	
	7002823	Ref	Pin Extractor - Universal (For Electrical Connectors with Pins and Sockets)	
	4460510	Ref	Pin Extractor - 12-14 Gauge (For Removal of Pin/Sockets from Deutsch Connectors)	
	4460467	Ref	Pin Extractor - 16-18 Gauge (For Removal of Pin/Sockets from Deutsch Connectors)	
	7016654	Ref	Screwdriver, Magnetic	
	7002822	Ref	Screwdriver, Potentiometer	
	7004275	Ref	Seal Tool 1in (For Cylinders)	
	7004276	Ref	Seal Tool 1-1/2in (For Cylinders)	
	7002828	Ref	Stripper, Wire	

SECTION 11 - SPECIAL OPTIONS/ACCESSORIES/KITS

PART NUMBER INDEX

SECTION 11 - SPECIAL OPTIONS/ACCESSORIES/KITS

0100011.....13, 15, 17, 19, 37, 39, 41, 43, 47, 49, 55, 57, 75, 77, 83, 85, 87, 89, 122, 125, 127, 139, 141, 152, 155, 161, 163, 165, 175, 177, 181, 185, 187	0701037 143	100102612 137	1001131270.....311, 321, 327, 337
0100019.....19, 41, 43	0701622 41, 43	1001091102 115, 117, 119	1001132170.....275
0100020.....19, 137	0711220 127	1001093687 343	1001137005.....351
0100035.....19, 75, 77, 81, 137	0711224 13, 15	1001094708 311, 313, 315, 317, 319, 321, 323, 325, 327, 329, 331, 333, 335, 337, 339, 341	1001139141.....17
0100051.....37, 39	0760306 173, 175	1001096070 227, 229, 235, 243	1001139524.....307
0140030.....187	0760507 177, 181	1001097150 243, 245	1001139654.....343
0140043.....111	0760508 19	1001099560 152, 160	1001143501.....208, 212
0275216.....227, 295	0760606 283, 287	1001100341 295	1001143852.....344
0275217.....229, 297	076060893, 99, 103, 107, 129, 149, 157, 177, 181	1001100342 297	1001144295.....258, 263
0275452.....231, 299	0760610 ... 83, 85, 87, 89, 95, 101, 105, 109, 122, 125, 139, 141, 145, 169, 171, 173, 175, 227, 229, 231, 233, 235, 311, 313, 315, 317, 319, 321, 323, 325, 327, 329, 331, 333, 335, 337, 339, 341	1001100345 299	1001145548.....149, 157, 346
0275453.....233, 301	0760612 122	1001100346 303	1001146795.....317, 333
0275454.....235, 303	0760614 15, 83, 85	1001100347 301	1001148902.....350
0275663.....251	0760615 17	1001100451 143	1001148903.....350
0275664.....253	0760806 75, 77	1001102771 .. 37, 39, 346	1001148904.....350
0275665.....255	0760807 13, 15	1001103761 41, 43	1001148905.....350
0275666.....247	0760808 ... 129, 131, 171, 173	1001105091 37	1001148906.....350
0275667.....249	0760810 122, 139, 141	1001106736 258, 263	1001150735.....291
0400201.....143	0760812 ... 37, 39, 41, 43, 75, 77, 149, 157, 171, 173, 175	1001108603 187	1001150889.....291
0440162.....17	0760814 39	1001109892 19	1001151395.....17
0440237.....17	0760815 81	1001110188 ... 83, 85, 87, 89	1001152266.....259, 263
0440241.....152, 160	0761008 171	1001112612 258, 262	1001152483.....245
0440264.....152, 160	0761010 75, 77	1001113961 257, 261	1001152486.....231, 233, 245
0630587 ..19, 87, 89, 111, 113	0761012 ...17, 59, 61, 122	1001116208 343	1001156351.....279
0630615.....177, 181	0761014 59, 61	1001116694 269	1001156541.....265, 267
0641404.....137	0761015 63, 65, 67	1001116732 258, 262, 277	1001157890.....307
0641406.....129, 131	0761217 41, 43	1001116733 258, 262	1001157891.....257, 261
0641408.....129, 131	0761616 13, 15	1001116734 277	1001159186.....258, 262
0641610.....19	0761620 125	1001116808 281	1001161117.....17, 346
0641614.....129, 131	0770812 75, 122, 139, 141	1001116812 308	1001161497.....129, 131
0641812.....19	0771010 75, 77	1001116815 308	1001162112.....323, 339
0681522.....129, 131	0771012 129	1001116816 263	1001162114.....323, 339
0681608.....131	0771014 ... 37, 39, 75, 77, 143	1001117025 258, 262	1001162115.....323, 339
0682013.....19	0771015 13, 15	1001117107 307	1001162864.....311, 313, 315, 317, 319, 321, 323, 325, 327, 329, 331, 333, 335, 337, 339, 341
0700512.....19	0771618 47, 49, 55, 57	1001117110 277, 308	1001166543.....307
0700517.....177, 181	0771619 19	1001117115 307	1001169423.....17
0700612....93, 95, 97, 99, 101, 103, 105, 107, 109, 152, 160	0780608 137	1001118378 277	1001170483...37, 39, 346
0700617 177, 181, 225, 227, 229, 231, 233, 235, 237	0780610 87, 89	1001118511 13, 15	1001170760.....308, 346
0700618.....149, 157	0780612 137	1001118518 13, 15	1001170761.....308, 346
0700619.....177, 181	0860520 ... 311, 313, 315, 317, 319, 321, 323, 325, 327, 329, 331, 333, 335, 337, 339, 341	1001118519 13, 15	1001170762.....277, 308, 346
0700624.....152	0861731 ... 237, 293, 299, 301, 303	1001118878 155	1001170763.....277
0700626.....160	0861781 295, 297	1001119020 281	1001170764.....258, 262, 308
0700812.....137	0861880 243	1001120264 47, 49	1001171295.....277, 308, 346
0700814.....19	0902659 143	1001120328 308	1001171482.....91
0700817.....177, 181	0940049 139, 141	1001120989 343	1001172394.....87, 89
0700818.....177, 181	0961890 13, 15, 17	1001125387 343	1001173703.....343
0700819.....177, 181	0961950.13, 15, 152, 160	1001125677 258, 263, 269, 308	1001174447.....19
0701012.....171, 173, 175	0962220.13, 15, 152, 160	1001125784 259, 263, 291	1001174486.....137
070101541, 43, 149, 152, 157, 160	0962406 160	1001125785 259, 263	1001176469.....87, 89
0701022.....149, 157	100011 173	1001126008 308	1001176626.....187
0701024.....152, 160		1001126245 258, 262, 277, 307	1001181045.....243, 346
0701026.....17, 152, 160		1001126353 307	1001182550.....19, 27
0701027.....160		1001127389 208, 212	1001182680.....91, 143
0701028.....160		1001128128 258, 262, 277	1001182960.....19
0701029.....149, 157		1001130309 47, 49, 51	

SECTION 11 - SPECIAL OPTIONS/ACCESSORIES/KITS

1001184682 113	1001234348..... 122, 139, 141	1001247682..... 187, 189, 346	1001250355 171, 173, 175
1001184852 19	1001236984..... 343	1001247835..... 152, 160	1001250356 171, 173, 175
1001184854 19	1001239224..... 115, 117	1001248039..... 83, 85, 87, 89	1001250520 17
1001186231 259, 263	1001242539..... 115, 117	1001248043..... 122	1001250627 171, 173
1001186489 308, 346	1001243256... 41, 43, 195	1001248064..... 19, 346	1001250637 17
1001186860 37, 39	1001244381..... 169	1001248066..... 19, 346	1001250640 171
1001189171 245, 346	1001244382..... 171	1001248162..... 122	1001250678 111
1001189172 245, 346	1001244391..... 15	1001248176..... 187	1001250682 187
1001189762 149, 157	1001244775..... 31	1001248196..... 13, 15	1001250684 143, 347
1001190577 27	1001244865..... 49, 57	1001248371 81, 346	1001250692 187
1001192401 259, 263	1001244888..... 177	1001248671 193	1001250716 208
1001193336 137	1001244904..... 155	1001248822..... 149	1001250773 208, 212
1001194421 241, 277	1001244932..... 187	1001248823..... 157	1001250829 177, 181
1001195089 17	1001244934.... 15, 83, 85, 87, 89, 152, 160, 346	1001248834..... 13, 15	1001250830 177, 181
1001195137 177, 181	1001245046... 13, 15, 193	1001248840..... 177, 182	1001250886 19, 308
1001196634 262, 308	1001245250..... 169	1001248863... 41, 43, 269	1001250937 308
1001197405 152, 160	1001245381..... 69	1001248868 208, 212	1001250968 208, 212
1001201885 291	1001245440..... 69	1001248871 208, 212	1001251328 169
1001207173 307	1001245459..... 17	1001248933..... 171, 173, 175	1001251440 97
1001207973 103, 105	1001245479..... 171	1001248986..... 177, 182	1001251506 350
1001207974 95, 101	1001245653..... 193	1001248990 171	1001251522 350
1001211777 311, 327	1001246091..... 75	1001248991 171	1001251725 17
1001211779 311, 319, 327, 335	1001246103..... 208	1001249048 283, 285	1001251727 17
1001212268 225, 227, 229, 231, 233, 235, 237	1001246107..... 17, 201	1001249049 187, 291	1001252988 350
1001212359 37, 39	1001246382..... 75	1001249091 149, 157, 305	1001253149 177, 181
1001214029 343	1001246383..... 75, 77	1001249190 285, 289	1001253150 350
1001214174 19, 29	1001246553..... 81	1001249259 187	1001253800 187
1001215447 343	1001246555.... 75, 77, 81	1001249297 17	1001253868 17
1001215747 319, 335	1001246583..... 187	1001249306..... 115	1001253891 308, 346
1001215751 323, 339	1001246584..... 187	1001249307 117	1001254035 307
1001215752 319, 335	1001246658..... 195, 346	1001249309 113	1001254119 187
1001215754 325, 341	1001246823..... 187	1001249310 350	1001254363 343
1001215755 321, 337	1001246859..... 257, 261	1001249341 31	1001254403 ... 83, 87, 89, 257
1001215898 259	1001246863..... 187	1001249342 31	1001254548 83, 85
1001216650 315, 331	1001246864..... 187	1001249343 33	1001254613 225, 227, 229, 231, 233, 235, 237
1001217457 152, 160	1001246885..... 41	1001249344 33	1001254820 283
1001218448 122	1001246886..... 37	1001249352 31, 33, 35	1001254821 39
1001219722 19	1001246979..... 187	1001249353 31	1001254826 350
1001220271 19	1001247019..... 13, 15	1001249354 33	1001254827 122
1001220668 283, 287	1001247313..... 187	1001249407 41, 43	1001254835 37, 39
1001223055 311, 327	1001247353..... 63	1001249610..... 208	1001254880 103, 105
1001223453 311, 327	1001247369..... 149, 152	1001249637 152, 160	1001254881 93, 95
1001223971 321, 337	1001247370..... 157, 160	1001249646 350	1001254882 107, 109
1001224048 323, 339	1001247377..... 152	1001249647 350	1001254883 99, 101
1001224049 325, 341	1001247378..... 161	1001249648 350	1001255001 225
1001224051 319, 335	1001247380.... 41, 43, 45	1001249695 351	1001255002 237
1001224052 315, 331	1001247381.... 75, 77, 79	1001249777 83, 85, 87, 89, 346	1001255003 239
1001225131 37, 39	1001247420..... 19	1001249882 177, 182	1001255004 231
1001226116 327, 329, 331, 333, 335, 337, 339, 341	1001247425..... 63	1001249883 177, 182	1001255005 233
1001226421 91	1001247521..... 149, 157	1001249884 178, 182	1001255006 227
1001226749 187, 346	1001247522..... 152, 160	1001249914 41	1001255007 229
1001226830 149, 157, 275	1001247524..... 152, 160	1001249915 41	1001255008 235
1001227516 .. 41, 43, 346	1001247608..... 37, 39	1001249941 351	1001255057 19, 307
1001228370 321, 337	1001247630..... 75, 77	1001250307 205	1001255058 19
1001228533 152, 160	1001247637..... 122	1001250308 205	1001255061 19
1001231398 307	1001247638..... 122	1001250309 205	1001255062 19
1001231399 307	1001247667..... 149, 157	1001250310 205	1001255063 20
1001231400 307	1001247669..... 149, 152, 157, 160	1001250311 205	1001255064 17
1001231403 307	1001247670..... 152, 160	1001250312 205	1001255067 143, 277
1001231404 307	1001247671..... 149, 157	1001250342... 41, 43, 205	1001255080 350
1001231406 307	1001247672..... 152	1001250353 41, 43	1001255082 350
1001231801 343			

SECTION 11 - SPECIAL OPTIONS/ACCESSORIES/KITS

1001255164.....350	1001257754.....152	1001261118.....227, 229, 231, 233, 235	1001265194.....57
1001255394.....155, 165, 197	1001257755.....152	1001261123.....171, 173, 175	1001265225.....279
1001255422.....137	1001257756.....153	1001261270.....160	1001265226.....279
1001255461.....187	1001257757.....153	1001261273.....161	1001265532.....185
1001255478.....350	1001257758.....153	1001262074.....137	1001265579.....311, 313, 315, 317, 319, 321, 323, 325, 327, 329, 331, 333, 335, 337, 339, 341
1001255526.....17	1001257760.....153, 161	1001262098.....187	1001265580.....311, 313, 315, 317, 319, 321, 323, 325, 327, 329, 331, 333, 335, 337, 339, 341
1001255610.....20	1001257884.....91	1001262140.....71	1001265583.....343
1001255640.....37, 39	1001257885... 83, 85, 87, 89, 91	1001262141.....160, 267	1001265584.....343
1001255641.....37	1001258188.....69, 71	1001262142.....160, 273	1001265593.....343
1001255642.....37	1001258223.....287, 289	1001262179.....161	1001265677...93, 95, 97, 99, 101, 103, 105, 107, 109
1001255643.....37	1001258287.....35	1001262197.....161	1001265678.....107, 109
1001255644.....37, 39	1001258814.....153	1001262198.....161	1001265684.....171, 173, 175
1001255645.....37, 39	1001258837.....137	1001262199.....161	1001265744.....155
1001255815.....122	1001258870.....139	1001262398.....343	1001265761.....155
1001255902.....163, 199	1001258920.....91	1001262399.....177, 181	1001265821.....171, 173, 175
1001256014.....37, 39	1001258923.....287	1001262400.....177, 181	1001265846.....177, 181
1001256021.....37, 39	1001258936.....177, 181	1001262404.....161	1001265848.....152
1001256109.....307	1001259030.....127	1001262407.....161	1001265874.....350
1001256116.....307	1001259031.....137	1001262454.....177, 181	1001265875.....350
1001256128.....152, 155	1001259032.....125	1001262495.....177, 181	1001265916.....185
1001256186.....20	1001259033.....139, 141	1001262581.....59, 61	1001266001..93, 99, 103, 107
1001256187.....20	1001259034.....143	1001262639.....171, 173, 175	1001266156.....350
1001256341.....165	1001259035.....145	1001262640.....171, 173, 175	1001266233...47, 49, 279
1001256372.....122	1001259135.....152, 265	1001262994.....71	1001267649.....119
1001256373.....122	1001259139.....152, 160, 271	1001263081.....71	1001268573.....350
1001256397.....163	1001259201.....137	1001263269.....177, 181	1001268575.....350
1001256453.....37, 39	1001259202.....35	1001263345.....115, 119	1001270098.....149, 152, 157, 160
1001256460.....160, 163	1001259240.....137	1001263442.....241	1001270272.....308
1001256461.....160, 165	1001259284.....49, 57	1001263446.....87, 89	1001271360.....43
1001256561.....65	1001259386.....35	1001263448..87, 89, 241	1001271799.....263
1001256562.....65, 67	1001259429.....49	1001263480.....87, 89	1001272006...37, 39, 346
1001256675.....343	1001259459.....39	1001263557.....59	1001272777...15, 83, 85, 87, 89
1001256676.....343	1001259460.....39	1001263558.....59	1001273525.....75, 77
1001256763.....311, 313, 315, 317, 319, 321, 323, 325, 327, 329, 331, 333, 335, 337, 339, 341	1001259461.....39	1001263596.....59	1001273640.....208
1001256771.....311	1001259497.....152, 160	1001263605.....59	1001274179.....350
1001256772.....323	1001259529.....161	1001263628.....177, 181	1001274180.....350
1001256773.....319	1001259530.....161	1001263629.....177, 181	1001274349.....350
1001256774.....315	1001259531.....161	1001263657.....137	1001274351.....350
1001256775.....325	1001259532.....161	1001263658.....137	1001274430.....350
1001256776.....321	1001259533.....161	1001263662.....149, 157	1001274431.....350
1001256777.....317	1001259534.....161	1001263824.....93, 97, 99	1001274432.....350
1001256778.....313	1001259535.....161	1001263929.....87, 89	1001274495.....43
1001256785.....343	1001259536.....161	1001263930.....122	1001274559.....91, 187
1001256786.....343	1001260251.....208, 212	1001264346.....311, 313, 315, 317, 319, 321, 323, 325, 343	1001277750.....145
1001256792.....343	1001260252.....205	1001264939.....149, 157, 281	1001278112.....127, 129, 131
1001256799.....343	1001260254.....208	1001264964.....327	1001278480.....129, 131, 133
1001256865.....311, 313, 315, 317, 319, 321, 323, 325, 327, 329, 331, 333, 335, 337, 339, 341	1001260334.....122	1001264965.....339	1001280706.....133
1001256875.....208, 212, 346	1001260352.....160	1001264966.....335	1001281162.....350
1001256889.....152	1001260406.....160	1001264967.....331	1001281164.....350
1001257078.....187	1001260485.....13	1001264968.....341	1001282345.....85, 261
1001257079.....187	1001260527.....160	1001264969.....337	
1001257454.....122, 139, 141	1001260528.....160	1001264970.....333	
1001257587.....149, 157	1001260529.....160	1001264971.....329	
1001257688.....122	1001260530..37, 39, 346	1001264973.....327, 329, 331, 333, 335, 337, 339, 341, 343	
1001257689.....122	1001260677.....127	1001265053.....87, 89	
1001257752.....152	1001260678.....143	1001265082.....47, 55	
	1001260781.....20	1001265192.....47	
	1001260897.....152	1001265193.....55	
	1001260903.....143		
	1001260904.....143		
	1001260952.....143		
	1001260953.....143		

SECTION 11 - SPECIAL OPTIONS/ACCESSORIES/KITS

1001283427 69, 71	1320043 17	1705325.....227	3252507 ... 229, 231, 233, 235, 237, 239
1001284972 149, 157	1320135 145	1705670....313, 317, 329, 333	3271501 129, 131
1001285003 77	1320265 137	1705671....313, 317, 329, 333	3290301 173, 175
1001285686 350	1320274 145	1705673....313, 317, 329, 333	3290305 115, 117, 119
1001285717 350	1321293 .93, 95, 99, 101, 103, 105, 107, 109	1705695....311, 319, 327, 335	3290405 ... 149, 157, 187, 225, 227, 229, 231, 233, 235, 237
1001285817 77	1600387 149, 157, 346	1705944.....319, 335	3290406 187
1001287360 75	1671207 293	1706059.....343	3290505 19, 122, 139, 141
1001287887 350	1701214 343	1706060.....343	3290506 177, 181
1001288354 133	1701505 343	1706061.....343	3290605 ... 17, 19, 83, 85, 87, 89, 93, 95, 97, 99, 101, 103, 105, 107, 109, 111, 113, 122, 129, 139, 141, 169, 171, 173, 175, 227, 229, 231, 233, 235, 311, 313, 315, 317, 319, 321, 323, 325, 327, 329, 331, 333, 335, 337, 339, 341
1001288358 133, 135	1701640 ... 311, 313, 315, 317, 319, 321, 323, 325, 327, 329, 331, 333, 335, 337, 339, 341	1706063.....343	3290606 ... 152, 160, 177, 181, 225, 227, 229, 231, 233, 235, 237, 283, 287
1001288363 133	1701785 343	1706064.....343	3290801 ... 37, 39, 75, 77, 122, 137
1001288364 133	1702155 ... 311, 313, 315, 317, 319, 321, 323, 325, 327, 329, 331, 333, 335, 337, 339, 341	1706069.....343	3290805 . 19, 37, 39, 149, 157, 171, 173, 175
1001288385 129	1703464 225	1706679.....91	3290806 ... 171, 173, 177, 181
1001288387 129, 131	1703687 ... 311, 313, 315, 317, 319, 321, 323, 325, 327, 329, 331, 333, 335, 337, 339, 341	1707022.....323, 339	3291005 ... 17, 41, 43, 59, 61, 63, 65, 67, 143
1001288405 129	1703813 311, 313, 315, 317, 319, 321, 323, 325, 327, 329, 331, 333, 335, 337, 339, 341	2080057....311, 313, 315, 317, 319, 321, 323, 325, 327, 329, 331, 333, 335, 337, 339, 341	3291006... 171, 173, 175, 177, 181
1001288419 129, 131	1703816 311, 327	2180348.....137	3291007 ... 149, 152, 157, 160, 171, 173, 175
1001288420 129, 131	1703818 311, 327	2220371 165, 208, 212	3291601 41, 43
1001288421 129, 131	1703819 ... 187, 311, 313, 315, 317, 319, 321, 323, 325, 327, 329, 331, 333, 335, 337, 339, 341	2220372.....149	3292002 171, 173, 175
1001288642 129	1703821 311, 327	2220373.....165	3300048 ... 225, 227, 229, 231, 233, 235, 237, 239
1001288644 129	1703822 ... 311, 313, 315, 317, 319, 321, 323, 325	2220415.... 165, 208, 212	3300106 31, 33, 35
1001288851 129, 131	1704277 ... 311, 313, 315, 317, 319, 321, 323, 325, 327, 329, 331, 333, 335, 337, 339, 341	2220466.....163, 205	3310801 131
1001288871 61	1704286 343	2220472.....205	3311005 . 93, 97, 99, 103, 107
1001288872 61	1704339 325, 341	2220473.... 155, 163, 205	3311405 129, 131
1001289663 350	1704340 321, 337	2220490.....205	3311501 122, 139, 141
1001290307 129	1704341 315, 331	2220500.....157	3311502 122, 139, 141
1001290309 125	1704344 319, 335	2220504.....205	3311505 47, 49
1001290310 139	1704368 343	2220582.....208, 212	3311605 129, 131
1001290338 125	1704371 343	2220794.....137	3321402 152
1001290343 139	1704373 343	2220805.....129, 131	3331211 41, 43, 127
1001290345 145	1704412 ... 311, 313, 315, 317, 319, 321, 323, 325, 327, 329, 331, 333, 335, 337, 339, 341	2220852.....208, 212	3331611 ... 19, 47, 49, 55, 57, 125
1001290347 145	1704428 343	2220883.... 193, 208, 212	3422592 13, 15
1001290351 139	1704484 321, 337	2220885.....193	3422744 177, 181
1001291006 129	1704687 321, 337	2220886.... 193, 208, 212	3422938 149, 157
1001291027 129, 139	1704690 343	2220891.....208, 212	3422943 149, 157
1001291288 351	1704691 325, 341	2220940.....208, 212	3423151 152, 160
1001292227 351	1704694 325, 341	2220947 208, 212	3430636 173, 175
1001292989 173, 175	1704697 343	2221040.....208, 212	3431622 17
1001292991 173	1704698 343	2221047.....137	3450303 187
1001292993 173	1704699 315, 331	2221069.....208, 212	3450304 152, 160
1001293088 39	1704702 315, 331	2221086.....208, 212	3450405 152
1001293198 181	1704772 343	2400066.....257, 261	3450608 17
1001293199 181	1704972 343	2540045...47, 49, 95, 101, 105, 109, 137, 169	
1001293200 181	1705040 321, 337	2560088.....177, 181	
1001293326 131	1705041 325, 341	2560176.....177, 181	
1001293537 181	1705043 315, 331	2600216.... 122, 139, 141	
1001293585 141	1705084 343	2600253.....177, 181	
1001293586 141	1705194 319, 335	2600285.....177, 181	
1001293686 131	1705195 319, 335	2720058.... 129, 131, 137	
1001293687 131		2720271 129, 131, 137	
1001293716 350		2780282..... 19, 23	
1001293904 212		2860030.....91, 346	
1001293905 212		2901443.....351	
1001293906 212		2902431 225, 293	
1001293907 212		2940074.... 177, 181, 346	
1001293914 141		2940127..... 177, 181	
1001293918 141		3020029..... 149, 157	
1001294378 67		3020037.....77	
1001294421 177, 181		3200425.....127	
1001294774 141			
1001294785 131			
1001294815 343			
1001296482 343			
1001298937 175			
1001298938 175			
1060908 243, 245			
1061020 149, 157			
1120485 350			

SECTION 11 - SPECIAL OPTIONS/ACCESSORIES/KITS

3520026.....91	4460464 37, 39, 113, 241,	4460933 ... 257, 258, 261,	317, 319, 321, 323,
3520072.....177, 181	257, 258, 261, 262,	262, 263, 269, 275,	325, 327, 329, 331,
3537609.....177, 181	265, 267, 269, 273,	281, 307	333, 335, 337, 339, 341
3760493.....152, 160	277, 281, 285, 289,	4460942 258, 262, 307	4811702.... 19, 83, 85, 87,
3841143.....17	291, 305, 307, 308	4460943 ... 257, 258, 261,	89, 93, 95, 99, 101,
3841258.....13, 15	4460465 ... 115, 117, 241,	262, 265, 267, 281,	103, 105, 107, 109,
3900394.... 171, 173, 175	257, 258, 261, 262,	285, 289, 291	122, 125, 139, 141,
3911012.93, 99, 103, 107	263, 265, 267, 269,	4460944 ... 257, 258, 261,	145, 227, 229, 231,
3911014.....97	271, 273, 275, 277,	262, 265, 267, 275,	233, 235
3960389.... 129, 131, 139,	281, 285, 289, 307, 308	285, 289, 305, 307, 308	4811900.... 13, 15, 37, 39,
141	4460466 ... 241, 257, 258,	4460945 308	41, 75, 77, 81, 122,
3960418.....129, 131	261, 262, 263, 269,	4460950 269	129, 131, 171, 173,
3980035.....143	275, 277, 281, 285,	4460956 243	175, 177, 181
4010308.... 115, 117, 119	289, 291, 307, 308	4460957 243	4811902.... 19, 43, 75, 77,
4010403.... 83, 85, 87, 89	4460467 351	4460968 227, 229	122, 137, 139, 141,
4010405002.....187	4460497 291	4460970 ... 257, 261, 269,	145, 149, 157, 177, 181
4010408.... 225, 227, 229,	4460510 351	285, 289	4812000.... 41, 43, 59, 61,
231, 233, 235, 237	4460516 27	4460984 259, 263	75, 77, 129, 143, 149,
4010414.....187	4460518 275, 281	4461008 307	157, 171, 173, 175,
4010615.... 15, 83, 85, 87,	4460536 241, 257, 261	4461016 291	177, 181
89	4460539 ... 241, 258, 262,	4461054 307	4812002.... 37, 39, 63, 65,
4010618.....177, 181	269, 307, 308	4461070 308	67, 75, 77, 122
4031510.....187	4460662 ... 231, 233, 235,	4461095 307	4812100..... 41, 43
4031511.....149, 157	293	4461196 247, 295	4831900..... 37, 39
4031608..... 19, 37, 39	4460705 277	4461198 295	4846181..... 177, 181
4031707..... 17, 19, 155	4460752 281	4461199 249, 297	4872000..... 19
4031713.....163	4460754 ... 257, 261, 265,	4461201 297	4891600..... 19
4031720.....165	267, 285, 289	4461205 ... 251, 253, 299,	4892000..... 19
4031920.....41, 43	4460761 257, 261, 275	301	5241000.13, 15, 129, 131
4060802.....91	4460802 97	4461244 299	5241200..... 13, 15, 127
4160214.....187	4460803 97	4461245 301	5241600.... 19, 41, 43, 47,
4240017.... 17, 41, 43, 87,	4460805 99, 101	4461246 303	49, 55, 57, 125
89, 225, 227, 229, 231,	4460806 258, 262	4461249 255, 303	5250608..... 127, 129
233, 235, 237, 239	4460836 257, 261, 275	4640858 193	5250810..... 127
4240018.... 143, 149, 152,	4460871 ... 257, 258, 261,	4641122 31, 33, 35	5250812..... 69, 71
157, 160, 283, 287	262, 291, 307, 308	4711000 37, 39	5260600 87, 89, 127, 137,
4240084..... 19	4460872 ... 258, 262, 308	4711400 ... 129, 131, 137,	143
4360387 .. 87, 89, 91, 143,	4460873 ... 257, 261, 291,	152	5260800..... 127
347	307	4711500 ... 122, 129, 131,	70000082..... 189
4360469.....91, 347	4460874 258, 262	139, 141	70000084..... 189
4360475.....91, 187, 346	4460875 257, 261	4711600 131	70000313..... 346
4360476.....241	4460876 258, 262	4711800 19	70000318..... 346
4360524.....91, 347	4460878 257, 261	4712600 17	70000319..... 346
4420051..... 41, 43, 343	4460884 ... 257, 258, 261,	4740229 13, 15	70000321..... 133
4420062.... 171, 173, 175	262, 263, 281, 305	4740274 127	70000322..... 133, 346
4420070.....63, 65, 67	4460887 257, 261	4740480 152, 160	70000323..... 133, 346
4460019.....308	4460891 ... 115, 117, 241,	4751400 129, 131	70000326..... 346
4460043.....241	257, 261, 263, 269,	4751500 47, 49, 152, 160	70000328..... 133
4460071.... 225, 227, 229,	271, 273, 289, 308	4751600 ... 129, 131, 173,	70000329..... 346
231, 233, 235, 237, 239	4460892 269, 308	175	70000330..... 346
4460138.....225	4460893 258, 263	4761500 129, 131	70000683..... 189
4460144.....258, 262	4460894 ... 258, 262, 269,	4811400 ... 149, 157, 187,	70000684..... 189
4460183.... 241, 258, 262,	307	225, 227, 229, 231,	70000685..... 189
291	4460897 37, 39, 113, 241,	233, 235, 237	70000686..... 189
4460225.....277	257, 261, 273, 277, 308	4811600 ... 19, 93, 97, 99,	70001250..... 189
4460227 257, 261	4460905 ... 257, 258, 261,	103, 107, 122, 139,	70001251..... 189
4460259.....258, 262	262, 291, 307, 308	141, 177, 181	70001252..... 189
4460260.... 258, 262, 263	4460911 269, 291	4811602 177, 181	70001253..... 189
4460265.....291	4460917 275	4811700 ... 15, 83, 85, 87,	70001365..... 13, 15
4460267.....291	4460918 281, 291	89, 93, 95, 97, 99, 101,	70001366..... 23
4460294.....275	4460928 ... 258, 262, 277,	103, 105, 107, 109,	70001367..... 23
4460315.... 225, 227, 229,	281	111, 113, 129, 149,	70001368..... 24
231, 233, 235, 237	4460929 275	152, 157, 160, 169,	70001369..... 23
4460346.....293	4460930 ... 258, 262, 263,	171, 173, 175, 177,	70001370..... 23
4460374.....277	307	181, 187, 225, 227,	70001371..... 23
4460418.....258, 262	4460931 307	229, 231, 233, 235,	70001372..... 23
	4460932 305	237, 311, 313, 315,	70001373..... 23

SECTION 11 - SPECIAL OPTIONS/ACCESSORIES/KITS

70001374	23	70003587	51	70005406.....	27	7002828	351
70001375	23	70003588	51	70005407.....	27, 346	7004275	351
70001376	23	70003589	51	70005408.....	27	7004276	351
70001377	23	70003590	51	70005409.....	27	70046028. 311, 313, 315,	
70001378	23	70003591	51	70005410.....	27	317, 319, 321, 323,	
70001379	23	70003592	51	70005411.....	27	325, 327, 329, 331,	
70001380	24	70003593	51	70005412.....	27	333, 335, 337, 339, 341	
70001965	41, 43, 346	70003594	51	70005415.....	19	7007640	23
70002386	79	70003595	52	70006786.....	79	7012925	79
70002770	51	70003596	52	70007035.....	81, 346	7016654	351
70002771	51	70003597	52	70007506.....	189	7017007	24
70002774	51	70003598	52	70007607.....	201	7017009	23
70002776	51	70003599	52	70007608.....	201	7017022	23
70002777	51	70003600	52	70007609.....	201	7017402	79
70002783	51	70003601	52	70007610.....	201	7020033	29
7000281	23	70003602	52	70007618.....	193	7020035	29
70003507	51	70003603	52	70007679.....	193	7020036	29
70003558	51	70003604	52	70007709.....	195	7020037	29
70003559	51	70003605	52	70007710.....	195	7020038	29
70003560	51	70003618	133	70007711.....	195	7020039	29
70003561	51	70003619	133	70007712.....	195	7020040	29
70003562	51	70003789	79	70007715.....	197	7020041	29
70003563	51	70004809	27	70007760.....	45	7020175	91, 187
70003564	51	70004811	27	70007761.....	45	7020176	91, 187, 346
70003565	51	70004820	27	70007762.....	45	7024497	41, 43
70003566	51	70005385	27	70007764.....	79	7024502	13, 15, 41, 43
70003567	51	70005386	27	70007768.....	79	7024506	41, 43
70003568	51	70005387	27	70007769.....	79	7024738	23
70003569	51	70005388	27	70007771.....	79	7024741	23
70003570	51	70005389	27	70007772.....	79	7027365	189
70003571	51	70005390	27	70007773.....	79	7027367	189
70003572	51	70005391	27	70007774.....	79	7027388	51
70003573	51	70005392	27	70007947.....	197	7027391	51
70003574	51	70005393	27	70007948.....	197	7027395	51
70003575	51	70005394	27, 346	70007949.....	197	7027398	51
70003576	51	70005395	27	70007950.....	197, 199	7027628	13, 15
70003577	51	70005396	27	70008568.....	199	7027765	189
70003578	51	70005397	27	70008569.....	199	7027766	189
70003579	51	70005398	27	70008570.....	199	80630	129, 131, 137
70003580	51	70005399	27	70008571.....	199	8220051	291
70003581	51	70005400	27	70008572.....	199	8229242	262
70003582	51	70005401	27	7001626.....	201	8229244	261
70003583	51	70005402	27	7001630.....	201	83451104.....	208, 212
70003584	51	70005403	27	7002821.....	351		
70003585	51	70005404	27	7002822.....	351		
70003586	51	70005405	27	7002823.....	351		



**Corporate Office
JLG Industries, Inc.
1 JLG Drive
McConnellsburg, PA 17233-9533 USA
☎ (717) 485-5161 (Corporate)
☎ (877) 554-5438 (Customer Support)
📠 (717) 485-6417**

**Visit our website for JLG Worldwide Locations.
www.jlg.com**



OSHKOSH™