



Illustrated Parts Manual

**Model
ES1530L**

**PVC
2204**

**P/N
31220311
February 1, 2023 - Rev C**

ANSI

CE



**UK
CA**

AS/NZS

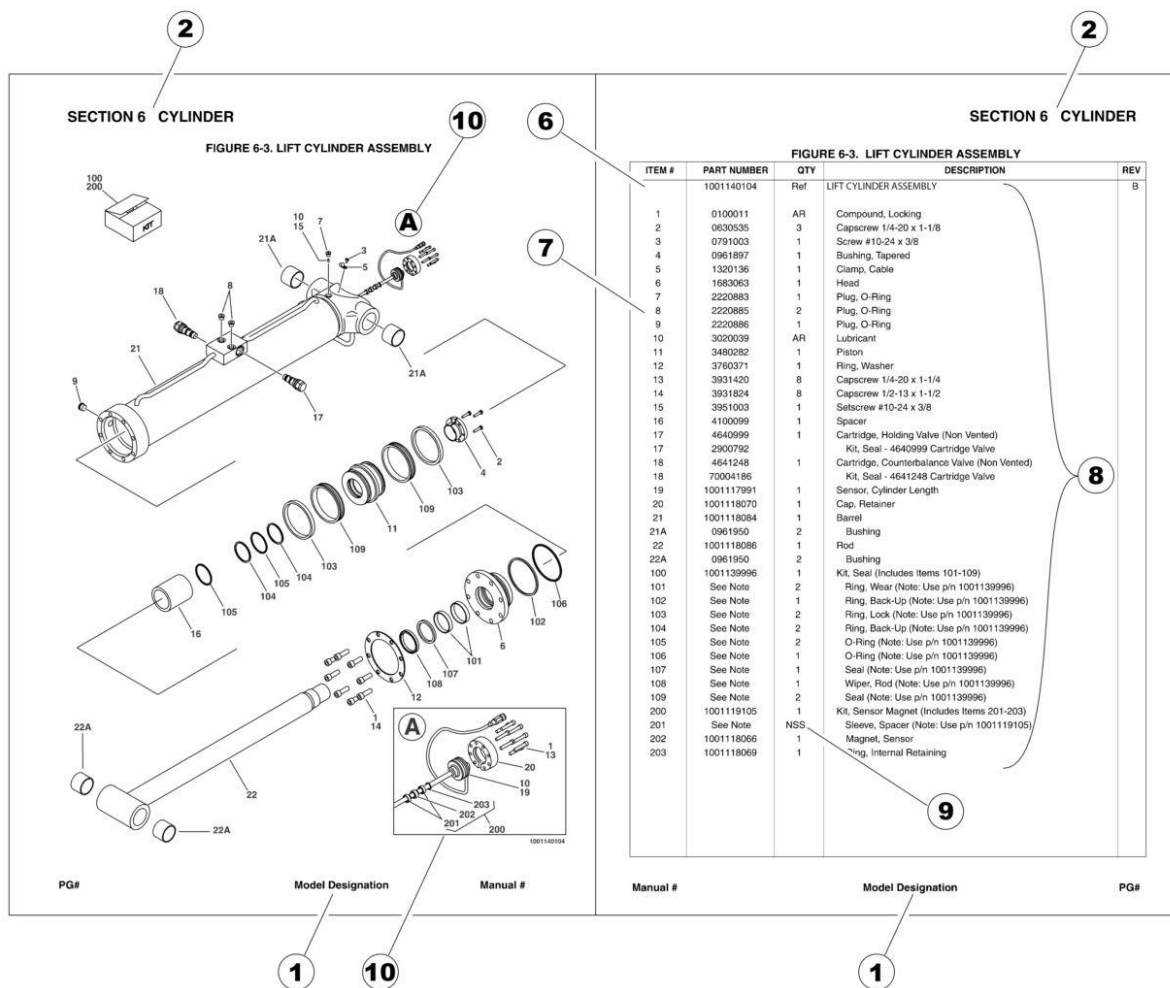


An Oshkosh Corporation Company

REVISION LOG

April 4, 2022 - A - Original Issue of Manual (Edited to 1001250000 Rev P)
October 10, 2022 - B - Revised Manual (Edited to 1001250000 Rev R)
February 1, 2023 - C - Revised Manual (Edited to 1001250000 Rev R)

GENERAL INFORMATION



1) MACHINE IDENTIFICATION

Machines are identified by model and in some cases a combination of models, serial number (SN) or regional standard (i.e ANSI, CE, CSA). Components may also be identified by SN or manufacturer. Common components that may be identified by these characteristics are engines and hydraulic components.

2) PARTS MANUAL ORGANIZATION

Product information in this manual is organized under section titles. Frame, Cylinder, Hydraulic and Electrical are a few examples. Each section is organized by figure and page number. The information within the Figure is then organized by item number, part number, description and corresponding illustration (s).

3) TABLE OF CONTENTS (NOT SHOWN)

A table of contents is found toward the beginning of the manual. Figure number, description and page number are provided for quick reference to the page containing the related information.

4) RECOMMENDED SPARE PARTS (NOT SHOWN)

The Recommended Spare Parts List, located near the end of the manual, reference most frequently used maintenance parts.

5) PART NUMBER INDEX (NOT SHOWN)

A numerical index listing all part numbers and the corresponding page number(s) appears at the back of the manual.

GENERAL INFORMATION

6) NON-SERVICED PARTS

In some instances, it is necessary to display non-serviced parts, assemblies or installations. In the case of assemblies and installations there will be a Ref in the Qty. column. In case of parts that are not available for service within assemblies or components, there will be a NSS (Not Sold Separately) or NLA (No Longer Available) listed in the Qty. column of the manual.

7) PARTS LIST ITEM NUMBERS

Numbers shown in the item# column correspond to numbers used in the associated illustration (s). Item numbers which are missing from the sequence in the parts list are not used on that page.

8) INDENTED PARTS DESCRIPTION

An indented part description is included in the item under which it is indented.

9) ABBREVIATION AND SYMBOLS

AC.....	Alternating Current	L.....	Liter
ADE.....	Advanced Design Electronics	LB(LBS).....	Pounds
AG.....	Agricultural	LCD.....	Liquid Crystal Display
ANSI.....	American National Standards Institute	LED.....	Light Emitting Diodes
AR.....	As Required	LH.....	Left Hand
ASSY.....	Assembly	LRC.....	Low Rated Countries
AUS.....	Australia	LSS.....	Load Sensing System
AUX.....	Auxiliary	M(m).....	Metric/Meter
AWG.....	American Wire Gauge	MM(mm).....	Milimeter
B/M.....	Bill of Material	mA.....	Miliamps
CAC.....	Charge Air Cooler	NLA.....	No Longer Available
CE.....	European Conformity	NPT.....	National Pipe Threads
CCW.....	Counter Clockwise	NSS.....	Not Sold Separately
CM.....	Centimeter	OD.....	Outside Diameter
CW.....	Clockwise	ORB.....	O-Ring Boss
CSA.....	Canadian Standards Association	ORFS.....	O-Ring Face Seal
CYL.....	Cylinder	OZ (oz).....	Ounces
DIA.....	Diameter	PG.....	Page
DC.....	Direct Current	PN.....	Part Number
DEF.....	Diesel Exhaust Fluid	QT(qt.).....	Quarts
EMS.....	Emergency Stop	QTY.....	Quantity
ENG.....	Engine	REF.....	Reference
FT(ft).....	Feet	REV.....	Revision Level
GA(Ga).....	Gauge	RH.....	Right Hand
HRC.....	High Rated Countries	SAE.....	Society of Automotive Engineers
HVAC.....	Heating, Ventilating, and Air Conditioning	SN.....	Serial Number
HYD.....	Hydraulic	SPEC(S).....	Specifications
Hz.....	Hertz	T/T.....	Turntable
ID.....	Inside Diameter	UGM.....	Universal Ground Module
IN.....	inches	V.....	Volts
ISO.....	International Organization for Standards	W.....	Watts
JIC.....	Joint Industry Council	#.....	Number
KG.....	Kilogram		

10) ILLUSTRATION REFERENCE LETTERS

When necessary, illustrations may contain reference letters that are intended to track information (i. e. hoses, harnesses) from one point to another or to track visual enlargement of components to show details that may be located in another area on the illustration.

Note: Due to continuous product improvements, JLG Industries, Inc. reserves the right to make specification changes without prior notification. Contact JLG Industries, Inc. for updated information.

TABLE OF CONTENTS

SECTION 1 - FRAME.....	11
FIGURE 1-1. STEER INSTALLATION.....	12
FIGURE 1-2. DRIVE COMPONENTS INSTALLATION - MACHINES WITH SN STARTING WITH B2 AND M2 (Prior to SN M200012111)	14
FIGURE 1-3. DRIVE COMPONENTS INSTALLATION - MACHINES WITH SN STARTING WITH M2 (SN M20001211 to Present)	16
FIGURE 1-4. DRIVE MOTOR ASSEMBLY - MACHINES WITH SN STARTING WITH B2 AND M2 (Prior to SN M200012111) ..	18
FIGURE 1-5. DRIVE MOTOR ASSEMBLY - MACHINES WITH SN STARTING WITH M2 (SN M20001211 to Present).....	20
FIGURE 1-6. DRIVE MOTOR ASSEMBLY - MACHINES WITH SN STARTING WITH M2 (SN M20001211 to Present).....	22
FIGURE 1-7. TIRE/WHEEL INSTALLATION.....	24
FIGURE 1-8. POTHOLE PROTECTION SYSTEM INSTALLATION	26
FIGURE 1-9. TILT SENSOR INSTALLATION	28
FIGURE 1-10. BATTERY CHARGER INSTALLATION - DELTA-Q (LESS AC CABLE)	30
FIGURE 1-11. BATTERY CHARGER INSTALLATION - DELTA-Q WITH CAN TERMINAL (LESS AC CABLE).....	32
FIGURE 1-12. BATTERY CHARGER INSTALLATION - GREEN POWER (LESS AC CABLE).....	34
FIGURE 1-13. STROBE LIGHT INSTALLATION - SINGLE (AMBER) (WITH GUARD).....	36
FIGURE 1-14. STROBE LIGHT INSTALLATION - DUAL (AMBER) (WITH GUARD)	38
FIGURE 1-15. ALARM INSTALLATION (AMBIENT/WHITE NOISE)	40
FIGURE 1-16. LADDER INSTALLATION (ALL SPECS EXCEPT JAPANESE SPECS)	42
FIGURE 1-17. LADDER INSTALLATION (JAPANESE SPECS).....	44
FIGURE 1-18. FRAME COVER INSTALLATION	46
SECTION 2 - GROUND CONTROLS	49
FIGURE 2-1. HYDRAULIC COMPONENT INSTALLATION.....	50
FIGURE 2-2. MOTOR/PUMP/TANK ASSEMBLY.....	52
FIGURE 2-3. CLEANGUARD INSTALLATION.....	54
FIGURE 2-4. ELECTRICAL COMPONENTS INSTALLATION (WITHOUT LSS)(WITH METAL E-STOP)	56
FIGURE 2-5. ELECTRICAL COMPONENTS INSTALLATION (WITHOUT LSS)(WITH PLASTIC E-STOP)	58
FIGURE 2-6. ELECTRICAL COMPONENTS INSTALLATION (WITH LSS) (Prior to SN B200079316, Prior to SN M200064531, Except SN B200079181 through B200079260, Except SN B200079304 through B200079308)	60
FIGURE 2-7. ELECTRICAL COMPONENTS INSTALLATION (WITH LSS) (SN B200079181 through B200079260, SN B200079304 through B200079308, SN B200079316 to Present, SN M200064531 to Present)	62
FIGURE 2-8. MOBILE CONTROL INSTALLATION.....	64
FIGURE 2-9. MDI INSTALLATION.....	66
FIGURE 2-10. BATTERIES INSTALLATION - STANDARD BATTERIES WITHOUT DISCONNECT.....	68
FIGURE 2-11. BATTERIES INSTALLATION - STANDARD BATTERIES WITH DISCONNECT	70
FIGURE 2-12. BATTERIES INSTALLATION - AGM BATTERIES WITHOUT DISCONNECT	72
FIGURE 2-13. BATTERIES INSTALLATION - AGM VISION BATTERIES WITHOUT DISCONNECT	74
FIGURE 2-14. BATTERIES INSTALLATION - AGM BATTERIES WITH DISCONNECT	76
FIGURE 2-15. BATTERIES INSTALLATION - AGM VISION BATTERIES WITH DISCONNECT.....	78
FIGURE 2-16. DOORS INSTALLATION	80
SECTION 3 - SCISSOR ARMS.....	83
FIGURE 3-1. SCISSOR ARMS INSTALLATION (WITHOUT LSS)	84
FIGURE 3-2. SCISSOR ARMS INSTALLATION (WITH LSS).....	88
FIGURE 3-3. ARM GUARDS INSTALLATION	92
SECTION 4 - PLATFORM.....	95
FIGURE 4-1. PLATFORM INSTALLATION	96
FIGURE 4-2. PLATFORM EXTENSION INSTALLATION	98
FIGURE 4-3. RAILS INSTALLATION (1.0M TUBE IN TUBE)	100
FIGURE 4-4. RAILS INSTALLATION (1.1M TUBE IN TUBE)	102
FIGURE 4-5. RAILS INSTALLATION (SIDE BY SIDE)	104
FIGURE 4-6. GATE LATCH INSTALLATION	106
FIGURE 4-7. PLATFORM CONSOLE INSTALLATION (ALL SPECS).....	108
FIGURE 4-8. DRIVE/STEER CONTROLLER ASSEMBLY	110
FIGURE 4-9. PLATFORM CONTROL PLUG INSTALLATION	112
SECTION 5 - CYLINDER.....	115
FIGURE 5-1. LIFT CYLINDER ASSEMBLY	116
FIGURE 5-2. STEER CYLINDER ASSEMBLY.....	118

TABLE OF CONTENTS

SECTION 6 - HYDRAULIC	121
FIGURE 6-1. HYDRAULIC DIAGRAM	122
SECTION 7 - ELECTRICAL.....	125
FIGURE 7-1. AC BOX AT PLATFORM INSTALLATION - 110V GFI (ALL SPECS EXCEPT CE & UK CA SPECS).....	126
FIGURE 7-2. AC BOX AT PLATFORM INSTALLATION - 110V IEC YELLOW (CE & UK CA SPECS).....	128
FIGURE 7-3. AC BOX AT PLATFORM INSTALLATION - 220V IEC BLUE (CE & UK CA SPECS)	130
FIGURE 7-4. AC BOX AT PLATFORM INSTALLATION - 220V CEE7 POST GROUND (CE & UK CA SPECS)	132
FIGURE 7-5. AC BOX AT PLATFORM INSTALLATION - 220V CEE7 SIDE GROUND (CE & UK CA SPECS).....	134
FIGURE 7-6. AC BOX AT PLATFORM INSTALLATION - 220V AFSINT 107 (CE & UK CA SPECS).....	136
FIGURE 7-7. AC BOX AT PLATFORM INSTALLATION - 220V AUSTRALIAN PLUG (AUSTRALIAN SPECS)	138
FIGURE 7-8. AC BOX AT PLATFORM INSTALLATION - 220V CHINA PLUG (CHINA SPECS).....	140
FIGURE 7-9. AC BOX AT PLATFORM INSTALLATION - 220V LOCALLY SUPPLIED	142
FIGURE 7-10. BREAKER BOX KIT WITH 1 DOUBLE BREAKER (AUSTRALIAN SPECS).....	144
FIGURE 7-11. BREAKER BOX KIT WITH 1 DOUBLE BREAKER (CE & UK CA SPECS).....	146
FIGURE 7-12. BREAKER BOX KIT WITH 3 BREAKER	148
FIGURE 7-13. CAN SPLICE HARNESS	150
FIGURE 7-14. CHARGER HARNESS	152
FIGURE 7-15. CHARGER PLUG INSTALLATION (LOCALLY SUPPLIED PLUG) (ALL SPECS EXCEPT ANSI & AUSTRALIAN SPECS).....	154
FIGURE 7-16. CHARGER PLUG INSTALLATION (110V PLUG) (ANSI & CSA SPECS).....	156
FIGURE 7-17. CHARGER PLUG INSTALLATION (AUSTRALIAN PLUG) (AUSTRALIAN SPECS)	158
FIGURE 7-18. CHARGER PLUG INSTALLATION (110V IEC YELLOW PLUG) (CE & UK CA SPECS).....	160
FIGURE 7-19. CHARGER PLUG INSTALLATION (220V IEC BLUE PLUG) (CE & UK CA SPECS)	162
FIGURE 7-20. CHARGER PLUG INSTALLATION (220V CEE7 PLUG) (CE & UK CA SPECS)	164
FIGURE 7-21. CHARGER PLUG INSTALLATION (220V AFSINT107 PLUG) (CE & UK CA SPECS).....	166
FIGURE 7-22. CHARGER PLUG INSTALLATION (CHINA PLUG) (CHINA SPECS).....	168
FIGURE 7-23. CHARGER PLUG INSTALLATION (KOREAN PLUG) (KOREAN SPECS).....	170
FIGURE 7-24. CHASSIS HARNESS (WITHOUT LSS)(WITH METAL E-STOP)	172
FIGURE 7-25. CHASSIS HARNESS (WITHOUT LSS) (WITH PLASTIC E-STOP)	176
FIGURE 7-26. CHASSIS HARNESS (WITH LSS) (Prior to SN B200079316, Prior to SN M200064531, Except SN B200079181 through B200079260, Except SN B200079304 through B200079308).....	180
FIGURE 7-27. CHASSIS HARNESS (WITH LSS) (SN B200079181 through B200079260, SN B200079304 through B200079308, SN B200079316 to Present, SN M200064531 to Present)	184
FIGURE 7-28. DRIVE CONTROL HARNESS.....	188
FIGURE 7-29. GROUND TO PLATFORM CABLE INSTALLATION - WITHOUT PLATFORM COIL CABLE/WITHOUT AC CABLE/WITHOUT FOOTSWITCH.....	190
FIGURE 7-30. GROUND TO PLATFORM CABLE INSTALLATION - WITHOUT PLATFORM COIL CABLE/WITH AC CABLE/WITHOUT FOOTSWITCH.....	192
FIGURE 7-31. GROUND TO PLATFORM CABLE INSTALLATION - WITHOUT PLATFORM COIL CABLE/WITH AC CABLE/WITHOUT FOOTSWITCH (AUSTRALIAN SPECS).....	194
FIGURE 7-32. GROUND TO PLATFORM CABLE INSTALLATION - WITHOUT PLATFORM COIL CABLE/WITHOUT AC CABLE/WITH FOOTSWITCH	196
FIGURE 7-33. GROUND TO PLATFORM CABLE INSTALLATION - WITHOUT PLATFORM COIL CABLE/WITH AC CABLE/WITH FOOTSWITCH	198
FIGURE 7-34. GROUND TO PLATFORM CABLE INSTALLATION - WITH PLATFORM COIL CABLE/WITHOUT AC CABLE/WITHOUT FOOTSWITCH.....	200
FIGURE 7-35. GROUND TO PLATFORM CABLE INSTALLATION - WITH PLATFORM COIL CABLE/WITH AC CABLE/WITHOUT FOOTSWITCH.....	202
FIGURE 7-36. GROUND TO PLATFORM CABLE INSTALLATION - WITH PLATFORM COIL CABLE/WITH AC CABLE/WITHOUT FOOTSWITCH (AUSTRALIAN SPECS).....	204
FIGURE 7-37. GROUND TO PLATFORM CABLE INSTALLATION - WITH PLATFORM COIL CABLE/WITHOUT AC CABLE/WITH FOOTSWITCH	206
FIGURE 7-38. GROUND TO PLATFORM CABLE INSTALLATION - WITH PLATFORM COIL CABLE/WITH AC CABLE/WITH FOOTSWITCH.....	208
FIGURE 7-39. LIFT DOWN HARNESS (WITHOUT LSS).....	210
FIGURE 7-40. LIFT DOWN HARNESS (WITH LSS)	212
FIGURE 7-41. PLATFORM CONTROL BOX HARNESS	214
FIGURE 7-42. RECEPTACLE BOX KIT - 110V GFI	216
FIGURE 7-43. RECEPTACLE BOX KIT - 110V IEC YELLOW (CE & UK CA SPEC).....	218
FIGURE 7-44. RECEPTACLE BOX KIT - 220V IEC BLUE (CE & UK CA SPEC)	220
FIGURE 7-45. RECEPTACLE BOX KIT - 220V CEE7 POST GROUND (CE & UK CA SPEC).....	222
FIGURE 7-46. RECEPTACLE BOX KIT - 220V CEE7 SIDE GROUND (CE & UK CA SPEC)	224
FIGURE 7-47. RECEPTACLE BOX KIT - 220V AFSINT 107 (CE & UK CA SPEC)	226
FIGURE 7-48. INVERTER INSTALLATION	228

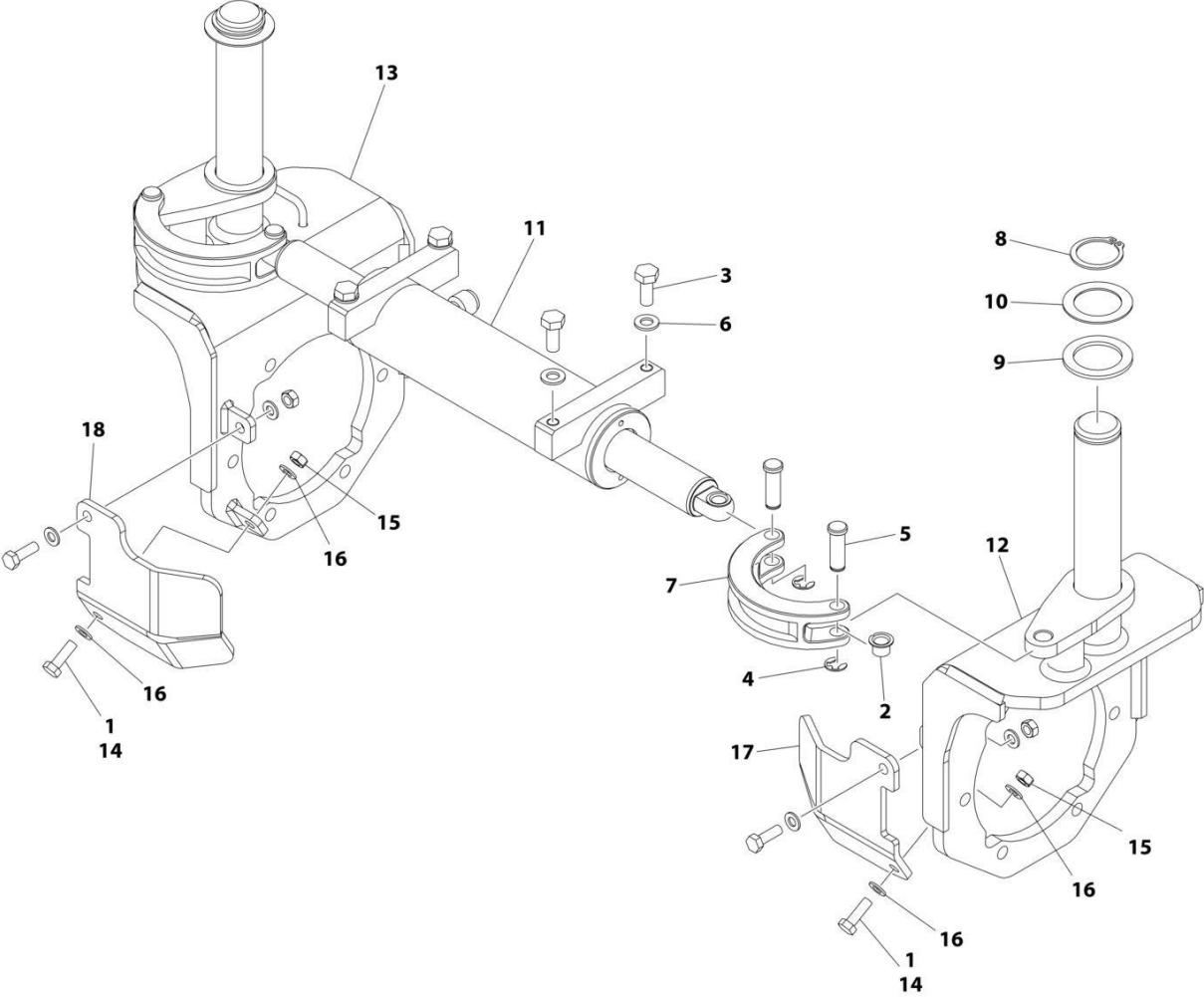
TABLE OF CONTENTS

FIGURE 7-49. HARNESS, AC EXTENSION	230
FIGURE 7-50. HARNESS, INVERTER.....	232
SECTION 8 - DECALS.....	235
FIGURE 8-1. DECALS INSTALLATION (ANSI SPECS)	236
FIGURE 8-2. DECALS INSTALLATION (CE & UK CA SPECS)	240
FIGURE 8-3. DECALS INSTALLATION (CHINA SPECS).....	244
FIGURE 8-4. DECALS INSTALLATION (CSA SPECS)	248
FIGURE 8-5. DECALS INSTALLATION (JAPANESE SPECS)	252
FIGURE 8-6. DECALS INSTALLATION (KOREAN SPECS).....	256
FIGURE 8-7. DECAL INSTALLATION - OPTIONS	260
SECTION 9 - RECOMMENDED SERVICE PARTS STOCK	263
FIGURE 9-1. RECOMMENDED SERVICE PARTS STOCK	264
SECTION 10 - SPECIAL OPTIONS/ACCESSORIES/KITS	265
FIGURE 10-1. SPECIAL OPTIONS/ACCESSORIES/KITS	266
PART NUMBER INDEX	269

SECTION 1 - FRAME

SECTION 1 - FRAME

FIGURE 1-1. STEER INSTALLATION



ART_1001243106

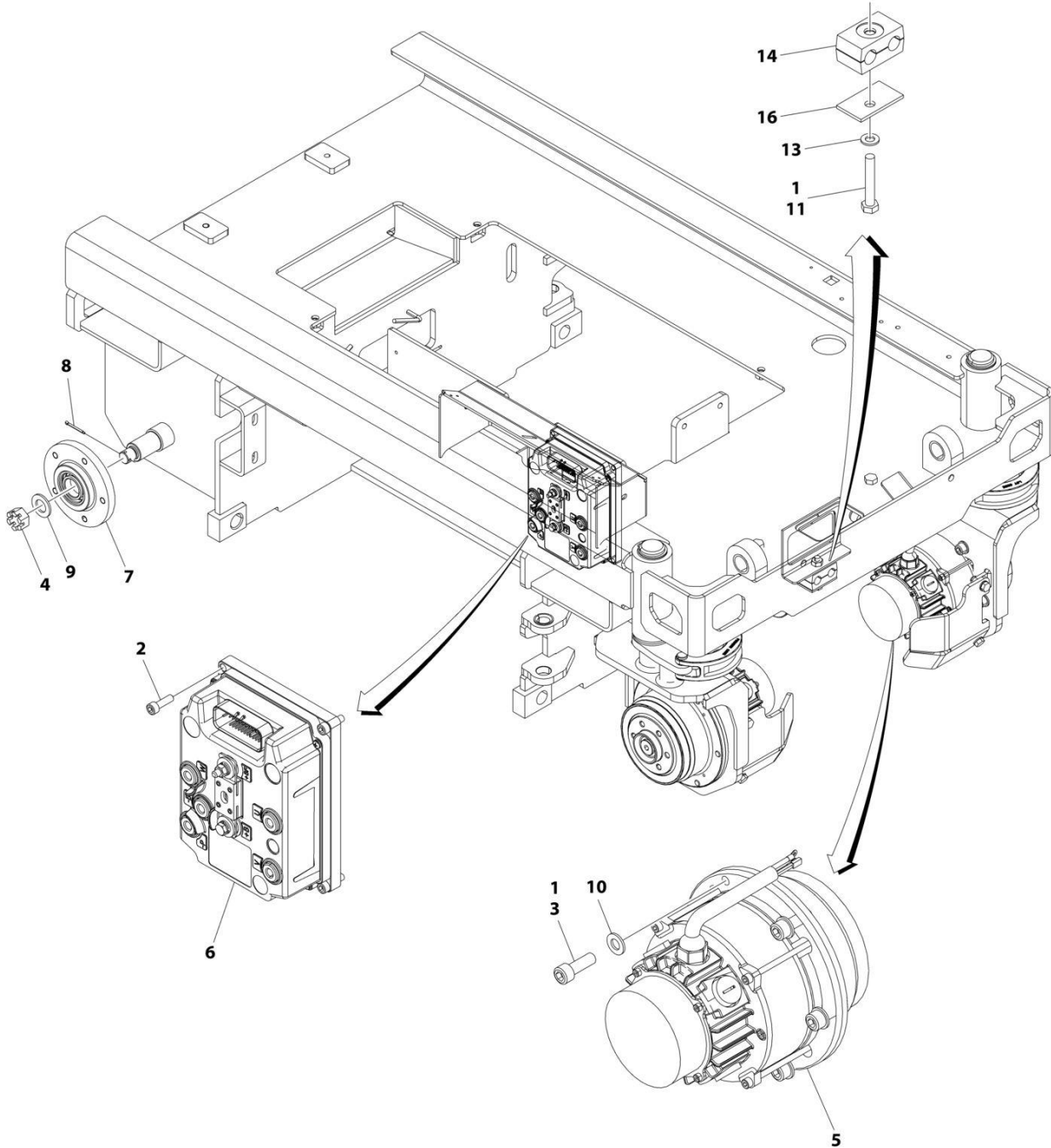
SECTION 1 - FRAME

FIGURE 1-1. STEER INSTALLATION

ITEM	PART NUMBER	QTY	DESCRIPTION	REV
	1001243106	Ref	STEER INSTALLATION	B
1	0100011	AR	Compound, Locking	
2	0440259	2	Bearing	
3	0761012	4	Bolt M10 x 25	
4	1380153	4	Clip	
5	3423037	4	Pin	
6	4812000	4	Washer M10	
7	4846757	2	Lug, Steering	
8	1001099560	2	Ring, Retaining	
9	1001233524	2	Washer	
10	1001233525	2	Washer	
11	1001234461	1	Steer Cylinder Assembly (See Separate Breakdown in CYLINDER SECTION)	
12	1001243248	1	Spindle (LH)	
13	1001243249	1	Spindle (RH)	
14	0760812	4	Bolt M8 x 25	
15	3290801	4	Nut M8	
16	4811900	8	Washer M8	
17	1001246920	1	Cover (LH)	
18	1001246921	1	Cover (RH)	
100	1001236834	4	Bearing (Part of Frame) (Not Shown)	

SECTION 1 - FRAME

FIGURE 1-2. DRIVE COMPONENTS INSTALLATION - MACHINES WITH SN STARTING WITH B2 AND M2 (Prior to SN M200012111)



ART_1001241599

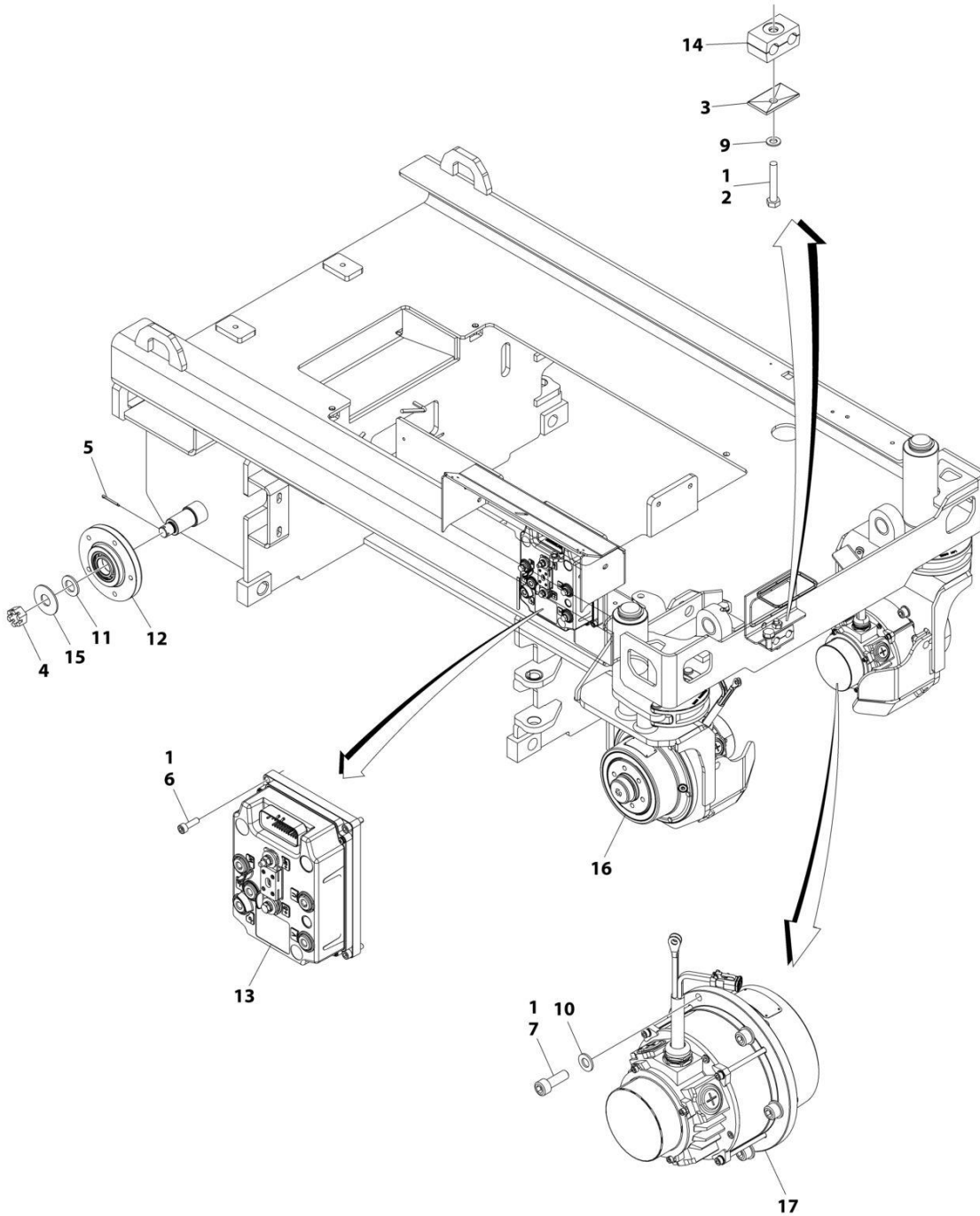
SECTION 1 - FRAME

FIGURE 1-2. DRIVE COMPONENTS INSTALLATION - MACHINES WITH SN STARTING WITH B2 AND M2 (Prior to SN M200012111)

ITEM	PART NUMBER	QTY	DESCRIPTION	REV
	1001241599	Ref	DRIVE COMPONENTS INSTALLATION	G
1	0100011	AR	Compound, Locking	
2	4031708	4	Capscrew M6 x 20	
3	4032010	12	Capscrew M10 x 30	
4	3322203	2	Nut 3/4	
5	1001243257	2	Drive Motor Assembly (See Separate Breakdown in this Section)	
6	1001243107	1	Module, Control (Drive) (Note: Recalibration Required when Replaced.)	
7	1001242978	2	Hub, Assembly	
7	1001242980	4	Bearing (2 Per Hub)	
8	3391210	2	Pin, Cotter 3.2 x 30	
9	4812500	2	Washer M20	
10	4812000	12	Washer M10	
11	0700818	1	Bolt M8 x 50	
13	4811900	1	Washer M8	
14	1001249667	1	Clamp	
15	4240017	AR	Tie-Strap (Not Shown)	
16	1321752	1	Plate, Clamp	

SECTION 1 - FRAME

FIGURE 1-3. DRIVE COMPONENTS INSTALLATION - MACHINES WITH SN STARTING WITH M2 (SN M20001211 to Present)



ART_1001288781

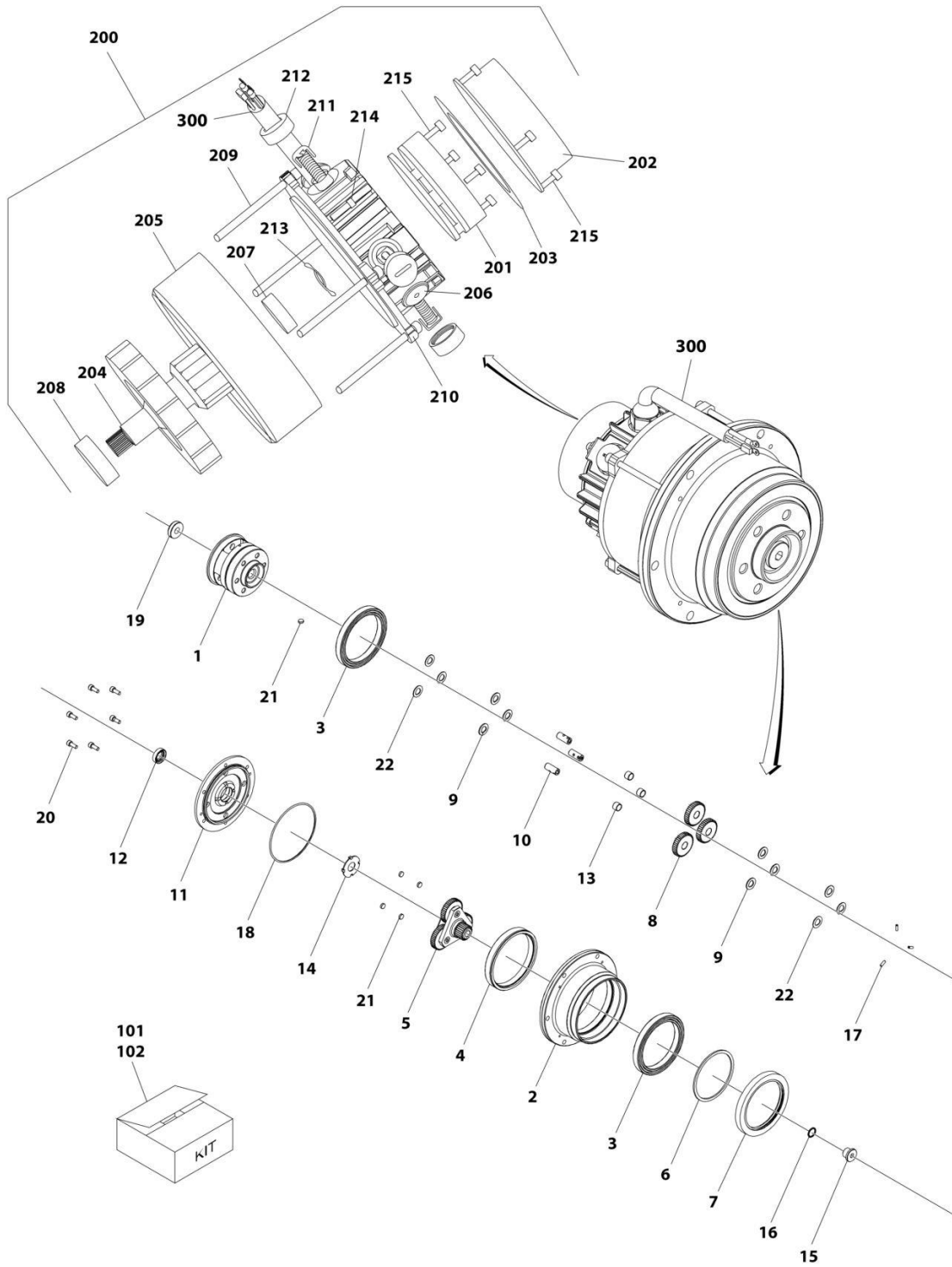
SECTION 1 - FRAME

FIGURE 1-3. DRIVE COMPONENTS INSTALLATION - MACHINES WITH SN STARTING WITH M2 (SN M20001211 to Present)

ITEM	PART NUMBER	QTY	DESCRIPTION	REV
	1001288781	Ref	DRIVE COMPONENTS INSTALLATION	A
1	0100011	AR	Compound, Locking	
2	0700818	1	Bolt M8 x 50	
3	1321752	1	Plate, Clamp	
4	3322203	2	Nut 3/4	
5	3391210	2	Pin, Cotter 3.2 x 30	
6	4031708	4	Capscrew M6 x 20	
7	4032010	12	Capscrew M10 x 30	
8	4240017	AR	Tie-Strap (Not Shown)	
9	4811900	1	Washer M8	
10	4812000	12	Washer M10	
11	4812500	2	Washer M20	
12	1001242978	2	Hub, Assembly	
12	1001242980	4	Bearing (2 Per Hub)	
13	1001243107	1	Module, Control (Drive) (Note: Recalibration Required when Replaced.)	
14	1001249667	1	Clamp	
15	1001255208	2	Washer M8	
16	1001270168	1	Drive Motor Assembly (See Separate Breakdown in this Section)	
17	1001270169	1	Drive Motor Assembly (See Separate Breakdown in this Section)	

SECTION 1 - FRAME

FIGURE 1-4. DRIVE MOTOR ASSEMBLY - MACHINES WITH SN STARTING WITH B2 AND M2 (Prior to SN M200012111)



ART_1001243257

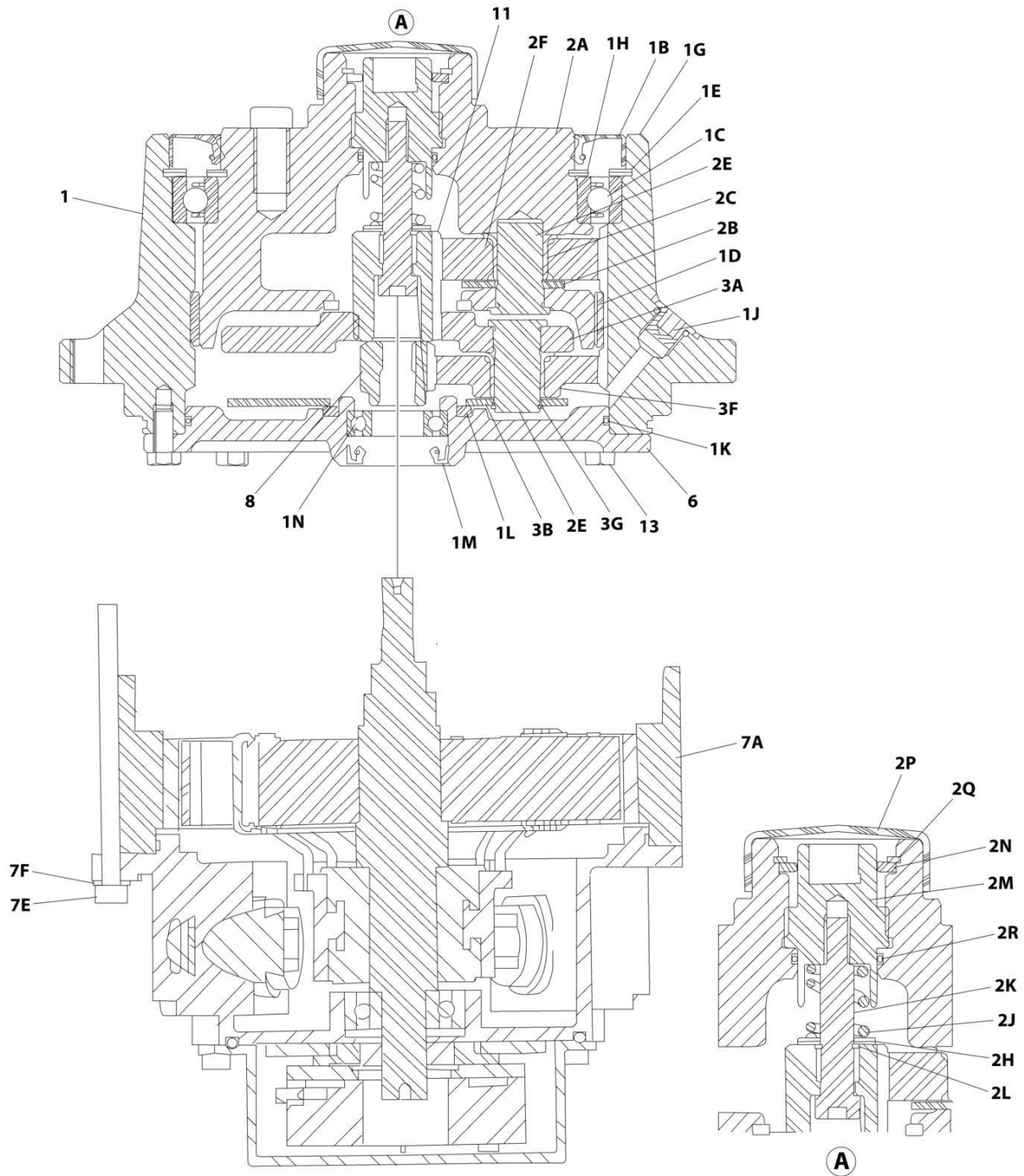
SECTION 1 - FRAME

FIGURE 1-4. DRIVE MOTOR ASSEMBLY - MACHINES WITH SN STARTING WITH B2 AND M2 (Prior to SN M200012111)

ITEM	PART NUMBER	QTY	DESCRIPTION	REV
	1001243257	Ref	DRIVE MOTOR ASSEMBLY	F
1	70007267	1	Spindle/Carrier	
2	70007266	1	Ring Gear	
3	See Note	NSS	Bearing (Note: Use Item 101)	
4	70007265	1	Ring Gear	
5	70007264	1	Carrier Sub-Assembly - Primary	
6	70007263	1	Ring, Retaining	
7	See Note	NSS	Seal, Lip (Note: Use Item 101 or 102)	
8	70007262	3	Gear, Planet - Secondary	
9	70007261	6	Washer	
10	70007260	3	Shaft, Planet	
11	70007259	1	Cap, End	
12	See Note	NSS	Seal, Lip (Note: Use Item 101 or 102)	
13	See Note	NSS	Bearing (Note: Use Item 101)	
14	70007258	1	Thrustwasher	
15	70007257	1	Plug	
16	See Note	NSS	O-Ring (Note: Use Item 101 or 102)	
17	70007256	3	Pin	
18	See Note	NSS	O-Ring (Note: Use Item 101 or 102)	
19	70007255	1	Thrustwasher	
20	70007254	6	Capscrew M6	
21	70007253	5	Magnet	
22	70007252	6	Washer	
101	70007269	1	Bearing Kit (Includes Items 3,7,12,13,16,18)	
102	70007268	1	Seal Kit (Includes Items 7,12,16,18)	
200	70007270	1	Motor Kit (Includes Items 201-215)	
201	7007271	1	Brake, Electric	
202	See Note	NSS	Cover (Note: Use Item 200)	
203	70007273	1	Gasket	
204	See Note	NSS	Armature (Note: Use Item 200)	
205	See Note	NSS	Frame & Field (Note: Use Item 200)	
206	See Note	NSS	Plug (Note: Use Item 200)	
207	See Note	NSS	Bearing (Note: Use Item 200)	
208	See Note	NSS	Bearing (Note: Use Item 200)	
209	See Note	NSS	Capscrew (Note: Use Item 200)	
210	See Note	NSS	Commutator (Note: Use Item 200)	
211	70007272	4	Brush	
212	70007274	4	Cover, Brush	
213	See Note	NSS	Washer, Wavy (Note: Use Item 200)	
214	See Note	3	Capscrew	
215	70007275	8	Capscrew M4 x 12	
300	1001246639	1	Motor Harness	
300	4460891	1	Plug, Male - 2 Position	
300	4460465	2	Socket, Female	

SECTION 1 - FRAME

FIGURE 1-5. DRIVE MOTOR ASSEMBLY - MACHINES WITH SN STARTING WITH M2 (SN M20001211 to Present)



ART_1001270168

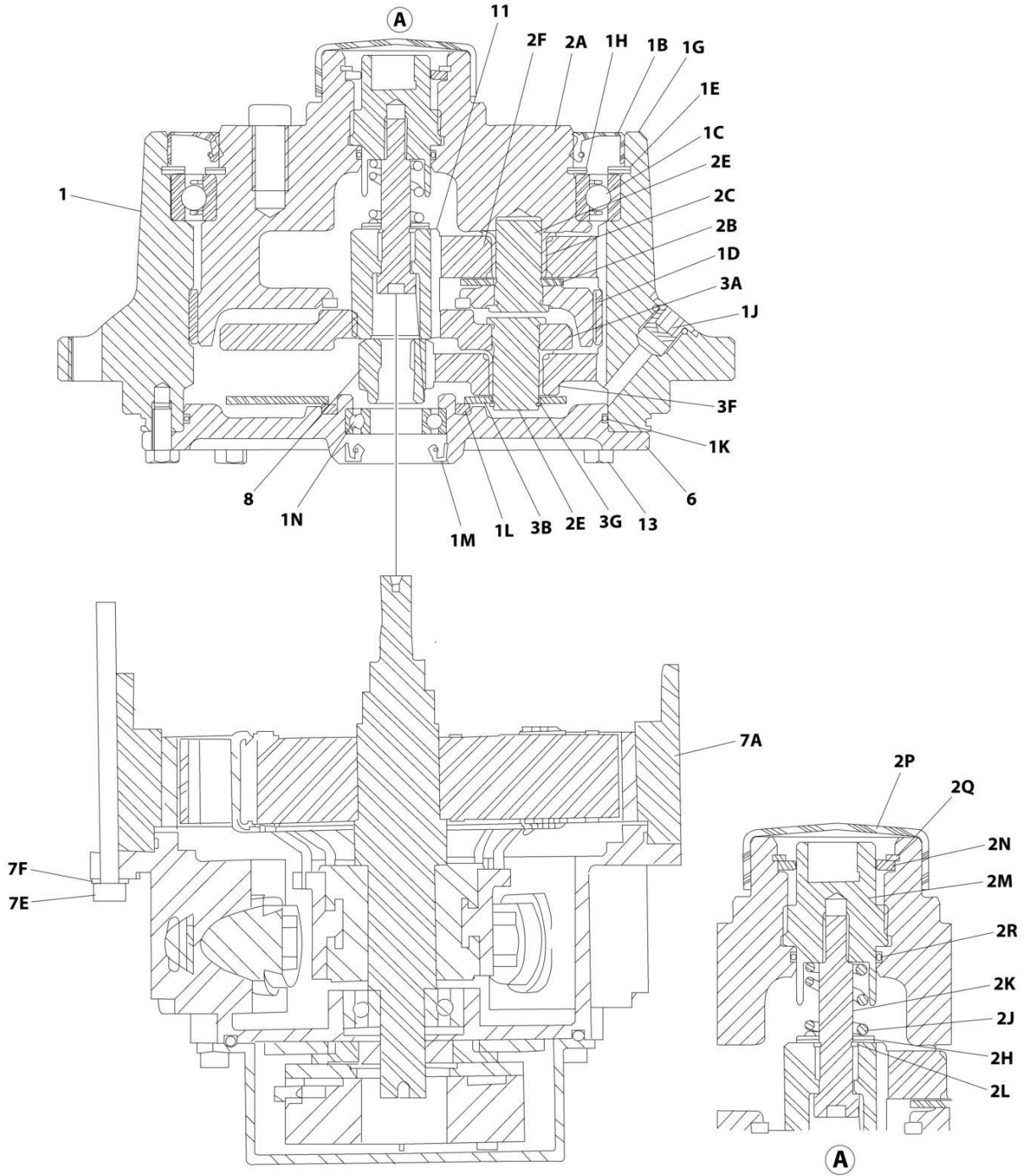
SECTION 1 - FRAME

FIGURE 1-5. DRIVE MOTOR ASSEMBLY - MACHINES WITH SN STARTING WITH M2 (SN M20001211 to Present)

ITEM	PART NUMBER	QTY	DESCRIPTION	REV
	1001270168	Ref	DRIVE MOTOR/HUB ASSEMBLY	B
1	See Note	NSS	Hub Assembly (Note: Purchase Individual Components)	
1B	70007915	1	Seal, Lip	
1C	70007911	1	Bearing	
1D	70007914	1	Bushing	
1E	70007920	1	Ring, Retaining	
1G	See Note	NSS	Housing/Ring Gear (Note: Use PN 1001270168)	
1H	70007921	1	Ring, Retaining	
1J	70007927	3	Plug	
1K	70007925	1	O-Ring	
1K	70007551	1	O-Ring	
1L	70007930	2	Washer, Thrust	
1M	70007916	1	Seal, Lip	
1N	70007913	1	Bearing	
2	See Note	NSS	Spindle/Carrier Assembly (Not Shown - Note: Purchase Individual Components)	
2A	See Note	NSS	Spindle/Carrier	
2B	70007931	2	Plate, Thrust	
2C	70007912	7	Bushing	
2E	70007905	7	Shaft, Planet	
2F	70007907	4	Gear, Planet	
2H	70007932	2	Washer, Thrust	
2J	70007917	1	Spring	
2K	70007923	1	Bolt 1/2 x 1-1/4	
2L	70007922	1	Ring, Retaining	
2M	70007909	1	Coupling	
2N	70007928	1	Washer	
2P	70007910	1	Cover	
2Q	70007919	1	Ring, Retaining	
2R	70007926	1	O-Ring	
3	See Note	NSS	Carrier Assembly (Not Shown - Note: Purchase Individual Components)	
3A	70007904	1	Carrier	
3B	70007929	1	Plate, Thrust	
3F	70007906	3	Gear, Planet	
3G	70007918	3	Ring, Retaining	
6	7000790	1	Cover	
7	See Note	NSS	Motor Assembly (Not Shown - Note: Purchase Individual Components)	
7A	70007935	1	Motor, Replacement	
7E	70007933	4	Bolt M5 x 75	
7F	70007934	4	Washer	
8	70007902	1	Gear, Sun	
11	70007903	1	Gear, Sun	
13	70007924	6	Bolt M5 x 12	

SECTION 1 - FRAME

FIGURE 1-6. DRIVE MOTOR ASSEMBLY - MACHINES WITH SN STARTING WITH M2 (SN M20001211 to Present)



ART_1001270169

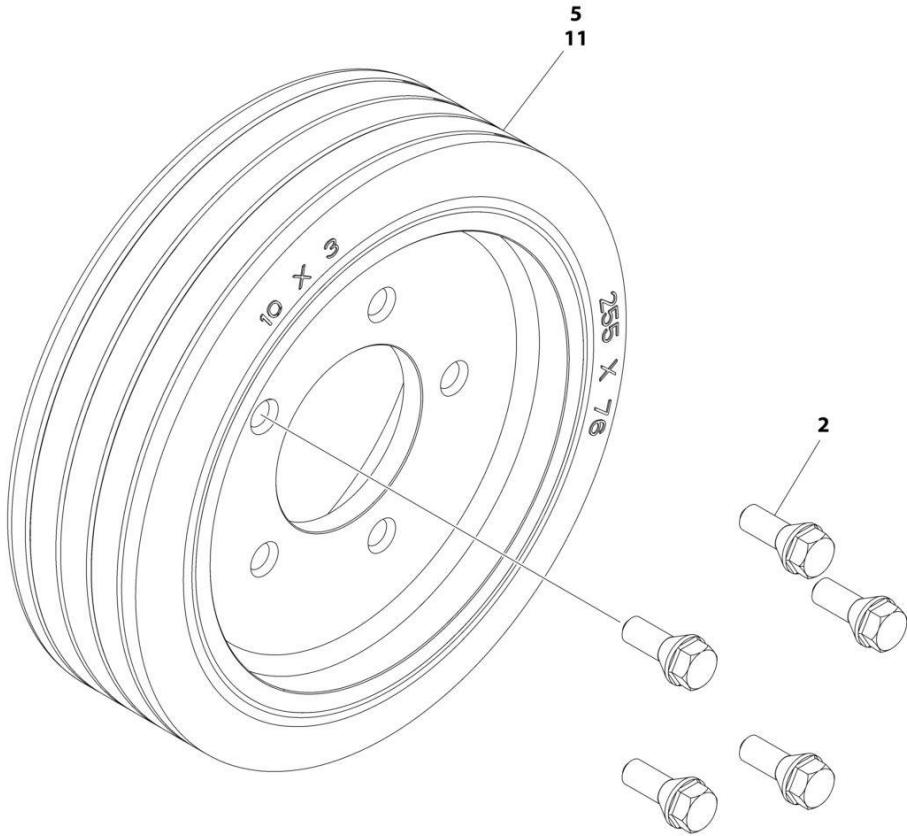
SECTION 1 - FRAME

FIGURE 1-6. DRIVE MOTOR ASSEMBLY - MACHINES WITH SN STARTING WITH M2 (SN M20001211 to Present)

ITEM	PART NUMBER	QTY	DESCRIPTION	REV
	1001270169	Ref	DRIVE MOTOR/HUB ASSEMBLY	B
1	See Note	NSS	Hub Assembly (Note: Purchase Individual Components)	
1B	70007915	1	Seal, Lip	
1C	70007911	1	Bearing	
1D	70007914	1	Bushing	
1E	70007920	1	Ring, Retaining	
1G	See Note	NSS	Housing/Ring Gear (Note: Use PN 1001270169)	
1H	70007921	1	Ring, Retaining	
1J	70007927	3	Plug	
1K	70007925	1	O-Ring	
1K	70007551	1	O-Ring	
1L	70007930	2	Washer, Thrust	
1M	70007916	1	Seal, Lip	
1N	70007913	1	Bearing	
2	See Note	NSS	Spindle/Carrier Assembly (Not Shown - Note: Purchase Individual Components)	
2A	See Note	NSS	Spindle/Carrier	
2B	70007931	2	Plate, Thrust	
2C	70007912	7	Bushing	
2E	70007905	7	Shaft, Planet	
2F	70007907	4	Gear, Planet	
2H	70007932	2	Washer, Thrust	
2J	70007917	1	Spring	
2K	70007923	1	Bolt 1/2 x 1-1/4	
2L	70007922	1	Ring, Retaining	
2M	70007909	1	Coupling	
2N	70007928	1	Washer	
2P	70007910	1	Cover	
2Q	70007919	1	Ring, Retaining	
2R	70007926	1	O-Ring	
3	See Note	NSS	Carrier Assembly (Not Shown - Note: Purchase Individual Components)	
3A	70007904	1	Carrier	
3B	70007929	1	Plate, Thrust	
3F	70007906	3	Gear, Planet	
3G	70007918	3	Ring, Retaining	
6	7000790	1	Cover	
7	See Note	NSS	Motor Assembly (Not Shown - Note: Purchase Individual Components)	
7A	70007936	1	Motor, Replacement	
7E	70007933	4	Bolt M5 x 75	
7F	70007934	4	Washer	
8	70007902	1	Gear, Sun	
11	70007903	1	Gear, Sun	
13	70007924	6	Bolt M5 x 12	

SECTION 1 - FRAME

FIGURE 1-7. TIRE/WHEEL INSTALLATION



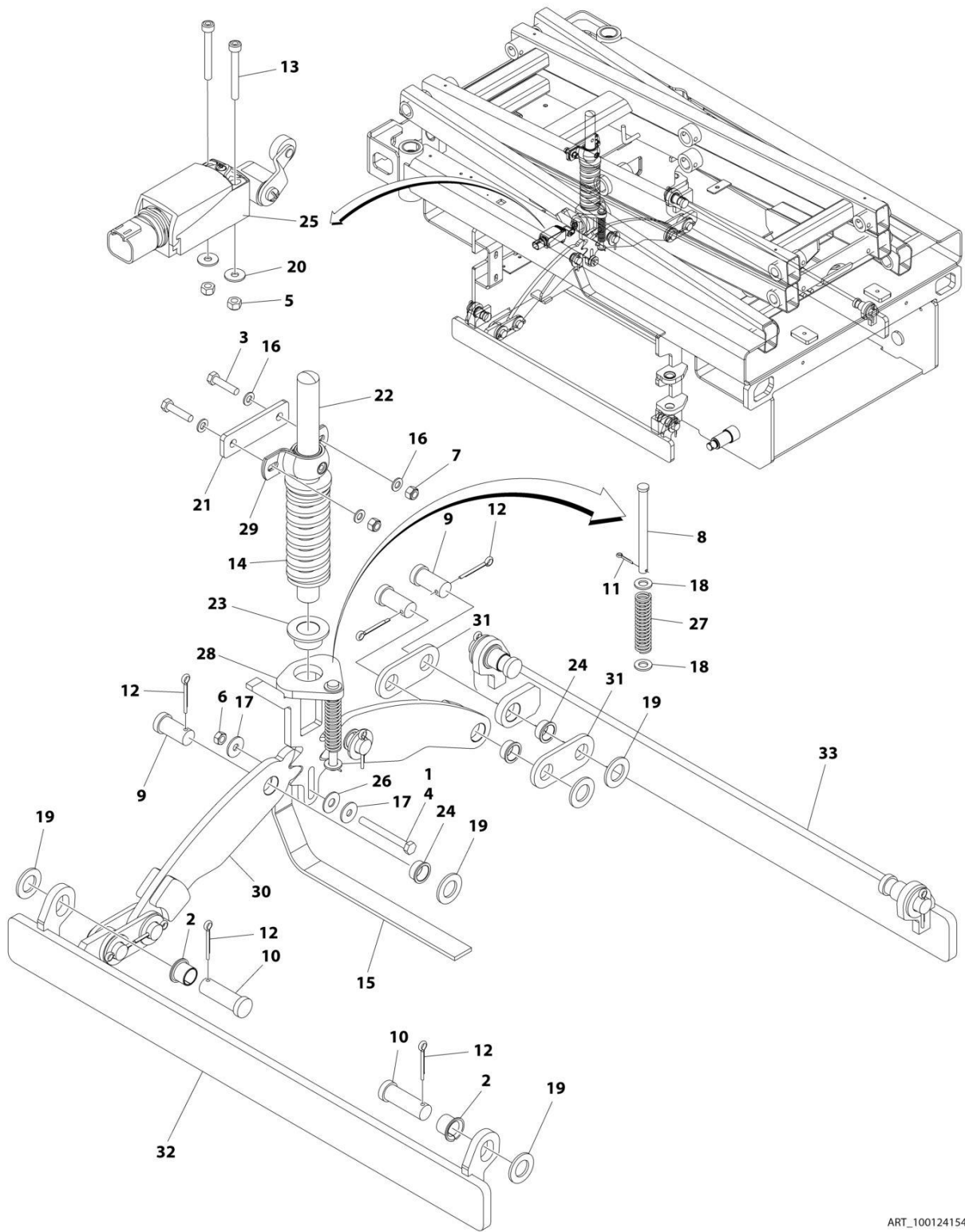
ART_1001241546

FIGURE 1-7. TIRE/WHEEL INSTALLATION

ITEM	PART NUMBER	QTY	DESCRIPTION	REV
	1001241546	Ref	TIRE/WHEEL INSTALLATION	E
		Ref	Note: Must Replace Tire and Wheel Assemblies in Pairs Per Axle	
2	1001245139	22	Bolt, Wheel M10 X 1.5	
5	1001241601	2	Tire and Wheel (Non - Marking) (Front)	
11	1001237518	2	Tire and Wheel (Non - Marking) (Rear)	

SECTION 1 - FRAME

FIGURE 1-8. POTHOLE PROTECTION SYSTEM INSTALLATION



ART_1001241542

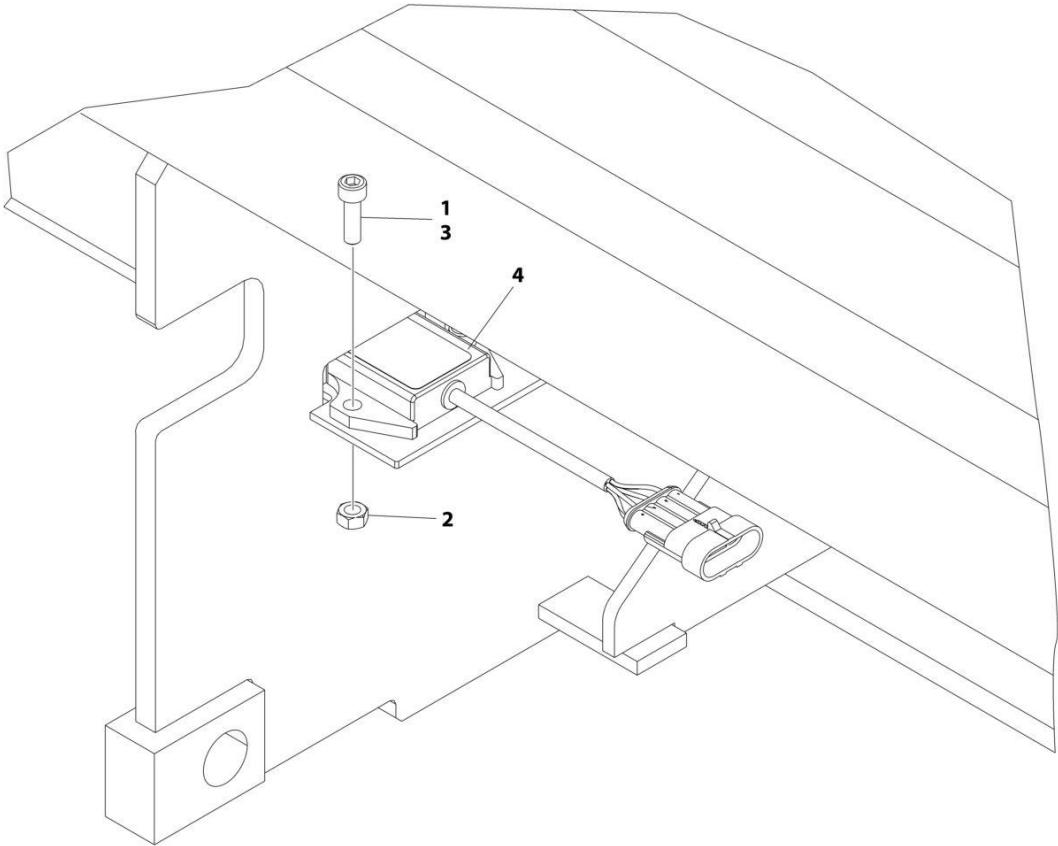
SECTION 1 - FRAME

FIGURE 1-8. POTHOLE PROTECTION SYSTEM INSTALLATION

ITEM	PART NUMBER	QTY	DESCRIPTION	REV
	1001241542	Ref	POTHOLE PROTECTION SYSTEM INSTALLATION	E
1	0100011	AR	Compound, Locking	
2	0440263	4	Bearing	
3	0700815	2	Bolt M8 x 35	
4	0700823	1	Bolt M8 x 75	
5	3290405	2	Nut M4	
6	3290801	1	Nut M8	
7	3290805	2	Nut M8	
8	3430636	1	Pin	
9	3431212	6	Pin	
10	3431218	4	Pin	
11	3450303	1	Pin, Cotter 3/32 x 3/4	
12	3450505	10	Pin, Cotter 5/32 x 1/2	
13	4031511	2	Capscrew M4 x 35	
14	4160202	1	Spring	
15	4240147	1	Strap, Anti-Static	
16	4811900	4	Washer M8	
17	4811902	2	Washer M8	
18	4812000	2	Washer M10	
19	4812500	14	Washer M20	
20	1001091102	2	Washer M4	
21	1001202987	1	Plate, Mounting	
22	1001202988	1	Actuator (Upper)	
23	1001203869	1	Bearing	
24	1001203870	6	Bearing	
25	1001203871	1	Switch, Limit	
26	1001203872	1	Washer 3/8	
27	1001212068	1	Spring	
28	1001214526	1	Actuator (Lower)	
29	1001215953	1	Bearing	
30	1001249846	2	Plate, Pinion	
31	1001236849	4	Link	
32	1001241543	1	Bar (LH)	
33	1001241544	1	Bar (RH)	

SECTION 1 - FRAME

FIGURE 1-9. TILT SENSOR INSTALLATION



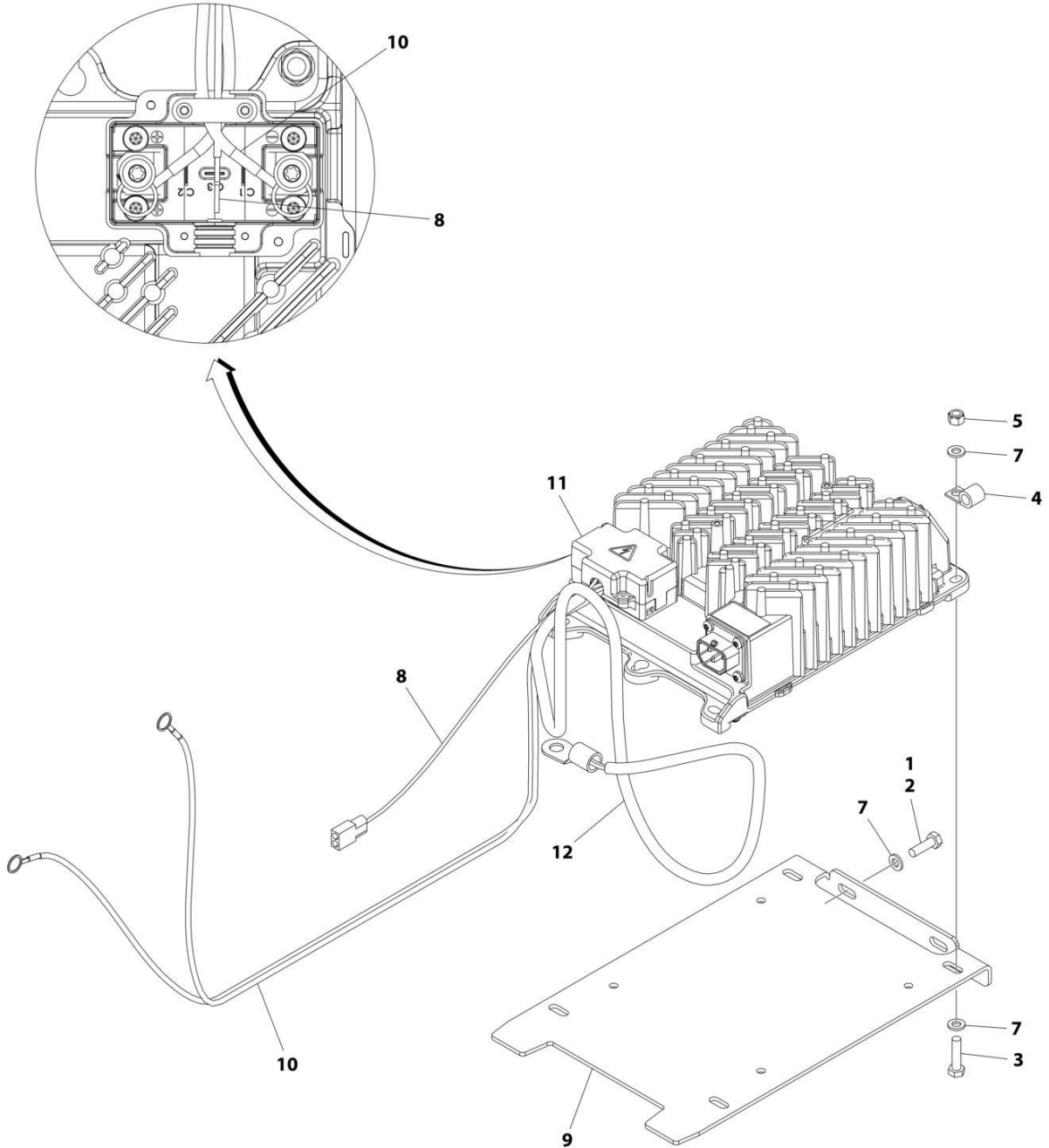
ART_1001237507

FIGURE 1-9. TILT SENSOR INSTALLATION

ITEM	PART NUMBER	QTY	DESCRIPTION	REV
	1001237507	Rev	TILT SENSOR INSTALLATION	C
1	0100011	1	Compound, Locking	
2	3290601	1	Nut M6 x 20	
3	4031708	1	Capscrew M6 x 20	
4	1001186466	1	Sensor, Tilt	

SECTION 1 - FRAME

FIGURE 1-10. BATTERY CHARGER INSTALLATION - DELTA-Q (LESS AC CABLE)



ART_1001264943

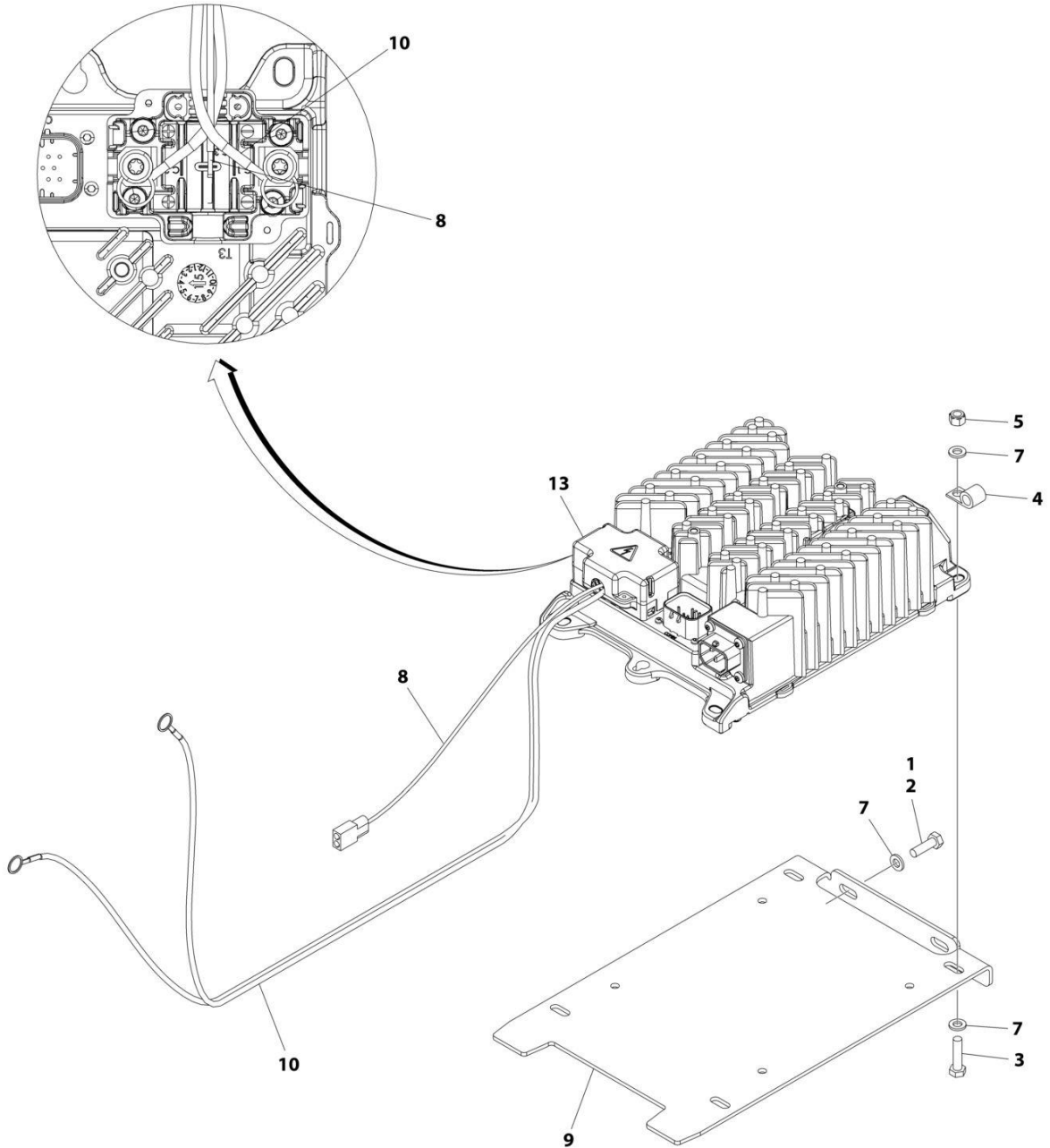
SECTION 1 - FRAME

FIGURE 1-10. BATTERY CHARGER INSTALLATION - DELTA-Q (LESS AC CABLE)

ITEM	PART NUMBER	QTY	DESCRIPTION	REV
	1001264943	Ref	BATTERY CHARGER INSTALLATION - DELTA-Q (LESS AC CABLE)	A
1	0100011	AR	Compound, Locking	
2	0760610	2	Bolt M6 x 20	
3	0760612	4	Bolt M6 x 25	
4	1321293	1	Clamp	
5	3290605	4	Nut M6	
6	4240017	AR	Tie-Strap (Not Shown)	
7	4811700	10	Washer M6	
8	1001207009	1	Charger Interlock Harness	
8	4460424	1	Receptacle, Female - 2 Position	
8	4460227	2	Pin, Male	
9	1001237462	1	Bracket	
10	1001241489	1	Charger DC Connection Harness	
11	1001249940	1	Charger, Battery - Delta-Q	
12	1001260628	1	Sensor, Temperature	

SECTION 1 - FRAME

FIGURE 1-11. BATTERY CHARGER INSTALLATION - DELTA-Q WITH CAN TERMINAL (LESS AC CABLE)



ART_1001264944

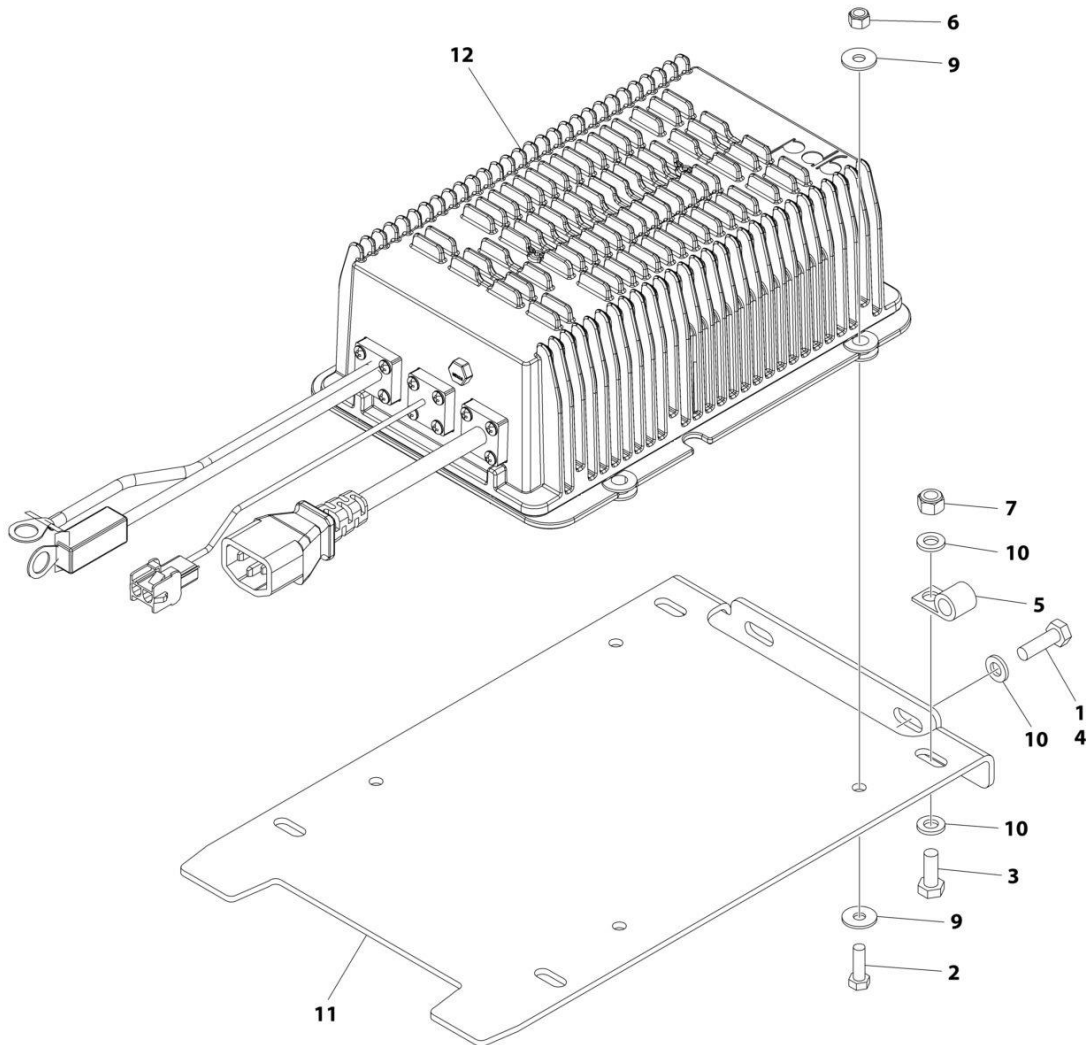
SECTION 1 - FRAME

FIGURE 1-11. BATTERY CHARGER INSTALLATION - DELTA-Q WITH CAN TERMINAL (LESS AC CABLE)

ITEM	PART NUMBER	QTY	DESCRIPTION	REV
	1001264944	Ref	BATTERY CHARGER INSTALLATION - DELTA-Q WITH CAN TERMINAL (LESS AC CABLE)	A
1	0100011	AR	Compound, Locking	
2	0760610	2	Bolt M6 x 20	
3	0760612	4	Bolt M6 x 25	
4	1321293	1	Clamp	
5	3290605	4	Nut M6	
6	4240017	AR	Tie-Strap (Not Shown)	
7	4811700	10	Washer M6	
8	1001207009	1	Charger Interlock Harness	
8	4460424	1	Receptacle, Female - 2 Position	
8	4460227	2	Pin, Male	
9	1001237462	1	Bracket	
10	1001241489	1	Charger DC Connection Harness	
11	1001254027	1	Can Splice Harness (Not Shown - See Separate Breakdown in ELECTRICAL Section)	
12	1001254028	1	Charger To Battery Harness (Not Shown - See Separate Breakdown in ELECTRICAL Section)	
13	1001264978	1	Charger, Battery - Delta-Q with Can Terminal	

SECTION 1 - FRAME

FIGURE 1-12. BATTERY CHARGER INSTALLATION - GREEN POWER (LESS AC CABLE)



ART_1001264945

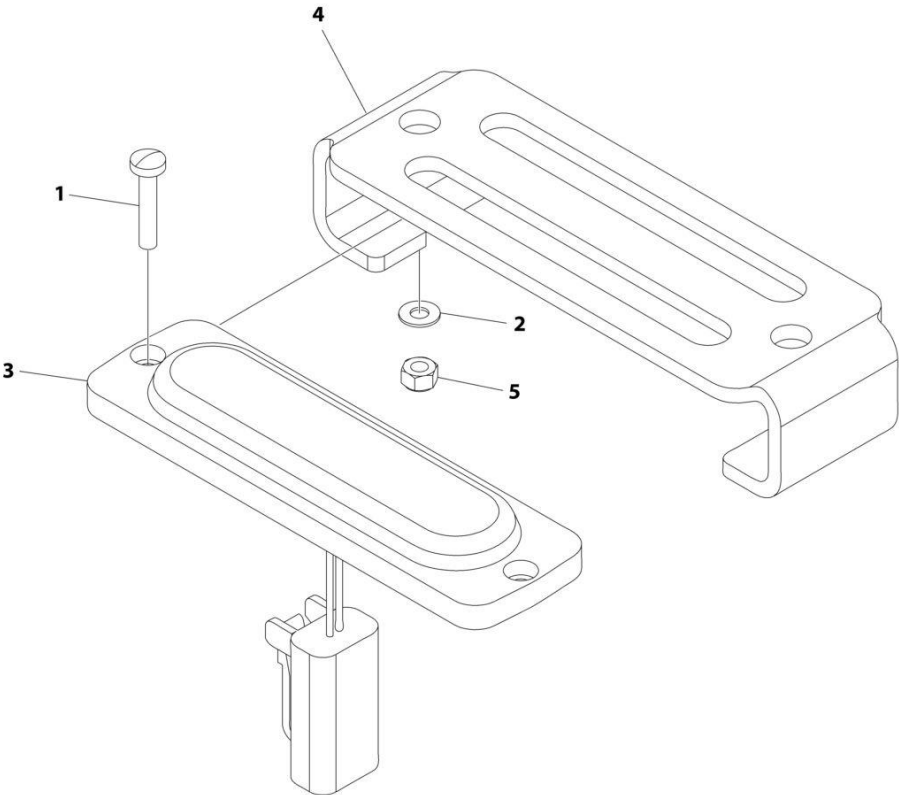
SECTION 1 - FRAME

FIGURE 1-12. BATTERY CHARGER INSTALLATION - GREEN POWER (LESS AC CABLE)

ITEM	PART NUMBER	QTY	DESCRIPTION	REV
	1001264945	Ref	BATTERY CHARGER INSTALLATION - GREEN POWER (LESS AC CABLE)	B
1	0100011	AR	Compound, Locking	
2	0760508	4	Bolt M5 x 16	
3	0760608	1	Bolt M6 x 16	
4	0760610	2	Bolt M5 x 20	
5	1321293	1	Clamp, Cable	
6	3290505	4	Nut M5	
7	3290605	1	Nut M6	
8	4240017	AR	Tie-Strap (Not Shown)	
9	4711000	8	Washer #10	
10	4811700	4	Washer M6	
11	1001237462	1	Bracket	
12	1001285138	1	Charger, Battery-Green Power	

SECTION 1 - FRAME

FIGURE 1-13. STROBE LIGHT INSTALLATION - SINGLE (AMBER) (WITH GUARD)



ART_1001239314_D

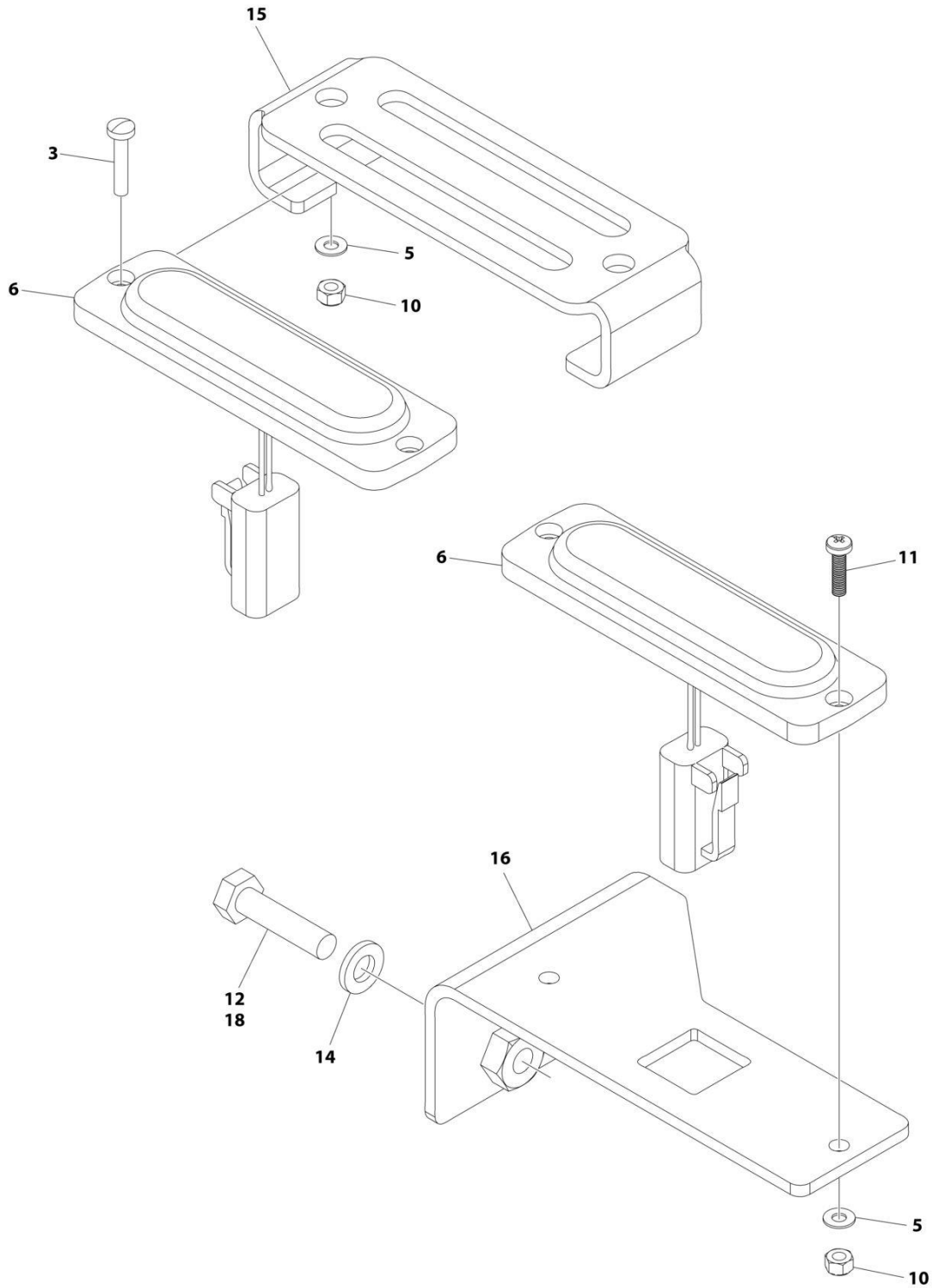
SECTION 1 - FRAME

FIGURE 1-13. STROBE LIGHT INSTALLATION - SINGLE (AMBER) (WITH GUARD)

ITEM	PART NUMBER	QTY	DESCRIPTION	REV
	1001239314	Rev	STROBE LIGHT INSTALLATION - SINGLE (AMBER) (WITH GUARD)	D
1	4010308	2	Screw M3 x 16	
2	1001110544	2	Washer M3	
3	1001239224	1	Light, Strobe	
3	4460891	1	Plug, Male - 2 Position	
3	4460465	2	Socket, Female	
4	1001239661	1	Guard	
5	3290305	2	Nut M3	

SECTION 1 - FRAME

FIGURE 1-14. STROBE LIGHT INSTALLATION - DUAL (AMBER) (WITH GUARD)



ART_1001239315_F

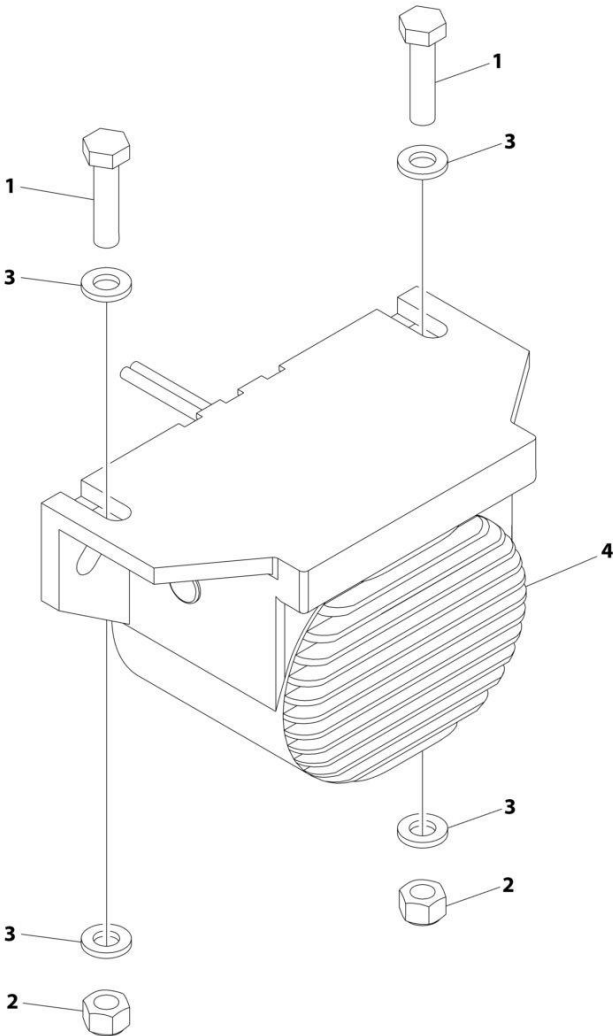
SECTION 1 - FRAME

FIGURE 1-14. STROBE LIGHT INSTALLATION - DUAL (AMBER) (WITH GUARD)

ITEM	PART NUMBER	QTY	DESCRIPTION	REV
	1001239315	Ref	STROBE LIGHT INSTALLATION - DUAL (AMBER) (WITH GUARD)	F
3	4010308	2	Screw M3 x 16	
5	1001110544	4	Washer M3	
6	1001239224	2	Light, Strobe	
6	4460891	1	Plug, Male - 2 Position	
6	4460465	2	Socket, Female	
10	3290305	4	Nut M3	
11	1001198576	2	Screw	
12	0700612	2	Capscrew M6 x 25	
14	4811700	2	Washer M6	
15	1001239661	1	Guard	
16	1001256745	1	Bracket	
17	1001250078	1	Strobe Light Jumper Harness (Not Shown)	
17	4460897	2	Receptacle, Female - 2 Position	
17	4460464	4	Pin, Male	
17	4460891	1	Plug, Male - 2 Position	
17	4460465	2	Socket, Female	
18	0100011	AR	Compound, Locking	

SECTION 1 - FRAME

FIGURE 1-15. ALARM INSTALLATION (AMBIENT/WHITE NOISE)



ART_1001204495

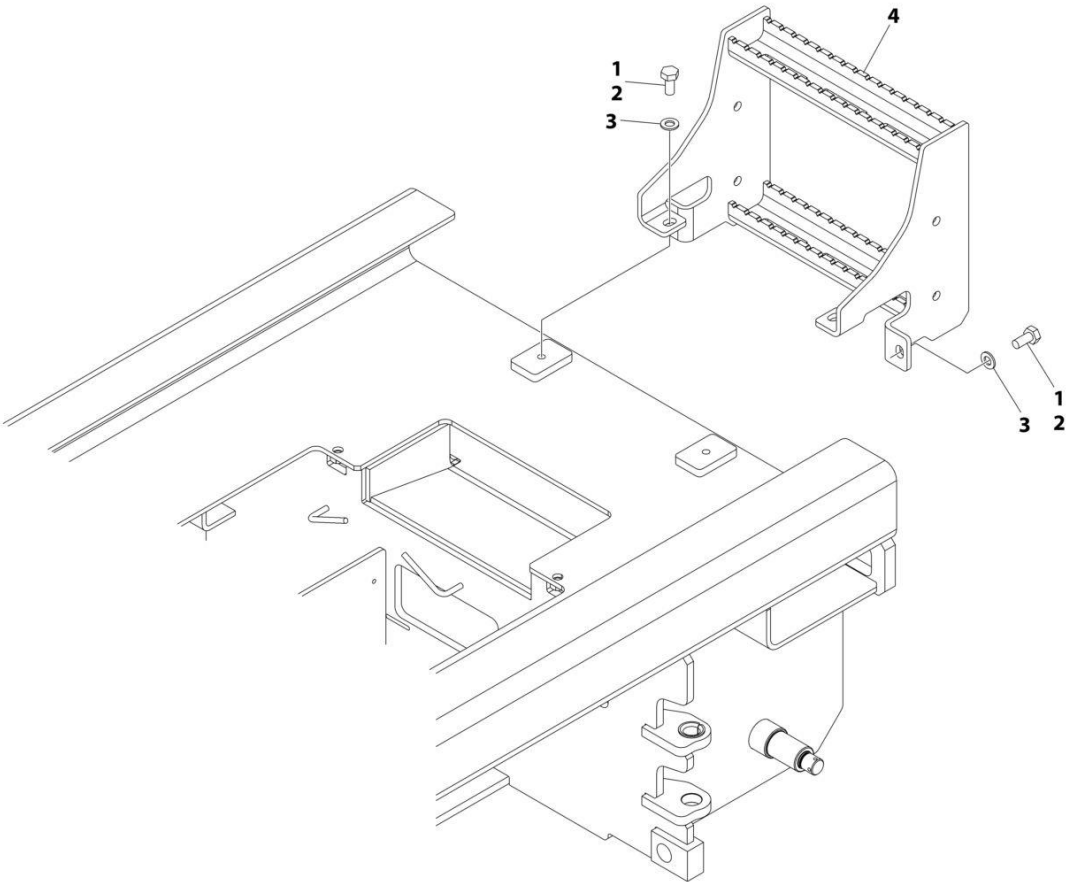
SECTION 1 - FRAME

FIGURE 1-15. ALARM INSTALLATION (AMBIENT/WHITE NOISE)

ITEM	PART NUMBER	QTY	DESCRIPTION	REV
	1001204495	Ref	ALARM INSTALLATION (AMBIENT/WHITE NOISE)	B
1	0760612	2	Bolt M6 x 25	
2	3290605	2	Nut M6	
3	4811700	4	Washer M6	
4	1001182806	1	Alarm	
4	4460897	1	Receptacle, Female - 2 Position	
4	4460464	2	Pin, Male	

SECTION 1 - FRAME

FIGURE 1-16. LADDER INSTALLATION (ALL SPECS EXCEPT JAPANESE SPECS)



ART_1001241822

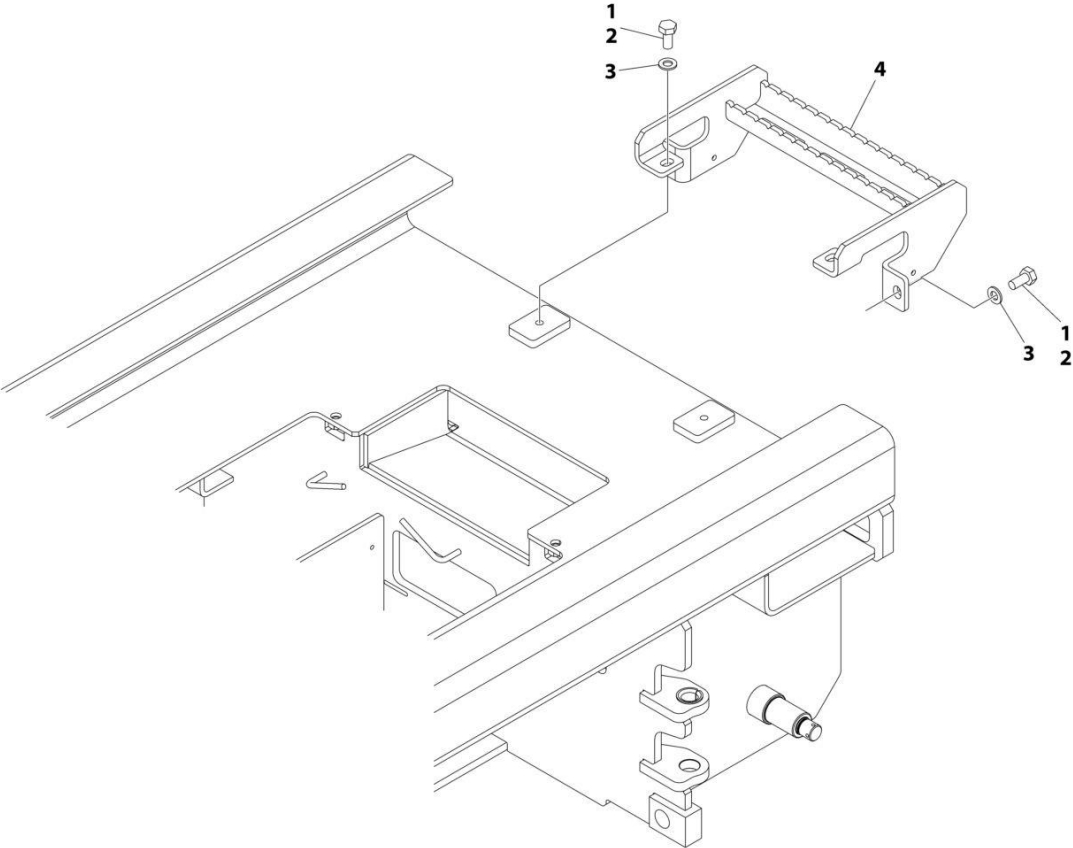
SECTION 1 - FRAME

FIGURE 1-16. LADDER INSTALLATION (ALL SPECS EXCEPT JAPANESE SPECS)

ITEM	PART NUMBER	QTY	DESCRIPTION	REV
	1001241822	Ref	LADDER INSTALLATION	F
1	0100011	AR	Compound, Locking	
2	0761011	4	Bolt M10 x 22	
3	4812000	4	Washer M10	
4	1001241823	1	Ladder	

SECTION 1 - FRAME

FIGURE 1-17. LADDER INSTALLATION (JAPANESE SPECS)



ART_1001244160

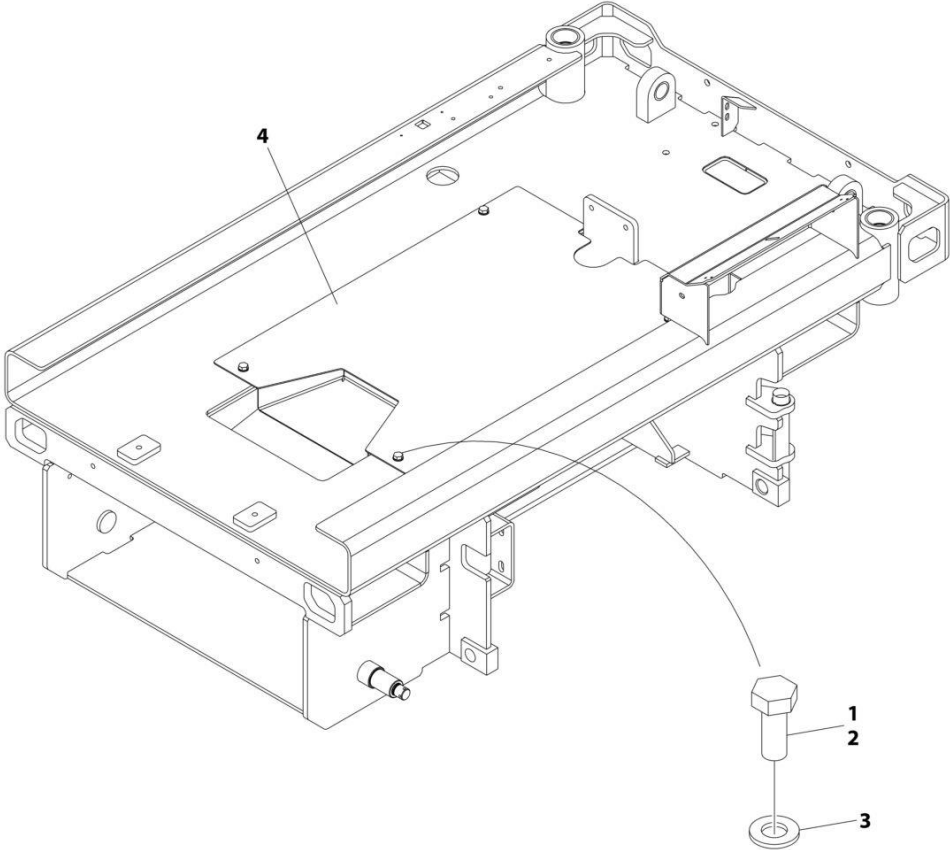
SECTION 1 - FRAME

FIGURE 1-17. LADDER INSTALLATION (JAPANESE SPECS)

ITEM	PART NUMBER	QTY	DESCRIPTION	REV
	1001244160	Ref	LADDER INSTALLATION	E
1	0100011	AR	Compound, Locking	
2	0761011	4	Bolt M10 x 22	
3	4812000	4	Washer M10	
4	1001250403	1	Ladder	

SECTION 1 - FRAME

FIGURE 1-18. FRAME COVER INSTALLATION



ART_1001241589

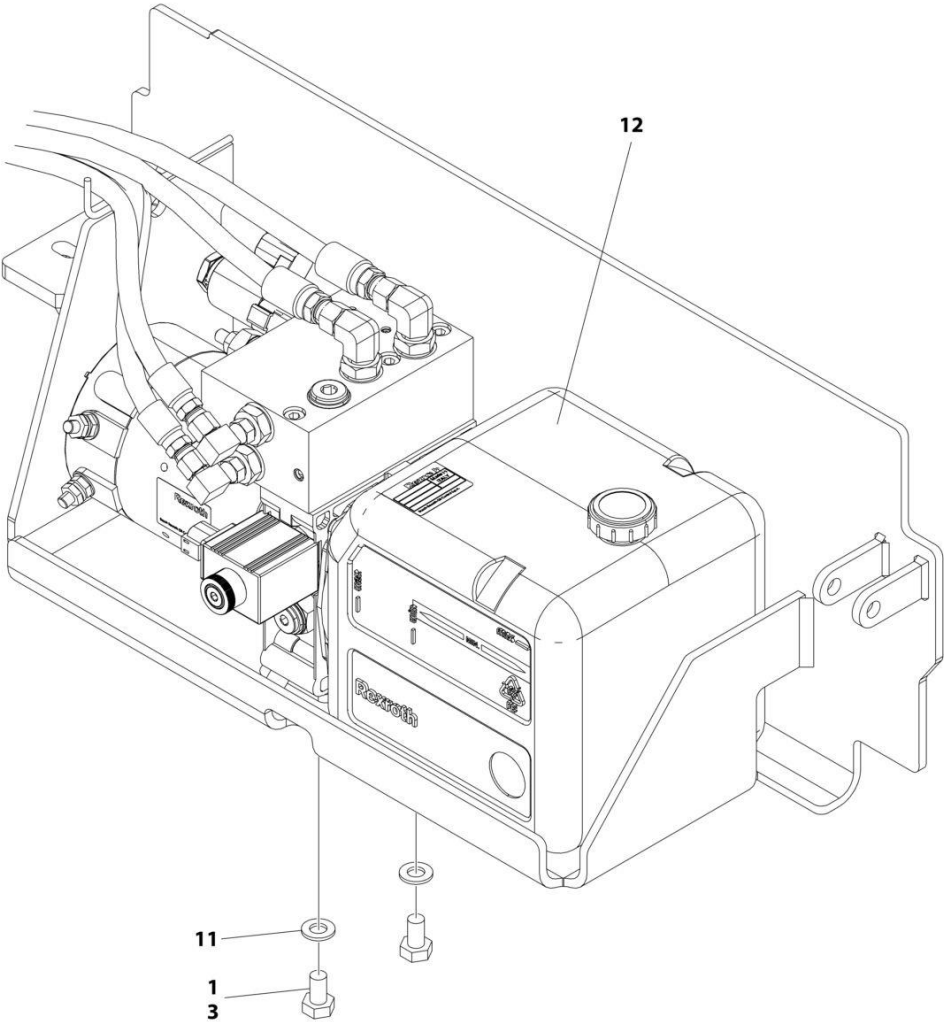
FIGURE 1-18. FRAME COVER INSTALLATION

ITEM	PART NUMBER	QTY	DESCRIPTION	REV
	1001241589	Ref	FRAME COVER INSTALLATION	D
1	0100011	AR	Compound, Locking	
2	0760810	4	Bolt M8 x 20	
3	4811900	4	Washer M8	
4	1001243838	1	Cover	

SECTION 2 - GROUND CONTROLS

SECTION 2 - GROUND CONTROLS

FIGURE 2-1. HYDRAULIC COMPONENT INSTALLATION



ART_1001235002_1OF2

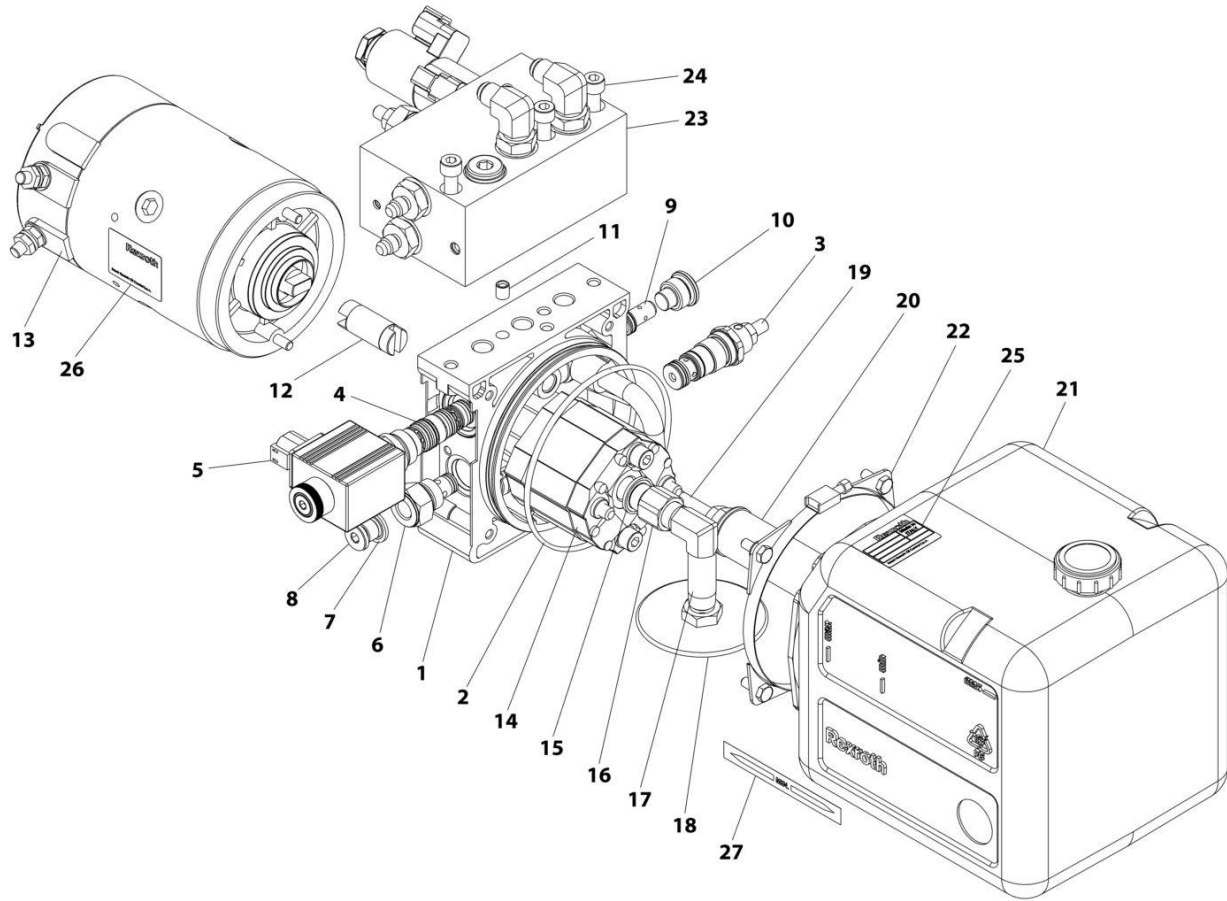
SECTION 2 - GROUND CONTROLS

FIGURE 2-1. HYDRAULIC COMPONENT INSTALLATION

ITEM	PART NUMBER	QTY	DESCRIPTION	REV
	1001235002	Rev	HYDRAULIC COMPONENTS INSTALLATION	H
1	0100011	AR	Compound, Locking	
3	0761009	2	Bolt M10 x 18	
11	4812000	AR	Washer M10	
12	1001245851	1	Motor/Pump/Tank Assembly (See Separate Breakdown in this Section)	

SECTION 2 - GROUND CONTROLS

FIGURE 2-2. MOTOR/PUMP/TANK ASSEMBLY



ART_1001245851

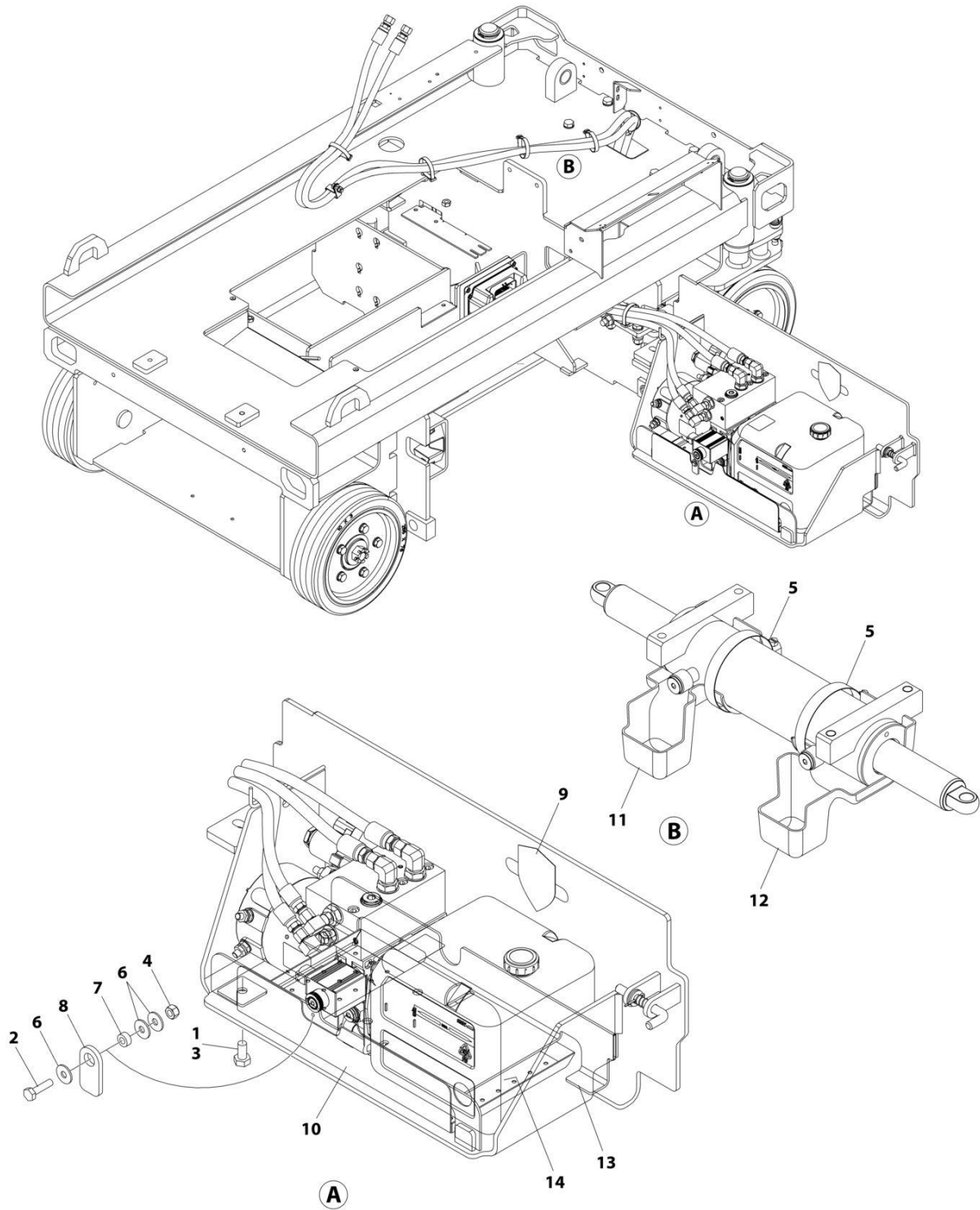
SECTION 2 - GROUND CONTROLS

FIGURE 2-2. MOTOR/PUMP/TANK ASSEMBLY

ITEM	PART NUMBER	QTY	DESCRIPTION	REV
	1001245851	Ref	MOTOR/PUMP/TANK ASSEMBLY	A
1	See Note	NSS	Manifold (Note: Purchase p/n 1001245851)	
2	70003690	1	O-Ring	
3	70007120	1	Cartridge, Valve (No Seal Kit Available)	
4	70003685	1	Cartridge, Valve (No Seal Kit Available)	
5	70003686	1	Coil	
6	See Note	NSS	Cartridge, Valve (No Seal Kit Available) (Note: Use p/n 70005636)	
7	See Note	NSS	Seal (Note: Use p/n 70005636)	
8	See Note	NSS	Plug (Note: Use p/n 70005636)	
9	70007121	1	Cartridge, Valve (No Seal Kit Available)	
10	See Note	NSS	Plug (Note: Not Available for Purchase)	
11	See Note	NSS	Plug (Note: Not Available for Purchase)	
12	70007122	1	Coupling (Pump to Motor)	
13	70007123	1	Motor, Replacement	
14	70007124	1	Pump, Replacement	
15	See Note	NSS	Seal (Note: Not Available for Purchase)	
16	See Note	NSS	Fitting (Note: Not Available for Purchase)	
17	See Note	NSS	Pipe, Suction (Note: Not Available for Purchase)	
18	70003696	1	Filter, Suction	
19	See Note	NSS	Pipe, Return (Note: Not Available for Purchase)	
20	70003734	1	Filter, Return	
21	70007125	1	Tank	
22	70007126	1	Clamp Kit - Tank	
23	70007127	1	Valve Assembly (Note: Sold as Assembly Only)	
24	See Note	NSS	Capscrew M8 x 55 (Note: Not Available - Purchase Locally)	
25	See Note	NSS	Nameplate - Identification (Note: Not Available for Purchase)	
26	See Note	NSS	Decal (Note: Not Available for Purchase)	
27	70007128	1	Decal - Oil Level	

SECTION 2 - GROUND CONTROLS

FIGURE 2-3. CLEANGUARD INSTALLATION



ART_1001265088

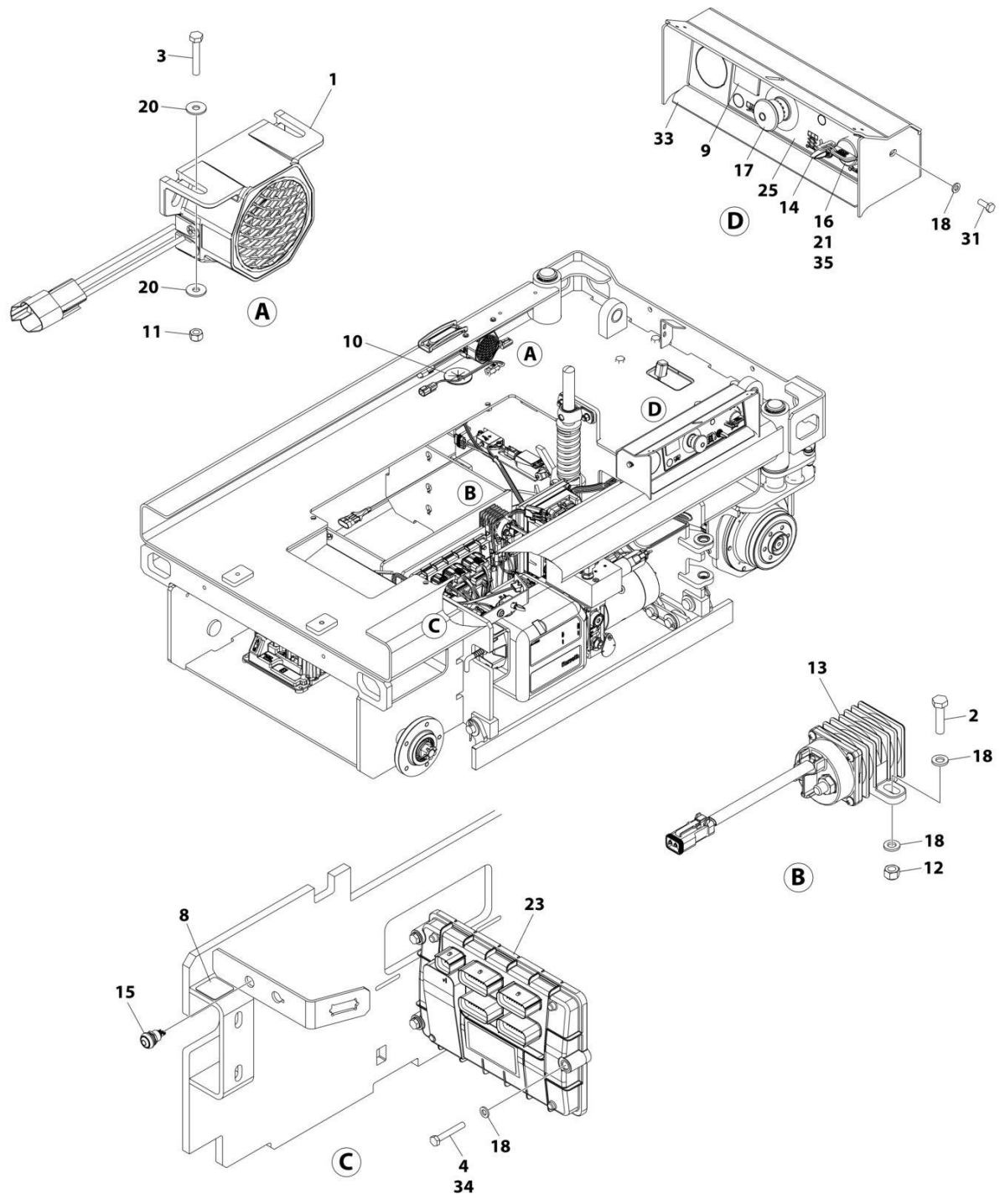
SECTION 2 - GROUND CONTROLS

FIGURE 2-3. CLEANGUARD INSTALLATION

ITEM	PART NUMBER	QTY	DESCRIPTION	REV
	1001265088	Ref	CLEANGUARD INSTALLATION	B
1	0100011	AR	Compound, Locking	
2	0760408	1	Bolt M4 x 16	
3	0761010	2	Bolt M10 x 20	
4	3290405	1	Nut M4	
5	8405204	2	Clamp	
6	1001091102	3	Washer M4	
7	1001260503	1	Tube	
8	1001260504	1	Plate, Stopper	
9	1001262581	1	Decal - Clean Guard	
10	1001265409	1	Tray	
11	1001266166	1	Tray (LH)	
12	1001266167	1	Tray (RH)	
13	1001266955	1	Bracket	
14	1001274560	1	Pad	

SECTION 2 - GROUND CONTROLS

FIGURE 2-4. ELECTRICAL COMPONENTS INSTALLATION (WITHOUT LSS)(WITH METAL E-STOP)



ART_1001243251_I

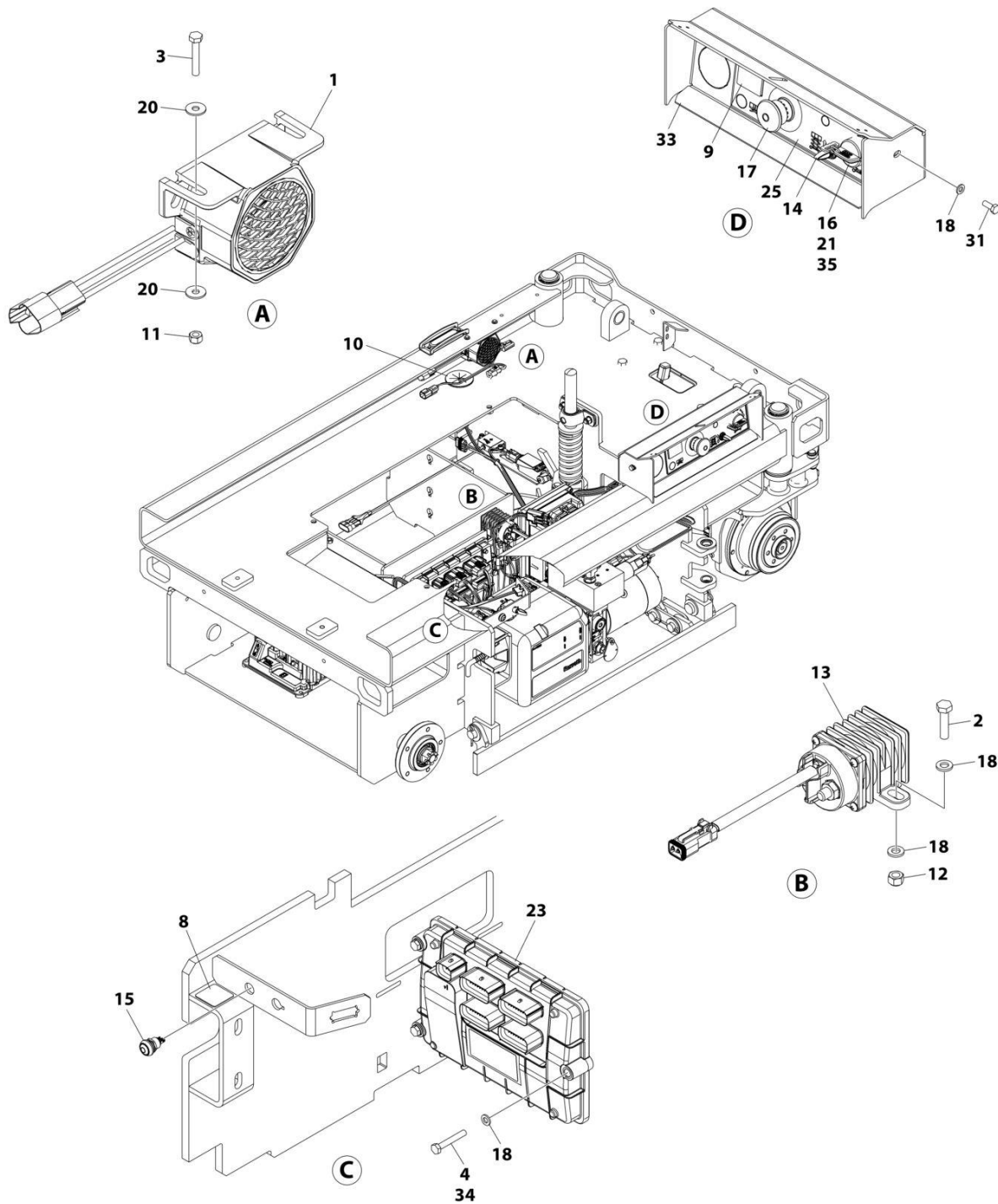
SECTION 2 - GROUND CONTROLS

FIGURE 2-4. ELECTRICAL COMPONENTS INSTALLATION (WITHOUT LSS)(WITH METAL E-STOP)

ITEM	PART NUMBER	QTY	DESCRIPTION	REV
	1001243251	Ref	ELECTRICAL COMPONENTS INSTALLATION (WITHOUT LSS)	I
1	0140043	1	Alarm	
2	0700612	2	Bolt M6 x 25	
3	0700412	2	Bolt M6 x 25	
4	0700616	3	Bolt M6 x 40	
8	1706679	1	Decal - Brake Release	
9	2420172	1	Hourmeter	
10	2540045	2	Grommet	
11	3290405	2	Nut M4	
12	3290605	2	Nut M6	
13	3740150	1	Relay	
14	4360328	1	Switch, Toggle	
15	1001226749	1	Switch, Push Button	
16	4360469	1	Switch, Key	
16	2860030	1 Set	Key, Replacement	
17	4360475	1	Switch, Emergency Stop	
17	7020175	1	Cap	
17	7020176	1	Block, Contact	
18	4811700	9	Washer M6	
20	1001091102	4	Washer M4	
21	1001130590	1	Plate, Key Switch	
23	1001200629	1	Module, Control (Note: Re-calibration Required when Replaced)	
25	1001209682	1	Decal - Ground Control	
28	1001266213	1	Chassis Harness (Not Shown - See Separate Breakdown in ELECTRICAL Section)	
29	1001243255	1	Drive Control Harness (Not Shown - See Separate Breakdown in ELECTRICAL Section)	
30	4240017	AR	Tie-Strap (Not Shown)	
31	0760608	2	Bolt M6 x 16	
33	1001249645	1	Bracket, Ground Control	
34	0100011	AR	Compound, Locking	
35	3910804	3	Screw #8 x 1/4	
36	0100048	AR	Grease, Dielectric (Not Shown)	

SECTION 2 - GROUND CONTROLS

FIGURE 2-5. ELECTRICAL COMPONENTS INSTALLATION (WITHOUT LSS)(WITH PLASTIC E-STOP)



ART_1001243251_K

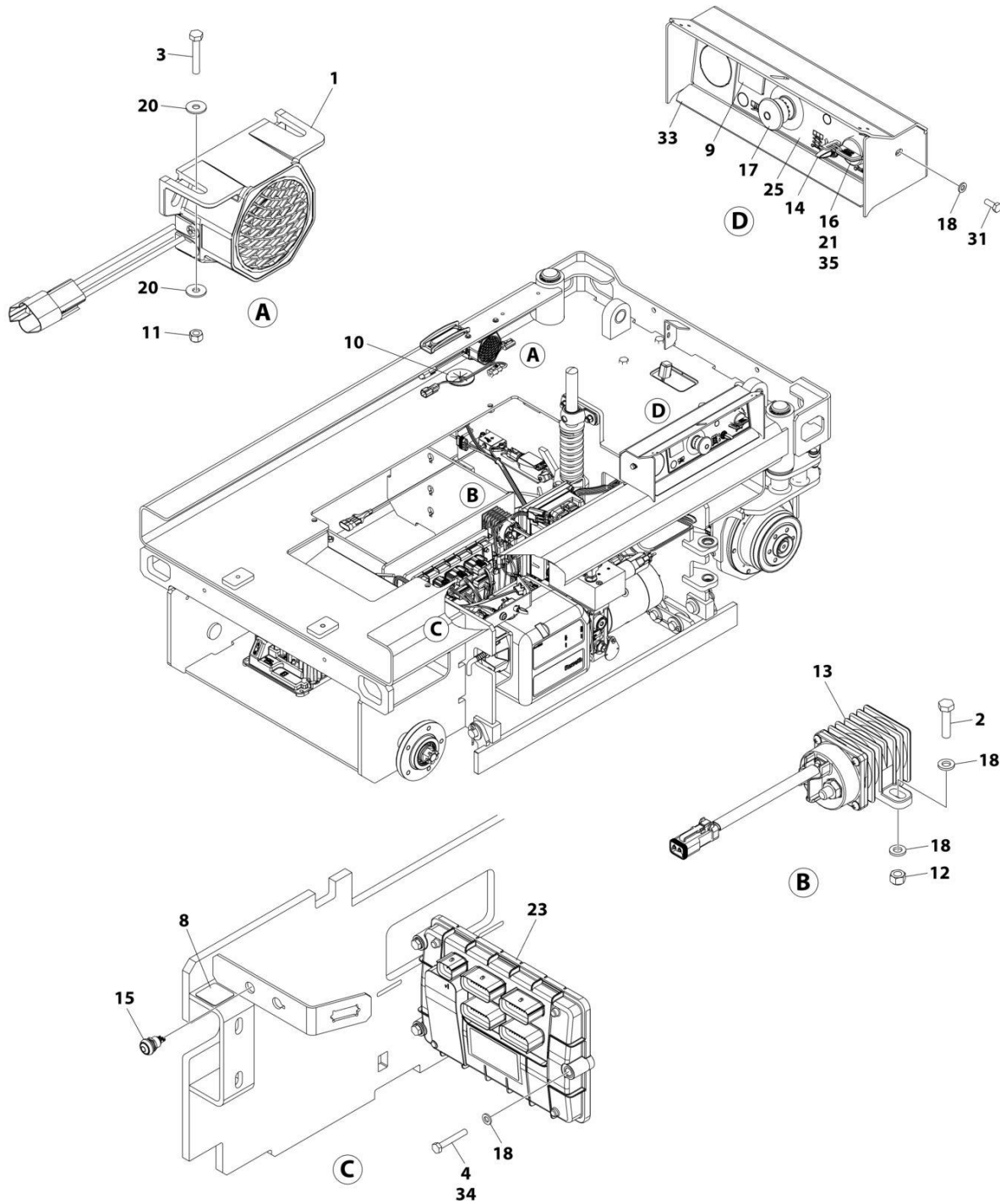
SECTION 2 - GROUND CONTROLS

FIGURE 2-5. ELECTRICAL COMPONENTS INSTALLATION (WITHOUT LSS)(WITH PLASTIC E-STOP)

ITEM	PART NUMBER	QTY	DESCRIPTION	REV
	1001243251	Ref	ELECTRICAL COMPONENTS INSTALLATION (WITHOUT LSS)	K
1	0140043	1	Alarm	
2	0700612	2	Bolt M6 x 25	
3	0700412	2	Bolt M6 x 25	
4	0700616	3	Bolt M6 x 40	
8	1706679	1	Decal - Brake Release	
9	2420172	1	Hourmeter	
10	2540045	2	Grommet	
11	3290405	2	Nut M4	
12	3290605	2	Nut M6	
13	3740150	1	Relay	
14	4360328	1	Switch, Toggle	
15	1001226749	1	Switch, Push Button	
16	4360469	1	Switch, Key	
16	2860030	1 Set	Key, Replacement	
17	1001274559	1	Switch, Emergency Stop	
18	4811700	9	Washer M6	
20	1001091102	4	Washer M4	
21	1001130590	1	Plate, Key Switch	
23	1001200629	1	Module, Control (Note: Re-calibration Required when Replaced)	
25	1001209682	1	Decal - Ground Control	
28	1001283411	1	Chassis Harness (Not Shown - See Separate Breakdown in ELECTRICAL Section)	
29	1001243255	1	Drive Control Harness (Not Shown - See Separate Breakdown in ELECTRICAL Section)	
30	4240017	AR	Tie-Strap (Not Shown)	
31	0760608	2	Bolt M6 x 16	
33	1001249645	1	Bracket, Ground Control	
34	0100011	AR	Compound, Locking	
35	3910804	3	Screw #8 x 1/4	
36	0100048	AR	Grease, Dielectric (Not Shown)	

SECTION 2 - GROUND CONTROLS

FIGURE 2-6. ELECTRICAL COMPONENTS INSTALLATION (WITH LSS) (Prior to SN B200079316, Prior to SN M200064531, Except SN B200079181 through B200079260, Except SN B200079304 through B200079308)



ART_1001243252_J

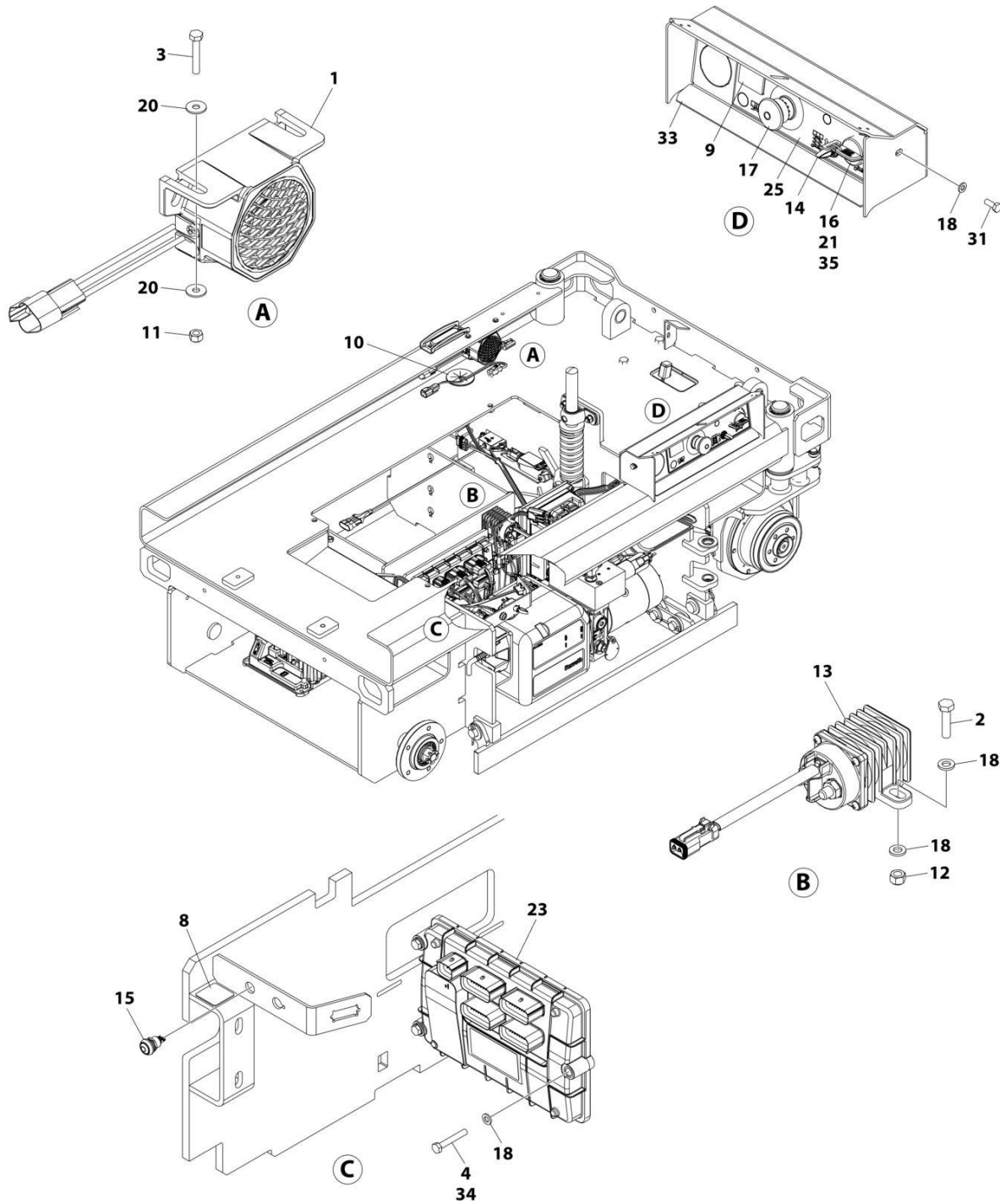
SECTION 2 - GROUND CONTROLS

FIGURE 2-6. ELECTRICAL COMPONENTS INSTALLATION (WITH LSS) (Prior to SN B200079316, Prior to SN M200064531, Except SN B200079181 through B200079260, Except SN B200079304 through B200079308)

ITEM	PART NUMBER	QTY	DESCRIPTION	REV
	1001243252	Ref	ELECTRICAL COMPONENTS INSTALLATION (WITH LSS)	J
1	0140043	1	Alarm	
2	0700612	2	Bolt M6 x 25	
3	0700412	2	Bolt M6 x 25	
4	0700616	3	Bolt M6 x 40	
8	1706679	1	Decal - Brake Release	
9	2420172	1	Hourmeter	
10	2540045	2	Grommet	
11	3290405	2	Nut M4	
12	3290605	2	Nut M6	
13	3740150	1	Relay	
14	4360328	1	Switch, Toggle	
15	1001226749	1	Switch, Push Button	
16	4360469	1	Switch, Key	
16	2860030	1 Set	Key, Replacement	
17	1001274559	1	Switch, Emergency Stop (Plastic)	
17	4360475	1	Switch, Emergency Stop (Metal)	
17	7020175	1	Cap	
17	7020176	1	Block, Contact	
18	4811700	9	Washer M6	
20	1001091102	4	Washer M4	
21	1001130590	1	Plate, Key Switch	
23	1001200629	1	Module, Control (Note: Re-calibration Required when Replaced)	
25	1001209682	1	Decal - Ground Control	
28	1001266214	1	Chassis Harness (Not Shown - See Separate Breakdown in ELECTRICAL Section)	
29	1001243255	1	Drive Control Harness (Not Shown - See Separate Breakdown in ELECTRICAL Section)	
30	4240017	AR	Tie-Strap (Not Shown)	
31	0760608	2	Bolt M6 x 16	
33	1001249645	1	Bracket, Ground Control	
34	0100011	AR	Compound, Locking	
35	3910804	3	Screw #8 x 1/4	
36	0100048	AR	Grease, Dielectric (Not Shown)	

SECTION 2 - GROUND CONTROLS

FIGURE 2-7. ELECTRICAL COMPONENTS INSTALLATION (WITH LSS) (SN B200079181 through B200079260, SN B200079304 through B200079308, SN B200079316 to Present, SN M200064531 to Present)



ART_1001243252_K

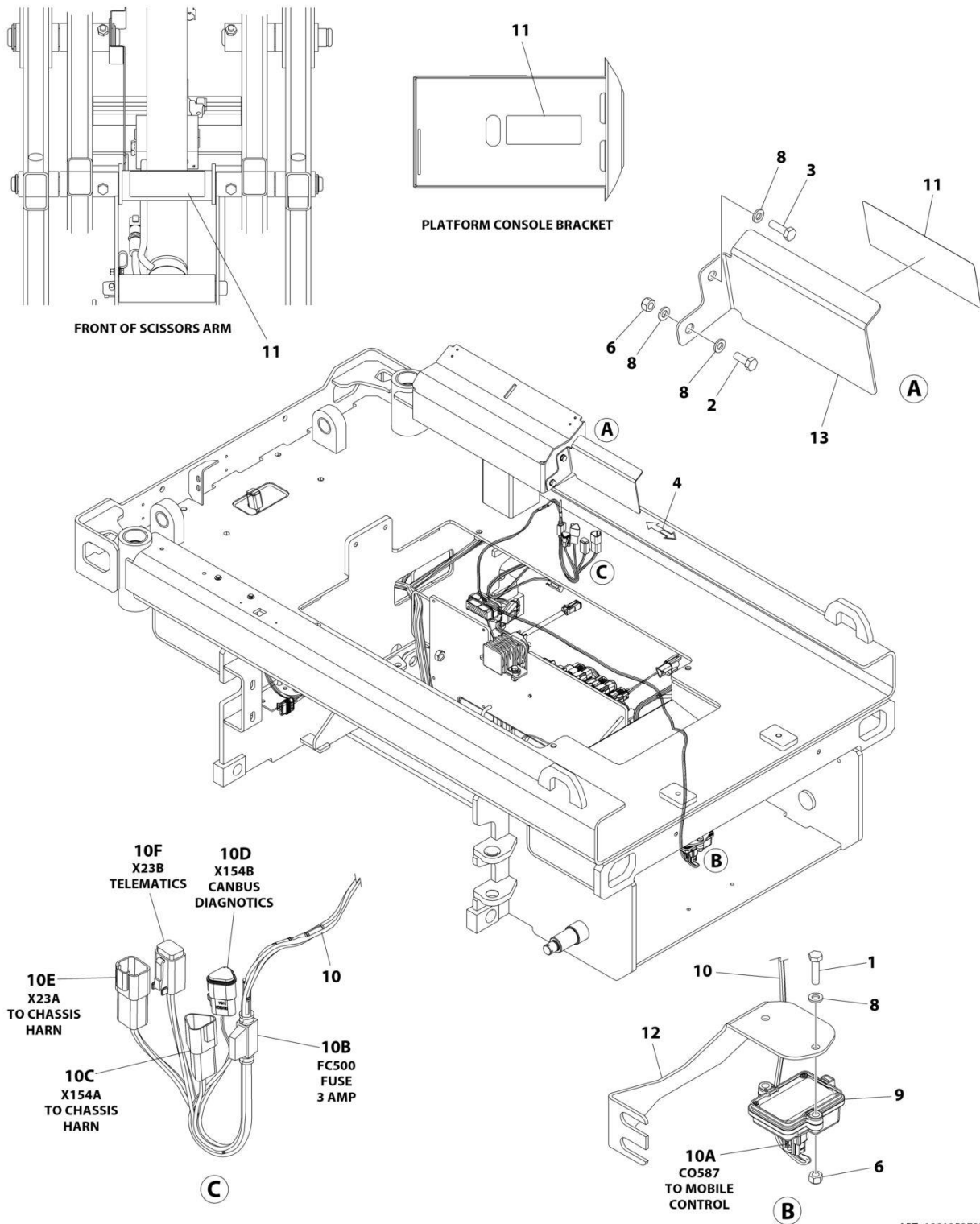
SECTION 2 - GROUND CONTROLS

FIGURE 2-7. ELECTRICAL COMPONENTS INSTALLATION (WITH LSS) (SN B200079181 through B200079260, SN B200079304 through B200079308, SN B200079316 to Present, SN M200064531 to Present)

ITEM	PART NUMBER	QTY	DESCRIPTION	REV
	1001243252	Ref	ELECTRICAL COMPONENTS INSTALLATION (WITH LSS)	K
1	0140043	1	Alarm	
2	0700612	2	Bolt M6 x 25	
3	0700412	2	Bolt M6 x 25	
4	0700616	3	Bolt M6 x 40	
8	1706679	1	Decal - Brake Release	
9	2420172	1	Hourmeter	
10	2540045	2	Grommet	
11	3290405	2	Nut M4	
12	3290605	2	Nut M6	
13	3740150	1	Relay	
14	4360328	1	Switch, Toggle	
15	1001226749	1	Switch, Push Button	
16	4360469	1	Switch, Key	
16	2860030	1 Set	Key, Replacement	
17	1001274559	1	Switch, Emergency Stop (Plastic)	
17	4360475	1	Switch, Emergency Stop (Metal)	
17	7020175	1	Cap	
17	7020176	1	Block, Contact	
18	4811700	9	Washer M6	
20	1001091102	4	Washer M4	
21	1001130590	1	Plate, Key Switch	
23	1001200629	1	Module, Control (Note: Re-calibration Required when Replaced)	
25	1001209682	1	Decal - Ground Control	
28	1001283412	1	Chassis Harness (Not Shown - See Separate Breakdown in ELECTRICAL Section)	
29	1001243255	1	Drive Control Harness (Not Shown - See Separate Breakdown in ELECTRICAL Section)	
30	4240017	AR	Tie-Strap (Not Shown)	
31	0760608	2	Bolt M6 x 16	
33	1001249645	1	Bracket, Ground Control	
34	0100011	AR	Compound, Locking	
35	3910804	3	Screw #8 x 1/4	
36	0100048	AR	Grease, Dielectric (Not Shown)	

SECTION 2 - GROUND CONTROLS

FIGURE 2-8. MOBILE CONTROL INSTALLATION



ART_1001253737

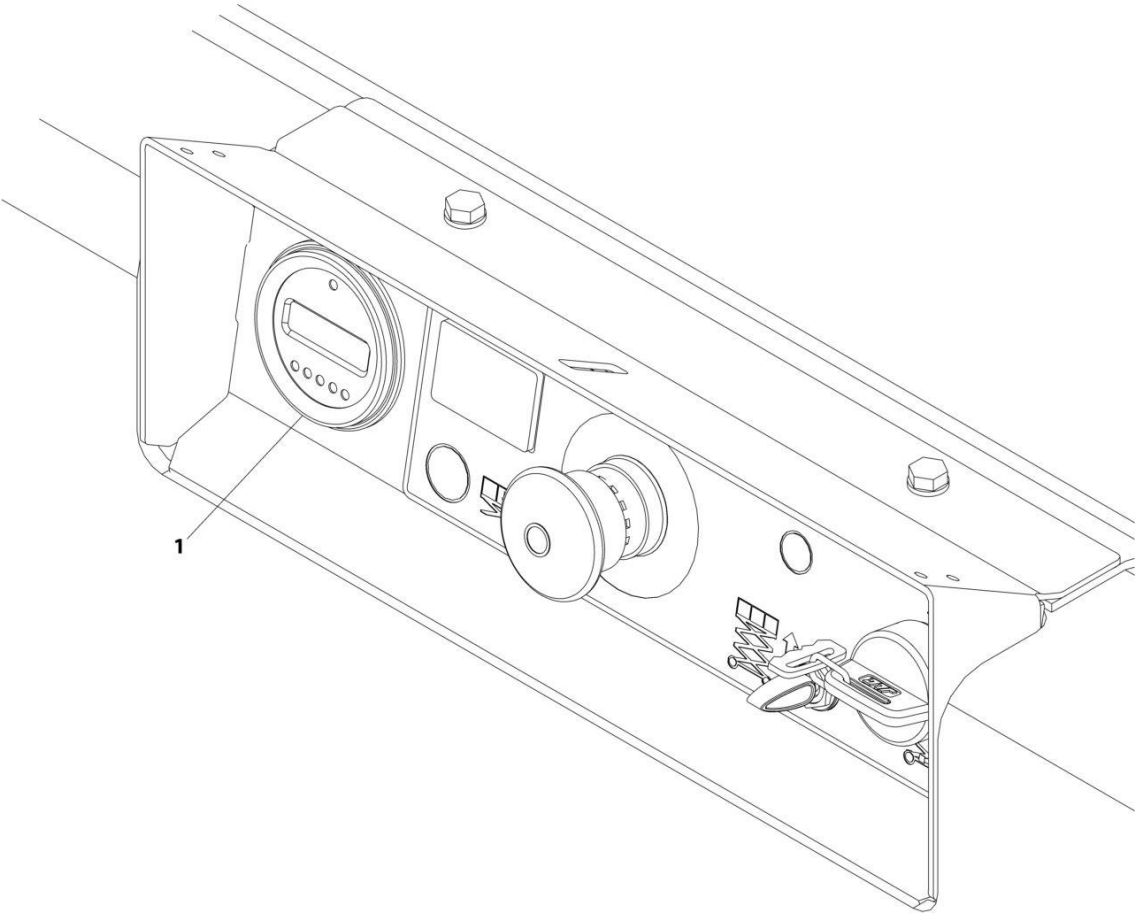
SECTION 2 - GROUND CONTROLS

FIGURE 2-8. MOBILE CONTROL INSTALLATION

ITEM	PART NUMBER	QTY	DESCRIPTION	REV
	1001253737	Ref	MOBILE CONTROL INSTALLATION	A
1	0700612	2	Bolt M6 x 25	
2	0760608	1	Bolt M6 x 16	
3	0760610	1	Bolt M6 x 20	
4	1703819	1	Decal - Direction Arrow	
5	3121792	1	Manual, Mobile Control (Not Shown)	
6	3290605	3	Nut M6	
7	4240017	AR	Tie-Strap (Not Shown)	
8	4811700	5	Washer M6	
9	1001245293	1	Control, Mobile	
10	1001245299	1	Mobile Control Harness	
10A	1001205409	1	Connector - 8 Position	
10A	1001162887	4	Terminal	
10A	1001163340	4	Plug, Terminal	
10B	2400060	1	Fuseholder with Cap	
10B	1001196635	1	Fuse 3 Amp	
10C	1001144147	1	Receptacle, Female - 3 Position	
10C	4460943	2	Pin, Male	
10D	4460466	1	Plug, Terminal	
10D	1001116812	1	Plug, Male - 3 Position	
10D	4460944	2	Socket, Female	
10D	4460466	1	Plug, Terminal	
10E	4460932	1	Receptacle, Female - 4 Position	
10F	4460464	4	Pin, Terminal	
10F	4460884	1	Pin, Male	
10F	4460465	4	Socket, Female	
11	1001248768	3	Decal, Mobile Control	
12	1001253625	1	Bracket, Module	
13	1001253715	1	Plate, Decal	

SECTION 2 - GROUND CONTROLS

FIGURE 2-9. MDI INSTALLATION



ART_1001207293

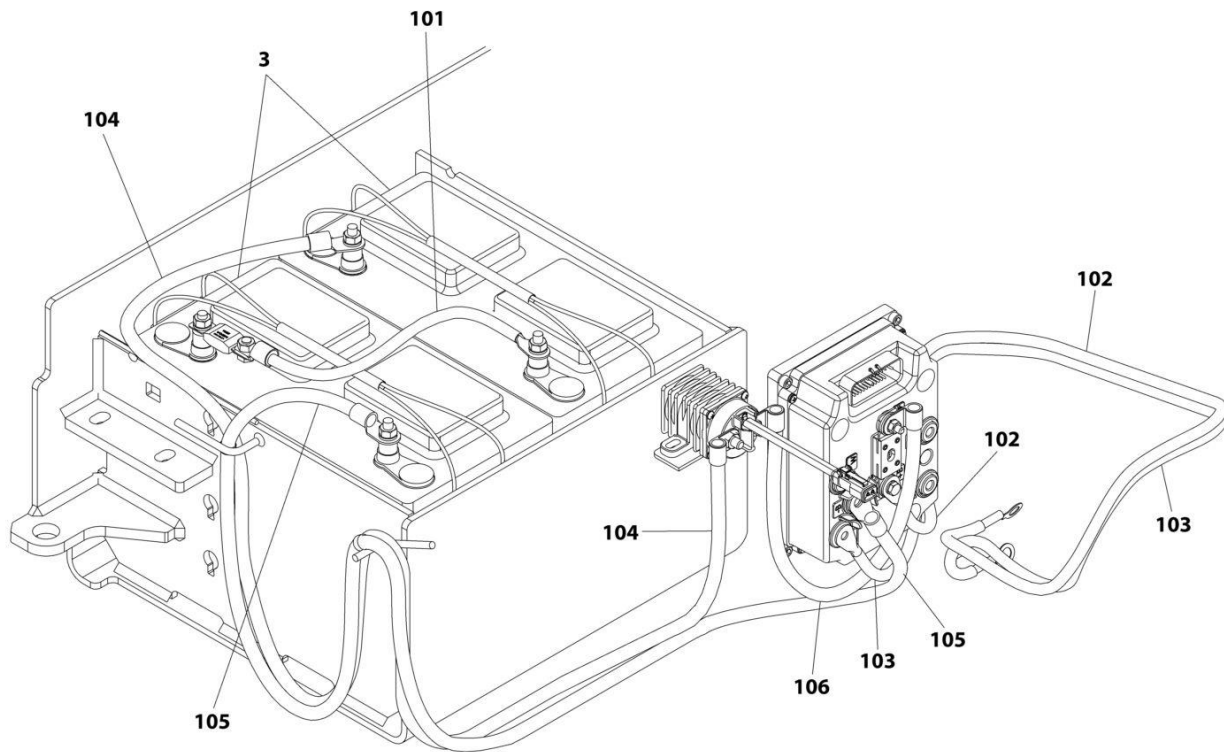
SECTION 2 - GROUND CONTROLS

FIGURE 2-9. MDI INSTALLATION

ITEM	PART NUMBER	QTY	DESCRIPTION	REV
1	1001207293 1001200632	Ref 1	MDI INSTALLATION Gauge, MDI	B

SECTION 2 - GROUND CONTROLS

FIGURE 2-10. BATTERIES INSTALLATION - STANDARD BATTERIES WITHOUT DISCONNECT



ART_1001243226

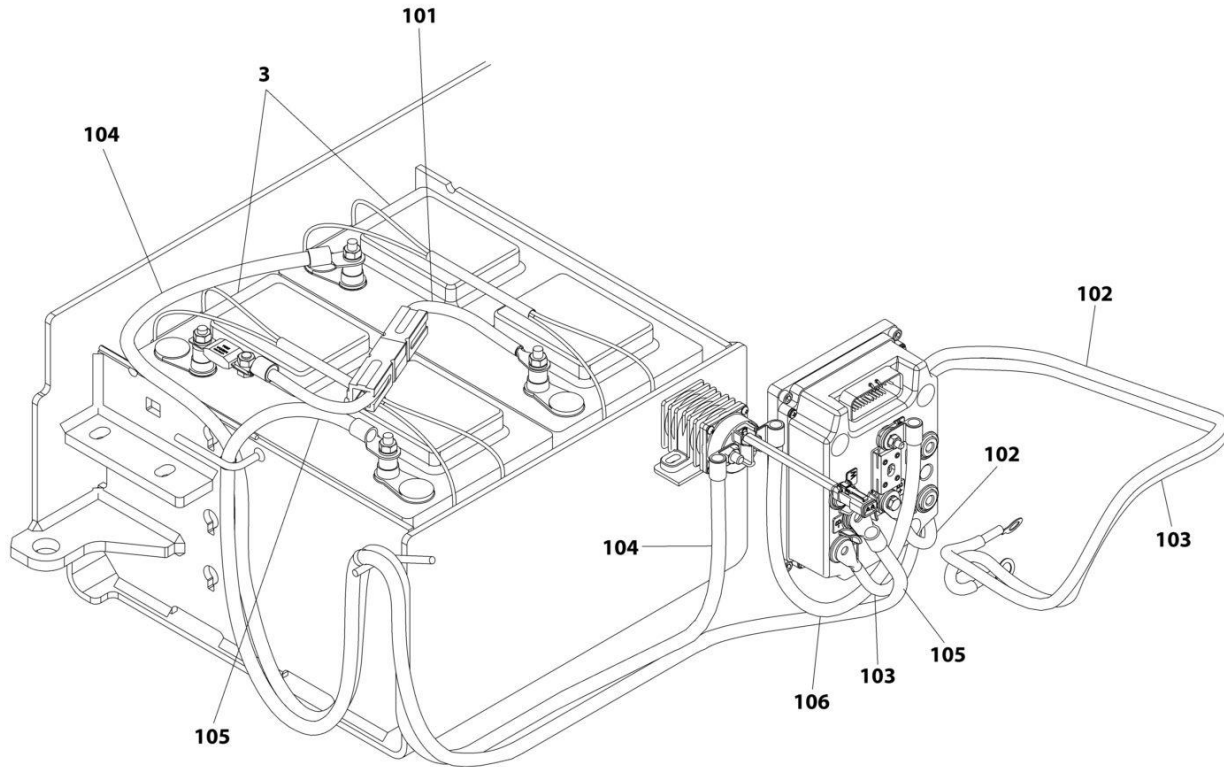
SECTION 2 - GROUND CONTROLS

FIGURE 2-10. BATTERIES INSTALLATION - STANDARD BATTERIES WITHOUT DISCONNECT

ITEM	PART NUMBER	QTY	DESCRIPTION	REV
	1001243226	Ref	BATTERIES INSTALLTION - STANDARD BATTERIES WITHOUT DISCONNECT	E
1	0100051	AR	Grease, Terminal (Not Shown)	
2	4240017	AR	Tie-Strap (Not Shown)	
3	1001233714	2	Battery	
100	1001243230	1	Battery Cable Kit (Not Shown)	
101	1001239303	1	Cable, Positive (+) to Negative (-)	
102	1001243232	1	Cable, Pump Motor (+) to Module (+B)	
103	1001243233	1	Cable, Pump Motor (-) to Module (-P)	
104	1001244338	1	Cable, Battery (+) to Relay	
105	1001243235	1	Cable, Battery (-) to Module (-B)	
106	1001244339	1	Cable, Relay to Module (+BF)	

SECTION 2 - GROUND CONTROLS

FIGURE 2-11. BATTERIES INSTALLATION - STANDARD BATTERIES WITH DISCONNECT



ART_1001243227

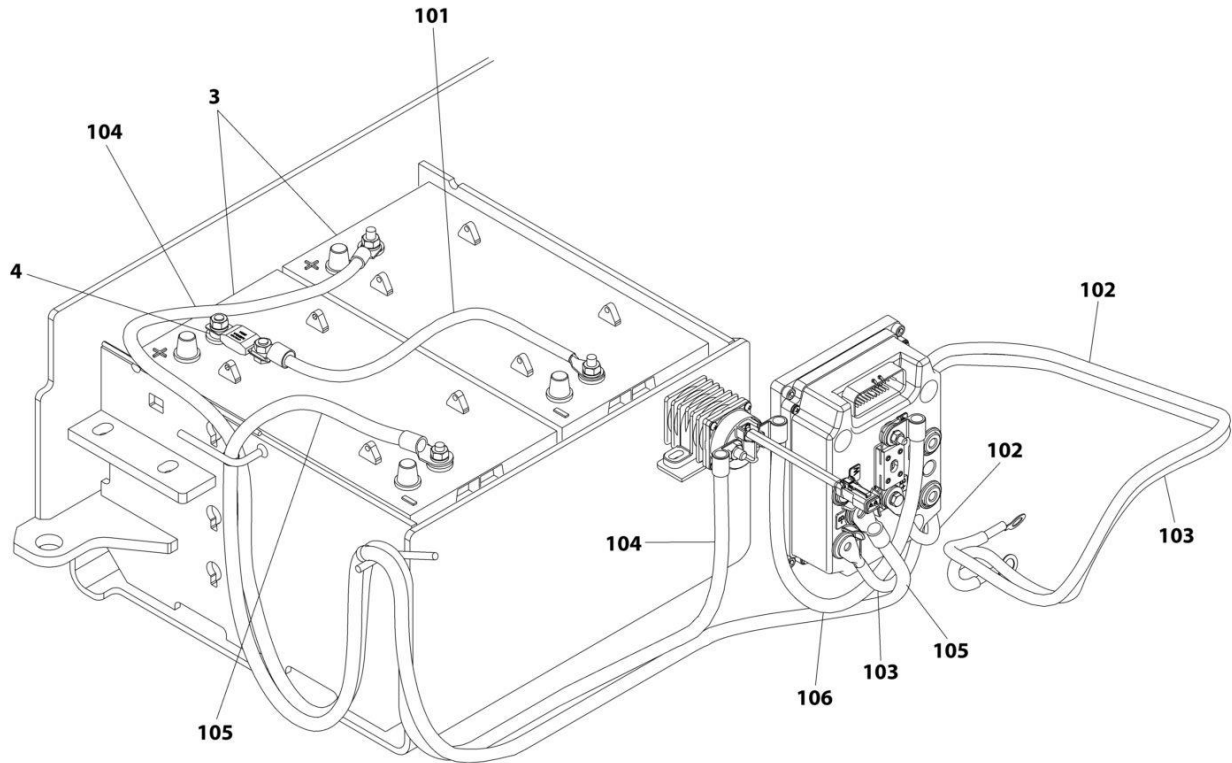
SECTION 2 - GROUND CONTROLS

FIGURE 2-11. BATTERIES INSTALLATION - STANDARD BATTERIES WITH DISCONNECT

ITEM	PART NUMBER	QTY	DESCRIPTION	REV
	1001243227	Ref	BATTERIES INSTALLATION - STANDARD BATTERIES WITH DISCONNECT	E
1	0100051	AR	Grease, Terminal (Not Shown)	
2	4240017	AR	Tie-Strap (Not Shown)	
3	1001233714	2	Battery	
100	1001243231	1	Battery Cable Kit (Not Shown)	
101	1001238060	1	Cable, Positive (+) to Negative (-)	
102	1001243232	1	Cable, Pump Motor (+) to Module (+B)	
103	1001243233	1	Cable, Pump Motor (-) to Module (-P)	
104	1001244338	1	Cable, Battery (+) to Relay	
105	1001243235	1	Cable, Battery (-) to Module (-B)	
106	1001244339	1	Cable, Relay to Module (+BF)	

SECTION 2 - GROUND CONTROLS

FIGURE 2-12. BATTERIES INSTALLATION - AGM BATTERIES WITHOUT DISCONNECT



ART_1001243228

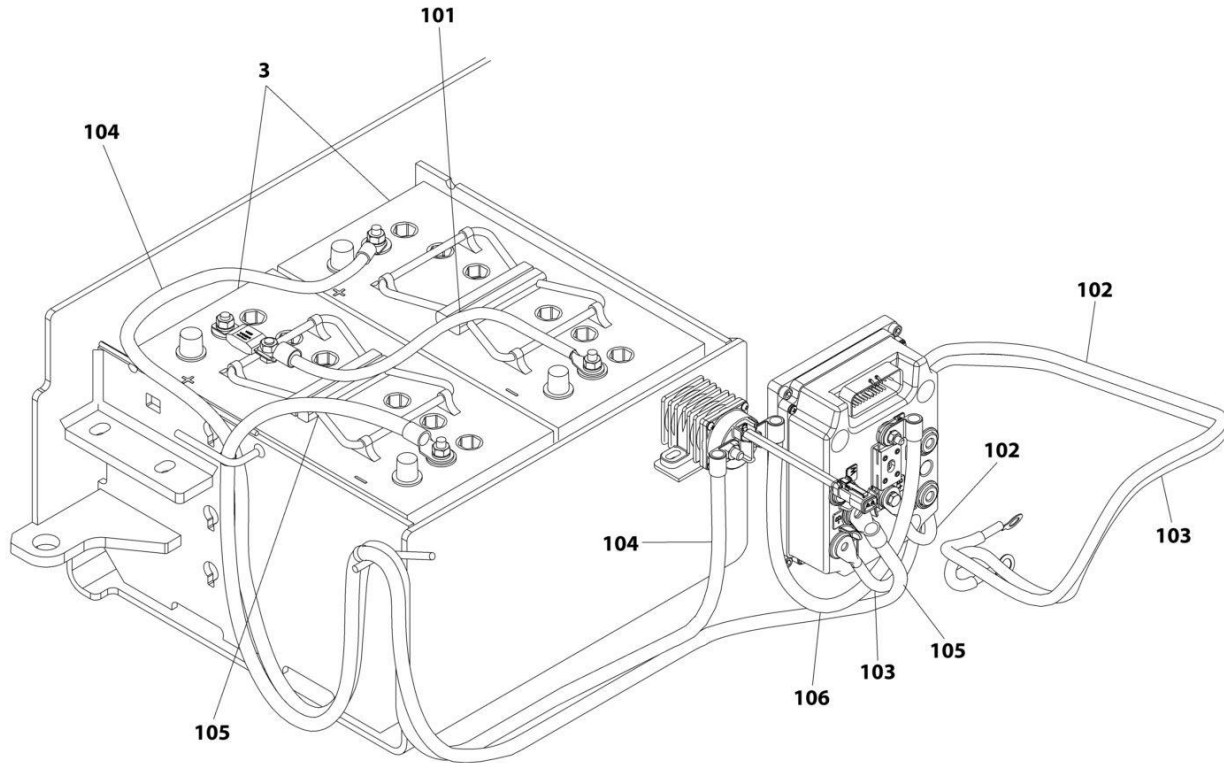
SECTION 2 - GROUND CONTROLS

FIGURE 2-12. BATTERIES INSTALLATION - AGM BATTERIES WITHOUT DISCONNECT

ITEM	PART NUMBER	QTY	DESCRIPTION	REV
	1001243228	Ref	BATTERIES INSTALLATION - AGM BATTERIES WITHOUT DISCONNECT	E
1	0100051	AR	Grease, Terminal (Not Shown)	
2	4240017	AR	Tie-Strap (Not Shown)	
3	1001125916	2	Battery	
4	1001249668	1	Washer	
100	1001243230	1	Battery Cable Kit (Not Shown)	
101	1001239303	1	Cable, Positive (+) to Negative (-)	
102	1001243232	1	Cable, Pump Motor (+) to Module (+B)	
103	1001243233	1	Cable, Pump Motor (-) to Module (-P)	
104	1001244338	1	Cable, Battery (+) to Relay	
105	1001243235	1	Cable, Battery (-) to Module (-B)	
106	1001244339	1	Cable, Relay to Module (+BF)	

SECTION 2 - GROUND CONTROLS

FIGURE 2-13. BATTERIES INSTALLATION - AGM VISION BATTERIES WITHOUT DISCONNECT



ART_1001255263

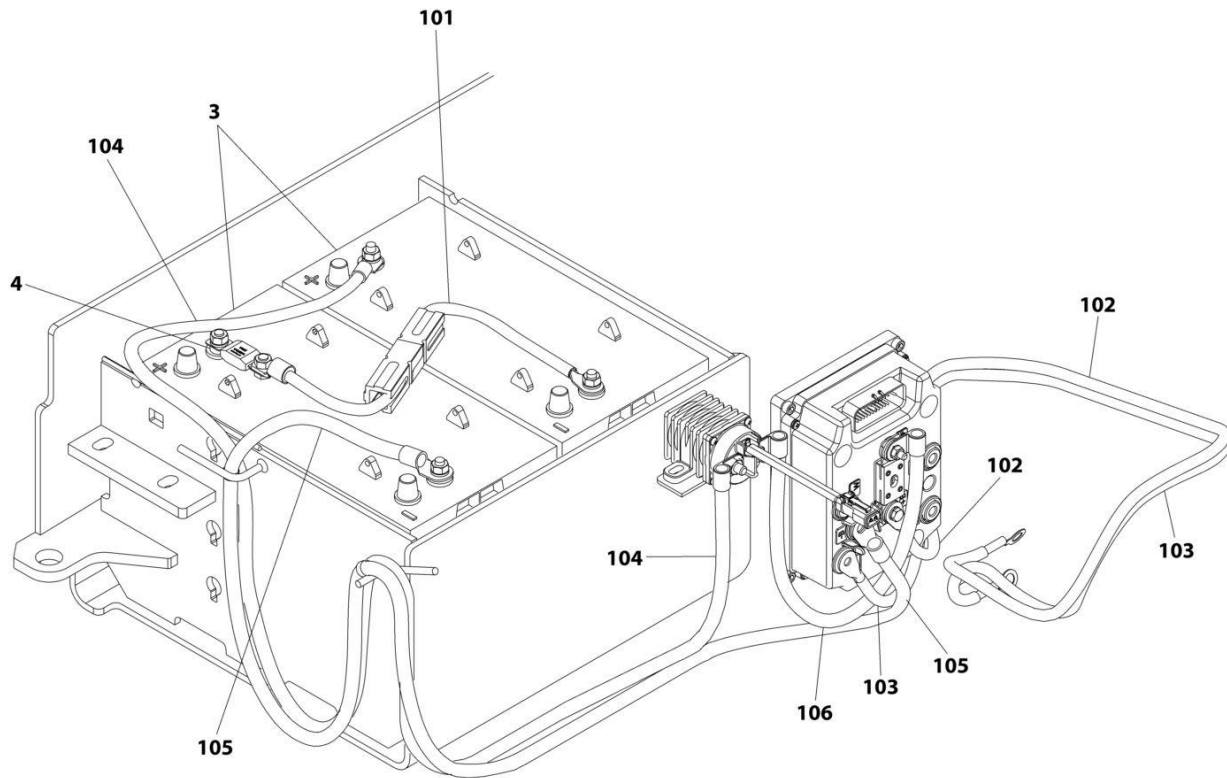
SECTION 2 - GROUND CONTROLS

FIGURE 2-13. BATTERIES INSTALLATION - AGM VISION BATTERIES WITHOUT DISCONNECT

ITEM	PART NUMBER	QTY	DESCRIPTION	REV
	1001255263	Ref	BATTERIES INSTALLATION - AGM VISION BATTERIES WITHOUT DISCONNECT	A
1	0100051	AR	Grease, Terminal (Not Shown)	
2	4240017	AR	Tie-Strap (Not Shown)	
3	1001254633	2	Battery	
100	1001243230	1	Battery Cable Kit (Not Shown)	
101	1001239303	1	Cable, Positive (+) to Negative (-)	
102	1001243232	1	Cable, Pump Motor (+) to Module (+B)	
103	1001243233	1	Cable, Pump Motor (-) to Module (-P)	
104	1001244338	1	Cable, Battery (+) to Relay	
105	1001243235	1	Cable, Battery (-) to Module (-B)	
106	1001244339	1	Cable, Relay to Module (+BF)	

SECTION 2 - GROUND CONTROLS

FIGURE 2-14. BATTERIES INSTALLATION - AGM BATTERIES WITH DISCONNECT



ART_1001243229

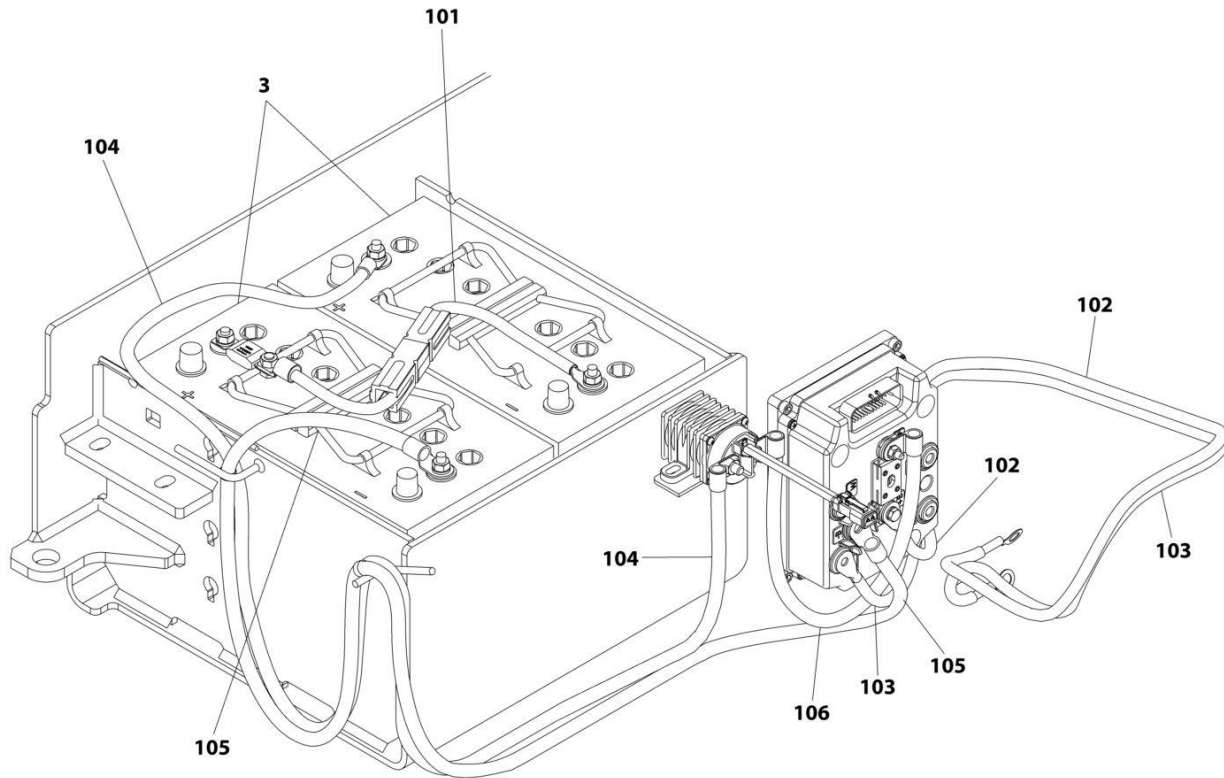
SECTION 2 - GROUND CONTROLS

FIGURE 2-14. BATTERIES INSTALLATION - AGM BATTERIES WITH DISCONNECT

ITEM	PART NUMBER	QTY	DESCRIPTION	REV
	1001243229	Rev	BATTERIES INSTALLATION - AGM BATTERIES WITH DISCONNECT	E
1	0100051	AR	Grease, Terminal (Not Shown)	
2	4240017	AR	Tie-Strap (Not Shown)	
3	1001125916	2	Battery	
4	1001249668	1	Washer	
100	1001243231	1	Battery Cable Kit (Not Shown)	
101	1001238060	1	Cable, Positive (+) to Negative (-)	
102	1001243232	1	Cable, Pump Motor (+) to Module (+B)	
103	1001243233	1	Cable, Pump Motor (-) to Module (-P)	
104	1001244338	1	Cable, Battery (+) to Relay	
105	1001243235	1	Cable, Battery (-) to Module (-B)	
106	1001244339	1	Cable, Relay to Module (+BF)	

SECTION 2 - GROUND CONTROLS

FIGURE 2-15. BATTERIES INSTALLATION - AGM VISION BATTERIES WITH DISCONNECT



ART_1001255264

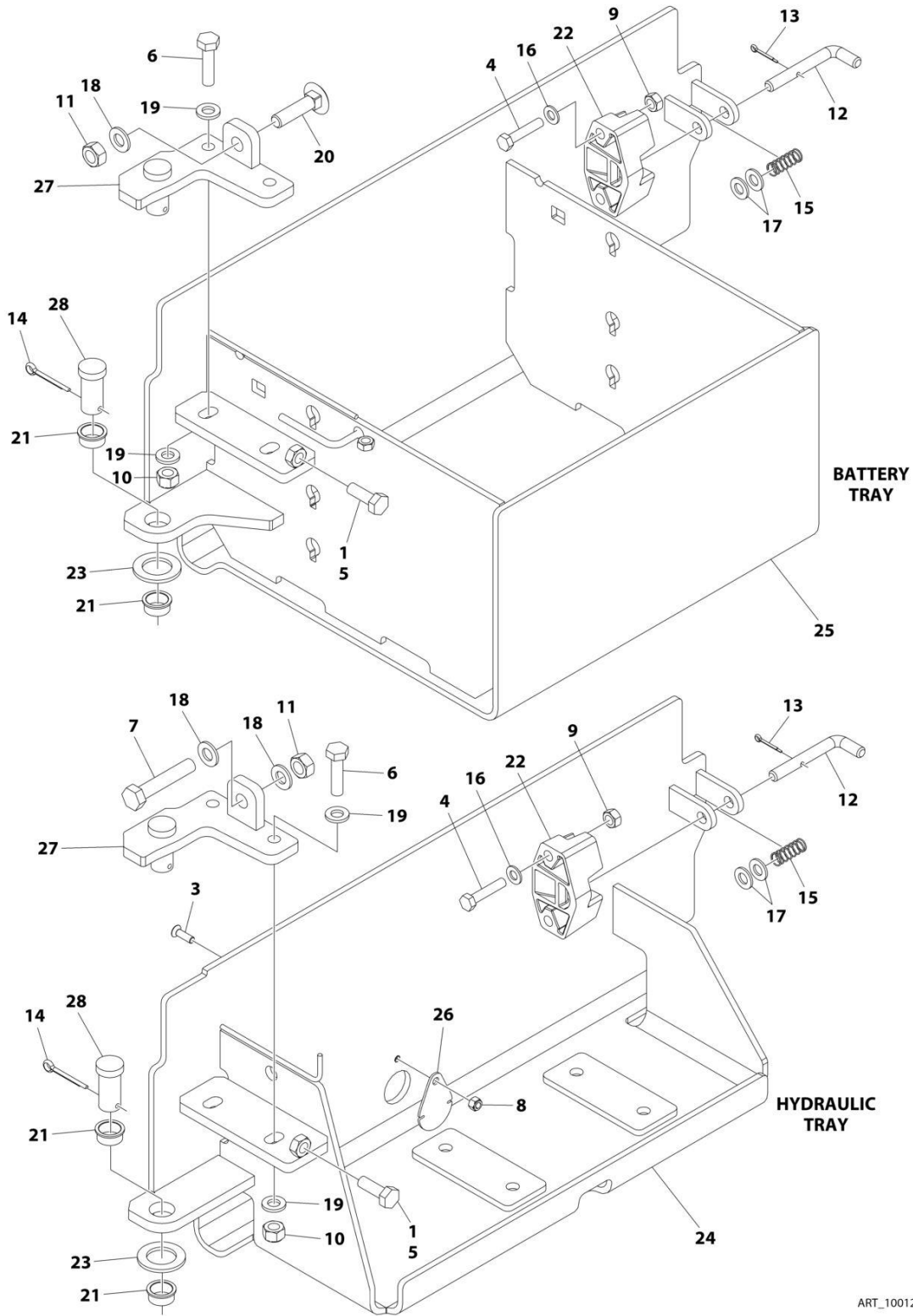
SECTION 2 - GROUND CONTROLS

FIGURE 2-15. BATTERIES INSTALLATION - AGM VISION BATTERIES WITH DISCONNECT

ITEM	PART NUMBER	QTY	DESCRIPTION	REV
	1001255264	Rev	BATTERIES INSTALLATION - AGM VISION BATTERIES WITH DISCONNECT	A
1	0100051	AR	Grease, Terminal (Not Shown)	
2	4240017	AR	Tie-Strap (Not Shown)	
3	1001254633	2	Battery	
100	1001243231	1	Battery Cable Kit (Not Shown)	
101	1001238060	1	Cable, Positive (+) to Negative (-)	
102	1001243232	1	Cable, Pump Motor (+) to Module (+B)	
103	1001243233	1	Cable, Pump Motor (-) to Module (-P)	
104	1001244338	1	Cable, Battery (+) to Relay	
105	1001243235	1	Cable, Battery (-) to Module (-B)	
106	1001244339	1	Cable, Relay to Module (+BF)	

SECTION 2 - GROUND CONTROLS

FIGURE 2-16. DOORS INSTALLATION



ART_1001236861

SECTION 2 - GROUND CONTROLS

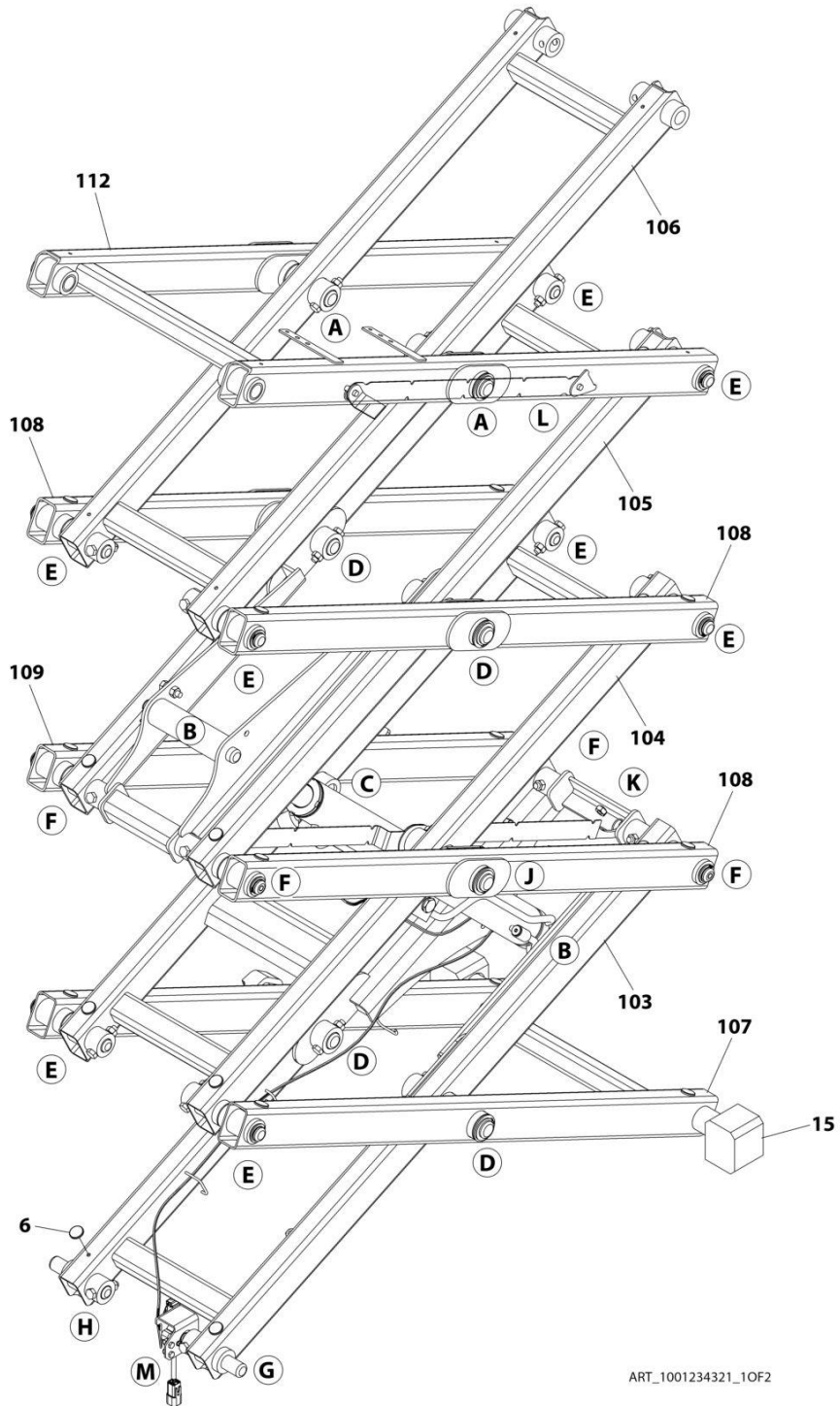
FIGURE 2-16. DOORS INSTALLATION

ITEM	PART NUMBER	QTY	DESCRIPTION	REV
	1001236861	Rev	DOORS INSTALLATION	C
1	0100011	AR	Compound, Locking	
3	0630576	1	Screw M6 x 20	
4	0700816	4	Bolt M8 x 40	
5	0761014	2	Bolt M10 x 30	
6	0761016	4	Bolt M10 x 40	
7	0761221	1	Bolt M12 x 65	
8	3290605	1	Nut M6	
9	3290805	4	Nut M8	
10	3291005	4	Nut M10	
11	3291201	2	Nut M12	
12	3423243	2	Pin, Latch	
13	3450303	2	Pin, Cotter 3/32 x 3/4	
14	3450505	2	Pin Cotter 5/32 x 1/2	
15	4160214	2	Spring	
16	4811900	4	Washer M8	
17	4812000	4	Washer M10	
18	4812100	3	Washer M12	
19	5241000	8	Washer M10	
20	1001245750	1	Bolt M12 x 50	
21	1001203870	4	Bearing	
22	1001214810	2	Support Latch	
23	1001229792	2	Washer	
24	1001236856	1	Tray, Hydraulic	
25	1001236860	1	Tray, Battery	
26	1001239457	1	Cover	
27	1001244672	2	Bracket	
28	3431212	2	Pin	

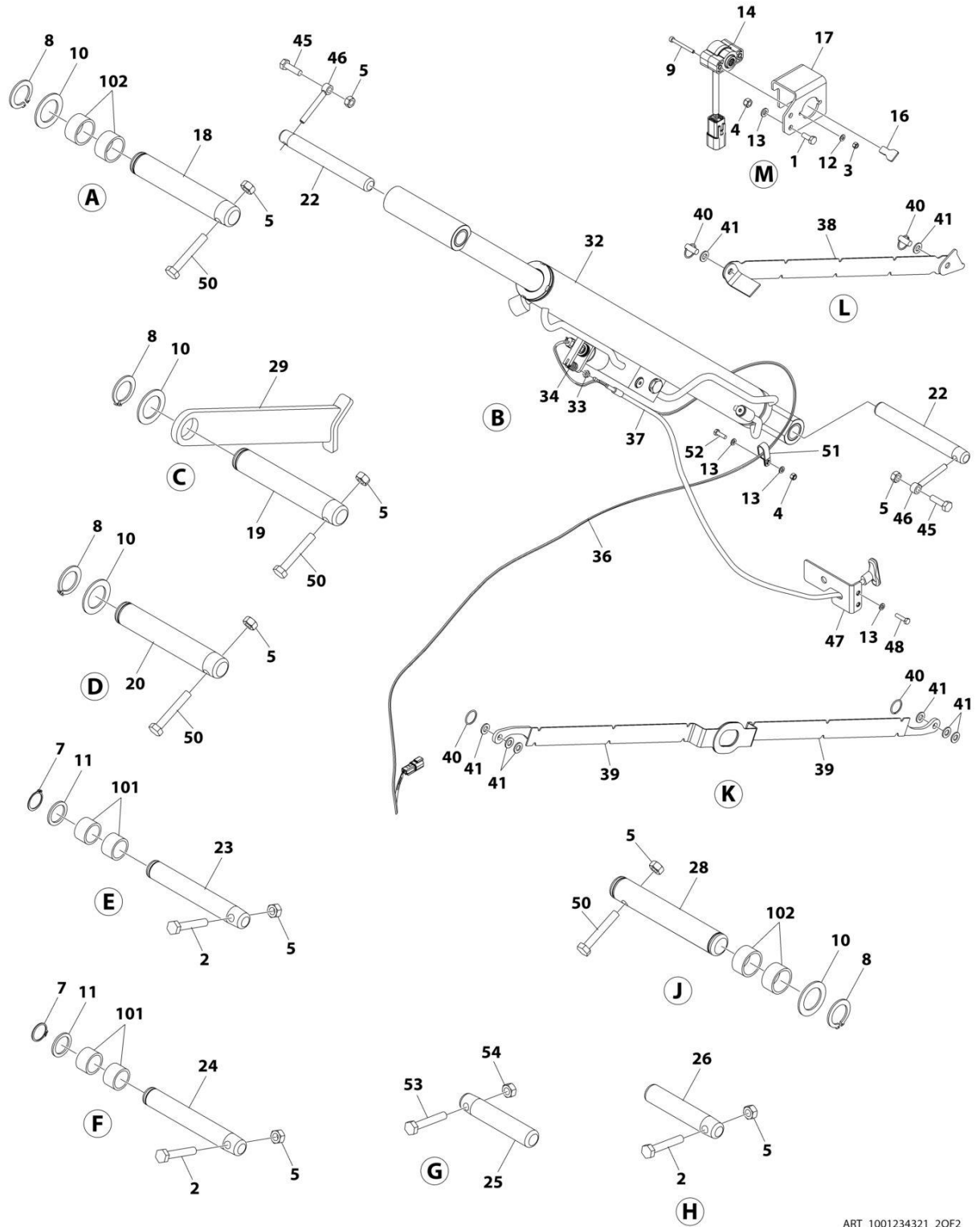
SECTION 3 - SCISSOR ARMS

SECTION 3 - SCISSOR ARMS

FIGURE 3-1. SCISSOR ARMS INSTALLATION (WITHOUT LSS)



SECTION 3 - SCISSOR ARMS



ART_1001234321_2OF2

SECTION 3 - SCISSOR ARMS

FIGURE 3-1. SCISSOR ARMS INSTALLATION (WITHOUT LSS)

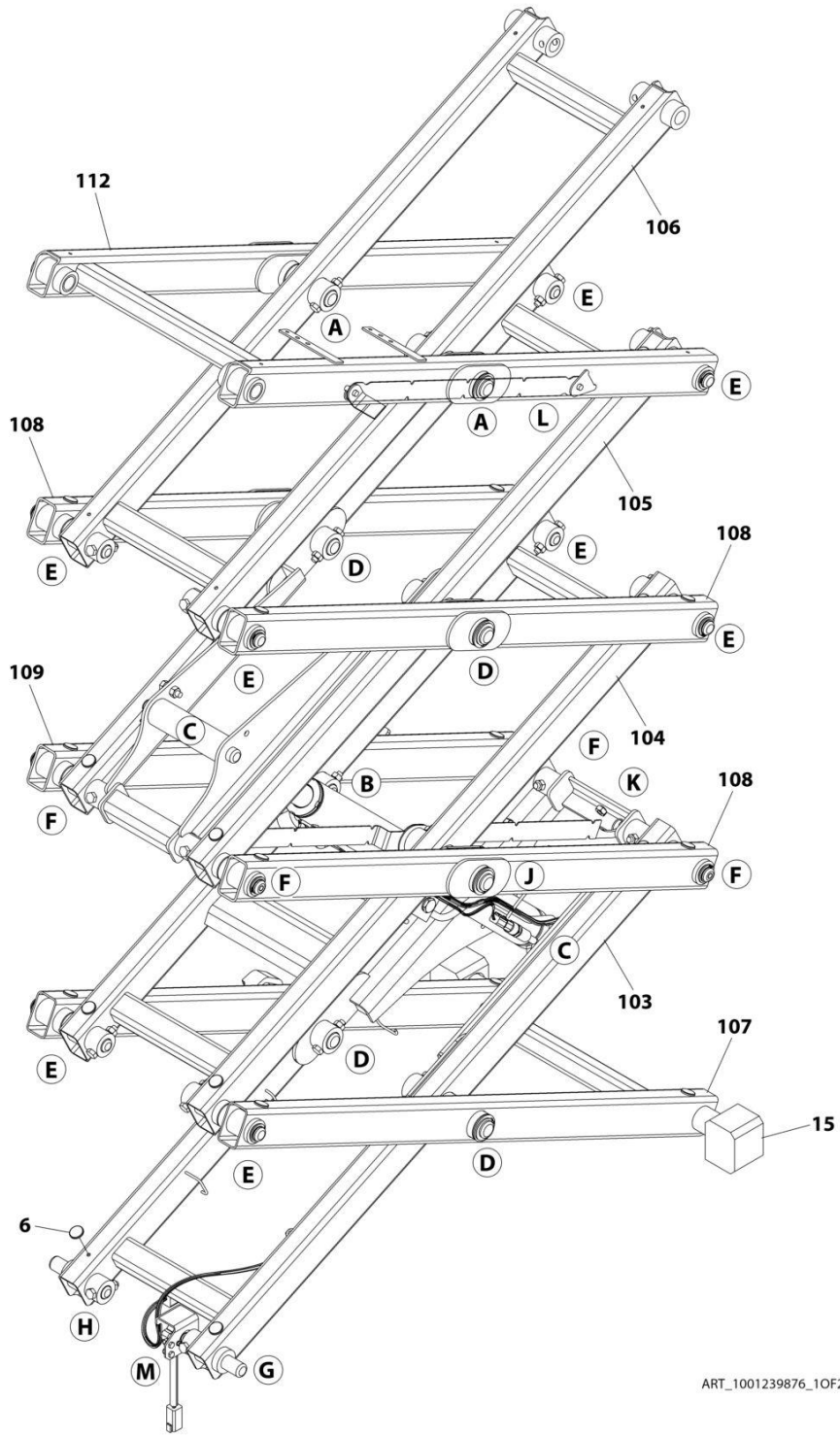
ITEM	PART NUMBER	QTY	DESCRIPTION	REV
	1001234321	Ref	SCISSOR ARMS INSTALLATION (WITHOUT LSS)	O
1	0760608	2	Bolt M6 x 16	
2	0701020	13	Bolt M10 x 60	
3	3290405	2	Nut M4	
4	3290605	3	Nut M6	
5	3291007	23	Nut M10	
6	3340962	24	Pad	
7	3760115	12	Ring, Retaining	
8	3760387	9	Ring, Retaining	
9	4031512	2	Capscrew M4 x 40	
10	4740438	9	Washer	
11	4740531	12	Washer	
12	4811400	2	Washer M4	
13	4811700	6	Washer M6	
14	1001200746	1	Sensor, Angle	
15	1001204311	2	Block, Slide	
16	1001234204	1	Key	
17	1001231268	1	Mount	
18	1001203445	2	Pin	
19	1001233860	1	Pin	
20	1001233861	4	Pin	
22	1001233863	2	Pin	
23	1001233864	8	Pin	
24	1001233865	4	Pin	
25	1001233866	1	Pin	
26	1001233867	1	Pin	
28	1001239737	1	Pin	
29	1001244144	1	Prop, Arm	
31	1001234320	1	Arm Kit (Not Shown - See Item 101-111)	
32	1001247345	1	Lift Cylinder Assembly (See Separate Breakdown in CYLINDER SECTION)	
33	3321402	1	Nut 1/4	
34	4160078	1	Spring	
35	4240017	AR	Tie-Strap (Not Shown)	
36	1001239373	1	Liftdown Harness (See Separate Breakdown in ELECTRICAL SECTION)	
37	1001239404	1	Cable, Manual Descent	
38	1001245636	1	Support	
39	1001245790	2	Support	
40	3760170	4	Ring	
41	4812000	8	Washer M10	
45	0701015	2	Bolt M10 x 35	
46	3841143	2	Keeper, Pin	
47	1001263443	1	Mount	
48	0760612	2	Bolt M6 x 25	
50	0701021	8	Bolt M10 x 65	
51	1321385	1	Clamp	
52	0760610	1	Capscrew M6 x 20	
53	1001258226	1	Bolt M8 x 40 (M10 Shoulder)	
54	3290807	1	Nut M8	

SECTION 3 - SCISSOR ARMS

ITEM	PART NUMBER	QTY	DESCRIPTION	REV
100	0440263	2	Bushing (Part of Frame)	
	1001234320	Ref	ARM KIT	
101	0440264	28	Bearing	
102	0440265	16	Bearing	
103	1001245386	1	Arm, Bottom Inside	
104	1001233834	1	Arm, Lower Mid Inside	
105	1001245388	1	Arm, Upper Mid Inside	
106	1001233836	1	Arm, Top Inside	
107	1001233837	1	Arm, Bottom Outside	
108	1001245634	3	Arm, Mid Outside	
109	1001245635	1	Arm, Mid Outside with Prop Mount	
112	1001245451	1	Arm, Top Outside	

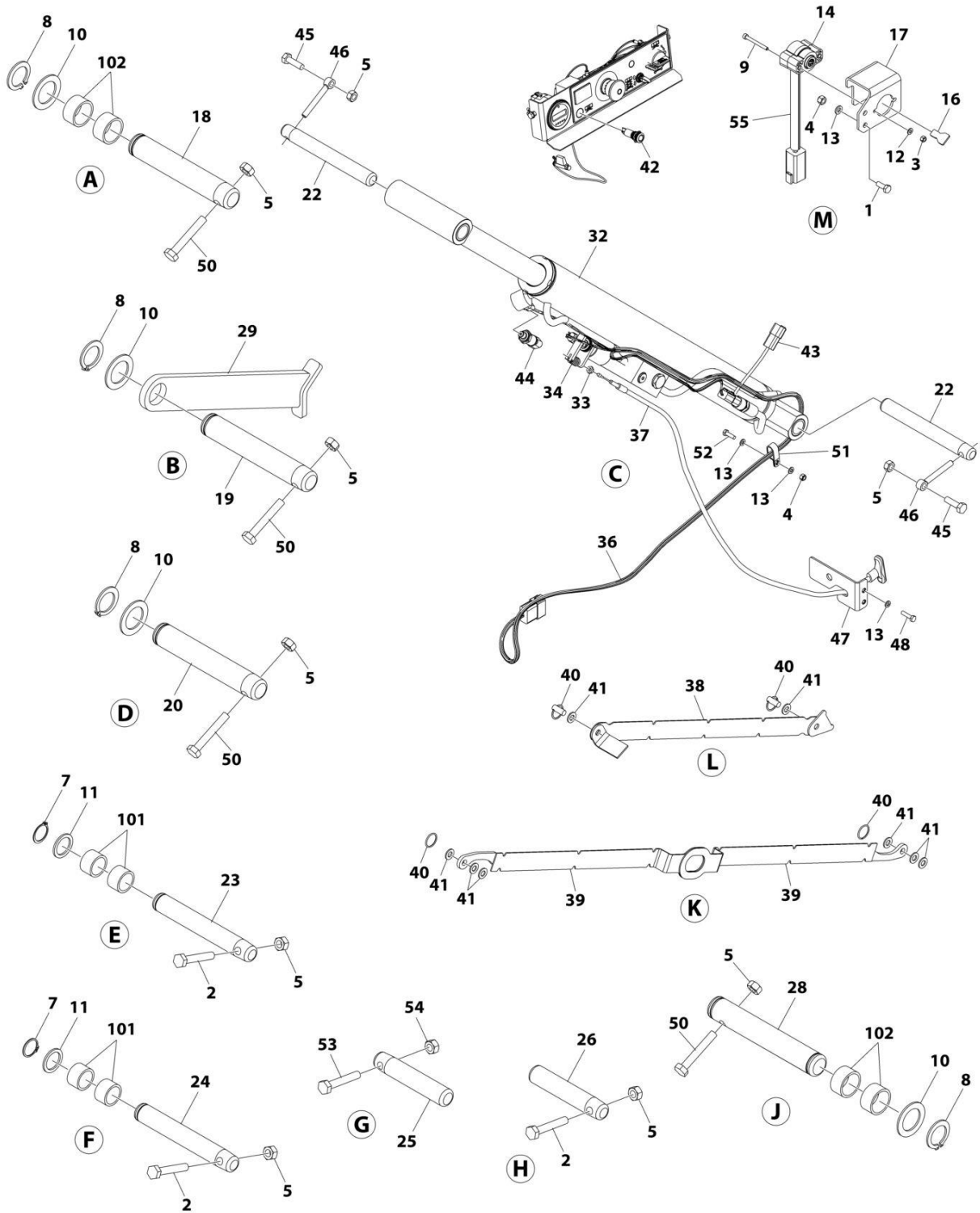
SECTION 3 - SCISSOR ARMS

FIGURE 3-2. SCISSOR ARMS INSTALLATION (WITH LSS)



ART_1001239876_10F2

SECTION 3 - SCISSOR ARMS



ART_1001239876_20F2

SECTION 3 - SCISSOR ARMS

FIGURE 3-2. SCISSOR ARMS INSTALLATION (WITH LSS)

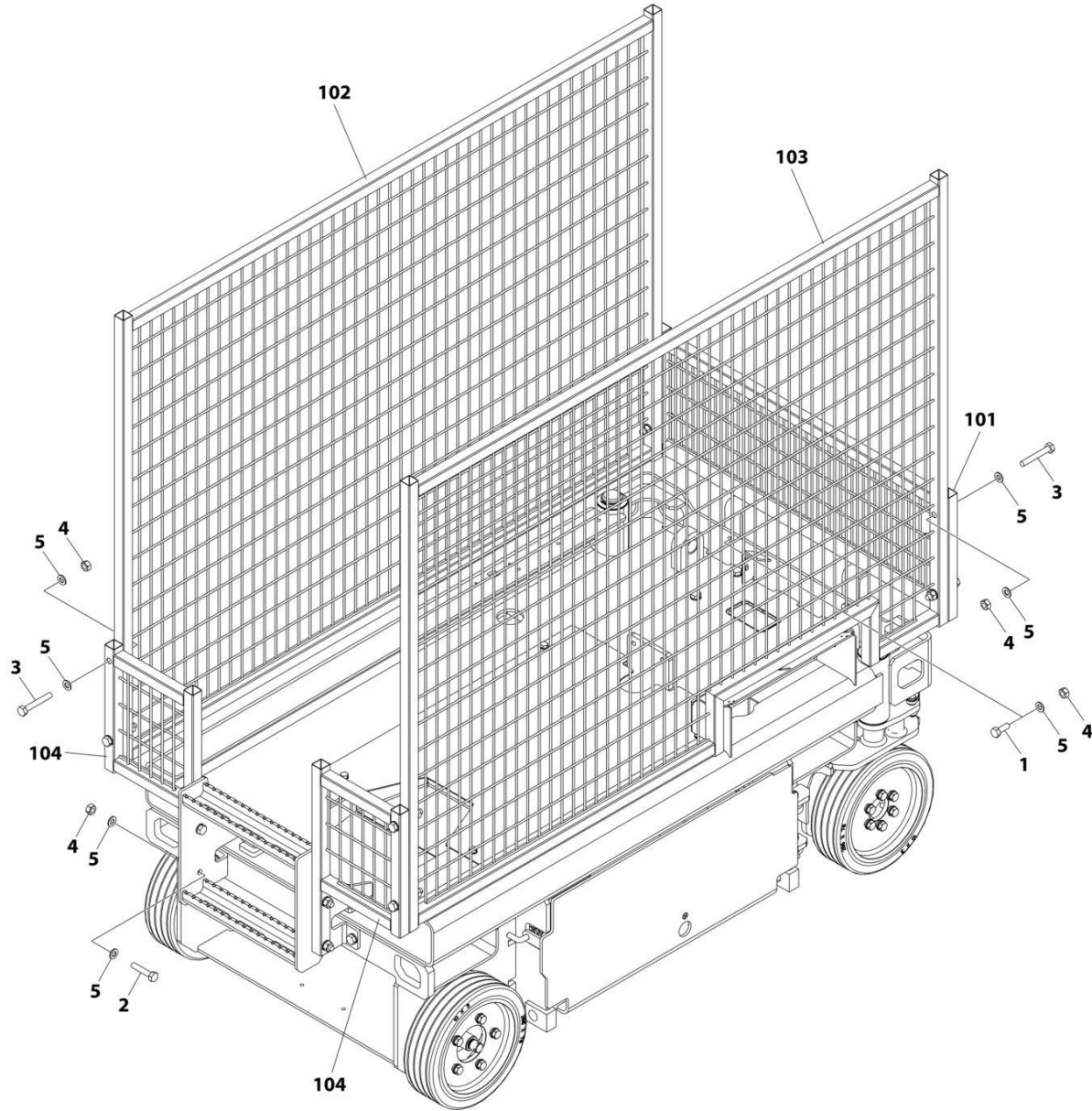
ITEM	PART NUMBER	QTY	DESCRIPTION	REV
	1001239876	Ref	SCISSOR ARMS INSTALLATION (WITH LSS)	P
1	0760608	2	Bolt M6 x 16	
2	0701020	13	Bolt M10 x 60	
3	3290405	2	Nut M4	
4	3290605	3	Nut M6	
5	3291007	23	Nut M10	
6	3340962	24	Pad	
7	3760115	12	Ring, Retaining	
8	3760387	9	Ring, Retaining	
9	4031512	2	Capscrew M4 x 40	
10	4740438	9	Washer	
11	4740531	12	Washer	
12	4811400	2	Washer M4	
13	4811700	6	Washer M6	
14	1001146963	1	Sensor, Angle	
15	1001204311	2	Block, Lower Slide	
16	1001234204	1	Key	
17	1001231268	1	Mount	
18	1001203445	2	Pin	
19	1001233860	1	Pin	
20	1001233861	4	Pin	
22	1001233863	2	Pin	
23	1001233864	8	Pin	
24	1001233865	4	Pin	
25	1001233866	1	Pin	
26	1001233867	1	Pin	
28	1001239737	1	Pin	
29	1001244144	1	Prop, Arm	
31	1001234320	1	Arm Kit (Not Shown - See Item 101-112)	
32	1001247345	1	Lift Cylinder Assembly (See Separate Breakdown in Cylinder Section)	
33	3321402	1	Nut 1/4	
34	4160078	1	Spring	
35	4240017	AR	Tie-Strap (Not Shown)	
36	1001239374	1	Liftdown Harness (See Separate Breakdown in Electrical Section)	
37	1001239404	1	Cable, Manual Descent	
38	1001245636	1	Support	
39	1001245790	2	Support	
40	3760170	4	Ring	
41	4812000	8	Washer M10	
42	1001200631	1	Light, Indicator	
43	1001235104	1	Transducer, Pressure	
44	1001225164	1	Transducer, Pressure	
45	0701015	2	Bolt M10 x 35	
46	3841143	2	Keeper, Pin	
47	1001253153	1	Mount	
48	0760612	2	Bolt M6 x 25	
50	0701021	8	Bolt M10 x 65	
51	1321385	1	Clamp	
52	0760610	1	Capscrew M6 x 20	

SECTION 3 - SCISSOR ARMS

ITEM	PART NUMBER	QTY	DESCRIPTION	REV
53	1001258226	1	Bolt M8 x 40 (M10 Shoulder)	
54	3290807	1	Nut M8	
55	1001262299	1	Conduit	
100	0440263	2	Bushing (Part of Frame)	
	1001234320	Ref	ARM KIT	
101	0440264	28	Bearing	
102	0440265	16	Bearing	
103	1001245386	1	Arm, Bottom Inside	
104	1001233834	1	Arm, Lower Mid Inside	
105	1001245388	1	Arm, Upper Mid Inside	
106	1001233836	1	Arm, Top Inside	
107	1001233837	1	Arm, Bottom Outside	
108	1001245634	3	Arm, Mid Outside	
109	1001245635	1	Arm, Mid Outside with Prop Mount	
112	1001245451	1	Arm, Top Outside	

SECTION 3 - SCISSOR ARMS

FIGURE 3-3. ARM GUARDS INSTALLATION



ART_1001247246

SECTION 3 - SCISSOR ARMS

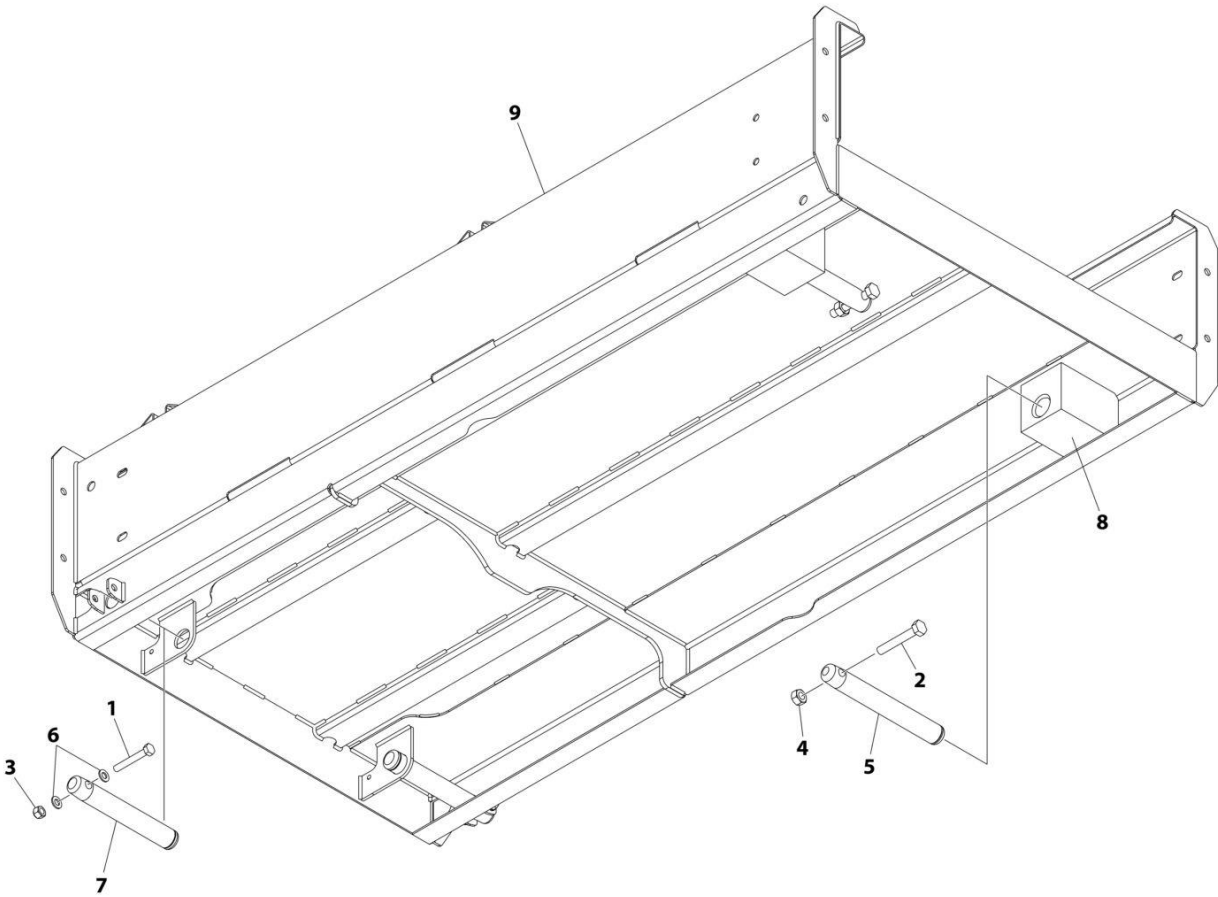
FIGURE 3-3. ARM GUARDS INSTALLATION

ITEM	PART NUMBER	QTY	DESCRIPTION	REV
	1001247246	Ref	ARM GUARDS INSTALLATION	B
1	0701013	2	Bolt M10 x 28	
2	0701018	4	Bolt M10 x 50	
3	0701022	8	Bolt M10 x 70	
4	3291007	14	Nut M10	
5	4812000	26	Washer M10	
100	1001247245	1	Arm Guard Kit (Not Shown)	
101	1001247241	1	Guard, Arm (Front)	
102	1001247242	1	Guard, Arm (LH)	
103	1001247243	1	Guard, Arm (RH)	
104	1001247244	1	Guard, Arm (Rear)	

SECTION 4 - PLATFORM

SECTION 4 - PLATFORM

FIGURE 4-1. PLATFORM INSTALLATION



ART_1001248157

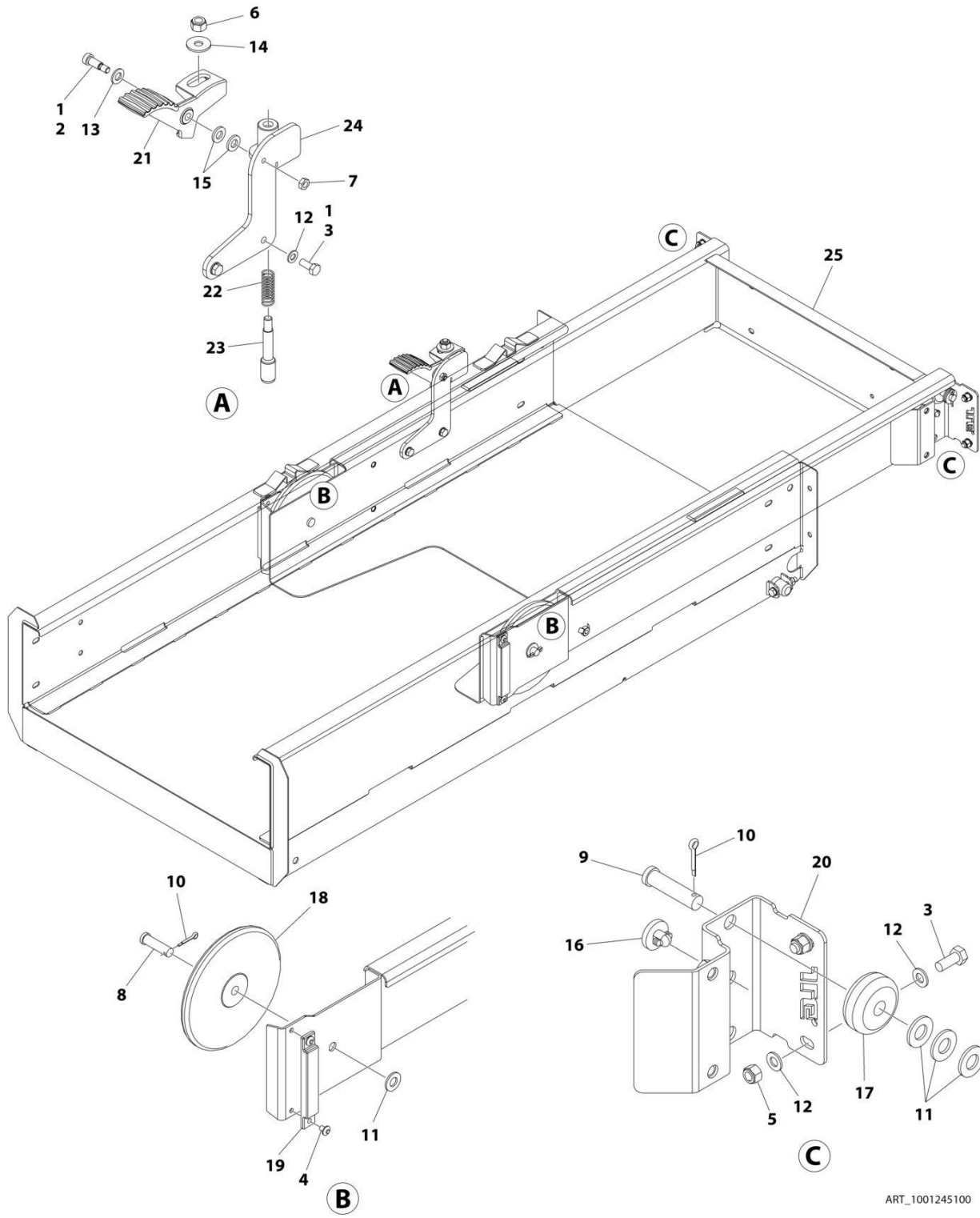
SECTION 4 - PLATFORM

FIGURE 4-1. PLATFORM INSTALLATION

ITEM	PART NUMBER	QTY	DESCRIPTION	REV
	1001248157	Ref	PLATFORM INSTALLATION	A
1	0700819	2	Bolt M8 x 55	
2	0701021	2	Bolt M10 x 65	
3	3290805	2	Nut M8	
4	3291007	2	Nut M10	
5	3423032	2	Pin	
6	4811900	4	Washer M8	
7	1001203443	2	Pin	
8	1001205156	2	Block, Slide	
9	1001248155	1	Platform	

SECTION 4 - PLATFORM

FIGURE 4-2. PLATFORM EXTENSION INSTALLATION



ART_1001245100

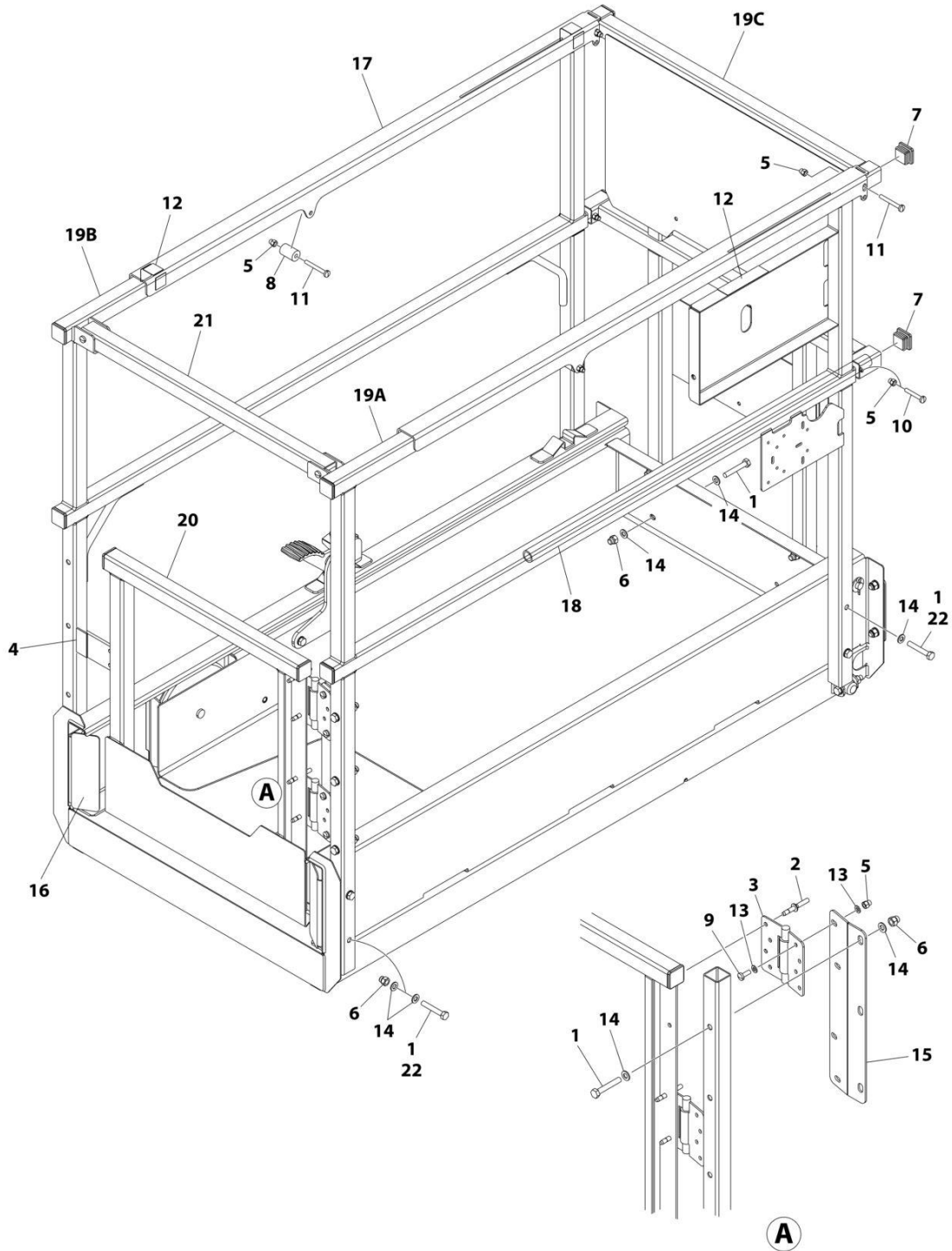
SECTION 4 - PLATFORM

FIGURE 4-2. PLATFORM EXTENSION INSTALLATION

ITEM	PART NUMBER	QTY	DESCRIPTION	REV
	1001245100	Ref	PLATFORM EXTENSION INSTALLATION	C
1	0100011	AR	Compound, Locking	
2	0630183	1	Screw 3/8 x 1	
3	0760810	6	Bolt M8 x 20	
4	2080040	4	Fastener	
5	3290805	4	Nut M8	
6	3291005	1	Nut M10	
7	3311502	1	Nut 5/16	
8	3430814	2	Pin	
9	3430816	2	Pin	
10	3450403	4	Pin, Cotter 1/8 x 3/4	
11	4711800	8	Washer 1/2	
12	4811900	10	Washer M8	
13	4812000	1	Washer M10	
14	4812002	1	Washer M10	
15	5241000	2	Washer M10	
16	1001137675	2	Bumper	
17	1001205422	2	Roller (Front)	
18	1001205430	2	Roller (Rear)	
19	1001208852	2	Pad	
20	1001210064	2	Support	
21	1001217043	1	Plate	
22	1001221475	1	Spring	
23	1001221476	1	Rod	
24	1001236129	1	Bracket	
25	1001245099	1	Extension, Platform	

SECTION 4 - PLATFORM

FIGURE 4-3. RAILS INSTALLATION (1.0M TUBE IN TUBE)



ART_1001245103

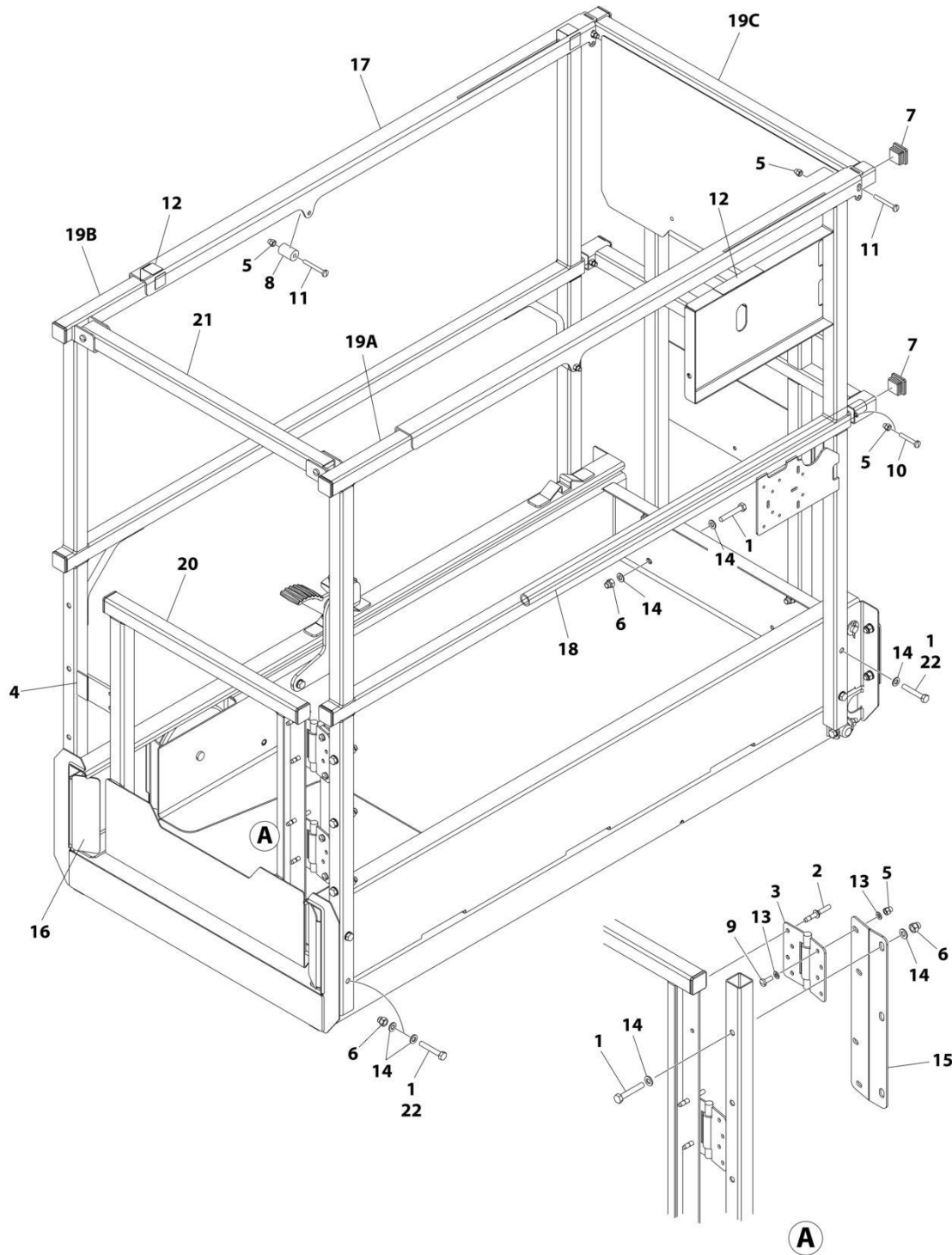
SECTION 4 - PLATFORM

FIGURE 4-3. RAILS INSTALLATION (1.0M TUBE IN TUBE)

ITEM	PART NUMBER	QTY	DESCRIPTION	REV
	1001245103	Ref	RAILS INSTALLATION (1.0M TUBE IN TUBE)	B
1	0700818	15	Bolt M8 x 50	
2	2080040	4	Fastener	
3	2600281	2	Hinge	
4	3080007	1	Latch, Magnetic Gate	
5	3290606	12	Nut M6	
6	3290806	11	Nut M8	
7	3520072	10	Plug	
8	3860111	2	Roller	
9	4010608	4	Screw M6 x 16	
10	4010616	2	Screw M6 x 40	
11	4010618	6	Screw M6 x 50	
12	4420062	16 in /40cm	Tape	
13	4811700	8	Washer M6	
14	4811900	26	Washer M8	
15	1001210586	1	Support	
16	1001210963	2	Cover	
17	1001244095	2	Rail, Top Slide	
18	1001244096	2	Rod	
19	1001245102	1	Rail, Kit (Not Shown)	
19A	1001244045	1	Rail, Side (RH)	
19B	1001244047	1	Rail, Side (LH)	
19C	1001245101	1	Rail, Front Extension	
20	1001245110	1	Gate	
21	1001245138	1	Rail, Rear	
22	0100011	AR	Compound, Locking	

SECTION 4 - PLATFORM

FIGURE 4-4. RAILS INSTALLATION (1.1M TUBE IN TUBE)



ART_1001245107

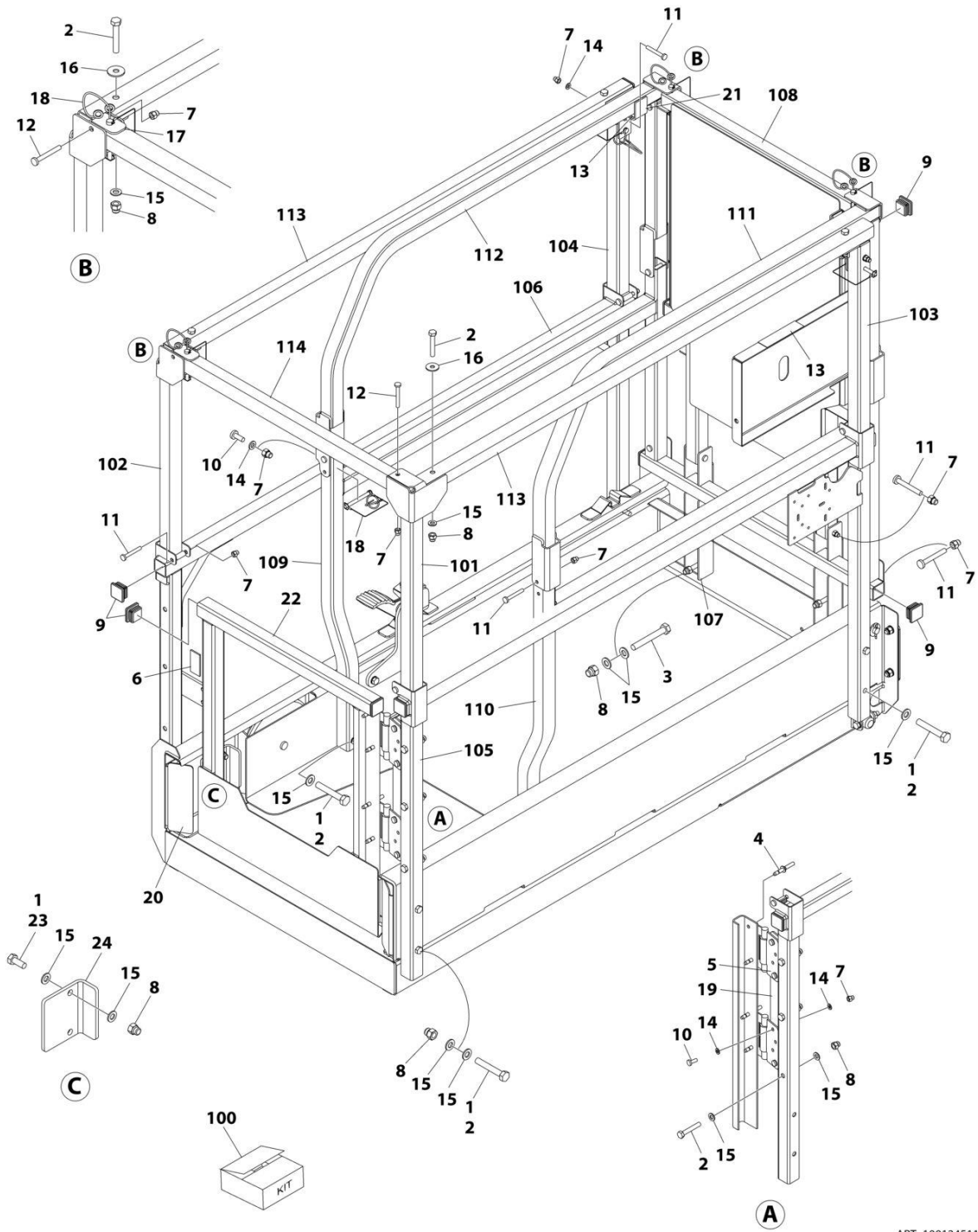
SECTION 4 - PLATFORM

FIGURE 4-4. RAILS INSTALLATION (1.1M TUBE IN TUBE)

ITEM	PART NUMBER	QTY	DESCRIPTION	REV
	1001245107	Ref	RAILS INSTALLATION (1.1M TUBE IN TUBE)	B
1	0700818	15	Bolt M8 x 50	
2	2080040	4	Fastener	
3	2600281	2	Hinge	
4	3080007	1	Latch, Magnetic Gate	
5	3290606	12	Nut M6	
6	3290806	11	Nut M8	
7	3520072	10	Plug	
8	3860111	2	Roller	
9	4010608	4	Screw M6 x 16	
10	4010616	2	Screw M6 x 40	
11	4010618	6	Screw M6 x 50	
12	4420062	16 in /40cm	Tape	
13	4811700	8	Washer M6	
14	4811900	26	Washer M8	
15	1001210586	1	Support	
16	1001210963	2	Cover	
17	1001244095	2	Rail, Top Slide	
18	1001244096	2	Rod	
19	1001245108	1	Rail, Kit (Not Shown)	
19A	1001244093	1	Rail, Side (RH)	
19B	1001244092	1	Rail, Side (LH)	
19C	1001245106	1	Rail, Front Extension	
20	1001245110	1	Gate	
21	1001245138	1	Rail, Rear	
22	0100011	AR	Compound, Locking	

SECTION 4 - PLATFORM

FIGURE 4-5. RAILS INSTALLATION (SIDE BY SIDE)



ART_1001245119

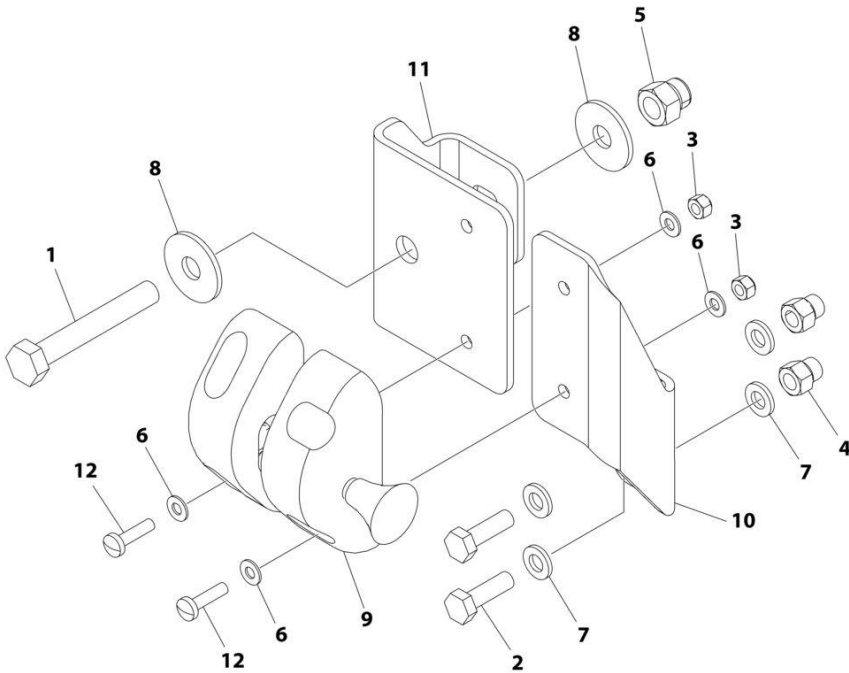
SECTION 4 - PLATFORM

FIGURE 4-5. RAILS INSTALLATION (SIDE BY SIDE)

ITEM	PART NUMBER	QTY	DESCRIPTION	REV
	1001245119	Ref	RAILS INSTALLATION (SIDE BY SIDE)	B
1	0100011	AR	Compound, Locking	
2	0700818	19	Bolt M8 x 50	
3	0700820	4	Bolt M8 x 60	
4	2080040	4	Fastener	
5	2600281	2	Hinge	
6	3080007	1	Latch, Magnetic Gate	
7	3290606	23	Nut M6	
8	3290806	17	Nut M8	
9	3520072	12	Plug	
10	4010608	5	Screw M6 x 16	
11	4010617	16	Screw M6 x 45	
12	4010618	2	Screw M6 x 50	
13	4420062	15 in/ 37cm	Tape	
14	4811700	13	Washer M6	
15	4811900	38	Washer M8	
16	4811902	4	Washer M8	
17	1001154378	1	Bracket	
18	1001187587	6	Pin, With Lanyard	
19	1001210586	1	Support	
20	1001210963	2	Cover	
21	1001232257	2	Brace	
22	1001245110	1	Gate	
23	0760810	2	Bolt M8 x 20	
24	1001232622	1	Bracket	
100	1001245120	1	Rail, Kit (Not Shown)	
101	1001229739	1	Rail (RH Upper Rear)	
102	1001229740	1	Rail (LH Upper Rear)	
103	1001229741	1	Rail (RH Upper Front)	
104	1001229742	1	Rail (LH Upper Front)	
105	1001245121	1	Rail (RH Lower)	
106	1001245122	1	Rail (LH Lower)	
107	1001245123	1	Rail (Lower Extension)	
108	1001245125	1	Rail (Upper Front Extension)	
109	1001245129	1	Rail (Extension LH Side Upper)	
110	1001245131	1	Rail (Extension RH Side Upper)	
111	1001245132	1	Rail (Extension RH Side Lower)	
112	1001245134	1	Rail (Extension LH Side Lower)	
113	1001245135	2	Rail (RH and LH Side Upper)	
114	1001245136	1	Rail (Rear Top)	

SECTION 4 - PLATFORM

FIGURE 4-6. GATE LATCH INSTALLATION



ART_1001220995

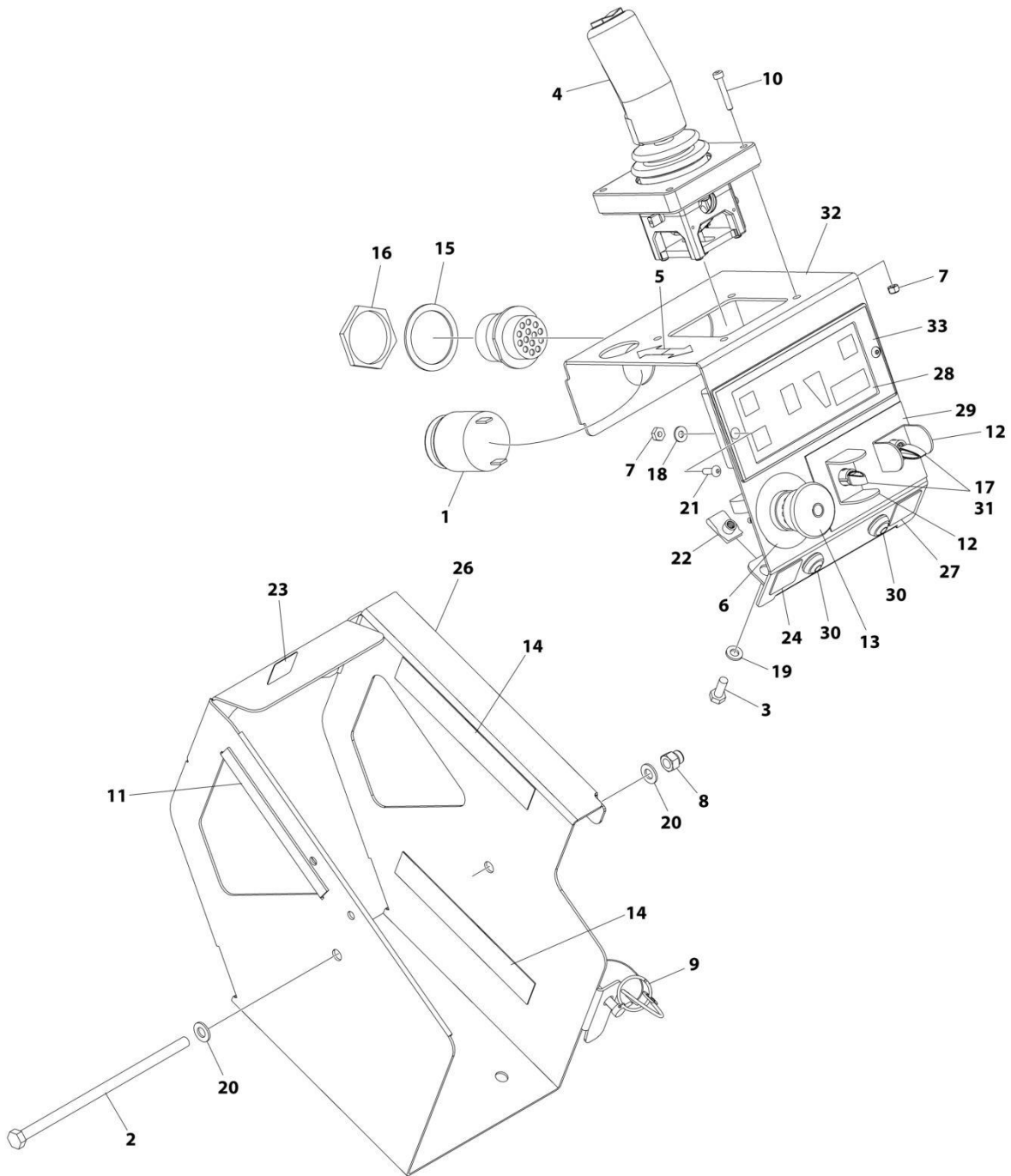
SECTION 4 - PLATFORM

FIGURE 4-6. GATE LATCH INSTALLATION

ITEM	PART NUMBER	QTY	DESCRIPTION	REV
	1001220995	Ref	GATE LATCH INSTALLATION	B
1	0700819	1	Bolt M8 x 55	
2	0760610	2	Bolt M6 x 20	
3	3290405	4	Nut M4	
4	3290606	2	Nut M6	
5	3290806	1	Nut M8	
6	4811400	8	Washer M4	
7	4811700	4	Washer M6	
8	4811902	2	Washer M8	
9	1001134821	1	Latch	
10	1001220409	1	Mount	
11	1001220410	1	Plate	
12	4010408	4	Screw M4 x 16	

SECTION 4 - PLATFORM

FIGURE 4-7. PLATFORM CONSOLE INSTALLATION (ALL SPECS)



ART_1001274604

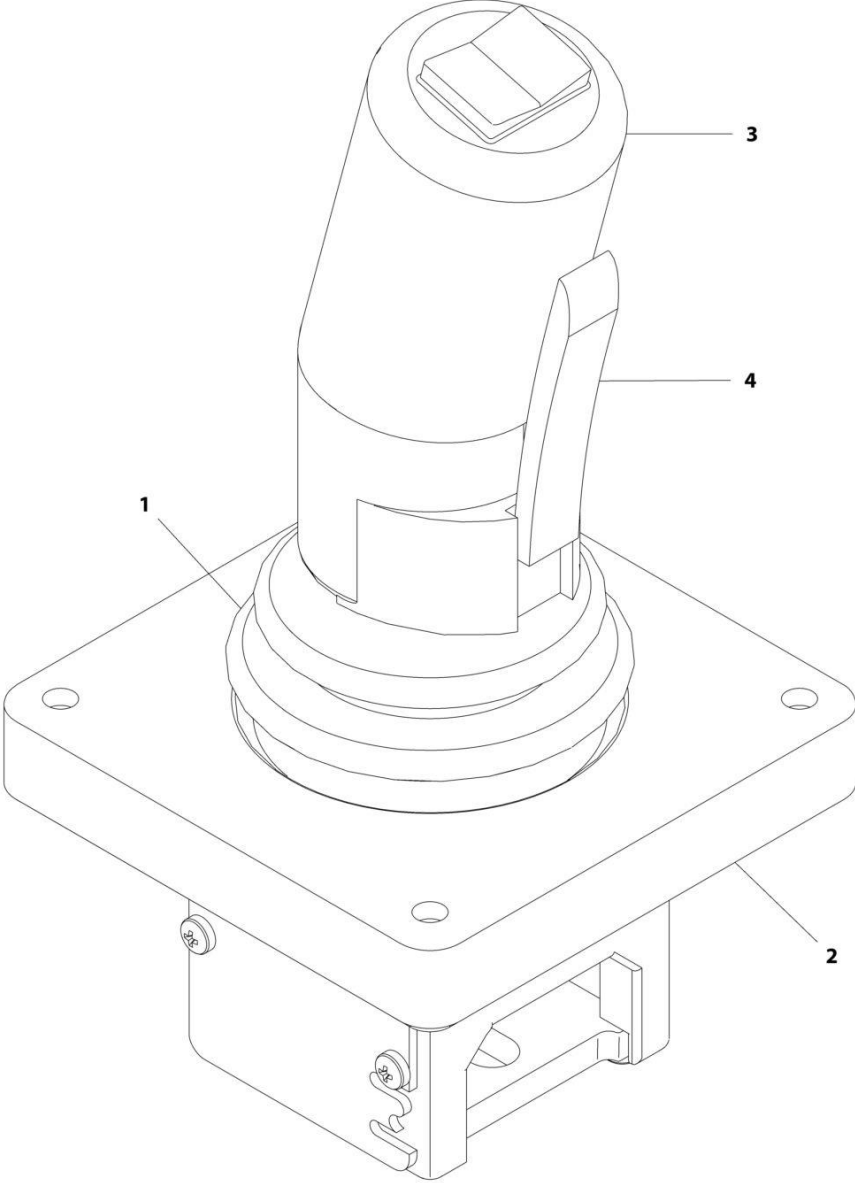
SECTION 4 - PLATFORM

FIGURE 4-7. PLATFORM CONSOLE INSTALLATION (ALL SPECS)

ITEM	PART NUMBER	QTY	DESCRIPTION	REV
	1001274604	Ref	PLATFORM CONSOLE INSTALLATION	B
1	0140030	1	Alarm	
2	0700835	1	Bolt M8 x 180	
3	0760610	2	Bolt M6 x 20	
4	1600402	1	Controller Assembly (See Separate Breakdown in this Section)	
5	1703819	1	Decal - Arrow	
6	1704260	1	Decal - Emergency Stop	
7	3290405	6	Nut M4	
8	3290806	1	Nut M8	
9	3423278	1	Pin, Snap with Lanyard	
10	4031509	4	Capscrew M4 x 25	
11	4060803	6 in/14cm	Flex-Trim	
12	4060906	2	Guard, Switch	
13	4360475	1	Switch, Emergency Stop	
13	7020175	1	Cap	
13	7020176	1	Block, Contact	
14	4420062	12 in/ 30cm	Tape	
15	4460496	1	Washer, Terminal	
16	4460497	1	Nut, Terminal	
17	4711700	2	Washer 7/16	
18	4811400	2	Washer M4	
19	4811700	2	Washer M6	
20	4811900	2	Washer M8	
21	1001047064	2	Screw M4 x 15	
22	1001130220	2	Nut, Tinnerman M6	
23	1001132358	1	Decal - Steer	
24	1001132361	1	Decal - Horn	
25	1001200819	1	Platform Control Box Harness (Not Shown) (See Separate Breakdown in ELECTRICAL Section)	
26	1001209596	1	Plate, Box (Outside)	
27	1001213886	1	Decal - Indoor/Outdoor	
28	1001218285	1	Decal - Platform Control	
29	1001220893	1	Decal - Lift/Drive Function	
30	1001226749	2	Switch - Push Button Yellow	
31	1001258446	2	Switch, Toggle	
32	1001262655	1	Plate, Box (Inside)	
33	1001274605	1	Module, Platform Control	

SECTION 4 - PLATFORM

FIGURE 4-8. DRIVE/STEER CONTROLLER ASSEMBLY



ART_1600402

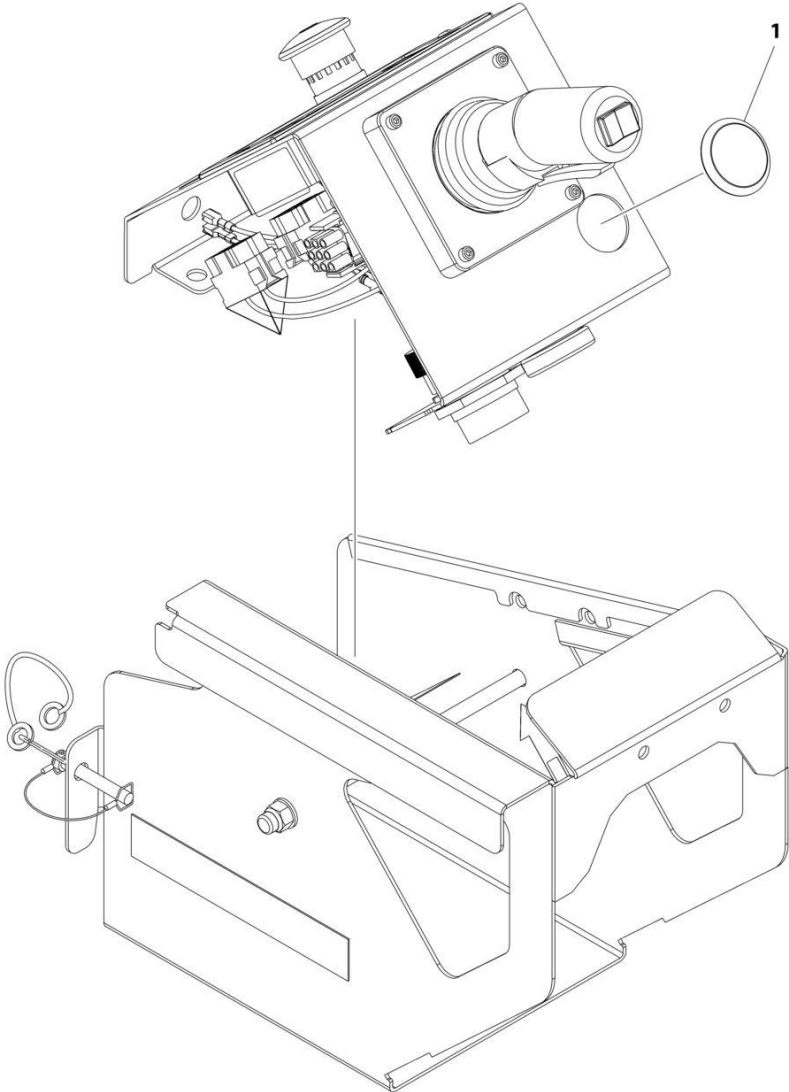
SECTION 4 - PLATFORM

FIGURE 4-8. DRIVE/STEER CONTROLLER ASSEMBLY

ITEM	PART NUMBER	QTY	DESCRIPTION	REV
	1600402	Ref	DRIVE/STEER CONTROLLER ASSEMBLY	A
1	70001250	1	Boot, Panel	
2	70001252	1	Gasket, Mounting	
2	70001251	1	Bezel, Mounting	
3	70003650	1	Handle Repair Kit (Includes handle gasket, item#4 push button and item #4 lever installed in front handle half, back handle half, top actuator, boot and hardware.)	
3	70000084	1	Cap, Rubber	
3	70000082	1	Microswitch	
3	7027766	1	Ring, Retaining	
3	7027365	1	Actuator, Handle	
3	70001253	1	Gasket, Handle	
3	70000683	4	Washer, Neoprene	
3	70000685	2	Spacer, Plastic	
3	70000686	2	Screw (Top)	
3	70000684	2	Screw (Bottom)	
4	7027367	1	Switch, Push Button	
4	7027765	1	Lever, Enable	

SECTION 4 - PLATFORM

FIGURE 4-9. PLATFORM CONTROL PLUG INSTALLATION



ART_1001274661

SECTION 4 - PLATFORM

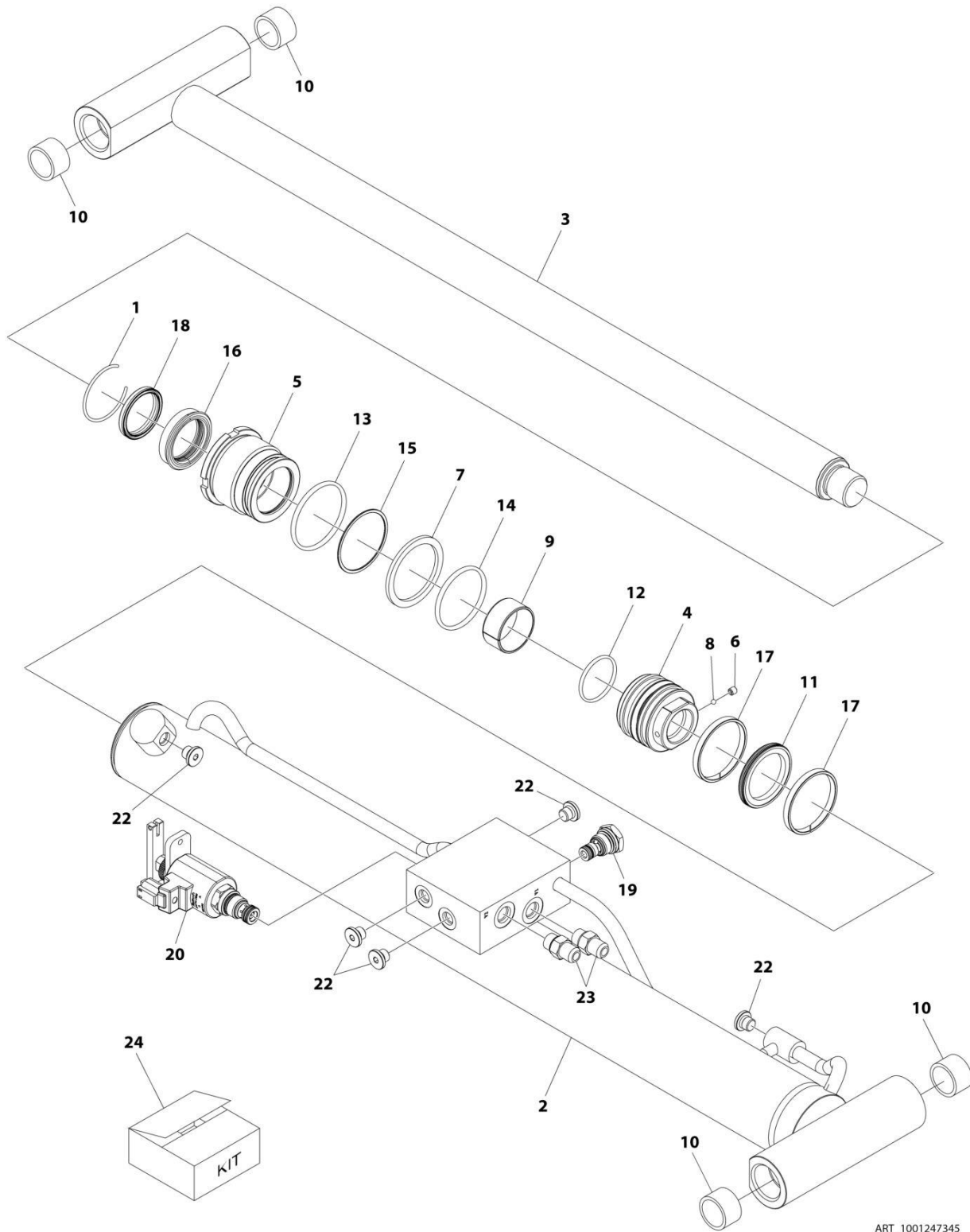
FIGURE 4-9. PLATFORM CONTROL PLUG INSTALLATION

ITEM	PART NUMBER	QTY	DESCRIPTION	REV
1	1001274661 1001262221	Ref 1	PLATFORM CONTROL PLUG INSTALLATION Plug	A

SECTION 5 - CYLINDER

SECTION 5 - CYLINDER

FIGURE 5-1. LIFT CYLINDER ASSEMBLY



ART_1001247345

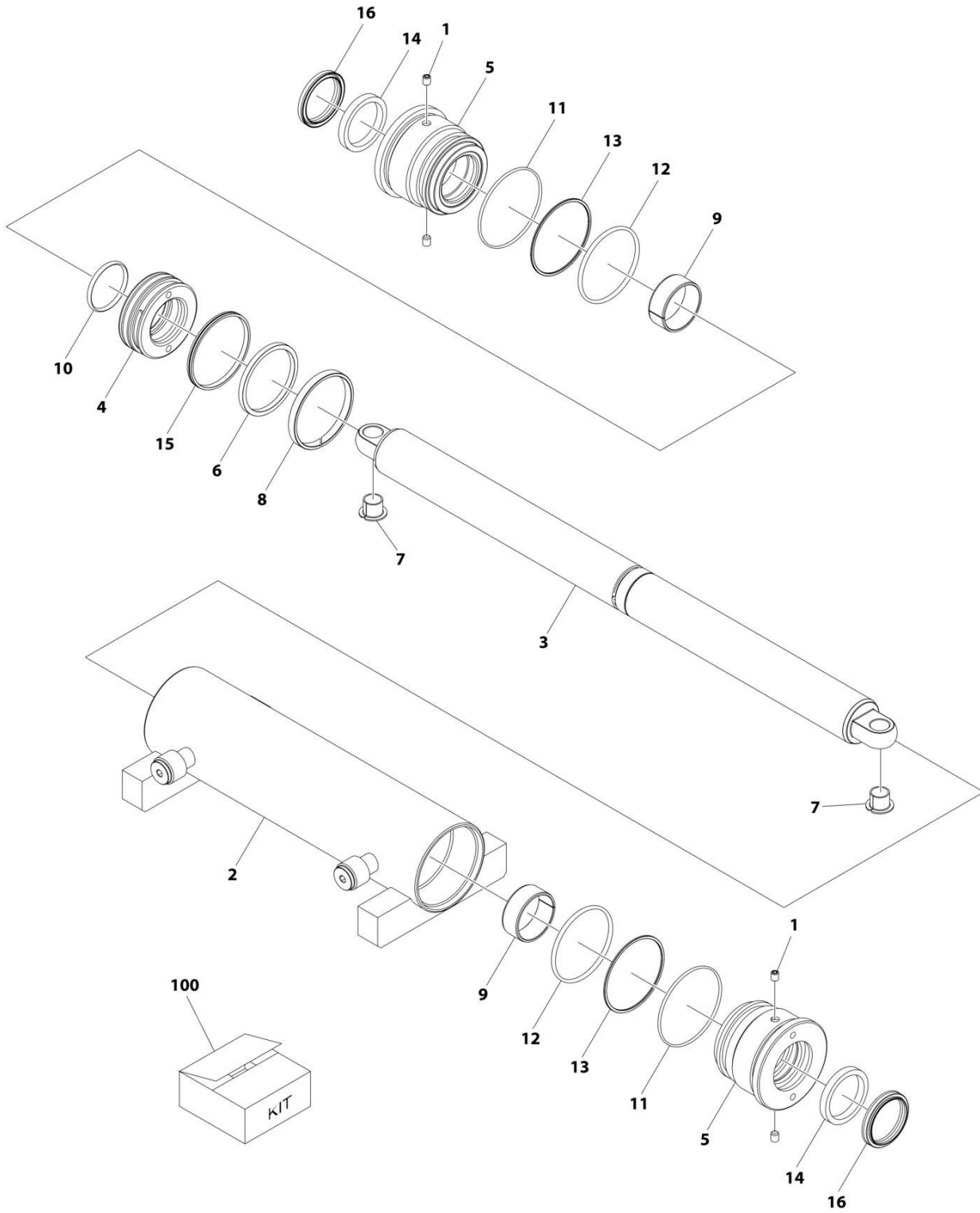
SECTION 5 - CYLINDER

FIGURE 5-1. LIFT CYLINDER ASSEMBLY

ITEM	PART NUMBER	QTY	DESCRIPTION	REV
	1001247345	Ref	LIFT CYLINDER ASSEMBLY	A
		Ref	Note: Original Cylinder May Have Been Replaced with Service Replacement. Identify PN Stamped on Cylinder Before Ordering Parts.	
1	70003636	1	Ring, Retaining	
2	See Note	NSS	Barrel (Note: Use p/n 1001247345)	
3	70007137	1	Rod	
4	70007130	1	Piston	
5	70007131	1	Head	
6	See Note	NSS	Setscrew (Note: Use Item 24)	
7	70007132	1	Ring, Back-up	
8	See Note	NSS	Ball (Note: Use Item 24)	
9	70007133	1	Ring, Wear	
10	0962292	4	Bearing	
11	See Note	NSS	Ring, Wear (Note: Use Item 24)	
12	See Note	NSS	O-Ring (Note: Use Item 24)	
13	See Note	NSS	O-Ring (Note: Use Item 24)	
14	See Note	NSS	O-Ring (Note: Use Item 24)	
15	See Note	NSS	Ring, Back-up (Note: Use Item 24)	
16	See Note	NSS	Seal, Rod (Note: Use Item 24)	
17	See Note	NSS	Seal, Piston (Note: Use Item 24)	
18	See Note	NSS	Wiper (Note: Use Item 24)	
19	70004585	1	Valve, Check	
20	70005236	1	Valve, Manual Descent	
21	70007134	2	Fitting, Straight (Not Shown)	
22	2220883	5	Plug	
23	70007135	2	Fitting, Straight	
24	70007138	1	Seal Kit - Cylinder (Includes Items 6, 8 & 11-18)	

SECTION 5 - CYLINDER

FIGURE 5-2. STEER CYLINDER ASSEMBLY



ART_1001234461

SECTION 5 - CYLINDER

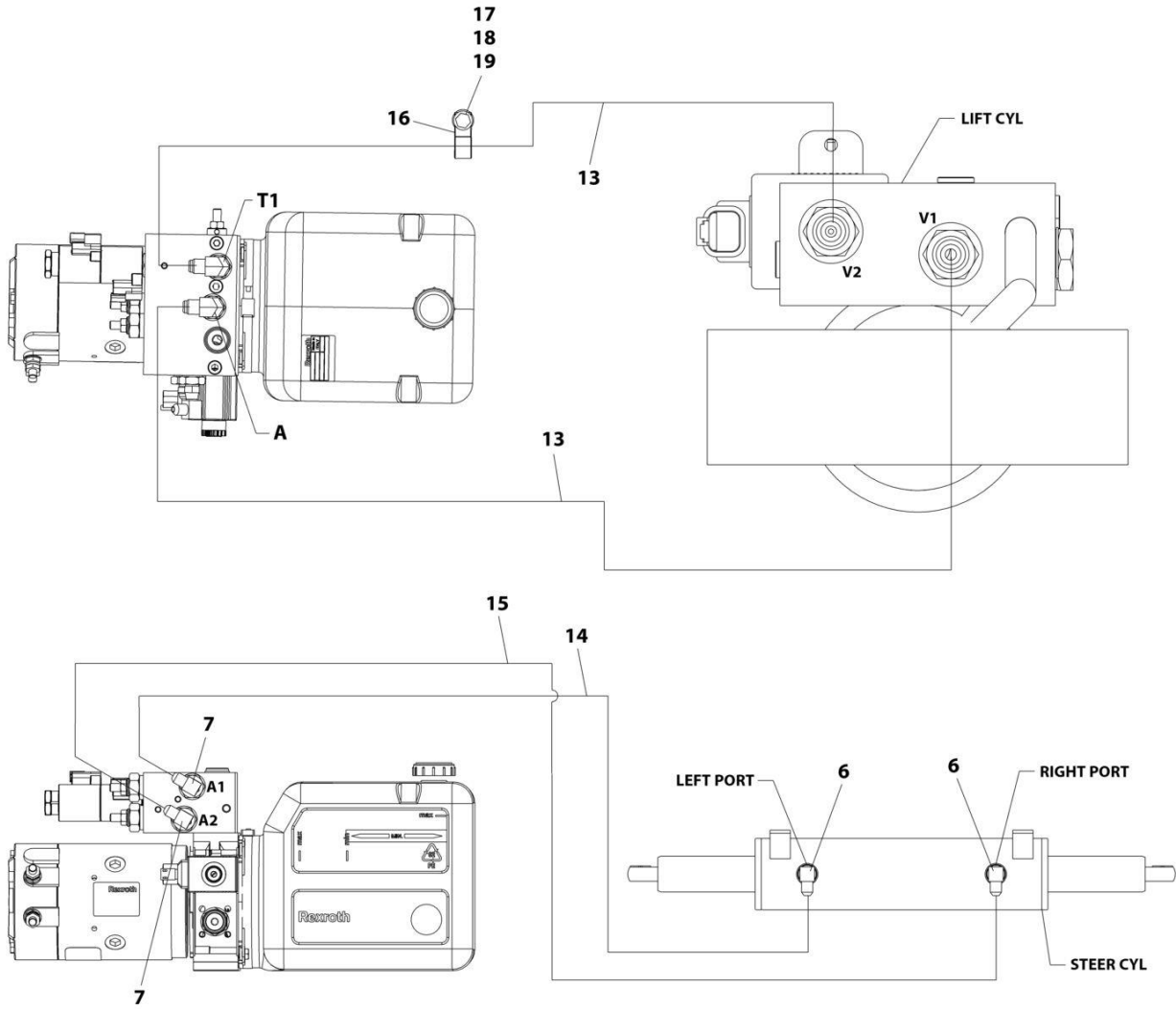
FIGURE 5-2. STEER CYLINDER ASSEMBLY

ITEM	PART NUMBER	QTY	DESCRIPTION	REV
	1001234461	Ref	STEER CYLINDER ASSEMBLY	A
		Ref	Note: Original Cylinder May Have Been Replaced with Service Replacement. Identify PN Stamped on Cylinder Before Ordering Parts.	
1	70003636	4	Ring Lock	
2	See Note	NSS	Barrel (Note: Use p/n 1001234461)	
3	70007074	1	Rod	
4	70007075	1	Piston	
5	70007076	2	Head	
6	70007077	1	Ring, Retaining	
7	0440259	2	Bushing	
8	See Note	NSS	Ring, Wear (Note: Use Item 100)	
9	See Note	NSS	Ring, Wear (Note: Use Item 100)	
10	See Note	NSS	O-Ring (Note: Use Item 100)	
11	See Note	NSS	O-Ring (Note: Use Item 100)	
12	See Note	NSS	O-Ring (Note: Use Item 100)	
13	See Note	NSS	Ring, Back-up (Note: Use Item 100)	
14	See Note	NSS	Seal, Rod (Note: Use Item 100)	
15	See Note	NSS	Seal, Piston (Note: Use Item 100)	
16	See Note	NSS	Wiper (Note: Use Item 100)	
100	70007118	1	Seal Kit - Cylinder (Includes Items 8-16)	

SECTION 6 - HYDRAULIC

SECTION 6 - HYDRAULIC

FIGURE 6-1. HYDRAULIC DIAGRAM



ART_1001235002_2OF2

SECTION 6 - HYDRAULIC

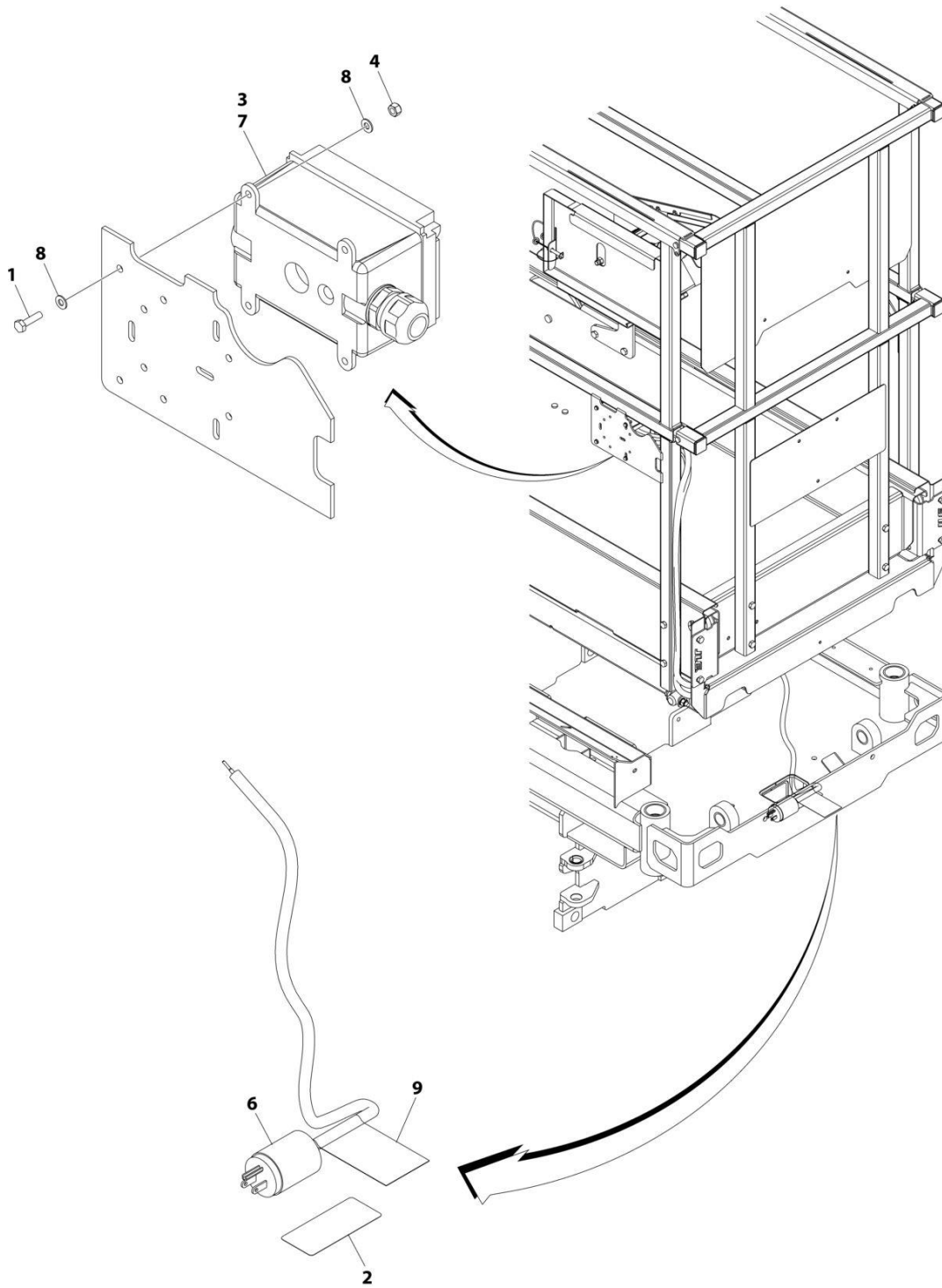
FIGURE 6-1. HYDRAULIC DIAGRAM

ITEM	PART NUMBER	QTY	DESCRIPTION	REV
	1001235002	Rev	HYDRAULIC DIAGRAM	H
6	2220466	2	Adapter, 90	
7	2220654	2	Adapter, 90	
9	4240018	8	Tie-Strap (Not Shown)	
13	1001249887	2	Hose	
14	1001238025	1	Hose	
15	1001238026	1	Hose	
16	1001247924	1	Clamp, Hoses	
18	3290601	1	Nut M6	
20	0700610	1	Screw M6 x 20	
21	4811700	2	Washer M6	

SECTION 7 - ELECTRICAL

SECTION 7 - ELECTRICAL

FIGURE 7-1. AC BOX AT PLATFORM INSTALLATION - 110V GFI (ALL SPECS EXCEPT CE & UK CA SPECS)



ART_1001244911

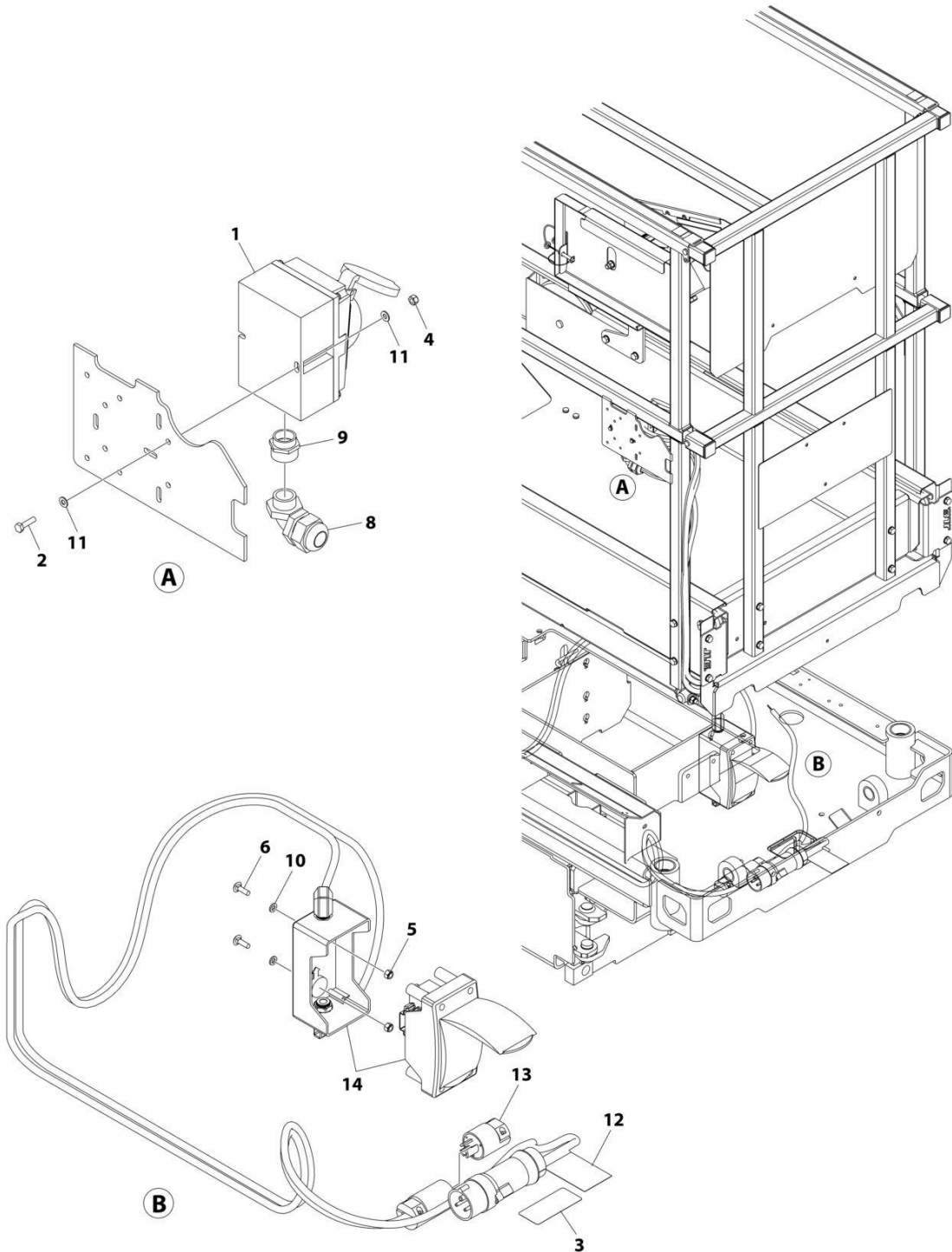
SECTION 7 - ELECTRICAL

FIGURE 7-1. AC BOX AT PLATFORM INSTALLATION - 110V GFI (ALL SPECS EXCEPT CE & UK CA SPECS)

ITEM	PART NUMBER	QTY	DESCRIPTION	REV
	1001244911	Ref	AC BOX AT PLATFORM INSTALLATION - 110V GFI	A
1	0760408	4	Bolt M4 x 16	
2	1703464	1	Decal - AC Power	
3	2902431	1	Receptacle Box Kit (See Separate Breakdown in this Section)	
4	3290405	4	Nut M4	
5	4240017	AR	Tie-Strap (Not Shown)	
6	4460138	1	Plug, Male - AC	
7	4460315	1	Terminal	
8	4811400	8	Washer M4	
9	1001102258	1	Decal - AC Label	

SECTION 7 - ELECTRICAL

FIGURE 7-2. AC BOX AT PLATFORM INSTALLATION - 110V IEC YELLOW (CE & UK CA SPECS)



ART_1001244916

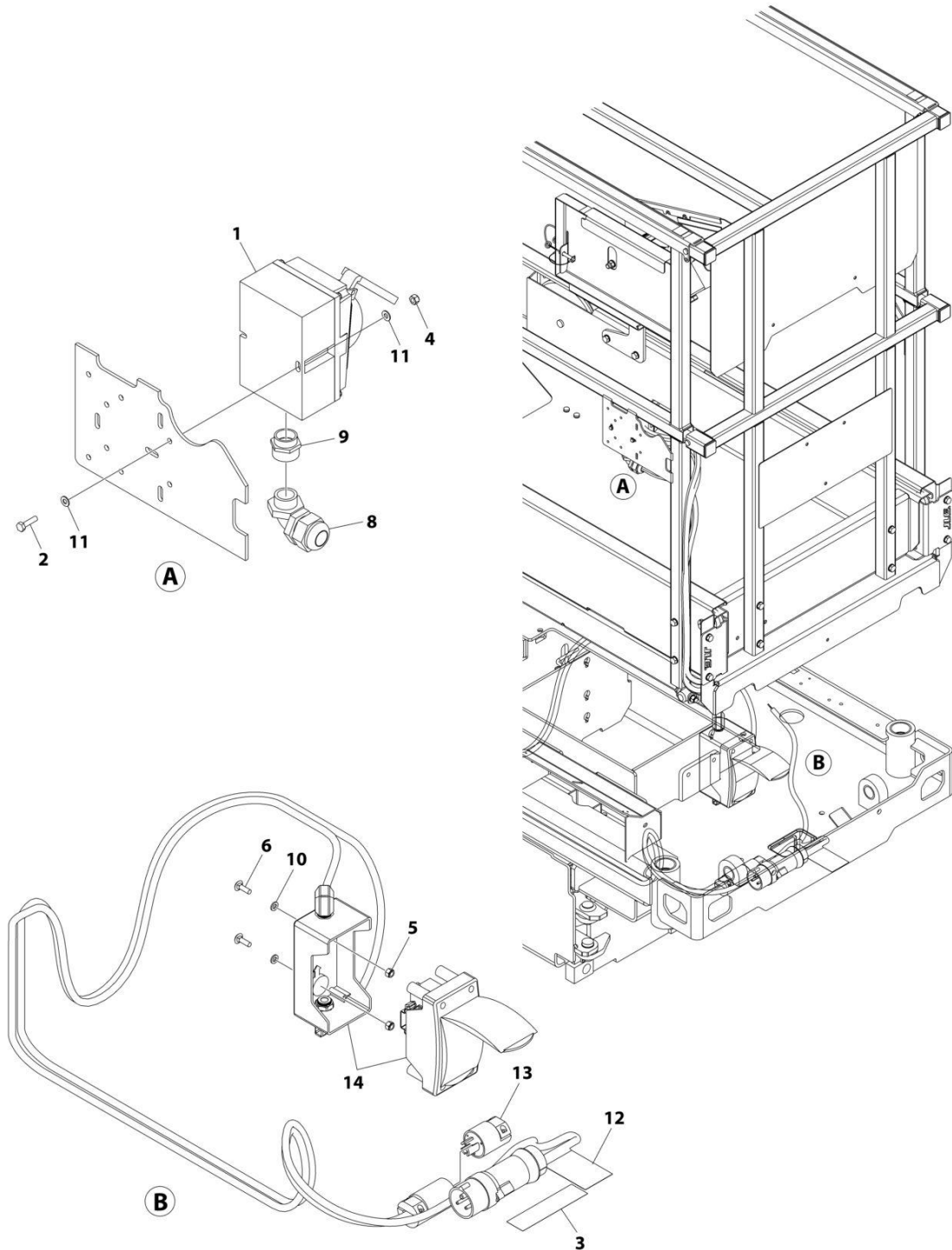
SECTION 7 - ELECTRICAL

FIGURE 7-2. AC BOX AT PLATFORM INSTALLATION - 110V IEC YELLOW (CE & UK CA SPECS)

ITEM	PART NUMBER	QTY	DESCRIPTION	REV
	1001244916	Ref	AC BOX AT PLATFORM INSTALLATION - 110V IEC YELLOW	B
1	0275216	1	Receptacle Box Kit - 110V IEC Yellow (See Separate Breakdown in this Section)	
2	0760408	2	Bolt M4 x 16	
3	1703464	1	Decal - AC Power	
4	3290405	2	Nut M4	
5	3290605	2	Nut M6	
6	1001100451	2	Bolt M6 x 20	
7	4240017	AR	Tie-Strap (Not Shown)	
8	4461257	1	Connector, Strain Relief	
9	4461258	1	Connector, Adapter	
10	4811700	2	Washer M6	
11	4811400	4	Washer M4	
12	1001102258	1	Decal - AC Label	
13	1001120204	1	Plug, Male Twist	
14	1001244909	1	Breaker Box Kit (See Separate Breakdown in this Section)	

SECTION 7 - ELECTRICAL

FIGURE 7-3. AC BOX AT PLATFORM INSTALLATION - 220V IEC BLUE (CE & UK CA SPECS)



ART_1001244917

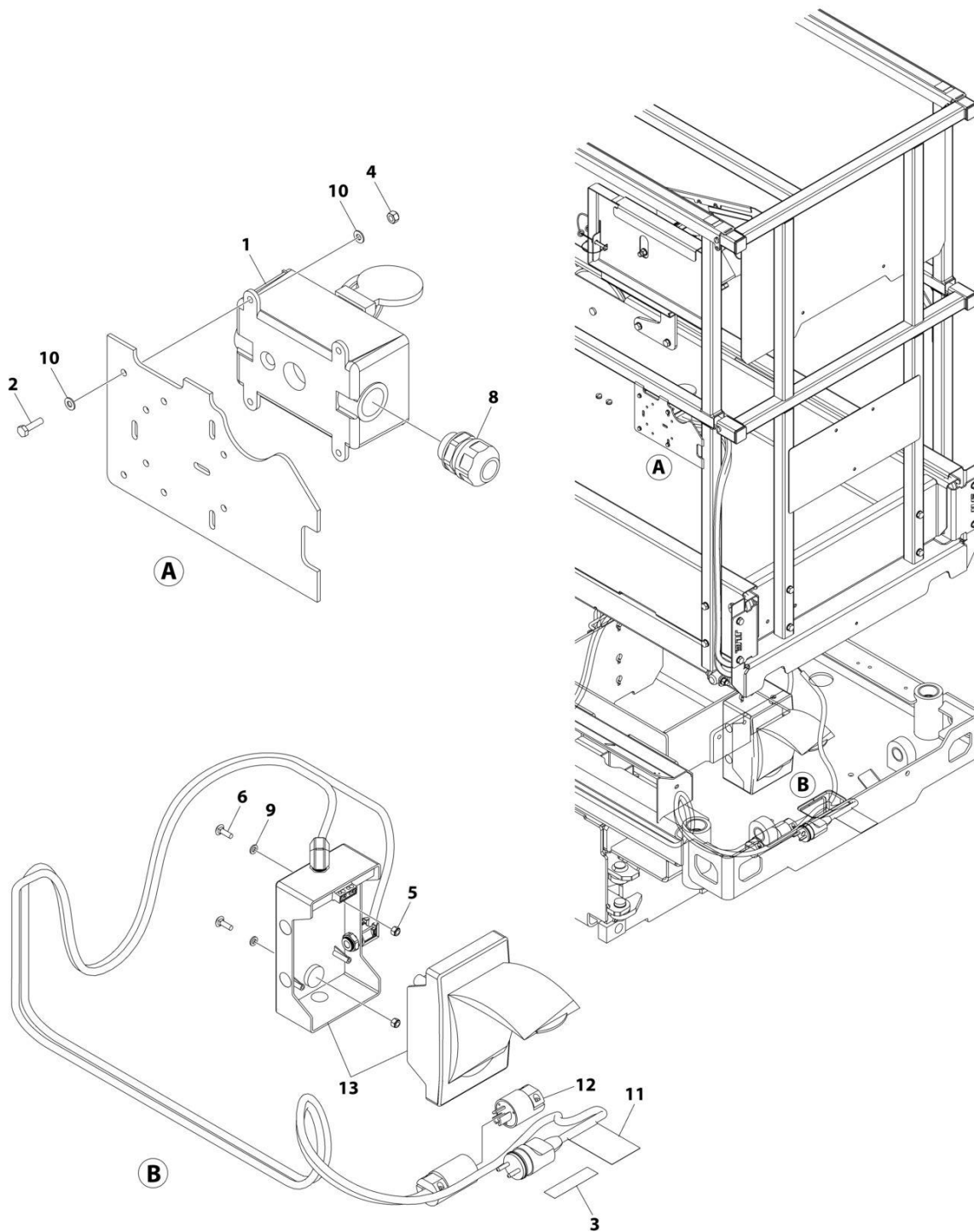
SECTION 7 - ELECTRICAL

FIGURE 7-3. AC BOX AT PLATFORM INSTALLATION - 220V IEC BLUE (CE & UK CA SPECS)

ITEM	PART NUMBER	QTY	DESCRIPTION	REV
	1001244917	Ref	AC BOX AT PLATFORM INSTALLATION - 220V IEC BLUE	B
1	0275217	1	Receptacle Box Kit - 220V IEC Blue (See Separate Breakdown in this Section)	
2	0760408	2	Bolt M4 x 16	
3	3252507	1	Decal - AC Power	
4	3290405	2	Nut M4	
5	3290605	2	Nut M6	
6	1001100451	2	Bolt M6 x 20	
7	4240017	AR	Tie-Strap (Not Shown)	
8	4461257	1	Connector, Strain Relief	
9	4461258	1	Connector, Adapter	
10	4811700	2	Washer M6	
11	4811400	4	Washer M4	
12	1001102258	1	Decal - AC Label	
13	1001120204	1	Plug, Male Twist	
14	1001244909	1	Breaker Box Kit (See Separate Breakdown in this Section)	

SECTION 7 - ELECTRICAL

FIGURE 7-4. AC BOX AT PLATFORM INSTALLATION - 220V CEE7 POST GROUND (CE & UK CA SPECS)



ART_1001244913

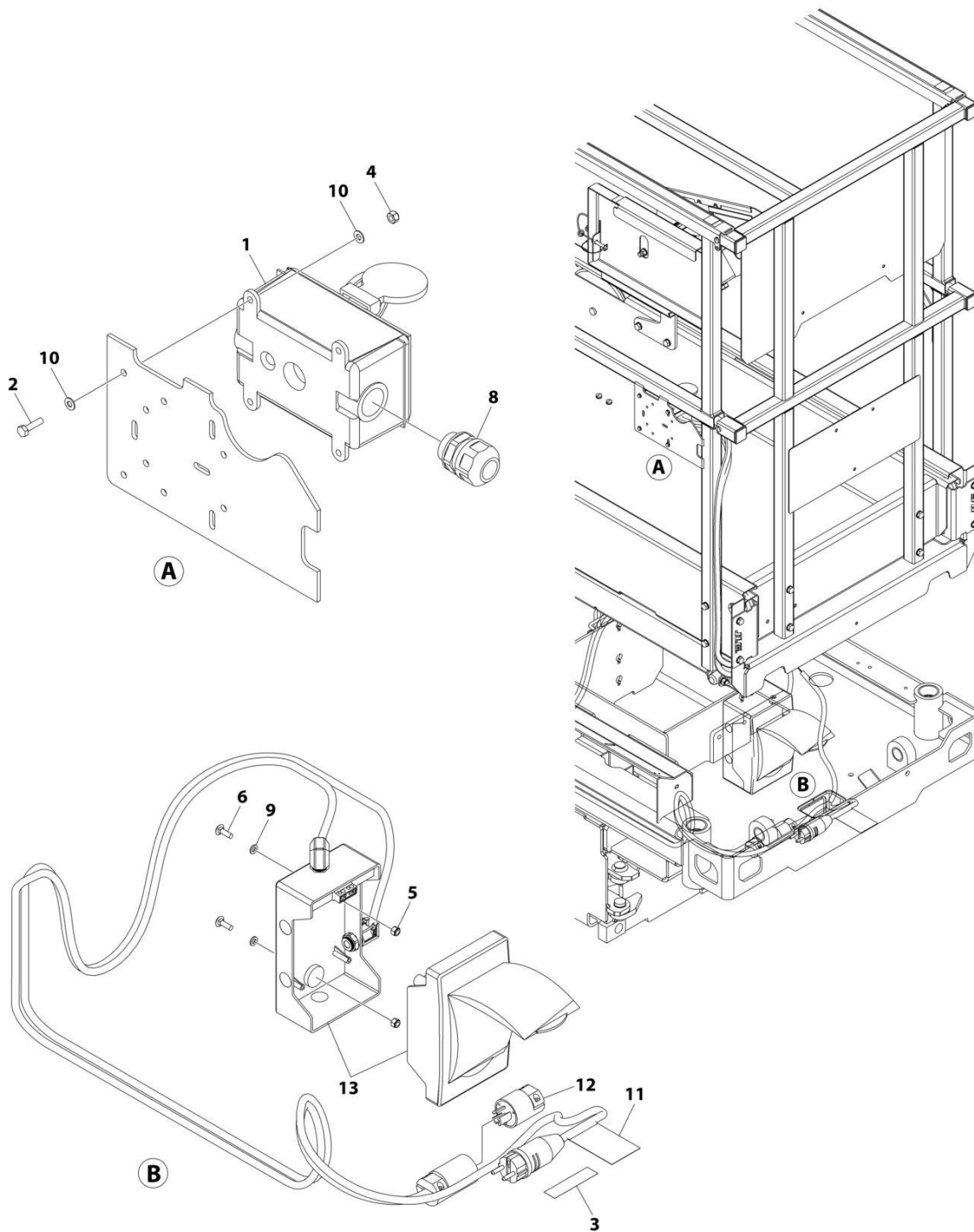
SECTION 7 - ELECTRICAL

FIGURE 7-4. AC BOX AT PLATFORM INSTALLATION - 220V CEE7 POST GROUND (CE & UK CA SPECS)

ITEM	PART NUMBER	QTY	DESCRIPTION	REV
	1001244913	Ref	AC BOX AT PLATFORM INSTALLATION - 220V CEE7 POST GROUND	B
1	0275452	1	Receptacle Box Kit - 220V CEE7 Post Ground (See Separate Breakdown in this Section)	
2	0760408	4	Bolt M4 x 16	
3	3252507	1	Decal - AC Power	
4	3290405	4	Nut M4	
5	3290605	2	Nut M6	
6	1001100451	2	Bolt M6 x 20	
7	4240017	AR	Tie-Strap (Not Shown)	
8	4460662	1	Connector, Strain Relief	
9	4811700	2	Washer M6	
10	4811400	8	Washer M4	
11	1001102258	1	Decal - AC Label	
12	1001120204	1	Plug, Male Twist	
13	1001244908	1	Breaker Box Kit (See Separate Breakdown in this Section)	

SECTION 7 - ELECTRICAL

FIGURE 7-5. AC BOX AT PLATFORM INSTALLATION - 220V CEE7 SIDE GROUND (CE & UK CA SPECS)



ART_1001244914

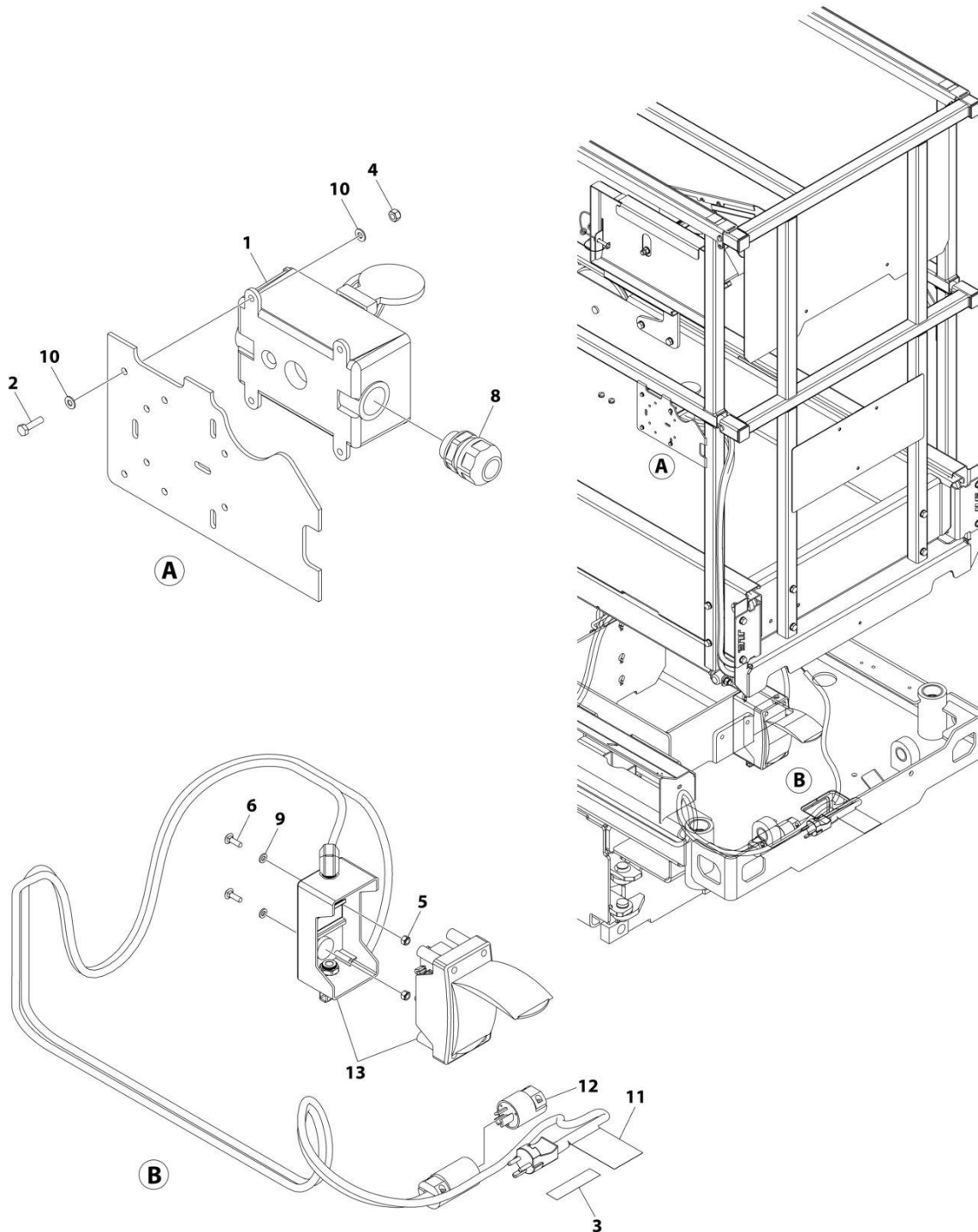
SECTION 7 - ELECTRICAL

FIGURE 7-5. AC BOX AT PLATFORM INSTALLATION - 220V CEE7 SIDE GROUND (CE & UK CA SPECS)

ITEM	PART NUMBER	QTY	DESCRIPTION	REV
	1001244914	Ref	AC BOX AT PLATFORM INSTALLATION - 220V CEE7 SIDE GROUND	B
1	0275453	1	Receptacle Box Kit - 220V CEE7 Side Ground (See Separate Breakdown in this Section)	
2	0760408	4	Bolt M4 x 16	
3	3252507	1	Decal - AC Power	
4	3290405	4	Nut M4	
5	3290605	2	Nut M6	
6	1001100451	2	Bolt M6 x 20	
7	4240017	AR	Tie-Strap (Not Shown)	
8	4460662	1	Connector, Strain Relief	
9	4811700	2	Washer M6	
10	4811400	8	Washer M4	
11	1001102258	1	Decal - AC Label	
12	1001120204	1	Plug, Male Twist	
13	1001244908	1	Breaker Box Kit (See Separate Breakdown in this Section)	

SECTION 7 - ELECTRICAL

FIGURE 7-6. AC BOX AT PLATFORM INSTALLATION - 220V AFSINT 107 (CE & UK CA SPECS)



ART_1001244915

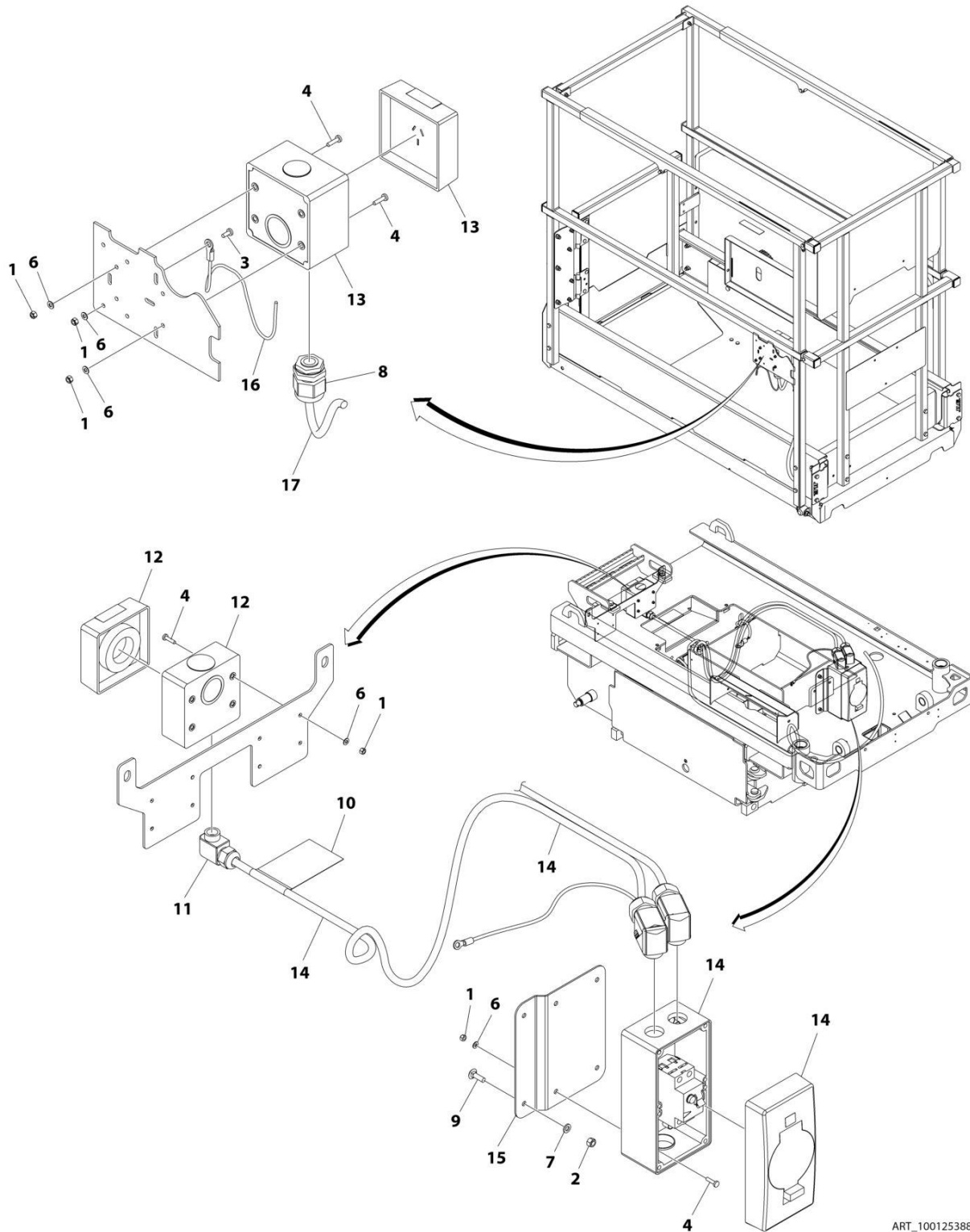
SECTION 7 - ELECTRICAL

FIGURE 7-6. AC BOX AT PLATFORM INSTALLATION - 220V AFSINT 107 (CE & UK CA SPECS)

ITEM	PART NUMBER	QTY	DESCRIPTION	REV
	1001244915	Ref	AC BOX AT PLATFORM INSTALLATION - 220V AFSINT 107	B
1	0275454	1	Receptacle Box Kit - 220V AFSINT 107 (See Separate Breakdown in this Section)	
2	0760408	4	Bolt M4 x 16	
3	3252507	1	Decal - AC Power	
4	3290405	4	Nut M4	
5	3290605	2	Nut M6	
6	1001100451	2	Bolt M6 x 20	
7	4240017	AR	Tie-Strap (Not Shown)	
8	4460662	1	Connector, Strain Relief	
9	4811700	2	Washer M6	
10	4811400	8	Washer M4	
11	1001102258	1	Decal - AC Label	
12	1001120204	1	Plug, Male Twist	
13	1001244909	1	Breaker Box Kit (See Separate Breakdown in this Section)	

SECTION 7 - ELECTRICAL

FIGURE 7-7. AC BOX AT PLATFORM INSTALLATION - 220V AUSTRALIAN PLUG (AUSTRALIAN SPECS)



ART_1001253885

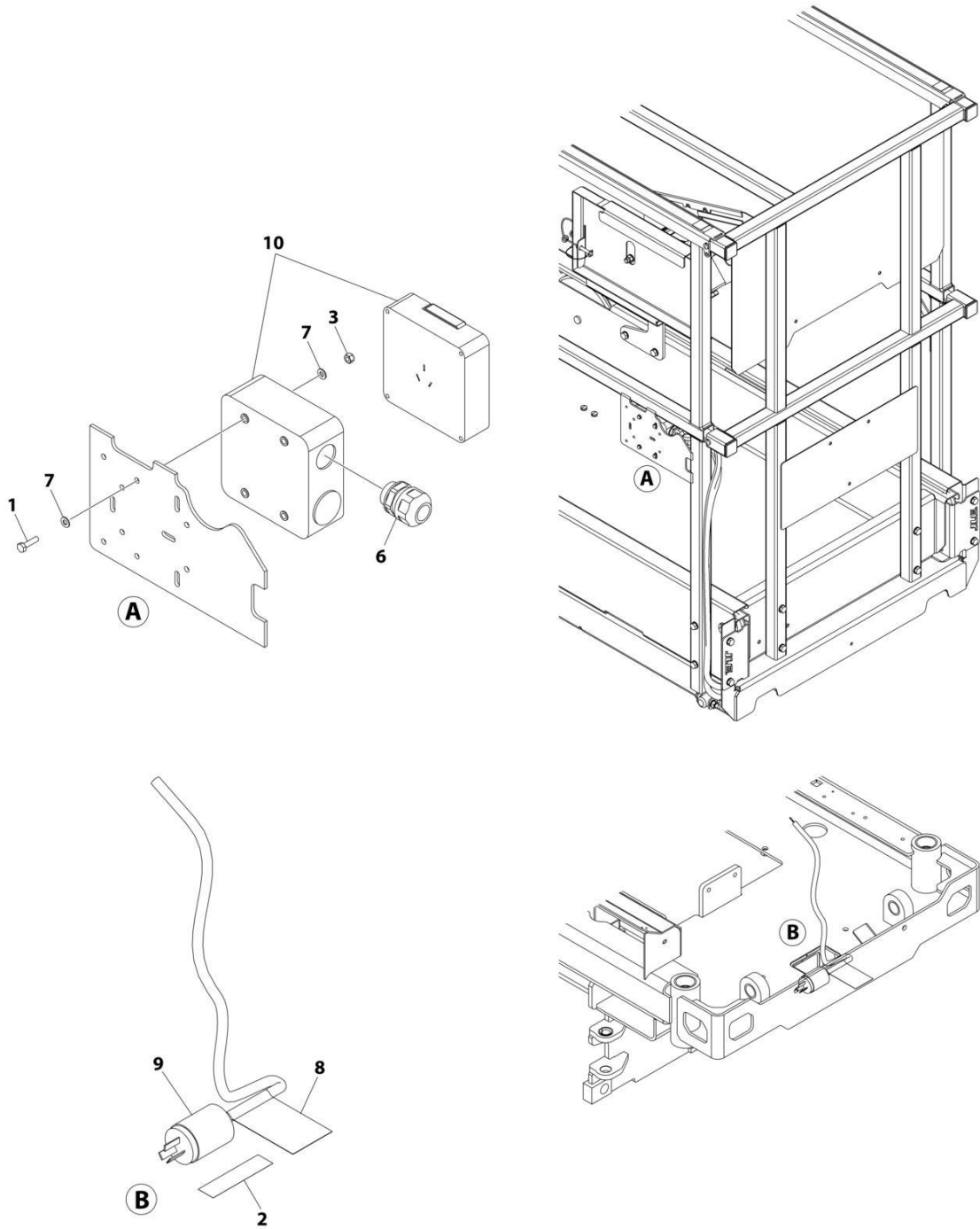
SECTION 7 - ELECTRICAL

FIGURE 7-7. AC BOX AT PLATFORM INSTALLATION - 220V AUSTRALIAN PLUG (AUSTRALIAN SPECS)

ITEM	PART NUMBER	QTY	DESCRIPTION	REV
	1001253885	Ref	AC BOX AT PLATFORM INSTALLATION - 220V	A
1	3290405	13	Nut M4	
2	3290605	2	Nut M6	
3	4010405	1	Screw M4 x 10	
4	4010408	12	Screw M4 x 16	
5	4240017	AR	Tie-Starp (Not Shown)	
6	4811400	13	Washer M4	
7	4811700	2	Washer M6	
8	1001097150	1	Connector, Strain Relief	
9	1001100451	2	Bolt M6 x 20	
10	1001102258	1	Decal - AC Label	
11	1001103471	1	Connector, Strain Relief 90	
12	1001227267	1	Receptacle, Female	
13	1001227268	1	Receptacle, Female	
14	1001253969	1	Breaker Box Assembly (See Separate Breakdown in this Section)	
15	1001253972	1	Bracket	
16	1001245744	1	Harness, Earth/Ground	
17	1001245747	1	Conduit	

SECTION 7 - ELECTRICAL

FIGURE 7-8. AC BOX AT PLATFORM INSTALLATION - 220V CHINA PLUG (CHINA SPECS)



ART_1001244918

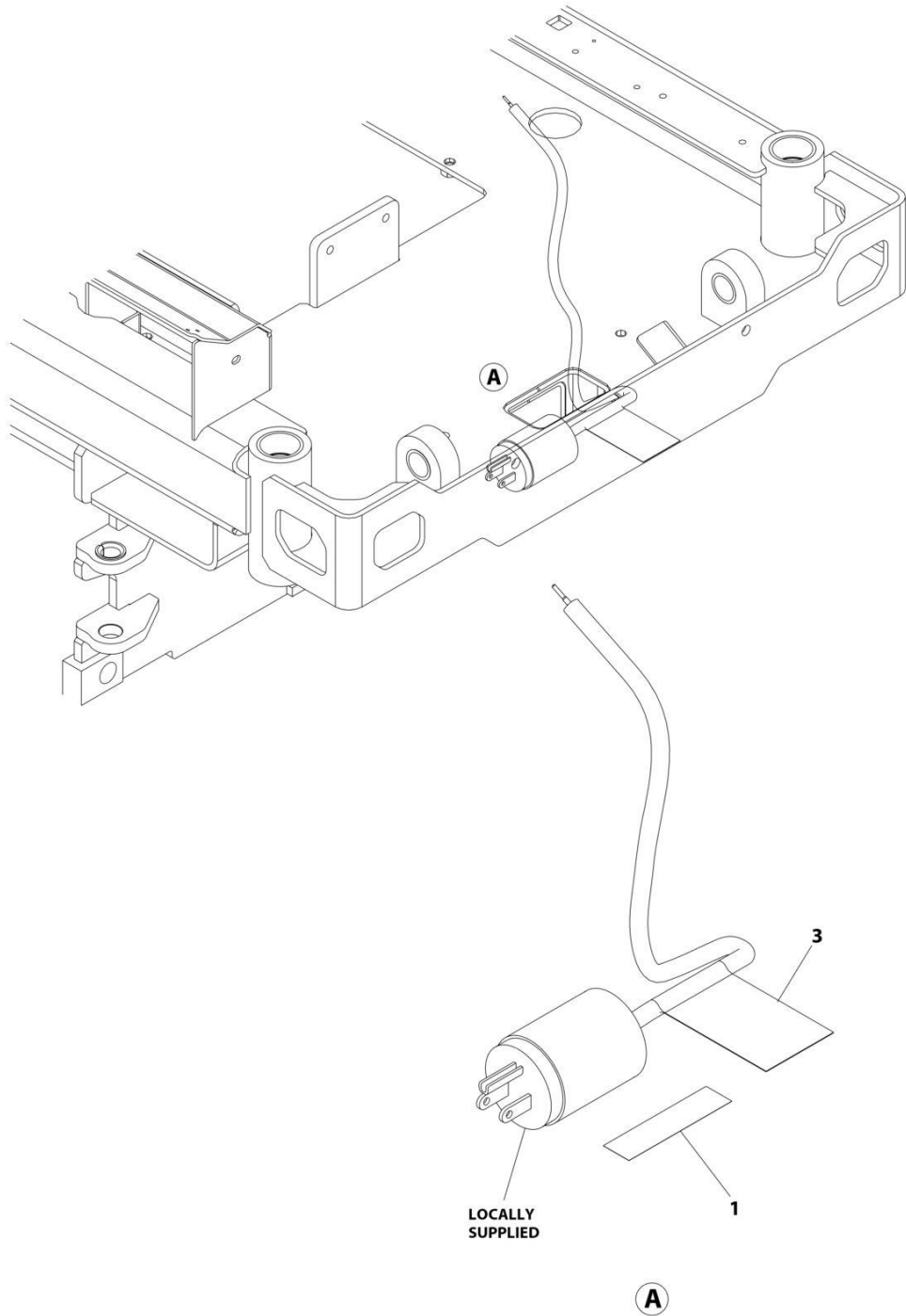
SECTION 7 - ELECTRICAL

FIGURE 7-8. AC BOX AT PLATFORM INSTALLATION - 220V CHINA PLUG (CHINA SPECS)

ITEM	PART NUMBER	QTY	DESCRIPTION	REV
	1001244918	Ref	AC BOX AT PLATFORM INSTALLATION - 220V CHINA PLUG	A
1	0760408	4	Bolt M4 x 16	
2	3252507	1	Decal - 220 Volt	
3	3290405	4	Nut M4	
4	4240017	AR	Tie-Strap (Not Shown)	
5	4460315	1	Terminal (Not Shown)	
6	4460968	1	Connector, Strain Relief	
7	4811400	8	Washer M4	
8	1001102258	1	Decal - AC Label	
9	1001187816	1	Plug	
10	1001188116	1	Box	

SECTION 7 - ELECTRICAL

FIGURE 7-9. AC BOX AT PLATFORM INSTALLATION - 220V LOCALLY SUPPLIED



ART_1001244912

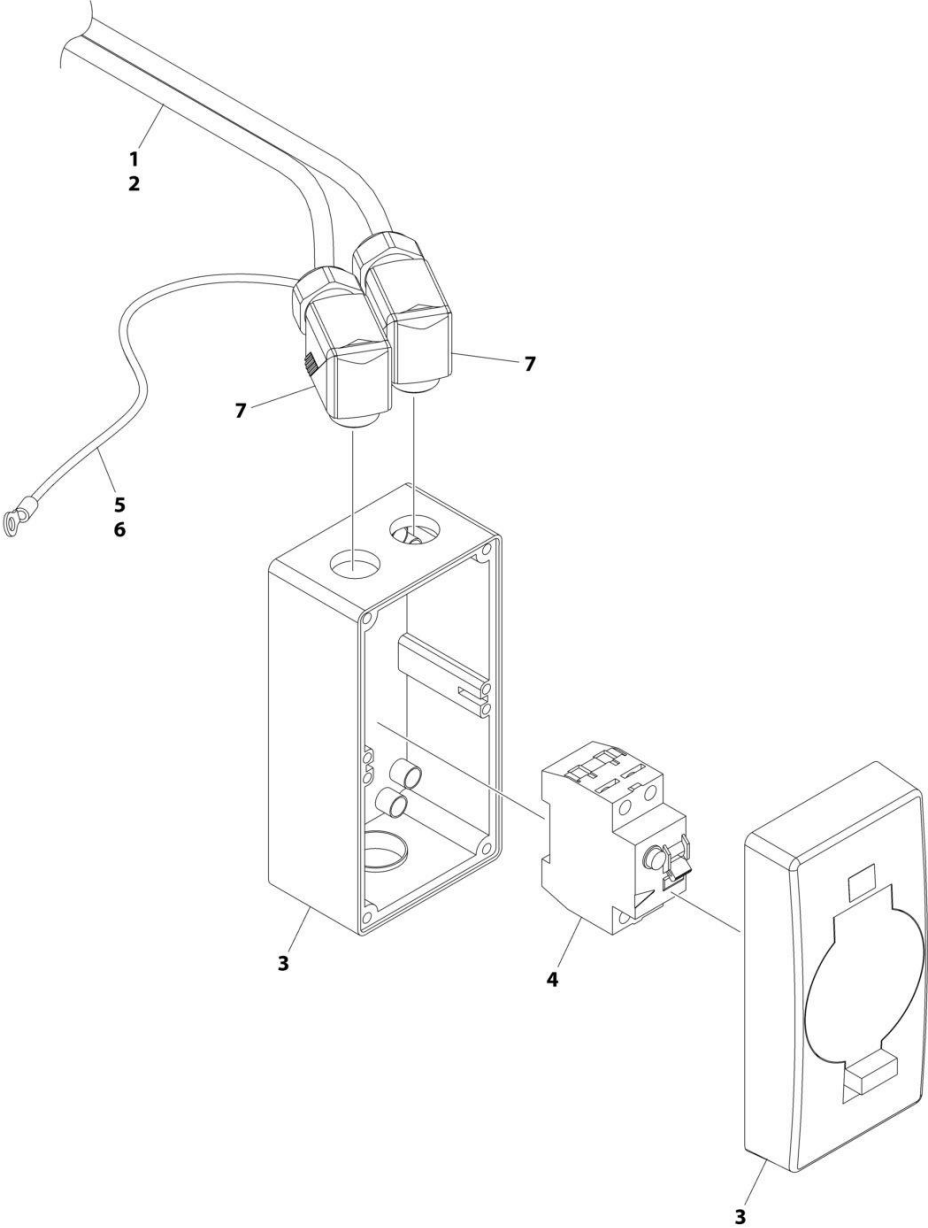
SECTION 7 - ELECTRICAL

FIGURE 7-9. AC BOX AT PLATFORM INSTALLATION - 220V LOCALLY SUPPLIED

ITEM	PART NUMBER	QTY	DESCRIPTION	REV
	1001244912	Ref	AC BOX AT PLATFORM INSTALLATION - 220V LOCALLY SUPPLIED COMPONENTS	A
1	3252507	1	Decal - 220 Volt	
2	4240017	AR	Tie-Strap (Not Shown)	
3	1001102258	1	Decal - AC Label	

SECTION 7 - ELECTRICAL

FIGURE 7-10. BREAKER BOX KIT WITH 1 DOUBLE BREAKER (AUSTRALIAN SPECS)



ART_1001253969

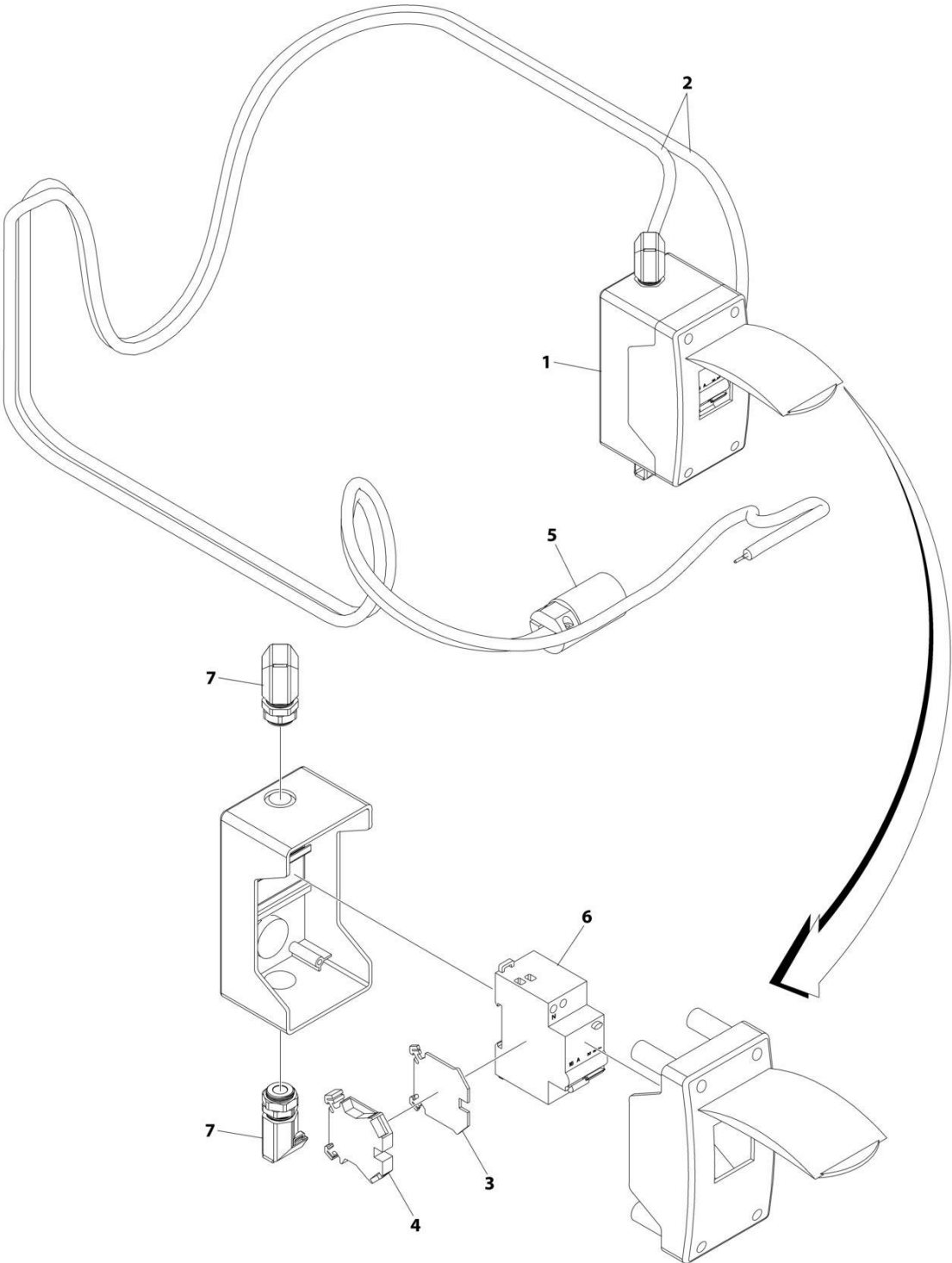
SECTION 7 - ELECTRICAL

FIGURE 7-10. BREAKER BOX KIT WITH 1 DOUBLE BREAKER (AUSTRALIAN SPECS)

ITEM	PART NUMBER	QTY	DESCRIPTION	REV
1	1001253969	1	BREAKER BOX KIT WITH 1 DOUBLE BREAKER	A
	1060908	59 in /1.5m	Cable	
2	1001125927	44cm	Conduit, Dia 16	
3	1001227269	1	Box, Breaker with Cover	
4	1001228191	1	Breaker, 250V Double Pole	
5	1001245743	1	Block, Terminal	
6	1001245744	1	Harness, Earth/Ground	
7	1001245917	2	Connector, Strain Relief 90	

SECTION 7 - ELECTRICAL

FIGURE 7-11. BREAKER BOX KIT WITH 1 DOUBLE BREAKER (CE & UK CA SPECS)



ART_1001244909

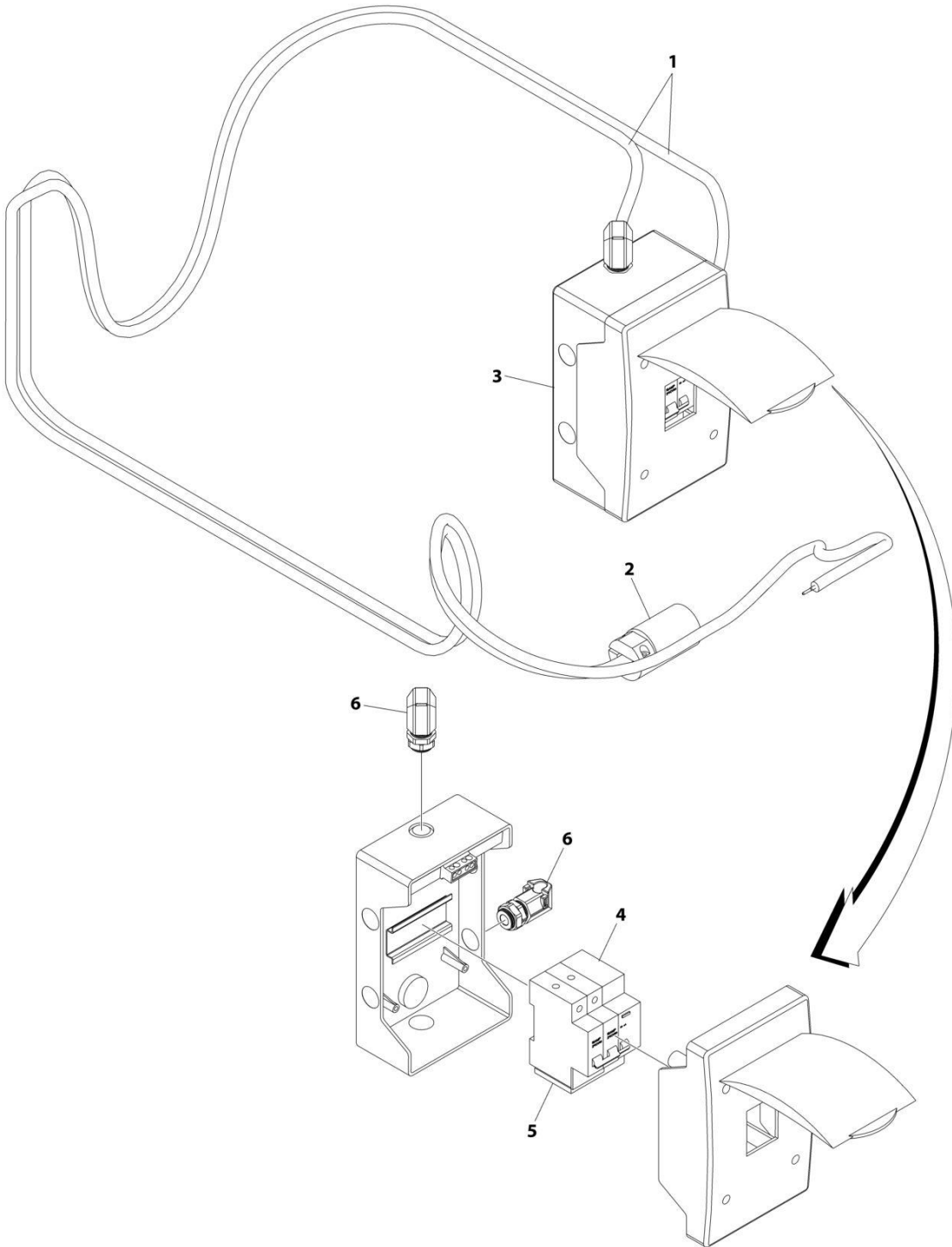
SECTION 7 - ELECTRICAL

FIGURE 7-11. BREAKER BOX KIT WITH 1 DOUBLE BREAKER (CE & UK CA SPECS)

ITEM	PART NUMBER	QTY	DESCRIPTION	REV
	1001244909	1	BREAKER BOX KIT WITH 1 DOUBLE BREAKER	A
1	0861880	1	Box, Breaker	
2	1060908	19 ft/5.7m	Cable, 12/3	
3	4460956	1	Barrier, Terminal	
4	4460957	1	Block, Terminal	
5	1001120205	1	Connector, Female	
6	1001181045	1	Breaker - 30mA/16Amp	
7	1001217164	2	Connector, Strain Relief - 90	

SECTION 7 - ELECTRICAL

FIGURE 7-12. BREAKER BOX KIT WITH 3 BREAKER



ART_1001244908

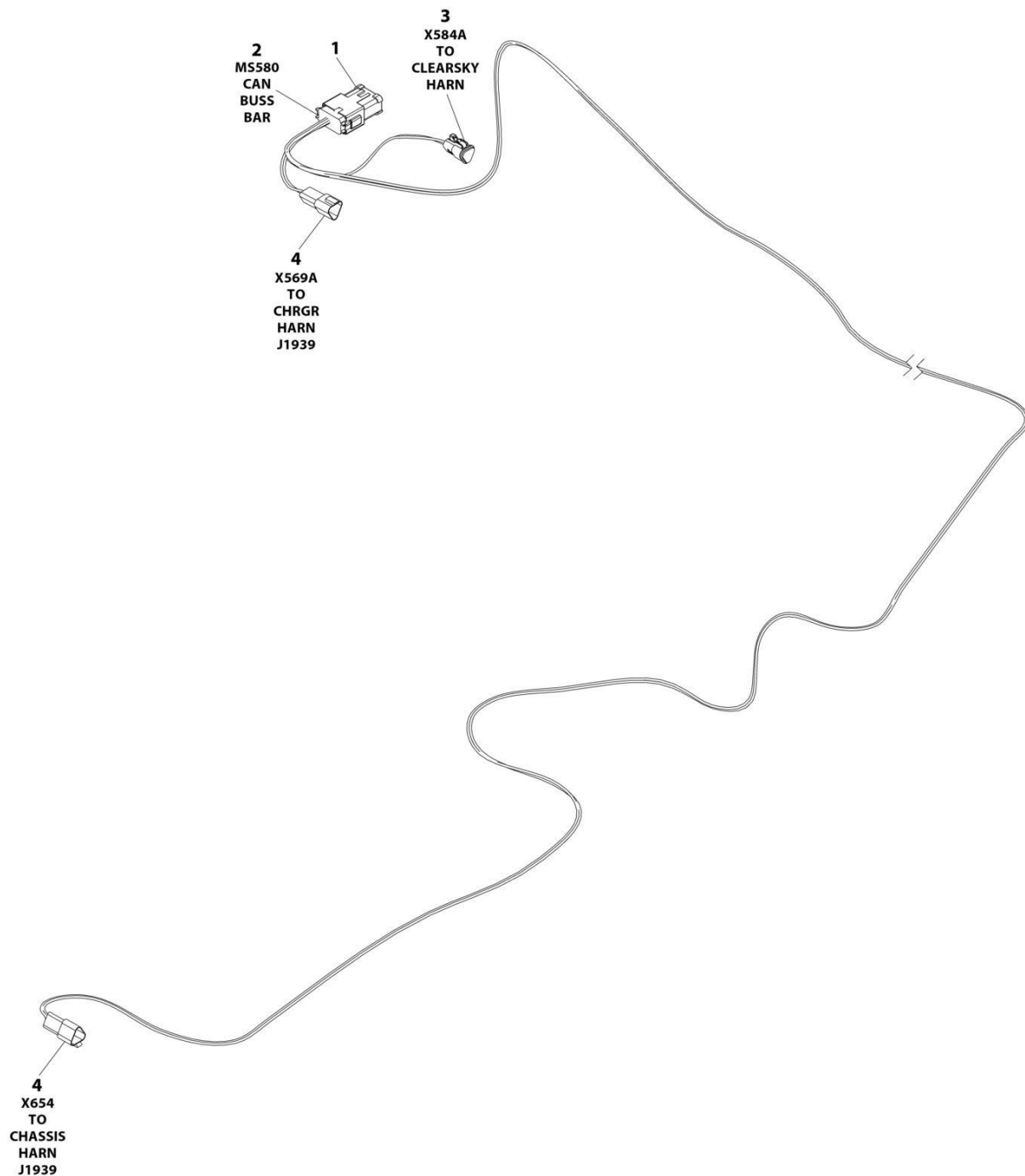
SECTION 7 - ELECTRICAL

FIGURE 7-12. BREAKER BOX KIT WITH 3 BREAKER

ITEM	PART NUMBER	QTY	DESCRIPTION	REV
	1001244908	1	BREAKER BOX KIT WITH 3 BREAKERS	B
1	1060908	19 ft/5.7m	Cable, 12/3 Receptacle	
2	1001120205	1	Connector, Female	
3	1001152483	1	Box, Breaker	
4	1001189171	1	Breaker, 30mA	
5	1001189172	1	Breaker - 16Amp Double	
6	1001217164	2	Connector, Strain Relief - 90	

SECTION 7 - ELECTRICAL

FIGURE 7-13. CAN SPLICE HARNESS



ART_1001254027

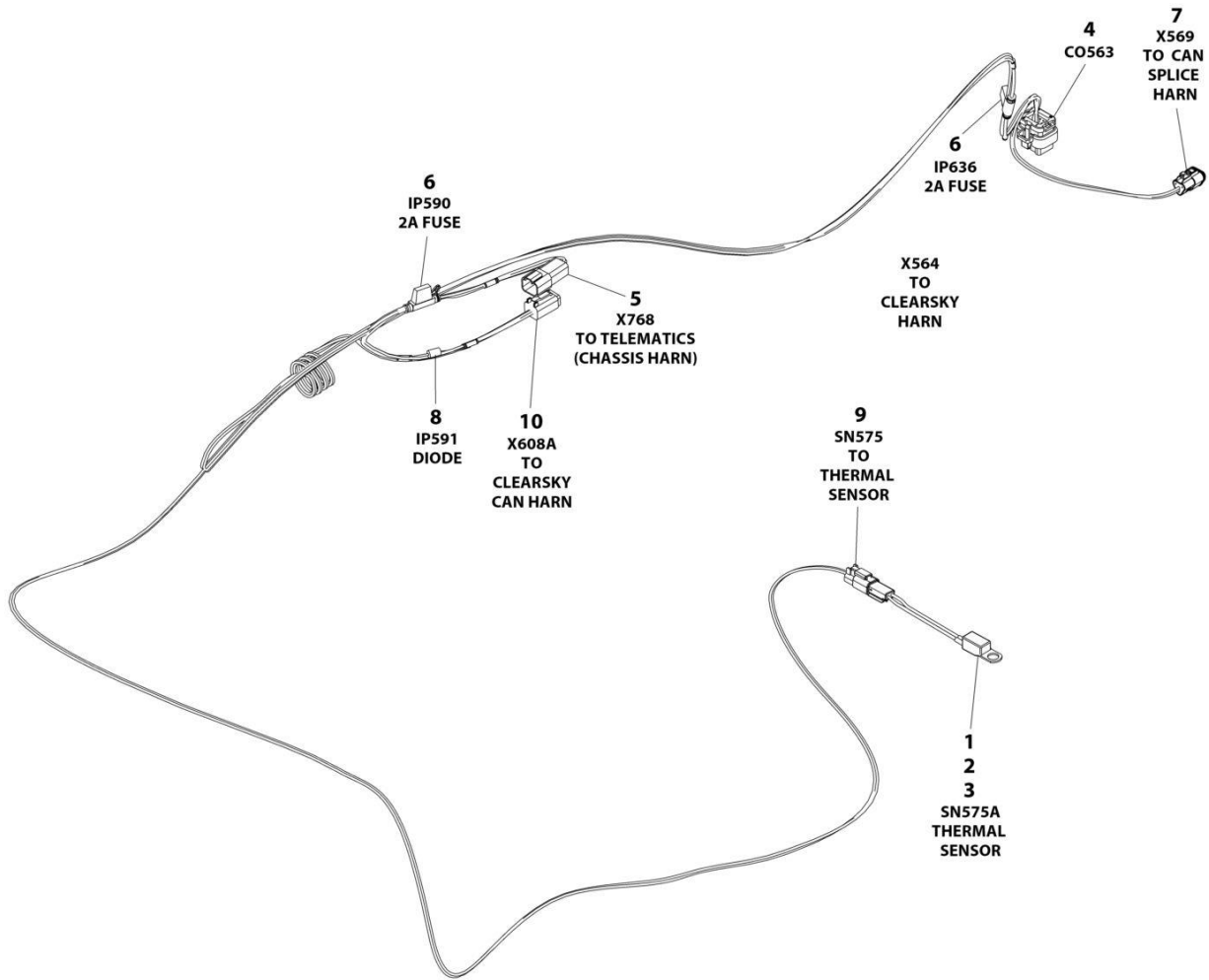
SECTION 7 - ELECTRICAL

FIGURE 7-13. CAN SPLICE HARNESS

ITEM	PART NUMBER	QTY	DESCRIPTION	REV
	1001254027	Ref	CAN SPLICE HARNESS	A
1	1001125677	1	Connector, Bus Bar - 12 Position	
2	4460933	1	Plug, Male - 12 Position	
2	4460944	6	Socket, Female	
2	4460466	6	Plug, Terminal	
3	1001118812	1	Plug, Male - 3 Position	
3	4460944	2	Socket, Female	
3	4460466	1	Plug, Terminal	
4	1001144147	2	Receptacle, Female - 3 Position	
4	4460943	4	Pin, Male	
4	4460466	2	Plug, Terminal	

SECTION 7 - ELECTRICAL

FIGURE 7-14. CHARGER HARNESS



ART_1001254028_C

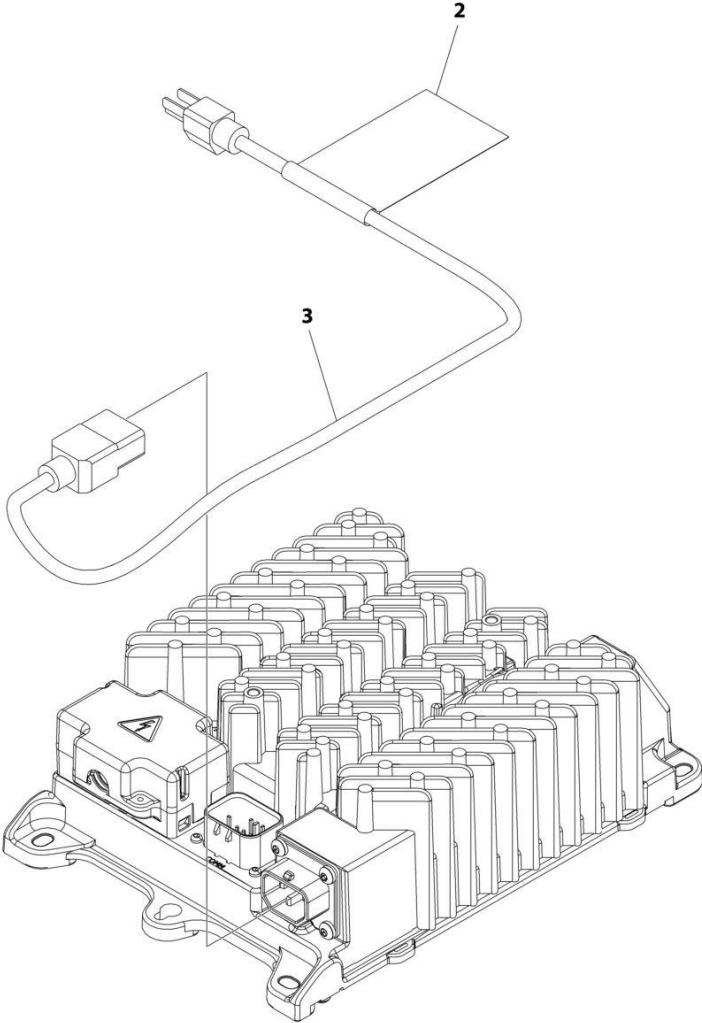
SECTION 7 - ELECTRICAL

FIGURE 7-14. CHARGER HARNESS

ITEM	PART NUMBER	QTY	DESCRIPTION	REV
	1001254028	Ref	CHARGER HARNESS	C
1	4460464	2	Pin, Male	
2	4460897	1	Receptacle, Female - 2 Position	
3	1001102771	1	Sensor, Temperature	
4	4460872	1	Connector - 14 Position	
4	4460871	6	Terminal	
4	4460905	8	Plug, Terminal	
5	4460932	1	Receptacle, Female - 4 Position	
5	4460464	1	Pin, Male	
6	2400060	2	Fuseholder With Cover	
6	1001196634	2	Fuse 2A	
7	1001116812	1	Plug, Male - 3 Position	
7	4460944	2	Socket, Female	
7	4460466	1	Plug, Terminal	
8	3990001	1	Diode	
9	4460891	1	Plug, Male - 2 Position	
9	4460465	2	Socket, Female	
10	4460884	1	Plug, Male - 4 Position	
10	4460465	4	Socket, Female	

SECTION 7 - ELECTRICAL

FIGURE 7-15. CHARGER PLUG INSTALLATION (LOCALLY SUPPLIED PLUG) (ALL SPECS EXCEPT ANSI & AUSTRALIAN SPECS)



ART_1001264946

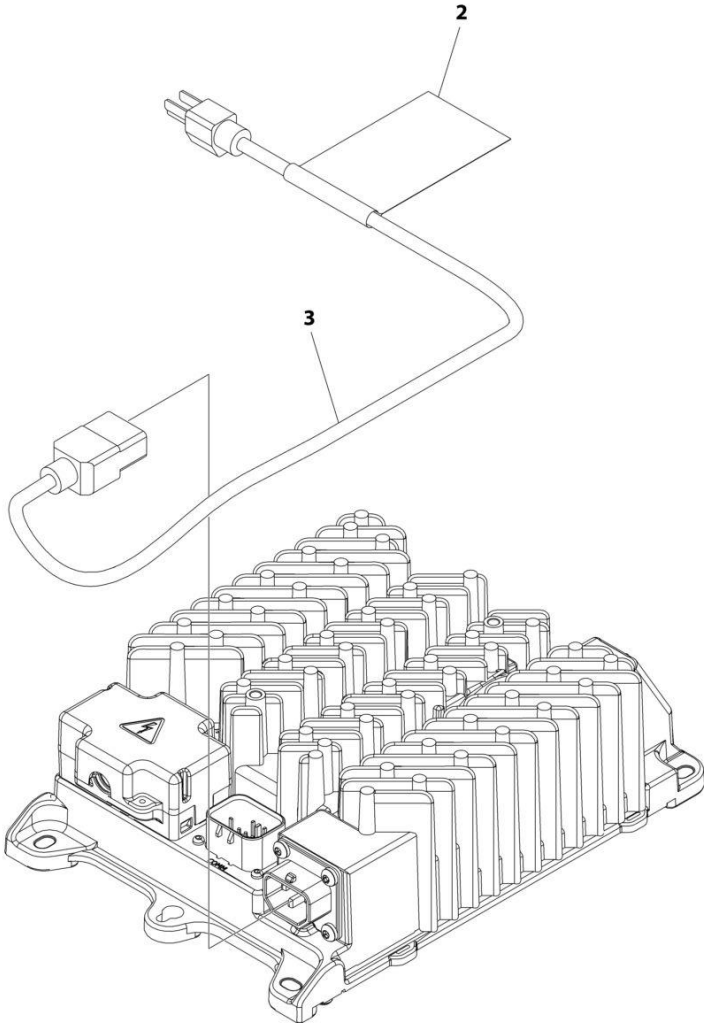
SECTION 7 - ELECTRICAL

FIGURE 7-15. CHARGER PLUG INSTALLATION (LOCALLY SUPPLIED PLUG) (ALL SPECS EXCEPT ANSI & AUSTRALIAN SPECS)

ITEM	PART NUMBER	QTY	DESCRIPTION	REV
	1001264946	Ref	CHARGER PLUG INSTALLATION (LOCALLY SUPPLIED PLUG)	A
1	4240017	AR	Tie-Strap (Not Shown)	
2	1001102489	1	Decal - Charger	
3	1001207974	1	Cable, Charger AC Input	

SECTION 7 - ELECTRICAL

FIGURE 7-16. CHARGER PLUG INSTALLATION (110V PLUG) (ANSI & CSA SPECS)



ART_1001264947

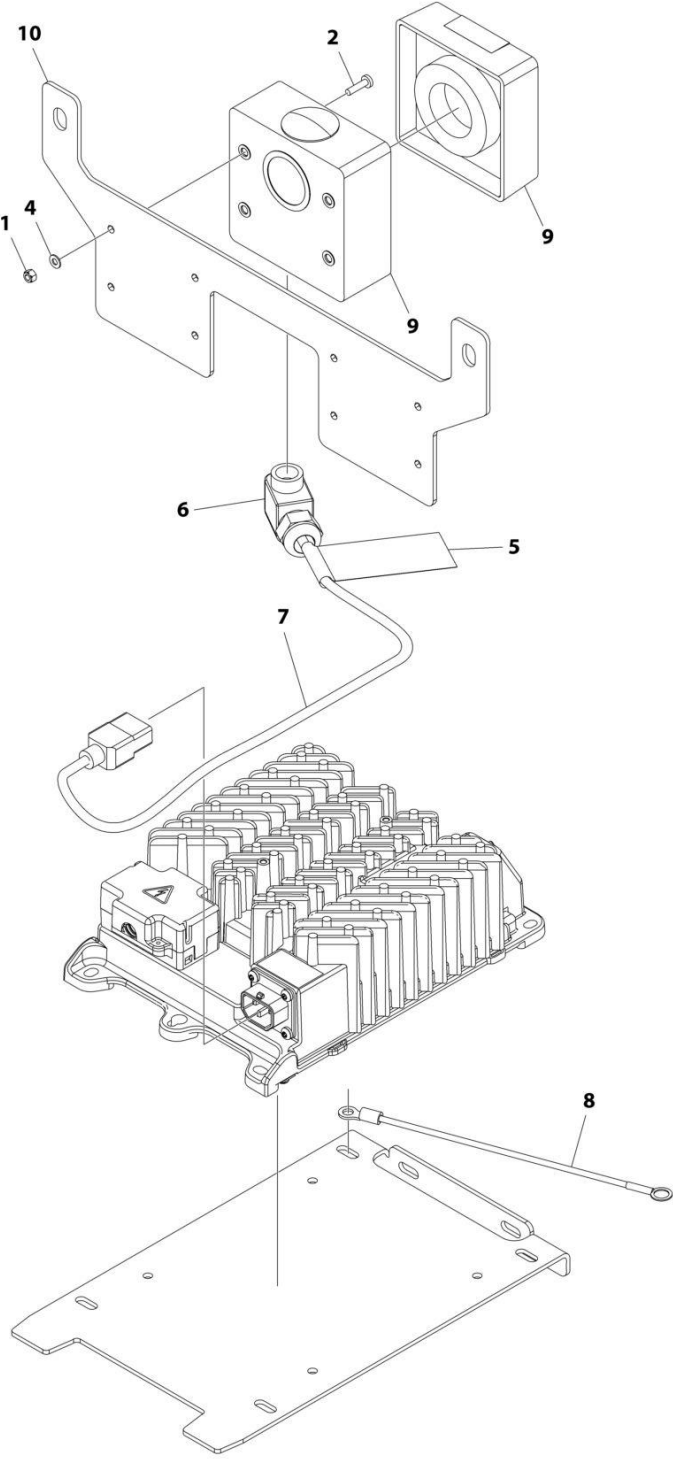
SECTION 7 - ELECTRICAL

FIGURE 7-16. CHARGER PLUG INSTALLATION (110V PLUG) (ANSI & CSA SPECS)

ITEM	PART NUMBER	QTY	DESCRIPTION	REV
	1001264947	Ref	CHARGER PLUG INSTALLATION (110V PLUG)	A
1	4240017	AR	Tie-Strap (Not Shown)	
2	1001102489	1	Decal - Charger	
3	1001207970	1	Cable, Charger AC Input	

SECTION 7 - ELECTRICAL

FIGURE 7-17. CHARGER PLUG INSTALLATION (AUSTRALIAN PLUG) (AUSTRALIAN SPECS)



ART_1001264954

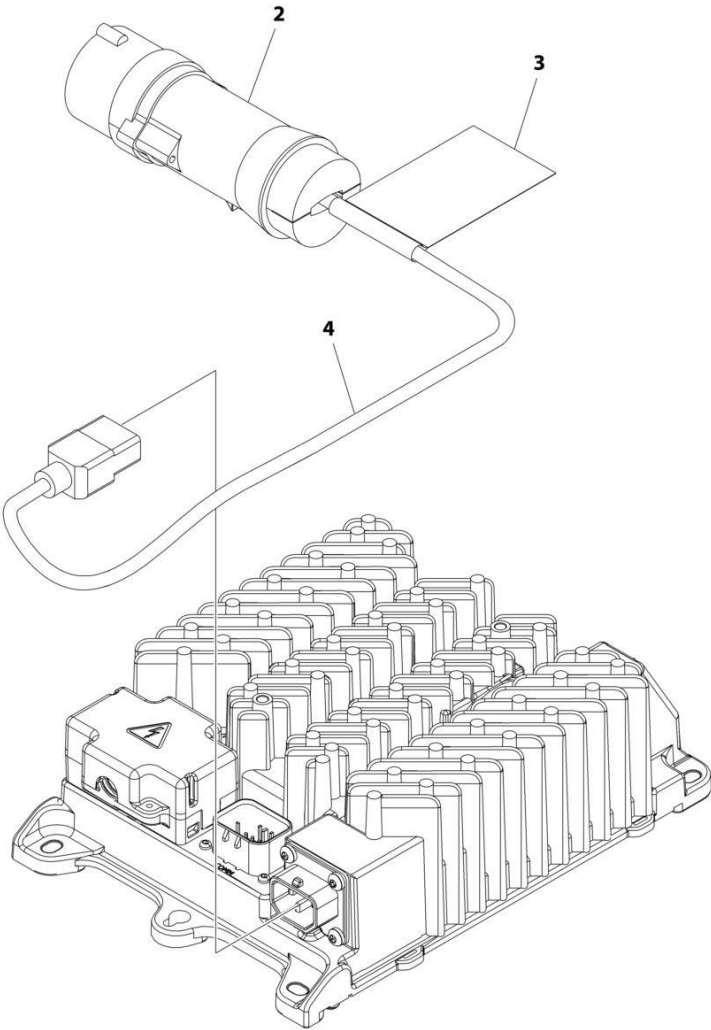
SECTION 7 - ELECTRICAL

FIGURE 7-17. CHARGER PLUG INSTALLATION (AUSTRALIAN PLUG) (AUSTRALIAN SPECS)

ITEM	PART NUMBER	QTY	DESCRIPTION	REV
	1001264954	Ref	CHARGER PLUG INSTALLATION (AUSTRALIAN PLUG)	A
1	3290405	4	Nut M4	
2	4010408	4	Screw M4 x 16	
3	4240017	AR	Tie-Strap (Not Shown)	
4	4811400	4	Washer M4	
5	1001102489	1	Decal - Charger Label	
6	1001103471	1	Connector, Strain Relief 90	
7	1001207974	1	Cable, AC Input	
8	1001227219	1	Harness, Earth/Ground Link	
9	1001227267	1	Receptacle, Australian	
10	1001253626	1	Bracket	

SECTION 7 - ELECTRICAL

FIGURE 7-18. CHARGER PLUG INSTALLATION (110V IEC YELLOW PLUG) (CE & UK CA SPECS)



ART_1001264951

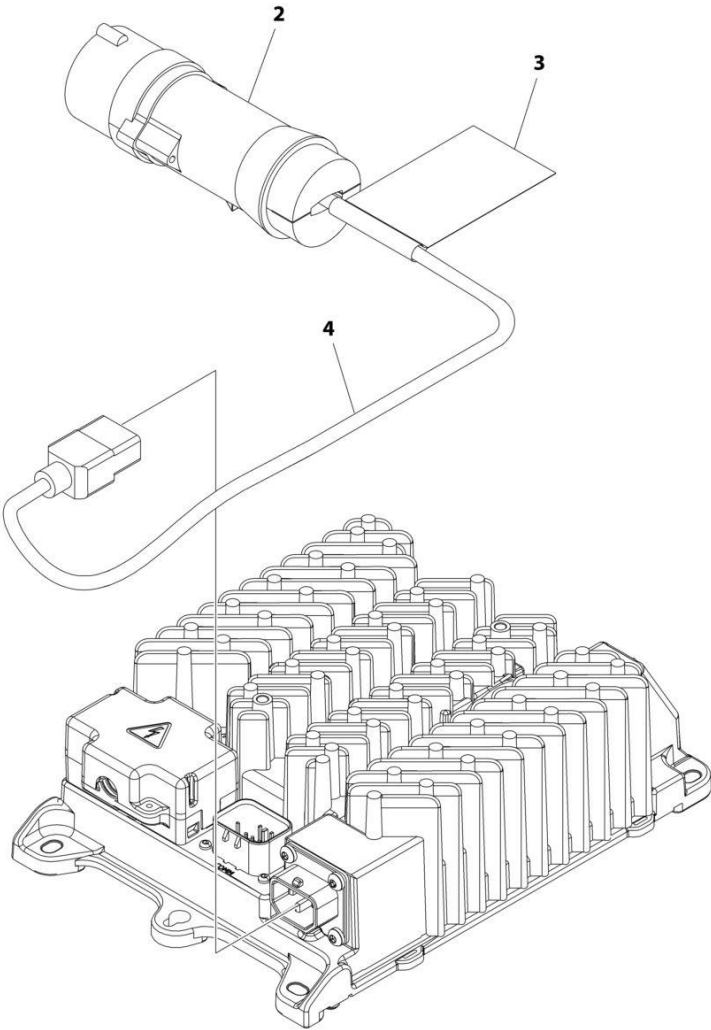
SECTION 7 - ELECTRICAL

FIGURE 7-18. CHARGER PLUG INSTALLATION (110V IEC YELLOW PLUG) (CE & UK CA SPECS)

ITEM	PART NUMBER	QTY	DESCRIPTION	REV
	1001264951	Ref	CHARGER PLUG INSTALLATION (110V IEC YELLOW PLUG)	A
1	4240017	AR	Tie-Strap (Not Shown)	
2	4461196	1	Plug, Male	
3	1001102489	1	Decal - Charger	
4	1001207974	1	Cable, Charger AC Input	

SECTION 7 - ELECTRICAL

FIGURE 7-19. CHARGER PLUG INSTALLATION (220V IEC BLUE PLUG) (CE & UK CA SPECS)



ART_1001264952

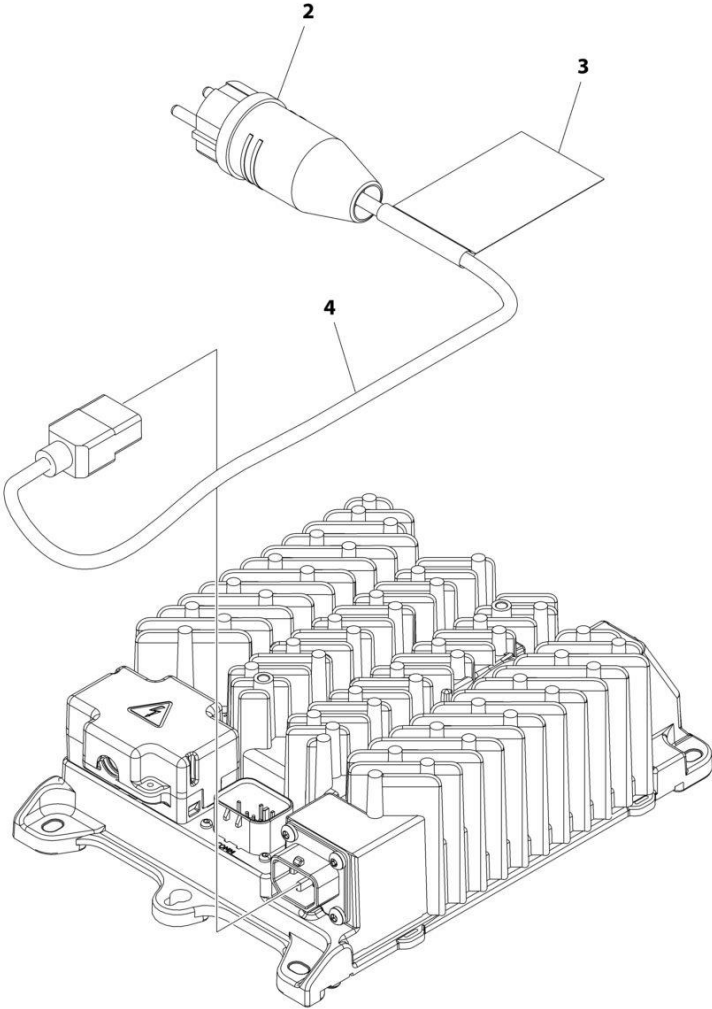
SECTION 7 - ELECTRICAL

FIGURE 7-19. CHARGER PLUG INSTALLATION (220V IEC BLUE PLUG) (CE & UK CA SPECS)

ITEM	PART NUMBER	QTY	DESCRIPTION	REV
	1001264952	Ref	CHARGER PLUG INSTALLATION (220V IEC BLUE PLUG)	A
1	4240017	AR	Tie-Strap (Not Shown)	
2	4461199	1	Plug, Male	
3	1001102489	1	Decal - Charger	
4	1001207974	1	Cable, Charger AC Input	

SECTION 7 - ELECTRICAL

FIGURE 7-20. CHARGER PLUG INSTALLATION (220V CEE7 PLUG) (CE & UK CA SPECS)



ART_1001264949

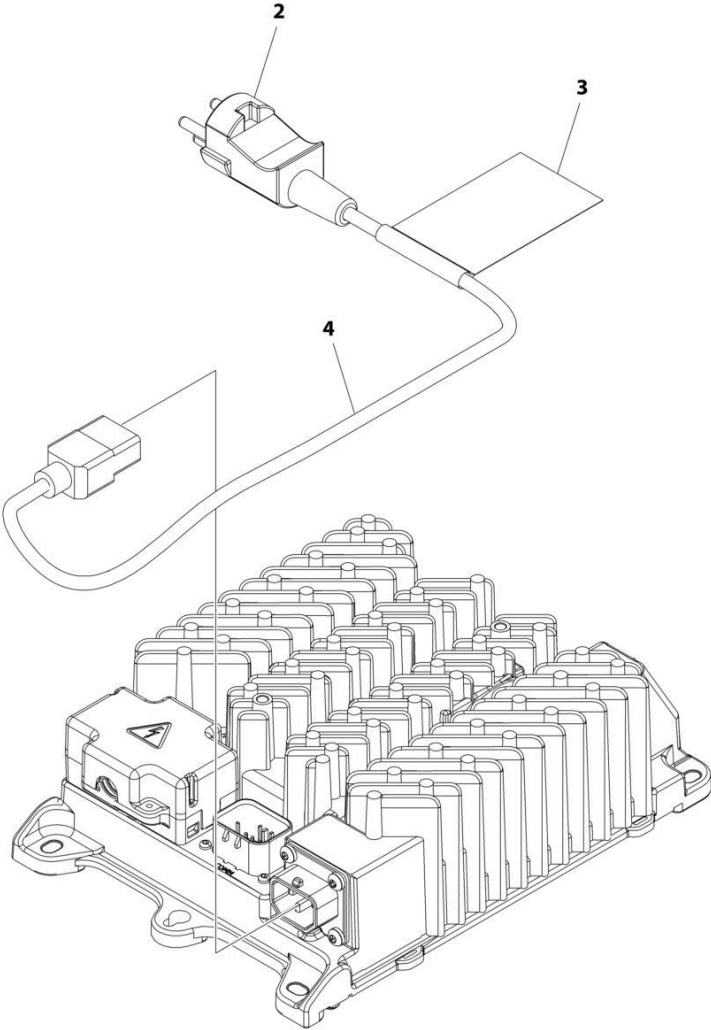
SECTION 7 - ELECTRICAL

FIGURE 7-20. CHARGER PLUG INSTALLATION (220V CEE7 PLUG) (CE & UK CA SPECS)

ITEM	PART NUMBER	QTY	DESCRIPTION	REV
	1001264949	Ref	CHARGER PLUG INSTALLATION (220V CEE7 PLUG)	A
1	4240017	AR	Tie-Strap (Not Shown)	
2	4461205	1	Plug, Male	
3	1001102489	1	Decal - Charger	
4	1001207974	1	Cable, Charger AC Input	

SECTION 7 - ELECTRICAL

FIGURE 7-21. CHARGER PLUG INSTALLATION (220V AFSINT107 PLUG) (CE & UK CA SPECS)



ART_1001264950

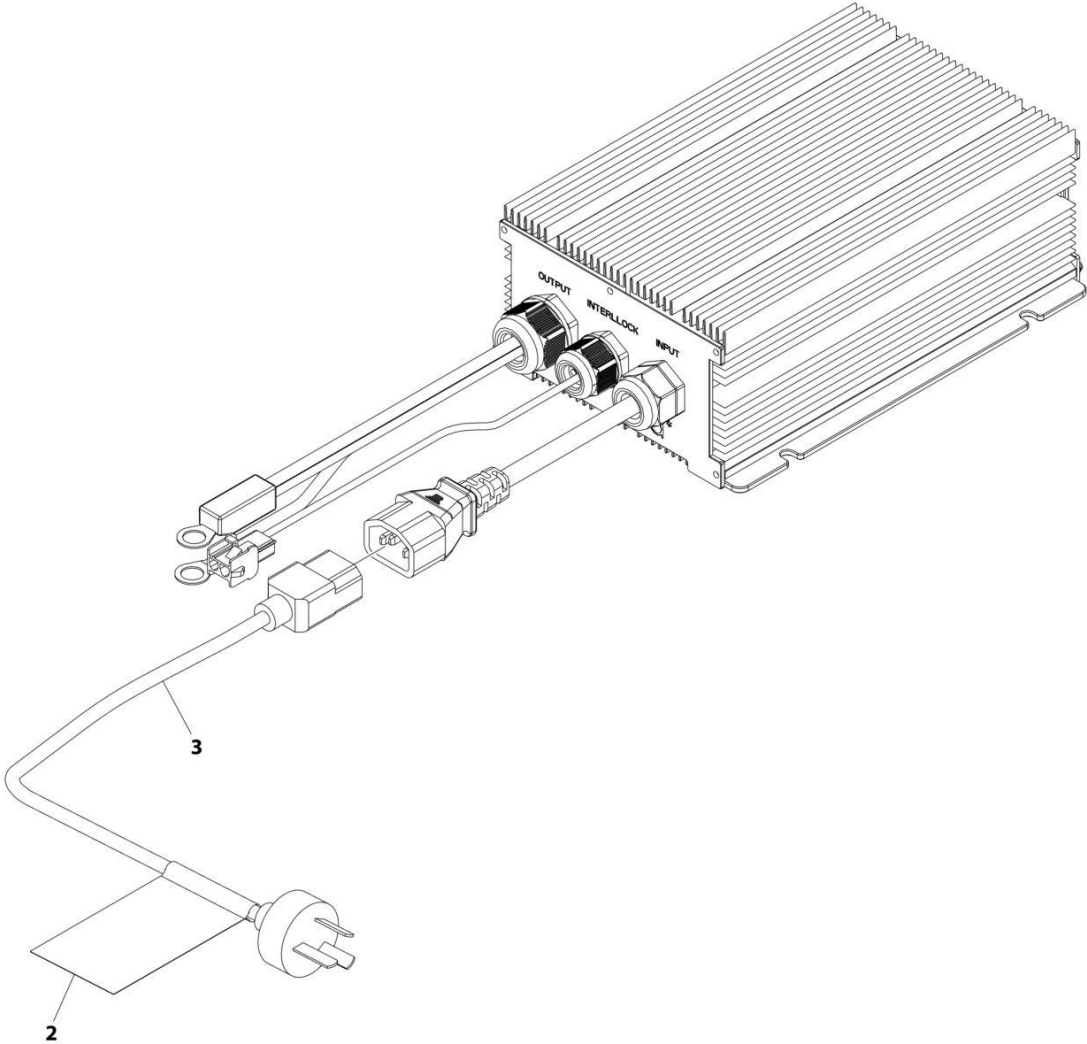
SECTION 7 - ELECTRICAL

FIGURE 7-21. CHARGER PLUG INSTALLATION (220V AFSINT107 PLUG) (CE & UK CA SPECS)

ITEM	PART NUMBER	QTY	DESCRIPTION	REV
	1001264950	Ref	CHARGER PLUG INSTALLATION (220V AFSINT107 PLUG)	A
1	4240017	AR	Tie-Strap (Not Shown)	
2	4461249	1	Plug, Male	
3	1001102489	1	Decal - Charger	
4	1001207974	1	Cable, Charger AC Input	

SECTION 7 - ELECTRICAL

FIGURE 7-22. CHARGER PLUG INSTALLATION (CHINA PLUG) (CHINA SPECS)



ART_1001264953

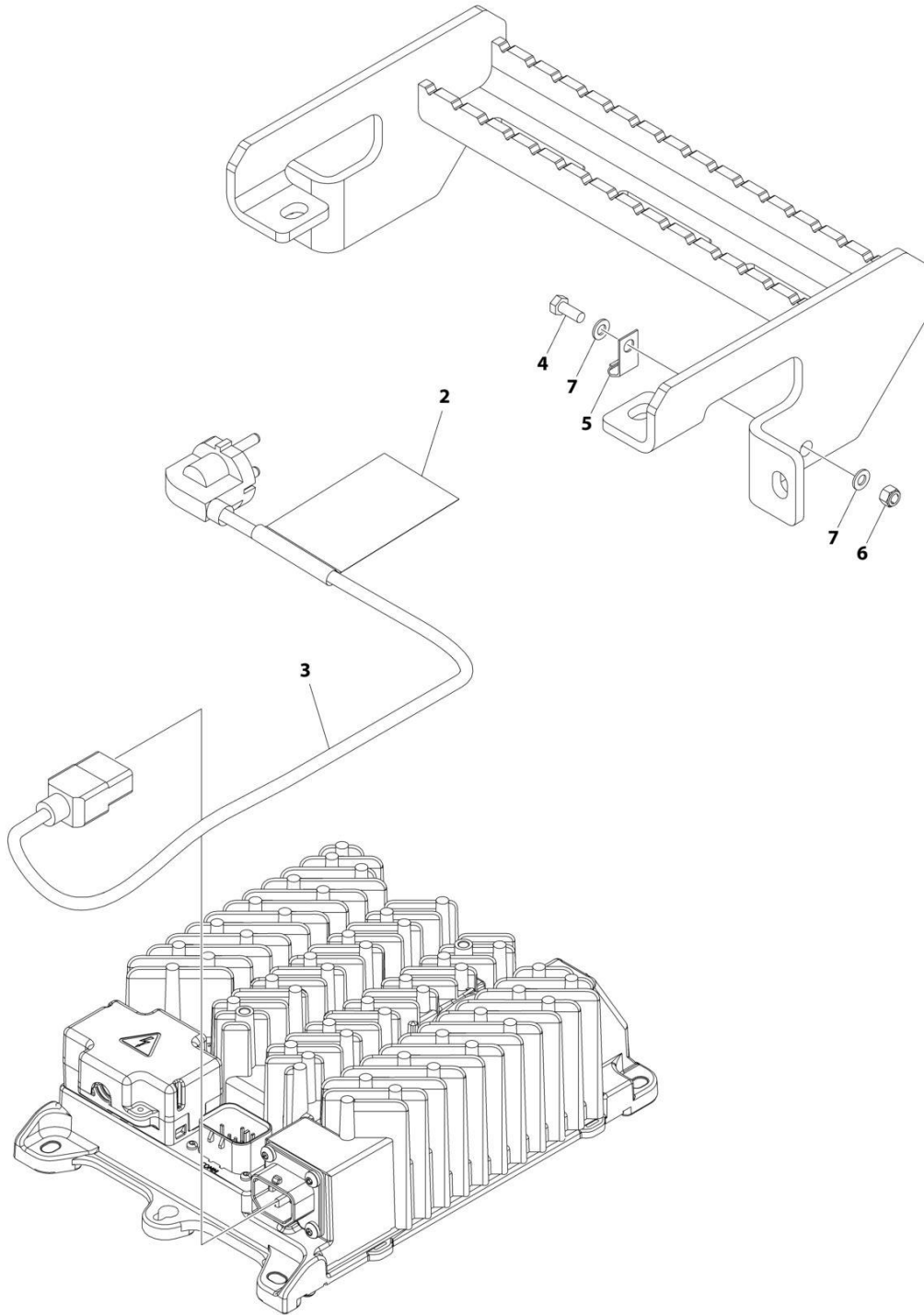
SECTION 7 - ELECTRICAL

FIGURE 7-22. CHARGER PLUG INSTALLATION (CHINA PLUG) (CHINA SPECS)

ITEM	PART NUMBER	QTY	DESCRIPTION	REV
	1001264953	Ref	CHARGER PLUG INSTALLATION (CHINA PLUG)	A
1	4240017	AR	Tie-Strap (Not Shown)	
2	1001102489	1	Decal - Charger	
3	1001207973	1	Cable, Charger AC Input	

SECTION 7 - ELECTRICAL

FIGURE 7-23. CHARGER PLUG INSTALLATION (KOREAN PLUG) (KOREAN SPECS)



ART_1001264948

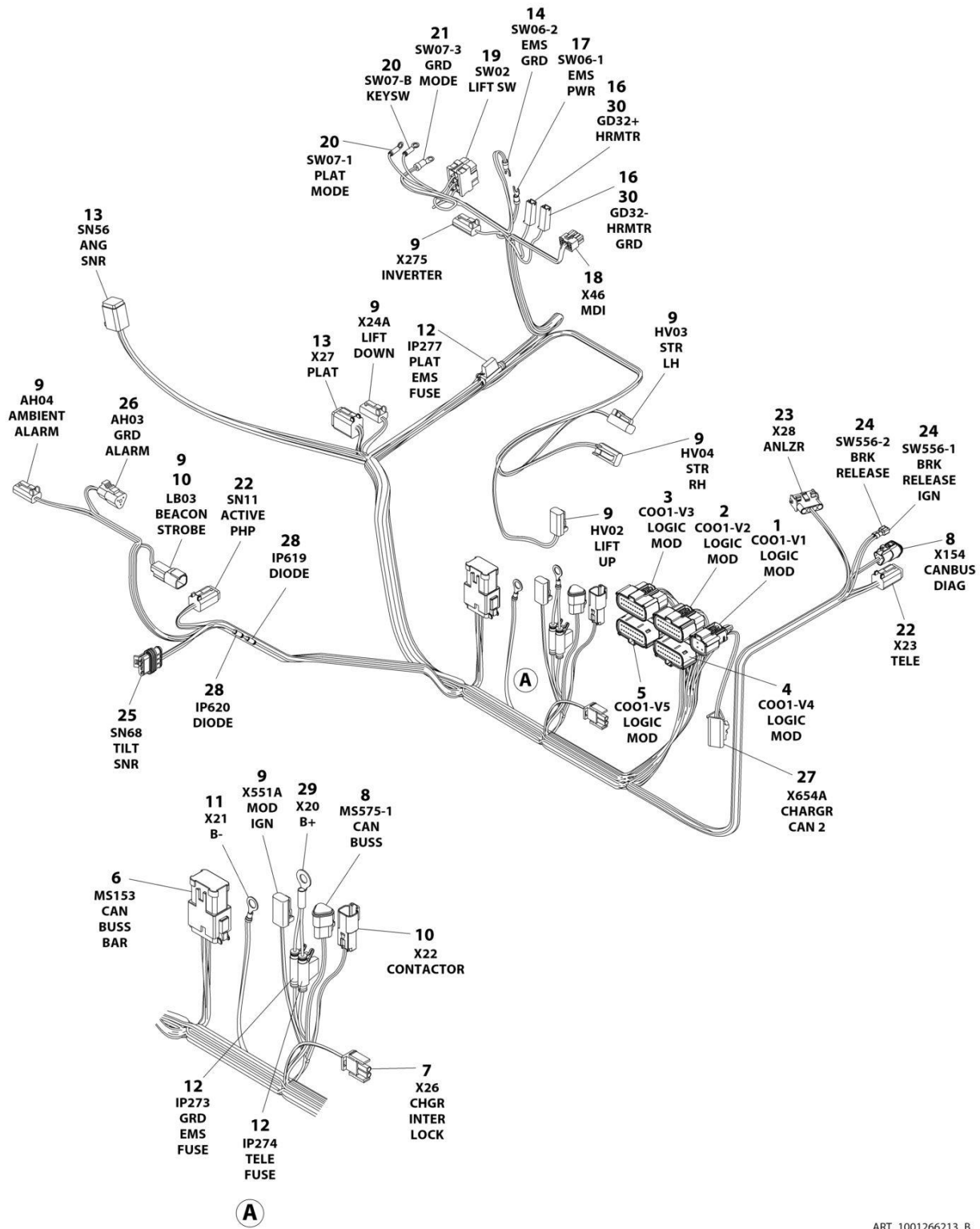
SECTION 7 - ELECTRICAL

FIGURE 7-23. CHARGER PLUG INSTALLATION (KOREAN PLUG) (KOREAN SPECS)

ITEM	PART NUMBER	QTY	DESCRIPTION	REV
	1001264948	Ref	CHARGER PLUG INSTALLATION (KOREAN PLUG)	B
1	4240017	AR	Tie-Strap (Not Shown)	
2	1001102489	1	Decal - Charger	
3	1001221949	1	Cable, Charger AC Input	
4	0760810	1	Bolt M8 x 20	
5	1320223	1	Clamp	
6	3290805	1	Nut M8	
7	4811900	2	Washer M8	

SECTION 7 - ELECTRICAL

FIGURE 7-24. CHASSIS HARNESS (WITHOUT LSS)(WITH METAL E-STOP)



ART_1001266213_B

SECTION 7 - ELECTRICAL

FIGURE 7-24. CHASSIS HARNESS (WITHOUT LSS)(WITH METAL E-STOP)

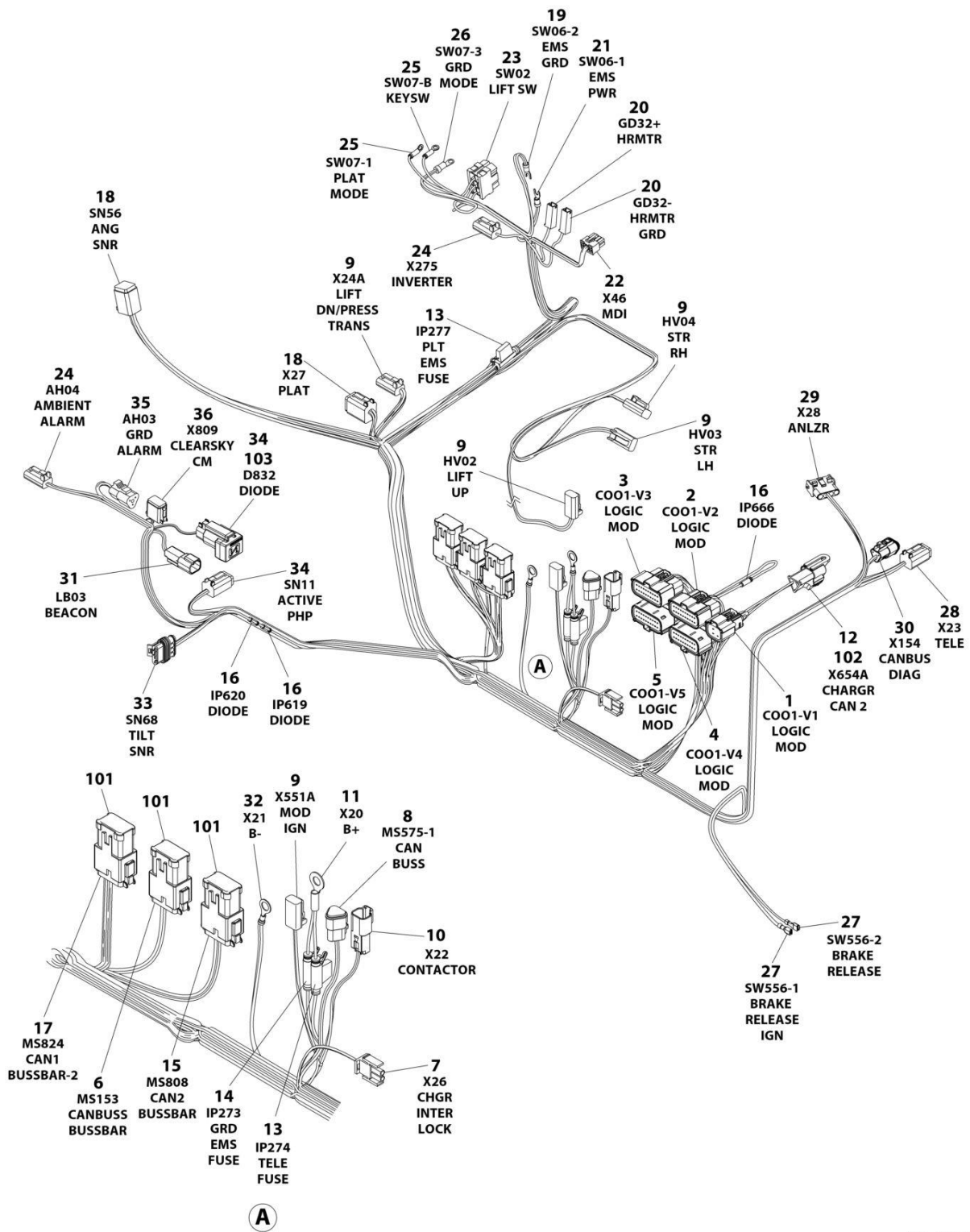
ITEM	PART NUMBER	QTY	DESCRIPTION	REV
	1001266213	Ref	CHASSIS HARNESS (WITHOUT LSS)	B
1	1001205409	1	Connector - 8 Position	
1	1001162887	8	Terminal	
2	1001205410	1	Connector - 20 Position	
2	1001162887	13	Terminal	
2	1001163340	7	Plug, Terminal	
3	1001162886	1	Connector - 20 Position	
3	1001162887	9	Terminal	
3	1001163340	11	Plug, Terminal	
4	1001205411	1	Connector - 20 Position	
4	1001162887	10	Terminal	
4	1001163340	10	Plug, Terminal	
5	1001205412	1	Connector - 20 Position	
5	1001162887	14	Terminal	
5	1001163340	6	Plug, Terminal	
6	4460933	1	Plug, Male - 12 Position	
6	4460465	12	Socket, Female	
6	1001125677	1	Bussbar - 12 Position	
7	4460320	1	Plug, Male - 2 Position	
7	4460226	1	Socket, Female	
8	1001116812	2	Plug, Male - 3 Position	
8	4460944	4	Socket, Female	
8	4460466	1	Plug, Terminal	
8	1001144296	1	Cap	
9	4460891	8	Plug, Male- 3 Position	
9	4460465	13	Socket, Female	
9	4460466	2	Plug, Terminal	
9	1001144295	2	Cap	
10	4460897	2	Receptacle, Female - 2 Position	
10	4460464	4	Pin, Male	
11	4460670	1	Terminal, Ring	
12	2400060	3	Fuseholder with Cover	
12		Ref	Fuse 5Amp	
12		Ref	Fuse 15Amp	
13	4460894	2	Plug, Male - 6 Position	
13	4460465	10	Socket, Female	
13	4460944	2	Socket, Female	
14	4460115	1	Terminal, Fork	
16	4460260	4	Cover, Terminal	
16	4460259	2	Terminal	
17	4460183	1	Terminal, Fork	
18	1001151629	1	Connector- 8 Position	
18	4461023	2	Terminal	
18	4460877	2	Terminal	
19	4460418	1	Connector, Switch	
19	1001159186	3	Terminal	
20	4460247	2	Terminal, Ring	
21	4460042	1	Terminal, Ring	
22	4460884	2	Plug, Male - 4 Position	
22	4460465	8	Socket, Female	

SECTION 7 - ELECTRICAL

ITEM	PART NUMBER	QTY	DESCRIPTION	REV
22	1001192401	1	Cap	
23	4460761	1	Receptacle, Female- 4 Position	
23	4460227	4	Pin, Male	
24	1001201885	2	Terminal	
25	1001103012	1	Plug, Male- 4 Position	
25	1001196589	4	Terminal	
25	1001104498	4	Seal	
26	4460539	1	Plug, Male -2 Position	
26	4460465	3	Socket, Female	
27	4460965	1	Plug, Male - 3 Position	
27	4460944	2	Socket, Female	
27	4460966	1	Plug, Terminal	
27	1001144296	1	Cap	
28	8229031	2	Diode - 6Amp	
29	8220045	1	Terminal, Ring	
30	1001272868	2	Terminal	

SECTION 7 - ELECTRICAL

FIGURE 7-25. CHASSIS HARNESS (WITHOUT LSS) (WITH PLASTIC E-STOP)



ART_1001283411

SECTION 7 - ELECTRICAL

FIGURE 7-25. CHASSIS HARNESS (WITHOUT LSS) (WITH PLASTIC E-STOP)

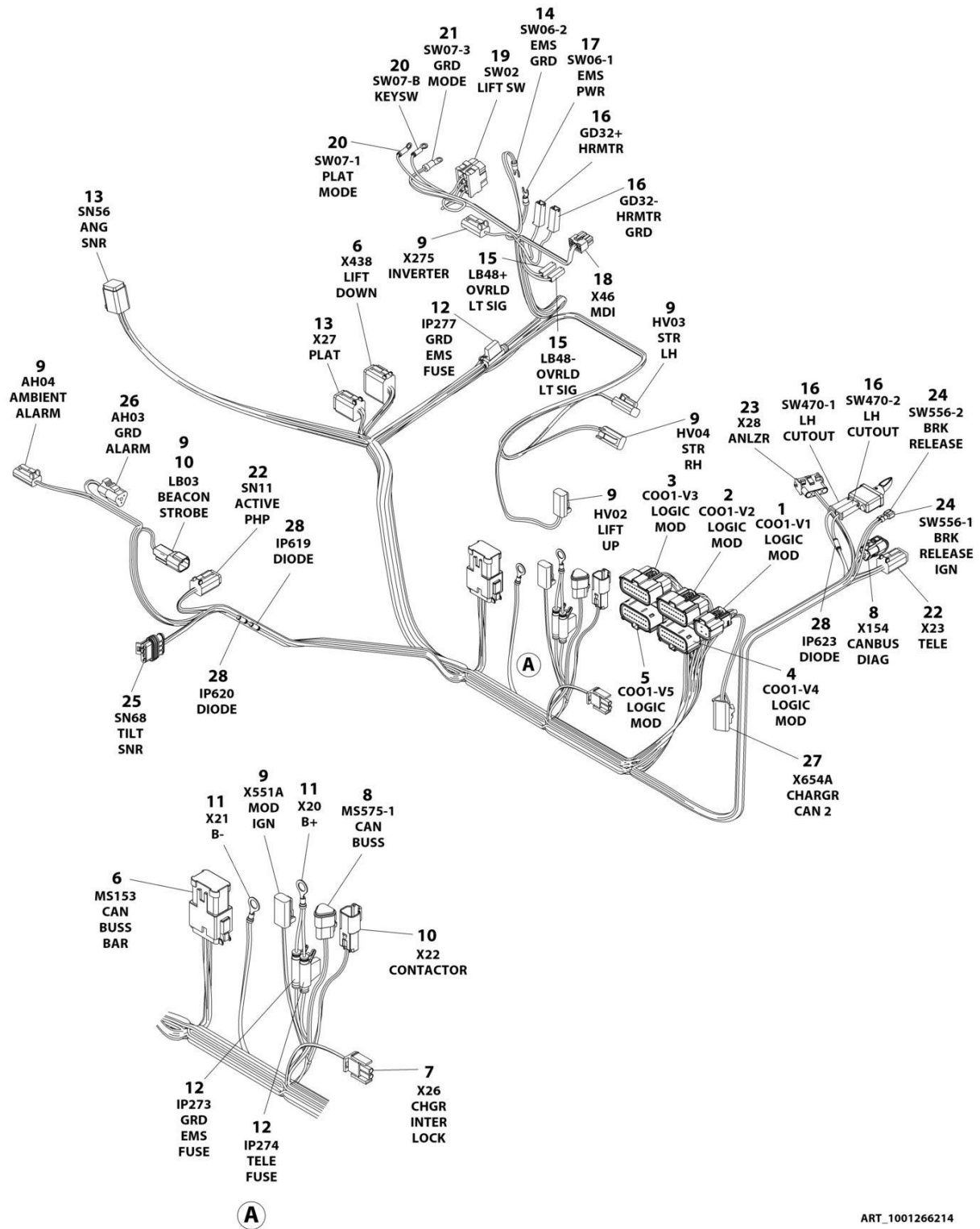
ITEM	PART NUMBER	QTY	DESCRIPTION	REV
	1001283411	Ref	CHASSIS HARNESS	A
1	1001205409	1	Connector	
1	1001162887	8	Socket	
2	1001205410	1	Connector	
2	1001162887	15	Socket	
2	1001163340	5	Plug	
3	1001162886	1	Connector	
3	1001162887	9	Socket	
3	1001163340	11	Plug	
4	1001205411	1	Connector	
4	1001162887	10	Socket	
4	1001163340	10	Plug	
5	1001205412	1	Connector	
5	1001162887	14	Socket	
5	1001163340	6	Plug	
6	4460933	1	Connector	
6	1001125677	1	BussBar	
6	4460465	10	Socket	
6	4460466	2	Plug	
7	4460320	1	Connector	
7	4460226	1	Socket	
8	1001116812	1	Connector	
8	4460944	2	Socket	
8	4460466	1	Plug	
9	4460891	5	Connector	
9	4460465	10	Socket	
10	4460897	1	Connector	
10	4460464	2	Pin	
11	8220045	1	Terminal, Ring	
12	4460965	1	Connector	
12	4460944	2	Socket	
12	4460466	1	Plug	
13	2400060	2	Fuseholder (Includes 5A Mini Fuse)	
14	2400060	1	Fuseholder (Includes 15A Mini Fuse)	
15	4460933	1	Connector	
15	4460944	6	Socket	
15	4460466	6	Plug	
16	See Note	3	Diode (Note: No Service Parts Available)	
17	4460933	1	Connector	
17	4460944	8	Socket	
17	4460466	4	Plug	
18	4460894	2	Connector	
18	4460465	8	Socket (Nickel)	
18	4460944	4	Socket (Gold)	
19	4460115	1	Terminal, Fork	
20	4460260	2	Connector	
20	1001272868	2	Socket	
21	4460183	1	Terminal, Fork	
22	1001151629	1	Connector	
22	4461023	2	Socket (Gold)	

SECTION 7 - ELECTRICAL

ITEM	PART NUMBER	QTY	DESCRIPTION	REV
22	4460877	2	Socket (Tin)	
23	4460418	1	Connector	
23	1001159186	3	Socket	
24	4460891	2	Connector	
24	1001144295	2	Cap, Dust	
24	4460465	2	Socket	
24	4460466	2	Plug	
25	4460247	2	Terminal, Ring	
26	4460042	1	Terminal, Ring	
27	1001201885	2	Terminal, Faston	
28	4460884	1	Connector	
28	1001192401	1	Cap, Dust	
28	4460465	4	Socket	
29	4460761	1	Connector	
29	4460227	4	Pin	
30	1001116812	1	Connector	
30	1001144296	1	Cap, Dust	
30	4460944	2	Socket	
30	4460466	1	Plug	
31	4460897	1	Connector	
31	4460464	2	Pin	
32	4460019	1	Terminal, Ring	
33	1001103012	1	Connector	
33	1001104498	1	Seal	
33	1001196598	4	Socket	
34	4460884	2	Connector	
34	4460465	8	Socket	
35	4460539	1	Connector	
35	4460465	3	Socket	
36	4460930	1	Connector	
36	4460465	8	Socket	
101	1001125677	3	Bussbar	
102	1001144296	1	Cap	
103	1001152266	1	Connector, Diode	

SECTION 7 - ELECTRICAL

FIGURE 7-26. CHASSIS HARNESS (WITH LSS) (Prior to SN B200079316, Prior to SN M200064531, Except SN B200079181 through B200079260, Except SN B200079304 through B200079308)



ART_1001266214

SECTION 7 - ELECTRICAL

FIGURE 7-26. CHASSIS HARNESS (WITH LSS) (Prior to SN B200079316, Prior to SN M200064531, Except SN B200079181 through B200079260, Except SN B200079304 through B200079308)

ITEM	PART NUMBER	QTY	DESCRIPTION	REV
	1001266214	Ref	CHASSIS HARNESS (WITH LSS)	A
1	1001205409	1	Connector - 8 Position	
1	1001162887	8	Terminal	
2	1001205410	1	Connector - 20 Position	
2	1001162887	13	Terminal	
2	1001163340	7	Plug, Terminal	
3	1001162886	1	Connector - 20 Position	
3	1001162887	15	Terminal	
3	1001163340	5	Plug, Terminal	
4	1001205411	1	Connector - 20 Position	
4	1001162887	16	Terminal	
4	1001163340	4	Plug, Terminal	
5	1001205412	1	Connector - 20 Position	
5	1001162887	14	Terminal	
5	1001163340	6	Plug, Terminal	
6	4460933	2	Plug, Male - 12 Position	
6	4460465	22	Socket, Female	
6	4460466	2	Plug, Terminal	
6	1001125677	1	Bussbar - 12 Position	
7	4460320	1	Plug, Male - 2 Position	
7	4460226	1	Socket, Female	
8	1001116812	2	Plug, Male - 3 Position	
8	4460944	4	Socket, Female	
8	4460466	1	Plug, Terminal	
8	1001144296	1	Cap	
9	4460891	7	Plug, Male- 3 Position	
9	4460465	11	Socket, Female	
9	4460466	2	Plug, Terminal	
9	1001144295	2	Cap	
10	4460897	2	Receptacle, Female - 2 Position	
10	4460464	4	Pin, Male	
11	4460670	1	Terminal, Ring	
12	2400060	3	Fuseholder with Cover	
12		Ref	Fuse 5Amp	
12		Ref	Fuse 15Amp	
13	4460894	2	Plug, Male - 6 Position	
13	4460465	10	Socket, Female	
13	4460944	2	Socket, Female	
14	4460115	1	Terminal, Fork	
15	1001117000	2	Cover, Terminal	
15	1001118387	2	Terminal	
16	4460260	4	Cover, Terminal	
16	4460259	4	Terminal	
17	4460183	1	Terminal, Fork	
18	1001151629	1	Connector- 8 Position	
18	4461023	2	Terminal	
18	4460877	2	Terminal	
19	4460418	1	Connector, Switch	
19	4460419	3	Terminal	

SECTION 7 - ELECTRICAL

ITEM	PART NUMBER	QTY	DESCRIPTION	REV
20	4460247	2	Terminal, Ring	
21	4460042	1	Terminal, Ring	
22	4460884	2	Plug, Male - 4 Position	
22	4460465	8	Socket, Female	
22	1001192401	1	Cap	
23	4460761	1	Receptacle, Female- 4 Position	
23	4460227	4	Pin, Male	
24	1001201885	2	Terminal	
25	1001103012	1	Plug, Male- 4 Position	
25	1001196589	4	Terminal	
25	1001104498	4	Seal	
26	4460539	1	Plug, Male -2 Position	
26	4460465	3	Socket, Female	
27	4460965	1	Plug, Male - 3 Position	
27	4460944	2	Socket, Female	
27	4460966	1	Plug, Terminal	
27	1001144296	1	Cap	
28	8229031	3	Diode - 6Amp	

SECTION 7 - ELECTRICAL

FIGURE 7-27. CHASSIS HARNESS (WITH LSS) (SN B200079181 through B200079260, SN B200079304 through B200079308, SN B200079316 to Present, SN M200064531 to Present)

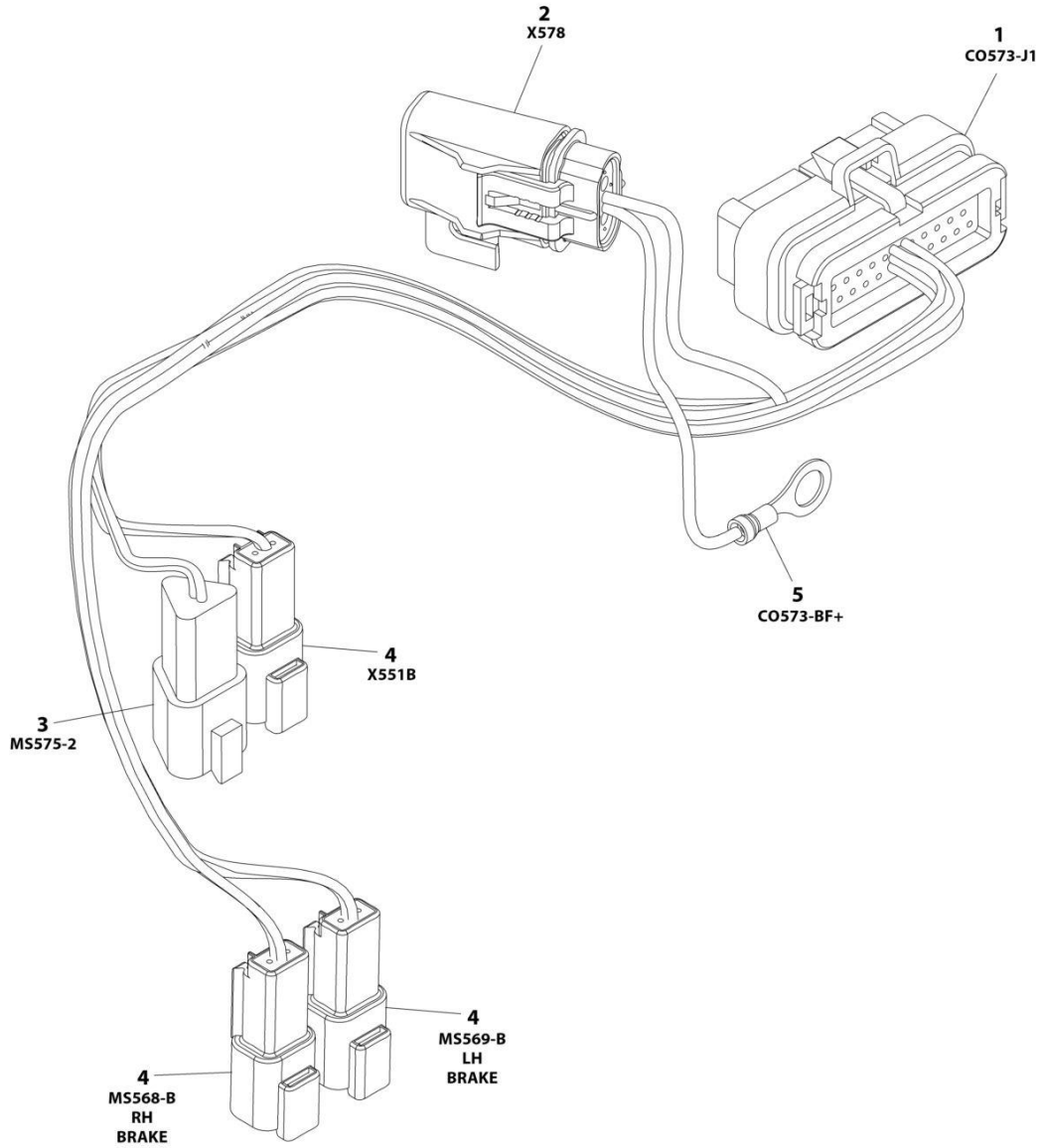
ITEM	PART NUMBER	QTY	DESCRIPTION	REV
	1001283412	Ref	CHASSIS HARNESS (WITH LSS)	B
1	1001205409	1	Connector - 8 Position	
1	1001162887	8	Terminal	
2	1001205410	1	Connector - 20 Position	
2	1001162887	15	Terminal	
2	1001163340	5	Plug, Terminal	
3	1001162886	1	Connector - 20 Position	
3	1001162887	15	Terminal	
3	1001163340	5	Plug, Terminal	
4	1001205411	1	Connector - 20 Position	
4	1001162887	16	Terminal	
4	1001163340	4	Plug, Terminal	
5	1001205412	1	Connector - 20 Position	
5	1001162887	14	Terminal	
5	1001163340	6	Plug, Terminal	
6	4460933	1	Plug, Male - 12 Position	
6	4460465	10	Socket, Female	
6	4460466	2	Plug, Terminal	
7	4460320	1	Plug, Male - 2 Position	
7	4460226	1	Socket, Female	
8	1001116812	2	Plug, Male - 3 Position	
8	4460944	4	Socket, Female	
8	4460466	2	Plug, Terminal	
9	4460891	6	Plug, Male- 3 Position	
9	4460465	11	Socket, Female	
9	4460466	1	Plug, Terminal	
10	4460897	2	Receptacle, Female - 2 Position	
10	4460464	4	Pin, Male	
11	4460670	1	Terminal, Ring	
12	2400060	3	Fuseholder with Cover	
12		Ref	Fuse 5Amp	
12		Ref	Fuse 15Amp	
13	4460894	2	Plug, Male - 6 Position	
13	4460465	10	Socket, Female	
13	4460944	2	Socket, Female	
14	4460115	1	Terminal, Fork	
15	1001117000	2	Cover, Terminal	
15	1001118387	2	Terminal	
16	4460260	4	Cover, Terminal	
16	4460259	2	Terminal	
17	4460183	1	Terminal, Fork	
18	1001151629	1	Connector- 8 Position	
18	4461023	2	Terminal	
18	4460877	2	Terminal	
19	4460418	1	Connector, Switch	
19	1001159186	3	Terminal	
20	4460247	2	Terminal, Ring	
21	4460042	1	Terminal, Ring	
22	4460884	2	Plug, Male - 4 Position	

SECTION 7 - ELECTRICAL

ITEM	PART NUMBER	QTY	DESCRIPTION	REV
22	4460465	8	Socket, Female	
23	4460761	1	Receptacle, Female- 4 Position	
23	4460227	4	Pin, Male	
24	1001201885	2	Terminal	
25	1001103012	1	Plug, Male- 4 Position	
25	1001196589	4	Terminal	
25	1001104498	4	Seal	
26	4460539	1	Plug, Male -2 Position	
26	4460465	3	Socket, Female	
27	1001144147	1	Connector	
27	4460944	2	Socket, Female	
27	4460966	1	Plug, Terminal	
28	8229031	4	Diode - 6Amp	
29	8220045	1	Terminal, Ring	
30	4460933	1	Plug, Male- 12 Position	
30	4460944	8	Socket, Female	
30	4460466	4	Plug, Terminal	
31	4460933	1	Plug, Male- 12 Position	
31	4460944	6	Socket, Female	
31	4460466	6	Plug, Terminal	
32	4460884	1	Plug, Male- 4 Position	
32	4460465	4	Socket, Female	
33	4460930	1	Plug, Terminal	
33	4460465	8	Socket, Female	
34	4460933	1	Plug, Male- 12 Position	
34	4460944	10	Socket, Female	
34	4460966	2	Plug, Terminal	
101	1001125677	3	Connector	
102	1001144295	2	Cap	
103	1001144296	2	Cap	
104	1001152266	1	Connector	
105	1001192401	1	Cap	

SECTION 7 - ELECTRICAL

FIGURE 7-28. DRIVE CONTROL HARNESS



ART_1001243255

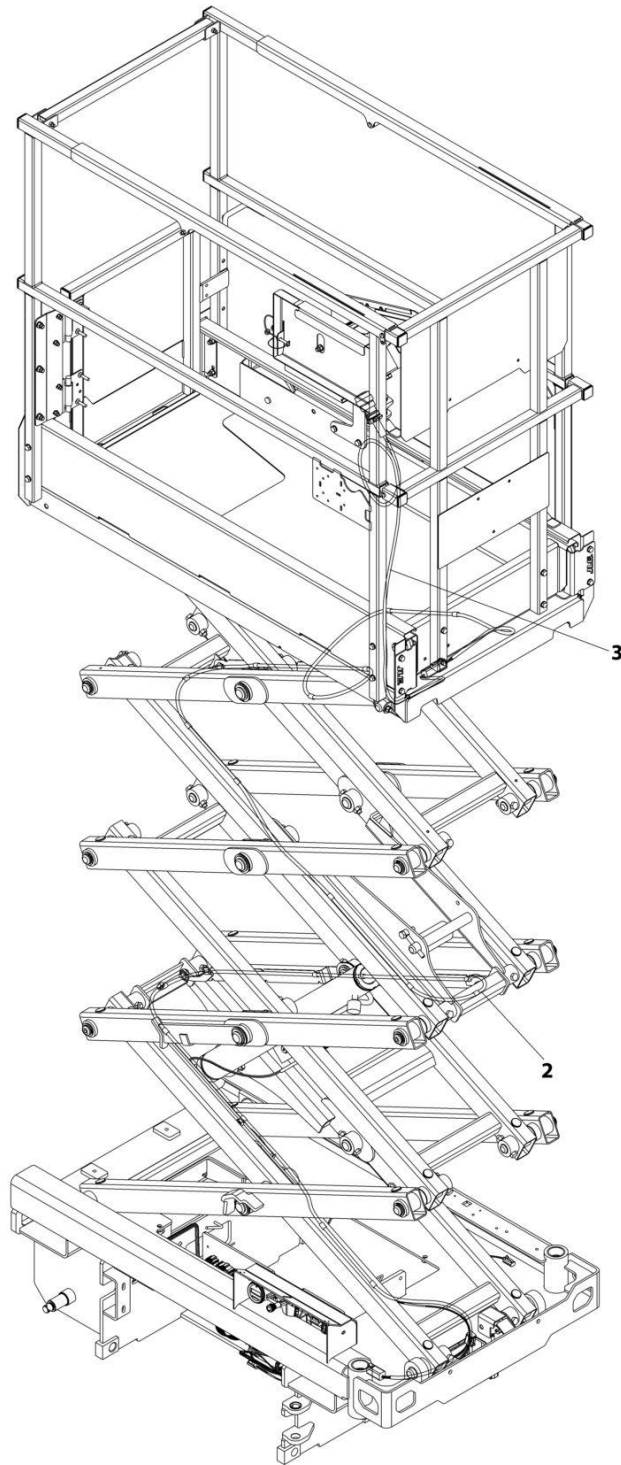
SECTION 7 - ELECTRICAL

FIGURE 7-28. DRIVE CONTROL HARNESS

ITEM	PART NUMBER	QTY	DESCRIPTION	REV
	1001243255	Ref	DRIVE CONTROL HARNESS	C
1	4460873	1	Connector- 35 Position	
1	4460871	8	Socket, Female	
1	4460905	27	Plug, Terminal	
2	1001217843	1	Connector, Fuseholder	
2	1001116733	2	Terminal	
2	8229234	1	Fuse 10Amp ATO	
2	1001217842	1	Cover, Fuse	
3	1001144147	1	Receptacle, Female - 3 Position	
3	4460943	2	Pin, Male	
3	4460466	1	Plug, Terminal	
4	4460897	3	Receptacle, Female - 2 Position	
4	4460464	6	Pin, Male	
5	4460670	1	Terminal, Ring	

SECTION 7 - ELECTRICAL

FIGURE 7-29. GROUND TO PLATFORM CABLE INSTALLATION - WITHOUT PLATFORM COIL CABLE/WITHOUT AC CABLE/WITHOUT FOOTSWITCH



ART_1001237553

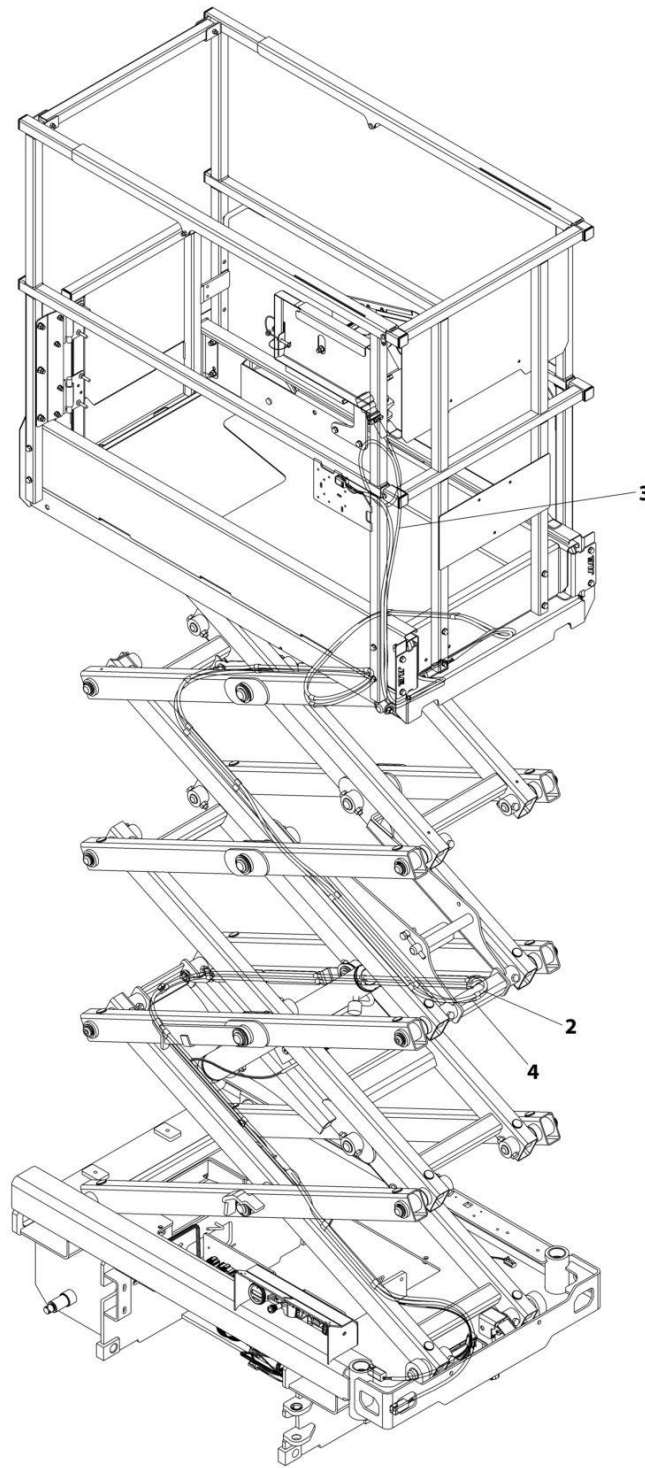
SECTION 7 - ELECTRICAL

FIGURE 7-29. GROUND TO PLATFORM CABLE INSTALLATION - WITHOUT PLATFORM COIL CABLE/WITHOUT AC CABLE/WITHOUT FOOTSWITCH

ITEM	PART NUMBER	QTY	DESCRIPTION	REV
	1001237553	Ref	GROUND TO PLATFORM CABLE INSTALLATION	C
1	4240017	AR	Tie-Strap (Not Shown)	
2	1001237552	1	Cable Assembly - Ground to Platform	
2	4460899	1	Receptacle, Female - 6 Position (x58 Chassis)	
2	4460464	4	Pin, Male	
2	4460943	2	Pin, Male	
2	4460894	1	Plug, Male - 6 Position (x59 Platform)	
2	4460465	4	Socket, Female	
2	4460944	2	Socket, Female	
3	1001241320	1	Platform Harness	
3	4460754	1	Connector - 14 Position (x61 Platform Box)	
3	4460465	6	Socket, Female	
3	4460944	2	Socket, Female	
3	4460466	6	Plug, Terminal	
3	4460899	1	Receptacle, Female - 6 Position (x60 Platform)	
3	4460464	4	Pin, Male	
3	4460943	2	Pin, Male	

SECTION 7 - ELECTRICAL

FIGURE 7-30. GROUND TO PLATFORM CABLE INSTALLATION - WITHOUT PLATFORM COIL CABLE/WITH AC CABLE/WITHOUT FOOTSWITCH



ART_1001239976

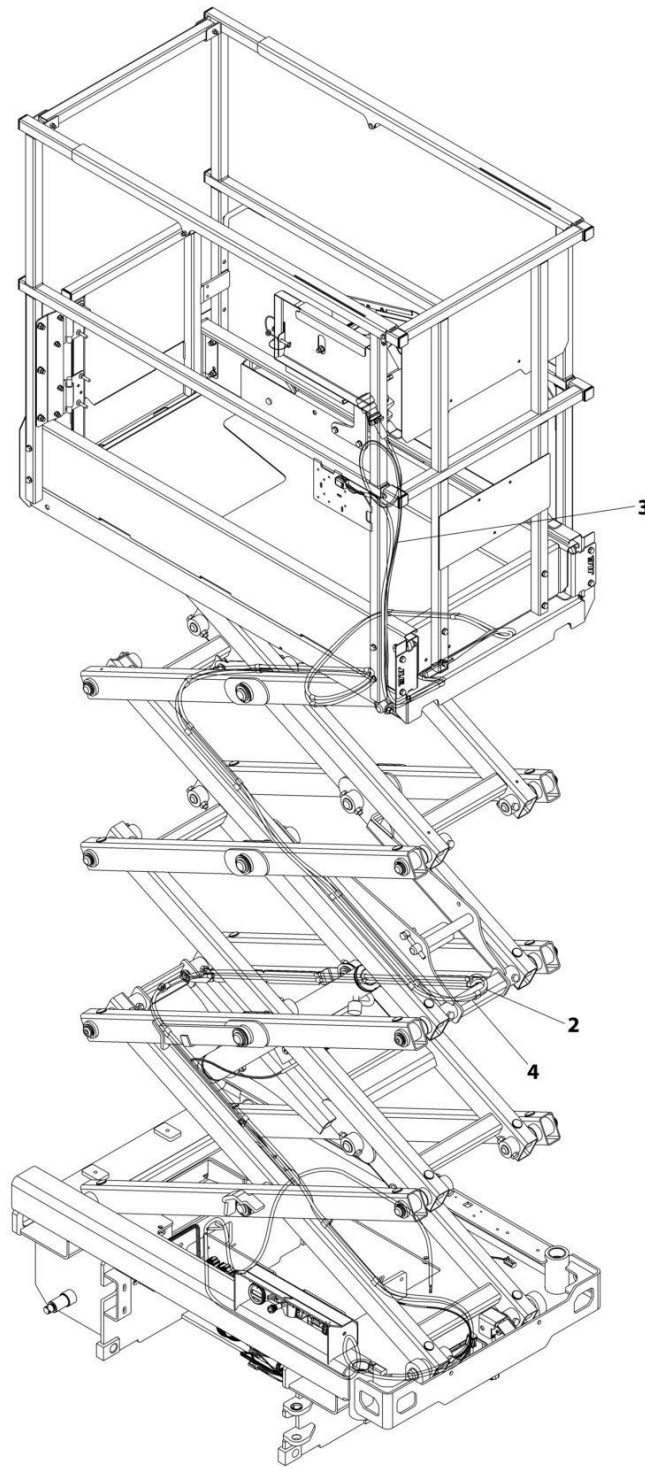
SECTION 7 - ELECTRICAL

**FIGURE 7-30. GROUND TO PLATFORM CABLE INSTALLATION - WITHOUT PLATFORM COIL
CABLE/WITH AC CABLE/WITHOUT FOOTSWITCH**

ITEM	PART NUMBER	QTY	DESCRIPTION	REV
	1001239976	Ref	GROUND TO PLATFORM CABLE INSTALLATION	C
1	4240017	AR	Tie-Strap (Not Shown)	
2	1001237552	1	Cable Assembly - Ground to Platform	
2	4460899	1	Receptacle, Female - 6 Position (x58 Chassis)	
2	4460464	4	Pin, Male	
2	4460943	2	Pin, Male	
2	4460894	1	Plug, Male - 6 Position (x59 Platform)	
2	4460465	4	Socket, Female	
2	4460944	2	Socket, Female	
3	1001241320	1	Platform Harness	
3	4460754	1	Connector - 14 Position (x61 Platform Box)	
3	4460465	6	Socket, Female	
3	4460944	2	Socket, Female	
3	4460466	6	Plug, Terminal	
3	4460899	1	Receptacle, Female - 6 Position (x60 Platform)	
3	4460464	4	Pin, Male	
3	4460943	2	Pin, Male	
4	1001244432	1	Cable, AC	

SECTION 7 - ELECTRICAL

FIGURE 7-31. GROUND TO PLATFORM CABLE INSTALLATION - WITHOUT PLATFORM COIL CABLE/WITH AC CABLE/WITHOUT FOOTSWITCH (AUSTRALIAN SPECS)



ART_1001253886

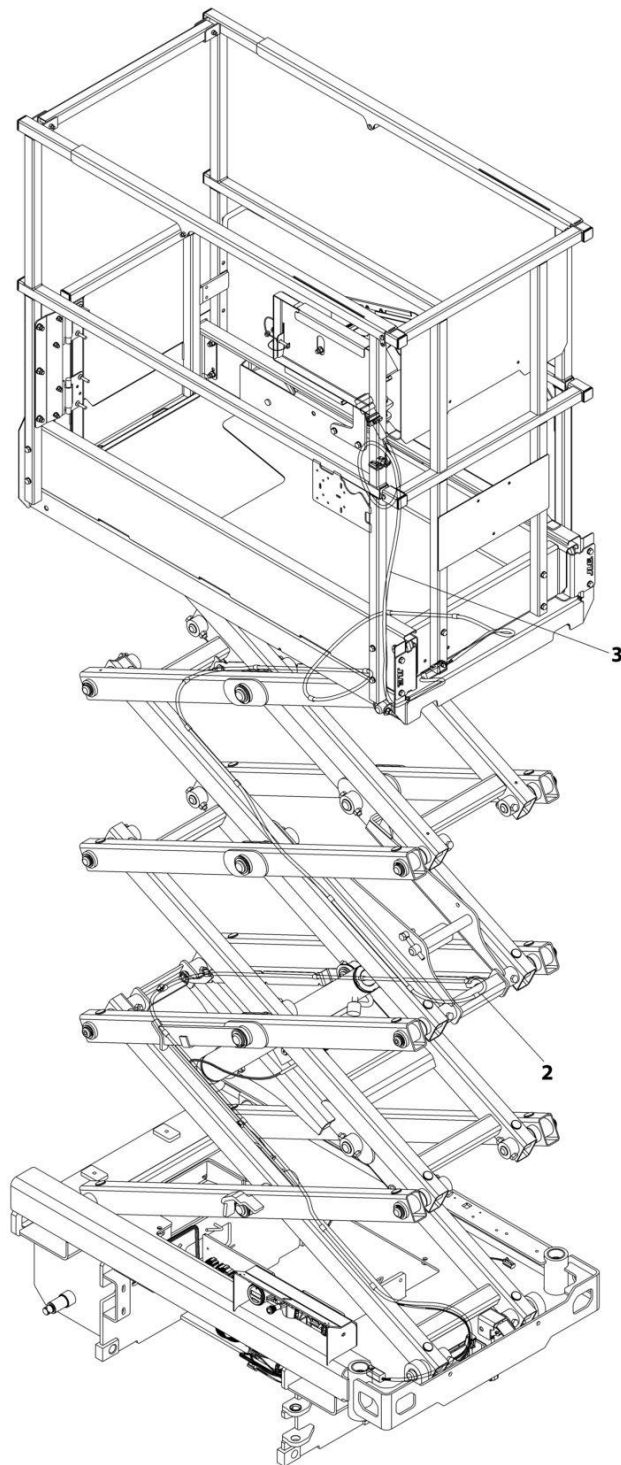
SECTION 7 - ELECTRICAL

**FIGURE 7-31. GROUND TO PLATFORM CABLE INSTALLATION - WITHOUT PLATFORM COIL
CABLE/WITH AC CABLE/WITHOUT FOOTSWITCH (AUSTRALIAN SPECS)**

ITEM	PART NUMBER	QTY	DESCRIPTION	REV
	1001253886	Ref	GROUND TO PLATFORM CABLE INSTALLATION	A
1	4240017	AR	Tie-Strap (Not Shown)	
2	1001237552	1	Cable Assembly - Ground to Platform	
2	4460899	1	Receptacle, Female - 6 Position (x58 Chassis)	
2	4460464	4	Pin, Male	
2	4460943	2	Pin, Male	
2	4460894	1	Plug, Male - 6 Position (x59 Platform)	
2	4460465	4	Socket, Female	
2	4460944	2	Socket, Female	
3	1001241320	1	Platform Harness	
3	4460754	1	Connector - 14 Position (x61 Platform Box)	
3	4460465	6	Socket, Female	
3	4460944	2	Socket, Female	
3	4460466	6	Plug, Terminal	
3	4460899	1	Receptacle, Female - 6 Position (x60 Platform)	
3	4460464	4	Pin, Male	
3	4460943	2	Pin, Male	
4	1001253888	1	Cable, AC	

SECTION 7 - ELECTRICAL

FIGURE 7-32. GROUND TO PLATFORM CABLE INSTALLATION - WITHOUT PLATFORM COIL CABLE/WITHOUT AC CABLE/WITH FOOTSWITCH



ART_1001239977

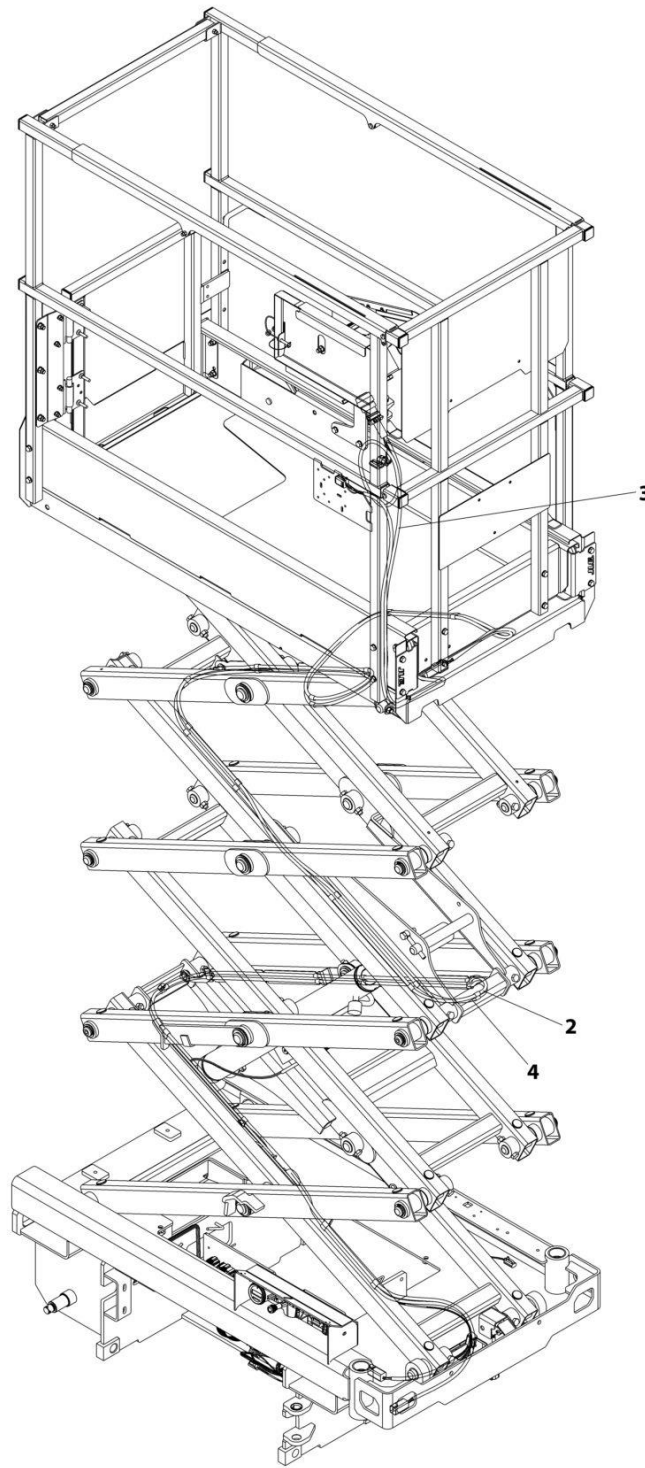
SECTION 7 - ELECTRICAL

**FIGURE 7-32. GROUND TO PLATFORM CABLE INSTALLATION - WITHOUT PLATFORM COIL
CABLE/WITHOUT AC CABLE/WITH FOOTSWITCH**

ITEM	PART NUMBER	QTY	DESCRIPTION	REV
	1001239977	Ref	GROUND TO PLATFORM CABLE INSTALLATION	C
1	4240017	AR	Tie-Strap (Not Shown)	
2	1001237552	1	Cable Assembly - Ground to Platform	
2	4460899	1	Receptacle, Female - 6 Position (x58 Chassis)	
2	4460464	4	Pin, Male	
2	4460943	2	Pin, Male	
2	4460894	1	Plug, Male - 6 Position (x59 Platform)	
2	4460465	4	Socket, Female	
2	4460944	2	Socket, Female	
3	1001241321	1	Platform Harness	
3	4460754	1	Connector - 14 Position (x61 Platform Box)	
3	4460465	6	Socket, Female	
3	4460944	2	Socket, Female	
3	4460466	6	Plug, Terminal	
3	4460899	1	Receptacle, Female - 6 Position (x60 Platform)	
3	4460464	4	Pin, Male	
3	4460943	2	Pin, Male	
3	4460891	1	Plug, Male - 2 Position (SW63 Footswitch)	
3	4460465	2	Socket, Female	
3	4460539	1	Plug, Male - 3 Position (SW475 Overhead Switch)	
3	4460465	2	Socket, Female	
3	4460466	1	Plug, Terminal	

SECTION 7 - ELECTRICAL

FIGURE 7-33. GROUND TO PLATFORM CABLE INSTALLATION - WITHOUT PLATFORM COIL CABLE/WITH AC CABLE/WITH FOOTSWITCH



ART_1001239978

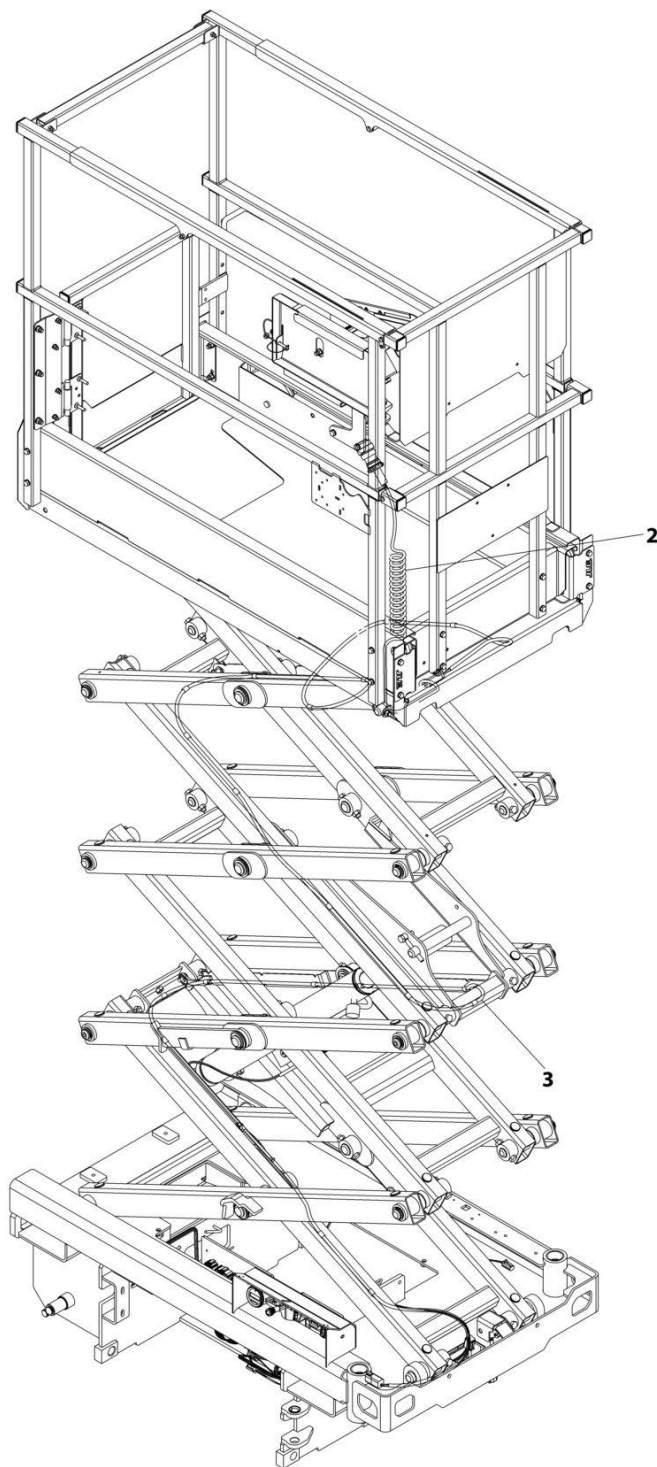
SECTION 7 - ELECTRICAL

**FIGURE 7-33. GROUND TO PLATFORM CABLE INSTALLATION - WITHOUT PLATFORM COIL
CABLE/WITH AC CABLE/WITH FOOTSWITCH**

ITEM	PART NUMBER	QTY	DESCRIPTION	REV
	1001239978	Ref	GROUND TO PLATFORM CABLE INSTALLATION	C
1	4240017	AR	Tie-Strap (Not Shown)	
2	1001237552	1	Cable Assembly - Ground to Platform	
2	4460899	1	Receptacle, Female - 6 Position (x58 Chassis)	
2	4460464	4	Pin, Male	
2	4460943	2	Pin, Male	
2	4460894	1	Plug, Male - 6 Position (x59 Platform)	
2	4460465	4	Socket, Female	
2	4460944	2	Socket, Female	
3	1001241321	1	Platform Harness	
3	4460754	1	Connector - 14 Position (x61 Platform Box)	
3	4460465	6	Socket, Female	
3	4460944	2	Socket, Female	
3	4460466	6	Plug, Terminal	
3	4460899	1	Receptacle, Female - 6 Position (x60 Platform)	
3	4460464	4	Pin, Male	
3	4460943	2	Pin, Male	
3	4460891	1	Plug, Male - 2 Position (SW63 Footswitch)	
3	4460465	2	Socket, Female	
3	4460539	1	Plug, Male - 3 Position (SW475 Overhead Switch)	
3	4460465	2	Socket, Female	
3	4460466	1	Plug, Terminal	
4	1001244432	1	Cable, AC	

SECTION 7 - ELECTRICAL

FIGURE 7-34. GROUND TO PLATFORM CABLE INSTALLATION - WITH PLATFORM COIL CABLE/WITHOUT AC CABLE/WITHOUT FOOTSWITCH



ART_1001261041

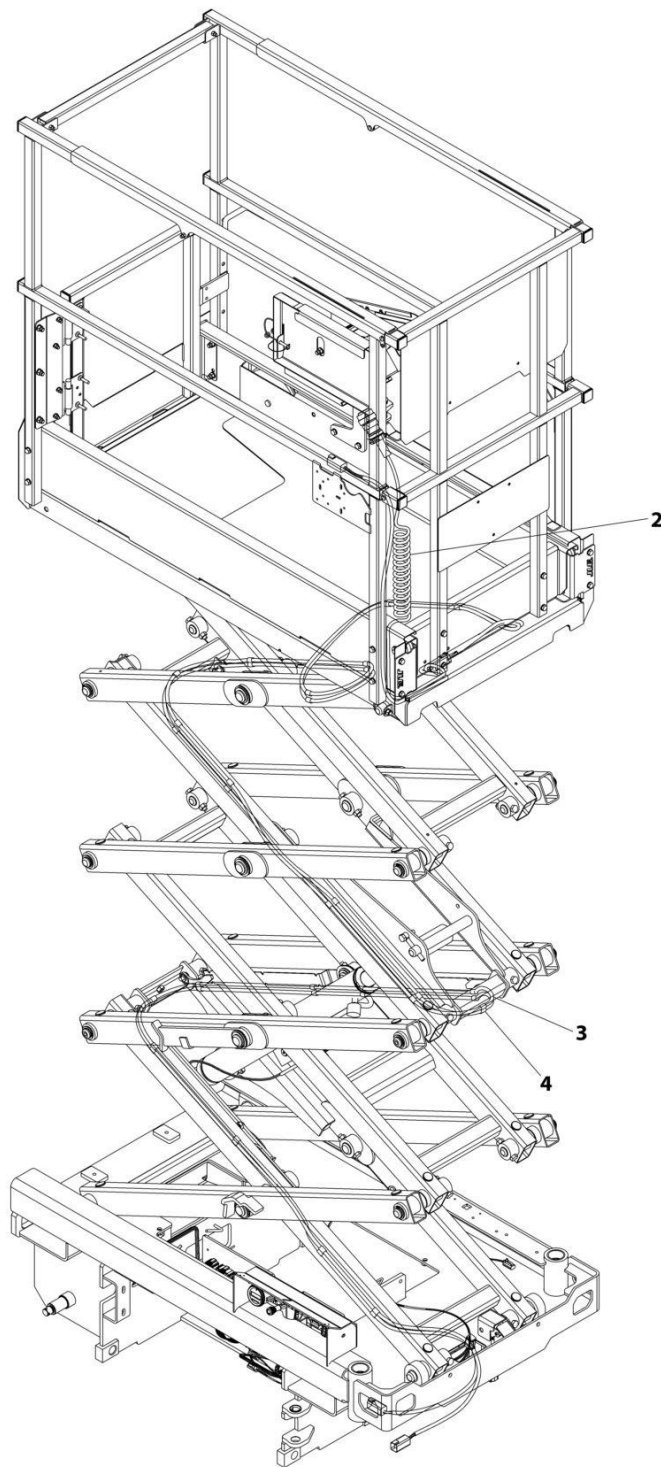
SECTION 7 - ELECTRICAL

**FIGURE 7-34. GROUND TO PLATFORM CABLE INSTALLATION - WITH PLATFORM COIL
CABLE/WITHOUT AC CABLE/WITHOUT FOOTSWITCH**

ITEM	PART NUMBER	QTY	DESCRIPTION	REV
	1001261041	Ref	GROUND TO PLATFORM CABLE INSTALLATION	B
1	4240017	AR	Tie-Strap (Not Shown)	
2	1001265533	1	Platform Harness	
2	4460754	1	Connector - 14 Position (x61 Platform Box)	
2	4460465	6	Socket, Female	
2	4460944	2	Socket, Female	
2	4460466	6	Plug, Terminal	
2	4460899	1	Receptacle, Female - 6 Position (x60 Platform)	
2	4460464	4	Pin, Male	
2	4460943	2	Pin, Male	
3	1001237552	1	Cable Assembly - Ground to Platform	
3	4460899	1	Receptacle, Female - 6 Position (x58 Chassis)	
3	4460464	4	Pin, Male	
3	4460943	2	Pin, Male	
3	4460894	1	Plug, Male - 6 Position (x59 Platform)	
3	4460465	4	Socket, Female	
3	4460944	2	Socket, Female	

SECTION 7 - ELECTRICAL

FIGURE 7-35. GROUND TO PLATFORM CABLE INSTALLATION - WITH PLATFORM COIL CABLE/WITH AC CABLE/WITHOUT FOOTSWITCH



ART_1001261042

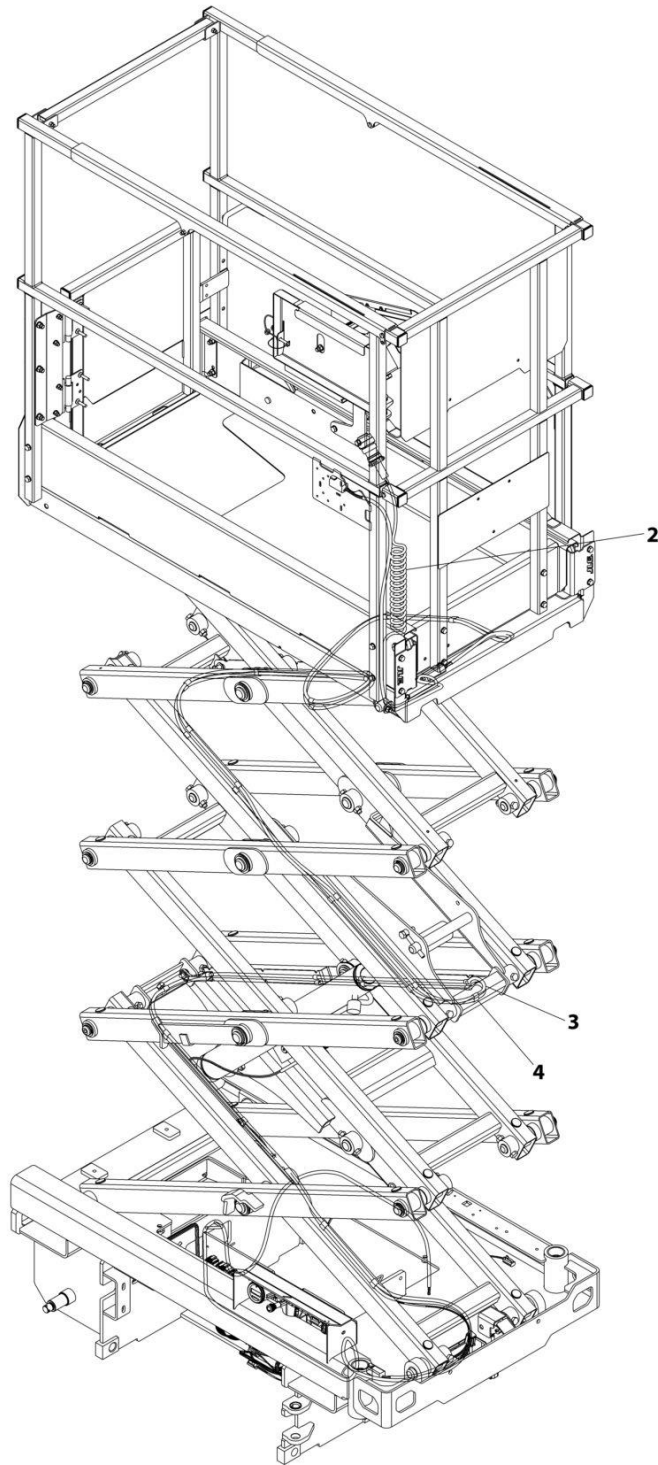
SECTION 7 - ELECTRICAL

**FIGURE 7-35. GROUND TO PLATFORM CABLE INSTALLATION - WITH PLATFORM COIL
CABLE/WITH AC CABLE/WITHOUT FOOTSWITCH**

ITEM	PART NUMBER	QTY	DESCRIPTION	REV
	1001261042	Ref	GROUND TO PLATFORM CABLE INSTALLATION	B
1	4240017	AR	Tie-Strap (Not Shown)	
2	1001237552	1	Cable Assembly - Ground to Platform	
2	4460899	1	Receptacle, Female - 6 Position (x58 Chassis)	
2	4460464	4	Pin, Male	
2	4460943	2	Pin, Male	
2	4460894	1	Plug, Male - 6 Position (x59 Platform)	
2	4460465	4	Socket, Female	
2	4460944	2	Socket, Female	
3	1001244432	1	Cable, AC	
4	1001265533	1	Platform Harness	
4	4460754	1	Connector - 14 Position (x61 Platform Box)	
4	4460465	6	Socket, Female	
4	4460944	2	Socket, Female	
4	4460466	6	Plug, Terminal	
4	4460899	1	Receptacle, Female - 6 Position (x60 Platform)	
4	4460464	4	Pin, Male	
4	4460943	2	Pin, Male	

SECTION 7 - ELECTRICAL

FIGURE 7-36. GROUND TO PLATFORM CABLE INSTALLATION - WITH PLATFORM COIL CABLE/WITH AC CABLE/WITHOUT FOOTSWITCH (AUSTRALIAN SPECS)



ART_1001261050

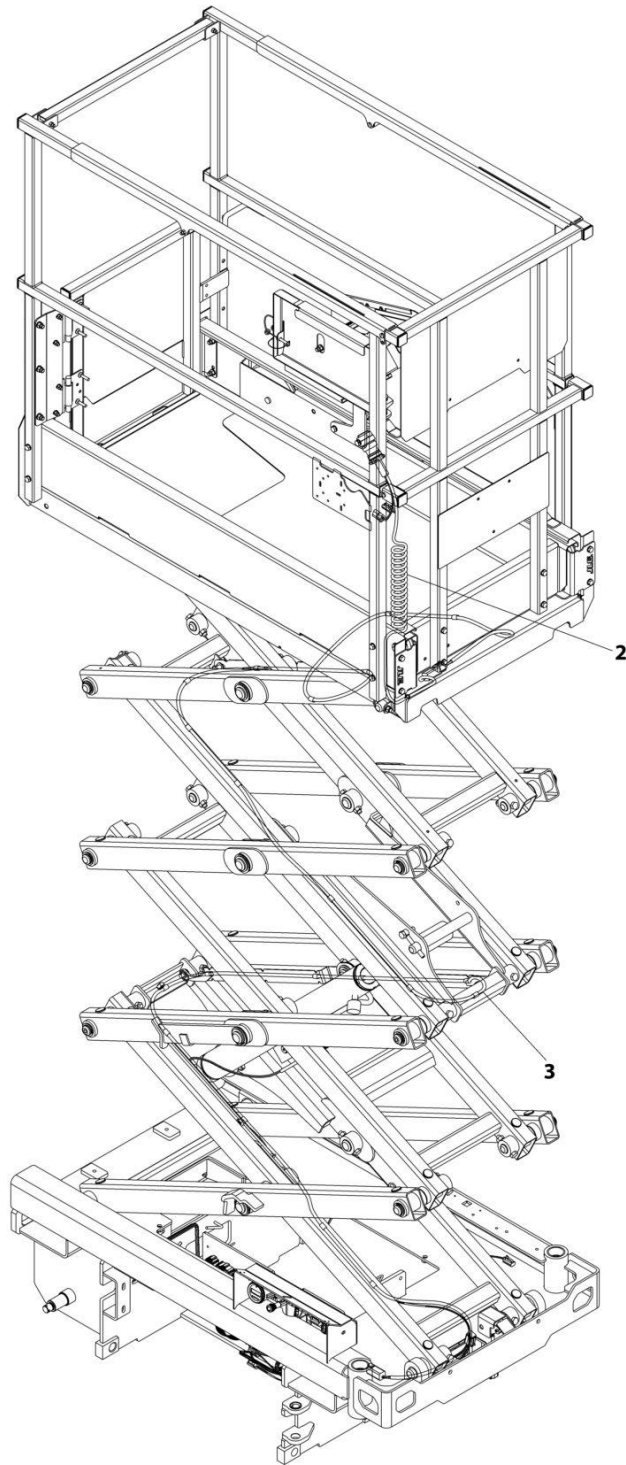
SECTION 7 - ELECTRICAL

**FIGURE 7-36. GROUND TO PLATFORM CABLE INSTALLATION - WITH PLATFORM COIL
CABLE/WITH AC CABLE/WITHOUT FOOTSWITCH (AUSTRALIAN SPECS)**

ITEM	PART NUMBER	QTY	DESCRIPTION	REV
	1001261050	Ref	GROUND TO PLATFORM CABLE INSTALLATION	B
1	4240017	AR	Tie-Strap (Not Shown)	
2	1001265533	1	Platform Harness	
2	4460754	1	Connector - 14 Position (x61 Platform Box)	
2	4460465	6	Socket, Female	
2	4460944	2	Socket, Female	
2	4460466	6	Plug, Terminal	
2	4460899	1	Receptacle, Female - 6 Position (x60 Platform)	
2	4460464	4	Pin, Male	
2	4460943	2	Pin, Male	
3	1001237552	1	Cable Assembly - Ground to Platform	
3	4460899	1	Receptacle, Female - 6 Position (x58 Chassis)	
3	4460464	4	Pin, Male	
3	4460943	2	Pin, Male	
3	4460894	1	Plug, Male - 6 Position (x59 Platform)	
3	4460465	4	Socket, Female	
3	4460944	2	Socket, Female	
4	1001253888	1	Cable, AC	

SECTION 7 - ELECTRICAL

FIGURE 7-37. GROUND TO PLATFORM CABLE INSTALLATION - WITH PLATFORM COIL CABLE/WITHOUT AC CABLE/WITH FOOTSWITCH



ART_1001261043

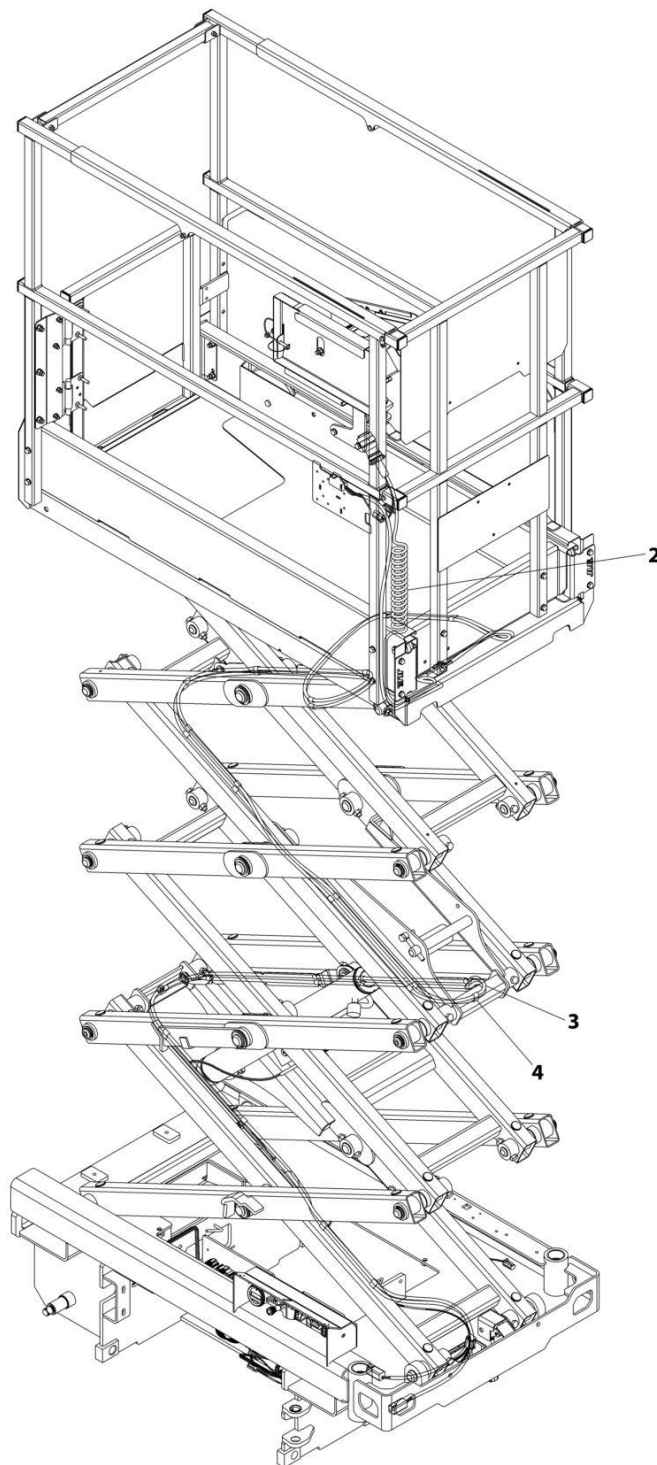
SECTION 7 - ELECTRICAL

**FIGURE 7-37. GROUND TO PLATFORM CABLE INSTALLATION - WITH PLATFORM COIL
CABLE/WITHOUT AC CABLE/WITH FOOTSWITCH**

ITEM	PART NUMBER	QTY	DESCRIPTION	REV
	1001261043	Ref	GROUND TO PLATFORM CABLE INSTALLATION	B
1	4240017	AR	Tie-Strap (Not Shown)	
2	1001223262	1	Platform Harness	
2	4460754	1	Connector - 14 Position (x61 Platform Box)	
2	4460465	8	Socket, Female	
2	4460944	2	Socket, Female	
2	4460466	4	Plug, Terminal	
2	4460899	1	Receptacle, Female - 6 Position (x60 Platform)	
2	4460464	4	Pin, Male	
2	4460943	2	Pin, Male	
2	4460891	1	Plug, Male - 2 Position (SW63 Footswitch)	
2	4460465	2	Socket, Female	
2	4460539	1	Plug, Male - 3 Position (SW475 Overhead Switch)	
2	4460465	2	Socket, Female	
2	4460466	1	Plug, Terminal	
3	1001237552	1	Cable Assembly - Ground to Platform	
3	4460899	1	Receptacle, Female - 6 Position (x58 Chassis)	
3	4460464	4	Pin, Male	
3	4460943	2	Pin, Male	
3	4460894	1	Plug, Male - 6 Position (x59 Platform)	
3	4460465	4	Socket, Female	
3	4460944	2	Socket, Female	

SECTION 7 - ELECTRICAL

FIGURE 7-38. GROUND TO PLATFORM CABLE INSTALLATION - WITH PLATFORM COIL CABLE/WITH AC CABLE/WITH FOOTSWITCH



ART_1001261044

SECTION 7 - ELECTRICAL

**FIGURE 7-38. GROUND TO PLATFORM CABLE INSTALLATION - WITH PLATFORM COIL
CABLE/WITH AC CABLE/WITH FOOTSWITCH**

ITEM	PART NUMBER	QTY	DESCRIPTION	REV
	1001261044	Ref	GROUND TO PLATFORM CABLE INSTALLATION	B
1	4240017	AR	Tie-Strap (Not Shown)	
2	1001265534	1	Platform Harness	
2	4460754	1	Connector - 14 Position (x61 Platform Box)	
2	4460465	8	Socket, Female	
2	4460944	2	Socket, Female	
2	4460466	4	Plug, Terminal	
2	4460899	1	Receptacle, Female - 6 Position (x60 Platform)	
2	4460464	4	Pin, Male	
2	4460943	2	Pin, Male	
2	4460891	1	Plug, Male - 2 Position (SW63 Footswitch)	
2	4460465	2	Socket, Female	
2	4460539	1	Plug, Male - 3 Position (SW475 Overhead Switch)	
2	4460465	2	Socket, Female	
2	4460466	1	Plug, Terminal	
3	1001237552	1	Cable Assembly - Ground to Platform	
3	4460899	1	Receptacle, Female - 6 Position (x58 Chassis)	
3	4460464	4	Pin, Male	
3	4460943	2	Pin, Male	
3	4460894	1	Plug, Male - 6 Position (x59 Platform)	
3	4460465	4	Socket, Female	
3	4460944	2	Socket, Female	
4	1001244432	1	Cable, AC	

SECTION 7 - ELECTRICAL

FIGURE 7-39. LIFT DOWN HARNESS (WITHOUT LSS)



ART_1001239373

SECTION 7 - ELECTRICAL

FIGURE 7-39. LIFT DOWN HARNESS (WITHOUT LSS)

ITEM	PART NUMBER	QTY	DESCRIPTION	REV
	1001239373	Ref	LIFT DOWN HARNESS (WITHOUT LSS)	D
1	4460891	1	Plug, Male - 2 Position	
1	4460465	2	Socket, Female	
2	4460897	1	Receptacle, Female - 2 Position	
2	4460464	2	Pin, Male	

SECTION 7 - ELECTRICAL

FIGURE 7-40. LIFT DOWN HARNESS (WITH LSS)



ART_1001239374

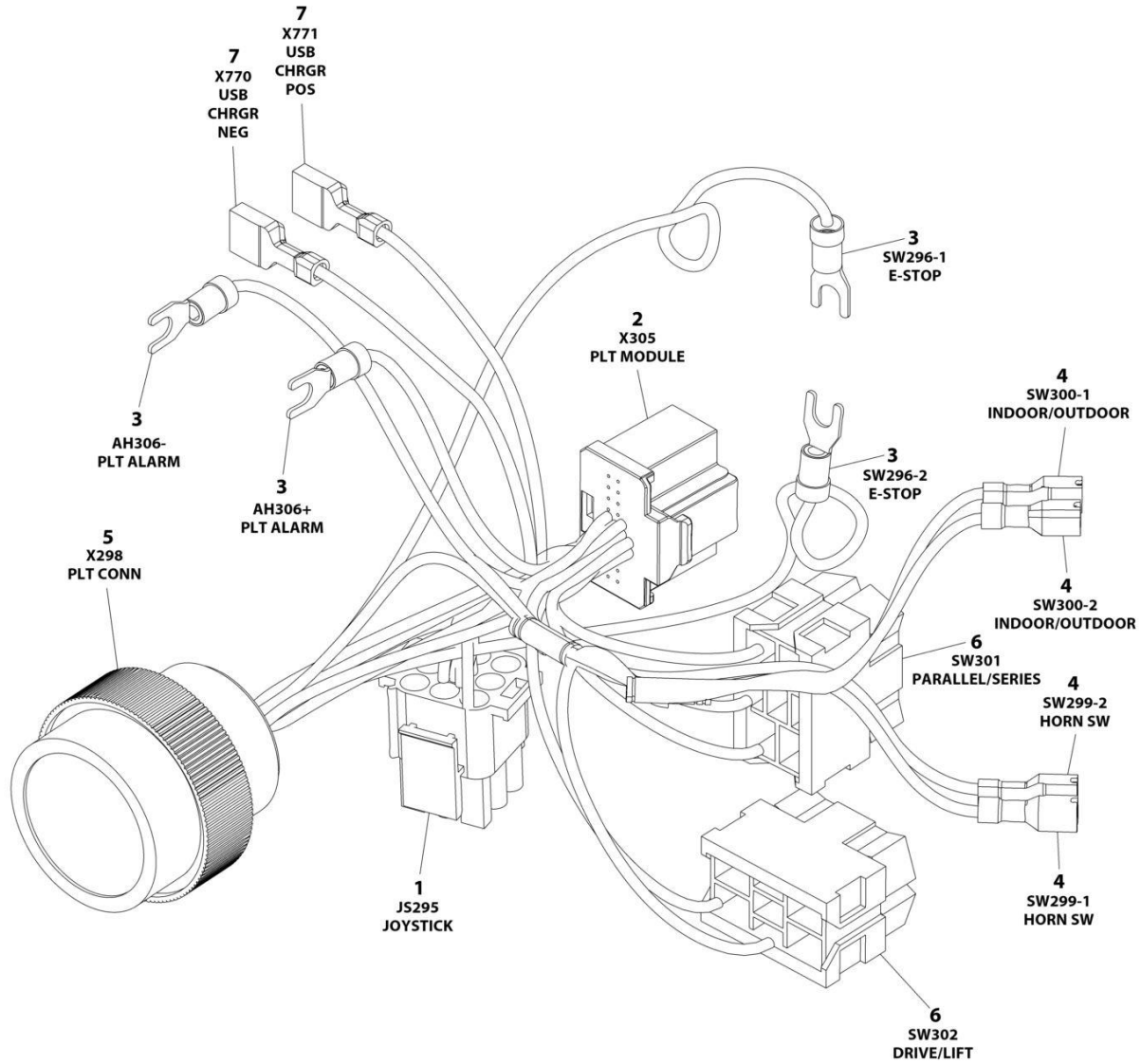
SECTION 7 - ELECTRICAL

FIGURE 7-40. LIFT DOWN HARNESS (WITH LSS)

ITEM	PART NUMBER	QTY	DESCRIPTION	REV
	1001239374	Ref	LIFT DOWN HARNESS (WITH LSS)	E
1	4460970	1	Receptacle, Female - 12 Position	
1	4460464	9	Pin, Male	
1	4460466	3	Plug, Terminal	
2	4460891	1	Plug, Male - 2 Position	
2	4460465	2	Socket, Female	
3	4460884	1	Plug, Male - 4 Position	
3	4460465	4	Socket, Female	
4	4460539	1	Plug, Male - 3 Position	
4	4460465	3	Socket, Female	

SECTION 7 - ELECTRICAL

FIGURE 7-41. PLATFORM CONTROL BOX HARNESS



ART_1001200819

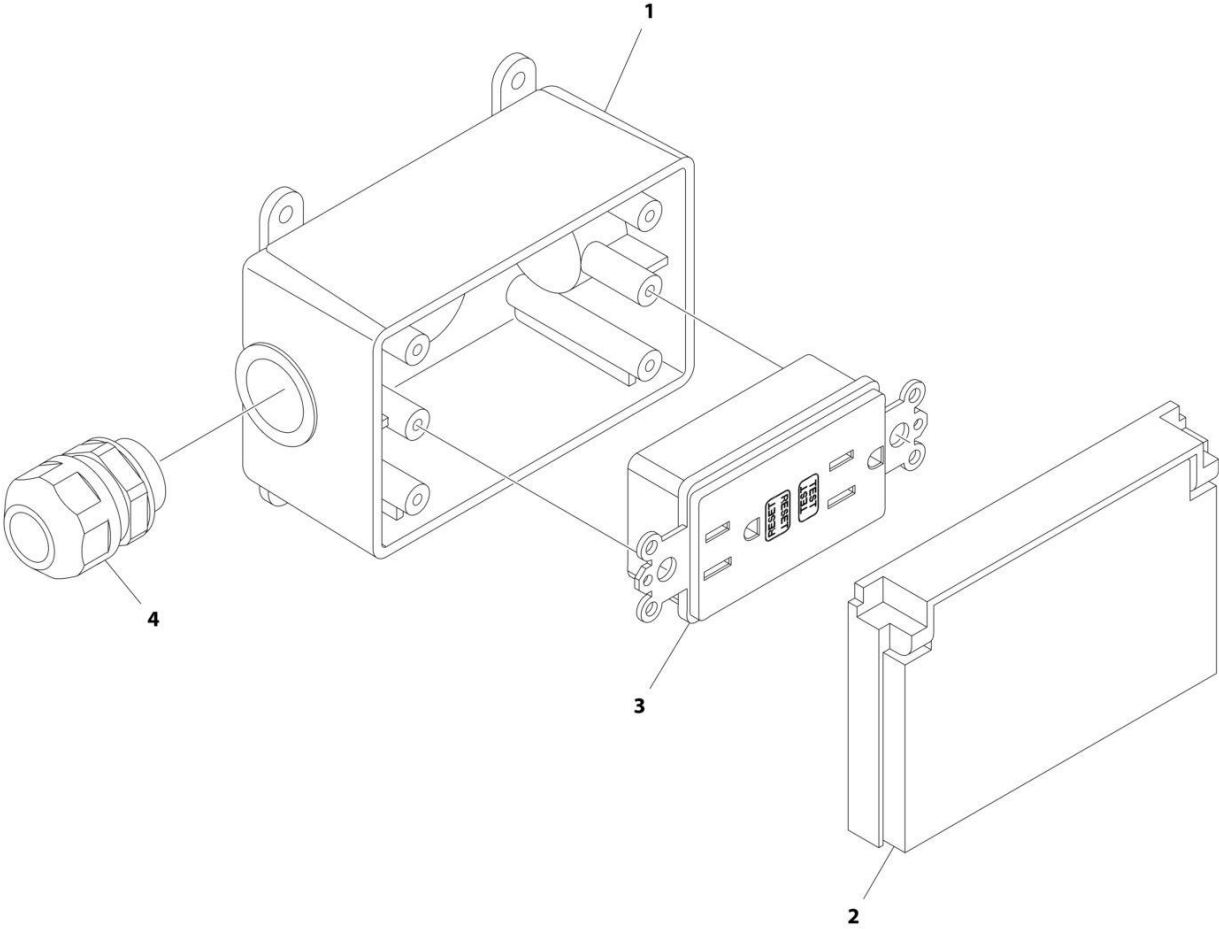
SECTION 7 - ELECTRICAL

FIGURE 7-41. PLATFORM CONTROL BOX HARNESS

ITEM	PART NUMBER	QTY	DESCRIPTION	REV
	1001200819	Ref	PLATFORM CONTROL BOX HARNESS	E
1	4460265	1	Plug, Male - 9 Position	
1	4460267	6	Pin, Male	
2	1001212036	1	Connector - 20 Position	
2	1001212035	16	Terminal	
3	4460183	4	Terminal, Fork	
4	1001201885	4	Terminal with Cover	
5	4461016	1	Connector - 14 Position	
5	4460464	8	Pin, Male	
5	4460466	6	Plug, Terminal	
6	4460418	2	Connector - 6 Position	
6	1001159186	5	Terminal	
7	1001194421	2	Terminal	

SECTION 7 - ELECTRICAL

FIGURE 7-42. RECEPTACLE BOX KIT - 110V GFI



ART_2902431

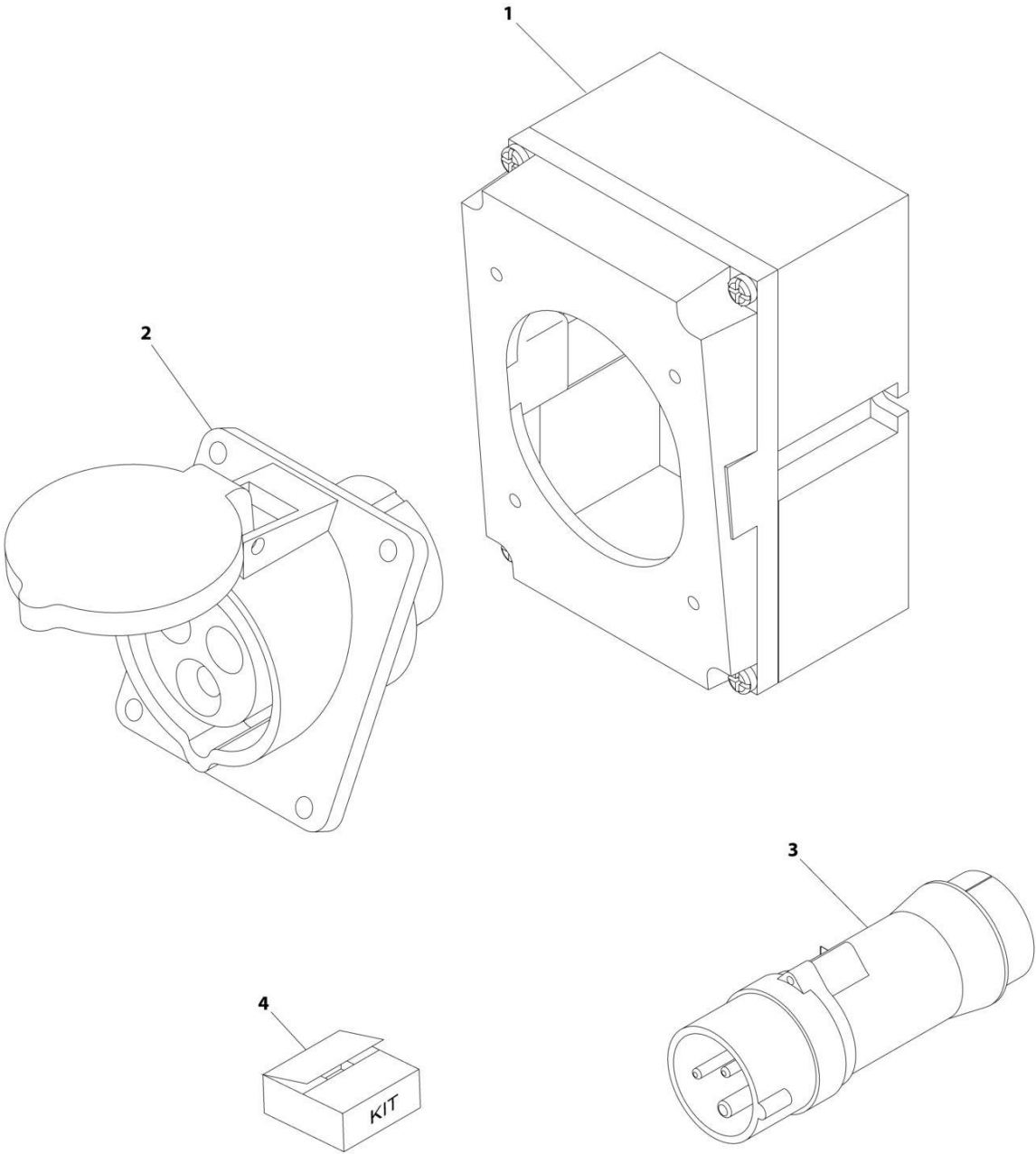
SECTION 7 - ELECTRICAL

FIGURE 7-42. RECEPTACLE BOX KIT - 110V GFI

ITEM	PART NUMBER	QTY	DESCRIPTION	REV
	2902431	Ref	RECEPTACLE BOX KIT - 110V GFI	D
1	0861731	1	Box, Receptacle	
2	1671207	1	Cover, Receptacle	
3	4460346	1	Receptacle	
4	4460662	1	Connector, Strain Relief	

SECTION 7 - ELECTRICAL

FIGURE 7-43. RECEPTACLE BOX KIT - 110V IEC YELLOW (CE & UK CA SPEC)



ART_0275216

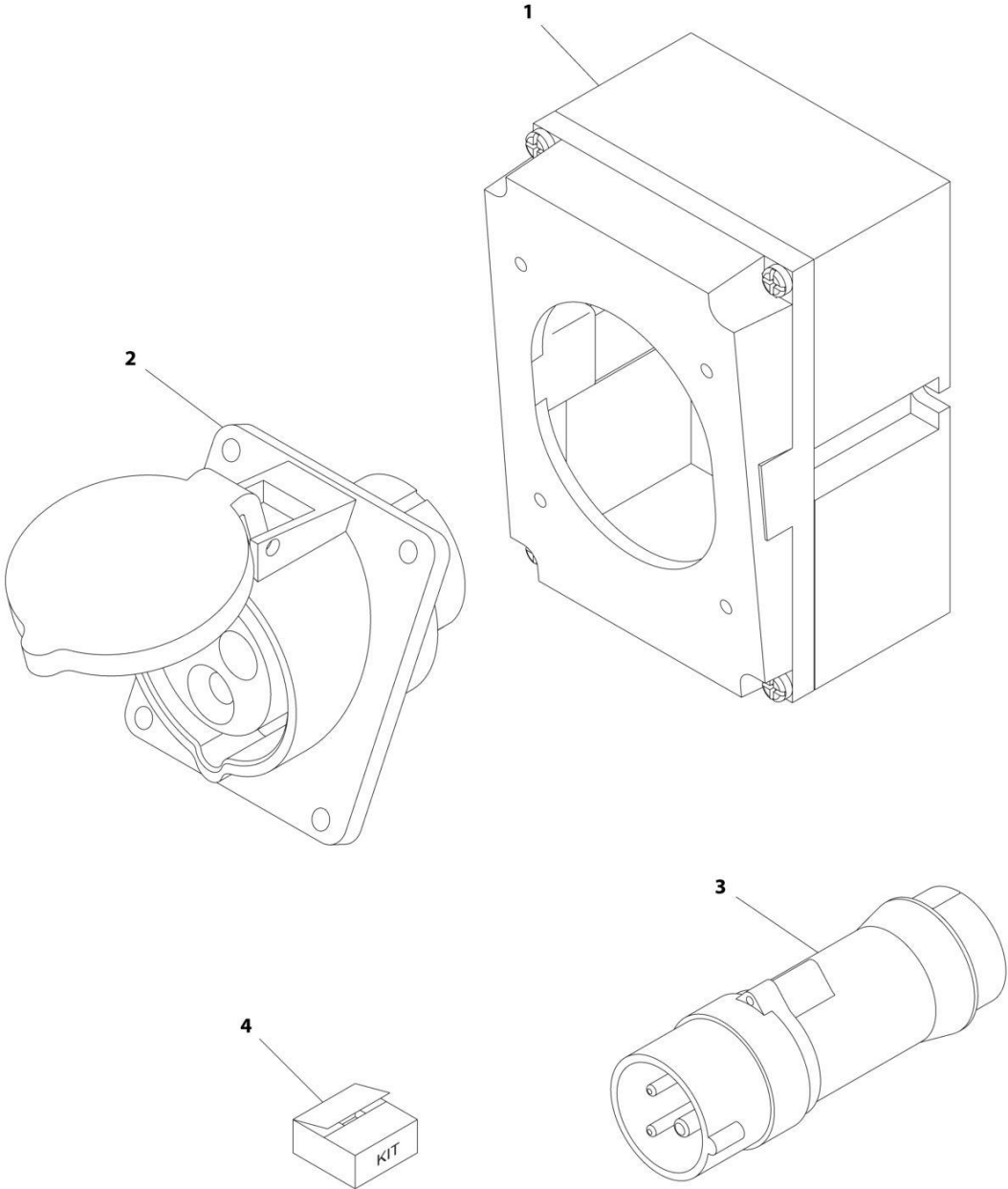
SECTION 7 - ELECTRICAL

FIGURE 7-43. RECEPTACLE BOX KIT - 110V IEC YELLOW (CE & UK CA SPEC)

ITEM	PART NUMBER	QTY	DESCRIPTION	REV
	0275216	Ref	RECEPTACLE BOX KIT - 110V IEC YELLOW	B
1	0861781	1	Box, Switch	
2	4461198	1	Receptacle	
3	4461196	1	Plug, Male	
4	1001100341	1	Plug and Socket Kit (Includes Items 1-3 and Female Plug p/n 4461197)	

SECTION 7 - ELECTRICAL

FIGURE 7-44. RECEPTACLE BOX KIT - 220V IEC BLUE (CE & UK CA SPEC)



ART_0275217

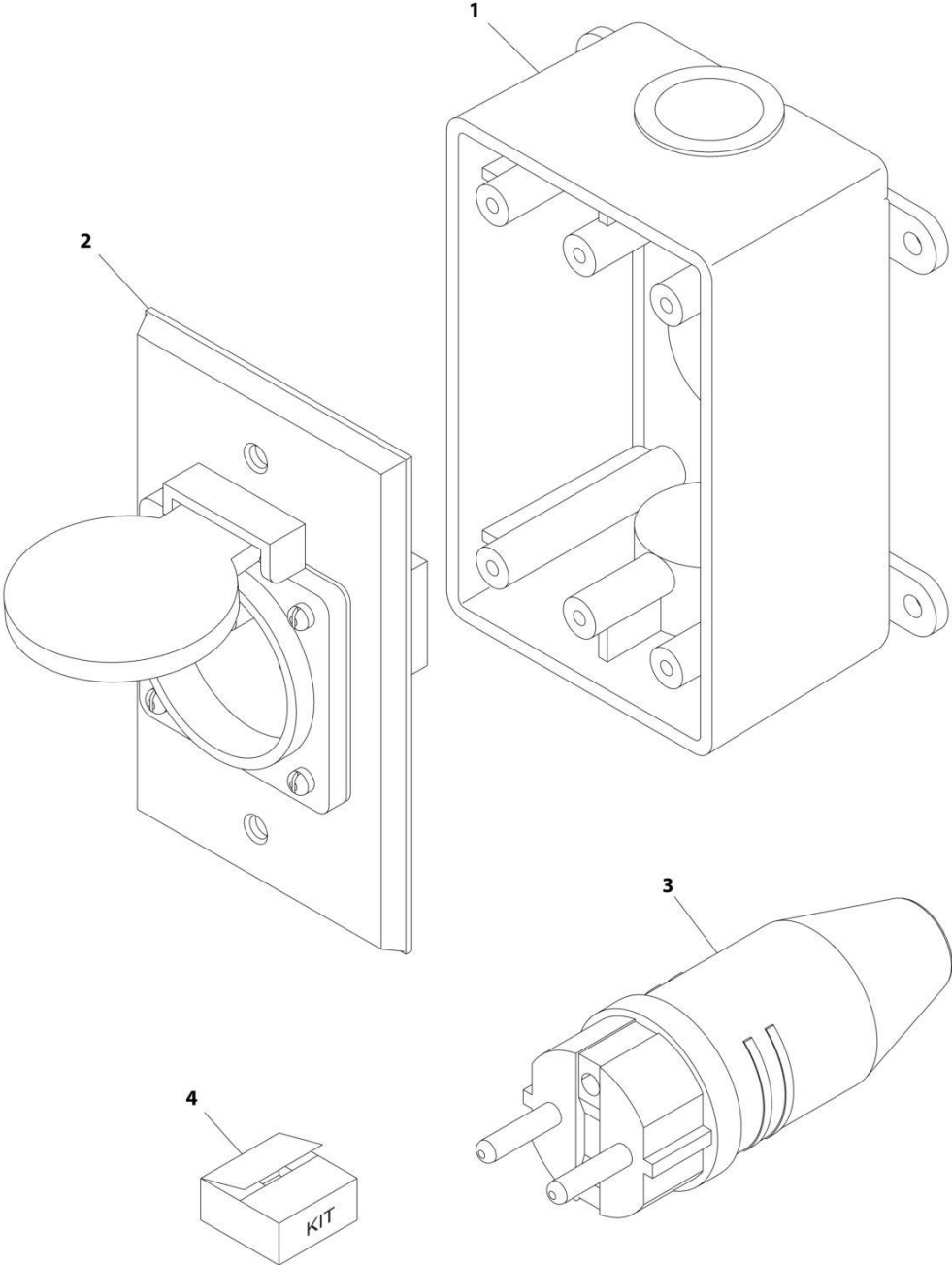
SECTION 7 - ELECTRICAL

FIGURE 7-44. RECEPTACLE BOX KIT - 220V IEC BLUE (CE & UK CA SPEC)

ITEM	PART NUMBER	QTY	DESCRIPTION	REV
	0275217	Ref	RECEPTACLE BOX KIT - 220V IEC BLUE	B
1	0861781	1	Box, Switch	
2	4461201	1	Receptacle	
3	4461199	1	Plug, Male	
4	1001100342	1	Plug and Socket Kit (Includes Items 1-3 and Female Plug p/n 4461200)	

SECTION 7 - ELECTRICAL

FIGURE 7-45. RECEPTACLE BOX KIT - 220V CEE7 POST GROUND (CE & UK CA SPEC)



ART_0275452-C

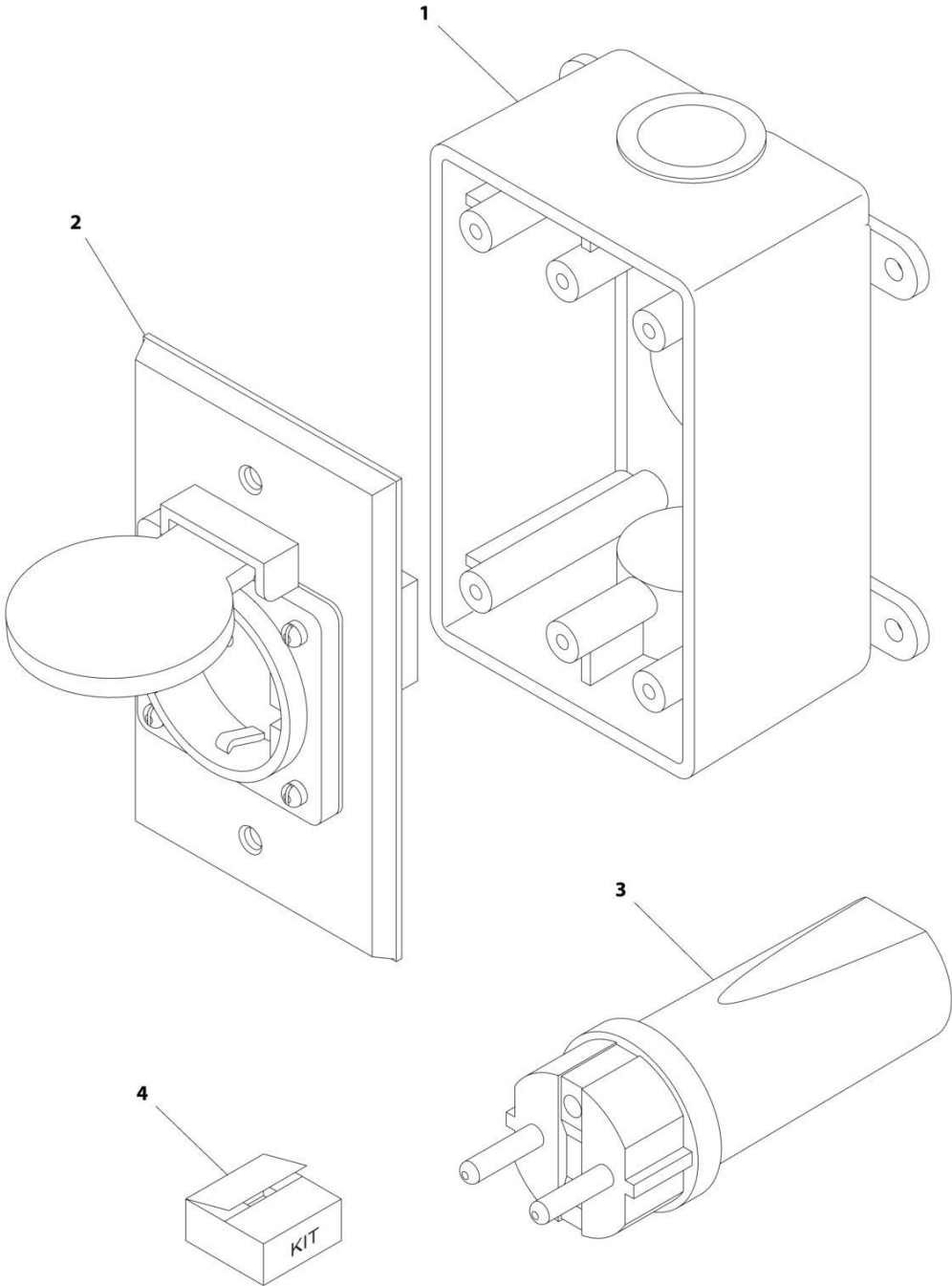
SECTION 7 - ELECTRICAL

FIGURE 7-45. RECEPTACLE BOX KIT - 220V CEE7 POST GROUND (CE & UK CA SPEC)

ITEM	PART NUMBER	QTY	DESCRIPTION	REV
	0275452	Ref	RECEPTACLE BOX KIT - 220V CEE7 POST GROUND 2IN X 4IN BOX	C
1	0861731	1	Box, Switch	
2	4461244	1	Receptacle	
3	4461205	1	Plug, Male	
4	1001100345	1	Plug and Socket Kit (Includes Items 1-3 and Female Plug p/n 4461203)	

SECTION 7 - ELECTRICAL

FIGURE 7-46. RECEPTACLE BOX KIT - 220V CEE7 SIDE GROUND (CE & UK CA SPEC)



ART_0275453

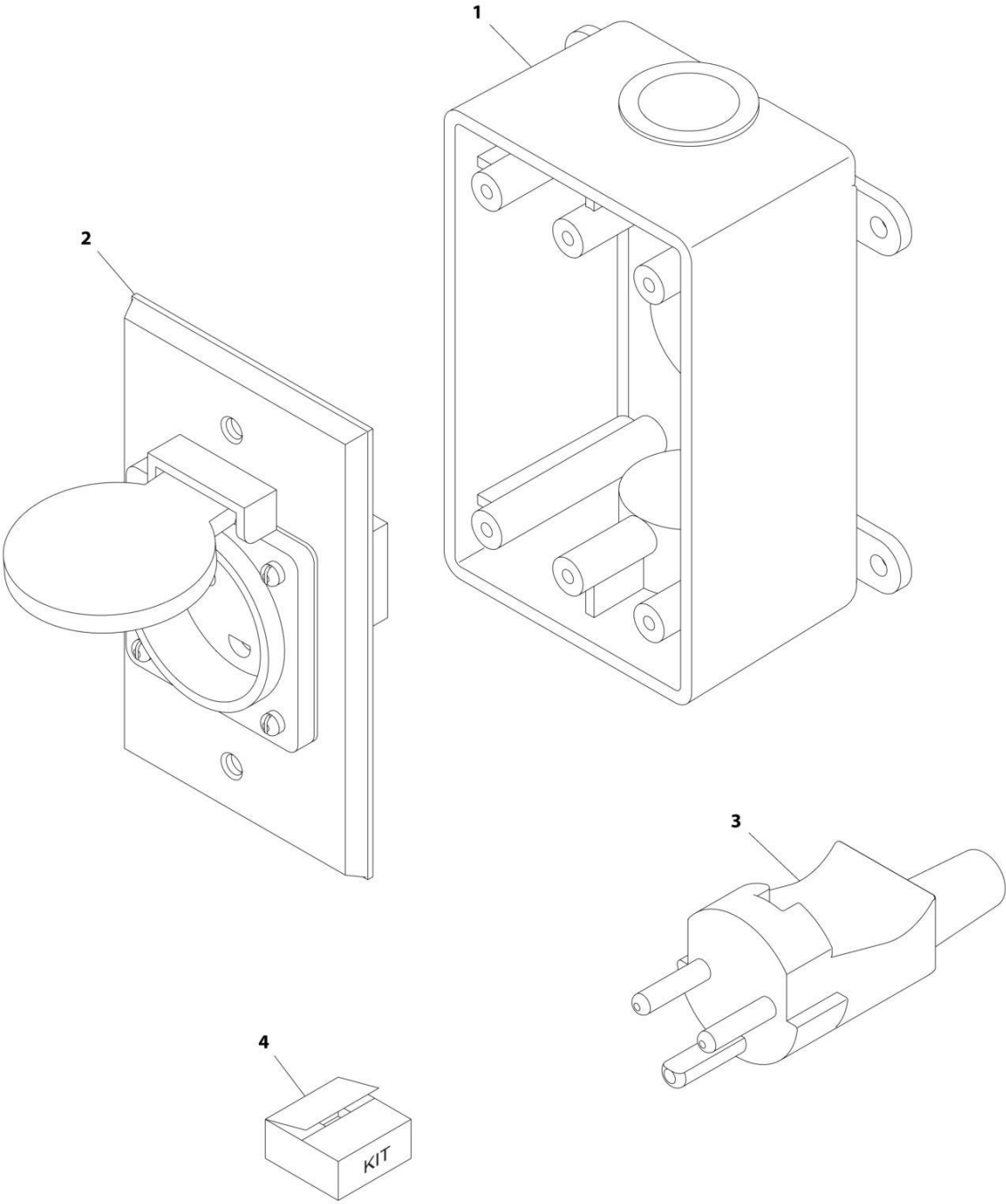
SECTION 7 - ELECTRICAL

FIGURE 7-46. RECEPTACLE BOX KIT - 220V CEE7 SIDE GROUND (CE & UK CA SPEC)

ITEM	PART NUMBER	QTY	DESCRIPTION	REV
	0275453	Ref	RECEPTACLE BOX KIT - 220V CEE7 SIDE GROUND	B
1	0861731	1	Box, Switch	
2	4461245	1	Receptacle	
3	4461205	1	Plug, Male	
4	1001100347	1	Plug and Socket Kit (Includes Items 1-3 and Female Plug p/n 4461206)	

SECTION 7 - ELECTRICAL

FIGURE 7-47. RECEPTACLE BOX KIT - 220V AFSINT 107 (CE & UK CA SPEC)



ART_0275454

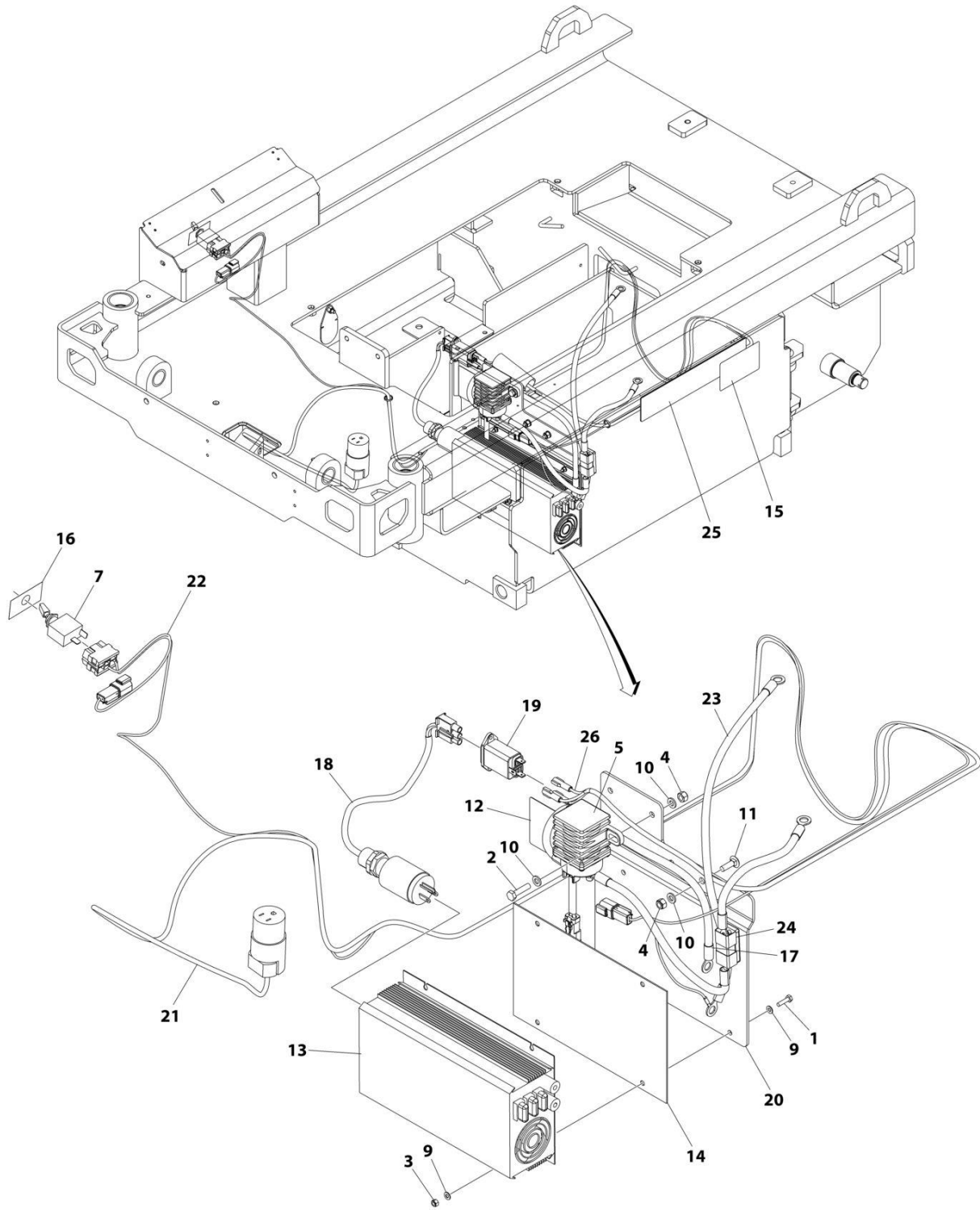
SECTION 7 - ELECTRICAL

FIGURE 7-47. RECEPTACLE BOX KIT - 220V AFSINT 107 (CE & UK CA SPEC)

ITEM	PART NUMBER	QTY	DESCRIPTION	REV
	0275454	Ref	RECEPTACLE BOX KIT - 220V AFSINT 107	B
1	0861731	1	Box, Switch	
2	4461246	1	Receptacle	
3	4461249	1	Plug, Male	
4	1001100346	1	Plug and Socket Kit (Includes Items 1-3 and Female Plug p/n 4461250)	

SECTION 7 - ELECTRICAL

FIGURE 7-48. INVERTER INSTALLATION



ART_1001274502

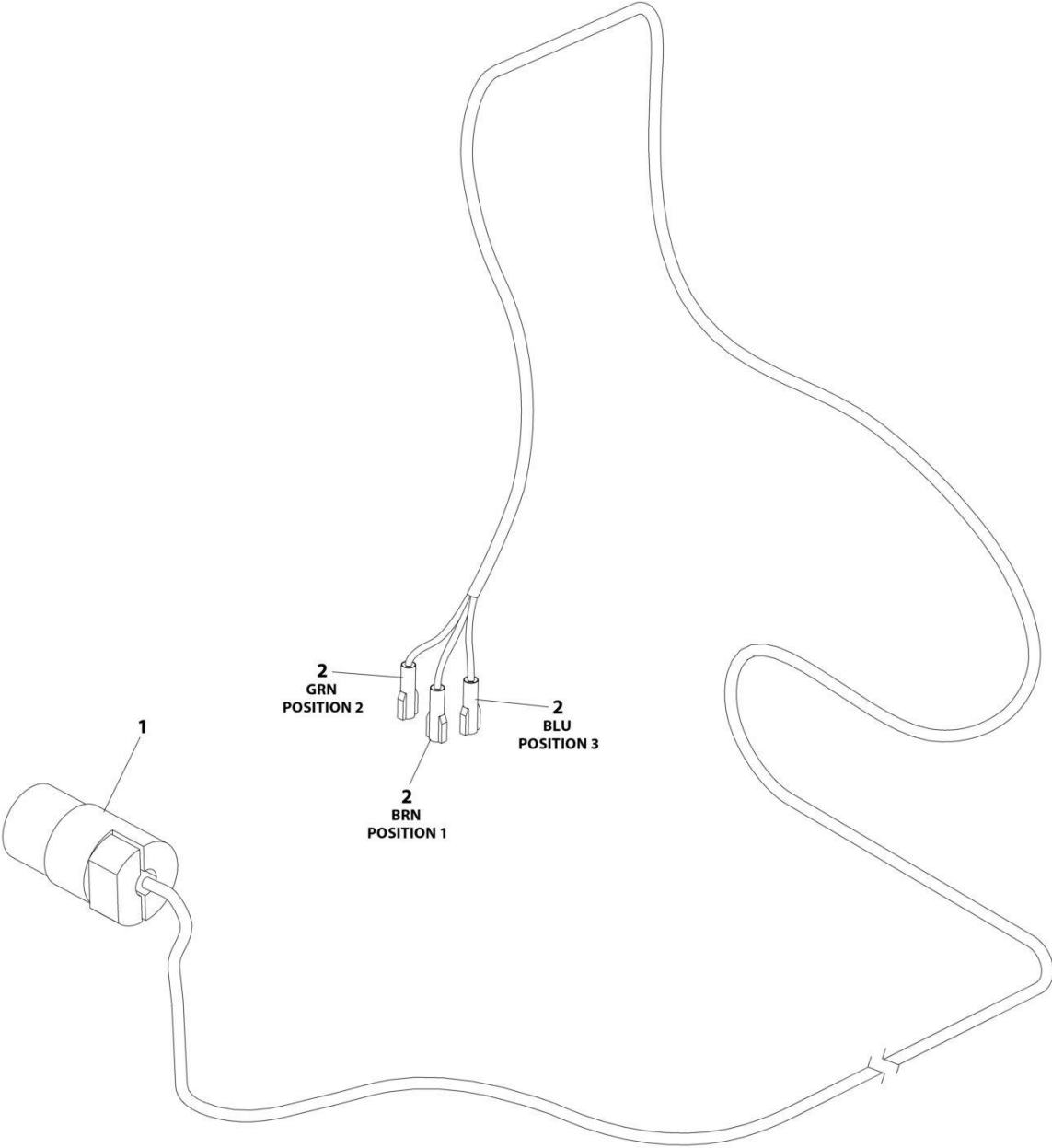
SECTION 7 - ELECTRICAL

FIGURE 7-48. INVERTER INSTALLATION

ITEM	PART NUMBER	QTY	DESCRIPTION	REV
	1001274502	Ref	INVERTER INSTALLATION	B
1	0760408	4	Bolt M4 x 16	
2	0760612	2	Bolt M6 x 25	
3	3290405	4	Nut M4	
4	3290605	4	Nut M6	
5	3740150	1	Relay	
6	4240017	AR	Tie-Strap	
7	4360336	1	Switch, Toggle	
9	4811400	8	Washer M4	
10	4811700	6	Washer M6	
11	1001100451	2	Bolt M6 x 20	
12	1001125483	1	Decal - Pressure Wash	
13	1001136757	1	Inverter	
14	1001142173	1	Insulate	
15	1001143009	1	Decal - Inverter	
16	1001143010	1	Decal - On/Off Inverter	
17	1001145762	1	Cable, Inverter +ve to Relay	
18	1001145881	1	Harness, AC Extension	
19	1001157547	1	Filter, AC	
20	1001274556	1	Support	
21	1001275545	1	Harness, AC Extension (See Separate Breakdown in this Section)	
22	1001275546	1	Harness, Inverter (See Separate Breakdown in this Section)	
23	1001275547	1	Cable, Pump Control B- to Inverter	
24	1001275548	1	Cable, Battery +ve to Relay	
25	1001146794	1	Decal - Battery Charger	
26	1001226400	1	Insulate	

SECTION 7 - ELECTRICAL

FIGURE 7-49. HARNESS, AC EXTENSION



ART_1001275545

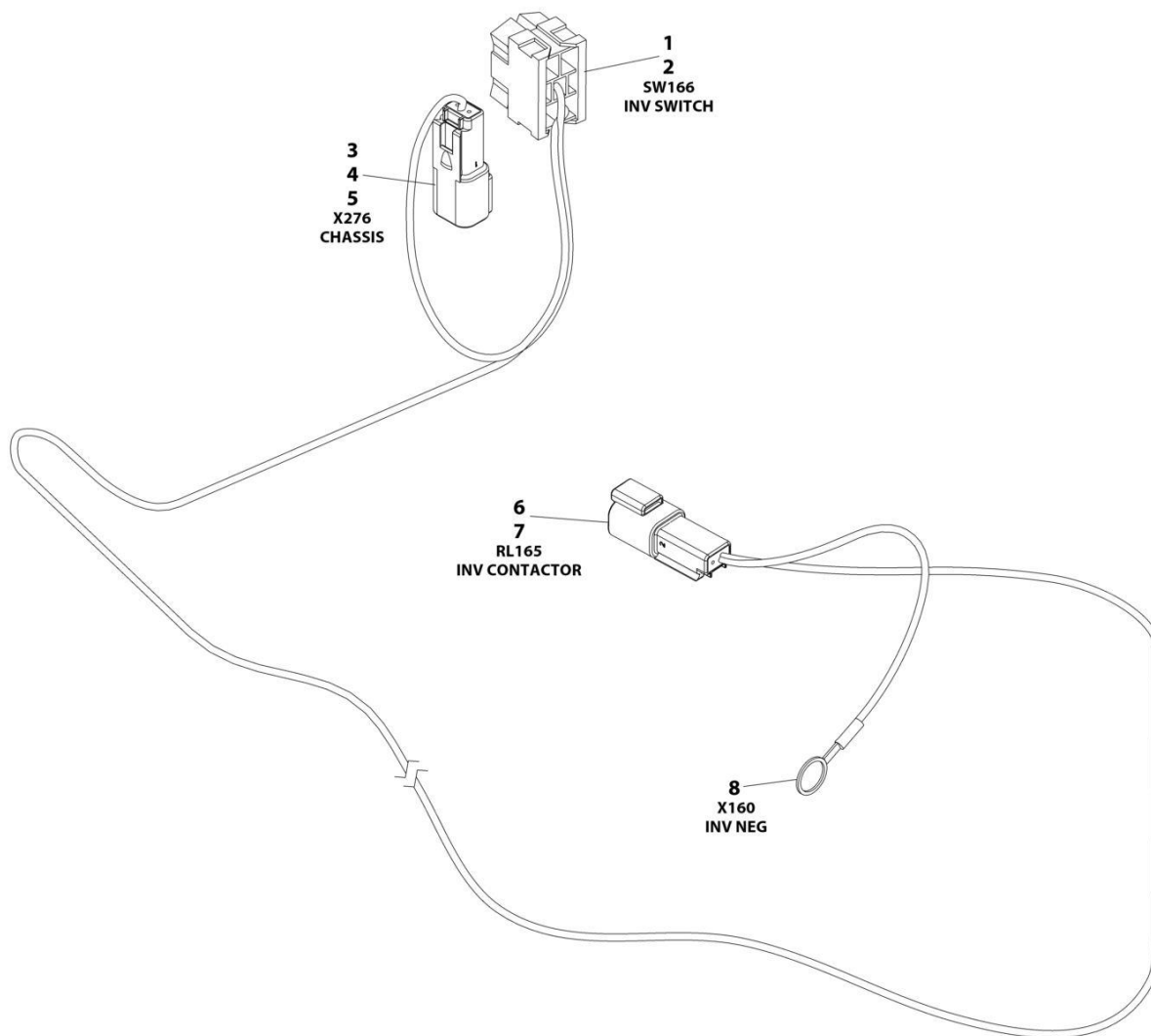
SECTION 7 - ELECTRICAL

FIGURE 7-49. HARNESS, AC EXTENSION

ITEM	PART NUMBER	QTY	DESCRIPTION	REV
	1001275545	Ref	HARNESS, AC EXTENSION	A
1	4460779	1	Receptacle, Female	
2	1001117096	3	Connector	

SECTION 7 - ELECTRICAL

FIGURE 7-50. HARNESS, INVERTER



ART_1001275546

SECTION 7 - ELECTRICAL

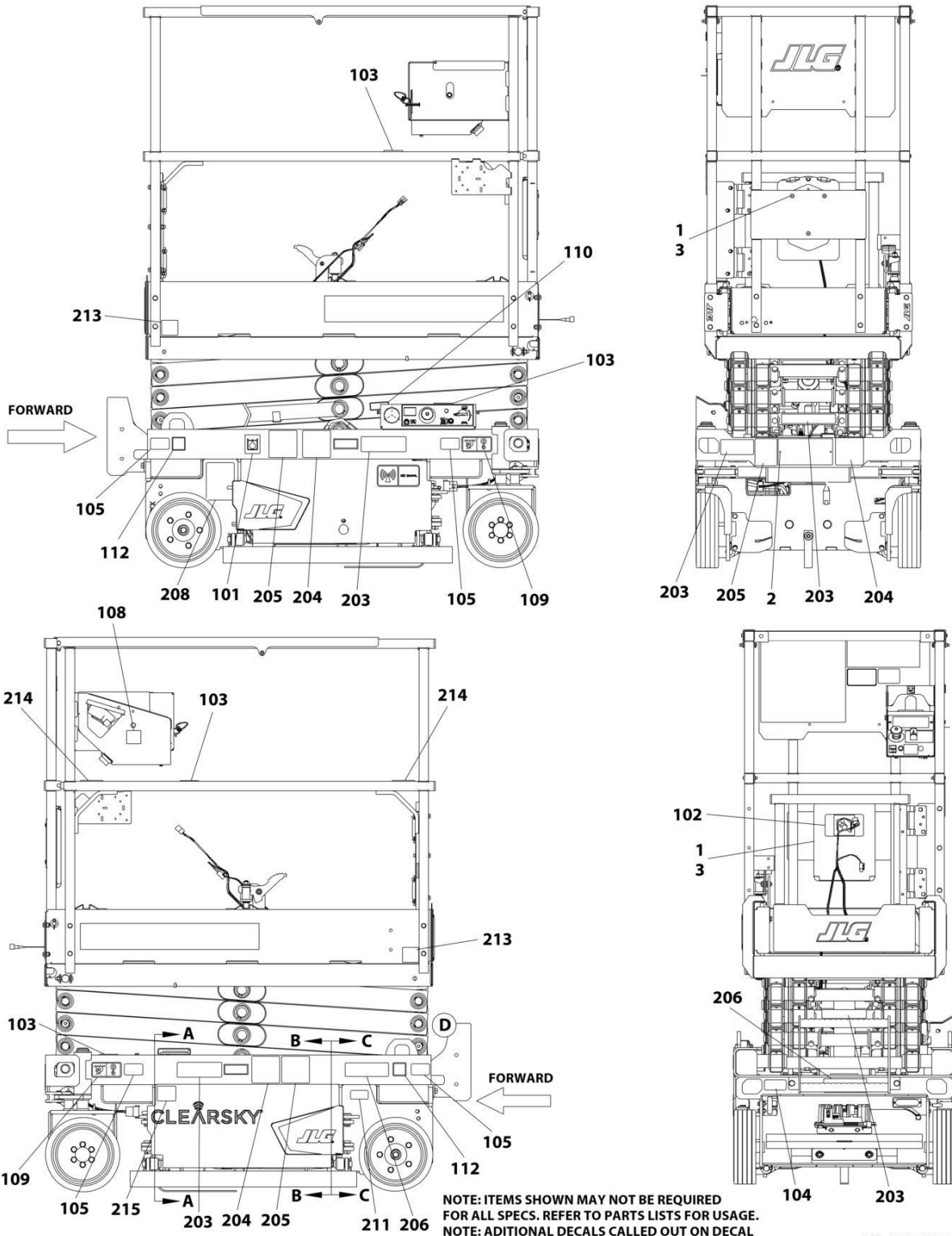
FIGURE 7-50. HARNESS, INVERTER

ITEM	PART NUMBER	QTY	DESCRIPTION	REV
	1001275546	Ref	HARNESS, INVERTER	A
1	4460418	1	Connector, Switch	
2	4460419	2	Terminal	
3	4460897	1	Receptacle, Female - 2 Position	
4	4460464	1	Pin, Male	
5	4460466	1	Plug, Terminal	
6	4460897	1	Receptacle, Female - 2 Position	
7	4460464	2	Pin, Male	
8	4460722	1	Terminal, Ring	

SECTION 8 - DECALS

SECTION 8 - DECALS

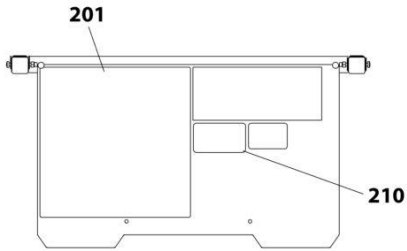
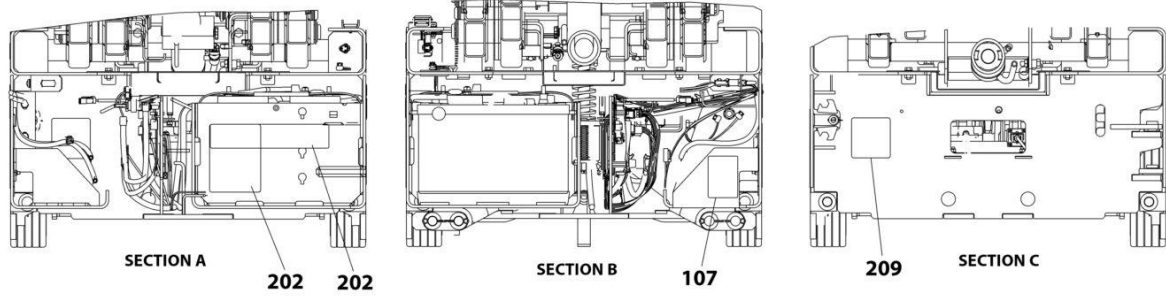
FIGURE 8-1. DECALS INSTALLATION (ANSI SPECS)



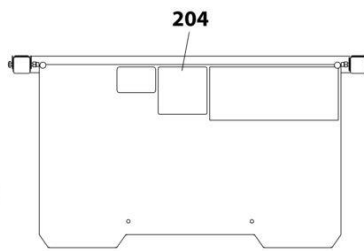
NOTE: ITEMS SHOWN MAY NOT BE REQUIRED FOR ALL SPECS. REFER TO PARTS LISTS FOR USAGE.
 NOTE: ADDITIONAL DECALS CALLED OUT ON DECAL INSTALLATION - OPTIONS.

ART_1001247301_1OF2

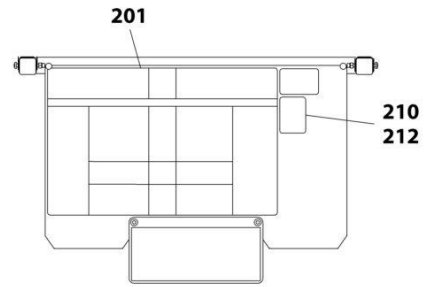
SECTION 8 - DECALS



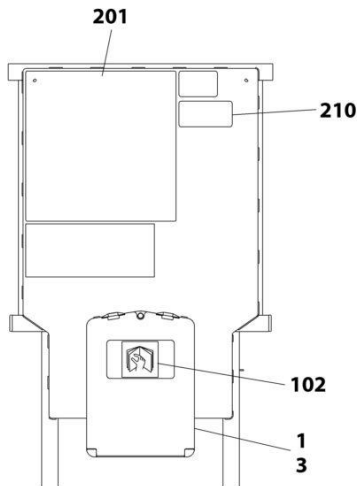
FIXED RAIL (ANSI SPECS)



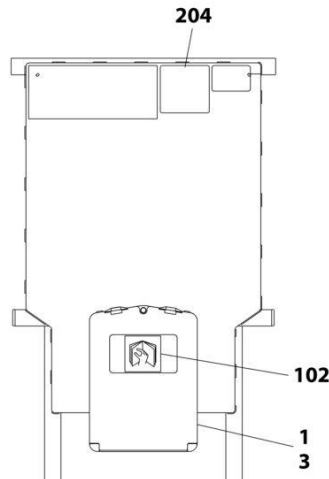
FIXED RAIL (CE AND JAPANESE SPECS)



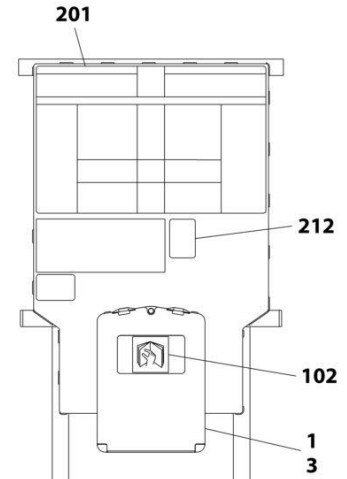
FIXED RAIL (CHINA, CSA AND KOREAN SPECS)



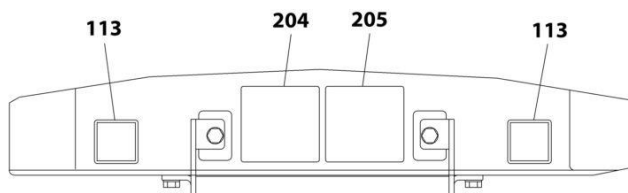
FOLDING RAIL (ANSI SPECS)



FOLDING RAIL (CE SPECS)



FOLDING RAIL (CHINA AND KOREAN SPECS)



DETAIL D
TOP REAR OF FRAME

NOTE: ITEMS SHOWN MAY NOT BE REQUIRED FOR ALL SPECS. REFER TO PARTS LISTS FOR USAGE.
NOTE: ADDITIONAL DECALS CALLED OUT ON DECAL INSTALLATION - OPTIONS.

ART_1001247301_20F2

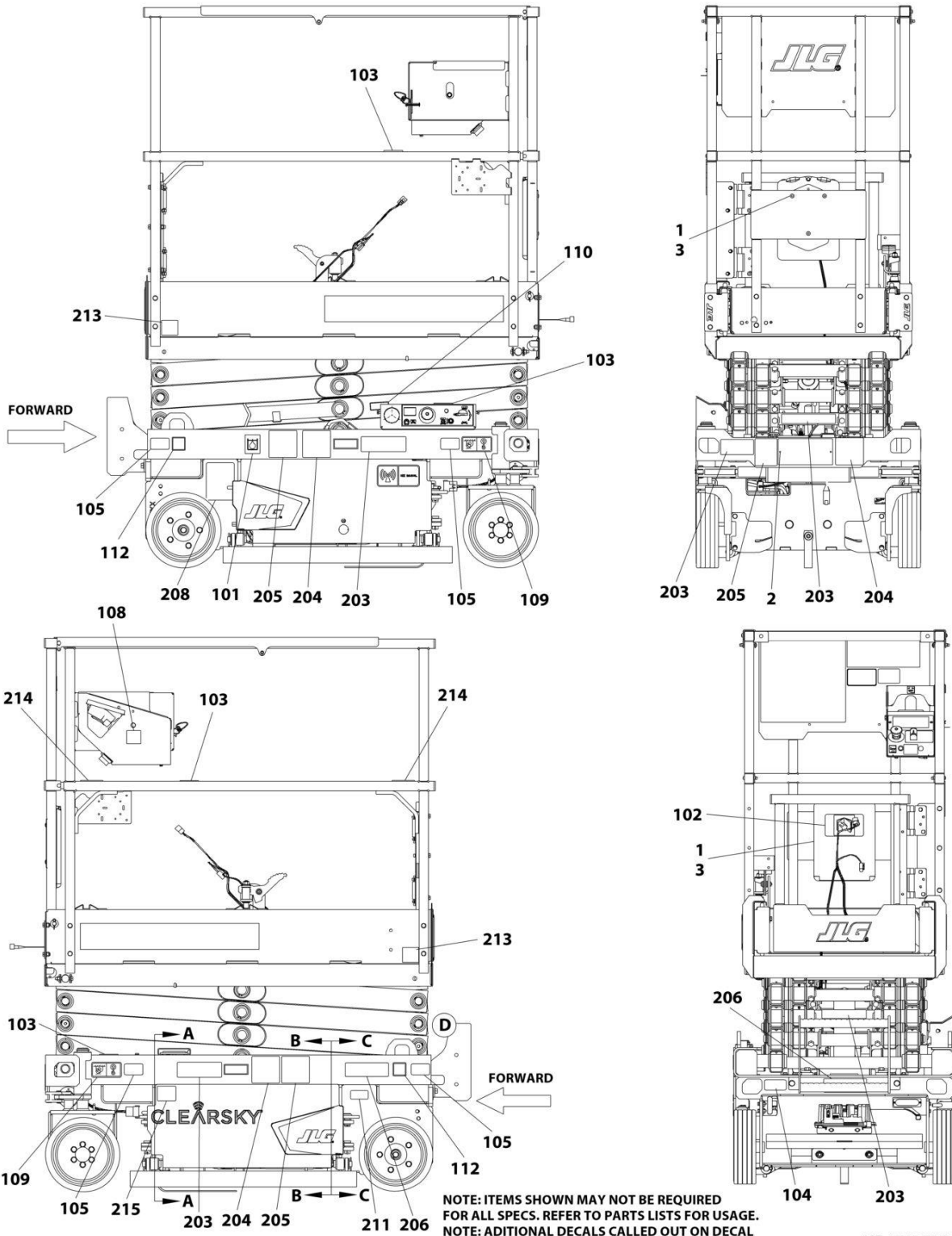
SECTION 8 - DECALS

FIGURE 8-1. DECALS INSTALLATION (ANSI SPECS)

ITEM	PART NUMBER	QTY	DESCRIPTION	REV
	1001247301	Ref	DECALS INSTALLATION (ANSI SPECS)	E
	1001247399	Ref	DECALS CHART DRAWING	I
1	2080040	3	Fastener	
2	2080057	4	Fastener	
3	8990147	1	Holder Manual	
100	1001247296	1	Master Decal Kit (Not Shown)	F
101	1701504	1	Decal - Hydraulic Oil	
102	1701640	1	Decal - Manual	
103	1703819	4	Decal - Directional Arrow	
104	1001248126	1	Decal - Manual Descent Instructions	
105	1704016	4	Decal - Fork Lift	
107	1704412	1	Decal - Hydraulic Oil Chart	
108	1001132359	1	Decal - Control Box Locate	
109	1001162864	2	Decal - Lift Point/Tie Down	
110	1001220430	1	Decal - Safety Prop	
112	1001212290	1	Decal - Tie Down	
113	1001212291	1	Decal - Lifting Lug	
201	1703816	1	Decal - Danger/Warning	
202	1001146794	1	Decal - Battery/Charger Service	
203	1001211777	4	Decal - Crushing Hazard	
204	1001211779	4	Decal - Electrocution	
206	1703813	2	Decal - Warning Battery Ventilation	
208	1001131270	1	Decal - Patent	
209	1001223055	1	Decal - Yearly Inspection	
210	1001231801	1	Decal - Warning Prop 65	
211	1001228370	1	Decal - ICES	
214	1704277	2	Decal - Lanyard Attach	
215	1702155	1	Decal - Battery Disconnect	

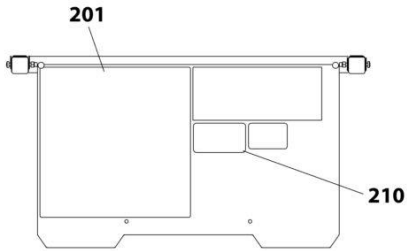
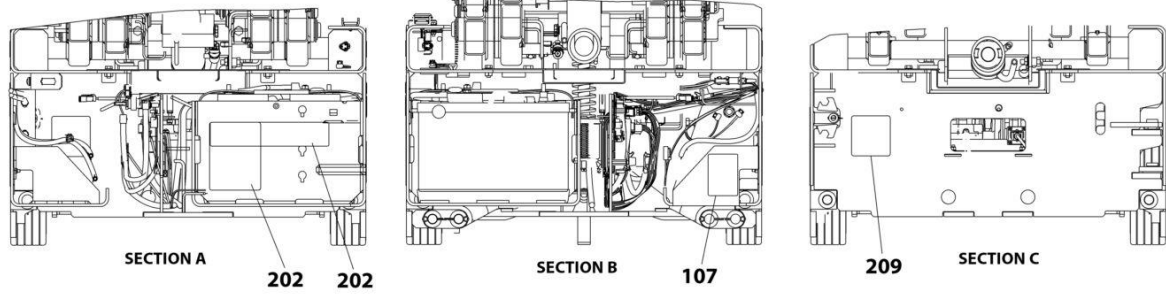
SECTION 8 - DECALS

FIGURE 8-2. DECALS INSTALLATION (CE & UK CA SPECS)

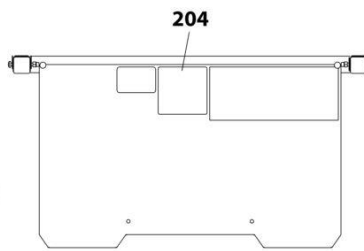


ART_1001247305_10F2

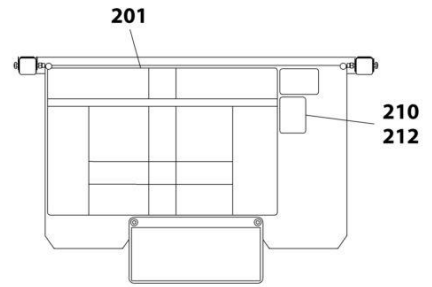
SECTION 8 - DECALS



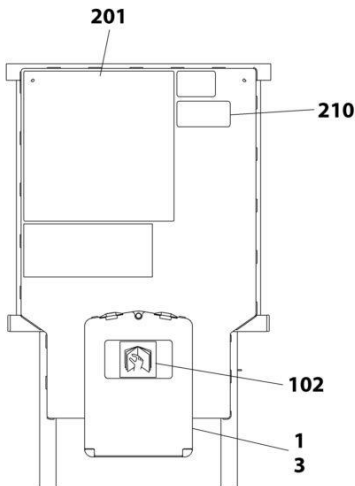
FIXED RAIL (ANSI SPECS)



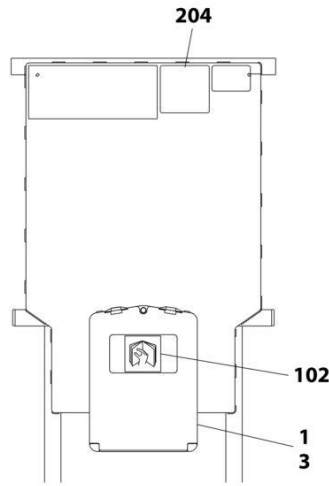
FIXED RAIL (CE AND JAPANESE SPECS)



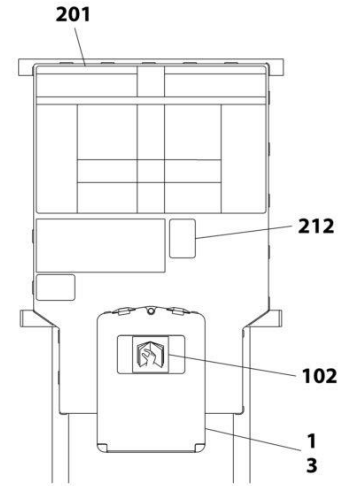
FIXED RAIL (CHINA, CSA AND KOREAN SPECS)



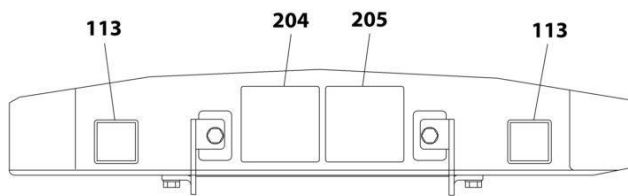
FOLDING RAIL (ANSI SPECS)



FOLDING RAIL (CE SPECS)



FOLDING RAIL (CHINA AND KOREAN SPECS)



DETAIL D
TOP REAR OF FRAME

NOTE: ITEMS SHOWN MAY NOT BE REQUIRED FOR ALL SPECS. REFER TO PARTS LISTS FOR USAGE.
NOTE: ADDITIONAL DECALS CALLED OUT ON DECAL INSTALLATION - OPTIONS.

ART_1001247305_20F2

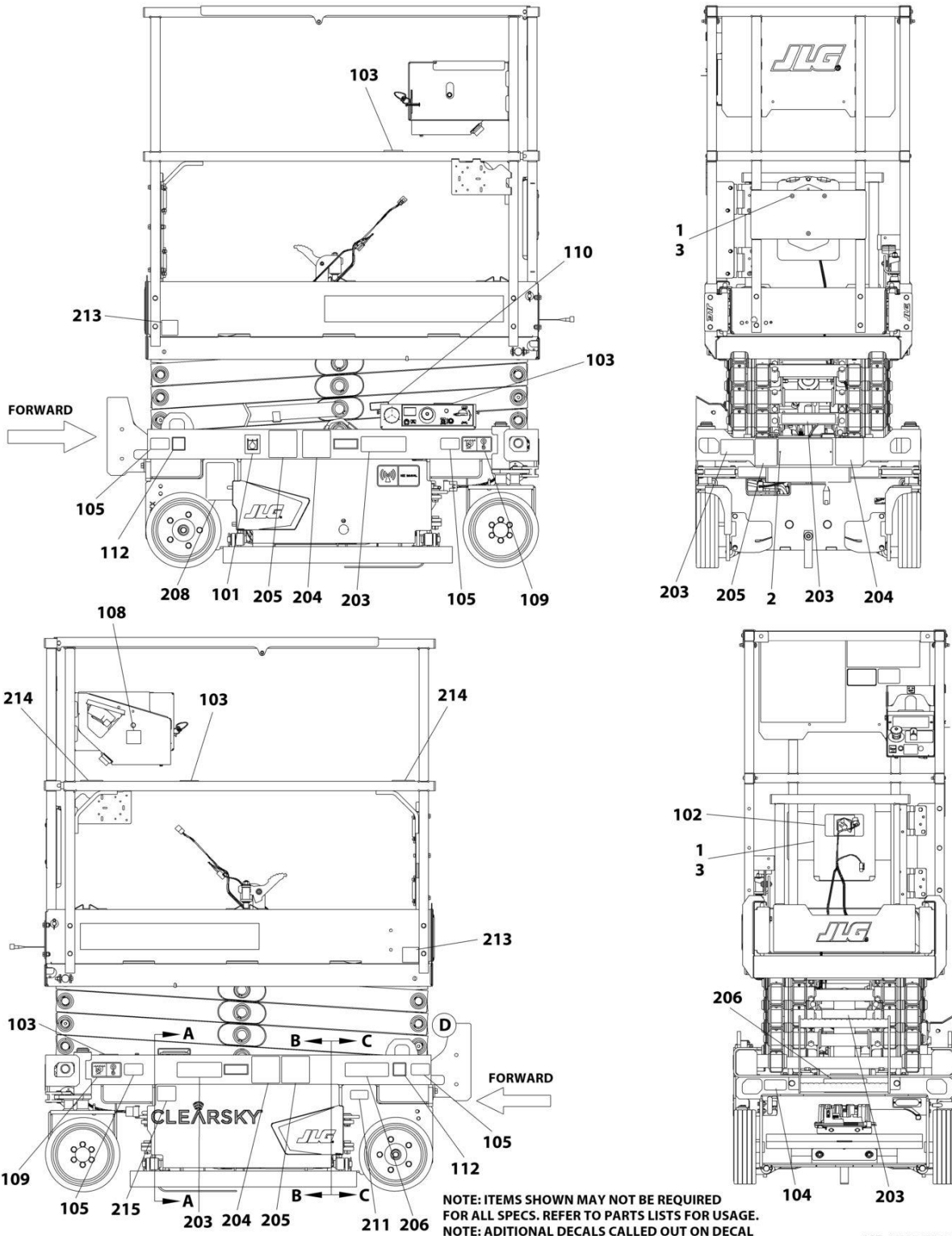
SECTION 8 - DECALS

FIGURE 8-2. DECALS INSTALLATION (CE & UK CA SPECS)

ITEM	PART NUMBER	QTY	DESCRIPTION	REV
	1001247305	Ref	DECALS INSTALLATION (CE & UK CA SPECS)	E
	1001247399	Ref	DECALS CHART DRAWING	I
1	2080040	3	Fastener	
2	2080057	4	Fastener	
3	8990147	1	Holder Manual	
100	1001247296	1	Master Decal Kit (Not Shown)	F
101	1701504	1	Decal - Hydraulic Oil	
102	1701640	1	Decal - Manual	
103	1703819	4	Decal - Directional Arrow	
104	1001248126	1	Decal - Manual Descent	
105	1704016	4	Decal - Fork Lift	
107	1704412	1	Decal - Hydraulic Oil Chart	
108	1001132359	1	Decal - Control Box Locate	
109	1001162864	4	Decal - Lift Point/Tie Down	
110	1001220430	1	Decal - Safety Prop	
112	1001212290	1	Decal - Tie Down	
113	1001212291	1	Decal - Lifting Lug	
202	1001247310	1	Decal - See Manual	
203	1001219172	4	Decal - Crushing	
204	1001219171	5	Decal - Electrocution	
206	1705670	2	Decal - Fire Hazard	
214	1704277	2	Decal - Lanyard Attach	
215	1702155	1	Decal - Battery Disconnect	

SECTION 8 - DECALS

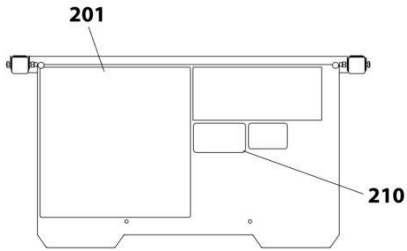
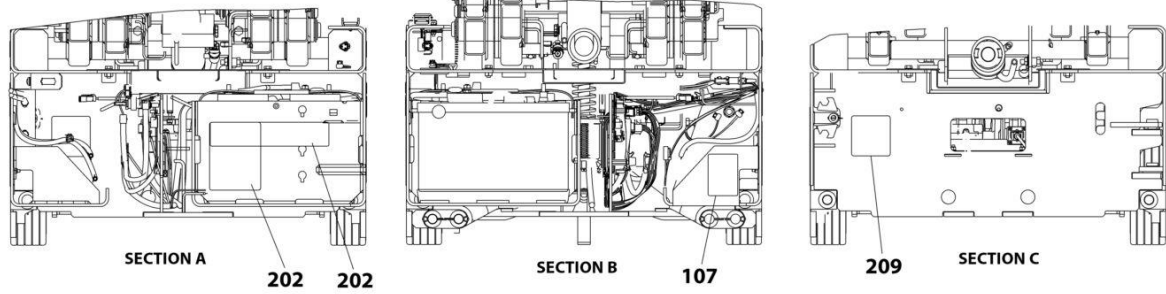
FIGURE 8-3. DECALS INSTALLATION (CHINA SPECS)



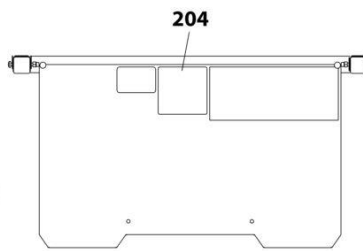
NOTE: ITEMS SHOWN MAY NOT BE REQUIRED FOR ALL SPECS. REFER TO PARTS LISTS FOR USAGE.
 NOTE: ADDITIONAL DECALS CALLED OUT ON DECAL INSTALLATION - OPTIONS.

ART_1001247303_10F2

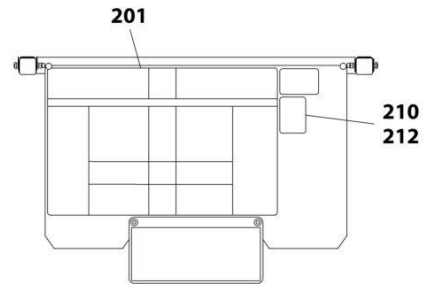
SECTION 8 - DECALS



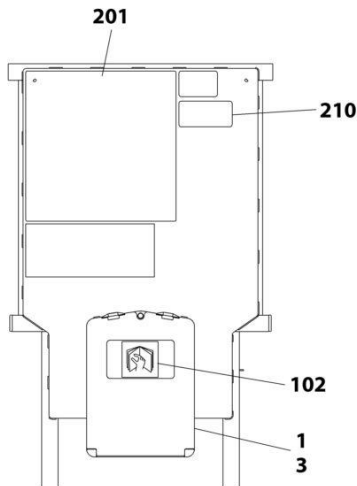
FIXED RAIL (ANSI SPECS)



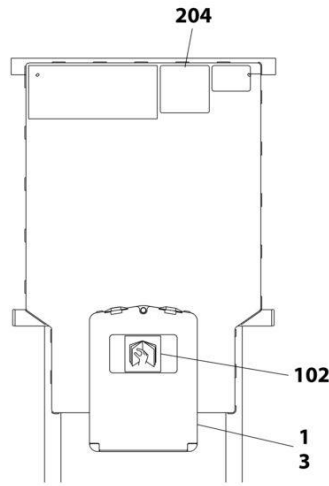
FIXED RAIL (CE AND JAPANESE SPECS)



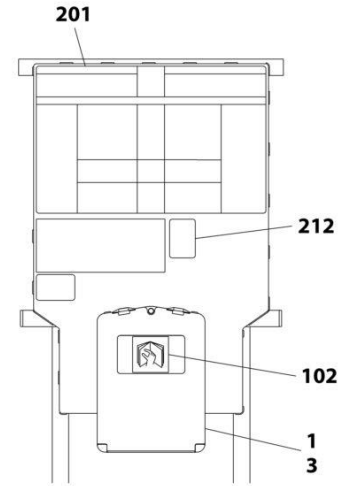
FIXED RAIL (CHINA, CSA AND KOREAN SPECS)



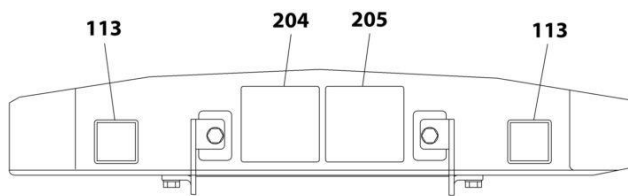
FOLDING RAIL (ANSI SPECS)



FOLDING RAIL (CE SPECS)



FOLDING RAIL (CHINA AND KOREAN SPECS)



DETAIL D
TOP REAR OF FRAME

NOTE: ITEMS SHOWN MAY NOT BE REQUIRED FOR ALL SPECS. REFER TO PARTS LISTS FOR USAGE.
NOTE: ADDITIONAL DECALS CALLED OUT ON DECAL INSTALLATION - OPTIONS.

ART_1001247303_20F2

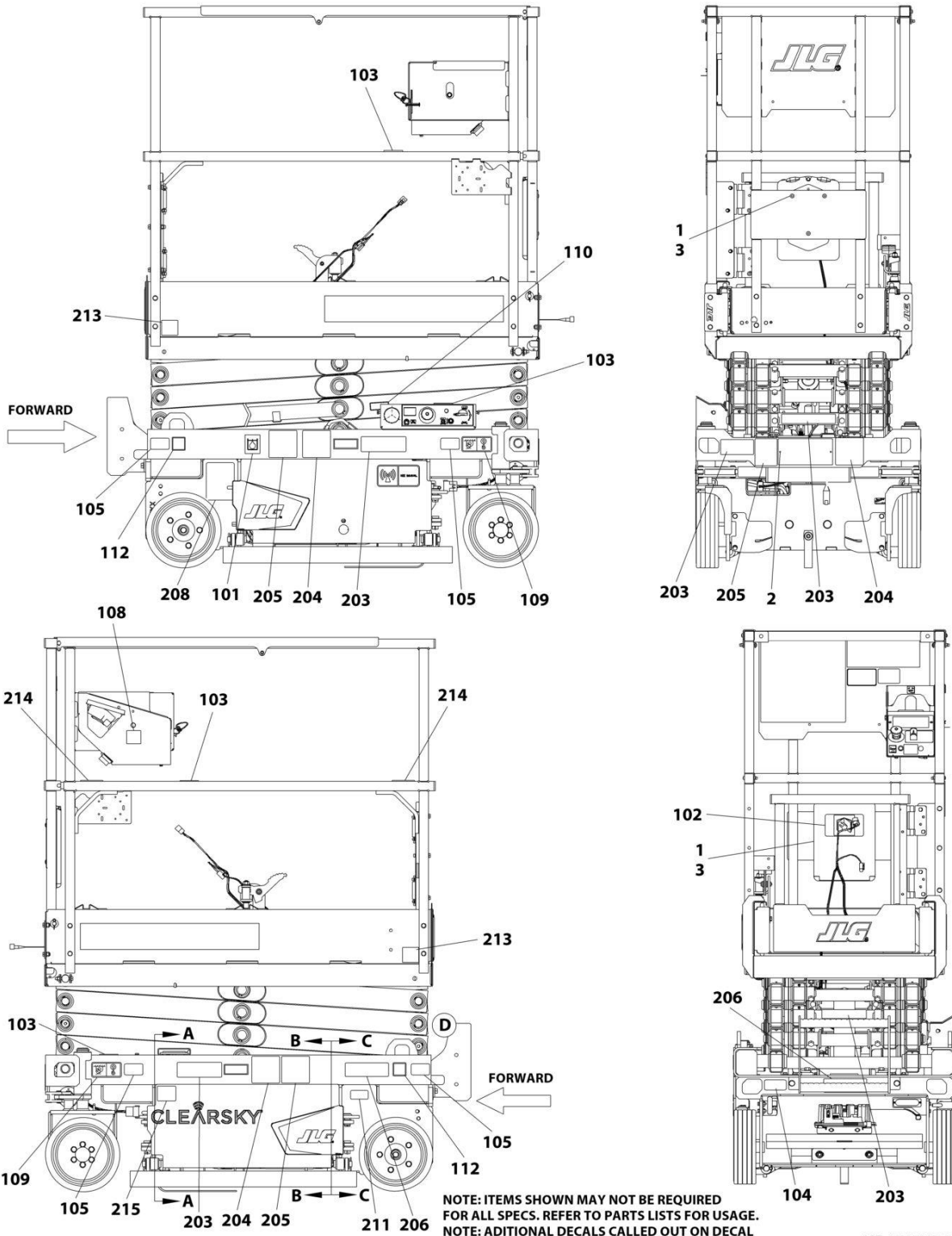
SECTION 8 - DECALS

FIGURE 8-3. DECALS INSTALLATION (CHINA SPECS)

ITEM	PART NUMBER	QTY	DESCRIPTION	REV
	1001247303	Ref	DECALS INSTALLATION (CHINA SPECS)	E
	1001247399	Ref	DECALS CHART DRAWING	I
1	2080040	3	Fastener	
2	2080057	4	Fastener	
3	8990147	1	Holder Manual	
100	1001247296	1	Master Decal Kit (Not Shown)	F
101	1701504	1	Decal - Hydraulic Oil	
102	1701640	1	Decal - Manual	
103	1703819	4	Decal - Directional Arrow	
104	1001248126	1	Decal - Manual Descent	
105	1704016	4	Decal - Fork Lift	
107	1704412	1	Decal - Hydraulic Oil Chart	
108	1001132359	1	Decal - Control Box Locate	
109	1001162864	4	Decal - Lift Point/Tie Down	
110	1001220430	1	Decal - Safety Prop	
112	1001212290	1	Decal - Tie Down	
113	1001212291	1	Decal - Lifting Lug	
201	1001247311	1	Decal - Danger/Warning	
202	1001146794	1	Decal - Battery/Charger Service	
203	1001249894	4	Decal - Crushing Hazard	
204	1001211779	4	Decal - Electrocution	
205	1001215747	4	Decal - Danger Electrocution	
206	1704344	2	Decal - Warning Battery Ventilation	
209	1001224051	1	Decal - Yearly Inspection	
212	1001244301	1	Decal - NO Platform to Ground	
213	1001244298	2	Decal - App	
214	1704277	2	Decal - Lanyard Attach	
215	1702155	1	Decal - Battery Disconnect	

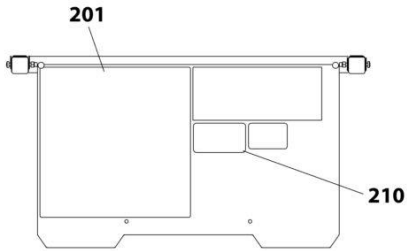
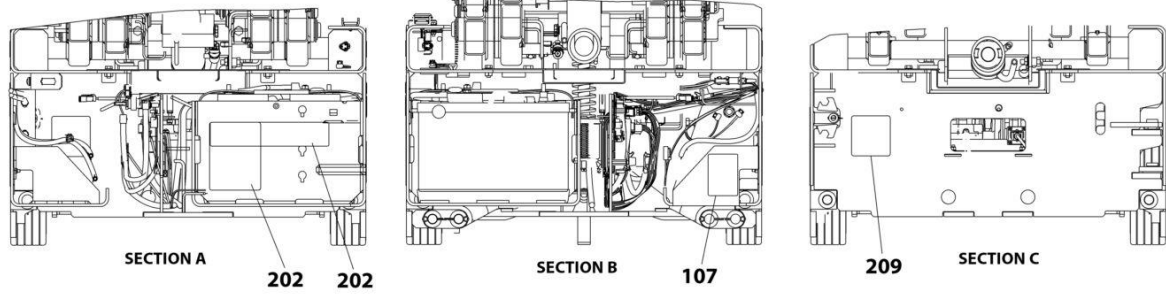
SECTION 8 - DECALS

FIGURE 8-4. DECALS INSTALLATION (CSA SPECS)

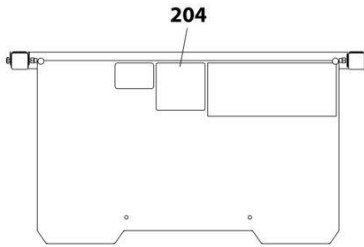


ART_1001254501_1OF2

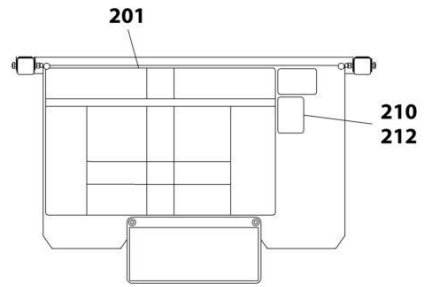
SECTION 8 - DECALS



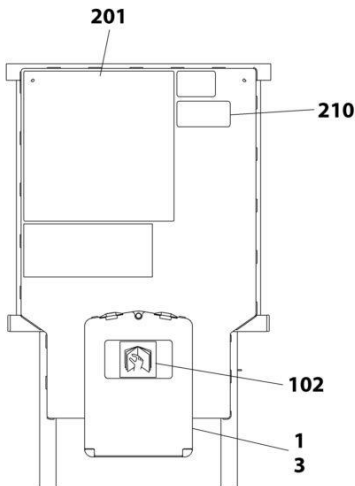
FIXED RAIL (ANSI SPECS)



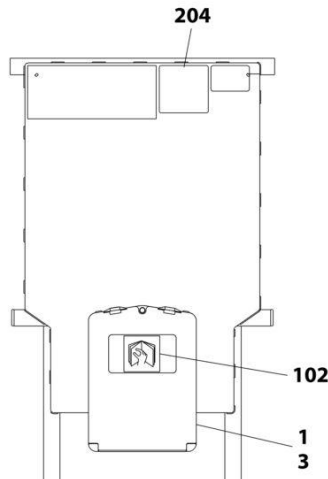
FIXED RAIL (CE AND JAPANESE SPECS)



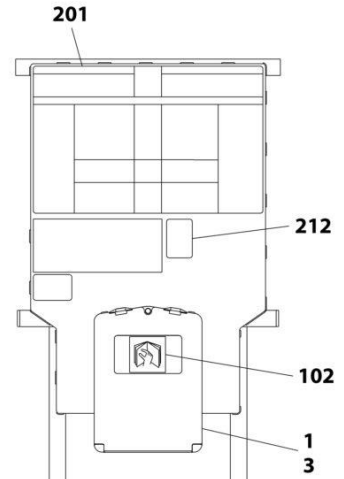
FIXED RAIL (CHINA, CSA AND KOREAN SPECS)



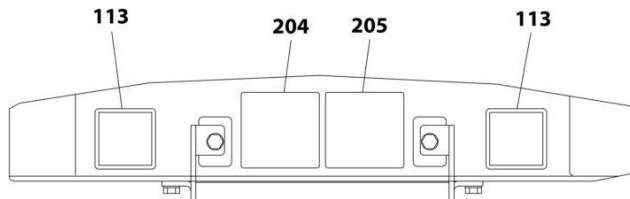
FOLDING RAIL (ANSI SPECS)



FOLDING RAIL (CE SPECS)



FOLDING RAIL (CHINA AND KOREAN SPECS)



DETAIL D
TOP REAR OF FRAME

NOTE: ITEMS SHOWN MAY NOT BE REQUIRED FOR ALL SPECS. REFER TO PARTS LISTS FOR USAGE.
NOTE: ADDITIONAL DECALS CALLED OUT ON DECAL INSTALLATION - OPTIONS.

ART_1001254501_20F2

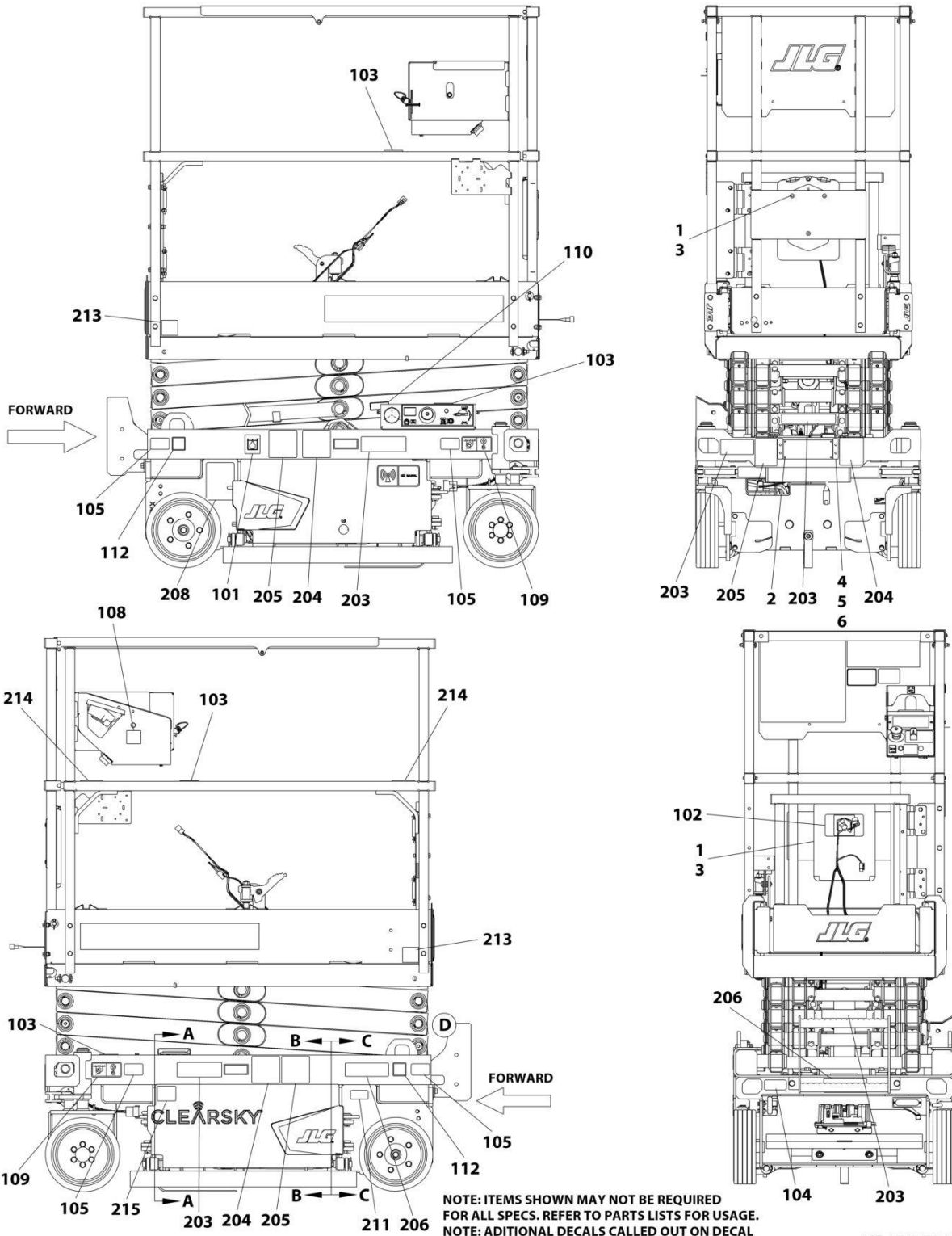
SECTION 8 - DECALS

FIGURE 8-4. DECALS INSTALLATION (CSA SPECS)

ITEM	PART NUMBER	QTY	DESCRIPTION	REV
	1001254501	Ref	DECALS INSTALLATION (CSA SPECS)	D
	1001247399	Ref	DECALS CHART DRAWING	I
1	2080040	3	Fastener	
2	2080057	4	Fastener	
3	8990147	1	Holder Manual	
100	1001247296	1	Master Decal Kit (Not Shown)	F
101	1701504	1	Decal - Hydraulic Oil	
102	1701640	1	Decal - Manual	
103	1703819	4	Decal - Directional Arrow	
104	1001248126	1	Decal - Manual Descent Instructions	
105	1704016	4	Decal - Fork Lift	
107	1704412	1	Decal - Hydraulic Oil Chart	
108	1001132359	1	Decal - Control Box Locate	
109	1001162864	4	Decal - Lift Point/Tie Down	
110	1001220430	1	Decal - Safety Prop	
112	1001212290	1	Decal - Tie Down	
113	1001212291	1	Decal - Lifting Lug	
201	1704684	1	Decal - Danger/Warning	
202	1001146794	1	Decal - Battery/Charger Service	
203	1705311	4	Decal - Crushing Hazard	
204	1001211779	4	Decal - Electrocution	
206	1704340	2	Decal - Warning Battery Ventilation	
208	1001131270	1	Decal - Patent	
209	1001223971	1	Decal - Yearly Inspection	
210	1001231801	1	Decal - Warning Prop 65	
211	1001228370	1	Decal - ICES	
214	1704277	2	Decal - Lanyard Attach	
215	1702155	1	Decal - Battery Disconnect	

SECTION 8 - DECALS

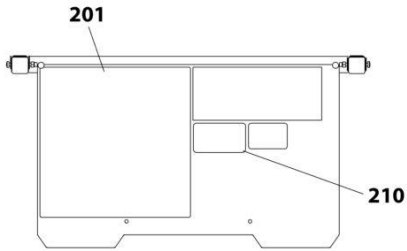
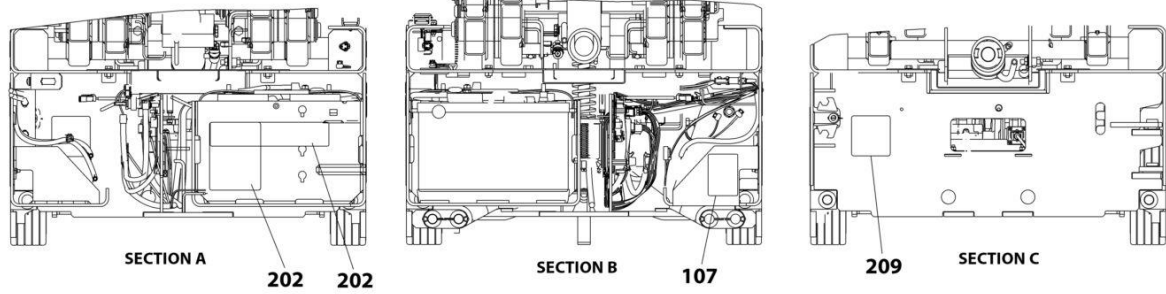
FIGURE 8-5. DECALS INSTALLATION (JAPANESE SPECS)



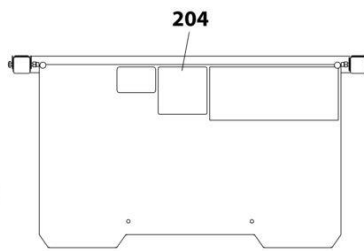
NOTE: ITEMS SHOWN MAY NOT BE REQUIRED FOR ALL SPECS. REFER TO PARTS LISTS FOR USAGE.
 NOTE: ADDITIONAL DECALS CALLED OUT ON DECAL INSTALLATION - OPTIONS.

ART_1001247304_10F2

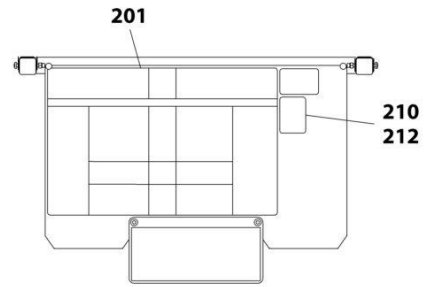
SECTION 8 - DECALS



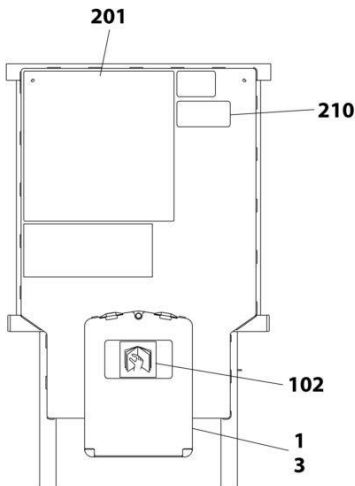
FIXED RAIL (ANSI SPECS)



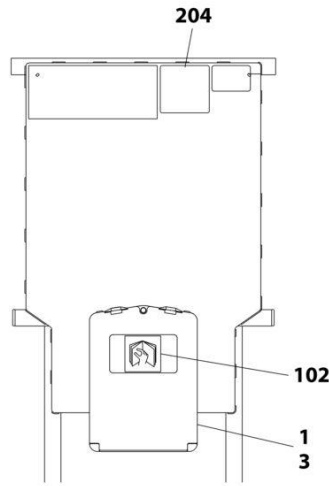
FIXED RAIL (CE AND JAPANESE SPECS)



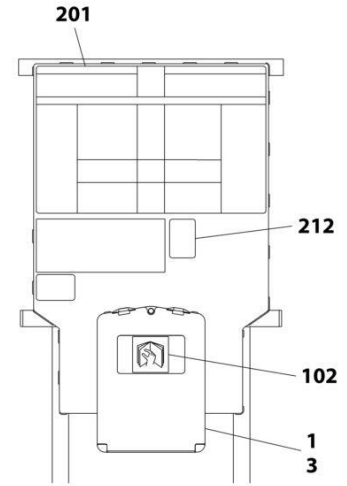
FIXED RAIL (CHINA, CSA AND KOREAN SPECS)



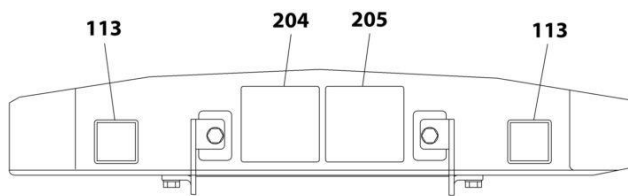
FOLDING RAIL (ANSI SPECS)



FOLDING RAIL (CE SPECS)



FOLDING RAIL (CHINA AND KOREAN SPECS)



DETAIL D
TOP REAR OF FRAME

NOTE: ITEMS SHOWN MAY NOT BE REQUIRED FOR ALL SPECS. REFER TO PARTS LISTS FOR USAGE.
NOTE: ADDITIONAL DECALS CALLED OUT ON DECAL INSTALLATION - OPTIONS.

ART_1001247304_20F2

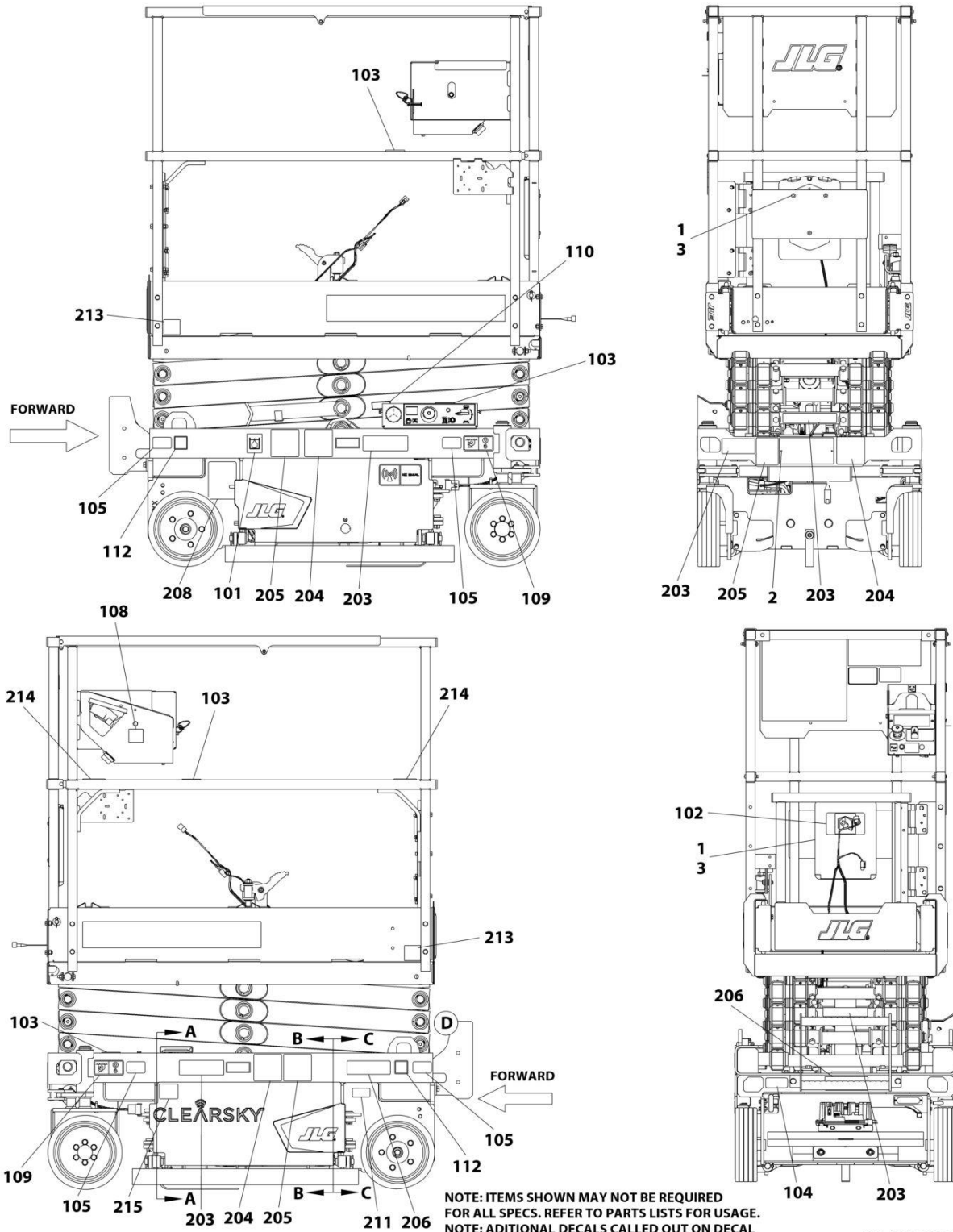
SECTION 8 - DECALS

FIGURE 8-5. DECALS INSTALLATION (JAPANESE SPECS)

ITEM	PART NUMBER	QTY	DESCRIPTION	REV
	1001247304	Ref	DECALS INSTALLATION (JAPANESE SPECS)	F
	1001247399	Ref	DECALS CHART DRAWING	I
1	2080040	4	Fastener	
2	2080057	4	Fastener	
3	0860520	1	Holder Manual	
4	1001258992	2	Plate, Protect	
5	1001101540	4	Screw M4 x 14	
6	3290405	4	Nut M4	
100	1001247296	1	Master Decal Kit (Not Shown)	F
101	1701504	1	Decal - Hydraulic Oil	
102	1701640	1	Decal - Manual	
103	1703819	4	Decal - Directional Arrow	
104	1001248126	1	Decal - Manual Descent	
105	1704016	4	Decal - Fork Lift	
107	1704412	1	Decal - Hydraulic Oil Chart	
108	1001132359	1	Decal - Control Box Locate	
109	1001162864	4	Decal - Lift Point/Tie Down	
110	1001220430	1	Decal - Safety Prop	
112	1001212290	1	Decal - Tie Down	
113	1001212291	1	Decal - Lifting Lug	
202	1001146794	1	Decal - Battery/Charger Service	
203	1001219172	4	Decal - Crushing	
204	1001219171	5	Decal - Electrocution	
206	1705670	2	Decal - Fire Hazard	
214	1704277	2	Decal - Lanyard Attach	

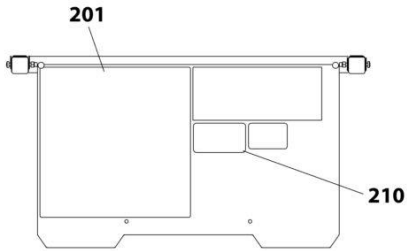
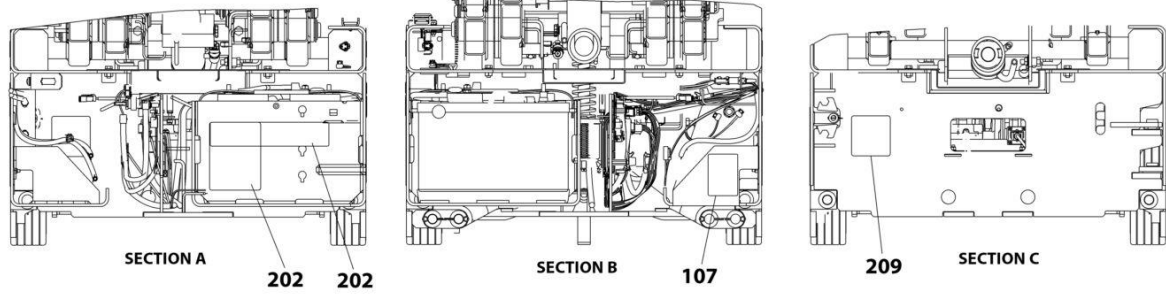
SECTION 8 - DECALS

FIGURE 8-6. DECALS INSTALLATION (KOREAN SPECS)

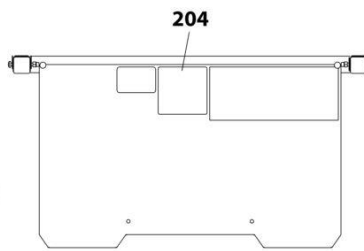


ART_1001247302_10F2

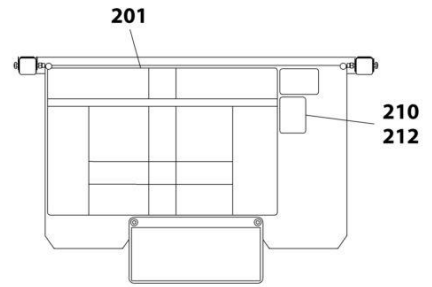
SECTION 8 - DECALS



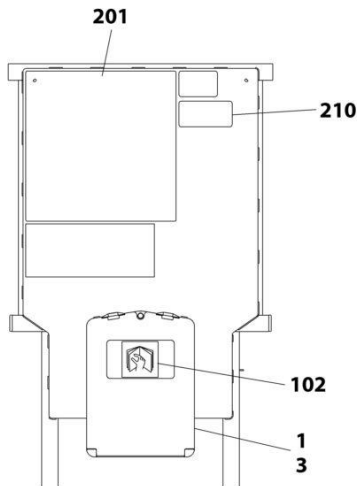
FIXED RAIL (ANSI SPECS)



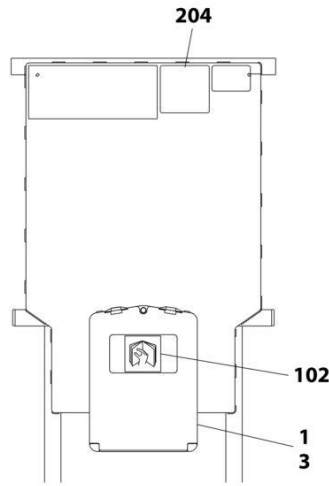
FIXED RAIL (CE AND JAPANESE SPECS)



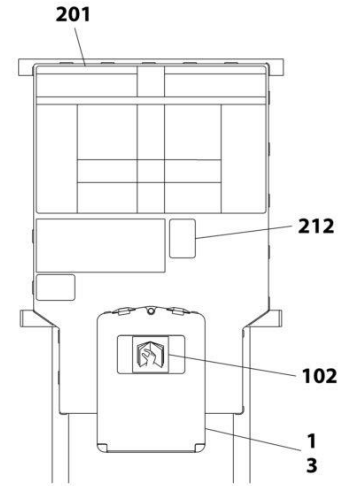
FIXED RAIL (CHINA, CSA AND KOREAN SPECS)



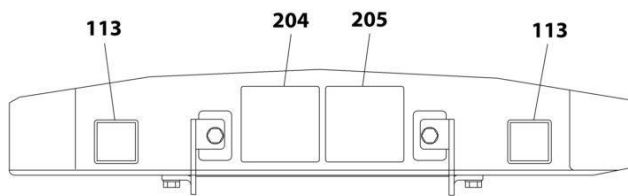
FOLDING RAIL (ANSI SPECS)



FOLDING RAIL (CE SPECS)



FOLDING RAIL (CHINA AND KOREAN SPECS)



DETAIL D
TOP REAR OF FRAME

NOTE: ITEMS SHOWN MAY NOT BE REQUIRED FOR ALL SPECS. REFER TO PARTS LISTS FOR USAGE.
NOTE: ADDITIONAL DECALS CALLED OUT ON DECAL INSTALLATION - OPTIONS.

ART_1001247302_20F2

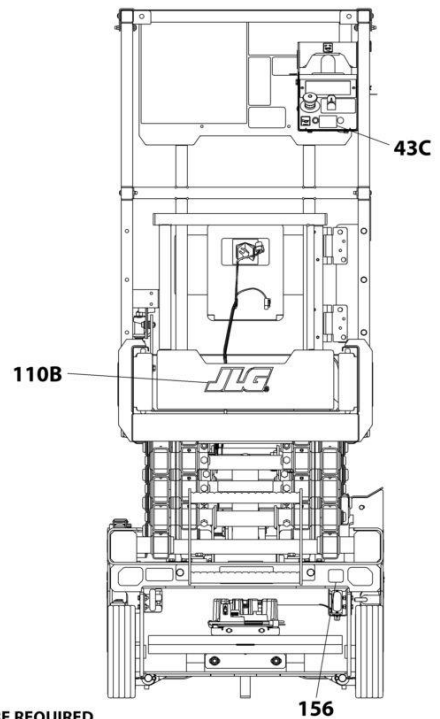
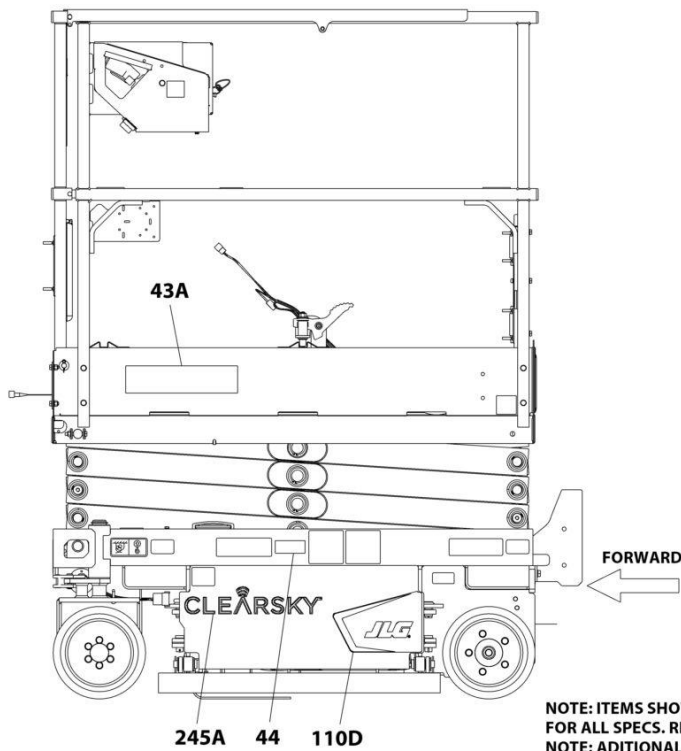
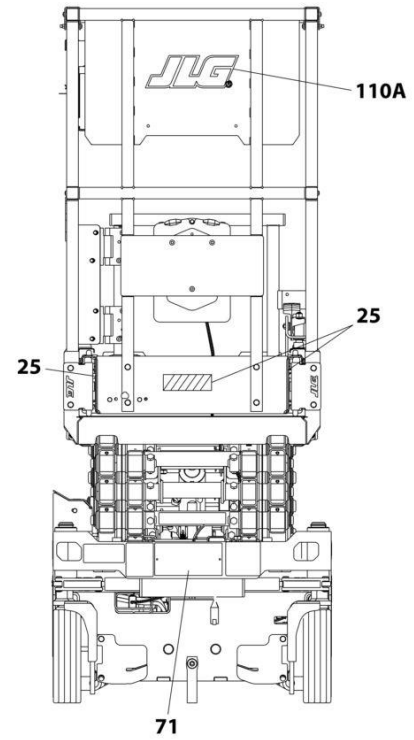
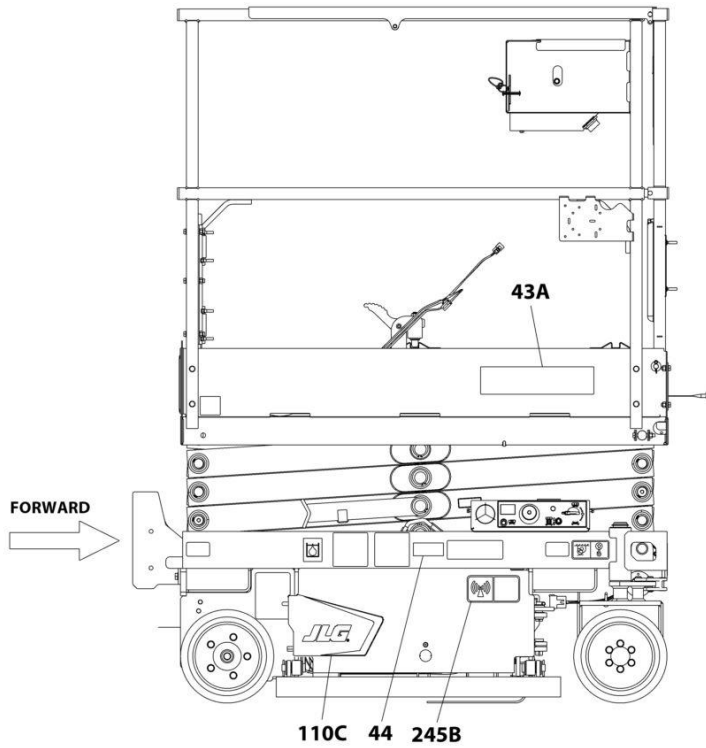
SECTION 8 - DECALS

FIGURE 8-6. DECALS INSTALLATION (KOREAN SPECS)

ITEM	PART NUMBER	QTY	DESCRIPTION	REV
	1001247302	Ref	DECALS INSTALLATION (KOREAN SPECS)	E
	1001247399	Ref	DECAL CHART DRAWING	I
1	2080040	3	Fastener	
2	2080057	4	Fastener	
3	8990147	1	Holder Manual	
100	1001247296	1	Master Decal Kit (Not Shown)	F
101	1701504	1	Decal - Hydraulic Oil	
102	1701640	1	Decal - Manual	
103	1703819	4	Decal - Directional Arrow	
104	1001248126	1	Decal - Manual Descent	
105	1704016	4	Decal - Fork Lift	
107	1704412	1	Decal - Hydraulic Oil Chart	
108	1001132359	1	Decal - Control Box Locate	
109	1001162864	4	Decal - Lift Point/Tie Down	
110	1001220430	1	Decal - Safety Prop	
112	1001212290	1	Decal - Tie Down	
113	1001212291	1	Decal - Lifting Lug	
201	1001247309	1	Decal - Danger/Warning	
202	1001146794	1	Decal - Battery/Charger Service	
203	1001249893	4	Decal - Crushing Hazard	
204	1001211779	4	Decal - Electrocution	
205	1001215750	4	Decal - Danger Electrocution	
206	1707022	2	Decal - Warning Battery Ventilation	
209	1001224048	1	Decal - Yearly Inspection	
214	1704277	2	Decal - Lanyard Attach	
215	1702155	1	Decal - Battery Disconnect	

SECTION 8 - DECALS

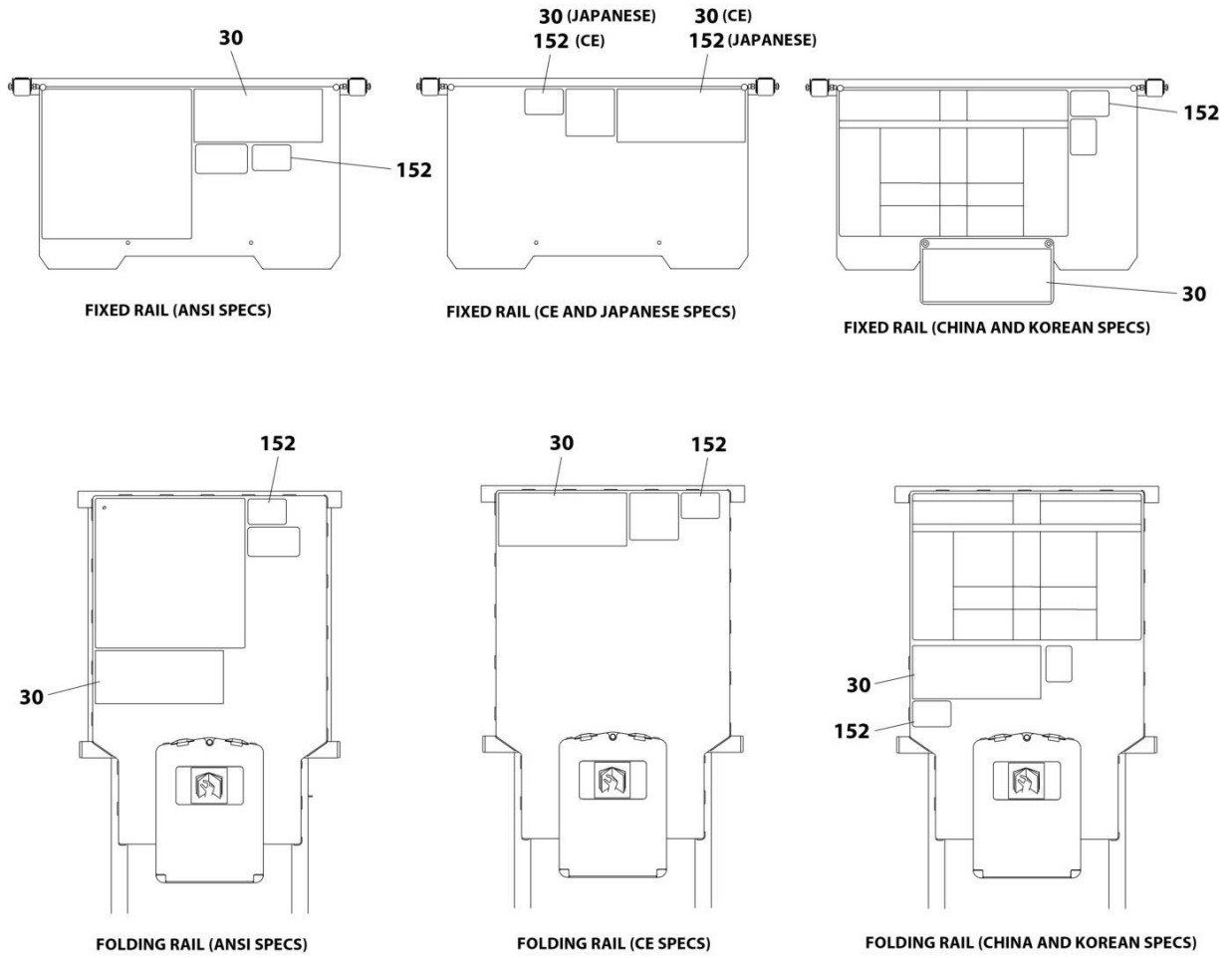
FIGURE 8-7. DECAL INSTALLATION - OPTIONS



NOTE: ITEMS SHOWN MAY NOT BE REQUIRED FOR ALL SPECS. REFER TO PARTS LISTS FOR USAGE.
NOTE: ADDITIONAL DECALS CALLED OUT ON DECAL INSTALLATION - OPTIONS.

ART_DECAL_OPTIONS_10F2

SECTION 8 - DECALS



**NOTE: ITEMS SHOWN MAY NOT BE REQUIRED FOR ALL SPECS. REFER TO PARTS LISTS FOR USAGE.
NOTE: ADDITIONAL DECALS CALLED OUT ON DECAL INSTALLATION - OPTIONS.**

ART_DECAL_OPTIONS_20F2

SECTION 8 - DECALS

FIGURE 8-7. DECAL INSTALLATION - OPTIONS

ITEM	PART NUMBER	QTY	DESCRIPTION	REV
		Ref	DECAL INSTALLATION - OPTIONS	
	1001247399	Ref	DECAL CHART DRAWING	F
25	1001247712	Ref	Corner Stripes Installation	
25	4420051	3 ft/ 92cm	Tape, Safety	
30		Ref	Decal - Capacity Options:	
30	1001246678	1	Decal - Capacity (500lb/227kg) (Indoor Only Machines) (ANSI, ANSI Export, Australian, CE, China, Korean & UK CA Specs)	
30	1001265840	1	Decal - Capacity (500lb/227kg) (Indoor/Outdoor Machines) (ANSI, ANSI Export, CE, China, Korean & UK CA Specs)	
30	1001247297	Ref	Decal - Capacity (China, CSA & Korean Specs)	B
30	1001246678	1	Decal - Capacity (500lb/227kg) (Indoor Only Machines) (China, CSA and Korean Specs)	
30	1001265840	1	Decal - Capacity (500lb/227kg) (Indoor/Outdoor Machines) (China and Korean Specs)	
30	1001247344	1	Plate, Decal Mounting (Indoor Only Machines)	
30	1001216865	1	Plate, Decal Mounting (Indoor/Outdoor Machines)	
30	2080040	2	Fastener	
30	1001246679	1	Decal - Capacity (500lb/227kg) (Indoor Only Machines) (Japanese Specs)	
43	1001247300	Ref	Decal - Model Designation	D
43A	1001246682	2	Decal - Model Designation	
43C	1001249939	1	Decal - Model Designation	
44	1001247660	2	Decal - Maximum Tire Load	
71	See Note	NSS	Decal - Manufacturers Serial Number (Note: Not Available for Purchase)	
110	1001256603	1	JLG Decals Installation	B
110A	1001256675	1	Decal - JLG	
110B	1001256676	1	Decal - JLG	
110C	1001256677	1	Decal - Door	
110D	1001256678	1	Decal - Door	
152		Ref	Decal - No Pipe Racks Allowed Options:	
152	1001092071	1	Decal - No Pipe Racks Allowed (English) (ANSI, ANSI Export and China Specs)	
152	1001092497	1	Decal - No Pipe Racks Allowed (English) (CE, Japanese & UK CA Specs)	
152	1001120622	1	Decal - No Pipe Racks Allowed (English/Chinese) (China Specs)	
152	1001092580	1	Decal - No Pipe Racks Allowed (English/French) (CSA Specs)	
152	1001120621	1	Decal - No Pipe Racks Allowed (English/Korean) (Korean Specs)	
156	1001173703	1	Decal - EAC (Russian/CIS Specs)	
245	1001236984	Ref	Decal - Clear Sky	
245A	1001116208	1	Decal - Clear Sky	
245B	1001120989	1	Decal - Radio Frequency	

SECTION 9 - RECOMMENDED SERVICE PARTS STOCK

SECTION 9 - RECOMMENDED SERVICE PARTS STOCK

SECTION 9 - RECOMMENDED SERVICE PARTS STOCK

FIGURE 9-1. RECOMMENDED SERVICE PARTS STOCK

ITEM	PART NUMBER	QTY	DESCRIPTION	REV
		Ref	Note: The following list will service one machine (built to current production per date on the front cover) with emergency repair parts which can be installed in the field. Parts from the list should be replaced when inventory is depleted to keep service parts stock supplied. For further information, contact your JLG dealer or the JLG Industries Parts Department.	
	1001189172	1	Breaker 16Amp Double (AC Box CE & UK CA Specs Machines)	
	1001189171	1	Breaker 30mAmp (AC Box CE & UK CA Specs Machines)	
	1001181045	1	Breaker 30mAmp/16Amp (AC Box CE & UK CA Specs Machines)	
	1600402	1	Controller, Drive/Steer (Platform Console)	
	8229234	2	Fuse - 10AMP ATO (Drive Control Harness)	
	2860030	1	Key, Replacement (Ground Control)	
	3080007	1	Latch, Magnetic (Platform)	
	1001200629	1	Module, Control (Ground Control)	
	1001243107	1	Module, Control (Drive)	
	1001224873	1	Module, Platform	
	3740150	1	Relay (Ground Control)	
	1001146963	1	Sensor, Angle (Machines with LSS)	
	1001200746	1	Sensor, Angle (Machines without LSS)	
	1001186466	1	Sensor, Tilt (Frame)	
	4360475	1	Switch, Emergency Stop (Ground Control/Platform Console)	
	4360469	1	Switch, Key (Ground Control)	
	1001200633	1	Switch, Push Button (Platform Console)	
	1001226749	1	Switch, Push Button (Ground Control)	
	1001203871	1	Switch, Roller (Pothole Protection)	
	4360328	1	Switch, Toggle (Ground Control)	
	4360345	1	Switch, Toggle (Platform Console)	
	1001258446	1	Switch, Toggle (Platform Console)	

SECTION 10 - SPECIAL OPTIONS/ACCESSORIES/KITS

SECTION 10 - SPECIAL OPTIONS/ACCESSORIES/KITS

SECTION 10 - SPECIAL OPTIONS/ACCESSORIES/KITS

FIGURE 10-1. SPECIAL OPTIONS/ACCESSORIES/KITS

ITEM	PART NUMBER	QTY	DESCRIPTION	REV
		Ref	Note: This list is to accommodate machines ordered with special equipment. Options may not be applicable to all models. For more specific parts information contact the JLG Parts Department.	
		Ref	SPECIAL OPTIONS/ACCESSORIES/KITS	
	1001209921	Ref	Antivandalism Package (Factory Installed)	
	1001225173	Ref	Antivandalism Add-On Kit (Dealer Installed)	
	1001255129	Ref	Beacon Light (Single) Add-On Kit (Dealer Installed)	
	1001274645	Ref	Beacon Light (Dual) Add-On Kit (Dealer Installed)	
	1001269174	Ref	Cleanguard Add-on Kit (Dealer Installed)	
		Ref	ClearSky Telematics Installations (Factory Installed)	
	1001278847	Ref	ClearSky Telematics Installation - 3 Wire (Factory Installed)	
	1001247531	Ref	ClearSky Telematics Installation - Canbus (Factory Installed) (ANSI & CSA Specs)	
	1001247533	Ref	ClearSky Telematics Installation - Canbus (Factory Installed) (Australian Specs)	
	1001247532	Ref	ClearSky Telematics Installation - Canbus (Factory Installed) (CE & UK CA Specs)	
	1001247534	Ref	ClearSky Telematics Installation - Canbus (Factory Installed) (China Specs)	
	TP_REF	Ref	ClearSky Telematics Add-on Kit (Dealer Installed)	
	1001278848	Ref	ClearSky Telematics Add-on Kit - 3 Wire GT1030 (Dealer Installed)	
		Ref	Decal Kit Options:	
	1001274821	Ref	Decal Kit - Common	
		Ref	Electrical Connector Kits	
	1001148902	Ref	Amp/Tyco Electrical Connector Kit	
	1001148903	Ref	Deutsch DT Electrical Connector Kit	
	1001148904	Ref	Deutsch HD Electrical Connector Kit	
	1001148905	Ref	Packard Electrical Connector Kit	
	1001148906	Ref	Various Electrical Connector Kit	
	1001236533	Ref	Footswitch Installation (Factory Installed) (ANSI Export & Japanese Specs Only)	
	1001210670	1	Footswitch Assembly (ANSI Export & Japanese Specs Only)	
	1705828	1	Decal - Footswitch (ANSI Export & Japanese Specs Only)	
	1001255128	Ref	Footswitch Add-On Kit (Dealer Installed)	
	1001268465	Ref	Hostile Environment Package Installation	
	1001273632	Ref	Indoor/Outdoor Kit (CE & UK CA Specs)	
	1001246444	Ref	Low Height Retriktion System Installation (ANSI Export, Japan & Korean Specs)	
	1001269479	Ref	SkySense (Level 1) Installation	
	1001282355	Ref	Telematics Installation (Dealer Installed)	
	1001254661	Ref	Service Kits / Tools	E
		Ref	Tools for Service	
	2901443	1	Analyzer Kit	
	1001232474	1	Benchtop Harness	
	8896941	1	Wire Stripper	
	7002821	1	Wire Crimper (To install wire ends to wires)	
	7002823	1	Pin/Socket Extractor - Universal (To Remove Pins/Sockets from Connectors)	
	4460467	1	Extractor - 16-18 Gauge (For Removal Pins/Sockets from Deutsch Connectors)	

SECTION 10 - SPECIAL OPTIONS/ACCESSORIES/KITS

ITEM	PART NUMBER	QTY	DESCRIPTION	REV
	4460510	1	Extractor - 12-14 Gauge (For Removal of Pins/Sockets from Deutsch Connectors)	
	7002822	1	Screwdriver, Potentiometer (To Adjust Drive Controllers)	
	7016654	1	Screwdriver, Magnetic	
	7004275	1	Seal Installation Tool - 1in	
	7004276	1	Seal Installation Tool - 1-1/2in	
	7002826	1	Seal Installation Tool - 2in	

SECTION 10 - SPECIAL OPTIONS/ACCESSORIES/KITS

PART NUMBER INDEX

SECTION 10 - SPECIAL OPTIONS/ACCESSORIES/KITS

0100011.....13, 15, 17, 27, 29, 31, 33, 35, 39, 43, 45, 47, 51, 55, 57, 59, 61, 63, 81, 99, 101, 103, 105	1001091102... 27, 55, 57, 59, 61, 63	1001144296 173, 174, 178, 181, 182, 186	1001205409 65, 173, 177, 181, 185
0100048.....57, 59, 61, 63	1001092071 262	1001145762 229	1001205410..... 173, 177, 181, 185
0100051.....69, 71, 73, 75, 77, 79	1001092497 262	1001145881 229	1001205411..... 173, 177, 181, 185
0140030..... 109	1001092580 262	1001146794 229, 238, 246, 250, 254, 258	1001205412..... 173, 177, 181, 185
0140043.....57, 59, 61, 63	1001097150 139	1001146963 90, 264	1001205422..... 99
0275216..... 129, 219	1001100341 219	1001148902 266	1001205430..... 99
0275217..... 131, 221	1001100342 221	1001148903 266	1001207009..... 31, 33
0275452..... 133, 223	1001100345 223	1001148904 266	1001207293..... 67
0275453..... 135, 225	1001100346 227	1001148905 266	1001207970..... 157
0275454..... 137, 227	1001100347 225	1001148906 266	1001207973..... 169
0440259..... 13, 119	1001100451 129, 131, 133, 135, 137, 139, 229	1001151629 173, 177, 181, 185	1001207974..... 155, 159, 161, 163, 165, 167
0440263.....27, 87, 91	1001101540 254	1001152266 178, 186	1001208852..... 99
0440264.....87, 91	1001102258 127, 129, 131, 133, 135, 137, 139, 141, 143	1001152483 149	1001209596..... 109
0440265.....87, 91	1001102489 155, 157, 159, 161, 163, 165, 167, 169, 171	1001154378 105	1001209682.... 57, 59, 61, 63
0630183.....99	1001102771 153	1001157547 229	1001209921..... 266
0630576.....81	1001103012 174, 178, 182, 186	1001159186 173, 178, 185, 215	1001210064..... 99
0700412..... 57, 59, 61, 63	1001103471 139, 159	1001162864 238, 242, 246, 250, 254, 258	1001210586..... 101, 103, 105
0700610..... 123	1001104498 174, 178, 182, 186	1001162886 173, 177, 181, 185	1001210670..... 266
0700612.....39, 57, 59, 61, 63, 65	1001110544 37, 39	1001162887 65, 173, 177, 181, 185	1001210963..... 101, 103, 105
0700616..... 57, 59, 61, 63	1001116208 262	1001163340 65, 173, 177, 181, 185	1001211777..... 238
0700815.....27	1001116733 189	1001173703 262	1001211779..... 238, 246, 250, 258
0700816.....81	1001116812 65, 153, 173, 177, 178, 181, 185	1001181045 147, 264	1001212035..... 215
0700818 15, 17, 101, 103, 105	1001117000 181, 185	1001182806 41	1001212036..... 215
0700819.....97, 107	1001117096 231	1001186466 29, 264	1001212068..... 27
0700820..... 105	1001118387 181, 185	1001187587 105	1001212290..... 238, 242, 246, 250, 254, 258
0700823.....27	1001118812 151	1001187816 141	1001212068..... 27
0700835..... 109	1001120204 129, 131, 133, 135, 137	1001188116 141	1001212291..... 238, 242, 246, 250, 254, 258
0701013.....93	1001120205 147, 149	1001189171 149, 264	1001212291..... 238, 242, 246, 250, 254, 258
0701015.....86, 90	1001120621 262	1001189172 149, 264	1001213886..... 109
0701018.....93	1001120622 262	1001192401 174, 178, 182, 186	1001214526..... 27
0701020.....86, 90	1001120989 262	1001194421 215	1001214810..... 81
0701021.....86, 90, 97	1001125483 229	1001196589 174, 182, 186	1001215747..... 246
0701022.....93	1001125677 151, 173, 177, 178, 181, 186	1001196598 178	1001215750..... 258
0760408.....55, 127, 129, 131, 133, 135, 137, 141, 229	1001125916 73, 77	1001196634 153	1001215953..... 27
0760508.....35	1001125927 145	1001196635 65	1001216865..... 262
0760608.....35, 57, 59, 61, 63, 65, 86, 90	1001130220 109	1001198576 39	1001217043..... 99
0760610.....31, 33, 35, 65, 86, 90, 107, 109	1001130590 ... 57, 59, 61, 63	1001200629 ... 57, 59, 61, 63, 264	1001217164..... 147, 149
0760612.....31, 33, 41, 86, 90, 229	1001131270 238, 250	1001200631 90	1001217842..... 189
0760810 47, 99, 105, 171	1001132358 109	1001200632 67	1001217843..... 189
0760812..... 13	1001132359 238, 242, 246, 250, 254, 258	1001200633 264	1001218285..... 109
0761009.....51	1001132361 109	1001200746 86, 264	1001219171..... 242, 254
0761010.....55	1001134821 107	1001200819 109, 215	1001219172..... 242, 254
0761011.....43, 45	1001136757 229	1001201885 174, 178, 182, 186, 215	1001220409..... 107
0761012..... 13	1001137675 99	1001202987 27	1001220410..... 107
0761014.....81	1001142173 229	1001202988 27	1001220430..... 238, 242, 246, 250, 254, 258
0761016.....81	1001143009 229	1001203443 97	1001220893..... 109
0761221.....81	1001143010 229	1001203445 86, 90	1001220995..... 107
0860520.....254	1001144147 65, 151, 186, 189	1001203869 27	1001221475..... 99
0861731.... 217, 223, 225, 227	1001144295 173, 178, 181, 186	1001203870 27, 81	1001221476..... 99
0861781.....219, 221		1001203871 27, 264	1001221949..... 171
0861880..... 147		1001203872 27	1001223055..... 238
0962292..... 117		1001204311 86, 90	1001223262..... 207
1001047064..... 109		1001204495 41	1001223971..... 250
		1001205156 97	1001224048..... 258
			1001224051..... 246
			1001224873..... 264

SECTION 10 - SPECIAL OPTIONS/ACCESSORIES/KITS

1001225164	90	1001239661.....	37, 39	1001244914.....	135	1001247310	242
1001225173	266	1001239737.....	86, 90	1001244915.....	137	1001247311	246
1001226400	229	1001239876.....	90	1001244916.....	129	1001247344	262
1001226749 ...	57, 59, 61, 63, 109, 264	1001239976.....	193	1001244917.....	131	1001247345 ..	86, 90, 117
1001227219	159	1001239977.....	197	1001244918.....	141	1001247399	238, 242, 246, 250, 254, 258, 262
1001227267	139, 159	1001239978.....	199	1001245099.....	99	1001247531	266
1001227268	139	1001241320.....	191, 193, 195	1001245100.....	99	1001247532	266
1001227269	145	1001241321.....	197, 199	1001245101.....	101	1001247533	266
1001228191	145	1001241489.....	31, 33	1001245102.....	101	1001247534	266
1001228370	238, 250	1001241542.....	27	1001245103.....	101	1001247660	262
1001229739	105	1001241543.....	27	1001245106.....	103	1001247712	262
1001229740	105	1001241544.....	27	1001245107.....	103	1001247924	123
1001229741	105	1001241546.....	25	1001245108.....	103	1001248126	238, 242, 246, 250, 254, 258
1001229742	105	1001241589.....	47	1001245110.....	101, 103, 105	1001248155	97
1001229792	81	1001241599.....	15	1001245119.....	105	1001248157	97
1001231268	86, 90	1001241601.....	25	1001245120.....	105	1001248768	65
1001231801	238, 250	1001241822.....	43	1001245121.....	105	1001249645 ...	57, 59, 61, 63
1001232257	105	1001241823.....	43	1001245122.....	105	1001249667	15, 17
1001232474	266	1001242978.....	15, 17	1001245123.....	105	1001249668	73, 77
1001232622	105	1001242980.....	15, 17	1001245125.....	105	1001249846	27
1001233524	13	1001243106.....	13	1001245129.....	105	1001249887	123
1001233525	13	1001243107... ..	15, 17, 264	1001245131.....	105	1001249893	258
1001233714	69, 71	1001243226.....	69	1001245132.....	105	1001249894	246
1001233834	87, 91	1001243227.....	71	1001245133.....	105	1001249939	262
1001233836	87, 91	1001243228.....	73	1001245134.....	105	1001249940	31
1001233837	87, 91	1001243229.....	77	1001245135.....	105	1001250078	39
1001233860	86, 90	1001243229.....	77	1001245136.....	105	1001250403	45
1001233861	86, 90	1001243230.....	69, 73, 75	1001245138.....	101, 103	1001253153	90
1001233863	86, 90	1001243231.....	71, 77, 79	1001245139.....	25	1001253625	65
1001233864	86, 90	1001243232.....	69, 71, 73, 75, 77, 79	1001245293.....	65	1001253626	159
1001233865	86, 90	1001243233.....	69, 71, 73, 75, 77, 79	1001245299.....	65	1001253715	65
1001233866	86, 90	1001243233.....	69, 71, 73, 75, 77, 79	1001245386.....	87, 91	1001253737	65
1001233867	86, 90	1001243235.....	69, 71, 73, 75, 77, 79	1001245388.....	87, 91	1001253885	139
1001234204	86, 90	1001243248.....	13	1001245451.....	87, 91	1001253886	195
1001234320 ...	86, 87, 90, 91	1001243249.....	13	1001245634.....	87, 91	1001253888	195, 205
1001234321	86	1001243251.....	57, 59	1001245635.....	87, 91	1001253969	139, 145
1001234461	13, 119	1001243252.....	61, 63	1001245636.....	86, 90	1001253972	139
1001235002	51, 123	1001243255.....	57, 59, 61, 63, 189	1001245743.....	145	1001254027	33, 151
1001235104	90	1001243257.....	15, 19	1001245744.....	139, 145	1001254028	33, 153
1001236129	99	1001243838.....	47	1001245747.....	139	1001254501	250
1001236533	266	1001244045.....	101	1001245750.....	81	1001254633	75, 79
1001236834	13	1001244047.....	101	1001245790.....	86, 90	1001254661	266
1001236849	27	1001244092.....	103	1001245851.....	51, 53	1001254663	266
1001236856	81	1001244093.....	103	1001245917.....	145	1001255128	266
1001236860	81	1001244095.....	101, 103	1001246444.....	266	1001255129	266
1001236861	81	1001244096.....	101, 103	1001246639.....	19	1001255208	17
1001236984	262	1001244144.....	86, 90	1001246678.....	262	1001255263	75
1001237462 ...	31, 33, 35	1001244160.....	45	1001246679.....	262	1001255264	79
1001237507	29	1001244298.....	246	1001246682.....	262	1001256603	262
1001237518	25	1001244301.....	246	1001246920.....	13	1001256605	262
1001237552	191, 193, 195, 197, 199, 201, 203, 205, 207, 209	1001244338.....	69, 71, 73, 75, 77, 79	1001246921.....	13	1001256675	262
1001237553	191	1001244339.....	69, 71, 73, 75, 77, 79	1001247241.....	93	1001256676	262
1001238025	123	1001244432.....	193, 199, 203, 209	1001247242.....	93	1001256677	262
1001238026	123	1001244672.....	81	1001247243.....	93	1001256678	262
1001238060	71, 77, 79	1001244908.....	133, 135, 149	1001247244.....	93	1001256745	39
1001239224	37, 39	1001244909.....	129, 131, 137, 147	1001247245.....	93	1001258226	86, 91
1001239303 ...	69, 73, 75	1001244911.....	127	1001247246.....	93	1001258446	109, 264
1001239314	37	1001244912.....	143	1001247296.....	238, 242, 246, 250, 254, 258	1001258992	254
1001239315	39	1001244913.....	133	1001247297.....	262	1001260503	55
1001239373	86, 211			1001247300.....	262	1001260504	55
1001239374	90, 213			1001247301.....	238	1001260628	31
1001239404	86, 90			1001247302.....	258	1001261041	201
1001239457	81			1001247303.....	246	1001261042	203
				1001247304.....	254	1001261043	207
				1001247305.....	242	1001261044	209
				1001247309.....	258	1001261050	205

SECTION 10 - SPECIAL OPTIONS/ACCESSORIES/KITS

1001262221.....113	1701640 ... 238, 242, 246, 250, 254, 258	3291007 86, 90, 93, 97	4420051.....262
1001262299.....91		3291201 81	4420062.... 101, 103, 105, 109
1001262581.....55	1702155 ... 238, 242, 246, 250, 258	3311502 99	4460019.....178
1001262655.....109		3321402 86, 90	4460042.... 173, 178, 182, 185
1001263443.....86	1703464 127, 129	3322203 15, 17	4460115.... 173, 177, 181, 185
1001264943.....31	1703813 238	3340962 86, 90	4460138.....127
1001264944.....33	1703816 238	3391210 15, 17	4460183.... 173, 177, 181, 185, 215
1001264945.....35	1703819 65, 109, 238, 242, 246, 250, 254, 258	3423032 97	4460226.... 173, 177, 181, 185
1001264946.....155		3423037 13	4460227 31, 33, 174, 178, 182, 186
1001264947.....157	1704016 ... 238, 242, 246, 250, 254, 258	3423243 81	4460247.... 173, 178, 182, 185
1001264948.....171		3423278 109	4460259.... 173, 181, 185
1001264949.....165	1704260 109	3430636 27	4460260.... 173, 177, 181, 185
1001264950.....167	1704277 ... 238, 242, 246, 250, 254, 258	3430814 99	4460265.....215
1001264951.....161		3430816 99	4460267.....215
1001264952.....163	1704340 250	3431212 27, 81	4460315.....127, 141
1001264953.....169	1704344 246	3431218 27	4460320.... 173, 177, 181, 185
1001264954.....159	1704412 ... 238, 242, 246, 250, 254, 258	3450303 27, 81	4460346.....217
1001264978.....33		3450403 99	4460418.... 173, 178, 181, 185, 215, 233
1001265088.....55	1704684 250	3450505 27, 81	4460419..... 181, 233
1001265409.....55	1705311 250	3520072 ... 101, 103, 105	4460424.....31, 33
1001265533.....201, 203, 205	1705670 242, 254	3740150 ... 57, 59, 61, 63, 229, 264	4460464.. 39, 41, 65, 153, 173, 177, 178, 181, 185, 189, 191, 193, 195, 197, 199, 201, 203, 205, 207, 209, 211, 213, 215, 233
1001265534.....209	1705828 266		4460465.... 19, 37, 39, 65, 153, 173, 174, 177, 178, 181, 182, 185, 186, 191, 193, 195, 197, 199, 201, 203, 205, 207, 209, 211, 213
1001265840.....262	1706679 ... 57, 59, 61, 63	3760115 86, 90	4460466.... 65, 151, 153, 173, 177, 178, 181, 185, 186, 189, 191, 193, 195, 197, 199, 201, 203, 205, 207, 209, 213, 215, 233
1001266166.....55	1707022 258	3760170 86, 90	4460467.....266
1001266167.....55	2080040 99, 101, 103, 105, 238, 242, 246, 250, 254, 258, 262	3760387 86, 90	4460496.....109
1001266213.....57, 173		3841143 86, 90	4460497.....109
1001266214.....61, 181	2080057 ... 238, 242, 246, 250, 254, 258	3860111 101, 103	4460510.....267
1001266955.....55		3910804 57, 59, 61, 63	4460539.... 174, 178, 182, 186, 197, 199, 207, 209, 213
1001268465.....266	2220466 123	3990001 153	4460662.... 133, 135, 137, 217
1001269174.....266	2220654 123	4010308 37, 39	4460670.... 173, 181, 185, 189
1001269479.....266	2220883 117	4010405 139	4460722.....233
1001270168.....17, 21	2400060 65, 153, 173, 177, 181, 185	4010408 ... 107, 139, 159	4460754.... 191, 193, 195, 197, 199, 201, 203, 205, 207, 209
1001270169.....17, 23		4010608 ... 101, 103, 105	4460761.... 174, 178, 182, 186
1001272868.....174, 177	2420172 57, 59, 61, 63	4010616 101, 103	4460779.....231
1001273632.....266	2540045 57, 59, 61, 63	4010617 105	4460871..... 153, 189
1001274502.....229	2600281 ... 101, 103, 105	4010618 ... 101, 103, 105	
1001274556.....229	2860030 ... 57, 59, 61, 63, 264	4031509 109	
1001274559.....59, 61, 63		4031511 27	
1001274560.....55	2901443 266	4031512 86, 90	
1001274604.....109	2902431 127, 217	4031708 15, 17, 29	
1001274605.....109	3080007 ... 101, 103, 105, 264	4032010 15, 17	
1001274645.....266		4060803 109	
1001274661.....113	3121792 65	4060906 109	
1001274821.....266	3252507 ... 131, 133, 135, 137, 141, 143	4160078 86, 90	
1001275545.....229, 231		4160202 27	
1001275546.....229, 233	3290305 37, 39	4160214 81	
1001275547.....229	3290405 ... 27, 55, 57, 59, 61, 63, 86, 90, 107, 109, 127, 129, 131, 133, 135, 137, 139, 141, 159, 229, 254	4240017 ... 15, 17, 31, 33, 35, 57, 59, 61, 63, 65, 69, 71, 73, 75, 77, 79, 86, 90, 127, 129, 131, 133, 135, 137, 139, 141, 143, 155, 157, 159, 161, 163, 165, 167, 169, 171, 191, 193, 195, 197, 199, 201, 203, 205, 207, 209, 229	
1001275548.....229		4240018 123	
1001278847.....266	3290505 35	4240147 27	
1001278848.....266	3290601 29, 123	4360328 ... 57, 59, 61, 63, 264	
1001282355.....266	3290605 ... 31, 33, 35, 41, 57, 59, 61, 63, 65, 81, 86, 90, 129, 131, 133, 135, 137, 139, 229	4360336 229	
1001283411.....59, 177		4360345 264	
1001283412.....63, 185	3290801 13, 27	4360469 ... 57, 59, 61, 63, 264	
1001285138.....35	3290805 ... 27, 81, 97, 99, 171	4360475 . 57, 61, 63, 109, 264	
1001288781.....17			
1060908.....145, 147, 149	3290806... 101, 103, 105, 107, 109		
1320223.....171			
1321293.....31, 33, 35	3290807 86, 91		
1321385.....86, 90	3291005 81, 99		
1321752.....15, 17			
1380153.....13			
1600402.....109, 111, 264			
1671207.....217			
1701504.... 238, 242, 246, 250, 254, 258			

SECTION 10 - SPECIAL OPTIONS/ACCESSORIES/KITS

4460872 153	4461246 227	70007075 119	70007907 21, 23
4460873 189	4461249 167, 227	70007076 119	70007909 21, 23
4460877 ... 173, 178, 181, 185	4461257 129, 131	70007077 119	70007910 21, 23
4460884 65, 153, 173, 178, 182, 185, 186, 213	4461258 129, 131	70007118 119	70007911 21, 23
4460891 . 19, 37, 39, 153, 173, 177, 178, 181, 185, 197, 199, 207, 209, 211, 213	4711000 35	70007120 53	70007912 21, 23
4460894 ... 173, 177, 181, 185, 191, 193, 195, 197, 199, 201, 203, 205, 207, 209	4711700 109	70007121 53	70007913 21, 23
4460897 39, 41, 153, 173, 177, 178, 181, 185, 189, 211, 233	4711800 99	70007122 53	70007914 21, 23
4460899 ... 191, 193, 195, 197, 199, 201, 203, 205, 207, 209	4740438 86, 90	70007123 53	70007915 21, 23
4460905 153, 189	4740531 86, 90	70007124 53	70007916 21, 23
4460930 178, 186	4811400 86, 90, 107, 109, 127, 129, 131, 133, 135, 137, 139, 141, 159, 229	70007125 53	70007917 21, 23
4460932 65, 153	4811700 ... 31, 33, 35, 39, 41, 57, 59, 61, 63, 65, 86, 90, 101, 103, 105, 107, 109, 123, 129, 131, 133, 135, 137, 139, 229	70007126 53	70007918 21, 23
4460933 ... 151, 173, 177, 181, 185, 186	4811900 ... 13, 15, 17, 27, 47, 81, 97, 99, 101, 103, 105, 109, 171	70007127 53	70007919 21, 23
4460943 65, 151, 189, 191, 193, 195, 197, 199, 201, 203, 205, 207, 209	4811902 27, 105, 107	70007128 53	70007920 21, 23
4460944 65, 151, 153, 173, 174, 177, 178, 181, 182, 185, 186, 191, 193, 195, 197, 199, 201, 203, 205, 207, 209	4812000 ... 13, 15, 17, 27, 43, 45, 51, 81, 86, 90, 93, 99	70007130 117	70007921 21, 23
4460956 147	4812002 99	70007131 117	70007922 21, 23
4460957 147	4812100 81	70007132 117	70007923 21, 23
4460965 ... 174, 177, 182	4812500 15, 17, 27	70007133 117	70007924 21, 23
4460966 ... 174, 182, 186	4846757 13	70007134 117	70007925 21, 23
4460968 141	5241000 81, 99	70007135 117	70007926 21, 23
4460970 213	70000082 111	70007137 117	70007927 21, 23
4461016 215	70000084 111	70007138 117	70007928 21, 23
4461023 ... 173, 177, 181, 185	70000683 111	70007252 19	70007929 21, 23
4461196 161, 219	70000684 111	70007253 19	70007930 21, 23
4461198 219	70000685 111	70007254 19	70007931 21, 23
4461199 163, 221	70000686 111	70007255 19	70007932 21, 23
4461201 221	70001250 111	70007256 19	70007933 21, 23
4461205 ... 165, 223, 225	70001251 111	70007257 19	70007934 21, 23
4461244 223	70001252 111	70007258 19	70007935 21
4461245 225	70001253 111	70007259 19	70007936 23
	70003636 117, 119	70007260 19	7002821 266
	70003650 111	70007261 19	7002822 267
	70003685 53	70007262 19	7002823 266
	70003686 53	70007263 19	7002826 267
	70003690 53	70007264 19	7004275 267
	70003696 53	70007265 19	7004276 267
	70003734 53	70007266 19	7007271 19
	70004585 117	70007267 19	7016654 267
	70005236 117	70007268 19	7020175 ... 57, 61, 63, 109
	70007074 119	70007269 19	7020176 ... 57, 61, 63, 109
		70007270 19	7027365 111
		70007272 19	7027367 111
		70007273 19	7027765 111
		70007274 19	7027766 111
		70007275 19	8220045 ... 174, 177, 186
		70007551 21, 23	8229031 ... 174, 182, 186
		70007900 21, 23	8229234 189, 264
		70007902 21, 23	8405204 55
		70007903 21, 23	8896941 266
		70007904 21, 23	8990147 ... 238, 242, 246, 250, 258
		70007905 21, 23	TP_REF 266
		70007906 21, 23	



**Corporate Office
JLG Industries, Inc.
1 JLG Drive
McConnellsburg, PA 17233-9533 USA
☎ (717) 485-5161 (Corporate)
☎ (877) 554-5438 (Customer Support)
📠 (717) 485-6417**

**Visit our website for JLG Worldwide Locations.
www.jlg.com**



OSHKOSH™