



Illustrated Parts Manual

Model **ES1530LC**

PVC
2204
2210

P/N
31220696

March 1, 2023 - Rev B

ANSI

CE



**UK
CA**

AS/NZS



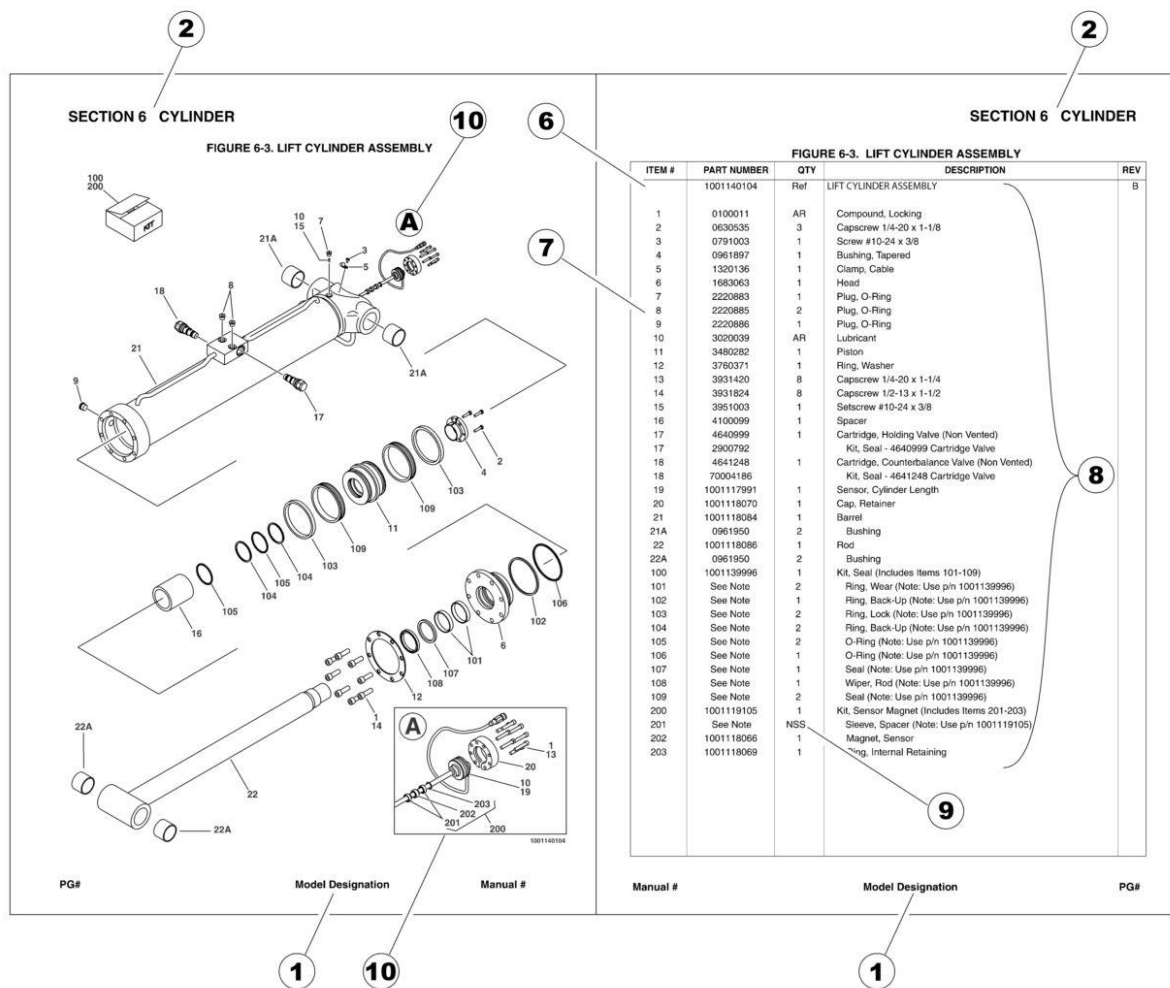
An Oshkosh Corporation Company

REVISION LOG

December 30, 2022 - A - Original Issue of Manual (Edited to 1001250000 Rev V)

March 1, 2023 - B - Revised Manual (Edited to 1001250000 Rev V)

GENERAL INFORMATION



1) MACHINE IDENTIFICATION

Machines are identified by model and in some cases a combination of models, serial number (SN) or regional standard (i.e ANSI, CE, CSA). Components may also be identified by SN or manufacturer. Common components that may be identified by these characteristics are engines and hydraulic components.

2) PARTS MANUAL ORGANIZATION

Product information in this manual is organized under section titles. Frame, Cylinder, Hydraulic and Electrical are a few examples. Each section is organized by figure and page number. The information within the Figure is then organized by item number, part number, description and corresponding illustration (s).

3) TABLE OF CONTENTS (NOT SHOWN)

A table of contents is found toward the beginning of the manual. Figure number, description and page number are provided for quick reference to the page containing the related information.

4) RECOMMENDED SPARE PARTS (NOT SHOWN)

The Recommended Spare Parts List, located near the end of the manual, reference most frequently used maintenance parts.

5) PART NUMBER INDEX (NOT SHOWN)

A numerical index listing all part numbers and the corresponding page number(s) appears at the back of the manual.

GENERAL INFORMATION

6) NON-SERVICED PARTS

In some instances, it is necessary to display non-serviced parts, assemblies or installations. In the case of assemblies and installations there will be a Ref in the Qty. column. In case of parts that are not available for service within assemblies or components, there will be a NSS (Not Sold Separately) or NLA (No Longer Available) listed in the Qty. column of the manual.

7) PARTS LIST ITEM NUMBERS

Numbers shown in the item# column correspond to numbers used in the associated illustration (s). Item numbers which are missing from the sequence in the parts list are not used on that page.

8) INDENTED PARTS DESCRIPTION

An indented part description is included in the item under which it is indented.

9) ABBREVIATION AND SYMBOLS

AC.....	Alternating Current	L.....	Liter
ADE.....	Advanced Design Electronics	LB(LBS).....	Pounds
AG.....	Agricultural	LCD.....	Liquid Crystal Display
ANSI.....	American National Standards Institute	LED.....	Light Emitting Diodes
AR.....	As Required	LH.....	Left Hand
ASSY.....	Assembly	LRC.....	Low Rated Countries
AUS.....	Australia	LSS.....	Load Sensing System
AUX.....	Auxiliary	M(m).....	Metric/Meter
AWG.....	American Wire Gauge	MM(mm).....	Milimeter
B/M.....	Bill of Material	mA.....	Miliamps
CAC.....	Charge Air Cooler	NLA.....	No Longer Available
CE.....	European Conformity	NPT.....	National Pipe Threads
CCW.....	Counter Clockwise	NSS.....	Not Sold Separately
CM.....	Centimeter	OD.....	Outside Diameter
CW.....	Clockwise	ORB.....	O-Ring Boss
CSA.....	Canadian Standards Association	ORFS.....	O-Ring Face Seal
CYL.....	Cylinder	OZ (oz).....	Ounces
DIA.....	Diameter	PG.....	Page
DC.....	Direct Current	PN.....	Part Number
DEF.....	Diesel Exhaust Fluid	QT(qt.).....	Quarts
EMS.....	Emergency Stop	QTY.....	Quantity
ENG.....	Engine	REF.....	Reference
FT(ft).....	Feet	REV.....	Revision Level
GA(Ga).....	Gauge	RH.....	Right Hand
HRC.....	High Rated Countries	SAE.....	Society of Automotive Engineers
HVAC.....	Heating, Ventilating, and Air Conditioning	SN.....	Serial Number
HYD.....	Hydraulic	SPEC(S).....	Specifications
Hz.....	Hertz	T/T.....	Turntable
ID.....	Inside Diameter	UGM.....	Universal Ground Module
IN.....	inches	V.....	Volts
ISO.....	International Organization for Standards	W.....	Watts
JIC.....	Joint Industry Council	#.....	Number
KG.....	Kilogram		

10) ILLUSTRATION REFERENCE LETTERS

When necessary, illustrations may contain reference letters that are intended to track information (i. e. hoses, harnesses) from one point to another or to track visual enlargement of components to show details that may be located in another area on the illustration.

Note: Due to continuous product improvements, JLG Industries, Inc. reserves the right to make specification changes without prior notification. Contact JLG Industries, Inc. for updated information.

TABLE OF CONTENTS

SECTION 1 - FRAME.....	11
FIGURE 1-1. TRACK DRIVE INSTALLATION (ALL SPECS EXCEPT JAPANESE SPECS) (Prior to SN B200081704).....	12
FIGURE 1-2. TRACK DRIVE INSTALLATION (ALL SPECS EXCEPT JAPANESE SPECS) (SN B200081704 to Present).....	14
FIGURE 1-3. TRACK DRIVE INSTALLATION (JAPANESE SPECS) (Prior to SN B200081704)	16
FIGURE 1-4. TRACK DRIVE INSTALLATION (JAPANESE SPECS) (SN B200081704 to Present).....	18
FIGURE 1-5. TRACK DRIVE INSTALLATION (SN 0200270163 through 0200270166)	20
FIGURE 1-6. DRIVE MOTOR ASSEMBLY (Prior to SN B200081704)	22
FIGURE 1-7. DRIVE MOTOR ASSEMBLY (SN B200081704 to Present).....	24
FIGURE 1-8. ALARM INSTALLATION (AMBIENT/WHITE NOISE)	26
FIGURE 1-9. TILT SENSOR INSTALLATION	28
FIGURE 1-10. STROBE LIGHT INSTALLATION - SINGLE (AMBER)	30
FIGURE 1-11. STROBE LIGHT INSTALLATION - DUAL (AMBER).....	32
FIGURE 1-12. BATTERY DOOR & FRAME COVERS INSTALLATION (Prior to SN B200083867)	34
FIGURE 1-13. BATTERY DOOR & FRAME COVERS INSTALLATION (SN B200083867 to Present).....	36
FIGURE 1-14. LADDER INSTALLATION	38
SECTION 2 - GROUND CONTROLS	41
FIGURE 2-1. HYDRAULIC COMPONENTS INSTALLATION	42
FIGURE 2-2. MOTOR/PUMP/TANK ASSEMBLY.....	44
FIGURE 2-3. ELECTRICAL COMPONENTS INSTALLATION (WITHOUT LSS)	46
FIGURE 2-4. ELECTRICAL COMPONENTS INSTALLATION (WITH LSS).....	48
FIGURE 2-5. BATTERY TRAY INSTALLATION.....	50
FIGURE 2-6. BATTERIES INSTALLATION.....	52
FIGURE 2-7. BATTERIES INSTALLATION - STANDARD BATTERIES WITH DISCONNECT	54
FIGURE 2-8. BATTERIES INSTALLATION - AGM BATTERIES WITHOUT DISCONNECT	56
FIGURE 2-9. BATTERIES INSTALLATION - AGM VISION BATTERIES WITHOUT DISCONNECT	58
FIGURE 2-10. BATTERIES INSTALLATION - AGM BATTERIES WITH DISCONNECT.....	60
FIGURE 2-11. BATTERIES INSTALLATION - AGM VISION BATTERIES WITH DISCONNECT.....	62
FIGURE 2-12. BATTERY CHARGER INSTALLATION - DELTA-Q (LESS AC CABLE)	64
FIGURE 2-13. BATTERY CHARGER INSTALLATION - DELTA-Q WITH CAN TERMINAL (LESS AC CABLE).....	66
FIGURE 2-14. BATTERY CHARGER INSTALLATION - GREEN POWER (LESS AC CABLE).....	68
SECTION 3 - SCISSOR ARMS.....	71
FIGURE 3-1. SCISSOR ARMS INSTALLATION (WITHOUT LSS)	72
FIGURE 3-2. SCISSOR ARMS INSTALLATION (WITH LSS).....	76
SECTION 4 - PLATFORM.....	81
FIGURE 4-1. PLATFORM INSTALLATION.....	82
FIGURE 4-2. PLATFORM EXTENSION INSTALLATION	84
FIGURE 4-3. RAILS INSTALLATION (1.1M TUBE IN TUBE)	86
FIGURE 4-4. RAILS INSTALLATION (1.0M TUBE IN TUBE)	88
FIGURE 4-5. RAILS INSTALLATION (SIDE BY SIDE)	90
FIGURE 4-6. GATE LATCH INSTALLATION	92
FIGURE 4-7. PLATFORM CONSOLE INSTALLATION.....	94
FIGURE 4-8. CONTROLLER ASSEMBLY	96

TABLE OF CONTENTS

FIGURE 4-9. PLATFORM CONTROL PLUG INSTALLATION	98
FIGURE 4-10. MOBILE CONTROL INSTALLATION	100
SECTION 5 - CYLINDER.....	103
FIGURE 5-1. LIFT CYLINDER ASSEMBLY	104
SECTION 6 - ELECTRICAL.....	107
FIGURE 6-1. AC BOX AT PLATFORM INSTALLATION - 110V GFI (ALL SPECS EXCEPT CE & UK CA SPECS).....	108
FIGURE 6-2. AC BOX AT PLATFORM INSTALLATION - 220V CEE7 SIDE GROUND (CE & UK CA SPECS).....	110
FIGURE 6-3. AC BOX AT PLATFORM INSTALLATION - 220V CHINA PLUG (CHINA SPECS).....	112
FIGURE 6-4. AC BOX AT PLATFORM INSTALLATION - 220V LOCALLY SUPPLIED	114
FIGURE 6-5. BREAKER BOX KIT WITH 3 BREAKER	116
FIGURE 6-6. CAN SPLICE HARNESS	118
FIGURE 6-7. CHARGER HARNESS	120
FIGURE 6-8. CHARGER JUMPER HARNESS.....	122
FIGURE 6-9. CHARGER PLUG INSTALLATION (LOCALLY SUPPLIED PLUG) (ALL SPECS EXCEPT AUSTRALIAN SPECS)	124
FIGURE 6-10. CHARGER PLUG INSTALLATION (110V PLUG) (ANSI & CSA SPECS).....	126
FIGURE 6-11. CHARGER PLUG INSTALLATION (CHINA PLUG) (CHINA SPECS).....	128
FIGURE 6-12. CHARGER PLUG INSTALLATION (KOREAN PLUG) (KOREAN SPECS).....	130
FIGURE 6-13. GROUND TO PLATFORM CABLE INSTALLATION - WITHOUT PLATFORM COIL CABLE/WITHOUT AC CABLE/WITH FOOTSWITCH	132
FIGURE 6-14. CHASSIS HARNESS (WITHOUT LSS).....	134
FIGURE 6-15. CHASSIS HARNESS (WITH LSS)	138
FIGURE 6-16. DRIVE CONTROL HARNESS.....	142
FIGURE 6-17. GROUND TO PLATFORM CABLE INSTALLATION - WITHOUT PLATFORM COIL CABLE/WITH AC CABLE/WITH FOOTSWITCH	144
FIGURE 6-18. GROUND TO PLATFORM CABLE INSTALLATION - WITH PLATFORM COIL CABLE/WITHOUT AC CABLE/WITHOUT FOOTSWITCH.....	146
FIGURE 6-19. GROUND TO PLATFORM CABLE INSTALLATION - WITH PLATFORM COIL CABLE/WITH AC CABLE/WITHOUT FOOTSWITCH.....	148
FIGURE 6-20. LIFT DOWN HARNESS (WITHOUT LSS).....	150
FIGURE 6-21. LIFT DOWN HARNESS (WITH LSS)	152
FIGURE 6-22. MOBILE CONTROL HARNESS	154
FIGURE 6-23. PLATFORM CONTROL BOX HARNESS.....	156
FIGURE 6-24. RECEPTACLE BOX KIT - 110V GFI.....	158
FIGURE 6-25. RECEPTACLE BOX KIT - 220V CEE7 SIDE GROUND (CE & UK CA SPEC)	160
SECTION 7 - DECALS	163
FIGURE 7-1. DECALS INSTALLATION (ANSI SPECS)	164
FIGURE 7-2. DECALS INSTALLATION (CHINA SPECS)	168
FIGURE 7-3. DECALS INSTALLATION (CSA SPECS)	172
FIGURE 7-4. DECALS INSTALLATION (JAPANESE SPECS).....	176
FIGURE 7-5. DECALS INSTALLATION (KOREAN SPECS)	180
FIGURE 7-6. DECAL INSTALLATION - OPTIONS.....	184
SECTION 8 - RECOMMENDED SERVICE PARTS STOCK.....	187
FIGURE 8-1. RECOMMENDED SERVICE PARTS STOCK.....	188

TABLE OF CONTENTS

SECTION 9 - SPECIAL OPTIONS/ACCESSORIES/KITS	189
FIGURE 9-1. SPECIAL OPTIONS/ACCESSORIES/KITS	190
PART NUMBER INDEX	191

SECTION 1 - FRAME

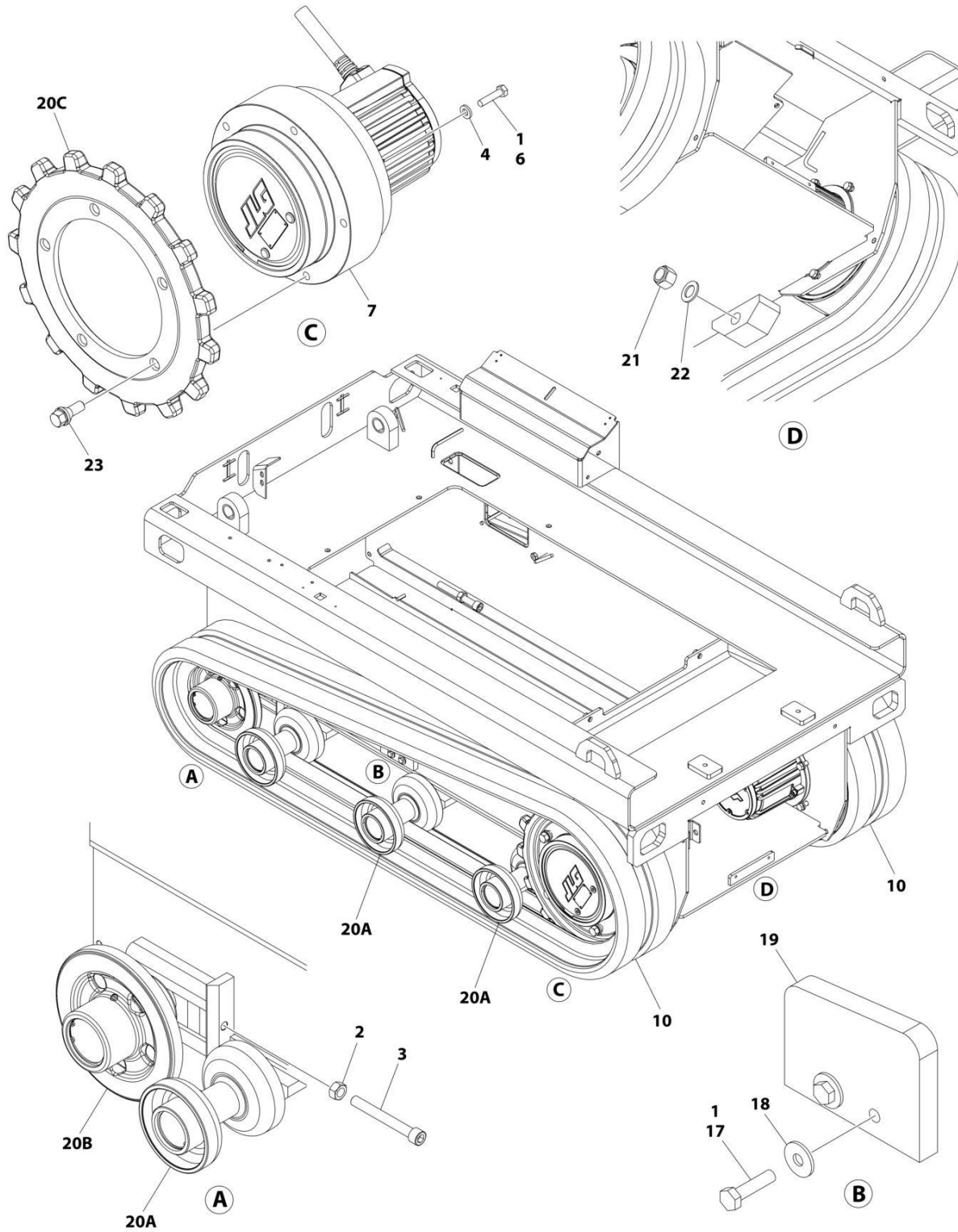
SECTION 1 - FRAME

FIGURE 1-1. TRACK DRIVE INSTALLATION (ALL SPECS EXCEPT JAPANESE SPECS) (Prior to SN B200081704)

ITEM	PART NUMBER	QTY	DESCRIPTION	REV
	1001250940	Ref	TRACK INSTALLATION	E
1	0100011	AR	Compound, Locking	
2	3291201	2	Nut M12	
3	1001289231	2	Bolt M12 x 100	
4	5240800	12	Washer M8	
6	0770814	12	Bolt M8 x 30	
7	1001278172	2	Motor Assembly (See Separate Breakdown in this Section)	
10	1001251245	2	Track, Rubber	
17	0760612	4	Bolt M6 x 25	
18	4811702	4	Washer M6	
19	1001289692	2	Pad	
20	1001288909	1	Track Wheel Kit (Not Shown - Includes Items 20A-20C)	
20A	1001286110	6	Roller Assembly	
20B	1001286111	2	Idler Wheel Assembly	
20C	1001286112	2	Sprocket	
21	3292205	6	Nut M22	
22	1001289238	6	Washer M22	
23	0630580	10	Bolt, Wheel	

SECTION 1 - FRAME

FIGURE 1-2. TRACK DRIVE INSTALLATION (ALL SPECS EXCEPT JAPANESE SPECS) (SN B200081704 to Present)



ART_1001250940_F

SECTION 1 - FRAME

FIGURE 1-2. TRACK DRIVE INSTALLATION (ALL SPECS EXCEPT JAPANESE SPECS) (SN B200081704 to Present)

ITEM	PART NUMBER	QTY	DESCRIPTION	REV
	1001250940	Ref	TRACK INSTALLATION	F
1	0100011	AR	Compound, Locking	
2	3291201	2	Nut M12	
3	1001289231	2	Bolt M12 x 100	
4	5240800	12	Washer M8	
6	0770815	12	Bolt M8 x 35	
7	1001297080	2	Motor Assembly (See Separate Breakdown in this Section)	
10	1001251245	2	Track, Rubber	
17	0760612	4	Bolt M6 x 25	
18	4811702	4	Washer M6	
19	1001289692	2	Pad	
20	1001288909	1	Track Wheel Kit (Not Shown - Includes Items 20A-20C)	
20A	1001286110	6	Roller Assembly	
20B	1001286111	2	Idler Wheel Assembly	
20C	1001286112	2	Sprocket	
21	3292205	6	Nut M22	
22	1001289238	6	Washer M22	
23	0630580	10	Bolt, Wheel	

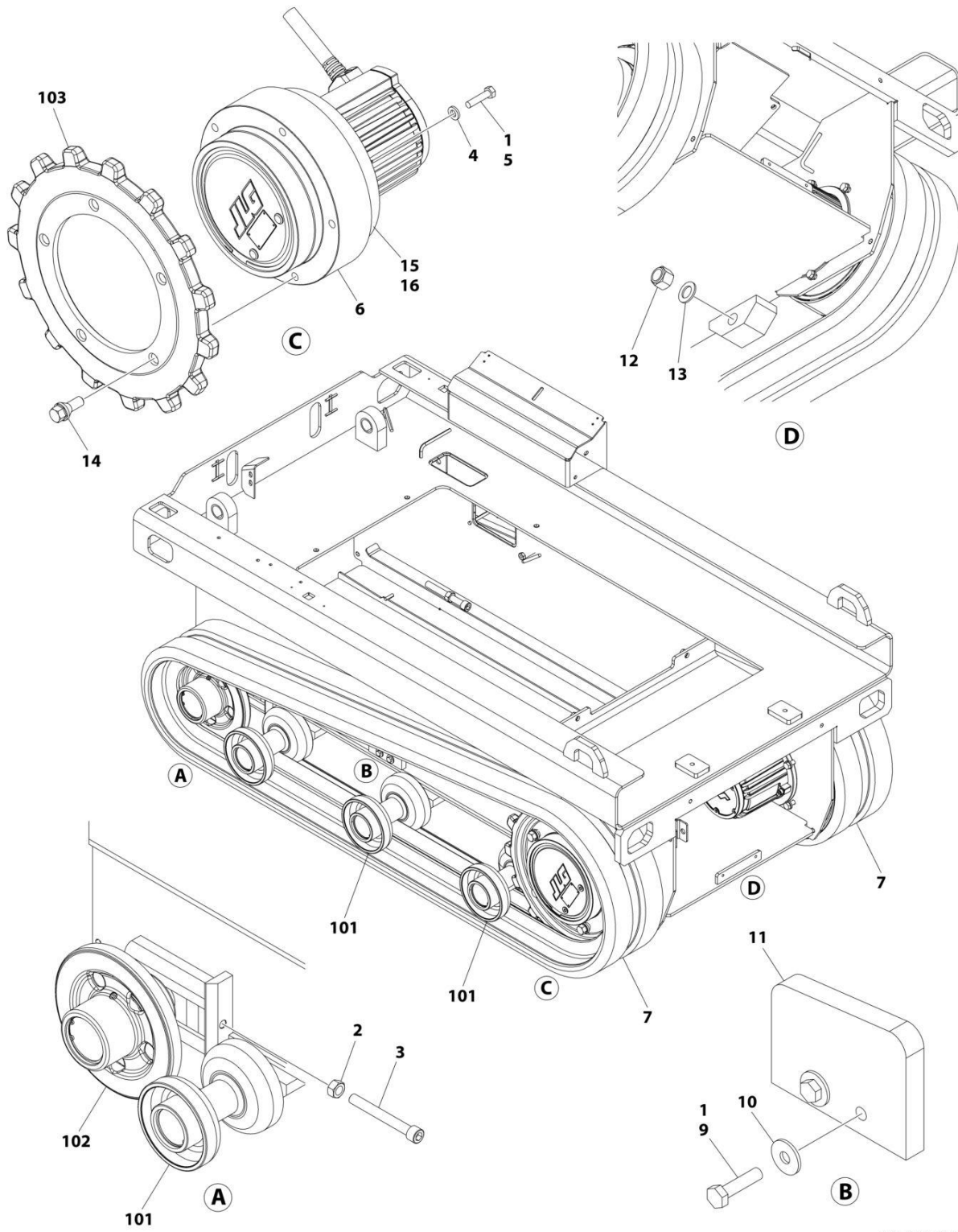
SECTION 1 - FRAME

FIGURE 1-3. TRACK DRIVE INSTALLATION (JAPANESE SPECS) (Prior to SN B200081704)

ITEM	PART NUMBER	QTY	DESCRIPTION	REV
	1001289919	Ref	TRACK DRIVE INSTALLATION	C
1	0100011	AR	Compound, Locking	
2	3291201	2	Nut M12	
3	1001289231	2	Capscrew M12 x 100	
4	5240800	12	Washer M8	
5	0770814	12	Bolt M8 x 30	
6	1001278172	2	Motor Assembly (See Separate Breakdown in this Section)	
7	1001251245	2	Track, Rubber	
9	0760612	4	Bolt M6 x 25	
10	4811702	4	Washer M6	
11	1001289692	2	Pad	
12	3292205	6	Nut M22	
13	1001289238	6	Washer M22	
14	0630580	10	Bolt, Wheel	
15	1001288492	2	Seal, V-Ring	
16	1001289965	AR	Lubricant	
100	1001288909	1	Track Wheel Kit (Not Shown - Includes Items 101-103)	
101	1001290272	6	Roller Assembly	
102	1001290531	2	Idler Wheel Assembly	
103	1001286112	2	Sprocket	

SECTION 1 - FRAME

FIGURE 1-4. TRACK DRIVE INSTALLATION (JAPANESE SPECS) (SN B200081704 to Present)



ART_1001289919_D

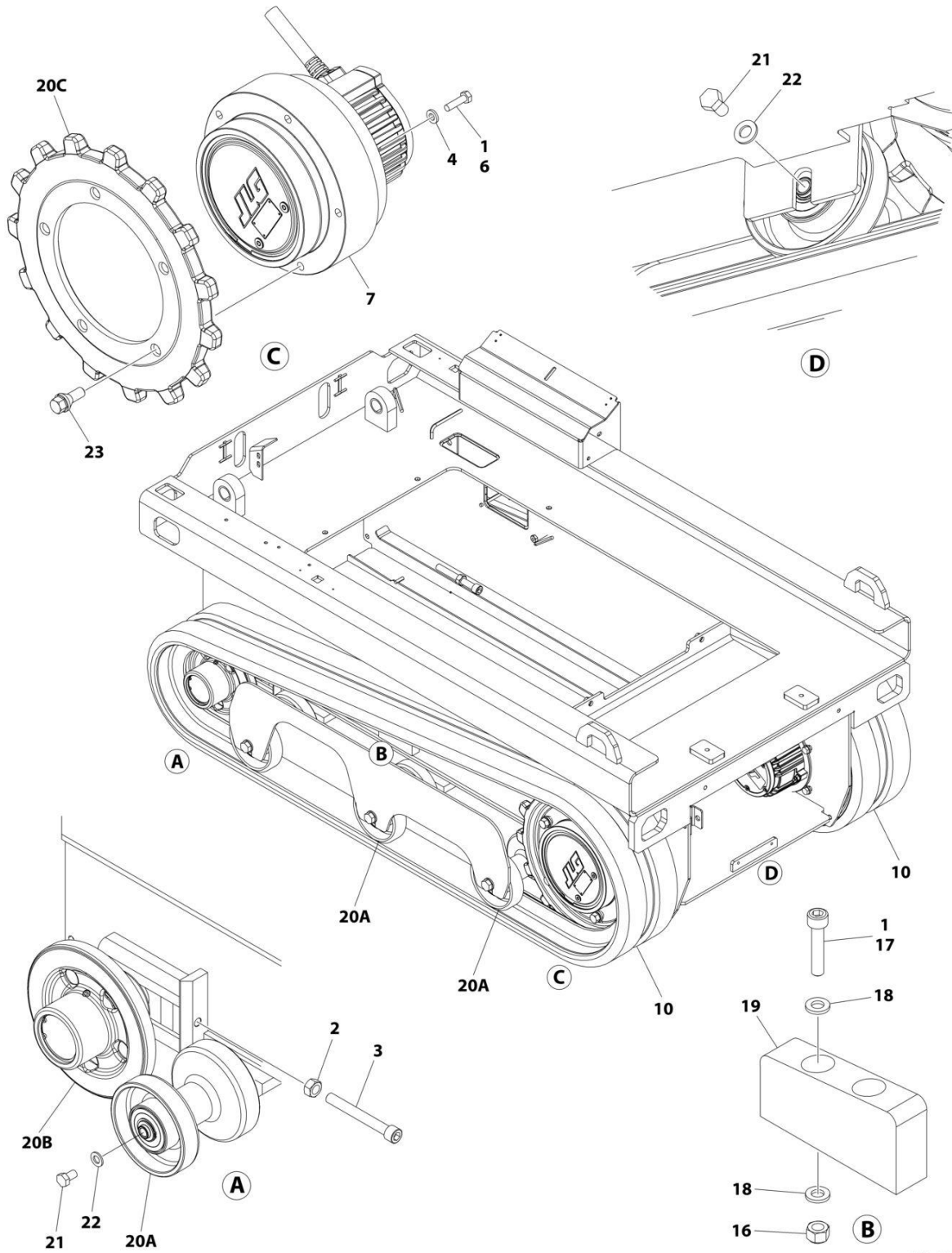
SECTION 1 - FRAME

FIGURE 1-4. TRACK DRIVE INSTALLATION (JAPANESE SPECS) (SN B200081704 to Present)

ITEM	PART NUMBER	QTY	DESCRIPTION	REV
	1001289919	Ref	TRACK DRIVE INSTALLATION	D
1	0100011	AR	Compound, Locking	
2	3291201	2	Nut M12	
3	1001289231	2	Capscrew M12 x 100	
4	5240800	12	Washer M8	
5	0770815	12	Bolt M8 x 35	
6	1001297080	2	Motor Assembly (See Separate Breakdown in this Section)	
7	1001251245	2	Track, Rubber	
9	0760612	4	Bolt M6 x 25	
10	4811702	4	Washer M6	
11	1001289692	2	Pad	
12	3292205	6	Nut M22	
13	1001289238	6	Washer M22	
14	0630580	10	Bolt, Wheel	
15	1001288492	2	Seal, V-Ring	
16	1001289965	AR	Lubricant	
100	1001288909	1	Track Wheel Kit (Not Shown - Includes Items 101-103)	
101	1001290272	6	Roller Assembly	
102	1001290531	2	Idler Wheel Assembly	
103	1001286112	2	Sprocket	

SECTION 1 - FRAME

FIGURE 1-5. TRACK DRIVE INSTALLATION (SN 0200270163 through 0200270166)



ART_1001250940

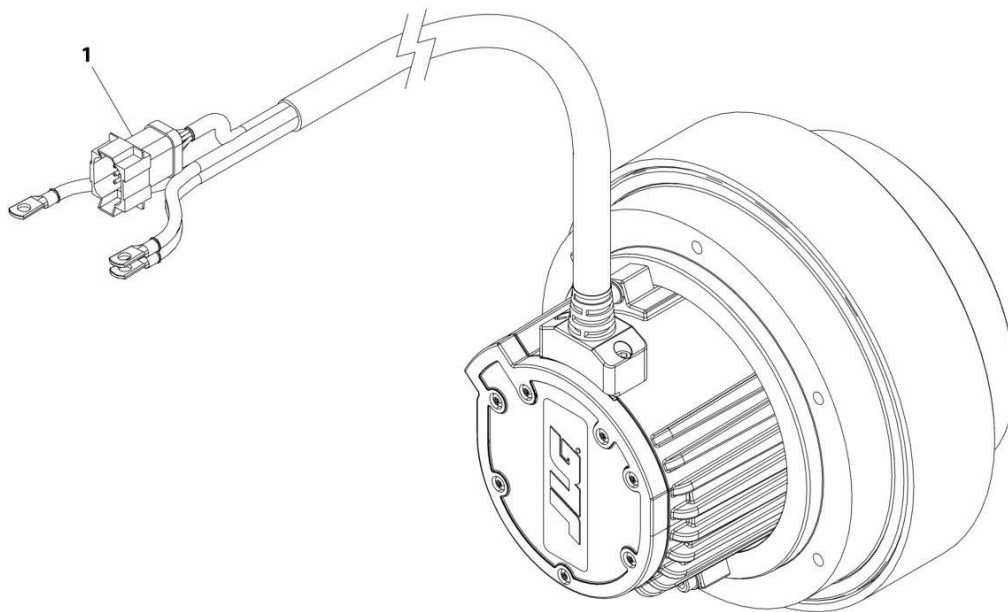
SECTION 1 - FRAME

FIGURE 1-5. TRACK DRIVE INSTALLATION (SN 0200270163 through 0200270166)

ITEM	PART NUMBER	QTY	DESCRIPTION	REV
	1001250940	Ref	TRACK INSTALLATION	C
1	0100011	AR	Compound, Locking	
2	3291201	2	Nut M12	
3	4032123	2	Capscrew M12 x 100	
4	5240800	12	Washer M8	
6	0770814	12	Bolt M8 x 30	
7	1001278172	2	Motor Assembly (See Separate Breakdown in this Section)	
10	1001251245	2	Track, Rubber	
16	3290605	4	Nut M6	
17	4031710	4	Capscrew M6 x 30	
18	4811700	8	Washer M6	
19	1001263925	2	Pad	
20	1001286109	1	Track Wheel Kit (Not Shown - Includes Items 20A-20C)	
20A	1001286110	6	Roller Assembly	
20B	1001286111	2	Idler Wheel Assembly	
20C	1001286112	2	Sprocket	
21	0771210	12	Bolt M12 x 20	
22	4812100	12	Washer M22	
23	0630580	10	Bolt, Wheel	

SECTION 1 - FRAME

FIGURE 1-6. DRIVE MOTOR ASSEMBLY (Prior to SN B200081704)



ART_1001278172

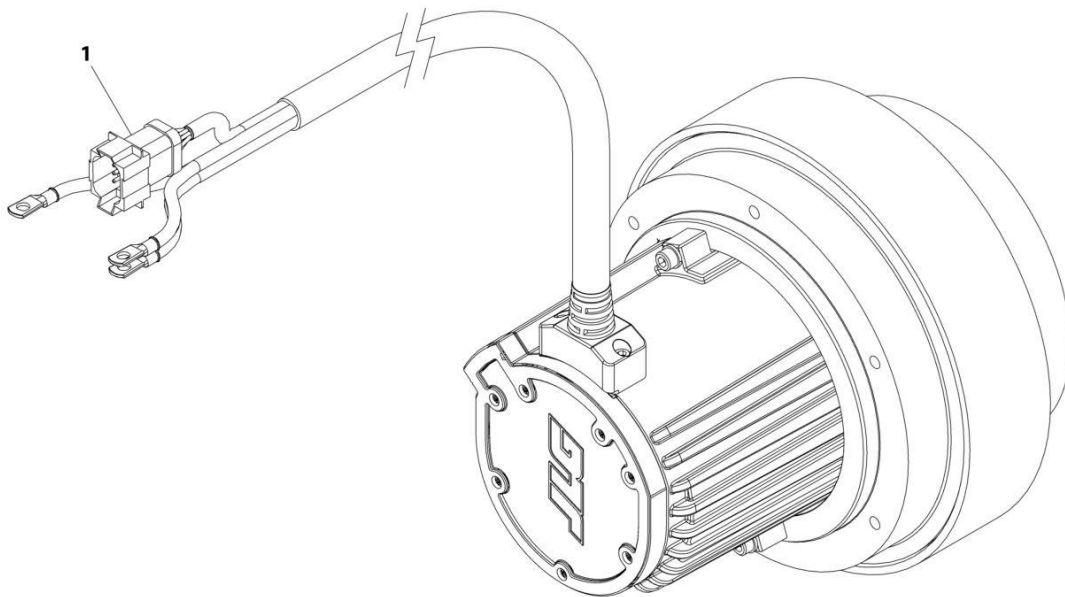
SECTION 1 - FRAME

FIGURE 1-6. DRIVE MOTOR ASSEMBLY (Prior to SN B200081704)

ITEM	PART NUMBER	QTY	DESCRIPTION	REV
	1001278172	Ref	DRIVE MOTOR ASSEMBLY	A
	See Note	Ref	Note: No Other Service Parts Available at Time of Printing.	
1	4460931	1	Receptacle, Female - 8 Position	
1	4460464	8	Pin, Male	

SECTION 1 - FRAME

FIGURE 1-7. DRIVE MOTOR ASSEMBLY (SN B200081704 to Present)



ART_1001297080

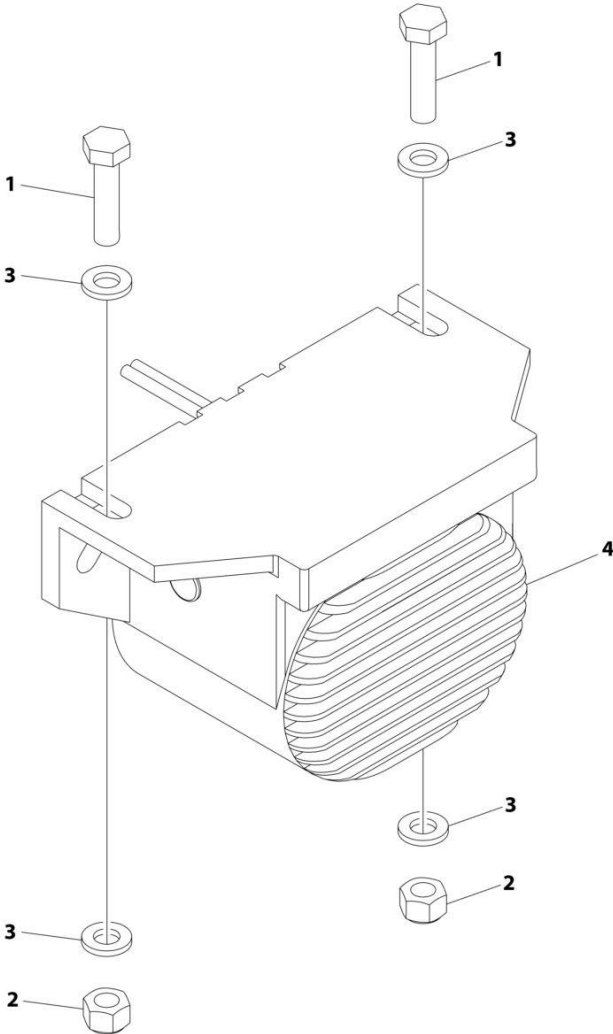
SECTION 1 - FRAME

FIGURE 1-7. DRIVE MOTOR ASSEMBLY (SN B200081704 to Present)

ITEM	PART NUMBER	QTY	DESCRIPTION	REV
	1001297080	Ref	DRIVE MOTOR ASSEMBLY	A
	See Note	Ref	Note: No Other Service Parts Available at Time of Printing.	
1	4460931	1	Receptacle, Female - 8 Position	
1	4460464	8	Pin, Male	

SECTION 1 - FRAME

FIGURE 1-8. ALARM INSTALLATION (AMBIENT/WHITE NOISE)



ART_1001204495

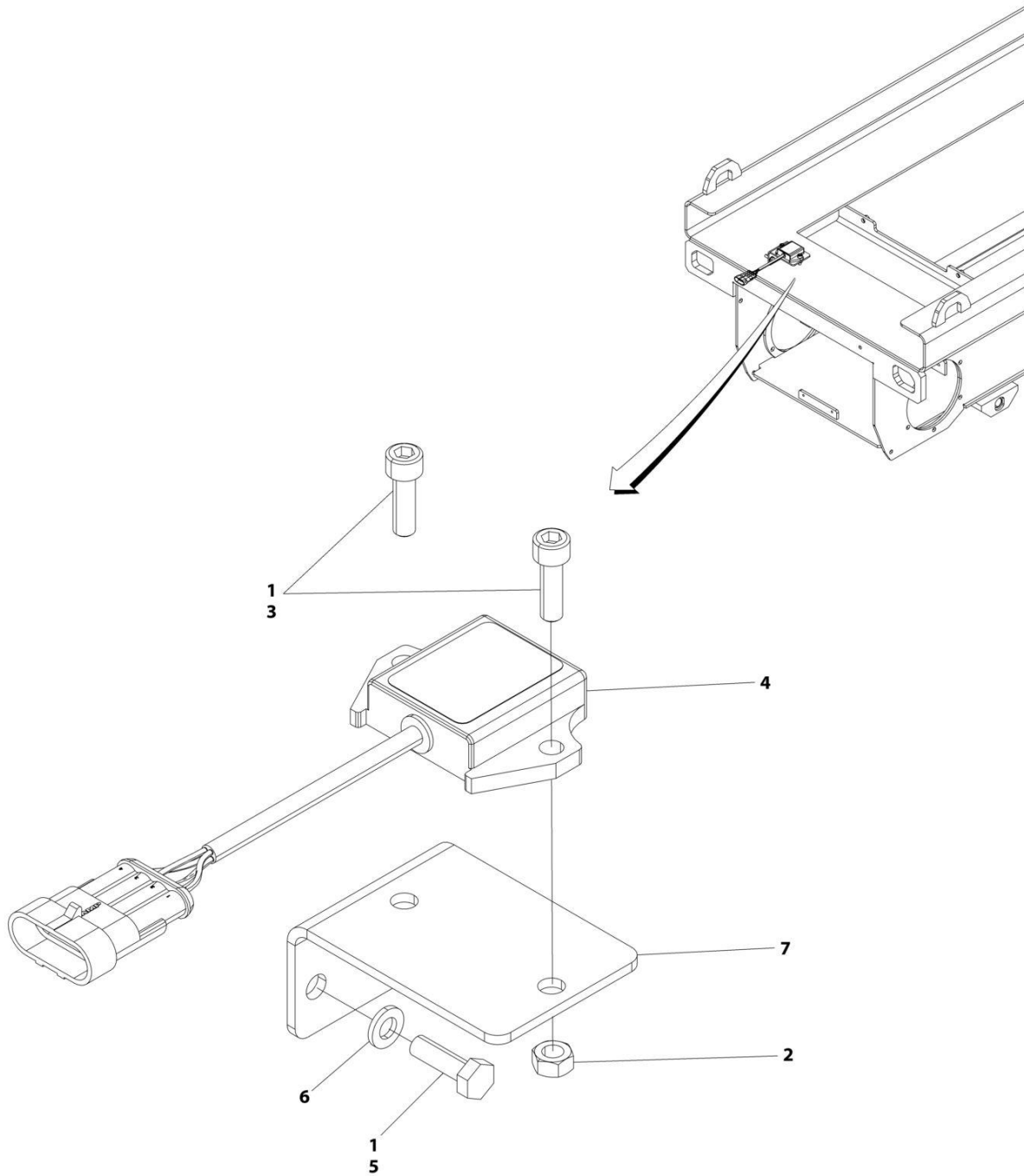
SECTION 1 - FRAME

FIGURE 1-8. ALARM INSTALLATION (AMBIENT/WHITE NOISE)

ITEM	PART NUMBER	QTY	DESCRIPTION	REV
	1001204495	Ref	ALARM INSTALLATION (AMBIENT/WHITE NOISE)	B
1	0760612	2	Bolt M6 x 25	
2	3290605	2	Nut M6	
3	4811700	4	Washer M6	
4	1001182806	1	Alarm	
4	4460897	1	Receptacle, Female - 2 Position	
4	4460464	2	Pin, Male	

SECTION 1 - FRAME

FIGURE 1-9. TILT SENSOR INSTALLATION



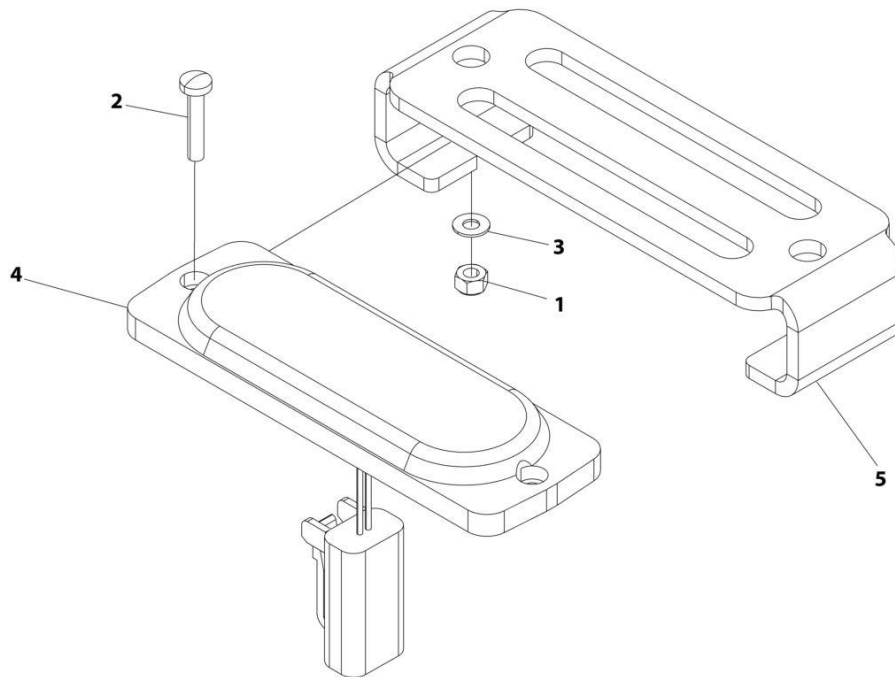
ART_1001252651

FIGURE 1-9. TILT SENSOR INSTALLATION

ITEM	PART NUMBER	QTY	DESCRIPTION	REV
	1001252651	REF	TILT SENSOR INSTALLATION	B
1	0100011	AR	Compound, Locking	
2	3290601	2	Nut M6	
3	4031708	2	Capscrew M6 X 20	
4	1001249798	1	Sensor, Tilt	
5	0700610	2	Bolt M6 X 20	
6	4811700	2	Washer M6	
7	1001269229	1	Bracket	

SECTION 1 - FRAME

FIGURE 1-10. STROBE LIGHT INSTALLATION - SINGLE (AMBER)



ART_1001253223

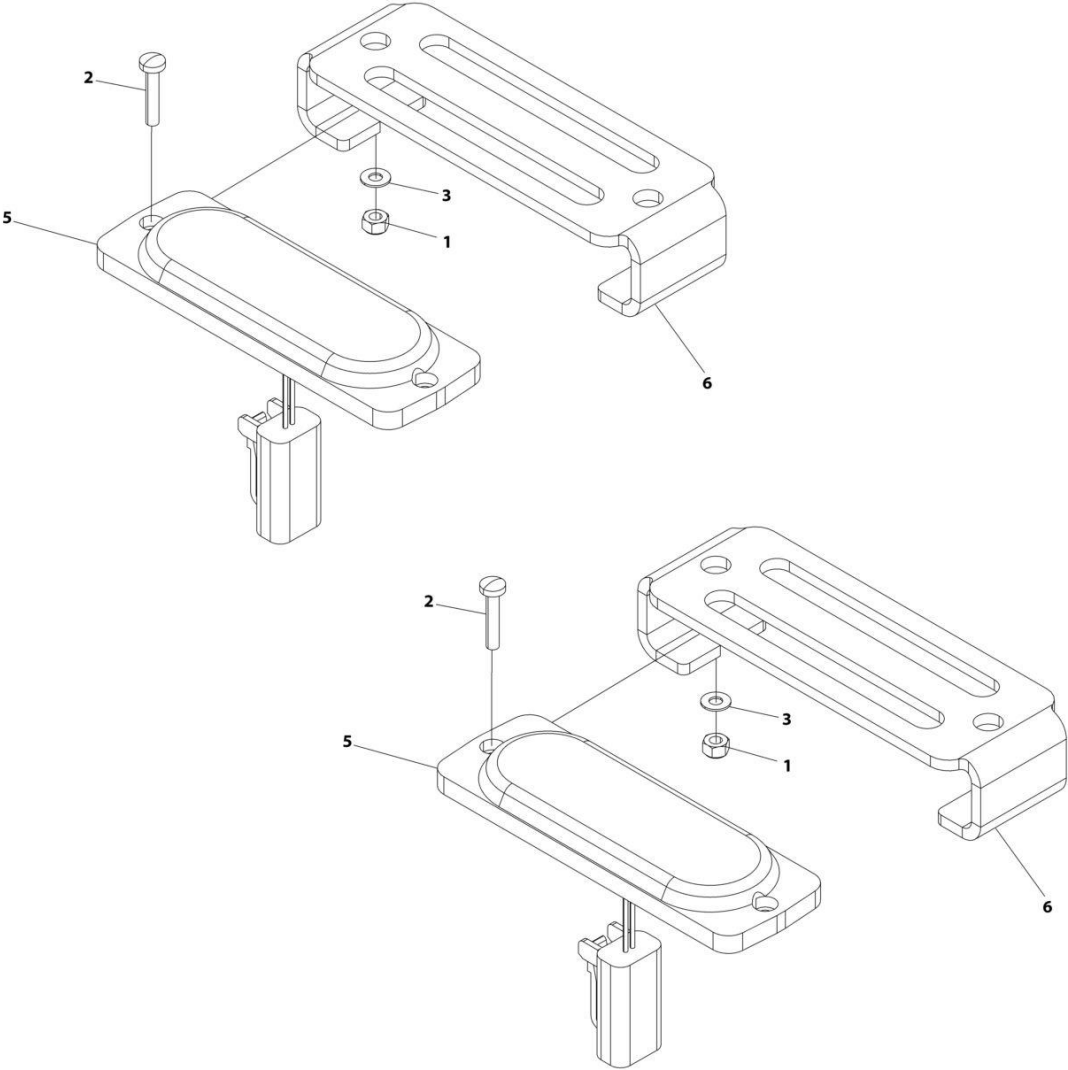
SECTION 1 - FRAME

FIGURE 1-10. STROBE LIGHT INSTALLATION - SINGLE (AMBER)

ITEM	PART NUMBER	QTY	DESCRIPTION	REV
	1001253223	Ref	STROBE LIGHT INSTALLATION	B
1	3290305	2	Nut, Lock M3	
2	4010308	2	Screw M3 x 16	
3	1001110544	2	Washer M3	
4	1001239224	1	Light, Strobe	
4	4460891	1	Connector	
4	4460465	2	Socket	
5	1001239661	1	Guard	

SECTION 1 - FRAME

FIGURE 1-11. STROBE LIGHT INSTALLATION - DUAL (AMBER)



ART_1001253224

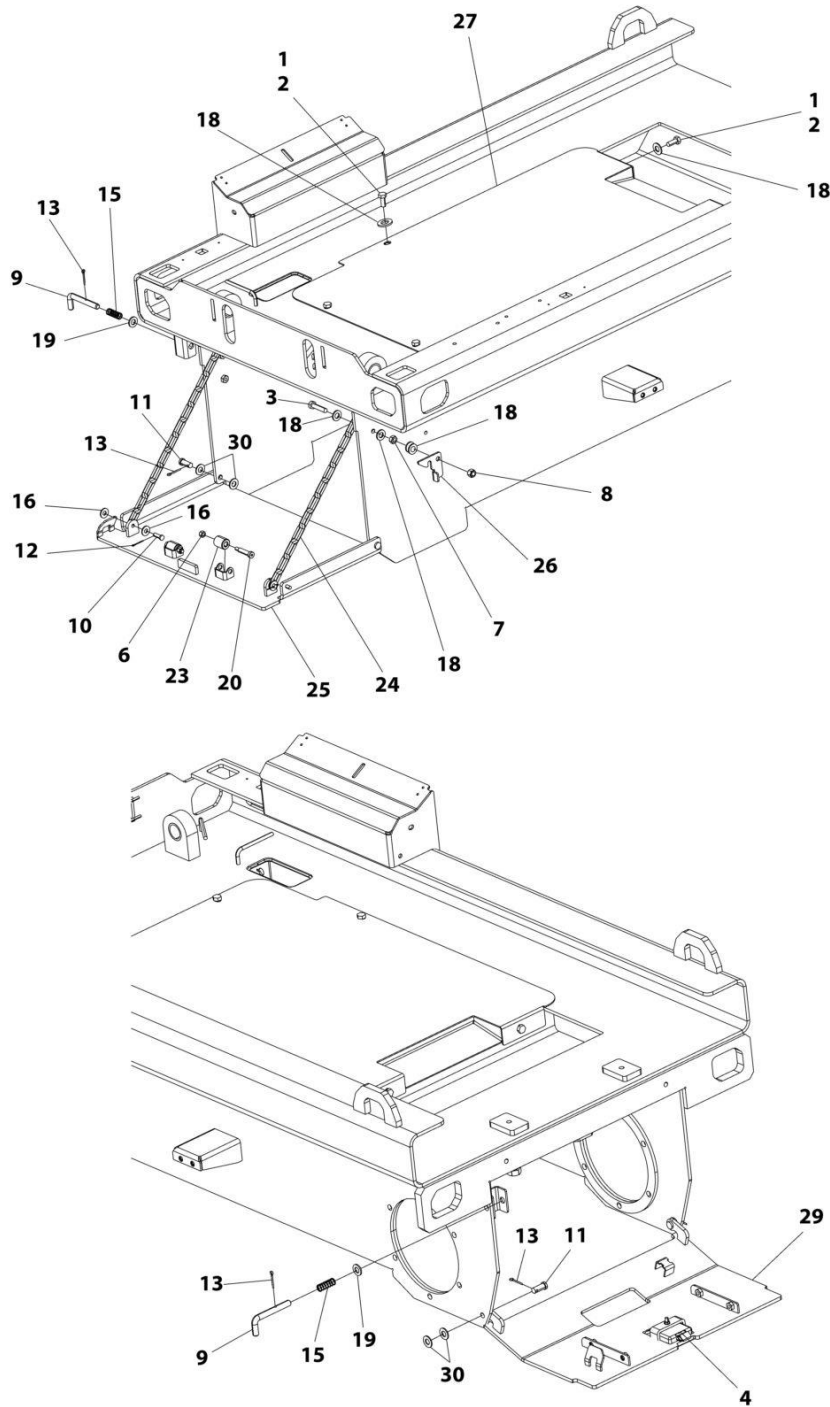
SECTION 1 - FRAME

FIGURE 1-11. STROBE LIGHT INSTALLATION - DUAL (AMBER)

ITEM	PART NUMBER	QTY	DESCRIPTION	REV
	1001253224	Ref	STROBE LIGHT INSTALLATION - DUAL (WITH GUARD)	B
1	3290305	4	Nut M3	
2	4010308	4	Screw M3 x 16	
3	1001110544	4	Washer M3	
5	1001239224	2	Light, Strobe	
5	4460891	2	Connector	
5	4460465	4	Socket	
6	1001239661	2	Guard	
8	1001250078	1	Strobe Light Jumper Harness (Not Shown)	
8	4460897	2	Connector	
8	4460464	4	Pin	
8	4460891	1	Connector	
8	4460465	2	Socket	

SECTION 1 - FRAME

FIGURE 1-12. BATTERY DOOR & FRAME COVERS INSTALLATION (Prior to SN B200083867)



ART_1001250941

SECTION 1 - FRAME

FIGURE 1-12. BATTERY DOOR & FRAME COVERS INSTALLATION (Prior to SN B200083867)

ITEM	PART NUMBER	QTY	DESCRIPTION	REV
	1001250941	Ref	FRAME COVER INSTALLATION	D
1	0100011	AR	Compound, Locking	
2	0760810	6	Bolt M8 x 20	
3	0760815	1	Bolt M8 x 35	
4	2940045	1	Latch	
6	3290605	2	Nut, Lock M6	
7	3290801	1	Nut M8	
8	3290805	1	Nut, Lock M8	
9	3423243	2	Pin	
10	3430406	4	Pin	
11	3430607	4	Pin	
12	3450203	4	Cotter Pin	
13	3450303	6	Cotter Pin	
15	4160214	2	Spring	
16	4751400	8	Washer 1/4	
18	4811900	11	Washer M8	
19	4812000	2	Washer M10	
20	1001149852	2	Capscrew M6	
23	1001247945	2	Roller	
24	1001247946	2	Chain	
25	1001247947	1	Cover, Front	
26	1001251250	1	Bracket	
27	1001251252	1	Cover, Top	
29	1001253740	1	Cover, Back	
30	4711600	8	Washer 3/8	

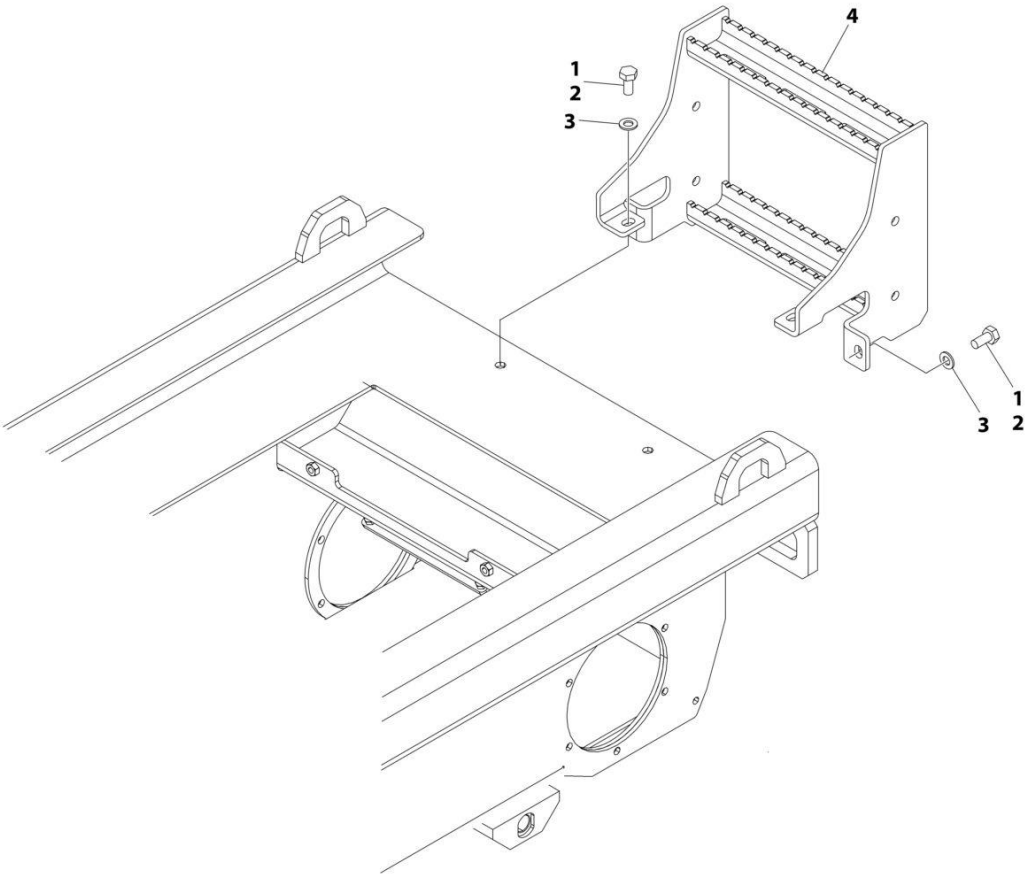
SECTION 1 - FRAME

FIGURE 1-13. BATTERY DOOR & FRAME COVERS INSTALLATION (SN B200083867 to Present)

ITEM	PART NUMBER	QTY	DESCRIPTION	REV
	1001250941	Ref	FRAME COVER INSTALLATION	E
1	0100011	AR	Compound, Locking	
2	0760810	6	Bolt M8 x 20	
3	0760815	1	Bolt M8 x 35	
4	2940045	1	Latch	
6	3290605	4	Nut, Lock M6	
7	3290801	1	Nut M8	
8	3290805	1	Nut, Lock M8	
9	3423243	2	Pin	
10	3430406	2	Pin	
11	3430607	4	Pin	
12	3450203	2	Cotter Pin	
13	3450303	6	Cotter Pin	
15	4160214	2	Spring	
18	4811900	11	Washer M8	
19	4812000	AR	Washer M10	
20	1001149852	2	Capscrew M6	
23	1001247945	2	Roller	
24	1001247946	2	Chain	
25	1001247947	1	Cover, Front	
26	1001251250	1	Bracket	
27	1001251252	1	Cover, Top	
29	1001253740	1	Cover, Back	
30	4711600	8	Washer 3/8	
31	4811702	8	Washer M6	
32	0700612	2	Bolt M6 x 25	
33	4420062	60 mm	Tape (Not Shown)	

SECTION 1 - FRAME

FIGURE 1-14. LADDER INSTALLATION



ART_1001250943

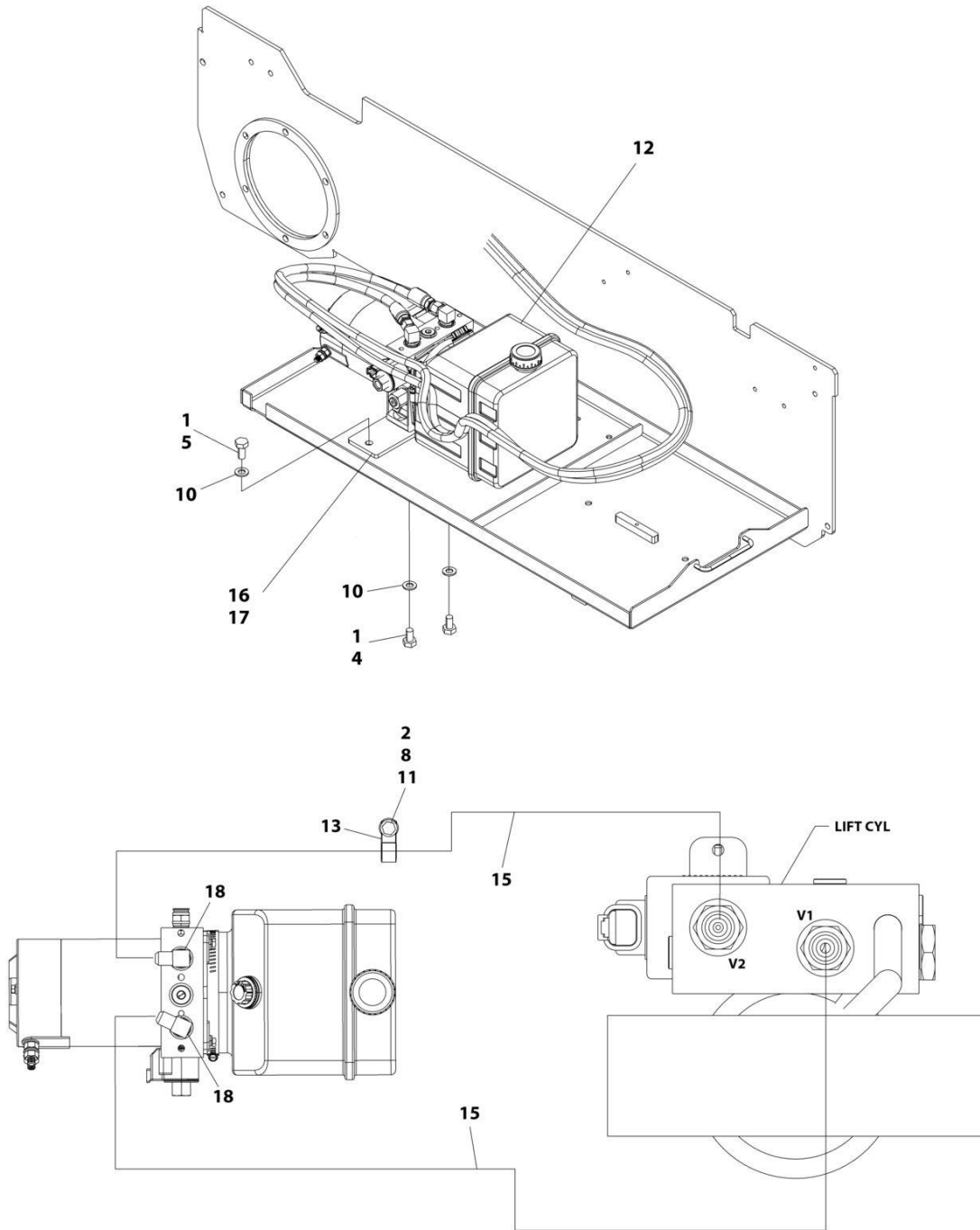
FIGURE 1-14. LADDER INSTALLATION

ITEM	PART NUMBER	QTY	DESCRIPTION	REV
	1001250943	Ref	LADDER INSTALLATION	A
1	0100011	AR	Compound, Locking	
2	0761012	4	Bolt M10 x 25	
3	4812000	4	Washer M10	
4	1001241823	1	Ladder	

SECTION 2 - GROUND CONTROLS

SECTION 2 - GROUND CONTROLS

FIGURE 2-1. HYDRAULIC COMPONENTS INSTALLATION



ART_1001246926

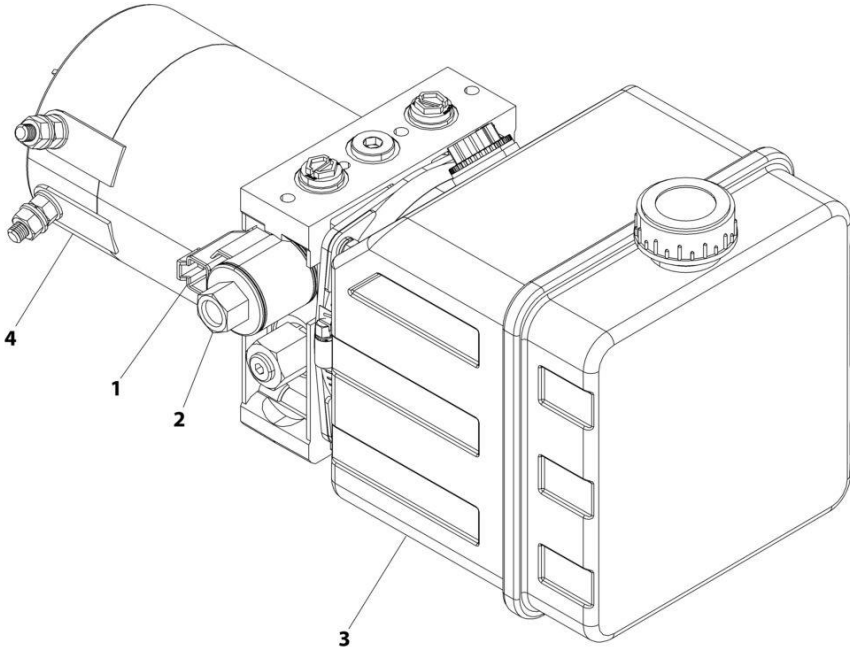
SECTION 2 - GROUND CONTROLS

FIGURE 2-1. HYDRAULIC COMPONENTS INSTALLATION

ITEM	PART NUMBER	QTY	DESCRIPTION	REV
	1001246926	Ref	HYDRAULIC COMPONENTS INSTALLATION	D
1	0100011	AR	Compound, Locking	
2	0700610	1	Capscrew M6 x 20	
4	0761009	2	Capscrew M10 x 18	
5	0761011	2	Capscrew M10 x 22	
7	4240018	AR	Tie-Strap (Not Shown)	
8	4811700	1	Washer M6	
10	4812000	4	Washer M10	
11	5260600	1	Nut M6 Class 10	
12	1001286026	1	Motor/Pump/Tank Assembly (See Separate Breakdown in this Section)	
13	1001247924	1	Clamp, Hose	
15	1001251297	2	Hose	
16	1001253040	1	Plate	
17	1001265620	1	Gasket	
18	2220473	2	Adapter, 90	

SECTION 2 - GROUND CONTROLS

FIGURE 2-2. MOTOR/PUMP/TANK ASSEMBLY



ART_1001286026

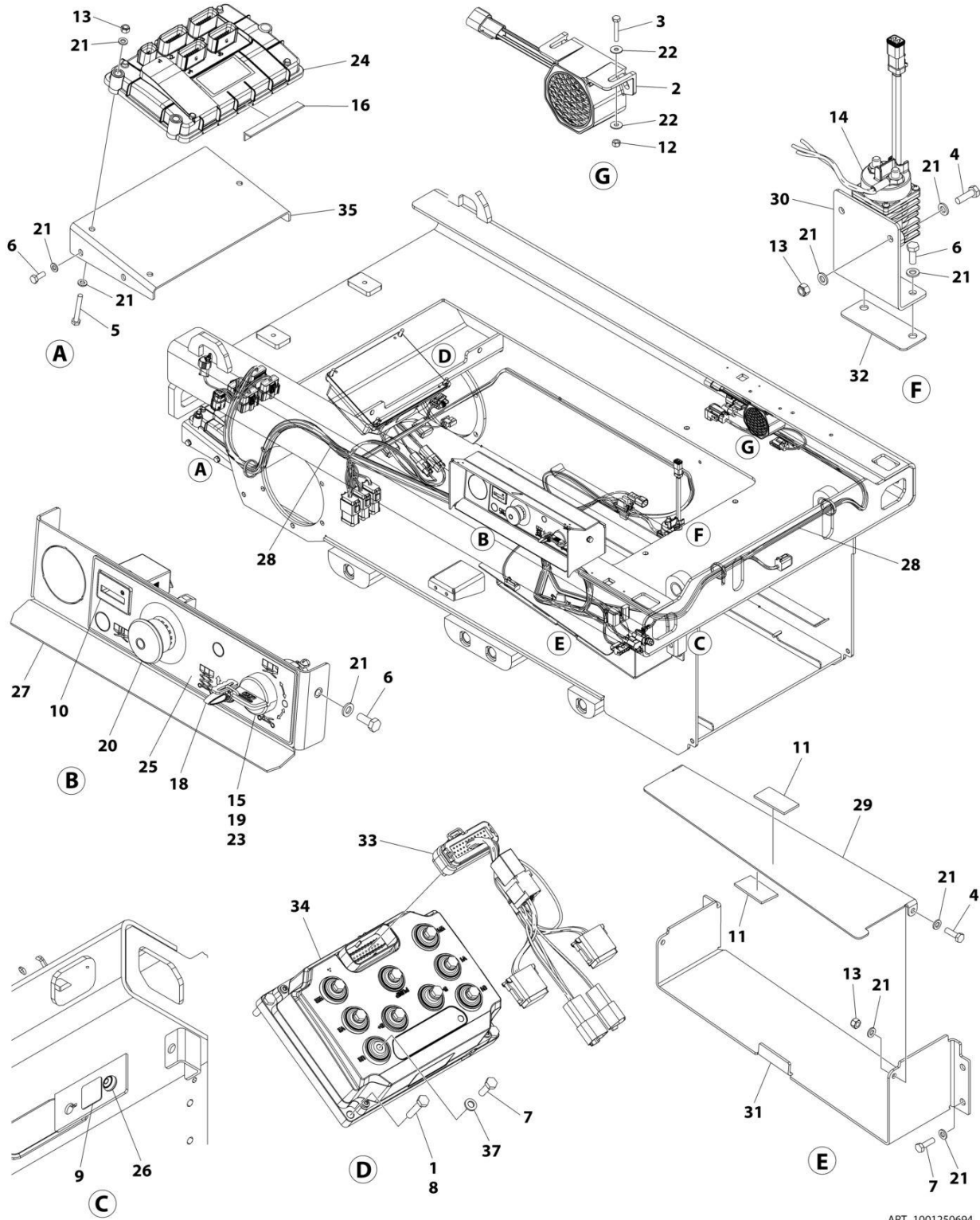
SECTION 2 - GROUND CONTROLS

FIGURE 2-2. MOTOR/PUMP/TANK ASSEMBLY

ITEM	PART NUMBER	QTY	DESCRIPTION	REV
	1001286026	Ref	MOTOR/PUMP/TANK ASSEMBLY	A
	See Note	Ref	Note: No Other Service Parts Available.	
1	70008417	1	Coil	
2	70008418	1	Cartridge, Solenoid Valve	
3	70008419	1	Tank Assembly	
4	70008420	1	Motor, Replacement	
5	70008421	1	Pump (Not Shown - Located inside Tank)	
6	70008606	1	O-Ring (Tank to Manifold) (Not Shown)	

SECTION 2 - GROUND CONTROLS

FIGURE 2-3. ELECTRICAL COMPONENTS INSTALLATION (WITHOUT LSS)



ART_1001250694

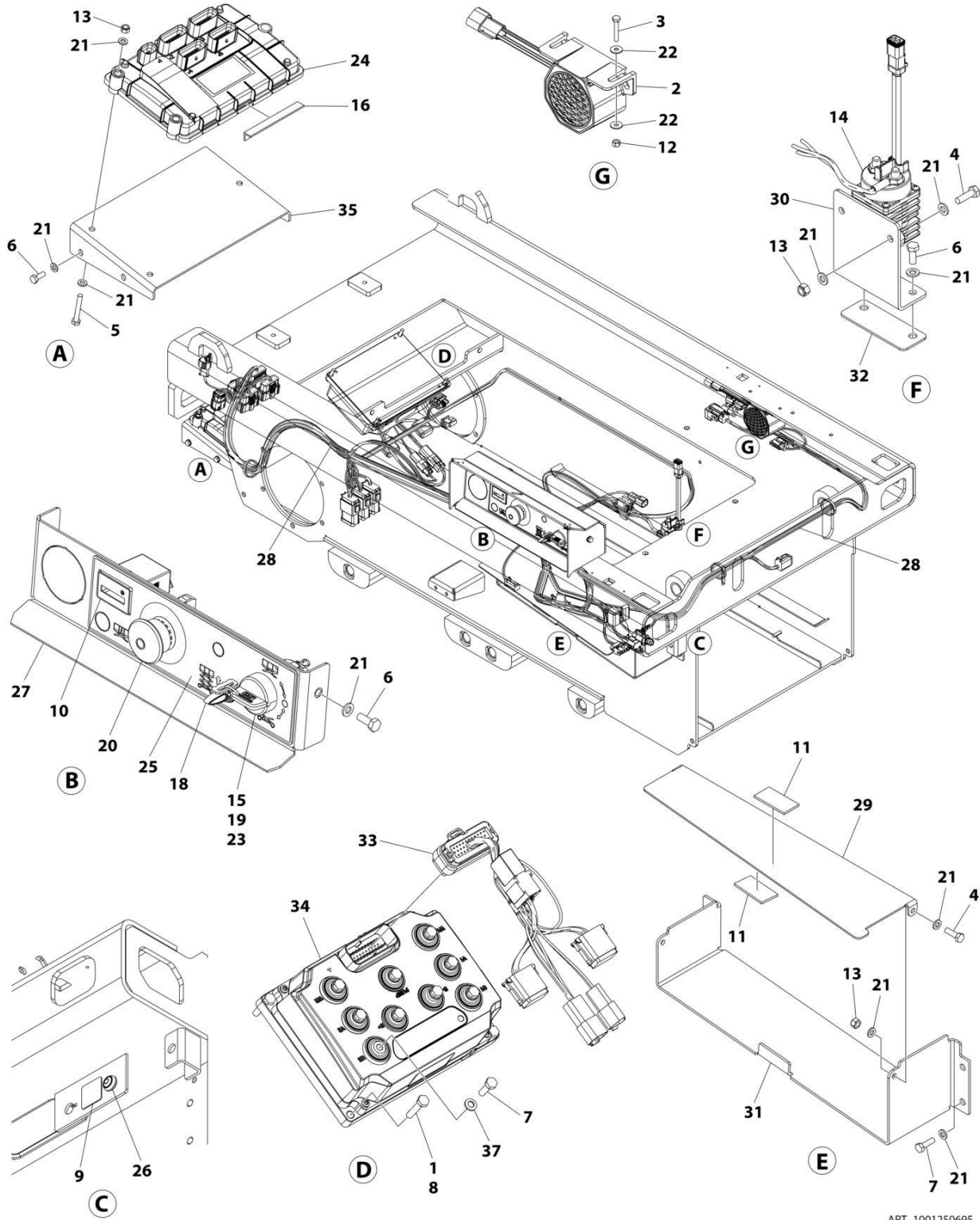
SECTION 2 - GROUND CONTROLS

FIGURE 2-3. ELECTRICAL COMPONENTS INSTALLATION (WITHOUT LSS)

ITEM	PART NUMBER	QTY	DESCRIPTION	REV
	1001250694	Ref	ELECTRICAL COMPONENTS INSTALLATION (WITHOUT LSS)	D
1	0100011	AR	Compound, Locking	
2	0140043	1	Alarm	
3	0700412	2	Bolt M4 x 25	
4	0700610	4	Bolt M6 x 20	
5	0700617	3	Bolt M6 x 45	
6	0760608	8	Bolt M6 x 16	
7	0760610	12	Bolt M6 x 20	
8	0760614	4	Bolt M6 x 30	
9	1706679	1	Decal - Brake Release	
10	2420172	1	Hourmeter	
11	3080007	2	Magnet	
12	3290405	2	Nut M4	
13	3290605	7	Nut M6	
14	3740150	1	Relay	
15	3910804	3	Screw #8 x 1/4	
16	4060805	0.33 ft	Flex-Trim	
17	4240017	AR	Tie-Strap (Not Shown)	
18	4360328	1	Switch, Toggle	
19	4360469	1	Switch, Key	
19	2860030	1 Set	Key, Replacement	
20	1001274559	1	Switch, Emergency Stop	
21	4811700	25	Washer M6	
22	1001091102	4	Washer M4	
23	1001130590	1	Plate, Key Switch	
24	1001200629	1	Module, Control (Note: Re-calibration Required when Replaced)	
25	1001209682	1	Decal - Ground Control	
26	1001226749	1	Switch, Push Button	
27	1001249645	1	Bracket, Ground Control	
28	1001286653	1	Chassis Harness (See Separate Breakdown in ELECTRICAL Section)	
29	1001251261	1	Plate	
30	1001253055	1	Bracket	
31	1001264036	1	Cover	
32	1001265621	1	Gasket	
33	1001274467	1	Drive Control Harness (See Separate Breakdown in ELECTRICAL Section)	
34	1001276980	1	Module, Control (Note: Re-calibration Required when Replaced)	
34	1001299334	1	Module, Control (Note: Re-calibration Required when Replaced)	
35	1001282041	1	Bracket	
36	0100048	AR	Grease, Dielectric (Not Shown)	
37	1001210966	9	Washer	

SECTION 2 - GROUND CONTROLS

FIGURE 2-4. ELECTRICAL COMPONENTS INSTALLATION (WITH LSS)



ART_1001250695

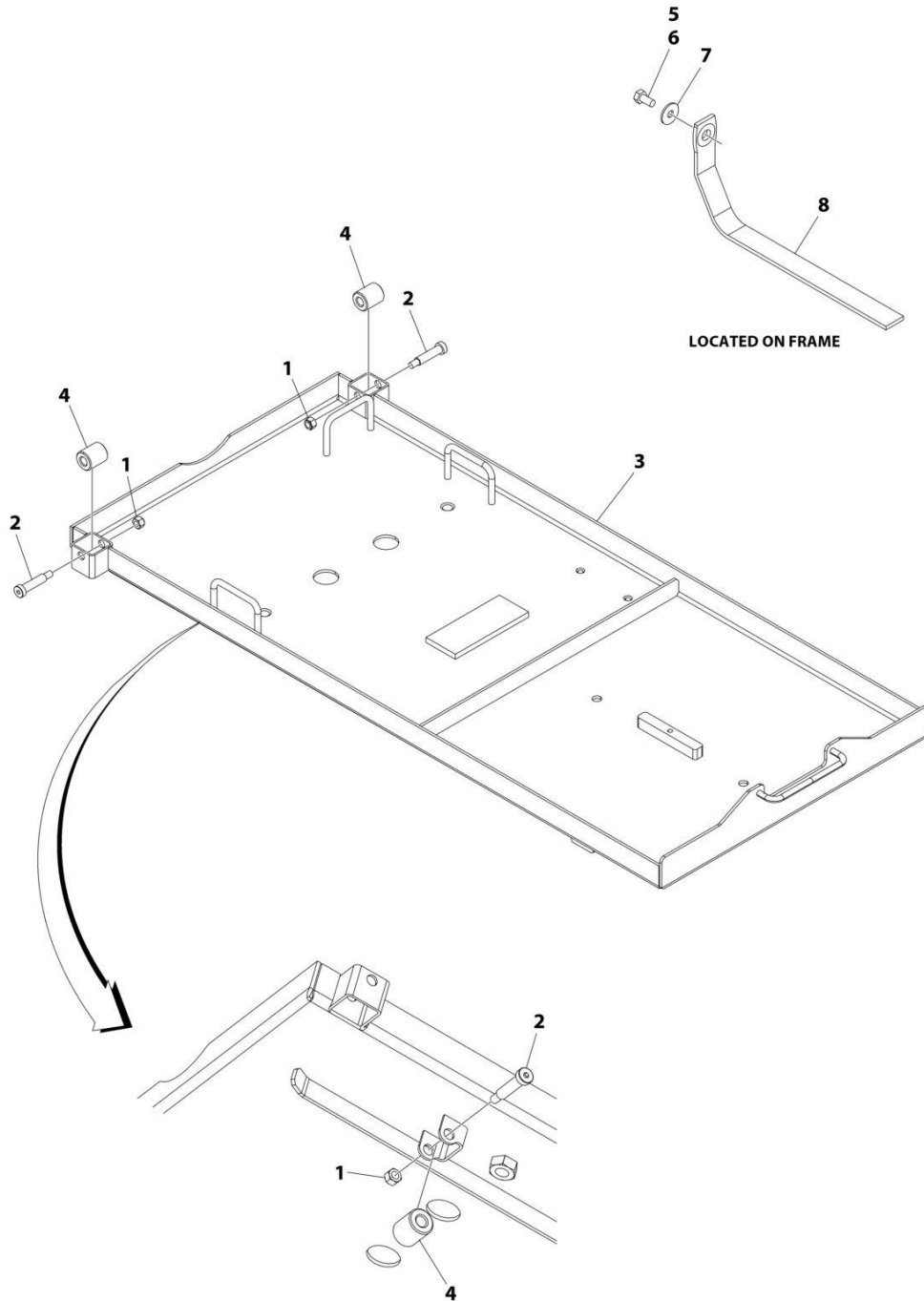
SECTION 2 - GROUND CONTROLS

FIGURE 2-4. ELECTRICAL COMPONENTS INSTALLATION (WITH LSS)

ITEM	PART NUMBER	QTY	DESCRIPTION	REV
	1001250695	Ref	ELECTRICAL COMPONENTS INSTALLATION (WITH LSS)	E
1	0100011	AR	Compound, Locking	
2	0140043	1	Alarm	
3	0700412	2	Bolt M4 x 25	
4	0700610	4	Bolt M6 x 20	
5	0700617	3	Bolt M6 x 45	
6	0760608	8	Bolt M6 x 16	
7	0760610	12	Bolt M6 x 20	
8	0760614	4	Bolt M6 x 30	
9	1706679	1	Decal - Brake Release	
10	2420172	1	Hourmeter	
11	3080007	2	Magnet	
12	3290405	2	Nut M4	
13	3290605	7	Nut M6	
14	3740150	1	Relay	
15	3910804	3	Screw #8 x 1/4	
16	4060805	4 in/	Flex-Trim	
17	4240017	AR	Tie-Strap (Not Shown)	
18	4360328	1	Switch, Toggle	
19	4360469	1	Switch, Key	
19	2860030	1 Set	Key, Replacement	
20	1001274559	1	Switch, Emergency Stop	
21	4811700	25	Washer M6	
22	1001091102	4	Washer M4	
23	1001130590	1	Plate, Key Switch	
24	1001200629	1	Module, Control (Note: Re-calibration Required when Replaced)	
25	1001209682	1	Decal - Ground Control	
26	1001226749	1	Switch, Push Button	
27	1001249645	1	Bracket, Ground Control	
28	1001286654	1	Chassis Harness (See Separate Breakdown in ELECTRICAL Section)	
29	1001251261	1	Plate	
30	1001253055	1	Bracket	
31	1001264036	1	Cover	
32	1001265621	1	Gasket	
33	1001274467	1	Drive Control Harness (See Separate Breakdown in ELECTRICAL Section)	
34	1001276980	1	Module, Control (Note: Re-calibration Required when Replaced)	
34	1001299334	1	Module, Control (Note: Re-calibration Required when Replaced)	
35	1001282041	1	Bracket	
36	0100048	AR	Grease, Dielectric (Not Shown)	
37	1001210966	9	Washer	

SECTION 2 - GROUND CONTROLS

FIGURE 2-5. BATTERY TRAY INSTALLATION



ART_1001250938

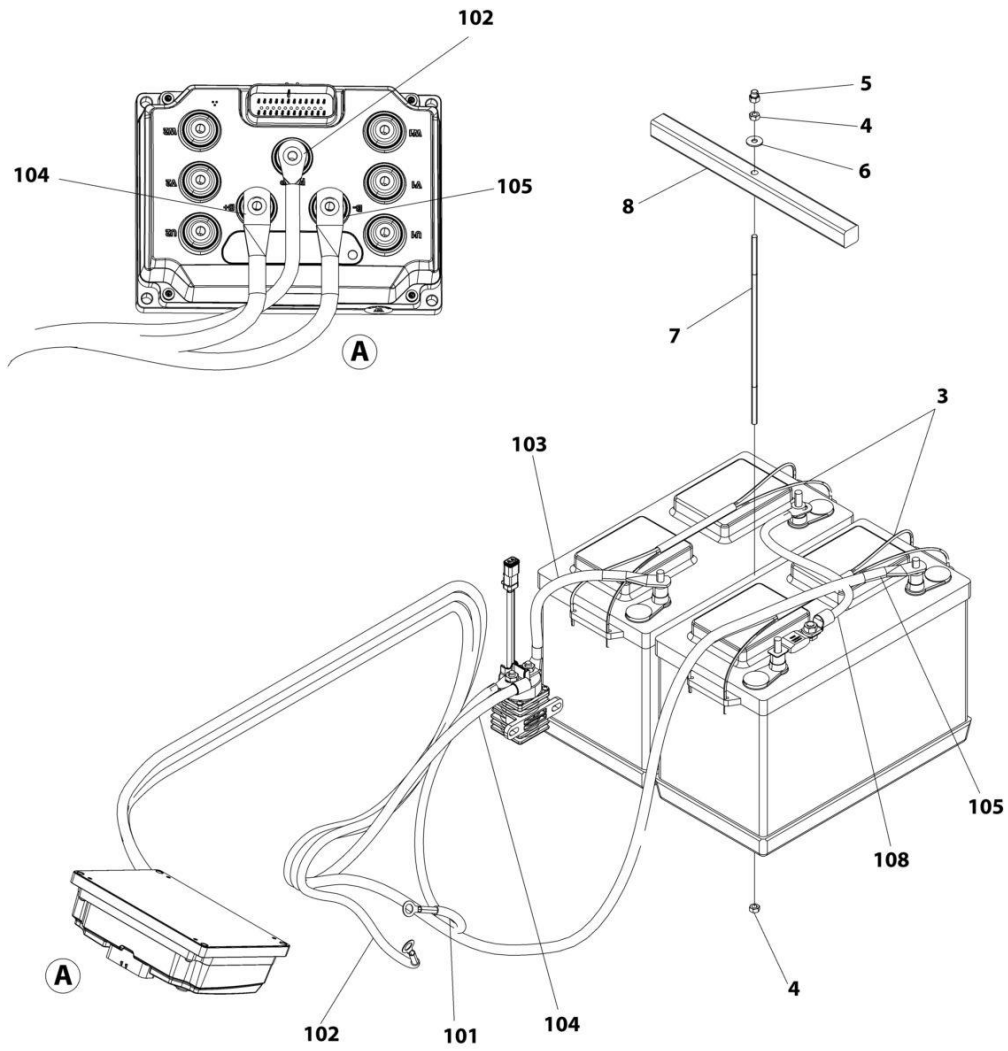
SECTION 2 - GROUND CONTROLS

FIGURE 2-5. BATTERY TRAY INSTALLATION

ITEM	PART NUMBER	QTY	DESCRIPTION	REV
	1001250938	Ref	BATTERY TRAY INSTALLATION	C
1	3290605	6	Nut, Lock M6	
2	1001149852	6	Capscrew M6	
3	1001247937	1	Tray	
4	1001247945	6	Roller	
5	0100011	AR	Compound, Locking	
6	0760808	1	Bolt M8 x 16	
7	4811902	1	Washer M8	
8	4240147	1	Strap, Anti-Static	

SECTION 2 - GROUND CONTROLS

FIGURE 2-6. BATTERIES INSTALLATION



ART_1001251441

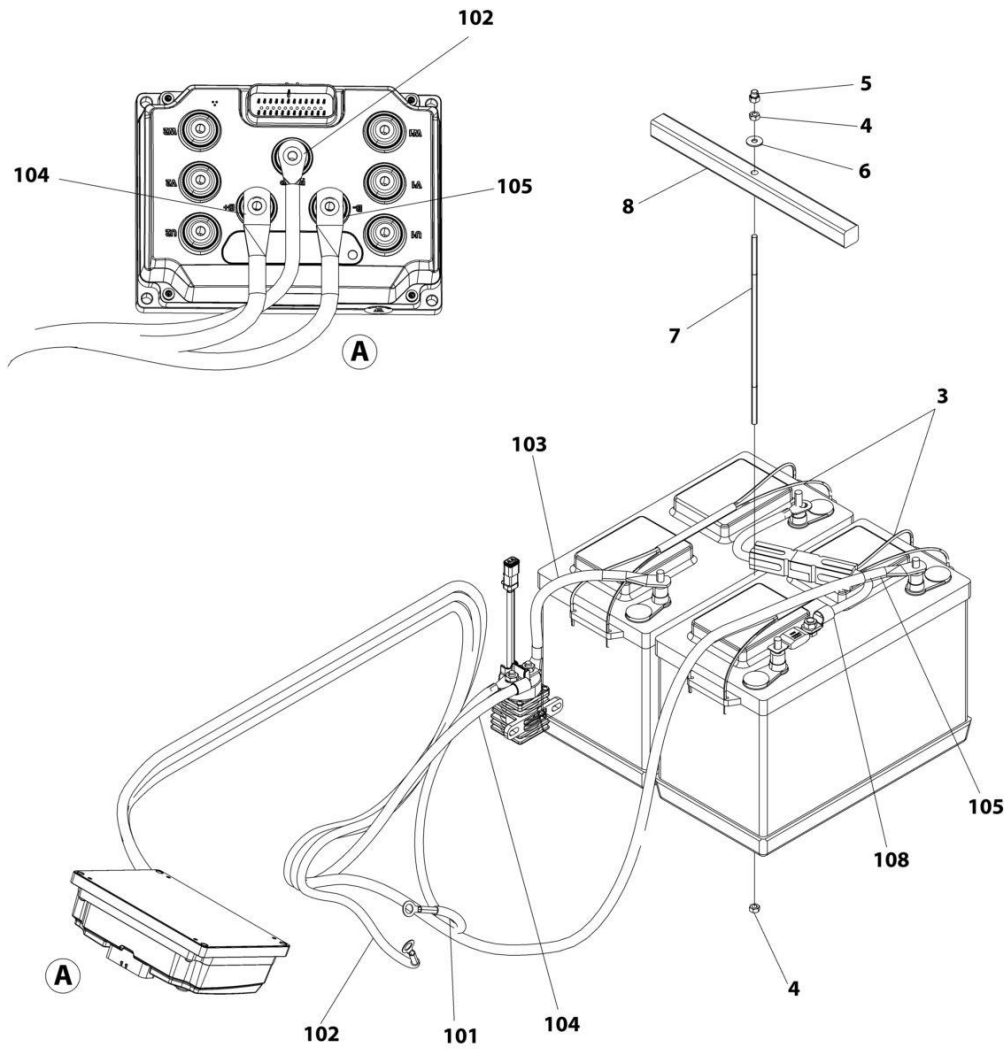
SECTION 2 - GROUND CONTROLS

FIGURE 2-6. BATTERIES INSTALLATION

ITEM	PART NUMBER	QTY	DESCRIPTION	REV
	1001251441	Ref	BATTERIES INSTALLTION - STANDARD BATTERIES WITHOUT DISCONNECT	C
1	0100051	AR	Grease, Terminal (Not Shown)	
2	4240017	AR	Tie-Strap (Not Shown)	
3	1001233714	2	Battery	
4	3290601	2	Nut M6	
5	3290606	1	Nut, Cap M6	
6	4811702	1	Washer M6	
7	1001264074	1	Rod, Battery Tie Down	
8	1001264075	1	Rod, Battery Tie Down	
100	1001251445	1	Battery Cable Kit (Not Shown)	
101	1001251447	1	Cable, Pump Motor (+) to Module (+B)	
102	1001251448	1	Cable, Pump Motor (-) to Module (-P)	
103	1001251449	1	Cable, Battery (+) to Relay	
104	1001251450	1	Cable, Relay to Module (+BF)	
105	1001251451	1	Cable, Battery (-) to Module (-B)	
108	1001239303	1	Cable, Positive (+) to Negative (-)	
108	1001118245	1	Fuse, 250AMP	
109	1001287338	1	Hose Shield (Not Shown)	

SECTION 2 - GROUND CONTROLS

FIGURE 2-7. BATTERIES INSTALLATION - STANDARD BATTERIES WITH DISCONNECT



ART_1001251442

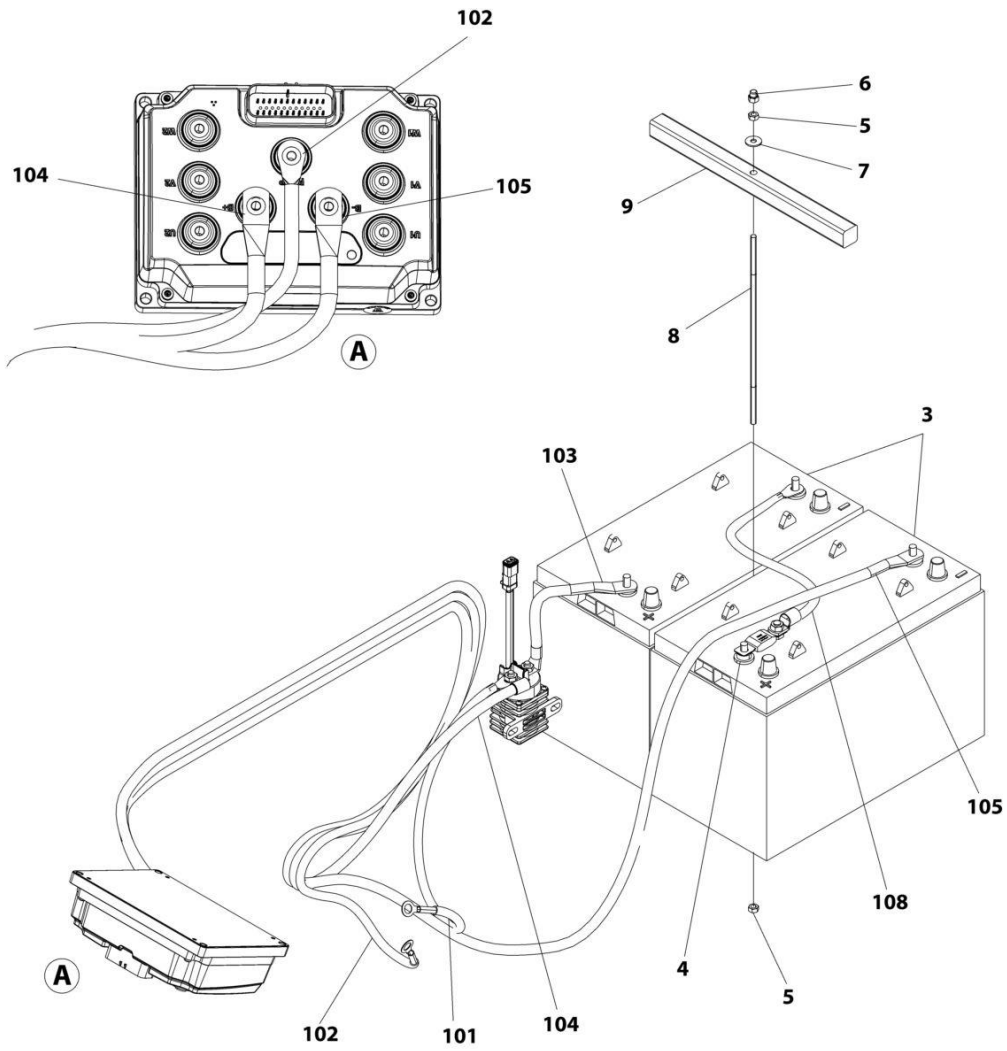
SECTION 2 - GROUND CONTROLS

FIGURE 2-7. BATTERIES INSTALLATION - STANDARD BATTERIES WITH DISCONNECT

ITEM	PART NUMBER	QTY	DESCRIPTION	REV
	1001251442	Ref	BATTERIES INSTALLTION - STANDARD BATTERIES WITH DISCONNECT	C
1	0100051	AR	Grease, Terminal (Not Shown)	
2	4240017	AR	Tie-Strap (Not Shown)	
3	1001233714	2	Battery	
4	3290601	2	Nut M6	
5	3290606	1	Nut, Cap M6	
6	4811702	1	Washer M6	
7	1001264074	1	Rod, Battery Tie Down	
8	1001264075	1	Rod, Battery Tie Down	
100	1001251446	1	Battery Cable Kit (Not Shown)	
101	1001251447	1	Cable, Pump Motor (+) to Module (+B)	
102	1001251448	1	Cable, Pump Motor (-) to Module (-P)	
103	1001251449	1	Cable, Battery (+) to Relay	
104	1001251450	1	Cable, Relay to Module (+BF)	
105	1001251451	1	Cable, Battery (-) to Module (-B)	
108	1001238060	1	Cable, Positive (+) to Negative (-)	
108	1001118245	1	Fuse, 250AMP	
109	1001287338	1	Hose Shield (Not Shown)	

SECTION 2 - GROUND CONTROLS

FIGURE 2-8. BATTERIES INSTALLATION - AGM BATTERIES WITHOUT DISCONNECT



ART_1001251443

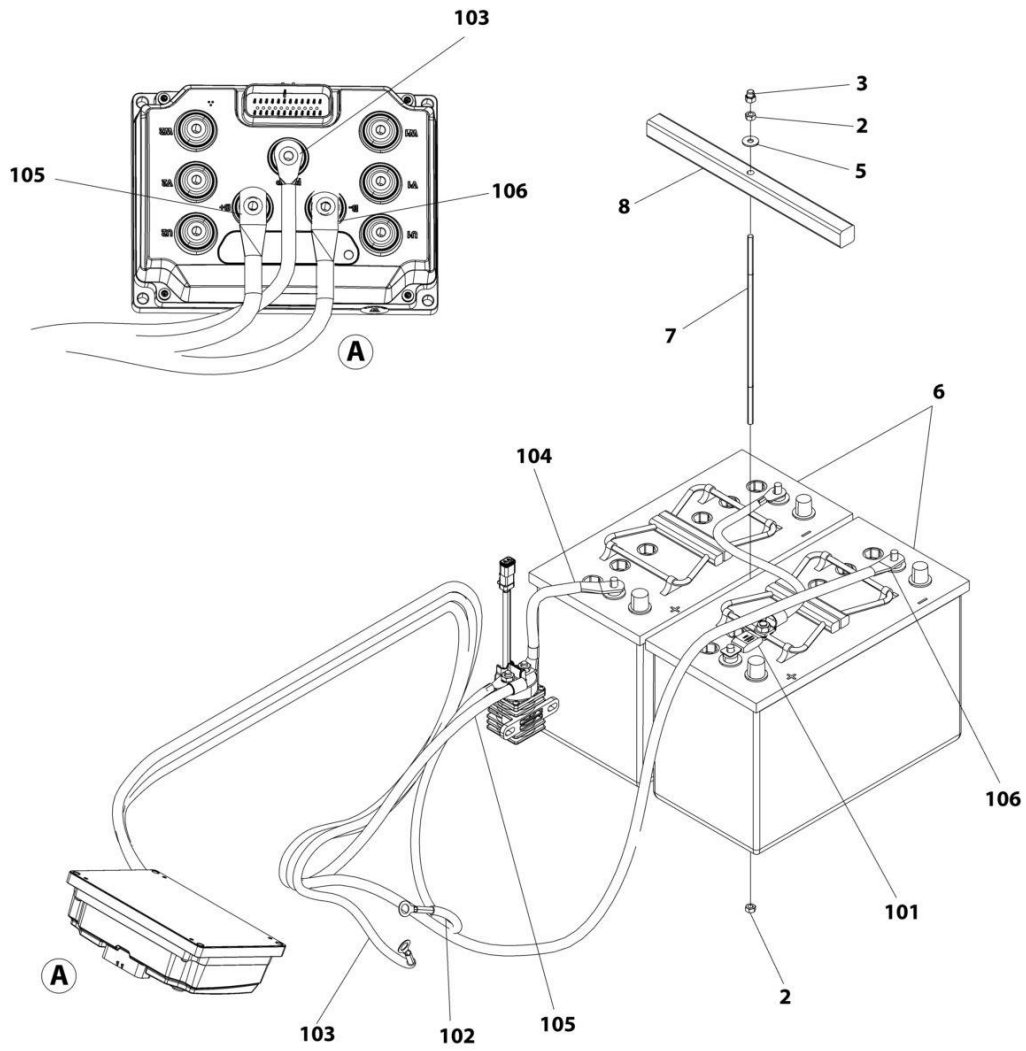
SECTION 2 - GROUND CONTROLS

FIGURE 2-8. BATTERIES INSTALLATION - AGM BATTERIES WITHOUT DISCONNECT

ITEM	PART NUMBER	QTY	DESCRIPTION	REV
	1001251443	Ref	BATTERIES INSTALLATION - AGM BATTERIES WITHOUT DISCONNECT	C
1	0100051	AR	Grease, Terminal (Not Shown)	
2	4240017	AR	Tie-Strap (Not Shown)	
3	1001125916	2	Battery	
4	1001249668	1	Washer	
5	3290601	2	Nut M6	
6	3290606	1	Nut, Cap M6	
7	4811702	1	Washer M6	
8	1001264074	1	Rod, Battery Tie Down	
9	1001264075	1	Rod, Battery Tie Down	
100	1001251445	1	Battery Cable Kit (Not Shown)	
101	1001251447	1	Cable, Pump Motor (+) to Module (+B)	
102	1001251448	1	Cable, Pump Motor (-) to Module (-P)	
103	1001251449	1	Cable, Battery (+) to Relay	
104	1001251450	1	Cable, Relay to Module (+BF)	
105	1001251451	1	Cable, Battery (-) to Module (-B)	
108	1001239303	1	Cable, Positive (+) to Negative (-)	
108	1001118245	1	Fuse, 250AMP	
109	1001287338	1	Hose Shield (Not Shown)	

SECTION 2 - GROUND CONTROLS

FIGURE 2-9. BATTERIES INSTALLATION - AGM VISION BATTERIES WITHOUT DISCONNECT



ART_1001282043

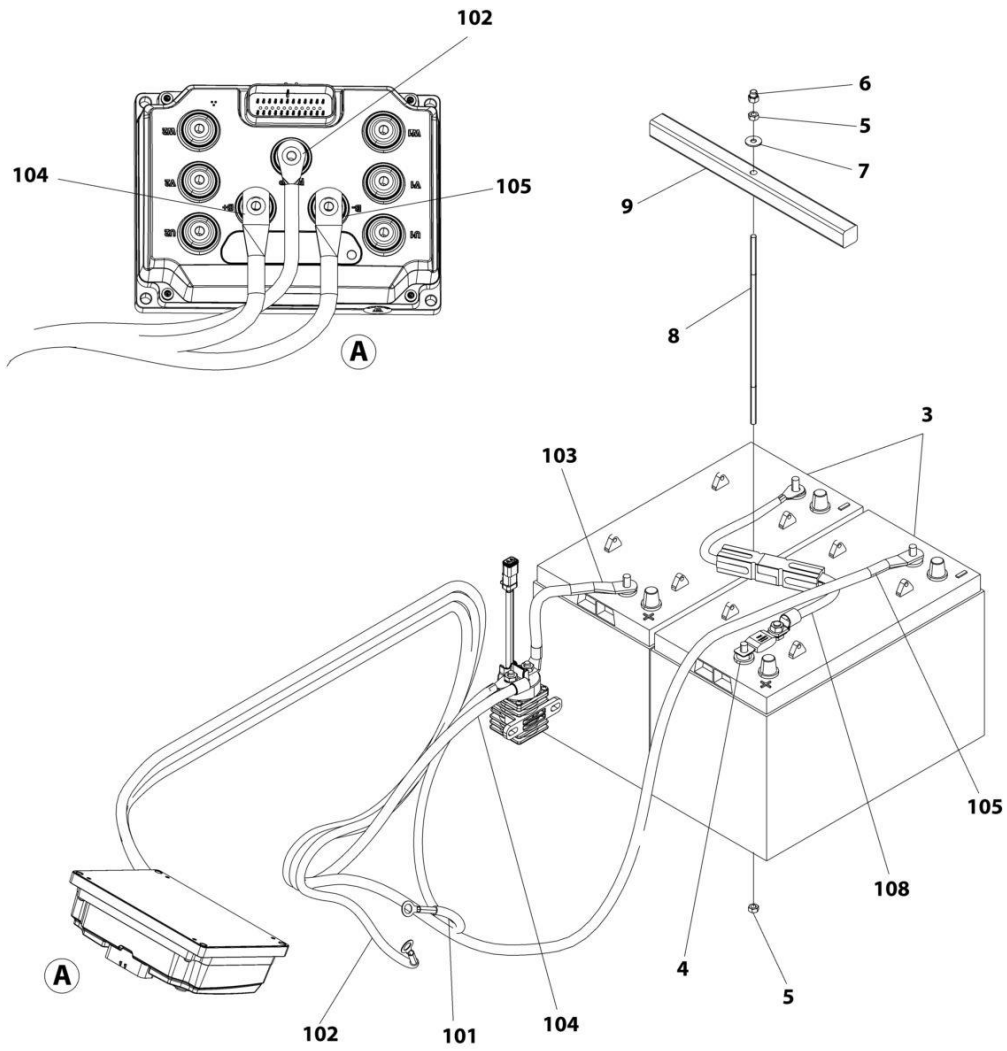
SECTION 2 - GROUND CONTROLS

FIGURE 2-9. BATTERIES INSTALLATION - AGM VISION BATTERIES WITHOUT DISCONNECT

ITEM	PART NUMBER	QTY	DESCRIPTION	REV
	1001282043	Ref	BATTERIES INSTALLATION - AGM VISION BATTERIES WITHOUT DISCONNECT	A
1	0100051	AR	Grease, Terminal (Not Shown)	
2	3290601	2	Nut M6	
3	3290606	1	Nut, Cap M6	
4	4240017	AR	Tie-Strap (Not Shown)	
5	4811702	1	Washer M6	
6	1001254633	2	Battery	
7	1001264074	1	Rod, Battery Tie Down	
8	1001264075	1	Rod, Battery Tie Down	
100	1001251445	1	Battery Cable Kit (Not Shown)	
101	1001239303	1	Cable, Positive (+) to Negative (-)	
101	1001118245	1	Fuse, 250AMP	
102	1001251447	1	Cable, Pump Motor (+) to Module (+B)	
103	1001251448	1	Cable, Pump Motor (-) to Module (-P)	
104	1001251449	1	Cable, Battery (+) to Relay	
105	1001251450	1	Cable, Relay to Module (+BF)	
106	1001251451	1	Cable, Battery (-) to Module (-B)	
107	1001287338	1	Hose Shield (Not Shown)	

SECTION 2 - GROUND CONTROLS

FIGURE 2-10. BATTERIES INSTALLATION - AGM BATTERIES WITH DISCONNECT



ART_1001251444

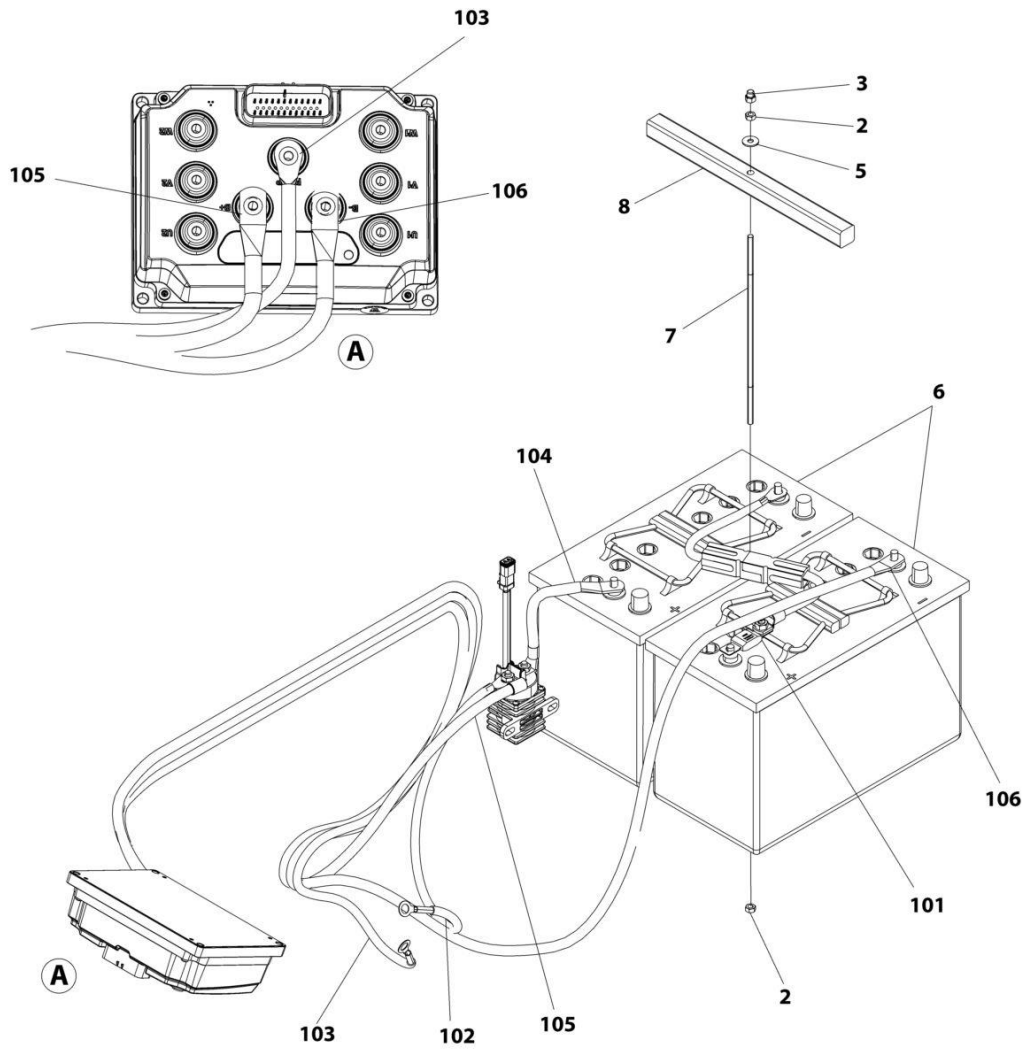
SECTION 2 - GROUND CONTROLS

FIGURE 2-10. BATTERIES INSTALLATION - AGM BATTERIES WITH DISCONNECT

ITEM	PART NUMBER	QTY	DESCRIPTION	REV
	1001251444	Ref	BATTERIES INSTALLATION - AGM BATTERIES WITH DISCONNECT	C
1	0100051	AR	Grease, Terminal (Not Shown)	
2	4240017	AR	Tie-Strap (Not Shown)	
3	1001125916	2	Battery	
4	1001249668	1	Washer	
5	3290601	2	Nut M6	
6	3290606	1	Nut, Cap M6	
7	4811702	1	Washer M6	
8	1001264074	1	Rod, Battery Tie Down	
9	1001264075	1	Rod, Battery Tie Down	
100	1001251446	1	Battery Cable Kit (Not Shown)	
101	1001251447	1	Cable, Pump Motor (+) to Module (+B)	
102	1001251448	1	Cable, Pump Motor (-) to Module (-P)	
103	1001251449	1	Cable, Battery (+) to Relay	
104	1001251450	1	Cable, Relay to Module (+BF)	
105	1001251451	1	Cable, Battery (-) to Module (-B)	
108	1001238060	1	Cable, Positive (+) to Negative (-)	
108	1001118245	1	Fuse, 250AMP	
109	1001287338	1	Hose Shield (Not Shown)	

SECTION 2 - GROUND CONTROLS

FIGURE 2-11. BATTERIES INSTALLATION - AGM VISION BATTERIES WITH DISCONNECT



ART_1001282044

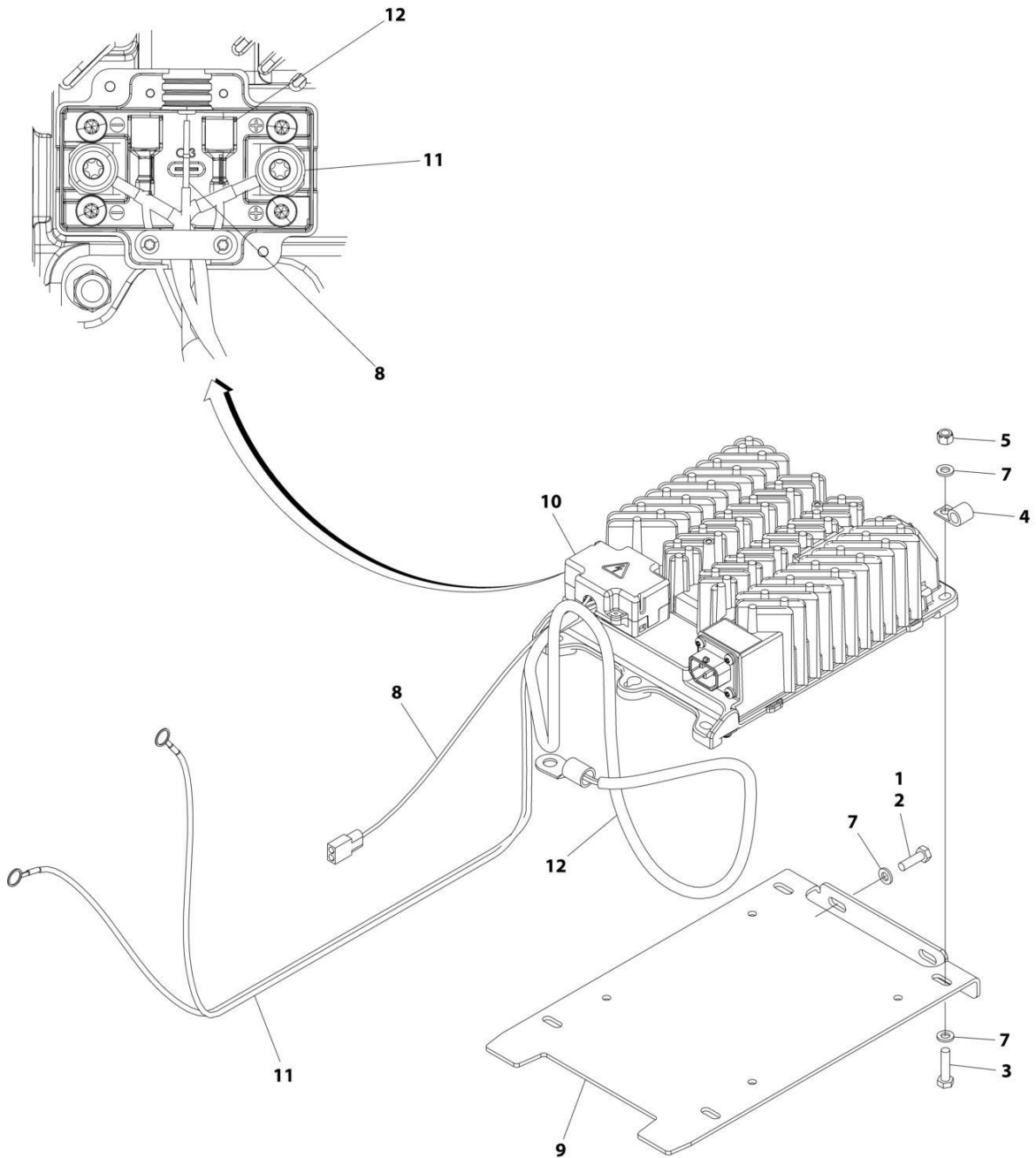
SECTION 2 - GROUND CONTROLS

FIGURE 2-11. BATTERIES INSTALLATION - AGM VISION BATTERIES WITH DISCONNECT

ITEM	PART NUMBER	QTY	DESCRIPTION	REV
	1001282044	Ref	BATTERIES INSTALLATION - AGM VISION BATTERIES WITH DISCONNECT	A
1	0100051	AR	Grease, Terminal (Not Shown)	
2	3290601	2	Nut M6	
3	3290606	1	Nut, Cap M6	
4	4240017	AR	Tie-Strap (Not Shown)	
5	4811702	1	Washer M6	
6	1001254633	2	Battery	
7	1001264074	1	Rod, Battery Tie Down	
8	1001264075	1	Rod, Battery Tie Down	
100	1001251446	1	Battery Cable Kit (Not Shown)	
101	1001238060	1	Cable, Positive (+) to Negative (-)	
101	1001118245	1	Fuse, 250AMP	
102	1001251447	1	Cable, Pump Motor (+) to Module (+B)	
103	1001251448	1	Cable, Pump Motor (-) to Module (-P)	
104	1001251449	1	Cable, Battery (+) to Relay	
105	1001251450	1	Cable, Relay to Module (+BF)	
106	1001251451	1	Cable, Battery (-) to Module (-B)	
107	1001287338	1	Hose Shield (Not Shown)	

SECTION 2 - GROUND CONTROLS

FIGURE 2-12. BATTERY CHARGER INSTALLATION - DELTA-Q (LESS AC CABLE)



ART_1001282074

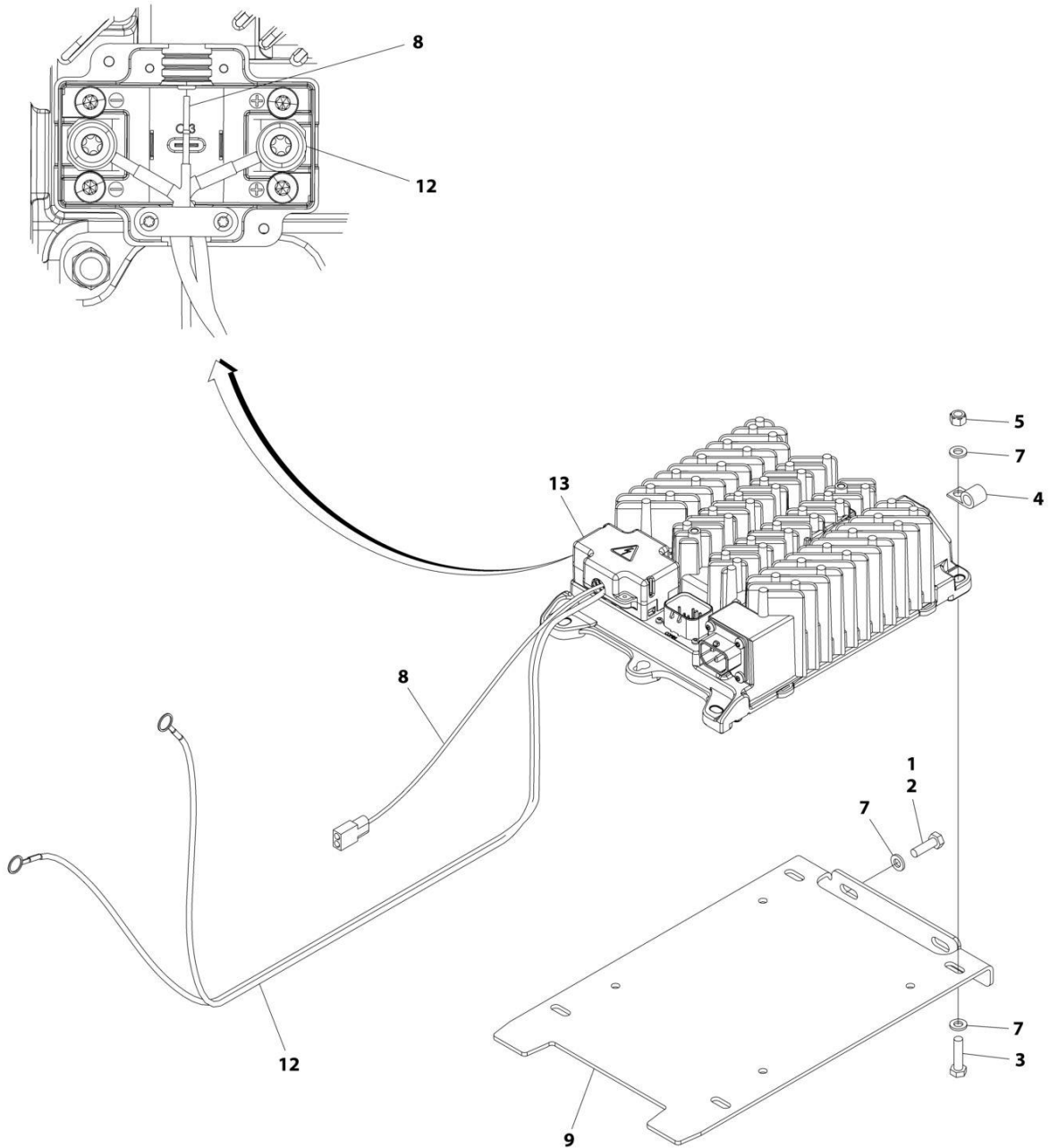
SECTION 2 - GROUND CONTROLS

FIGURE 2-12. BATTERY CHARGER INSTALLATION - DELTA-Q (LESS AC CABLE)

ITEM	PART NUMBER	QTY	DESCRIPTION	REV
	1001282074	Ref	BATTERY CHARGER INSTALLATION - DELTA-Q (LESS AC CABLE)	A
1	0100011	AR	Compound, Locking	
2	0760606	2	Bolt M6 X12	
3	0760612	4	Bolt M6 x 25	
4	1321293	1	Clamp	
5	3290605	4	Nut M6	
6	4240017	AR	Tie-Strap (Not Shown)	
7	4811700	10	Washer M6	
8	1001207009	1	Charger Interlock Harness	
8	4460424	1	Receptacle, Female - 2 Position	
8	4460227	2	Pin, Male	
9	1001237462	1	Bracket	
10	1001249940	1	Charger, Battery - Delta-Q	
11	1001256642	1	Charger DC Connection Harness	
11	4460019	2	Terminal Ring	
11	8220045	2	Terminal Ring	
12	1001282076	1	Sensor, Temperature	

SECTION 2 - GROUND CONTROLS

FIGURE 2-13. BATTERY CHARGER INSTALLATION - DELTA-Q WITH CAN TERMINAL (LESS AC CABLE)



ART_1001282075

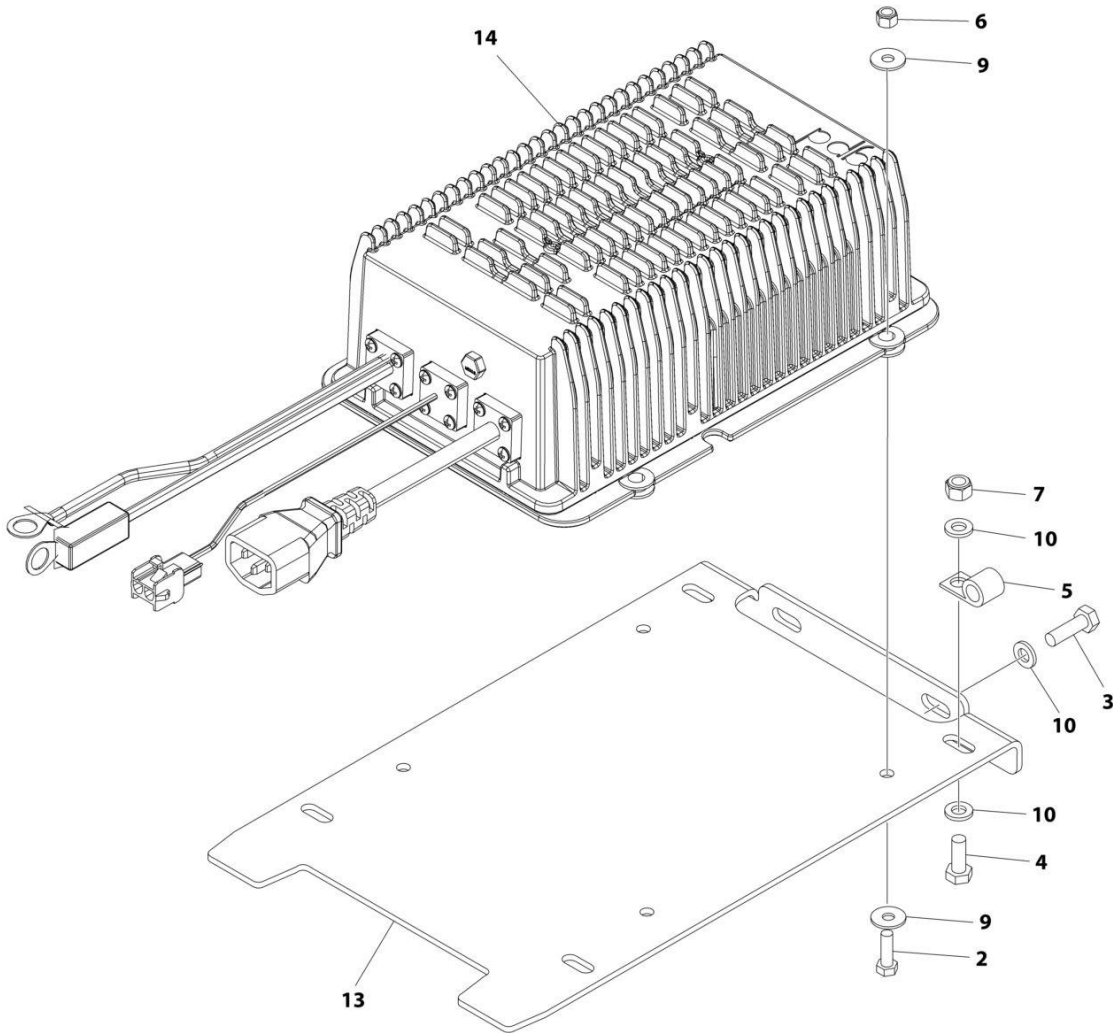
SECTION 2 - GROUND CONTROLS

FIGURE 2-13. BATTERY CHARGER INSTALLATION - DELTA-Q WITH CAN TERMINAL (LESS AC CABLE)

ITEM	PART NUMBER	QTY	DESCRIPTION	REV
	1001282075	Ref	BATTERY CHARGER INSTALLATION - DELTA-Q WITH CAN TERMINAL (LESS AC CABLE)	A
1	0100011	AR	Compound, Locking	
2	0760606	2	Bolt M6 x 12	
3	0760612	4	Bolt M6 x 25	
4	1321293	1	Clamp	
5	3290605	4	Nut M6	
6	4240017	AR	Tie-Strap (Not Shown)	
7	4811700	10	Washer M6	
8	1001207009	1	Charger Interlock Harness	
8	4460424	1	Receptacle, Female - 2 Position	
8	4460227	2	Pin, Male	
9	1001237462	1	Bracket	
10	1001254027	1	Can Splice Harness (Not Shown - See Separate Breakdown in ELECTRICAL Section)	
11	1001254028	1	Charger To Battery Harness (Not Shown - See Separate Breakdown in ELECTRICAL Section)	
12	1001256642	1	Charger DC Connection Harness	
12	4460019	4	Terminal, Ring	
13	1001264978	1	Charger, Battery - Delta-Q with Can Terminal	
14	1001283622	1	Charger Jumper Harness (Not Shown - See Separate Breakdown in ELECTRICAL Section)	

SECTION 2 - GROUND CONTROLS

FIGURE 2-14. BATTERY CHARGER INSTALLATION - GREEN POWER (LESS AC CABLE)



ART_1001252511

SECTION 2 - GROUND CONTROLS

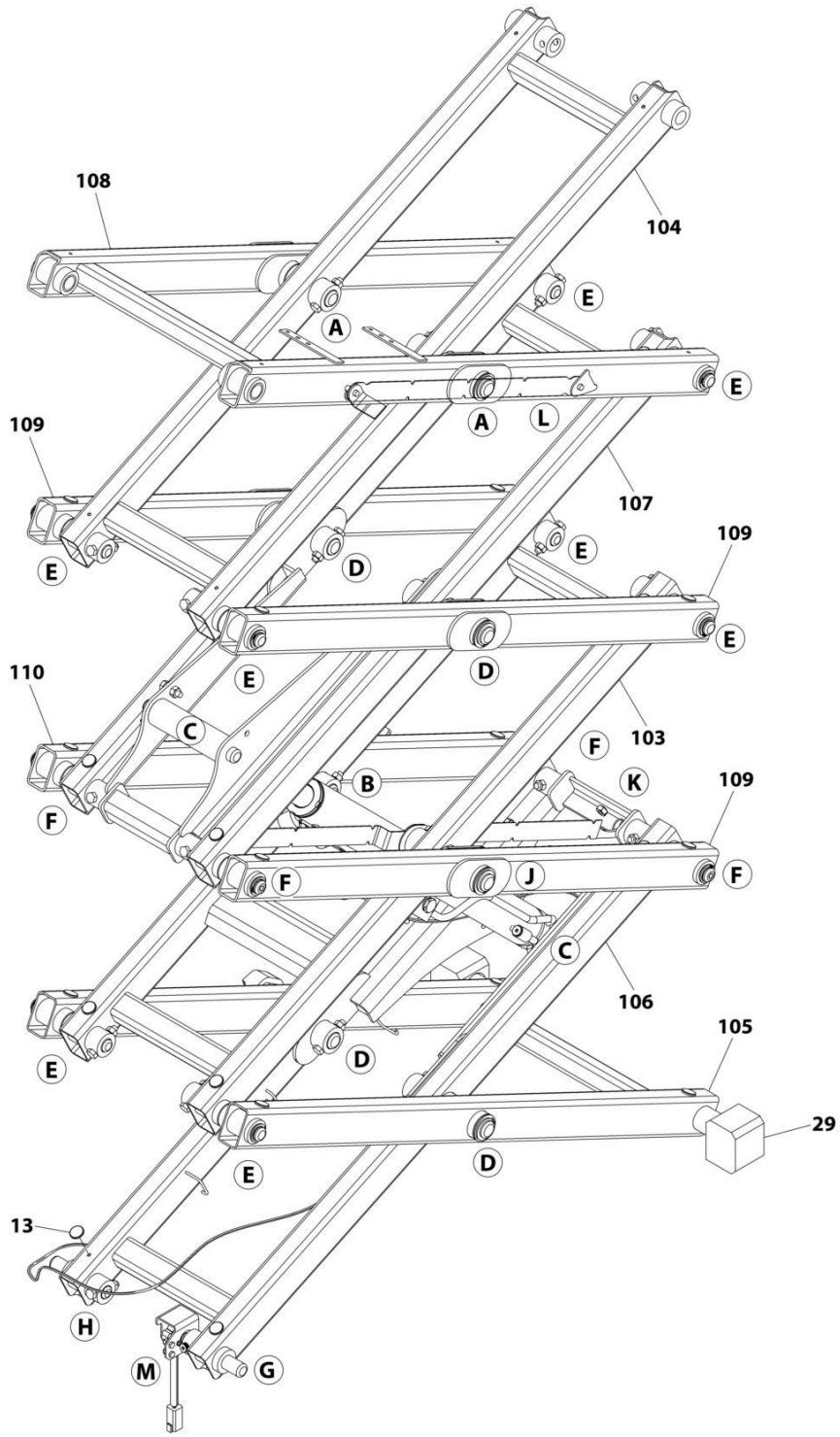
FIGURE 2-14. BATTERY CHARGER INSTALLATION - GREEN POWER (LESS AC CABLE)

ITEM	PART NUMBER	QTY	DESCRIPTION	REV
	1001252511	Ref	BATTERY CHARGER INSTALLATION - GREEN POWER (LESS AC CABLE)	C
1	0100011	AR	Compound, Locking	
2	0760508	4	Bolt M5 x 16	
3	0760606	2	Bolt M6 x 12	
4	0760608	1	Bolt M6 x 16	
5	1321293	1	Clamp, Cable	
6	3290505	4	Nut, Lock M5	
7	3290605	1	Nut, Lock M6	
8	4240017	AR	Tie-Strap (Not Shown)	
9	4811600	8	Washer M5	
10	4811700	4	Washer M6	
13	1001237462	1	Bracket	
14	1001276368	1	Charger, Battery-Green Power	

SECTION 3 - SCISSOR ARMS

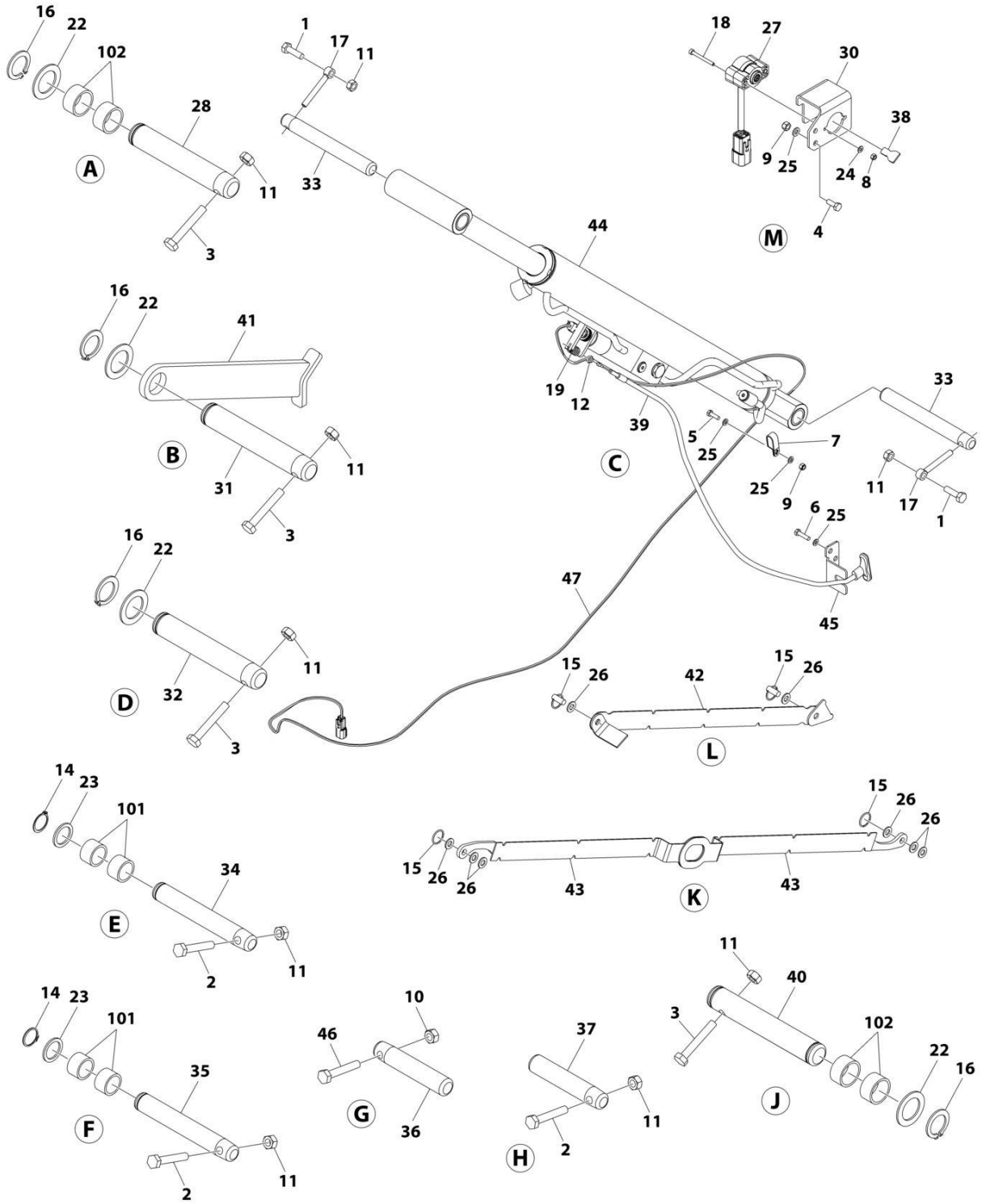
SECTION 3 - SCISSOR ARMS

FIGURE 3-1. SCISSOR ARMS INSTALLATION (WITHOUT LSS)



ART_1001282189_10F2

SECTION 3 - SCISSOR ARMS



ART_1001282189_20F2

SECTION 3 - SCISSOR ARMS

FIGURE 3-1. SCISSOR ARMS INSTALLATION (WITHOUT LSS)

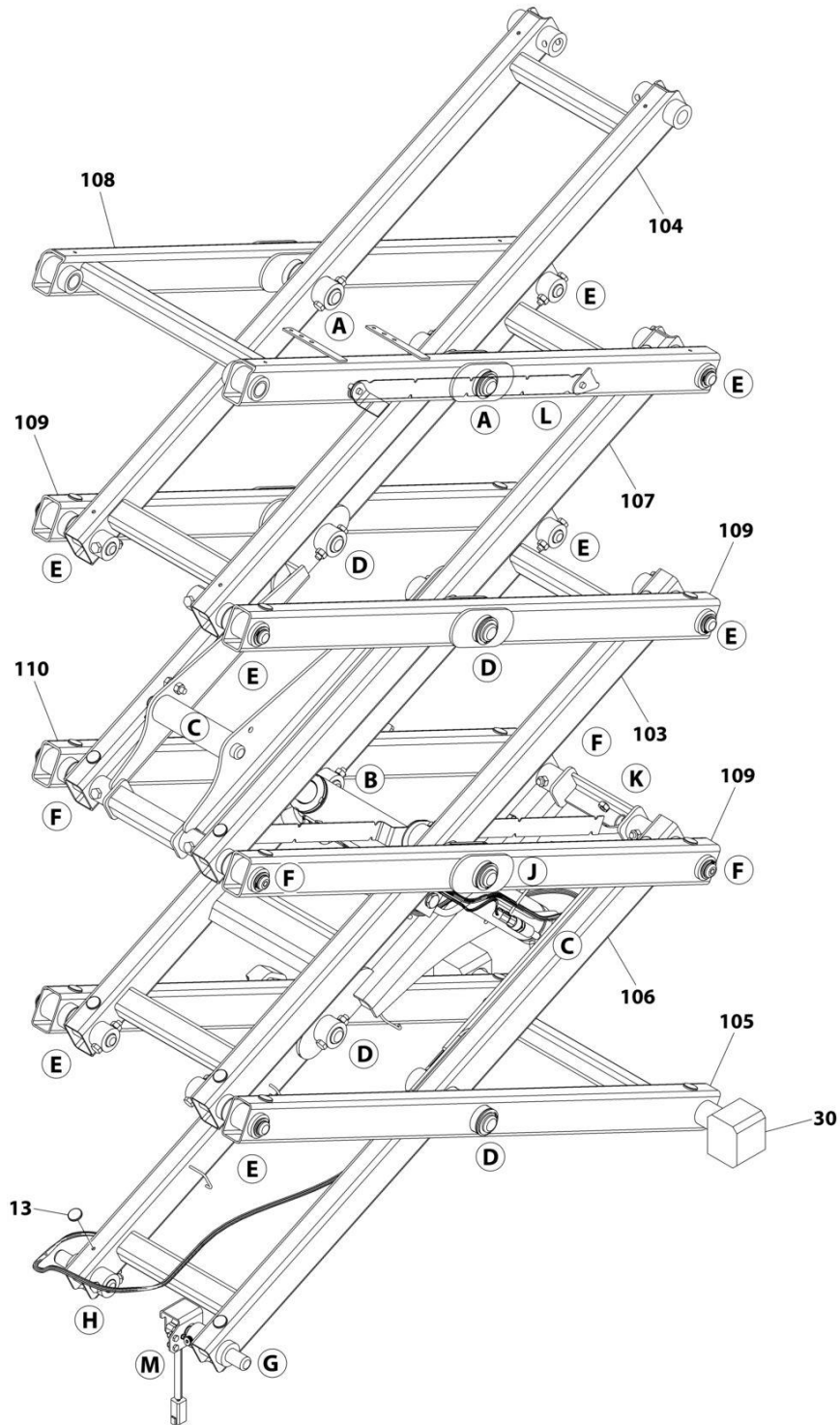
ITEM	PART NUMBER	QTY	DESCRIPTION	REV
	1001282189	Ref	SCISSOR ARMS INSTALLATION (WITHOUT LSS)	A
1	0701015	2	Bolt M10 x 35	
2	0701020	13	Bolt M10 x 60	
3	0701021	8	Bolt M10 x 65	
4	0760608	2	Bolt M6 x 16	
5	0760610	1	Bolt M6 x 20	
6	0760612	2	Bolt M6 x 25	
7	1321385	1	Clamp	
8	3290405	2	Nut M4	
9	3290605	3	Nut M6	
10	3290807	1	Nut M8	
11	3291007	23	Nut M10	
12	3321402	1	Nut 1/4	
13	3340962	24	Pad	
14	3760115	12	Ring, Retaining	
15	3760170	4	Ring	
16	3760387	9	Ring, Retaining	
17	3841143	2	Keeper, Pin	
18	4031512	2	Capscrew M4 x 40	
19	4160078	1	Spring	
20	4240017	AR	Tie-Strap (Not Shown)	
21	4460234	1	Mount, Cable Tie (Not Shown)	
22	4740438	9	Washer	
23	4740531	12	Washer	
24	4811400	2	Washer M4	
25	4811700	6	Washer M6	
26	4812000	8	Washer M10	
27	1001200746	1	Sensor, Angle	
28	1001203445	2	Pin	
29	1001204311	2	Block, Slide	
30	1001231268	1	Mount	
31	1001233860	1	Pin	
32	1001233861	4	Pin	
33	1001233863	2	Pin	
34	1001233864	8	Pin	
35	1001233865	4	Pin	
36	1001233866	1	Pin	
37	1001233867	1	Pin	
38	1001234204	1	Key	
39	1001239404	1	Cable, Manual Descent	
40	1001239737	1	Pin	
41	1001244144	1	Prop, Arm	
42	1001245636	1	Support	
43	1001245790	2	Support	
44	1001247345	1	Lift Cylinder Assembly (See Separate Breakdown in CYLINDER Section)	
45	1001253153	1	Mount	
46	1001258226	1	Bolt M8 x 40 (M10 Shoulder)	
47	1001282191	1	Liftdown Harness (See Separate Breakdown in ELECTRICAL Section)	

SECTION 3 - SCISSOR ARMS

ITEM	PART NUMBER	QTY	DESCRIPTION	REV
100	1001234320	1	Arm Kit (Not Shown)	
101	0440264	28	Bearing	
102	0440265	16	Bearing	
103	1001233834	1	Arm, Lower Mid Inside	
104	1001233836	1	Arm, Top Inside	
105	1001233837	1	Arm, Bottom Outside	
106	1001245386	1	Arm, Bottom Inside	
107	1001245388	1	Arm, Upper Mid Inside	
108	1001245451	1	Arm, Top Outside	
109	1001245634	3	Arm, Mid Outside	
110	1001245635	1	Arm, Mid Outside with Prop Mount	

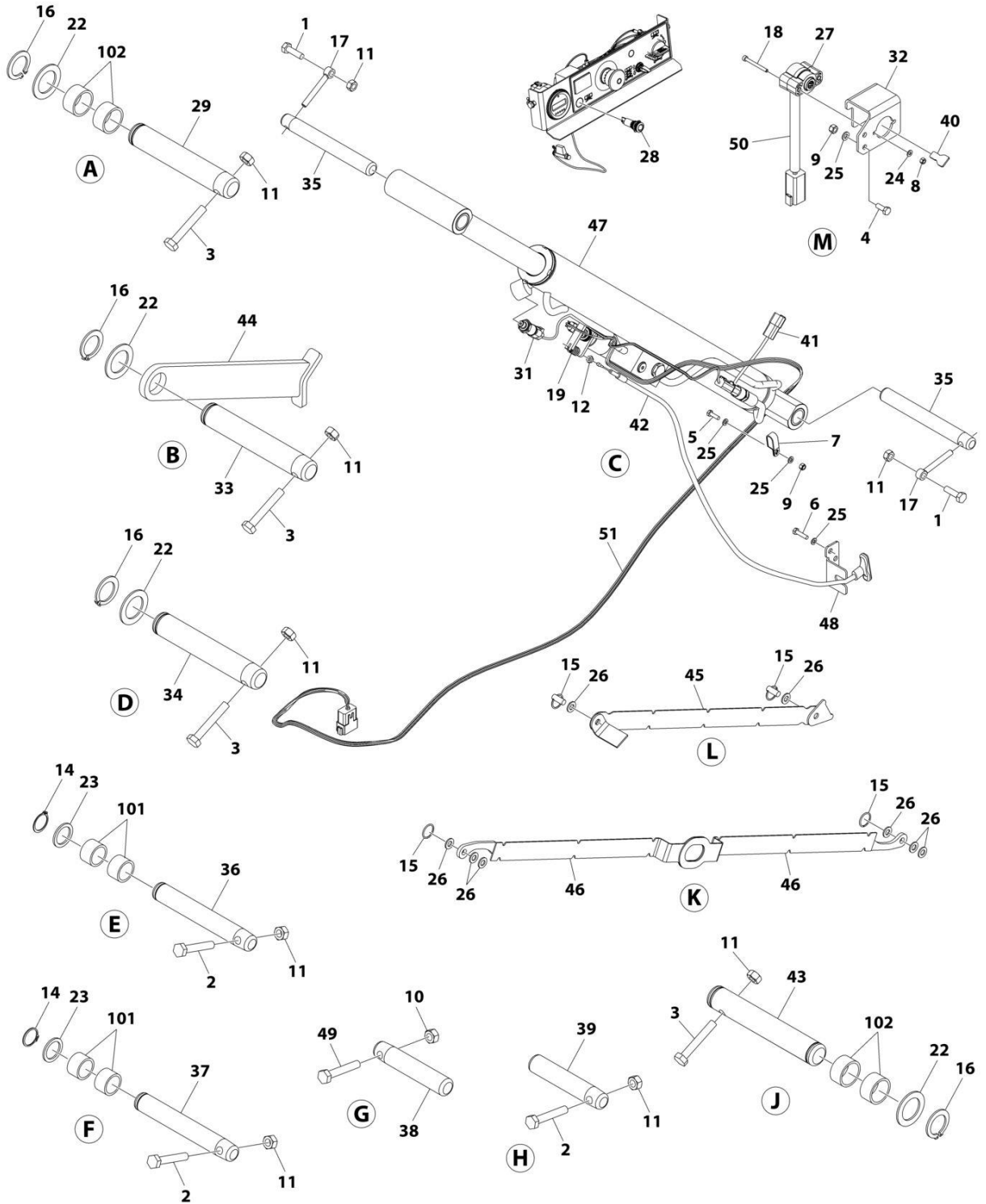
SECTION 3 - SCISSOR ARMS

FIGURE 3-2. SCISSOR ARMS INSTALLATION (WITH LSS)



ART_1001282188_10F2

SECTION 3 - SCISSOR ARMS



ART_1001282188_2OF2

SECTION 3 - SCISSOR ARMS

FIGURE 3-2. SCISSOR ARMS INSTALLATION (WITH LSS)

ITEM	PART NUMBER	QTY	DESCRIPTION	REV
	1001282188	Ref	SCISSOR ARMS INSTALLATION (WITH LSS)	B
1	0701015	2	Bolt M10 x 35	
2	0701020	13	Bolt M10 x 60	
3	0701021	8	Bolt M10 x 65	
4	0760608	2	Bolt M6 x 16	
5	0760610	1	Bolt M6 x 20	
6	0760612	2	Bolt M6 x 25	
7	1321385	1	Clamp	
8	3290405	2	Nut M4	
9	3290605	3	Nut M6	
10	3290807	1	Nut M8	
11	3291007	23	Nut M10	
12	3321402	1	Nut 1/4	
13	3340962	24	Pad	
14	3760115	12	Ring, Retaining	
15	3760170	4	Ring	
16	3760387	9	Ring, Retaining	
17	3841143	2	Keeper, Pin	
18	4031512	2	Capscrew M4 x 40	
19	4160078	1	Spring	
20	4240017	AR	Tie-Strap (Not Shown)	
21	4460234	1	Mount, Cable Tie (Not Shown)	
22	4740438	9	Washer	
23	4740531	12	Washer	
24	4811400	2	Washer M4	
25	4811700	6	Washer M6	
26	4812000	8	Washer M10	
27	1001146963	1	Sensor, Angle	
28	1001200631	1	Light, Indicator	
29	1001203445	2	Pin	
30	1001204311	2	Block, Lower Slide	
31	1001225164	1	Transducer, Pressure	
32	1001231268	1	Mount	
33	1001233860	1	Pin	
34	1001233861	4	Pin	
35	1001233863	2	Pin	
36	1001233864	8	Pin	
37	1001233865	4	Pin	
38	1001233866	1	Pin	
39	1001233867	1	Pin	
40	1001234204	1	Key	
41	1001285320	1	Transducer, Pressure	
42	1001239404	1	Cable, Manual Descent	
43	1001239737	1	Pin	
44	1001244144	1	Prop, Arm	
45	1001245636	1	Support	
46	1001245790	2	Support	
47	1001247345	1	Lift Cylinder Assembly (See Separate Breakdown in CYLINDER Section)	
48	1001253153	1	Mount	

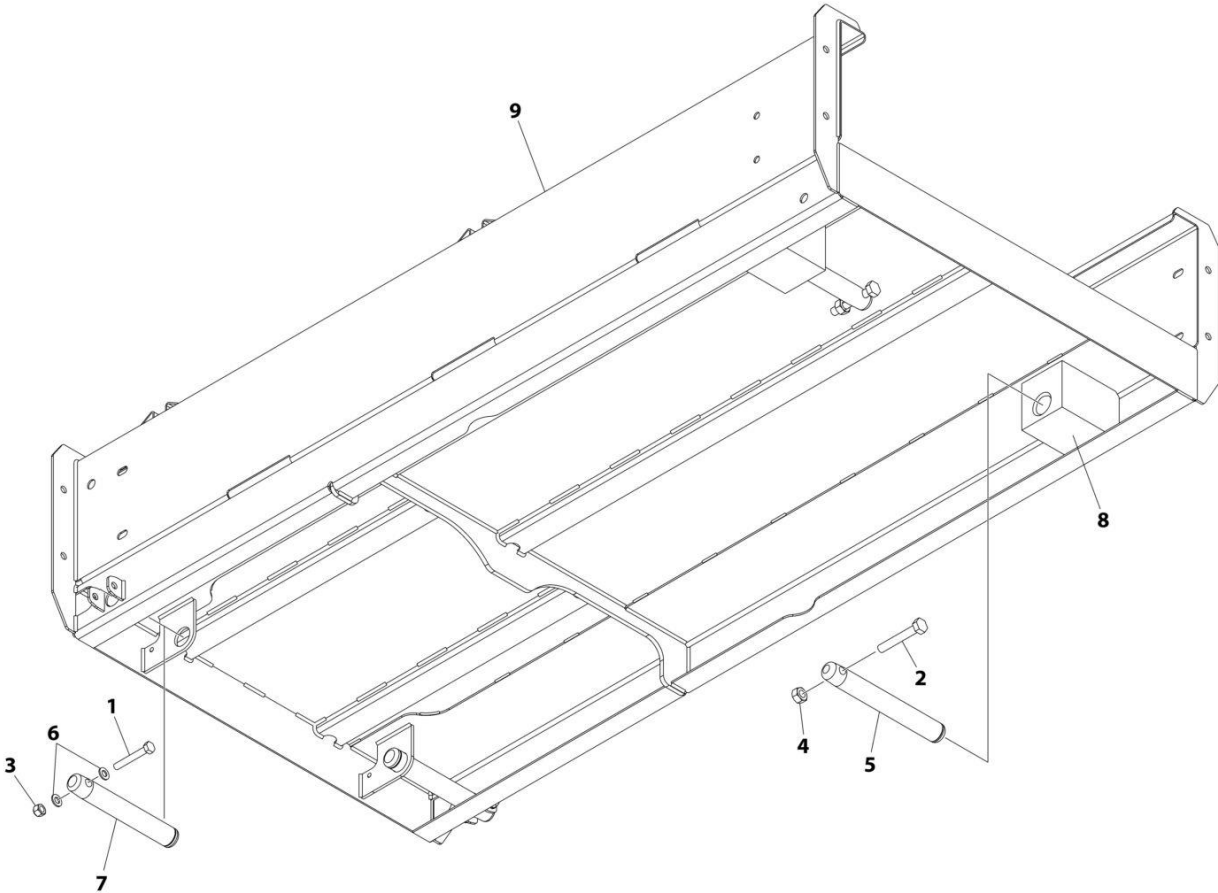
SECTION 3 - SCISSOR ARMS

ITEM	PART NUMBER	QTY	DESCRIPTION	REV
49	1001258226	1	Bolt M8 x 40 (M10 Shoulder)	
50	1001262299	1	Conduit	
51	1001294314	1	Liftdown Harness (See Separate Breakdown in ELECTRICAL Section)	
100	1001234320	1	Arm Kit (Not Shown)	
101	0440264	28	Bearing	
102	0440265	16	Bearing	
103	1001233834	1	Arm, Lower Mid Inside	
104	1001233836	1	Arm, Top Inside	
105	1001233837	1	Arm, Bottom Outside	
106	1001245386	1	Arm, Bottom Inside	
107	1001245388	1	Arm, Upper Mid Inside	
108	1001245451	1	Arm, Top Outside	
109	1001245634	3	Arm, Mid Outside	
110	1001245635	1	Arm, Mid Outside with Prop Mount	

SECTION 4 - PLATFORM

SECTION 4 - PLATFORM

FIGURE 4-1. PLATFORM INSTALLATION



ART_1001248157

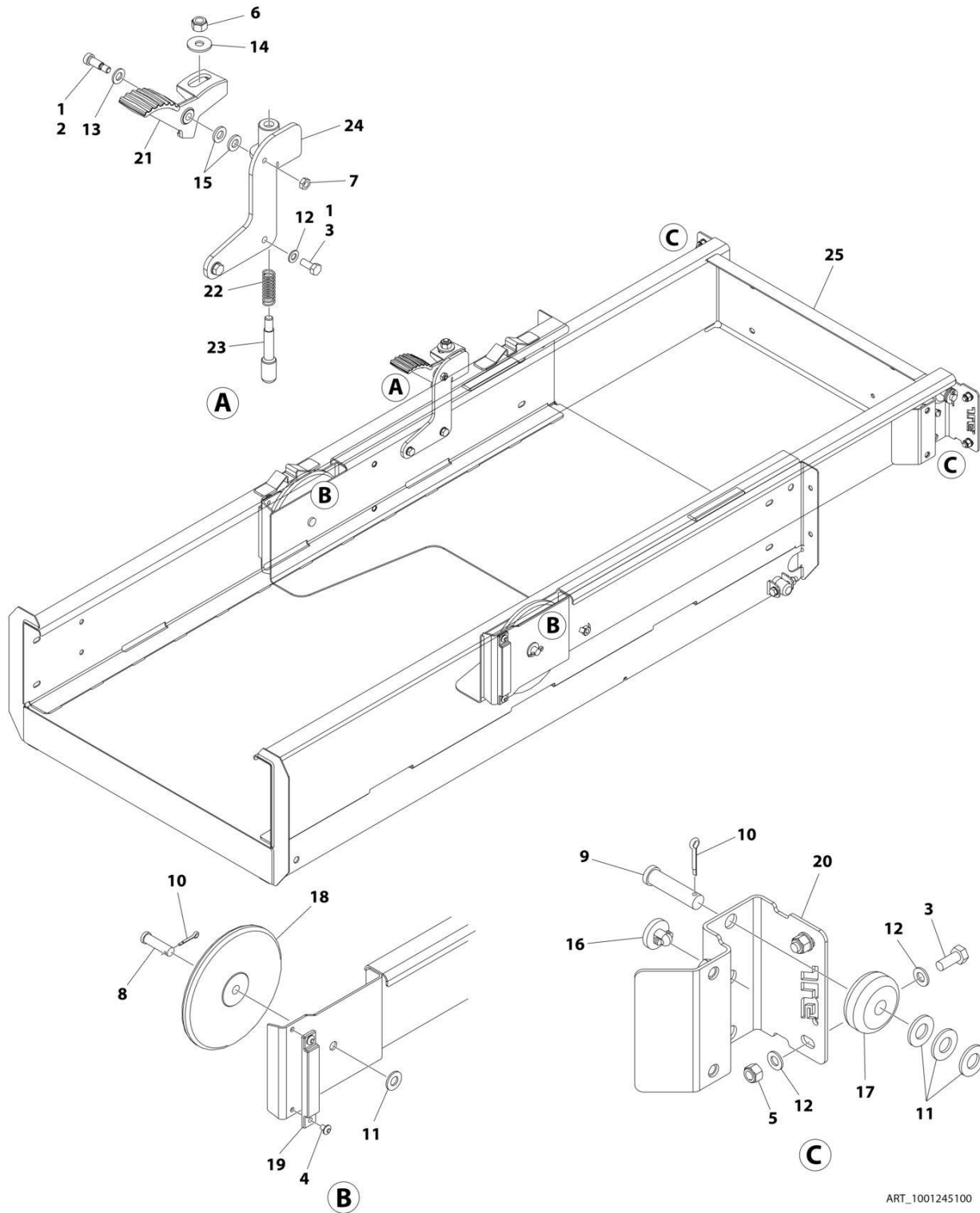
SECTION 4 - PLATFORM

FIGURE 4-1. PLATFORM INSTALLATION

ITEM	PART NUMBER	QTY	DESCRIPTION	REV
	1001248157	Ref	PLATFORM INSTALLATION	A
1	0700819	2	Bolt M8 x 55	
2	0701021	2	Bolt M10 x 65	
3	3290805	2	Nut M8	
4	3291007	2	Nut M10	
5	3423032	2	Pin	
6	4811900	4	Washer M8	
7	1001203443	2	Pin	
8	1001205156	2	Block, Slide	
9	1001248155	1	Platform	

SECTION 4 - PLATFORM

FIGURE 4-2. PLATFORM EXTENSION INSTALLATION



ART_1001245100

SECTION 4 - PLATFORM

FIGURE 4-2. PLATFORM EXTENSION INSTALLATION

ITEM	PART NUMBER	QTY	DESCRIPTION	REV
	1001245100	Ref	PLATFORM EXTENSION INSTALLATION	C
1	0100011	AR	Compound, Locking	
2	0630183	1	Screw 3/8 x 1	
3	0760810	6	Bolt M8 x 20	
4	2080040	4	Fastener	
5	3290805	4	Nut M8	
6	3291005	1	Nut M10	
7	3311502	1	Nut 5/16	
8	3430814	2	Pin	
9	3430816	2	Pin	
10	3450403	4	Pin, Cotter 1/8 x 3/4	
11	4711800	8	Washer 1/2	
12	4811900	10	Washer M8	
13	4812000	1	Washer M10	
14	4812002	1	Washer M10	
15	5241000	2	Washer M10	
16	1001137675	2	Bumper	
17	1001205422	2	Roller (Front)	
18	1001205430	2	Roller (Rear)	
19	1001208852	2	Pad	
20	1001210064	2	Support	
21	1001217043	1	Plate	
22	1001221475	1	Spring	
23	1001221476	1	Rod	
24	1001236129	1	Bracket	
25	1001245099	1	Extension, Platform	

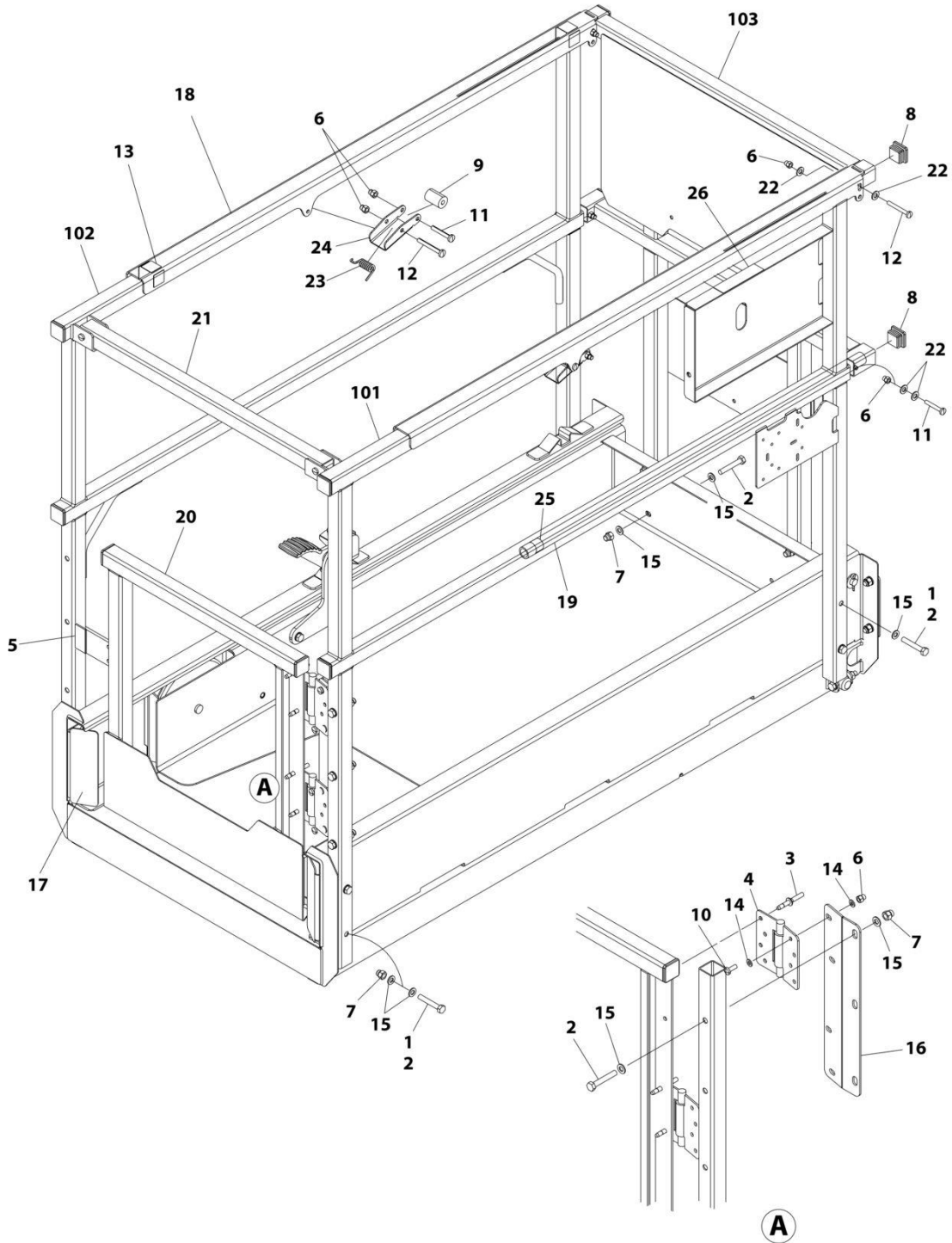
SECTION 4 - PLATFORM

FIGURE 4-3. RAILS INSTALLATION (1.1M TUBE IN TUBE)

ITEM	PART NUMBER	QTY	DESCRIPTION	REV
	1001287452	Ref	RAILS INSTALLATION (1.0M TUBE IN TUBE)	B
1	0100011	AR	Compound, Locking	
2	0700818	15	Bolt M8 x 50	
3	2080040	4	Fastener	
4	2600281	2	Hinge	
5	3080007	1	Latch, Magnetic Gate	
6	3290606	14	Nut M6	
7	3290806	11	Nut M8	
8	3520072	10	Plug	
9	3860111	2	Roller	
10	4010608	4	Screw M6 x 16	
11	4010616	4	Screw M6 x 40	
12	4010618	6	Screw M6 x 50	
13	4420062	16 in /40cm	Tape	
14	4811700	8	Washer M6	
15	4811900	26	Washer M8	
16	1001210586	1	Support	
17	1001210963	2	Cover	
18	1001286107	2	Rail, Top Slide	
19	1001244096	2	Rod	
20	1001245110	1	Gate	
21	1001245138	1	Rail, Rear	
22	1001286023	8	Shim	
23	1001286024	2	Spring	
24	1001286025	2	Plate	
25	1001286160	2	Sleeve	
26	1001286748	2	Bumper Plate	
100	1001287451	1	Rail, Kit (Not Shown)	
101	1001244092	1	Rail, Side (LH)	
102	1001244093	1	Rail, Side (RH)	
103	1001287450	1	Rail, Front Extension	

SECTION 4 - PLATFORM

FIGURE 4-4. RAILS INSTALLATION (1.0M TUBE IN TUBE)



ART_1001286108

SECTION 4 - PLATFORM

FIGURE 4-4. RAILS INSTALLATION (1.0M TUBE IN TUBE)

ITEM	PART NUMBER	QTY	DESCRIPTION	REV
	1001286108	Ref	RAILS INSTALLATION (1.0M TUBE IN TUBE)	B
1	0100011	AR	Compound, Locking	
2	0700818	15	Bolt M8 x 50	
3	2080040	4	Fastener	
4	2600281	2	Hinge	
5	3080007	1	Latch, Magnetic Gate	
6	3290606	14	Nut M6	
7	3290806	11	Nut M8	
8	3520072	10	Plug	
9	3860111	2	Roller	
10	4010608	4	Screw M6 x 16	
11	4010616	4	Screw M6 x 40	
12	4010618	6	Screw M6 x 50	
13	4420062	16 in /40cm	Tape	
14	4811700	8	Washer M6	
15	4811900	26	Washer M8	
16	1001210586	1	Support	
17	1001210963	2	Cover	
18	1001286107	2	Rail, Top Slide	
19	1001244096	2	Rod	
20	1001245110	1	Gate	
21	1001245138	1	Rail, Rear	
22	1001286023	8	Shim	
23	1001286024	2	Spring	
24	1001286025	2	Plate	
25	1001286160	2	Sleeve	
26	1001286748	2	Bumper Plate	
100	1001286017	1	Rail, Kit (Not Shown)	
101	1001244045	1	Rail, Side (RH)	
102	1001244047	1	Rail, Side (LH)	
103	1001286010	1	Rail, Front Extension	

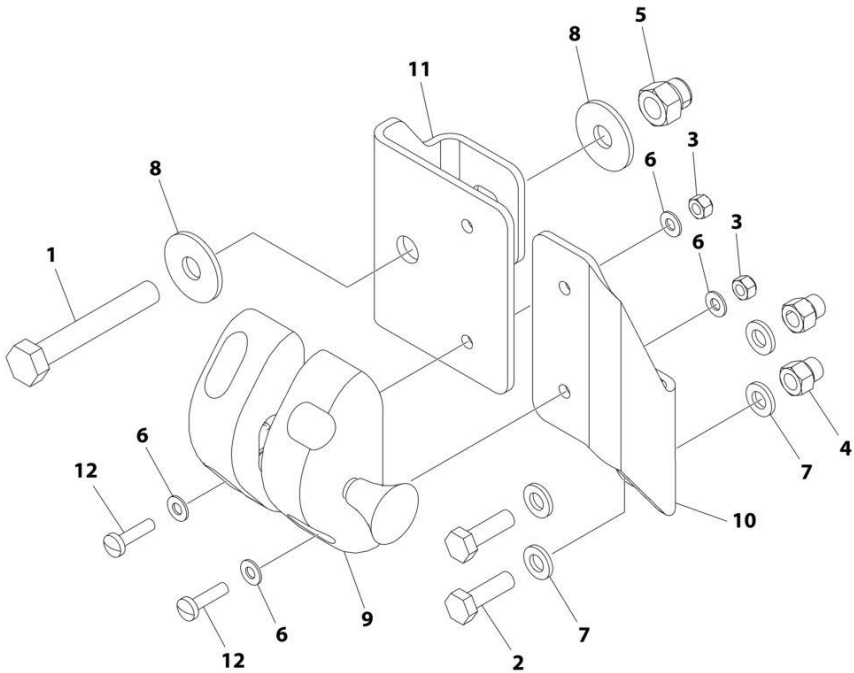
SECTION 4 - PLATFORM

FIGURE 4-5. RAILS INSTALLATION (SIDE BY SIDE)

ITEM	PART NUMBER	QTY	DESCRIPTION	REV
	1001286710	Ref	RAILS INSTALLATION (SIDE BY SIDE)	A
1	0100011	AR	Compound, Locking	
2	0700818	19	Bolt M8 x 50	
3	0700820	4	Bolt M8 x 60	
4	2080040	4	Fastener	
5	2600281	2	Hinge	
6	3080007	1	Latch, Magnetic Gate	
7	3290606	14	Nut M6	
8	3290806	17	Nut M8	
9	3520072	16	Plug	
10	4010608	4	Screw M6 x 16	
11	4010617	8	Screw M6 x 45	
12	4010618	2	Screw M6 x 50	
13	4420062	15 in/ 37cm	Tape	
14	4811700	12	Washer M6	
15	4811900	38	Washer M8	
16	4811902	4	Washer M8	
17	1001154378	1	Bracket	
18	1001187587	3	Pin, With Lanyard	
19	1001210586	1	Support	
20	1001210963	2	Cover	
21	1001232257	2	Brace	
22	1001245110	1	Gate	
23	0760810	2	Bolt M8 x 20	
24	1001232622	1	Bracket	
25	4812000	20	Washer M10	
26	0701020	8	Bolt M10 x 60	
27	0701019	2	Bolt M10 x 55	
28	3291006	10	Nut M10	
29	1001211895	38	Plate, Washer	
30	1001137675	16	Bumper	
31	1001211896	6	Bumper	
32	1001286748	2	Bumper	
100	1001286246	1	Rail, Kit (Not Shown)	
101	1001286226	1	Rail (RH Upper Rear)	
102	1001286227	1	Rail (LH Upper Rear)	
103	1001286228	1	Rail (RH Upper Front)	
104	1001286229	1	Rail (LH Upper Front)	
105	1001286220	1	Rail (Extension RH Side Upper)	
106	1001286221	1	Rail (Extension LH Side Upper)	
107	1001286222	1	Rail (Lower Extension)	
108	1001286223	1	Rail (Upper Front Extension)	
109	1001286224	1	Rail (LH Lower)	
110	1001286225	1	Rail (RH Lower)	
111	1001286230	1	Rail (Extension RH Side Lower)	
112	1001286231	1	Rail (Extension LH Side Lower)	
113	1001286239	2	Rail (RH and LH Side Upper)	
114	1001245136	1	Rail (Rear Top)	

SECTION 4 - PLATFORM

FIGURE 4-6. GATE LATCH INSTALLATION



ART_1001220995

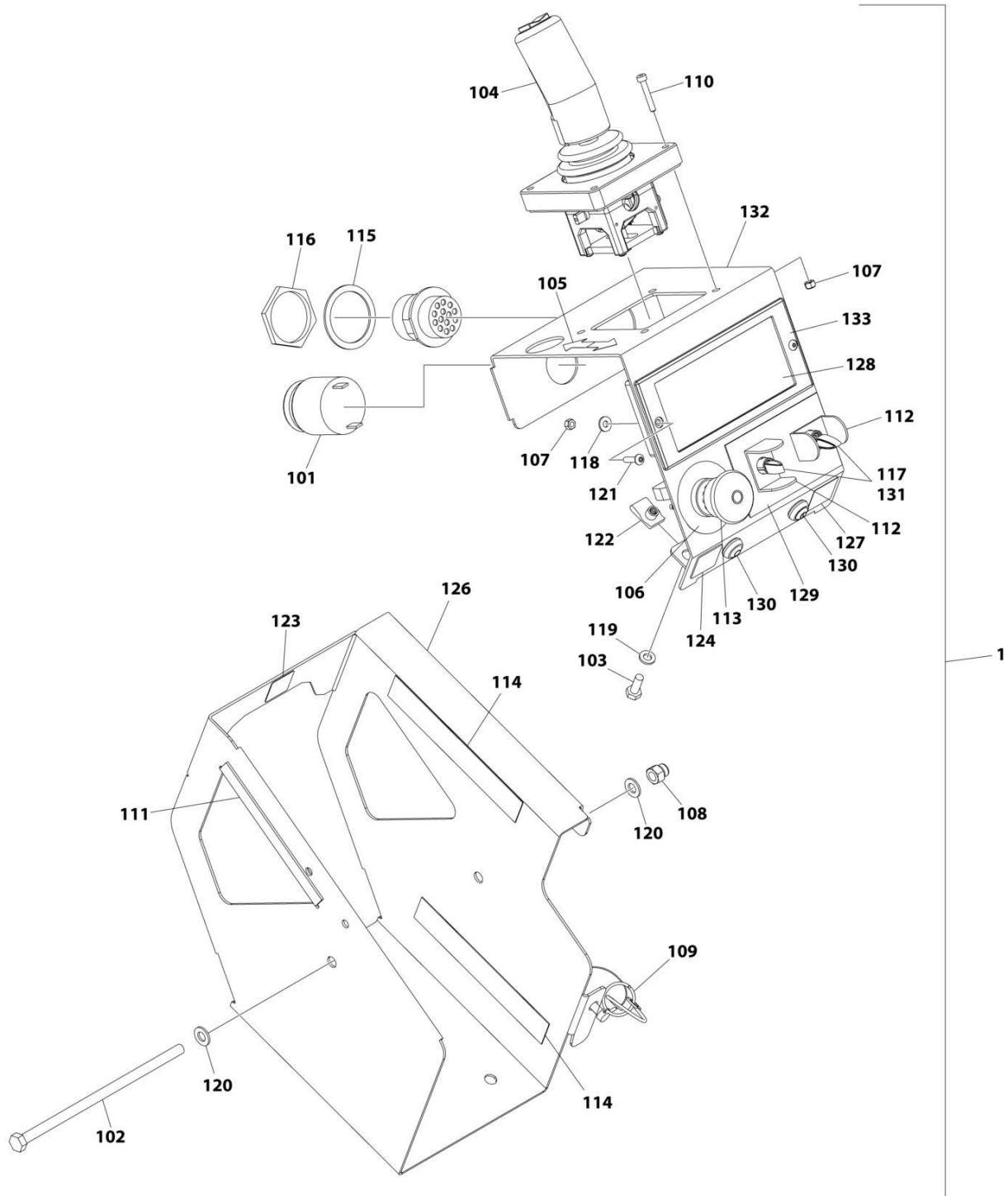
SECTION 4 - PLATFORM

FIGURE 4-6. GATE LATCH INSTALLATION

ITEM	PART NUMBER	QTY	DESCRIPTION	REV
	1001220995	Ref	GATE LATCH INSTALLATION	B
1	0700819	1	Bolt M8 x 55	
2	0760610	2	Bolt M6 x 20	
3	3290405	4	Nut M4	
4	3290606	2	Nut M6	
5	3290806	1	Nut M8	
6	4811400	8	Washer M4	
7	4811700	4	Washer M6	
8	4811902	2	Washer M8	
9	1001134821	1	Latch	
10	1001220409	1	Mount	
11	1001220410	1	Plate	
12	4010408	4	Screw M4 x 16	

SECTION 4 - PLATFORM

FIGURE 4-7. PLATFORM CONSOLE INSTALLATION



ART_1001274659

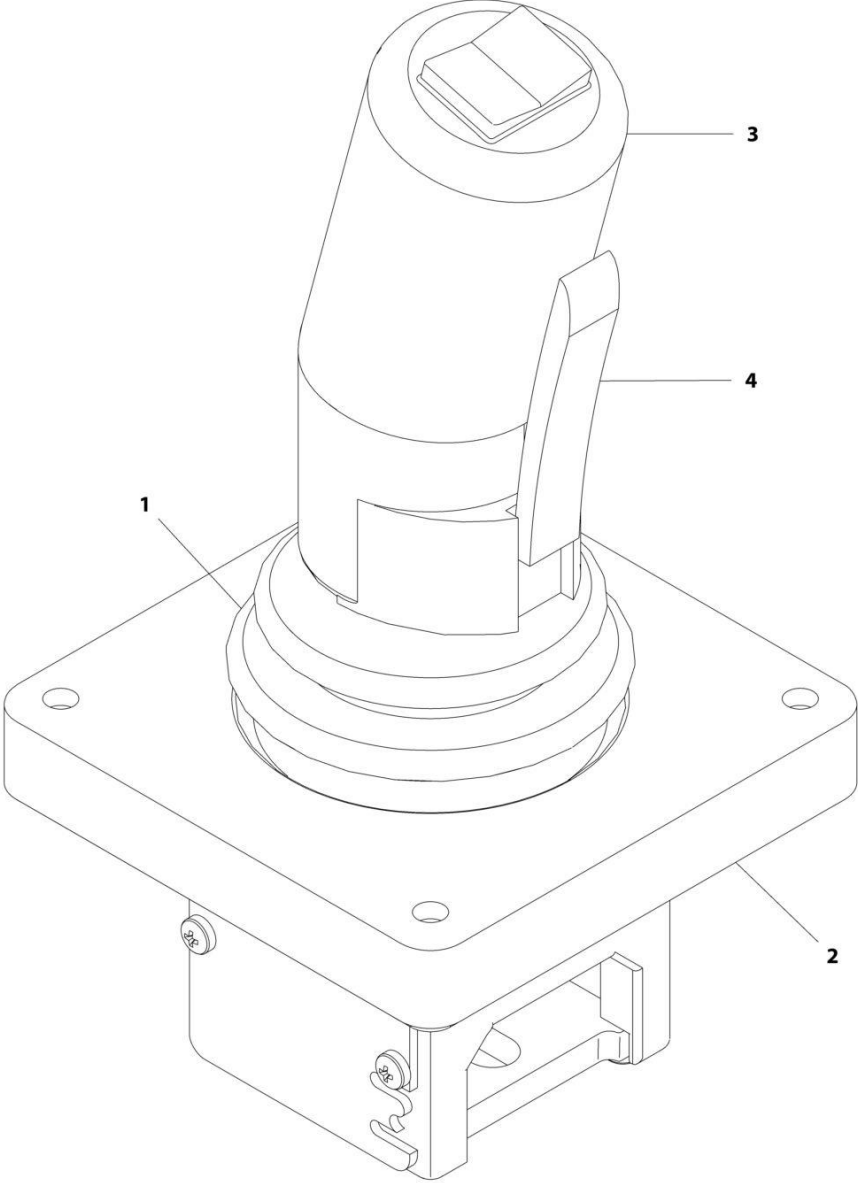
SECTION 4 - PLATFORM

FIGURE 4-7. PLATFORM CONSOLE INSTALLATION

ITEM	PART NUMBER	QTY	DESCRIPTION	REV
	1001274659	Ref	PLATFORM CONTROL INSTALLATION (LED)	A
1	1001274604	1	Platform Control Box	B
101	0140030	1	Alarm	
102	0700835	1	Bolt M8 x 180	
103	0760610	2	Bolt M6 x 20	
104	1600402	1	Controller Assembly (See Separate Breakdown in this Section)	
105	1703819	1	Decal - Arrow	
106	1704260	1	Decal - Emergency Stop	
107	3290405	6	Nut M4	
108	3290806	1	Nut M8	
109	3423278	1	Pin, Snap with Lanyard	
110	4031509	4	Capscrew M4 x 25	
111	4060803	6 in/ 14cm	Flex-Trim	
112	4060906	2	Guard, Switch	
113	4360475	1	Switch, Emergency Stop	
113	7020175	1	Cap	
113	7020176	1	Block, Contact	
114	4420062	12 in/ 30cm	Tape	
115	4460496	1	Washer, Terminal	
116	4460497	1	Nut, Terminal	
117	4711700	2	Washer 7/16	
118	4811400	2	Washer M4	
119	4811700	2	Washer M6	
120	4811900	2	Washer M8	
121	1001047064	2	Screw M4 x 15	
122	1001130220	2	Nut, Tinnerman M6	
123	1001132358	1	Decal - Steer	
124	1001132361	1	Decal - Horn	
125	1001200819	1	Platform Control Box Harness (Not Shown) (See Separate Breakdown in ELECTRICAL Section)	
126	1001209596	1	Plate, Box (Outside)	
127	1001213886	1	Decal - Indoor/Outdoor	
128	1001218285	1	Decal - Platform Control	
129	1001220893	1	Decal - Lift/Drive Function	
130	1001226749	2	Switch, Push Button	
131	1001258446	2	Switch, Toggle	
132	1001262655	1	Plate, Box (Inside)	
133	1001274605	1	Module, Platform Control	

SECTION 4 - PLATFORM

FIGURE 4-8. CONTROLLER ASSEMBLY



ART_1600402

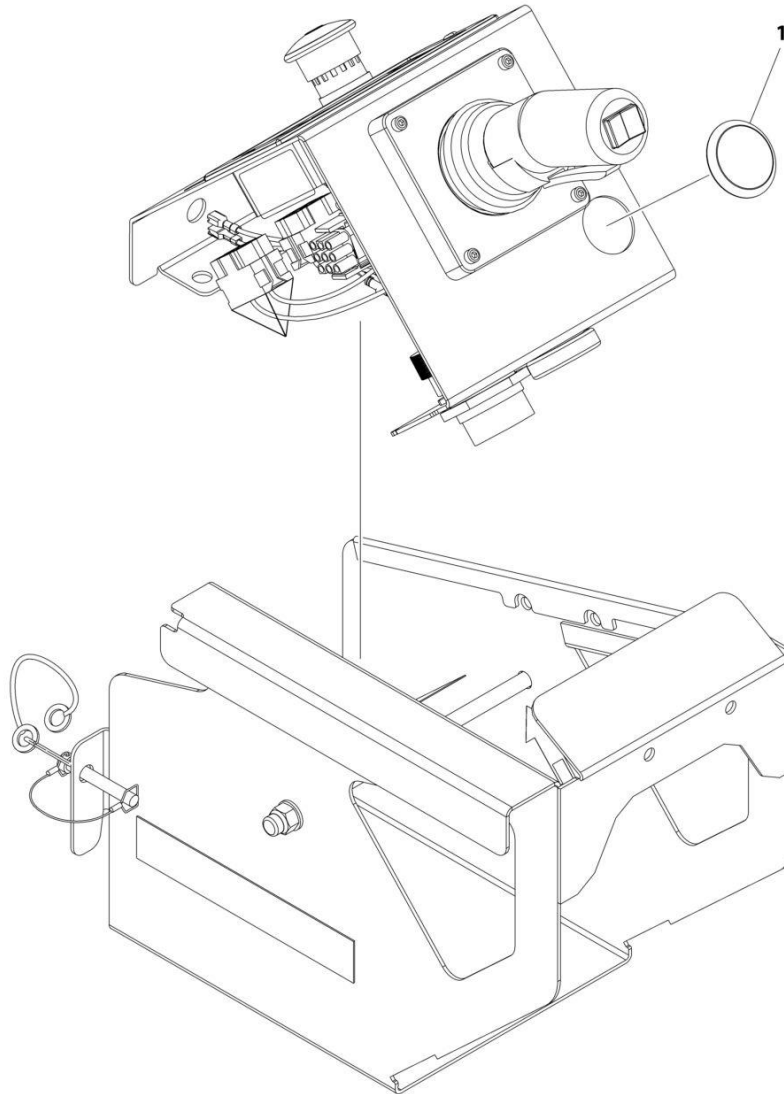
SECTION 4 - PLATFORM

FIGURE 4-8. CONTROLLER ASSEMBLY

ITEM	PART NUMBER	QTY	DESCRIPTION	REV
	1600402	Ref	DRIVE/STEER CONTROLLER ASSEMBLY	B
1	70001250	1	Boot, Panel	
2	70001252	1	Gasket, Mounting	
2	70001251	1	Bezel, Mounting	
3	70003650	1	Handle Repair Kit (Includes handle gasket, item#4 push button and item #4 lever installed in front handle half, back handle half, top actuator, boot and hardware.)	
3	70000084	1	Cap, Rubber	
3	70000082	1	Microswitch	
3	7027766	1	Ring, Retaining	
3	7027365	1	Actuator, Handle	
3	70001253	1	Gasket, Handle	
3	70000683	4	Washer, Neoprene	
3	70000685	2	Spacer, Plastic	
3	70000686	2	Screw (Top)	
3	70000684	2	Screw (Bottom)	
4	7027367	1	Switch, Push Button	
4	7027765	1	Lever, Enable	

SECTION 4 - PLATFORM

FIGURE 4-9. PLATFORM CONTROL PLUG INSTALLATION



ART_1001274661

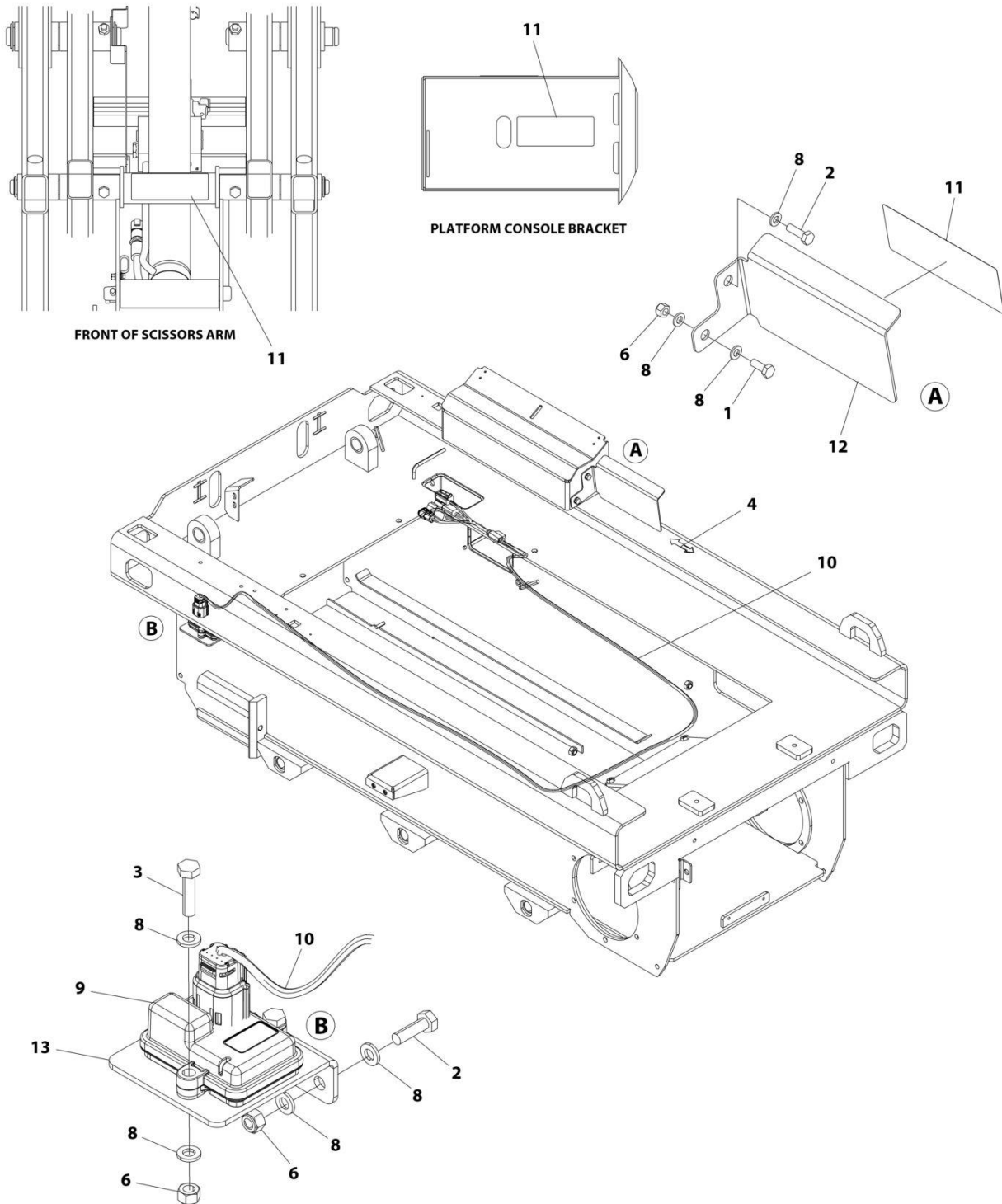
SECTION 4 - PLATFORM

FIGURE 4-9. PLATFORM CONTROL PLUG INSTALLATION

ITEM	PART NUMBER	QTY	DESCRIPTION	REV
1	1001274661 1001262221	Ref 1	PLATFORM CONTROL PLUG INSTALLATION Plug	A

SECTION 4 - PLATFORM

FIGURE 4-10. MOBILE CONTROL INSTALLATION



ART_1001285508

SECTION 4 - PLATFORM

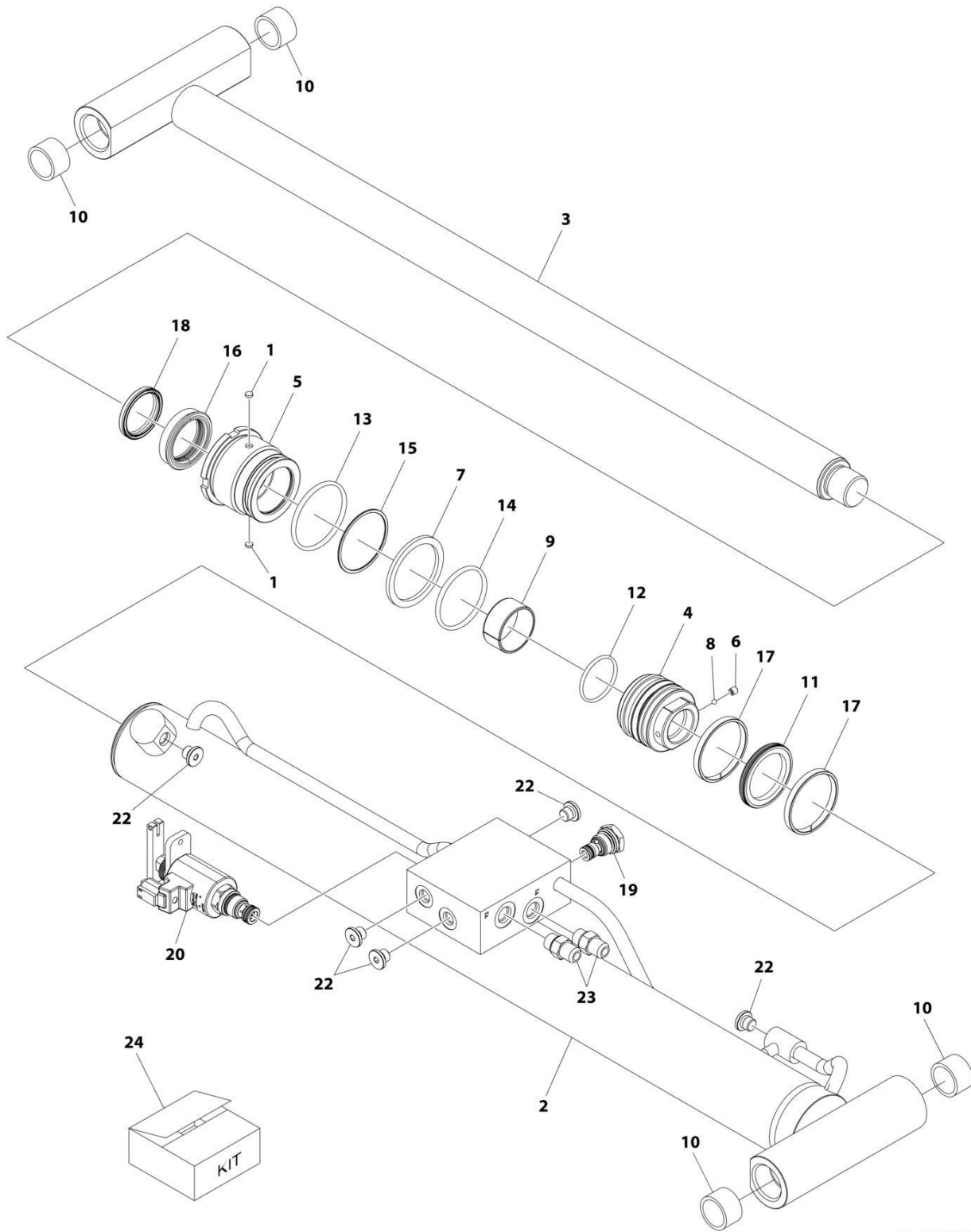
FIGURE 4-10. MOBILE CONTROL INSTALLATION

ITEM	PART NUMBER	QTY	DESCRIPTION	REV
	1001285508	Ref	MOBILE CONTROL INSTALLATION	A
1	0760608	1	Bolt M6 x 16	
2	0760610	3	Bolt M6 x 20	
3	0700612	2	Bolt M6 x 25	
4	1703819	1	Decal - Direction Arrow	
5	3121792	1	Manual, Mobile Control (Not Shown)	
6	3290605	5	Nut M6	
7	4240017	AR	Tie-Strap (Not Shown)	
8	4811700	11	Washer M6	
9	1001245293	1	Control, Mobile	
10	1001245299	1	Mobile Control Harness (See Separate Breakdown in ELECTRICAL Section)	
11	1001248768	3	Decal, Mobile Control	
12	1001253715	1	Plate, Decal	
13	1001269231	1	Bracket, Module	

SECTION 5 - CYLINDER

SECTION 5 - CYLINDER

FIGURE 5-1. LIFT CYLINDER ASSEMBLY



ART_1001247345

SECTION 5 - CYLINDER

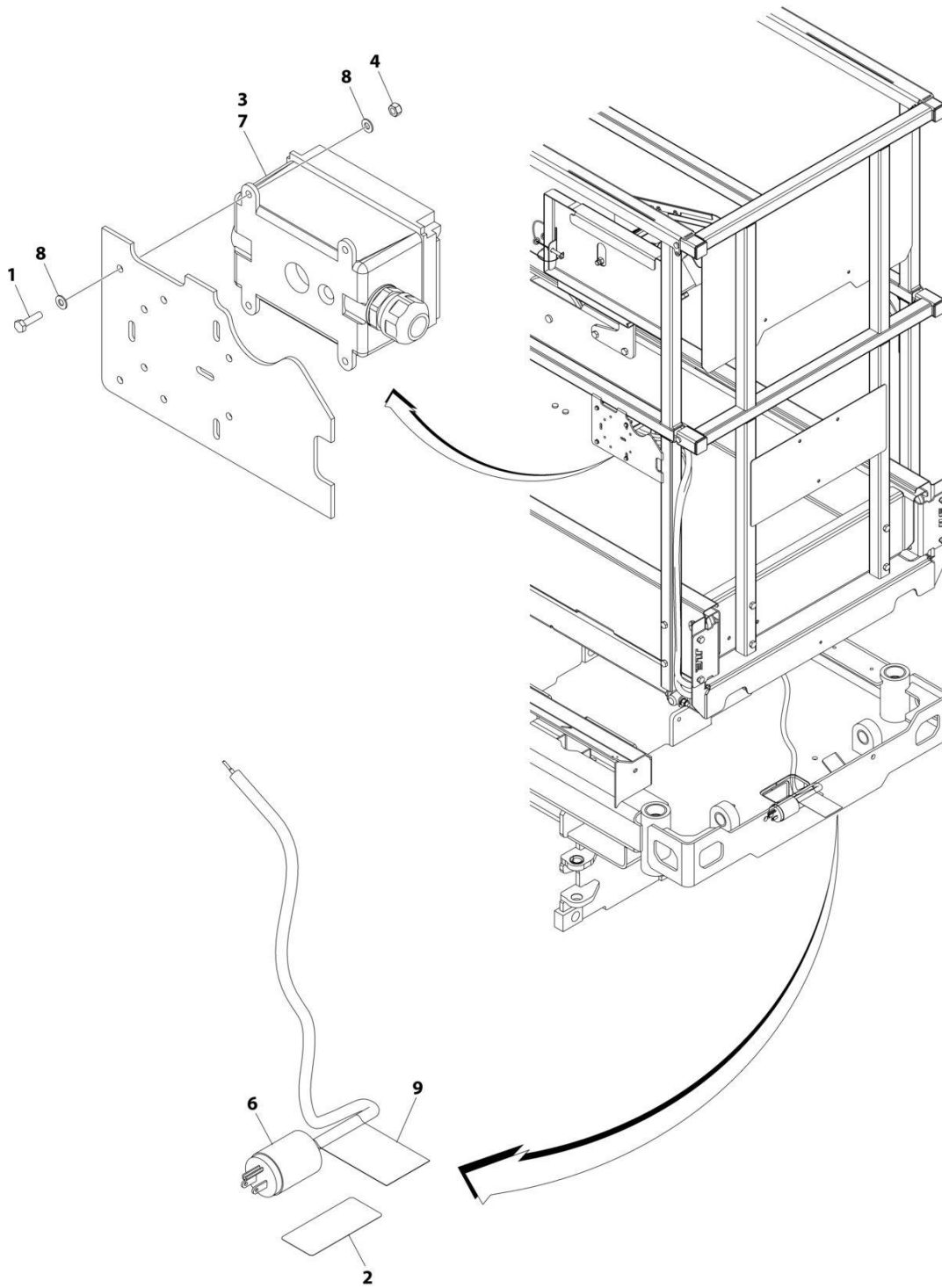
FIGURE 5-1. LIFT CYLINDER ASSEMBLY

ITEM	PART NUMBER	QTY	DESCRIPTION	REV
	1001247345	Ref	LIFT CYLINDER ASSEMBLY	B
		Ref	Note: Original Cylinder May Have Been Replaced with Service Replacement. Identify PN Stamped on Cylinder Before Ordering Parts.	
1	70003636	2	Insert, Locking	
2	See Note	NSS	Barrel (Note: Use p/n 1001247345)	
3	70007137	1	Rod	
4	70007130	1	Piston	
5	70007131	1	Head	
6	See Note	NSS	Setscrew (Note: Use Item 24)	
7	70007132	1	Ring, Back-up	
8	See Note	NSS	Ball (Note: Use Item 24)	
9	70007133	1	Ring, Wear	
10	0962292	4	Bearing	
11	See Note	NSS	Ring, Wear (Note: Use Item 24)	
12	See Note	NSS	O-Ring (Note: Use Item 24)	
13	See Note	NSS	O-Ring (Note: Use Item 24)	
14	See Note	NSS	O-Ring (Note: Use Item 24)	
15	See Note	NSS	Ring, Back-up (Note: Use Item 24)	
16	See Note	NSS	Seal, Rod (Note: Use Item 24)	
17	See Note	NSS	Seal, Piston (Note: Use Item 24)	
18	See Note	NSS	Wiper (Note: Use Item 24)	
19	70004585	1	Valve, Check (Bosch Rexroth)	
19	70008142	1	Valve, Check (Sant - Valvole)	
20	70005236	1	Valve, Manual Descent (Bosch Rexroth)	
20	70008143	1	Valve, Manual Descent (Sant - Valvole)	
21	70007134	2	Fitting, Straight (Not Shown)	
22	2220883	5	Plug	
23	70007135	2	Fitting, Straight	
24	70007138	1	Seal Kit - Cylinder (Includes Items 6, 8 & 11-18)	

SECTION 6 - ELECTRICAL

SECTION 6 - ELECTRICAL

FIGURE 6-1. AC BOX AT PLATFORM INSTALLATION - 110V GFI (ALL SPECS EXCEPT CE & UK CA SPECS)



ART_1001244911

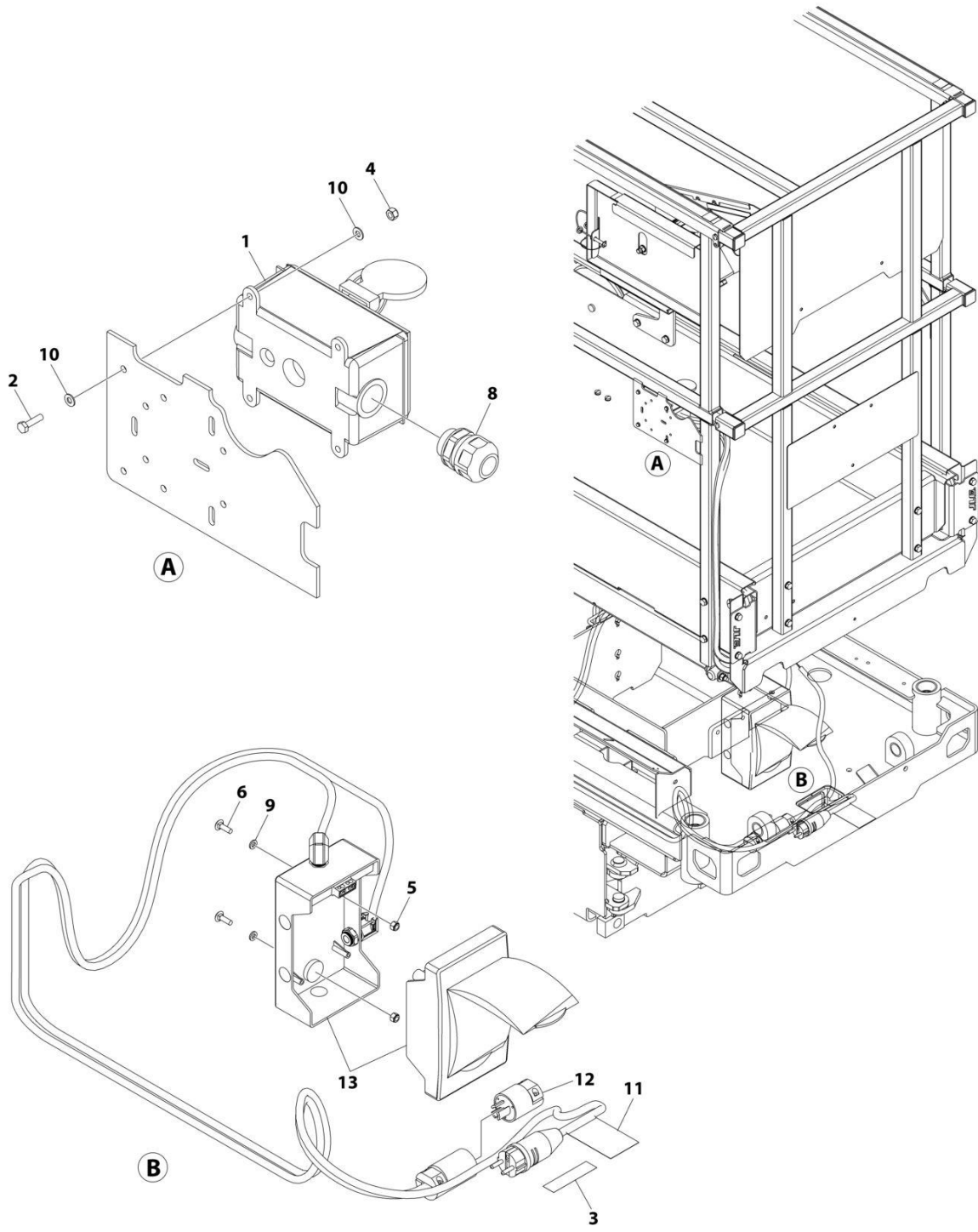
SECTION 6 - ELECTRICAL

FIGURE 6-1. AC BOX AT PLATFORM INSTALLATION - 110V GFI (ALL SPECS EXCEPT CE & UK CA SPECS)

ITEM	PART NUMBER	QTY	DESCRIPTION	REV
	1001244911	Ref	AC BOX AT PLATFORM INSTALLATION - 110V GFI	A
1	0760408	4	Bolt M4 x 16	
2	1703464	1	Decal - AC Power	
3	2902431	1	Receptacle Box Kit (See Separate Breakdown in this Section)	
4	3290405	4	Nut M4	
5	4240017	AR	Tie-Strap (Not Shown)	
6	4460138	1	Plug, Male - AC	
7	4460315	1	Terminal	
8	4811400	8	Washer M4	
9	1001102258	1	Decal - AC Label	

SECTION 6 - ELECTRICAL

FIGURE 6-2. AC BOX AT PLATFORM INSTALLATION - 220V CEE7 SIDE GROUND (CE & UK CA SPECS)



ART_1001244914

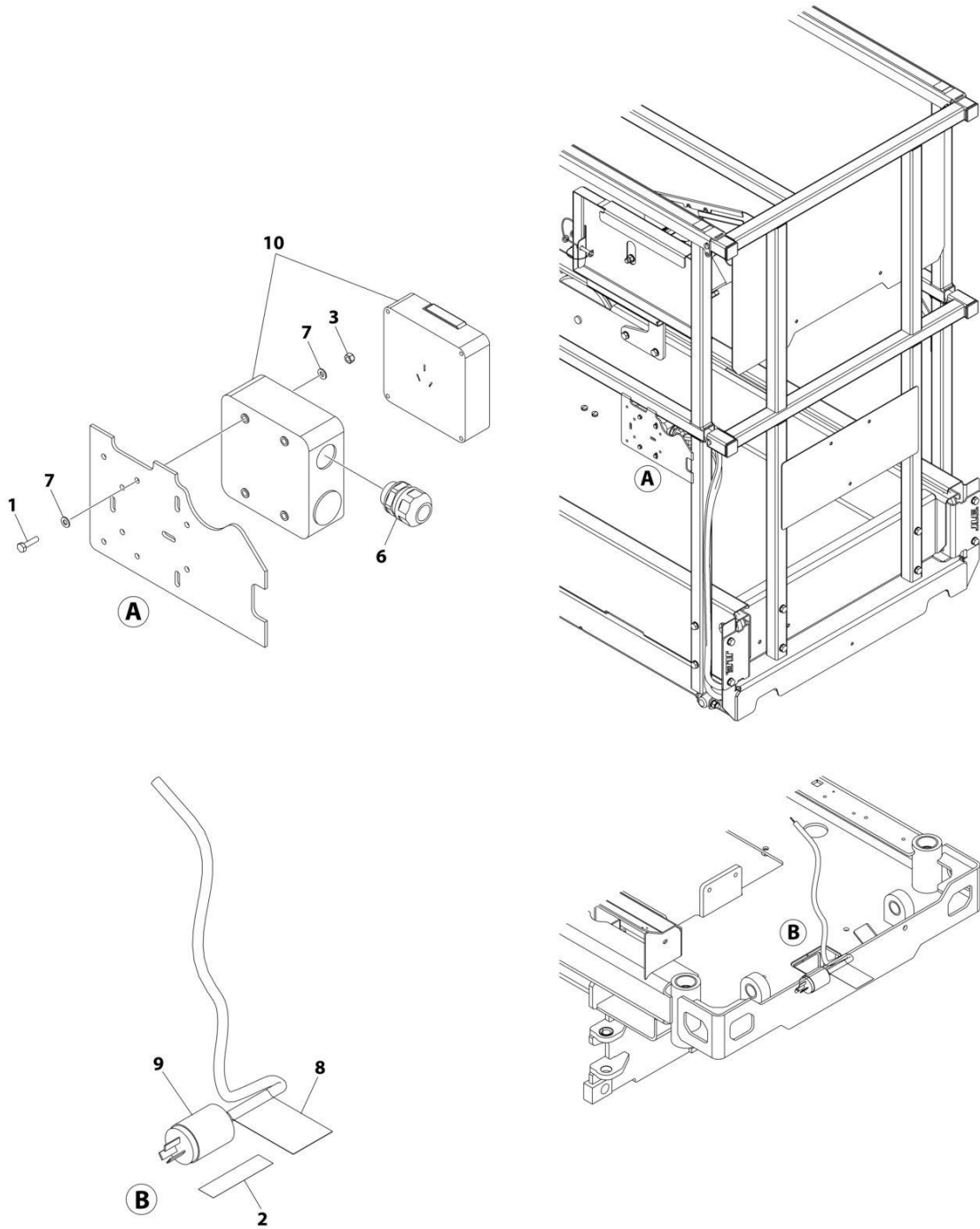
SECTION 6 - ELECTRICAL

FIGURE 6-2. AC BOX AT PLATFORM INSTALLATION - 220V CEE7 SIDE GROUND (CE & UK CA SPECS)

ITEM	PART NUMBER	QTY	DESCRIPTION	REV
	1001244914	Ref	AC BOX AT PLATFORM INSTALLATION - 220V CEE7 SIDE GROUND	B
1	0275453	1	Receptacle Box Kit - 220V CEE7 Side Ground (See Separate Breakdown in this Section)	
2	0760408	4	Bolt M4 x 16	
3	3252507	1	Decal - AC Power	
4	3290405	4	Nut M4	
5	3290605	2	Nut M6	
6	1001100451	2	Bolt M6 x 20	
7	4240017	AR	Tie-Strap (Not Shown)	
8	4460662	1	Connector, Strain Relief	
9	4811700	2	Washer M6	
10	4811400	8	Washer M4	
11	1001102258	1	Decal - AC Label	
12	1001120204	1	Plug, Male Twist	
13	1001244908	1	Breaker Box Kit (See Separate Breakdown in this Section)	

SECTION 6 - ELECTRICAL

FIGURE 6-3. AC BOX AT PLATFORM INSTALLATION - 220V CHINA PLUG (CHINA SPECS)



ART_1001244918

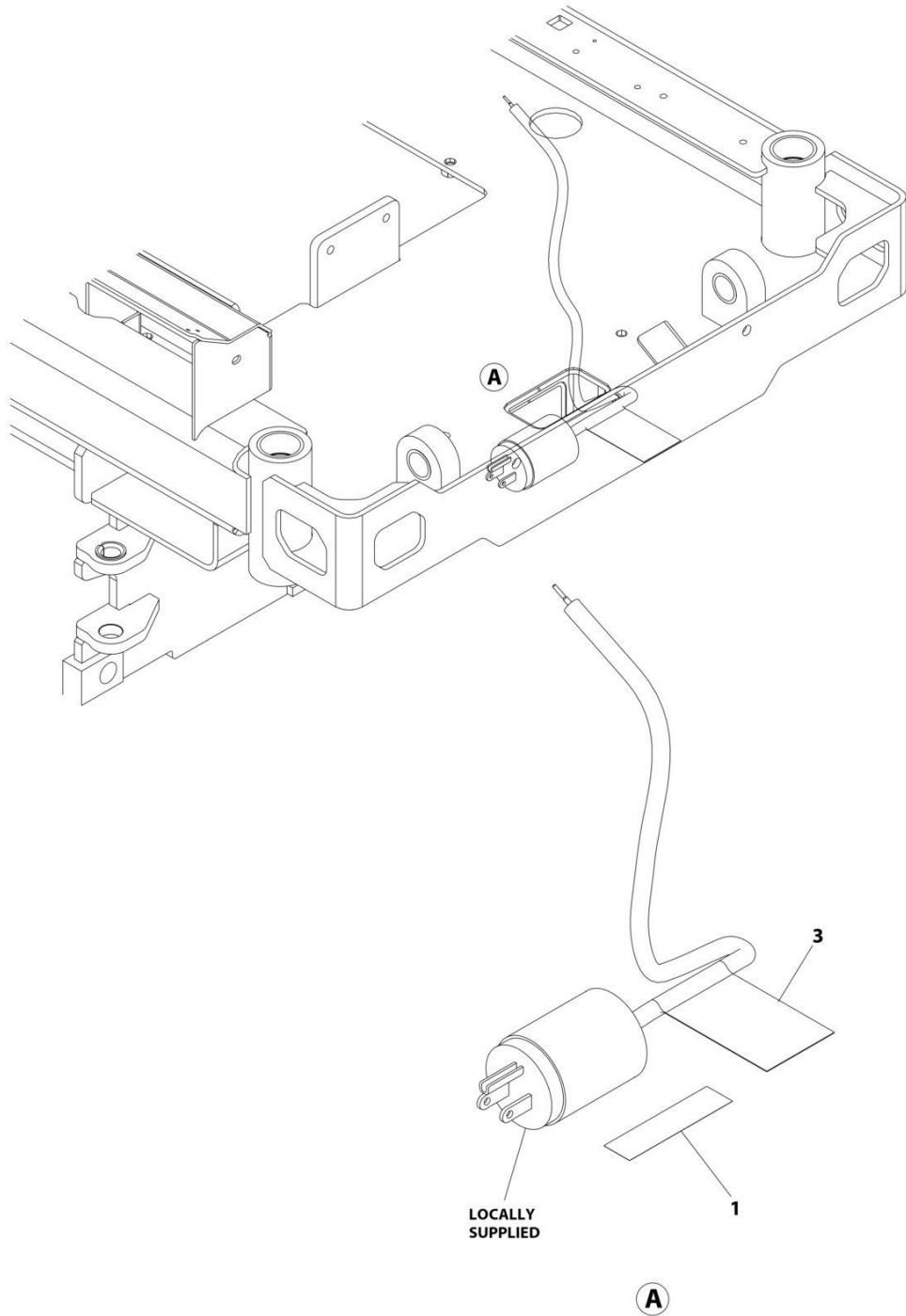
SECTION 6 - ELECTRICAL

FIGURE 6-3. AC BOX AT PLATFORM INSTALLATION - 220V CHINA PLUG (CHINA SPECS)

ITEM	PART NUMBER	QTY	DESCRIPTION	REV
	1001244918	Ref	AC BOX AT PLATFORM INSTALLATION - 220V CHINA PLUG	A
1	0760408	4	Bolt M4 x 16	
2	3252507	1	Decal - 220 Volt	
3	3290405	4	Nut M4	
4	4240017	AR	Tie-Strap (Not Shown)	
5	4460315	1	Terminal (Not Shown)	
6	4460968	1	Connector, Strain Relief	
7	4811400	8	Washer M4	
8	1001102258	1	Decal - AC Label	
9	1001187816	1	Plug	
10	1001188116	1	Box	

SECTION 6 - ELECTRICAL

FIGURE 6-4. AC BOX AT PLATFORM INSTALLATION - 220V LOCALLY SUPPLIED



ART_1001244912

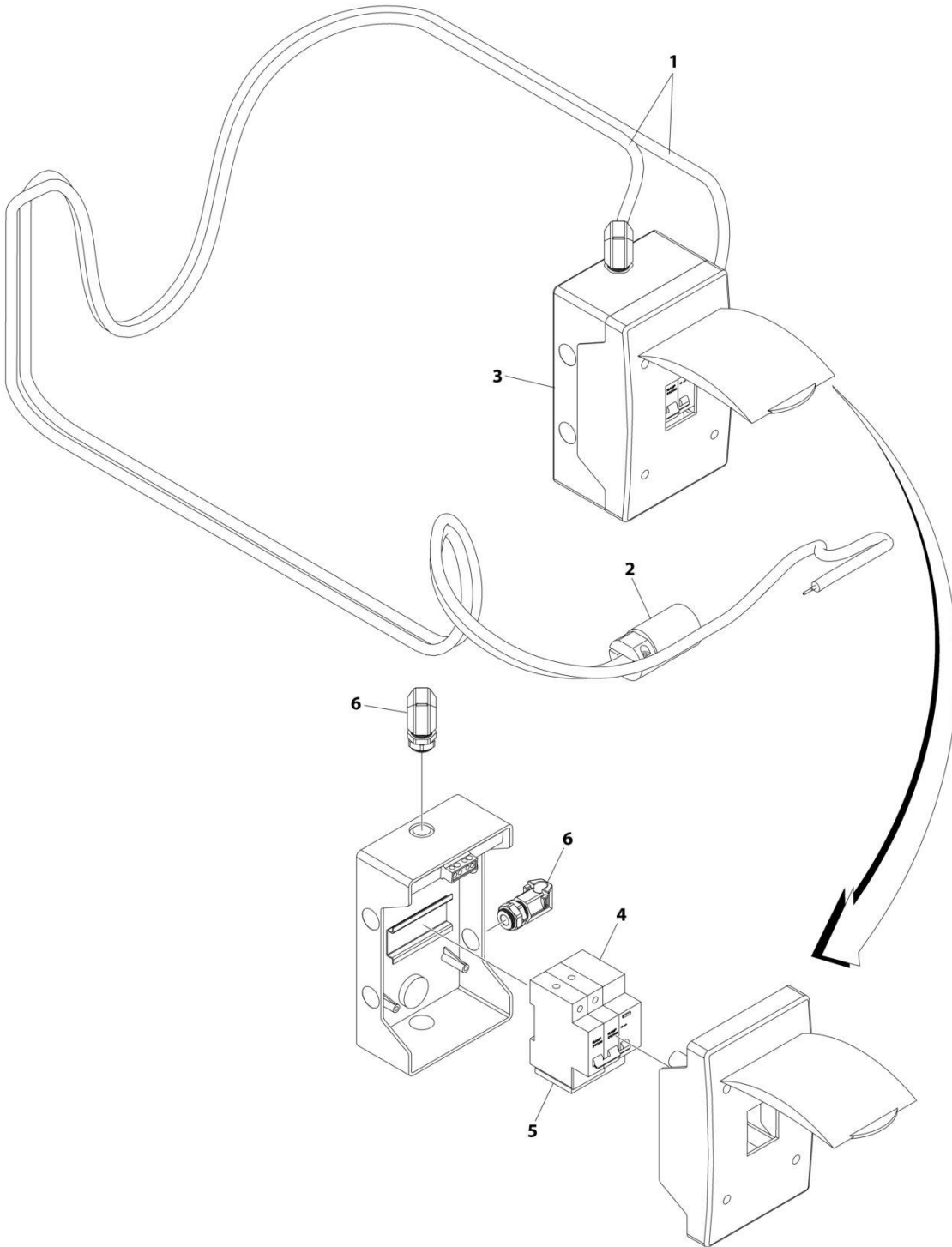
SECTION 6 - ELECTRICAL

FIGURE 6-4. AC BOX AT PLATFORM INSTALLATION - 220V LOCALLY SUPPLIED

ITEM	PART NUMBER	QTY	DESCRIPTION	REV
	1001244912	Ref	AC BOX AT PLATFORM INSTALLATION - 220V LOCALLY SUPPLIED COMPONENTS	A
1	3252507	1	Decal - 220 Volt	
2	4240017	AR	Tie-Strap (Not Shown)	
3	1001102258	1	Decal - AC Label	

SECTION 6 - ELECTRICAL

FIGURE 6-5. BREAKER BOX KIT WITH 3 BREAKER



ART_1001244908

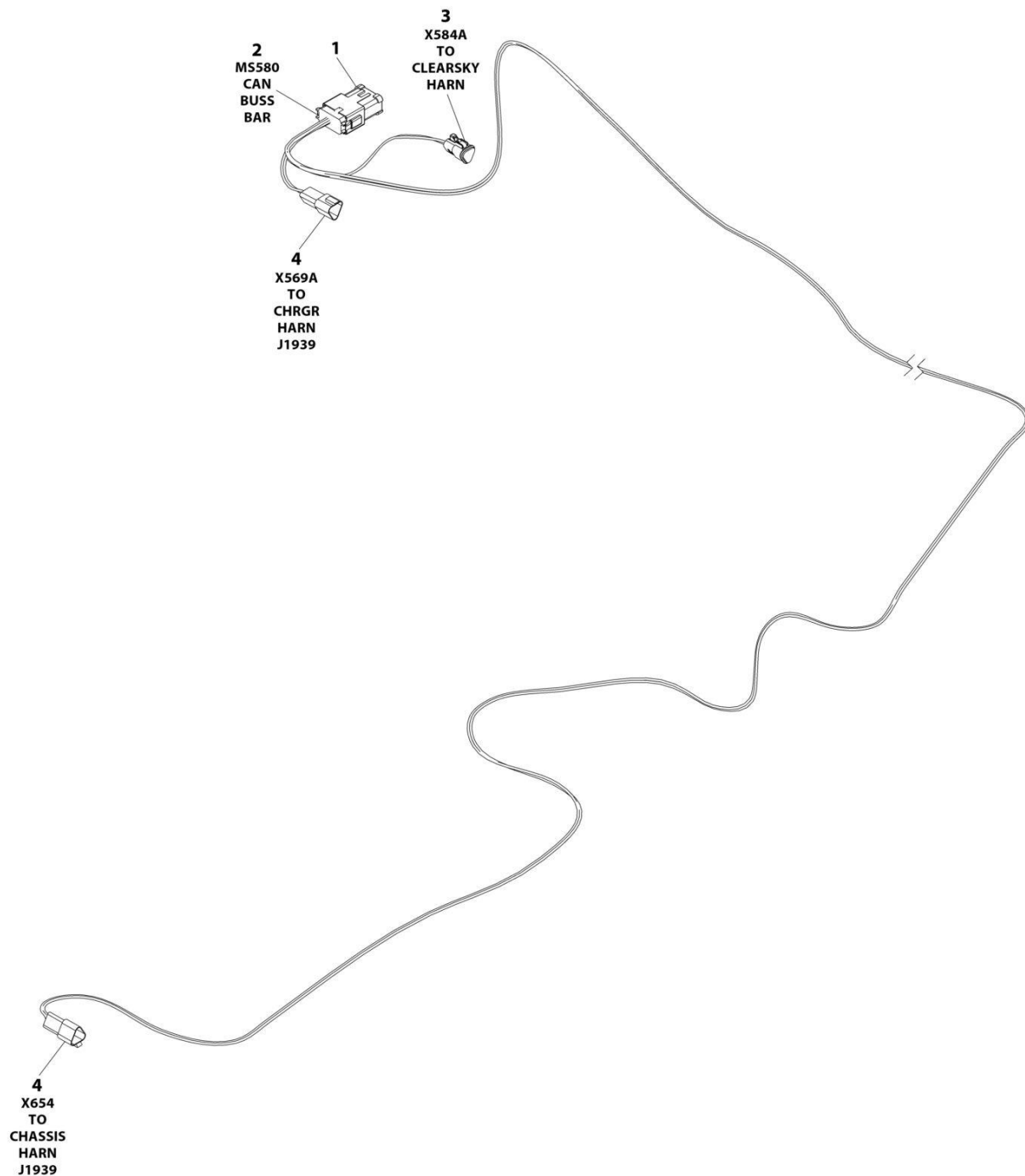
SECTION 6 - ELECTRICAL

FIGURE 6-5. BREAKER BOX KIT WITH 3 BREAKER

ITEM	PART NUMBER	QTY	DESCRIPTION	REV
	1001244908	1	BREAKER BOX KIT WITH 3 BREAKERS	B
1	1060908	19 ft/5.7m	Cable, 12/3 Receptacle	
2	1001120205	1	Connector, Female	
3	1001152483	1	Box, Breaker	
4	1001189171	1	Breaker, 30mA	
5	1001189172	1	Breaker - 16Amp Double	
6	1001217164	2	Connector, Strain Relief - 90	

SECTION 6 - ELECTRICAL

FIGURE 6-6. CAN SPLICE HARNESS



ART_1001254027

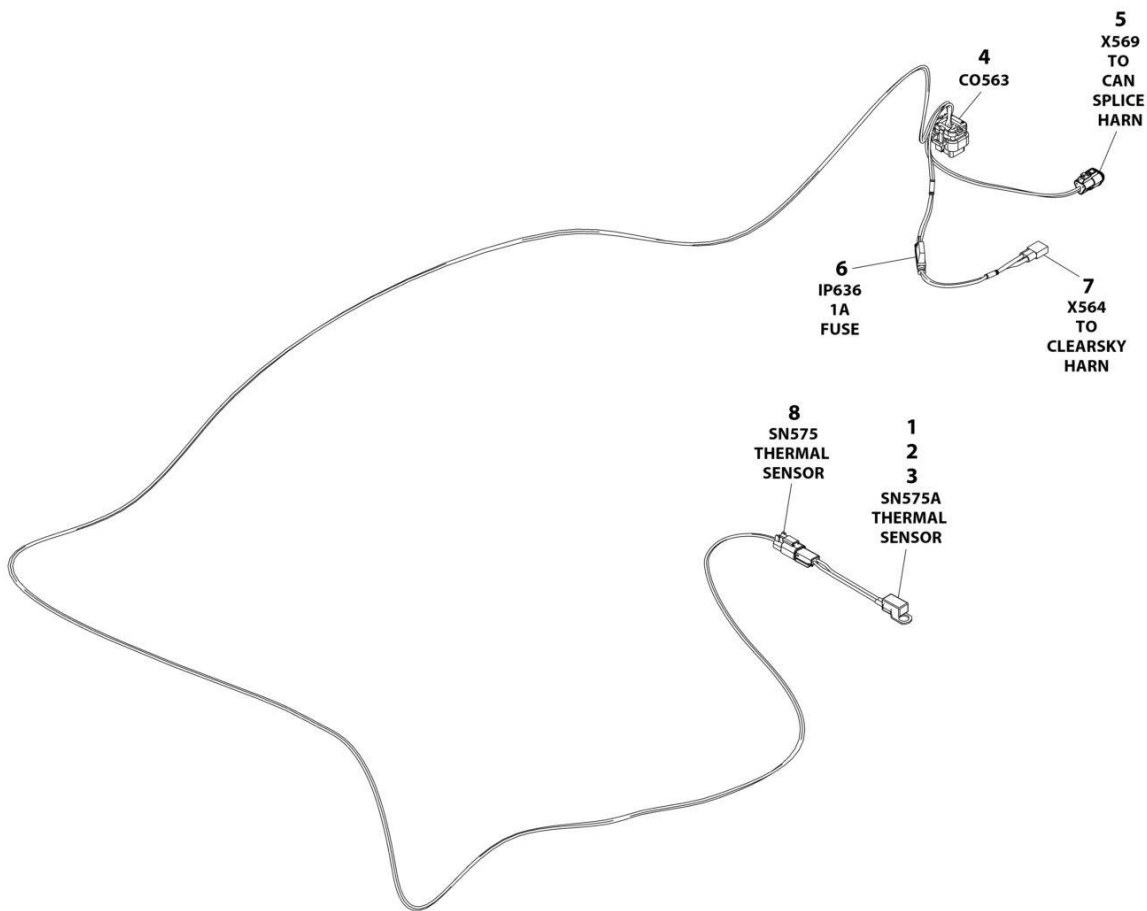
SECTION 6 - ELECTRICAL

FIGURE 6-6. CAN SPLICE HARNESS

ITEM	PART NUMBER	QTY	DESCRIPTION	REV
	1001254027	Ref	CAN SPLICE HARNESS	A
1	1001125677	1	Connector, Bus Bar - 12 Position	
2	4460933	1	Plug, Male - 12 Position	
2	4460944	6	Socket, Female	
2	4460466	6	Plug, Terminal	
3	1001118812	1	Plug, Male - 3 Position	
3	4460944	2	Socket, Female	
3	4460466	1	Plug, Terminal	
4	1001144147	2	Receptacle, Female - 3 Position	
4	4460943	4	Pin, Male	
4	4460466	2	Plug, Terminal	

SECTION 6 - ELECTRICAL

FIGURE 6-7. CHARGER HARNESS



ART_1001254028

SECTION 6 - ELECTRICAL

FIGURE 6-7. CHARGER HARNESS

ITEM	PART NUMBER	QTY	DESCRIPTION	REV
	1001254028	Ref	CHARGER HARNESS	A
1	4460464	2	Pin, Male	
2	4460897	1	Receptacle, Female - 2 Position	
3	1001102771	1	Sensor, Temperature	
4	4460872	1	Connector - 14 Position	
4	4460871	6	Terminal	
4	4460905	8	Plug, Terminal	
5	1001116812	1	Plug, Male - 3 Position	
5	4460944	2	Socket, Female	
5	4460466	1	Plug, Terminal	
6	2400060	1	Fuseholder With Cover	
6	1001228388	1	Fuse 1A	
7	4460424	1	Receptacle, Female - 2 Position	
7	4460227	2	Pin, Male	
8	4460891	1	Plug, Male - 2 Position	
8	4460465	2	Socket, Female	

SECTION 6 - ELECTRICAL

FIGURE 6-8. CHARGER JUMPER HARNESS



ART_1001283622

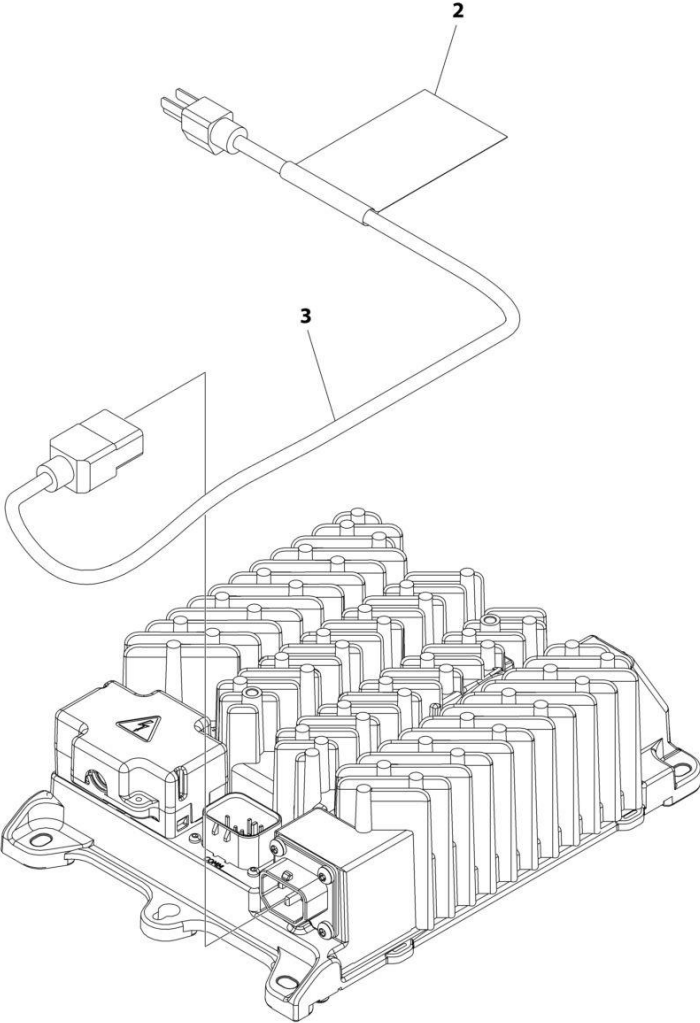
SECTION 6 - ELECTRICAL

FIGURE 6-8. CHARGER JUMPER HARNESS

ITEM	PART NUMBER	QTY	DESCRIPTION	REV
	1001283622	Ref	CHARGER JUMPER HARNESS	A
1	4460884	1	Connector	
1	4460465	4	Socket	
2	4460932	1	Connector	
2	4460464	4	Pin	

SECTION 6 - ELECTRICAL

FIGURE 6-9. CHARGER PLUG INSTALLATION (LOCALLY SUPPLIED PLUG) (ALL SPECS EXCEPT AUSTRALIAN SPECS)



ART_1001264946

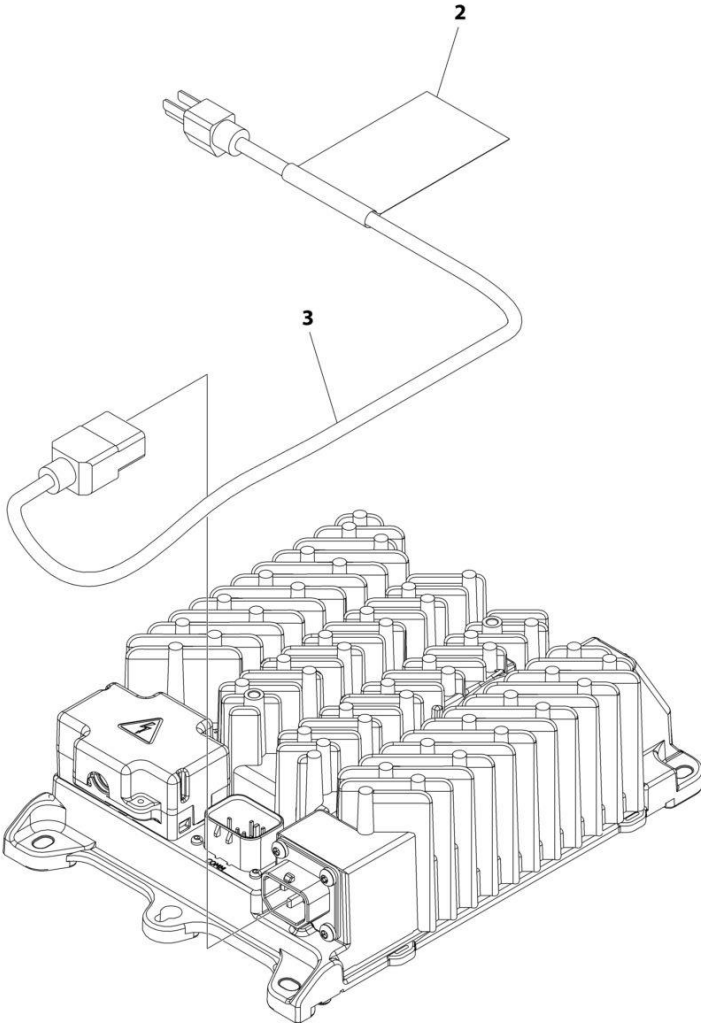
SECTION 6 - ELECTRICAL

FIGURE 6-9. CHARGER PLUG INSTALLATION (LOCALLY SUPPLIED PLUG) (ALL SPECS EXCEPT AUSTRALIAN SPECS)

ITEM	PART NUMBER	QTY	DESCRIPTION	REV
	1001264946	Ref	CHARGER PLUG INSTALLATION (LOCALLY SUPPLIED PLUG)	A
1	4240017	AR	Tie-Strap (Not Shown)	
2	1001102489	1	Decal - Charger	
3	1001207974	1	Cable, Charger AC Input	

SECTION 6 - ELECTRICAL

FIGURE 6-10. CHARGER PLUG INSTALLATION (110V PLUG) (ANSI & CSA SPECS)



ART_1001264947

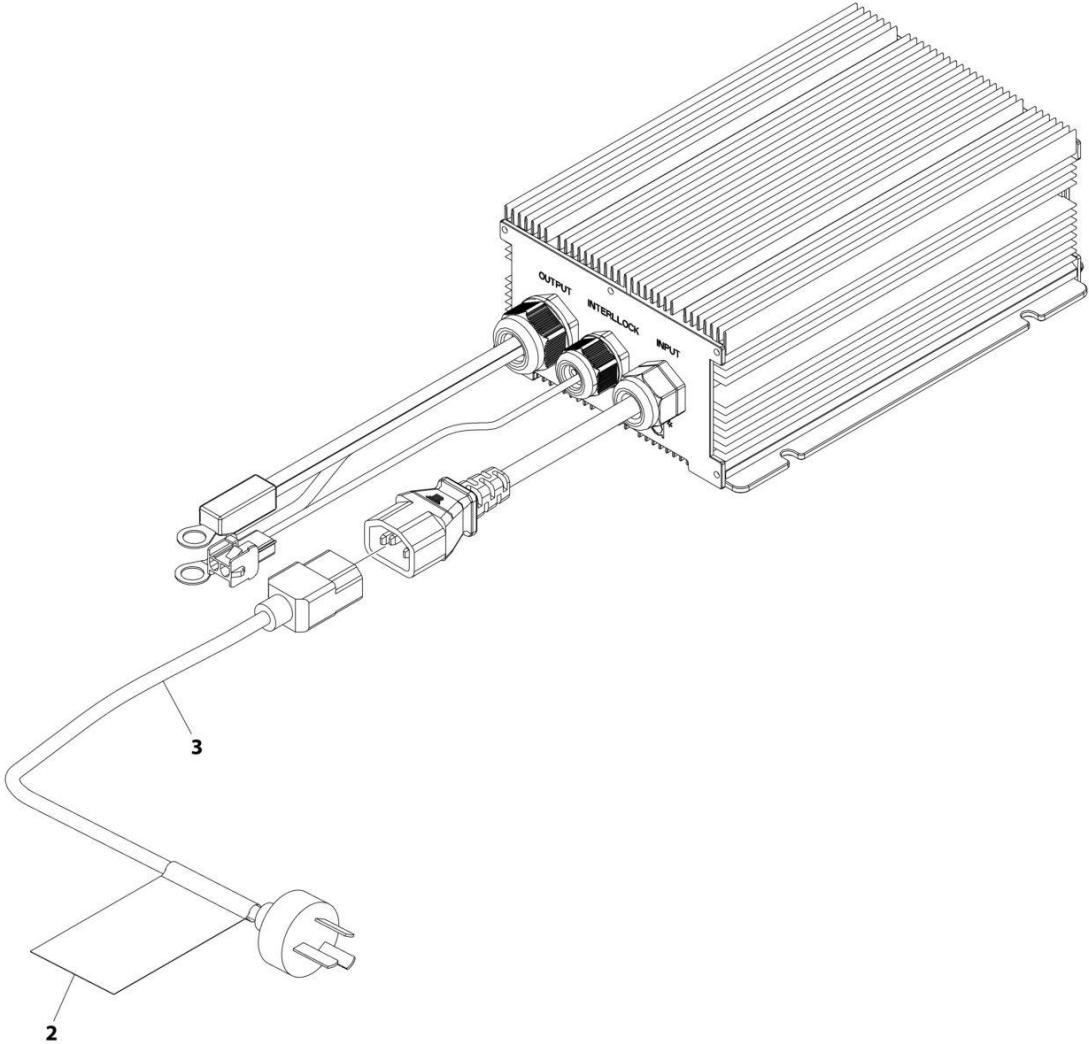
SECTION 6 - ELECTRICAL

FIGURE 6-10. CHARGER PLUG INSTALLATION (110V PLUG) (ANSI & CSA SPECS)

ITEM	PART NUMBER	QTY	DESCRIPTION	REV
	1001264947	Ref	CHARGER PLUG INSTALLATION (110V PLUG)	A
1	4240017	AR	Tie-Strap (Not Shown)	
2	1001102489	1	Decal - Charger	
3	1001207970	1	Cable, Charger AC Input	

SECTION 6 - ELECTRICAL

FIGURE 6-11. CHARGER PLUG INSTALLATION (CHINA PLUG) (CHINA SPECS)



ART_1001264953

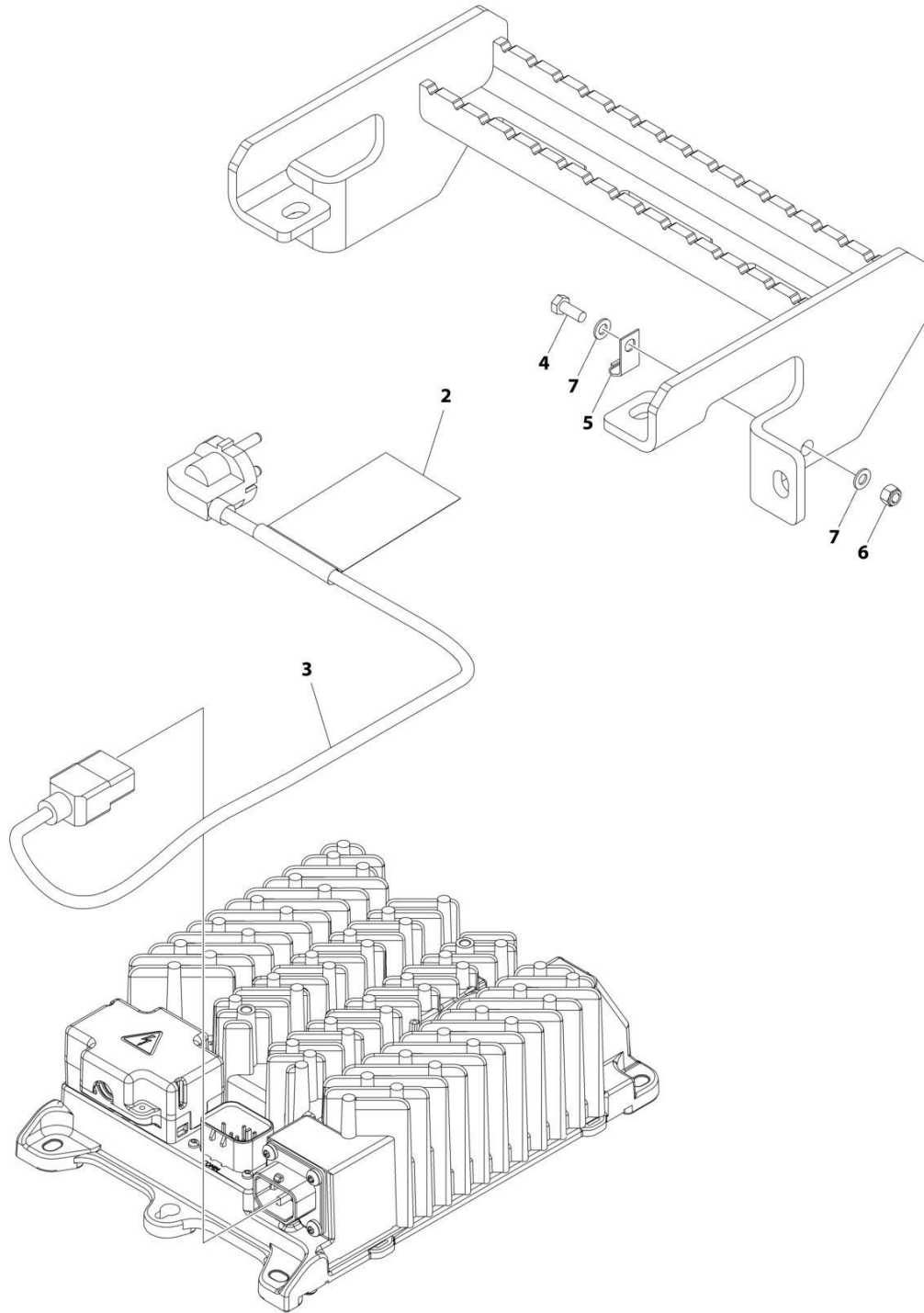
SECTION 6 - ELECTRICAL

FIGURE 6-11. CHARGER PLUG INSTALLATION (CHINA PLUG) (CHINA SPECS)

ITEM	PART NUMBER	QTY	DESCRIPTION	REV
	1001264953	Ref	CHARGER PLUG INSTALLATION (CHINA PLUG)	A
1	4240017	AR	Tie-Strap (Not Shown)	
2	1001102489	1	Decal - Charger	
3	1001207973	1	Cable, Charger AC Input	

SECTION 6 - ELECTRICAL

FIGURE 6-12. CHARGER PLUG INSTALLATION (KOREAN PLUG) (KOREAN SPECS)



ART_1001264948

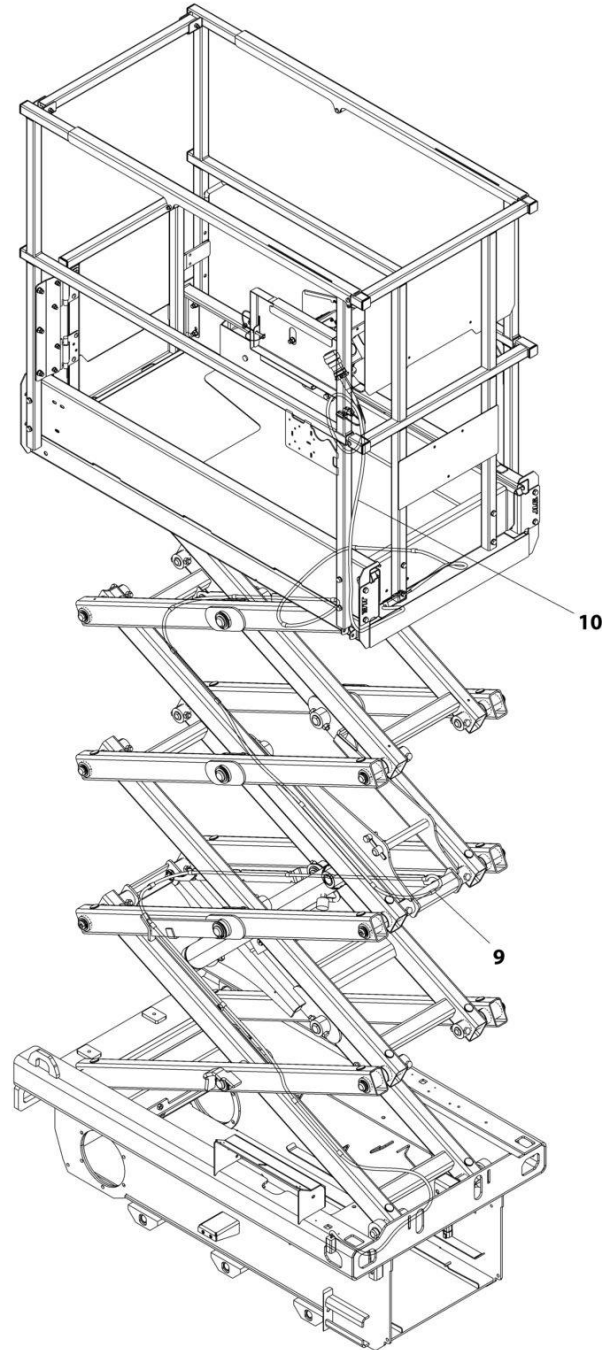
SECTION 6 - ELECTRICAL

FIGURE 6-12. CHARGER PLUG INSTALLATION (KOREAN PLUG) (KOREAN SPECS)

ITEM	PART NUMBER	QTY	DESCRIPTION	REV
	1001264948	Ref	CHARGER PLUG INSTALLATION (KOREAN PLUG)	B
1	4240017	AR	Tie-Strap (Not Shown)	
2	1001102489	1	Decal - Charger	
3	1001221949	1	Cable, Charger AC Input	
4	0760810	1	Bolt M8 x 20	
5	1320223	1	Clamp	
6	3290805	1	Nut M8	
7	4811900	2	Washer M8	

SECTION 6 - ELECTRICAL

FIGURE 6-13. GROUND TO PLATFORM CABLE INSTALLATION - WITHOUT PLATFORM COIL CABLE/WITHOUT AC CABLE/WITH FOOTSWITCH



ART_1001252565

SECTION 6 - ELECTRICAL

**FIGURE 6-13. GROUND TO PLATFORM CABLE INSTALLATION - WITHOUT PLATFORM COIL
CABLE/WITHOUT AC CABLE/WITH FOOTSWITCH**

ITEM	PART NUMBER	QTY	DESCRIPTION	REV
	1001252565	Ref	GROUND TO PLATFORM CABLE INSTALLATION	C
5	4240017	AR	Tie-Strap (Not Shown)	
9	1001282125	1	Cable Assembly - Ground to Platform	
9	4460899	1	Receptacle, Female - 6 Position (x58 Chassis)	
9	4460464	4	Pin	
9	4460943	2	Pin, Male	
9	4460894	1	Plug, Male - 6 Position (x59 Platform)	
9	4460465	4	Socket, Female	
9	4460944	2	Socket, Female	
10	1001241321	1	Platform Harness	
10	4460754	1	Connector - 14 Position (x61 Platform Box)	
10	4460465	6	Socket, Female	
10	4460944	2	Socket, Female	
10	4460466	6	Plug, Terminal	
10	4460899	1	Receptacle, Female - 6 Position (x60 Platform)	
10	4460464	4	Pin, Male	
10	4460943	2	Pin, Male	
10	4460891	1	Plug, Male - 2 Position (SW63 Footswitch)	
10	4460465	2	Socket, Female	
10	4460539	1	Plug, Male - 3 Position (SW475 Overhead Switch)	
10	4460465	2	Socket, Female	
10	4460466	1	Plug, Terminal	

SECTION 6 - ELECTRICAL

FIGURE 6-14. CHASSIS HARNESS (WITHOUT LSS)

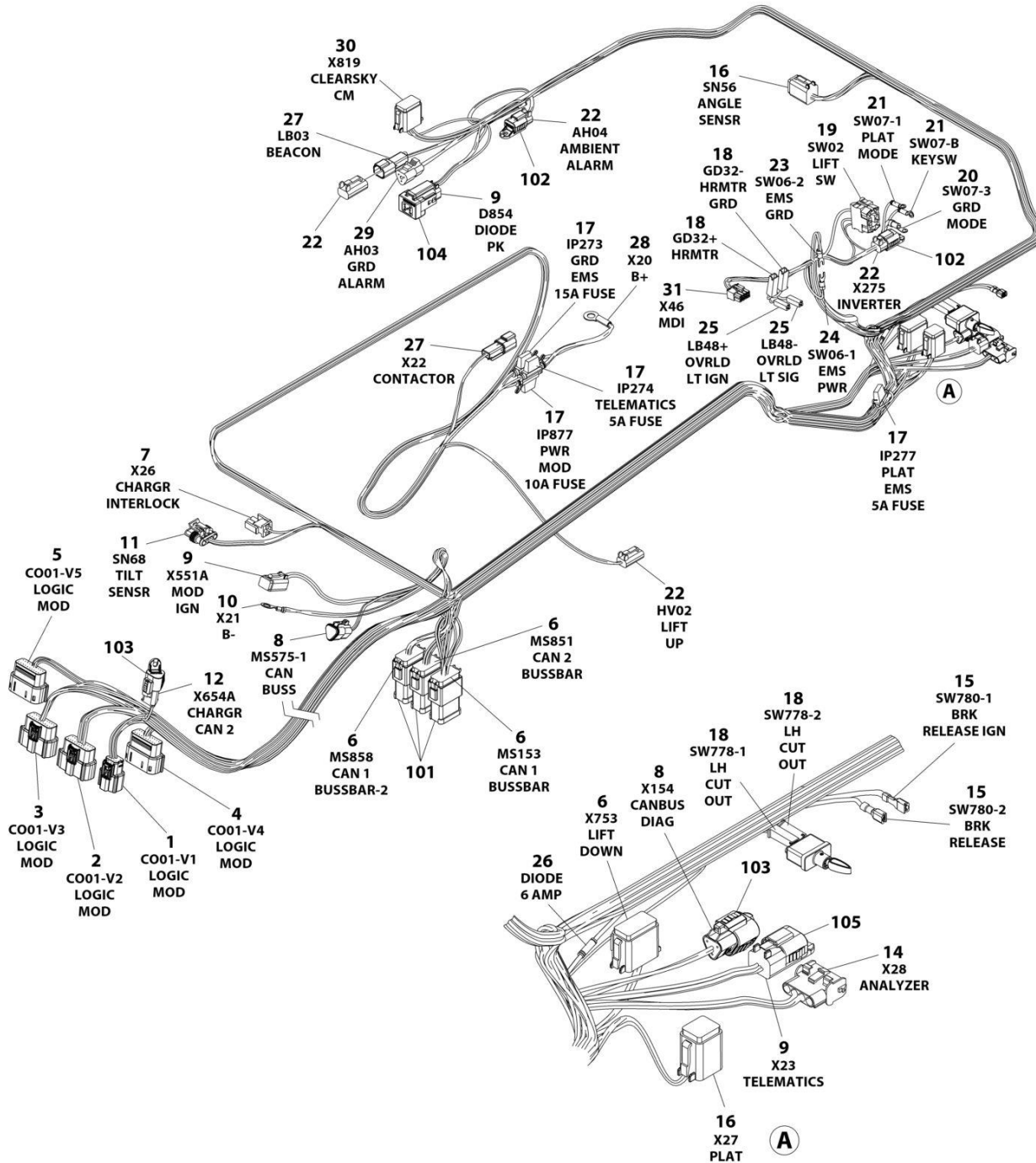
ITEM	PART NUMBER	QTY	DESCRIPTION	REV
	1001286653	Ref	CHASSIS HARNESS (WITHOUT LSS)	A
1	1001205409	1	Connector - 8 Position	
1	1001162887	8	Terminal	
2	1001205410	1	Connector - 20 Position	
2	1001162887	12	Terminal	
2	1001163340	8	Plug, Terminal	
3	1001162886	1	Connector - 20 Position	
3	1001162887	9	Terminal	
3	1001163340	11	Plug, Terminal	
4	1001205411	1	Connector - 20 Position	
4	1001162887	10	Terminal	
4	1001163340	10	Plug, Terminal	
5	1001205412	1	Connector - 20 Position	
5	1001162887	6	Terminal	
5	1001163340	14	Plug, Terminal	
6	4460933	3	Plug, Male - 12 Position	
6	4460465	24	Socket, Female	
6	4460466	12	Plug, Terminal	
7	4460320	1	Plug, Male - 2 Position	
7	4460226	1	Socket, Female	
8	1001116812	2	Plug, Male - 3 Position	
8	4460944	4	Socket, Female	
8	4460466	2	Plug, Terminal	
9	4460884	3	Plug, Male - 4 Position	
9	4460465	12	Socket, Female	
10	4460670	1	Terminal, Ring	
11	1001103012	1	Plug, Male - 4 Position	
11	1001107854	4	Terminal	
12	4460965	1	Plug, Male - 3 Position	
12	4460944	2	Socket, Female	
12	4460966	1	Plug, Terminal	
14	4460761	1	Receptacle, Female - 4 Position	
14	4460227	4	Pin, Male	
15	1001201885	2	Terminal	
16	4460894	2	Plug, Male - 6 Position	
16	4460465	10	Socket, Female	
16	4460944	2	Socket, Female	
17	4460891	5	Plug, Male - 2 Position	
17	4460465	7	Socket, Female	
17	4460466	3	Plug, Terminal	
18	2400060	4	Fuseholder with Cover	
18		Ref	Fuse 5Amp	
18		Ref	Fuse 15Amp	
18		Ref	Fuse 10Amp	
19	1001151629	1	Connector	
19	4461023	2	Terminal	
19	4460877	2	Terminal	
20	4460260	2	Cover, Terminal	
20	1001272868	2	Terminal	
21	4460418	1	Connector, Switch	

SECTION 6 - ELECTRICAL

ITEM	PART NUMBER	QTY	DESCRIPTION	REV
21	1001159186	3	Terminal	
22	4460042	1	Terminal, Ring	
23	4460247	2	Terminal, Ring	
24	4460115	1	Terminal, Fork	
25	4460183	1	Terminal, Fork	
26	4460897	2	Receptacle, Female - 2 Position	
26	4460464	4	Pin, Male	
27	4460539	1	Plug, Male - 2 Position	
27	4460465	3	Socket, Female	
28	4460930	1	Connector - 8 Position	
28	4460465	8	Terminal	
29	8220045	1	Terminal, Ring	
101	1001125677	3	Bussbar - 12 Position	
102	1001144295	2	Cap	
103	1001144296	2	Cap	
104	1001152266	1	Connector, Diode	
105	1001192401	1	Cap, Dust	

SECTION 6 - ELECTRICAL

FIGURE 6-15. CHASSIS HARNESS (WITH LSS)



ART_1001286654

SECTION 6 - ELECTRICAL

FIGURE 6-15. CHASSIS HARNESS (WITH LSS)

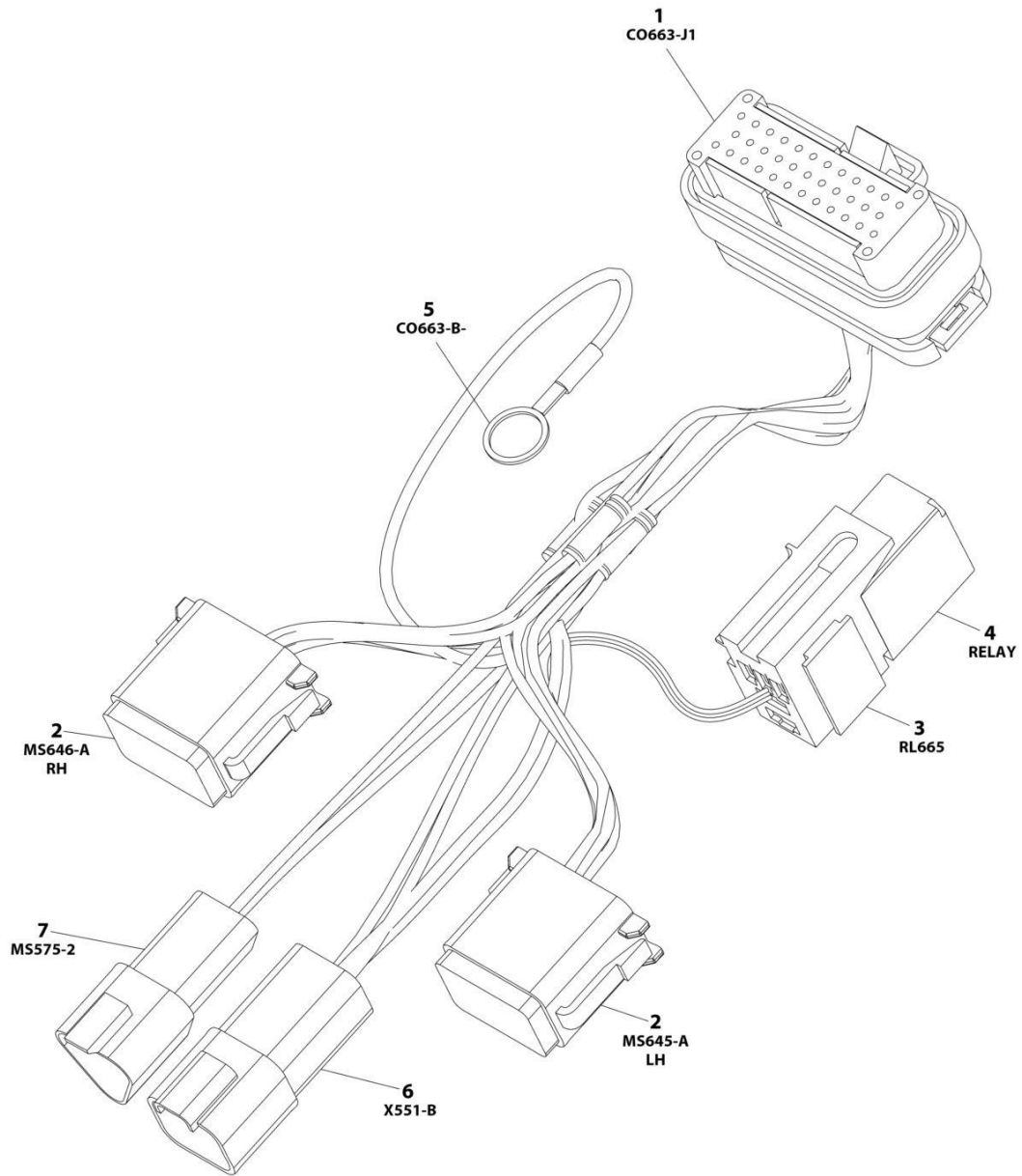
ITEM	PART NUMBER	QTY	DESCRIPTION	REV
	1001286654	Ref	CHASSIS HARNESS (WITH LSS)	A
1	1001205409	1	Connector - 8 Position	
1	1001162887	8	Terminal	
2	1001205410	1	Connector - 20 Position	
2	1001162887	12	Terminal	
2	1001163340	8	Plug, Terminal	
3	1001162886	1	Connector - 20 Position	
3	1001162887	16	Terminal	
3	1001163340	4	Plug, Terminal	
4	1001205411	1	Connector - 20 Position	
4	1001162887	16	Terminal	
4	1001163340	4	Plug, Terminal	
5	1001205412	1	Connector - 20 Position	
5	1001162887	6	Terminal	
5	1001163340	14	Plug, Terminal	
6	4460933	4	Plug, Male - 12 Position	
6	4460465	34	Socket, Female	
6	4460466	14	Plug, Terminal	
7	4460320	1	Plug, Male - 2 Position	
7	4460226	1	Socket, Female	
8	1001116812	2	Plug, Male - 3 Position	
8	4460944	4	Socket, Female	
8	4460466	2	Plug, Terminal	
9	4460884	3	Plug, Male - 4 Position	
9	4460465	12	Socket, Female	
10	4460670	1	Terminal, Ring	
11	1001103012	1	Plug, Male - 4 Position	
11	1001107854	4	Terminal	
12	4460965	1	Plug, Male - 3 Position	
12	4460944	2	Socket, Female	
12	4460966	1	Plug, Terminal	
14	4460761	1	Receptacle, Female - 4 Position	
14	4460227	4	Pin, Male	
15	1001201885	2	Terminal	
16	4460894	2	Plug, Male - 6 Position	
16	4460465	10	Socket, Female	
16	4460944	2	Socket, Female	
17	2400060	4	Fuseholder with Cover	
17		Ref	Fuse 5Amp	
17		Ref	Fuse 15Amp	
17		Ref	Fuse 10Amp	
18	4460260	4	Cover, Terminal	
18	4460259	2	Terminal	
18	1001272868	2	Terminal	
19	4460418	1	Connector, Switch	
19	1001159186	3	Terminal	
20	4460042	1	Terminal, Ring	
21	4460247	2	Terminal, Ring	
22	4460891	4	Plug, Male - 2 Position	
22	4460465	5	Socket, Female	

SECTION 6 - ELECTRICAL

ITEM	PART NUMBER	QTY	DESCRIPTION	REV
22	4460466	3	Plug, Terminal	
23	4460115	1	Terminal, Fork	
24	4460183	1	Terminal, Fork	
25	1001170000	2	Connector	
25	1001118387	2	Terminal	
26	8229031	2	Diode - 6Amp	
27	4460897	2	Receptacle, Female - 2 Position	
27	4460464	4	Pin, Male	
28	8220045	1	Terminal, Ring	
29	4460539	1	Plug, Male - 2 Position	
29	4460465	3	Socket, Female	
30	4460930	1	Connector - 8 Position	
30	4460465	8	Terminal	
31	1001151629	1	connector - 8 Position	
31	4461023	2	Terminal	
31	4460877	2	Terminal	
101	1001125677	3	Bussbar - 12 Position	
102	1001144295	2	Cap	
103	1001144296	2	Cap	
104	1001152266	1	Connector, Diode	
105	1001192401	1	Cap, Dust	

SECTION 6 - ELECTRICAL

FIGURE 6-16. DRIVE CONTROL HARNESS



ART_1001274467

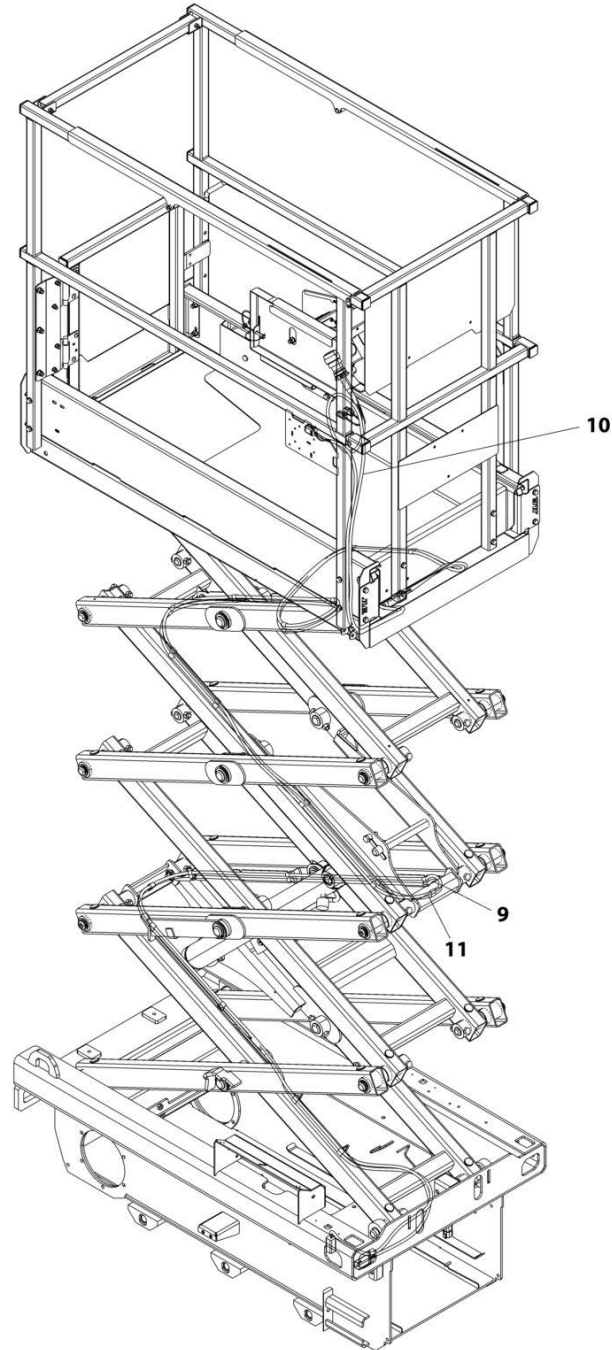
SECTION 6 - ELECTRICAL

FIGURE 6-16. DRIVE CONTROL HARNESS

ITEM	PART NUMBER	QTY	DESCRIPTION	REV
	1001274467	Ref	DRIVE CONTROL HARNESS	A
1	4460873	1	Connector - 35 Position	
1	4460871	15	Socket, Female	
1	4460905	20	Plug, Terminal	
2	4460930	2	Plug, Male - 8 Position	
2	4460465	14	Socket, Female	
2	4460466	2	Plug, Terminal	
3	1001186432	1	Connector, Relay	
3	1001118384	2	Terminal	
3	1001118388	2	Terminal	
4	70008438	1	Relay	
5	4460703	1	Terminal, Ring	
6	4460932	1	Receptacle, Female - 4 Position	
6	4460464	4	Pin, Male	
7	1001144147	1	Receptacle, Female - 3 Position	
7	4460943	2	Pin, Male	
7	4460466	1	Plug, Terminal	

SECTION 6 - ELECTRICAL

FIGURE 6-17. GROUND TO PLATFORM CABLE INSTALLATION - WITHOUT PLATFORM COIL CABLE/WITH AC CABLE/WITH FOOTSWITCH



ART_1001252566

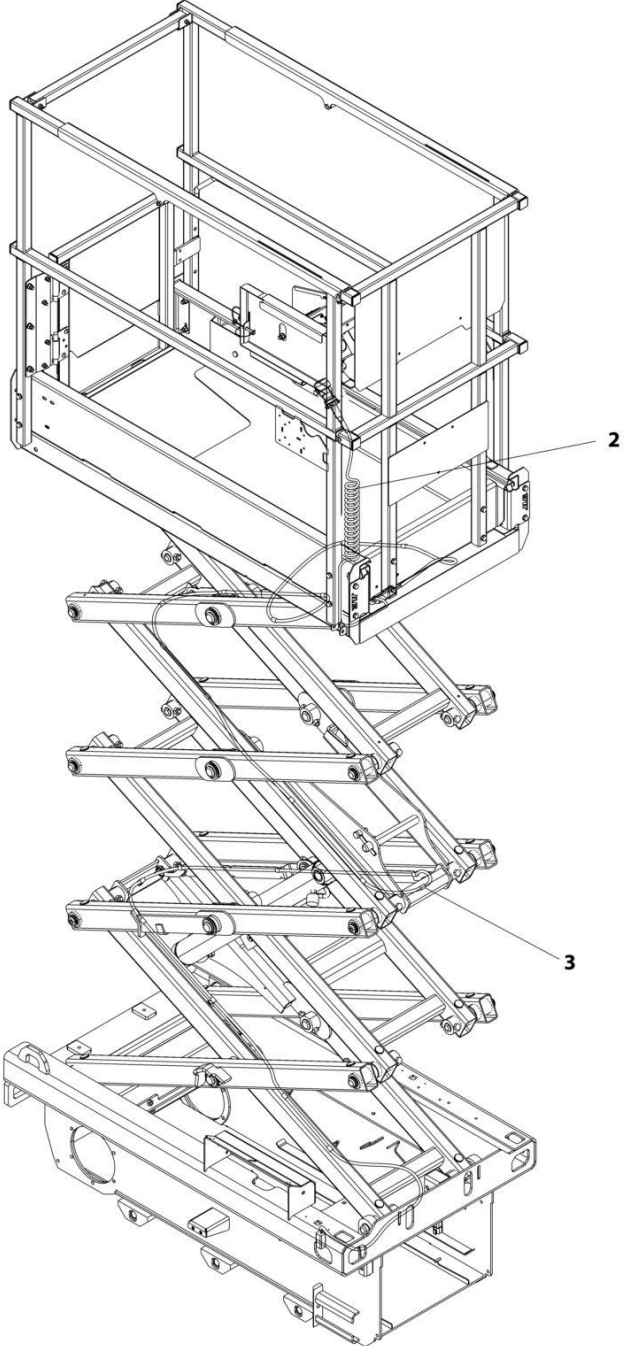
SECTION 6 - ELECTRICAL

**FIGURE 6-17. GROUND TO PLATFORM CABLE INSTALLATION - WITHOUT PLATFORM COIL
CABLE/WITH AC CABLE/WITH FOOTSWITCH**

ITEM	PART NUMBER	QTY	DESCRIPTION	REV
	1001252566	Ref	GROUND TO PLATFORM CABLE INSTALLATION	C
5	4240017	AR	Tie-Strap (Not Shown)	
9	1001282125	1	Cable Assembly - Ground to Platform	
9	4460899	1	Receptacle, Female - 6 Position (x58 Chassis)	
9	4460464	4	Pin, Male	
9	4460943	2	Pin, Male	
9	4460894	1	Plug, Male - 6 Position (x59 Platform)	
9	4460465	4	Socket, Female	
9	4460944	2	Socket, Female	
10	1001241321	1	Platform Harness	
10	4460754	1	Connector - 14 Position (x61 Platform Box)	
10	4460465	6	Socket, Female	
10	4460944	2	Socket, Female	
10	4460466	6	Plug, Terminal	
10	4460899	1	Receptacle, Female - 6 Position (x60 Platform)	
10	4460464	4	Pin, Male	
10	4460943	2	Pin, Male	
10	4460891	1	Plug, Male - 2 Position (SW63 Footswitch)	
10	4460465	2	Socket, Female	
10	4460539	1	Plug, Male - 3 Position (SW475 Overhead Switch)	
10	4460465	2	Socket, Female	
10	4460466	1	Plug, Terminal	
11	1001244432	1	Cable, AC	

SECTION 6 - ELECTRICAL

FIGURE 6-18. GROUND TO PLATFORM CABLE INSTALLATION - WITH PLATFORM COIL CABLE/WITHOUT AC CABLE/WITHOUT FOOTSWITCH



ART_1001282256

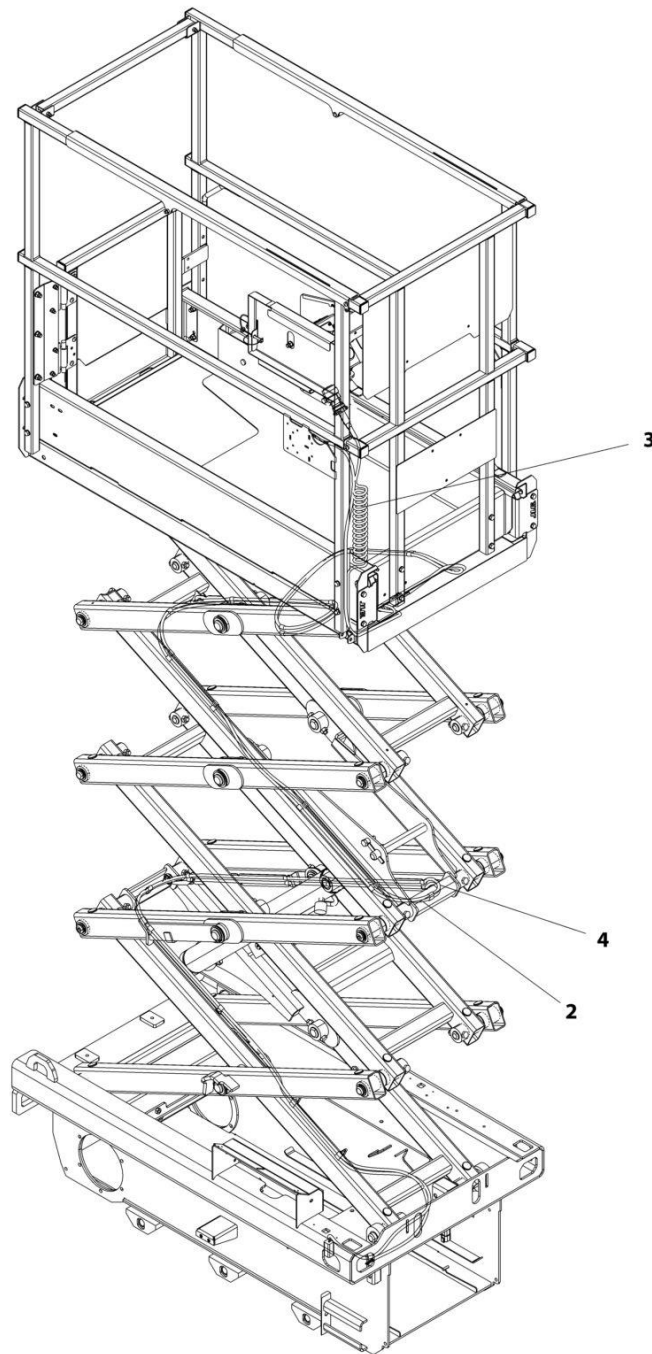
SECTION 6 - ELECTRICAL

**FIGURE 6-18. GROUND TO PLATFORM CABLE INSTALLATION - WITH PLATFORM COIL
CABLE/WITHOUT AC CABLE/WITHOUT FOOTSWITCH**

ITEM	PART NUMBER	QTY	DESCRIPTION	REV
	1001282256	Ref	GROUND TO PLATFORM CABLE INSTALLATION	A
1	4240017	AR	Tie-Strap (Not Shown)	
2	1001265533	1	Platform Harness	
2	4460754	1	Connector - 14 Position (x61 Platform Box)	
2	4460465	6	Socket, Female	
2	4460944	2	Socket, Female	
2	4460466	6	Plug, Terminal	
2	4460899	1	Receptacle, Female - 6 Position (x60 Platform)	
2	4460464	4	Pin, Male	
2	4460943	2	Pin, Male	
3	1001282125	1	Cable Assembly - Ground to Platform	
3	4460899	1	Receptacle, Female - 6 Position (x58 Chassis)	
3	4460464	4	Pin, Male	
3	4460943	2	Pin, Male	
3	4460894	1	Plug, Male - 6 Position (x59 Platform)	
3	4460465	4	Socket, Female	
3	4460944	2	Socket, Female	

SECTION 6 - ELECTRICAL

FIGURE 6-19. GROUND TO PLATFORM CABLE INSTALLATION - WITH PLATFORM COIL CABLE/WITH AC CABLE/WITHOUT FOOTSWITCH



ART_1001282264

SECTION 6 - ELECTRICAL

**FIGURE 6-19. GROUND TO PLATFORM CABLE INSTALLATION - WITH PLATFORM COIL
CABLE/WITH AC CABLE/WITHOUT FOOTSWITCH**

ITEM	PART NUMBER	QTY	DESCRIPTION	REV
	1001282264	Ref	GROUND TO PLATFORM CABLE INSTALLATION	A
1	4240017	AR	Tie-Strap (Not Shown)	
2	1001244432	1	Cable, AC	
3	1001265533	1	Platform Harness	
3	4460754	1	Connector - 14 Position (x61 Platform Box)	
3	4460465	6	Socket, Female	
3	4460944	2	Socket, Female	
3	4460466	6	Plug, Terminal	
3	4460899	1	Receptacle, Female - 6 Position (x60 Platform)	
3	4460464	4	Pin, Male	
3	4460943	2	Pin, Male	
4	1001282125	1	Cable Assembly - Ground to Platform	
4	4460899	1	Receptacle, Female - 6 Position (x58 Chassis)	
4	4460464	4	Pin, Male	
4	4460943	2	Pin, Male	
4	4460894	1	Plug, Male - 6 Position (x59 Platform)	
4	4460465	4	Socket, Female	
4	4460944	2	Socket, Female	

SECTION 6 - ELECTRICAL

FIGURE 6-20. LIFT DOWN HARNESS (WITHOUT LSS)



ART_1001282191

SECTION 6 - ELECTRICAL

FIGURE 6-20. LIFT DOWN HARNESS (WITHOUT LSS)

ITEM	PART NUMBER	QTY	DESCRIPTION	REV
	1001282191	Ref	LIFT DOWN HARNESS (WITHOUT LSS)	A
1	4460891	1	Plug, Male - 2 Position	
1	4460465	2	Socket, Female	
2	4460897	1	Receptacle, Female - 2 Position	
2	4460464	2	Pin, Male	

SECTION 6 - ELECTRICAL

FIGURE 6-21. LIFT DOWN HARNESS (WITH LSS)



ART_1001294314

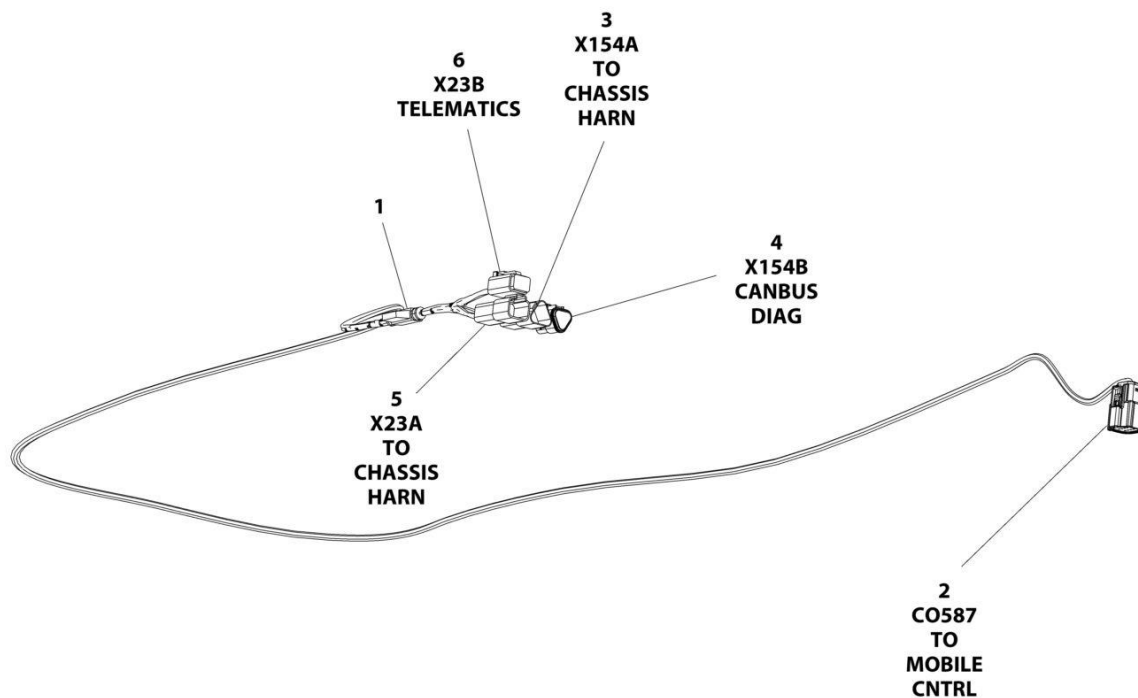
SECTION 6 - ELECTRICAL

FIGURE 6-21. LIFT DOWN HARNESS (WITH LSS)

ITEM	PART NUMBER	QTY	DESCRIPTION	REV
	1001294314	Ref	LIFT DOWN HARNESS (WITH LSS)	A
1	4460970	1	Receptacle, Female - 12 Position	
1	4460464	7	Pin, Male	
1	4460466	5	Plug, Terminal	
2	4460891	1	Plug, Male - 2 Position	
2	4460465	2	Socket, Female	
3	4460539	1	Plug, Male - 3 Position	
3	4460465	2	Socket, Female	
3	4460466	1	Plug, Terminal	
4	4460539	1	Plug, Male - 3 Position	
4	4460465	3	Socket, Female	

SECTION 6 - ELECTRICAL

FIGURE 6-22. MOBILE CONTROL HARNESS



ART_1001245299

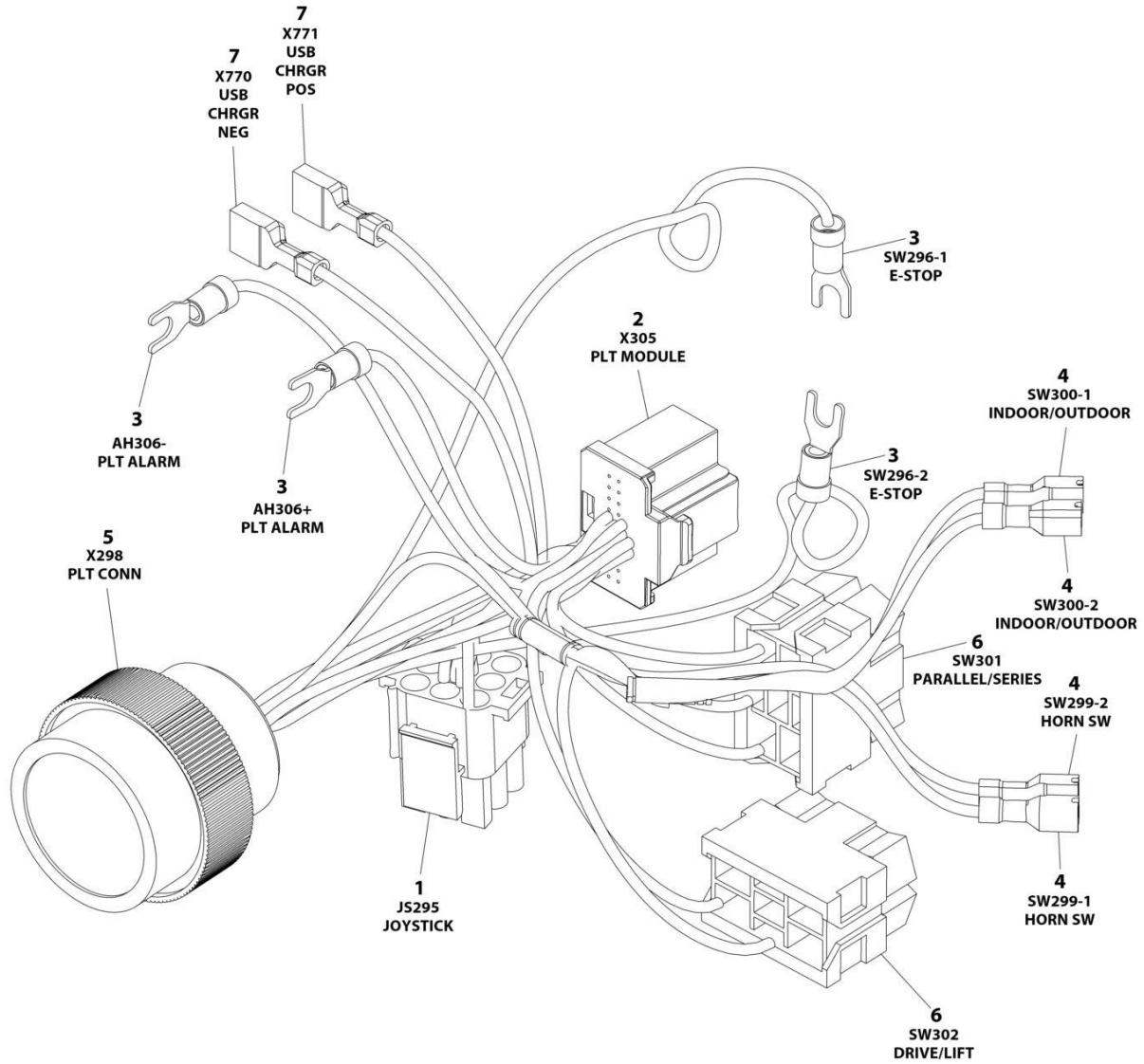
SECTION 6 - ELECTRICAL

FIGURE 6-22. MOBILE CONTROL HARNESS

ITEM	PART NUMBER	QTY	DESCRIPTION	REV
	1001245299	Ref	MOLBILE CONTROL HARNESS	B
1	2400060	1	Fuse Holder	
1	1001196635	1	Fuse 3 Amp	
2	1001205409	1	Connector	
2	1001162887	4	Socket	
2	1001163340	4	Plug, Terminal	
3	1001144147	1	Connector	
3	4460943	2	Pin	
3	4460466	1	Plug, Seal	
4	1001116812	1	Connector	
4	4460944	2	Socket	
4	4460466	1	Plug, Seal	
5	4460932	1	Connector	
5	4460464	4	Pin	
6	4460884	1	Connector	
6	4460465	4	Socket	

SECTION 6 - ELECTRICAL

FIGURE 6-23. PLATFORM CONTROL BOX HARNESS



ART_1001200819

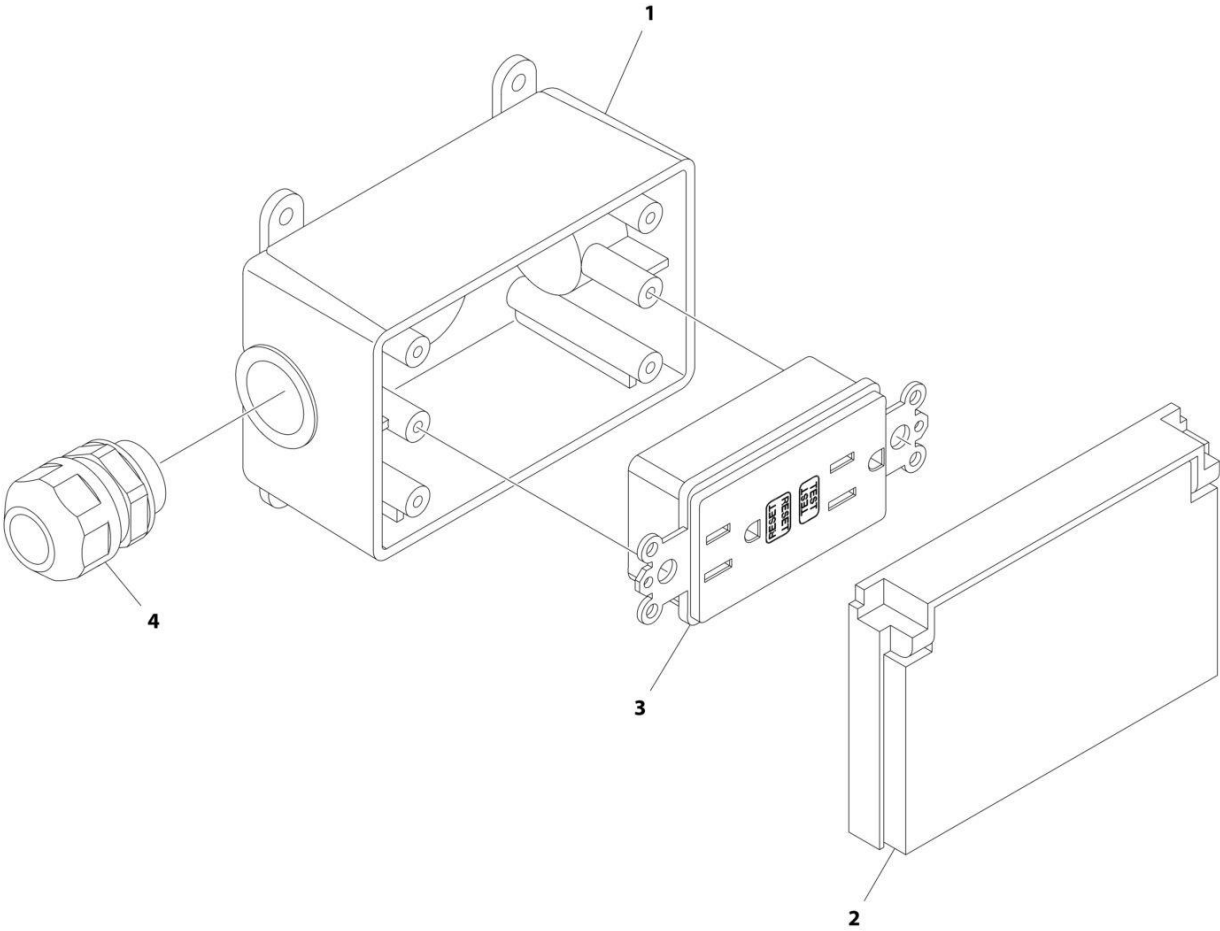
SECTION 6 - ELECTRICAL

FIGURE 6-23. PLATFORM CONTROL BOX HARNESS

ITEM	PART NUMBER	QTY	DESCRIPTION	REV
	1001200819	Ref	PLATFORM CONTROL BOX HARNESS	F
1	4460265	1	Plug, Male - 9 Position	
1	4460267	6	Pin, Male	
2	1001212036	1	Connector - 20 Position	
2	1001212035	16	Terminal	
3	4460183	4	Terminal, Fork	
4	1001201885	4	Terminal with Cover	
5	4461016	1	Connector - 14 Position	
5	4460464	8	Pin, Male	
5	4460466	6	Plug, Terminal	
6	4460418	2	Connector - 6 Position	
6	1001159186	5	Terminal	
7	1001194421	2	Terminal	

SECTION 6 - ELECTRICAL

FIGURE 6-24. RECEPTACLE BOX KIT - 110V GFI



ART_2902431

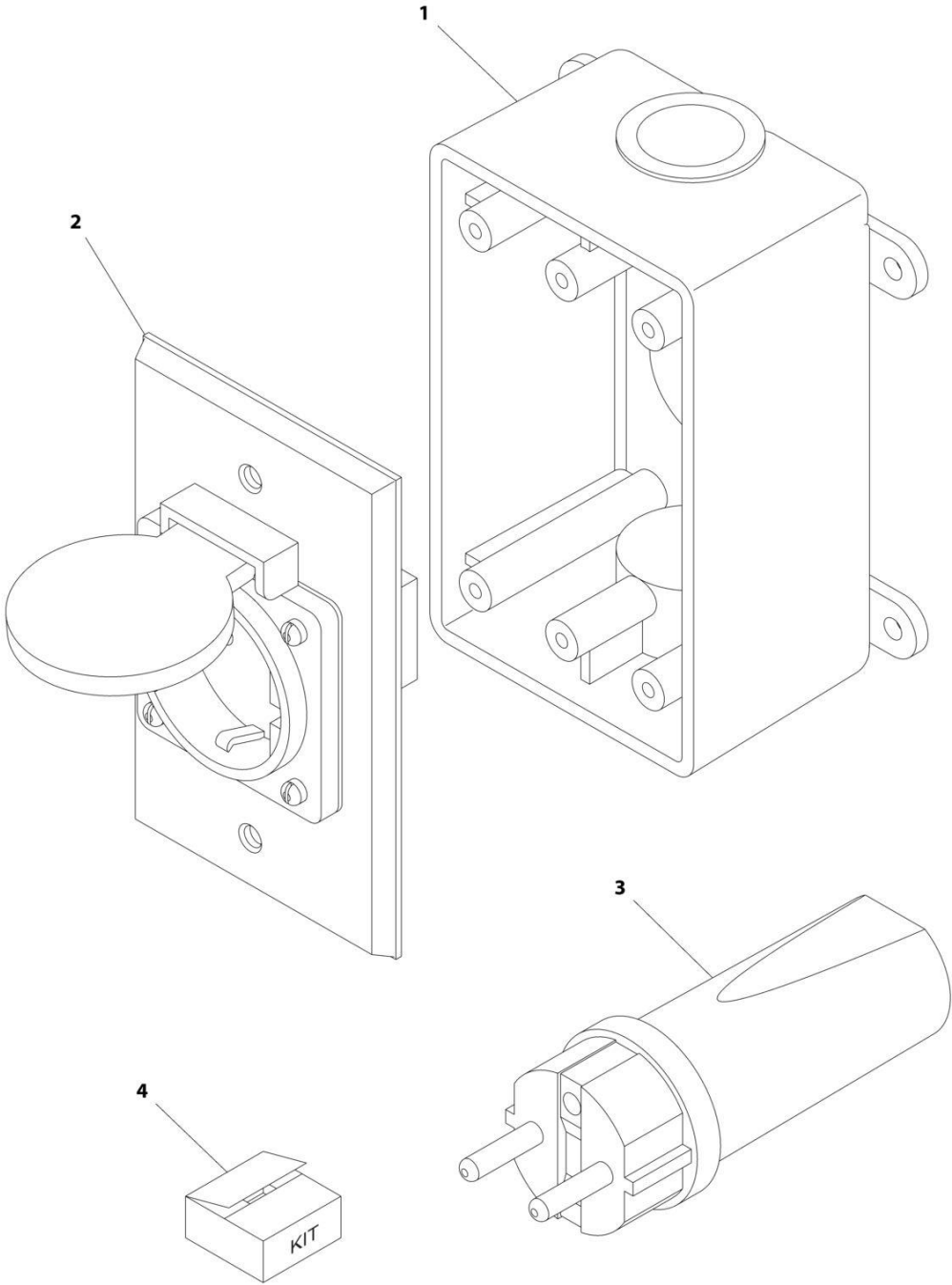
SECTION 6 - ELECTRICAL

FIGURE 6-24. RECEPTACLE BOX KIT - 110V GFI

ITEM	PART NUMBER	QTY	DESCRIPTION	REV
	2902431	Ref	RECEPTACLE BOX KIT - 110V GFI	D
1	0861731	1	Box, Receptacle	
2	1671207	1	Cover, Receptacle	
3	4460346	1	Receptacle	
4	4460662	1	Connector, Strain Relief	

SECTION 6 - ELECTRICAL

FIGURE 6-25. RECEPTACLE BOX KIT - 220V CEE7 SIDE GROUND (CE & UK CA SPEC)



ART_0275453

SECTION 6 - ELECTRICAL

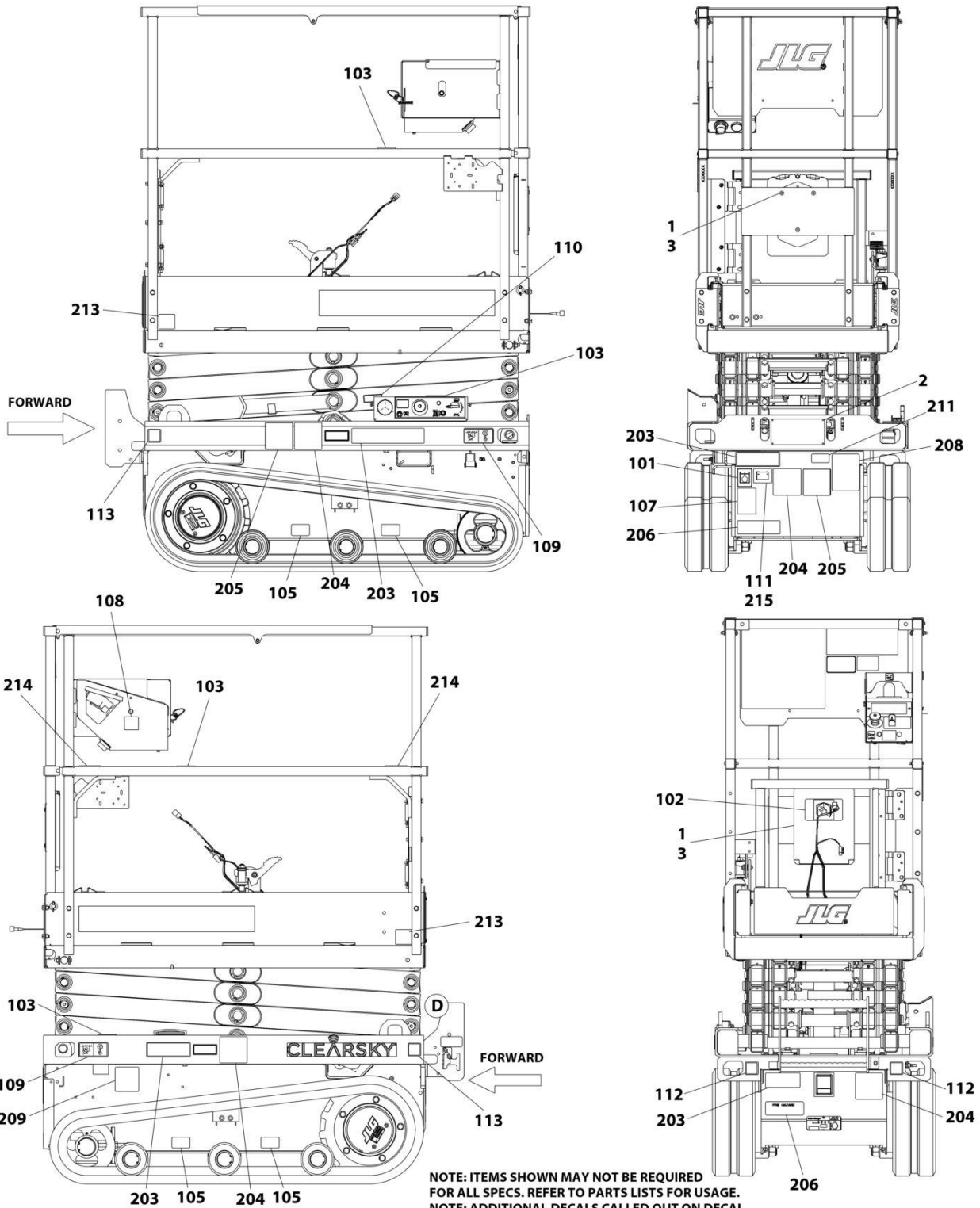
FIGURE 6-25. RECEPTACLE BOX KIT - 220V CEE7 SIDE GROUND (CE & UK CA SPEC)

ITEM	PART NUMBER	QTY	DESCRIPTION	REV
	0275453	Ref	RECEPTACLE BOX KIT - 220V CEE7 SIDE GROUND	B
1	0861731	1	Box, Switch	
2	4461245	1	Receptacle	
3	4461205	1	Plug, Male	
4	1001100347	1	Plug and Socket Kit (Includes Items 1-3 and Female Plug p/n 4461206)	

SECTION 7 - DECALS

SECTION 7 - DECALS

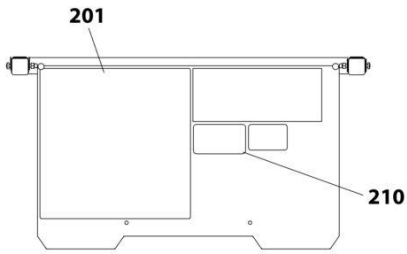
FIGURE 7-1. DECALS INSTALLATION (ANSI SPECS)



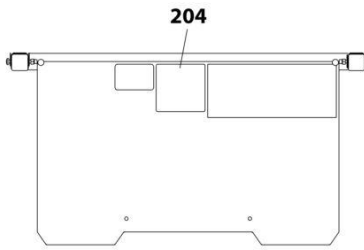
NOTE: ITEMS SHOWN MAY NOT BE REQUIRED FOR ALL SPECS. REFER TO PARTS LISTS FOR USAGE.
 NOTE: ADDITIONAL DECALS CALLED OUT ON DECAL INSTALLATION - OPTIONS.

ART_1001247301_10F2_LC

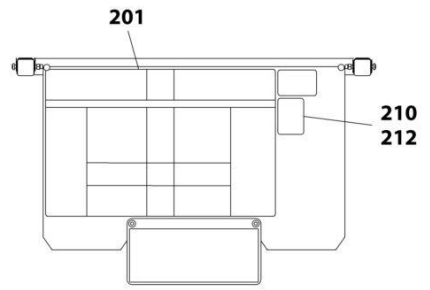
SECTION 7 - DECALS



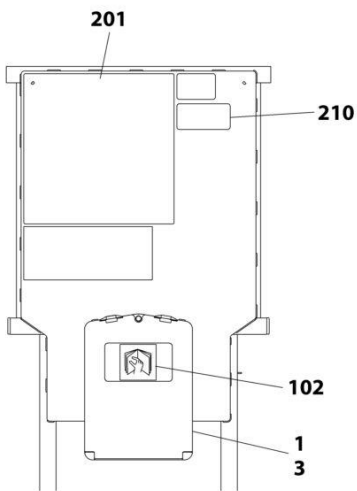
FIXED RAIL (ANSI SPECS)



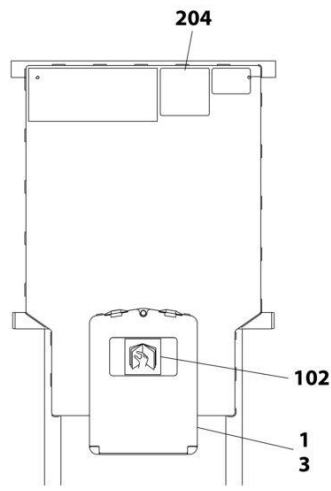
FIXED RAIL (CE AND JAPANESE SPECS)



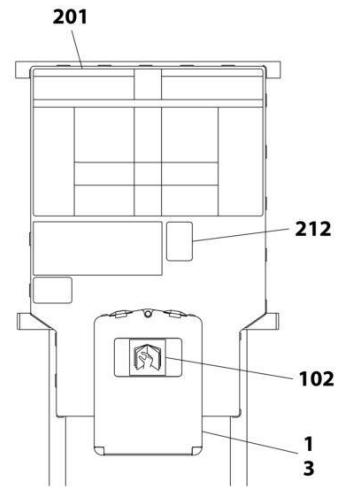
FIXED RAIL (CHINA, CSA AND KOREAN SPECS)



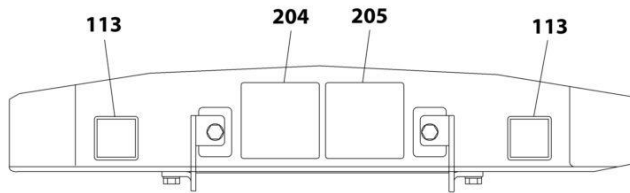
FOLDING RAIL (ANSI SPECS)



FOLDING RAIL (CE SPECS)



FOLDING RAIL (CHINA AND KOREAN SPECS)



DETAIL D
TOP REAR OF FRAME

NOTE: ITEMS SHOWN MAY NOT BE REQUIRED FOR ALL SPECS. REFER TO PARTS LISTS FOR USAGE.
NOTE: ADDITIONAL DECALS CALLED OUT ON DECAL INSTALLATION - OPTIONS.

ART_1001247301_20F2_LC

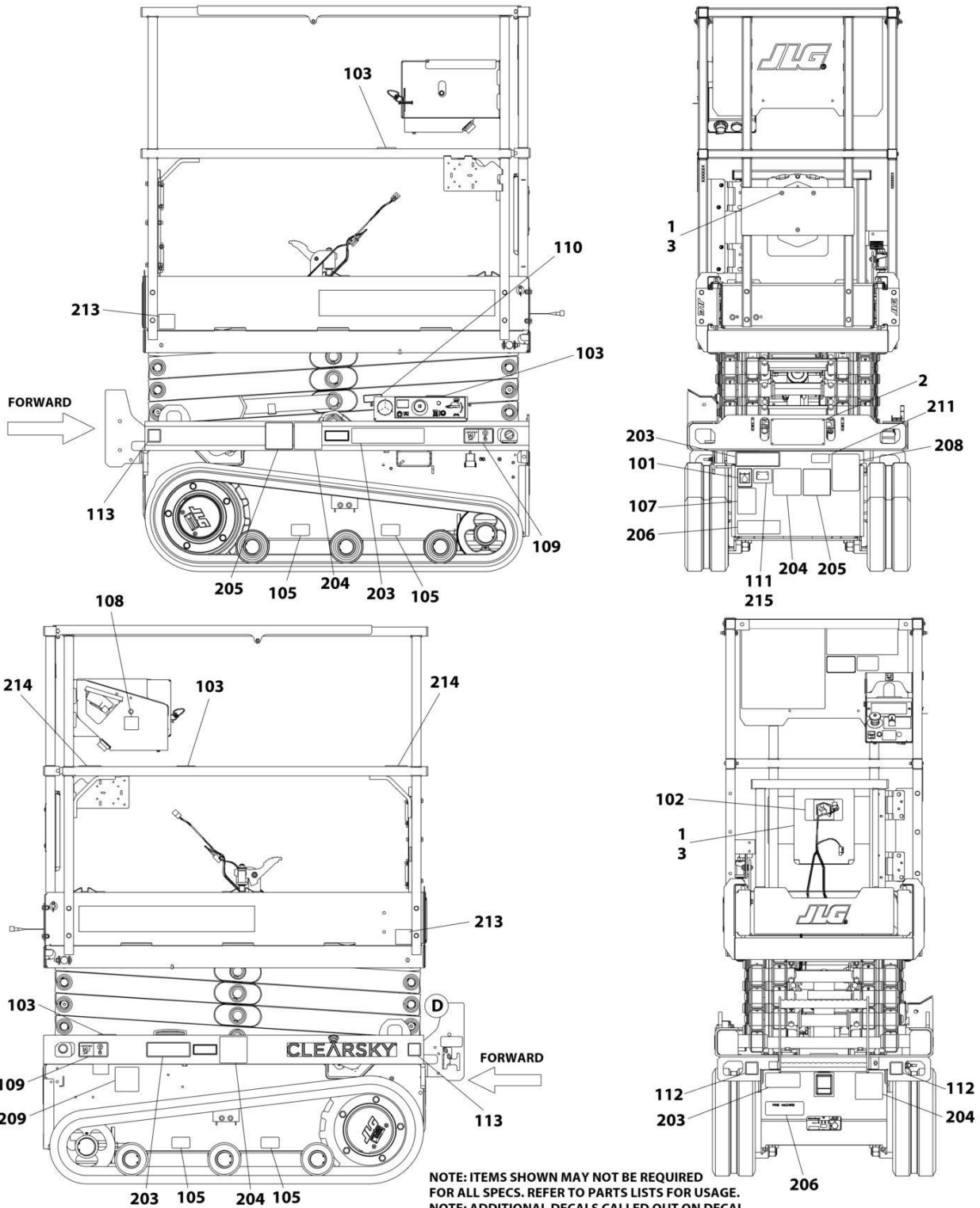
SECTION 7 - DECALS

FIGURE 7-1. DECALS INSTALLATION (ANSI SPECS)

ITEM	PART NUMBER	QTY	DESCRIPTION	REV
	1001247301	Ref	DECALS INSTALLATION (ANSI SPECS)	E
	1001247399	Ref	DECALS CHART DRAWING	J
1	2080040	3	Fastener	
2	2080057	4	Fastener	
3	8990147	1	Holder Manual	
100	1001247296	1	Master Decal Kit (Not Shown)	F
101	1701504	1	Decal - Hydraulic Oil	
102	1701640	1	Decal - Manual	
103	1703819	4	Decal - Directional Arrow	
104	1001248126	1	Decal - Manual Descent Instructions (Not Shown)	
105	1704016	4	Decal - Fork Lift	
107	1704412	1	Decal - Hydraulic Oil Chart	
108	1001132359	1	Decal - Control Box Locate	
109	1001162864	2	Decal - Lift Point/Tie Down	
110	1001220430	1	Decal - Safety Prop	
112	1001212290	1	Decal - Tie Down	
113	1001212291	1	Decal - Lifting Lug	
201	1703816	1	Decal - Danger/Warning	
202	1001146794	1	Decal - Battery/Charger Service (Not Shown)	
203	1001211777	4	Decal - Crushing Hazard	
204	1001211779	4	Decal - Electrocution	
206	1703813	2	Decal - Warning Battery Ventilation	
208	1001131270	1	Decal - Patent	
209	1001223055	1	Decal - Yearly Inspection	
210	1001231801	1	Decal - Warning Prop 65	
211	1001228370	1	Decal - ICES	
214	1704277	2	Decal - Lanyard Attach	
215	1702155	1	Decal - Battery Disconnect	

SECTION 7 - DECALS

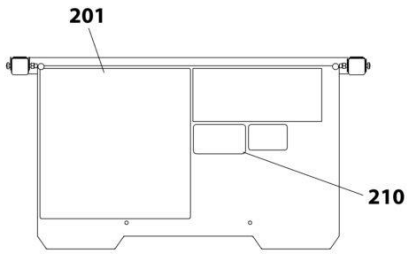
FIGURE 7-2. DECALS INSTALLATION (CHINA SPECS)



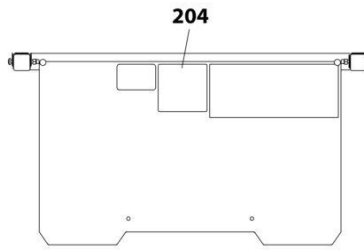
NOTE: ITEMS SHOWN MAY NOT BE REQUIRED FOR ALL SPECS. REFER TO PARTS LISTS FOR USAGE.
 NOTE: ADDITIONAL DECALS CALLED OUT ON DECAL INSTALLATION - OPTIONS.

ART_1001247303_10F2_LC

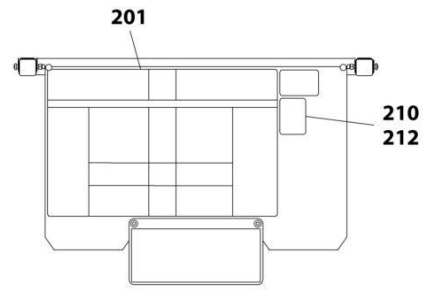
SECTION 7 - DECALS



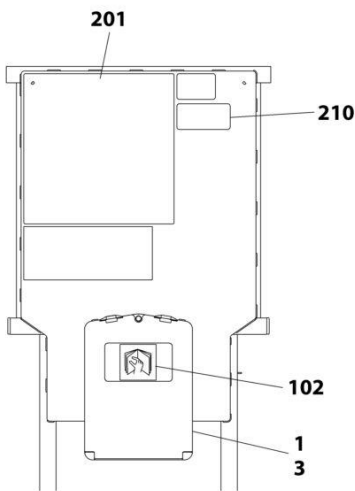
FIXED RAIL (ANSI SPECS)



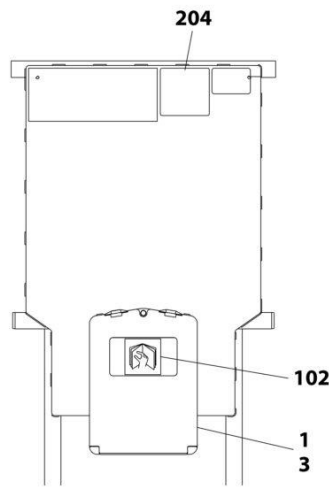
FIXED RAIL (CE AND JAPANESE SPECS)



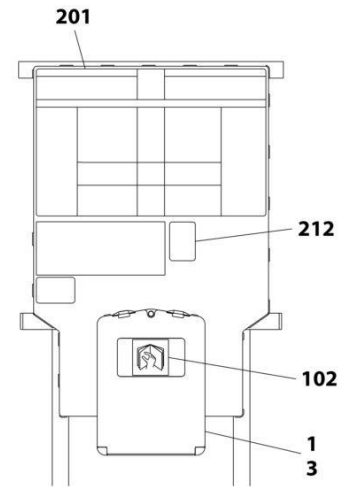
FIXED RAIL (CHINA, CSA AND KOREAN SPECS)



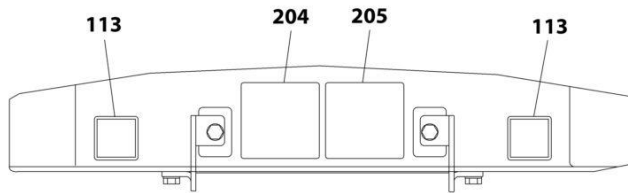
FOLDING RAIL (ANSI SPECS)



FOLDING RAIL (CE SPECS)



FOLDING RAIL (CHINA AND KOREAN SPECS)



DETAIL D
TOP REAR OF FRAME

NOTE: ITEMS SHOWN MAY NOT BE REQUIRED FOR ALL SPECS. REFER TO PARTS LISTS FOR USAGE.
NOTE: ADDITIONAL DECALS CALLED OUT ON DECAL INSTALLATION - OPTIONS.

ART_1001247303_20F2_LC

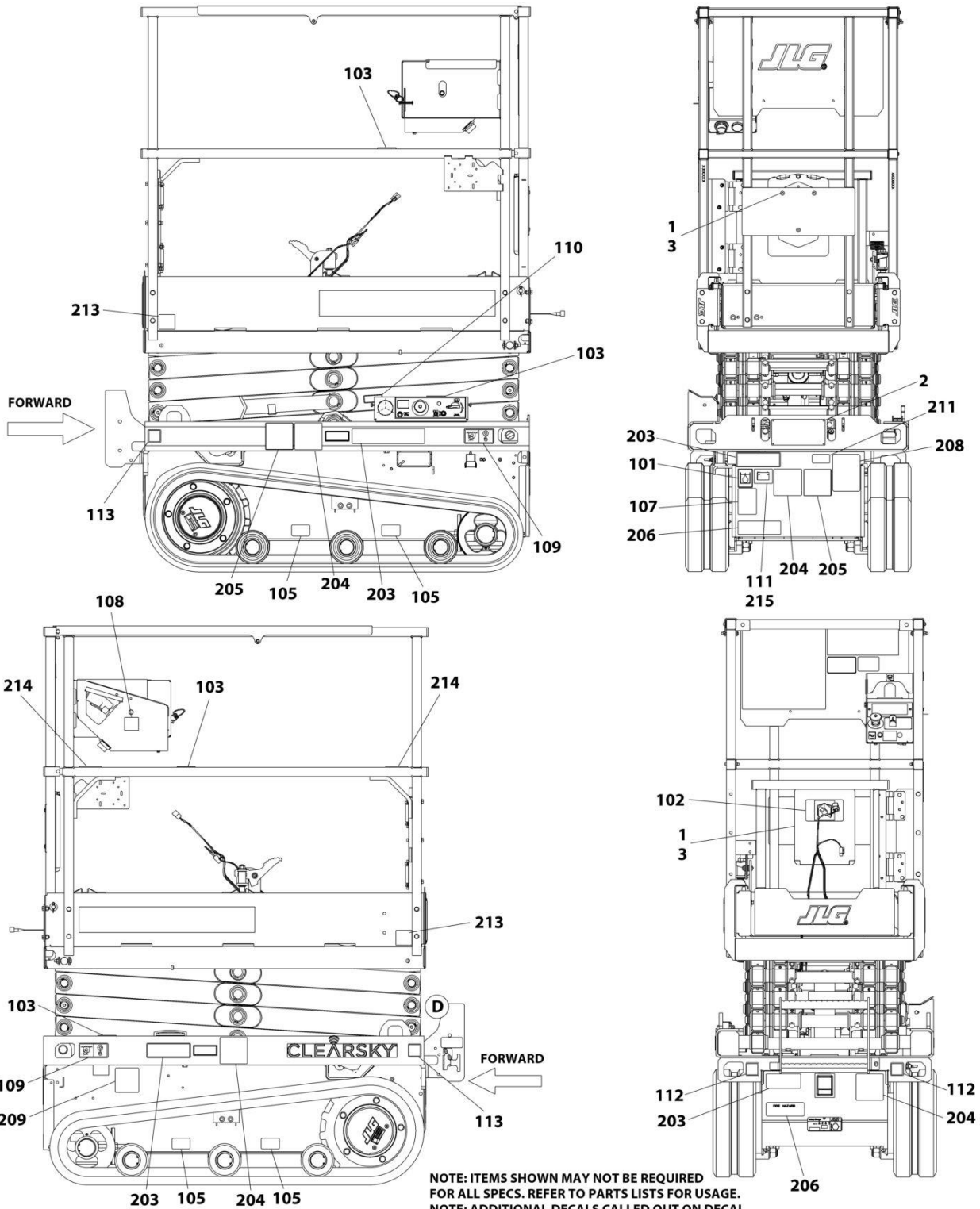
SECTION 7 - DECALS

FIGURE 7-2. DECALS INSTALLATION (CHINA SPECS)

ITEM	PART NUMBER	QTY	DESCRIPTION	REV
	1001247303	Ref	DECALS INSTALLATION (CHINA SPECS)	E
	1001247399	Ref	DECALS CHART DRAWING	J
1	2080040	3	Fastener	
2	2080057	4	Fastener	
3	8990147	1	Holder Manual	
100	1001247296	1	Master Decal Kit (Not Shown)	F
101	1701504	1	Decal - Hydraulic Oil	
102	1701640	1	Decal - Manual	
103	1703819	4	Decal - Directional Arrow	
104	1001248126	1	Decal - Manual Descent (Not Shown)	
105	1704016	4	Decal - Fork Lift	
107	1704412	1	Decal - Hydraulic Oil Chart	
108	1001132359	1	Decal - Control Box Locate	
109	1001162864	4	Decal - Lift Point/Tie Down	
110	1001220430	1	Decal - Safety Prop	
112	1001212290	1	Decal - Tie Down	
113	1001212291	1	Decal - Lifting Lug	
201	1001247311	1	Decal - Danger/Warning	
202	1001146794	1	Decal - Battery/Charger Service (Not Shown)	
203	1001249894	4	Decal - Crushing Hazard	
204	1001211779	4	Decal - Electrocution	
205	1001215747	4	Decal - Danger Electrocution	
206	1704344	2	Decal - Warning Battery Ventilation	
209	1001224051	1	Decal - Yearly Inspection	
212	1001244301	1	Decal - NO Platform to Ground	
213	1001244298	2	Decal - App	
214	1704277	2	Decal - Lanyard Attach	
215	1702155	1	Decal - Battery Disconnect	

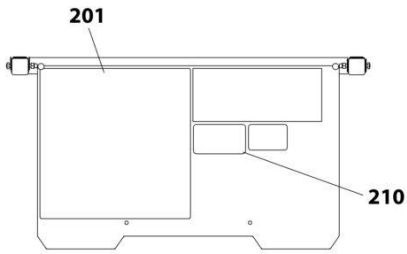
SECTION 7 - DECALS

FIGURE 7-3. DECALS INSTALLATION (CSA SPECS)

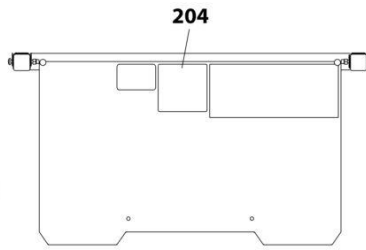


ART_1001254501_10F2_LC

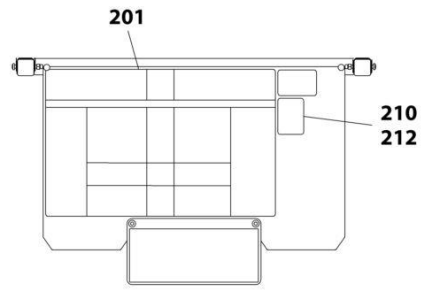
SECTION 7 - DECALS



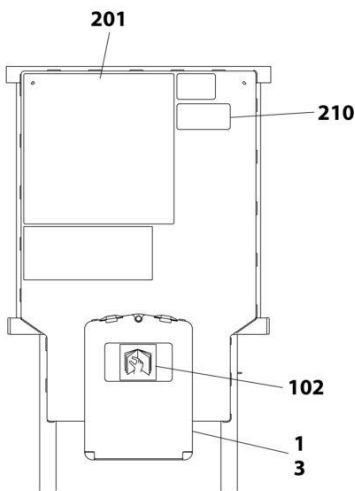
FIXED RAIL (ANSI SPECS)



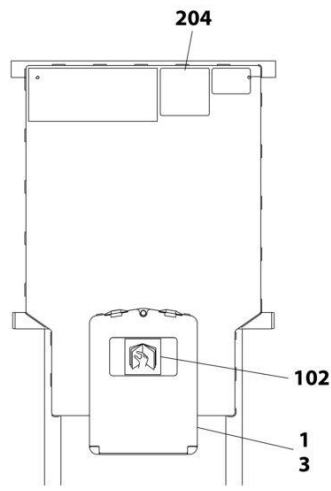
FIXED RAIL (CE AND JAPANESE SPECS)



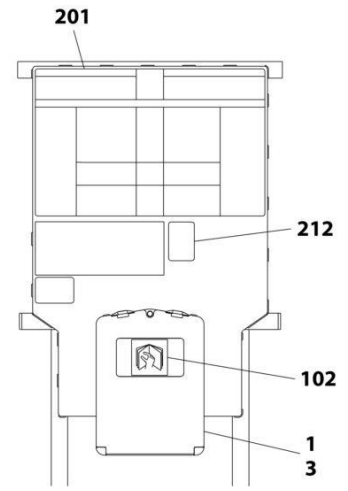
FIXED RAIL (CHINA, CSA AND KOREAN SPECS)



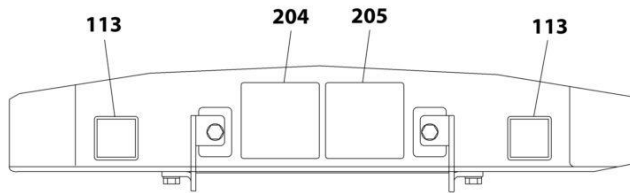
FOLDING RAIL (ANSI SPECS)



FOLDING RAIL (CE SPECS)



FOLDING RAIL (CHINA AND KOREAN SPECS)



DETAIL D
TOP REAR OF FRAME

NOTE: ITEMS SHOWN MAY NOT BE REQUIRED FOR ALL SPECS. REFER TO PARTS LISTS FOR USAGE.
NOTE: ADDITIONAL DECALS CALLED OUT ON DECAL INSTALLATION - OPTIONS.

ART_1001254501_20F2_LC

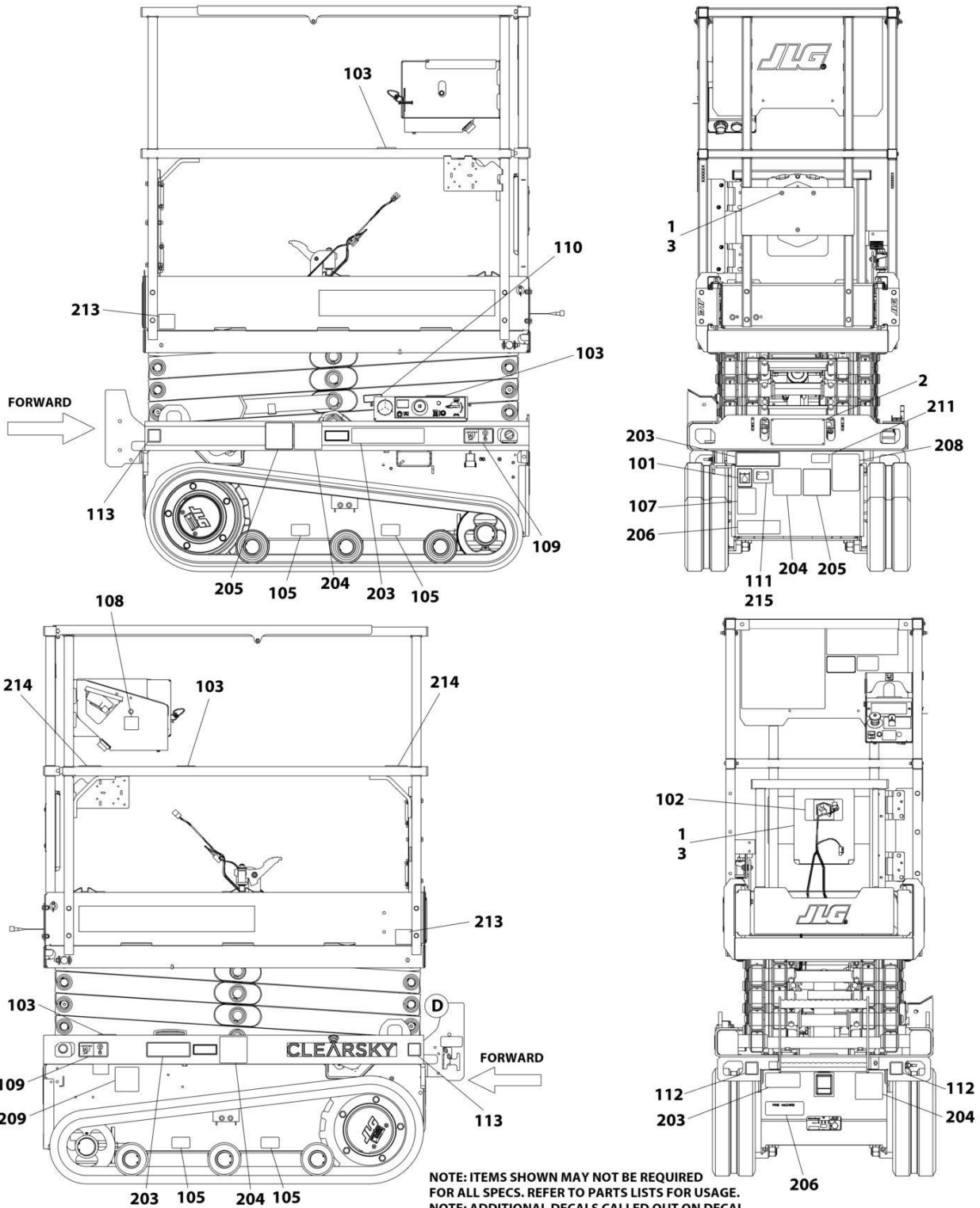
SECTION 7 - DECALS

FIGURE 7-3. DECALS INSTALLATION (CSA SPECS)

ITEM	PART NUMBER	QTY	DESCRIPTION	REV
	1001254501	Ref	DECALS INSTALLATION (CSA SPECS)	D
	1001247399	Ref	DECALS CHART DRAWING	J
1	2080040	3	Fastener	
2	2080057	4	Fastener	
3	8990147	1	Holder Manual	
100	1001247296	1	Master Decal Kit (Not Shown)	F
101	1701504	1	Decal - Hydraulic Oil	
102	1701640	1	Decal - Manual	
103	1703819	4	Decal - Directional Arrow	
104	1001248126	1	Decal - Manual Descent Instructions (Not Shown)	
105	1704016	4	Decal - Fork Lift	
107	1704412	1	Decal - Hydraulic Oil Chart	
108	1001132359	1	Decal - Control Box Locate	
109	1001162864	4	Decal - Lift Point/Tie Down	
110	1001220430	1	Decal - Safety Prop	
112	1001212290	1	Decal - Tie Down	
113	1001212291	1	Decal - Lifting Lug	
201	1704684	1	Decal - Danger/Warning	
202	1001146794	1	Decal - Battery/Charger Service (Not Shown)	
203	1705311	4	Decal - Crushing Hazard	
204	1001211779	4	Decal - Electrocution	
206	1704340	2	Decal - Warning Battery Ventilation	
208	1001131270	1	Decal - Patent	
209	1001223971	1	Decal - Yearly Inspection	
210	1001231801	1	Decal - Warning Prop 65	
211	1001228370	1	Decal - ICES	
214	1704277	2	Decal - Lanyard Attach	
215	1702155	1	Decal - Battery Disconnect	

SECTION 7 - DECALS

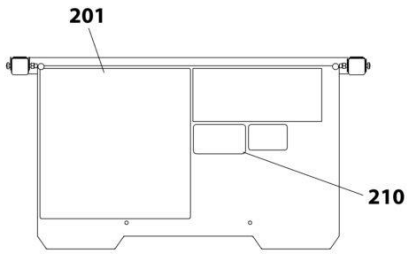
FIGURE 7-4. DECALS INSTALLATION (JAPANESE SPECS)



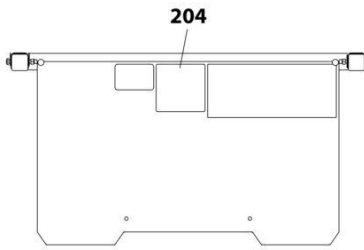
NOTE: ITEMS SHOWN MAY NOT BE REQUIRED FOR ALL SPECS. REFER TO PARTS LISTS FOR USAGE.
 NOTE: ADDITIONAL DECALS CALLED OUT ON DECAL INSTALLATION - OPTIONS.

ART_1001247304_10F2_LC

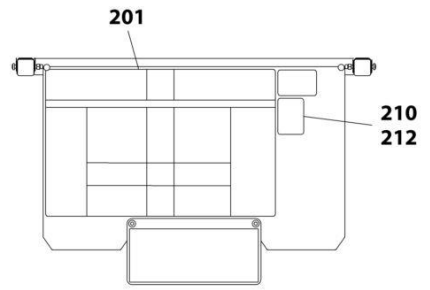
SECTION 7 - DECALS



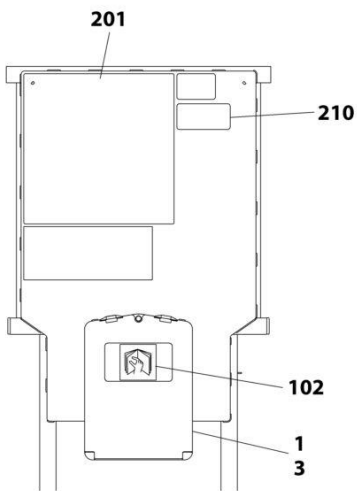
FIXED RAIL (ANSI SPECS)



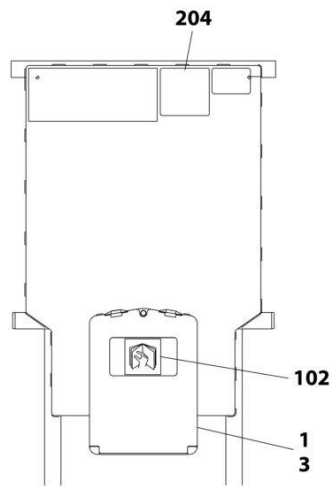
FIXED RAIL (CE AND JAPANESE SPECS)



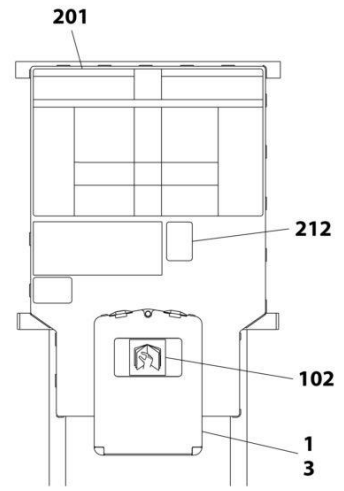
FIXED RAIL (CHINA, CSA AND KOREAN SPECS)



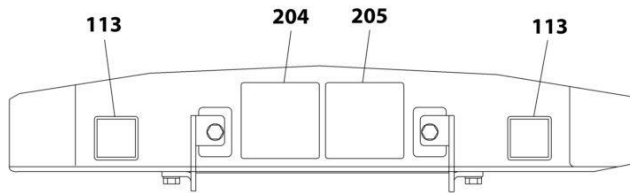
FOLDING RAIL (ANSI SPECS)



FOLDING RAIL (CE SPECS)



FOLDING RAIL (CHINA AND KOREAN SPECS)



DETAIL D
TOP REAR OF FRAME

NOTE: ITEMS SHOWN MAY NOT BE REQUIRED FOR ALL SPECS. REFER TO PARTS LISTS FOR USAGE.
NOTE: ADDITIONAL DECALS CALLED OUT ON DECAL INSTALLATION - OPTIONS.

ART_1001247304_2OF2_LC

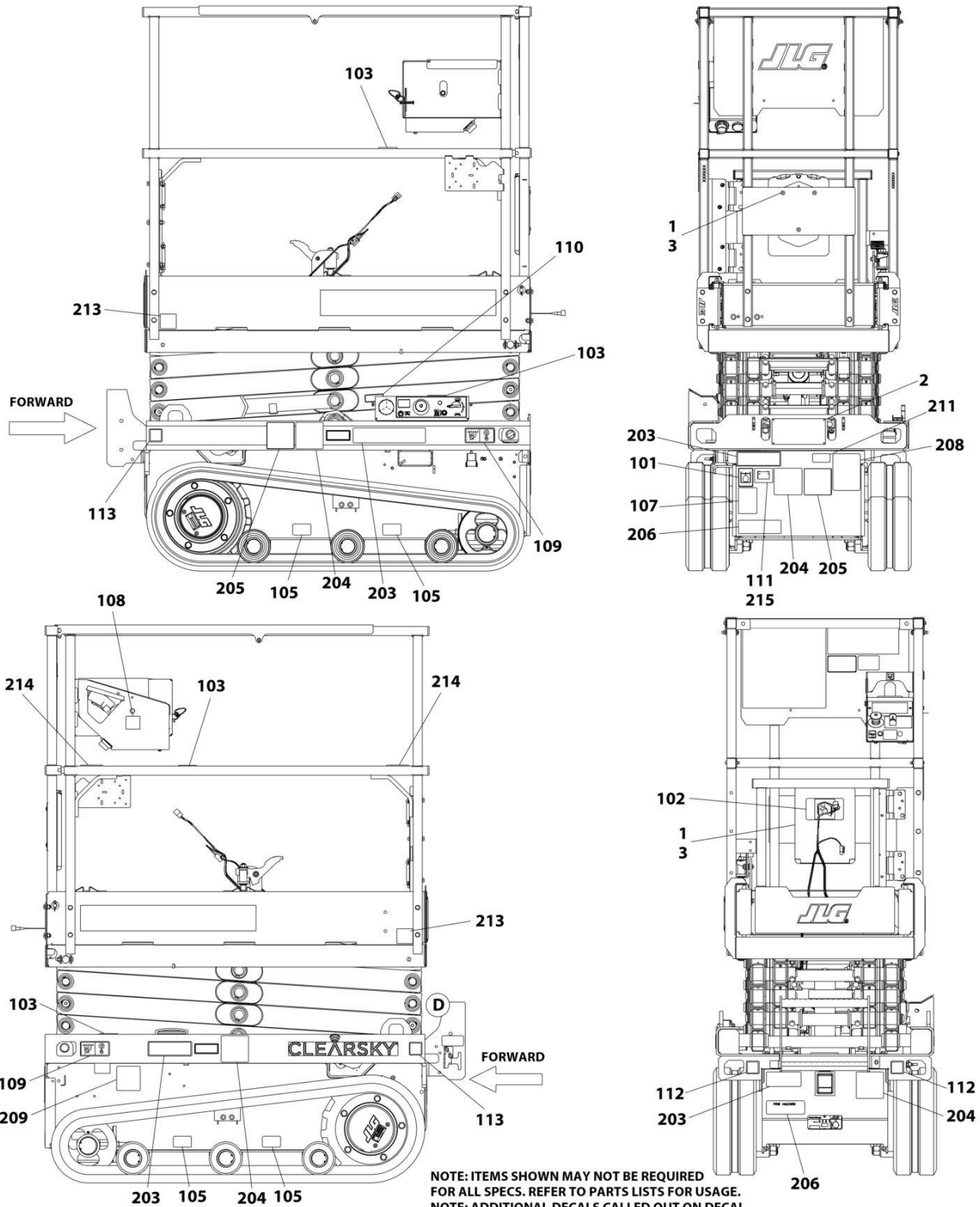
SECTION 7 - DECALS

FIGURE 7-4. DECALS INSTALLATION (JAPANESE SPECS)

ITEM	PART NUMBER	QTY	DESCRIPTION	REV
	1001247304	Ref	DECALS INSTALLATION (JAPANESE SPECS)	F
	1001247399	Ref	DECALS CHART DRAWING	J
1	2080040	4	Fastener	
2	2080057	4	Fastener	
3	0860520	1	Holder Manual	
4	1001258992	2	Plate, Protect	
5	1001101540	4	Screw M4 x 14	
6	3290405	4	Nut M4	
100	1001247296	1	Master Decal Kit (Not Shown)	F
101	1701504	1	Decal - Hydraulic Oil	
102	1701640	1	Decal - Manual	
103	1703819	4	Decal - Directional Arrow	
104	1001248126	1	Decal - Manual Descent (Not Shown)	
105	1704016	4	Decal - Fork Lift	
107	1704412	1	Decal - Hydraulic Oil Chart	
108	1001132359	1	Decal - Control Box Locate	
109	1001162864	4	Decal - Lift Point/Tie Down	
110	1001220430	1	Decal - Safety Prop	
112	1001212290	1	Decal - Tie Down	
113	1001212291	1	Decal - Lifting Lug	
202	1001146794	1	Decal - Battery/Charger Service (Not Shown)	
203	1001219172	4	Decal - Crushing	
204	1001219171	5	Decal - Electrocution	
206	1705670	2	Decal - Fire Hazard	
214	1704277	2	Decal - Lanyard Attach	

SECTION 7 - DECALS

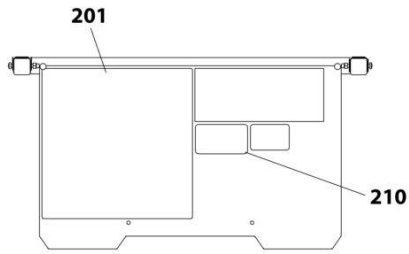
FIGURE 7-5. DECALS INSTALLATION (KOREAN SPECS)



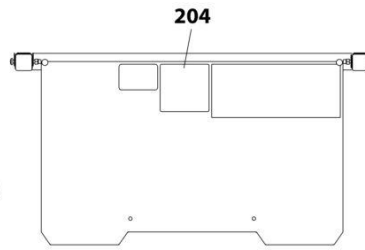
NOTE: ITEMS SHOWN MAY NOT BE REQUIRED FOR ALL SPECS. REFER TO PARTS LISTS FOR USAGE.
 NOTE: ADDITIONAL DECALS CALLED OUT ON DECAL INSTALLATION - OPTIONS.

ART_1001247302_10F2_LC

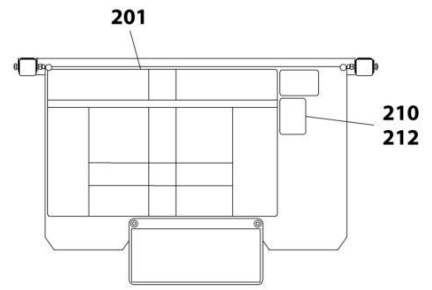
SECTION 7 - DECALS



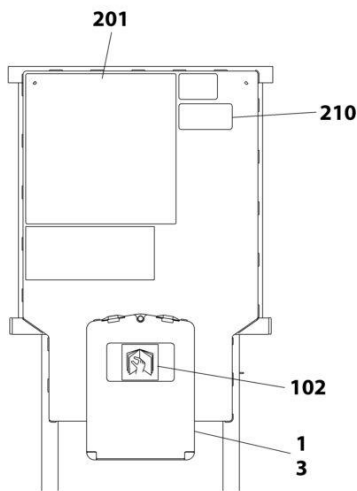
FIXED RAIL (ANSI SPECS)



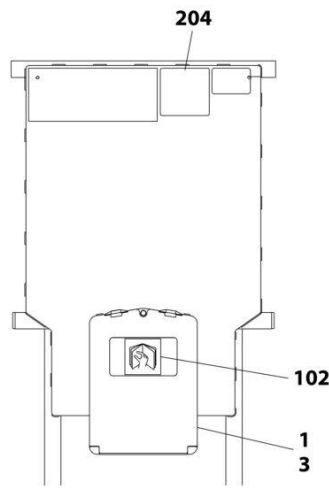
FIXED RAIL (CE AND JAPANESE SPECS)



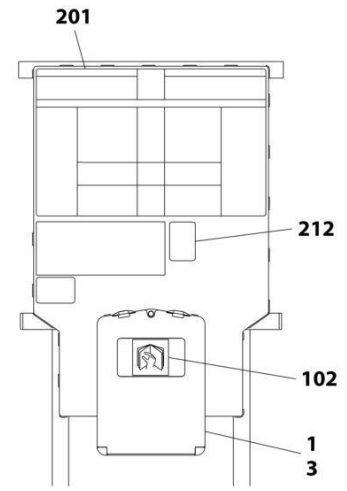
FIXED RAIL (CHINA, CSA AND KOREAN SPECS)



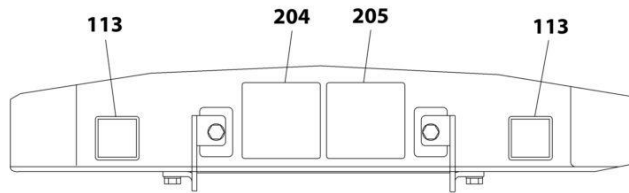
FOLDING RAIL (ANSI SPECS)



FOLDING RAIL (CE SPECS)



FOLDING RAIL (CHINA AND KOREAN SPECS)



DETAIL D
TOP REAR OF FRAME

NOTE: ITEMS SHOWN MAY NOT BE REQUIRED FOR ALL SPECS. REFER TO PARTS LISTS FOR USAGE.
NOTE: ADDITIONAL DECALS CALLED OUT ON DECAL INSTALLATION - OPTIONS.

ART_1001247302_20F2_LC

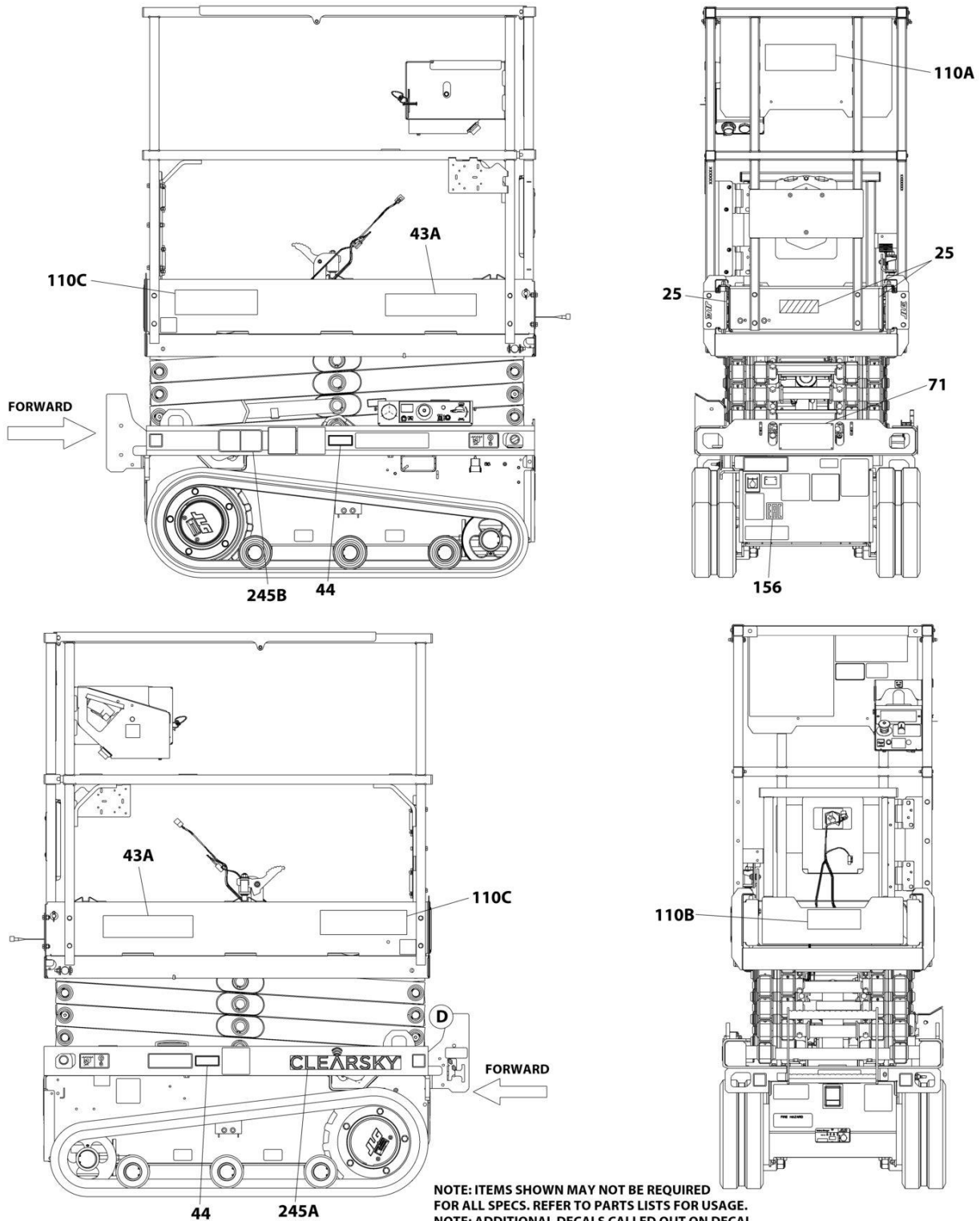
SECTION 7 - DECALS

FIGURE 7-5. DECALS INSTALLATION (KOREAN SPECS)

ITEM	PART NUMBER	QTY	DESCRIPTION	REV
	1001247302	Ref	DECALS INSTALLATION (KOREAN SPECS)	E
	1001247399	Ref	DECAL CHART DRAWING	J
1	2080040	3	Fastener	
2	2080057	4	Fastener	
3	8990147	1	Holder Manual	
100	1001247296	1	Master Decal Kit (Not Shown)	F
101	1701504	1	Decal - Hydraulic Oil	
102	1701640	1	Decal - Manual	
103	1703819	4	Decal - Directional Arrow	
104	1001248126	1	Decal - Manual Descent (Not Shown)	
105	1704016	4	Decal - Fork Lift	
107	1704412	1	Decal - Hydraulic Oil Chart	
108	1001132359	1	Decal - Control Box Locate	
109	1001162864	4	Decal - Lift Point/Tie Down	
110	1001220430	1	Decal - Safety Prop	
112	1001212290	1	Decal - Tie Down	
113	1001212291	1	Decal - Lifting Lug	
201	1001247309	1	Decal - Danger/Warning	
202	1001146794	1	Decal - Battery/Charger Service (Not Shown)	
203	1001249893	4	Decal - Crushing Hazard	
204	1001211779	4	Decal - Electrocution	
205	1001215750	4	Decal - Danger Electrocution	
206	1707022	2	Decal - Warning Battery Ventilation	
209	1001224048	1	Decal - Yearly Inspection	
214	1704277	2	Decal - Lanyard Attach	
215	1702155	1	Decal - Battery Disconnect	

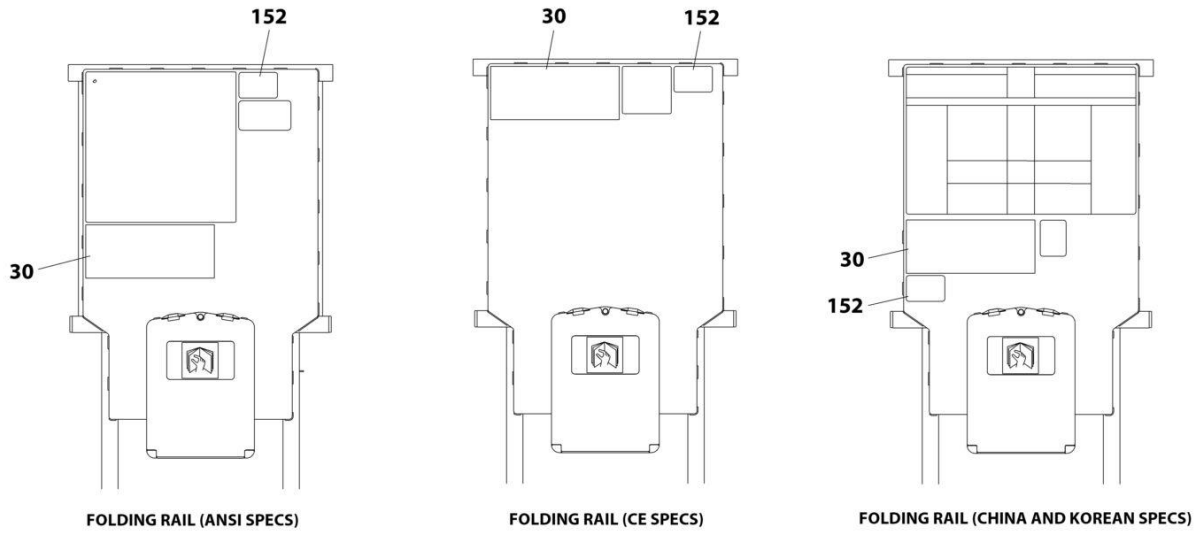
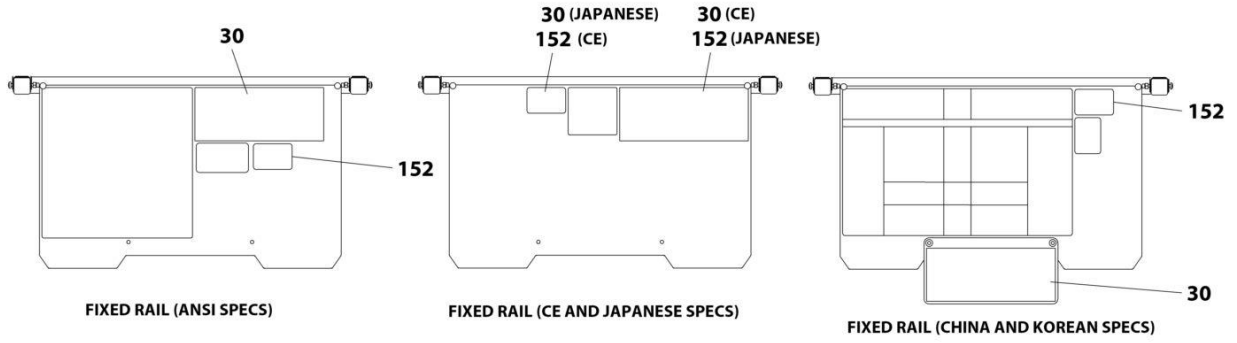
SECTION 7 - DECALS

FIGURE 7-6. DECAL INSTALLATION - OPTIONS



ART_DECAL_OPTIONS_10F2

SECTION 7 - DECALS



NOTE: ITEMS SHOWN MAY NOT BE REQUIRED FOR ALL SPECS. REFER TO PARTS LISTS FOR USAGE.

ART_DECAL_OPTIONS_2OF2

SECTION 7 - DECALS

FIGURE 7-6. DECAL INSTALLATION - OPTIONS

ITEM	PART NUMBER	QTY	DESCRIPTION	REV
		Ref	DECAL INSTALLATION - OPTIONS	
	1001247399	Ref	DECAL CHART DRAWING	J
25	1001247712	Ref	Corner Stripes Installation	
25	4420051	3 ft/ 92cm	Tape, Safety	
30		Ref	Decal - Capacity Options:	
30	1001246678	1	Decal - Capacity (500lb/227kg) (Indoor Only Machines) (ANSI, ANSI Export, Australian, CE, China, Korean & UK CA Specs)	
30	1001265840	1	Decal - Capacity (500lb/227kg) (Indoor/Outdoor Machines) (ANSI, ANSI Export, CE, China, Korean & UK CA Specs)	
30	1001247297	Ref	Decal - Capacity (China, CSA & Korean Specs)	B
30	1001265840	1	Decal - Capacity (500lb/227kg) (China and Korean Specs)	
30	1001216865	1	Plate, Decal Mounting	
30	2080040	2	Fastener	
30	1001246679	1	Decal - Capacity (500lb/227kg) (Indoor Only Machines) (Japanese Specs)	
43	1001247542	Ref	Decal - Model Designation	B
43A	1001255756	2	Decal - Model Designation	
44	1001247661	2	Decal - Maximum Tire Load	
71	See Note	NSS	Decal - Manufacturers Serial Number (Note: Not Available for Purchase)	
110	1001256603	Ref	JLG Decals Installation (Not Shown) (All Specs Except China Specs)	B
110	1001257766	Ref	JLG Decals Installation (Not Shown) (China Specs)	A
110A	1001256675	1	Decal - JLG (3-5/16 wide) (All Specs Except China Specs)	
110A	1001288434	1	Decal - JLG (3-5/16 wide) (China Specs)	
110B	1001256676	1	Decal - JLG (2-5/8 wide) (All Specs Except China Specs)	
110B	1001287763	1	Decal - JLG (2-5/8 wide) (China Specs)	
110C	1001288432	2	DECAL - JLG (China Specs Only)	
152		Ref	Decal - No Pipe Racks Allowed Options:	
152	1001092071	1	Decal - No Pipe Racks Allowed (English) (ANSI, ANSI Export and China Specs)	
152	1001092497	1	Decal - No Pipe Racks Allowed (English) (CE, Japanese & UK CA Specs)	
152	1001120622	1	Decal - No Pipe Racks Allowed (English/Chinese) (China Specs)	
152	1001092580	1	Decal - No Pipe Racks Allowed (English/French) (CSA Specs)	
152	1001120621	1	Decal - No Pipe Racks Allowed (English/Korean) (Korean Specs)	
156	1001173703	1	Decal - EAC (Russian/CIS Specs)	
245	1001236984	Ref	Decal - Clear Sky	
245A	1001116208	1	Decal - Clear Sky	
245B	1001120989	1	Decal - Radio Frequency	

SECTION 8 - RECOMMENDED SERVICE PARTS STOCK

SECTION 8 - RECOMMENDED SERVICE PARTS STOCK

SECTION 8 - RECOMMENDED SERVICE PARTS STOCK

FIGURE 8-1. RECOMMENDED SERVICE PARTS STOCK

ITEM	PART NUMBER	QTY	DESCRIPTION	REV
		Ref	Note: The following list will service one machine (built to current production per date on the front cover) with emergency repair parts which can be installed in the field. Parts from the list should be replaced when inventory is depleted to keep service parts stock supplied. For further information, contact your JLG dealer or the JLG Industries Parts Department.	
	1001189172	1	Breaker 16Amp Double (AC Box CE & UK CA Specs Machines)	
	1001189171	1	Breaker 30mAmp (AC Box CE & UK CA Specs Machines)	
	1600402	1	Controller, Drive/Steer (Platform Console)	
	8229031	2	Diode 6AMP (Chassis Harness)	
	1001228388	2	Fuse 1AMP (Charger Harness)	
	1001196635	2	Fuse 3Amp (Mobile Control)	
	1001118245	2	FUSE,250 AMP MEGA	
	2860030	1	Key, Replacement (Ground Control)	
	3080007	1	Latch, Magnetic (Platform)	
	1001276980	1	Module, Control (Drive)	
	1001200629	1	Module, Control (Ground Control)	
	1001274605	1	Module, Platform	
	3740150	1	Relay (Ground Control)	
	1001249798	1	Sensor (Tilt)	
	1001146963	1	Sensor, Angle (Machines with LSS)	
	1001200746	1	Sensor, Angle (Machines without LSS)	
	1001274559	1	Switch, Emergency Stop (Ground Control)	
	4360475	1	Switch, Emergency Stop (Platform Console)	
	4360469	1	Switch, Key (Ground Control)	
	1001226749	1	Switch, Push Button (Ground Control/Platform Control)	
	4360328	1	Switch, Toggle (Ground Control)	
	1001258446	1	Switch, Toggle (Platform Console)	

SECTION 9 - SPECIAL OPTIONS/ACCESSORIES/KITS

SECTION 9 - SPECIAL OPTIONS/ACCESSORIES/KITS

SECTION 9 - SPECIAL OPTIONS/ACCESSORIES/KITS

FIGURE 9-1. SPECIAL OPTIONS/ACCESSORIES/KITS

ITEM	PART NUMBER	QTY	DESCRIPTION	REV
		Ref	Note: This list is to accommodate machines ordered with special equipment. Options may not be applicable to all models. For more specific parts information contact the JLG Parts Department.	
		Ref	MISCELLANEOUS SPECIAL OPTIONS/ACCESSORIES/KITS	
	1001209921	Ref	Antivandalism Package (Factory Installed)	
	1001225173	Ref	Antivandalism Add-On Kit (Dealer Installed)	
	1001255129	Ref	Beacon Light (Single) Add-On Kit (Dealer Installed)	
	1001274645	Ref	Beacon Light (Dual) Add-On Kit (Dealer Installed)	
		Ref	Electrical Connector Kits	
	1001148902	Ref	Amp/Tyco Electrical Connector Kit	
	1001148903	Ref	Deutsch DT Electrical Connector Kit	
	1001148904	Ref	Deutsch HD Electrical Connector Kit	
	1001148905	Ref	Packard Electrical Connector Kit	
	1001148906	Ref	Various Electrical Connector Kit	
	1001236533	Ref	Footswitch Installation (Factory Installed) (ANSI Export, Japanese & Korean Specs Only)	
	1001210670	1	Footswitch Assembly (ANSI Export, Japanese & Korean Specs Only)	
	1705828	1	Decal - Footswitch (ANSI Export, Japanese & Korean Specs Only)	
	1001255128	Ref	Footswitch Add-On Kit (Dealer Installed)	
	1001284152	Ref	Low Height Retriktion System Installation (ANSI Export, Japan & Korean Specs)	
	1001269479	Ref	SkySense (Level 1) Installation	
	1001254661	Ref	Service Kits / Tools	F
		Ref	Tools for Service	
	2901443	1	Analyzer Kit	
	1001232474	1	Benchtop Harness	
	8896941	1	Wire Stripper	
	7002821	1	Wire Crimper (To install wire ends to wires)	
	7002823	1	Pin/Socket Extractor - Universal (To Remove Pins/Socket from Connectors)	
	4460467	1	Extractor - 16-18 Gauge (For Removal Pins/Socket from Deutsch Connectors)	
	4460510	1	Extractor - 12-14 Gauge (For Removal of Pins/Socket from Deutsch Connectors)	
	7002822	1	Screwdriver, Potentiometer (To Adjust Drive Controllers)	
	7016654	1	Screwdriver, Magnetic	
	7004275	1	Seal Installation Tool - 1in	
	7004276	1	Seal Installation Tool - 1-1/2in	
	7002826	1	Seal Installation Tool - 2in	
	1001281951	Ref	USB & Phone Cradle Kit	
	1001281944	Ref	White Noise Ambient Alarm Kit	

SECTION 9 - SPECIAL OPTIONS/ACCESSORIES/KITS

PART NUMBER INDEX

SECTION 9 - SPECIAL OPTIONS/ACCESSORIES/KITS

0100011.....13, 15, 17, 19, 21, 29, 35, 37, 39, 43, 47, 49, 51, 65, 67, 69, 85, 87, 89, 91	1001116812 121, 135, 139, 155	1001201885 135, 139, 157	1001231801.....166, 174
0100048.....47, 49	1001118245... 53, 55, 57, 59, 61, 63, 188	1001203443 83	1001232257.....91
0100051.....53, 55, 57, 59, 61, 63	1001118384 143	1001203445 74, 78	1001232474.....190
0140030.....95	1001118387 140	1001204311 74, 78	1001232622.....91
0140043.....47, 49	1001118388 143	1001204495 27	1001233714.....53, 55
0275453.....111, 161	1001118812 119	1001205156 83	1001233834.....75, 79
0440264.....75, 79	1001120204 111	1001205409 135, 139, 155	1001233836.....75, 79
0440265.....75, 79	1001120205 117	1001205410 135, 139	1001233860.....74, 78
0630183.....85	1001120621 186	1001205411 135, 139	1001233861.....74, 78
0630580.....13, 15, 17, 19, 21	1001120622 186	1001205412 135, 139	1001233863.....74, 78
0700412.....47, 49	1001120989 186	1001205422 85	1001233864.....74, 78
0700610.....29, 43, 47, 49	1001125677 119, 136, 140	1001205430 85	1001233865.....74, 78
0700612.....37, 101	1001125916 57, 61	1001207009 65, 67	1001233866.....74, 78
0700617.....47, 49	1001130220 95	10012070970 127	1001233867.....74, 78
0700818.....87, 89, 91	1001130590 47, 49	1001207973 129	1001234320.....75, 79
0700819.....83, 93	1001131270 166, 174	1001207974 125	1001236129.....85
0700820.....91	1001132358 95	1001208852 85	1001236533.....190
0700835.....95	1001132359 166, 170, 174, 178, 182	1001209596 95	1001236984.....186
0701015.....74, 78	1001132361 95	1001209682 47, 49	1001237462.....65, 67, 69
0701019.....91	1001134821 93	1001209921 190	1001238060.....55, 61, 63
0701020.....74, 78, 91	1001137675 85, 91	1001210064 85	1001239224.....31, 33
0701021.....74, 78, 83	1001144147 119, 143, 155	1001210586 87, 89, 91	1001239303.....53, 57, 59
0760408.....109, 111, 113	1001144295 136, 140	1001210670 190	1001239404.....74, 78
0760508.....69	1001144296 136, 140	1001210963 87, 89, 91	1001239661.....31, 33
0760606.....65, 67, 69	1001146794 166, 170, 174, 178, 182	1001210966 47, 49	1001239737.....74, 78
0760608.....47, 49, 69, 74, 78, 101	1001146963 78, 188	1001211777 166	1001241321.....133, 145
0760610.....47, 49, 74, 78, 93, 95, 101	1001148902 190	1001211779 166, 170, 174, 182	1001241823.....39
0760612.....13, 15, 17, 19, 27, 65, 67, 74, 78	1001148903 190	1001211895 91	1001244045.....89
0760614.....47, 49	1001148904 190	1001211896 91	1001244047.....89
0760808.....51	1001148905 190	1001212035 157	1001244092.....87
0760810.....35, 37, 85, 91, 131	1001148906 190	1001212036 157	1001244093.....87
0760815.....35, 37	1001149852 35, 37, 51	1001212290 166, 170, 174, 178, 182	1001244096.....87, 89
0761009.....43	1001151629 135, 140	1001212291 166, 170, 174, 178, 182	1001244144.....74, 78
0761011.....43	1001152266 136, 140	1001212299 166, 170, 174, 178, 182	1001244298.....170
0761012.....39	1001152483 117	1001212893 95	1001244301.....170
0770814.....13, 17, 21	1001154378 91	1001212886 95	100124432.....145, 149
0770815.....15, 19	1001159186 136, 139, 157	1001215747 170	1001244908.....111, 117
0771210.....21	1001162864 166, 170, 174, 178, 182	1001215750 182	1001244911.....109
0860520.....178	1001162886 135, 139	1001216865 186	1001244912.....115
0861731.....159, 161	1001162887 135, 139, 155	1001217043 85	1001244914.....111
0962292.....105	1001163340 135, 139, 155	1001217164 117	1001244918.....113
1001047064.....95	1001170000 140	1001218285 95	1001245099.....85
1001091102.....47, 49	1001173703 186	1001219171 178	1001245100.....85
1001092071 186	1001182806 27	1001219172 178	1001245110.....87, 89, 91
1001092497 186	1001186432 143	1001220409 93	1001245136.....91
1001092580 186	1001187587 91	1001220410 93	1001245138.....87, 89
1001100347 161	1001187816 113	1001220430 166, 170, 174, 178, 182	1001245293.....101
1001100451 111	1001188116 113	1001220893 95	1001245299.....101, 155
1001101540 178	1001189171 117, 188	1001220995 93	1001245386.....75, 79
1001102258 109, 111, 113, 115	1001189172 117, 188	1001221475 85	1001245388.....75, 79
1001102489 125, 127, 129, 131	1001192401 136, 140	1001221476 85	1001245451.....75, 79
1001102771 121	1001194421 157	1001221949 131	1001245634.....75, 79
1001103012 135, 139	1001196635 155, 188	1001223055 166	1001245635.....75, 79
1001107854 135, 139	1001200629 .. 47, 49, 188	1001223971 174	1001245636.....74, 78
1001110544 31, 33	1001200631 78	1001224048 182	1001245790.....74, 78
1001116208 186	1001200746 74, 188	1001224051 170	1001246678.....186
	1001200819 95, 157	1001225164 78	1001246679.....186
		1001225173 190	1001246926.....43
		1001226749 .. 47, 49, 95, 188	1001247296.....166, 170, 174, 178, 182
		1001228370 166, 174	1001247297.....186
		1001228388 121, 188	1001247301.....166
		1001231268 74, 78	1001247302.....182
			1001247303.....170
			1001247304.....178

SECTION 9 - SPECIAL OPTIONS/ACCESSORIES/KITS

1001247309.....	182	1001254633.....	59, 63	1001286023.....	87, 89	1703813.....	166
1001247311.....	170	1001254661.....	190	1001286024.....	87, 89	1703816.....	166
1001247345 ..	74, 78, 105	1001255128.....	190	1001286025.....	87, 89	1703819.....	95, 101, 166,
1001247399	166, 170,	1001255129.....	190	1001286026.....	43, 45	170, 174, 178, 182	
174, 178, 182, 186		1001255756.....	186	1001286107.....	87, 89	1704016... 166, 170, 174,	
1001247542.....	186	1001256603.....	186	1001286108.....	89	178, 182	
1001247661.....	186	1001256642.....	65, 67	1001286109.....	21	1704260.....	95
1001247712.....	186	1001256675.....	186	1001286110.....	13, 15, 21	1704277... 166, 170, 174,	
1001247924.....	43	1001256676.....	186	1001286111.....	13, 15, 21	178, 182	
1001247937.....	51	1001257766.....	186	1001286112.....	13, 15, 17,	1704340.....	174
1001247945	35, 37, 51	1001258226.....	74, 79	19, 21		1704344.....	170
1001247946.....	35, 37	1001258446.....	95, 188	1001286160.....	87, 89	1704412... 166, 170, 174,	
1001247947.....	35, 37	1001258992.....	178	1001286220.....	91	178, 182	
1001248126.....	166, 170,	1001262221.....	99	1001286221.....	91	1704684.....	174
174, 178, 182		1001262299.....	79	1001286222.....	91	1705311.....	174
1001248155.....	83	1001262655.....	95	1001286223.....	91	1705670.....	178
1001248157.....	83	1001263925.....	21	1001286224.....	91	1705828.....	190
1001248768.....	101	1001264036.....	47, 49	1001286225.....	91	1706679.....	47, 49
1001249645.....	47, 49	1001264074.....	53, 55, 57,	1001286226.....	91	1707022.....	182
1001249668.....	57, 61	59, 61, 63		1001286227.....	91	2080040... 85, 87, 89, 91,	
1001249798.....	29, 188	1001264075.....	53, 55, 57,	1001286228.....	91	166, 170, 174, 178,	
1001249893.....	182	59, 61, 63		1001286229.....	91	182, 186	
1001249894.....	170	1001264946.....	125	1001286230.....	91	2080057... 166, 170, 174,	
1001249940.....	65	1001264947.....	127	1001286231.....	91	178, 182	
1001250078.....	33	1001264948.....	131	1001286239.....	91	2220473.....	43
1001250694.....	47	1001264953.....	129	1001286246.....	91	2220883.....	105
1001250695.....	49	1001264978.....	67	1001286653.....	47, 135	2400060... 121, 135, 139,	
1001250938.....	51	1001265533.....	147, 149	1001286654.....	49, 139	155	
1001250940	13, 15, 21	1001265620.....	43	1001286710.....	91	2420172.....	47, 49
1001250941.....	35, 37	1001265621.....	47, 49	1001286748.....	87, 89, 91	2600281.....	87, 89, 91
1001250943.....	39	1001265840.....	186	1001287338.....	53, 55, 57,	2860030.....	47, 49, 188
1001251245 ...	13, 15, 17,	1001269229.....	29	59, 61, 63		2901443.....	190
19, 21		1001269231.....	101	1001287450.....	87	2902431.....	109, 159
1001251250.....	35, 37	1001269479.....	190	1001287451.....	87	2940045.....	35, 37
1001251252.....	35, 37	1001272868.....	135, 139	1001287452.....	87	3080007... 47, 49, 87, 89,	
1001251261.....	47, 49	1001274467... 47, 49, 143		1001287763.....	186	91, 188	
1001251297.....	43	1001274559... 47, 49, 188		1001288432.....	186	3121792.....	101
1001251441.....	53	1001274604.....	95	1001288434.....	186	3252507... 111, 113, 115	
1001251442.....	55	1001274605.....	95, 188	1001288492.....	17, 19	3290305.....	31, 33
1001251443.....	57	1001274645.....	190	1001288909.....	13, 15, 17,	3290405... 47, 49, 74, 78,	
1001251444.....	61	1001274659.....	95	19		93, 95, 109, 111, 113,	
1001251445	53, 57, 59	1001274661.....	99	1001289231....	13, 15, 17,	178	
1001251446.....	55, 61, 63	1001276368.....	69	19		3290505.....	69
1001251447 ...	53, 55, 57,	1001276980... 47, 49, 188		1001289238....	13, 15, 17,	3290601... 29, 53, 55, 57,	
59, 61, 63		1001278172....	13, 17, 21,	19		59, 61, 63	
1001251448 ...	53, 55, 57,	23		1001289692....	13, 15, 17,	3290605... 21, 27, 35, 37,	
59, 61, 63		1001281944.....	190	19		47, 49, 51, 65, 67, 69,	
1001251449 ...	53, 55, 57,	1001281951.....	190	1001289919.....	17, 19	74, 78, 101, 111	
59, 61, 63		1001282041.....	47, 49	1001289965.....	17, 19	3290606... 53, 55, 57, 59,	
1001251450 ...	53, 55, 57,	1001282043.....	59	1001290272.....	17, 19	61, 63, 87, 89, 91, 93	
59, 61, 63		1001282044.....	63	1001290531.....	17, 19	3290801.....	35, 37
1001251451 ...	53, 55, 57,	1001282074.....	65	1001294314.....	79, 153	3290805... 35, 37, 83, 85,	
59, 61, 63		1001282075.....	67	1001297080.....	15, 19, 25	131	
1001252511.....	69	1001282076.....	65	1001299334.....	47, 49	3290806... 87, 89, 91, 93,	
1001252565.....	133	1001282125.....	133, 145,	1060908.....	117	95	
1001252566.....	145	147, 149		1320223.....	131	3290807.....	74, 78
1001252651.....	29	1001282188.....	78	1321293.....	65, 67, 69	3291005.....	85
1001253040.....	43	1001282189.....	74	1321385.....	74, 78	3291006.....	91
1001253055.....	47, 49	1001282191.....	74, 151	1600402.....	95, 97, 188	3291007.....	74, 78, 83
1001253153.....	74, 78	1001282256.....	147	1671207.....	159	3291201... 13, 15, 17, 19,	
1001253223.....	31	1001282264.....	149	1701504... 166, 170, 174,		21	
1001253224.....	33	1001283622.....	67, 123	178, 182		3292205.... 13, 15, 17, 19	
1001253715.....	101	1001284152.....	190	1701640.... 166, 170, 174,		3311502.....	85
1001253740.....	35, 37	1001285320.....	78	178, 182		3321402.....	74, 78
1001254027.....	67, 119	1001285508.....	101	1702155.... 166, 170, 174,		3340962.....	74, 78
1001254028.....	67, 121	1001286010.....	89	182		3423032.....	83
1001254501.....	174	1001286017.....	89	1703464.....	109	3423243.....	35, 37

SECTION 9 - SPECIAL OPTIONS/ACCESSORIES/KITS

3423278.....95	4460183 136, 140, 157	4460897 27, 33, 121, 136, 140, 151	70000084.....97
3430406.....35, 37	4460226 135, 139	4460899 ... 133, 145, 147, 149	70000683.....97
3430607.....35, 37	4460227 65, 67, 121, 135, 139	4460905 121, 143	70000684.....97
3430814.....85	4460234 74, 78	4460930 136, 140, 143	70000685.....97
3430816.....85	4460247 136, 139	4460931 23, 25	70000686.....97
3450203.....35, 37	4460259 139	4460932 123, 143, 155	70001250.....97
3450303.....35, 37	4460260 135, 139	4460933 119, 135, 139	70001251.....97
3450403.....85	4460265 157	4460943 ... 119, 133, 143, 145, 147, 149, 155	70001252.....97
3520072.....87, 89, 91	4460267 157	4460944 ... 119, 121, 133, 135, 139, 145, 147, 149, 155	70001253.....97
3740150.....47, 49, 188	4460315 109, 113	4460965 135, 139	70003636.....105
3760115.....74, 78	4460320 135, 139	4460966 135, 139	70003650.....97
3760170.....74, 78	4460346 159	4460968 113	70004585.....105
3760387.....74, 78	4460418 135, 139, 157	4460970 153	70005236.....105
3841143.....74, 78	4460424 65, 67, 121	4461016 157	70007130.....105
3860111.....87, 89	4460464 ... 23, 25, 27, 33, 121, 123, 133, 136, 140, 143, 145, 147, 149, 151, 153, 155, 157	4461023 135, 140	70007131.....105
3910804.....47, 49	4460465 31, 33, 121, 123, 133, 135, 136, 139, 140, 143, 145, 147, 149, 151, 153, 155	4461205 161	70007132.....105
4010308.....31, 33	4460466 ... 119, 121, 133, 135, 139, 140, 143, 145, 147, 149, 153, 155, 157	4461245 161	70007133.....105
4010408.....93	4460467 190	4711600 35, 37	70007134.....105
4010608.....87, 89, 91	4460496 95	4711700 95	70007135.....105
4010616.....87, 89	4460497 95	4711800 85	70007137.....105
4010617.....91	4460510 190	4740438 74, 78	70007138.....105
4010618.....87, 89, 91	4460539 ... 133, 136, 140, 145, 153	4740531 74, 78	70008142.....105
4031509.....95	4460662 111, 159	4751400 35	70008143.....105
4031512.....74, 78	4460670 135, 139	4811400 ... 74, 78, 93, 95, 109, 111, 113	70008417.....45
4031708.....29	4460703 143	4811600 69	70008418.....45
4031710.....21	4460754 ... 133, 145, 147, 149	4811700 ... 21, 27, 29, 43, 47, 49, 65, 67, 69, 74, 78, 87, 89, 91, 93, 95, 101, 111	70008419.....45
4032123.....21	4460761 135, 139	4811702 ... 13, 15, 17, 19, 37, 53, 55, 57, 59, 61, 63	70008420.....45
4060803.....95	4460871 121, 143	4811900 ... 35, 37, 83, 85, 87, 89, 91, 95, 131	70008421.....45
4060805.....47, 49	4460872 121	4811902 51, 91, 93	70008438.....143
4060906.....95	4460873 143	4812000 ... 35, 37, 39, 43, 74, 78, 85, 91	70008606.....45
4160078.....74, 78	4460877 135, 140	4812002 85	7002821.....190
4160214.....35, 37	4460884 ... 123, 135, 139, 155	4812100 21	7002822.....190
4240017 47, 49, 53, 55, 57, 59, 61, 63, 65, 67, 69, 74, 78, 101, 109, 111, 113, 115, 125, 127, 129, 131, 133, 145, 147, 149	4460891 31, 33, 121, 133, 135, 139, 145, 151, 153	5240800 ... 13, 15, 17, 19, 21	7002823.....190
4240018.....43	4460894 ... 133, 135, 139, 145, 147, 149	5241000 85	7002826.....190
4240147.....51		5260600 43	7004275.....190
4360328.....47, 49, 188		70000082 97	7004276.....190
4360469.....47, 49, 188			7016654.....190
4360475.....95, 188			7020175.....95
4420051.....186			7020176.....95
4420062 37, 87, 89, 91, 95			7027365.....97
4460019.....65, 67			7027367.....97
4460042.....136, 139			7027765.....97
4460115.....136, 140			7027766.....97
4460138.....109			8220045.....65, 136, 140
			8229031.....140, 188
			8896941.....190
			8990147.... 166, 170, 174, 182



**Corporate Office
JLG Industries, Inc.
1 JLG Drive
McConnellsburg, PA 17233-9533 USA
☎ (717) 485-5161 (Corporate)
☎ (877) 554-5438 (Customer Support)
📠 (717) 485-6417**

**Visit our website for JLG Worldwide Locations.
www.jlg.com**



OSHKOSH™