

SKYTRAK[®]

Illustrated Parts Manual

Model
6036

PVC
2205

P/N
31211851

November 1, 2023 - Rev D

JLG[®]
An Oshkosh Corporation Company

EFFECTIVITY PAGE

May 1, 2022 - A - Original Issue of Manual (Edited to B/M 1001169968 Revision AW)

November 1, 2022 - B- Revised Manual (Edited to B/M 1001169968 Revision BA)

March 1, 2023 - C- Revised Manual (Edited to B/M 1001169968 Revision BA)

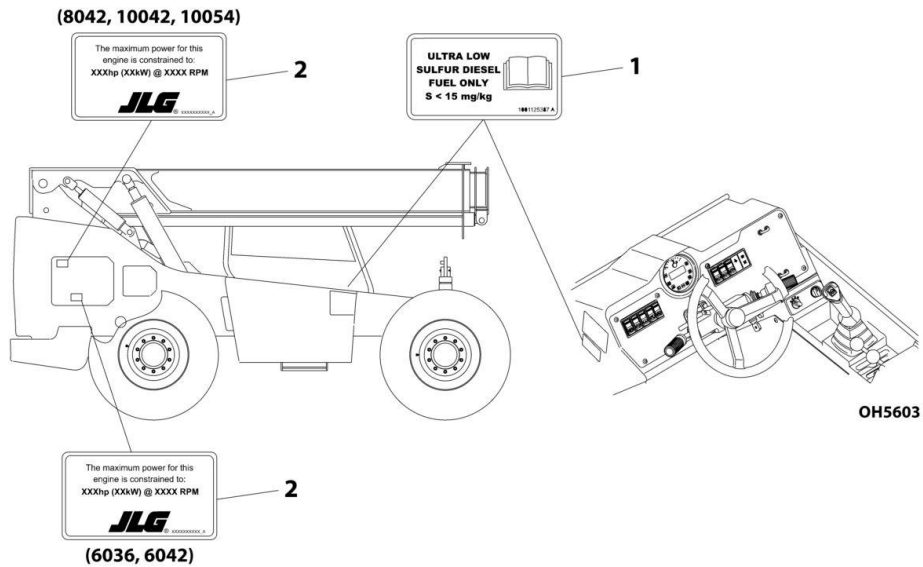
November 1, 2023 - D- Revised Manual (Edited to B/M 1001169968 Revision BA)

Machine Configuration

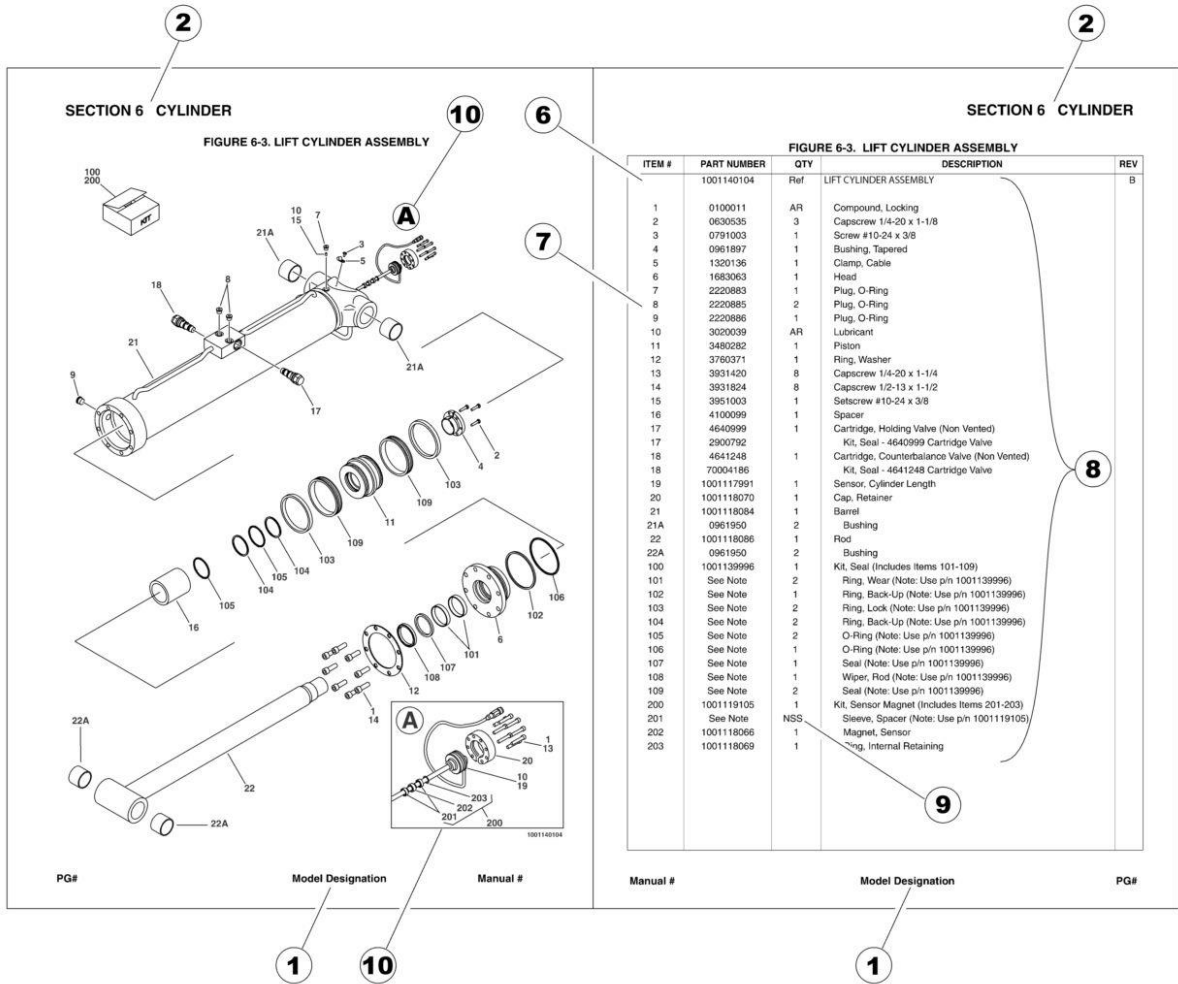
Two configurations of each machine are included in this manual. Determine if machine is equipped with Ultra Sulfur Fuel Decal (1) as indicated below.

- If equipped with the Ultra Low Sulfur decal, all specific references to this machine configuration will be referred to as Ultra Low Sulfur (ULS) from this point forward.
- If not equipped with the Ultra Low Sulfur decal, all specific references to this machine configuration will be referred to as Low Sulfur (LS) from this point forward.

Engine horsepower can be found on the decals (2) located inside the engine compartment doors.



GENERAL INFORMATION



1) MACHINE IDENTIFICATION

Machines are identified by model and in some cases a combination of models, serial number (SN) or regional standard (i.e ANSI, CE, CSA). Components may also be identified by SN or manufacturer. Common components that may be identified by these characteristics are engines and hydraulic components.

2) PARTS MANUAL ORGANIZATION

Product information in this manual is organized under section titles. Frame, Cylinder, Hydraulic and Electrical are a few examples. Each section is organized by figure and page number. The information within the Figure is then organized by item number, part number, description and corresponding illustration (s).

3) TABLE OF CONTENTS (NOT SHOWN)

A table of contents is found toward the beginning of the manual. Figure number, description and page number are provided for quick reference to the page containing the related information.

4) RECOMMENDED SPARE PARTS (NOT SHOWN)

The Recommended Spare Parts List, located near the end of the manual, reference most frequently used maintenance parts.

5) PART NUMBER INDEX (NOT SHOWN)

A numerical index listing all part numbers and the corresponding page number(s) appears at the back of the manual.

GENERAL INFORMATION

6) NON-SERVICED PARTS

In some instances, it is necessary to display non-serviced parts, assemblies or installations. In the case of assemblies and installations there will be a Ref in the Qty. column. In case of parts that are not available for service within assemblies or components, there will be a NSS (Not Sold Separately) or NLA (No Longer Available) listed in the Qty. column of the manual.

7) PARTS LIST ITEM NUMBERS

Numbers shown in the item# column correspond to numbers used in the associated illustration (s). Item numbers which are missing from the sequence in the parts list are not used on that page.

8) INDENTED PARTS DESCRIPTION

An indented part description is included in the item under which it is indented.

9) ABBREVIATION AND SYMBOLS

AC.....	Alternating Current	L.....	Liter
ADE.....	Advanced Design Electronics	LB(LBS).....	Pounds
AG.....	Agricultural	LCD.....	Liquid Crystal Display
ANSI.....	American National Standards Institute	LED.....	Light Emitting Diodes
AR.....	As Required	LH.....	Left Hand
ASSY.....	Assembly	LRC.....	Low Rated Countries
AUS.....	Australia	LSS.....	Load Sensing System
AUX.....	Auxiliary	M(m).....	Metric/Meter
AWG.....	American Wire Gauge	MM(mm).....	Milimeter
B/M.....	Bill of Material	mA.....	Miliamps
CAC.....	Charge Air Cooler	NLA.....	No Longer Available
CE.....	European Conformity	NPT.....	National Pipe Threads
CCW.....	Counter Clockwise	NSS.....	Not Sold Separately
CM.....	Centimeter	OD.....	Outside Diameter
CW.....	Clockwise	ORB.....	O-Ring Boss
CSA.....	Canadian Standards Association	ORFS.....	O-Ring Face Seal
CYL.....	Cylinder	OZ (oz).....	Ounces
DIA.....	Diameter	PG.....	Page
DC.....	Direct Current	PN.....	Part Number
DEF.....	Diesel Exhaust Fluid	QT(qt.).....	Quarts
EMS.....	Emergency Stop	QTY.....	Quantity
ENG.....	Engine	REF.....	Reference
FT(ft).....	Feet	REV.....	Revision Level
GA(Ga).....	Gauge	RH.....	Right Hand
HRC.....	High Rated Countries	SAE.....	Society of Automotive Engineers
HVAC.....	Heating, Ventilating, and Air Conditioning	SN.....	Serial Number
HYD.....	Hydraulic	SPEC(S).....	Specifications
Hz.....	Hertz	T/T.....	Turntable
ID.....	Inside Diameter	UGM.....	Universal Ground Module
IN.....	inches	V.....	Volts
ISO.....	International Organization for Standards	W.....	Watts
JIC.....	Joint Industry Council	#.....	Number
KG.....	Kilogram		

10) ILLUSTRATION REFERENCE LETTERS

When necessary, illustrations may contain reference letters that are intended to track information (i. e. hoses, harnesses) from one point to another or to track visual enlargement of components to show details that may be located in another area on the illustration.

Note: Due to continuous product improvements, JLG Industries, Inc. reserves the right to make specification changes without prior notification. Contact JLG Industries, Inc. for updated information.

TABLE OF CONTENTS

SECTION 1 - FRAME AND ATTACHING PARTS.....	15
FIGURE 1-1. FRAME COMPONENTS INSTALLATION - 74HP (ULS).....	16
FIGURE 1-2. FRAME COMPONENTS INSTALLATION - 85HP (LS).....	18
FIGURE 1-3. FRAME COVERS INSTALLATION - 74HP (AIR SHUT OFF VALVE).....	20
FIGURE 1-4. FRAME COVERS INSTALLATION - 74HP (ULS).....	22
FIGURE 1-5. FRAME COVERS INSTALLATION - 85HP (LS).....	24
FIGURE 1-6. HYDRAULIC/FUEL/DEF TANK ASSEMBLY (LS).....	26
FIGURE 1-7. HYDRAULIC/FUEL TANK ASSEMBLY (ULS).....	28
SECTION 2 - BOOM.....	31
FIGURE 2-1. BOOM INSTALLATION.....	32
FIGURE 2-2. EXTEND CHAIN ASSEMBLY.....	38
FIGURE 2-3. HOSE PULLEY ASSEMBLY.....	40
FIGURE 2-4. LOCK PIN ASSEMBLY.....	42
FIGURE 2-5. QUICK COUPLER ASSEMBLY.....	44
FIGURE 2-6. RETRACT CHAIN ASSEMBLY (6036).....	46
SECTION 3 - ATTACHMENTS.....	49
FIGURE 3-1. BASKET, PERSONNEL (1.2MX2.4M) (DOMESTIC).....	50
FIGURE 3-2. BASKET, PERSONNEL (1.2MX2.4M) (ISO).....	52
FIGURE 3-3. BASKET, PERSONNEL (1.2MX2.4M) (FRENCH LANGUAGE).....	54
FIGURE 3-4. BASKET, PERSONNEL ASSEMBLY.....	56
FIGURE 3-5. BOOM - ADJUSTABLE.....	58
FIGURE 3-6. BOOM - ADJUSTABLE (FORK MOUNTED).....	60
FIGURE 3-7. BOOM - 3 FOOT WITH WINCH.....	62
FIGURE 3-8. BOOM - 12 FOOT WITH WINCH.....	64
FIGURE 3-9. BOOM - 12FT WITHOUT WINCH (Prior to SN 0160116804).....	66
FIGURE 3-10. BOOM - 12FT WITHOUT WINCH (SN 0160116804 to Present).....	68
FIGURE 3-11. BOOM - 15FT WITHOUT WINCH (Prior to SN 0160116804).....	70
FIGURE 3-12. BOOM - 15FT WITHOUT WINCH (SN 0160116804 to Present).....	72
FIGURE 3-13. BUCKET (60 INCH).....	74
FIGURE 3-14. BUCKET (72 INCH).....	76
FIGURE 3-15. BUCKET (96 INCH).....	78
FIGURE 3-16. BUCKET - GRAPPLE (96 INCH).....	80
FIGURE 3-17. BUCKET (102 INCH).....	82
FIGURE 3-18. CARRIAGE ASSEMBLY - 48IN SIDE SHIFT.....	84
FIGURE 3-19. CARRIAGE ASSEMBLY - 50IN.....	86
FIGURE 3-20. CARRIAGE ASSEMBLY - 50IN DUAL FORK POSITIONING.....	88
FIGURE 3-21. CARRIAGE ASSEMBLY - 50IN/12000# CAPICITY SIDE TILT (Prior to SN 0160116804).....	90
FIGURE 3-22. CARRIAGE ASSEMBLY - 50IN/12000# CAPICITY SIDE TILT (SN 0160116804 to Present).....	92
FIGURE 3-23. CARRIAGE ASSEMBLY - 60IN.....	94
FIGURE 3-24. CARRIAGE ASSEMBLY - 60IN/12000# CAPACITY SIDE TILT (Prior to SN 0160116804).....	96
FIGURE 3-25. CARRIAGE ASSEMBLY - 60IN/12000# CAPACITY SIDE TILT (SN 0160116804 to Present).....	98
FIGURE 3-26. CARRIAGE ASSEMBLY - 72IN.....	100
FIGURE 3-27. CARRIAGE ASSEMBLY - 72IN/12000# CAPACITY SIDE TILT (Prior to SN 0160116804).....	102

TABLE OF CONTENTS

FIGURE 3-28. CARRIAGE ASSEMBLY - 72IN/12000# CAPACITY SIDE TILT (SN 0160116804 to Present).....	104
FIGURE 3-29. CARRIAGE ASSEMBLY - 72IN SWING (Prior to SN 0160115752).....	106
FIGURE 3-30. CARRIAGE ASSEMBLY - 72IN SWING (SN 0160115752 to Present).....	108
FIGURE 3-31. FORK 1.75X7X60 - DUAL TAPERED 5400#.....	110
FIGURE 3-32. FORK 2X2X48 - CUBING/BLOCKING 1940#.....	112
FIGURE 3-33. FORK 2X6X72 - DUAL TAPERED 6613#.....	114
FIGURE 3-34. FORK 2.36X4X48 PALLET 5000#.....	116
FIGURE 3-35. FORK 2.36X4X48 PALLET 5475#.....	118
FIGURE 3-36. FORK 2.36X4X60 PALLET 5000#.....	120
FIGURE 3-37. FORK 2.36X5X48 PALLET 6850#.....	122
FIGURE 3-38. FORK 2.36X5X60 PALLET 6850#.....	124
FIGURE 3-39. FORK 2.36X5X72 PALLET 6850#.....	126
FIGURE 3-40. FORK 2.36X6X60 PALLET 8150#.....	128
FIGURE 3-41. FORK EXTENSION (90 INCH).....	130
FIGURE 3-42. FORK PIN LOCK INSTALLATION.....	132
FIGURE 3-43. HOOK - COUPLER MOUNTED.....	134
FIGURE 3-44. HOOK - FORK MOUNTED.....	136
FIGURE 3-45. MAST (8 FOOT).....	138
FIGURE 3-46. SHEET MATERIAL HANDLER INSTALLATION.....	142
FIGURE 3-47. SHEET MATERIAL HANDLE FORK SUPPORT ASSEMBLY (LH).....	144
FIGURE 3-48. SHEET MATERIAL HANDLE FORK SUPPORT ASSEMBLY (RH).....	146
FIGURE 3-49. SWEEPER ASSEMBLY.....	148
FIGURE 3-50. SWEEPER - BODY ASSEMBLY.....	150
FIGURE 3-51. SWEEPER - CORE ASSEMBLY.....	152
FIGURE 3-52. SWEEPER - HOPPER ASSEMBLY.....	154
FIGURE 3-53. SWEEPER - HYDRAULIC SINGLE MOTOR ASSEMBLY.....	156
FIGURE 3-54. SWEEPER - IDLER ASSEMBLY.....	158
FIGURE 3-55. SWEEPER - MOTOR ASSEMBLY.....	160
FIGURE 3-56. TRASH HOPPER - FORK MOUNTED.....	162
SECTION 4 - ENGINE AND ATTACHING PARTS.....	165
FIGURE 4-1. ENGINE COMPONENT INSTALLATION - 74HP (ULS).....	166
FIGURE 4-2. ENGINE COMPONENT INSTALLATION - 85HP (ULS).....	168
FIGURE 4-3. ENGINE INSTALLATION - 74HP (ULS).....	170
FIGURE 4-4. ENGINE INSTALLATION - 85HP (LS).....	172
FIGURE 4-5. ENGINE - 74HP (ULS).....	174
FIGURE 4-6. ENGINE - 85HP (LS).....	176
FIGURE 4-7. A/C COMPONENTS INSTALLATION, 74HP.....	178
FIGURE 4-8. A/C COMPONENTS INSTALLATION, 85HP.....	180
FIGURE 4-9. AIR CLEANER INSTALLATION (LS).....	182
FIGURE 4-10. AIR CLEANER INSTALLATION (ULS).....	184
FIGURE 4-11. AIR CLEANER ASSEMBLY (LS).....	186
FIGURE 4-12. AIR CLEANER ASSEMBLY (ULS).....	188
FIGURE 4-13. AIR INTAKE SHUT OFF VALVE INSTALLATION.....	190
FIGURE 4-14. COOLING INSTALLATION, 74HP.....	192
FIGURE 4-15. COOLING INSTALLATION, 85HP.....	194

TABLE OF CONTENTS

FIGURE 4-16. DEAERATION TANK ASSEMBLY	196
FIGURE 4-17. EXHAUST INSTALLATION - 74HP (ULS)	198
FIGURE 4-18. EXHAUST INSTALLATION - 85HP (LS).....	200
FIGURE 4-19. FAN INSTALLATION - 74HP	202
FIGURE 4-20. FAN INSTALLATION - 85HP	204
FIGURE 4-21. FUEL PLUMBING INSTALLATION (LS)	206
FIGURE 4-22. FUEL PLUMBING INSTALLATION (ULS)	208
FIGURE 4-23. HEATER BREATHER	210
FIGURE 4-24. ISOLATION COUPLER INSTALLATION	212
FIGURE 4-25. PLUMBING COOLING INSTALLATION (LS).....	214
FIGURE 4-26. PLUMBING COOLING INSTALLATION (ULS)	216
FIGURE 4-27. RADIATOR ASSEMBLY, 74HP	218
FIGURE 4-28. RADIATOR ASSEMBLY, 85HP	220
SECTION 5 - DRIVE TRAIN	223
FIGURE 5-1. TRANSMISSION INSTALLATION	224
FIGURE 5-2. TRANSMISSION ASSEMBLY	226
FIGURE 5-3. TRANSMISSION, ENGINE CONNECTION AND CONVERTER	228
FIGURE 5-4. TRANSMISSION, CONTROL UNIT	230
FIGURE 5-5. TRANSMISSION, COUPLING GROUP 1	232
FIGURE 5-6. TRANSMISSION, COUPLING GROUP 2	234
FIGURE 5-7. TRANSMISSION, COUPLING GROUP 3	236
FIGURE 5-8. TRANSMISSION, COUPLING GROUP 4	238
FIGURE 5-9. TRANSMISSION, GEARBOX HOUSING	240
FIGURE 5-10. TRANSMISSION, INPUT SHAFTS	242
FIGURE 5-11. TRANSMISSION, OIL PUMP AND FILTER.....	244
FIGURE 5-12. TRANSMISSION, OUTPUT	246
FIGURE 5-13. TRANSMISSION, REVERSING GEAR GROUP 1	248
FIGURE 5-14. TRANSMISSION, REVERSING GEAR GROUP 2	250
FIGURE 5-15. TRANSMISSION, VALVE BLOCK ASSEMBLY	252
FIGURE 5-16. TRANSMISSION, VALVE HOUSING ASSEMBLY	254
FIGURE 5-17. DRIVE SHAFT INSTALLATION.....	258
FIGURE 5-18. FRONT DRIVE SHAFT ASSEMBLY	260
FIGURE 5-19. REAR DRIVE SHAFT ASSEMBLY	262
FIGURE 5-20. DRIVE SHAFT INPUT.....	264
FIGURE 5-21. AXLES INSTALLATION (6036).....	266
FIGURE 5-22. FRONT AXLE SUB-ASSEMBLY.....	268
FIGURE 5-23. FRONT AXLE ASSEMBLY	270
FIGURE 5-24. FRONT AXLE, BRAKES	272
FIGURE 5-25. FRONT AXLE, CENTRAL HOUSING	274
FIGURE 5-26. FRONT AXLE, DIFFERENTIAL	276
FIGURE 5-27. FRONT AXLE, HUB REDUCTION.....	278
FIGURE 5-28. FRONT AXLE, STEERING	282
FIGURE 5-29. FRONT AXLE, TRUNNION.....	284
FIGURE 5-30. REAR AXLE ASSEMBLY.....	286
FIGURE 5-31. REAR AXLE, BRAKES	288

TABLE OF CONTENTS

FIGURE 5-32. REAR AXLE, CENTRAL HOUSING	290
FIGURE 5-33. REAR AXLE, DIFFERENTIAL	292
FIGURE 5-34. REAR AXLE, HUB REDUCTION.....	294
FIGURE 5-35. REAR AXLE, STEERING	298
FIGURE 5-36. REAR AXLE, TRUNNION.....	300
FIGURE 5-37. FENDER INSTALLATION	302
FIGURE 5-38. TIRE SET, 13.00-24 PNEUMATIC	304
FIGURE 5-39. TIRE SET, 13.00-24 FOAM FILLED.....	306
FIGURE 5-40. TIRE SET, 370/75-28 PNEUMATIC	308
FIGURE 5-41. TIRE SET, 370/75-28 FOAM FILLED.....	310
FIGURE 5-42. TIRE SET, 315/95-28/8.5 SOLID.....	312
FIGURE 5-43. TIRE SET, 370/75-28 PNEUMATIC NON-MARKING.....	314
FIGURE 5-44. TIRE SET, 370/75-28 FOAM FILLED NON-MARKING	316
FIGURE 5-45. TIRE SET 18 X 625 PNEUMATIC TURF/SAND.....	318
FIGURE 5-46. TIRE SET, 13.00-24 FOAM FILLED (E-3) (SUNSTATE ONLY).....	320
FIGURE 5-47. TIRE SET, 13-24 SOLIDBOSS (DIRECTIONAL)	322
FIGURE 5-48. TIRE SET, 13-28 SOLIDBOSS (DIRECTIONAL)	324
FIGURE 5-49. TIRE SET, 13-28 SOLIDBOSS (NON-DIRECTIONAL)	326
FIGURE 5-50. TIRE SET, 13-24 SOLID.....	328
SECTION 6 - CAB	331
FIGURE 6-1. CAB INSTALLATION.....	332
FIGURE 6-2. CAB INSTALLATION - OPEN CAB (BLACK SEAT BELT).....	334
FIGURE 6-3. CAB INSTALLATION - OPEN CAB (ORANGE SEAT BELT).....	338
FIGURE 6-4. CAB ASSEMBLY - OPEN CAB	342
FIGURE 6-5. CAB INSTALLATION - ENCLOSED CAB WITH HEATER (BLACK SEAT BELT).....	344
FIGURE 6-6. CAB INSTALLATION - ENCLOSED CAB WITH HEATER (ORANGE SEAT BELT).....	348
FIGURE 6-7. CAB ASSEMBLY - ENCLOSED CAB WITH HEATER	352
FIGURE 6-8. CAB INSTALLATION - ENCLOSED CAB WITH HEATER/AC (BLACK SEAT BELT).....	354
FIGURE 6-9. CAB INSTALLATION - ENCLOSED CAB WITH HEATER/AC (ORANGE SEAT BELT).....	358
FIGURE 6-10. CAB ASSEMBLY - ENCLOSED CAB WITH HEATER/AC	362
FIGURE 6-11. CAB DOOR	364
FIGURE 6-12. CAB ENCLOSURE INSTALLATION	366
FIGURE 6-13. CAB ENCLOSURE INSTALLATION - WITH HVAC	368
FIGURE 6-14. CAB HEATER LINES INSTALLATION	370
FIGURE 6-15. CAB HEATER/AC LINES INSTALLATION	372
FIGURE 6-16. CAB SEAT (BLACK SEAT BELT)	374
FIGURE 6-17. CAB SEAT (ORANGE SEAT BELT).....	376
FIGURE 6-18. FIRE EXTINGUISHER INSTALLATION	378
FIGURE 6-19. FLOOR HEATER.....	380
FIGURE 6-20. FRONT WIPER ASSEMBLY	382
FIGURE 6-21. HEATER VALVE	384
FIGURE 6-22. INSTALLTION, REAR WINDOW EXIT (ENG/SP)	386
FIGURE 6-23. REAR DROPOUT WINDOW INSTALLATION (ANSI).....	388
FIGURE 6-24. REAR DROPOUT WINDOW INSTALLATION (ENGLISH/FRENCH).....	390
FIGURE 6-25. REAR DROPOUT WINDOW INSTALLATION (ISO)	392

TABLE OF CONTENTS

FIGURE 6-26. RH SLIDER WINDOW	394
FIGURE 6-27. ROOF BOX HVAC	396
FIGURE 6-28. ROOF HEATER BOX.....	400
FIGURE 6-29. SEAT BELT INSTALLATION (3IN WIDTH).....	402
FIGURE 6-30. SKYLIGHT WIPER ASSEMBLY	404
SECTION 7 - CONTROLS	407
FIGURE 7-1. BRAKE ASSEMBLY.....	408
FIGURE 7-2. PILOT JOYSTICK CONTROL.....	410
FIGURE 7-3. SECONDARY CONTROLS INSTALLATION	412
FIGURE 7-4. SECONDARY SHORT CONTROL	414
FIGURE 7-5. SECONDARY TALL CONTROL	416
SECTION 8 - HYDRAULIC CIRCUITS.....	419
FIGURE 8-1. HYDRAULIC INSTALLATION.....	420
FIGURE 8-2. AXLE (FRONT) HYDRAULICS INSTALLATION.....	422
FIGURE 8-3. AXLE (FRONT) HYDRAULICS ASSEMBLY.....	424
FIGURE 8-4. AXLE (REAR) HYDRAULICS INSTALLATION	426
FIGURE 8-5. AXLE (REAR) HYDRAULICS ASSEMBLY	428
FIGURE 8-6. BOOM AUXILIARY HYDRAULICS	430
FIGURE 8-7. BOOM EXTEND/RETRACT HYDRAULICS (MAIN VALVE TO BOOM).....	432
FIGURE 8-8. BRAKE & FITTINGS ASSEMBLY	434
FIGURE 8-9. BRAKE HYDRAULICS.....	436
FIGURE 8-10. CAB HYDRAULICS INSTALLATION	438
FIGURE 8-11. FRAME AUXILIARY HYDRAULICS.....	440
FIGURE 8-12. FRAME TILT HYDRAULICS	442
FIGURE 8-13. FORK HYDRAULICS (MAIN VALVE TO BOOM)	444
FIGURE 8-14. HYDRAULIC OIL COOLER HYDRAULICS	446
FIGURE 8-15. HYDRAULIC PUMP INSTALLATION.....	448
FIGURE 8-16. LIFT CYLINDER HYDRAULICS.....	450
FIGURE 8-17. MAIN CONTROL VALVE INSTALLATION.....	452
FIGURE 8-18. MAIN CONTROL VALVE & FITTINGS ASSEMBLY	454
FIGURE 8-19. PILOT CONTROL VALVE AND FITTINGS ASSEMBLY.....	456
FIGURE 8-20. PILOT CONTROL VALVE HYDRAULICS.....	458
FIGURE 8-21. PISTON PUMP AND FITTINGS ASSEMBLY	460
FIGURE 8-22. REAR BULKHEAD TO COMPENSATION CYLINDERS HYDRAULICS	462
FIGURE 8-23. SECONDARY VALVE & FITTINGS ASSEMBLY	464
FIGURE 8-24. STEER VALVE & FITTINGS ASSEMBLY.....	466
FIGURE 8-25. STEER/SECONDARY VALVES HYDRAULICS.....	468
FIGURE 8-26. STEERING HYDRAULICS.....	470
FIGURE 8-27. STEERING VALVE AND FITTINGS ASSEMBLY	472
FIGURE 8-28. TRANSMISSION COOLER HYDRAULICS.....	474
SECTION 9 - HYDRAULIC COMPONENTS.....	477
FIGURE 9-1. CYLINDER - CARRIAGE SIDE SHIFT	478
FIGURE 9-2. CYLINDER - CARRIAGE SIDE TILT	480

TABLE OF CONTENTS

FIGURE 9-3. CYLINDER - CARRIAGE SWING (Prior to SN 0160115752).....	482
FIGURE 9-4. CYLINDER - CARRIAGE SWING (SN 0160115752 to Present).....	484
FIGURE 9-5. CYLINDER - COMPENSATION	486
FIGURE 9-6. CYLINDER - EXTEND/RETRACT	488
FIGURE 9-7. CYLINDER - FORK POSITIONING	490
FIGURE 9-8. CYLINDER - FORK TILT	492
FIGURE 9-9. CYLINDER - FRAME LEVEL.....	494
FIGURE 9-10. CYLINDER - GRAPPLE BUCKET	496
FIGURE 9-11. CYLINDER - LIFT	498
FIGURE 9-12. FLOW DIVIDER VALVE	500
FIGURE 9-13. PUMP - PISTON.....	502
FIGURE 9-14. VALVE - AIR SHUT OFF	504
FIGURE 9-15. VALVE - BRAKE.....	506
FIGURE 9-16. VALVE - CARRIAGE	508
FIGURE 9-17. VALVE - MAIN CONTROL	510
FIGURE 9-18. VALVE - SECONDARY CONTROL.....	512
FIGURE 9-19. VALVE - STEERING SELECT.....	514
SECTION 10 - ELECTRICAL.....	517
FIGURE 10-1. ELECTRICAL INSTALLATION - 74HP	518
FIGURE 10-2. ELECTRICAL INSTALLATION - 85HP	522
FIGURE 10-3. AIR SHUT OFF VALVE HARNESS - CAB	526
FIGURE 10-4. AIR SHUT OFF VALVE HARNESS - T4F	528
FIGURE 10-5. ALARM INSTALLATION - BACK UP	530
FIGURE 10-6. ALARM INSTALLATION - WHITE NOSE	532
FIGURE 10-7. BATTERY INSTALLATION.....	534
FIGURE 10-8. BATTERY BLANKET INSTALLATION	536
FIGURE 10-9. BEACON INSTALLATION (OPEN CAB)	538
FIGURE 10-10. BEACON INSTALLATION (ENCLOSED CAB).....	540
FIGURE 10-11. BEACON OPTION HARNESS	542
FIGURE 10-12. CAB POWER DISTRIBUTION HARNESS	544
FIGURE 10-13. CAMERA INSTALLATION - REVERSE MULTI-VIEW (Prior to SN 0160117103).....	550
FIGURE 10-14. CAMERA INSTALLATION - REVERSE MULTI-VIEW (SN 0160117103 to Present)	552
FIGURE 10-15. CAMERA OPTION HARNESS - REVERSE	554
FIGURE 10-16. CLEARSKY INSTALLATION 3-WIRE (ANSI).....	556
FIGURE 10-17. CLEARSKY INSTALLATION CANBUS (ANSI)	558
FIGURE 10-18. CLEARSKY INSTALLATION CANBUS (CE).....	560
FIGURE 10-19. CLEARSKY TELEMATICS HARNESS (3-WIRE).....	562
FIGURE 10-20. CLEARSKY TELEMATICS HARNESS (CANBUS)	564
FIGURE 10-21. CLEARSKY TELEMATICS 3-WIRE INSTALLATION	566
FIGURE 10-22. CLEARSKY TELEMATICS 3-WIRE HARNESS	568
FIGURE 10-23. COLD WEATHER PACKAGE INSTALLATION	570
FIGURE 10-24. COLD WEATHER PACKAGE INSTALLATION	572
FIGURE 10-25. ENGINE HARNESS - 74HP (ULS)	574
FIGURE 10-26. ENGINE HARNESS - 85HP (ULS)	580
FIGURE 10-27. HVAC HARNESS	584

TABLE OF CONTENTS

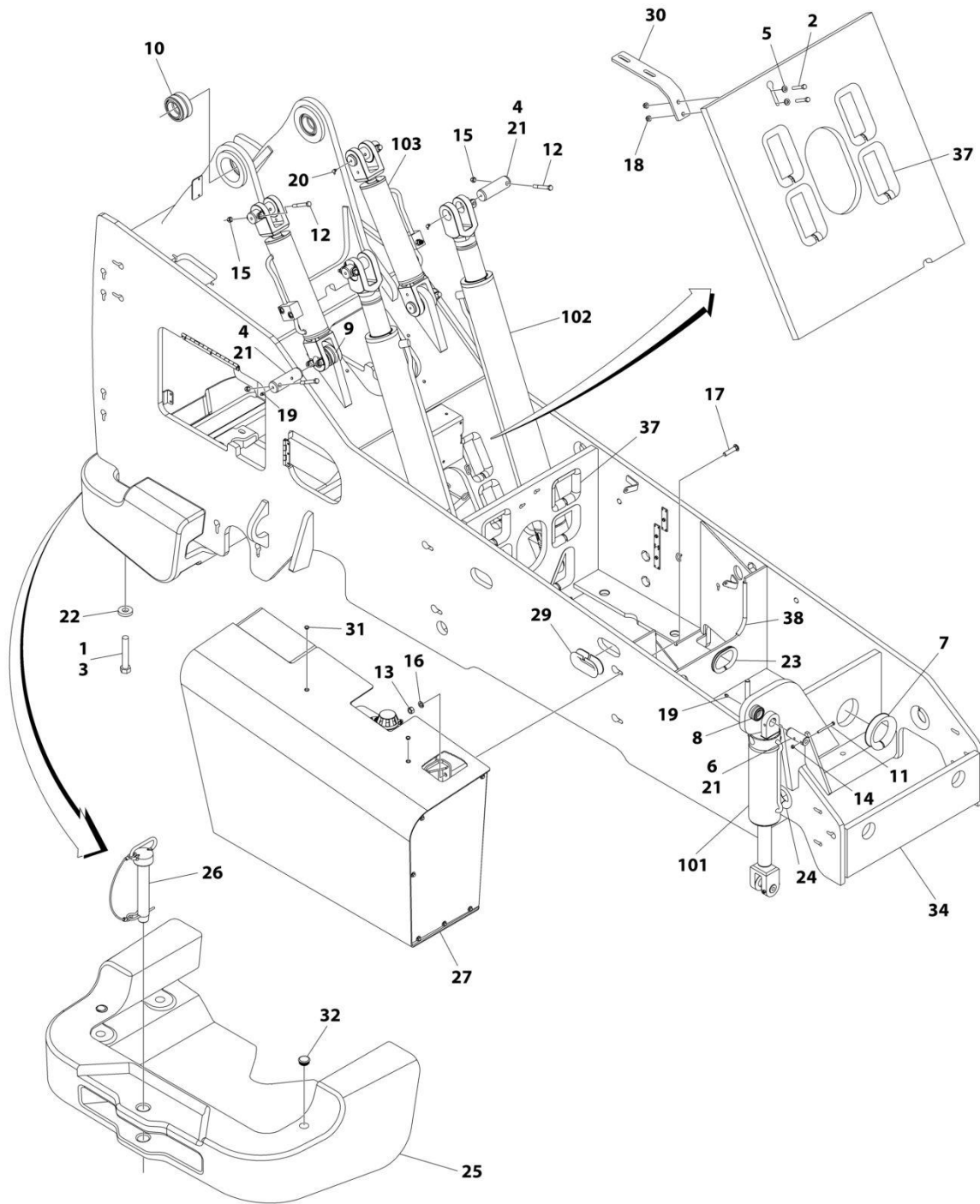
FIGURE 10-28. LIGHTS - ROADLIGHT PACKAGE INSTALLATION	586
FIGURE 10-29. LIGHTS - ROADLIGHT ASSEMBLY (LH).....	588
FIGURE 10-30. LIGHTS - ROADLIGHT ASSEMBLY (RH)	590
FIGURE 10-31. LIGHTS - ROADLIGHT BRACKET ASSEMBLY (LH)	592
FIGURE 10-32. LIGHTS - ROADLIGHT BRACKET ASSEMBLY (RH)	594
FIGURE 10-33. LIGHTS - ROADLIGHT OPTION HARNESS	596
FIGURE 10-34. LIGHTS - ROADLIGHT/WORKLIGHT OPTION HARNESS	598
FIGURE 10-35. LIGHTS - WORKLIGHT OPTION HARNESS (BOOM)	600
FIGURE 10-36. LIGHTS - WORKLIGHT PACKAGE INSTALLATION.....	602
FIGURE 10-37. LIGHTS - WORKLIGHT ASSEMBLY (RH) (LED)	604
FIGURE 10-38. LIGHTS - WORKLIGHT ASSEMBLY (RH) (LED)	606
FIGURE 10-39. LIGHTS - WORKLIGHT OPTION HARNESS	608
FIGURE 10-40. RELAY PANEL INSTALLATION	610
FIGURE 10-41. RELAY PANEL COVER ASSEMBLY.....	612
FIGURE 10-42. REVERSE SENSOR INSTALLATION	614
FIGURE 10-43. REVERSE SENSOR HARNESS.....	616
FIGURE 10-44. TANK (HYDRAULIC) HEATER INSTALLATION	618
FIGURE 10-45. TBAP HARNESS	620
FIGURE 10-46. WIPER HARNESS	622
SECTION 11 - DECALS.....	625
FIGURE 11-1. DECAL INSTALLATION - 74HP (ANSI).....	626
FIGURE 11-2. DECAL INSTALLATION - 74HP (ENGLISH/FRENCH).....	630
FIGURE 11-3. DECAL INSTALLATION - 74HP (ENGLISH/SPANISH).....	634
FIGURE 11-4. DECAL INSTALLATION (ISO)	638
FIGURE 11-5. BOOM DECALS INSTALLATION (6036)	642
FIGURE 11-6. CAPACITY CHART (ANSI)	644
FIGURE 11-7. CAPACITY CHART - SUPPLEMENTAL (ISO)	646
FIGURE 11-8. CLEARSKY DECAL INSTALLATION.....	648
FIGURE 11-9. REVERSE SENSOR SYSTEM DECAL (ENGLISH)	650
FIGURE 11-10. REVERSE SENSOR SYSTEM DECAL (ENGLISH/FRENCH)	652
FIGURE 11-11. REVERSE SENSOR SYSTEM DECAL (ENGLISH/SPANISH)	654
FIGURE 11-12. REVERSE SENSOR SYSTEM DECAL (ISO).....	656
SECTION 12 - RECOMMENDED SERVICE PARTS STOCK	659
FIGURE 12-1. RECOMMENDED SERVICE PARTS STOCK	660
SECTION 13 - SPECIAL OPTIONS/ACCESSORIES/KITS	663
FIGURE 13-1. SPECIAL OPTIONS/ACCESSORIES/KITS	664
PART NUMBER INDEX	667

SECTION 1 - FRAME AND ATTACHING PARTS

SECTION 1 - FRAME AND ATTACHING PARTS

SECTION 1 - FRAME AND ATTACHING PARTS

FIGURE 1-1. FRAME COMPONENTS INSTALLATION - 74HP (ULS)



ART_1001205684_H

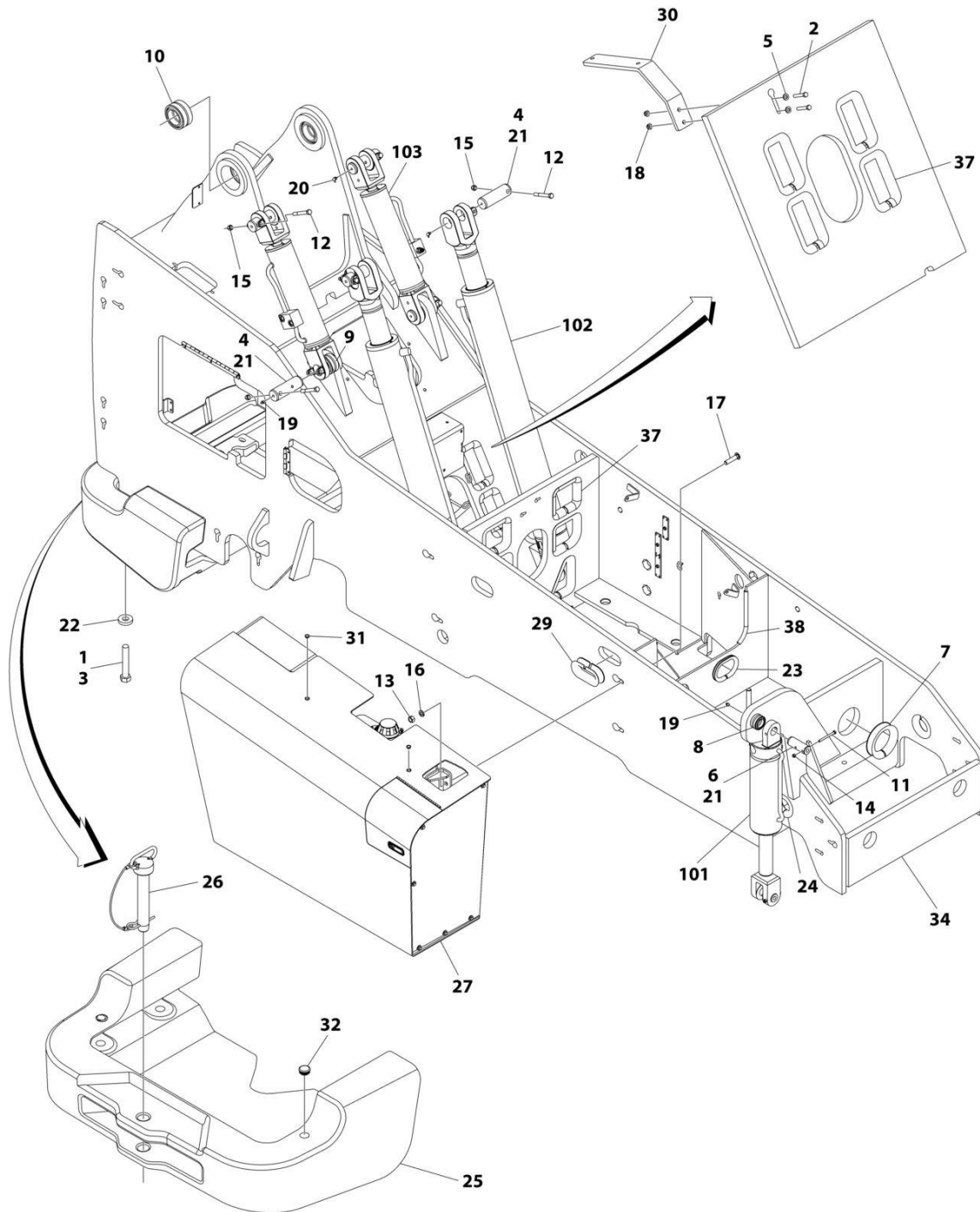
SECTION 1 - FRAME AND ATTACHING PARTS

FIGURE 1-1. FRAME COMPONENTS INSTALLATION - 74HP (ULS)

ITEM	PART NUMBER	QTY	DESCRIPTION	REV
	1001205684	Ref	FRAME COMPONENTS INSTALLATION, 74HP (6036)	H
1	0100019	AR	Compound, Locking	
2	0641618	2	Bolt 3/8 x 2-1/4	
3	0682648	4	Bolt 1 x 6	
4	3423227	8	Pin, Cylinder	
5	4891600	2	Washer 3/8	
6	7137142	2	Pin, Cylinder	
7	7139613	1	Conduit 1 x 18	
8	8050001	1	Bearing, Self-Align	
9	8065640	4	Bearing, Self-Align	
10	8065641	2	Bearing, Self-Align	
11	8303752	2	Bolt 5/16 x 3-1/2	
12	8303782	8	Bolt 1/2 x 4	
13	8305014	4	Nut 5/8	
14	8305626	2	Nut 5/16	
15	8305644	8	Nut 1/2	
16	8307009	4	Washer 5/8	
17	88411148	4	Bolt 5/8 x 2-1/2	
18	8310522	2	Nut 3/8	
19	8520001	6	Fitting, Straight Lube 1/8	
20	8520003	4	Fitting, 90 Lube 1/8	
21	8522012	AR	Lube, Anti-Seize	
22	80241137	4	Washer, Special	
23	7124301	1	Conduit 1/2 x 15-1/2	
24	7124471	3	Conduit 1 x 12-1/2	
25	1001208662	1	Counterweight, Rear	
26	1001160250	1	Pin, Hitch	
27	1001227211	1	Fuel/Hydraulic Tank Assembly (See Separate Breakdown in this Section)	
29	1001174229	1	Conduit 1 x 13-1/2	
30	1001166237	1	Bracket, Air Filter	
31	1001195826	2	Plug	
32	1001195952	2	Plug, Tube	
34	1001201561	1	Weldment, Frame	
37	1001174227	10	Conduit 1 x 21-1/2	
38	1001201923	2	Conduit 1 x 10-1/2	
101	1001091901	1	Cylinder, Frame Level (See Separate Breakdown in HYDRAULIC COMPONENTS Section)	
102	1001267967	2	Cylinder, Lift (See Separate Breakdown in HYDRAULIC COMPONENTS Section)	
103	1001196110	2	Cylinder, Compensation (See Separate Breakdown in HYDRAULIC COMPONENTS Section)	

SECTION 1 - FRAME AND ATTACHING PARTS

FIGURE 1-2. FRAME COMPONENTS INSTALLATION - 85HP (LS)



ART_1001201559_G

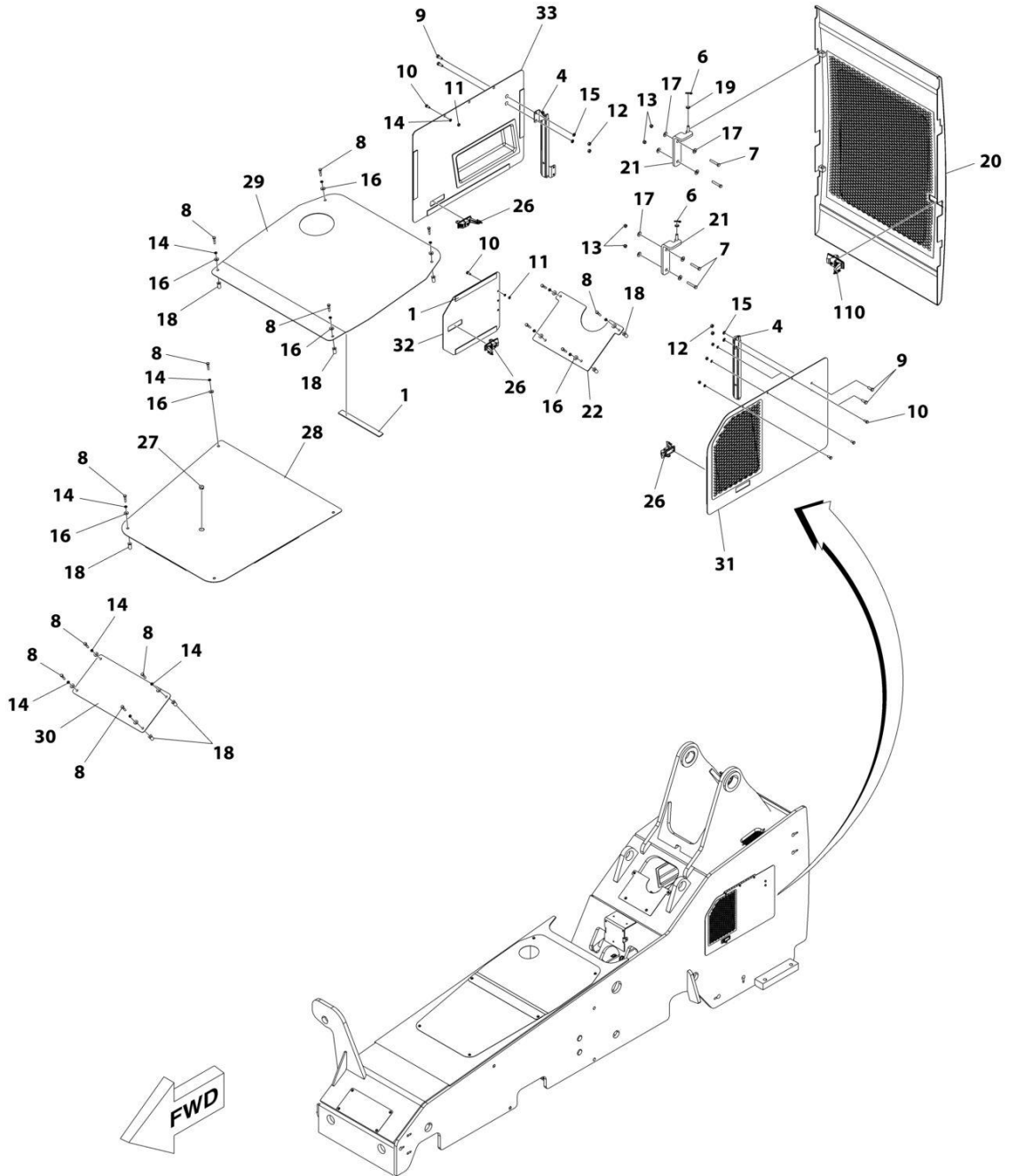
SECTION 1 - FRAME AND ATTACHING PARTS

FIGURE 1-2. FRAME COMPONENTS INSTALLATION - 85HP (LS)

ITEM	PART NUMBER	QTY	DESCRIPTION	REV
	1001201559	Ref	FRAME COMPONENTS INSTALLATION, 85HP (IF EQUIPPED FOR LS) (6036)	G
1	0100019	AR	Compound, Locking	
2	0641618	2	Bolt 3/8 x 2-1/4	
3	0682648	4	Bolt 1 x 6	
4	3423227	8	Pin, Cylinder	
5	4891600	2	Washer 3/8	
6	7137142	2	Pin, Cylinder	
7	7139613	1	Conduit 1 x 18	
8	8050001	1	Bearing, Self-Align	
9	8065640	4	Bearing, Self-Align	
10	8065641	2	Bearing, Self-Align	
11	8303752	2	Bolt 5/16 x 3-1/2	
12	8303782	8	Bolt 1/2 x 4	
13	8305014	4	Nut 5/8	
14	8305626	2	Nut 5/16	
15	8305644	8	Nut 1/2	
16	8307009	4	Washer 5/8	
17	88411148	4	Bolt 5/8 x 2-1/2	
18	8310522	2	Nut 3/8	
19	8520001	6	Fitting, Straight Lube 1/8	
20	8520003	4	Fitting, 90 Degree Lube 1/8	
21	8522012	AR	Lube, Anti-Seize	
22	80241137	4	Washer, Special	
23	7124301	1	Conduit 1/2 x 15-1/2	
24	7124471	2	Conduit 1 x 12-1/2	
25	1001208662	1	Counterweight, Rear	
26	1001160250	1	Pin, Hitch	
27	1001169466	1	Weldment, Fuel/Hydraulic/DEF Tank (See Separate Breakdown in this Section)	
29	1001174229	1	Conduit 1 x 13-1/2	
30	1001190306	1	Bracket, Air Filter	
31	1001195826	2	Plug	
32	1001195952	2	Plug, Tube	
34	1001201561	1	Weldment, Frame	
37	1001174227	10	Conduit 1 x 21-1/2	
38	1001201923	2	Conduit 1 x 10-1/2	
101	1001091901	1	Cylinder, Frame Level (See Separate Breakdown in HYDRAULIC COMPONENTS Section)	
102	1001267967	2	Cylinder, Lift (See Separate Breakdown in HYDRAULIC COMPONENTS Section)	
103	1001196110	2	Cylinder, Compensation (See Separate Breakdown in HYDRAULIC COMPONENTS Section)	

SECTION 1 - FRAME AND ATTACHING PARTS

FIGURE 1-3. FRAME COVERS INSTALLATION - 74HP (AIR SHUT OFF VALVE)



ART_1001228508

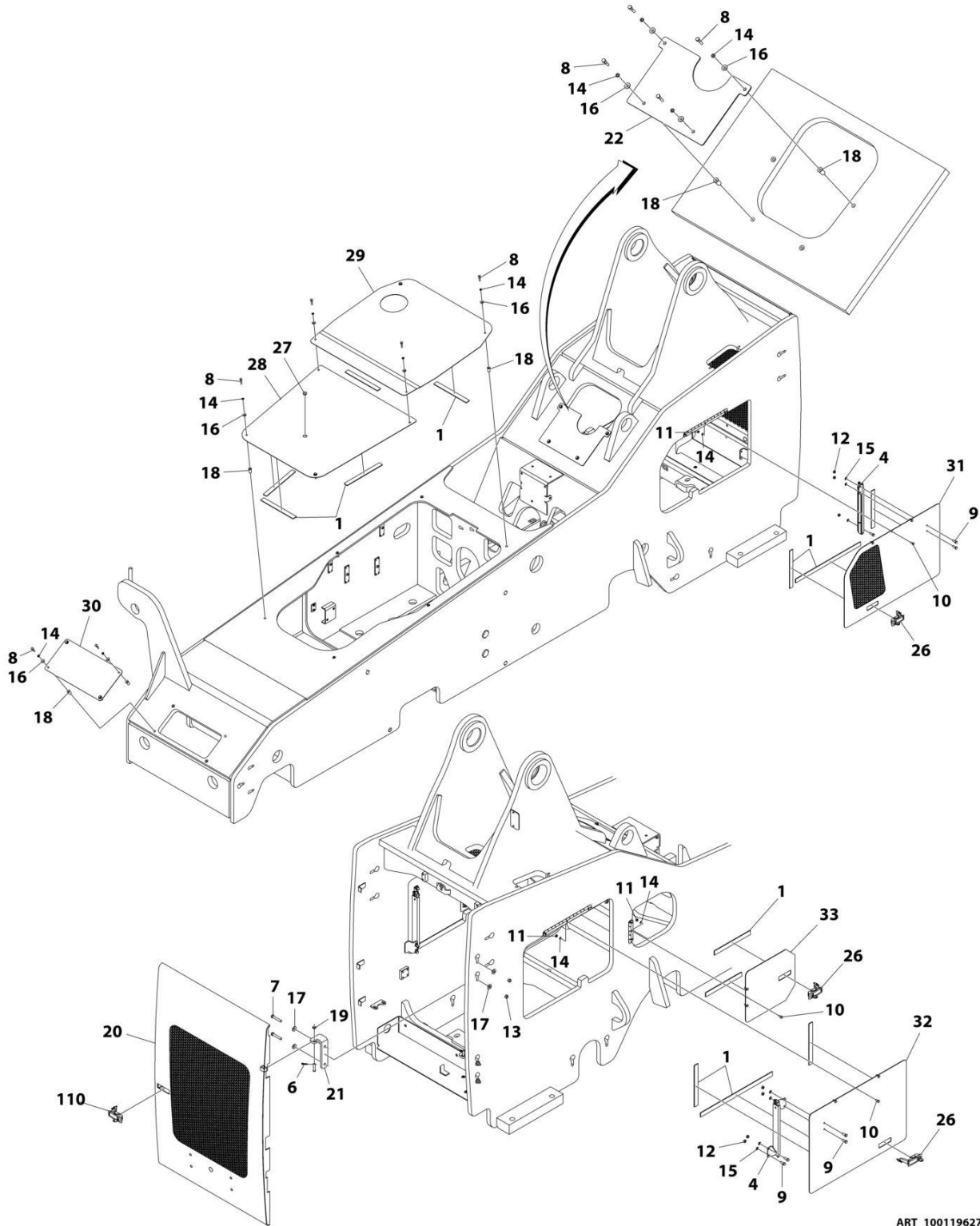
SECTION 1 - FRAME AND ATTACHING PARTS

FIGURE 1-3. FRAME COVERS INSTALLATION - 74HP (AIR SHUT OFF VALVE)

ITEM	PART NUMBER	QTY	DESCRIPTION	REV
	1001228508	Ref	FRAME COVERS INSTALLATION, 74HP (AIR SHUT OFF VALVE)	E
1	4420037	150 in	Tape, Insulation	
4	7139714	2	Prop, Side Door	
6	8302470	2	Pin, Cotter	
7	0641618	4	Bolt 3/8 x 2-1/4	
8	8303615	14	Bolt 1/4 x 1-1/4	
9	8303656	8	Bolt 5/16 x 7/8	
10	8303729	9	Bolt 1/4 x 5/8	
11	8305004	9	Nut 1/4	
12	8305006	8	Nut 5/16	
13	8305645	4	Nut 3/8	
14	8307002	23	Washer 1/4	
15	8307004	8	Washer 5/16	
16	8307202	14	Washer 1/4	
17	8307204	8	Washer 3/8	
18	8580420	14	Nut, Well	
19	10732150	2	Washer M10	
20	1001156283	1	Door, Rear (Includes item 110)	O
21	1001159319	2	Mount, Rear Door	
22	1001167793	1	Plate, Air Intake Baffle	
26	1001190341	3	Latch, Adjustable Trigger	
27	3520030	1	Plug	
28	7139406	1	Lower Cover, Transmission	
29	7139455	1	Upper Cover, Transmission	
30	7150608	1	Cover, Front	
31	1001168930	1	Panel, Left Side Access	
32	1001216589	1	Panel, Engine Access Right Side	
33	1001171385	1	Panel, Air Cleaner Access	
110	1001190341	1	Latch, Adjustable Trigger	

SECTION 1 - FRAME AND ATTACHING PARTS

FIGURE 1-4. FRAME COVERS INSTALLATION - 74HP (ULS)



ART_1001196279

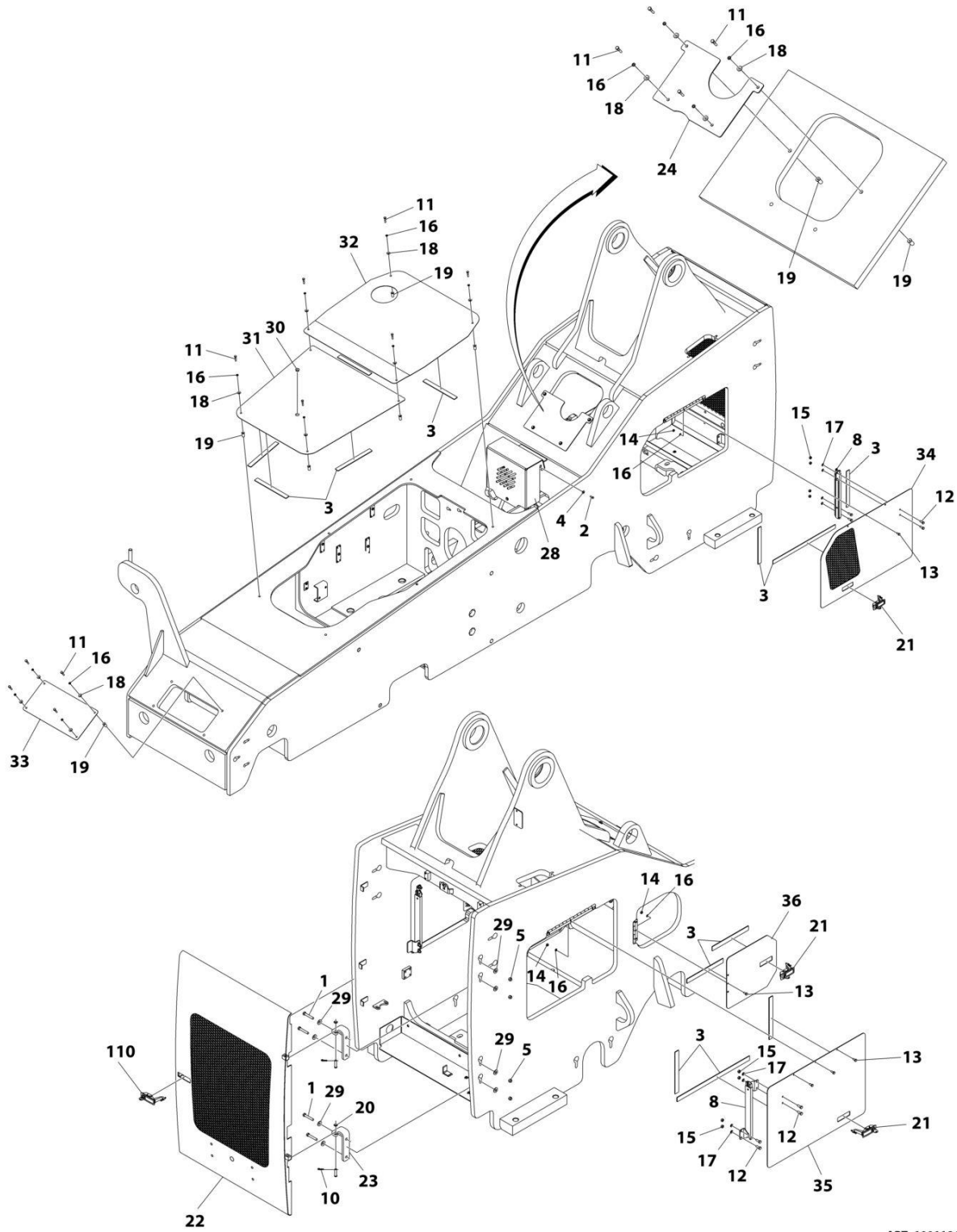
SECTION 1 - FRAME AND ATTACHING PARTS

FIGURE 1-4. FRAME COVERS INSTALLATION - 74HP (ULS)

ITEM	PART NUMBER	QTY	DESCRIPTION	REV
	1001196279	Ref	FRAME COVERS INSTALLATION	F
1	4420037	150 in	Tape, Insulation	
4	7139714	2	Side Door	
6	8302470	2	Pin, Cotter	
7	0641618	4	Bolt 3/8 x 2-1/4	
8	8303615	14	Bolt 1/4 x 1-1/4	
9	8303656	8	Bolt 5/16 x 7/8	
10	8303729	9	Bolt 1/4 x 5/8	
11	8305004	9	Nut 1/4	
12	8305006	8	Nut 5/16	
13	8305645	4	Nut 3/8	
14	8307002	23	Washer 1/4	
15	8307004	8	Washer 5/16	
16	8307202	14	Washer 1/4	
17	8307204	8	Washer 3/8	
18	8580420	14	Nut, Well	
19	10732150	2	Washer M10	
20	1001156283	1	Door, Rear (Includes item 110)	O
21	1001159319	2	Mount, Rear Door	
22	1001167793	1	Plate, Air Intake Baffle	
26	1001190341	3	Latch, Adjustable Trigger	
27	3520030	1	Plug	
28	7139406	1	Lower Cover, Transmission	
29	7139455	1	Upper Cover, Transmission	
30	7150608	1	Cover, Front	
31	1001168930	1	Panel, Left Side Access	
32	1001171383	1	Panel, Engine Access Right Side	
33	1001171385	1	Panel, Air Cleaner Access	
110	1001190341	1	Latch, Adjustable Trigger	

SECTION 1 - FRAME AND ATTACHING PARTS

FIGURE 1-5. FRAME COVERS INSTALLATION - 85HP (LS)



ART_1001186535

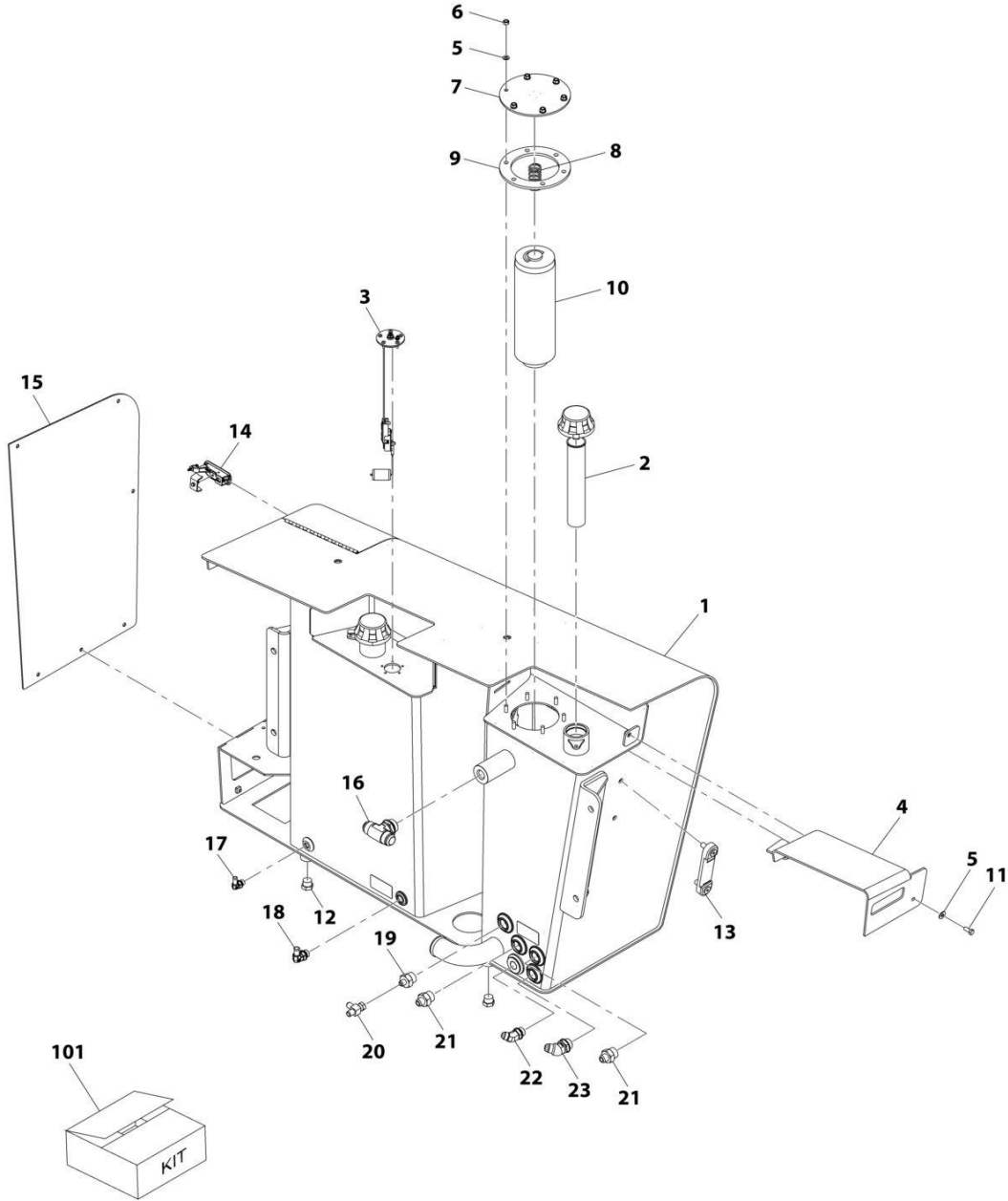
SECTION 1 - FRAME AND ATTACHING PARTS

FIGURE 1-5. FRAME COVERS INSTALLATION - 85HP (LS)

ITEM	PART NUMBER	QTY	DESCRIPTION	REV
	1001186535	Ref	FRAME COVERS INSTALLATION, 85HP	I
1	0641618	4	Bolt 3/8 x 2-1/4	
2	0760610	3	Bolt M6 x 20	
3	4420037	150 in	Tape, Insulation	
4	4811702	3	Washer M6	
5	8305645	4	Nut 3/8	
8	7139714	2	Prop, Side Door	
10	8302470	2	Pin, Hair	
11	8303615	14	Bolt 1/4 x 1-1/4	
12	8303656	8	Bolt 5/16 x 7/8	
13	8303729	9	Bolt 1/4 x 5/8	
14	8305004	9	Nut 1/4	
15	8305006	8	Nut 5/16	
16	8307002	23	Washer 1/4	
17	8307004	8	Washer 5/16	
18	8307202	14	Washer 1/4	
19	8580420	14	Nut, Well	
20	10732150	2	Washer M10	
21	1001190341	3	Latch, Adjustable Trigger	
22	1001156283	1	Door, Rear (Includes item 110)	O
23	1001159319	2	Mount, Rear Door	
24	1001208280	1	Plate, Air Intake Baffle	
28	1001211690	1	Bracket, ECM Cover	
29	8307204	8	Washer	
30	3520030	1	Plug	
31	7139406	1	Cover, Lower Transmission	
32	7139455	1	Cover, Upper Transmission	
33	7150608	1	Cover, Front	
34	1001168930	1	Panel, Left Side Access	
35	1001171383	1	Panel, Engine Access Right Side	
36	1001171385	1	Panel, Air Cleaner Access	
110	1001190341	1	Latch, Adjustable Trigger	

SECTION 1 - FRAME AND ATTACHING PARTS

FIGURE 1-6. HYDRAULIC/FUEL/DEF TANK ASSEMBLY (LS)



ART_1001169466

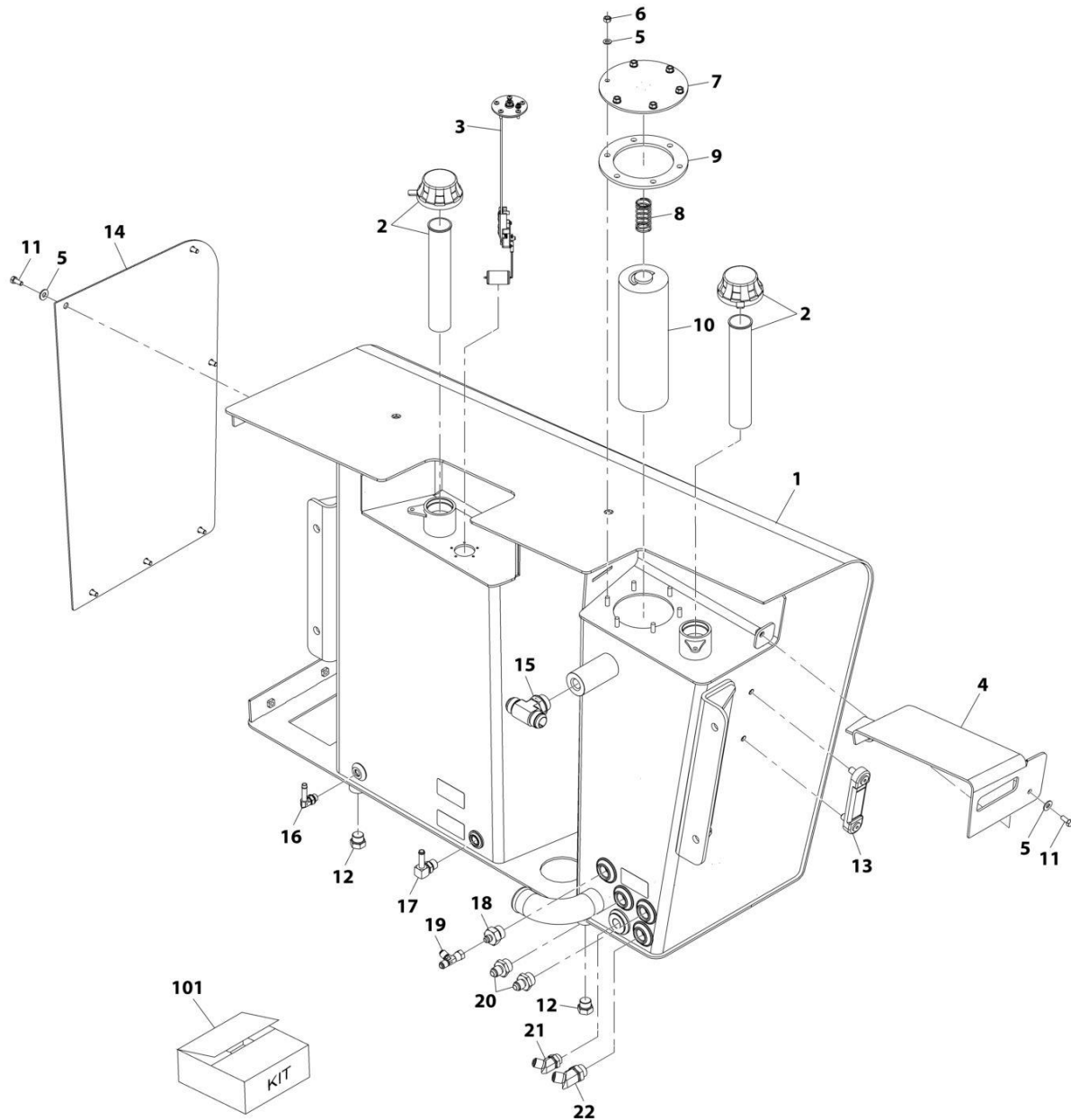
SECTION 1 - FRAME AND ATTACHING PARTS

FIGURE 1-6. HYDRAULIC/FUEL/DEF TANK ASSEMBLY (LS)

ITEM	PART NUMBER	QTY	DESCRIPTION	REV
	1001169466	Ref	Hydraulic/Fuel/DEF Tank Assembly (LS)	M
1	N.S.S.	1	Weldment, Hydraulic/Fuel Tank	
2	7139077	2	Filler/Breather	
3	1001145026	1	Sensor, Fuel	
4	1001199116	1	Panel, Hydraulic Fill Cover	
5	1001170329	7	Washer, Flat M8	
6	3300429	6	Nut, Hex 31-18	
7	1001199135	1	Assembly, Cover	
8	1001199136	1	Spring	
9	1001199177	1	Seal	
10	1001199205	1	Element, Filter	
11	8303697	1	Bolt, Hex Hd 5/16-18X3/4	
12	2220239	2	Plug	
13	7024441	1	Gauge, Sight	
14	1001199199	1	Latch	
15	1001199181	1	Cover, DEF Tank	
16	8760552	1	Tee, Branch	
17	1001178776	1	Elbow, 90	
18	1001199210	1	Elbow, 90	
19	2220577	1	Adapter	
20	2220635	1	Tee, Run	
21	2220375	2	Adapter	
22	2220499	1	Elbow, 45	
23	8770048	1	Elbow, 45	
101	70024152	1	Kit, Filter (Includes Items 9 & 10)	

SECTION 1 - FRAME AND ATTACHING PARTS

FIGURE 1-7. HYDRAULIC/FUEL TANK ASSEMBLY (ULS)



ART_1001227211

SECTION 1 - FRAME AND ATTACHING PARTS

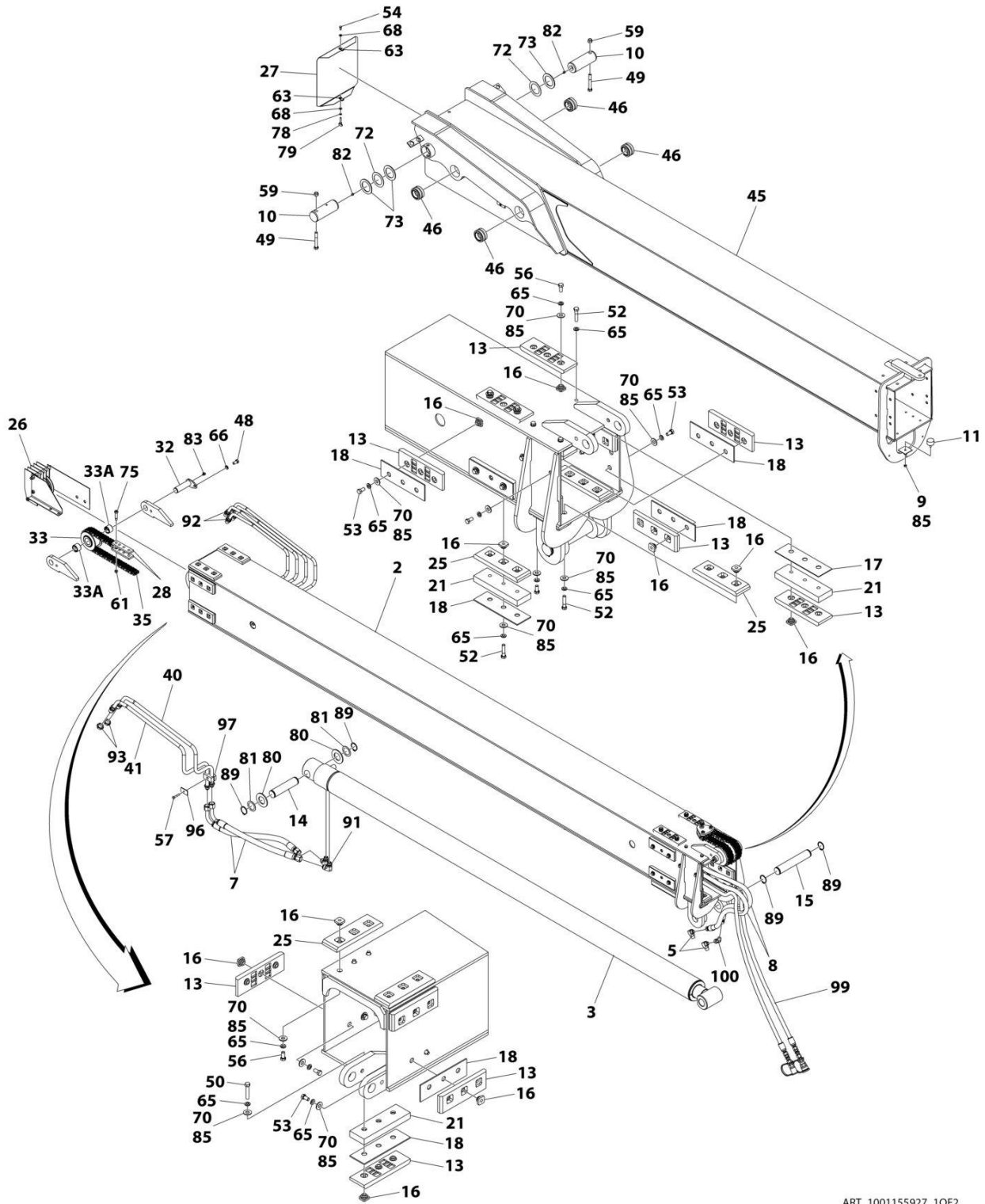
FIGURE 1-7. HYDRAULIC/FUEL TANK ASSEMBLY (ULS)

ITEM	PART NUMBER	QTY	DESCRIPTION	REV
	1001227211	Ref	Hydraulic/Fuel Tank Assembly (ULS)	B
1	N.S.S.	1	Tank, Hydraulic/Fuel	
2	7139077	2	Filler/Breather	
3	1001145026	1	Sensor, Fuel	
4	1001199116	1	Panel, Hydraulic Fill Cover	
5	1001170329	13	Washer, Flat M8	
6	3300429	6	Nut 5/16	
7	1001199135	1	Assembly, Cover	
8	1001199136	1	Spring	
9	1001199177	1	Seal	
10	1001199205	1	Element, Filter	
11	8303697	7	Bolt 5/16 X 3/4	
12	2220239	2	Plug	
13	7024441	1	Gauge, Sight	
14	1001199181	1	Cover, DEF Tank	
15	8760552	1	Tee, Branch	
16	1001178776	1	Elbow, 90	
17	1001199210	1	Elbow, 90	
18	2220577	1	Adapter	
19	2220635	1	Tee, Run	
20	2220375	2	Adapter	
21	2220499	1	Elbow, 45	
22	8770048	1	Elbow, 45	
101	70024152	1	Kit, Filter (Includes Items 9 & 10)	

SECTION 2 - BOOM

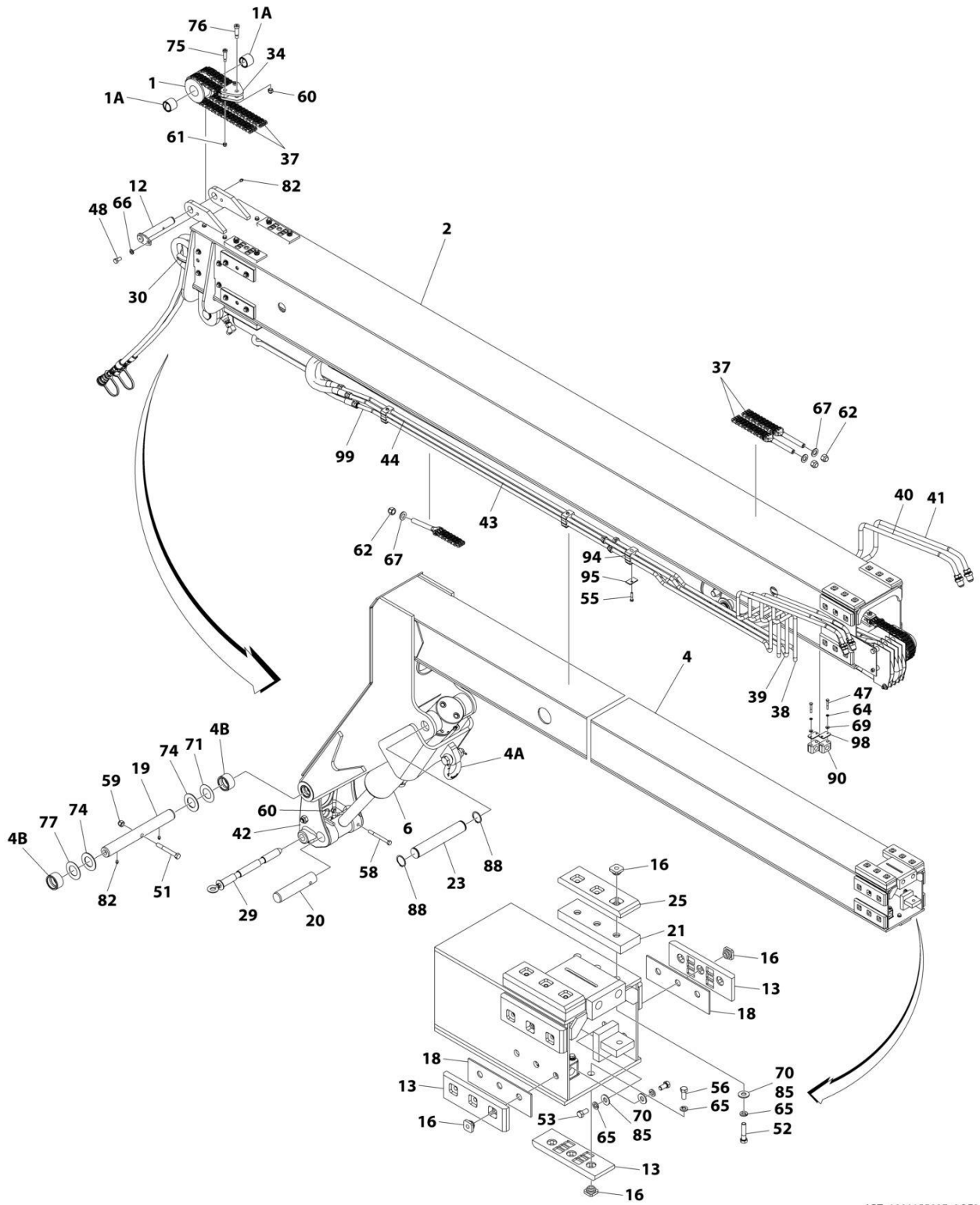
SECTION 2 - BOOM

FIGURE 2-1. BOOM INSTALLATION



ART_1001155927_1OF2

SECTION 2 - BOOM



ART_1001155927_2OF2

SECTION 2 - BOOM

FIGURE 2-1. BOOM INSTALLATION

ITEM	PART NUMBER	QTY	DESCRIPTION	REV
	1001155927	Ref	BOOM INSTALLATION (6036)	H
1	1001101861	1	Sheave Assembly - Retract (6036)	
1A	5906392	2	Bushing	
2	1001155928	1	Boom, Second Section	
3	1001156013	1	Cylinder, Extend/Retract (See Separate Breakdown in HYDRAULIC COMPONENTS Section)	
4	1001210818	1	Boom, Fly	
4A	1001204045	1	Clevis	
4B	7085542	2	Bushing	
5	2220596	2	Adapter, 90 (6036)	
6	2716614	1	Cylinder, Fork Tilt (See Separate Breakdown in HYDRAULIC COMPONENTS Section)	
7	2716760	2	Hose	
8	2716788	2	Hose	
9	3311601	1	Nut 3/8	
10	3423226	2	Pin, Boom Pivot	
11	5724622	1	Bumper, Rubber	
12	7063432	1	Pin	
13	7079572	22	Pad, Wear	
14	7081621	1	Pin, Base End	
15	7081631	1	Pin, Rod End	
16	7082311	68	Insert, Wear Pad	
17	7082342	AR	Shim, Wear Pad	
18	7082362	AR	Shim, Wear Pad	
19	7083922	1	Pin, Carriage Pivot	
20	7083992	1	Pin, Rod End	
21	7085442	7	Spacer, Wear Pad	
23	7095522	1	Pin	
24	7096491	6	Spacer	
25	7111572	8	Pad, Wear	
26	7116773	1	Assembly, Hose Pulley (See Separate Breakdown in this Section) (6036)	
27	7116822	1	Cover	
28	7117031	2	Link	
29	7118892	1	Assembly, Lock Pin (See Separate Breakdown in this Section)	
30	7125811	2	Conduit	
32	7138977	1	Pin, Retract Chain Sheave	
33	7138986	1	Sheave Assembly - Retract Chain	
33A	7138979	2	Bushing	
34	7139180	2	Yoke, Extend Chain	
35	7139689	1	Assembly, Retract Chain (See Separate Breakdown in this Section) (6036)	
37	7139692	2	Assembly, Extend Chain (See Separate Breakdown in this Section) (6036)	
38	7139726	1	Tube	
39	7139727	1	Tube	
40	7139730	1	Tube	
41	7139731	1	Tube	
42	7139864	1	Assembly, Quick Coupler (See Separate Breakdown in this Section) (Prior to SN 0160101449)	

SECTION 2 - BOOM

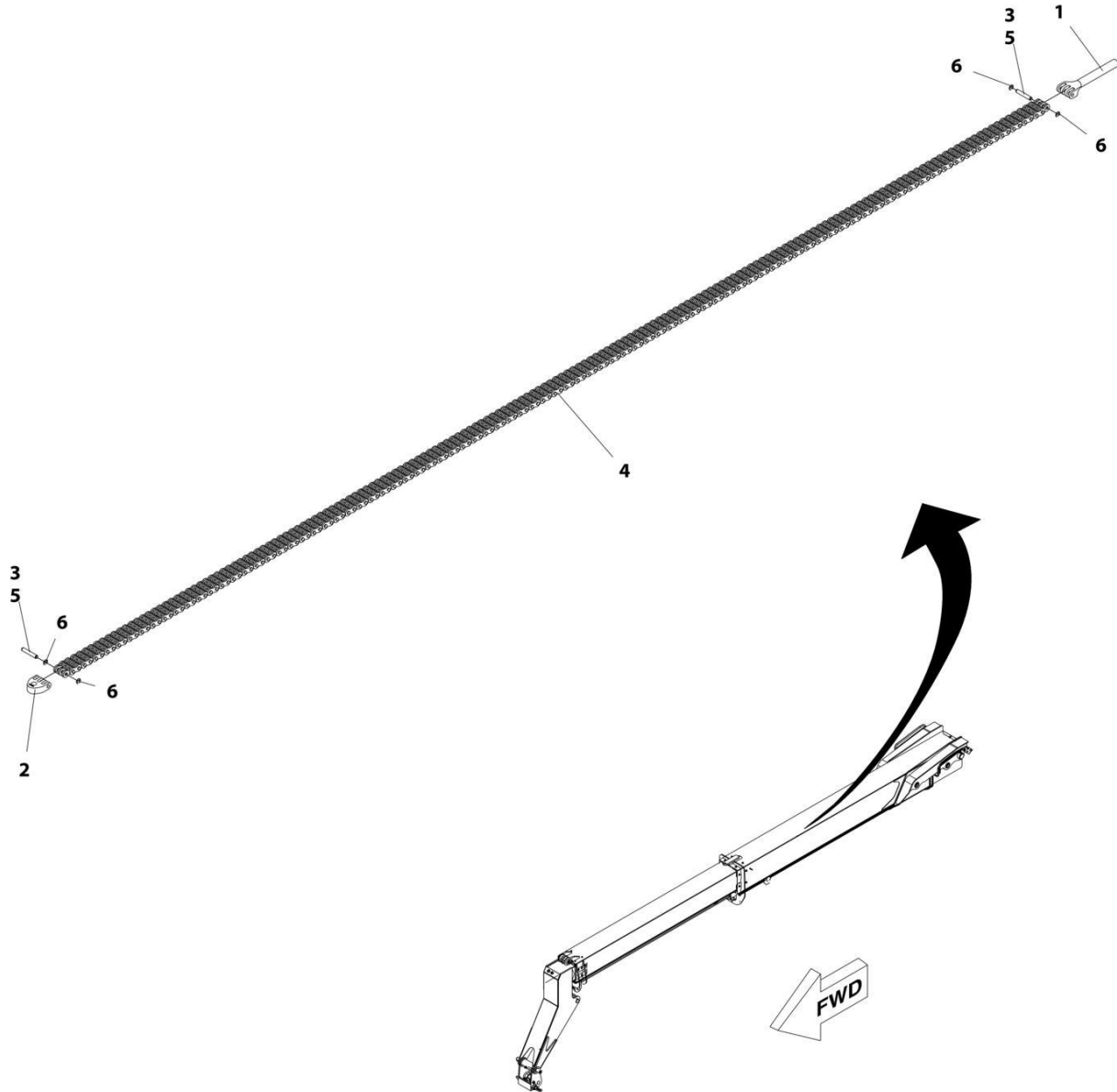
ITEM	PART NUMBER	QTY	DESCRIPTION	REV
42	1001242996	1	Assembly, Quick Coupler (See Separate Breakdown in this Section) (SN 0160101449 to Present)	
43	7150837	1	Tube	
44	7150838	1	Tube	
45	7302056	1	Boom, First Section	
46	8065640	4	Bearing, Self-Align	
47	8303090	4	Bolt 1/4 x 1-3/4	
48	8303624	2	Bolt 1/2 x 1	
49	8303655	2	Bolt 5/8 x 4-1/2	
50	8303657	2	Bolt 3/8 x 2	
51	8303666	1	Bolt 5/8 x 5	
52	8303679	20	Bolt 3/8 x 1-3/4	
53	8303681	32	Bolt 3/8 x 3/4	
54	8303697	1	Bolt 5/16 x 3/4	
55	8303715	3	Bolt 5/16 x 1-1/2	
56	8303738	14	Bolt 3/8 x 7/8	
57	8303746	1	Bolt 5/16 x 1-3/4	
58	8303772	1	Bolt 1/2 x 5	
59	8305643	3	Nut 5/8	
60	8305644	2	Nut 1/2	
61	8305645	4	Nut 3/8	
62	8305646	3	Nut 3/4	
63	8305906	2	Nut 5/16	
64	8307002	4	Washer 1/4	
65	8307005	68	Washer 3/8	
66	8307007	2	Washer 1/2	
67	8307104	3	Washer 3/4	
68	8307106	2	Washer 5/16	
69	8307109	8	Washer 1/4	
70	8307204	64	Washer 3/8	
71	8307904	AR	Washer, Shim	
72	8307910	AR	Washer, Shim	
73	8307911	AR	Washer, Shim	
74	8307918	2	Washer, Shim	
75	8310019	4	Screw, Shoulder 1/2 x 3/8	
76	8310020	1	Screw, Shoulder 5/8 x 1/2	
77	8310093	AR	Washer, Shim	
78	8310431	1	Washer 5/16	
79	8310497	1	Screw 5/16 x 1-1/2	
80	8310708	2	Washer 1	
81	8310712	2	Washer, Shim	
82	8520001	5	Fitting, Straight Lube	
83	8520003	1	Fitting, 90 Lube	
84	8522012	AR	Lube, Anti-Seize (not shown)	
85	8526007	AR	Compound, Thread Locking	
86	8526048	AR	Sealant, Compound (not shown)	
87	8526406	AR	Sealant, Varnish (not shown)	
88	8642224	2	Ring, Retaining	
89	8642234	4	Ring, Retaining	
90	8750029	2	Clamp Set, 3/4	
91	2220567	2	Adapter, 90	
92	8760465	2	Adapter, Bulkhead Nut	

SECTION 2 - BOOM

ITEM	PART NUMBER	QTY	DESCRIPTION	REV
93	8760468	2	Adapter, Bulkhead Nut	
94	8769122	3	Clamp Set, Twin 5/8	
95	8769123	3	Cover Plate, Twin	
96	8769128	1	Cover Plate, Twin	
97	8769139	1	Clamp Set, Twin 3/4	
98	8769153	2	Cover Plate, Single	
99	7139968	1	Assembly, Boom Auxiliary Hydraulics (See Separate Breakdown in this Section)	
100	2220683	1	Adapter	

SECTION 2 - BOOM

FIGURE 2-2. EXTEND CHAIN ASSEMBLY



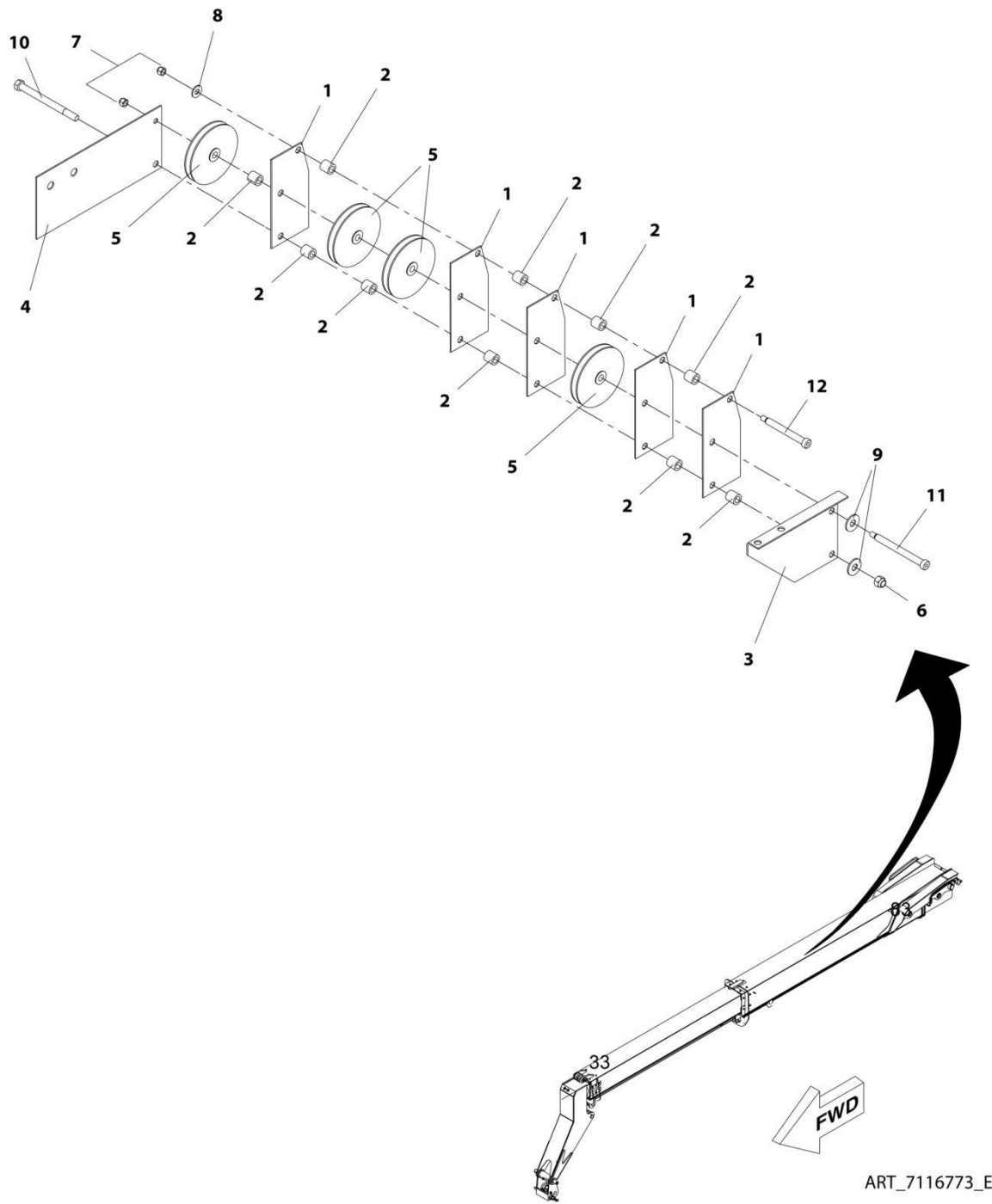
ART_7139692_B

FIGURE 2-2. EXTEND CHAIN ASSEMBLY

ITEM	PART NUMBER	QTY	DESCRIPTION	REV
	7139692	Ref	Chain and Clevis Assembly	B
1	7139032	1	Clevis, Female Anchor	
2	7139416	1	Clevis, Female Anchor	
3	8124138	2	Pin, Chain Clevis	
4	8127024	1	Chain, Leaf	
5	8522012	AR	Lube, Anti-Seize	
6	8642237	4	Ring, Retaining	

SECTION 2 - BOOM

FIGURE 2-3. HOSE PULLEY ASSEMBLY



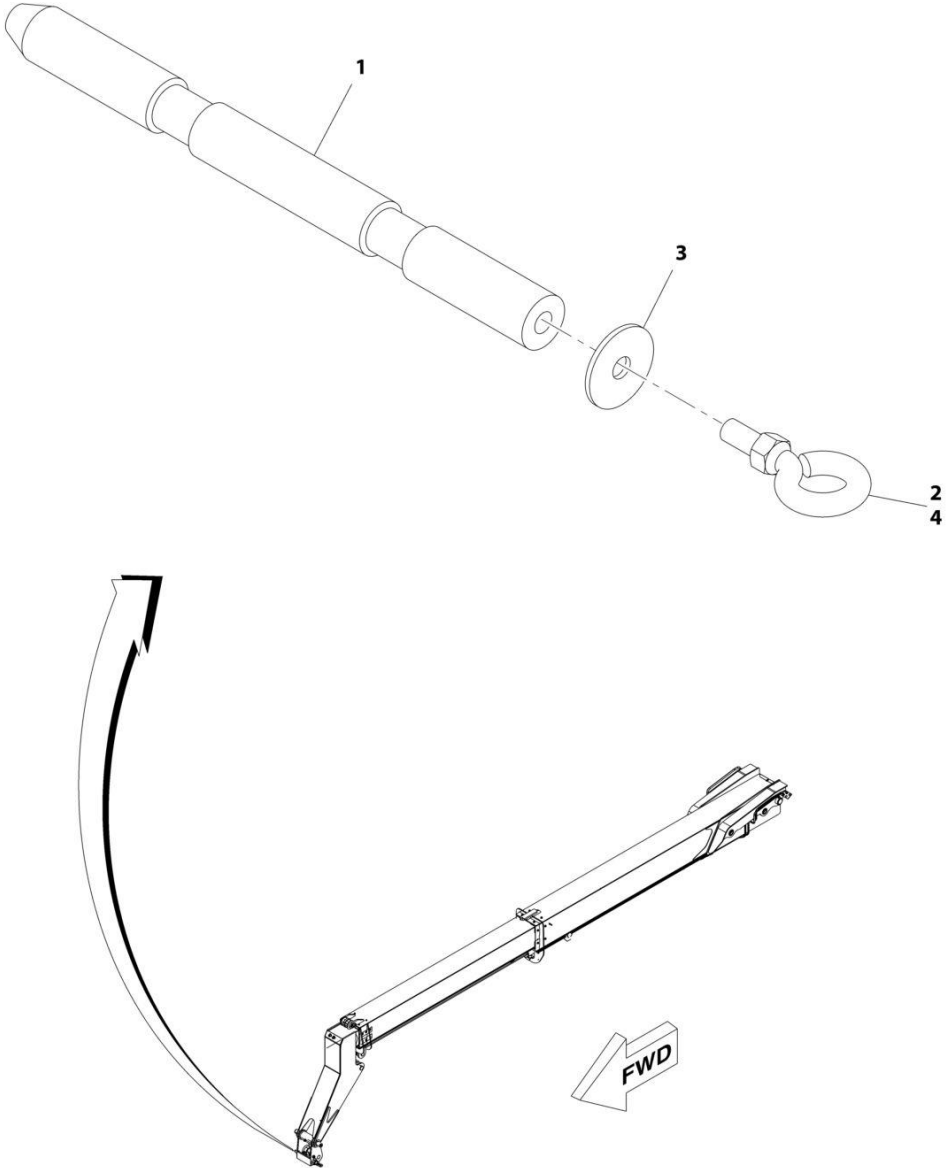
ART_7116773_E

FIGURE 2-3. HOSE PULLEY ASSEMBLY

ITEM	PART NUMBER	QTY	DESCRIPTION	REV
	7116773	Ref	Hose Pulley Assembly - 6036 (6036)	E
1	7116642	5	Divider	
2	7116691	10	Spacer	
3	7116742	1	Bracket, RH	
4	7116752	1	Bracket, LH	
5	7116812	4	Wheel, Roller	
6	8305644	1	Nut, Lock 1/2-13	
7	8305645	2	Nut, Lock 3/8-16	
8	8307204	1	Washer, Plain 3/8	
9	8307206	2	Washer, Plain 1/2	
10	8310209	1	Bolt, 1/2-13X6	
11	8310235	1	Screw, Shoulder 1/2X5	
12	8310245	1	Screw, Shoulder 1/2X4	

SECTION 2 - BOOM

FIGURE 2-4. LOCK PIN ASSEMBLY



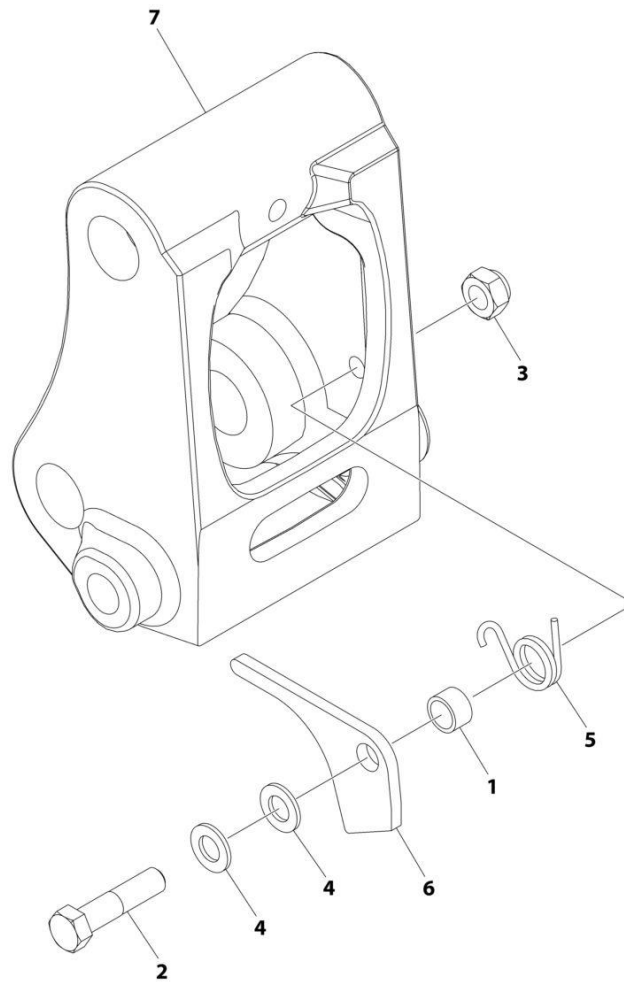
ART_7118892-B

FIGURE 2-4. LOCK PIN ASSEMBLY

ITEM	PART NUMBER	QTY	DESCRIPTION	REV
	7118892	Ref	Lock Pin Assembly	B
1	7118882	1	Pin	
2	8310266	2	Bolt, Eye 1/2-13X2	
3	8310276	3	Washer	
4	8526007	AR	Compound, Locking	

SECTION 2 - BOOM

FIGURE 2-5. QUICK COUPLER ASSEMBLY



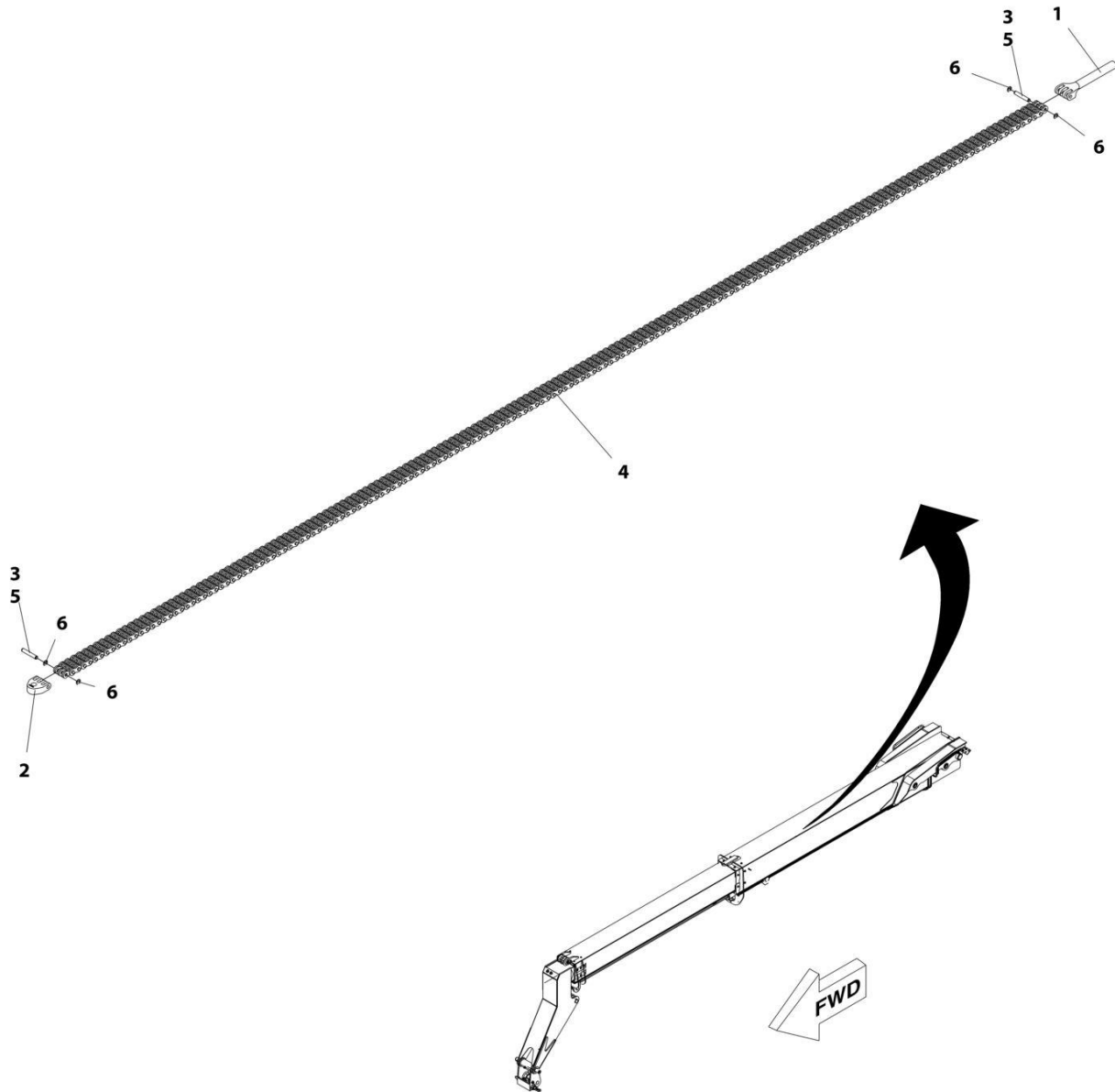
ART_1001242996_C

FIGURE 2-5. QUICK COUPLER ASSEMBLY

ITEM	PART NUMBER	QTY	DESCRIPTION	REV
	1001242996	Ref	COUPLER ASSEMBLY	C
1	7085571	1	Spacer	
2	8303640	1	Bolt	
3	8305619	1	Nut 3/4	
4	8307104	2	Washer 3/4	
5	1001243025	1	Spring, Torsion	
6	1001243026	1	Plate, Pin Latch	
7	1001243219	1	Coupler, Link	

SECTION 2 - BOOM

FIGURE 2-6. RETRACT CHAIN ASSEMBLY (6036)



ART_7139689_B

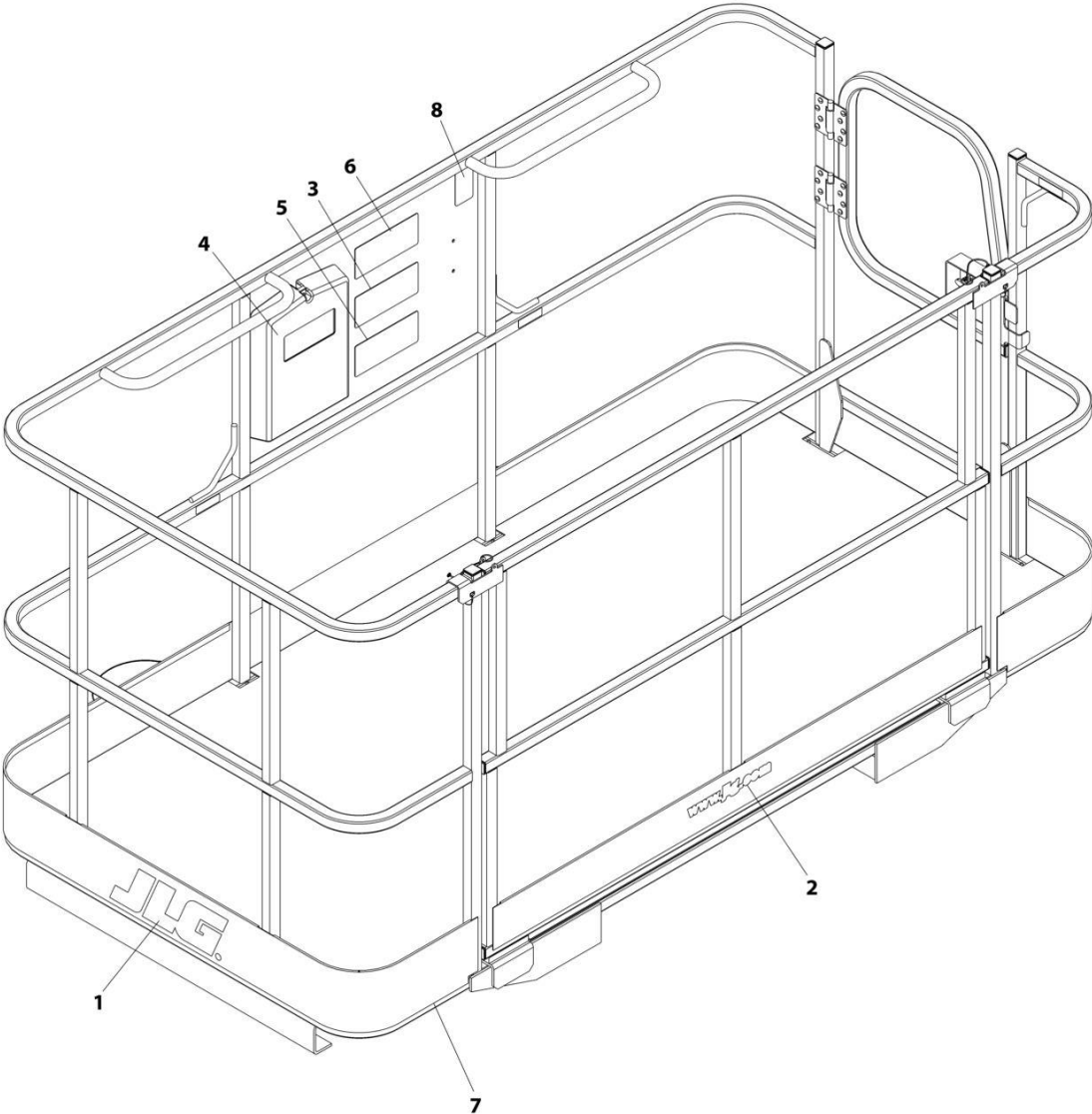
FIGURE 2-6. RETRACT CHAIN ASSEMBLY (6036)

ITEM	PART NUMBER	QTY	DESCRIPTION	REV
	7139689	Ref	Retract Chain and Clevis Assembly - 6036 (6036)	B
1	7139032	1	Clevis, Female Anchor	
2	7139416	1	Clevis, Female Anchor	
3	8124138	2	Pin, Chain Clevis	
4	8127021	1	Chain, Leaf	
5	8522012	AR	Lube, Anti-Seize	
6	8642237	4	Ring, Retaining	

SECTION 3 - ATTACHMENTS

SECTION 3 - ATTACHMENTS

FIGURE 3-1. BASKET, PERSONNEL (1.2MX2.4M) (DOMESTIC)



ART_1001238653-A

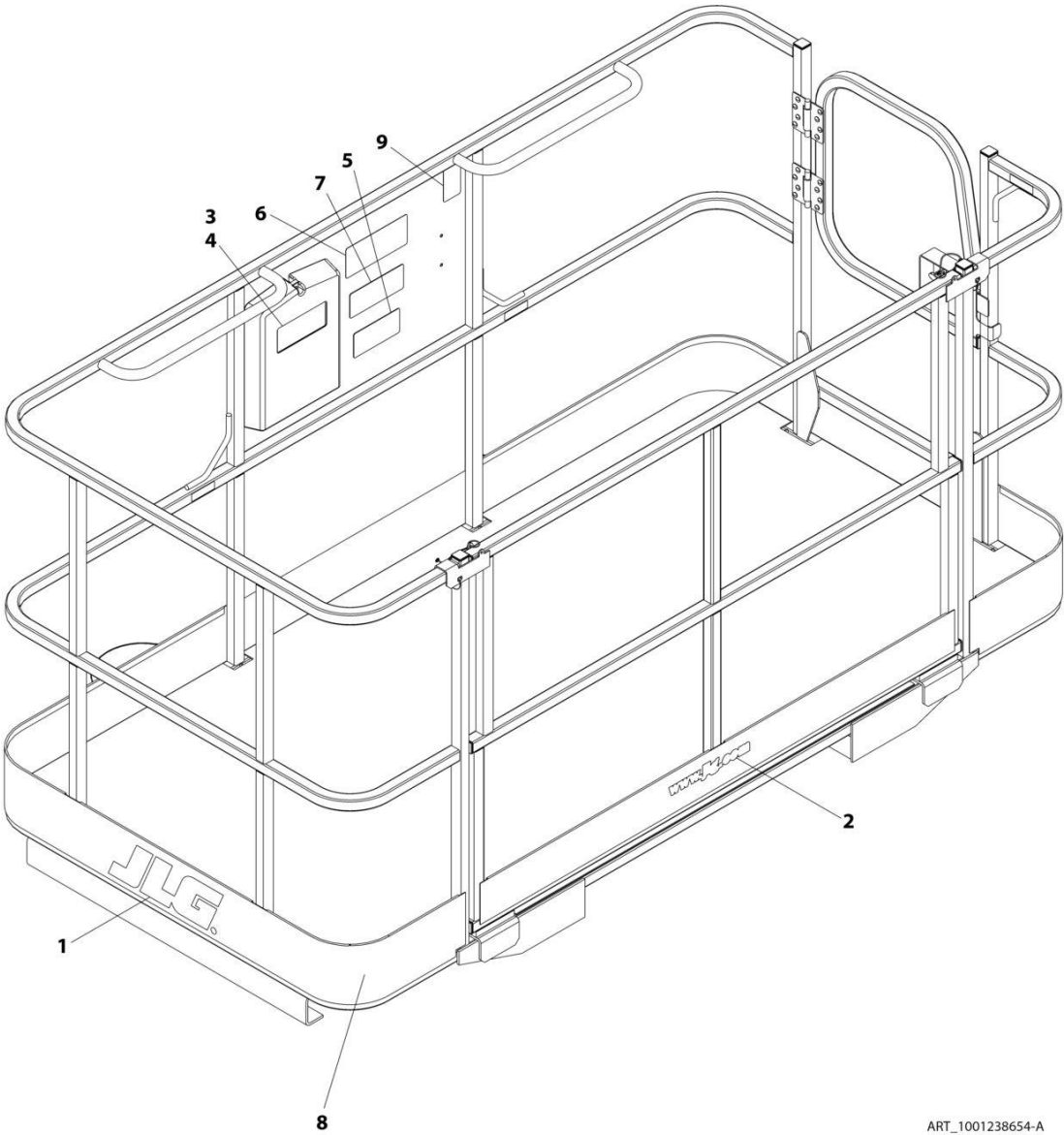
SECTION 3 - ATTACHMENTS

FIGURE 3-1. BASKET, PERSONNEL (1.2MX2.4M) (DOMESTIC)

ITEM	PART NUMBER	QTY	DESCRIPTION	REV
	1001238653	Ref	FORK MOUNTED PLATFORM	B
1	1702773	2	Decal, JLG	
2	1704885	1	Decal, Website	
3	1706892	1	Decal, Platform Warning	
4	31200160	1	Manual, Personnel Work Platform Operation and Safety	
5	1001092481	1	Decal, Warning Attachment	
6	1001092482	1	Decal, Platform Capacity	
7	1001238565	1	Platform, Fork Mounted (See Separate Breakdown in this Section)	
8	See Note	NSS	SN Plate (Note: Stamped Part - Not Available for Purchase)	

SECTION 3 - ATTACHMENTS

FIGURE 3-2. BASKET, PERSONNEL (1.2MX2.4M) (ISO)



ART_1001238654-A

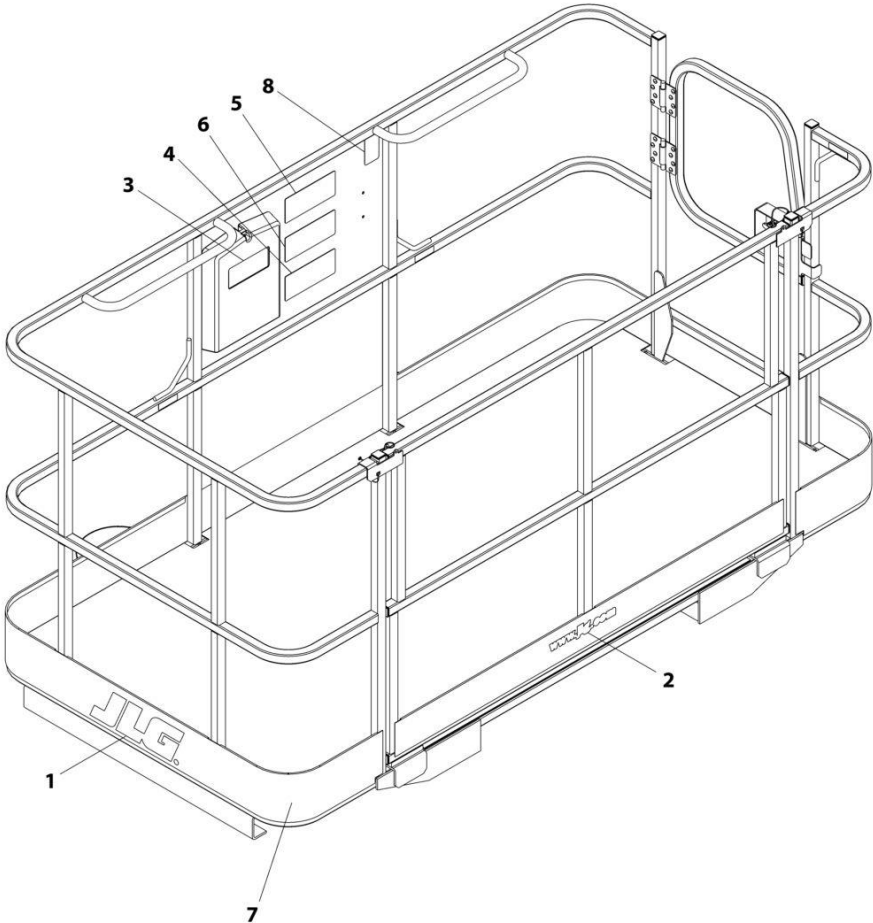
SECTION 3 - ATTACHMENTS

FIGURE 3-2. BASKET, PERSONNEL (1.2MX2.4M) (ISO)

ITEM	PART NUMBER	QTY	DESCRIPTION	REV
	1001238654	Ref	BASKET, PERSONNEL	B
1	1702773	2	Decal, JLG	
2	1704885	1	Decal, Website	
3	31200387	1	Manual, Operation and Safety, Spanish	
4	31200388	1	Manual, Operation and Safety, Portuguese	
5	1001096021	1	Decal, Warning Attachment	
6	1001096023	1	Decal, Platform Capacity	
7	1001096025	1	Decal, Platform Warning	
8	1001238565	1	Platform, Fork Mounted (ANSI) (See Separate Breakdown in this Section)	
9	See Note	NSS	SN Plate (Note: Stamped Part - Not Available for Purchase)	

SECTION 3 - ATTACHMENTS

FIGURE 3-3. BASKET, PERSONNEL (1.2MX2.4M) (FRENCH LANGUAGE)



ART_1001238655-A

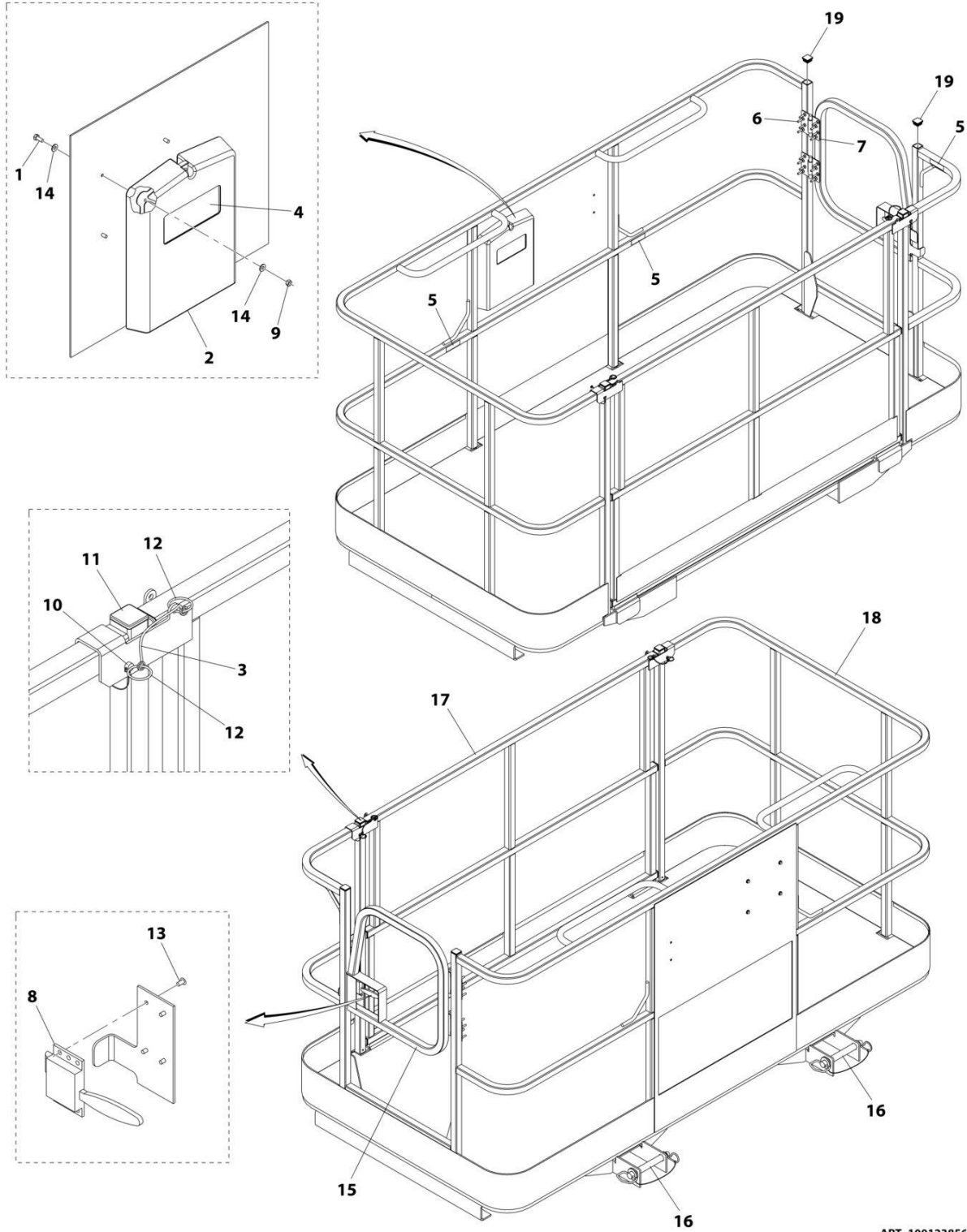
SECTION 3 - ATTACHMENTS

FIGURE 3-3. BASKET, PERSONNEL (1.2MX2.4M) (FRENCH LANGUAGE)

ITEM	PART NUMBER	QTY	DESCRIPTION	REV
	1001238655	Ref	BASKET, PERSONNEL	B
1	1702773	2	Decal, JLG	
2	1704885	1	Decal, Website	
3	31200386	1	Manual, Operation and Safety (French)	
4	1001096019	1	Decal, Warning Attachment (French)	
5	1001096020	1	Decal, Platform Capacity (French)	
6	1001096024	1	Decal, Platform Warning (French)	
7	1001238565	1	Platform, Fork Mounted (ANSI) (See Separate Breakdown in this Section)	
8	See Note	NSS	SN Plate (Note: Stamped Part - Not Available for Purchase)	

SECTION 3 - ATTACHMENTS

FIGURE 3-4. BASKET, PERSONNEL ASSEMBLY



ART_1001238565

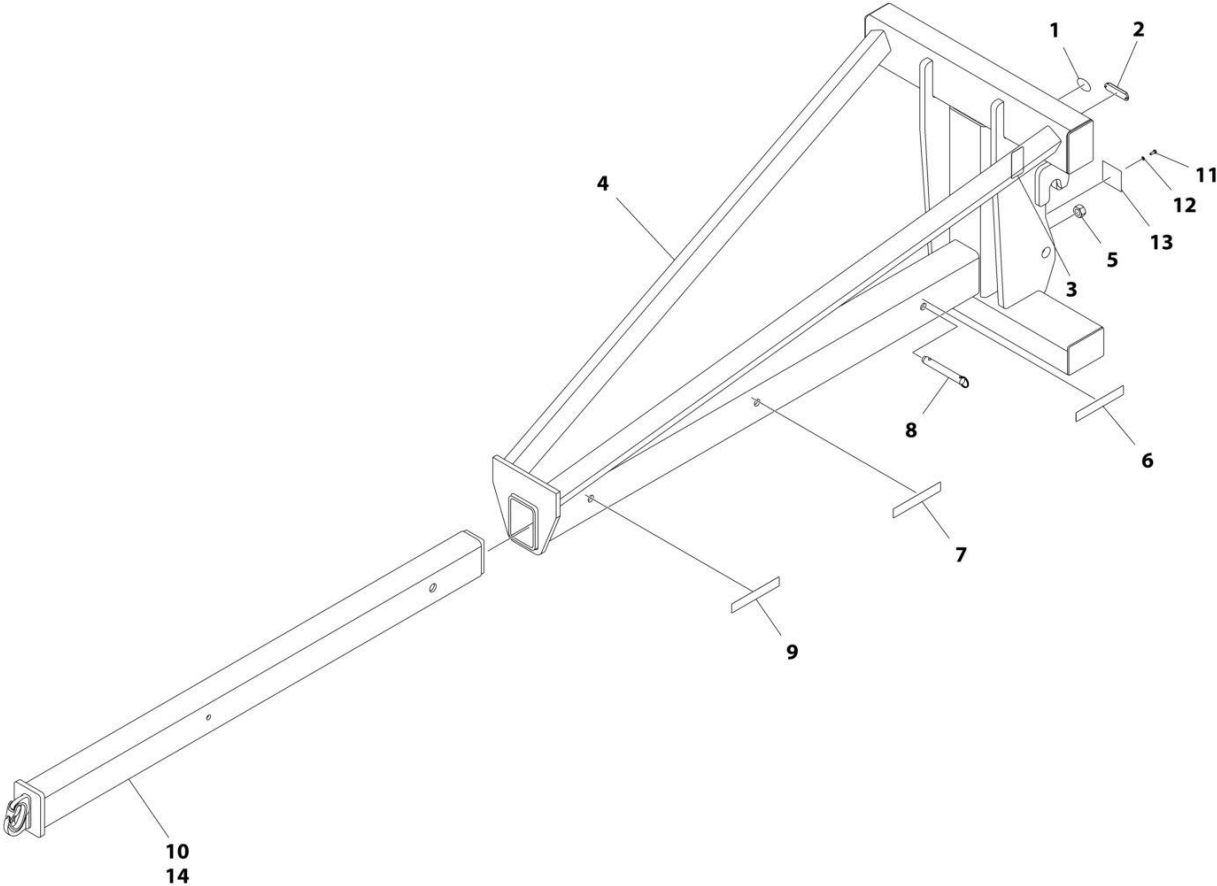
SECTION 3 - ATTACHMENTS

FIGURE 3-4. BASKET, PERSONNEL ASSEMBLY

ITEM	PART NUMBER	QTY	DESCRIPTION	REV
	1001238565	Ref	FORK MOUNTED PLATFORM ASSEMBLY	F
1	0641405	4	Bolt 1/4 x 5/8	
2	0860520	1	Box, Manual Storage	
3	1060379	2	Cable, Lanyard	
4	1701509	1	Decal, Manual	
5	1704277	3	Decal, Lanyard Attach	
6	2080040	16	Fastener	
7	2600281	2	Hinge	
8	2940074	1	Latch	
9	3311405	4	Nut 1/4	
10	3421453	2	Pin	
11	3520072	7	Plug	
12	3760170	4	Ring	
13	3820020	4	Rivet	
14	4711400	8	Washer 1/4	
15	1001144629J	1	Gate	
16	1001238560	2	Pin, Hitch	
17	1001095810	1	Gate	
18	See Note	NSS	Platform, Fork Mounted	
19	3520198	4	Plug	

SECTION 3 - ATTACHMENTS

FIGURE 3-5. BOOM - ADJUSTABLE



ART_1001176515_D

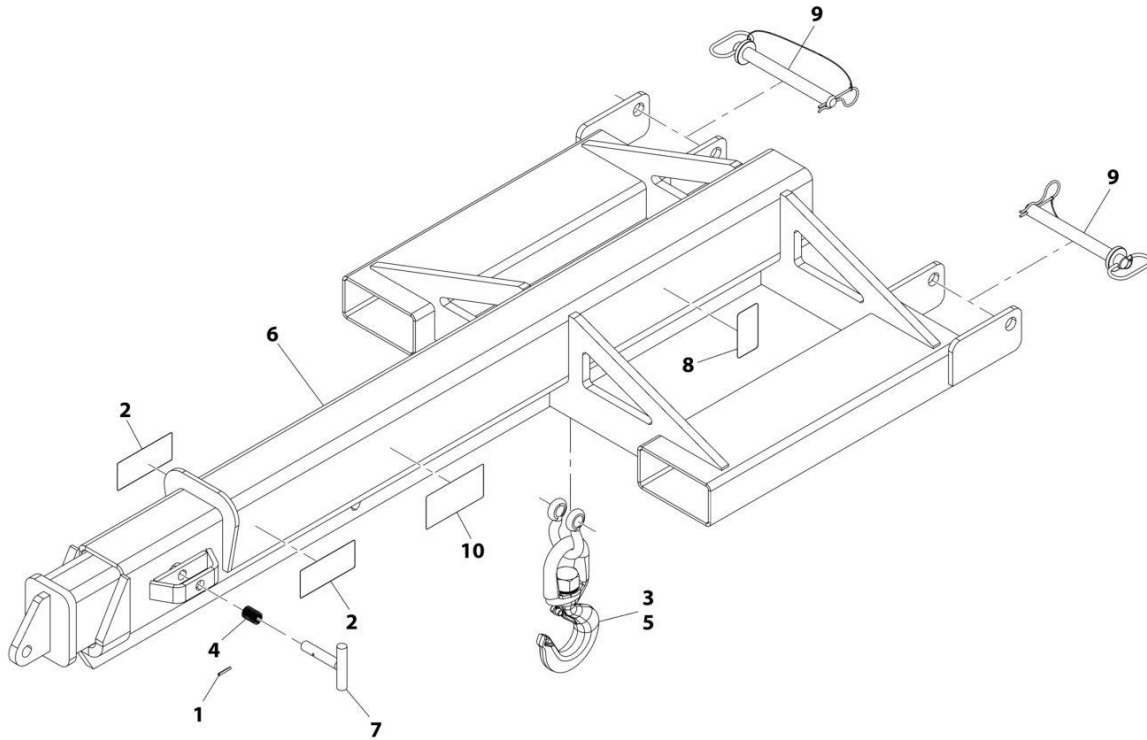
SECTION 3 - ATTACHMENTS

FIGURE 3-5. BOOM - ADJUSTABLE

ITEM	PART NUMBER	QTY	DESCRIPTION	REV
	1001176515	Ref	ADJUSTABLE TRUSS BOOM	E
1	90554016	1	Decal, Made in USA	
2	1001227670	1	Tag, RFID	
3	See Note	NSS	SN Plate (Note: Stamped Part - Not Available for Purchase)	
4	See Note	NSS	Truss Boom, Adjustable (Note: Purchase Complete Assembly)	
5	70021440	1	Nut, Lock	
6	70024062	2	Decal, 4000 lbs cap	
7	70026944	2	Decal, 3000 lbs cap	
8	70026946	1	Pin	
9	70026699	2	Decal, 2000 lbs cap	
10	70026747	1	Seal	
11	90554033	1	Bolt 3/4 x 1/4	
12	90554034	1	Washer 1/4	
13	70026948	1	Plate, Stop	
14	70026949	1	Boom, Telescopic	

SECTION 3 - ATTACHMENTS

FIGURE 3-6. BOOM - ADJUSTABLE (FORK MOUNTED)



ART_1001230241-H

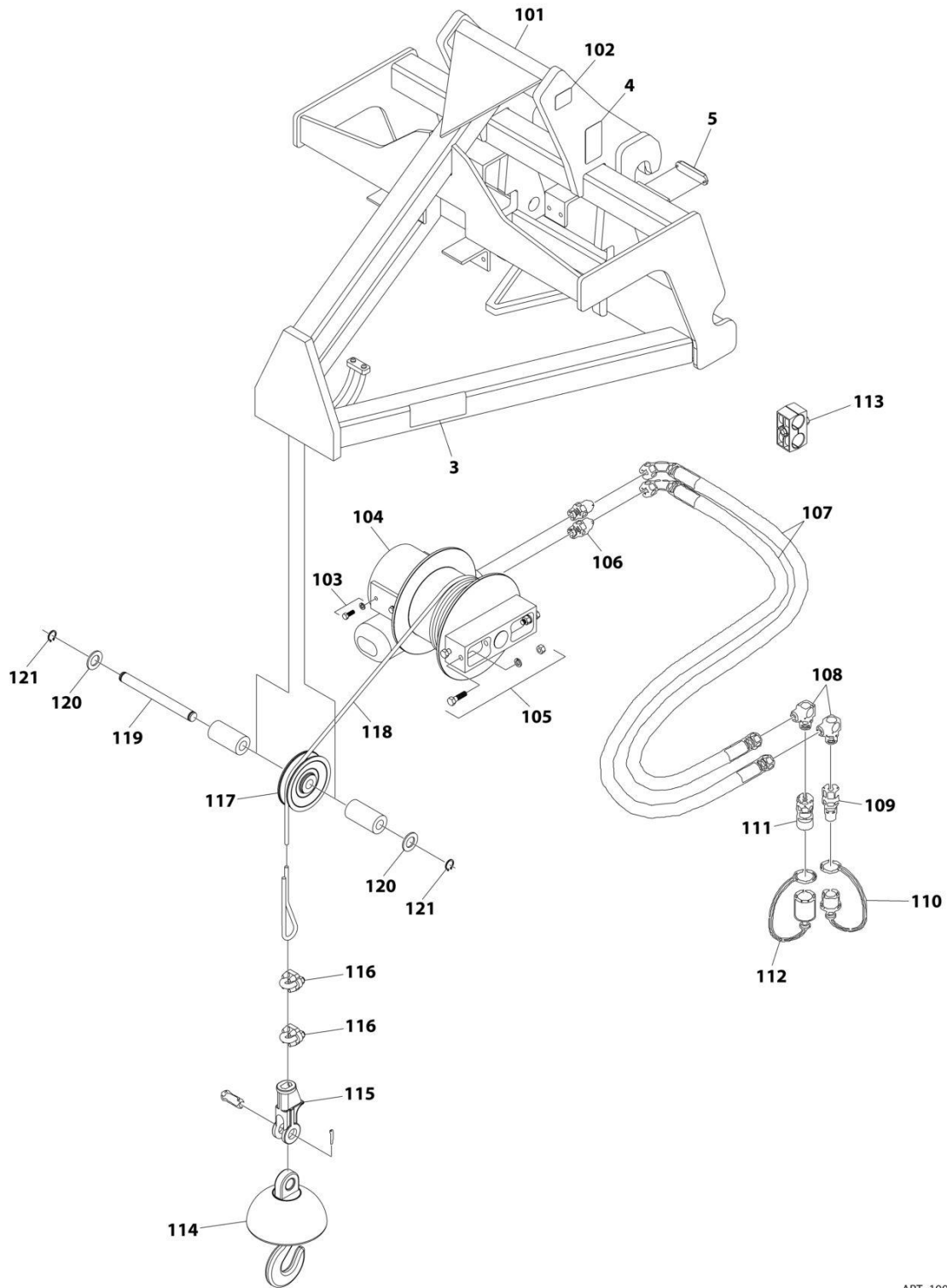
SECTION 3 - ATTACHMENTS

FIGURE 3-6. BOOM - ADJUSTABLE (FORK MOUNTED)

ITEM	PART NUMBER	QTY	DESCRIPTION	REV
	1001230241	Ref	Adjustable Truss Boom Installation (Fork Mounted)	J
1	3440620	1	Pin	
2	4110422	2	Decal, Danger Swinging Loads	
3	91403448	1	Hook, Swivel	
4	1001128890	1	Spring	
5	1001146160	1	Shackle	
6	See Note	NSS	Boom, Truss - Adjustable (Note: Purchase Complete Assembly)	
7	1001230239	1	Pin	
8	See Note	NSS	SN Plate (Note: Stamped Part - Not Available for Purchase)	
9	1001231692	2	Pin	
10	1001232500	1	Decal, Load Capacities	

SECTION 3 - ATTACHMENTS

FIGURE 3-7. BOOM - 3 FOOT WITH WINCH



ART_1001100967_H

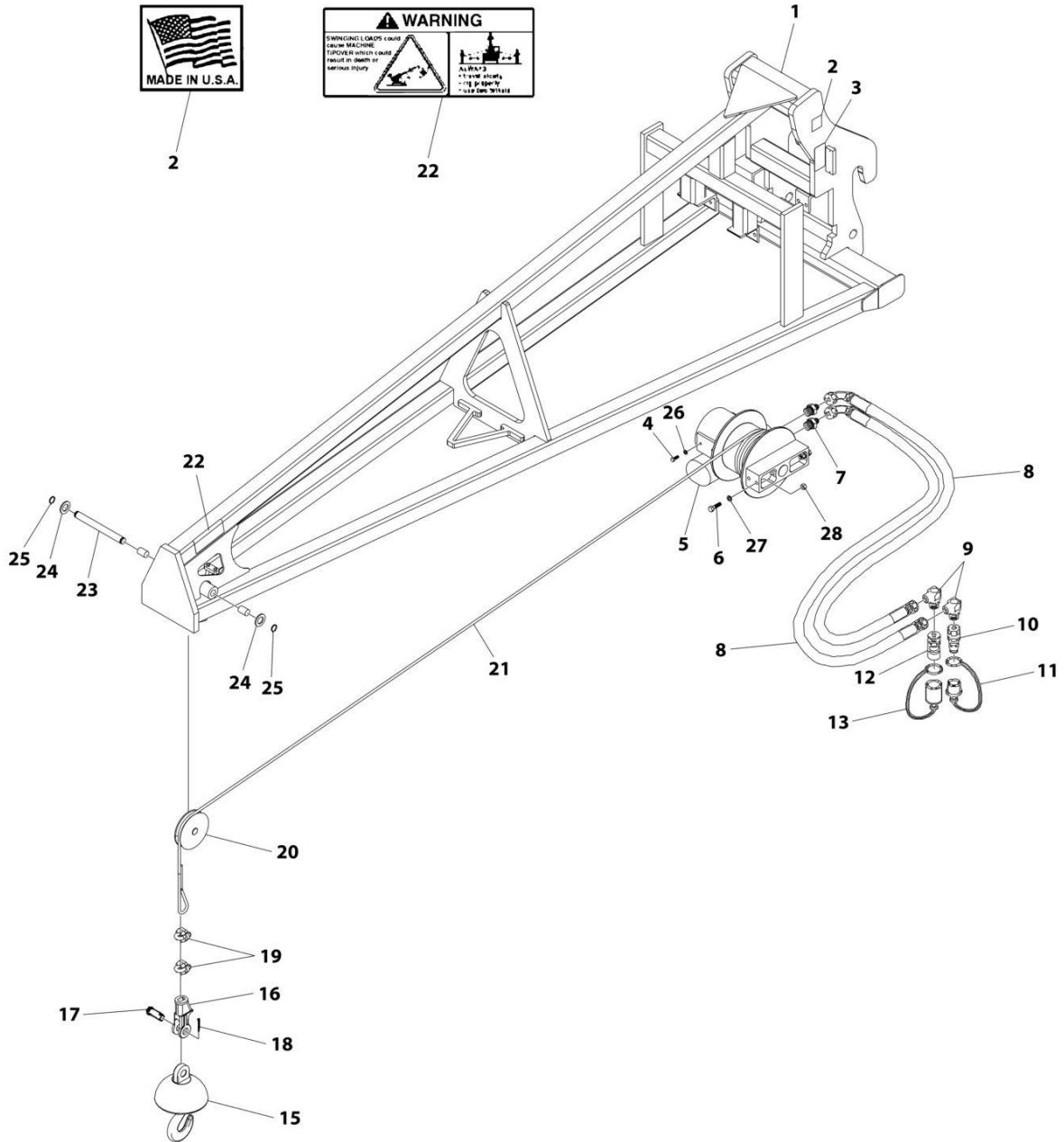
SECTION 3 - ATTACHMENTS

FIGURE 3-7. BOOM - 3 FOOT WITH WINCH

ITEM	PART NUMBER	QTY	DESCRIPTION	REV
	1001100967	Ref	TRUSS BOOM ASSEMBLY (3 FOOT WITH WINCH) (INCLUDES ITEMS 3, 4, 5 & 101 THRU 121)	H
3	4110422	2	Decal, Danger, Swinging Loads	
4	See Note	NSS	S/N Plate (Note: Stamped Part - Not Available for Purchase)	
5	1001227670	1	Tag, RFID	
101	See Note	NSS	Truss Boom Frame (Note: Purchase Complete Assembly)	
102	90554016	1	Decal	
103	70021349	4	Bolt	
103	90554042	4	Washer	
104	70021921	1	Winch, Truss Boom	
105	70024059	4	Bolt	
105	90554054	4	Nut	
105	90554020	4	Washer	
106	70021415	2	Fitting	
107	70021977	2	Hose 32in (Boom Front Disconnect)	
107	70031445	2	Hose 48in (Boom Side Disconnect)	
108	70022527	2	Fitting, 90	
109	91403414	1	Fitting, Straight	
110	8420053	1	Cap	
111	91403413	1	Fitting, Straight	
112	8420055	1	Plug	
113	70021387	1	Clamp	
114	70021978	1	Ball Swivel Safety Hook	
115	70021979	1	Assembly, Socket	
116	70022528	2	Clamp	
117	70021935	1	Pulley	
118	70022028	1	Cable	
119	70022529	1	Pin	
120	70027009	2	Washer	
121	70026698	2	Ring, Snap	

SECTION 3 - ATTACHMENTS

FIGURE 3-8. BOOM - 12 FOOT WITH WINCH



ART_1001099351

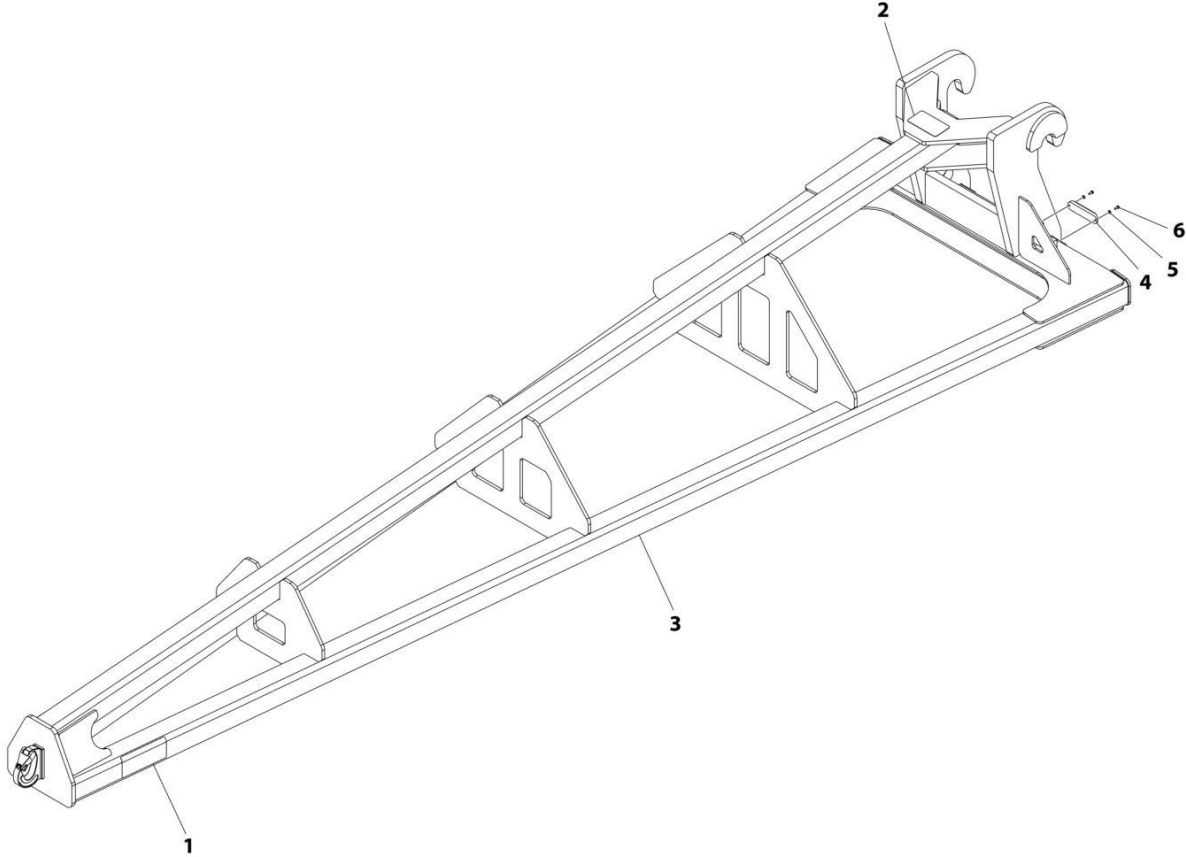
SECTION 3 - ATTACHMENTS

FIGURE 3-8. BOOM - 12 FOOT WITH WINCH

ITEM	PART NUMBER	QTY	DESCRIPTION	REV
	1001099351	Ref	TRUSS BOOM (0.9 TON - 3.7M WITH WINCH)	L
1	See Note	NSS	Frame, Truss Boom (Note: Purchase Complete Assembly)	
2	90554016	1	Decal, Made in USA	
	See Note	NSS	S/N Plate (Note: Stamped Part - Not Available for Purchase)	
4	70021349	4	Bolt 3/8 x 1	
5	70021921	1	Motor, Truss Boom Winch	
6	70024059	2	Bolt 1/2 x 1-3/4	
7	70021415	2	Connector	
8	70021977	2	Hose 32in (Boom Front Disconnect)	
8	70031445	2	Hose 48in (Boom Side Disconnect)	
9	70022527	2	Fitting, 90	
10	7029692	1	Fitting, Straight	
11	90554062	1	Cap, Dust	
12	70021342	1	Fitting, Straight	
13	90554076	1	Cap, Dust	
15	70021978	1	Ball Swivel with Safety Hook	
16	70021979	1	Assembly, Socket (includes items 17 thru 18)	
17	See Note	NSS	Pin (Note: Use Item 16)	
18	See Note	NSS	Pin, Cotter (Note: Use Item 16)	
19	70022528	2	Clamp	
20	70021935	1	Pulley	
21	70022028	1	Cable	
22	4110422	2	Decal, Warning Swinging Loads	
23	70022529	1	Pin	
24	70024060	2	Washer	
25	70026698	2	Ring, Snap	
26	90554042	4	Washer 3/8	
27	90554020	2	Washer 1/2	
28	90554054	2	Nut 1/2	

SECTION 3 - ATTACHMENTS

FIGURE 3-9. BOOM - 12FT WITHOUT WINCH (Prior to SN 0160116804)



ART_1001099902_H

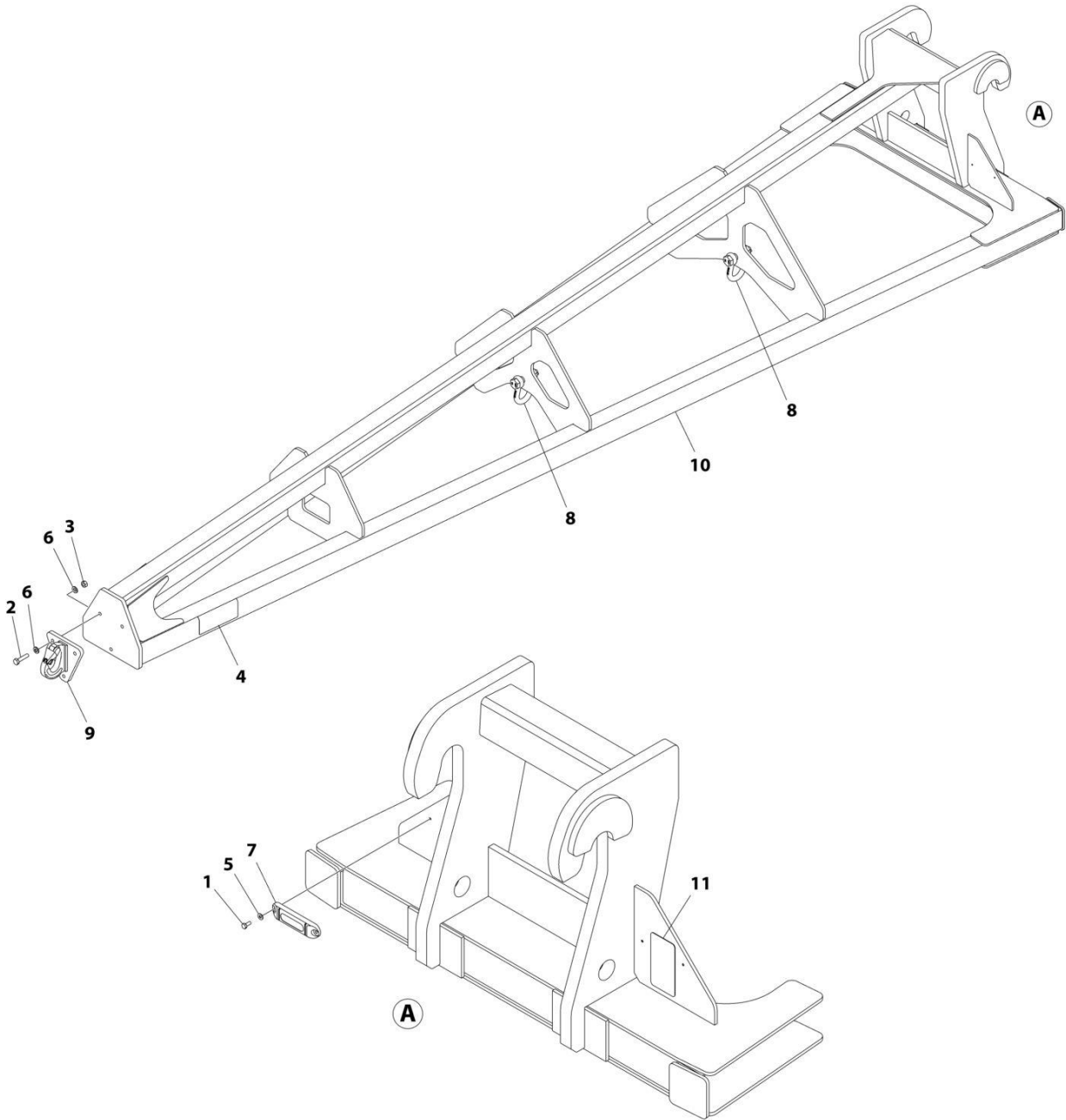
SECTION 3 - ATTACHMENTS

FIGURE 3-9. BOOM - 12FT WITHOUT WINCH (Prior to SN 0160116804)

ITEM	PART NUMBER	QTY	DESCRIPTION	REV
	1001099902	Ref	TRUSS BOOM (0.9 TON - 3.7M)	H
1	4110422	2	Decal, Danger Swinging Loads	
2	See Note	NSS	SN Plate (Note:Stamped Part - Not Available for Purchase)	
3	See Note	NSS	Boom, Truss (Note: Purchase Complete Assembly)	
4	1001227670	1	Tag, RFID	
5	4811400	2	Washer M4	
6	0760405	2	Bolt M4 x 10	

SECTION 3 - ATTACHMENTS

FIGURE 3-10. BOOM - 12FT WITHOUT WINCH (SN 0160116804 to Present)



ART_1001275853

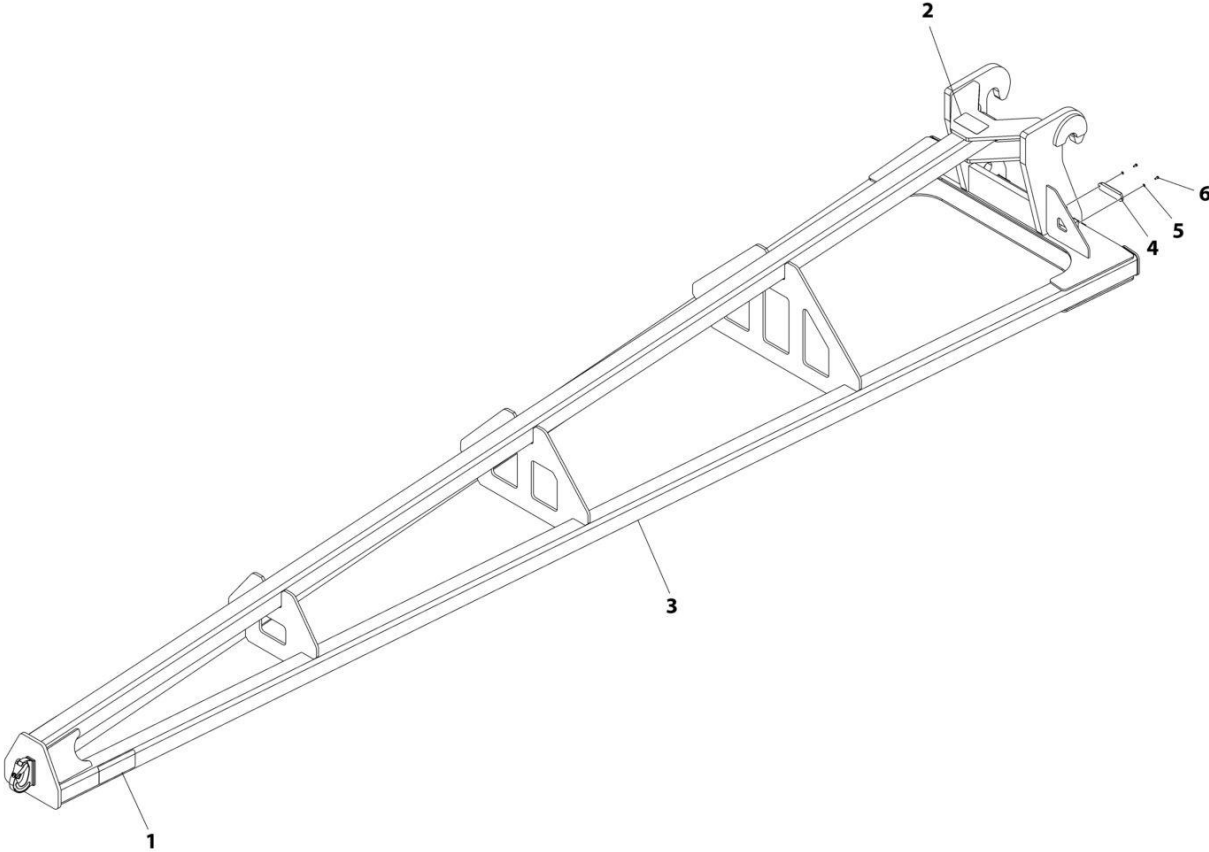
SECTION 3 - ATTACHMENTS

FIGURE 3-10. BOOM - 12FT WITHOUT WINCH (SN 0160116804 to Present)

ITEM	PART NUMBER	QTY	DESCRIPTION	REV
	1001275853	Ref	BOOM - 12FT WITHOUT WINCH	D
1	0760405	2	Bolt M4 x 10	
2	0761017	3	Bolt M10 x 45	
3	3291007	3	Nut M10	
4	4110422	2	Decal, Danger Swinging Loads	
5	4811400	2	Washer M4	
6	5241000	6	Washer M10	
7	1001227670	1	Tag, RFID	
8	1001287742	2	Clevis	
9	1001275841	1	Hook	
10	See Note	NSS	Boom, Truss (Note: Purchase Complete Assembly)	
11	See Note	NSS	SN Plate (Note: Stamped Part - Not Available for Purchase)	

SECTION 3 - ATTACHMENTS

FIGURE 3-11. BOOM - 15FT WITHOUT WINCH (Prior to SN 0160116804)



ART_1001099901_H

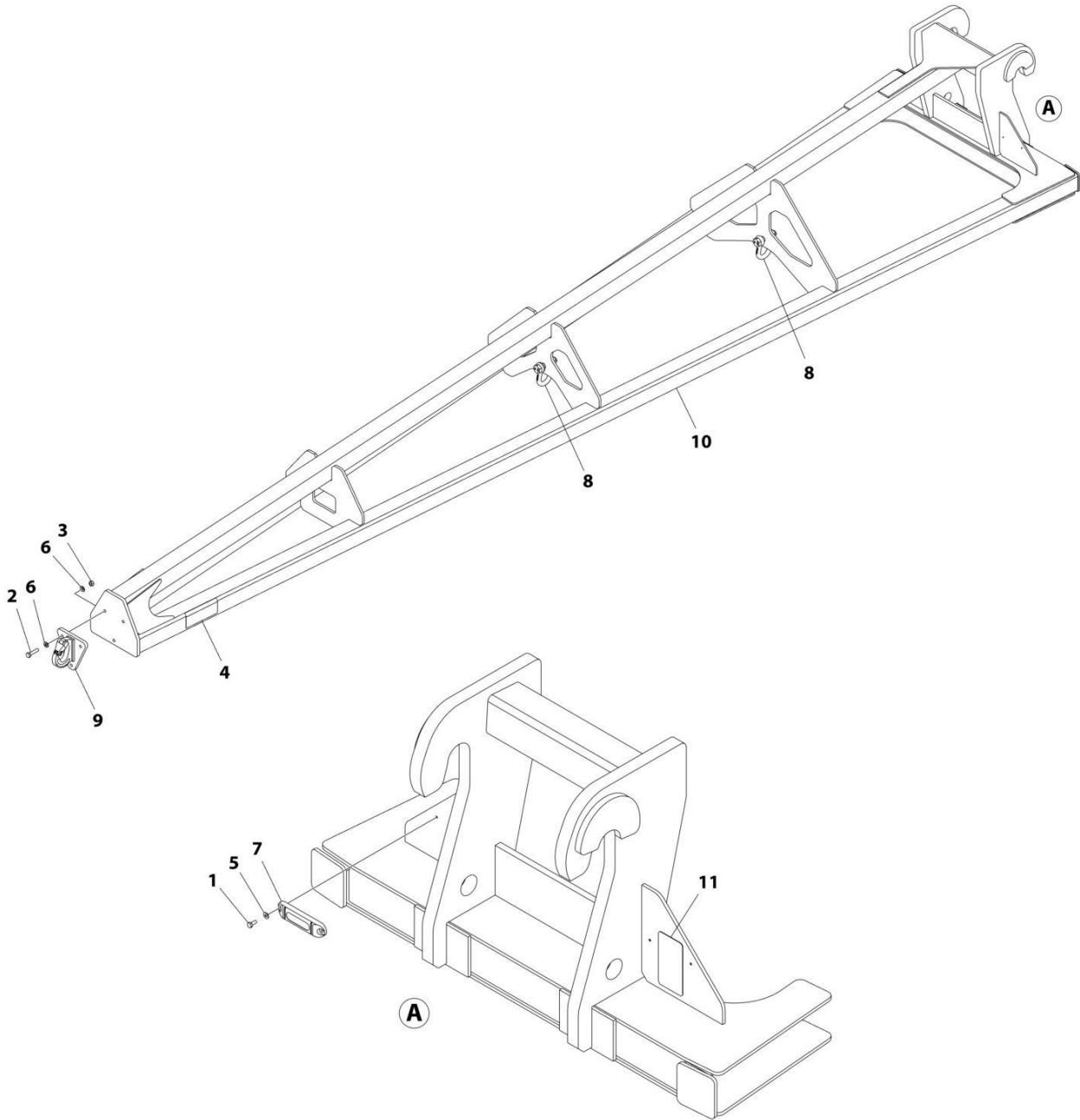
SECTION 3 - ATTACHMENTS

FIGURE 3-11. BOOM - 15FT WITHOUT WINCH (Prior to SN 0160116804)

ITEM	PART NUMBER	QTY	DESCRIPTION	REV
	1001099901	Ref	TRUSS BOOM (15 FOOT)	H
1	4110422	2	Decal, Danger Swinging Loads	
2	See Note	NSS	SN Plate (Note:Stamped Part - Not Available for Purchase)	
3	See Note	NSS	Boom, Truss (Note: Purchase Complete Assembly)	
4	1001227670	1	Tag, RFID	
5	4811400	2	Washer M4	
6	0760405	2	Bolt M4 x 10	

SECTION 3 - ATTACHMENTS

FIGURE 3-12. BOOM - 15FT WITHOUT WINCH (SN 0160116804 to Present)



ART_1001275852

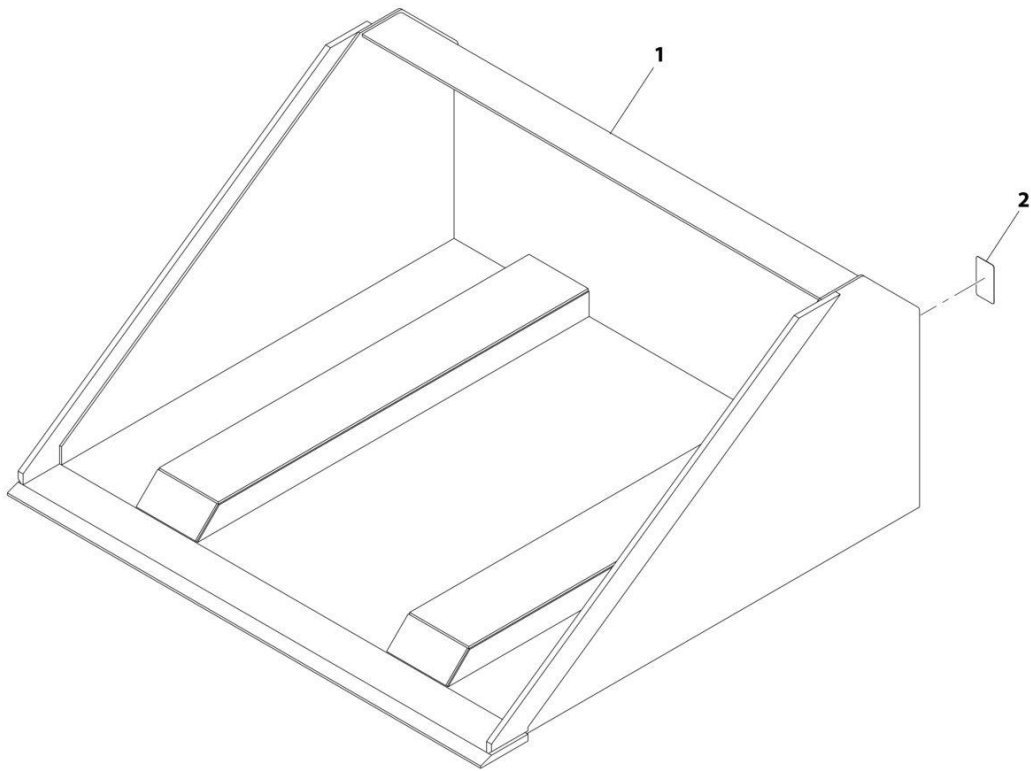
SECTION 3 - ATTACHMENTS

FIGURE 3-12. BOOM - 15FT WITHOUT WINCH (SN 0160116804 to Present)

ITEM	PART NUMBER	QTY	DESCRIPTION	REV
	1001275852	Ref	BOOM - 15FT WITHOUT WINCH	D
1	0760405	2	Bolt M4 x 10	
2	0761017	3	Bolt M10 x 45	
3	3291007	3	Nut M10	
4	4110422	2	Decal, Danger Swinging Loads	
5	4811400	2	Washer M4	
6	5241000	6	Washer M10	
7	1001227670	1	Tag, RFID	
8	1001287742	2	Clevis	
9	1001275841	1	Hook	
10	See Note	NSS	Boom, Truss (Note: Purchase Complete Assembly)	
11	See Note	NSS	SN Plate (Note: Stamped Part - Not Available for Purchase)	

SECTION 3 - ATTACHMENTS

FIGURE 3-13. BUCKET (60 INCH)



ART_1001195970-D

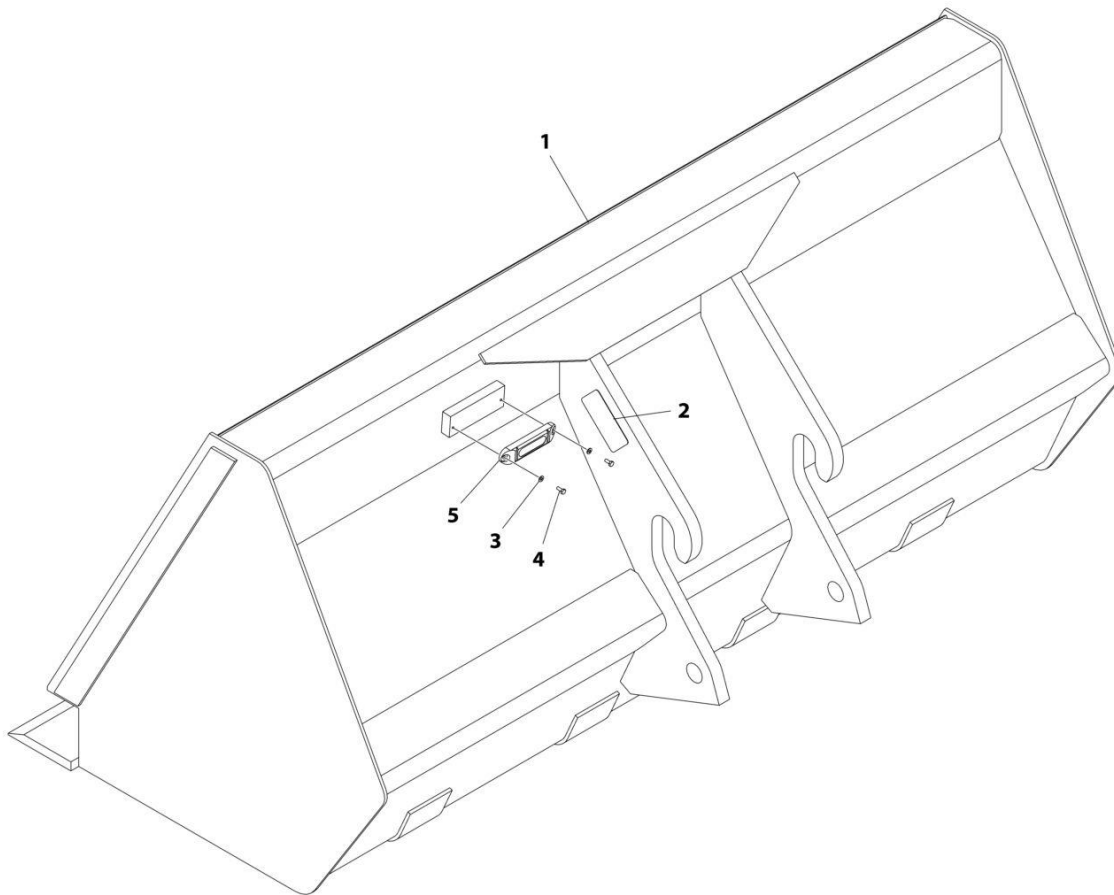
SECTION 3 - ATTACHMENTS

FIGURE 3-13. BUCKET (60 INCH)

ITEM	PART NUMBER	QTY	DESCRIPTION	REV
1	1001195970	Ref	Bucket 1.0 m ³ (Fork Mounted)	E
2	See Note	NSS	S/N Plate (Note: Stamped Part - Not Available for Purchase)	

SECTION 3 - ATTACHMENTS

FIGURE 3-14. BUCKET (72 INCH)



ART_1001100822_I

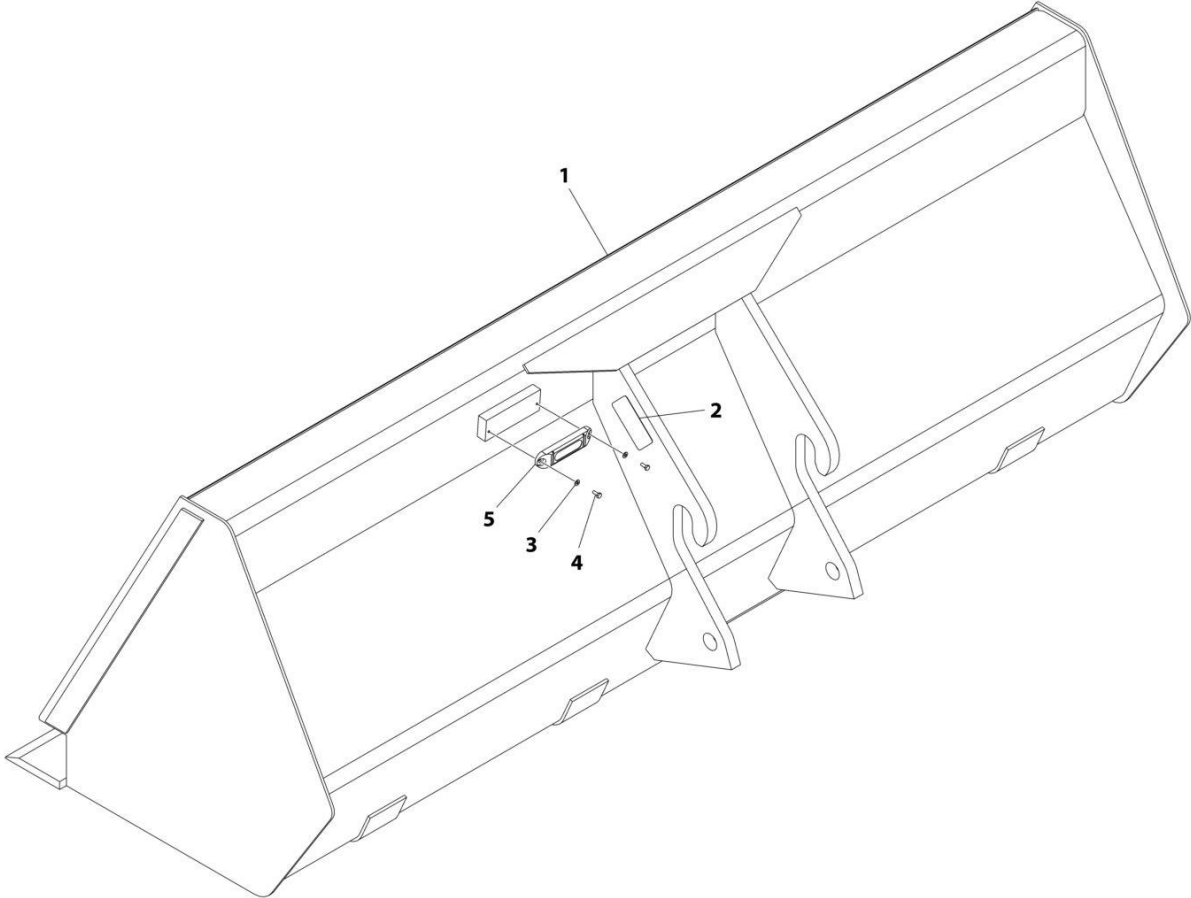
SECTION 3 - ATTACHMENTS

FIGURE 3-14. BUCKET (72 INCH)

ITEM	PART NUMBER	QTY	DESCRIPTION	REV
	1001100822	Ref	BUCKET 1.0 YD ³ (ANSI - JLG)	I
1	1001100265	1	Bucket Weldment	
2	See Note	NSS	SN Plate (Note:Stamped Part - Not Available for Purchase)	
3	4811400	2	Washer M4	
4	0760405	2	Bolt M4 x 10	
5	1001227670	1	Tag, RFID	

SECTION 3 - ATTACHMENTS

FIGURE 3-15. BUCKET (96 INCH)



ART_1001100823_I

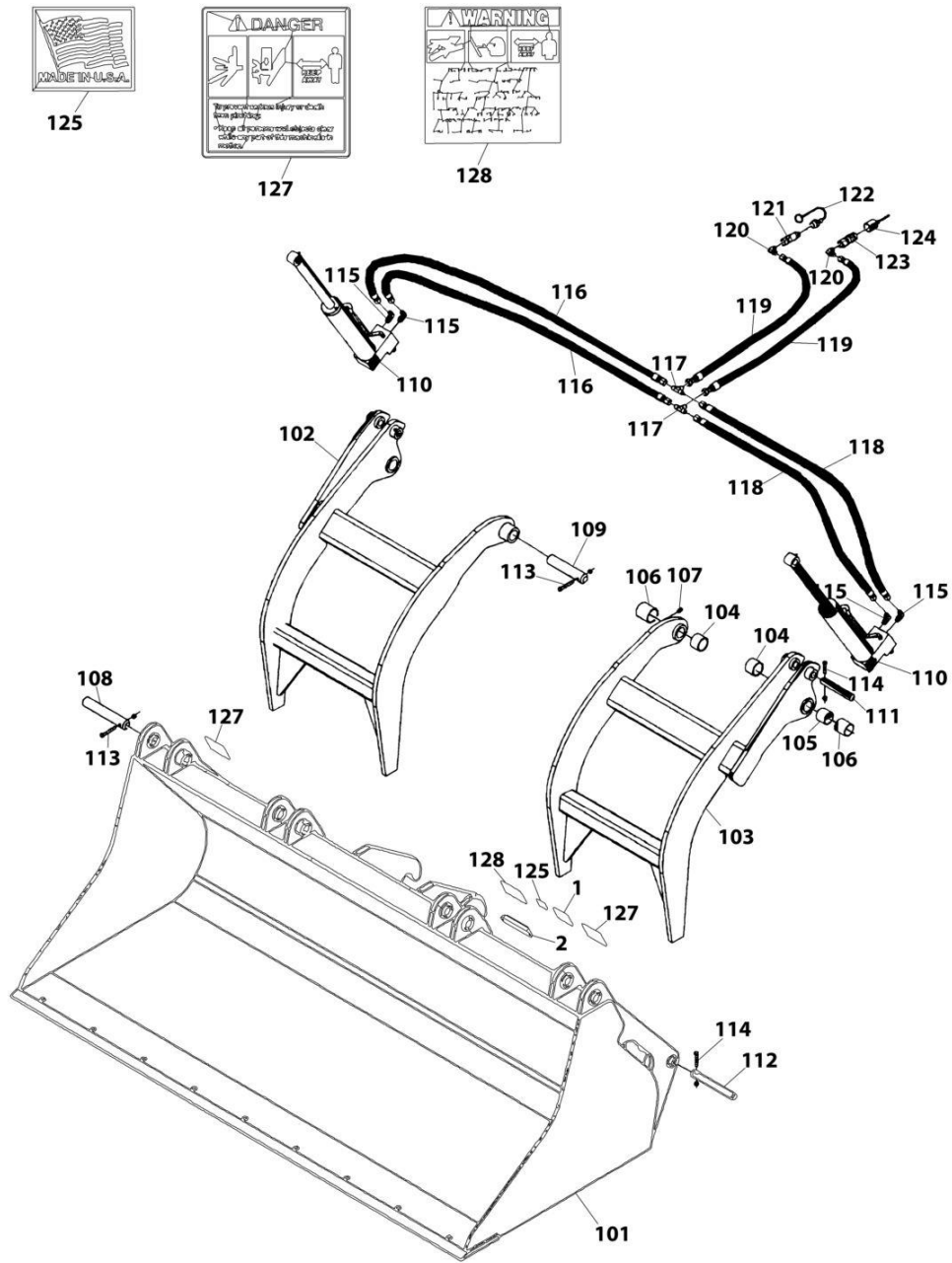
SECTION 3 - ATTACHMENTS

FIGURE 3-15. BUCKET (96 INCH)

ITEM	PART NUMBER	QTY	DESCRIPTION	REV
	1001100823	Ref	BUCKET (1.15 M ³)	I
1	1001100266	1	Bucket	
2	See Note	NSS	SN Plate (Note:Stamped Part - Not Available for Purchase)	
3	4811400	2	Washer M4	
4	0760405	2	Bolt M4 x 10	
5	1001227670	1	Tag, RFID	

SECTION 3 - ATTACHMENTS

FIGURE 3-16. BUCKET - GRAPPLE (96 INCH)



ART_0930020

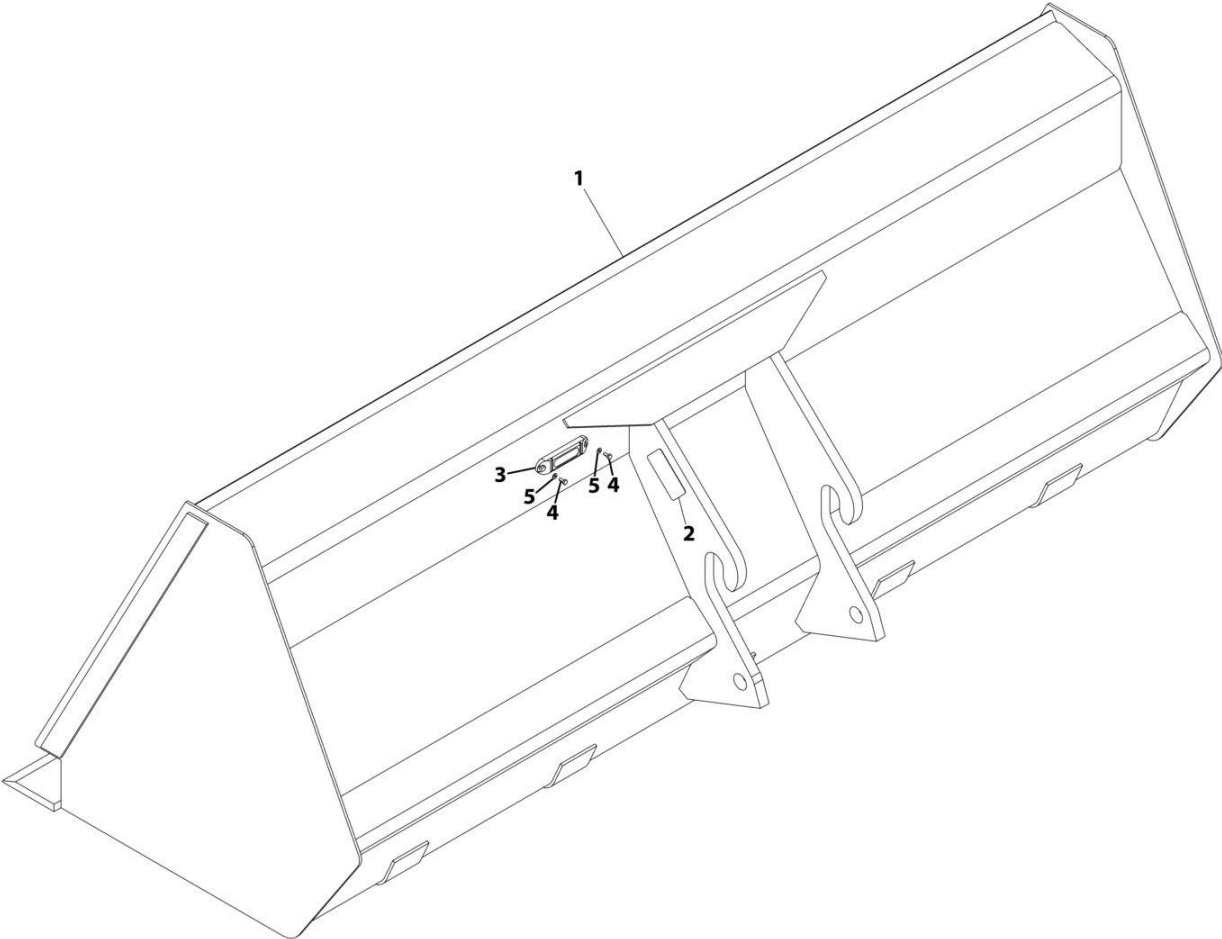
SECTION 3 - ATTACHMENTS

FIGURE 3-16. BUCKET - GRAPPLE (96 INCH)

ITEM	PART NUMBER	QTY	DESCRIPTION	REV
	0930020	Ref	Multi-Purpose Grapple Bucket (2450 MM)	L
1	See Note	NSS	S/N Plate (Note: Stamped Part - Not Available for Purchase)	
2	1001227670	1	Tag, RFID	
101	N.S.S.	1	Bucket	
101	70021387	4	Clamp, Hose	
102	70021391	1	Hook, RH Grapple	
103	70021392	1	Hook, LH Grapple	
104	70021358	4	Bushing	
105	70021359	2	Spacer	
106	70021360	4	Bushing	
107	7029714	4	Fitting, Grease	
108	70021361	2	Pin	
109	70021362	2	Pin	
110	70021393	2	Cylinder, Grapple Bucket (See Separate Breakdown in HYDRAULIC COMPONENTS Section)	
111	70021364	2	Pin	
112	70021365	2	Pin	
113	70021366	4	Bolt, 3/8X2-3/4	
113	70021367	4	Nut 3/8	
114	70021399	4	Bolt, 3/8X2-1/4	
114	70021367	4	Nut, Lock 3/8	
115	90554065	4	Fitting, 90	
116	70021980	2	Hose	
117	70020562	2	Fitting, Tee	
118	70021981	2	Hose	
119	70021982	2	Hose 34in (Boom Front Disconnect)	
119	70031446	2	Hose 45in (Boom Side Disconnect)	
120	70022527	2	Fitting, 90	
121	7029692	1	Coupler	
122	90554062	1	Cover	
123	70021342	1	Coupler	
124	90554076	1	Cover	
125	90554016	1	Decal, Made in USA	
127	90554017	2	Decal, Danger Pinch Point	
128	90554018	1	Decal, Warning High Pressure	

SECTION 3 - ATTACHMENTS

FIGURE 3-17. BUCKET (102 INCH)



ART_1001100824

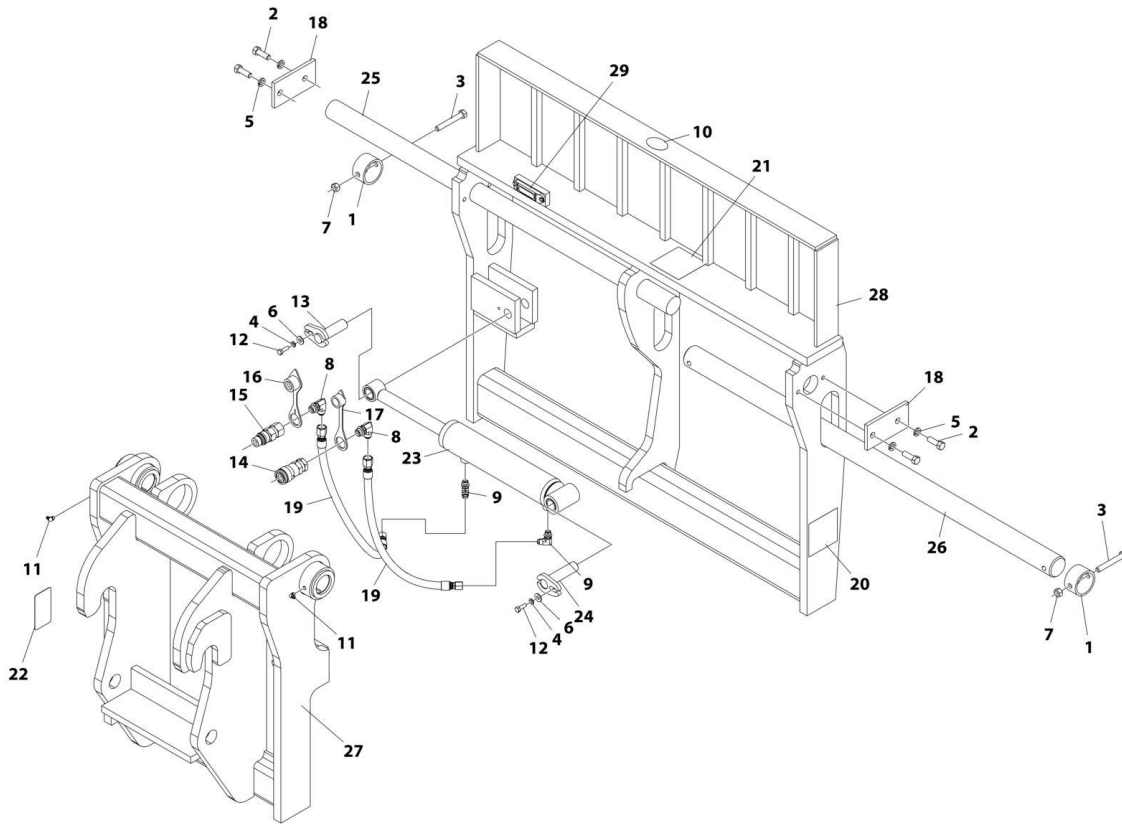
SECTION 3 - ATTACHMENTS

FIGURE 3-17. BUCKET (102 INCH)

ITEM	PART NUMBER	QTY	DESCRIPTION	REV
	1001100824	Ref	Bucket (102 Inch)	H
1	1001100267	NLA	Bucket (Note: Purchase PN 1001100824)	
2	See Note	NSS	S/N Plate (Note: Stamped Part - Not Available for Purchase)	
3	1001227670	1	Tag, RFID	
4	0760405	2	Bolt M4 x 10	
5	4811400	2	Washer M4	

SECTION 3 - ATTACHMENTS

FIGURE 3-18. CARRIAGE ASSEMBLY - 48IN SIDE SHIFT



ART_1001242644_C

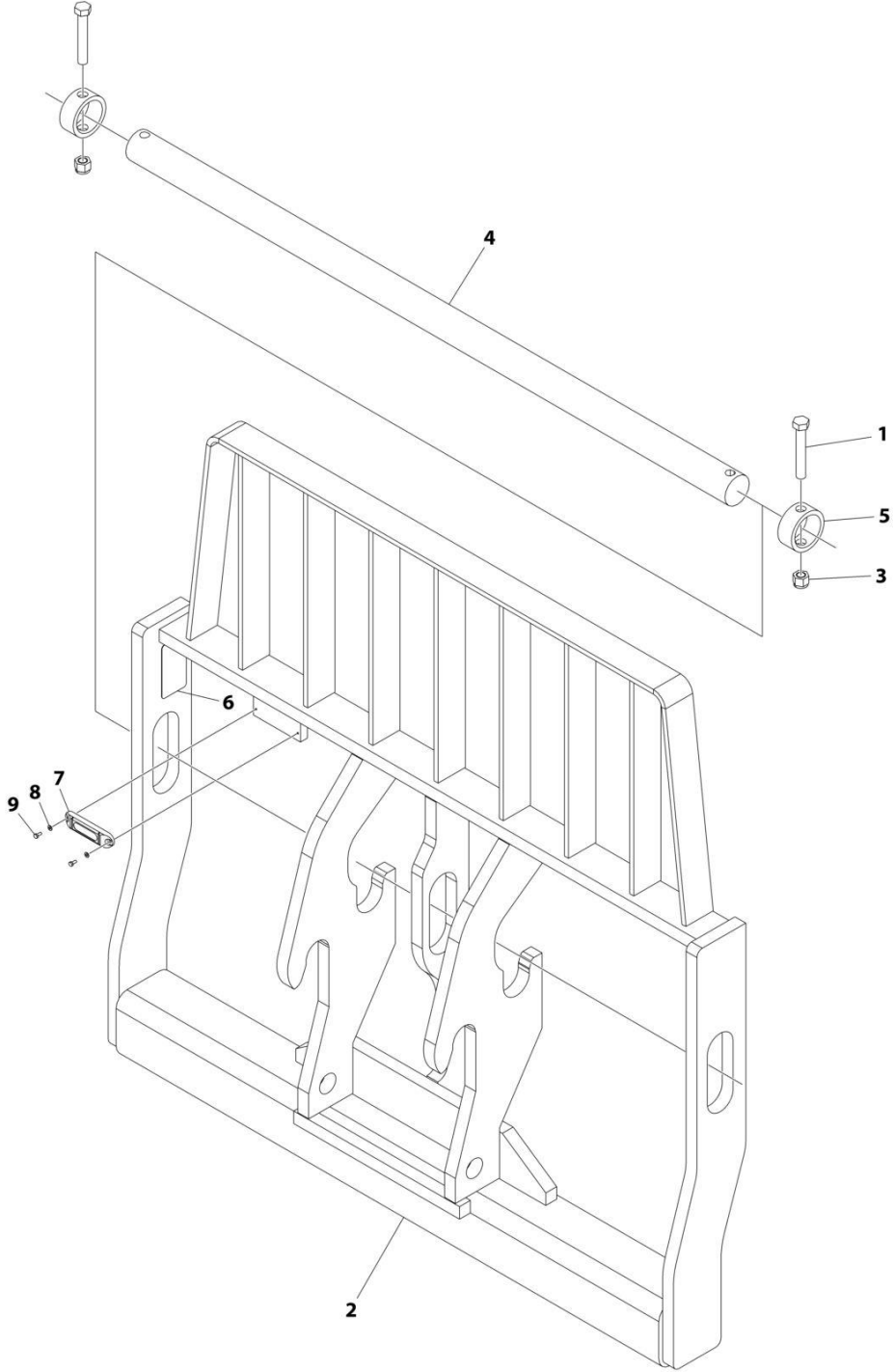
SECTION 3 - ATTACHMENTS

FIGURE 3-18. CARRIAGE ASSEMBLY - 48IN SIDE SHIFT

ITEM	PART NUMBER	QTY	DESCRIPTION	REV
	1001242644	Ref	SIDE SHIFT CARRIAGE ASSEMBLY (48 INCH)	C
1	70020028	2	Bushing	
2	70021382	4	Bolt 1/2 x 1-1/2	
3	70020002	2	Bolt 1/2 x 4	
4	90554067	2	Washer 5/16	
5	90554020	4	Washer 1/2	
6	70021379	2	Washer	
7	70027642	2	Washer	
8	70030141	2	Elbow	
9	90554065	2	Elbow 90	
10	90554016	1	Decal - Made in USA	
11	70021389	2	Fitting 90	
12	70021378	2	Capscrew	
13	70021351	1	Pin	
14	91403413	1	Adapter	
15	91403414	1	Adapter	
16	8420053	1	Cap, Dust	
17	8420055	1	Plug, Dust	
18	70030142	2	Plate	
19	70030143	2	Hose 30in (Boom Front Disconnect)	
19	70031444	2	Hose 55in (Boom Side Disconnect)	
20	90554017	2	Decal - Danger Pinch Point	
21	7029711	1	Decal - High Pressure	
22	See Note	NSS	SN Plate (Note: Stamped Part - Not Available for Purchase)	
23	70021376	1	Cylinder Assembly (See Separate Breakdown in HYDRAULIC COMPONENTS Section)	
24	70021377	1	Pin	
25	70030144	1	Pin	
26	70030145	1	Pin	
27	See Note	NSS	Frame - Rear (Note: Purchase Complete Assembly)	
28	See Note	NSS	Frame - Front (Note: Purchase Complete Assembly)	
29	1001227670	1	Tag, RFID	

SECTION 3 - ATTACHMENTS

FIGURE 3-19. CARRIAGE ASSEMBLY - 50IN



ART_1170021_I

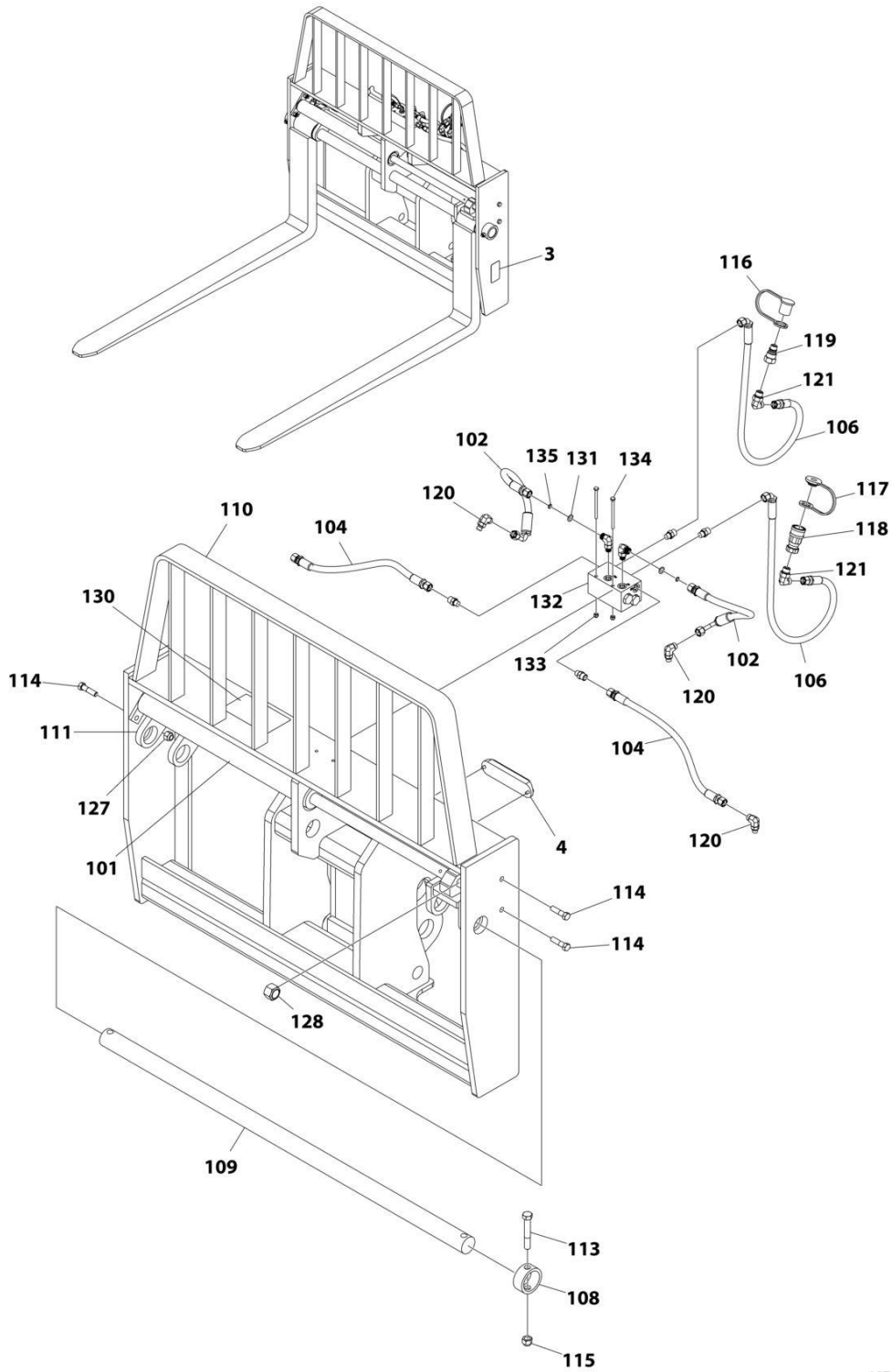
SECTION 3 - ATTACHMENTS

FIGURE 3-19. CARRIAGE ASSEMBLY - 50IN

ITEM	PART NUMBER	QTY	DESCRIPTION	REV
	1170021	Ref	CARRIAGE ASSEMBLY (50 INCH)	1
1	0642032	2	Bolt 5/8-11 x 4	
2	See Note	NSS	Carriage (Note: Purchase Complete Assembly)	
3	3300240	2	Nut 5/8-11	
4	3423275	1	Pin, Fork	
5	90200003	2	Collar, Fork Pin	
6	See Note	NSS	SN Plate (Note: Stamped Part - Not Available for Purchase)	
7	1001227670	1	Tag, RFID	
8	4811400	2	Washer M4	
9	0760405	2	Bolt M4 x 10	

SECTION 3 - ATTACHMENTS

FIGURE 3-20. CARRIAGE ASSEMBLY - 50IN DUAL FORK POSITIONING



ART_7301295_L

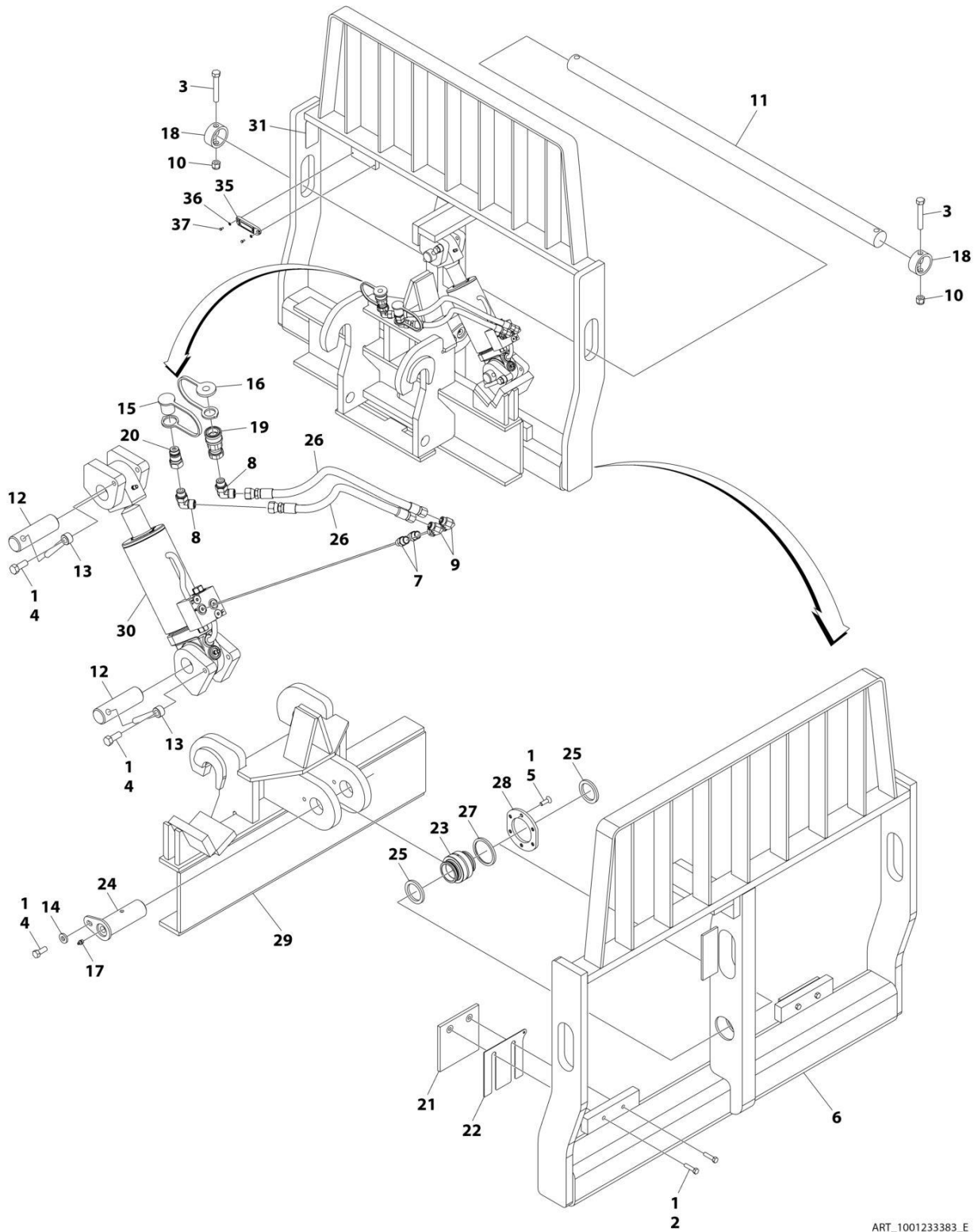
SECTION 3 - ATTACHMENTS

FIGURE 3-20. CARRIAGE ASSEMBLY - 50IN DUAL FORK POSITIONING

ITEM	PART NUMBER	QTY	DESCRIPTION	REV
	7301295	Ref	FORK POSITIONING CARRIAGE WITH FORKS (4.5 TON)	L
3	N.S.S.	1	S/N Plate	
4	1001227670	1	Tag, RFID	
101	2717283	2	Cylinder, Fork Positioning (See Separate Breakdown in HYDRAULIC COMPONENTS Section)	
102	2717160	2	Hose	
104	2717161	2	Hose	
106	2717162	2	Hose 36in (Boom Front Disconnect)	
106	70031443	2	Hose 44in (Boom Side Disconnect)	
108	90200003	2	Collar, Fork Pin	
109	90451058	1	Shaft, Fork	
110	N.S.S.	1	Weldment, Carriage	
111	N.S.S.	1	Weldment, Fork Adapter	
113	8303634	2	Bolt 5/8 x 4	
114	8303658	4	Bolt 1/2 x 2	
115	8305643	2	Nut 5/8	
116	8420053	1	Cap, Dust	
117	8420055	1	Plug, Dust	
118	91403413	1	Adapter, Quick Disconnect	
119	91403414	1	Adapter, Quick Disconnect	
120	2130606	4	Adapter, 90 Straight	
121	2130608	2	Adapter, 90 Straight	
127	8310302	4	Nut 1/2	
128	10705034	2	Nut 1	
130	4110473	1	Decal, Warning Route Hoses	
131	7139918	2	Disk, Orifice	
132	4641502	1	Assembly, Dual Fork Carriage Valve (See Separate Breakdown in HYDRAULIC COMPONENTS Section)	
133	8305624	2	Nut 1/4	
134	8310435	2	Bolt 1/4 x 3-3/4	
135	8630003	2	O-Ring	

SECTION 3 - ATTACHMENTS

FIGURE 3-21. CARRIAGE ASSEMBLY - 50IN/12000# CAPACITY SIDE TILT (Prior to SN 0160116804)



ART_1001233383_E

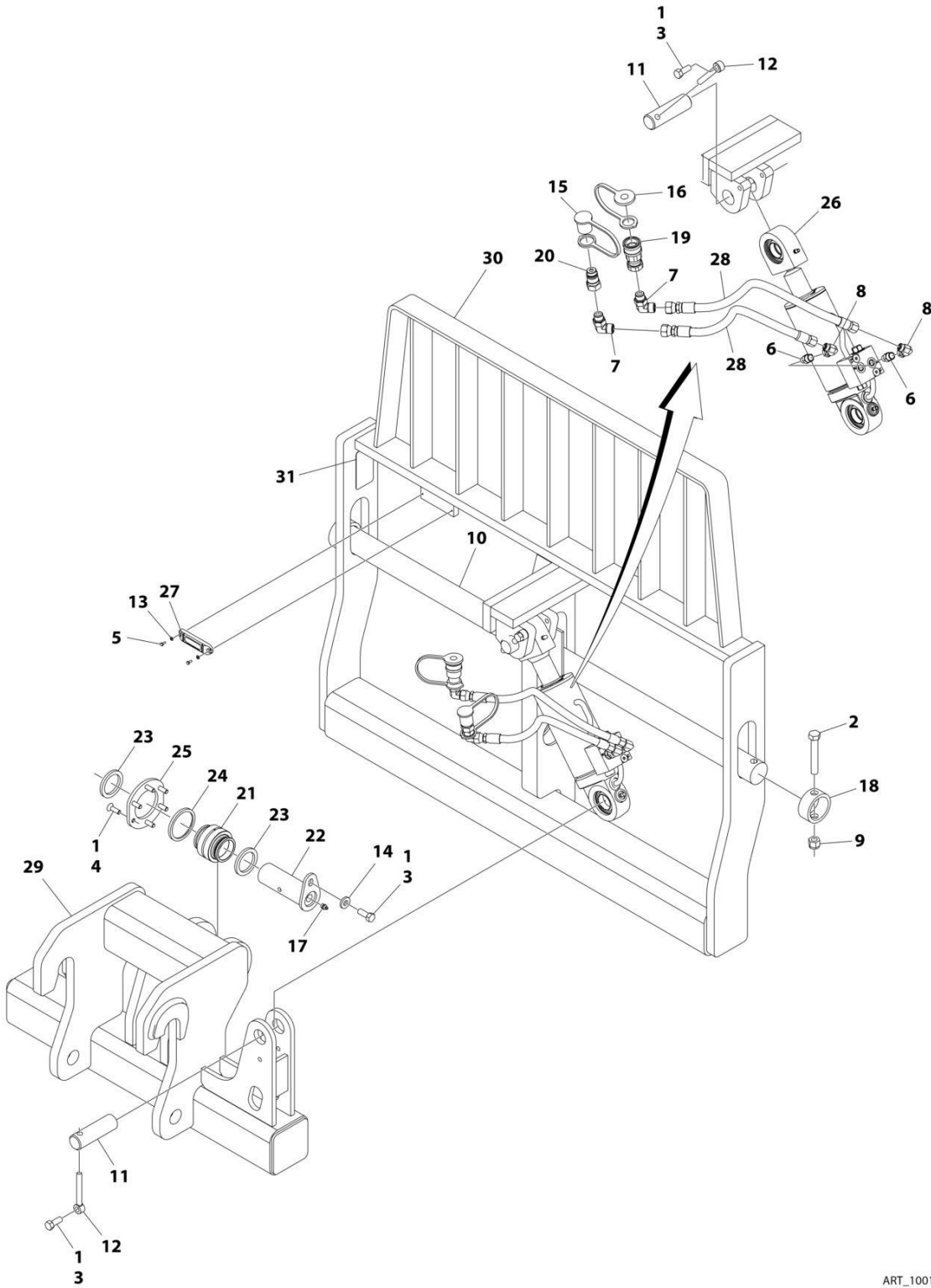
SECTION 3 - ATTACHMENTS

FIGURE 3-21. CARRIAGE ASSEMBLY - 50IN/12000# CAPACITY SIDE TILT (Prior to SN 0160116804)

ITEM	PART NUMBER	QTY	DESCRIPTION	REV
	1001233383	NLA	SIDE TILT CARRIAGE ASSEMBLY (50 INCH) (No longer available, use item 1 to 37 for service or 1001277290 for replacement)	E
1	0100011	AR	Compound, Locking	
2	0641612	4	Bolt 3/8 x 1-1/2	
3	0642032	2	Bolt 5/8 x 4	
4	0681810	3	Bolt 1/2 x 1-1/4	
5	0741610	6	Screw 3/8 x 1.25	
6	See Note	NSS	Carriage (Note: Purchase Complete Assembly)	
7	2110606	2	Fitting, Straight ORFS	
8	2130808	2	Adapter, 90	
9	2172106	2	Fitting, 90 ORFS	
10	3300240	2	Nut 5/8	
11	3423275	1	Pin	
12	3423307	2	Pin	
13	3841203	2	Keeper	
14	4891800	1	Flatwasher	
15	8420053	1	Cap	
16	8420055	1	Plug	
17	88671001	1	Fitting, Grease	
18	90200003	2	Collar	
19	91403413	1	Fitting, Straight	
20	91403414	1	Fitting, Straight	
21	1001090063	2	Pad	
22	1001090064	AR	Shim	
23	1001090140	1	Bearing	
24	1001099113	1	Pin	
25	1001099115	2	Sleeve	
26	1001239734	2	Hose	
27	1001120914	1	Shim	
28	1001120915	1	Plate	
29	See Note	NSS	Carriage, Base Plate (Note: Purchase Complete Assembly)	
30	1001163414	1	Cylinder, Side Tilt (See Separate Breakdown in HYDRAULIC COMPONENTS Section)	
31	See Note	NSS	SN Plate (Note: Stamped Part - Not Available for Purchase)	
35	1001227670	1	Tag, RFID	
36	4811400	2	Washer M4	
37	0760405	2	Bolt M4 x 10	

SECTION 3 - ATTACHMENTS

FIGURE 3-22. CARRIAGE ASSEMBLY - 50IN/12000# CAPACITY SIDE TILT (SN 0160116804 to Present)



ART_1001277290

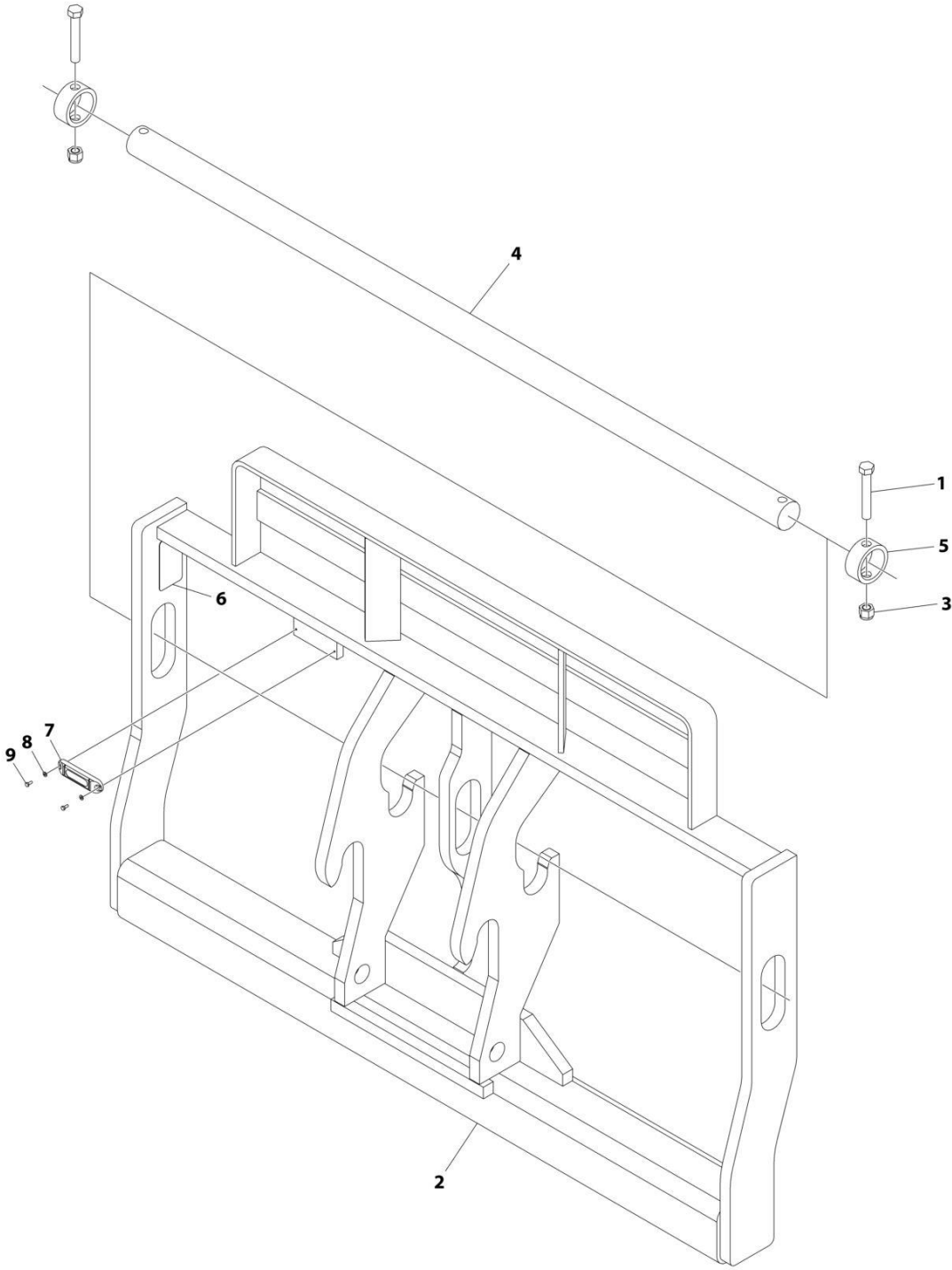
SECTION 3 - ATTACHMENTS

FIGURE 3-22. CARRIAGE ASSEMBLY - 50IN/12000# CAPICITY SIDE TILT (SN 0160116804 to Present)

ITEM	PART NUMBER	QTY	DESCRIPTION	REV
	1001277290	Ref	SIDE TILT CARRIAGE ASSEMBLY (50 INCH)	A
1	0100011	AR	Compound, Locking	
2	0642032	2	Bolt 5/8 x 4	
3	0681810	3	Bolt 1/2 x 1-1/4	
4	0741610	6	Screw 3/8 x 1-1/4	
5	0760405	2	Bolt M4 x 10	
6	2110606	2	Fitting, Straight ORFS	
7	2130808	2	Fitting, 90 ORFS	
8	2172106	2	Fitting, 90 ORFS	
9	3300240	2	Nut 5/8	
10	3423275	1	Pin	
11	3423307	2	Pin	
12	3841203	2	Keeper	
13	4811400	2	Washer M4	
14	4891800	1	Washer	
15	8420053	1	Cap	
16	8420055	1	Plug	
17	88671001	1	Fitting, Grease	
18	90200003	2	Collar	
19	91403413	1	Fitting, Straight	
20	91403414	1	Fitting, Straight	
21	1001090140	1	Bearing	
22	1001099113	1	Pin	
23	1001099115	2	Sleeve	
24	1001120914	1	Shim	
25	1001120915	1	Plate	
26	1001163414	1	Cylinder, Side Tilt (See Separate Breakdown in HYDRAULIC COMPONENTS Section)	
27	1001227670	1	Tag, RFID	
28	1001239734	2	Hose	
29	See Note	NSS	Carriage, Base Plate (Note: Purchase Complete Assembly)	
30	See Note	NSS	Carriage (Note: Purchase Complete Assembly)	
31	See Note	NSS	SN Plate (Note: Stamped Part - Not Available for Purchase)	

SECTION 3 - ATTACHMENTS

FIGURE 3-23. CARRIAGE ASSEMBLY - 60IN



ART_1170024_I

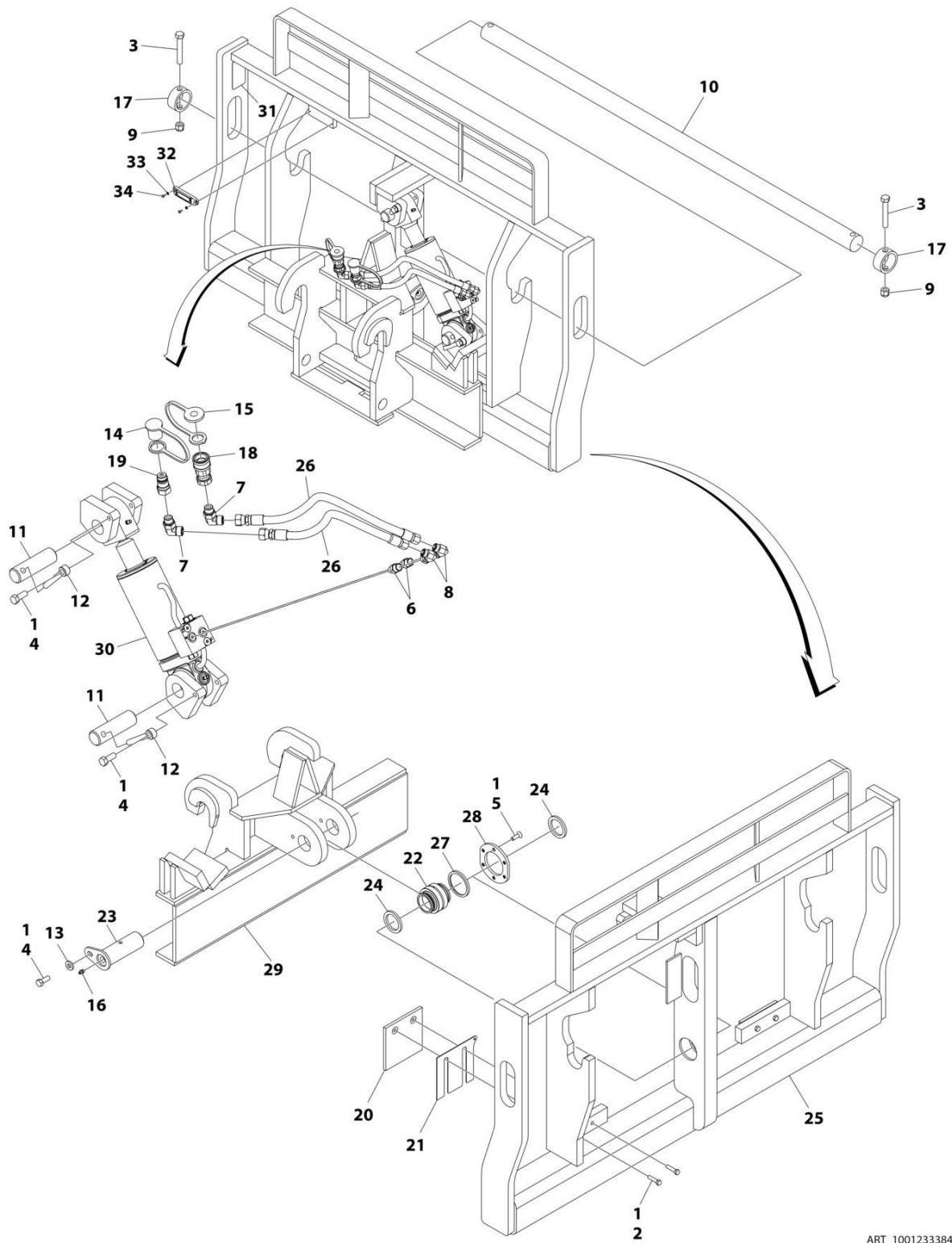
SECTION 3 - ATTACHMENTS

FIGURE 3-23. CARRIAGE ASSEMBLY - 60IN

ITEM	PART NUMBER	QTY	DESCRIPTION	REV
	1170024	Ref	CARRIAGE ASSEMBLY (1524 MM)	1
1	0642032	2	Bolt 5/8 x 4	
2	See Note	NSS	Carriage (Note: Purchase Complete Assembly)	
3	3300240	2	Nut 5/8	
4	3423242	1	Pin	
5	90200003	2	Sleeve	
6	See Note	NSS	SN Plate (Note:Stamped Part - Not Available for Purchase)	
7	1001227670	1	Tag, RFID	
8	4811400	2	Washer M4	
9	0760405	2	Bolt M4 x 10	

SECTION 3 - ATTACHMENTS

FIGURE 3-24. CARRIAGE ASSEMBLY - 60IN/12000# CAPACITY SIDE TILT (Prior to SN 0160116804)



ART_1001233384_F

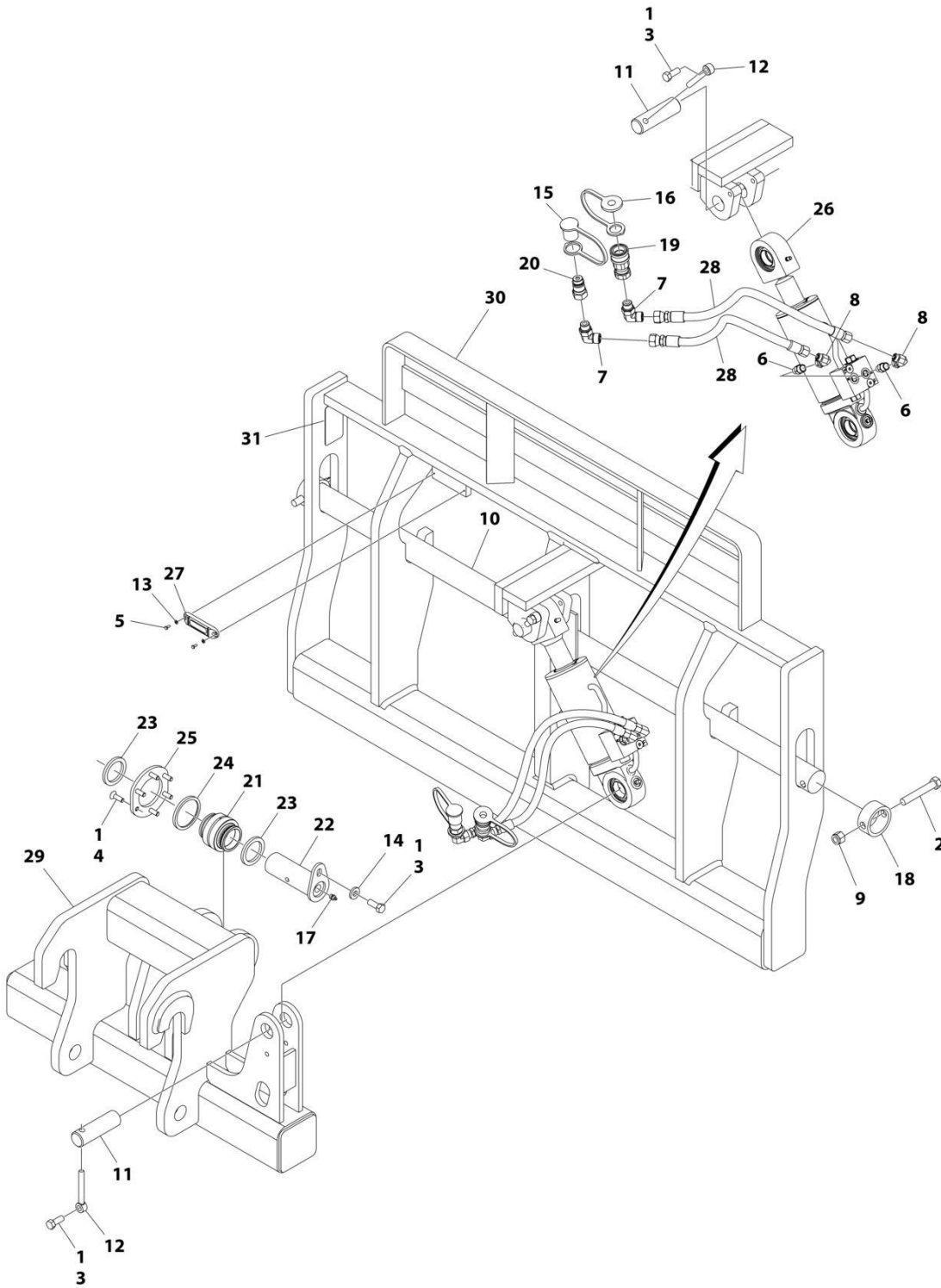
SECTION 3 - ATTACHMENTS

FIGURE 3-24. CARRIAGE ASSEMBLY - 60IN/12000# CAPACITY SIDE TILT (Prior to SN 0160116804)

ITEM	PART NUMBER	QTY	DESCRIPTION	REV
	1001233384	Ref	SIDE TILT CARRIAGE ASSEMBLY (60 INCH)	F
1	0100011	AR	Compound, Locking	
2	0641612	4	Bolt 3/8 x 1-1/2	
3	0642032	2	Bolt 5/8 x 4	
4	0681810	3	Bolt 1/2 x 1-1/4	
5	0741610	6	Screw 3/8 x 1-1/4	
6	2110606	2	Fitting, Straight	
7	2130808	2	Adapter, 90	
8	2172106	2	Fitting, 90	
9	3300240	2	Nut 5/8	
10	3423242	1	Pin	
11	3423307	2	Pin	
12	3841203	2	Keeper	
13	4891800	1	Washer	
14	8420053	1	Cap	
15	8420055	1	Plug	
16	88671001	1	Fitting, Grease	
17	90200003	2	Collar	
18	91403413	1	Fitting, Straight	
19	91403414	1	Fitting, Straight	
20	1001090063	2	Pad	
21	1001090064	AR	Shim	
22	1001090140	1	Bearing	
23	1001099113	1	Pin	
24	1001099115	2	Sleeve	
25	See Note	NSS	Carriage, Side Tilt (Note: Purchase Complete Assembly)	
26	1001239734	2	Hose	
27	1001120914	1	Shim	
28	1001120915	1	Plate	
29	1001133072	1	Carriage, Base Pivot	
30	1001163414	1	Cylinder, Side Tilt (See Separate Breakdown in HYDRAULIC COMPONENTS Section)	
31	See Note	NSS	SN Plate (Note: Stamped Part - Not Available for Purchase)	
32	1001227670	1	Tag, RFID	
33	4811400	2	Washer M4	
34	0760405	2	Bolt M4 x 10	

SECTION 3 - ATTACHMENTS

FIGURE 3-25. CARRIAGE ASSEMBLY - 60IN/12000# CAPACITY SIDE TILT (SN 0160116804 to Present)



ART_1001277338

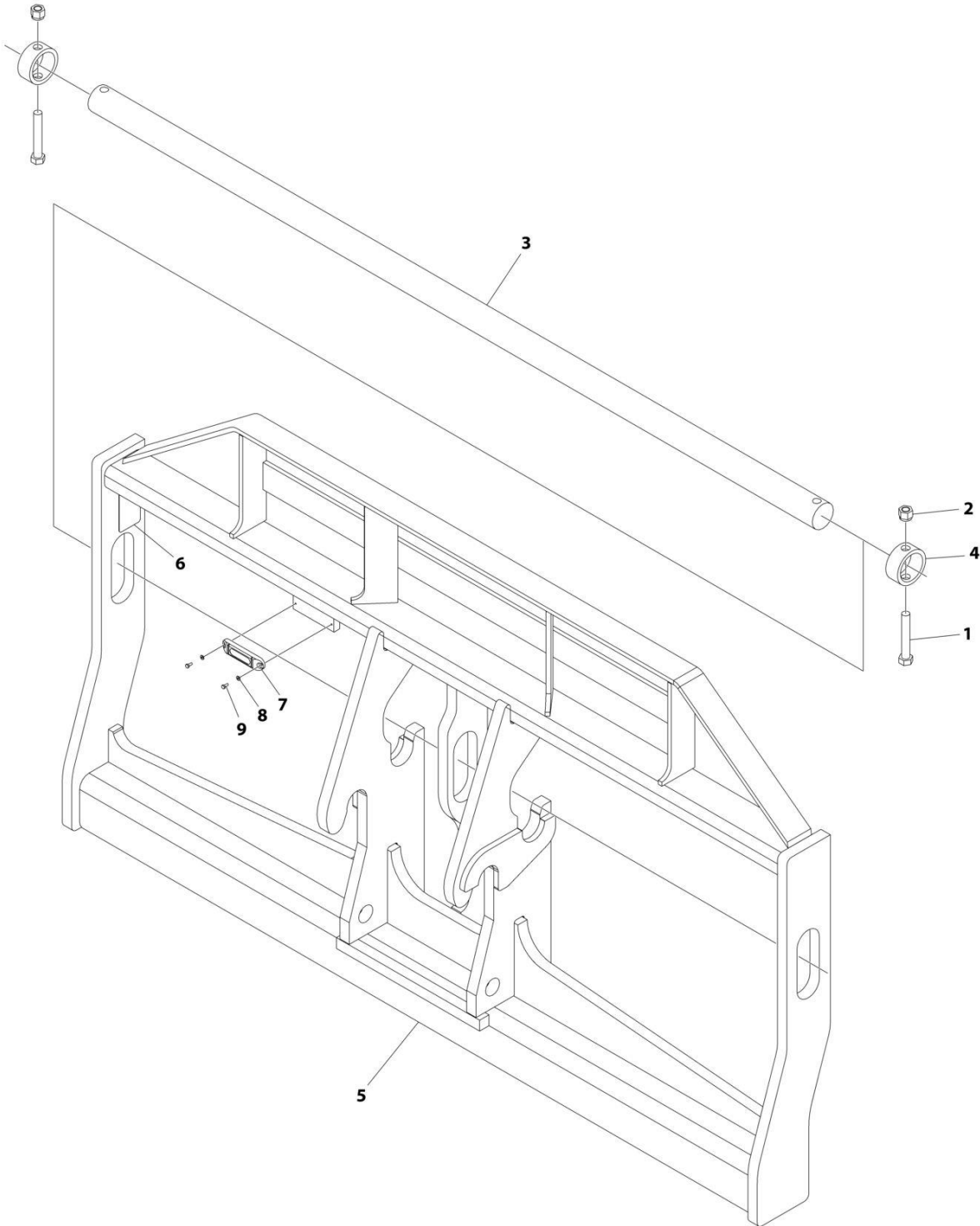
SECTION 3 - ATTACHMENTS

FIGURE 3-25. CARRIAGE ASSEMBLY - 60IN/12000# CAPACITY SIDE TILT (SN 0160116804 to Present)

ITEM	PART NUMBER	QTY	DESCRIPTION	REV
	1001277338	Ref	SIDE TILT CARRIAGE ASSEMBLY (60 INCH)	A
1	0100011	AR	Compound, Locking	
2	0642032	2	Bolt 5/8 x 4	
3	0681810	3	Bolt 1/2 x 1-1/4	
4	0741610	6	Screw 3/8 x 1-1/4	
5	0760405	2	Bolt M4 x 10	
6	2110606	2	Fitting, Straight	
7	2130808	2	Fitting, 90 ORFS	
8	2172106	2	Fitting, 90 ORFS	
9	3300240	2	Nut 5/8	
10	3423242	1	Pin	
11	3423307	2	Pin	
12	3841203	2	Keeper	
13	4811400	2	Washer M4	
14	4891800	1	Washer	
15	8420053	1	Cap	
16	8420055	1	Plug	
17	88671001	1	Fitting, Grease	
18	90200003	2	Collar	
19	91403413	1	Fitting, Straight	
20	91403414	1	Fitting, Straight	
21	1001090140	1	Bearing	
22	1001099113	1	Pin	
23	1001099115	2	Sleeve	
24	1001120914	1	Shim	
25	1001120915	1	Plate	
26	1001163414	1	Cylinder, Side Tilt (See Separate Breakdown in HYDRAULIC COMPONENTS Section)	
27	1001227670	1	Tag, RFID	
28	1001239734	2	Hose	
29	See Note	NSS	Carriage, Base Plate (Note: Purchase Complete Assembly)	
30	See Note	NSS	Carriage, Side Tilt (Note: Purchase Complete Assembly)	
31	See Note	NSS	SN Plate (Note: Stamped Part - Not Available for Purchase)	

SECTION 3 - ATTACHMENTS

FIGURE 3-26. CARRIAGE ASSEMBLY - 72IN



ART_1001211516_E

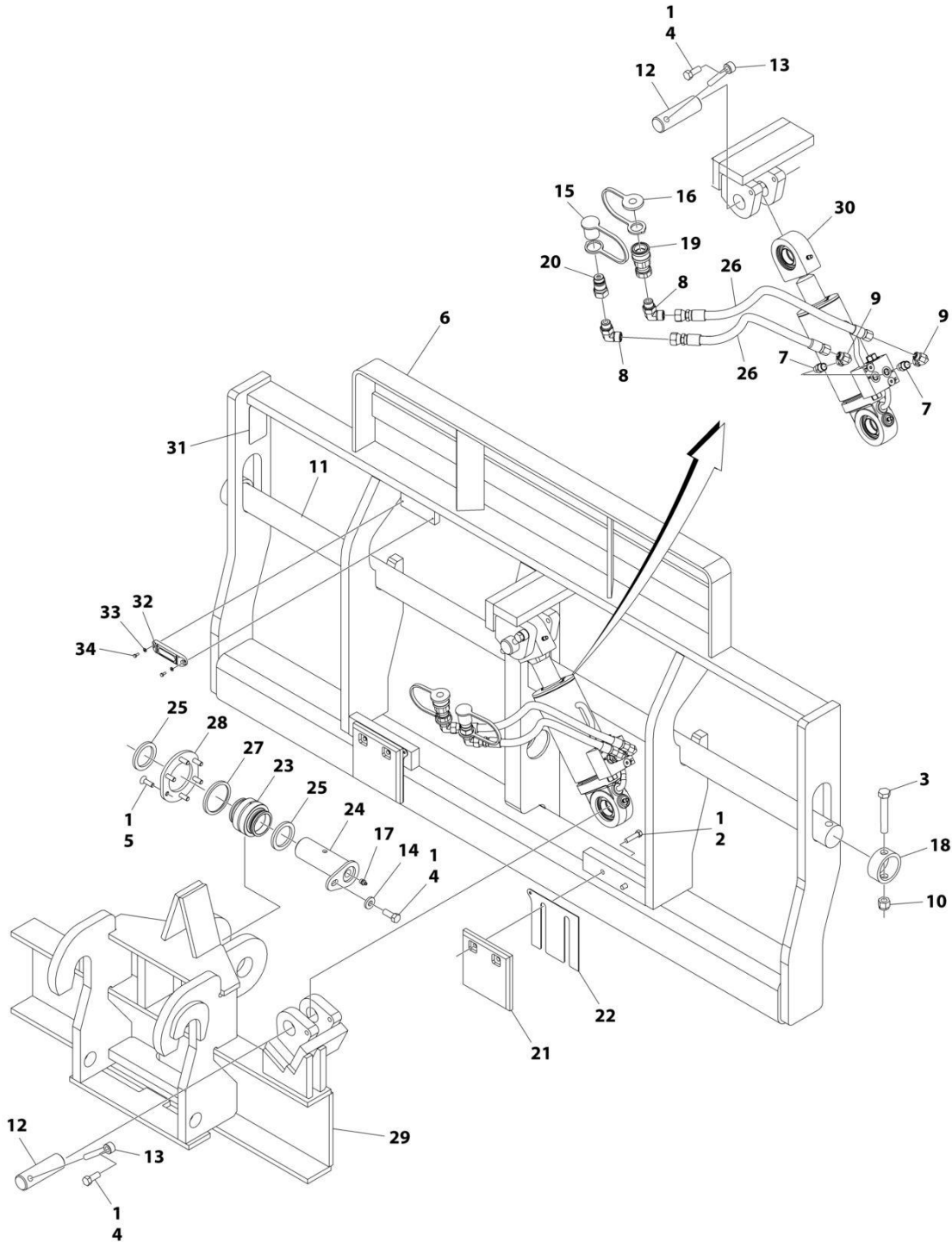
SECTION 3 - ATTACHMENTS

FIGURE 3-26. CARRIAGE ASSEMBLY - 72IN

ITEM	PART NUMBER	QTY	DESCRIPTION	REV
	1001211516	Ref	CARRIAGE ASSEMBLY (72 INCH)	F
1	0642032	2	Bolt 5/8 x 4	
2	3300240	2	Nut 5/8	
3	3423276	1	Pin	
4	90200003	2	Sleeve	
5	See Note	NSS	Carriage (Note: Purchase Complete Assembly)	
6	See Note	NSS	SN Plate (Note:Stamped Part - Not Available for Purchase)	
7	1001227670	1	Tag, RFID	
8	4811400	2	Washer M4	
9	0760405	2	Bolt M4 x 10	

SECTION 3 - ATTACHMENTS

FIGURE 3-27. CARRIAGE ASSEMBLY - 72IN/12000# CAPACITY SIDE TILT (Prior to SN 0160116804)



ART_1001233385_E

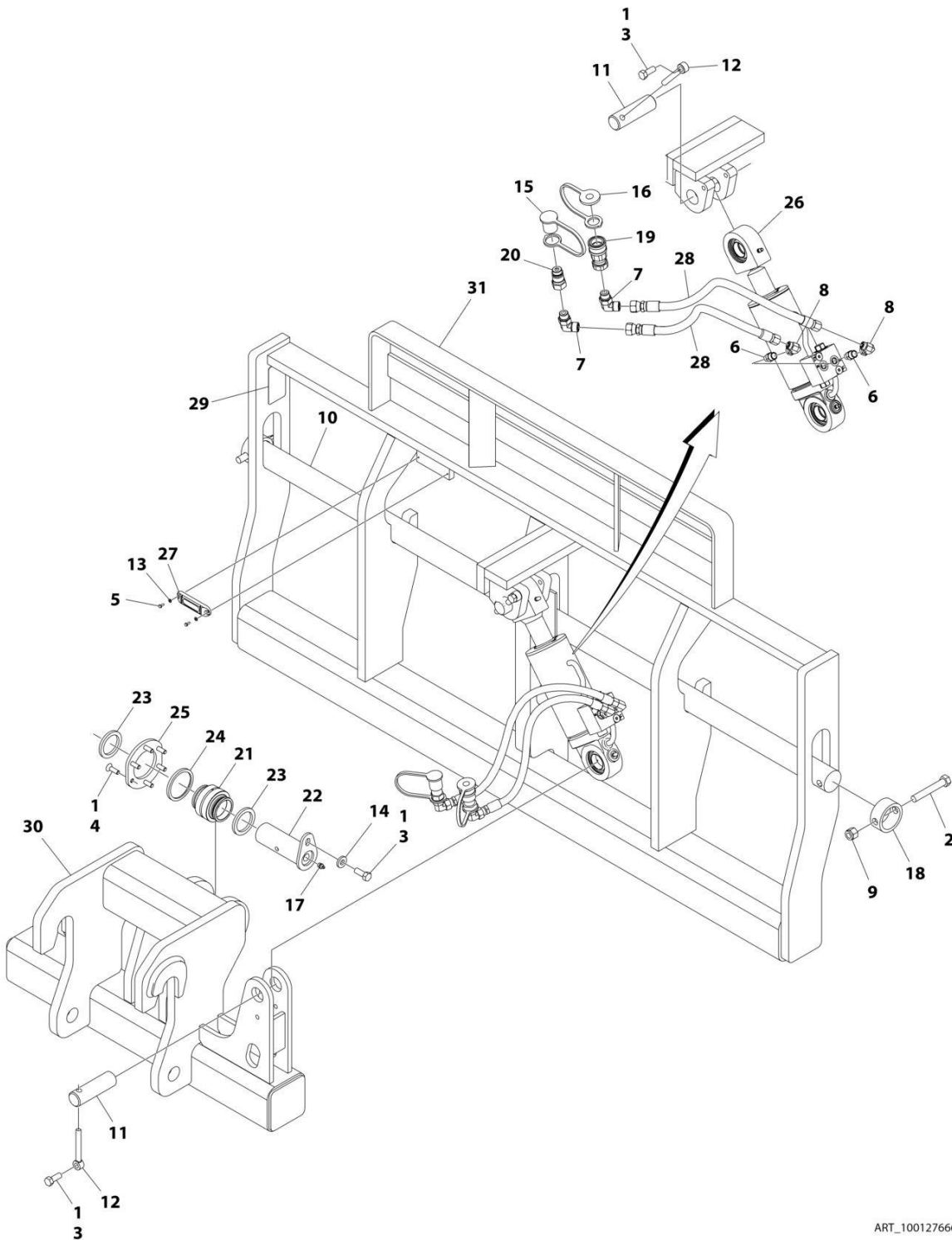
SECTION 3 - ATTACHMENTS

FIGURE 3-27. CARRIAGE ASSEMBLY - 72IN/12000# CAPACITY SIDE TILT (Prior to SN 0160116804)

ITEM	PART NUMBER	QTY	DESCRIPTION	REV
	1001233385	NLA	SIDE TILT CARRIAGE ASSEMBLY (72 INCH) (No longer available, use item 1 to 34 for service or 1001276666 for replacement)	E
1	0100011	AR	Compound, Locking	
2	0641612	4	Bolt 3/8 x 1-1/2	
3	0642032	2	Bolt 5/8 x 4	
4	0681810	3	Bolt 1/2 x 1-1/4	
5	0741610	6	Screw 3/8 x 1-1/4	
5	See Note	NSS	Carriage, Side Tilt (Note: Purchase Complete Assembly)	
7	2110606	2	Adapter, Straight	
8	2130808	2	Adapter, 90	
9	2172106	2	Adapter, 90	
10	3300240	2	Nut 5/8	
11	3423276	1	Pin, Fork	
12	3423307	2	Pin, Side Tilt Cylinder	
13	3841203	2	Keeper, Rod	
14	4891800	1	Washer 1/2	
15	8420053	1	Cap, Dust	
16	8420055	1	Plug, Dust	
17	88671001	1	Fitting, Grease	
18	90200003	2	Collar, Fork Pin	
19	91403413	1	Adapter	
20	91403414	1	Adapter	
21	1001090063	2	Pad, Wear	
22	1001090064	AR	Shim, Wear Pad	
23	1001090140	1	Bearing, Side Tilt Spherical	
24	1001099113	1	Pin, Side Tilt Frame Pivot	
25	1001099115	2	Sleeve, Tilt Bearing Spacer	
26	1001239734	2	Hose	
27	1001120914	1	Shim, Bearing Retainer	
28	1001120915	1	Plate, Bearing Retainer	
29	1001133072	1	Carriage, Base Pivot	
30	1001163414	1	Cylinder, Side Tilt (See Separate Breakdown in HYDRAULIC COMPONENTS Section)	
31	See Note	NSS	SN Plate (Note: Stamped Part - Not Available for Purchase)	
32	1001227670	1	Tag, RFID	
33	4811400	2	Washer M4	
34	0760405	2	Bolt M4 x 10	

SECTION 3 - ATTACHMENTS

FIGURE 3-28. CARRIAGE ASSEMBLY - 72IN/12000# CAPACITY SIDE TILT (SN 0160116804 to Present)



ART_1001276666

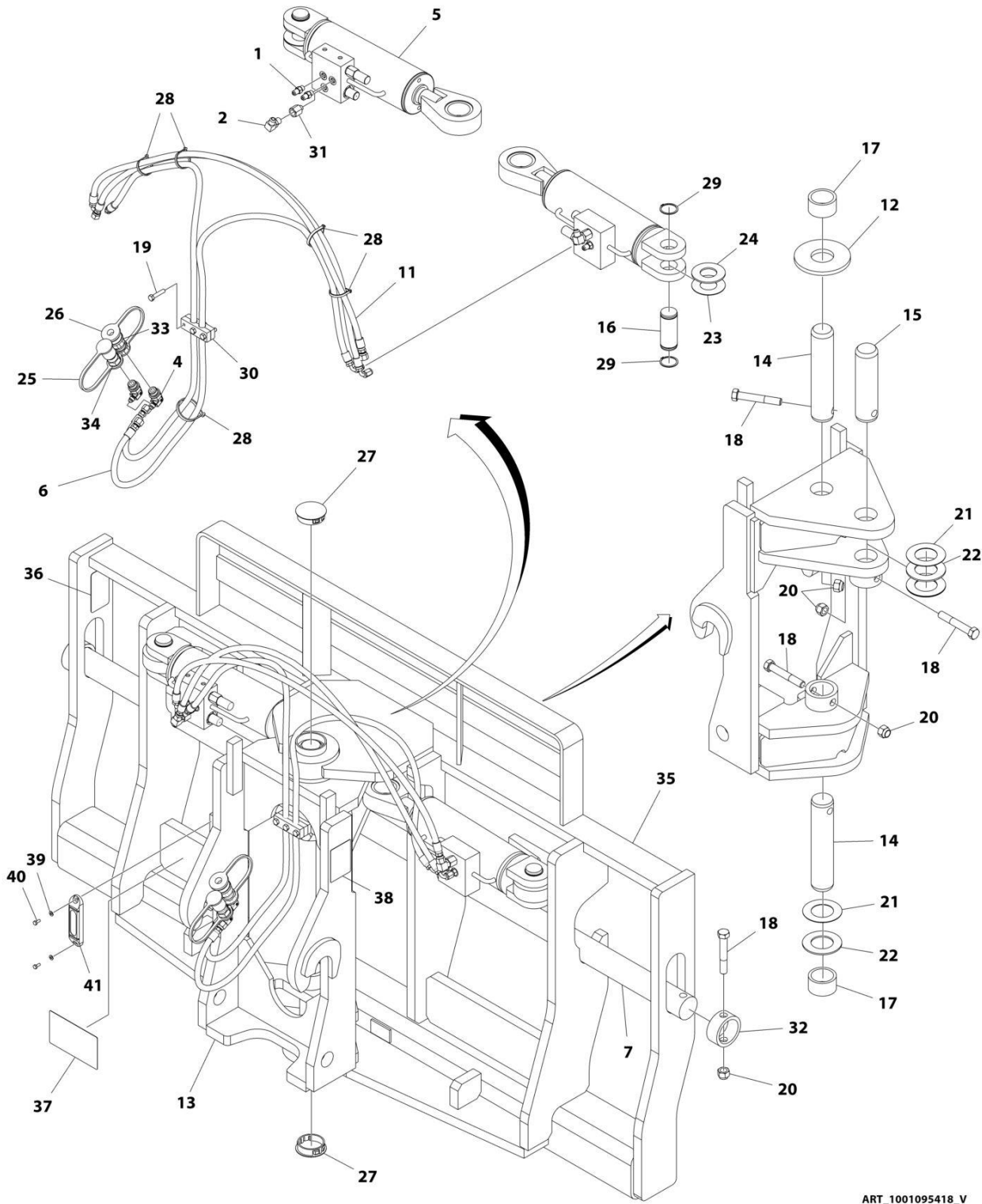
SECTION 3 - ATTACHMENTS

FIGURE 3-28. CARRIAGE ASSEMBLY - 72IN/12000# CAPACITY SIDE TILT (SN 0160116804 to Present)

ITEM	PART NUMBER	QTY	DESCRIPTION	REV
	1001276666	Ref	SIDE TILT CARRIAGE ASSEMBLY (72 INCH)	A
1	0100011	AR	Compound, Locking	
2	0642032	2	Bolt 5/8 x 4	
3	0681810	3	Bolt 1/2 x 1-1/4	
4	0741610	6	Screw 3/8 x 1-1/4	
5	0760405	2	Bolt M4 x 10	
6	2110606	2	Fitting, Straight	
7	2130808	2	Fitting, 90 ORFS	
8	2172106	2	Fitting, 90 ORFS	
9	3300240	2	Nut 5/8	
10	3423276	1	Pin, Fork	
11	3423307	2	Pin, Side Tilt Cylinder	
12	3841203	2	Keeper, Rod	
13	4811400	2	Washer M4	
14	4891800	1	Washer 1/2	
15	8420053	1	Cap, Dust	
16	8420055	1	Plug, Dust	
17	88671001	1	Fitting, Grease	
18	90200003	2	Collar, Fork Pin	
19	91403413	1	Fitting, Straight	
20	91403414	1	Fitting, Straight	
21	1001090140	1	Bearing, Side Tilt Spherical	
22	1001099113	1	Pin, Side Tilt Frame Pivot	
23	1001099115	2	Sleeve, Tilt Bearing Spacer	
24	1001120914	1	Shim, Bearing Retainer	
25	1001120915	1	Plate, Bearing Retainer	
26	1001163414	1	Cylinder, Side Tilt (See Separate Breakdown in HYDRAULIC COMPONENTS Section)	
27	1001227670	1	Tag, RFID	
28	1001239734	2	Hose	
29	See Note	NSS	SN Plate (Note: Stamped Part - Not Available for Purchase)	
30	See Note	NSS	Carriage, Base Plate (Note: Purchase Complete Assembly)	
31	See Note	NSS	Carriage, Side Tilt (Note: Purchase Complete Assembly)	

SECTION 3 - ATTACHMENTS

FIGURE 3-29. CARRIAGE ASSEMBLY - 72IN SWING (Prior to SN 0160115752)



ART_1001095418_V

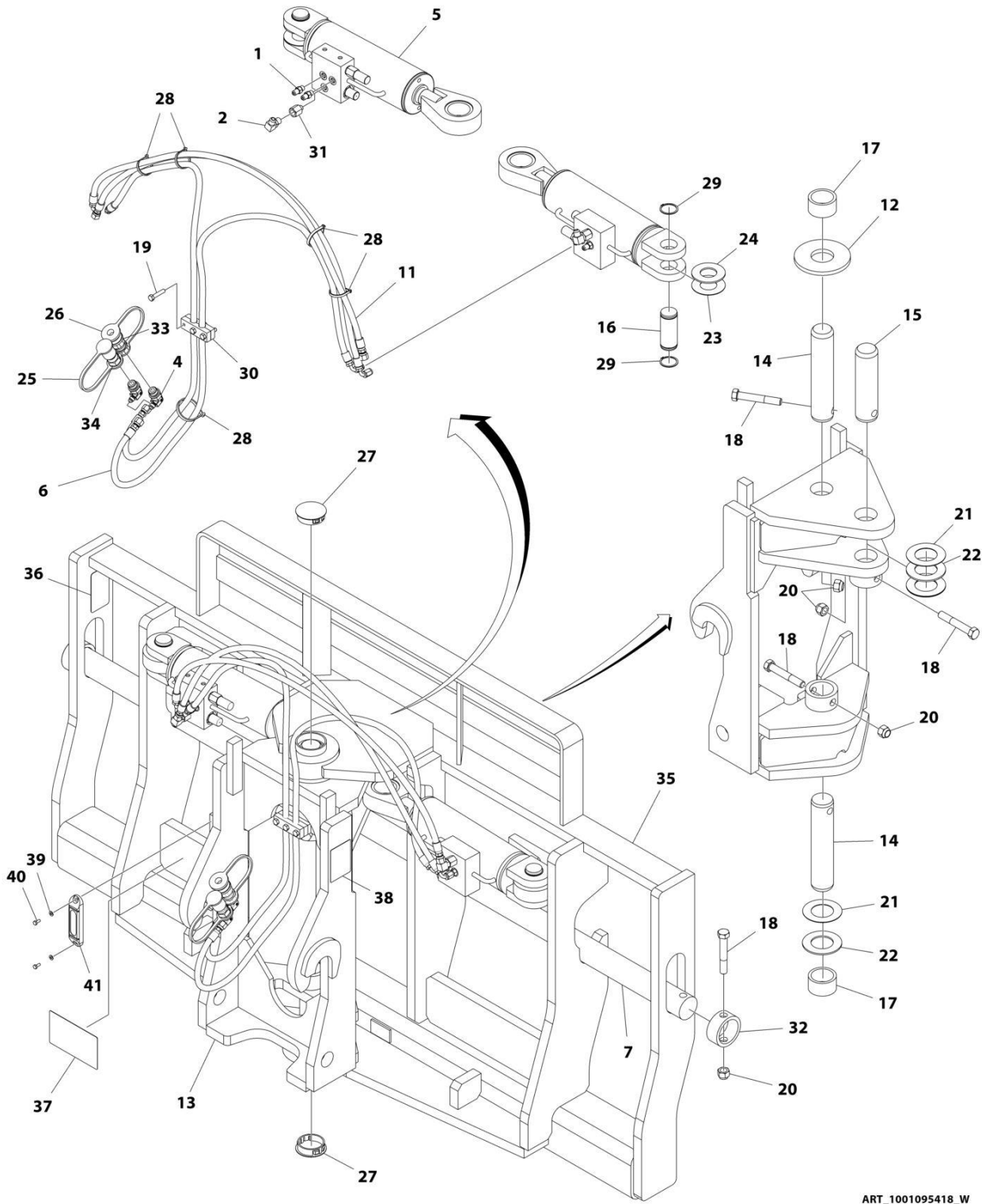
SECTION 3 - ATTACHMENTS

FIGURE 3-29. CARRIAGE ASSEMBLY - 72IN SWING (Prior to SN 0160115752)

ITEM	PART NUMBER	QTY	DESCRIPTION	REV
	1001095418	Ref	CARRIAGE ASSEMBLY - SWING (72 INCH)	V
1	2220415	4	Fitting, Straight ORFS	
2	2220473	2	Fitting, 90 ORFS	
4	1001211139	2	Adapter, 90	
5	1001103182	1	Swing Carriage Cylinder (See Separate Breakdown in HYDRAULIC COMPONENTS Section)	
6	2717287	2	Hose 58IN (Boom Front Disconnect)	
6	1001301599	1	Hose 66IN (Boom Side Disconnect)	
6	1001301600	1	Hose 46IN (Boom Side Disconnect)	
7	3423276	1	Pin	
11	6604662	2	Hose	
12	7062922	1	Washer	
13	See Note	NSS	Pivot (Note: Purchase Complete Assembly)	
14	7110702	2	Pin	
15	7110712	1	Pin	
16	7110722	2	Pin	
17	8065062	2	Bushing	
18	8303634	5	Bolt 5/8 x 4	
19	8303715	3	Bolt 5/16 x 1-1/2	
20	8305643	5	Nut 5/8	
21	8307904	AR	Washer	
22	8307918	AR	Washer	
23	8310160	AR	Washer	
24	8310161	AR	Washer	
25	8420053	1	Cap	
26	8420055	1	Plug	
27	8580315	2	Plug	
28	8584001	5	Tie Wrap	
29	8642207	4	Ring, Retaining	
30	8769132	2	Clamp	
31	8770016	2	Fitting, Straight ORFS	
32	90200003	2	Collar	
33	91403413	1	Fitting, Straight ORFS	
34	91403414	1	Fitting, Straight	
35	See Note	NSS	Carriage (Note: Purchase Complete Assembly)	
36	See Note	NSS	SN Plate (Note: Stamped Part - Not Available for Purchase)	
37	1001110704	1	Decal, Warning Crushing Hazard	
38	1001111190	2	Decal, Warning	
39	4811400	2	Washer M4	
40	0760405	2	Bolt M4 x 10	
41	1001227670	1	Tag - RFID	

SECTION 3 - ATTACHMENTS

FIGURE 3-30. CARRIAGE ASSEMBLY - 72IN SWING (SN 0160115752 to Present)



ART_1001095418_W

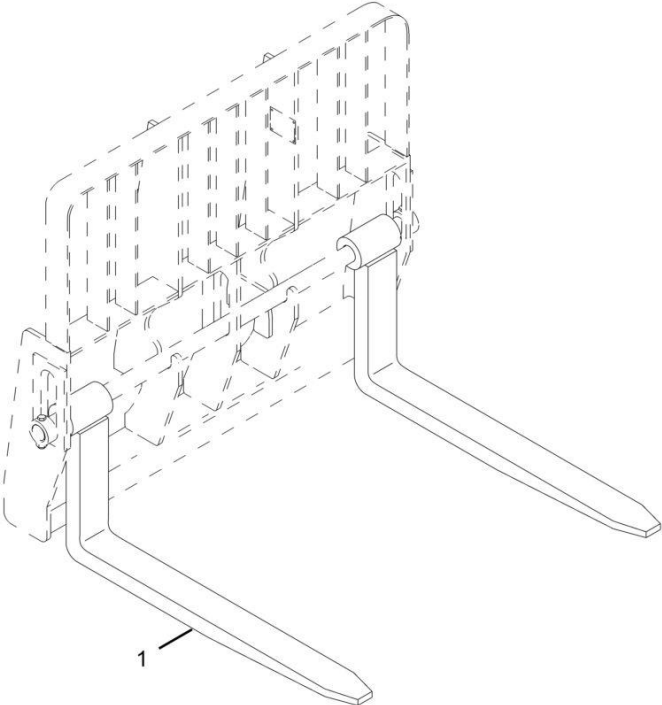
SECTION 3 - ATTACHMENTS

FIGURE 3-30. CARRIAGE ASSEMBLY - 72IN SWING (SN 0160115752 to Present)

ITEM	PART NUMBER	QTY	DESCRIPTION	REV
	1001095418	Ref	CARRIAGE ASSEMBLY - SWING (72 INCH)	W
1	2220415	4	Fitting, Straight ORFS	
2	2220473	2	Fitting, 90 ORFS	
4	1001211139	2	Adapter, 90	
5	1001293182	1	Swing Carriage Cylinder (See Separate Breakdown in HYDRAULIC COMPONENTS Section)	
6	2717287	2	Hose 58in (Boom Front Disconnect)	
6	1001301599	1	Hose 66in (Boom Side Disconnect)	
6	1001301600	1	Hose 46in (Boom Side Disconnect)	
7	3423276	1	Pin	
11	6604662	2	Hose	
12	7062922	1	Washer	
13	See Note	NSS	Pivot (Note: Purchase Complete Assembly)	
14	7110702	2	Pin	
15	7110712	1	Pin	
16	7110722	2	Pin	
17	8065062	2	Bushing	
18	8303634	5	Bolt 5/8 x 4	
19	8303715	3	Bolt 5/16 x 1-1/2	
20	8305643	5	Nut 5/8	
21	8307904	AR	Washer	
22	8307918	AR	Washer	
23	8310160	AR	Washer	
24	8310161	AR	Washer	
25	8420053	1	Cap	
26	8420055	1	Plug	
27	8580315	2	Plug	
28	8584001	5	Tie Wrap	
29	8642207	4	Ring, Retaining	
30	8769132	2	Clamp	
31	8770016	2	Fitting, Straight ORFS	
32	90200003	2	Collar	
33	91403413	1	Fitting, Straight ORFS	
34	91403414	1	Fitting, Straight	
35	See Note	NSS	Carriage (Note: Purchase Complete Assembly)	
36	See Note	NSS	SN Plate (Note: Stamped Part - Not Available for Purchase)	
37	1001110704	1	Decal, Warning Crushing Hazard	
38	1001111190	2	Decal, Warning	
39	4811400	2	Washer M4	
40	0760405	2	Bolt M4 x 10	
41	1001227670	1	Tag - RFID	

SECTION 3 - ATTACHMENTS

FIGURE 3-31. FORK 1.75X7X60 - DUAL TAPERED 5400#



ART_2340046

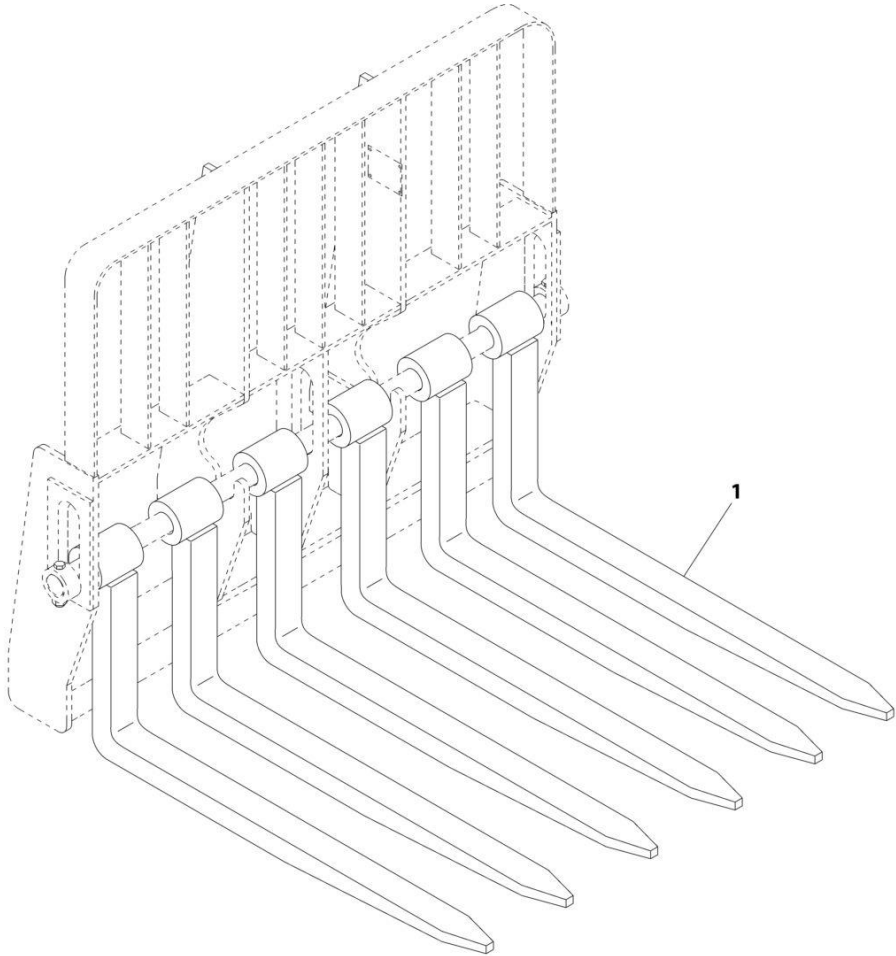
SECTION 3 - ATTACHMENTS

FIGURE 3-31. FORK 1.75X7X60 - DUAL TAPERED 5400#

ITEM	PART NUMBER	QTY	DESCRIPTION	REV
1	2340046	2	Dual Taper Fork (60X7X1.75)	
N1	Note	Ref	FORKS RATED LESS THAN THE ATTACHMENT OR MACHINE'S CAPACITY DECREASES CAPACITY OF THE ATTACHMENT OR MACHINE TO THAT OF THE FORKS. FORKS RATED MORE THAN THE ATTACHMENT OR MACHINE'S CAPACITY DO NOT INCREASE ATTACHMENT OR MACHINE'S CAPACITY.	
N2	Note	Ref	PLEASE CONSULT JLG PARTS DEPARTMENT TO DETERMINE THE CORRECT FORKS APPLICABLE TO YOUR SPECIFIC CARRIAGE ASSEMBLY AND APPLICATION.	

SECTION 3 - ATTACHMENTS

FIGURE 3-32. FORK 2X2X48 - CUBING/BLOCKING 1940#



ART_2340037

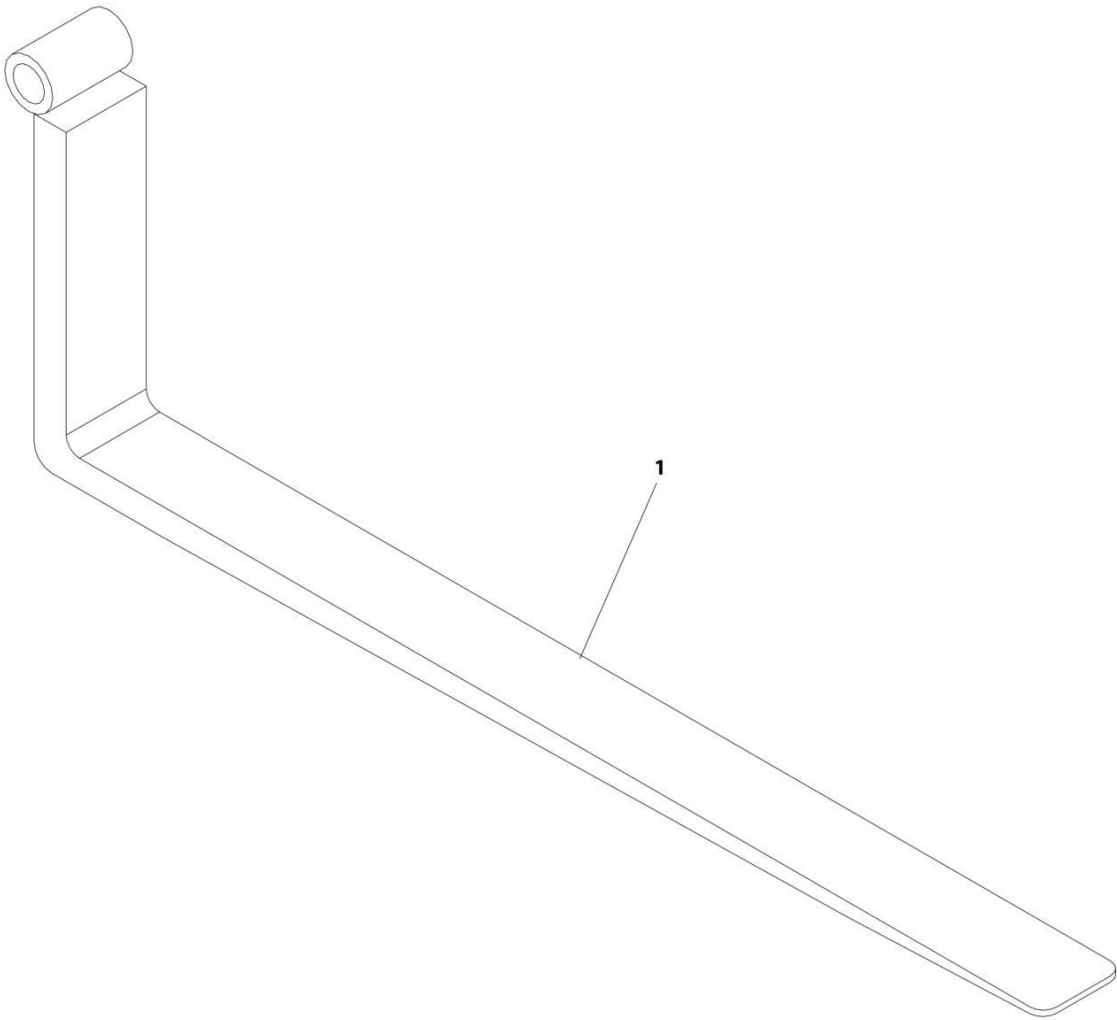
SECTION 3 - ATTACHMENTS

FIGURE 3-32. FORK 2X2X48 - CUBING/BLOCKING 1940#

ITEM	PART NUMBER	QTY	DESCRIPTION	REV
1	2340037	1	Cubing Fork (2.00X2X48)	A
	Note	Ref	FORKS RATED LESS THAN THE ATTACHMENT OR MACHINE'S CAPACITY DECREASES CAPACITY OF THE ATTACHMENT OR MACHINE TO THAT OF THE FORKS. FORKS RATED MORE THAN THE ATTACHMENT OR MACHINE'S CAPACITY DO NOT INCREASE ATTACHMENT OR MACHINE'S CAPACITY.	
	Note	Ref	PLEASE CONSULT JLG PARTS DEPARTMENT TO DETERMINE THE CORRECT FORKS APPLICABLE TO YOUR SPECIFIC CARRIAGE ASSEMBLY AND APPLICATION.	

SECTION 3 - ATTACHMENTS

FIGURE 3-33. FORK 2X6X72 - DUAL TAPERED 6613#



ART_1001259206

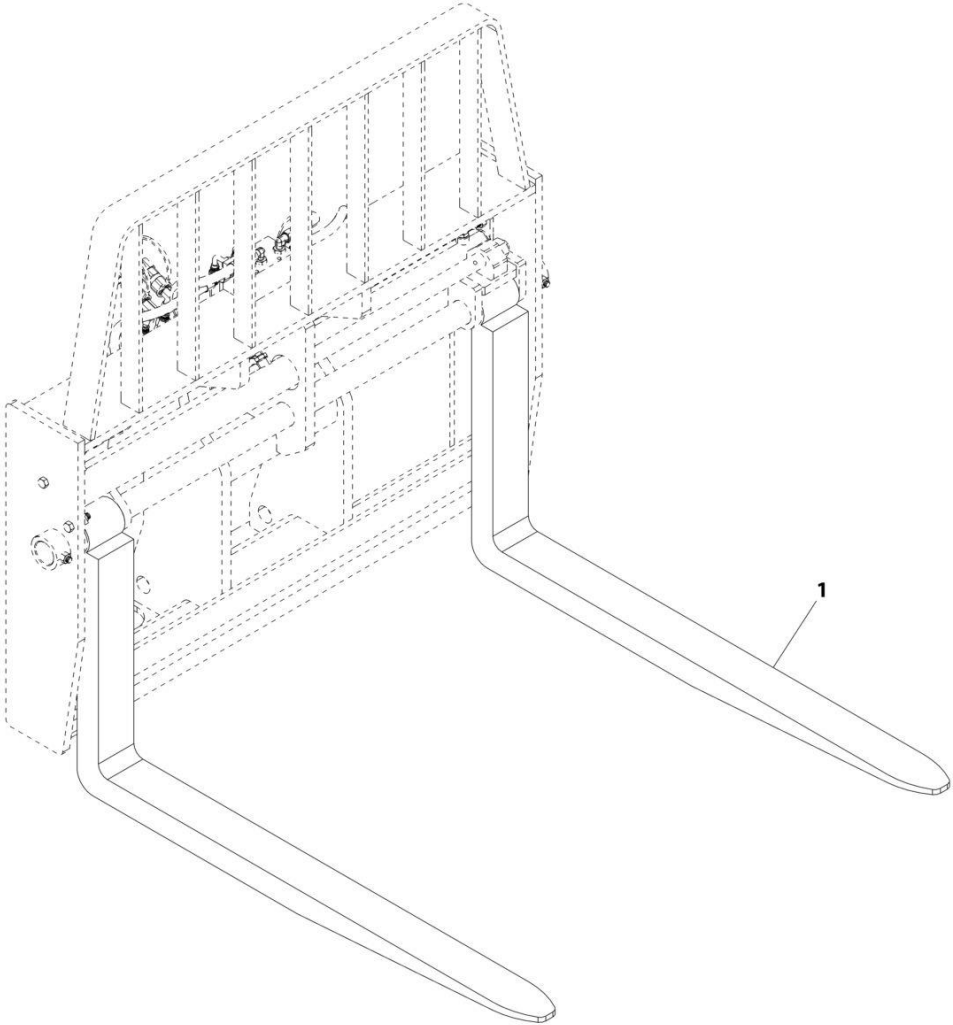
SECTION 3 - ATTACHMENTS

FIGURE 3-33. FORK 2X6X72 - DUAL TAPERED 6613#

ITEM	PART NUMBER	QTY	DESCRIPTION	REV
1	1001259206	2	Dual Taper Fork (2.00X6X72)	A
	Note	Ref	FORKS RATED LESS THAN THE ATTACHMENT OR MACHINE'S CAPACITY DECREASES CAPACITY OF THE ATTACHMENT OR MACHINE TO THAT OF THE FORKS. FORKS RATED MORE THAN THE ATTACHMENT OR MACHINE'S CAPACITY DO NOT INCREASE ATTACHMENT OR MACHINE'S CAPACITY.	
	Note	Ref	PLEASE CONSULT JLG PARTS DEPARTMENT TO DETERMINE THE CORRECT FORKS APPLICABLE TO YOUR SPECIFIC CARRIAGE ASSEMBLY AND APPLICATION.	

SECTION 3 - ATTACHMENTS

FIGURE 3-34. FORK 2.36X4X48 PALLET 5000#



ART_7301408

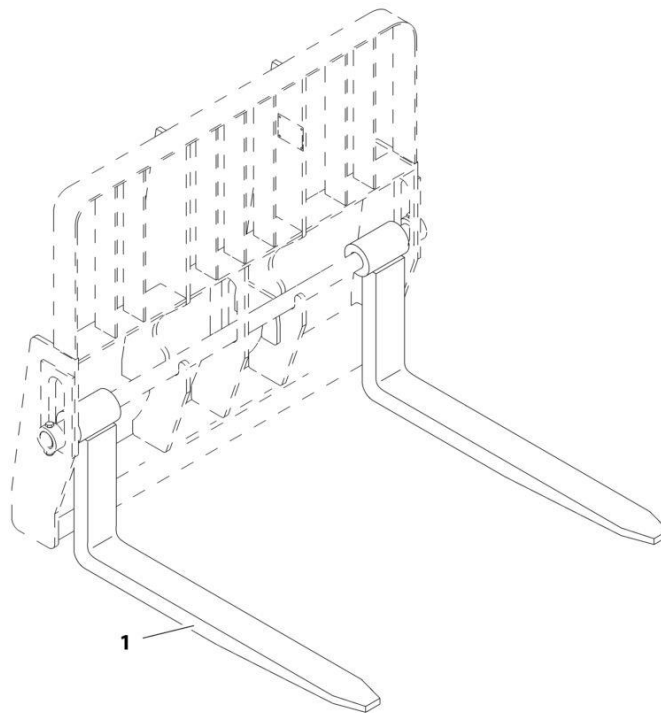
SECTION 3 - ATTACHMENTS

FIGURE 3-34. FORK 2.36X4X48 PALLET 5000#

ITEM	PART NUMBER	QTY	DESCRIPTION	REV
1	7301408	2	Pallet Fork (2.36X4X48)	D
N1	Note	Ref	FORKS RATED LESS THAN THE ATTACHMENT OR MACHINE'S CAPACITY DECREASES CAPACITY OF THE ATTACHMENT OR MACHINE TO THAT OF THE FORKS. FORKS RATED MORE THAN THE ATTACHMENT OR MACHINE'S CAPACITY DO NOT INCREASE ATTACHMENT OR MACHINE'S CAPACITY.	
N2	Note	Ref	PLEASE CONSULT JLG PARTS DEPARTMENT TO DETERMINE THE CORRECT FORKS APPLICABLE TO YOUR SPECIFIC CARRIAGE ASSEMBLY AND APPLICATION.	

SECTION 3 - ATTACHMENTS

FIGURE 3-35. FORK 2.36X4X48 PALLET 5475#



ART_2340045

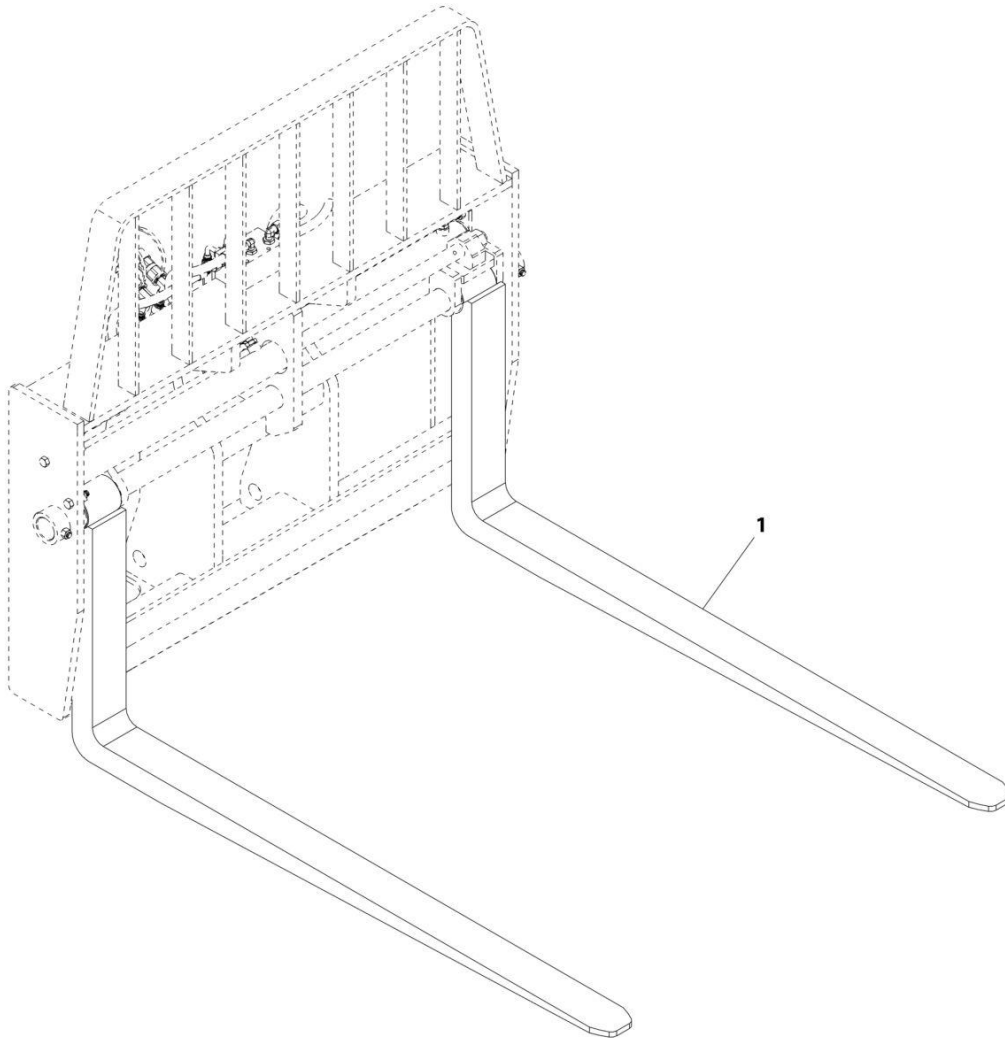
SECTION 3 - ATTACHMENTS

FIGURE 3-35. FORK 2.36X4X48 PALLET 5475#

ITEM	PART NUMBER	QTY	DESCRIPTION	REV
1	2340045	2	Pallet Fork (2.36X4X48)	
	Note	Ref	FORKS RATED LESS THAN THE ATTACHMENT OR MACHINE'S CAPACITY DECREASES CAPACITY OF THE ATTACHMENT OR MACHINE TO THAT OF THE FORKS. FORKS RATED MORE THAN THE ATTACHMENT OR MACHINE'S CAPACITY DO NOT INCREASE ATTACHMENT OR MACHINE'S CAPACITY.	
	Note	Ref	PLEASE CONSULT JLG PARTS DEPARTMENT TO DETERMINE THE CORRECT FORKS APPLICABLE TO YOUR SPECIFIC CARRIAGE ASSEMBLY AND APPLICATION.	

SECTION 3 - ATTACHMENTS

FIGURE 3-36. FORK 2.36X4X60 PALLET 5000#



ART_1001227379

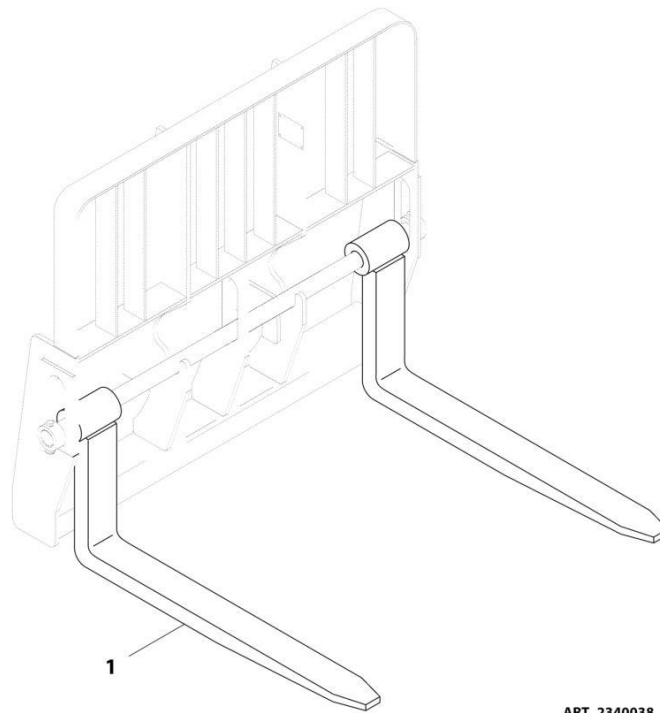
SECTION 3 - ATTACHMENTS

FIGURE 3-36. FORK 2.36X4X60 PALLET 5000#

ITEM	PART NUMBER	QTY	DESCRIPTION	REV
1	1001227379	2	Pallet Fork (2.36X4X60)	A
N1	Note	Ref	FORKS RATED LESS THAN THE ATTACHMENT OR MACHINE'S CAPACITY DECREASES CAPACITY OF THE ATTACHMENT OR MACHINE TO THAT OF THE FORKS. FORKS RATED MORE THAN THE ATTACHMENT OR MACHINE'S CAPACITY DO NOT INCREASE ATTACHMENT OR MACHINE'S CAPACITY.	
N2	Note	Ref	PLEASE CONSULT JLG PARTS DEPARTMENT TO DETERMINE THE CORRECT FORKS APPLICABLE TO YOUR SPECIFIC CARRIAGE ASSEMBLY AND APPLICATION.	

SECTION 3 - ATTACHMENTS

FIGURE 3-37. FORK 2.36X5X48 PALLET 6850#



ART_2340038

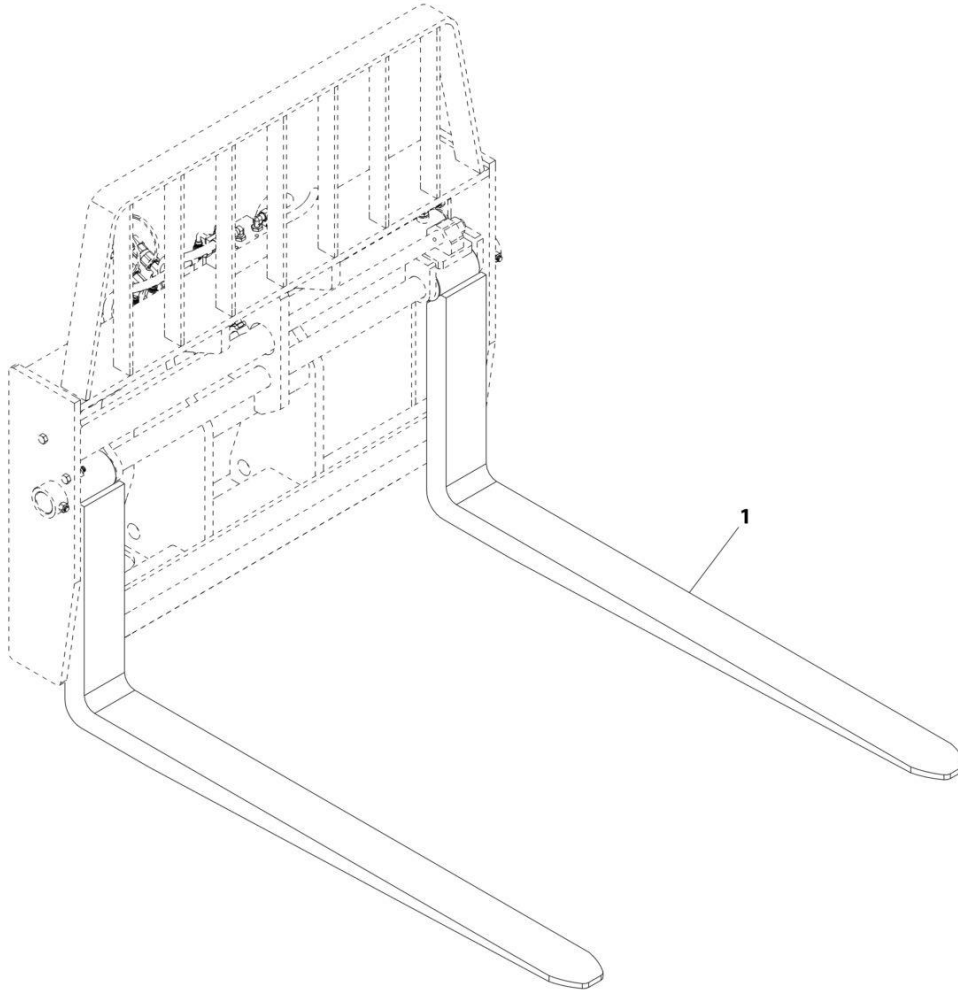
SECTION 3 - ATTACHMENTS

FIGURE 3-37. FORK 2.36X5X48 PALLET 6850#

ITEM	PART NUMBER	QTY	DESCRIPTION	REV
1	2340038	2	Pallet Fork (2.36X5X48)	B
	Note	Ref	FORKS RATED LESS THAN THE ATTACHMENT OR MACHINE'S CAPACITY DECREASES CAPACITY OF THE ATTACHMENT OR MACHINE TO THAT OF THE FORKS. FORKS RATED MORE THAN THE ATTACHMENT OR MACHINE'S CAPACITY DO NOT INCREASE ATTACHMENT OR MACHINE'S CAPACITY.	
	Note	Ref	PLEASE CONSULT JLG PARTS DEPARTMENT TO DETERMINE THE CORRECT FORKS APPLICABLE TO YOUR SPECIFIC CARRIAGE ASSEMBLY AND APPLICATION.	

SECTION 3 - ATTACHMENTS

FIGURE 3-38. FORK 2.36X5X60 PALLET 6850#



ART_1001227382

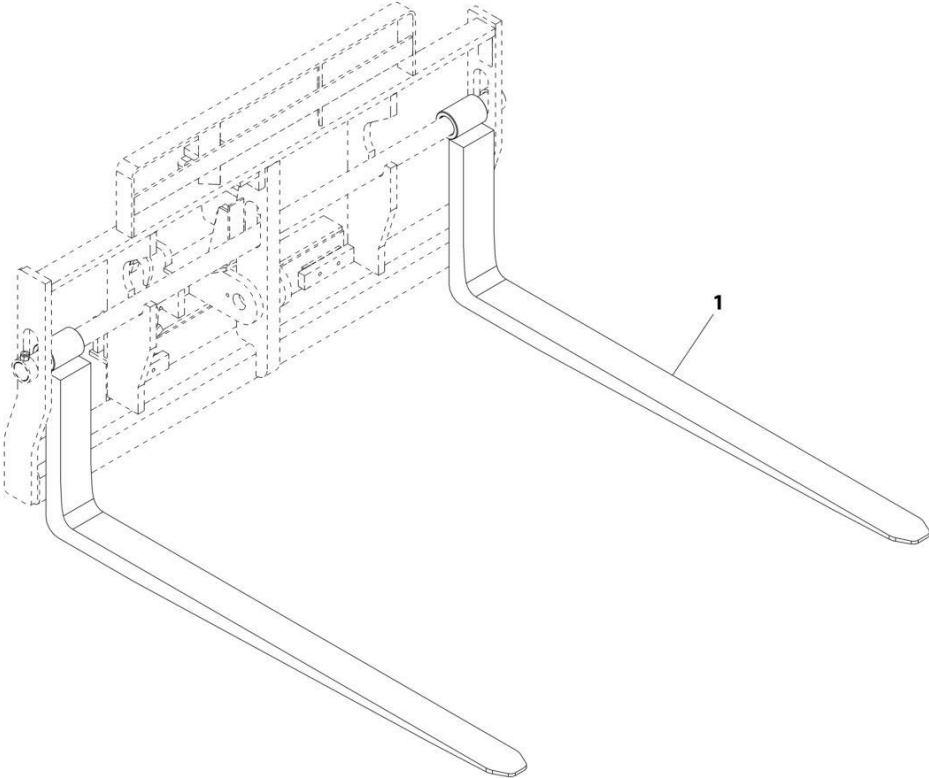
SECTION 3 - ATTACHMENTS

FIGURE 3-38. FORK 2.36X5X60 PALLET 6850#

ITEM	PART NUMBER	QTY	DESCRIPTION	REV
1	1001227382	1	Pallet Fork (2.36X5X60)	A
N1	Note	Ref	FORKS RATED LESS THAN THE ATTACHMENT OR MACHINE'S CAPACITY DECREASES CAPACITY OF THE ATTACHMENT OR MACHINE TO THAT OF THE FORKS. FORKS RATED MORE THAN THE ATTACHMENT OR MACHINE'S CAPACITY DO NOT INCREASE ATTACHMENT OR MACHINE'S CAPACITY.	
N2	Note	Ref	PLEASE CONSULT JLG PARTS DEPARTMENT TO DETERMINE THE CORRECT FORKS APPLICABLE TO YOUR SPECIFIC CARRIAGE ASSEMBLY AND APPLICATION.	

SECTION 3 - ATTACHMENTS

FIGURE 3-39. FORK 2.36X5X72 PALLET 6850#



ART_1001232355

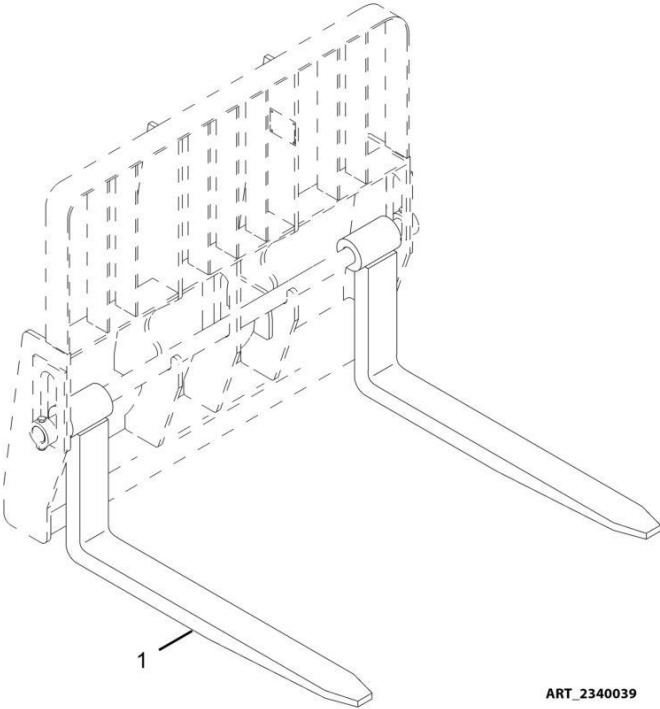
SECTION 3 - ATTACHMENTS

FIGURE 3-39. FORK 2.36X5X72 PALLET 6850#

ITEM	PART NUMBER	QTY	DESCRIPTION	REV
	1001232355	1 pr	Pallet Fork (2.36X5X72)	A
	Note	Ref	FORKS RATED LESS THAN THE ATTACHMENT OR MACHINE'S CAPACITY DECREASES CAPACITY OF THE ATTACHMENT OR MACHINE TO THAT OF THE FORKS. FORKS RATED MORE THAN THE ATTACHMENT OR MACHINE'S CAPACITY DO NOT INCREASE ATTACHMENT OR MACHINE'S CAPACITY.	
	Note	Ref	PLEASE CONSULT JLG PARTS DEPARTMENT TO DETERMINE THE CORRECT FORKS APPLICABLE TO YOUR SPECIFIC CARRIAGE ASSEMBLY AND APPLICATION.	

SECTION 3 - ATTACHMENTS

FIGURE 3-40. FORK 2.36X6X60 PALLET 8150#



ART_2340039

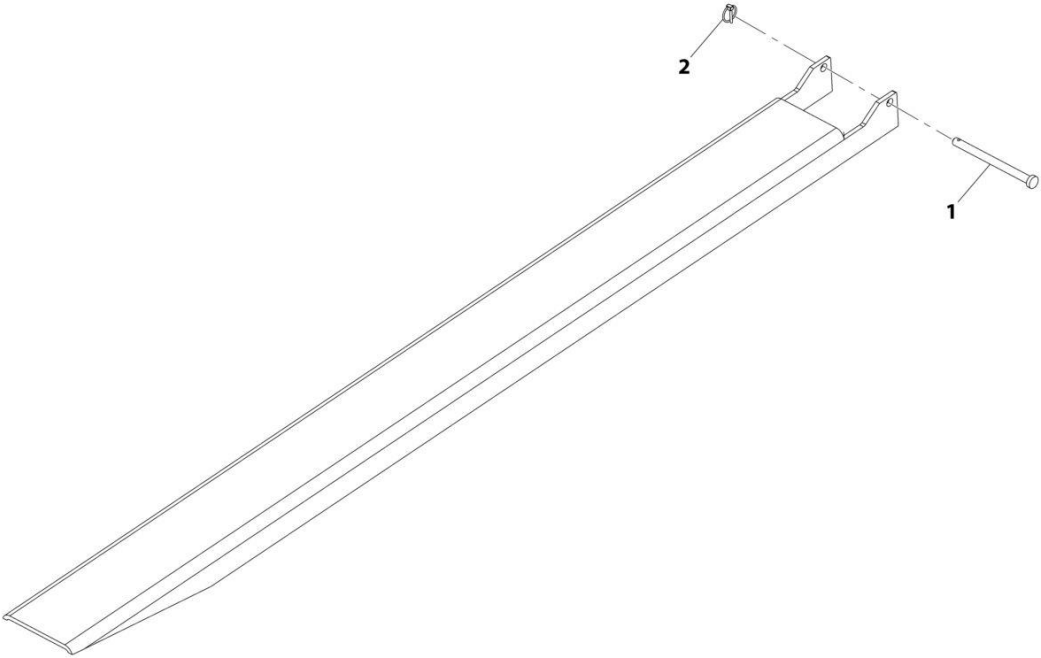
SECTION 3 - ATTACHMENTS

FIGURE 3-40. FORK 2.36X6X60 PALLET 8150#

ITEM	PART NUMBER	QTY	DESCRIPTION	REV
1	2340039	2	Lumber Fork (60X150X1524)	
	Note	Ref	FORKS RATED LESS THAN THE ATTACHMENT OR MACHINE'S CAPACITY DECREASES CAPACITY OF THE ATTACHMENT OR MACHINE TO THAT OF THE FORKS. FORKS RATED MORE THAN THE ATTACHMENT OR MACHINE'S CAPACITY DO NOT INCREASE ATTACHMENT OR MACHINE'S CAPACITY.	
	Note	Ref	PLEASE CONSULT JLG PARTS DEPARTMENT TO DETERMINE THE CORRECT FORKS APPLICABLE TO YOUR SPECIFIC CARRIAGE ASSEMBLY AND APPLICATION.	

SECTION 3 - ATTACHMENTS

FIGURE 3-41. FORK EXTENSION (90 INCH)



ART_1001137512-D

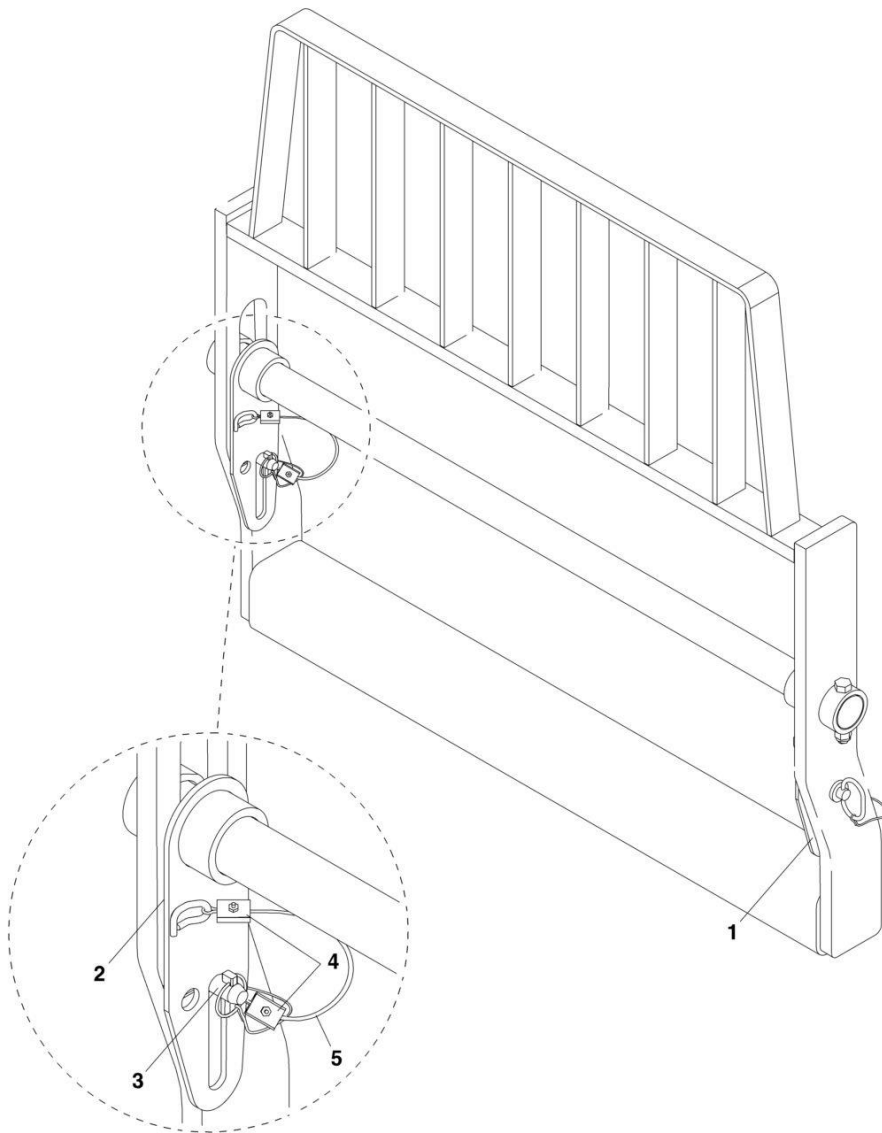
SECTION 3 - ATTACHMENTS

FIGURE 3-41. FORK EXTENSION (90 INCH)

ITEM	PART NUMBER	QTY	DESCRIPTION	REV
	1001137512	2 pr	Fork Extensions (62X163X2286)	D
1	70024306	1	Pin	
2	70024307	1	Clip	

SECTION 3 - ATTACHMENTS

FIGURE 3-42. FORK PIN LOCK INSTALLATION



ART_1001093465_B

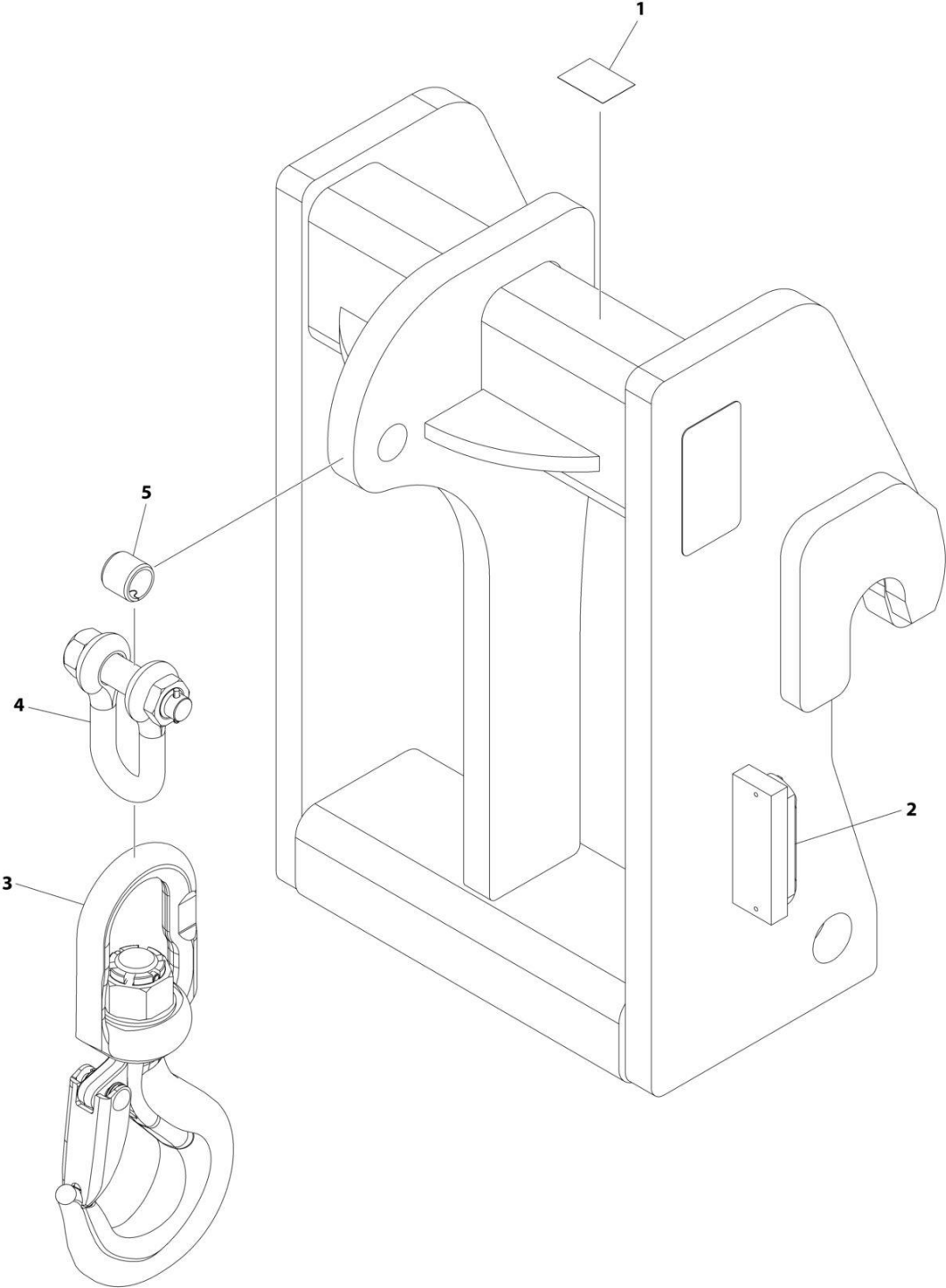
SECTION 3 - ATTACHMENTS

FIGURE 3-42. FORK PIN LOCK INSTALLATION

ITEM	PART NUMBER	QTY	DESCRIPTION	REV
	1001093465	Ref	Fork Pin Lock Installation	B
1	0240156	1	Lock, LH Fork Pin	
2	1001093273	1	Lock, RH Fork Pin	
3	1001093377	2	Pin, Hitch	
4	1001094830	4	Clamp	
5	1001094330	2	Lanyard	

SECTION 3 - ATTACHMENTS

FIGURE 3-43. HOOK - COUPLER MOUNTED



ART_1001207606_D

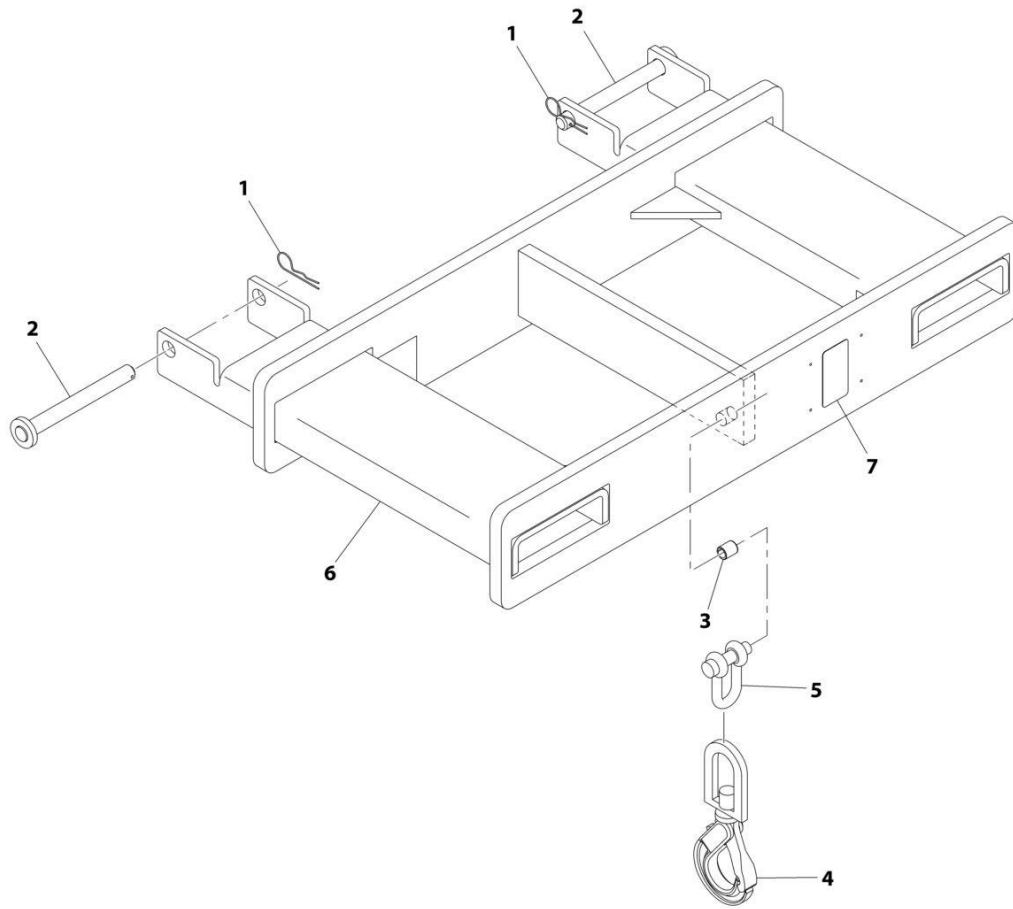
SECTION 3 - ATTACHMENTS

FIGURE 3-43. HOOK - COUPLER MOUNTED

ITEM	PART NUMBER	QTY	DESCRIPTION	REV
	1001207606	Ref	COUPLER MOUNTED HOOK	E
1	90554016	1	Decal	
2	1001227670	1	Tag, RFID	
3	70026745	1	Hook Swivel	
4	70026746	1	Shackle Chain	
5	70020555	1	Bushing	

SECTION 3 - ATTACHMENTS

FIGURE 3-44. HOOK - FORK MOUNTED



ART_1001097205-I

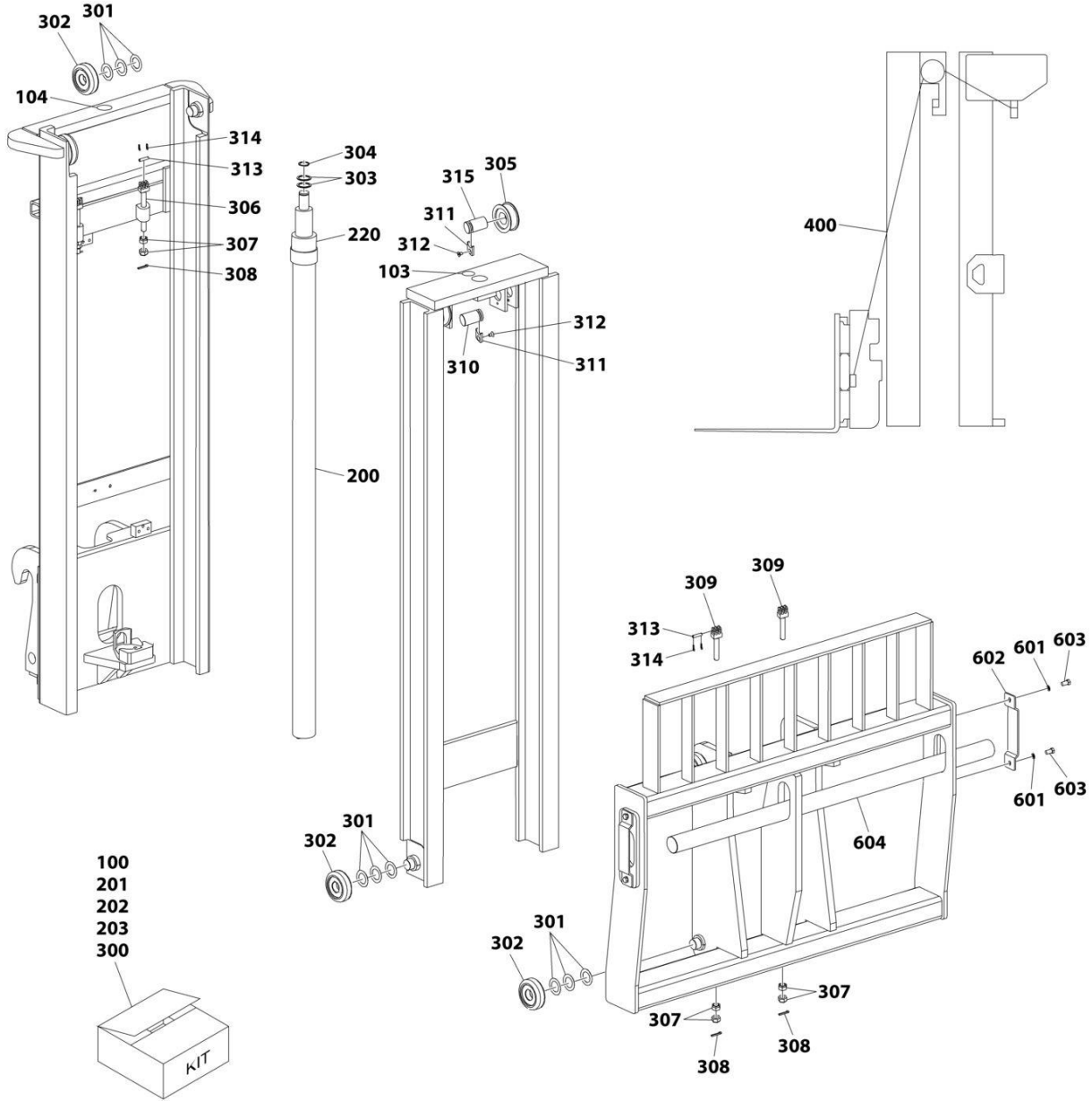
SECTION 3 - ATTACHMENTS

FIGURE 3-44. HOOK - FORK MOUNTED

ITEM	PART NUMBER	QTY	DESCRIPTION	REV
	1001097205	Ref	Fork Mounted Hook (4 Ton)	J
1	7029520	2	Pin, Cotter	
2	1001093171	2	Pin	
3	70020555	1	Bushing	
4	90554080	1	Hook	
5	7029521	1	Shackle	
6	See Note	NSS	Frame, Hook (Note: Purchase Complete Assembly)	
7	See Note	NSS	S/N Plate (Note: Stamped Part - Not Available for Purchase)	

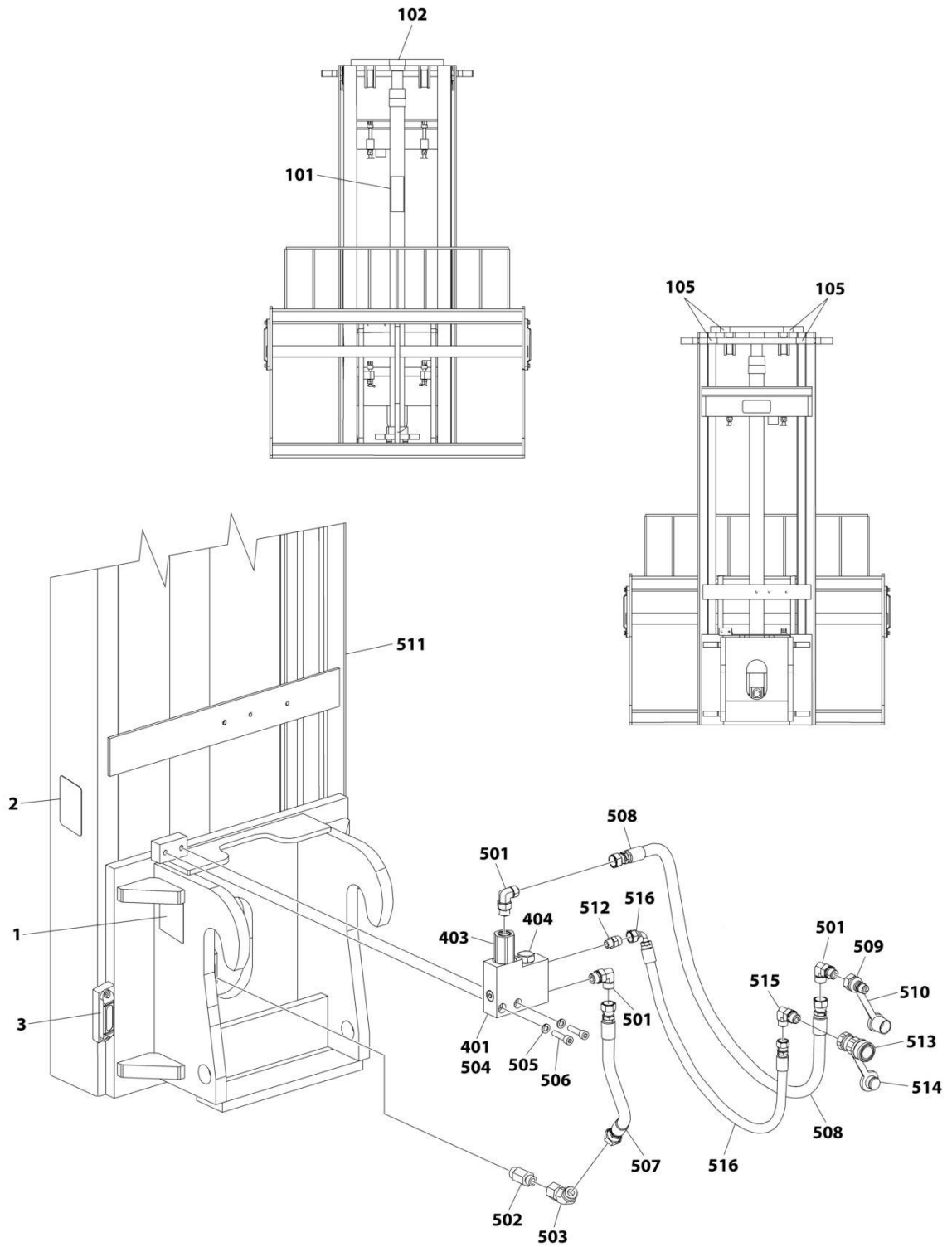
SECTION 3 - ATTACHMENTS

FIGURE 3-45. MAST (8 FOOT)



ART_1001108668_1OF2

SECTION 3 - ATTACHMENTS



ART_1001108668_20F2

SECTION 3 - ATTACHMENTS

FIGURE 3-45. MAST (8 FOOT)

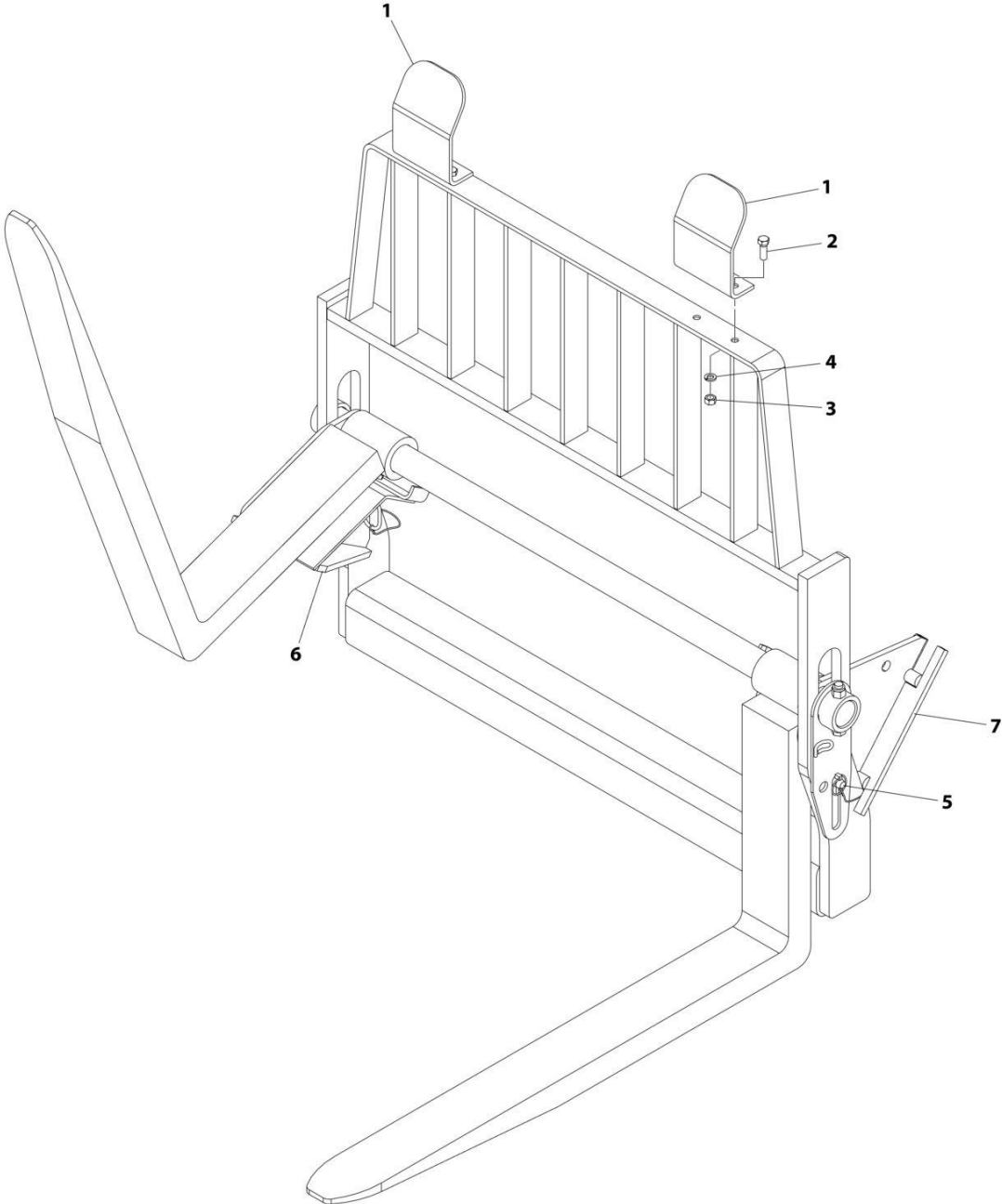
ITEM	PART NUMBER	QTY	DESCRIPTION	REV
	1001108668	Ref	MAST ASSEMBLY - 8FT	G
1	See Note	NSS	Nameplate, Serial Number (Note: Not Available for Purchase)	
2	1001111190	2	Decal - Warning	
3	1001227670	1	RFID Tag	
100	70023925	1	Decal Kit (includes items 1, Warning, No Step & Hose Routing Decals)	
101	See Note	NSS	Decal, Warning (Use Item 100)	
102	See Note	NSS	Decal, Warning (Use Item 100)	
103	See Note	NSS	Decal, No Step (Use Item 100)	
104	See Note	NSS	Decal, No Step (Use Item 100)	
105	See Note	NSS	Decal, Hands Off (Use Item 100)	
200	70023008	1	Cylinder Assembly - Lift (includes items 201-203 & 220. No Other Service Parts Available)	
201	70023005	1	Seal Kit - 70023008 Cylinder (includes Seals & Seal Retaining Hardware)	
202	70023006	1	Check Valve Kit (includes Mounting O-Rings & Hardware)	
203	70023007	1	Shim Kit (Includes items 303)	
220	70023004	1	Head/Retainer	
300	70023015	1	Mast Kit (includes items 100 & 301-315)	
301	70023014	24	Shim	
302	70022987	8	Bearing, Ball	
303	See Note	NLA	Shim (Note: Use item 203)	
304	70023016	1	Ring, Retaining	
305	70022969	2	Sheave	
306	70022960	2	Anchor, Chain	
307	70022957	8	Nut 5/8	
308	70022993	4	Pin, Cotter	
309	70022995	2	Anchor, Chain	
310	70022984	1	Shaft, Sheave	
311	70022970	2	Bar	
312	70023003	2	Screw	
313	70022994	4	Pin	
314	70022992	8	Pin, Cotter	
315	70022985	1	Shaft, Sheave	
400	70023009	2	Chain, Hoist	
401	70022932	1	Valve Assembly - Lowering Control	
403	70022931	1	Cartridge, Valve	
404	70023010	1	Cartridge, Valve	
501	70022934	3	Fitting, 90	
502	70022936	1	Fitting, Flow Limiter	
503	70022937	1	Fitting, 45	
504	70022932	1	Valve Assembly - Lowering Control (Note: Duplicate of Item 401 - Only Qty 1 Used)	
505	70022949	2	Washer, M10	
506	70022950	2	Bolt M10	
507	70022942	1	Hose	
508	70022952	1	Hose	
509	91403414	1	Fitting, Quick Disconnect Coupling (Male)	
510	91043126	1	Cap, Dust	
511	70023015	1	Mast Kit (Note: Duplicate of Item 300 - Only Qty 1 Used)	

SECTION 3 - ATTACHMENTS

ITEM	PART NUMBER	QTY	DESCRIPTION	REV
512	70022939	1	Fitting, Straight	
513	91403413	1	Fitting, Quick Disconnect Coupling (Female)	
514	91043125	1	Cap, Dust	
515	70022935	1	Fitting, 90	
516	70022946	1	Hose	
601	70022949	4	Washer M10	
602	70022980	2	Keeper, Pin	
603	70022998	4	Bolt M10 x 20	
604	70022990	1	Pin, Fork	

SECTION 3 - ATTACHMENTS

FIGURE 3-46. SHEET MATERIAL HANDLER INSTALLATION



ART_1001100227-B

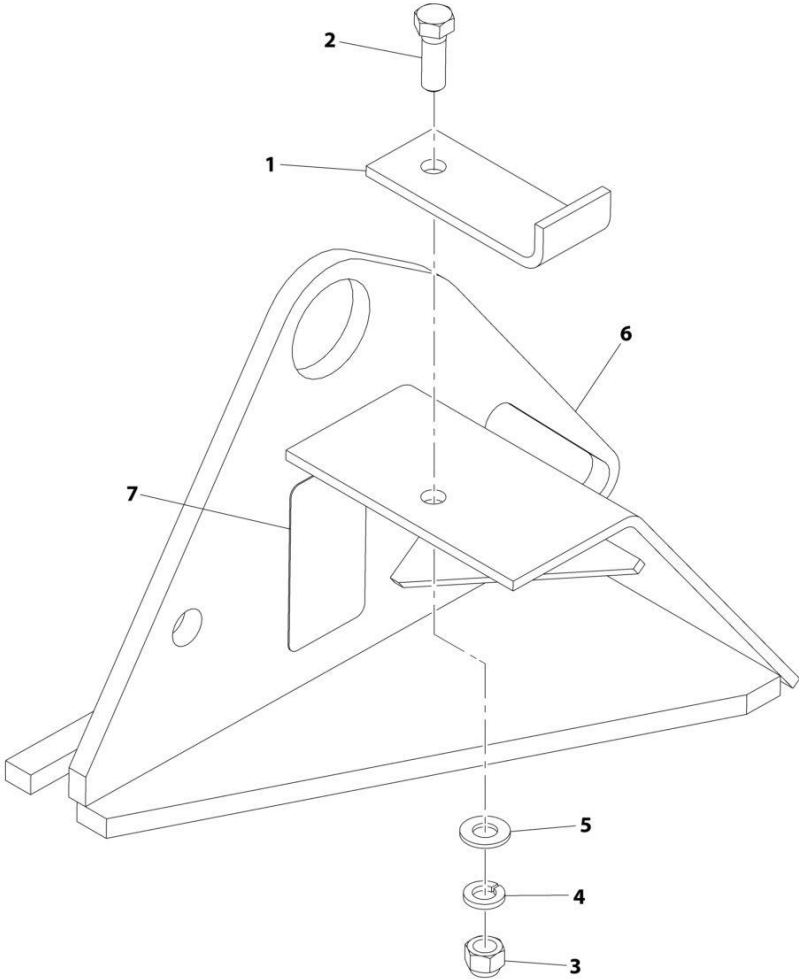
SECTION 3 - ATTACHMENTS

FIGURE 3-46. SHEET MATERIAL HANDLER INSTALLATION

ITEM	PART NUMBER	QTY	DESCRIPTION	REV
	1001100227	Ref	Sheet Material Handler Installation	B
1	7112642	2	Extension, Backrest	
2	8303626	4	Bolt, 1/2-13X1-1/2	
3	8305012	4	Nut, 1/2-13	
4	8307007	4	Washer, Lock 1/2	
5	1001093377	2	Pin, Hitch	
6	1001101115	1	Assembly, RH Fork Support (See Separate Breakdown in this Section)	
7	1001101116	1	Assembly, LH Fork Support (See Separate Breakdown in this Section)	

SECTION 3 - ATTACHMENTS

FIGURE 3-47. SHEET MATERIAL HANDLE FORK SUPPORT ASSEMBLY (LH)



ART_1001101116-E

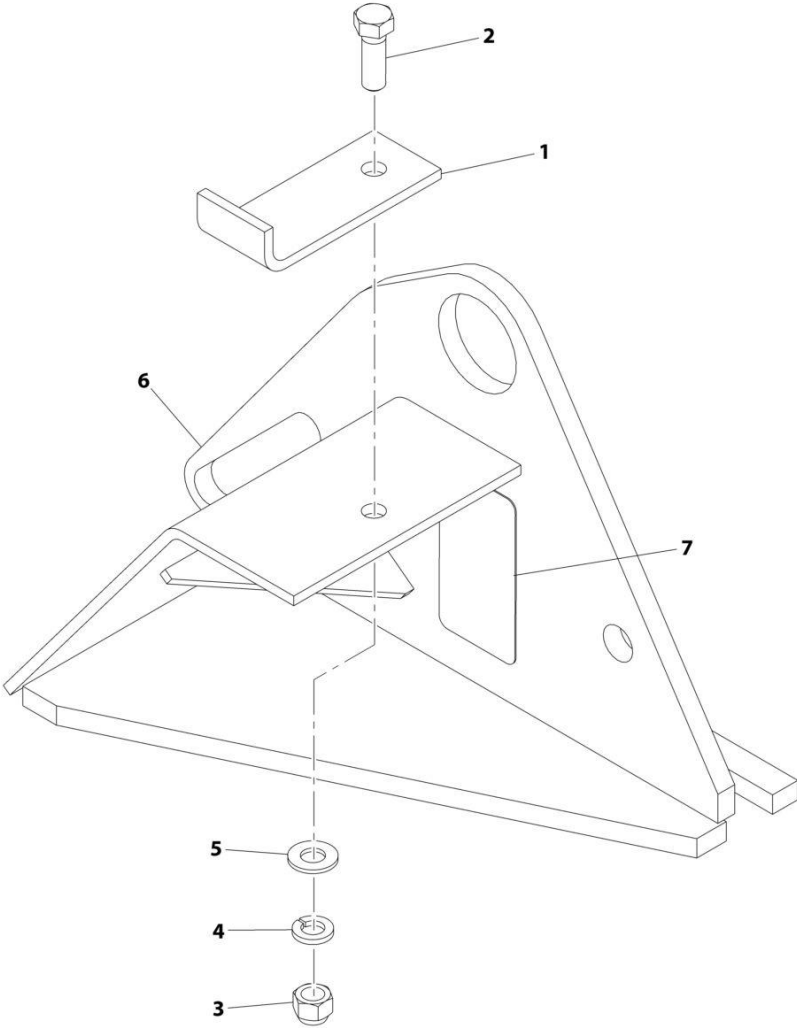
SECTION 3 - ATTACHMENTS

FIGURE 3-47. SHEET MATERIAL HANDLE FORK SUPPORT ASSEMBLY (LH)

ITEM	PART NUMBER	QTY	DESCRIPTION	REV
	1001101116	Ref	LH Fork Support Assembly	E
1	7114941	1	Bar, Lock	
2	8303626	1	Bolt, 1/2-13X1-1/2	
3	8305644	1	Nut, Lock 1/2-13	
4	8307007	1	Washer, Lock 1/2	
5	8307112	1	Washer, 1/2	
6	1001100229	1	Support, LH Fork	
7	N.S.S.	1	S/N Plate	

SECTION 3 - ATTACHMENTS

FIGURE 3-48. SHEET MATERIAL HANDLE FORK SUPPORT ASSEMBLY (RH)



ART_1001101115-D

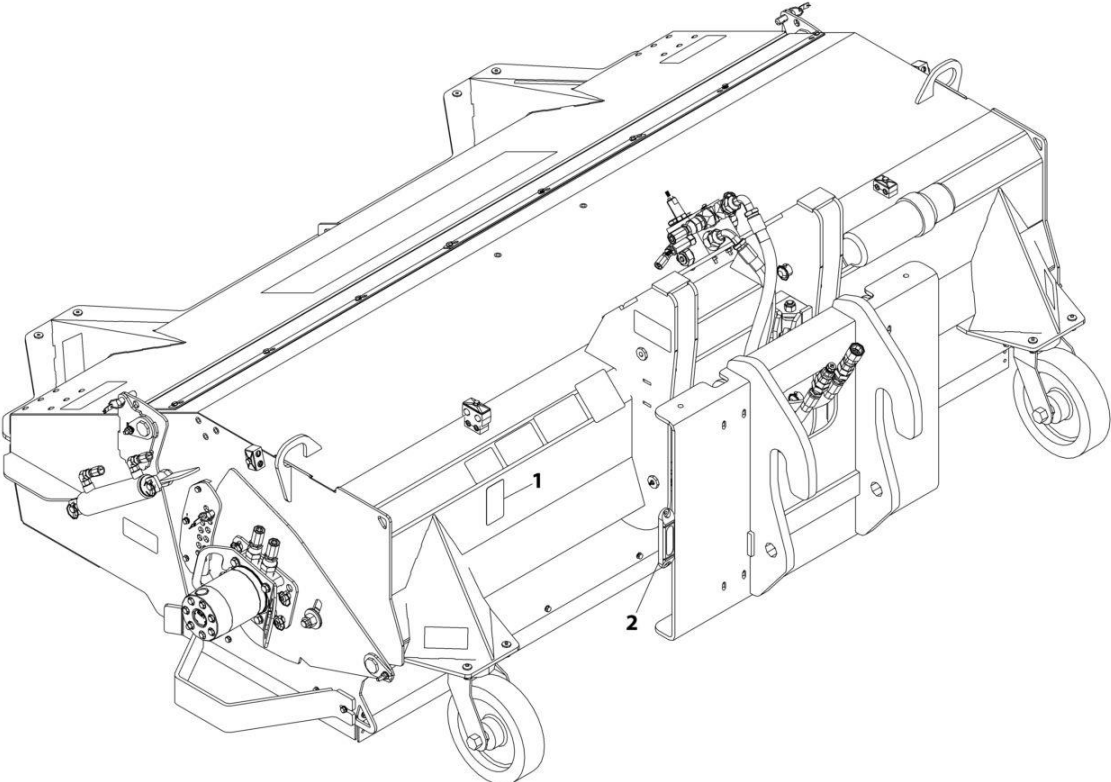
SECTION 3 - ATTACHMENTS

FIGURE 3-48. SHEET MATERIAL HANDLE FORK SUPPORT ASSEMBLY (RH)

ITEM	PART NUMBER	QTY	DESCRIPTION	REV
	1001101115	Ref	RH Fork Support Assembly	D
1	7114941	1	Bar, Lock	
2	8303626	1	Bolt, 1/2-13X1-1/2	
3	8305644	1	Nut, Lock 1/2-13	
4	8307007	1	Washer, Lock 1/2	
5	8307112	1	Washer, 1/2	
6	1001100228	1	Support, RH Fork	
7	N.S.S.	1	S/N Plate	

SECTION 3 - ATTACHMENTS

FIGURE 3-49. SWEEPER ASSEMBLY



ART_1001202904

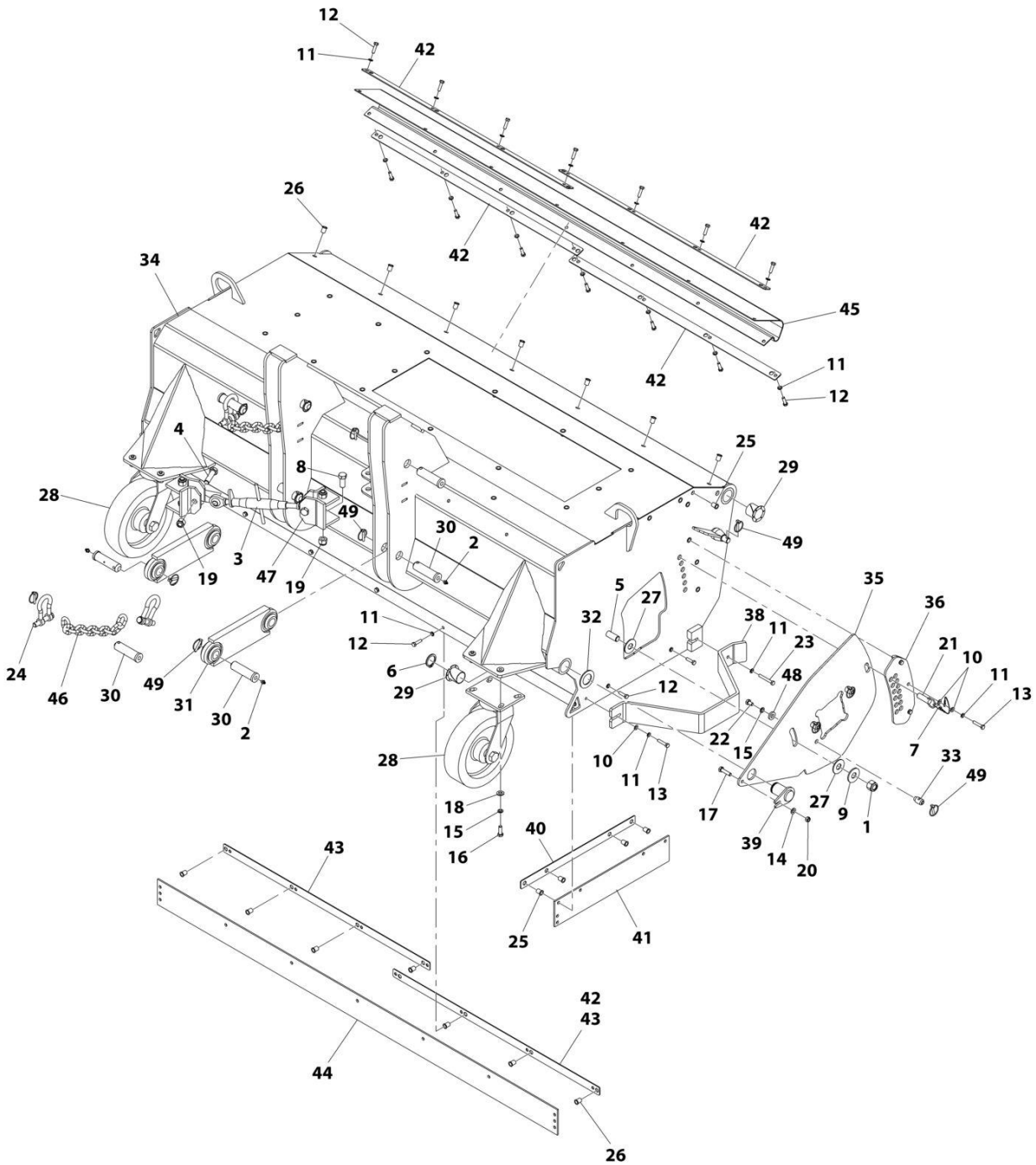
SECTION 3 - ATTACHMENTS

FIGURE 3-49. SWEEPER ASSEMBLY

ITEM	PART NUMBER	QTY	DESCRIPTION	REV
	1001202904	Ref	Sweeper Assembly	D
1	See Note	NSS	S/N Plate (Note: Stamped Part - Not Available for Purchase)	
2	1001227670	1	Tag, RFID	
		Ref	Sweeper Assembly- Hopper (See Separate Breakdown in this Section)	
		Ref	Sweeper Assembly - Body (See Separate Breakdown in this Section)	
		Ref	Sweeper Assembly - Motor (See Separate Breakdown in this Section)	
		Ref	Sweeper Assembly - Idler (See Separate Breakdown in this Section)	
		Ref	Sweeper Assembly - Core (See Separate Breakdown in this Section)	
		Ref	Sweeper Assembly - Hydraulic Single Motor (See Separate Breakdown in this Section)	

SECTION 3 - ATTACHMENTS

FIGURE 3-50. SWEEPER - BODY ASSEMBLY



ART_1001202904_2-B

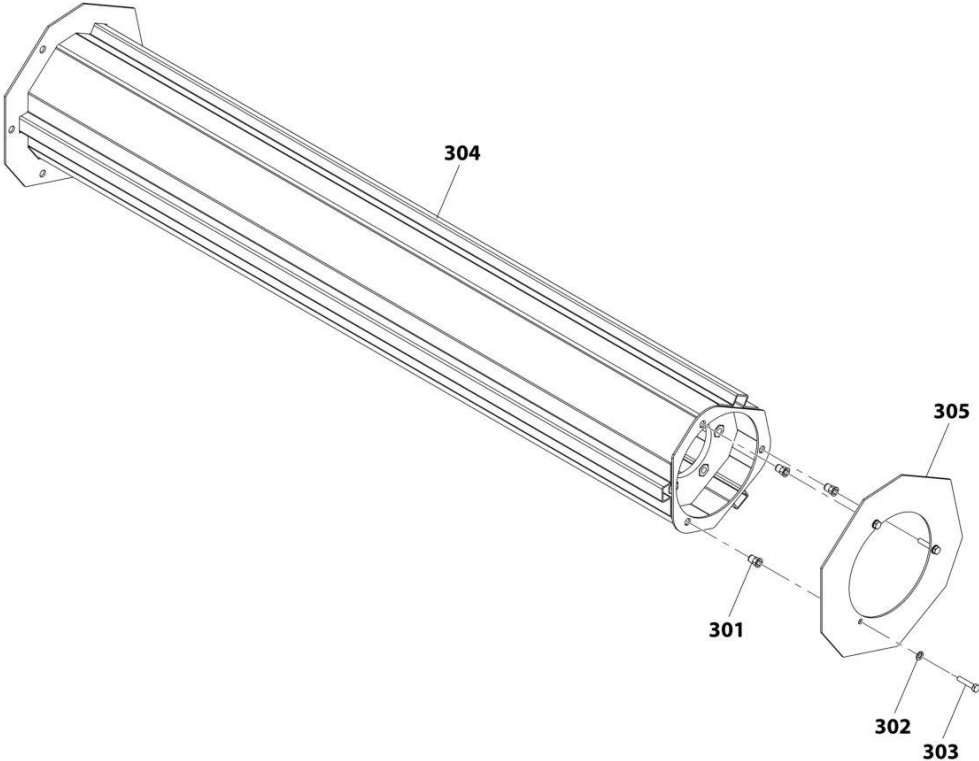
SECTION 3 - ATTACHMENTS

FIGURE 3-50. SWEEPER - BODY ASSEMBLY

ITEM	PART NUMBER	QTY	DESCRIPTION	REV
	1001202904	Ref	SWEEPER ASSEMBLY - BODY	
1	70029720	2	Nut	
2	70029721	4	Fitting, Grease	
3	70029722	1	Toplink	
4	70029723	2	Screw	
5	70020004	2	Screw	
6	70029724	2	Ring, Snap	
7	70029725	2	Lanyard	
8	70029726	4	Screw	
9	70029728	2	Washer	
10	70029732	6	Washer	
11	70029734	38	Washer	
12	70029735	32	Screw	
13	70029736	4	Screw	
14	70029738	2	Washer	
15	70029739	14	Washer	
16	70029741	8	Screw	
17	70029742	2	Screw	
18	70029743	8	Washer	
19	70029745	6	Nut	
20	70029747	2	Nut	
21	70029729	2	Pin	
22	70029751	6	Screw	
23	70029752	2	Screw	
24	70029755	4	Shackle	
25	70029756	45	Nut	
26	70029757	25	Nut	
27	70029760	4	Washer	
28	70029762	2	Assembly, Caster	
29	70029764	4	Bearing	
30	70029765	8	Pin	
31	70029766	2	Link	
32	70029767	2	Washer	
33	70029768	6	Stud	
34	See Note	NSS	Body, Sweeper (Note: Purchase Complete Assembly)	
35	70029773	2	Plate	
36	70029774	2	Plate	
37	70029775	2	Plate	
38	70029776	2	Plate	
39	70029777	2	Pin	
40	70029778	2	Plate	
41	70029779	2	Flap	
42	70029780	6	Plate	
43	70029781	3	Plate	
44	70029784	1	Flap	
45	70029786	1	Flap	
46	70029788	2	Chain	
47	70029790	2	Toplink	
48	70029793	6	Washer	
49	70029794	16	Pin, Lynch	

SECTION 3 - ATTACHMENTS

FIGURE 3-51. SWEEPER - CORE ASSEMBLY



ART_1001202904_5-B

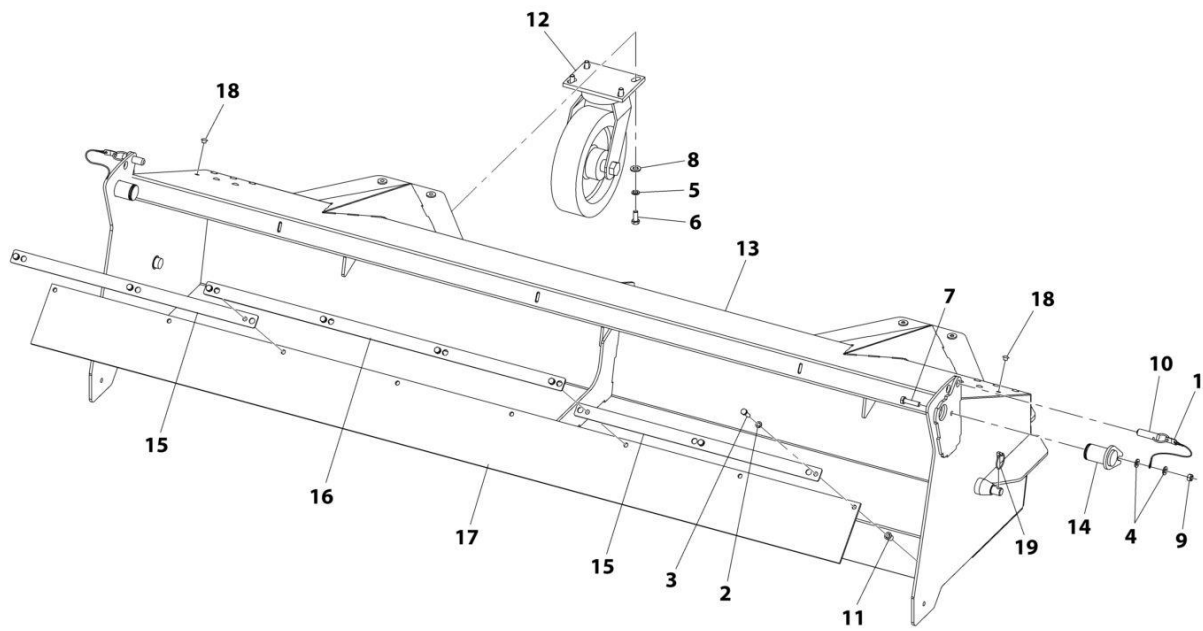
SECTION 3 - ATTACHMENTS

FIGURE 3-51. SWEEPER - CORE ASSEMBLY

ITEM	PART NUMBER	QTY	DESCRIPTION	REV
	1001202904	1	SWEEPER ASSEMBLY - CORE	
301	70029727	3	Nut	
302	70029730	3	Washer	
303	70029731	3	Screw	
304	70029782	1	Core	
305	70029783	1	Plate	

SECTION 3 - ATTACHMENTS

FIGURE 3-52. SWEEPER - HOPPER ASSEMBLY



ART_1001202904_1-B

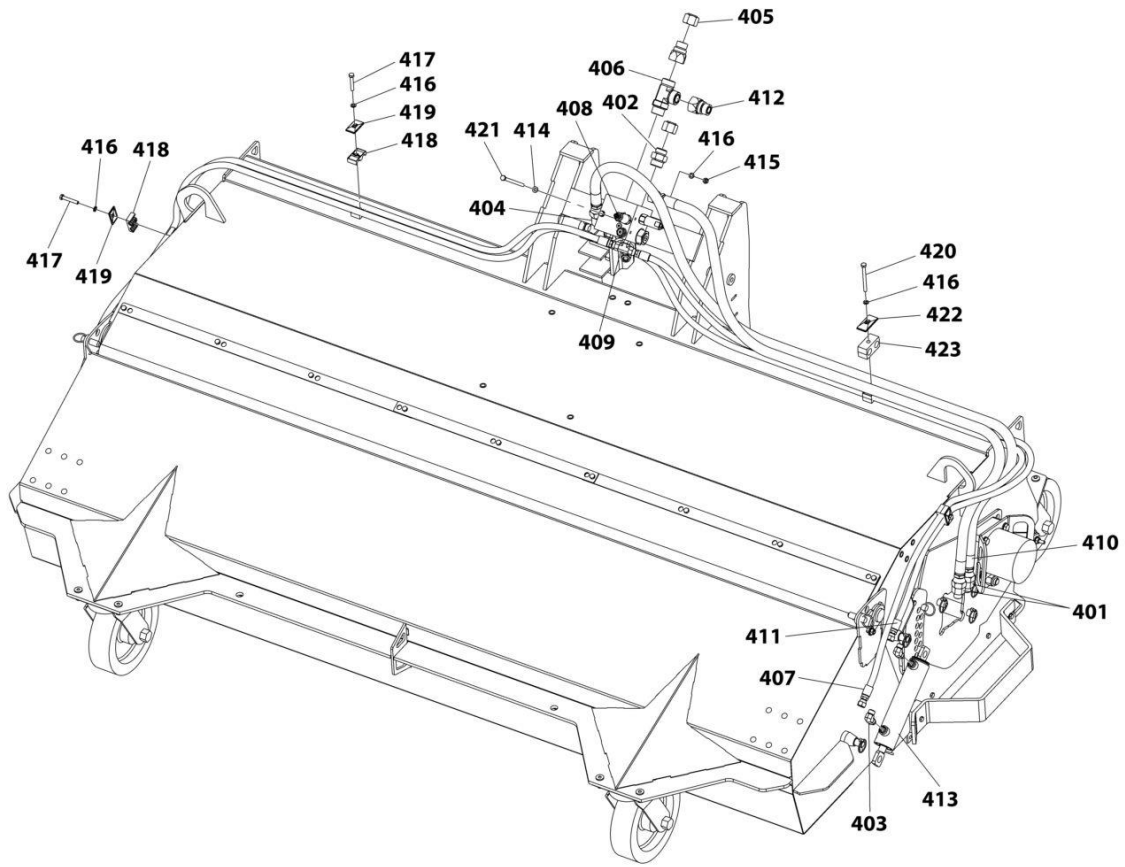
SECTION 3 - ATTACHMENTS

FIGURE 3-52. SWEEPER - HOPPER ASSEMBLY

ITEM	PART NUMBER	QTY	DESCRIPTION	REV
	1001202904	Ref	SWEEPER ASSEMBLY - HOPPER	
1	70029725	2	Lanyard	
2	70029734	8	Washer	
3	70029735	8	Screw	
4	70029738	4	Washer	
5	70029739	8	Washer	
6	70029740	8	Screw	
7	70029742	2	Screw	
8	70029743	8	Washer	
9	70029747	2	Nut	
10	70029750	2	Pin	
11	70029756	8	Nut	
12	70029762	2	Assembly, Caster	
13	See Note	NSS	Hopper (Note: Purchase Complete Assembly)	
14	70029777	2	Pin	
15	70029780	2	Plate	
16	70029781	1	Plate	
17	70029785	1	Flap	
18	70029792	12	Plug	
19	70029794	2	Pin, Lynch	

SECTION 3 - ATTACHMENTS

FIGURE 3-53. SWEEPER - HYDRAULIC SINGLE MOTOR ASSEMBLY



ART_1001202904_6-B

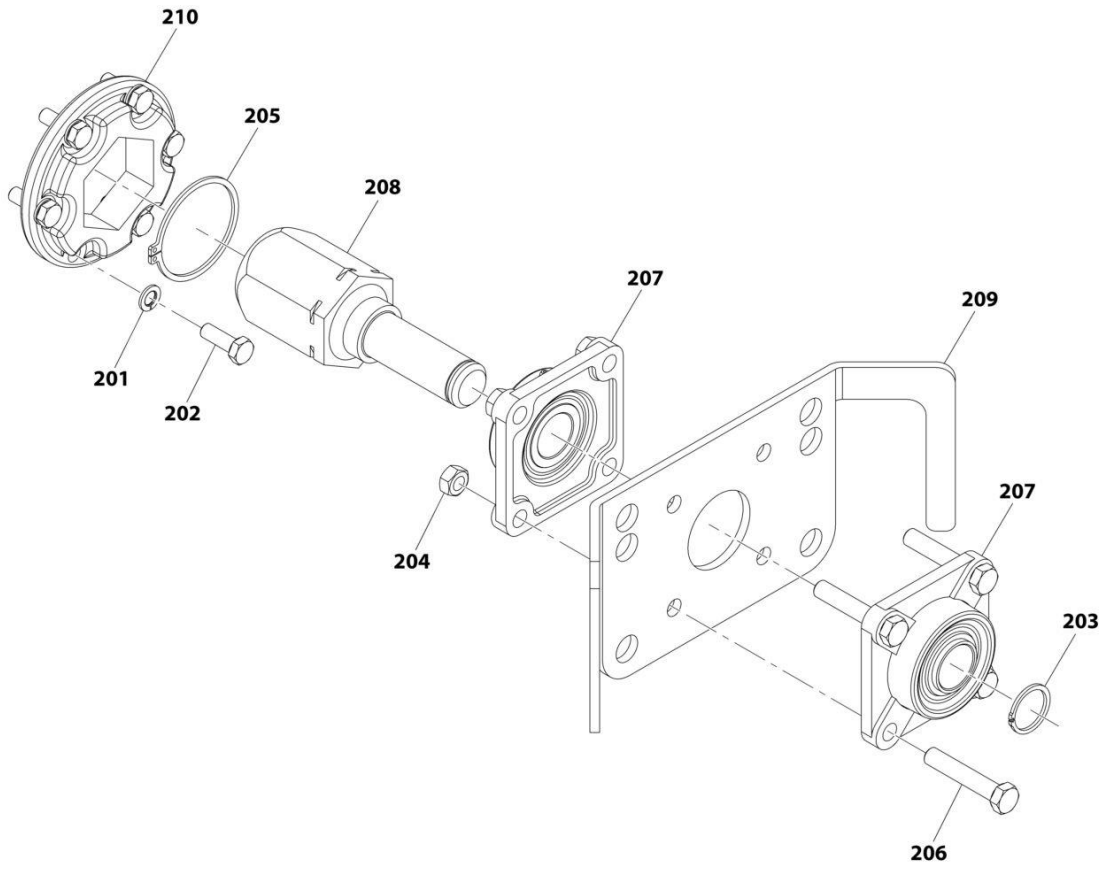
SECTION 3 - ATTACHMENTS

FIGURE 3-53. SWEEPER - HYDRAULIC SINGLE MOTOR ASSEMBLY

ITEM	PART NUMBER	QTY	DESCRIPTION	REV
	1001202904	Ref	SWEEPER ASSEMBLY - HYDRAULICS	
401	70029704	2	Fitting	
402	70029705	1	Fitting	
403	70029706	4	Fitting, 90	
404	70029707	1	Fitting, 90	
405	70029708	2	Cap	
406	70029709	1	Fitting, Tee	
407	70029710	2	Hose	
408	70029711	1	Manifold	
409	70029712	2	Fitting, Tee	
410	70029713	2	Hose	
411	70029714	2	Hose	
412	70029715	2	Fitting	
413	70029716	2	Cylinder	
413	70029791	1	Kit, Seal	
414	70029732	2	Washer	
415	70029733	2	Nut	
416	70029734	6	Washer	
417	70029737	3	Screw	
418	70029753	8	Hose	
419	70029754	3	Cover	
420	70029758	1	Screw	
421	70029759	2	Screw	
422	70029795	1	Cover	
423	70029796	1	Cradle, Hose	

SECTION 3 - ATTACHMENTS

FIGURE 3-54. SWEEPER - IDLER ASSEMBLY



ART_1001202904_4-B

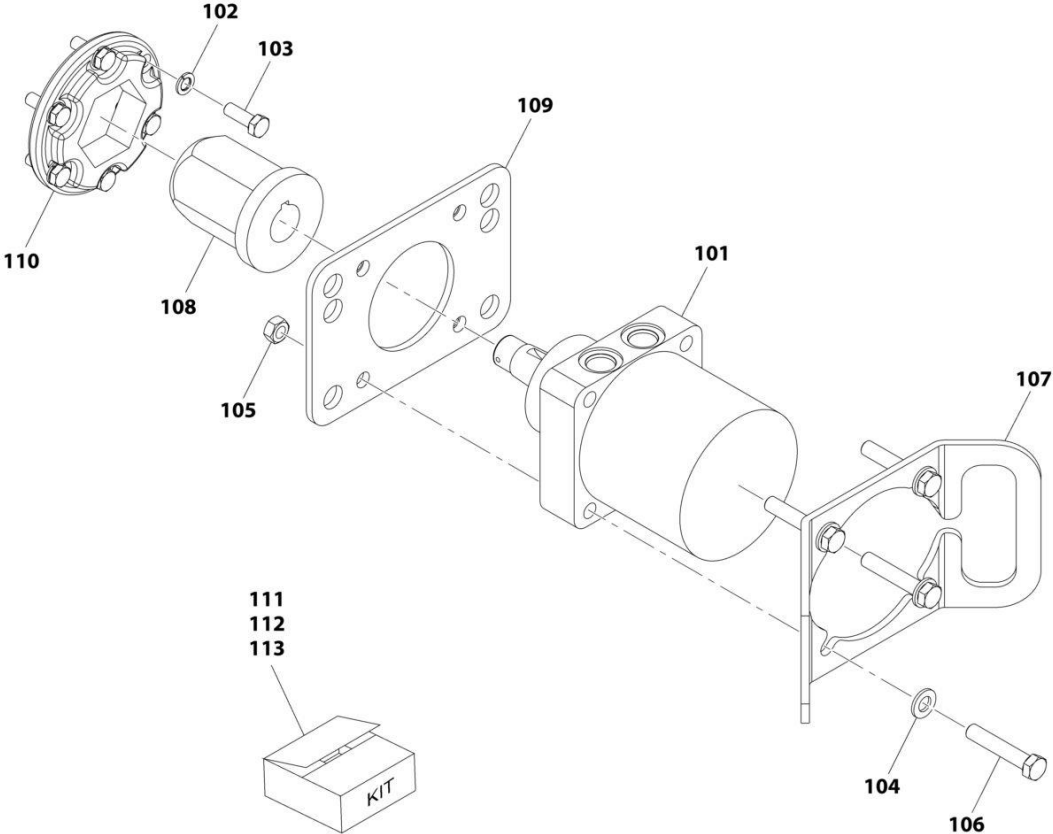
SECTION 3 - ATTACHMENTS

FIGURE 3-54. SWEEPER - IDLER ASSEMBLY

ITEM	PART NUMBER	QTY	DESCRIPTION	REV
	1001202904	Ref	SWEEPER ASSEMBLY - IDLER	
201	70029739	6	Washer	
202	70029741	6	Screw	
203	70029744	1	Ring, Snap	
204	70029746	4	Nut	
205	70029748	1	Ring, Snap	
206	70029749	4	Screw	
207	70029763	2	Bearing	
208	70029770	1	Hub	
209	70029787	1	Plate	
210	70029789	1	Plate	

SECTION 3 - ATTACHMENTS

FIGURE 3-55. SWEEPER - MOTOR ASSEMBLY



ART_1001202904_3-B

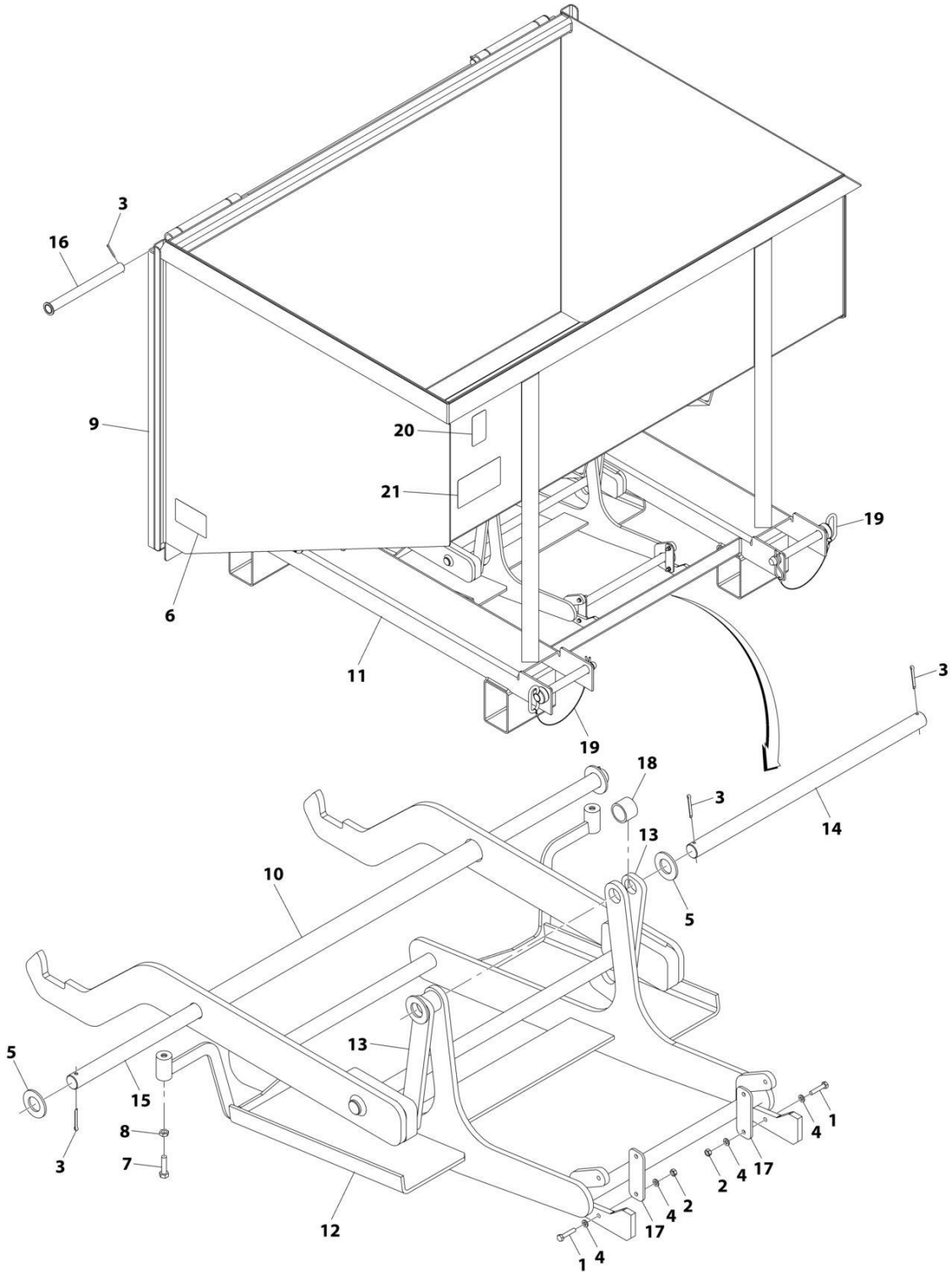
SECTION 3 - ATTACHMENTS

FIGURE 3-55. SWEEPER - MOTOR ASSEMBLY

ITEM	PART NUMBER	QTY	DESCRIPTION	REV
	1001202904	Ref	SWEEPER ASSEMBLY - MOTOR	
101	70029717	1	Motor	
102	70029739	6	Washer	
103	70029741	6	Screw	
104	70029743	4	Washer	
105	70029746	4	Nut	
106	70029749	4	Screw	
107	70029769	1	Plate	
108	70029771	1	Hub	
109	70029772	1	Plate	
110	70029789	1	Plate	
111	70029719	1	Nut, Motor Shaft Lock	
112	70029718	1	Kit, Seal	
113	70029761	1	Key	

SECTION 3 - ATTACHMENTS

FIGURE 3-56. TRASH HOPPER - FORK MOUNTED



ART_1001238566-B

SECTION 3 - ATTACHMENTS

FIGURE 3-56. TRASH HOPPER - FORK MOUNTED

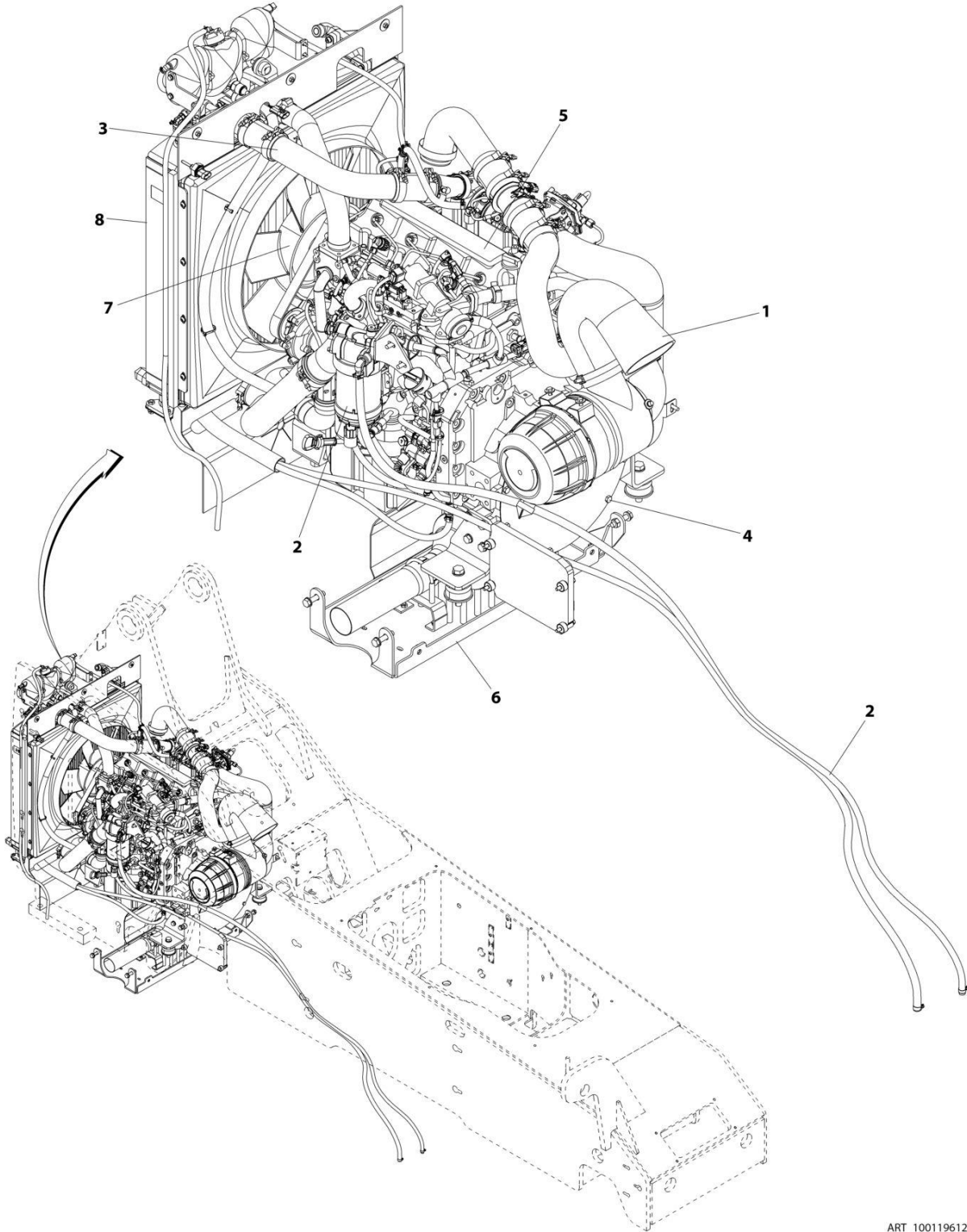
ITEM	PART NUMBER	QTY	DESCRIPTION	REV
	1001238566	Ref	FORK MOUNTED TRASH HOPPER	C
1	0700614	4	Bolt M6 x 30	
2	3290601	4	Nut M6 x 1	
3	3391410	6	Pin	
4	4811700	8	Washer M6	
5	5242400	4	Washer M24	
6	1706302	2	Decal, Pinch Point	
7	0641510	2	Bolt 5/16 x 1-1/4	
8	3311502	2	Nut 5/16	
9	1001192711	1	Door Assembly	
10	1001192720	1	Hook Assembly	
11	See Note	NSS	Hopper, Trash (Note: Purchase Complete Assembly)	
12	1001192875	1	Tray Assembly	
13	1001192876	2	Arm, Swing	
14	1001192877	1	Rod, Swing	
15	1001238570	1	Bar	
16	1001193540	2	Pin	
17	1001193729	2	Plate	
18	1001198355	2	Spacer	
19	1001238560	2	Pin	
20	See Note	NSS	SN Plate (Note: Stamped Part - Not Available for Purchase)	
21	1001203503	1	Decal, Trash Hopper Operation	

SECTION 4 - ENGINE AND ATTACHING PARTS

SECTION 4 - ENGINE AND ATTACHING PARTS

SECTION 4 - ENGINE AND ATTACHING PARTS

FIGURE 4-1. ENGINE COMPONENT INSTALLATION - 74HP (ULS)



ART_1001196127-A

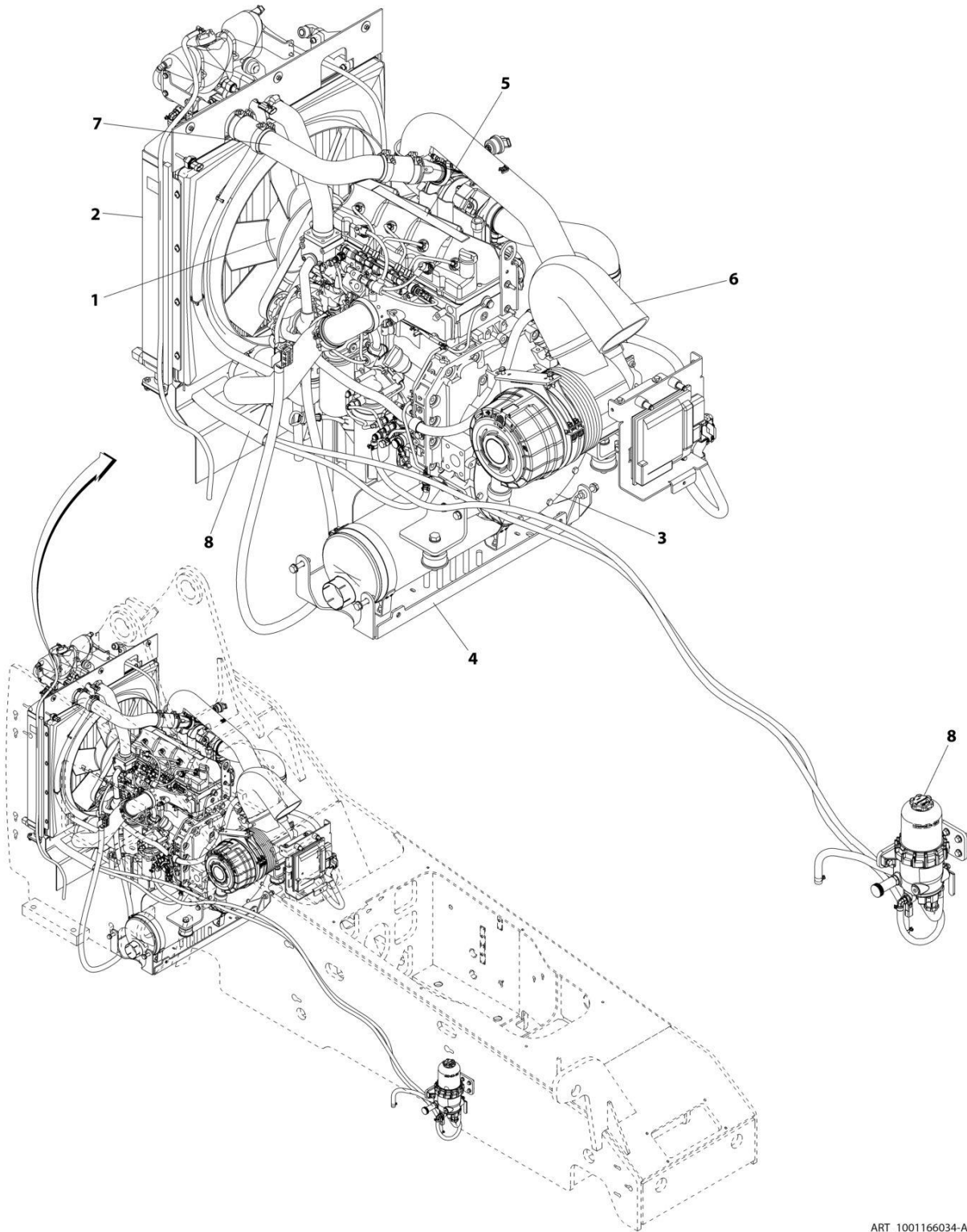
SECTION 4 - ENGINE AND ATTACHING PARTS

FIGURE 4-1. ENGINE COMPONENT INSTALLATION - 74HP (ULS)

ITEM	PART NUMBER	QTY	DESCRIPTION	REV
	1001196127	Ref	Engine Component Installation, 74HP (ULS)	A
1	1001165669	Ref	Installation, Air Cleaner (See Separate Breakdown in this Section)	
2	1001165672	Ref	Installation, Fuel Plumbing (See Separate Breakdown in this Section)	
3	1001165673	Ref	Installation, Plumbing Cooling (See Separate Breakdown in this Section)	
4	1001166229	Ref	Installation, Isolation Coupler (See Separate Breakdown in this Section)	
5	1001196124	Ref	Installation, Engine (74HP) (See Separate Breakdown in this Section)	
6	1001196125	Ref	Installation, Exhaust (See Separate Breakdown in this Section)	
7	1001196736	Ref	Installation, Fan (See Separate Breakdown in this Section)	
8	1001196737	Ref	Installation, Cooling (See Separate Breakdown in this Section)	

SECTION 4 - ENGINE AND ATTACHING PARTS

FIGURE 4-2. ENGINE COMPONENT INSTALLATION - 85HP (ULS)



ART_1001166034-A

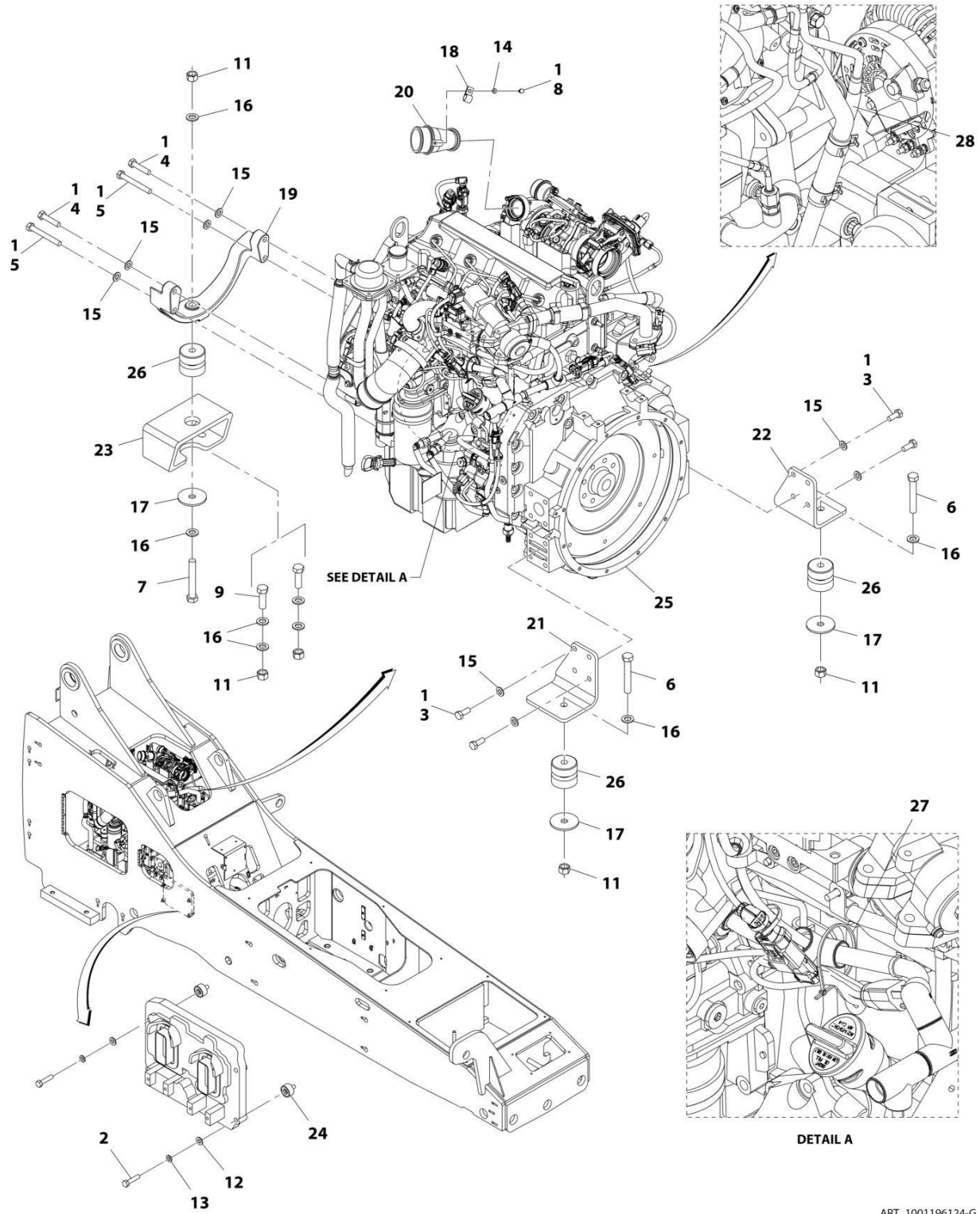
SECTION 4 - ENGINE AND ATTACHING PARTS

FIGURE 4-2. ENGINE COMPONENT INSTALLATION - 85HP (ULS)

ITEM	PART NUMBER	QTY	DESCRIPTION	REV
	1001166034	Ref	Engine Component Installation, 85HP (LS)	A
1	1001165668	Ref	Installation, Fan (See Separate Breakdown in this Section)	
2	1001165670	Ref	Installation, Cooling (See Separate Breakdown in this Section)	
3	1001166229	Ref	Installation, Isolation Coupler (See Separate Breakdown in this Section)	
4	1001185649	Ref	Installation, Exhaust (See Separate Breakdown in this Section)	
5	1001185650	Ref	Installation, Engine (See Separate Breakdown in this Section)	
6	1001185651	Ref	Installation, Air Cleaner (See Separate Breakdown in this Section)	
7	1001185652	Ref	Installation, Plumbing Cooling (See Separate Breakdown in this Section)	
8	1001186490	Ref	Installation, Fuel Plumbing (See Separate Breakdown in this Section)	

SECTION 4 - ENGINE AND ATTACHING PARTS

FIGURE 4-3. ENGINE INSTALLATION - 74HP (ULS)



ART_1001196124-G

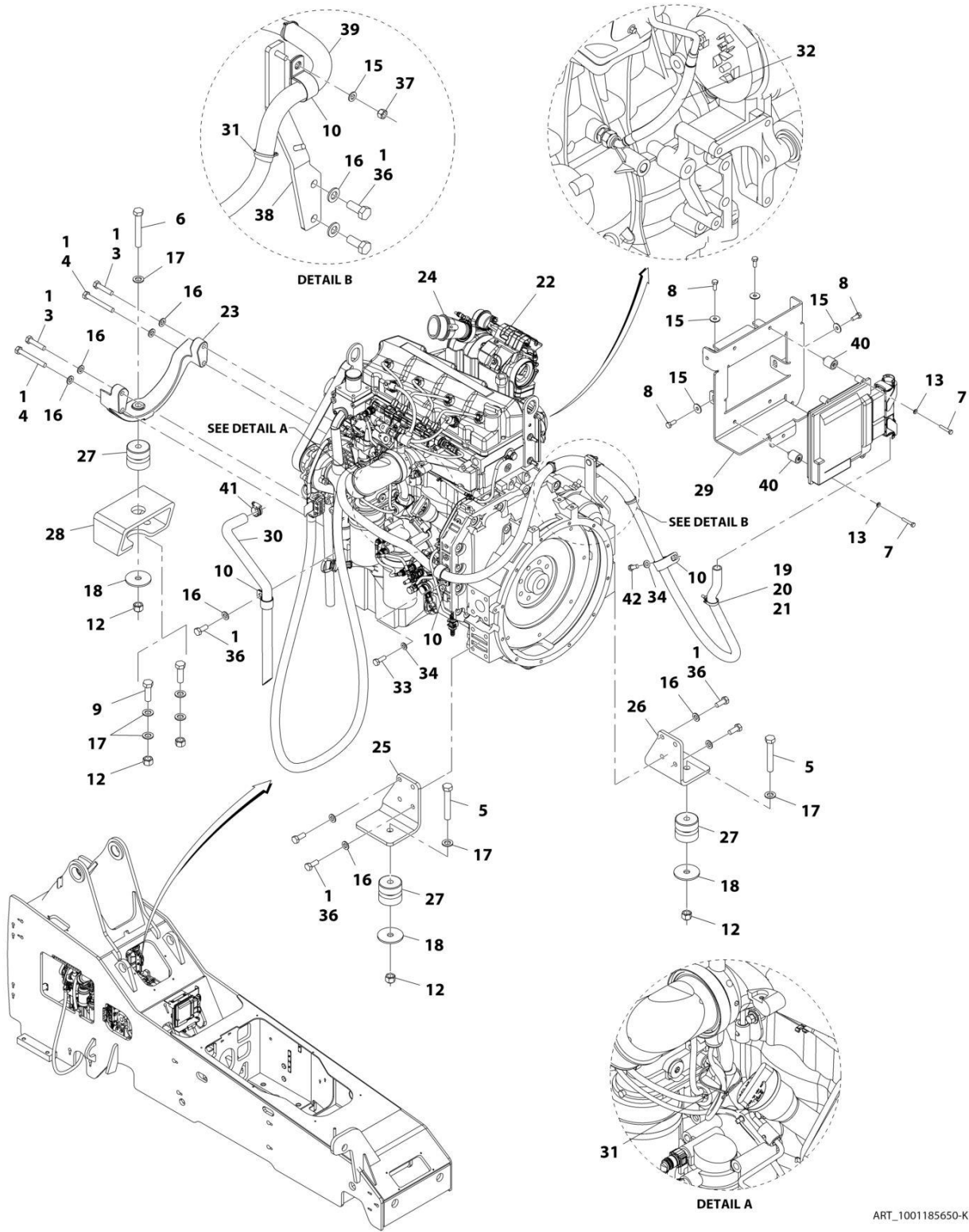
SECTION 4 - ENGINE AND ATTACHING PARTS

FIGURE 4-3. ENGINE INSTALLATION - 74HP (ULS)

ITEM	PART NUMBER	QTY	DESCRIPTION	REV
	1001196124	Ref	Engine Installation, 74HP (if equipped for ULS)	G
1	0100011	AR	Compound, Locking	
2	0641511	4	Bolt, 5/16-18X1-3/8	
3	0711214	8	Bolt, M12X30	
4	0711219	2	Bolt, M12X55	
5	0711227	2	Bolt, M12X100	
6	0711627	2	Bolt, M16X100	
7	0711628	1	Bolt, M16X110	
8	0760605	1	Bolt, M6X10	
9	0771618	2	Bolt, M16X50	
11	3331615	5	Nut, Lock M16X12	
12	4711500	4	Washer, 5/16	
13	4761500	4	Washer, Lock 5/16	
14	4811700	1	Washer, M6	
15	4812100	12	Washer, M12	
16	4812300	8	Washer, M16	
17	7300435	3	Washer, Rebound	
18	8406112	1	Clip, Tube 5/8	
19	1001160116	1	Bracket, Engine Mount Casting	
20	1001161920	1	Adapter	
21	1001165517	1	Bracket, Engine Mount	
22	1001165518	1	Bracket, Engine Mount	
23	1001180473	1	Bracket, Rear Engine Mount	
24	1001186373	4	Mount, Isolator ECM	
25	1001196665	1	Engine (See Separate Breakdown in this Section)	
26	1001165660	3	Mount, Isolator Engine	
27	4240099	1	Strap, Tie	
28	7125871	1	Conduit 0.5X8	

SECTION 4 - ENGINE AND ATTACHING PARTS

FIGURE 4-4. ENGINE INSTALLATION - 85HP (LS)



ART_1001185650-K

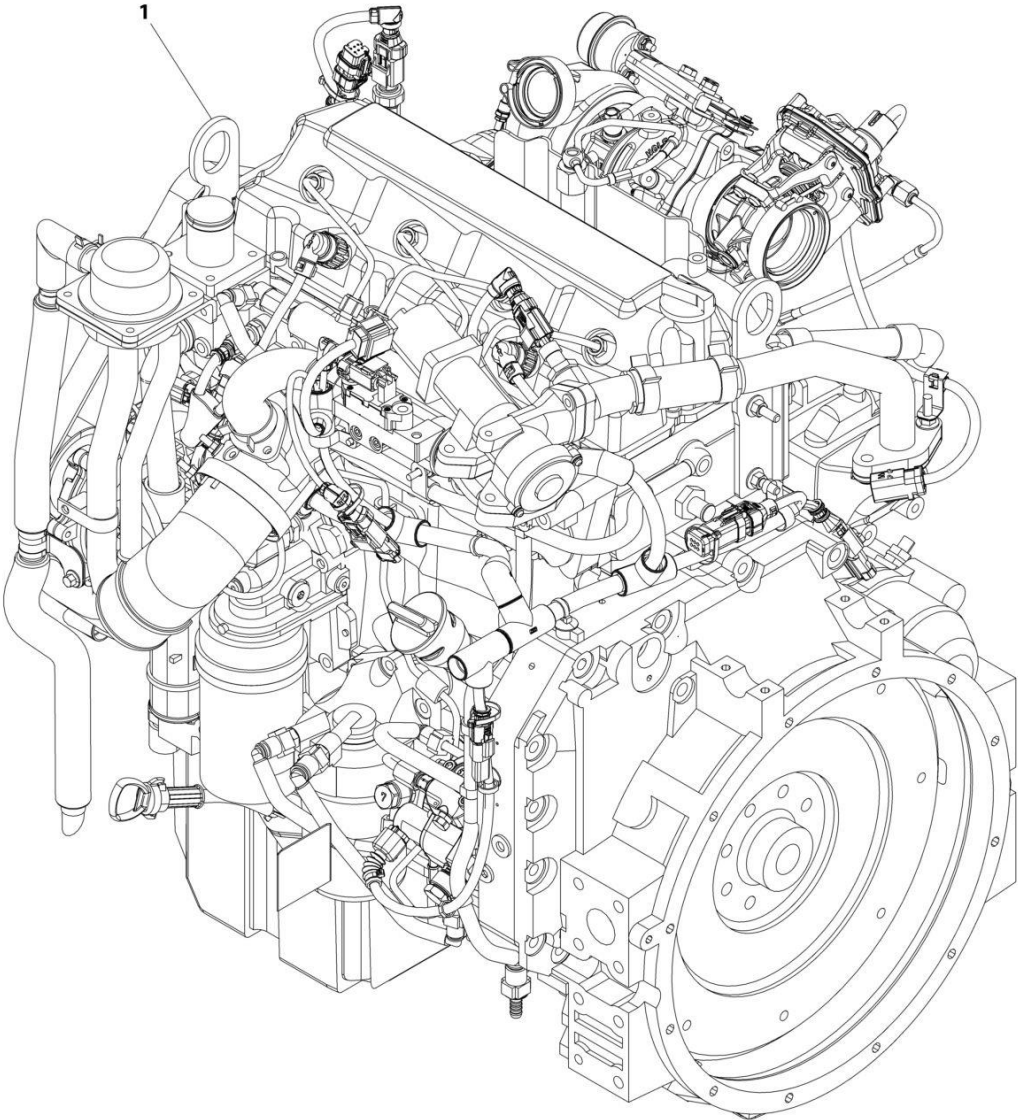
SECTION 4 - ENGINE AND ATTACHING PARTS

FIGURE 4-4. ENGINE INSTALLATION - 85HP (LS)

ITEM	PART NUMBER	QTY	DESCRIPTION	REV
	1001185650	Ref	Engine Installation (if equipped for LS)	K
1	0100011	AR	Compound, Locking	
3	0711219	2	Bolt, M12X55	
4	0711227	2	Bolt, M12X100	
5	0711627	2	Bolt, M16X100	
6	0711628	1	Bolt, M16X110	
7	0760614	4	Bolt, M6X30	
8	0760810	4	Bolt, M8X20	
9	0771618	2	Bolt, M16X50	
10	8406303	4	Clip, Tube 1-3/16	
12	3331615	5	Nut, Lock M16X2	
13	4811700	4	Washer, M6	
15	4811902	5	Washer, M8	
16	4812100	15	Washer, M12	
17	4812300	7	Washer, M16	
18	7300435	3	Washer, Rebound	
19	8881800	1	Strap, Cable	
20	88261015	1	Bolt, 1/4-20X5/8	
21	1001138645	1	Mount, Cable Tie	
22	1001154790	1	Engine (See Separate Breakdown in this Section)	
23	1001160116	1	Bracket, Engine Mount Casting	
24	1001161920	1	Adapter	
25	1001165517	1	Bracket, Engine Mount	
26	1001165518	1	Bracket, Engine Mount	
27	1001165660	3	Mount, Isolator Engine	
28	1001180473	1	Bracket, Rear Engine Mount	
29	1001211688	1	Bracket, ECM Mount	
30	1001192134	1	Hose	
31	4240099	3	Strap, Tie	
32	7125871	1	Conduit	
33	0761014	1	Capscrew, 10X30	
34	4812000	2	Washer, M10	
36	0711214	11	Bolt, M12X30	
37	3290805	1	Nut, Lock M8X1-1/4	
38	1001197233	1	Bracket	
39	1001186718	1	Insulate, Heat Shield Tube	
40	1001211697	4	Mount, Isolator ECM	
41	1001173535	1	Clamp	
42	0641608	1	Bolt, 3/8-16X1	

SECTION 4 - ENGINE AND ATTACHING PARTS

FIGURE 4-5. ENGINE - 74HP (ULS)



ART_1001196665

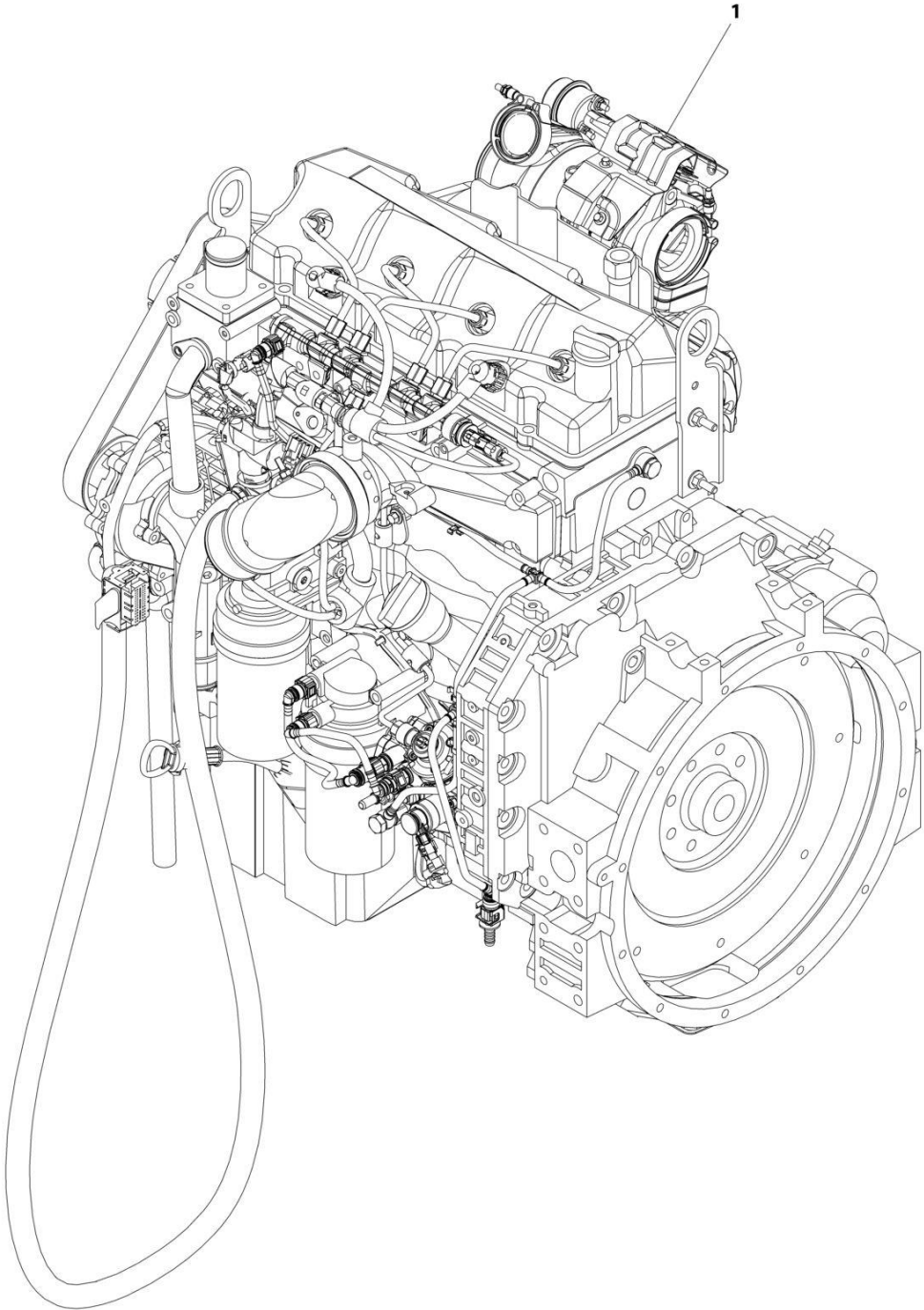
SECTION 4 - ENGINE AND ATTACHING PARTS

FIGURE 4-5. ENGINE - 74HP (ULS)

ITEM	PART NUMBER	QTY	DESCRIPTION	REV
1	1001196665	Ref	Engine, 74HP (if equipped for ULS)	O
	70026220	1	Assembly, Secondary Fuel Filter (includes filter head, seal and element)	
	70026453	1	Element, Fuel Filter	
	70026221	1	Head, Fuel Filter	
	70026222	1	Assembly, Flywheel Housing	
	70027281	1	Pan, Oil	
	70026224	1	Seal, Oil Pan	
	70026225	1	Plug, Oil Pan	
	70026226	1	Seal, Oil Pan Plug	
	1001128594	1	Starter	
	70026228	1	Filler Cap, Valve Cover	
	70026229	1	Fan Belt, V-Ribbed	
	70026230	1	Support, Fan	
	70026231	1	Pulley, Fan	
	70026232	1	Alternator	
	70028450	1	Assembly, Primary Fuel Filter	
	70026234	1	Element, Fuel Filter	
	70026235	1	Assembly, Dipstick Oil Level	
	70026241	1	Assembly, Fuel Filter Plug	
	70026237	1	Filter, Oil	
	70023933	1	O-Ring, Oil Pressure Switch	
	70041620	2	Ring, Retaining	
	70041616	1	Bolt	
	70041617	1	Bearing, Ball	
	70041619	1	Retainer, Fan Hub	
	1322039	1	Spacer, Fan Pilot	
	1321094	19	Screw	
	70024016	1	Cap, Side Oil Fill	
	70022634	1	Flywheel w/Ring Gear	
	70023736	1	Ring Gear, Flywheel	
	1322040	1	Plug, Flywheel	
	70031148	1	Sensor, Speed	

SECTION 4 - ENGINE AND ATTACHING PARTS

FIGURE 4-6. ENGINE - 85HP (LS)



ART_1001154790

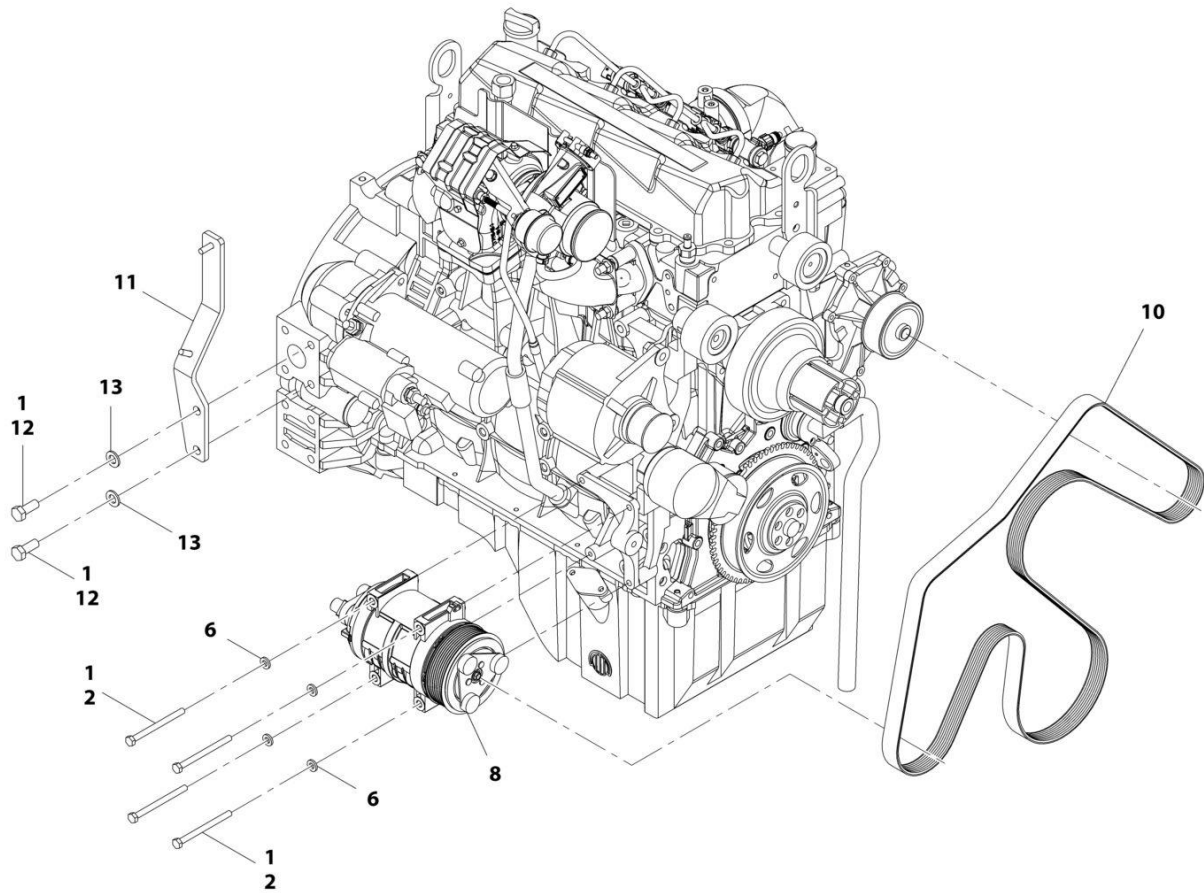
SECTION 4 - ENGINE AND ATTACHING PARTS

FIGURE 4-6. ENGINE - 85HP (LS)

ITEM	PART NUMBER	QTY	DESCRIPTION	REV
1	1001154790	Ref	3.8L Engine (LS)	L
	70026800	1	Fuel Filter Assembly	
	70026801	1	Fuel Filter Element	
	70026222	1	Assembly, Flywheel Housing	
	70027281	1	Pan, Oil	
	70026224	1	Seal, Oil Pan	
	70026225	1	Plug, Oil Pan	
	70026226	1	Seal, Oil Pan Plug	
	1001128594	1	Starter	
	70026228	1	Filler Cap, Valve Cover	
	70026229	1	Fan Belt, V-Ribbed	
	70026230	1	Support, Fan	
	70026231	1	Pulley, Fan	
	70026232	1	Alternator	
	70026233	1	Assembly, Primary Fuel Filter	
	70026234	1	Element, Fuel Filter	
	70026235	1	Assembly, Dipstick Oil Level	
	70026241	1	Assembly, Fuel Filter Plug	
	70026237	1	Filter, Oil	
	70041620	2	Ring, Retaining	
	70041616	1	Bolt	
	70041617	1	Bearing, Ball	
	70041619	1	Retainer, Fan Hub	
	1322039	1	Spacer, Fan Pilot	
	1321094	17	Screw	
	70024016	1	Cap, Side Oil Fill	
	70022634	1	Flywheel w/Ring Gear	
	70023736	1	Ring Gear, Flywheel	
	1322040	1	Plug, Flywheel	

SECTION 4 - ENGINE AND ATTACHING PARTS

FIGURE 4-7. A/C COMPONENTS INSTALLATION, 74HP



ART_1001190295-B

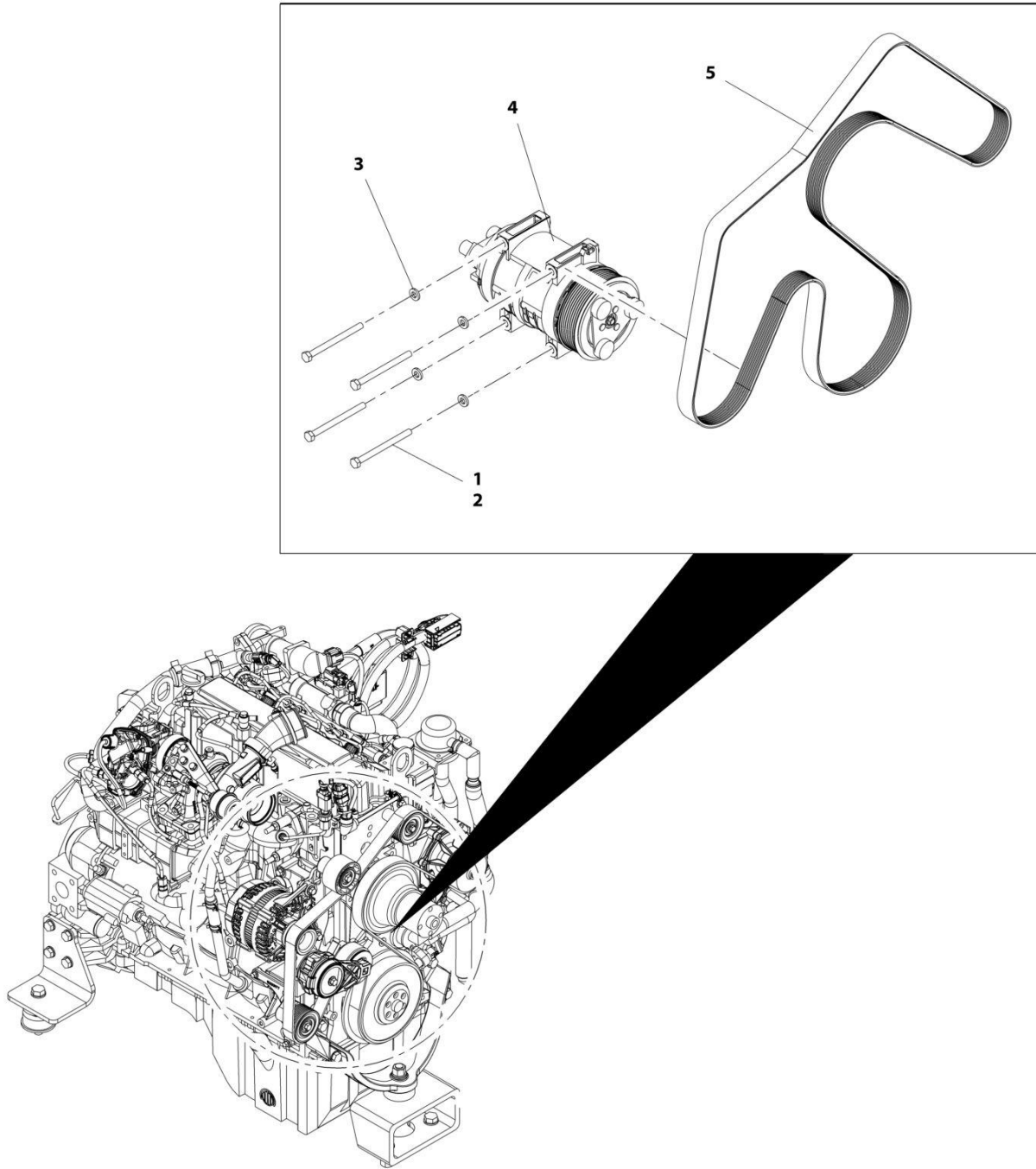
SECTION 4 - ENGINE AND ATTACHING PARTS

FIGURE 4-7. A/C COMPONENTS INSTALLATION, 74HP

ITEM	PART NUMBER	QTY	DESCRIPTION	REV
	1001190295	Ref	A/C Components Installation (if equipped for LS)	B
1	0100011	AR	Compound, Locking	
2	0700827	4	Bolt, M8X100	
6	5240800	4	Washer, M8	
8	1001157663	1	Compressor, A/C	
10	1001167357	1	Belt	
11	1001197233	1	Bracket, AC Hose Support	
12	0711214	2	Bolt, M12X30	
13	4812100	2	Washer, M12	

SECTION 4 - ENGINE AND ATTACHING PARTS

FIGURE 4-8. A/C COMPONENTS INSTALLATION, 85HP



ART_1001166008_A

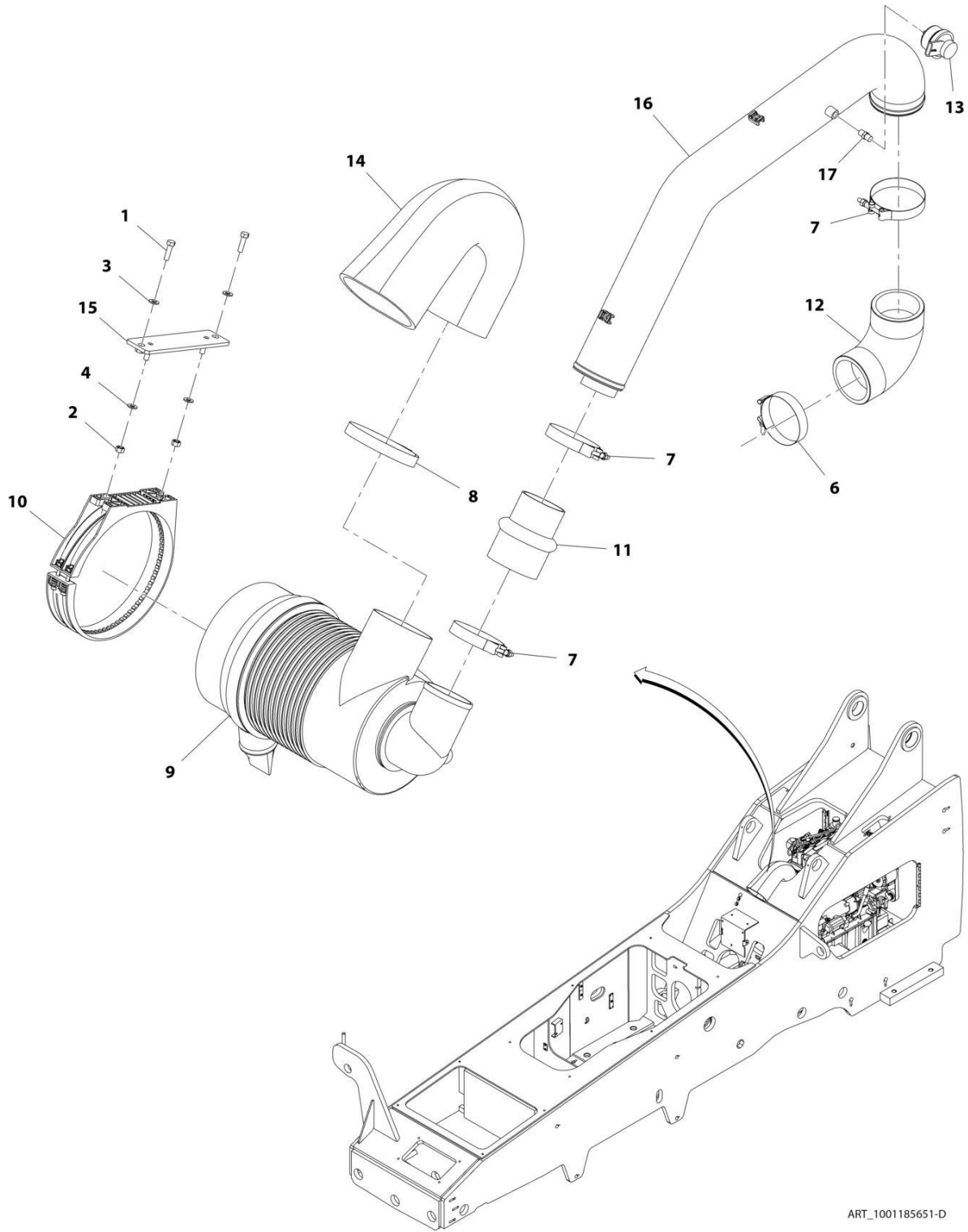
SECTION 4 - ENGINE AND ATTACHING PARTS

FIGURE 4-8. A/C COMPONENTS INSTALLATION, 85HP

ITEM	PART NUMBER	QTY	DESCRIPTION	REV
	1001166008	Ref	A/C Components Installation	A
1	0100011	AR	Compound, Locking	
2	0700827	4	Bolt, M8X100	
3	5240800	4	Washer, M8	
4	1001157663	1	Compressor, A/C	
5	1001167357	1	Belt	

SECTION 4 - ENGINE AND ATTACHING PARTS

FIGURE 4-9. AIR CLEANER INSTALLATION (LS)



ART_1001185651-D

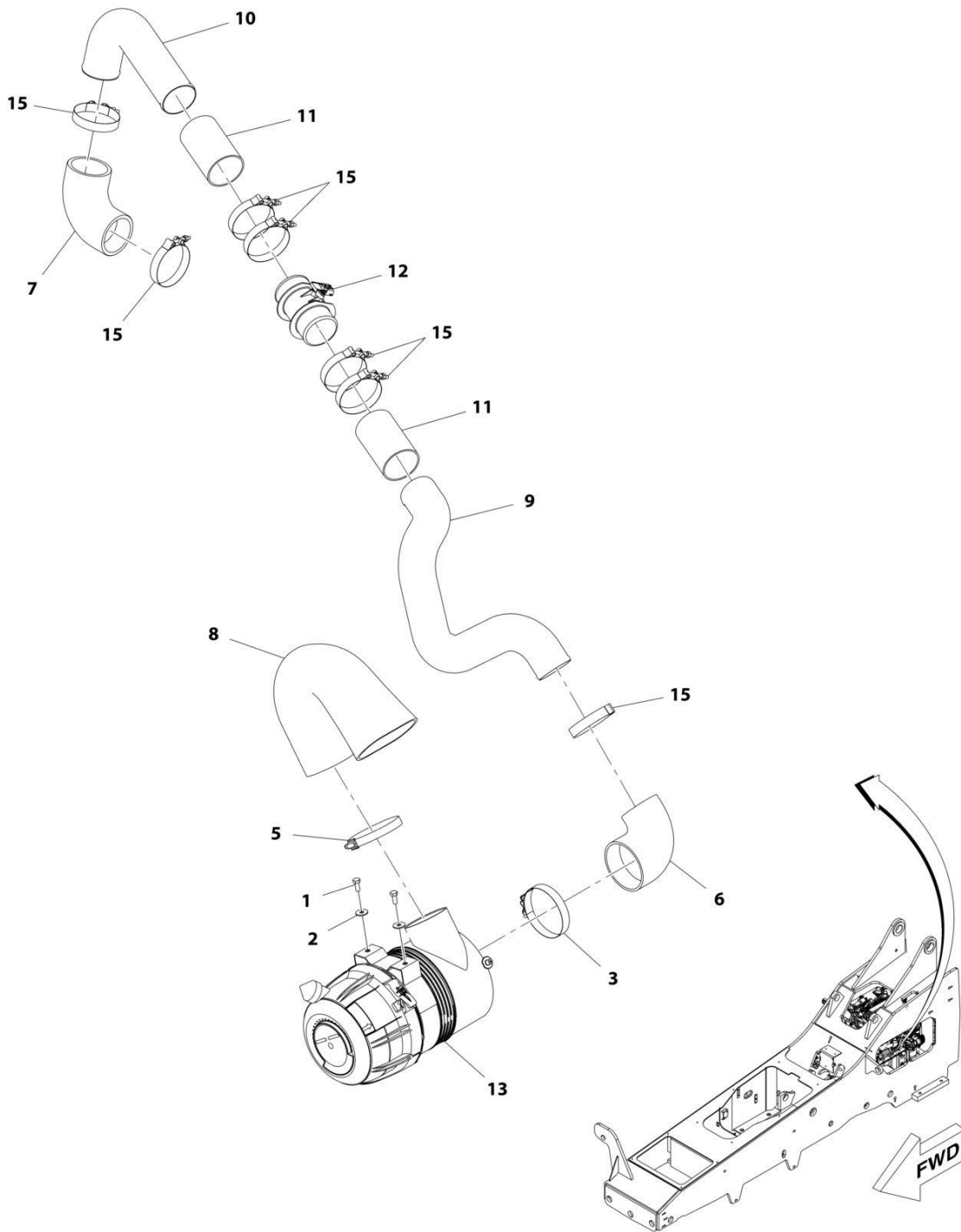
SECTION 4 - ENGINE AND ATTACHING PARTS

FIGURE 4-9. AIR CLEANER INSTALLATION (LS)

ITEM	PART NUMBER	QTY	DESCRIPTION	REV
	1001185651	Ref	Air Cleaner Installation (if equipped for LS)	D
1	0760815	2	Bolt, M8X35	
2	8305043	2	Nut, M8X1.25	
3	8307106	2	Washer, Plain 5/16	
4	8307222	2	Washer, Plain M8	
6	90028631	1	Clamp, T-Bolt	
7	8405307	3	Clamp, T-Bolt	
8	8410021	1	Clamp, T-Bolt	
9	10268515	1	Assembly, Air Cleaner (See Separate Breakdown in this Section)	
10	10268516	1	Band, Mounting	
11	91293003	1	Hose, Hump Reducer	
12	91083129	1	Elbow, Reducer	
13	1001166715	1	Restriction, Indicator	
14	1001190005	1	Hose, Air Intake	
15	1001190183	1	Bracket, Air Filter Band Mount	
16	1001212670	1	Pipe, Air Intake	
17	2180798	1	Fitting	

SECTION 4 - ENGINE AND ATTACHING PARTS

FIGURE 4-10. AIR CLEANER INSTALLATION (ULS)



ART_1001165669-D

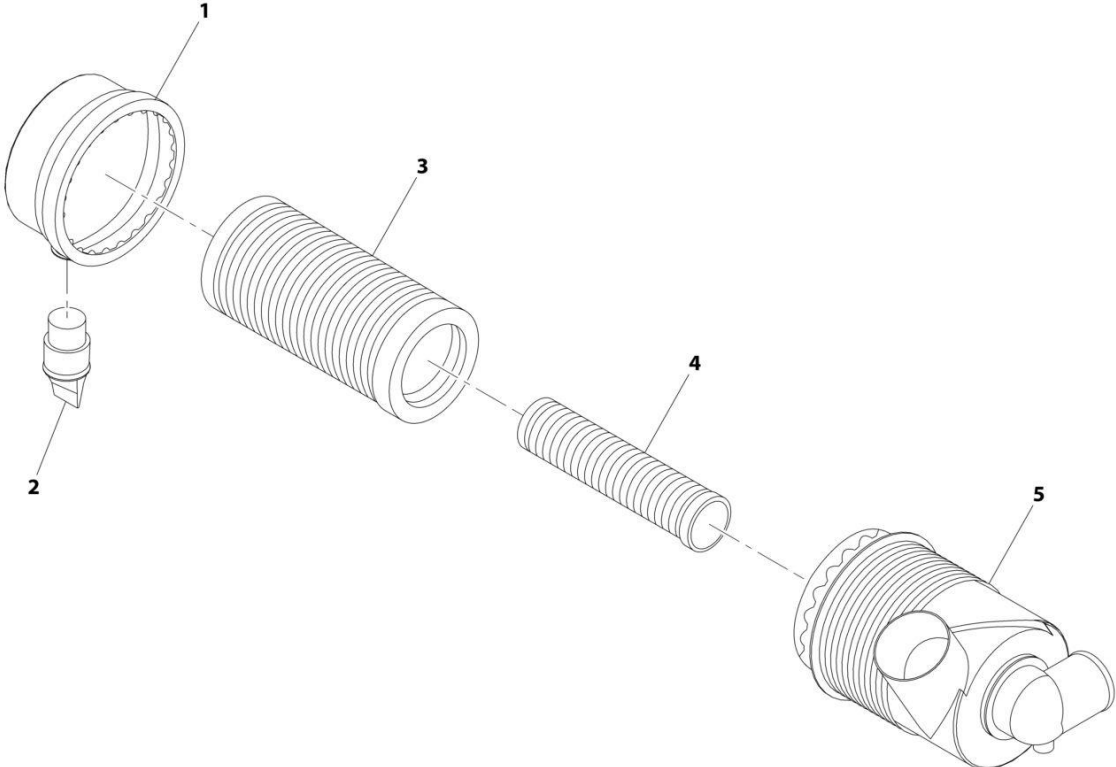
SECTION 4 - ENGINE AND ATTACHING PARTS

FIGURE 4-10. AIR CLEANER INSTALLATION (ULS)

ITEM	PART NUMBER	QTY	DESCRIPTION	REV
	1001165669	Ref	Air Cleaner Installation (if equipped for ULS)	D
1	0760810	2	Bolt, M8X20	
2	4811902	2	Washer, M8	
3	8405404	1	Clamp, T-Bolt	
5	10719267	1	Clamp, Hose	
6	1001201831	1	Hose, Air Intake	
7	1001120083	1	Hose, Air Intake	
8	1001165818	1	Hose, Air Intake	
9	1001168051	1	Pipe, Air Intake	
10	1001168052	1	Pipe, Air Intake	
11	1001168053	2	Hose, Sleeve	
12	1001169077	1	Sensor, PRS Temperature	
13	1001166566	1	Assembly, Air Cleaner (See Separate Breakdown in this Section)	
15	8410007	7	Clamp, T-Bolt	

SECTION 4 - ENGINE AND ATTACHING PARTS

FIGURE 4-11. AIR CLEANER ASSEMBLY (LS)



ART_10268515-D

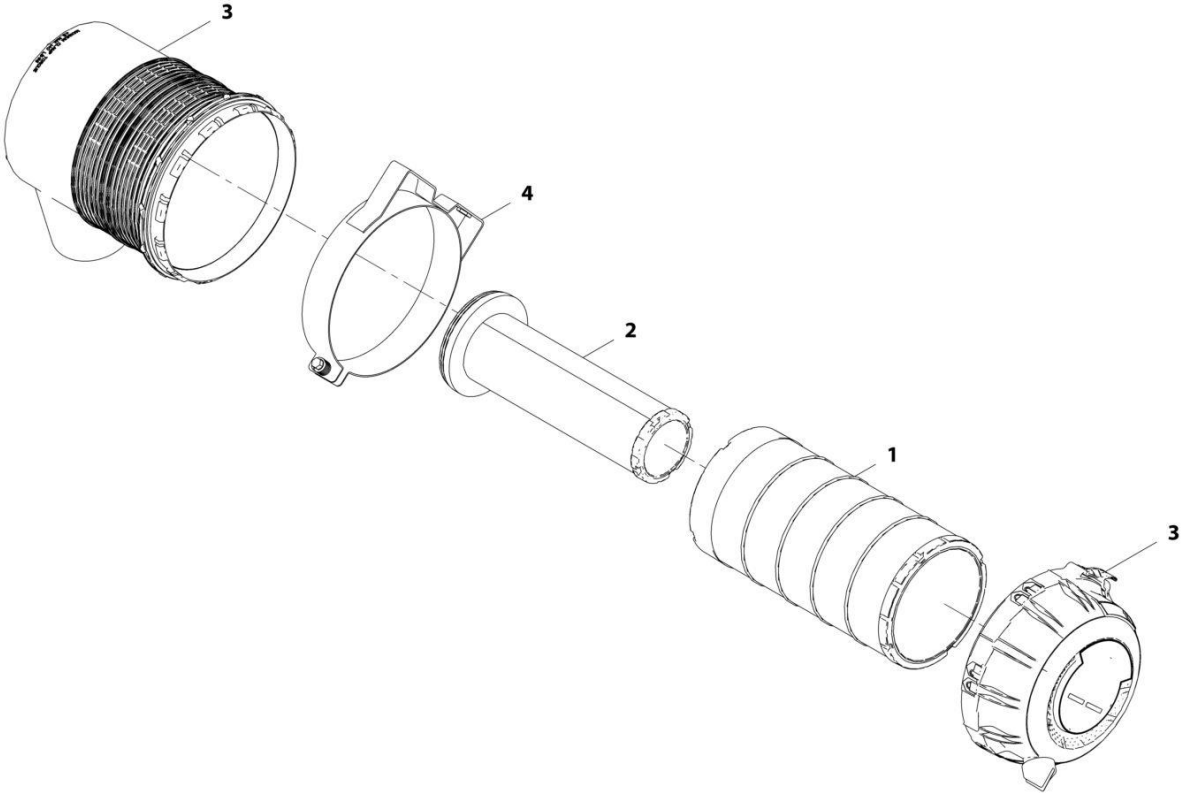
SECTION 4 - ENGINE AND ATTACHING PARTS

FIGURE 4-11. AIR CLEANER ASSEMBLY (LS)

ITEM	PART NUMBER	QTY	DESCRIPTION	REV
	10268515	Ref	Air Cleaner Assembly (if equipped for LS)	D
1	91364023	1	Cover Assembly	
2	80373094	1	Vacuator Valve	
3	1101312	1	Primary Filter Element	
4	1101313	1	Secondary Filter Element	
5	See Note	NSS	Air Cleaner Body (Note; Purchase Complete Assembly)	

SECTION 4 - ENGINE AND ATTACHING PARTS

FIGURE 4-12. AIR CLEANER ASSEMBLY (ULS)



ART_1001166566-G

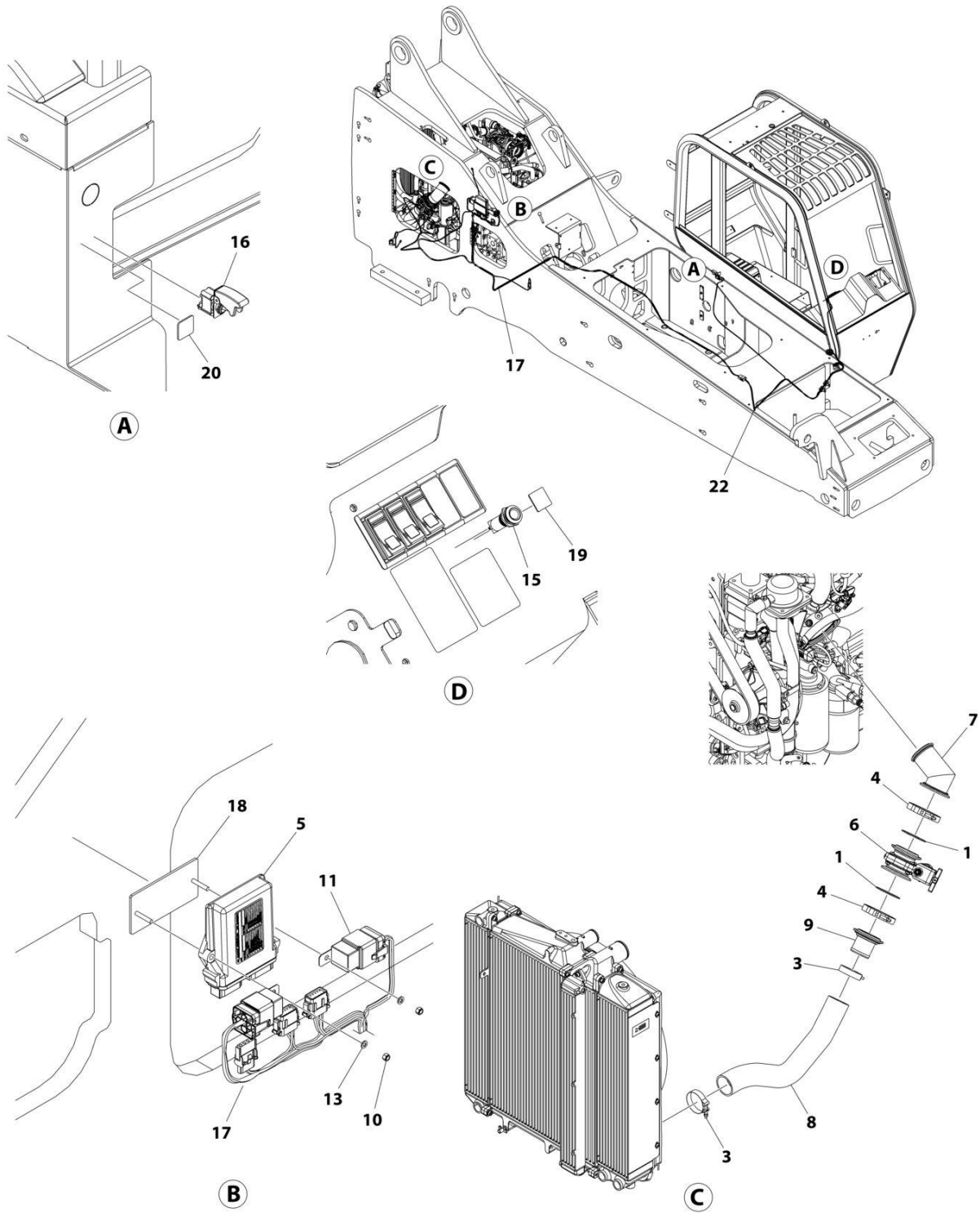
SECTION 4 - ENGINE AND ATTACHING PARTS

FIGURE 4-12. AIR CLEANER ASSEMBLY (ULS)

ITEM	PART NUMBER	QTY	DESCRIPTION	REV
	1001166566	Ref	Air Cleaner Assembly (74.4KW)	G
1	70025852	1	Filter, Air Cylindrical Primary	
2	70025853	1	Filter, Air Cylindrical Secondary	
3	70026393	1	Cover, Air Cleaner	
4	70026394	1	Bracket, Mounting Band	

SECTION 4 - ENGINE AND ATTACHING PARTS

FIGURE 4-13. AIR INTAKE SHUT OFF VALVE INSTALLATION



ART_1001202304_F

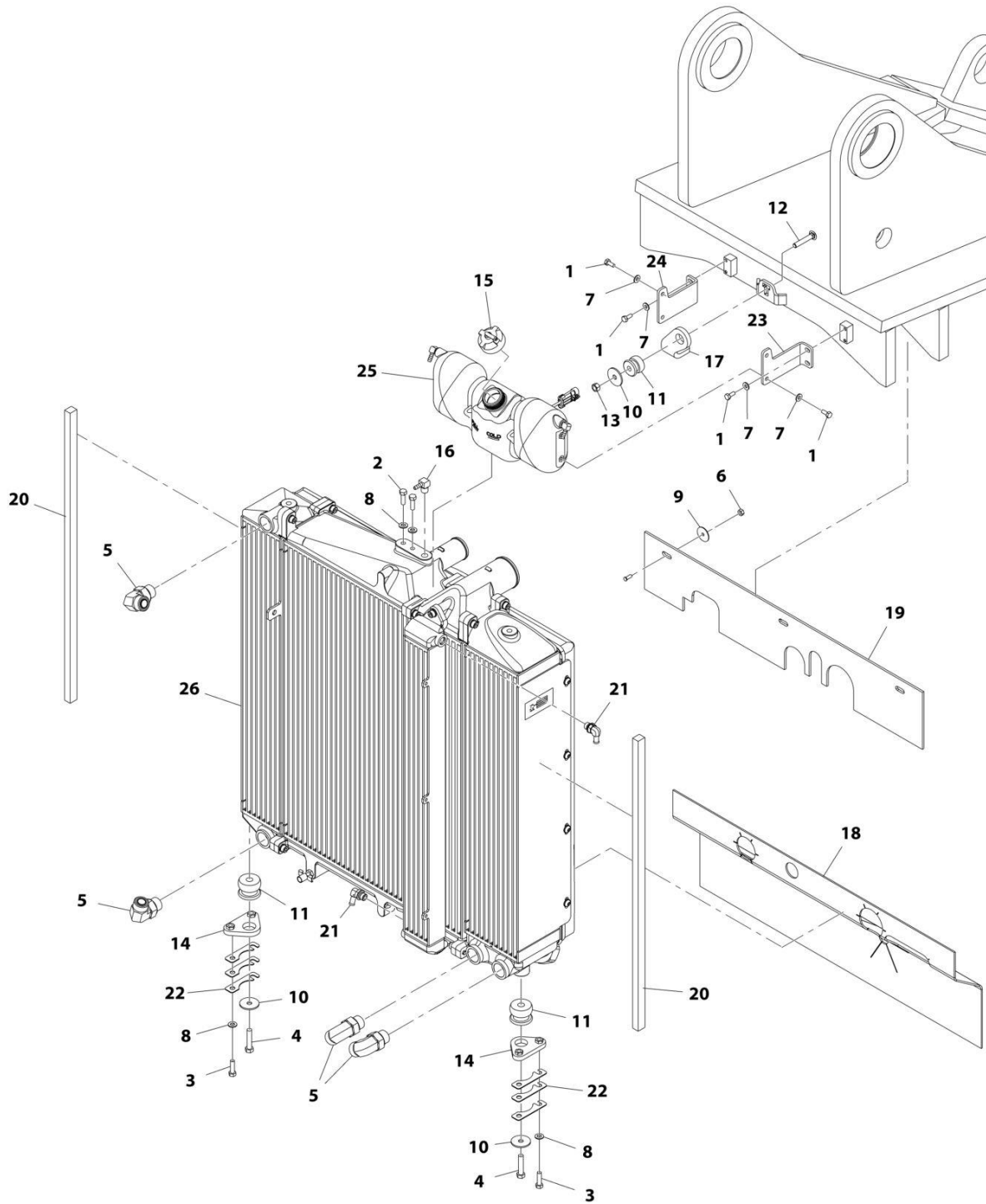
SECTION 4 - ENGINE AND ATTACHING PARTS

FIGURE 4-13. AIR INTAKE SHUT OFF VALVE INSTALLATION

ITEM	PART NUMBER	QTY	DESCRIPTION	REV
	1001202304	Ref	Air Intake Shut Off Valve Installation	F
1	3790152	2	Ring	
3	8405212	2	Clamp	
4	1001202247	2	Clamp	
5	1001203181	1	Accessory, Control	
6	1001204032	1	Valve, Air Shut Off (See Separate Breakdown in HYDRAULIC COMPONENTS Section)	
7	1001206956	1	Pipe	
8	1001206983	1	Hose	
9	1001206985	1	Adapter	
10	3290505	2	Nut M5 Grade 8	
11	3740080	2	Relay	
13	4811600	2	Washer, M5	
14	91053419	AR	Strap, Cable (not shown)	
15	1001239539	1	Lamp	
16	1001215941	1	Switch	
17	1001216455	1	Harness, POSI Air Shut Off Valve T4F (See Separate Breakdown in ELECTRICAL Section)	
18	1001219082	1	Bracket	
19	1001227077	1	Decal, Air Shut Off	
20	1001227964	1	Decal, ASOV Test	
22	1001231560	1	Harness, POSI Air Shut Off Valve Cab (See Separate Breakdown in ELECTRICAL Section)	

SECTION 4 - ENGINE AND ATTACHING PARTS

FIGURE 4-14. COOLING INSTALLATION, 74HP



ART_1001196737-E

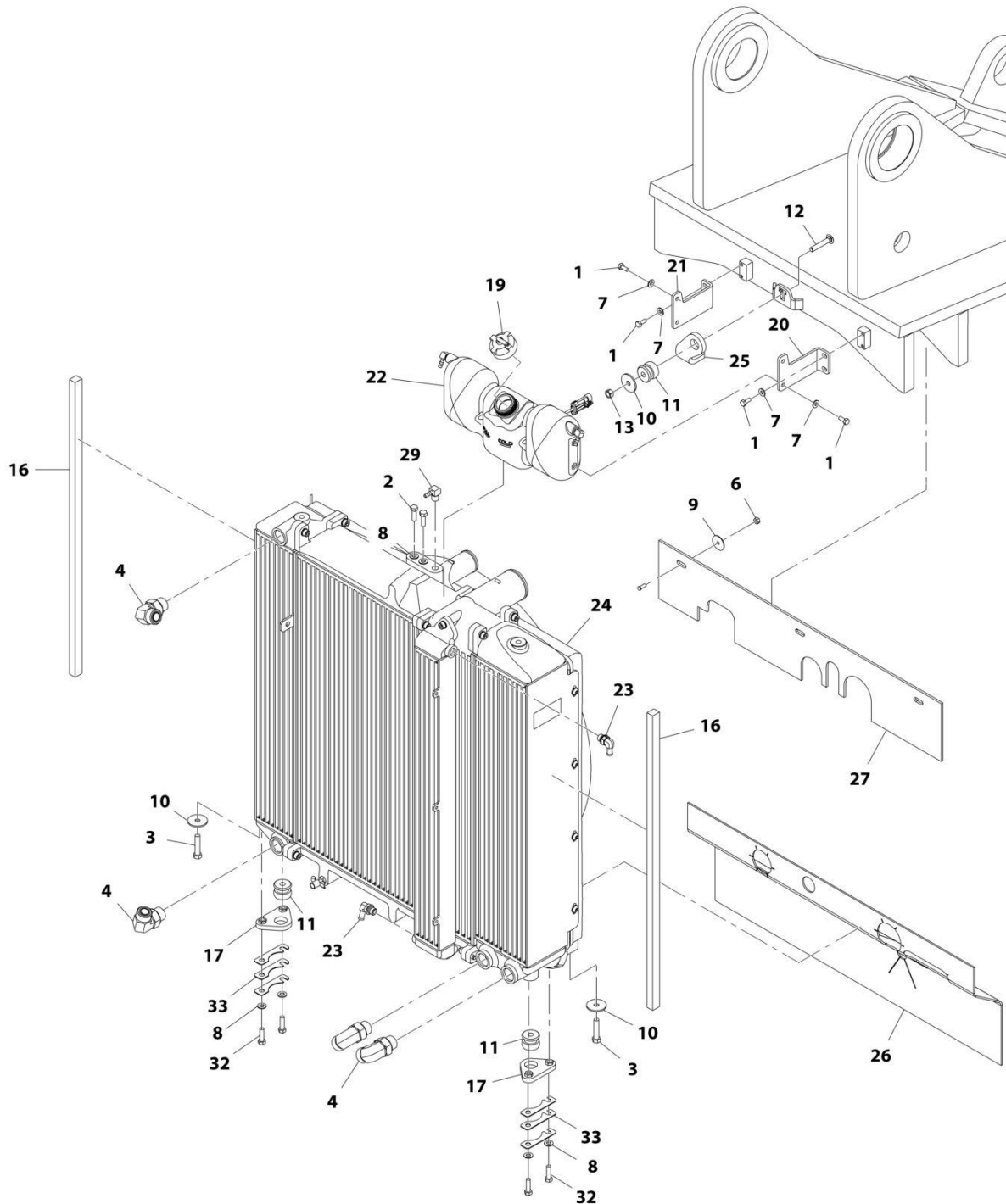
SECTION 4 - ENGINE AND ATTACHING PARTS

FIGURE 4-14. COOLING INSTALLATION, 74HP

ITEM	PART NUMBER	QTY	DESCRIPTION	REV
	1001196737	Ref	Cooling Installation, 74HP	E
1	0641405	8	Bolt, 1/4-20X5/8	
2	0641508	2	Bolt, 5/16-18X1	
3	0641509	4	Bolt, 5/16-18X1-1/8	
4	0641614	2	Bolt, 3/8-16X1-3/4	
5	2131212	4	Adapter, 90	
6	3311401	3	Nut, 1/4-20	
7	4711400	8	Washer, 1/4	
8	4711500	6	Washer, 5/16	
9	4740362	3	Washer, Fender, 1/4	
10	7057141	3	Washer, Flat	
11	8278020	3	Mount, Rubber Isolator	
12	8310281	1	Bolt, Carriage 3/8-16X2-1/4	
13	8305008	1	Nut, 3/8-16	
14	1001120869	2	Bracket, Cooler Mount Lower	
15	1001128341	1	Cap, Deaeration Tank	
16	1001134488	1	Fitting, Barbed 90	
17	1001169059	1	Mount, Cooler Bracket	
18	1001170117	1	Panel, Air Dam	
19	1001170186	1	Panel, Air Dam Upper	
20	1001178582	2	Seal, Foam Gasket	
21	1001178776	2	Fitting, Hose Barb 90	
22	1001179845	6	Shim	
23	1001181584	1	Bracket, LH Tank	
24	1001181585	1	Bracket, RH Tank	
25	1001182255	1	Assembly, Deaeration Tank (See Separate Breakdown in this Section)	
26	1001197475	1	Assembly, Radiator (See Separate Breakdown in this Section)	

SECTION 4 - ENGINE AND ATTACHING PARTS

FIGURE 4-15. COOLING INSTALLATION, 85HP



ART_1001165670-K

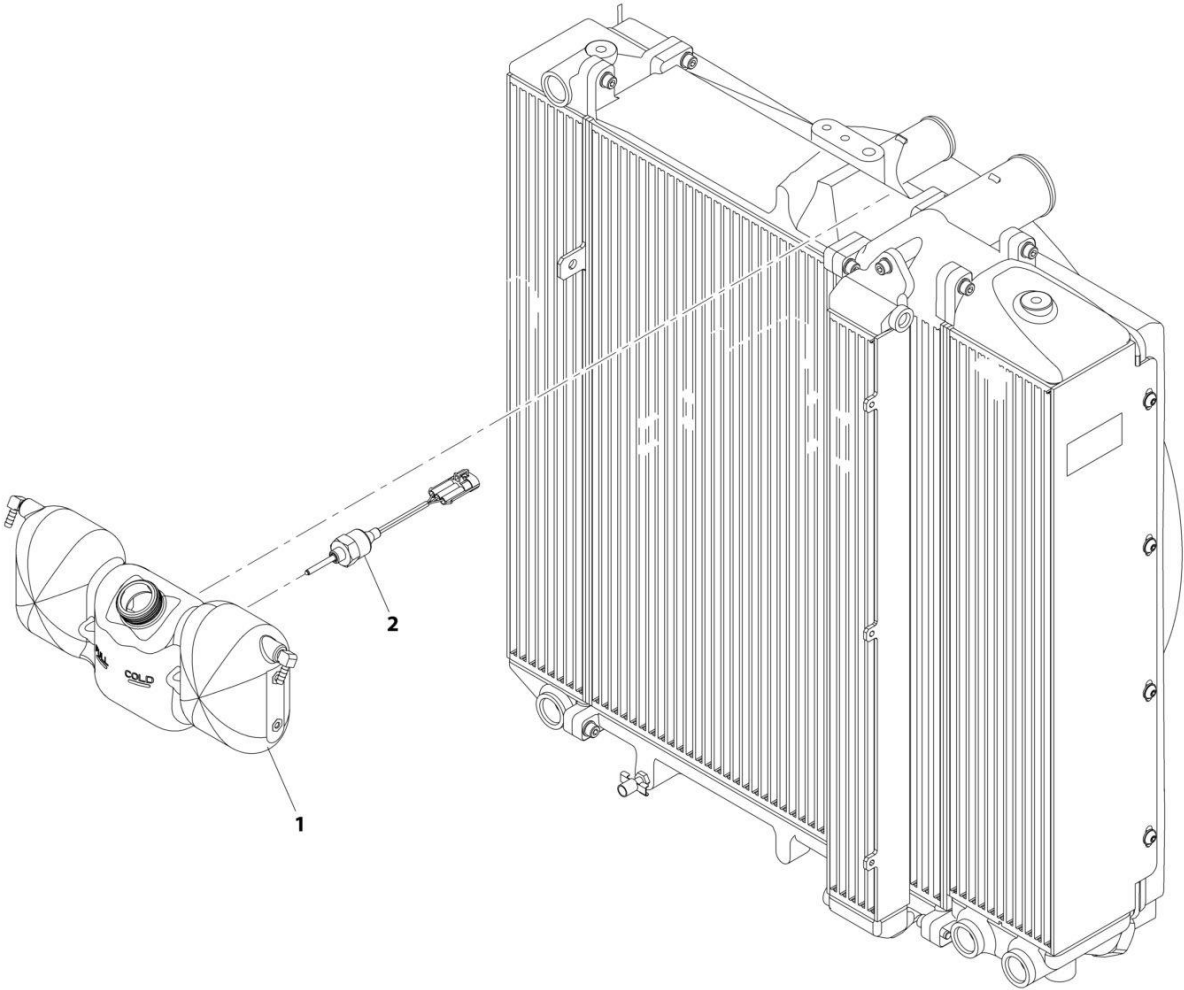
SECTION 4 - ENGINE AND ATTACHING PARTS

FIGURE 4-15. COOLING INSTALLATION, 85HP

ITEM	PART NUMBER	QTY	DESCRIPTION	REV
	1001165670	Ref	Cooling Installation, 85HP	K
1	0641405	8	Bolt, 1/4-20X5/8	
2	0641508	2	Bolt, 5/16-18X1	
3	0641614	2	Bolt, 3/8-16X1-3/4	
4	2131212	4	Adapter, 90	
6	3311401	3	Nut, 1/4-20	
7	4711400	8	Washer, 1/4	
8	4711500	6	Washer, 5/16	
9	4740362	3	Washer, Fender 1/4	
10	7057141	3	Washer, Flat	
11	8278020	3	Mount, Rubber Isolator	
12	8310281	1	Bolt, Carriage 3/8-16X2-1/4	
13	8305008	1	Nut, 3/8-16	
16	1001178582	2	Seal, Foam Gasket	
17	1001120869	2	Bracket, Cooler Mount Lower	
19	1001128341	1	Cap, Deaeration Tank	
20	1001181584	1	Bracket, LH Tank	
21	1001181585	1	Bracket, RH Tank	
22	1001182255	1	Assembly, Deaeration Tank (See Separate Breakdown in this Section)	
23	1001178776	2	Fitting, Hose Barb 90	
24	1001168478	1	Assembly, Radiator (See Separate Breakdown in this Section)	
25	1001169059	1	Mount, Cooler Bracket	
26	1001170117	1	Panel, Air Dam	
27	1001170186	1	Panel, Air Dam Upper	
29	1001134488	1	Fitting, Barbed 90	
32	0641509	4	Bolt, 5/16-18X1-1/8	
33	1001179845	6	Shim	

SECTION 4 - ENGINE AND ATTACHING PARTS

FIGURE 4-16. DEAERATION TANK ASSEMBLY



ART_1001182255-K

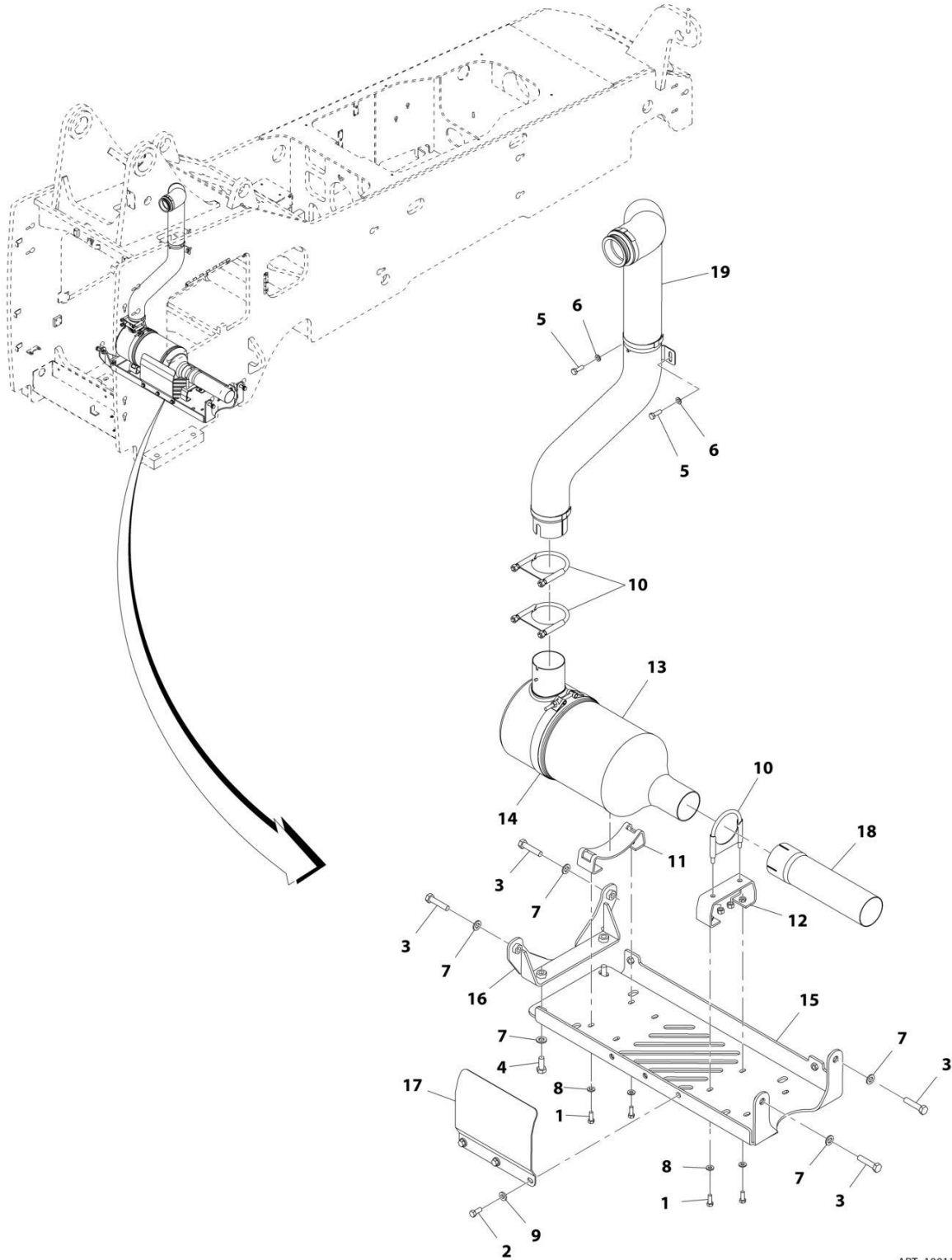
SECTION 4 - ENGINE AND ATTACHING PARTS

FIGURE 4-16. DEAERATION TANK ASSEMBLY

ITEM	PART NUMBER	QTY	DESCRIPTION	REV
	1001182255	Ref	Deaeration Tank Assembly	K
1	1001153912	1	Tank, Deaeration	
2	1001245478	1	Sensor, Coolant Level	

SECTION 4 - ENGINE AND ATTACHING PARTS

FIGURE 4-17. EXHAUST INSTALLATION - 74HP (ULS)



ART_1001196125-B

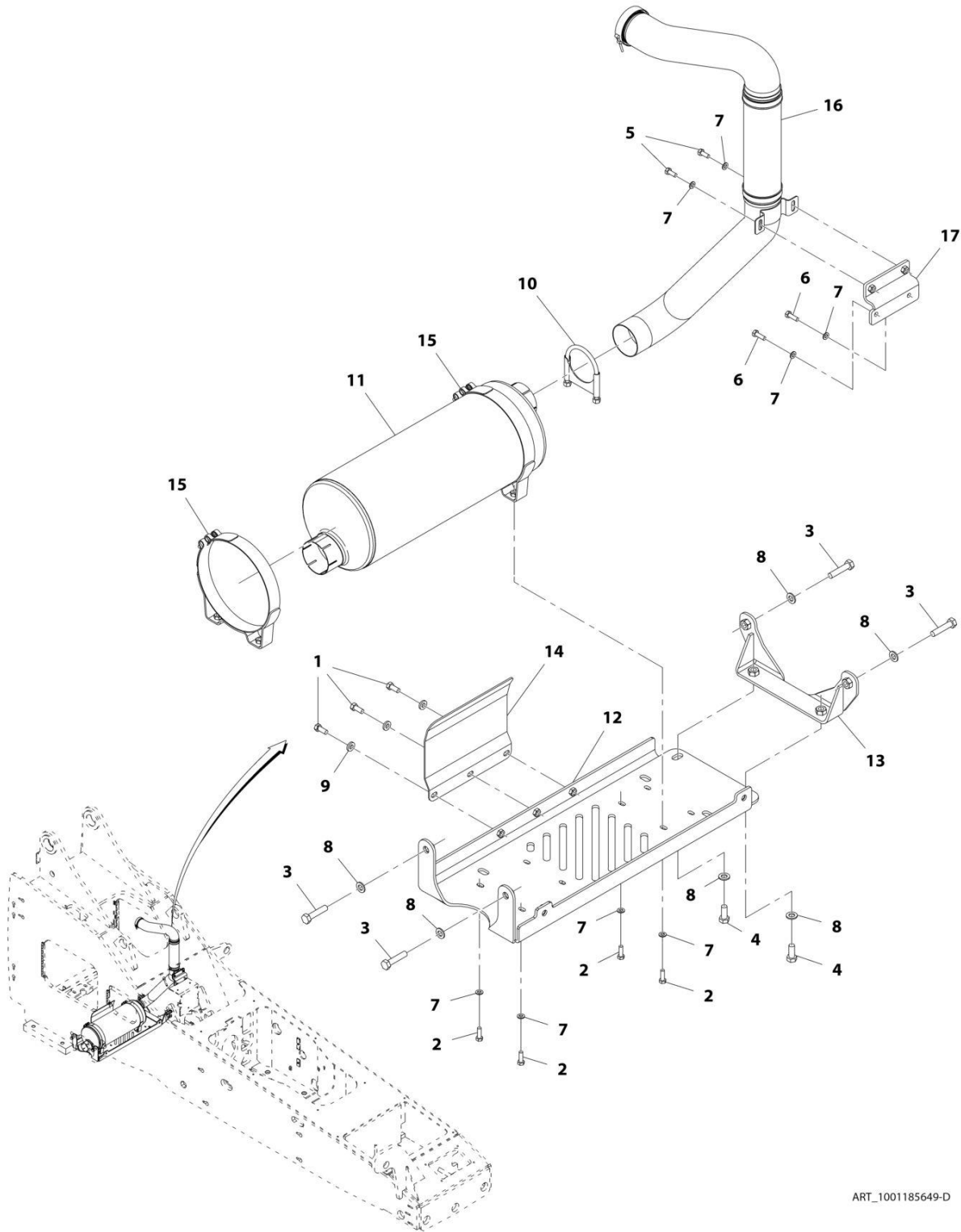
SECTION 4 - ENGINE AND ATTACHING PARTS

FIGURE 4-17. EXHAUST INSTALLATION - 74HP (ULS)

ITEM	PART NUMBER	QTY	DESCRIPTION	REV
	1001196125	Ref	Exhaust Installation, 74HP (if equipped for ULS)	B
1	0641507	4	Bolt, 5/16-18X7/8	
2	0641607	3	Bolt, 3/8-16X7/8	
3	0701219	4	Bolt, M12X55	
4	0711214	2	Bolt, M12X30	
5	0760812	2	Bolt, M8X25	
6	4811900	2	Washer, M8	
7	4812100	6	Washer, M12	
8	4891500	4	Washer, 5/16	
9	4891600	3	Washer, 3/8	
10	24921332	3	Clamp	
11	1001128363	1	Bracket	
12	1001128364	1	Bracket	
13	1001128714	1	Muffler	
14	1001128901	1	Strap	
15	1001166935	1	Bracket	
16	1001169057	1	Bracket	
17	1001174327	1	Shield	
18	1001196396	1	Pipe, Exhaust	
19	1001196397	1	Pipe, Exhaust	

SECTION 4 - ENGINE AND ATTACHING PARTS

FIGURE 4-18. EXHAUST INSTALLATION - 85HP (LS)



ART_1001185649-D

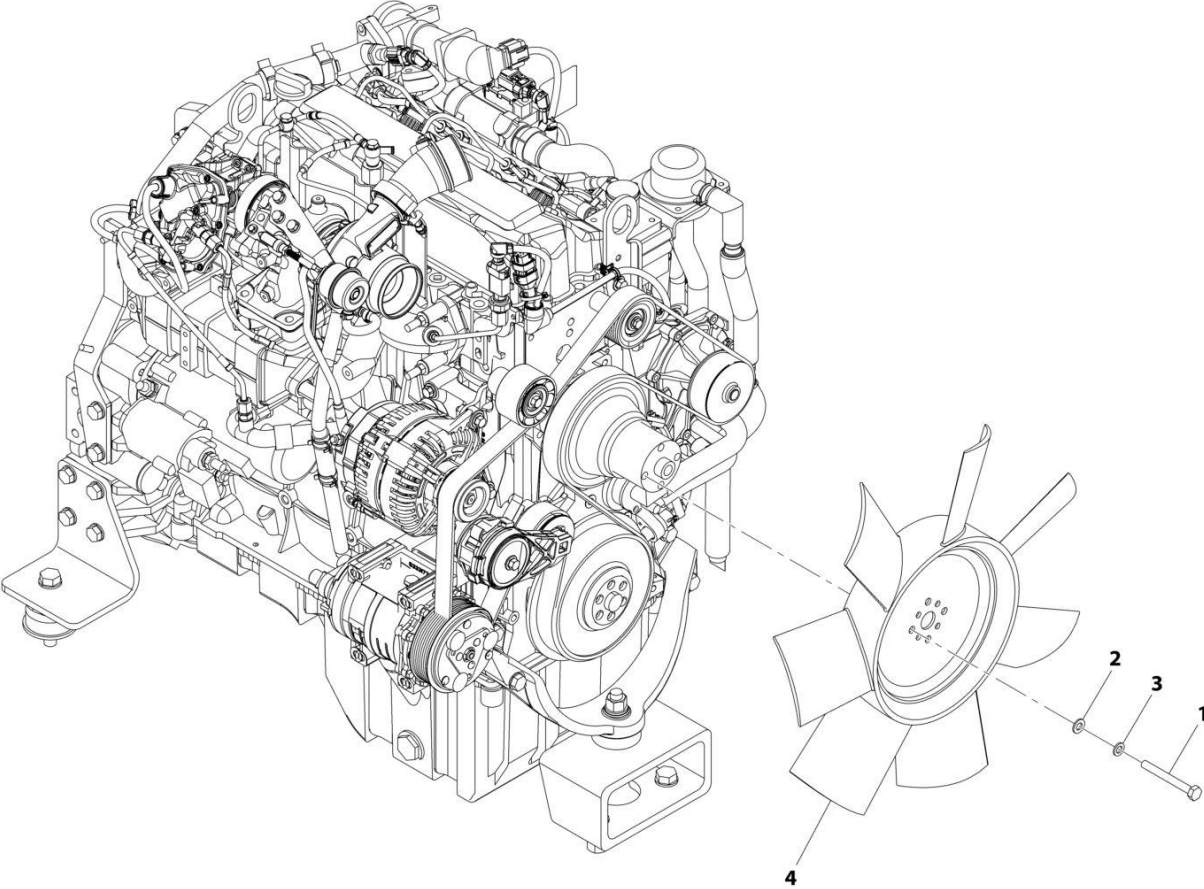
SECTION 4 - ENGINE AND ATTACHING PARTS

FIGURE 4-18. EXHAUST INSTALLATION - 85HP (LS)

ITEM	PART NUMBER	QTY	DESCRIPTION	REV
	1001185649	Ref	Exhaust Installation, 85HP (if equipped for LS)	D
1	0641607	3	Bolt, 3/8-16X7/8	
2	0700812	4	Bolt, M8X25	
3	0701219	4	Bolt, M12X55	
4	0711214	2	Bolt, M12X30, Grade 10.9	
5	0760810	2	Bolt, M8X20	
6	0760812	2	Bolt, M8X25	
7	4811900	8	Washer, M8	
8	4812100	6	Washer, M12	
9	4891600	3	Washer, 3/8	
10	24921332	1	Clamp	
11	91163035	1	Muffler	
12	1001166935	1	Bracket	
13	1001169057	1	Bracket	
14	1001174327	1	Shield	
15	1001180227	2	Muffler, Band Clamp	
16	1001190962	1	Pipe, Exhaust	
17	1001190990	1	Bracket, Exhaust Support	

SECTION 4 - ENGINE AND ATTACHING PARTS

FIGURE 4-19. FAN INSTALLATION - 74HP



ART_1001196736-C

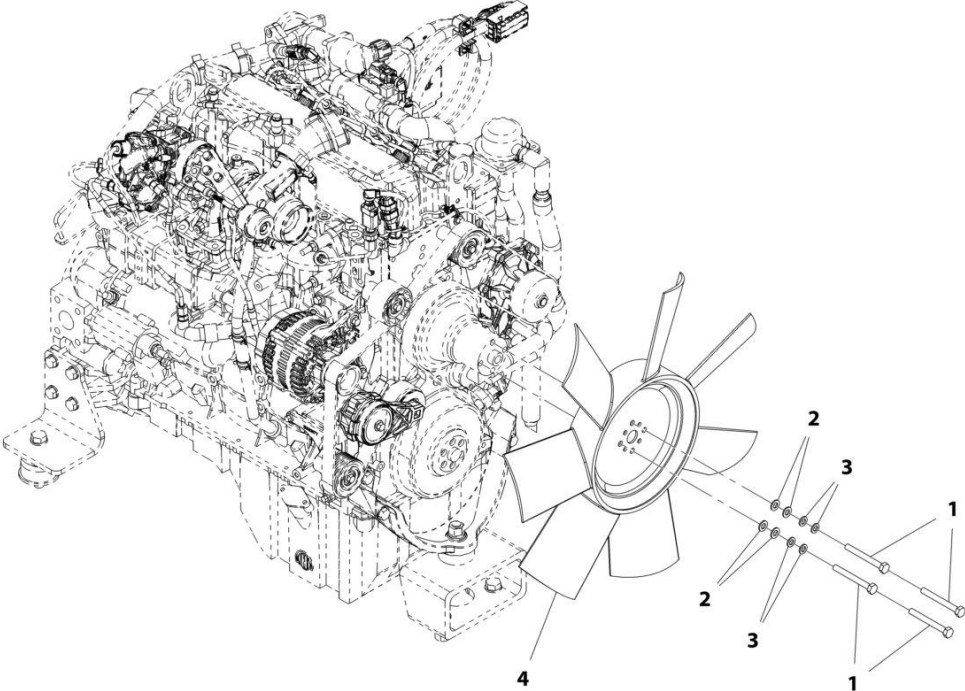
SECTION 4 - ENGINE AND ATTACHING PARTS

FIGURE 4-19. FAN INSTALLATION - 74HP

ITEM	PART NUMBER	QTY	DESCRIPTION	REV
	1001196736	Ref	Fan Installation, 74HP	C
1	0701026	4	Bolt, M10X90	
2	4812000	4	Washer, M10	
3	4832000	4	Washer, Lock M10	
4	1001210351	1	Fan	

SECTION 4 - ENGINE AND ATTACHING PARTS

FIGURE 4-20. FAN INSTALLATION - 85HP



ART_1001165668-B

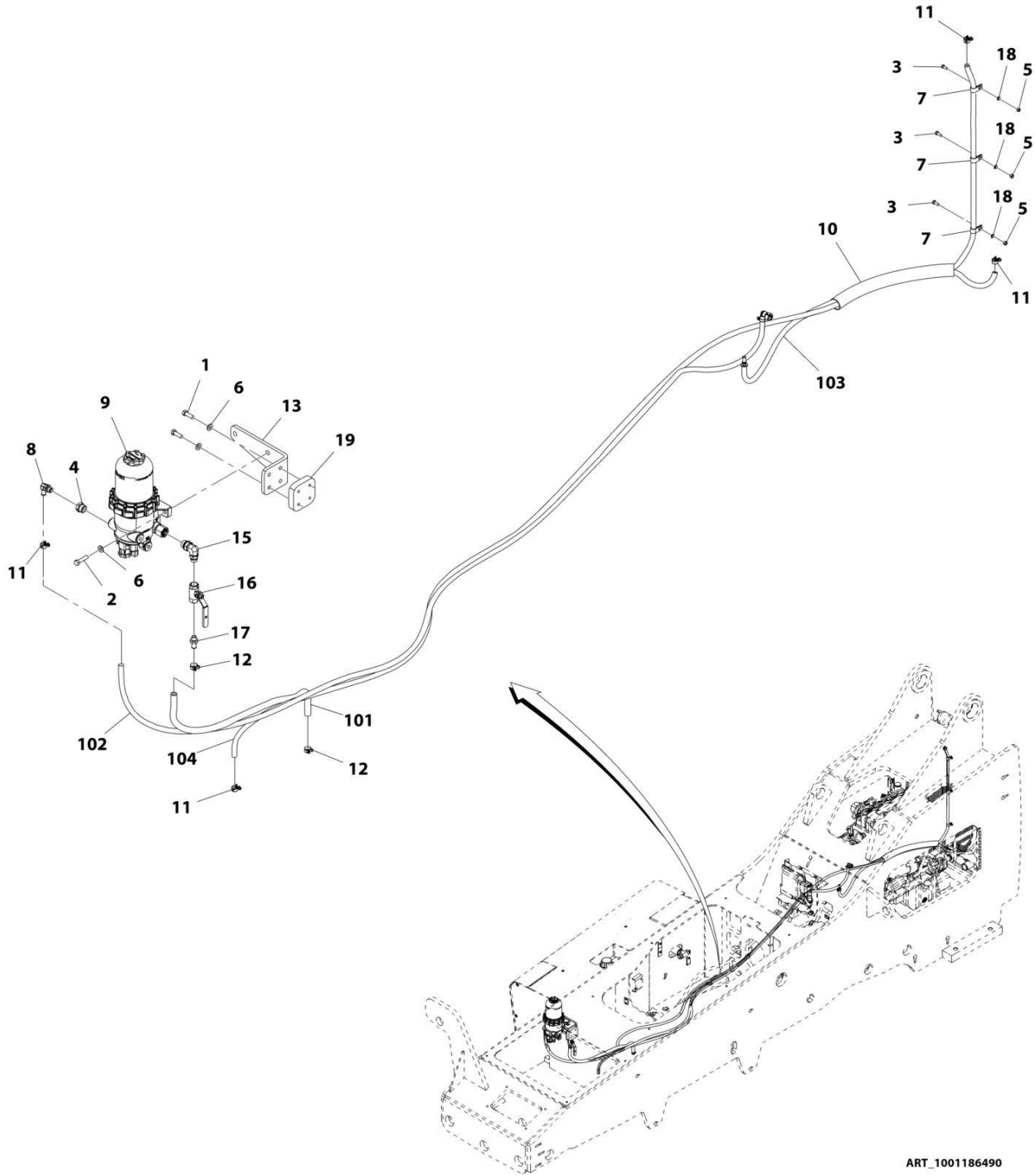
SECTION 4 - ENGINE AND ATTACHING PARTS

FIGURE 4-20. FAN INSTALLATION - 85HP

ITEM	PART NUMBER	QTY	DESCRIPTION	REV
	1001165668	Ref	Fan Installation, 85HP	B
1	0701026	4	Bolt, M10X90	
2	4812000	4	Washer, M10	
3	4832000	4	Washer, Lock M10	
4	1001174822	1	Fan	

SECTION 4 - ENGINE AND ATTACHING PARTS

FIGURE 4-21. FUEL PLUMBING INSTALLATION (LS)



ART_1001186490

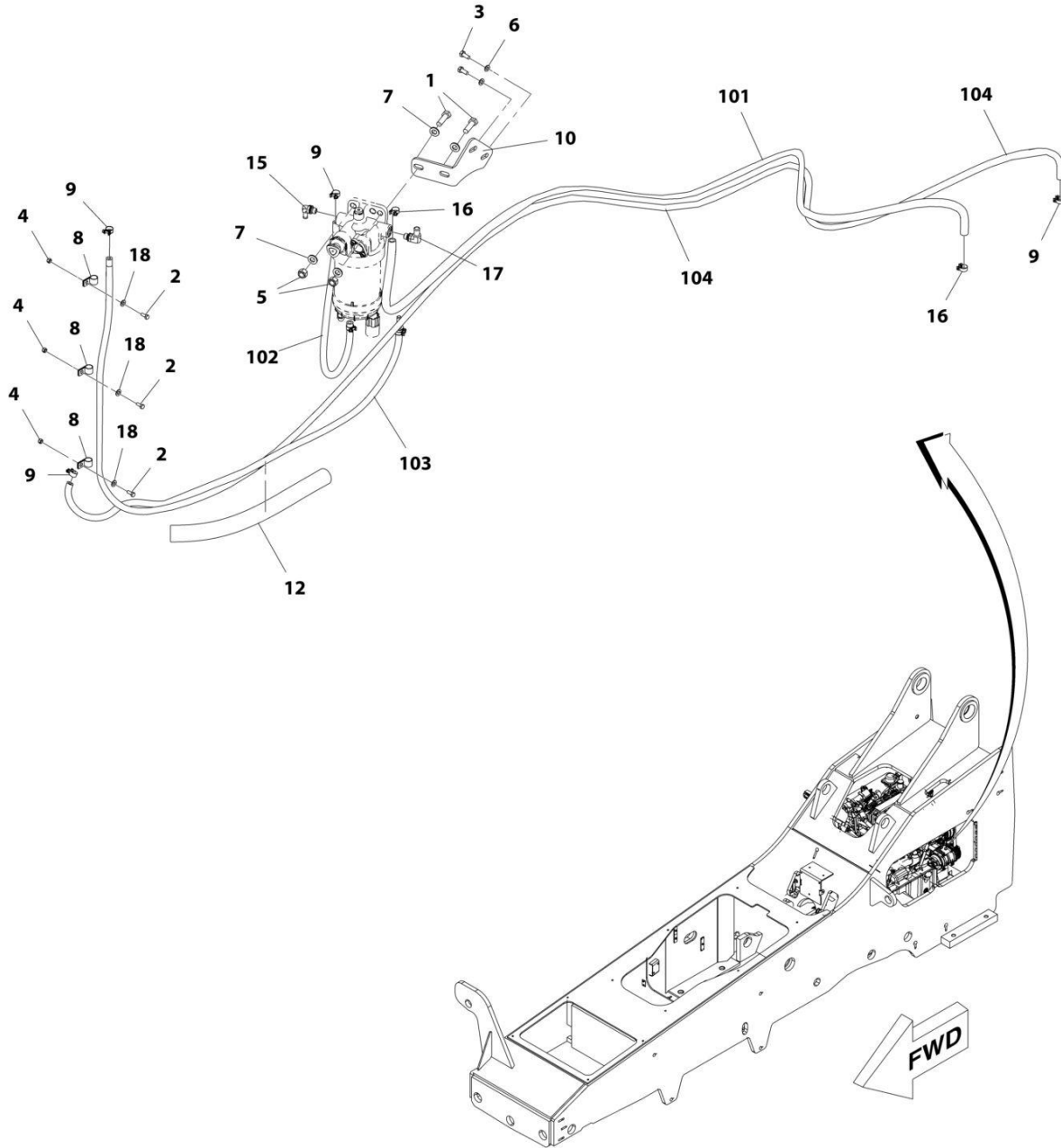
SECTION 4 - ENGINE AND ATTACHING PARTS

FIGURE 4-21. FUEL PLUMBING INSTALLATION (LS)

ITEM	PART NUMBER	QTY	DESCRIPTION	REV
	1001186490	Ref	Fuel Plumbing Installation (if equipped for LS)	J
1	0641609	4	Bolt, 3/8-16X1-1/8	
2	0641612	2	Bolt, 3/8-16X1-1/2	
3	0760608	3	Bolt, M6X16	
4	2220218	1	Adapter, Straight	
5	3290605	3	Nut, Lock M6X1	
6	4711600	6	Washer, 3/8	
7	8406112	3	Clip, Tube 5/8	
8	1001178776	1	Elbow, 90	
9	1001133534	1	Filter, Fuel	
10	1001136358	1	Sleeve, Abrasion	
11	1001136975	4	Clamp, Fuel Hose	
12	1001175568	2	Clip, Hose	
13	1001190349	1	Bracket, Support	
15	1001190629	1	Adapter, 90	
16	1001190630	1	Valve Shutoff, Female	
17	1001190631	1	Fitting, Hose Barb	
18	4811600	3	Washer, M6	
19	1001190344	1	Bracket	
100	1001190372	1	Hose Kit (Not Shown)	
101	1001190370	1	Hose	
102	1001190371	1	Hose	
103	1001201111	1	Hose	
104	1001171805	1	Hose	

SECTION 4 - ENGINE AND ATTACHING PARTS

FIGURE 4-22. FUEL PLUMBING INSTALLATION (ULS)



ART_1001165672-H

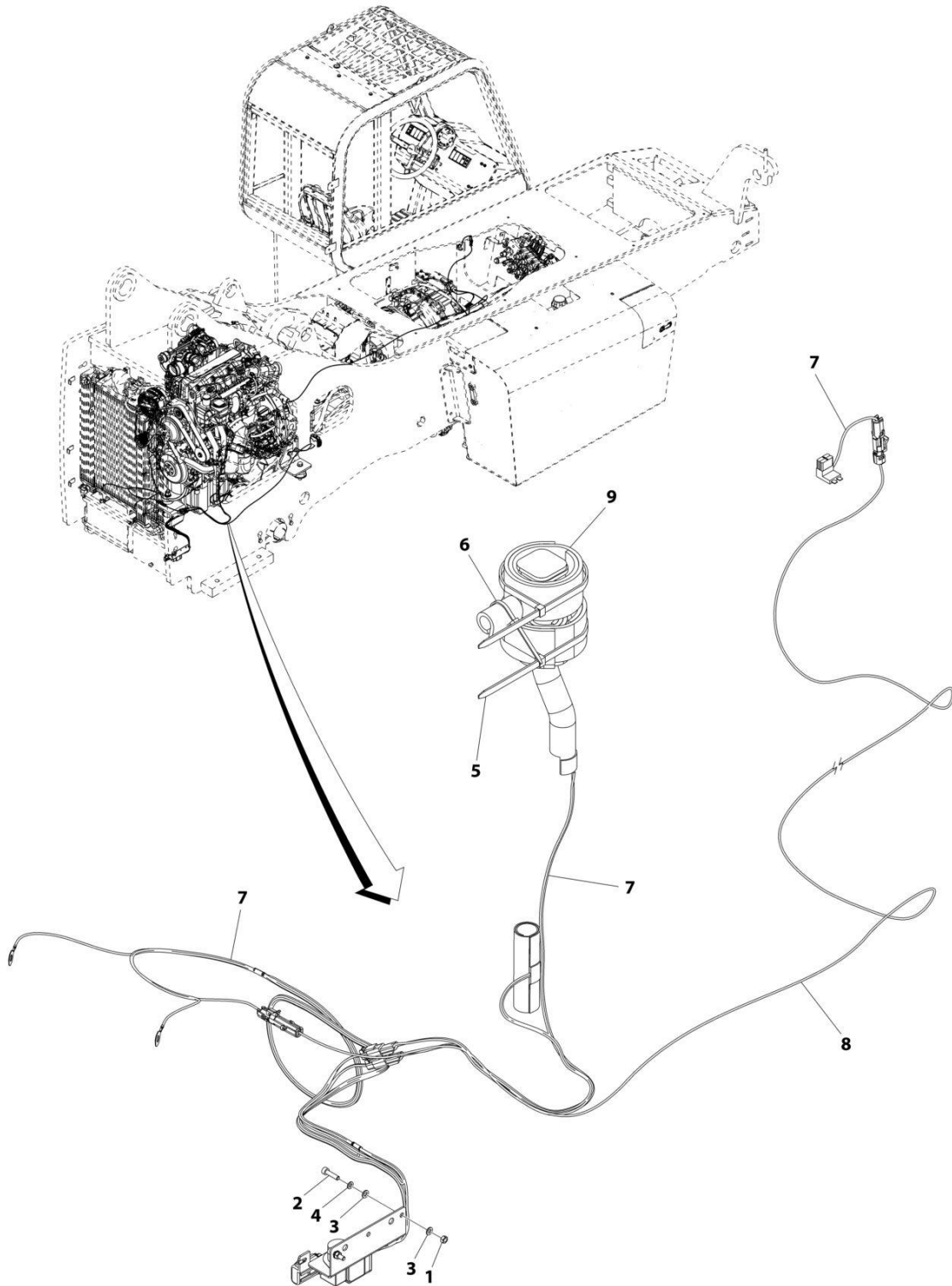
SECTION 4 - ENGINE AND ATTACHING PARTS

FIGURE 4-22. FUEL PLUMBING INSTALLATION (ULS)

ITEM	PART NUMBER	QTY	DESCRIPTION	REV
	1001165672	Ref	Fuel Plumbing Installation (if equipped for ULS)	H
1	0701216	2	Bolt, M12X40	
2	0760608	3	Bolt, M6X16	
3	0761012	2	Bolt, M10X25	
4	3290605	3	Nut, Lock M6X1	
5	3291205	2	Nut, Lock M12X1-3/4	
6	4812000	2	Washer, M10	
7	4812100	4	Washer, M12	
8	8406112	3	Clip, Tube 5/8	
9	1001136975	5	Clamp, Fuel Hose	
10	1001182603	1	Bracket, Filter Mount	
12	1001136358	1	Sleeve, Abrasion	
15	1001182094	1	Adapter, Banjo M14X3/8	
16	1001175568	2	Clip, Hose	
17	1001179375	1	Adapter, Banjo M14X1/2	
18	4811700	3	Washer, M6	
101	1001171802	1	Hose	
102	1001171803	1	Hose	
103	1001201111	1	Hose	
104	1001171805	1	Hose	

SECTION 4 - ENGINE AND ATTACHING PARTS

FIGURE 4-23. HEATER BREATHER



ART_1001232750-A

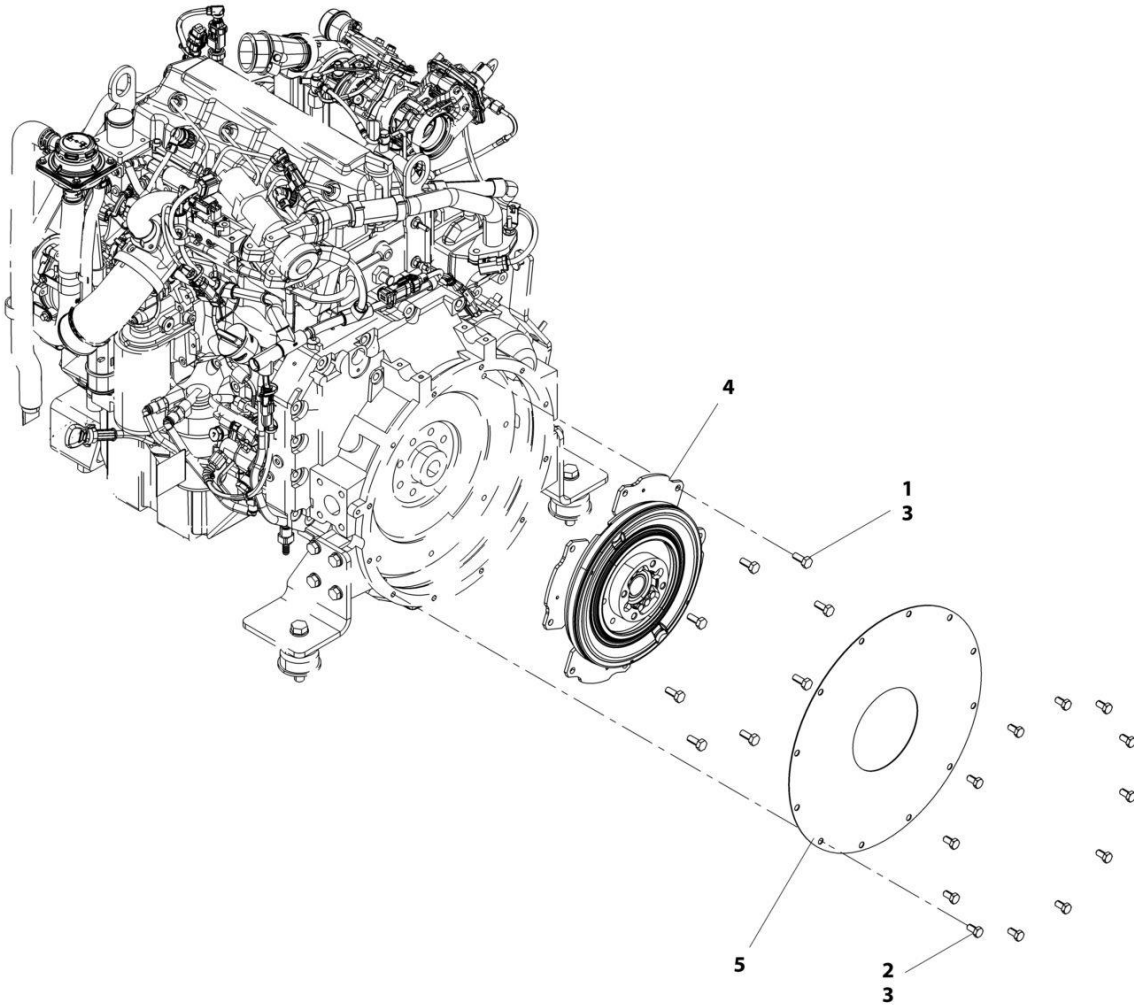
SECTION 4 - ENGINE AND ATTACHING PARTS

FIGURE 4-23. HEATER BREATHER

ITEM	PART NUMBER	QTY	DESCRIPTION	REV
	1001232750	Ref	Heater Breather - 74 HP	A
1	3290501	2	Nut, M5X0.8	
2	4031608	2	Screw, M5X20	
3	4811600	4	Washer, M5	
4	4831600	2	Washer, Lock M5	
5	01043892	2	Strap, Tie	
6	86683122	1	Strap, Tie	
7	1001232439	1	Engine, Cummins Breather Kit	
8	1001232599	1	Harness, Cummins Breather Heater	
9	1001232624	1	Insulate, Cummins Insulation	

SECTION 4 - ENGINE AND ATTACHING PARTS

FIGURE 4-24. ISOLATION COUPLER INSTALLATION



ART_1001166229_B

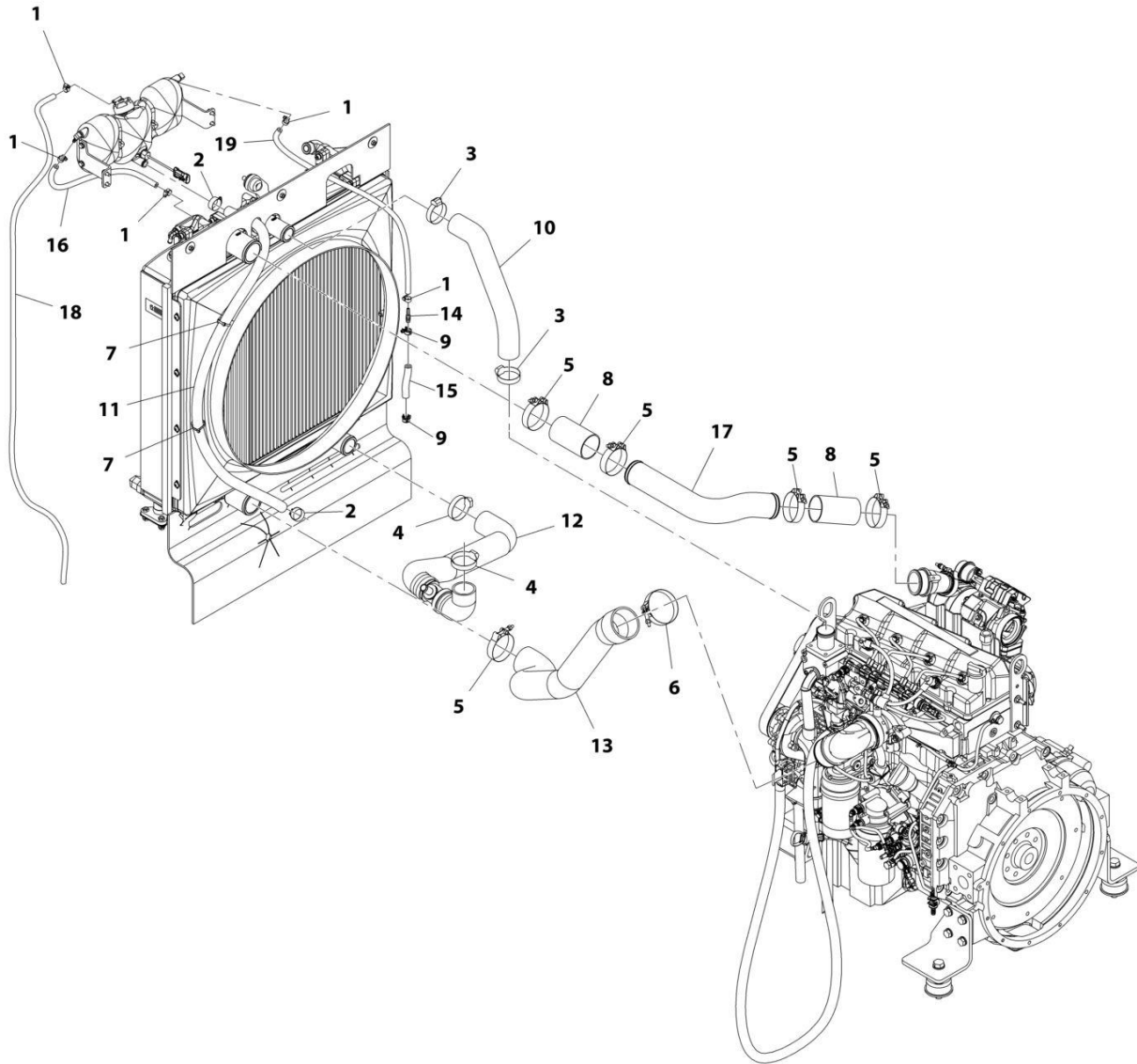
SECTION 4 - ENGINE AND ATTACHING PARTS

FIGURE 4-24. ISOLATION COUPLER INSTALLATION

ITEM	PART NUMBER	QTY	DESCRIPTION	REV
	1001166229	Ref	Isolation Coupler Installation	B
1	0761012	8	Bolt, M10X25	
2	8303784	12	Bolt, M10X20	
3	8526007	AR	Compound, Locking	
4	1001180244	1	Coupling, Torsion Damper	
5	1001185071	1	Panel, Isolation Coupler	

SECTION 4 - ENGINE AND ATTACHING PARTS

FIGURE 4-25. PLUMBING COOLING INSTALLATION (LS)



ART_1001185652-D

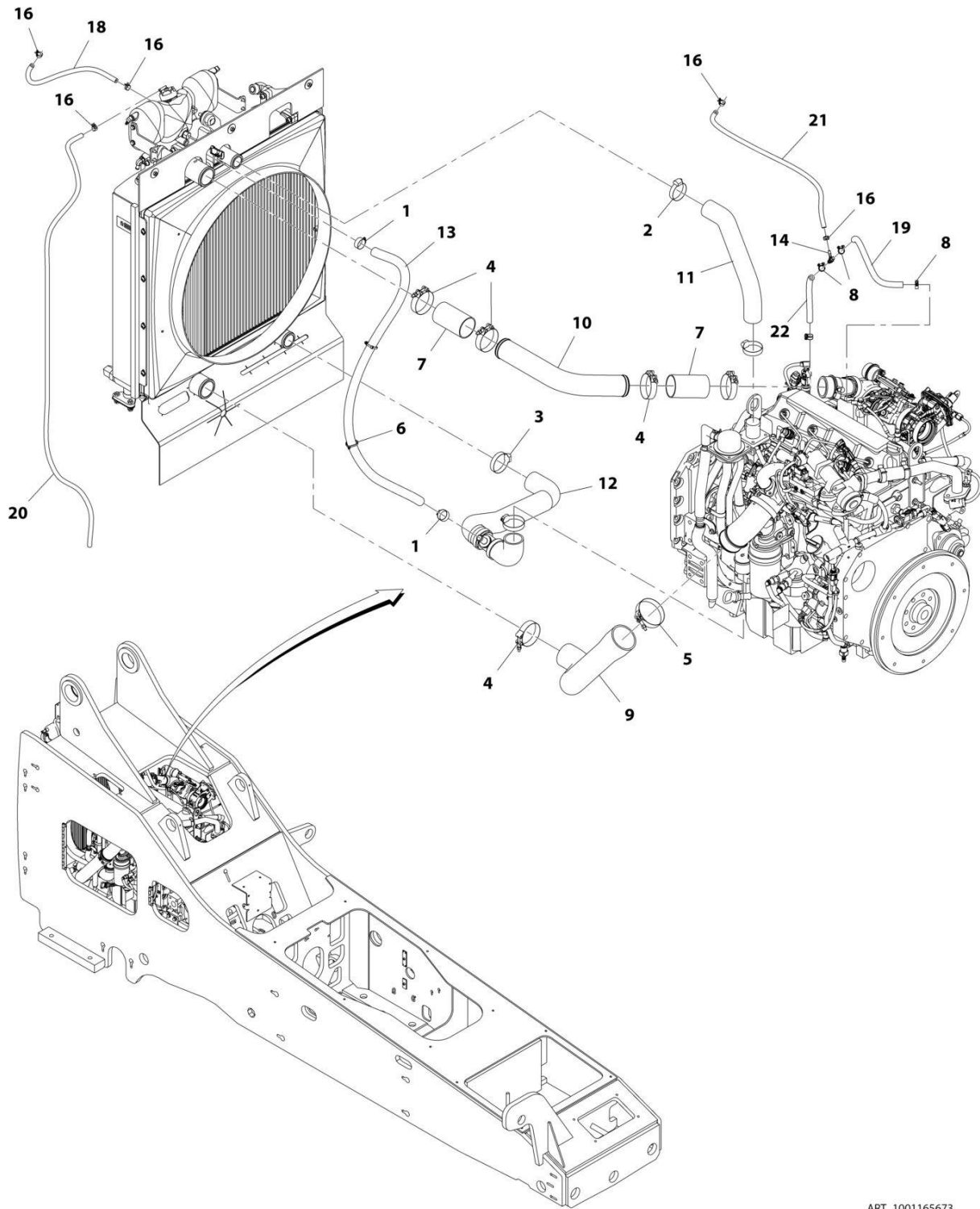
SECTION 4 - ENGINE AND ATTACHING PARTS

FIGURE 4-25. PLUMBING COOLING INSTALLATION (LS)

ITEM	PART NUMBER	QTY	DESCRIPTION	REV
	1001185652	Ref	Plumbing Cooling Installation (if equipped for LS)	D
1	1320022	5	Clamp, Fuel Line	
2	8405007	2	Clamp, Gear 1-1/4	
3	8405104	2	Clamp, Gear 2-1/4	
4	8405201	2	Clamp, Gear 2-1/2	
5	8405212	5	Clamp, T-Bolt	
6	8405305	1	Clamp, T-Bolt	
7	1001004720	2	Strap, Cable	
8	1001114495	2	Hose, CAC Straight	
9	1001136975	2	Clamp, Fuel Hose	
10	1001169272	1	Hose, Upper Radiator	
11	1001169274	1	Hose, Draw Down	
12	1001201945	1	Hose, Lower Radiator	
13	1001189318	1	Hose, CAC Outlet	
14	1001189602	1	Fitting, Union Tee	
15	1001189712	1	Hose, Vent Line 3/8	
16	1001203969	1	Hose, Vent 1/4	
17	1001189715	1	Pipe, CAC Inlet	
18	1001204097	1	Hose, Vent 1/4	
19	1001204098	1	Hose, Vent 1/4	

SECTION 4 - ENGINE AND ATTACHING PARTS

FIGURE 4-26. PLUMBING COOLING INSTALLATION (ULS)



ART_1001165673

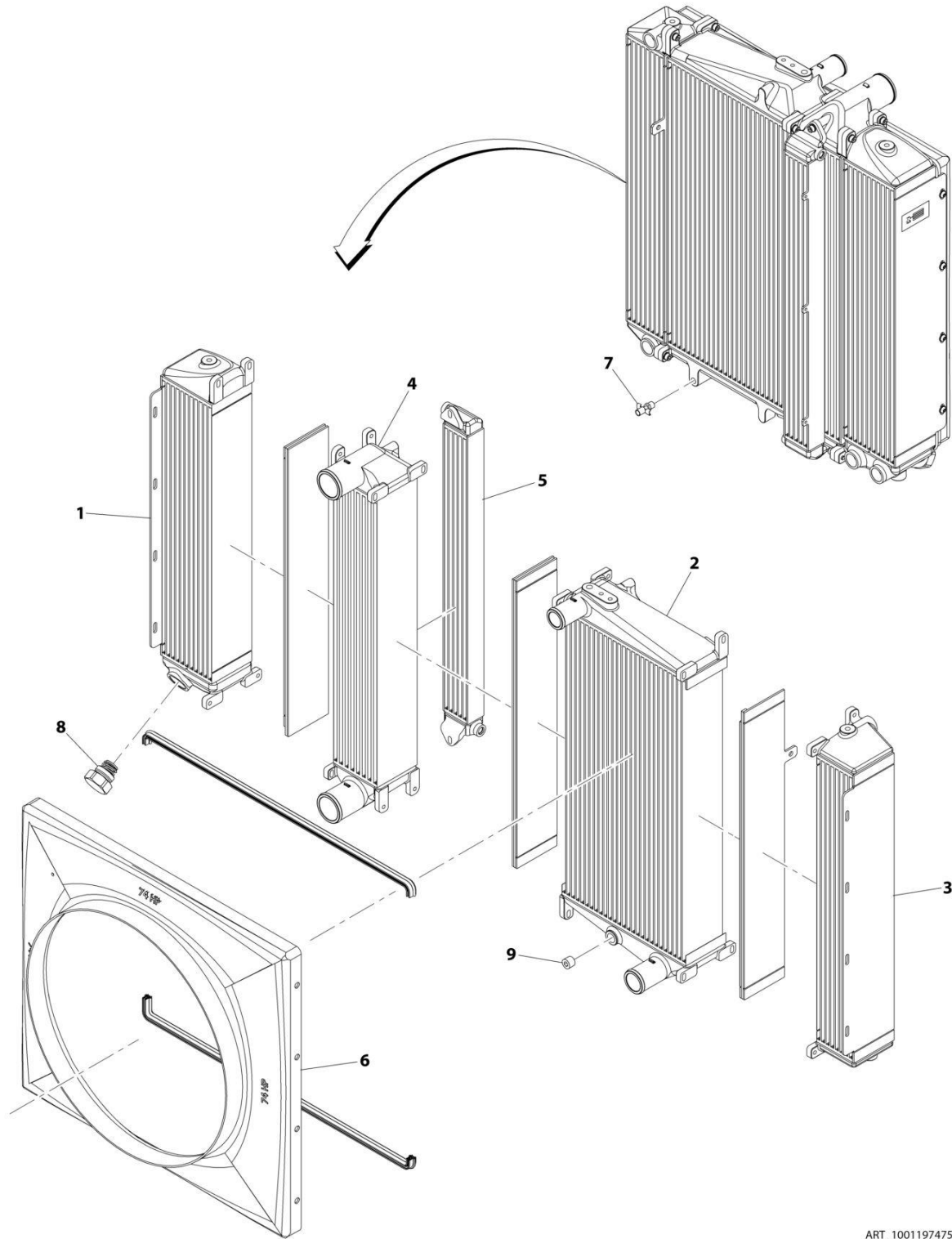
SECTION 4 - ENGINE AND ATTACHING PARTS

FIGURE 4-26. PLUMBING COOLING INSTALLATION (ULS)

ITEM	PART NUMBER	QTY	DESCRIPTION	REV
	1001165673	Ref	Plumbing Cooling Installation (if equipped for ULS)	1
1	8405007	2	Clamp, Gear 1-1/4	
2	8405104	2	Clamp, Gear 2-1/4	
3	8405201	2	Clamp, Gear 2-1/2	
4	8405212	5	Clamp, T-Bolt	
5	8405305	1	Clamp, T-Bolt	
6	1001004720	2	Strap, Cable	
7	1001114495	2	Hose, CAC Straight	
8	1001136975	4	Clamp, Fuel Hose	
9	1001201983	1	Hose, CAC Outlet	
10	1001169271	1	Pipe, CAC Inlet	
11	1001169272	1	Hose, Upper Radiator	
12	1001201945	1	Hose, Lower Radiator	
13	1001169274	1	Hose, Draw Down	
14	1001235725	1	Fitting, Union Tee	
16	1001213938	5	Clamp, Fuel Line	
18	1001203969	1	Hose, Vent Line	
19	1001203970	1	Hose, Vent Line	
20	1001204097	1	Hose, Vent Line	
21	1001204098	1	Hose, Vent Line	
22	1001204099	1	Hose, Vent Line	

SECTION 4 - ENGINE AND ATTACHING PARTS

FIGURE 4-27. RADIATOR ASSEMBLY, 74HP



ART_1001197475-D

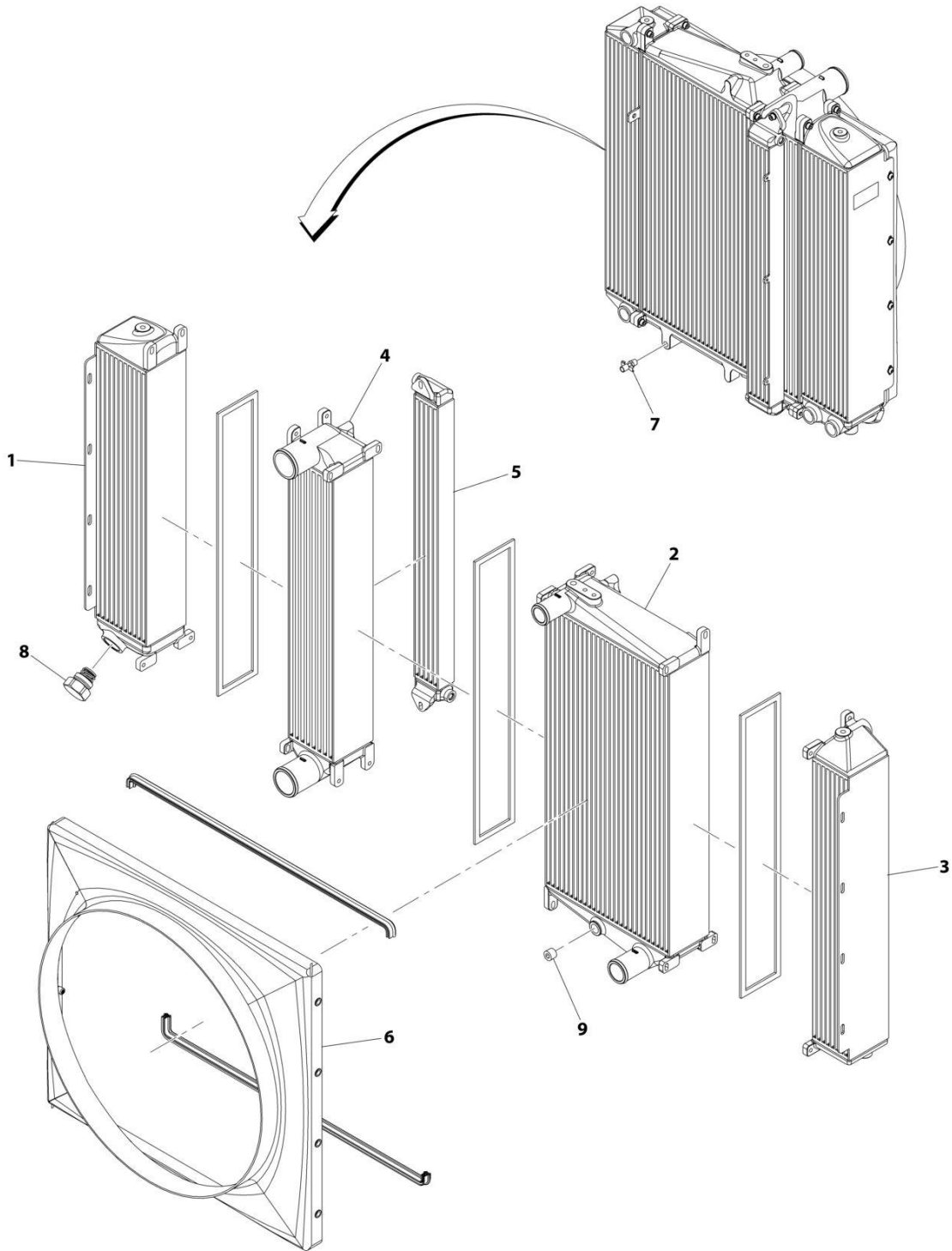
SECTION 4 - ENGINE AND ATTACHING PARTS

FIGURE 4-27. RADIATOR ASSEMBLY, 74HP

ITEM	PART NUMBER	QTY	DESCRIPTION	REV
	1001197475	Ref	Radiator Assembly (74HP)	D
1	70026075	1	Transmission Oil Cooler	
2	70026076	1	Radiator	
3	70026077	1	Hydraulic Oil Cooler	
4	70026078	1	Charge Air Cooler	
5	70026079	1	Fuel Cooler	
6	70027094	1	Fan Shroud	
7	70026081	1	Petcock	
8	70026082	1	Valve, Bypass	
9	70026083	1	Plug, Hex	

SECTION 4 - ENGINE AND ATTACHING PARTS

FIGURE 4-28. RADIATOR ASSEMBLY, 85HP



ART_1001168478

SECTION 4 - ENGINE AND ATTACHING PARTS

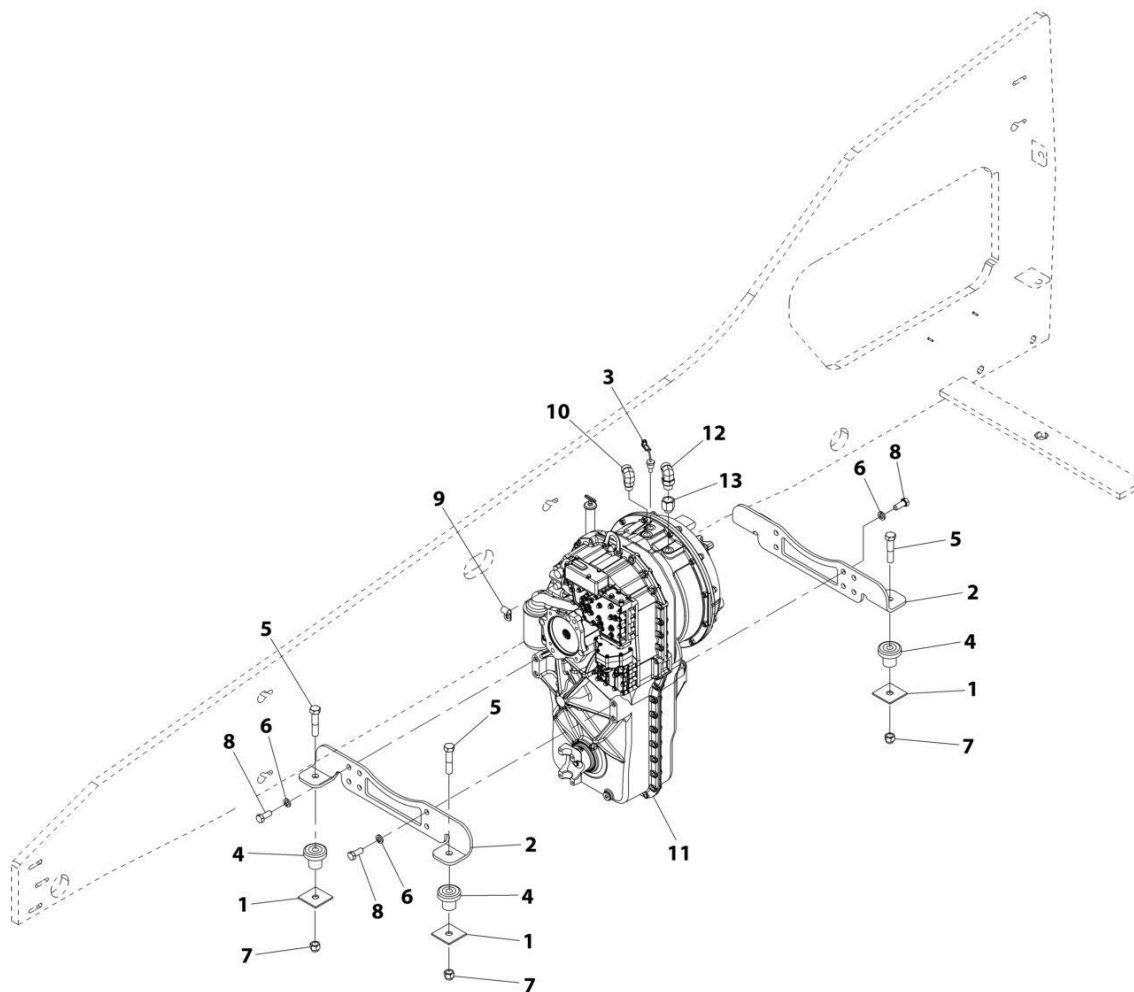
FIGURE 4-28. RADIATOR ASSEMBLY, 85HP

ITEM	PART NUMBER	QTY	DESCRIPTION	REV
	1001168478	Ref	Radiator Assembly	F
1	70026075	1	Transmission Oil Cooler	
2	70026076	1	Radiator	
3	70026077	1	Hydraulic Oil Cooler	
4	70026078	1	Charge Air Cooler	
5	70026079	1	Fuel Cooler	
6	70026080	1	Shroud, Fan	
7	70026081	1	Petcock	
8	70026082	1	Valve, Bypass	
9	70026083	1	Plug, Hex	

SECTION 5 - DRIVE TRAIN

SECTION 5 - DRIVE TRAIN

FIGURE 5-1. TRANSMISSION INSTALLATION



ART_1001108524-B

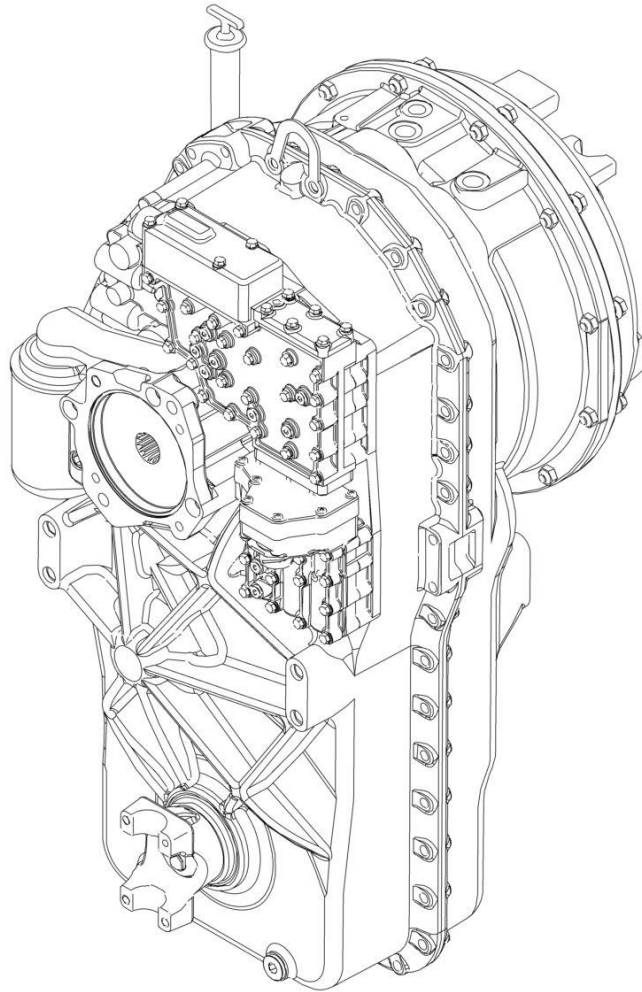
SECTION 5 - DRIVE TRAIN

FIGURE 5-1. TRANSMISSION INSTALLATION

ITEM	PART NUMBER	QTY	DESCRIPTION	REV
	1001108524	Ref	Transmission Installation	B
1	7054351	4	Washer, Rebound	
2	7138634	2	Bracket, Transmission Mount	
3	8223232	1	Switch, Transmission Temperature	
4	91403097	4	Mount, Rubber	
5	8303724	4	Bolt, 3/4-10X3-1/2	
6	8307049	8	Washer, Lock M16	
7	8310067	4	Nut, Lock 3/4-10	
8	8310215	8	Bolt, M16X40	
9	8406105	1	Clip, Tube	
10	2131210	1	Adapter, 90	
11	8841036	1	Transmission, 4-Speed (See Separate Breakdown in this Section)	
12	2131212	1	Adapter, 90	
13	8760548	1	Adapter, Straight	

SECTION 5 - DRIVE TRAIN

FIGURE 5-2. TRANSMISSION ASSEMBLY



ART_8841036_1-C

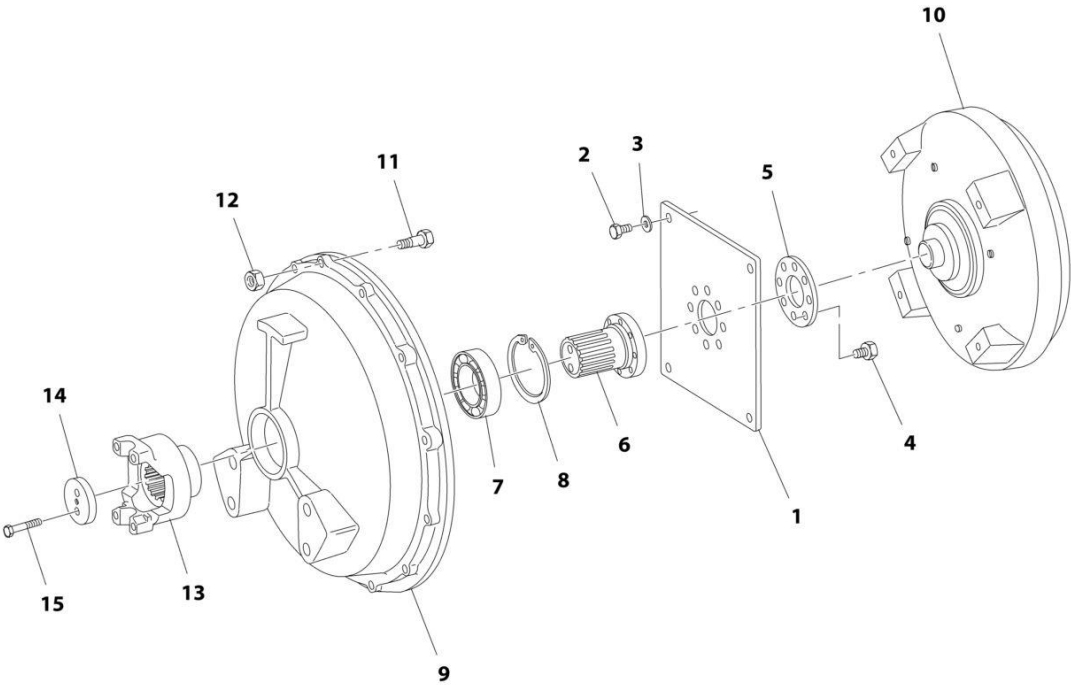
SECTION 5 - DRIVE TRAIN

FIGURE 5-2. TRANSMISSION ASSEMBLY

ITEM	PART NUMBER	QTY	DESCRIPTION	REV
	8841036	Ref	TRANSMISSION ASSEMBLY	C
		Ref	Transmission - Engine Connection and Converter (See Separate Breakdown in this Section)	
		Ref	Transmission - Input Shafts (See Separate Breakdown in this Section)	
		Ref	Transmission - Gearbox Housing (See Separate Breakdown in this Section)	
		Ref	Transmission - Coupling Group 1 (See Separate Breakdown in this Section)	
		Ref	Transmission - Coupling Group 2 (See Separate Breakdown in this Section)	
		Ref	Transmission - Coupling Group 3 (See Separate Breakdown in this Section)	
		Ref	Transmission - Coupling Group 4 (See Separate Breakdown in this Section)	
		Ref	Transmission - Reversing Gear Group 1 (See Separate Breakdown in this Section)	
		Ref	Transmission - Reversing Gear Group 2 (See Separate Breakdown in this Section)	
		Ref	Transmission - Output (See Separate Breakdown in this Section)	
		Ref	Transmission - Control Unit (See Separate Breakdown in this Section)	
		Ref	Transmission - Valve Housing Assembly (See Separate Breakdown in this Section)	
		Ref	Transmission - Valve Block Assembly (See Separate Breakdown in this Section)	
		Ref	Transmission - Oil Pump and Filter (See Separate Breakdown in this Section)	

SECTION 5 - DRIVE TRAIN

FIGURE 5-3. TRANSMISSION, ENGINE CONNECTION AND CONVERTER



ART_8841036_2-C

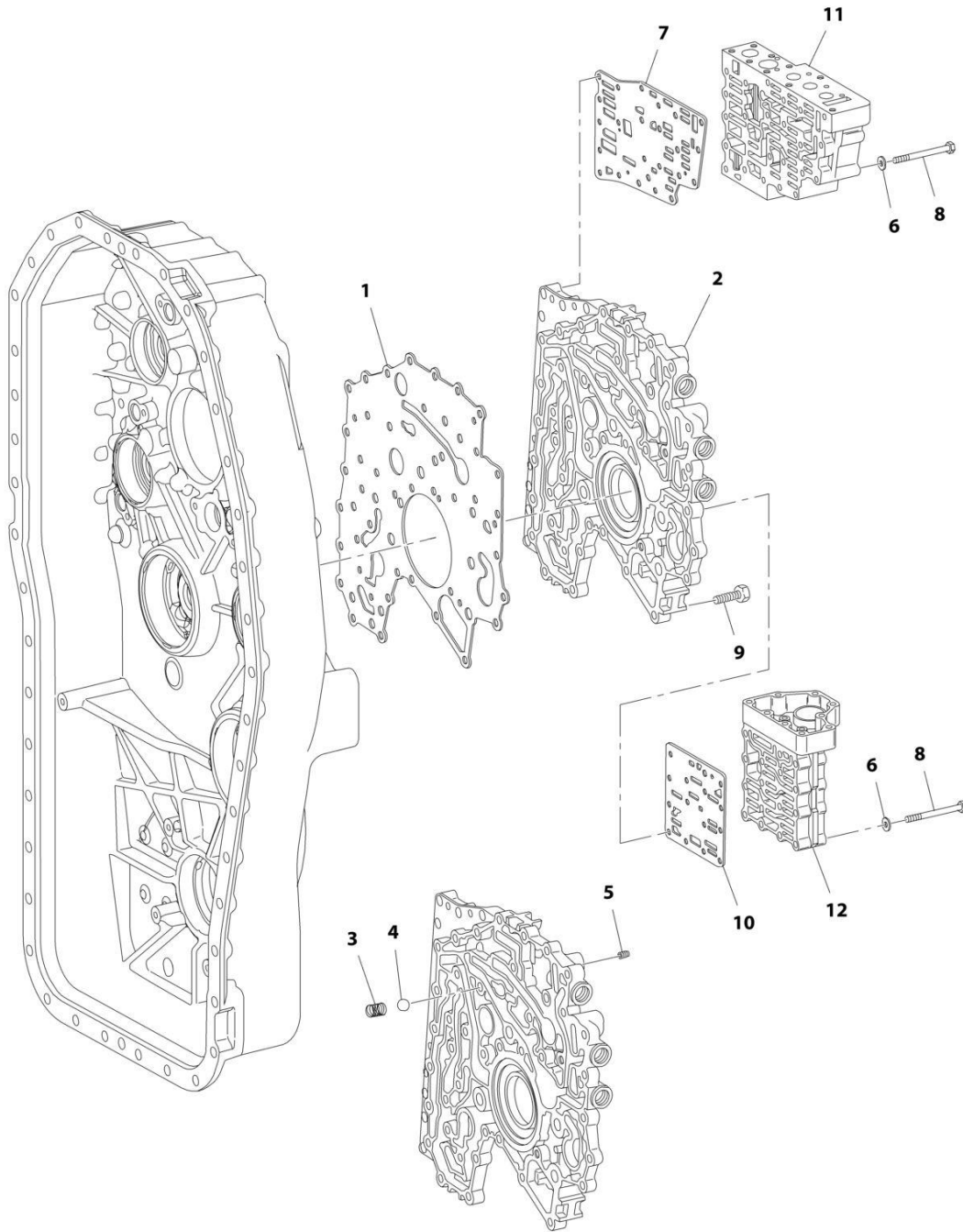
SECTION 5 - DRIVE TRAIN

FIGURE 5-3. TRANSMISSION, ENGINE CONNECTION AND CONVERTER

ITEM	PART NUMBER	QTY	DESCRIPTION	REV
	8841036	Ref	TRANSMISSION - ENGINE CONNECTION AND CONVERTER	
1	1319203	1	Diaphragm	
2	1319204	4	Bolt, M10X18	
3	10732095	4	Washer	
4	10731702	8	Bolt, M10X16	
5	1319213	1	Washer	
6	70023482	1	Shaft, Input	
7	1319209	1	Bearing, Ball	
8	1319210	1	Ring, Retaining	
9	8036021	1	Cover	
10	8036022	1	Converter	
11	10731748	12	Bolt, M10X45	
12	10731751	12	Nut, M10	
13	1319211	1	Yoke, End	
14	1319205	1	Washer	
15	70023483	2	Bolt	

SECTION 5 - DRIVE TRAIN

FIGURE 5-4. TRANSMISSION, CONTROL UNIT



ART_8841036_12-C

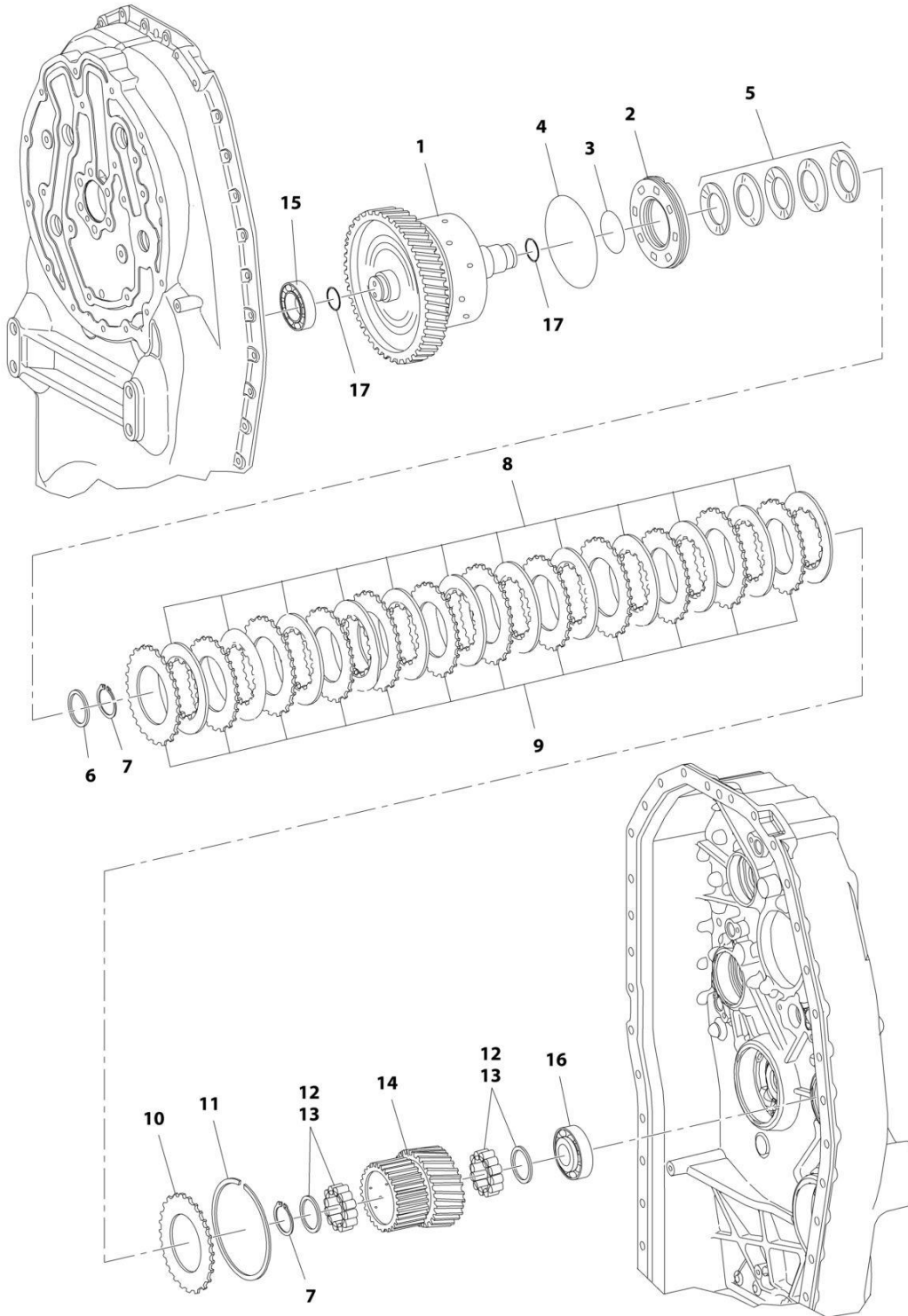
SECTION 5 - DRIVE TRAIN

FIGURE 5-4. TRANSMISSION, CONTROL UNIT

ITEM	PART NUMBER	QTY	DESCRIPTION	REV
	8841036	Ref	TRANSMISSION - CONTROL UNIT	
1	1319650	1	Gasket	
2	8036033	1	Plate, Duct	
3	10732072	1	Spring, Compression	
4	10732071	1	Ball	
5	1319652	1	Orifice	
6	1319661	19	Washer, 6.4	
7	70020425	1	Plate, Intermediate	
8	7029037	19	Bolt, M6X60	
9	1319659	43	Screw, Torx M8X30	
10	70020426	1	Plate, Intermediate	
11		Ref	Housing, Valve (See Separate Breakdown in this Section)	
12		Ref	Block, Valve (See Separate Breakdown in this Section)	

SECTION 5 - DRIVE TRAIN

FIGURE 5-5. TRANSMISSION, COUPLING GROUP 1



ART_8841036_5-C

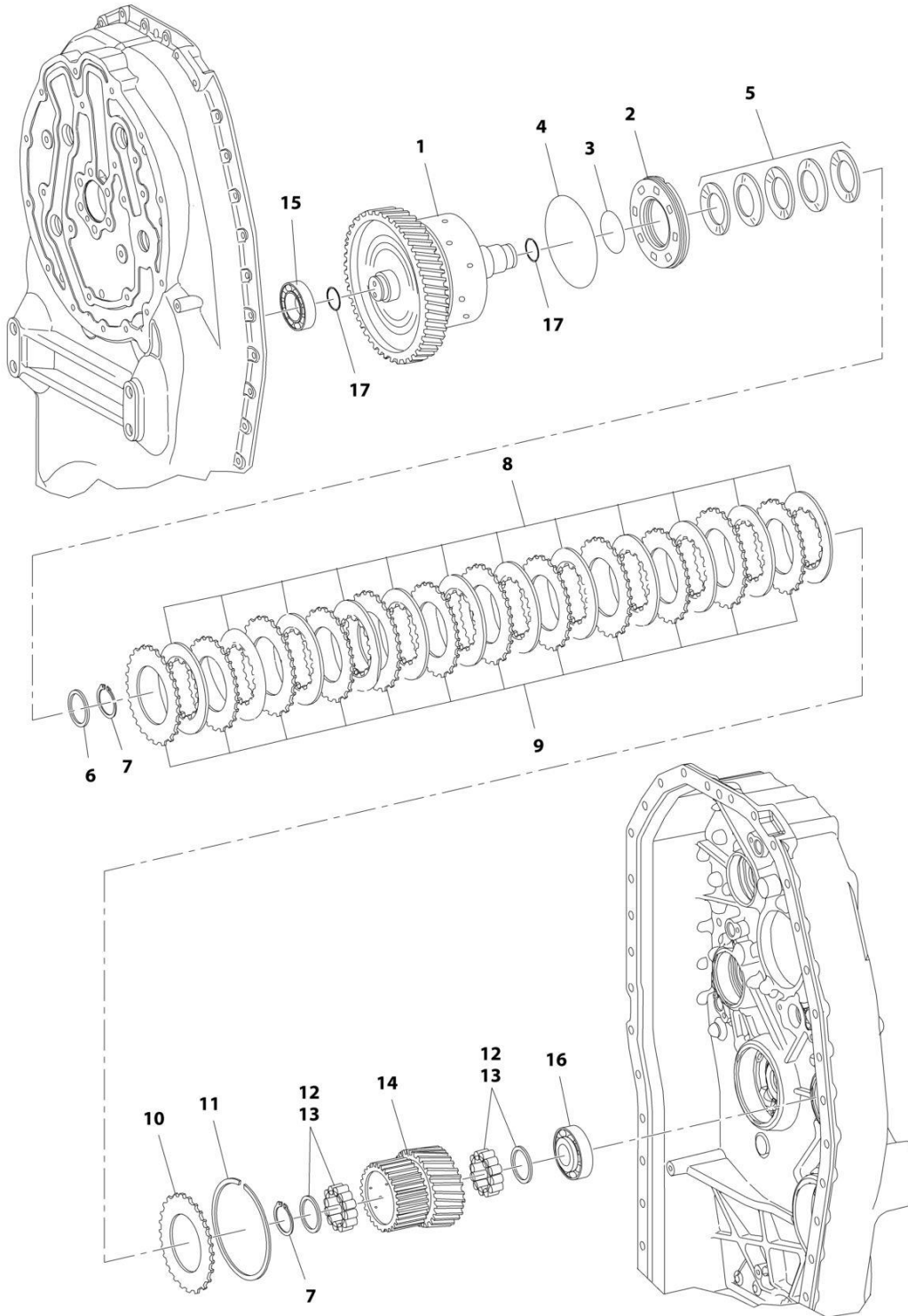
SECTION 5 - DRIVE TRAIN

FIGURE 5-5. TRANSMISSION, COUPLING GROUP 1

ITEM	PART NUMBER	QTY	DESCRIPTION	REV
	8841036	Ref	TRANSMISSION - COUPLING GROUP 1	
1	1319591	1	Coupling	
2	1319592	1	Piston	
3	1319593	1	O-Ring, 52X3	
4	1319594	1	O-Ring, 115X3	
5	1319595	5	Spring, Cup	
6	1319596	1	Shim	
7	10731845	2	Ring, Retaining	
8	7026758	12	Disc, Inner Clutch	
9	7026759	12	Disc, Outer Clutch	
10	7026760	1	Shim, End	
11	1319600	1	Ring, Snap 4	
11	1319601	1	Ring, Snap 3-1/2	
11	1319602	1	Ring, Snap 3	
11	1319603	1	Ring, Snap 2-1/2	
11	1319604	1	Ring, Snap 2	
12	1319605	2	Cage, Roller	
13	1319606	2	Cage, Roller	
14	1319607	1	Carrier, Disc	
15	1319608	1	Bearing, Roller	
16	1319609	1	Bearing, Roller	
16	1319610	1	Bearing, Roller	
16	1319611	1	Bearing, Roller	
17	1319612	2	Ring, Piston 30X2	

SECTION 5 - DRIVE TRAIN

FIGURE 5-6. TRANSMISSION, COUPLING GROUP 2



ART_8841036_6-C

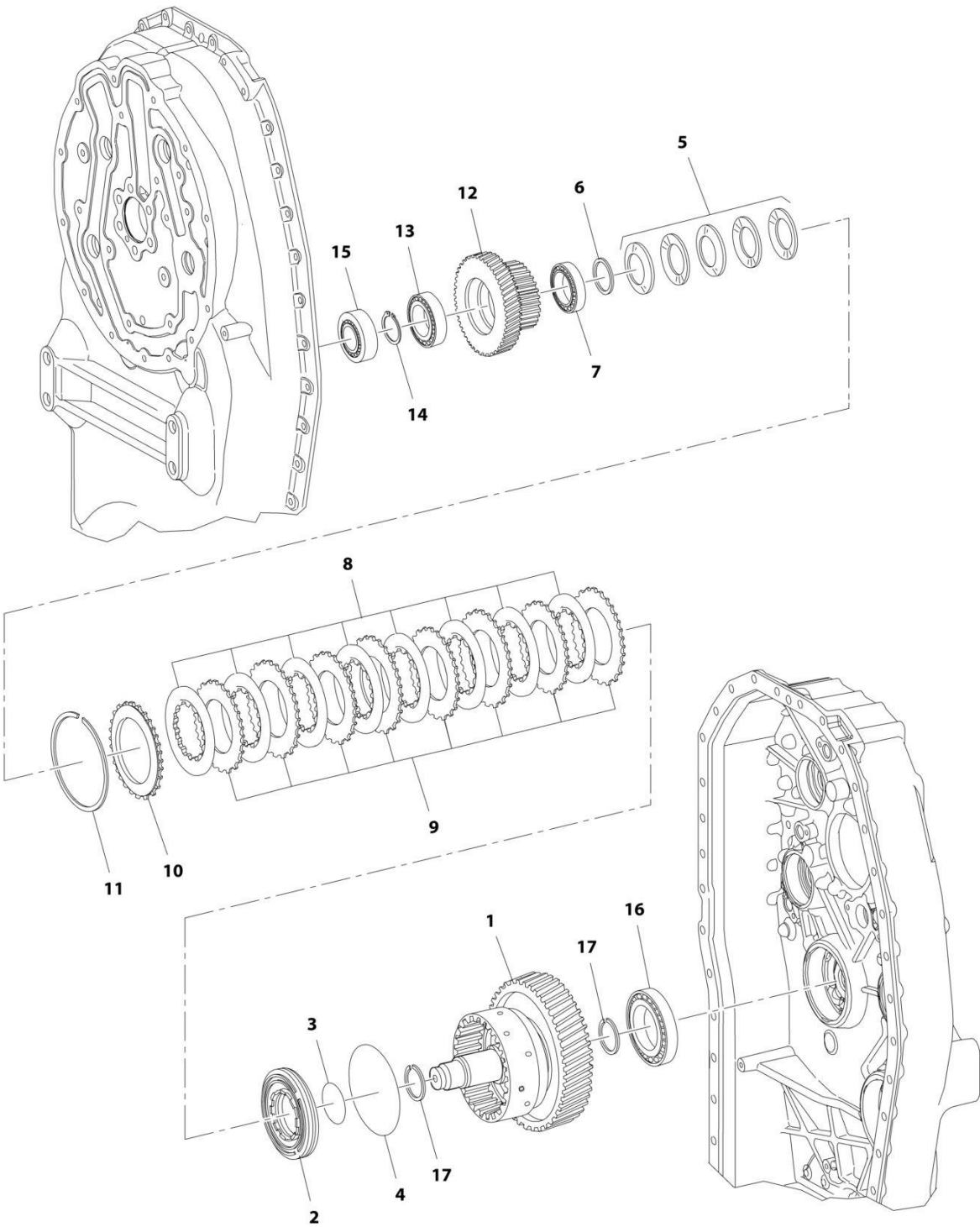
SECTION 5 - DRIVE TRAIN

FIGURE 5-6. TRANSMISSION, COUPLING GROUP 2

ITEM	PART NUMBER	QTY	DESCRIPTION	REV
	8841036	Ref	TRANSMISSION - COUPLING GROUP 2	
1	1319613	1	Coupling	
2	8036029	1	Piston	
3	1319593	1	O-Ring, 52X3	
4	1319594	1	O-Ring, 115X3	
5	1319595	5	Spring, Cup	
6	1319596	1	Shim	
7	10731845	2	Ring, Retaining	
8	7026758	8	Disc, Inner Clutch	
9	7026759	8	Disc, Outer Clutch	
10	7026760	1	Shim, End	
11	1319600	1	Ring, Snap 4	
11	1319601	1	Ring, Snap 3-1/2	
11	1319602	1	Ring, Snap 3	
11	1319603	1	Ring, Snap 2-1/2	
11	1319604	1	Ring, Snap 2	
12	1319605	2	Cage, Roller	
13	1319606	2	Cage, Roller	
14	1319614	1	Carrier, Disc	
15	1319615	1	Bearing, Roller	
16	8036190	1	Assembly, Roller Bearing	
16	7029532	1	Ring, Outer	
16	7029533	1	Ring, Inner	
17	1319612	2	Ring, Piston 30X2	

SECTION 5 - DRIVE TRAIN

FIGURE 5-7. TRANSMISSION, COUPLING GROUP 3



ART_8841036_7-C

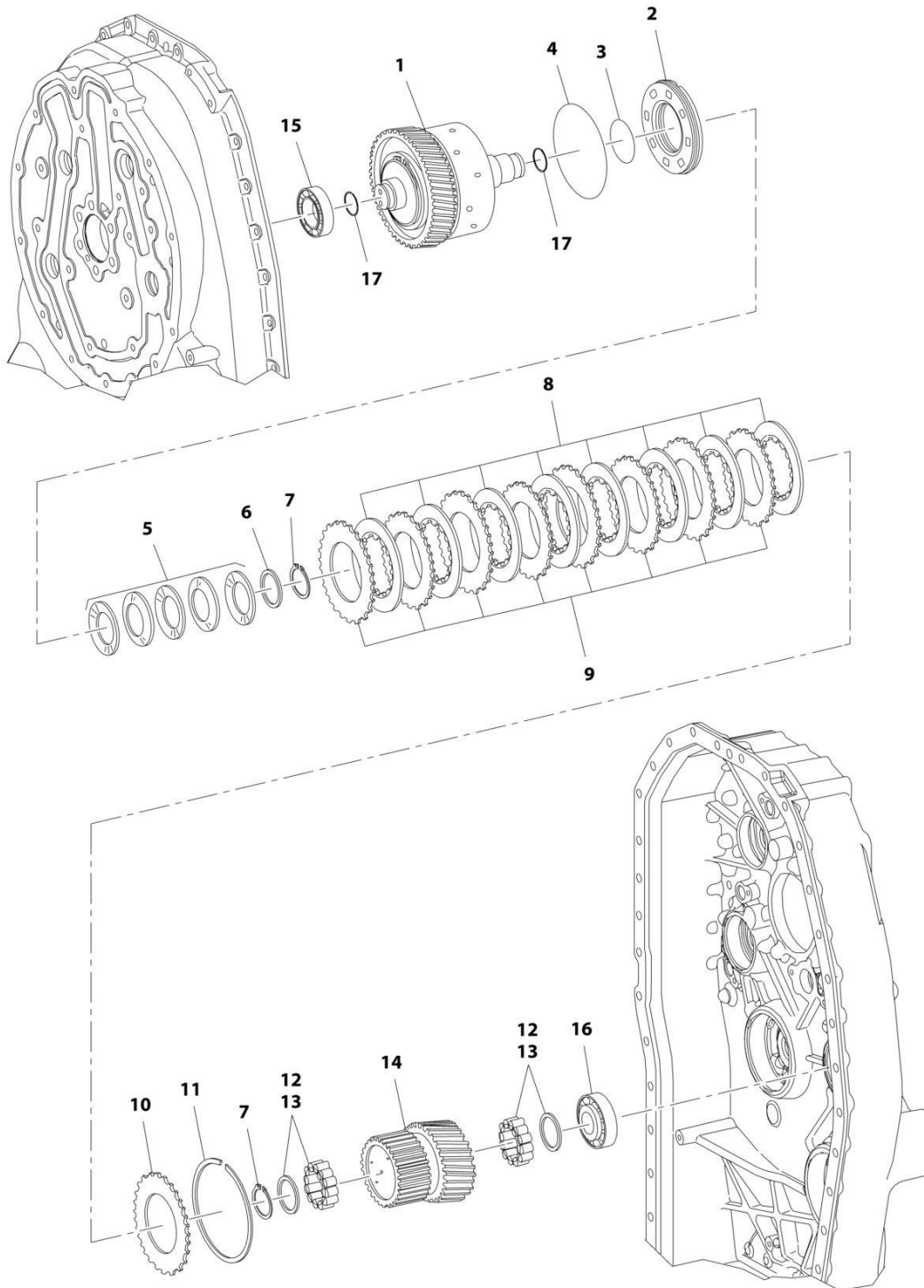
SECTION 5 - DRIVE TRAIN

FIGURE 5-7. TRANSMISSION, COUPLING GROUP 3

ITEM	PART NUMBER	QTY	DESCRIPTION	REV
	8841036	Ref	TRANSMISSION - COUPLING GROUP 3	
1	1319616	1	Coupling	
2	8036029	1	Piston	
3	1319593	1	O-Ring, 52X3	
4	1319594	1	O-Ring, 115X3	
5	1319595	5	Spring, Cup	
6	1319617	1	Shim, Support	
7	1319618	1	Bearing, Roller	
8	7026758	8	Disc, Inner Clutch	
9	7026759	8	Disc, Outer Clutch	
10	7026760	1	Shim, End	
11	1319600	1	Ring, Snap 4	
11	1319601	1	Ring, Snap 3-1/2	
11	1319602	1	Ring, Snap 3	
11	1319603	1	Ring, Snap 2-1/2	
11	1319604	1	Ring, Snap 2	
12	1319619	1	Carrier, Disc	
13	1319620	1	Bearing, Roller	
14	1319621	1	Ring, Retaining 3.2	
14	1319622	1	Ring, Retaining 3.1	
14	1319623	1	Ring, Retaining 3	
14	1319624	1	Ring, Retaining 2.9	
14	1319625	1	Ring, Retaining 2.8	
14	1319626	1	Ring, Retaining 2.7	
14	1319627	1	Ring, Retaining 2.6	
14	1319628	1	Ring, Retaining 2.5	
14	1319629	1	Ring, Retaining 2.4	
14	1319630	1	Ring, Retaining 2.3	
14	1319631	1	Ring, Retaining 2.2	
14	1319632	1	Ring, Retaining 2.1	
15	8036190	1	Assembly, Roller Bearing	
15	7029532	1	Ring, Outer	
15	7029533	1	Ring, Inner	
16	1319633	1	Bearing, Roller	
17	1319612	2	Ring, Piston 30X2	

SECTION 5 - DRIVE TRAIN

FIGURE 5-8. TRANSMISSION, COUPLING GROUP 4



ART_8841036_8-C

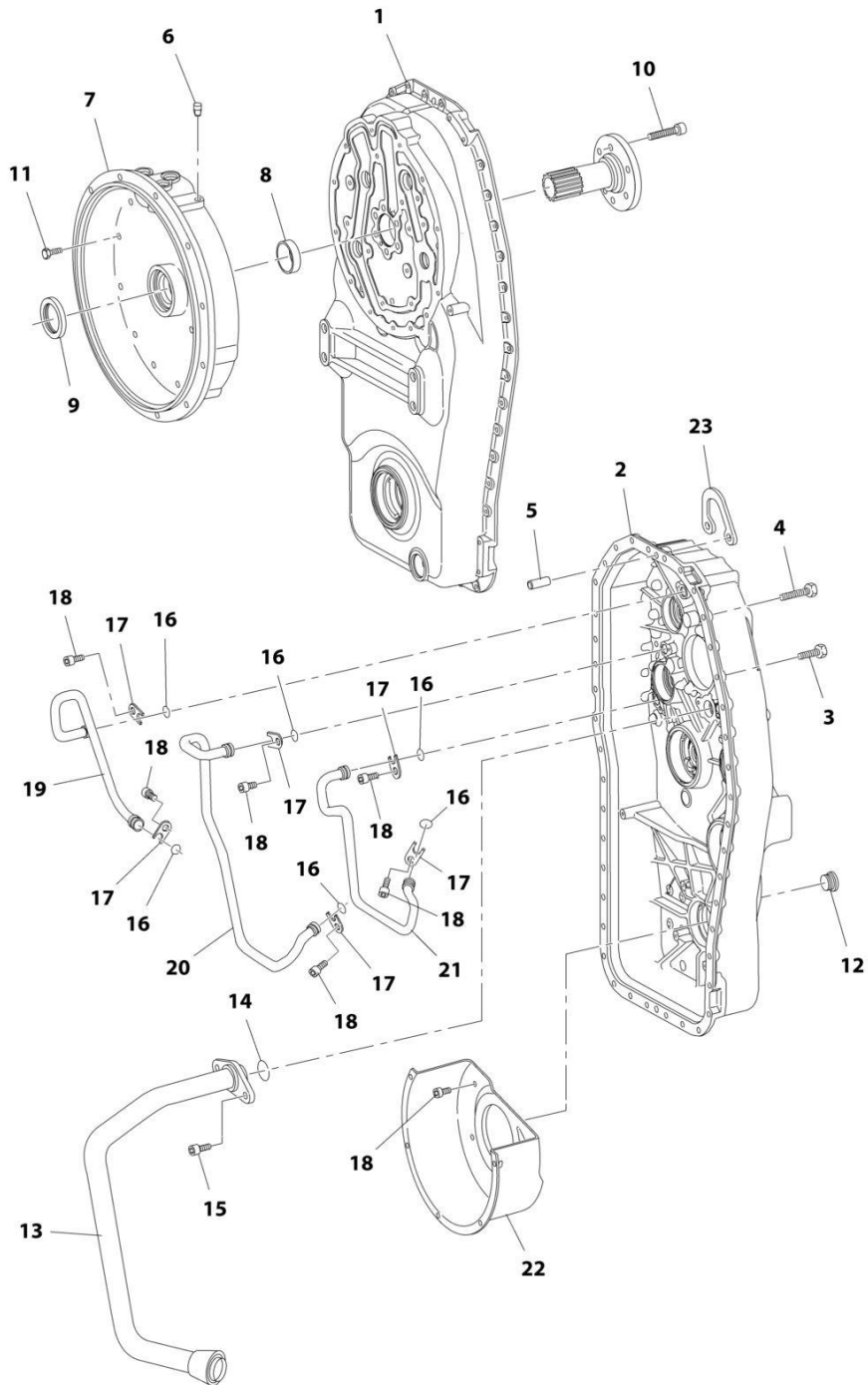
SECTION 5 - DRIVE TRAIN

FIGURE 5-8. TRANSMISSION, COUPLING GROUP 4

ITEM	PART NUMBER	QTY	DESCRIPTION	REV
	8841036	Ref	TRANSMISSION - COUPLING GROUP 4	
1	1319634	1	Coupling	
2	8036029	1	Piston	
3	1319593	1	O-Ring, 52X3	
4	1319594	1	O-Ring, 115X3	
5	1319595	5	Spring, Cup	
6	1319596	1	Shim	
7	10731845	2	Ring, Retaining	
8	7026758	8	Disc, Inner Clutch	
9	7026759	8	Disc, Outer Clutch	
10	7026760	1	Shim, End	
11	1319600	1	Ring, Snap 4	
11	1319601	1	Ring, Snap 3-1/2	
11	1319602	1	Ring, Snap 3	
11	1319603	1	Ring, Snap 2-1/2	
11	1319604	1	Ring, Snap 2	
12	1319605	2	Cage, Roller	
13	1319606	2	Cage, Roller	
14	1319635	1	Carrier, Disc	
15	1319615	1	Bearing, Roller	
16	1319636	1	Bearing, Roller	
17	1319612	2	Ring, Piston 30X2	

SECTION 5 - DRIVE TRAIN

FIGURE 5-9. TRANSMISSION, GEARBOX HOUSING



ART_8841036_4-C

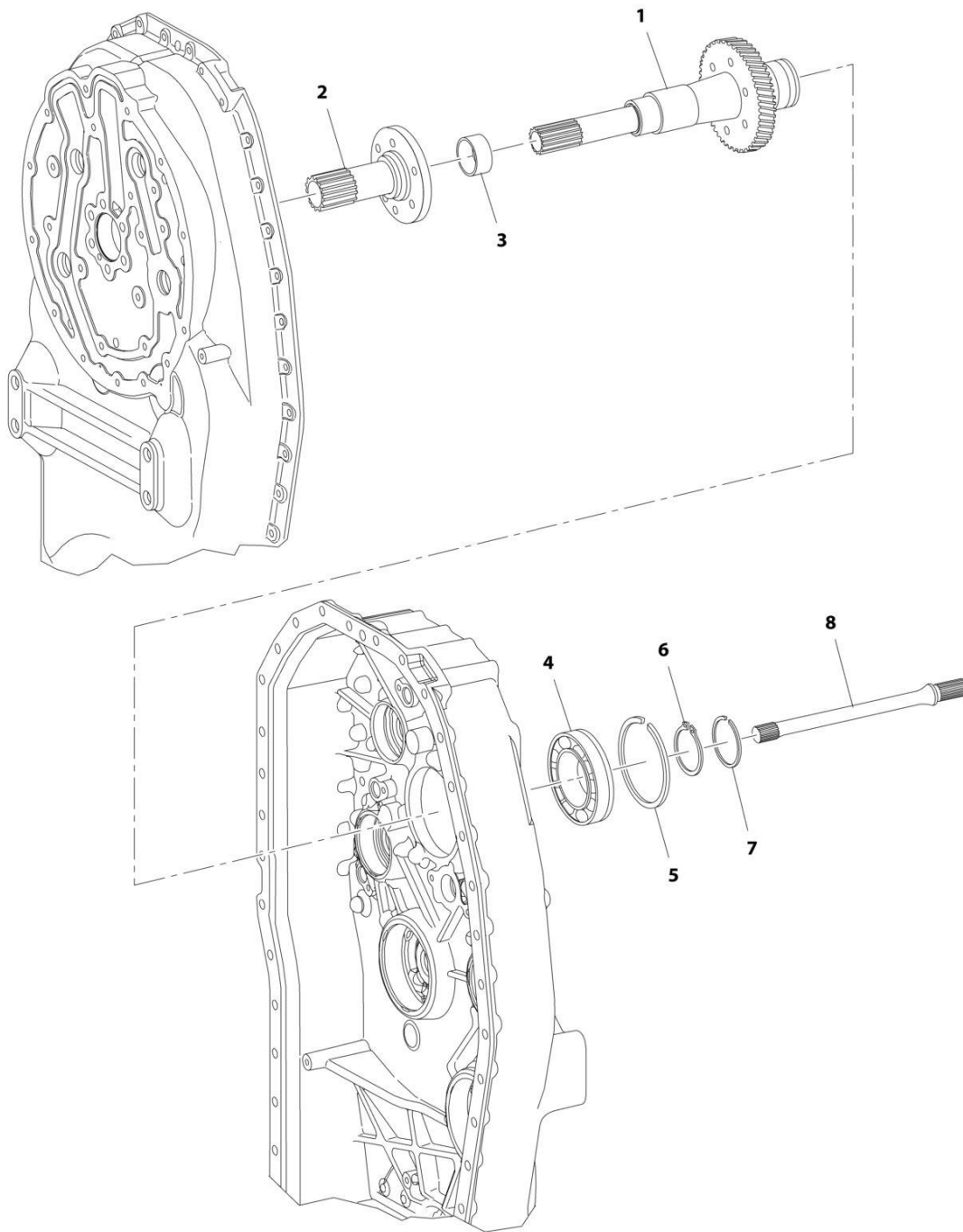
SECTION 5 - DRIVE TRAIN

FIGURE 5-9. TRANSMISSION, GEARBOX HOUSING

ITEM	PART NUMBER	QTY	DESCRIPTION	REV
	8841036	Ref	TRANSMISSION - GEARBOX HOUSING	
1	8036024	1	Housing I	
2	8036025	1	Housing II	
3	1319569	36	Bolt, M10X30	
4	1319570	6	Bolt, M10X50	
5	1319571	2	Pin, Cylindrical M6X24	
6	10731744	1	Breather	
7	1319574	1	Bell, Converter	
8	1319575	1	Bushing, Bearing	
9	1319576	1	Seal, Shaft	
10	1319577	6	Screw, M10X50	
11	1319569	23	Bolt, M10X30	
12	70023404	1	Plug, Screw	
13	8036026	1	Pipe, Oil Suction	
14	70023885	1	O-Ring	
15	1319582	2	Screw, M8X20	
16	1319583	6	O-Ring	
17	1319584	6	Plate, Fixing	
18	1319585	11	Screw, M8X16	
19	1319586	1	Pipe	
20	1319587	1	Pipe	
21	8036027	1	Pipe	
22	8036028	1	Sheet, Screen	
23	1319590	1	Bracket	

SECTION 5 - DRIVE TRAIN

FIGURE 5-10. TRANSMISSION, INPUT SHAFTS



ART_8841036_3-C

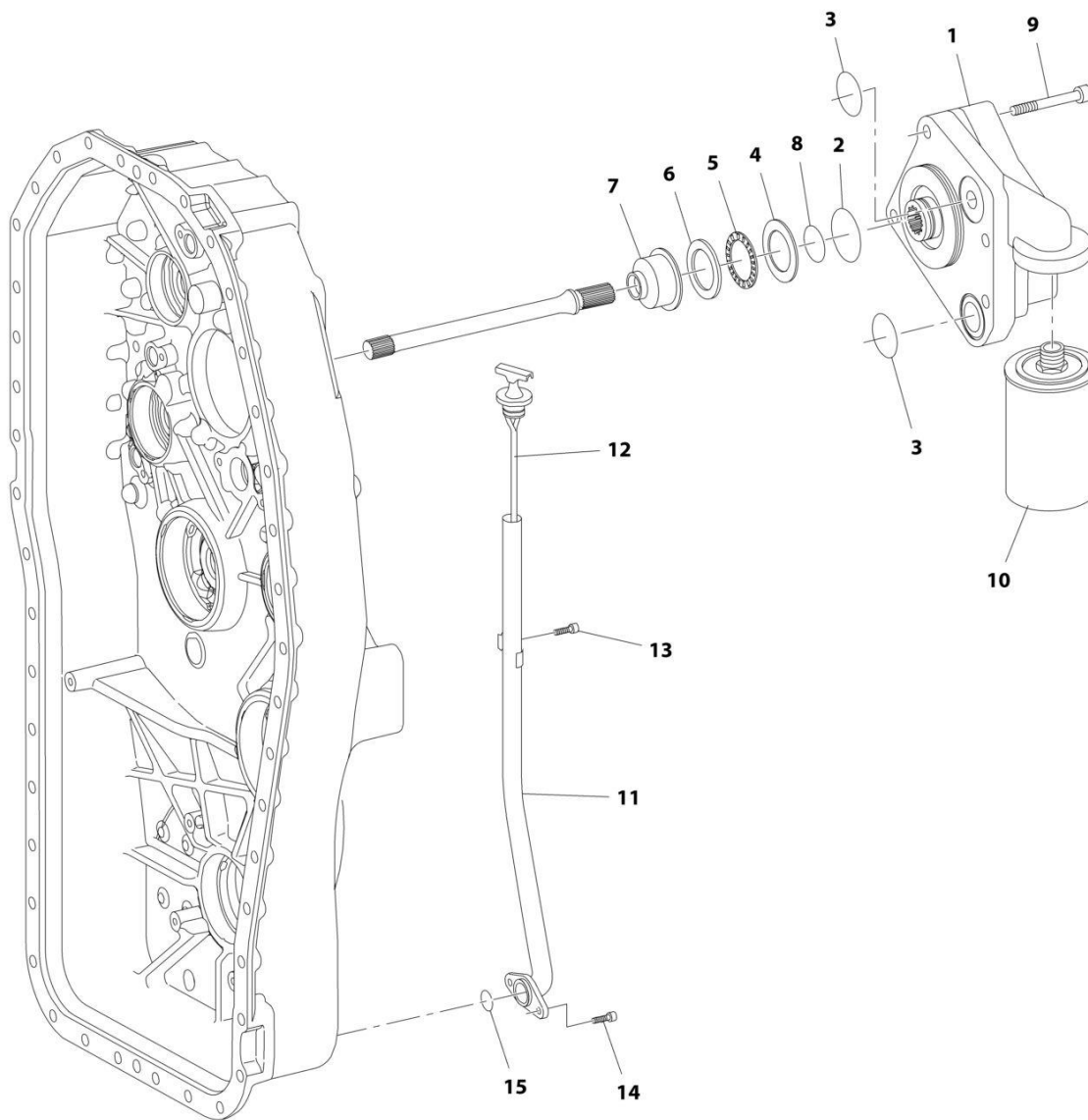
SECTION 5 - DRIVE TRAIN

FIGURE 5-10. TRANSMISSION, INPUT SHAFTS

ITEM	PART NUMBER	QTY	DESCRIPTION	REV
	8841036	Ref	TRANSMISSION - INPUT SHAFTS	
1	8036023	1	Shaft, Turbine	
2	1319557	1	Shaft, Stator	
3	1319558	1	Bushing, Bearing	
4	1319563	1	Bearing, Ball	
5	10731913	1	Ring, Snap	
6	80304405	1	Ring, Retaining	
7	1319565	1	Ring, Piston	
8	1319566	1	Shaft, Central	

SECTION 5 - DRIVE TRAIN

FIGURE 5-11. TRANSMISSION, OIL PUMP AND FILTER



ART_8841036_15-C

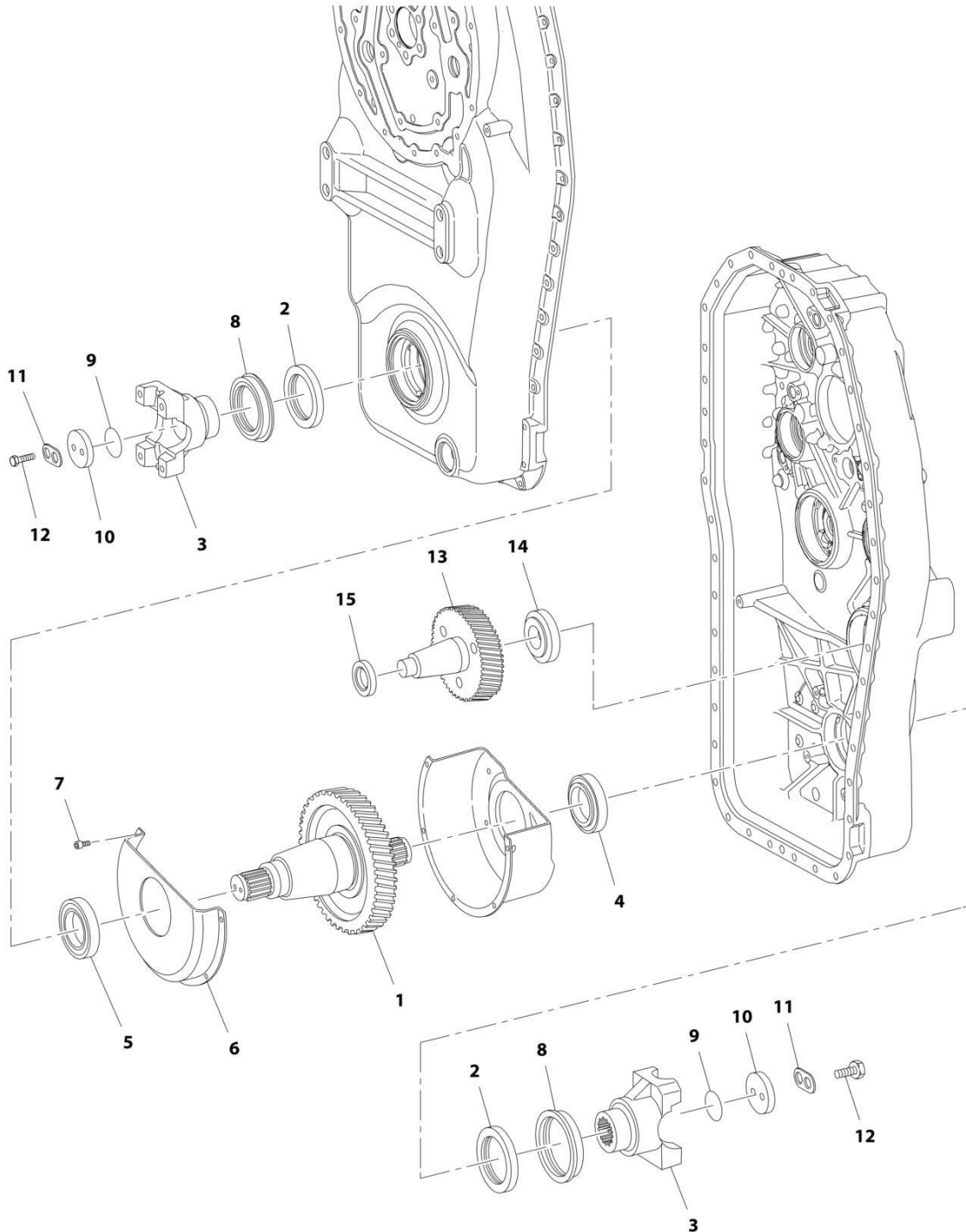
SECTION 5 - DRIVE TRAIN

FIGURE 5-11. TRANSMISSION, OIL PUMP AND FILTER

ITEM	PART NUMBER	QTY	DESCRIPTION	REV
	8841036	Ref	TRANSMISSION - OIL PUMP AND FILTER	
1	1319718	1	Pump	
1	7029417	1	O-Ring, (between pump halves), (not shown)	
2	8036250	1	O-Ring	
3	1319719	2	O-Ring	
4	1319720	1	Washer, Axial 40X60X1	
5	1319721	1	Cage, Axial Needle	
6	1319722	1	Disc, Angle	
7	1319723	1	Sleeve, Stop	
8	1319724	1	O-Ring	
9	1319725	4	Bolt, M12X115	
10	1319726	1	Filter, Transmission Oil	
11	8036041	1	Tube, Dipstick	
12	8036042	1	Dipstick	
13	1319585	1	Screw, M8X16	
14	1319582	1	Screw, M8X20	
15	70023885	1	O-Ring	

SECTION 5 - DRIVE TRAIN

FIGURE 5-12. TRANSMISSION, OUTPUT



ART_8841036_11-C

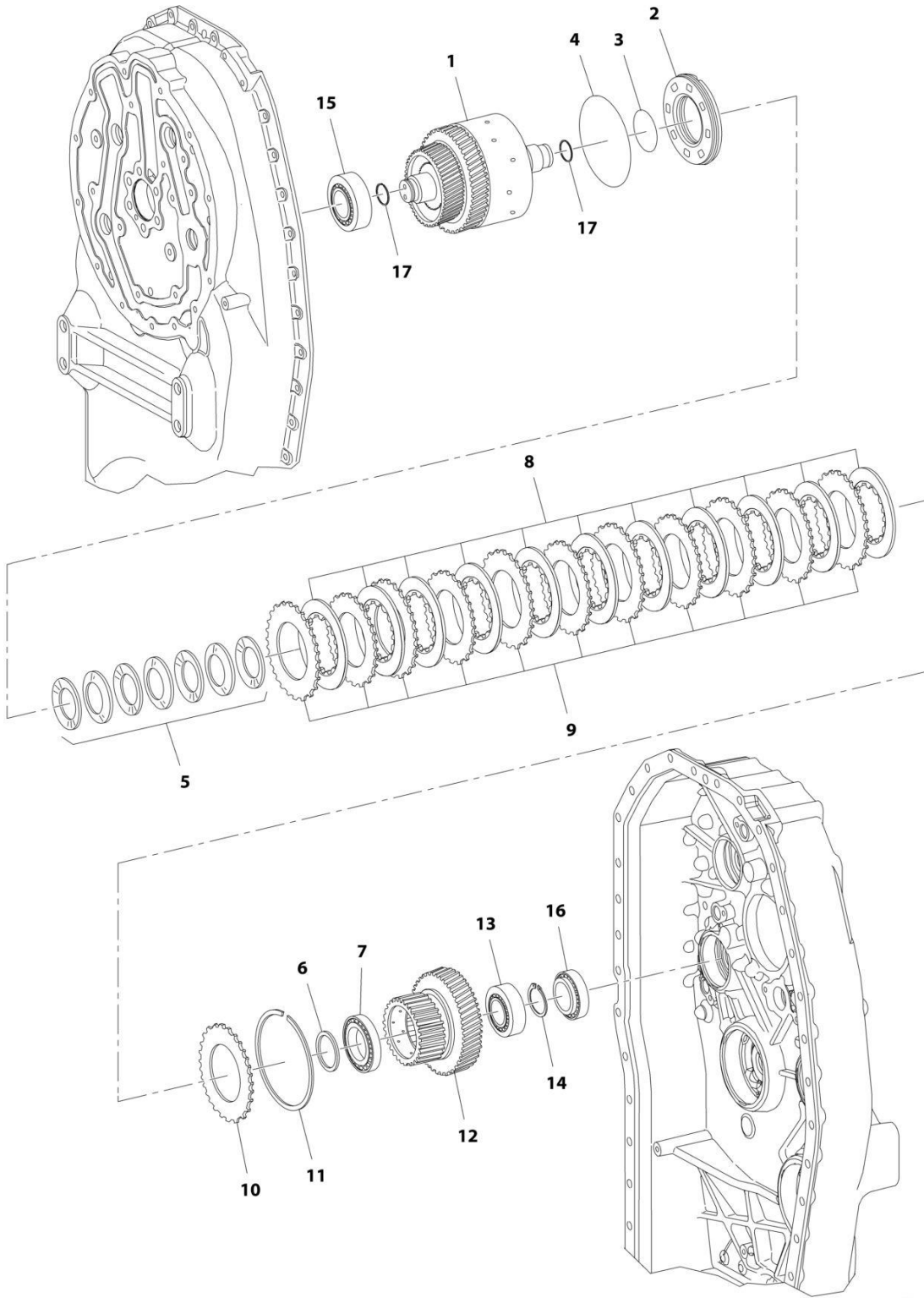
SECTION 5 - DRIVE TRAIN

FIGURE 5-12. TRANSMISSION, OUTPUT

ITEM	PART NUMBER	QTY	DESCRIPTION	REV
	8841036	Ref	TRANSMISSION - OUTPUT	
1	8036030	1	Shaft, Output	
2	1319641	2	Seal, Shaft	
3	7027273	2	Flange, Output	
4	N.S.S.	1	Assembly, Roller Bearing	
4	70020430	1	Cup, Bearing	
4	70020431	1	Cone, Bearing	
5	1319643	1	Bearing, Roller	
6	8036031	1	Sheet, Screen	
7	1319646	5	Bolt, M6X10	
8	1319647	2	Sheet, Screen	
9	10839156	2	O-Ring	
10	1319648	2	Washer, M10	
11	1319649	2	Washer, Tab	
12	10731959	4	Bolt, M8X25	
13	8036032	1	Shaft, Intermediate	
14	1319633	1	Bearing, Roller	
15	8036190	1	Assembly, Roller Bearing	
15	7029532	1	Ring, Outer	
15	7029533	1	Ring, Inner	

SECTION 5 - DRIVE TRAIN

FIGURE 5-13. TRANSMISSION, REVERSING GEAR GROUP 1



ART_8841036_9-C

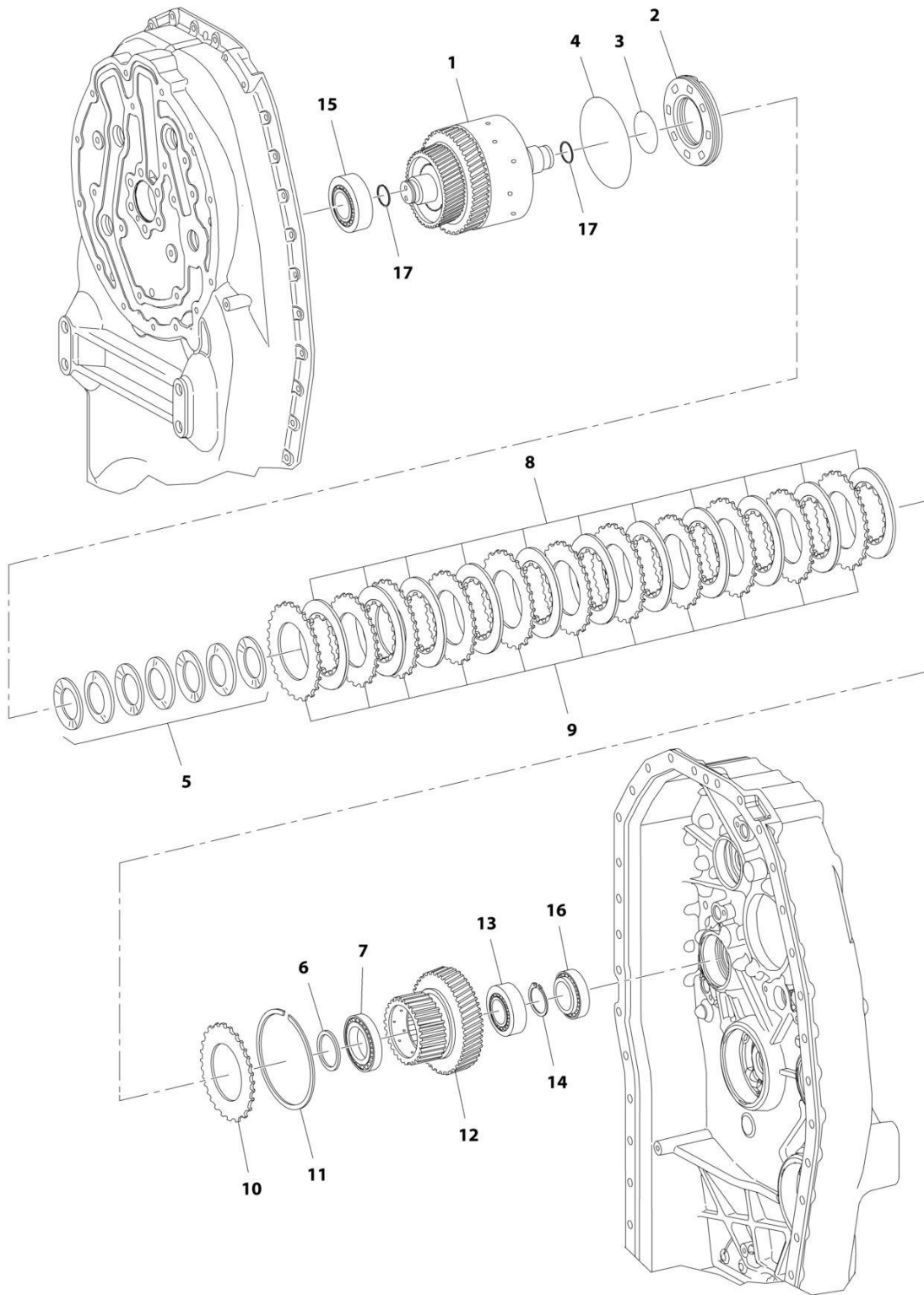
SECTION 5 - DRIVE TRAIN

FIGURE 5-13. TRANSMISSION, REVERSING GEAR GROUP 1

ITEM	PART NUMBER	QTY	DESCRIPTION	REV
	8841036	Ref	TRANSMISSION - REVERSE GEAR GROUP 1	
1	1319637	1	Coupling	
2	8036029	1	Piston	
3	1319593	1	O-Ring, 52X3	
4	1319594	1	O-Ring, 115X3	
5	1319595	7	Spring, Cup	
6	1319617	1	Shim, Support	
7	1319618	1	Bearing, Roller	
8	7026758	11	Disc, Inner Clutch	
9	7026759	11	Disc, Outer Clutch	
10	7026760	1	Shim, End	
11	1319600	1	Ring, Snap 4	
11	1319601	1	Ring, Snap 3-1/2	
11	1319602	1	Ring, Snap 3	
11	1319603	1	Ring, Snap 2-1/2	
11	1319604	1	Ring, Snap 2	
12	1319638	1	Disc, Carrier	
13	1319620	1	Bearing, Roller	
14	1319621	1	Ring, Retaining 3.2	
14	1319622	1	Ring, Retaining 3.1	
14	1319623	1	Ring, Retaining 3	
14	1319624	1	Ring, Retaining 2.9	
14	1319625	1	Ring, Retaining 2.8	
14	1319626	1	Ring, Retaining 2.7	
14	1319627	1	Ring, Retaining 2.6	
14	1319628	1	Ring, Retaining 2.5	
14	1319629	1	Ring, Retaining 2.4	
14	1319630	1	Ring, Retaining 2.3	
14	1319631	1	Ring, Retaining 2.2	
14	1319632	1	Ring, Retaining 2.1	
15	1319615	1	Bearing, Roller	
16	1319636	1	Bearing, Roller	
17	1319612	2	Ring, Piston 30X2	

SECTION 5 - DRIVE TRAIN

FIGURE 5-14. TRANSMISSION, REVERSING GEAR GROUP 2



ART_8841036_10-C

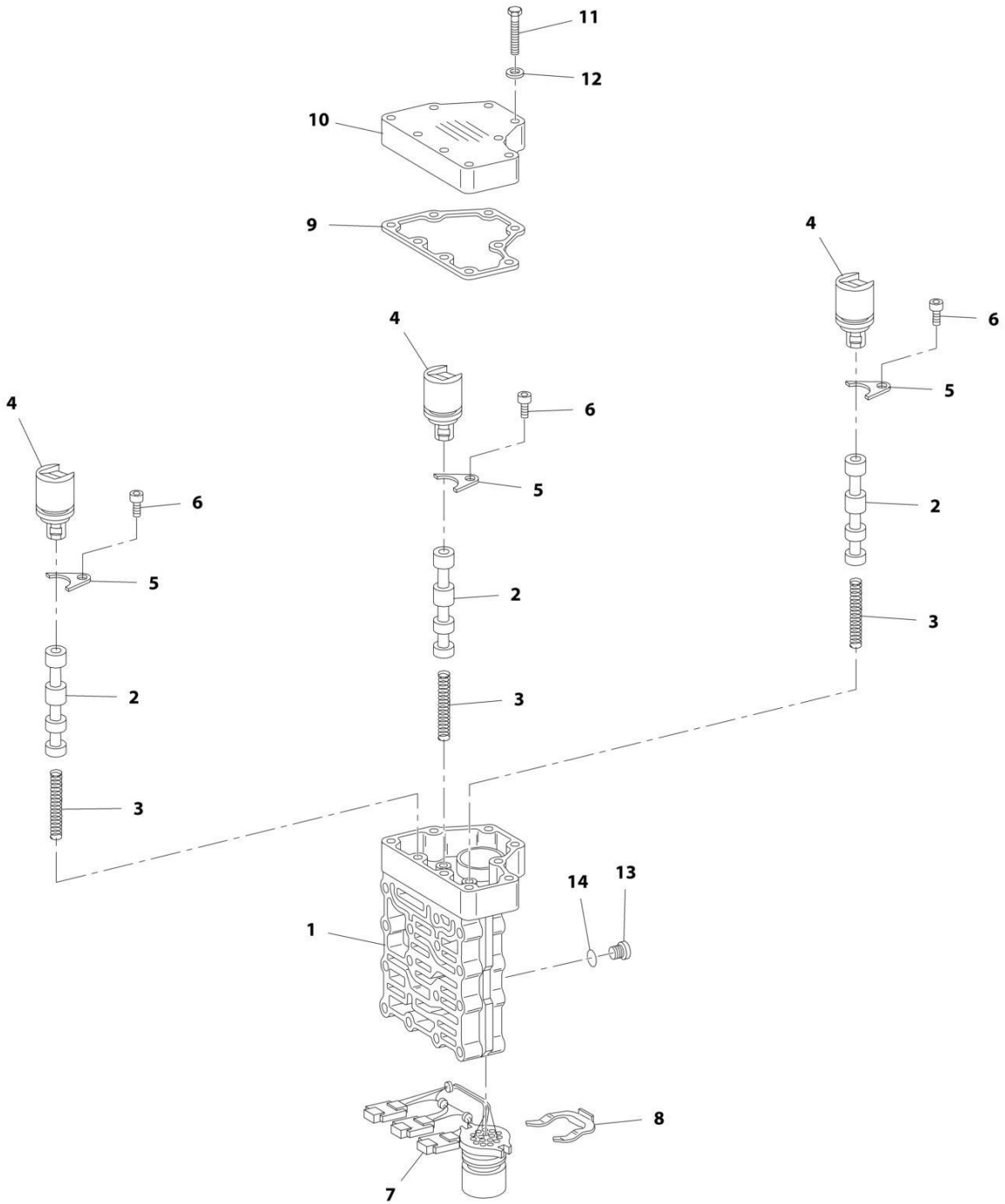
SECTION 5 - DRIVE TRAIN

FIGURE 5-14. TRANSMISSION, REVERSING GEAR GROUP 2

ITEM	PART NUMBER	QTY	DESCRIPTION	REV
	8841036	Ref	TRANSMISSION - REVERSING GEAR GROUP 2	
1	1319639	1	Coupling	
2	8036029	1	Piston	
3	1319593	1	O-Ring, 52X3	
4	1319594	1	O-Ring, 115X3	
5	1319595	7	Spring, Cup	
6	1319617	1	Shim, Support	
7	1319618	1	Bearing, Roller	
8	7026758	11	Disc, Inner Clutch	
9	7026759	11	Disc, Outer Clutch	
10	7026760	1	Shim, End	
11	1319600	1	Ring, Snap 4	
11	1319601	1	Ring, Snap 3-1/2	
11	1319602	1	Ring, Snap 3	
11	1319603	1	Ring, Snap 2-1/2	
11	1319604	1	Ring, Snap 2	
12	1319638	1	Disc, Carrier	
13	1319620	1	Bearing, Roller	
14	1319621	1	Ring, Retaining 3.2	
14	1319622	1	Ring, Retaining 3.1	
14	1319623	1	Ring, Retaining 3	
14	1319624	1	Ring, Retaining 2.9	
14	1319625	1	Ring, Retaining 2.8	
14	1319626	1	Ring, Retaining 2.7	
14	1319627	1	Ring, Retaining 2.6	
14	1319628	1	Ring, Retaining 2.5	
14	1319629	1	Ring, Retaining 2.4	
14	1319630	1	Ring, Retaining 2.3	
14	1319631	1	Ring, Retaining 2.2	
14	1319632	1	Ring, Retaining 2.1	
15	1319608	1	Bearing, Roller	
16	1319636	1	Bearing, Roller	
17	1319612	2	Ring, Piston 30X2	

SECTION 5 - DRIVE TRAIN

FIGURE 5-15. TRANSMISSION, VALVE BLOCK ASSEMBLY



ART_8841036_14-C

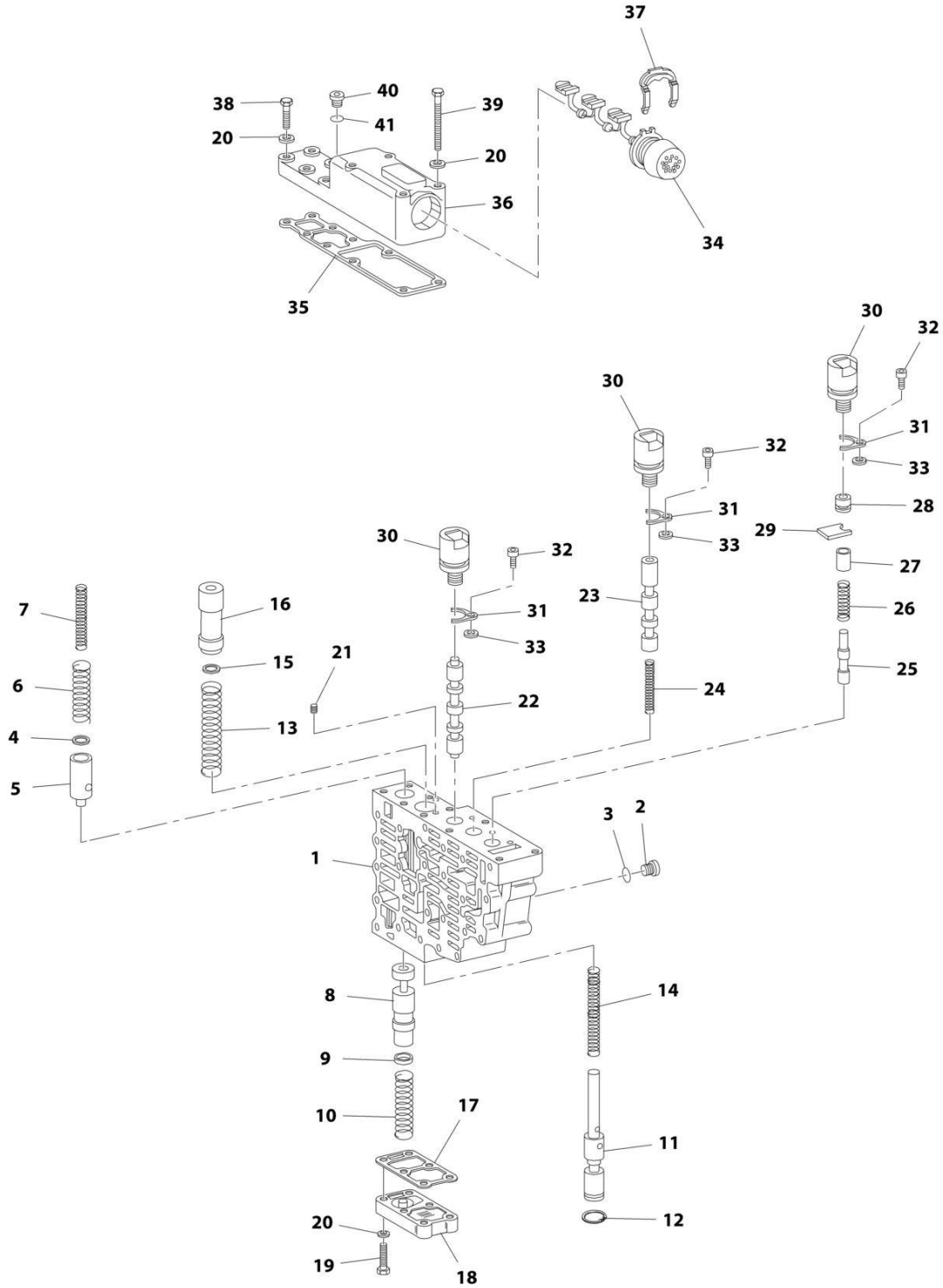
SECTION 5 - DRIVE TRAIN

FIGURE 5-15. TRANSMISSION, VALVE BLOCK ASSEMBLY

ITEM	PART NUMBER	QTY	DESCRIPTION	REV
	8841036	Ref	TRANSMISSION - VALVE BLOCK ASSEMBLY	
	1319717	Ref	Valve Block Assembly	
1	70020427	1	Block, Valve	
2	1319710	3	Piston	
3	1319696	3	Spring, Compression	
4	1319702	3	Valve, Solenoid	
5	10732063	3	Plate, Fixing	
6	1319703	3	Bolt, M5X12	
7	1319711	1	Harness, Wiring	
8	1319707	1	Clamp, Retaining	
9	1319712	1	Gasket	
10	1319713	1	Cover	
11	1319714	9	Bolt, M5X32	
12	1319715	9	Washer, 5.3	
13	1319670	3	Plug, Screw M10X1	
14	10731709	3	O-Ring	

SECTION 5 - DRIVE TRAIN

FIGURE 5-16. TRANSMISSION, VALVE HOUSING ASSEMBLY



ART_8841036_13-C

SECTION 5 - DRIVE TRAIN

FIGURE 5-16. TRANSMISSION, VALVE HOUSING ASSEMBLY

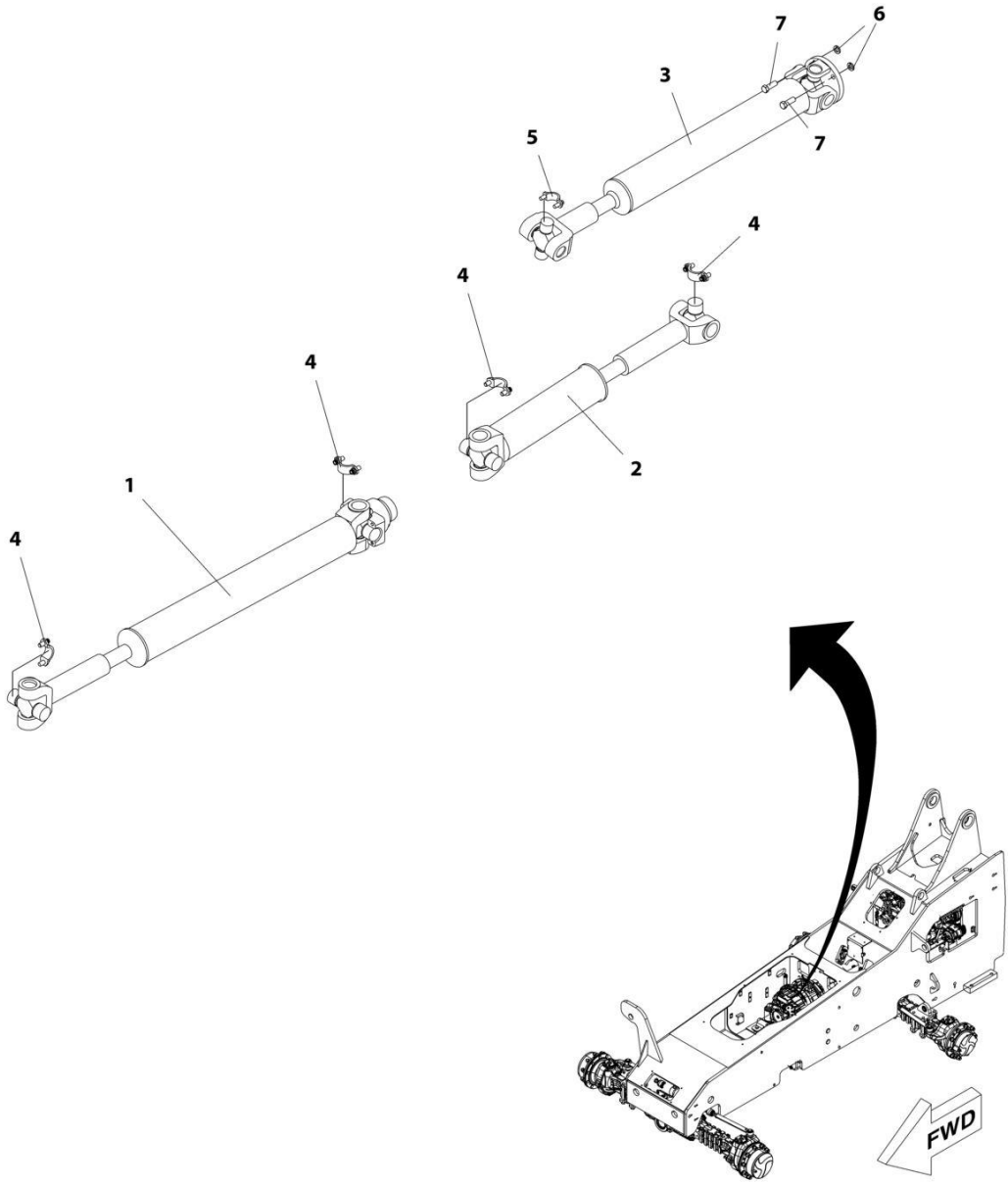
ITEM	PART NUMBER	QTY	DESCRIPTION	REV
	8841036	Ref	TRANSMISSION - VALVE HOUSING ASSEMBLY	
	8036040	Ref	Valve Housing Assembly	
1	1319671	1	Housing, Valve	
2	1319670	7	Plug, Screw M10X1	
3	10731709	7	O-Ring	
4	8036036	1	Washer, 1	
5	7029039	1	Piston	
6	1319673	1	Spring, Compression	
7	8036038	1	Spring, Compression	
8	1319674	1	Piston	
9	1319675	1	Washer, 3.6	
9	1319676	1	Washer, 3.2	
9	1319677	1	Washer, 2.8	
9	1319678	1	Washer, 2.4	
9	1319679	1	Washer, 2	
10	1319680	1	Spring, Compression	
11	1319681	1	Control, Piston	
12	1319682	1	Washer, Lock 12	
13	1319683	1	Spring, Compression	
14	1319684	1	Spring, Compression	
15	1319685	1	Washer, 2	
15	1319686	1	Washer, 1	
15	1319687	1	Washer, 0.5	
15	1319688	1	Washer, 0.3	
15	1319689	1	Washer, 0.2	
16	1319690	1	Piston	
17	1319691	1	Seal	
18	1319692	1	Cover	
19	1319693	6	Bolt, M6X25	
20	1319661	16	Washer, 6.4	
21	1319652	1	Orifice	
22	1319694	1	Valve	
23	1319695	1	Piston	
24	1319696	1	Spring, Compression	
25	1319697	1	Piston	
26	1319698	1	Spring, Compression	
27	1319699	1	Spacer, Sleeve	
28	1319700	1	Plug	
29	1319701	1	Plate, Fixing	
30	1319702	3	Valve, Solenoid	
31	10732063	3	Plate, Fixing	
32	1319703	3	Bolt, M5X12	
33	10732064	3	Washer, 2	
34	1319704	1	Harness, Wiring	
35	1319705	1	Seal	
36	8036039	1	Cover	
37	1319707	1	Clamp, Retaining	
38	1319693	6	Bolt, M6X25	
39	7029037	4	Bolt, M6X60	
40	1319670	1	Plug, Screw M10X1	

SECTION 5 - DRIVE TRAIN

ITEM	PART NUMBER	QTY	DESCRIPTION	REV
41	10731709	1	O-Ring	

SECTION 5 - DRIVE TRAIN

FIGURE 5-17. DRIVE SHAFT INSTALLATION



ART_1001166009_B

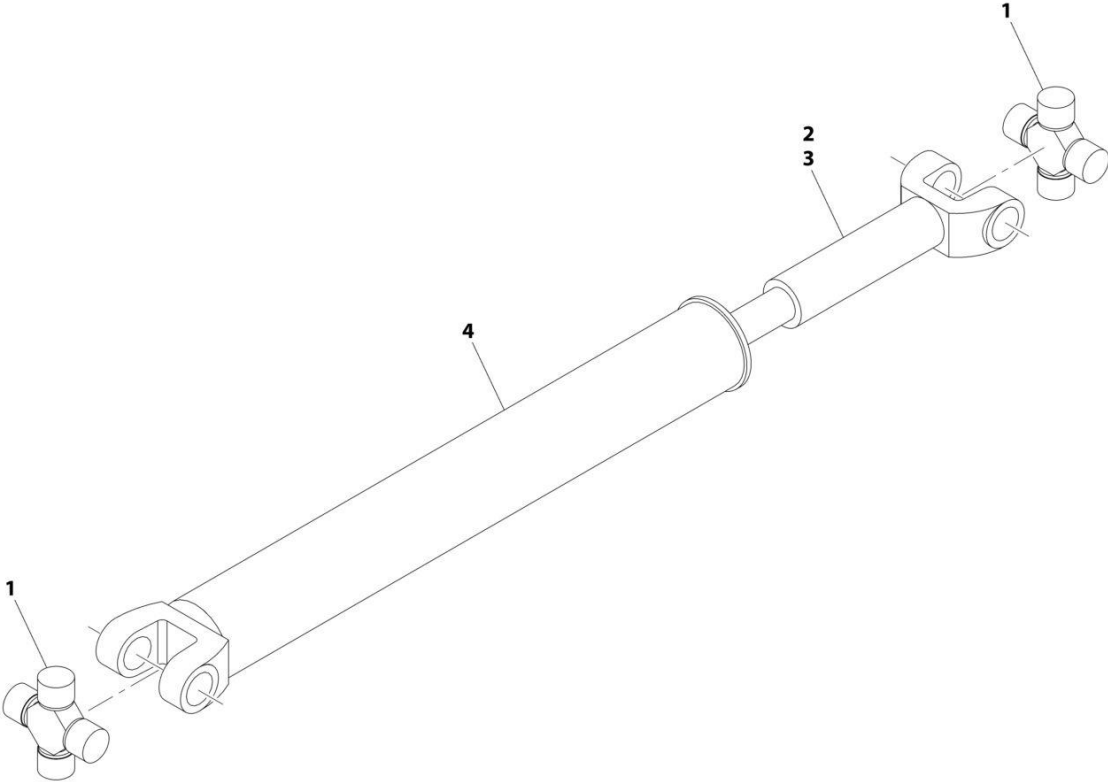
SECTION 5 - DRIVE TRAIN

FIGURE 5-17. DRIVE SHAFT INSTALLATION

ITEM	PART NUMBER	QTY	DESCRIPTION	REV
	1001166009	Ref	Drive Shaft Installation	B
1	7150579	1	Assembly, Front Drive Shaft (See Separate Breakdown in this Section)	
2	7150580	1	Assembly, Rear Drive Shaft (See Separate Breakdown in this Section)	
3	7302028	1	Input, Drive Shaft (See Separate Breakdown in this Section)	
4	8880218-OM	4	Kit, Strap	
5	8880219-OM	1	Kit, Strap	
6	8307006	4	Washer, Lock 7/16	
7	8310425	4	Bolt, 7/16-20X1-1/4, Grade 8	

SECTION 5 - DRIVE TRAIN

FIGURE 5-18. FRONT DRIVE SHAFT ASSEMBLY



ART_7150579-D

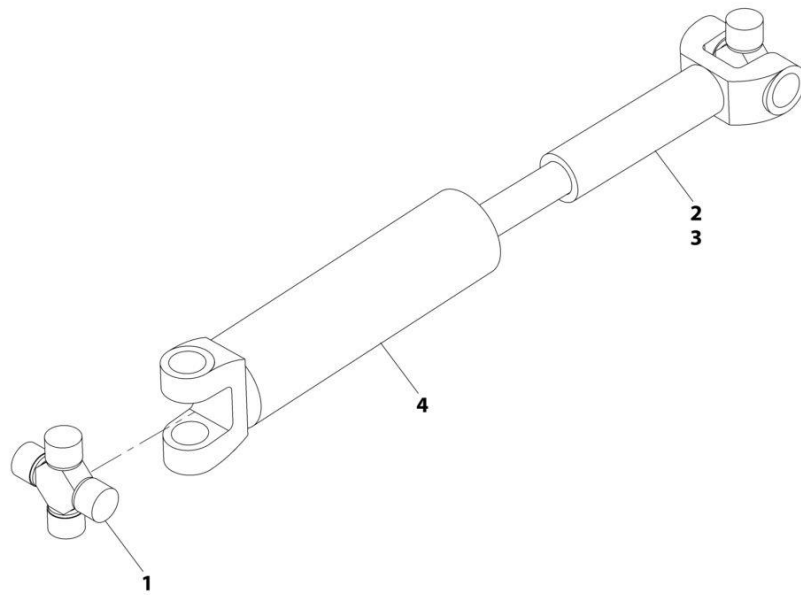
SECTION 5 - DRIVE TRAIN

FIGURE 5-18. FRONT DRIVE SHAFT ASSEMBLY

ITEM	PART NUMBER	QTY	DESCRIPTION	REV
	7150579	Ref	Front Drive Shaft Assembly	D
1	8036433	4	Kit, Cross and Bearing	
2	8035779	2	Kit, Dust Cap	
3	N.S.S.	1	Joint, Slip	
4	N.S.S.	1	Shaft, Yoke	

SECTION 5 - DRIVE TRAIN

FIGURE 5-19. REAR DRIVE SHAFT ASSEMBLY



ART_7150580-D

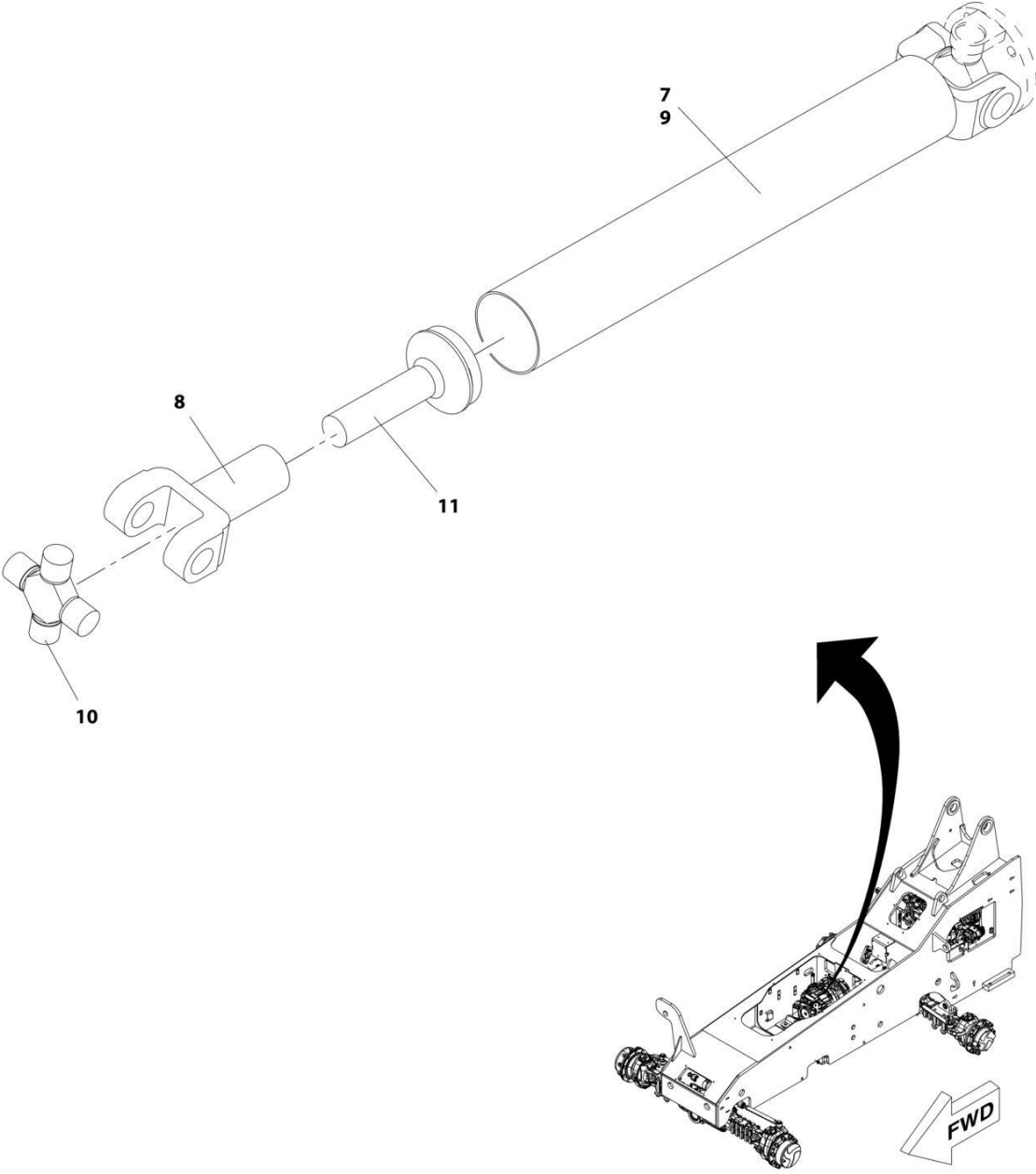
SECTION 5 - DRIVE TRAIN

FIGURE 5-19. REAR DRIVE SHAFT ASSEMBLY

ITEM	PART NUMBER	QTY	DESCRIPTION	REV
	7150580	Ref	Front Drive Shaft Assembly	D
1	8036433	4	Kit, Cross and Bearing	
2	8035779	2	Kit, Dust Cap	
3	N.S.S.	1	Joint, Slip	
4	N.S.S.	1	Shaft, Yoke	

SECTION 5 - DRIVE TRAIN

FIGURE 5-20. DRIVE SHAFT INPUT



ART_7302028_D

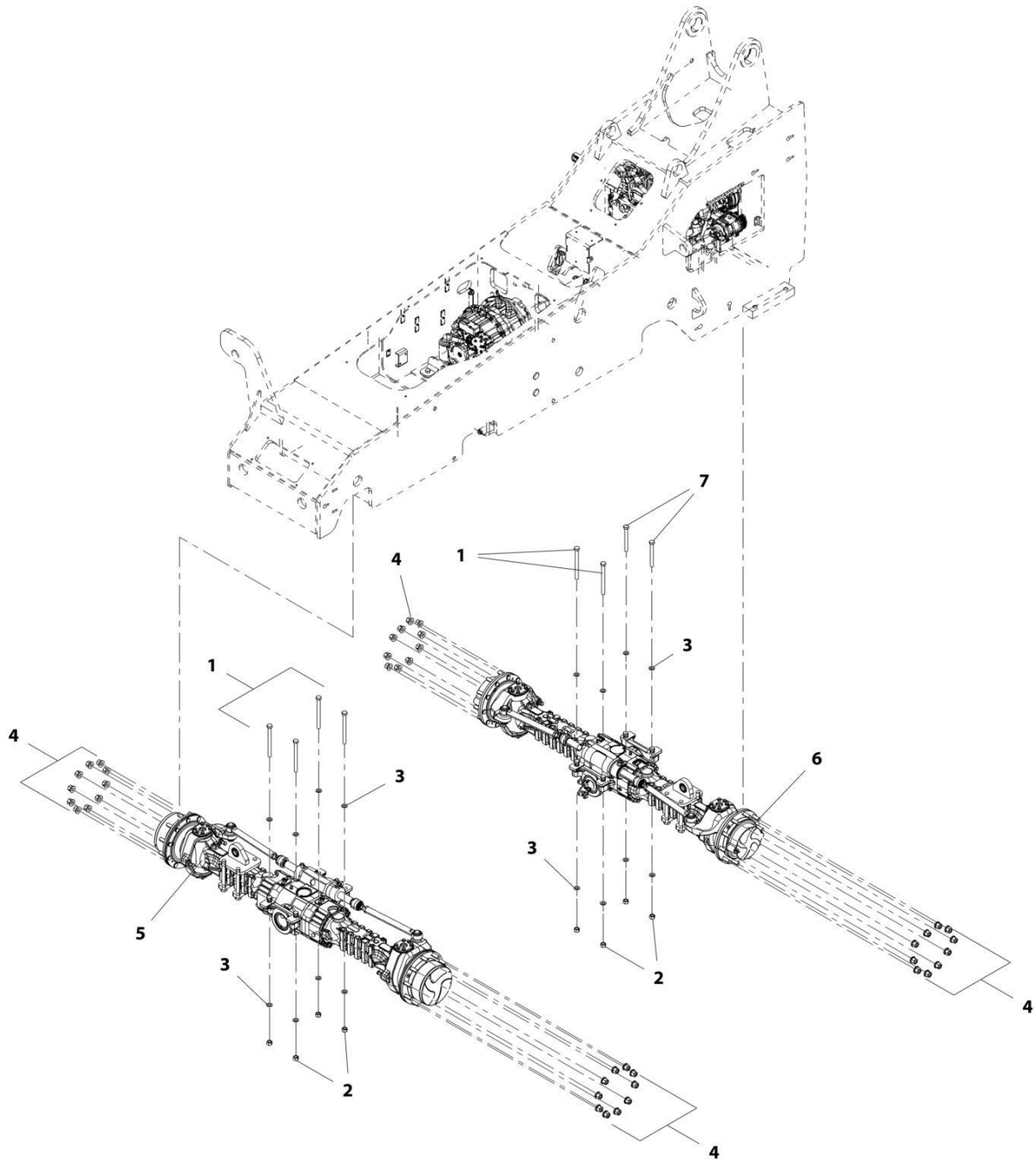
SECTION 5 - DRIVE TRAIN

FIGURE 5-20. DRIVE SHAFT INPUT

ITEM	PART NUMBER	QTY	DESCRIPTION	REV
	7302028	Ref	Drive Shaft Input	D
1	N.S.S.	1	Joint, Slip	
2	N.S.S.	1	Shaft, Yoke	
3	7029271	2	Kit, Cross and Bearing	
4	8033651	1	Kit, Dust Cap	

SECTION 5 - DRIVE TRAIN

FIGURE 5-21. AXLES INSTALLATION (6036)



ART_1001147874-C

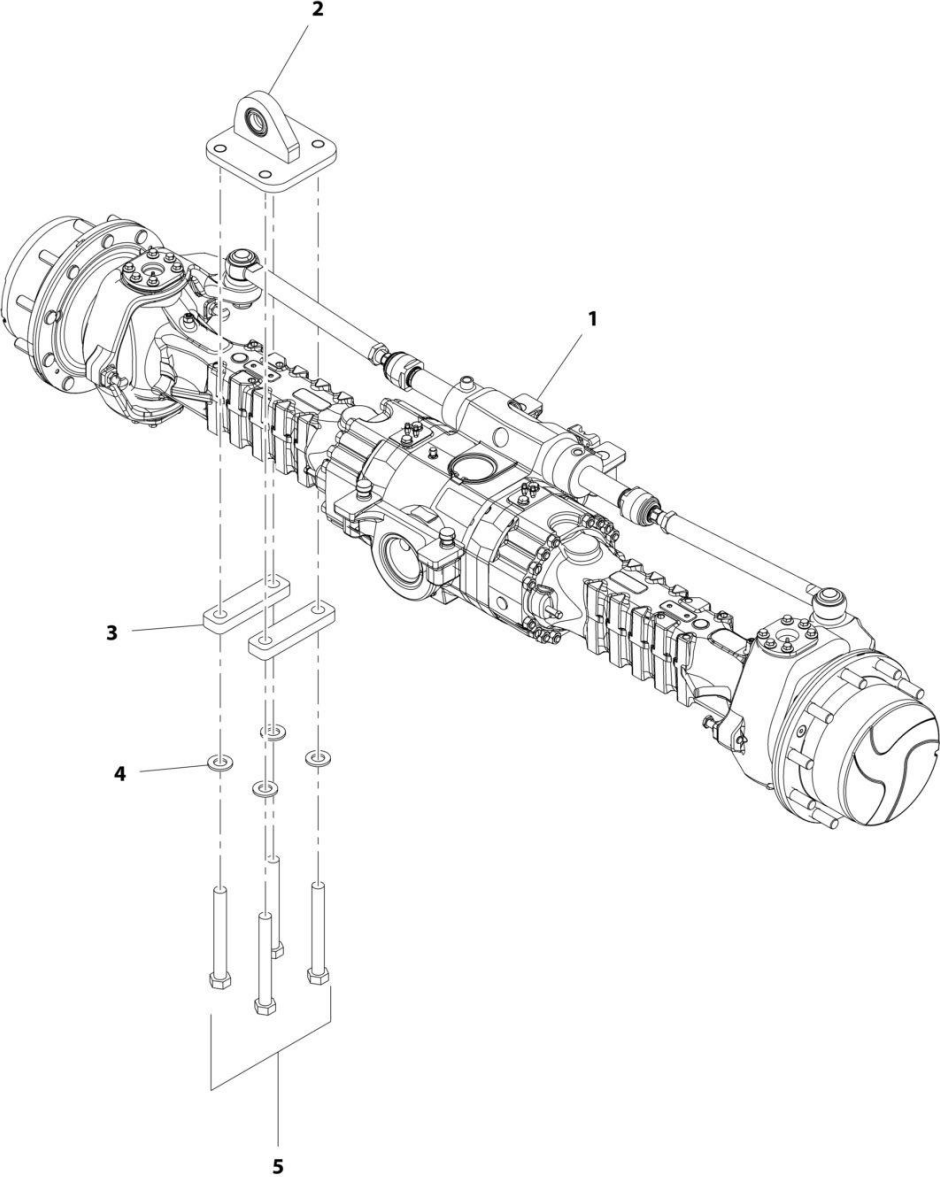
SECTION 5 - DRIVE TRAIN

FIGURE 5-21. AXLES INSTALLATION (6036)

ITEM	PART NUMBER	QTY	DESCRIPTION	REV
	1001147874	Ref	AXLES INSTALLATION - 6036 (6036)	C
1	0712040	6	Bolt, M20X230, Grade 10.9	
2	3332017	8	Nut, Lock M20X2-1/2	
3	8310620	16	Washer, M20	
4	91403193	40	Nut, Lug M22X1-1/2	
5	1001147378	1	Axle Sub-Assembly - Front (See Separate Breakdown in this Section)	
6	1001147379	1	Axle Assembly - Rear (See Separate Breakdown in this Section)	
7	1001150349	2	Bolt, M20X180, Grade 10.9	

SECTION 5 - DRIVE TRAIN

FIGURE 5-22. FRONT AXLE SUB-ASSEMBLY



ART_1001147378-A

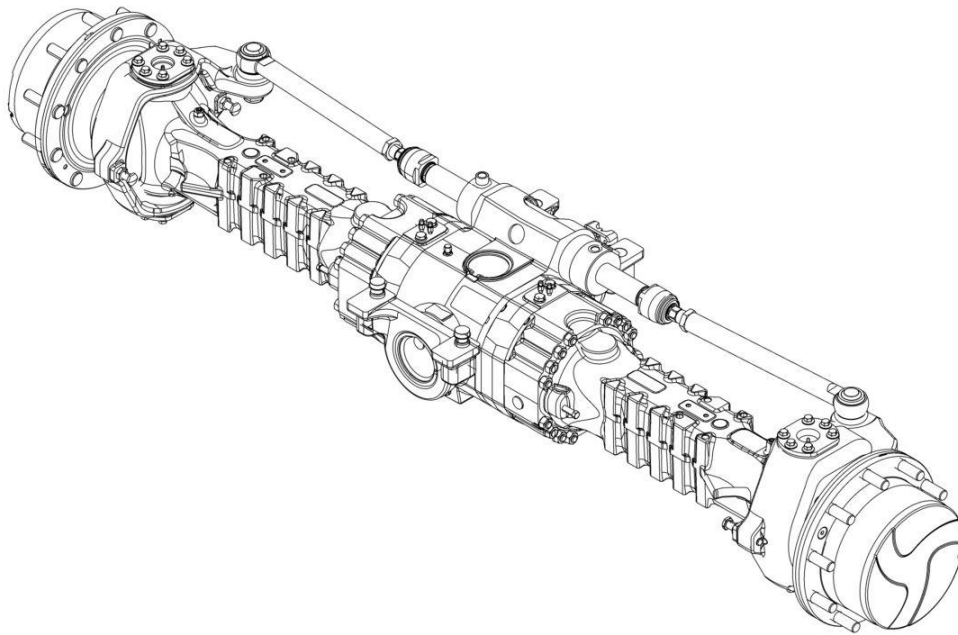
SECTION 5 - DRIVE TRAIN

FIGURE 5-22. FRONT AXLE SUB-ASSEMBLY

ITEM	PART NUMBER	QTY	DESCRIPTION	REV
	1001147378	Ref	FRONT AXLE SUB-ASSEMBLY	A
1	1001147377	1	Front Axle Assembly (See Separate Breakdown in this Section)	
2	1001147265	1	Bracket, Sway Pivot Assembly	
3	91471213	2	Plate, Retainer	
4	90027475	4	Washer	
5	83201147	4	Bolt, 1-8X8-1/2	

SECTION 5 - DRIVE TRAIN

FIGURE 5-23. FRONT AXLE ASSEMBLY



ART_1001147377_1-C

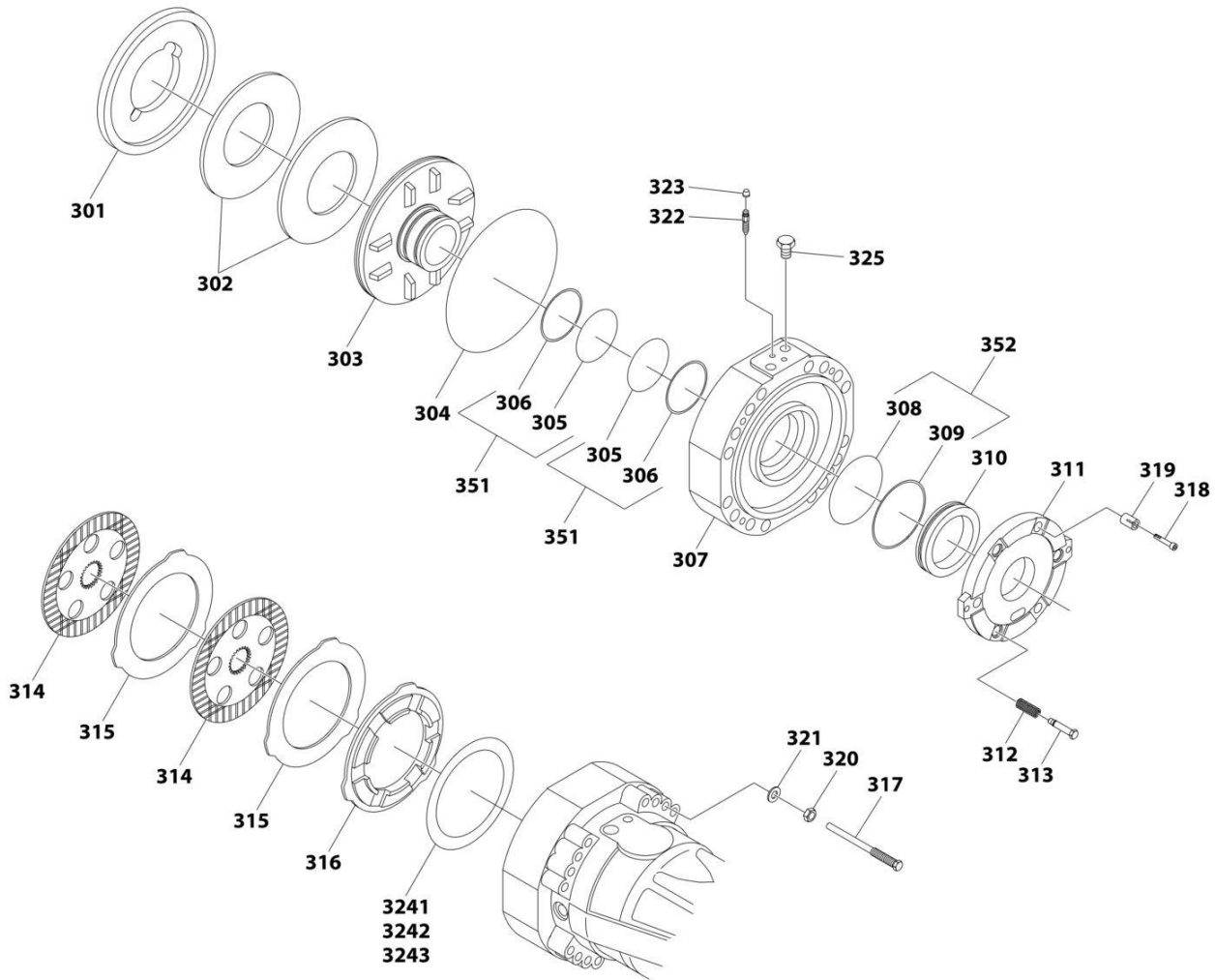
SECTION 5 - DRIVE TRAIN

FIGURE 5-23. FRONT AXLE ASSEMBLY

ITEM	PART NUMBER	QTY	DESCRIPTION	REV
	1001147377	Ref	FRONT AXLE ASSEMBLY	C
		Ref	Central Housing (See Separate Breakdown in this Section)	
		Ref	Differential (See Separate Breakdown in this Section)	
		Ref	Hub Reduction (See Separate Breakdown in this Section)	
		Ref	Brakes (See Separate Breakdown in this Section)	
		Ref	Steering (See Separate Breakdown in this Section)	
		Ref	Trunion (See Separate Breakdown in this Section)	

SECTION 5 - DRIVE TRAIN

FIGURE 5-24. FRONT AXLE, BRAKES



ART_1001147377_5-C

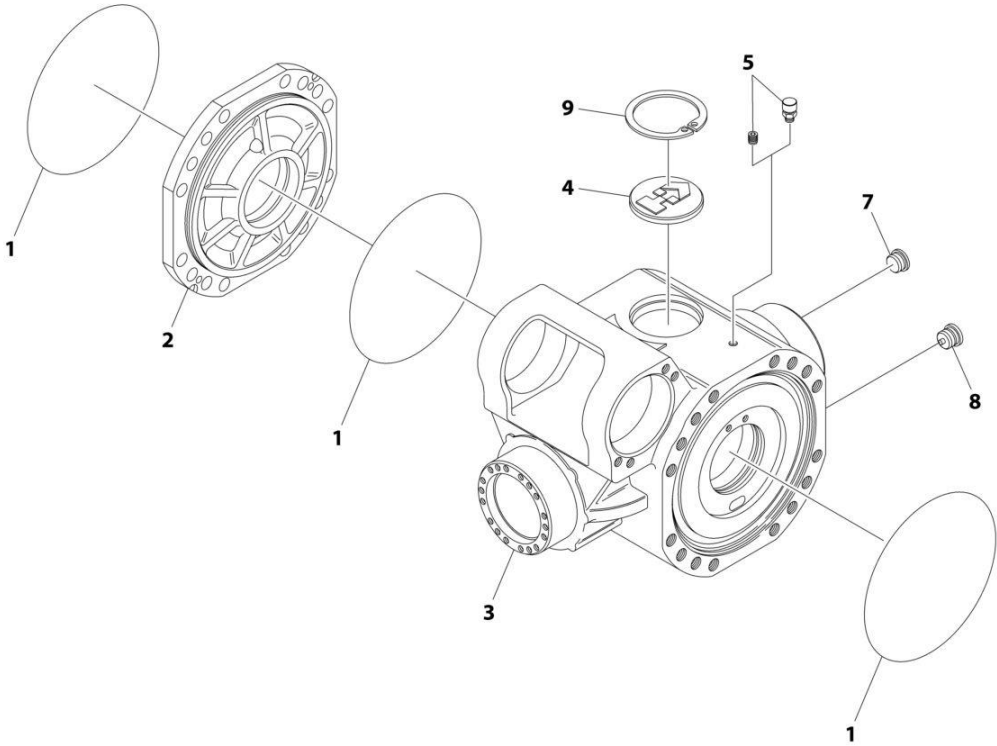
SECTION 5 - DRIVE TRAIN

FIGURE 5-24. FRONT AXLE, BRAKES

ITEM	PART NUMBER	QTY	DESCRIPTION	REV
	1001147377	Ref	FRONT AXLE - BRAKES	C
301	7028734	1	Spacer	
302	91474559	4	Spring	
303	91474560	2	Piston	
304	91474561	2	O-Ring	
305	91514167	NLA	O-Ring (Use Item 351 PN 70026262)	
306	91514153	NLA	Ring, Backup (Use Item 351 PN 70026262)	
307	7028735	2	Cover	
308	91474562	NLA	O-Ring (Use Item 352 PN 70026263)	
309	91474563	NLA	Ring, Backup (Use Item 352 PN 70026263)	
310	91474564	2	Piston	
311	91474565	2	Disc, Brake	
312	91514159	6	Spring	
313	91514160	6	Bolt, Adjusting	
314	91474568	8	Disc	
315	91474569	8	Disc, Brake	
316	91474570	2	Spacer	
317	7028736	4	Bolt	
318	7029788	6	Bolt, Adjusting	
319	91514165	6	Spring	
320	80204060	4	Nut	
321	80204108	4	Washer	
322	80204281	4	Bolt, Bleeding	
323	80204117	4	Plug	
325	91514154	4	Plug	
351	70026262	4	Kit, Seal (Includes Items 305 & 306)	
352	70026263	2	Kit, Seal (Includes Items 308 & 309)	
3241	91474571	2	Shim 0.20mm	
3242	91474572	2	Shim 0.30mm	
3243	91474573	2	Shim 0.50mm	

SECTION 5 - DRIVE TRAIN

FIGURE 5-25. FRONT AXLE, CENTRAL HOUSING



ART_1001147377_2-C

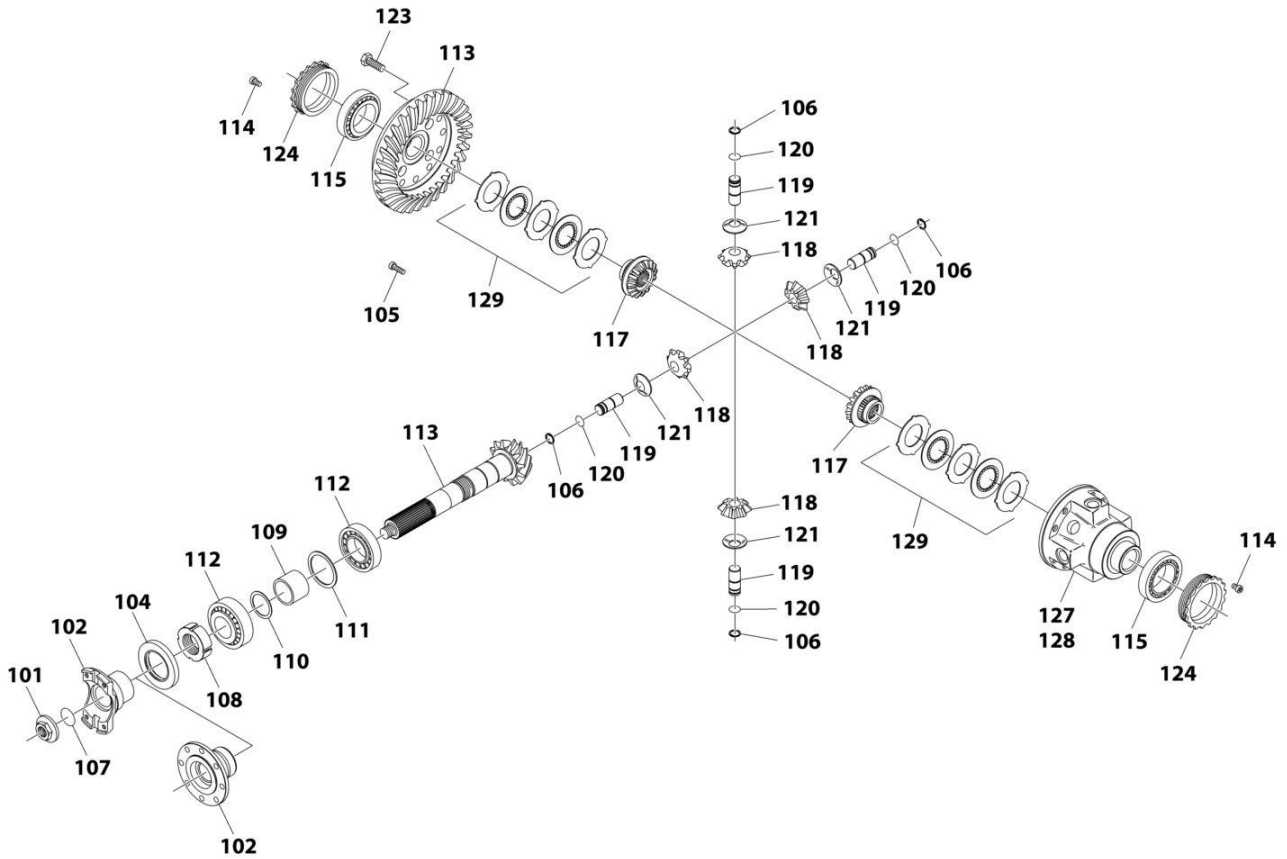
SECTION 5 - DRIVE TRAIN

FIGURE 5-25. FRONT AXLE, CENTRAL HOUSING

ITEM	PART NUMBER	QTY	DESCRIPTION	REV
	1001147377	Ref	FRONT AXLE - CENTRAL HOUSING	C
1	91474507	3	O-Ring	
2	70024872	1	Cover	
3	7029426	1	Housing	
4	91514098	1	Plug	
5	91474512	1	Vent	
7	91514188	1	Plug	
8	91474513	1	Plug, Magnet	
9	80204005	1	Circlip	

SECTION 5 - DRIVE TRAIN

FIGURE 5-26. FRONT AXLE, DIFFERENTIAL



ART_1001147377_3-C

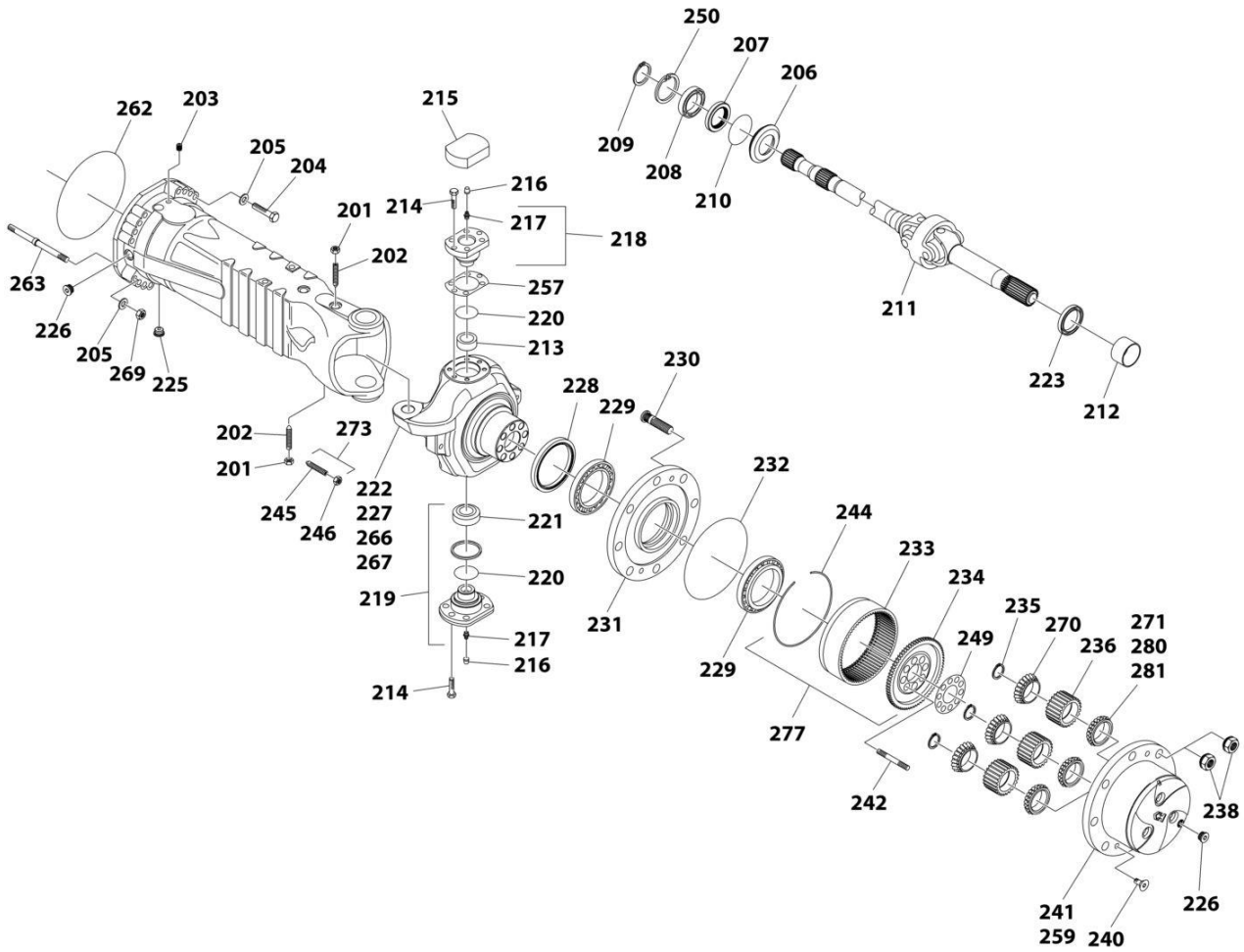
SECTION 5 - DRIVE TRAIN

FIGURE 5-26. FRONT AXLE, DIFFERENTIAL

ITEM	PART NUMBER	QTY	DESCRIPTION	REV
	1001147377	Ref	FRONT AXLE - DIFFERENTIAL	C
101	91474528	1	Nut	
102	70022797	1	Flange	
104	91474532	1	Seal	
105	91474591	4	Bolt	
106	91474550	4	Circlip	
107	91474529	1	O-Ring	
108	91474533	1	Ring Nut	
109	91474539	1	Spacer	
110	91474537	1	Shim	
111	91474542	1	Shim	
112	3968141	2	Bearing, Taper Roller	
113	70026134	1	Bevel Gear Set	
114	91514134	2	Bolt	
115	70026031	2	Bearing, Taper Roller	
117	91474549	2	Differential Side Gear	
118	7029129	4	Differential Pinion	
119	7029131	4	Kit, Pin and Circlip	
120	91474551	4	Circlip	
121	91474553	4	Washer, Friction	
123	91514123	12	Bolt	
124	91474547	2	Ring Nut	
127	8007751	1	Carrier, Differential	
128	7028710	1	Slip Differential	
129	8007755	2	Kit, Clutch Disc	

SECTION 5 - DRIVE TRAIN

FIGURE 5-27. FRONT AXLE, HUB REDUCTION



ART_1001147377_4-C

SECTION 5 - DRIVE TRAIN

FIGURE 5-27. FRONT AXLE, HUB REDUCTION

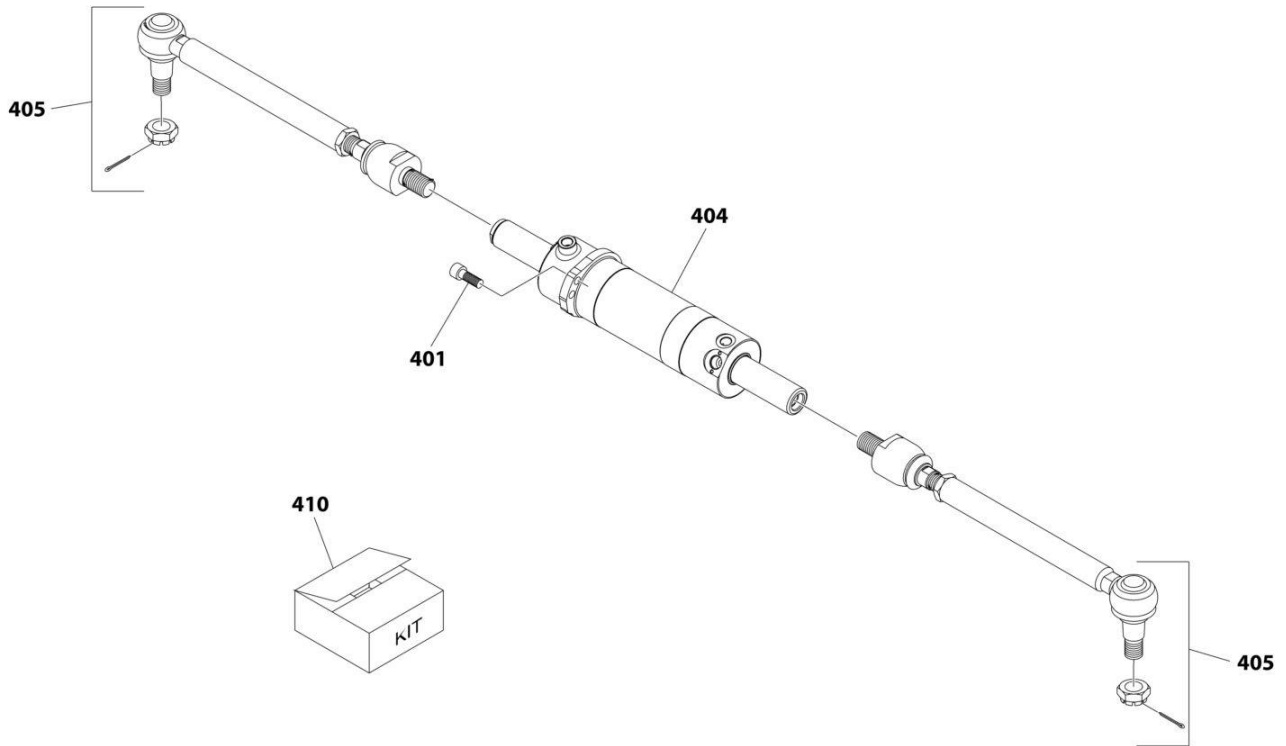
ITEM	PART NUMBER	QTY	DESCRIPTION	REV
	1001147377	Ref	FRONT AXLE - HUB REDUCTION	C
201	91514082	2	Nut	
202	91514081	2	Bolt	
203	70026135	2	Case, Axle	
204	70025548	24	Stud	
205	91514084	32	Washer	
206	91514149	2	Bushing, Reduction	
207	91514147	2	Seal	
208	91514146	2	Bearing, Ball	
209	80204071	2	Circlip	
210	91514148	2	O-Ring	
211	70026136	2	Joint, Double Universal	
212	91514111	1	Thrust Bushing	
213	7028714	2	Bushing	
214	91514123	24	Bolt	
215	91474524	2	Cover	
216	80204117	2	Plug	
217	91514099	2	Grease Fitting	
218	91514112	2	Pivot Pin	
219	7028715	2	Pivot Pin	
220	7028716	2	Dust Excluder	
221	91514095	2	Bearing	
222	7028717	1	Case, Steering (RH)	
223	70025857	2	Seal	
225	91474513	2	Magnet Plug	
226	91514188	4	Plug	
227	7028720	NLA	Case, Steering (LH) (Note: Use Item 7028730)	
228	7028721	2	Seal	
229	91474576	4	Bearing	
230	80214120	20	Stud	
231	7028722	2	Hub	
232	91514181	2	O-Ring	
233	70024147	2	Ring Gear	
234	7028723	2	Support, Ring Gear	
235	7028724	6	Circlip	
236	7028725	6	Pinion	
238	91474584	20	Nut	
240	91514189	4	Bolt	
241	7026731	2	Carrier, Planet Gear	
242	70027315	20	Stud	
244	91514175	2	Circlip	
245	91514117	4	Bolt	
246	80204065	4	Nut	
249	91474582	2	Plate, Locking	
250	80204005	2	Circlip	
257	91514115	6	Shim	
259	70040710	2	Carrier, Planet Gear	
262	91474507	2	O-Ring	
263	70025014	8	Stud	
266	7028729	1	Case, Steering (RH)	

SECTION 5 - DRIVE TRAIN

ITEM	PART NUMBER	QTY	DESCRIPTION	REV
267	7028730	1	Case, Steering (LH)	
269	91514083	32	Nut	
270	7028731	6	Bearing	
271	7028732	NLA	Bearing (Use Both PN 70031458 & 70031459 as Replacement)	
273	7028733	4	Bolt	
277	70025551	2	Support, Ring Gear	
280	70031458	6	Bearing	
281	70031459	6	Bearing	

SECTION 5 - DRIVE TRAIN

FIGURE 5-28. FRONT AXLE, STEERING



ART_1001147377_6-C

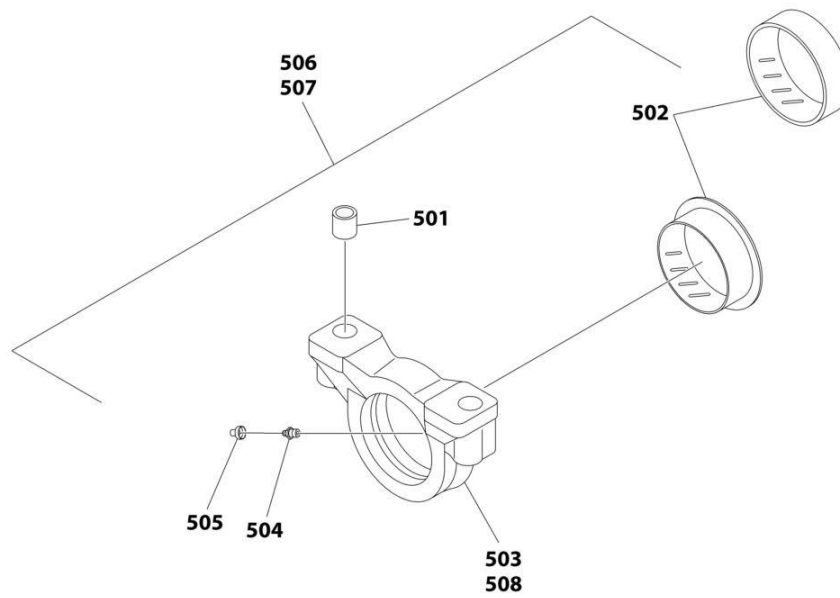
SECTION 5 - DRIVE TRAIN

FIGURE 5-28. FRONT AXLE, STEERING

ITEM	PART NUMBER	QTY	DESCRIPTION	REV
	1001147377	Ref	FRONT AXLE - STEERING	C
401	91474522	4	Bolt	
404	70026137	1	Cylinder (Includes Item 410)	
405	70026138	2	Bar	
410	70025842	1	Kit, Seal - 70026137 Cylinder	

SECTION 5 - DRIVE TRAIN

FIGURE 5-29. FRONT AXLE, TRUNNION



ART_1001147377_7-C

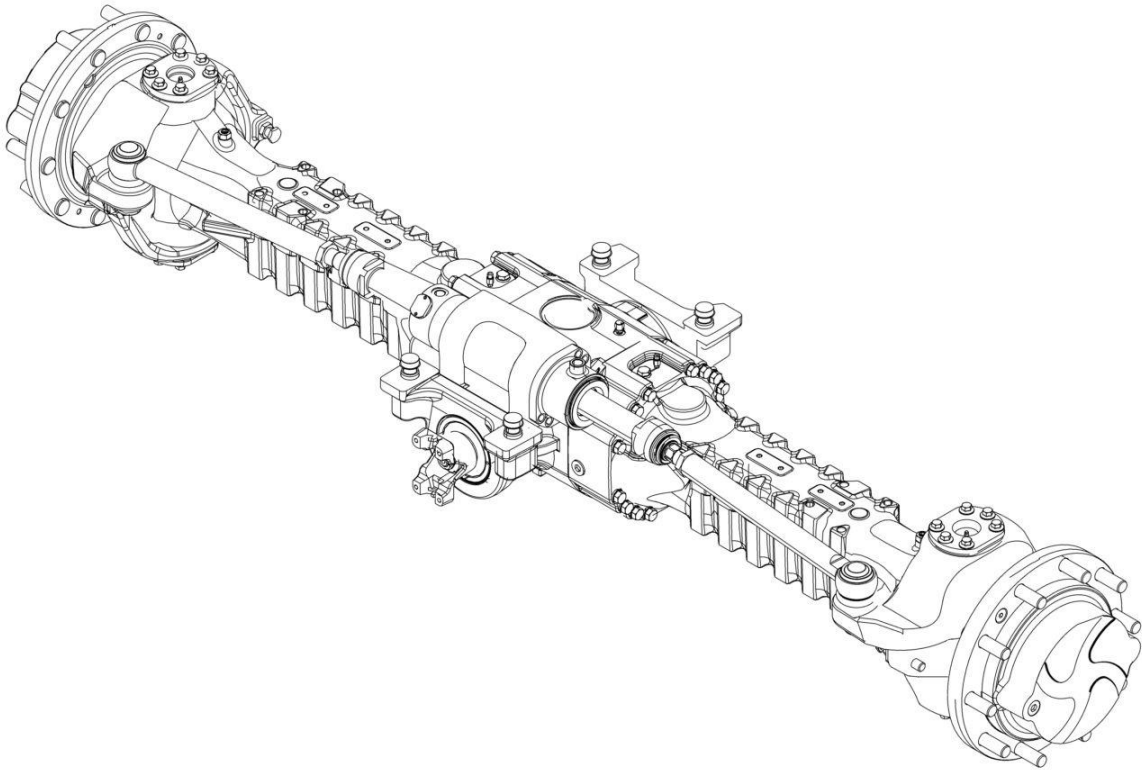
SECTION 5 - DRIVE TRAIN

FIGURE 5-29. FRONT AXLE, TRUNNION

ITEM	PART NUMBER	QTY	DESCRIPTION	REV
	1001147377	Ref	FRONT AXLE - TRUNION	C
501	91474516	2	Bushing, Reduction	
502	91474515	1	Bushing, Thrust	
503	See Note	NSS	Support (Note: Use PN 7029282)	
504	91514099	1	Fitting, Grease	
505	80204117	1	Plug	
506	7029282	1	Support Assembly	
507	7029283	1	Support Assembly	
508	See Note	NSS	Support (Note: Use PN 7029283)	

SECTION 5 - DRIVE TRAIN

FIGURE 5-30. REAR AXLE ASSEMBLY



ART_1001147379_1-C

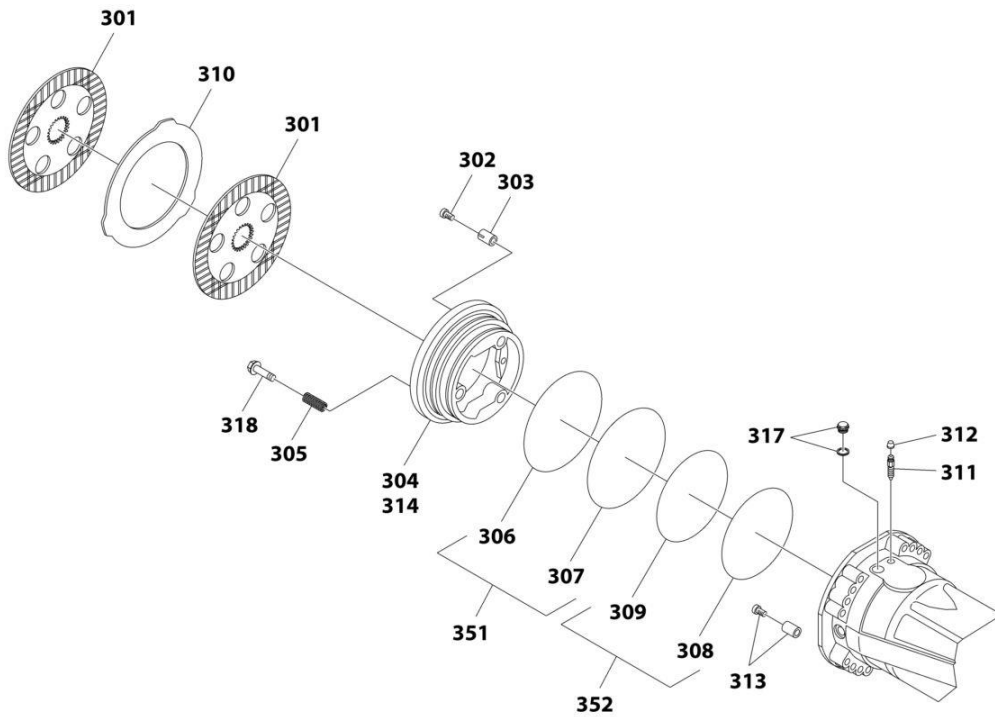
SECTION 5 - DRIVE TRAIN

FIGURE 5-30. REAR AXLE ASSEMBLY

ITEM	PART NUMBER	QTY	DESCRIPTION	REV
	1001147379	Ref	REAR AXLE ASSEMBLY	C
		Ref	Central Housing (See Separate Breakdown in this Section)	
		Ref	Differential (See Separate Breakdown in this Section)	
		Ref	Hub Reduction (See Separate Breakdown in this Section)	
		Ref	Brakes (See Separate Breakdown in this Section)	
		Ref	Steering (See Separate Breakdown in this Section)	
		Ref	Trunion (See Separate Breakdown in this Section)	

SECTION 5 - DRIVE TRAIN

FIGURE 5-31. REAR AXLE, BRAKES



ART_1001147379_5-C

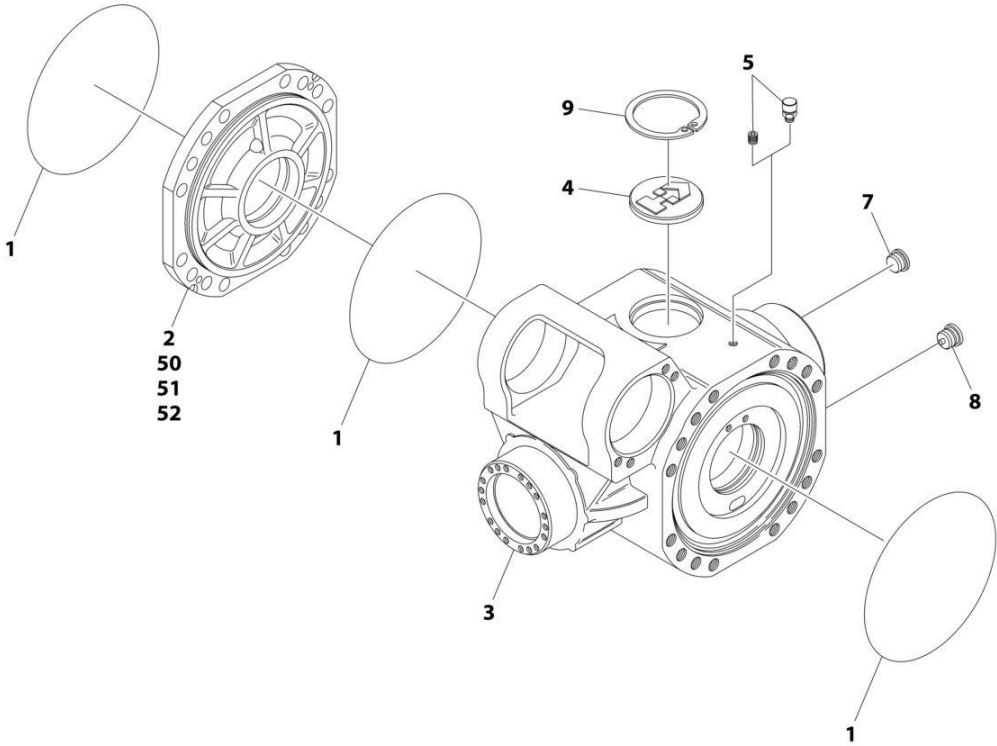
SECTION 5 - DRIVE TRAIN

FIGURE 5-31. REAR AXLE, BRAKES

ITEM	PART NUMBER	QTY	DESCRIPTION	REV
	1001147379	Ref	REAR AXLE - BRAKES	C
301	91474568	8	Disc, Brake	
302	7029786	6	Bolt, Adjusting	
303	70027317	6	Spring	
304	See Note	NSS	Piston (Note: Use PN 70024525)	
305	91514159	6	Spring	
306	3984436	NLA	Ring, Backup (Use PN 70025821)	
307	3984458	NLA	O-Ring (Use PN 70025821)	
308	3984447	NLA	Ring, Backup (Use PN 70025822)	
309	3984469	NLA	O-Ring (Use PN 70025822)	
310	91474569	10	Disc, Brake	
311	80204281	2	Bolt, Bleeding	
312	80204117	2	Plug	
313	70021613	2	Bolt, Pilot	
314	70028452	2	Kit, Piston Position	
317	91514154	2	Plug	
318	91514160	6	Bolt, Adjusting	
351	70025821	2	Kit, Seal (Includes Items 306 & 307)	
352	70025822	2	Kit, Seal (Includes Items 308 & 309)	

SECTION 5 - DRIVE TRAIN

FIGURE 5-32. REAR AXLE, CENTRAL HOUSING



ART_1001147379_2-C

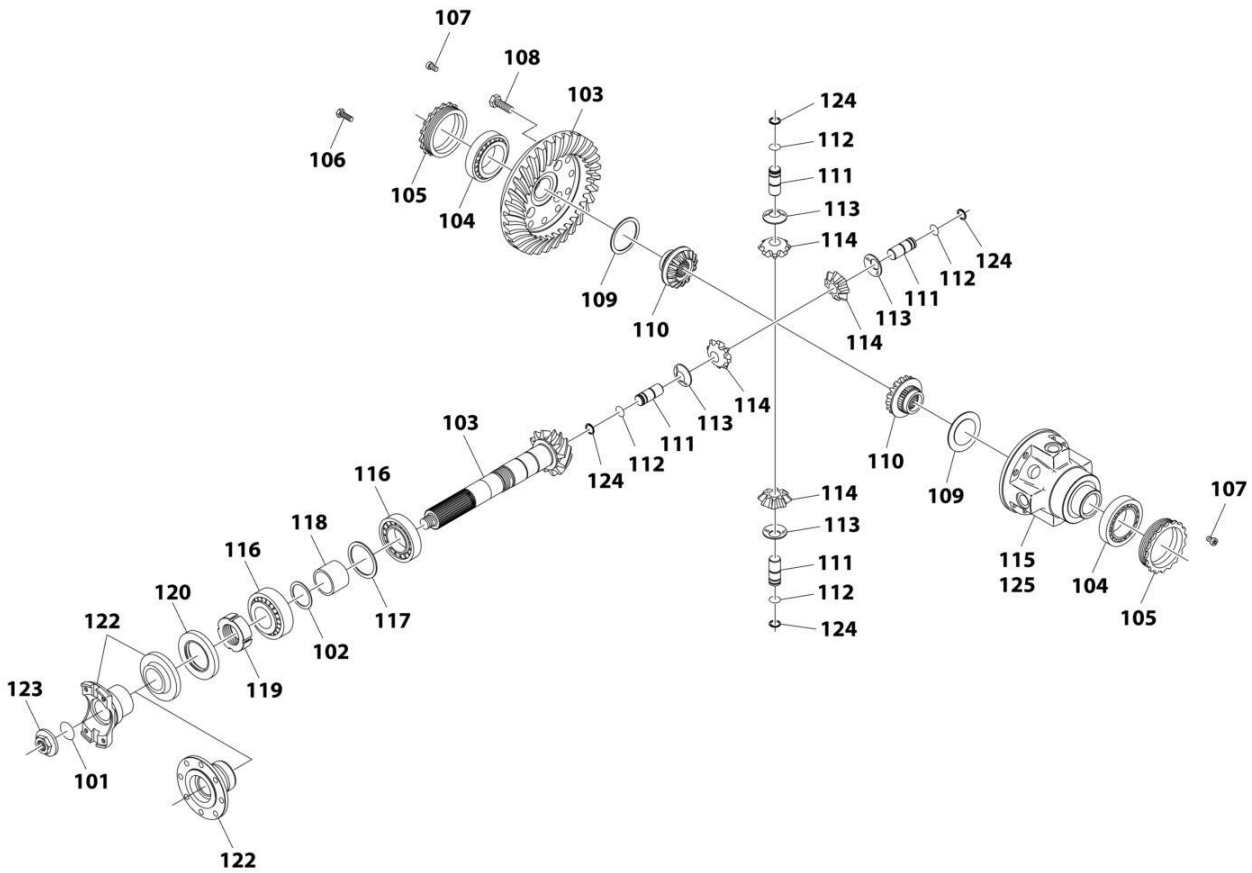
SECTION 5 - DRIVE TRAIN

FIGURE 5-32. REAR AXLE, CENTRAL HOUSING

ITEM	PART NUMBER	QTY	DESCRIPTION	REV
	1001147379	Ref	REAR AXLE - CENTRAL HOUSING	C
1	91474507	3	O-Ring	
2	70024519	NLA	Cover (Use Items 50-52)	
3	70026749	1	Housing	
4	91514098	1	Plug	
5	91474512	1	Vent	
7	91514188	1	Plug	
8	7028706	1	Magnet Plug	
9	80204005	1	Circlip	
50	70027107	1	Cover	
51	70028906	2	Case, Axle	
52	70021613	1	Bolt	

SECTION 5 - DRIVE TRAIN

FIGURE 5-33. REAR AXLE, DIFFERENTIAL



ART_1001147379_3-C

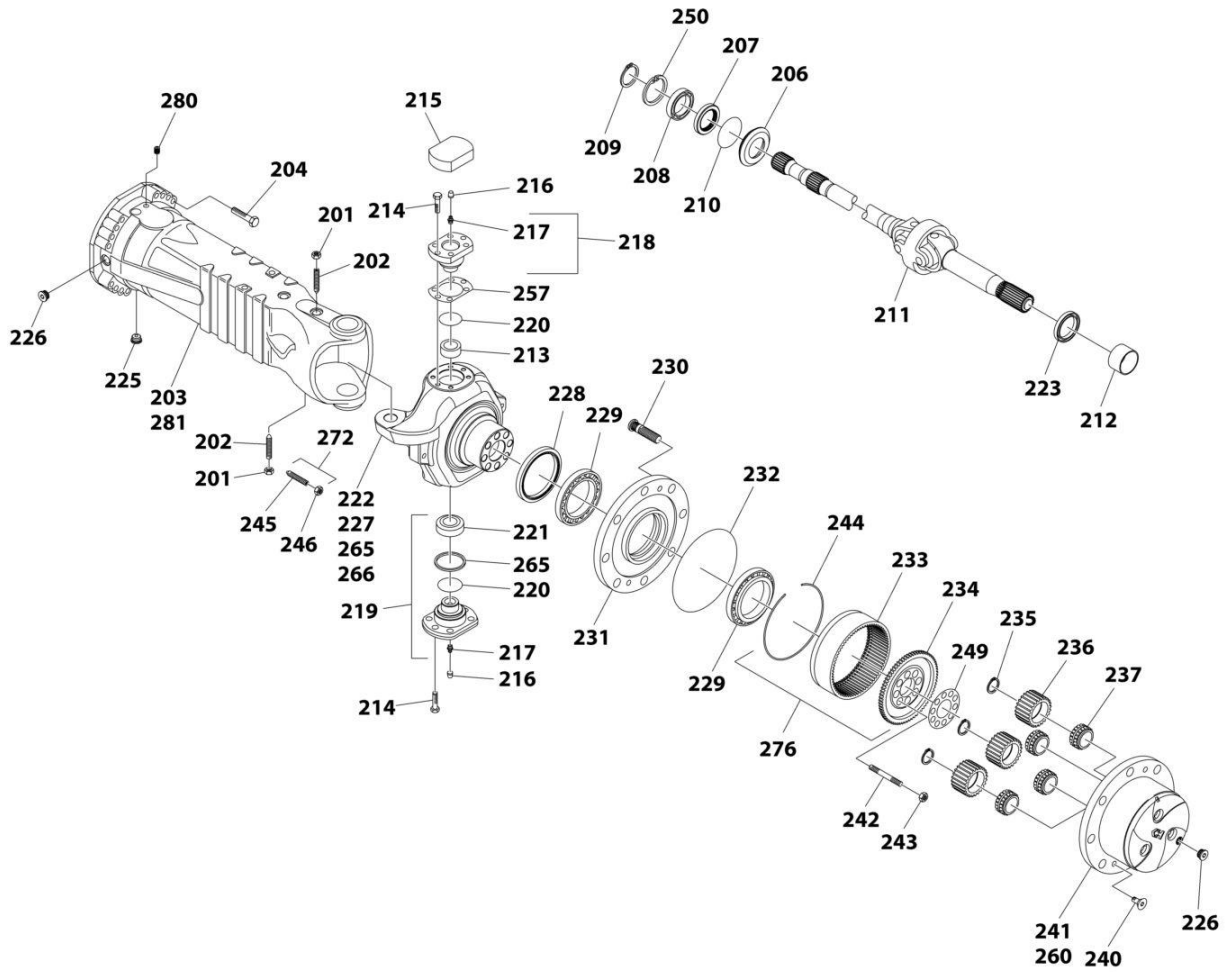
SECTION 5 - DRIVE TRAIN

FIGURE 5-33. REAR AXLE, DIFFERENTIAL

ITEM	PART NUMBER	QTY	DESCRIPTION	REV
	1001147379	Ref	REAR AXLE - DIFFERENTIAL	C
101	91474529	1	O-Ring	
102	91474537	1	Shim	
103	70026139	1	Bevel Gear Set	
104	70028471	2	Bearing, Taper Roller	
105	91474547	2	Ring Nut	
106	91474591	4	Bolt	
107	91514134	2	Bolt	
108	70025562	12	Bolt	
109	91474593	2	Washer, Friction	
110	91474594	2	Gear, Differential Side	
111	7029131	4	Kit, Pin and Circlip	
112	91474551	4	Circlip	
113	91474553	4	Washer, Friction	
114	91474554	4	Pinion, Differential	
115	91474595	1	Carrier, Differential	
116	3968141	2	Bearing, Taper Roller	
117	91474542	1	Shim	
118	91474539	1	Spacer	
119	91474533	1	Ring Nut	
120	91474532	1	Seal	
122	70022797	1	Kit, Flange and Cover	
123	70026631	1	Nut	
124	91474550	4	Circlip	
125	70029453	1	Kit, Differential	

SECTION 5 - DRIVE TRAIN

FIGURE 5-34. REAR AXLE, HUB REDUCTION



ART_1001147379_4-C

SECTION 5 - DRIVE TRAIN

FIGURE 5-34. REAR AXLE, HUB REDUCTION

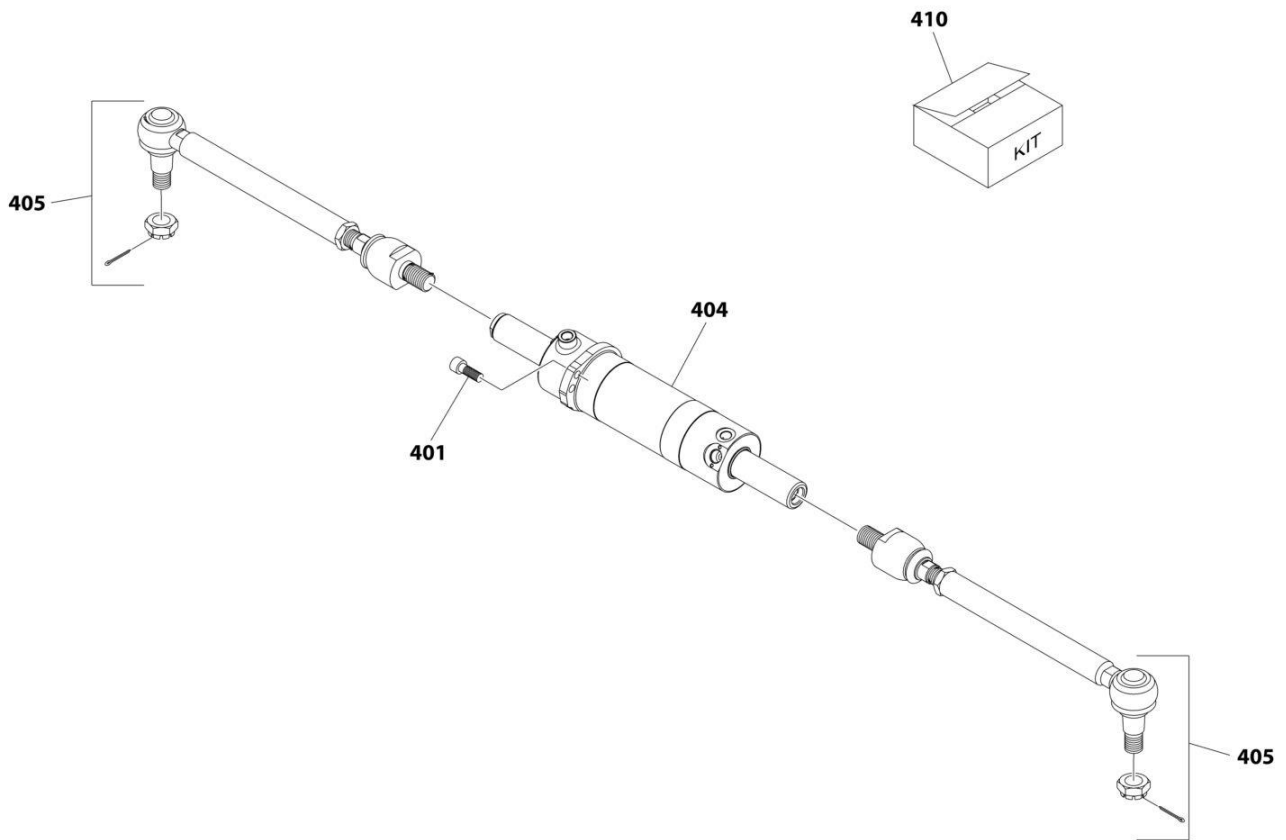
ITEM	PART NUMBER	QTY	DESCRIPTION	REV
	1001147379	Ref	REAR AXLE - HUB REDUCTION	C
201	91514082	2	Nut	
202	91514081	2	Bolt	
203	70026140	NLA	Case, Axle (Use PNs 70030150 & 70031523)	
204	70022799	32	Bolt	
206	70031449	2	Bushing, Reduction	
207	91514147	2	Seal	
208	91514146	2	Bearing, Ball	
209	80204071	2	Circlip	
210	91514148	2	O-Ring	
211	70026141	2	Joint, Double Universal	
212	91514111	1	Thrust Bushing	
213	7028714	2	Bushing	
214	70025562	24	Bolt	
215	70028392	2	Cover	
216	80204117	2	Plug	
217	70024881	2	Fitting, Grease	
218	91514112	2	Pin, Pivot	
219	7028715	2	Pin, Pivot	
220	7028716	2	Excluder, Dust	
221	91514095	2	Bearing	
222	7028717	1	Case, Steering (RH)	
223	70025857	2	Seal	
225	7028706	2	Plug	
226	91514188	4	Plug	
227	7028730	1	Case, Steering (LH)	
228	7028721	2	Seal	
229	91474576	4	Bearing	
230	80214120	20	Stud, Wheel	
231	7029737	2	Hub, Wheel	
232	91514181	2	O-Ring	
233	91474580	2	Gear, Ring	
234	91474581	2	Support, Ring Gear	
235	91474585	8	Circlip	
236	91474586	8	Gear, Planet	
237	91474587	8	Bearing	
240	91514189	4	Bolt	
241	7029286	2	Carrier, Planet Gear	
242	70027315	20	Stud	
243	91474584	20	Nut	
244	91474579	2	Circlip	
245	91514117	NLA	Bolt (Item 272 PN 7028733 Kit)	
246	80204065	4	Nut	
249	91474582	2	Plate, Locking	
250	80204005	2	Circlip	
257	91514115	2	Shim	
260	7029431	2	Carrier, Planet Gear	
265	7028729	1	Case, Steering (RH)	
266	7028730	1	Case, Steering (LH)	
272	7028733	4	Kit, Steering Bolt	

SECTION 5 - DRIVE TRAIN

ITEM	PART NUMBER	QTY	DESCRIPTION	REV
276	7029736	2	Support, Ring Gear	
280	70030150	2	Bolt	
281	70031523	2	Case, Axle	

SECTION 5 - DRIVE TRAIN

FIGURE 5-35. REAR AXLE, STEERING



ART_1001147379_6-C

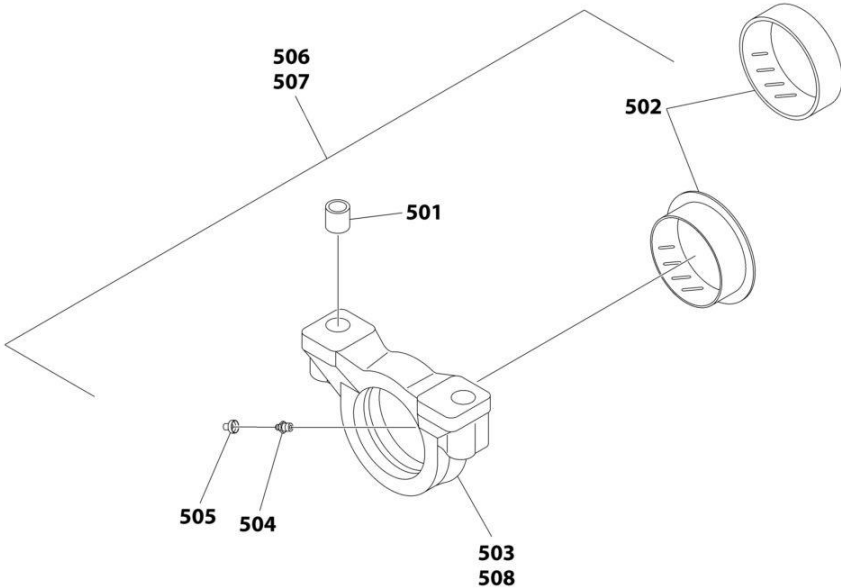
SECTION 5 - DRIVE TRAIN

FIGURE 5-35. REAR AXLE, STEERING

ITEM	PART NUMBER	QTY	DESCRIPTION	REV
	1001147379	Ref	REAR AXLE - STEERING	C
401	91474522	4	Bolt	
404	70026137	1	Cylinder	
405	70026138	2	Bar	
410	70025842	1	Kit, Seal - 70026137 Cylinder	

SECTION 5 - DRIVE TRAIN

FIGURE 5-36. REAR AXLE, TRUNNION



ART_1001147379_7-C

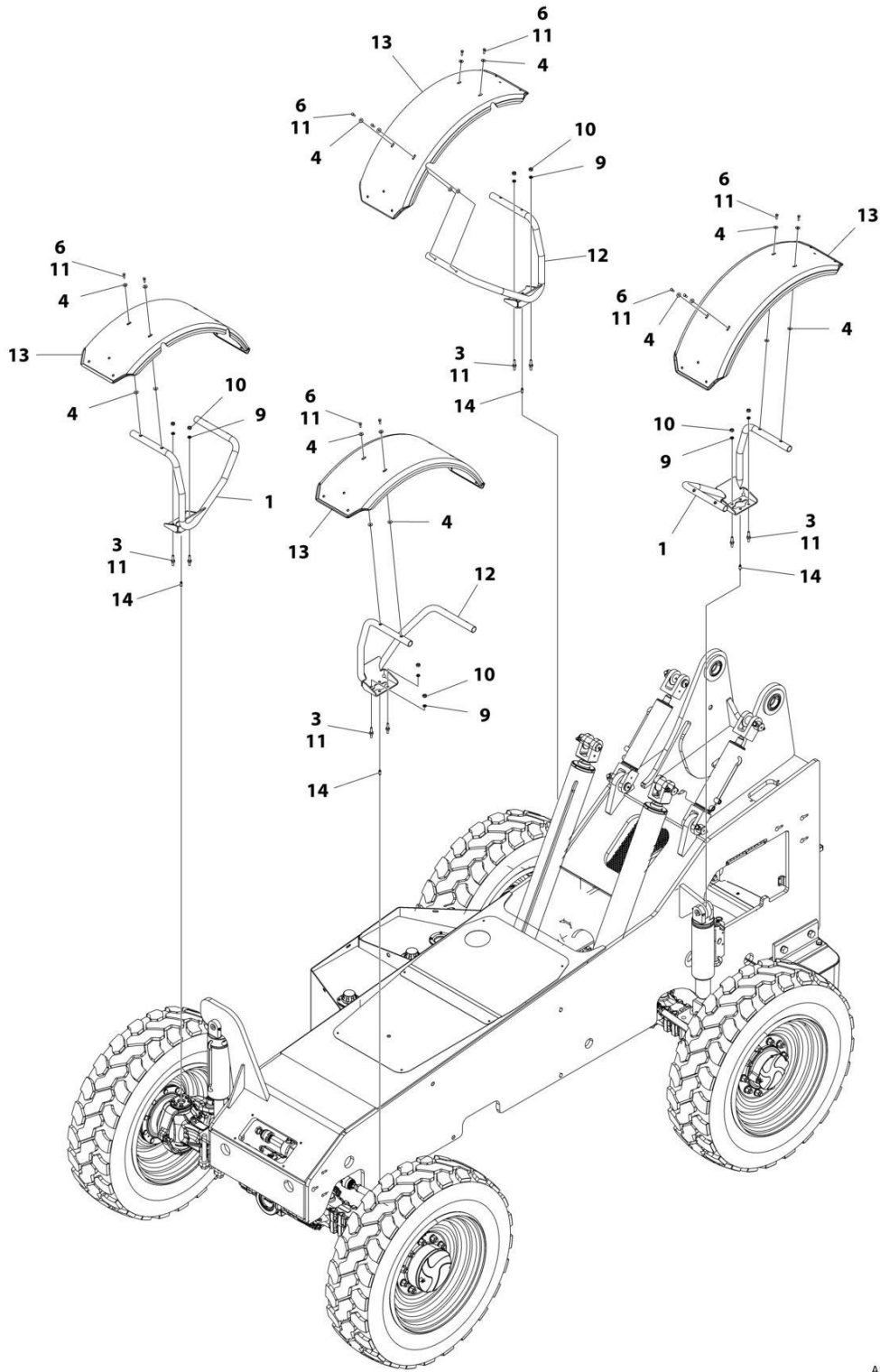
SECTION 5 - DRIVE TRAIN

FIGURE 5-36. REAR AXLE, TRUNNION

ITEM	PART NUMBER	QTY	DESCRIPTION	REV
	1001147379	Ref	REAR AXLE - TRUNION	C
501	91474516	2	Bushing, Reduction	
502	91474515	1	Thrust Bushing	
503	See Note	NSS	Support Assembly (Note: Use PN 7029283)	
504	70024881	1	Fitting, Grease	
505	80204117	1	Plug	
506	7029282	1	Support Assembly	
507	7029283	1	Support Assembly	
508	See Note	NSS	Support Assembly (Note: Use PN 7029282)	

SECTION 5 - DRIVE TRAIN

FIGURE 5-37. FENDER INSTALLATION



ART_1001150656

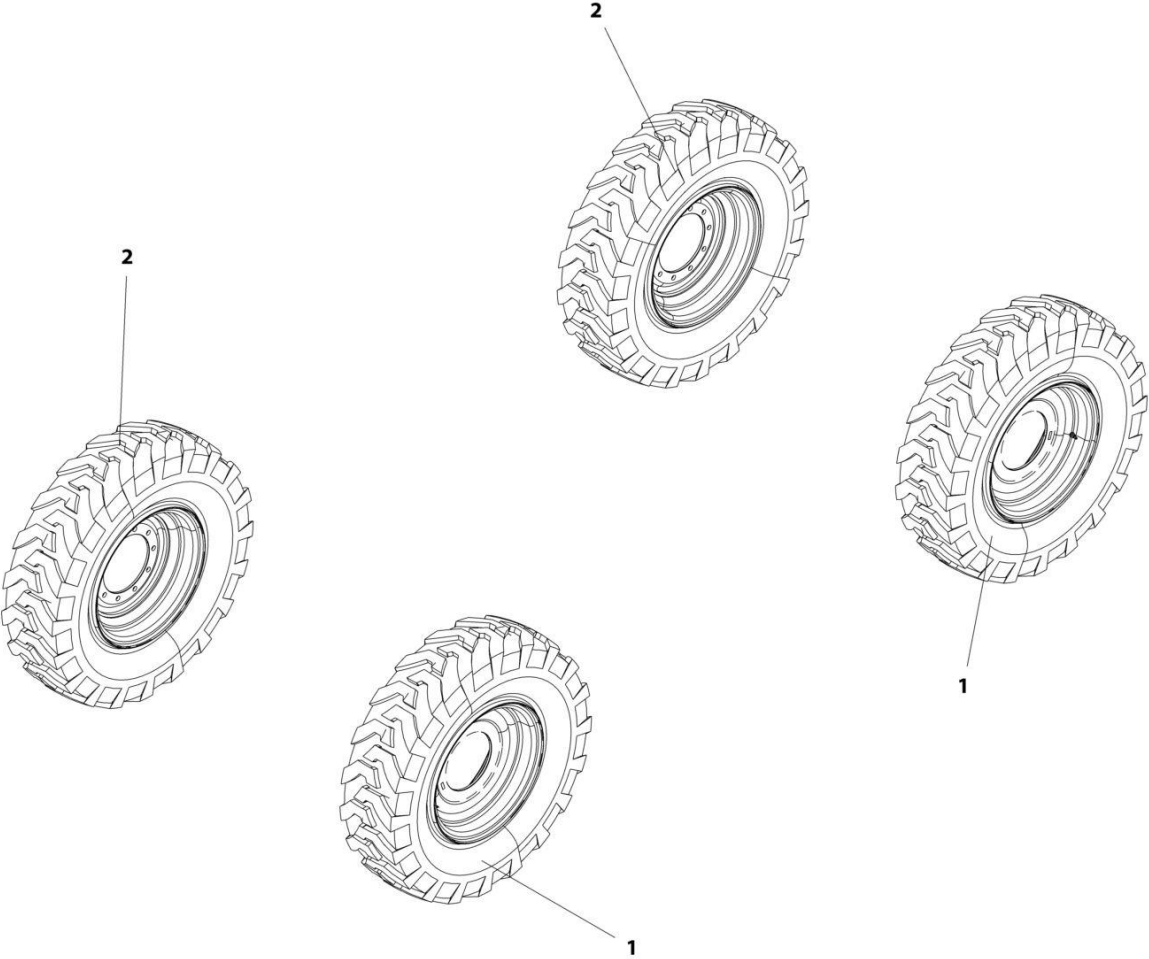
SECTION 5 - DRIVE TRAIN

FIGURE 5-37. FENDER INSTALLATION

ITEM	PART NUMBER	QTY	DESCRIPTION	REV
	1001150656	Ref	FENDER INSTALLATION	C
1	1001150652	2	Bracket, Fender Weldment	
14	1001225317	5	Fitting	
3	91514118	16	Stud, Fender	
4	4811902	32	Washer M8	
6	0760812	16	Bolt M8 x 25	
9	83191010	16	Washer M12	
10	91513266	16	Nut M12 x 1-1/4	
11	1001095650	AR	Compound, Locking	
12	1001150655	2	Bracket, Fender Weldment	
13	1001154055	4	Fender	

SECTION 5 - DRIVE TRAIN

FIGURE 5-38. TIRE SET, 13.00-24 PNEUMATIC



ART_4520368_B

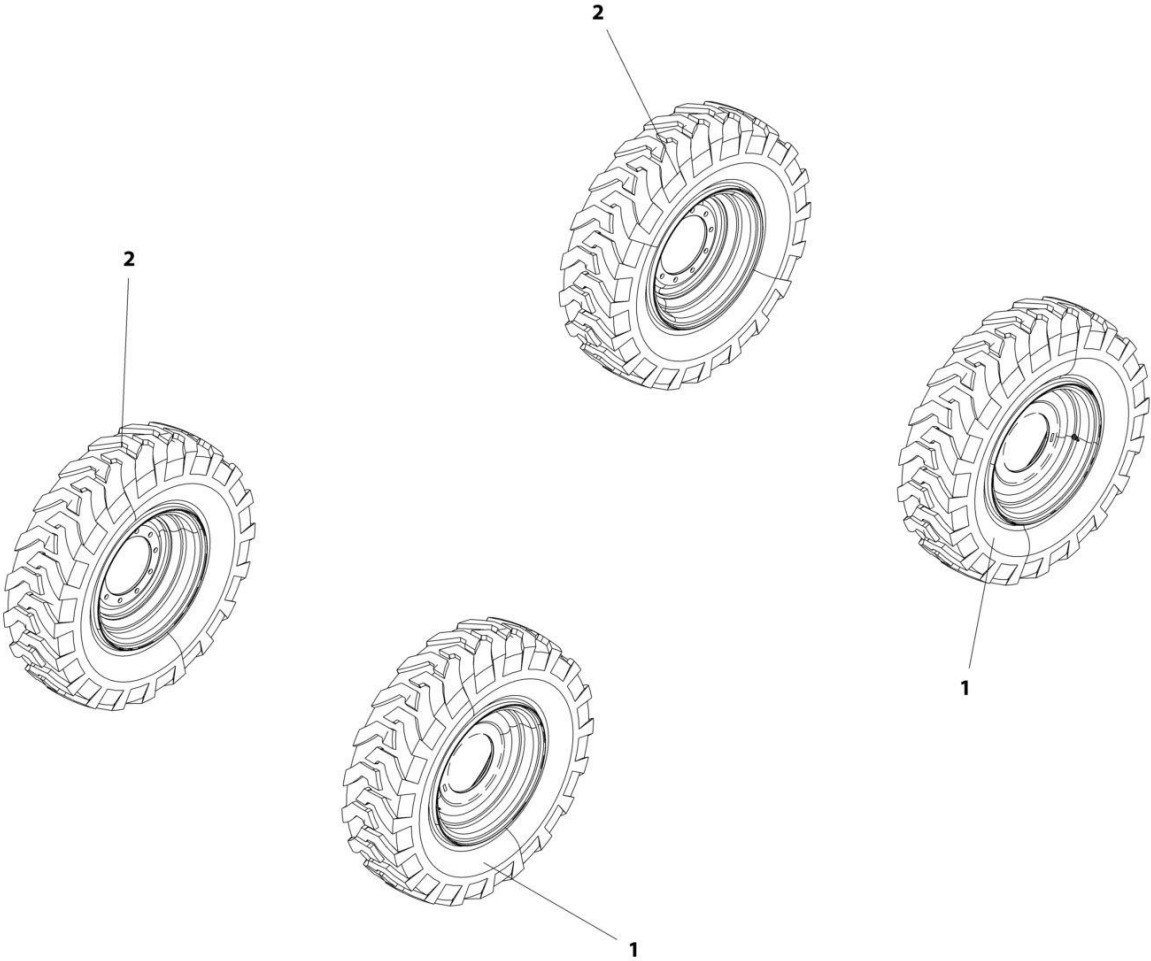
SECTION 5 - DRIVE TRAIN

FIGURE 5-38. TIRE SET, 13.00-24 PNEUMATIC

ITEM	PART NUMBER	QTY	DESCRIPTION	REV
	4520368	Ref	Tire Set, 13.00-24 Pneumatic	B
1	91405035	2	Assembly, RH Tire and Wheel (See Items 101-103 for Breakdown)	
1	8780031	2	Tire, 13.00x24 (1 per Assembly)	
1	8786514	2	Valve, Air (1 per Assembly)	
1	91473206	2	Wheel 24x9 (1 per Assembly)	
2	91405036	2	Assembly, LH Tire and Wheel (See Items 101-103 for Breakdown)	
2	8780031	2	Tire, 13.00x24 (1 per Assembly)	
2	8786514	2	Valve, Air (1 per Assembly)	
2	91473206	2	Wheel 24x9 (1 per Assembly)	

SECTION 5 - DRIVE TRAIN

FIGURE 5-39. TIRE SET, 13.00-24 FOAM FILLED



ART_4520370_B

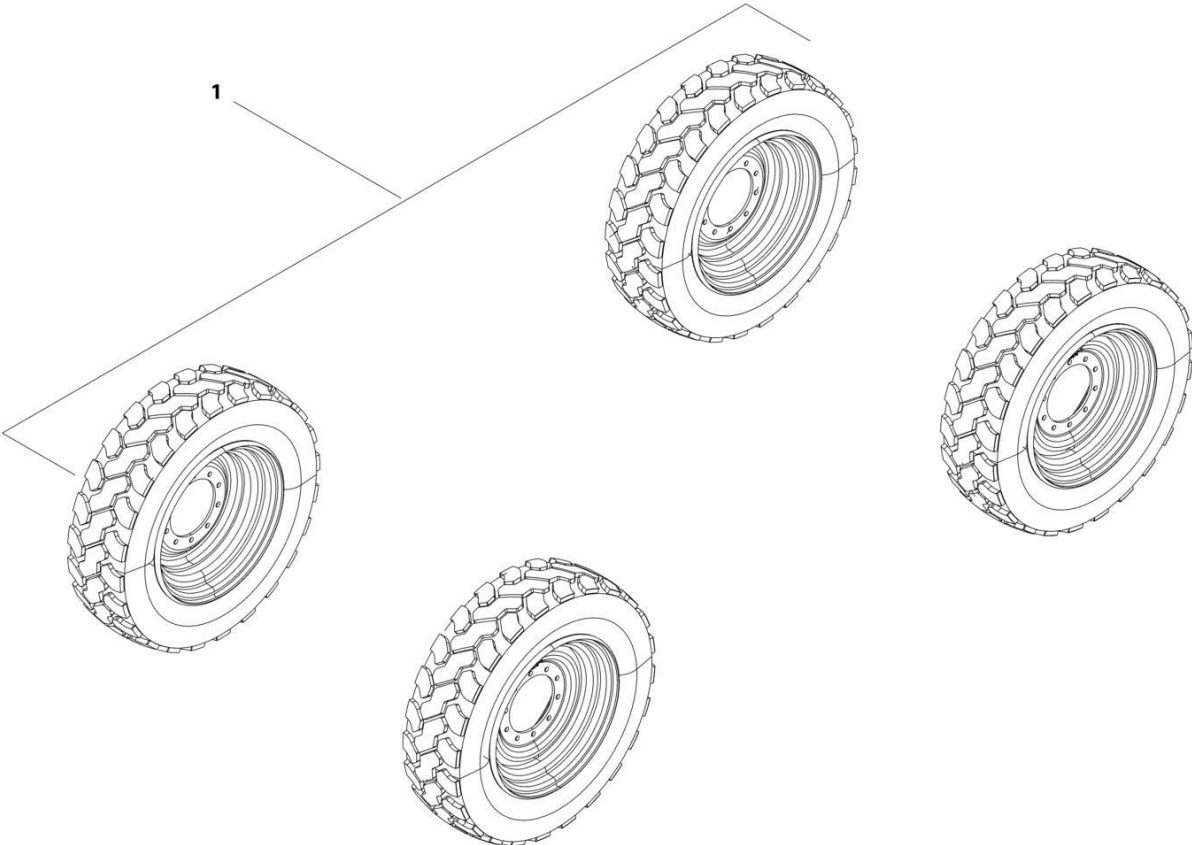
SECTION 5 - DRIVE TRAIN

FIGURE 5-39. TIRE SET, 13.00-24 FOAM FILLED

ITEM	PART NUMBER	QTY	DESCRIPTION	REV
	4520370	Ref	Tire/Wheel Set 13-24 12PR - Foam	B
		Ref	Note: Assemblies require ballast/foam filling to manufacture's specifications prior to installing on machine. Refer to Operation & Safety or Service & Maintenance Manuals.	
		Ref	Purchase individual tire and/or wheel only if able to foam fill tire & wheel assembly, otherwise purchase complete assembly.	
1	91475054	2	Tire/Wheel Assembly - RH 13-24 G-2 - Foam	
1	8780031	2	Tire, 13.00x24 TG 16 PLY G2, BIAS (1 Per Assembly)	
1	8786514	2	Valve, Stem (1 Per Assembly)	
1	91473206	2	Wheel, 24x9.00 GR (1 Per Assembly)	
2	91475055	2	Tire/Wheel Assembly - LH 13-24 G-2 - Foam	
2	8780031	2	Tire, 13.00x24 TG 16 PLY G2, BIAS (1 Per Assembly)	
2	8786514	2	Valve, Stem (1 Per Assembly)	
2	91473206	2	Wheel, 24x9.00 GR (1 Per Assembly)	

SECTION 5 - DRIVE TRAIN

FIGURE 5-40. TIRE SET, 370/75-28 PNEUMATIC



ART_1001120963_B

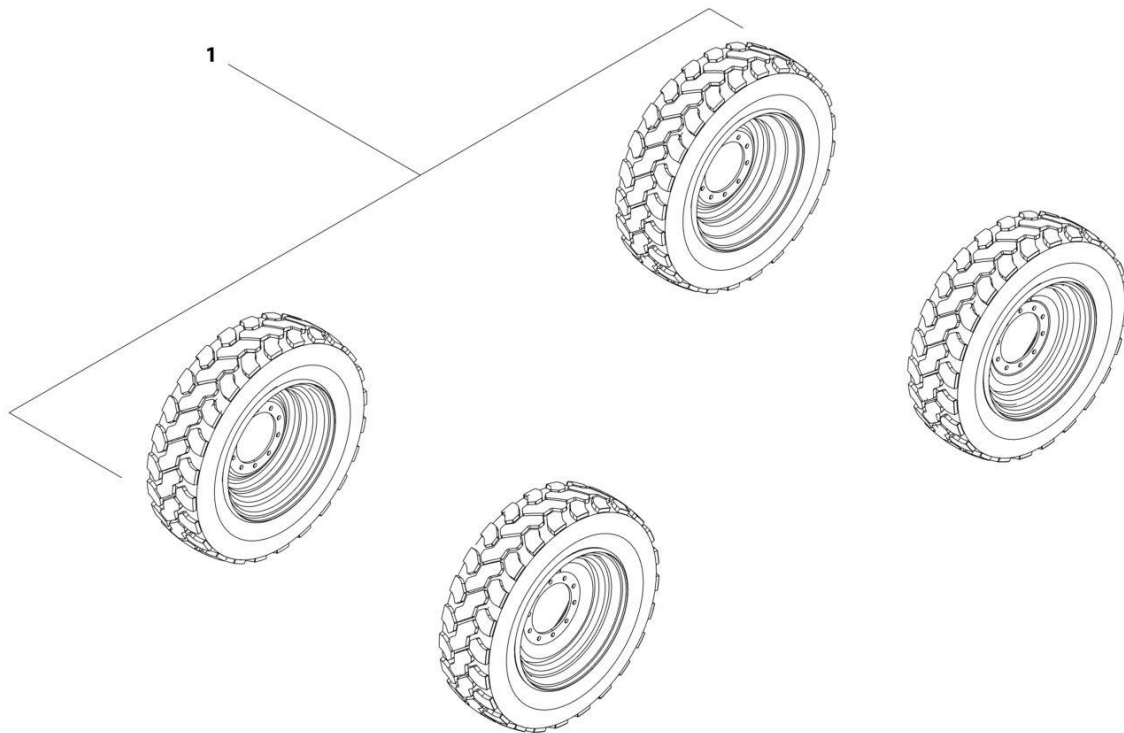
SECTION 5 - DRIVE TRAIN

FIGURE 5-40. TIRE SET, 370/75-28 PNEUMATIC

ITEM	PART NUMBER	QTY	DESCRIPTION	REV
	1001120963	Ref	Tire/Wheel Set 370/75-28 - Air	B
1	1001100323	4	Assembly, Tire/Wheel 370/75-28 - Air	
1	8786514	4	Valve, Air (1 per assembly)	
1	1001099976	4	Wheel (1 per assembly)	
1	1001100284	4	Tire (1 per assembly)	

SECTION 5 - DRIVE TRAIN

FIGURE 5-41. TIRE SET, 370/75-28 FOAM FILLED



ART_1001121519_B

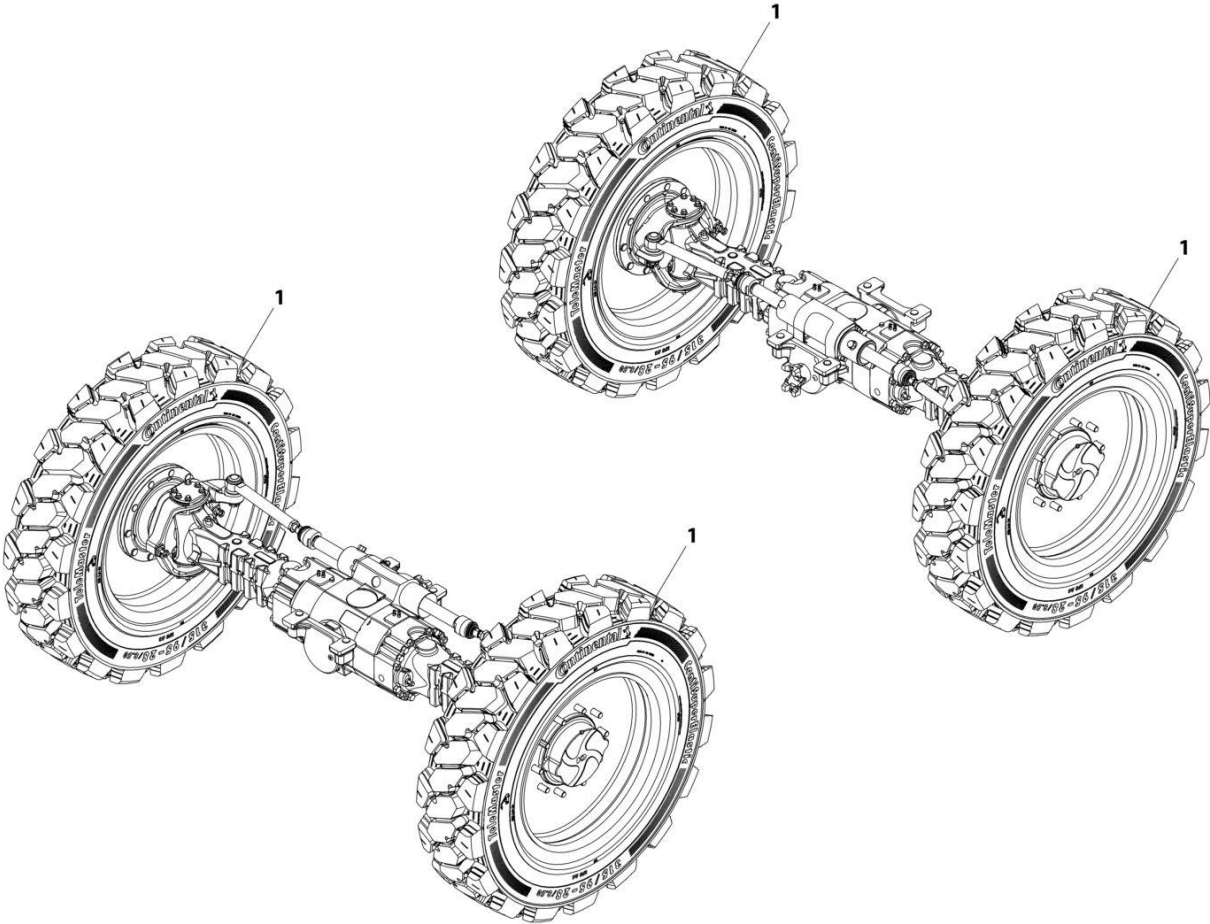
SECTION 5 - DRIVE TRAIN

FIGURE 5-41. TIRE SET, 370/75-28 FOAM FILLED

ITEM	PART NUMBER	QTY	DESCRIPTION	REV
	1001121519	Ref	Tire/Wheel Set 370/75-28 - Foam	B
		Ref	Note: Assemblies require ballast/foam filling to manufacture's specifications prior to installing on machine. Refer to Operation & Safety or Service & Maintenance Manuals.	
		Ref	Purchase individual tire and/or wheel only if able to foam fill tire & wheel assembly, otherwise purchase complete assembly.	
1	1001121101	4	Tire/Wheel Assembly 370/75-28 Foam	
1	8786514	4	Valve, Air (1 per assembly)	
1	1001099976	4	Wheel (1 per assembly)	
1	1001100284	4	Tire 370/75-28 Non-Marking (1 per assembly)	

SECTION 5 - DRIVE TRAIN

FIGURE 5-42. TIRE SET, 315/95-28/8.5 SOLID



ART_1001221500-A

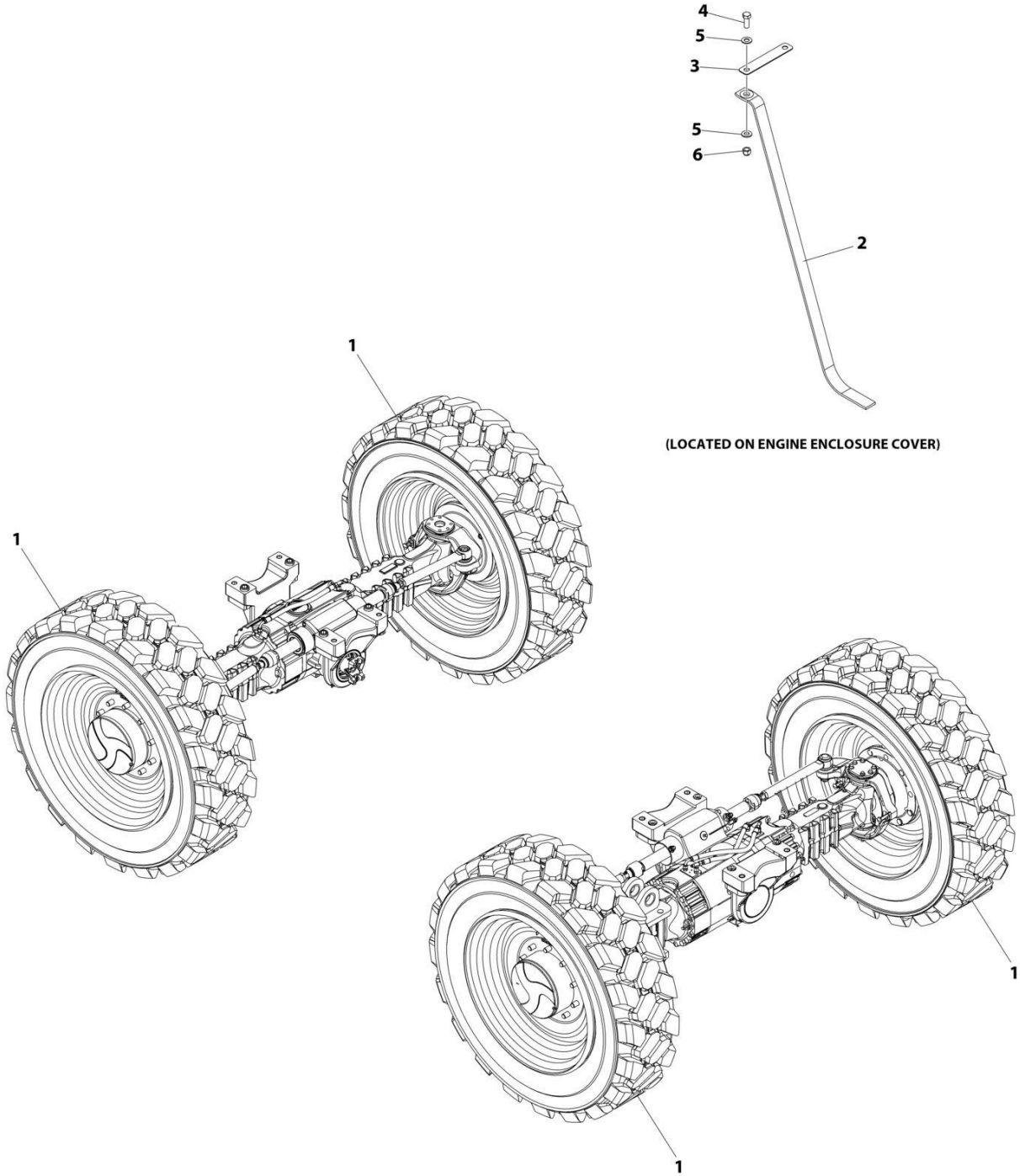
SECTION 5 - DRIVE TRAIN

FIGURE 5-42. TIRE SET, 315/95-28/8.5 SOLID

ITEM	PART NUMBER	QTY	DESCRIPTION	REV
1	1001221500 1001213199J	Ref 4	Tire Set, 315/95-28/8.5 Solid Tire & and Wheel Assembly - 315/95-28/8.5 Solid (Sold as an Assembly Only)	A

SECTION 5 - DRIVE TRAIN

FIGURE 5-43. TIRE SET, 370/75-28 PNEUMATIC NON-MARKING



(LOCATED ON ENGINE ENCLOSURE COVER)

ART_1001241846

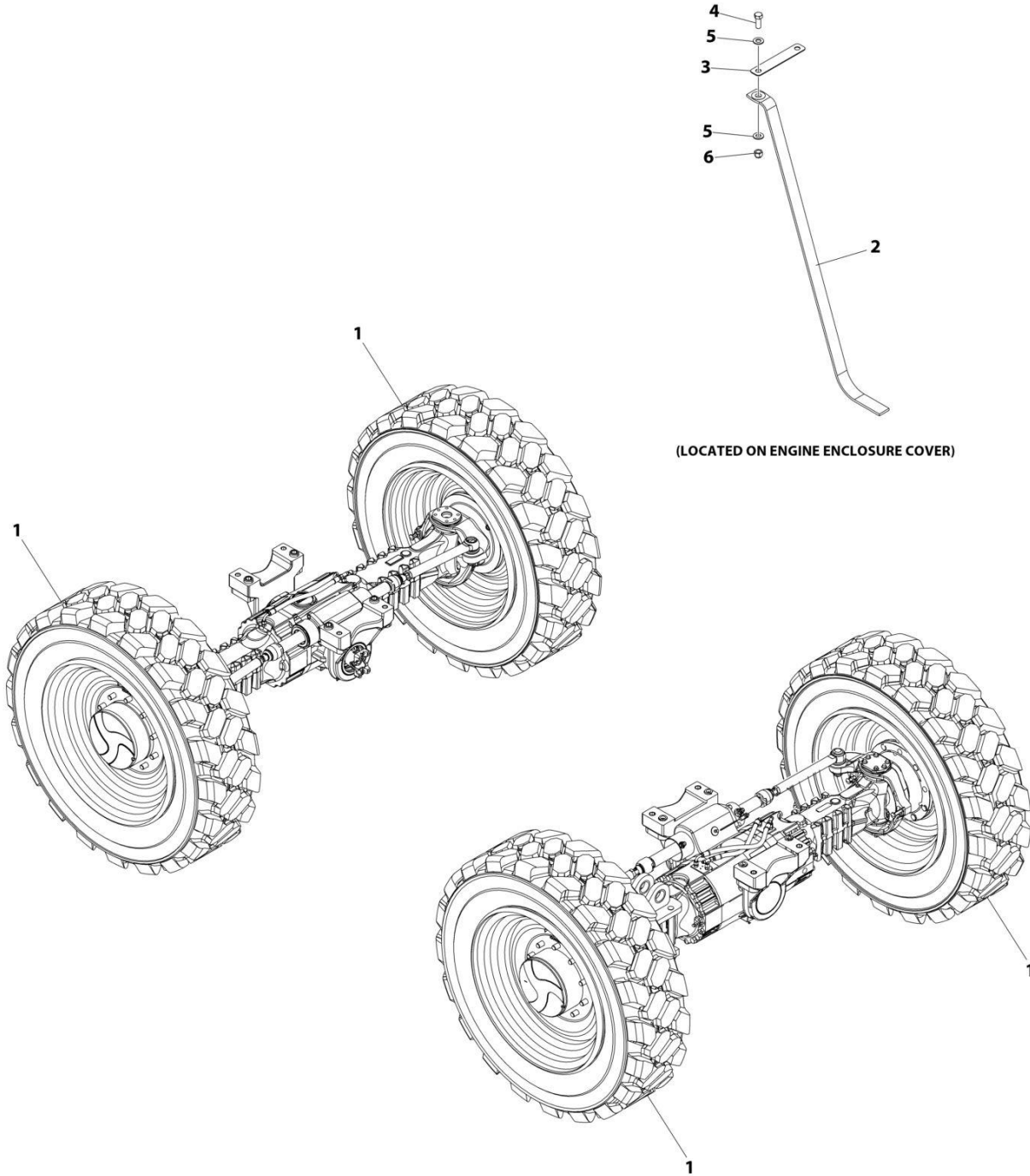
SECTION 5 - DRIVE TRAIN

FIGURE 5-43. TIRE SET, 370/75-28 PNEUMATIC NON-MARKING

ITEM	PART NUMBER	QTY	DESCRIPTION	REV
	1001241846	Ref	TIRE SET, 370/75-28 - PNEUMATIC NON-MARKING	B
1	1001241839	4	Tire and Wheel Assembly	
1	8786514	4	Valve, Air (1 per assembly)	
1	1001099976	4	Wheel (1 per assembly)	
1	1001241838	4	Tire 370/75-28 Non-Marking (1 per assembly)	
2	1001275637	1	Strap, Anti-Static	
3	1001275638	1	Bracket, Anti-Static Strap	
4	8303620	1	Bolt 3/8 x 1	
5	8307110	2	Washer 3/8	
6	8305645	1	Nut 3/8	

SECTION 5 - DRIVE TRAIN

FIGURE 5-44. TIRE SET, 370/75-28 FOAM FILLED NON-MARKING



ART_1001241847

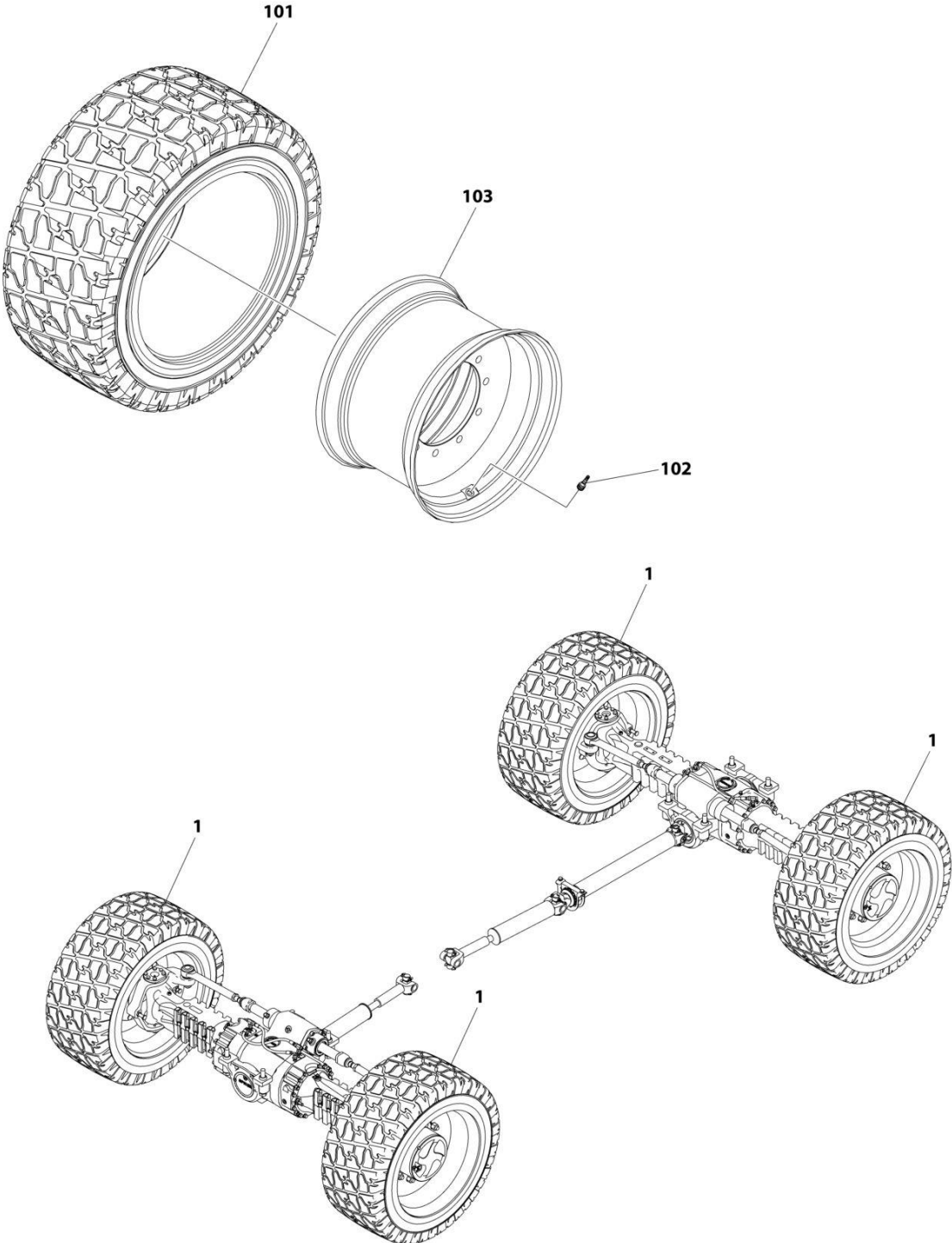
SECTION 5 - DRIVE TRAIN

FIGURE 5-44. TIRE SET, 370/75-28 FOAM FILLED NON-MARKING

ITEM	PART NUMBER	QTY	DESCRIPTION	REV
	1001241847	Ref	TIRE/WHEEL SET, 370/75-28 - FOAM NON-MARKING	B
		Ref	Note: Assemblies require ballast/foam filling to manufacture's specifications prior to installing on machine. Refer to Operation & Safety or Service & Maintenance Manuals.	
		Ref	Purchase individual tire and/or wheel only if able to foam fill tire & wheel assembly, otherwise purchase complete assembly.	
1	1001241840	4	Tire and Wheel, 370/75-28 - Foam Non-Marking	
1	8786514	4	Valve, Air (1 per assembly)	
1	1001099976	4	Wheel (1 per assembly)	
1	1001241838	4	Tire 370/75-28 Non-Marking (1 per assembly)	
2	1001275637	1	Strap, Anti-Static	
3	1001275638	1	Bracket, Anti-Static Strap	
4	8303620	1	Bolt 3/8 x 1	
5	8307110	2	Washer 3/8	
6	8305645	1	Nut 3/8	

SECTION 5 - DRIVE TRAIN

FIGURE 5-45. TIRE SET 18 X 625 PNUEMATIC TURF/SAND



ART_1001252986

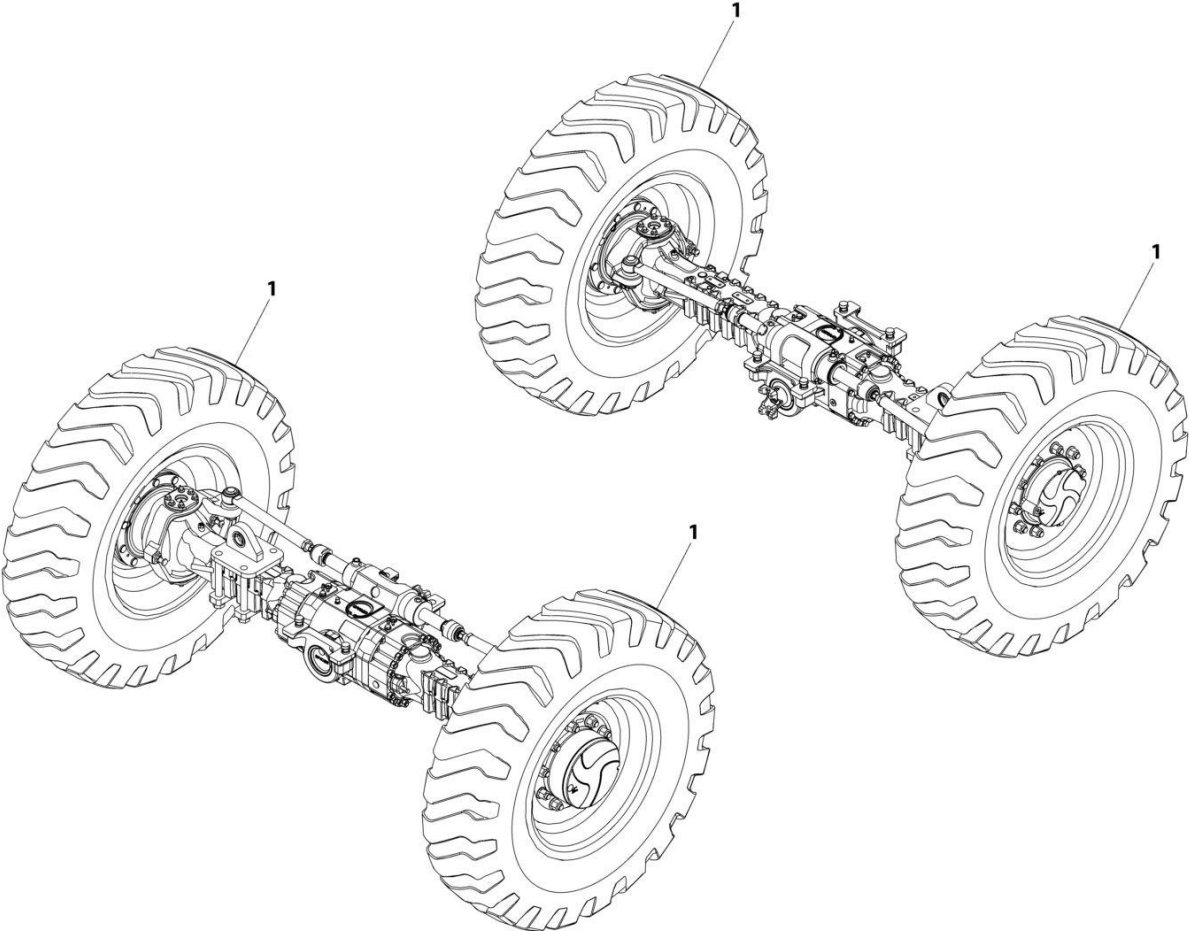
SECTION 5 - DRIVE TRAIN

FIGURE 5-45. TIRE SET 18 X 625 PNEUMATIC TURF/SAND

ITEM	PART NUMBER	QTY	DESCRIPTION	REV
	1001252986	Ref	TIRE SET - 18 X 625 (TURF PNEUMATIC)	B
1	1001259635	4	Tire and Wheel Assembly	
101	4520356	4	Tire - 18 x 625 Turf/Sand (1 per assembly)	
102	4641122	4	Valve, Air (1 per assembly)	
103	1001246001	4	Wheel (1 per assembly)	

SECTION 5 - DRIVE TRAIN

FIGURE 5-46. TIRE SET, 13.00-24 FOAM FILLED (E-3) (SUNSTATE ONLY)



ART_1001264712

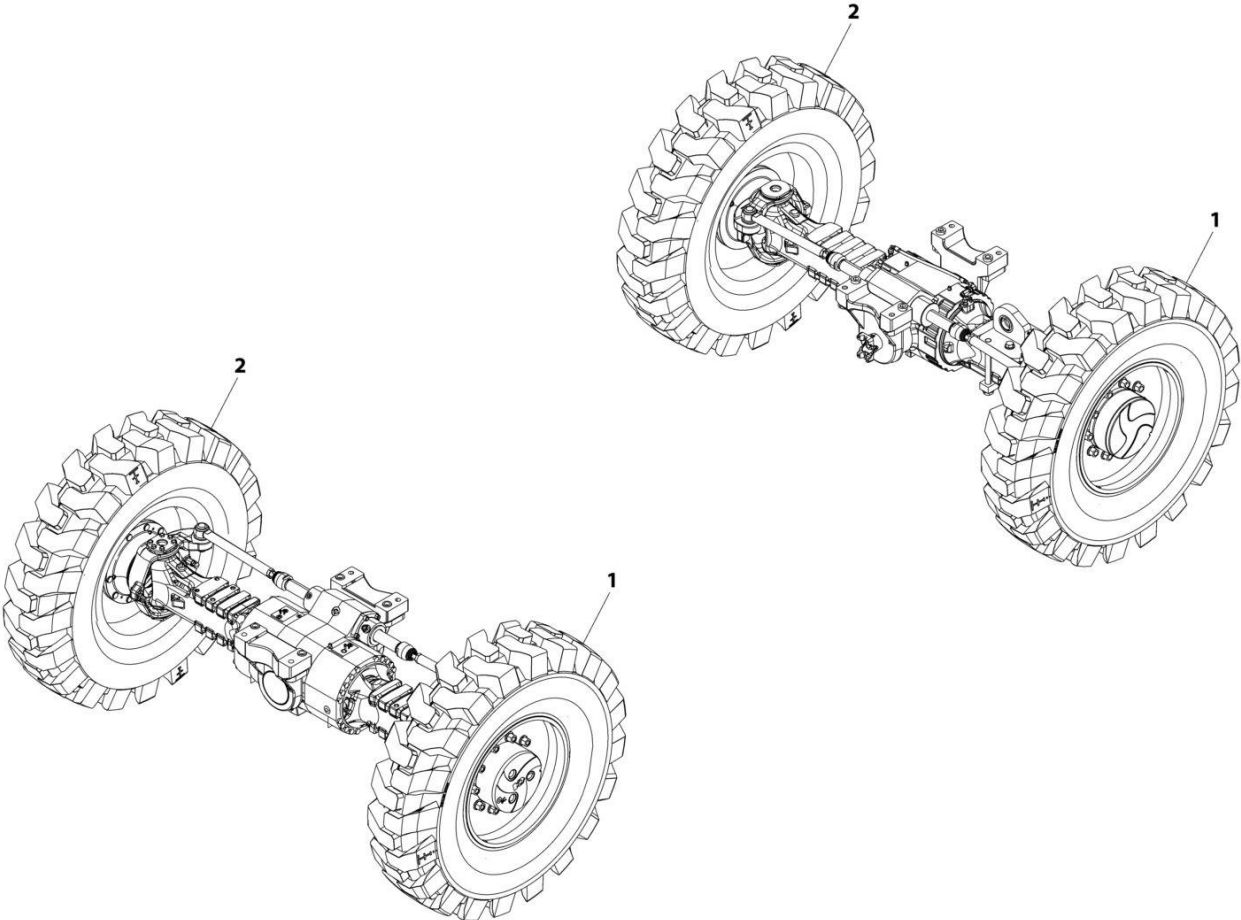
SECTION 5 - DRIVE TRAIN

FIGURE 5-46. TIRE SET, 13.00-24 FOAM FILLED (E-3) (SUNSTATE ONLY)

ITEM	PART NUMBER	QTY	DESCRIPTION	REV
	1001264712	Ref	TIRE SET, 13.00-24 FOAM Filled (E-3)	A
		Ref	Note: Assemblies require ballast/foam filling to manufacture's specifications prior to installing on machine. Refer to Operation & Safety or Service & Maintenance Manuals.	
		Ref	Purchase individual tire and/or wheel only if able to foam fill tire & wheel assembly, otherwise purchase complete assembly.	
1	1001264699	4	Tire/Wheel Assembly 13-24 E-3 - Foam Filled	
1	1001263010	4	Tire, 13.00x24 E-3 12 PLY	
1	8786514	4	Valve, Stem	
1	91473206	4	Wheel, 24x9.00 GR	

SECTION 5 - DRIVE TRAIN

FIGURE 5-47. TIRE SET, 13-24 SOLIDBOSS (DIRECTIONAL)



ART_1001274718

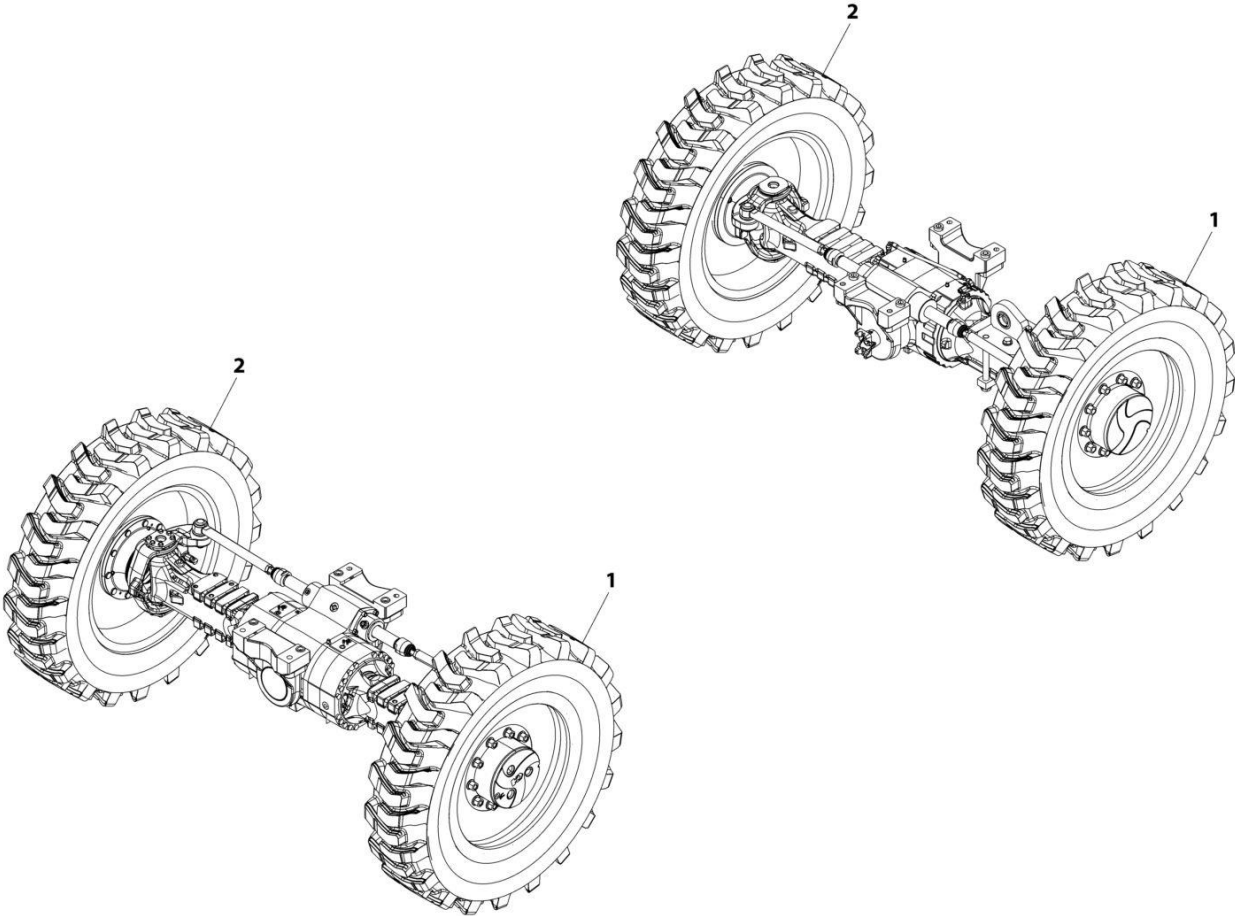
SECTION 5 - DRIVE TRAIN

FIGURE 5-47. TIRE SET, 13-24 SOLIDBOSS (DIRECTIONAL)

ITEM	PART NUMBER	QTY	DESCRIPTION	REV
	1001274718	Ref	TIRE/WHEEL SET 13-24 SOLIDBOSS (DIRECTIONAL)	A
1	1001274715	2	Tire/Wheel Left 13X24 - Solid	
2	1001274717	2	Tire/Wheel Right 13X24 - Solid	

SECTION 5 - DRIVE TRAIN

FIGURE 5-48. TIRE SET, 13-28 SOLIDBOSS (DIRECTIONAL)



ART_1001274257

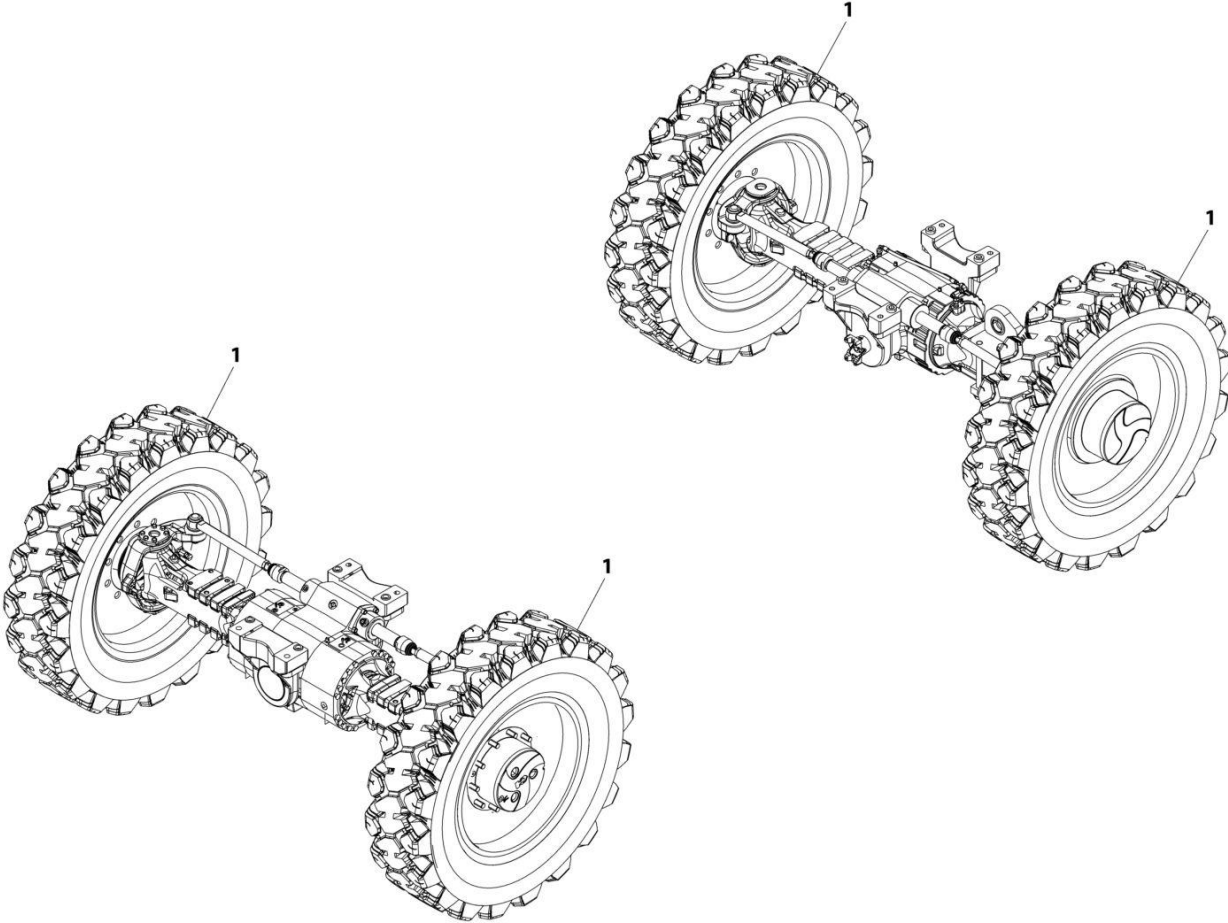
SECTION 5 - DRIVE TRAIN

FIGURE 5-48. TIRE SET, 13-28 SOLIDBOSS (DIRECTIONAL)

ITEM	PART NUMBER	QTY	DESCRIPTION	REV
	1001274257	Ref	TIRE/WHEEL SET 13-28 SOLIDBOSS (DIRECTIONAL)	A
1	1001274255	2	Tire/Wheel Left 13X28 - Solid	
2	1001274256	2	Tire/Wheel Right 13X28 - Solid	

SECTION 5 - DRIVE TRAIN

FIGURE 5-49. TIRE SET, 13-28 SOLIDBOSS (NON-DIRECTIONAL)



ART_1001274302

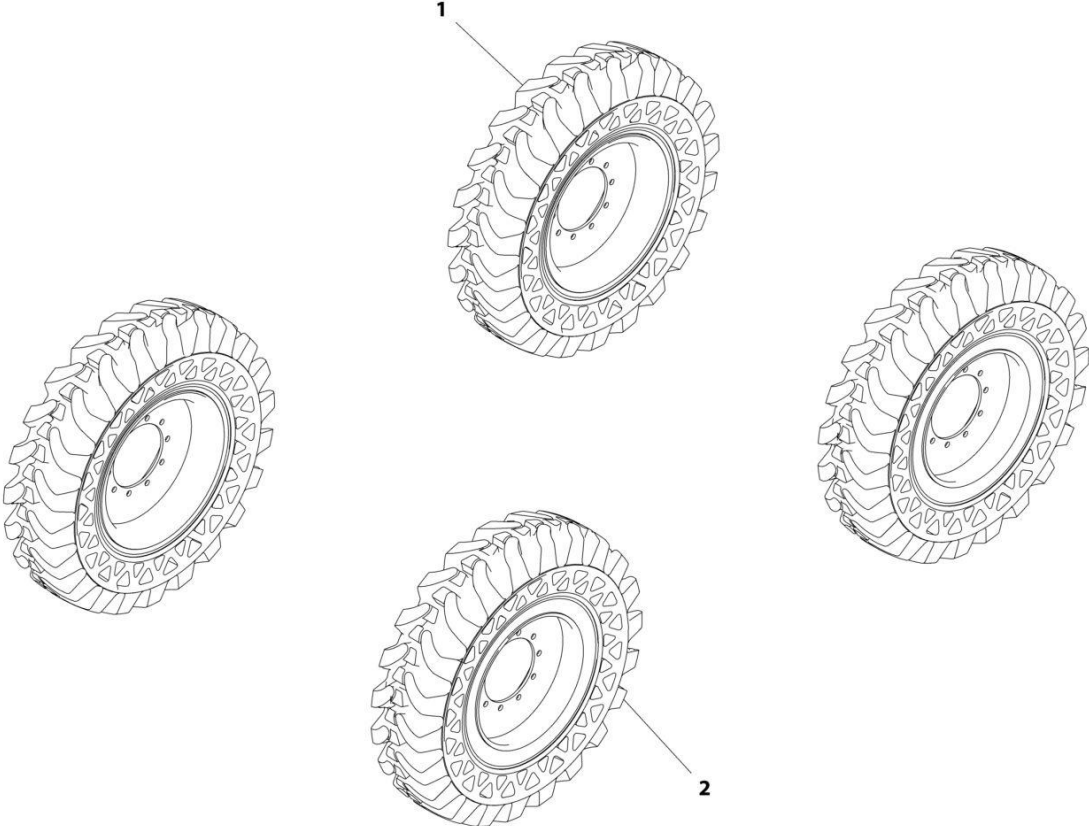
SECTION 5 - DRIVE TRAIN

FIGURE 5-49. TIRE SET, 13-28 SOLIDBOSS (NON-DIRECTIONAL)

ITEM	PART NUMBER	QTY	DESCRIPTION	REV
1	1001274302	Ref	TIRE/WHEEL SET 13-28 SOLIDBOSS (NON-DIRECTIONAL)	A
	1001274301	4	Tire/Wheel 13X28 - Solid	

SECTION 5 - DRIVE TRAIN

FIGURE 5-50. TIRE SET, 13-24 SOLID



ART_1001151106-A

SECTION 5 - DRIVE TRAIN

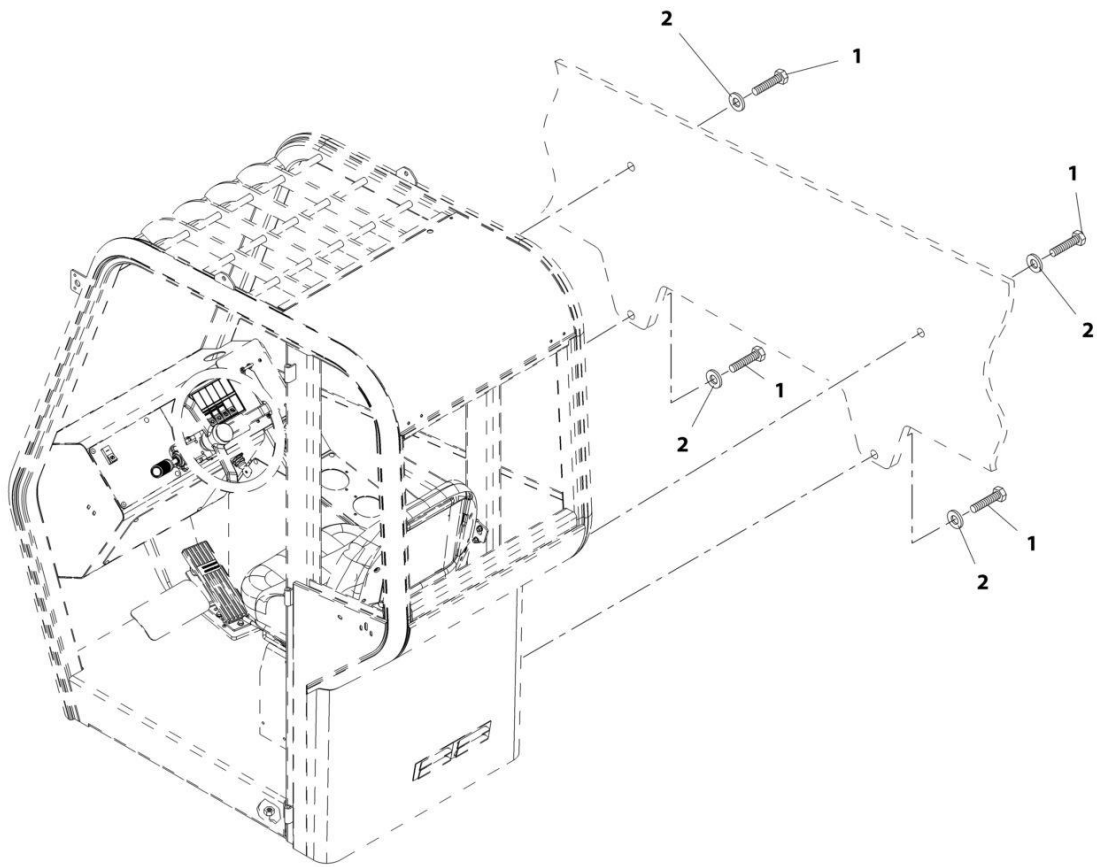
FIGURE 5-50. TIRE SET, 13-24 SOLID

ITEM	PART NUMBER	QTY	DESCRIPTION	REV
	1001151106	1	Tire/Wheel Set 13-24 - Solid	A
1	1001151097	2	Tire/Wheel Left 13-24 .219 - Offset	
2	1001151098	2	Tire/Wheel Right 13-24 .219 - Offset	

SECTION 6 - CAB

SECTION 6 - CAB

FIGURE 6-1. CAB INSTALLATION



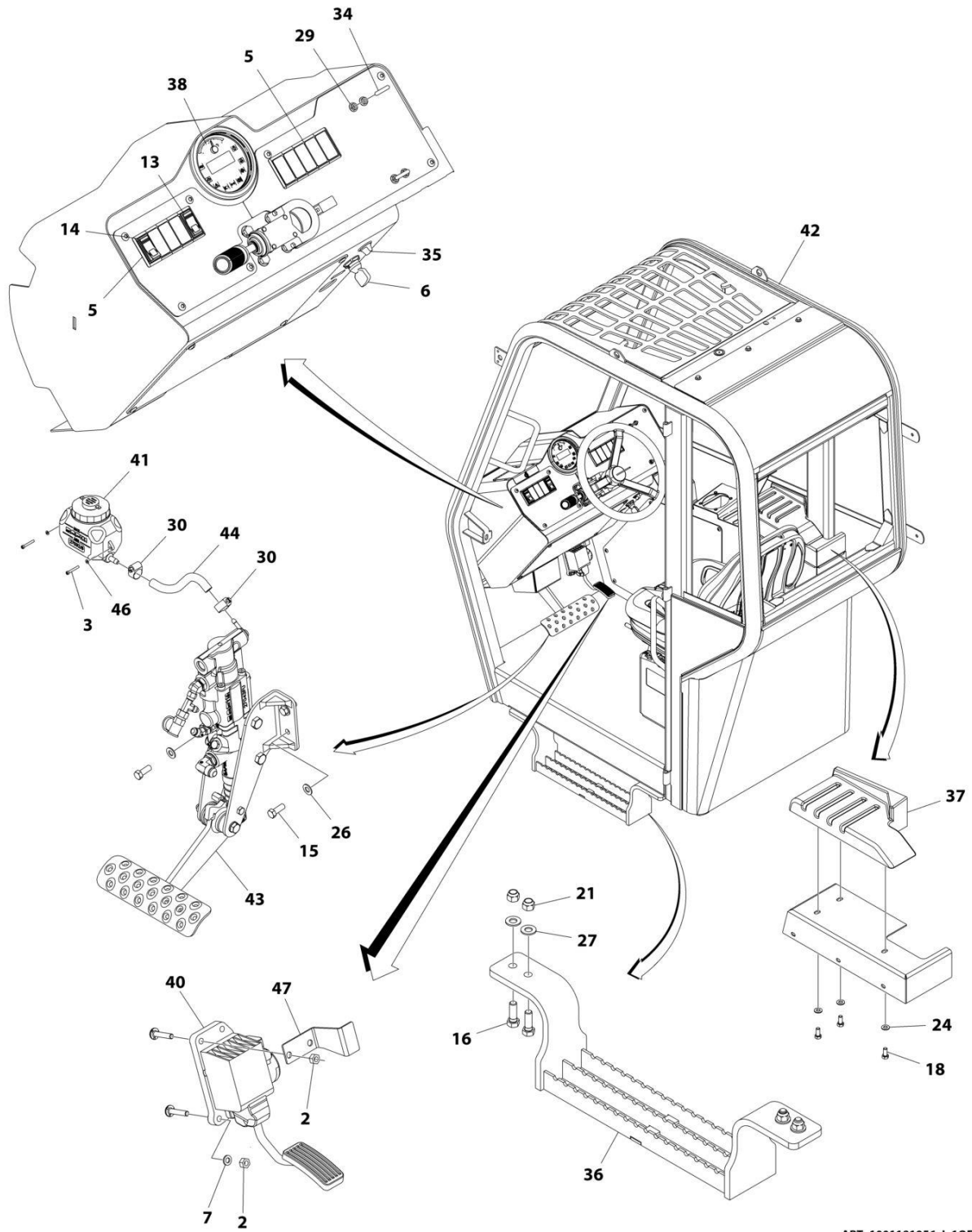
ART_713882_AA

FIGURE 6-1. CAB INSTALLATION

ITEM	PART NUMBER	QTY	DESCRIPTION	REV
	7138882	Ref	Cab Installation	AA
1	8310493	4	Bolt, 7/8-9X5-1/2, Grade 8	
2	8307011	4	Washer, Lock 7/8	

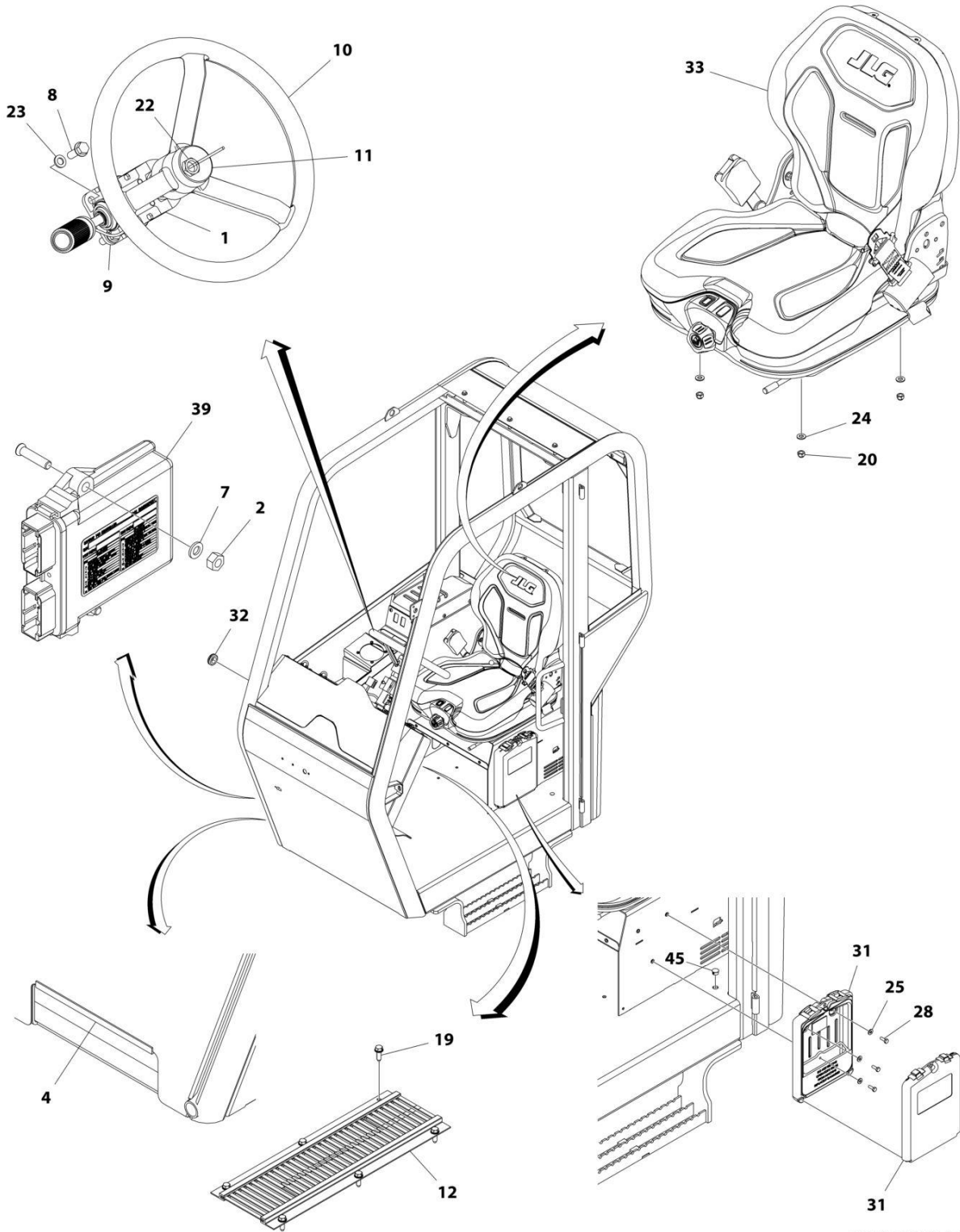
SECTION 6 - CAB

FIGURE 6-2. CAB INSTALLATION - OPEN CAB (BLACK SEAT BELT)



ART_1001181956_I_10F2

SECTION 6 - CAB



ART_1001181956_I_20F2

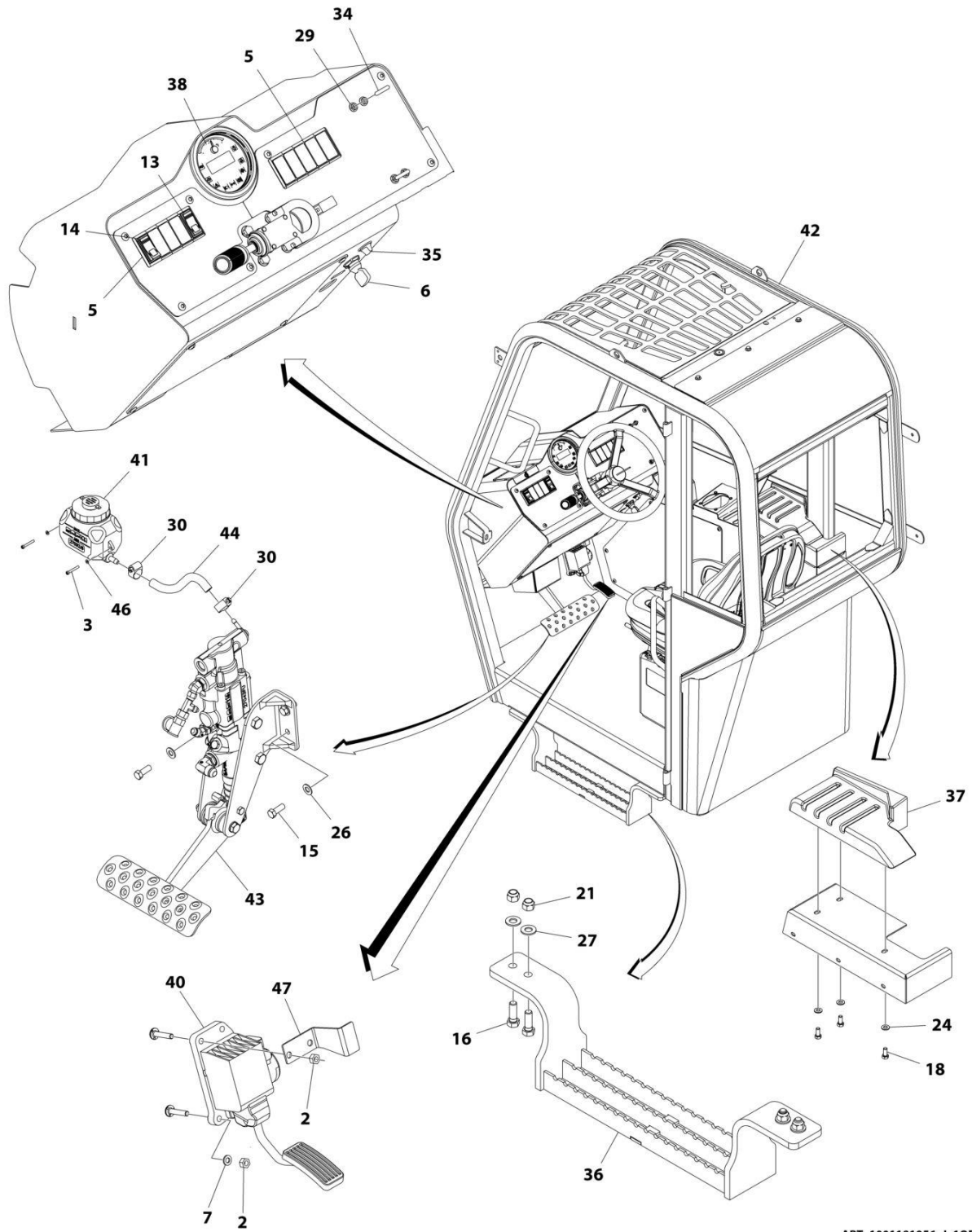
SECTION 6 - CAB

FIGURE 6-2. CAB INSTALLATION - OPEN CAB (BLACK SEAT BELT)

ITEM	PART NUMBER	QTY	DESCRIPTION	REV
	1001181956	Ref	OPEN CAB INSTALLATION	I
1	1600429	1	Selector, Transmission Control	
2	3311401	5	Nut 1/4	
3	3930610	2	Bolt #6 x 5/8	
4	4060806	11 in	Flex-Trim	
5	4360569	2	Switch, Bezel	
6	4360690	1	Switch, Ignition	
6	8035807	1	Key (with cover)	
7	4761400	3	Washer 1/4	
8	5251014	4	Bolt M10 x 30	
9	7138833	1	Column, Steering	
10	7138836	1	Wheel, Steering	
11	7138878	1	Button, Horn	
12	7138944	2	Strips, Brush	
13	8223037	1	Switch, Steer Select	
14	8223054	1	Switch, Park Brake	
15	8303620	4	Bolt 3/8 x 1	
16	8303626	4	Bolt 1/2 x 1-1/2	
18	8303697	3	Bolt 5/16 x 3/4	
19	8303982	6	Screw 1/4 x 3/4	
20	8305626	4	Nut 5/16	
21	8305644	4	Nut 1/2	
22	8305916	1	Nut, Steering Column	
23	8307023	4	Washer M10	
24	8307106	7	Washer 5/16	
25	8307109	3	Washer 1/4	
26	8307110	4	Washer 3/8	
27	8307112	4	Washer 1/2	
28	8310026	3	Bolt 1/4 x 3/4	
29	8310382	8	Nut 1/4	
30	1320022	2	Clamp, Fuel Line	
31	8990147	1	Holder, Manual	
32	1001081049	1	Grommet, Split	
33	1001190229	1	Seat, Cab (See Separate Breakdown in this Section)	
34	1001102844	2	U-Bolt 1/4 x 1-1/4	
35	1001114867	1	Socket, 12V Power Point	
36	1001256519	1	Mount, Cab Step	
37	1001159878	1	Support, Armrest	
38	1001170738	1	Gauge	
39	1001210703	1	Controller	
40	1001264554	1	Accelerator (Note: No Serviceable Parts - Purchase Complete Assembly)	
41	1001183164	1	Reservoir, Brake Valve	
42	1001246736	1	Cab, Open (See Separate Breakdown in this Section)	
43	1001223052	1	Assembly, Brake (See Separate Breakdown in CONTROLS Section)	
44	1001201658	1	Hose	
45	1001207963	1	Plug, 5/8	
46	4710600	2	Washer	
47	1001265914	1	Cover, Pedal	

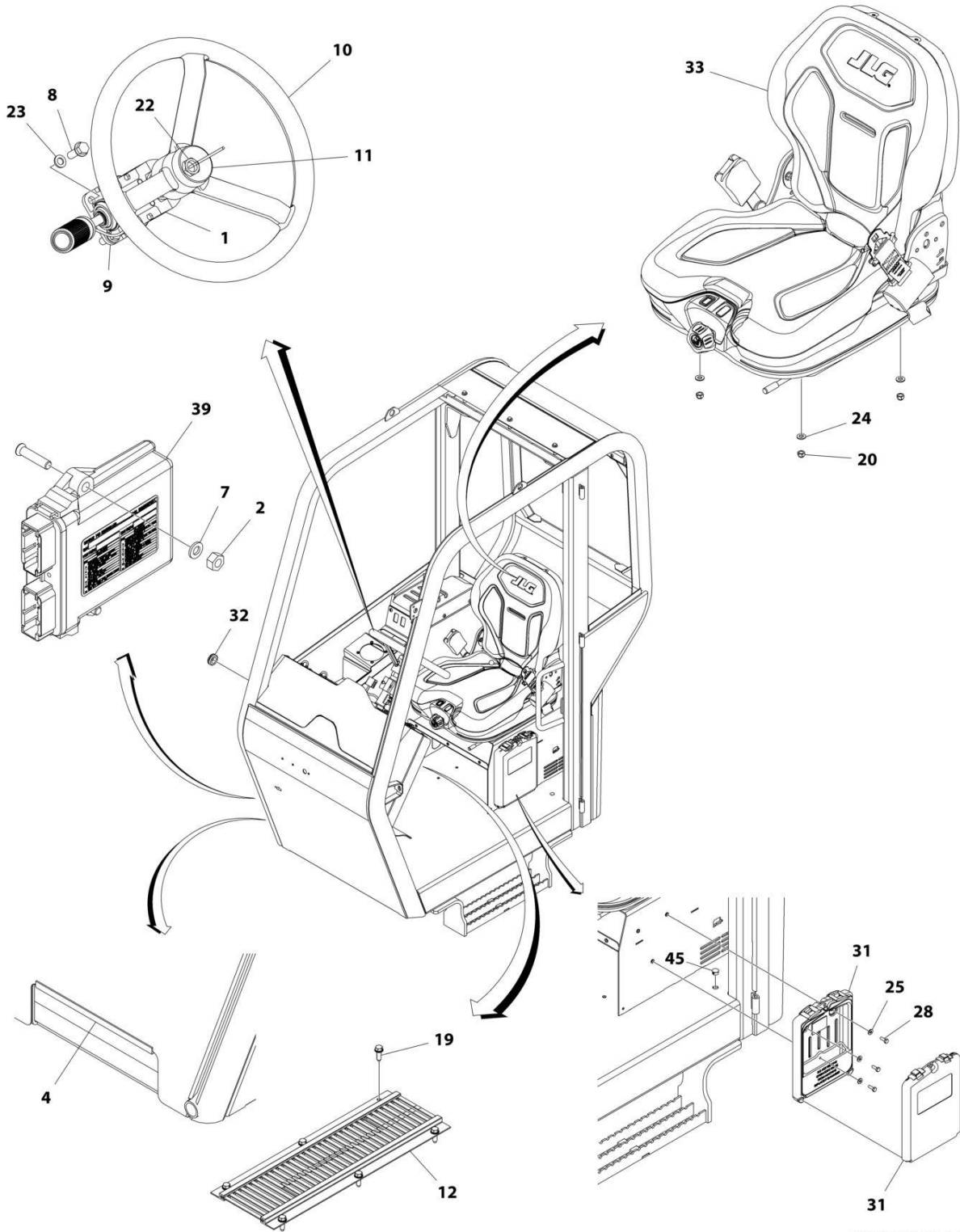
SECTION 6 - CAB

FIGURE 6-3. CAB INSTALLATION - OPEN CAB (ORANGE SEAT BELT)



ART_1001181956_J_10F2

SECTION 6 - CAB



ART_1001181956_J_20F2

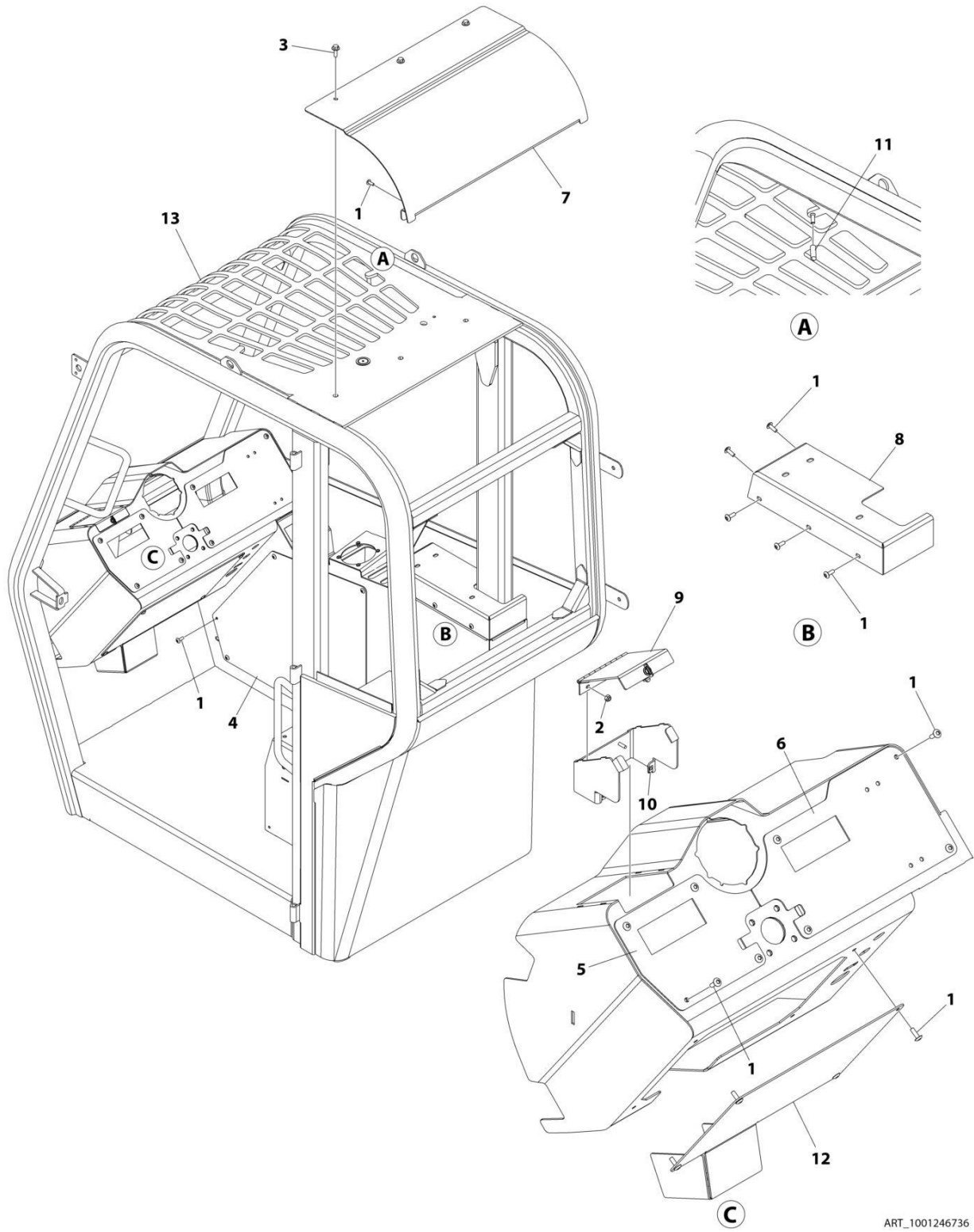
SECTION 6 - CAB

FIGURE 6-3. CAB INSTALLATION - OPEN CAB (ORANGE SEAT BELT)

ITEM	PART NUMBER	QTY	DESCRIPTION	REV
	1001181956	Ref	OPEN CAB INSTALLATION	J
1	1600429	1	Selector, Transmission Control	
2	3311401	5	Nut 1/4	
3	3930610	2	Bolt #6 x 5/8	
4	4060806	11 in	Flex-Trim	
5	4360569	2	Switch, Bezel	
6	4360690	1	Switch, Ignition	
6	8035807	1	Key (with cover)	
7	4761400	3	Washer 1/4	
8	5251014	4	Bolt M10 x 30	
9	7138833	1	Column, Steering	
10	7138836	1	Wheel, Steering	
11	7138878	1	Button, Horn	
12	7138944	2	Strips, Brush	
13	8223037	1	Switch, Steer Select	
14	8223054	1	Switch, Park Brake	
15	8303620	4	Bolt 3/8 x 1	
16	8303626	4	Bolt 1/2 x 1-1/2	
18	8303697	3	Bolt 5/16 x 3/4	
19	8303982	6	Screw 1/4 x 3/4	
20	8305626	4	Nut 5/16	
21	8305644	4	Nut 1/2	
22	8305916	1	Nut, Steering Column	
23	8307023	4	Washer M10	
24	8307106	7	Washer 5/16	
25	8307109	3	Washer 1/4	
26	8307110	4	Washer 3/8	
27	8307112	4	Washer 1/2	
28	8310026	3	Bolt 1/4 x 3/4	
29	8310382	8	Nut 1/4	
30	1320022	2	Clamp, Fuel Line	
31	8990147	1	Holder, Manual	
32	1001081049	1	Grommet, Split	
33	1001275934	1	Seat, Cab (See Separate Breakdown in this Section)	
34	1001102844	2	U-Bolt 1/4 x 1-1/4	
35	1001114867	1	Socket, 12V Power Point	
36	1001256519	1	Mount, Cab Step	
37	1001159878	1	Support, Armrest	
38	1001170738	1	Gauge	
39	1001210703	1	Controller	
40	1001264554	1	Accelerator (Note: No Serviceable Parts - Purchase Complete Assembly)	
41	1001183164	1	Reservoir, Brake Valve	
42	1001246736	1	Cab, Open (See Separate Breakdown in this Section)	
43	1001223052	1	Assembly, Brake (See Separate Breakdown in CONTROLS Section)	
44	1001201658	1	Hose	
45	1001207963	1	Plug, 5/8	
46	4710600	2	Washer	
47	1001265914	1	Cover, Pedal	

SECTION 6 - CAB

FIGURE 6-4. CAB ASSEMBLY - OPEN CAB



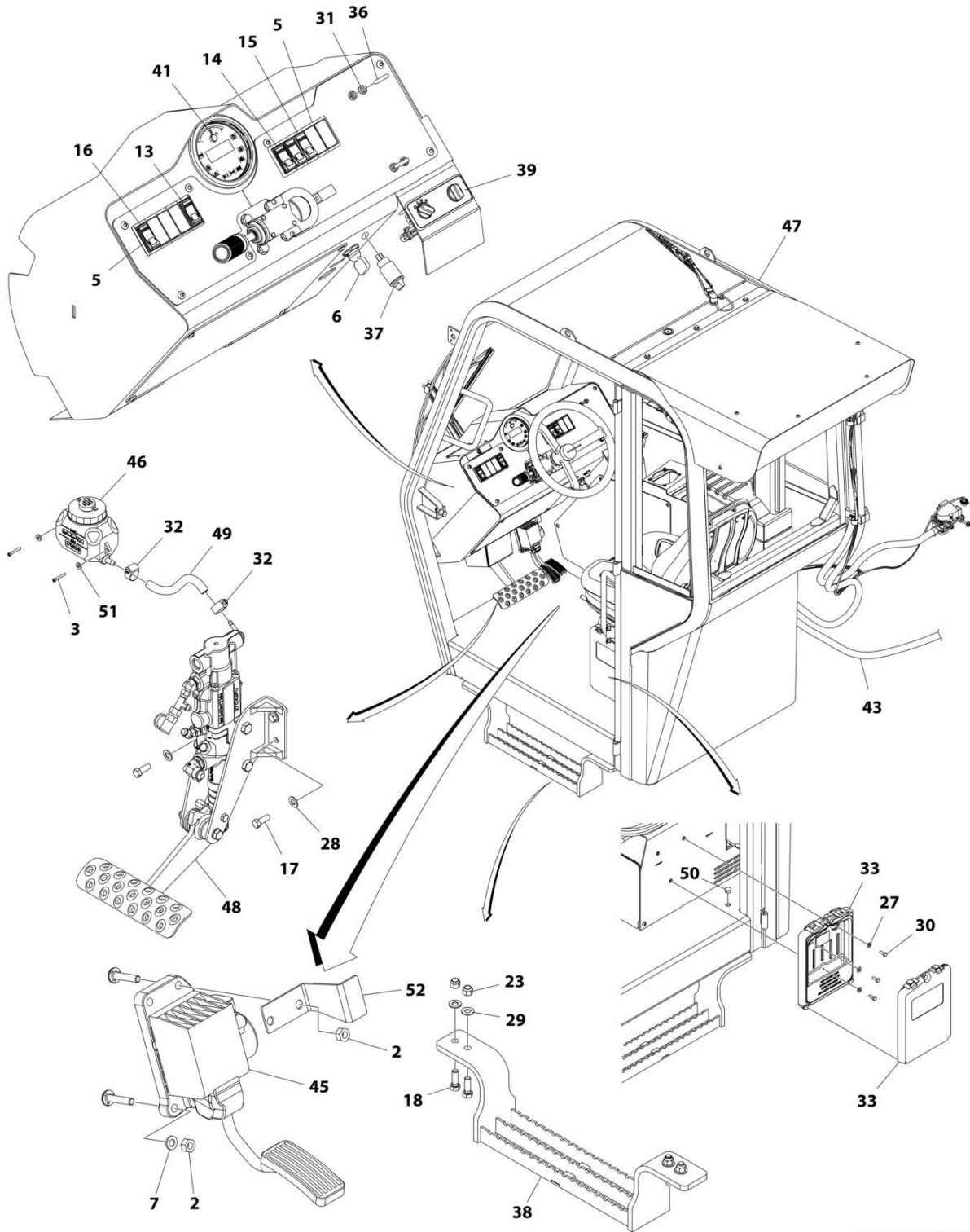
ART_1001246736

FIGURE 6-4. CAB ASSEMBLY - OPEN CAB

ITEM	PART NUMBER	QTY	DESCRIPTION	REV
	1001246736	Ref	CAB OPEN	D
1	8303034	25	Screw 1/4 x 3/4	
2	8310085	2	Nut M10	
3	1001149227	3	Screw 5/16 x 1	
4	1001160788	1	Panel, RH Console Access Plate	
5	1001160790	1	Panel, LH Dash Cover	
6	1001160791	1	Panel, RH Dash Cover	
7	1001160815	1	Panel, Roof Cover	
8	1001165617	1	Assembly, Side Console Access Panel	
9	1001202189	1	Door, Brake Reservoir	
10	1001202202	2	Nut	
11	1001202615	2	Cap, Silicon Stud Cover	
12	1001202746	1	Panel, Brake Access Plate	
13	1001246735	1	Cab Weldment	

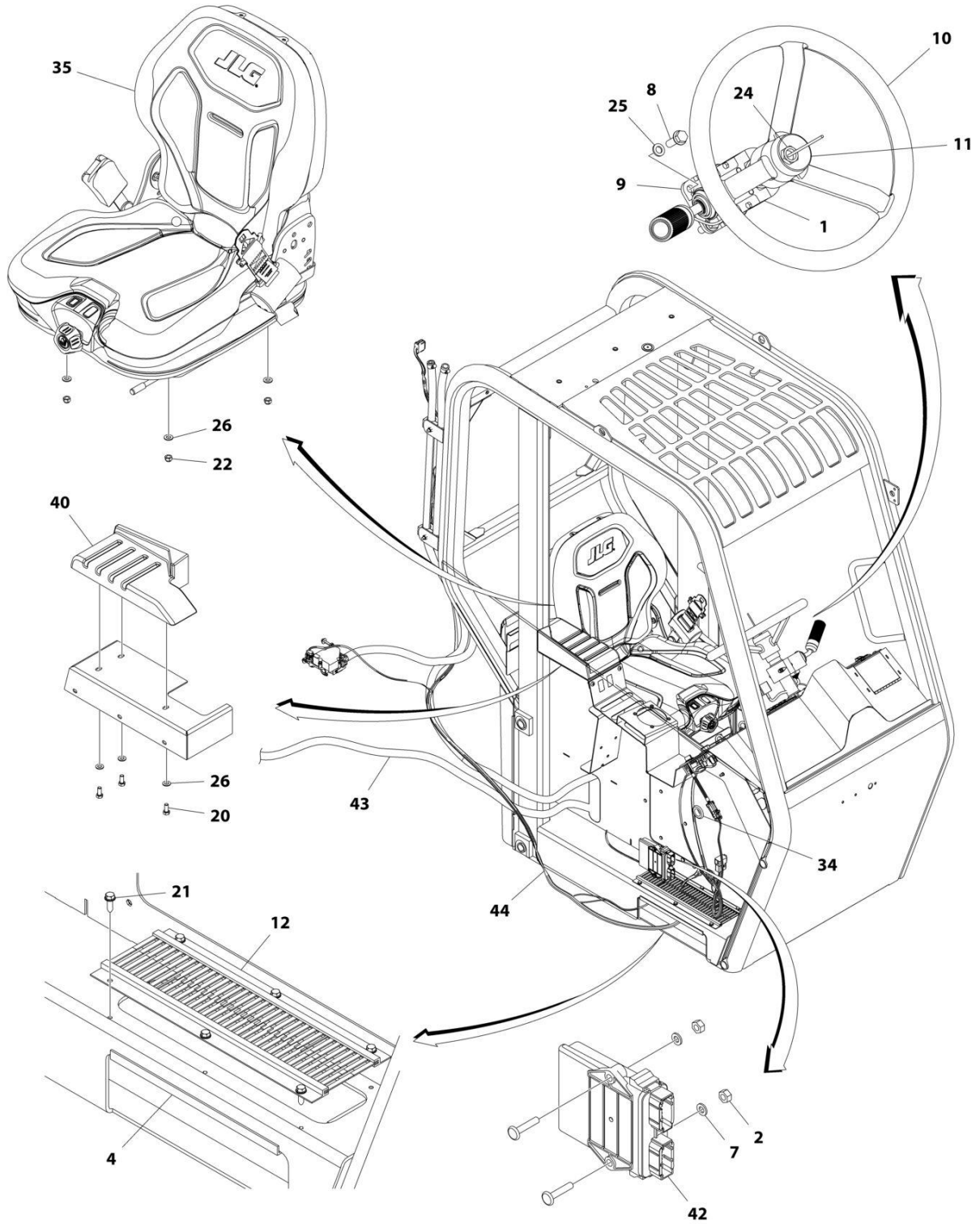
SECTION 6 - CAB

FIGURE 6-5. CAB INSTALLATION - ENCLOSED CAB WITH HEATER (BLACK SEAT BELT)



ART_1001185776_I_10F2

SECTION 6 - CAB



ART_1001185776_L_20F2

SECTION 6 - CAB

FIGURE 6-5. CAB INSTALLATION - ENCLOSED CAB WITH HEATER (BLACK SEAT BELT)

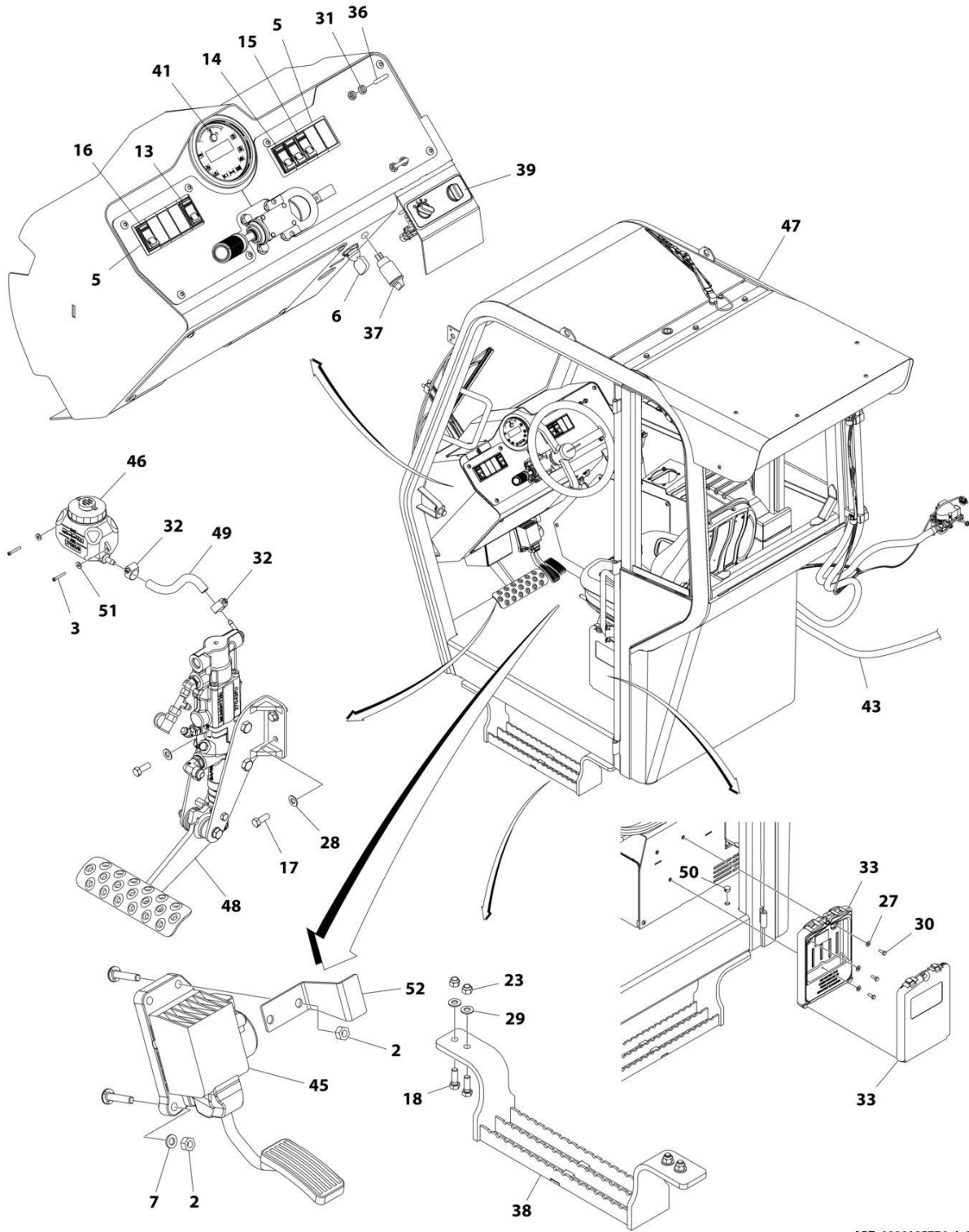
ITEM	PART NUMBER	QTY	DESCRIPTION	REV
	1001185776	Ref	ENCLOSED CAB WITH HEATER INSTALLATION	I
1	1600429	1	Selector, Transmission Control	
2	3311401	5	Nut 1/4	
3	3930610	2	Bolt 6 x 5/8	
4	4060806	11 in	Shield, Flex Trim, 5/16	
5	4360569	2	Switch, Bezel	
6	4360690	1	Switch, Ignition	
6	8035807	1	Key (with cover)	
7	4761400	3	Washer 1/4	
8	5251014	4	Bolt M10 x 30	
9	7138833	1	Column, Steering	
10	7138836	1	Wheel, Steering	
11	7138878	1	Button, Horn	
12	7138944	2	Strips, Brush	
13	8223037	1	Switch, Steer Select	
14	8223043	2	Switch, Windscreen Wiper	
15	8223044	1	Switch, Windscreen Washer	
16	8223054	1	Switch, Park Brake	
17	8303620	4	Bolt 3/8 x 1	
18	8303626	4	Bolt 1/2 x 1-1/2	
20	8303697	3	Bolt 5/16 x 3/4	
21	8303982	6	Screw 1/4 x 3/4	
22	8305626	4	Nut 5/16	
23	8305644	4	Nut 1/2	
24	8305916	1	Nut, Steering Column	
25	8307023	4	Washer M10	
26	8307106	7	Washer 5/16	
27	8307109	3	Washer 1/4	
28	8307110	4	Washer 3/8	
29	8307112	4	Washer 1/2	
30	8310026	3	Bolt 1/4 x 3/4	
31	8310382	8	Nut 1/4	
32	1320022	2	Clamp, Fuel Line	
33	8990147	1	Holder, Manual	
34	1001081049	1	Grommet, Split	
35	1001190229	1	Seat, Cab (See Separate Breakdown in this Section)	
36	1001102844	2	Bolt 1/4 x 1-1/4	
37	1001114867	1	Socket, 12V Power Point	
38	1001256519	1	Mount, Cab Step	
39	1001159850	1	Panel, Heater Control	
40	1001159878	1	Support, Armrest	
41	1001170738	1	Gauge	
42	1001210703	1	Controller	
43	1001171807	1	Installation, Cab Heater Lines (See Separate Breakdown in this Section)	
44	1001178347	1	Harness, HVAC (See Separate Breakdown in ELECTRICAL Section)	
45	1001264554	1	Accelerator (Note: No Serviceable Parts - Purchase Complete Assembly)	
46	1001183164	1	Reservoir, Brake Valve	

SECTION 6 - CAB

ITEM	PART NUMBER	QTY	DESCRIPTION	REV
47	1001246737	1	Cab, Enclosed with Heater (See Separate Breakdown in this Section)	
48	1001223052	1	Assembly, Brake (See Separate Breakdown in CONTROLS Section)	
49	1001201658	1	Hose	
50	1001207963	1	Plug, 5/8	
51	4710600	2	Washer #6	
52	1001265914	1	Cover, Pedal	

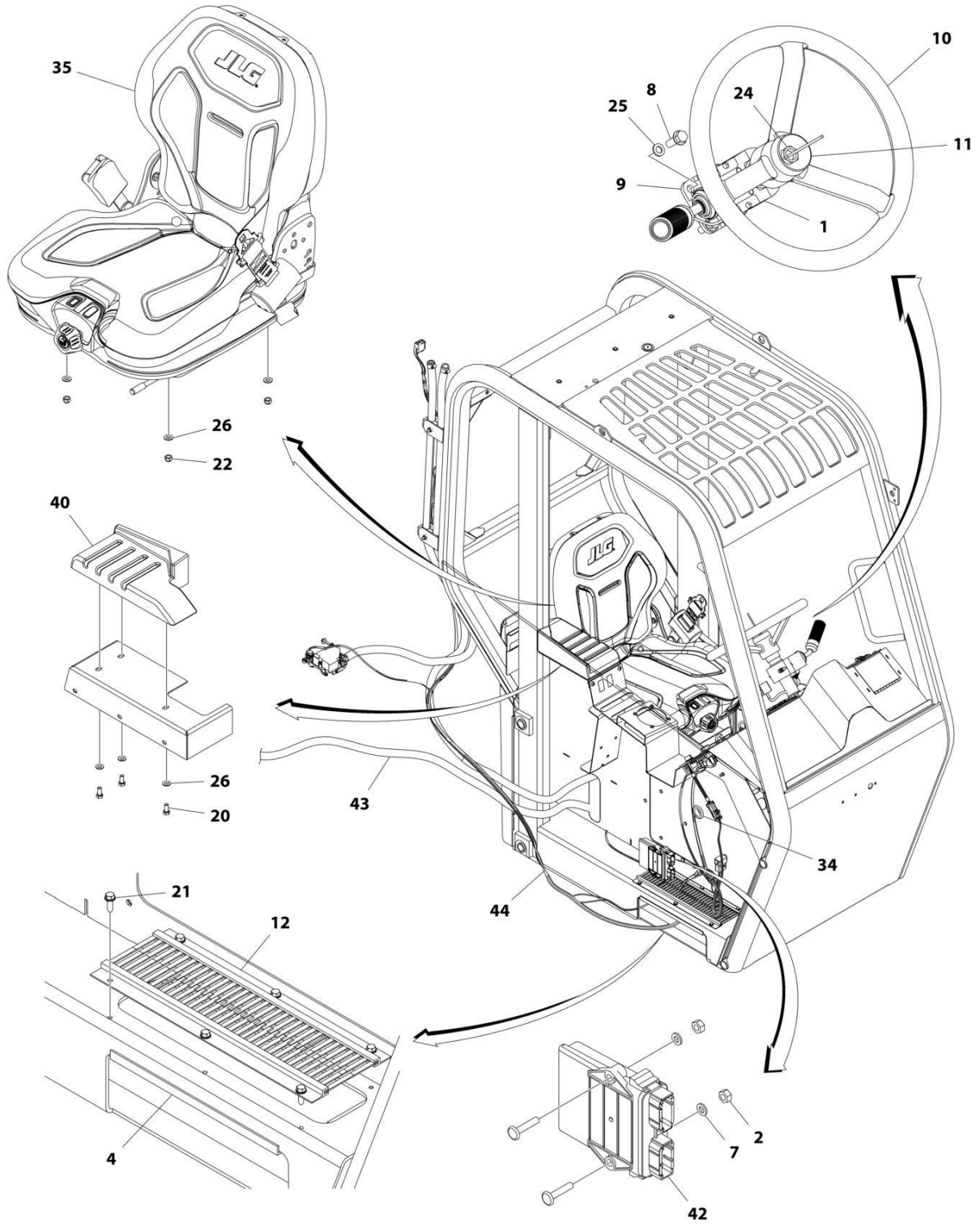
SECTION 6 - CAB

FIGURE 6-6. CAB INSTALLATION - ENCLOSED CAB WITH HEATER (ORANGE SEAT BELT)



ART_1001185776_J_10F2

SECTION 6 - CAB



ART_1001185776_J_20F2

SECTION 6 - CAB

FIGURE 6-6. CAB INSTALLATION - ENCLOSED CAB WITH HEATER (ORANGE SEAT BELT)

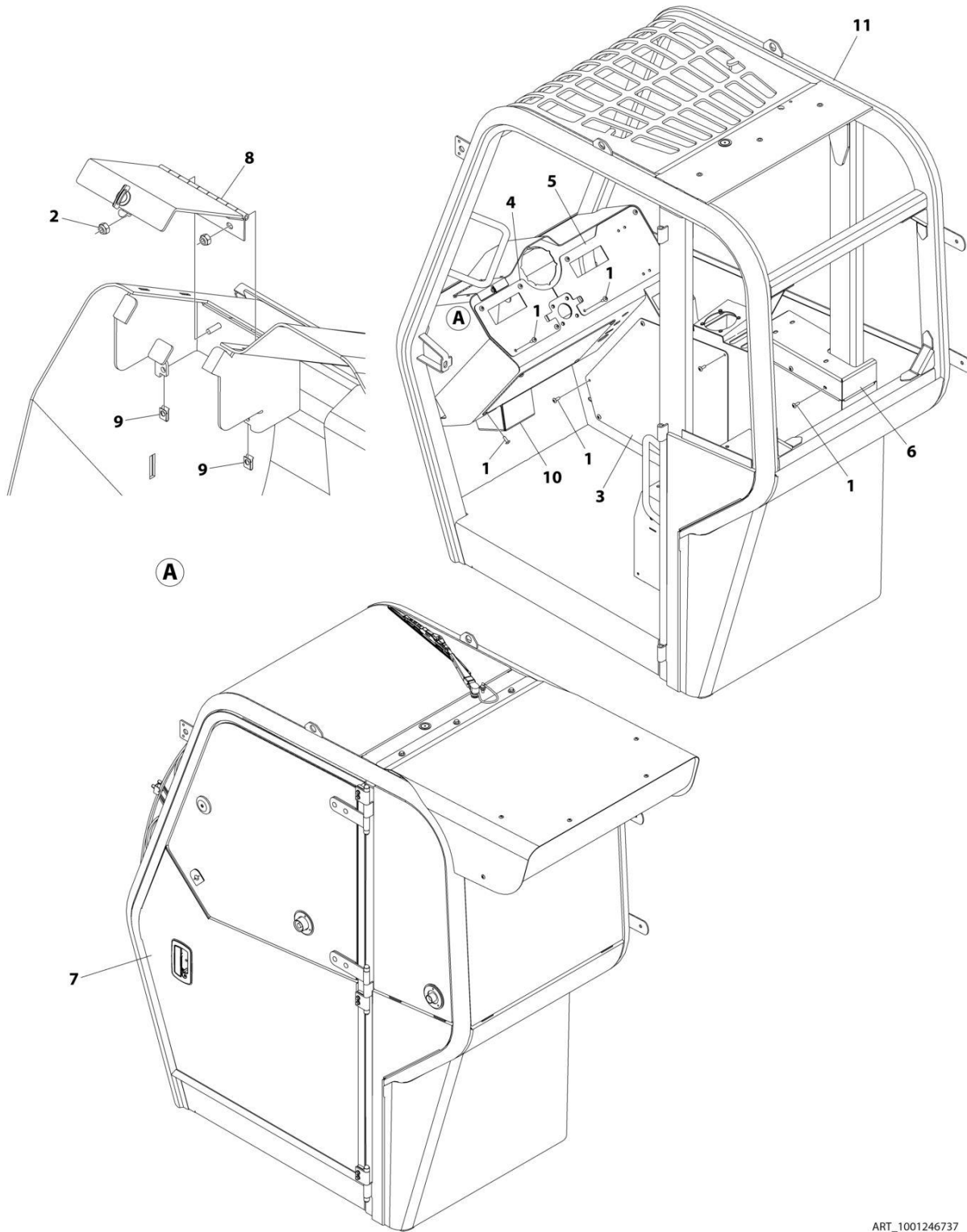
ITEM	PART NUMBER	QTY	DESCRIPTION	REV
	1001185776	Ref	ENCLOSED CAB WITH HEATER INSTALLATION	J
1	1600429	1	Selector, Transmission Control	
2	3311401	5	Nut 1/4	
3	3930610	2	Bolt 6 x 5/8	
4	4060806	11 in	Shield, Flex Trim, 5/16	
5	4360569	2	Switch, Bezel	
6	4360690	1	Switch, Ignition	
6	8035807	1	Key (with cover)	
7	4761400	3	Washer 1/4	
8	5251014	4	Bolt M10 x 30	
9	7138833	1	Column, Steering	
10	7138836	1	Wheel, Steering	
11	7138878	1	Button, Horn	
12	7138944	2	Strips, Brush	
13	8223037	1	Switch, Steer Select	
14	8223043	2	Switch, Windscreen Wiper	
15	8223044	1	Switch, Windscreen Washer	
16	8223054	1	Switch, Park Brake	
17	8303620	4	Bolt 3/8 x 1	
18	8303626	4	Bolt 1/2 x 1-1/2	
20	8303697	3	Bolt 5/16 x 3/4	
21	8303982	6	Screw 1/4 x 3/4	
22	8305626	4	Nut 5/16	
23	8305644	4	Nut 1/2	
24	8305916	1	Nut, Steering Column	
25	8307023	4	Washer M10	
26	8307106	7	Washer 5/16	
27	8307109	3	Washer 1/4	
28	8307110	4	Washer 3/8	
29	8307112	4	Washer 1/2	
30	8310026	3	Bolt 1/4 x 3/4	
31	8310382	8	Nut 1/4	
32	1320022	2	Clamp, Fuel Line	
33	8990147	1	Holder, Manual	
34	1001081049	1	Grommet, Split	
35	1001275934	1	Seat, Cab (See Separate Breakdown in this Section)	
36	1001102844	2	Bolt 1/4 x 1-1/4	
37	1001114867	1	Socket, 12V Power Point	
38	1001256519	1	Mount, Cab Step	
39	1001159850	1	Panel, Heater Control	
40	1001159878	1	Support, Armrest	
41	1001170738	1	Gauge	
42	1001210703	1	Controller	
43	1001171807	1	Installation, Cab Heater Lines (See Separate Breakdown in this Section)	
44	1001178347	1	Harness, HVAC (See Separate Breakdown in ELECTRICAL Section)	
45	1001264554	1	Accelerator (Note: No Serviceable Parts - Purchase Complete Assembly)	
46	1001183164	1	Reservoir, Brake Valve	

SECTION 6 - CAB

ITEM	PART NUMBER	QTY	DESCRIPTION	REV
47	1001246737	1	Cab, Enclosed with Heater (See Separate Breakdown in this Section)	
48	1001223052	1	Assembly, Brake (See Separate Breakdown in CONTROLS Section)	
49	1001201658	1	Hose	
50	1001207963	1	Plug, 5/8	
51	4710600	2	Washer #6	
52	1001265914	1	Cover, Pedal	

SECTION 6 - CAB

FIGURE 6-7. CAB ASSEMBLY - ENCLOSED CAB WITH HEATER



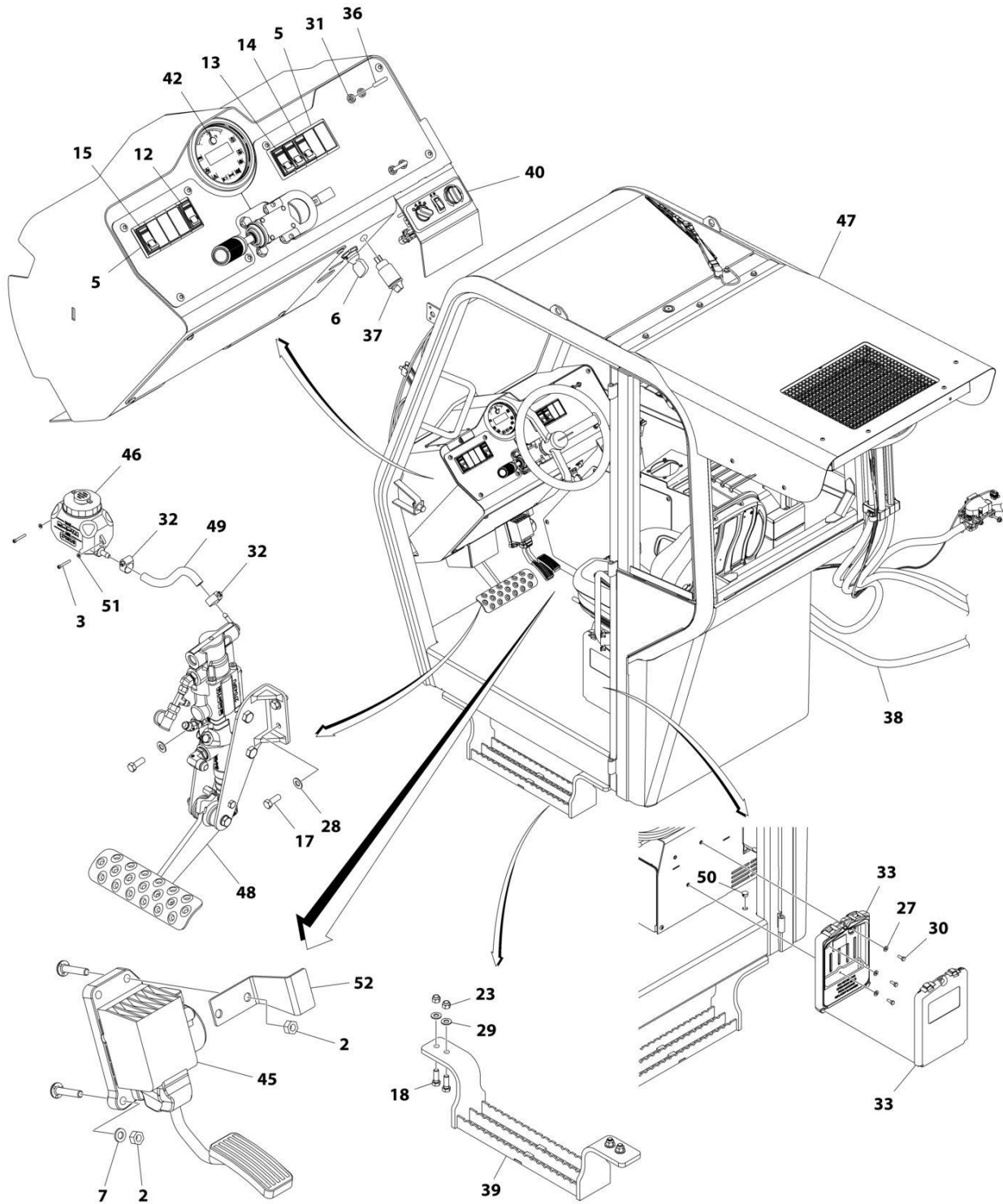
ART_1001246737

FIGURE 6-7. CAB ASSEMBLY - ENCLOSED CAB WITH HEATER

ITEM	PART NUMBER	QTY	DESCRIPTION	REV
	1001246737	Ref	CAB ENCLOSED WITH HEATER	G
1	8303034	22	Screw 1/4 x 3/4	
2	8310085	2	Nut	
3	1001160788	1	Panel, RH Console Access Plate	
4	1001160790	1	Panel, LH Dash Cover	
5	1001160791	1	Panel, RH Dash Cover	
6	1001165617	1	Assembly, Side Console Access Panel	
7	1001165823	1	Enclosure, Cab (See Separate Breakdown in this Section)	
8	1001202189	1	Door, Brake Reservoir	
9	1001202202	2	Nut	
10	1001202746	1	Panel, Brake Access Plate	
11	See Note	NSS	Cab (Purchase Complete Assembly)	

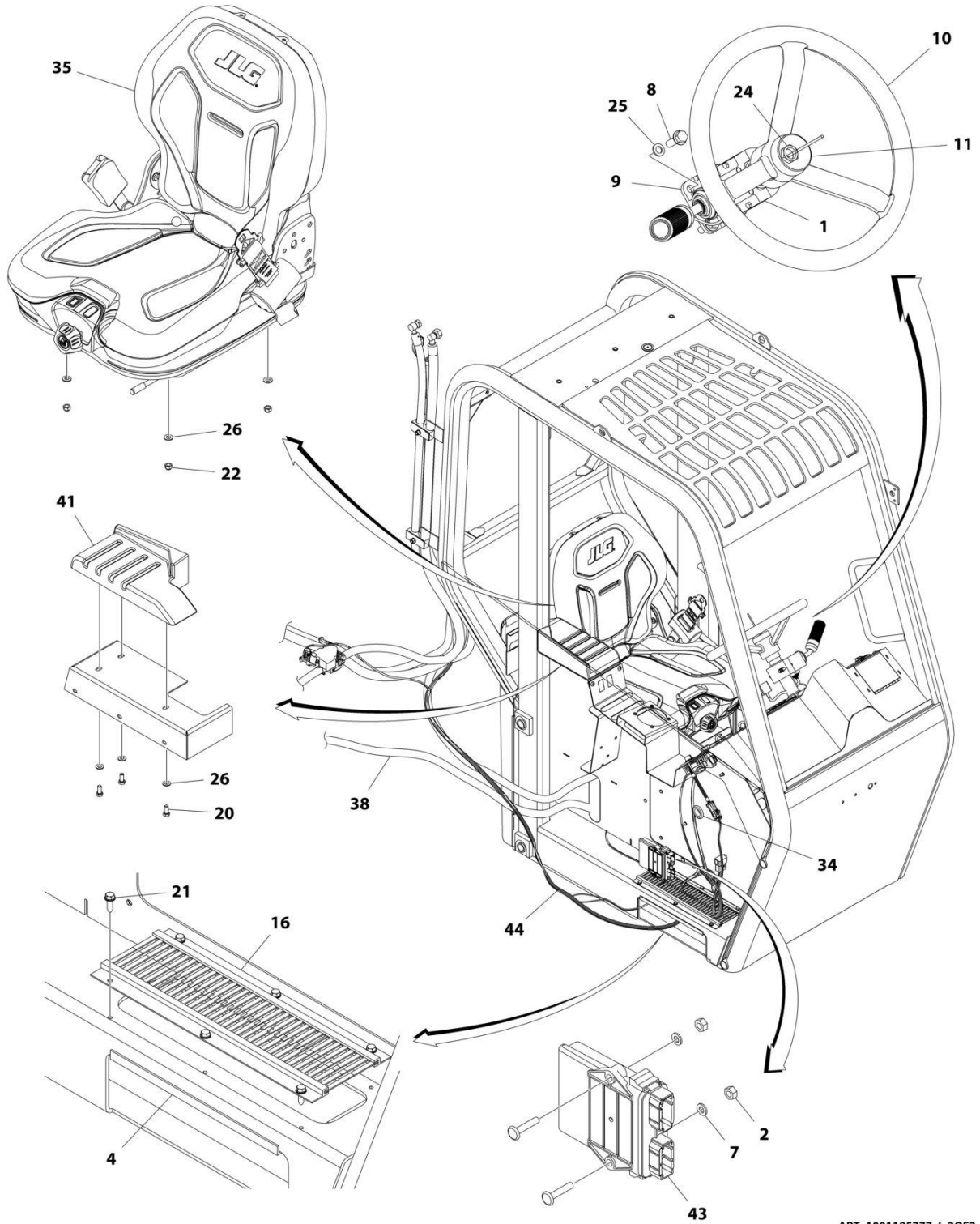
SECTION 6 - CAB

FIGURE 6-8. CAB INSTALLATION - ENCLOSED CAB WITH HEATER/AC (BLACK SEAT BELT)



ART_1001185777_I_10F2

SECTION 6 - CAB



ART_1001185777_I_20F2

SECTION 6 - CAB

FIGURE 6-8. CAB INSTALLATION - ENCLOSED CAB WITH HEATER/AC (BLACK SEAT BELT)

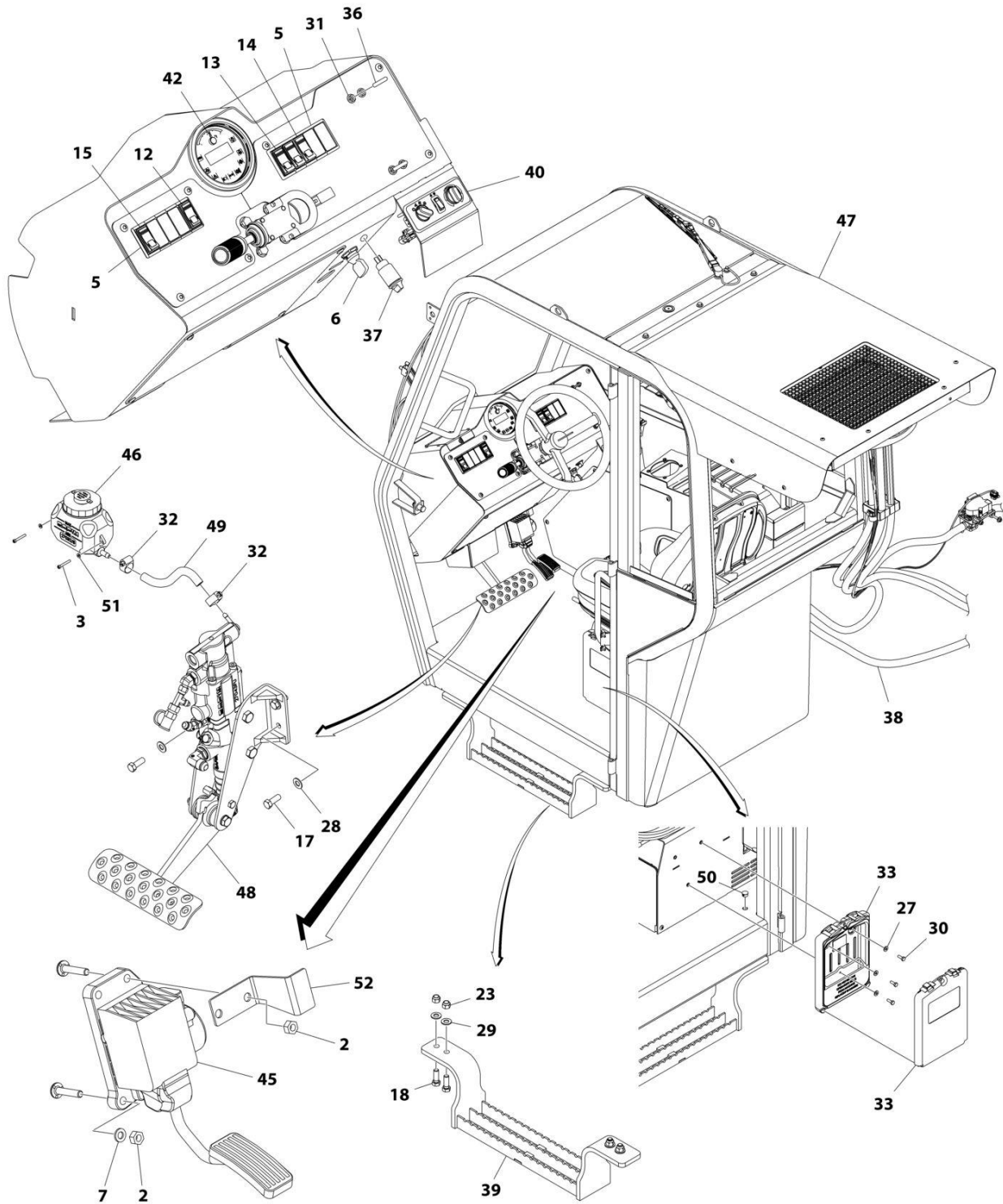
ITEM	PART NUMBER	QTY	DESCRIPTION	REV
	1001185777	Ref	ENCLOSED CAB WITH HEATER/AC INSTALLATION	I
1	1600429	1	Selector, Transmission Control	
2	3311401	5	Nut 1/4	
3	3930610	2	Bolt #6 x 5/8	
4	4060806	11 in	Shield, Flex Trim 5/16	
5	4360569	2	Switch, Bezel	
6	4360690	1	Switch, Ignition	
7	4761400	3	Washer 1/4	
8	5251014	4	Bolt M10 x 30	
9	7138833	1	Column, Steering	
10	7138836	1	Wheel, Steering	
11	7138878	1	Button, Horn	
12	8223037	1	Switch, Steer Select	
13	8223043	2	Switch, Windscreen Wiper	
14	8223044	1	Switch, Windscreen Washer	
15	8223054	1	Switch, Park Brake	
16	7138944	2	Strips, Brush	
17	8303620	4	Bolt 3/8 x 1	
18	8303626	4	Bolt 1/2 x 1-1/2	
20	8303697	3	Bolt 5/16 x 3/4	
21	8303982	6	Screw 1/4 x 3/4	
22	8305626	4	Nut 5/16	
23	8305644	4	Nut 1/2	
24	8305916	1	Nut, Steering Column	
25	8307023	4	Washer M10	
26	8307106	7	Washer 5/16	
27	8307109	3	Washer 1/4	
28	8307110	4	Washer 3/8	
29	8307112	4	Washer 1/2	
30	8310026	3	Bolt 1/4 x 3/4	
31	8310382	8	Nut 1/4	
32	1320022	2	Clamp, Fuel Line	
33	8990147	1	Holder, Manual	
34	1001081049	1	Grommet	
35	1001190229	1	Seat, Cab (See Separate Breakdown in this Section)	
36	1001102844	2	U-Bolt 1/4 x 1-1/4	
37	1001114867	1	Socket, 12V Power Point	
38	1001171806	1	Installation, Cab Heater/AC Lines (See Separate Breakdown in this Section)	
39	1001256519	1	Mount, Cab Step	
40	1001159851	1	Panel, HVAC Control	
40	1001204362	1	Switch, Fan	
40	7301265	1	Switch, A/C	
41	1001159878	1	Support, Armrest	
42	1001170738	1	Gauge	
43	1001210703	1	Controller	
44	1001178347	1	Harness, HVAC (See Separate Breakdown in ELECTRICAL Section)	
45	1001264554	1	Accelerator (Note: No Serviceable Parts - Purchase Complete Assembly)	

SECTION 6 - CAB

ITEM	PART NUMBER	QTY	DESCRIPTION	REV
46	1001183164	1	Reservoir, Brake Valve	
47	1001246738	1	Cab, Enclosed with Heater/AC (See Separate Breakdown in this Section)	
48	1001223052	1	Assembly, Brake (See Separate Breakdown in CONTROLS Section)	
49	1001201658	1	Hose	
50	1001207963	1	Plug, 5/8	
51	4710600	2	Washer #6	
52	1001265914	1	Cover, Pedal	

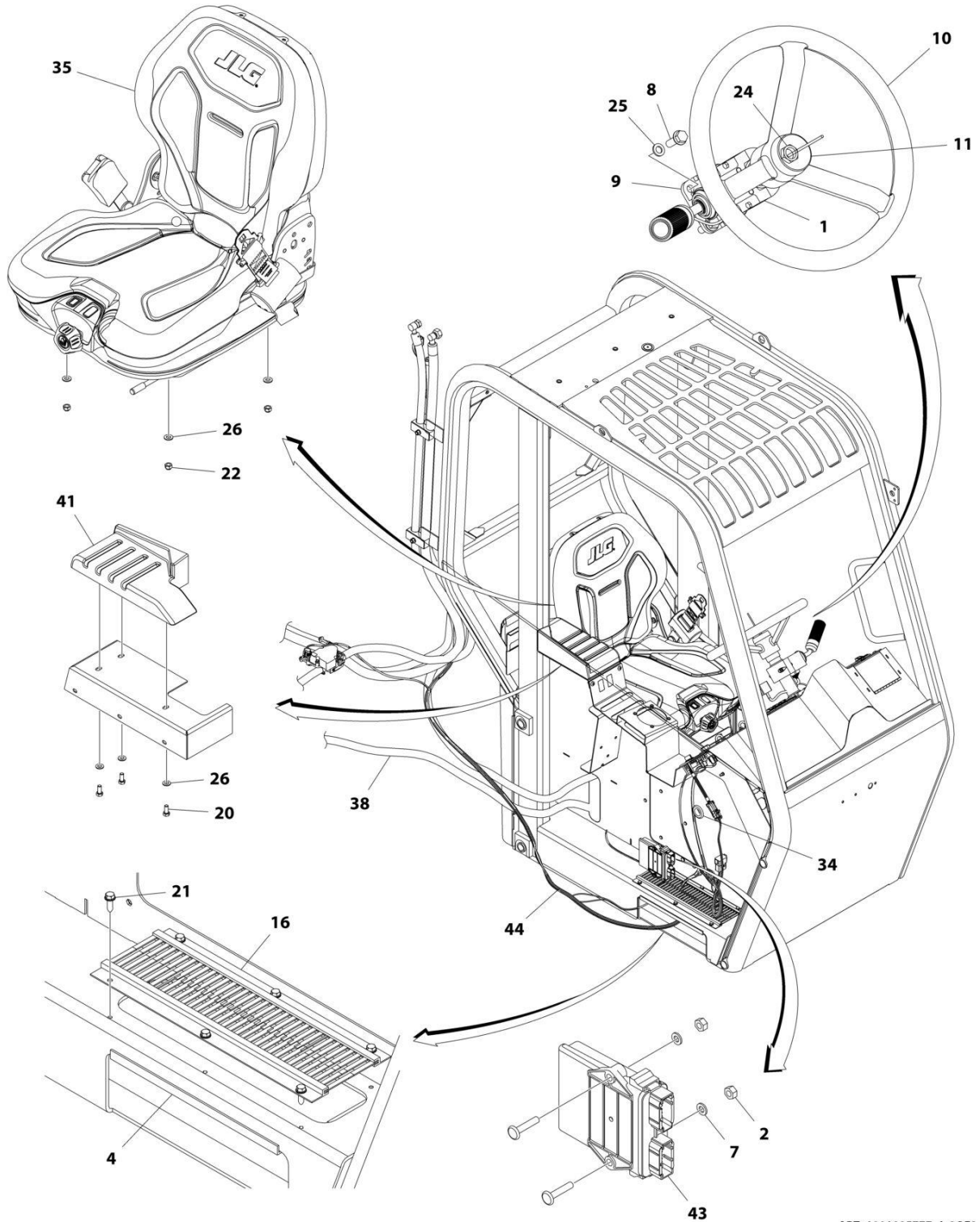
SECTION 6 - CAB

FIGURE 6-9. CAB INSTALLATION - ENCLOSED CAB WITH HEATER/AC (ORANGE SEAT BELT)



ART_1001185777_J_10F2

SECTION 6 - CAB



ART_1001185777_J_20F2

SECTION 6 - CAB

FIGURE 6-9. CAB INSTALLATION - ENCLOSED CAB WITH HEATER/AC (ORANGE SEAT BELT)

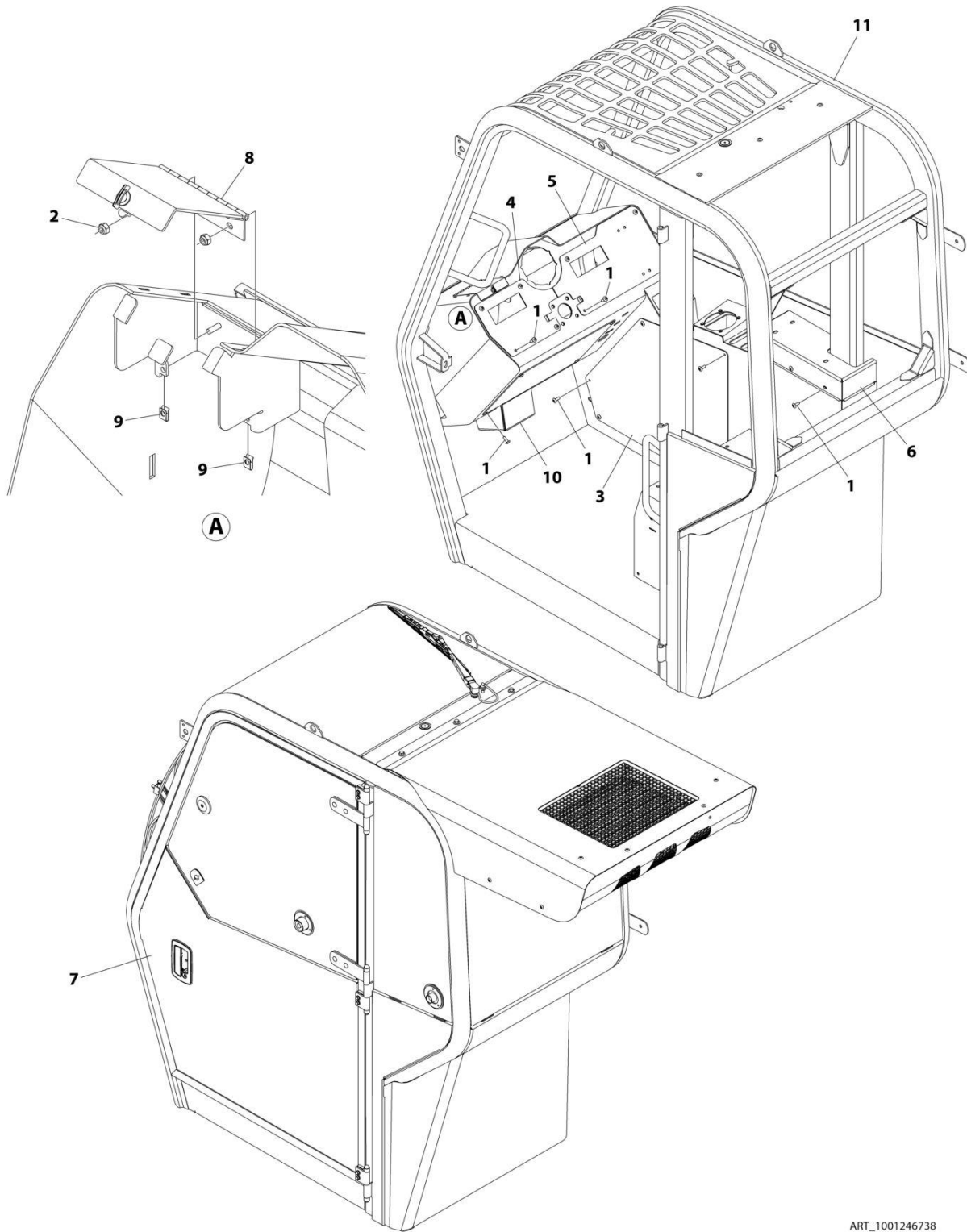
ITEM	PART NUMBER	QTY	DESCRIPTION	REV
	1001185777	Ref	ENCLOSED CAB WITH HEATER/AC INSTALLATION	J
1	1600429	1	Selector, Transmission Control	
2	3311401	5	Nut 1/4	
3	3930610	2	Bolt #6 x 5/8	
4	4060806	11 in	Shield, Flex Trim 5/16	
5	4360569	2	Switch, Bezel	
6	4360690	1	Switch, Ignition	
7	4761400	3	Washer 1/4	
8	5251014	4	Bolt M10 x 30	
9	7138833	1	Column, Steering	
10	7138836	1	Wheel, Steering	
11	7138878	1	Button, Horn	
12	8223037	1	Switch, Steer Select	
13	8223043	2	Switch, Windscreen Wiper	
14	8223044	1	Switch, Windscreen Washer	
15	8223054	1	Switch, Park Brake	
16	7138944	2	Strips, Brush	
17	8303620	4	Bolt 3/8 x 1	
18	8303626	4	Bolt 1/2 x 1-1/2	
20	8303697	3	Bolt 5/16 x 3/4	
21	8303982	6	Screw 1/4 x 3/4	
22	8305626	4	Nut 5/16	
23	8305644	4	Nut 1/2	
24	8305916	1	Nut, Steering Column	
25	8307023	4	Washer M10	
26	8307106	7	Washer 5/16	
27	8307109	3	Washer 1/4	
28	8307110	4	Washer 3/8	
29	8307112	4	Washer 1/2	
30	8310026	3	Bolt 1/4 x 3/4	
31	8310382	8	Nut 1/4	
32	1320022	2	Clamp, Fuel Line	
33	8990147	1	Holder, Manual	
34	1001081049	1	Grommet	
35	1001275934	1	Seat, Cab (See Separate Breakdown in this Section)	
36	1001102844	2	U-Bolt 1/4 x 1-1/4	
37	1001114867	1	Socket, 12V Power Point	
38	1001171806	1	Installation, Cab Heater/AC Lines (See Separate Breakdown in this Section)	
39	1001256519	1	Mount, Cab Step	
40	1001159851	1	Panel, HVAC Control	
40	1001204362	1	Switch, Fan	
40	7301265	1	Switch, A/C	
41	1001159878	1	Support, Armrest	
42	1001170738	1	Gauge	
43	1001210703	1	Controller	
44	1001178347	1	Harness, HVAC (See Separate Breakdown in ELECTRICAL Section)	
45	1001264554	1	Accelerator (Note: No Serviceable Parts - Purchase Complete Assembly)	

SECTION 6 - CAB

ITEM	PART NUMBER	QTY	DESCRIPTION	REV
46	1001183164	1	Reservoir, Brake Valve	
47	1001246738	1	Cab, Enclosed with Heater/AC (See Separate Breakdown in this Section)	
48	1001223052	1	Assembly, Brake (See Separate Breakdown in CONTROLS Section)	
49	1001201658	1	Hose	
50	1001207963	1	Plug, 5/8	
51	4710600	2	Washer #6	
52	1001265914	1	Cover, Pedal	

SECTION 6 - CAB

FIGURE 6-10. CAB ASSEMBLY - ENCLOSED CAB WITH HEATER/AC



ART_1001246738

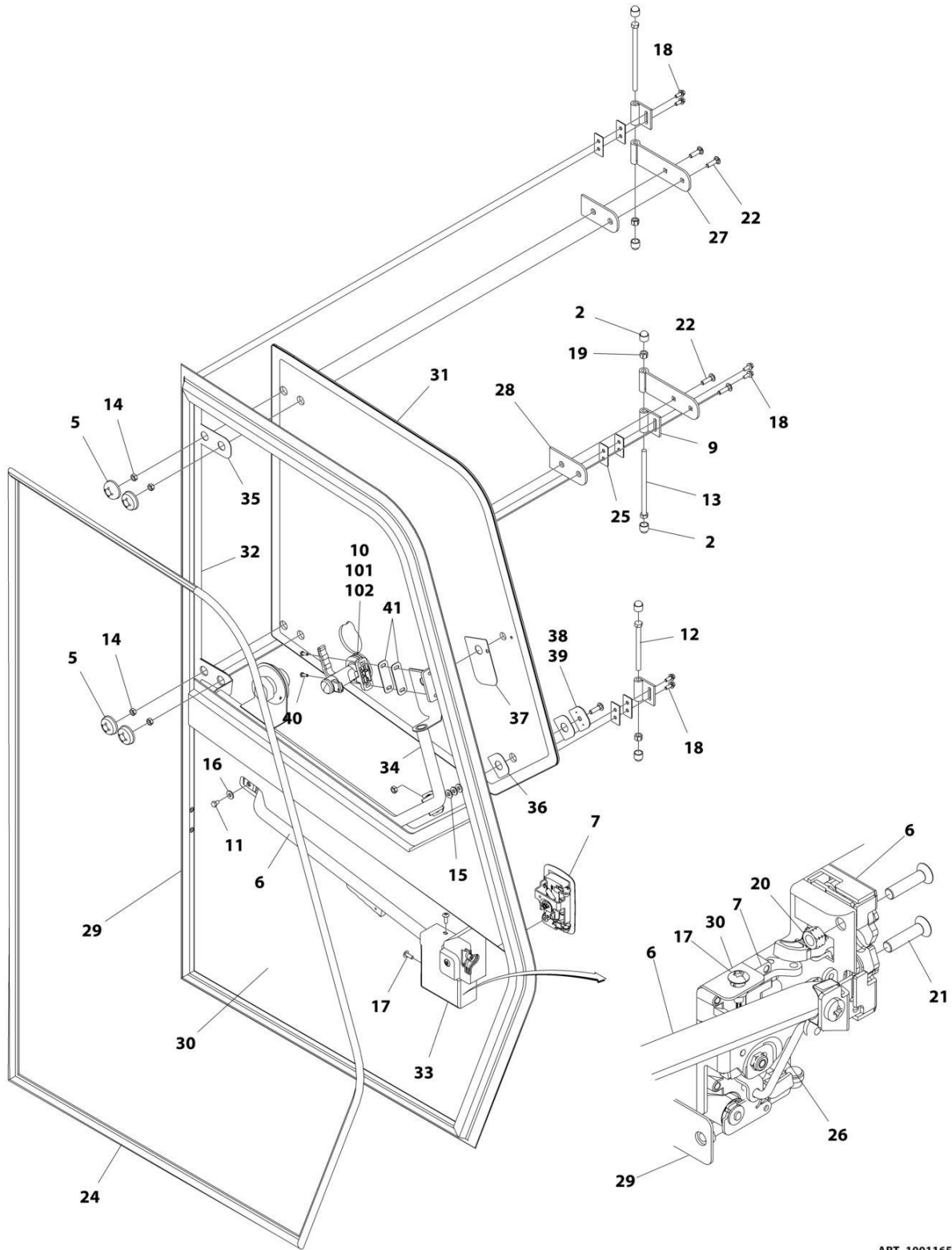
SECTION 6 - CAB

FIGURE 6-10. CAB ASSEMBLY - ENCLOSED CAB WITH HEATER/AC

ITEM	PART NUMBER	QTY	DESCRIPTION	REV
	1001246738	Ref	CAB ENCLOSED WITH HEATER/AC	F
1	8303034	22	Screw 1/4 x 3/4	
2	8310085	2	Nut	
3	1001160788	1	Panel, RH Console Access Plate	
4	1001160790	1	Panel, LH Dash Cover	
5	1001160791	1	Panel, RH Dash Cover	
6	1001165617	1	Assembly, Side Console Access Panel	
7	1001168066	1	Enclosure, Cab HVAC (See Separate Breakdown in this Section)	
8	1001202189	1	Door, Brake Reservoir	
9	1001202202	2	Nut M6	
10	1001202746	1	Panel, Brake Access Plate	
11	1001246735	1	Cab Weldment	

SECTION 6 - CAB

FIGURE 6-11. CAB DOOR



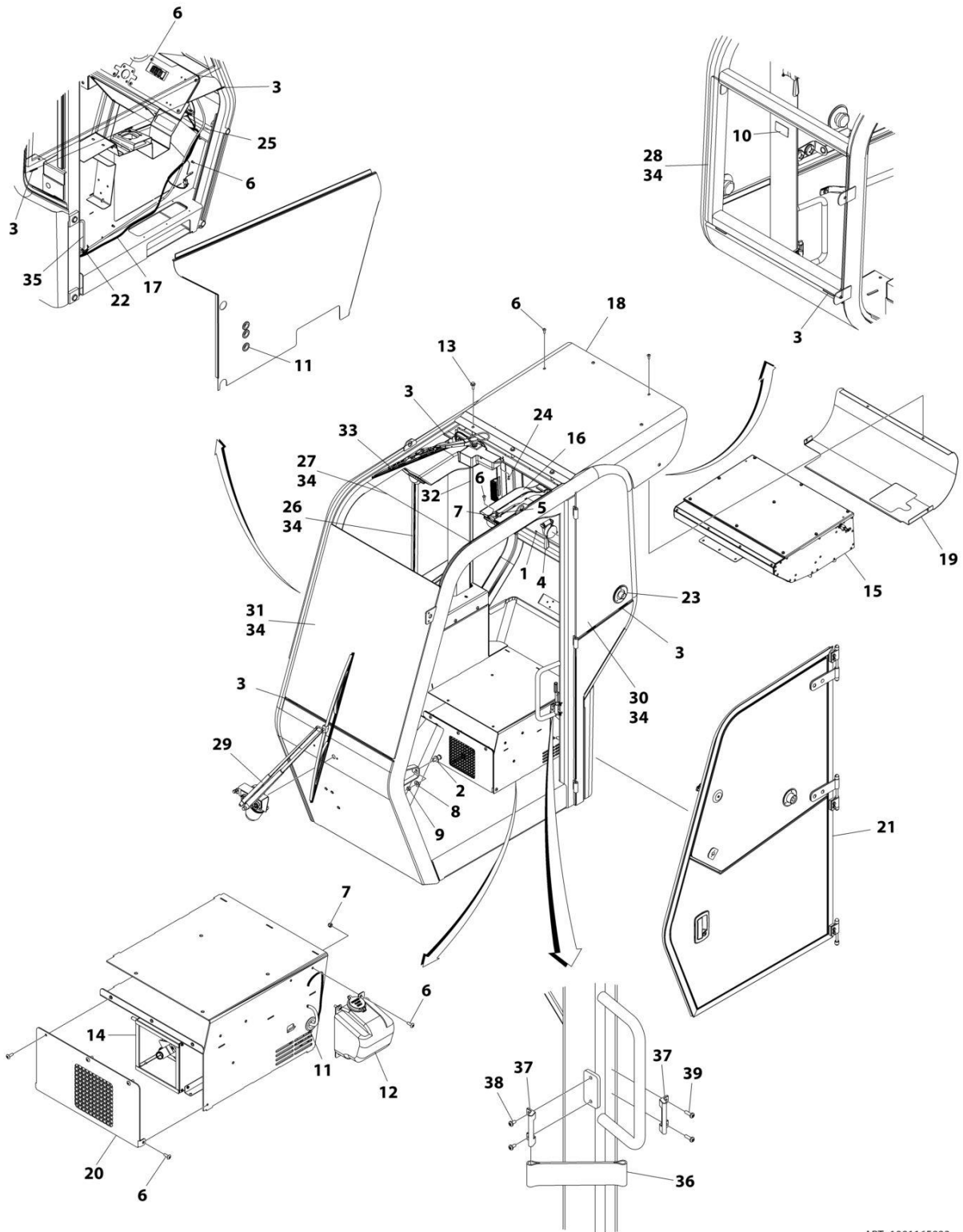
ART_1001165806

FIGURE 6-11. CAB DOOR

ITEM	PART NUMBER	QTY	DESCRIPTION	REV
	1001165806	Ref	CAB DOOR	I
1	1001183104	2	Fastener, Latch	
2	1001182663	6	Cap, Hex Dome	
5	1001081246	5	Cap, Nut M6	
6	1001081247	1	Handle, Interior Cab Door	
7	1001081241	1	Handle, Exterior Cab Door	
7	70021948	1	Key, Cab Door	
9	1001183209	3	Hinge, Slotted	
10	1001220260	1	Handle, Window	
11	0641403	1	Bolt 1/4 x 3/8	
12	0641636	1	Bolt 3/8 x 4-1/2	
13	0641652	2	Bolt 3/8 x 6-1/2	
14	3290801	5	Nut M8	
15	4711500	3	Washer 5/16	
16	4751400	1	Washer 1/4	
17	8303034	2	Screw 1/4 x 3/4	
18	8303119	6	Screw 1/4 x 5/8	
19	8305603	3	Nut 3/8	
20	8305638	2	Nut M8	
21	1001094312	2	Screw M8 x 30	
22	1001108575	5	Screw M8 x 30	
24	1001182408	1	Seal, Door	
25	1001182135	6	Shim, Door Hinge	
26	1001182514	1	Linkage, Exterior Latch	
27	1001081242	2	Hinge, Door	
28	1001081266	2	Spacer, Hinge	
29	1001182842	1	Weldment, Door	
30	1001182800	1	Foam, Door	
31	1001182808	1	Glass, Door	
32	1001182810	1	Seal, Glass	
33	1001182865	1	Cover, Latch	
34	1001182871	1	Handle, Door Glass	
35	1001182882	2	Shim, Hinge	
36	1001182883	2	Shim, Handle	
37	1001182884	1	Shim, Handle Latch	
38	1001183084	1	Plate, Window	
39	1001177746	1	Compound, Locking	
40	1001197099	2	Screw 1/4 x 5/8	
41	1001265272	AR	Shim	
101	1001165276	1	Striker Plate	
102	1001165275	1	Window Latch	
103	1001169787	1	Latch Seal (not shown)	
201	1001280231	1	Door Window Kit (Includes Items 5, 10, 14, 15, 22, 27, 28, 31, 32, 34-41 & Window Lock)	

SECTION 6 - CAB

FIGURE 6-12. CAB ENCLOSURE INSTALLATION



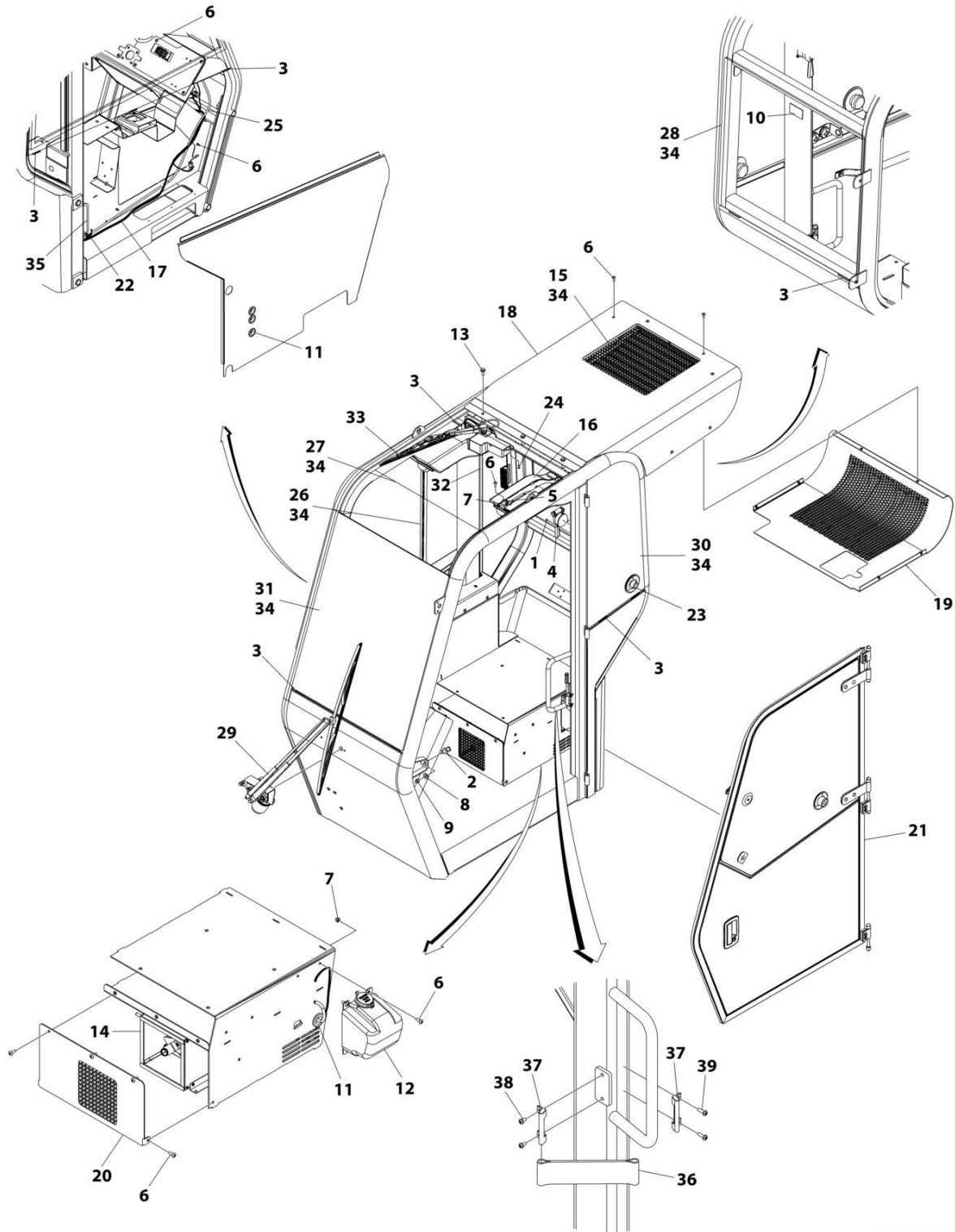
ART_1001165823

FIGURE 6-12. CAB ENCLOSURE INSTALLATION

ITEM	PART NUMBER	QTY	DESCRIPTION	REV
	1001165823	Ref	CAB ENCLOSURE	0
1	91404298	3	Rivet	
2	1001109478	1	Latch, Striker	
3	1001181968	13	Mould, Setting Block	
4	91404301	1	Hammer, Emergency	
5	4711400	2	Washer 1/4	
6	8303034	33	Screw 1/4 x 3/4	
7	8305624	4	Nut 1/4	
8	8307112	1	Washer 1/2	
9	8310109	1	Nut 7/164	
10	91404299	1	Decal, Escape	
11	1001081049	4	Grommet, Split	
12	1001111112	1	Tank, Window Washer Fluid	
12	70025480	1	Pump, Reservoir	
13	1001149227	3	Screw 5/16 x 1	
14	1001159856	1	Heater Assembly - Floor (See Separate Breakdown in this Section)	
15	1001159860	1	HVAC Assembly - Roof Top (See Separate Breakdown in this Section)	
16	1001160785	2	Duct, HVAC	
17	1001178349	1	Harness, Wiper (See Separate Breakdown in ELECTRICAL Section)	
18	1001164282	1	Hood, Top	
19	1001164284	1	Hood, Bottom	
20	1001164717	1	Panel, Floor Heater Access	
21	1001165806	1	Door, Cab (See Separate Breakdown in this Section)	
22	1001008742	1	Coupling, Tee	
23	1001081243	1	Retainer, Door Window Hold	
24	0630464	1	Screw #10 x 1/2	
25	82033997	168 in	Hose, Washer Fluid	
26	8036050	1	Window, RH Slider (See Separate Breakdown in this Section)	
27	7138958	1	Glass, Skylight	
28	1001181707	1	Window, Rear	
29	8036056	1	Assembly, Front Wiper (See Separate Breakdown in this Section)	
30	1001181893	1	Window, LH Rear	
31	1001181903	1	Window, Windshield	
32	1001182091	1	Duct, Wire	
33	1001182470	1	Wiper, Skylight (See Separate Breakdown in this Section)	
34	1001177746	AR	Compound, Locking	
35	4060803	16.5 in	Flex-Trim	
36	80384218	1	Strap, Door	
37	1001196128	2	Bracket, Strap Holder	
38	1001197098	2	Screw #10 x 3/8	
39	1001197099	2	Screw #10 x 5/8	

SECTION 6 - CAB

FIGURE 6-13. CAB ENCLOSURE INSTALLATION - WITH HVAC



ART_1001168066

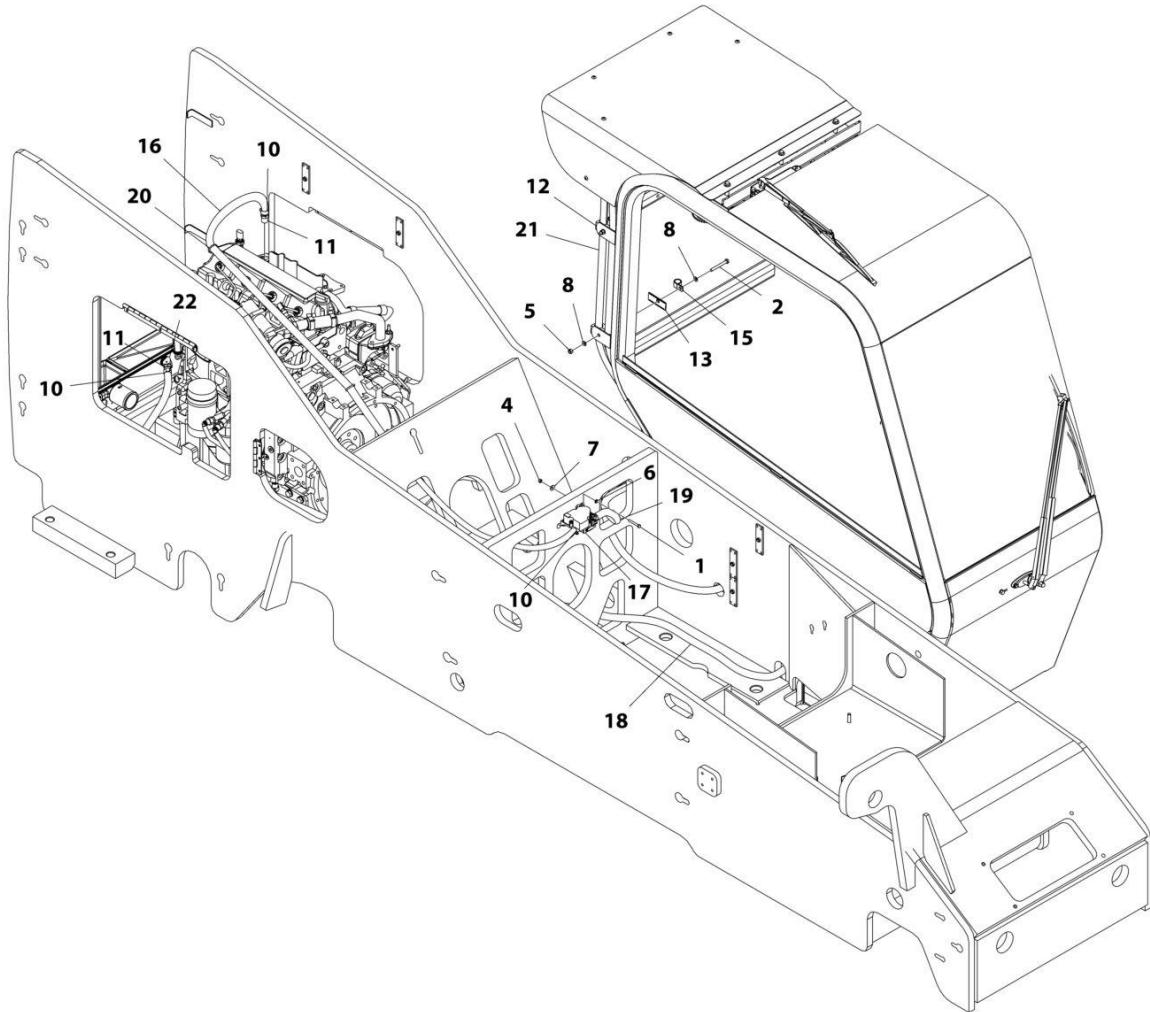
SECTION 6 - CAB

FIGURE 6-13. CAB ENCLOSURE INSTALLATION - WITH HVAC

ITEM	PART NUMBER	QTY	DESCRIPTION	REV
	1001168066	Ref	CAB HVAC ENCLOSURE	0
1	91404298	3	Rivet	
2	1001109478	1	Latch, Striker	
3	1001181968	13	Mould, Setting Block	
4	91404301	1	Hammer, Emergency	
5	4711400	2	Washer 1/4	
6	8303034	35	Screw 1/4 x 3/4	
7	8305624	4	Nut 1/4	
8	8307112	1	Washer 1/2	
9	8310109	1	Nut 7/16	
10	91404299	1	Decal, Escape	
11	1001081049	4	Grommet, Split	
12	1001111112	1	Tank, Window Washer Fluid	
12	70025480	1	Pump, Reservoir	
13	1001149227	3	Screw 5/16 x 1	
14	1001159856	1	Heater, Floor (See Separate Breakdown in this Section)	
15	1001159861	1	Box, Roof (See Separate Breakdown in this Section)	
16	1001160785	2	Duct, HVAC	
17	1001178349	1	Harness, Wiper (See Separate Breakdown in ELECTRICAL Section)	
18	1001164096	1	Hood, Top	
19	1001164099	1	Hood, Bottom	
20	1001164717	1	Panel, Floor Heater Access	
21	1001165806	1	Door, Cab (See Separate Breakdown in this Section)	
22	1001008742	1	Coupling, Tee	
23	1001081243	1	Retainer, Door Window Hold	
24	0630464	1	Screw #10 x 1/2	
25	82033997	168 in	Hose, Washer Fluid	
26	8036050	1	Window, RH Slider (See Separate Breakdown in this Section)	
27	7138958	1	Glass, Skylight	
28	1001181707	1	Window, Rear	
29	8036056	1	Assembly, Front Wiper (See Separate Breakdown in this Section)	
30	1001181893	1	Window, LH Rear	
31	1001181903	1	Window, Windshield	
32	1001182091	1	Duct, Wire	
33	1001182470	1	Wiper, Skylight (See Separate Breakdown in this Section)	
34	1001177746	AR	Compound, Locking	
35	4060803	16.5 in	Flex-Trim	
36	80384218	1	Strap, Door	
37	1001196128	2	Bracket, strap Holder	
38	1001197098	2	Screw #10 x 3/8	
39	1001197099	2	Screw #10 x 5/8	

SECTION 6 - CAB

FIGURE 6-14. CAB HEATER LINES INSTALLATION



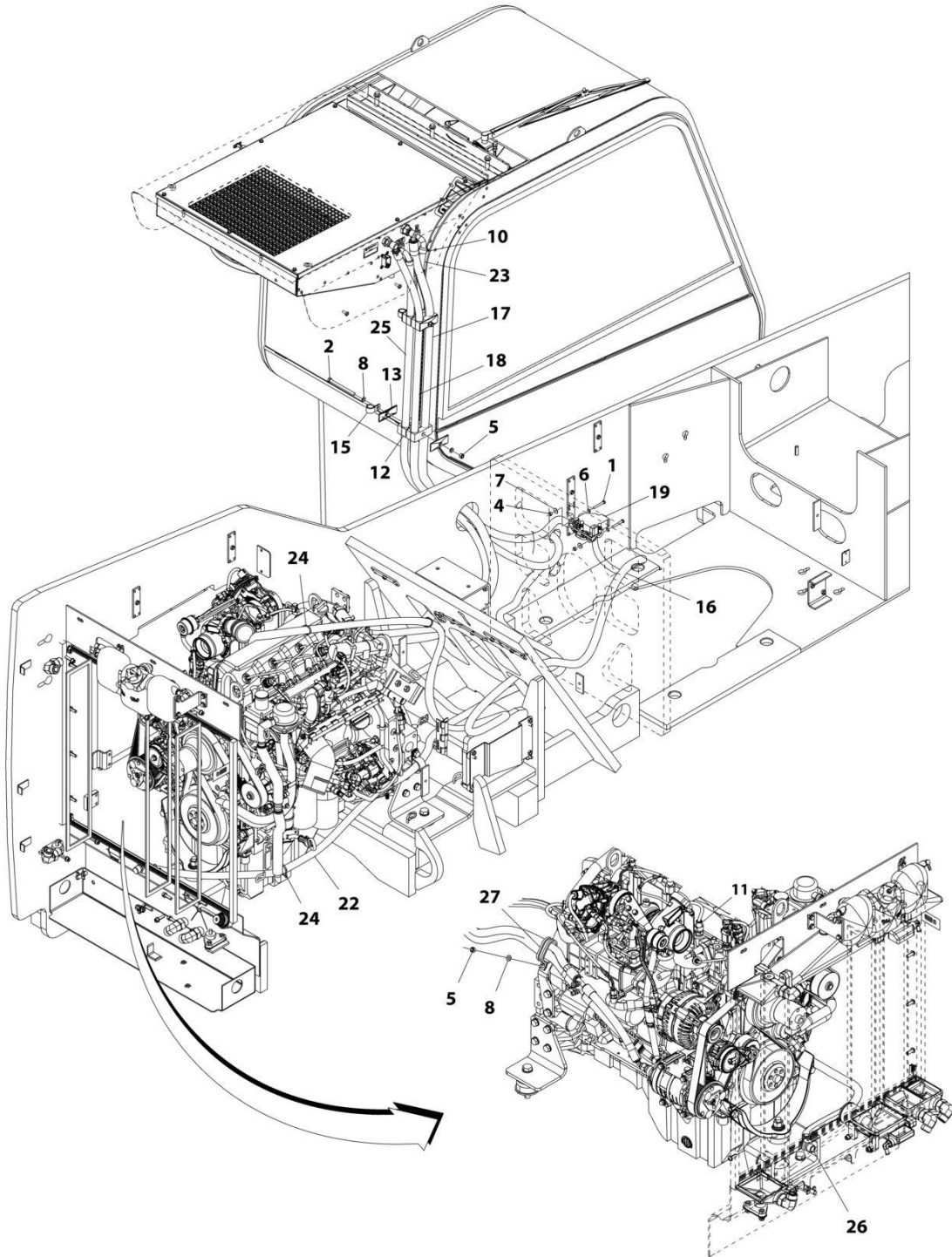
ART_1001171807-D

FIGURE 6-14. CAB HEATER LINES INSTALLATION

ITEM	PART NUMBER	QTY	DESCRIPTION	REV
	1001171807	Ref	Cab Heater Lines Installation	G
1	0700617	2	Bolt, M6X45	
2	0700822	2	Bolt, M8X70	
4	3290605	2	Nut, Lock M6X1	
5	3290805	2	Nut, Lock M8X1-1/4	
6	4811700	2	Washer, M6	
7	4811702	2	Washer, M6	
8	4811900	4	Washer, M8	
10	8405007	8	Clamp, Gear	
11	8430048	2	Reducer, Hose Barb	
12	77133133	2	Clamp, Twin	
13	77133134	2	Clamp, Cover Plate	
15	91043147	2	Clamp, Support	
16	1001158404	1	Hose, Cab Heater	
17	1001159844	1	Valve, Heater (See Separate Breakdown in this section)	
18	1001172537	1	Hose, Heater Return	
19	1001172561	1	Hose, Heater Send Valve to Roof	
20	8584001	4	Wrap, Tie	
21	1001173217	1	Hose, Heater Roof to Floor	
22	1001179229	1	Fitting, 45	

SECTION 6 - CAB

FIGURE 6-15. CAB HEATER/AC LINES INSTALLATION



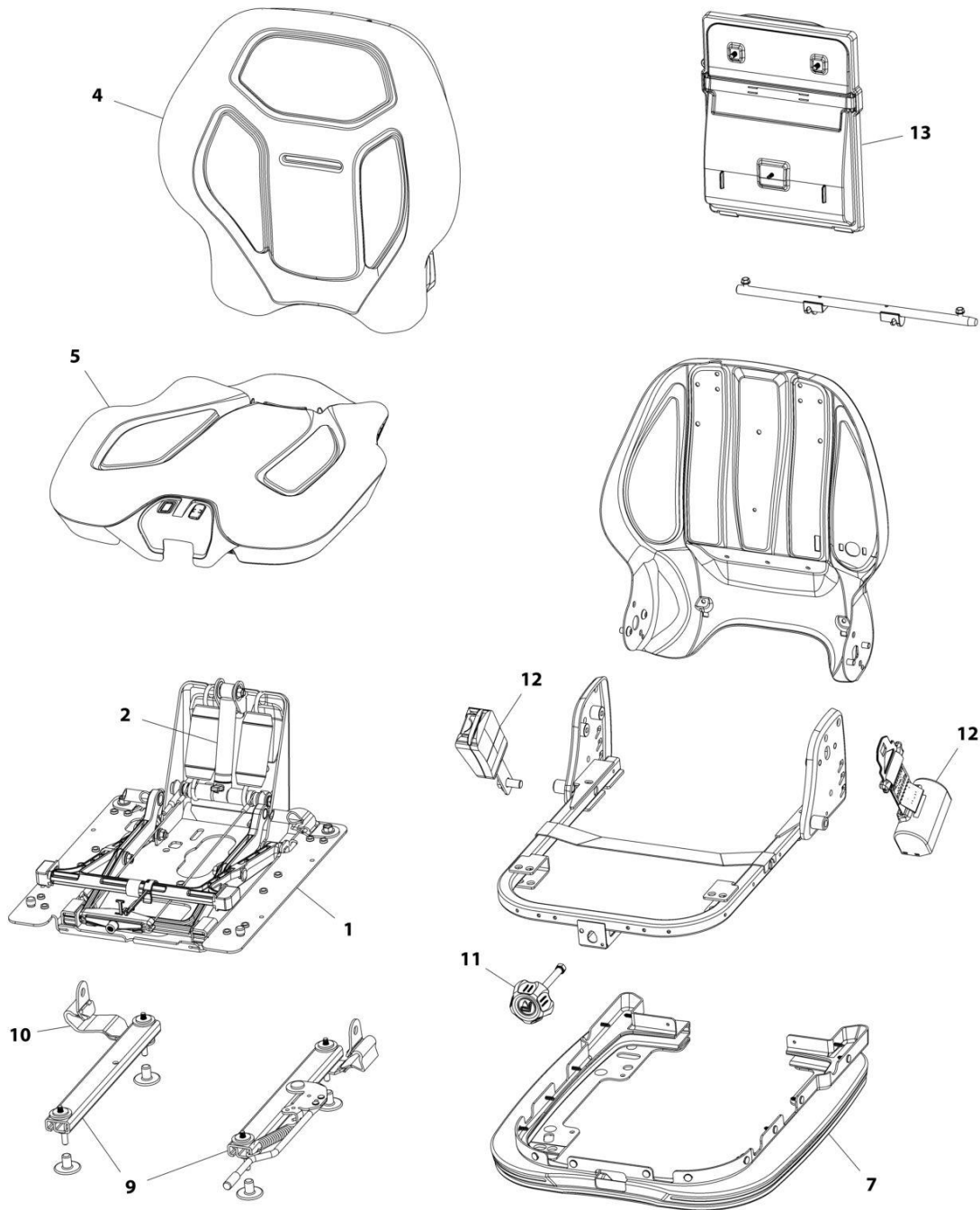
ART_1001171806-J

FIGURE 6-15. CAB HEATER/AC LINES INSTALLATION

ITEM	PART NUMBER	QTY	DESCRIPTION	REV
	1001171806	Ref	Cab Heater/AC Lines Installation	J
1	0700617	2	Bolt, M6X45	
2	0700828	2	Bolt, M8X110	
4	3290605	2	Nut, Lock M6X1	
5	3290805	3	Nut, Lock M8X1-1/4	
6	4811700	2	Washer, M6	
7	4811702	2	Washer, M6	
8	4811900	5	Washer, M8	
10	8405007	8	Clamp, Gear	
11	8430048	2	Reducer, Hose Barb	
12	77133133	4	Clamp, Twin	
13	77133134	4	Clamp, Cover Plate	
15	91043147	2	Clamp, Support	
16	1001158404	1	Hose, Cab Heater	
17	1001182798	1	Hose, A/C Compressor Suction	
18	1001182723	1	Hose, A/C Compressor Discharge	
19	1001159844	1	Valve, Heater (See Separate Breakdown in this section)	
22	1001172537	1	Hose, Heater Return	
23	1001172561	1	Hose, Heater Send Valve to Roof	
24	8584001	4	Wrap, Tie	
25	1001173217	1	Hose, Heater Roof to Floor	
26	1001179229	1	Fitting, 45	
27	1001164196	1	Clamp	

SECTION 6 - CAB

FIGURE 6-16. CAB SEAT (BLACK SEAT BELT)



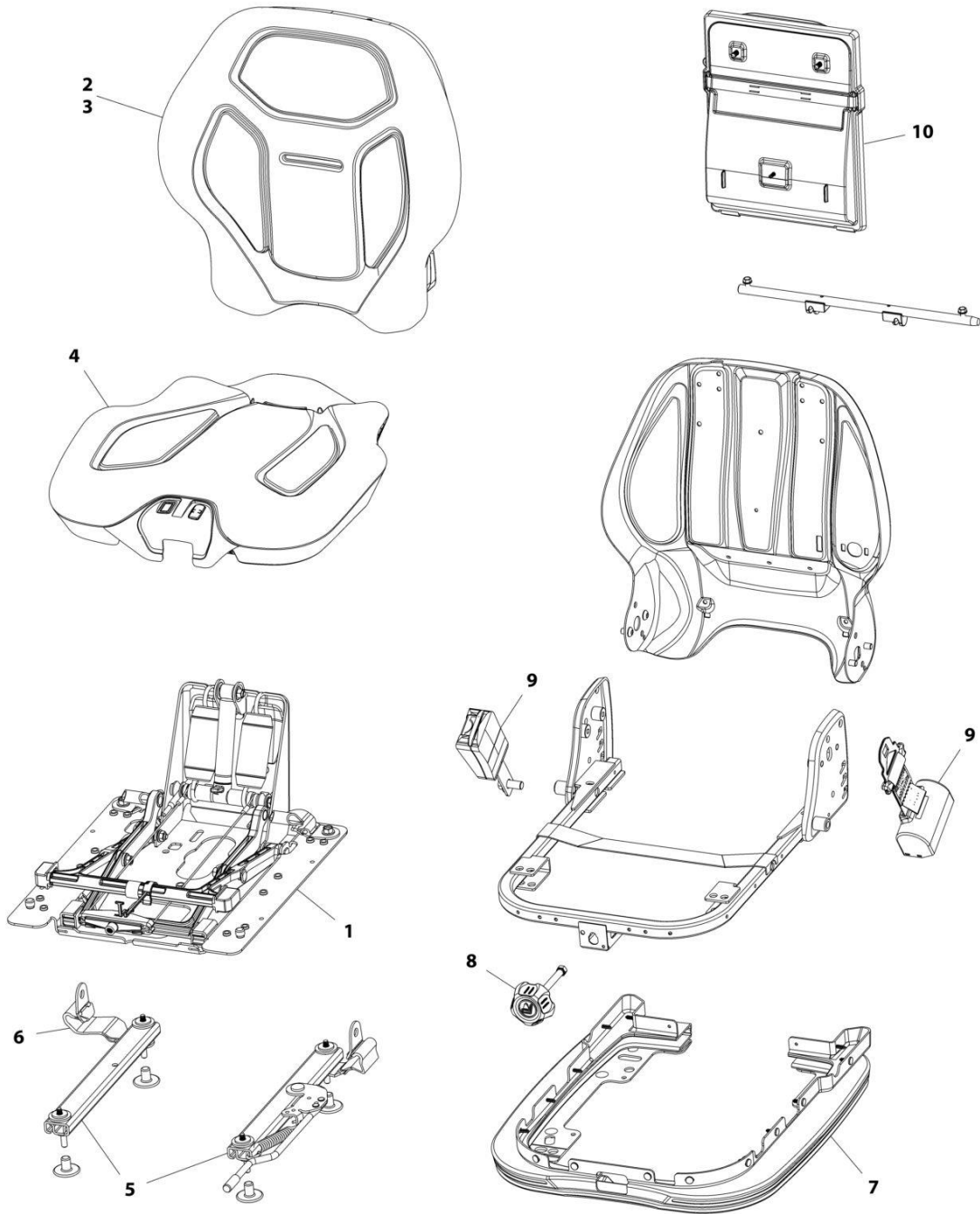
ART_1001190229-E

FIGURE 6-16. CAB SEAT (BLACK SEAT BELT)

ITEM	PART NUMBER	QTY	DESCRIPTION	REV
	1001190229	Ref	Cab Seat	E
1	70027024	1	Suspension Assembly Kit	
2	70027025	1	Spring Saddle Assembly Kit	
4	70027026	1	Back Cushion Kit	
5	70027028	1	Seat Cushion Assembly Kit	
7	70027030	1	Boot Kit	
9	7026798	1	Adjuster Kit	
10	70027032	1	Tether strap	
11	70027033	1	Weight adjust knob kit	
12	70027034	2	Seat belt kit	
13	70027035	1	Document box kit	

SECTION 6 - CAB

FIGURE 6-17. CAB SEAT (ORANGE SEAT BELT)



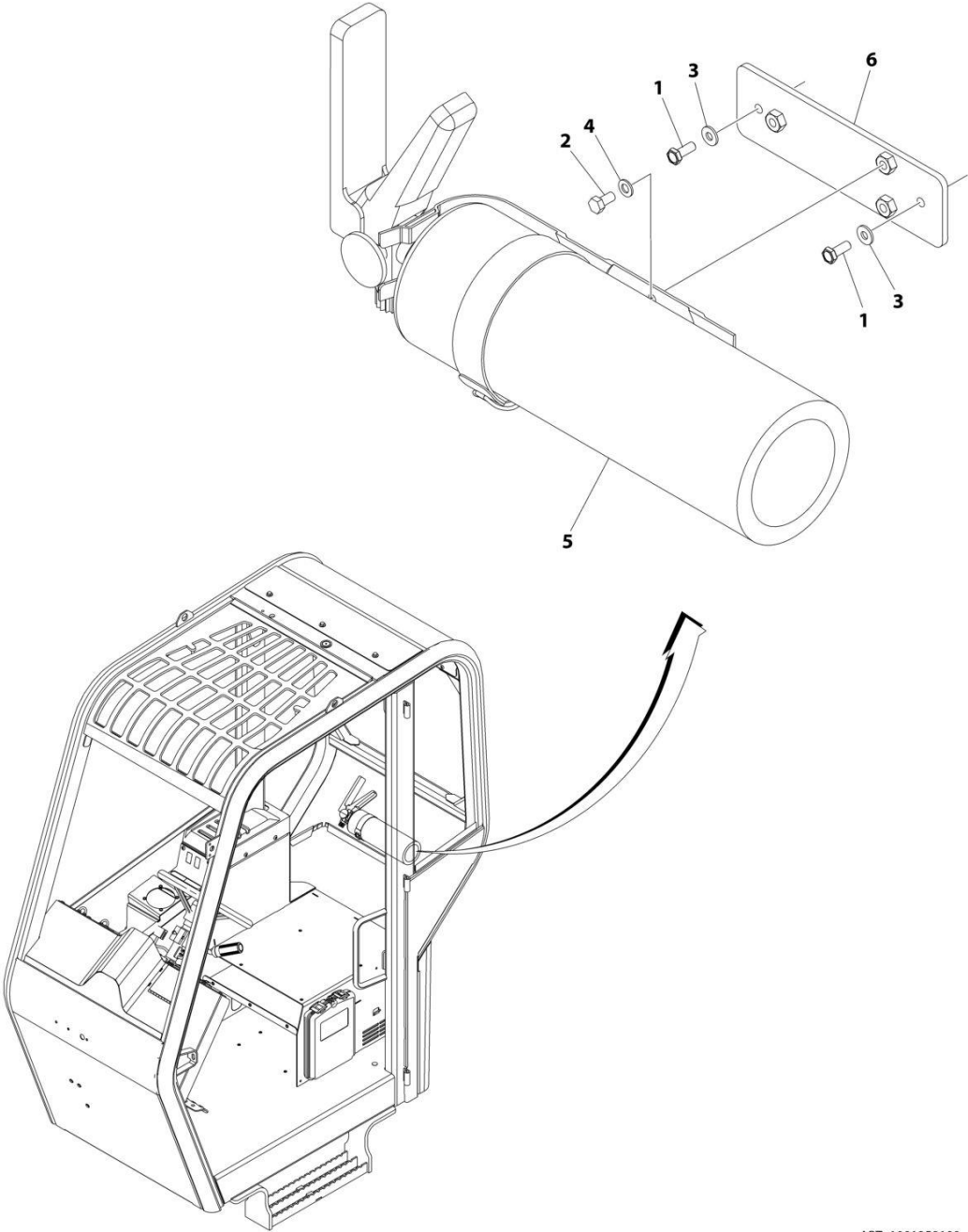
ART_1001275934

FIGURE 6-17. CAB SEAT (ORANGE SEAT BELT)

ITEM	PART NUMBER	QTY	DESCRIPTION	REV
	1001275934	Ref	SEAT INSTALLATION	B
1	70027024	1	Suspension Kit	
2	70027026	1	Back Cushion Kit (JLG)	
3	70027027	1	Back Cushion Kit (CAT)	
4	70027028	1	Seat Cushion Kit	
5	7026798	1	Adjuster Kit	
6	70027032	1	Tether strap	
7	70027030	1	Boot Kit	
8	70027033	1	Weight Adjust Knob Kit	
9	1001275933	1	Seat Belt	
10	70027035	1	Document box Kit	

SECTION 6 - CAB

FIGURE 6-18. FIRE EXTINGUISHER INSTALLATION



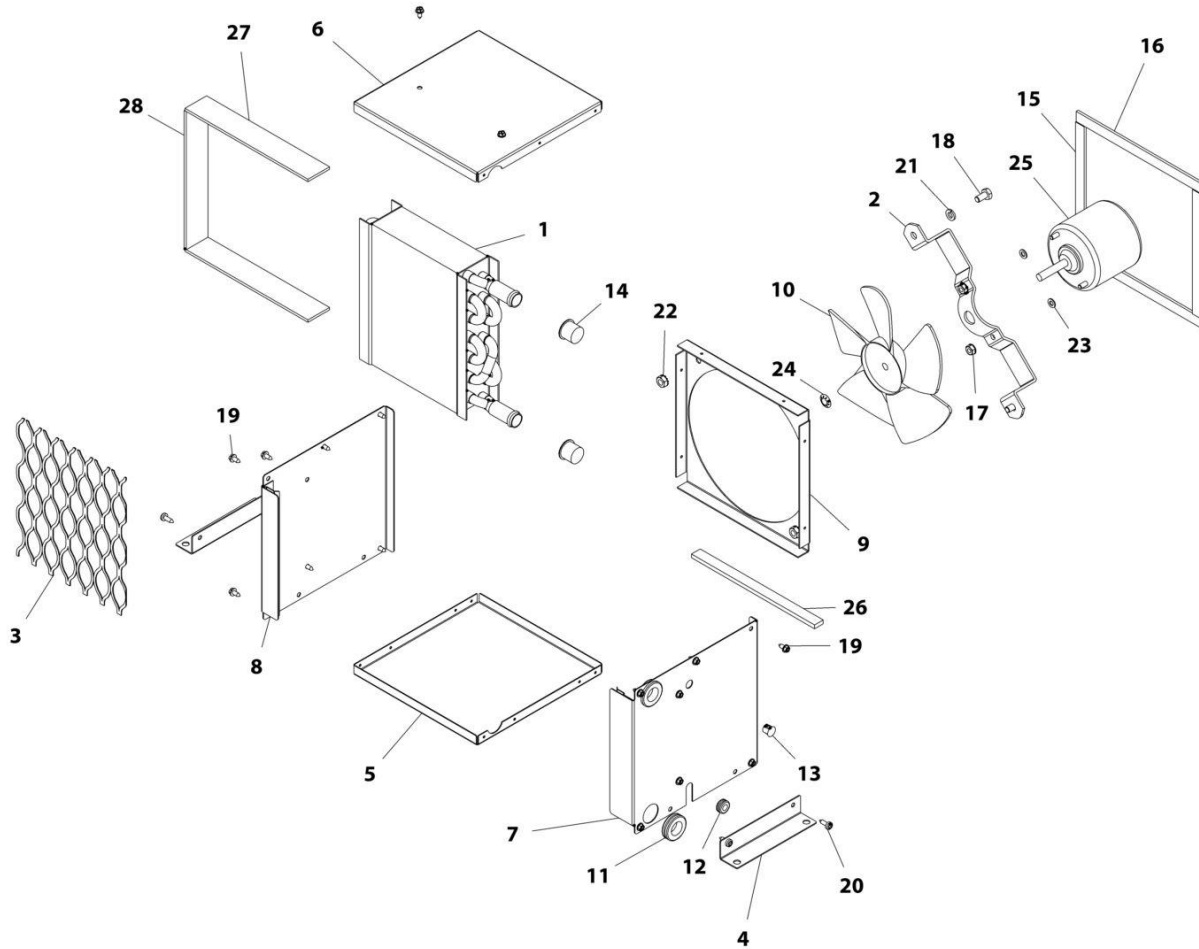
ART_1001258100

FIGURE 6-18. FIRE EXTINGUISHER INSTALLATION

ITEM	PART NUMBER	QTY	DESCRIPTION	REV
	1001258100	Ref	Skytrak Fire Extinguisher Installation	A
1	0721004	2	Screw M10X1/2	
2	0760505	3	Bolt M5X10	
3	4750800	2	Washer M8	
4	4811600	3	Washer M5	
5	1001099699	1	Extinguisher, Fire with Bracket	
5	1001100082	1	Bracket	
6	1001241305	1	Bracket	

SECTION 6 - CAB

FIGURE 6-19. FLOOR HEATER



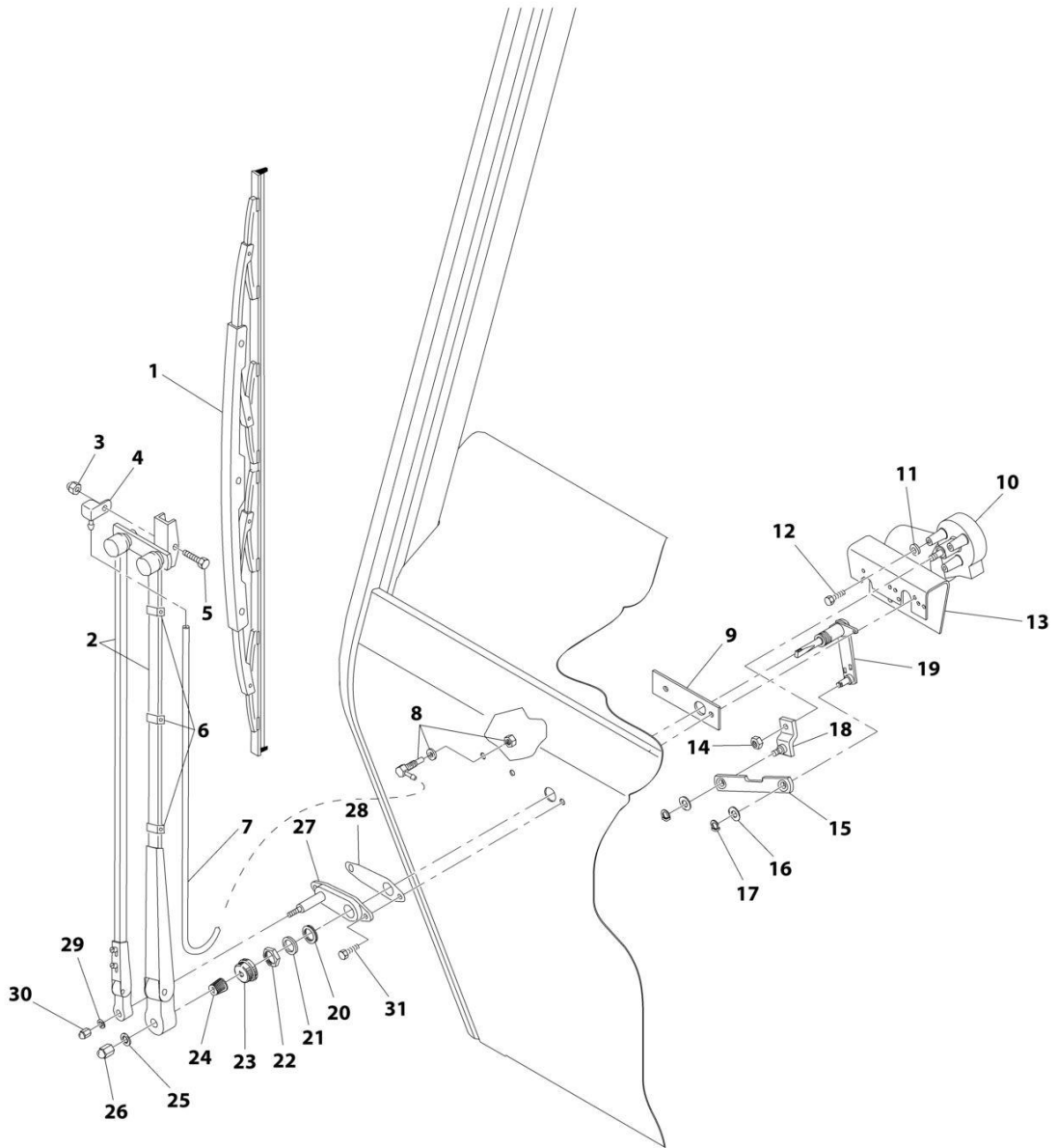
ART_1001159856-D

FIGURE 6-19. FLOOR HEATER

ITEM	PART NUMBER	QTY	DESCRIPTION	REV
	1001159856	Ref	Floor Heater	D
1	70026100	1	Coil, Heater	
2	70026101	1	Bracket, Motor	
3	70026102	1	Protector, Coil	
4	70026103	2	Bracket, Mounting	
5	70026104	1	Casing, Bottom	
6	70026105	1	Casing, Top	
7	70026106	1	Casing, RH Side	
8	70026107	1	Casing, LH Side	
9	70026108	1	Mount, Fan	
10	70026109	1	Fan	
11	70026110	2	Grommet	
12	70026111	1	Grommet, 3/8	
13	70026112	1	Plug, Hole 3/8	
14	70026113	2	Plug, 3/8	
15	70026114	2	Foam, 1/4X158	
16	70026114	2	Foam, 1/4X184	
17	70026115	2	Nut, 10-32	
18	70026116	2	Screw, 1/4-20X1/2	
19	70026117	16	Screw, 8X3/8	
20	70024855	4	Screw, Tap 8X1/2	
21	70026118	2	Lockwasher, 1/4	
22	70026119	2	Nut, Kep 1/4-20	
23	70026120	2	Washer, M5	
24	70026121	1	Retainer	
25	70026122	1	Motor Assembly, 12V	
26	70026123	1	Foam, 3/16X180	
27	70026124	2	Foam, 1/4X180	
28	70026124	1	Foam, 1/4X175	

SECTION 6 - CAB

FIGURE 6-20. FRONT WIPER ASSEMBLY



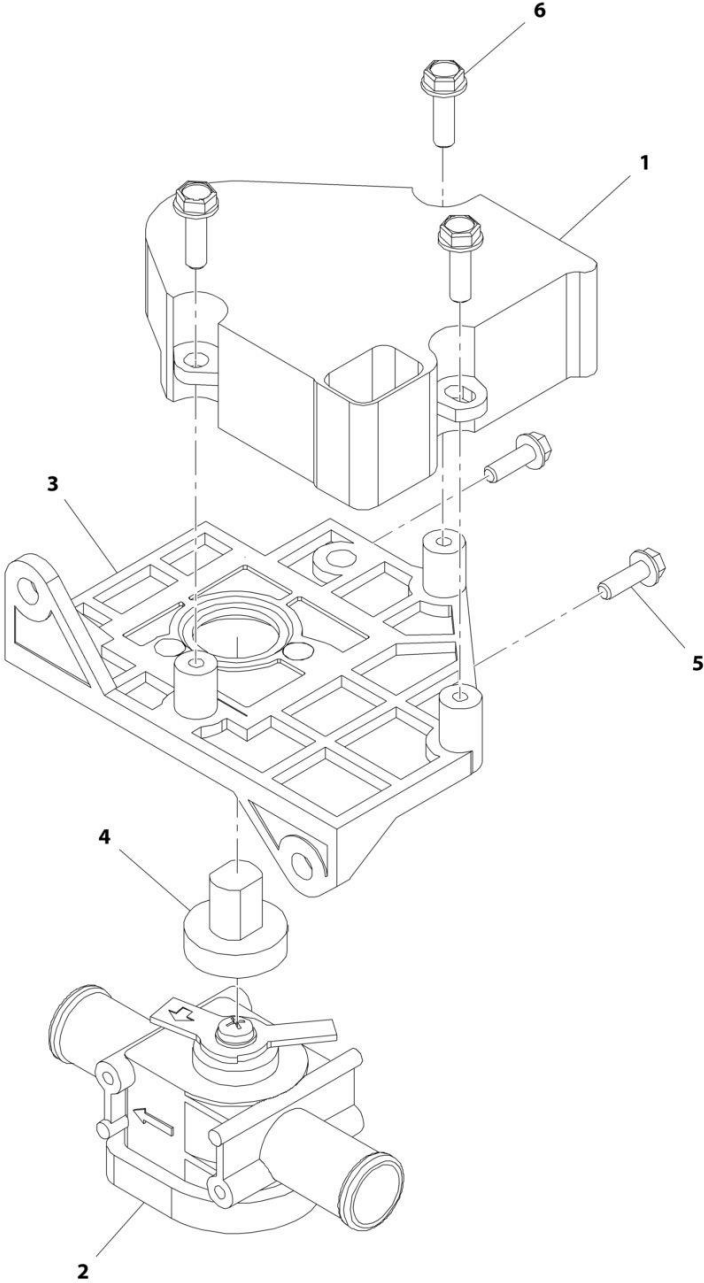
ART_8036056-A

FIGURE 6-20. FRONT WIPER ASSEMBLY

ITEM	PART NUMBER	QTY	DESCRIPTION	REV
	8036056	Ref	Front Wiper Assembly	A
1	80384213	1	Blade, Wiper	
2	8035393	1	Assembly, Wiper Arm	
3	N.S.S.	1	Nut, Lock	
4	N.S.S.	1	Nozzle, Sprayer	
5	N.S.S.	1	Bolt	
6	N.S.S.	3	Clip, Hose	
7	N.S.S.	1	Hose	
8	1001081310	1	Adaptor, Wet Arm	
9	8036100	1	Spacer, Front Wiper Motor	
10	7029860	1	Motor, Wiper 12V	
11	N.S.S.	3	Washer, 5/16	
12	N.S.S.	3	Bolt, 1/4-28X1	
13	N.S.S.	1	Bracket, Wiper Motor	
14	N.S.S.	1	Nut	
15	8035409	1	Link, Connecting	
16	N.S.S.	2	Washer, 0.56X0.251X0.015	
17	N.S.S.	2	Clip, Spring	
18	8035411	1	Drive, Wiper Arm	
19	8036099	1	Assembly, Wiper Shaft and Pivot	
20	N.S.S.	1	Washer, Rubber	
21	N.S.S.	1	Washer, Metal	
22	N.S.S.	1	Nut, Jam 11/16-18	
23	N.S.S.	1	Cap, Rubber	
24	N.S.S.	1	Driver, Knurled	
25	N.S.S.	1	Washer, Lock 3/8	
26	N.S.S.	1	Nut, Acorn 1/4-28	
27	8034815	1	Assembly, Panto Adaptor	
28	N.S.S.	1	Gasket	
29	N.S.S.	1	Washer, Lock 1/4	
30	N.S.S.	1	Nut, Acorn 1/4-28	
31	80384207	2	Bolt, 1/4-28X3/4	

SECTION 6 - CAB

FIGURE 6-21. HEATER VALVE



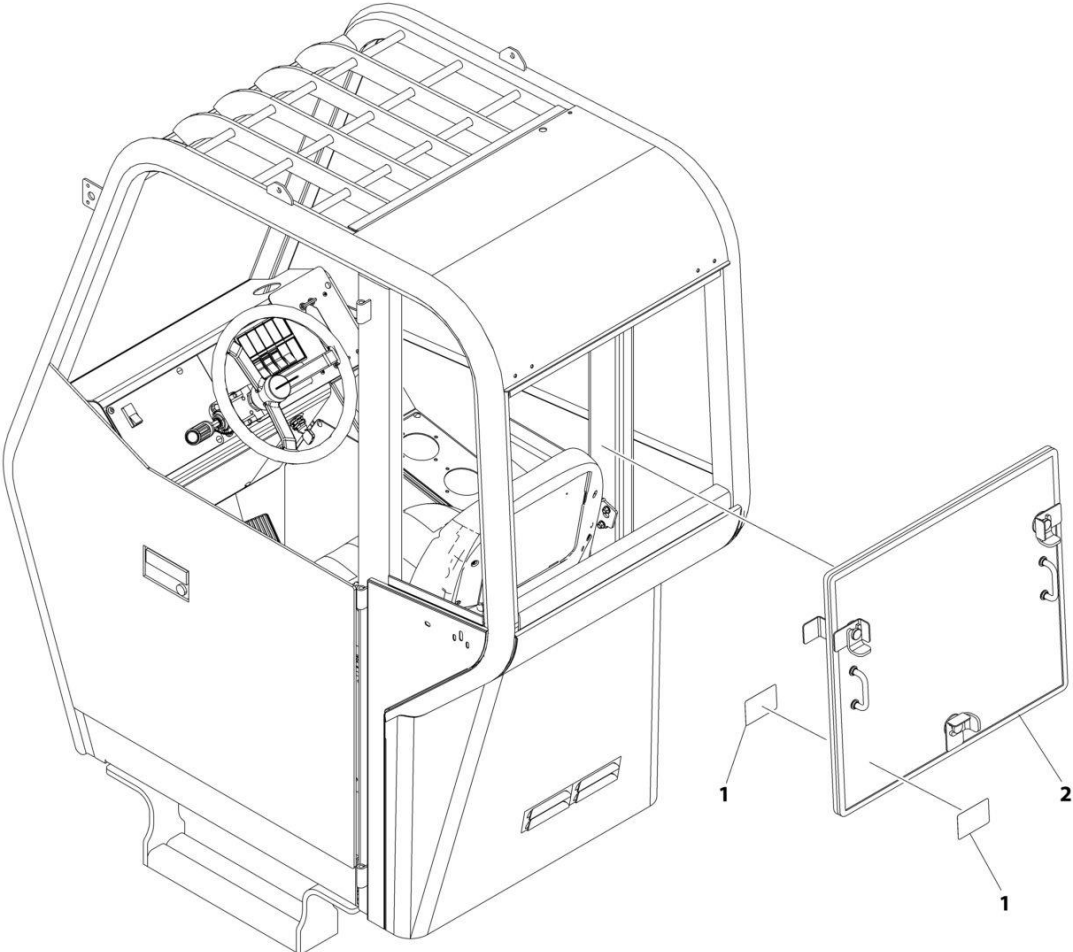
ART_1001159844-C

FIGURE 6-21. HEATER VALVE

ITEM	PART NUMBER	QTY	DESCRIPTION	REV
	1001159844	Ref	Heater Valve	C
1	70026088	1	Motor Actuator, 12V	
2	70026089	1	Assembly, Heater Valve	
3	70026090	1	Assembly, Valve Bracket	
4	70026091	1	Adapter, Shaft	
5	70026092	2	Screw, 8-18X1/2	
6	70026093	3	Screw, 10-16X5/8	

SECTION 6 - CAB

FIGURE 6-22. INSTALLTION, REAR WINDOW EXIT (ENG/SP)



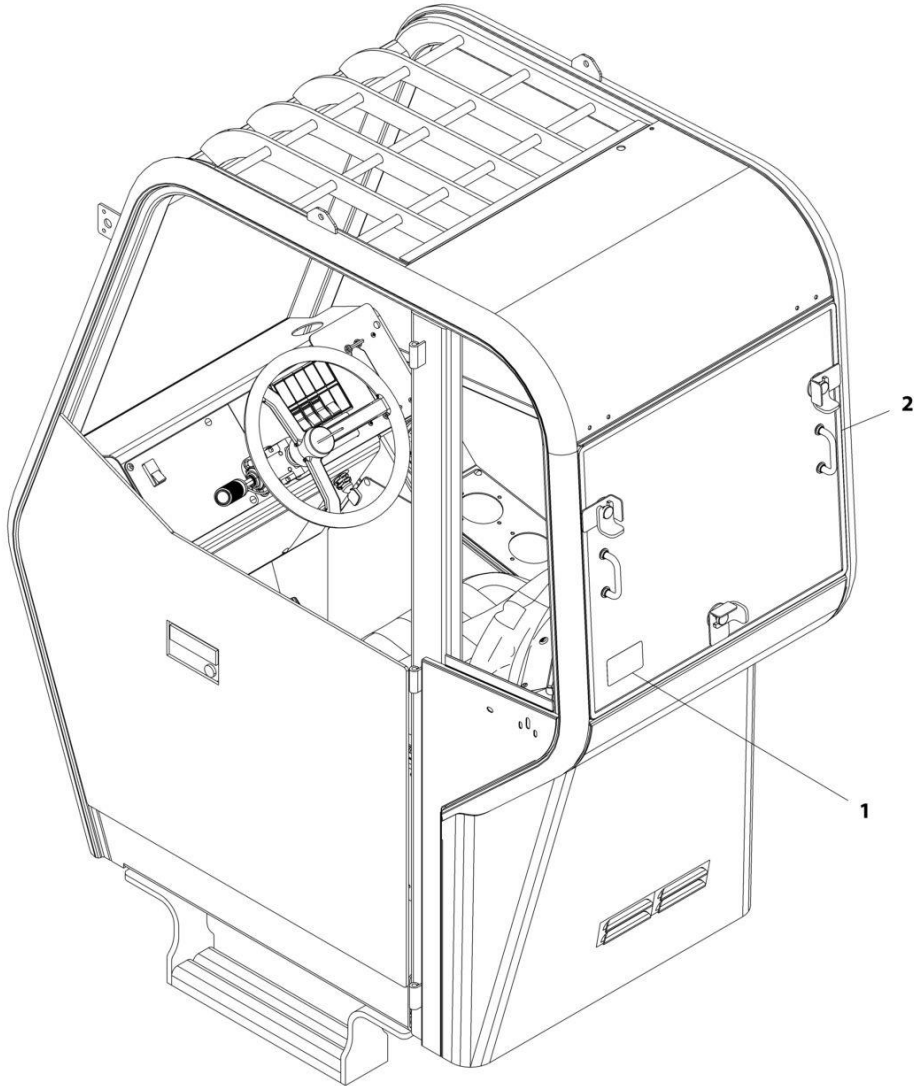
ART_1001242916

FIGURE 6-22. INSTALLTION, REAR WINDOW EXIT (ENG/SP)

ITEM	PART NUMBER	QTY	DESCRIPTION	REV
	1001242916	Ref	REAR WINDOW EXIT INSTALLATION (ENG/SP)	B
1	1001273850	2	Decal, Rear Window Entry/Exit	
2	1001162804	1	Window	

SECTION 6 - CAB

FIGURE 6-23. REAR DROPOUT WINDOW INSTALLATION (ANSI)



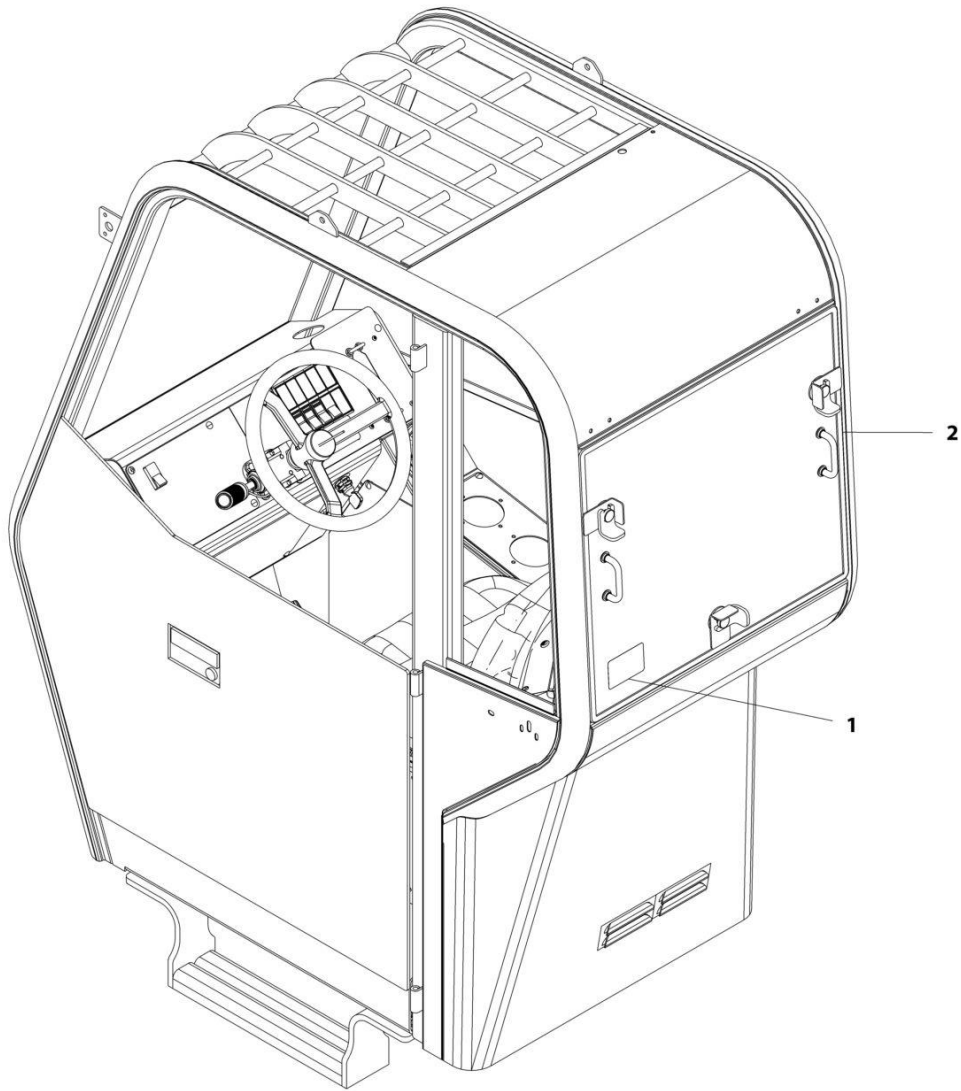
ART_1001162806-A

FIGURE 6-23. REAR DROPOUT WINDOW INSTALLATION (ANSI)

ITEM	PART NUMBER	QTY	DESCRIPTION	REV
	1001162806	Ref	Rear Dropout Window Installation (ANSI)	A
1	1001160071	2	Decal, Rear Emergency Exit	
2	1001162804	1	Window, Rear Dropout	

SECTION 6 - CAB

FIGURE 6-24. REAR DROPOUT WINDOW INSTALLATION (ENGLISH/FRENCH)



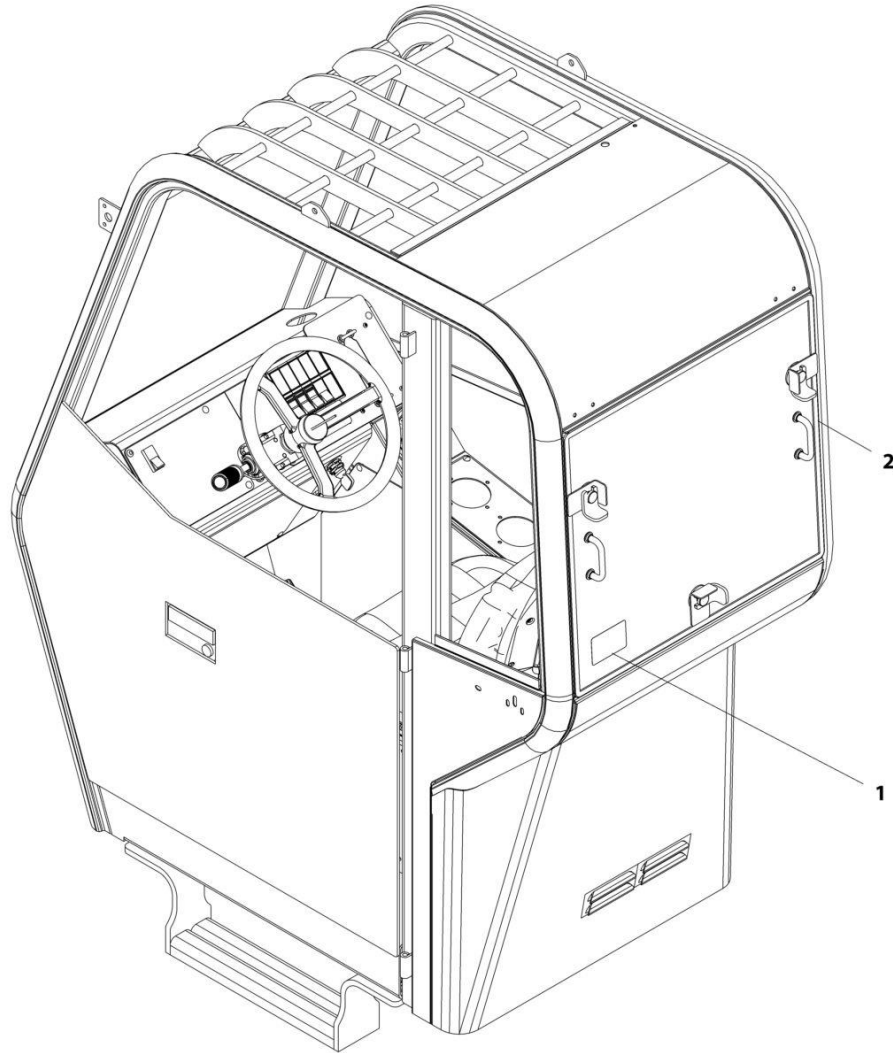
ART_1001167250-A

FIGURE 6-24. REAR DROPOUT WINDOW INSTALLATION (ENGLISH/FRENCH)

ITEM	PART NUMBER	QTY	DESCRIPTION	REV
	1001167250	Ref	Rear Dropout Window Installation (ENGLISH/FRENCH)	A
1	1001160787	2	Decal, Rear Emergency Exit	
2	1001162804	1	Window, Rear Dropout	

SECTION 6 - CAB

FIGURE 6-25. REAR DROPOUT WINDOW INSTALLATION (ISO)



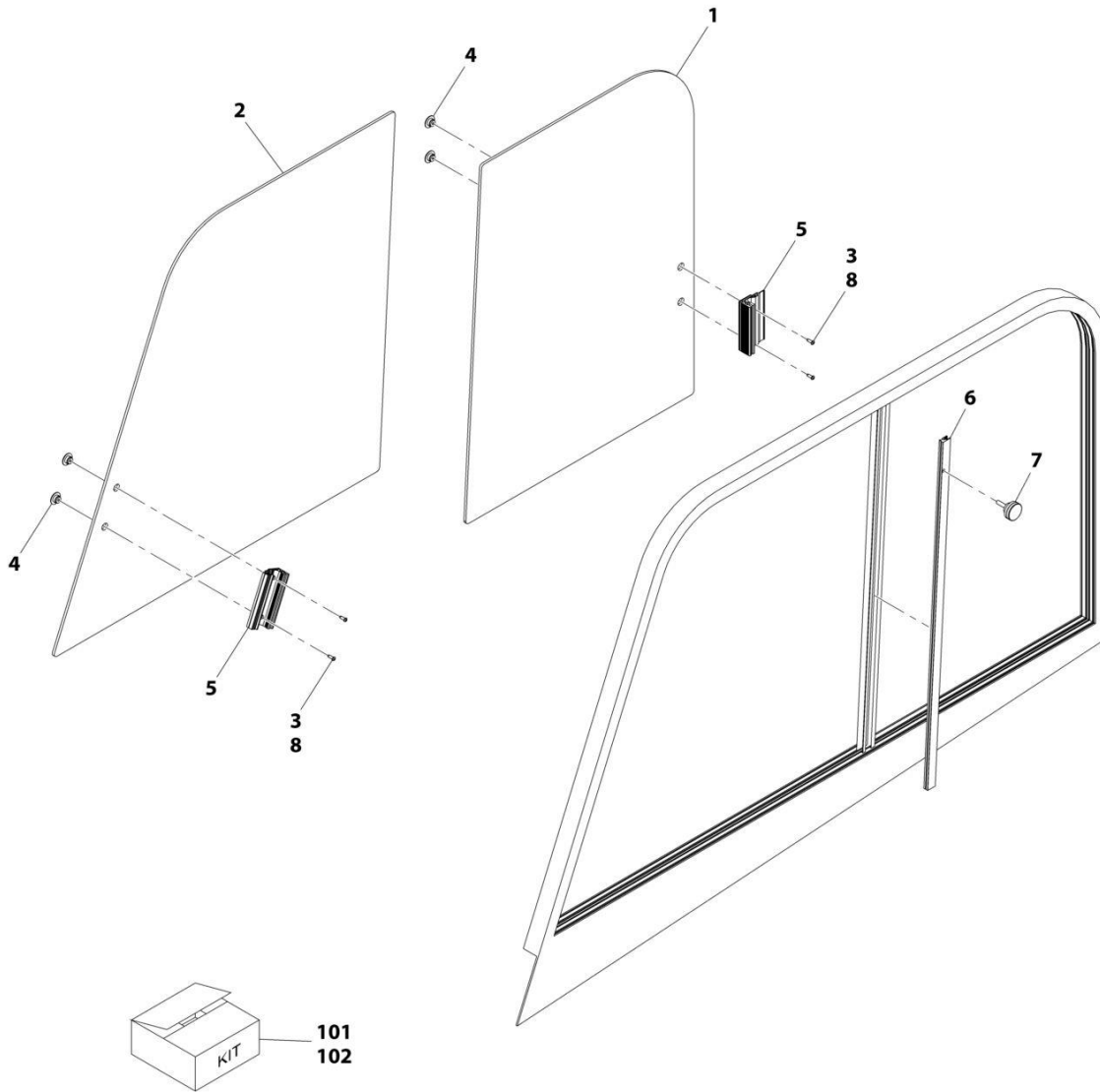
ART_1001167251-A

FIGURE 6-25. REAR DROPOUT WINDOW INSTALLATION (ISO)

ITEM	PART NUMBER	QTY	DESCRIPTION	REV
	1001167251	Ref	Rear Dropout Window Installation (ISO)	A
1	1001160912	2	Decal, Rear Emergency Exit	
2	1001162804	1	Window, Rear Dropout	

SECTION 6 - CAB

FIGURE 6-26. RH SLIDER WINDOW



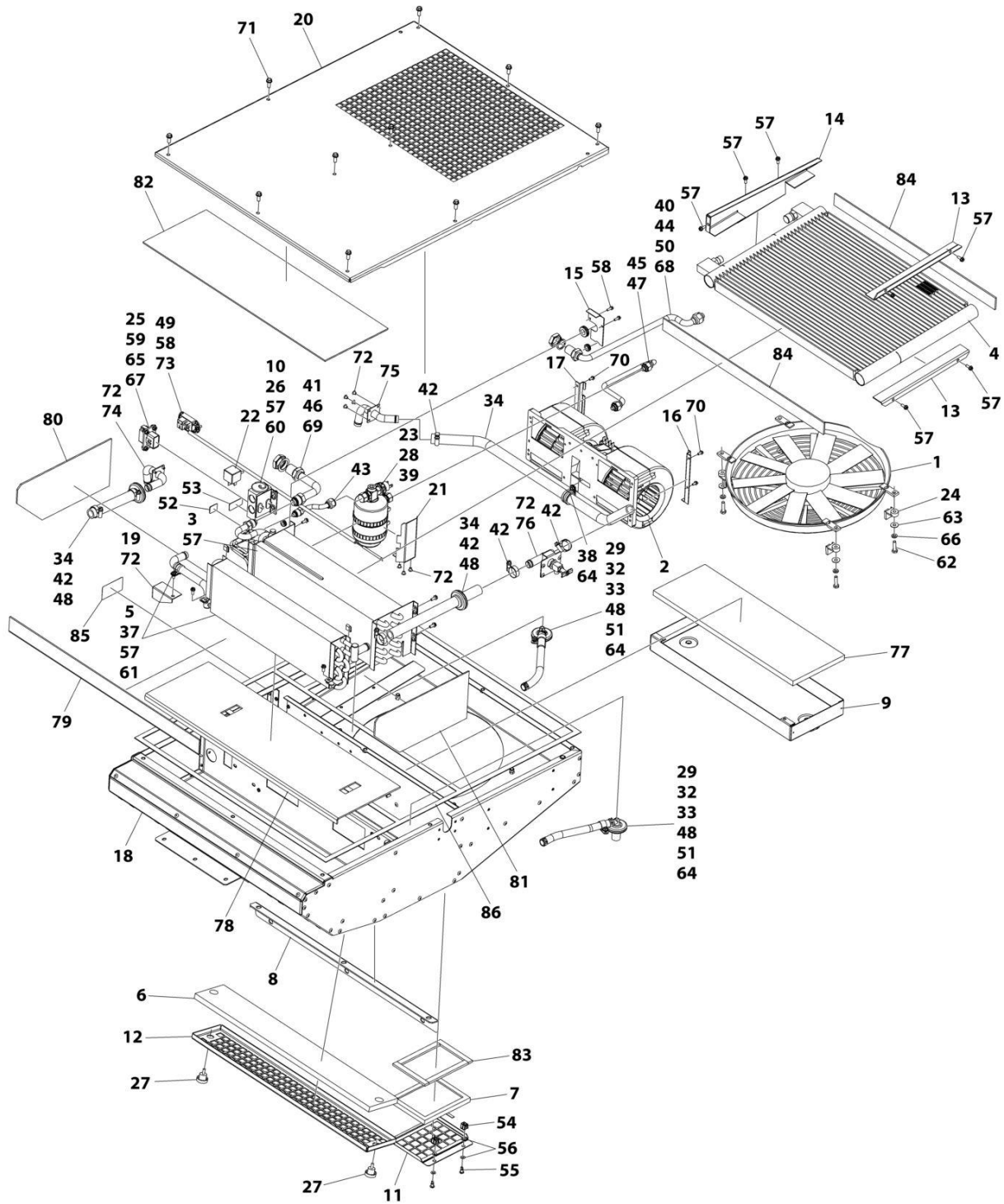
ART_8036050-B

FIGURE 6-26. RH SLIDER WINDOW

ITEM	PART NUMBER	QTY	DESCRIPTION	REV
	8036050	Ref	RH Slider Window	B
1	8036197	1	Glass, Rear Slide	
2	8036196	1	Glass, Front Slide	
3	Kit	NSS	Capscrew (Use Item 101)	
4	Kit	NSS	Spacer (Use Item 101)	
5	Kit	NSS	Latch (Use Item 101)	
6	Kit	NSS	Block, Lock (Use Item 102)	
7	Kit	NSS	Assembly, Knob (Use Item 102)	
8	8035523	AR	Compound, Locking	
101	80384445	1	Latch Assembly Kit (with Latch & Slider - Worthington Windows) (includes items 3 thru 5)	
101	8036199	1	Latch Assembly Kit (with Two Latches - Young Windows) (includes items 3 thru 5)	
102	8036198	1	Friction Lock Assembly Kit (includes items 6 & 7)	

SECTION 6 - CAB

FIGURE 6-27. ROOF BOX HVAC



ART_1001159861

FIGURE 6-27. ROOF BOX HVAC

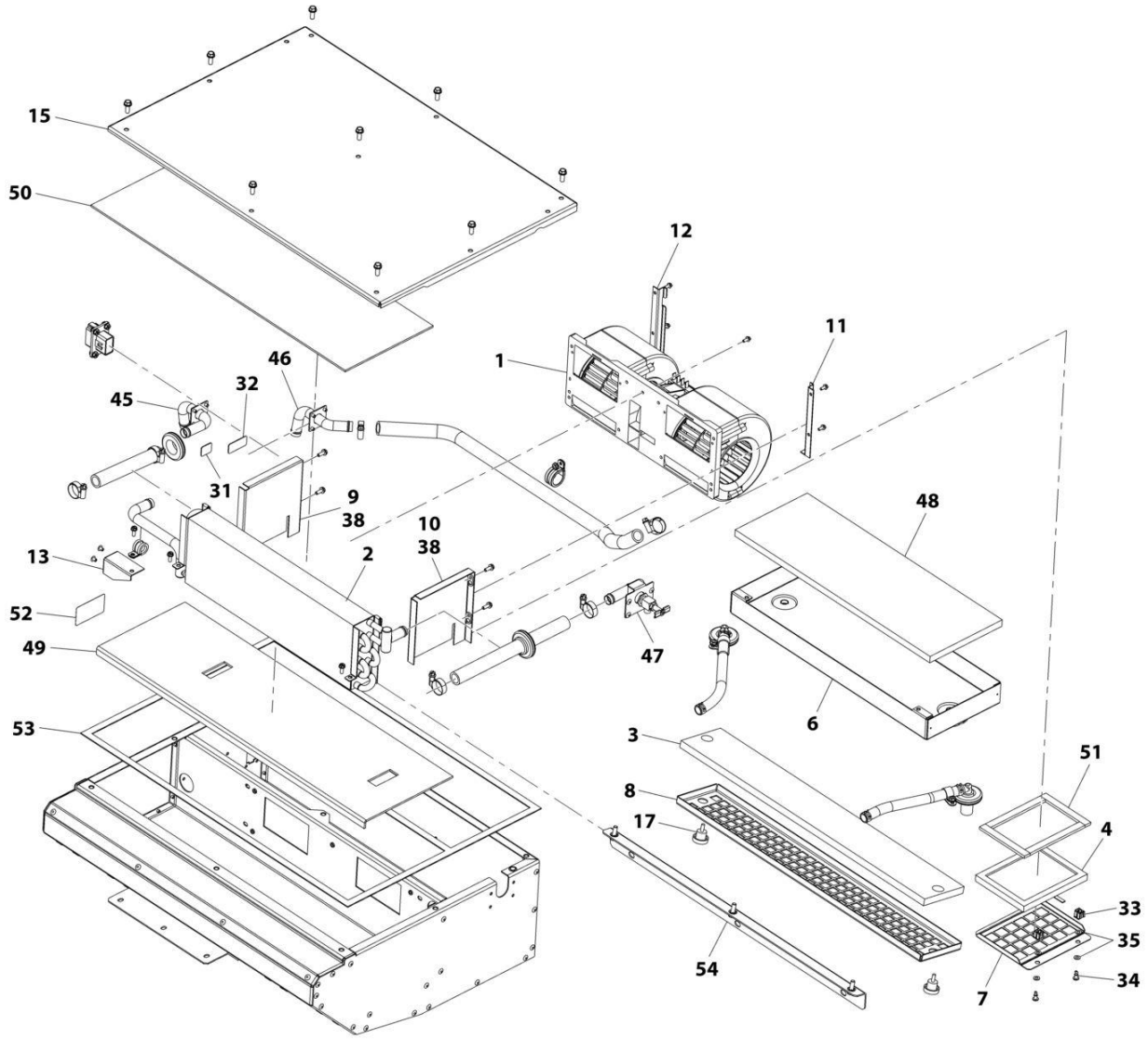
ITEM	PART NUMBER	QTY	DESCRIPTION	REV
	1001159861	Ref	ROOF BOX HVAC	B
1	70026945	1	Assembly, Fan	
2	70026978	1	Blower	
3	70026979	1	Coil, Evaporator	
4	70026980	1	Condenser	
5	70026981	1	Coil, Heater	
6	70026982	1	Filter, Air	
7	70026983	1	Filter, Air	
8	70030281	1	Bracket	
9	70029822	1	Pan, Drain	
10	NPN	1	Bracket	
11	70029823	1	Cover	
12	70029824	1	Cover	
13	NPN	2	Rail, Condenser	
14	NPN	1	Bracket, Condenser	
15	70031394	1	Bracket	
16	70029827	1	Bracket, Blower	
17	70029828	1	Bracket, Blower	
18	NPN	1	Housing	
19	70029829	1	Bracket	
20	70031395	1	Cover	
21	70031396	1	Bracket	
22	70026986	1	Relay	
23	70026854	1	Sensor, Pressure	
24	70029981	4	Mount, Fan	
25	70031397	1	Harness, Wiring	
26	70020876	1	Valve, Block	
27	8036726	2	Knob	
28	70026984	1	Drier, Receiver	
29	7029412	AR	Hose	
32	7029413	2	Fitting, 90	
33	7029415	4	Clamp	
34	70031398	AR	Hose	
37	70026987	1	Clamp	
38	70026988	1	Clamp	
39	70026989	2	Clamp	
40	70031402	1	Nut #8	
41	70031403	1	Nut #10	
42	70026990	6	Clamp	
43	70028782	1	Tube	
44	70028781	1	Tube	
45	70028780	1	Tube	
46	70028779	1	Tube	
47	70031404	1	Grommet	
48	70031405	4	Grommet	
49	70026111	1	Grommet	
50	70031406	1	Grommet	
51	NPN	2	Clamp	
52	70029832	1	Cover, In	
53	70029833	1	Cover, Out	

SECTION 6 - CAB

ITEM	PART NUMBER	QTY	DESCRIPTION	REV
54	70029834	2	Connector	
55	70029835	2	Screw	
56	70029836	4	Washer	
57	NPN	16	Bolt #10 x 1/2	
58	NPN	5	Bolt #8 x 1/2	
59	NPN	8	Washer #8	
60	NPN	2	Bolt 1/4 x 1-1/2	
61	70029837	2	Clip	
62	NPN	4	Bolt 1/4 x 1	
63	NPN	6	Washer 1/4	
64	NPN	3	Nut #10	
65	NPN	4	Nut #8	
66	70029984	4	Washer 1/4	
67	NPN	4	Bolt #8 x 1/2	
68	70031413	1	Washer	
69	70031414	1	Washer	
70	NPN	5	Bolt #8 x 3/8	
71	NPN	10	Bolt 1/4 x 5/8	
72	NPN	17	Rivet	
73	70026985	1	Thermostat	
74	70029838	1	Tube	
75	70029839	1	Tube	
76	70026991	1	Valve, Bleeder	
77	70029840	1	Foam	
78	70029841	1	Foam	
79	70031420	1	Foam	
80	70031421	1	Foam	
81	70031422	1	Foam	
82	70029842	1	Foam	
83	70026123	1	Insulation	
84	70026124	2	Foam	
85	NPN	1	Decal	
86	70029843	1	Foam	

SECTION 6 - CAB

FIGURE 6-28. ROOF HEATER BOX



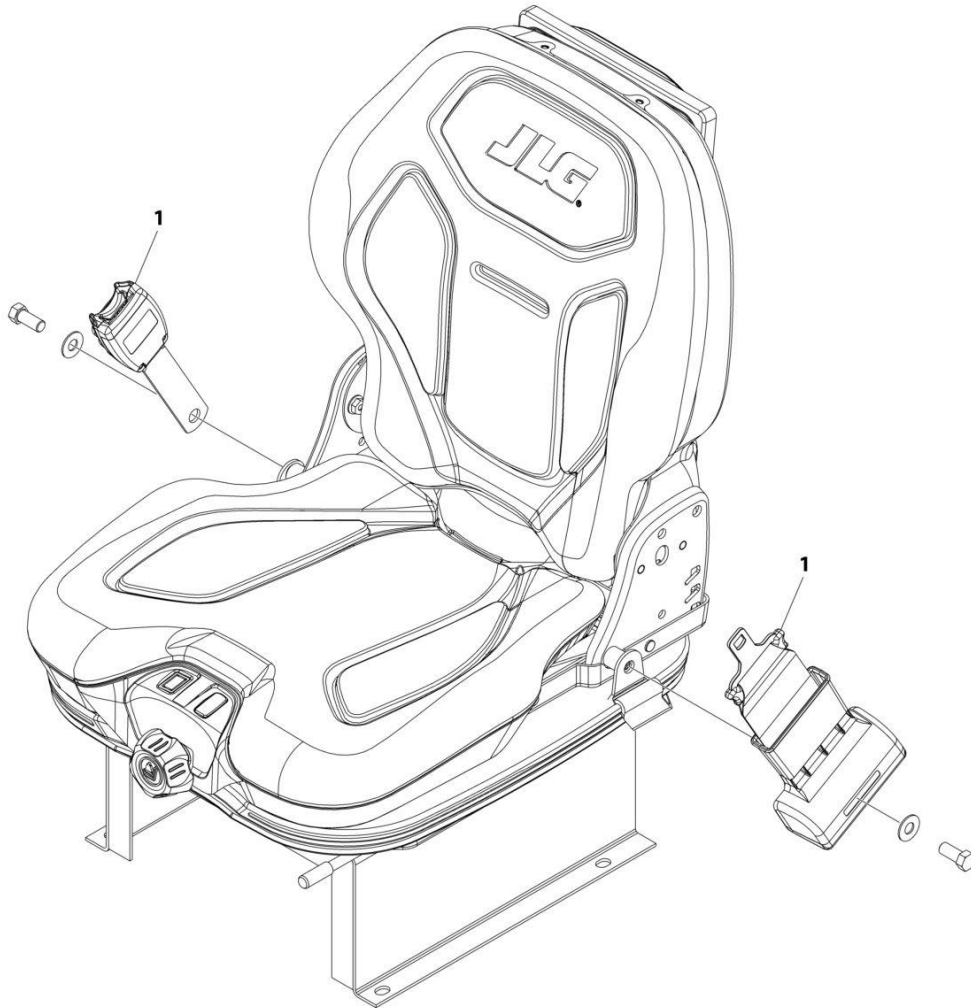
ART_1001159860-B

FIGURE 6-28. ROOF HEATER BOX

ITEM	PART NUMBER	QTY	DESCRIPTION	REV
	1001159860	Ref	Roof Heater Box	B
1	70026978	1	Blower, 12V	
2	70026981	1	Heater Coil	
3	70026982	1	Air Filter	
4	70026983	1	Air Filter	
6	70029822	1	Drain Pan	
7	70029823	1	Cover, Air Filter	
8	70029824	1	Cover, Air Filter	
9	70029825	1	Bracket, Coil (R)	
10	70029826	1	Bracket, Coil (L)	
11	70029827	1	Bracket, Blower	
12	70029828	1	Bracket, Blower	
13	70029829	1	Support Bracket	
15	70029830	1	Cover	
16	70029831	1	Harness (not shown)	
17	8036726	2	Knob	
31	70029832	1	Overlay In	
32	70029833	1	Overlay Out	
33	70029834	2	Receptacle	
34	70029835	2	Stud, Oval Slotted	
35	70029836	4	Retainer	
38	70029837	2	Panel, Coil Clip	
45	70029838	1	Tube Assembly	
46	70029839	1	Tube Assembly	
47	70026991	1	Valve, Bleeder	
48	70029840	1	Foam	
49	70029841	1	Foam, Closed Cell	
50	70029842	1	Foam, Closed Cell	
51	70026123	1	Foam, 3/16X180	
52	See Note	1	Foam 456mm	
53	70029843	1	Foam, Closed Cell	
54	70029844	1	Bracket Assembly	

SECTION 6 - CAB

FIGURE 6-29. SEAT BELT INSTALLATION (3IN WIDTH)



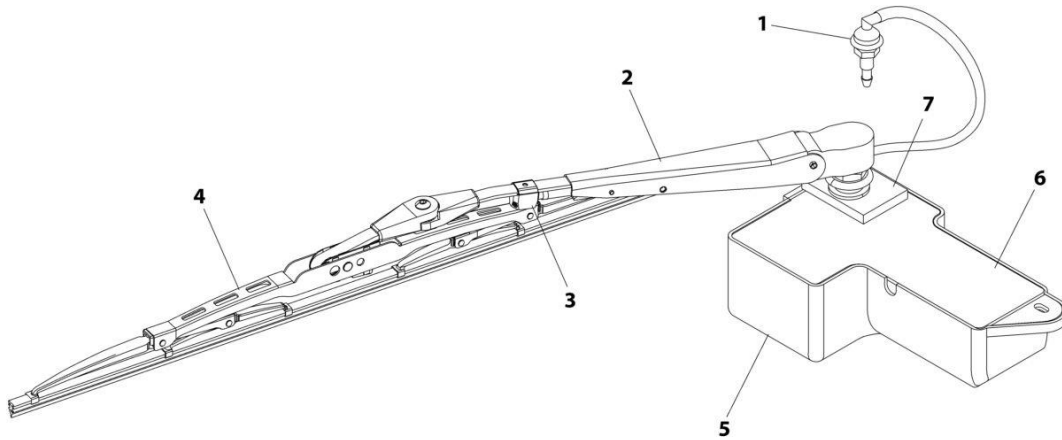
ART_1001258245

FIGURE 6-29. SEAT BELT INSTALLATION (3IN WIDTH)

ITEM	PART NUMBER	QTY	DESCRIPTION	REV
	1001258245	Ref	Seat Belt Installation (3in Width)	B
1	1001258244	1	Seat Belt (3in) (Black Strap)	
1	1001275933	1	Seat Belt (3in) (Orange Strap)	

SECTION 6 - CAB

FIGURE 6-30. SKYLIGHT WIPER ASSEMBLY



ART_1001182470

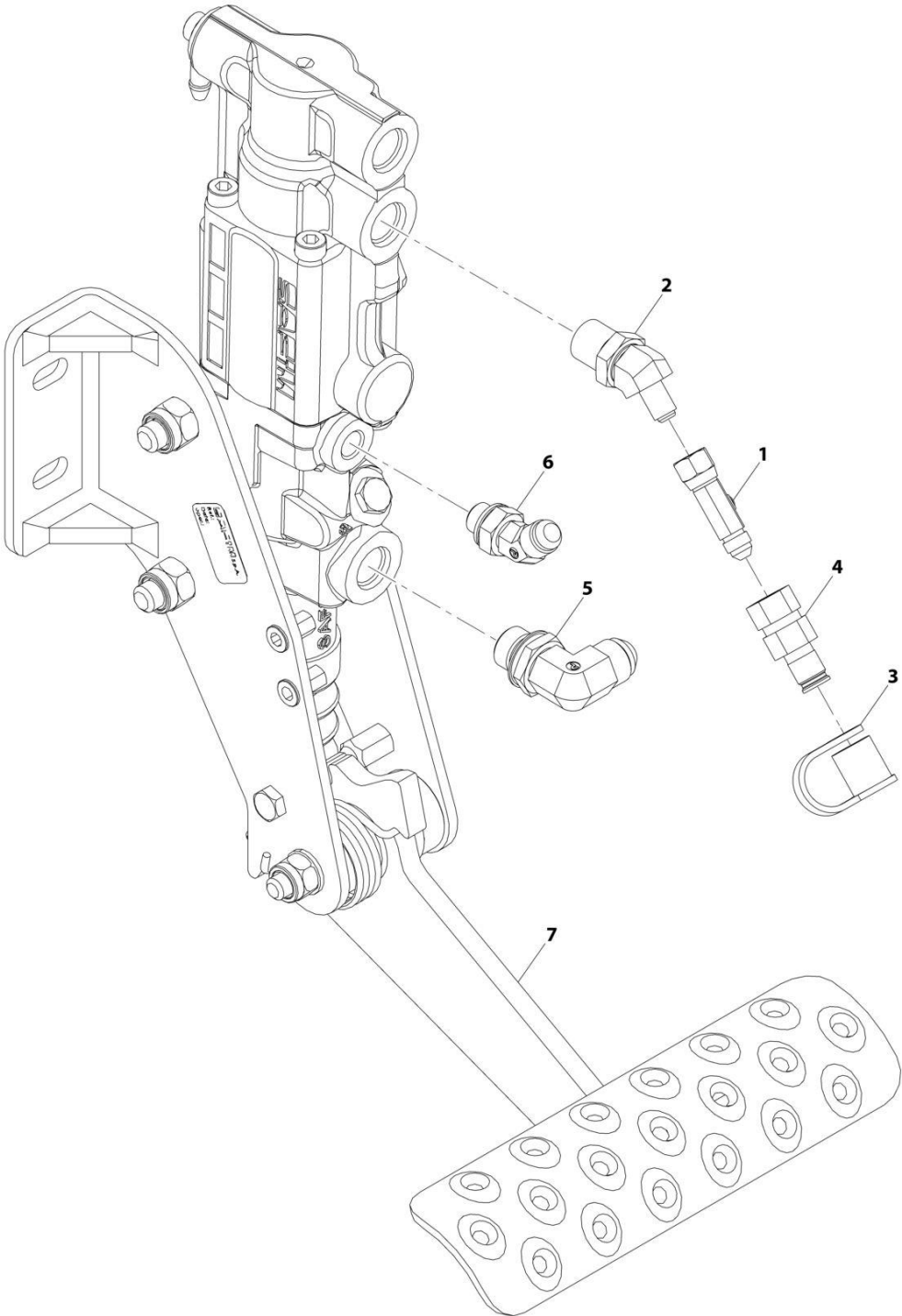
FIGURE 6-30. SKYLIGHT WIPER ASSEMBLY

ITEM	PART NUMBER	QTY	DESCRIPTION	REV
	1001182470	Ref	SKYLIGHT WIPER ASSEMBLY	B
1	1001081310	1	Adaptor, Wet Arm	
2	8035500	1	Arm, Wiper	
3	8035499	1	Arm, Wet Kit	
4	8035498	1	Blade, Wiper	
5	70020652	1	Motor, Wiper	
6	8035493	1	Cover, Wiper	
7	70026352	1	Block, Skylight Wiper Motor	

SECTION 7 - CONTROLS

SECTION 7 - CONTROLS

FIGURE 7-1. BRAKE ASSEMBLY



ART_1001223052-A

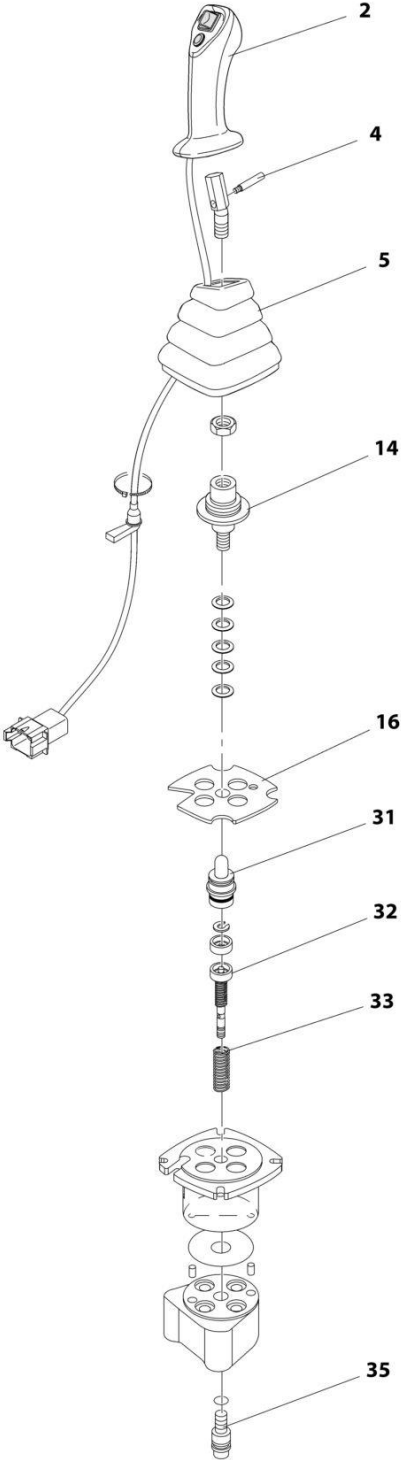
SECTION 7 - CONTROLS

FIGURE 7-1. BRAKE ASSEMBLY

ITEM	PART NUMBER	QTY	DESCRIPTION	REV
	1001223052	Ref	Brake Assembly - Safim	A
1	2220605	1	Adapter	
2	2221344	1	Adapter	
3	8430032	1	Plug, Dust Cap	
4	10727374	1	Adapter	
5	91473086	1	Adapter	
6	1001183341	1	Adapter	
7	1001223050	1	Installation, Hydraulic Brake Valve (See Separate Breakdown in HYDRAULIC CIRCUITS Section)	

SECTION 7 - CONTROLS

FIGURE 7-2. PILOT JOYSTICK CONTROL



ART_1001158002-B

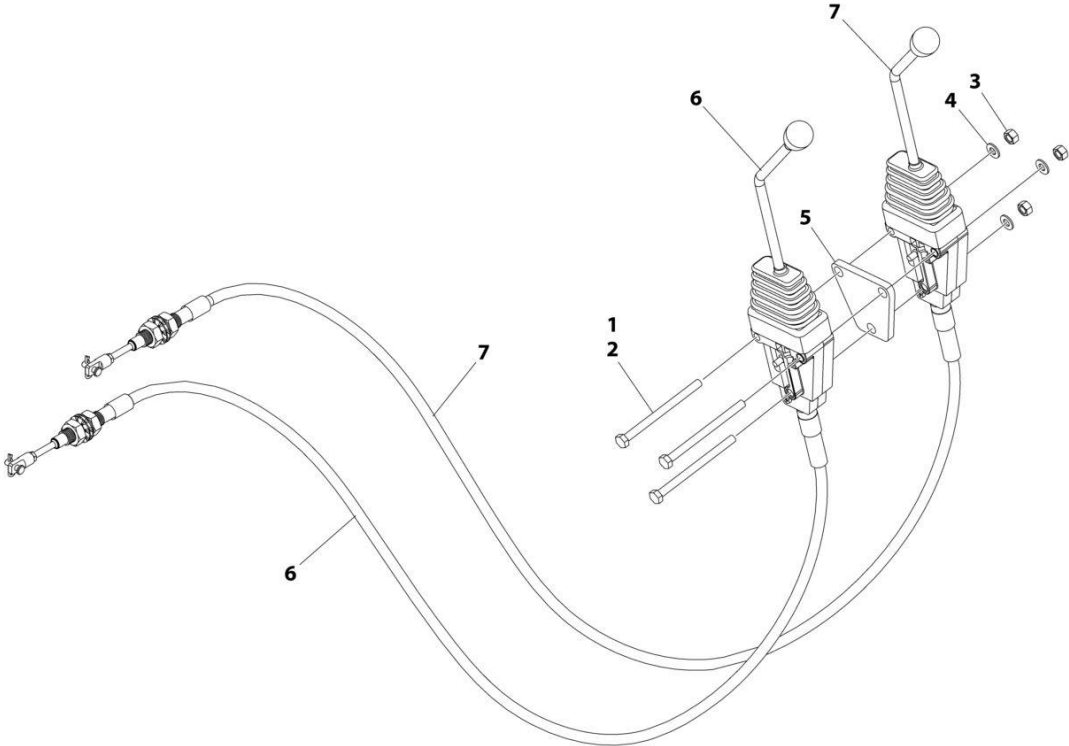
SECTION 7 - CONTROLS

FIGURE 7-2. PILOT JOYSTICK CONTROL

ITEM	PART NUMBER	QTY	DESCRIPTION	REV
	1001158002	Ref	Pilot Joystick Control	B
2	70026097	1	Handle	
4	91404011	1	Kit, Bent Lever	
5	80364095	1	Boot, Rubber	
14	80264138	1	Kit, Cardan	
16	91404013	1	Plate, Retaining	
31	91304025	2	Kit, Plunger (set of two)	
32	70026098	4	Unit, Regulating	
33	91514225	1	Spring, Return (set of four)	
35	91404326	1	Kit, Seal	

SECTION 7 - CONTROLS

FIGURE 7-3. SECONDARY CONTROLS INSTALLATION



ART_1001256070

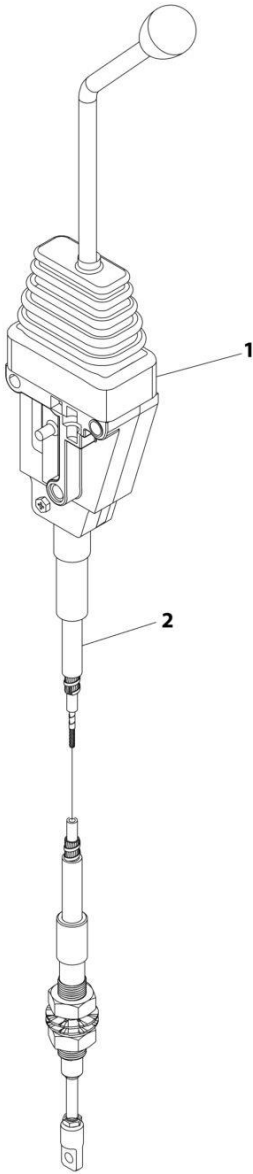
SECTION 7 - CONTROLS

FIGURE 7-3. SECONDARY CONTROLS INSTALLATION

ITEM	PART NUMBER	QTY	DESCRIPTION	REV
	1001256070	Ref	SECONDARY CONTROLS INSTALLATION	B
1	0100011	AR	Compound, Locking	
2	0700828	3	Bolt M8 x 110	
3	8305043	3	Nut M8 x 1.25	
4	8307222	3	Washer M8	
5	1001174340	1	Bracket, Control Spacer Plate	
6	1001256068	1	Secondary Tall Control (See Separate Breakdown in this Section)	
7	1001256069	1	Secondary Short Control (See Separate Breakdown in this Section)	

SECTION 7 - CONTROLS

FIGURE 7-4. SECONDARY SHORT CONTROL



ART_1001256069

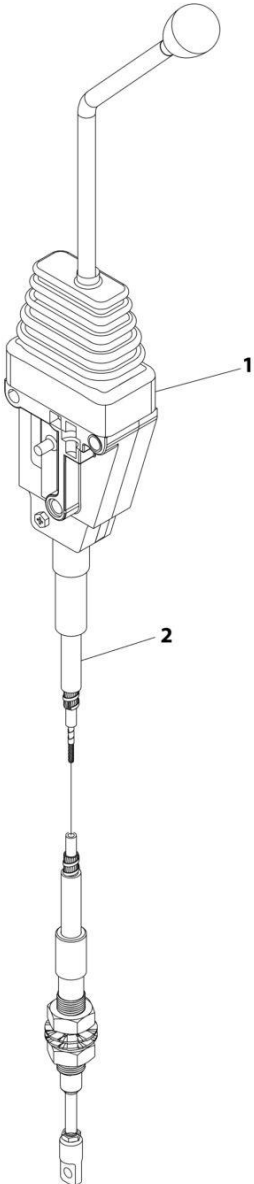
SECTION 7 - CONTROLS

FIGURE 7-4. SECONDARY SHORT CONTROL

ITEM	PART NUMBER	QTY	DESCRIPTION	REV
	1001256069	Ref	SECONDARY SHORT CONTROL	A
1	1001173582	1	Control	
2	1001256067	1	Cable	

SECTION 7 - CONTROLS

FIGURE 7-5. SECONDARY TALL CONTROL



ART_1001256068

SECTION 7 - CONTROLS

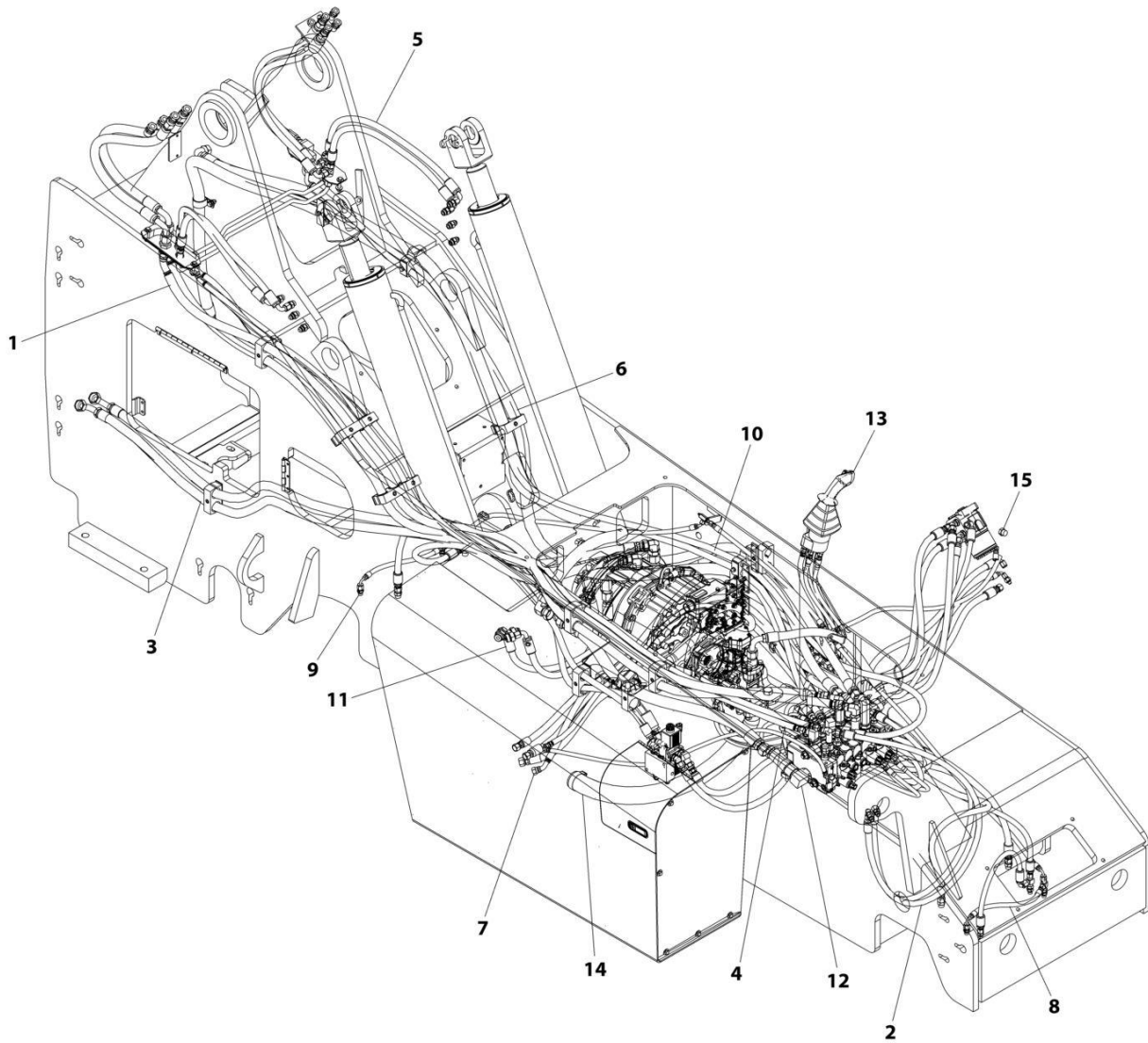
FIGURE 7-5. SECONDARY TALL CONTROL

ITEM	PART NUMBER	QTY	DESCRIPTION	REV
	1001256068	Ref	SECONDARY TALL CONTROL	A
1	1001173581	1	Control	
2	1001256067	1	Cable	

SECTION 8 - HYDRAULIC CIRCUITS

SECTION 8 - HYDRAULIC CIRCUITS

FIGURE 8-1. HYDRAULIC INSTALLATION



ART_1001205748

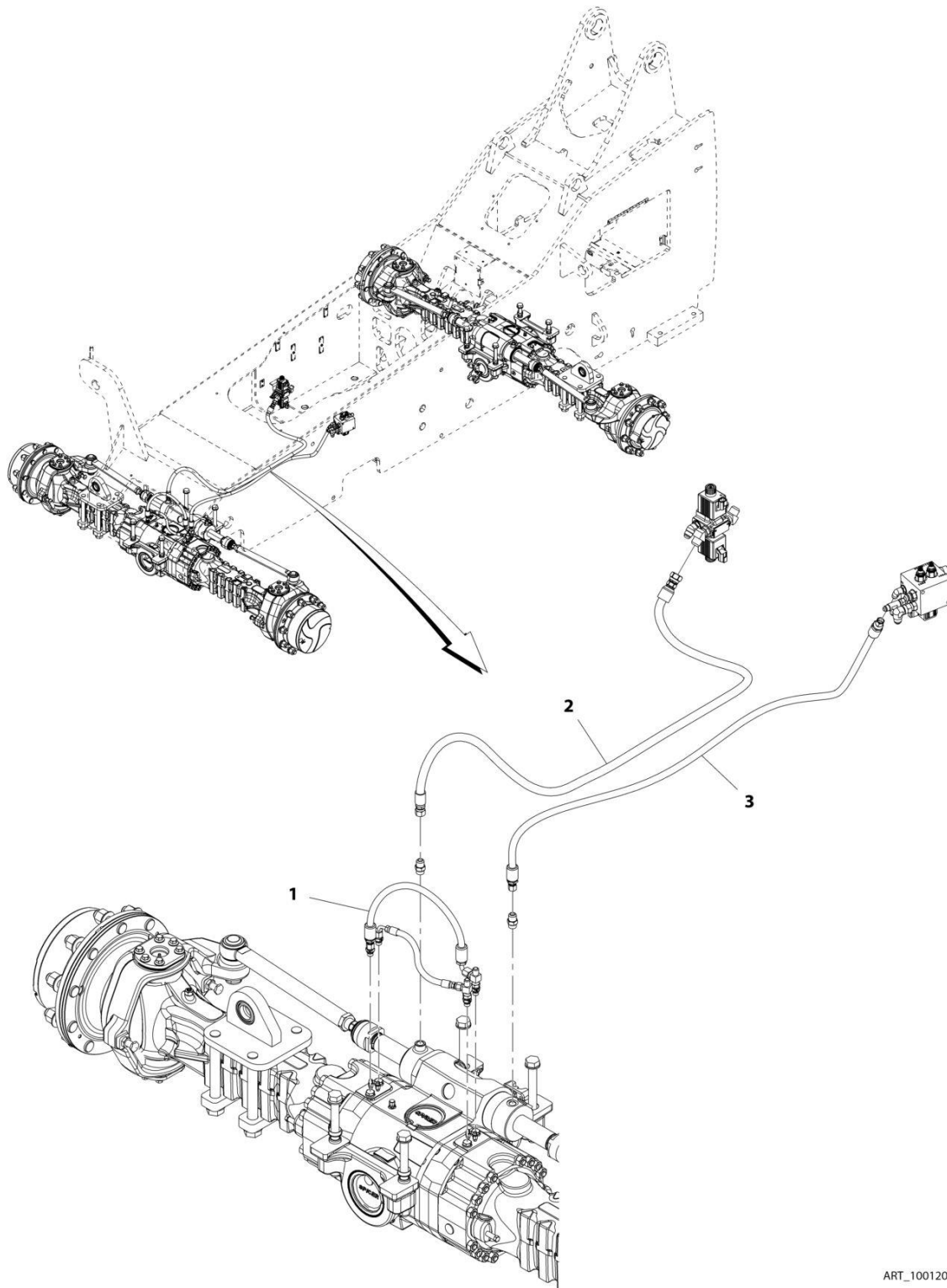
SECTION 8 - HYDRAULIC CIRCUITS

FIGURE 8-1. HYDRAULIC INSTALLATION

ITEM	PART NUMBER	QTY	DESCRIPTION	REV
	1001205748	Ref	HYDRAULIC INSTALLATION, 74HP (ULS)	E
1	1001159869	Ref	Hydraulic Extend Plumbing Installation (See Separate Breakdown in this Section)	
2	1001160825	Ref	Hydraulic Frame Tilt Plumbing Installation (See Separate Breakdown in this Section)	
3	1001171873	Ref	Hydraulic Transmission Cooler Plumbing Installation (See Separate Breakdown in this Section)	
4	1001196293	Ref	Hydraulic Fork Plumbing Installation (See Separate Breakdown in this Section)	
5	1001196388	Ref	Rear Bulkhead Installation (See Separate Breakdown in this Section)	
6	1001196668	Ref	Hydraulic Cooler Plumbing Installation (See Separate Breakdown in this Section)	
7	1001197421	Ref	Hydraulic Valves Installation (See Separate Breakdown in this Section)	
8	1001201987	Ref	Front Axle Hydraulic Installation (See Separate Breakdown in this Section)	
9	1001201989	Ref	Rear Axle Hydraulic Installation (See Separate Breakdown in this Section)	
10	1001202467	Ref	Frame Auxiliary Installation (See Separate Breakdown in this Section)	
11	1001215159	Ref	Hydraulic Frame Cylinders Installation (See Separate Breakdown in this Section)	
12	1001196290	Ref	Main Control Valve Installation (See Separate Breakdown in this Section)	
13	1001205754	Ref	Installation, Cab Hydraulics (See Separate Breakdown in this Section)	
14	1001196650	Ref	Hydraulic Pump Installation (See Separate Breakdown in this Section)	
15	1001211945	Ref	Brake Valve Plug Installation	
15	2220238	1	Plug	

SECTION 8 - HYDRAULIC CIRCUITS

FIGURE 8-2. AXLE (FRONT) HYDRAULICS INSTALLATION



ART_1001201987-C

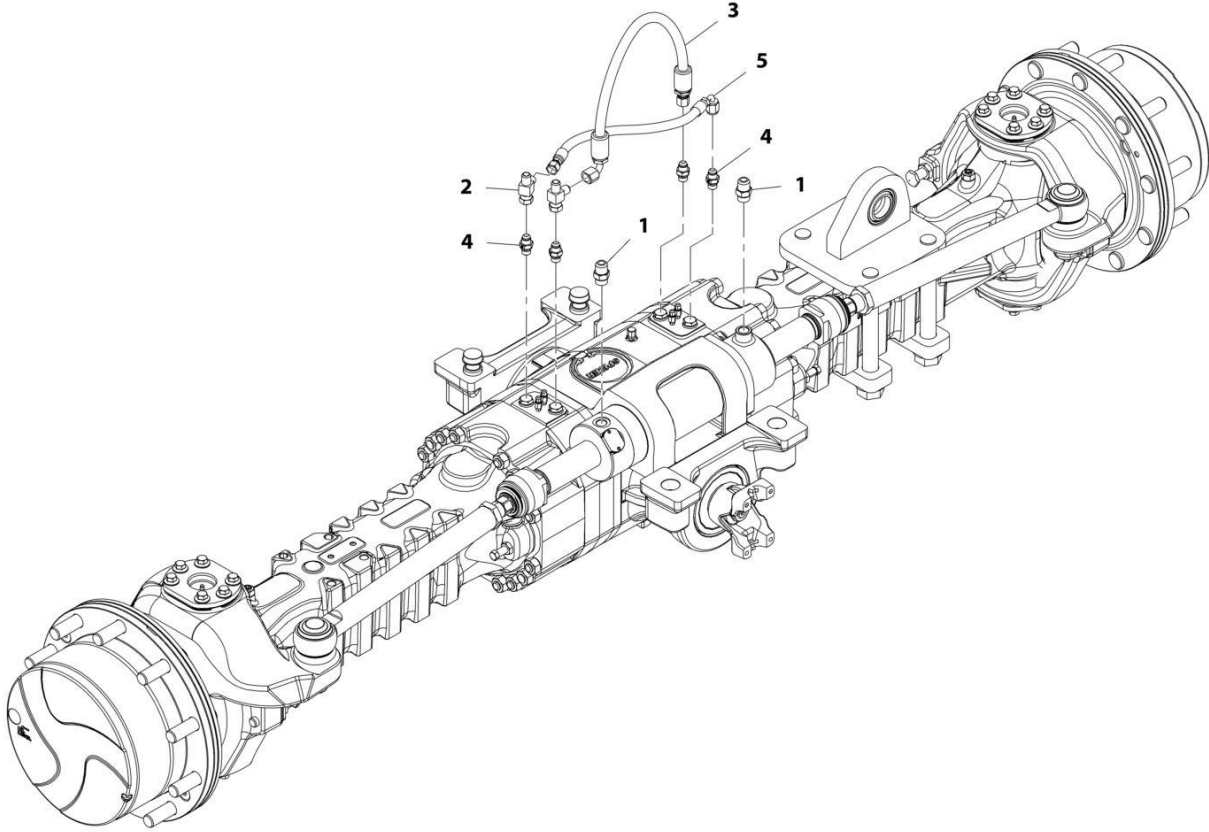
SECTION 8 - HYDRAULIC CIRCUITS

FIGURE 8-2. AXLE (FRONT) HYDRAULICS INSTALLATION

ITEM	PART NUMBER	QTY	DESCRIPTION	REV
1	1001201987	Ref	Front Axle Hydraulic Installation	C
	1001201988	1	Assembly, Front Axle Hydraulic (See Separate Breakdown in this Section)	
2	1001194757	1	Hose	
3	2716763	1	Hose	

SECTION 8 - HYDRAULIC CIRCUITS

FIGURE 8-3. AXLE (FRONT) HYDRAULICS ASSEMBLY



ART_1001201988-B

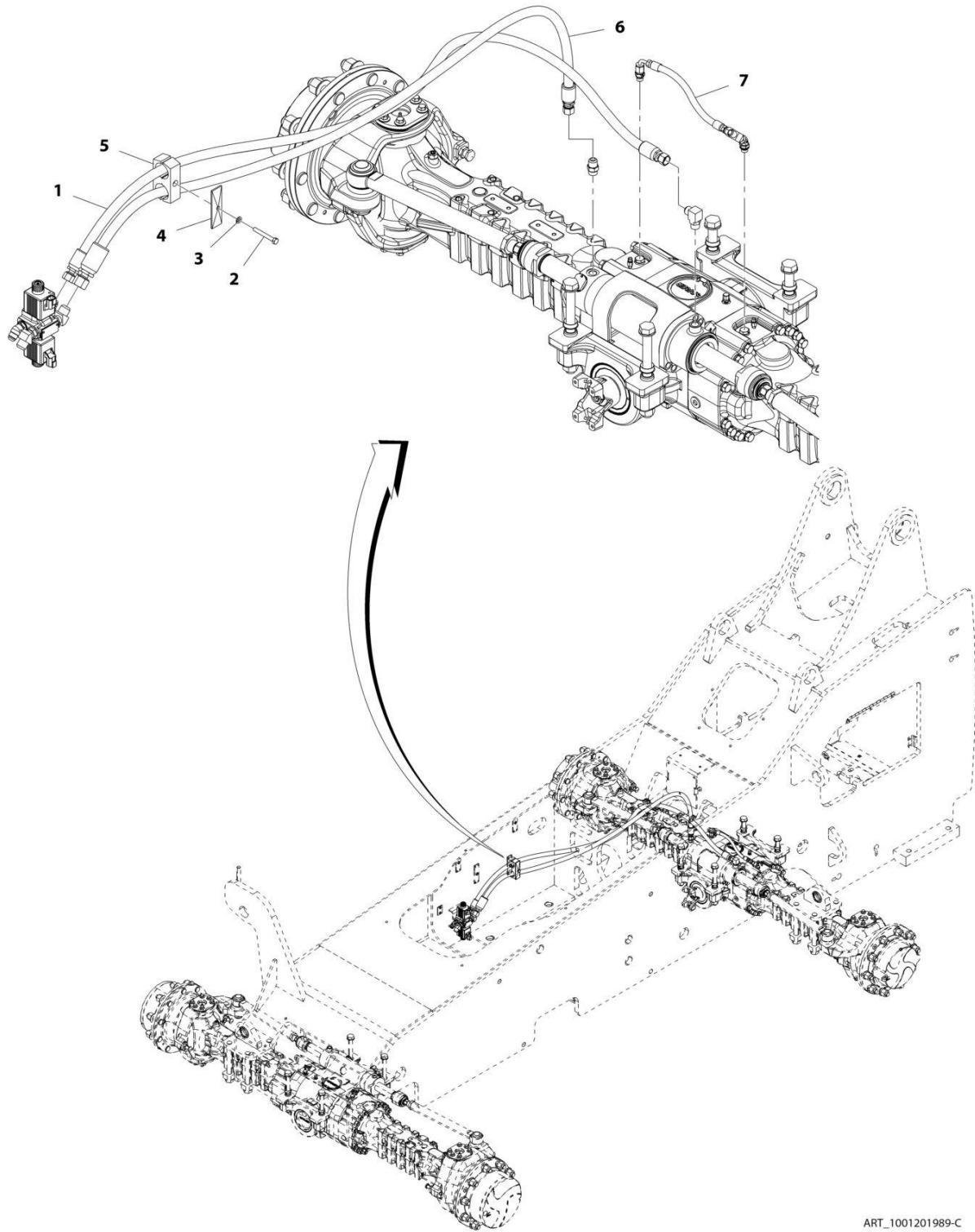
SECTION 8 - HYDRAULIC CIRCUITS

FIGURE 8-3. AXLE (FRONT) HYDRAULICS ASSEMBLY

ITEM	PART NUMBER	QTY	DESCRIPTION	REV
	1001201988	Ref	Front Axle Hydraulic Assembly	B
1	2220373	2	Adapter, Straight	
2	2220635	2	Adapter, Run Tee	
3	2716670	1	Hose	
4	8770064	4	Adapter, Straight	
5	1001210858	1	Hose	

SECTION 8 - HYDRAULIC CIRCUITS

FIGURE 8-4. AXLE (REAR) HYDRAULICS INSTALLATION



ART_1001201989-C

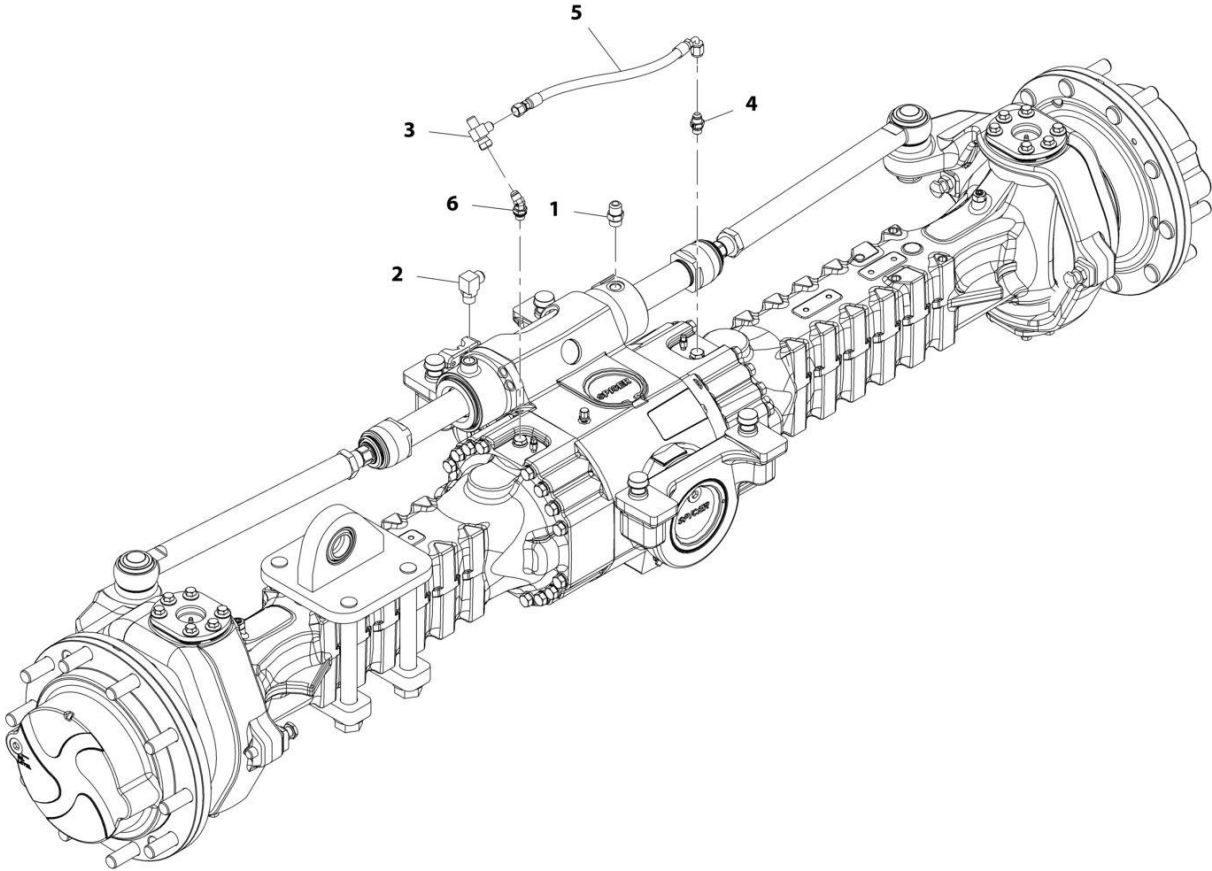
SECTION 8 - HYDRAULIC CIRCUITS

FIGURE 8-4. AXLE (REAR) HYDRAULICS INSTALLATION

ITEM	PART NUMBER	QTY	DESCRIPTION	REV
	1001201989	Ref	Rear Axle Hydraulic Installation	C
1	2716673	1	Hose	
2	8303757	1	Bolt, 5/16-18X2-1/2	
3	8307004	1	Washer, Lock 5/16	
4	8750025	1	Cover Plate, Twin	
5	8750040	1	Clamp Set, Twin	
6	1001178224	1	Hose	
7	1001201990	1	Assembly, Rear Axle Hydraulic (See Separate Breakdown in this Section)	

SECTION 8 - HYDRAULIC CIRCUITS

FIGURE 8-5. AXLE (REAR) HYDRAULICS ASSEMBLY



ART_1001201990-B

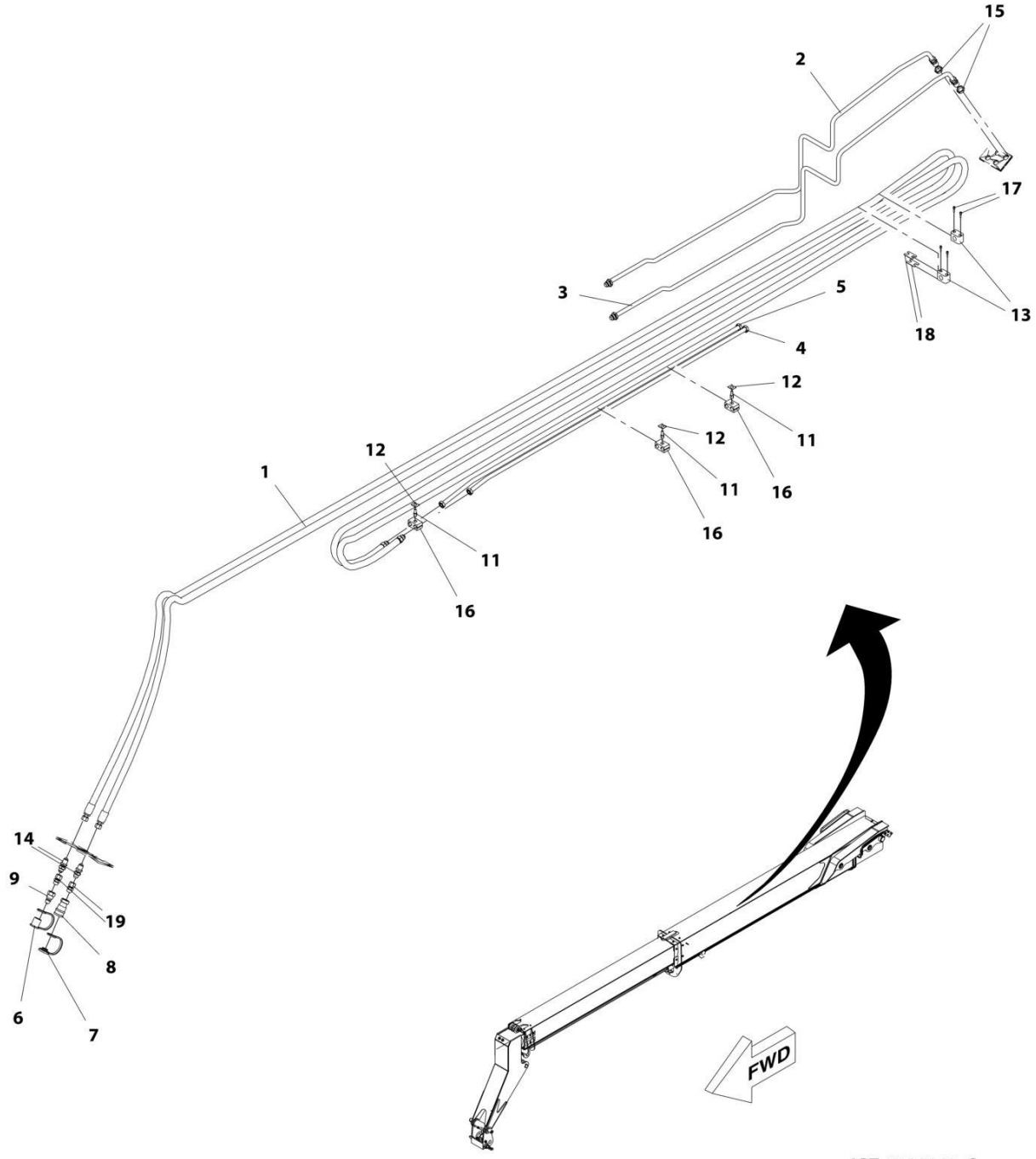
SECTION 8 - HYDRAULIC CIRCUITS

FIGURE 8-5. AXLE (REAR) HYDRAULICS ASSEMBLY

ITEM	PART NUMBER	QTY	DESCRIPTION	REV
	1001201990	Ref	Rear Axle Hydraulic Assembly	B
1	2220373	1	Adapter, Straight	
2	2220596	1	Adapter, 90	
3	2220635	1	Adapter, Run Tee	
4	8770064	1	Adapter, Straight	
5	1001210858	1	Hose	
6	1001202043	1	Adapter, 45	

SECTION 8 - HYDRAULIC CIRCUITS

FIGURE 8-6. BOOM AUXILIARY HYDRAULICS



ART_7139968_G

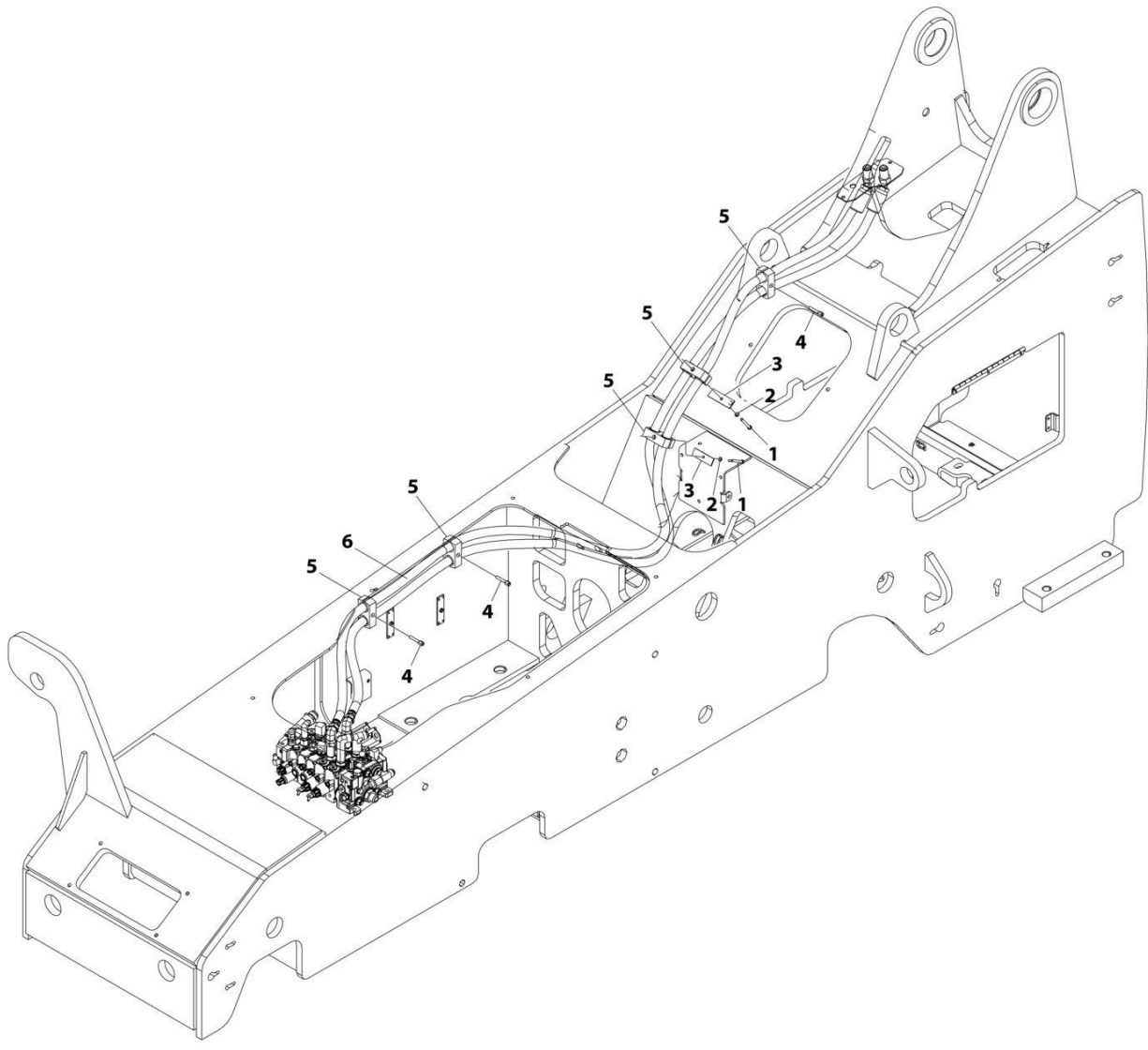
SECTION 8 - HYDRAULIC CIRCUITS

FIGURE 8-6. BOOM AUXILIARY HYDRAULICS

ITEM	PART NUMBER	QTY	DESCRIPTION	REV
	7139968	Ref	Boom Auxiliary Hydraulics Installation - 6036 (6036)	G
1	2716792	2	Hose	
2	7139728	1	Tube, Auxiliary Inside	
3	7139729	1	Tube, Auxiliary Outside	
4	7150837	1	Tube, Boom Extension Outside Pipe	
5	7150838	1	Tube, Boom Extension Inside Pipe	
6	8420053	1	Cap, Dust	
7	8420055	1	Plug, Dust	
8	91403413	1	Adapter, Quick Disconnect	
9	91403414	1	Adapter, Quick Disconnect	
11	8750011	3	Bolt, Stacking 5/16	
12	8750017	3	Plate, Twin Clamp Locking	
13	8750029	2	Clamp Set, Single 3/4	
14	2230025	2	Adapter, Bulkhead Straight	
15	8760465	2	Adapter, Bulkhead Nut	
16	8769122	3	Clamp Set, Twin 5/8	
17	8769155	4	Bolt, Stacking	
18	8769156	2	Plate, Single Safety Lock	
19	2220651	2	Adapter, Straight	

SECTION 8 - HYDRAULIC CIRCUITS

FIGURE 8-7. BOOM EXTEND/RETRACT HYDRAULICS (MAIN VALVE TO BOOM)



ART_1001159869

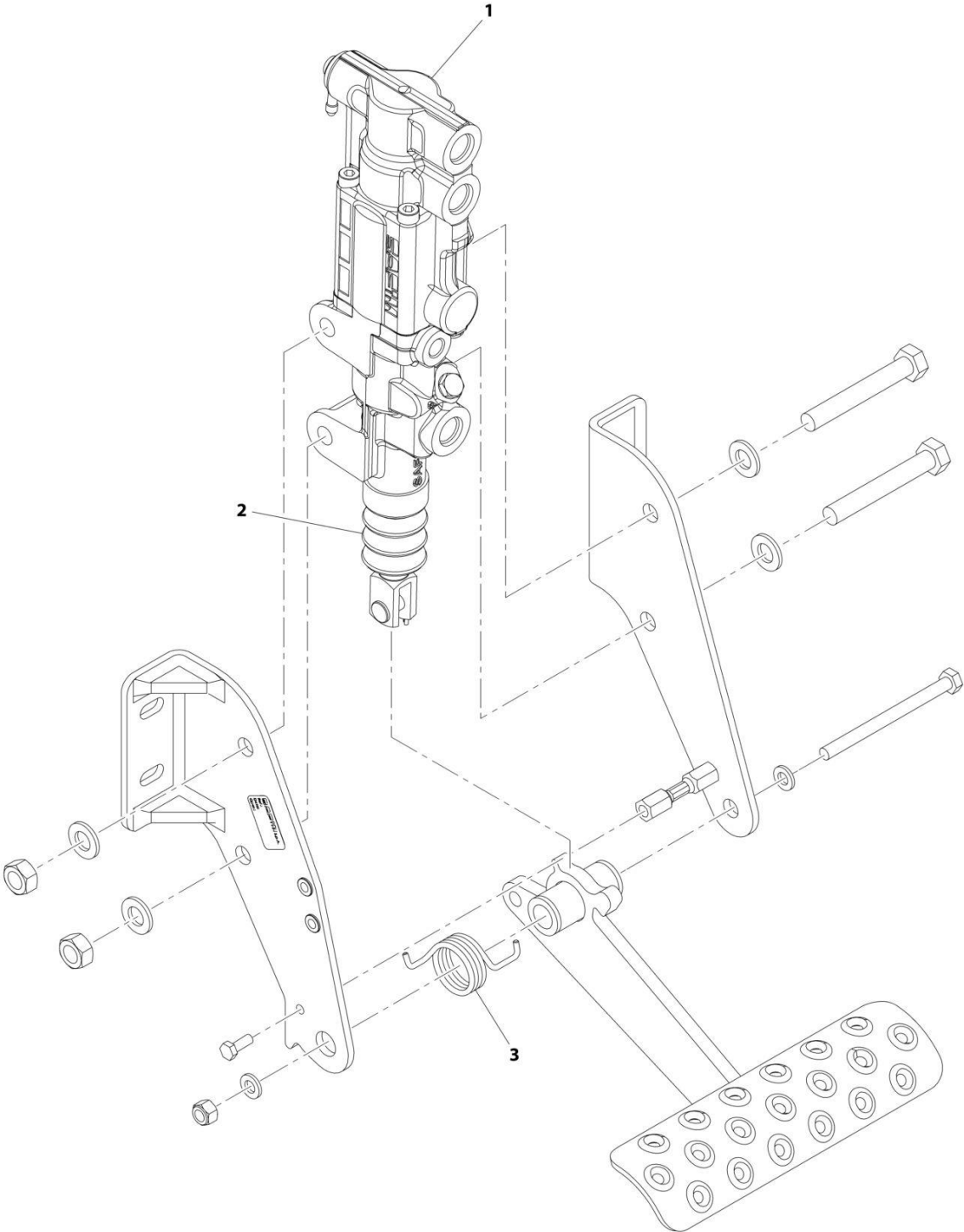
SECTION 8 - HYDRAULIC CIRCUITS

FIGURE 8-7. BOOM EXTEND/RETRACT HYDRAULICS (MAIN VALVE TO BOOM)

ITEM	PART NUMBER	QTY	DESCRIPTION	REV
	1001159869	Ref	HYDRAULIC EXTEND PLUMBING INSTALLATION	G
1	8303757	2	Bolt 5/16 x 2-1/2	
2	8307004	2	Washer 5/16	
3	8750025	2	Cover Plate, Twin	
4	8750026	3	Bolt, Stacking	
5	8750040	5	Clamp Set, Twin	
6	1001254087	2	Hose	

SECTION 8 - HYDRAULIC CIRCUITS

FIGURE 8-8. BRAKE & FITTINGS ASSEMBLY



ART_1001223050-B

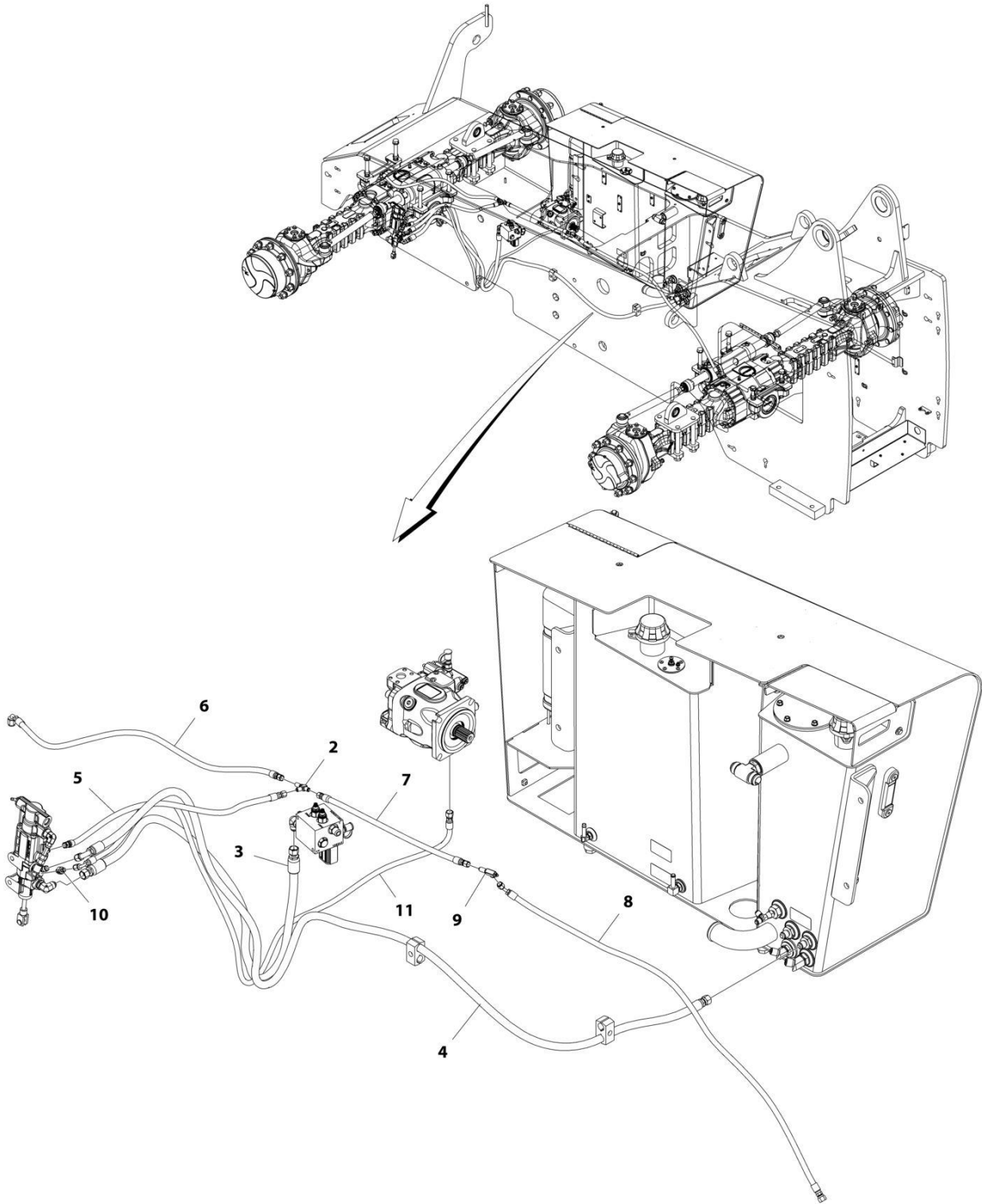
SECTION 8 - HYDRAULIC CIRCUITS

FIGURE 8-8. BRAKE & FITTINGS ASSEMBLY

ITEM	PART NUMBER	QTY	DESCRIPTION	REV
1	1001223050	Ref	Hydraulic Brake Valve Installation	B
	1001201721	1	Brake Valve (See Separate Breakdown in HYDRAULIC COMPONENTS Section)	
2	70025859	1	Dust Cover	
3	70028547	1	Spring, Return	

SECTION 8 - HYDRAULIC CIRCUITS

FIGURE 8-9. BRAKE HYDRAULICS



ART_1001205753

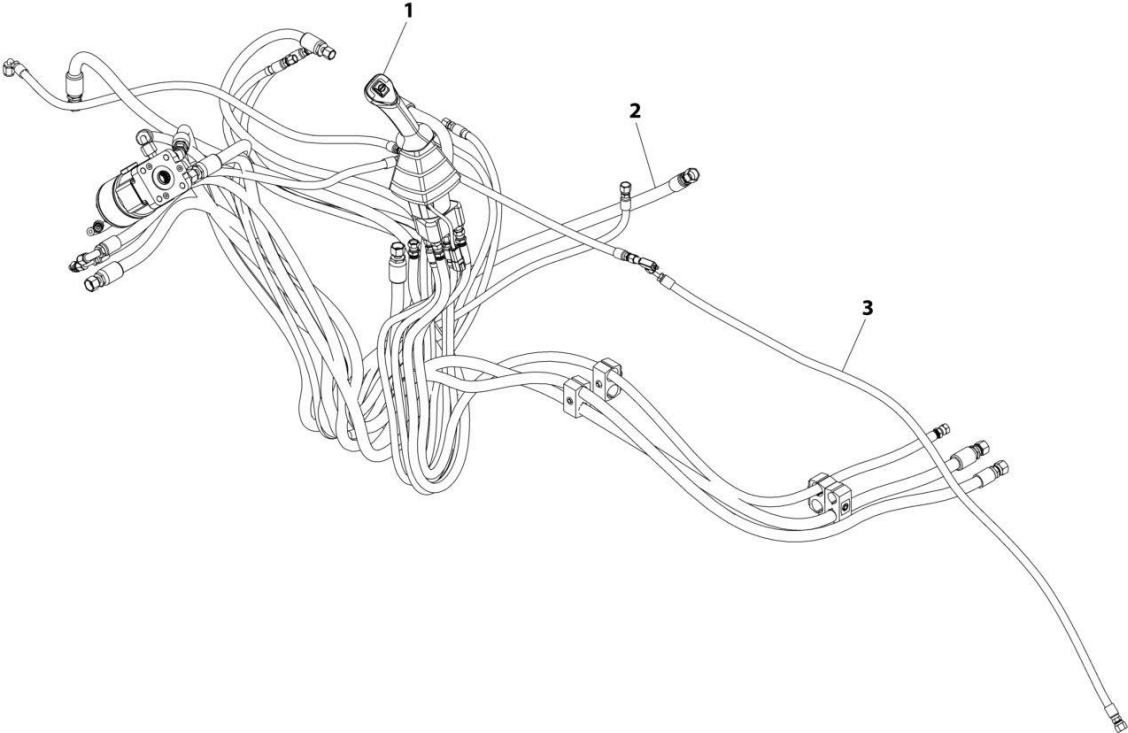
SECTION 8 - HYDRAULIC CIRCUITS

FIGURE 8-9. BRAKE HYDRAULICS

ITEM	PART NUMBER	QTY	DESCRIPTION	REV
	1001205753	Ref	BRAKE HYDRAULICS INSTALLATION, 74HP	D
2	10728823	1	Adapter, Run Tee	
3	1001201726	1	Hose	
4	1001201728	1	Hose	
5	1001210854	1	Hose	
6	1001210855	1	Hose	
7	1001210856	1	Hose	
8	1001210857	1	Hose	
9	1001201734	1	Manifold, Brake Bleeder Tee	
10	1001183370	1	Valve, Check	
11	1001209223	1	Hose	

SECTION 8 - HYDRAULIC CIRCUITS

FIGURE 8-10. CAB HYDRAULICS INSTALLATION



ART_1001205754

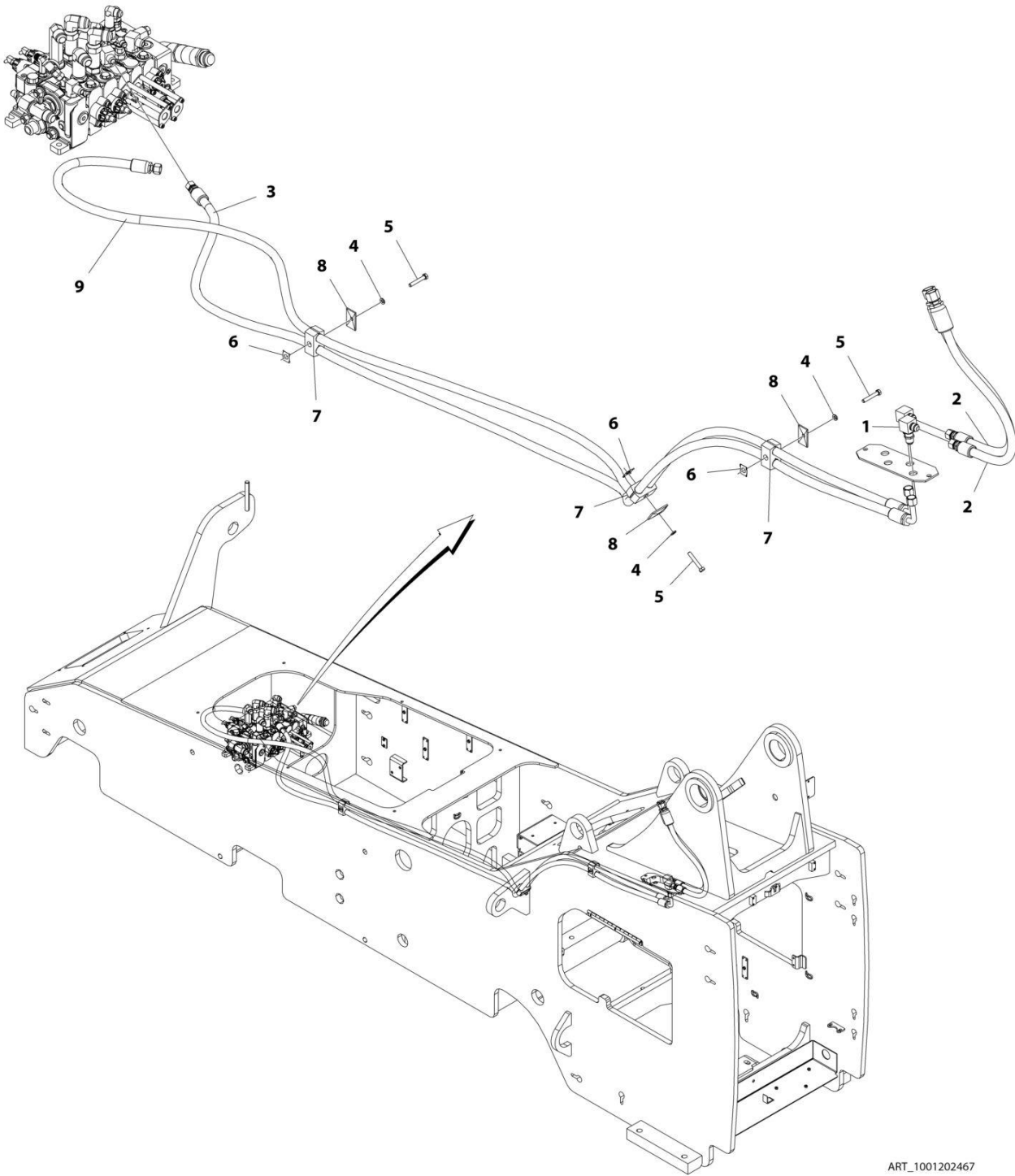
SECTION 8 - HYDRAULIC CIRCUITS

FIGURE 8-10. CAB HYDRAULICS INSTALLATION

ITEM	PART NUMBER	QTY	DESCRIPTION	REV
	1001205754	Ref	CAB HYDRAULICS INSTALLATION	C
1	1001158854	Ref	Installation, Pilot Control (See Separate Breakdown in this Section)	
2	1001158856	Ref	Installation, Steering Hydraulics (See Separate Breakdown in this Section)	
3	1001205753	Ref	Installation, Brake Hydraulics (See Separate Breakdown in this Section)	

SECTION 8 - HYDRAULIC CIRCUITS

FIGURE 8-11. FRAME AUXILIARY HYDRAULICS



ART_1001202467

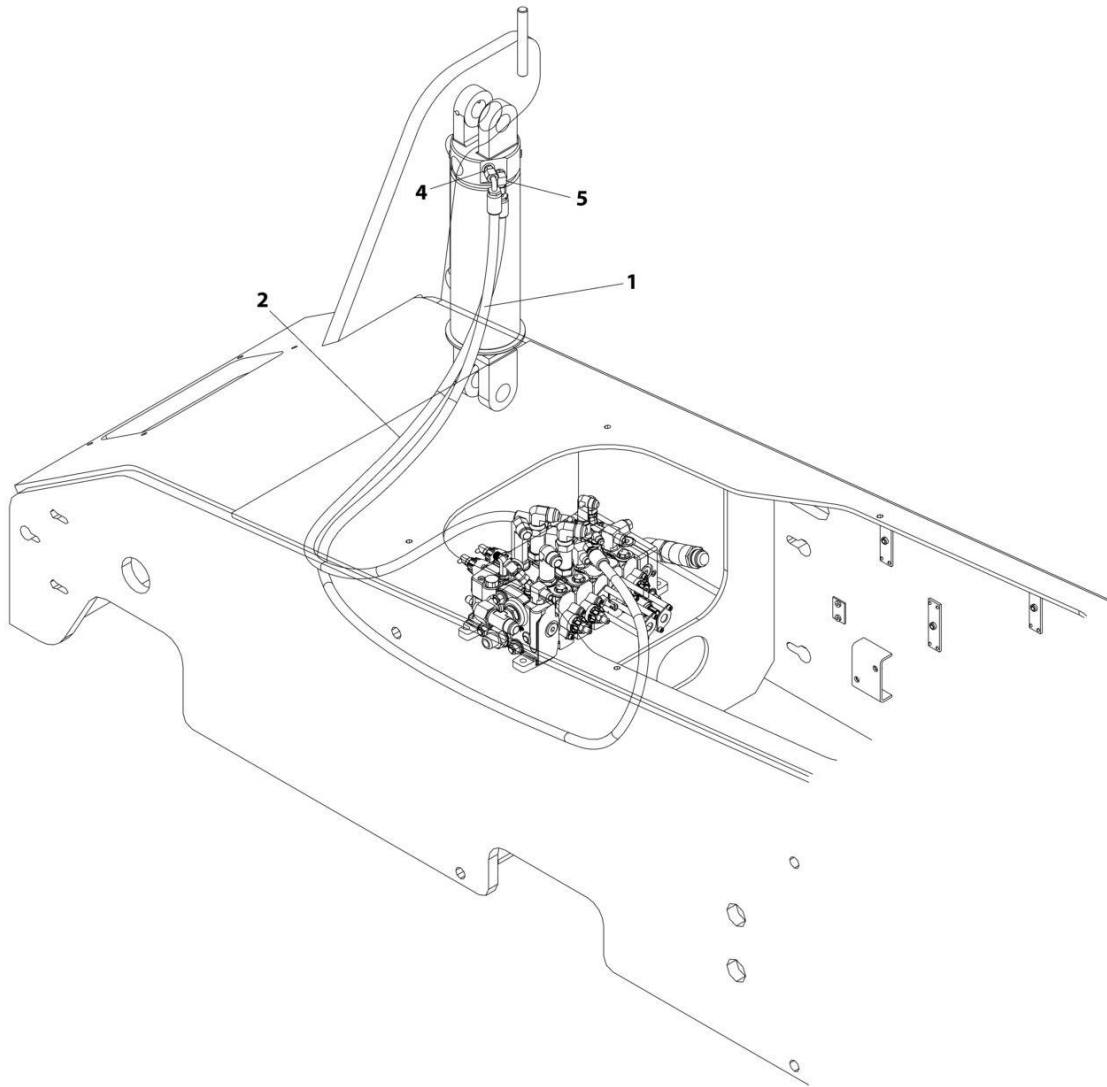
SECTION 8 - HYDRAULIC CIRCUITS

FIGURE 8-11. FRAME AUXILIARY HYDRAULICS

ITEM	PART NUMBER	QTY	DESCRIPTION	REV
	1001202467	Ref	FRAME AUXILIARY INSTALLATION	E
1	2230044	2	Adapter, Bulkhead 90 JIC	
2	2716713	2	Hose	
3	1001254102	1	Hose	
4	8307004	3	Washer 5/16	
5	8310009	3	Bolt 5/16 x 2	
6	8750017	3	Plate, Twin Clamp Locking	
7	8750027	3	Clamp Set, Twin	
8	8769128	3	Cover Plate, Twin	
9	1001254103	1	Hose	

SECTION 8 - HYDRAULIC CIRCUITS

FIGURE 8-12. FRAME TILT HYDRAULICS



ART_1001160825

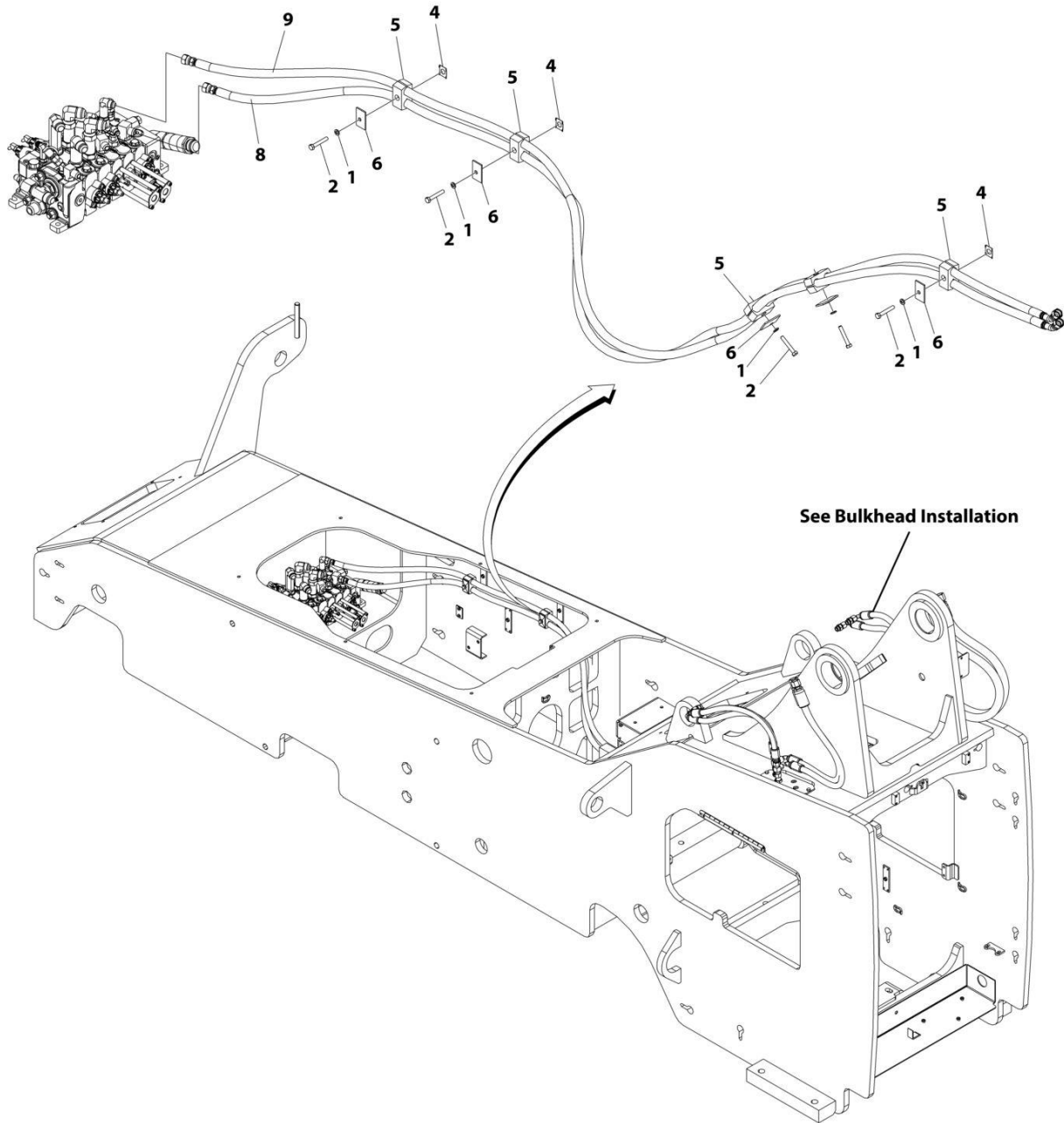
SECTION 8 - HYDRAULIC CIRCUITS

FIGURE 8-12. FRAME TILT HYDRAULICS

ITEM	PART NUMBER	QTY	DESCRIPTION	REV
	1001160825	Ref	HYDRAULIC FRAME TILT PLUMBING INSTALLATION	F
1	1001254106	1	Hose	
2	1001254107	1	Hose	
4	2220371	1	Fitting	
5	2220473	1	Fitting	

SECTION 8 - HYDRAULIC CIRCUITS

FIGURE 8-13. FORK HYDRAULICS (MAIN VALVE TO BOOM)



ART_1001196293

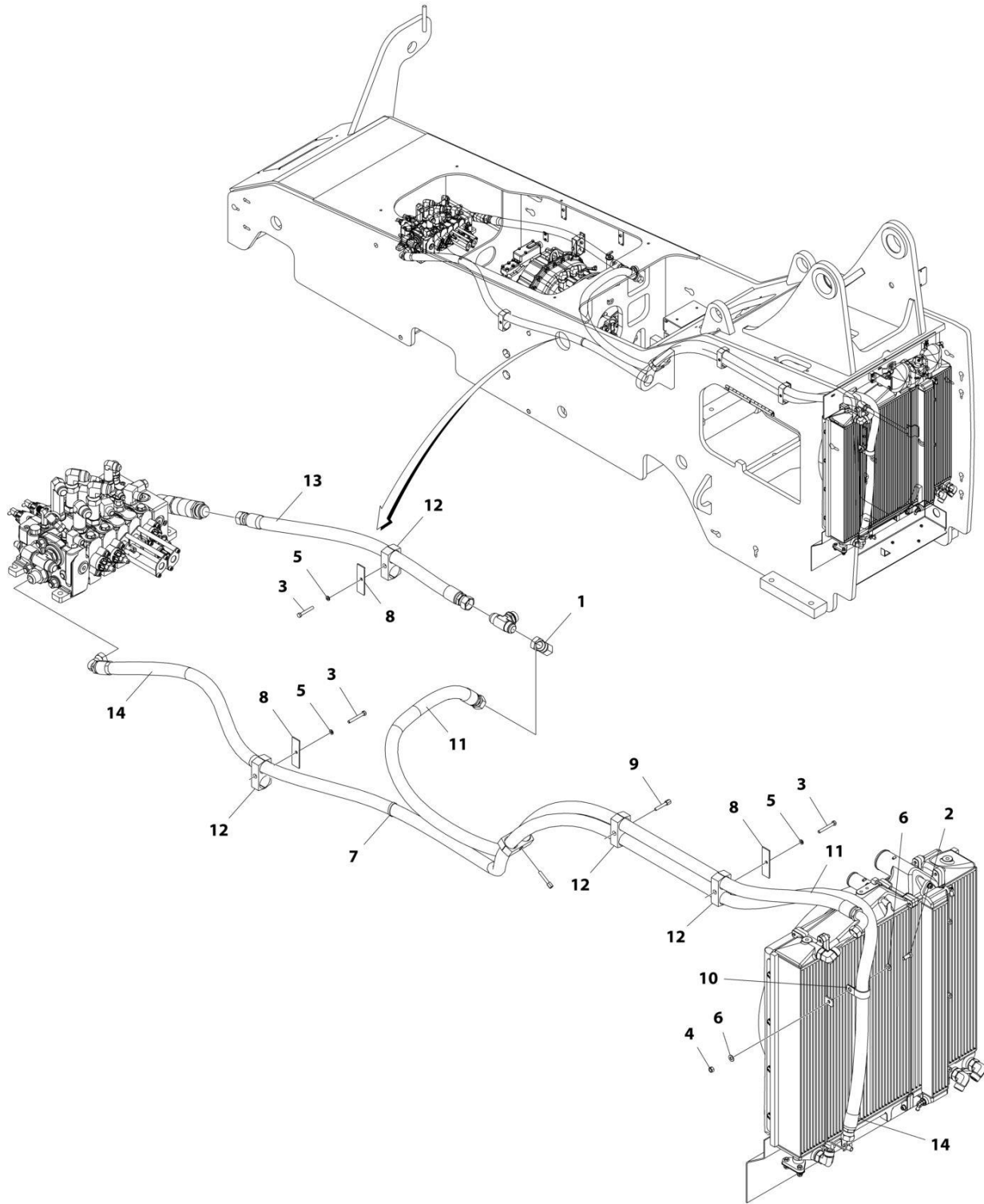
SECTION 8 - HYDRAULIC CIRCUITS

FIGURE 8-13. FORK HYDRAULICS (MAIN VALVE TO BOOM)

ITEM	PART NUMBER	QTY	DESCRIPTION	REV
	1001196293	Ref	HYDRAULIC FORK PLUMBING INSTALLATION	H
1	8307004	5	Washer 5/16	
2	8310009	5	Bolt 5/16 x 2	
4	8750017	3	Plate, Twin Clamp Locking	
5	8750027	5	Clamp Set, Twin	
6	8769128	5	Cover Plate, Twin	
8	1001254088	1	Hose	
9	1001254089	1	Hose	

SECTION 8 - HYDRAULIC CIRCUITS

FIGURE 8-14. HYDRAULIC OIL COOLER HYDRAULICS



ART_1001196668

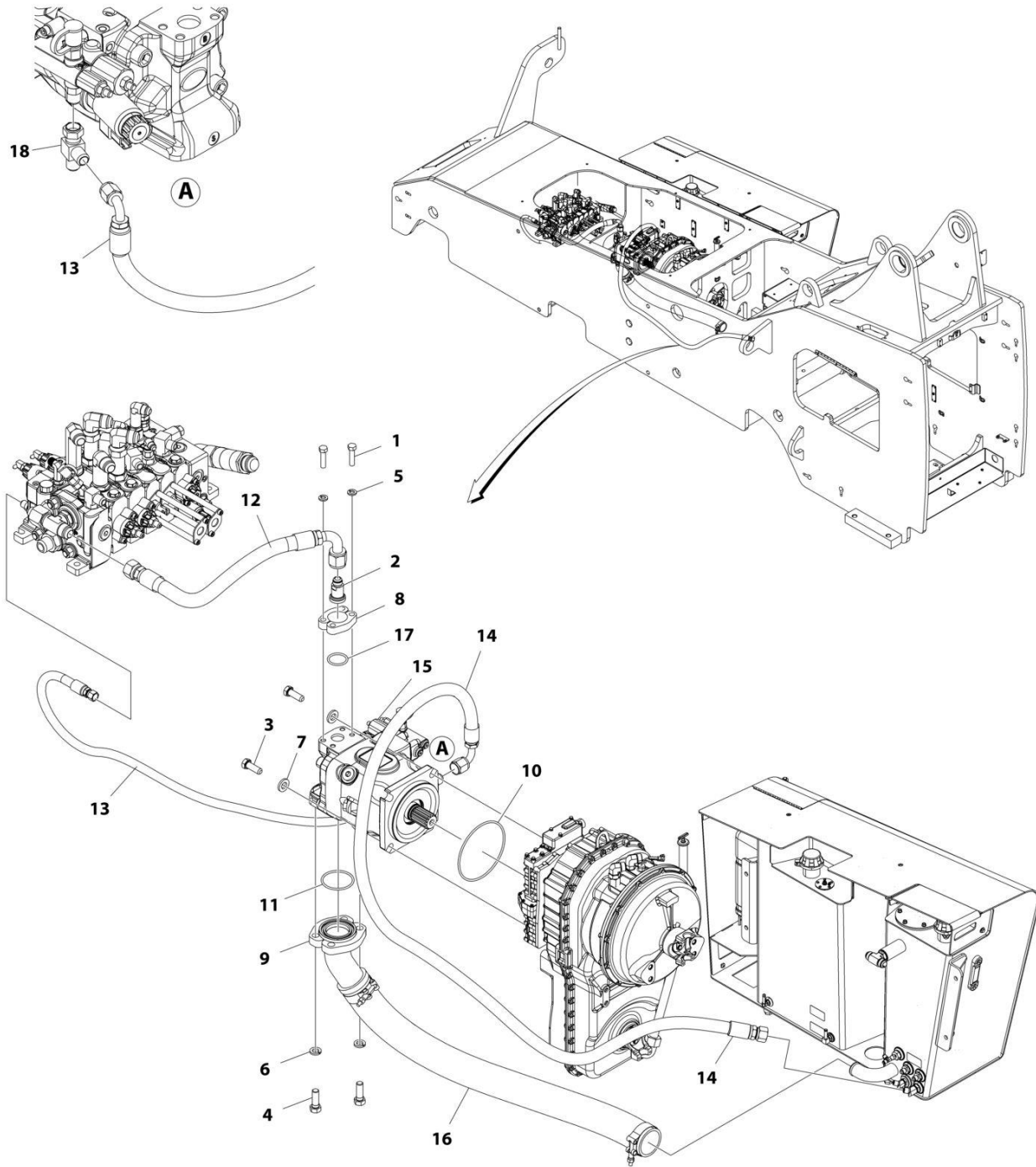
SECTION 8 - HYDRAULIC CIRCUITS

FIGURE 8-14. HYDRAULIC OIL COOLER HYDRAULICS

ITEM	PART NUMBER	QTY	DESCRIPTION	REV
	1001196668	Ref	HYDRAULIC COOLER PLUMBING INSTALLATION,	E
1	2220878	1	Adapter, 90	
2	8303620	1	Bolt 3/8 x 1	
3	8303757	3	Bolt 5/16 x 2-1/2	
4	8305008	1	Nut 3/8	
5	8307004	3	Washer 5/16	
6	8307110	2	Washer 3/8	
7	8584007	AR	Wrap, Tie	
8	8750025	3	Cover Plate, Twin	
9	8750026	2	Bolt, Stacking	
10	85841150	1	Clamp, Support	
11	1001192015	1	Hose	
12	1001196109	5	Clamp Set, Twin	
13	1001196669	1	Hose	
14	1001196671	1	Hose	

SECTION 8 - HYDRAULIC CIRCUITS

FIGURE 8-15. HYDRAULIC PUMP INSTALLATION



ART_1001196650

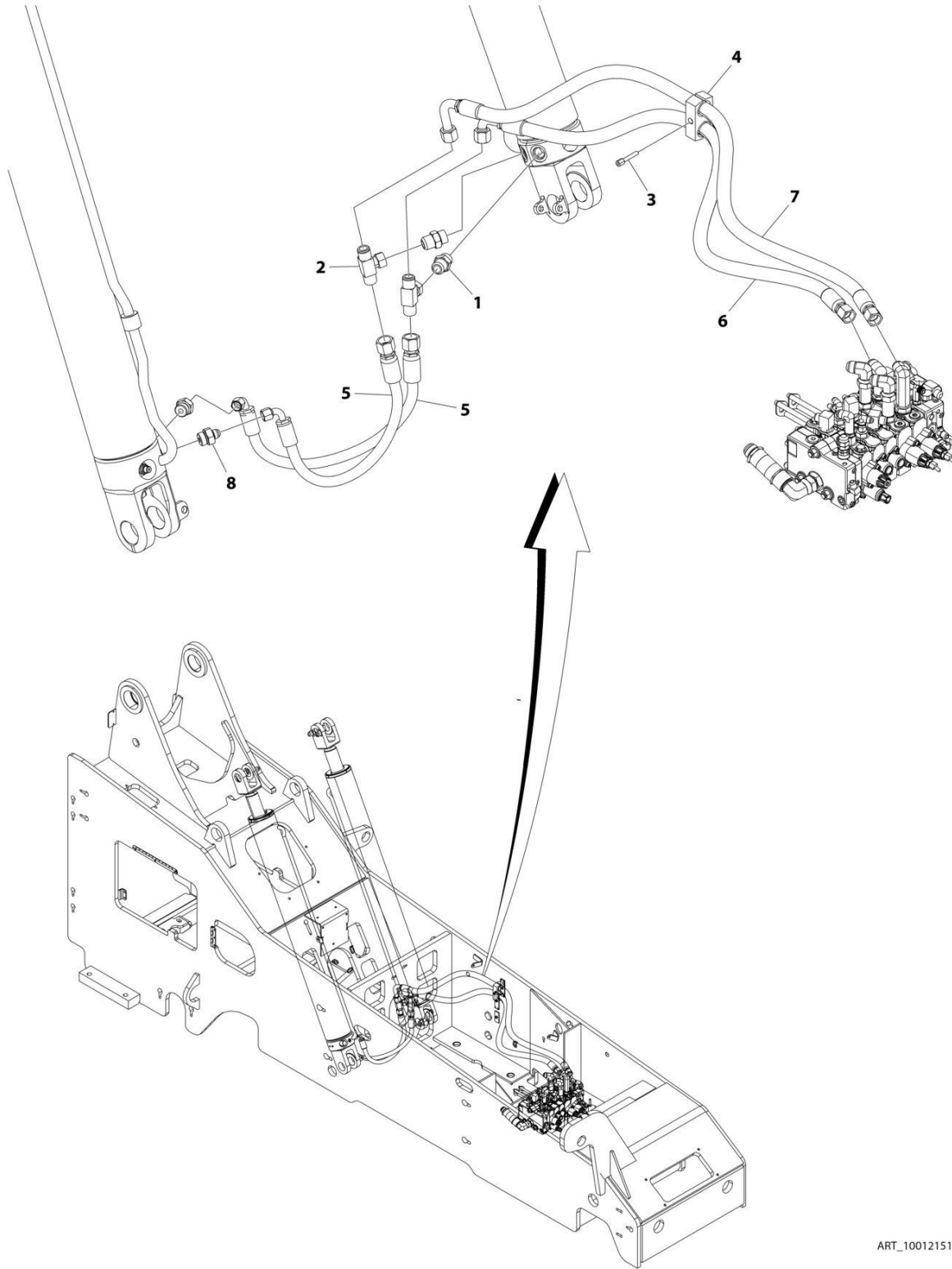
SECTION 8 - HYDRAULIC CIRCUITS

FIGURE 8-15. HYDRAULIC PUMP INSTALLATION

ITEM	PART NUMBER	QTY	DESCRIPTION	REV
	1001196650	Ref	HYDRAULIC PUMP INSTALLATION	H
1	0641612	4	Bolt 3/8 x 1-1/2	
2	1001213118	1	Adapter, 90	
3	8303519	4	Bolt M12 x 35	
4	8303626	4	Bolt 1/2 x 1-1/2	
5	8307005	4	Washer 3/8	
6	8307007	4	Washer 1/2	
7	8310356	4	Washer M12	
8	8530030	2	Flange Half	
9	8546407	2	Flange Half	
10	8630019	1	O-Ring	
11	8640208	1	O-Ring	
12	1001254104	1	Hose	
13	1001254105	1	Hose	
14	1001196649	1	Hose	
15	1001251426	1	Installation, Piston Pump (See Separate Breakdown in this Section)	
16	1001227508	1	Hose	
17	8640123	1	O-Ring	
18	2220635	1	Fitting	

SECTION 8 - HYDRAULIC CIRCUITS

FIGURE 8-16. LIFT CYLINDER HYDRAULICS



ART_1001215159

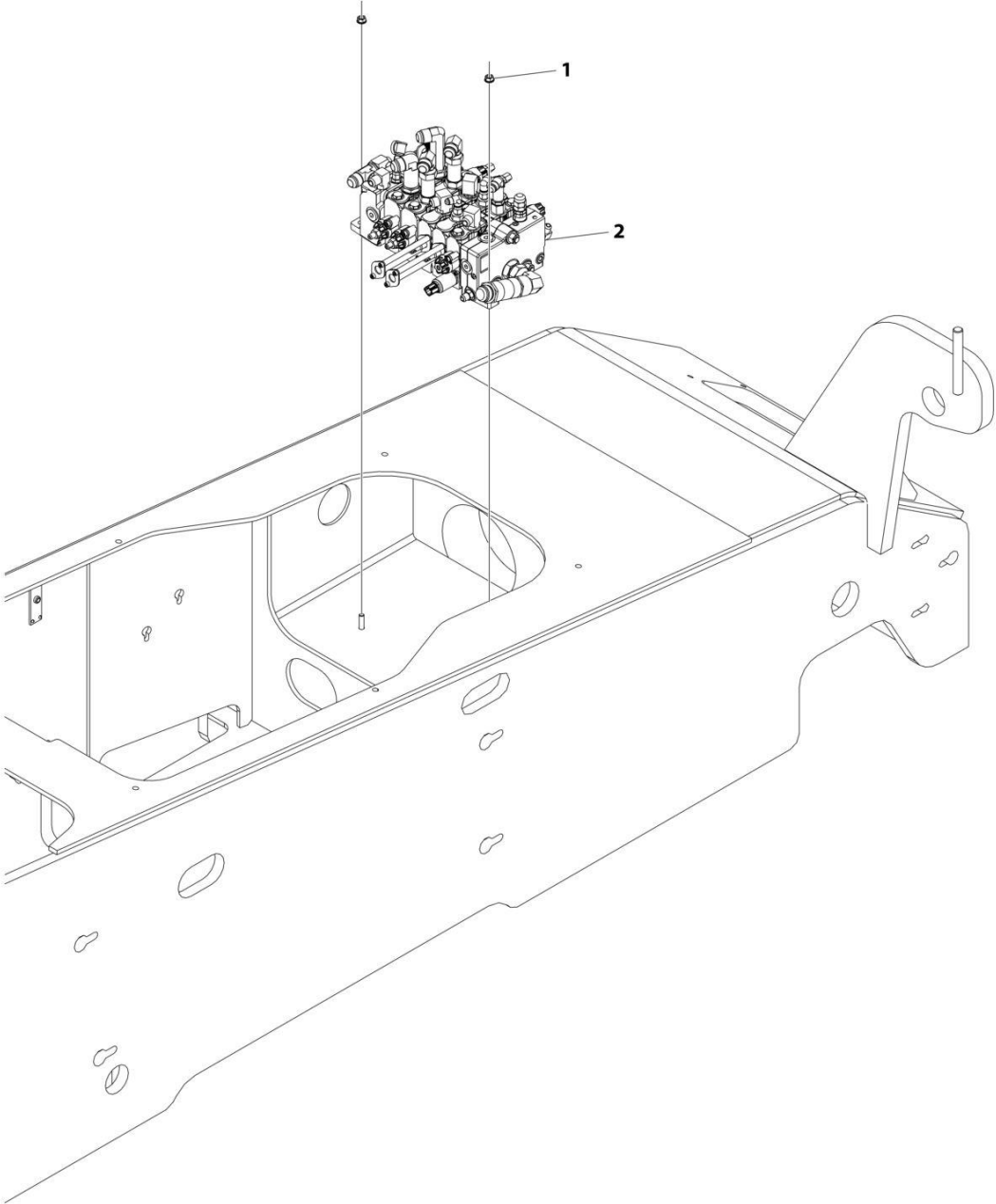
SECTION 8 - HYDRAULIC CIRCUITS

FIGURE 8-16. LIFT CYLINDER HYDRAULICS

ITEM	PART NUMBER	QTY	DESCRIPTION	REV
	1001215159	Ref	HYDRAULIC FRAME CYLINDERS INSTALLATION	B
1	2220451	2	Adapter	
2	2220682	2	Adapter	
3	8750026	1	Bolt, Stacking	
4	8750040	1	Clamp Set	
5	2716675	2	Hose	
6	1001254108	1	Hose	
7	1001254109	1	Hose	
8	2220375	2	Adapter	

SECTION 8 - HYDRAULIC CIRCUITS

FIGURE 8-17. MAIN CONTROL VALVE INSTALLATION



ART_1001196290_D

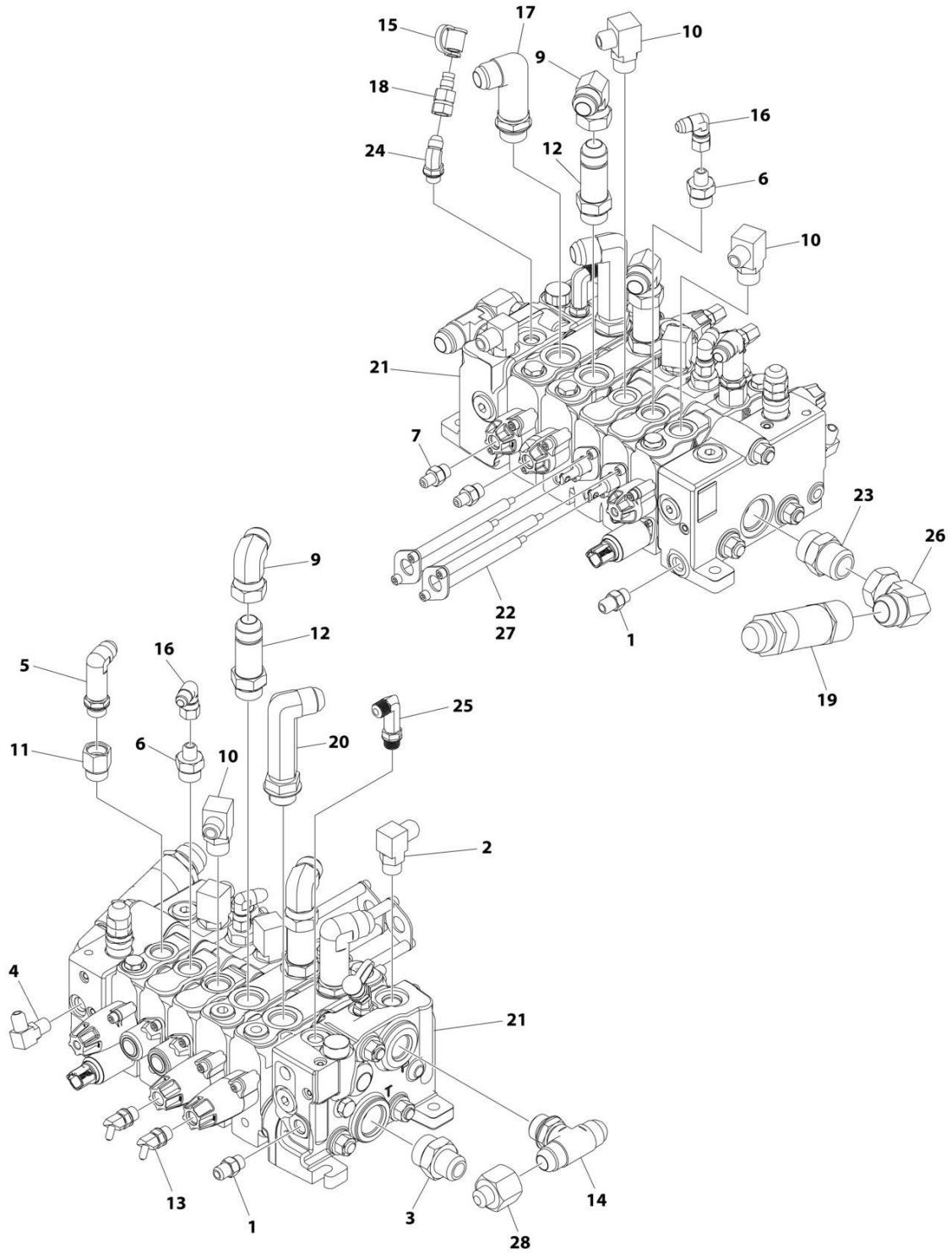
SECTION 8 - HYDRAULIC CIRCUITS

FIGURE 8-17. MAIN CONTROL VALVE INSTALLATION

ITEM	PART NUMBER	QTY	DESCRIPTION	REV
	1001196290	Ref	MAIN CONTROL VALVE INSTALLATION, 74HP	D
1	8310522	3	Nut 3/8	
2	1001252952	1	Assembly, Valve (See Separate Breakdown in this Section)	

SECTION 8 - HYDRAULIC CIRCUITS

FIGURE 8-18. MAIN CONTROL VALVE & FITTINGS ASSEMBLY



ART_1001252952

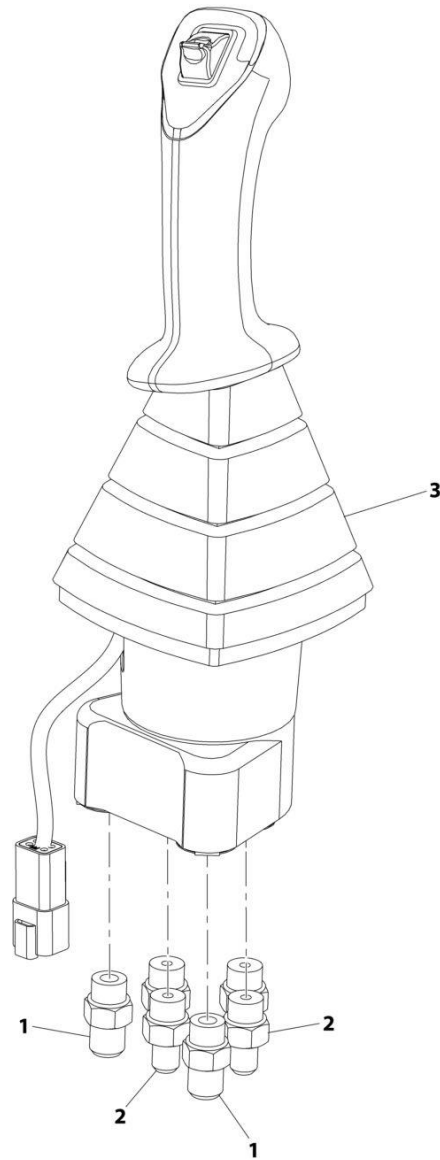
SECTION 8 - HYDRAULIC CIRCUITS

FIGURE 8-18. MAIN CONTROL VALVE & FITTINGS ASSEMBLY

ITEM	PART NUMBER	QTY	DESCRIPTION	REV
	1001252952	Ref	VALVE ASSEMBLY, 85HP	D
1	2220371	2	Adapter, Straight	
2	2220596	1	Adapter, 90	
3	2220435	1	Adapter, Straight	
4	2220473	1	Adapter, 90	
5	2220474	1	Adapter, 90	
6	2220497	2	Adapter	
7	2220582	2	Adapter, Straight	
9	2220655	2	Adapter, 90	
10	2220671	3	Adapter, 90	
11	2220810	1	Adapter, Straight	
12	2220974	2	Adapter, Long Straight	
13	2221040	2	Adapter, 45	
14	2220695	1	Adapter, Branch Tee	
15	8430032	1	Cap, Dust	
16	8760268	2	Adapter, 90	
17	8770157	1	Adapter, 90	
18	8430046	1	Adapter, Diagnostic	
19	1001174375	1	Valve, Check	
20	1001181576	1	Adapter, 90	
21	1001242925	1	Valve, Main Control (See Separate Breakdown in HYDRAULIC COMPONENTS Section)	
22	0100011	AR	Compound, Locking	
23	2220377	1	Adapter	
24	2220501	1	Adapter, 45	
25	2220819	1	Adapter, 90	
26	2220878	1	Adapter, 90	
27	1001254386	2	Mount, Cable Control	
28	2220622	1	Reducer	

SECTION 8 - HYDRAULIC CIRCUITS

FIGURE 8-19. PILOT CONTROL VALVE AND FITTINGS ASSEMBLY



ART_1001158004-B

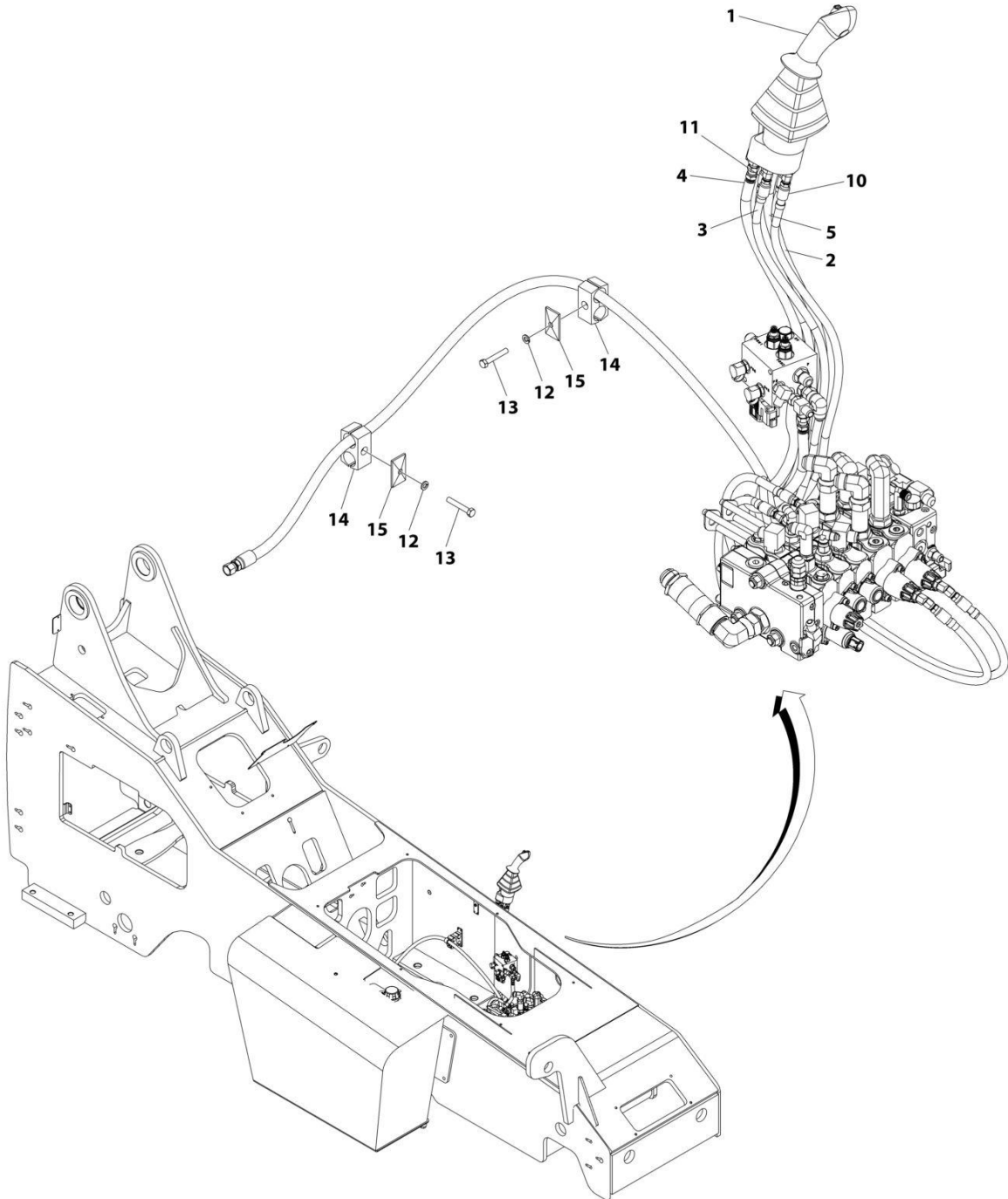
SECTION 8 - HYDRAULIC CIRCUITS

FIGURE 8-19. PILOT CONTROL VALVE AND FITTINGS ASSEMBLY

ITEM	PART NUMBER	QTY	DESCRIPTION	REV
	1001158004	Ref	Pilot Joystick & Fitting Assembly	B
1	2220371	2	Adapter, Straight JIC	
2	2220582	4	Adapter, Straight JIC	
3	1001158002	1	Control & Fittings Assembly - Pilot Joystick (See Separate Breakdown in CONTROLS Section)	

SECTION 8 - HYDRAULIC CIRCUITS

FIGURE 8-20. PILOT CONTROL VALVE HYDRAULICS



ART_1001158854

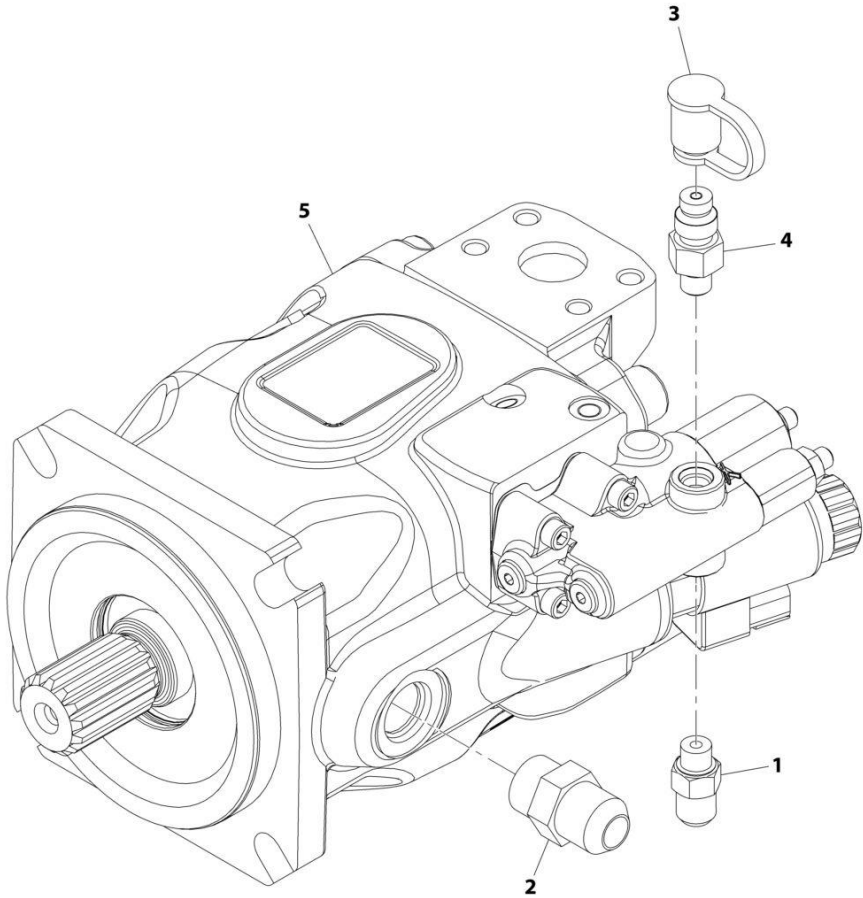
SECTION 8 - HYDRAULIC CIRCUITS

FIGURE 8-20. PILOT CONTROL VALVE HYDRAULICS

ITEM	PART NUMBER	QTY	DESCRIPTION	REV
	1001158854	Ref	PILOT CONTROLS INSTALLATION	H
1	1001158004	1	Assembly, Pilot Joystick (See Separate Breakdown in this Section)	
2	1001254096	1	Hose	
3	1001254094	1	Hose	
4	1001254099	1	Hose	
5	1001254098	1	Hose	
10	1001254097	1	Hose	
11	1001254095	1	Hose	
12	8307004	2	Washer 5/16	
13	8310009	2	Bolt 5/16 x 2	
14	8769127	2	Clamp	
15	8769128	2	Plate, Cover	

SECTION 8 - HYDRAULIC CIRCUITS

FIGURE 8-21. PISTON PUMP AND FITTINGS ASSEMBLY



ART_1001251426-A

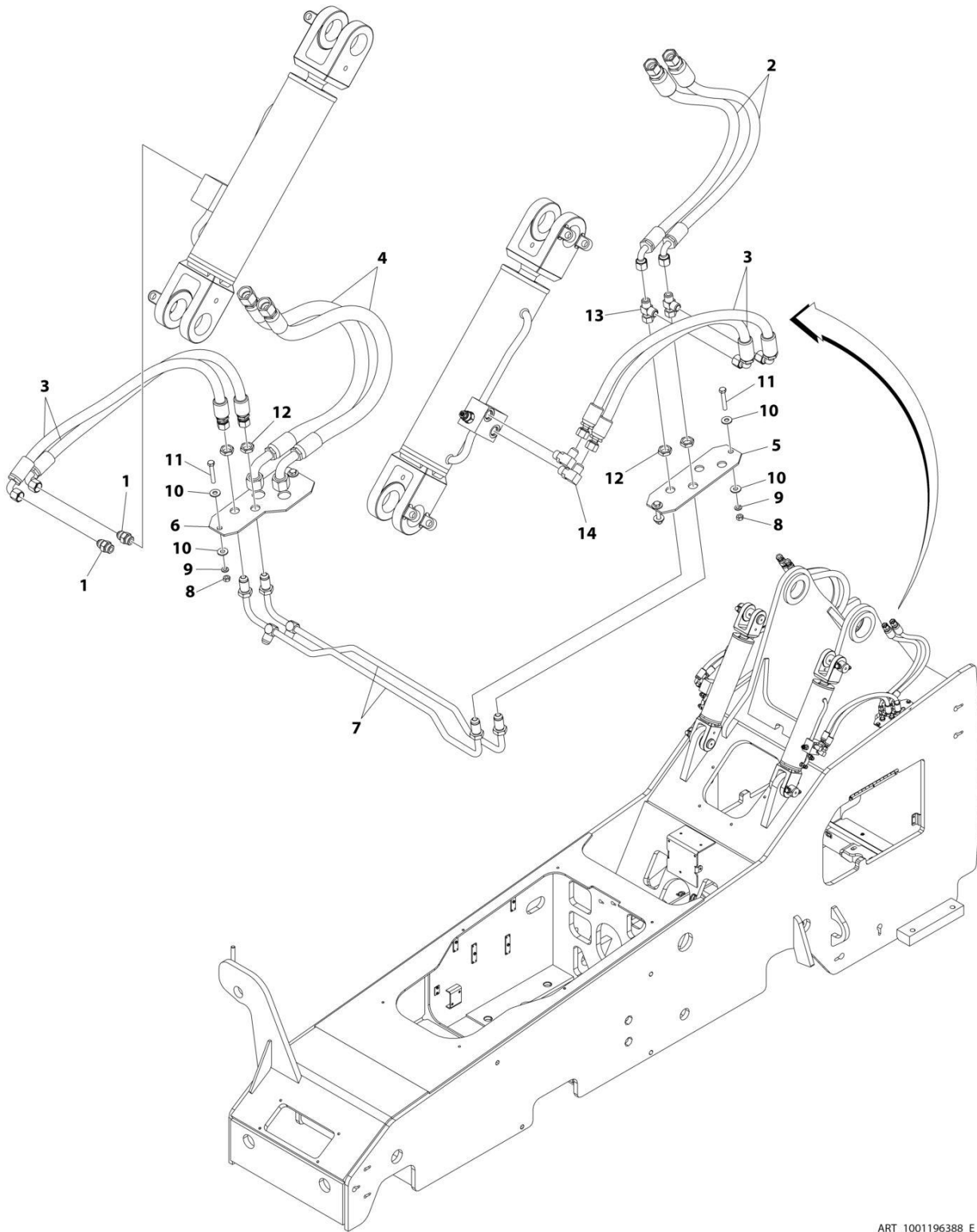
SECTION 8 - HYDRAULIC CIRCUITS

FIGURE 8-21. PISTON PUMP AND FITTINGS ASSEMBLY

ITEM	PART NUMBER	QTY	DESCRIPTION	REV
	1001251426	Ref	Piston Pump Installation	A
1	2220603	1	Adapter, Straight	
2	2220947	1	Adapter, Straight	
3	8430032	1	Cap Dust	
4	8430033	1	Adapter	
5	1001251423	1	Pump, Piston (See Separate Breakdown in HYDRAULIC COMPONENTS Section)	

SECTION 8 - HYDRAULIC CIRCUITS

FIGURE 8-22. REAR BULKHEAD TO COMPENSATION CYLINDERS HYDRAULICS



ART_1001196388_E

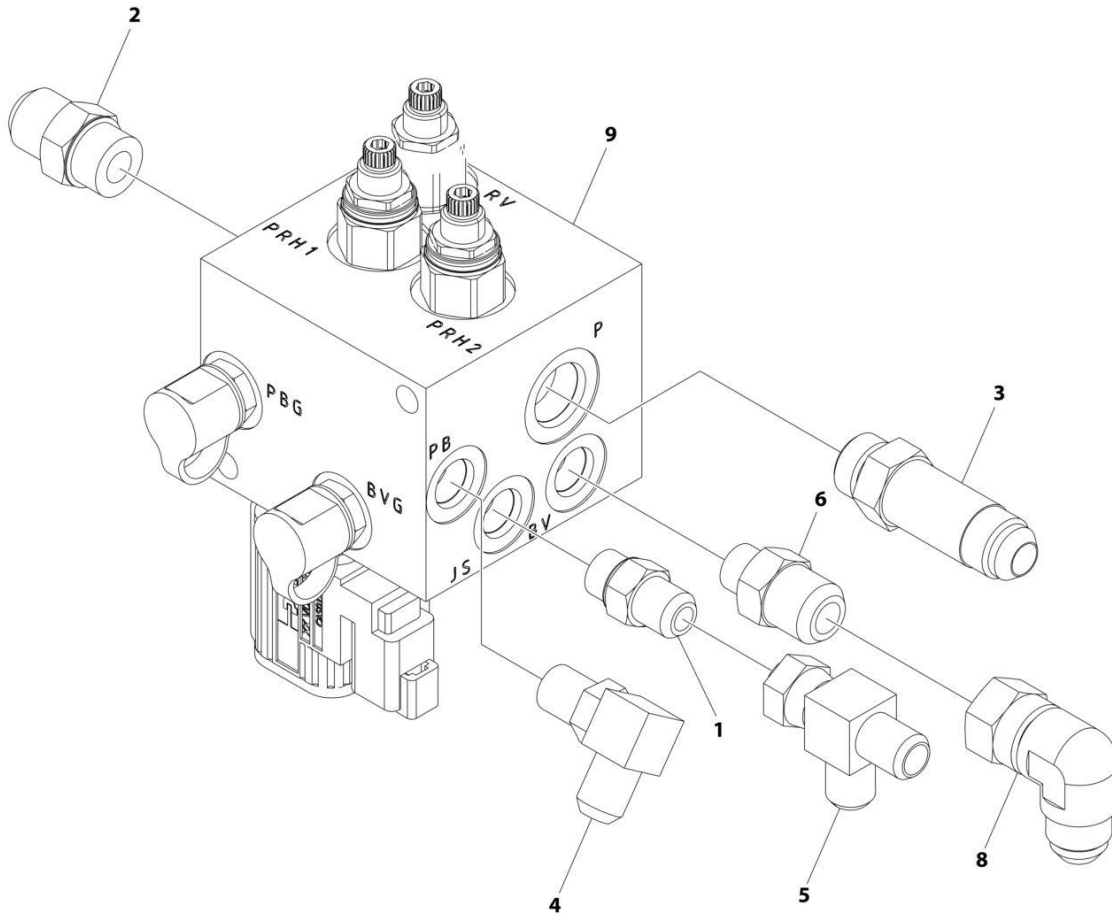
SECTION 8 - HYDRAULIC CIRCUITS

FIGURE 8-22. REAR BULKHEAD TO COMPENSATION CYLINDERS HYDRAULICS

ITEM	PART NUMBER	QTY	DESCRIPTION	REV
	1001196388	Ref	REAR BULKHEAD INSTALLATION (6036)	E
1	2220373	2	Adapter, Straight JIC	
2	2716714	2	Hose	
3	2716773	4	Hose	
4	2755060	2	Hose	
5	7139504	1	Sheet, Bulkhead	
6	7139505	1	Sheet, Bulkhead	
7	1001257571	2	Tube	
8	8305006	4	Nut 5/16	
9	8307004	4	Washer 5/16	
10	8307203	8	Washer 5/16	
11	8310009	4	Bolt 5/16 x 2	
12	8760463	4	Adapter, Bulkhead Nut	
13	2220385	2	Adapter, Run Tee	
14	2220596	2	Adapter, 90	

SECTION 8 - HYDRAULIC CIRCUITS

FIGURE 8-23. SECONDARY VALVE & FITTINGS ASSEMBLY



ART_1001197422_E

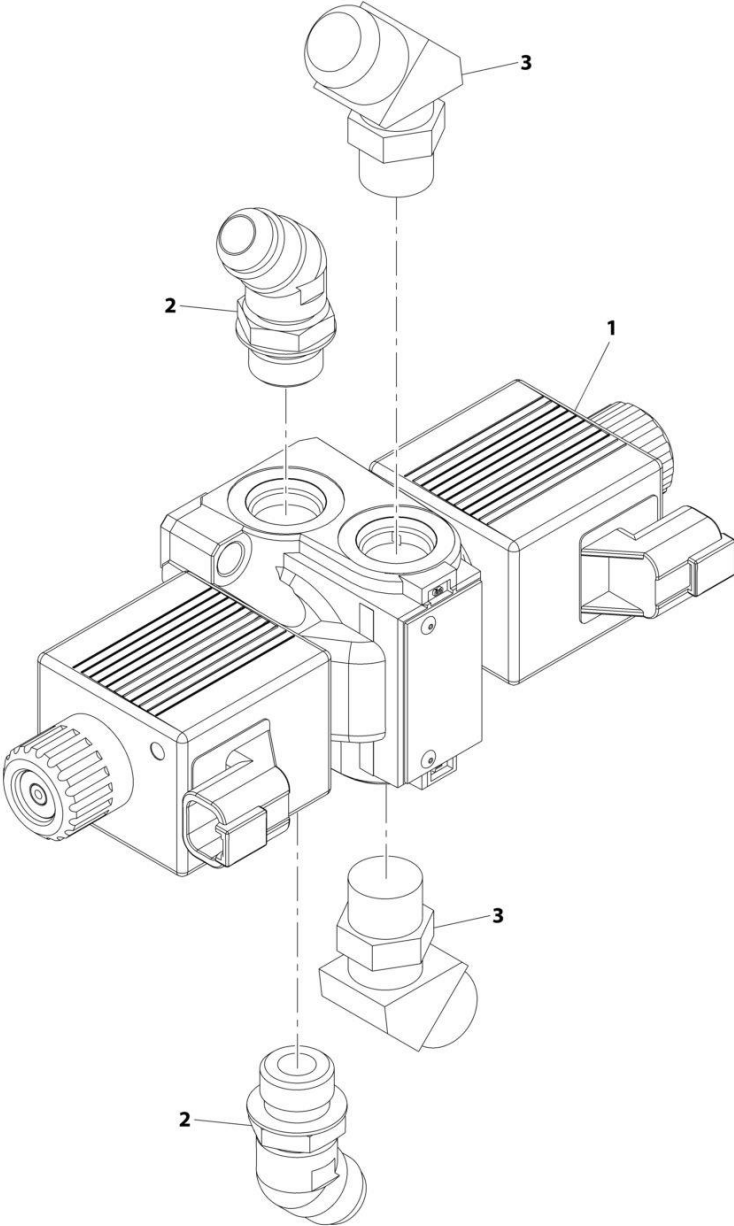
SECTION 8 - HYDRAULIC CIRCUITS

FIGURE 8-23. SECONDARY VALVE & FITTINGS ASSEMBLY

ITEM	PART NUMBER	QTY	DESCRIPTION	REV
	1001197422	Ref	SECONDARY VALVE INSTALLATION, 74HP (IF EQUIPPED)	E
1	2220371	1	Adapter, Straight	
2	2220373	1	Adapter, Straight	
3	2220381	1	Adapter, Straight	
4	2220473	1	Adapter, 90	
5	2220635	1	Adapter, Run Tee	
6	2220600	1	Adapter, Straight	
8	8765204	1	Adapter, 90	
9	1001266771	1	Valve, Secondary Control (See Separate Breakdown in HYDRAULIC COMPONENTS Section)	

SECTION 8 - HYDRAULIC CIRCUITS

FIGURE 8-24. STEER VALVE & FITTINGS ASSEMBLY



ART_1001228677-A

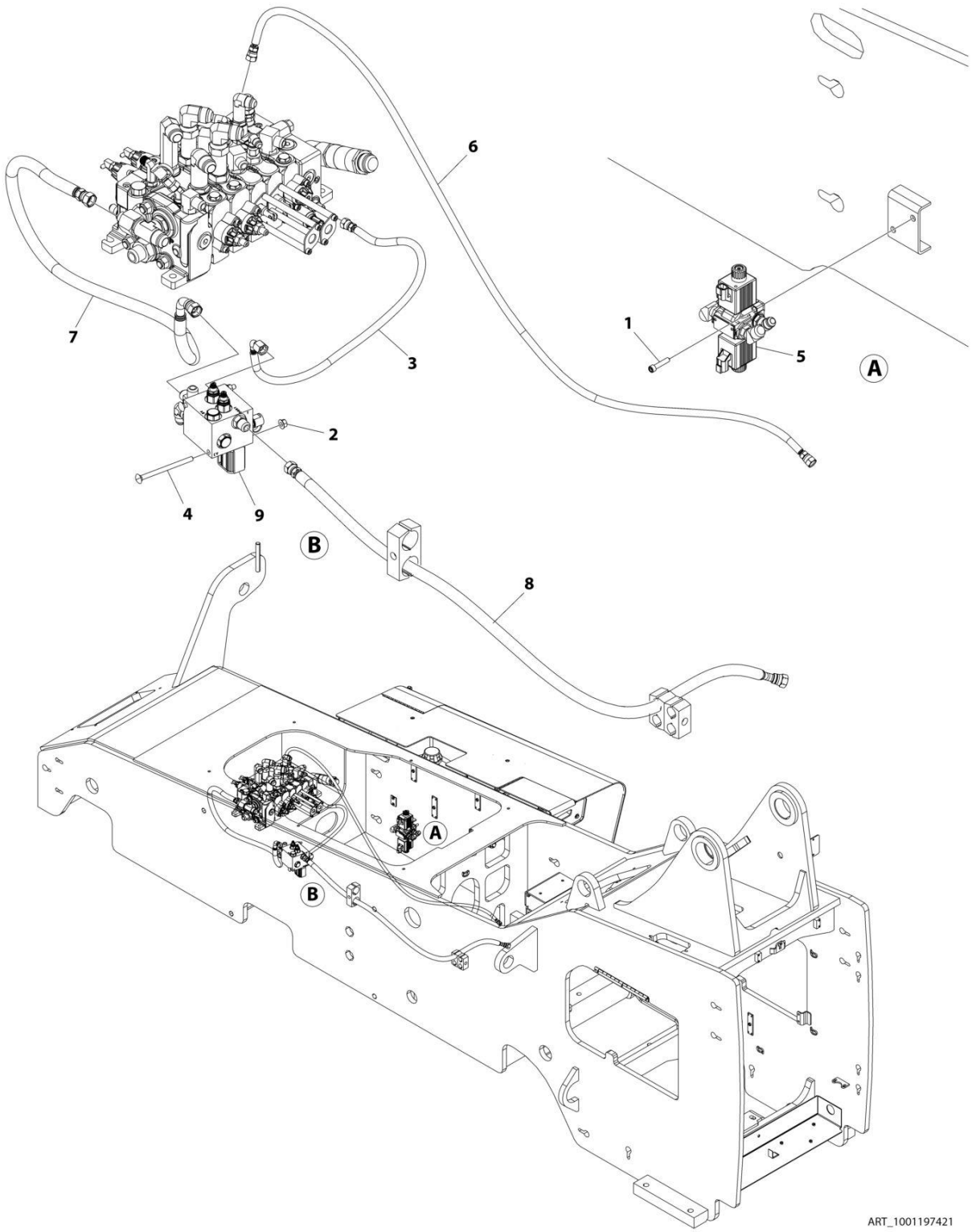
SECTION 8 - HYDRAULIC CIRCUITS

FIGURE 8-24. STEER VALVE & FITTINGS ASSEMBLY

ITEM	PART NUMBER	QTY	DESCRIPTION	REV
1	1001228677	Ref	Steer Select Valve Assembly	A
	1001153748	1	Valve, Steer Select (See Separate Breakdown in HYDRAULIC COMPONENTS Section)	
2	2220500	2	Adapter, 45	
3	2220950	2	Adapter, 45	

SECTION 8 - HYDRAULIC CIRCUITS

FIGURE 8-25. STEER/SECONDARY VALVES HYDRAULICS



ART_1001197421

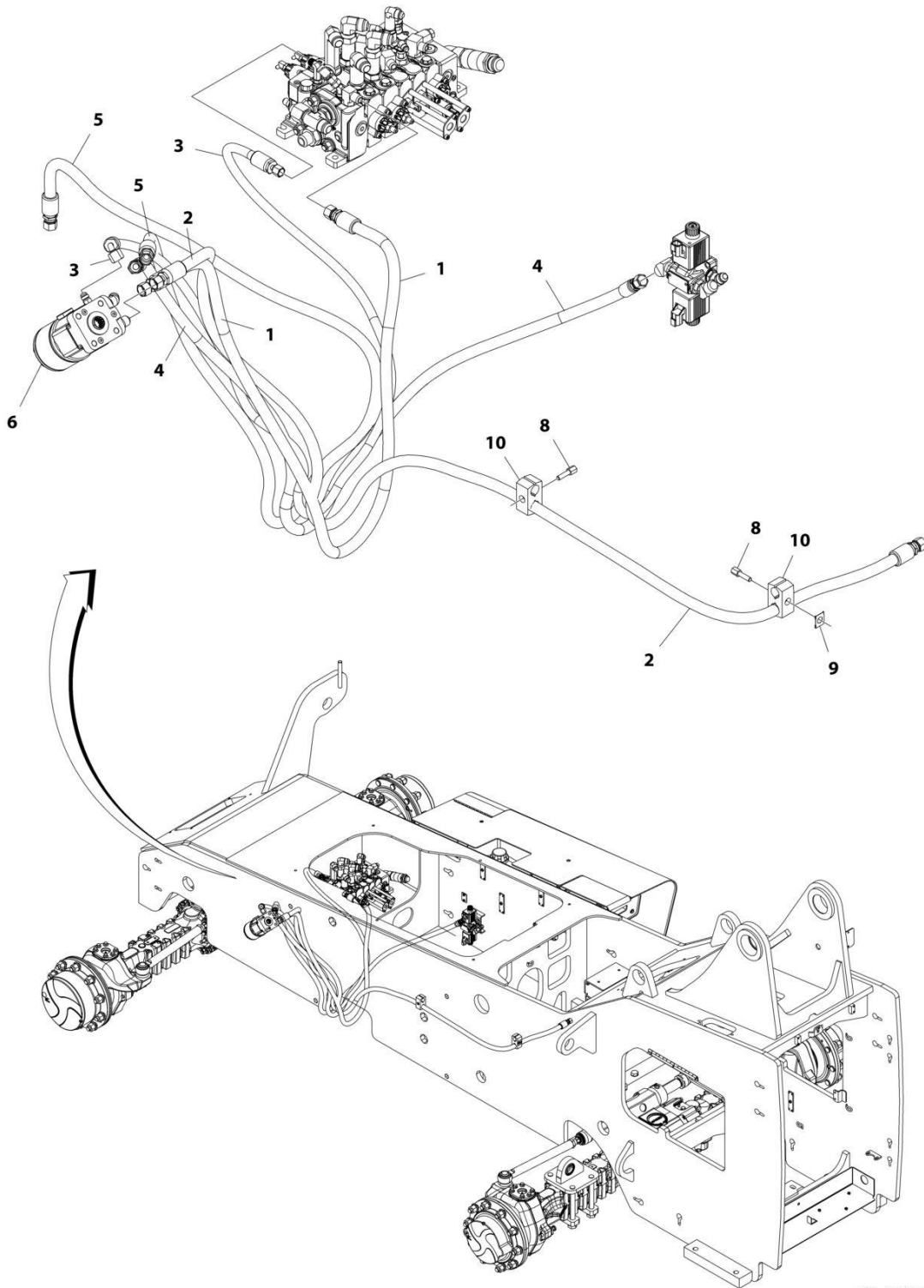
SECTION 8 - HYDRAULIC CIRCUITS

FIGURE 8-25. STEER/SECONDARY VALVES HYDRAULICS

ITEM	PART NUMBER	QTY	DESCRIPTION	REV
	1001197421	Ref	HYDRAULIC VALVES INSTALLATION	F
1	8304608	2	Screw 5/16 x 1-1/2	
2	8310420	2	Nut 5/16	
3	1001254090	1	Hose	
4	1001163685	2	Bolt 5/16 x 4-1/2	
5	1001228677	1	Assembly, Steer Select Valve (See Separate Breakdown in this Section)	
6	1001244302	1	Hose	
7	1001254092	1	Hose	
8	1001254093	1	Hose	
9	1001197422	1	Installation, Secondary Valve (See Separate Breakdown in this Section)	

SECTION 8 - HYDRAULIC CIRCUITS

FIGURE 8-26. STEERING HYDRAULICS



ART_1001158856

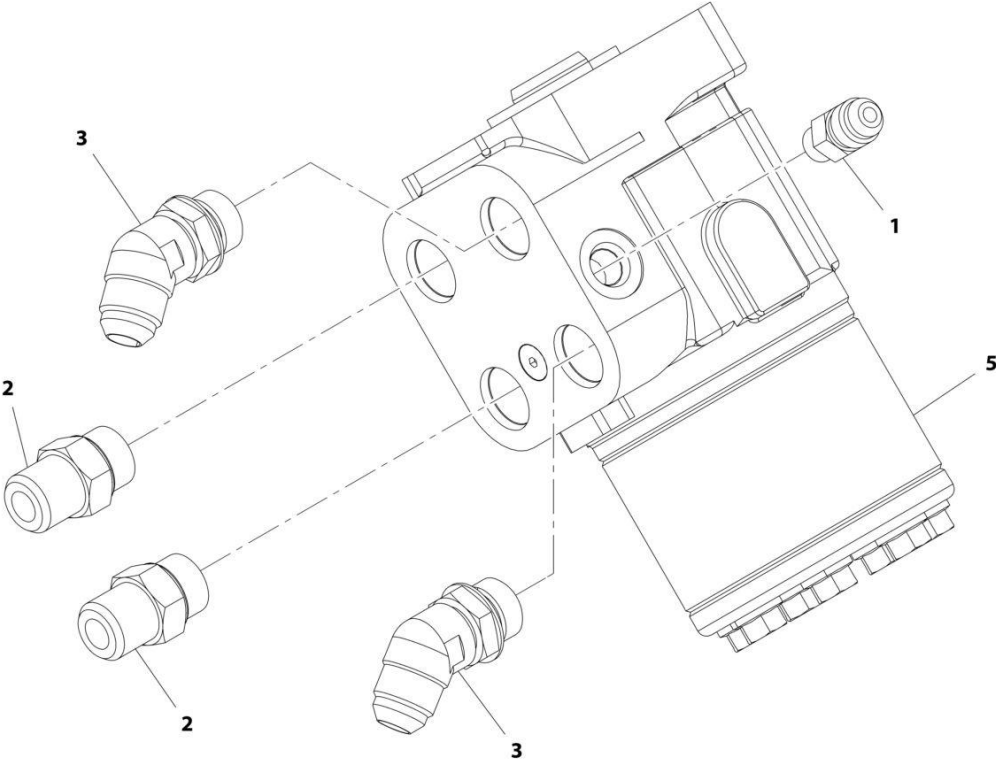
SECTION 8 - HYDRAULIC CIRCUITS

FIGURE 8-26. STEERING HYDRAULICS

ITEM	PART NUMBER	QTY	DESCRIPTION	REV
	1001158856	Ref	STEERING HYDRAULICS INSTALLATION	I
1	1001254100	1	Hose	
2	1001158266	1	Hose	
3	1001254101	1	Hose	
4	1001173230	1	Hose	
5	1001158337	1	Hose	
6	1001158528	1	Installation, Steering Valve (See Separate Breakdown in this Section)	
8	8750012	2	Bolt, Stacking	
9	8750017	1	Plate, Twin Clamp Locking	
10	8750027	2	Clamp Set, Twin	

SECTION 8 - HYDRAULIC CIRCUITS

FIGURE 8-27. STEERING VALVE AND FITTINGS ASSEMBLY



ART_1001158528-C

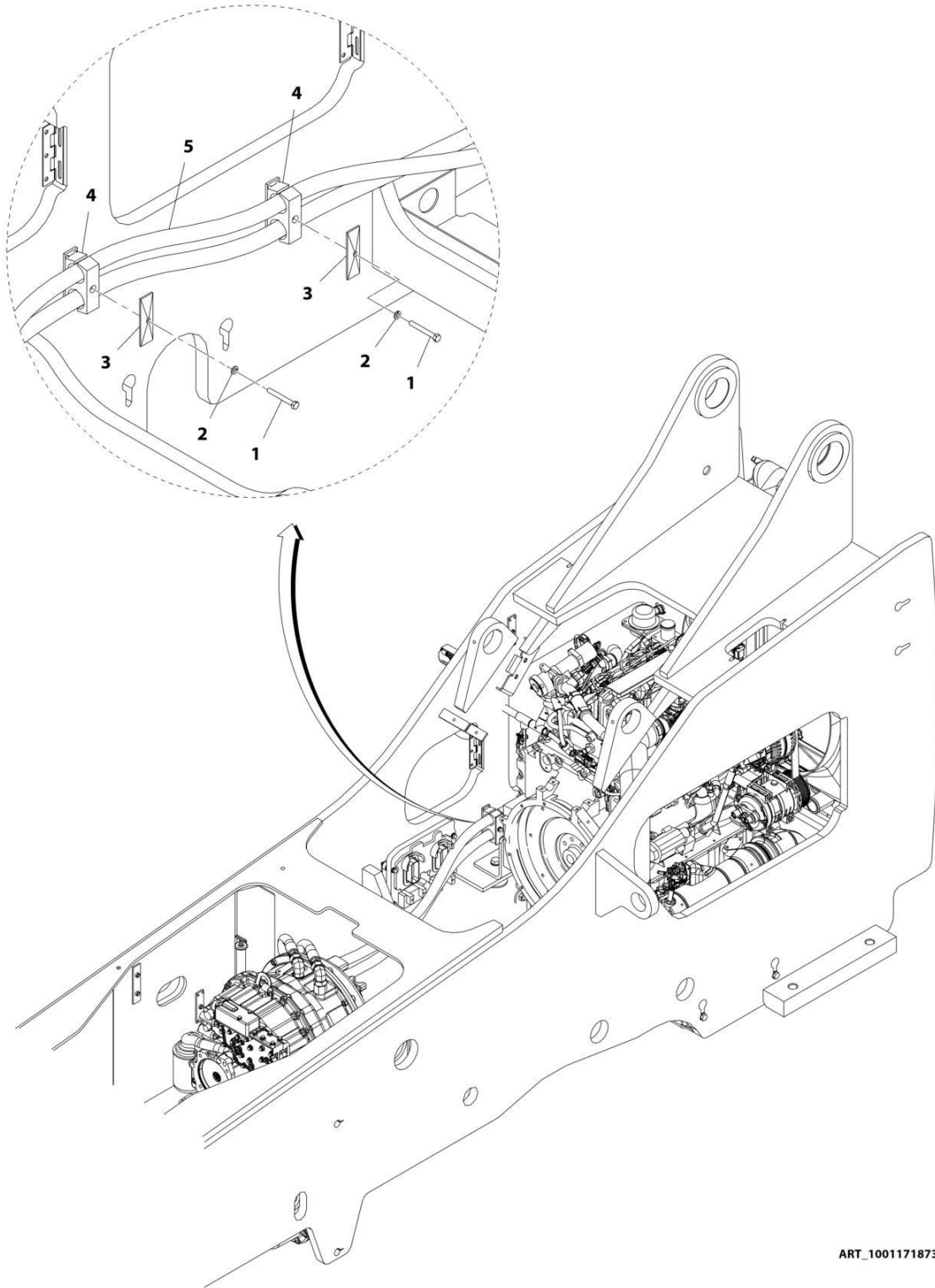
SECTION 8 - HYDRAULIC CIRCUITS

FIGURE 8-27. STEERING VALVE AND FITTINGS ASSEMBLY

ITEM	PART NUMBER	QTY	DESCRIPTION	REV
	1001158528	1	Steering Valve & Fitting Assembly	C
1	2220603	1	Adapter, Straight JIC	
2	2220373	2	Adapter, Straight JIC	
3	2220500	2	Adapter, 45 JIC	
5	1001158527	1	Valve, Steering	
5	70026401	1	Seal Kit - Steering Valve	

SECTION 8 - HYDRAULIC CIRCUITS

FIGURE 8-28. TRANSMISSION COOLER HYDRAULICS



ART_1001171873-C

SECTION 8 - HYDRAULIC CIRCUITS

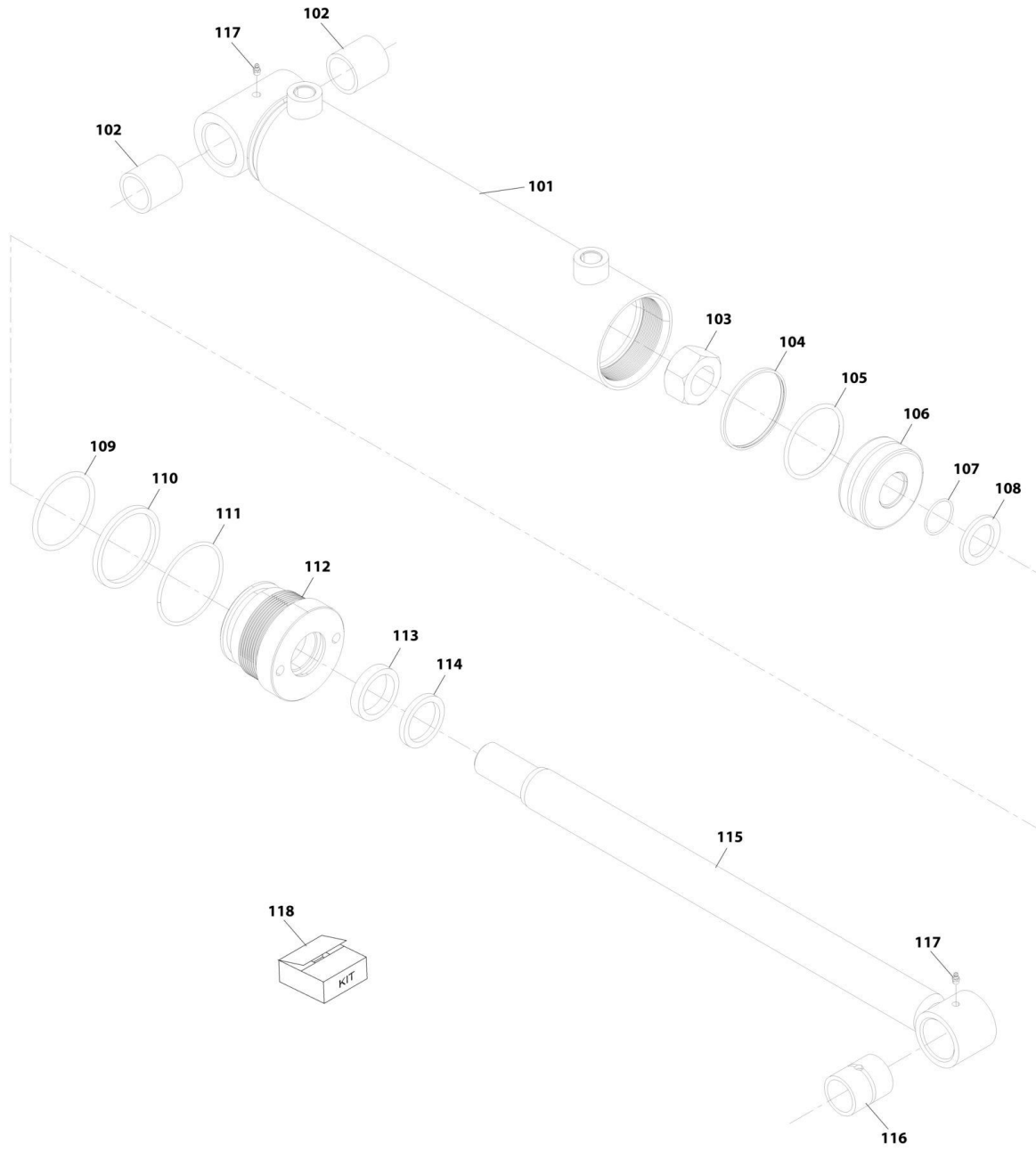
FIGURE 8-28. TRANSMISSION COOLER HYDRAULICS

ITEM	PART NUMBER	QTY	DESCRIPTION	REV
	1001171873	Ref	Hydraulic Transmission Cooler Plumbing Installation	C
1	8303757	2	Bolt, 5/16X2-1/2	
2	8307004	2	Washer, Lock 5/16	
3	8750025	2	Cover Plate, Twin	
4	8750040	2	Clamp Set, Twin	
5	1001171986	2	Hose	

SECTION 9 - HYDRAULIC COMPONENTS

SECTION 9 - HYDRAULIC COMPONENTS

FIGURE 9-1. CYLINDER - CARRIAGE SIDE SHIFT



ART_70021376

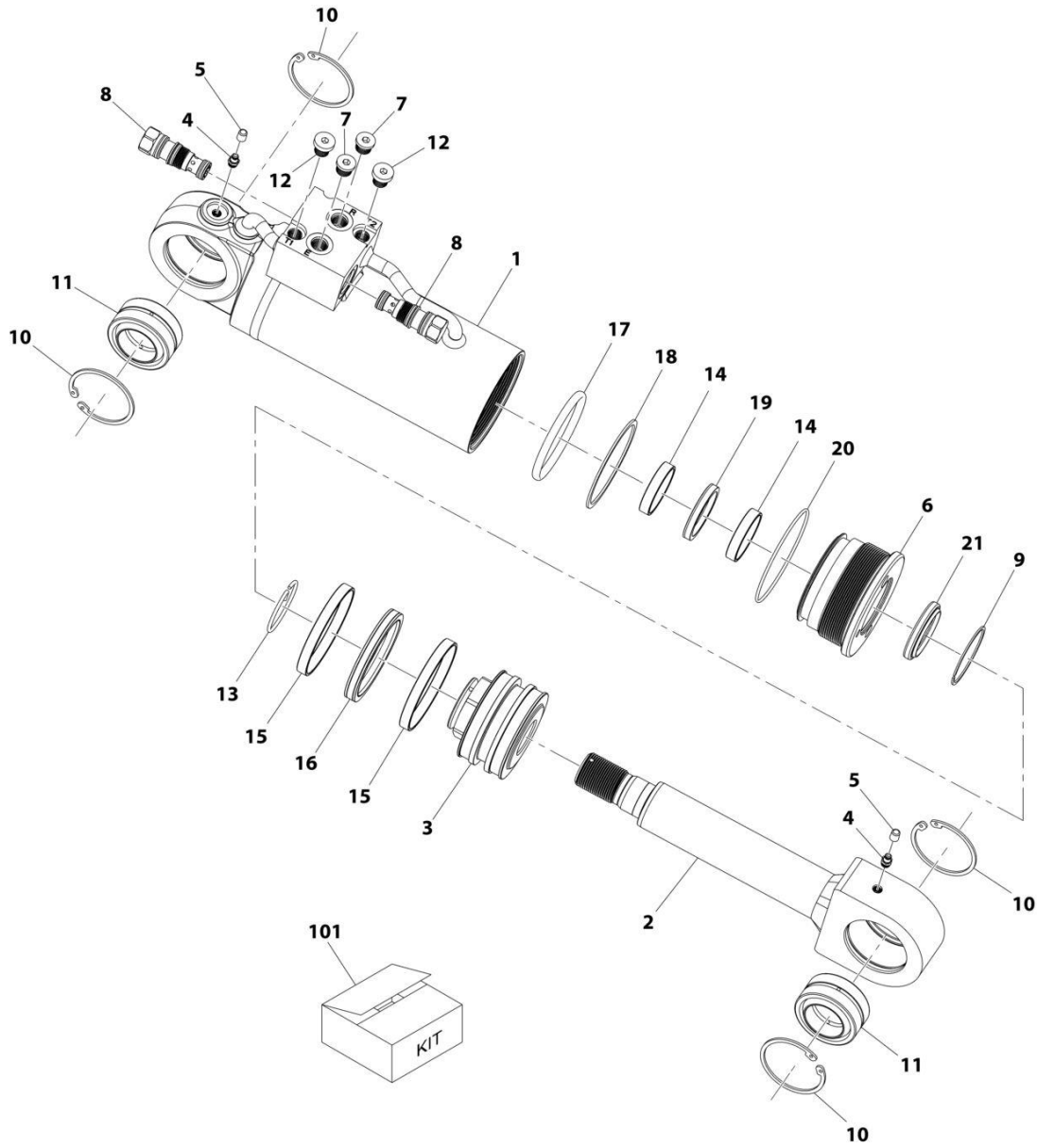
SECTION 9 - HYDRAULIC COMPONENTS

FIGURE 9-1. CYLINDER - CARRIAGE SIDE SHIFT

ITEM	PART NUMBER	QTY	DESCRIPTION	REV
	70021376	1	Cylinder Assembly, Side Shift Carriage 12K	
		Ref	Note: Original Cylinder May Have Been Replaced with Service Replacement. Identify PN Stamped on Cylinder Before Ordering Parts.	
101	See Note	NSS	Barrel (Note: Use PN 70021376)	
102	70021448	2	Bushing	
103	70021440	1	Nut	
104	See Note	NSS	Ring, Piston (Note Use Item 118)	
105	See Note	NSS	O-Ring (Note: Use Item 118)	
106	70021451	1	Piston	
107	See Note	NSS	O-Ring (Note: Use Item 118)	
108	70021444	1	Spacer, Sheave	
109	See Note	NSS	O-Ring (Note: Use Item 118)	
110	See Note	NSS	Washer, Back-Up (Note: Use Item 118)	
111	See Note	NSS	O-Ring (Note: Use Item 118)	
112	70021446	1	Head	
113	See Note	NSS	Seal (Note: Use Item 118)	
114	See Note	NSS	Wiper, Rod (Note: Use Item 118)	
115	70021445	1	Rod	
116	70021447	1	Bushing	
117	90554045	2	Grease Fitting	
118	70021452	1	Seal Kit, (includes items 104, 105, 107, 109, 110, 111, 113 & 114)	

SECTION 9 - HYDRAULIC COMPONENTS

FIGURE 9-2. CYLINDER - CARRIAGE SIDE TILT



ART_1001163414-A

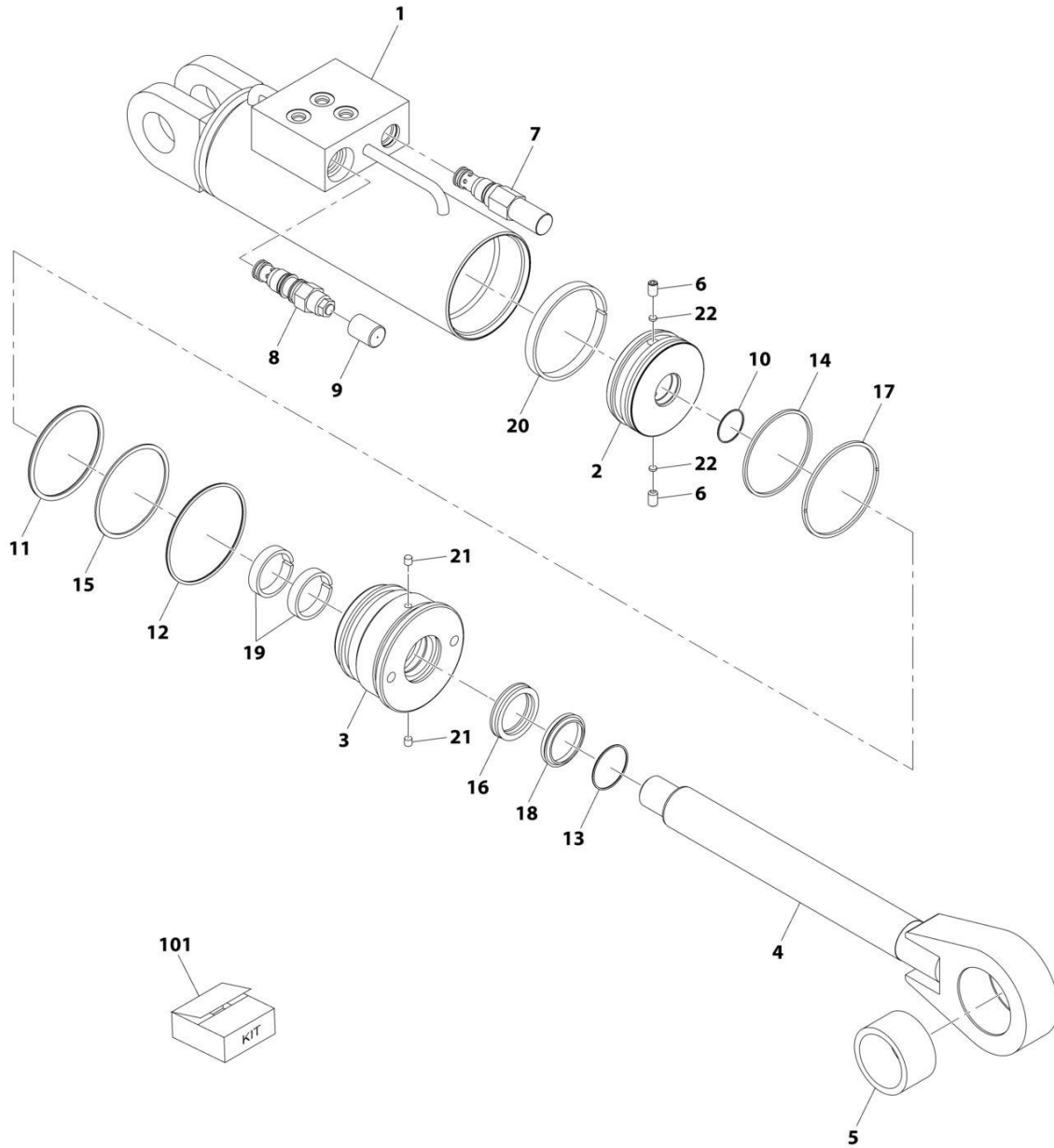
SECTION 9 - HYDRAULIC COMPONENTS

FIGURE 9-2. CYLINDER - CARRIAGE SIDE TILT

ITEM	PART NUMBER	QTY	DESCRIPTION	REV
	1001163414	Ref	Side Tilt Cylinder	A
		Ref	Note: Original Cylinder May Have Been Replaced with Service Replacement. Identify PN Stamped on Cylinder Before Ordering Parts.	
1	70026056	1	Barrel	
2	70026057	1	Rod	
3	70026058	1	Piston	
4	70025606	2	Nipple, Grease	
5	70024020	2	Fitting, Grease	
6	70003849	1	Head	
7	70025959	2	Plug	
8	70026059	2	Valve, Check	
9	70002219	1	Ring, Retaining	
10	70026060	4	Ring, Retaining	
11	70026061	2	Bearing	
12	70024262	2	Plug	
13	70002224	1	Ring, Lock	
14	Kit	NSS	Ring, Rod Bearing (Note: Use Item 101)	
15	Kit	NSS	Ring, Piston Bearing (Note: Use Item 101)	
16	Kit	NSS	Seal, Piston (Note: Use Item 101)	
17	Kit	NSS	O-Ring (Note: Use Item 101)	
18	Kit	NSS	Ring, Back-Up (Note: Use Item 101)	
19	Kit	NSS	Seal, Rod (Note: Use Item 101)	
20	Kit	NSS	O-Ring (Note: Use Item 101)	
21	Kit	NSS	Seal, Wiper (Note: Use Item 101)	
101	70026062	1	Kit, Seal (includes items 14 thru 21)	

SECTION 9 - HYDRAULIC COMPONENTS

FIGURE 9-3. CYLINDER - CARRIAGE SWING (Prior to SN 0160115752)



ART_1001103182-B

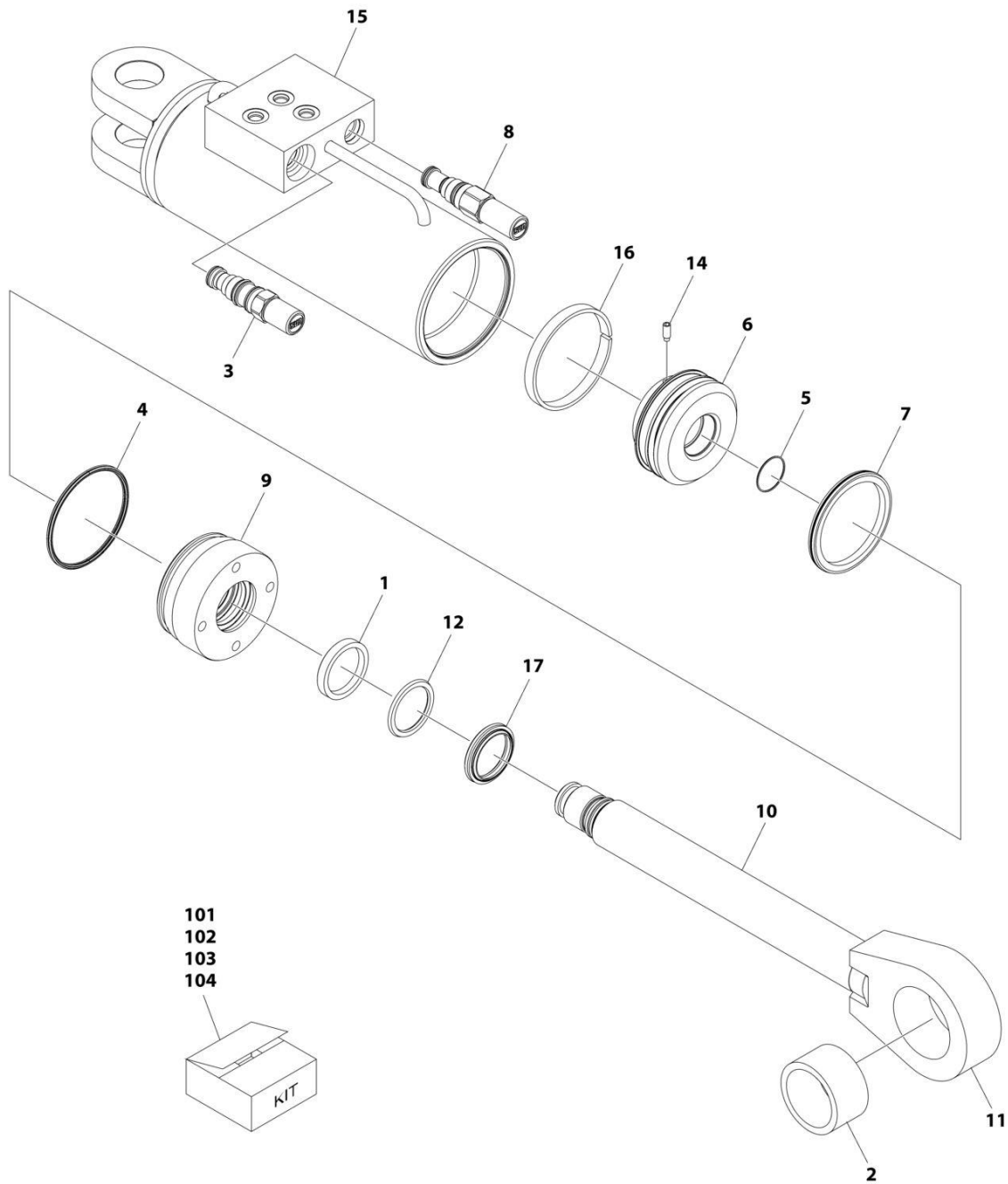
SECTION 9 - HYDRAULIC COMPONENTS

FIGURE 9-3. CYLINDER - CARRIAGE SWING (Prior to SN 0160115752)

ITEM	PART NUMBER	QTY	DESCRIPTION	REV
	1001103182	Ref	Swing Carriage Cylinder	B
1	70022044	1	Barrel	
2	8035863	1	Piston	
3	8035862	1	Head	
4	70022045	1	Rod	
5	70022046	1	Bearing	
6	8035536	2	Setscrew 5/16X1/2	
7	70020428	1	Valve, Relief	
7	7024574	1	Kit, Seal	
8	8033786	1	Valve, Counterbalance	
8	8205655	1	Kit, Seal	
9	70021812	1	Tamper-proof Cap	
10	See Note	NSS	O-Ring (Note: Use Item 101)	
11	See Note	NSS	O-Ring (Note: Use Item 101)	
12	See Note	NSS	O-Ring (Note: Use Item 101)	
13	See Note	NSS	O-Ring (Note: Use Item 101)	
14	See Note	NSS	Ring, Square (Note: Use Item 101)	
15	See Note	NSS	Ring, Backup (Note: Use Item 101)	
16	See Note	NSS	Seal (Note: Use Item 101)	
17	See Note	NSS	Seal, Piston (Note: Use Item 101)	
18	See Note	NSS	Wiper, Rod (Note: Use Item 101)	
19	See Note	NSS	Ring, Wear (Note: Use Item 101)	
20	See Note	NSS	Ring, Wear (Note: Use Item 101)	
21	See Note	NSS	Insert (Note: Use Item 101)	
22	See Note	NSS	Insert (Note: Use Item 101)	
101	2915023	1	Kit, Seal (includes items 11 thru 22)	

SECTION 9 - HYDRAULIC COMPONENTS

FIGURE 9-4. CYLINDER - CARRIAGE SWING (SN 0160115752 to Present)



ART_1001293182

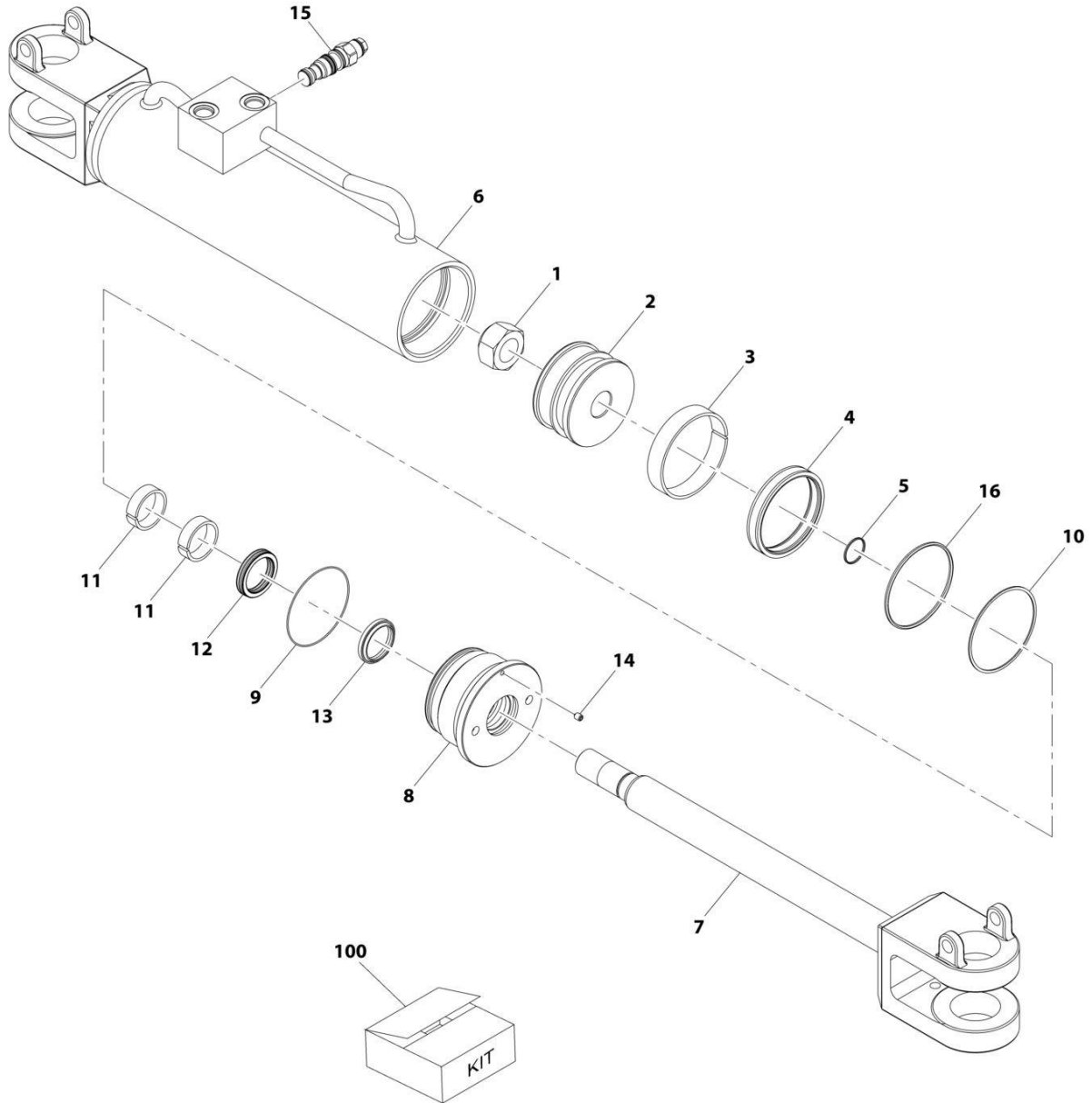
SECTION 9 - HYDRAULIC COMPONENTS

FIGURE 9-4. CYLINDER - CARRIAGE SWING (SN 0160115752 to Present)

ITEM	PART NUMBER	QTY	DESCRIPTION	REV
	1001293182	Ref	SWING CARRIAGR CYLINDER	A
		Ref	Note: Original Cylinder May Have Been Replaced with Service Replacement. Identify PN Stamped on Cylinder Before Ordering Parts.	
1	See Note	NSS	Ring, Buffer (Note: Use Item 101 or 102)	
2	70031329	1	Bushing (Note: Use Item 104)	
3	8033786	1	Valve, Counterbalance	
4	See Note	NSS	Seal, Head (Note: Use Item 101 or 102)	
5	See Note	NSS	O-Ring (Note: Use Item 101)	
6	See Note	NSS	Piston (Note: Use Item 103)	
7	See Note	NSS	Seal, Piston (Note: Use Item 101 or 103)	
8	8902842	1	Valve, Relief	
9	See Note	NSS	Retainer (Note: Use Item 102)	
10	See Note	NSS	Rod (Note: Use Item 104)	
11	See Note	NSS	Rod End (Note: Use Item 104)	
12	See Note	NSS	Seal, Rod (Note: Use Item 101 or 102)	
14	See Note	NSS	Setscrew (Note: Use Item 103)	
15	See Note	NSS	Shell Assembly (Note: No Service Parts Available)	
16	See Note	NSS	Ring, Wear (Note: Use Items 101 or 103)	
17	See Note	NSS	Wiper (Note: Use Items 101 or 102)	
101	70031325	1	Seal Kit (Includes Items # 1, 4-5, 7, 12, 16 & 17)	
102	70031326	1	Retainer Kit (Includes Items # 1, 4, 9, 12 & 17)	
103	70031327	1	Piston Kit (Includes Items # 6-7, 14 & 16)	
104	70031328	1	Rod Service Kit (Includes Items # 2 & 10-11)	

SECTION 9 - HYDRAULIC COMPONENTS

FIGURE 9-5. CYLINDER - COMPENSATION



ART_1001196110-D

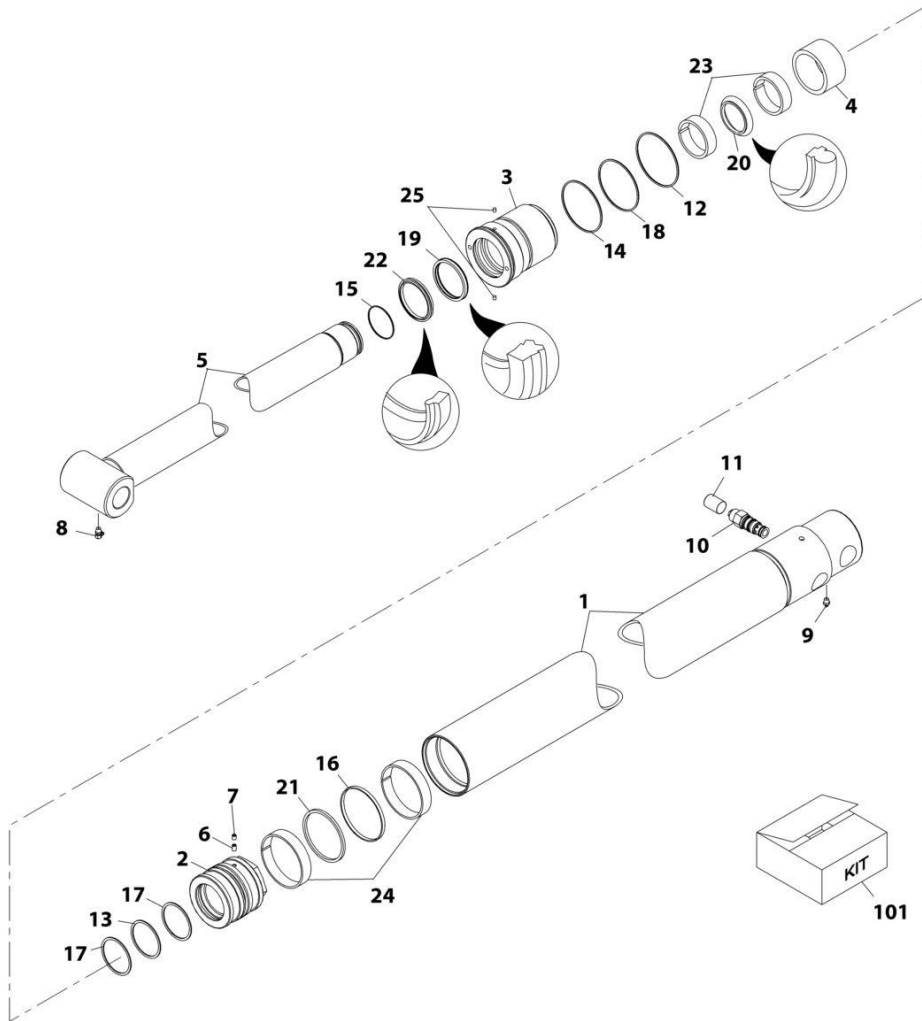
SECTION 9 - HYDRAULIC COMPONENTS

FIGURE 9-5. CYLINDER - COMPENSATION

ITEM	PART NUMBER	QTY	DESCRIPTION	REV
	1001196110	Ref	Compensation Cylinder	D
		Ref	Note: Original Cylinder May Have Been Replaced with Service Replacement. Identify PN Stamped on Cylinder Before Ordering Parts.	
1	8036778	1	Nut, Lock	
2	7029247	1	Piston	
3	Kit	NSS	Ring, Wear	
4	Kit	NSS	Seal, Piston	
5	Kit	NSS	O-Ring	
6	N.S.S.	NSS	Barrel (Note Use PN 1001196110)	
7	7029251	1	Rod	
8	70028160	1	Guide, Rod	
9	Kit	NSS	O-Ring	
10	Kit	NSS	Ring, Back-Up	
11	Kit	NSS	Ring, Wear	
12	Kit	NSS	Z-Seal	
13	Kit	NSS	Ring, Wiper	
14	Kit	NSS	Screw	
15	1001232216	1	Valve, Counterbalance	
16	Kit	NSS	O-Ring	
100	70028159	1	Seal Kit (includes items 3, 4, 5, 9 thru 14 & 16)	

SECTION 9 - HYDRAULIC COMPONENTS

FIGURE 9-6. CYLINDER - EXTEND/RETRACT



ART_1001156013-C

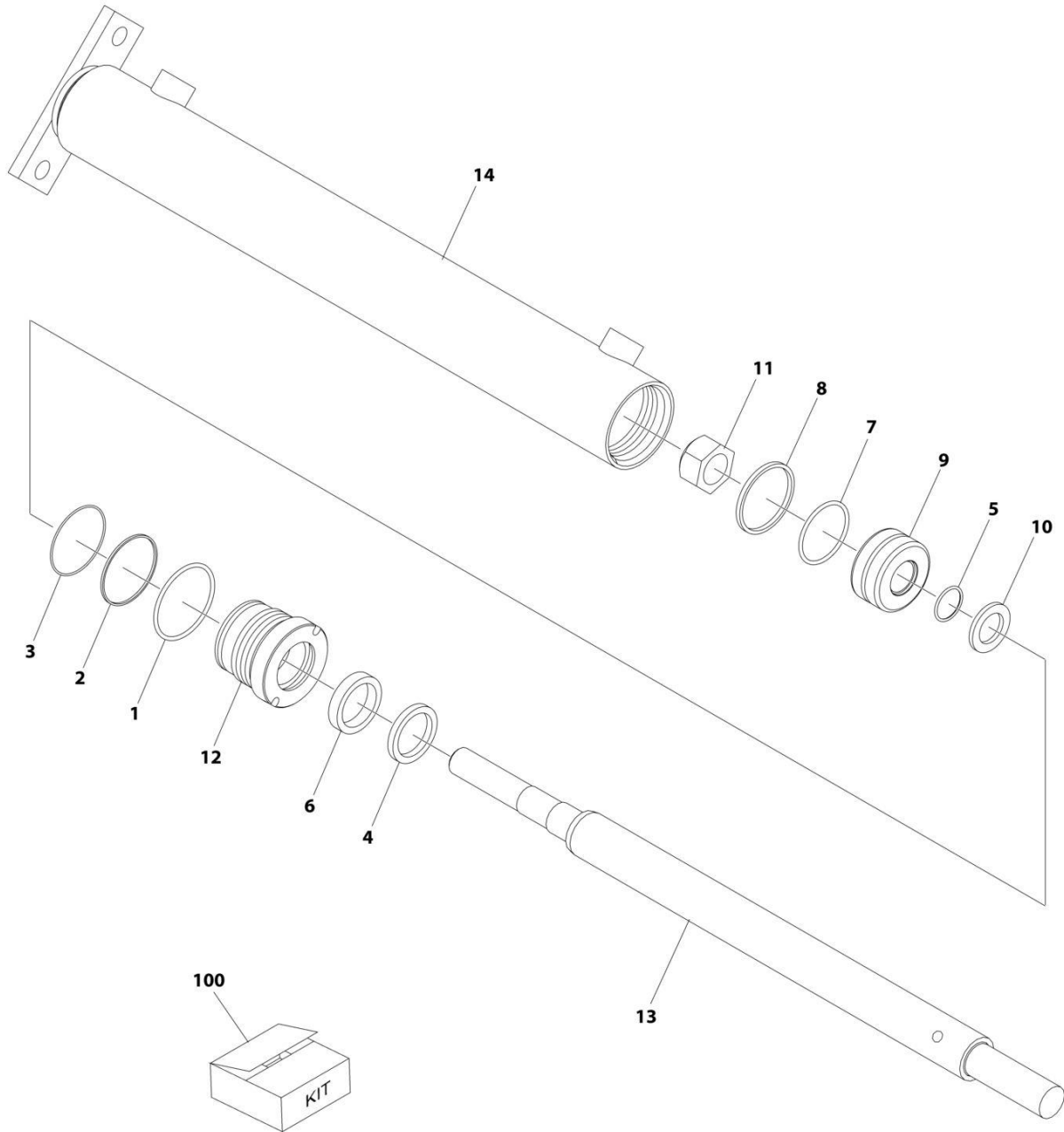
SECTION 9 - HYDRAULIC COMPONENTS

FIGURE 9-6. CYLINDER - EXTEND/RETRACT

ITEM	PART NUMBER	QTY	DESCRIPTION	REV
	1001156013	Ref	Extend/Retract Cylinder - 6036 (6036)	C
		Ref	Note: Original Cylinder May Have Been Replaced with Service Replacement. Identify PN Stamped on Cylinder Before Ordering Parts.	
1	70026033	1	Barrel	
2	8036402	1	Piston	
3	8036403	1	Head	
4	8036404	1	Spacer, Rod	
5	8036405	1	Rod	
6	8036406	1	Setscrew 5/16 x 3/8	
7	8035536	1	Setscrew 5/16X1/2	
8	8520021	1	Fitting, 90 Lube	
9	70020375	1	Fitting, Straight Lube	
10	70026034	1	Valve, Counterbalance	
11	8036407	1	Cap, Tamperproof	
12	Kit	NSS	O-Ring	
13	Kit	NSS	O-Ring	
14	Kit	NSS	O-Ring	
15	Kit	NSS	O-Ring	
16	Kit	NSS	Ring, Square	
17	Kit	NSS	Ring, Backup	
18	Kit	NSS	Ring, Backup	
19	Kit	NSS	U-Cup	
20	Kit	NSS	Seal, Buffer	
21	Kit	NSS	Seal, Piston	
22	Kit	NSS	Seal, Wiper	
23	Kit	NSS	Ring, Wear	
24	Kit	NSS	Ring, Wear	
25	Kit	NSS	Insert, Locking	
101	8036502	1	Kit, Seal (includes items 12 thru 25)	

SECTION 9 - HYDRAULIC COMPONENTS

FIGURE 9-7. CYLINDER - FORK POSITIONING



ART_2717283

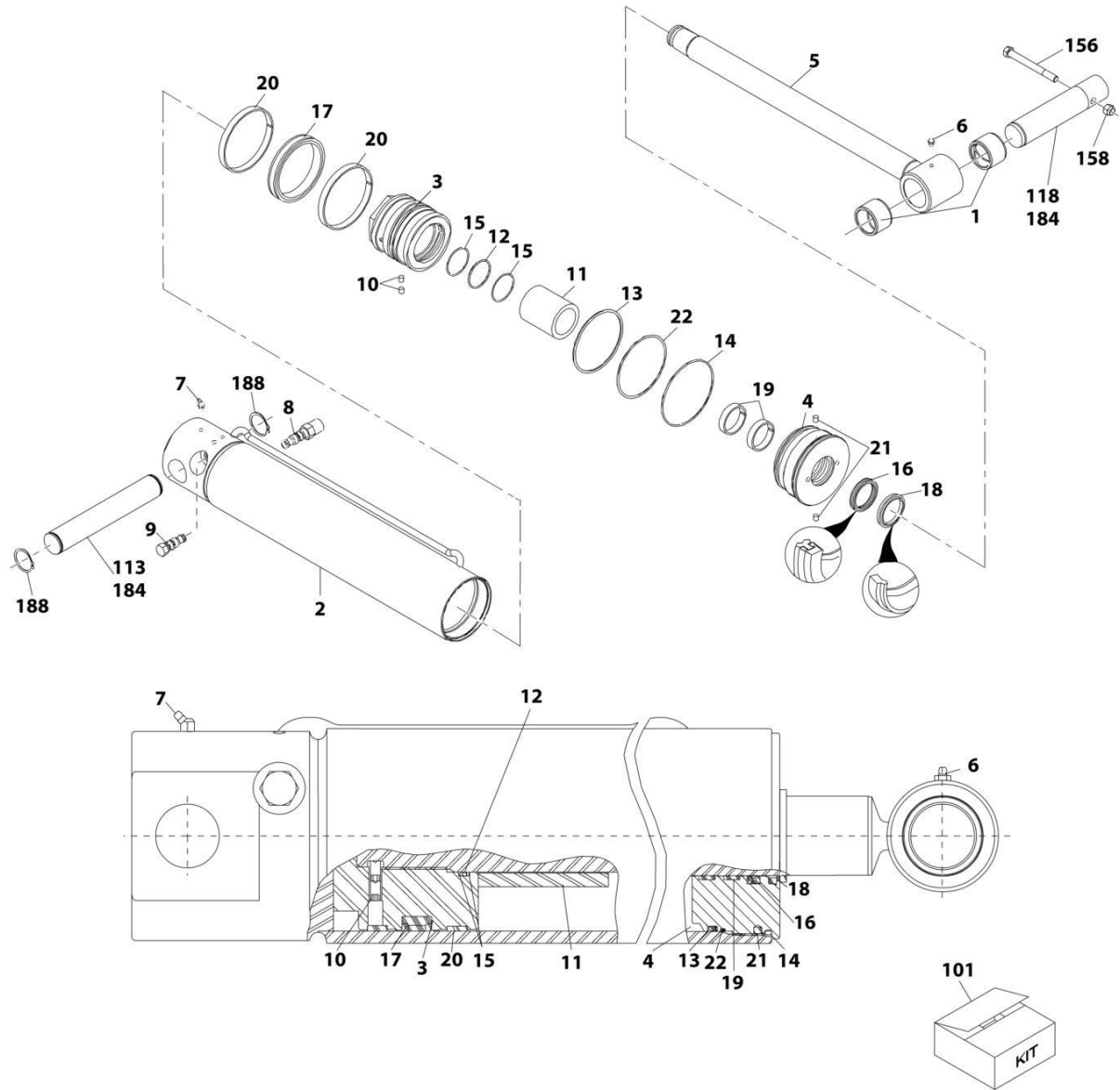
SECTION 9 - HYDRAULIC COMPONENTS

FIGURE 9-7. CYLINDER - FORK POSITIONING

ITEM	PART NUMBER	QTY	DESCRIPTION	REV
	2717283	Ref	FORK POSITIONING CYLINDER	B
		Ref	Note: Original Cylinder May Have Been Replaced with Service Replacement. Identify PN Stamped on Cylinder Before Ordering Parts.	
1	See Note	NSS	O-Ring (Use Item 100)	
2	See Note	NSS	Ring, Back-up (Use Item 100)	
3	See Note	NSS	O-Ring (Use Item 100)	
4	See Note	NSS	Seal (Use Item 100)	
5	See Note	NSS	O-Ring (Use Item 100)	
6	See Note	NSS	Seal (Use Item 100)	
7	See Note	NSS	O-Ring (Use Item 100)	
8	See Note	NSS	Seal (Use Item 100)	
9	70026771	1	Piston	
10	70026775	1	Washer	
11	70026770	1	Nut	
12	70026774	1	Head	
13	70026773	1	Rod	
14	See Note	NSS	Barrel (Note: Use PN 2717283)	
100	8036733	1	Seal Kit (includes items 1 thru 8)	

SECTION 9 - HYDRAULIC COMPONENTS

FIGURE 9-8. CYLINDER - FORK TILT



ART_2716614-E

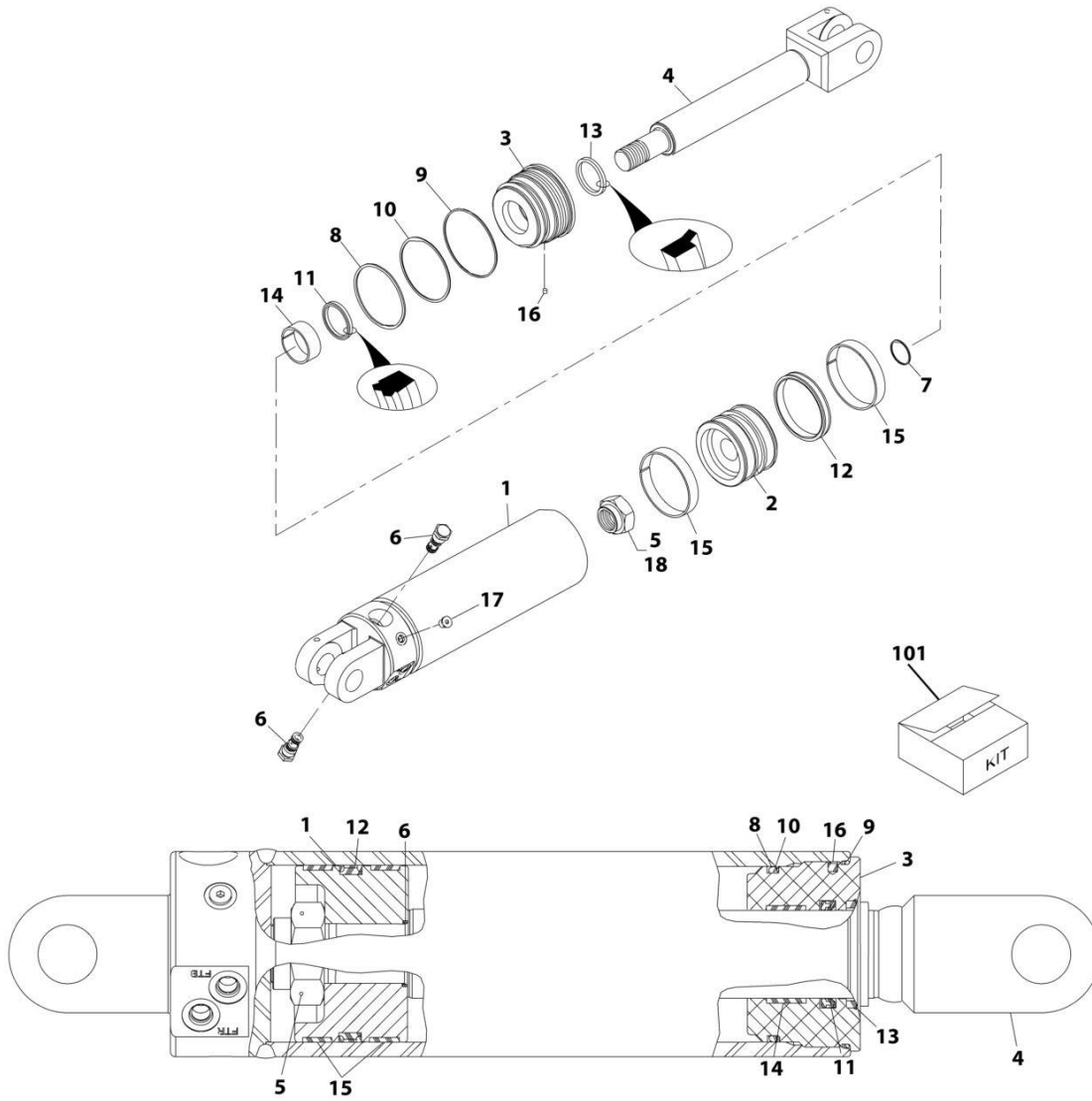
SECTION 9 - HYDRAULIC COMPONENTS

FIGURE 9-8. CYLINDER - FORK TILT

ITEM	PART NUMBER	QTY	DESCRIPTION	REV
	2716614	Ref	Fork Tilt Cylinder	E
		Ref	Note: Original Cylinder May Have Been Replaced with Service Replacement. Identify PN Stamped on Cylinder Before Ordering Parts.	
1	8036149	2	Bearing	
2	70023265	1	Barrel	
3	8036392	1	Piston	
4	8036391	1	Head	
5	8036389	1	Rod	
6	8036144	1	Fitting, Straight Lube	
7	8520034	1	Fitting, 45 Lube	
8	8035321	1	Valve, Counterbalance	
8	8035327	1	Seal Kit - 8035321 Valve	
9	8036393	1	Valve, Check	
9	8205655	1	Seal Kit - 8036393 Valve	
10	8035536	2	Setscrew 5/16X1/2	
11	8036390	1	Spacer, Rod	
12	Kit	NSS	O-Ring (Note: Use Item 101)	
13	Kit	NSS	O-Ring (Note: Use Item 101)	
14	Kit	NSS	O-Ring (Note: Use Item 101)	
15	Kit	NSS	Ring, Back-Up (Note: Use Item 101)	
16	Kit	NSS	Z-Seal (Note: Use Item 101)	
17	Kit	NSS	T-Seal (Note: Use Item 101)	
18	Kit	NSS	Seal, Wiper (Note: Use Item 101)	
19	Kit	NSS	Ring, Wear (Note: Use Item 101)	
20	Kit	NSS	Ring, Wear (Note: Use Item 101)	
21	Kit	NSS	Insert, Locking (Note: Use Item 101)	
22	Kit	NSS	Ring, Back-Up (Note: Use Item 101)	
101	8035720	1	Kit, Seal (includes items 12 thru 22)	

SECTION 9 - HYDRAULIC COMPONENTS

FIGURE 9-9. CYLINDER - FRAME LEVEL



ART_1001091901-C

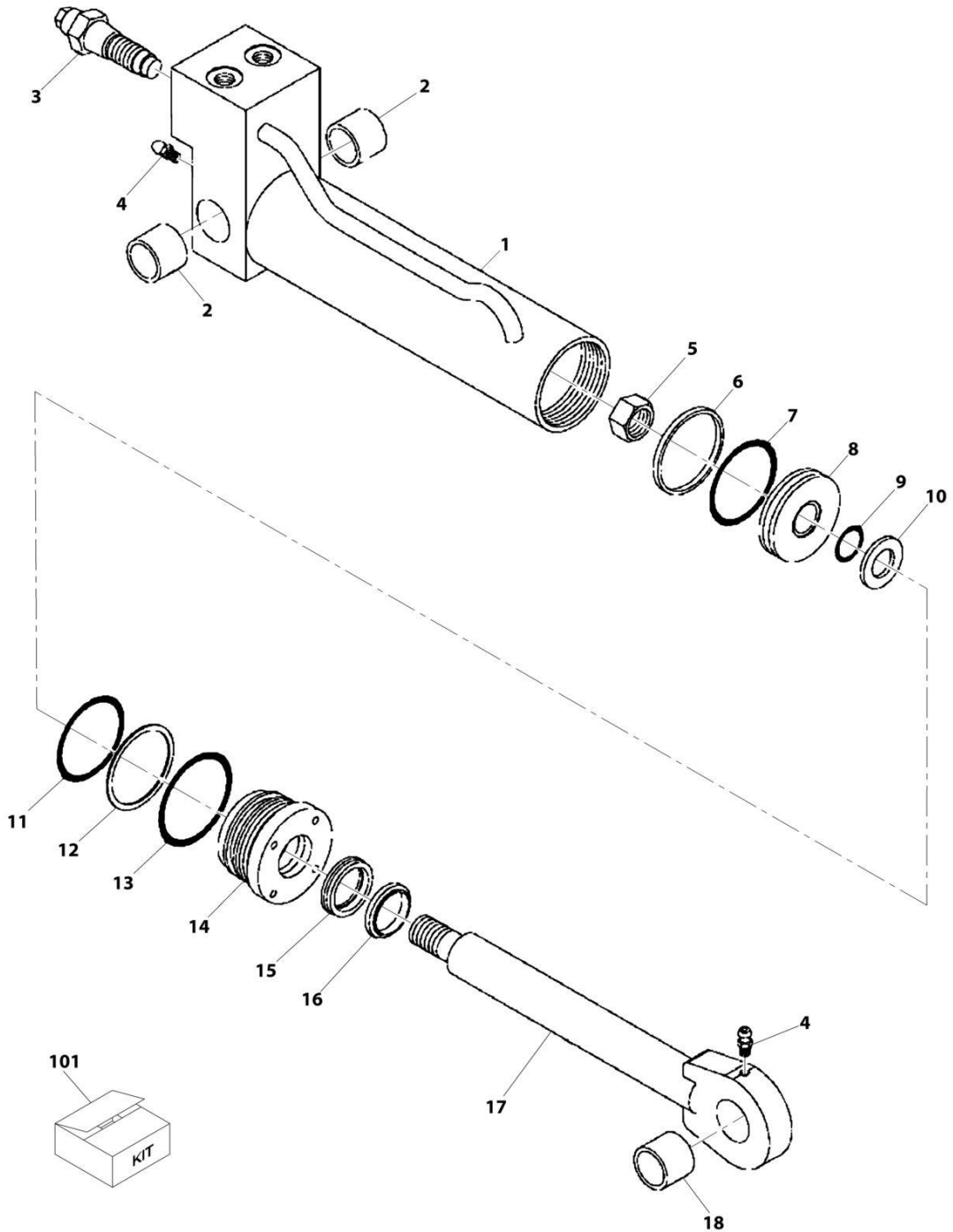
SECTION 9 - HYDRAULIC COMPONENTS

FIGURE 9-9. CYLINDER - FRAME LEVEL

ITEM	PART NUMBER	QTY	DESCRIPTION	REV
	1001091901	Ref	Frame Level Cylinder Assembly (6036)	C
		Ref	Note: Original Cylinder May Have Been Replaced with Service Replacement. Identify PN Stamped on Cylinder Before Ordering Parts.	
1	N.S.S.	NSS	Barrel (Note: Use PN 1001091901)	
2	8035323	1	Piston	
3	8035324	1	Head	
4	8035758	1	Rod	
5	8035322	1	Nut 1-1/2	
6	1001091885	2	Valve, Counterbalance	
6	70021583	2	Seal Kit - 1001091885 Valve	
7	Kit	NSS	O-Ring (Note: Use Item 101)	
8	Kit	NSS	O-Ring (Note: Use Item 101)	
9	Kit	NSS	O-Ring (Note: Use Item 101)	
10	Kit	NSS	Ring, Back-Up (Note: Use Item 101)	
11	Kit	NSS	Z-Seal (Note: Use Item 101)	
12	Kit	NSS	T-Seal (Note: Use Item 101)	
13	Kit	NSS	Seal, Wiper (Note: Use Item 101)	
14	Kit	NSS	Ring, Wear (Note: Use Item 101)	
15	Kit	NSS	Ring, Wear (Note: Use Item 101)	
16	Kit	NSS	Insert, Locking (Note: Use Item 101)	
17	8035785	2	Plug	
18	8526011	AR	Compound, Locking	
101	8035326	1	Kit, Seal (includes items 7 thru 16)	

SECTION 9 - HYDRAULIC COMPONENTS

FIGURE 9-10. CYLINDER - GRAPPLE BUCKET



ART_70021393-A

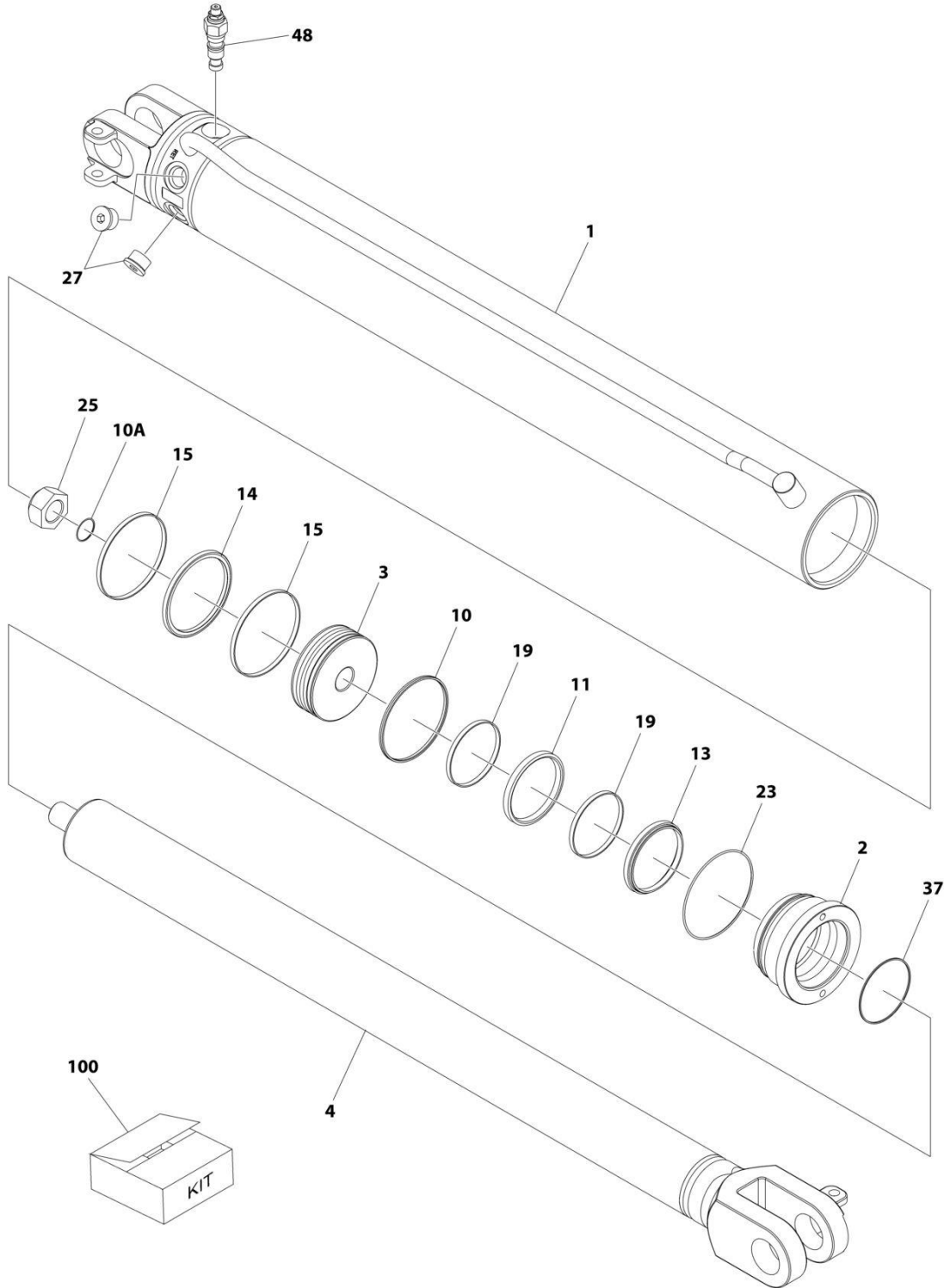
SECTION 9 - HYDRAULIC COMPONENTS

FIGURE 9-10. CYLINDER - GRAPPLE BUCKET

ITEM	PART NUMBER	QTY	DESCRIPTION	REV
	70021393	Ref	Grapple Bucket Cylinder	A
		Ref	Note: Original Cylinder May Have Been Replaced with Service Replacement. Identify PN Stamped on Cylinder Before Ordering Parts.	
1	70021465	1	Barrel	
2	70021448	2	Bushing	
3	70021464	2	Cartridge, Valve	
4	90554045	2	Fitting, Grease	
5	70021440	1	Nut	
6	Kit	NSS	Ring, Piston (Note: Use Item 101)	
7	Kit	NSS	O-Ring (Note: Use Item 101)	
8	70021451	1	Piston	
9	Kit	NSS	O-Ring (Note: Use Item 101)	
10	70021444	1	Washer	
11	Kit	NSS	O-Ring (Note: Use Item 101)	
12	Kit	NSS	Washer, Back-Up (Note: Use Item 101)	
13	Kit	NSS	O-Ring (Note: Use Item 101)	
14	70021446	1	Head	
15	Kit	NSS	Seal, Poly-Pak (Note: Use Item 101)	
16	Kit	NSS	Wiper, Rod (Note: Use Item 101)	
17	70021466	1	Rod	
18	70021447	1	Bushing	
101	70021452	1	Kit, Seal (includes items 6, 7, 9, 11 thru 13, 15 & 16)	

SECTION 9 - HYDRAULIC COMPONENTS

FIGURE 9-11. CYLINDER - LIFT



ART_1001267967

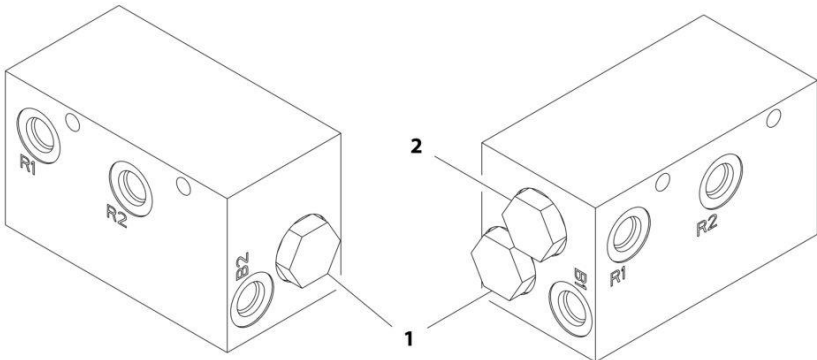
SECTION 9 - HYDRAULIC COMPONENTS

FIGURE 9-11. CYLINDER - LIFT

ITEM	PART NUMBER	QTY	DESCRIPTION	REV
	1001267967	Ref	CYLINDER ASSEMBLY	B
		Ref	Note: Original Cylinder May Have Been Replaced with Service Replacement. Identify PN Stamped on Cylinder Before Ordering Parts.	
1	See Note	NSS	Barrel (Note: Purchase PN 1001267967)	
2	70030382	1	Head	
3	70030383	1	Piston	
4	70030384	1	Rod	
10	See Note	NSS	Seal, Dual (Note: Use Item 100)	
10A	See Note	NSS	O-Ring (Note: Use Item 100)	
11	See Note	NSS	Seal, Rod (Note: Use Item 100)	
13	See Note	NSS	Wiper (Note: Use Item 100)	
14	See Note	NSS	Seal, Piston (Note: Use Item 100)	
15	See Note	NSS	Ring, Wear (Note: Use Item 100)	
19	See Note	NSS	Ring, Wear (Note: Use Item 100)	
23	See Note	NSS	Seal (Note: Use Item 100)	
25	70030385	1	Nut	
27	2220888	2	Plug	
37	70030386	1	Mask, Wiper	
48	7029327	1	Cartridge, Valve	
100	70030387	1	Seal Kit (Includes Items 10, 10A, 11, 13, 14, 15, 19 & 23)	

SECTION 9 - HYDRAULIC COMPONENTS

FIGURE 9-12. FLOW DIVIDER VALVE



ART_4641501-A

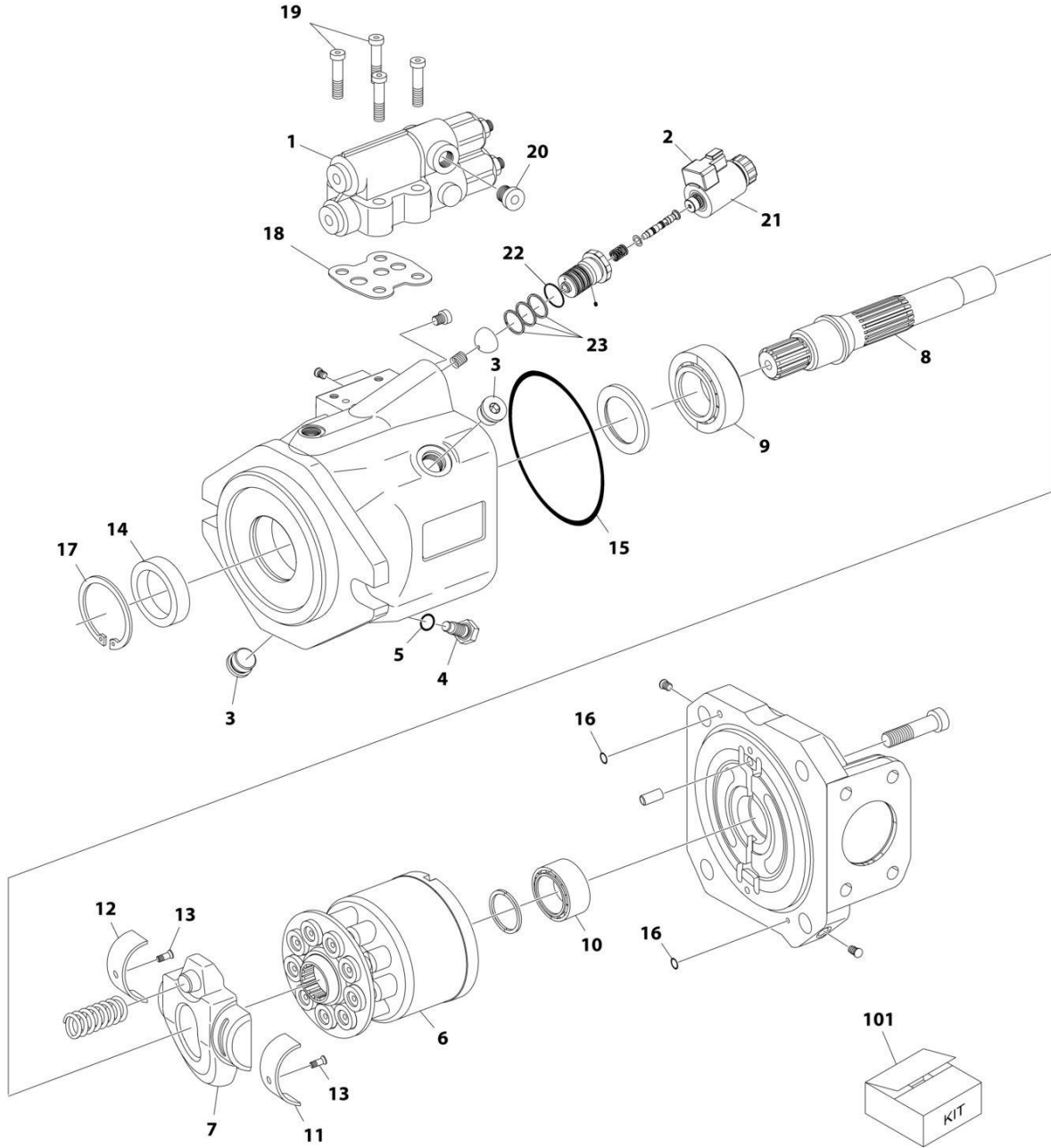
SECTION 9 - HYDRAULIC COMPONENTS

FIGURE 9-12. FLOW DIVIDER VALVE

ITEM	PART NUMBER	QTY	DESCRIPTION	REV
	4641501	Ref	Flow Divider Valve	A
1	70023928	2	Valve, Check	
2	70023929	1	Valve, Cartridge	

SECTION 9 - HYDRAULIC COMPONENTS

FIGURE 9-13. PUMP - PISTON



ART_1001251423_C

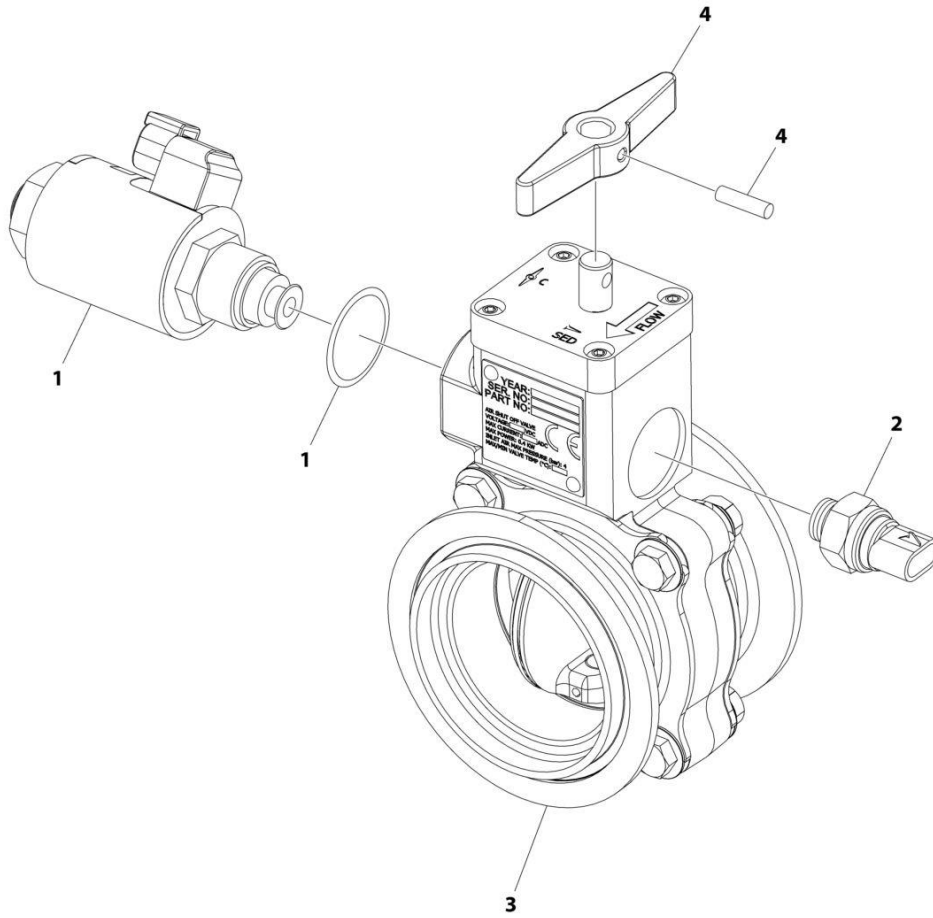
SECTION 9 - HYDRAULIC COMPONENTS

FIGURE 9-13. PUMP - PISTON

ITEM	PART NUMBER	QTY	DESCRIPTION	REV
	1001251423	Ref	PISTON PUMP	C
1	70003738	1	Control Valve	
2	70024186	1	Control Valve	
3	70024407	2	Plug	
4	70024408	1	Stop Screw	
4	See Note	NSS	O-Ring (Note: Use Item 101)	
6	70024411	1	Rotary Group	
7	70024412	1	Swash Plate	
8	7024939	1	Drive Shaft	
9	7024943	1	Bearing	
10	7024944	1	Bearing	
11	70024414	1	Bearing-Liner	
12	70024415	1	Bearing-Liner	
13	7024953	2	Screw	
14	80634004	1	Shaft Seal	
15	See Note	NSS	O-Ring (Note: Use Item 101)	
16	See Note	NSS	Seal (Note: Use Item 101)	
17	80334277	1	Ring, Retaining	
18	70021867	1	Gasket	
19	7024954	4	Capscrew	
20	70024416	1	Plug	
21	70025897	1	Solenoid	
22	See Note	NSS	O-Ring (Note: Use Item 101)	
23	See Note	NSS	R-Ring (Note: Use Item 101)	
101	70024189	1	Seal Kit (Includes Items 5, 15,16,22 & 23)	

SECTION 9 - HYDRAULIC COMPONENTS

FIGURE 9-14. VALVE - AIR SHUT OFF



ART_1001204032_C

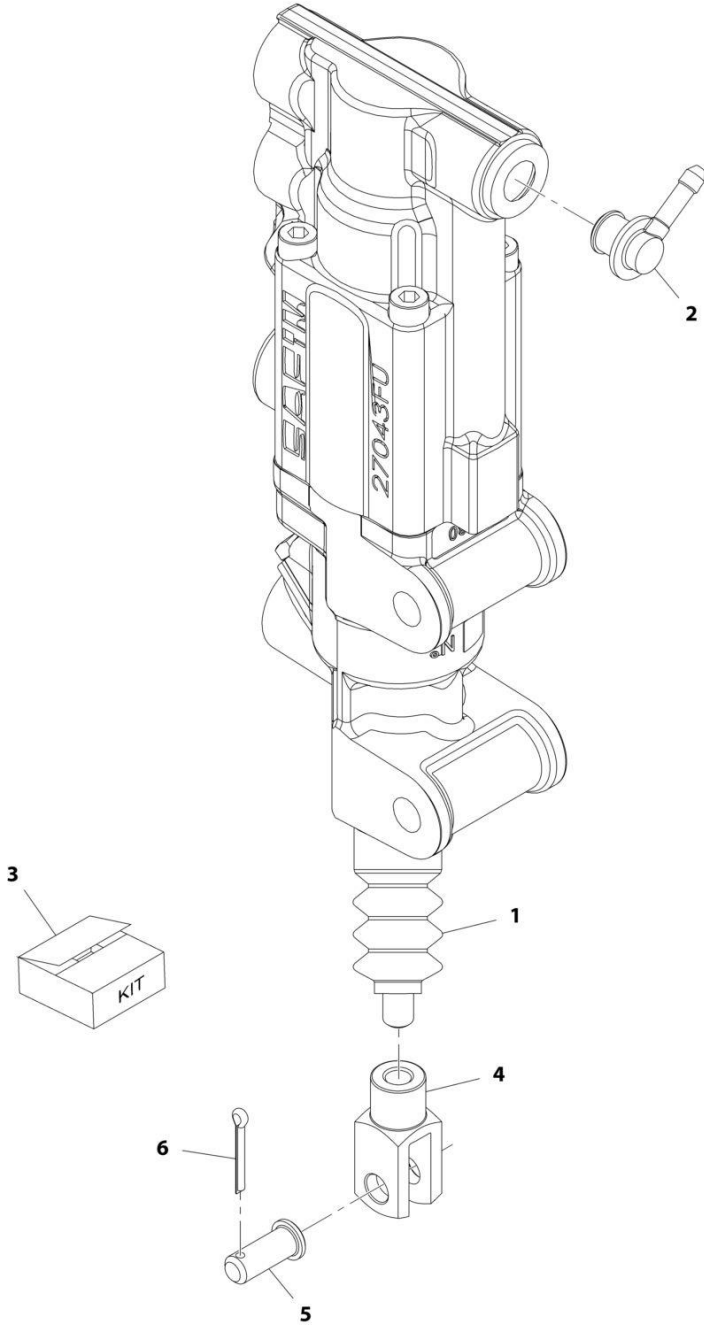
SECTION 9 - HYDRAULIC COMPONENTS

FIGURE 9-14. VALVE - AIR SHUT OFF

ITEM	PART NUMBER	QTY	DESCRIPTION	REV
	1001204032	Ref	Air Shut Off Valve	C
1	70028514	1	Kit, Solenoid 12V (Includes Solenoid, Coil, O-Ring)	
2	70028515	1	Kit, Switch (Includes Ball Switch & O-Ring)	
3	70028516	1	Kit, Flange and Hardware (Includes Flanges (Male & Female) & Mounting Hardware)	
4	70028517	1	Kit, Handle (Includes Handle & Pin)	

SECTION 9 - HYDRAULIC COMPONENTS

FIGURE 9-15. VALVE - BRAKE



ART_1001201721-D

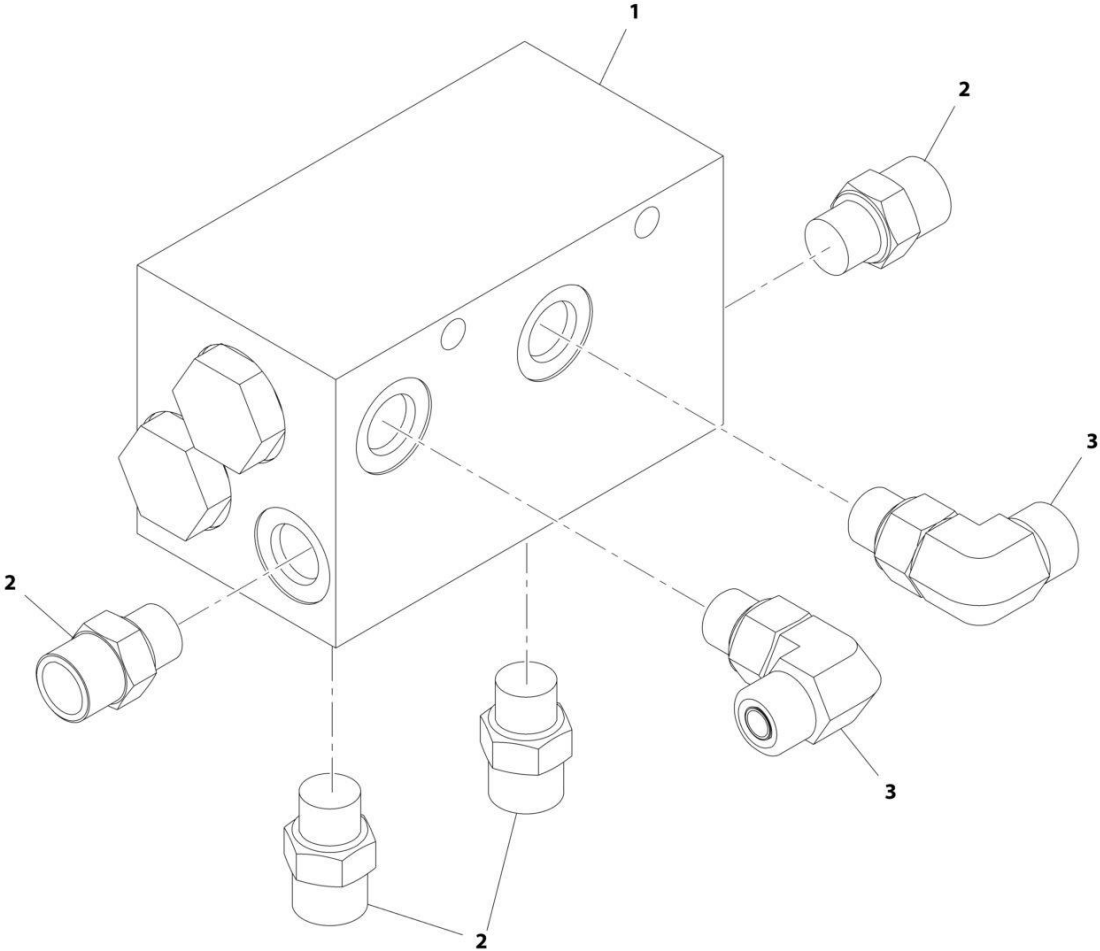
SECTION 9 - HYDRAULIC COMPONENTS

FIGURE 9-15. VALVE - BRAKE

ITEM	PART NUMBER	QTY	DESCRIPTION	REV
	1001201721	Ref	Brake Valve	D
1	70025859	1	Dust Cover	
2	70027275	1	Reservoir Joint	
3	70027276	1	Seal Kit	
4	70022650	1	Yoke	
5	70020743	1	Pin, Yoke	
6	70020745	1	Pin, Cotter	

SECTION 9 - HYDRAULIC COMPONENTS

FIGURE 9-16. VALVE - CARRIAGE



ART_4641502-B

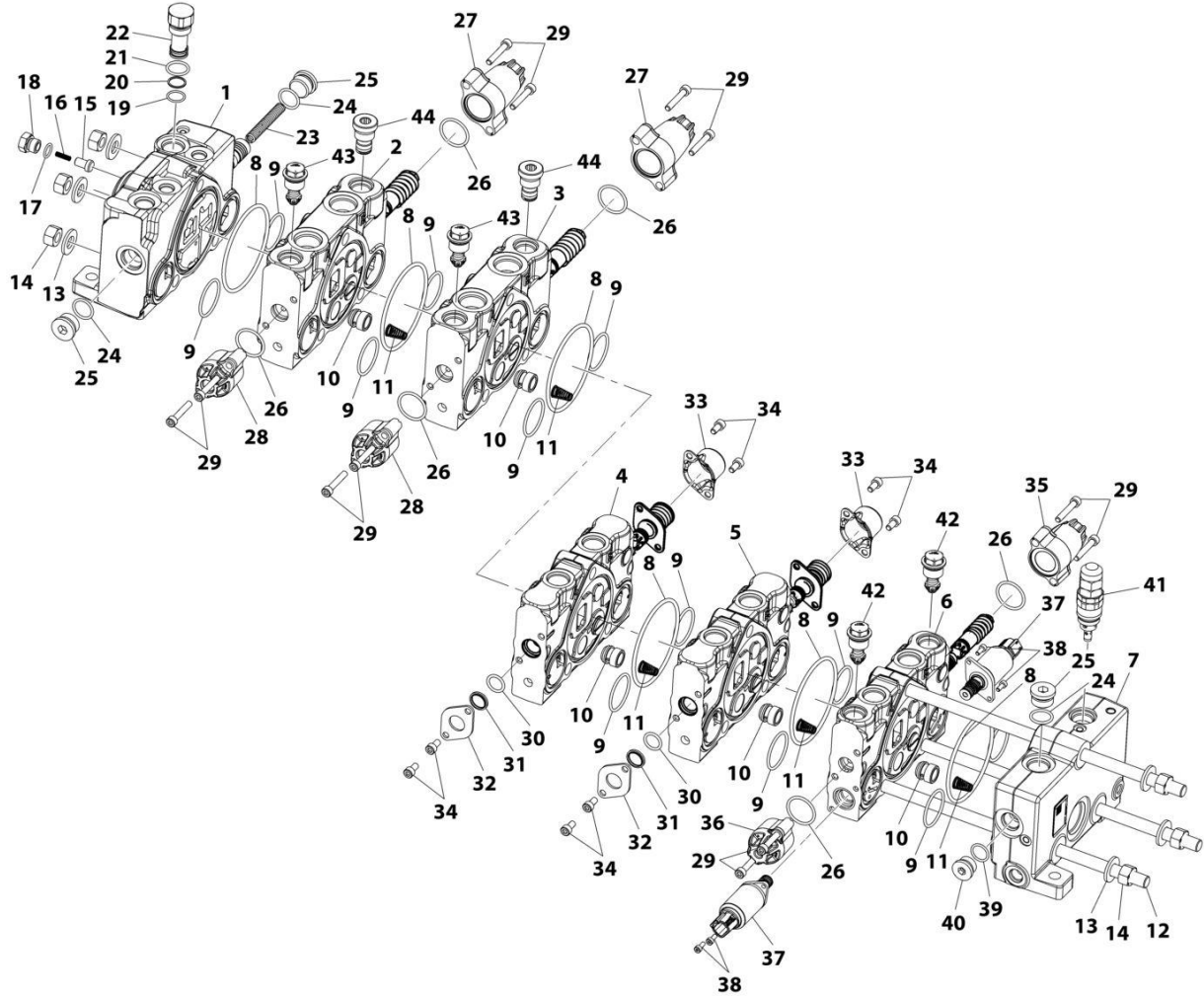
SECTION 9 - HYDRAULIC COMPONENTS

FIGURE 9-16. VALVE - CARRIAGE

ITEM	PART NUMBER	QTY	DESCRIPTION	REV
	4641502	Ref	Dual Fork Carriage Valve Assembly	B
1	4641501	1	Valve, Flow Divider (See Separate Breakdown in this Section)	
2	2110606	4	Fitting, Straight ORFS	
3	2130606	2	Fitting, 90	

SECTION 9 - HYDRAULIC COMPONENTS

FIGURE 9-17. VALVE - MAIN CONTROL



ART_1001242925

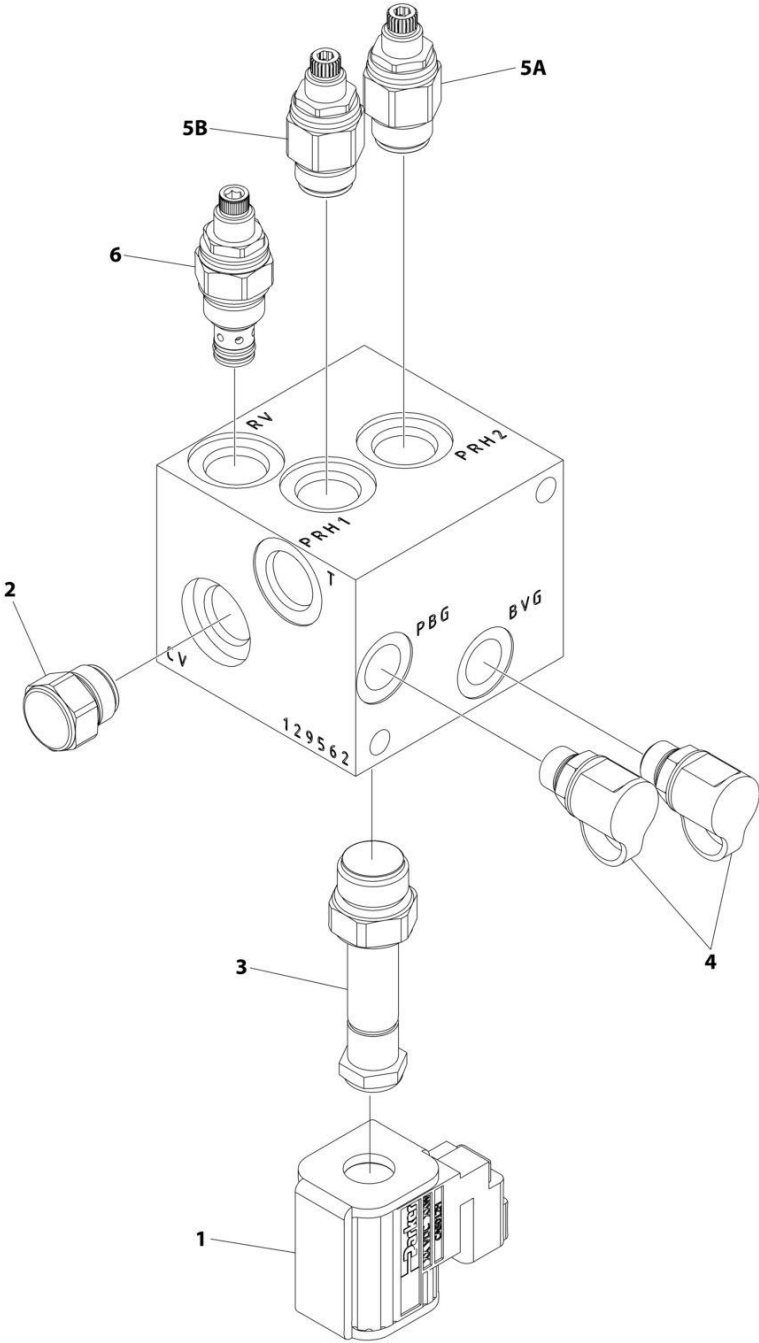
SECTION 9 - HYDRAULIC COMPONENTS

FIGURE 9-17. VALVE - MAIN CONTROL

ITEM	PART NUMBER	QTY	DESCRIPTION	REV
	1001242925	Ref	MAIN CONTROL VALVE	F
1	70030023	1	Inlet Section Assembly	
2	70030001	1	Lift Section Assembly	
3	70030002	1	Extend/Retract Section Assembly	
4	70030003	1	Aux Section Assembly	
5	70030004	1	Sway Section Assembly	
6	70030005	1	Tilt Section Assembly	
7	70030006	1	Outlet Section Assembly	
8	8034697	6	O-Ring	
9	70030007	12	O-Ring	
10	8903015	5	Poppet CV	
11	70030012	5	Spring	
12	70030038	3	Tie Rod	
13	70030039	6	Washer	
14	8035347	6	Nut	
15	70030009	1	Poppet, CV	
16	70030010	1	Spring	
17	70030040	1	O-Ring	
18	70030011	1	Plug	
19	70026370	1	O-Ring	
20	70026376	1	Back-Up Ring	
21	10837928	1	O-Ring	
22	70030041	1	Drain Regulator Assembly	
23	70030008	1	Spring	
24	70026652	3	O-Ring	
25	70026653	3	Plug	
26	70030013	6	O-Ring	
27	70030015	2	Spool Cap	
28	70030014	2	Spool Cap	
29	70030016	12	Screw	
30	8037109	2	O-Ring	
31	70030018	2	Wiper	
32	70030017	2	Sealing Plate	
33	70030019	2	Cap Spool	
34	70026133	8	Screw	
35	70030021	1	Spool Cap	
36	70030020	1	Spool Cap	
37	70029874	2	Valve, Solenoid Cartridge	
38	70022014	4	Screw	
39	70024202	1	O-Ring	
40	8035382	1	Plug Assembly	
41	70030022	1	Valve Assembly, LS Relief	
42	70027134	2	Valve Assembly, Relief	
43	70025982	2	Valve Assembly, Relief	
44	70022008	2	Shut-Off Plug Assembly	

SECTION 9 - HYDRAULIC COMPONENTS

FIGURE 9-18. VALVE - SECONDARY CONTROL



ART_1001266771

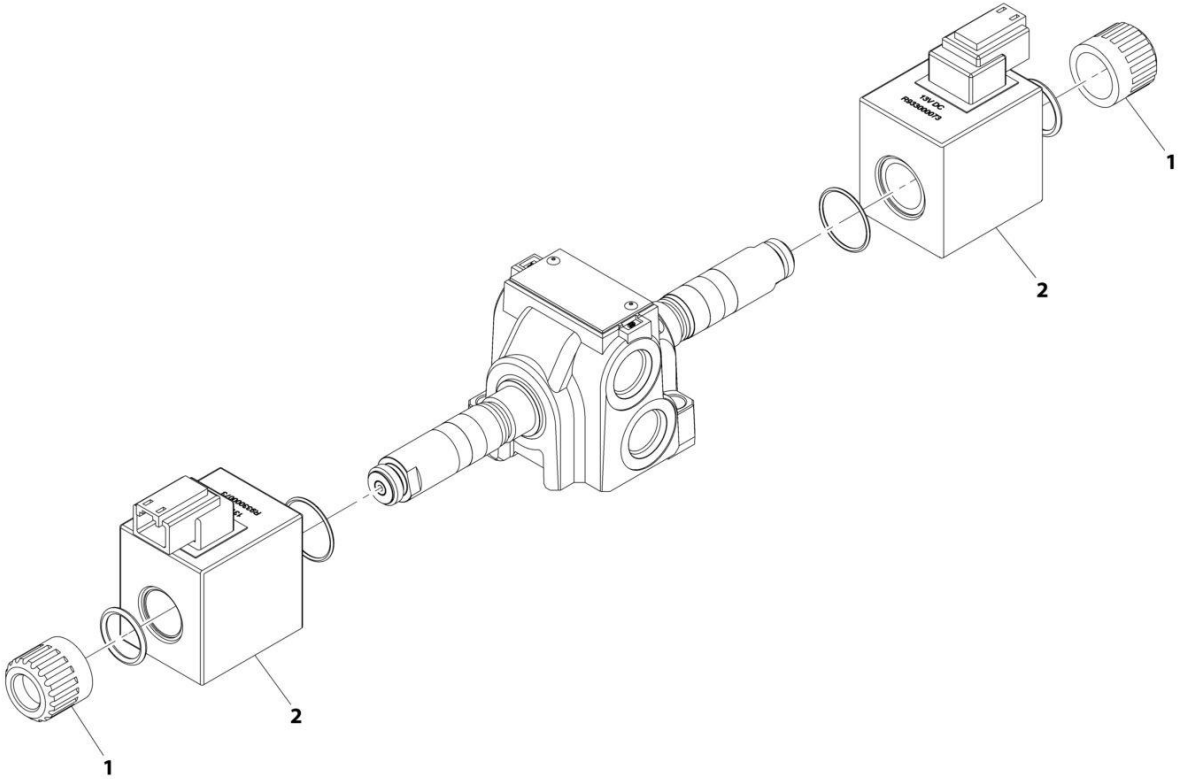
SECTION 9 - HYDRAULIC COMPONENTS

FIGURE 9-18. VALVE - SECONDARY CONTROL

ITEM	PART NUMBER	QTY	DESCRIPTION	REV
	1001266771	Ref	VALVE ASSEMBLY - SECONDARY	B
1	70026085	1	Coil	
2	91474023	1	Cartridge, Check Valve	
	7010769	1	Seal Kit - 91474023 Valve	
3	70026087	1	Cartridge, Solenoid Less Coil	
	8032695	1	Seal Kit - 70026087 Valve	
4	See Note	N.S.S.	Fitting, Straight	
5A	70029558	1	Cartridge, Pressure Relief Valve	
	8032694	1	Seal Kit - 70029558 Valve	
5B	70029584	1	Cartridge, Pressure Relief Valve	
	8032694	1	Seal Kit - 70029584 Valve	
6	70030292	1	Cartridge, Pressure Relief Valve	
	7010769	1	Seal Kit - 70030292 Valve	

SECTION 9 - HYDRAULIC COMPONENTS

FIGURE 9-19. VALVE - STEERING SELECT



ART_1001153748-C

SECTION 9 - HYDRAULIC COMPONENTS

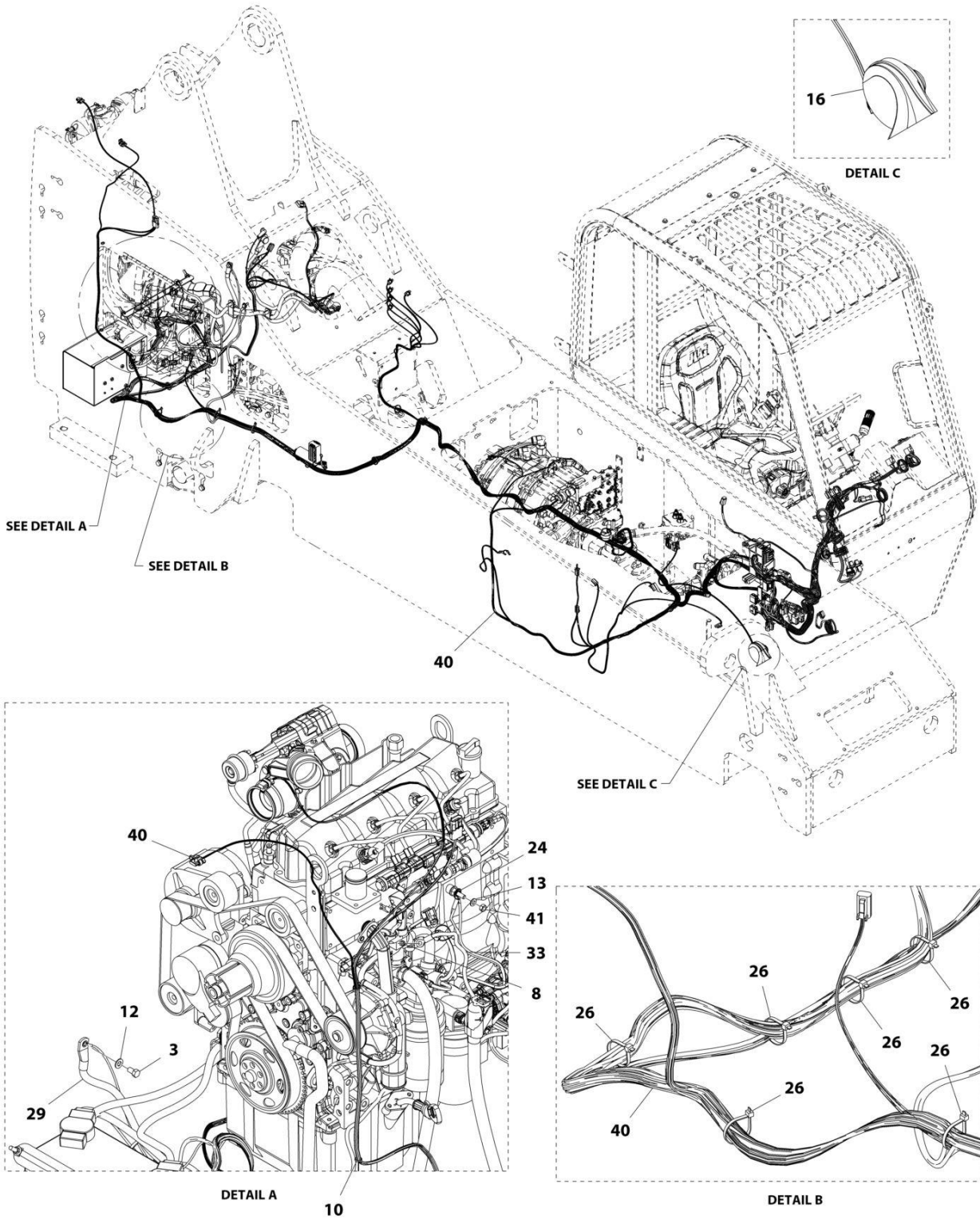
FIGURE 9-19. VALVE - STEERING SELECT

ITEM	PART NUMBER	QTY	DESCRIPTION	REV
	1001153748	Ref	Steering Select Valve	C
1	70020867	2	Nut, Coil	
2	70026582	2	Coil	

SECTION 10 - ELECTRICAL

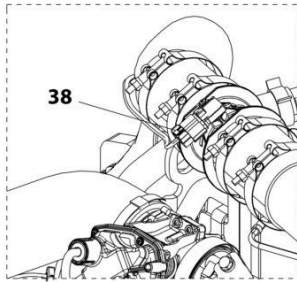
SECTION 10 - ELECTRICAL

FIGURE 10-1. ELECTRICAL INSTALLATION - 74HP

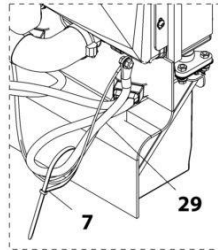


ART_1001199891_1-F

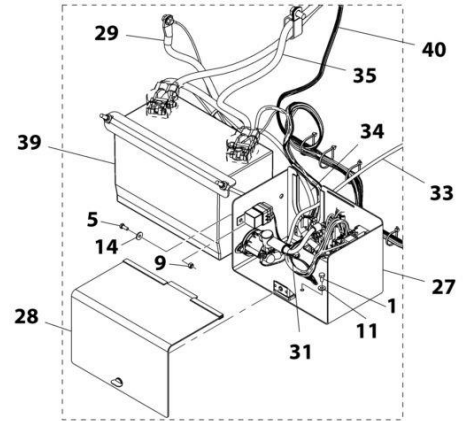
SECTION 10 - ELECTRICAL



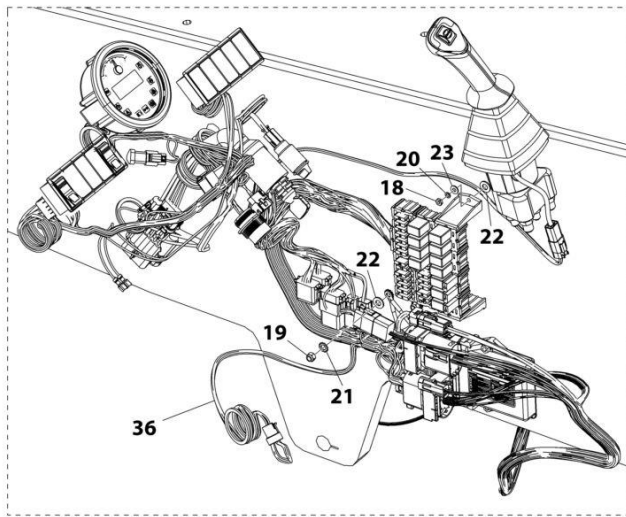
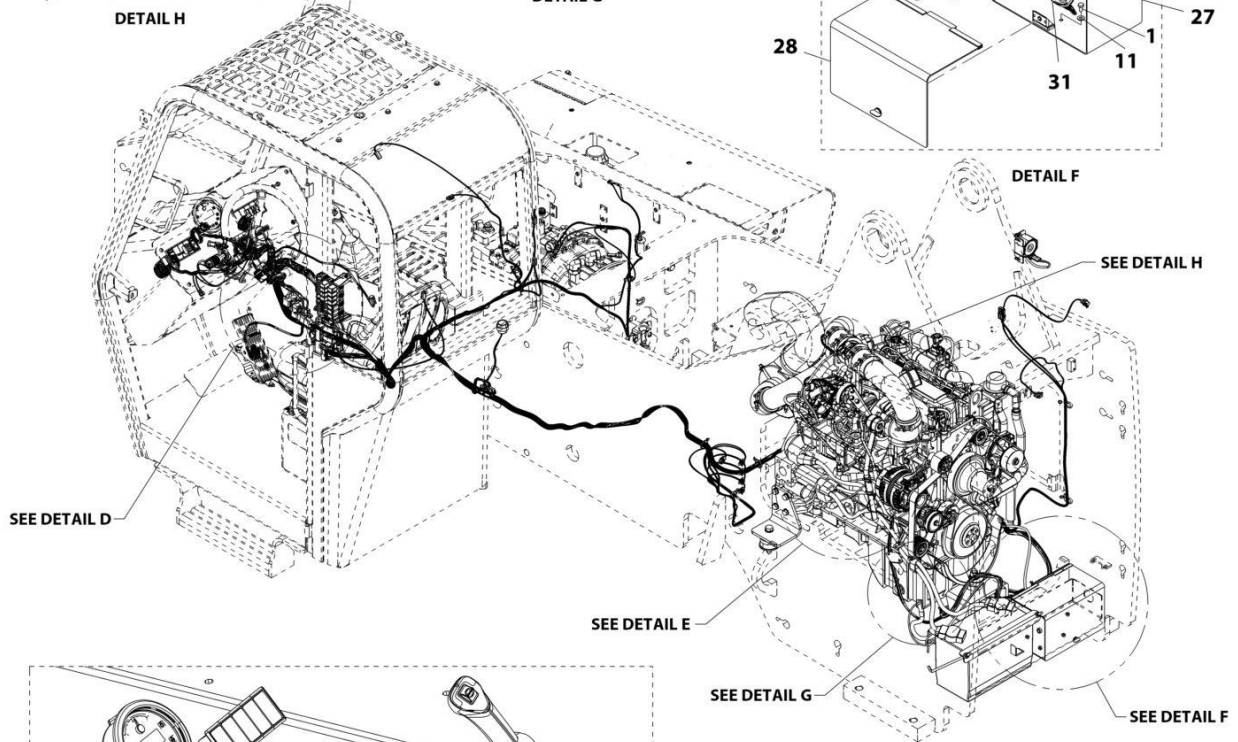
DETAIL H



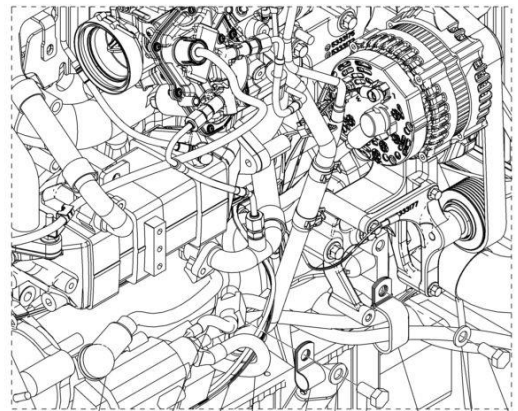
DETAIL G



DETAIL F



DETAIL D



DETAIL E

ART_1001199891_2-F

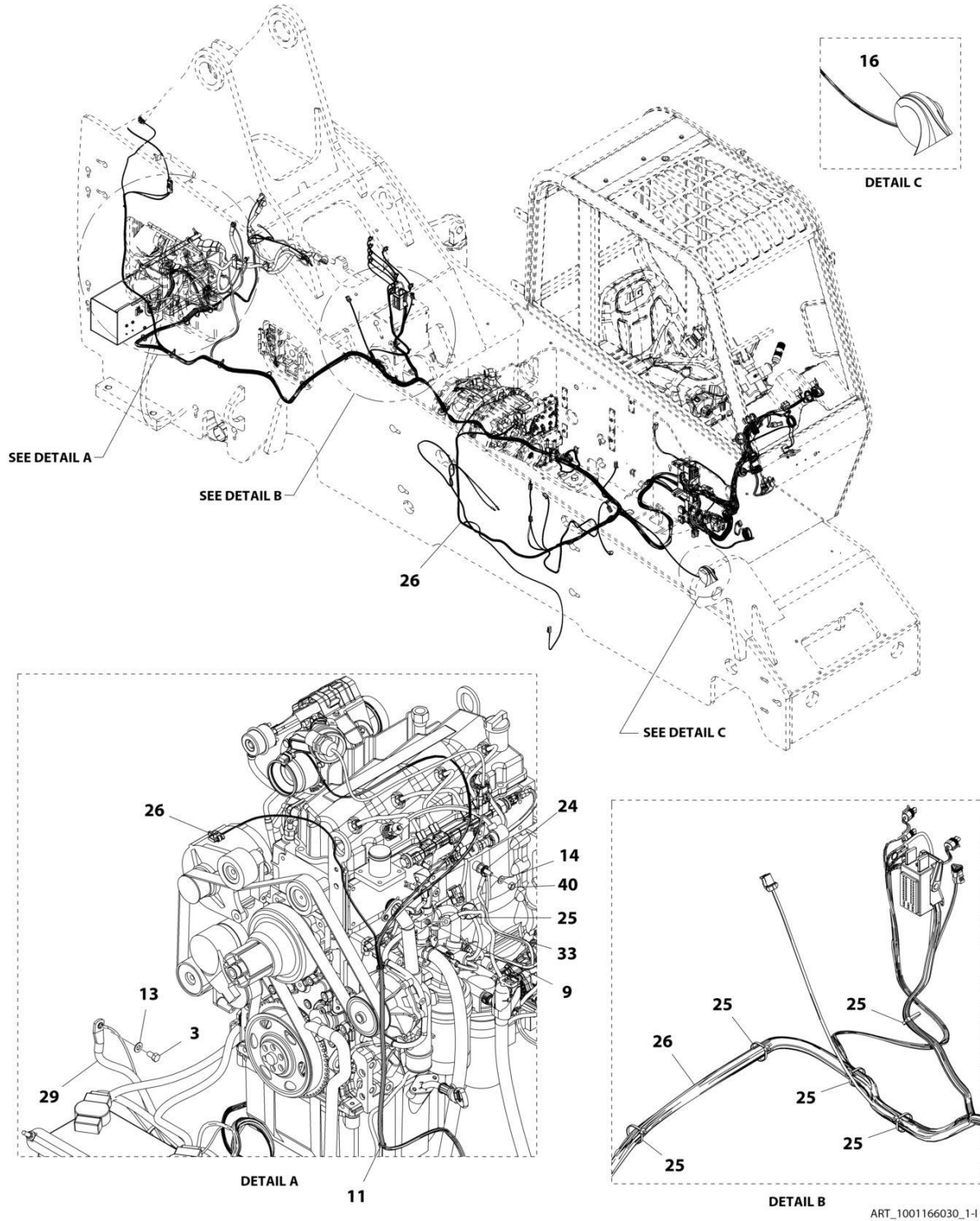
SECTION 10 - ELECTRICAL

FIGURE 10-1. ELECTRICAL INSTALLATION - 74HP

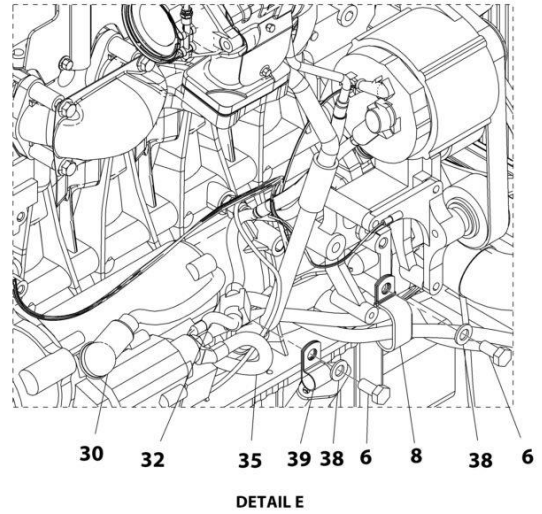
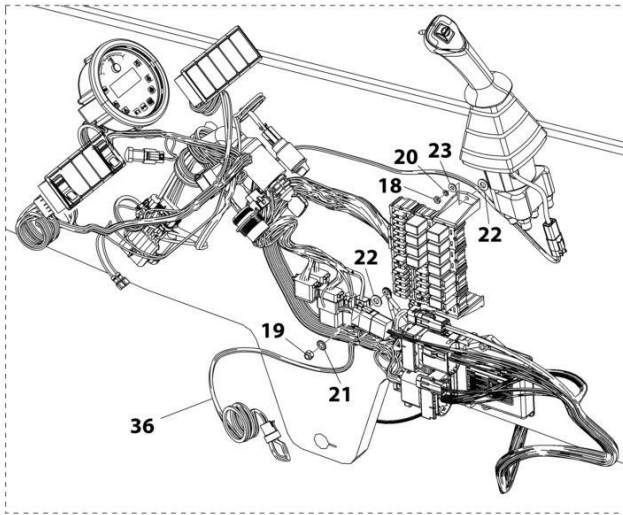
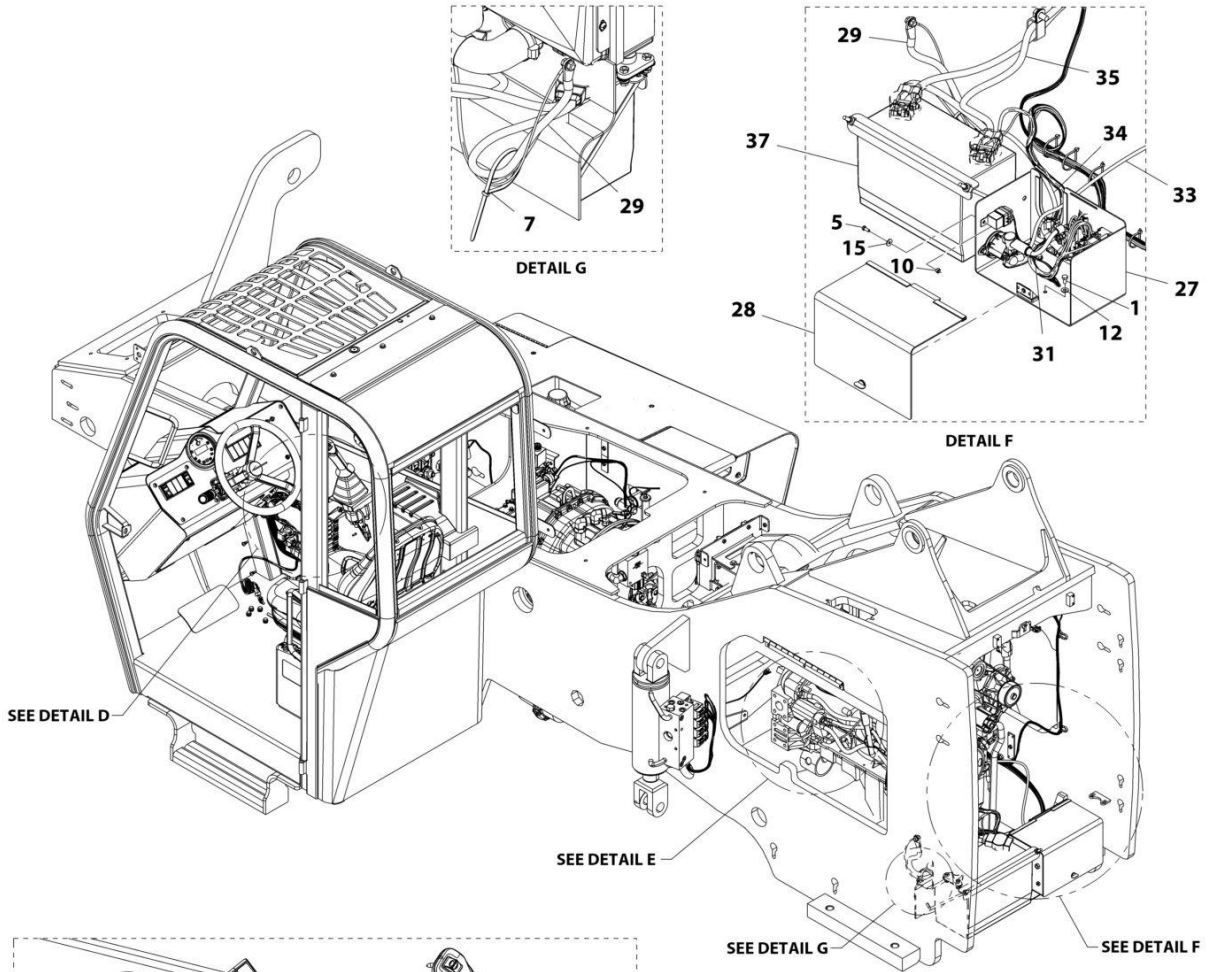
ITEM	PART NUMBER	QTY	DESCRIPTION	REV
	1001199891	Ref	Electrical Installation, 74HP - 6036 (if equipped for ULS) (6036)	F
1	0641404	3	Bolt 1/4X1/2	
3	0641605	1	Bolt 3/8X5/8	
5	8303545	1	Bolt M8X14	
6	0761212	2	Bolt M12X25	
7	1062255	1	Strap, Tie	
8	3290601	1	Nut M6X1	
9	3290605	1	Nut M6X1	
10	4240017	3	Strap, Tie	
11	4711400	3	Washer 1/4	
12	4711600	1	Washer 3/8	
13	4811900	1	Washer M8	
14	4811702	1	Washer M6	
15	4812100	2	Washer M12	
16	8270620	1	Horn, Signal	
18	8305002	3	Nut #10	
19	8305624	2	Nut, Lock 1/4	
20	8307003	3	Washer M10	
21	8307027	4	Washer, Lock 5/16	
22	8307106	5	Washer 5/16	
23	8307111	3	Washer M10	
24	8310046	1	Washer, Lock M10	
25	8406105	1	Clip, Tube	
26	8584001	12	Wrap, Tie	
27	1001170233	1	Installation, Relay Panel (See Separate Breakdown in this Section)	
28	1001170234	1	Assembly, Relay Panel Cover (See Separate Breakdown in this Section)	
29	1001171234	1	Cable, Battery Negative	
30	1001171236	1	Cable, Starter Ground	
31	1001171237	1	Cable, Grid Heater to Fuse Power	
32	1001171238	1	Cable, Alternator Power	
33	1001171239	1	Cable, Grid Heater Power	
34	1001171633	1	Cable, Buss Power	
35	1001171757	1	Cable, Starter Power	
36	1001178285	1	Harness, Cab Power Distribution (See Separate Breakdown in this Section)	
37	1001181899	1	Clamp	
38	1001184835	1	Harness, TBAP (See Separate Breakdown in this Section)	
39	1001186841	1	Installation, Battery (See Separate Breakdown in this Section)	
40	1001199889	1	Engine Harness - 74HP (See Separate Breakdown in this Section)	
41	3290801	1	Nut M8X1.25	

SECTION 10 - ELECTRICAL

FIGURE 10-2. ELECTRICAL INSTALLATION - 85HP



SECTION 10 - ELECTRICAL



ART_1001166030_2-1

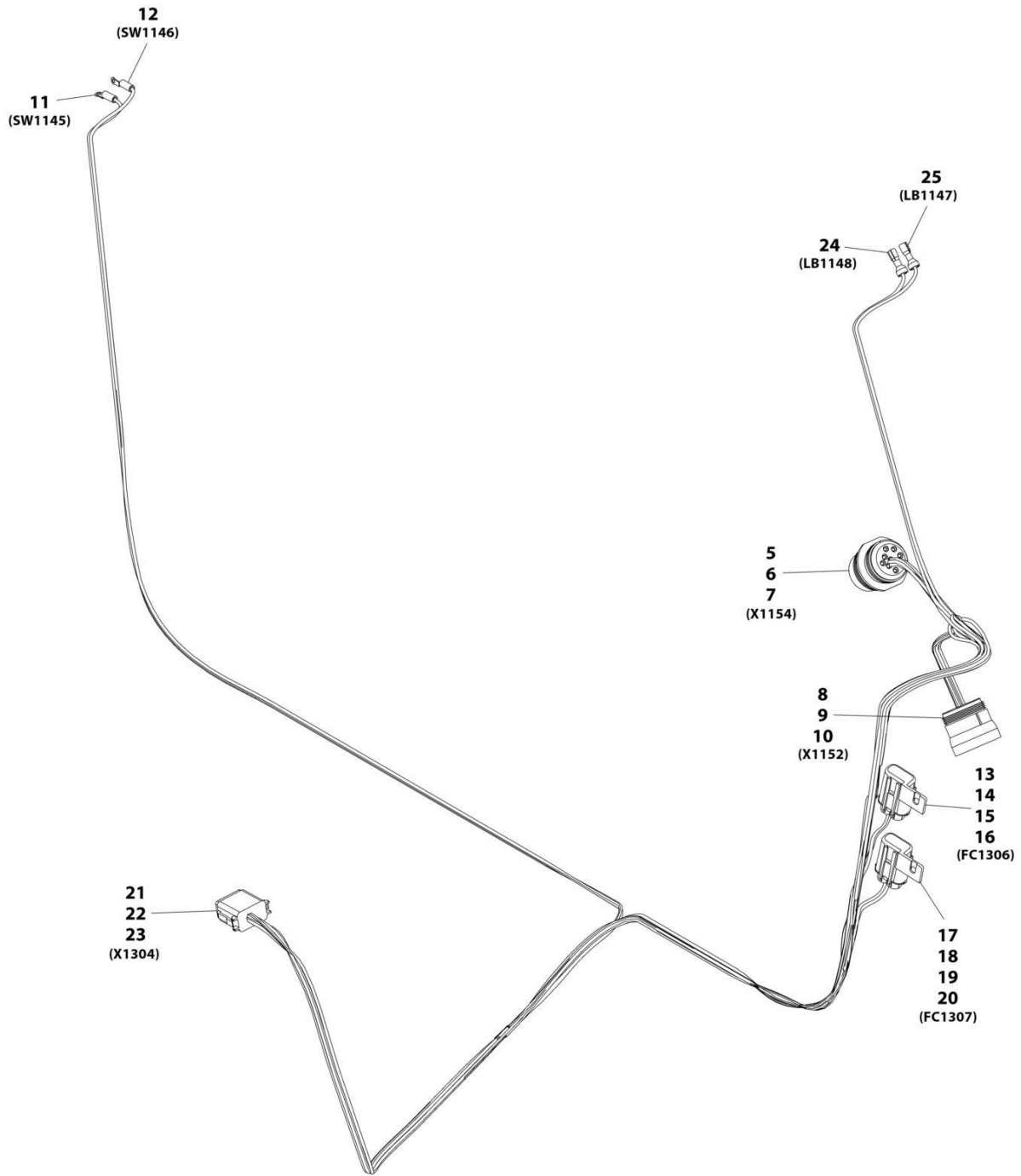
SECTION 10 - ELECTRICAL

FIGURE 10-2. ELECTRICAL INSTALLATION - 85HP

ITEM	PART NUMBER	QTY	DESCRIPTION	REV
	1001166030	Ref	Electrical Installation, 85HP - 6036 (if equipped for LS) (6036)	I
1	0641404	3	Bolt, 1/4-20X1/2	
3	0641605	1	Bolt, 3/8-16X5/8	
5	8303545	1	Bolt, M8X14	
6	0761212	2	Bolt, M12X25	
7	1062255	1	Strap, Tie	
8	1001181899	1	Clamp	
9	3290601	1	Nut, M6X1	
10	3290605	1	Nut, M6X1	
11	4240017	3	Strap, Tie	
12	4711400	3	Washer, 1/4	
13	4711600	1	Washer, 3/8	
14	4811900	1	Washer, M8	
15	4811702	1	Washer, M6	
16	8270620	1	Horn, Signal	
18	8305002	3	Nut, 10-24	
19	8305624	2	Nut, Lock 1/4-20	
20	8307003	3	Washer, Lock M10	
21	8307027	4	Washer, Lock 5/16	
22	8307106	5	Washer, 5/16	
23	8307111	3	Washer, M10	
24	8310046	1	Washer, Lock External Tooth M10	
25	8584001	13	Wrap, Tie	
26	1001189488	1	Engine Harness (See Separate Breakdown in this Section)	
27	1001170233	1	Installation, Relay Panel (See Separate Breakdown in this Section)	
28	1001170234	1	Assembly, Relay Panel Cover (See Separate Breakdown in this Section)	
29	1001171234	1	Cable, Battery Negative	
30	1001171236	1	Cable, Starter Ground	
31	1001171237	1	Cable, Grid Heater to Fuse Power	
32	1001171238	1	Cable, Alternator Power	
33	1001171239	1	Cable, Grid Heater Power	
34	1001171633	1	Cable, Buss Power	
35	1001171757	1	Cable, Starter Power	
36	1001178285	1	Harness, Cab Power Distribution (See Separate Breakdown in this Section)	
37	1001186841	1	Installation, Battery (See Separate Breakdown in this Section)	
38	4812100	2	Washer, M12	
39	8406105	1	Clip, Tube	
40	3290801	1	Nut, M8X1.25	

SECTION 10 - ELECTRICAL

FIGURE 10-3. AIR SHUT OFF VALVE HARNESS - CAB



ART_1001231560-C

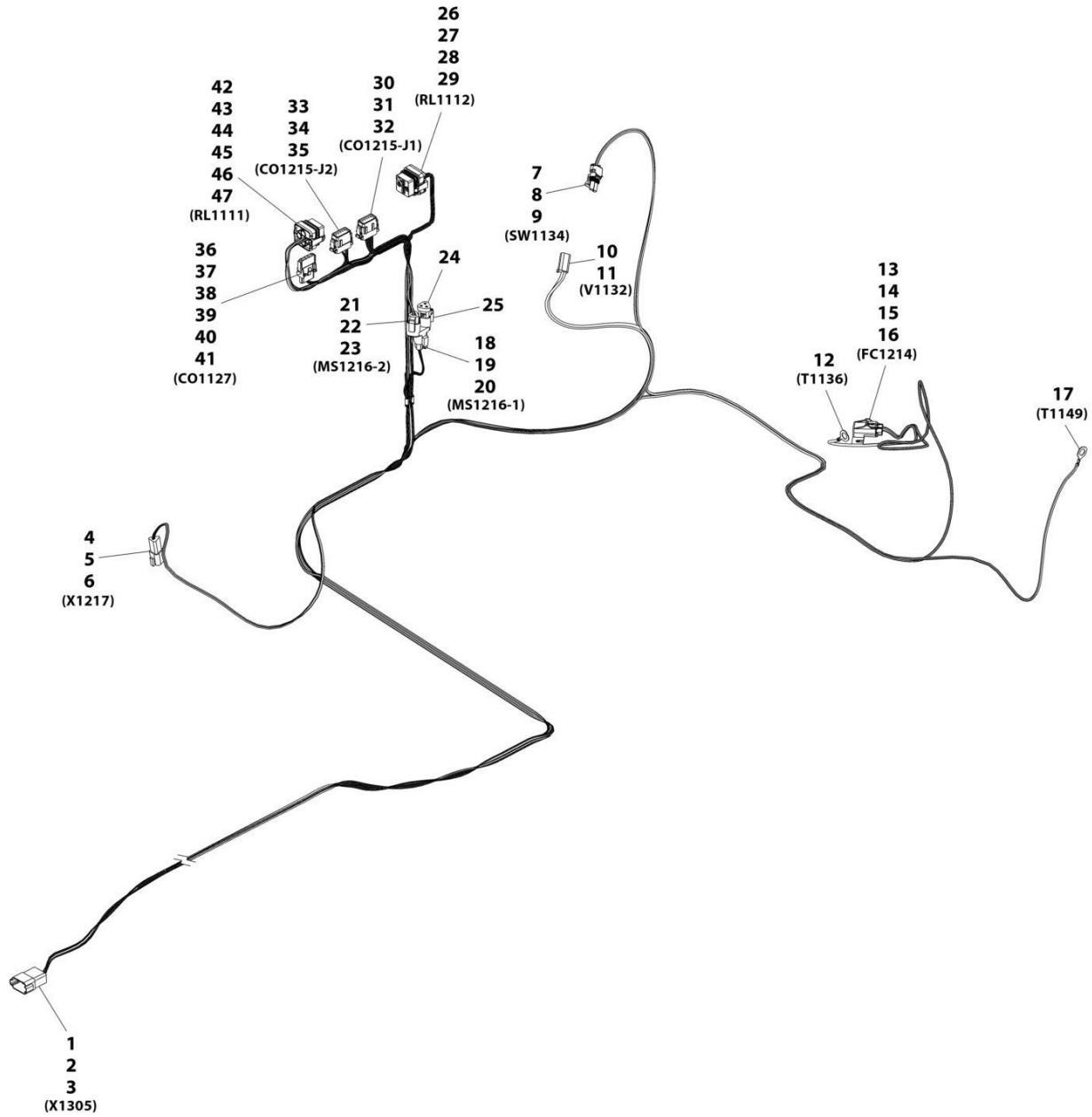
SECTION 10 - ELECTRICAL

FIGURE 10-3. AIR SHUT OFF VALVE HARNESS - CAB

ITEM	PART NUMBER	QTY	DESCRIPTION	REV
	1001231560	Ref	POSI Air Shut Off Valve Cab, Harness	C
5	1001112612	1	Connector	
6	4460464	6	Terminal	
7	4460466	3	Plug	
8	1001116945	1	Connector	
9	4460465	6	Terminal	
10	4460466	3	Plug	
11	8220035	1	Terminal, Ring	
12	8220035	1	Terminal, Ring	
13	1001231397	1	Connector	
14	8229261	1	Fuse 5A	
15	1001231400	2	Terminal	
16	1001231404	2	Plug	
17	1001231397	1	Connector	
18	8229234	1	Fuse 10A	
19	1001231400	2	Terminal	
20	1001231404	2	Plug	
21	4460930	1	Connector	
22	4460465	6	Terminal	
23	4460466	2	Plug	
24	8220108	1	Connector	
25	8220108	1	Connector	

SECTION 10 - ELECTRICAL

FIGURE 10-4. AIR SHUT OFF VALVE HARNESS - T4F



ART_1001216455

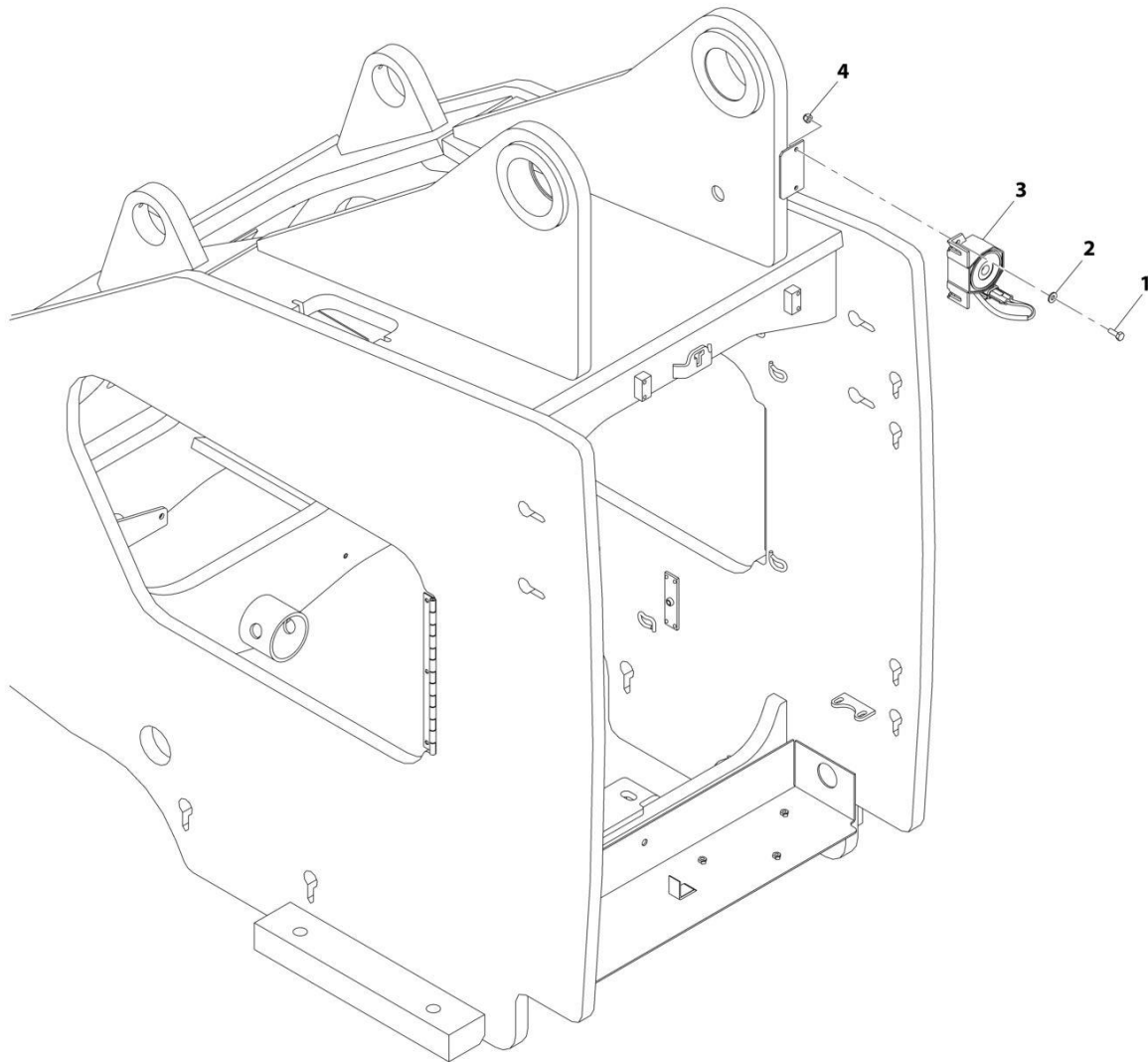
SECTION 10 - ELECTRICAL

FIGURE 10-4. AIR SHUT OFF VALVE HARNESS - T4F

ITEM	PART NUMBER	QTY	DESCRIPTION	REV
	1001216455	Ref	POSI Air Shut Off Valve T4F, Harness	F
1	4460931	1	Connector	
2	4460464	6	Terminal	
3	4460466	2	Plug	
4	1001144147	1	Connector	
5	4460464	2	Terminal	
6	4460466	1	Plug	
7	4460742	1	Connector	
8	4460475	2	Terminal	
9	4460458	2	Seal	
10	4460891	1	Connector	
11	1001157890	2	Terminal	
12	1001187078	1	Terminal, Ring	
13	1001231397	1	Connector	
14	8229235	1	Fuse 20A	
15	1001231401	2	Terminal	
16	1001230402	2	Seal	
17	1001187078	1	Connector	
18	1001116812	1	Connector	
19	4460465	2	Terminal	
20	4460466	1	Plug	
21	4460539	1	Connector	
22	4460465	2	Terminal	
23	4460466	1	Plug	
24	1001116815	1	Connector, 3 Pin	
25	4460945	1	Terminal, 3 Way "T" Receptacle	
26	1001231398	1	Connector	
27	1001231400	4	Terminal	
28	1001231406	1	Plug	
29	1001231404	4	Seal	
30	1001116808	1	Connector	
31	1001126008	9	Terminal	
32	4460518	3	Plug	
33	1001116774	1	Connector	
34	4460518	8	Plug	
35	1001126008	4	Terminal	
36	4460761	1	Connector	
37	4460321	1	Connector - 4 Position	
38	4460809	4	Plug	
39	1001118378	4	Terminal	
40	1001143551	1	Seal	
41	1001218358	1	Lanyard, Rope	
42	1001231398	1	Connector	
43	1001231401	2	Terminal	
44	1001231400	2	Terminal	
45	1001231406	1	Plug	
46	1001231402	2	Seal	
47	1001231404	2	Seal	

SECTION 10 - ELECTRICAL

FIGURE 10-5. ALARM INSTALLATION - BACK UP



ART_1001206542-A

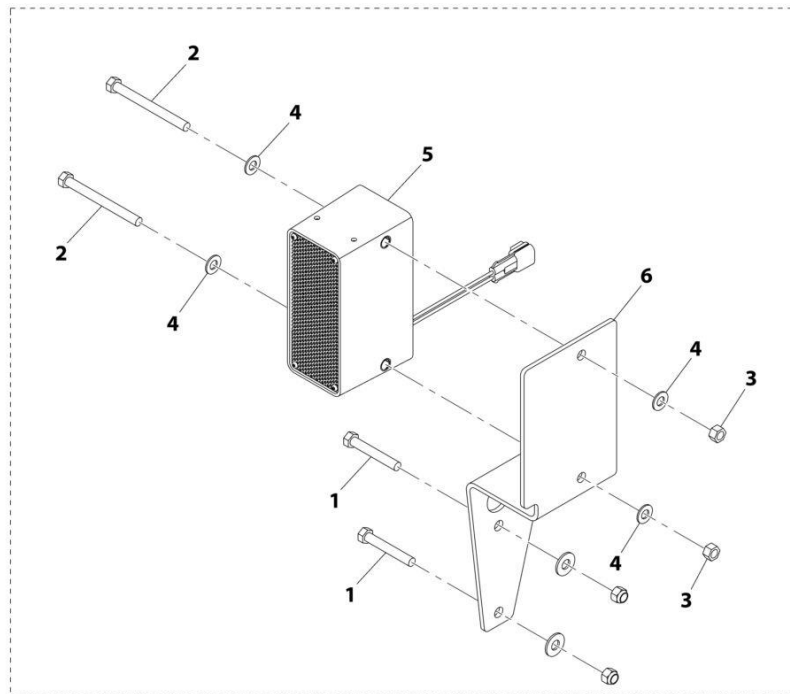
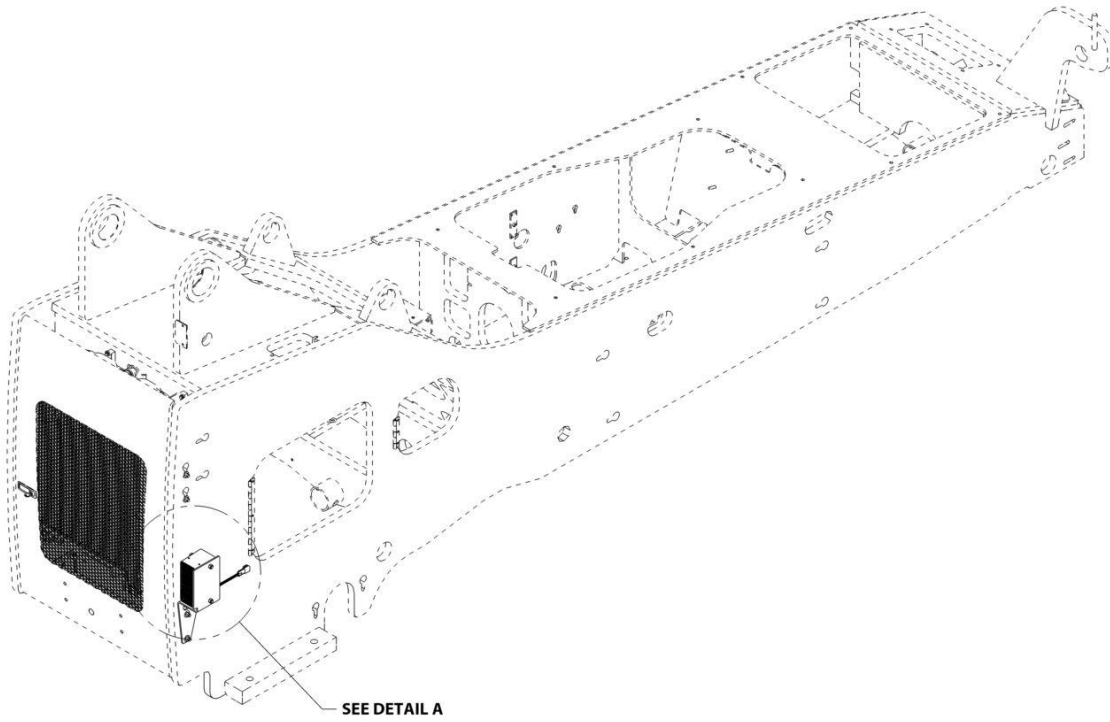
SECTION 10 - ELECTRICAL

FIGURE 10-5. ALARM INSTALLATION - BACK UP

ITEM	PART NUMBER	QTY	DESCRIPTION	REV
	1001206542	Ref	Back-Up Alarm Installation	A
1	0641406	2	Bolt 1/4X3/4	
2	4711400	2	Washer 1/4	
3	8270621	1	Alarm, Back-Up	
4	8305624	2	Nut 1/4	

SECTION 10 - ELECTRICAL

FIGURE 10-6. ALARM INSTALLATION - WHITE NOSE



DETAIL A

ART_1001206543-A

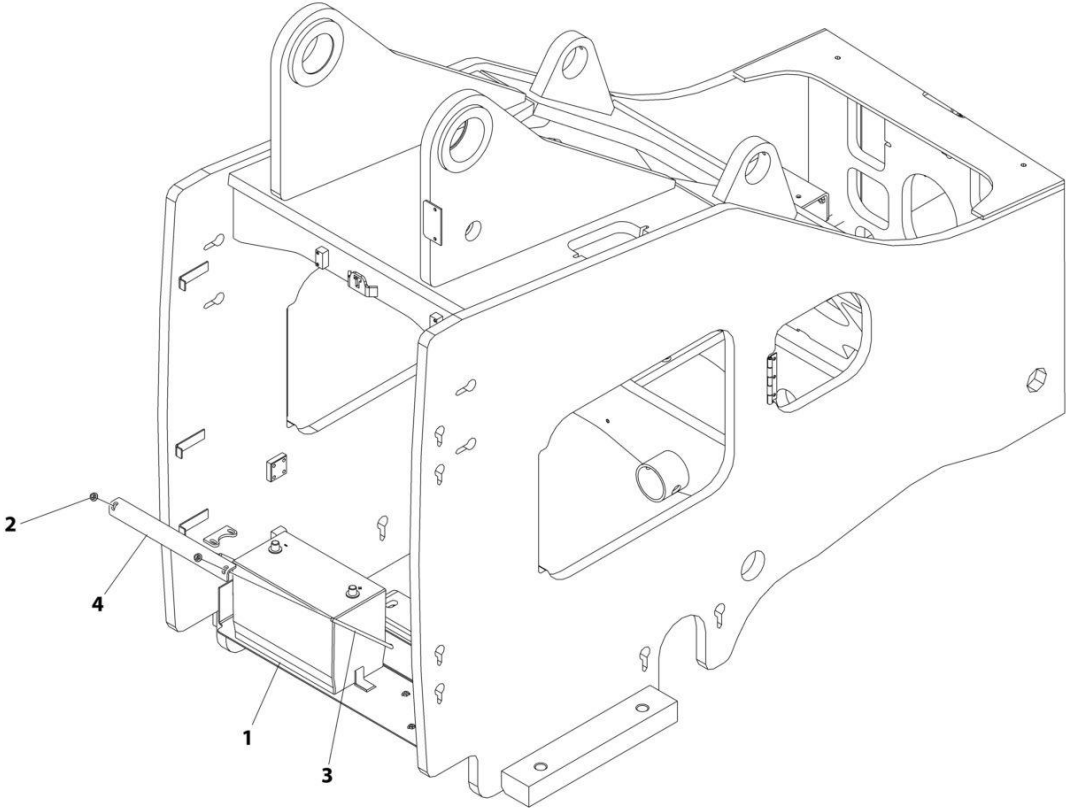
SECTION 10 - ELECTRICAL

FIGURE 10-6. ALARM INSTALLATION - WHITE NOISE

ITEM	PART NUMBER	QTY	DESCRIPTION	REV
	1001206543	Ref	Back-Up Alarm Installation (White Noise)	A
1	0641620	2	Bolt 3/82-1/2	
2	0641632	2	Bolt 3/8X4	
3	3311605	2	Nut 3/8	
4	4711600	4	Washer 3/8	
5	1001198728	1	Alarm	
6	1001213574	1	Bracket	

SECTION 10 - ELECTRICAL

FIGURE 10-7. BATTERY INSTALLATION



ART_1001186841

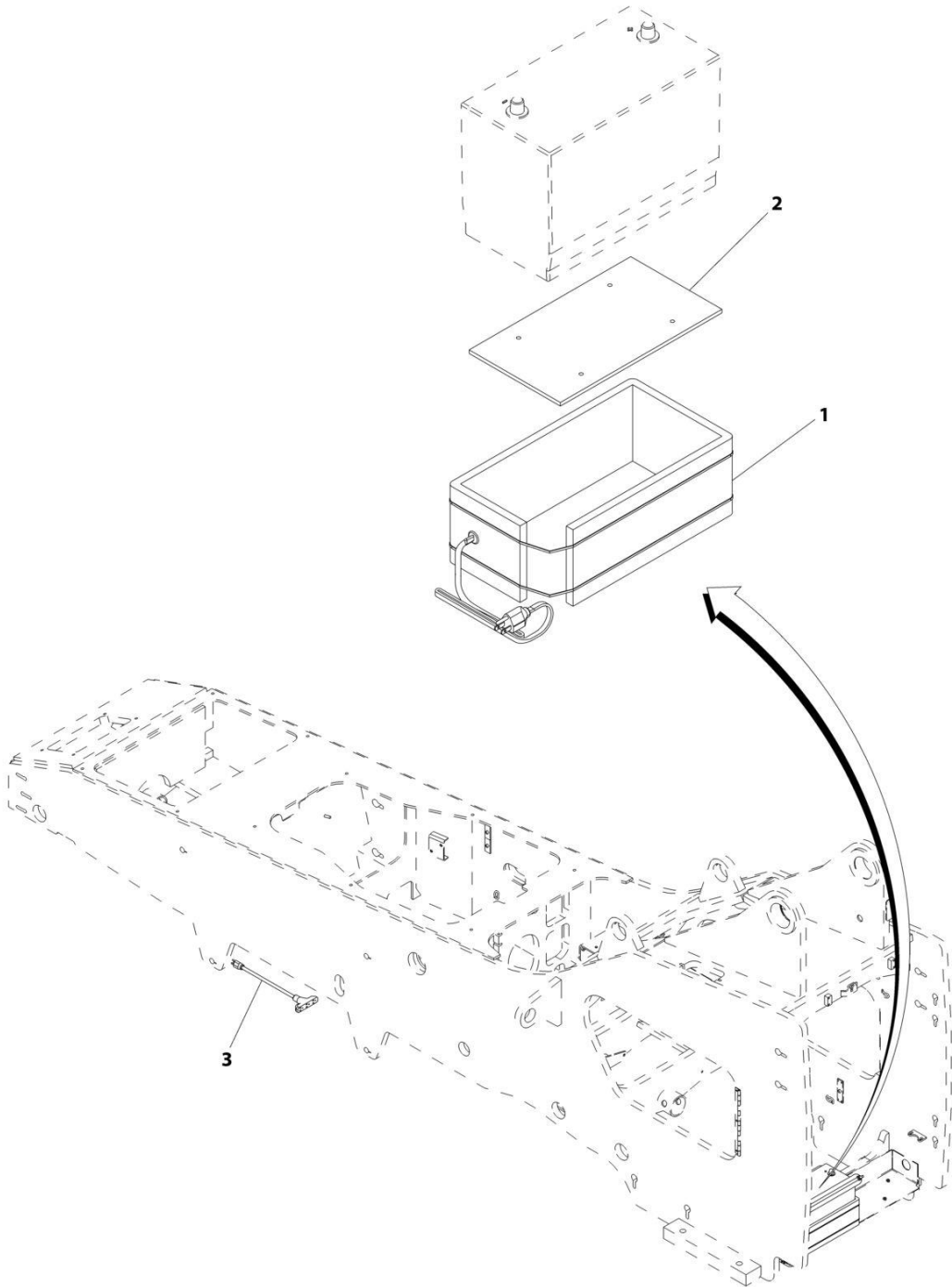
SECTION 10 - ELECTRICAL

FIGURE 10-7. BATTERY INSTALLATION

ITEM	PART NUMBER	QTY	DESCRIPTION	REV
	1001186841	Ref	Battery Installation	B
1	0400075	1	Battery, 12V	
2	77143006	2	Nut 5/16	
3	91081640	2	Bolt, Battery Hold Down	
4	1001258991	1	Plate, Battery Hold Down	

SECTION 10 - ELECTRICAL

FIGURE 10-8. BATTERY BLANKET INSTALLATION



ART_1001234216-A

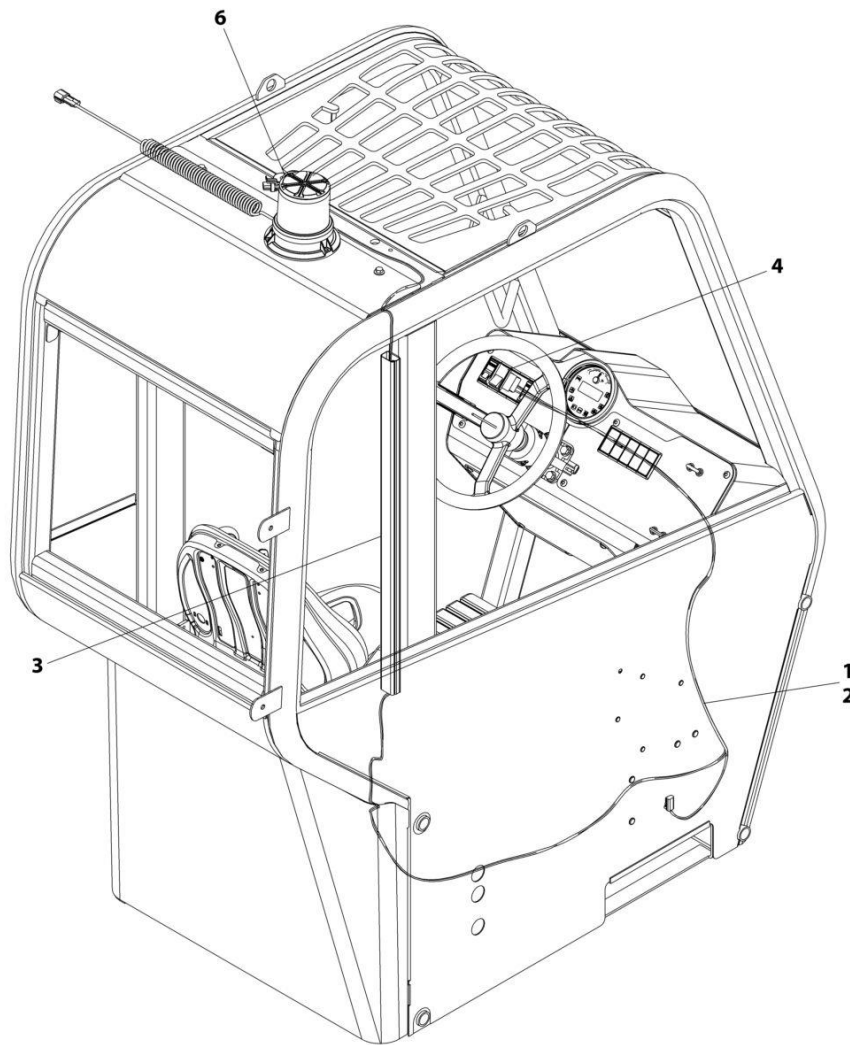
SECTION 10 - ELECTRICAL

FIGURE 10-8. BATTERY BLANKET INSTALLATION

ITEM	PART NUMBER	QTY	DESCRIPTION	REV
	1001234216	Ref	Battery Blanket Installation	A
1	1001093564	1	Battery Heater	
2	1001119278	1	Battery Insulate	
3	1060626	1	3 Way Plug	

SECTION 10 - ELECTRICAL

FIGURE 10-9. BEACON INSTALLATION (OPEN CAB)



ART_1001161212_J

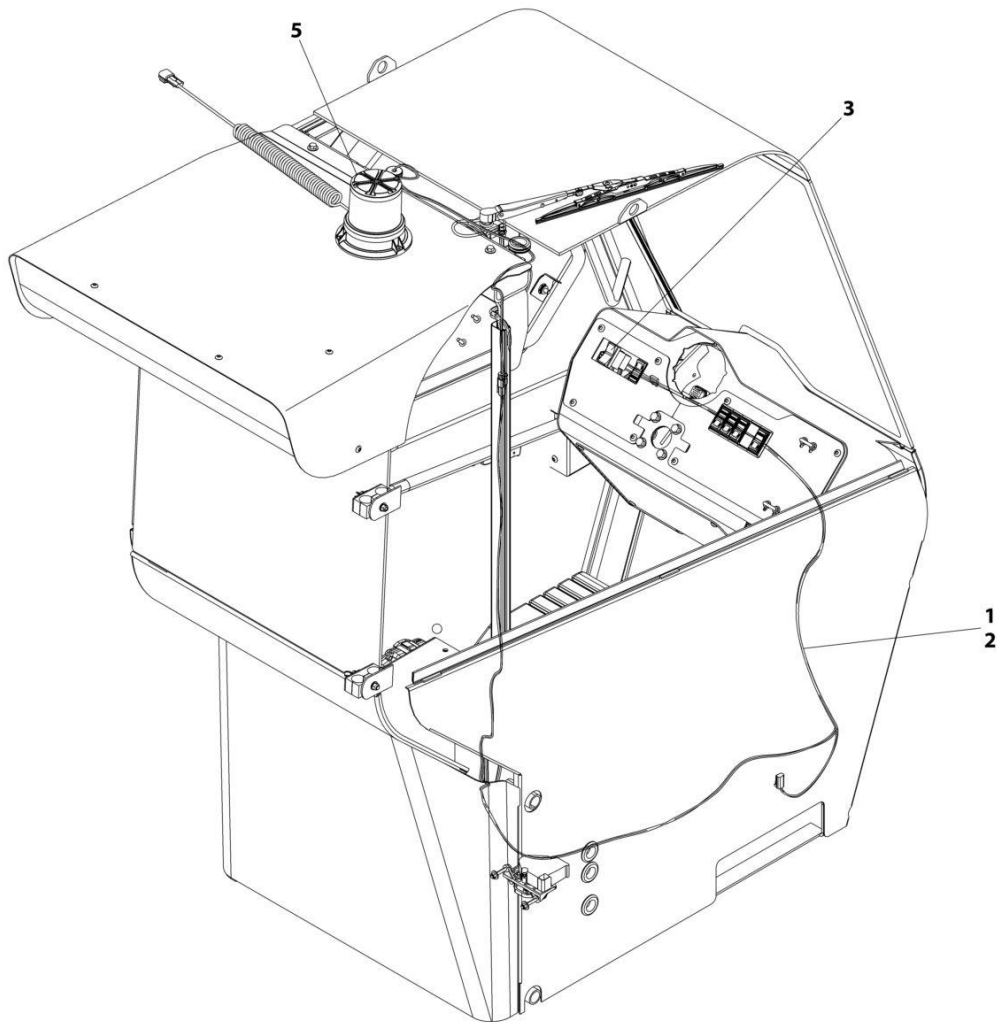
SECTION 10 - ELECTRICAL

FIGURE 10-9. BEACON INSTALLATION (OPEN CAB)

ITEM	PART NUMBER	QTY	DESCRIPTION	REV
	1001161212	Ref	LIGHTS - BEACON LIGHT INSTALLATION (OPEN CAB)	I
1	0100009	AR	Sealant	
2	1001178345	1	Harness, Beacon Option (See Separate Breakdown in this Section)	
3	1001182091	1	Duct, Upper Wire	
4	8223038	1	Switch, Beacon	
6	1001271586	1	Light, Rotating Beacon	

SECTION 10 - ELECTRICAL

FIGURE 10-10. BEACON INSTALLATION (ENCLOSED CAB)



ART_1001161213_G

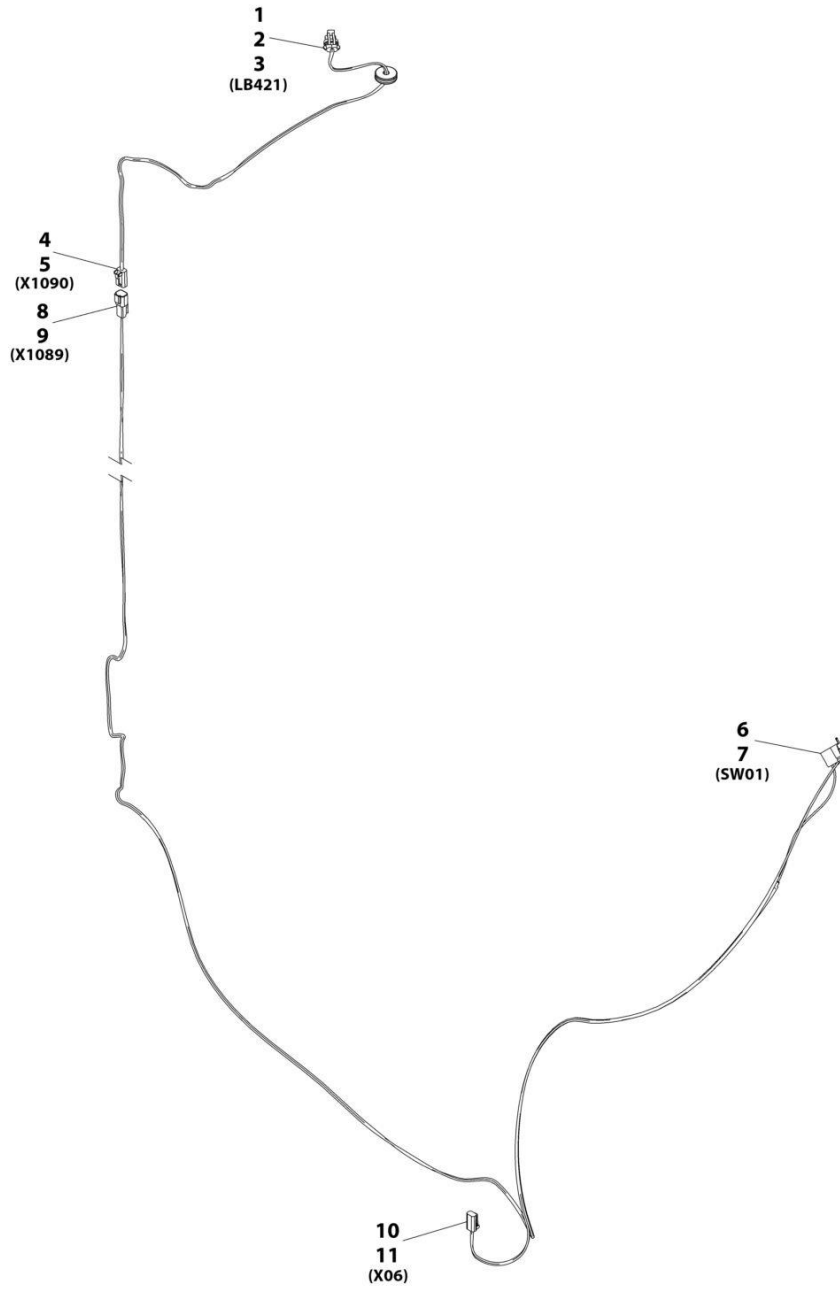
SECTION 10 - ELECTRICAL

FIGURE 10-10. BEACON INSTALLATION (ENCLOSED CAB)

ITEM	PART NUMBER	QTY	DESCRIPTION	REV
	1001161213	Ref	LIGHTS - BEACON LIGHT INSTALLATION (ENCLOSED CAB)	G
1	0100009	AR	Sealant	
2	1001178345	1	Harness, Beacon Option (See Separate Breakdown in this Section)	
3	8223038	1	Switch, Beacon	
5	1001271586	1	Light, Rotating Beacon	

SECTION 10 - ELECTRICAL

FIGURE 10-11. BEACON OPTION HARNESS



ART_1001178345-H

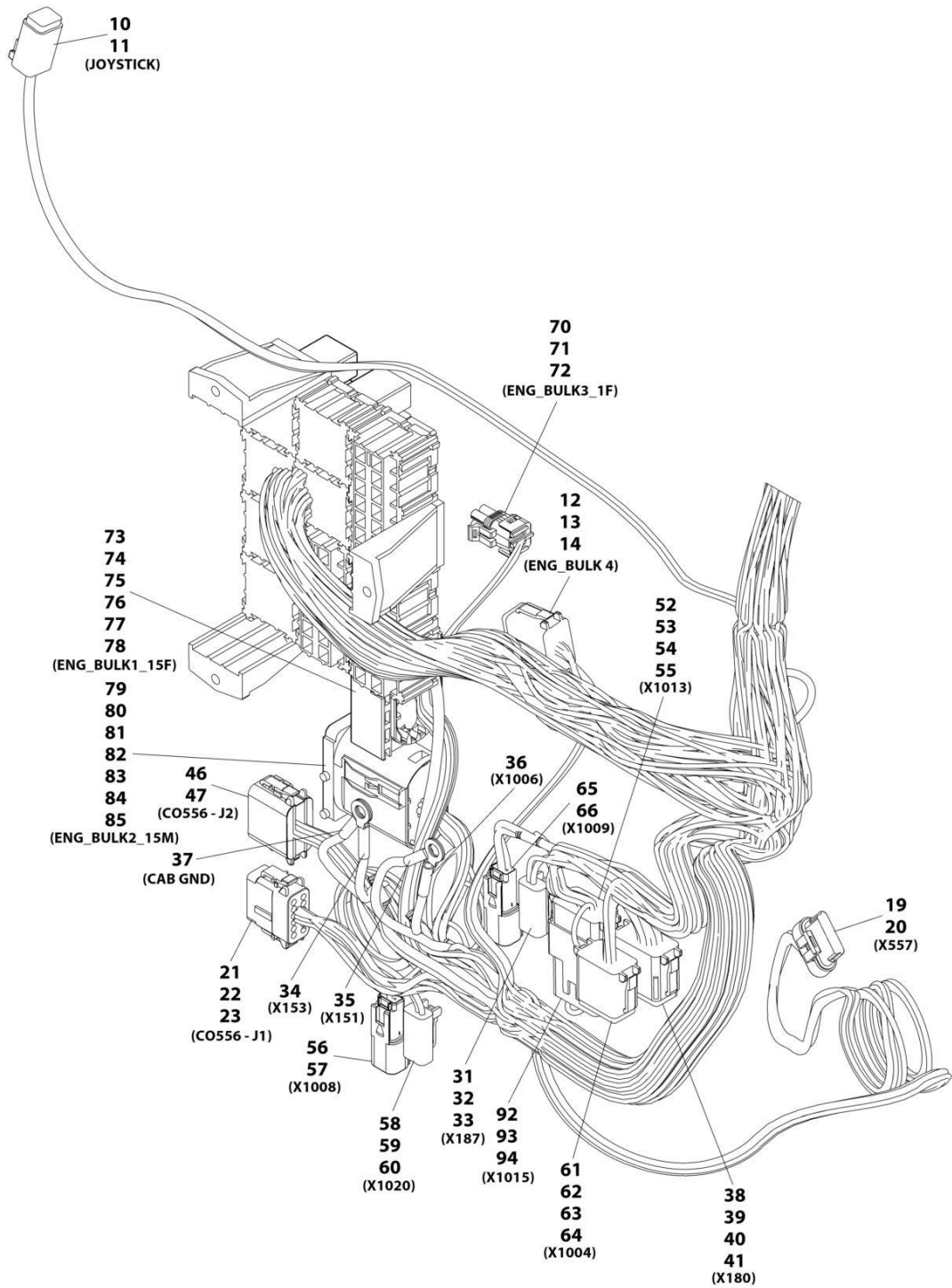
SECTION 10 - ELECTRICAL

FIGURE 10-11. BEACON OPTION HARNESS

ITEM	PART NUMBER	QTY	DESCRIPTION	REV
	1001178345	Ref	Beacon Option Harness	H
1	1001117021	1	Connector	
2	1001116728	2	Terminal	
3	4460458	2	Seal	
4	4460891	1	Connector	
5	4460465	2	Terminal	
6	8220904	1	Connector	
7	4460419	5	Terminal	
8	4460897	1	Connector	
9	4460464	2	Terminal	
10	4460891	1	Connector	
11	4460465	2	Terminal	

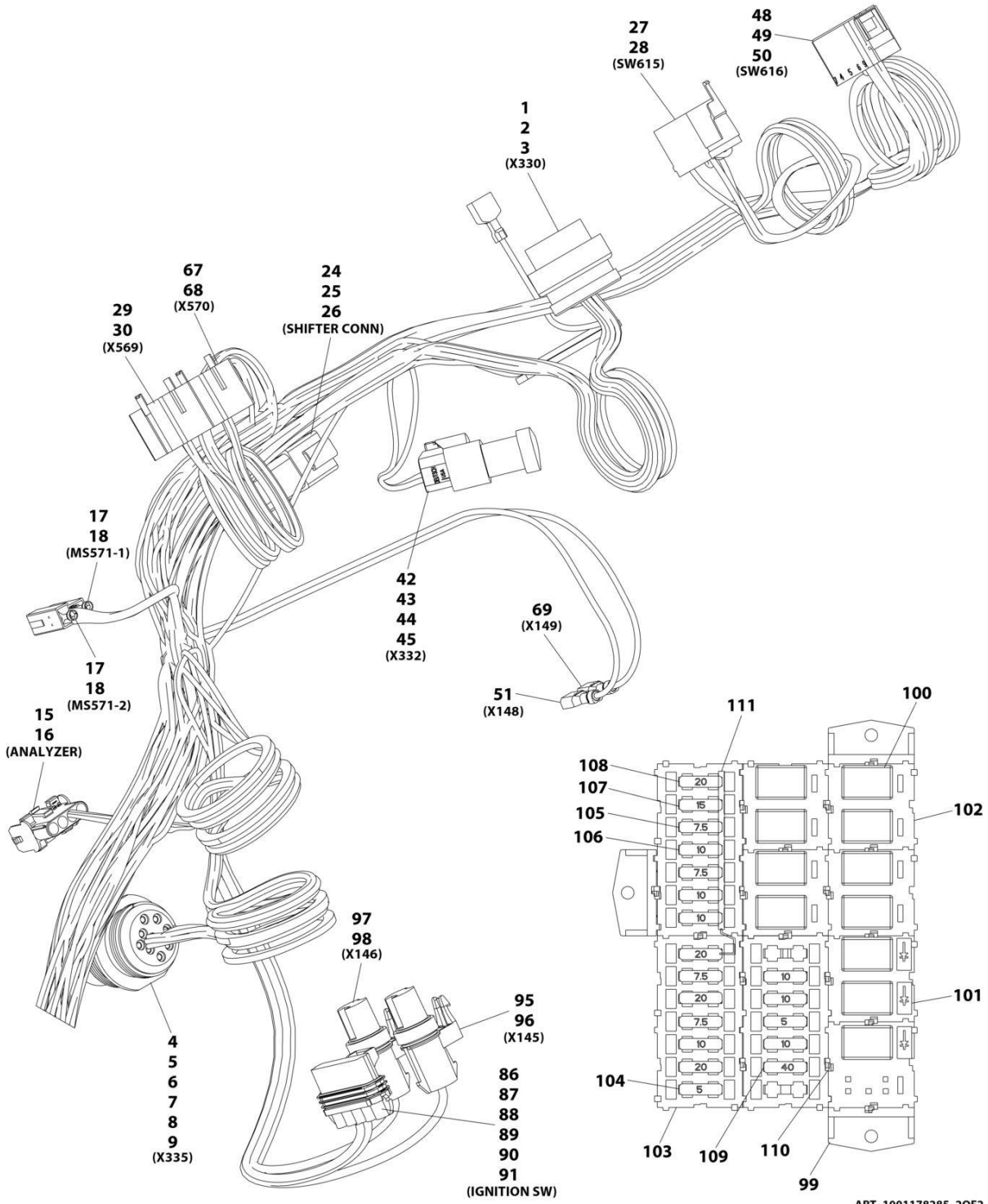
SECTION 10 - ELECTRICAL

FIGURE 10-12. CAB POWER DISTRIBUTION HARNESS



ART_1001178285_10F2

SECTION 10 - ELECTRICAL



ART_1001178285_20F2

SECTION 10 - ELECTRICAL

FIGURE 10-12. CAB POWER DISTRIBUTION HARNESS

ITEM	PART NUMBER	QTY	DESCRIPTION	REV
	1001178285	Ref	Cab Power Distribution Harness	O
1	4460872	1	Connector	
2	4460871	10	Terminal, Socket	
3	4460905	4	Plug, Seal	
4	1001112612	1	Connector	
5	1001149712	1	Cap	
6	1001125784	1	Lockwasher	
7	1001125785	1	Nut	
8	4460464	6	Terminal	
9	4460466	3	Plug	
10	4460884	1	Connector	
11	4460465	4	Terminal	
12	4460930	1	Connector	
13	4460465	6	Terminal	
14	4460466	2	Plug	
15	4460761	1	Connector	
16	1001118378	4	Terminal	
17	4460994	2	Connector	
18	1001200833	4	Terminal	
19	1001230931	1	Connector	
20	1001116748	6	Terminal	
21	1001116808	1	Connector	
22	1001126008	10	Terminal, Socket	
23	4460518	2	Terminal, Plug	
24	4460970	1	Connector	
25	4460464	9	Terminal	
26	4460466	3	Plug	
27	8220904	1	Connector	
28	4460419	6	Terminal	
29	1001117119	1	Connector	
30	1001159186	4	Terminal	
31	4460891	1	Connector	
32	1001157890	1	Terminal	
33	4460942	1	Terminal	
34	1001117106	1	Terminal, Ring	
35	1001117106	1	Terminal, Ring	
36	1001117106	1	Terminal, Ring	
37	1001117106	1	Terminal, Ring	
38	4460836	1	Connector	
39	4460509	5	Terminal, Socket	
40	4460465	6	Terminal	
41	4460466	1	Plug	
42	1001116812	1	Connector	
43	4461070	1	Connector	
44	4460465	2	Terminal	
45	4460466	1	Plug	
46	1001116774	1	Connector	
47	1001126008	12	Terminal, Socket	
48	8220904	1	Connector	
49	4460419	8	Terminal	

SECTION 10 - ELECTRICAL

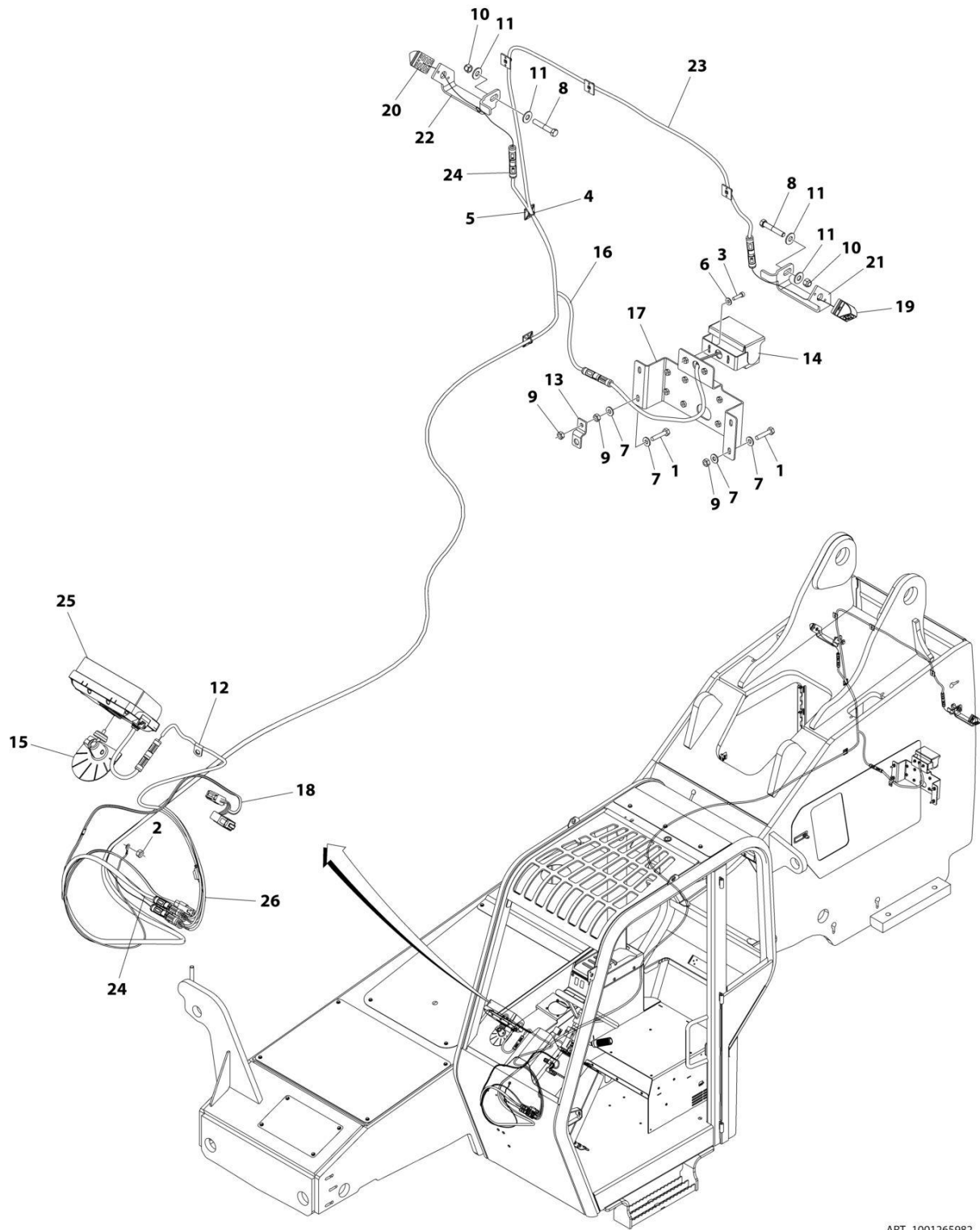
ITEM	PART NUMBER	QTY	DESCRIPTION	REV
50	1001195760	2	Terminal	
51	8220051	1	Terminal	
52	4460933	1	Connector	
53	1001003174	3	Terminal, Socket	
54	4460465	7	Terminal	
55	4460466	2	Terminal	
56	4460897	1	Connector	
57	4460464	2	Terminal	
58	4460891	1	Connector	
59	4460465	1	Terminal	
60	1001157890	1	Terminal	
61	4460930	1	Connector	
62	4460465	3	Terminal	
63	1001157890	2	Terminal	
64	4460466	3	Plug	
65	4461017	1	Connector	
66	4460508	2	Terminal, Socket	
67	1001117119	1	Connector	
68	1001159186	2	Terminal	
69	8220051	1	Terminal	
70	80963061	1	Connector	
71	4460790	4	Terminal, Socket	
72	8220089	4	Seal	
73	8220927	1	Connector	
74	1001116726	10	Terminal	
75	8220097	4	Terminal	
76	8220098	1	Terminal	
77	4460458	14	Seal	
78	4460789	1	Seal	
79	8220929	1	Connector	
80	1001116745	3	Terminal	
81	8220162	3	Terminal	
82	1001116729	8	Terminal	
83	1001116727	1	Plug	
84	4460458	11	Seal	
85	80963067	3	Seal	
86	1001121726	1	Connector	
87	8220125	2	Terminal	
88	8220089	2	Seal	
89	1001116726	1	Terminal	
90	4460458	1	Seal	
91	1001116727	2	Plug	
92	4460970	1	Connector	
93	4460466	6	Terminal	
94	4460464	6	Terminal	
95	1001121728	1	Connector, Packard Female, 1POS	
96	1001121730	1	Terminal	
97	1001121728	1	Connector, Packard Female, 1POS	
98	1001121730	1	Terminal	
99	1001200845	3	Leg, Mounting	
100	1001205172	11	Relay, Micro 280, 12V, 35 Amp	

SECTION 10 - ELECTRICAL

ITEM	PART NUMBER	QTY	DESCRIPTION	REV
101	1001129285	3	Fuse, Mini Diode	
102	1001177198	6	Module, 2 Fuse	
103	1001187952	3	Assembly, Electrical	
104	8229261	2	Fuse, Type 5 A	
105	8229233	4	Fuse, Type 7.5 A	
106	8229234	7	Fuse, Type 10 A	
107	8229237	1	Fuse, Type 15 A	
108	8229235	4	Fuse, Type 20 A	
109	8229238	1	Fuse, Type 40 A	
110	4461103	17	Relay, Locking Wedge	
111	1001210779	1	Terminal	
112	1001116710	43	Terminal	
113	1001116712	12	Terminal	
114	1001210779	1	Terminal	
115	1001192050	10	Terminal	
116	1001210776	4	Terminal	
117	1001192049	11	Terminal	
118	1001210778	2	Terminal	
119	1001210777	8	Terminal	

SECTION 10 - ELECTRICAL

FIGURE 10-13. CAMERA INSTALLATION - REVERSE MULTI-VIEW (Prior to SN 0160117103)



ART_1001265982

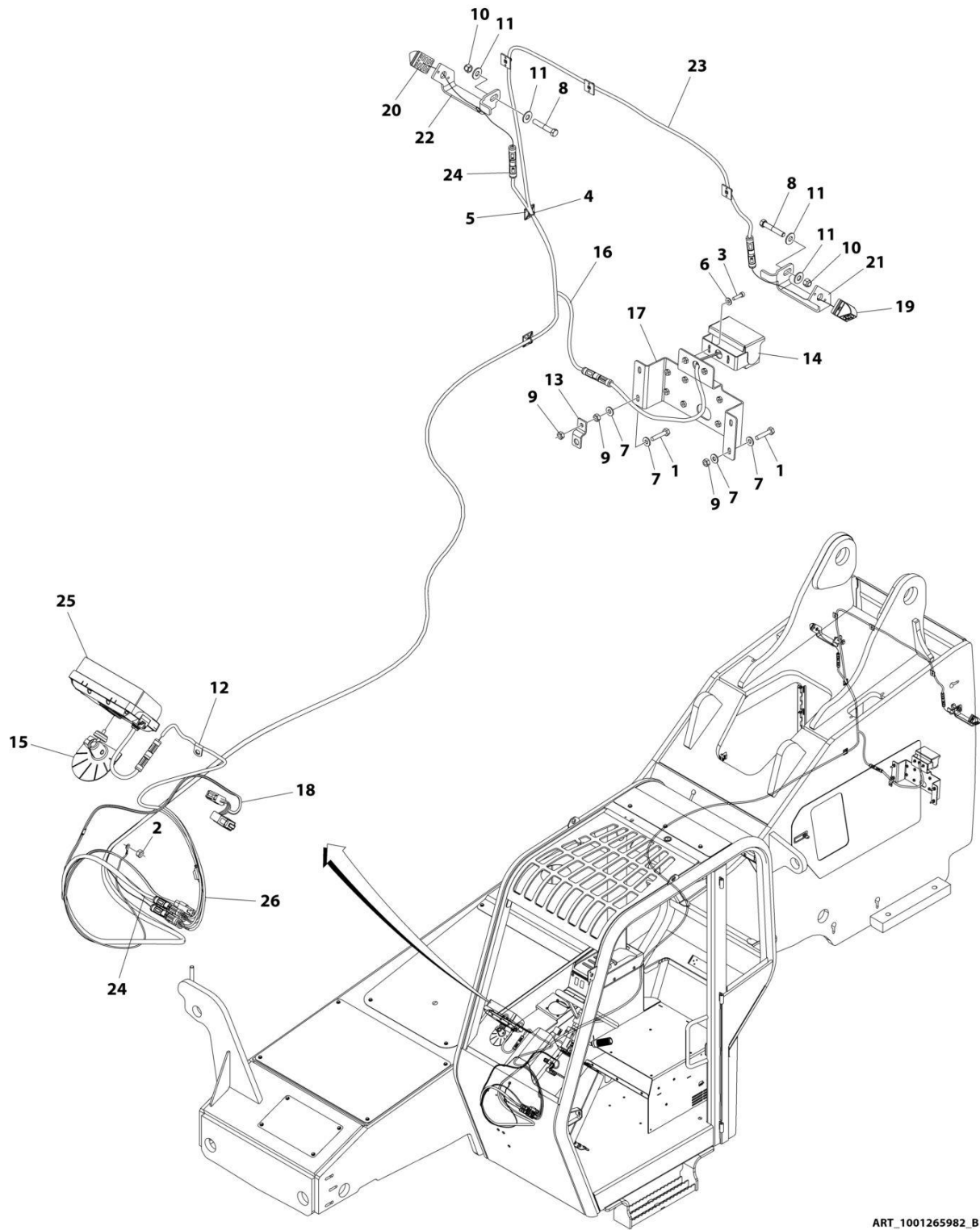
SECTION 10 - ELECTRICAL

FIGURE 10-13. CAMERA INSTALLATION - REVERSE MULTI-VIEW (Prior to SN 0160117103)

ITEM	PART NUMBER	QTY	DESCRIPTION	REV
	1001265982	Ref	SKYTRAK BACKUP CAMERA INSTALLATION	A
1	0641410	4	Bolt 1/4 x 1	
2	3311401	1	Nut 1/4	
3	3931012	2	Capscrew, #10 x 3/4	
4	4240032	1	Tie-Strap	
5	4460234	1	Mount, Tie-Strap	
6	4711000	2	Washer M10	
7	4711400	8	Washer 1/4	
8	8303771	1	Bolt 3/8 x 2-1/4	
9	8305004	5	Nut 1/4	
10	8305645	2	Nut 3/8	
11	8307204	4	Washer 3/8	
12	8406010	1	Clip	
13	1001204692	1	Bracket	
14	1001233174	1	Camera, Rear View	
15	1001233217	1	Bracket, Monitor Mount	
16	1001233434	1	Harness, Extension Cable Camera	
17	1001233828	1	Bracket, Camera Mount	
18	1001233976	1	Harness, Rear Camera Option (See Separate Breakdown in this Section)	
19	1001264534	1	Camera (LH)	
19	70031717	1	Cable, Camera	
20	1001264536	1	Camera (RH)	
20	70031717	1	Cable, Camera	
21	1001265679	1	Bracket, Camera (LH)	
22	1001265680	1	Bracket, Camera (RH)	
23	1001265979	1	Harness, Extension (LH)	
24	1001265980	1	Harness, Extension (RH)	
25	1001265986	1	Monitor, Display	
26	1001265987	1	Harness, Monitor/Display	

SECTION 10 - ELECTRICAL

FIGURE 10-14. CAMERA INSTALLATION - REVERSE MULTI-VIEW (SN 0160117103 to Present)



ART_1001265982_B

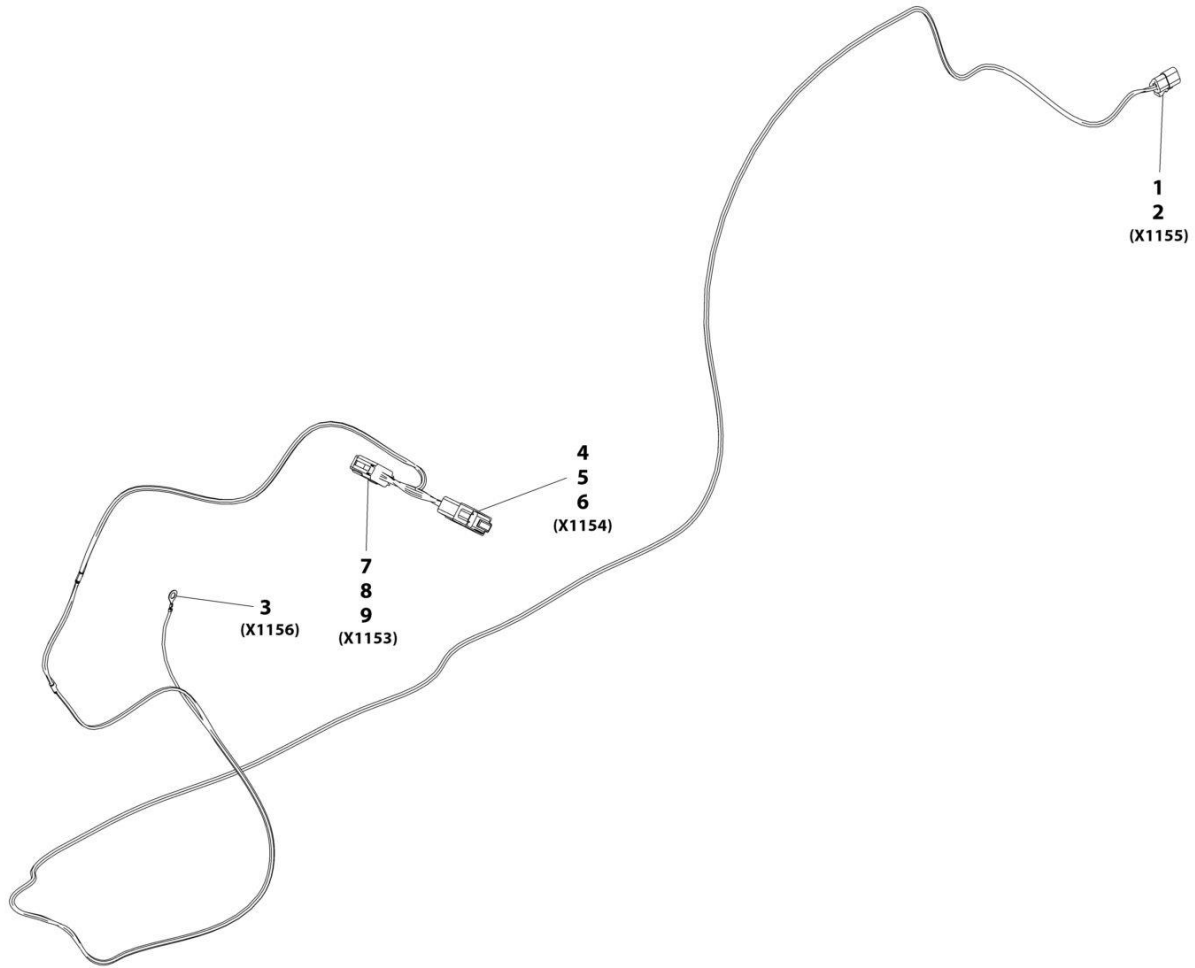
SECTION 10 - ELECTRICAL

FIGURE 10-14. CAMERA INSTALLATION - REVERSE MULTI-VIEW (SN 0160117103 to Present)

ITEM	PART NUMBER	QTY	DESCRIPTION	REV
	1001265982	Ref	SKYTRAK BACKUP CAMERA INSTALLATION	B
1	0641410	4	Bolt 1/4 x 1	
2	3311401	1	Nut 1/4	
3	3931012	2	Capscrew, #10 x 3/4	
4	4240032	1	Tie-Strap	
5	4460234	1	Mount, Tie-Strap	
6	4711000	2	Washer M10	
7	4711400	8	Washer 1/4	
8	8303771	1	Bolt 3/8 x 2-1/4	
9	8305004	5	Nut 1/4	
10	8305645	2	Nut 3/8	
11	8307204	4	Washer 3/8	
12	8406010	1	Clip	
13	1001204692	1	Bracket	
14	1001233174	1	Camera, Rear View	
15	1001233217	1	Bracket, Monitor Mount	
16	1001233434	1	Harness, Extension Cable Camera	
17	1001233828	1	Bracket, Camera Mount	
18	1001233976	1	Harness, Rear Camera Option (See Separate Breakdown in this Section)	
19	1001264534	1	Camera (LH)	
19	70031717	1	Cable, Camera	
20	1001264536	1	Camera (RH)	
20	70031717	1	Cable, Camera	
21	1001265679	1	Bracket, Camera (LH)	
22	1001265680	1	Bracket, Camera (RH)	
23	1001265979	1	Harness, Extension (LH)	
24	1001265980	1	Harness, Extension (RH)	
25	1001289479	1	Monitor, Display	
26	1001265987	1	Harness, Monitor/Display	

SECTION 10 - ELECTRICAL

FIGURE 10-15. CAMERA OPTION HARNESS - REVERSE



ART_1001233976-A

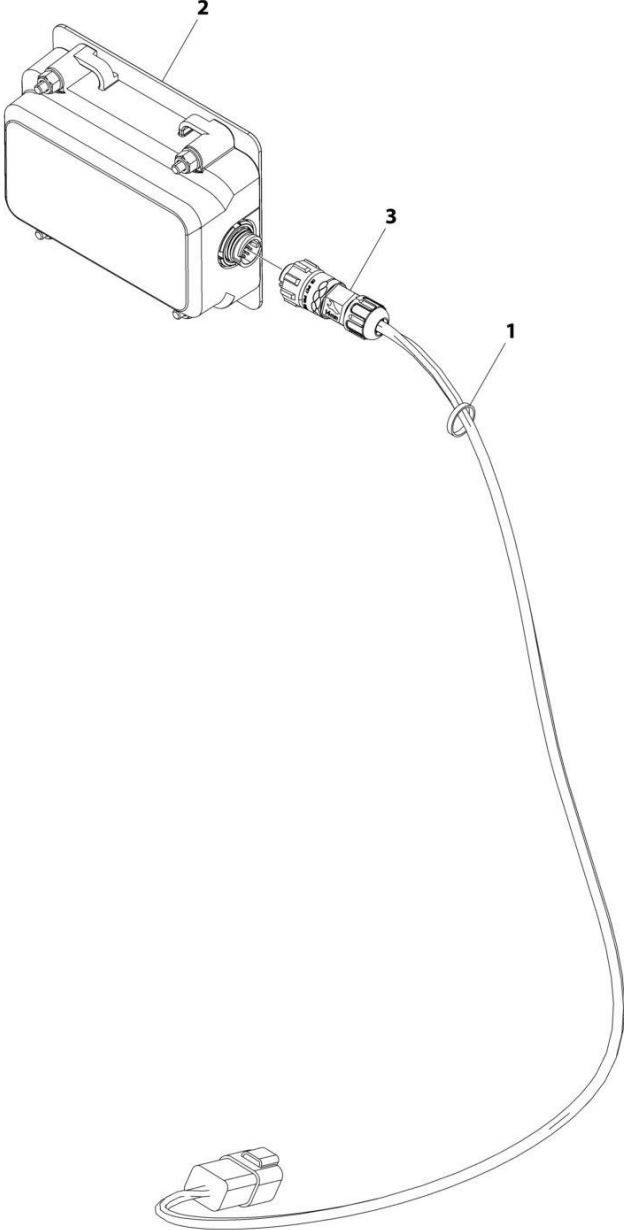
SECTION 10 - ELECTRICAL

FIGURE 10-15. CAMERA OPTION HARNESS - REVERSE

ITEM	PART NUMBER	QTY	DESCRIPTION	REV
	1001233976	Ref	Skytrak Rear Camera Option Harness	A
1	4460539	1	Connector	
2	4460465	3	Terminal	
3	1001207173	1	Terminal, Ring	
4	4460970	1	Connector	
5	4460464	9	Terminal	
6	4460466	3	Plug	
7	4460933	1	Connector	
8	4460465	9	Terminal	
9	4460466	3	Plug	

SECTION 10 - ELECTRICAL

FIGURE 10-16. CLEARSKY INSTALLATION 3-WIRE (ANSI)



ART_1001276920

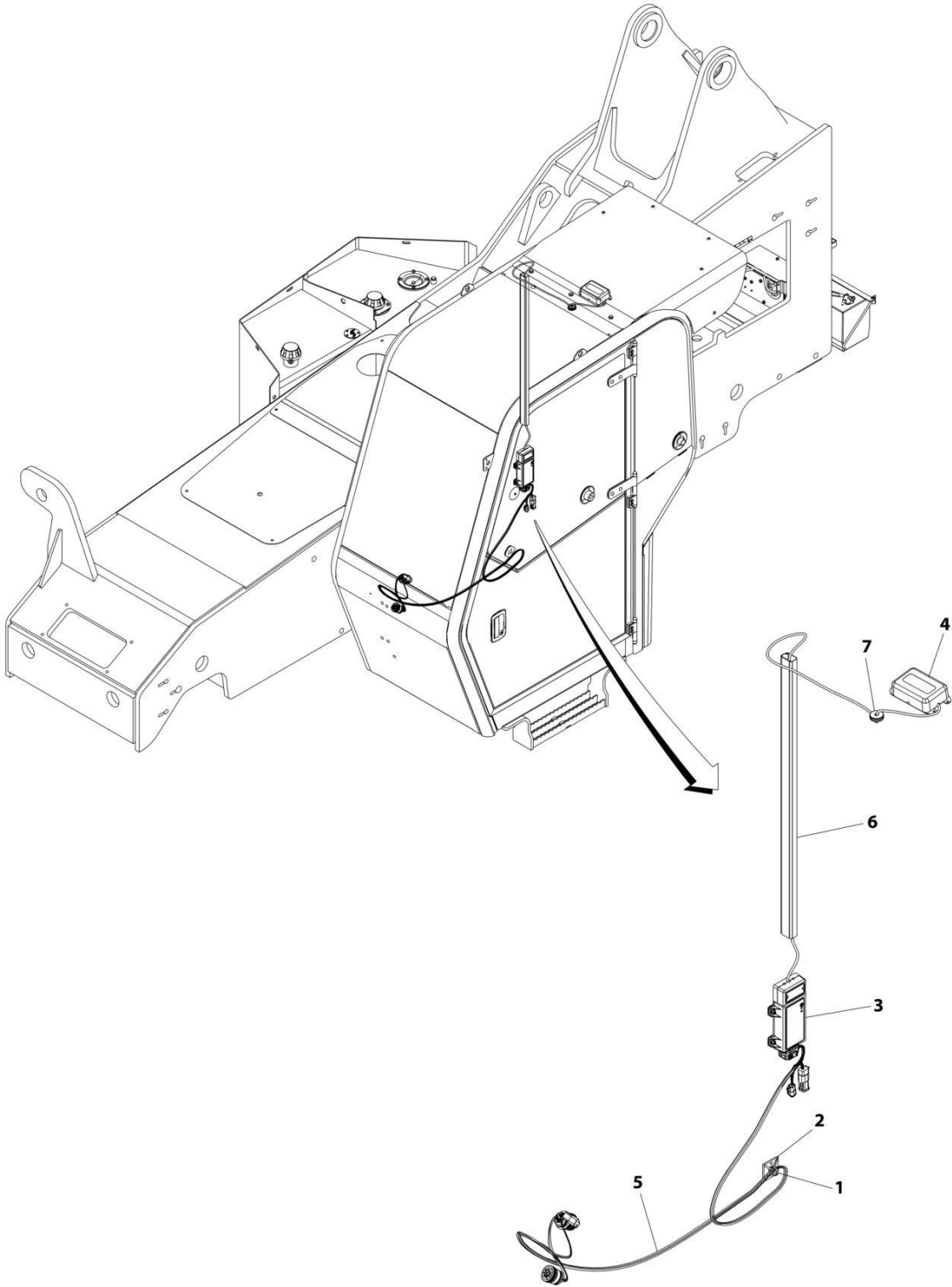
SECTION 10 - ELECTRICAL

FIGURE 10-16. CLEARSKY INSTALLATION 3-WIRE (ANSI)

ITEM	PART NUMBER	QTY	DESCRIPTION	REV
	1001276920	Ref	CLEARSKY TELEMATICS 3-WIRE INSTALLATION	A
1	4240032	AR	Tie, Strap	
2	1001272659	1	Module - GT1030	
3	1001273012	1	ClearSky Telematics 3-Wire Harness (See Separate Breakdown in this Section)	

SECTION 10 - ELECTRICAL

FIGURE 10-17. CLEARSKY INSTALLATION CANBUS (ANSI)



ART_1001227459_E

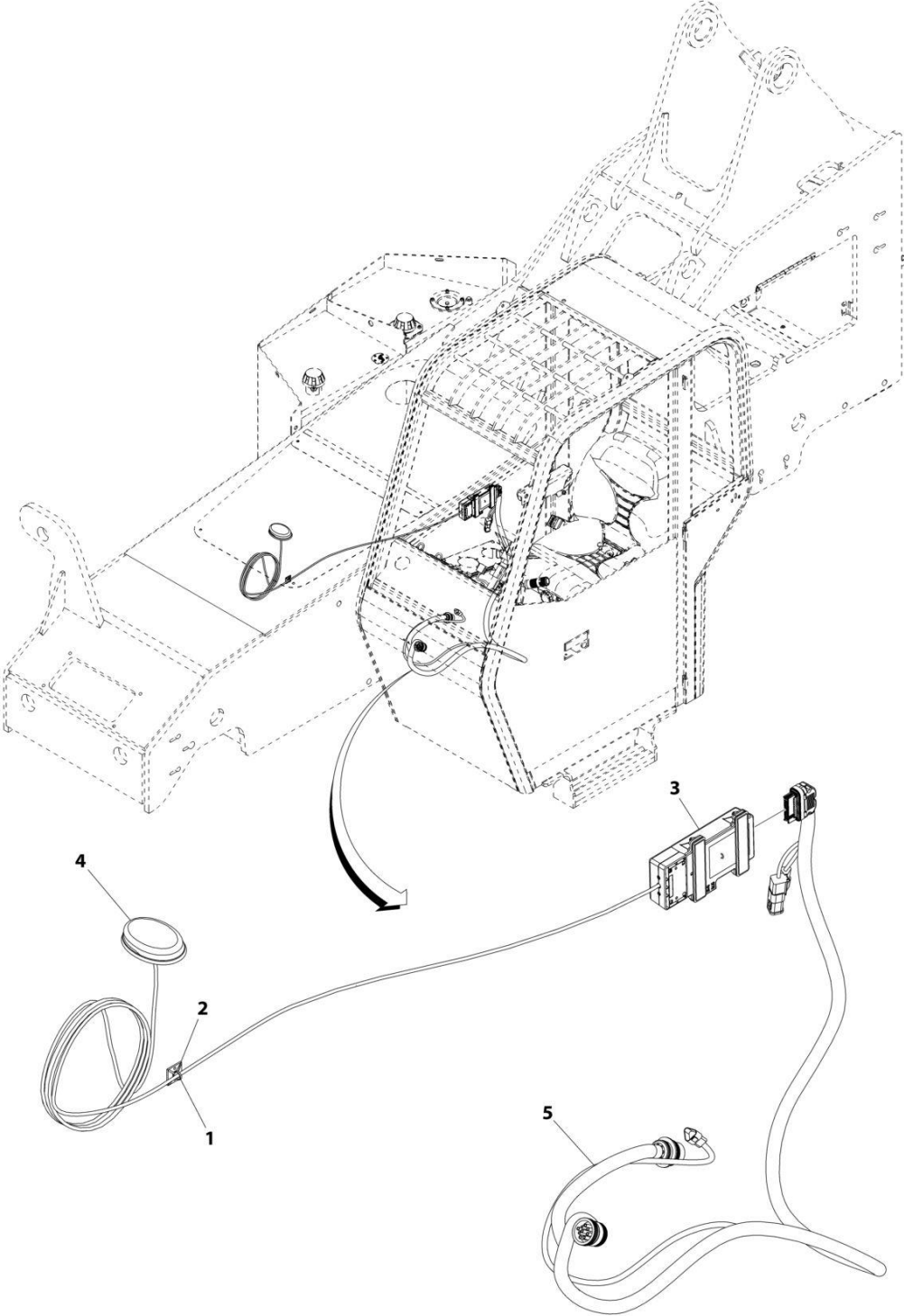
SECTION 10 - ELECTRICAL

FIGURE 10-17. CLEARSKY INSTALLATION CANBUS (ANSI)

ITEM	PART NUMBER	QTY	DESCRIPTION	REV
	1001227459	Ref	CLEARSKY INSTALLATION	E
1	4240032	AR	Tie-Strap	
2	4460234	AR	Mount, Tie-Strap	
3	1001262322	1	Module (4G)	
4	1001262327	1	Antenna (4G)	
5	1001226856	1	Harness, Clearsky (See Separate Breakdown in this Section)	
6	1001182091	1	Duct, Wire	
7	1001195913	1	Grommet	

SECTION 10 - ELECTRICAL

FIGURE 10-18. CLEARSKY INSTALLATION CANBUS (CE)



ART_1001239250-A

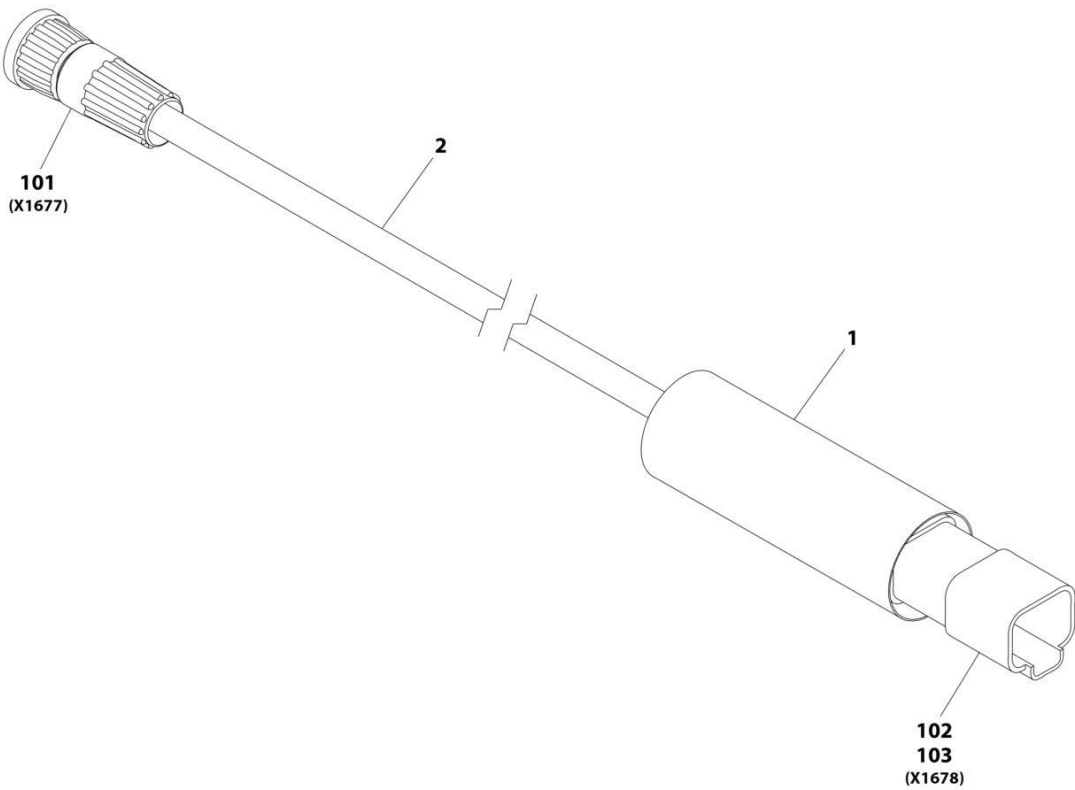
SECTION 10 - ELECTRICAL

FIGURE 10-18. CLEARSKY INSTALLATION CANBUS (CE)

ITEM	PART NUMBER	QTY	DESCRIPTION	REV
	1001239250	Ref	Clearsky Installation (CE)	A
1	4240032	AR	Tie-Strap	
2	4460234	AR	Mount, Tie-Strap	
3	1001228954	1	Module	
4	1001226799	1	Antenna	
5	1001226856	1	Harness, Clearsky (See Separate Breakdown in this Section)	

SECTION 10 - ELECTRICAL

FIGURE 10-19. CLEARSKY TELEMATICS HARNESS (3-WIRE)



ART_1001227066-A

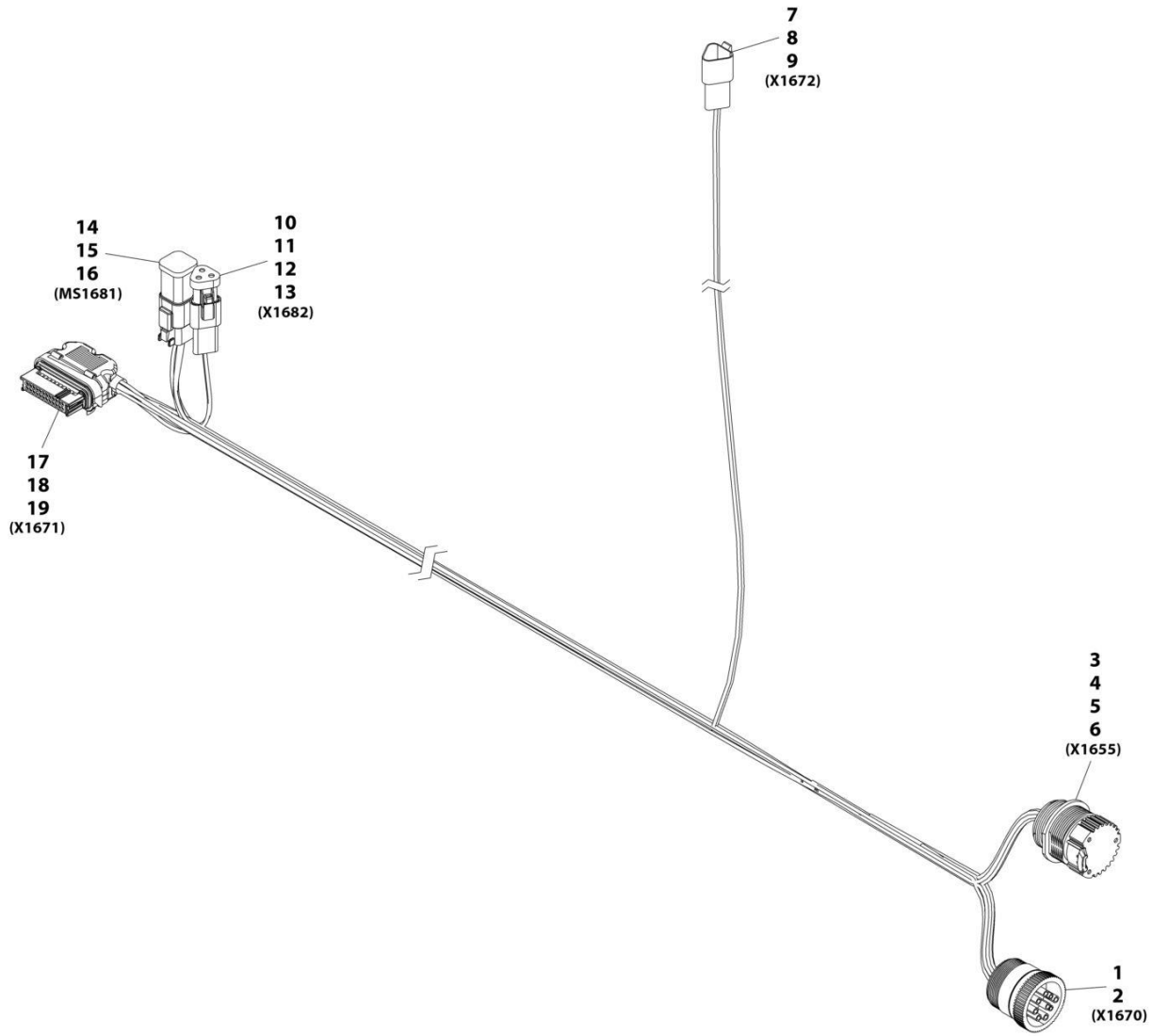
SECTION 10 - ELECTRICAL

FIGURE 10-19. CLEARSKY TELEMATICS HARNESS (3-WIRE)

ITEM	PART NUMBER	QTY	DESCRIPTION	REV
	1001227066	Ref	CLEARSKY TELEMATICS HARNESS	A
1	1001226400	0.33 ft	Insulate, Heat Shrink	
2	1001227068	3.3 ft	Cable	
101	1001227266	1	Connector	
102	1001129407	1	Connector	
103	4460464	4	Terminal	

SECTION 10 - ELECTRICAL

FIGURE 10-20. CLEARSKY TELEMATICS HARNESS (CANBUS)



ART_1001226856-A

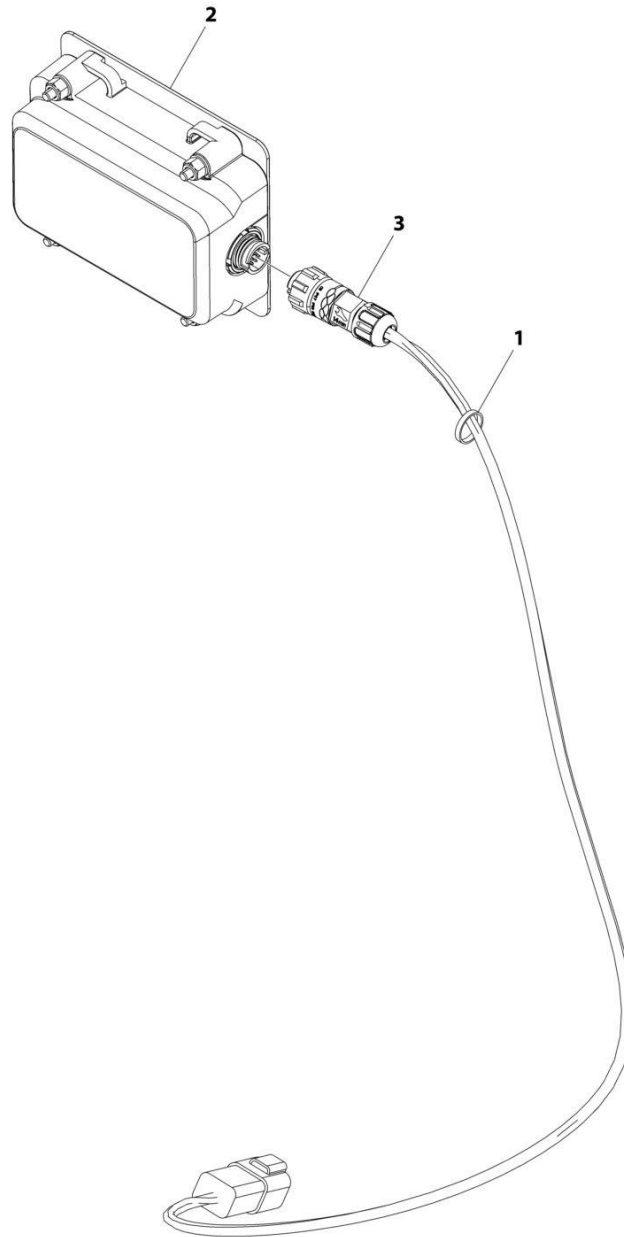
SECTION 10 - ELECTRICAL

FIGURE 10-20. CLEARSKY TELEMATICS HARNESS (CANBUS)

ITEM	PART NUMBER	QTY	DESCRIPTION	REV
	1001226856	Ref	Clearsky Telematics Harness	A
1	1001112796	1	Connector	
2	4460465	9	Terminal	
3	1001112612	1	Connector	
4	1001149712	1	Cap	
5	1001116693	6	Terminal	
6	4460466	3	Plug	
7	1001144147	1	Connector	
8	4460464	2	Terminal	
9	4460466	1	Plug	
10	1001144147	1	Connector	
11	1001116815	1	Plug	
12	4460464	2	Terminal	
13	4460466	1	Plug	
14	4460894	1	Connector	
15	1001226541	1	Bussbar	
16	4460465	6	Terminal	
17	1001226636	1	Connector	
18	1001116731	16	Plug	
19	1001226637	8	Terminal	

SECTION 10 - ELECTRICAL

FIGURE 10-21. CLEARSKY TELEMATICS 3-WIRE INSTALLATION



ART_1001276920

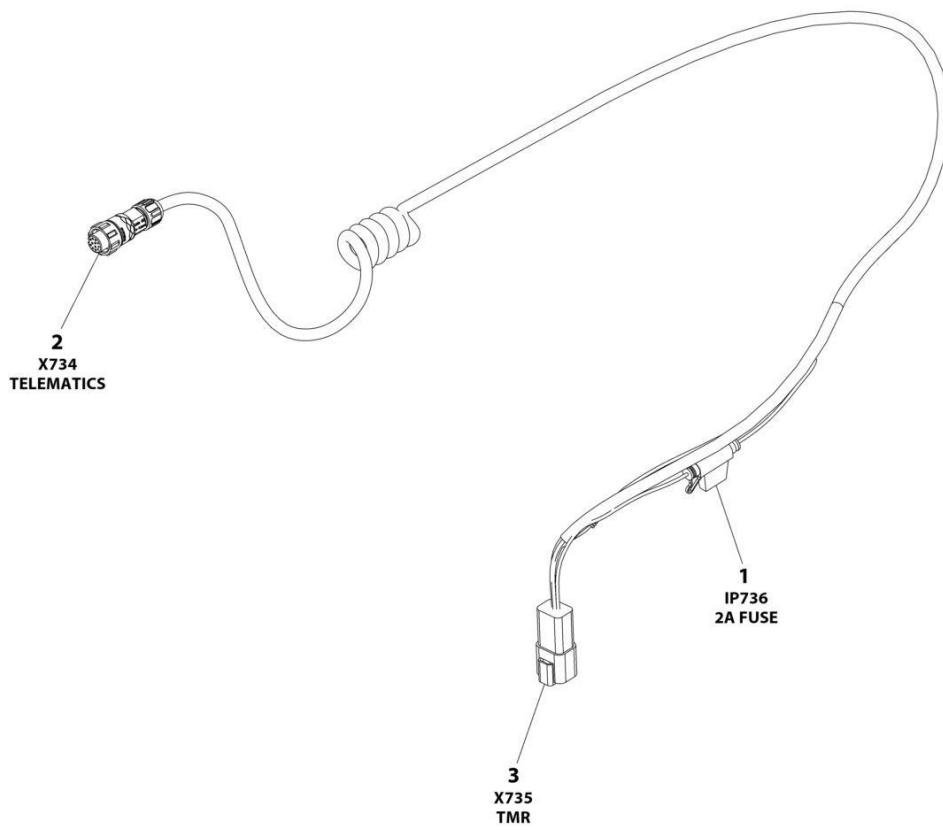
SECTION 10 - ELECTRICAL

FIGURE 10-21. CLEARSKY TELEMATICS 3-WIRE INSTALLATION

ITEM	PART NUMBER	QTY	DESCRIPTION	REV
	1001276920	Ref	CLEARSKY TELEMATICS 3-WIRE INSTALLATION	A
1	4240032	AR	Tie, Strap	
2	1001272659	1	Module - GT1030	
3	1001273012	1	ClearSky Telematics 3-Wire Harness (See Separate Breakdown in this Section)	

SECTION 10 - ELECTRICAL

FIGURE 10-22. CLEARSKY TELEMATICS 3-WIRE HARNESS



ART_1001273012

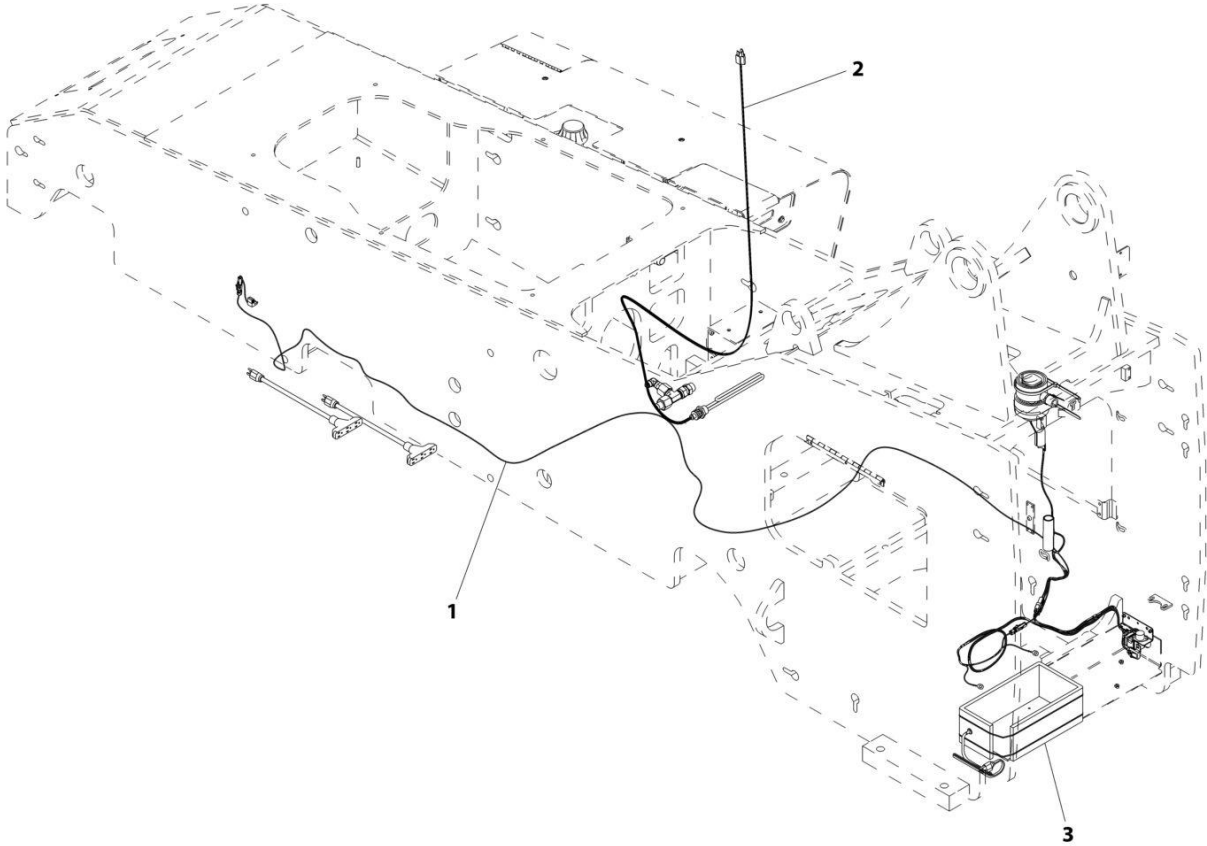
SECTION 10 - ELECTRICAL

FIGURE 10-22. CLEARSKY TELEMATICS 3-WIRE HARNESS

ITEM	PART NUMBER	QTY	DESCRIPTION	REV
	1001273012	Ref	CLEARSKY TELEMATICS HARNESS - GT1030	D
1	1001255901	1	Fuseholder	
1	1001196634	1	Fuse - 2Amp	
2	1001272997	1	Connector - 12 Position	
2		Ref	Terminal	
3	4460932	1	Receptacle, Female - 4 Position	
3	4460464	4	Pin, Male	

SECTION 10 - ELECTRICAL

FIGURE 10-23. COLD WEATHER PACKAGE INSTALLATION



ART_1001234531-A

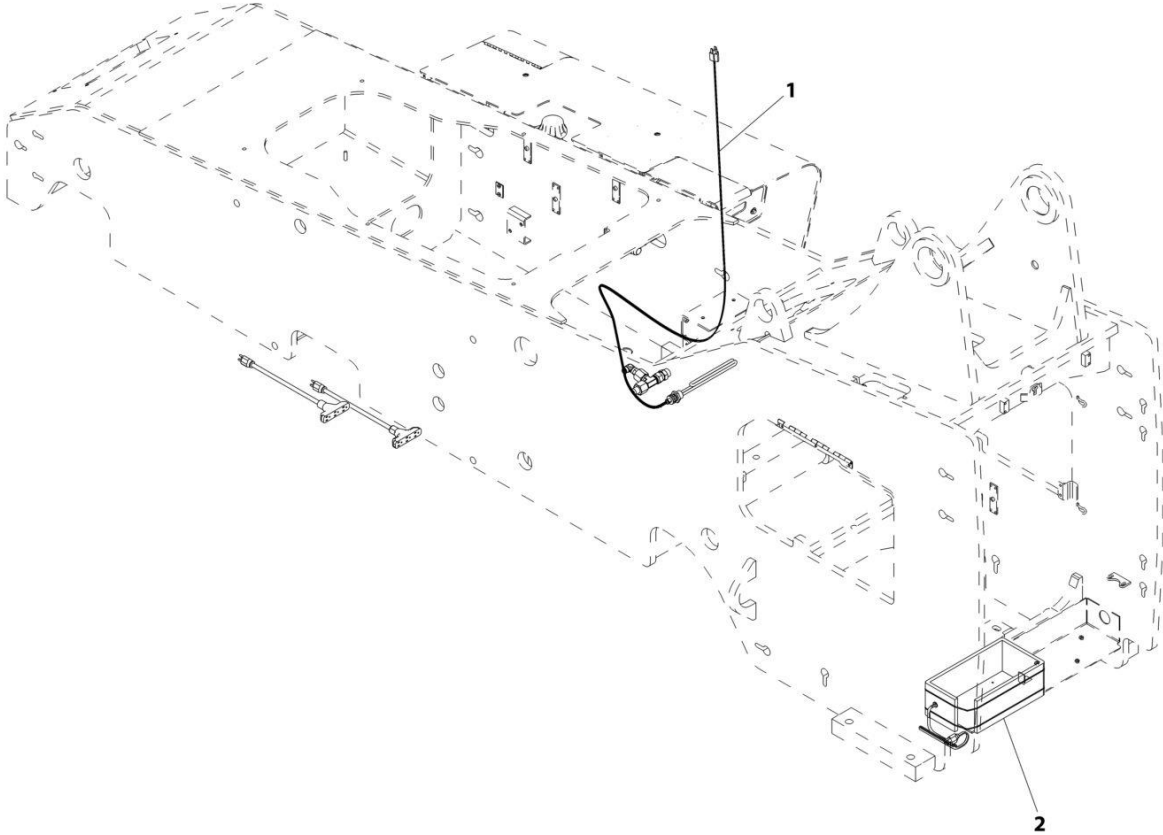
SECTION 10 - ELECTRICAL

FIGURE 10-23. COLD WEATHER PACKAGE INSTALLATION

ITEM	PART NUMBER	QTY	DESCRIPTION	REV
1	1001234531	Ref	Arctic Weather Package Installation - 74 HP (ULS)	A
	1001232750	Ref	Heater, Breather - 74 HP (See Separate Breakdown in ENGINE AND ATTACHING PARTS Section)	
2	1001234098	Ref	Installation, Tank Heater (See Separate Breakdown in this Section)	
3	1001234216	Ref	Installation, Battery Blanket (See Separate Breakdown in this Section)	

SECTION 10 - ELECTRICAL

FIGURE 10-24. COLD WEATHER PACKAGE INSTALLATION



ART_1001239959-A

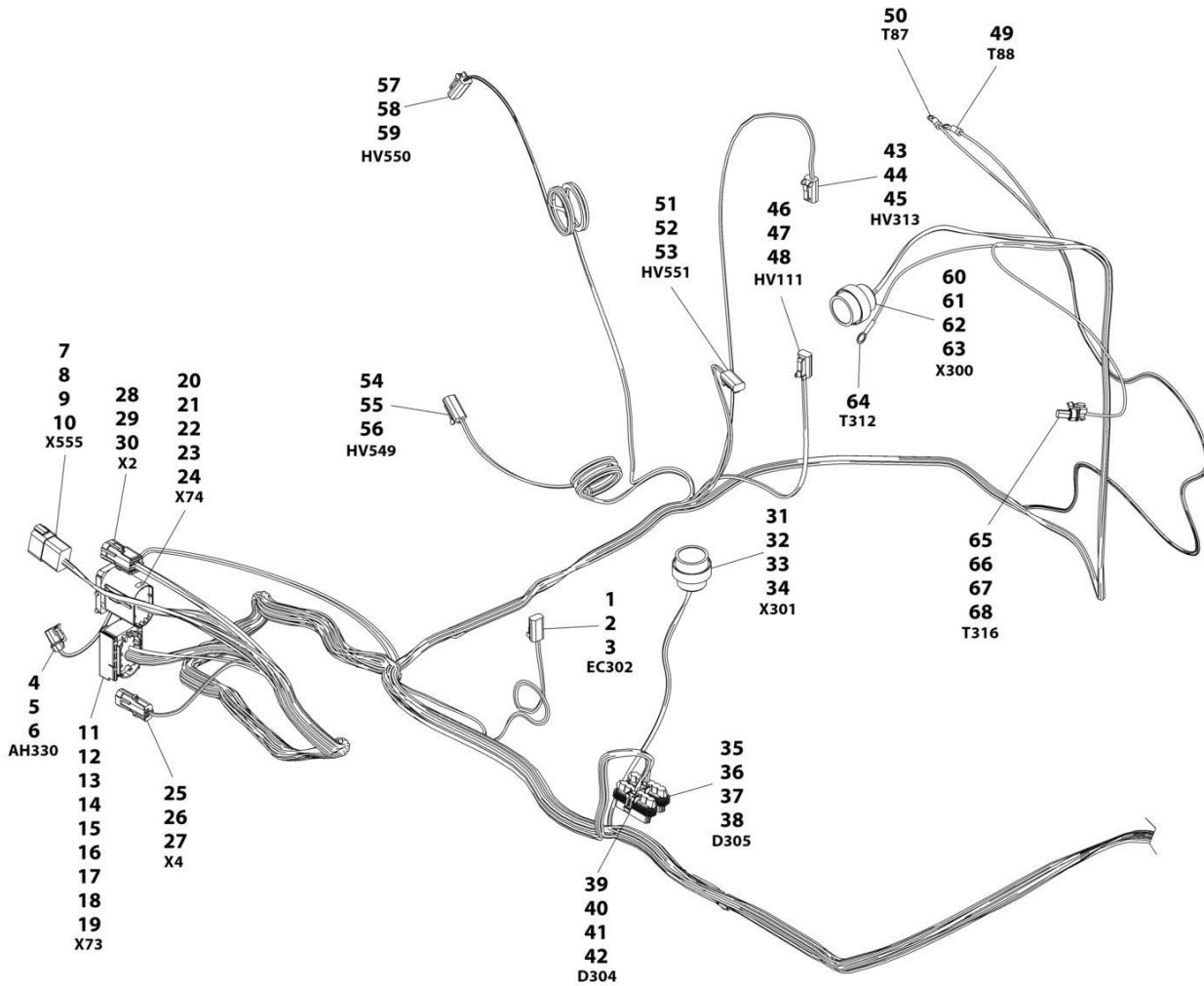
SECTION 10 - ELECTRICAL

FIGURE 10-24. COLD WEATHER PACKAGE INSTALLATION

ITEM	PART NUMBER	QTY	DESCRIPTION	REV
1	1001239959	Ref	Cold Weather Package Installation	A
	1001234098	1	Installation, Tank Heater (See Separate Breakdown in this Section)	
2	1001234216	1	Installation, Battery Blanket (See Separate Breakdown in this Section)	

SECTION 10 - ELECTRICAL

FIGURE 10-25. ENGINE HARNESS - 74HP (ULS)



ART_1001199889_1OF2

SECTION 10 - ELECTRICAL

FIGURE 10-25. ENGINE HARNESS - 74HP (ULS)

ITEM	PART NUMBER	QTY	DESCRIPTION	REV
	1001199889	Ref	ENGINE HARNESS 74HP (IF EQUIPPED FOR ULS)	I
1	4460891	1	Connector	
2	80604018	1	Lock, Wedge	
3	4460465	2	Terminal	
4	1001117068	1	Connector	
5	8220124	2	Terminal	
6	80963067	2	Seal	
6	4460608	2	Seal	
7	4460931	1	Connector	
8	91503106	1	Lock, Wedge	
9	4460464	4	Terminal	
10	4460466	4	Plug	
11	8220927	1	Connector	
12	70024256	1	Lock, Slide	
13	70024255	1	Seal, Connector	
14	70024254	1	Lock, Secondary	
15	8220097	10	Terminal	
16	4460458	10	Seal	
17	8220098	3	Terminal	
18	80963067	3	Seal	
19	1001116727	2	Plug	
20	8220929	1	Connector	
21	70024253	1	Lock, Secondary	
22	1001116745	1	Terminal	
23	1001116729	14	Terminal	
24	4460458	15	Seal	
25	4461157	1	Connector	
26	4460475	2	Terminal	
27	4460458	2	Seal	
28	80963062	1	Connector	
29	4460850	4	Terminal	
30	80963067	4	Seal	
31	8220536	1	Connector	
32	1001116758	12	Plug	
33	1001116757	4	Terminal	
34	1001189875	4	Seal	
35	4460744	1	Connector	
36	1001116728	4	Terminal	
37	1001116727	2	Plug	
38	8220081	4	Seal	
39	4460744	1	Connector	
40	1001116728	4	Terminal	
41	1001116727	2	Plug	
42	8220081	4	Seal	
43	4460891	1	Connector	
44	80604018	1	Lock, Wedge	
45	4460465	2	Terminal	
46	4460891	1	Connector	
47	80604018	1	Lock, Wedge	
48	4460465	2	Terminal	

SECTION 10 - ELECTRICAL

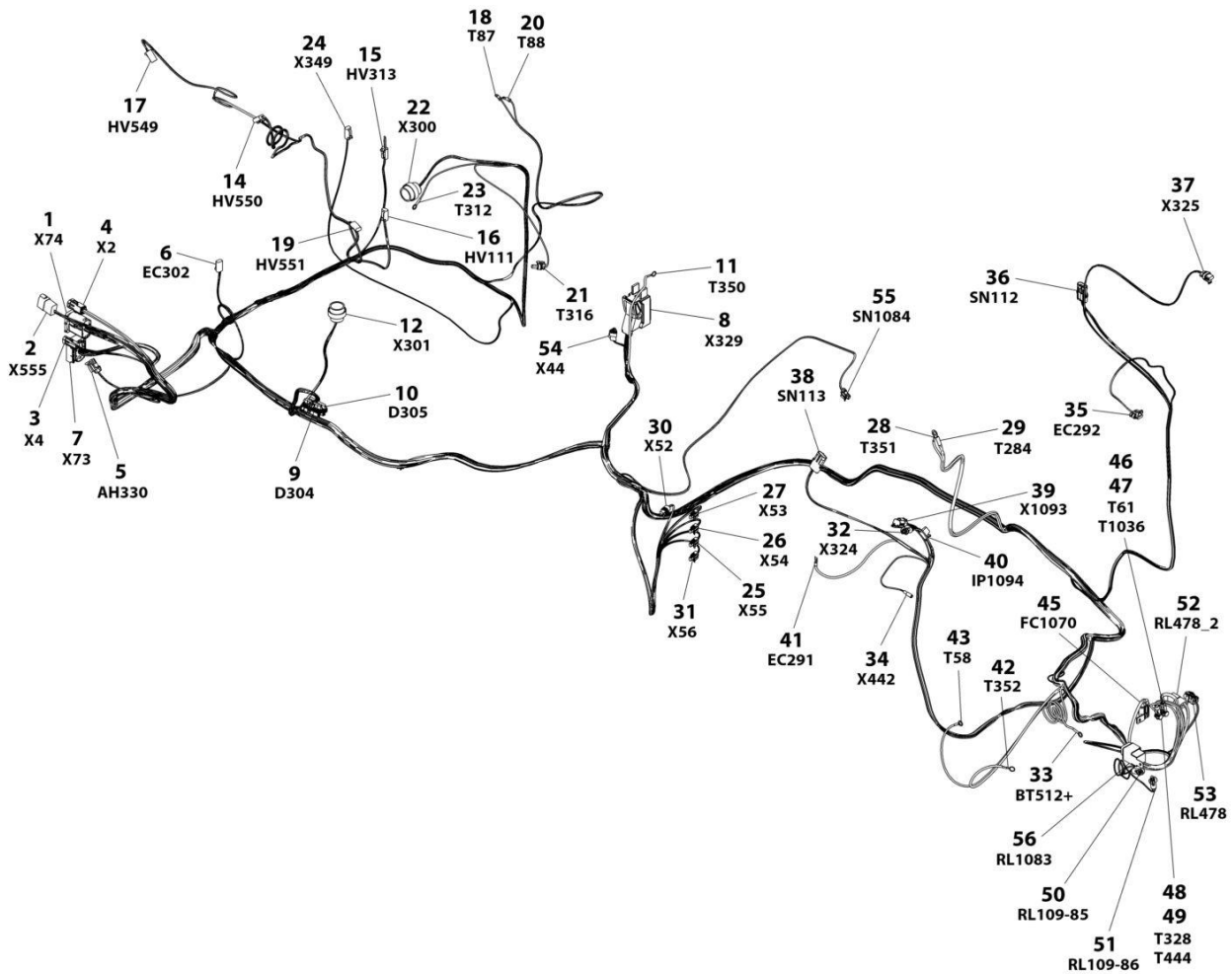
ITEM	PART NUMBER	QTY	DESCRIPTION	REV
49	4460042	1	Terminal, Ring	
50	4460042	1	Terminal, Ring	
51	4460891	1	Connector	
52	80604018	1	Lock, Wedge	
53	4460465	2	Terminal	
54	4460891	1	Connector	
55	80604018	1	Lock, Wedge	
56	4460465	2	Terminal	
57	4460891	1	Connector	
58	80604018	1	Lock, Wedge	
59	4460465	2	Terminal	
60	8220536	1	Connector	
61	1001116757	4	Terminal	
62	1001116758	12	Plug	
63	1001189875	4	Seal	
64	4460256	1	Terminal, Ring	
65	1001119004	1	Connector	
66	8220889	1	Lock, Secondary	
67	1001116728	1	Terminal	
68	4460458	1	Seal	
69	1001167641	1	Connector	
70	1001167643	1	Cover	
71	1001167644	1	Lock, Secondary	
72	1001167646	1	Lock, Secondary	
73	1001167647	1	Boot, Rubber	
74	1001167648	10	Terminal	
75	1001167650	75	Plug	
76	1001167649	11	Terminal	
77	4460955	1	Connector	
78	1001116748	2	Terminal	
79	4460955	1	Connector	
80	1001116748	2	Terminal	
81	4460955	1	Connector	
82	1001116748	2	Terminal	
83	4460955	1	Connector	
84	1001116748	2	Terminal	
85	4460955	1	Connector	
86	1001116748	2	Terminal	
87	4461095	1	Connector	
88	4460465	2	Terminal	
89	4460466	1	Plug	
90	4460019	1	Terminal, Ring	
91	4460891	1	Connector	
92	80604018	1	Lock, Wedge	
93	4460465	2	Terminal	
94	8220164	2	Terminal, Ring	
95	4460019	1	Terminal, Ring	
96	1001145707	1	Connector	
97	1001116732	4	Terminal	
98	1001117070	1	Connector	
99	1001116734	2	Terminal	

SECTION 10 - ELECTRICAL

ITEM	PART NUMBER	QTY	DESCRIPTION	REV
100	4460247	1	Terminal, Ring	
101	1001195057	1	Red Boot	
102	4460247	1	Terminal, Ring	
103	1001195055	1	Red Boot	
104	4460312	1	Terminal, Ring	
105	4460312	1	Terminal, Ring	
106	1001195087	1	Red Boot	
110	4460312	1	Terminal, Ring	
111	1001116950	1	Connector	
112	4460465	2	Terminal	
113	4460312	2	Terminal, Ring	
114	1001195087	1	Red Boot	
115	4460019	1	Terminal, Ring	
115	4460312	1	Terminal, Ring	
116	4460019	1	Terminal, Ring	
117	4460019	1	Terminal, Ring	
118	4460476	1	Connector	
119	4460475	3	Terminal	
120	4460458	3	Seal	
121	1001125027	1	Connector	
122	70026217	1	Lock, Secondary	
123	8220124	3	Terminal	
124	4460608	3	Seal	
125	8220058	1	Terminal, Ring	
126	1001195055	1	Red Boot	
132	2400060	1	Fuse Holder	
133	8229242	1	Fuse 5A	
134	4460476	1	Connector	
135	4460475	3	Terminal	
136	4460458	3	Seal	
137	1001117111	1	Terminal, Fork	
138	1001117125	1	Terminal, Snap Plug	
138	1001246391	1	Terminal, Snap Plug	
139	1001117021	1	Connector	
140	1001116728	2	Terminal	
141	8220081	2	Seal	
142	1001117103	1	Connector	
143	7026404	1	Lock, Connector	
144	1001121730	2	Terminal	
145	8220160	2	Seal	
146	4460884	1	Connector	
147	80604021	1	Lock, Wedge	
148	1001157890	1	Terminal	
149	1001116692	2	Terminal	
150	4460466	1	Plug	
151	1001192401	1	Dust Cap	

SECTION 10 - ELECTRICAL

FIGURE 10-26. ENGINE HARNESS - 85HP (ULS)



ART_1001189488

SECTION 10 - ELECTRICAL

FIGURE 10-26. ENGINE HARNESS - 85HP (ULS)

ITEM	PART NUMBER	QTY	DESCRIPTION	REV
	1001189488	Ref	ENGINE HARNESS	K
1	8220929	1	Connector	
	1001116745	1	Terminal	
	1001116729	14	Terminal	
	4460458	15	Seal	
2	4460931	1	Connector	
	80604024	1	Lock, Wedge	
	4460464	4	Terminal	
	4460466	4	Plug	
3	4461157	1	Connector	
	4460475	2	Terminal	
	4460458	2	Seal	
4	80963062	1	Connector	
	4460850	4	Terminal	
	80963067	4	Seal	
5	1001117068	1	Connector	
	8220124	2	Terminal	
	80963067	2	Seal	
6	4460891	1	Connector	
	80604018	1	Lock, Wedge	
	4460465	2	Terminal	
7	8220927	1	Connector	
	8220097	12	Terminal	
	8220098	2	Terminal	
	1001116727	1	Plug	
	4460458	11	Seal	
	80963067	2	Seal	
	1001189877	1	Seal	
8	1001133173	1	Connector	
	1001138643	6	Terminal	
	1001126356	77	Terminal	
	1001138642	8	Terminal	
	1001126351	3	Terminal	
	1001126353	6	Seal	
9	4460744	1	Connector	
	1001116728	4	Terminal	
	1001116727	2	Plug	
	8220081	4	Seal	
10	4460744	1	Connector	
	1001116728	4	Terminal	
	1001116727	2	Plug	
	8220081	4	Seal	
11	4460019	1	Terminal, Ring	
12	8220536	1	Connector	
	1001116758	12	Plug	
	1001116757	4	Terminal	
	1001189875	4	Seal	
14	4460891	1	Connector	
	80604018	1	Lock, Wedge	
	4460465	2	Terminal	

SECTION 10 - ELECTRICAL

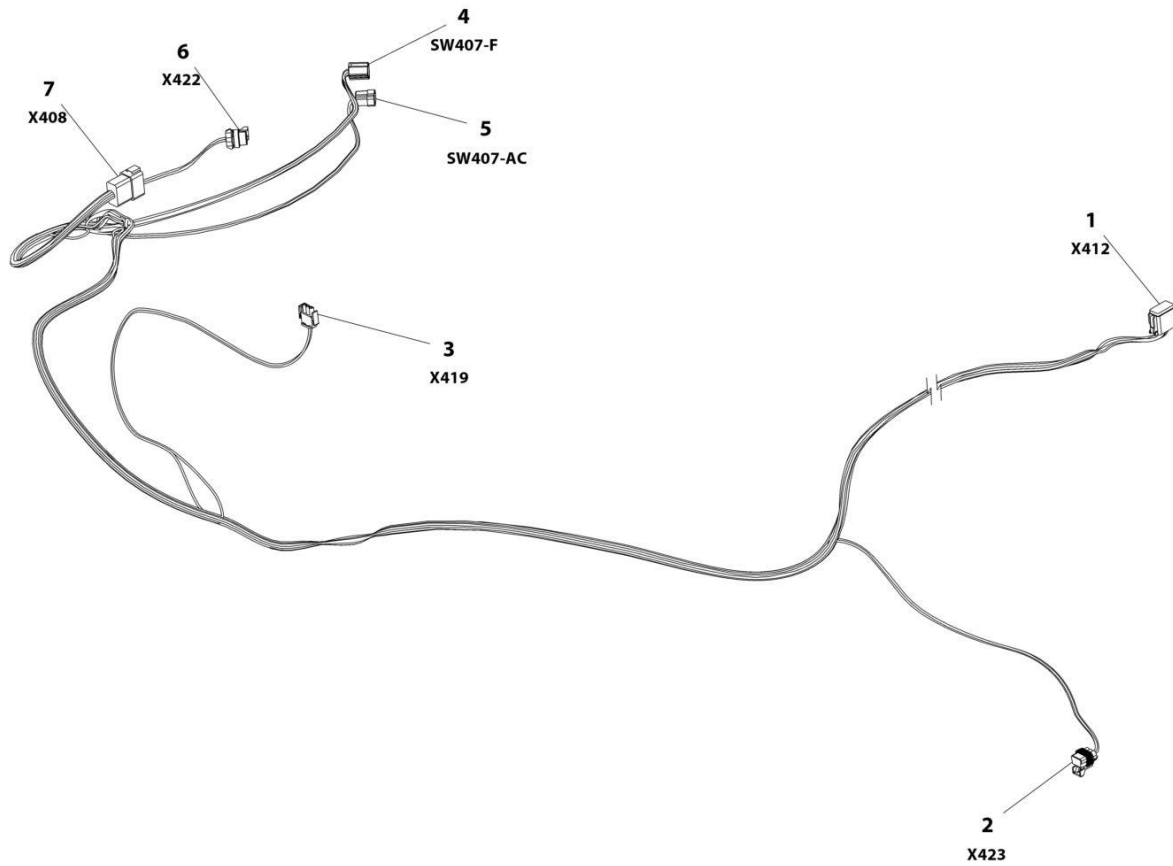
ITEM	PART NUMBER	QTY	DESCRIPTION	REV
15	4460891	1	Connector	
	80604018	1	Lock, Wedge	
	4460465	2	Terminal	
16	4460891	1	Connector	
	80604018	1	Lock, Wedge	
	4460465	2	Terminal	
17	4460891	1	Connector	
	80604018	1	Lock, Wedge	
	4460465	2	Terminal	
18	4460042	1	Terminal, Ring	
19	4460891	1	Connector	
	80604018	1	Lock, Wedge	
	4460465	2	Terminal	
20	4460042	1	Terminal, Ring	
21	1001119004	1	Connector	
	1001116728	1	Terminal	
	4460458	1	Seal	
22	8220536	1	Connector	
	1001116757	4	Terminal	
	1001116758	12	Plug	
	1001189875	4	Seal	
23	4460256	1	Terminal, Ring	
24	4460891	1	Connector	
	80604018	1	Lock, Wedge	
	4460465	2	Terminal	
25	4460955	1	Connector	
	1001116748	2	Terminal	
26	4460955	1	Connector	
	1001116748	2	Terminal	
27	4460955	1	Connector	
	1001116748	2	Terminal	
28	4460019	1	Terminal, Ring	
29	8220164	1	Terminal, Ring	
30	4460955	1	Connector	
	1001116748	2	Terminal	
31	4460955	1	Connector	
	1001116748	2	Terminal	
32	8220058	1	Terminal, Ring	
33	4460019	1	Terminal, Ring	
34	1001117125	1	Terminal, Snap Plug	
35	1001125027	1	Connector	
	8220124	3	Terminal	
	4460608	3	Seal	
36	4460476	1	Connector	
	4460475	3	Terminal	
	4460458	3	Seal	
37	1001117021	1	Connector	
	1001116728	2	Terminal	
	8220081	2	Seal	
38	4460476	1	Connector	
	4460475	3	Terminal	

SECTION 10 - ELECTRICAL

ITEM	PART NUMBER	QTY	DESCRIPTION	REV
	4460458	3	Seal	
39	4460884	1	Connector	
	80604021	1	Lock, Wedge	
	4460465	3	Terminal	
	4460466	1	Plug	
	1001192401	1	Dust Cap	
40	2400060	1	Fuse Holder	
41	4460142	1	Connector	
	1001117111	1	Terminal	
42	4460019	1	Terminal, Ring	
43	4460019	1	Terminal, Ring	
45	1001117070	1	Connector	
	1001116734	2	Terminal	
46	4460312	1	Terminal, Ring	
	1001195087	1	Red Boot	
47	4460312	2	Terminal, Ring	
48	4460312	2	Terminal, Ring	
	1001195087	1	Red Boot	
49	4460312	1	Terminal, Ring	
50	4460247	1	Terminal, Ring	
	1001195057	1	Black Boot	
51	4460247	1	Terminal, Ring	
	1001195055	1	Red Boot	
52	1001117103	1	Connector	
	1001121730	2	Terminal	
53	1001116950	1	Connector	
	4460465	2	Terminal	
54	4461095	1	Plug	
	4461070	1	Connector	
	4460465	2	Terminal	
	4460466	1	Terminal	
55	1001209097	1	Connector	
	8220124	2	Terminal	
56	1001145707	1	Connector	
	1001116732	4	Terminal	

SECTION 10 - ELECTRICAL

FIGURE 10-27. HVAC HARNESS



ART_1001178347-E

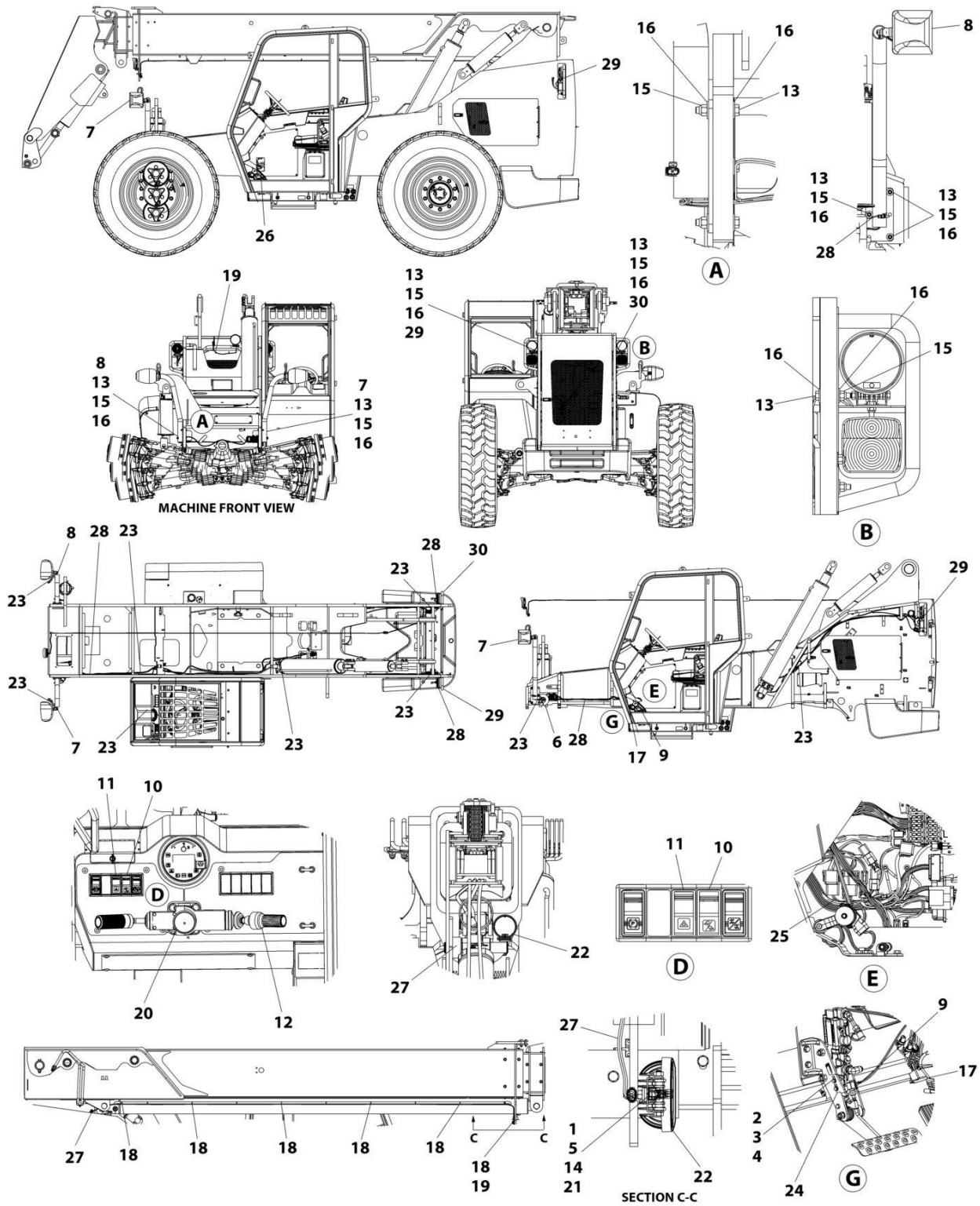
SECTION 10 - ELECTRICAL

FIGURE 10-27. HVAC HARNESS

ITEM	PART NUMBER	QTY	DESCRIPTION	REV
	1001178347	Ref	HVAC Harness	E
1	4460933	1	Connector	
	80604016	1	Lock, Wedge	
	4460942	9	Terminal	
	4460465	2	Terminal	
	4460466	1	Terminal	
2	8220895	1	Connector	
	70026216	1	Lock, Secondary	
	8220124	3	Terminal	
	1001116751	3	Terminal, Plug	
3	4460326	1	Connector	
	4460268	2	Terminal	
4	1001117080	1	Connector	
	1001116723	5	Terminal	
5	1001117059	1	Connector	
	1001116736	3	Terminal	
6	1001125027	1	Connector	
	70026217	1	Lock, Secondary	
	8220124	3	Terminal	
7	4460950	1	Connector	
	80363179	1	Lock, Wedge	
	1001157891	5	Terminal	
	4460464	6	Terminal	
	4460466	1	Terminal	

SECTION 10 - ELECTRICAL

FIGURE 10-28. LIGHTS - ROADLIGHT PACKAGE INSTALLATION



ART_1001251494

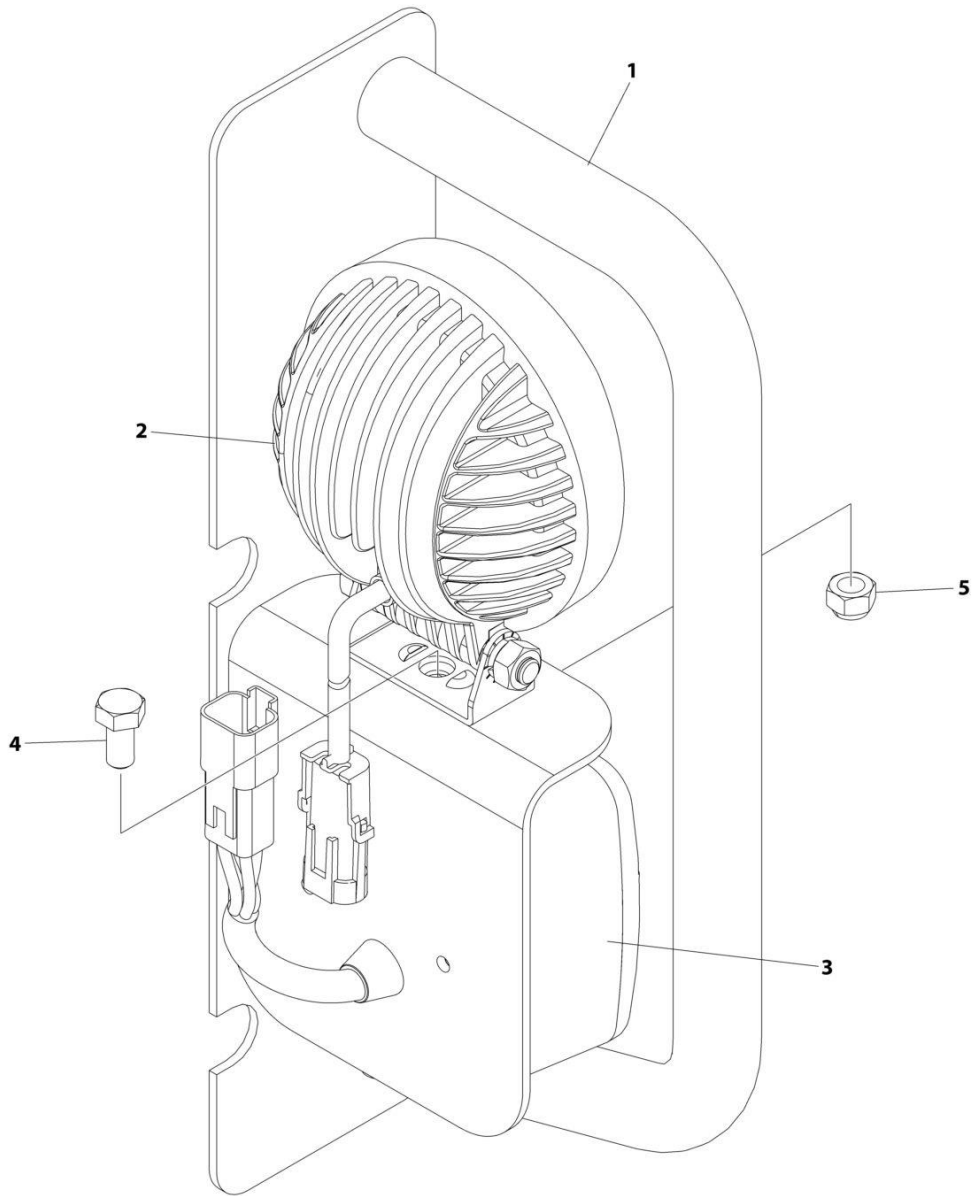
SECTION 10 - ELECTRICAL

FIGURE 10-28. LIGHTS - ROADLIGHT PACKAGE INSTALLATION

ITEM	PART NUMBER	QTY	DESCRIPTION	REV
	1001251494	Ref	LED WORKLIGHT INSTALLATION	A
1	0641512	1	Bolt 5/16 x 1	
2	0700614	2	Bolt M6 x 30	
3	4811700	2	Washer M6	
4	4831700	2	Washer M6	
5	4891600	2	Washer 3/8	
6	7124471	1	Conduit 1 x 12.5	
7	7150699	1	Assembly, LH Roadlight Bracket (See Separate Breakdown in this Section)	
8	7150716	1	Assembly, RH Roadlight Bracket (See Separate Breakdown in this Section)	
9	8223025	1	Switch, Brake Lights	
10	8223059	1	Switch, Work Light	
11	8223060	1	Switch, Hazard	
12	8223073	1	Control, Turn Signal	
13	8303771	10	Bolt, 3/8 x 1/4	
14	8305626	1	Nut 5/16	
15	8305645	10	Nut 3/8	
16	8307204	20	Washer 3/8	
17	8500203	1	Flasher, Hazard Warning 12V	
18	8584001	32	Wrap, Tie	
19	8584018	2	Mount, Cable Tie	
20	88211516	2	Screw M10	
21	88501005	1	Nut 5/16	
22	1001176337	1	Lamp, LED Worklight	
23	1001178346	1	Harness, Road Light Option (See Separate Breakdown in this Section)	
24	1001201752	1	Bracket, Brake Switch	
25	1001205248	1	Harness, Roadlight Worklight (See Separate Breakdown in this Section)	
26	1001205264	1	Decal, Light Fuse Panel	
27	1001238111	1	Harness, Boom Worklight (See Separate Breakdown in this Section)	
28	1001238199	1	Harness, Work Light Option (See Separate Breakdown in this Section)	
29	1001251270	1	Installation, LH Roadlight (See Separate Breakdown in this Section)	
30	1001251271	1	Installation, RH Roadlight (See Separate Breakdown in this Section)	

SECTION 10 - ELECTRICAL

FIGURE 10-29. LIGHTS - ROADLIGHT ASSEMBLY (LH)



ART_1001251270

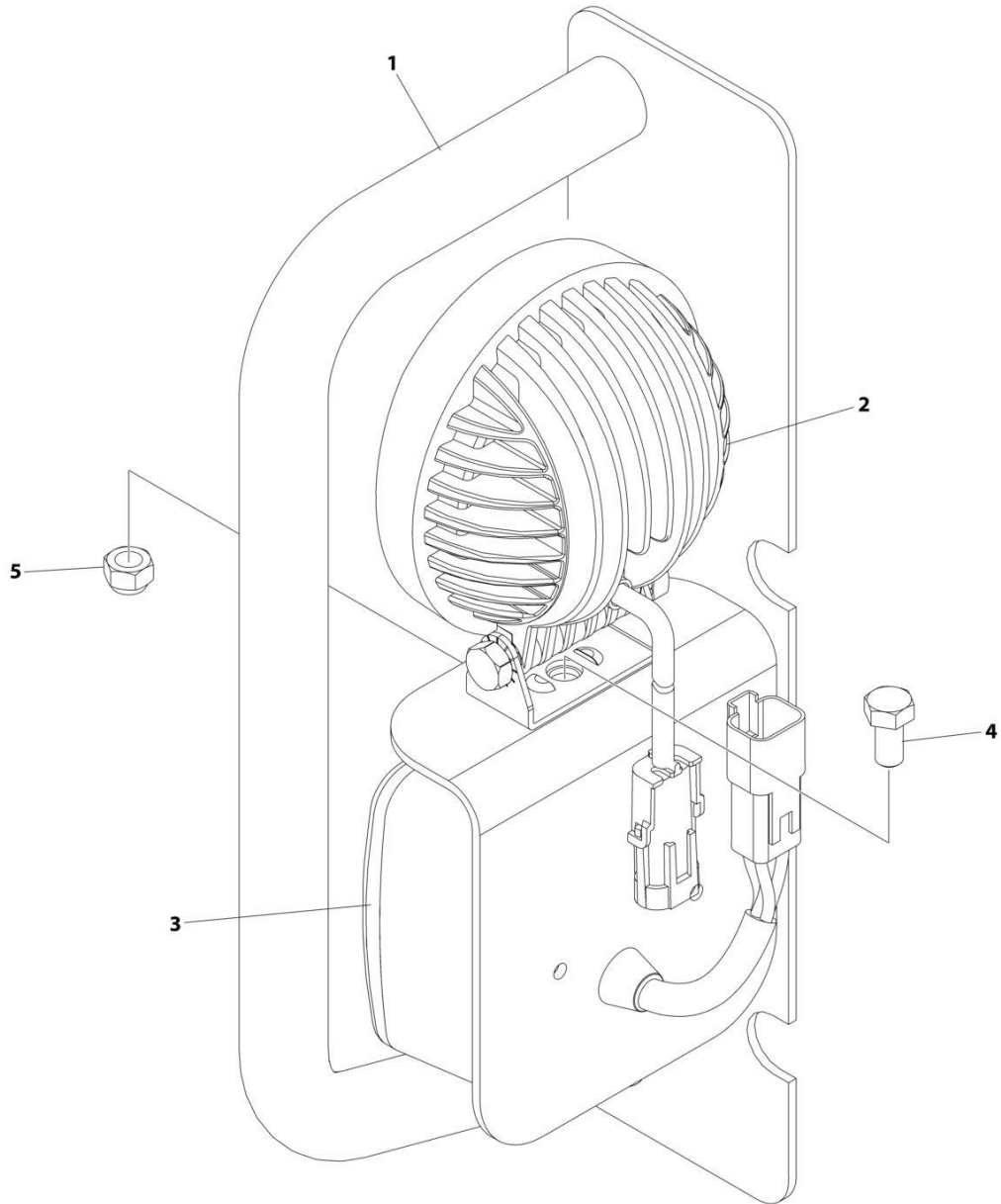
SECTION 10 - ELECTRICAL

FIGURE 10-29. LIGHTS - ROADLIGHT ASSEMBLY (LH)

ITEM	PART NUMBER	QTY	DESCRIPTION	REV
	1001251270	Ref	LH ROADLIGHT ASSEMBLY	A
1	7150681	1	Assembly, LH Roadlight Bracket	
2	1001176337	1	Lamp, LED Worklight	
3	7150690	1	Light, Tail/Indicator	
4	8303745	1	Bolt 5/16 x 5/8	
5	8305626	1	Nut 5/16	

SECTION 10 - ELECTRICAL

FIGURE 10-30. LIGHTS - ROADLIGHT ASSEMBLY (RH)



ART_1001251271

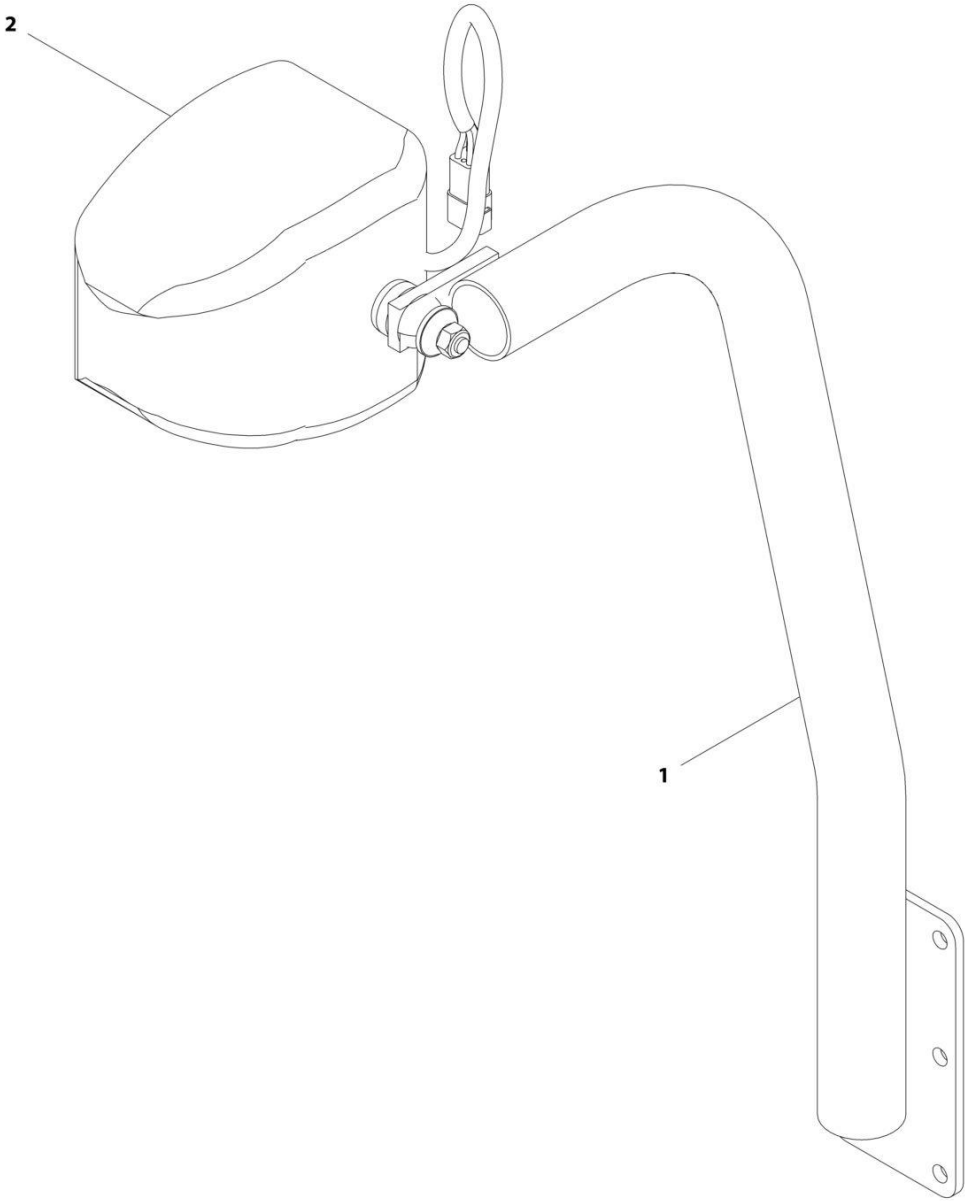
SECTION 10 - ELECTRICAL

FIGURE 10-30. LIGHTS - ROADLIGHT ASSEMBLY (RH)

ITEM	PART NUMBER	QTY	DESCRIPTION	REV
	1001251271	Ref	RH ROADLIGHT ASSEMBLY	A
1	7150680	1	Assembly, RH Roadlight Bracket	
2	1001176337	1	Lamp, LED Worklight	
3	7150690	1	Light, Tail/Indicator	
4	8303745	1	Bolt 5/16 x 5/8	
5	8305626	1	Nut 5/16	

SECTION 10 - ELECTRICAL

FIGURE 10-31. LIGHTS - ROADLIGHT BRACKET ASSEMBLY (LH)



ART_7150699-B

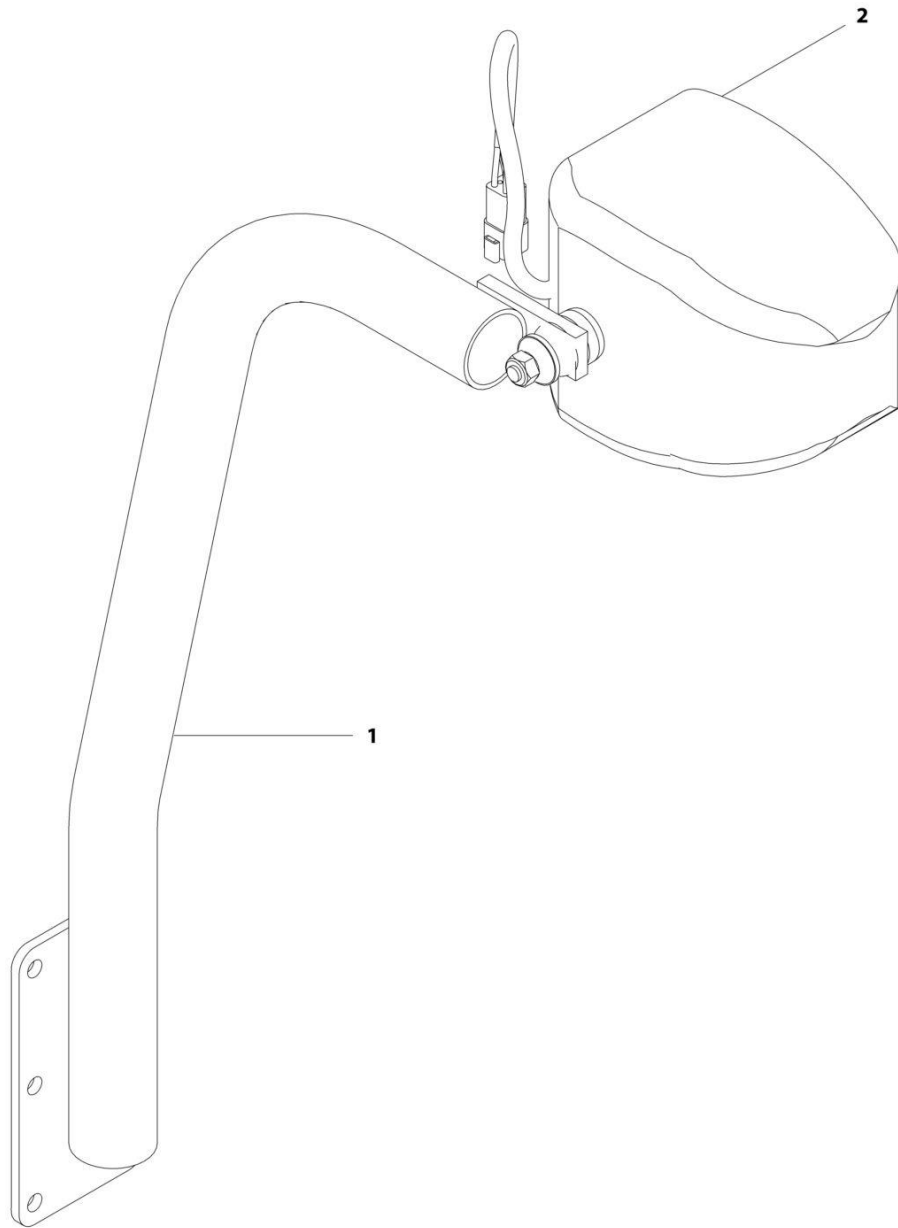
SECTION 10 - ELECTRICAL

FIGURE 10-31. LIGHTS - ROADLIGHT BRACKET ASSEMBLY (LH)

ITEM	PART NUMBER	QTY	DESCRIPTION	REV
	7150699	Ref	LH Roadlight Bracket Assembly	B
1	7150685	1	Bracket, LH Roadlight	
2	7150702	1	Roadlight, LH Front	
2	8036216	6	Screw, Headlight Lens	
2	8036212	1	Lens, Headlight	
2	8036213	1	Bulb, Headlight 12V, 60/55W	
2	8036214	1	Bulb, Blinker 12V, 5W	
2	8036215	1	Harness, Wiring (includes 6-way connector)	
2	8036209	1	Lens, Left Amber Headlight	

SECTION 10 - ELECTRICAL

FIGURE 10-32. LIGHTS - ROADLIGHT BRACKET ASSEMBLY (RH)



ART_7150716-B

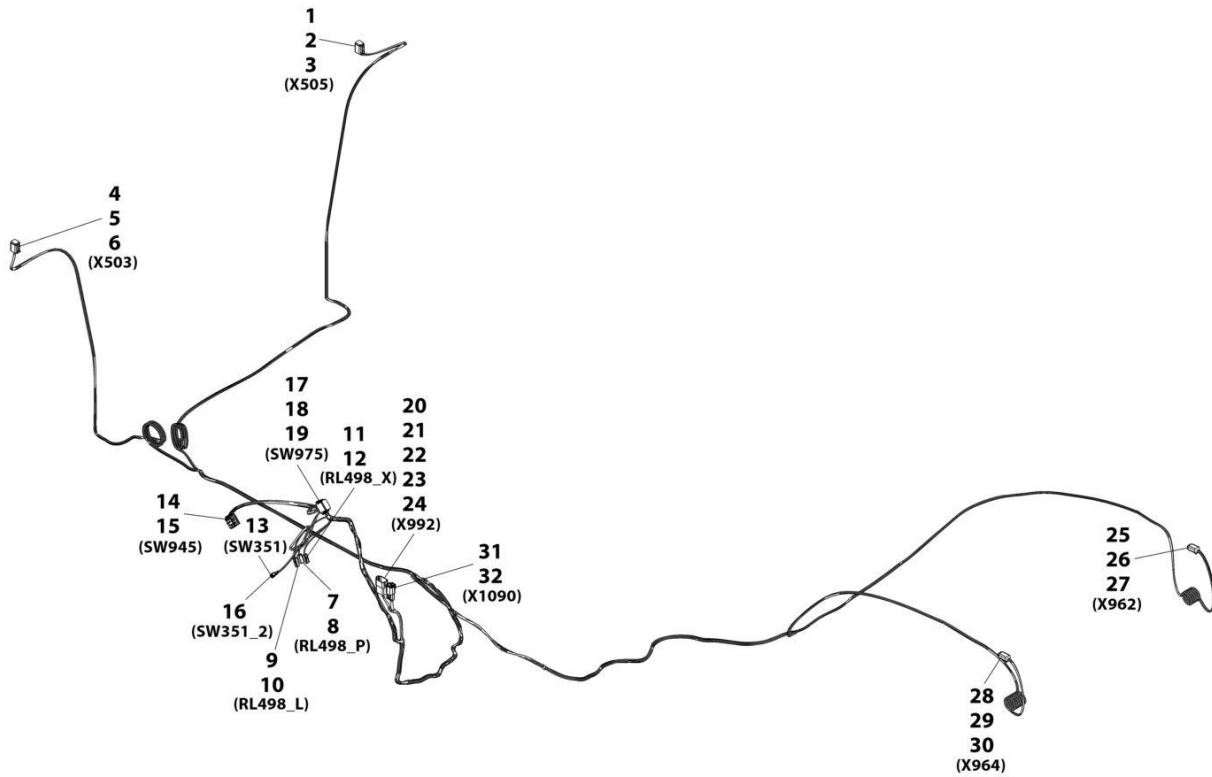
SECTION 10 - ELECTRICAL

FIGURE 10-32. LIGHTS - ROADLIGHT BRACKET ASSEMBLY (RH)

ITEM	PART NUMBER	QTY	DESCRIPTION	REV
	7150716	Ref	RH Roadlight Bracket Assembly	B
1	7150717	1	Bracket, RH Roadlight	
2	7150703	1	Roadlight, LH Front	
2	8036210	1	Lens, Right Amber Headlight	
2	8036216	6	Screw, Headlight Lens	
2	8036212	1	Lens, Headlight	
2	8036213	1	Bulb, Headlight, 12V, 60/55W	
2	8036214	1	Bulb, Blinker 12V, 5W	
2	8036215	1	Harness, Wiring (includes 6-way connector)	

SECTION 10 - ELECTRICAL

FIGURE 10-33. LIGHTS - ROADLIGHT OPTION HARNESS



ART_1001178346-H

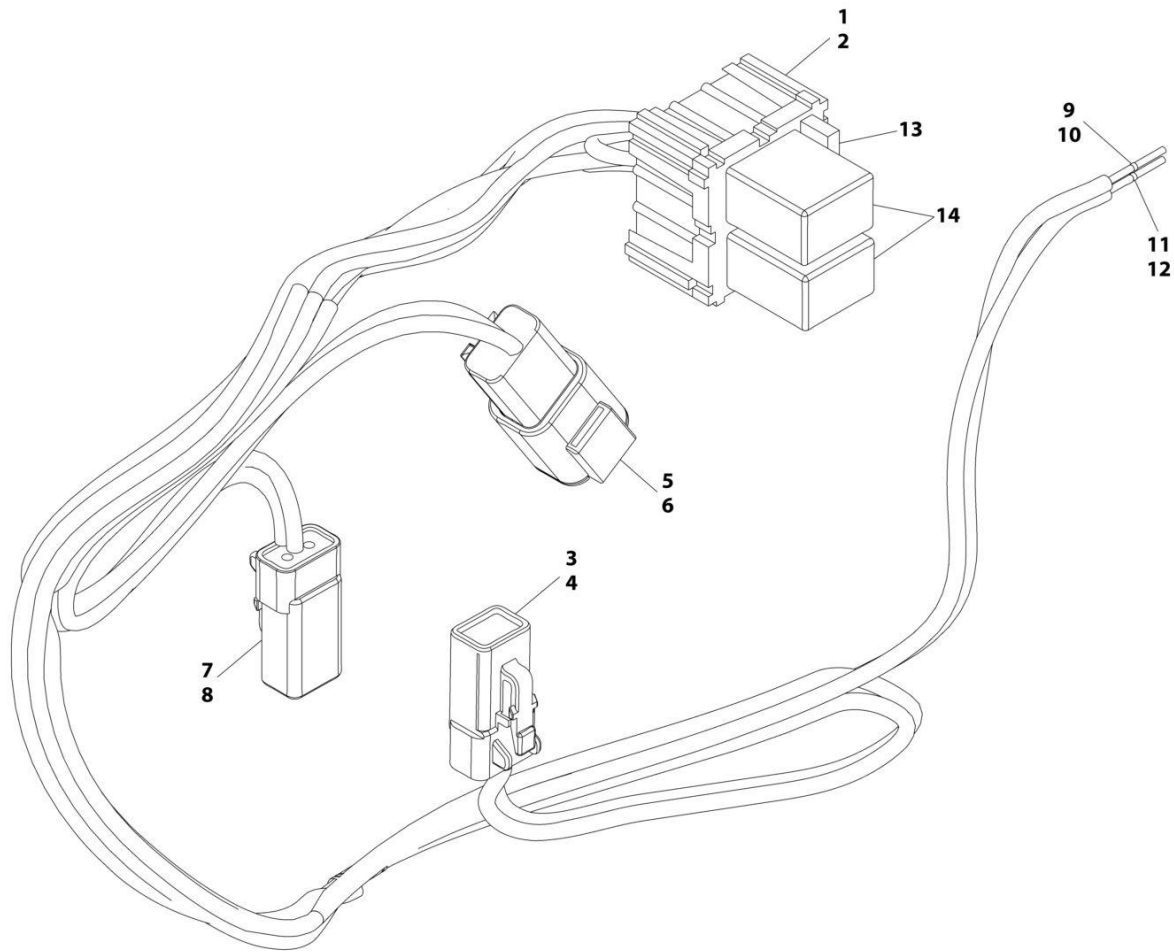
SECTION 10 - ELECTRICAL

FIGURE 10-33. LIGHTS - ROADLIGHT OPTION HARNESS

ITEM	PART NUMBER	QTY	DESCRIPTION	REV
	1001178346	Ref	ROAD LIGHT OPTION HARNESS	H
1	4460894	1	Connector	
2	4460465	5	Terminal	
3	4460466	1	Plug	
4	4460894	1	Connector	
5	4460465	5	Terminal	
6	4460466	1	Plug	
7	7116572	1	Connector	
8	1001116736	1	Terminal	
9	7116572	1	Connector	
10	1001116736	1	Terminal	
11	7116572	1	Connector	
12	1001116736	1	Terminal	
13	8220051	1	Terminal, Ring	
14	1001117079	1	Connector	
15	4460419	9	Terminal	
16	8220051	1	Terminal, Ring	
17	4460933	1	Connector	
18	4460465	8	Terminal	
19	4460466	4	Plug	
20	4460931	1	Connector	
21	4460466	3	Plug	
22	4460464	2	Terminal	
23	1001157891	2	Terminal	
24	4460941	1	Terminal	
25	4460884	1	Connector	
26	4460465	3	Terminal	
27	4460942	1	Terminal	
28	4460884	1	Connector	
29	4460465	3	Terminal	
30	4460942	1	Terminal	
31	4461017	1	Connector	
32	4460508	2	Terminal	

SECTION 10 - ELECTRICAL

FIGURE 10-34. LIGHTS - ROADLIGHT/WORKLIGHT OPTION HARNESS



ART_1001205248_A

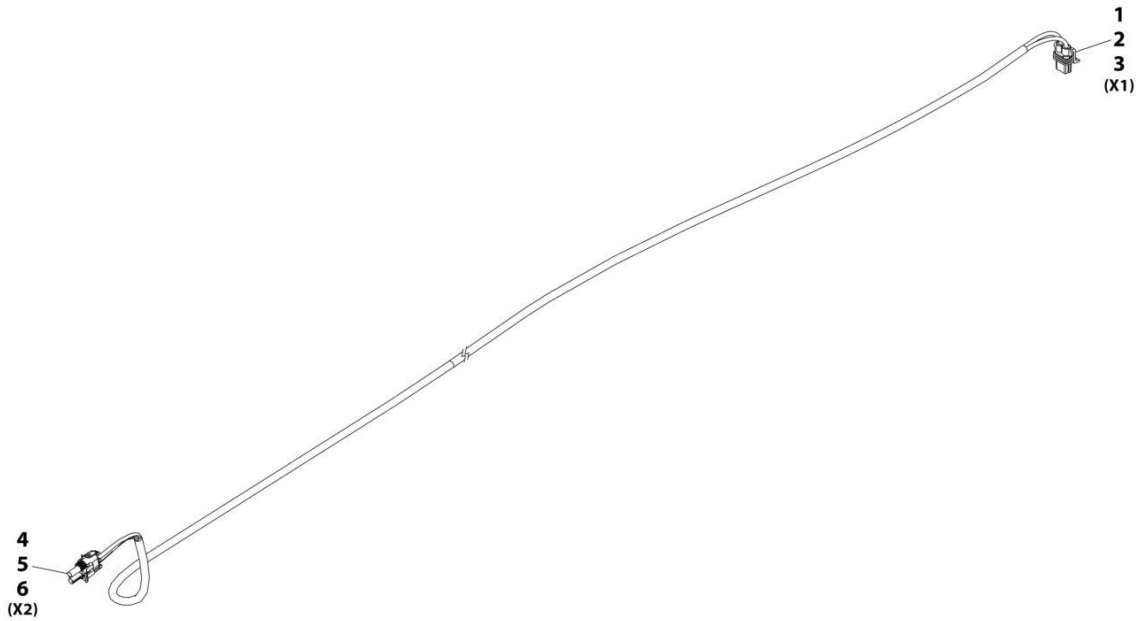
SECTION 10 - ELECTRICAL

FIGURE 10-34. LIGHTS - ROADLIGHT/WORKLIGHT OPTION HARNESS

ITEM	PART NUMBER	QTY	DESCRIPTION	REV
	1001205248	Ref	Roadlight Worklight Harness	A
1	1001177198	1	Connector	
2	1001116712	12	Terminal	
3	4461018	1	Connector	
4	4460509	2	Terminal	
5	4461017	1	Connector	
6	4460508	2	Terminal	
7	4461018	1	Connector	
8	4460509	2	Terminal	
9	4460790	1	Terminal, Socket	
10	8220089	1	Seal	
11	4460790	1	Terminal, Socket	
12	8220089	1	Seal	
13	8229245	2	Fuse 30Amp	
14	1001205172	2	Relay	

SECTION 10 - ELECTRICAL

FIGURE 10-35. LIGHTS - WORKLIGHT OPTION HARNESS (BOOM)



ART_1001238111

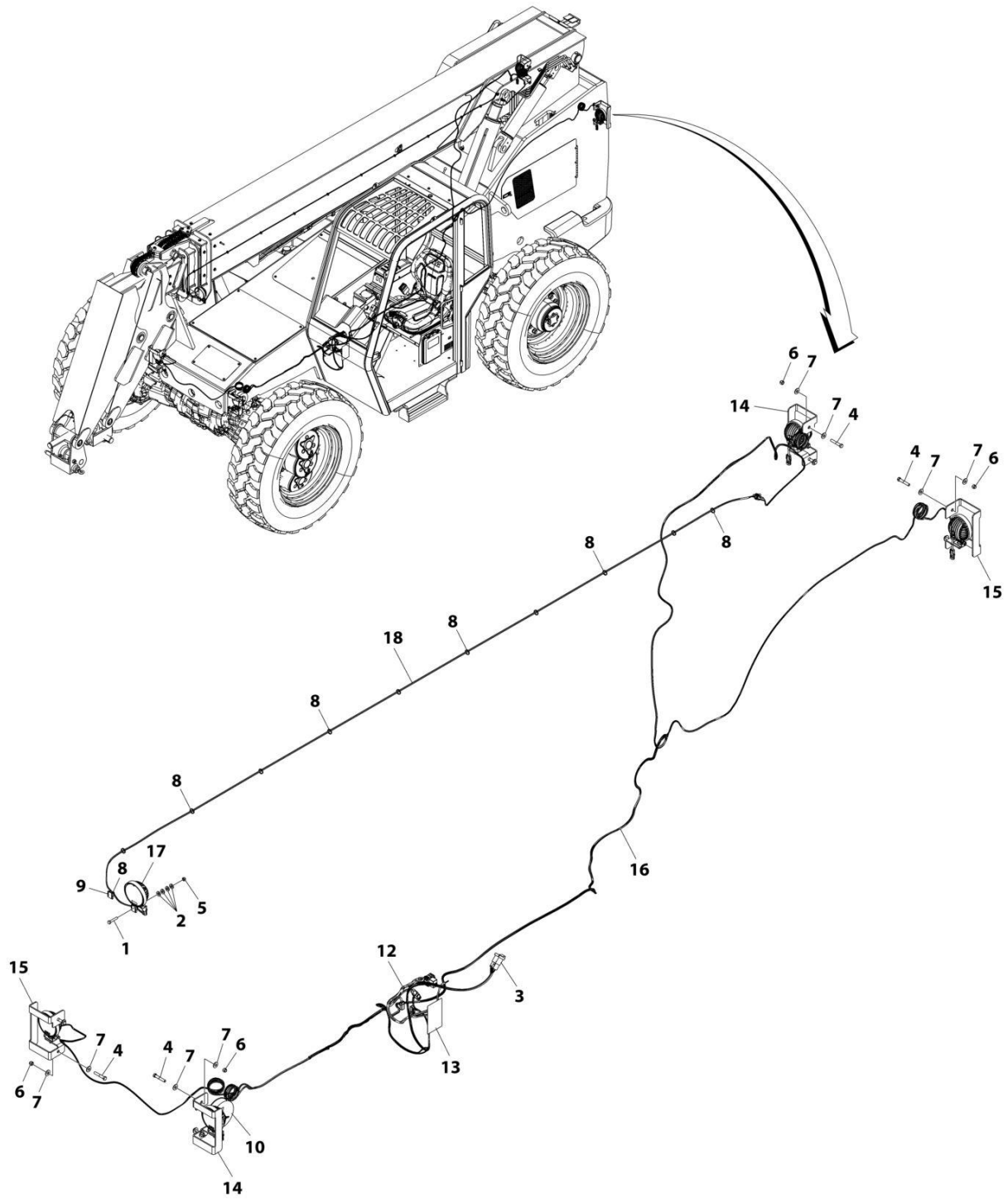
SECTION 10 - ELECTRICAL

FIGURE 10-35. LIGHTS - WORKLIGHT OPTION HARNESS (BOOM)

ITEM	PART NUMBER	QTY	DESCRIPTION	REV
	1001238111	Ref	Boom Worklight Harness	B
1	1001117021	1	Connector	
2	1001116747	2	Terminal	
3	4460789	2	Seal	
4	4460742	1	Connector	
5	4460457	2	Terminal	
6	4460789	2	Seal	

SECTION 10 - ELECTRICAL

FIGURE 10-36. LIGHTS - WORKLIGHT PACKAGE INSTALLATION



ART_1001237847

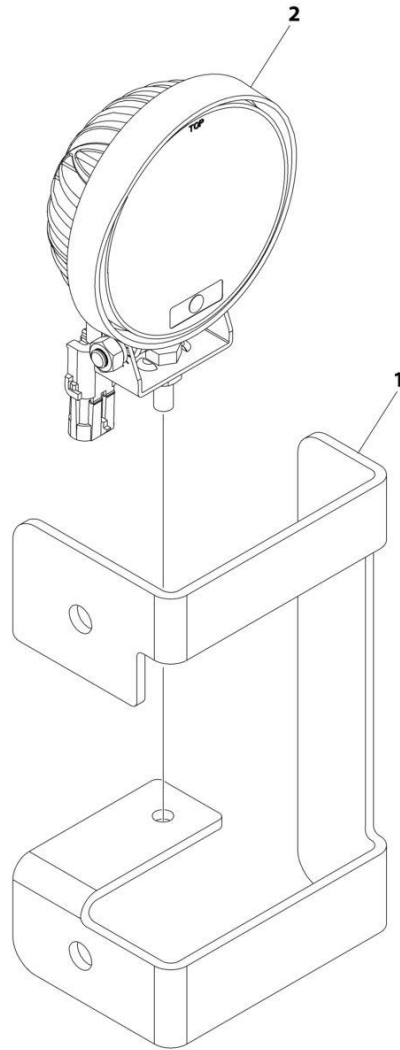
SECTION 10 - ELECTRICAL

FIGURE 10-36. LIGHTS - WORKLIGHT PACKAGE INSTALLATION

ITEM	PART NUMBER	QTY	DESCRIPTION	REV
	1001237847	Ref	LIGHTS - LED WORK LIGHT PACKAGE INSTALLATION	C
1	0641514	1	Bolt 5/16 x 1-3/8	
2	4891600	AR	Washer 3/8	
3	8223059	1	Switch, Work Light	
4	8303771	8	Bolt 3/8 x 2-1/4	
5	8305626	1	Nut 5/16	
6	8305645	8	Nut 3/8	
7	8307204	16	Washer 3/8	
8	8584001	AR	Wrap, Tie	
9	8584018	4	Mount, Tie-Strap	
10	7124471	1	Conduit, 1 x 12.5	
11	88501005	AR	Nut 5/16	
12	1001205248	1	Harness, Roadlight Worklight (See Separate Breakdown in this Section)	
13	1001205264	1	Decal, Light Fuse Panel	
14	1001237853	2	Assembly, LED RH Worklight (See Separate Breakdown in this Section)	
15	1001237854	2	Assembly, LED LH Worklight (See Separate Breakdown in this Section)	
16	1001238199	1	Harness, Work Light Option (See Separate Breakdown in this Section)	
17	1001176337	1	Lamp, LED Worklight	
18	1001238111	1	Harness, Boom Worklight (See Separate Breakdown in this Section)	

SECTION 10 - ELECTRICAL

FIGURE 10-37. LIGHTS - WORKLIGHT ASSEMBLY (RH) (LED)



ART_1001237853

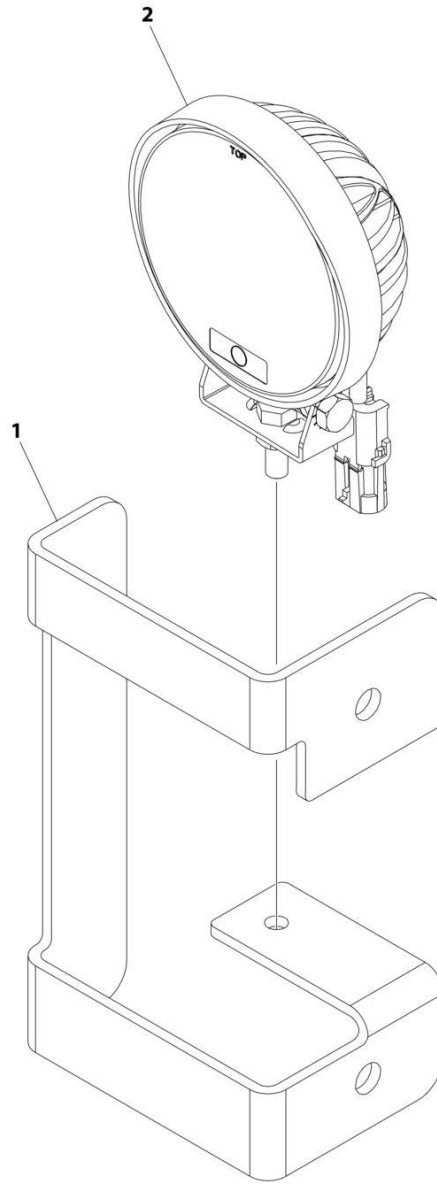
SECTION 10 - ELECTRICAL

FIGURE 10-37. LIGHTS - WORKLIGHT ASSEMBLY (RH) (LED)

ITEM	PART NUMBER	QTY	DESCRIPTION	REV
	1001237853	Ref	LIGHTS - WORK LIGHT ASSEMBLY - LED (RH)	A
1	1001097079	1	Bracket, RH Worklight Mount	
2	1001176337	1	Lamp, LED Worklight	

SECTION 10 - ELECTRICAL

FIGURE 10-38. LIGHTS - WORKLIGHT ASSEMBLY (RH) (LED)



ART_1001237854

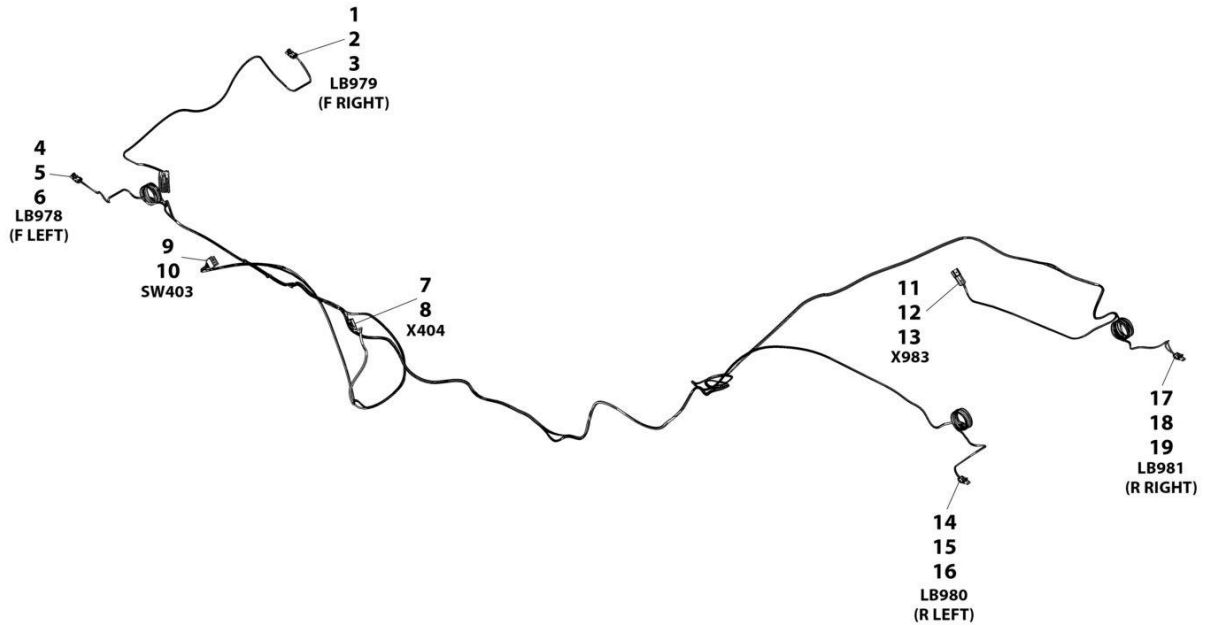
SECTION 10 - ELECTRICAL

FIGURE 10-38. LIGHTS - WORKLIGHT ASSEMBLY (RH) (LED)

ITEM	PART NUMBER	QTY	DESCRIPTION	REV
	1001237854	Ref	LIGHTS - WORK LIGHT ASSEMBLY - LED (LH)	A
1	1001097080	1	Bracket, LH Worklight Mount	
2	1001176337	1	Lamp, LED Worklight	

SECTION 10 - ELECTRICAL

FIGURE 10-39. LIGHTS - WORKLIGHT OPTION HARNESS



ART_1001238199-A

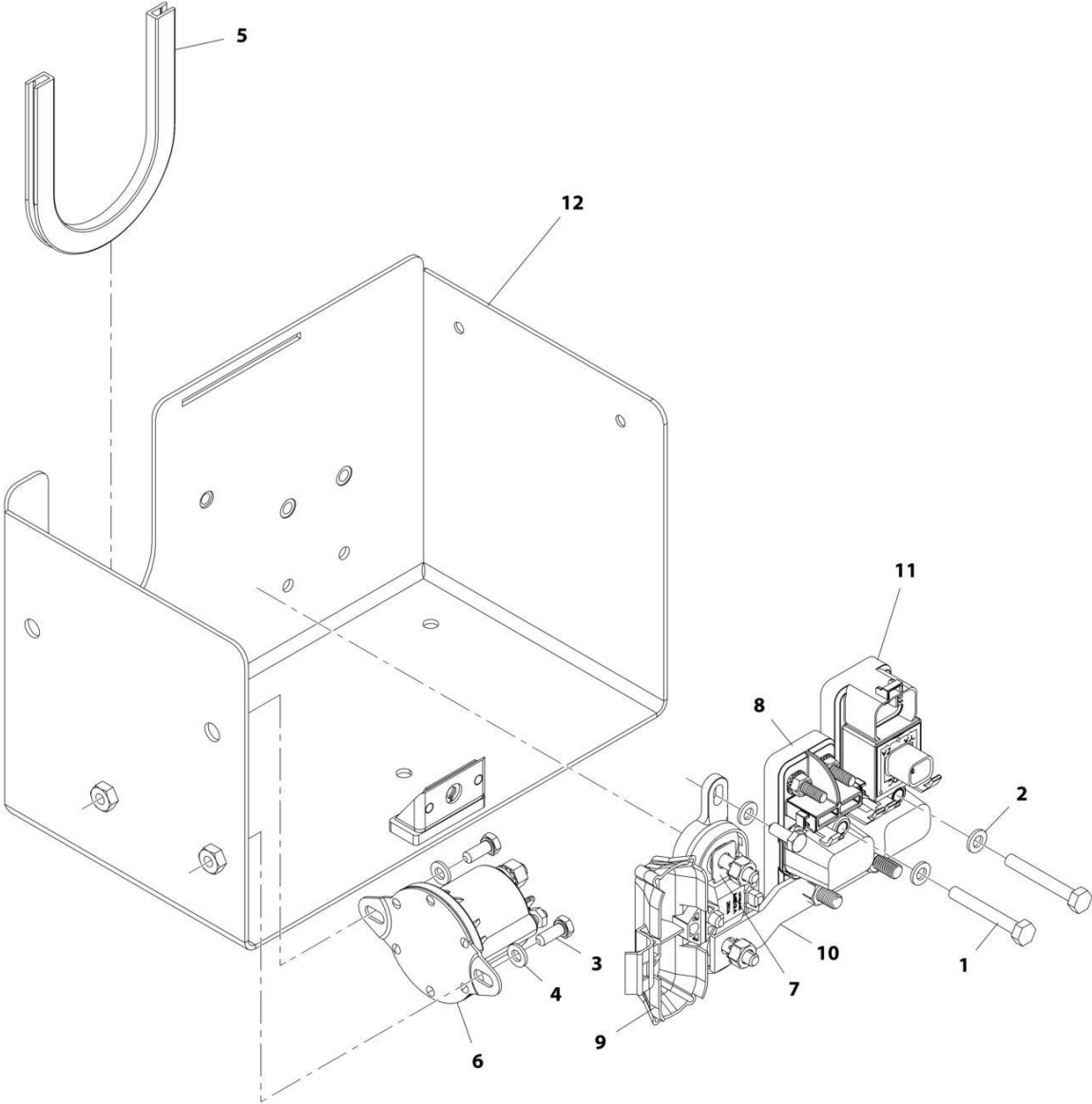
SECTION 10 - ELECTRICAL

FIGURE 10-39. LIGHTS - WORKLIGHT OPTION HARNESS

ITEM	PART NUMBER	QTY	DESCRIPTION	REV
	1001238199	Ref	Work Lighting Option Harness	A
1	4460742	1	Connector	
2	4460457	2	Terminal	
3	4460789	2	Seal	
4	4460742	1	Connector	
5	4460457	2	Terminal	
6	4460789	2	Seal	
7	4461018	1	Connector	
8	4460509	2	Terminal	
9	8220904	1	Connector	
10	4460419	6	Terminal	
11	1001117026	1	Connector	
12	1001116729	2	Terminal	
13	8220081	2	Seal	
14	4460742	1	Connector	
15	4460457	2	Terminal	
16	4460789	2	Seal	
17	4460742	1	Connector	
18	4460457	2	Terminal	
19	4460457	2	Seal	

SECTION 10 - ELECTRICAL

FIGURE 10-40. RELAY PANEL INSTALLATION



ART_1001170233-F

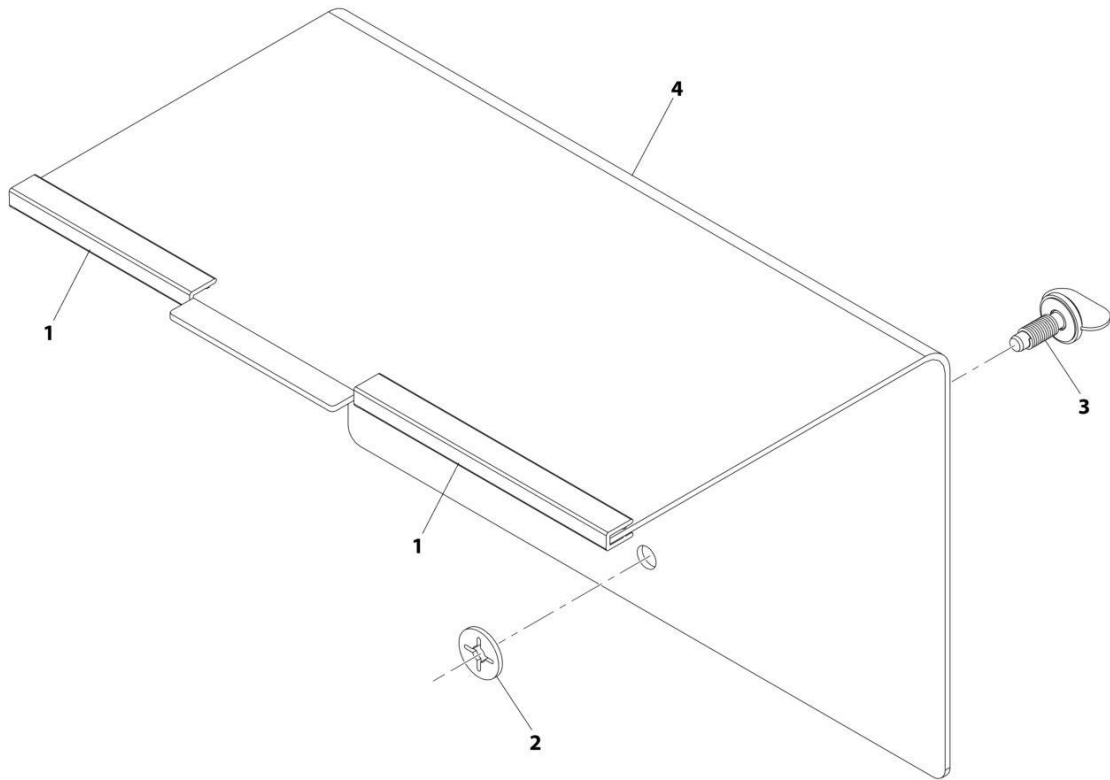
SECTION 10 - ELECTRICAL

FIGURE 10-40. RELAY PANEL INSTALLATION

ITEM	PART NUMBER	QTY	DESCRIPTION	REV
	1001170233	Ref	Relay Panel Installation	F
1	0641415	2	Bolt 1/4X1-7/8	
2	4761400	2	Washer 1/4	
3	8303545	4	Bolt M6X14	
4	8307219	4	Washer M6	
5	90206196	257 mm	Trim, Vinyl Edge	
6	1001186417	1	Relay, 150 Amp	
7	1001118245	1	Fuse, 250 Amp	
8	1001127699	1	Fuse, Power Module	
9	1001127700	1	Holder, AMG Fuse	
10	1001129615	1	Bar, Buss Connector	
11	1001184316	1	Relay, Power Module	
12	1001170230	1	Bracket, Relay Mount	

SECTION 10 - ELECTRICAL

FIGURE 10-41. RELAY PANEL COVER ASSEMBLY



ART_1001170234-B

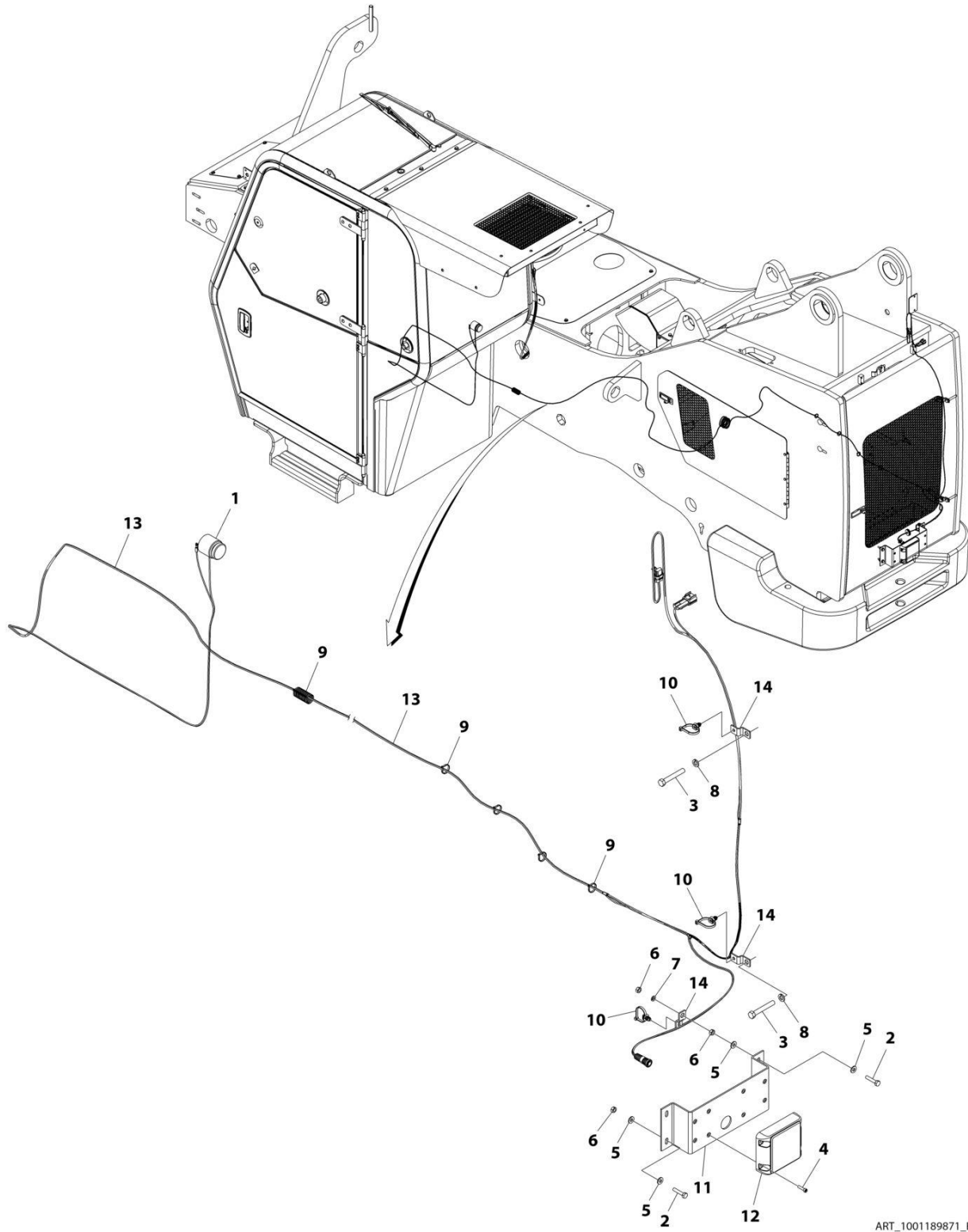
SECTION 10 - ELECTRICAL

FIGURE 10-41. RELAY PANEL COVER ASSEMBLY

ITEM	PART NUMBER	QTY	DESCRIPTION	REV
	1001170234	Ref	Relay Panel Cover Assembly	B
1	90206196	220 mm	Trim, Vinyl Edge	
2	1001135770	1	Washer, Push-On Retainer	
3	1001135777	1	Screw, Fastener Assembly Wing Head	
4	1001170235	1	Cover, Relay Panel	

SECTION 10 - ELECTRICAL

FIGURE 10-42. REVERSE SENSOR INSTALLATION



ART_1001189871_B

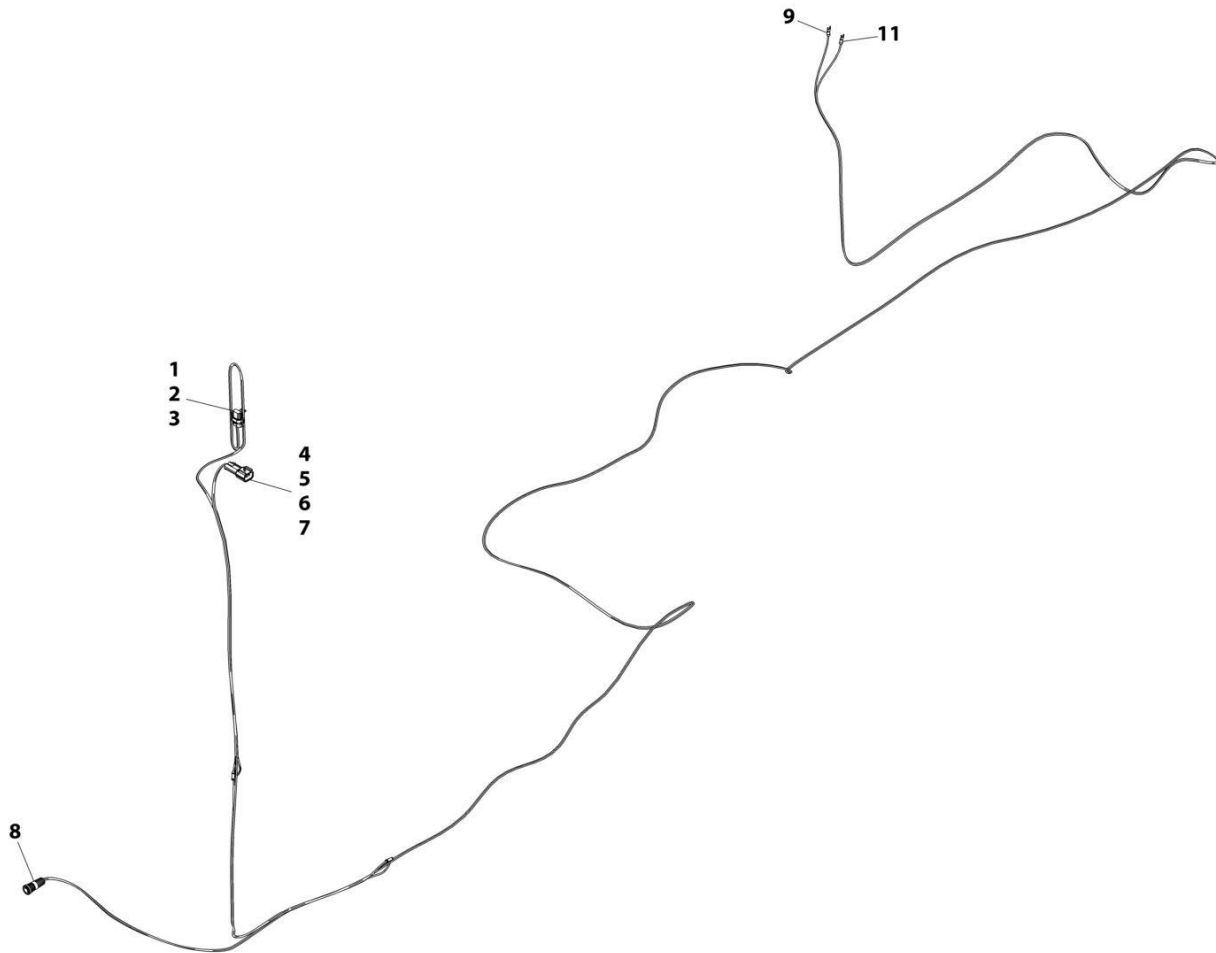
SECTION 10 - ELECTRICAL

FIGURE 10-42. REVERSE SENSOR INSTALLATION

ITEM	PART NUMBER	QTY	DESCRIPTION	REV
	1001189871	Ref	REVERSE SENSOR INSTALLATION	B
1	0140011	1	Audible, Signal Device	
2	0641410	4	Bolt 1/4 x 1	
3	0641620	2	Bolt 3/8 x 2	
4	3931012	4	Capscrew #10 x 3/4	
5	4711400	8	Washer 1/4	
6	8305004	5	Nut 1/4	
7	8307002	1	Washer 1/4	
8	8307005	2	Washer 3/8	
9	8584001	AR	Wrap, Tie 3/16	
10	1001004720	3	Strap, Cable	
11	1001154375	1	Bracket	
12	1001247421	1	Control, Reverse Sensor	
13	1001189886	1	Harness, Reverse Sensor (See Separate Breakdown in this Section)	
14	1001204692	3	Bracket	

SECTION 10 - ELECTRICAL

FIGURE 10-43. REVERSE SENSOR HARNESS



ART_1001189886-B

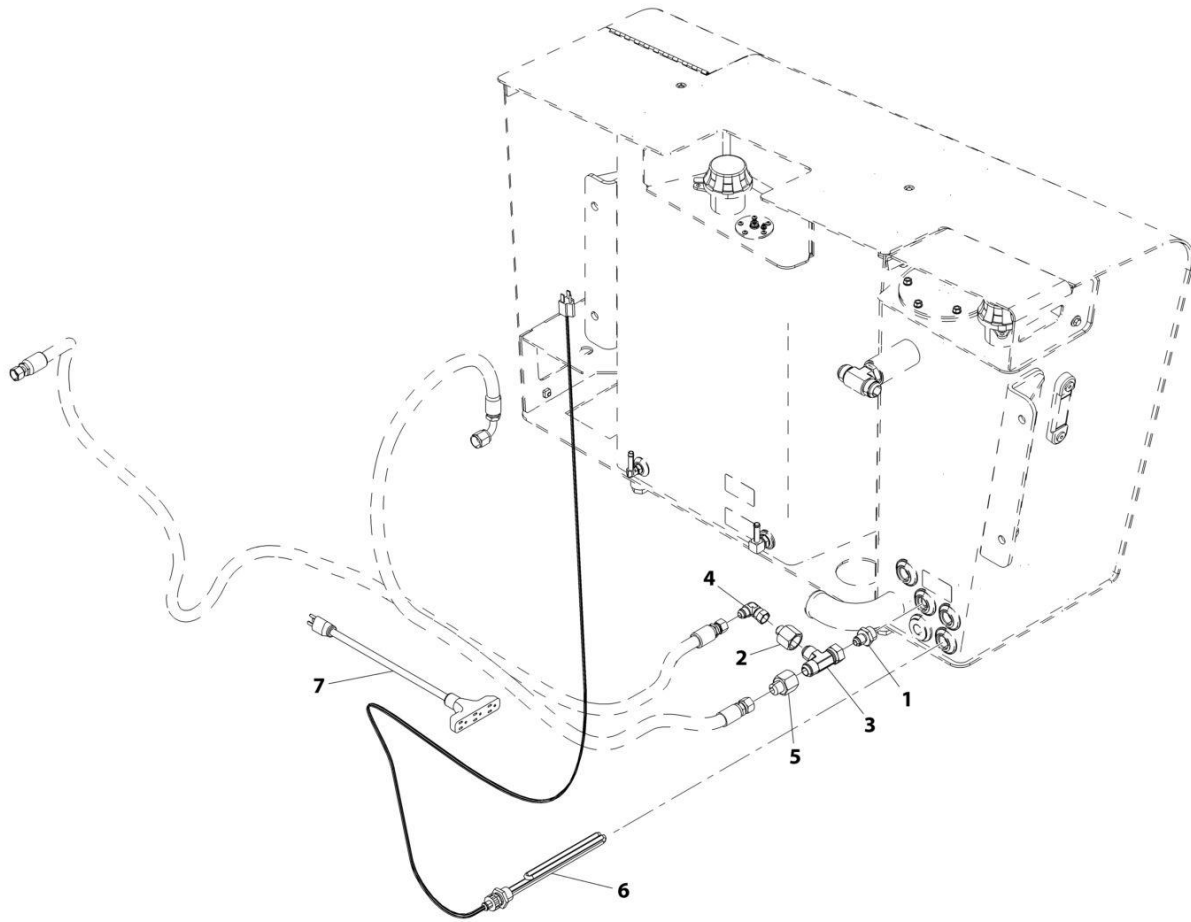
SECTION 10 - ELECTRICAL

FIGURE 10-43. REVERSE SENSOR HARNESS

ITEM	PART NUMBER	QTY	DESCRIPTION	REV
	1001189886	Ref	Reverse Sensor Harness	B
1	1001117021	1	Connector	
2	1001116728	2	Terminal	
3	4460458	2	Seal	
4	1001117026	1	Connector	
5	8220890	1	Lock, Secondary	
6	1001116745	2	Terminal	
7	4460458	2	Seal	
8	1001175733	1	Connector	
9	4460183	1	Fork Terminal	
11	4460183	1	Fork Terminal	

SECTION 10 - ELECTRICAL

FIGURE 10-44. TANK (HYDRAULIC) HEATER INSTALLATION



ART_1001234098-A

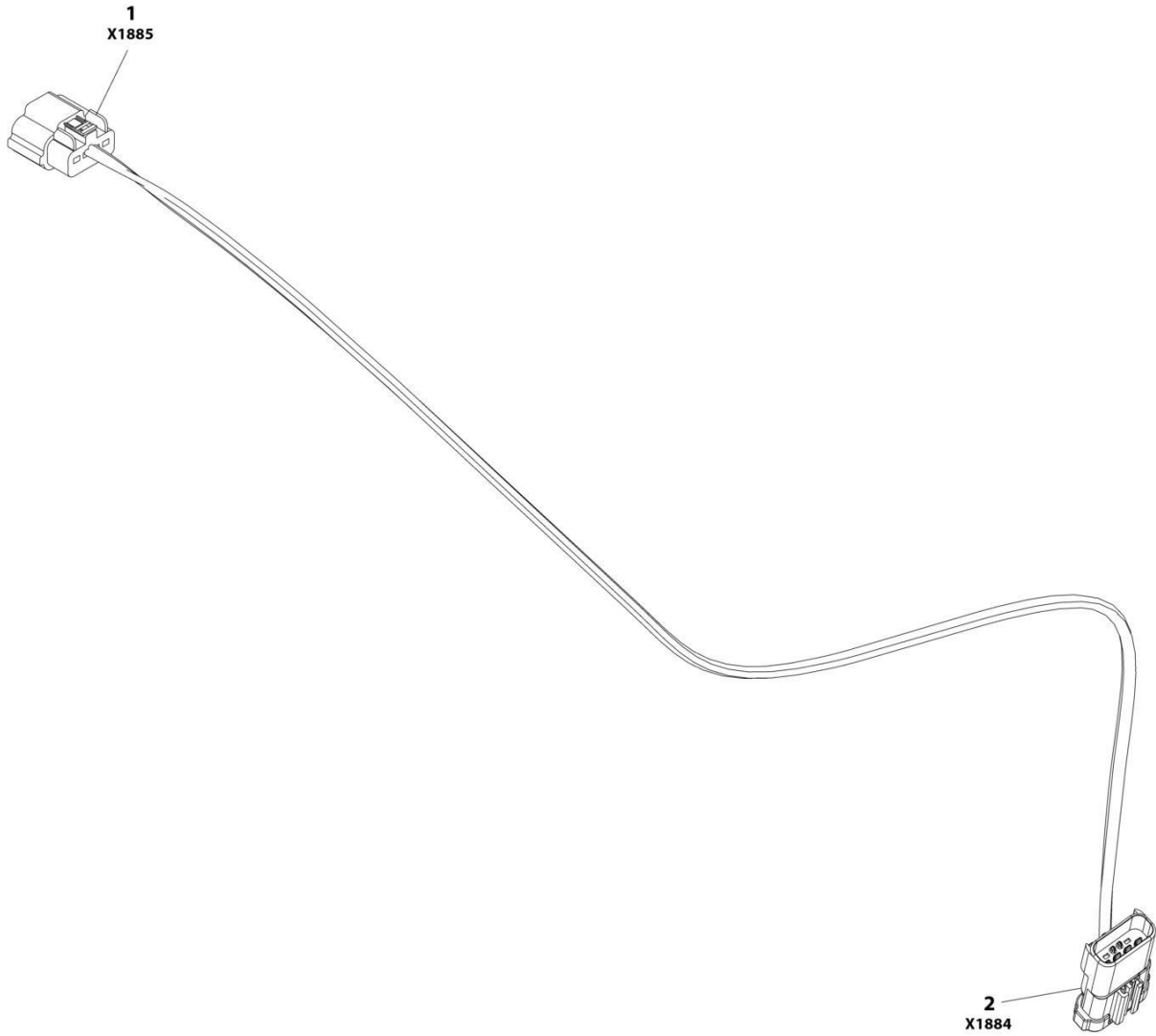
SECTION 10 - ELECTRICAL

FIGURE 10-44. TANK (HYDRAULIC) HEATER INSTALLATION

ITEM	PART NUMBER	QTY	DESCRIPTION	REV
	1001234098	Ref	Hydraulic Tank Heater Installation	A
1	2220451	1	Connector	
2	2220622	1	Reducer	
3	2220700	1	Tee Fitting	
4	8765204	1	Elbow	
5	1001094696	1	Adapter	
6	1001105886	1	Immersion Heater	
7	1060626	1	3 Way Plug	

SECTION 10 - ELECTRICAL

FIGURE 10-45. TBAP HARNESS



ART_1001184835

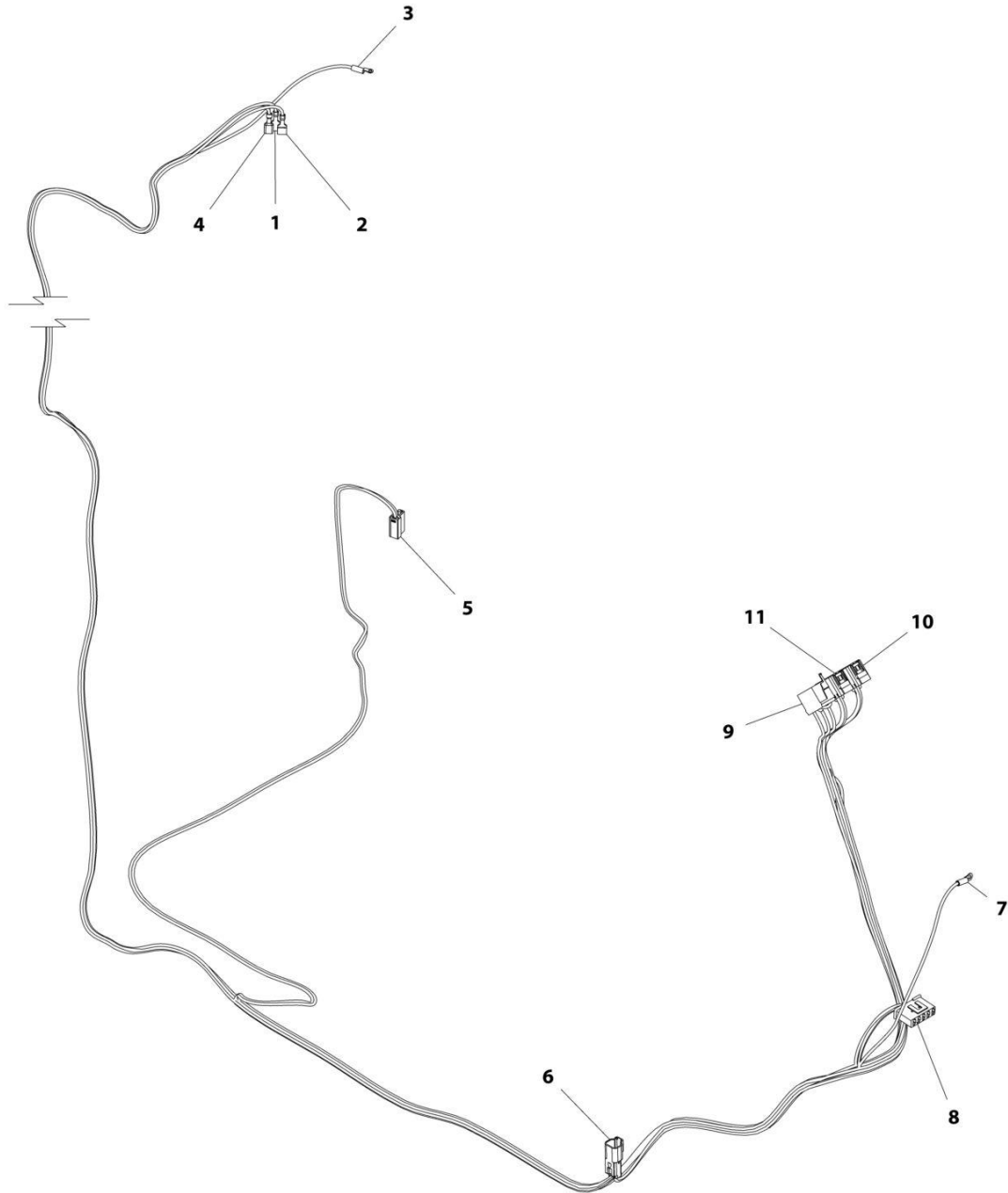
SECTION 10 - ELECTRICAL

FIGURE 10-45. TBAP HARNESS

ITEM	PART NUMBER	QTY	DESCRIPTION	REV
1	1001184835	Ref	TBAP Harness	C
	10011184495	1	Connector	
	1001260509	4	Terminal	
	1001184496	4	Seal	
2	1001184491	1	Connector	
	1001184493	4	Terminal	

SECTION 10 - ELECTRICAL

FIGURE 10-46. WIPER HARNESS



ART_1001178349-D

SECTION 10 - ELECTRICAL

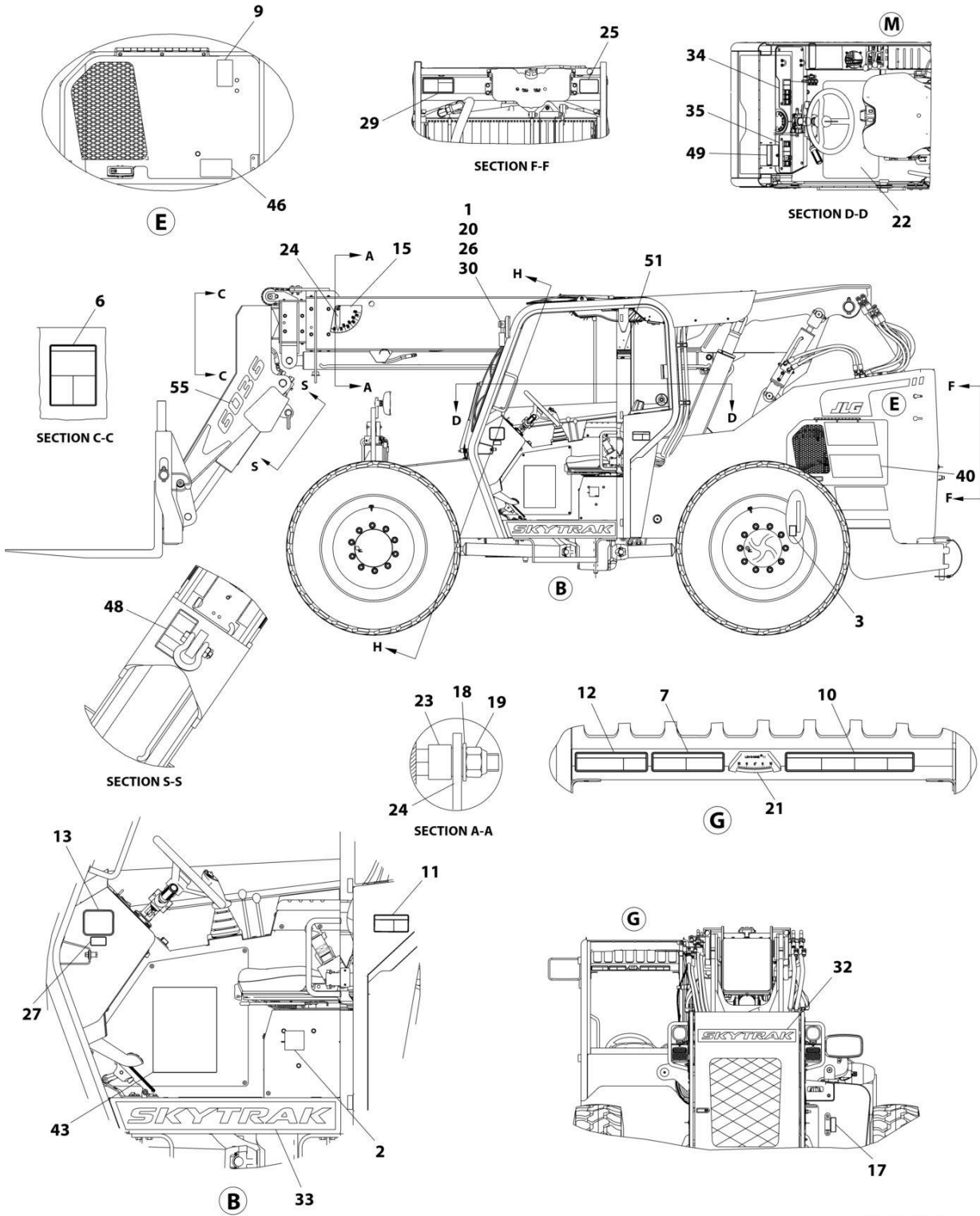
FIGURE 10-46. WIPER HARNESS

ITEM	PART NUMBER	QTY	DESCRIPTION	REV
	1001178349	Ref	Wiper Harness	D
1	8220051	1	Terminal	
2	8220051	1	Terminal	
3	8220035	1	Terminal, Ring	
4	8220051	1	Terminal	
5	4460994	1	Housing, Terminal	
	1001169816	2	Terminal	
6	4460897	1	Connector	
	80604017	1	Lock, Wedge	
	4460464	2	Terminal	
7	8220007	1	Terminal, Ring	
8	1001127066	1	Connector	
	1001116720	3	Terminal	
9	8220904	1	Connector	
	4460419	5	Terminal	
10	1001117081	1	Connector	
	4460419	9	Terminal	
11	1001117081	1	Connector	
	4460419	9	Terminal	

SECTION 11 - DECALS

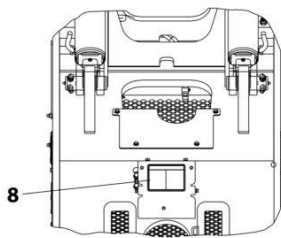
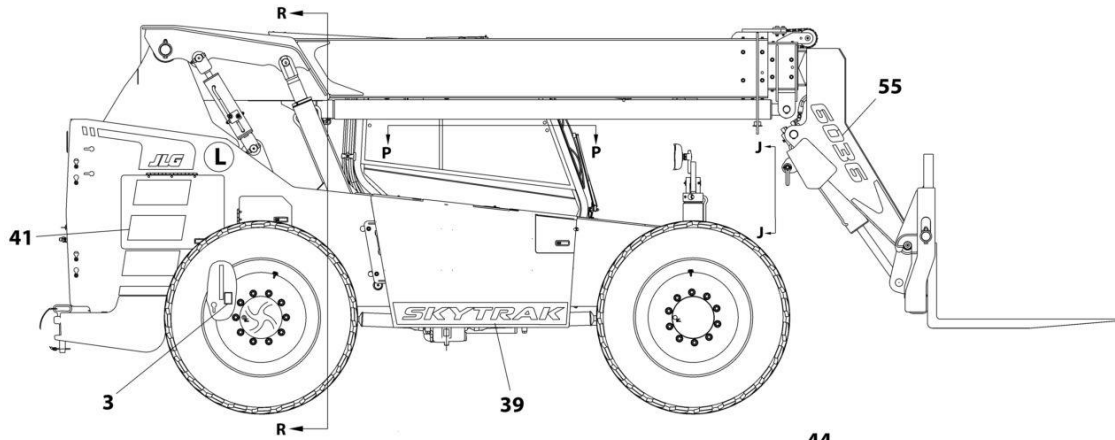
SECTION 11 - DECALS

FIGURE 11-1. DECAL INSTALLATION - 74HP (ANSI)

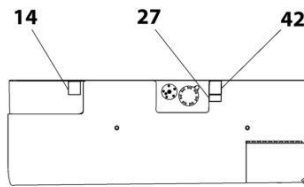


ART_1001202755_10F2

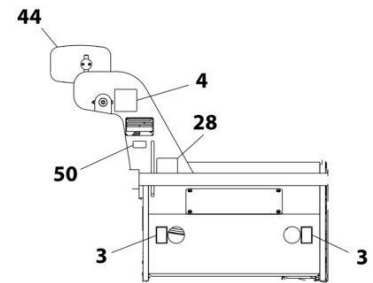
SECTION 11 - DECALS



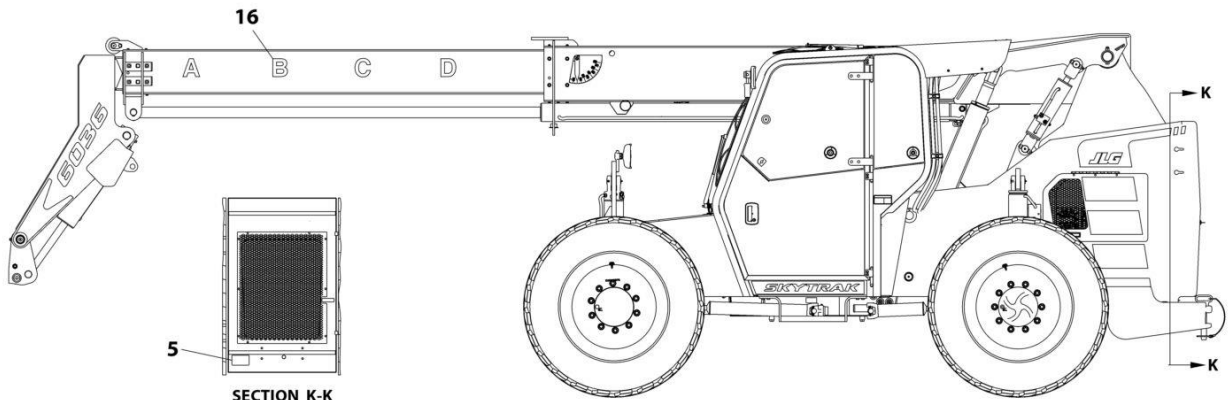
SECTION R-R



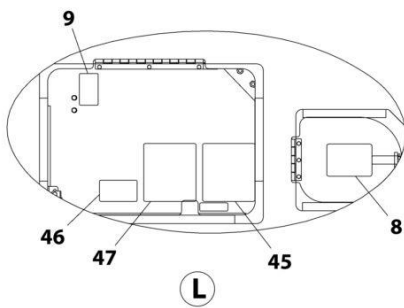
SECTION P-P



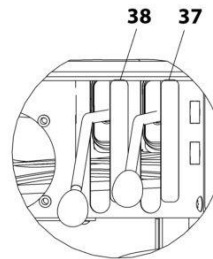
VIEW J



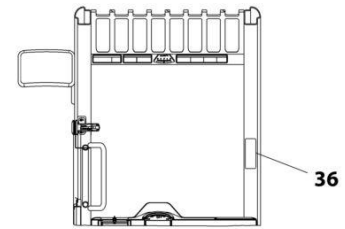
SECTION K-K



L



M



SECTION H-H

ART_1001202755_20F2

SECTION 11 - DECALS

FIGURE 11-1. DECAL INSTALLATION - 74HP (ANSI)

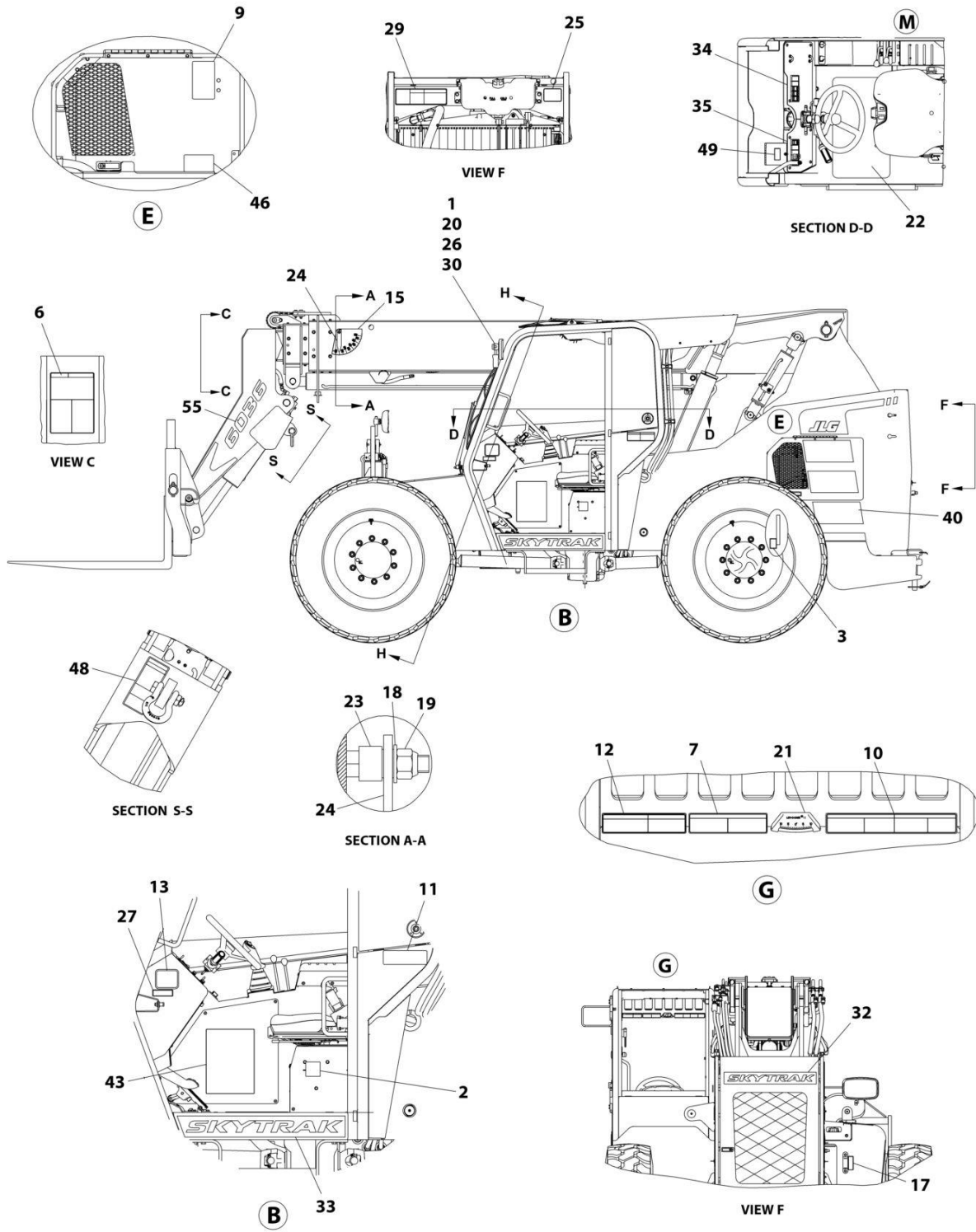
ITEM	PART NUMBER	QTY	DESCRIPTION	REV
	1001202755	Ref	DECAL INSTALLATION, 74HP (ANSI) (6036)	L
1	0700610	2	Bolt M6 x 20	
2	1701640	1	Decal, Manual	
3	1702300	4	Decal, Tie Down	
4	1702631	1	Decal, Bar Code	
5	1706296	1	Decal, Battery Hazard	
6	1706298	1	Decal, Carry Personnel	
7	1706299	1	Decal, Contacting Power Lines Warning	
8	1706300	2	Decal, Ether Starting Warning	
9	1706301	2	Decal, Keep Clear of Rotating Parts Warning	
10	1706306	1	Decal, Tip Over Warning	
11	1706768	1	Decal, No Riders	
12	1706850	1	Decal, Crush Hazard Warning	
13	3251813	1	Decal, USA	
14	4100181	1	Decal, Hydraulic Oil Fill	
15	4105262	1	Decal, Boom Angle Indicator	
16	4107442	1	Decal, Boom Extend Letters	
17	4108302	1	Decal, Hydraulic Oil Level	
18	4711600	1	Washer 3/8	
19	8305645	1	Nut 3/8	
20	8307024	2	Washer M6	
21	8466306	1	Gage, Tilt Angle	
22	10139087	1	Tread, Safety	
23	1001096404	1	Sleeve, Angle Indicator Spacer	
24	1001098769	1	Plate, Boom Angle Indicator	
25	1001109053	1	Decal, Coolant Fill	
26	1001114675	1	Arm, Mirror	
27	1001125387	2	Decal, Ultra Low Sulfur Fuel	
28	1001131271	1	Decal, Telehandlers Patent	
29	1001139578	1	Decal, Hot Fluid Warning	
30	1001148177	1	Mirror, Rectangular	
32	1001259303	1	Decal, Tank Side	
33	1001259302	1	Decal, Cab Side	
34	1001158272	1	Decal, RH Overlay	
35	1001158319	1	Decal, LH Overlay	
36	1001162734	1	Decal, Joystick Control	
37	1001162735	1	Decal, Sway Control	
38	1001162736	1	Decal, Auxiliary Control	
39	1001263821	1	Decal, Rear Door	
40	1001263819	1	Decal, Right Side Stripe	
41	1001263820	1	Decal, Left Side Stripe	
42	1001189017	1	Decal, Diesel Fuel Fill	
43	1001189327	1	Decal, Main Fuse Panel	
44	1001191635	1	Mirror Assembly, RH	
45	1001191992	1	Decal, Lubrication Chart	
46	1001202626	2	Decal, 74HP	
47	1001202627	1	Decal, Maintenance Chart	
48	1001207217	1	Decal, Danger Swinging Load	
49	1001218659	1	Decal, Brake Fluid	
50	1001223453	1	Decal, ICES (CAN)	

SECTION 11 - DECALS

ITEM	PART NUMBER	QTY	DESCRIPTION	REV
51	1001231801	1	Decal, Warning Prop 65 Diesel	
55	1001263593	2	Decal, Model Boom Head	

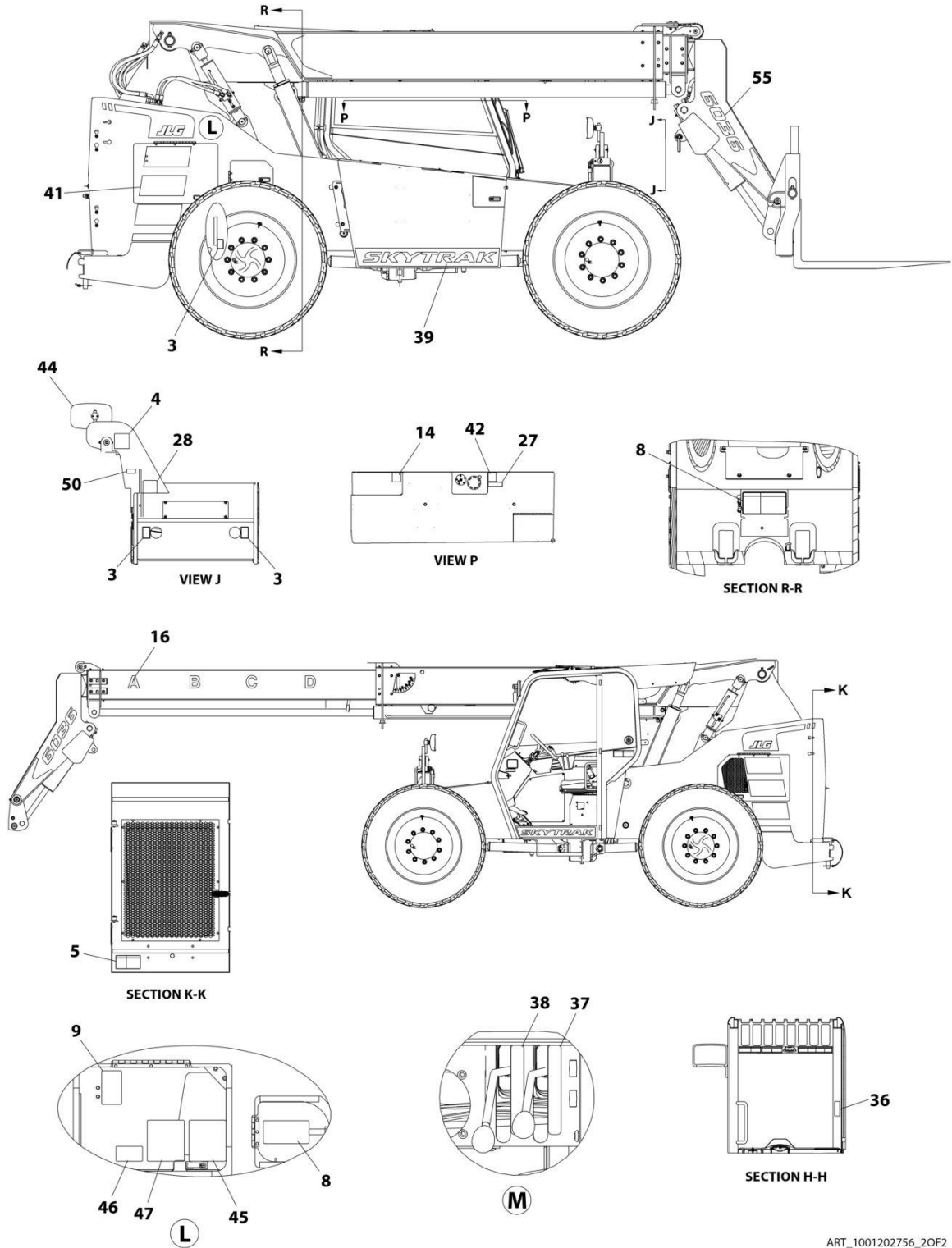
SECTION 11 - DECALS

FIGURE 11-2. DECAL INSTALLATION - 74HP (ENGLISH/FRENCH)



ART_1001202756_10F2

SECTION 11 - DECALS



ART_1001202756_20F2

SECTION 11 - DECALS

FIGURE 11-2. DECAL INSTALLATION - 74HP (ENGLISH/FRENCH)

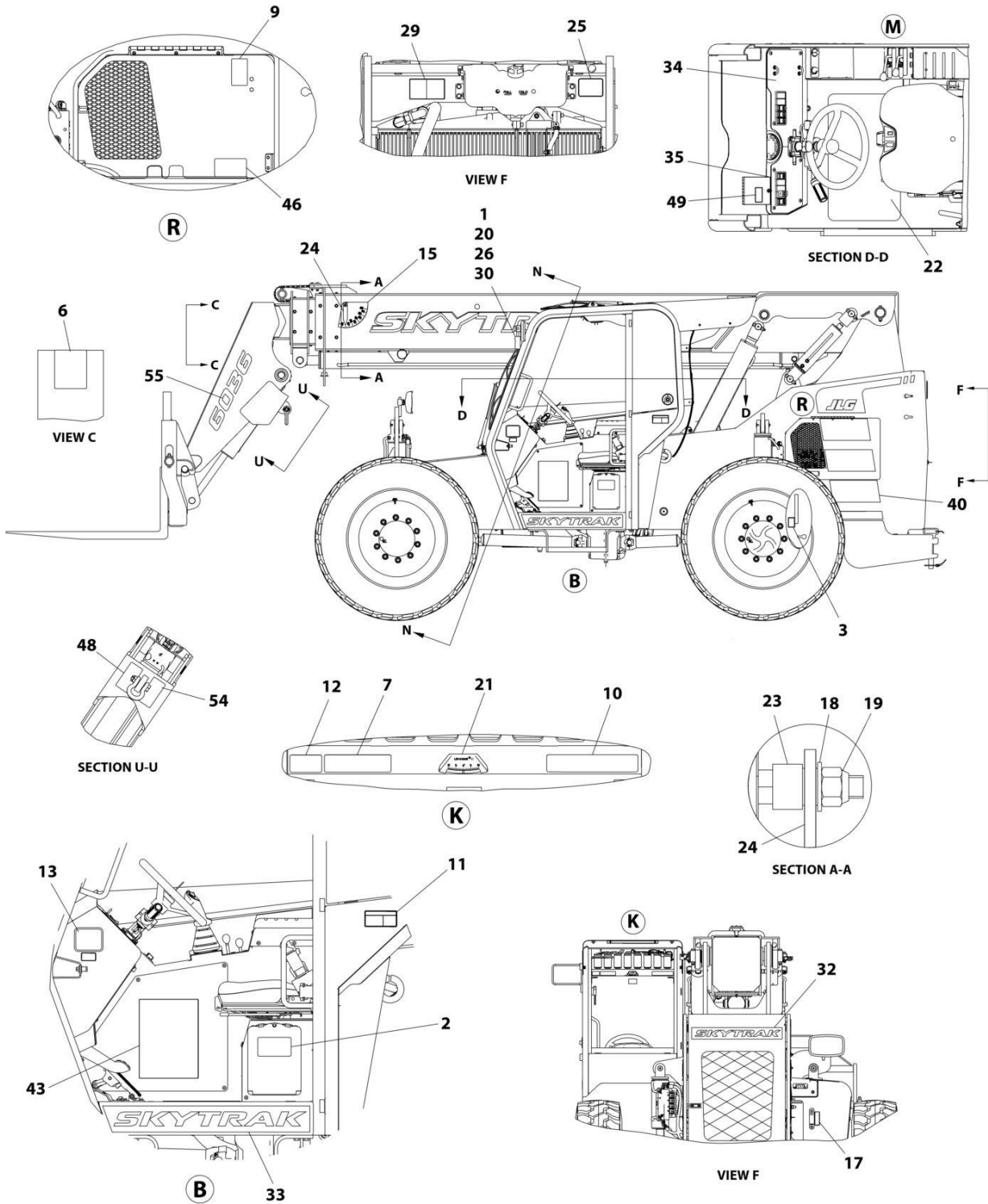
ITEM	PART NUMBER	QTY	DESCRIPTION	REV
	1001202756	Ref	DECAL INSTALLATION, 74HP (ENGLISH/FRENCH) (6036)	K
1	0700610	2	Bolt M6 x 20	
2	1701640	1	Decal, Manual	
3	1702300	4	Decal, Tie Down	
4	1702631	1	Decal, Bar Code	
5	1001163174	1	Decal, Battery Warning	
6	1001163206	1	Decal, Carry Personnel	
7	1001163210	1	Decal, Electrocution Hazard	
8	1001163212	2	Decal, No Ether Warning	
9	1001163222	2	Decal, Moving Parts	
10	1001163285	1	Decal, Tip Over Warning	
11	1001163300	1	Decal, No Riders	
12	1001163304	1	Decal, Crush Hazard Warning	
13	3251813	1	Decal, USA	
14	4100181	1	Decal, Hydraulic Oil Fill	
15	4105262	1	Decal, Boom Angle Indicator	
16	4107442	1	Decal, Boom Extend Letters	
17	4108302	1	Decal, Hydraulic Oil Level	
18	4711600	1	Washer 3/8	
19	8305645	1	Nut 3/8	
20	8307024	2	Washer M6	
21	8466306	1	Gage, Tilt Angle	
22	10139087	1	Tread, Safety	
23	1001096404	1	Sleeve, Angle Indicator Spacer	
24	1001098769	1	Plate, Boom Angle Indicator	
25	1001109053	1	Decal, Coolant Fill	
26	1001114675	1	Arm, Mirror	
27	1001163355	2	Decal, Ultra Low Sulfur Diesel	
28	1001131271	1	Decal, Telehandlers Patent	
29	1001163323	1	Decal, Hot Fluid Warning	
30	1001148177	1	Mirror, Rectangular	
32	1001259303	1	Decal, Tank Side	
33	1001259302	1	Decal, Cab Side	
34	1001180175	1	Decal, RH Overlay	
35	1001180176	1	Decal, LH Overlay	
36	1001162734	1	Decal, Joystick Control	
37	1001162735	1	Decal, Sway Control	
38	1001162736	1	Decal, Auxiliary Control	
39	1001263821	1	Decal, Rear Door	
40	1001263819	1	Decal, Right Side Stripe	
41	1001263820	1	Decal, Left Side Stripe	
42	1001189017	1	Decal, Diesel Fuel Fill	
43	1001189327	1	Decal, Main Fuse Panel	
44	1001191635	1	Mirror Assembly, RH	
45	1001191992	1	Decal, Lubrication Chart	
46	1001202626	2	Decal, 74HP	
47	1001202627	1	Decal, Maintenance Chart	
48	1001211278	1	Decal, Swinging Load Decal KIT (CAN)	
49	1001219211	1	Decal, Brake Fluid	
50	1001223453	1	Decal, ICES (CAN)	

SECTION 11 - DECALS

ITEM	PART NUMBER	QTY	DESCRIPTION	REV
55	1001263593	2	Decal, Model Boom Head	

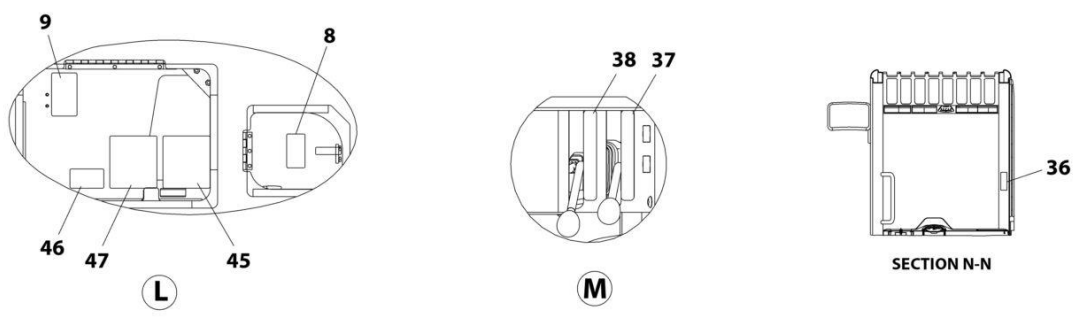
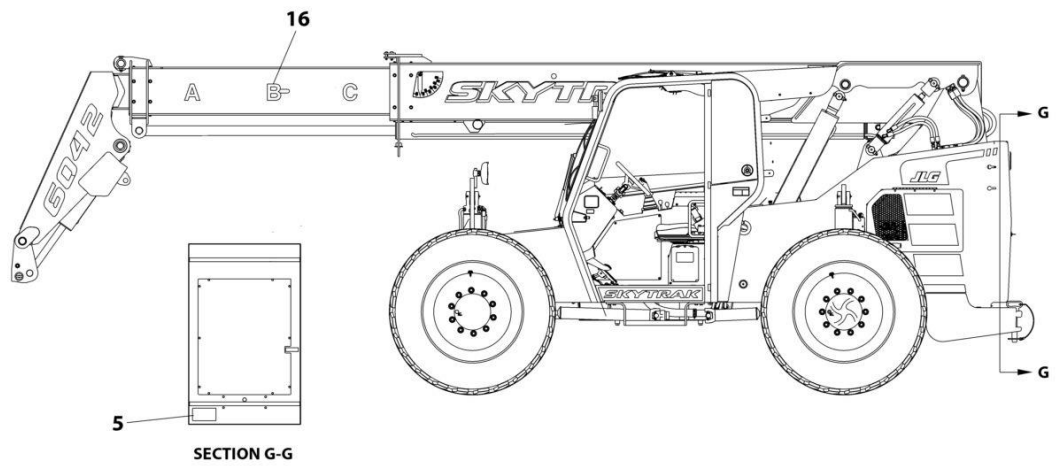
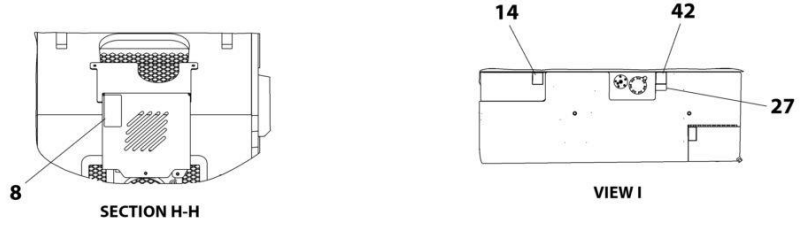
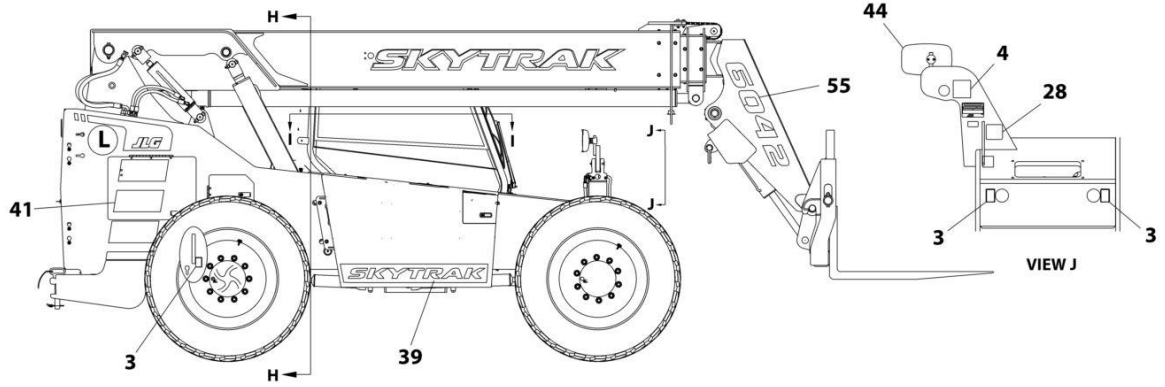
SECTION 11 - DECALS

FIGURE 11-3. DECAL INSTALLATION - 74HP (ENGLISH/SPANISH)



ART_1001242914_10F2

SECTION 11 - DECALS



ART_1001242914_20F2

SECTION 11 - DECALS

FIGURE 11-3. DECAL INSTALLATION - 74HP (ENGLISH/SPANISH)

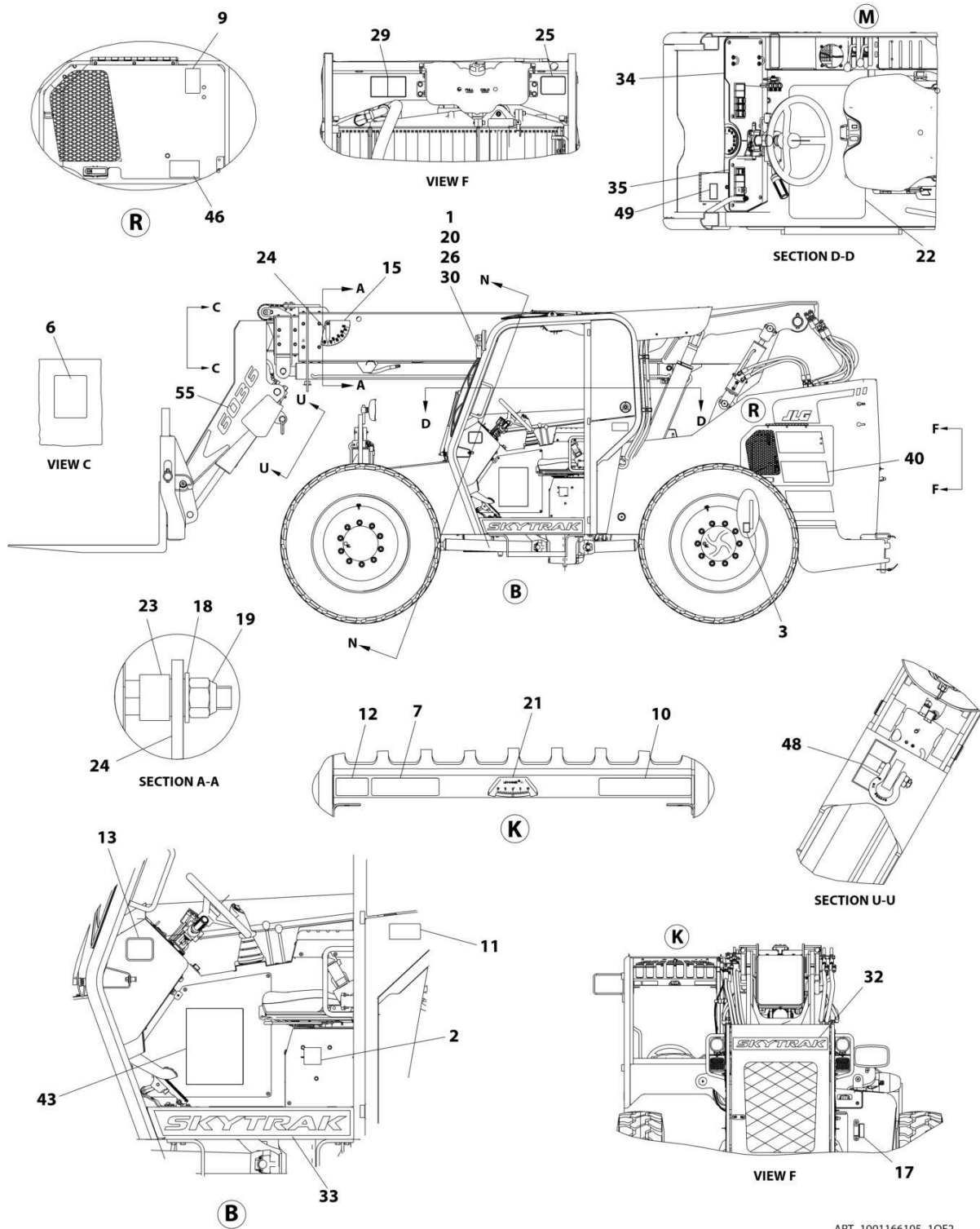
ITEM	PART NUMBER	QTY	DESCRIPTION	REV
	1001242914	Ref	DECAL INSTALLATION (ENGLISH/SPANISH)	F
1	0700610	2	Bolt M6 x 20	
2	1701640	1	Decal, Manual	
3	1702300	4	Decal, Tie Down	
4	1702631	1	Decal, Bar Code	
5	1001235794	1	Decal, Battery Warning	
6	1001235796	1	Decal, Carry Personnel	
7	1001235797	1	Decal, Electrocution Hazard	
8	1001235798	2	Decal, Ether Starting Warning	
9	1001235799	2	Decal, Moving Parts	
10	1001235801	1	Decal, Tip Over Warning	
11	1001235802	1	Decal, No Riders	
12	1001235803	1	Decal, Crush Hazard Warning	
13	3251813	1	Decal, USA	
14	4100181	1	Decal, Hydraulic Oil Fill	
15	4105262	1	Decal, Boom Angle Indicator	
16	4107442	1	Decal, Boom Extend Letters	
17	4108302	1	Decal, Hydraulic Oil Level	
18	4711600	1	Washer 3/8	
19	8305645	1	Nut 3/8	
20	8307024	2	Washer M6	
21	8466306	1	Gage, Tilt Angle	
22	10139087	1	Tread, Safety	
23	1001096404	1	Sleeve, Angle Indicator Spacer	
24	1001098769	1	Plate, Boom Angle Indicator	
25	1001109053	1	Decal, Coolant Fill	
26	1001114675	1	Arm, Mirror	
27	1001235804	2	Decal, Ultra Low Sulfur Diesel (SPAN)	
28	1001131271	1	Decal, Telehandlers Patent	
29	1001235805	1	Decal, Hot Fluid Warning	
30	1001148177	1	Mirror, Rectangular	
32	1001259303	1	Decal, Tank Side	
33	1001259302	1	Decal, Cab Side	
34	1001242172	1	Decal, RH Overlay	
35	1001242173	1	Decal, LH Overlay	
36	1001162734	1	Decal, Joystick Control	
37	1001162735	1	Decal, Sway Control	
38	1001162736	1	Decal, Auxiliary Control	
39	1001263821	1	Decal, Rear Door	
40	1001263819	1	Decal, Right Side Stripe	
41	1001263820	1	Decal, Left Side Stripe	
42	1001189017	1	Decal, Diesel Fuel Fill	
43	1001189327	1	Decal, Main Fuse Panel	
44	1001191635	1	Mirror, RH	
45	1001191992	1	Decal, Lubrication Chart	
46	1001236313	2	Decal, MCO 74HP	
47	1001202627	1	Decal, Maintenance Chart (74HP)	
48	1001246078	1	Decal, Danger Swinging Load	
49	1001219211	1	Decal, Brake Fluid	
54	1001242179	1	Decal, Danger Swinging Load	

SECTION 11 - DECALS

ITEM	PART NUMBER	QTY	DESCRIPTION	REV
55	1001263593	2	Decal, Model Boom Head	

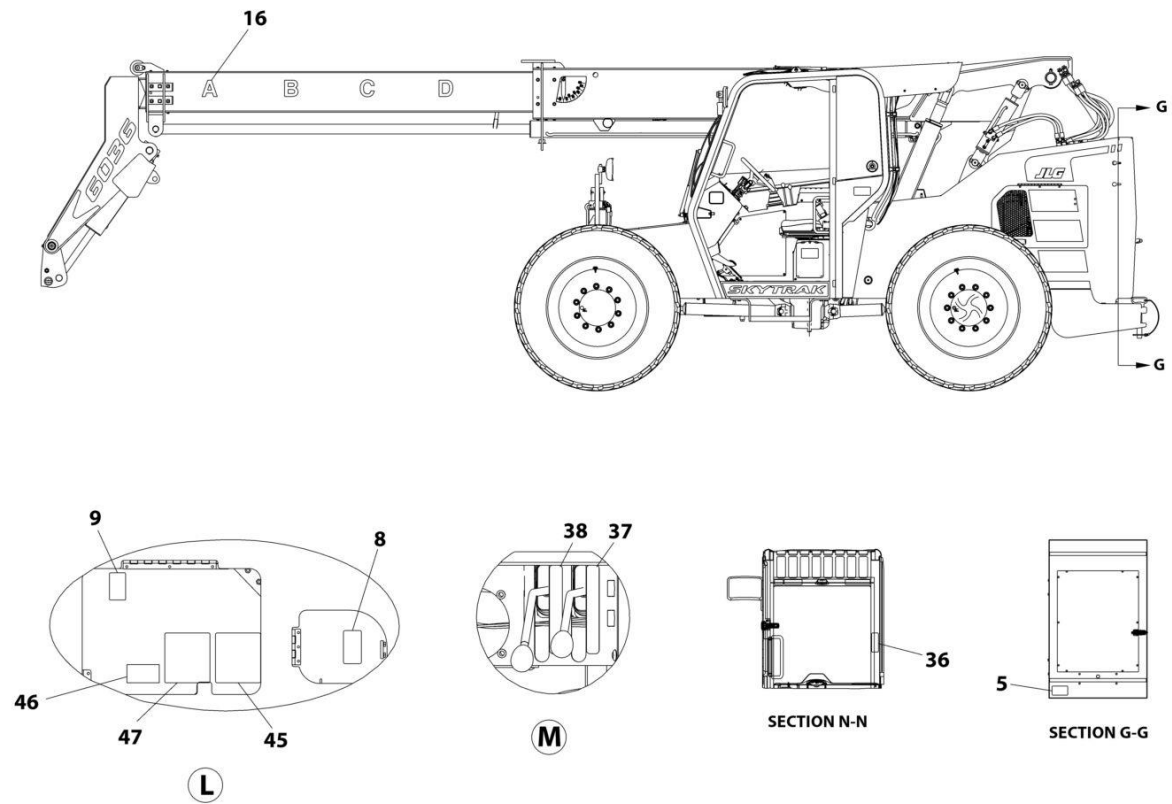
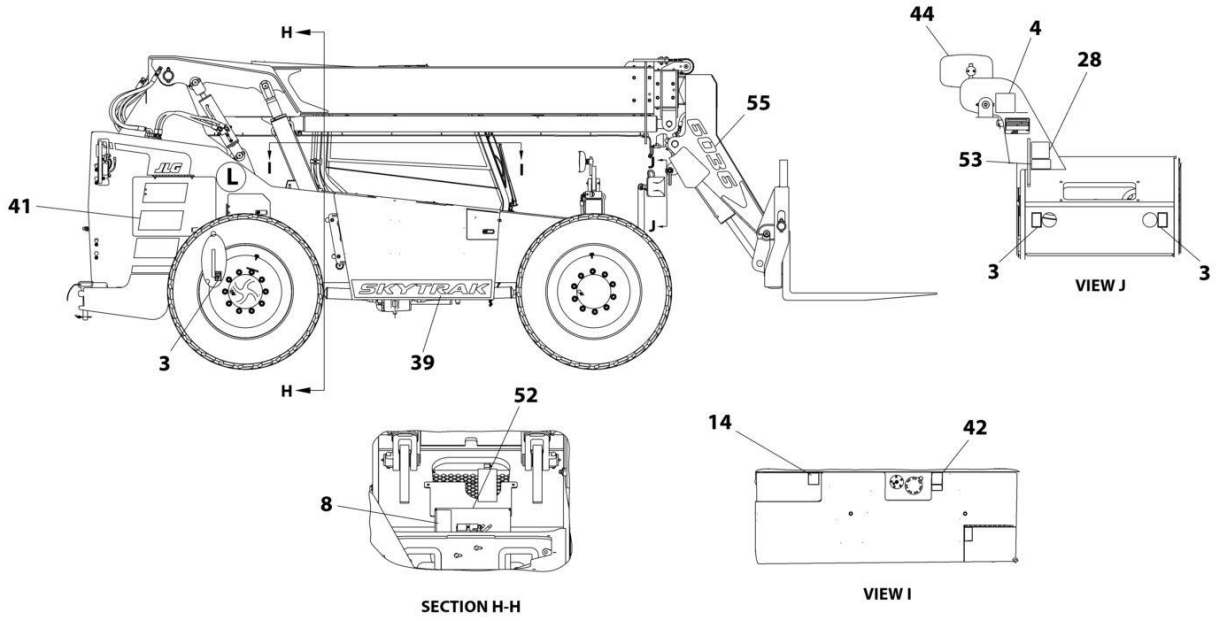
SECTION 11 - DECALS

FIGURE 11-4. DECAL INSTALLATION (ISO)



ART_1001166105_10F2

SECTION 11 - DECALS



ART_1001166105_2OF2

SECTION 11 - DECALS

FIGURE 11-4. DECAL INSTALLATION (ISO)

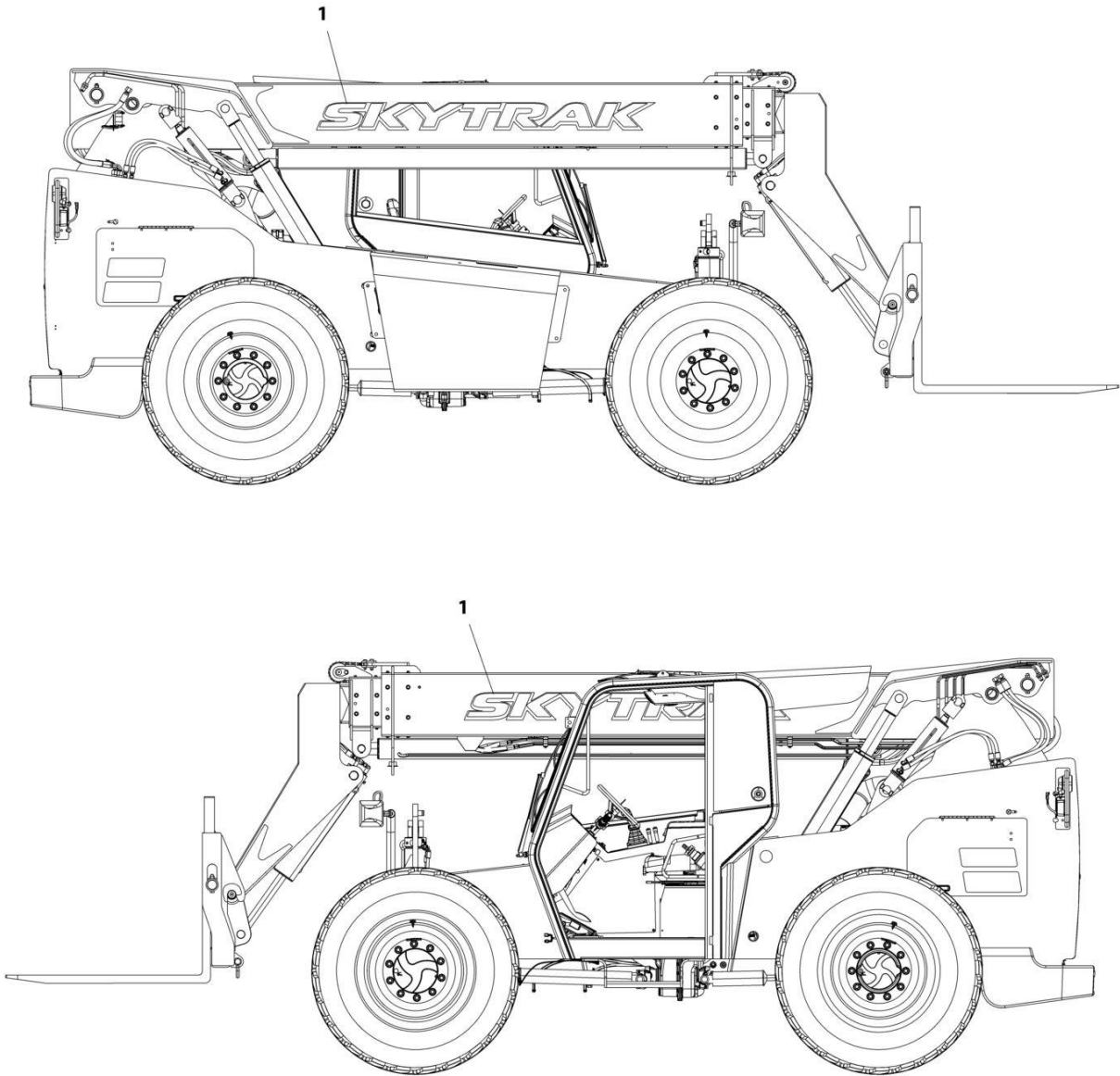
ITEM	PART NUMBER	QTY	DESCRIPTION	REV
	1001166105	Ref	DECAL INSTALLATION (ISO) (6036)	K
1	0700610	2	Bolt M6 x 20	
2	1701640	1	Decal, Manual	
3	1702300	4	Decal, Tie Down	
4	1702631	1	Decal, Bar Code	
5	1706281	1	Decal, Battery Warning	
6	1706282	1	Decal, Carry Personnel	
7	1706284	1	Decal, Electrocution Hazard	
8	1706098	2	Decal, Ether Starting Warning	
9	1706285	2	Decal, Moving Parts	
10	1706288	1	Decal, Tip Over Warning	
11	1001092878	1	Decal, No Riders	
12	1001092877	1	Decal, Crush Hazard Warning	
13	3251813	1	Decal, USA	
14	4100181	1	Decal, Hydraulic Oil Fill	
15	4105262	1	Decal, Boom Angle Indicator	
16	4107442	1	Decal, Boom Extend Letters	
17	4108302	1	Decal, Hydraulic Oil Level	
18	4711600	1	Washer 3/8	
19	8305645	1	Nut 3/8	
20	8307024	2	Washer M6	
21	8466306	1	Gage, Tilt Angle	
22	10139087	1	Tread, Safety	
23	1001096404	1	Sleeve, Angle Indicator Spacer	
24	1001098769	1	Plate, Boom Angle Indicator	
25	1001109053	1	Decal, Coolant Fill	
26	1001114675	1	Arm, Mirror	
28	1001131271	1	Decal, Telehandlers Patent	
29	1001139942	1	Decal, Hot Fluid Warning	
30	1001148177	1	Mirror, Rectangular	
32	1001259303	1	Decal, Tank Side	
33	1001259302	1	Decal, Cab Side	
34	1001158320	1	Decal, LH Overlay	
35	1001158321	1	Decal, RH Overlay	
36	1001162734	1	Decal, Joystick Control	
37	1001162735	1	Decal, Sway Control	
38	1001162736	1	Decal, Auxiliary Control	
39	1001263821	1	Decal, Rear Door	
40	1001263819	1	Decal, Right Side Stripe	
41	1001263820	1	Decal, Left Side Stripe	
42	1001189017	1	Decal, Diesel Fuel Fill	
43	1001189327	1	Decal, Main Fuse Panel	
44	1001191635	1	Mirror, RH	
45	1001191992	1	Decal, Lubrication Chart	
46	1001173423	2	Decal, MCO 85HP	
47	1001174152	1	Decal, Maintenance Chart (85HP)	
47	1001202627	1	Decal, Maintenance Chart (74HP)	
48	1001207218	1	Decal, Danger Swinging Load	
49	1001219211	1	Decal, DEF Fluid	
52	1001142452	1	Decal, No Step	

SECTION 11 - DECALS

ITEM	PART NUMBER	QTY	DESCRIPTION	REV
53	1001143852	1	Decal, LRC EPA	
55	1001263593	2	Decal, Model Boom Head	

SECTION 11 - DECALS

FIGURE 11-5. BOOM DECALS INSTALLATION (6036)



ART_1001158071

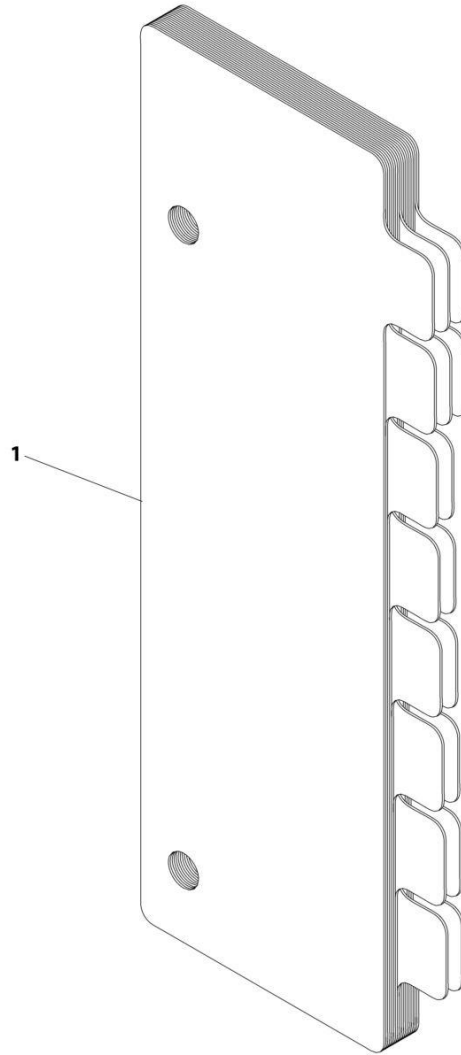
SECTION 11 - DECALS

FIGURE 11-5. BOOM DECALS INSTALLATION (6036)

ITEM	PART NUMBER	QTY	DESCRIPTION	REV
1	1001158071 1001262057	Ref 2	BOOM DECALS INSTALLATION (6036) Decal, Boom	B

SECTION 11 - DECALS

FIGURE 11-6. CAPACITY CHART (ANSI)



ART_1001211867-F

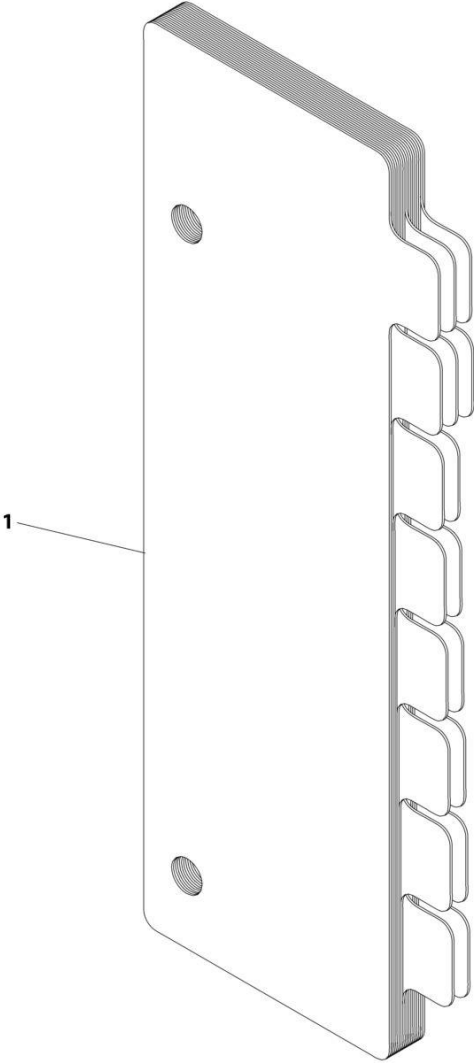
SECTION 11 - DECALS

FIGURE 11-6. CAPACITY CHART (ANSI)

ITEM	PART NUMBER	QTY	DESCRIPTION	REV
1	1001211867	1	Capacity Chart (ANSI) - 6036	F

SECTION 11 - DECALS

FIGURE 11-7. CAPACITY CHART - SUPPLEMENTAL (ISO)



ART_1001211868-F

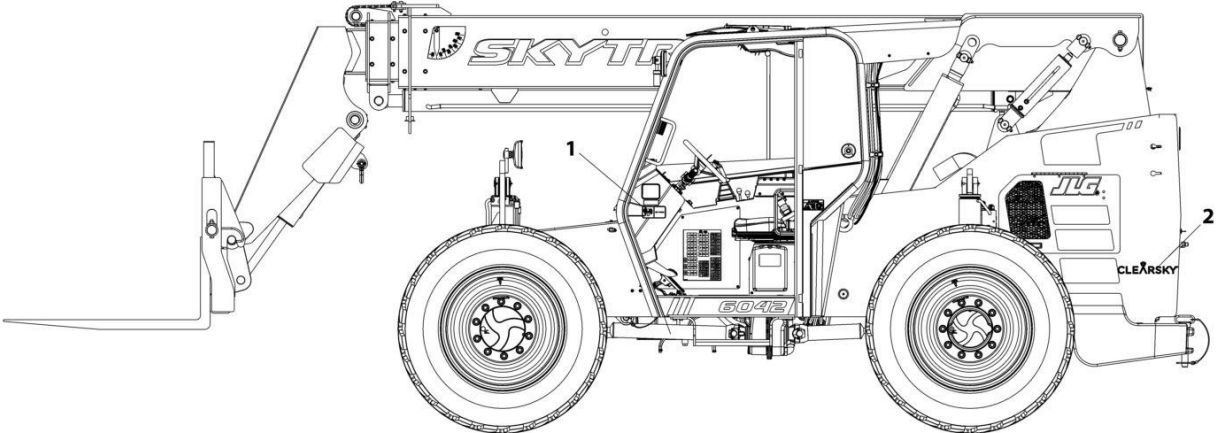
SECTION 11 - DECALS

FIGURE 11-7. CAPACITY CHART - SUPPLEMENTAL (ISO)

ITEM	PART NUMBER	QTY	DESCRIPTION	REV
1	1001211868	1	Capacity Chart (ISO) - 6036	F

SECTION 11 - DECALS

FIGURE 11-8. CLEARSKY DECAL INSTALLATION



ART_1001229703-B

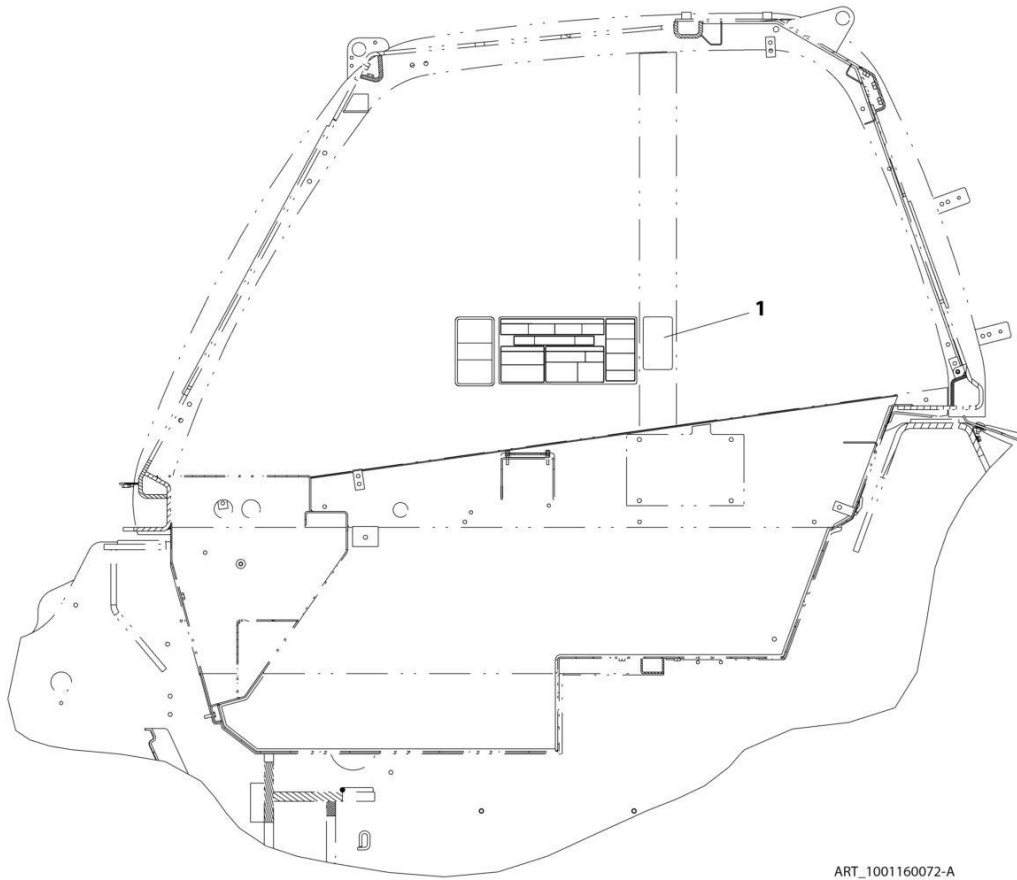
SECTION 11 - DECALS

FIGURE 11-8. CLEARSKY DECAL INSTALLATION

ITEM	PART NUMBER	QTY	DESCRIPTION	REV
	1001229703	Ref	Clearsky Decal Installation	B
1	1001120989	1	Decal, Radio Frequency	
2	1001116208	1	Decal, Clear Sky	

SECTION 11 - DECALS

FIGURE 11-9. REVERSE SENSOR SYSTEM DECAL (ENGLISH)



ART_1001160072-A

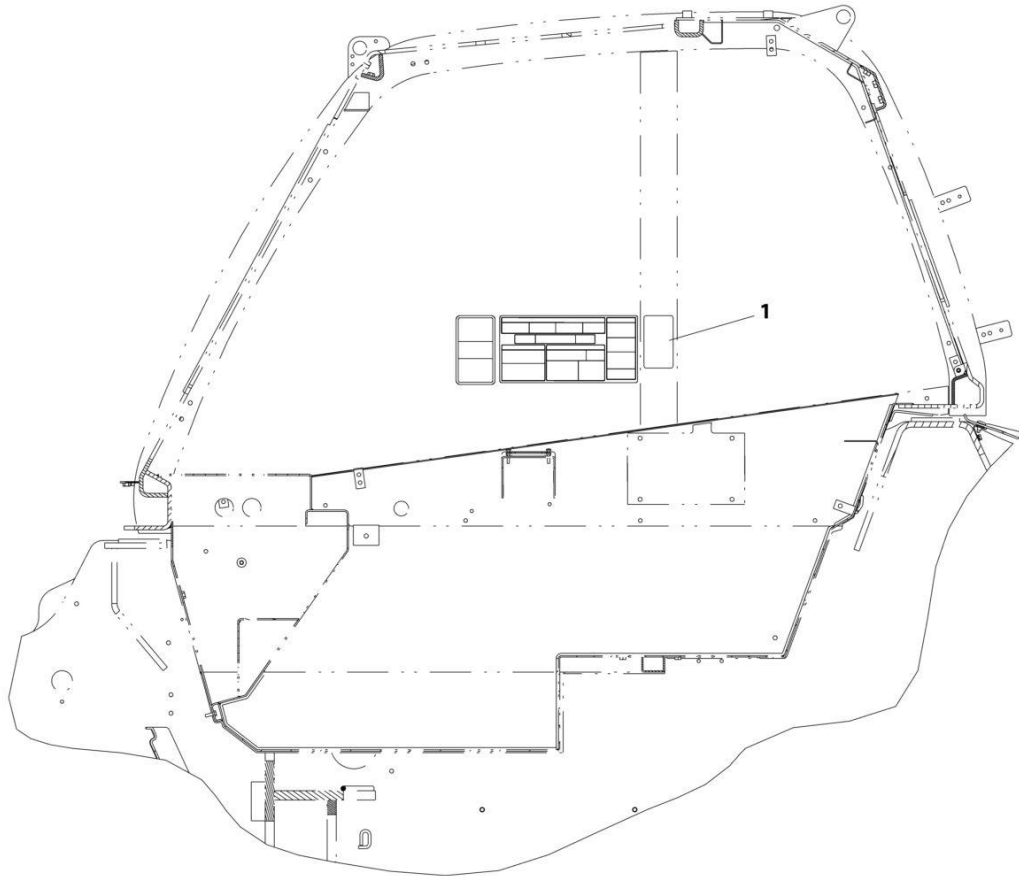
SECTION 11 - DECALS

FIGURE 11-9. REVERSE SENSOR SYSTEM DECAL (ENGLISH)

ITEM	PART NUMBER	QTY	DESCRIPTION	REV
1	1001160072	1	Reverse Sensor System Decal (English)	A

SECTION 11 - DECALS

FIGURE 11-10. REVERSE SENSOR SYSTEM DECAL (ENGLISH/FRENCH)



ART_1001160945-A

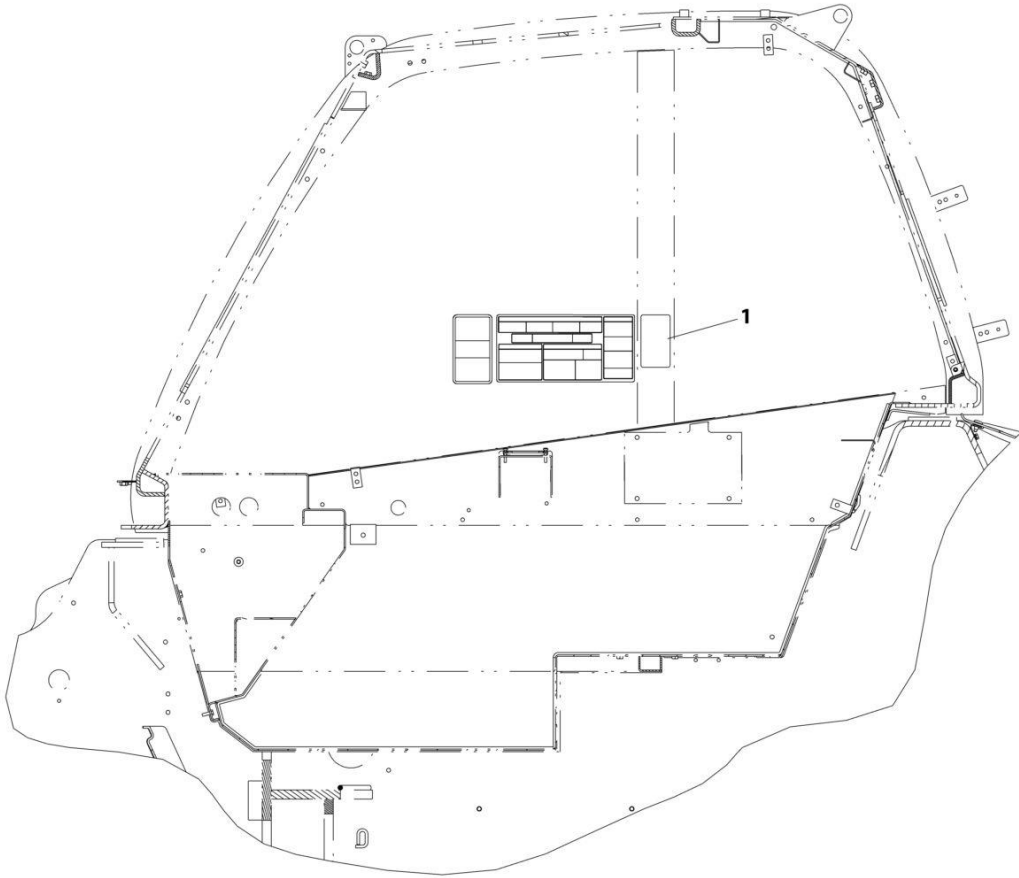
SECTION 11 - DECALS

FIGURE 11-10. REVERSE SENSOR SYSTEM DECAL (ENGLISH/FRENCH)

ITEM	PART NUMBER	QTY	DESCRIPTION	REV
1	1001160945	1	Reverse Sensor System Decal (ENGLISH/FRENCH)	A

SECTION 11 - DECALS

FIGURE 11-11. REVERSE SENSOR SYSTEM DECAL (ENGLISH/SPANISH)



ART_1001237846-A

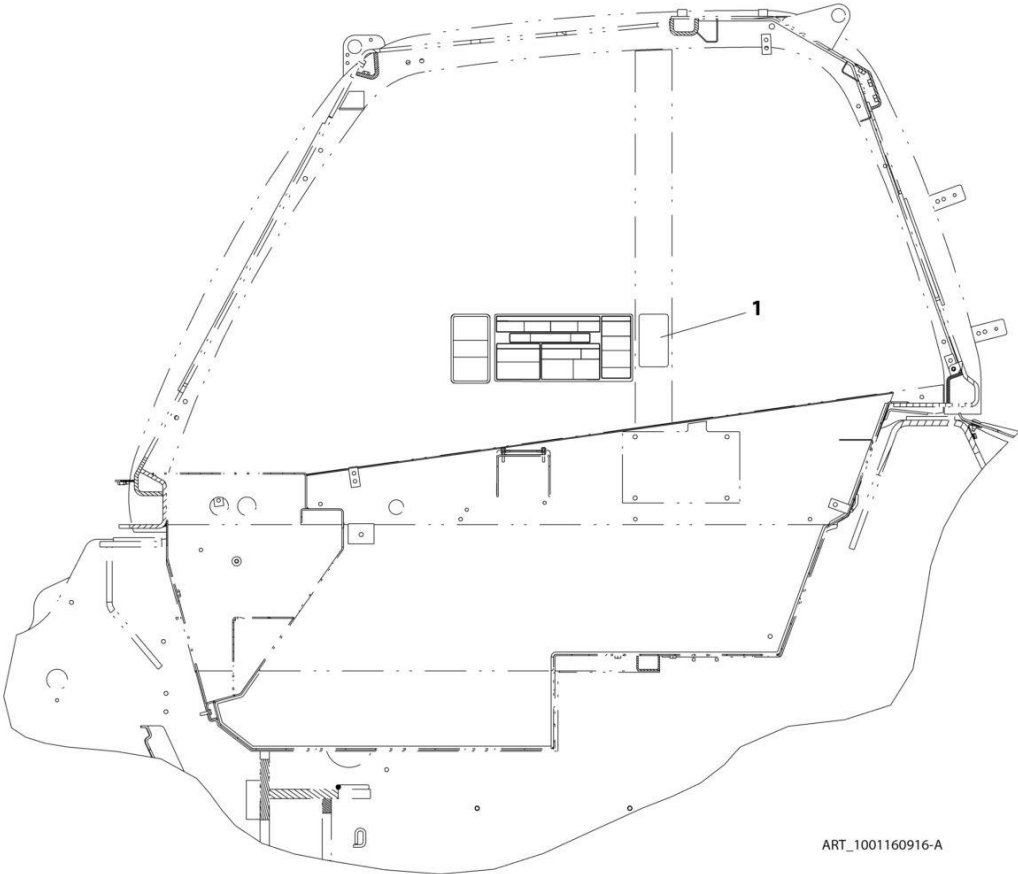
SECTION 11 - DECALS

FIGURE 11-11. REVERSE SENSOR SYSTEM DECAL (ENGLISH/SPANISH)

ITEM	PART NUMBER	QTY	DESCRIPTION	REV
1	1001237846	Ref	REVERSE SENSOR SYSTEM DECAL (ENGLISH/SPANISH LANGUAGES)	A

SECTION 11 - DECALS

FIGURE 11-12. REVERSE SENSOR SYSTEM DECAL (ISO)



ART_1001160916-A

SECTION 11 - DECALS

FIGURE 11-12. REVERSE SENSOR SYSTEM DECAL (ISO)

ITEM	PART NUMBER	QTY	DESCRIPTION	REV
1	1001160916	1	Reverse Sensor System Decal (ISO)	A

SECTION 12 - RECOMMENDED SERVICE PARTS STOCK

SECTION 12 - RECOMMENDED SERVICE PARTS STOCK

SECTION 12 - RECOMMENDED SERVICE PARTS STOCK

FIGURE 12-1. RECOMMENDED SERVICE PARTS STOCK

ITEM	PART NUMBER	QTY	DESCRIPTION	REV
		Ref	Note: The following list will service one machine (built to current production per date on the front cover) with emergency repair parts which can be installed in the field. Parts from the list should be replaced when inventory is depleted to keep service parts stock supplied. For further information, contact your JLG dealer or the JLG Industries Parts Department.	
	70026085	1	Coil (Secondary Control Valve)	
	70026582	1	Coil (Steering Select Valve)	
	1001158002	1	Controller, Pilot Joystick	
	1001173581	1	Controller, Short (Secondary Controls)	
	1001173582	1	Controller, Tall (Secondary Controls)	
	1600429	1	Controller, Transmission	
	8223073	1	Controller, Turn Signal	
		Ref	Engine - 74HP (ULS)	
	70025852	12	Element, Primary Air Cylindrical Filter	
	70025853	12	Element, Secondary Air Cylindrical Filter	
	70026234	12	Element, Primary Fuel Filter	
	70026453	12	Element, Secondary Fuel Filter	
	70026237	12	Filter, Oil	
	8229242	2	Fuse, 5A	
		Ref	Engine - 85HP (LS)	
	1101312	12	Element, Primary Air Filter	
	1101313	12	Element, Secondary Air Filter	
	70026234	12	Element, Primary Fuel Filter	
	70026801	12	Element, Secondary Fuel Filter	
	70026237	12	Filter, Oil	
	1001199205	12	Element, Filter (Hydraulic/Fuel/DEF Tank)	
	7139077	1	Filler/Breather	
	8229261	2	Fuse, 5A (ASOV & Cab Power Harness)	
	8229233	2	Fuse, 7.5A (Cab Power Harness)	
	8229234	2	Fuse, 10A (ASOV & Cab Power Harness)	
	8229237	2	Fuse, 15A (Cab Power Harness)	
	8229235	2	Fuse, 20A (ASOV & Cab Power Harness)	
	8229238	2	Fuse, 40A (Cab Power Harness)	
	1001118245	2	Fuse, 250A (Relay Panel)	
	1001129285	2	Fuse, Mini Diode (Cab Power Harness)	
	1001127699	2	Fuse, Power Module (Relay Panel)	
	8035807	1	Key (Ignition)	
	70021948	1	Key, Cab Door	
	2940074	1	Latch (Personal Basket)	
	1001203181	1	Module, Accessory Control (ASOV)	
	1001226328	1	Module, 3W TCU (ClearSky 3-Wire ANSI)	
	1001233236	1	Module, 3W TCU (ClearSky 3-Wire CE)	
	1001210703	1	Module, Cab Control	
	1001262322	1	Module, ClearSky (Canbus ANSI)	
	1001228954	1	Module, ClearSky (Canbus CE)	
	3740080	1	Relay (ASOV)	
	70026986	1	Relay, 12V 30/40A (Roof Box HVAC)	
	1001186417	1	Relay, 150 Amp (Relay Panel)	

SECTION 12 - RECOMMENDED SERVICE PARTS STOCK

ITEM	PART NUMBER	QTY	DESCRIPTION	REV
	1001205172	1	Relay, Micro 280, 12V, 35 Amp (Cab Power Harness)	
	1001184316	1	Relay, Power Module (Relay Panel)	
	1001245478	1	Sensor, Coolant Level (Deaeration Tank)	
	1001145026	1	Sensor, Fuel (Hydraulic/Fuel/DEF Tank)	
	70026854	1	Sensor, Pressure (Roof Box HVAC)	
	1001169077	1	Sensor, PRS Temperature (Air Cleaner - ULS)	
	1001247421	1	Sensor, Reverse	
	70028514	1	Solenoid (ASOV)	
	70025897	1	Solenoid (Piston Pump)	
	1319702	1	Solenoid (Transmission Valve)	
	1001215941	1	Switch (ASOV)	
	8223038	1	Switch, Beacon	
	8223025	1	Switch, Brake Lights (Roadlight Package)	
	8223060	1	Switch, Hazard (Roadlight Package)	
	1001159850	1	Switch, Heater Control	
	7138878	1	Switch, Horn	
	4360690	1	Switch, Ignition	
	8223054	1	Switch, Park Brake	
	8223037	1	Switch, Steer Select	
	8223044	1	Switch, Windscreen Washer (Enclosed Cab)	
	8223043	1	Switch, Windscreen Wiper (Enclosed Cab)	
	8223059	1	Switch, Work Light (Roadlight & Worklight Package)	

SECTION 13 - SPECIAL OPTIONS/ACCESSORIES/KITS

SECTION 13 - SPECIAL OPTIONS/ACCESSORIES/KITS

SECTION 13 - SPECIAL OPTIONS/ACCESSORIES/KITS

FIGURE 13-1. SPECIAL OPTIONS/ACCESSORIES/KITS

ITEM	PART NUMBER	QTY	DESCRIPTION	REV
	See Note	Ref	Note: This list is to accommodate machines ordered with special equipment. Options may not be applicable to all models. For more specific parts information contact JLG Parts Department.	
		Ref	SPECIAL OPTIONS/ACCESSORIES/KITS	
	1001273266	Ref	Accelerator Extension Harness (for Accelerator 1001264554) (Note: Verify cab power harness version before purchasing)	
	1001273267	Ref	Accelerator Extension Harness (for Accelerator 1001180555) (Note: Verify cab power harness version before purchasing)	
	1001243577	Ref	Access Control Kit	
	1001213547	Ref	Aftermarket Kits	N
	1001239455	Ref	Backup Camera Kit	
	1001214398	Ref	Battery Disconnect Kit	
	8024025	Ref	Boom Chain Kit - Extend	
	8024026	Ref	Boom Chain Kit - Retract	
	2910994	Ref	Boom Wear Pads Kit	
	1001167008	Ref	Brake inlet Pressure Hose Kit	
	1001171117	Ref	Brake Valve Fittings Kit	
	1001201455	Ref	Cab A/C Kit	
	1001154226	Ref	Cab Cooler Vent Kit	
	1001280231	Ref	Cab Door Window Kit	
	1001201453	Ref	Cab Enclosure Kit	
	1001193427	Ref	Cab Enclosure Kit with Heater	
	1001193428	Ref	Cab Enclosure Kit with HVAC	
	1001201454	Ref	Cab HVAC Kit	
	1001201456	Ref	Cab Heater Kit	
	1001162831	Ref	Cab Window Dropout Kit (ANSI)	
	1001162832	Ref	Cab Window Dropout Kit (English/French)	
	1001162833	Ref	Cab Window Dropout Kit (ISO)	
	1001268341	Ref	Camera Kit - Multi-View Rear	
	1001243184	Ref	ClearSky Telematics Kit - Canbus (CE)	
	1001243183	Ref	ClearSky Telematics Kit - Canbus (North America)	
	1001276923	Ref	ClearSky Telematics Add-on Kit (Contact JLG for Approved Countries)	
	1001242196	Ref	Cold Weather Kit	
	1001238934	Ref	Cold Weather - w/ Crankcase Breather Heater	
	1001262151	Ref	Decal Kit	
		Ref	Electrical Connector Kits	
	1001148902	Ref	Amp/Tyco Electrical Connectors	
	1001148903	Ref	Deutsch DT Electrical Connectors	
	1001148904	Ref	Deutsch HD Electrical Connectors	
	1001148905	Ref	Packard Electrical Connectors	
	1001148906	Ref	Various Electrical Connectors	
	1001177168	Ref	Engine Removal Brackets Kit	
	1001128806	Ref	Fan Shroud Kit	
	1001201461	Ref	Fender Kit	
	1001199737	Ref	Filter Kit - 250Hour	
	1001199738	Ref	Filter Kit - 1000Hour	
	1001239988	Ref	Fire Extinguisher Kit	
	1001253916	Ref	Latch Catch Kit (ANSI)	

SECTION 13 - SPECIAL OPTIONS/ACCESSORIES/KITS

ITEM	PART NUMBER	QTY	DESCRIPTION	REV
	1001201459	Ref	Lights - Beacon Lights Kit	
	1001213944	Ref	Lights - Roadlights Kit (Eaton Brakes)	
	1001201458	Ref	Lights - Roadlights Kit (Safim Brakes)	
	1001238893	Ref	Lights - Worklight Kit (LED)	
	1001188068	Ref	Luk Coupler Kit	
	1001253829	Ref	Reverse Sensing System Kit	
	1001130717	Ref	Service Kits	Z
	1001265373	Ref	Skytrak Telematics Harness Kit	
	1001274718	Ref	Tire Kit (Set of 4) Solid 13x24 Directional	
	1001248570	Ref	Tire Kit (Set of 4) G2 13x24 Foam-Filled	
	1001248571	Ref	Tire Kit (Set of 4) G2 13x24 Pneumatic	
	1001274257	Ref	Tire Kit (Set of 4) Solid 13x28 Directional	
	1001274302	Ref	Tire Kit (Set of 4) Solid 13x28 Non-Directional	
	1001274721	Ref	Tire Kit (Set of 4) Solid 14x24 Directional	
	1001274305	Ref	Tire Kit (Set of 4) Solid 14x28 Directional	
	1001274307	Ref	Tire Kit (Set of 4) Solid 14x28 Non-Directional	
		Ref	Tools for Service	
	1001249695	Ref	Analyzer and Cable Kit	
	1001249941	Ref	Analyzer and Cable Kit (Battery Powered)	
	70022871	Ref	Counter Support, ZF Transmission	
	7002821	Ref	Crimper, Wire	
	70023174	Ref	Eye Bolt Assortment, ZF Transmission	
	70022872	Ref	Internal Extractor, 45-58mm, ZF Transmission	
	7002823	Ref	Pin Extractor - Universal (For Electrical Connectors with Pins and Sockets)	
	4460510	Ref	Pin Extractor - 12-14 Gauge (For Removal of Pin/Sockets from Deutsch Connectors)	
	4460467	Ref	Pin Extractor - 16-18 Gauge (For Removal of Pin/Sockets from Deutsch Connectors)	
	1001281475	Ref	Quick Oil Drain Valve	
	7016654	Ref	Screwdriver, Magnetic	
	7002822	Ref	Screwdriver, Potentiometer	
	7004275	Ref	Seal Tool 1in (For Cylinders)	
	7004276	Ref	Seal Tool 1-1/2in (For Cylinders)	
	70026448	Ref	Spanner Wrench	
	7002828	Ref	Stripper, Wire	
	70010239	Ref	Two-Armed Puller, 160-150mm, ZF Transmission	
	1001262436	Ref	Turf Tire Kit	
	1001262959	Ref	Voltage Regulator Relocation Kit (for ClearSky)	
	1001200204	Ref	White Noise Alarm Kit	
	1001213885	Ref	White Noise Alarm Kit	

SECTION 13 - SPECIAL OPTIONS/ACCESSORIES/KITS

PART NUMBER INDEX

SECTION 13 - SPECIAL OPTIONS/ACCESSORIES/KITS

0100009.....539, 541	0760605 171	1001099351 65	100116751.....585
0100011....91, 93, 97, 99, 103, 105, 171, 173, 179, 181, 413, 455	0760608 207, 209	1001099699 379	100116757.....576, 577, 581, 582
0100019.....17, 19	0760610 25	1001099901 71	100116758.....576, 577, 581, 582
01043892.....211	0760614 173	1001099902 67	100116774.....529, 546
0140011.....615	0760810.... 173, 185, 201	1001099976 309, 311, 315, 317	100116808.....529, 546
0240156.....133	0760812.... 199, 201, 303	1001100082 379	100116812.....529, 546
0400075.....535	0760815 183	1001100227 143	100116815.....529, 565
0630464.....367, 369	0761012 209, 213	1001100228 147	100116945.....527
0641403.....365	0761014 173	1001100229 145	100116950.....578, 583
0641404.....520, 524	0761017 69, 73	1001100265 77	100117021.....543, 578, 582, 601, 617
0641405.....57, 193, 195	0761212 520, 524	1001100266 79	100117026.....609, 617
0641406.....531	0771618 171, 173	1001100267 83	100117059.....585
0641410....551, 553, 615	0860520 57	1001100284 309, 311	100117068.....576, 581
0641415.....611	0930020 81	1001100323 309	100117070.....577, 583
0641507.....199	1001003174 547	1001100822 77	100117079.....597
0641508.....193, 195	1001004720 215, 217, 615	1001100823 79	100117080.....585
0641509.....193, 195	1001008742 367, 369	1001100824 83	100117081.....623
0641510.....163	1001081049 336, 340, 346, 350, 356, 360, 367, 369	1001100967 63	100117103.....578, 583
0641511.....171	1001081241 365	1001101115 143, 147	100117106.....546
0641512.....587	1001081242 365	1001101116 143, 145	100117111.....578, 583
0641514.....603	1001081243 367, 369	1001101861 34	100117119.....546, 547
0641605.....520, 524	1001081246 365	1001102844 336, 340, 346, 350, 356, 360	100117125.....578, 582
0641607.....199, 201	1001081247 365	1001103182 107, 483	100118245.....611, 660
0641608.....173	1001081266 365	1001105886 619	100118378.....529, 546
0641609.....207	1001081310 383, 405	1001108524 225	1001184495.....621
064161291, 97, 103, 207, 449	1001090063 .. 91, 97, 103	1001108575 365	100119004.....577, 582
0641614.....193, 195	1001090064 .. 91, 97, 103	1001108668 140	100119278.....537
0641618....17, 19, 21, 23, 25	1001090140 ... 91, 93, 97, 99, 103, 105	1001109053 628, 632, 636, 640	1001120083.....185
0641620.....533, 615	1001091885 495	1001109478 367, 369	1001120869.....193, 195
0641632.....533	1001091901 .. 17, 19, 495	1001110704 107, 109	1001120914....91, 93, 97, 99, 103, 105
0641636.....365	1001092481 51	1001111112 367, 369	1001120915....91, 93, 97, 99, 103, 105
0641652.....365	1001092482 51	1001111190 107, 109, 140	1001120963.....309
0642032....87, 91, 93, 95, 97, 99, 101, 103, 105	1001092877 640	1001112612 527, 546, 565	1001120989.....649
0681810....91, 93, 97, 99, 103, 105	1001092878 640	1001112796 565	1001121101.....311
0682648.....17, 19	1001093171 137	1001114495 215, 217	1001121519.....311
0700610....628, 632, 636, 640	1001093273 133	1001114675 628, 632, 636, 640	1001121726.....547
0700614.....163, 587	1001093377 133, 143	1001114867 336, 340, 346, 350, 356, 360	1001121728.....547
0700617371, 373	1001093465 133	1001116208 649	1001121730.....547, 578, 583
0700812.....201	1001093564 537	1001116692 578	1001125027.....578, 582, 585
0700822.....371	1001094312 365	1001116693 565	1001125387.....628
0700827.....179, 181	1001094330 133	1001116710 548	1001125784.....546
0700828.....373, 413	1001094696 619	1001116712 548, 599	1001125785.....546
0701026.....203, 205	1001094830 133	1001116720 623	1001126008.....529, 546
0701216.....209	1001095418 107, 109	1001116723 585	1001126351.....581
0701219.....199, 201	1001095650 303	1001116726 547	1001126353.....581
0711214....171, 173, 179, 199, 201	1001095810 57	1001116727 547, 576, 581	1001126356.....581
0711219.....171, 173	1001096019 55	1001116728 543, 576, 577, 578, 581, 582, 617	1001127066.....623
0711227.....171, 173	1001096020 55	1001116729 547, 576, 581, 609	1001127699.....611, 660
0711627.....171, 173	1001096021 53	1001116731 565	1001127700.....611
0711628.....171, 173	1001096023 53	1001116732 577, 583	1001128341.....193, 195
0712040.....267	1001096024 55	1001116733 577, 583	1001128363.....199
0721004.....379	1001096025 53	1001116734 577, 583	1001128364.....199
0741610....91, 93, 97, 99, 103, 105	1001096404 628, 632, 636, 640	1001116736 585, 597	1001128594.....175, 177
0760405....67, 69, 71, 73, 77, 79, 83, 87, 91, 93, 95, 97, 99, 101, 103, 105, 107, 109	1001097079 605	1001116745 547, 576, 581, 617	1001128806.....664
0760505.....379	1001097080 607	1001116747 601	1001128890.....61
	1001097205 137	1001116748 546, 577, 582	1001128901.....199
	1001098769 628, 632, 636, 640		1001129285.....548, 660
	1001099113 ... 91, 93, 97, 99, 103, 105		1001129407.....563
	1001099115 ... 91, 93, 97, 99, 103, 105		1001129615.....611

SECTION 13 - SPECIAL OPTIONS/ACCESSORIES/KITS

1001130717 665	1001158002..... 411, 457, 660	1001163300..... 632	1001169816 623
1001131271 628, 632, 636, 640	1001158004..... 457, 459	1001163304..... 632	1001170117 193, 195
1001133072 97, 103	1001158071..... 643	1001163323..... 632	1001170186 193, 195
1001133173 581	1001158266..... 471	1001163355..... 632	1001170230 611
1001133534 207	1001158272..... 628	1001163414..... 91, 93, 97, 99, 103, 105, 481	1001170233 520, 524, 611
1001134488 193, 195	1001158319..... 628	1001163685..... 469	1001170234 520, 524, 613
1001135770 613	1001158320..... 640	1001164096..... 369	1001170235 613
1001135777 613	1001158321..... 640	1001164099..... 369	1001170329 27, 29
1001136358 207, 209	1001158337..... 471	1001164196..... 373	1001170738 336, 340, 346, 350, 356, 360
1001136975 207, 209, 215, 217	1001158404..... 371, 373	1001164282..... 367	1001171117 664
1001137512 131	1001158527..... 473	1001164284..... 367	1001171234 520, 524
1001138642 581	1001158528..... 471, 473	1001164717 367, 369	1001171236 520, 524
1001138643 581	1001158854..... 439, 459	1001165275..... 365	1001171237 520, 524
1001138645 173	1001158856..... 439, 471	1001165276..... 365	1001171238 520, 524
1001139578 628	1001159186..... 546, 547	1001165517 171, 173	1001171239 520, 524
1001139942 640	1001159319..... 21, 23, 25	1001165518..... 171, 173	1001171383 23, 25
1001142452 640	1001159844..... 371, 373, 385	1001165617..... 343, 353, 363	1001171385 21, 23, 25
1001143551 529	1001159850..... 346, 350, 661	1001165660..... 171, 173	1001171633 520, 524
1001143852 641	1001159851..... 356, 360	1001165668..... 169, 205	1001171757 520, 524
1001144147 529, 565	1001159856..... 367, 369, 381	1001165669..... 167, 185	1001171802 209
1001144629J 57	1001159856..... 367, 369, 381	1001165670..... 169, 195	1001171803 209
1001145026 27, 29, 661	1001159860..... 367, 401	1001165672..... 167, 209	1001171805 207, 209
1001145707 577, 583	1001159861..... 369, 397	1001165673..... 167, 217	1001171806 356, 360, 373
1001146160 61	1001159869..... 421, 433	1001165806..... 365, 367, 369	1001171807 346, 350, 371
1001147265 269	1001159878..... 336, 340, 346, 350, 356, 360	1001165818..... 185	1001171873 421, 475
1001147377 269, 271, 273, 275, 277, 279, 283, 285	1001160071..... 389	1001165823..... 353, 367	1001171986 475
1001147378 267, 269	1001160072..... 651	1001166008..... 181	1001172537 371, 373
1001147379 267, 287, 289, 291, 293, 295, 299, 301	1001160116..... 171, 173	1001166009..... 259	1001172561 371, 373
1001147874 267	1001160250..... 17, 19	1001166030..... 524	1001173217 371, 373
1001148177 628, 632, 636, 640	1001160785..... 367, 369	1001166034..... 169	1001173230 471
1001148902 664	1001160787..... 391	1001166105..... 640	1001173423 640
1001148903 664	1001160788..... 343, 353, 363	1001166229..... 167, 169, 213	1001173535 173
1001148904 664	1001160790..... 343, 353, 363	1001166237 17	1001173581 417, 660
1001148905 664	1001160791..... 343, 353, 363	1001166566..... 185, 189	1001173582 415, 660
1001148906 664	1001160815..... 343	1001166715..... 183	1001174152 640
1001149227 343, 367, 369	1001160825..... 421, 443	1001166935..... 199, 201	1001174227 17, 19
1001149712 546, 565	1001160912..... 393	1001167008..... 664	1001174229 17, 19
1001150349 267	1001160916..... 657	1001167250 391	1001174327 199, 201
1001150652 303	1001160945..... 653	1001167251 393	1001174340 413
1001150655 303	1001161212..... 539	1001167357 179, 181	1001174375 455
1001150656 303	1001161213..... 541	1001167641 577	1001174822 205
1001151097 329	1001161213..... 541	1001167643 577	1001175568 207, 209
1001151098 329	1001161920..... 171, 173	1001167644 577	1001175733 617
1001151106 329	1001162734..... 628, 632, 636, 640	1001167646 577	1001176337 587, 589, 591, 603, 605, 607
1001153748 467, 515	1001162735..... 628, 632, 636, 640	1001167647 577	1001176515 59
1001153912 197	1001162736..... 628, 632, 636, 640	1001167648 577	1001177168 664
1001154055 303	1001162804..... 387, 389, 391, 393	1001167649 577	1001177198 548, 599
1001154226 664	1001162806..... 389	1001167793 21, 23	1001177746 365, 367, 369
1001154375 615	1001162831..... 664	1001168051 185	1001178224 427
1001154790 173, 177	1001162832..... 664	1001168052 185	1001178285 520, 524, 546
1001155927 34	1001162833..... 664	1001168053 185	1001178345 539, 541, 543
1001155928 34	1001163174..... 632	1001168066..... 363, 369	1001178346 587, 597
1001156013 34, 489	1001163206..... 632	1001168478 195, 221	1001178347 346, 350, 356, 360, 585
1001156283 21, 23, 25	1001163210..... 632	1001168930 21, 23, 25	1001178349 367, 369, 623
1001157663 179, 181	1001163212..... 632	1001169057 199, 201	1001178582 193, 195
1001157890 529, 546, 547, 578	1001163222..... 632	1001169059 193, 195	
1001157891 585, 597	1001163285..... 632	1001169077 185, 661	
		1001169271 217	
		1001169272 215, 217	
		1001169274 215, 217	
		1001169466 19, 27	
		1001169787 365	

SECTION 13 - SPECIAL OPTIONS/ACCESSORIES/KITS

1001178776..27, 29, 193, 195, 207	1001186841 520, 524, 535	1001196127 167	1001202189..... 343, 353, 363
1001179229.....371, 373	1001187078 529	1001196128 367, 369	1001202202..... 343, 353, 363
1001179375209	1001187952 548	1001196279 23	1001202247 191
1001179845..... 193, 195	1001188068 665	1001196290 421, 453	1001202304..... 191
1001180175.....632	1001189017 628, 632, 636, 640	1001196293 421, 445	1001202467..... 421, 441
1001180176.....632	1001189318 215	1001196388 421, 463	1001202615..... 343
1001180227201	1001189327 628, 632, 636, 640	1001196396 199	1001202626..... 628, 632
1001180244213	1001189488 524, 581	1001196397 199	1001202627..... 628, 632, 636, 640
1001180473..... 171, 173	1001189602 215	1001196650 421, 449	1001202746..... 343, 353, 363
1001181576.....455	1001189712 215	1001196665 171, 175	1001202755..... 628
1001181584..... 193, 195	1001189715 215	1001196668 421, 447	1001202756..... 632
1001181585..... 193, 195	1001189871 615	1001196669 447	1001202904..... 149, 151, 153, 155, 157, 159, 161
1001181707.....367, 369	1001189875 576, 577, 581, 582	1001196671 447	1001203181..... 191, 660
1001181893.....367, 369	1001189877 581	1001196736 167, 203	1001203503..... 163
1001181899.....520, 524	1001189886 615, 617	1001196737 167, 193	1001203969..... 215, 217
1001181903.....367, 369	1001190005 183	1001197098 367, 369	1001203970..... 217
1001181956.....336, 340	1001190183 183	1001197099 365, 367, 369	1001204032..... 191, 505
1001181968.....367, 369	1001190229 336, 346, 356, 375	1001197233 173, 179	1001204045..... 34
1001182091.....367, 369, 539, 559	1001190295 179	1001197421 421, 469	1001204097..... 215, 217
1001182094.....209	1001190306 19	1001197422 465, 469	1001204098..... 215, 217
1001182135365	1001190341 21, 23, 25	1001197475 193, 219	1001204099..... 217
1001182255..... 193, 195, 197	1001190344 207	1001198355 163	1001204362..... 356, 360
1001182408365	1001190349 207	1001198728 533	1001204692..... 551, 553, 615
1001182470.....367, 369, 405	1001190370 207	1001199116 27, 29	1001205172..... 547, 599, 661
1001182514365	1001190371 207	1001199135 27, 29	1001205248..... 587, 599, 603
1001182603209	1001190372 207	1001199136 27, 29	1001205264..... 587, 603
1001182663365	1001190629 207	1001199177 27, 29	1001205684..... 17
1001182723373	1001190630 207	1001199181 27, 29	1001205748..... 421
1001182798373	1001190631 207	1001199199 27	1001205753..... 437, 439
1001182800365	1001190662 201	1001199205 .. 27, 29, 660	1001205754..... 421, 439
1001182808365	1001190962 201	1001199210 27, 29	1001206542..... 531
1001182810365	1001190990 201	1001199737 664	1001206543..... 533
1001182842365	1001191635 628, 632, 636, 640	1001199738 664	1001206956..... 191
1001182865365	1001191992 628, 632, 636, 640	1001199889 520, 576	1001206983..... 191
1001182871365	1001192015 447	1001199891 520	1001206985..... 191
1001182882365	1001192049 548	1001200204 665	1001207173..... 555
1001182883365	1001192050 548	1001200833 546	1001207217..... 628
1001182884365	1001192091 173	1001200845 547	1001207218..... 640
1001183084365	1001192134 173	1001201111 207, 209	1001207606..... 135
1001183104365	1001192134 173	1001201453 664	1001207963..... 336, 340, 347, 351, 357, 361
1001183164..... 336, 340, 346, 350, 357, 361	1001192401 578, 583	1001201454 664	1001208280..... 25
1001183209365	1001192711 163	1001201455 664	1001208662..... 17, 19
1001183341409	1001192720 163	1001201456 664	1001209097..... 583
1001183370437	1001192875 163	1001201458 665	1001209223..... 437
1001184316..... 611, 661	1001192876 163	1001201459 665	1001210351..... 203
1001184491621	1001192877 163	1001201461 664	1001210703..... 336, 340, 346, 350, 356, 360, 660
1001184493621	1001193427 664	1001201559 19	1001210776..... 548
1001184496621	1001193428 664	1001201561 17, 19	1001210777..... 548
1001184835..... 520, 621	1001193540 163	1001201658 336, 340, 347, 351, 357, 361	1001210778..... 548
1001185071213	1001193729 163	1001201721 435, 507	1001210779..... 548
1001185649..... 169, 201	1001194757 423	1001201726 437	1001210818..... 34
1001185650..... 169, 173	1001195055 578, 583	1001201728 437	1001210854..... 437
1001185651 169, 183	1001195057 578, 583	1001201734 437	1001210855..... 437
1001185652 169, 215	1001195087 578, 583	1001201752 587	1001210856..... 437
1001185776 346, 350	1001195760 547	1001201831 185	1001210857..... 437
1001185777 356, 360	1001195826 17, 19	1001201923 17, 19	1001210858..... 425, 429
1001186373..... 171	1001195913 559	1001201945 215, 217	1001211139..... 107, 109
1001186417 611, 660	1001195952 17, 19	1001201983 217	
1001186490..... 169, 207	1001195970 75	1001201987 421, 423	
1001186535..... 25	1001196109 447	1001201988 423, 425	
1001186718 173	1001196110 .. 17, 19, 487	1001201989 421, 427	
	1001196124 167, 171	1001201990 427, 429	
	1001196125 167, 199	1001202043 429	

SECTION 13 - SPECIAL OPTIONS/ACCESSORIES/KITS

1001211278 632	1001231400..... 527, 529	1001241305..... 379	1001254108 451
1001211516 101	1001231401..... 529	1001241838..... 315, 317	1001254109 451
1001211688 173	1001231402..... 529	1001241839..... 315	1001254386 455
1001211690 25	1001231404..... 527, 529	1001241840..... 317	1001255901 569
1001211697 173	1001231406..... 529	1001241846..... 315	1001256067 415, 417
1001211867 645	1001231560..... 191, 527	1001241847..... 317	1001256068 413, 417
1001211868 647	1001231692..... 61	1001242172..... 636	1001256069 413, 415
1001211945 421	1001231801..... 629	1001242173..... 636	1001256070 413
1001212670 183	1001232216..... 487	1001242179..... 636	1001256519 336, 340, 346, 350, 356, 360
1001213118 449	1001232355..... 127	1001242196..... 664	1001257571 463
1001213199J 313	1001232439..... 211	1001242644..... 85	1001258100 379
1001213547 664	1001232500..... 61	1001242914..... 636	1001258244 403
1001213574 533	1001232599..... 211	1001242916..... 387	1001258245 403
1001213885 665	1001232624..... 211	1001242925..... 455, 511	1001258991 535
1001213938 217	1001232750..... 211, 571	1001242996..... 35, 45	1001259206 115
1001213944 665	1001233174..... 551, 553	1001243025..... 45	1001259302 628, 632, 636, 640
1001214398 664	1001233217..... 551, 553	1001243026..... 45	1001259303 628, 632, 636, 640
1001215159 421, 451	1001233236..... 660	1001243183..... 664	1001259635 319
1001215941 191, 661	1001233383..... 91	1001243184..... 664	1001260509 621
1001216455 191, 529	1001233384..... 97	1001243219..... 45	1001262057 643
1001216589 21	1001233385..... 103	1001243577..... 664	1001262151 664
1001218358 529	1001233434..... 551, 553	1001244302..... 469	1001262322 559, 660
1001218659 628	1001233828..... 551, 553	1001245478..... 197, 661	1001262327 559
1001219082 191	1001233976..... 551, 553, 555	1001246001..... 319	1001262436 665
1001219211 632, 636, 640	1001234098..... 571, 573, 619	1001246078..... 636	1001262959 665
1001220260 365	1001234216..... 537, 571, 573	1001246391..... 578	1001263010 321
1001221500 313	1001234531..... 571	1001246735..... 343, 363	1001263593 629, 633, 637, 641
1001223050 409, 435	1001235725..... 217	1001246736..... 336, 340, 343	1001263819 628, 632, 636, 640
1001223052 336, 340, 347, 351, 357, 361, 409	1001235794..... 636	1001246737 347, 351, 353	1001263820 628, 632, 636, 640
1001223453 628, 632	1001235796..... 636	1001246738..... 357, 361, 363	1001263821 628, 632, 636, 640
1001225317 303	1001235797..... 636	1001247421 615, 661	1001264534 551, 553
1001226328 660	1001235798..... 636	1001248570..... 665	1001264536 551, 553
1001226400 563	1001235799..... 636	1001248571..... 665	1001264554 336, 340, 346, 350, 356, 360
1001226541 565	1001235801..... 636	1001249695..... 665	1001264699 321
1001226636 565	1001235802..... 636	1001249941..... 665	1001264712 321
1001226637 565	1001235803..... 636	1001251270..... 587, 589	1001265272 365
1001226799 561	1001235804..... 636	1001251271..... 587, 591	1001265277 365
1001226856 559, 561, 565	1001235805..... 636	1001251423..... 461, 503	1001265373 665
1001227066 563	1001236313..... 636	1001251426..... 449, 461	1001265679 551, 553
1001227068 563	1001237846..... 655	1001251494..... 587	1001265680 551, 553
1001227077 191	1001237847..... 603	1001252952..... 453, 455	1001265914 336, 340, 347, 351, 357, 361
1001227211 17, 29	1001237853..... 603, 605	1001252986..... 319	1001265979 551, 553
1001227266 563	1001237854..... 603, 607	1001253829..... 665	1001265980 551, 553
1001227379 121	1001238111..... 587, 601, 603	1001253916..... 664	1001265982 551, 553
1001227382 125	1001238199..... 587, 603, 609	1001254087..... 433	1001265986 551
1001227459 559	1001238560..... 57, 163	1001254088..... 445	1001265987 551, 553
1001227508 449	1001238565..... 51, 53, 55, 57	1001254089..... 445	1001266771 465, 513
1001227670 59, 63, 67, 69, 71, 73, 77, 79, 81, 83, 85, 87, 89, 91, 93, 95, 97, 99, 101, 103, 105, 107, 109, 135, 140, 149	1001238566..... 163	1001254090..... 469	1001267967 .. 17, 19, 499
1001227964 191	1001238570..... 163	1001254092..... 469	1001268341 664
1001228508 21	1001238653..... 51	1001254093..... 469	1001271586 539, 541
1001228677 467, 469	1001238654..... 53	1001254094..... 459	1001272659 557, 567
1001228954 561, 660	1001238655..... 55	1001254095..... 459	1001272997 569
1001229703 649	1001238655..... 665	1001254096..... 459	1001273012 557, 567, 569
1001230239 61	1001238893..... 665	1001254097..... 459	1001273266 664
1001230241 61	1001238934..... 664	1001254098..... 459	1001273267 664
1001230402 529	1001239250..... 561	1001254099..... 459	1001273850 387
1001230931 546	1001239455..... 664	1001254100..... 471	1001274255 325
1001231397 527, 529	1001239539..... 191	1001254101..... 471	1001274256 325
1001231398 529	1001239734..... 91, 93, 97, 99, 103, 105	1001254102..... 441	
	1001239959..... 573	1001254103..... 441	
	1001239988..... 664	1001254104..... 449	
		1001254105..... 449	
		1001254106..... 443	
		1001254107..... 443	

SECTION 13 - SPECIAL OPTIONS/ACCESSORIES/KITS

1001274257.....	325, 665	1319557.....	243	1319633.....	237, 247	1319725.....	245
1001274301.....	327	1319558.....	243	1319634.....	239	1319726.....	245
1001274302.....	327, 665	1319563.....	243	1319635.....	239	1320022....	215, 336, 340, 346, 350, 356, 360
1001274305.....	665	1319565.....	243	1319636....	239, 249, 251	1321094.....	175, 177
1001274307.....	665	1319566.....	243	1319637.....	249	1322039.....	175, 177
1001274715.....	323	1319569.....	241	1319638.....	249, 251	1322040.....	175, 177
1001274717.....	323	1319570.....	241	1319639.....	251	1600429....	336, 340, 346, 350, 356, 360, 660
1001274718.....	323, 665	1319571.....	241	1319641.....	247	1701509.....	57
1001274721.....	665	1319574.....	241	1319643.....	247	1701640....	628, 632, 636, 640
1001275637.....	315, 317	1319575.....	241	1319646.....	247	1702300....	628, 632, 636, 640
1001275638.....	315, 317	1319576.....	241	1319647.....	247	1702631....	628, 632, 636, 640
1001275841.....	69, 73	1319577.....	241	1319648.....	247	1702773.....	51, 53, 55
1001275852.....	73	1319582.....	241, 245	1319649.....	247	1704277.....	57
1001275853.....	69	1319583.....	241	1319650.....	231	1704885.....	51, 53, 55
1001275933.....	377, 403	1319584.....	241	1319652.....	231, 255	1706098.....	640
1001275934.....	340, 350, 360, 377	1319585.....	241, 245	1319659.....	231	1706281.....	640
1001276666.....	105	1319586.....	241	1319661.....	231, 255	1706282.....	640
1001276920.....	557, 567	1319587.....	241	1319670.....	253, 255	1706284.....	640
1001276923.....	664	1319590.....	241	1319671.....	255	1706285.....	640
1001277290.....	93	1319591.....	233	1319673.....	255	1706288.....	640
1001277338.....	99	1319592.....	233	1319674.....	255	1706296.....	628
1001280231.....	365, 664	1319593... 233, 235, 237, 239, 249, 251		1319675.....	255	1706298.....	628
1001281475.....	665	1319594... 233, 235, 237, 239, 249, 251		1319676.....	255	1706299.....	628
1001287742.....	69, 73	1319595... 233, 235, 237, 239, 249, 251		1319677.....	255	1706300.....	628
1001289479.....	553	1319596.... 233, 235, 239		1319678.....	255	1706302.....	163
1001293182.....	109, 485	1319600... 233, 235, 237, 239, 249, 251		1319679.....	255	1706306.....	628
1001301599.....	107, 109	1319601... 233, 235, 237, 239, 249, 251		1319680.....	255	1706768.....	628
1001301600.....	107, 109	1319602... 233, 235, 237, 239, 249, 251		1319681.....	255	1706850.....	628
10139087..	628, 632, 636, 640	1319603... 233, 235, 237, 239, 249, 251		1319682.....	255	1706892.....	51
10268515.....	183, 187	1319604... 233, 235, 237, 239, 249, 251		1319683.....	255	2080040.....	57
10268516.....	183	1319605.... 233, 235, 239		1319684.....	255	2110606....	91, 93, 97, 99, 103, 105, 509
1060379.....	57	1319606.... 233, 235, 239		1319685.....	255	2130606.....	89, 509
1060626.....	537, 619	1319607.....	233	1319686.....	255	2130608.....	89
1062255.....	520, 524	1319608.....	233, 251	1319687.....	255	2130808....	91, 93, 97, 99, 103, 105
10705034.....	89	1319609.....	233	1319688.....	255	2131210.....	225
10719267.....	185	1319610.....	233	1319689.....	255	2131212....	193, 195, 225
10727374.....	409	1319611.....	233	1319690.....	255	2172106....	91, 93, 97, 99, 103, 105
10728823.....	437	1319612... 233, 235, 237, 239, 249, 251		1319691.....	255	2180798.....	183
10731702.....	229	1319613.....	235	1319692.....	255	2220218.....	207
10731709... 253, 255, 256		1319614.....	235	1319693.....	255	2220238.....	421
10731744.....	241	1319615.... 235, 239, 249		1319694.....	255	2220239.....	27, 29
10731748.....	229	1319616.....	237	1319695.....	255	2220371....	443, 455, 457, 465
10731751.....	229	1319617... 237, 249, 251		1319696.....	253, 255	2220373... 425, 429, 463, 465, 473	
10731845... 233, 235, 239		1319618... 237, 249, 251		1319697.....	255	2220375.....	27, 29, 451
10731913.....	243	1319619.....	237	1319698.....	255	2220377.....	455
10731959.....	247	1319620... 237, 249, 251		1319699.....	255	2220381.....	465
10732063.....	253, 255	1319621... 237, 249, 251		1319700.....	255	2220385.....	463
10732064.....	255	1319622... 237, 249, 251		1319701.....	255	2220415.....	107, 109
10732071.....	231	1319623... 237, 249, 251		1319702... 253, 255, 661		2220435.....	455
10732072.....	231	1319624... 237, 249, 251		1319703.....	253, 255	2220451.....	451, 619
10732095.....	229	1319625... 237, 249, 251		1319704.....	255	2220473....	107, 109, 443, 455, 465
10732150.....	21, 23, 25	1319626... 237, 249, 251		1319705.....	255	2220474.....	455
10837928.....	511	1319627... 237, 249, 251		1319707.....	253, 255	2220497.....	455
10839156.....	247	1319628... 237, 249, 251		1319710.....	253	2220499.....	27, 29
1101312.....	187, 660	1319629... 237, 249, 251		1319711.....	253	2220500.....	467, 473
1101313.....	187, 660	1319630... 237, 249, 251		1319712.....	253		
1170021.....	87	1319631... 237, 249, 251		1319713.....	253		
1170024.....	95	1319632... 237, 249, 251		1319714.....	253		
1319203.....	229			1319715.....	253		
1319204.....	229			1319717.....	253		
1319205.....	229			1319718.....	245		
1319209.....	229			1319719.....	245		
1319210.....	229			1319720.....	245		
1319211.....	229			1319721.....	245		
1319213.....	229			1319722.....	245		
				1319723.....	245		
				1319724.....	245		

SECTION 13 - SPECIAL OPTIONS/ACCESSORIES/KITS

2220501	455	3290605 ...	207, 209, 371, 373, 520, 524	4360690....	336, 340, 346, 350, 356, 360, 661	4460941	597
2220567	35	3290801 ...	365, 520, 524	4420037	21, 23, 25	4460942	546, 585, 597
2220577	27, 29	3290805 ...	173, 371, 373	4460019....	577, 578, 581, 582, 583	4460945	529
2220582	455, 457	3291007	69, 73	4460042.....	577, 582	4460950	585
2220596	34, 429, 455, 463	3291205	209	4460142.....	583	4460955	577, 582
2220600	465	3300240 ...	87, 91, 93, 95, 97, 99, 101, 103, 105	4460183.....	617	4460970	546, 547, 555
2220603	461, 473	3300429	27, 29	4460234....	551, 553, 559, 561	4460994	546, 623
2220605	409	3311401 ...	193, 195, 336, 340, 346, 350, 356, 360, 551, 553	4460247.....	578, 583	4461017	547, 597, 599
2220622	455, 619	3311405	57	4460256.....	577, 582	4461018	599, 609
2220635 27, 29, 425, 429, 449, 465		3311502	163	4460268.....	585	4461070	546, 583
2220651	431	3311601	34	4460312.....	578, 583	4461095	577, 583
2220655	455	3311605	533	4460321.....	529	4461103	548
2220671	455	3331615	171, 173	4460326.....	585	4461157	576, 581
2220682	451	3332017	267	4460419....	543, 546, 597, 609, 623	4520356	319
2220683	36	3391410	163	4460457.....	601, 609	4520368	305
2220695	455	3421453	57	4460458....	529, 543, 547, 576, 577, 578, 581, 582, 583, 617	4520370	307
2220700	619	3423226	34	4460464....	527, 529, 543, 546, 547, 555, 563, 565, 569, 576, 581, 585, 597, 623	4641122	319
2220810	455	3423227	17, 19	4460465....	527, 529, 543, 546, 547, 555, 565, 576, 577, 578, 581, 582, 583, 585, 597	4641501	501, 509
2220878	447, 455	3423242	95, 97, 99	4460475....	529, 576, 578, 581, 582	4641502	89, 509
2220888	499	3423275	87, 91, 93	4460476.....	578, 582	4710600 ...	336, 340, 347, 351, 357, 361
2220947	461	3423276 ...	101, 103, 105, 107, 109	4460508....	547, 597, 599	4711000	551, 553
2220950	467	3423307 ...	91, 93, 97, 99, 103, 105	4460509....	546, 599, 609	4711400	57, 193, 195, 367, 369, 520, 524, 531, 551, 553, 615
2220974	455	3440620	61	4460510.....	665	4711500 ...	171, 193, 195, 365
2221040	455	3520030	21, 23, 25	4460518.....	529, 546	4711600 ...	207, 520, 524, 533, 628, 632, 636, 640
2221344	409	3520072	57	4460539.....	529, 555	4740362	193, 195
2230025	431	3520198	57	4460608....	576, 578, 582	4750800	379
2230044	441	3740080	191, 660	4460742....	529, 601, 609	4751400	365
2340037	113	3760170	57	4460744.....	576, 581	4761400 ...	336, 340, 346, 350, 356, 360, 611
2340038	123	3790152	191	4460761.....	529, 546	4761500	171
2340039	129	3820020	57	4460789....	547, 601, 609	4811400 ...	67, 69, 71, 73, 77, 79, 83, 87, 91, 93, 95, 97, 99, 101, 103, 105, 107, 109
2340045	119	3841203 ...	91, 93, 97, 99, 103, 105	4460790.....	547, 599	4811600 ...	191, 207, 211, 379
2340046	111	3930610 ...	336, 340, 346, 350, 356, 360	4460809.....	529	4811700 ...	163, 171, 173, 209, 371, 373, 587
2400060	578, 583	3931012 ...	551, 553, 615	4460836.....	546	4811702	25, 371, 373, 520, 524
24921332	199, 201	3968141	277, 293	4460850.....	576, 581	4811900 ...	199, 201, 371, 373, 520, 524
2600281	57	3984436	289	4460871.....	546	4811902	173, 185, 303
2716614	34, 493	3984447	289	4460872.....	546	4812000 ...	173, 203, 205, 209
2716670	425	3984458	289	4460884....	546, 578, 583, 597	4812100 ...	171, 173, 179, 199, 201, 209, 520, 524
2716673	427	3984469	289	4460891....	529, 543, 546, 547, 576, 577, 581, 582	4812300	171, 173
2716675	451	4031608	211	4460899....	565, 597	4831600	211
2716713	441	4060803	367, 369	4460905.....	546	4831700	587
2716714	463	4060806 ...	336, 340, 346, 350, 356, 360	4460930....	527, 546, 547	4832000	203, 205
2716760	34	4100181 ...	628, 632, 636, 640	4460931....	529, 576, 581, 597	4891500	199
2716763	423	4105262 ...	628, 632, 636, 640	4460932.....	569	4891600 17, 19, 199, 201, 587, 603	
2716773	463	4107442 ...	628, 632, 636, 640	4460933....	547, 555, 585, 597	4891800 ...	91, 93, 97, 99, 103, 105
2716788	34	4108302 ...	628, 632, 636, 640			5240800	179, 181
2716792	431	4110422 ...	61, 63, 65, 67, 69, 71, 73			5241000	69, 73
2717160	89	4110473	89			5242400	163
2717161	89	4240017	520, 524			5251014 ...	336, 340, 346, 350, 356, 360
2717162	89	4240032 ...	551, 553, 557, 559, 561, 567			5724622	34
2717283	89, 491	4240099	171, 173				
2717287	107, 109	4360569 ...	336, 340, 346, 350, 356, 360				
2755060	463						
2910994	664						
2915023	483						
2940074	57, 660						
31200160	51						
31200386	55						
31200387	53						
31200388	53						
3251813 ...	628, 632, 636, 640						
3290501	211						
3290505	191						
3290601 ...	163, 520, 524						

SECTION 13 - SPECIAL OPTIONS/ACCESSORIES/KITS

5906392.....34	70021978..... 63, 65	70023933 175	70026089.....385
6604662..... 107, 109	70021979 63, 65	70024016 175, 177	70026090.....385
70002219.....481	70021980 81	70024020 481	70026091.....385
70002224.....481	70021981 81	70024059 63, 65	70026092.....385
70003738..... 503	70021982 81	70024060 65	70026093.....385
70003849.....481	70022008 511	70024062 59	70026097.....411
70010239.....665	70022014 511	70024147 279	70026098.....411
70020002.....85	70022028 63, 65	70024152 27, 29	70026100.....381
70020004..... 151	70022044 483	70024186 503	70026101.....381
70020028..... 85	70022045 483	70024189 503	70026102.....381
70020375.....489	70022046 483	70024202 511	70026103.....381
70020425..... 231	70022527 63, 65, 81	70024253 576	70026104.....381
70020426..... 231	70022528 63, 65	70024254 576	70026105.....381
70020427..... 253	70022529 63, 65	70024255 576	70026106.....381
70020428.....483	70022634 175, 177	70024256 576	70026107.....381
70020430..... 247	70022650 507	70024262 481	70026108.....381
70020431..... 247	70022797 277, 293	70024306 131	70026109.....381
70020555..... 135, 137	70022799 295	70024307 131	70026110.....381
70020562..... 81	70022871 665	70024407 503	70026111..... 381, 397
70020652..... 405	70022872 665	70024408 503	70026112..... 381
70020743..... 507	70022931 140	70024411 503	70026113..... 381
70020745..... 507	70022932 140	70024412 503	70026114..... 381
70020867..... 515	70022934 140	70024414 503	70026115..... 381
70020876..... 397	70022935 141	70024415 503	70026116..... 381
70021342..... 65, 81	70022936 140	70024416 503	70026117..... 381
70021349..... 63, 65	70022937 140	70024519 291	70026118..... 381
70021351..... 85	70022939 141	70024855 381	70026119..... 381
70021358..... 81	70022942 140	70024872 275	70026120..... 381
70021359..... 81	70022946 141	70024881 295, 301	70026121..... 381
70021360..... 81	70022949 140, 141	70025014 279	70026122..... 381
70021361..... 81	70022950 140	70025480 367, 369	70026123... 381, 398, 401
70021362..... 81	70022952 140	70025548 279	70026124..... 381, 398
70021364..... 81	70022957 140	70025551 280	70026133..... 511
70021365..... 81	70022960 140	70025562 293, 295	70026134..... 277
70021366..... 81	70022969 140	70025606 481	70026135..... 279
70021367..... 81	70022970 140	70025821 289	70026136..... 279
70021376..... 85, 479	70022980 141	70025822 289	70026137..... 283, 299
70021377..... 85	70022984 140	70025842 283, 299	70026138..... 283, 299
70021378..... 85	70022985 140	70025852 189, 660	70026139..... 293
70021379..... 85	70022987 140	70025853 189, 660	70026140..... 295
70021382..... 85	70022990 141	70025857 279, 295	70026141..... 295
70021387..... 63, 81	70022992 140	70025859 435, 507	70026216..... 585
70021389..... 85	70022993 140	70025897 503, 661	70026217..... 578, 585
70021391..... 81	70022994 140	70025959 481	70026220..... 175
70021392..... 81	70022995 140	70025982 511	70026221..... 175
70021393..... 81, 497	70022998 141	70026031 277	70026222..... 175, 177
70021399..... 81	70023003 140	70026033 489	70026224..... 175, 177
70021415..... 63, 65	70023004 140	70026034 489	70026225..... 175, 177
70021440..... 59, 479, 497	70023005 140	70026056 481	70026226..... 175, 177
70021444..... 479, 497	70023006 140	70026057 481	70026228..... 175, 177
70021445..... 479	70023007 140	70026058 481	70026229..... 175, 177
70021446..... 479, 497	70023008 140	70026059 481	70026230..... 175, 177
70021447..... 479, 497	70023009 140	70026060 481	70026231..... 175, 177
70021448..... 479, 497	70023010 140	70026061 481	70026232..... 175, 177
70021451..... 479, 497	70023014 140	70026062 481	70026233..... 177
70021452..... 479, 497	70023015 140	70026075 219, 221	70026234... 175, 177, 660
70021464..... 497	70023016 140	70026076 219, 221	70026235..... 175, 177
70021465..... 497	70023174 665	70026077 219, 221	70026237... 175, 177, 660
70021466..... 497	70023265 493	70026078 219, 221	70026241..... 175, 177
70021583..... 495	70023404 241	70026079 219, 221	70026262..... 273
70021613..... 289, 291	70023482 229	70026080 221	70026263..... 273
70021812..... 483	70023483 229	70026081 219, 221	70026352..... 405
70021867..... 503	70023736 175, 177	70026082 219, 221	70026370..... 511
70021921..... 63, 65	70023885 241, 245	70026083 219, 221	70026376..... 511
70021935..... 63, 65	70023925 140	70026085 513, 660	70026393..... 189
70021948..... 365, 660	70023928 501	70026087 513	70026394..... 189
70021977..... 63, 65	70023929 501	70026088 385	70026401..... 473

SECTION 13 - SPECIAL OPTIONS/ACCESSORIES/KITS

70026448	665	70028452	289	70029755	151	70029984	398
70026453	175, 660	70028471	293	70029756	151, 155	70030001	511
70026582	515, 660	70028514	505, 661	70029757	151	70030002	511
70026631	293	70028515	505	70029758	157	70030003	511
70026652	511	70028516	505	70029759	157	70030004	511
70026653	511	70028517	505	70029760	151	70030005	511
70026698	63, 65	70028547	435	70029761	161	70030006	511
70026699	59	70028779	397	70029762	151, 155	70030007	511
70026745	135	70028780	397	70029763	159	70030008	511
70026746	135	70028781	397	70029764	151	70030009	511
70026747	59	70028782	397	70029765	151	70030010	511
70026749	291	70028906	291	70029766	151	70030011	511
70026770	491	70029453	293	70029767	151	70030012	511
70026771	491	70029558	513	70029768	151	70030013	511
70026773	491	70029584	513	70029769	161	70030014	511
70026774	491	70029704	157	70029770	159	70030015	511
70026775	491	70029705	157	70029771	161	70030016	511
70026800	177	70029706	157	70029772	161	70030017	511
70026801	177, 660	70029707	157	70029773	151	70030018	511
70026854	397, 661	70029708	157	70029774	151	70030019	511
70026944	59	70029709	157	70029775	151	70030020	511
70026945	397	70029710	157	70029776	151	70030021	511
70026946	59	70029711	157	70029777	151, 155	70030022	511
70026948	59	70029712	157	70029778	151	70030023	511
70026949	59	70029713	157	70029779	151	70030038	511
70026978	397, 401	70029714	157	70029780	151, 155	70030039	511
70026979	397	70029715	157	70029781	151, 155	70030040	511
70026980	397	70029716	157	70029782	153	70030041	511
70026981	397, 401	70029717	161	70029783	153	70030141	85
70026982	397, 401	70029718	161	70029784	151	70030142	85
70026983	397, 401	70029719	161	70029785	155	70030143	85
70026984	397	70029720	151	70029786	151	70030144	85
70026985	398	70029721	151	70029787	159	70030145	85
70026986	397, 660	70029722	151	70029788	151	70030150	296
70026987	397	70029723	151	70029789	159, 161	70030281	397
70026988	397	70029724	151	70029790	151	70030292	513
70026989	397	70029725	151, 155	70029791	157	70030382	499
70026990	397	70029726	151	70029792	155	70030383	499
70026991	398, 401	70029727	153	70029793	151	70030384	499
70027009	63	70029728	151	70029794	151, 155	70030385	499
70027024	375, 377	70029729	151	70029795	157	70030386	499
70027025	375	70029730	153	70029796	157	70030387	499
70027026	375, 377	70029731	153	70029822	397, 401	70031148	175
70027027	377	70029732	151, 157	70029823	397, 401	70031325	485
70027028	375, 377	70029733	157	70029824	397, 401	70031326	485
70027030	375, 377	70029734	151, 155, 157	70029825	401	70031327	485
70027032	375, 377	70029735	151, 155	70029826	401	70031328	485
70027033	375, 377	70029736	151	70029827	397, 401	70031329	485
70027034	375	70029737	157	70029828	397, 401	70031394	397
70027035	375, 377	70029738	151, 155	70029829	397, 401	70031395	397
70027094	219	70029739	151, 155, 159, 161	70029830	401	70031396	397
70027107	291			70029831	401	70031397	397
70027134	511	70029740	155	70029832	397, 401	70031398	397
70027275	507	70029741	151, 159, 161	70029833	397, 401	70031402	397
70027276	507	70029742	151, 155	70029834	398, 401	70031403	397
70027281	175, 177	70029743	151, 155, 161	70029835	398, 401	70031404	397
70027315	279, 295	70029744	159	70029836	398, 401	70031405	397
70027317	289	70029745	151	70029837	398, 401	70031406	397
70027642	85	70029746	159, 161	70029838	398, 401	70031413	398
70028159	487	70029747	151, 155	70029839	398, 401	70031414	398
70028160	487	70029748	159	70029840	398, 401	70031420	398
7002821	665	70029749	159, 161	70029841	398, 401	70031421	398
7002822	665	70029750	155	70029842	398, 401	70031422	398
7002823	665	70029751	151	70029843	398, 401	70031443	89
7002828	665	70029752	151	70029844	401	70031444	85
70028392	295	70029753	157	70029874	511	70031445	63, 65
70028450	175	70029754	157	70029981	397	70031446	81

SECTION 13 - SPECIAL OPTIONS/ACCESSORIES/KITS

70031449.....	295	7029431.....	295	7139077.....	27, 29, 660	8035321.....	493
70031458.....	280	7029520.....	137	7139180.....	34	8035322.....	495
70031459.....	280	7029521.....	137	7139406.....	21, 23, 25	8035323.....	495
70031523.....	296	7029532....	235, 237, 247	7139416.....	39, 47	8035324.....	495
70031717.....	551, 553	7029533....	235, 237, 247	7139455.....	21, 23, 25	8035326.....	495
70040710.....	279	7029692.....	65, 81	7139504.....	463	8035327.....	493
70041616.....	175, 177	7029711.....	85	7139505.....	463	8035347.....	511
70041617.....	175, 177	7029714.....	81	7139613.....	17, 19	8035382.....	511
70041619.....	175, 177	7029736.....	296	7139689.....	34, 47	8035393.....	383
70041620.....	175, 177	7029737.....	295	7139692.....	34, 39	8035409.....	383
7004275.....	665	7029786.....	289	7139714.....	21, 23, 25	8035411.....	383
7004276.....	665	7029788.....	273	7139726.....	34	8035493.....	405
7010769.....	513	7029860.....	383	7139727.....	34	8035498.....	405
7016654.....	665	7054351.....	225	7139728.....	431	8035499.....	405
7024441.....	27, 29	7057141.....	193, 195	7139729.....	431	8035500.....	405
7024574.....	483	7062922.....	107, 109	7139730.....	34	8035523.....	395
7024939.....	503	7063432.....	34	7139731.....	34	8035536....	483, 489, 493
7024943.....	503	7079572.....	34	7139864.....	34	8035720.....	493
7024944.....	503	7081621.....	34	7139918.....	89	8035758.....	495
7024953.....	503	7081631.....	34	7139968.....	36, 431	8035779.....	261, 263
7024954.....	503	7082311.....	34	7150579.....	259, 261	8035785.....	495
7026404.....	578	7082342.....	34	7150580.....	259, 263	8035807....	336, 340, 346, 350, 660
7026731.....	279	7082362.....	34	7150608.....	21, 23, 25	8035862.....	483
7026758....	233, 235, 237, 239, 249, 251	7083922.....	34	7150680.....	591	8035863.....	483
7026759....	233, 235, 237, 239, 249, 251	7083992.....	34	7150681.....	589	8036021.....	229
7026760....	233, 235, 237, 239, 249, 251	7085442.....	34	7150685.....	593	8036022.....	229
7026798.....	375, 377	7085542.....	34	7150690.....	589, 591	8036023.....	243
7027273.....	247	7085571.....	45	7150699.....	587, 593	8036024.....	241
7028706.....	291, 295	7095522.....	34	7150702.....	593	8036025.....	241
7028710.....	277	7096491.....	34	7150703.....	595	8036026.....	241
7028714.....	279, 295	7110702.....	107, 109	7150716.....	587, 595	8036027.....	241
7028715.....	279, 295	7110712.....	107, 109	7150717.....	595	8036028.....	241
7028716.....	279, 295	7110722.....	107, 109	7150837.....	35, 431	8036029....	235, 237, 239, 249, 251
7028717.....	279, 295	7111572.....	34	7150838.....	35, 431	8036030.....	247
7028720.....	279	7112642.....	143	7300435.....	171, 173	8036031.....	247
7028721.....	279, 295	7114941.....	145, 147	7301265.....	356, 360	8036032.....	247
7028722.....	279	7116572.....	597	7301295.....	89	8036033.....	231
7028723.....	279	7116642.....	41	7301408.....	117	8036036.....	255
7028724.....	279	7116691.....	41	7302028.....	259, 265	8036038.....	255
7028725.....	279	7116742.....	41	7302056.....	35	8036039.....	255
7028729.....	279, 295	7116752.....	41	77133133.....	371, 373	8036040.....	255
7028730.....	280, 295	7116773.....	34, 41	77133134.....	371, 373	8036041.....	245
7028731.....	280	7116812.....	41	77143006.....	535	8036042.....	245
7028732.....	280	7116822.....	34	8007751.....	277	8036050....	367, 369, 395
7028733.....	280, 295	7117031.....	34	8007755.....	277	8036056....	367, 369, 383
7028734.....	273	7118882.....	43	80204005 .	275, 279, 291, 295	8036099.....	383
7028735.....	273	7118892.....	34, 43	80204060.....	273	8036100.....	383
7028736.....	273	7124301.....	17, 19	80204065.....	279, 295	8036144.....	493
7029037.....	231, 255	7124471.	17, 19, 587, 603	80204071.....	279, 295	8036149.....	493
7029039.....	255	7125811.....	34	80204108.....	273	8036190....	235, 237, 247
7029129.....	277	7125871.....	171, 173	80204117 .	273, 279, 285, 289, 295, 301	8036196.....	395
7029131.....	277, 293	7137142.....	17, 19	80204281.....	273, 289	8036197.....	395
7029247.....	487	7138634.....	225	80214120.....	279, 295	8036198.....	395
7029251.....	487	7138833...	336, 340, 346, 350, 356, 360	8024025.....	664	8036199.....	395
7029271.....	265	7138836...	336, 340, 346, 350, 356, 360	8024026.....	664	8036209.....	593
7029282.....	285, 301	7138878...	336, 340, 346, 350, 356, 360, 661	80241137.....	17, 19	8036210.....	595
7029283.....	285, 301	7138882.....	333	80264138.....	411	8036212.....	593, 595
7029286.....	295	7138944...	336, 340, 346, 350, 356, 360	80304405.....	243	8036213.....	593, 595
7029327.....	499	7138958.....	367, 369	8032694.....	513	8036214.....	593, 595
7029412.....	397	7138977.....	34	8032695.....	513	8036215.....	593, 595
7029413.....	397	7138979.....	34	80334277.....	503	8036216.....	593, 595
7029415.....	397	7138986.....	34	8033651.....	265	8036250.....	245
7029417.....	245	7139032.....	39, 47	8033786.....	483, 485	80363179.....	585
7029426.....	275			8034697.....	511	8036389.....	493
				8034815.....	383	8036390.....	493

SECTION 13 - SPECIAL OPTIONS/ACCESSORIES/KITS

8036391	493	8223037 ...	336, 340, 346, 350, 356, 360, 661	8305002.....	520, 524	8307910	35
8036392	493	8223038	539, 541, 661	8305004..	21, 23, 25, 551, 553, 615	8307911	35
8036393	493	8223043 ...	346, 350, 356, 360, 661	8305006...21,	23, 25, 463	8307918	35, 107, 109
8036402	489	8223044 ...	346, 350, 356, 360, 661	8305008.....	193, 195, 447	8310009... 441,	445, 459, 463
8036403	489	8223054 ...	336, 340, 346, 350, 356, 360, 661	8305012.....	143	8310019	35
8036404	489	8223059	587, 603, 661	8305014.....	17, 19	8310020	35
8036405	489	8223060	587, 661	8305043.....	183, 413	8310026... 336,	340, 346, 350, 356, 360
8036406	489	8223073	587, 660	8305603.....	365	8310046	520, 524
8036407	489	8223232	225	8305619.....	45	8310067	225
80364095	411	8229233	548, 660	8305624.....	89, 367, 369, 520, 524, 531	8310085	343, 353, 363
8036433	261, 263	8229234 ...	527, 548, 660	8305626 17,	19, 336, 340, 346, 350, 356, 360, 587, 589, 591, 603	8310093	35
8036502	489	8229235 ...	529, 548, 660	8305638.....	365	8310109	367, 369
8036726	397, 401	8229237	548, 660	8305643.35,	89, 107, 109	8310160	107, 109
8036733	491	8229238	548, 660	8305644....	17, 19, 35, 41, 145, 147, 336, 340, 346, 350, 356, 360	8310161	107, 109
8036778	487	8229242	578, 660	8305645....	21, 23, 25, 35, 41, 315, 317, 551, 553, 587, 603, 628, 632, 636, 640	8310209	41
8037109	511	8229245	599	8305646.....	35	8310215	225
80373094	187	8229261 ...	527, 548, 660	8305906.....	35	8310235	41
80384207	383	8270620	520, 524	8305916....	336, 340, 346, 350, 356, 360	8310266	43
80384213	383	8270621	531	8307002....	21, 23, 25, 35, 615	8310276	43
80384218	367, 369	8278020	193, 195	8307003.....	520, 524	8310281	193, 195
80384445	395	8302470	21, 23, 25	8307004..21,	23, 25, 427, 433, 441, 445, 447, 459, 463, 475	8310302	89
8050001	17, 19	8303034 ...	343, 353, 363, 365, 367, 369	8307005.....	35, 449, 615	8310356	449
80604016	585	8303090	35	8307006.....	259	8310382... 336,	340, 346, 350, 356, 360
80604017	623	8303119	365	8307007.....	35, 143, 145, 147, 449	8310420	469
80604018 .	576, 577, 581, 582	8303519	449	8307009.....	17, 19	8310425	259
80604021	578, 583	8303545 ...	520, 524, 611	8307011.....	333	8310431	35
80604024	581	8303615	21, 23, 25	8307023....	336, 340, 346, 350, 356, 360	8310435	89
80634004	503	8303620 ...	315, 317, 336, 340, 346, 350, 356, 360, 447	8307024....	628, 632, 636, 640	8310493	333
8065062	107, 109	8303624	35	8307027.....	520, 524	8310497	35
8065640	17, 19, 35	8303626 ...	143, 145, 147, 336, 340, 346, 350, 356, 360, 449	8307049.....	225	8310522	17, 19, 453
8065641	17, 19	8303634	89, 107, 109	8307104.....	35, 45	8310620	267
80963061	547	8303640	45	8307106.....	35, 183, 336, 340, 346, 350, 356, 360, 520, 524	8310708	35
80963062	576, 581	8303655	35	8307109.....	35, 336, 340, 346, 350, 356, 360	8310712	35
80963067 ..	547, 576, 581	8303656	21, 23, 25	8307110....	315, 317, 336, 340, 346, 350, 356, 360, 447	83191010	303
8124138	39, 47	8303657	35	8307111.....	520, 524	83201147	269
8127021	47	8303658	89	8307112....	145, 147, 336, 340, 346, 350, 356, 360, 367, 369	8405007... 215,	217, 371, 373
8127024	39	8303666	35	8307202.....	21, 23, 25	8405104	215, 217
82033997	367, 369	8303679	35	8307203.....	463	8405201	215, 217
8205655	483, 493	8303681	35	8307204....	21, 23, 25, 35, 41, 551, 553, 587, 603	8405212	191, 215, 217
8220007	623	8303697 .	27, 29, 35, 336, 340, 346, 350, 356, 360	8307206.....	41	8405305	215, 217
8220035	527, 623	8303715	35, 107, 109	8307219.....	611	8405307	183
8220051	547, 597, 623	8303724	225	8307222.....	183, 413	8405404	185
8220058	578, 582	8303729	21, 23, 25	8307904.....	35, 107, 109	8406010	551, 553
8220081 ...	576, 578, 581, 582, 609	8303738	35			8406105	225, 520, 524
8220089	547, 599	8303745	589, 591			8406112	171, 207, 209
8220097	547, 576, 581	8303746	35			8406303	173
8220098	547, 576, 581	8303752	17, 19			8410007	185
8220108	527	8303757 ...	427, 433, 447, 475			8410021	183
8220124 ...	576, 578, 581, 582, 583, 585	8303771 ...	551, 553, 587, 603			8420053 ...	63, 85, 89, 91, 93, 97, 99, 103, 105, 107, 109, 431
8220125	547	8303772	35			8420055 ...	63, 85, 89, 91, 93, 97, 99, 103, 105, 107, 109, 431
8220160	578	8303782	17, 19			8430032	409, 455, 461
8220162	547	8303784	213			8430033	461
8220164	577, 582	8303982 ...	336, 340, 346, 350, 356, 360			8430046	455
8220536 ...	576, 577, 581, 582	8304608	469			8430048	371, 373
8220889	577					8466306 ...	628, 632, 636, 640
8220890	617					8500203	587
8220895	585					8520001	17, 19, 35
8220904 ...	543, 546, 609, 623						
8220927	547, 576, 581						
8220929	547, 576, 581						
8223025	587, 661						

SECTION 13 - SPECIAL OPTIONS/ACCESSORIES/KITS

8520003.....17, 19, 35	8769155.....431	91163035.....201	91474570.....273
8520021.....489	8769156.....431	91293003.....183	91474571.....273
8520034.....493	8770016.....107, 109	91304025.....411	91474572.....273
8522012....17, 19, 35, 39, 47	8770048.....27, 29	91364023.....187	91474573.....273
8526007.....35, 43, 213	8770064.....425, 429	91403097.....225	91474576.....279, 295
8526011.....495	8770157.....455	91403193.....267	91474579.....295
8526048.....35	8780031.....305, 307	91403413 . 63, 85, 89, 91, 93, 97, 99, 103, 105, 107, 109, 141, 431	91474580.....295
8526406.....35	8786514 ... 305, 307, 309, 311, 315, 317, 321	91403414 . 63, 85, 89, 91, 93, 97, 99, 103, 105, 107, 109, 140, 431	91474581.....295
8530030.....449	88211516.....587	91403448.....61	91474582.....279, 295
8546407.....449	88261015.....173	91404011.....411	91474584.....279, 295
8580315.....107, 109	8841036 ... 225, 227, 229, 231, 233, 235, 237, 239, 241, 243, 245, 247, 249, 251, 253, 255	91404013.....411	91474585.....295
8580420.....21, 23, 25	88411148.....17, 19	91404298.....367, 369	91474586.....295
8584001....107, 109, 371, 373, 520, 524, 587, 603, 615	88501005.....587, 603	91404299.....367, 369	91474587.....295
8584007.....447	88671001 . 91, 93, 97, 99, 103, 105	91404301.....367, 369	91474591.....277, 293
8584018.....587, 603	8880218-OM.....259	91404326.....411	91474593.....293
85841150.....447	8880219-OM.....259	91405035.....305	91474594.....293
8630003.....89	8881800.....173	91405036.....305	91474595.....293
8630019.....449	8902842.....485	91471213.....269	91475054.....307
8640123.....449	8903015.....511	91473086.....409	91475055.....307
8640208.....449	8990147 ... 336, 340, 346, 350, 356, 360	91473206 .. 305, 307, 321	91503106.....576
8642207.....107, 109	90027475.....269	91474023.....513	91513266.....303
8642224.....35	90028631.....183	91474507 .. 275, 279, 291	91514081.....279, 295
8642234.....35	90200003 . 87, 89, 91, 93, 95, 97, 99, 101, 103, 105, 107, 109	91474512.....275, 291	91514082.....279, 295
8642237.....39, 47	90206196.....611, 613	91474513.....275, 279	91514083.....280
86683122.....211	90451058.....89	91474515.....285, 301	91514084.....279
8750011.....431	90554016 . 59, 63, 65, 81, 85, 135	91474516.....285, 301	91514095.....279, 295
8750012.....471	90554017.....81, 85	91474522.....283, 299	91514098.....275, 291
8750017....431, 441, 445, 471	90554018.....81	91474524.....279	91514099.....279, 285
8750025....427, 433, 447, 475	90554020.....63, 65, 85	91474528.....277	91514111.....279, 295
8750026....433, 447, 451	90554033.....59	91474529.....277, 293	91514112.....279, 295
8750027....441, 445, 471	90554034.....59	91474532.....277, 293	91514115.....279, 295
8750029.....35, 431	90554042.....63, 65	91474533.....277, 293	91514117.....279, 295
8750040....427, 433, 451, 475	90554045.....479, 497	91474537.....277, 293	91514118.....303
8760268.....455	90554054.....63, 65	91474539.....277, 293	91514123.....277, 279
8760463.....463	90554062.....65, 81	91474542.....277, 293	91514134.....277, 293
8760465.....35, 431	90554065.....81, 85	91474547.....277, 293	91514146.....279, 295
8760468.....36	90554067.....85	91474549.....277	91514147.....279, 295
8760548.....225	90554076.....65, 81	91474550.....277, 293	91514148.....279, 295
8760552.....27, 29	91043125.....141	91474551.....277, 293	91514149.....279
8765204.....465, 619	91043126.....140	91474553.....277, 293	91514153.....273
8769122.....36, 431	91043147.....371, 373	91474554.....293	91514154.....273, 289
8769123.....36	91053419.....191	91474559.....273	91514159.....273, 289
8769127.....459	91081640.....535	91474560.....273	91514160.....273, 289
8769128....36, 441, 445, 459	91083129.....183	91474561.....273	91514165.....273
8769132.....107, 109		91474562.....273	91514167.....273
8769139.....36		91474563.....273	91514175.....279
8769153.....36		91474564.....273	91514181.....279, 295
		91474565.....273	91514188..275, 279, 291, 295
		91474568.....273, 289	91514189.....279, 295
		91474569.....273, 289	91514225.....411



**Corporate Office
JLG Industries, Inc.
1 JLG Drive
McConnellsburg, PA 17233-9533 USA
☎ (717) 485-5161 (Corporate)
☎ (877) 554-5438 (Customer Support)
📠 (717) 485-6417**

**Visit our website for JLG Worldwide Locations.
www.jlg.com**



OSHKOSH™