

# ***SKYTRAK***<sup>®</sup>

---

## ***Illustrated Parts Manual***

***Model***  
***10054***

**PVC**  
**2205**

**P/N**  
**31211855**

**November 1, 2023 - Rev D**

***JLG***<sup>®</sup>  
An Oshkosh Corporation Company

---



## **EFFECTIVITY PAGE**

May 1, 2022 - A - Original Issue of Manual (Edited to B/M 1001169972 Revision AZ)

November 1, 2022 - B - Revised Manual (Edited to B/M 1001169972 Revision BD)

March 1, 2023 - C - Revised Manual (Edited to B/M 1001169972 Revision BD)

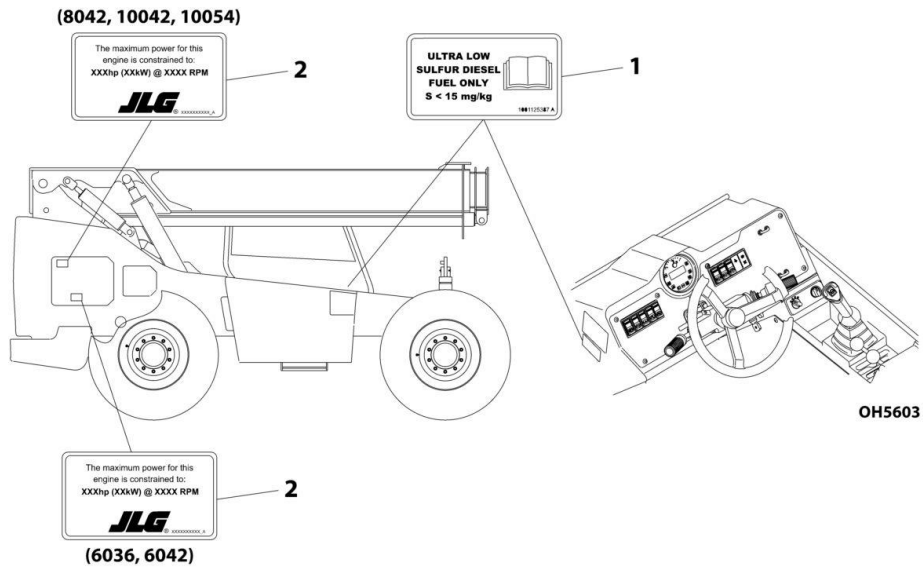
November 1, 2023 - D - Revised Manual (Edited to B/M 1001169972 Revision BD)

## Machine Configuration

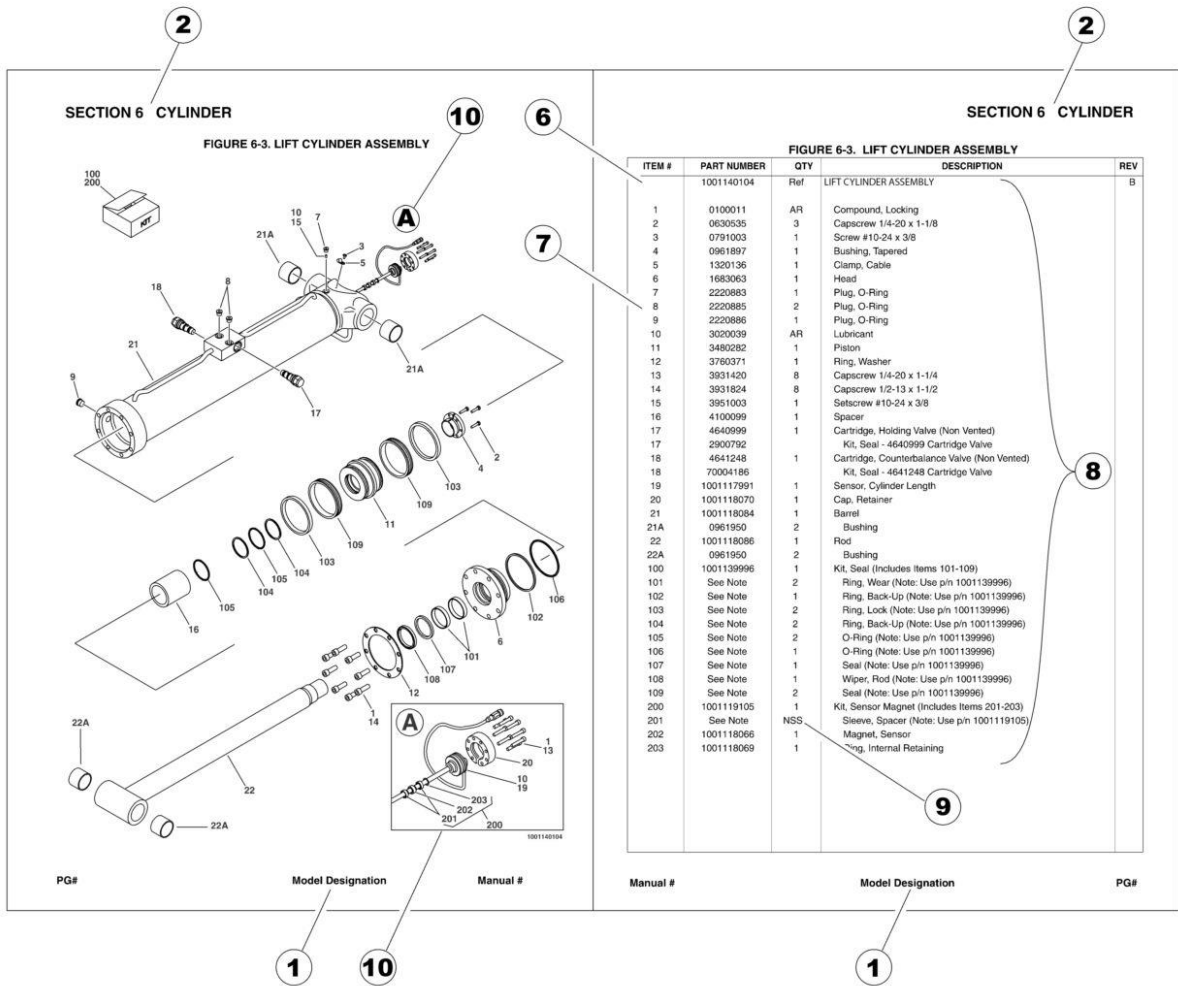
Two configurations of each machine are included in this manual. Determine if machine is equipped with Ultra Sulfur Fuel Decal (1) as indicated below.

- If equipped with the Ultra Low Sulfur decal, all specific references to this machine configuration will be referred to as Ultra Low Sulfur (ULS) from this point forward.
- If not equipped with the Ultra Low Sulfur decal, all specific references to this machine configuration will be referred to as Low Sulfur (LS) from this point forward.

Engine horsepower can be found on the decals (2) located inside the engine compartment doors.



# GENERAL INFORMATION



## 1) MACHINE IDENTIFICATION

Machines are identified by model and in some cases a combination of models, serial number (SN) or regional standard (i.e ANSI, CE, CSA). Components may also be identified by SN or manufacturer. Common components that may be identified by these characteristics are engines and hydraulic components.

## 2) PARTS MANUAL ORGANIZATION

Product information in this manual is organized under section titles. Frame, Cylinder, Hydraulic and Electrical are a few examples. Each section is organized by figure and page number. The information within the Figure is then organized by item number, part number, description and corresponding illustration (s).

## 3) TABLE OF CONTENTS (NOT SHOWN)

A table of contents is found toward the beginning of the manual. Figure number, description and page number are provided for quick reference to the page containing the related information.

## 4) RECOMMENDED SPARE PARTS (NOT SHOWN)

The Recommended Spare Parts List, located near the end of the manual, reference most frequently used maintenance parts.

## 5) PART NUMBER INDEX (NOT SHOWN)

A numerical index listing all part numbers and the corresponding page number(s) appears at the back of the manual.

## GENERAL INFORMATION

### 6) NON-SERVICED PARTS

In some instances, it is necessary to display non-serviced parts, assemblies or installations. In the case of assemblies and installations there will be a Ref in the Qty. column. In case of parts that are not available for service within assemblies or components, there will be a NSS (Not Sold Separately) or NLA (No Longer Available) listed in the Qty. column of the manual.

### 7) PARTS LIST ITEM NUMBERS

Numbers shown in the item# column correspond to numbers used in the associated illustration (s). Item numbers which are missing from the sequence in the parts list are not used on that page.

### 8) INDENTED PARTS DESCRIPTION

An indented part description is included in the item under which it is indented.

### 9) ABBREVIATION AND SYMBOLS

AC.....	Alternating Current	L.....	Liter
ADE.....	Advanced Design Electronics	LB(LBS).....	Pounds
AG.....	Agricultural	LCD.....	Liquid Crystal Display
ANSI.....	American National Standards Institute	LED.....	Light Emitting Diodes
AR.....	As Required	LH.....	Left Hand
ASSY.....	Assembly	LRC.....	Low Rated Countries
AUS.....	Australia	LSS.....	Load Sensing System
AUX.....	Auxiliary	M(m).....	Metric/Meter
AWG.....	American Wire Gauge	MM(mm).....	Milimeter
B/M.....	Bill of Material	mA.....	Miliamps
CAC.....	Charge Air Cooler	NLA.....	No Longer Available
CE.....	European Conformity	NPT.....	National Pipe Threads
CCW.....	Counter Clockwise	NSS.....	Not Sold Separately
CM.....	Centimeter	OD.....	Outside Diameter
CW.....	Clockwise	ORB.....	O-Ring Boss
CSA.....	Canadian Standards Association	ORFS.....	O-Ring Face Seal
CYL.....	Cylinder	OZ (oz).....	Ounces
DIA.....	Diameter	PG.....	Page
DC.....	Direct Current	PN.....	Part Number
DEF.....	Diesel Exhaust Fluid	QT(qt.).....	Quarts
EMS.....	Emergency Stop	QTY.....	Quantity
ENG.....	Engine	REF.....	Reference
FT(ft).....	Feet	REV.....	Revision Level
GA(Ga).....	Gauge	RH.....	Right Hand
HRC.....	High Rated Countries	SAE.....	Society of Automotive Engineers
HVAC.....	Heating, Ventilating, and Air Conditioning	SN.....	Serial Number
HYD.....	Hydraulic	SPEC(S).....	Specifications
Hz.....	Hertz	T/T.....	Turntable
ID.....	Inside Diameter	UGM.....	Universal Ground Module
IN.....	inches	V.....	Volts
ISO.....	International Organization for Standards	W.....	Watts
JIC.....	Joint Industry Council	#.....	Number
KG.....	Kilogram		

### 10) ILLUSTRATION REFERENCE LETTERS

When necessary, illustrations may contain reference letters that are intended to track information (i. e. hoses, harnesses) from one point to another or to track visual enlargement of components to show details that may be located in another area on the illustration.

*Note: Due to continuous product improvements, JLG Industries, Inc. reserves the right to make specification changes without prior notification. Contact JLG Industries, Inc. for updated information.*

# TABLE OF CONTENTS

SECTION 1 - FRAME AND ATTACHING PARTS.....	15
FIGURE 1-1. FRAME COMPONENTS INSTALLATION (74HP ULS) .....	16
FIGURE 1-2. FRAME COMPONENTS INSTALLATION (110HP ULS) .....	20
FIGURE 1-3. FRAME COMPONENTS INSTALLATION (110HP LS).....	24
FIGURE 1-4. TANKS ASSEMBLY - HYDRAULIC/FUEL/DEF (74HP ULS) .....	28
FIGURE 1-5. TANKS INSTALLATION - HYDRAULIC/FUEL/DEF (110HP ULS) .....	30
FIGURE 1-6. TANKS ASSEMBLY - HYDRAULIC/FUEL (110HP ULS & LS).....	32
FIGURE 1-7. DEF TANK ASSEMBLY (110HP ULS).....	34
FIGURE 1-8. FRAME COVERS INSTALLATION (74HP ULS).....	36
FIGURE 1-9. FRAME COVERS INSTALLATION (74HP WITH AIR SHUT OFF VALVE) .....	38
FIGURE 1-10. FRAME COVERS INSTALLATION (110HP ULS).....	40
FIGURE 1-11. FRAME COVERS INSTALLATION (110HP ULS WITH AIR SHUT OFF VALVE) .....	42
FIGURE 1-12. FRAME COVERS INSTALLATION (110HP LS) .....	44
FIGURE 1-13. DUST SHIELD INSTALLATION.....	46
FIGURE 1-14. OUTRIGGER INSTALLATION.....	48
FIGURE 1-15. OUTRIGGER MOUNTING INSTALLATION .....	50
FIGURE 1-16. OUTRIGGER SUB-ASSEMBLY .....	52
SECTION 2 - BOOM .....	55
FIGURE 2-1. BOOM INSTALLATION (Prior to SN 0160115808).....	56
FIGURE 2-2. BOOM INSTALLATION (SN 0160115808 to Present) .....	62
FIGURE 2-3. HOSE PULLEY ASSEMBLY .....	68
FIGURE 2-4. LOCK PIN ASSEMBLY .....	70
FIGURE 2-5. QUICK COUPLING ASSEMBLY.....	72
FIGURE 2-6. RETRACT CHAIN AND CLEVIS ASSEMBLY .....	74
FIGURE 2-7. EXTEND CHAIN AND CLEVIS ASSEMBLY - BOOM SECOND SECTION.....	76
FIGURE 2-8. EXTEND CHAIN AND CLEVIS ASSEMBLY - BOOM THIRD SECTION .....	78
FIGURE 2-9. HOSE AND CARRIER ASSEMBLY .....	80
SECTION 3 - ATTACHMENTS .....	83
FIGURE 3-1. BASKET, PERSONNEL - 4FT X 8FT DOMESTIC).....	84
FIGURE 3-2. BASKET, PERSONNEL - 4FT X 8FT (ISO).....	86
FIGURE 3-3. BASKET, PERSONNEL - 4FT X 8FT (FRENCH) .....	88
FIGURE 3-4. BASKET, FORK MOUNTED.....	90
FIGURE 3-5. BOOM - ADJUSTABLE (CARRIAGE MOUNTED).....	92
FIGURE 3-6. BOOM - ADJUSTABLE (FORK MOUNTED) .....	94
FIGURE 3-7. BOOM - 3FT WITH WINCH .....	96
FIGURE 3-8. BOOM - 12FT WITH WINCH .....	98
FIGURE 3-9. BOOM - 12FT WITHOUT WINCH (Prior to SN 0160116965) .....	100
FIGURE 3-10. BOOM - 12FT WITHOUT WINCH (SN 0160116965 to Present) .....	102
FIGURE 3-11. BOOM - 15FT WITHOUT WINCH (Prior to SN 0160116965) .....	104
FIGURE 3-12. BOOM - 15FT WITHOUT WINCH (SN 0160116965 to Present) .....	106
FIGURE 3-13. BUCKET - 60IN (1.3 CU YD) (FORK MOUNTED).....	108
FIGURE 3-14. BUCKET - 72IN (1.0 CU YD) .....	110
FIGURE 3-15. BUCKET - 96IN (1.5 CU YD) .....	112

# TABLE OF CONTENTS

FIGURE 3-16. BUCKET - 96IN GRAPPLE .....	114
FIGURE 3-17. BUCKET - 102IN (2.0 CU YD).....	116
FIGURE 3-18. CARRIAGE ASSEMBLY - 48IN/12000# CAPACITY SIDE SHIFT .....	118
FIGURE 3-19. CARRIAGE ASSEMBLY - 50IN/10000# CAPACITY DUAL FORK POSITIONING .....	120
FIGURE 3-20. CARRIAGE ASSEMBLY - 50IN/12000# CAPACITY STANDARD .....	122
FIGURE 3-21. CARRIAGE ASSEMBLY - 50IN/12000# CAPACITY SIDE TILT (Prior to SN 0160116965).....	124
FIGURE 3-22. CARRIAGE ASSEMBLY - 50IN/12000# CAPACITY SIDE TILT (SN 0160116965 to Present).....	126
FIGURE 3-23. CARRIAGE ASSEMBLY - 60IN/12000# CAPACITY STANDARD .....	128
FIGURE 3-24. CARRIAGE ASSEMBLY - 60IN/12000# CAPACITY SIDE TILT (Prior to SN 0160116965).....	130
FIGURE 3-25. CARRIAGE ASSEMBLY - 60IN/12000# CAPACITY SIDE TILT (SN 0160116965 to Present).....	132
FIGURE 3-26. CARRIAGE ASSEMBLY - 72IN/10000# CAPACITY 90 DEGREE SWING (Prior to SN 0160115808) .....	134
FIGURE 3-27. CARRIAGE ASSEMBLY - 72IN/10000# CAPACITY 90 DEGREE SWING (SN 0160115808 to Present) .....	136
FIGURE 3-28. CARRIAGE ASSEMBLY - 72IN/12000# CAPACITY SIDE TILT (Prior to SN 0160116965).....	138
FIGURE 3-29. CARRIAGE ASSEMBLY - 72IN/12000# CAPACITY SIDE TILT (SN 0160116965 to Present).....	140
FIGURE 3-30. CARRIAGE ASSEMBLY - 72IN/15000# CAPACITY STANDARD .....	142
FIGURE 3-31. FORK 1.75X7X60 / 5400# CAPACITY .....	144
FIGURE 3-32. FORK 2X2X48 / 1940# CAPACITY .....	146
FIGURE 3-33. FORK 2.00X6X72 / 6610# CAPACITY .....	148
FIGURE 3-34. FORK 2.36X4X48 / 5000# CAPACITY .....	150
FIGURE 3-35. FORK 2.36X4X48 / 5475# CAPACITY .....	152
FIGURE 3-36. FORK 2.36X4X60 / 5000# CAPACITY .....	154
FIGURE 3-37. FORK 2.36X5X48 / 6850# CAPACITY .....	156
FIGURE 3-38. FORK 2.36X5X60 / 6850# CAPACITY .....	158
FIGURE 3-39. FORK 2.36X5X72 / 6850# CAPACITY .....	160
FIGURE 3-40. FORK 2.36X6X60 / 8150# CAPACITY .....	162
FIGURE 3-41. FORK EXTENSION - 90IN .....	164
FIGURE 3-42. FORK PIN LOCK INSTALLATION .....	166
FIGURE 3-43. HOOK, COUPLING .....	168
FIGURE 3-44. HOOK, CRANE .....	170
FIGURE 3-45. MAST, VERTICAL - 8FT.....	172
FIGURE 3-46. PIPE HANDLER .....	176
FIGURE 3-47. SHEET MATERIAL HANDLER.....	180
FIGURE 3-48. SHEET MATERIAL HANDLER FORK SUPPORT (LH).....	182
FIGURE 3-49. SHEET MATERIAL HANDLER FORK SUPPORT (RH).....	184
FIGURE 3-50. SWEEPER ASSEMBLY .....	186
FIGURE 3-51. SWEEPER ASSEMBLY - HOPPER.....	188
FIGURE 3-52. SWEEPER ASSEMBLY - BODY .....	190
FIGURE 3-53. SWEEPER ASSEMBLY - MOTOR.....	192
FIGURE 3-54. SWEEPER ASSEMBLY - IDLER.....	194
FIGURE 3-55. SWEEPER ASSEMBLY - CORE.....	196
FIGURE 3-56. SWEEPER ASSEMBLY - HYDRAULIC SINGLE MOTOR ASSEMBLY .....	198
FIGURE 3-57. TRASHER HOPPER .....	200
SECTION 4 - ENGINE AND ATTACHING PARTS.....	203
FIGURE 4-1. ENGINE INSTALLATION - 74HP (ULS).....	204
FIGURE 4-2. ENGINE COMPONENTS - 74HP (ULS).....	206



# TABLE OF CONTENTS

FIGURE 4-3. ENGINE INSTALLATION - 110HP (ULS) .....	208
FIGURE 4-4. ENGINE COMPONENTS - 110HP (ULS) .....	210
FIGURE 4-5. ENGINE INSTALLATION - 110HP (LS) .....	212
FIGURE 4-6. ENGINE COMPONENTS - 110HP (LS) .....	214
FIGURE 4-7. AIR CLEANER INSTALLATION - 74HP & 110HP (ULS) .....	216
FIGURE 4-8. AIR CLEANER ASSEMBLY - 74HP & 110HP (ULS) .....	218
FIGURE 4-9. AIR CLEANER INSTALLATION - 110HP (LS) .....	220
FIGURE 4-10. AIR CLEANER ASSEMBLY - 110HP (LS) .....	222
FIGURE 4-11. EXHAUST INSTALLATION - 74HP (ULS) .....	224
FIGURE 4-12. EXHAUST INSTALLATION - 110HP (ULS) .....	226
FIGURE 4-13. EXHAUST INSTALLATION - 110HP (LS) .....	228
FIGURE 4-14. DEF SYSTEM INSTALLATION (ULS) .....	230
FIGURE 4-15. DEF PUMP ASSEMBLY .....	232
FIGURE 4-16. DEF COOLANT LINES INSTALLATION .....	234
FIGURE 4-17. DEF LINES INSTALLATION .....	236
FIGURE 4-18. FUEL LINES INSTALLATION - 74HP & 110HP (ULS) .....	238
FIGURE 4-19. FUEL LINES INSTALLATION - 110HP (LS) .....	240
FIGURE 4-20. COOLING LINES INSTALLATION - 74HP & 110HP (ULS) .....	242
FIGURE 4-21. COOLING LINES INSTALLATION - 110HP (LS) .....	244
FIGURE 4-22. COOLING INSTALLATION - 74HP (ULS) .....	246
FIGURE 4-23. COOLING INSTALLATION - 110HP (ULS & LS) .....	248
FIGURE 4-24. DE-AERATION TANK ASSEMBLY - 74HP & 110HP (ULS) .....	250
FIGURE 4-25. RADIATOR ASSEMBLY - 74HP (ULS) .....	252
FIGURE 4-26. RADIATOR ASSEMBLY - 110HP (ULS & LS) .....	254
FIGURE 4-27. FAN INSTALLATION - 74HP (ULS) .....	256
FIGURE 4-28. FAN INSTALLATION - 110HP (ULS & LS) .....	258
FIGURE 4-29. ISOLATION COUPLER INSTALLATION - 74HP & 110HP (ULS & LS) .....	260
FIGURE 4-30. AIR INTAKE SHUT OFF VALVE INSTALLATION .....	262
FIGURE 4-31. BREATHER HEATER INSTALLATION - 74HP .....	264
FIGURE 4-32. A/C COMPONENTS INSTALLATION - 74HP .....	266
FIGURE 4-33. A/C COMPONENTS INSTALLATION - 110HP .....	268
SECTION 5 - DRIVE TRAIN .....	271
FIGURE 5-1. TRANSMISSION INSTALLATION .....	272
FIGURE 5-2. TRANSMISSION ASSEMBLY .....	274
FIGURE 5-3. TRANSMISSION, ENGINE CONNECTION AND CONVERTER .....	276
FIGURE 5-4. TRANSMISSION, INPUT SHAFTS .....	278
FIGURE 5-5. TRANSMISSION, GEARBOX HOUSING .....	280
FIGURE 5-6. TRANSMISSION, COUPLING GROUP 1 .....	282
FIGURE 5-7. TRANSMISSION, COUPLING GROUP 2 .....	284
FIGURE 5-8. TRANSMISSION, COUPLING GROUP 3 .....	286
FIGURE 5-9. TRANSMISSION, COUPLING GROUP 4 .....	288
FIGURE 5-10. TRANSMISSION, REVERSING GEAR GROUP 1 .....	290
FIGURE 5-11. TRANSMISSION, REVERSING GEAR GROUP 2 .....	292
FIGURE 5-12. TRANSMISSION, OUTPUT .....	294
FIGURE 5-13. TRANSMISSION, CONTROL UNIT .....	296

# TABLE OF CONTENTS

FIGURE 5-14. TRANSMISSION, VALVE HOUSING ASSEMBLY .....	298
FIGURE 5-15. TRANSMISSION, VALVE BLOCK ASSEMBLY .....	302
FIGURE 5-16. TRANSMISSION, OIL PUMP AND FILTER .....	304
FIGURE 5-17. DRIVE SHAFT INSTALLATION .....	306
FIGURE 5-18. DRIVE SHAFT ASSEMBLY (INPUT).....	308
FIGURE 5-19. DRIVE SHAFT ASSEMBLY (FRONT).....	310
FIGURE 5-20. DRIVE SHAFT ASSEMBLY (REAR) .....	312
FIGURE 5-21. AXLE INSTALLATION (110HP).....	314
FIGURE 5-22. AXLE INSTALLATION (74HP).....	316
FIGURE 5-23. FRONT AXLE INSTALLATION (74HP) .....	318
FIGURE 5-24. FRONT AXLE - CENTRAL HOUSING (74HP) .....	320
FIGURE 5-25. FRONT AXLE - DIFFERENTIAL (74HP) .....	322
FIGURE 5-26. FRONT AXLE - HUB REDUCTION (74HP).....	324
FIGURE 5-27. FRONT AXLE - BRAKES (74HP).....	328
FIGURE 5-28. FRONT AXLE - STEERING (74HP) .....	330
FIGURE 5-29. REAR AXLE INSTALLATION (74HP).....	332
FIGURE 5-30. REAR AXLE - CENTRAL HOUSING (74HP).....	334
FIGURE 5-31. REAR AXLE - DIFFERENTIAL (74HP).....	336
FIGURE 5-32. REAR AXLE - HUB REDUCTION (74HP) .....	338
FIGURE 5-33. REAR AXLE - BRAKES (74HP) .....	342
FIGURE 5-34. REAR AXLE - STEERING (74HP).....	344
FIGURE 5-35. FRONT AXLE INSTALLATION (110HP) .....	346
FIGURE 5-36. FRONT AXLE - CENTRAL HOUSING (110HP) .....	348
FIGURE 5-37. FRONT AXLE - DIFFERENTIAL (110HP) .....	350
FIGURE 5-38. FRONT AXLE - HUB REDUCTION (110HP).....	352
FIGURE 5-39. FRONT AXLE - BRAKES (110HP) .....	356
FIGURE 5-40. FRONT AXLE - STEERING (110HP) .....	358
FIGURE 5-41. REAR AXLE INSTALLATION (110HP).....	360
FIGURE 5-42. REAR AXLE - CENTRAL HOUSING (110HP).....	362
FIGURE 5-43. FRONT AXLE - DIFFERENTIAL (110HP) .....	364
FIGURE 5-44. REAR AXLE - HUB REDUCTION (110HP) .....	366
FIGURE 5-45. REAR AXLE - BRAKES (110HP) .....	370
FIGURE 5-46. REAR AXLE - STEERING (110HP).....	372
FIGURE 5-47. TIRE SET - 17.2-25 PNEUMATIC .....	374
FIGURE 5-48. TIRE SET - 17.2-25 FOAM-FILLED.....	376
FIGURE 5-49. TIRE SET - 18 X 625 (TURF AND SAND PNEUMATIC).....	378
FIGURE 5-50. TIRE SET - 360/85-28 SOLID .....	380
FIGURE 5-51. TIRE SET - 400/75-28 PNEUMATIC .....	382
FIGURE 5-52. TIRE SET - 400/75-28 PNEUMATIC NON-MARKING .....	384
FIGURE 5-53. TIRE SET - 400/75-28 FOAM-FILLED.....	386
FIGURE 5-54. TIRE SET - 400/75-28 FOAM-FILLED NON-MARKING.....	388
FIGURE 5-55. TIRE SET, 14-24 SOLID (DIRECTIONAL) .....	390
FIGURE 5-56. TIRE SET, 14-28 SOLID (DIRECTIONAL) .....	392
FIGURE 5-57. TIRE SET, 14-24 SOLID (NON-DIRECTIONAL) .....	394
FIGURE 5-58. TIRE SET, 14-24 SOLID.....	396

# TABLE OF CONTENTS

FIGURE 5-59. FENDER INSTALLATION.....	398
SECTION 6 - CAB.....	401
FIGURE 6-1. CAB MOUNTING HARDWARE INSTALLATION.....	402
FIGURE 6-2. CAB INSTALLATION - OPEN CAB (BLACK SEAT BELT).....	404
FIGURE 6-3. CAB INSTALLATION - OPEN CAB (ORANGE SEAT BELT).....	408
FIGURE 6-4. CAB INSTALLATION - OPEN CAB (ORANGE SEAT BELT).....	410
FIGURE 6-5. CAB ASSEMBLY - OPEN.....	412
FIGURE 6-6. CAB INSTALLATION - ENCLOSED CAB WITH HEATER (BLACK SEAT BELT).....	414
FIGURE 6-7. CAB INSTALLATION - ENCLOSED CAB WITH HEATER (ORANGE SEAT BELT).....	418
FIGURE 6-8. CAB INSTALLATION - ENCLOSED CAB WITH HEATER (ORANGE SEAT BELT).....	420
FIGURE 6-9. CAB ASSEMBLY - ENCLOSED WITH HEATER.....	424
FIGURE 6-10. CAB ENCLOSURE WITH HEATER.....	426
FIGURE 6-11. CAB INSTALLATION - ENCLOSED CAB WITH HEATER/AC (BLACK SEAT BELT).....	428
FIGURE 6-12. CAB INSTALLATION - ENCLOSED CAB WITH HEATER/AC (ORANGE SEAT BELT).....	432
FIGURE 6-13. CAB INSTALLATION - ENCLOSED CAB WITH HEATER/AC (ORANGE SEAT BELT).....	434
FIGURE 6-14. CAB ASSEMBLY - ENCLOSED WITH HEATER & AC.....	438
FIGURE 6-15. CAB ENCLOSURE WITH HEATER & AC.....	440
FIGURE 6-16. CAB DOOR ASSEMBLY.....	442
FIGURE 6-17. SLIDER WINDOW ASSEMBLY (RH).....	444
FIGURE 6-18. WIPER INSTALLATION (FRONT).....	446
FIGURE 6-19. WIPER INSTALLATION (SKYLIGHT).....	448
FIGURE 6-20. CAB SEAT (BLACK SEAT BELT).....	450
FIGURE 6-21. CAB SEAT (ORANGE SEAT BELT).....	452
FIGURE 6-22. SEAT BELT INSTALLATION (3 INCH).....	454
FIGURE 6-23. HEATER ASSEMBLY - FLOOR.....	456
FIGURE 6-24. HEATER BOX ASSEMBLY - HEATER.....	458
FIGURE 6-25. HEATER BOX ASSEMBLY - HEATER & AC.....	460
FIGURE 6-26. CAB HEATER LINES INSTALLATION - HEATER ONLY.....	464
FIGURE 6-27. CAB HEATER LINES INSTALLATION - HEATER & AC.....	466
FIGURE 6-28. HEATER VALVE ASSEMBLY.....	468
FIGURE 6-29. REAR WINDOW INSTALLATION (ANSI ENGLISH).....	470
FIGURE 6-30. REAR WINDOW INSTALLATION (ENGLISH/SPANISH).....	472
FIGURE 6-31. REAR WINDOW INSTALLATION (ENGLISH/SPANISH).....	474
FIGURE 6-32. REAR WINDOW INSTALLATION (ISO).....	476
FIGURE 6-33. SKYTRAK FIRE EXTINGUISHER INSTALLATION.....	478
SECTION 7 - CONTROLS.....	481
FIGURE 7-1. BRAKE ASSEMBLY.....	482
FIGURE 7-2. SECONDARY CONTROLS INSTALLATION.....	484
FIGURE 7-3. AUXILIARY CONTROL ASSEMBLY.....	486
FIGURE 7-4. FRAME LEVEL CONTROL ASSEMBLY.....	488
SECTION 8 - HYDRAULIC CIRCUITS.....	491
FIGURE 8-1. AUXILIARY CONTROLS HYDRAULICS INSTALLATION.....	492
FIGURE 8-2. AXLE HYDRAULICS INSTALLATION.....	494

# TABLE OF CONTENTS

FIGURE 8-3. AXLE HYDRAULICS INSTALLATION - FRONT .....	496
FIGURE 8-4. AXLE HYDRAULICS INSTALLATION - REAR.....	498
FIGURE 8-5. AXLE PIN LUBE HYDRAULICS INSTALLATION.....	500
FIGURE 8-6. BULKHEAD (REAR) INSTALLATION (10054) .....	502
FIGURE 8-7. CAB HYDRAULICS INSTALLATION.....	504
FIGURE 8-8. CAB TO BRAKE HYDRAULICS INSTALLATION.....	506
FIGURE 8-9. CAB PILOT CONTROLS HYDRAULICS INSTALLATION.....	508
FIGURE 8-10. CAB PILOT JOYSTICK & FITTING ASSEMBLY .....	510
FIGURE 8-11. CAB TO STEERING HYDRAULICS INSTALLATION.....	512
FIGURE 8-12. CAB STEERING VALVE & FITTING ASSEMBLY .....	514
FIGURE 8-13. COOLER HYDRAULICS INSTALLATION .....	516
FIGURE 8-14. COOLER (TRANSMISSION) HYDRAULICS INSTALLATION .....	518
FIGURE 8-15. CYLINDER HYDRAULICS INSTALLATION - BOOM EXTEND .....	520
FIGURE 8-16. CYLINDER HYDRAULICS INSTALLATION - FRAME .....	522
FIGURE 8-17. CYLINDER HYDRAULICS INSTALLATION - TELESCOPE CYLINDER CUTOUT.....	524
FIGURE 8-18. FORK TILT HYDRAULICS INSTALLATION.....	526
FIGURE 8-19. OUTRIGGER VALVE & FITTING ASSEMBLY .....	528
FIGURE 8-20. MAIN CONTROL VALVE INSTALLATION .....	530
FIGURE 8-21. PUMP HYDRAULICS INSTALLATION.....	532
FIGURE 8-22. SECONDARY VALVE AND FITTING ASSEMBLY.....	534
SECTION 9 - HYDRAULIC COMPONENTS .....	537
FIGURE 9-1. CYLINDER ASSEMBLY - CARRIAGE SIDE SHIFT.....	538
FIGURE 9-2. CYLINDER ASSEMBLY - CARRIAGE SIDE TILT.....	540
FIGURE 9-3. CYLINDER ASSEMBLY - CARRIAGE SWING (Prior to SN 0160115808).....	542
FIGURE 9-4. CYLINDER ASSEMBLY - CARRIAGE SWING (SN 0160115808 to Present).....	544
FIGURE 9-5. CYLINDER ASSEMBLY - COMPENSATION .....	546
FIGURE 9-6. CYLINDER ASSEMBLY - EXTEND/RETRACT (Prior to SN 0160115808).....	548
FIGURE 9-7. CYLINDER ASSEMBLY - EXTEND/RETRACT (SN 0160115808 to Present) .....	550
FIGURE 9-8. CYLINDER ASSEMBLY - FORK POSITIONING.....	552
FIGURE 9-9. CYLINDER ASSEMBLY - FORK TILT.....	554
FIGURE 9-10. CYLINDER ASSEMBLY - FRAME LEVEL .....	556
FIGURE 9-11. CYLINDER ASSEMBLY - GRAPPLE BUCKET.....	558
FIGURE 9-12. CYLINDER ASSEMBLY - LIFT.....	560
FIGURE 9-13. CYLINDER ASSEMBLY - OUTRIGGER .....	562
FIGURE 9-14. CYLINDER ASSEMBLY - PIPE HANDLER.....	564
FIGURE 9-15. CYLINDER ASSEMBLY - STABIL-TRAK.....	566
FIGURE 9-16. STICKJOY ASSEMBLY.....	568
FIGURE 9-17. VALVE ASSEMBLY - AIR SHUT OFF.....	570
FIGURE 9-18. VALVE SUB-ASSEMBLY - BRAKE.....	572
FIGURE 9-19. VALVE ASSEMBLY - BRAKE .....	574
FIGURE 9-20. VALVE ASSEMBLY - CARRIAGE FORK POSITIONING.....	576
FIGURE 9-21. VALVE ASSEMBLY - CARRIAGE PIPE GRAPPLE .....	578
FIGURE 9-22. VALVE ASSEMBLY - FLOW DIVIDER.....	580
FIGURE 9-23. VALVE ASSEMBLY - MAIN CONTROL .....	582
FIGURE 9-24. VALVE ASSEMBLY - OUTRIGGER.....	584

# TABLE OF CONTENTS

FIGURE 9-25. VALVE ASSEMBLY - SECONDARY .....	586
SECTION 10 - ELECTRICAL .....	589
FIGURE 10-1. ELECTRICAL INSTALLATION (74HP) (ULS) .....	590
FIGURE 10-2. ELECTRICAL INSTALLATION (110HP) (ULS) .....	594
FIGURE 10-3. ELECTRICAL INSTALLATION (110HP) (LS) .....	598
FIGURE 10-4. AIR SHUT-OFF VALVE HARNESS - CAB .....	602
FIGURE 10-5. AIR SHUT-OFF VALVE HARNESS - ENGINE .....	604
FIGURE 10-6. BACKUP ALARM INSTALLATION .....	606
FIGURE 10-7. BACKUP ALARM INSTALLATION (WHITE NOISE) .....	608
FIGURE 10-8. REVERSE CAMERA (Prior to SN 0160117103) .....	610
FIGURE 10-9. REVERSE CAMERA (SN 0160117103 to Present) .....	612
FIGURE 10-10. BACKUP CAMERA HARNESS .....	614
FIGURE 10-11. BATTERY INSTALLATION .....	616
FIGURE 10-12. BATTERY BLANKET INSTALLATION .....	618
FIGURE 10-13. BOOM EXTEND HARNESS (10054) .....	620
FIGURE 10-14. BREATHER HEATER INSTALLATION .....	622
FIGURE 10-15. CAB DISTRIBUTION HARNESS .....	624
FIGURE 10-16. CLEARSKY INSTALLATION - CANBUS .....	630
FIGURE 10-17. CLEARSKY INSTALLATION - CANBUS (CE) .....	632
FIGURE 10-18. CLEARSKY HARNESS - CANBUS .....	634
FIGURE 10-19. CLEARSKY HARNESS - 3-WIRE .....	636
FIGURE 10-20. CLEARSKY TELEMATICS 3-WIRE INSTALLATION .....	638
FIGURE 10-21. CLEARSKY TELEMATICS 3-WIRE HARNESS .....	640
FIGURE 10-22. COLD WEATHER PACKAGE (ULS) .....	642
FIGURE 10-23. COLD WEATHER PACKAGE (LS) .....	644
FIGURE 10-24. ENGINE HARNESS (74HP) .....	646
FIGURE 10-25. ENGINE HARNESS (110HP ULS) .....	652
FIGURE 10-26. ENGINE HARNESS (110HP LS) .....	660
FIGURE 10-27. HVAC HARNESS .....	664
FIGURE 10-28. LIGHTS - BEACON LIGHT INSTALLATION (ENCLOSED CAB) .....	666
FIGURE 10-29. LIGHTS - BEACON LIGHT INSTALLATION (OPEN CAB) .....	668
FIGURE 10-30. LIGHTS - BEACON LIGHT HARNESS .....	670
FIGURE 10-31. LIGHTS - BOOM WORK LIGHT HARNESS .....	672
FIGURE 10-32. LIGHTS - LED WORK LIGHT PACKAGE INSTALLATION .....	674
FIGURE 10-33. LIGHTS - ROADLIGHT PACKAGE INSTALLATION .....	676
FIGURE 10-34. LIGHTS - ROAD LIGHT ASSEMBLY (LH) .....	678
FIGURE 10-35. LIGHTS - ROAD LIGHT ASSEMBLY (RH) .....	680
FIGURE 10-36. LIGHTS - ROAD LIGHT BRACKET ASSEMBLY (LH) .....	682
FIGURE 10-37. LIGHTS - ROAD LIGHT BRACKET ASSEMBLY (RH) .....	684
FIGURE 10-38. LIGHTS - ROAD LIGHT WORK LIGHT HARNESS .....	686
FIGURE 10-39. LIGHTS - WORK LIGHT OPTIONS HARNESS .....	688
FIGURE 10-40. LIGHTS - WORK LIGHT ASSEMBLY - LED (LH) .....	690
FIGURE 10-41. LIGHTS - WORK LIGHT ASSEMBLY - LED (RH) .....	692
FIGURE 10-42. LOGIC HARNESS (10054) .....	694
FIGURE 10-43. RELAY PANEL INSTALLATION .....	696

# TABLE OF CONTENTS

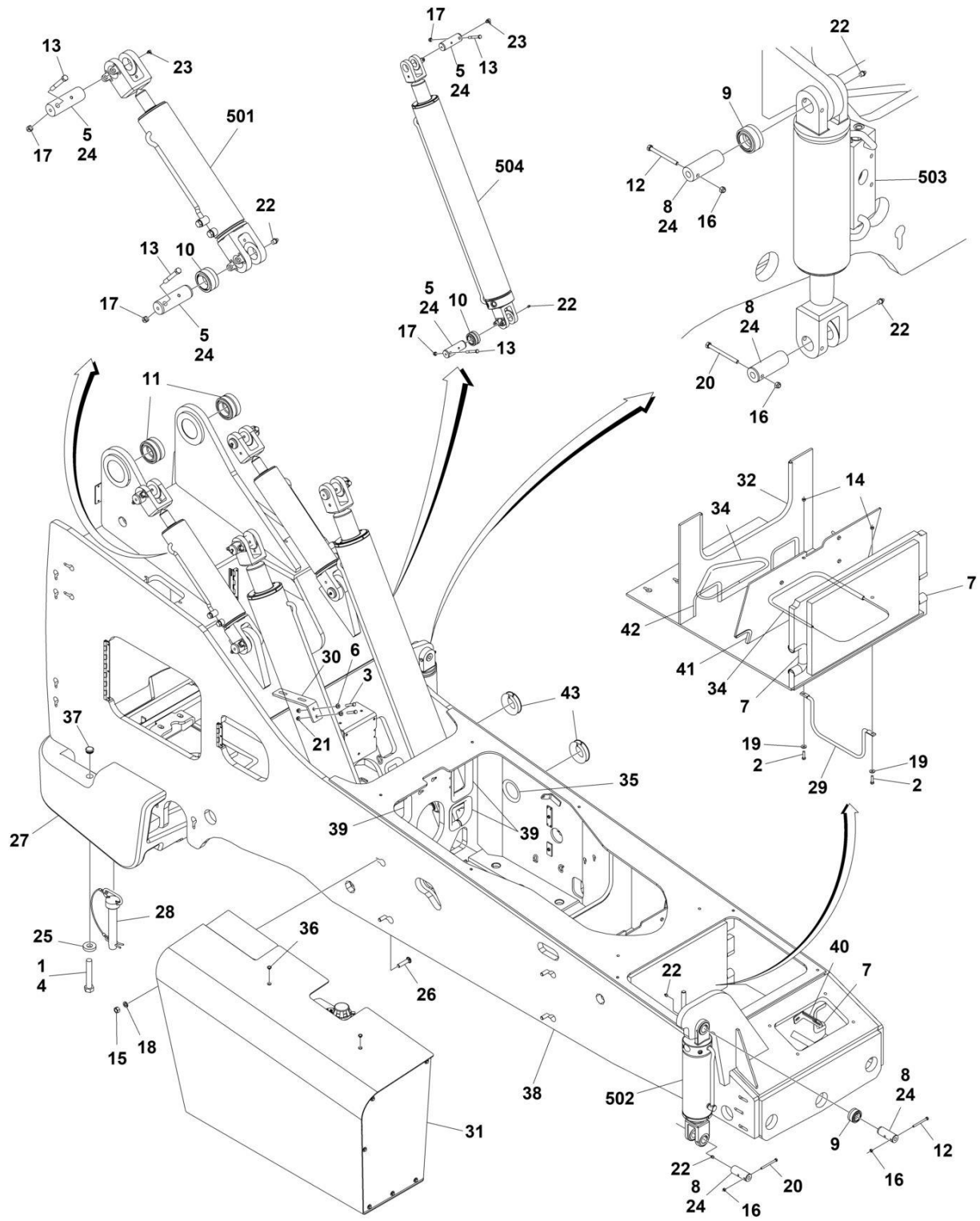
FIGURE 10-44. RELAY PANEL COVER INSTALLATION .....	698
FIGURE 10-45. REVERSE SENSING SYSTEM INSTALLATION .....	700
FIGURE 10-46. REVERSE SENSING HARNESS .....	702
FIGURE 10-47. TANK BLANKET INSTALLATION .....	704
FIGURE 10-48. TBAP HARNESS .....	706
FIGURE 10-49. WIPER HARNESS.....	708
FIGURE 10-50. ROAD LIGHT OPTION HARNESS.....	710
SECTION 11 - DECALS .....	713
FIGURE 11-1. DECALS INSTALLATION - 74HP (ANSI SPECS).....	714
FIGURE 11-2. DECALS INSTALLATION - 74HP (ENGLISH/FRENCH SPECS).....	718
FIGURE 11-3. DECALS INSTALLATION - 74HP ULS (ENGLISH/SPANISH SPECS).....	722
FIGURE 11-4. DECALS INSTALLATION - 110HP ULS (ANSI SPECS).....	726
FIGURE 11-5. DECALS INSTALLATION - 110HP ULS (ENGLISH/FRENCH SPECS).....	730
FIGURE 11-6. DECALS INSTALLATION - 110HP ULS (ENGLISH/SPANISH SPECS).....	734
FIGURE 11-7. DECALS INSTALLATION - 110HP LS (ISO DECALS).....	738
FIGURE 11-8. BOOM DECALS INSTALLATION.....	742
FIGURE 11-9. CLEARSKY DECALS INSTALLATION.....	744
FIGURE 11-10. LOAD CHART BOOKLET (ANSI).....	746
FIGURE 11-11. LOAD CHART BOOKLET (ISO) .....	748
FIGURE 11-12. REVERSE SENSING SYSTEM DECAL INSTALLATION (ENGLISH) .....	750
FIGURE 11-13. REVERSE SENSING SYSTEM DECAL INSTALLATION (ENGLISH/FRENCH) .....	752
FIGURE 11-14. REVERSE SENSING SYSTEM DECAL INSTALLATION (ENGLISH/SPANISH).....	754
FIGURE 11-15. REVERSE SENSING SYSTEM DECAL INSTALLATION (ISO).....	756
SECTION 12 - RECOMMENDED SERVICE PARTS STOCK.....	759
FIGURE 12-1. RECOMMENDED SERVICE PARTS STOCK.....	760
SECTION 13 - SPECIAL OPTIONS/ACCESSORIES/KITS.....	763
FIGURE 13-1. SPECIAL OPTIONS/ACCESSORIES/KITS.....	764
PART NUMBER INDEX.....	767

# SECTION 1 - FRAME AND ATTACHING PARTS

## SECTION 1 - FRAME AND ATTACHING PARTS

# SECTION 1 - FRAME AND ATTACHING PARTS

## FIGURE 1-1. FRAME COMPONENTS INSTALLATION (74HP ULS)



ART\_1001213430\_L



# SECTION 1 - FRAME AND ATTACHING PARTS

## FIGURE 1-1. FRAME COMPONENTS INSTALLATION (74HP ULS)

ITEM	PART NUMBER	QTY	DESCRIPTION	REV
	1001213430	Ref	Frame Components Installation, 74HP ULS	L
1	0100019	AR	Compound, Locking	
2	0641510	2	Bolt, 5/16 X 1	
3	0641618	2	Bolt, 3/8 X 2-1/4	
4	0682648	4	Bolt, 1 X 6	
5	3423227	8	Pin, Cylinder	
6	4891600	2	Washer, 3/8	
7	7124451	4	Conduit, 1X8	
8	7137142	4	Pin, Cylinder	
9	8050001	2	Bearing, Self-Align	
10	8065640	4	Bearing, Self-Align	
11	8065641	2	Bearing, Self-Align	
12	8303752	2	Bolt, 5/16 X 3-1/2	
13	8303782	8	Bolt, 1/2 X 4	
14	8305006	2	Nut 5/16	
15	8305014	4	Nut 5/8	
16	8305626	4	Nut 5/16	
17	8305644	8	Nut 1/2	
18	8307009	4	Washer 5/8	
19	8307203	2	Washer 5/16	
20	8310039	2	Bolt 5/16 X 3-3/4	
21	8310522	2	Nut 3/8	
22	8520001	1	Fitting, Straight	
23	8520003	4	Fitting, 90	
24	8522012	AR	Lube, Anti-Seize	
25	80241137	4	Washer	
26	88411148	4	Bolt 5/8 X 2-3/4	
27	1001208664	NLA	Counterweight, Rear	
28	1001160250	1	Pin, Hitch	
29	1001165057	1	Bracket, Cab Hose	
30	1001166238	1	Bracket, Air Filter	
30	1001227211	Ref	Fuel/Hydraulic Tank Assembly (See Separate Breakdown in this Section)	
32	1001172658	1	Conduit, 1/2X41	
34	1001177190	2	Conduit, 1/2X28	
35	1001177192	1	Conduit, 1/2X12-1/2	
36	1001195826	2	Plug, 1/2	
37	1001195952	2	Plug, Tube	
38	1001201554	NLA	Weldment, Frame	
39	1001174227	7	Conduit, 1X21-1/2	
40	4060804	4 in	Flex-Trim	
41	4060805	6 in	Flex-Trim	
42	7124301	2	Conduit, 1/2X15-1/2	
43	7124471	2	Conduit, 1X12-1/2	
500	1001201693	Ref	Cylinder Kit (Not Shown)	G
501	2714973	2	Cylinder, Compensation (See Separate Breakdown in HYDRAULIC COMPONENTS Section)	
502	1001180762	1	Cylinder, Frame Level (See Separate Breakdown in HYDRAULIC COMPONENTS Section)	

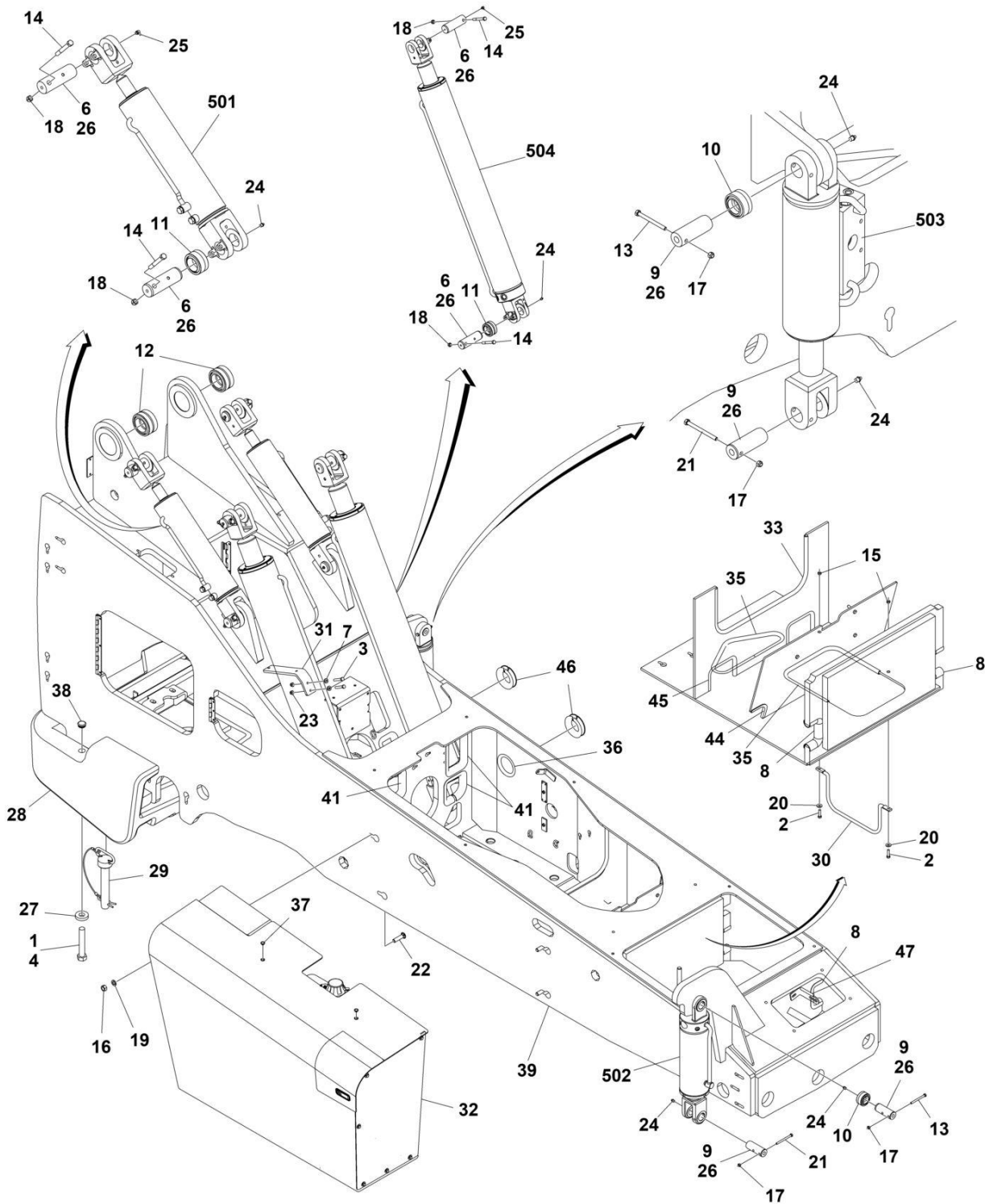
## SECTION 1 - FRAME AND ATTACHING PARTS

ITEM	PART NUMBER	QTY	DESCRIPTION	REV
503	2717198	1	Cylinder, Stabil-Trak (See Separate Breakdown in HYDRAULIC COMPONENTS Section)	
504	1001296322	2	Cylinder, Lift (See Separate Breakdown in HYDRAULIC COMPONENTS Section)	



# SECTION 1 - FRAME AND ATTACHING PARTS

## FIGURE 1-2. FRAME COMPONENTS INSTALLATION (110HP ULS)



ART\_1001201573\_N

# SECTION 1 - FRAME AND ATTACHING PARTS

## FIGURE 1-2. FRAME COMPONENTS INSTALLATION (110HP ULS)

ITEM	PART NUMBER	QTY	DESCRIPTION	REV
	1001201573	Ref	Frame Components Installation, 110HP ULS	N
1	0100019	AR	Compound, Locking	
2	0641510	2	Bolt, 5/16 X 1	
3	0641618	2	Bolt, 3/8 x 2-1/4	
4	0682648	4	Bolt, 1 -8X6	
6	3423227	8	Pin, Cylinder	
7	4891600	2	Washer, 3/8	
8	7124451	4	Conduit, 1X8	
9	7137142	4	Pin, Cylinder	
10	8050001	2	Bearing, Self-Align	
11	8065640	4	Bearing, Self-Align	
12	8065641	2	Bearing, Self-Align	
13	8303752	2	Bolt, 5/16 X 3-1/2	
14	8303782	8	Bolt, 1/2 X 4	
15	8305006	2	Nut 5/16	
16	8305014	4	Nut 5/8	
17	8305626	4	Nut 5/16	
18	8305644	8	Nut 1/2	
19	8307009	4	Washer 5/8	
20	8307203	2	Washer 5/16	
21	8310039	2	Bolt 5/16 X 3-3/4	
22	88411148	4	Bolt 5/8 X 2-3/4	
23	8310522	2	Nut 3/8	
24	8520001	8	Fitting, Straight	
25	8520003	4	Fitting, 90	
26	8522012	AR	Lube, Anti-Seize	
27	80241137	4	Washer	
28	1001208664	NLA	Counterweight, Rear	
29	1001160250	1	Pin, Hitch	
30	1001165057	1	Bracket, Cab Hose	
31	1001166238	1	Bracket, Air Filter	
32	1001169329	1	Installation, Hydraulic/Fuel/DEF Tank (See Separate Breakdown in this Section)	
33	1001172658	1	Conduit, 1/2X41	
35	1001177190	2	Conduit, 1/2X28	
36	1001177192	1	Conduit, 1/2X12-1/2	
37	1001195826	2	Plug, 1/2	
38	1001195952	2	Plug, Tube	
39	1001201554	NLA	Weldment, Frame	
41	1001174227	7	Conduit, 1X21-1/2	
44	4060805	6 in	Flex-Trim	
45	7124301	2	Conduit, 1/2X15-1/2	
46	7124471	2	Conduit, 1X12.5	
47	4060804	4 in	Flex-Trim	
500	1001201693	Ref	Cylinder Kit (Not Shown)	G
501	2714973	2	Cylinder, Compensation (See Separate Breakdown in HYDRAULIC COMPONENTS Section)	
502	1001180762	1	Cylinder, Frame Level (See Separate Breakdown in HYDRAULIC COMPONENTS Section)	

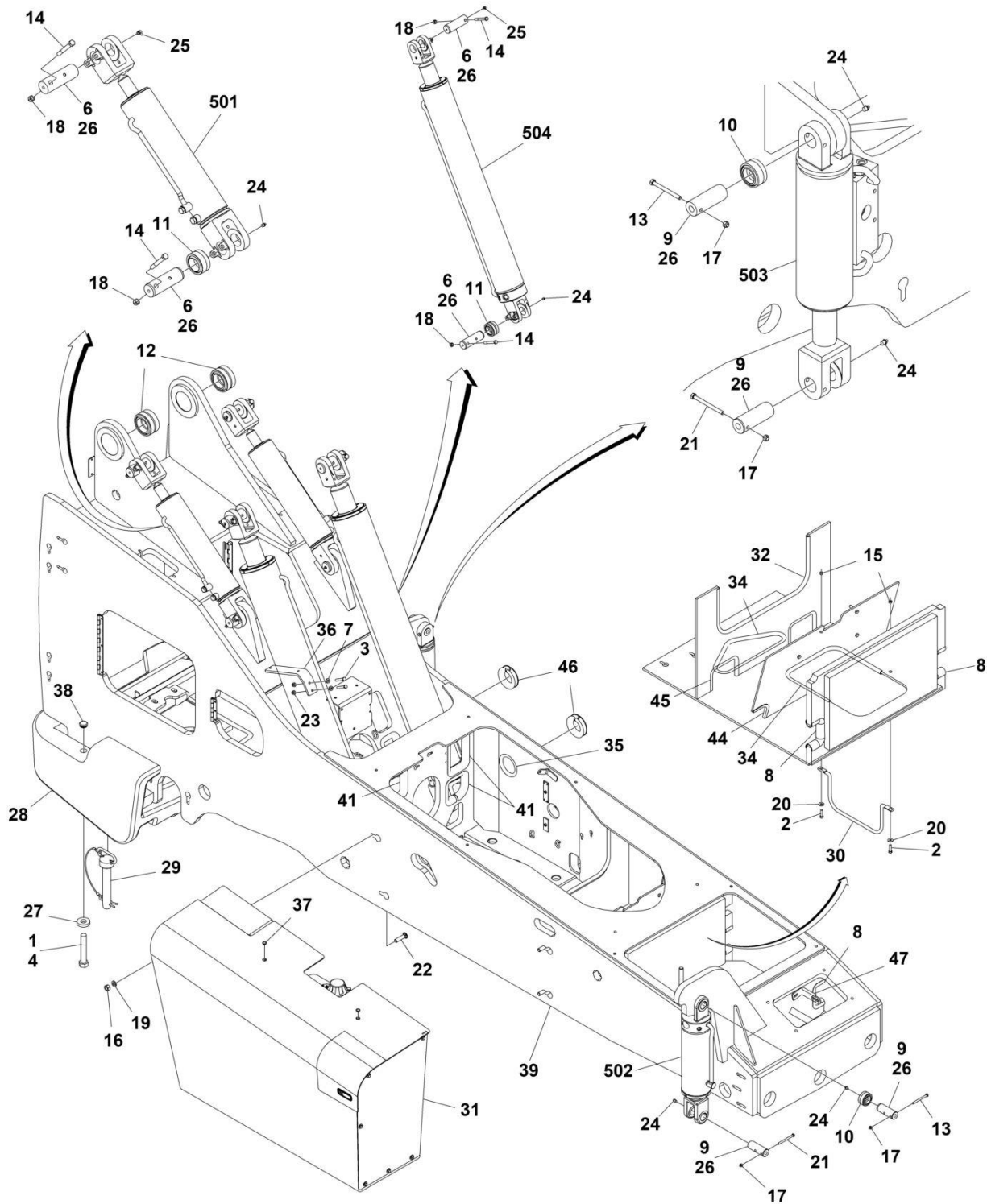
## SECTION 1 - FRAME AND ATTACHING PARTS

ITEM	PART NUMBER	QTY	DESCRIPTION	REV
503	2717198	1	Cylinder, Stabil-Trak (See Separate Breakdown in HYDRAULIC COMPONENTS Section)	
504	1001296322	2	Cylinder, Lift (See Separate Breakdown in HYDRAULIC COMPONENTS Section)	



# SECTION 1 - FRAME AND ATTACHING PARTS

## FIGURE 1-3. FRAME COMPONENTS INSTALLATION (110HP LS)



ART\_1001201574\_N



# SECTION 1 - FRAME AND ATTACHING PARTS

## FIGURE 1-3. FRAME COMPONENTS INSTALLATION (110HP LS)

ITEM	PART NUMBER	QTY	DESCRIPTION	REV
	1001201574	Ref	Frame Components Installation - LS	N
1	0100019	AR	Compound, Locking	
2	0641510	2	Bolt 5/16 X 1	
3	0641618	2	Bolt 3/8 X 2-1/4	
4	0682648	4	Bolt, 1 X 6	
6	3423227	8	Pin, Cylinder	
7	4891600	2	Washer, 3/8	
8	7124451	4	Conduit, 1X8	
9	7137142	4	Pin, Cylinder	
10	8050001	2	Bearing, Self-Align	
11	8065640	4	Bearing, Self-Align	
12	8065641	2	Bearing, Self-Align	
13	8303752	2	Bolt 5/16 X 3-1/2	
14	8303782	8	Bolt 1/2 X 4	
15	8305006	2	Nut 5/16	
16	8305014	4	Nut 5/8	
17	8305626	4	Nut 5/16	
18	8305644	8	Nut 1/2	
19	8307009	4	Washer 5/8	
20	8307203	2	Washer 5/16	
21	8310039	2	Bolt 5/16 X 3-3/4	
22	88411148	4	Bolt 5/8 X 2-3/4	
23	8310522	2	Nut 3/8	
24	8520001	8	Fitting, Straight	
25	8520003	4	Fitting, 90	
26	8522012	AR	Lube, Anti-Seize	
27	80241137	4	Washer	
28	1001208664	NLA	Counterweight, Rear	
29	1001160250	1	Pin, Hitch	
30	1001165057	1	Bracket, Cab Hose	
31	1001169466	1	Weldment, Fuel/Hydraulic/DEF Tank (See Separate Breakdown in this Section)	
32	1001172658	1	Conduit, 1/2X41	
34	1001177190	2	Conduit, 1/2X28	
35	1001177192	1	Conduit, 1/2X12-1/2	
36	1001190007	1	Bracket, Air Filter	
37	1001195826	2	Plug	
38	1001195952	2	Plug, Tube	
39	1001201554	NLA	Weldment, Frame	
41	1001174227	7	Conduit, 1X21-1/2	
44	4060805	6 in	Flex-Trim	
45	7124301	2	Conduit, 1/2X15-1/2	
46	7124471	2	Conduit, 1X12-1/2	
47	4060804	4 in	Flex-Trim	
500	1001201693	Ref	Cylinder Kit (Not Shown)	G
501	2714973	2	Cylinder, Compensation (See Separate Breakdown in HYDRAULIC COMPONENTS Section)	
502	1001180762	1	Cylinder, Frame Level (See Separate Breakdown in HYDRAULIC COMPONENTS Section)	

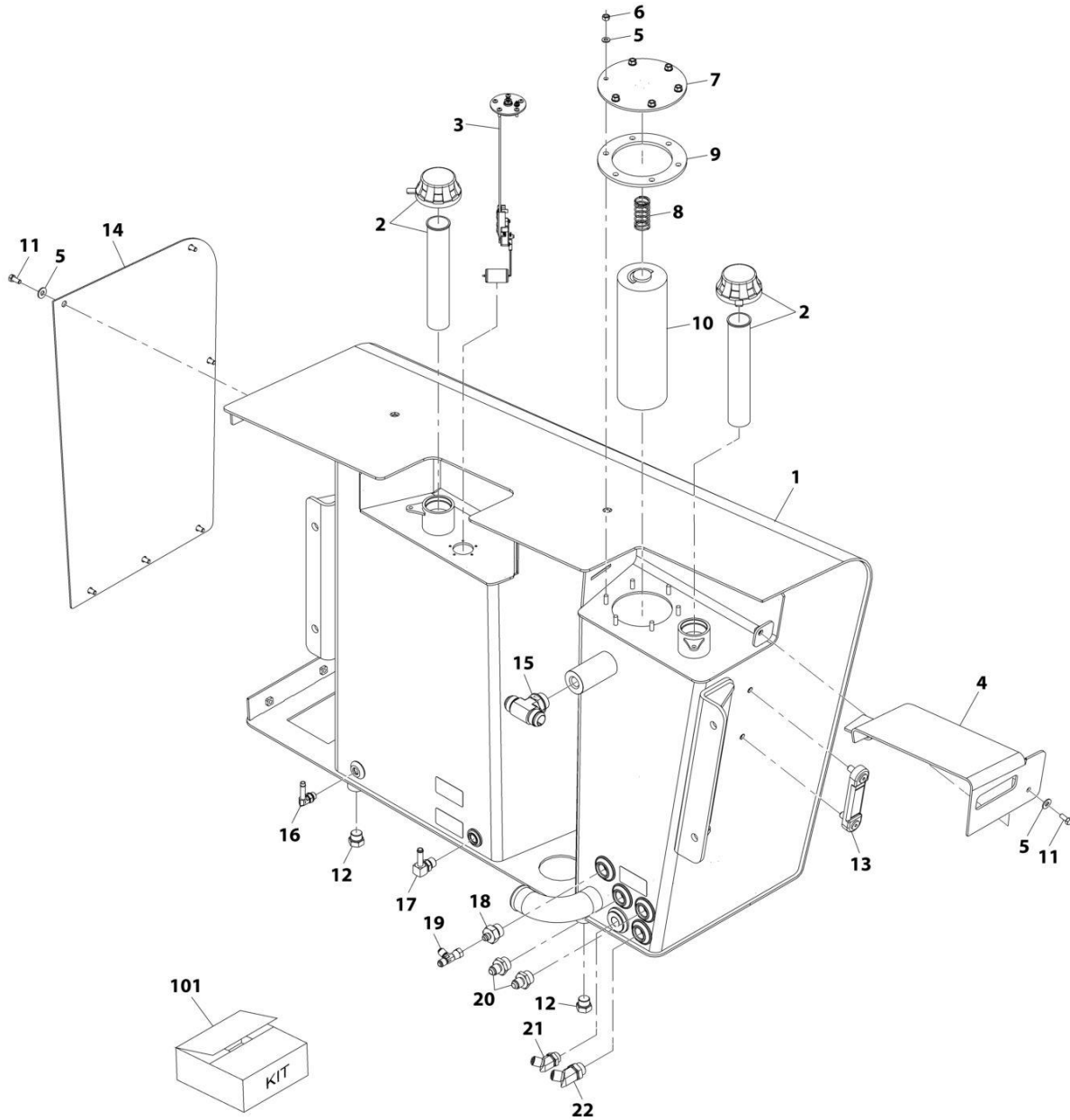
## SECTION 1 - FRAME AND ATTACHING PARTS

ITEM	PART NUMBER	QTY	DESCRIPTION	REV
503	2717198	1	Cylinder, Stabil-Trak (See Separate Breakdown in HYDRAULIC COMPONENTS Section)	
504	1001296322	2	Cylinder, Lift (See Separate Breakdown in HYDRAULIC COMPONENTS Section)	



# SECTION 1 - FRAME AND ATTACHING PARTS

## FIGURE 1-4. TANKS ASSEMBLY - HYDRAULIC/FUEL/DEF (74HP ULS)



ART\_1001227211

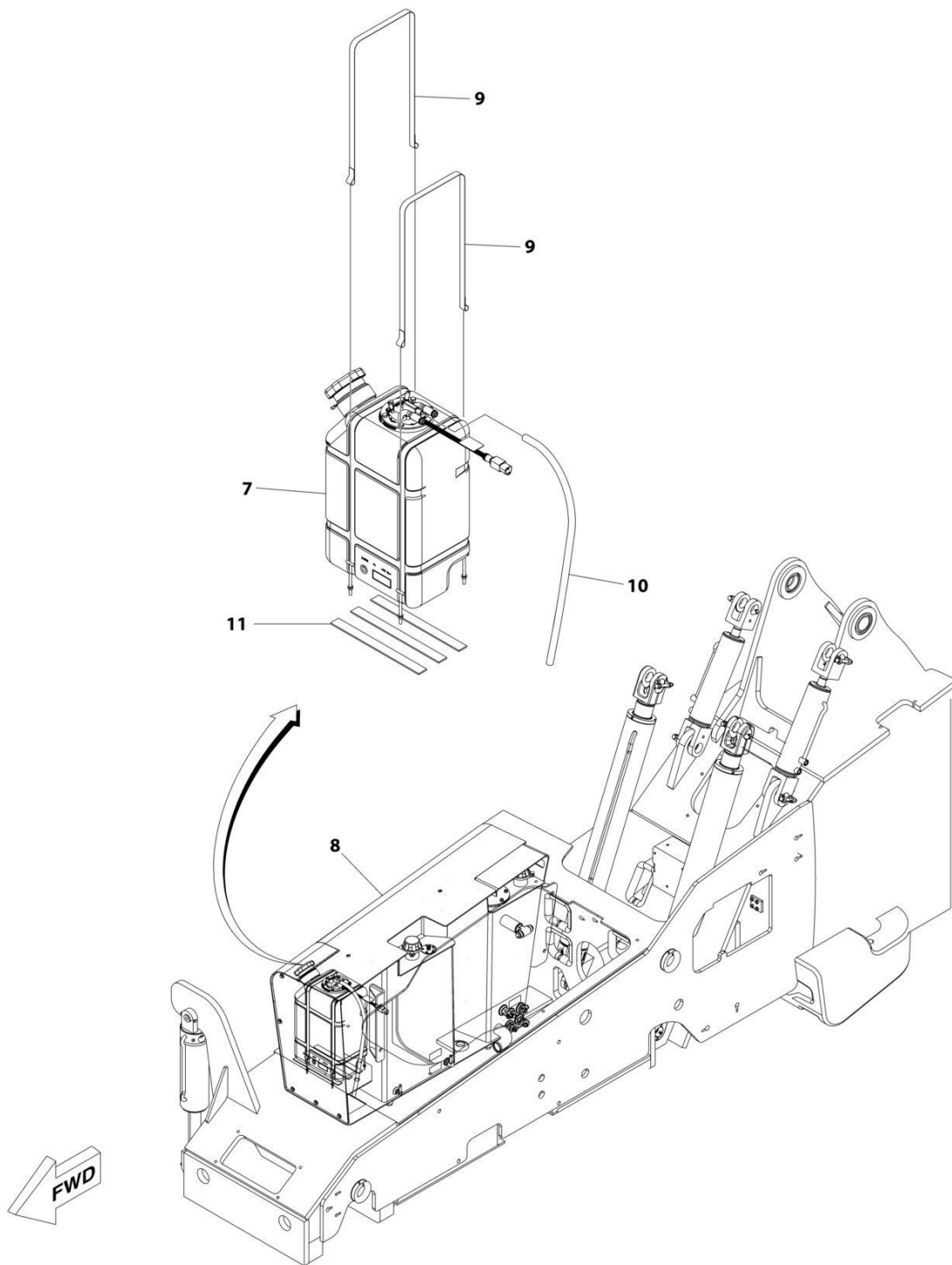
## SECTION 1 - FRAME AND ATTACHING PARTS

**FIGURE 1-4. TANKS ASSEMBLY - HYDRAULIC/FUEL/DEF (74HP ULS)**

ITEM	PART NUMBER	QTY	DESCRIPTION	REV
	1001227211	Ref	Hydraulic/Fuel Tank Assembly (ULS)	B
1	N.S.S.	1	Tank, Hydraulic/Fuel	
2	7139077	2	Filler/Breather	
3	1001145026	1	Sensor, Fuel	
4	1001199116	1	Panel, Hydraulic Fill Cover	
5	1001170329	13	Washer, Flat M8	
6	3300429	6	Nut 5/16	
7	1001199135	1	Assembly, Cover	
8	1001199136	1	Spring	
9	1001199177	1	Seal	
10	1001199205	1	Element, Filter	
11	8303697	7	Bolt 5/16 X 3/4	
12	2220239	2	Plug	
13	7024441	1	Gauge, Sight	
14	1001199181	1	Cover, DEF Tank	
15	8760552	1	Tee, Branch	
16	1001178776	1	Elbow, 90	
17	1001199210	1	Elbow, 90	
18	2220577	1	Adapter	
19	2220635	1	Tee, Run	
20	2220375	2	Adapter	
21	2220499	1	Elbow, 45	
22	8770048	1	Elbow, 45	
101	70024152	1	Kit, Filter (Includes Items 9 & 10)	

# SECTION 1 - FRAME AND ATTACHING PARTS

## FIGURE 1-5. TANKS INSTALLATION - HYDRAULIC/FUEL/DEF (110HP ULS)



ART\_1001169329\_F

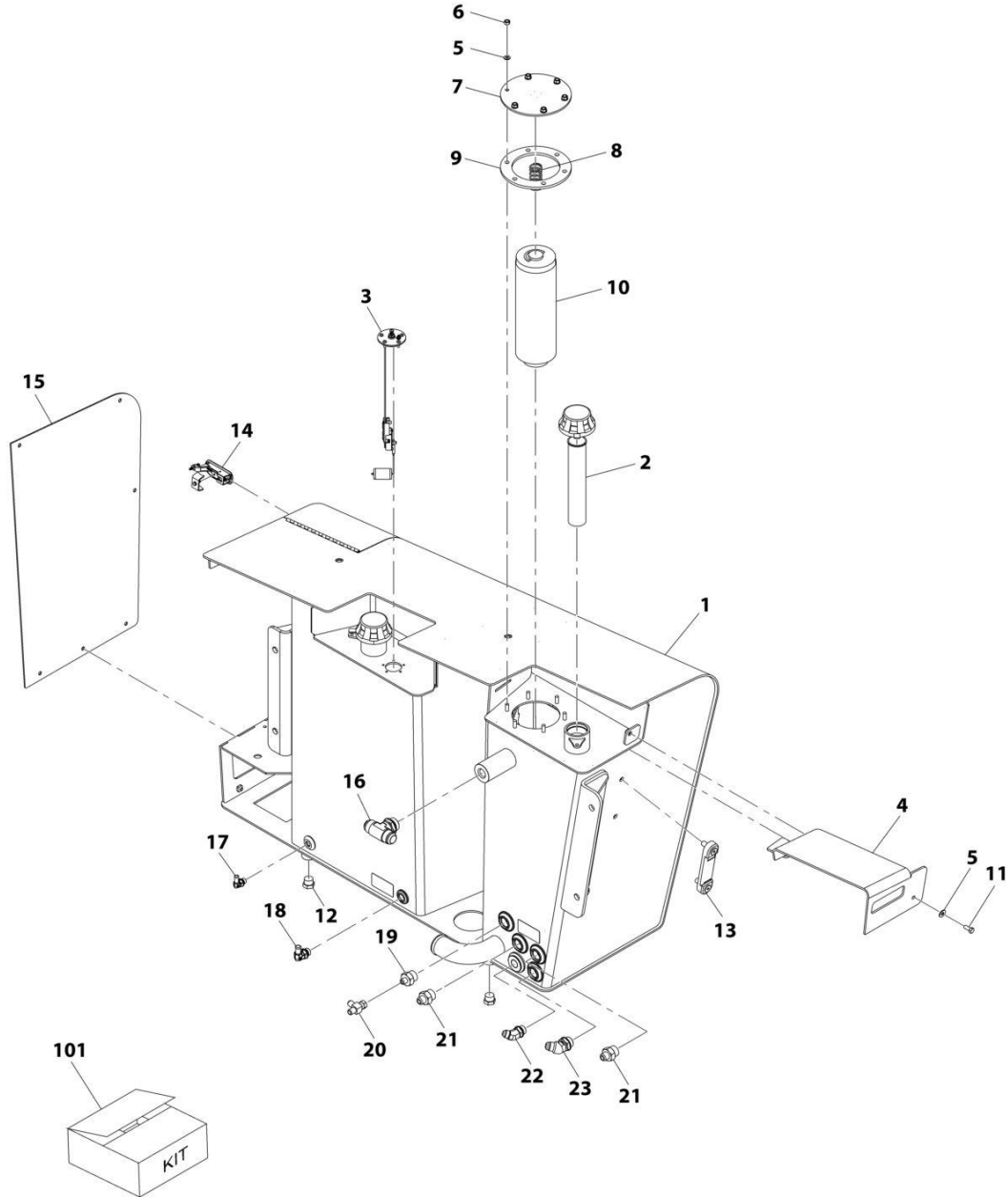
## SECTION 1 - FRAME AND ATTACHING PARTS

FIGURE 1-5. TANKS INSTALLATION - HYDRAULIC/FUEL/DEF (110HP ULS)

ITEM	PART NUMBER	QTY	DESCRIPTION	REV
	1001169329	Ref	TANK INSTALLATION - HYDRAULIC/FUEL/DEF	F
7	1001228986	1	DEF Tank (See Separate Breakdown in this Section)	
8	1001169466	1	Weldment, Fuel/Hydraulic Tank (See Separate Breakdown in this Section)	
9	1001170856	2	Strap, DEF Tank	
10	1001229095	1	Hose, DEF Tank Vent	
11	4420037	AR	Tape, Insulation	

# SECTION 1 - FRAME AND ATTACHING PARTS

FIGURE 1-6. TANKS ASSEMBLY - HYDRAULIC/FUEL (110HP ULS & LS)



ART\_1001169466



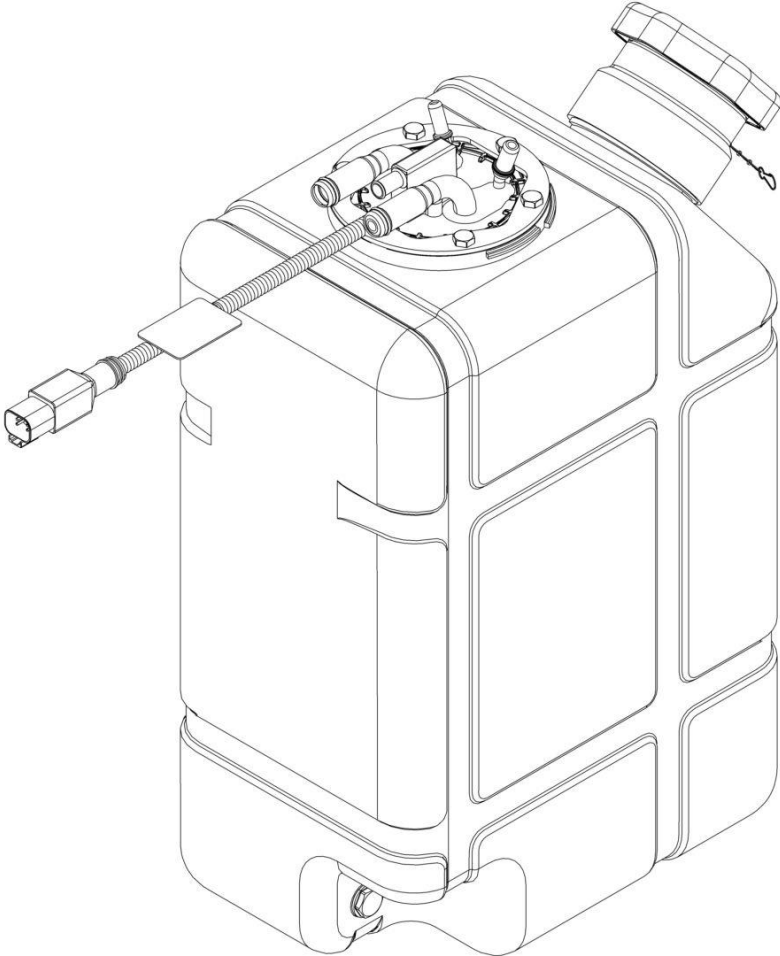
## SECTION 1 - FRAME AND ATTACHING PARTS

**FIGURE 1-6. TANKS ASSEMBLY - HYDRAULIC/FUEL (110HP ULS & LS)**

ITEM	PART NUMBER	QTY	DESCRIPTION	REV
	1001169466	Ref	Hydraulic/Fuel/DEF Tank Assembly (LS)	M
1	N.S.S.	1	Weldment, Hydraulic/Fuel Tank	
2	7139077	2	Filler/Breather	
3	1001145026	1	Sensor, Fuel	
4	1001199116	1	Panel, Hydraulic Fill Cover	
5	1001170329	7	Washer, Flat M8	
6	3300429	6	Nut, Hex 31-18	
7	1001199135	1	Assembly, Cover	
8	1001199136	1	Spring	
9	1001199177	1	Seal	
10	1001199205	1	Element, Filter	
11	8303697	1	Bolt, Hex Hd 5/16-18X3/4	
12	2220239	2	Plug	
13	7024441	1	Gauge, Sight	
14	1001199199	1	Latch	
15	1001199181	1	Cover, DEF Tank	
16	8760552	1	Tee, Branch	
17	1001178776	1	Elbow, 90	
18	1001199210	1	Elbow, 90	
19	2220577	1	Adapter	
20	2220635	1	Tee, Run	
21	2220375	2	Adapter	
22	2220499	1	Elbow, 45	
23	8770048	1	Elbow, 45	
101	70024152	1	Kit, Filter (Includes Items 9 & 10)	

**SECTION 1 - FRAME AND ATTACHING PARTS**

**FIGURE 1-7. DEF TANK ASSEMBLY (110HP ULS)**



ART\_1001228986-A

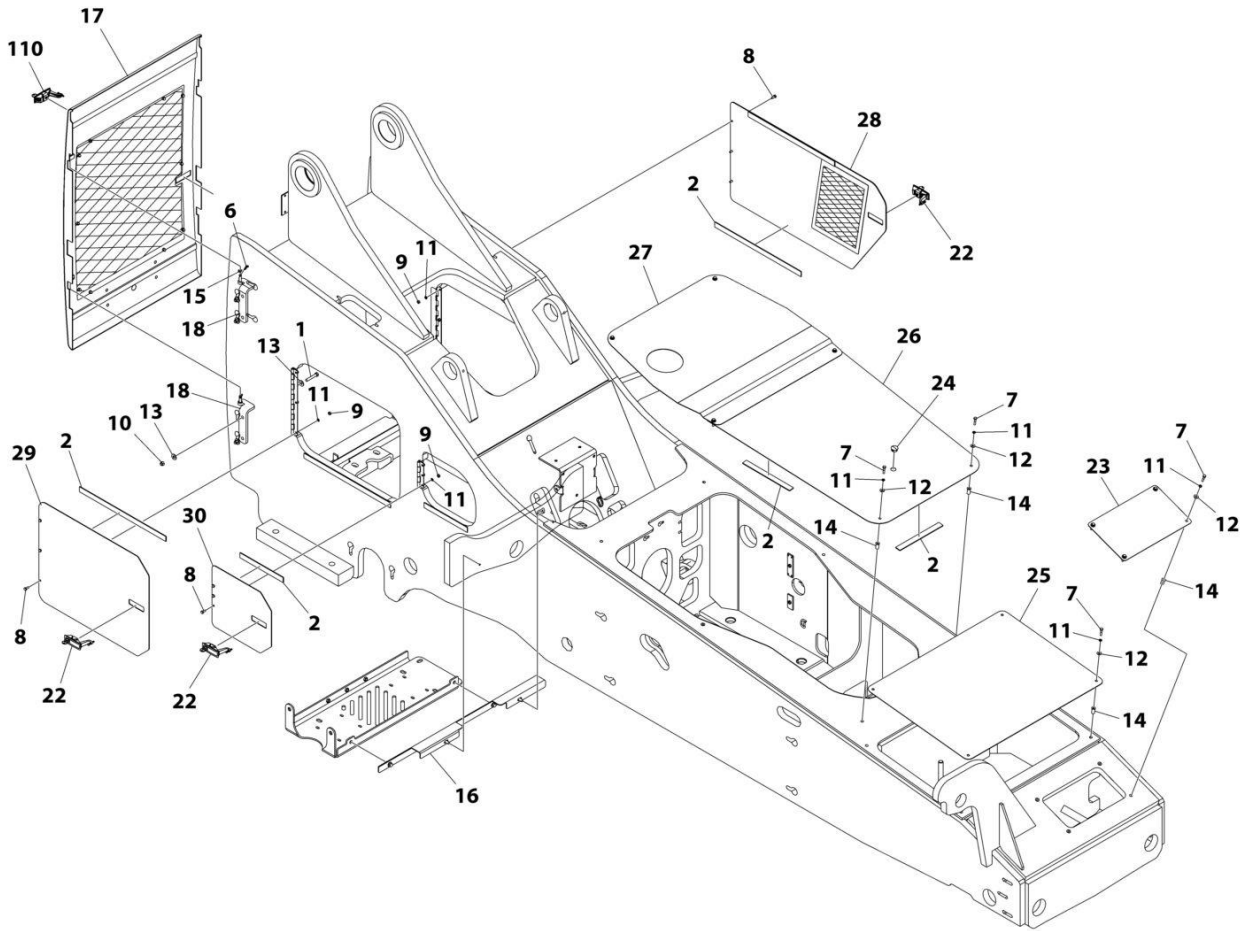
# SECTION 1 - FRAME AND ATTACHING PARTS

## FIGURE 1-7. DEF TANK ASSEMBLY (110HP ULS)

ITEM	PART NUMBER	QTY	DESCRIPTION	REV
	1001228986	1	DEF Tank Assembly, (Contact Cummins at 1-800-CUMMINS for all service if the DEF tank assembly is still within warranty. Warranty may be voided if service is conducted by anyone other than Cummins service personnel)	A

# SECTION 1 - FRAME AND ATTACHING PARTS

## FIGURE 1-8. FRAME COVERS INSTALLATION (74HP ULS)



ART\_1001213432\_F

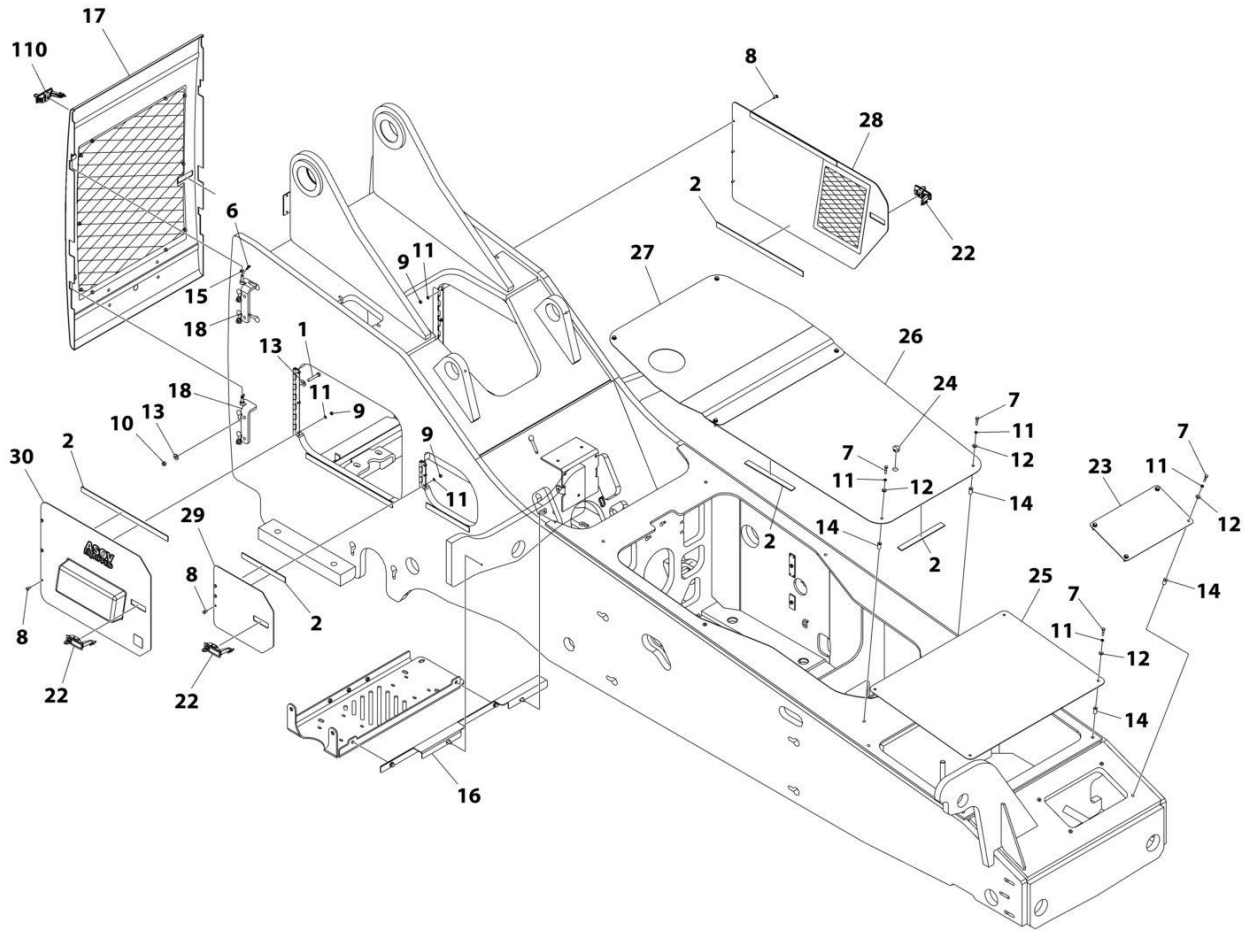
## SECTION 1 - FRAME AND ATTACHING PARTS

**FIGURE 1-8. FRAME COVERS INSTALLATION (74HP ULS)**

ITEM	PART NUMBER	QTY	DESCRIPTION	REV
	1001213432	Ref	FRAME COVERS INSTALLATION	F
1	0641618	4	Bolt 3/8 x 2-1/4	
2	4420037	190 in	Tape, Insulation	
6	8302470	2	Pin, Hair	
7	8303615	14	Bolt 1/4 x 1-1/4	
8	8303729	9	Bolt 1/4 x 5/8	
9	8305004	9	Nut 1/4	
10	8305645	4	Nut 3/8	
11	8307002	23	Washer 1/4	
12	8307202	14	Washer 1/4	
13	8307204	8	Washer 3/8	
14	8580420	14	Nut, Well	
15	10732150	2	Washer M10	
16	1001127864	1	Installation, Dust Shield (See Separate Breakdown in this Section)	
17	1001156283	1	Door, Rear (Includes Item 110)	O
18	1001159319	2	Mount, Rear Door	
22	1001190341	3	Latch, Adjustable Trigger	
23	1001192390	1	Cover, Front	
24	3520030	1	Plug	
25	7139047	1	Cover, Counterweight	
26	1001242035	1	Cover, Lower Transmission	
27	7139407	1	Cover, Upper Transmission	
28	1001169006	1	Panel, Left Side Access	
29	1001171384	1	Panel, Engine Access Right Side	
30	1001171385	1	Panel, Air Cleaner Access	
110	1001190341	1	Latch, Adjustable Trigger	

# SECTION 1 - FRAME AND ATTACHING PARTS

## FIGURE 1-9. FRAME COVERS INSTALLATION (74HP WITH AIR SHUT OFF VALVE)



ART\_1001228512\_F

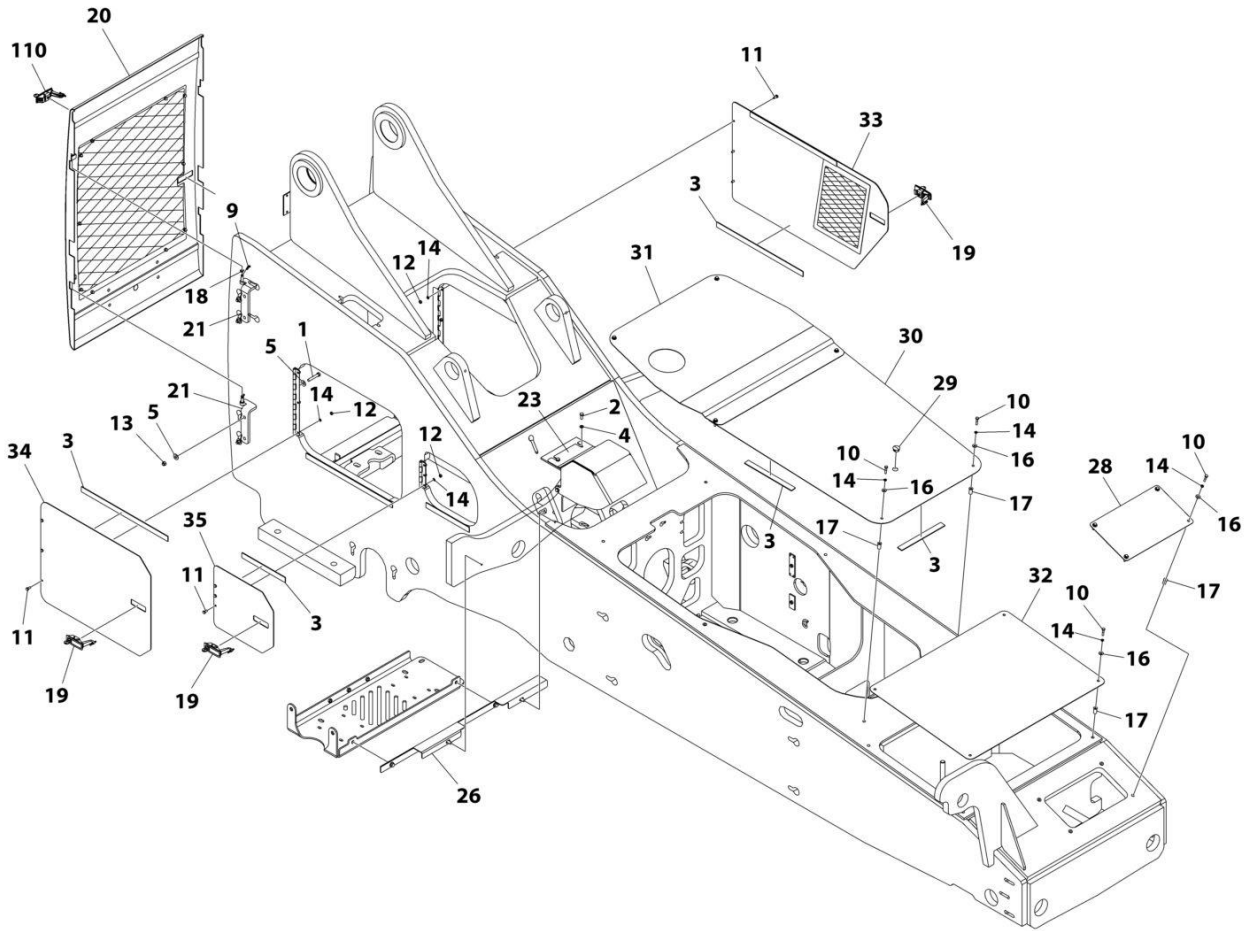
## SECTION 1 - FRAME AND ATTACHING PARTS

**FIGURE 1-9. FRAME COVERS INSTALLATION (74HP WITH AIR SHUT OFF VALVE)**

ITEM	PART NUMBER	QTY	DESCRIPTION	REV
	1001228512	Ref	FRAME COVERS INSTALLATION	F
1	0641618	4	Bolt 3/8 x 2-1/4	
2	4420037	190 in	Tape, Insulation	
6	8302470	2	Pin, Hair	
7	8303615	14	Bolt 1/4 x 1-1/4	
8	8303729	9	Bolt 1/4 x 5/8	
9	8305004	9	Nut 1/4	
10	8305645	4	Nut 3/8	
11	8307002	23	Washer 1/4	
12	8307202	14	Washer 1/4	
13	8307204	8	Washer 3/8	
14	8580420	14	Nut, Well	
15	10732150	2	Washer M10	
16	1001127864	1	Installation, Dust Shield (See Separate Breakdown in this Section)	
17	1001156283	1	Door, Rear (Includes Item 110)	O
18	1001159319	2	Mount, Rear Door	
22	1001190341	3	Latch, Adjustable Trigger	
23	1001192390	1	Cover, Front	
24	3520030	1	Plug	
25	7139047	1	Cover, Counterweight	
26	1001242035	1	Cover, Lower Transmission	
27	7139407	1	Cover, Upper Transmission	
28	1001169006	1	Panel, Left Side Access	
29	1001171385	1	Panel, Air Cleaner Access	
30	1001216291	1	Panel, Engine Access Right Side	
110	1001190341	1	Latch, Adjustable Trigger	

# SECTION 1 - FRAME AND ATTACHING PARTS

## FIGURE 1-10. FRAME COVERS INSTALLATION (110HP ULS)



ART\_1001166070\_J



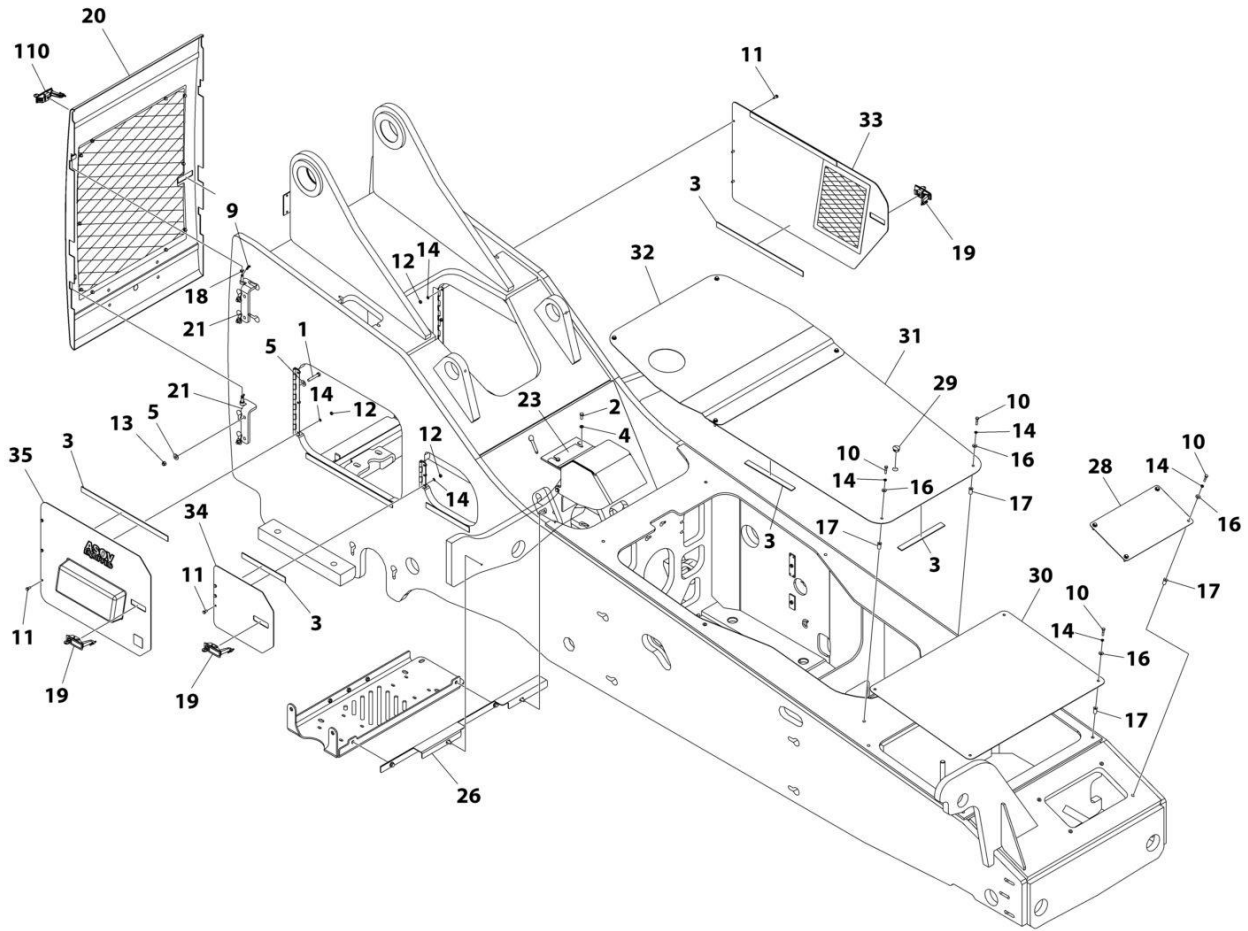
## SECTION 1 - FRAME AND ATTACHING PARTS

**FIGURE 1-10. FRAME COVERS INSTALLATION (110HP ULS)**

ITEM	PART NUMBER	QTY	DESCRIPTION	REV
	1001166070	Ref	FRAME COVERS INSTALLATION	J
1	0641618	4	Bolt 3/8 x 2-1/4	
2	0760810	4	Bolt M8 x 20	
3	4420037	190 in	Tape, Insulation	
4	4811900	4	Washer M8	
5	8307204	8	Washer 3/8	
9	8302470	2	Pin, Hair	
10	8303615	14	Bolt 1/4 x 1-1/4	
11	8303729	9	Bolt 1/4 x 5/8	
12	8305004	9	Nut 1/4	
13	8305645	4	Nut 3/8	
14	8307002	23	Washer 1/4	
16	8307202	14	Washer 1/4	
17	8580420	14	Nut, Well	
18	10732150	2	Washer M10	
19	1001190341	3	Latch, Adjustable Trigger	
20	1001156283	1	Door, Rear (Includes Item 110)	O
21	1001159319	2	Mount, Rear Door	
23	1001169172	1	Cover, DEF Supply	
26	1001127864	1	Installation, Dust Shield (See Separate Breakdown in this Section)	
28	1001192390	1	Cover, Front	
29	3520030	1	Plug	
30	1001242035	1	Cover, Lower Transmission	
31	7139407	1	Cover, Upper Transmission	
32	7139047	1	Cover, Counterweight	
33	1001169006	1	Panel, Left Side Access	
34	1001171384	1	Panel, Engine Access Right Side	
35	1001171385	1	Panel, Air Cleaner Access	
110	1001190341	1	Latch, Adjustable Trigger	

# SECTION 1 - FRAME AND ATTACHING PARTS

FIGURE 1-11. FRAME COVERS INSTALLATION (110HP ULS WITH AIR SHUT OFF VALVE)



ART\_1001227208\_F

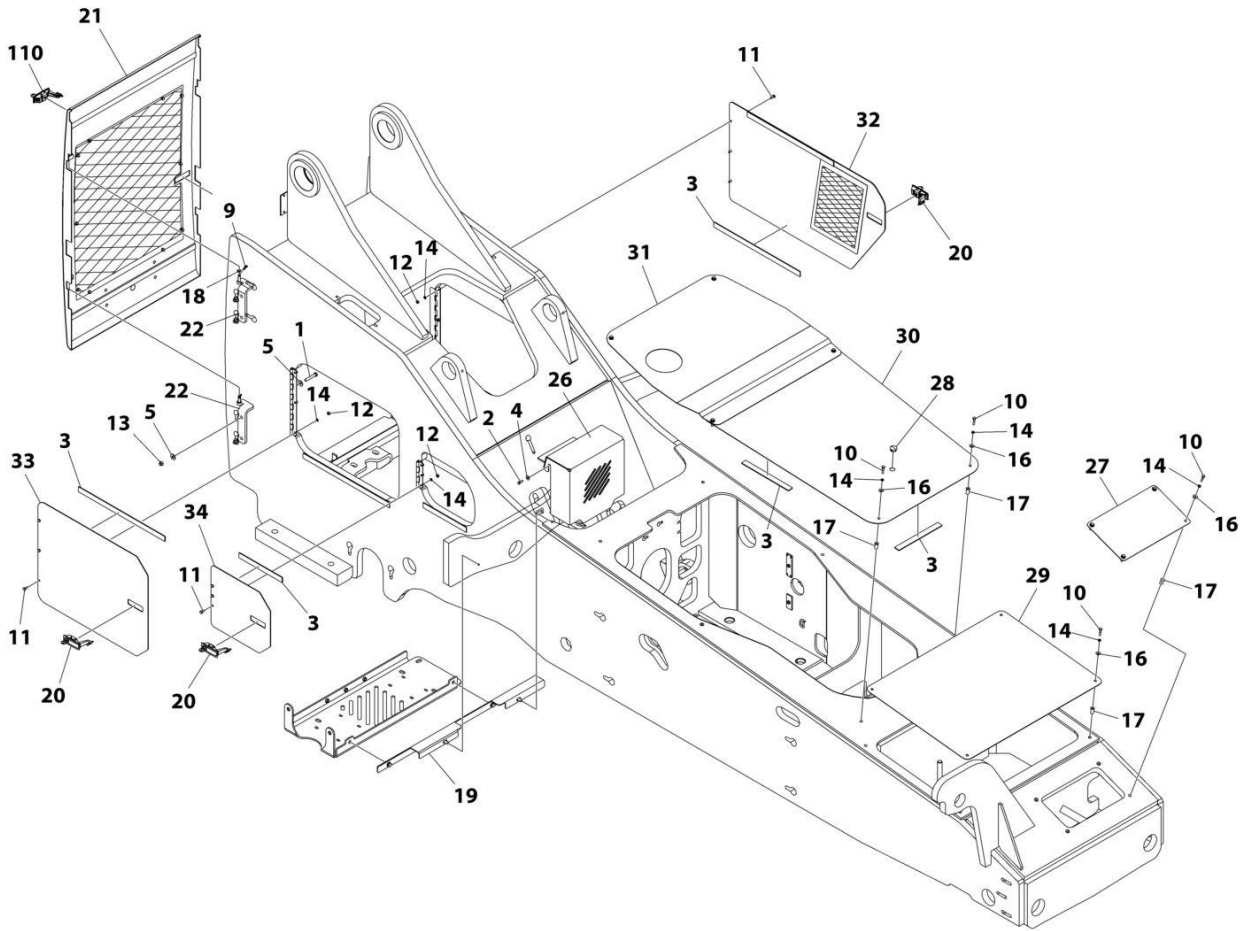
## SECTION 1 - FRAME AND ATTACHING PARTS

**FIGURE 1-11. FRAME COVERS INSTALLATION (110HP ULS WITH AIR SHUT OFF VALVE)**

ITEM	PART NUMBER	QTY	DESCRIPTION	REV
	1001227208	Ref	FRAME COVERS INSTALLATION	F
1	0641618	4	Bolt 3/8 x 2-1/4	
2	0760810	4	Bolt M8 x 20	
3	4420037	190 in	Tape, Insulation	
4	4811900	4	Washer M8	
5	8307204	8	Washer 3/8	
9	8302470	2	Pin, Hair	
10	8303615	14	Bolt 1/4 x 1-1/4	
11	8303729	9	Bolt 1/4 x 5/8	
12	8305004	9	Nut 1/4	
13	8305645	4	Nut 3/8	
14	8307002	23	Washer 1/4	
16	8307202	14	Washer 1/4	
17	8580420	14	Nut, Well	
18	10732150	2	Washer M10	
19	1001190341	3	Latch, Adjustable Trigger	
20	1001156283	1	Door, Rear (Includes Item 110)	O
21	1001159319	2	Mount, Rear Door	
23	1001169172	1	Cover, DEF Supply	
26	1001127864	1	Installation, Dust Shield (See Separate Breakdown in this Section)	
28	1001192390	1	Cover, Front	
29	3520030	1	Plug	
30	7139047	1	Cover, Counterweight	
31	1001242035	1	Cover, Lower Transmission	
32	7139407	1	Cover, Upper Transmission	
33	1001169006	1	Panel, Left Side Access	
34	1001171385	1	Panel, Air Cleaner Access	
35	1001216291	1	Panel, Engine Access Right Side	
110	1001190341	1	Latch, Adjustable Trigger	

# SECTION 1 - FRAME AND ATTACHING PARTS

## FIGURE 1-12. FRAME COVERS INSTALLATION (110HP LS)



ART\_1001186537\_I

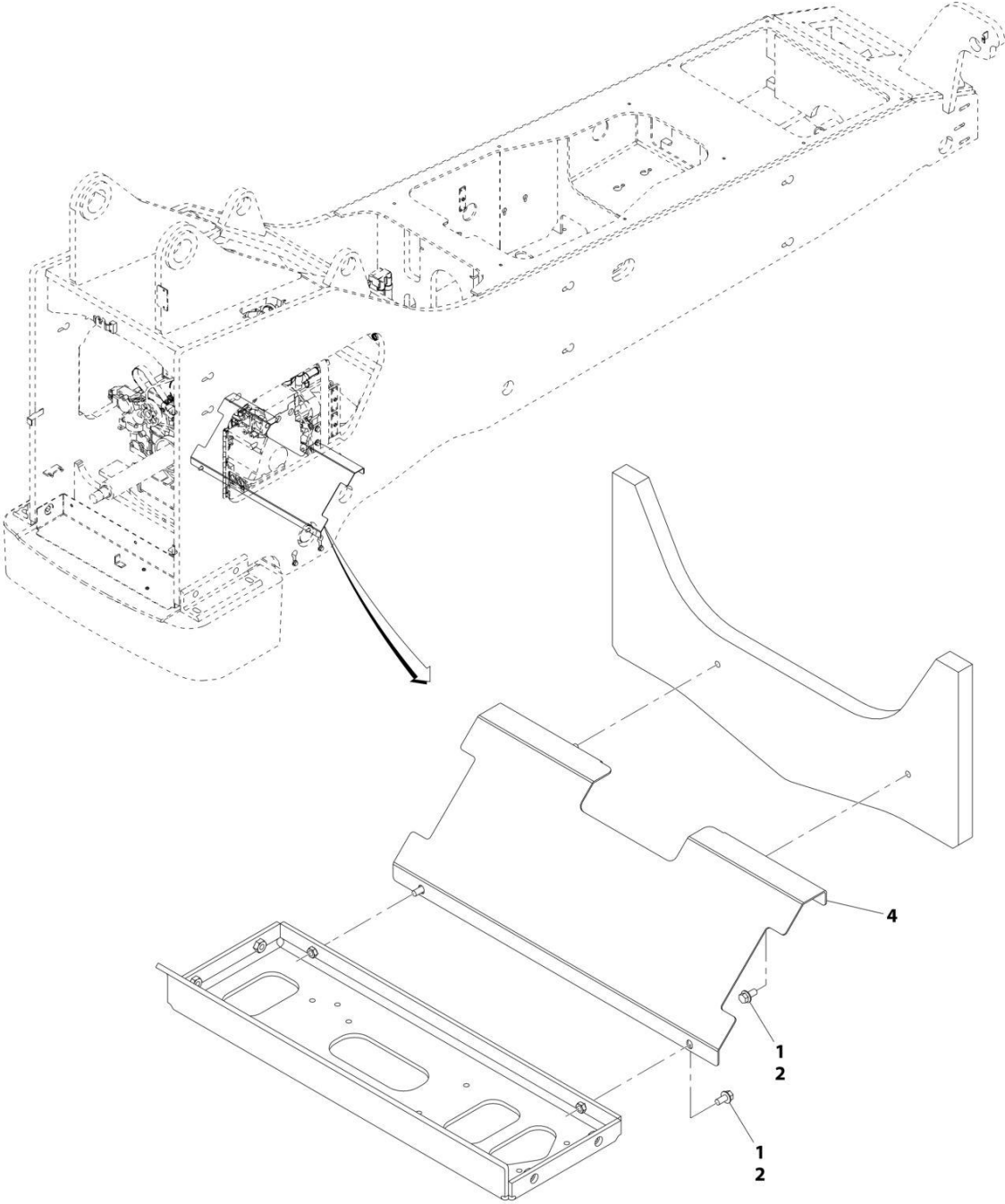
## SECTION 1 - FRAME AND ATTACHING PARTS

**FIGURE 1-12. FRAME COVERS INSTALLATION (110HP LS)**

ITEM	PART NUMBER	QTY	DESCRIPTION	REV
	1001186537	Ref	FRAME COVERS INSTALLATION	I
1	0641618	4	Bolt 3/8 x 2-1/4	
2	0760610	3	Bolt M6 x 20	
3	4420037	190 in	Tape, Insulation	
4	4811702	3	Washer M6	
5	8307204	8	Washer 3/8	
9	8302470	2	Pin, Hair	
10	8303615	14	Bolt 1/4 x 1-1/4	
11	8303729	9	Bolt 1/4 x 5/8	
12	8305004	9	Nut 1/4	
13	8305645	4	Nut 3/8	
14	8307002	23	Washer 1/4	
16	8307202	14	Washer 1/4	
17	8580420	14	Nut, Well	
18	10732150	2	Washer M10	
19	1001127864	1	Installation, Dust Shield (See Separate Breakdown in this Section)	
20	1001190341	3	Latch, Adjustable Trigger	
21	1001156283	1	Door, Rear (Includes Item 110)	O
22	1001159319	2	Mount, Rear Door	
26	1001211690	1	Bracket, ECM Cover	
27	1001192390	1	Cover, Front	
28	3520030	1	Plug	
29	7139047	1	Cover, Counterweight	
30	1001242035	1	Cover, Lower Transmission	
31	7139407	1	Cover, Upper Transmission	
32	1001169006	1	Panel, Left Side Access	
33	1001171384	1	Panel, Engine Access Right Side	
34	1001171385	1	Panel, Air Cleaner Access	
110	1001190341	1	Latch, Adjustable Trigger	

**SECTION 1 - FRAME AND ATTACHING PARTS**

**FIGURE 1-13. DUST SHIELD INSTALLATION**



ART\_1001127864-B

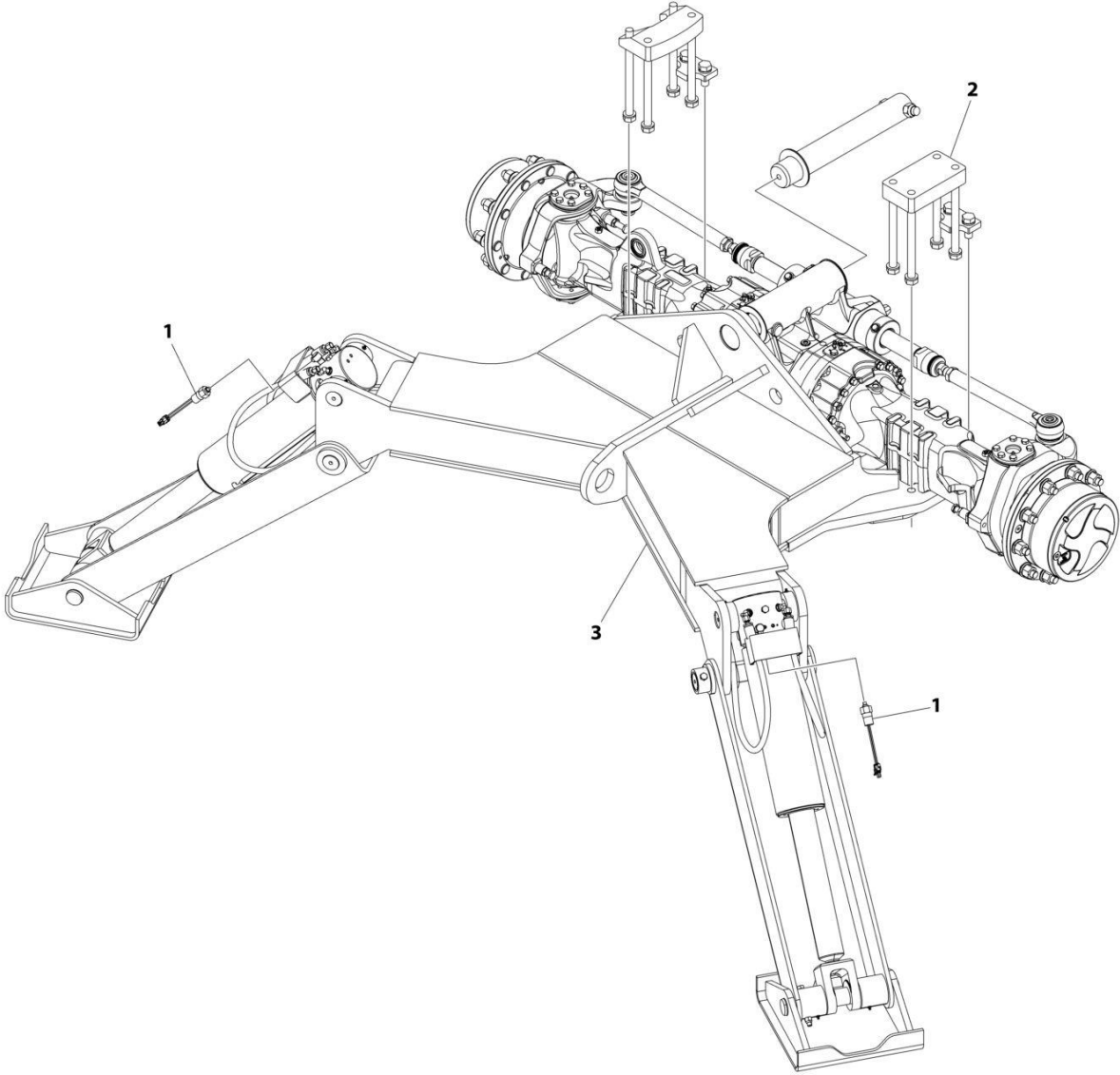
# SECTION 1 - FRAME AND ATTACHING PARTS

## FIGURE 1-13. DUST SHIELD INSTALLATION

ITEM	PART NUMBER	QTY	DESCRIPTION	REV
	1001127864	Ref	Dust Shield Installation	B
1	0100011	AR	Compound, Locking	
2	0791606	4	Bolt, 3/8-16X3/4	
4	1001127867	1	Panel, Dust Baffle Front	

# SECTION 1 - FRAME AND ATTACHING PARTS

## FIGURE 1-14. OUTRIGGER INSTALLATION



ART\_1001224119



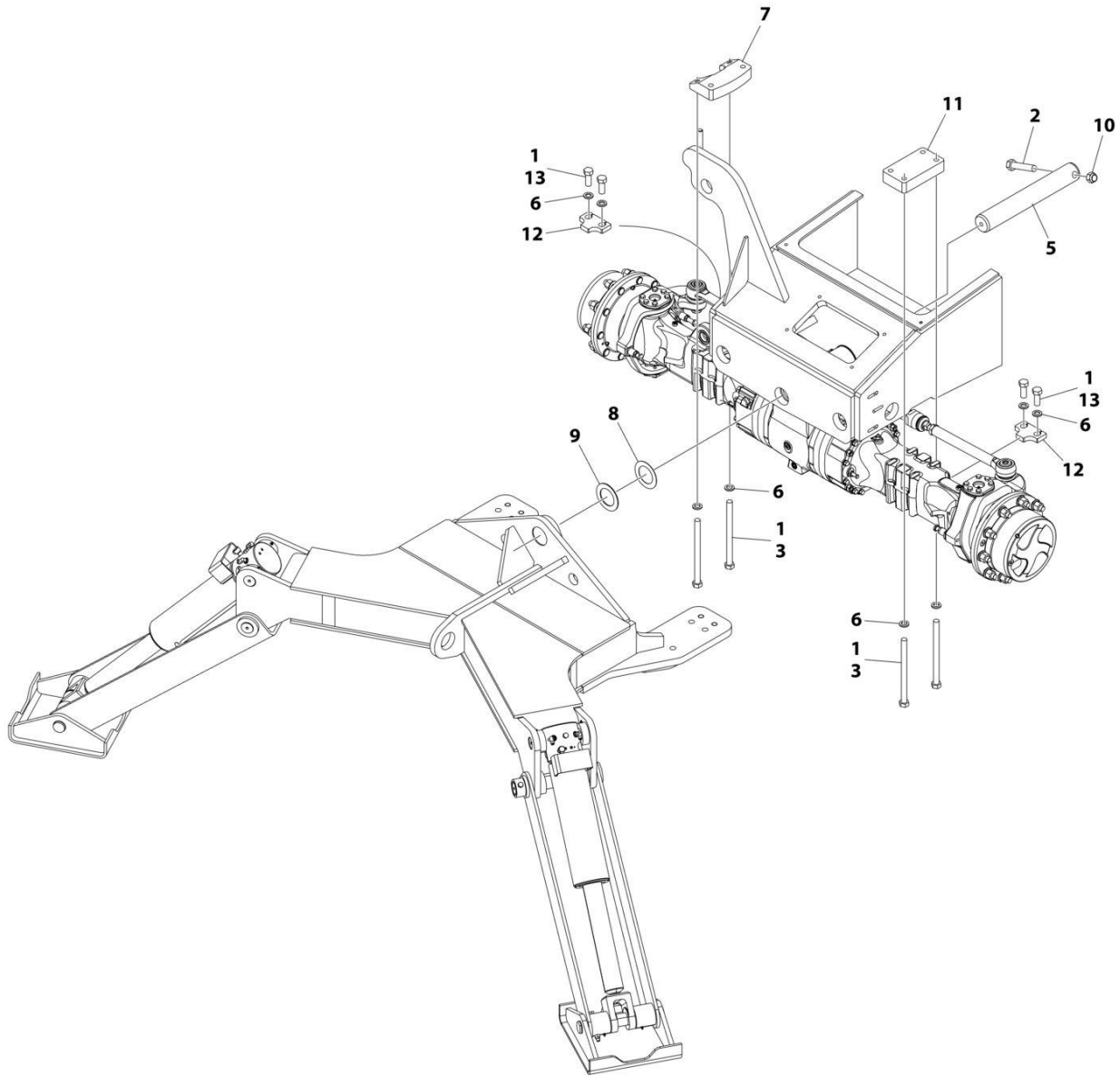
# SECTION 1 - FRAME AND ATTACHING PARTS

## FIGURE 1-14. OUTRIGGER INSTALLATION

ITEM	PART NUMBER	QTY	DESCRIPTION	REV
1	1001224119	Ref	Outrigger Installation	C
1	8223536	2	Switch, Pressure	
2	1001222496	1	Installation, Outrigger Mounting (See Separate Breakdown in this Section)	
3	1001222497	1	Sub-Assembly, Outrigger (See Separate Breakdown in this Section)	

# SECTION 1 - FRAME AND ATTACHING PARTS

## FIGURE 1-15. OUTRIGGER MOUNTING INSTALLATION



ART\_1001222496

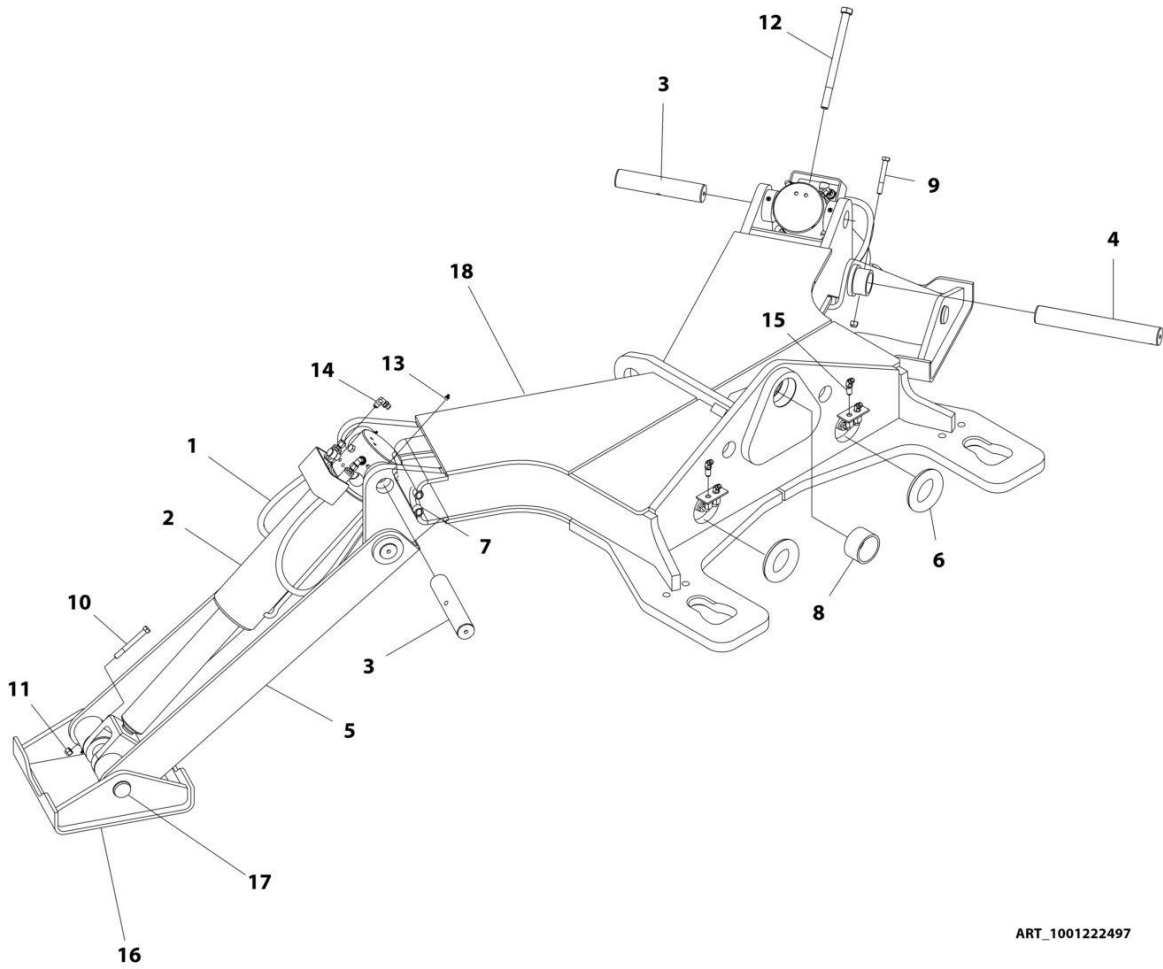
# SECTION 1 - FRAME AND ATTACHING PARTS

## FIGURE 1-15. OUTRIGGER MOUNTING INSTALLATION

ITEM	PART NUMBER	QTY	DESCRIPTION	REV
	1001222496	Ref	OUTRIGGER MOUNTING INSTALLATION	C
1	0100019	AR	Compound, Locking	
2	0642640	1	Bolt 1 x 5	
3	0682496	8	Bolt 7/8 x 12	
5	3423248	1	Pin, Axle/Outrigger	
6	4892400	12	Washer 7/8	
7	1001232517	1	Bracket, Outrigger Mounting	
8	8307912	AR	Washer, Shim	
9	8307913	AR	Washer, Shim	
10	8310116	1	Nut 1	
11	1001232518	1	Bracket, Outrigger Mounting	
12	1001244592	2	Stop, Block Outrigger	
13	0682418	4	Bolt 7/8 x 2-1/4	

# SECTION 1 - FRAME AND ATTACHING PARTS

## FIGURE 1-16. OUTRIGGER SUB-ASSEMBLY



ART\_1001222497

# SECTION 1 - FRAME AND ATTACHING PARTS

## FIGURE 1-16. OUTRIGGER SUB-ASSEMBLY

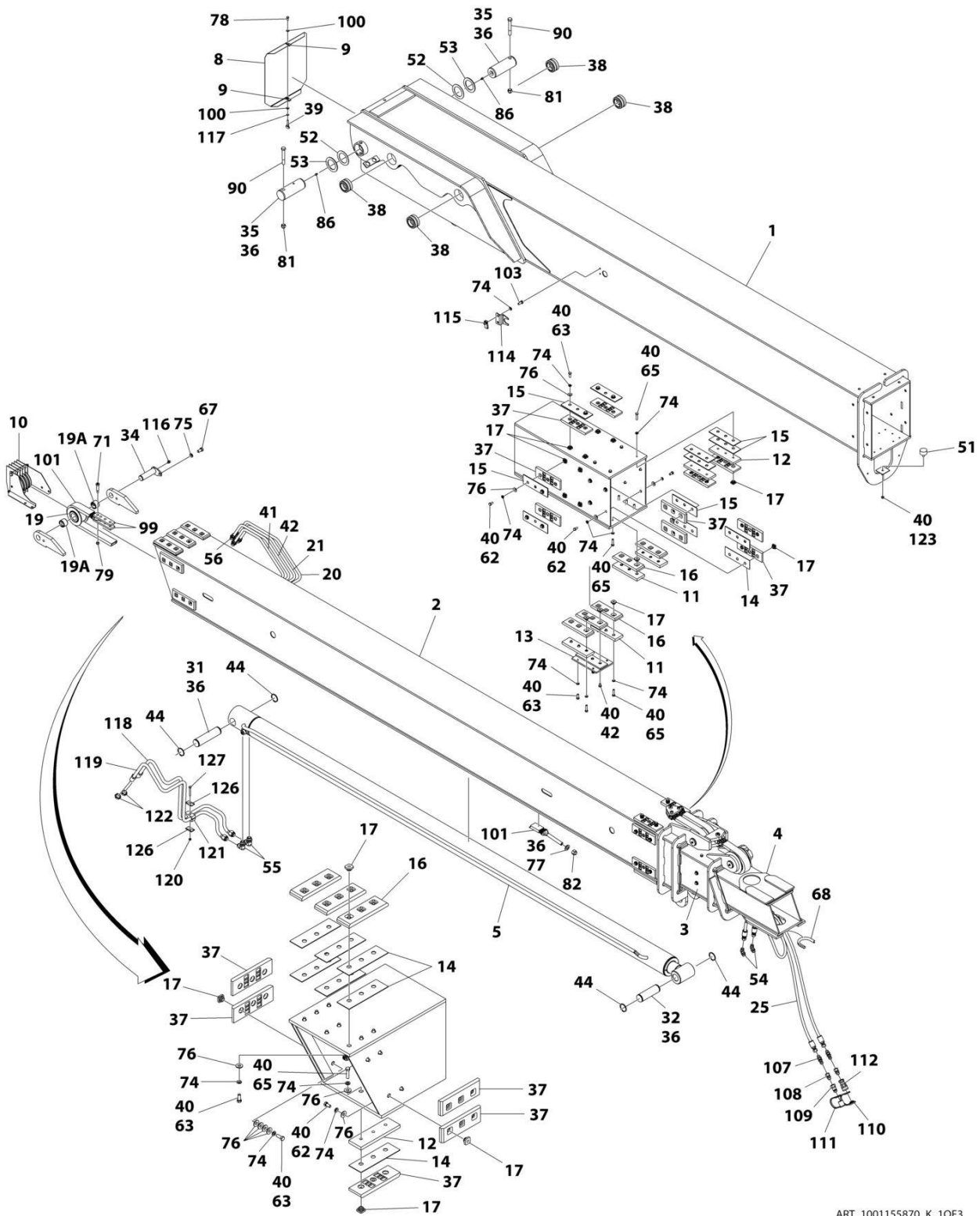
ITEM	PART NUMBER	QTY	DESCRIPTION	REV
	1001222497	Ref	OUTRIGGER SUB-ASSEMBLY	C
1	2716709	4	Hose	
2	2717201	2	Cylinder, Outrigger (See Separate Breakdown in HYDRAULIC COMPONENTS Section)	
3	7090871	2	Pin, Cylinder Pivot Outrigger	
4	7090891	2	Pin, Leg Pivot Outrigger	
5	7091373	2	Leg, Outrigger	
6	7124491	2	Conduit, 1X15-1/2	
7	7125801	4	Conduit, 3/4X4	
8	8065063	1	Bushing	
9	8303628	2	Bolt 1/2 X 3-3/4	
10	8303629	2	Bolt 1/2 X 4-1/2	
11	8305644	6	Nut 1/2	
12	8310151	2	Bolt 1/2 X 7	
13	8520013	12	Fitting, Straight Lube	
14	2220473	4	Adapter, 90	
15	8770189	4	Adapter, 45	
16	1001141892	2	Stabilizer, Pad Weld	
17	1001147515	2	Pin, Outrigger Shoe	
18	1001242920	1	Frame, Outrigger	



**SECTION 2 - BOOM**

# SECTION 2 - BOOM

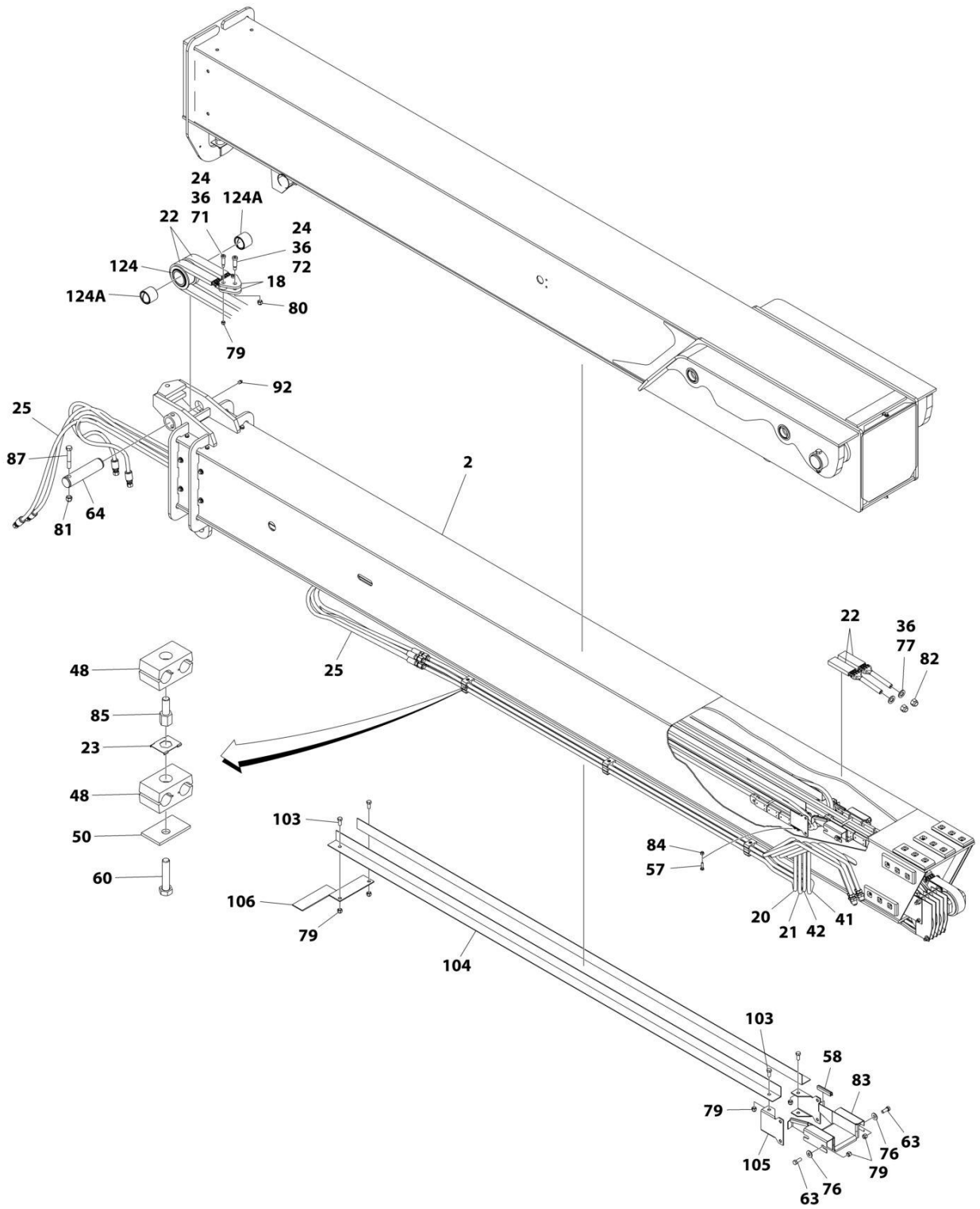
## FIGURE 2-1. BOOM INSTALLATION (Prior to SN 0160115808)



ART\_1001155870\_K\_10F3

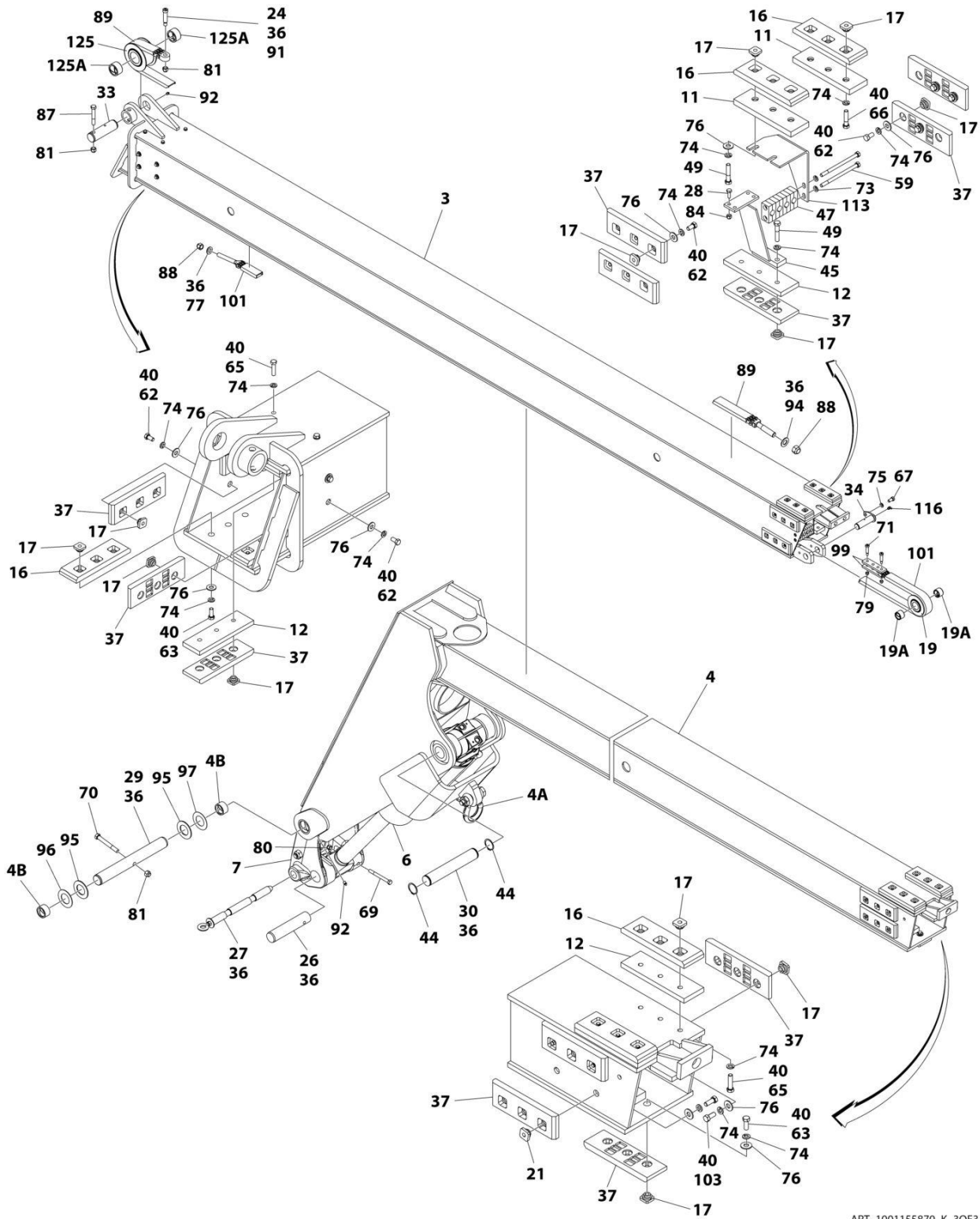


# SECTION 2 - BOOM



ART\_1001155870\_K\_2OF3

# SECTION 2 - BOOM



ART\_1001155870\_K\_30F3

## SECTION 2 - BOOM

**FIGURE 2-1. BOOM INSTALLATION (Prior to SN 0160115808)**

ITEM	PART NUMBER	QTY	DESCRIPTION	REV
	1001155870	Ref	Boom Installation	K
1	7302010	1	Boom, First Section	
2	1001155869	1	Boom, Second Section	
3	1001155867	1	Boom, Third Section	
4	1001269415	1	Boom, Fly	
4A	1001204045	1	Clevis	
4B	7095312	2	Bushing	
5	1001156009	1	Extend/Retract Cylinder (See Separate Breakdown in HYDRAULIC COMPONENTS Section)	
6	1001180763	1	Fork Tilt Cylinder (See Separate Breakdown in HYDRAULIC COMPONENTS Section)	
7	1001242996	1	Quick Attach Assembly (See Separate Breakdown in this Section)	
8	7116792	1	Cover	
9	8305906	2	Nut, Retainer 5/16	
10	7116733	1	Hose Pulley Assembly (See Separate Breakdown in this Section)	
11	7096882	6	Spacer, Wear Pad	
12	7096702	8	Spacer, Wear Pad	
13	7096772	1	Spacer, Wear Pad	
14	7082342	AR	Shim, Wear Pad	
15	7082362	AR	Shim, Wear Pad	
16	7111572	14	Pad, Wear	
17	7082311	107	Insert, Wear Pad	
18	7139180	2	Yoke, Extend Chain	
19	7138986	2	Sheave, Retract Chain	
19A	7138979	4	Bushing (2 Per Sheave)	
20	7300675	1	Tube	
21	7300674	1	Tube	
22	7139690	2	Extend Chain and Clevis Assembly (See Separate Breakdown in this Section)	
23	8750017	3	Lock Plate, Twin Clamp	
24	8526406	AR	Sealant, Varnish	
25	7112452	1	Hose and Carrier Assembly (See Separate Breakdown in this Section)	
26	7083992	1	Pin, Rod End	
27	7118892	1	Lock Pin Assembly (See Separate Breakdown in this Section)	
28	8310026	4	Bolt 1/4 X 3/4	
29	7095352	1	Pin, Carriage Pivot	
30	7095522	1	Pin, Base End	
31	7096552	1	Pin, Base End	
32	7096562	1	Pin, Rod End	
33	7117582	1	Pin, Extend Chain Sheave	
34	7138977	2	Pin, Retract Chain Sheave	
35	3423226	2	Pin, Boom Pivot	
36	8522012	AR	Lube, Anti-Seize	
37	7079572	33	Pad, Wear	
38	8065640	4	Bearing, Spherical	
39	8310497	1	Screw 5/16 X 1-1/2	
40	8526007	AR	Compound, Thread Locking	
41	7300672	1	Tube	
42	7300673	1	Tube	

## SECTION 2 - BOOM

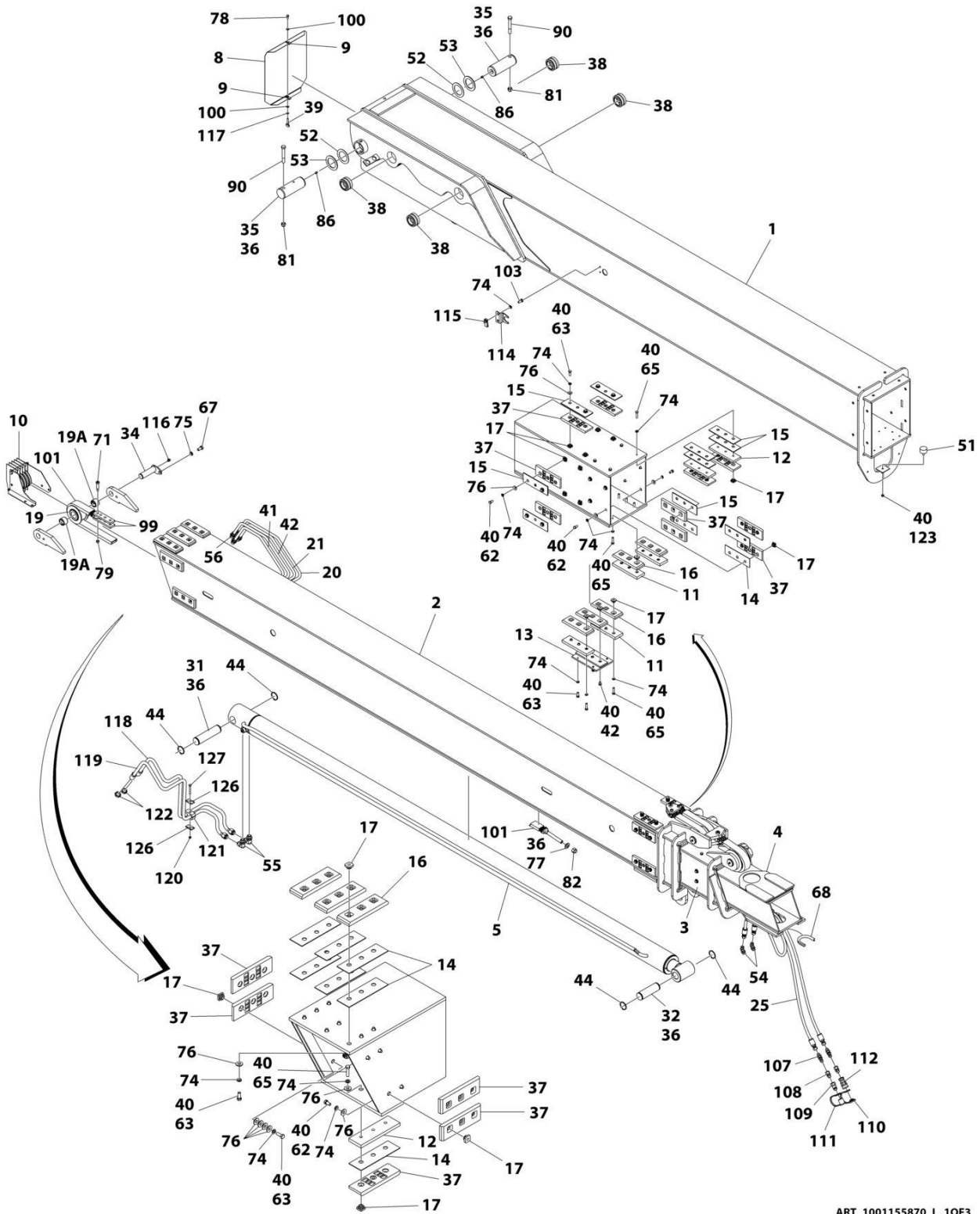
ITEM	PART NUMBER	QTY	DESCRIPTION	REV
44	8642224	6	Ring, Retaining	
45	7112732	1	Support, Hose Clamp	
47	8750003	8	Clamp, Half	
48	8769122	6	Clamp Set, Twin	
49	8303622	4	Bolt 3/8 X 2	
50	8769123	3	Cover Plate, Twin	
51	5724622	1	Bumper, Rubber	
52	8307910	AR	Washer, Shim	
53	8307911	AR	Washer, Shim	
54	2220500	2	Fitting, 45	
55	2220578	2	Fitting, 90	
56	8760465	4	Adapter, Bulkhead Nut	
57	8303540	4	Bolt 1/4 X 1	
58	5746411	2	Moulding	
59	8310081	2	Bolt 5/16 X 5	
60	8303715	3	Bolt 5/16 X 1-1/2	
61	8303041	3	Bolt 3/8 X 1/2	
62	8303681	38	Bolt 3/8 X 3/4	
63	8303620	34	Bolt 3/8 X 1	
64	1001097735	1	Pin, Extend Chain Sheave	
65	8303621	28	Bolt 3/8 X 1-1/2	
66	8303679	4	Bolt 3/8 X 1-3/4	
67	8303624	2	Bolt 1/2 X 1	
68	7125811	1	Conduit	
69	8303772	1	Bolt 1/2 X 5	
70	8303666	1	Bolt 5/8 X 5	
71	8310019	6	Screw 1/2 X 3/8	
72	8310020	1	Screw 5/8 X 1/2	
73	8307004	2	Washer 5/16	
74	8307005	110	Washer 3/8	
75	8307007	2	Washer 1/2	
76	8307204	83	Washer 3/8	
77	8307104	4	Washer 3/4	
78	8303697	1	Bolt 5/16 X 3/4	
79	8305645	12	Nut 3/8	
80	8305644	2	Nut 1/2	
81	8305643	6	Nut 5/8	
82	8305646	4	Nut 3/4	
83	7114922	1	Guide	
84	8305624	8	Nut 1/4	
85	8750011	3	Bolt, Stack	
86	8520013	2	Fitting, Straight	
87	8303634	2	Bolt 5/8 X 4	
88	8310210	1	Nut 1	
89	7139693	1	Extend Chain and Clevis Assembly (See Separate Breakdown in this Section)	
90	8303655	2	Bolt 5/8 X 4-1/2	
91	8310205	1	Bolt 3/4 X 5/8	
92	8520001	4	Fitting, Straight	
94	8310066	1	Washer 1	
95	8307918	2	Washer, Shim	
96	8310093	AR	Washer, Shim	

## SECTION 2 - BOOM

ITEM	PART NUMBER	QTY	DESCRIPTION	REV
97	8307904	AR	Washer, Shim	
99	7117031	4	Link	
100	8307106	2	Washer 5/16	
101	7139692	2	Retract Chain and Clevis Assembly (See Separate Breakdown in this Section)	
102	8526048	AR	Sealant (Not Shown)	
103	8303738	8	Bolt 3/8 X 7/8	
104	7110172	2	Guide, Hose Carrier	
105	7127862	2	Support, Hose Guide, Rear	
106	7127852	1	Support, Hose Guide, Front	
107	2230025	2	Adapter, Bulkhead Straight	
108	2220651	2	Adapter, Straight	
109	91403414	1	Adapter, Quick Disconnect	
110	8420055	1	Plug, Dust	
111	8420053	1	Cap, Dust	
112	91403413	1	Adapter, Quick Disconnect	
113	7111402	1	Support, Clamp	
114	7138468	1	Clip	
115	8310113	2	Nut 3/8	
116	8520003	2	Fitting, 90	
117	8310431	1	Washer 5/16	
118	3460383	1	Tube	
119	3460384	1	Tube	
120	8305626	1	Nut 5/16	
121	8769139	1	Clamp Set, Twin	
122	8760468	2	Adapter, Bulkhead Nut	
123	3311601	1	Nut 3/8	
124	1001101845	1	Sheave Assembly	
124A	7126662	2	Bushing	
125	1001101867	1	Sheave Assembly	
125A	7117502	2	Bushing	
126	8769128	2	Cover Plate, Twin	
127	0641520	1	Bolt 5/16 X 2-1/2	

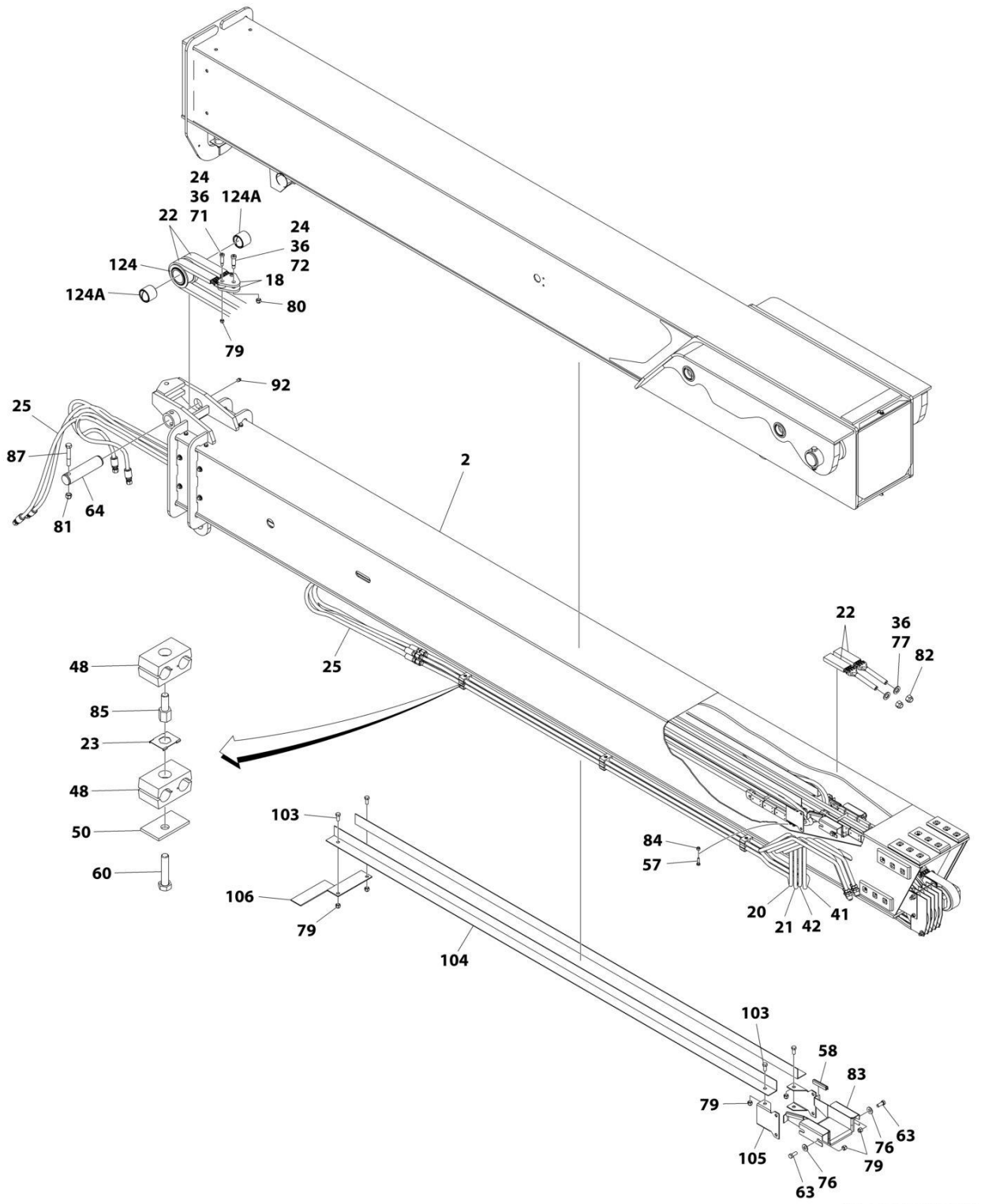
# SECTION 2 - BOOM

## FIGURE 2-2. BOOM INSTALLATION (SN 0160115808 to Present)



ART\_1001155870\_L\_10F3

# SECTION 2 - BOOM







## SECTION 2 - BOOM

**FIGURE 2-2. BOOM INSTALLATION (SN 0160115808 to Present)**

ITEM	PART NUMBER	QTY	DESCRIPTION	REV
	1001155870	Ref	Boom Installation - 10054 (10054,10054)	L
1	7302010	1	Boom, First Section	
2	1001155869	1	Boom, Second Section	
3	1001155867	1	Boom, Third Section	
4	1001269415	1	Boom, Fly	
4A	1001204045	1	Clevis	
4B	7095312	1	Bushing	
5	1001296009	1	Cylinder, Extend/Retract (See Separate Breakdown in HYDRAULIC COMPONENTS Section)	
6	1001180763	1	Cylinder, Fork Tilt (See Separate Breakdown in HYDRAULIC COMPONENTS Section)	
7	1001242996	1	Assembly, Quick Attach (See Separate Breakdown in this Section)	
8	7116792	1	Cover	
9	8305906	2	Nut, Retainer 5/16	
10	7116733	1	Assembly, Hose Pulley (See Separate Breakdown in this Section)	
11	7096882	6	Spacer, Wear Pad	
12	7096702	8	Spacer, Wear Pad	
13	7096772	1	Spacer, Wear Pad	
14	7082342	AR	Shim, Wear Pad	
15	7082362	AR	Shim, Wear Pad	
16	7111572	14	Pad, Wear	
17	7082311	107	Insert, Wear Pad	
18	7139180	2	Yoke, Extend Chain	
19	7138986	2	Sheave, Retract Chain	
19A	7138979	4	Bushing (2 Per Sheave)	
20	7300675	1	Tube	
21	7300674	1	Tube	
22	7139690	2	Assembly, Extend Chain and Clevis (See Separate Breakdown in this Section)	
23	8750017	3	Lock Plate, Twin Clamp	
24	8526406	AR	Sealant, Varnish	
25	7112452	1	Assembly, Hose and Carrier (See Separate Breakdown in this Section)	
26	7083992	1	Pin, Rod End	
27	7118892	1	Assembly, Lock Pin (See Separate Breakdown in this Section)	
28	8310026	4	Bolt, 1/4X3/4	
29	7095352	1	Pin, Carriage Pivot	
30	7095522	1	Pin, Base End	
31	7096552	1	Pin, Base End	
32	7096562	1	Pin, Rod End	
33	7117582	1	Pin, Extend Chain Sheave	
34	7138977	2	Pin, Retract Chain Sheave	
35	3423226	2	Pin, Boom Pivot	
36	8522012	AR	Lube, Anti-Seize	
37	7079572	33	Pad, Wear	
38	8065640	4	Bearing, Spherical	
39	8310497	1	Screw, Thumb 5/16-18X1-1/2	
40	8526007	AR	Compound, Thread Locking	
41	7300672	1	Tube	
42	7300673	1	Tube	

## SECTION 2 - BOOM

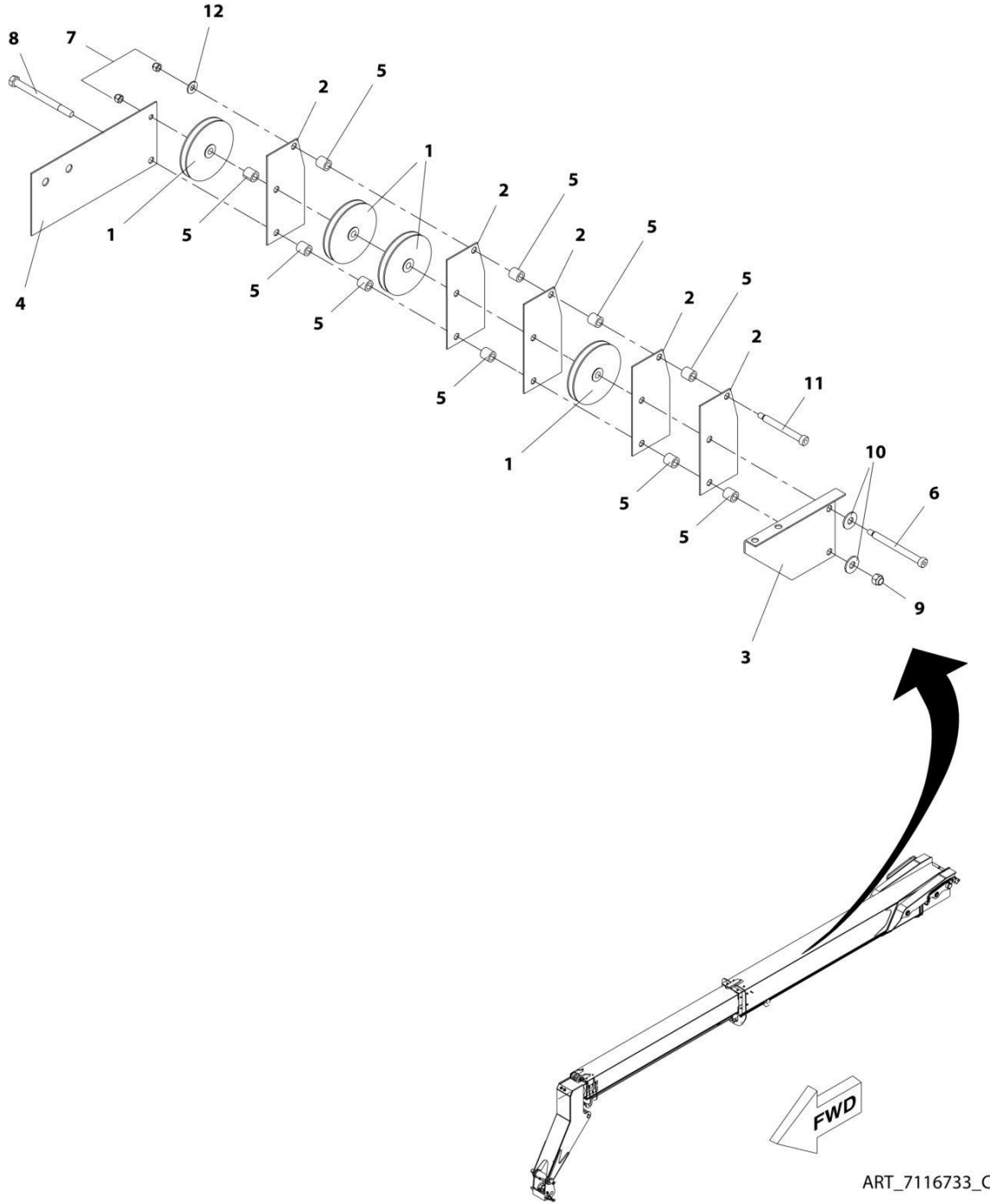
ITEM	PART NUMBER	QTY	DESCRIPTION	REV
44	8642224	6	Ring, Retaining	
45	7112732	1	Support, Hose Clamp	
47	8750003	8	Clamp, Half	
48	8769122	6	Clamp Set, Twin	
49	8303622	4	Bolt, 3/8X2	
50	8769123	3	Cover Plate, Twin	
51	5724622	1	Bumper, Rubber	
52	8307910	AR	Washer, Shim	
53	8307911	AR	Washer, Shim	
54	2220500	2	Adapter, 45	
55	2220578	2	Adapter, 90	
56	8760465	4	Adapter, Bulkhead Nut	
57	8303540	4	Bolt, 1/4X1	
58	5746411	2	Moulding	
59	8310081	2	Bolt, 5/16X5	
60	8303715	3	Bolt, 5/16X1-1/2	
61	8303041	3	Bolt, 3/8X1/2	
62	8303681	38	Bolt, 3/8X3/4	
63	8303620	34	Bolt, 3/8X1	
64	1001097735	1	Pin, Extend Chain Sheave	
65	8303621	28	Bolt, 3/8X1-1/2	
66	8303679	4	Bolt, 3/8X1-3/4	
67	8303624	2	Bolt, 1/2X1	
68	7125811	1	Conduit	
69	8303772	1	Bolt, 1/2X5	
70	8303666	1	Bolt, 5/8X5	
71	8310019	6	Screw, Shoulder	
72	8310020	1	Screw, Shoulder	
73	8307004	2	Washer 5/16	
74	8307005	110	Washer 3/8	
75	8307007	2	Washer 1/2	
76	8307204	83	Washer 3/8	
77	8307104	4	Washer 3/4	
78	8303697	1	Bolt, 5/16X3/4	
79	8305645	12	Nut 3/816	
80	8305644	2	Nut 1/2	
81	8305643	6	Nut 5/8	
82	8305646	4	nut 3/4	
83	7114922	1	Guide	
84	8305624	8	Nut 1/4	
85	8750011	3	Bolt, Stack	
86	8520013	2	Fitting, Straight Lube	
87	8303634	2	Bolt, 5/8X4	
88	8310210	1	Nut 1-14	
89	7139693	1	Assembly, Extend Chain and Clevis (See Separate Breakdown in this Section)	
90	8303655	2	Bolt, 5/8X4-1/2	
91	8310205	1	Bolt, Shoulder	
92	8520001	4	Fitting, Straight Lube	
94	8310066	1	Washer 1	
95	8307918	2	Washer, Shim	
96	8310093	AR	Washer, Shim	

## SECTION 2 - BOOM

ITEM	PART NUMBER	QTY	DESCRIPTION	REV
97	8307904	AR	Washer, Shim	
99	7117031	4	Link	
100	8307106	2	Washer 5/16	
101	7139692	2	Assembly, Retract Chain and Clevis (See Separate Breakdown in this Section)	
102	8526048	AR	Sealant (Not Shown)	
103	8303738	8	Bolt, 3/8X7/8	
104	7110172	2	Guide, Hose Carrier	
105	7127862	2	Support, Hose Guide, Rear	
106	7127852	1	Support, Hose Guide, Front	
107	2230025	2	Adapter, Bulkhead Straight	
108	2220651	2	Adapter, Straight	
109	91403414	1	Adapter, Quick Disconnect	
110	8420055	1	Plug, Dust	
111	8420053	1	Cap, Dust	
112	91403413	1	Adapter, Quick Disconnect	
113	7111402	1	Support, Clamp	
114	7138468	1	Clip	
115	8310113	2	Nut, Cage 3/8	
116	8520003	2	Fitting, 90 Lube	
117	8310431	1	Washer 5/16	
118	3460383	1	Tube	
119	3460384	1	Tube	
120	8305626	1	Nut 5/16-	
121	8769139	1	Clamp Set, Twin	
122	8760468	2	Adapter, Bulkhead Nut	
123	3311601	1	Nut, 3/8	
124	1001101845	1	Sheave Assembly	
124A	7126662	2	Bushing	
125	1001101867	1	Sheave Assembly	
125A	7117502	2	Bushing	
126	8769128	2	Cover Plate, Twin	
127	0641520	1	Bolt, 5/16X2-1/2	

# SECTION 2 - BOOM

## FIGURE 2-3. HOSE PULLEY ASSEMBLY



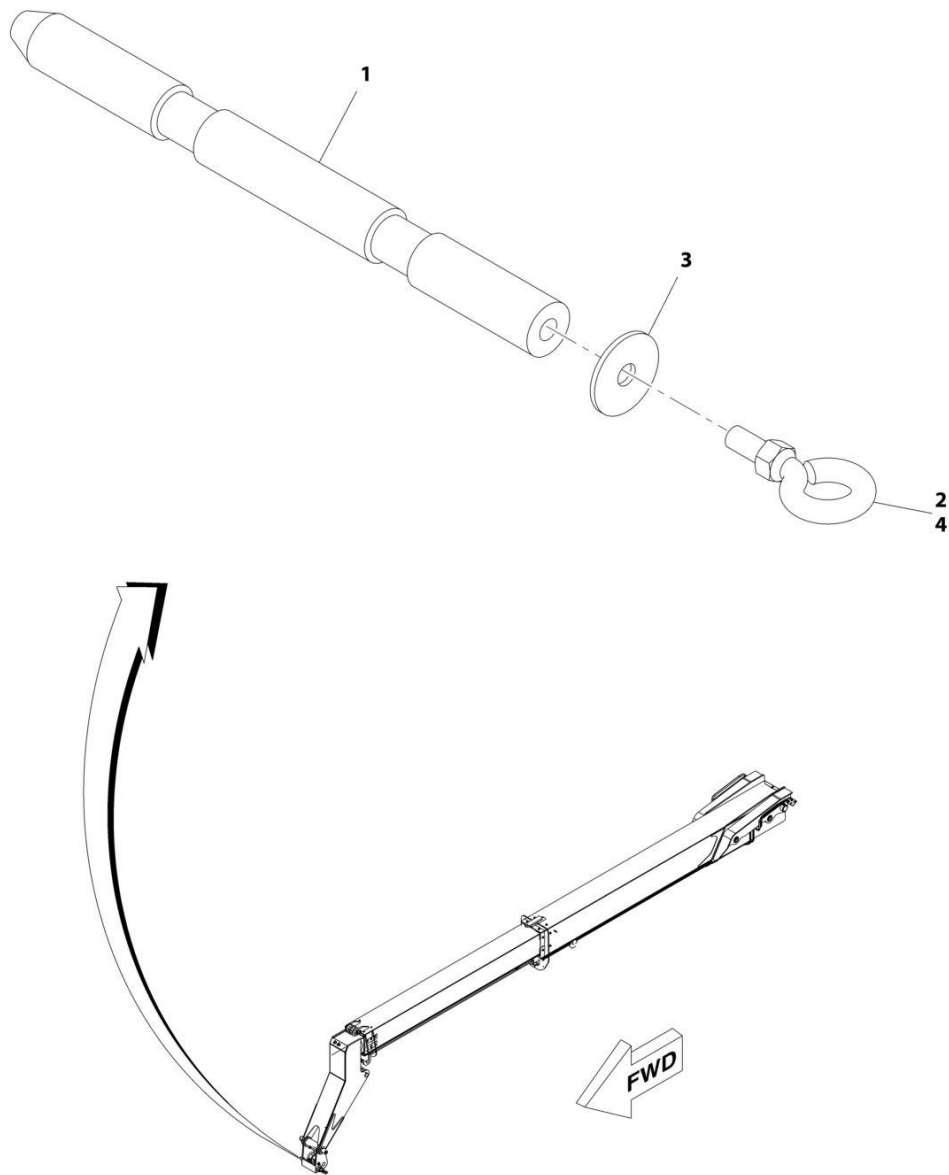
ART\_7116733\_C

FIGURE 2-3. HOSE PULLEY ASSEMBLY

ITEM	PART NUMBER	QTY	DESCRIPTION	REV
	7116733	Ref	Hose Pulley Assembly	C
1	7116812	4	Wheel, Roller	
2	7116642	5	Divider	
3	7116652	1	Bracket, RH	
4	7116662	1	Bracket, LH	
5	7116691	10	Spacer	
6	8310235	1	Screw, Shoulder 1/2X5	
7	8305645	2	Nut, Lock 3/8-16	
8	8310209	1	Bolt, 1/2-13X6	
9	8305644	1	Nut, Lock 1/2-13	
10	8307206	2	Washer, Plain 1/2	
11	8310245	1	Screw, Shoulder 1/2X4	
12	8307204	1	Washer, Plain 3/8	

# SECTION 2 - BOOM

## FIGURE 2-4. LOCK PIN ASSEMBLY



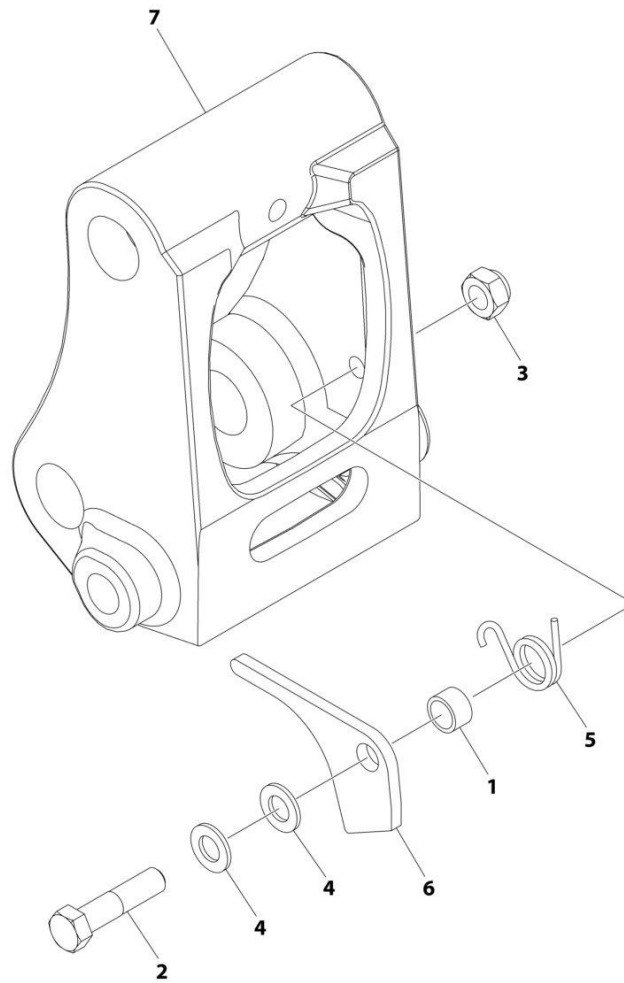
ART\_7118892-B

FIGURE 2-4. LOCK PIN ASSEMBLY

ITEM	PART NUMBER	QTY	DESCRIPTION	REV
	7118892	Ref	Lock Pin Assembly	B
1	7118882	1	Pin	
2	8310266	2	Bolt, Eye 1/2-13X2	
3	8310276	3	Washer	
4	8526007	AR	Compound, Locking	

## SECTION 2 - BOOM

FIGURE 2-5. QUICK COUPLING ASSEMBLY



ART\_1001242996\_C

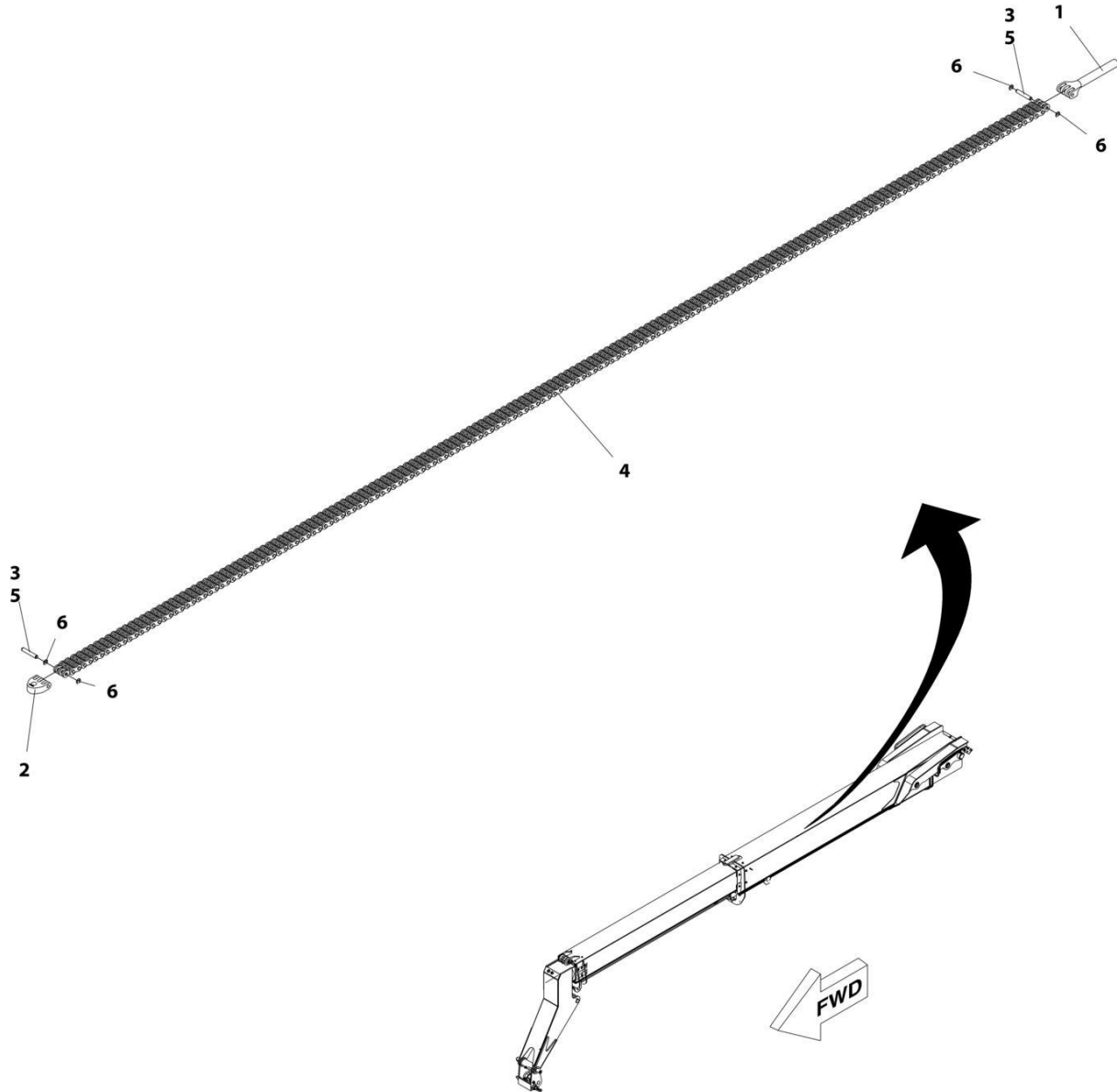


FIGURE 2-5. QUICK COUPLING ASSEMBLY

ITEM	PART NUMBER	QTY	DESCRIPTION	REV
	1001242996	Ref	COUPLER ASSEMBLY	C
1	7085571	1	Spacer	
2	8303640	1	Bolt	
3	8305619	1	Nut 3/4	
4	8307104	2	Washer 3/4	
5	1001243025	1	Spring, Torsion	
6	1001243026	1	Plate, Pin Latch	
7	1001243219	1	Coupler, Link	

# SECTION 2 - BOOM

FIGURE 2-6. RETRACT CHAIN AND CLEVIS ASSEMBLY



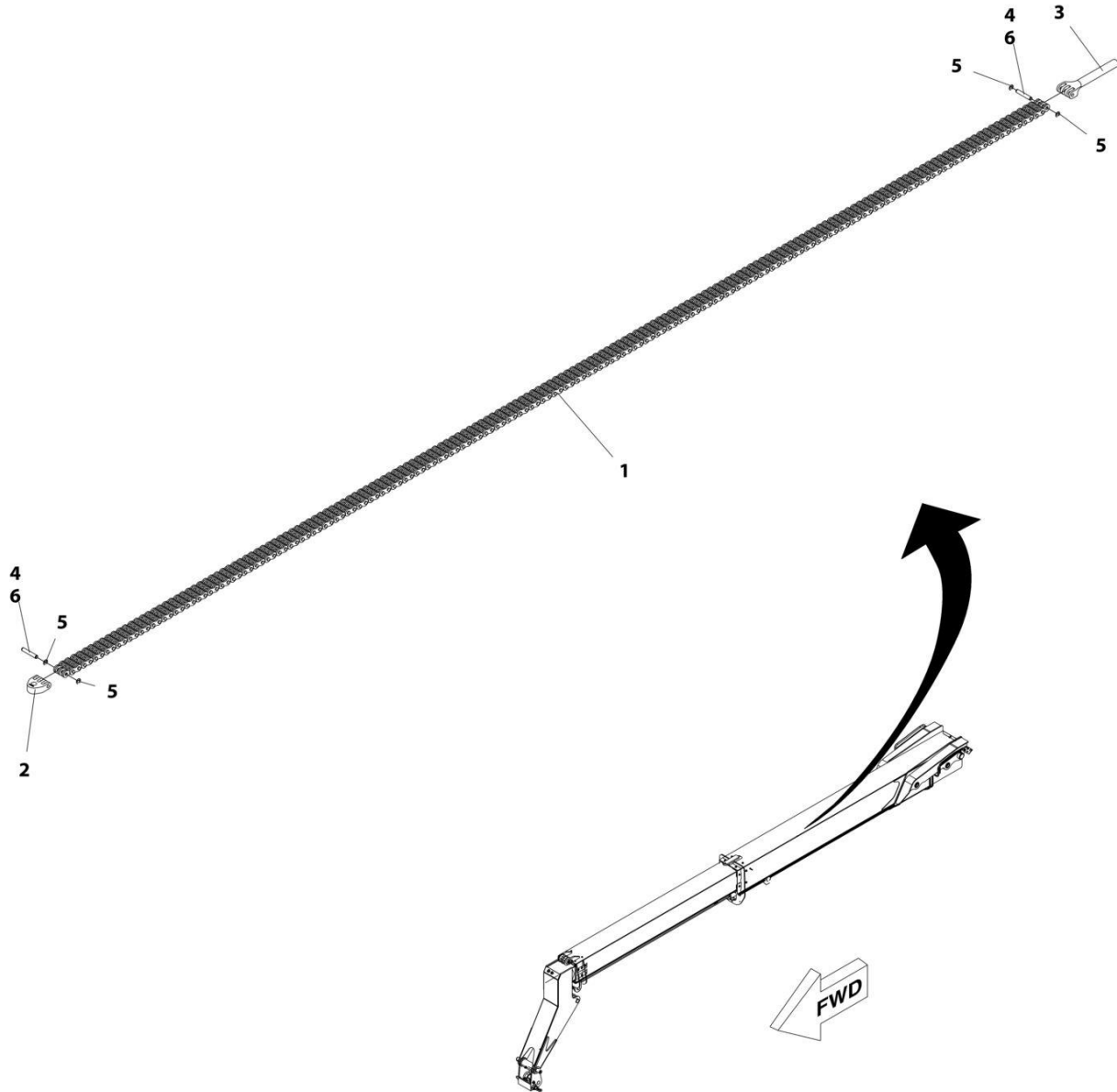
ART\_7139692\_B

**FIGURE 2-6. RETRACT CHAIN AND CLEVIS ASSEMBLY**

ITEM	PART NUMBER	QTY	DESCRIPTION	REV
	7139692	Ref	Chain and Clevis Assembly	B
1	7139032	1	Clevis, Female Anchor	
2	7139416	1	Clevis, Female Anchor	
3	8124138	2	Pin, Chain Clevis	
4	8127024	1	Chain, Leaf	
5	8522012	AR	Lube, Anti-Seize	
6	8642237	4	Ring, Retaining	

# SECTION 2 - BOOM

## FIGURE 2-7. EXTEND CHAIN AND CLEVIS ASSEMBLY - BOOM SECOND SECTION



ART\_7139690\_B

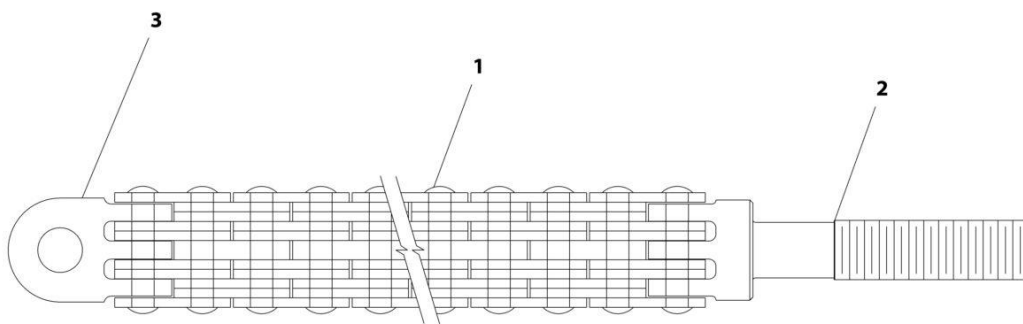
## SECTION 2 - BOOM

**FIGURE 2-7. EXTEND CHAIN AND CLEVIS ASSEMBLY - BOOM SECOND SECTION**

ITEM	PART NUMBER	QTY	DESCRIPTION	REV
	7139690	Ref	Extend Chain Assembly	B
1	8127022	1	Chain, Leaf	
2	7139416	1	Clevis, Female Anchor	
3	7139032	1	Clevis, Female Anchor	
4	8124138	2	Pin, Chain Clevis	
5	8642237	4	Ring, Retaining	
6	8522012	AR	Lube, Anti-Seize	

## SECTION 2 - BOOM

FIGURE 2-8. EXTEND CHAIN AND CLEVIS ASSEMBLY - BOOM THIRD SECTION



ART\_7139693-C

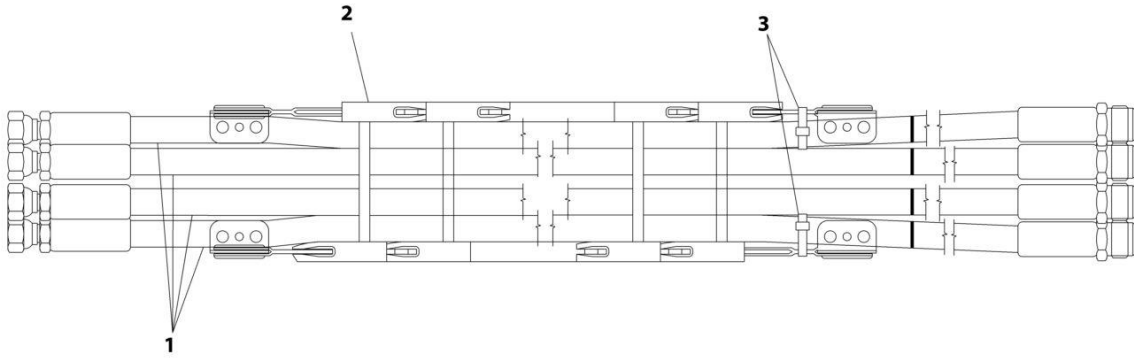
## SECTION 2 - BOOM

**FIGURE 2-8. EXTEND CHAIN AND CLEVIS ASSEMBLY - BOOM THIRD SECTION**

ITEM	PART NUMBER	QTY	DESCRIPTION	REV
	7139693	Ref	Extend Chain and Clevis Assembly	C
1	8127009	1	Chain	
2	7113952	1	Clevis, Anchor	
3	7113982	1	Clevis, Anchor	

## SECTION 2 - BOOM

FIGURE 2-9. HOSE AND CARRIER ASSEMBLY



ART\_7112452-G



## SECTION 2 - BOOM

### FIGURE 2-9. HOSE AND CARRIER ASSEMBLY

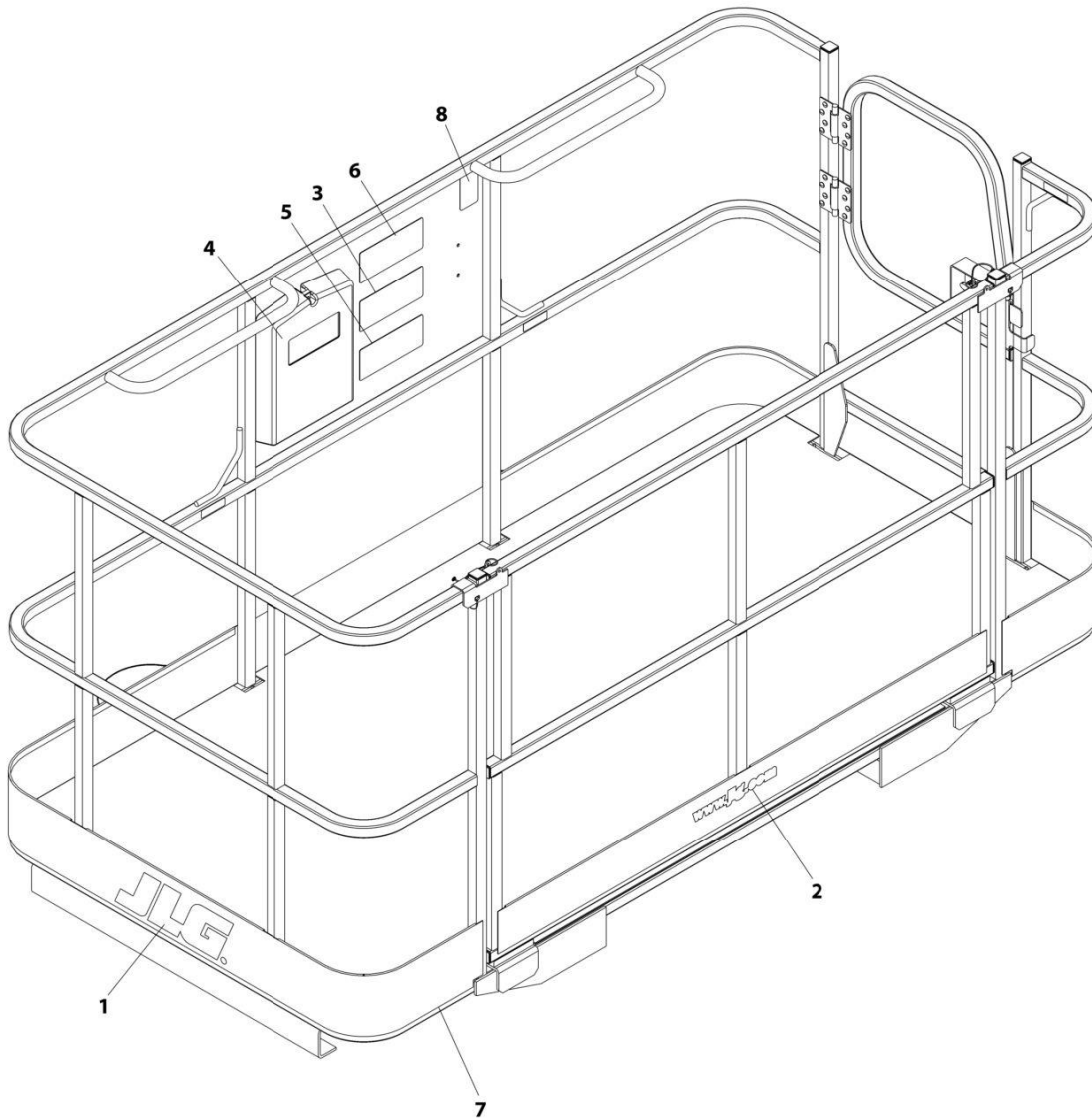
ITEM	PART NUMBER	QTY	DESCRIPTION	REV
	7112452	Ref	Hose and Carrier Assembly	G
1	2713642	4	Hose	
2	8584021	1	Carrier, Hose	
3	8584001	2	Wrap, Tie 3/16	



**SECTION 3 - ATTACHMENTS**

# SECTION 3 - ATTACHMENTS

FIGURE 3-1. BASKET, PERSONNEL - 4FT X 8FT DOMESTIC)



ART\_1001238653-A

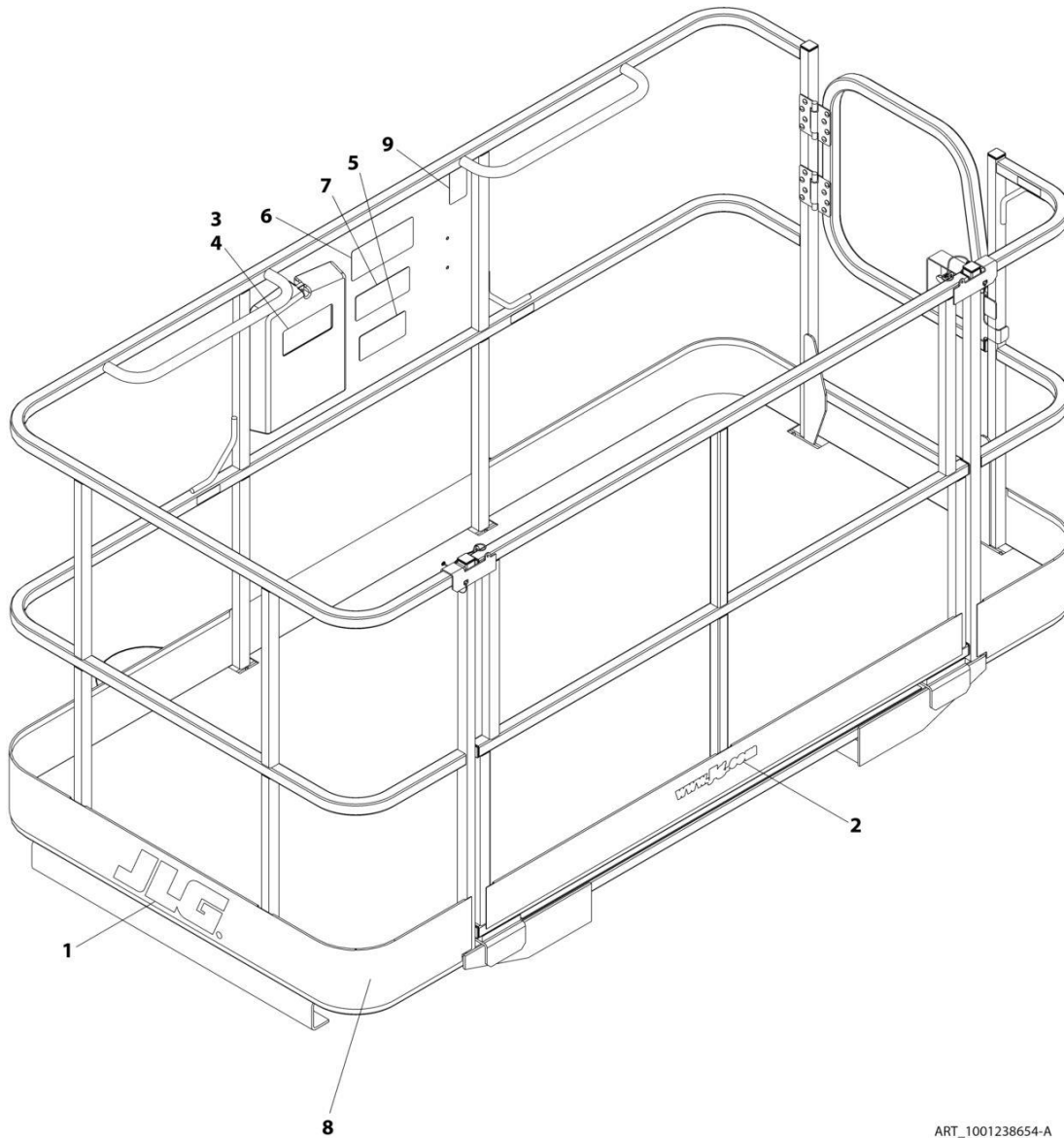
## SECTION 3 - ATTACHMENTS

**FIGURE 3-1. BASKET, PERSONNEL - 4FT X 8FT DOMESTIC)**

ITEM	PART NUMBER	QTY	DESCRIPTION	REV
	1001238653	Ref	FORK MOUNTED PLATFORM	B
1	1702773	2	Decal, JLG	
2	1704885	1	Decal, Website	
3	1706892	1	Decal, Platform Warning	
4	31200160	1	Manual, Personnel Work Platform Operation and Safety	
5	1001092481	1	Decal, Warning Attachment	
6	1001092482	1	Decal, Platform Capacity	
7	1001238565	1	Platform, Fork Mounted (See Separate Breakdown in this Section)	
8	See Note	NSS	SN Plate (Note: Stamped Part - Not Available for Purchase)	

# SECTION 3 - ATTACHMENTS

## FIGURE 3-2. BASKET, PERSONNEL - 4FT X 8FT (ISO)



ART\_1001238654-A

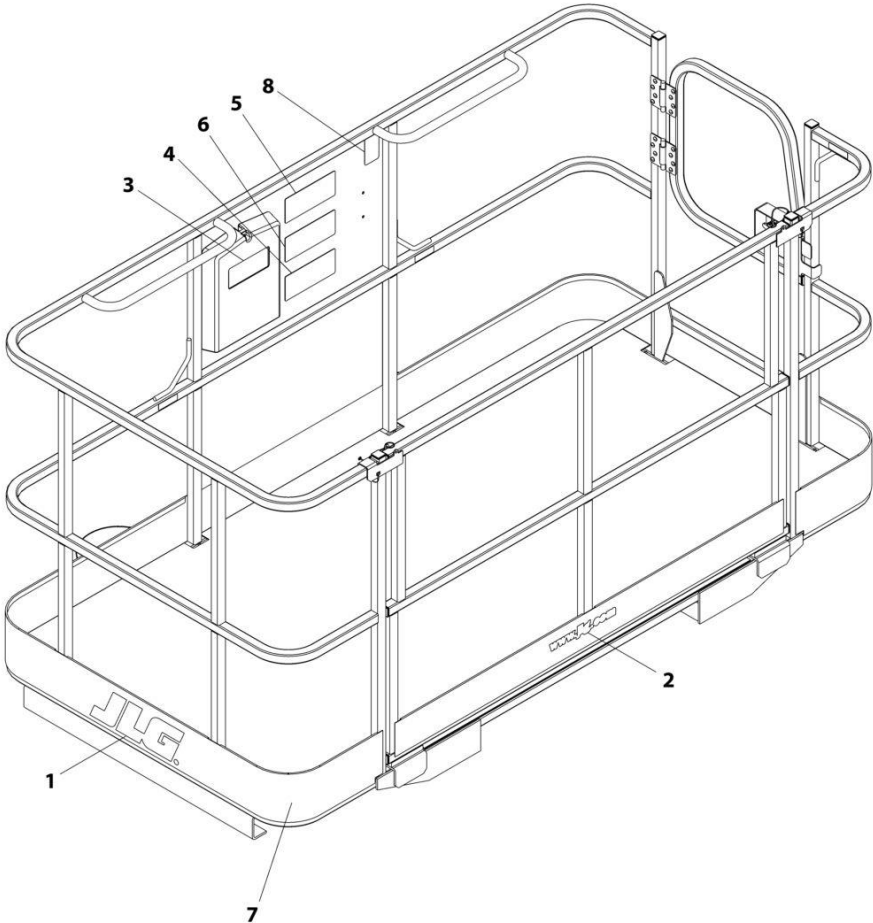
## SECTION 3 - ATTACHMENTS

**FIGURE 3-2. BASKET, PERSONNEL - 4FT X 8FT (ISO)**

ITEM	PART NUMBER	QTY	DESCRIPTION	REV
	1001238654	Ref	BASKET, PERSONNEL	B
1	1702773	2	Decal, JLG	
2	1704885	1	Decal, Website	
3	31200387	1	Manual, Operation and Safety, Spanish	
4	31200388	1	Manual, Operation and Safety, Portuguese	
5	1001096021	1	Decal, Warning Attachment	
6	1001096023	1	Decal, Platform Capacity	
7	1001096025	1	Decal, Platform Warning	
8	1001238565	1	Platform, Fork Mounted (ANSI) (See Separate Breakdown in this Section)	
9	See Note	NSS	SN Plate (Note: Stamped Part - Not Available for Purchase)	

**SECTION 3 - ATTACHMENTS**

**FIGURE 3-3. BASKET, PERSONNEL - 4FT X 8FT (FRENCH)**



ART\_1001238655-A



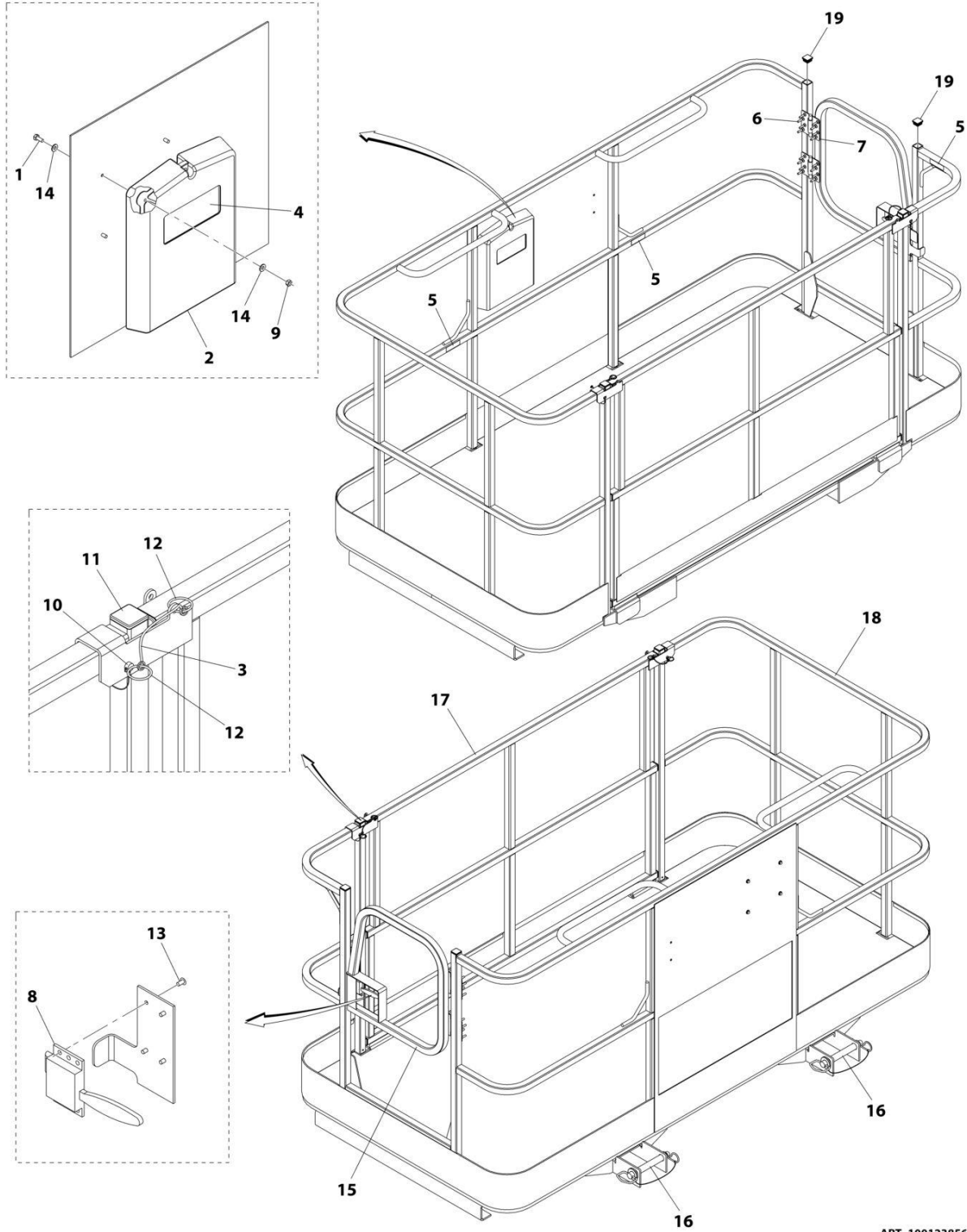
## SECTION 3 - ATTACHMENTS

**FIGURE 3-3. BASKET, PERSONNEL - 4FT X 8FT (FRENCH)**

ITEM	PART NUMBER	QTY	DESCRIPTION	REV
	1001238655	Ref	BASKET, PERSONNEL	B
1	1702773	2	Decal, JLG	
2	1704885	1	Decal, Website	
3	31200386	1	Manual, Operation and Safety (French)	
4	1001096019	1	Decal, Warning Attachment (French)	
5	1001096020	1	Decal, Platform Capacity (French)	
6	1001096024	1	Decal, Platform Warning (French)	
7	1001238565	1	Platform, Fork Mounted (ANSI) (See Separate Breakdown in this Section)	
8	See Note	NSS	SN Plate (Note: Stamped Part - Not Available for Purchase)	

# SECTION 3 - ATTACHMENTS

## FIGURE 3-4. BASKET, FORK MOUNTED



ART\_1001238565

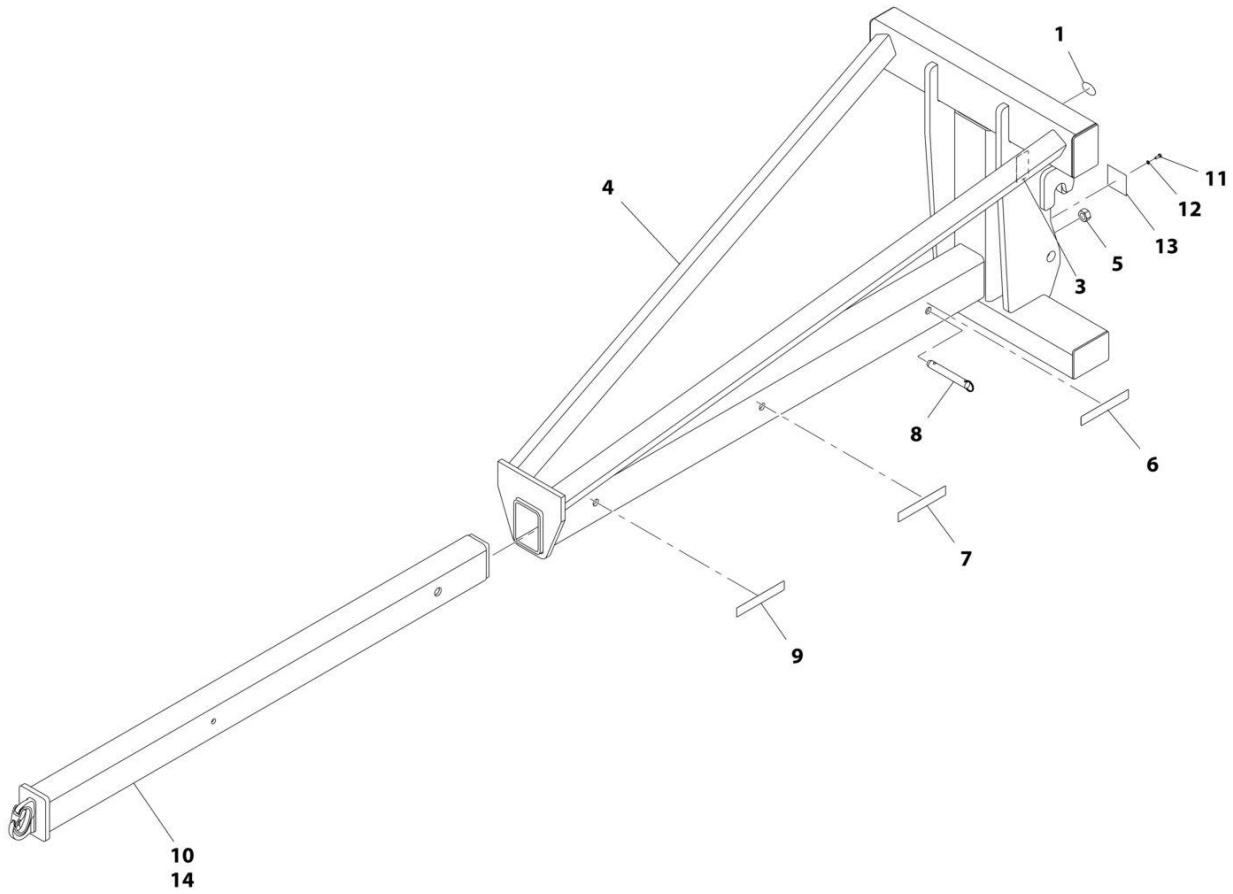
## SECTION 3 - ATTACHMENTS

### FIGURE 3-4. BASKET, FORK MOUNTED

ITEM	PART NUMBER	QTY	DESCRIPTION	REV
	1001238565	Ref	FORK MOUNTED PLATFORM ASSEMBLY	F
1	0641405	4	Bolt 1/4 x 5/8	
2	0860520	1	Box, Manual Storage	
3	1060379	2	Cable, Lanyard	
4	1701509	1	Decal, Manual	
5	1704277	3	Decal, Lanyard Attach	
6	2080040	16	Fastener	
7	2600281	2	Hinge	
8	2940074	1	Latch	
9	3311405	4	Nut 1/4	
10	3421453	2	Pin	
11	3520072	7	Plug	
12	3760170	4	Ring	
13	3820020	4	Rivet	
14	4711400	8	Washer 1/4	
15	1001144629J	1	Gate	
16	1001238560	2	Pin, Hitch	
17	1001095810	1	Gate	
18	See Note	NSS	Platform, Fork Mounted	
19	3520198	4	Plug	

# SECTION 3 - ATTACHMENTS

## FIGURE 3-5. BOOM - ADJUSTABLE (CARRIAGE MOUNTED)



ART\_1001176515-C

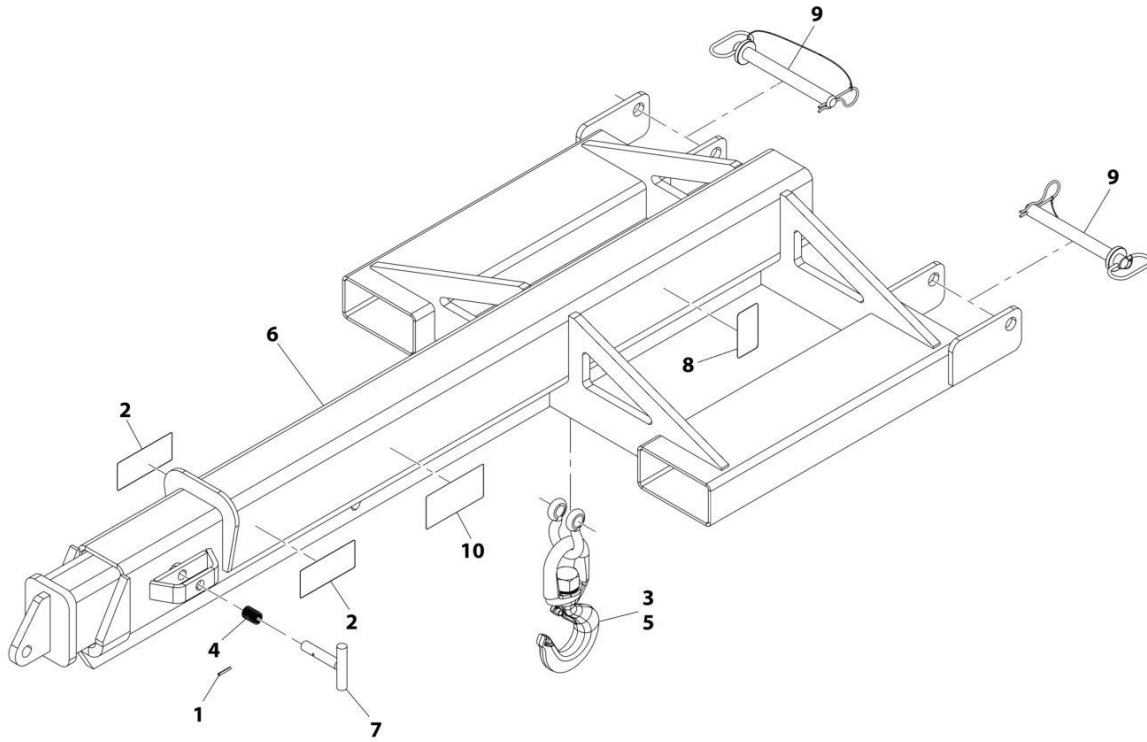
## SECTION 3 - ATTACHMENTS

**FIGURE 3-5. BOOM - ADJUSTABLE (CARRIAGE MOUNTED)**

ITEM	PART NUMBER	QTY	DESCRIPTION	REV
	1001176515	Ref	ADJUSTABLE TRUSS BOOM	C
1	90554016	1	Decal, Made in USA	
3	See Note	NSS	S/N Plate (Note: Stamped Part - Not Available for Purchase)	
4	See Note	NSS	Truss Boom (Note: Purchase Complete Assembly)	
5	70021440	1	Nut	
6	70024062	2	Decal, 4000 lbs cap	
7	70026944	2	Decal, 3000 lbs cap	
8	70026946	1	Pin	
9	70026699	2	Decal, 2000 lbs cap	
10	70026747	1	Seal	
11	90554033	1	Bolt 3/4 x 1/4	
12	90554034	1	Washer 1/4	
13	70026948	1	Plate, Stop	
14	70026949	1	Boom, Telescopic	

# SECTION 3 - ATTACHMENTS

## FIGURE 3-6. BOOM - ADJUSTABLE (FORK MOUNTED)



ART\_1001230241-H

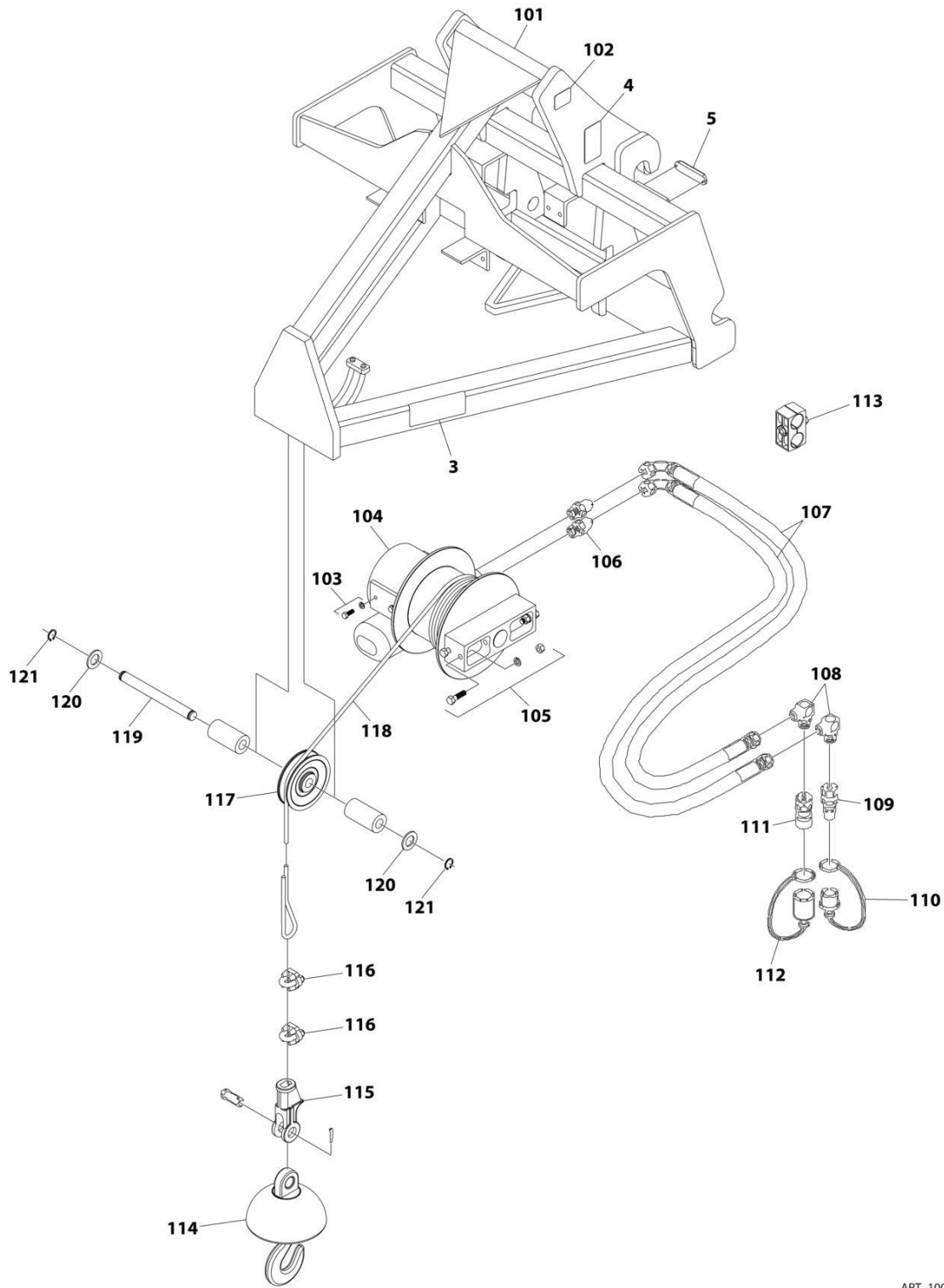
## SECTION 3 - ATTACHMENTS

**FIGURE 3-6. BOOM - ADJUSTABLE (FORK MOUNTED)**

ITEM	PART NUMBER	QTY	DESCRIPTION	REV
	1001230241	Ref	Adjustable Truss Boom Installation (Fork Mounted)	J
1	3440620	1	Pin	
2	4110422	2	Decal, Danger Swinging Loads	
3	91403448	1	Hook, Swivel	
4	1001128890	1	Spring	
5	1001146160	1	Shackle	
6	See Note	NSS	Boom, Truss - Adjustable (Note: Purchase Complete Assembly)	
7	1001230239	1	Pin	
8	See Note	NSS	SN Plate (Note:Stamped Part - Not Available for Purchase)	
9	1001231692	2	Pin	
10	1001232500	1	Decal, Load Capacities	

# SECTION 3 - ATTACHMENTS

## FIGURE 3-7. BOOM - 3FT WITH WINCH



ART\_1001100967\_H



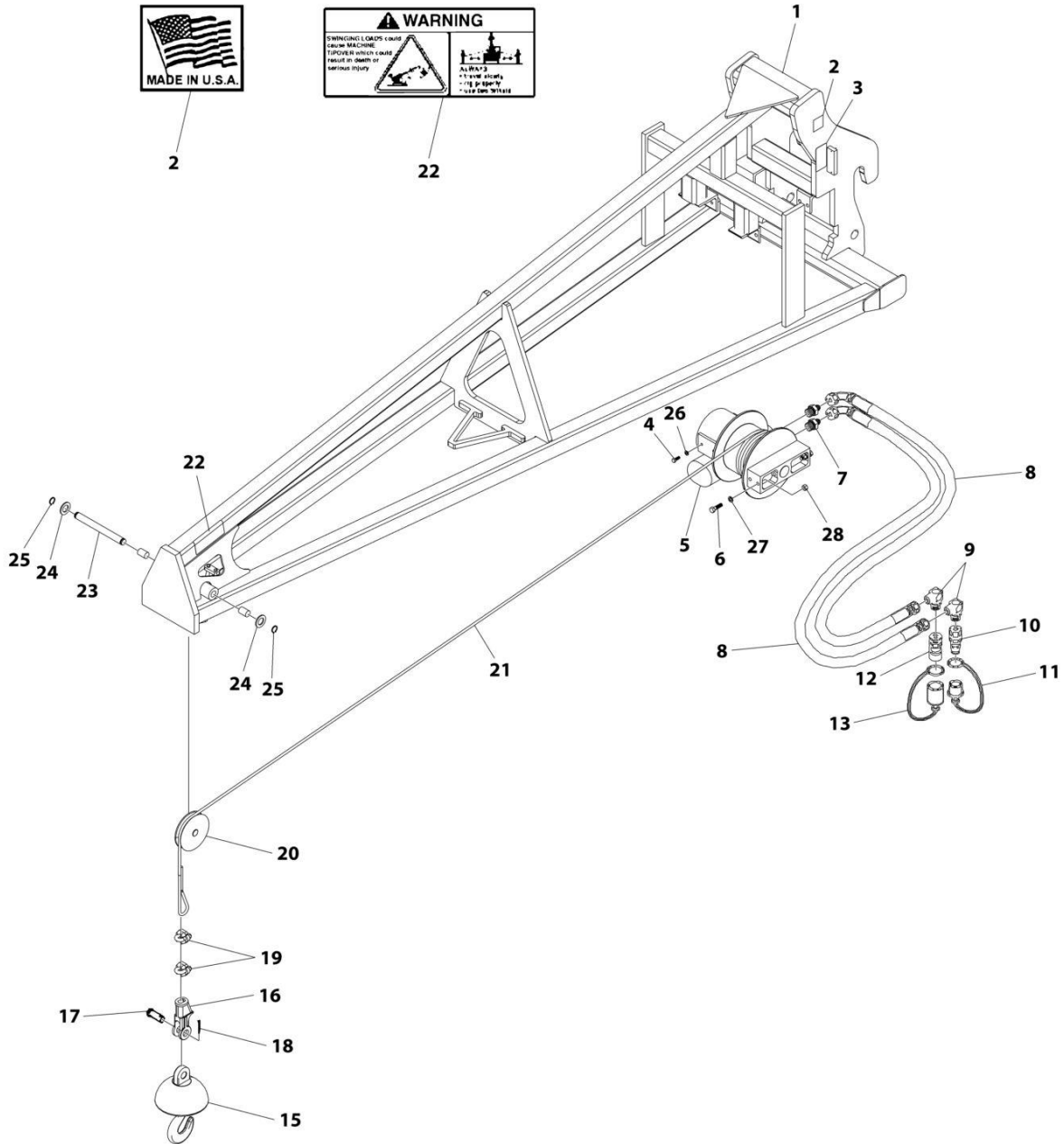
## SECTION 3 - ATTACHMENTS

**FIGURE 3-7. BOOM - 3FT WITH WINCH**

ITEM	PART NUMBER	QTY	DESCRIPTION	REV
	1001100967	Ref	TRUSS BOOM ASSEMBLY (3 FOOT WITH WINCH) (INCLUDES ITEMS 3, 4, 5 & 101 THRU 121)	H
3	4110422	2	Decal, Danger, Swinging Loads	
4	See Note	NSS	S/N Plate (Note: Stamped Part - Not Available for Purchase)	
5	1001227670	1	Tag, RFID	
101	See Note	NSS	Truss Boom Frame (Note: Purchase Complete Assembly)	
102	90554016	1	Decal	
103	70021349	4	Bolt	
103	90554042	4	Washer	
104	70021921	1	Winch, Truss Boom	
105	70024059	4	Bolt	
105	90554054	4	Nut	
105	90554020	4	Washer	
106	70021415	2	Fitting	
107	70021977	2	Hose 32in (Boom Front Disconnect)	
107	70031445	2	Hose 48in (Boom Side Disconnect)	
108	70022527	2	Fitting, 90	
109	91403414	1	Fitting, Straight	
110	8420053	1	Cap	
111	91403413	1	Fitting, Straight	
112	8420055	1	Plug	
113	70021387	1	Clamp	
114	70021978	1	Ball Swivel Safety Hook	
115	70021979	1	Assembly, Socket	
116	70022528	2	Clamp	
117	70021935	1	Pulley	
118	70022028	1	Cable	
119	70022529	1	Pin	
120	70027009	2	Washer	
121	70026698	2	Ring, Snap	

# SECTION 3 - ATTACHMENTS

## FIGURE 3-8. BOOM - 12FT WITH WINCH



ART\_1001099351

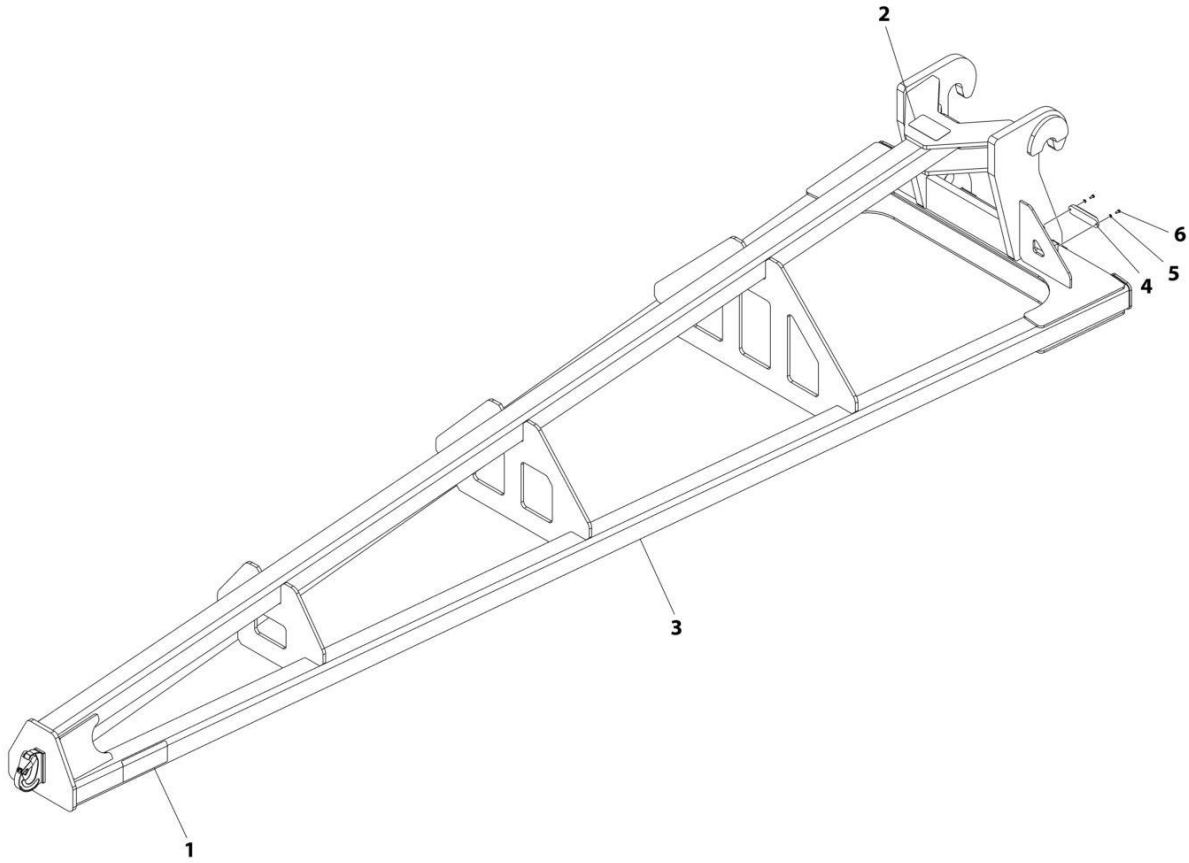
## SECTION 3 - ATTACHMENTS

### FIGURE 3-8. BOOM - 12FT WITH WINCH

ITEM	PART NUMBER	QTY	DESCRIPTION	REV
	1001099351	Ref	TRUSS BOOM (0.9 TON - 3.7M WITH WINCH)	L
1	See Note	NSS	Frame, Truss Boom (Note: Purchase Complete Assembly)	
2	90554016	1	Decal, Made in USA	
	See Note	NSS	S/N Plate (Note: Stamped Part - Not Available for Purchase)	
4	70021349	4	Bolt 3/8 x 1	
5	70021921	1	Motor, Truss Boom Winch	
6	70024059	2	Bolt 1/2 x 1-3/4	
7	70021415	2	Connector	
8	70021977	2	Hose 32in (Boom Front Disconnect)	
8	70031445	2	Hose 48in (Boom Side Disconnect)	
9	70022527	2	Fitting, 90	
10	7029692	1	Fitting, Straight	
11	90554062	1	Cap, Dust	
12	70021342	1	Fitting, Straight	
13	90554076	1	Cap, Dust	
15	70021978	1	Ball Swivel with Safety Hook	
16	70021979	1	Assembly, Socket (includes items 17 thru 18)	
17	See Note	NSS	Pin (Note: Use Item 16)	
18	See Note	NSS	Pin, Cotter (Note: Use Item 16)	
19	70022528	2	Clamp	
20	70021935	1	Pulley	
21	70022028	1	Cable	
22	4110422	2	Decal, Warning Swinging Loads	
23	70022529	1	Pin	
24	70024060	2	Washer	
25	70026698	2	Ring, Snap	
26	90554042	4	Washer 3/8	
27	90554020	2	Washer 1/2	
28	90554054	2	Nut 1/2	

# SECTION 3 - ATTACHMENTS

FIGURE 3-9. BOOM - 12FT WITHOUT WINCH (Prior to SN 0160116965)



ART\_1001099902\_H

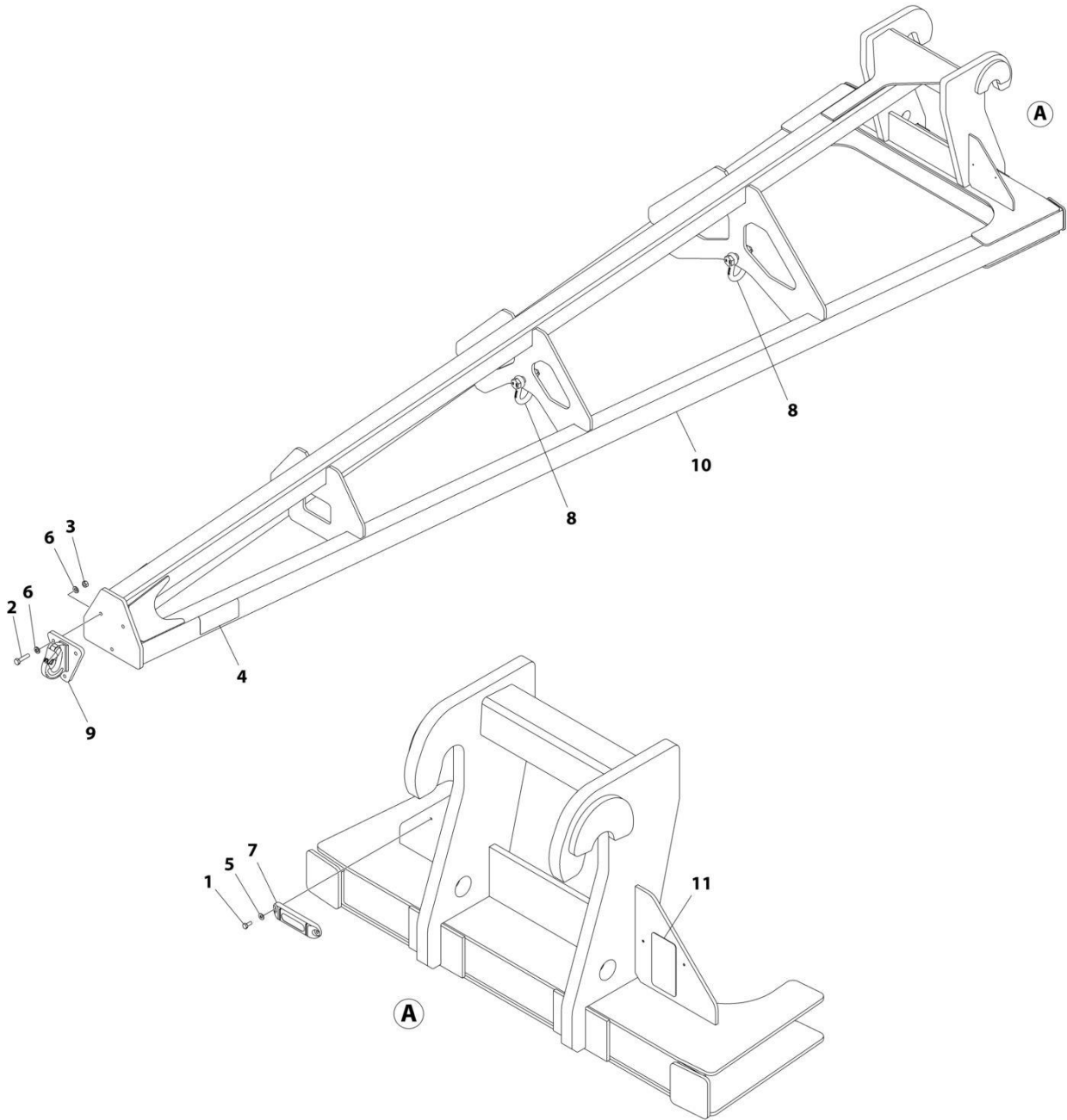
## SECTION 3 - ATTACHMENTS

**FIGURE 3-9. BOOM - 12FT WITHOUT WINCH (Prior to SN 0160116965)**

ITEM	PART NUMBER	QTY	DESCRIPTION	REV
	1001099902	Ref	TRUSS BOOM (0.9 TON - 3.7M)	H
1	4110422	2	Decal, Danger Swinging Loads	
2	See Note	NSS	SN Plate (Note:Stamped Part - Not Available for Purchase)	
3	See Note	NSS	Boom, Truss (Note: Purchase Complete Assembly)	
4	1001227670	1	Tag, RFID	
5	4811400	2	Washer M4	
6	0760405	2	Bolt M4 x 10	

# SECTION 3 - ATTACHMENTS

FIGURE 3-10. BOOM - 12FT WITHOUT WINCH (SN 0160116965 to Present)



ART\_1001275853

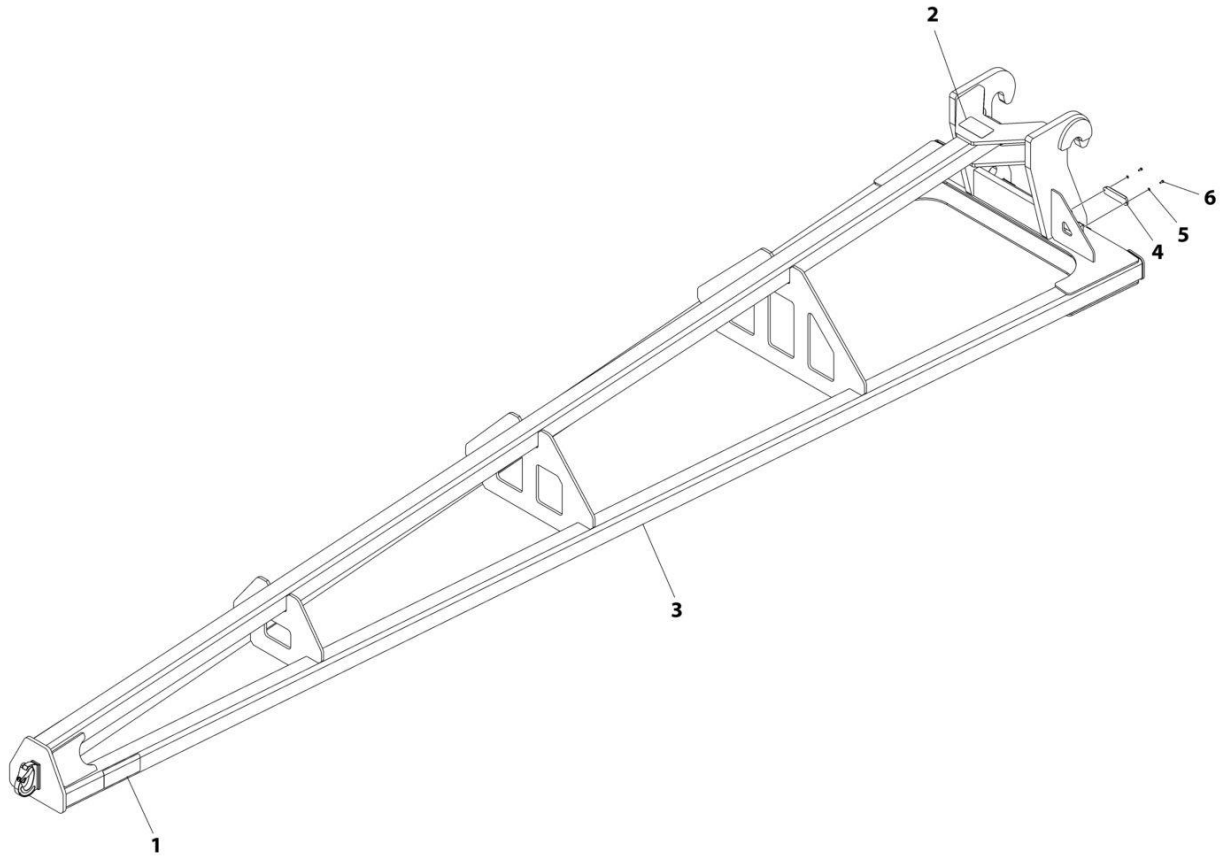
## SECTION 3 - ATTACHMENTS

**FIGURE 3-10. BOOM - 12FT WITHOUT WINCH (SN 0160116965 to Present)**

ITEM	PART NUMBER	QTY	DESCRIPTION	REV
	1001275853	Ref	BOOM - 12FT WITHOUT WINCH	D
1	0760405	2	Bolt M4 x 10	
2	0761017	3	Bolt M10 x 45	
3	3291007	3	Nut M10	
4	4110422	2	Decal, Danger Swinging Loads	
5	4811400	2	Washer M4	
6	5241000	6	Washer M10	
7	1001227670	1	Tag, RFID	
8	1001287742	2	Clevis	
9	1001275841	1	Hook	
10	See Note	NSS	Boom, Truss (Note: Purchase Complete Assembly)	
11	See Note	NSS	SN Plate (Note: Stamped Part - Not Available for Purchase)	

# SECTION 3 - ATTACHMENTS

FIGURE 3-11. BOOM - 15FT WITHOUT WINCH (Prior to SN 0160116965)



ART\_1001099901\_H



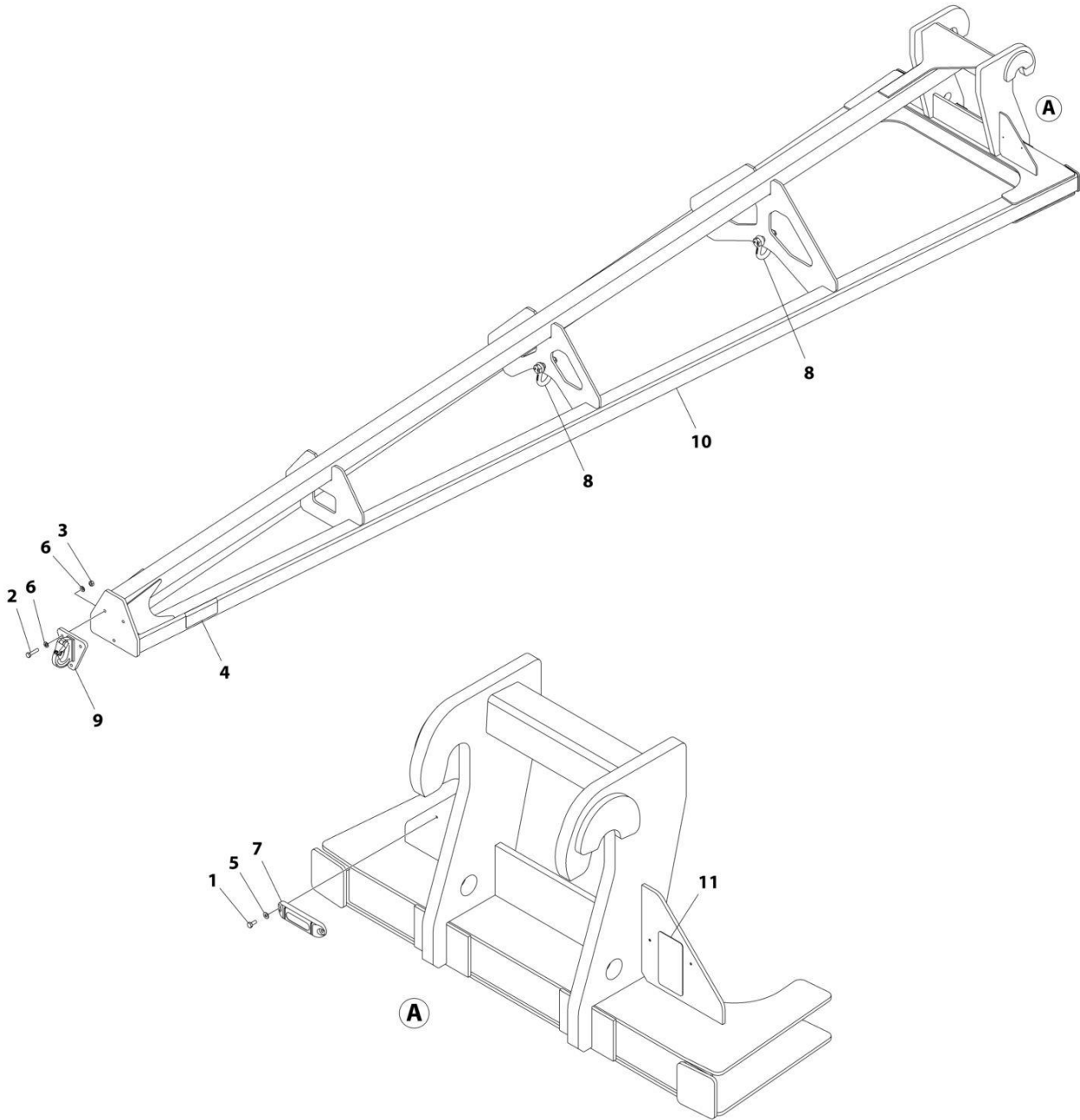
## SECTION 3 - ATTACHMENTS

**FIGURE 3-11. BOOM - 15FT WITHOUT WINCH (Prior to SN 0160116965)**

ITEM	PART NUMBER	QTY	DESCRIPTION	REV
	1001099901	Ref	TRUSS BOOM (15 FOOT)	H
1	4110422	2	Decal, Danger Swinging Loads	
2	See Note	NSS	SN Plate (Note:Stamped Part - Not Available for Purchase)	
3	See Note	NSS	Boom, Truss (Note: Purchase Complete Assembly)	
4	1001227670	1	Tag, RFID	
5	4811400	2	Washer M4	
6	0760405	2	Bolt M4 x 10	

# SECTION 3 - ATTACHMENTS

FIGURE 3-12. BOOM - 15FT WITHOUT WINCH (SN 0160116965 to Present)



ART\_1001275852

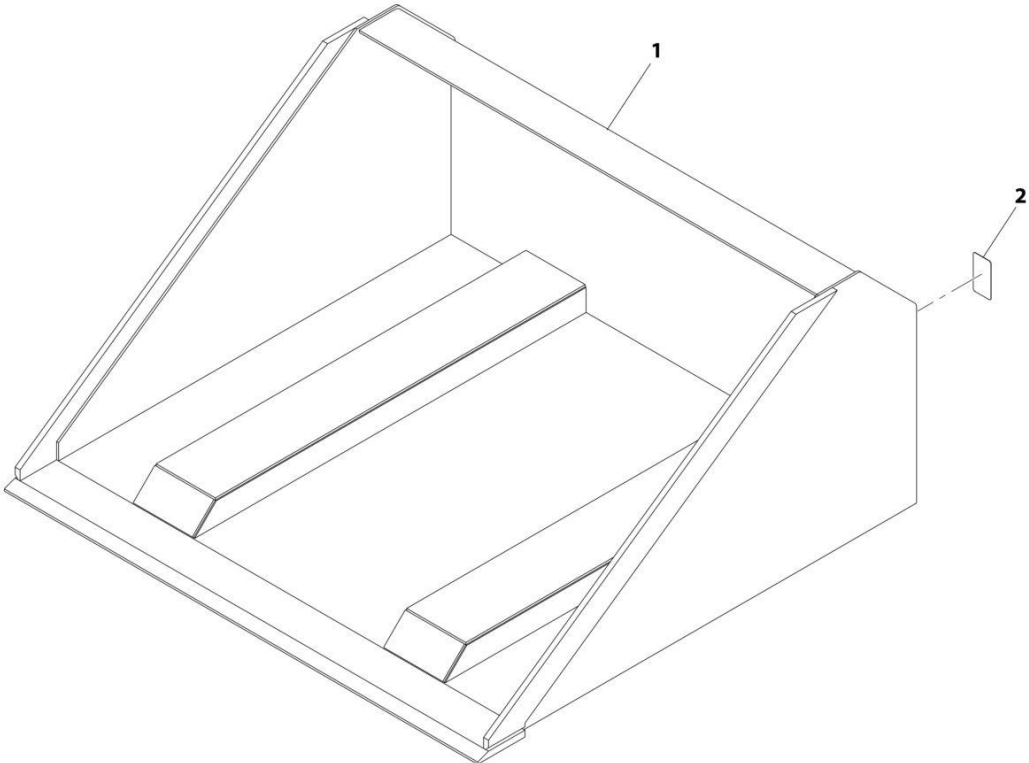
## SECTION 3 - ATTACHMENTS

**FIGURE 3-12. BOOM - 15FT WITHOUT WINCH (SN 0160116965 to Present)**

ITEM	PART NUMBER	QTY	DESCRIPTION	REV
	1001275852	Ref	BOOM - 15FT WITHOUT WINCH	D
1	0760405	2	Bolt M4 x 10	
2	0761017	3	Bolt M10 x 45	
3	3291007	3	Nut M10	
4	4110422	2	Decal, Danger Swinging Loads	
5	4811400	2	Washer M4	
6	5241000	6	Washer M10	
7	1001227670	1	Tag, RFID	
8	1001287742	2	Clevis	
9	1001275841	1	Hook	
10	See Note	NSS	Boom, Truss (Note: Purchase Complete Assembly)	
11	See Note	NSS	SN Plate (Note: Stamped Part - Not Available for Purchase)	

**SECTION 3 - ATTACHMENTS**

**FIGURE 3-13. BUCKET - 60IN (1.3 CU YD) (FORK MOUNTED)**



ART\_1001195970-D

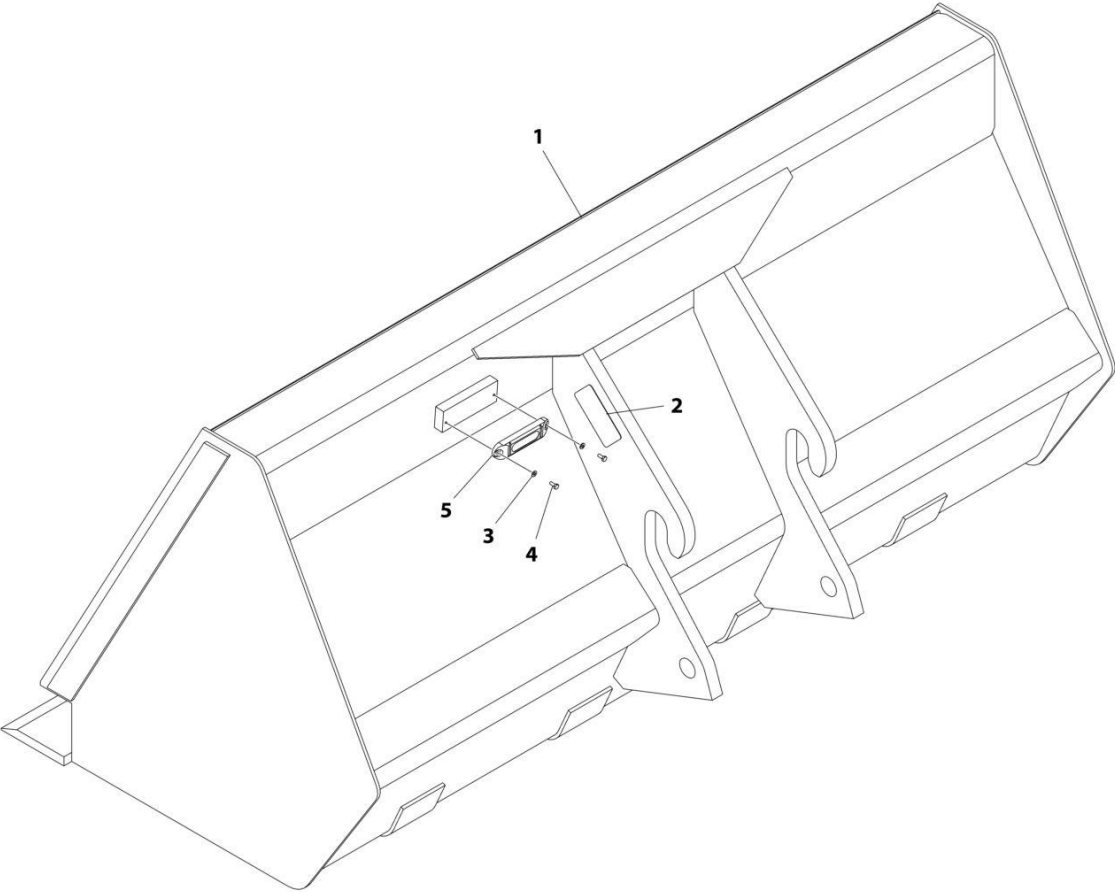
## SECTION 3 - ATTACHMENTS

**FIGURE 3-13. BUCKET - 60IN (1.3 CU YD) (FORK MOUNTED)**

ITEM	PART NUMBER	QTY	DESCRIPTION	REV
1	1001195970	Ref	Bucket 1.0 m <sup>3</sup> (Fork Mounted)	E
2	See Note	NSS	S/N Plate (Note: Stamped Part - Not Available for Purchase)	

**SECTION 3 - ATTACHMENTS**

**FIGURE 3-14. BUCKET - 72IN (1.0 CU YD)**



ART\_1001100822\_I

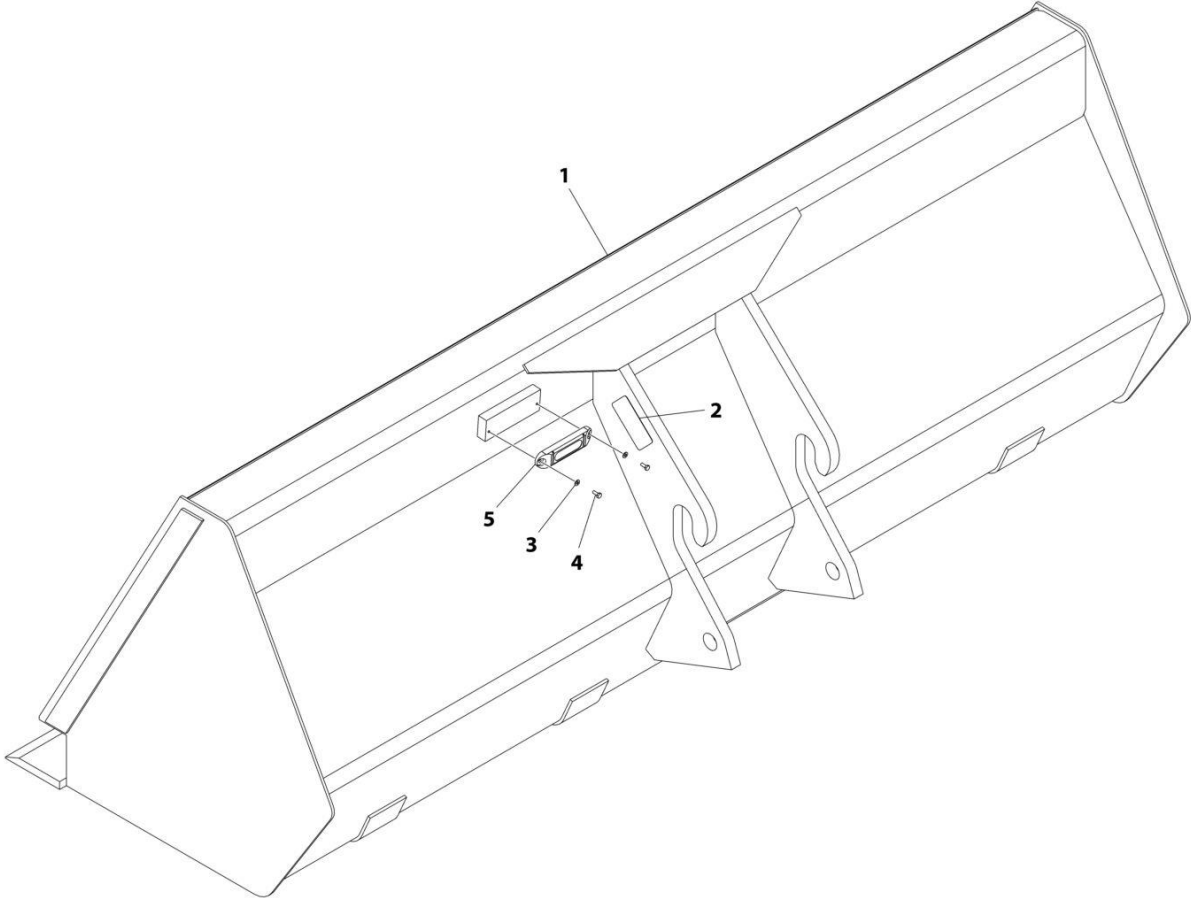
## SECTION 3 - ATTACHMENTS

### FIGURE 3-14. BUCKET - 72IN (1.0 CU YD)

ITEM	PART NUMBER	QTY	DESCRIPTION	REV
	1001100822	Ref	BUCKET 1.0 YD <sup>3</sup> (ANSI - JLG)	I
1	1001100265	1	Bucket Weldment	
2	See Note	NSS	SN Plate (Note:Stamped Part - Not Available for Purchase)	
3	4811400	2	Washer M4	
4	0760405	2	Bolt M4 x 10	
5	1001227670	1	Tag, RFID	

**SECTION 3 - ATTACHMENTS**

**FIGURE 3-15. BUCKET - 96IN (1.5 CU YD)**



ART\_1001100823\_I



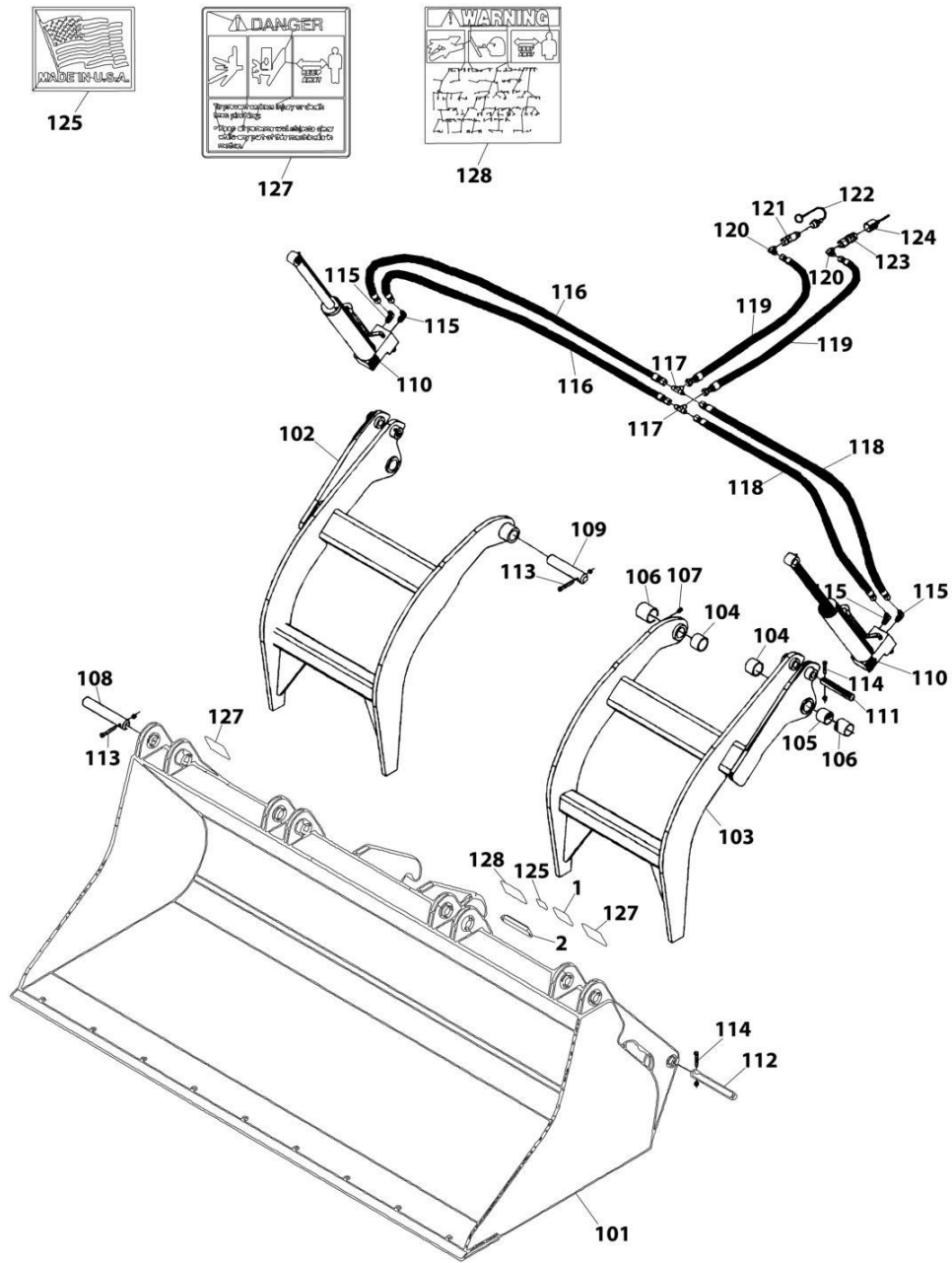
## SECTION 3 - ATTACHMENTS

### FIGURE 3-15. BUCKET - 96IN (1.5 CU YD)

ITEM	PART NUMBER	QTY	DESCRIPTION	REV
	1001100823	Ref	BUCKET (1.15 M <sup>3</sup> )	I
1	1001100266	1	Bucket	
2	See Note	NSS	SN Plate (Note:Stamped Part - Not Available for Purchase)	
3	4811400	2	Washer M4	
4	0760405	2	Bolt M4 x 10	
5	1001227670	1	Tag, RFID	

# SECTION 3 - ATTACHMENTS

## FIGURE 3-16. BUCKET - 96IN GRAPPLE



ART\_0930020

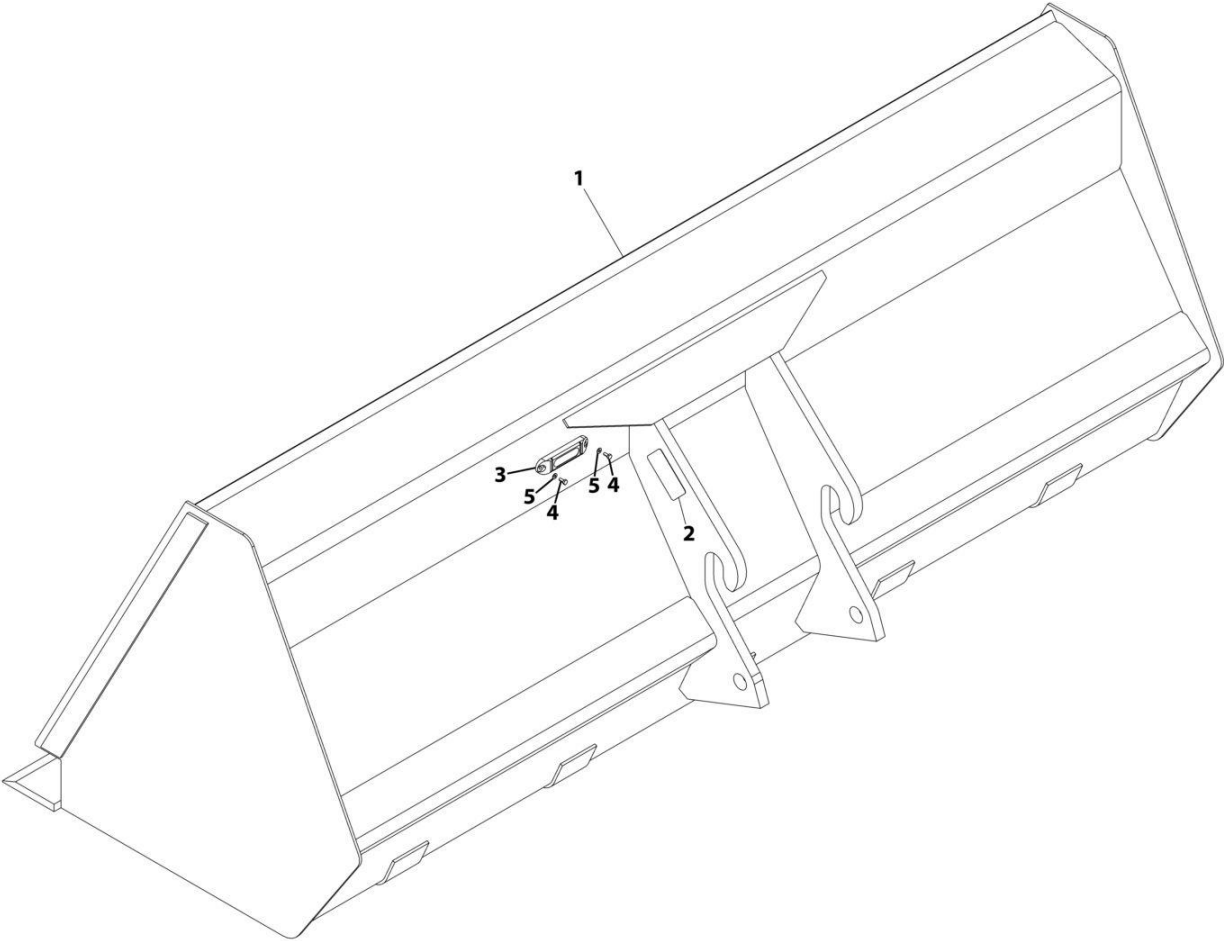
## SECTION 3 - ATTACHMENTS

### FIGURE 3-16. BUCKET - 96IN GRAPPLE

ITEM	PART NUMBER	QTY	DESCRIPTION	REV
	0930020	Ref	Multi-Purpose Grapple Bucket (2450 MM)	L
1	See Note	NSS	S/N Plate (Note: Stamped Part - Not Available for Purchase)	
2	1001227670	1	Tag, RFID	
101	N.S.S.	1	Bucket	
101	70021387	4	Clamp, Hose	
102	70021391	1	Hook, RH Grapple	
103	70021392	1	Hook, LH Grapple	
104	70021358	4	Bushing	
105	70021359	2	Spacer	
106	70021360	4	Bushing	
107	7029714	4	Fitting, Grease	
108	70021361	2	Pin	
109	70021362	2	Pin	
110	70021393	2	Cylinder, Grapple Bucket (See Separate Breakdown in HYDRAULIC COMPONENTS Section)	
111	70021364	2	Pin	
112	70021365	2	Pin	
113	70021366	4	Bolt, 3/8X2-3/4	
113	70021367	4	Nut 3/8	
114	70021399	4	Bolt, 3/8X2-1/4	
114	70021367	4	Nut, Lock 3/8	
115	90554065	4	Fitting, 90	
116	70021980	2	Hose	
117	70020562	2	Fitting, Tee	
118	70021981	2	Hose	
119	70021982	2	Hose 34in (Boom Front Disconnect)	
119	70031446	2	Hose 45in (Boom Side Disconnect)	
120	70022527	2	Fitting, 90	
121	7029692	1	Coupler	
122	90554062	1	Cover	
123	70021342	1	Coupler	
124	90554076	1	Cover	
125	90554016	1	Decal, Made in USA	
127	90554017	2	Decal, Danger Pinch Point	
128	90554018	1	Decal, Warning High Pressure	

**SECTION 3 - ATTACHMENTS**

**FIGURE 3-17. BUCKET - 102IN (2.0 CU YD)**



ART\_1001100824

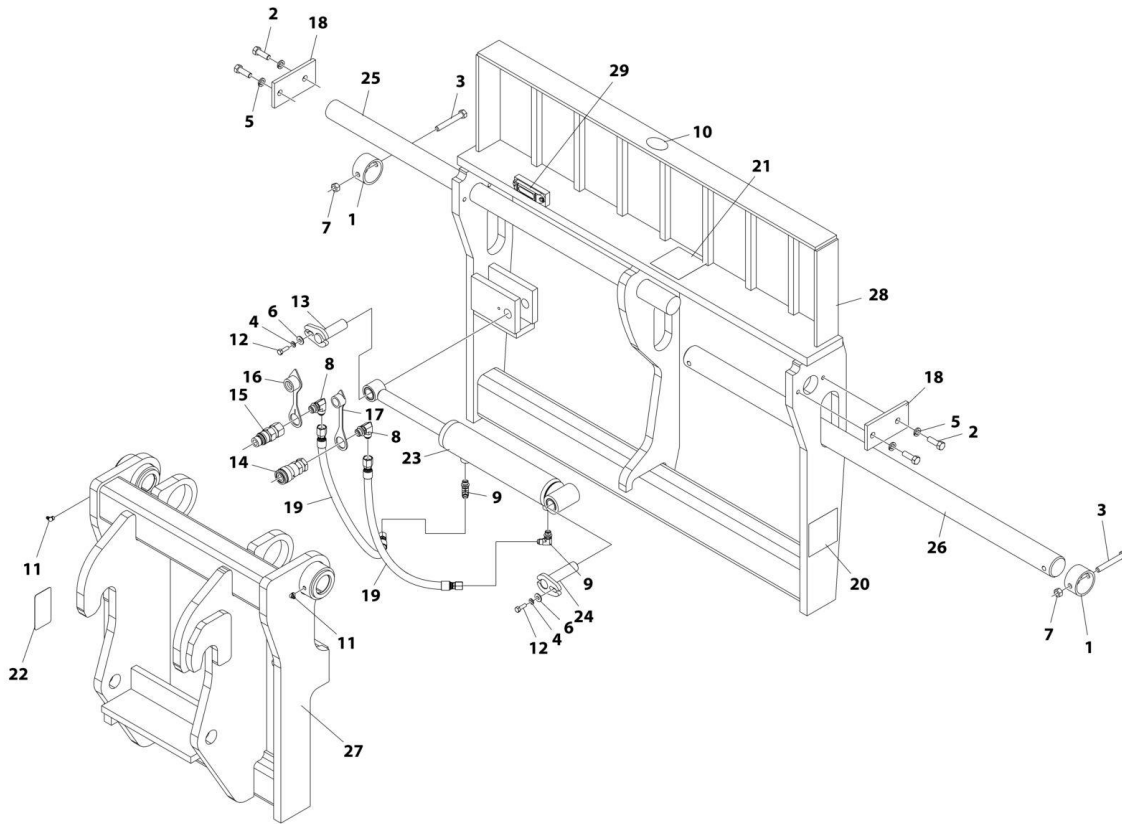
## SECTION 3 - ATTACHMENTS

### FIGURE 3-17. BUCKET - 102IN (2.0 CU YD)

ITEM	PART NUMBER	QTY	DESCRIPTION	REV
	1001100824	Ref	Bucket (102 Inch)	H
1	1001100267	NLA	Bucket (Note: Purchase PN 1001100824)	
2	See Note	NSS	S/N Plate (Note: Stamped Part - Not Available for Purchase)	
3	1001227670	1	Tag, RFID	
4	0760405	2	Bolt M4 x 10	
5	4811400	2	Washer M4	

# SECTION 3 - ATTACHMENTS

## FIGURE 3-18. CARRIAGE ASSEMBLY - 48IN/12000# CAPACITY SIDE SHIFT



ART\_1001242644\_C

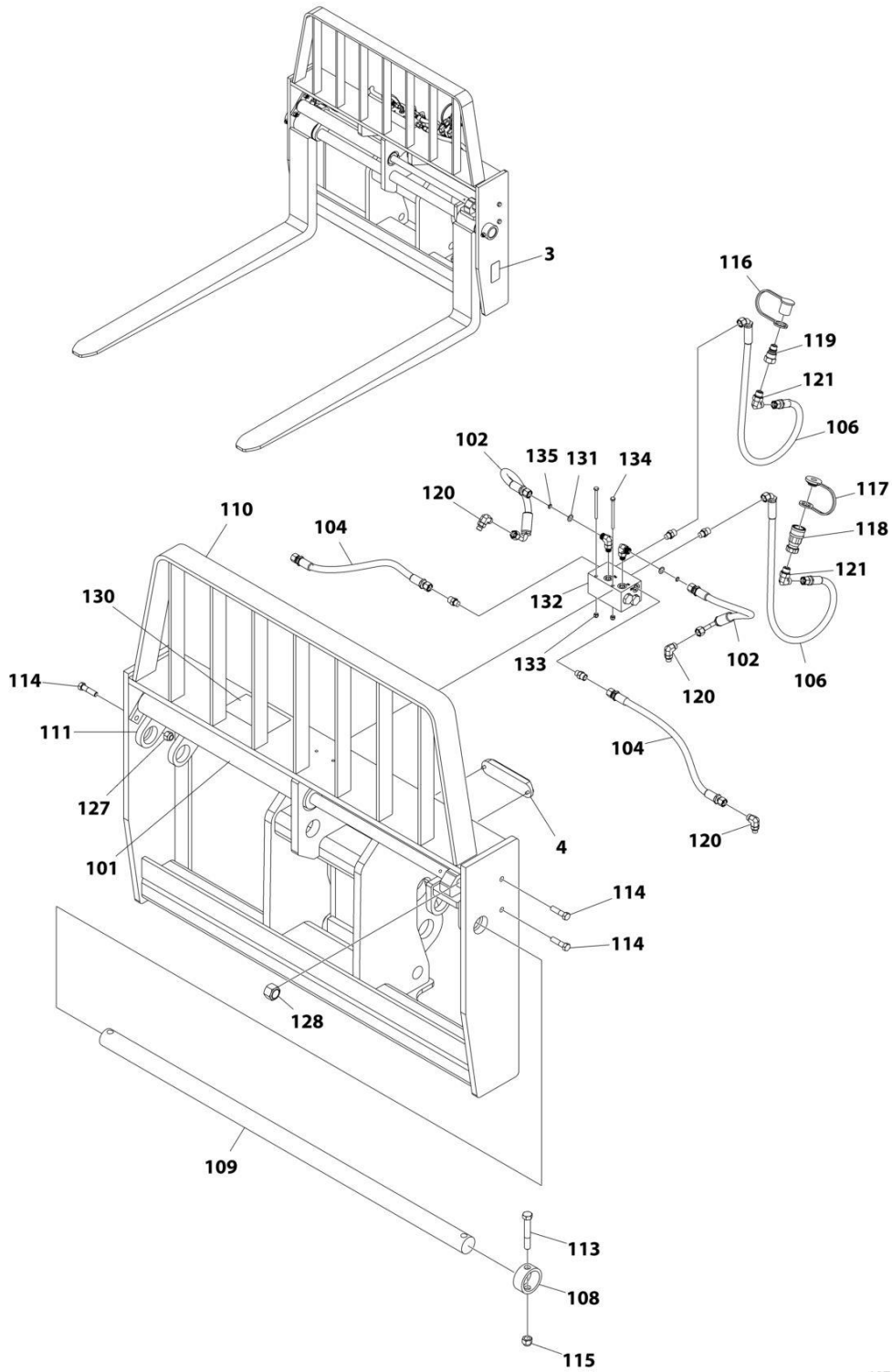
## SECTION 3 - ATTACHMENTS

**FIGURE 3-18. CARRIAGE ASSEMBLY - 48IN/12000# CAPACITY SIDE SHIFT**

ITEM	PART NUMBER	QTY	DESCRIPTION	REV
	1001242644	Ref	SIDE SHIFT CARRIAGE ASSEMBLY (48 INCH)	C
1	70020028	2	Bushing	
2	70021382	4	Bolt 1/2 x 1-1/2	
3	70020002	2	Bolt 1/2 x 4	
4	90554067	2	Washer 5/16	
5	90554020	4	Washer 1/2	
6	70021379	2	Washer	
7	70027642	2	Washer	
8	70030141	2	Elbow	
9	90554065	2	Elbow 90	
10	90554016	1	Decal - Made in USA	
11	70021389	2	Fitting 90	
12	70021378	2	Capscrew	
13	70021351	1	Pin	
14	91403413	1	Adapter	
15	91403414	1	Adapter	
16	8420053	1	Cap, Dust	
17	8420055	1	Plug, Dust	
18	70030142	2	Plate	
19	70030143	2	Hose 30in (Boom Front Disconnect)	
19	70031444	2	Hose 55in (Boom Side Disconnect)	
20	90554017	2	Decal - Danger Pinch Point	
21	7029711	1	Decal - High Pressure	
22	See Note	NSS	SN Plate (Note: Stamped Part - Not Available for Purchase)	
23	70021376	1	Cylinder Assembly (See Separate Breakdown in HYDRAULIC COMPONENTS Section)	
24	70021377	1	Pin	
25	70030144	1	Pin	
26	70030145	1	Pin	
27	See Note	NSS	Frame - Rear (Note: Purchase Complete Assembly)	
28	See Note	NSS	Frame - Front (Note: Purchase Complete Assembly)	
29	1001227670	1	Tag, RFID	

# SECTION 3 - ATTACHMENTS

## FIGURE 3-19. CARRIAGE ASSEMBLY - 50IN/10000# CAPACITY DUAL FORK POSITIONING



ART\_7301295\_L



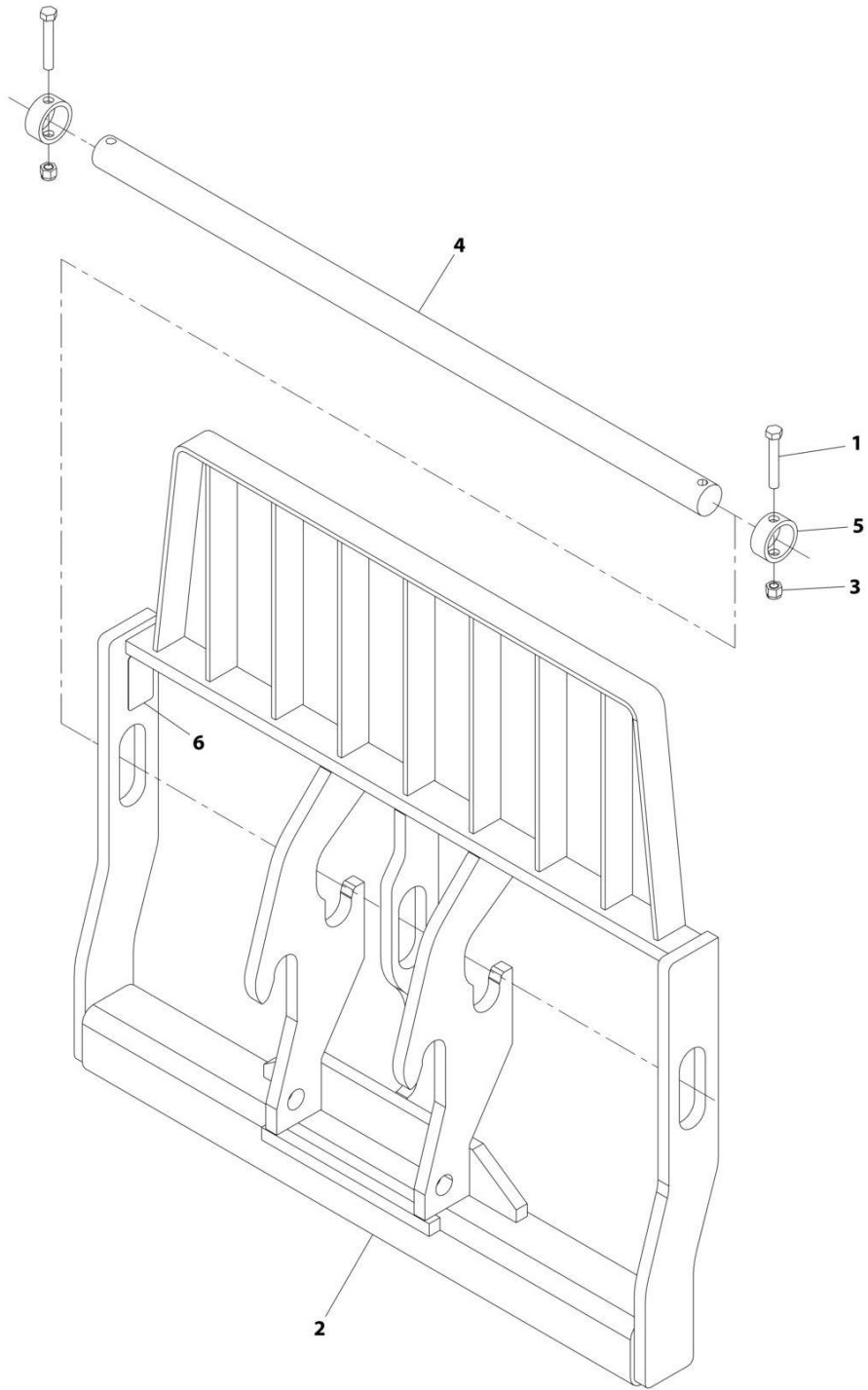
## SECTION 3 - ATTACHMENTS

**FIGURE 3-19. CARRIAGE ASSEMBLY - 50IN/10000# CAPACITY DUAL FORK POSITIONING**

ITEM	PART NUMBER	QTY	DESCRIPTION	REV
	7301295	Ref	FORK POSITIONING CARRIAGE WITH FORKS (4.5 TON)	L
3	N.S.S.	1	S/N Plate	
4	1001227670	1	Tag, RFID	
101	2717283	2	Cylinder, Fork Positioning (See Separate Breakdown in HYDRAULIC COMPONENTS Section)	
102	2717160	2	Hose	
104	2717161	2	Hose	
106	2717162	2	Hose 36in (Boom Front Disconnect)	
106	70031443	2	Hose 44in (Boom Side Disconnect)	
108	90200003	2	Collar, Fork Pin	
109	90451058	1	Shaft, Fork	
110	N.S.S.	1	Weldment, Carriage	
111	N.S.S.	1	Weldment, Fork Adapter	
113	8303634	2	Bolt 5/8 x 4	
114	8303658	4	Bolt 1/2 x 2	
115	8305643	2	Nut 5/8	
116	8420053	1	Cap, Dust	
117	8420055	1	Plug, Dust	
118	91403413	1	Adapter, Quick Disconnect	
119	91403414	1	Adapter, Quick Disconnect	
120	2130606	4	Adapter, 90 Straight	
121	2130608	2	Adapter, 90 Straight	
127	8310302	4	Nut 1/2	
128	10705034	2	Nut 1	
130	4110473	1	Decal, Warning Route Hoses	
131	7139918	2	Disk, Orifice	
132	4641502	1	Assembly, Dual Fork Carriage Valve (See Separate Breakdown in HYDRAULIC COMPONENTS Section)	
133	8305624	2	Nut 1/4	
134	8310435	2	Bolt 1/4 x 3-3/4	
135	8630003	2	O-Ring	

# SECTION 3 - ATTACHMENTS

FIGURE 3-20. CARRIAGE ASSEMBLY - 50IN/12000# CAPACITY STANDARD



ART\_1170021-H

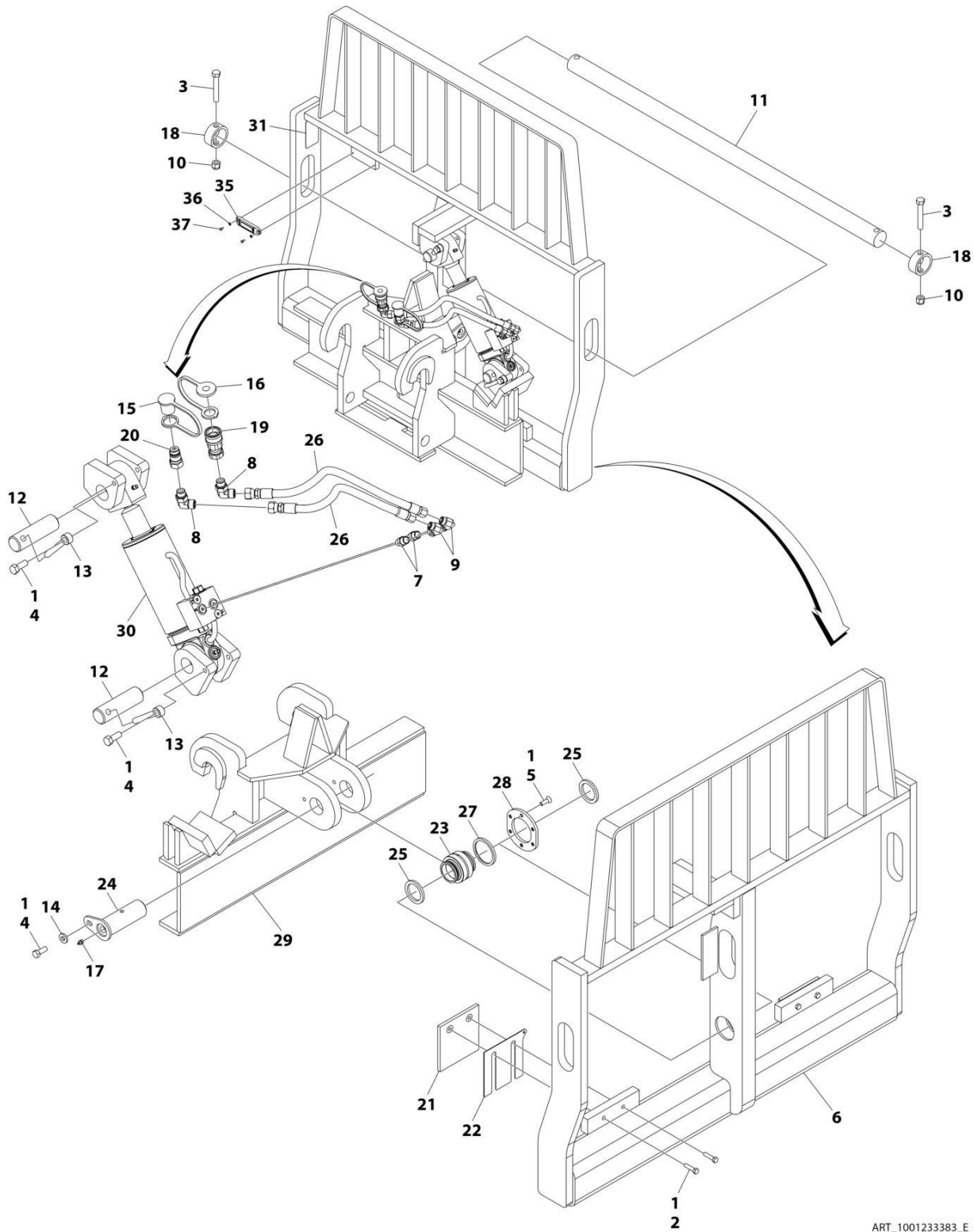
## SECTION 3 - ATTACHMENTS

**FIGURE 3-20. CARRIAGE ASSEMBLY - 50IN/12000# CAPACITY STANDARD**

ITEM	PART NUMBER	QTY	DESCRIPTION	REV
	1170021	Ref	Carriage Assembly (50 INCH)	H
1	0642032	2	Bolt, 5/8-11X4	
2	1170012	1	Weldment, Carriage	
3	3300240	2	Nut, Lock 5/8-11	
4	3423275	1	Pin, Fork	
5	90200003	2	Collar, Fork Pin	
6	See Note	NSS	S/N Plate (Note: Stamped Part - Not Available for Purchase)	

# SECTION 3 - ATTACHMENTS

FIGURE 3-21. CARRIAGE ASSEMBLY - 50IN/12000# CAPACITY SIDE TILT (Prior to SN 0160116965)



ART\_1001233383\_E

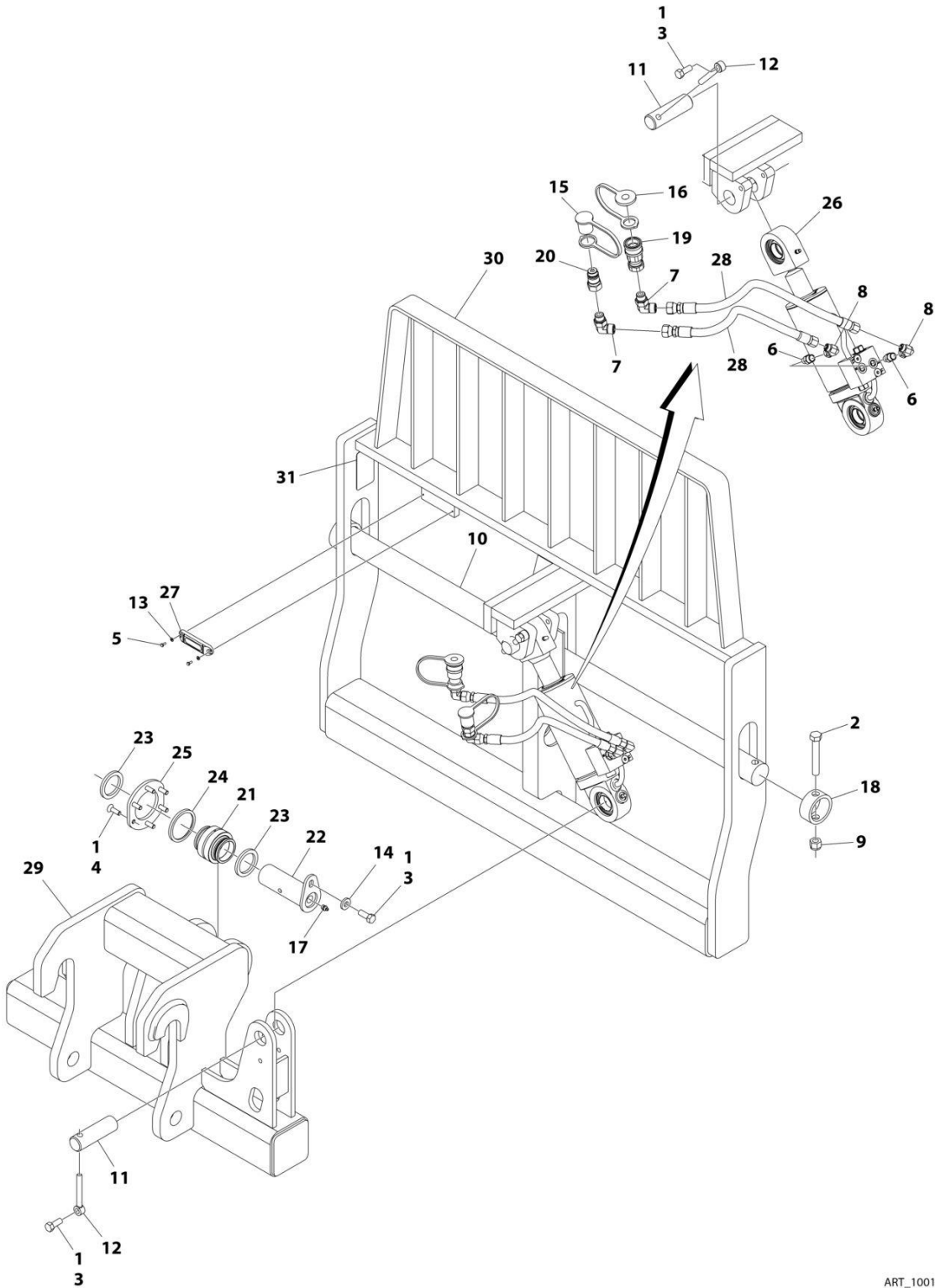
## SECTION 3 - ATTACHMENTS

**FIGURE 3-21. CARRIAGE ASSEMBLY - 50IN/12000# CAPACITY SIDE TILT (Prior to SN 0160116965)**

ITEM	PART NUMBER	QTY	DESCRIPTION	REV
	1001233383	NLA	SIDE TILT CARRIAGE ASSEMBLY (50 INCH) (No longer available, use item 1 to 37 for service or 1001277290 for replacement)	E
1	0100011	AR	Compound, Locking	
2	0641612	4	Bolt 3/8 x 1-1/2	
3	0642032	2	Bolt 5/8 x 4	
4	0681810	3	Bolt 1/2 x 1-1/4	
5	0741610	6	Screw 3/8 x 1.25	
6	See Note	NSS	Carriage (Note: Purchase Complete Assembly)	
7	2110606	2	Fitting, Straight ORFS	
8	2130808	2	Adapter, 90	
9	2172106	2	Fitting, 90 ORFS	
10	3300240	2	Nut 5/8	
11	3423275	1	Pin	
12	3423307	2	Pin	
13	3841203	2	Keeper	
14	4891800	1	Flatwasher	
15	8420053	1	Cap	
16	8420055	1	Plug	
17	88671001	1	Fitting, Grease	
18	90200003	2	Collar	
19	91403413	1	Fitting, Straight	
20	91403414	1	Fitting, Straight	
21	1001090063	2	Pad	
22	1001090064	AR	Shim	
23	1001090140	1	Bearing	
24	1001099113	1	Pin	
25	1001099115	2	Sleeve	
26	1001239734	2	Hose	
27	1001120914	1	Shim	
28	1001120915	1	Plate	
29	See Note	NSS	Carriage, Base Plate (Note: Purchase Complete Assembly)	
30	1001163414	1	Cylinder, Side Tilt (See Separate Breakdown in HYDRAULIC COMPONENTS Section)	
31	See Note	NSS	SN Plate (Note: Stamped Part - Not Available for Purchase)	
35	1001227670	1	Tag, RFID	
36	4811400	2	Washer M4	
37	0760405	2	Bolt M4 x 10	

# SECTION 3 - ATTACHMENTS

FIGURE 3-22. CARRIAGE ASSEMBLY - 50IN/12000# CAPACITY SIDE TILT (SN 0160116965 to Present)



ART\_1001277290

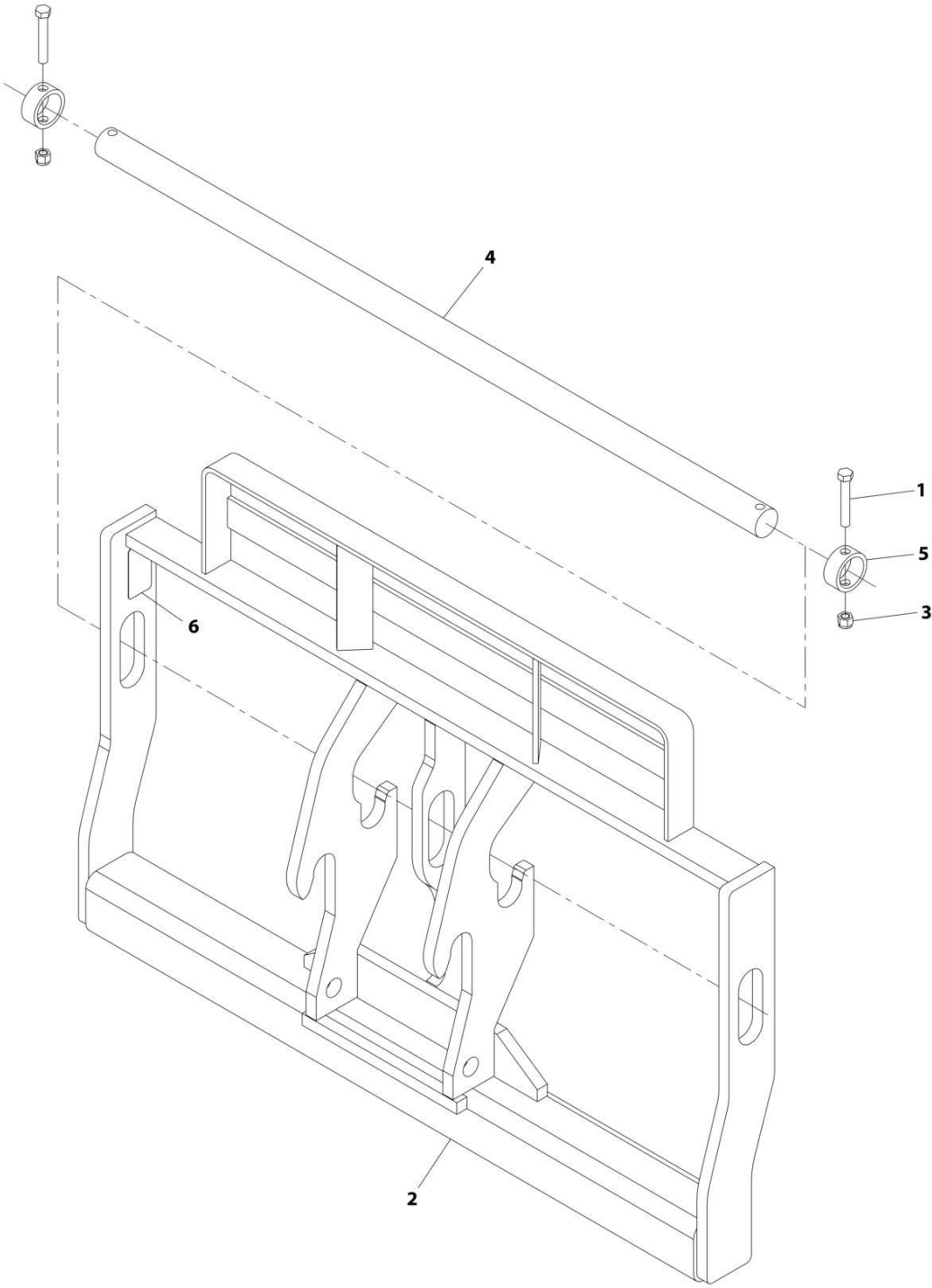
## SECTION 3 - ATTACHMENTS

**FIGURE 3-22. CARRIAGE ASSEMBLY - 50IN/12000# CAPACITY SIDE TILT (SN 0160116965 to Present)**

ITEM	PART NUMBER	QTY	DESCRIPTION	REV
	1001277290	Ref	SIDE TILT CARRIAGE ASSEMBLY (50 INCH)	A
1	0100011	AR	Compound, Locking	
2	0642032	2	Bolt 5/8 x 4	
3	0681810	3	Bolt 1/2 x 1-1/4	
4	0741610	6	Screw 3/8 x 1-1/4	
5	0760405	2	Bolt M4 x 10	
6	2110606	2	Fitting, Straight ORFS	
7	2130808	2	Fitting, 90 ORFS	
8	2172106	2	Fitting, 90 ORFS	
9	3300240	2	Nut 5/8	
10	3423275	1	Pin	
11	3423307	2	Pin	
12	3841203	2	Keeper	
13	4811400	2	Washer M4	
14	4891800	1	Washer	
15	8420053	1	Cap	
16	8420055	1	Plug	
17	88671001	1	Fitting, Grease	
18	90200003	2	Collar	
19	91403413	1	Fitting, Straight	
20	91403414	1	Fitting, Straight	
21	1001090140	1	Bearing	
22	1001099113	1	Pin	
23	1001099115	2	Sleeve	
24	1001120914	1	Shim	
25	1001120915	1	Plate	
26	1001163414	1	Cylinder, Side Tilt (See Separate Breakdown in HYDRAULIC COMPONENTS Section)	
27	1001227670	1	Tag, RFID	
28	1001239734	2	Hose	
29	See Note	NSS	Carriage, Base Plate (Note: Purchase Complete Assembly)	
30	See Note	NSS	Carriage (Note: Purchase Complete Assembly)	
31	See Note	NSS	SN Plate (Note: Stamped Part - Not Available for Purchase)	

**SECTION 3 - ATTACHMENTS**

**FIGURE 3-23. CARRIAGE ASSEMBLY - 60IN/12000# CAPACITY STANDARD**



ART\_1170024-H



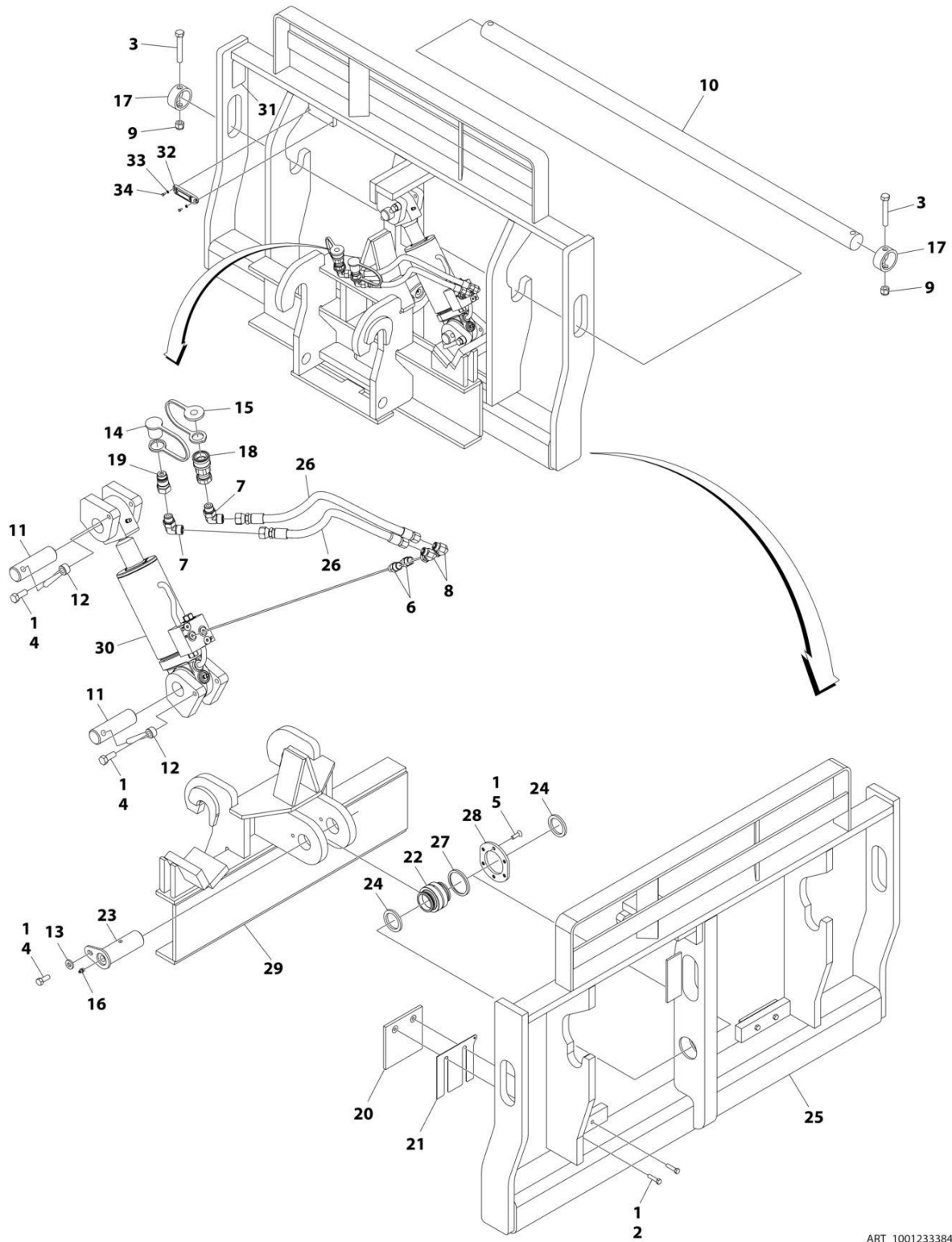
## SECTION 3 - ATTACHMENTS

**FIGURE 3-23. CARRIAGE ASSEMBLY - 60IN/12000# CAPACITY STANDARD**

ITEM	PART NUMBER	QTY	DESCRIPTION	REV
	1170024	Ref	Carriage Assembly (1524 MM)	H
1	0642032	2	Bolt 5/8 x 4	
2	See Note	NSS	Carriage (Note: Purchase Complete Assembly)	
3	3300240	2	Nut 5/8	
4	3423242	1	Pin	
5	90200003	2	Sleeve	
6	See Note	NSS	S/N Plate (Note: Stamped Part - Not Available for Purchase)	

# SECTION 3 - ATTACHMENTS

FIGURE 3-24. CARRIAGE ASSEMBLY - 60IN/12000# CAPACITY SIDE TILT (Prior to SN 0160116965)



ART\_1001233384\_F

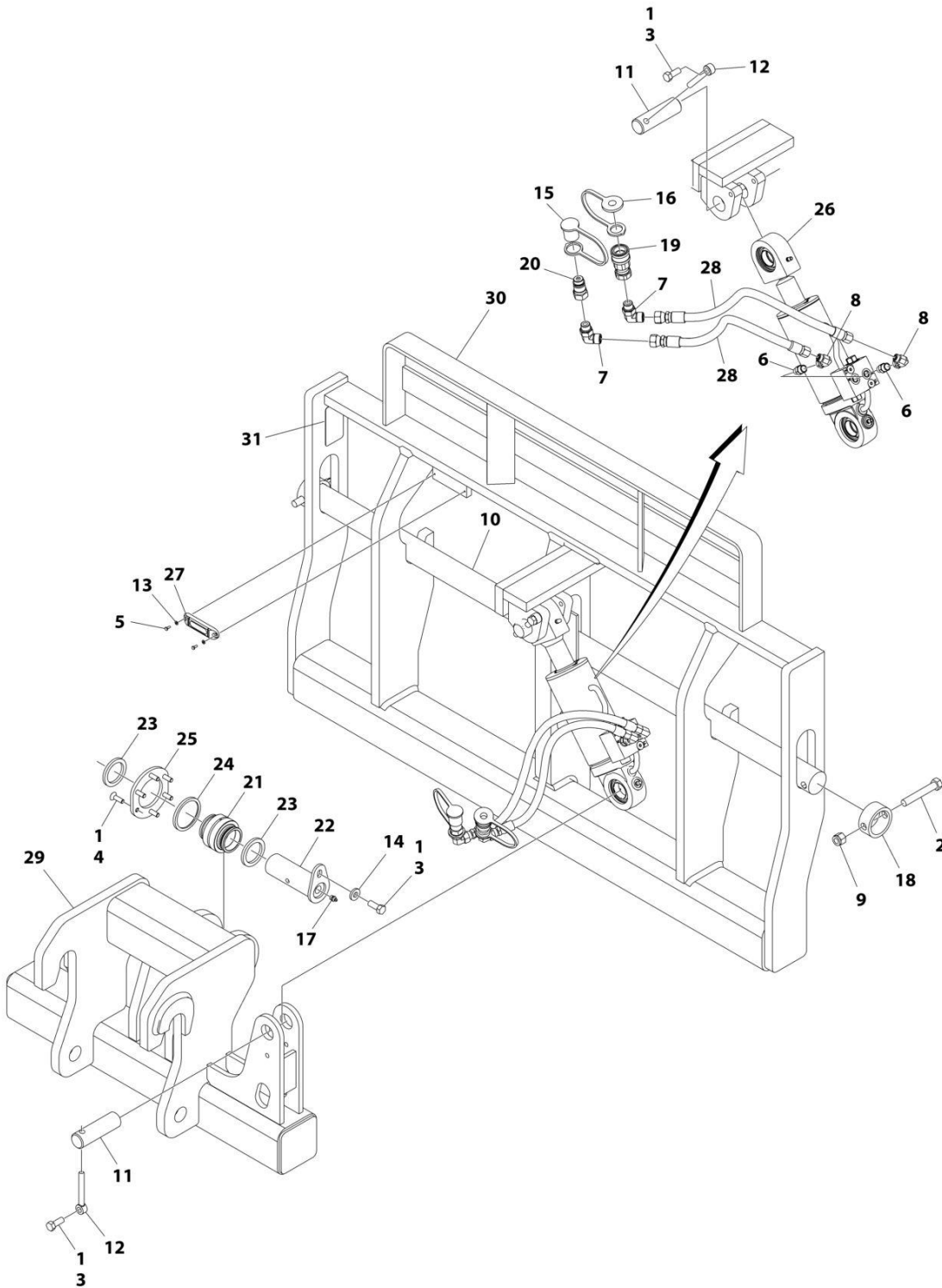
## SECTION 3 - ATTACHMENTS

**FIGURE 3-24. CARRIAGE ASSEMBLY - 60IN/12000# CAPACITY SIDE TILT (Prior to SN 0160116965)**

ITEM	PART NUMBER	QTY	DESCRIPTION	REV
	1001233384	Ref	SIDE TILT CARRIAGE ASSEMBLY (60 INCH)	F
1	0100011	AR	Compound, Locking	
2	0641612	4	Bolt 3/8 x 1-1/2	
3	0642032	2	Bolt 5/8 x 4	
4	0681810	3	Bolt 1/2 x 1-1/4	
5	0741610	6	Screw 3/8 x 1-1/4	
6	2110606	2	Fitting, Straight	
7	2130808	2	Adapter, 90	
8	2172106	2	Fitting, 90	
9	3300240	2	Nut 5/8	
10	3423242	1	Pin	
11	3423307	2	Pin	
12	3841203	2	Keeper	
13	4891800	1	Washer	
14	8420053	1	Cap	
15	8420055	1	Plug	
16	88671001	1	Fitting, Grease	
17	90200003	2	Collar	
18	91403413	1	Fitting, Straight	
19	91403414	1	Fitting, Straight	
20	1001090063	2	Pad	
21	1001090064	AR	Shim	
22	1001090140	1	Bearing	
23	1001099113	1	Pin	
24	1001099115	2	Sleeve	
25	See Note	NSS	Carriage, Side Tilt (Note: Purchase Complete Assembly)	
26	1001239734	2	Hose	
27	1001120914	1	Shim	
28	1001120915	1	Plate	
29	1001133072	1	Carriage, Base Pivot	
30	1001163414	1	Cylinder, Side Tilt (See Separate Breakdown in HYDRAULIC COMPONENTS Section)	
31	See Note	NSS	SN Plate (Note: Stamped Part - Not Available for Purchase)	
32	1001227670	1	Tag, RFID	
33	4811400	2	Washer M4	
34	0760405	2	Bolt M4 x 10	

# SECTION 3 - ATTACHMENTS

FIGURE 3-25. CARRIAGE ASSEMBLY - 60IN/12000# CAPACITY SIDE TILT (SN 0160116965 to Present)



ART\_1001277338

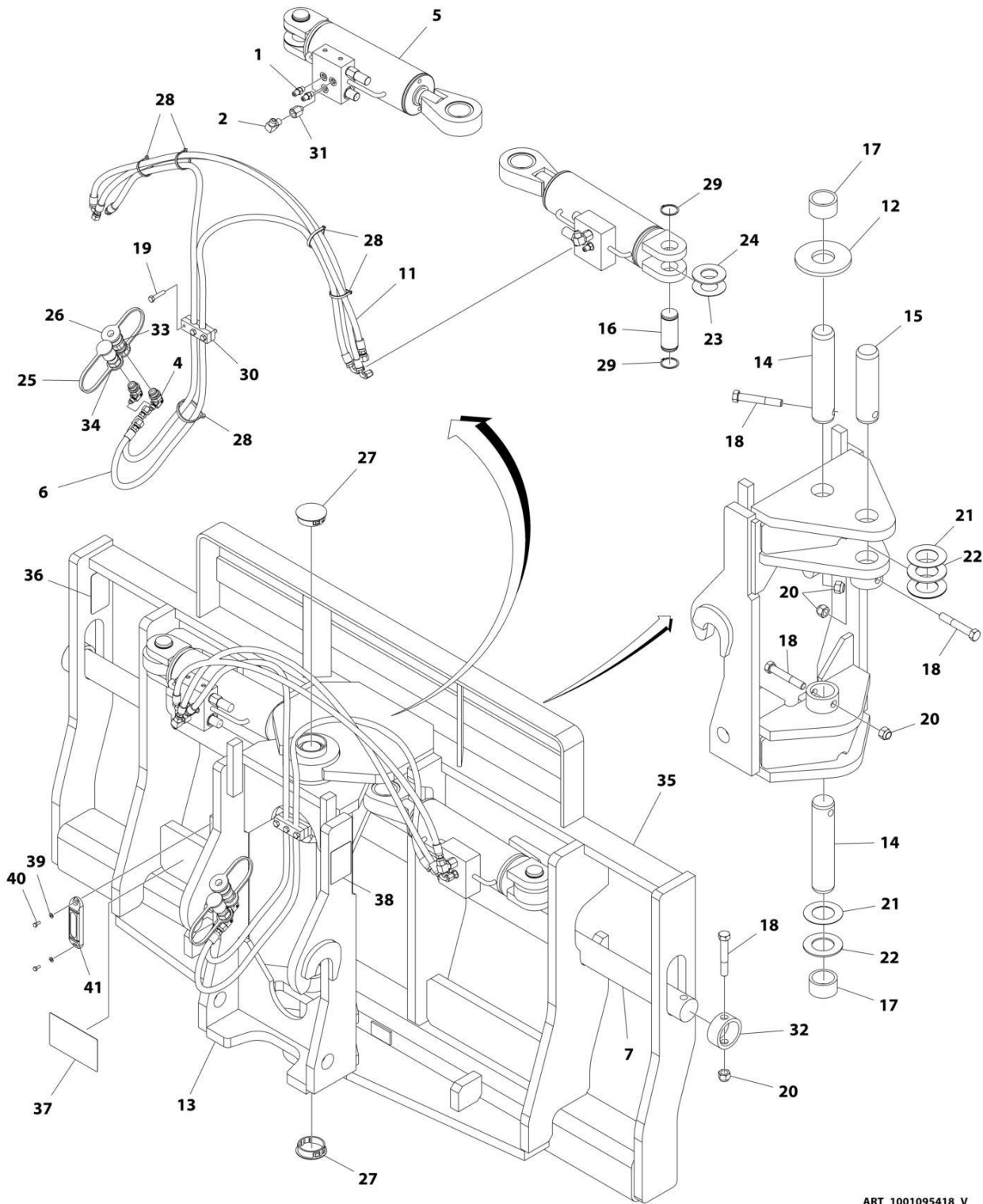
## SECTION 3 - ATTACHMENTS

**FIGURE 3-25. CARRIAGE ASSEMBLY - 60IN/12000# CAPACITY SIDE TILT (SN 0160116965 to Present)**

ITEM	PART NUMBER	QTY	DESCRIPTION	REV
	1001277338	Ref	SIDE TILT CARRIAGE ASSEMBLY (60 INCH)	A
1	0100011	AR	Compound, Locking	
2	0642032	2	Bolt 5/8 x 4	
3	0681810	3	Bolt 1/2 x 1-1/4	
4	0741610	6	Screw 3/8 x 1-1/4	
5	0760405	2	Bolt M4 x 10	
6	2110606	2	Fitting, Straight	
7	2130808	2	Fitting, 90 ORFS	
8	2172106	2	Fitting, 90 ORFS	
9	3300240	2	Nut 5/8	
10	3423242	1	Pin	
11	3423307	2	Pin	
12	3841203	2	Keeper	
13	4811400	2	Washer M4	
14	4891800	1	Washer	
15	8420053	1	Cap	
16	8420055	1	Plug	
17	88671001	1	Fitting, Grease	
18	90200003	2	Collar	
19	91403413	1	Fitting, Straight	
20	91403414	1	Fitting, Straight	
21	1001090140	1	Bearing	
22	1001099113	1	Pin	
23	1001099115	2	Sleeve	
24	1001120914	1	Shim	
25	1001120915	1	Plate	
26	1001163414	1	Cylinder, Side Tilt (See Separate Breakdown in HYDRAULIC COMPONENTS Section)	
27	1001227670	1	Tag, RFID	
28	1001239734	2	Hose	
29	See Note	NSS	Carriage, Base Plate (Note: Purchase Complete Assembly)	
30	See Note	NSS	Carriage, Side Tilt (Note: Purchase Complete Assembly)	
31	See Note	NSS	SN Plate (Note: Stamped Part - Not Available for Purchase)	

# SECTION 3 - ATTACHMENTS

FIGURE 3-26. CARRIAGE ASSEMBLY - 72IN/10000# CAPACITY 90 DEGREE SWING (Prior to SN 0160115808)



ART\_1001095418\_V

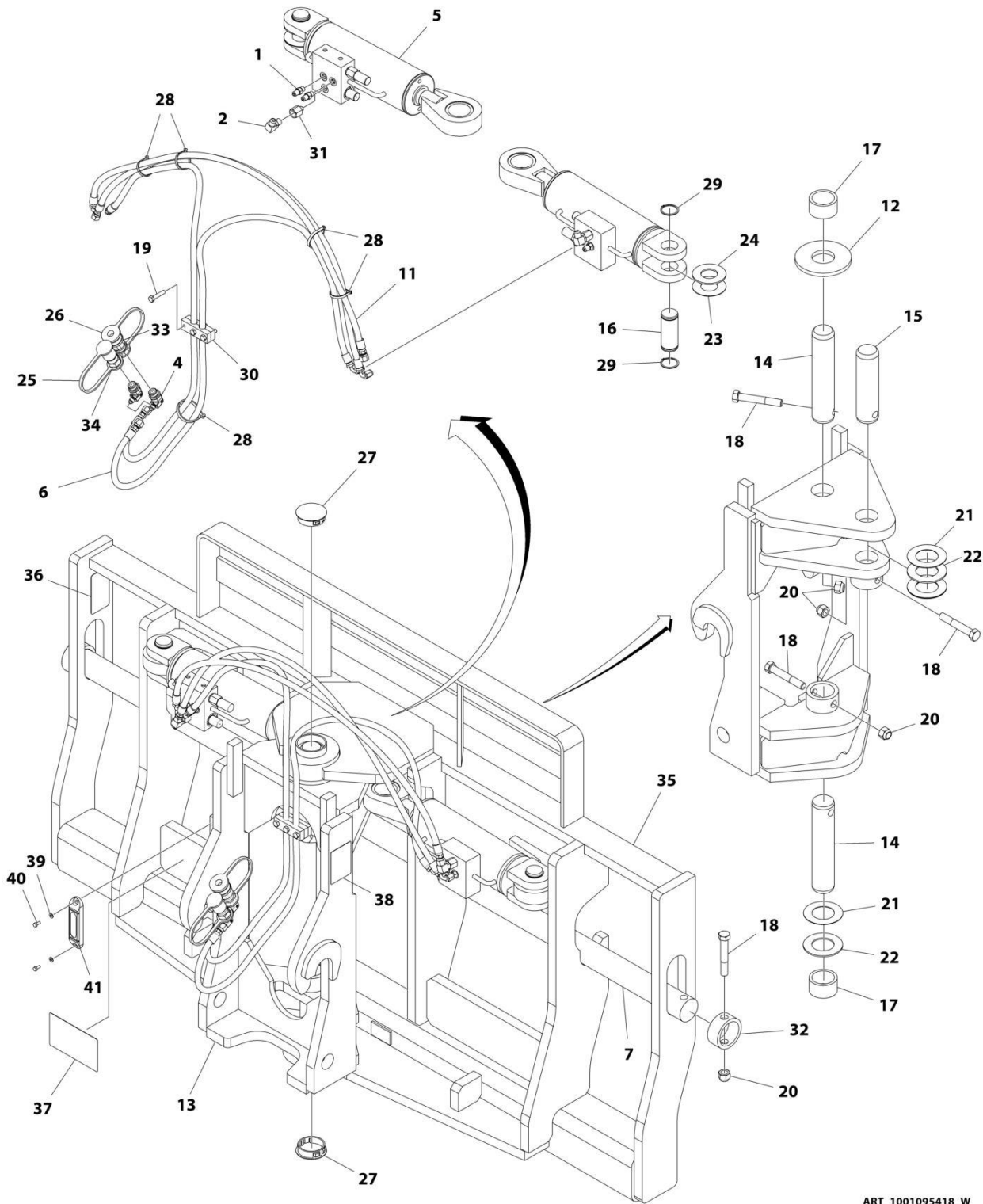
## SECTION 3 - ATTACHMENTS

**FIGURE 3-26. CARRIAGE ASSEMBLY - 72IN/10000# CAPACITY 90 DEGREE SWING (Prior to SN 0160115808)**

ITEM	PART NUMBER	QTY	DESCRIPTION	REV
	1001095418	Ref	CARRIAGE ASSEMBLY - SWING (72 INCH)	V
1	2220415	4	Fitting, Straight ORFS	
2	2220473	2	Fitting, 90 ORFS	
4	1001211139	2	Adapter, 90	
5	1001103182	1	Swing Carriage Cylinder (See Separate Breakdown in HYDRAULIC COMPONENTS Section)	
6	2717287	2	Hose 58IN (Boom Front Disconnect)	
6	1001301599	1	Hose 66IN (Boom Side Disconnect)	
6	1001301600	1	Hose 46IN (Boom Side Disconnect)	
7	3423276	1	Pin	
11	6604662	2	Hose	
12	7062922	1	Washer	
13	See Note	NSS	Pivot (Note: Purchase Complete Assembly)	
14	7110702	2	Pin	
15	7110712	1	Pin	
16	7110722	2	Pin	
17	8065062	2	Bushing	
18	8303634	5	Bolt 5/8 x 4	
19	8303715	3	Bolt 5/16 x 1-1/2	
20	8305643	5	Nut 5/8	
21	8307904	AR	Washer	
22	8307918	AR	Washer	
23	8310160	AR	Washer	
24	8310161	AR	Washer	
25	8420053	1	Cap	
26	8420055	1	Plug	
27	8580315	2	Plug	
28	8584001	5	Tie Wrap	
29	8642207	4	Ring, Retaining	
30	8769132	2	Clamp	
31	8770016	2	Fitting, Straight ORFS	
32	90200003	2	Collar	
33	91403413	1	Fitting, Straight ORFS	
34	91403414	1	Fitting, Straight	
35	See Note	NSS	Carriage (Note: Purchase Complete Assembly)	
36	See Note	NSS	SN Plate (Note: Stamped Part - Not Available for Purchase)	
37	1001110704	1	Decal, Warning Crushing Hazard	
38	1001111190	2	Decal, Warning	
39	4811400	2	Washer M4	
40	0760405	2	Bolt M4 x 10	
41	1001227670	1	Tag - RFID	

# SECTION 3 - ATTACHMENTS

FIGURE 3-27. CARRIAGE ASSEMBLY - 72IN/10000# CAPACITY 90 DEGREE SWING (SN 0160115808 to Present)



ART\_1001095418\_W



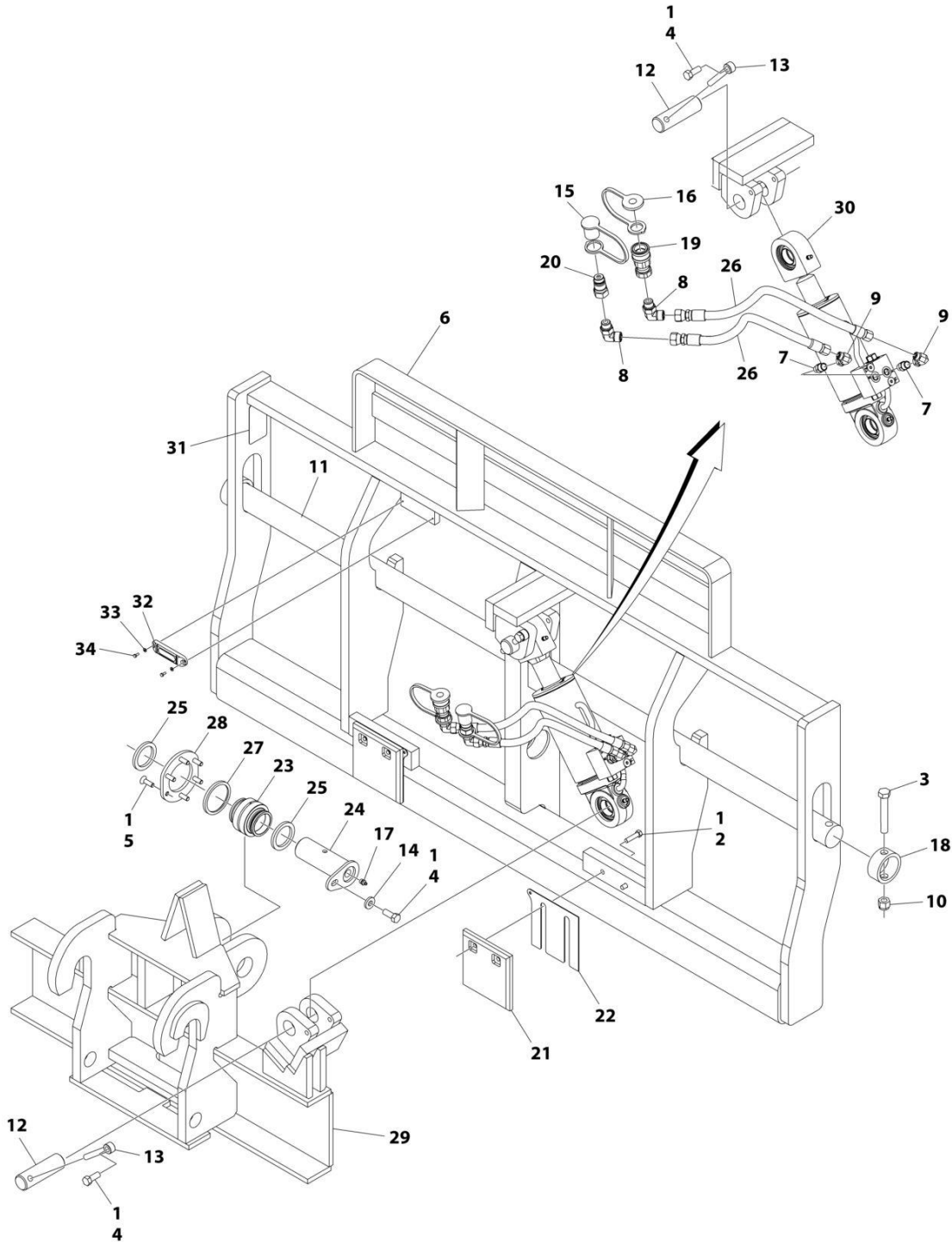
## SECTION 3 - ATTACHMENTS

**FIGURE 3-27. CARRIAGE ASSEMBLY - 72IN/10000# CAPACITY 90 DEGREE SWING (SN 0160115808 to Present)**

ITEM	PART NUMBER	QTY	DESCRIPTION	REV
	1001095418	Ref	CARRIAGE ASSEMBLY - SWING (72 INCH)	W
1	2220415	4	Fitting, Straight ORFS	
2	2220473	2	Fitting, 90 ORFS	
4	1001211139	2	Adapter, 90	
5	1001293182	1	Swing Carriage Cylinder (See Separate Breakdown in HYDRAULIC COMPONENTS Section)	
6	2717287	2	Hose 58in (Boom Front Disconnect)	
6	1001301599	1	Hose 66in (Boom Side Disconnect)	
6	1001301600	1	Hose 46in (Boom Side Disconnect)	
7	3423276	1	Pin	
11	6604662	2	Hose	
12	7062922	1	Washer	
13	See Note	NSS	Pivot (Note: Purchase Complete Assembly)	
14	7110702	2	Pin	
15	7110712	1	Pin	
16	7110722	2	Pin	
17	8065062	2	Bushing	
18	8303634	5	Bolt 5/8 x 4	
19	8303715	3	Bolt 5/16 x 1-1/2	
20	8305643	5	Nut 5/8	
21	8307904	AR	Washer	
22	8307918	AR	Washer	
23	8310160	AR	Washer	
24	8310161	AR	Washer	
25	8420053	1	Cap	
26	8420055	1	Plug	
27	8580315	2	Plug	
28	8584001	5	Tie Wrap	
29	8642207	4	Ring, Retaining	
30	8769132	2	Clamp	
31	8770016	2	Fitting, Straight ORFS	
32	90200003	2	Collar	
33	91403413	1	Fitting, Straight ORFS	
34	91403414	1	Fitting, Straight	
35	See Note	NSS	Carriage (Note: Purchase Complete Assembly)	
36	See Note	NSS	SN Plate (Note: Stamped Part - Not Available for Purchase)	
37	1001110704	1	Decal, Warning Crushing Hazard	
38	1001111190	2	Decal, Warning	
39	4811400	2	Washer M4	
40	0760405	2	Bolt M4 x 10	
41	1001227670	1	Tag - RFID	

# SECTION 3 - ATTACHMENTS

FIGURE 3-28. CARRIAGE ASSEMBLY - 72IN/12000# CAPACITY SIDE TILT (Prior to SN 0160116965)



ART\_1001233385\_E

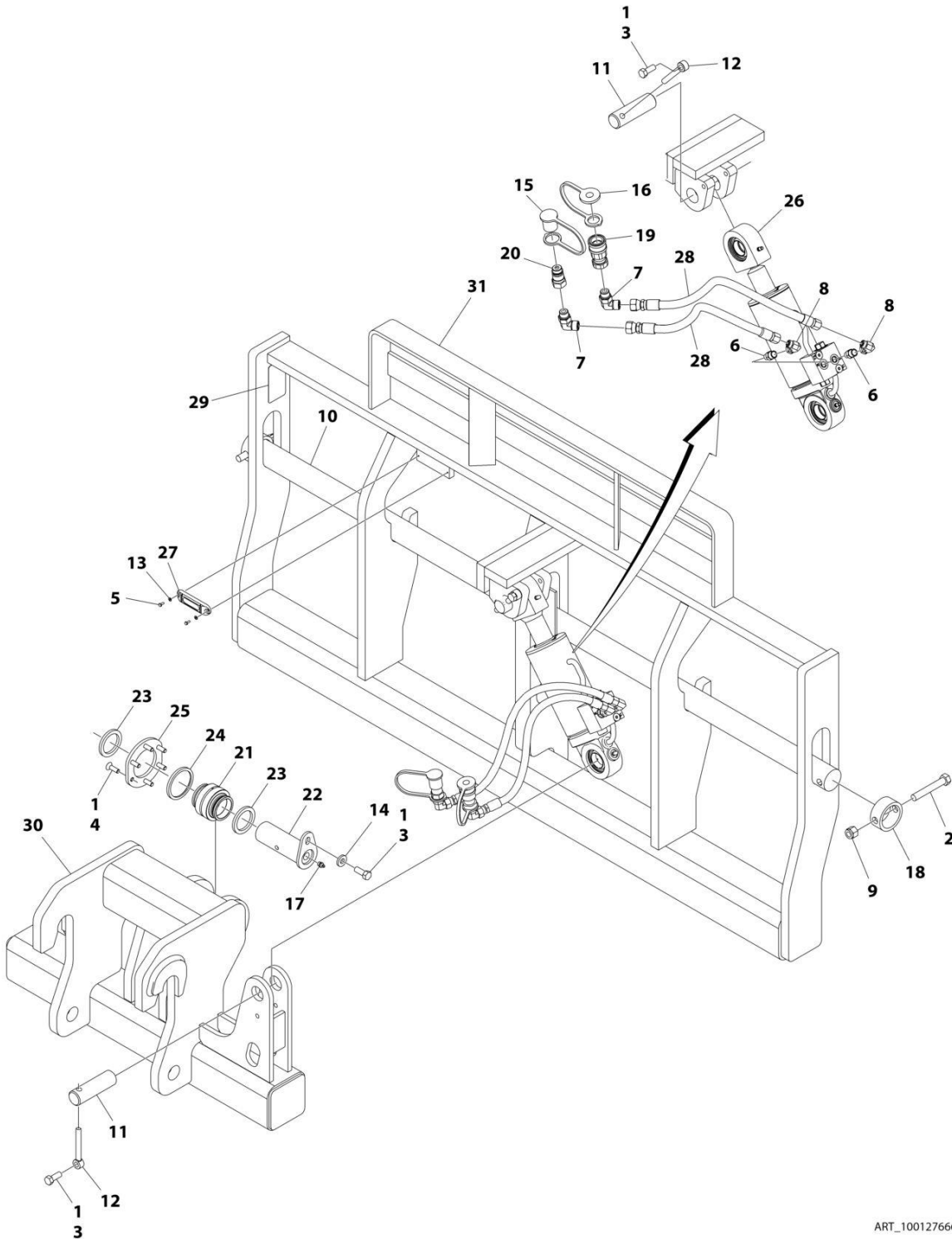
## SECTION 3 - ATTACHMENTS

**FIGURE 3-28. CARRIAGE ASSEMBLY - 72IN/12000# CAPACITY SIDE TILT (Prior to SN 0160116965)**

ITEM	PART NUMBER	QTY	DESCRIPTION	REV
	1001233385	NLA	SIDE TILT CARRIAGE ASSEMBLY (72 INCH) (No longer available, use item 1 to 34 for service or 1001276666 for replacement)	E
1	0100011	AR	Compound, Locking	
2	0641612	4	Bolt 3/8 x 1-1/2	
3	0642032	2	Bolt 5/8 x 4	
4	0681810	3	Bolt 1/2 x 1-1/4	
5	0741610	6	Screw 3/8 x 1-1/4	
5	See Note	NSS	Carriage, Side Tilt (Note: Purchase Complete Assembly)	
7	2110606	2	Adapter, Straight	
8	2130808	2	Adapter, 90	
9	2172106	2	Adapter, 90	
10	3300240	2	Nut 5/8	
11	3423276	1	Pin, Fork	
12	3423307	2	Pin, Side Tilt Cylinder	
13	3841203	2	Keeper, Rod	
14	4891800	1	Washer 1/2	
15	8420053	1	Cap, Dust	
16	8420055	1	Plug, Dust	
17	88671001	1	Fitting, Grease	
18	90200003	2	Collar, Fork Pin	
19	91403413	1	Adapter	
20	91403414	1	Adapter	
21	1001090063	2	Pad, Wear	
22	1001090064	AR	Shim, Wear Pad	
23	1001090140	1	Bearing, Side Tilt Spherical	
24	1001099113	1	Pin, Side Tilt Frame Pivot	
25	1001099115	2	Sleeve, Tilt Bearing Spacer	
26	1001239734	2	Hose	
27	1001120914	1	Shim, Bearing Retainer	
28	1001120915	1	Plate, Bearing Retainer	
29	1001133072	1	Carriage, Base Pivot	
30	1001163414	1	Cylinder, Side Tilt (See Separate Breakdown in HYDRAULIC COMPONENTS Section)	
31	See Note	NSS	SN Plate (Note: Stamped Part - Not Available for Purchase)	
32	1001227670	1	Tag, RFID	
33	4811400	2	Washer M4	
34	0760405	2	Bolt M4 x 10	

# SECTION 3 - ATTACHMENTS

FIGURE 3-29. CARRIAGE ASSEMBLY - 72IN/12000# CAPACITY SIDE TILT (SN 0160116965 to Present)



ART\_1001276666

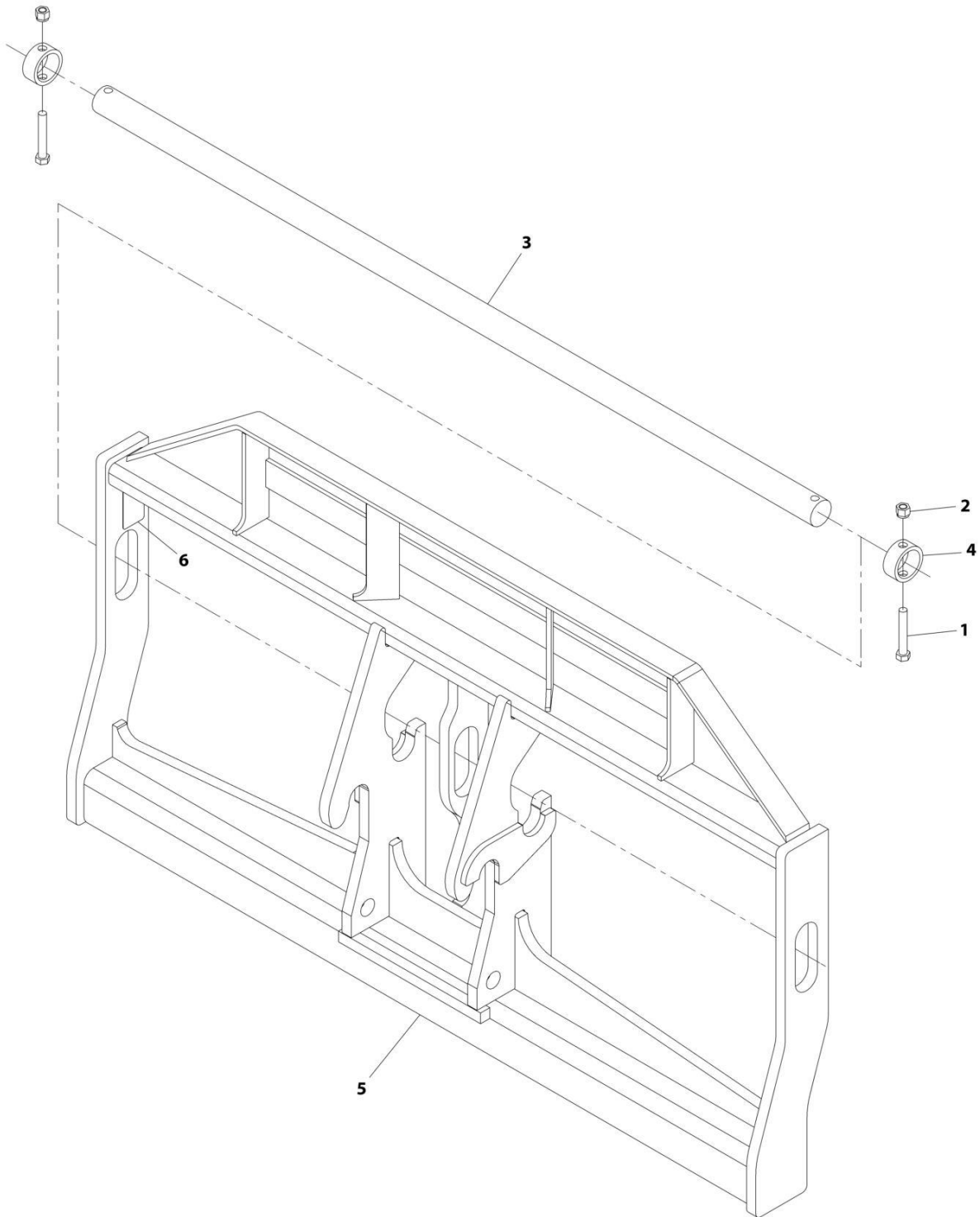
## SECTION 3 - ATTACHMENTS

**FIGURE 3-29. CARRIAGE ASSEMBLY - 72IN/12000# CAPACITY SIDE TILT (SN 0160116965 to Present)**

ITEM	PART NUMBER	QTY	DESCRIPTION	REV
	1001276666	Ref	SIDE TILT CARRIAGE ASSEMBLY (72 INCH)	A
1	0100011	AR	Compound, Locking	
2	0642032	2	Bolt 5/8 x 4	
3	0681810	3	Bolt 1/2 x 1-1/4	
4	0741610	6	Screw 3/8 x 1-1/4	
5	0760405	2	Bolt M4 x 10	
6	2110606	2	Fitting, Straight	
7	2130808	2	Fitting, 90 ORFS	
8	2172106	2	Fitting, 90 ORFS	
9	3300240	2	Nut 5/8	
10	3423276	1	Pin, Fork	
11	3423307	2	Pin, Side Tilt Cylinder	
12	3841203	2	Keeper, Rod	
13	4811400	2	Washer M4	
14	4891800	1	Washer 1/2	
15	8420053	1	Cap, Dust	
16	8420055	1	Plug, Dust	
17	88671001	1	Fitting, Grease	
18	90200003	2	Collar, Fork Pin	
19	91403413	1	Fitting, Straight	
20	91403414	1	Fitting, Straight	
21	1001090140	1	Bearing, Side Tilt Spherical	
22	1001099113	1	Pin, Side Tilt Frame Pivot	
23	1001099115	2	Sleeve, Tilt Bearing Spacer	
24	1001120914	1	Shim, Bearing Retainer	
25	1001120915	1	Plate, Bearing Retainer	
26	1001163414	1	Cylinder, Side Tilt (See Separate Breakdown in HYDRAULIC COMPONENTS Section)	
27	1001227670	1	Tag, RFID	
28	1001239734	2	Hose	
29	See Note	NSS	SN Plate (Note: Stamped Part - Not Available for Purchase)	
30	See Note	NSS	Carriage, Base Plate (Note: Purchase Complete Assembly)	
31	See Note	NSS	Carriage, Side Tilt (Note: Purchase Complete Assembly)	

# SECTION 3 - ATTACHMENTS

## FIGURE 3-30. CARRIAGE ASSEMBLY - 72IN/15000# CAPACITY STANDARD



ART\_1001211516-D

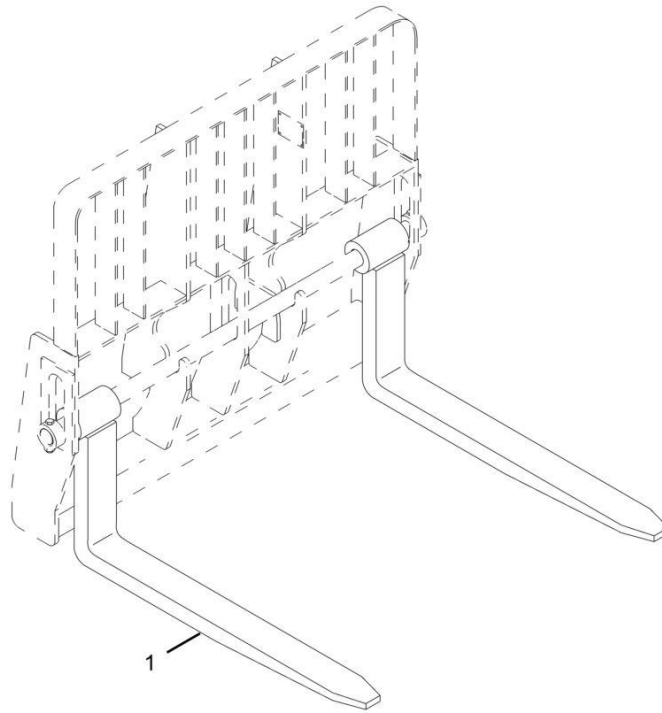
## SECTION 3 - ATTACHMENTS

**FIGURE 3-30. CARRIAGE ASSEMBLY - 72IN/15000# CAPACITY STANDARD**

ITEM	PART NUMBER	QTY	DESCRIPTION	REV
	1001211516	Ref	CARRIAGE ASSEMBLY (72 INCH)	D
1	0642032	2	Bolt 5/8 x 4	
2	3300240	2	Nut 5/8	
3	3423276	1	Pin	
4	90200003	2	Sleeve	
5	See Note	NSS	Carriage (Note: Purchase Complete Assembly)	
6	See Note	NSS	S/N Plate (Note: Stamped Part - Not Available for Purchase)	

# SECTION 3 - ATTACHMENTS

FIGURE 3-31. FORK 1.75X7X60 / 5400# CAPACITY



ART\_2340046



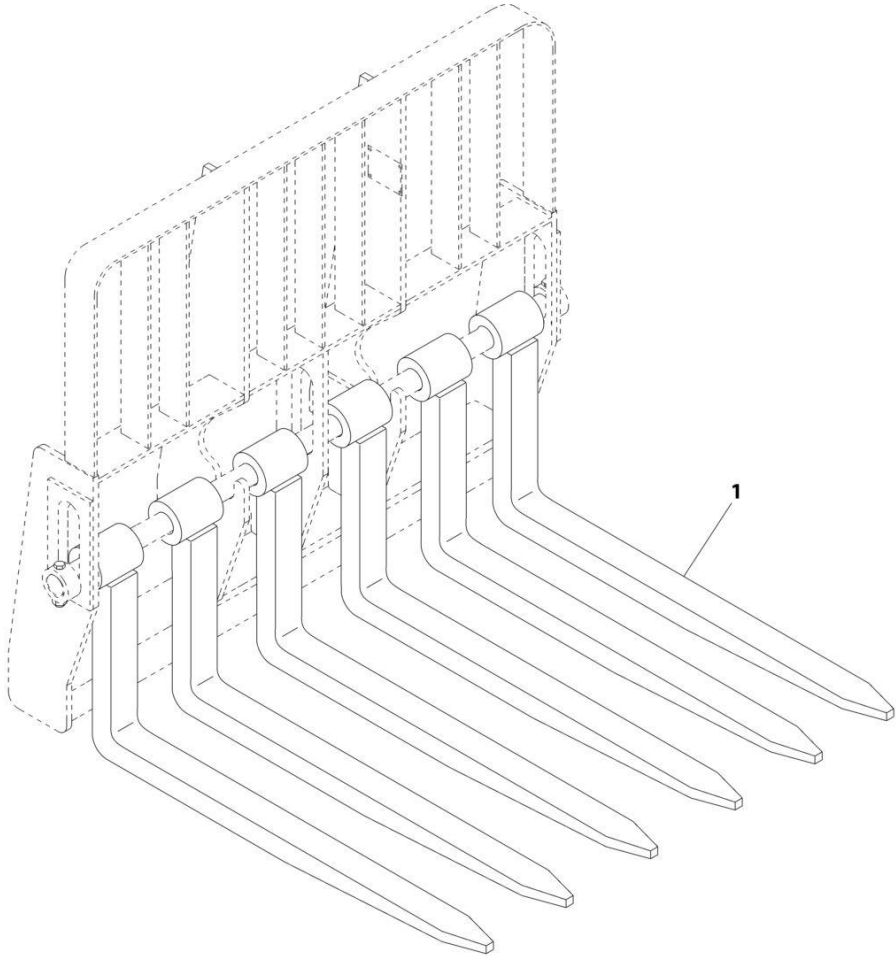
## SECTION 3 - ATTACHMENTS

**FIGURE 3-31. FORK 1.75X7X60 / 5400# CAPACITY**

ITEM	PART NUMBER	QTY	DESCRIPTION	REV
1	2340046	2	Dual Taper Fork (60X7X1.75)	
N1	Note	Ref	<b>FORKS RATED LESS THAN THE ATTACHMENT OR MACHINE'S CAPACITY DECREASES CAPACITY OF THE ATTACHMENT OR MACHINE TO THAT OF THE FORKS. FORKS RATED MORE THAN THE ATTACHMENT OR MACHINE'S CAPACITY DO NOT INCREASE ATTACHMENT OR MACHINE'S CAPACITY.</b>	
N2	Note	Ref	<b>PLEASE CONSULT JLG PARTS DEPARTMENT TO DETERMINE THE CORRECT FORKS APPLICABLE TO YOUR SPECIFIC CARRIAGE ASSEMBLY AND APPLICATION.</b>	

**SECTION 3 - ATTACHMENTS**

**FIGURE 3-32. FORK 2X2X48 / 1940# CAPACITY**



ART\_2340037

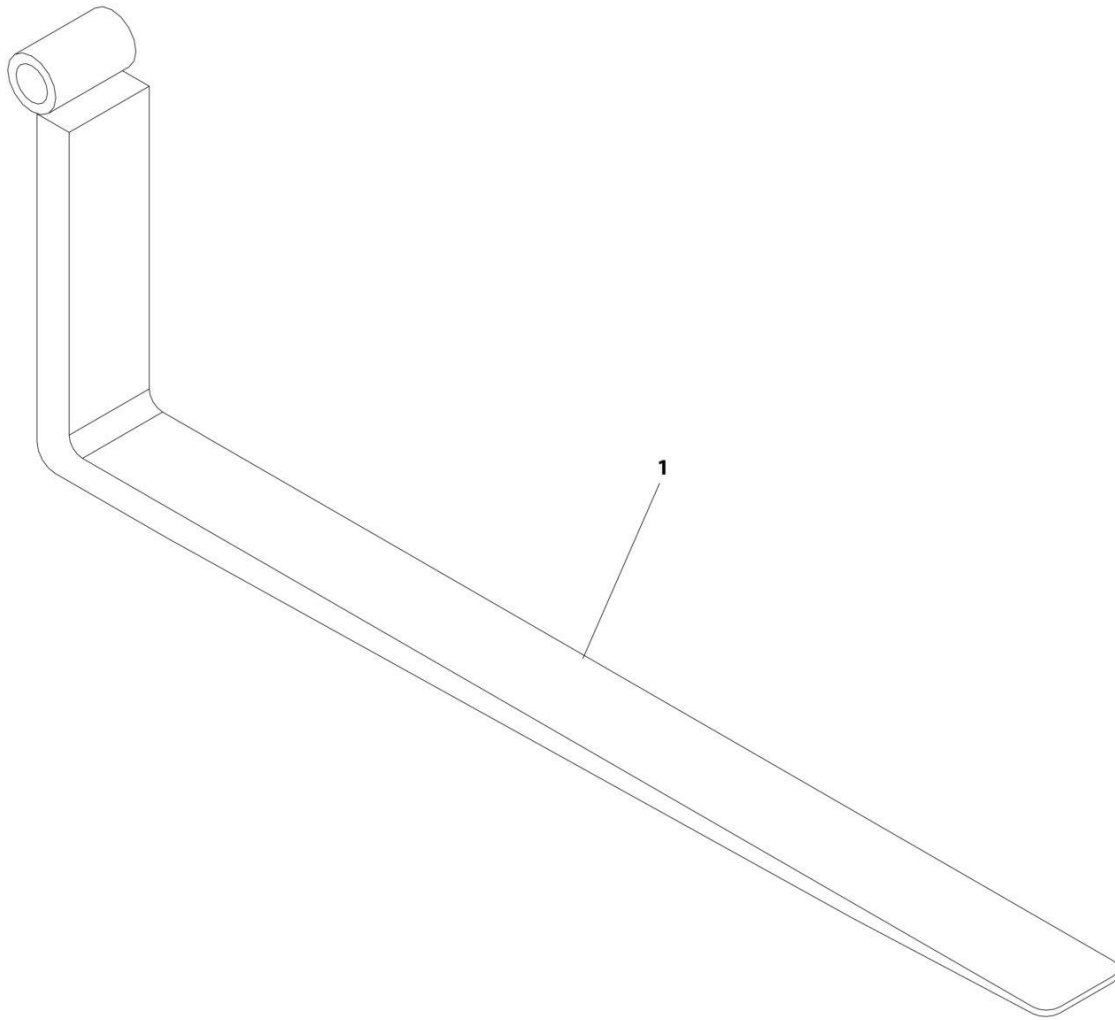
## SECTION 3 - ATTACHMENTS

**FIGURE 3-32. FORK 2X2X48 / 1940# CAPACITY**

ITEM	PART NUMBER	QTY	DESCRIPTION	REV
1	2340037	1	Cubing Fork (2.00X2X48)	A
	Note	Ref	<b>FORKS RATED LESS THAN THE ATTACHMENT OR MACHINE'S CAPACITY DECREASES CAPACITY OF THE ATTACHMENT OR MACHINE TO THAT OF THE FORKS. FORKS RATED MORE THAN THE ATTACHMENT OR MACHINE'S CAPACITY DO NOT INCREASE ATTACHMENT OR MACHINE'S CAPACITY.</b>	
	Note	Ref	<b>PLEASE CONSULT JLG PARTS DEPARTMENT TO DETERMINE THE CORRECT FORKS APPLICABLE TO YOUR SPECIFIC CARRIAGE ASSEMBLY AND APPLICATION.</b>	

# SECTION 3 - ATTACHMENTS

FIGURE 3-33. FORK 2.00X6X72 / 6610# CAPACITY



ART\_1001259206

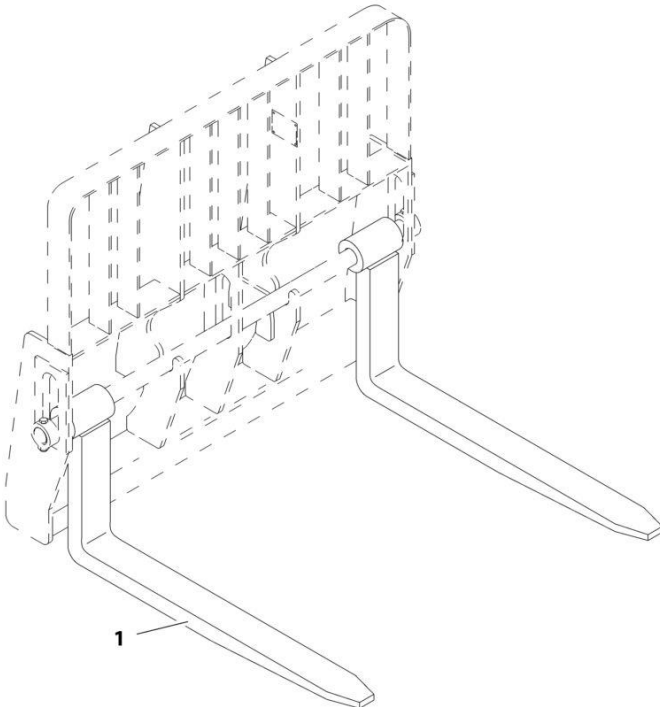
## SECTION 3 - ATTACHMENTS

**FIGURE 3-33. FORK 2.00X6X72 / 6610# CAPACITY**

ITEM	PART NUMBER	QTY	DESCRIPTION	REV
1	1001259206	2	Dual Taper Fork (2.00X6X72)	A
	Note	Ref	FORKS RATED LESS THAN THE ATTACHMENT OR MACHINE'S CAPACITY DECREASES CAPACITY OF THE ATTACHMENT OR MACHINE TO THAT OF THE FORKS. FORKS RATED MORE THAN THE ATTACHMENT OR MACHINE'S CAPACITY DO NOT INCREASE ATTACHMENT OR MACHINE'S CAPACITY.	
	Note	Ref	PLEASE CONSULT JLG PARTS DEPARTMENT TO DETERMINE THE CORRECT FORKS APPLICABLE TO YOUR SPECIFIC CARRIAGE ASSEMBLY AND APPLICATION.	

**SECTION 3 - ATTACHMENTS**

**FIGURE 3-34. FORK 2.36X4X48 / 5000# CAPACITY**



ART\_2340045

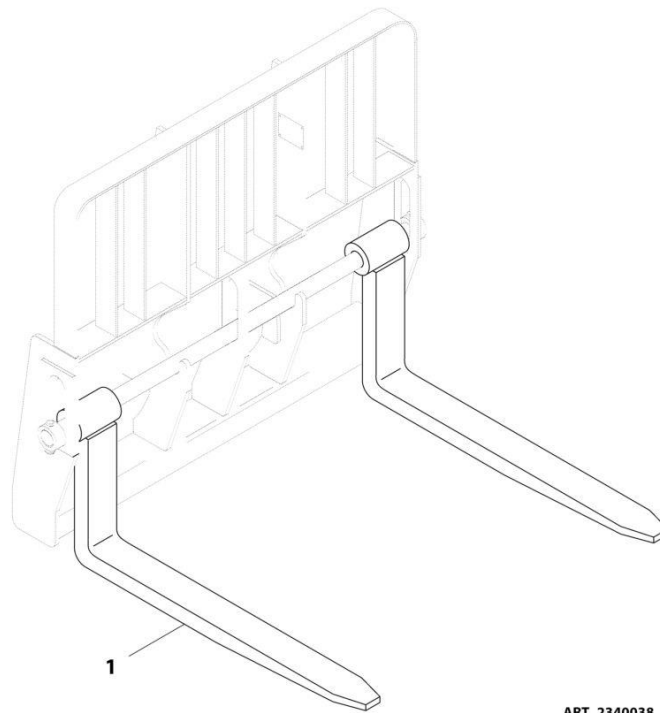
## SECTION 3 - ATTACHMENTS

**FIGURE 3-34. FORK 2.36X4X48 / 5000# CAPACITY**

ITEM	PART NUMBER	QTY	DESCRIPTION	REV
1	2340045	2	Pallet Fork (2.36X4X48)	
	Note	Ref	<b>FORKS RATED LESS THAN THE ATTACHMENT OR MACHINE'S CAPACITY DECREASES CAPACITY OF THE ATTACHMENT OR MACHINE TO THAT OF THE FORKS. FORKS RATED MORE THAN THE ATTACHMENT OR MACHINE'S CAPACITY DO NOT INCREASE ATTACHMENT OR MACHINE'S CAPACITY.</b>	
	Note	Ref	<b>PLEASE CONSULT JLG PARTS DEPARTMENT TO DETERMINE THE CORRECT FORKS APPLICABLE TO YOUR SPECIFIC CARRIAGE ASSEMBLY AND APPLICATION.</b>	

## SECTION 3 - ATTACHMENTS

FIGURE 3-35. FORK 2.36X4X48 / 5475# CAPACITY



ART\_2340038



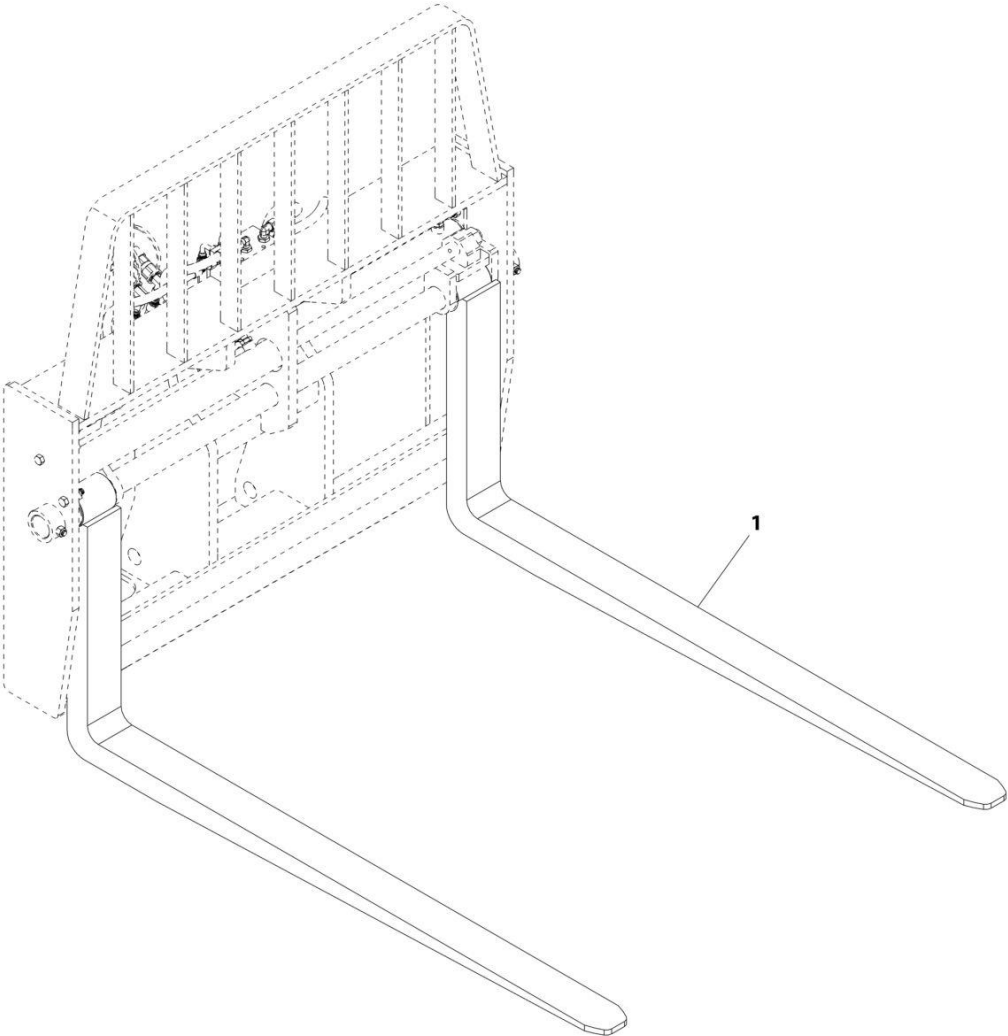
## SECTION 3 - ATTACHMENTS

**FIGURE 3-35. FORK 2.36X4X48 / 5475# CAPACITY**

ITEM	PART NUMBER	QTY	DESCRIPTION	REV
1	2340038	2	Pallet Fork (2.36X5X48)	B
	Note	Ref	<b>FORKS RATED LESS THAN THE ATTACHMENT OR MACHINE'S CAPACITY DECREASES CAPACITY OF THE ATTACHMENT OR MACHINE TO THAT OF THE FORKS. FORKS RATED MORE THAN THE ATTACHMENT OR MACHINE'S CAPACITY DO NOT INCREASE ATTACHMENT OR MACHINE'S CAPACITY.</b>	
	Note	Ref	<b>PLEASE CONSULT JLG PARTS DEPARTMENT TO DETERMINE THE CORRECT FORKS APPLICABLE TO YOUR SPECIFIC CARRIAGE ASSEMBLY AND APPLICATION.</b>	

**SECTION 3 - ATTACHMENTS**

**FIGURE 3-36. FORK 2.36X4X60 / 5000# CAPACITY**



ART\_1001227379

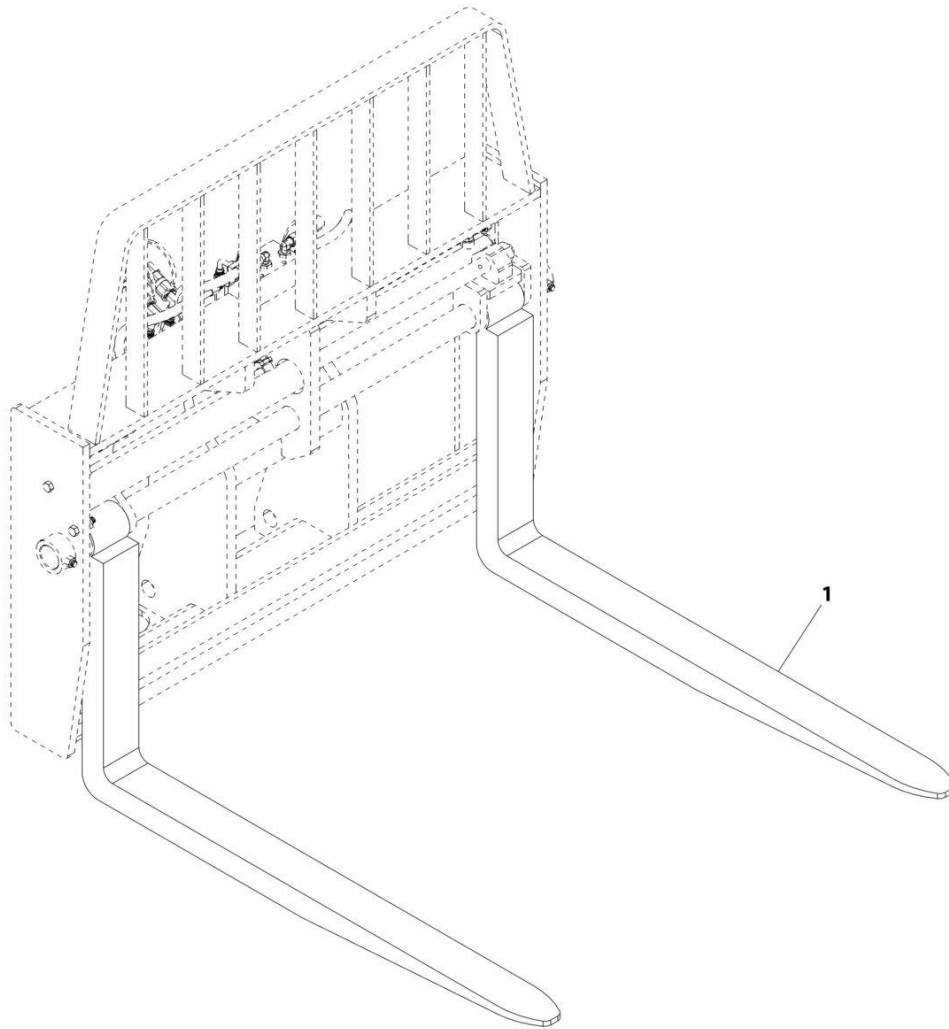
## SECTION 3 - ATTACHMENTS

**FIGURE 3-36. FORK 2.36X4X60 / 5000# CAPACITY**

ITEM	PART NUMBER	QTY	DESCRIPTION	REV
1	1001227379	2	Pallet Fork (2.36X4X60)	A
N1	Note	Ref	<b>FORKS RATED LESS THAN THE ATTACHMENT OR MACHINE'S CAPACITY DECREASES CAPACITY OF THE ATTACHMENT OR MACHINE TO THAT OF THE FORKS. FORKS RATED MORE THAN THE ATTACHMENT OR MACHINE'S CAPACITY DO NOT INCREASE ATTACHMENT OR MACHINE'S CAPACITY.</b>	
N2	Note	Ref	<b>PLEASE CONSULT JLG PARTS DEPARTMENT TO DETERMINE THE CORRECT FORKS APPLICABLE TO YOUR SPECIFIC CARRIAGE ASSEMBLY AND APPLICATION.</b>	

# SECTION 3 - ATTACHMENTS

FIGURE 3-37. FORK 2.36X5X48 / 6850# CAPACITY



ART\_7301408

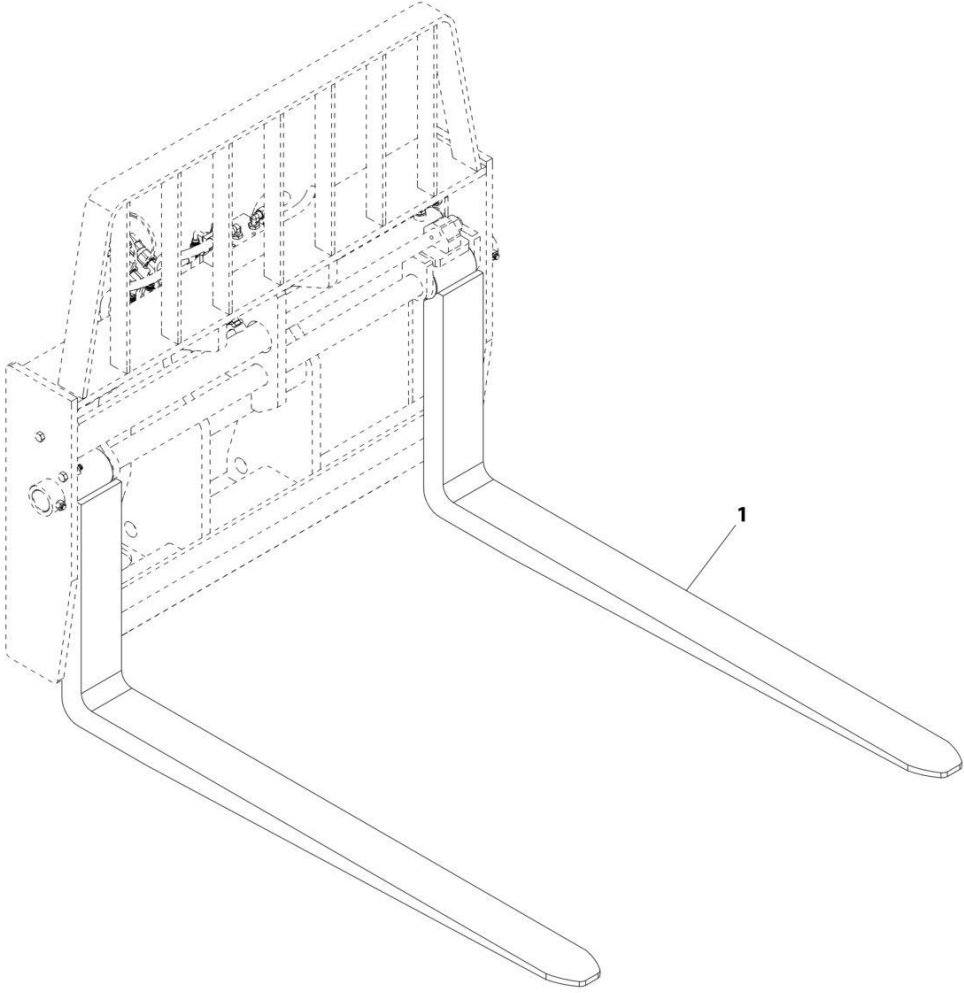
## SECTION 3 - ATTACHMENTS

**FIGURE 3-37. FORK 2.36X5X48 / 6850# CAPACITY**

ITEM	PART NUMBER	QTY	DESCRIPTION	REV
1	7301408	2	Pallet Fork (2.36X4X48)	D
N1	Note	Ref	<b>FORKS RATED LESS THAN THE ATTACHMENT OR MACHINE'S CAPACITY DECREASES CAPACITY OF THE ATTACHMENT OR MACHINE TO THAT OF THE FORKS. FORKS RATED MORE THAN THE ATTACHMENT OR MACHINE'S CAPACITY DO NOT INCREASE ATTACHMENT OR MACHINE'S CAPACITY.</b>	
N2	Note	Ref	<b>PLEASE CONSULT JLG PARTS DEPARTMENT TO DETERMINE THE CORRECT FORKS APPLICABLE TO YOUR SPECIFIC CARRIAGE ASSEMBLY AND APPLICATION.</b>	

**SECTION 3 - ATTACHMENTS**

**FIGURE 3-38. FORK 2.36X5X60 / 6850# CAPACITY**



ART\_1001227382

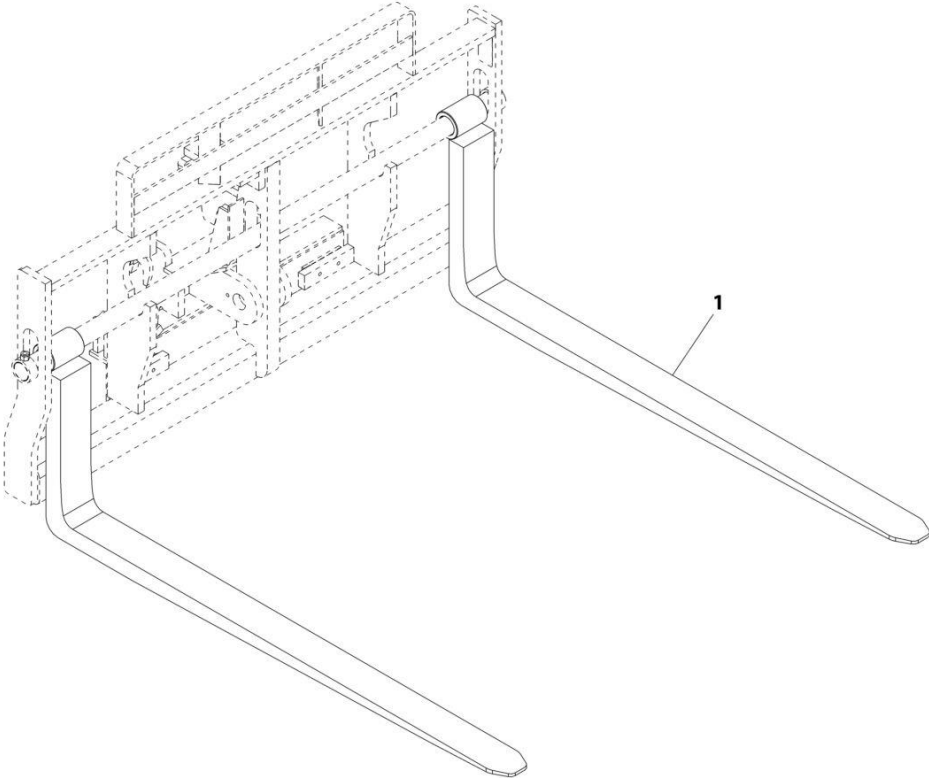
## SECTION 3 - ATTACHMENTS

**FIGURE 3-38. FORK 2.36X5X60 / 6850# CAPACITY**

ITEM	PART NUMBER	QTY	DESCRIPTION	REV
1	1001227382	1	Pallet Fork (2.36X5X60)	A
N1	Note	Ref	<b>FORKS RATED LESS THAN THE ATTACHMENT OR MACHINE'S CAPACITY DECREASES CAPACITY OF THE ATTACHMENT OR MACHINE TO THAT OF THE FORKS. FORKS RATED MORE THAN THE ATTACHMENT OR MACHINE'S CAPACITY DO NOT INCREASE ATTACHMENT OR MACHINE'S CAPACITY.</b>	
N2	Note	Ref	<b>PLEASE CONSULT JLG PARTS DEPARTMENT TO DETERMINE THE CORRECT FORKS APPLICABLE TO YOUR SPECIFIC CARRIAGE ASSEMBLY AND APPLICATION.</b>	

**SECTION 3 - ATTACHMENTS**

**FIGURE 3-39. FORK 2.36X5X72 / 6850# CAPACITY**



ART\_1001232355



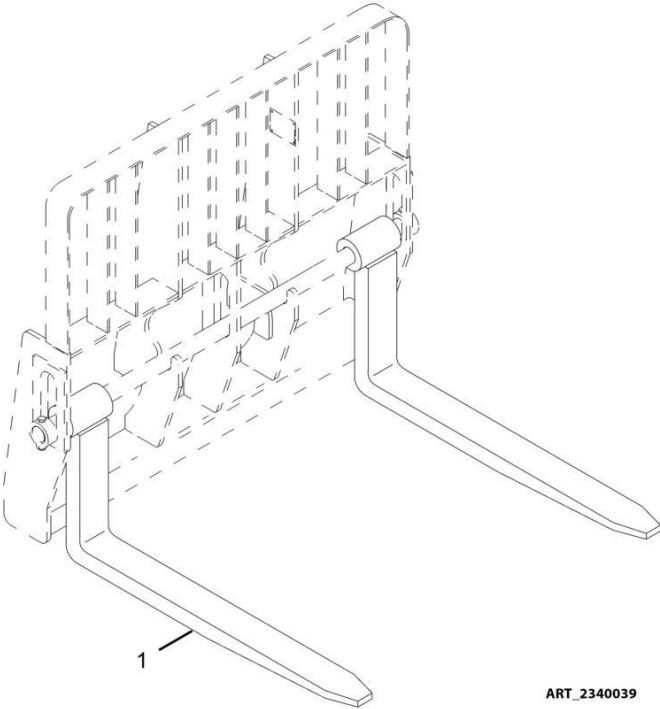
## SECTION 3 - ATTACHMENTS

**FIGURE 3-39. FORK 2.36X5X72 / 6850# CAPACITY**

ITEM	PART NUMBER	QTY	DESCRIPTION	REV
	1001232355	1 pr	Pallet Fork (2.36X5X72)	A
	Note	Ref	<b>FORKS RATED LESS THAN THE ATTACHMENT OR MACHINE'S CAPACITY DECREASES CAPACITY OF THE ATTACHMENT OR MACHINE TO THAT OF THE FORKS. FORKS RATED MORE THAN THE ATTACHMENT OR MACHINE'S CAPACITY DO NOT INCREASE ATTACHMENT OR MACHINE'S CAPACITY.</b>	
	Note	Ref	<b>PLEASE CONSULT JLG PARTS DEPARTMENT TO DETERMINE THE CORRECT FORKS APPLICABLE TO YOUR SPECIFIC CARRIAGE ASSEMBLY AND APPLICATION.</b>	

**SECTION 3 - ATTACHMENTS**

**FIGURE 3-40. FORK 2.36X6X60 / 8150# CAPACITY**



ART\_2340039

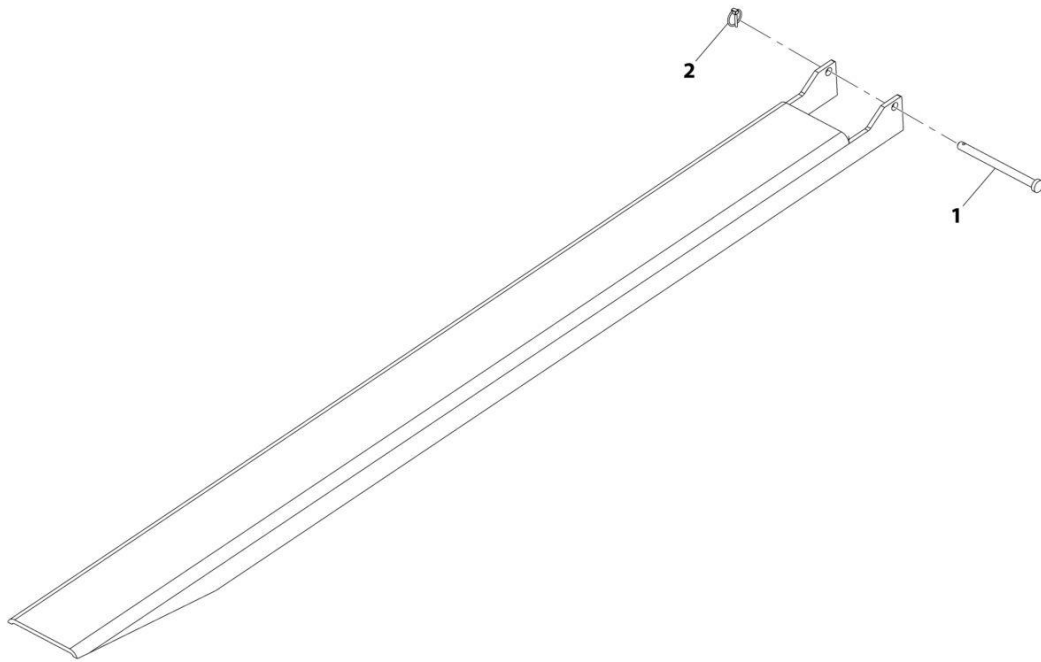
## SECTION 3 - ATTACHMENTS

**FIGURE 3-40. FORK 2.36X6X60 / 8150# CAPACITY**

ITEM	PART NUMBER	QTY	DESCRIPTION	REV
1	2340039	2	Lumber Fork (60X150X1524)	
	Note	Ref	<b>FORKS RATED LESS THAN THE ATTACHMENT OR MACHINE'S CAPACITY DECREASES CAPACITY OF THE ATTACHMENT OR MACHINE TO THAT OF THE FORKS. FORKS RATED MORE THAN THE ATTACHMENT OR MACHINE'S CAPACITY DO NOT INCREASE ATTACHMENT OR MACHINE'S CAPACITY.</b>	
	Note	Ref	<b>PLEASE CONSULT JLG PARTS DEPARTMENT TO DETERMINE THE CORRECT FORKS APPLICABLE TO YOUR SPECIFIC CARRIAGE ASSEMBLY AND APPLICATION.</b>	

# SECTION 3 - ATTACHMENTS

## FIGURE 3-41. FORK EXTENSION - 90IN



ART\_1001137512-D

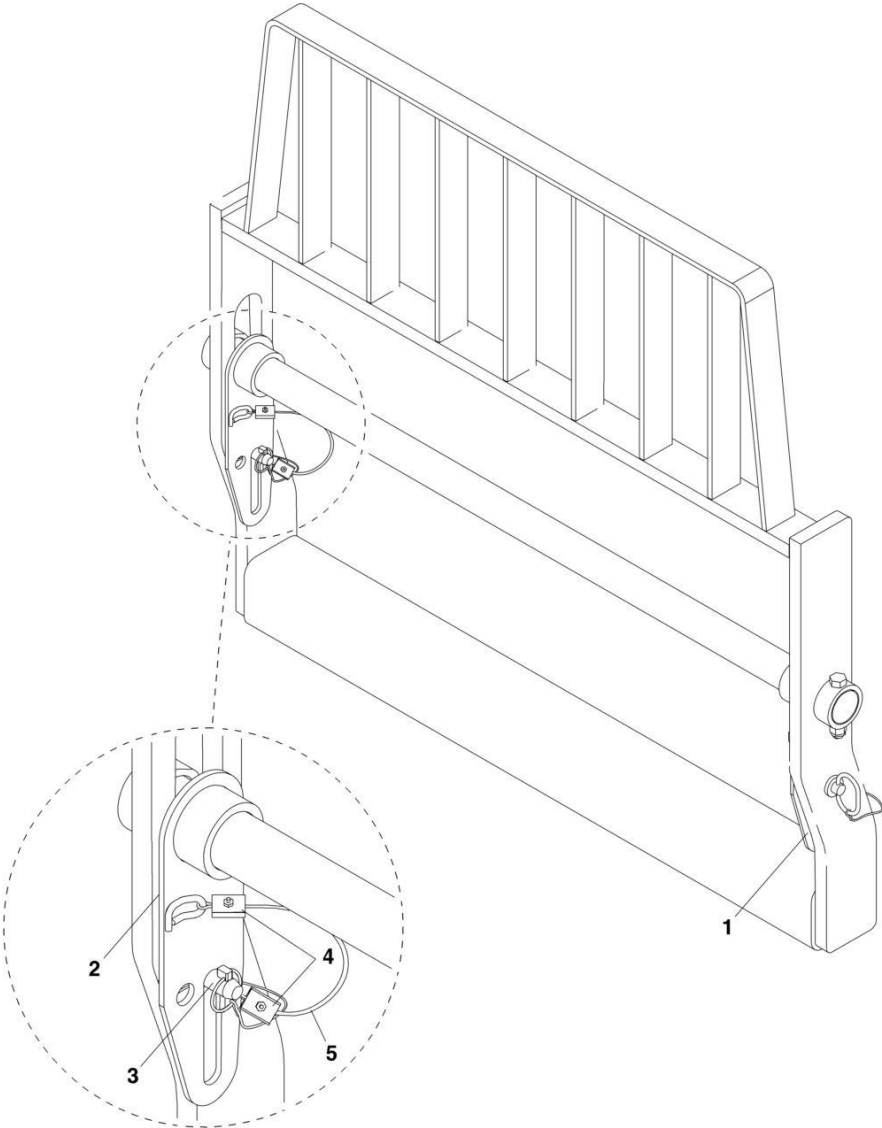
## SECTION 3 - ATTACHMENTS

### FIGURE 3-41. FORK EXTENSION - 90IN

ITEM	PART NUMBER	QTY	DESCRIPTION	REV
	1001137512	2 pr	Fork Extensions (62X163X2286)	D
1	70024306	1	Pin	
2	70024307	1	Clip	

**SECTION 3 - ATTACHMENTS**

**FIGURE 3-42. FORK PIN LOCK INSTALLATION**



ART\_1001093465\_B

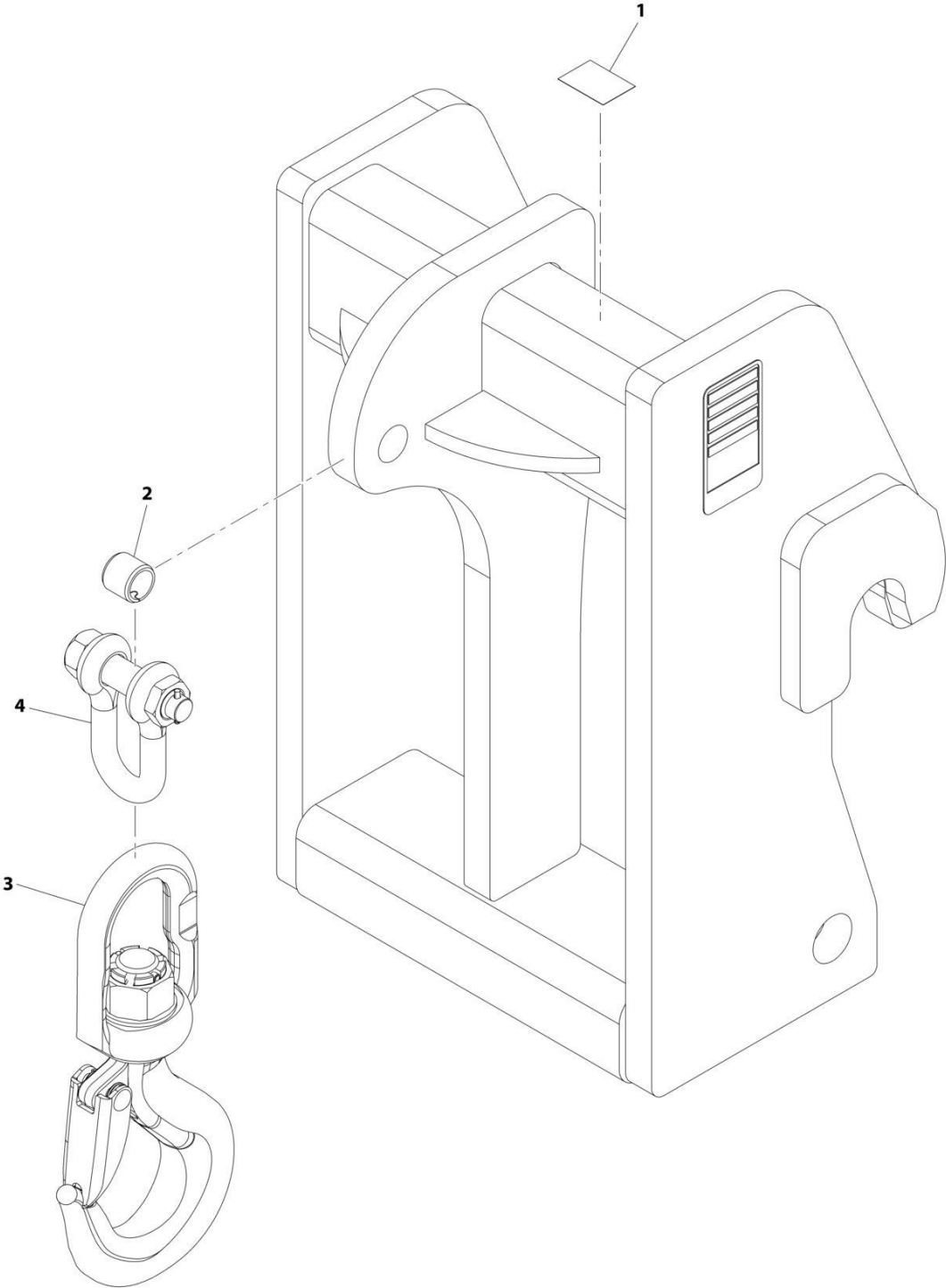
## SECTION 3 - ATTACHMENTS

### FIGURE 3-42. FORK PIN LOCK INSTALLATION

ITEM	PART NUMBER	QTY	DESCRIPTION	REV
	1001093465	Ref	Fork Pin Lock Installation	B
1	0240156	1	Lock, LH Fork Pin	
2	1001093273	1	Lock, RH Fork Pin	
3	1001093377	2	Pin, Hitch	
4	1001094830	4	Clamp	
5	1001094330	2	Lanyard	

**SECTION 3 - ATTACHMENTS**

**FIGURE 3-43. HOOK, COUPLING**



ART\_1001207606-C



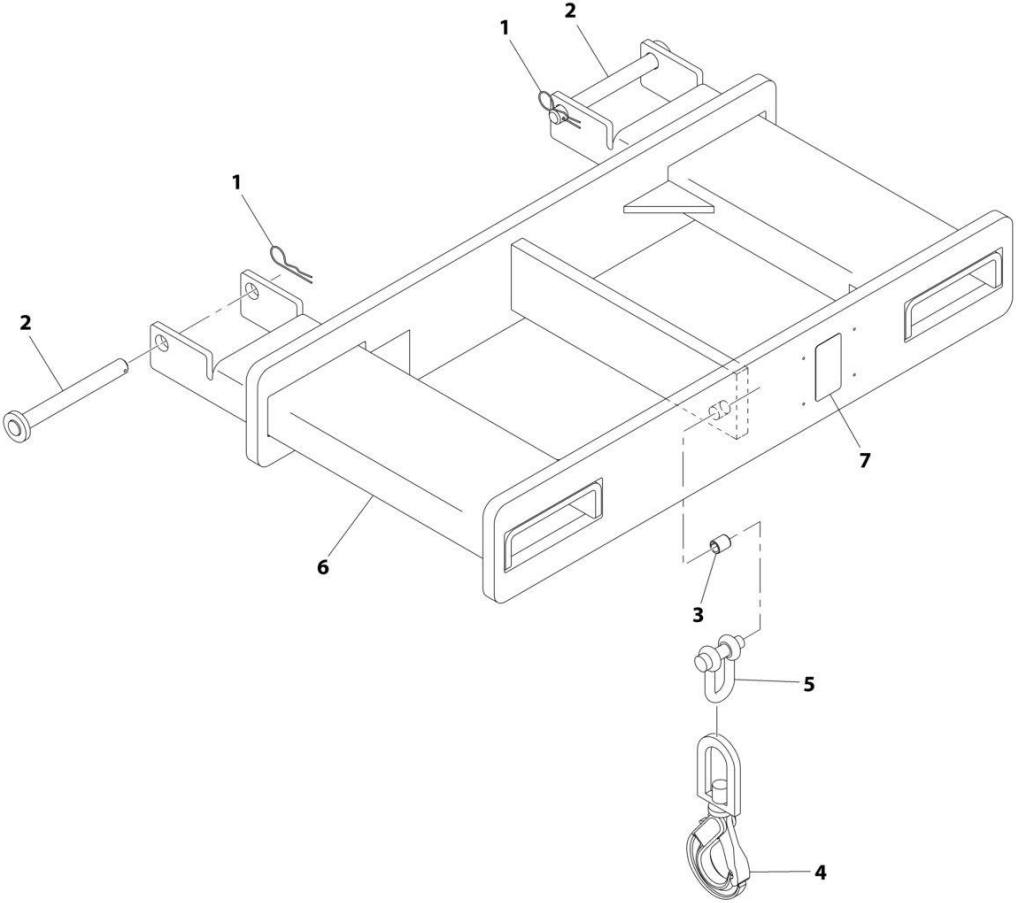
## SECTION 3 - ATTACHMENTS

### FIGURE 3-43. HOOK, COUPLING

ITEM	PART NUMBER	QTY	DESCRIPTION	REV
	1001207606	Ref	COUPLER MOUNTED HOOK	C
1	90554016	1	Decal	
2	70020555	1	Bushing	
3	70026745	1	Hook Swivel	
4	70026746	1	Shackle Chain	

**SECTION 3 - ATTACHMENTS**

**FIGURE 3-44. HOOK, CRANE**



ART\_1001097205-I

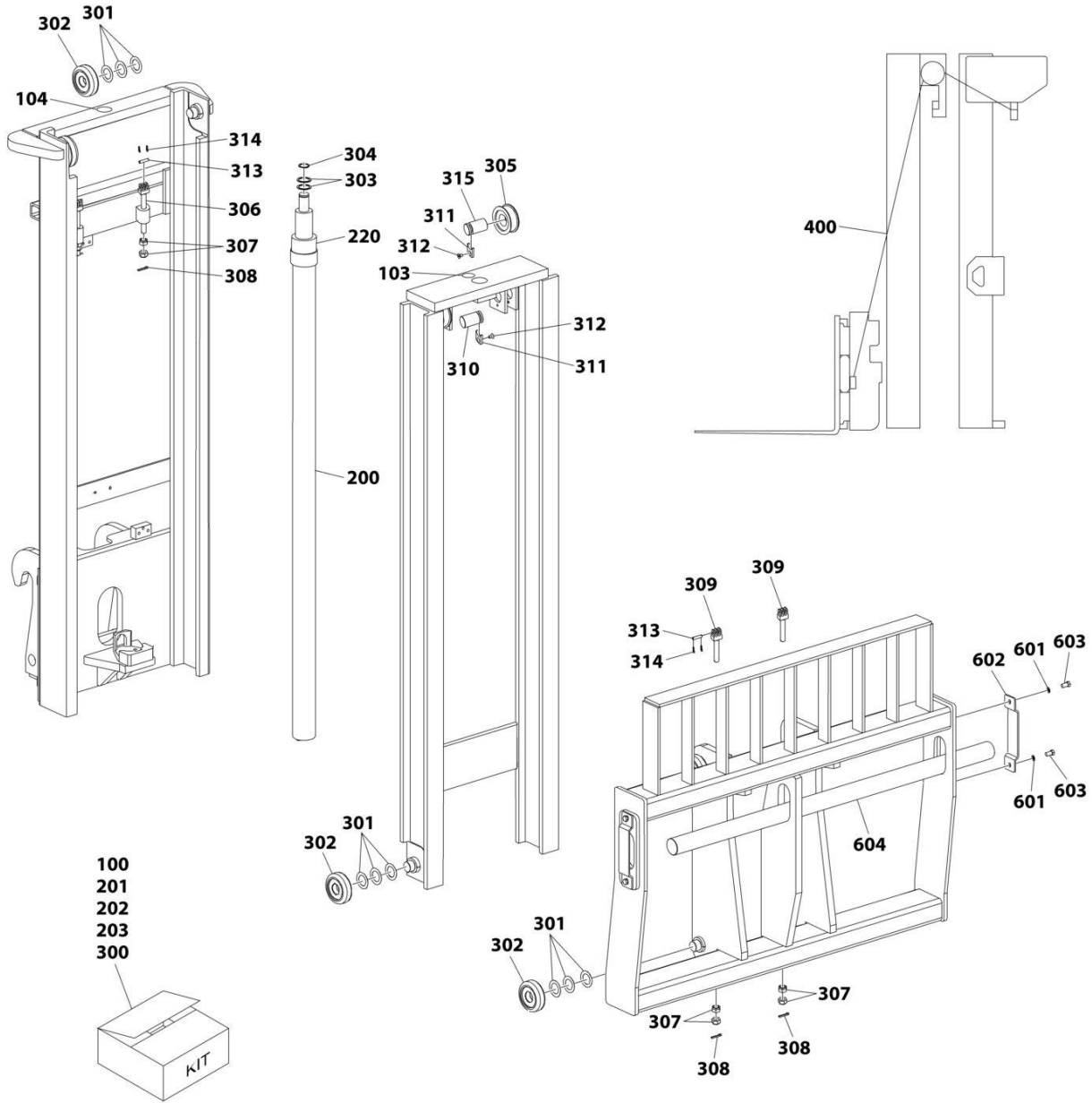
## SECTION 3 - ATTACHMENTS

### FIGURE 3-44. HOOK, CRANE

ITEM	PART NUMBER	QTY	DESCRIPTION	REV
	1001097205	Ref	Fork Mounted Hook (4 Ton)	J
1	7029520	2	Pin, Cotter	
2	1001093171	2	Pin	
3	70020555	1	Bushing	
4	90554080	1	Hook	
5	7029521	1	Shackle	
6	See Note	NSS	Frame, Hook (Note: Purchase Complete Assembly)	
7	See Note	NSS	S/N Plate (Note: Stamped Part - Not Available for Purchase)	

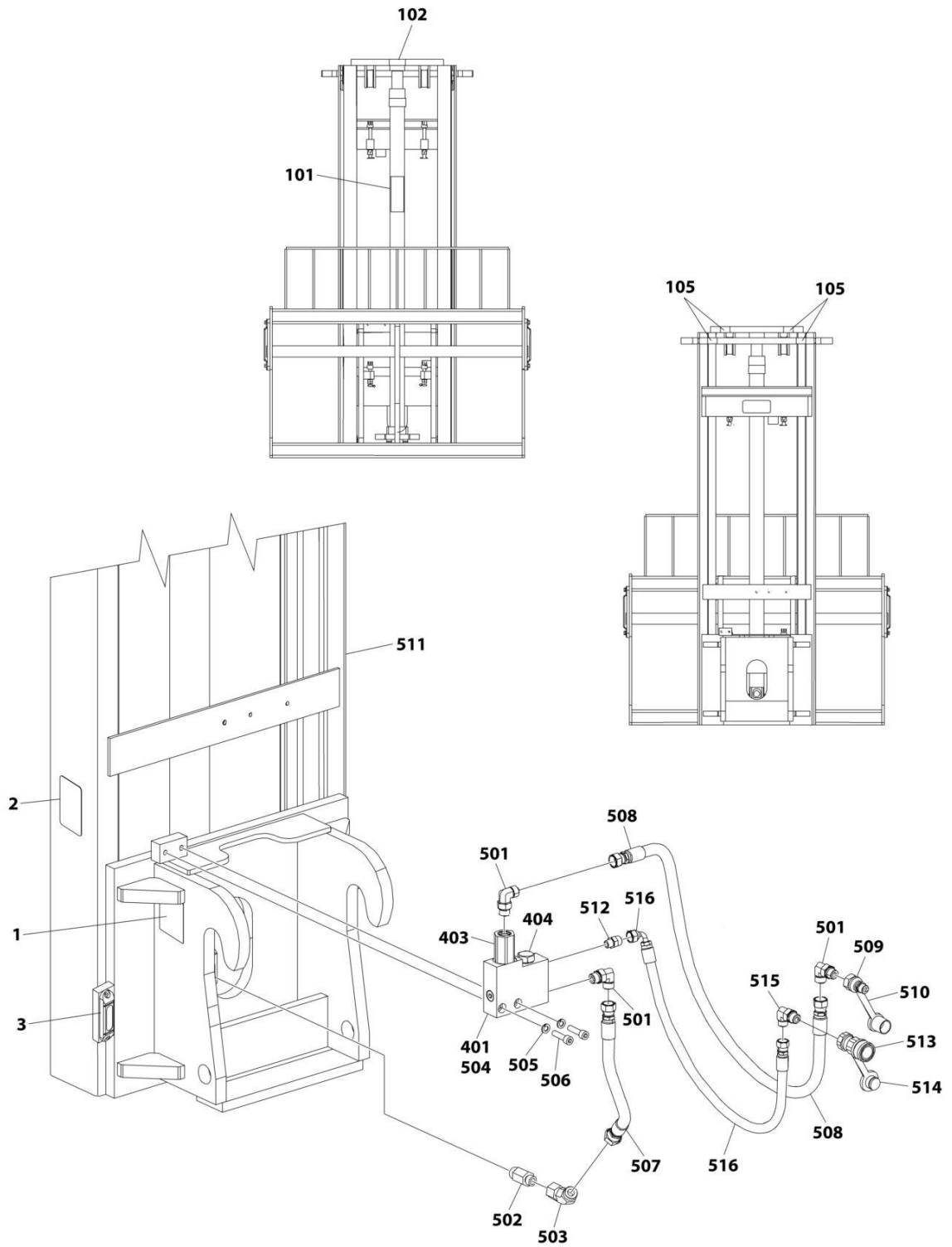
# SECTION 3 - ATTACHMENTS

## FIGURE 3-45. MAST, VERTICAL - 8FT



ART\_1001108668\_1OF2

# SECTION 3 - ATTACHMENTS



ART\_1001108668\_20F2

## SECTION 3 - ATTACHMENTS

### FIGURE 3-45. MAST, VERTICAL - 8FT

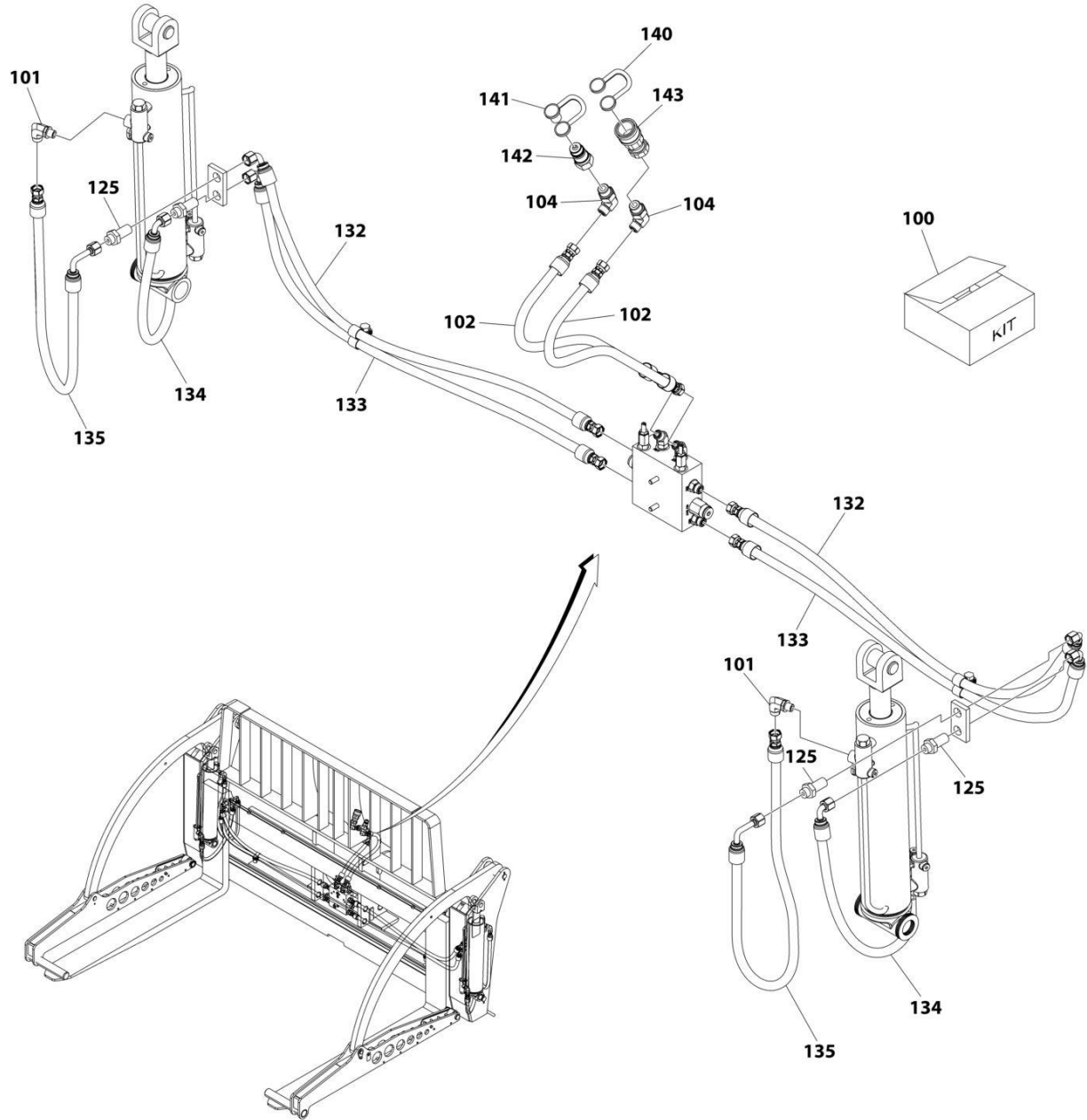
ITEM	PART NUMBER	QTY	DESCRIPTION	REV
	1001108668	Ref	MAST ASSEMBLY - 8FT	G
1	See Note	NSS	Nameplate, Serial Number (Note: Not Available for Purchase)	
2	1001111190	2	Decal - Warning	
3	1001227670	1	RFID Tag	
100	70023925	1	Decal Kit (includes items 1, Warning, No Step & Hose Routing Decals)	
101	See Note	NSS	Decal, Warning (Use Item 100)	
102	See Note	NSS	Decal, Warning (Use Item 100)	
103	See Note	NSS	Decal, No Step (Use Item 100)	
104	See Note	NSS	Decal, No Step (Use Item 100)	
105	See Note	NSS	Decal, Hands Off (Use Item 100)	
200	70023008	1	Cylinder Assembly - Lift (includes items 201-203 & 220. No Other Service Parts Available)	
201	70023005	1	Seal Kit - 70023008 Cylinder (includes Seals & Seal Retaining Hardware)	
202	70023006	1	Check Valve Kit (includes Mounting O-Rings & Hardware)	
203	70023007	1	Shim Kit (Includes items 303)	
220	70023004	1	Head/Retainer	
300	70023015	1	Mast Kit (includes items 100 & 301-315)	
301	70023014	24	Shim	
302	70022987	8	Bearing, Ball	
303	See Note	NLA	Shim (Note: Use item 203)	
304	70023016	1	Ring, Retaining	
305	70022969	2	Sheave	
306	70022960	2	Anchor, Chain	
307	70022957	8	Nut 5/8	
308	70022993	4	Pin, Cotter	
309	70022995	2	Anchor, Chain	
310	70022984	1	Shaft, Sheave	
311	70022970	2	Bar	
312	70023003	2	Screw	
313	70022994	4	Pin	
314	70022992	8	Pin, Cotter	
315	70022985	1	Shaft, Sheave	
400	70023009	2	Chain, Hoist	
401	70022932	1	Valve Assembly - Lowering Control	
403	70022931	1	Cartridge, Valve	
404	70023010	1	Cartridge, Valve	
501	70022934	3	Fitting, 90	
502	70022936	1	Fitting, Flow Limiter	
503	70022937	1	Fitting, 45	
504	70022932	1	Valve Assembly - Lowering Control (Note: Duplicate of Item 401 - Only Qty 1 Used)	
505	70022949	2	Washer, M10	
506	70022950	2	Bolt M10	
507	70022942	1	Hose	
508	70022952	1	Hose	
509	91403414	1	Fitting, Quick Disconnect Coupling (Male)	
510	91043126	1	Cap, Dust	
511	70023015	1	Mast Kit (Note: Duplicate of Item 300 - Only Qty 1 Used)	

## SECTION 3 - ATTACHMENTS

ITEM	PART NUMBER	QTY	DESCRIPTION	REV
512	70022939	1	Fitting, Straight	
513	91403413	1	Fitting, Quick Disconnect Coupling (Female)	
514	91043125	1	Cap, Dust	
515	70022935	1	Fitting, 90	
516	70022946	1	Hose	
601	70022949	4	Washer M10	
602	70022980	2	Keeper, Pin	
603	70022998	4	Bolt M10 x 20	
604	70022990	1	Pin, Fork	

# SECTION 3 - ATTACHMENTS

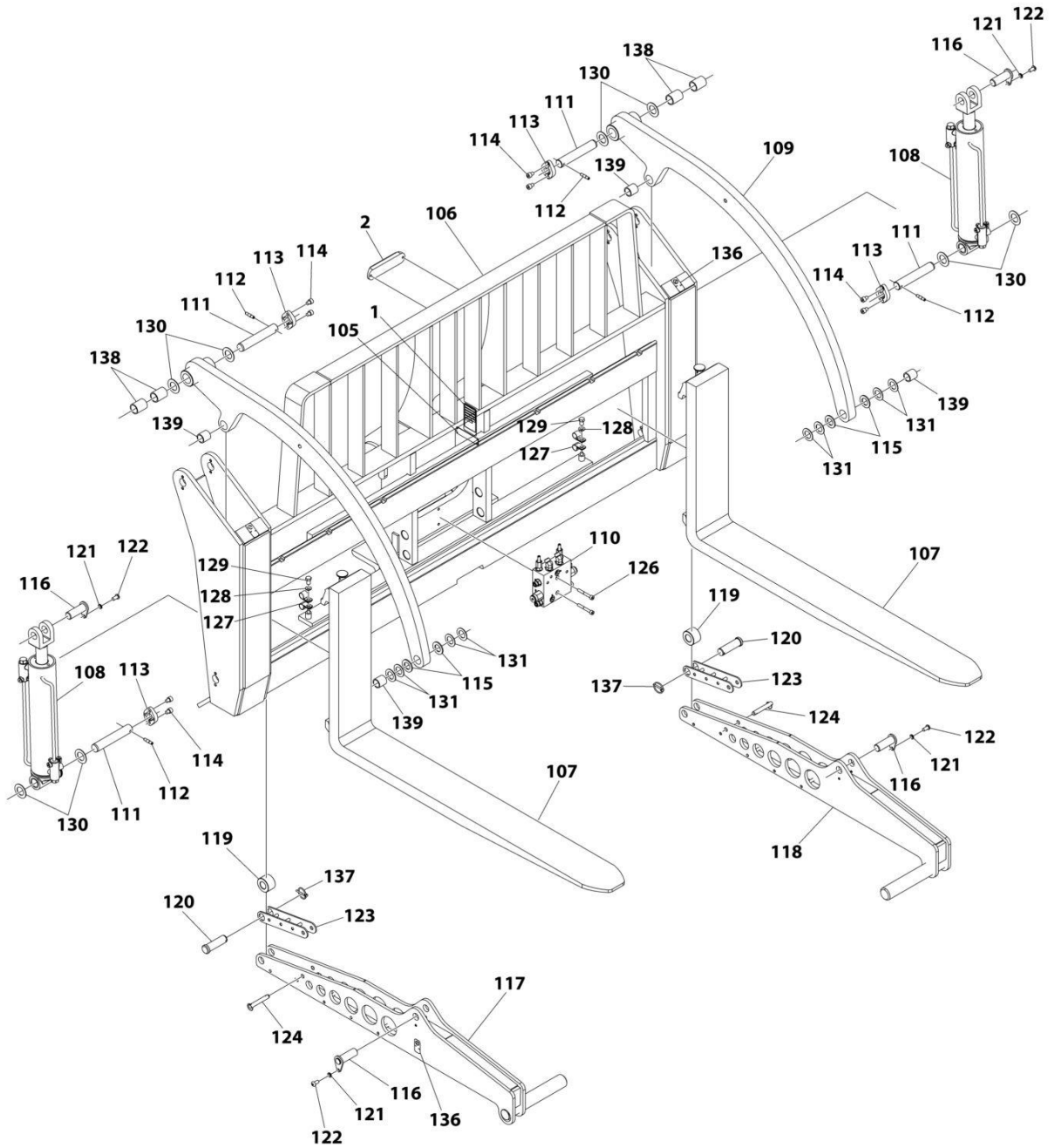
## FIGURE 3-46. PIPE HANDLER



ART\_1001142247\_1



# SECTION 3 - ATTACHMENTS



ART\_1001142247\_2

## SECTION 3 - ATTACHMENTS

### FIGURE 3-46. PIPE HANDLER

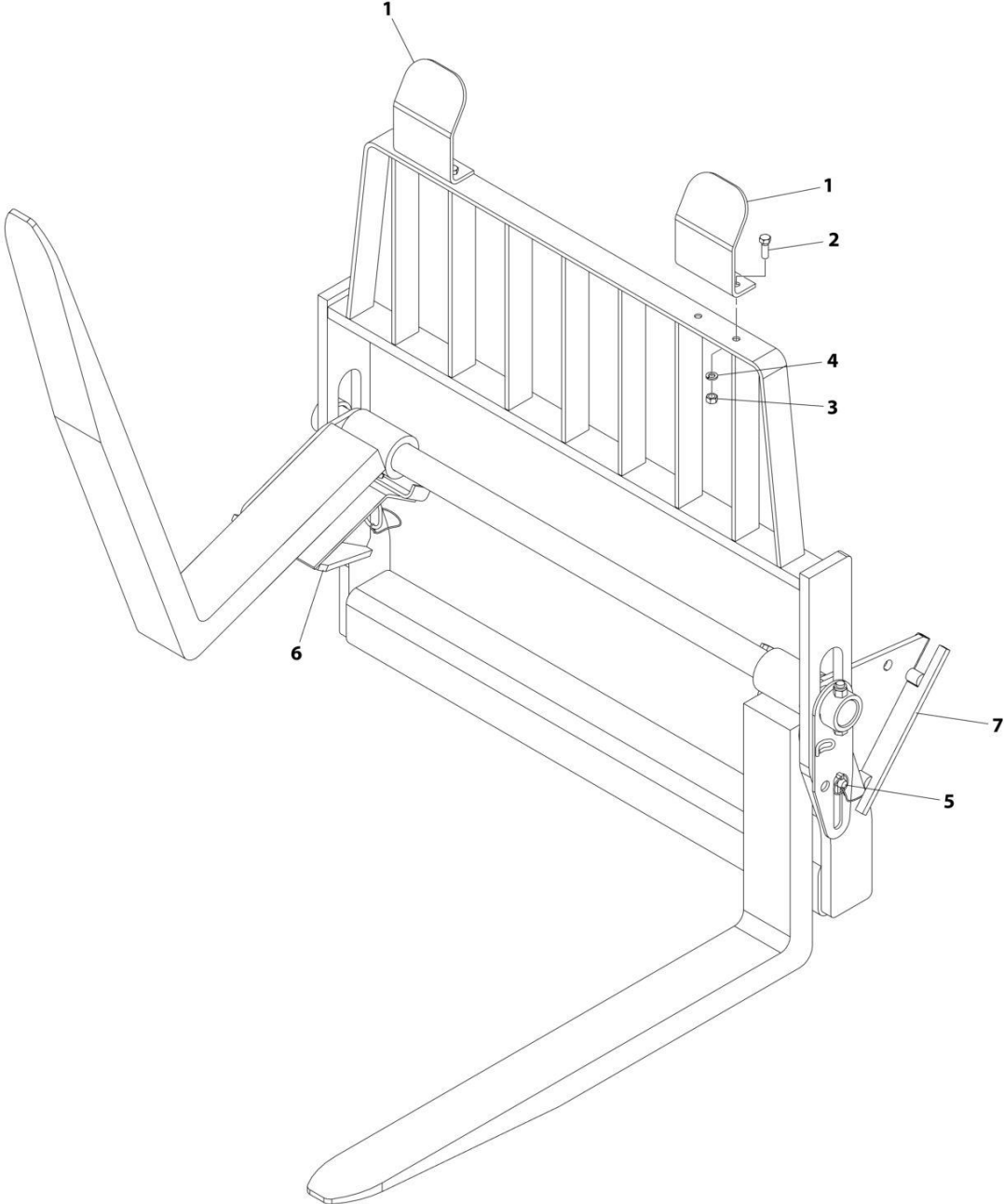
ITEM	PART NUMBER	QTY	DESCRIPTION	REV
	1001142247	Ref	PIPE HANDLER ASSEMBLY	G
1	See Note	NSS	JLG Plate (Note: Stamped Part - Not Available for Purchase)	
2	1001227670	1	Tag, RFID	
100	70026585	1	Disconnect & Hose Kit (Boom Front Disconnect) (Includes Items 101, 102, 104, 125, 132-135, 140-143)	
100	70031442	1	Disconnect Kit (Boom Side Disconnect) (Includes Items 102, 104, & 140-143)	
101	70024123	4	Fitting, 90	
102	70026347	2	Hose 20in (Boom Front Disconnect)	
102	70031448	2	Hose 44in (Boom Side Disconnect)	
104	70024550	2	Fitting, 90	
105	See Note	NSS	S/N Plate (Note: Stamped Part - Not Available for Purchase)	
106	See Note	NSS	Carriage (Note: Purchase Complete Assembly)	
107	70026586	2	Fork	
108	70026587	2	Cylinder, Pipe Handler (See Separate Breakdown in HYDRAULIC COMPONENTS Section)	
109	70026588	2	Arm	
110	70026589	1	Valve Assembly (See Separate Breakdown in HYDRAULIC CIRCUITS Section)	
111	70026470	4	Pin	
112	70026471	4	Pin Drive - Lock	
113	70026472	4	Retainer	
114	70026473	8	Capscrew, M10 x 12	
115	70026590	4	Thrust Washer	
116	70026591	4	Pin Weldment	
117	70026592	1	Contact Pad - RH	
118	70026593	1	Contact Pad - LH	
119	70026594	2	Roller	
120	70026595	2	Clevis Pin	
121	70026596	4	Lockwasher, M8	
122	70026597	4	Capscrew, M8 x 16	
123	70026598	2	Retainer	
124	70026599	2	Ring Detent Pin	
125	70023000	4	Fitting	
126	70026600	2	Capscrew, M8 x 60	
127	70026481	4	Hose Clamp	
128	70026482	2	Washer	
129	70022996	2	Capscrew, M10X16	
130	70026476	24	Shim	
131	70026601	8	Shim	
132	70026602	2	Hose	
133	70026603	2	Hose	
134	70026604	2	Hose	
135	70026605	2	Hose	
136	70024538	4	Warning Decal	
137	70026606	2	Lynch Pin, 3/16	
138	70026501	4	Bushing	
139	70026607	4	Bushing	
140	70026608	1	Plug	
141	70026609	1	Cap	

## SECTION 3 - ATTACHMENTS

ITEM	PART NUMBER	QTY	DESCRIPTION	REV
142	91403414	1	Coupler - Male	
143	91403413	1	Coupler - Female	

**SECTION 3 - ATTACHMENTS**

**FIGURE 3-47. SHEET MATERIAL HANDLER**



ART\_1001100227-B

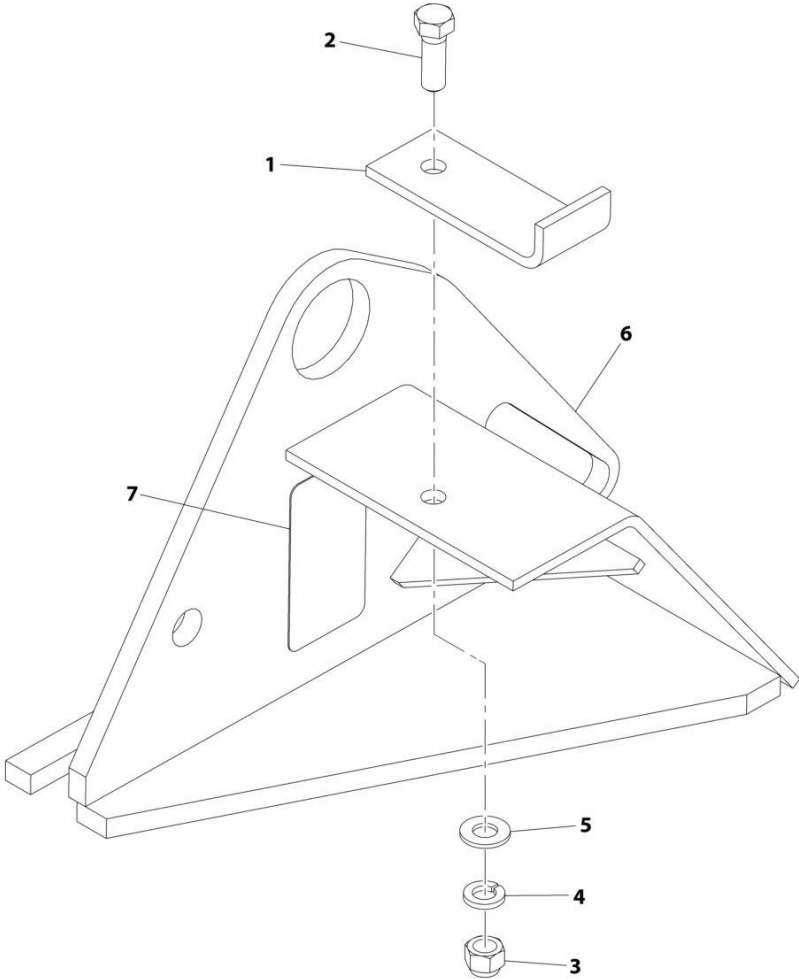
## SECTION 3 - ATTACHMENTS

### FIGURE 3-47. SHEET MATERIAL HANDLER

ITEM	PART NUMBER	QTY	DESCRIPTION	REV
	1001100227	Ref	Sheet Material Handler Installation	B
1	7112642	2	Extension, Backrest	
2	8303626	4	Bolt, 1/2-13X1-1/2	
3	8305012	4	Nut, 1/2-13	
4	8307007	4	Washer, Lock 1/2	
5	1001093377	2	Pin, Hitch	
6	1001101115	1	Assembly, RH Fork Support (See Separate Breakdown in this Section)	
7	1001101116	1	Assembly, LH Fork Support (See Separate Breakdown in this Section)	

**SECTION 3 - ATTACHMENTS**

**FIGURE 3-48. SHEET MATERIAL HANDLER FORK SUPPORT (LH)**



ART\_1001101116-E

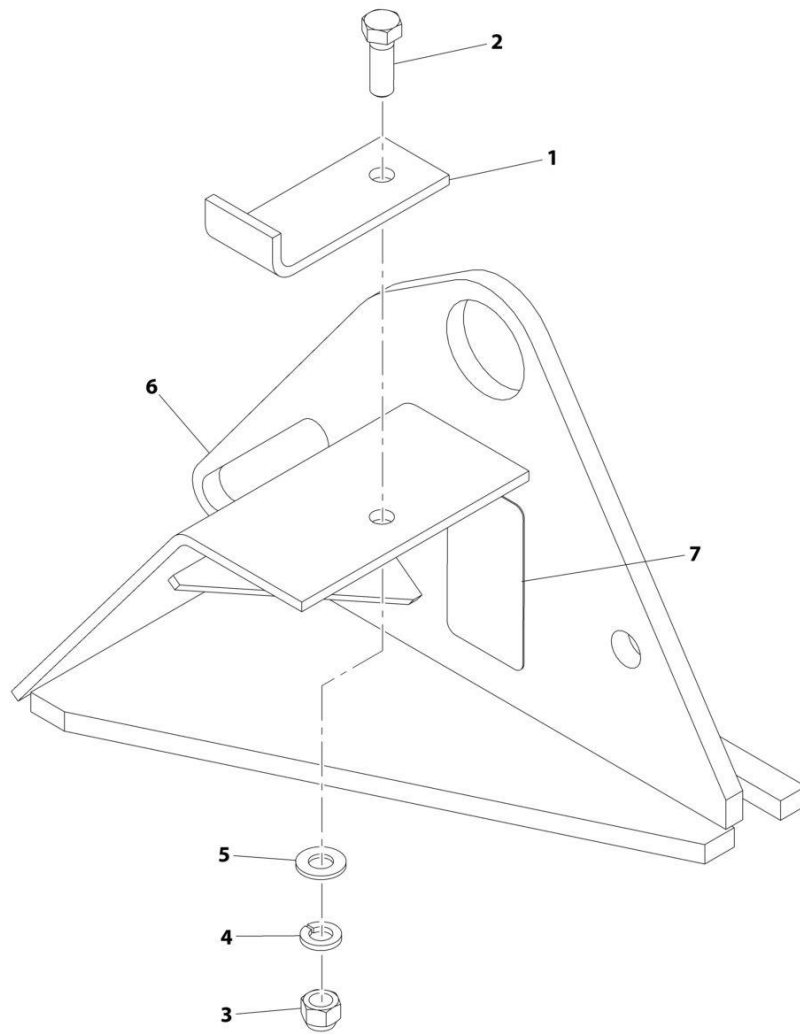
## SECTION 3 - ATTACHMENTS

### FIGURE 3-48. SHEET MATERIAL HANDLER FORK SUPPORT (LH)

ITEM	PART NUMBER	QTY	DESCRIPTION	REV
	1001101116	Ref	LH Fork Support Assembly	E
1	7114941	1	Bar, Lock	
2	8303626	1	Bolt, 1/2-13X1-1/2	
3	8305644	1	Nut, Lock 1/2-13	
4	8307007	1	Washer, Lock 1/2	
5	8307112	1	Washer, 1/2	
6	1001100229	1	Support, LH Fork	
7	N.S.S.	1	S/N Plate	

# SECTION 3 - ATTACHMENTS

FIGURE 3-49. SHEET MATERIAL HANDLER FORK SUPPORT (RH)



ART\_1001101115-D



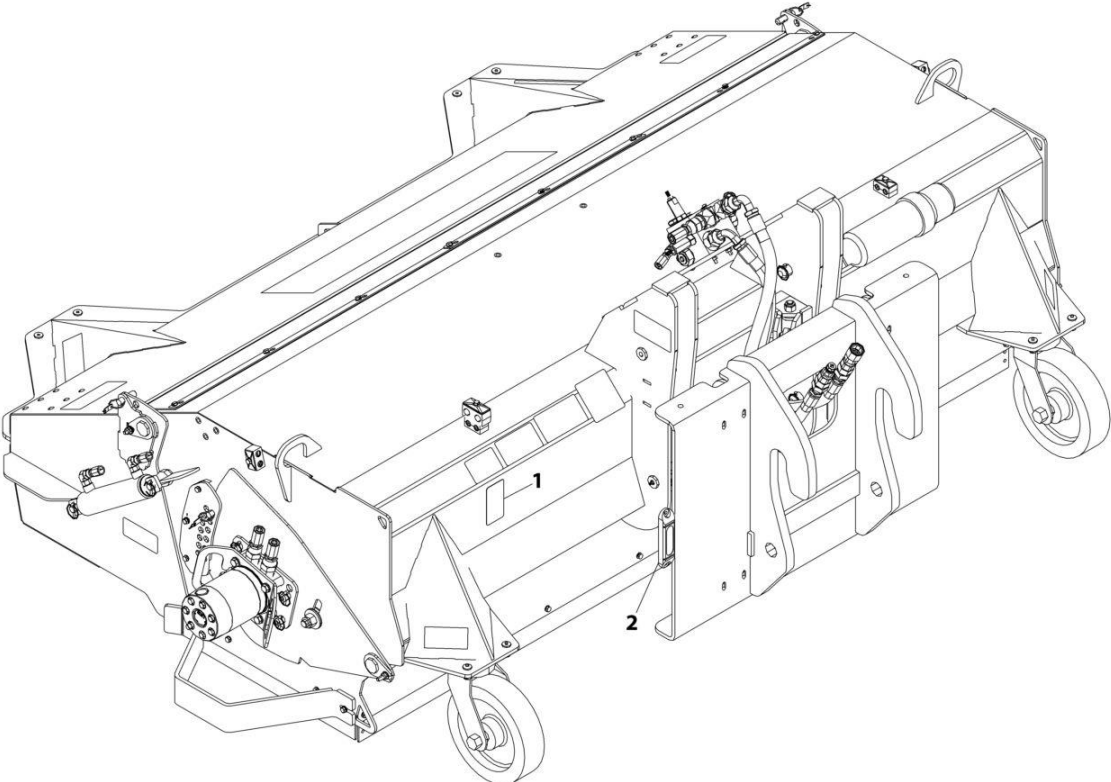
## SECTION 3 - ATTACHMENTS

**FIGURE 3-49. SHEET MATERIAL HANDLER FORK SUPPORT (RH)**

ITEM	PART NUMBER	QTY	DESCRIPTION	REV
	1001101115	Ref	RH Fork Support Assembly	D
1	7114941	1	Bar, Lock	
2	8303626	1	Bolt, 1/2-13X1-1/2	
3	8305644	1	Nut, Lock 1/2-13	
4	8307007	1	Washer, Lock 1/2	
5	8307112	1	Washer, 1/2	
6	1001100228	1	Support, RH Fork	
7	N.S.S.	1	S/N Plate	

**SECTION 3 - ATTACHMENTS**

**FIGURE 3-50. SWEEPER ASSEMBLY**



ART\_1001202904

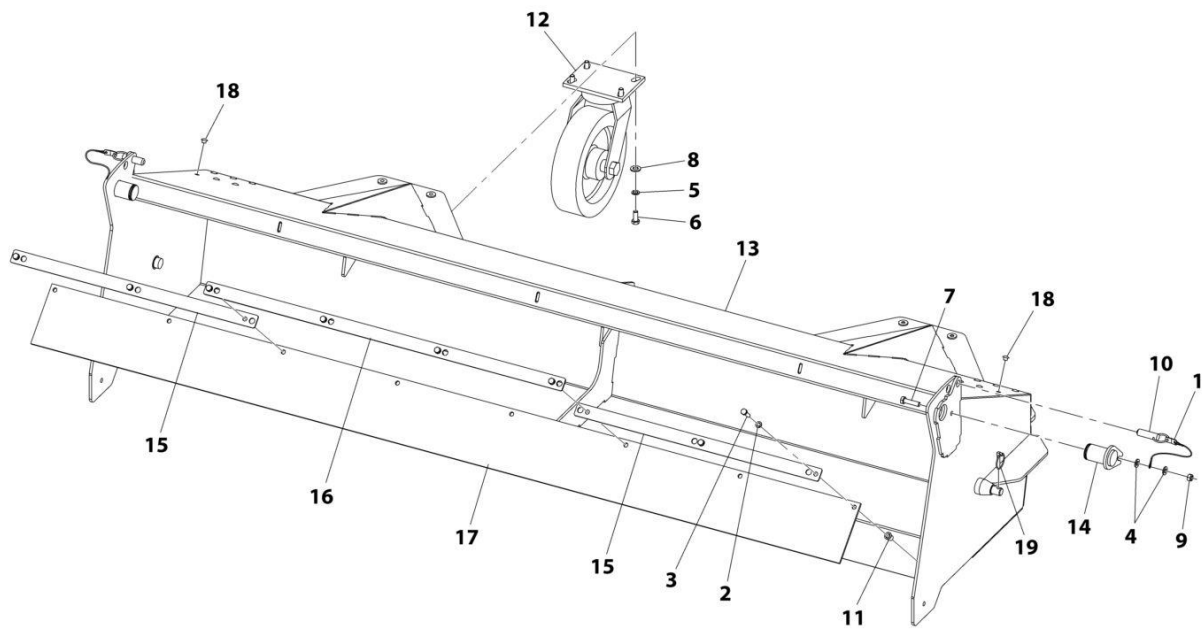
## SECTION 3 - ATTACHMENTS

**FIGURE 3-50. SWEEPER ASSEMBLY**

ITEM	PART NUMBER	QTY	DESCRIPTION	REV
	1001202904	Ref	Sweeper Assembly	D
1	See Note	NSS	S/N Plate (Note: Stamped Part - Not Available for Purchase)	
2	1001227670	1	Tag, RFID	
		Ref	Sweeper Assembly- Hopper (See Separate Breakdown in this Section)	
		Ref	Sweeper Assembly - Body (See Separate Breakdown in this Section)	
		Ref	Sweeper Assembly - Motor (See Separate Breakdown in this Section)	
		Ref	Sweeper Assembly - Idler (See Separate Breakdown in this Section)	
		Ref	Sweeper Assembly - Core (See Separate Breakdown in this Section)	
		Ref	Sweeper Assembly - Hydraulic Single Motor (See Separate Breakdown in this Section)	

# SECTION 3 - ATTACHMENTS

## FIGURE 3-51. SWEEPER ASSEMBLY - HOPPER



ART\_1001202904\_1-B

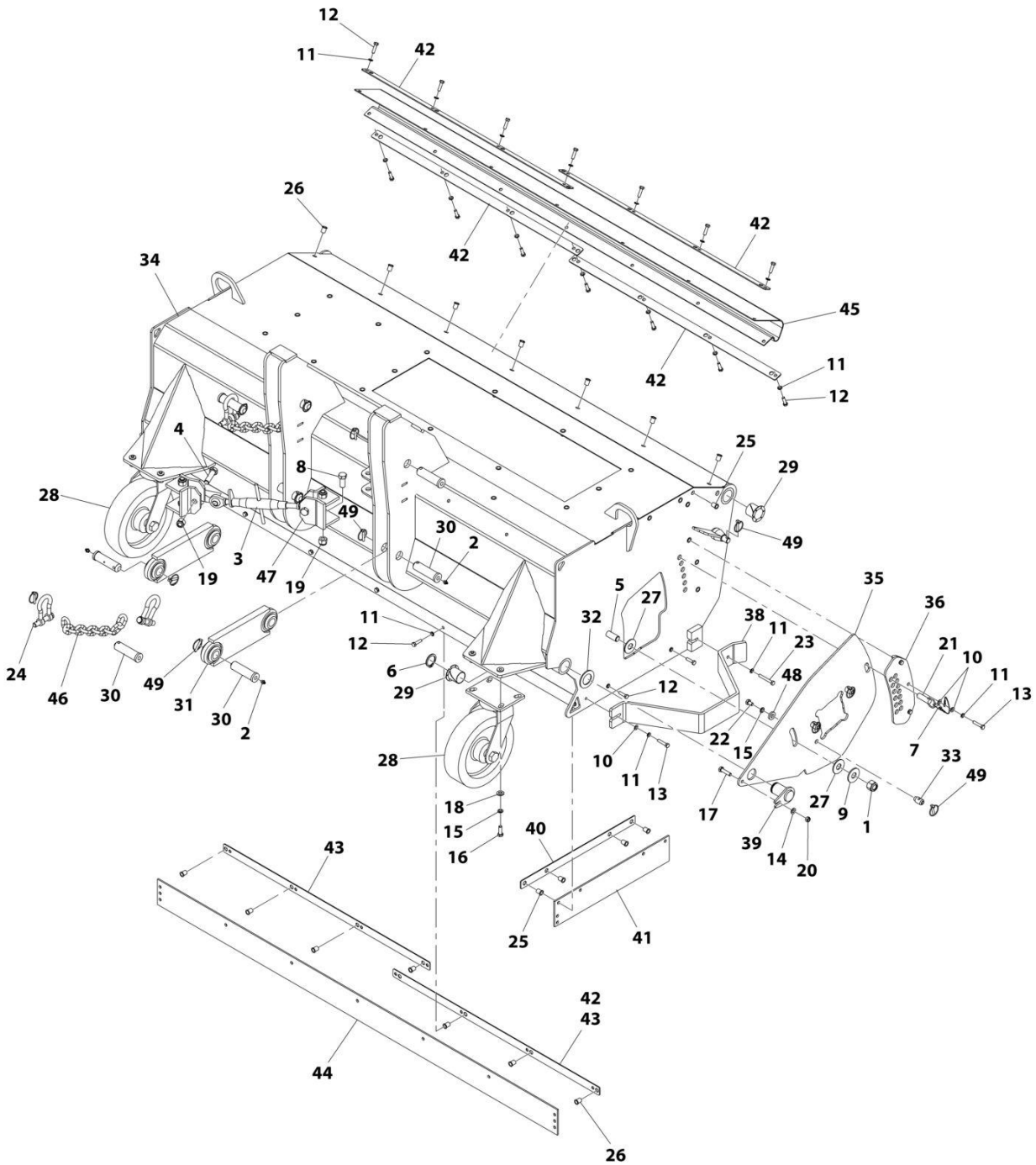
## SECTION 3 - ATTACHMENTS

### FIGURE 3-51. SWEEPER ASSEMBLY - HOPPER

ITEM	PART NUMBER	QTY	DESCRIPTION	REV
	1001202904	Ref	SWEEPER ASSEMBLY - HOPPER	
1	70029725	2	Lanyard	
2	70029734	8	Washer	
3	70029735	8	Screw	
4	70029738	4	Washer	
5	70029739	8	Washer	
6	70029740	8	Screw	
7	70029742	2	Screw	
8	70029743	8	Washer	
9	70029747	2	Nut	
10	70029750	2	Pin	
11	70029756	8	Nut	
12	70029762	2	Assembly, Caster	
13	See Note	NSS	Hopper (Note: Purchase Complete Assembly)	
14	70029777	2	Pin	
15	70029780	2	Plate	
16	70029781	1	Plate	
17	70029785	1	Flap	
18	70029792	12	Plug	
19	70029794	2	Pin, Lynch	

# SECTION 3 - ATTACHMENTS

## FIGURE 3-52. SWEEPER ASSEMBLY - BODY



ART\_1001202904\_2-B

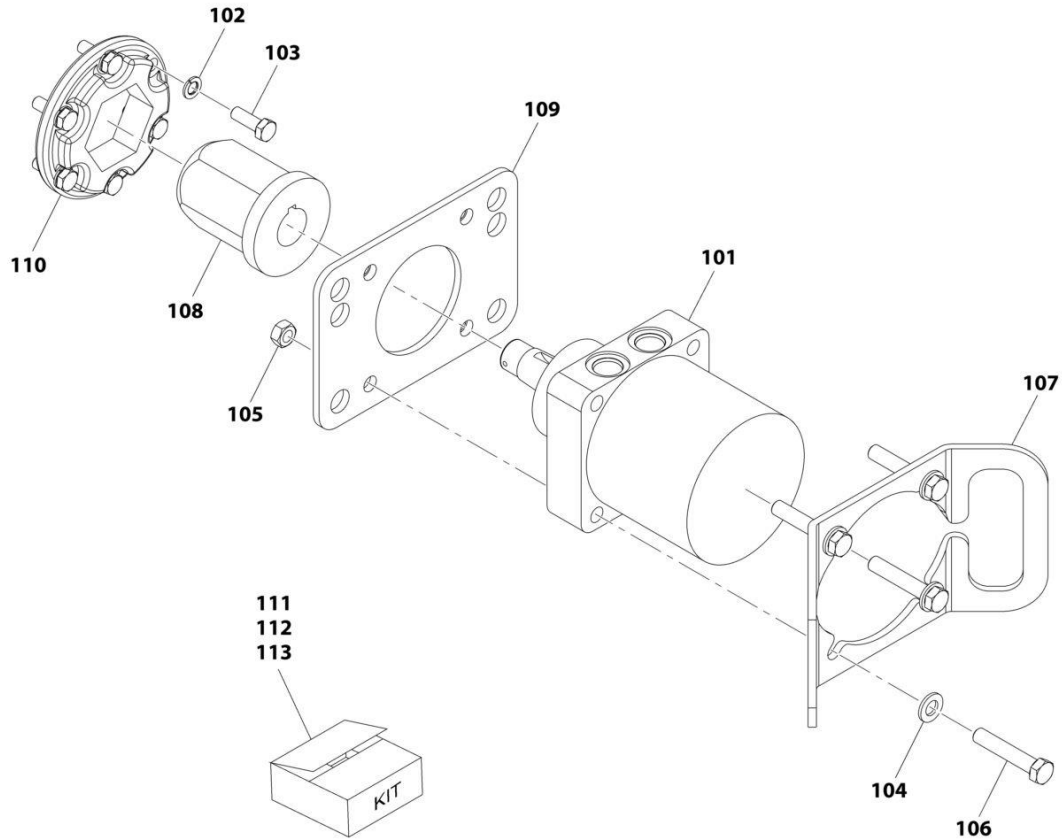
## SECTION 3 - ATTACHMENTS

### FIGURE 3-52. SWEEPER ASSEMBLY - BODY

ITEM	PART NUMBER	QTY	DESCRIPTION	REV
	1001202904	Ref	SWEEPER ASSEMBLY - BODY	
1	70029720	2	Nut	
2	70029721	4	Fitting, Grease	
3	70029722	1	Toplink	
4	70029723	2	Screw	
5	70020004	2	Screw	
6	70029724	2	Ring, Snap	
7	70029725	2	Lanyard	
8	70029726	4	Screw	
9	70029728	2	Washer	
10	70029732	6	Washer	
11	70029734	38	Washer	
12	70029735	32	Screw	
13	70029736	4	Screw	
14	70029738	2	Washer	
15	70029739	14	Washer	
16	70029741	8	Screw	
17	70029742	2	Screw	
18	70029743	8	Washer	
19	70029745	6	Nut	
20	70029747	2	Nut	
21	70029729	2	Pin	
22	70029751	6	Screw	
23	70029752	2	Screw	
24	70029755	4	Shackle	
25	70029756	45	Nut	
26	70029757	25	Nut	
27	70029760	4	Washer	
28	70029762	2	Assembly, Caster	
29	70029764	4	Bearing	
30	70029765	8	Pin	
31	70029766	2	Link	
32	70029767	2	Washer	
33	70029768	6	Stud	
34	See Note	NSS	Body, Sweeper (Note: Purchase Complete Assembly)	
35	70029773	2	Plate	
36	70029774	2	Plate	
37	70029775	2	Plate	
38	70029776	2	Plate	
39	70029777	2	Pin	
40	70029778	2	Plate	
41	70029779	2	Flap	
42	70029780	6	Plate	
43	70029781	3	Plate	
44	70029784	1	Flap	
45	70029786	1	Flap	
46	70029788	2	Chain	
47	70029790	2	Toplink	
48	70029793	6	Washer	
49	70029794	16	Pin, Lynch	

# SECTION 3 - ATTACHMENTS

## FIGURE 3-53. SWEEPER ASSEMBLY - MOTOR



ART\_1001202904\_3-B



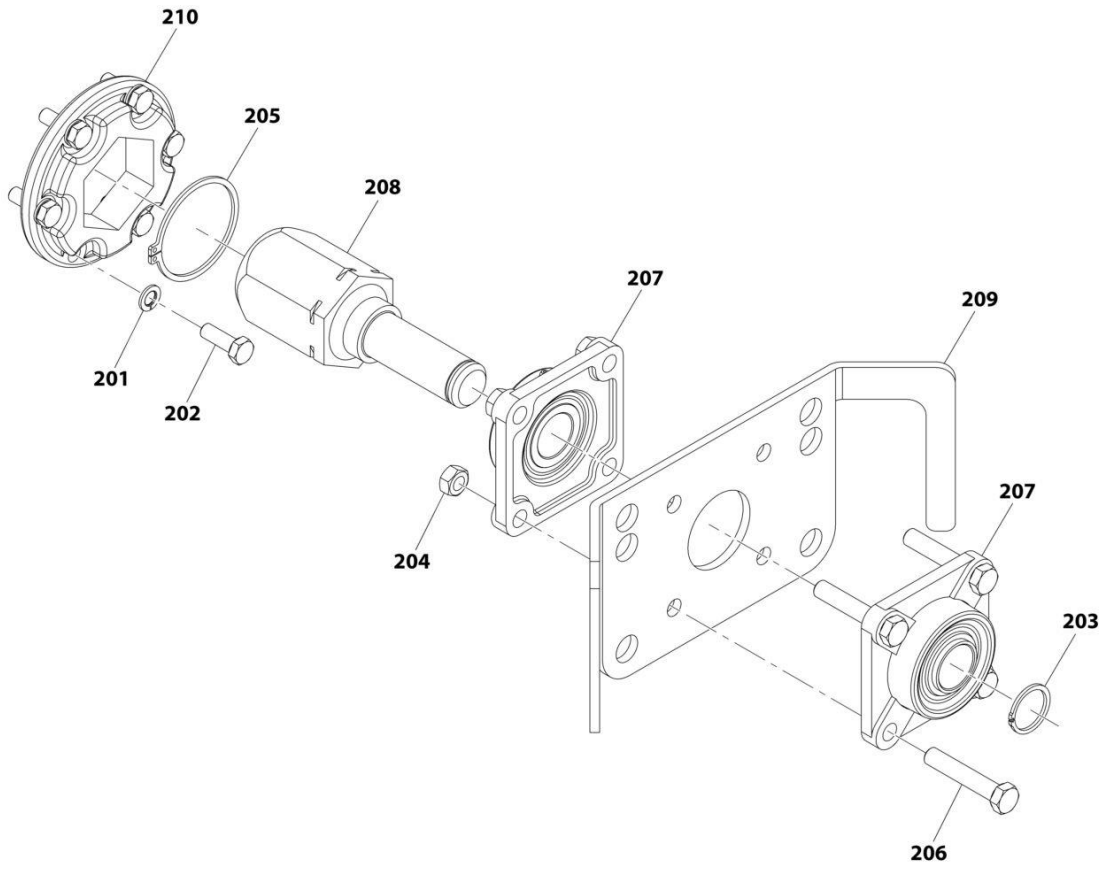
## SECTION 3 - ATTACHMENTS

**FIGURE 3-53. SWEEPER ASSEMBLY - MOTOR**

ITEM	PART NUMBER	QTY	DESCRIPTION	REV
	1001202904	Ref	SWEEPER ASSEMBLY - MOTOR	
101	70029717	1	Motor	
102	70029739	6	Washer	
103	70029741	6	Screw	
104	70029743	4	Washer	
105	70029746	4	Nut	
106	70029749	4	Screw	
107	70029769	1	Plate	
108	70029771	1	Hub	
109	70029772	1	Plate	
110	70029789	1	Plate	
111	70029719	1	Nut, Motor Shaft Lock	
112	70029718	1	Kit, Seal	
113	70029761	1	Key	

# SECTION 3 - ATTACHMENTS

## FIGURE 3-54. SWEEPER ASSEMBLY - IDLER



ART\_1001202904\_4-B

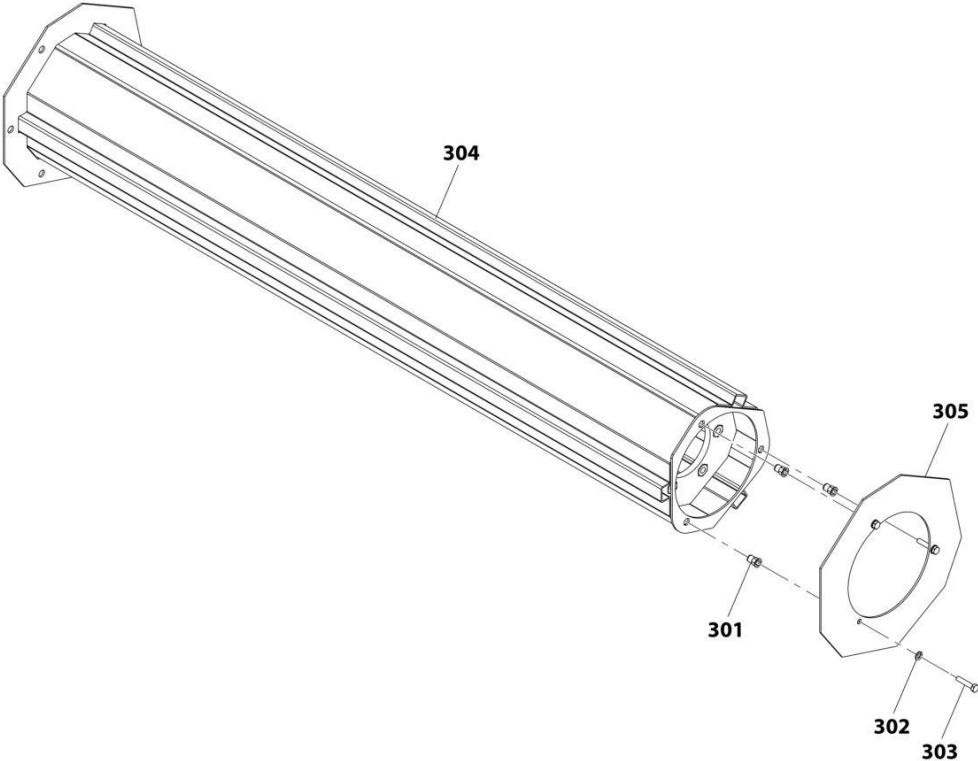
## SECTION 3 - ATTACHMENTS

### FIGURE 3-54. SWEEPER ASSEMBLY - IDLER

ITEM	PART NUMBER	QTY	DESCRIPTION	REV
	1001202904	Ref	SWEEPER ASSEMBLY - IDLER	
201	70029739	6	Washer	
202	70029741	6	Screw	
203	70029744	1	Ring, Snap	
204	70029746	4	Nut	
205	70029748	1	Ring, Snap	
206	70029749	4	Screw	
207	70029763	2	Bearing	
208	70029770	1	Hub	
209	70029787	1	Plate	
210	70029789	1	Plate	

**SECTION 3 - ATTACHMENTS**

**FIGURE 3-55. SWEEPER ASSEMBLY - CORE**



ART\_1001202904\_5-B

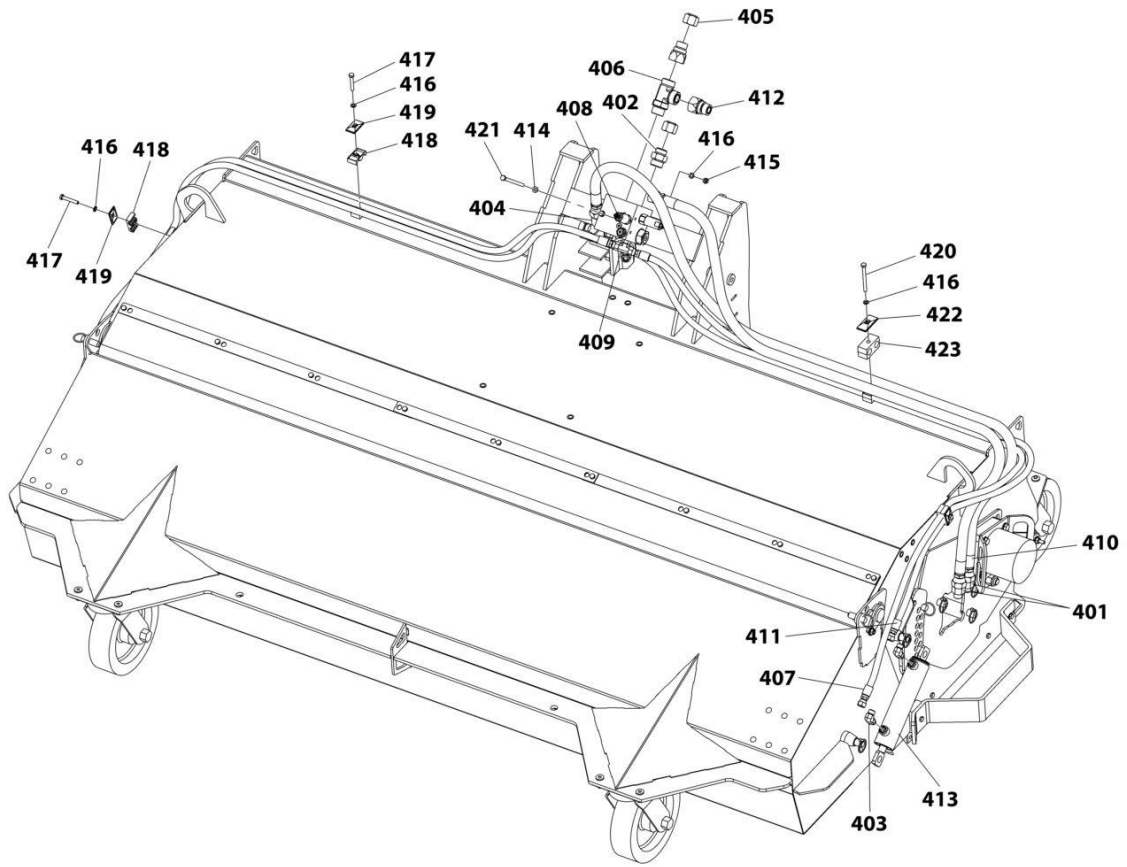
## SECTION 3 - ATTACHMENTS

### FIGURE 3-55. SWEEPER ASSEMBLY - CORE

ITEM	PART NUMBER	QTY	DESCRIPTION	REV
	1001202904	1	SWEEPER ASSEMBLY - CORE	
301	70029727	3	Nut	
302	70029730	3	Washer	
303	70029731	3	Screw	
304	70029782	1	Core	
305	70029783	1	Plate	

# SECTION 3 - ATTACHMENTS

## FIGURE 3-56. SWEEPER ASSEMBLY - HYDRAULIC SINGLE MOTOR ASSEMBLY



ART\_1001202904\_6-B

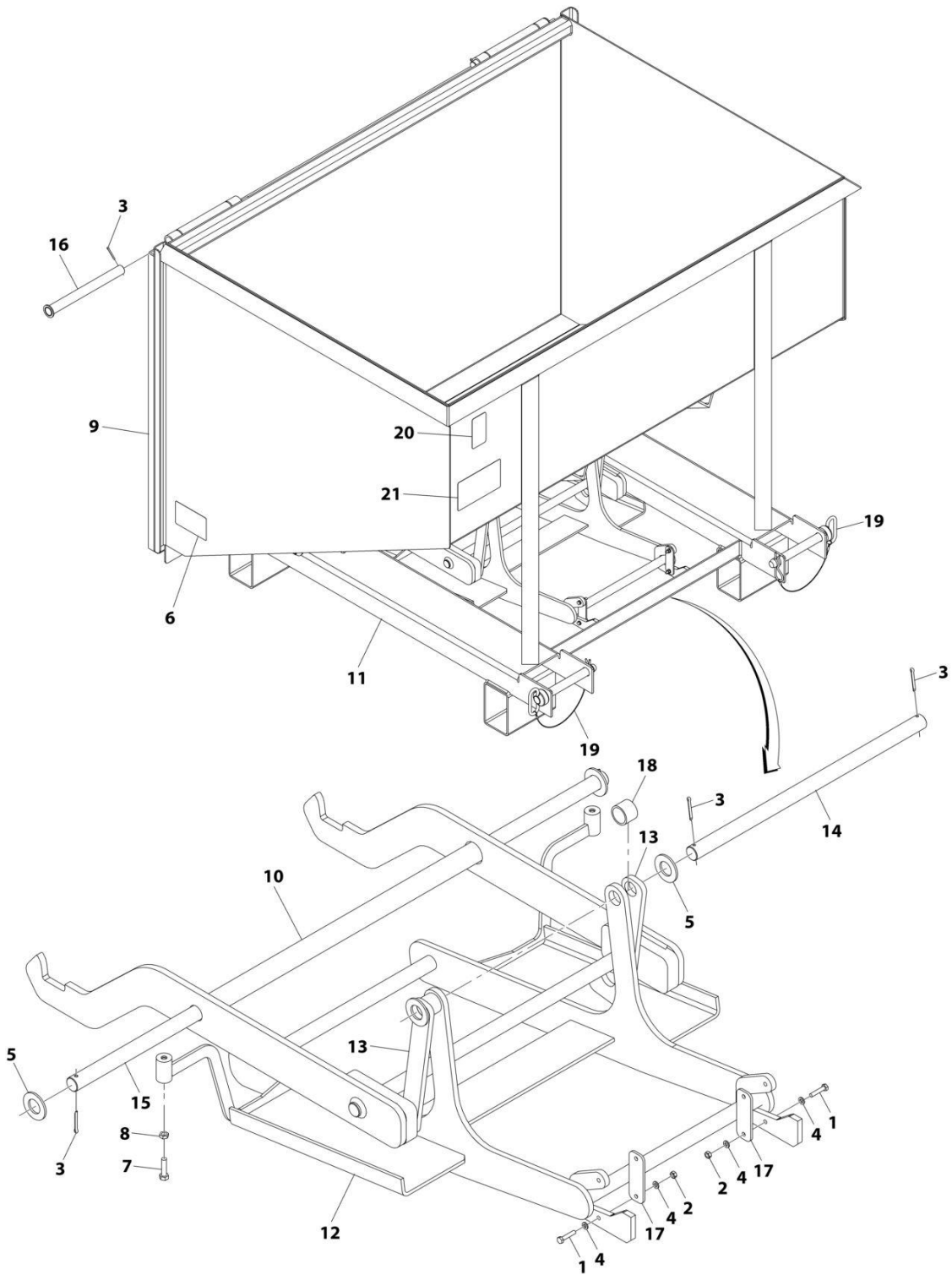
## SECTION 3 - ATTACHMENTS

**FIGURE 3-56. SWEEPER ASSEMBLY - HYDRAULIC SINGLE MOTOR ASSEMBLY**

ITEM	PART NUMBER	QTY	DESCRIPTION	REV
	1001202904	Ref	SWEEPER ASSEMBLY - HYDRAULICS	
401	70029704	2	Fitting	
402	70029705	1	Fitting	
403	70029706	4	Fitting, 90	
404	70029707	1	Fitting, 90	
405	70029708	2	Cap	
406	70029709	1	Fitting, Tee	
407	70029710	2	Hose	
408	70029711	1	Manifold	
409	70029712	2	Fitting, Tee	
410	70029713	2	Hose	
411	70029714	2	Hose	
412	70029715	2	Fitting	
413	70029716	2	Cylinder	
413	70029791	1	Kit, Seal	
414	70029732	2	Washer	
415	70029733	2	Nut	
416	70029734	6	Washer	
417	70029737	3	Screw	
418	70029753	8	Hose	
419	70029754	3	Cover	
420	70029758	1	Screw	
421	70029759	2	Screw	
422	70029795	1	Cover	
423	70029796	1	Cradle, Hose	

# SECTION 3 - ATTACHMENTS

## FIGURE 3-57. TRASHER HOPPER



ART\_1001238566-B



## SECTION 3 - ATTACHMENTS

### FIGURE 3-57. TRASHER HOPPER

ITEM	PART NUMBER	QTY	DESCRIPTION	REV
	1001238566	Ref	FORK MOUNTED TRASH HOPPER	C
1	0700614	4	Bolt M6 x 30	
2	3290601	4	Nut M6 x 1	
3	3391410	6	Pin	
4	4811700	8	Washer M6	
5	5242400	4	Washer M24	
6	1706302	2	Decal, Pinch Point	
7	0641510	2	Bolt 5/16 x 1-1/4	
8	3311502	2	Nut 5/16	
9	1001192711	1	Door Assembly	
10	1001192720	1	Hook Assembly	
11	See Note	NSS	Hopper, Trash (Note: Purchase Complete Assembly)	
12	1001192875	1	Tray Assembly	
13	1001192876	2	Arm, Swing	
14	1001192877	1	Rod, Swing	
15	1001238570	1	Bar	
16	1001193540	2	Pin	
17	1001193729	2	Plate	
18	1001198355	2	Spacer	
19	1001238560	2	Pin	
20	See Note	NSS	SN Plate (Note: Stamped Part - Not Available for Purchase)	
21	1001203503	1	Decal, Trash Hopper Operation	

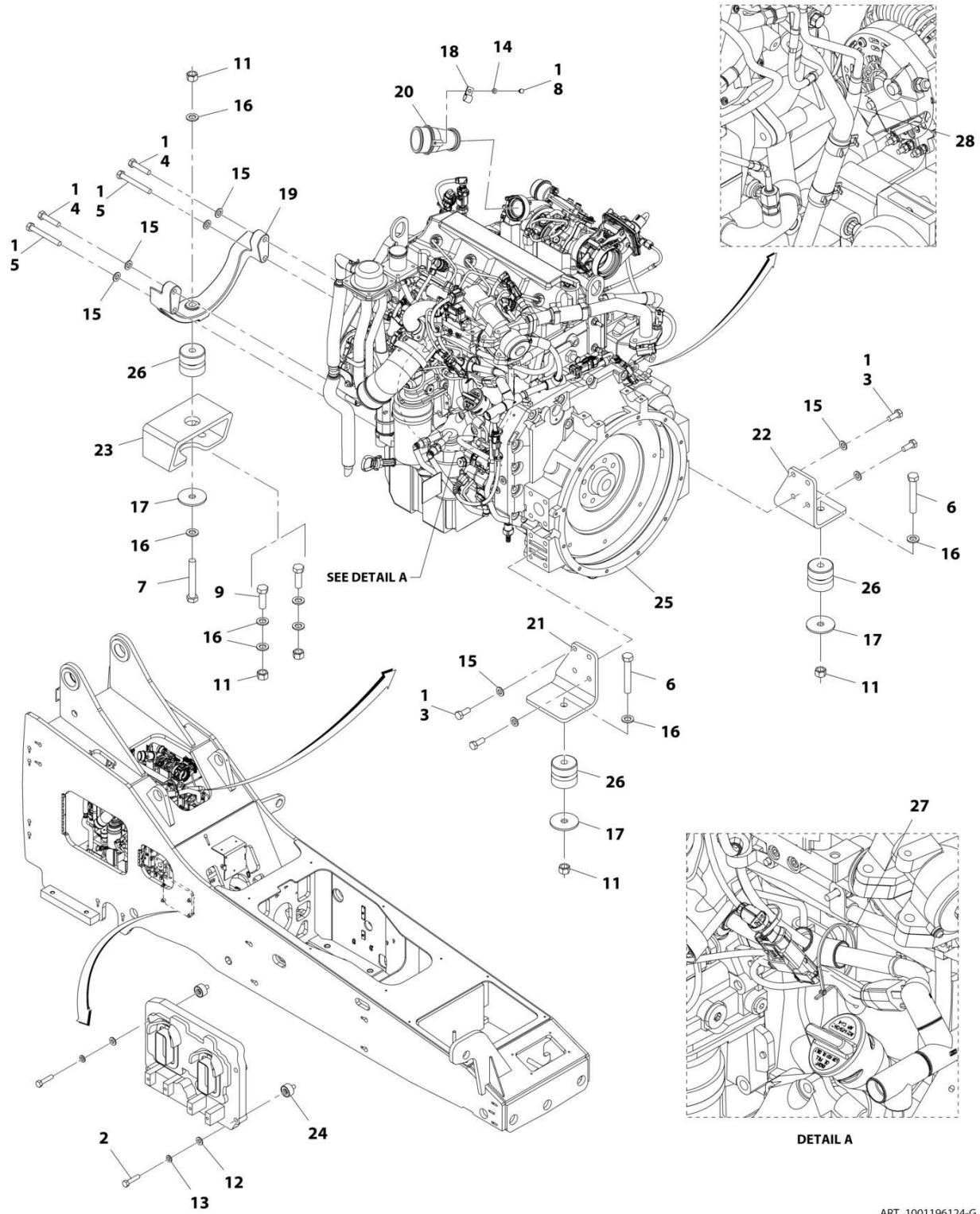


## **SECTION 4 - ENGINE AND ATTACHING PARTS**

## **SECTION 4 - ENGINE AND ATTACHING PARTS**

# SECTION 4 - ENGINE AND ATTACHING PARTS

## FIGURE 4-1. ENGINE INSTALLATION - 74HP (ULS)



ART\_1001196124-G

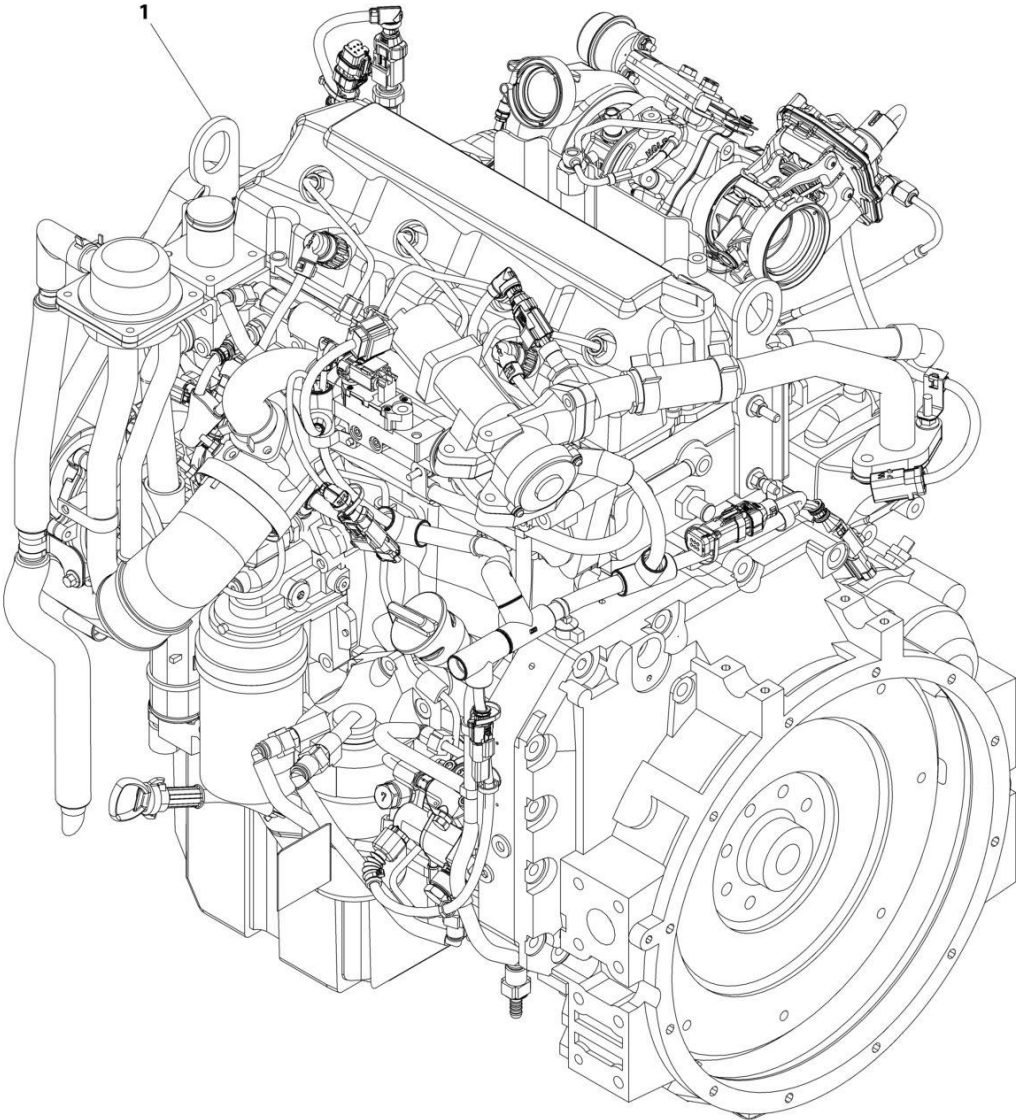
## SECTION 4 - ENGINE AND ATTACHING PARTS

**FIGURE 4-1. ENGINE INSTALLATION - 74HP (ULS)**

ITEM	PART NUMBER	QTY	DESCRIPTION	REV
	1001196124	Ref	Engine Installation, 74HP (if equipped for ULS)	G
1	0100011	AR	Compound, Locking	
2	0641511	4	Bolt, 5/16-18X1-3/8	
3	0711214	8	Bolt, M12X30	
4	0711219	2	Bolt, M12X55	
5	0711227	2	Bolt, M12X100	
6	0711627	2	Bolt, M16X100	
7	0711628	1	Bolt, M16X110	
8	0760605	1	Bolt, M6X10	
9	0771618	2	Bolt, M16X50	
11	3331615	5	Nut, Lock M16X12	
12	4711500	4	Washer, 5/16	
13	4761500	4	Washer, Lock 5/16	
14	4811700	1	Washer, M6	
15	4812100	12	Washer, M12	
16	4812300	8	Washer, M16	
17	7300435	3	Washer, Rebound	
18	8406112	1	Clip, Tube 5/8	
19	1001160116	1	Bracket, Engine Mount Casting	
20	1001161920	1	Adapter	
21	1001165517	1	Bracket, Engine Mount	
22	1001165518	1	Bracket, Engine Mount	
23	1001180473	1	Bracket, Rear Engine Mount	
24	1001186373	4	Mount, Isolator ECM	
25	1001196665	1	Engine (See Separate Breakdown in this Section)	
26	1001165660	3	Mount, Isolator Engine	
27	4240099	1	Strap, Tie	
28	7125871	1	Conduit 0.5X8	

**SECTION 4 - ENGINE AND ATTACHING PARTS**

**FIGURE 4-2. ENGINE COMPONENTS - 74HP (ULS)**



ART\_1001196665

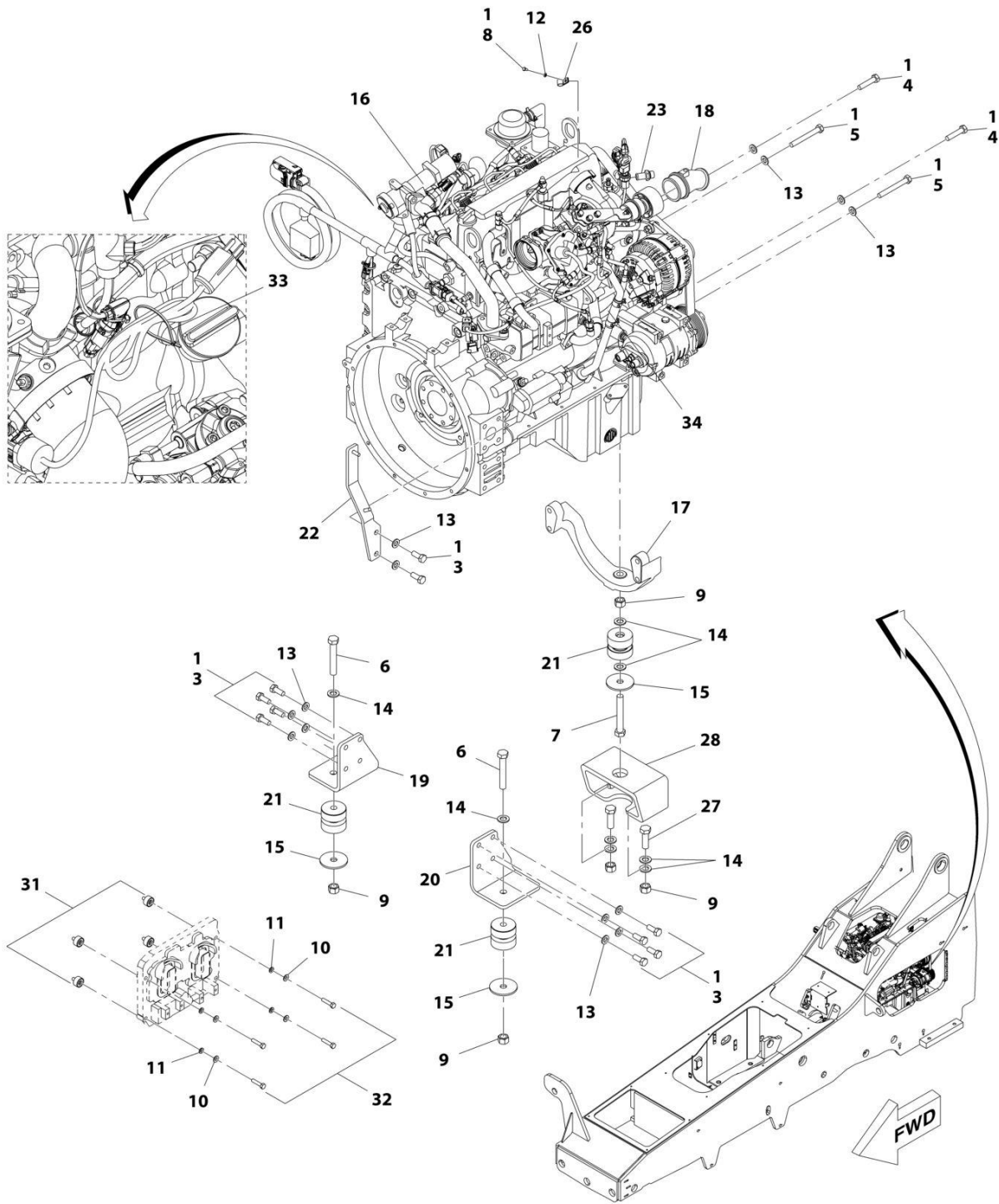
## SECTION 4 - ENGINE AND ATTACHING PARTS

**FIGURE 4-2. ENGINE COMPONENTS - 74HP (ULS)**

ITEM	PART NUMBER	QTY	DESCRIPTION	REV
1	1001196665	Ref	Engine, 74HP (if equipped for ULS)	O
	70026220	1	Assembly, Secondary Fuel Filter (includes filter head, seal and element)	
	70026453	1	Element, Fuel Filter	
	70026221	1	Head, Fuel Filter	
	70026222	1	Assembly, Flywheel Housing	
	70027281	1	Pan, Oil	
	70026224	1	Seal, Oil Pan	
	70026225	1	Plug, Oil Pan	
	70026226	1	Seal, Oil Pan Plug	
	1001128594	1	Starter	
	70026228	1	Filler Cap, Valve Cover	
	70026229	1	Fan Belt, V-Ribbed	
	70026230	1	Support, Fan	
	70026231	1	Pulley, Fan	
	70026232	1	Alternator	
	70028450	1	Assembly, Primary Fuel Filter	
	70026234	1	Element, Fuel Filter	
	70026235	1	Assembly, Dipstick Oil Level	
	70026241	1	Assembly, Fuel Filter Plug	
	70026237	1	Filter, Oil	
	70023933	1	O-Ring, Oil Pressure Switch	
	70041620	2	Ring, Retaining	
	70041616	1	Bolt	
	70041617	1	Bearing, Ball	
	70041619	1	Retainer, Fan Hub	
	1322039	1	Spacer, Fan Pilot	
	1321094	19	Screw	
	70024016	1	Cap, Side Oil Fill	
	70022634	1	Flywheel w/Ring Gear	
	70023736	1	Ring Gear, Flywheel	
	1322040	1	Plug, Flywheel	
	70031148	1	Sensor, Speed	

# SECTION 4 - ENGINE AND ATTACHING PARTS

## FIGURE 4-3. ENGINE INSTALLATION - 110HP (ULS)



ART\_1001160845-L



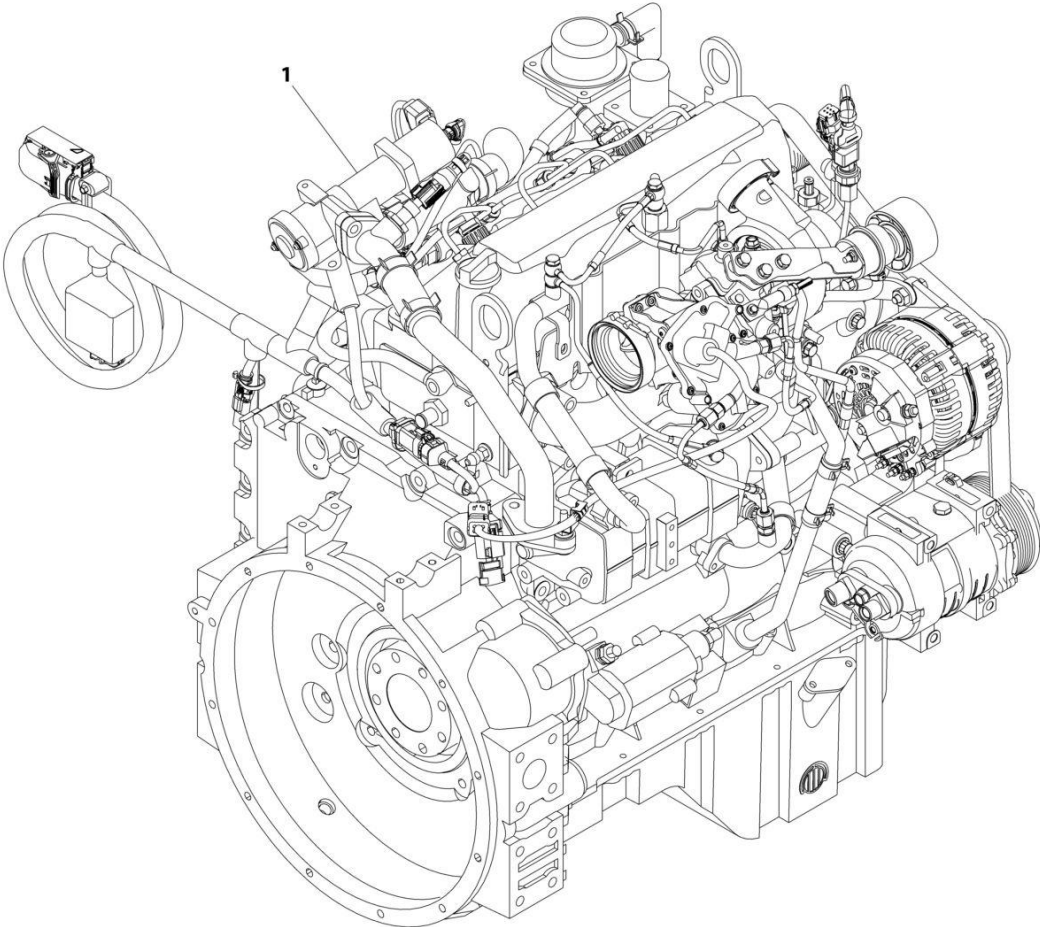
## SECTION 4 - ENGINE AND ATTACHING PARTS

**FIGURE 4-3. ENGINE INSTALLATION - 110HP (ULS)**

ITEM	PART NUMBER	QTY	DESCRIPTION	REV
	1001160845	Ref	Engine Installation, 110HP (if equipped for ULS)	L
1	0100011	AR	Compound, Locking	
3	0711214	10	Bolt, M12X30	
4	0711219	2	Bolt, M12X55	
5	0711227	2	Bolt, M12X100	
6	0711627	2	Bolt, 16-2X100	
7	0711628	1	Bolt, 16-2X110	
8	0760605	1	Bolt, M6X10	
9	3331615	5	Nut, Lock M16X2	
10	4711500	4	Washer, Plain 5/16	
11	4761500	4	Washer, Lock 5/16	
12	4811700	1	Washer, M6	
13	4812100	14	Washer, M12	
14	4812300	8	Washer, M16	
15	7300435	3	Washer, Rebound	
16	1001154511	1	Engine (ULS) (See Separate Breakdown in this Section)	
17	1001160116	1	Bracket, Engine Mount Casting	
18	1001161920	1	Adapter	
19	1001165517	1	Bracket, Engine Mount	
20	1001165518	1	Bracket, Engine Mount	
21	1001165660	3	Mount, Isolator Engine	
22	1001197233	1	Bracket, Hose Support	
23	1001168822	1	Fitting, Hose Barb	
26	8406112	1	Clip, Tube 5/8	
27	0771618	2	Bolt, M16X50	
28	1001180473	1	Bracket, Rear Engine Mount	
31	1001186373	4	Mount, Isolator ECM	
32	0641511	4	Bolt, 5/16-18X1-3/8	
33	4240099	1	Strap, Tie	
34	7125871	1	Conduit, 1/2X8	

**SECTION 4 - ENGINE AND ATTACHING PARTS**

**FIGURE 4-4. ENGINE COMPONENTS - 110HP (ULS)**



ART\_1001154511

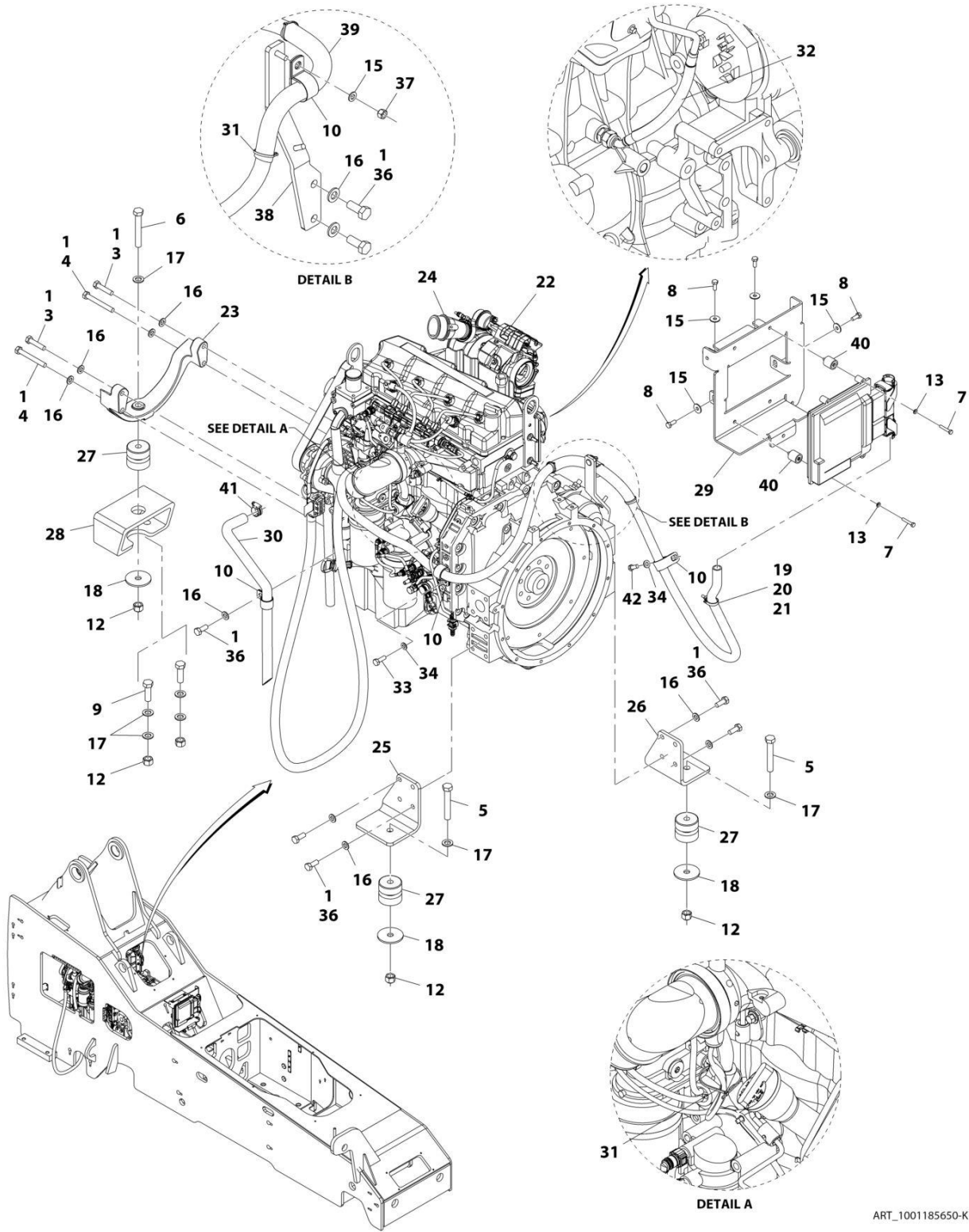
## SECTION 4 - ENGINE AND ATTACHING PARTS

**FIGURE 4-4. ENGINE COMPONENTS - 110HP (ULS)**

ITEM	PART NUMBER	QTY	DESCRIPTION	REV
1	1001154511	Ref	Engine, QSF 3.8L (if equipped for ULS)	W
	70026220	1	Assembly, Secondary Fuel Filter (includes shell, seal and cartridge)	
	70026453	1	Cartridge, Fuel Filter	
	70031350	1	Rail, Fuel	
	70031351	1	Sensor, Fuel Pressure	
	70031352	1	Valve, Fuel Pressure Relief Valve	
	70026223	1	Pan, Oil	
	70026224	1	Seal, Oil Pan	
	70026225	1	Plug, Oil Pan	
	70026226	1	Seal, Oil Pan Plug	
	1001128594	1	Starter	
	70026228	1	Filler Cap, Valve Cover	
	70026229	1	Fan Belt, V-Ribbed	
	70026230	1	Support, Fan	
	70026231	1	Pulley, Fan	
	70026232	1	Alternator	
	70028450	1	Assembly, Primary Fuel Filter, (includes filter head, seal and element)	
	70026235	1	Assembly, Dipstick Oil Level	
	70026236	1	Assembly, Block Heater	
	70026241	1	Assembly, Fuel Filter Plug	
	70026237	1	Filter, Oil	
	70023933	1	O-Ring, Oil Pressure Switch	
	70041620	2	Ring, Retaining	
	70041616	1	Bolt, Fan Drive	
	70041617	1	Bearing, Ball	
	70041619	1	Retainer, Fan Hub	
	1322039	1	Spacer, Fan Pilot	
	1321094	16	Bolt, Oil Pan	
	70024016	1	Cap, Side Oil Fill	
	70022634	1	Flywheel w/Ring Gear	
	70023736	1	Ring Gear, Flywheel	
	1322040	1	Plug, Flywheel	
	70030317	1	Connection, Fuel Actuator	
	70030347	1	Valve, Exhaust Throttle	
	70031380	1	Harness, ECM	

# SECTION 4 - ENGINE AND ATTACHING PARTS

## FIGURE 4-5. ENGINE INSTALLATION - 110HP (LS)



ART\_1001185650-K

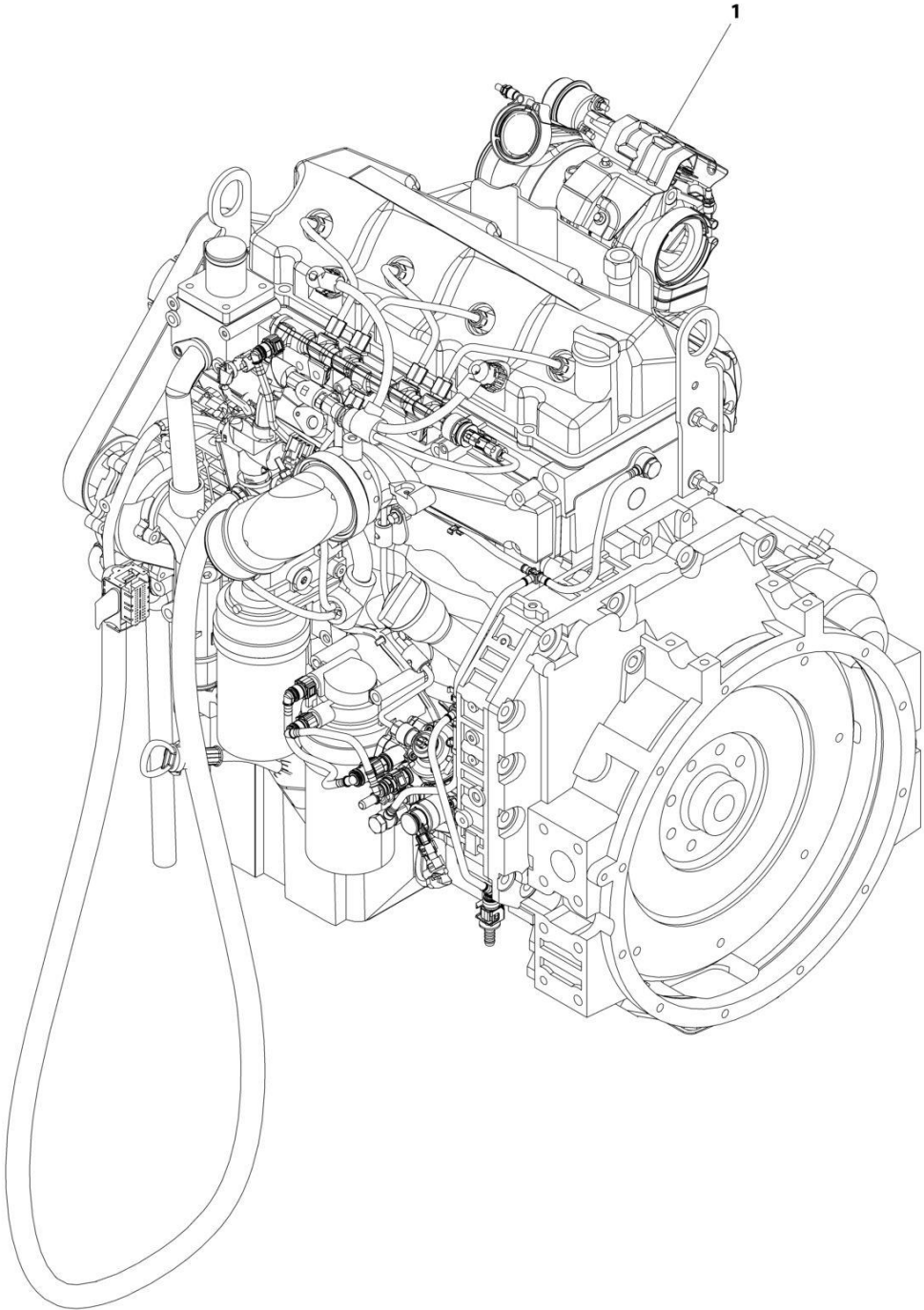
## SECTION 4 - ENGINE AND ATTACHING PARTS

**FIGURE 4-5. ENGINE INSTALLATION - 110HP (LS)**

ITEM	PART NUMBER	QTY	DESCRIPTION	REV
	1001185650	Ref	Engine Installation (if equipped for LS)	K
1	0100011	AR	Compound, Locking	
3	0711219	2	Bolt, M12X55	
4	0711227	2	Bolt, M12X100	
5	0711627	2	Bolt, M16X100	
6	0711628	1	Bolt, M16X110	
7	0760614	4	Bolt, M6X30	
8	0760810	4	Bolt, M8X20	
9	0771618	2	Bolt, M16X50	
10	8406303	4	Clip, Tube 1-3/16	
12	3331615	5	Nut, Lock M16X2	
13	4811700	4	Washer, M6	
15	4811902	5	Washer, M8	
16	4812100	15	Washer, M12	
17	4812300	7	Washer, M16	
18	7300435	3	Washer, Rebound	
19	8881800	1	Strap, Cable	
20	88261015	1	Bolt, 1/4-20X5/8	
21	1001138645	1	Mount, Cable Tie	
22	1001154790	1	Engine (See Separate Breakdown in this Section)	
23	1001160116	1	Bracket, Engine Mount Casting	
24	1001161920	1	Adapter	
25	1001165517	1	Bracket, Engine Mount	
26	1001165518	1	Bracket, Engine Mount	
27	1001165660	3	Mount, Isolator Engine	
28	1001180473	1	Bracket, Rear Engine Mount	
29	1001211688	1	Bracket, ECM Mount	
30	1001192134	1	Hose	
31	4240099	3	Strap, Tie	
32	7125871	1	Conduit	
33	0761014	1	Capscrew, 10X30	
34	4812000	2	Washer, M10	
36	0711214	11	Bolt, M12X30	
37	3290805	1	Nut, Lock M8X1-1/4	
38	1001197233	1	Bracket	
39	1001186718	1	Insulate, Heat Shield Tube	
40	1001211697	4	Mount, Isolator ECM	
41	1001173535	1	Clamp	
42	0641608	1	Bolt, 3/8-16X1	

**SECTION 4 - ENGINE AND ATTACHING PARTS**

**FIGURE 4-6. ENGINE COMPONENTS - 110HP (LS)**



ART\_1001154790

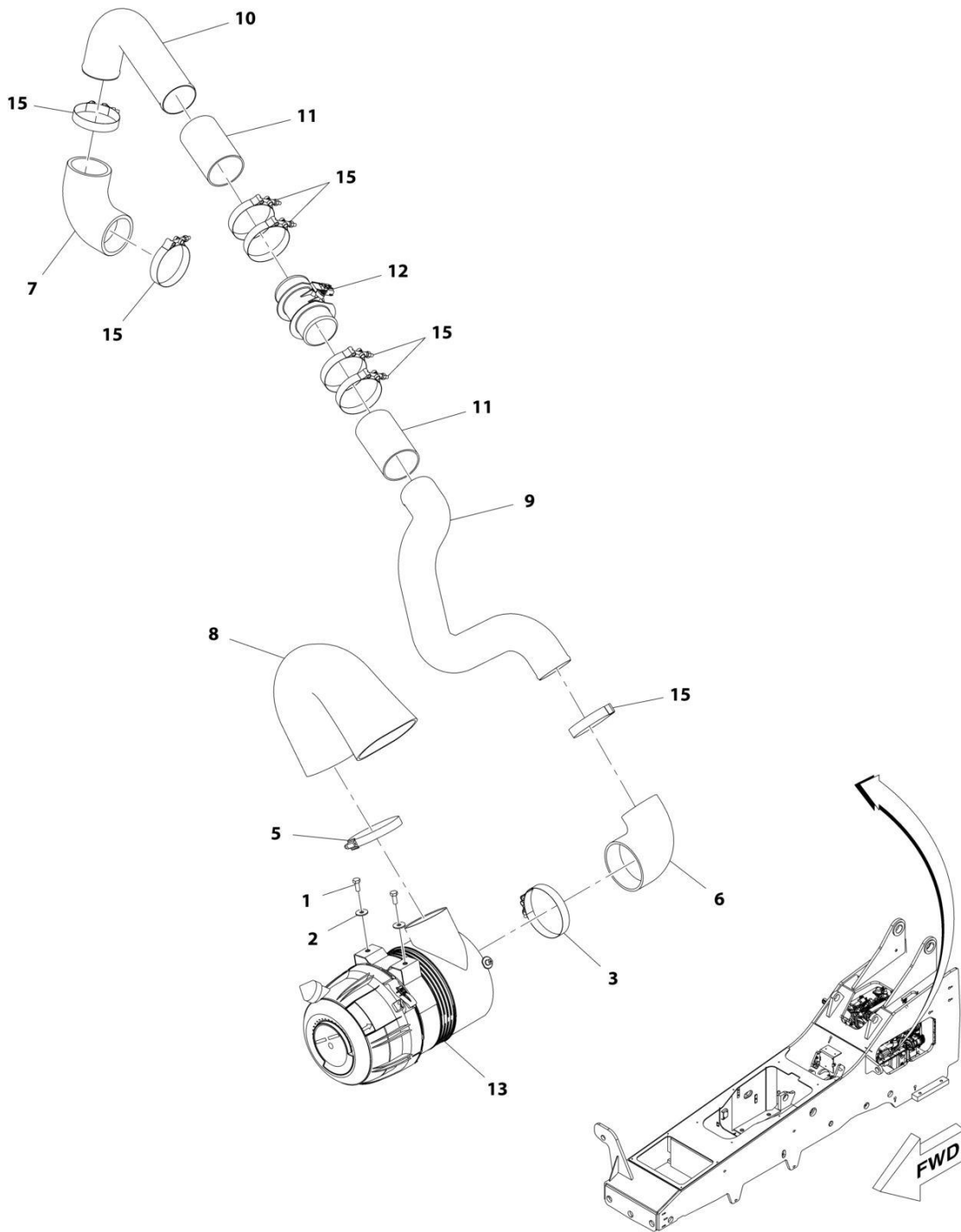
## SECTION 4 - ENGINE AND ATTACHING PARTS

**FIGURE 4-6. ENGINE COMPONENTS - 110HP (LS)**

ITEM	PART NUMBER	QTY	DESCRIPTION	REV
1	1001154790	Ref	3.8L Engine (LS)	L
	70026800	1	Fuel Filter Assembly	
	70026801	1	Fuel Filter Element	
	70026222	1	Assembly, Flywheel Housing	
	70027281	1	Pan, Oil	
	70026224	1	Seal, Oil Pan	
	70026225	1	Plug, Oil Pan	
	70026226	1	Seal, Oil Pan Plug	
	1001128594	1	Starter	
	70026228	1	Filler Cap, Valve Cover	
	70026229	1	Fan Belt, V-Ribbed	
	70026230	1	Support, Fan	
	70026231	1	Pulley, Fan	
	70026232	1	Alternator	
	70026233	1	Assembly, Primary Fuel Filter	
	70026234	1	Element, Fuel Filter	
	70026235	1	Assembly, Dipstick Oil Level	
	70026241	1	Assembly, Fuel Filter Plug	
	70026237	1	Filter, Oil	
	70041620	2	Ring, Retaining	
	70041616	1	Bolt	
	70041617	1	Bearing, Ball	
	70041619	1	Retainer, Fan Hub	
	1322039	1	Spacer, Fan Pilot	
	1321094	17	Screw	
	70024016	1	Cap, Side Oil Fill	
	70022634	1	Flywheel w/Ring Gear	
	70023736	1	Ring Gear, Flywheel	
	1322040	1	Plug, Flywheel	

# SECTION 4 - ENGINE AND ATTACHING PARTS

FIGURE 4-7. AIR CLEANER INSTALLATION - 74HP & 110HP (ULS)



ART\_1001165669-D



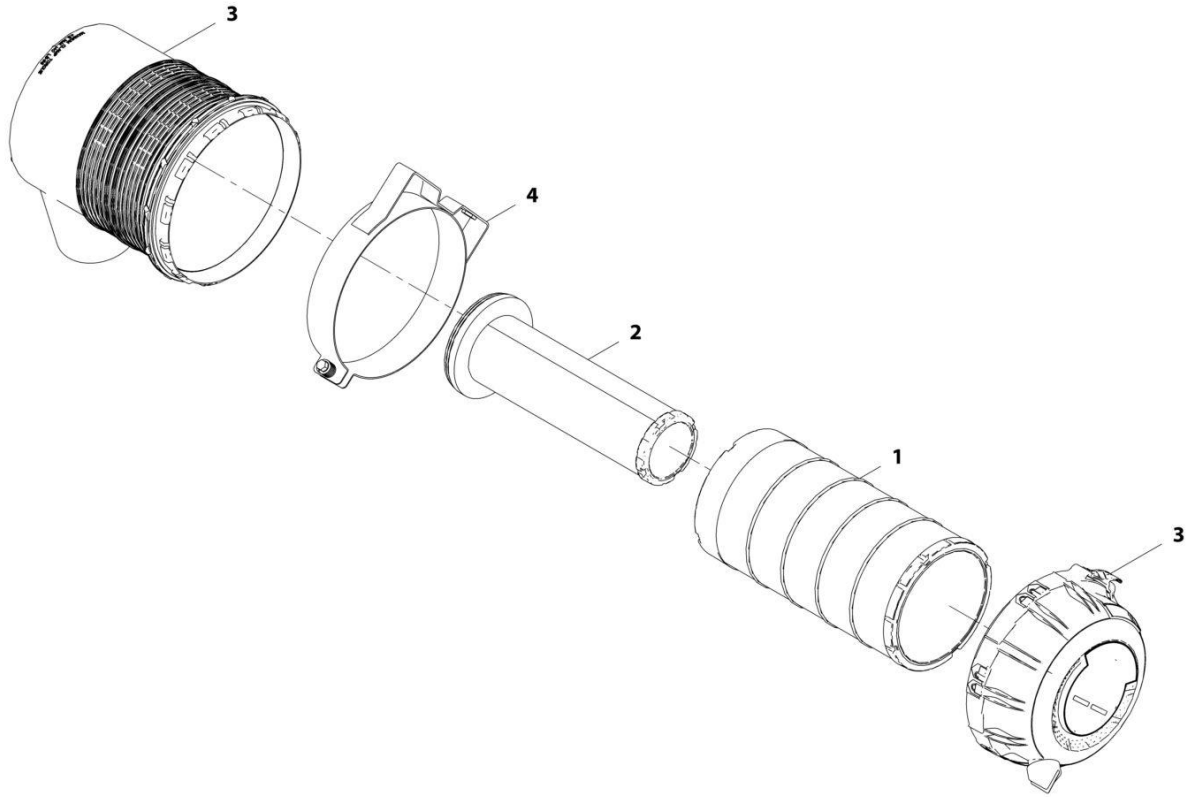
## SECTION 4 - ENGINE AND ATTACHING PARTS

**FIGURE 4-7. AIR CLEANER INSTALLATION - 74HP & 110HP (ULS)**

ITEM	PART NUMBER	QTY	DESCRIPTION	REV
	1001165669	Ref	Air Cleaner Installation (if equipped for ULS)	D
1	0760810	2	Bolt, M8X20	
2	4811902	2	Washer, M8	
3	8405404	1	Clamp, T-Bolt	
5	10719267	1	Clamp, Hose	
6	1001201831	1	Hose, Air Intake	
7	1001120083	1	Hose, Air Intake	
8	1001165818	1	Hose, Air Intake	
9	1001168051	1	Pipe, Air Intake	
10	1001168052	1	Pipe, Air Intake	
11	1001168053	2	Hose, Sleeve	
12	1001169077	1	Sensor, PRS Temperature	
13	1001166566	1	Assembly, Air Cleaner (See Separate Breakdown in this Section)	
15	8410007	7	Clamp, T-Bolt	

# SECTION 4 - ENGINE AND ATTACHING PARTS

FIGURE 4-8. AIR CLEANER ASSEMBLY - 74HP & 110HP (ULS)



ART\_1001166566-G

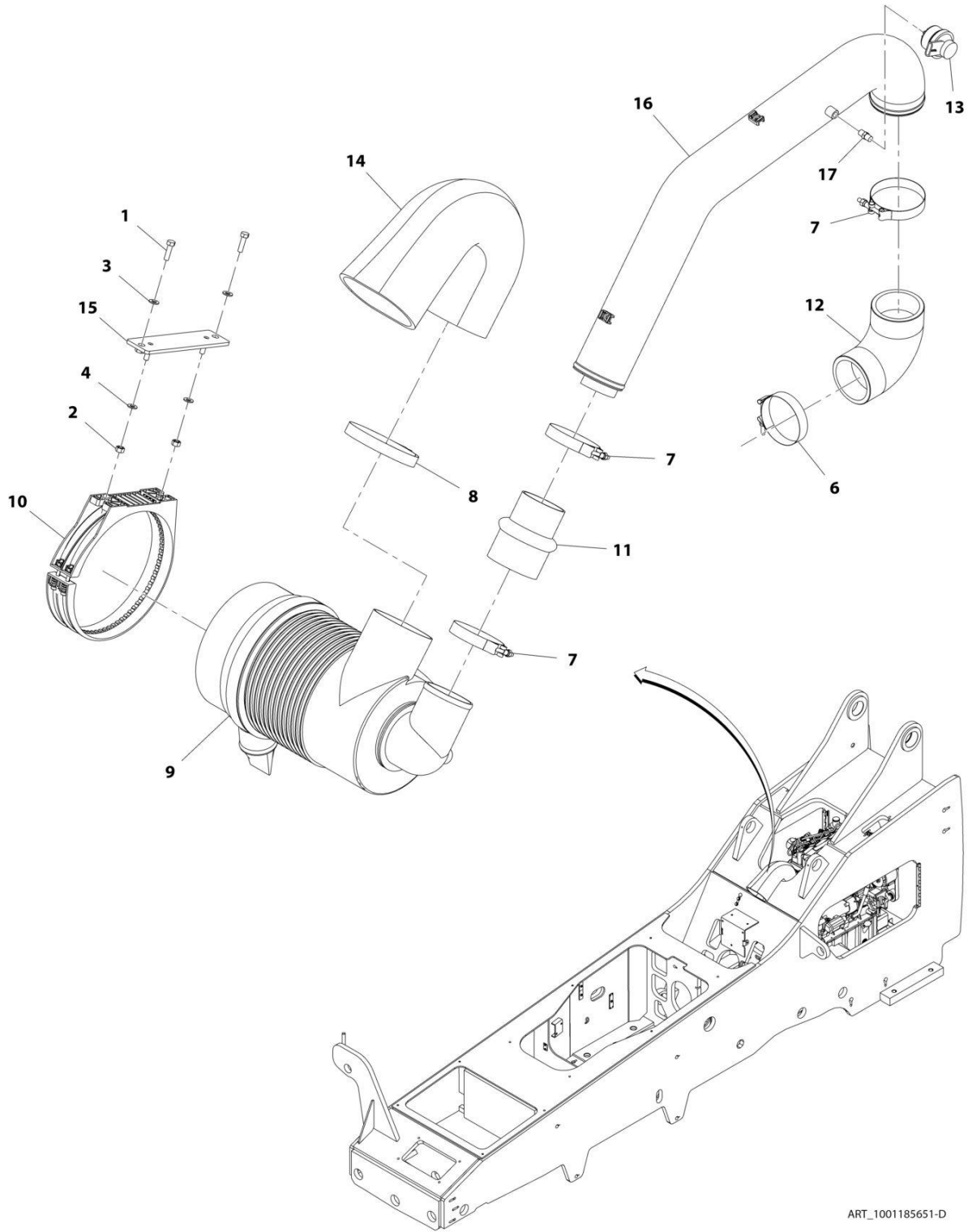
## SECTION 4 - ENGINE AND ATTACHING PARTS

FIGURE 4-8. AIR CLEANER ASSEMBLY - 74HP & 110HP (ULS)

ITEM	PART NUMBER	QTY	DESCRIPTION	REV
	1001166566	Ref	Air Cleaner Assembly (74.4KW)	G
1	70025852	1	Filter, Air Cylindrical Primary	
2	70025853	1	Filter, Air Cylindrical Secondary	
3	70026393	1	Cover, Air Cleaner	
4	70026394	1	Bracket, Mounting Band	

# SECTION 4 - ENGINE AND ATTACHING PARTS

## FIGURE 4-9. AIR CLEANER INSTALLATION - 110HP (LS)



ART\_1001185651-D

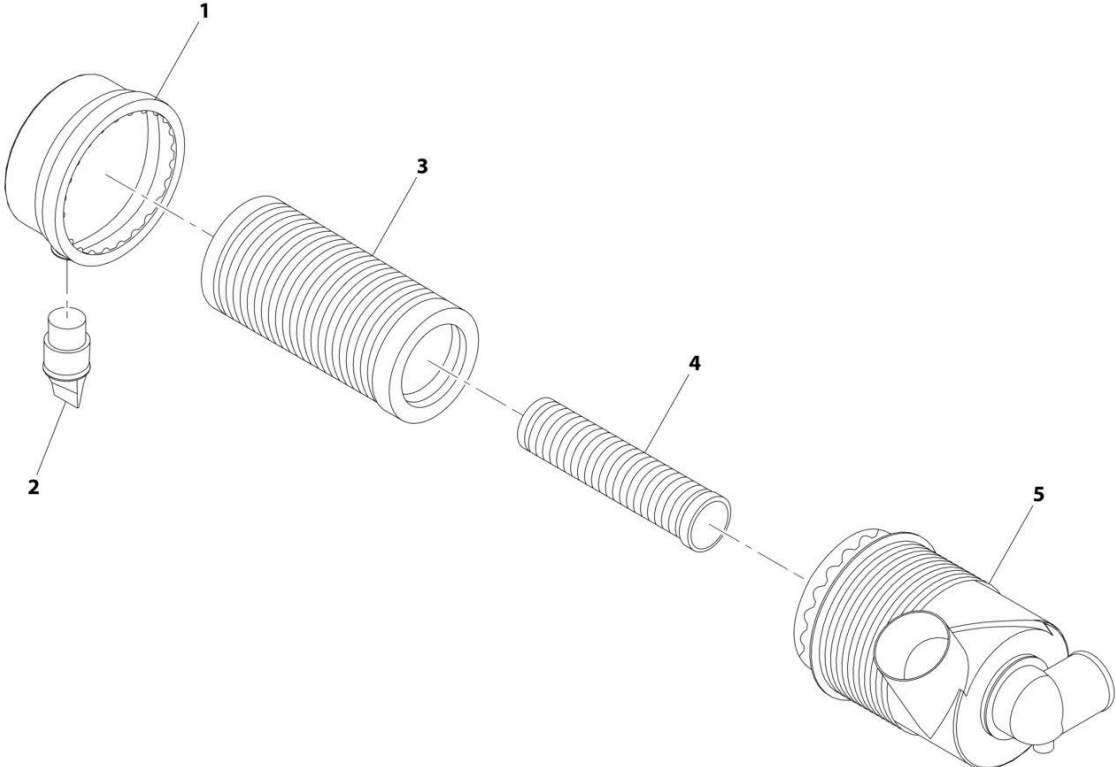
## SECTION 4 - ENGINE AND ATTACHING PARTS

**FIGURE 4-9. AIR CLEANER INSTALLATION - 110HP (LS)**

ITEM	PART NUMBER	QTY	DESCRIPTION	REV
	1001185651	Ref	Air Cleaner Installation (if equipped for LS)	D
1	0760815	2	Bolt, M8X35	
2	8305043	2	Nut, M8X1.25	
3	8307106	2	Washer, Plain 5/16	
4	8307222	2	Washer, Plain M8	
6	90028631	1	Clamp, T-Bolt	
7	8405307	3	Clamp, T-Bolt	
8	8410021	1	Clamp, T-Bolt	
9	10268515	1	Assembly, Air Cleaner (See Separate Breakdown in this Section)	
10	10268516	1	Band, Mounting	
11	91293003	1	Hose, Hump Reducer	
12	91083129	1	Elbow, Reducer	
13	1001166715	1	Restriction, Indicator	
14	1001190005	1	Hose, Air Intake	
15	1001190183	1	Bracket, Air Filter Band Mount	
16	1001212670	1	Pipe, Air Intake	
17	2180798	1	Fitting	

**SECTION 4 - ENGINE AND ATTACHING PARTS**

**FIGURE 4-10. AIR CLEANER ASSEMBLY - 110HP (LS)**



ART\_10268515-D

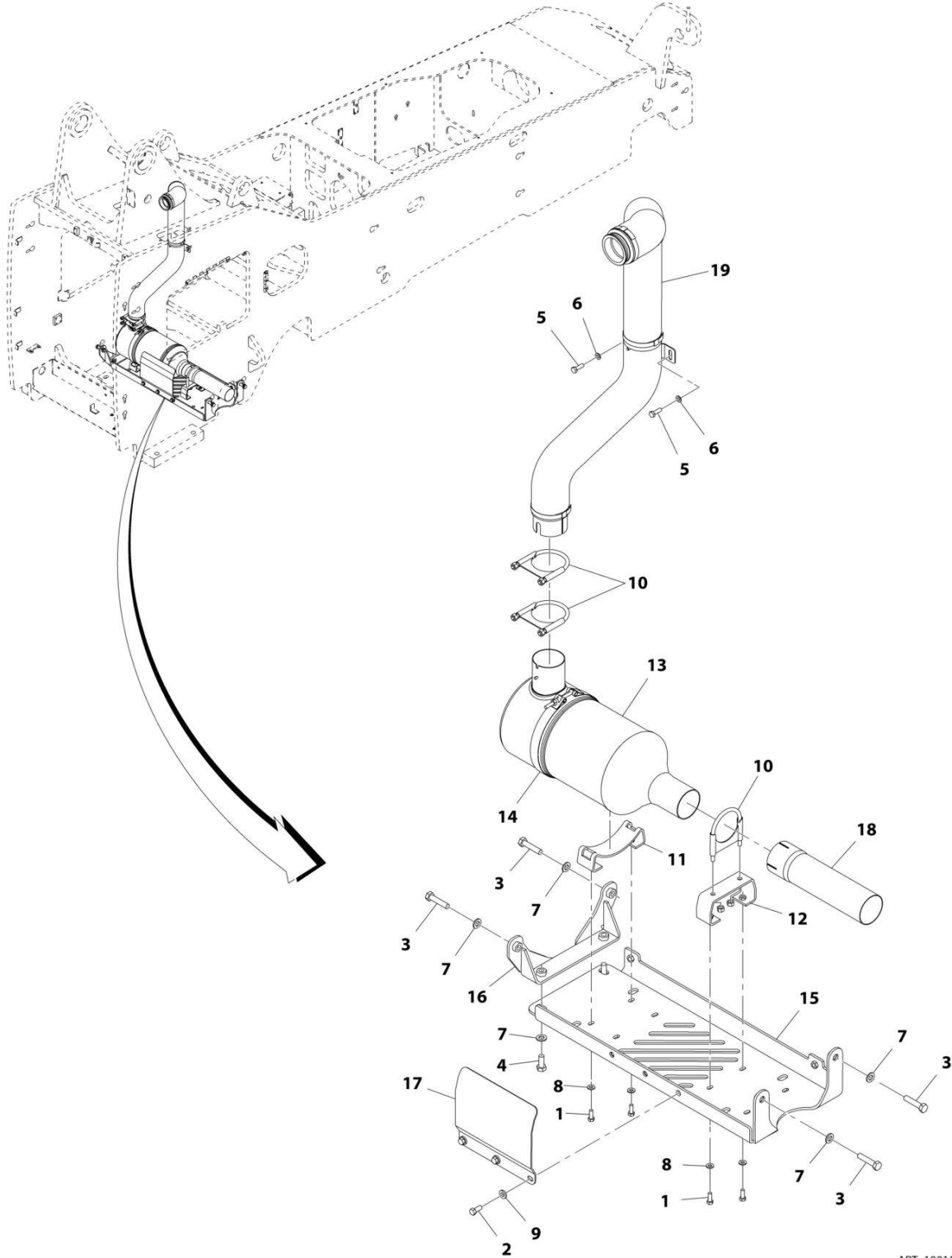
## SECTION 4 - ENGINE AND ATTACHING PARTS

**FIGURE 4-10. AIR CLEANER ASSEMBLY - 110HP (LS)**

ITEM	PART NUMBER	QTY	DESCRIPTION	REV
	10268515	Ref	Air Cleaner Assembly (if equipped for LS)	D
1	91364023	1	Cover Assembly	
2	80373094	1	Vacuator Valve	
3	1101312	1	Primary Filter Element	
4	1101313	1	Secondary Filter Element	
5	See Note	NSS	Air Cleaner Body (Note; Purchase Complete Assembly)	

# SECTION 4 - ENGINE AND ATTACHING PARTS

## FIGURE 4-11. EXHAUST INSTALLATION - 74HP (ULS)



ART\_1001196125-B



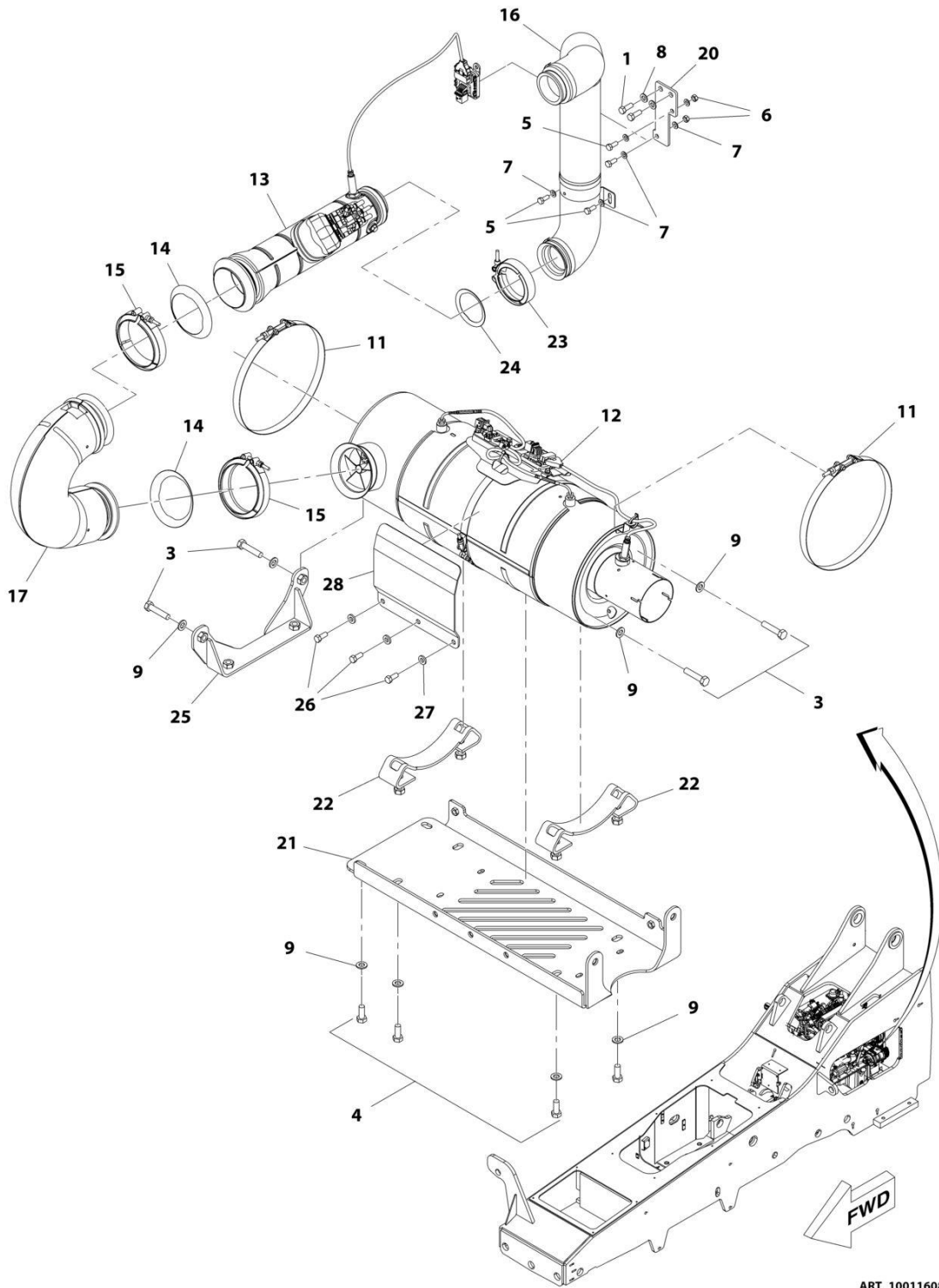
## SECTION 4 - ENGINE AND ATTACHING PARTS

**FIGURE 4-11. EXHAUST INSTALLATION - 74HP (ULS)**

ITEM	PART NUMBER	QTY	DESCRIPTION	REV
	1001196125	Ref	Exhaust Installation, 74HP (if equipped for ULS)	B
1	0641507	4	Bolt, 5/16-18X7/8	
2	0641607	3	Bolt, 3/8-16X7/8	
3	0701219	4	Bolt, M12X55	
4	0711214	2	Bolt, M12X30	
5	0760812	2	Bolt, M8X25	
6	4811900	2	Washer, M8	
7	4812100	6	Washer, M12	
8	4891500	4	Washer, 5/16	
9	4891600	3	Washer, 3/8	
10	24921332	3	Clamp	
11	1001128363	1	Bracket	
12	1001128364	1	Bracket	
13	1001128714	1	Muffler	
14	1001128901	1	Strap	
15	1001166935	1	Bracket	
16	1001169057	1	Bracket	
17	1001174327	1	Shield	
18	1001196396	1	Pipe, Exhaust	
19	1001196397	1	Pipe, Exhaust	

# SECTION 4 - ENGINE AND ATTACHING PARTS

## FIGURE 4-12. EXHAUST INSTALLATION - 110HP (ULS)



ART\_1001160844\_H

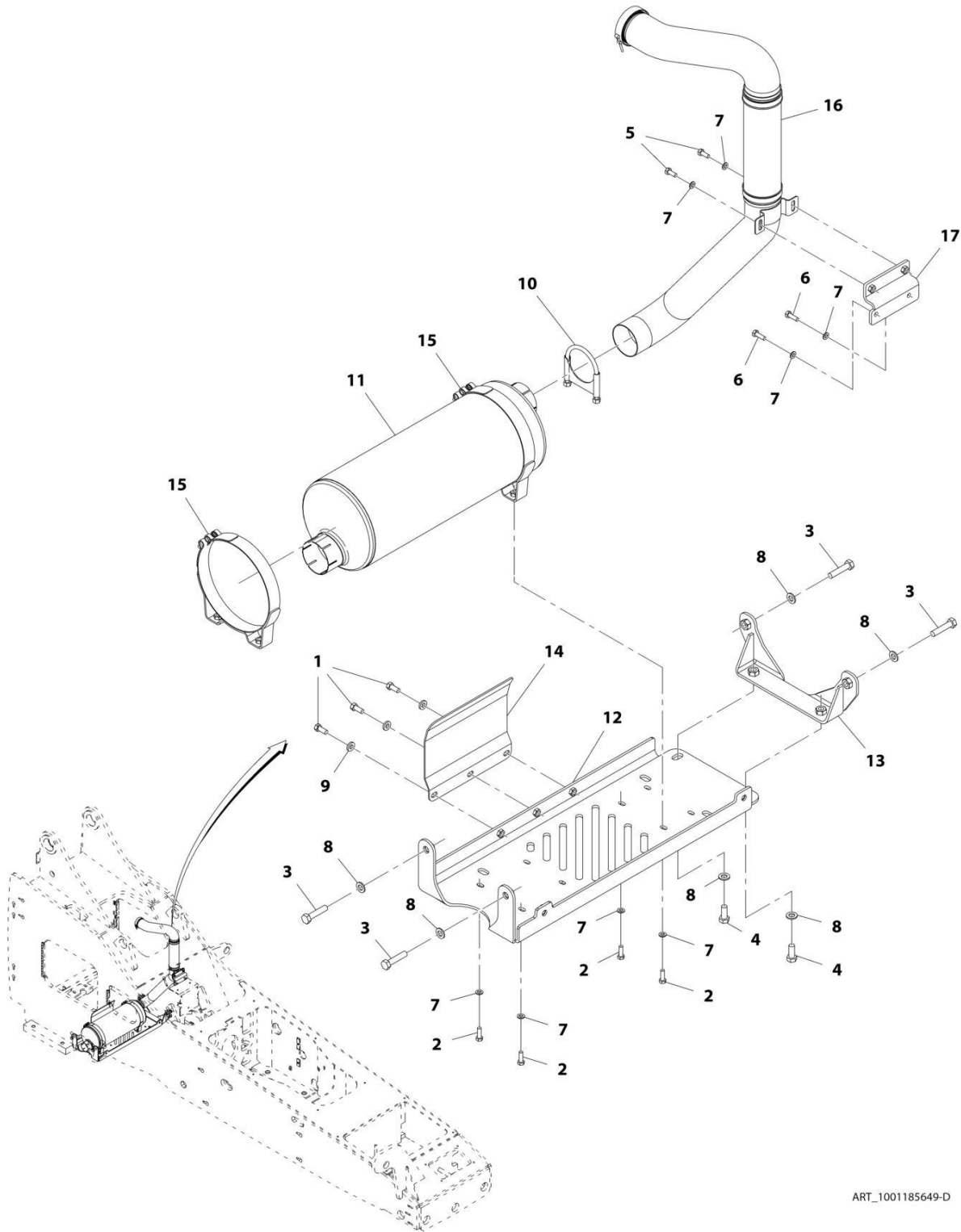
## SECTION 4 - ENGINE AND ATTACHING PARTS

**FIGURE 4-12. EXHAUST INSTALLATION - 110HP (ULS)**

ITEM	PART NUMBER	QTY	DESCRIPTION	REV
	1001160844	Ref	EXHAUST INSTALLATION - 110HP (ULS)	H
1	0641608	2	Bolt 3/8-16 x 1	
3	0701219	4	Bolt M12 x 55	
4	0711214	6	Bolt M12 x 30, Grade 10.9	
5	0760810	4	Bolt M8 x 20	
6	3290801	2	Nut M8 x 1-1/4	
7	4811900	6	Washer M8	
8	4812000	2	Washer M10	
9	4812100	10	Washer M12	
11	1001159932	2	Strap, Clamp	
12	1001160782	1	Muffler, After-Treatment	
13	1001164404	1	Muffler, Decomposition Reactor Tube	
14	1001164837	2	Seal, Gasket	
15	1001164838	2	Clamp, V-Band	
16	1001183811	1	Pipe, Exhaust	
17	1001165609	1	Pipe, Exhaust	
20	1001166693	1	Bracket	
21	1001166935	1	Bracket	
22	1001166976	2	Bracket	
23	1001167167	1	Clamp, V-Band	
24	1001167168	1	Seal, Gasket	
25	1001169057	1	Bracket	
26	0641607	3	Bolt 3/8-16 x 7/8	
27	4891600	3	Washer 3/8	
28	1001174327	1	Shield	

# SECTION 4 - ENGINE AND ATTACHING PARTS

## FIGURE 4-13. EXHAUST INSTALLATION - 110HP (LS)



ART\_1001185649-D

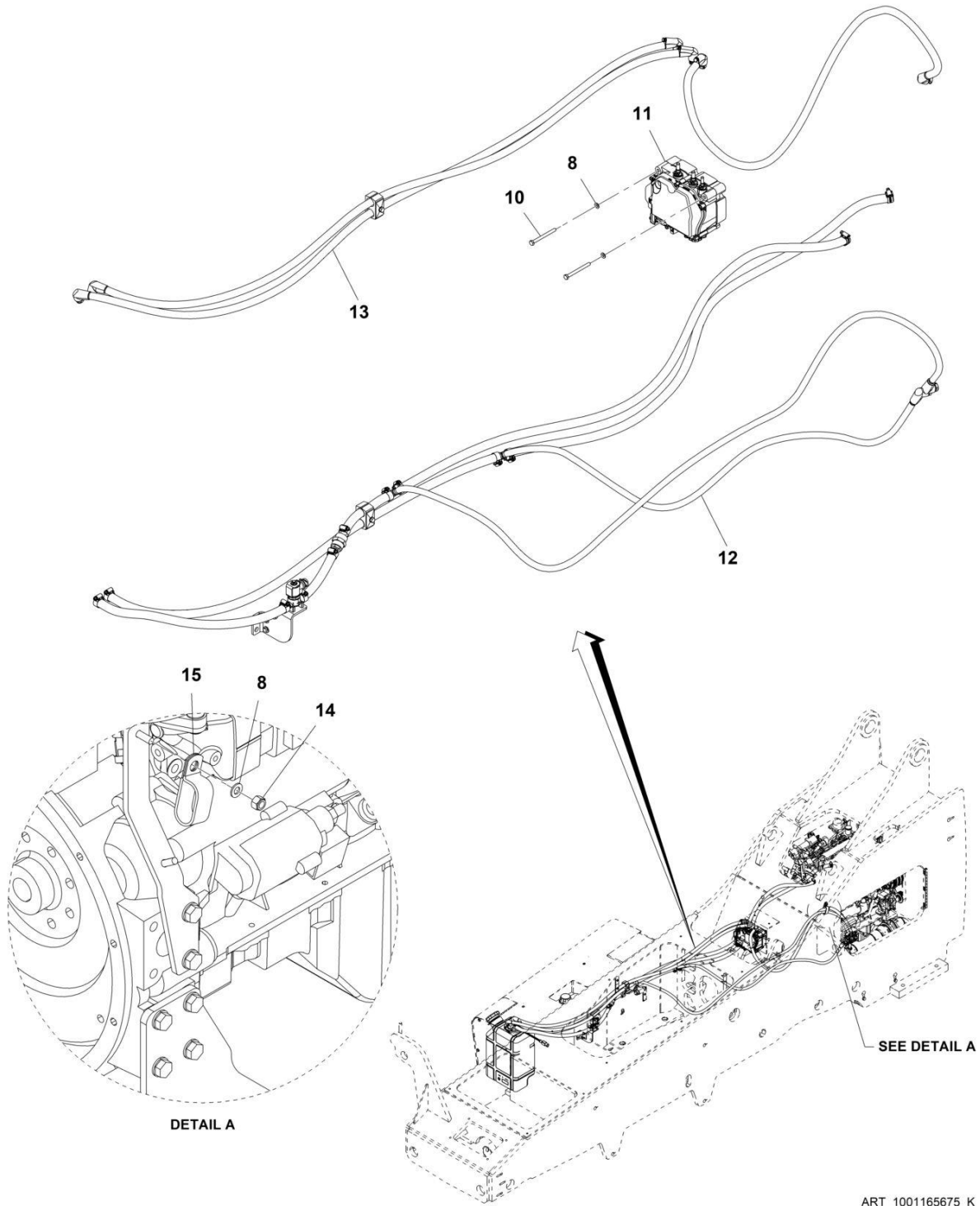
## SECTION 4 - ENGINE AND ATTACHING PARTS

**FIGURE 4-13. EXHAUST INSTALLATION - 110HP (LS)**

ITEM	PART NUMBER	QTY	DESCRIPTION	REV
	1001185649	Ref	Exhaust Installation, 85HP (if equipped for LS)	D
1	0641607	3	Bolt, 3/8-16X7/8	
2	0700812	4	Bolt, M8X25	
3	0701219	4	Bolt, M12X55	
4	0711214	2	Bolt, M12X30, Grade 10.9	
5	0760810	2	Bolt, M8X20	
6	0760812	2	Bolt, M8X25	
7	4811900	8	Washer, M8	
8	4812100	6	Washer, M12	
9	4891600	3	Washer, 3/8	
10	24921332	1	Clamp	
11	91163035	1	Muffler	
12	1001166935	1	Bracket	
13	1001169057	1	Bracket	
14	1001174327	1	Shield	
15	1001180227	2	Muffler, Band Clamp	
16	1001190962	1	Pipe, Exhaust	
17	1001190990	1	Bracket, Exhaust Support	

# SECTION 4 - ENGINE AND ATTACHING PARTS

## FIGURE 4-14. DEF SYSTEM INSTALLATION (ULS)



ART\_1001165675\_K

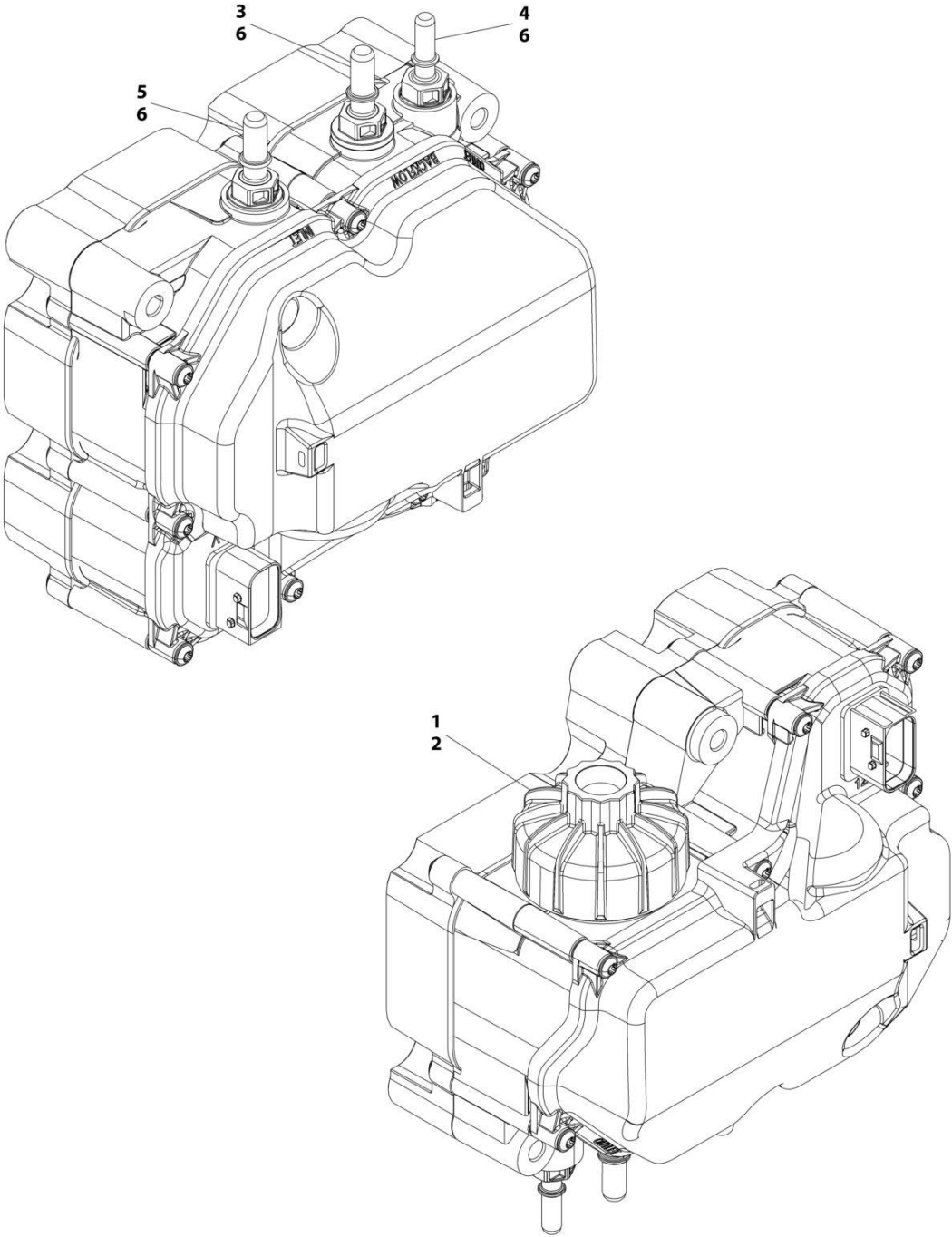
## SECTION 4 - ENGINE AND ATTACHING PARTS

FIGURE 4-14. DEF SYSTEM INSTALLATION (ULS)

ITEM	PART NUMBER	QTY	DESCRIPTION	REV
	1001165675	Ref	DEF System Installation (if equipped for ULS)	K
8	4811900	4	Washer, M8	
10	8310424	3	Bolt, M8X90	
11	1001213210	Ref	DEF Pump Assembly (See Separate Breakdown in this Section)	
12	1001229117	Ref	DEF Coolant Lines Installation (Not Shown -See separate Breakdown in this Section)	
13	1001229025	Ref	DEF Lines Installation (Not Shown - See separate Breakdown in this Section)	
14	3290805	1	Nut, Lock M8X1-1/4	
15	1001181899	1	Clamp	

# SECTION 4 - ENGINE AND ATTACHING PARTS

## FIGURE 4-15. DEF PUMP ASSEMBLY



ART\_1001213210-A



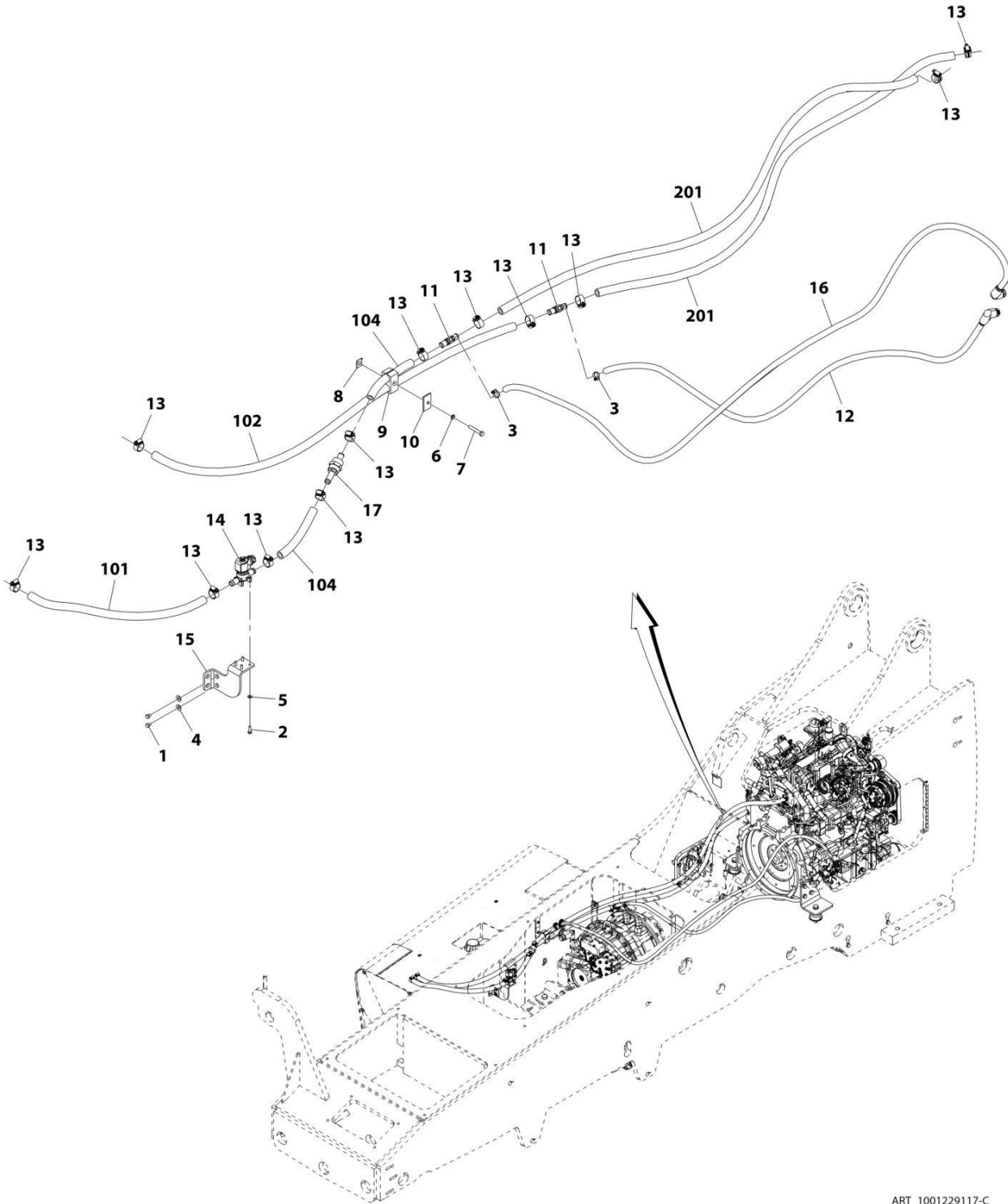
## SECTION 4 - ENGINE AND ATTACHING PARTS

FIGURE 4-15. DEF PUMP ASSEMBLY

ITEM	PART NUMBER	QTY	DESCRIPTION	REV
	1001213210	Ref	DEF Module Pump	B
1	70026248	1	Kit, Filter	
2	70026247	1	Cap, Filter	
3	70027705	1	Connector, Male (Backflow)	
4	70026245	1	Connector, Male (Outlet)	
5	70026244	1	Connector, Male (Inlet)	
6	70027706	3	Gasket, Circular (O-Ring)	

# SECTION 4 - ENGINE AND ATTACHING PARTS

## FIGURE 4-16. DEF COOLANT LINES INSTALLATION



ART\_1001229117-C

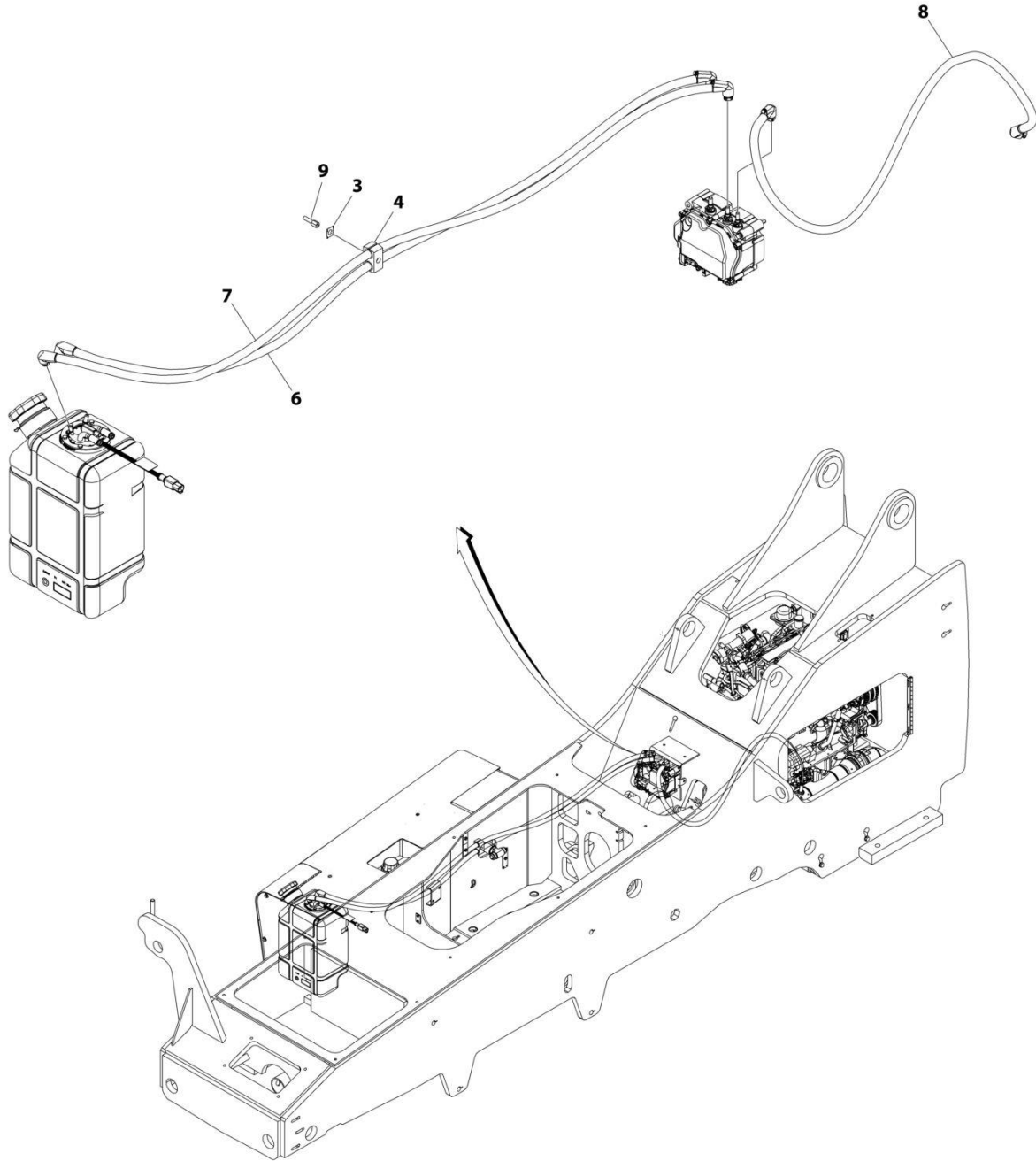
## SECTION 4 - ENGINE AND ATTACHING PARTS

**FIGURE 4-16. DEF COOLANT LINES INSTALLATION**

ITEM	PART NUMBER	QTY	DESCRIPTION	REV
	1001229117	Ref	DEF Coolant Lines Installation	C
1	0641403	2	Bolt, 1/4X3/8	
2	0760610	4	Bolt, M6X20	
3	1320032	2	Clamp, Fuel Line	
4	4751400	2	Washer, 1/4	
5	4811700	4	Washer, M6	
6	8307004	1	Washer 5/16	
7	8310009	1	Bolt, 5/16X2	
8	8750017	1	Plate, Locking	
9	8769127	1	Clamp Set, Twin	
10	8769128	1	Plate, Twin Cover	
11	1001162212	2	Fitting, Hose Barb Tee	
12	1001169001	1	Hose	
13	1001173535	12	Clamp	
14	1001199670	1	Valve, Coolant Control	
15	1001199951	1	Bracket, Valve Mount	
16	1001224096	1	Hose	
17	1001228872	1	Filter, Coolant Screen	
101	1001171472	1	Hose	
102	1001171473	1	Hose	
103	1001229210	2	Hose	
201	1001171474	2	Hose	

# SECTION 4 - ENGINE AND ATTACHING PARTS

## FIGURE 4-17. DEF LINES INSTALLATION



ART\_1001229025\_D

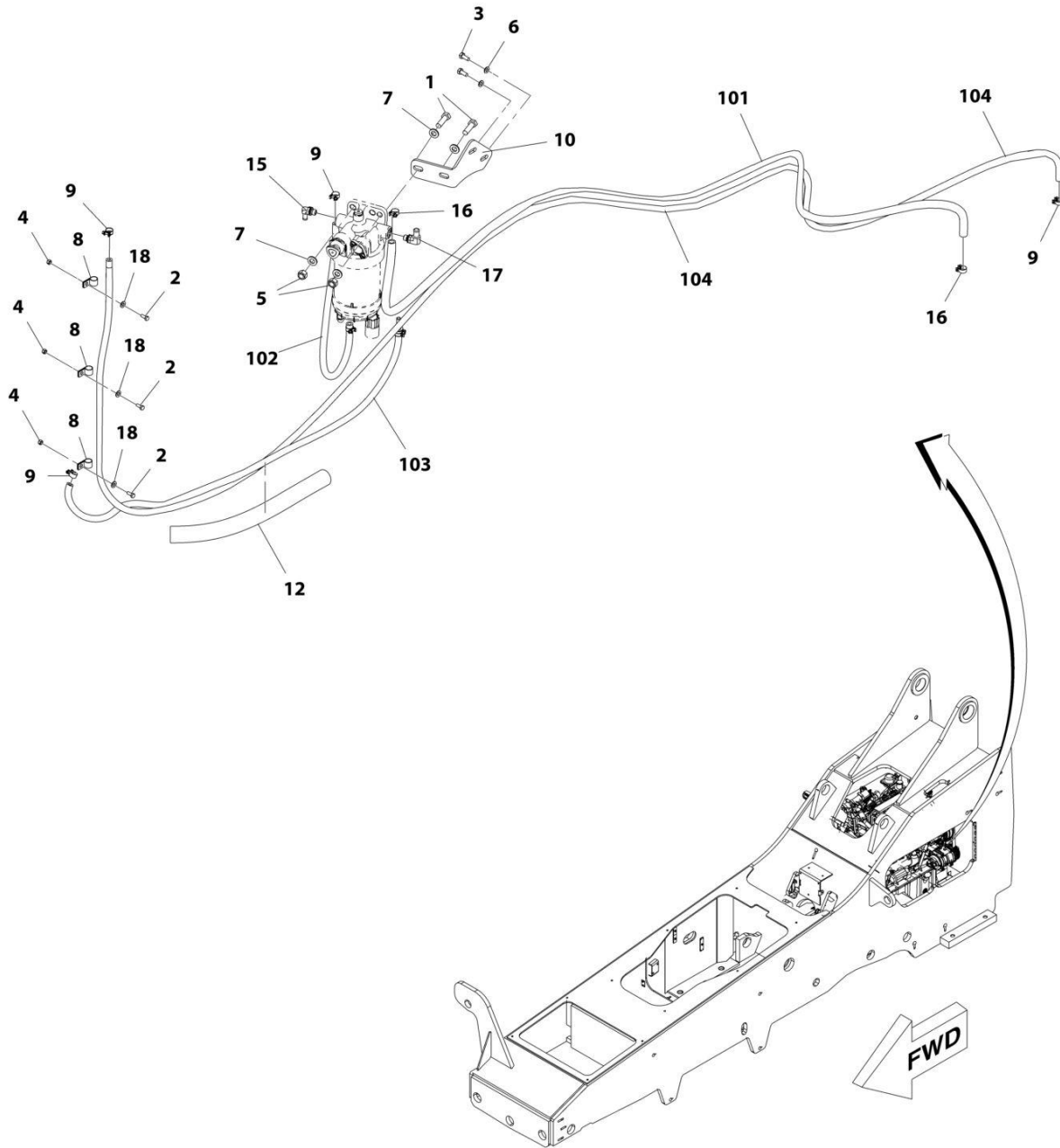
## SECTION 4 - ENGINE AND ATTACHING PARTS

FIGURE 4-17. DEF LINES INSTALLATION

ITEM	PART NUMBER	QTY	DESCRIPTION	REV
	1001229025	Ref	DEF Lines Installation	D
3	8750017	1	Plate, Locking	
4	8769127	1	Clamp Set, Twin	
6	1001229023	1	Hose	
7	1001229024	1	Hose	
8	1001168859	1	Hose	
9	8750012	1	Bolt, Stacking	

# SECTION 4 - ENGINE AND ATTACHING PARTS

## FIGURE 4-18. FUEL LINES INSTALLATION - 74HP & 110HP (ULS)



ART\_1001165672-H

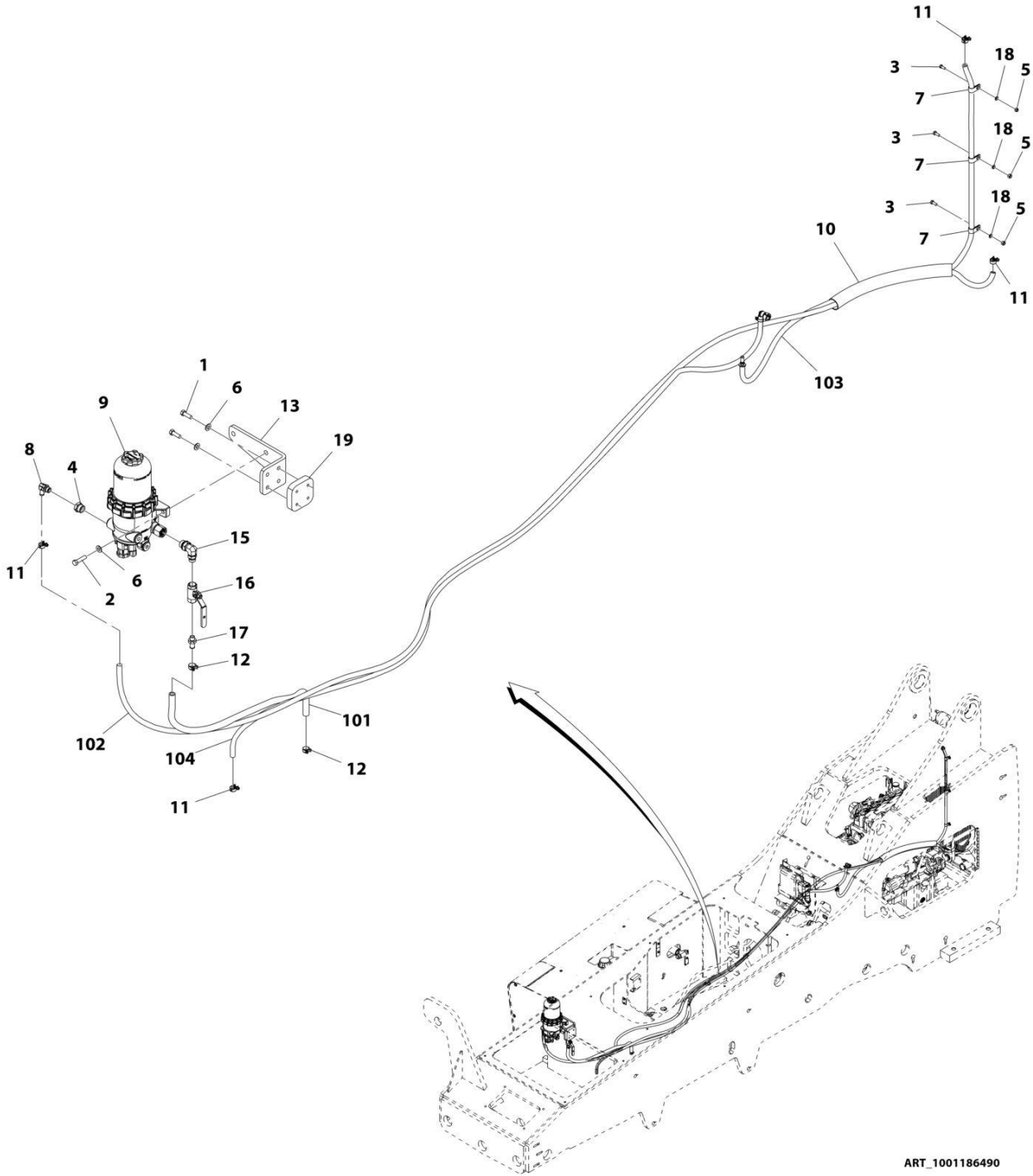
## SECTION 4 - ENGINE AND ATTACHING PARTS

**FIGURE 4-18. FUEL LINES INSTALLATION - 74HP & 110HP (ULS)**

ITEM	PART NUMBER	QTY	DESCRIPTION	REV
	1001165672	Ref	Fuel Plumbing Installation (if equipped for ULS)	H
1	0701216	2	Bolt, M12X40	
2	0760608	3	Bolt, M6X16	
3	0761012	2	Bolt, M10X25	
4	3290605	3	Nut, Lock M6X1	
5	3291205	2	Nut, Lock M12X1-3/4	
6	4812000	2	Washer, M10	
7	4812100	4	Washer, M12	
8	8406112	3	Clip, Tube 5/8	
9	1001136975	5	Clamp, Fuel Hose	
10	1001182603	1	Bracket, Filter Mount	
12	1001136358	1	Sleeve, Abrasion	
15	1001182094	1	Adapter, Banjo M14X3/8	
16	1001175568	2	Clip, Hose	
17	1001179375	1	Adapter, Banjo M14X1/2	
18	4811700	3	Washer, M6	
101	1001171802	1	Hose	
102	1001171803	1	Hose	
103	1001201111	1	Hose	
104	1001171805	1	Hose	

# SECTION 4 - ENGINE AND ATTACHING PARTS

## FIGURE 4-19. FUEL LINES INSTALLATION - 110HP (LS)



ART\_1001186490



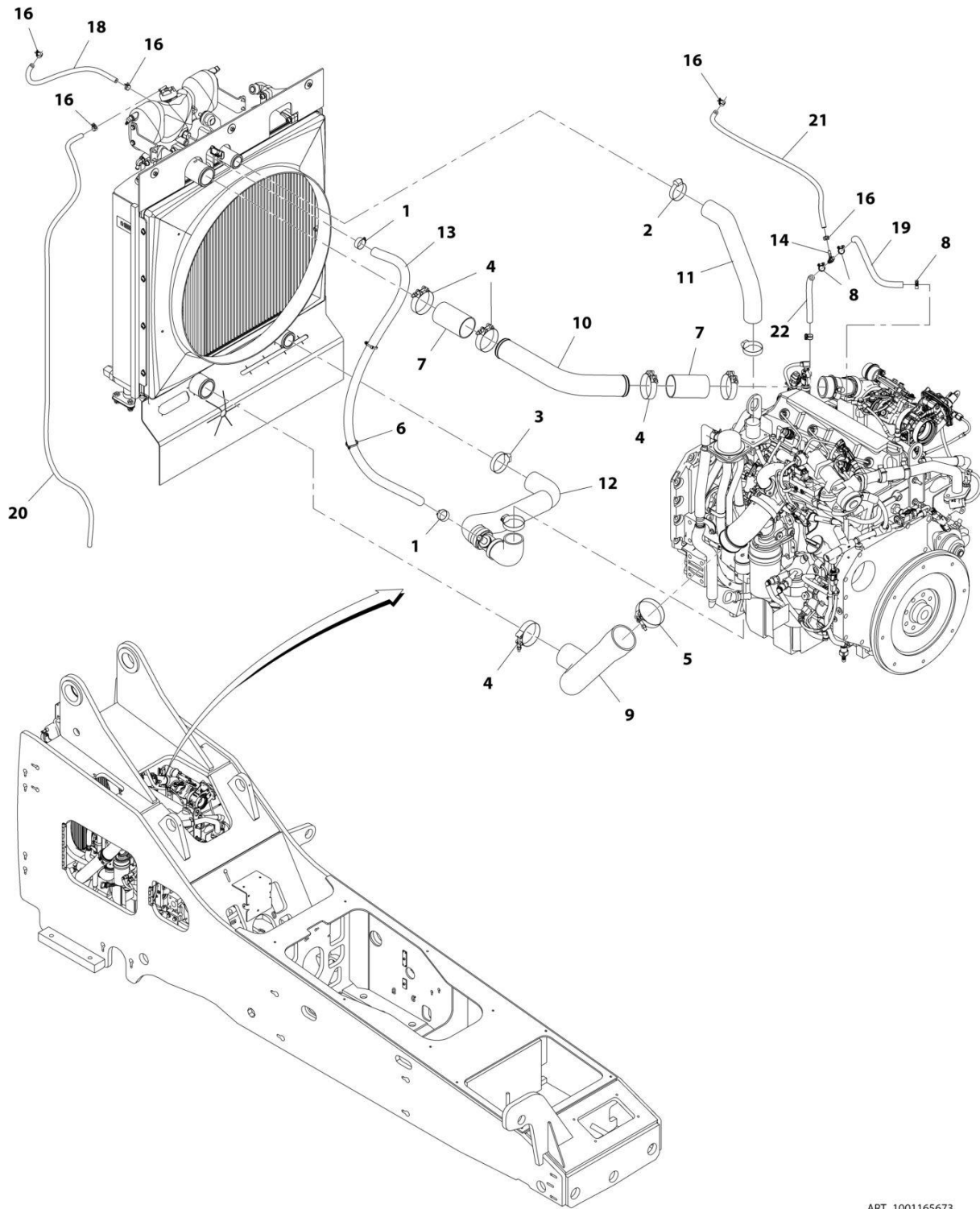
## SECTION 4 - ENGINE AND ATTACHING PARTS

**FIGURE 4-19. FUEL LINES INSTALLATION - 110HP (LS)**

ITEM	PART NUMBER	QTY	DESCRIPTION	REV
	1001186490	Ref	Fuel Plumbing Installation (if equipped for LS)	J
1	0641609	4	Bolt, 3/8-16X1-1/8	
2	0641612	2	Bolt, 3/8-16X1-1/2	
3	0760608	3	Bolt, M6X16	
4	2220218	1	Adapter, Straight	
5	3290605	3	Nut, Lock M6X1	
6	4711600	6	Washer, 3/8	
7	8406112	3	Clip, Tube 5/8	
8	1001178776	1	Elbow, 90	
9	1001133534	1	Filter, Fuel	
10	1001136358	1	Sleeve, Abrasion	
11	1001136975	4	Clamp, Fuel Hose	
12	1001175568	2	Clip, Hose	
13	1001190349	1	Bracket, Support	
15	1001190629	1	Adapter, 90	
16	1001190630	1	Valve Shutoff, Female	
17	1001190631	1	Fitting, Hose Barb	
18	4811600	3	Washer, M6	
19	1001190344	1	Bracket	
100	1001190372	1	Hose Kit (Not Shown)	
101	1001190370	1	Hose	
102	1001190371	1	Hose	
103	1001201111	1	Hose	
104	1001171805	1	Hose	

# SECTION 4 - ENGINE AND ATTACHING PARTS

## FIGURE 4-20. COOLING LINES INSTALLATION - 74HP & 110HP (ULS)



ART\_1001165673

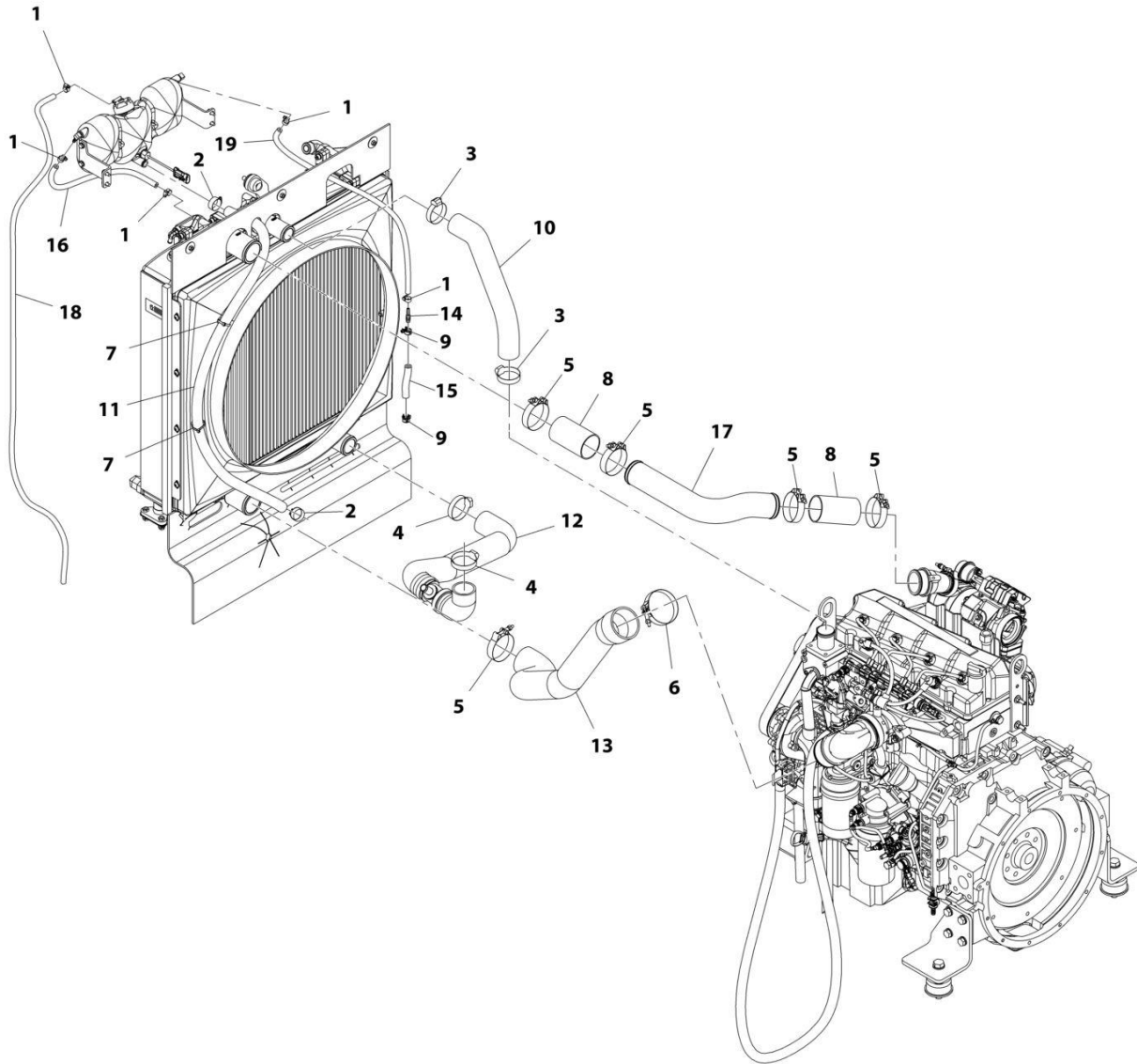
## SECTION 4 - ENGINE AND ATTACHING PARTS

**FIGURE 4-20. COOLING LINES INSTALLATION - 74HP & 110HP (ULS)**

ITEM	PART NUMBER	QTY	DESCRIPTION	REV
	1001165673	Ref	Plumbing Cooling Installation (if equipped for ULS)	1
1	8405007	2	Clamp, Gear 1-1/4	
2	8405104	2	Clamp, Gear 2-1/4	
3	8405201	2	Clamp, Gear 2-1/2	
4	8405212	5	Clamp, T-Bolt	
5	8405305	1	Clamp, T-Bolt	
6	1001004720	2	Strap, Cable	
7	1001114495	2	Hose, CAC Straight	
8	1001136975	4	Clamp, Fuel Hose	
9	1001201983	1	Hose, CAC Outlet	
10	1001169271	1	Pipe, CAC Inlet	
11	1001169272	1	Hose, Upper Radiator	
12	1001201945	1	Hose, Lower Radiator	
13	1001169274	1	Hose, Draw Down	
14	1001235725	1	Fitting, Union Tee	
16	1001213938	5	Clamp, Fuel Line	
18	1001203969	1	Hose, Vent Line	
19	1001203970	1	Hose, Vent Line	
20	1001204097	1	Hose, Vent Line	
21	1001204098	1	Hose, Vent Line	
22	1001204099	1	Hose, Vent Line	

# SECTION 4 - ENGINE AND ATTACHING PARTS

## FIGURE 4-21. COOLING LINES INSTALLATION - 110HP (LS)



ART\_1001185652-D

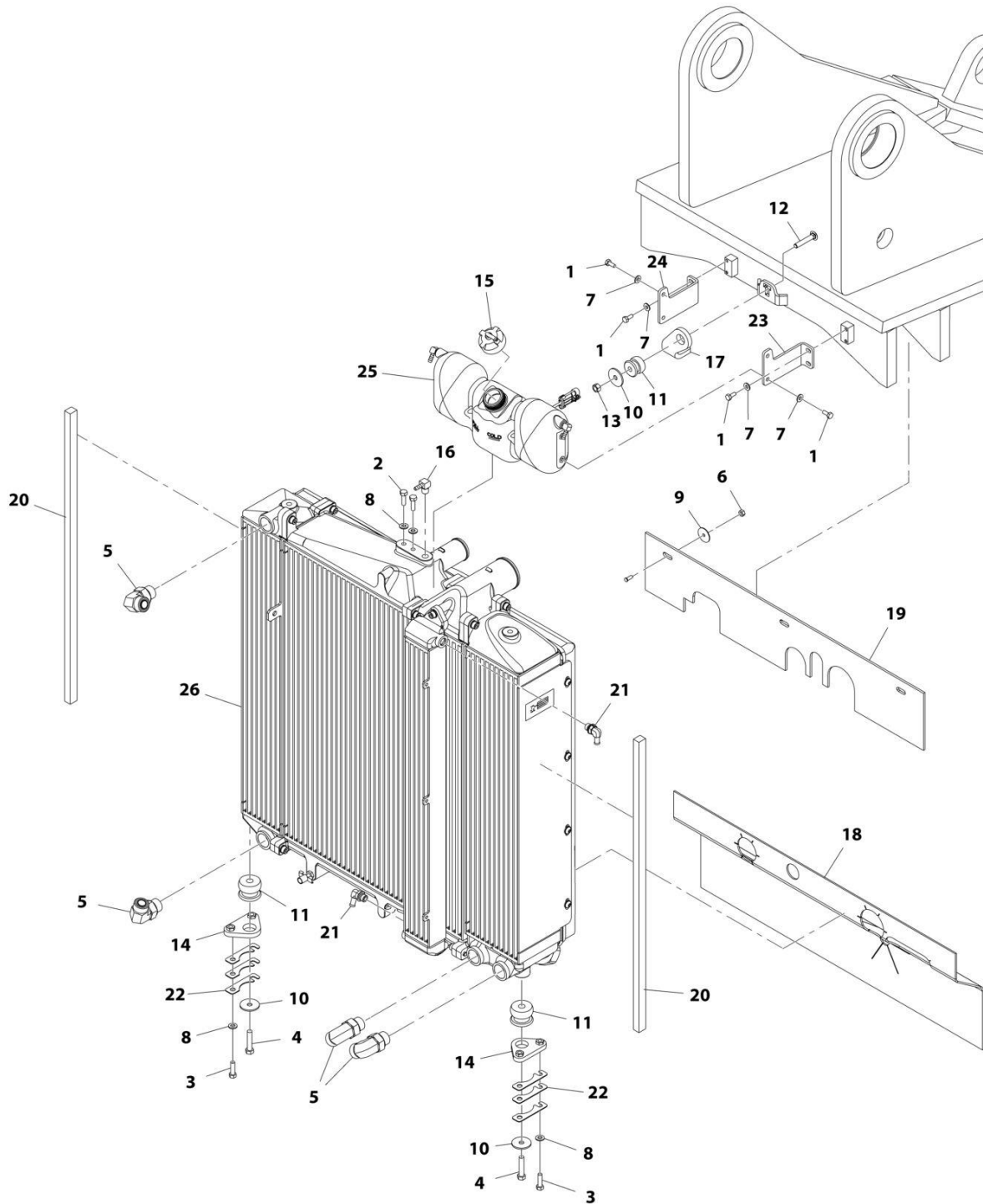
## SECTION 4 - ENGINE AND ATTACHING PARTS

**FIGURE 4-21. COOLING LINES INSTALLATION - 110HP (LS)**

ITEM	PART NUMBER	QTY	DESCRIPTION	REV
	1001185652	Ref	Plumbing Cooling Installation (if equipped for LS)	D
1	1320022	5	Clamp, Fuel Line	
2	8405007	2	Clamp, Gear 1-1/4	
3	8405104	2	Clamp, Gear 2-1/4	
4	8405201	2	Clamp, Gear 2-1/2	
5	8405212	5	Clamp, T-Bolt	
6	8405305	1	Clamp, T-Bolt	
7	1001004720	2	Strap, Cable	
8	1001114495	2	Hose, CAC Straight	
9	1001136975	2	Clamp, Fuel Hose	
10	1001169272	1	Hose, Upper Radiator	
11	1001169274	1	Hose, Draw Down	
12	1001201945	1	Hose, Lower Radiator	
13	1001189318	1	Hose, CAC Outlet	
14	1001189602	1	Fitting, Union Tee	
15	1001189712	1	Hose, Vent Line 3/8	
16	1001203969	1	Hose, Vent 1/4	
17	1001189715	1	Pipe, CAC Inlet	
18	1001204097	1	Hose, Vent 1/4	
19	1001204098	1	Hose, Vent 1/4	

# SECTION 4 - ENGINE AND ATTACHING PARTS

## FIGURE 4-22. COOLING INSTALLATION - 74HP (ULS)



ART\_1001196737-E

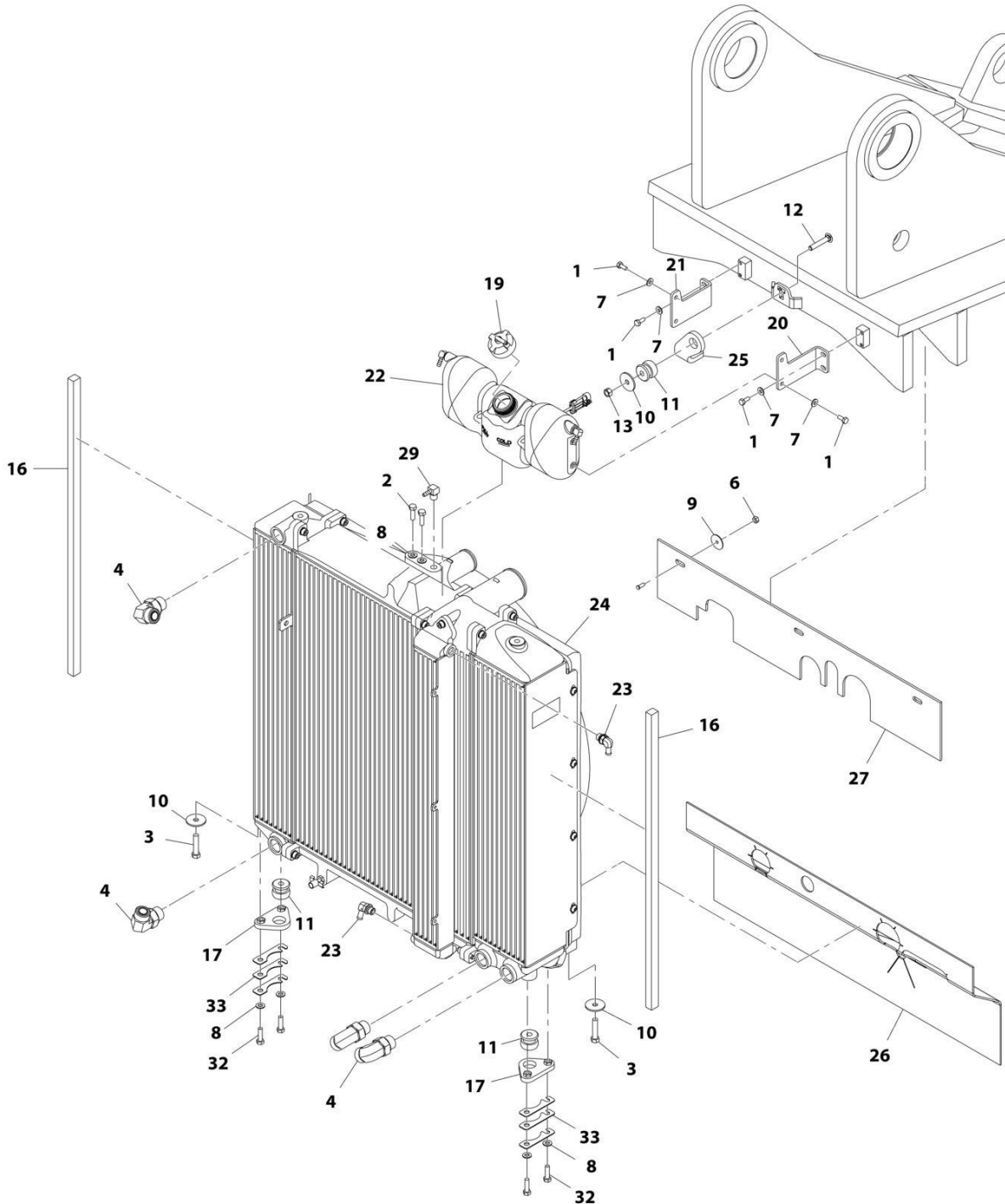
## SECTION 4 - ENGINE AND ATTACHING PARTS

**FIGURE 4-22. COOLING INSTALLATION - 74HP (ULS)**

ITEM	PART NUMBER	QTY	DESCRIPTION	REV
	1001196737	Ref	Cooling Installation, 74HP	E
1	0641405	8	Bolt, 1/4-20X5/8	
2	0641508	2	Bolt, 5/16-18X1	
3	0641509	4	Bolt, 5/16-18X1-1/8	
4	0641614	2	Bolt, 3/8-16X1-3/4	
5	2131212	4	Adapter, 90	
6	3311401	3	Nut, 1/4-20	
7	4711400	8	Washer, 1/4	
8	4711500	6	Washer, 5/16	
9	4740362	3	Washer, Fender, 1/4	
10	7057141	3	Washer, Flat	
11	8278020	3	Mount, Rubber Isolator	
12	8310281	1	Bolt, Carriage 3/8-16X2-1/4	
13	8305008	1	Nut, 3/8-16	
14	1001120869	2	Bracket, Cooler Mount Lower	
15	1001128341	1	Cap, Deaeration Tank	
16	1001134488	1	Fitting, Barbed 90	
17	1001169059	1	Mount, Cooler Bracket	
18	1001170117	1	Panel, Air Dam	
19	1001170186	1	Panel, Air Dam Upper	
20	1001178582	2	Seal, Foam Gasket	
21	1001178776	2	Fitting, Hose Barb 90	
22	1001179845	6	Shim	
23	1001181584	1	Bracket, LH Tank	
24	1001181585	1	Bracket, RH Tank	
25	1001182255	1	Assembly, Deaeration Tank (See Separate Breakdown in this Section)	
26	1001197475	1	Assembly, Radiator (See Separate Breakdown in this Section)	

# SECTION 4 - ENGINE AND ATTACHING PARTS

## FIGURE 4-23. COOLING INSTALLATION - 110HP (ULS & LS)



ART\_1001165670-K



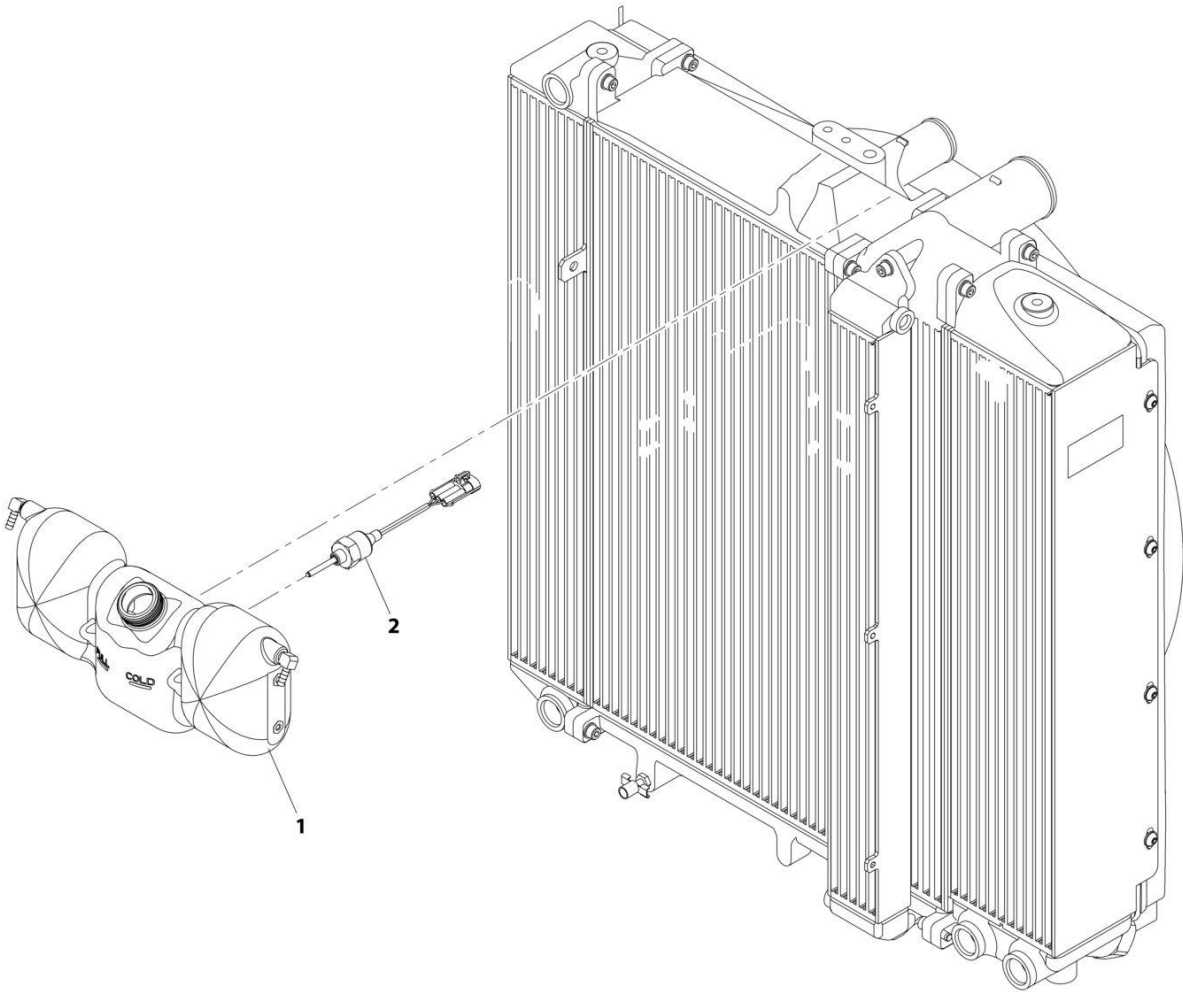
## SECTION 4 - ENGINE AND ATTACHING PARTS

**FIGURE 4-23. COOLING INSTALLATION - 110HP (ULS & LS)**

ITEM	PART NUMBER	QTY	DESCRIPTION	REV
	1001165670	Ref	Cooling Installation, 85HP	K
1	0641405	8	Bolt, 1/4-20X5/8	
2	0641508	2	Bolt, 5/16-18X1	
3	0641614	2	Bolt, 3/8-16X1-3/4	
4	2131212	4	Adapter, 90	
6	3311401	3	Nut, 1/4-20	
7	4711400	8	Washer, 1/4	
8	4711500	6	Washer, 5/16	
9	4740362	3	Washer, Fender 1/4	
10	7057141	3	Washer, Flat	
11	8278020	3	Mount, Rubber Isolator	
12	8310281	1	Bolt, Carriage 3/8-16X2-1/4	
13	8305008	1	Nut, 3/8-16	
16	1001178582	2	Seal, Foam Gasket	
17	1001120869	2	Bracket, Cooler Mount Lower	
19	1001128341	1	Cap, Deaeration Tank	
20	1001181584	1	Bracket, LH Tank	
21	1001181585	1	Bracket, RH Tank	
22	1001182255	1	Assembly, Deaeration Tank (See Separate Breakdown in this Section)	
23	1001178776	2	Fitting, Hose Barb 90	
24	1001168478	1	Assembly, Radiator (See Separate Breakdown in this Section)	
25	1001169059	1	Mount, Cooler Bracket	
26	1001170117	1	Panel, Air Dam	
27	1001170186	1	Panel, Air Dam Upper	
29	1001134488	1	Fitting, Barbed 90	
32	0641509	4	Bolt, 5/16-18X1-1/8	
33	1001179845	6	Shim	

# SECTION 4 - ENGINE AND ATTACHING PARTS

FIGURE 4-24. DE-AERATION TANK ASSEMBLY - 74HP & 110HP (ULS)



ART\_1001182255-K

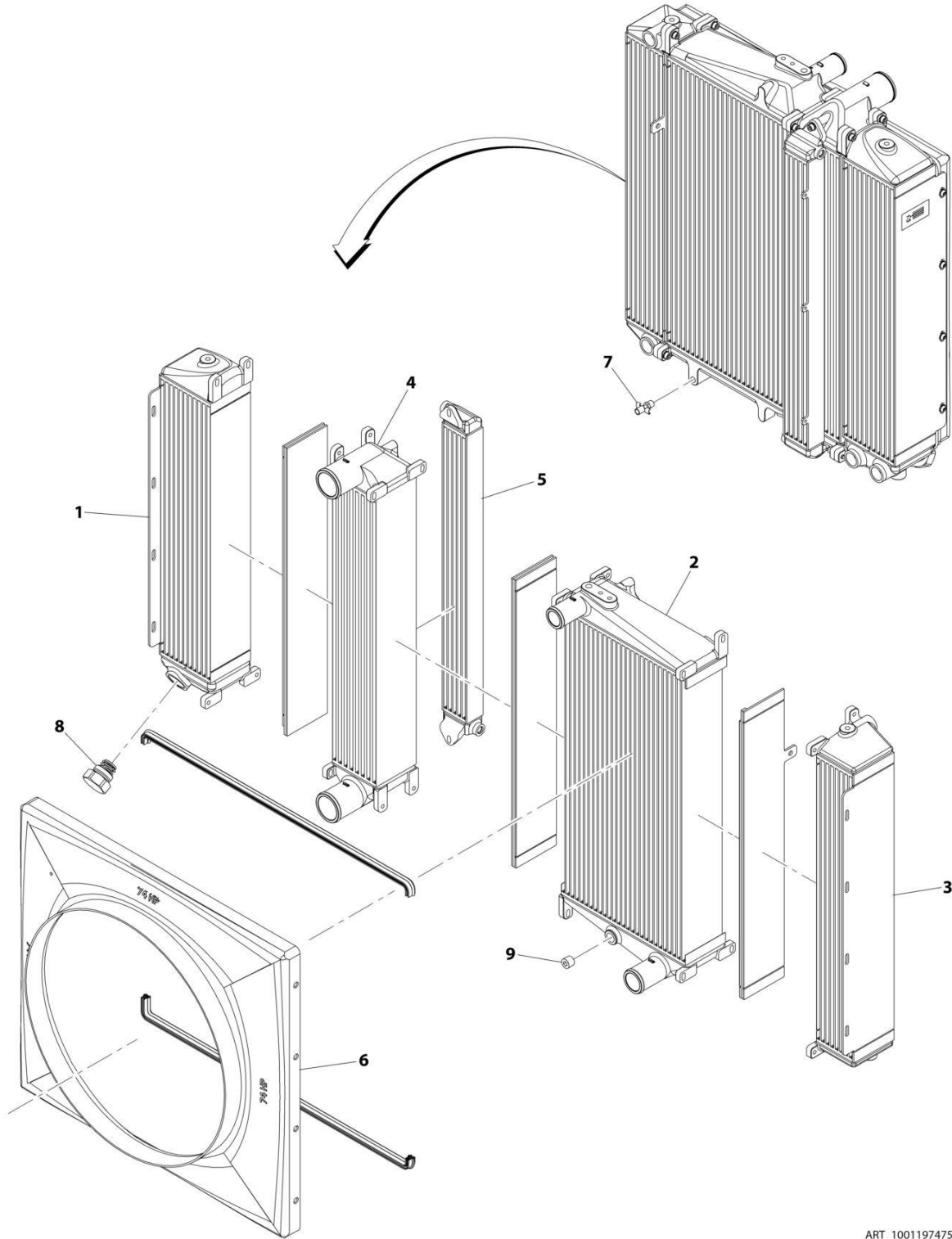
## SECTION 4 - ENGINE AND ATTACHING PARTS

FIGURE 4-24. DE-AERATION TANK ASSEMBLY - 74HP & 110HP (ULS)

ITEM	PART NUMBER	QTY	DESCRIPTION	REV
	1001182255	Ref	Deaeration Tank Assembly	K
1	1001153912	1	Tank, Deaeration	
2	1001245478	1	Sensor, Coolant Level	

# SECTION 4 - ENGINE AND ATTACHING PARTS

## FIGURE 4-25. RADIATOR ASSEMBLY - 74HP (ULS)



ART\_1001197475-D

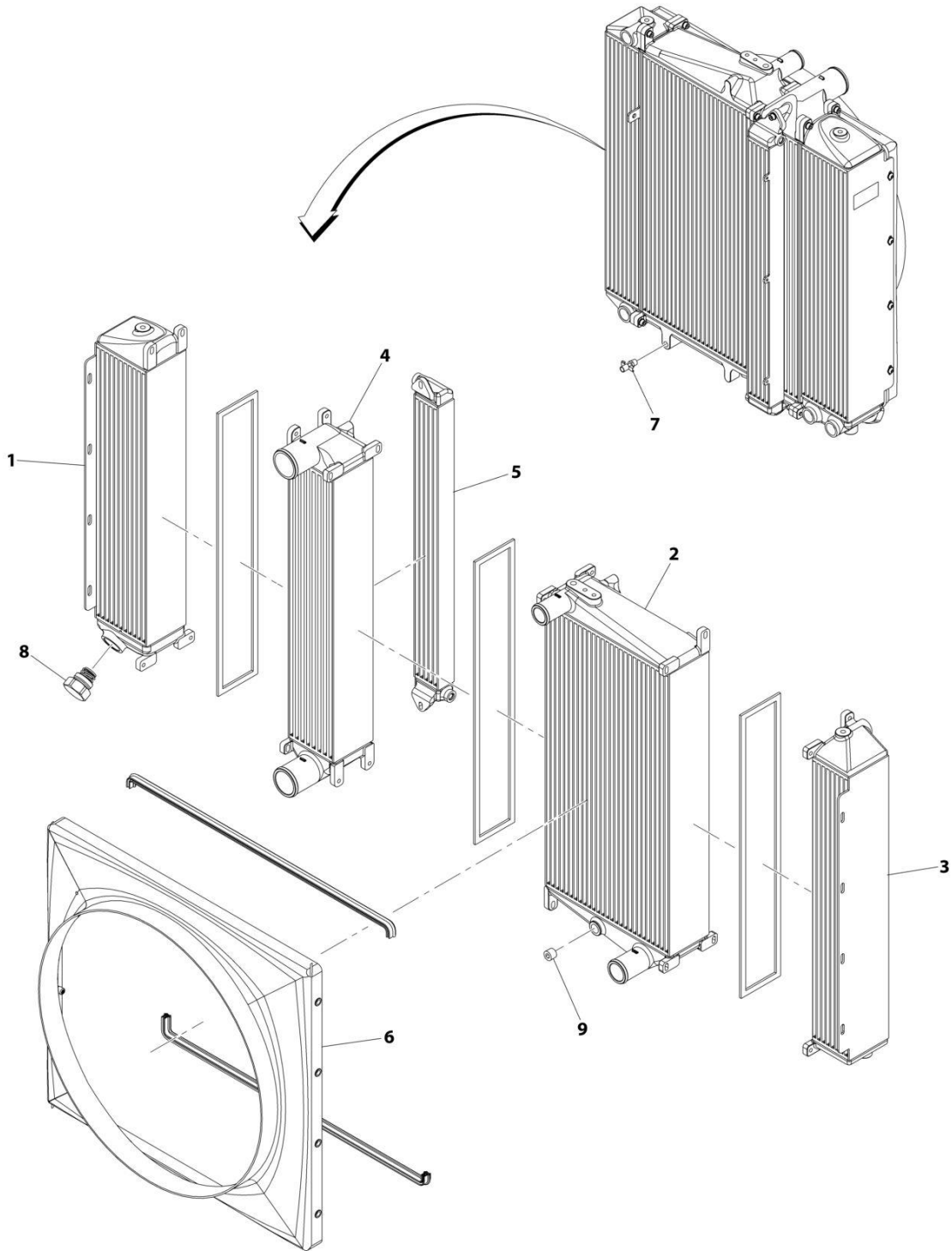
## SECTION 4 - ENGINE AND ATTACHING PARTS

FIGURE 4-25. RADIATOR ASSEMBLY - 74HP (ULS)

ITEM	PART NUMBER	QTY	DESCRIPTION	REV
	1001197475	Ref	Radiator Assembly (74HP)	D
1	70026075	1	Transmission Oil Cooler	
2	70026076	1	Radiator	
3	70026077	1	Hydraulic Oil Cooler	
4	70026078	1	Charge Air Cooler	
5	70026079	1	Fuel Cooler	
6	70027094	1	Fan Shroud	
7	70026081	1	Petcock	
8	70026082	1	Valve, Bypass	
9	70026083	1	Plug, Hex	

# SECTION 4 - ENGINE AND ATTACHING PARTS

FIGURE 4-26. RADIATOR ASSEMBLY - 110HP (ULS & LS)



ART\_1001168478

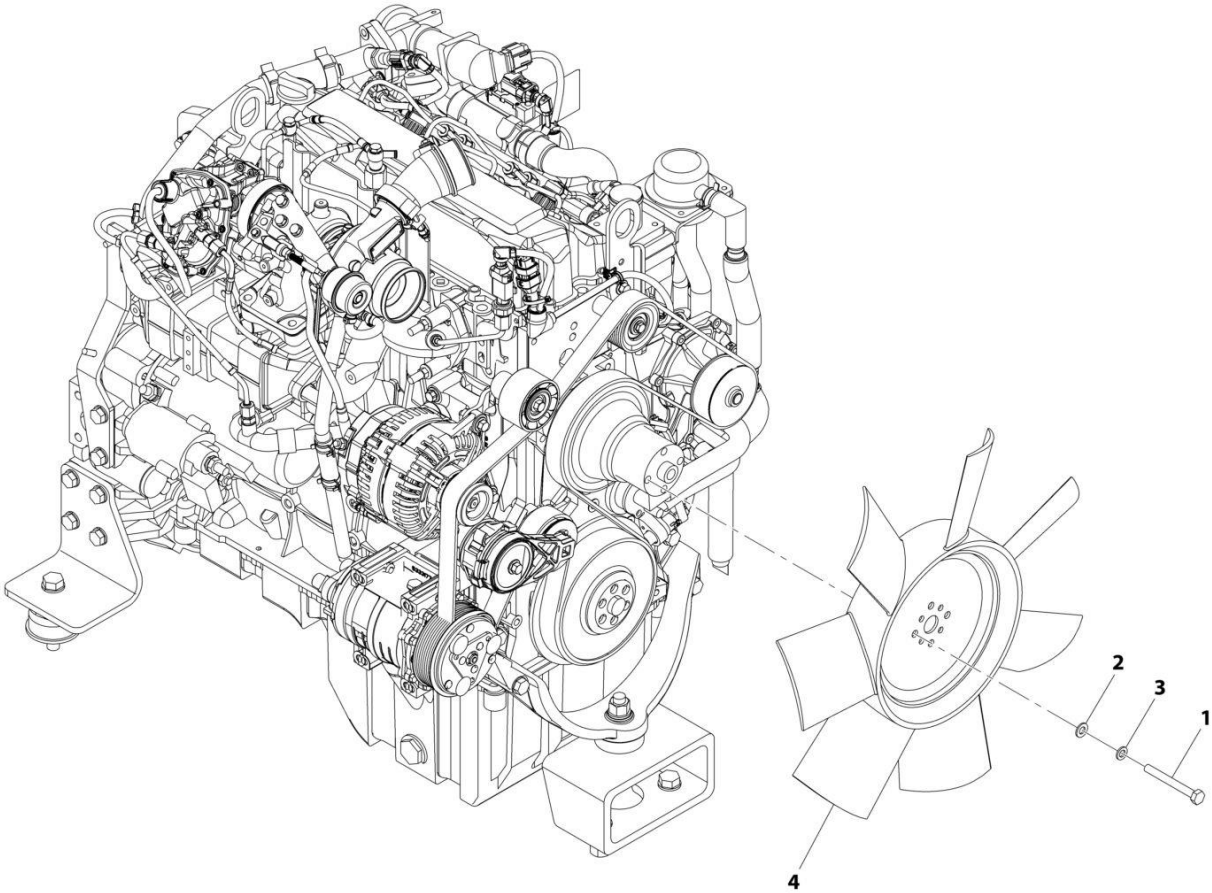
## SECTION 4 - ENGINE AND ATTACHING PARTS

FIGURE 4-26. RADIATOR ASSEMBLY - 110HP (ULS & LS)

ITEM	PART NUMBER	QTY	DESCRIPTION	REV
	1001168478	Ref	Radiator Assembly	F
1	70026075	1	Transmission Oil Cooler	
2	70026076	1	Radiator	
3	70026077	1	Hydraulic Oil Cooler	
4	70026078	1	Charge Air Cooler	
5	70026079	1	Fuel Cooler	
6	70026080	1	Shroud, Fan	
7	70026081	1	Petcock	
8	70026082	1	Valve, Bypass	
9	70026083	1	Plug, Hex	

**SECTION 4 - ENGINE AND ATTACHING PARTS**

**FIGURE 4-27. FAN INSTALLATION - 74HP (ULS)**



ART\_1001196736-C



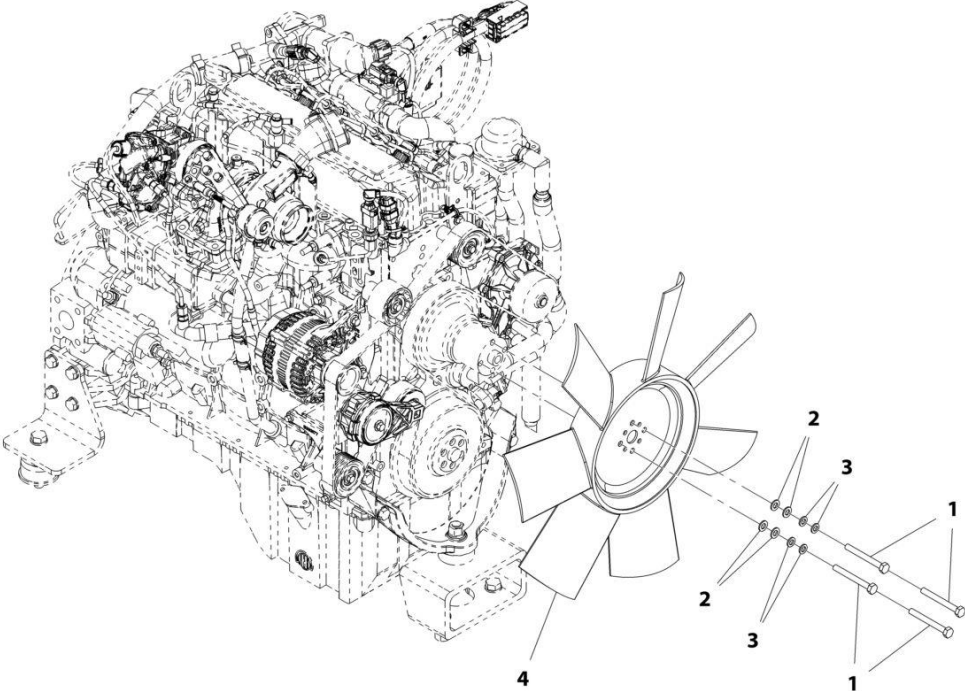
## SECTION 4 - ENGINE AND ATTACHING PARTS

FIGURE 4-27. FAN INSTALLATION - 74HP (ULS)

ITEM	PART NUMBER	QTY	DESCRIPTION	REV
	1001196736	Ref	Fan Installation, 74HP	C
1	0701026	4	Bolt, M10X90	
2	4812000	4	Washer, M10	
3	4832000	4	Washer, Lock M10	
4	1001210351	1	Fan	

**SECTION 4 - ENGINE AND ATTACHING PARTS**

**FIGURE 4-28. FAN INSTALLATION - 110HP (ULS & LS)**



ART\_1001165668-B

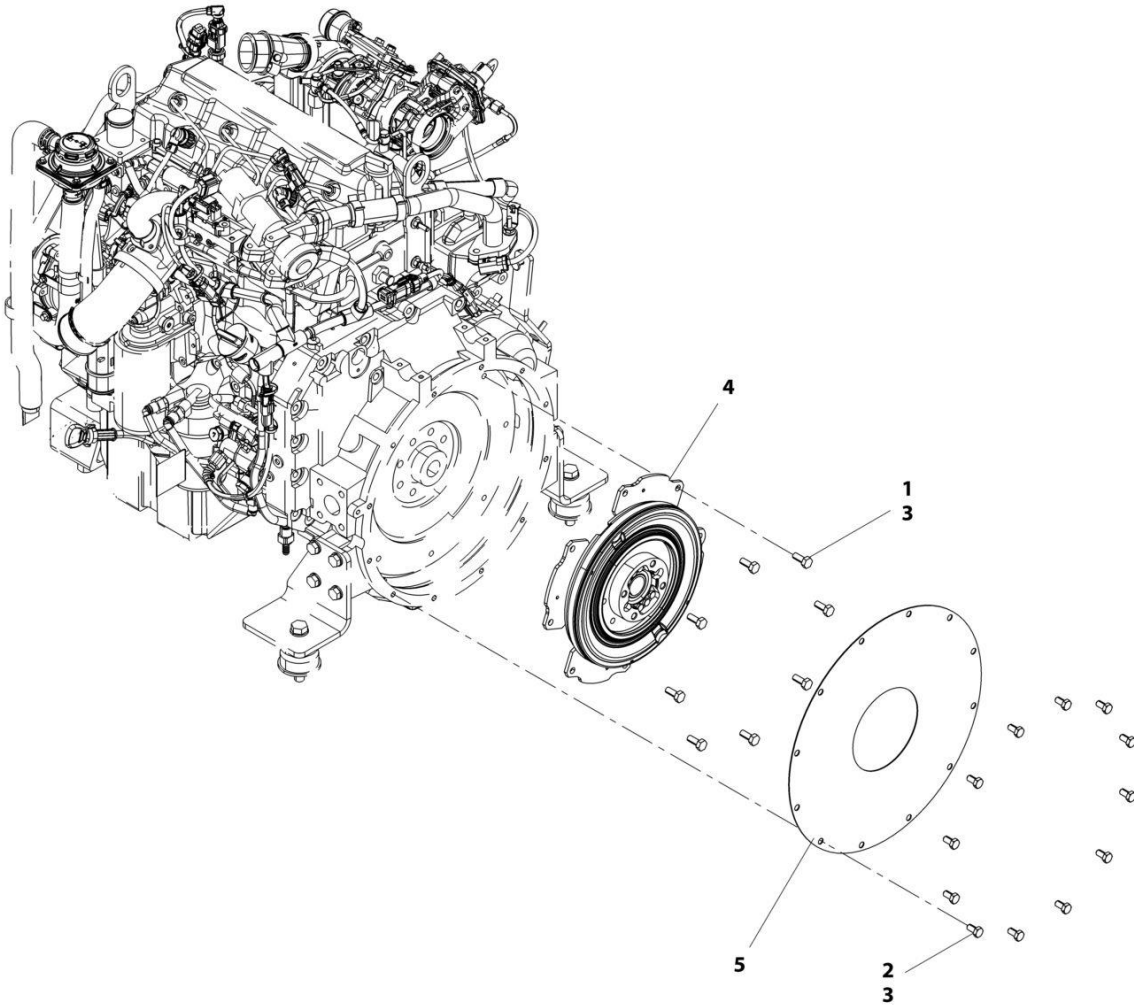
## SECTION 4 - ENGINE AND ATTACHING PARTS

FIGURE 4-28. FAN INSTALLATION - 110HP (ULS & LS)

ITEM	PART NUMBER	QTY	DESCRIPTION	REV
	1001165668	Ref	Fan Installation, 85HP	B
1	0701026	4	Bolt, M10X90	
2	4812000	4	Washer, M10	
3	4832000	4	Washer, Lock M10	
4	1001174822	1	Fan	

# SECTION 4 - ENGINE AND ATTACHING PARTS

FIGURE 4-29. ISOLATION COUPLER INSTALLATION - 74HP & 110HP (ULS & LS)



ART\_1001166229\_B

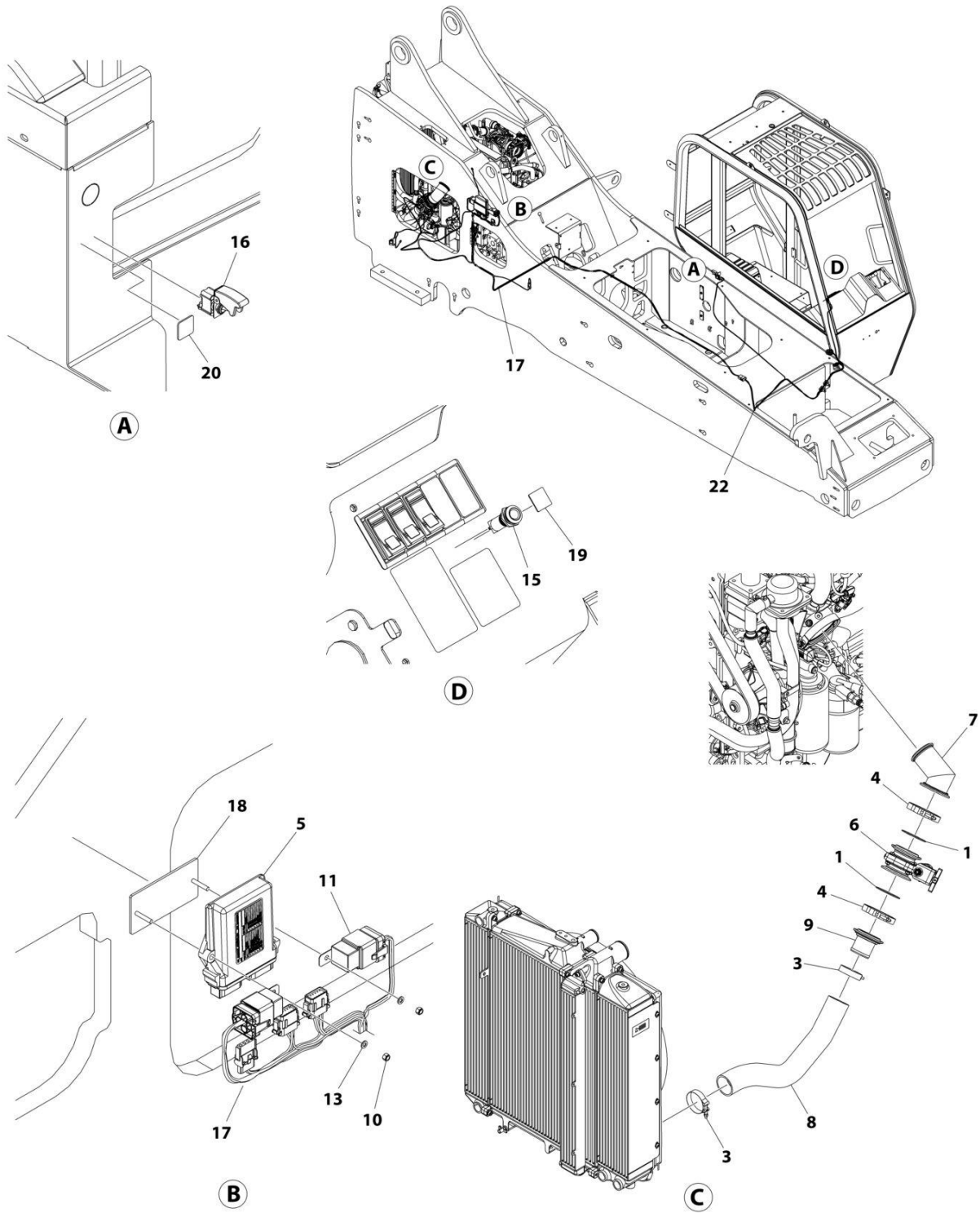
## SECTION 4 - ENGINE AND ATTACHING PARTS

FIGURE 4-29. ISOLATION COUPLER INSTALLATION - 74HP & 110HP (ULS & LS)

ITEM	PART NUMBER	QTY	DESCRIPTION	REV
	1001166229	Ref	Isolation Coupler Installation	B
1	0761012	8	Bolt, M10X25	
2	8303784	12	Bolt, M10X20	
3	8526007	AR	Compound, Locking	
4	1001180244	1	Coupling, Torsion Damper	
5	1001185071	1	Panel, Isolation Coupler	

# SECTION 4 - ENGINE AND ATTACHING PARTS

## FIGURE 4-30. AIR INTAKE SHUT OFF VALVE INSTALLATION



ART\_1001202304\_F

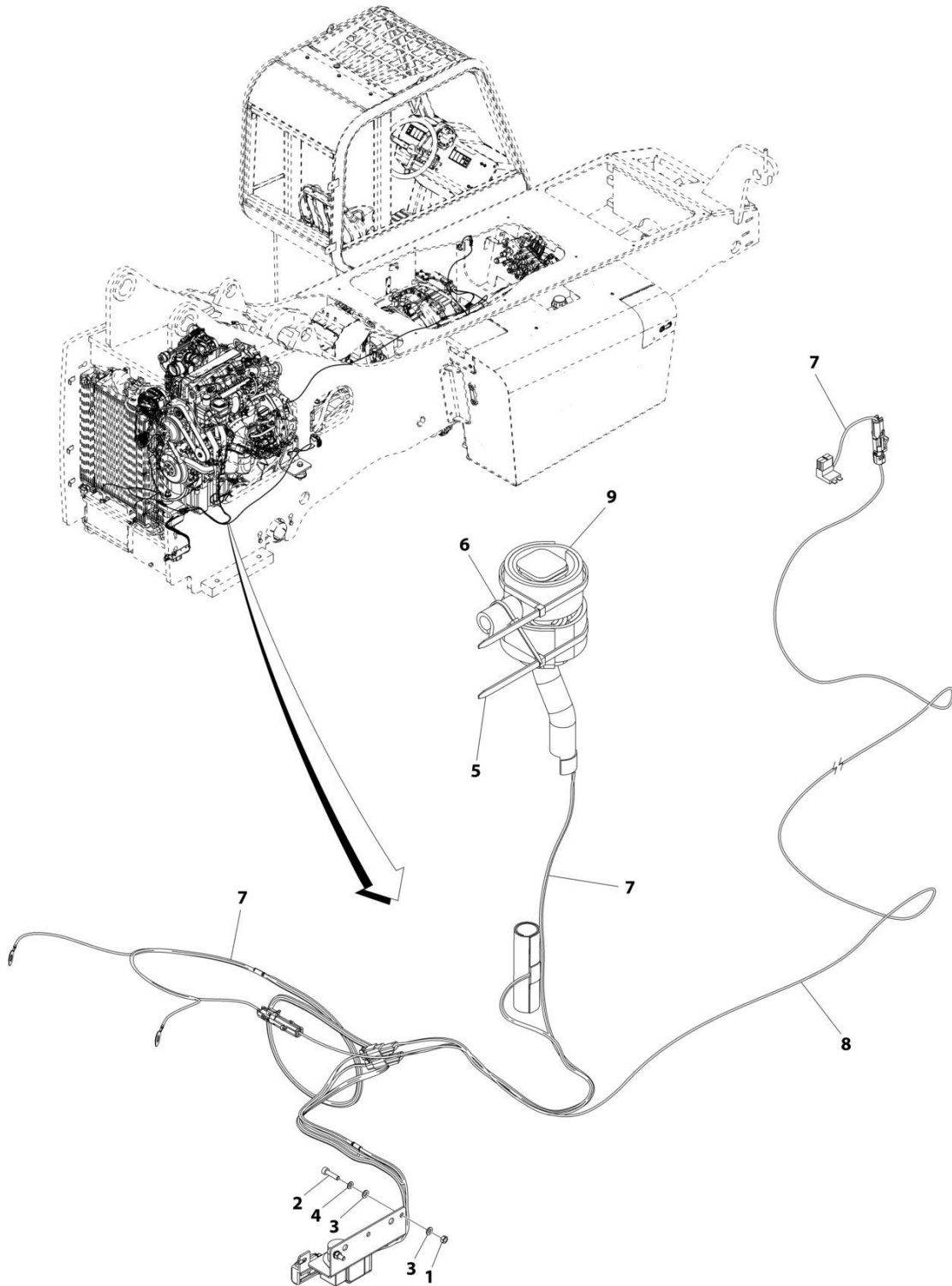
## SECTION 4 - ENGINE AND ATTACHING PARTS

**FIGURE 4-30. AIR INTAKE SHUT OFF VALVE INSTALLATION**

ITEM	PART NUMBER	QTY	DESCRIPTION	REV
	1001202304	Ref	Air Intake Shut Off Valve Installation	F
1	3790152	2	Ring	
3	8405212	2	Clamp	
4	1001202247	2	Clamp	
5	1001203181	1	Accessory, Control	
6	1001204032	1	Valve, Air Shut Off (See Separate Breakdown in HYDRAULIC COMPONENTS Section)	
7	1001206956	1	Pipe	
8	1001206983	1	Hose	
9	1001206985	1	Adapter	
10	3290505	2	Nut M5 Grade 8	
11	3740080	2	Relay	
13	4811600	2	Washer, M5	
14	91053419	AR	Strap, Cable (not shown)	
15	1001239539	1	Lamp	
16	1001215941	1	Switch	
17	1001216455	1	Harness, POSI Air Shut Off Valve T4F (See Separate Breakdown in ELECTRICAL Section)	
18	1001219082	1	Bracket	
19	1001227077	1	Decal, Air Shut Off	
20	1001227964	1	Decal, ASOV Test	
22	1001231560	1	Harness, POSI Air Shut Off Valve Cab (See Separate Breakdown in ELECTRICAL Section)	

# SECTION 4 - ENGINE AND ATTACHING PARTS

## FIGURE 4-31. BREATHER HEATER INSTALLATION - 74HP



ART\_1001232750-A



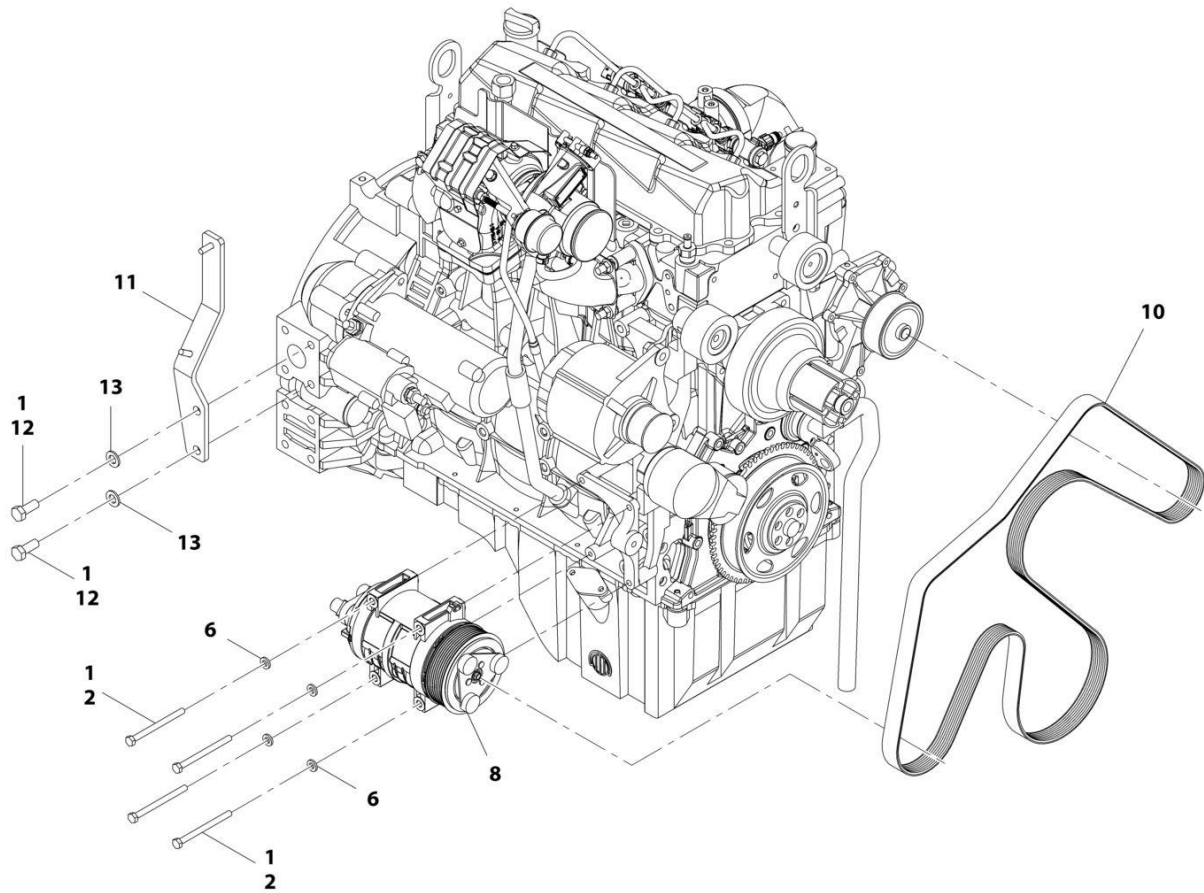
## SECTION 4 - ENGINE AND ATTACHING PARTS

FIGURE 4-31. BREATHER HEATER INSTALLATION - 74HP

ITEM	PART NUMBER	QTY	DESCRIPTION	REV
	1001232750	Ref	Heater Breather - 74 HP	A
1	3290501	2	Nut, M5X0.8	
2	4031608	2	Screw, M5X20	
3	4811600	4	Washer, M5	
4	4831600	2	Washer, Lock M5	
5	01043892	2	Strap, Tie	
6	86683122	1	Strap, Tie	
7	1001232439	1	Engine, Cummins Breather Kit	
8	1001232599	1	Harness, Cummins Breather Heater	
9	1001232624	1	Insulate, Cummins Insulation	

# SECTION 4 - ENGINE AND ATTACHING PARTS

## FIGURE 4-32. A/C COMPONENTS INSTALLATION - 74HP



ART\_1001190295-B

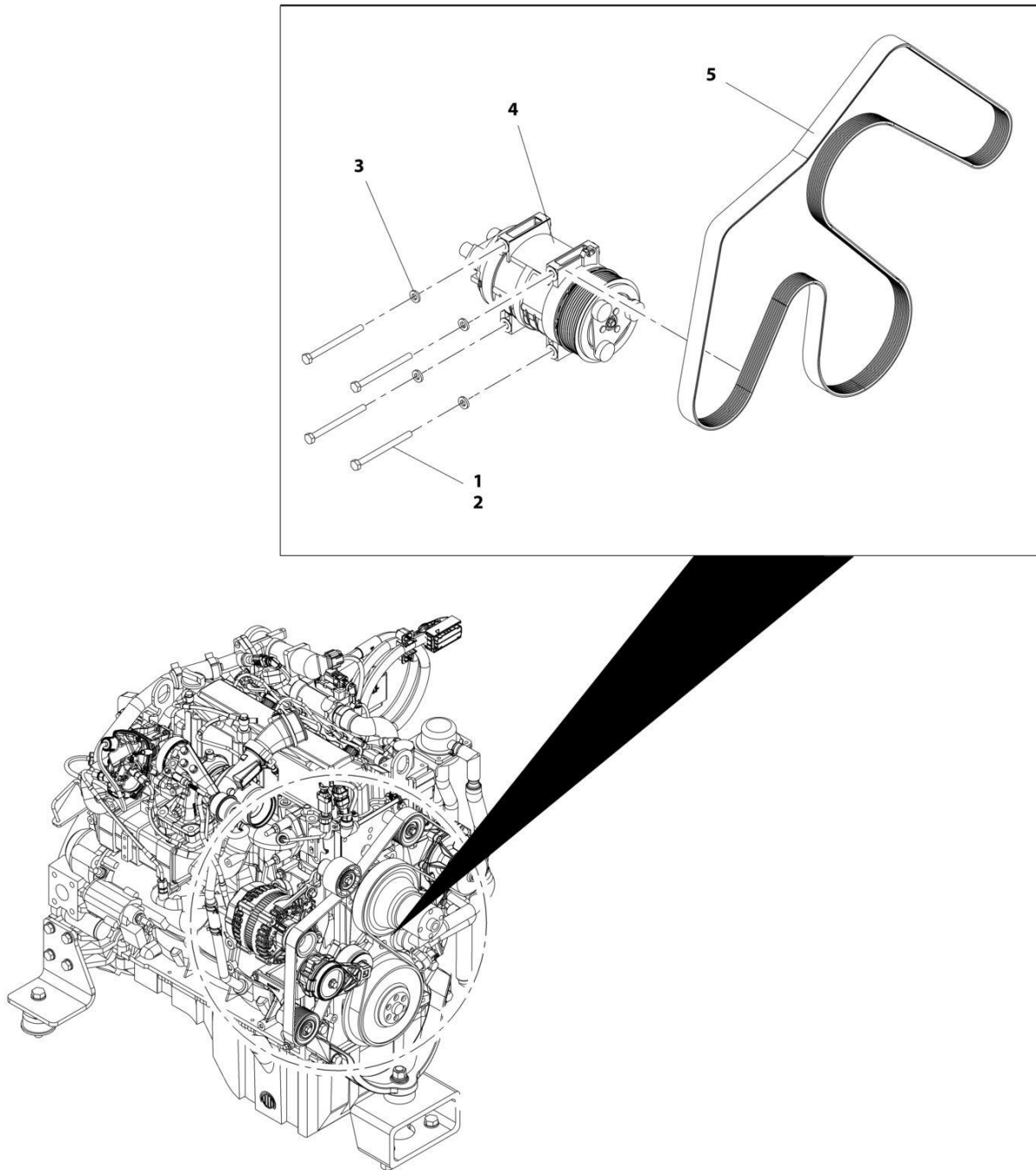
## SECTION 4 - ENGINE AND ATTACHING PARTS

FIGURE 4-32. A/C COMPONENTS INSTALLATION - 74HP

ITEM	PART NUMBER	QTY	DESCRIPTION	REV
	1001190295	Ref	A/C Components Installation (if equipped for LS)	B
1	0100011	AR	Compound, Locking	
2	0700827	4	Bolt, M8X100	
6	5240800	4	Washer, M8	
8	1001157663	1	Compressor, A/C	
10	1001167357	1	Belt	
11	1001197233	1	Bracket, AC Hose Support	
12	0711214	2	Bolt, M12X30	
13	4812100	2	Washer, M12	

# SECTION 4 - ENGINE AND ATTACHING PARTS

FIGURE 4-33. A/C COMPONENTS INSTALLATION - 110HP



ART\_1001166008\_A

## SECTION 4 - ENGINE AND ATTACHING PARTS

FIGURE 4-33. A/C COMPONENTS INSTALLATION - 110HP

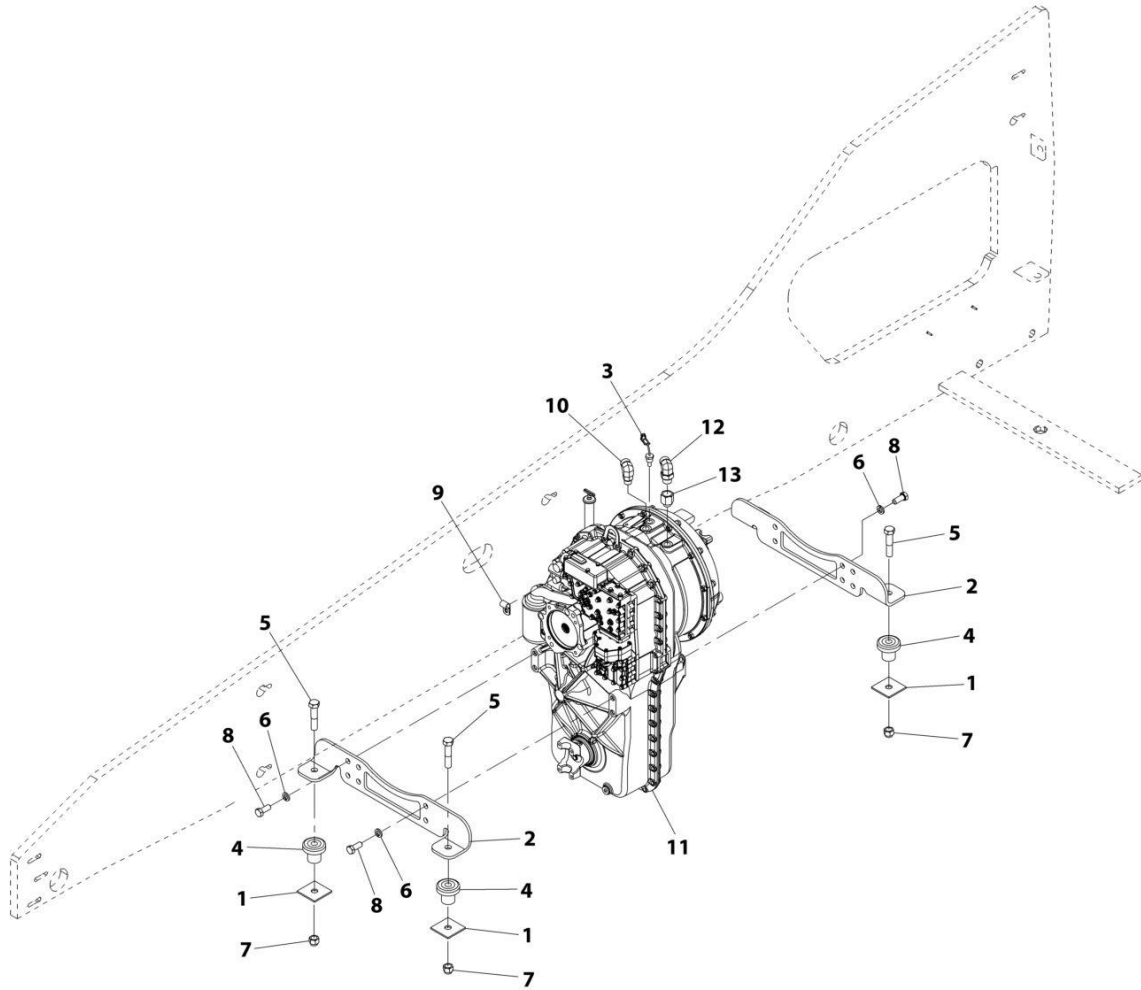
ITEM	PART NUMBER	QTY	DESCRIPTION	REV
	1001166008	Ref	A/C Components Installation	A
1	0100011	AR	Compound, Locking	
2	0700827	4	Bolt, M8X100	
3	5240800	4	Washer, M8	
4	1001157663	1	Compressor, A/C	
5	1001167357	1	Belt	



**SECTION 5 - DRIVE TRAIN**

# SECTION 5 - DRIVE TRAIN

## FIGURE 5-1. TRANSMISSION INSTALLATION



ART\_1001108524-B



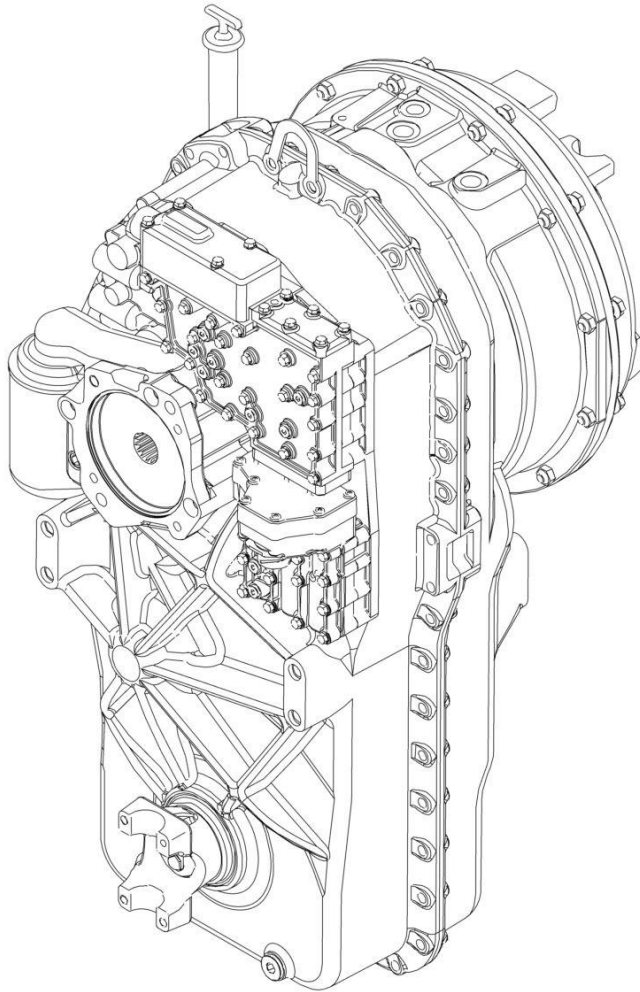
## SECTION 5 - DRIVE TRAIN

**FIGURE 5-1. TRANSMISSION INSTALLATION**

ITEM	PART NUMBER	QTY	DESCRIPTION	REV
	1001108524	Ref	Transmission Installation	B
1	7054351	4	Washer, Rebound	
2	7138634	2	Bracket, Transmission Mount	
3	8223232	1	Switch, Transmission Temperature	
4	91403097	4	Mount, Rubber	
5	8303724	4	Bolt, 3/4-10X3-1/2	
6	8307049	8	Washer, Lock M16	
7	8310067	4	Nut, Lock 3/4-10	
8	8310215	8	Bolt, M16X40	
9	8406105	1	Clip, Tube	
10	2131210	1	Adapter, 90	
11	8841036	1	Transmission, 4-Speed (See Separate Breakdown in this Section)	
12	2131212	1	Adapter, 90	
13	8760548	1	Adapter, Straight	

## SECTION 5 - DRIVE TRAIN

FIGURE 5-2. TRANSMISSION ASSEMBLY



ART\_8841036\_1-C

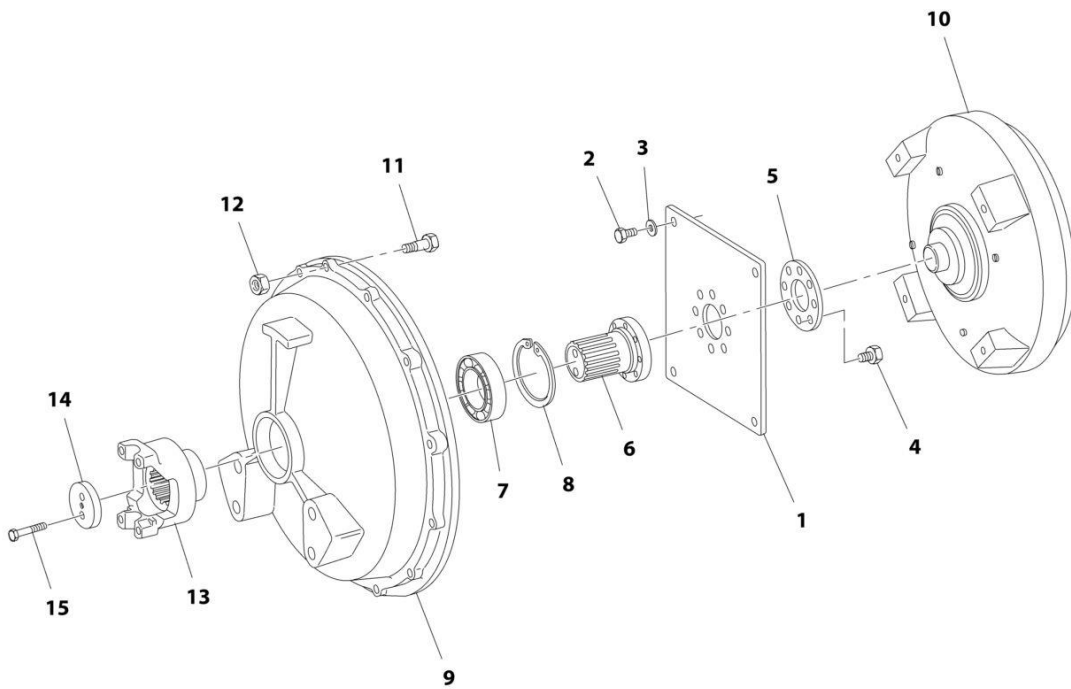
## SECTION 5 - DRIVE TRAIN

**FIGURE 5-2. TRANSMISSION ASSEMBLY**

ITEM	PART NUMBER	QTY	DESCRIPTION	REV
	8841036	Ref	TRANSMISSION ASSEMBLY	C
		Ref	Transmission - Engine Connection and Converter (See Separate Breakdown in this Section)	
		Ref	Transmission - Input Shafts (See Separate Breakdown in this Section)	
		Ref	Transmission - Gearbox Housing (See Separate Breakdown in this Section)	
		Ref	Transmission - Coupling Group 1 (See Separate Breakdown in this Section)	
		Ref	Transmission - Coupling Group 2 (See Separate Breakdown in this Section)	
		Ref	Transmission - Coupling Group 3 (See Separate Breakdown in this Section)	
		Ref	Transmission - Coupling Group 4 (See Separate Breakdown in this Section)	
		Ref	Transmission - Reversing Gear Group 1 (See Separate Breakdown in this Section)	
		Ref	Transmission - Reversing Gear Group 2 (See Separate Breakdown in this Section)	
		Ref	Transmission - Output (See Separate Breakdown in this Section)	
		Ref	Transmission - Control Unit (See Separate Breakdown in this Section)	
		Ref	Transmission - Valve Housing Assembly (See Separate Breakdown in this Section)	
		Ref	Transmission - Valve Block Assembly (See Separate Breakdown in this Section)	
		Ref	Transmission - Oil Pump and Filter (See Separate Breakdown in this Section)	

# SECTION 5 - DRIVE TRAIN

## FIGURE 5-3. TRANSMISSION, ENGINE CONNECTION AND CONVERTER



ART\_8841036\_2-C

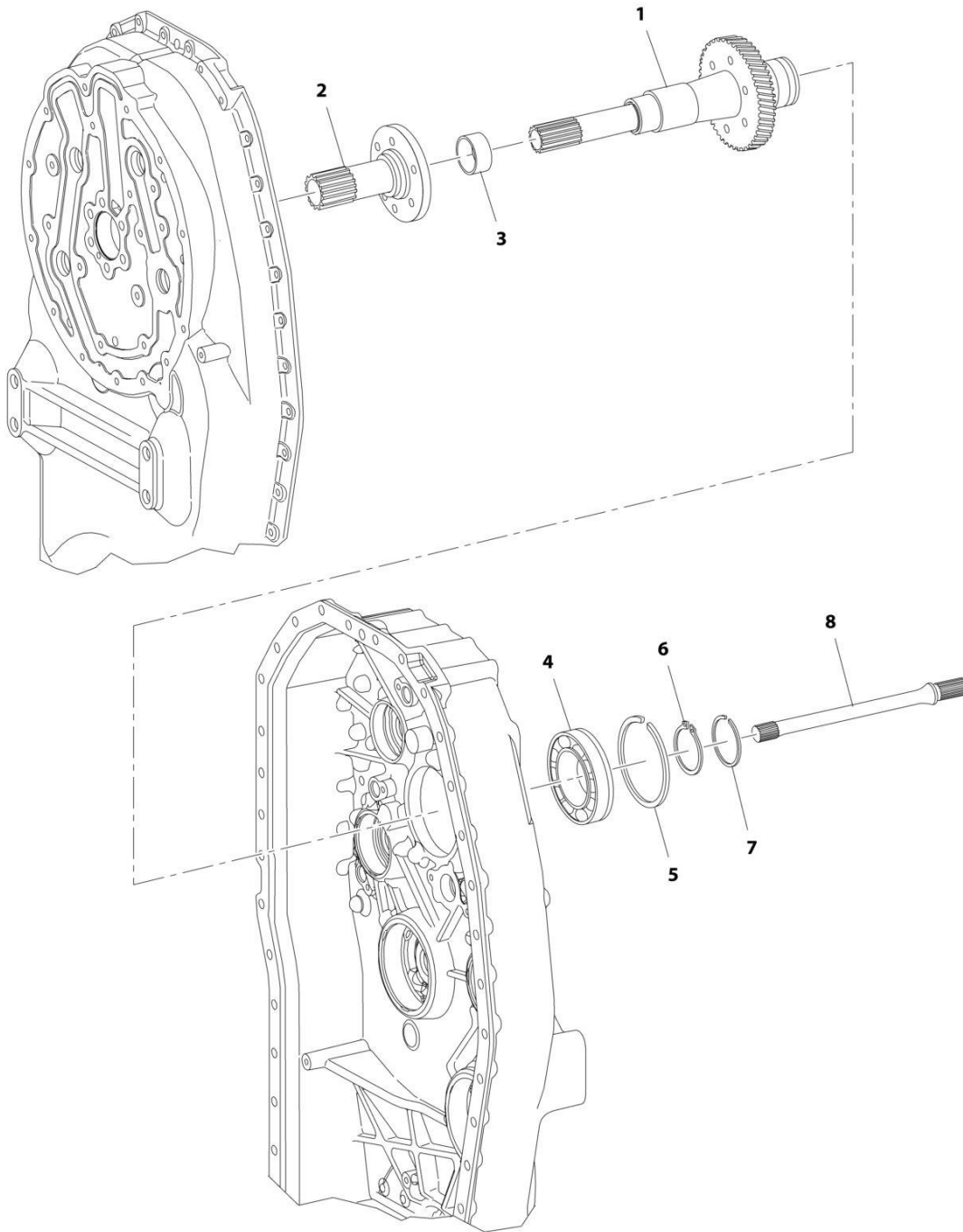
## SECTION 5 - DRIVE TRAIN

**FIGURE 5-3. TRANSMISSION, ENGINE CONNECTION AND CONVERTER**

ITEM	PART NUMBER	QTY	DESCRIPTION	REV
	8841036	Ref	TRANSMISSION - ENGINE CONNECTION AND CONVERTER	
1	1319203	1	Diaphragm	
2	1319204	4	Bolt, M10X18	
3	10732095	4	Washer	
4	10731702	8	Bolt, M10X16	
5	1319213	1	Washer	
6	70023482	1	Shaft, Input	
7	1319209	1	Bearing, Ball	
8	1319210	1	Ring, Retaining	
9	8036021	1	Cover	
10	8036022	1	Converter	
11	10731748	12	Bolt, M10X45	
12	10731751	12	Nut, M10	
13	1319211	1	Yoke, End	
14	1319205	1	Washer	
15	70023483	2	Bolt	

# SECTION 5 - DRIVE TRAIN

## FIGURE 5-4. TRANSMISSION, INPUT SHAFTS



ART\_8841036\_3-C

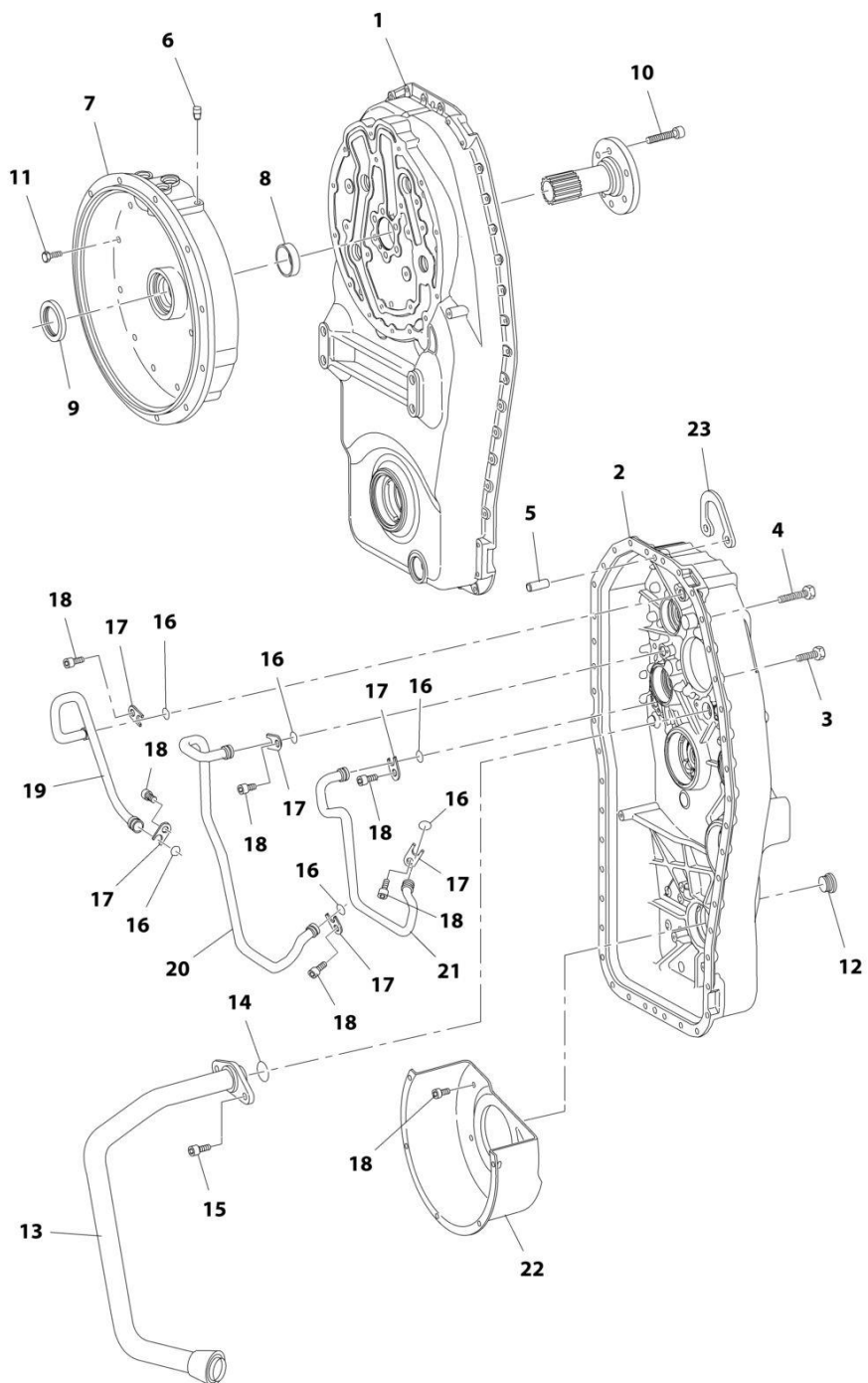
## SECTION 5 - DRIVE TRAIN

### FIGURE 5-4. TRANSMISSION, INPUT SHAFTS

ITEM	PART NUMBER	QTY	DESCRIPTION	REV
	8841036	Ref	TRANSMISSION - INPUT SHAFTS	
1	8036023	1	Shaft, Turbine	
2	1319557	1	Shaft, Stator	
3	1319558	1	Bushing, Bearing	
4	1319563	1	Bearing, Ball	
5	10731913	1	Ring, Snap	
6	80304405	1	Ring, Retaining	
7	1319565	1	Ring, Piston	
8	1319566	1	Shaft, Central	

# SECTION 5 - DRIVE TRAIN

## FIGURE 5-5. TRANSMISSION, GEARBOX HOUSING



ART\_8841036\_4-C



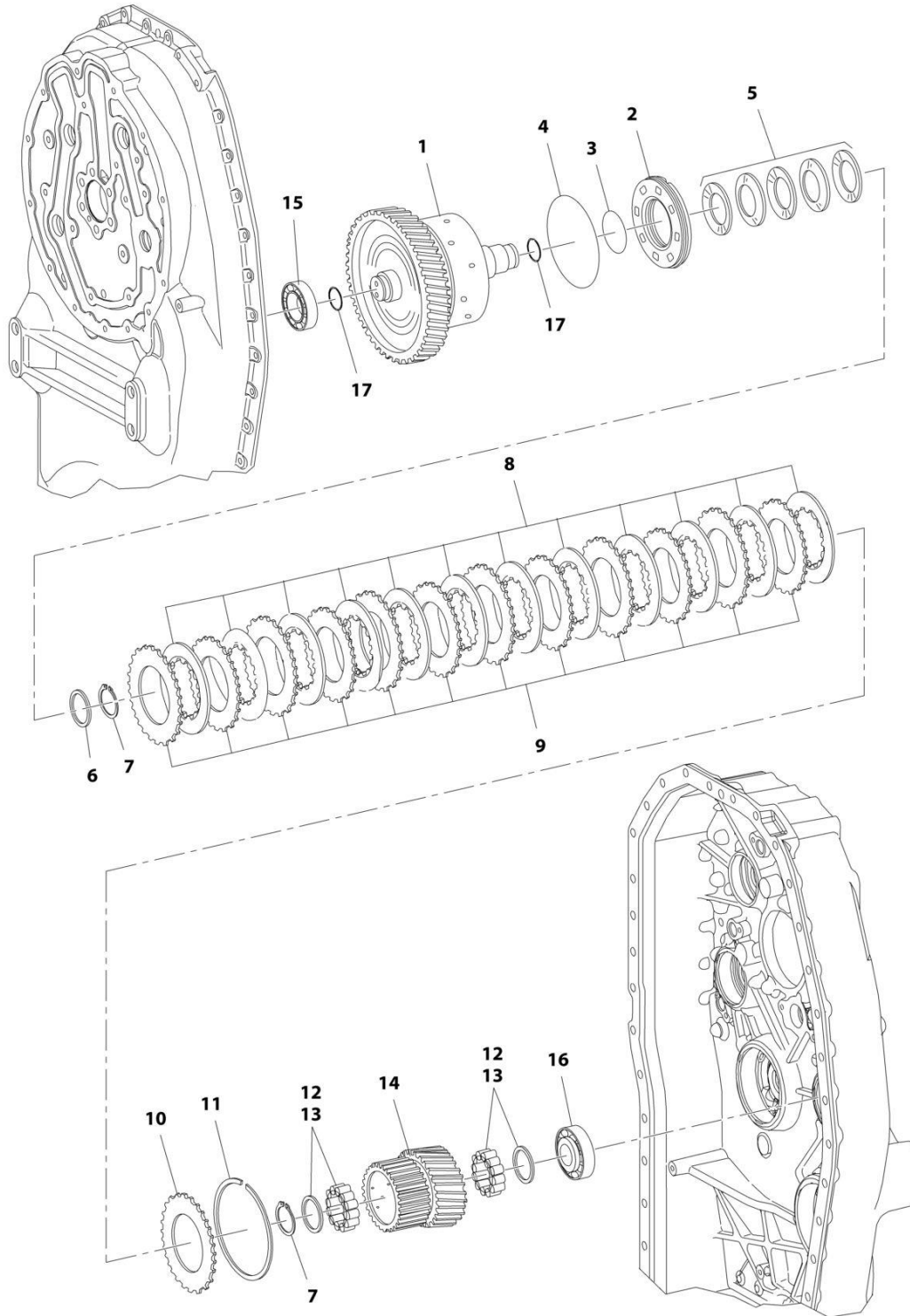
## SECTION 5 - DRIVE TRAIN

**FIGURE 5-5. TRANSMISSION, GEARBOX HOUSING**

ITEM	PART NUMBER	QTY	DESCRIPTION	REV
	8841036	Ref	TRANSMISSION - GEARBOX HOUSING	
1	8036024	1	Housing I	
2	8036025	1	Housing II	
3	1319569	36	Bolt, M10X30	
4	1319570	6	Bolt, M10X50	
5	1319571	2	Pin, Cylindrical M6X24	
6	10731744	1	Breather	
7	1319574	1	Bell, Converter	
8	1319575	1	Bushing, Bearing	
9	1319576	1	Seal, Shaft	
10	1319577	6	Screw, M10X50	
11	1319569	23	Bolt, M10X30	
12	70023404	1	Plug, Screw	
13	8036026	1	Pipe, Oil Suction	
14	70023885	1	O-Ring	
15	1319582	2	Screw, M8X20	
16	1319583	6	O-Ring	
17	1319584	6	Plate, Fixing	
18	1319585	11	Screw, M8X16	
19	1319586	1	Pipe	
20	1319587	1	Pipe	
21	8036027	1	Pipe	
22	8036028	1	Sheet, Screen	
23	1319590	1	Bracket	

# SECTION 5 - DRIVE TRAIN

## FIGURE 5-6. TRANSMISSION, COUPLING GROUP 1



ART\_8841036\_5-C

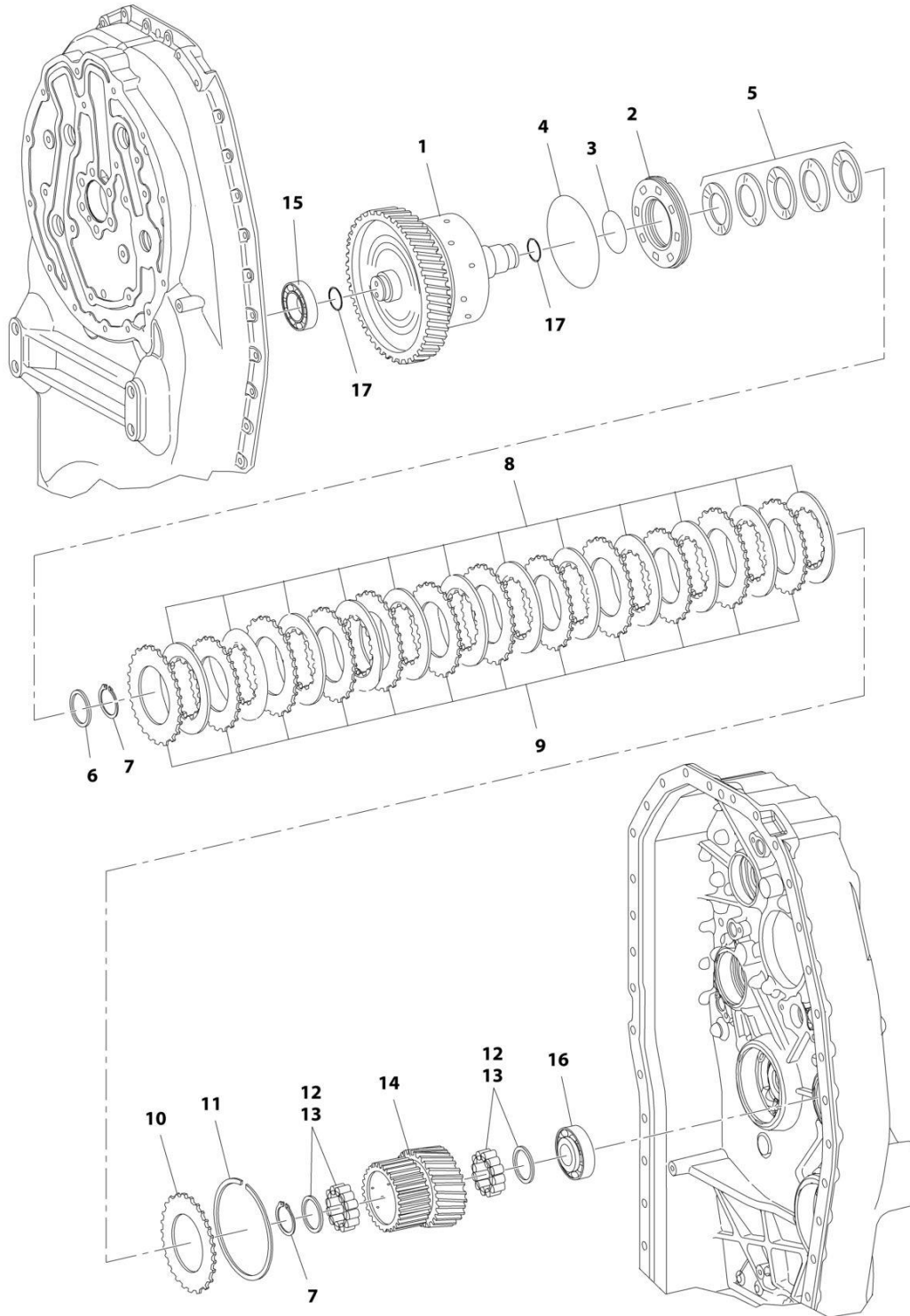
## SECTION 5 - DRIVE TRAIN

**FIGURE 5-6. TRANSMISSION, COUPLING GROUP 1**

ITEM	PART NUMBER	QTY	DESCRIPTION	REV
	8841036	Ref	TRANSMISSION - COUPLING GROUP 1	
1	1319591	1	Coupling	
2	1319592	1	Piston	
3	1319593	1	O-Ring, 52X3	
4	1319594	1	O-Ring, 115X3	
5	1319595	5	Spring, Cup	
6	1319596	1	Shim	
7	10731845	2	Ring, Retaining	
8	7026758	12	Disc, Inner Clutch	
9	7026759	12	Disc, Outer Clutch	
10	7026760	1	Shim, End	
11	1319600	1	Ring, Snap 4	
11	1319601	1	Ring, Snap 3-1/2	
11	1319602	1	Ring, Snap 3	
11	1319603	1	Ring, Snap 2-1/2	
11	1319604	1	Ring, Snap 2	
12	1319605	2	Cage, Roller	
13	1319606	2	Cage, Roller	
14	1319607	1	Carrier, Disc	
15	1319608	1	Bearing, Roller	
16	1319609	1	Bearing, Roller	
16	1319610	1	Bearing, Roller	
16	1319611	1	Bearing, Roller	
17	1319612	2	Ring, Piston 30X2	

# SECTION 5 - DRIVE TRAIN

## FIGURE 5-7. TRANSMISSION, COUPLING GROUP 2



ART\_8841036\_6-C

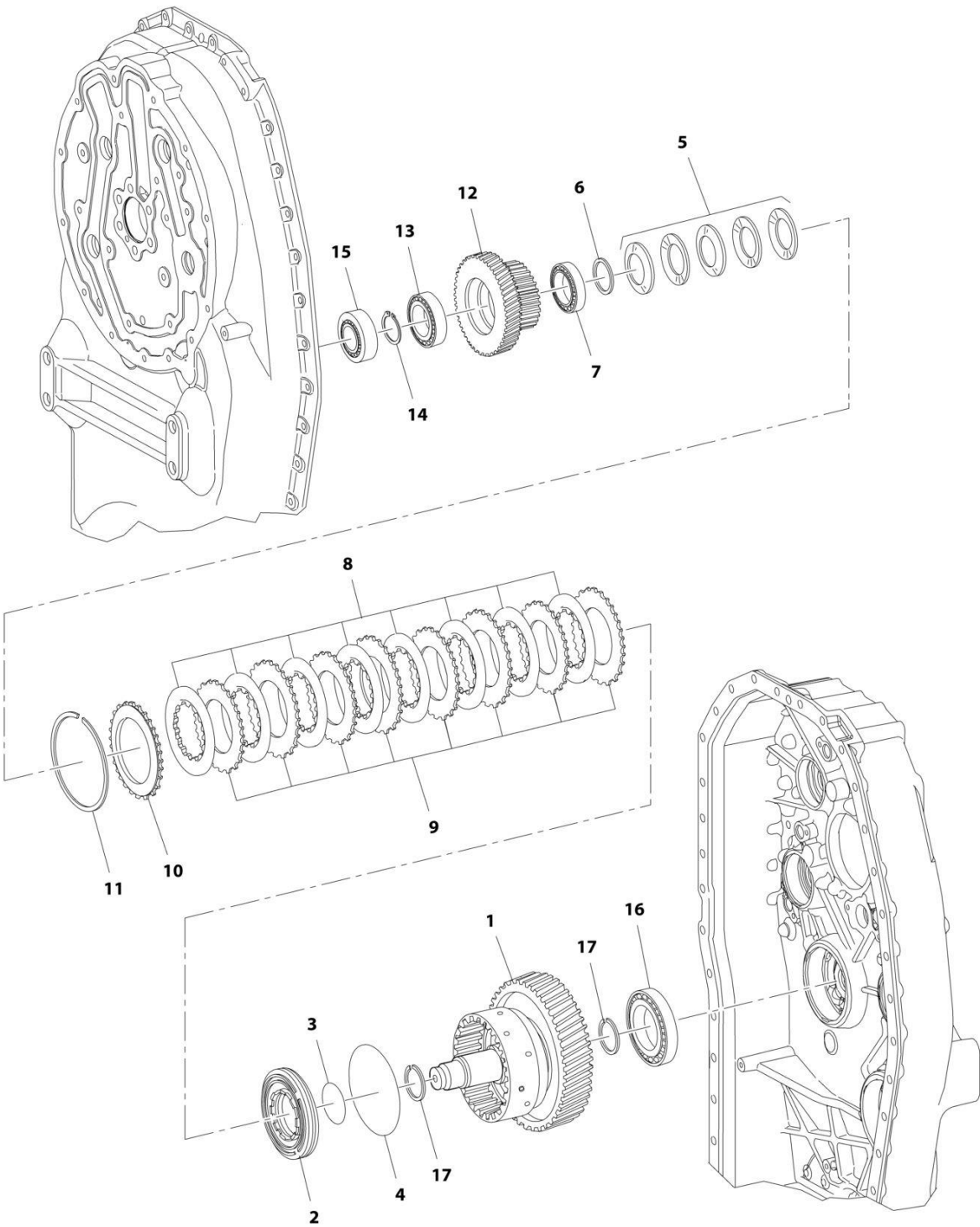
## SECTION 5 - DRIVE TRAIN

**FIGURE 5-7. TRANSMISSION, COUPLING GROUP 2**

ITEM	PART NUMBER	QTY	DESCRIPTION	REV
	8841036	Ref	TRANSMISSION - COUPLING GROUP 2	
1	1319613	1	Coupling	
2	8036029	1	Piston	
3	1319593	1	O-Ring, 52X3	
4	1319594	1	O-Ring, 115X3	
5	1319595	5	Spring, Cup	
6	1319596	1	Shim	
7	10731845	2	Ring, Retaining	
8	7026758	8	Disc, Inner Clutch	
9	7026759	8	Disc, Outer Clutch	
10	7026760	1	Shim, End	
11	1319600	1	Ring, Snap 4	
11	1319601	1	Ring, Snap 3-1/2	
11	1319602	1	Ring, Snap 3	
11	1319603	1	Ring, Snap 2-1/2	
11	1319604	1	Ring, Snap 2	
12	1319605	2	Cage, Roller	
13	1319606	2	Cage, Roller	
14	1319614	1	Carrier, Disc	
15	1319615	1	Bearing, Roller	
16	8036190	1	Assembly, Roller Bearing	
16	7029532	1	Ring, Outer	
16	7029533	1	Ring, Inner	
17	1319612	2	Ring, Piston 30X2	

# SECTION 5 - DRIVE TRAIN

## FIGURE 5-8. TRANSMISSION, COUPLING GROUP 3



ART\_8841036\_7-C

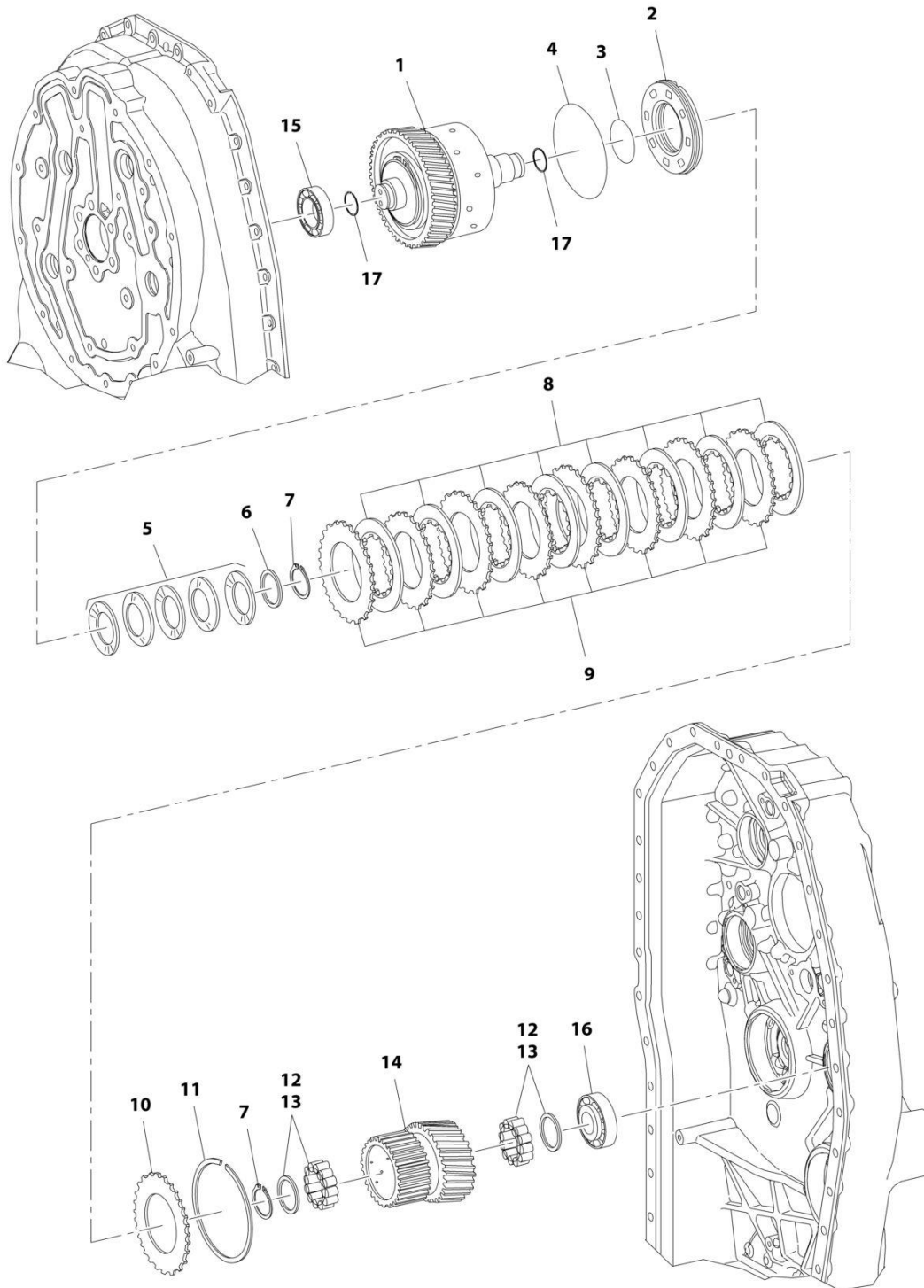
## SECTION 5 - DRIVE TRAIN

**FIGURE 5-8. TRANSMISSION, COUPLING GROUP 3**

ITEM	PART NUMBER	QTY	DESCRIPTION	REV
	8841036	Ref	TRANSMISSION - COUPLING GROUP 3	
1	1319616	1	Coupling	
2	8036029	1	Piston	
3	1319593	1	O-Ring, 52X3	
4	1319594	1	O-Ring, 115X3	
5	1319595	5	Spring, Cup	
6	1319617	1	Shim, Support	
7	1319618	1	Bearing, Roller	
8	7026758	8	Disc, Inner Clutch	
9	7026759	8	Disc, Outer Clutch	
10	7026760	1	Shim, End	
11	1319600	1	Ring, Snap 4	
11	1319601	1	Ring, Snap 3-1/2	
11	1319602	1	Ring, Snap 3	
11	1319603	1	Ring, Snap 2-1/2	
11	1319604	1	Ring, Snap 2	
12	1319619	1	Carrier, Disc	
13	1319620	1	Bearing, Roller	
14	1319621	1	Ring, Retaining 3.2	
14	1319622	1	Ring, Retaining 3.1	
14	1319623	1	Ring, Retaining 3	
14	1319624	1	Ring, Retaining 2.9	
14	1319625	1	Ring, Retaining 2.8	
14	1319626	1	Ring, Retaining 2.7	
14	1319627	1	Ring, Retaining 2.6	
14	1319628	1	Ring, Retaining 2.5	
14	1319629	1	Ring, Retaining 2.4	
14	1319630	1	Ring, Retaining 2.3	
14	1319631	1	Ring, Retaining 2.2	
14	1319632	1	Ring, Retaining 2.1	
15	8036190	1	Assembly, Roller Bearing	
15	7029532	1	Ring, Outer	
15	7029533	1	Ring, Inner	
16	1319633	1	Bearing, Roller	
17	1319612	2	Ring, Piston 30X2	

# SECTION 5 - DRIVE TRAIN

## FIGURE 5-9. TRANSMISSION, COUPLING GROUP 4



ART\_8841036\_8-C



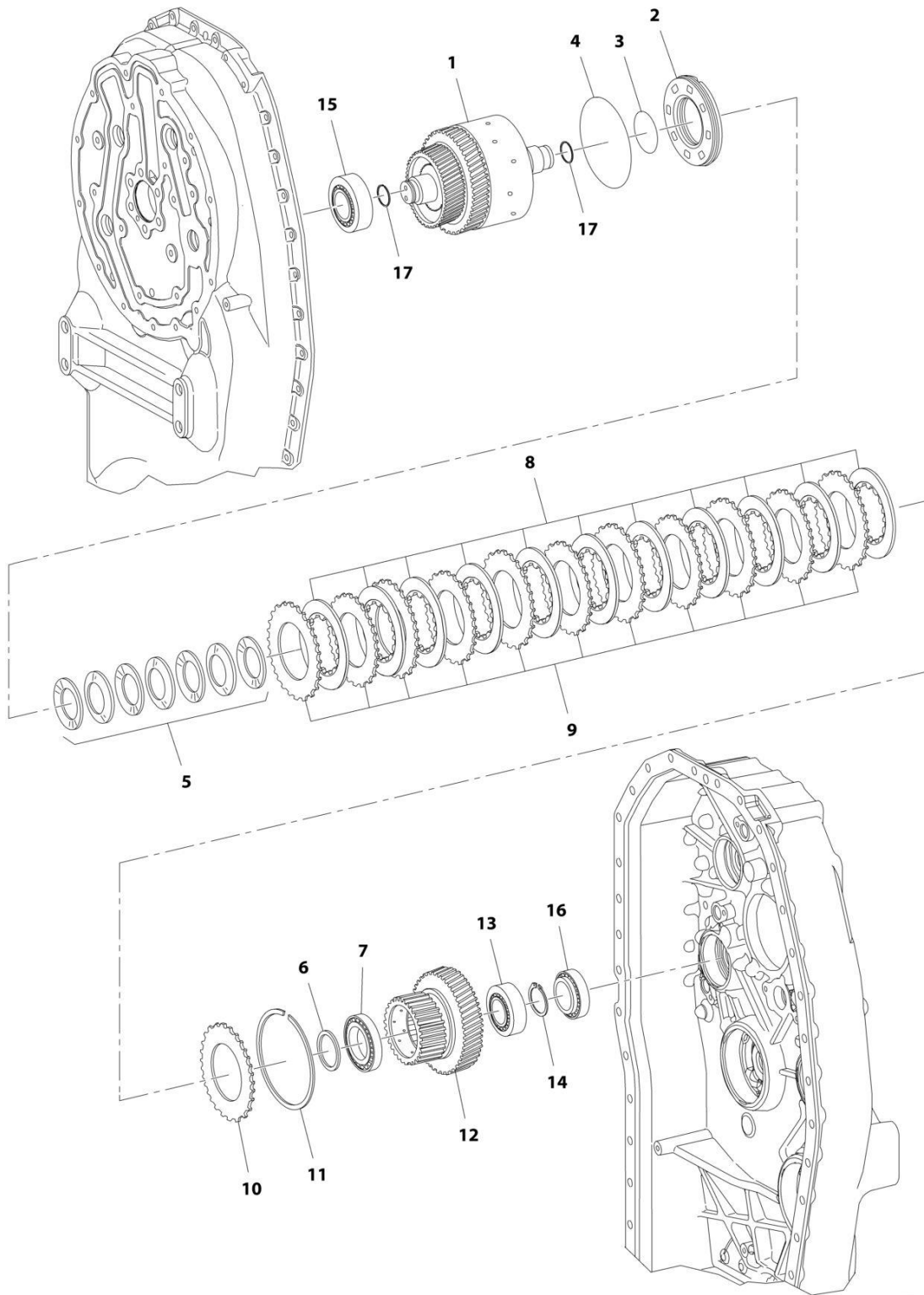
## SECTION 5 - DRIVE TRAIN

**FIGURE 5-9. TRANSMISSION, COUPLING GROUP 4**

ITEM	PART NUMBER	QTY	DESCRIPTION	REV
	8841036	Ref	TRANSMISSION - COUPLING GROUP 4	
1	1319634	1	Coupling	
2	8036029	1	Piston	
3	1319593	1	O-Ring, 52X3	
4	1319594	1	O-Ring, 115X3	
5	1319595	5	Spring, Cup	
6	1319596	1	Shim	
7	10731845	2	Ring, Retaining	
8	7026758	8	Disc, Inner Clutch	
9	7026759	8	Disc, Outer Clutch	
10	7026760	1	Shim, End	
11	1319600	1	Ring, Snap 4	
11	1319601	1	Ring, Snap 3-1/2	
11	1319602	1	Ring, Snap 3	
11	1319603	1	Ring, Snap 2-1/2	
11	1319604	1	Ring, Snap 2	
12	1319605	2	Cage, Roller	
13	1319606	2	Cage, Roller	
14	1319635	1	Carrier, Disc	
15	1319615	1	Bearing, Roller	
16	1319636	1	Bearing, Roller	
17	1319612	2	Ring, Piston 30X2	

# SECTION 5 - DRIVE TRAIN

## FIGURE 5-10. TRANSMISSION, REVERSING GEAR GROUP 1



ART\_8841036\_9-C

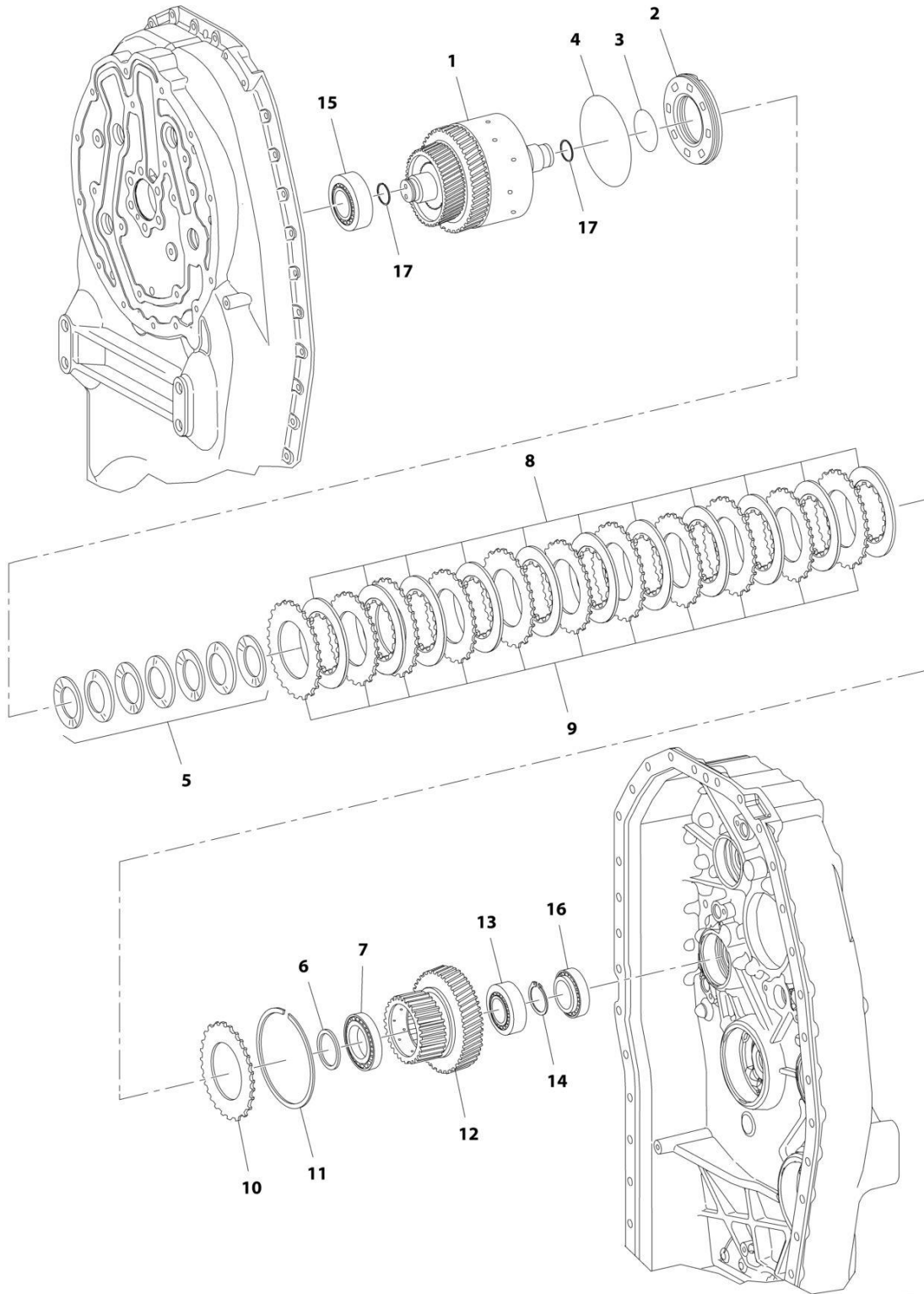
## SECTION 5 - DRIVE TRAIN

**FIGURE 5-10. TRANSMISSION, REVERSING GEAR GROUP 1**

ITEM	PART NUMBER	QTY	DESCRIPTION	REV
	8841036	Ref	TRANSMISSION - REVERSE GEAR GROUP 1	
1	1319637	1	Coupling	
2	8036029	1	Piston	
3	1319593	1	O-Ring, 52X3	
4	1319594	1	O-Ring, 115X3	
5	1319595	7	Spring, Cup	
6	1319617	1	Shim, Support	
7	1319618	1	Bearing, Roller	
8	7026758	11	Disc, Inner Clutch	
9	7026759	11	Disc, Outer Clutch	
10	7026760	1	Shim, End	
11	1319600	1	Ring, Snap 4	
11	1319601	1	Ring, Snap 3-1/2	
11	1319602	1	Ring, Snap 3	
11	1319603	1	Ring, Snap 2-1/2	
11	1319604	1	Ring, Snap 2	
12	1319638	1	Disc, Carrier	
13	1319620	1	Bearing, Roller	
14	1319621	1	Ring, Retaining 3.2	
14	1319622	1	Ring, Retaining 3.1	
14	1319623	1	Ring, Retaining 3	
14	1319624	1	Ring, Retaining 2.9	
14	1319625	1	Ring, Retaining 2.8	
14	1319626	1	Ring, Retaining 2.7	
14	1319627	1	Ring, Retaining 2.6	
14	1319628	1	Ring, Retaining 2.5	
14	1319629	1	Ring, Retaining 2.4	
14	1319630	1	Ring, Retaining 2.3	
14	1319631	1	Ring, Retaining 2.2	
14	1319632	1	Ring, Retaining 2.1	
15	1319615	1	Bearing, Roller	
16	1319636	1	Bearing, Roller	
17	1319612	2	Ring, Piston 30X2	

# SECTION 5 - DRIVE TRAIN

## FIGURE 5-11. TRANSMISSION, REVERSING GEAR GROUP 2



ART\_8841036\_10-C

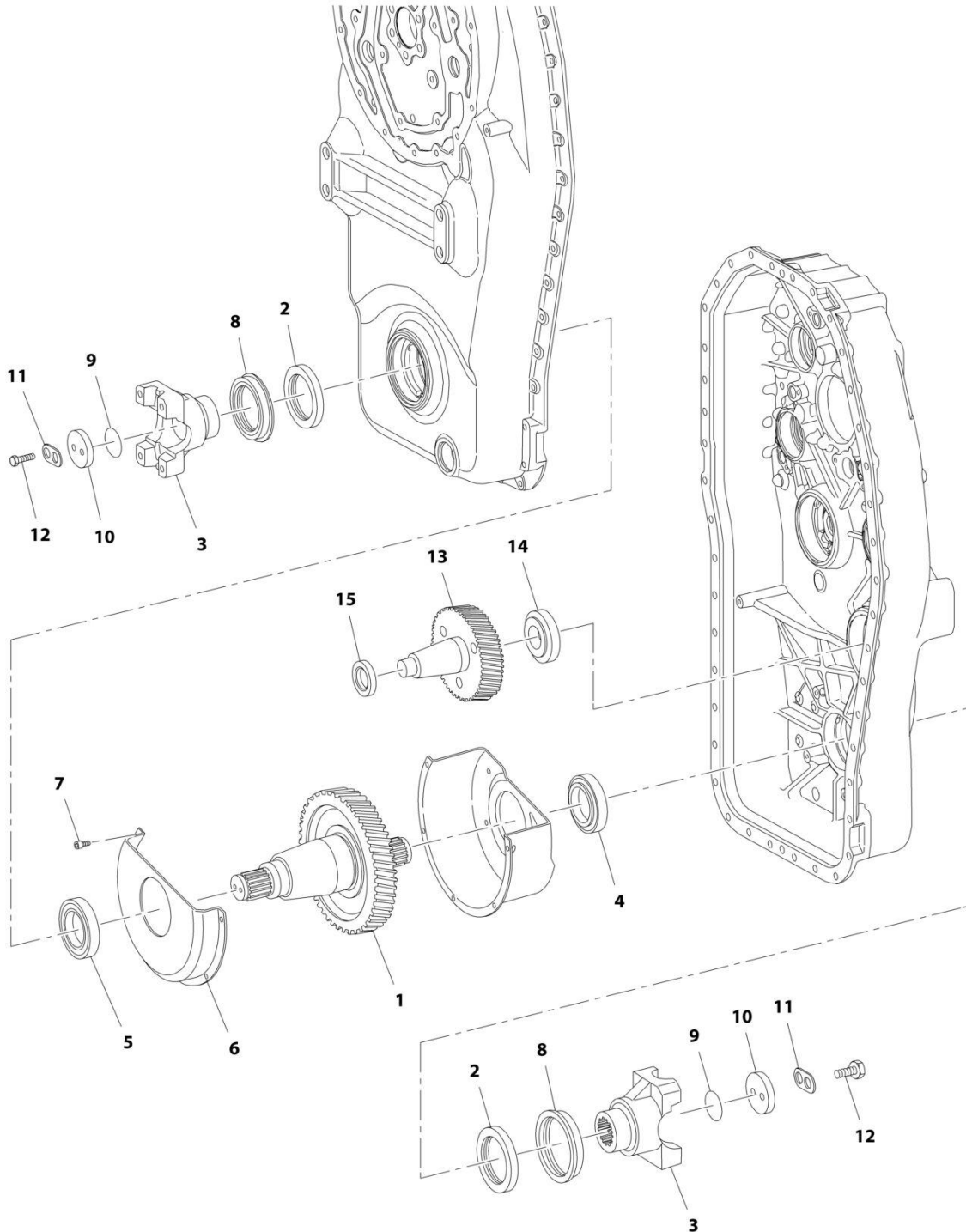
## SECTION 5 - DRIVE TRAIN

**FIGURE 5-11. TRANSMISSION, REVERSING GEAR GROUP 2**

ITEM	PART NUMBER	QTY	DESCRIPTION	REV
	8841036	Ref	TRANSMISSION - REVERSING GEAR GROUP 2	
1	1319639	1	Coupling	
2	8036029	1	Piston	
3	1319593	1	O-Ring, 52X3	
4	1319594	1	O-Ring, 115X3	
5	1319595	7	Spring, Cup	
6	1319617	1	Shim, Support	
7	1319618	1	Bearing, Roller	
8	7026758	11	Disc, Inner Clutch	
9	7026759	11	Disc, Outer Clutch	
10	7026760	1	Shim, End	
11	1319600	1	Ring, Snap 4	
11	1319601	1	Ring, Snap 3-1/2	
11	1319602	1	Ring, Snap 3	
11	1319603	1	Ring, Snap 2-1/2	
11	1319604	1	Ring, Snap 2	
12	1319638	1	Disc, Carrier	
13	1319620	1	Bearing, Roller	
14	1319621	1	Ring, Retaining 3.2	
14	1319622	1	Ring, Retaining 3.1	
14	1319623	1	Ring, Retaining 3	
14	1319624	1	Ring, Retaining 2.9	
14	1319625	1	Ring, Retaining 2.8	
14	1319626	1	Ring, Retaining 2.7	
14	1319627	1	Ring, Retaining 2.6	
14	1319628	1	Ring, Retaining 2.5	
14	1319629	1	Ring, Retaining 2.4	
14	1319630	1	Ring, Retaining 2.3	
14	1319631	1	Ring, Retaining 2.2	
14	1319632	1	Ring, Retaining 2.1	
15	1319608	1	Bearing, Roller	
16	1319636	1	Bearing, Roller	
17	1319612	2	Ring, Piston 30X2	

# SECTION 5 - DRIVE TRAIN

## FIGURE 5-12. TRANSMISSION, OUTPUT



ART\_8841036\_11-C

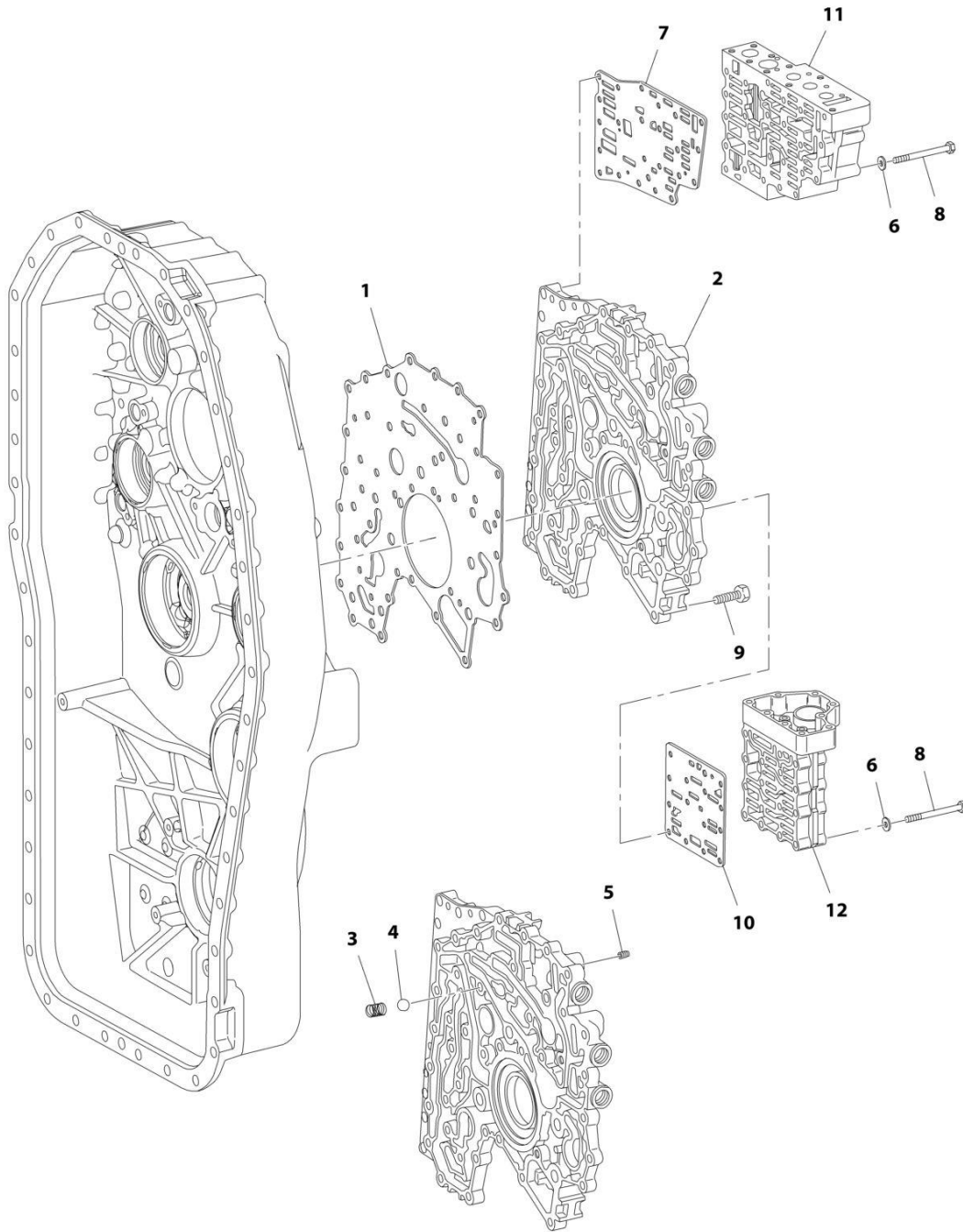
## SECTION 5 - DRIVE TRAIN

### FIGURE 5-12. TRANSMISSION, OUTPUT

ITEM	PART NUMBER	QTY	DESCRIPTION	REV
	8841036	Ref	TRANSMISSION - OUTPUT	
1	8036030	1	Shaft, Output	
2	1319641	2	Seal, Shaft	
3	7027273	2	Flange, Output	
4	N.S.S.	1	Assembly, Roller Bearing	
4	70020430	1	Cup, Bearing	
4	70020431	1	Cone, Bearing	
5	1319643	1	Bearing, Roller	
6	8036031	1	Sheet, Screen	
7	1319646	5	Bolt, M6X10	
8	1319647	2	Sheet, Screen	
9	10839156	2	O-Ring	
10	1319648	2	Washer, M10	
11	1319649	2	Washer, Tab	
12	10731959	4	Bolt, M8X25	
13	8036032	1	Shaft, Intermediate	
14	1319633	1	Bearing, Roller	
15	8036190	1	Assembly, Roller Bearing	
15	7029532	1	Ring, Outer	
15	7029533	1	Ring, Inner	

# SECTION 5 - DRIVE TRAIN

## FIGURE 5-13. TRANSMISSION, CONTROL UNIT



ART\_8841036\_12-C



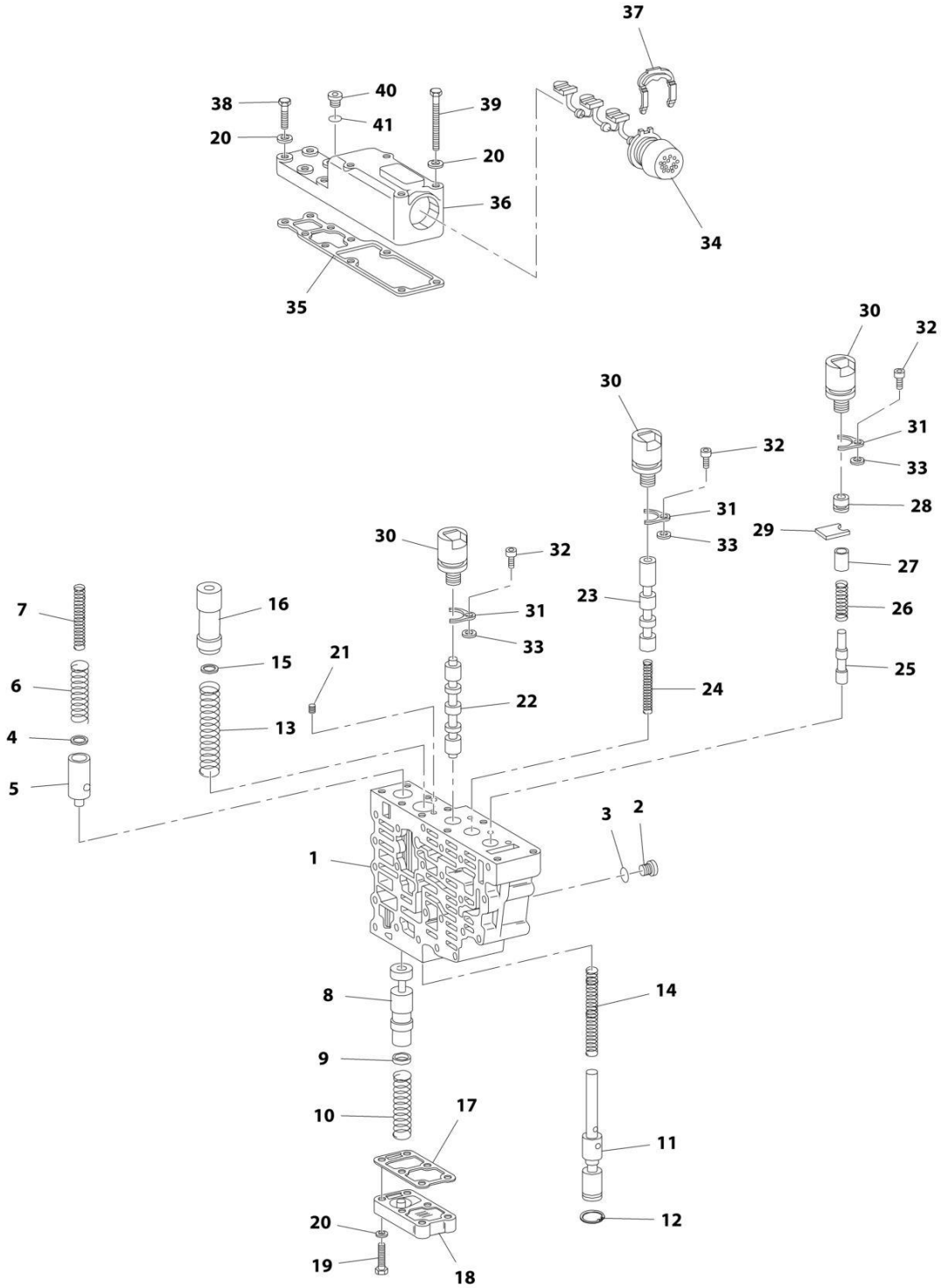
## SECTION 5 - DRIVE TRAIN

**FIGURE 5-13. TRANSMISSION, CONTROL UNIT**

ITEM	PART NUMBER	QTY	DESCRIPTION	REV
	8841036	Ref	TRANSMISSION - CONTROL UNIT	
1	1319650	1	Gasket	
2	8036033	1	Plate, Duct	
3	10732072	1	Spring, Compression	
4	10732071	1	Ball	
5	1319652	1	Orifice	
6	1319661	19	Washer, 6.4	
7	70020425	1	Plate, Intermediate	
8	7029037	19	Bolt, M6X60	
9	1319659	43	Screw, Torx M8X30	
10	70020426	1	Plate, Intermediate	
11		Ref	Housing, Valve (See Separate Breakdown in this Section)	
12		Ref	Block, Valve (See Separate Breakdown in this Section)	

# SECTION 5 - DRIVE TRAIN

## FIGURE 5-14. TRANSMISSION, VALVE HOUSING ASSEMBLY



ART\_8841036\_13-C

## SECTION 5 - DRIVE TRAIN

**FIGURE 5-14. TRANSMISSION, VALVE HOUSING ASSEMBLY**

ITEM	PART NUMBER	QTY	DESCRIPTION	REV
	8841036	Ref	TRANSMISSION - VALVE HOUSING ASSEMBLY	
	8036040	Ref	Valve Housing Assembly	
1	1319671	1	Housing, Valve	
2	1319670	7	Plug, Screw M10X1	
3	10731709	7	O-Ring	
4	8036036	1	Washer, 1	
5	7029039	1	Piston	
6	1319673	1	Spring, Compression	
7	8036038	1	Spring, Compression	
8	1319674	1	Piston	
9	1319675	1	Washer, 3.6	
9	1319676	1	Washer, 3.2	
9	1319677	1	Washer, 2.8	
9	1319678	1	Washer, 2.4	
9	1319679	1	Washer, 2	
10	1319680	1	Spring, Compression	
11	1319681	1	Control, Piston	
12	1319682	1	Washer, Lock 12	
13	1319683	1	Spring, Compression	
14	1319684	1	Spring, Compression	
15	1319685	1	Washer, 2	
15	1319686	1	Washer, 1	
15	1319687	1	Washer, 0.5	
15	1319688	1	Washer, 0.3	
15	1319689	1	Washer, 0.2	
16	1319690	1	Piston	
17	1319691	1	Seal	
18	1319692	1	Cover	
19	1319693	6	Bolt, M6X25	
20	1319661	16	Washer, 6.4	
21	1319652	1	Orifice	
22	1319694	1	Valve	
23	1319695	1	Piston	
24	1319696	1	Spring, Compression	
25	1319697	1	Piston	
26	1319698	1	Spring, Compression	
27	1319699	1	Spacer, Sleeve	
28	1319700	1	Plug	
29	1319701	1	Plate, Fixing	
30	1319702	3	Valve, Solenoid	
31	10732063	3	Plate, Fixing	
32	1319703	3	Bolt, M5X12	
33	10732064	3	Washer, 2	
34	1319704	1	Harness, Wiring	
35	1319705	1	Seal	
36	8036039	1	Cover	
37	1319707	1	Clamp, Retaining	
38	1319693	6	Bolt, M6X25	
39	7029037	4	Bolt, M6X60	
40	1319670	1	Plug, Screw M10X1	

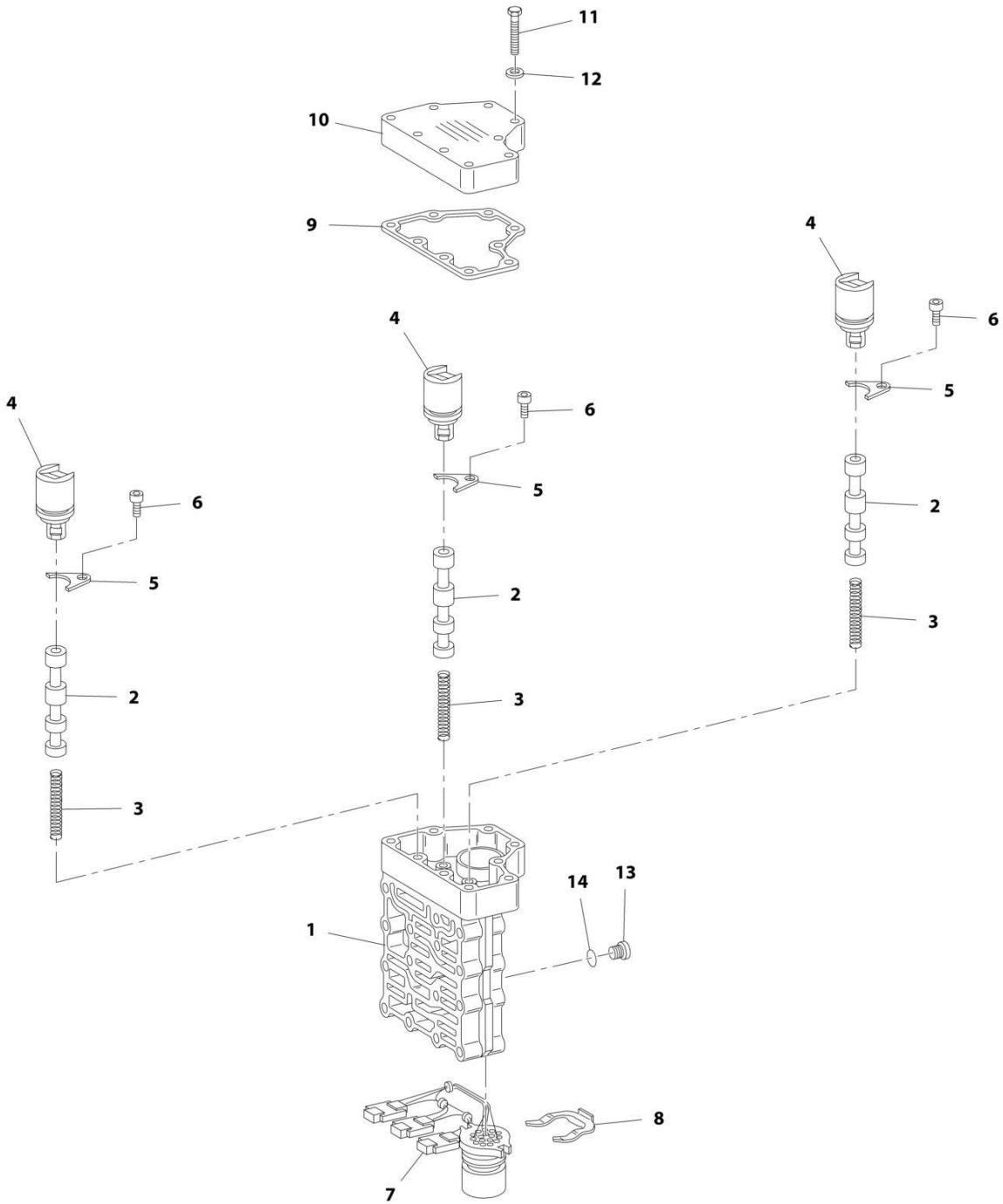
## SECTION 5 - DRIVE TRAIN

ITEM	PART NUMBER	QTY	DESCRIPTION	REV
41	10731709	1	O-Ring	



# SECTION 5 - DRIVE TRAIN

## FIGURE 5-15. TRANSMISSION, VALVE BLOCK ASSEMBLY



ART\_8841036\_14-C

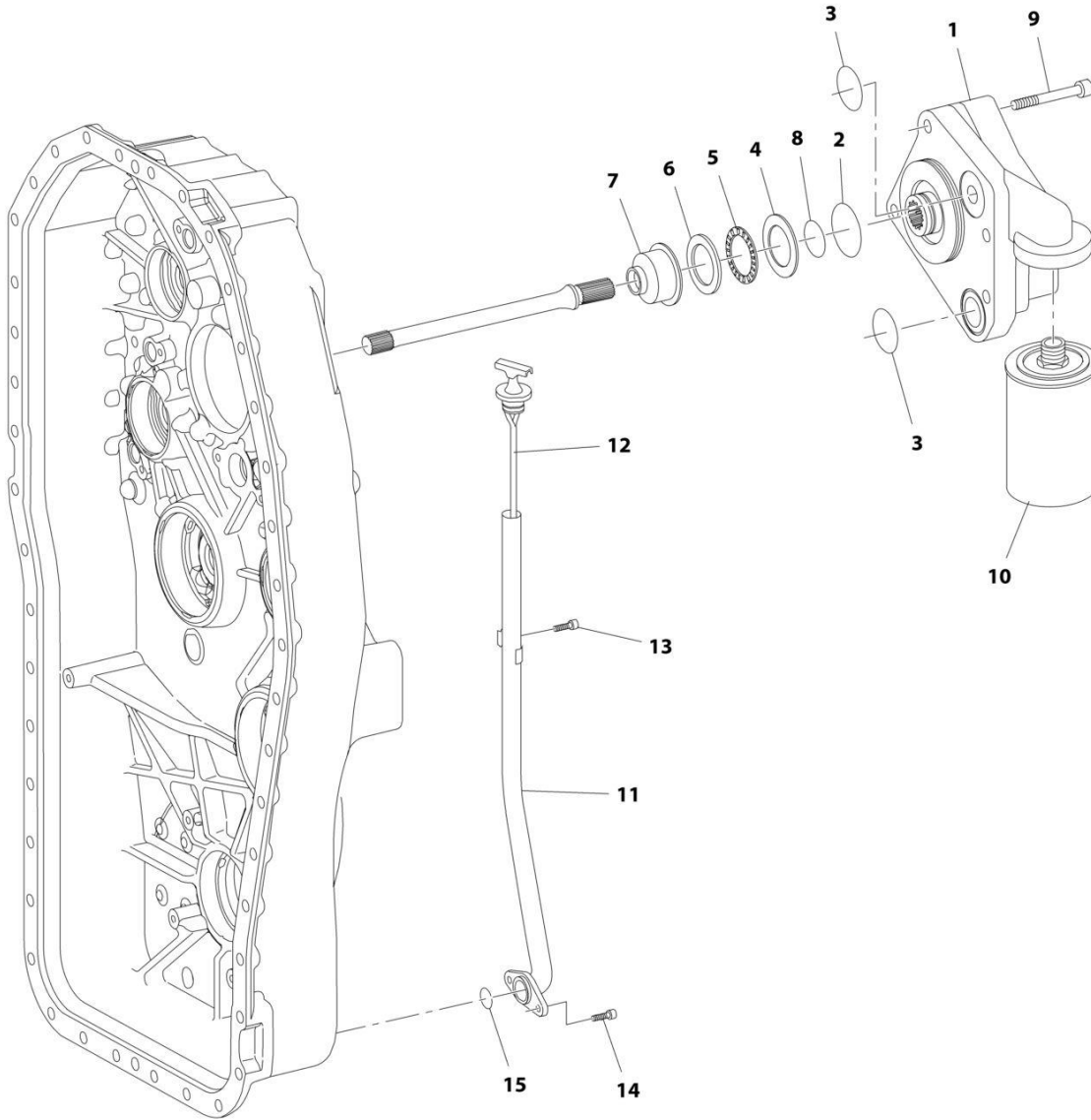
## SECTION 5 - DRIVE TRAIN

**FIGURE 5-15. TRANSMISSION, VALVE BLOCK ASSEMBLY**

ITEM	PART NUMBER	QTY	DESCRIPTION	REV
	8841036	Ref	TRANSMISSION - VALVE BLOCK ASSEMBLY	
	1319717	Ref	Valve Block Assembly	
1	70020427	1	Block, Valve	
2	1319710	3	Piston	
3	1319696	3	Spring, Compression	
4	1319702	3	Valve, Solenoid	
5	10732063	3	Plate, Fixing	
6	1319703	3	Bolt, M5X12	
7	1319711	1	Harness, Wiring	
8	1319707	1	Clamp, Retaining	
9	1319712	1	Gasket	
10	1319713	1	Cover	
11	1319714	9	Bolt, M5X32	
12	1319715	9	Washer, 5.3	
13	1319670	3	Plug, Screw M10X1	
14	10731709	3	O-Ring	

# SECTION 5 - DRIVE TRAIN

## FIGURE 5-16. TRANSMISSION, OIL PUMP AND FILTER



ART\_8841036\_15-C



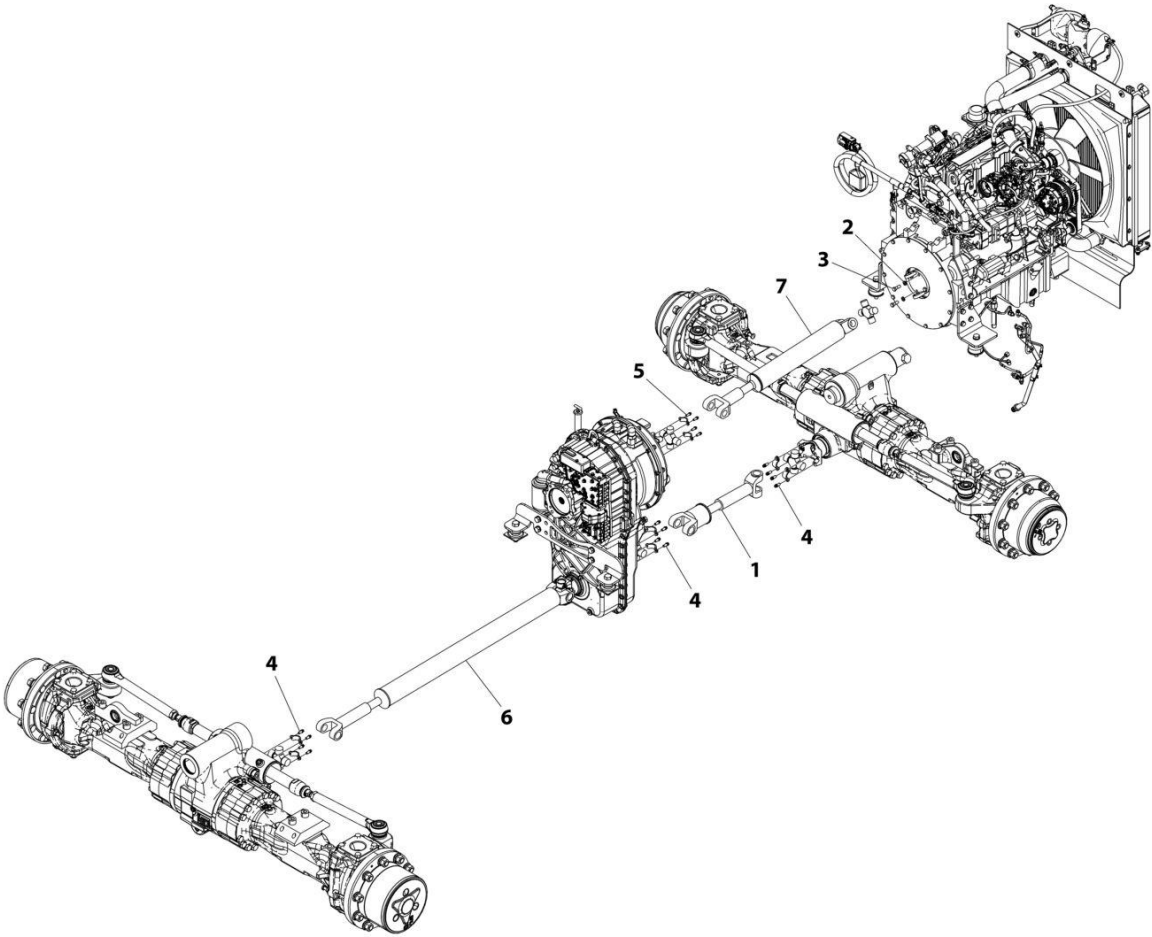
## SECTION 5 - DRIVE TRAIN

**FIGURE 5-16. TRANSMISSION, OIL PUMP AND FILTER**

ITEM	PART NUMBER	QTY	DESCRIPTION	REV
	8841036	Ref	TRANSMISSION - OIL PUMP AND FILTER	
1	1319718	1	Pump	
1	7029417	1	O-Ring, (between pump halves), (not shown)	
2	8036250	1	O-Ring	
3	1319719	2	O-Ring	
4	1319720	1	Washer, Axial 40X60X1	
5	1319721	1	Cage, Axial Needle	
6	1319722	1	Disc, Angle	
7	1319723	1	Sleeve, Stop	
8	1319724	1	O-Ring	
9	1319725	4	Bolt, M12X115	
10	1319726	1	Filter, Transmission Oil	
11	8036041	1	Tube, Dipstick	
12	8036042	1	Dipstick	
13	1319585	1	Screw, M8X16	
14	1319582	1	Screw, M8X20	
15	70023885	1	O-Ring	

**SECTION 5 - DRIVE TRAIN**

**FIGURE 5-17. DRIVE SHAFT INSTALLATION**



ART\_1001223727

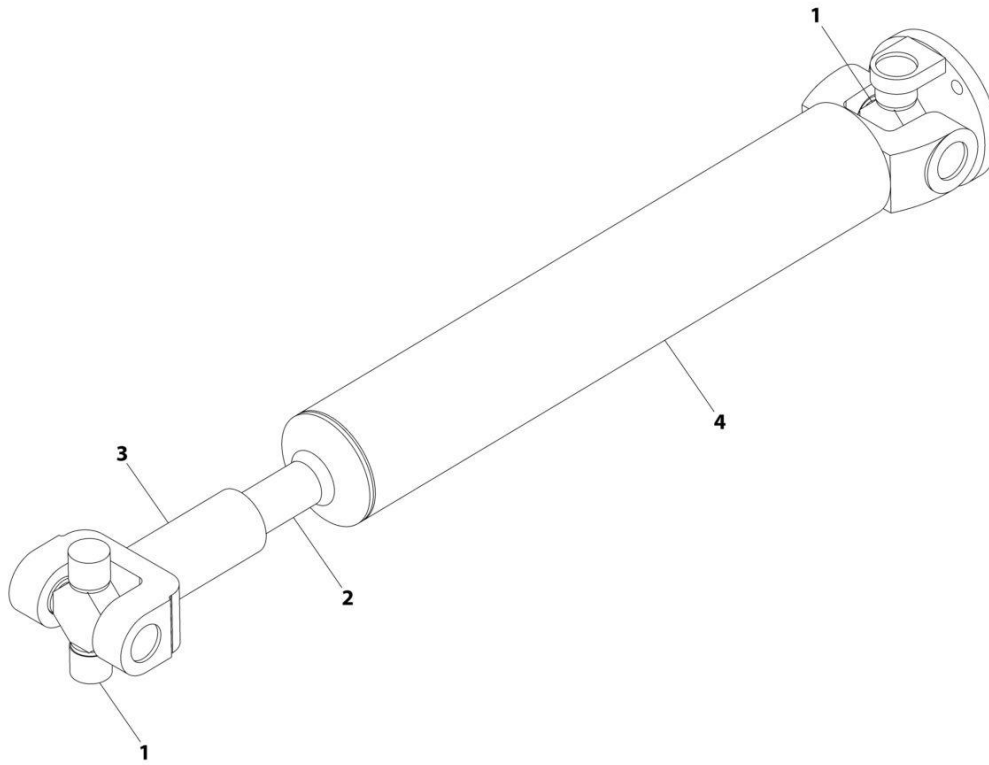
## SECTION 5 - DRIVE TRAIN

### FIGURE 5-17. DRIVE SHAFT INSTALLATION

ITEM	PART NUMBER	QTY	DESCRIPTION	REV
	1001223727	Ref	DRIVESHAFT INSTALLATION	B
1	7138639	1	Drive Shaft Assembly (Rear) See Separate Breakdown in this Section)	
2	8307006	4	Washer 7/16	
3	8310425	4	Bolt 7/16X1-1/4, Grade 8	
4	8880218-OM	4	Kit, Strap	
5	8880219-OM	1	Kit, Strap	
6	1001222870	1	Drive Shaft Assembly (Front) See Separate Breakdown in this Section)	
7	1001127784	1	Drive Shaft Assembly (Input) See Separate Breakdown in this Section)	

# SECTION 5 - DRIVE TRAIN

## FIGURE 5-18. DRIVE SHAFT ASSEMBLY (INPUT)



ART\_1001127784-C

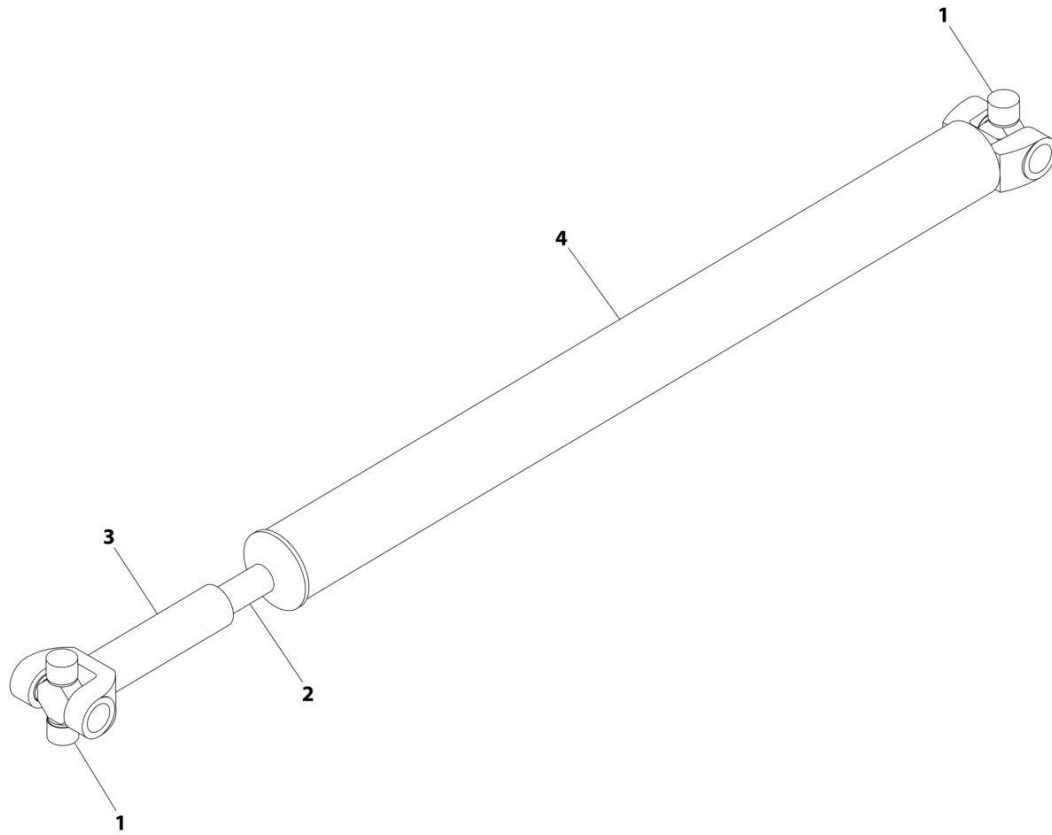
## SECTION 5 - DRIVE TRAIN

**FIGURE 5-18. DRIVE SHAFT ASSEMBLY (INPUT)**

ITEM	PART NUMBER	QTY	DESCRIPTION	REV
	1001127784	Ref	Drive Shaft Input Assembly	C
1	1101841	2	Kit, Cross and Bearing	
2	8035109	1	Kit, Dust Cap	
3	See Note	NSS	Joint, Slip (Note: Purchase Complete Assembly)	
4	See Note	NSS	Shaft, Yoke (Note: Purchase Complete Assembly)	

# SECTION 5 - DRIVE TRAIN

## FIGURE 5-19. DRIVE SHAFT ASSEMBLY (FRONT)



ART\_1001222870

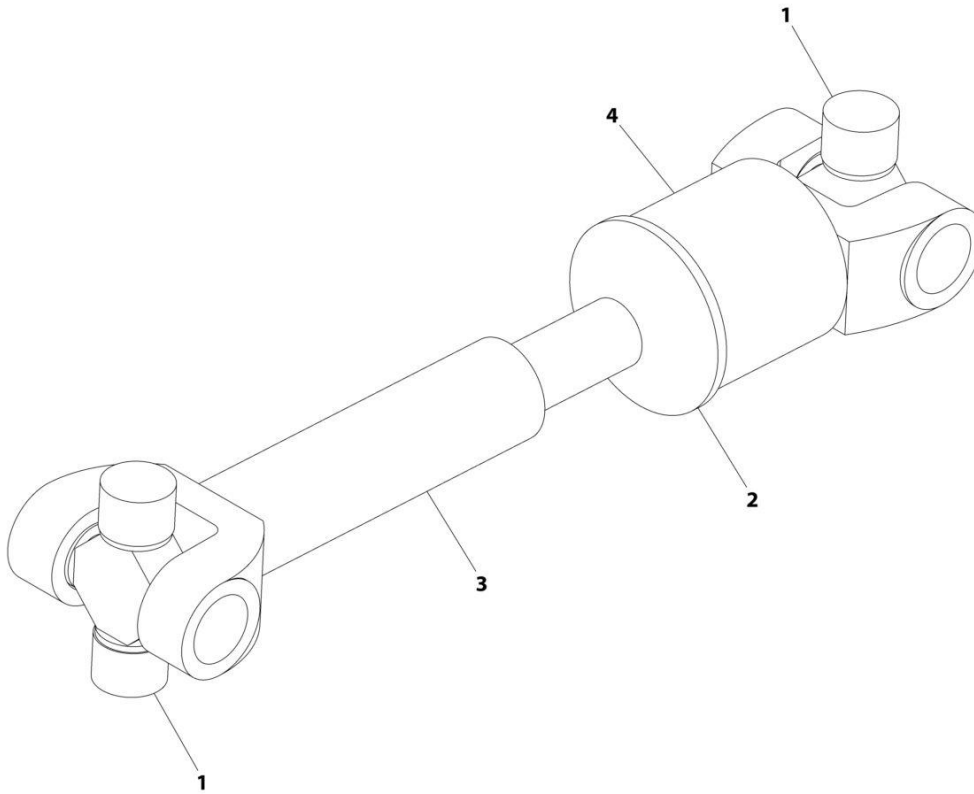
## SECTION 5 - DRIVE TRAIN

### FIGURE 5-19. DRIVE SHAFT ASSEMBLY (FRONT)

ITEM	PART NUMBER	QTY	DESCRIPTION	REV
	1001222870	Ref	Front Drive Shaft Assembly	E
1	7026911	1	Kit, Cross and Bearing (two required per drive shaft)	
2	8035109	2	Kit, Dust Cap (one required per drive shaft)	
3	N.S.S.	2	Joint, Slip	
4	N.S.S.	2	Shaft, Yoke	

# SECTION 5 - DRIVE TRAIN

## FIGURE 5-20. DRIVE SHAFT ASSEMBLY (REAR)



ART\_7138639\_G



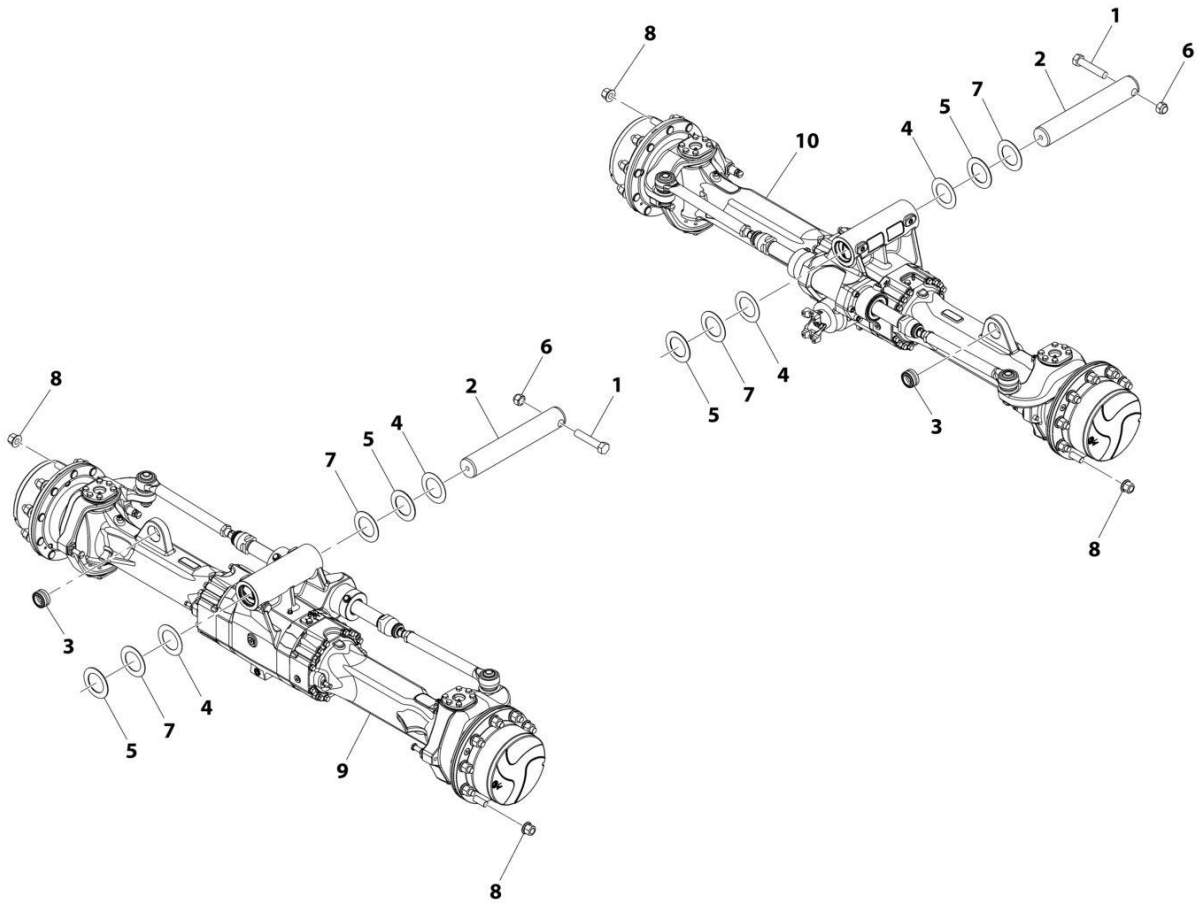
## SECTION 5 - DRIVE TRAIN

### FIGURE 5-20. DRIVE SHAFT ASSEMBLY (REAR)

ITEM	PART NUMBER	QTY	DESCRIPTION	REV
	7138639	Ref	Rear Drive Shaft Assembly	G
1	7026911	1	Kit, Cross and Bearing (two required per drive shaft)	
2	8035109	2	Kit, Dust Cap (one required per drive shaft)	
3	N.S.S.	2	Joint, Slip	
4	N.S.S.	2	Shaft, Yoke	

# SECTION 5 - DRIVE TRAIN

## FIGURE 5-21. AXLE INSTALLATION (110HP)



ART\_1001222211

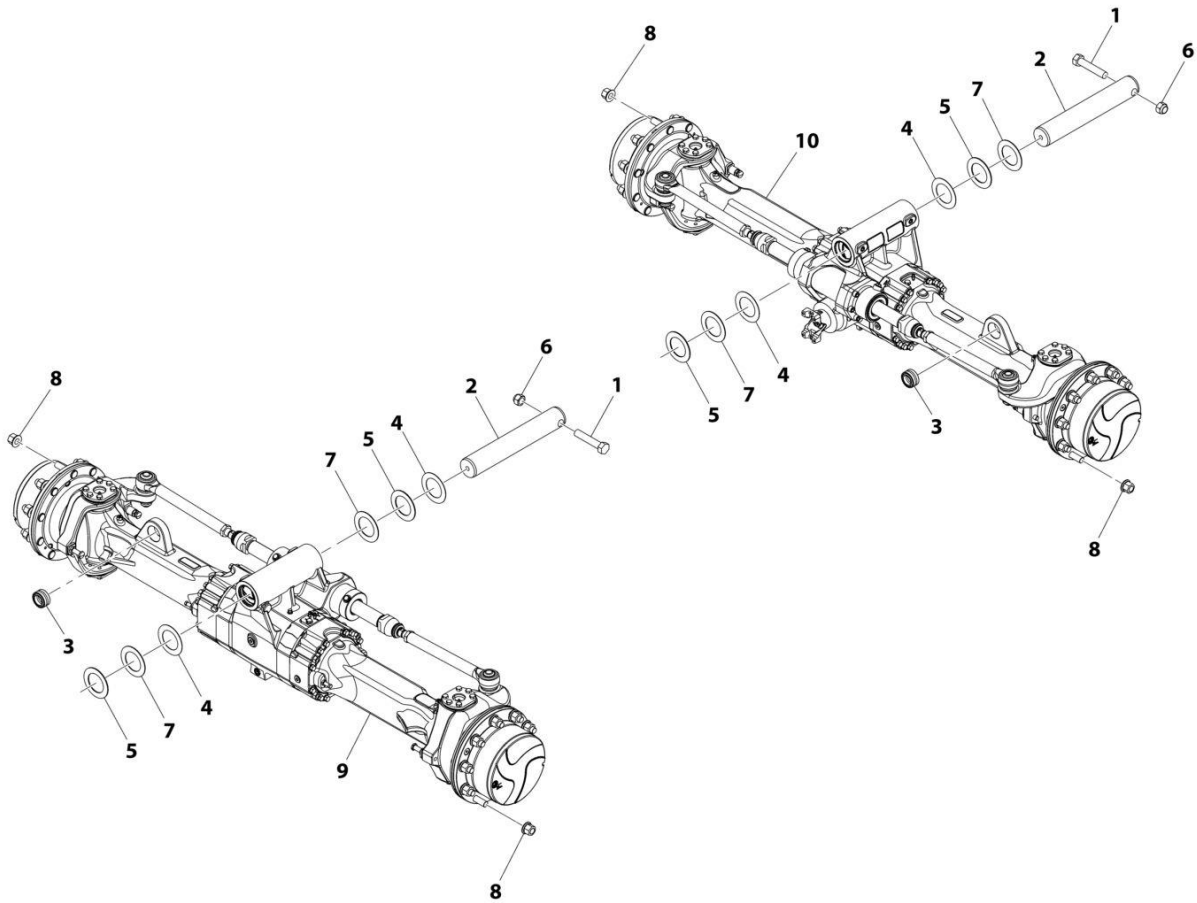
## SECTION 5 - DRIVE TRAIN

### FIGURE 5-21. AXLE INSTALLATION (110HP)

ITEM	PART NUMBER	QTY	DESCRIPTION	REV
	1001222211	Ref	Axle Installation (110HP)	D
1	0642640	2	Bolt, 1X5	
2	3423254	2	Axle Pivot Pin,	
3	8050001	2	Bearing	
4	1001245213	4	Shim Axle, 0.060	
5	1001245215	4	Shim Axle, 0.120	
6	8310116	2	Hex Locknut, 1-8	
7	1001245214	4	Shim Axle, 0.090	
8	91403193	40	Lug Nut, M22X1-1/2	
9	1001220490	1	Front Axle (See Separate Breakdown in this Section)	
10	1001220491	1	Rear Axle (See Separate Breakdown in this Section)	

# SECTION 5 - DRIVE TRAIN

## FIGURE 5-22. AXLE INSTALLATION (74HP)



ART\_1001229921

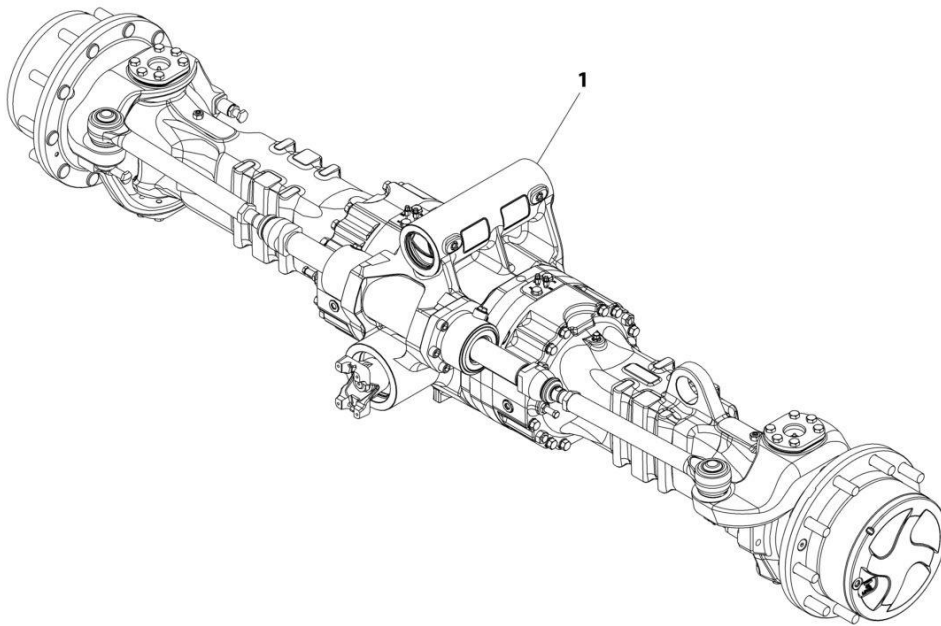
## SECTION 5 - DRIVE TRAIN

**FIGURE 5-22. AXLE INSTALLATION (74HP)**

ITEM	PART NUMBER	QTY	DESCRIPTION	REV
	1001229921	Ref	Axle Installation, 74HP	C
1	0642640	2	Bolt, 1X5	
2	3423254	2	Pin, Axle Pivot	
3	8050001	2	Bearing, Self-Align	
4	1001245213	AR	Washer, Shim 0.06	
5	1001245214	AR	Washer, Shim 0.09	
6	8310116	2	Nut 1	
7	1001245215	AR	Washer, Shim 0.12	
8	91403193	40	Nut, Lug M22X1-1/2	
	1005798200	1	Installation, Front Axle, 74HP - 10042/10054 (See Separate Breakdown in this Section)	
	1005798300	1	Installation, Rear Axle, 74HP - 10042/10054 (See Separate Breakdown in this Section)	

## SECTION 5 - DRIVE TRAIN

FIGURE 5-23. FRONT AXLE INSTALLATION (74HP)



ART\_1005798200\_E

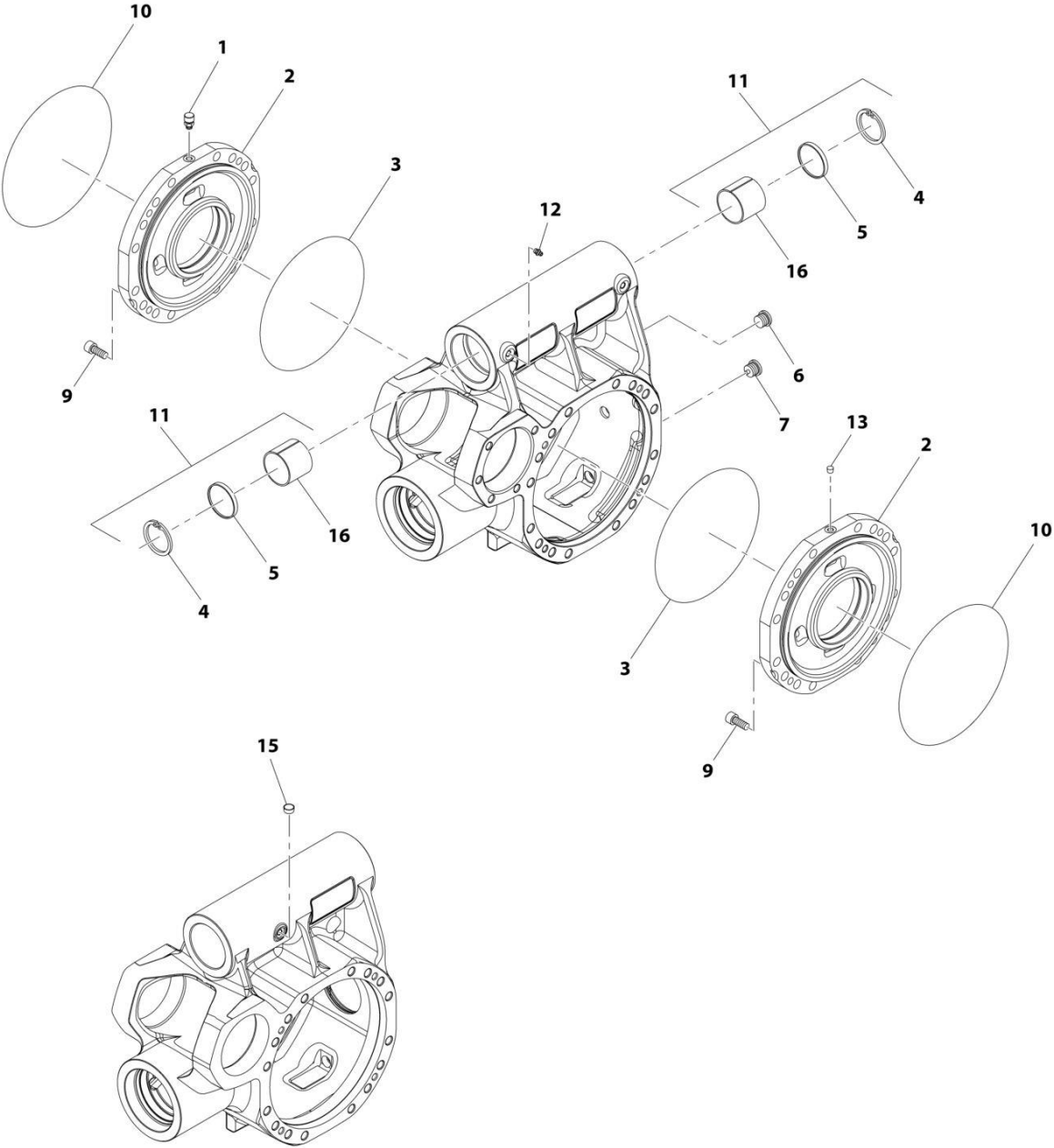
## SECTION 5 - DRIVE TRAIN

**FIGURE 5-23. FRONT AXLE INSTALLATION (74HP)**

ITEM	PART NUMBER	QTY	DESCRIPTION	REV
1	1005798200	Ref	Front Axle	E
		Ref	Front Axle, Central Housing (See Separate Breakdown in this Section)	
		Ref	Front Axle, Differential (See Separate Breakdown in this Section)	
		Ref	Front Axle, Hub Reduction (See Separate Breakdown in this Section)	
		Ref	Front Axle, Brakes (See Separate Breakdown in this Section)	
		Ref	Front Axle, Steering (See Separate Breakdown in this Section)	

**SECTION 5 - DRIVE TRAIN**

**FIGURE 5-24. FRONT AXLE - CENTRAL HOUSING (74HP)**



ART\_1005798200-1



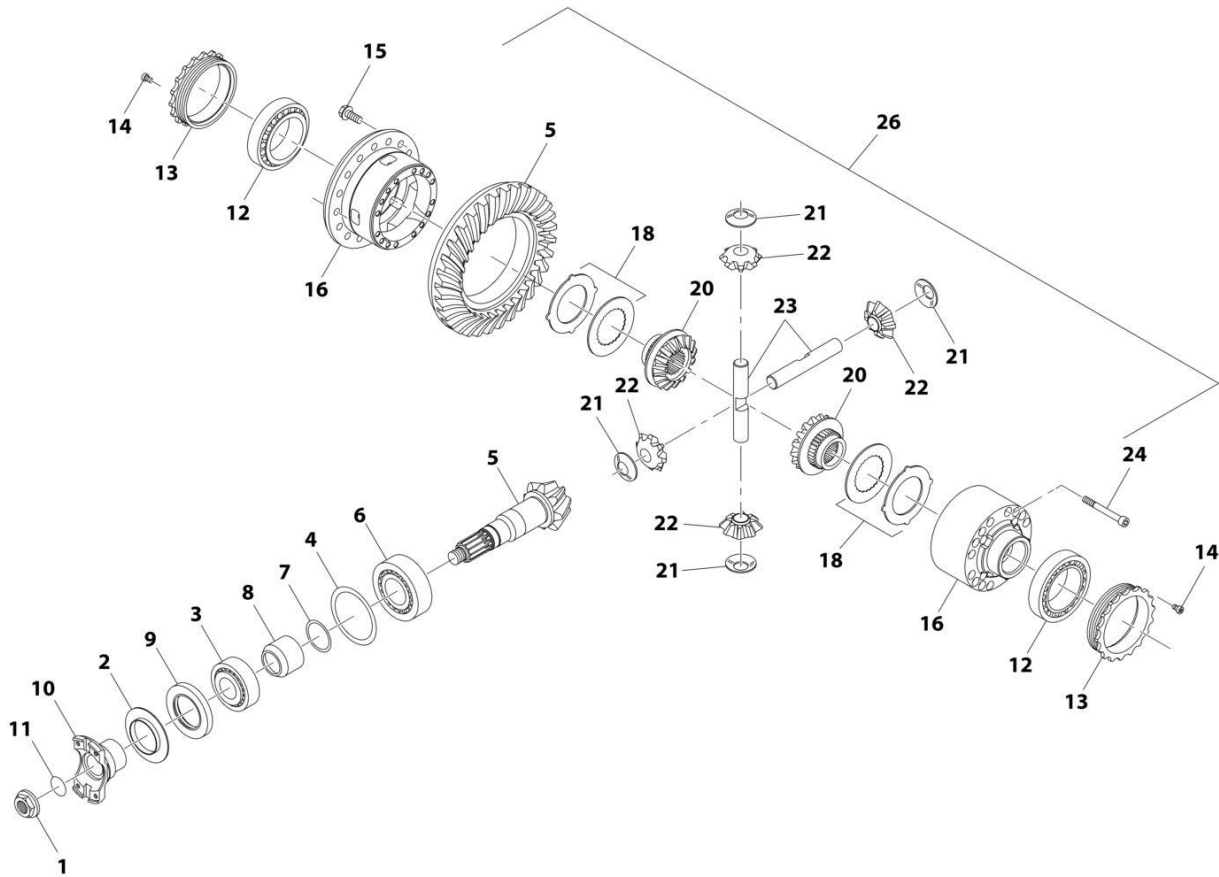
## SECTION 5 - DRIVE TRAIN

**FIGURE 5-24. FRONT AXLE - CENTRAL HOUSING (74HP)**

ITEM	PART NUMBER	QTY	DESCRIPTION	REV
	1005798200	Ref	FRONT AXLE, CENTRAL HOUSING	E
1	91474512	1	Vent	
2	7029288	2	Intermediate Cover	
3	80204002	2	O-Ring	
4	70028939	2	Ring	
5	70028974	2	Seal	
6	70028389	1	Plug	
7	70028388	1	Plug	
9	91514101	8	Bolt	
10	91514089	2	O-Ring	
11	70029482	1	Housing	
12	70024881	2	Grease Fitting	
13	80204012	1	Plug	
15	70028938	1	Plug	
16	70028886	2	Thrust Bushing	

# SECTION 5 - DRIVE TRAIN

## FIGURE 5-25. FRONT AXLE - DIFFERENTIAL (74HP)



ART\_1005798200-2

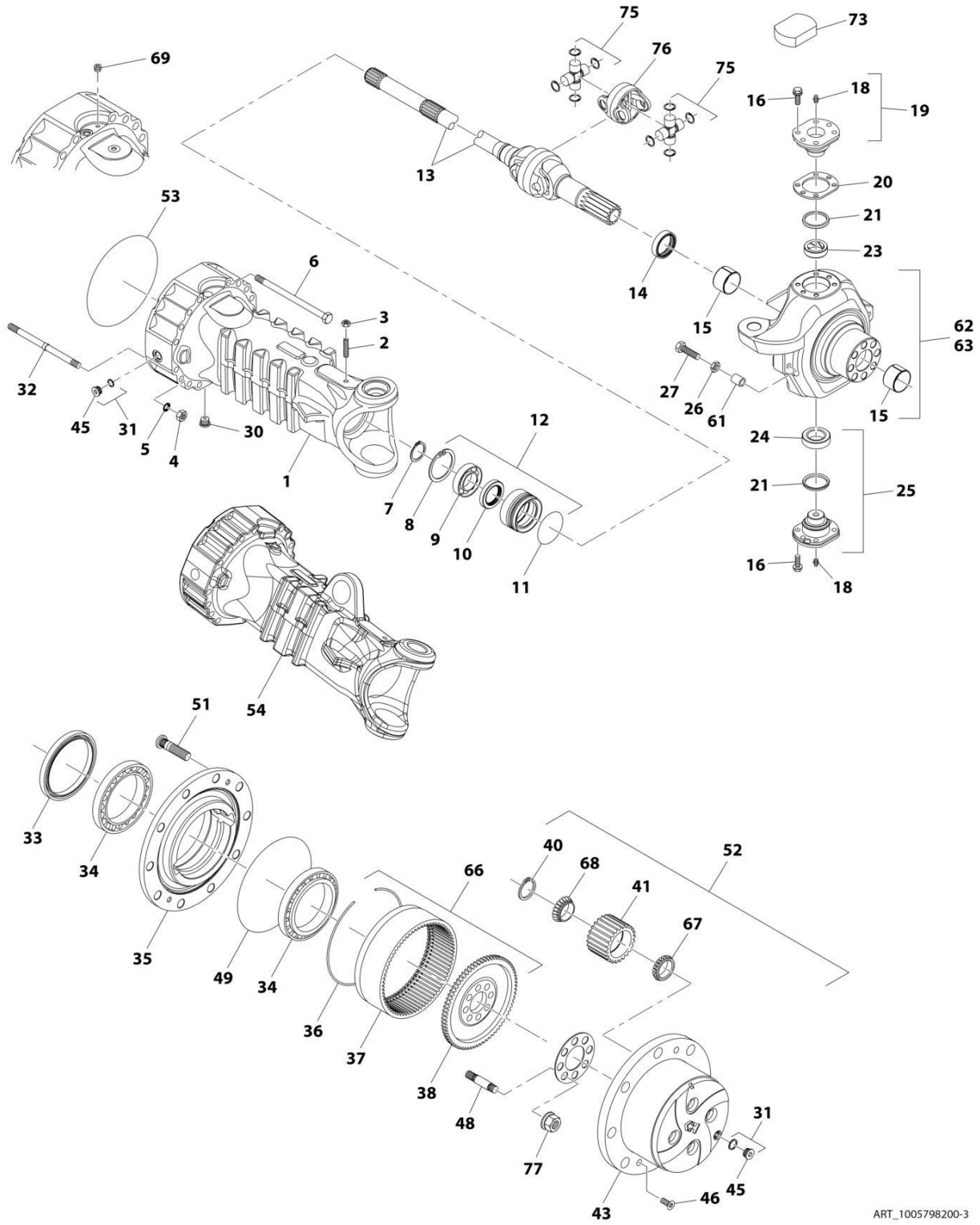
## SECTION 5 - DRIVE TRAIN

**FIGURE 5-25. FRONT AXLE - DIFFERENTIAL (74HP)**

ITEM	PART NUMBER	QTY	DESCRIPTION	REV
	1005798200	Ref	FRONT AXLE, DIFFERENTIAL	E
1	80204043	1	Nut	
2	91514130	1	Cover Plate	
3	80204048	1	Taper Roller Bearing	
4	70029483	1	Shim Kit	
5	70028391	1	Bevel Gear Set	
6	80204035	1	Taper Roller Bearing	
7	70023494	1	Ring	
8	70022140	1	Spacer	
9	70025887	1	Seal	
10	91514131	1	Flange	
11	10725554	1	O-Ring	
12	80204033	2	Taper Roller Bearing	
13	91514133	2	Ring Nut	
14	91514134	2	Bolt	
15	70025562	16	Bolt	
16	70024004	1	Differential Carrier	
18	70026750	2	Clutch Disc	
20	70025856	2	Gear, Differential Side	
21	70027105	4	Friction Washer	
22	70025339	4	Differential Pinion	
23	70023490	2	Differential Shaft	
24	91514143	15	Bolt	
26	70028390	1	Differential	

# SECTION 5 - DRIVE TRAIN

## FIGURE 5-26. FRONT AXLE - HUB REDUCTION (74HP)



ART\_1005798200-3

## SECTION 5 - DRIVE TRAIN

**FIGURE 5-26. FRONT AXLE - HUB REDUCTION (74HP)**

ITEM	PART NUMBER	QTY	DESCRIPTION	REV
	1005798200	Ref	FRONT AXLE, HUB REDUCTION	E
1	70029484	1	Axle Case	
2	91514081	2	Bolt	
3	91514082	2	Nut	
4	91514083	8	Nut	
5	91514084	8	Washer	
6	7029309	24	Bolt	
7	80204071	2	Circlip	
8	80204005	2	Circlip	
9	91514146	2	Bearing, Ball	
10	91514147	2	Seal	
11	91514148	2	O-Ring	
12	91514149	2	Reduction Bushing	
13	70026066	2	Double Universal Joint	
14	70025857	2	Seal	
15	91514111	2	Thrust Bushing	
16	70025562	24	Bolt	
18	70024881	4	Grease Fitting	
19	70028890	2	Pivot Pin	
20	70025561	1	Shim Kit	
21	7028716	4	Dust Seal	
23	7028714	2	Bushing	
24	91514095	2	Bearing	
25	70028891	2	Pivot Pin	
26	80204065	4	Nut	
27	70028975	4	Bolt	
30	70028388	2	Plug	
31	91514188	2	Plug	
32	70024851	8	Stud	
33	70026002	2	Seal	
34	80204076	4	Tapered Roller Bearing	
35	91514174	2	Wheel Hub	
36	91514175	2	Circlip	
37	70024147	2	Ring Gear	
38	91514177	2	Ring Gear Support	
40	70028926	8	Snap Ring	
41	70028924	8	Planet Gear	
43	70029486	2	Planet Gear Carrier	
45	70028389	2	Plug	
46	91514189	4	Bolt, Countersunk	
48	91514180	16	Stud	
49	91514181	2	O-Ring	
51	91514183	20	Wheel Stud	
52	70029454	2	Planet Gear Carrier Assembly	
53	91514089	2	O-Ring	
54	70029544	1	Axle Case	
61	7029311	4	Spacer	
62	70029488	1	Steering Case Assembly (LF)	
63	70029489	1	Steering Case Assembly (RF)	
66	70024146	2	Ring Gear Support Kit	

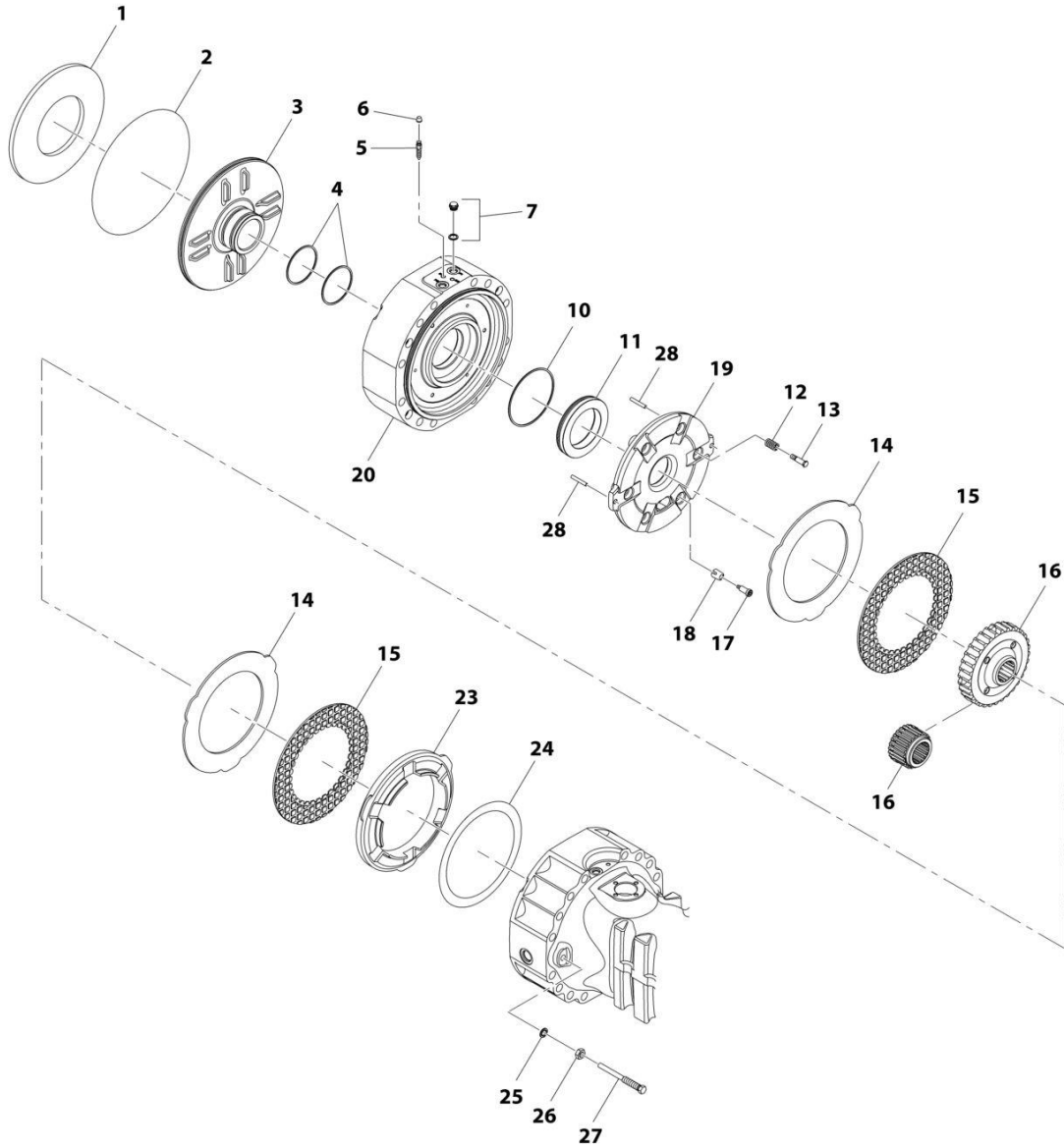
## SECTION 5 - DRIVE TRAIN

ITEM	PART NUMBER	QTY	DESCRIPTION	REV
67	70028923	8	Tapered Roller Bearing	
68	70028922	8	Tapered Roller Bearing	
69	80204012	2	Plug	
73	70028392	2	Cover	
75	70023829	2	Joint Cross	
76	70023116	1	Center Body	
77	70029545	16	Nut	



# SECTION 5 - DRIVE TRAIN

## FIGURE 5-27. FRONT AXLE - BRAKES (74HP)



ART\_1005798200-4



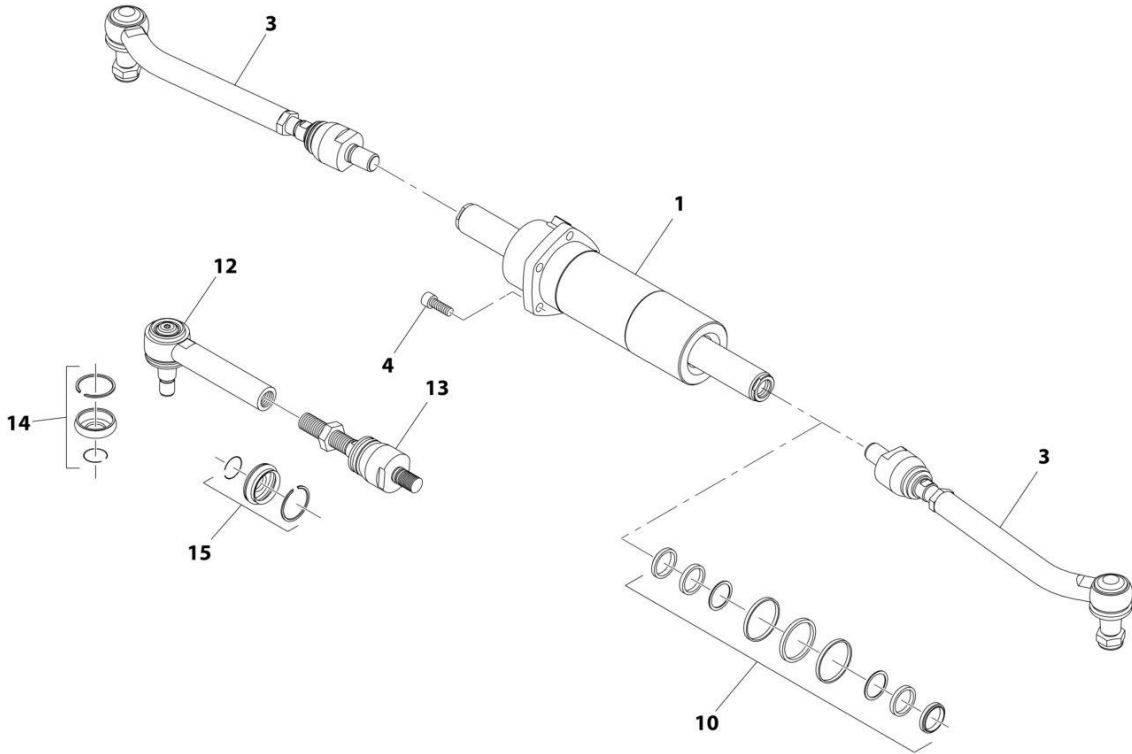
## SECTION 5 - DRIVE TRAIN

**FIGURE 5-27. FRONT AXLE - BRAKES (74HP)**

ITEM	PART NUMBER	QTY	DESCRIPTION	REV
	1005798200	Ref	FRONT AXLE, BRAKES	E
1	91514151	2	Belleville Washer	
2	91514089	2	O-Ring	
3	70027092	2	Piston	
4	70026262	4	Seal	
5	80204281	4	Bleeding Bolt	
6	80204117	4	Plug	
7	91514154	4	Bolt	
10	70026263	2	Seal	
11	70027796	2	Piston	
12	91514159	6	Spring	
13	70024210	6	Adjusting Bolt	
14	70027022	6	Intermediate Brake Disc	
15	7029735	6	Brake Disc	
16	7029734	2	Reduction Bushing	
17	7029787	6	Adjusting Bolt	
18	70027317	6	Spring	
19	70024849	2	Disc, Intermediate Brake	
20	70024848	2	Cover	
23	70026264	2	Spacer	
24	70025970	1	Shim	
25	80204108	4	Lockwasher	
26	80204060	4	Nut	
27	70024213	4	Bolt, M22 x 245/2	
28	70024215	4	Dowel	

**SECTION 5 - DRIVE TRAIN**

**FIGURE 5-28. FRONT AXLE - STEERING (74HP)**



ART\_1005798200-5

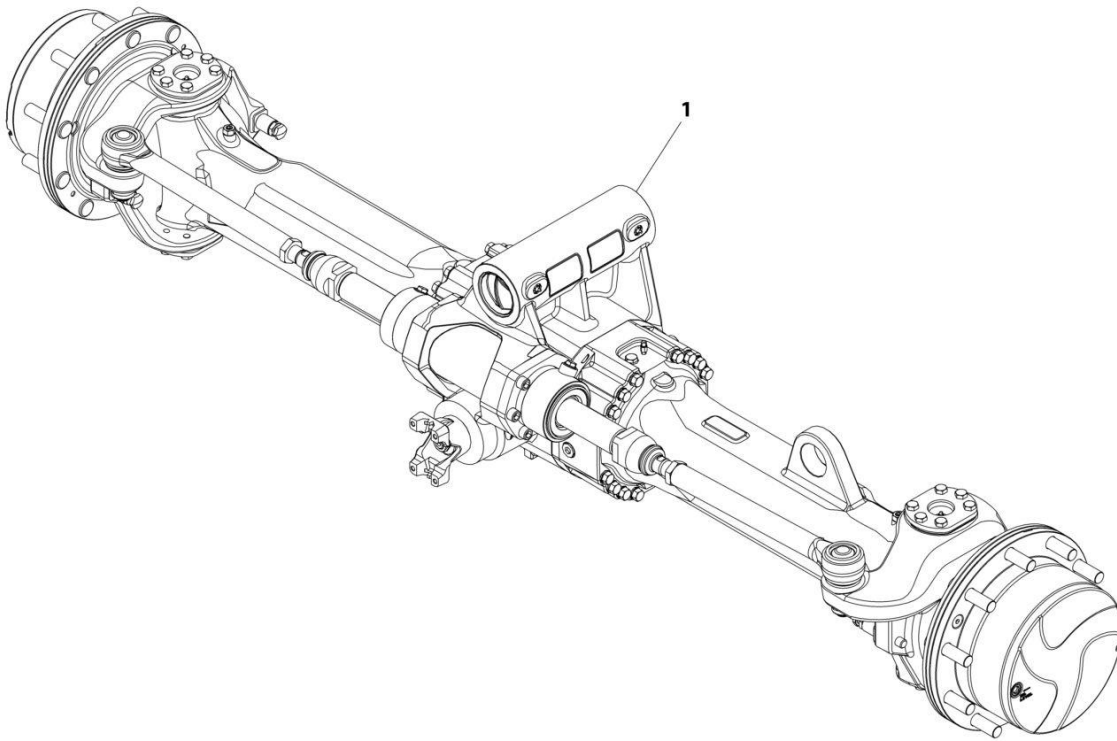
## SECTION 5 - DRIVE TRAIN

### FIGURE 5-28. FRONT AXLE - STEERING (74HP)

ITEM	PART NUMBER	QTY	DESCRIPTION	REV
	1005798200	Ref	FRONT AXLE, STEERING	E
1	70028947	1	Cylinder	
3	70028948	2	Tie Rod	
4	80204144	5	Cylinder Bolt	
10	7029127	1	Seal Kit	
12	70028949	1	Joint, 90	
13	70028950	1	Axial Joint Shaft	
14	70028951	1	Rubber Boot and Locking Ring Kit	
15	70028952	1	Rubber Boot and Locking Ring Kit	

## SECTION 5 - DRIVE TRAIN

FIGURE 5-29. REAR AXLE INSTALLATION (74HP)



ART\_1005798300

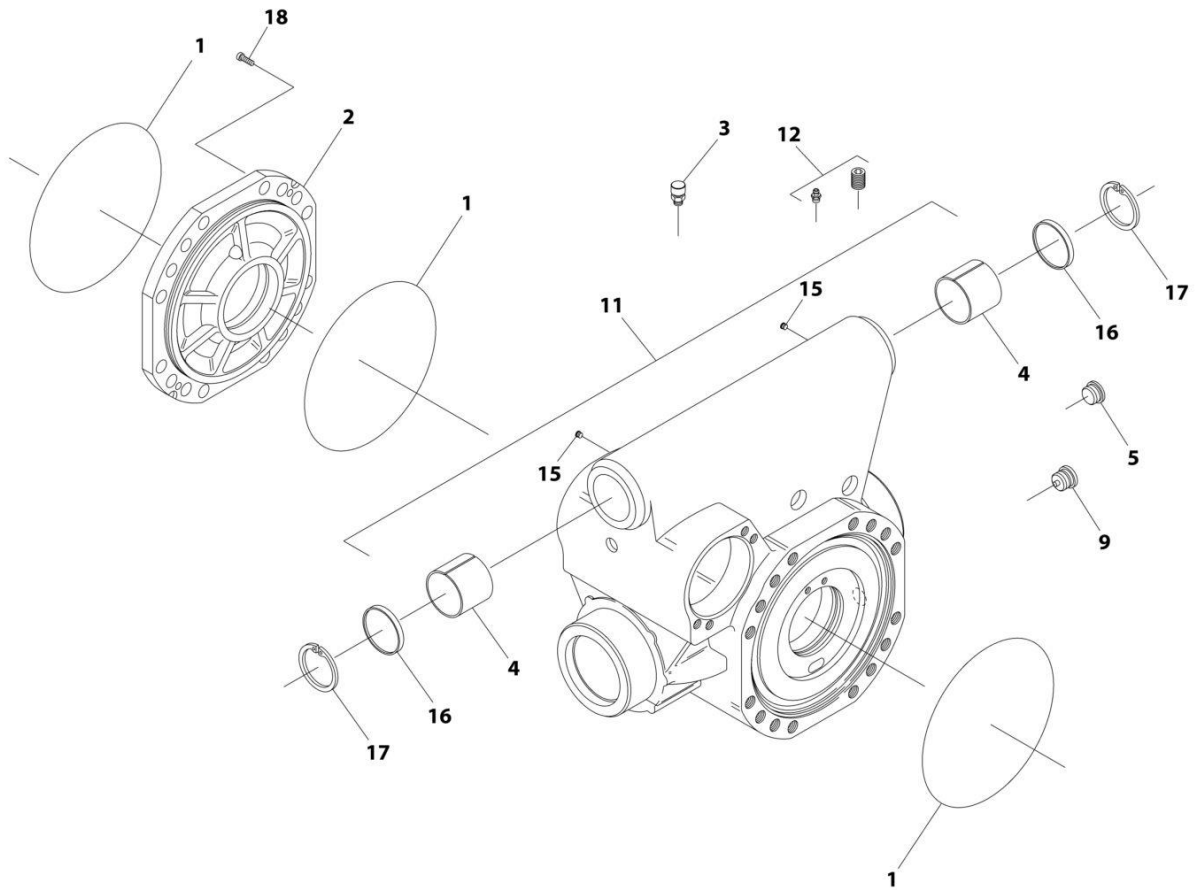
## SECTION 5 - DRIVE TRAIN

**FIGURE 5-29. REAR AXLE INSTALLATION (74HP)**

ITEM	PART NUMBER	QTY	DESCRIPTION	REV
	1005798300	Ref	Rear Axle Installation	D
		Ref	Rear Axle, Central Housing (See Separate Breakdown in this Section)	
		Ref	Rear Axle, Differential (See Separate Breakdown in this Section)	
		Ref	Rear Axle, Hub Reduction (See Separate Breakdown in this Section)	
		Ref	Rear Axle, Brakes (See Separate Breakdown in this Section)	
		Ref	Rear Axle, Steering (See Separate Breakdown in this Section)	

# SECTION 5 - DRIVE TRAIN

## FIGURE 5-30. REAR AXLE - CENTRAL HOUSING (74HP)



ART\_1005798100\_1

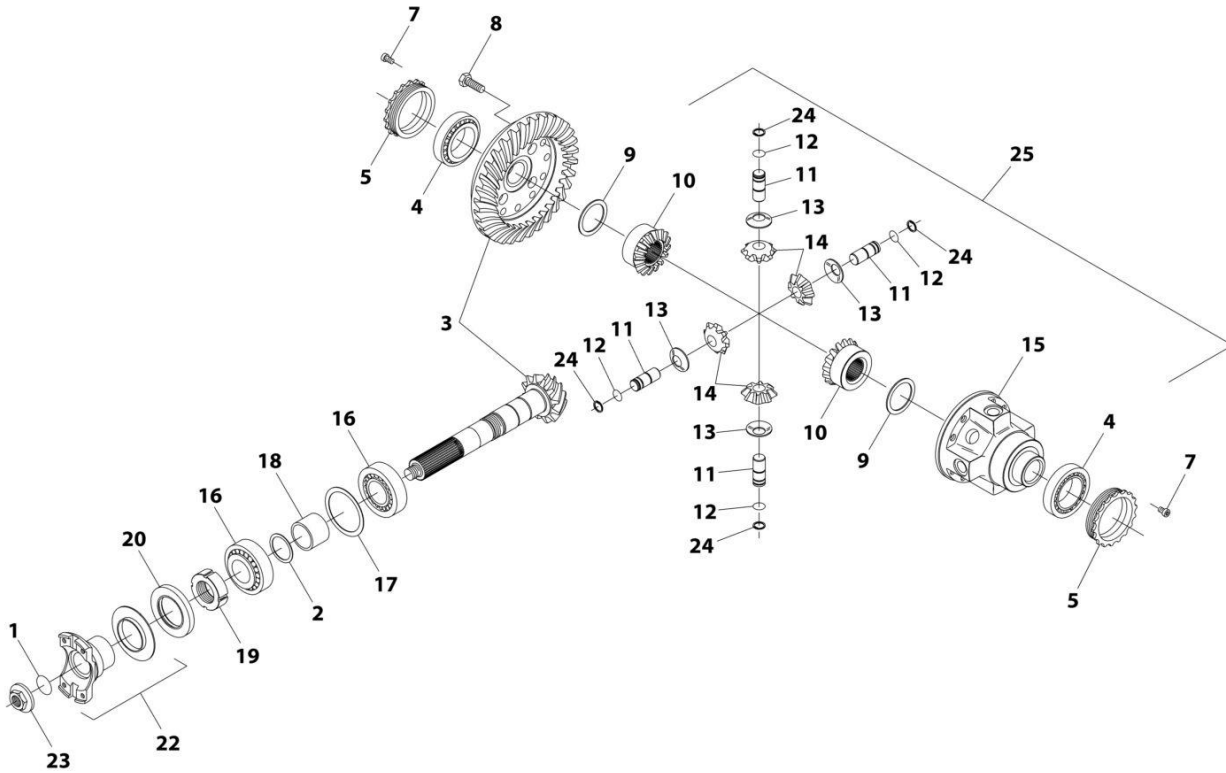
## SECTION 5 - DRIVE TRAIN

**FIGURE 5-30. REAR AXLE - CENTRAL HOUSING (74HP)**

ITEM	PART NUMBER	QTY	DESCRIPTION	REV
	1005798300	Ref	REAR AXLE, CENTRAL HOUSING	D
1	91474507	3	O-Ring	
2	70024519	1	Cover	
3	91474512	1	Vent	
4	70028886	2	Thrust Bushing	
5	91514188	1	Plug	
9	7028706	1	Magnet Plug	
11	N.S.S.	1	Housing	
12	70024881	2	Fitting, Grease	
15	70028938	2	Plug	
16	70028974	2	Seal	
17	70028939	2	Ring	
18	91474591	4	Bolt	

# SECTION 5 - DRIVE TRAIN

## FIGURE 5-31. REAR AXLE - DIFFERENTIAL (74HP)



ART\_1005798300\_2



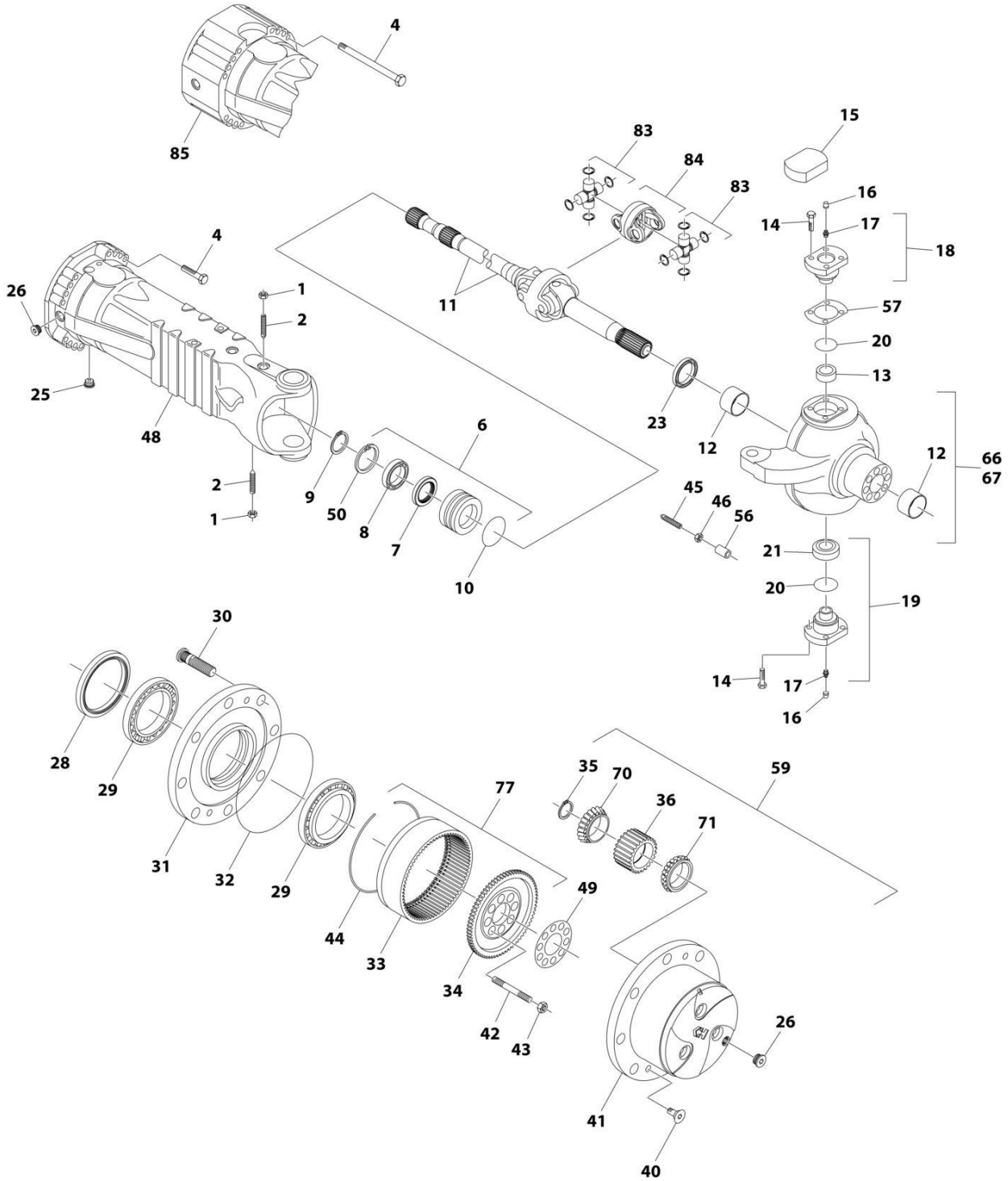
## SECTION 5 - DRIVE TRAIN

**FIGURE 5-31. REAR AXLE - DIFFERENTIAL (74HP)**

ITEM	PART NUMBER	QTY	DESCRIPTION	REV
	1005798300	Ref	REAR AXLE, DIFFERENTIAL	D
1	91474529	1	O-Ring	
2	70025556	1	Shim Kit	
3	70026139	1	Bevel Gear Set	
4	70028471	2	Bearing, Taper Roller	
5	91474547	2	Nut, Ring	
7	91514134	2	Bolt	
8	70025562	12	Bolt	
9	91474593	2	Washer, Friction	
10	70025569	2	Gear, Differential Side	
11	7029131	4	Pin	
12	91474551	4	Circlip	
13	91474553	4	Washer, Friction	
14	70025570	4	Pinion, Differential	
15	91474595	1	Carrier, Differential	
16	3968141	2	Bearing, Taper Roller	
17	70025555	1	Shim Kit	
18	91474539	1	Spacer	
19	91474533	1	Nut, Ring	
20	70024522	1	Seal	
22	70022797	1	Flange	
23	70026631	1	Nut	
24	91474550	4	Circlip	
25	70021140	1	Kit, Differential (Includes Items 9-15 & 24)	

SECTION 5 - DRIVE TRAIN

FIGURE 5-32. REAR AXLE - HUB REDUCTION (74HP)



ART\_1005798300\_3-D

## SECTION 5 - DRIVE TRAIN

### FIGURE 5-32. REAR AXLE - HUB REDUCTION (74HP)

ITEM	PART NUMBER	QTY	DESCRIPTION	REV
	1005798300	Ref	REAR AXLE, HUB REDUCTION	D
1	91514082	2	Nut	
2	91514081	2	Bolt	
4	70022799	32	Bolt	
6	91514149	2	Reduction Bushing (Includes Items 7, 8, 10 & 50)	
7	91514147	2	Seal	
8	91514146	2	Ball Bearing	
9	80204071	2	Circlip	
10	91514148	2	O-Ring	
11	70026803	2	Joint & Shaft, Double Universal	
12	91514111	2	Bushing, Thrust	
13	7028714	2	Bushing	
14	70025562	24	Bolt	
15	70028392	2	Cover	
16	80204117	2	Plug	
17	70024881	4	Fitting, Grease	
18	70028890	2	Pivot Pin	
19	70028891	2	Pivot Pin	
20	7028716	4	Seal, Dust	
21	91514095	2	Bearing	
23	70026238	2	Seal	
25	7028706	4	Plug, Magnet	
26	91514188	2	Plug	
28	7028721	2	Seal	
29	91474576	4	Bearing	
30	91514183	20	Wheel Stud	
31	7028722	2	Wheel Hub	
32	91514181	2	O-Ring	
33	70029546	2	Gear, Ring	
34	70026812	2	Support, Ring Gear	
35	70028925	3	Circlip	
36	70028941	6	Differential Pinion	
40	91514189	4	Bolt, Countersunk	
41	N.S.S.	1	Planet Gear Carrier (Use Item 59)	
42	70027315	16	Stud	
43	91474584	16	Nut	
44	91514175	2	Circlip	
45	70028975	4	Bolt	
46	80204065	4	Nut	
48	70028976	1	Case, Axle	
49	70026622	2	Plate, Locking	
50	80204005	2	Circlip	
56	7029311	2	Spacer	
57	70025561	1	Kit, Shim	
59	70028881	2	Kit, Planet Gear	
66	70029471	1	Steering Case (LR)	
67	70029472	1	Steering Case (RR)	
70	7028731	6	Bearing	
71	7028732	NLA	Bearing (Use/Order both PN 70031458 & 70031459 as Replacement)	

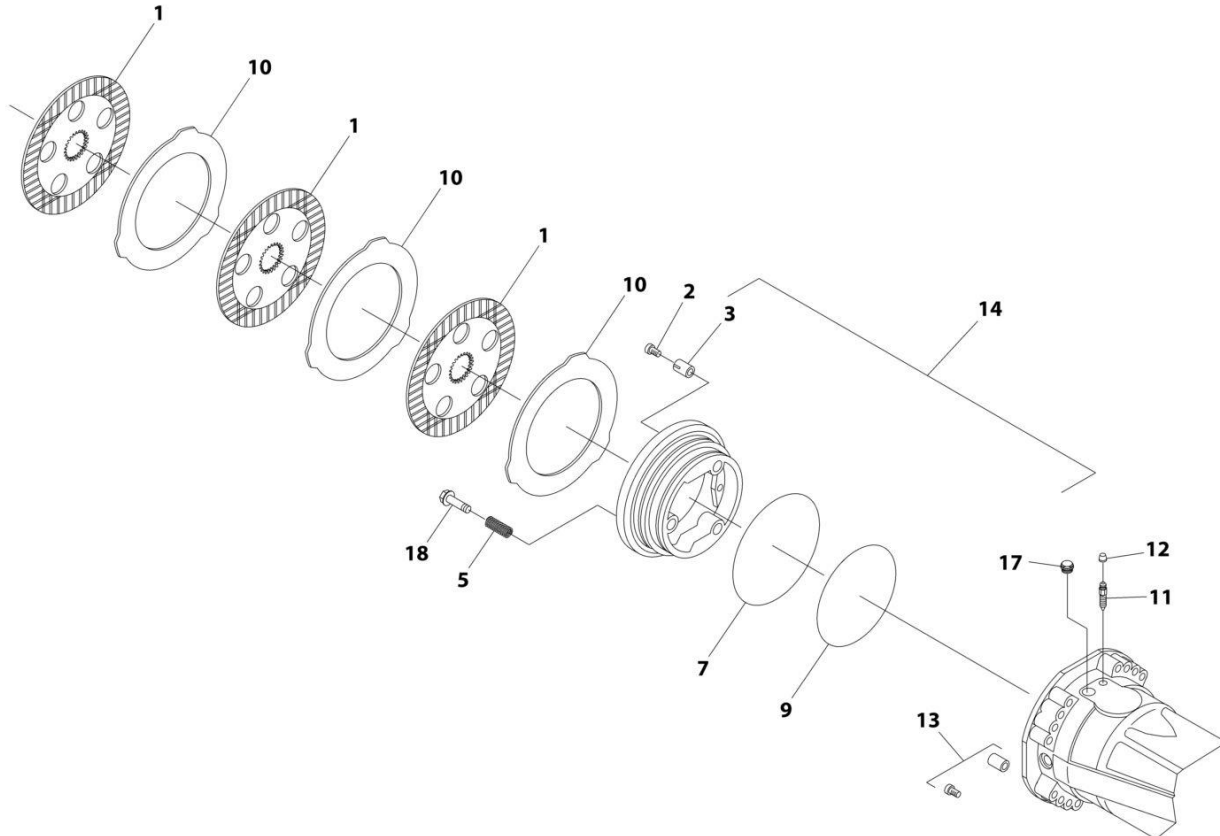
## SECTION 5 - DRIVE TRAIN

ITEM	PART NUMBER	QTY	DESCRIPTION	REV
71	70031458	6	Bearing	
71	70031459	6	Bearing	
77	70029547	1	Gear Ring Kit	
83	70028943	2	Cross Joint	
84	70028944	1	Center Section Joint	
85	70028977	1	Case, Axle	



# SECTION 5 - DRIVE TRAIN

## FIGURE 5-33. REAR AXLE - BRAKES (74HP)



ART\_1005798300\_4

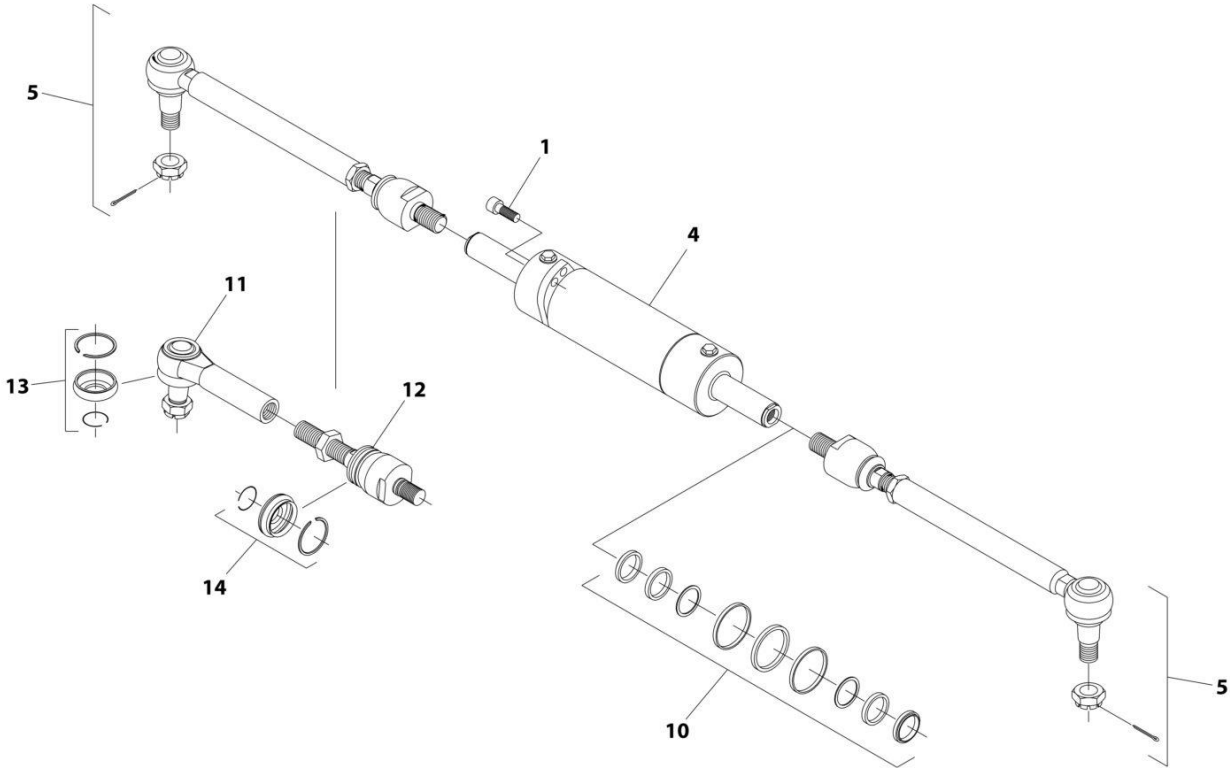
## SECTION 5 - DRIVE TRAIN

**FIGURE 5-33. REAR AXLE - BRAKES (74HP)**

ITEM	PART NUMBER	QTY	DESCRIPTION	REV
	1005798300	Ref	REAR AXLES, BRAKES	D
1	91474568	8	Disc	
2	7029786	6	Adjusting Bolt	
3	70027317	6	Spring	
5	91514159	6	Spring	
7	70025821	2	O-Ring	
9	70025822	2	O-Ring	
10	70025823	10	Disc, Intermediate Brake	
11	80204281	2	Bolt, Bleeding	
12	80204117	2	Plug	
13	70021613	2	Bolt	
14	70027772	2	Piston	
17	91514154	2	Bolt	
18	70024210	6	Bolt	

**SECTION 5 - DRIVE TRAIN**

**FIGURE 5-34. REAR AXLE - STEERING (74HP)**



ART\_1005798300\_5



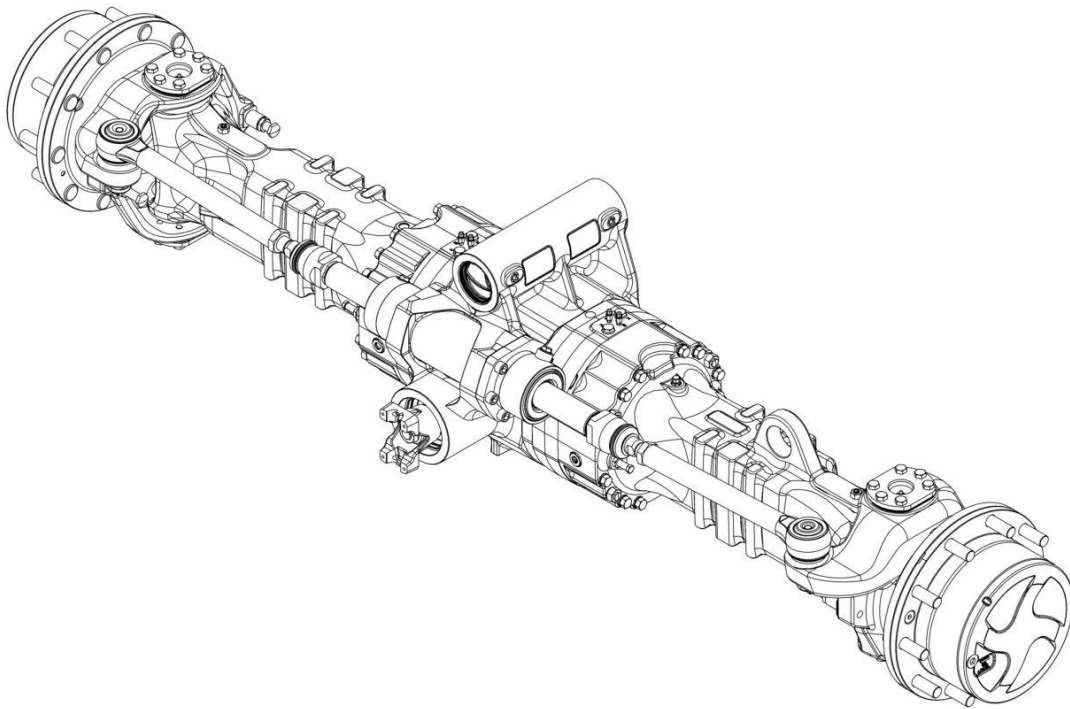
## SECTION 5 - DRIVE TRAIN

### FIGURE 5-34. REAR AXLE - STEERING (74HP)

ITEM	PART NUMBER	QTY	DESCRIPTION	REV
	1005798300	Ref	REAR AXLE, STEERING	D
1	80204144	5	Bolt	
4	70028947	1	Cylinder	
5	70028948	2	Tie Rod	
10	7029127	1	Kit, Seal	
11	70028949	1	Joint, 90	
12	70028950	1	Axial Joint Shaft	
13	70028951	1	Rubber Boot and Locking Ring Kit	
14	70028952	1	Rubber Boot and Locking Ring Kit	

## SECTION 5 - DRIVE TRAIN

FIGURE 5-35. FRONT AXLE INSTALLATION (110HP)



ART\_1001220490

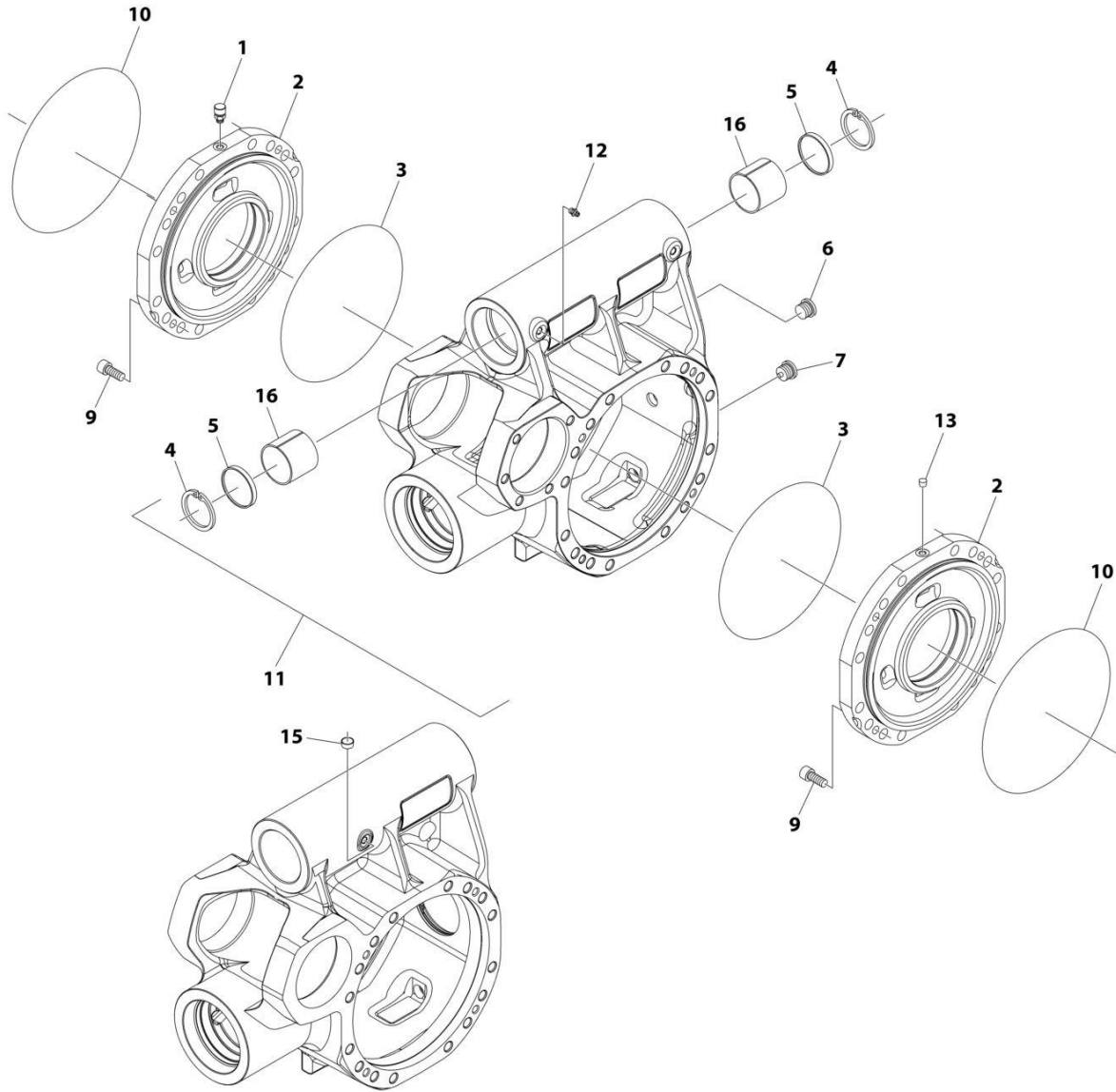
## SECTION 5 - DRIVE TRAIN

**FIGURE 5-35. FRONT AXLE INSTALLATION (110HP)**

ITEM	PART NUMBER	QTY	DESCRIPTION	REV
	1001220490	Ref	Front Axle	F
		Ref	Front Axle, Central Housing (See Separate Breakdown in this Section)	
		Ref	Front Axle, Differential (See Separate Breakdown in this Section)	
		Ref	Front Axle, Hub Reduction (See Separate Breakdown in this Section)	
		Ref	Front Axle, Brakes (See Separate Breakdown in this Section)	
		Ref	Front Axle, Steering (See Separate Breakdown in this Section)	

# SECTION 5 - DRIVE TRAIN

## FIGURE 5-36. FRONT AXLE - CENTRAL HOUSING (110HP)



ART\_1001220490\_1

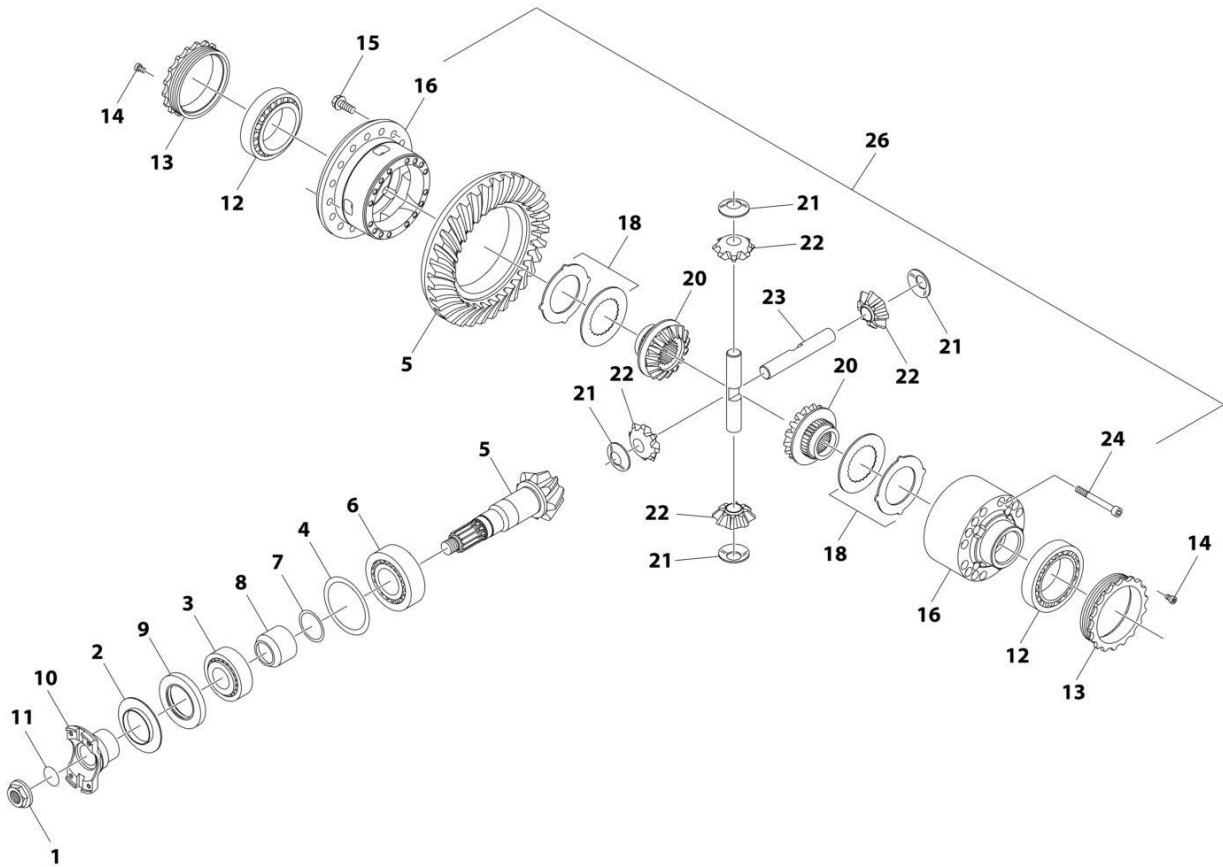
## SECTION 5 - DRIVE TRAIN

**FIGURE 5-36. FRONT AXLE - CENTRAL HOUSING (110HP)**

ITEM	PART NUMBER	QTY	DESCRIPTION	REV
	1001220490	Ref	FRONT AXLE, CENTRAL HOUSING	F
1	91474512	1	Vent	
2	7029288	2	Intermediate Cover	
3	80204002	2	O-Ring	
4	70028939	2	Ring	
5	70028974	2	Seal	
6	70028389	1	Plug	
7	70028388	1	Plug	
9	91514101	8	Bolt	
10	91514089	2	O-Ring	
11	70029482	1	Housing	
12	70024881	2	Grease Fitting	
13	80204012	1	Plug	
15	70028938	1	Plug	
16	70028886	2	Thrust Bushing	

# SECTION 5 - DRIVE TRAIN

## FIGURE 5-37. FRONT AXLE - DIFFERENTIAL (110HP)



ART\_1001220490\_2

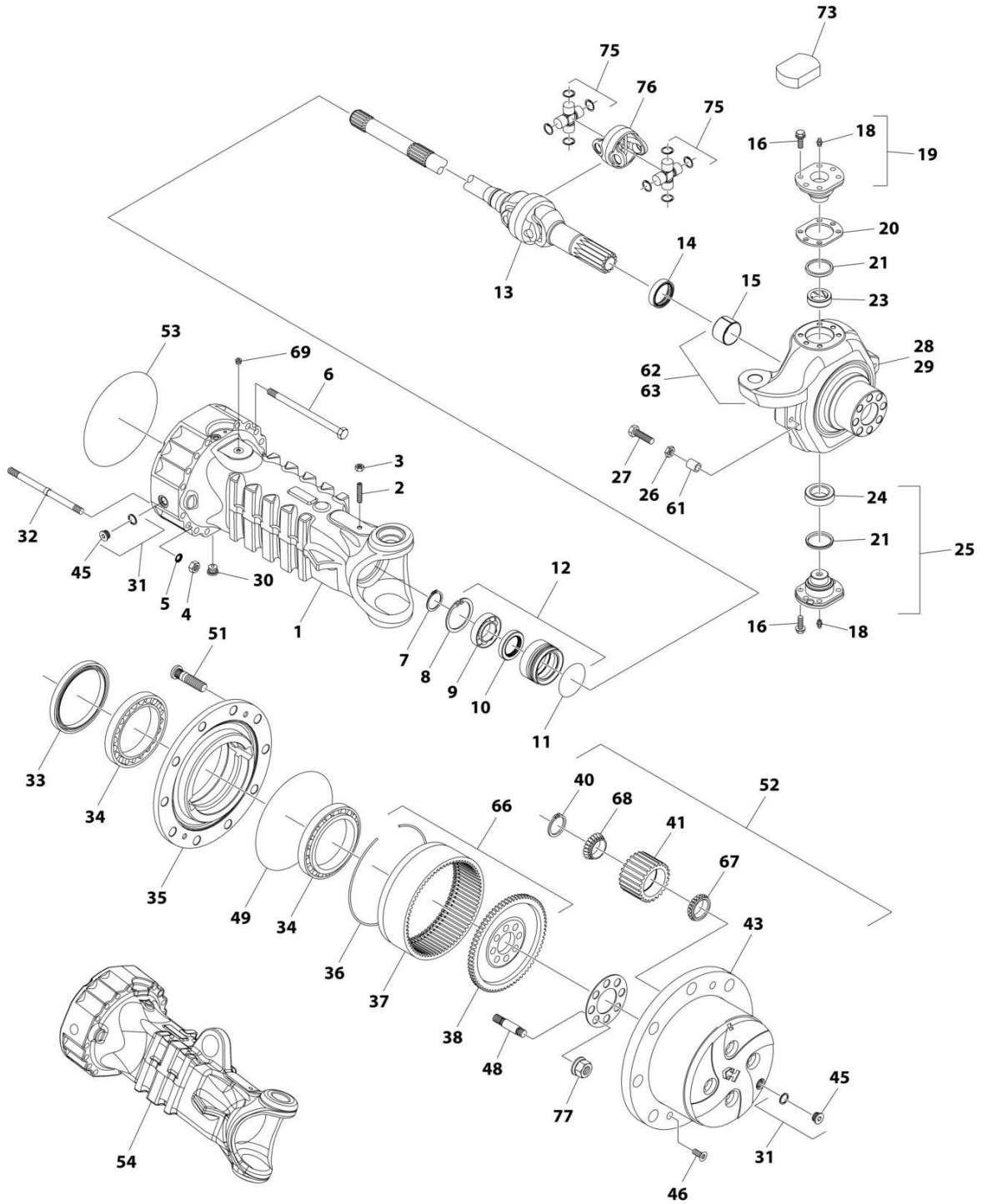
## SECTION 5 - DRIVE TRAIN

**FIGURE 5-37. FRONT AXLE - DIFFERENTIAL (110HP)**

ITEM	PART NUMBER	QTY	DESCRIPTION	REV
	1001220490	Ref	FRONT AXLE, DIFFERENTIAL	F
1	80204043	1	Nut	
2	91514130	1	Cover Plate	
3	80204048	1	Taper Roller Bearing	
4	70029483	1	Shim Kit	
5	70026255	1	Bevel Gear Set	
6	80204035	1	Taper Roller Bearing	
7	70023494	1	Ring	
8	70022140	1	Spacer	
9	70025887	1	Seal	
10	91514131	1	Flange	
11	10725554	1	O-Ring	
12	80204033	2	Taper Roller Bearing	
13	91514133	2	Ring Nut	
14	91514134	2	Bolt	
15	70025562	16	Bolt	
16	70024004	1	Differential Carrier	
18	70026750	2	Clutch Disc	
20	70025856	2	Gear, Differential Side	
21	70027105	4	Friction Washer	
22	70025339	4	Differential Pinion	
23	70023490	2	Differential Shaft	
24	91514143	15	Bolt	
26	70028390	1	Differential	

# SECTION 5 - DRIVE TRAIN

## FIGURE 5-38. FRONT AXLE - HUB REDUCTION (110HP)



ART\_1001220490\_3



## SECTION 5 - DRIVE TRAIN

**FIGURE 5-38. FRONT AXLE - HUB REDUCTION (110HP)**

ITEM	PART NUMBER	QTY	DESCRIPTION	REV
	1001220490	Ref	FRONT AXLE, HUB REDUCTION	F
1	70029484	1	Axle Case	
2	91514081	2	Bolt	
3	91514082	2	Nut	
4	91514083	8	Nut	
5	91514084	8	Washer	
6	7029309	24	Bolt	
7	80204071	2	Circlip	
8	80204005	2	Circlip	
9	91514146	2	Ball Bearing	
10	91514147	2	Seal	
11	91514148	2	O-Ring	
12	91514149	2	Reduction Bushing	
13	70026066	2	Double Universal Joint	
14	70025857	2	Seal	
15	91514111	2	Thrust Bushing	
16	70025562	24	Bolt	
18	70024881	4	Grease Fitting	
19	70028890	2	Pivot Pin	
20	70025561	1	Shim Kit	
21	7028716	4	Dust Seal	
23	7028714	2	Bushing	
24	91514095	2	Bearing	
25	70028891	2	Pivot Pin	
26	80204065	4	Nut	
27	70028975	4	Bolt	
28	N.S.S.	1	Steering Case (RF, LR)	
29	N.S.S.	1	Steering Case (LF, RR)	
30	70028388	2	Plug	
31	91514188	2	Plug With Sealing Washer	
32	70024851	8	Stud	
33	70026002	2	Seal	
34	80204076	4	Tapered Roller Bearing	
35	91514174	2	Wheel Hub	
36	91514175	2	Circlip	
37	70024147	2	Ring Gear	
38	91514177	2	Ring Gear Support	
40	70028926	8	Snap Ring	
41	70028924	8	Differential Pinion	
43	70029486	2	Planet Gear Carrier	
45	70028389	2	Plug	
46	91514189	4	Bolt, Countersunk	
48	91514180	16	Stud	
49	91514181	2	O-Ring	
51	91514183	20	Wheel Stud	
52	70029454	2	Planet Gear Carrier Assembly	
53	91514089	2	O-Ring	
54	70028892	1	Axle Case	
61	7029311	4	Spacer	
62	70029489	1	Steering Case Assembly (RF, LR) (includes items 15 & 28)	

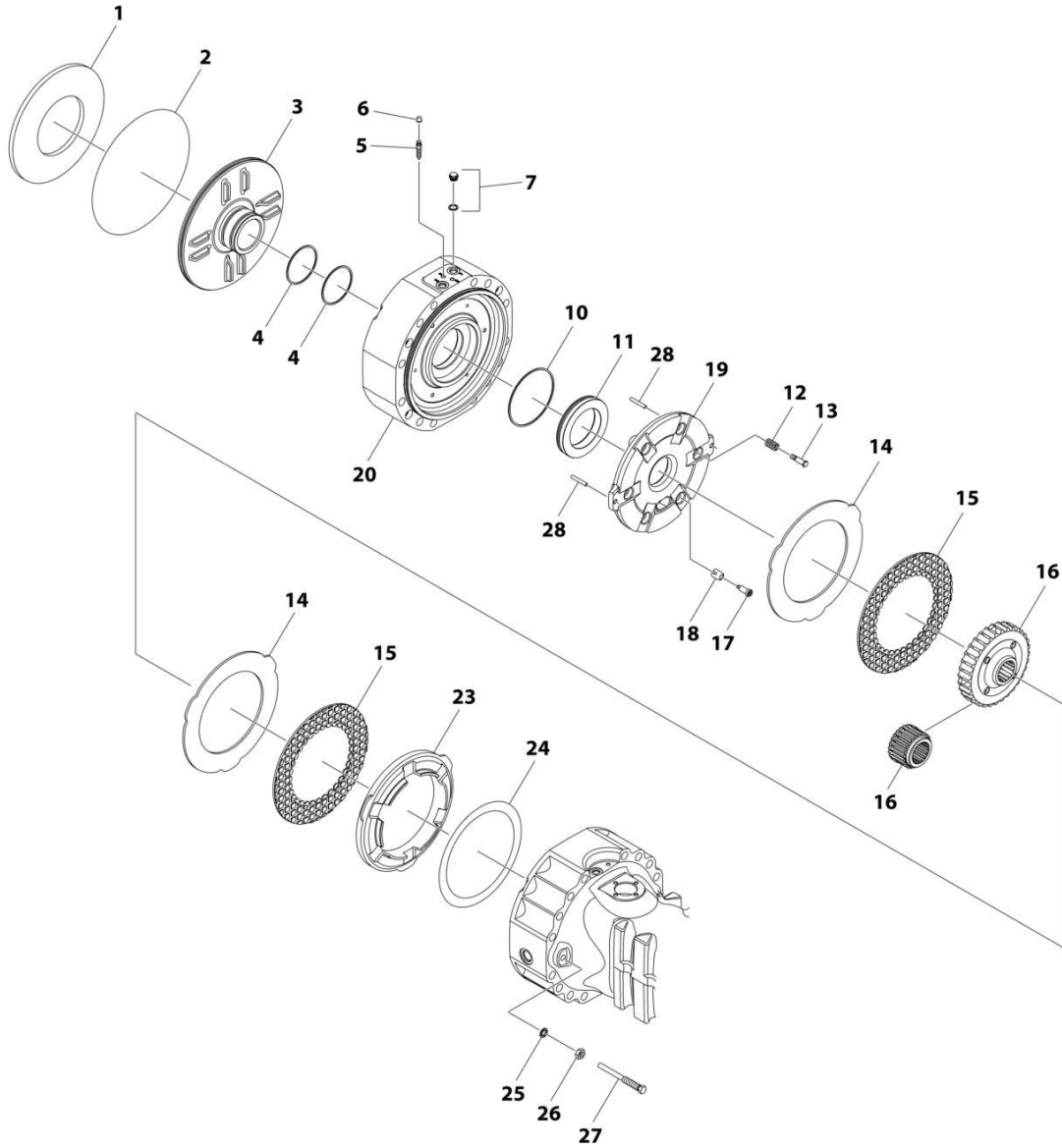
## SECTION 5 - DRIVE TRAIN

ITEM	PART NUMBER	QTY	DESCRIPTION	REV
63	70029488	1	Steering Case Assembly (LF, RR) (includes items 15 & 29)	
66	70024146	2	Ring Gear Support Kit (includes items 36 thru 38)	
67	70028923	8	Tapered Roller Bearing	
68	70028922	8	Tapered Roller Bearing	
69	80204012	2	Plug	
73	70028392	2	Cover	
75	70023829	2	Joint Cross	
76	70023116	1	Center Body	
77	70029545	16	Nut	



# SECTION 5 - DRIVE TRAIN

## FIGURE 5-39. FRONT AXLE - BRAKES (110HP)



ART\_1001220490\_4

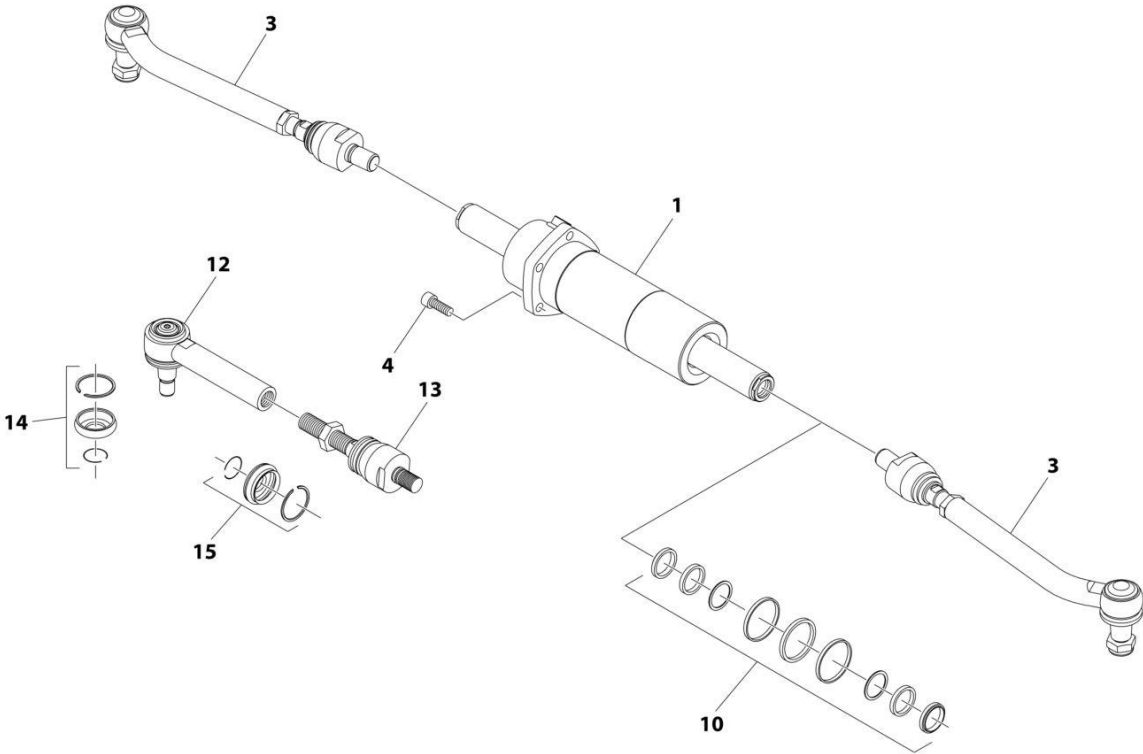
## SECTION 5 - DRIVE TRAIN

**FIGURE 5-39. FRONT AXLE - BRAKES (110HP)**

ITEM	PART NUMBER	QTY	DESCRIPTION	REV
	1001220490	Ref	FRONT AXLE, BRAKES	F
1	91514151	2	Belleville Washer	
2	91514089	2	O-Ring	
3	70027092	2	Piston	
4	70026262	4	Seal	
5	10725627	4	Bleeding Bolt	
6	80204117	4	Plug	
7	91514154	4	Plug With Seal	
10	70026263	2	O-Ring	
11	70027796	2	Piston	
12	91514159	6	Spring	
13	70024210	6	Adjusting Bolt	
14	70027022	6	Intermediate Brake Disc	
15	7029735	6	Brake Disc	
16	7029734	2	Reduction Bushing	
17	7029787	6	Adjusting Bolt	
18	70027317	6	Spring	
19	70024849	2	Disc, Intermediate Brake	
20	70024848	2	Cover	
23	70026264	2	Spacer	
24	70025970	1	Shim	
25	80204108	4	Lockwasher	
26	80204060	4	Nut	
27	70024213	4	Bolt	
28	70024215	4	Dowel	

**SECTION 5 - DRIVE TRAIN**

**FIGURE 5-40. FRONT AXLE - STEERING (110HP)**



ART\_1001220490\_5

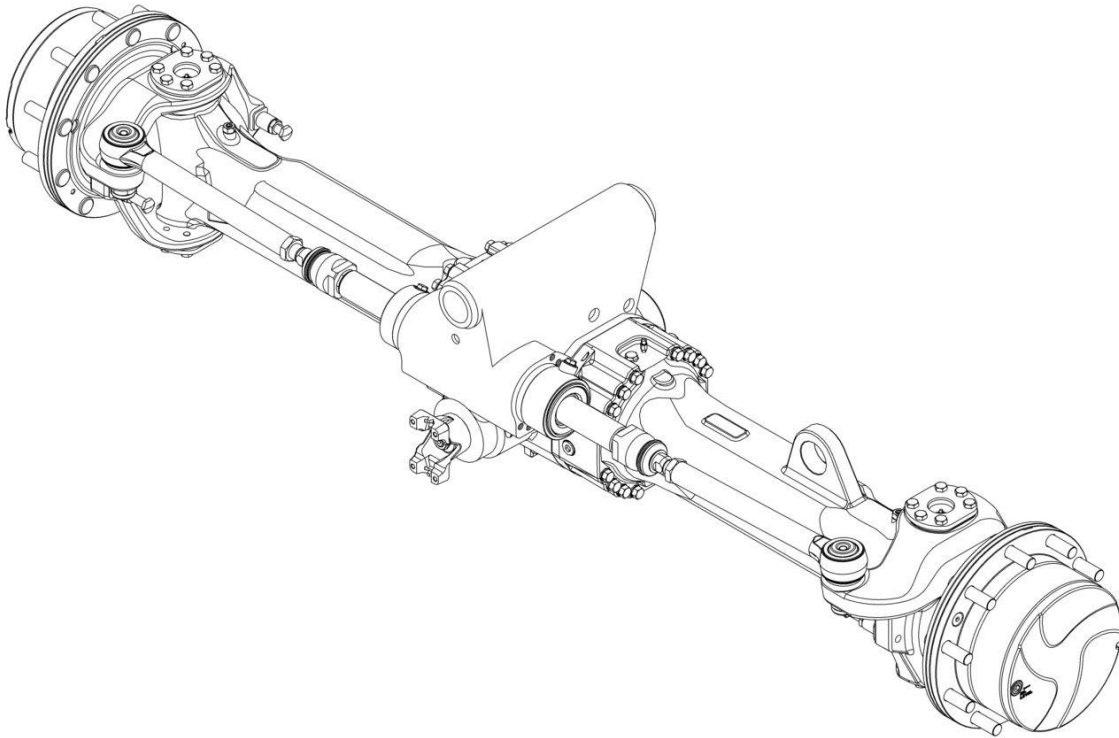
## SECTION 5 - DRIVE TRAIN

### FIGURE 5-40. FRONT AXLE - STEERING (110HP)

ITEM	PART NUMBER	QTY	DESCRIPTION	REV
	1001220490	Ref	FRONT AXLE, STEERING	F
1	70028947	1	Cylinder	
3	70028948	2	Tie Rod	
4	80204144	5	Cylinder Bolt	
10	7029127	1	Seal Kit	
12	70028949	1	Joint, 90	
13	70028950	1	Axial Joint Shaft	
14	70028951	1	Rubber Boot and Locking Ring Kit	
15	70028952	1	Rubber Boot and Locking Ring Kit	

## SECTION 5 - DRIVE TRAIN

FIGURE 5-41. REAR AXLE INSTALLATION (110HP)



ART\_1001220491



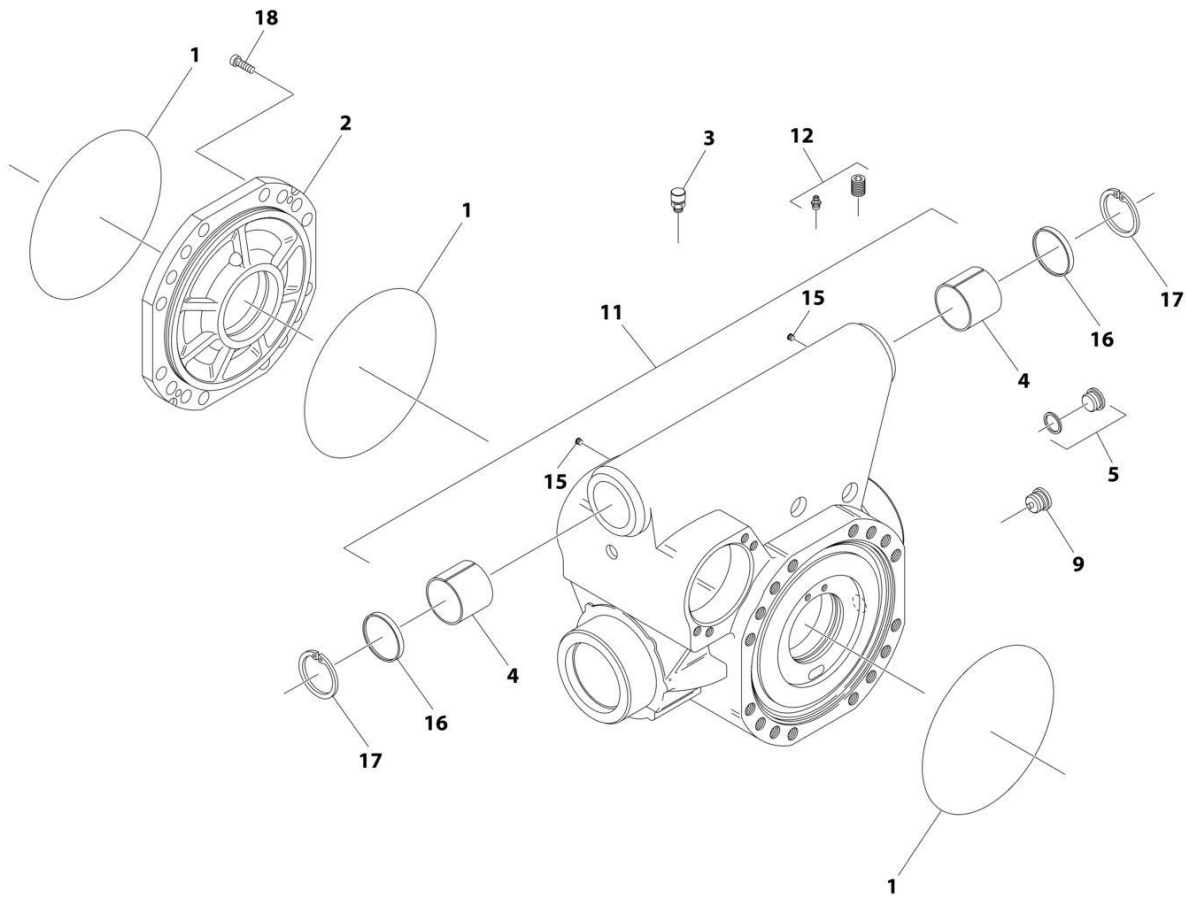
## SECTION 5 - DRIVE TRAIN

### FIGURE 5-41. REAR AXLE INSTALLATION (110HP)

ITEM	PART NUMBER	QTY	DESCRIPTION	REV
	1001220491	Ref	Rear Axle Installation	E
		Ref	Rear Axle, Central Housing (See Separate Breakdown in this Section)	
		Ref	Rear Axle, Differential (See Separate Breakdown in this Section)	
		Ref	Rear Axle, Hub Reduction (See Separate Breakdown in this Section)	
		Ref	Rear Axle, Brakes (See Separate Breakdown in this Section)	
		Ref	Rear Axle, Steering (See Separate Breakdown in this Section)	

# SECTION 5 - DRIVE TRAIN

## FIGURE 5-42. REAR AXLE - CENTRAL HOUSING (110HP)



ART\_1001220491\_1

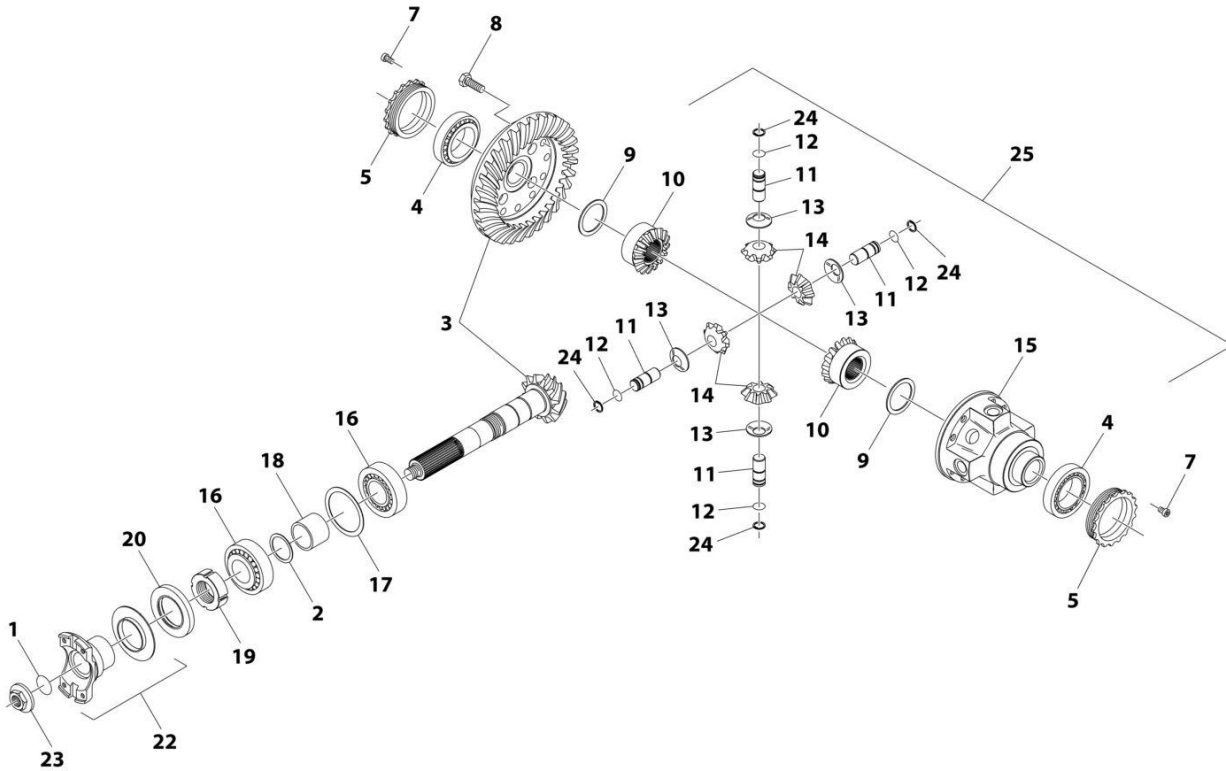
## SECTION 5 - DRIVE TRAIN

**FIGURE 5-42. REAR AXLE - CENTRAL HOUSING (110HP)**

ITEM	PART NUMBER	QTY	DESCRIPTION	REV
	1001220491	Ref	REAR AXLE, CENTRAL HOUSING	E
1	91474507	3	O-Ring	
2	70024519	1	Cover	
3	91474512	1	Vent	
4	70028886	2	Thrust Bushing	
5	91514188	1	Plug With Seal Washer	
9	7028706	1	Magnet Plug	
11	N.S.S.	1	Housing	
12	70024881	2	Fitting, Grease	
15	70028938	2	Plug	
16	70028974	2	Seal	
17	70028939	2	Ring	
18	91474591	4	Bolt	

# SECTION 5 - DRIVE TRAIN

## FIGURE 5-43. FRONT AXLE - DIFFERENTIAL (110HP)



ART\_1001220491\_2

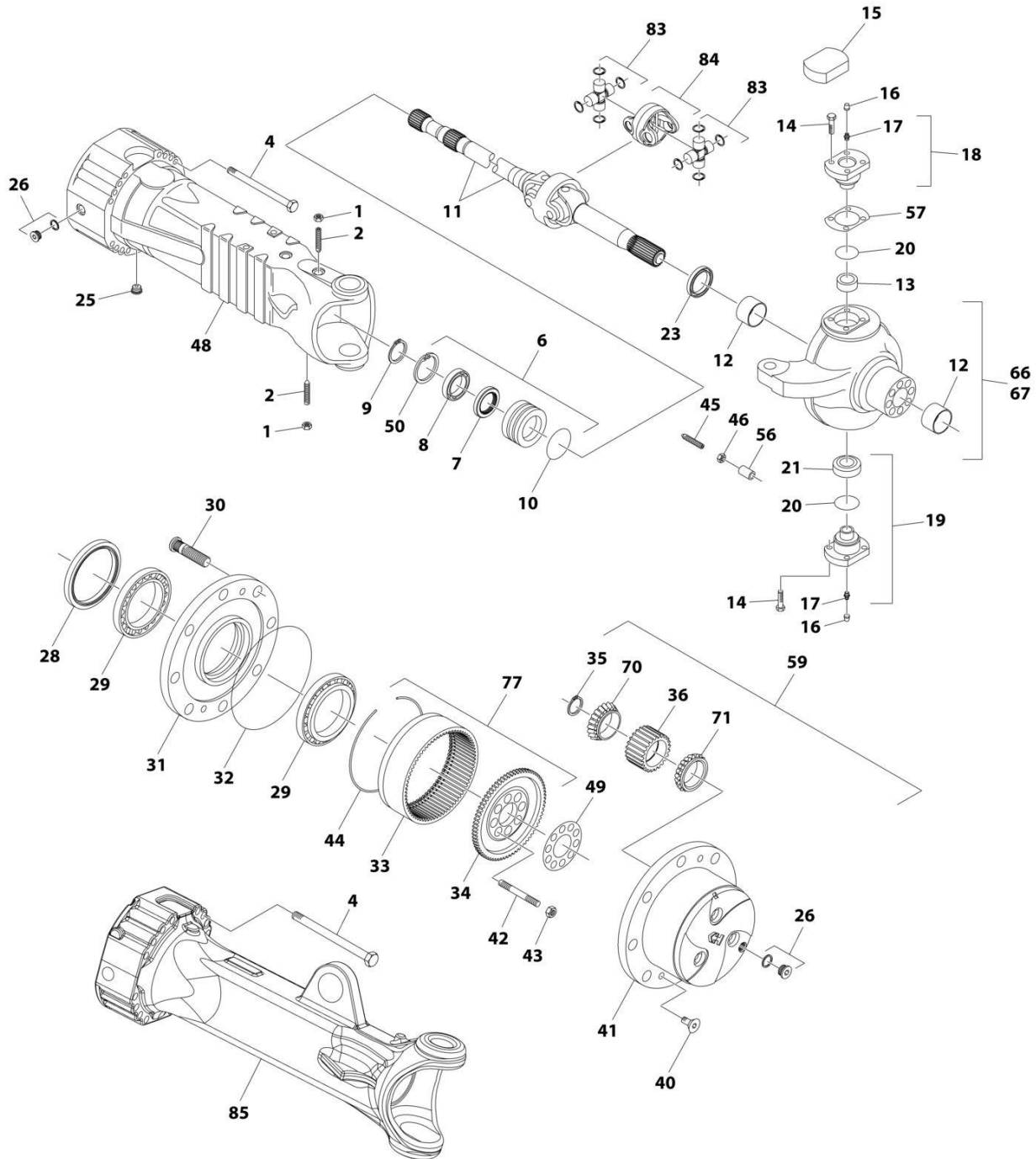
## SECTION 5 - DRIVE TRAIN

**FIGURE 5-43. FRONT AXLE - DIFFERENTIAL (110HP)**

ITEM	PART NUMBER	QTY	DESCRIPTION	REV
	1001220491	Ref	REAR AXLE, DIFFERENTIAL	E
1	91474529	1	O-Ring	
2	70025556	1	Shim Kit	
3	70028997	1	Bevel Gear Set	
4	70028471	2	Bearing, Taper Roller	
5	91474547	2	Nut, Ring	
7	91514134	2	Bolt	
8	70025562	12	Bolt	
9	91474593	2	Washer, Friction	
10	70025569	2	Gear, Differential Side	
11	7029131	4	Pin	
12	91474551	4	Circlip	
13	91474553	4	Washer, Friction	
14	70025570	4	Pinion, Differential	
15	91474595	1	Carrier, Differential	
16	3968141	2	Bearing, Taper Roller	
17	70025555	1	Shim Kit	
18	91474539	1	Spacer	
19	91474533	1	Nut, Ring	
20	70024522	1	Seal	
22	70022797	1	Flange	
23	70026631	1	Nut	
24	91474550	4	Circlip	
25	70021140	1	Kit, Differential (includes items 9 thru 15 & 24)	

# SECTION 5 - DRIVE TRAIN

## FIGURE 5-44. REAR AXLE - HUB REDUCTION (110HP)



ART\_1001220491\_3

## SECTION 5 - DRIVE TRAIN

**FIGURE 5-44. REAR AXLE - HUB REDUCTION (110HP)**

ITEM	PART NUMBER	QTY	DESCRIPTION	REV
	1001220491	Ref	REAR AXLE, HUB REDUCTION	E
1	91514082	2	Nut	
2	91514081	2	Bolt	
4	70022799	32	Bolt	
6	91514149	2	Kit, Reduction Bushing (includes items 7, 8, 10 & 50)	
7	91514147	2	Seal	
8	91514146	2	Ball Bearing	
9	80204071	2	Circlip	
10	91514148	2	O-Ring	
11	70026803	2	Joint & Shaft, Double Universal	
12	91514111	2	Bushing, Thrust	
13	7028714	2	Bushing	
14	70025562	24	Bolt	
15	70028392	2	Cover	
16	80204117	2	Plug	
17	70024881	4	Fitting, Grease	
18	70028890	2	Pivot Pin	
19	70028891	2	Pivot Pin	
20	7028716	4	Seal, Dust	
21	91514095	2	Bearing	
23	70026238	2	Seal	
25	7028706	4	Plug, Magnet	
26	91514188	2	Plug With Sealing Washer	
28	7028721	2	Seal	
29	91474576	4	Bearing	
30	91514183	20	Wheel Stud	
31	7028722	2	Wheel Hub	
32	91514181	2	O-Ring	
33	70029546	2	Gear, Ring	
34	70026812	2	Support, Ring Gear	
35	70028925	6	Circlip	
36	70028941	6	Differential Pinion	
40	91514189	4	Bolt, Countersunk	
41	70028881	1	Planet Gear Carrier	
42	70027315	16	Stud	
43	91474584	16	Nut	
44	91514175	2	Circlip	
45	70028975	4	Bolt	
46	80204065	4	Nut	
48	70028976	1	Case, Axle	
49	70026622	2	Plate, Locking	
50	80204005	2	Circlip	
56	7029311	4	Spacer	
57	70025561	1	Kit, Shim	
59	70028881	2	Kit, Planet Gear (includes items 35, 36, 41, 70 & 71)	
66	70029471	1	Steering Case (LR) (includes item 12)	
67	70029472	1	Steering Case (RR) (includes item 12)	
70	7028731	6	Bearing	
71	7028732	6	Bearing	
77	70029547	2	Kit, Gear Ring (includes items 22, 34 & 44)	

## SECTION 5 - DRIVE TRAIN

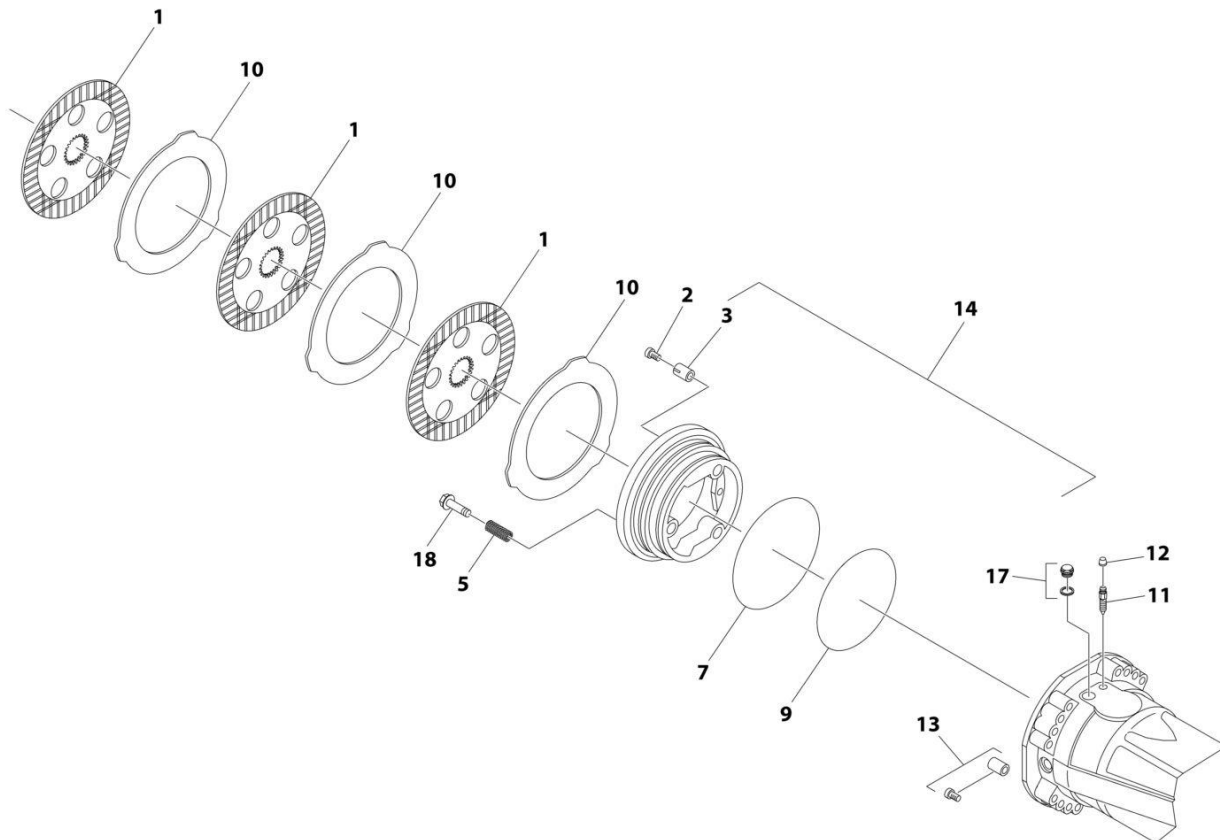
ITEM	PART NUMBER	QTY	DESCRIPTION	REV
83	70028943	2	Cross Joint	
84	70028944	1	Center Section Joint	
85	70028977	1	Case, Axle	





# SECTION 5 - DRIVE TRAIN

## FIGURE 5-45. REAR AXLE - BRAKES (110HP)



ART\_1001220491\_4

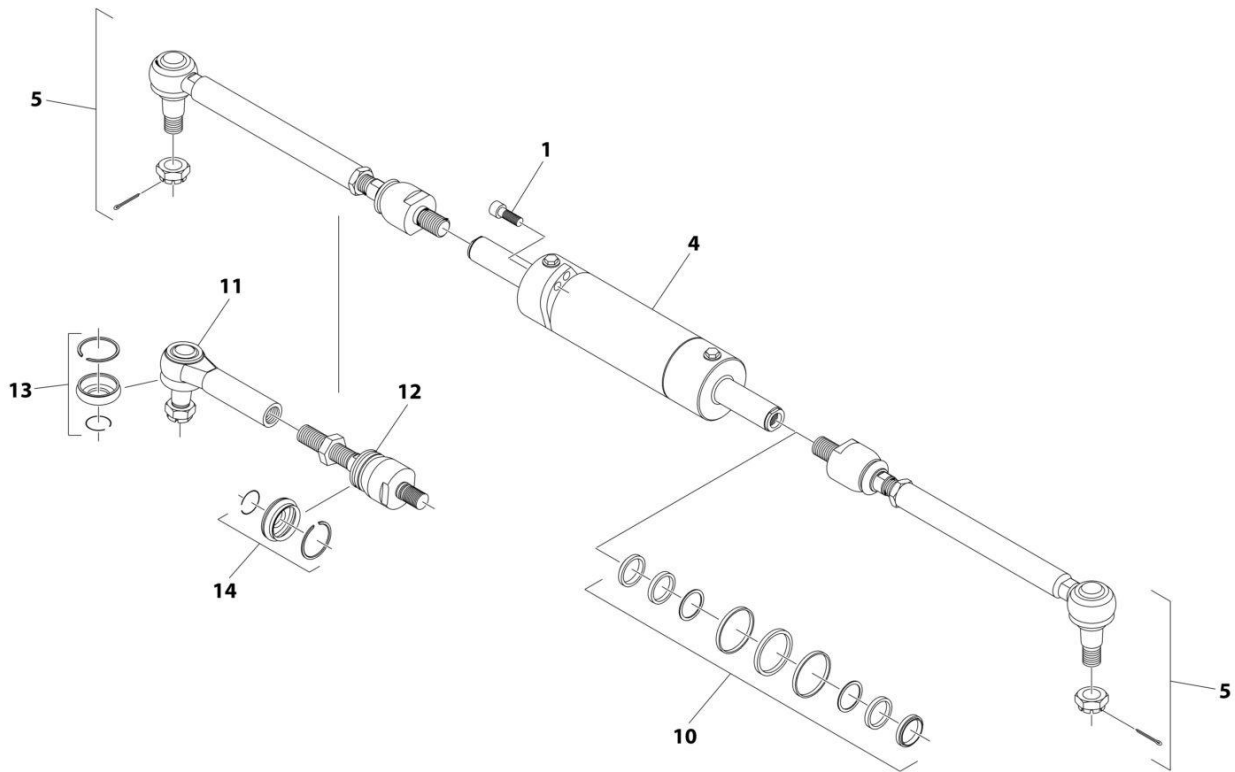
## SECTION 5 - DRIVE TRAIN

**FIGURE 5-45. REAR AXLE - BRAKES (110HP)**

ITEM	PART NUMBER	QTY	DESCRIPTION	REV
	1001220491	Ref	REAR AXLES, BRAKES	E
1	91474568	6	Disc	
2	7029786	6	Adjusting Bolt	
3	70027317	6	Spring	
5	91514159	6	Spring	
7	70025821	2	O-Ring	
9	70025822	2	O-Ring	
10	70025823	8	Disc, Intermediate Brake	
11	10725627	2	Bolt, Bleeding	
12	80204117	2	Plug	
13	70021613	2	Bolt	
14	N.S.S.	2	Piston	
17	91514154	2	Plug With Seal Washer	
18	70024210	6	Bolt	

# SECTION 5 - DRIVE TRAIN

## FIGURE 5-46. REAR AXLE - STEERING (110HP)



ART\_1001220491\_5

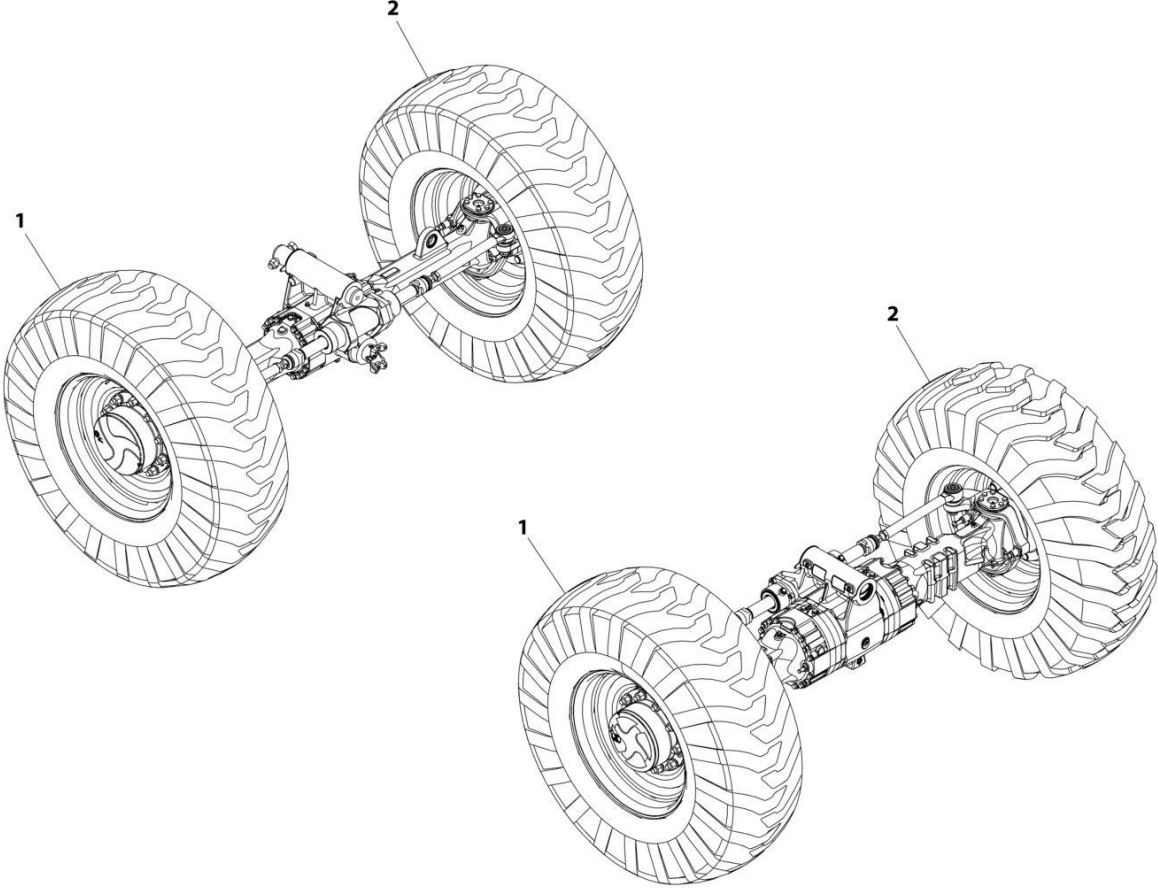
## SECTION 5 - DRIVE TRAIN

### FIGURE 5-46. REAR AXLE - STEERING (110HP)

ITEM	PART NUMBER	QTY	DESCRIPTION	REV
	1001220491	Ref	REAR AXLE, STEERING	E
1	80204144	5	Bolt	
4	70028947	1	Cylinder	
5	70028948	2	Tie Rod	
10	7029127	1	Kit, Seal	
11	70028949	1	Joint, 90	
12	70028950	1	Axial Joint Shaft	
13	70028951	1	Rubber Boot and Locking Ring Kit	
14	70028952	1	Rubber Boot and Locking Ring Kit	

**SECTION 5 - DRIVE TRAIN**

**FIGURE 5-47. TIRE SET - 17.2-25 PNEUMATIC**



ART\_1001222217-C

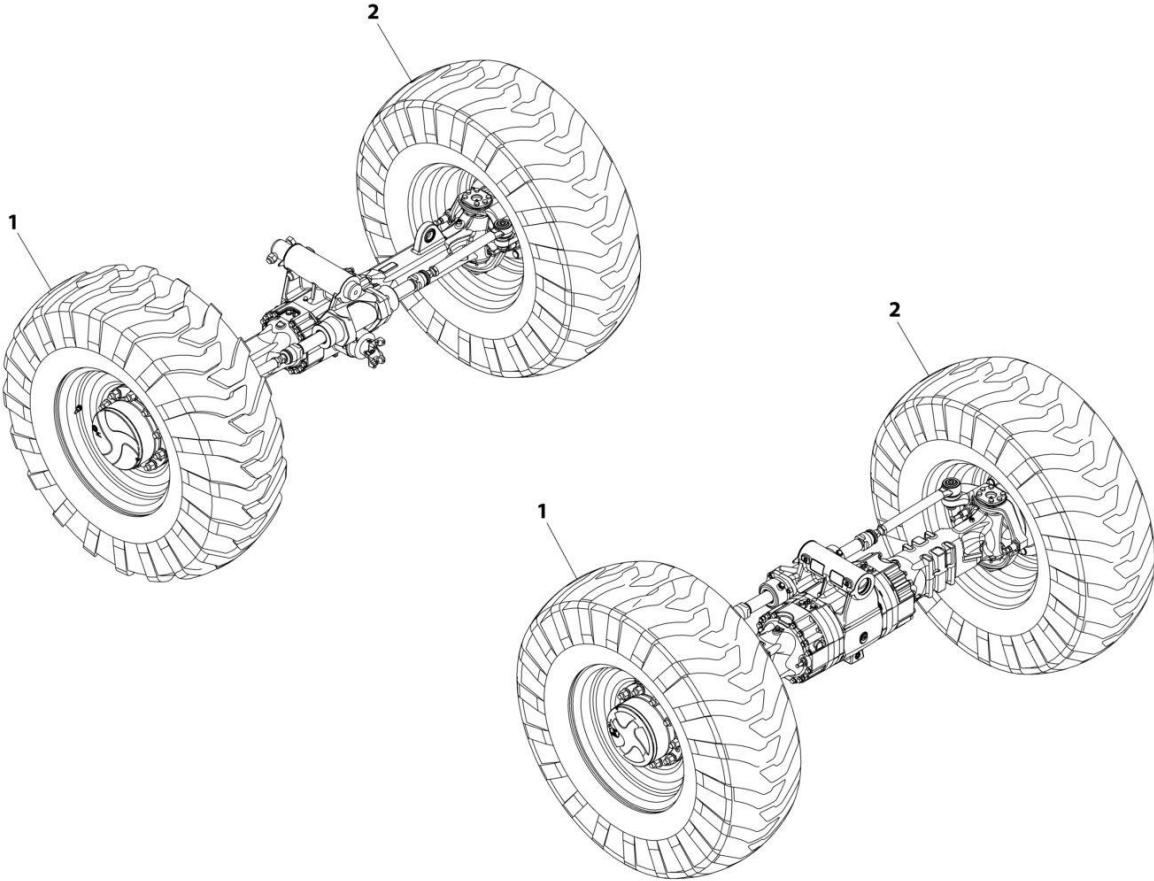
## SECTION 5 - DRIVE TRAIN

### FIGURE 5-47. TIRE SET - 17.2-25 PNEUMATIC

ITEM	PART NUMBER	QTY	DESCRIPTION	REV
	1001222217	Ref	Tire Set, 17.5-25 Pneumatic	C
1	1001152415	2	Tire and Wheel Assembly (RH)	
1	91563250	2	Wheel (1 per assembly)	
1	8780039	2	Tire 17.2-25 16 Ply (1 per assembly)	
1	91083385	2	Valve, Air (1 per assembly)	
2	1001152416	2	Tire and Wheel Assembly (LH)	
2	91563250	2	Wheel (1 per assembly)	
2	8780039	2	Tire 17.2-25 16 Ply (1 per assembly)	
2	91083385	2	Valve, Air (1 per assembly)	

**SECTION 5 - DRIVE TRAIN**

**FIGURE 5-48. TIRE SET - 17.2-25 FOAM-FILLED**



ART\_1001222218-C



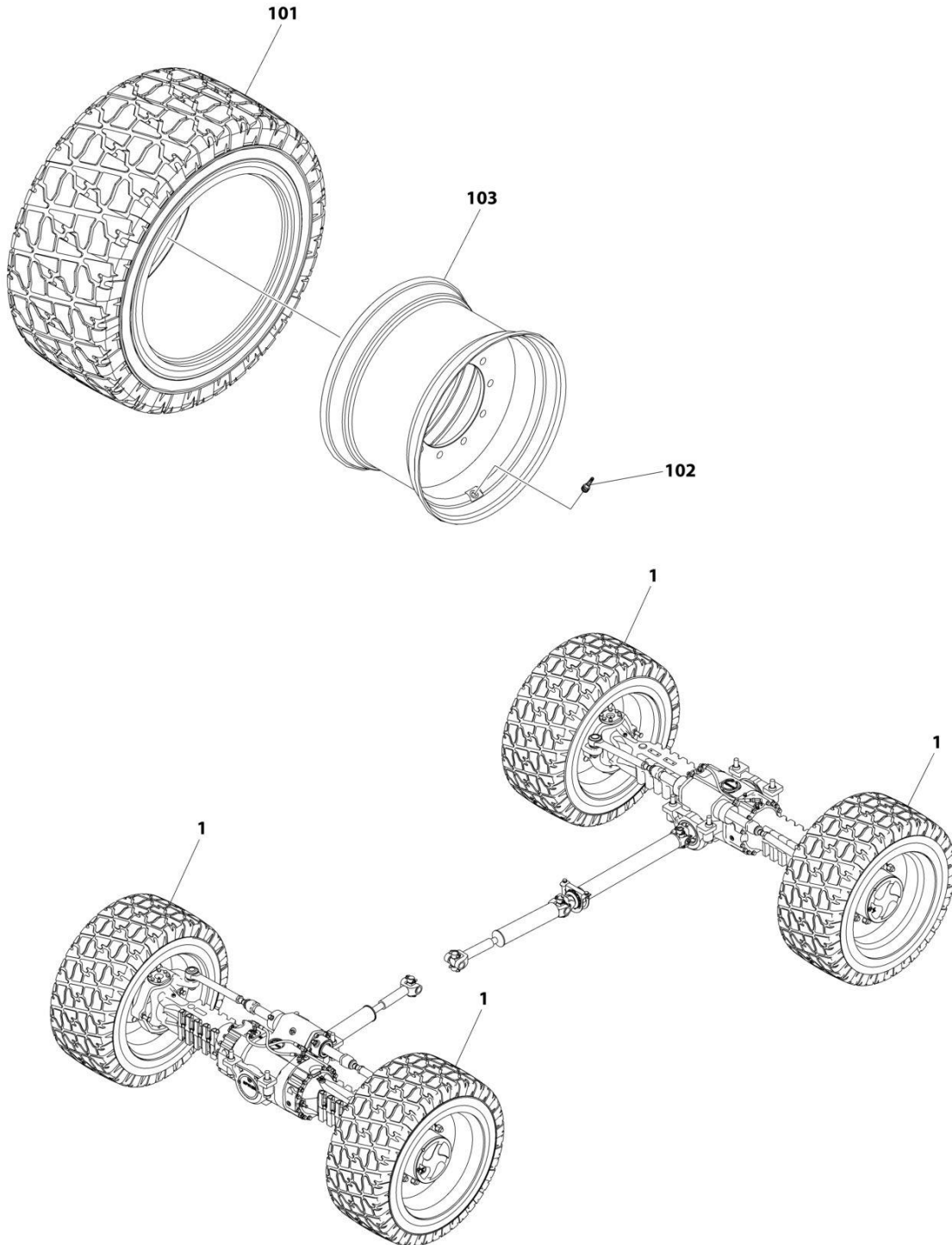
## SECTION 5 - DRIVE TRAIN

**FIGURE 5-48. TIRE SET - 17.2-25 FOAM-FILLED**

ITEM	PART NUMBER	QTY	DESCRIPTION	REV
	1001222218	Ref	Tire Set, 17.5-25 Foam-Filled	C
		Ref	<b>Note: Assemblies require ballast/foam filling to manufacture's specifications prior to installing on machine. Refer to Operation &amp; Safety or Service &amp; Maintenance Manuals.</b>	
		Ref	<b>Purchase individual tire and/or wheel only if able to foam fill tire &amp; wheel assembly, otherwise purchase complete assembly.</b>	
1	91565040	2	Tire and Wheel Assembly (RH)	
1	91563250	2	Wheel (1 per assembly)	
1	4520527	2	Tire 17.5-25 12 Ply (1 per assembly)	
1	91083385	2	Valve, Air (1 per assembly)	
2	91565039	2	Tire and Wheel Assembly (LH)	
2	91563250	2	Wheel (1 per assembly)	
2	4520527	2	Tire 17.5-25 12 Ply (1 per assembly)	
2	91083385	2	Valve, Air (1 per assembly)	

# SECTION 5 - DRIVE TRAIN

FIGURE 5-49. TIRE SET - 18 X 625 (TURF AND SAND PNEUMATIC)



ART\_1001252986

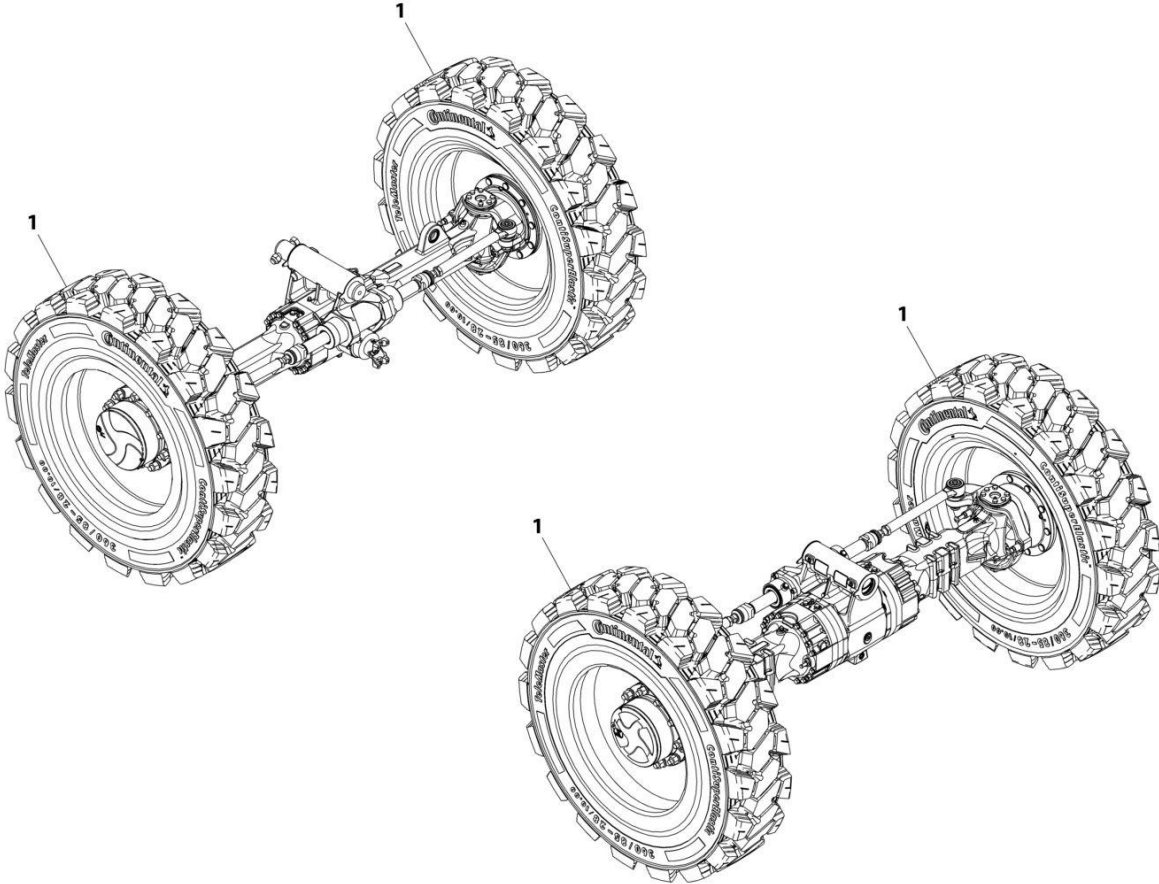
## SECTION 5 - DRIVE TRAIN

**FIGURE 5-49. TIRE SET - 18 X 625 (TURF AND SAND PNEUMATIC)**

ITEM	PART NUMBER	QTY	DESCRIPTION	REV
	1001252986	Ref	TIRE SET - 18 X 625 (TURF PNEUMATIC)	B
1	1001259635	4	Tire and Wheel Assembly	
101	4520356	4	Tire - 18 x 625 Turf/Sand (1 per assembly)	
102	4641122	4	Valve, Air (1 per assembly)	
103	1001246001	4	Wheel (1 per assembly)	

**SECTION 5 - DRIVE TRAIN**

**FIGURE 5-50. TIRE SET - 360/85-28 SOLID**



ART\_1001222221-C

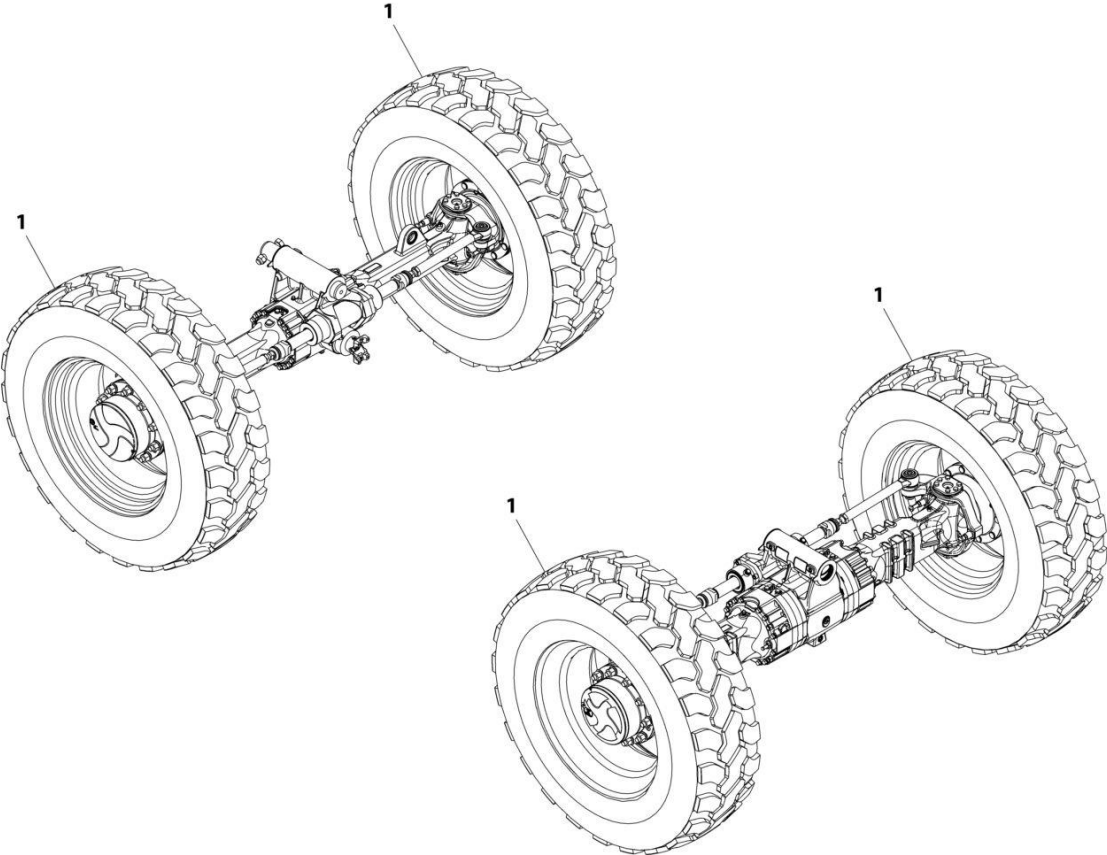
## SECTION 5 - DRIVE TRAIN

### FIGURE 5-50. TIRE SET - 360/85-28 SOLID

ITEM	PART NUMBER	QTY	DESCRIPTION	REV
1	1001222221	Ref	Tire Set, 360/85-28 Solid	C
	1001213200J	4	Tire, 360/85-28 Solid	

**SECTION 5 - DRIVE TRAIN**

**FIGURE 5-51. TIRE SET - 400/75-28 PNEUMATIC**



ART\_1001222219-B

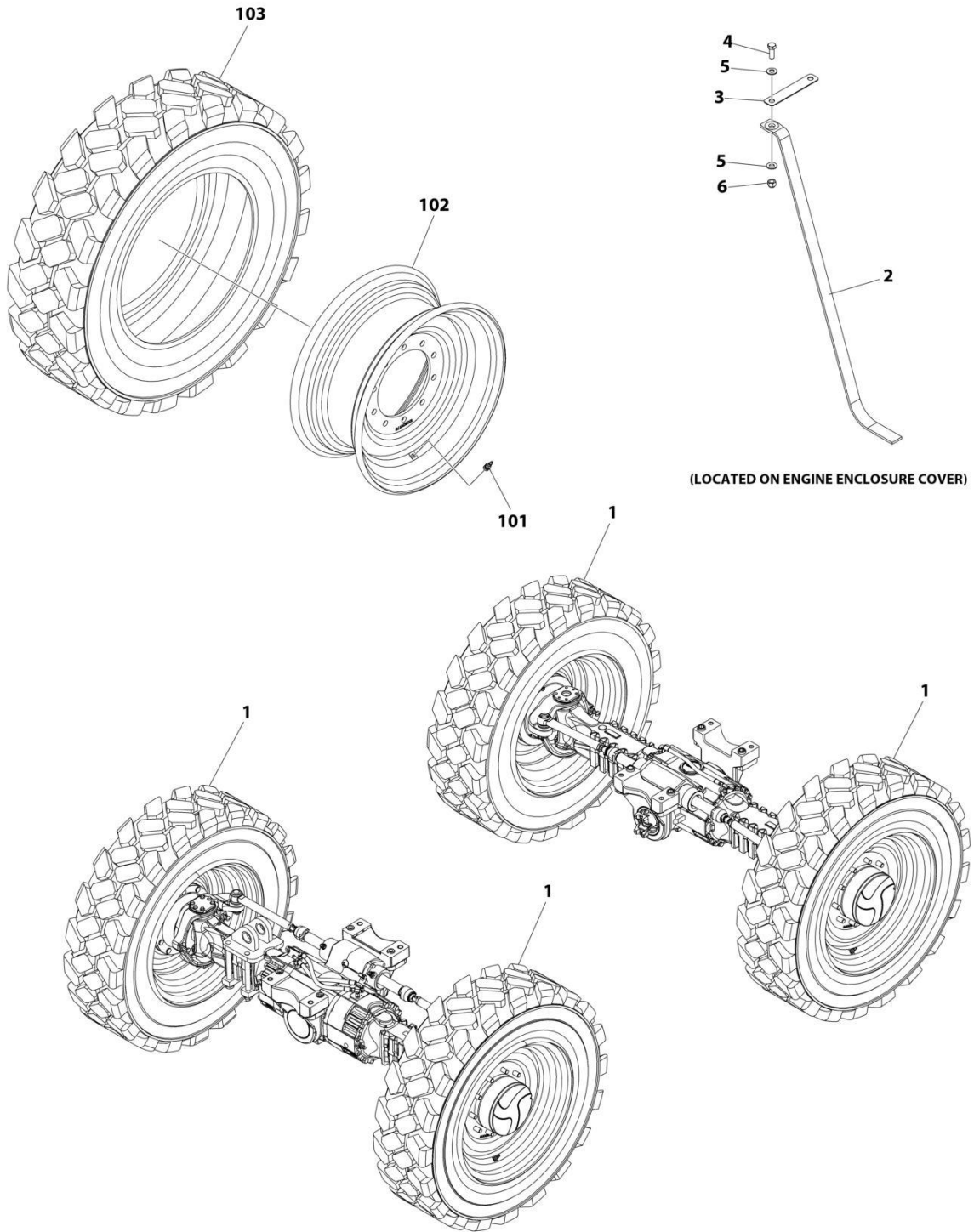
## SECTION 5 - DRIVE TRAIN

### FIGURE 5-51. TIRE SET - 400/75-28 PNEUMATIC

ITEM	PART NUMBER	QTY	DESCRIPTION	REV
	1001222219	Ref	Tire Set, 400/75-28 Pneumatic	B
1	1001121103	4	Tire and Wheel Assembly	
1	8786514	4	Valve, Air (1 per assembly)	
1	1001120178	4	Wheel (1 per assembly)	
1	1001120179	4	Tire 400/75-28 (1 per assembly)	

# SECTION 5 - DRIVE TRAIN

## FIGURE 5-52. TIRE SET - 400/75-28 PNEUMATIC NON-MARKING



ART\_1001241848



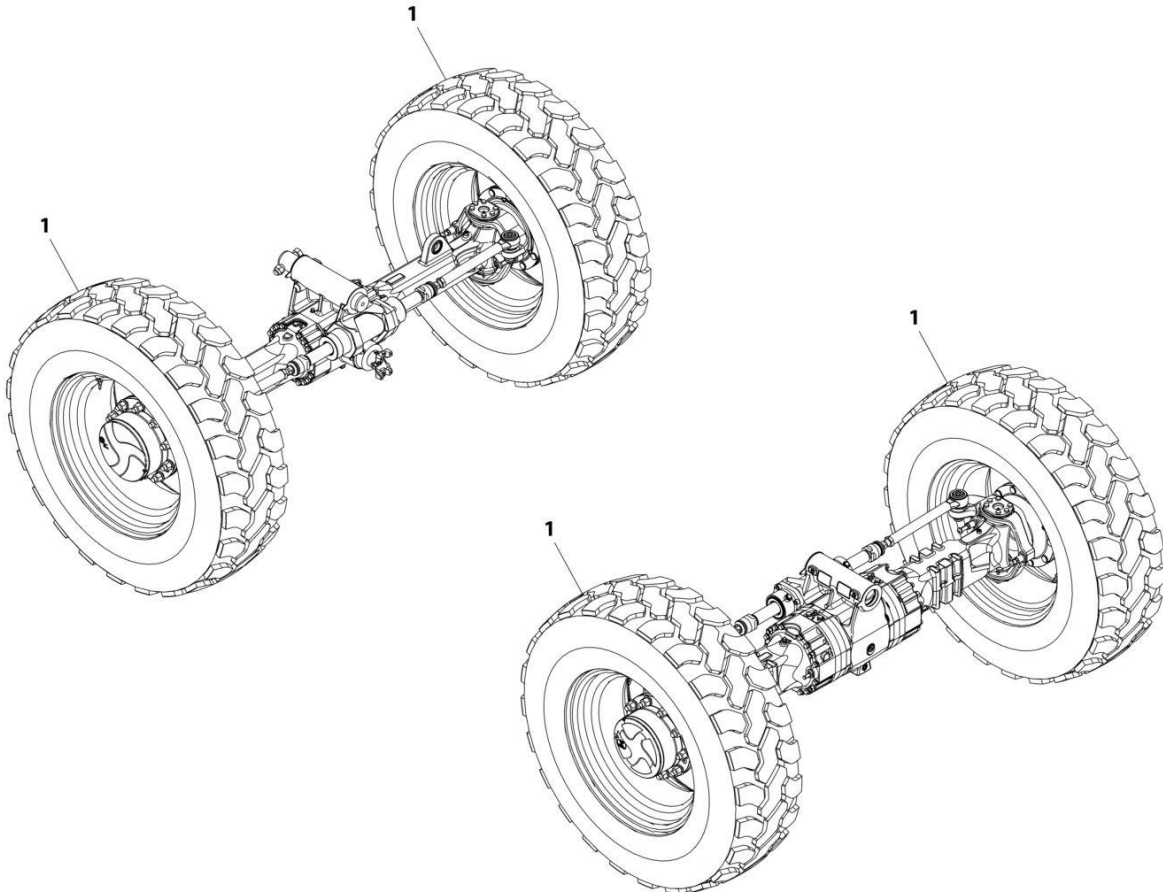
## SECTION 5 - DRIVE TRAIN

**FIGURE 5-52. TIRE SET - 400/75-28 PNEUMATIC NON-MARKING**

ITEM	PART NUMBER	QTY	DESCRIPTION	REV
	1001241848	Ref	TIRE/WHEEL SET - 400/75-28 - PNEUMATIC NON MARKING	B
1	1001241841	4	Assembly, Tire and Wheel - 400/75-28 - Pneumatic Non-Marking (See Items 101-103)	
2	1001275637	1	Strap, Anti-Static	
3	1001275638	1	Bracket	
4	8303620	1	Bolt 3/8 x 1	
5	8307110	2	Washer 3/8	
6	8305645	1	Nut 3/8	
	1001241841	Ref	ASSEMBLY, TIRE AND WHEEL - 400/75-28 - PNEUMATIC NON-MARKING	A
101	8786514	4	Valve, Air (1 per assembly)	
102	1001120178	4	Wheel (1 per assembly)	
103	1001241837	4	Tire 400/75-28 Non-Marking (1 per assembly)	

# SECTION 5 - DRIVE TRAIN

FIGURE 5-53. TIRE SET - 400/75-28 FOAM-FILLED



ART\_1001222220-B

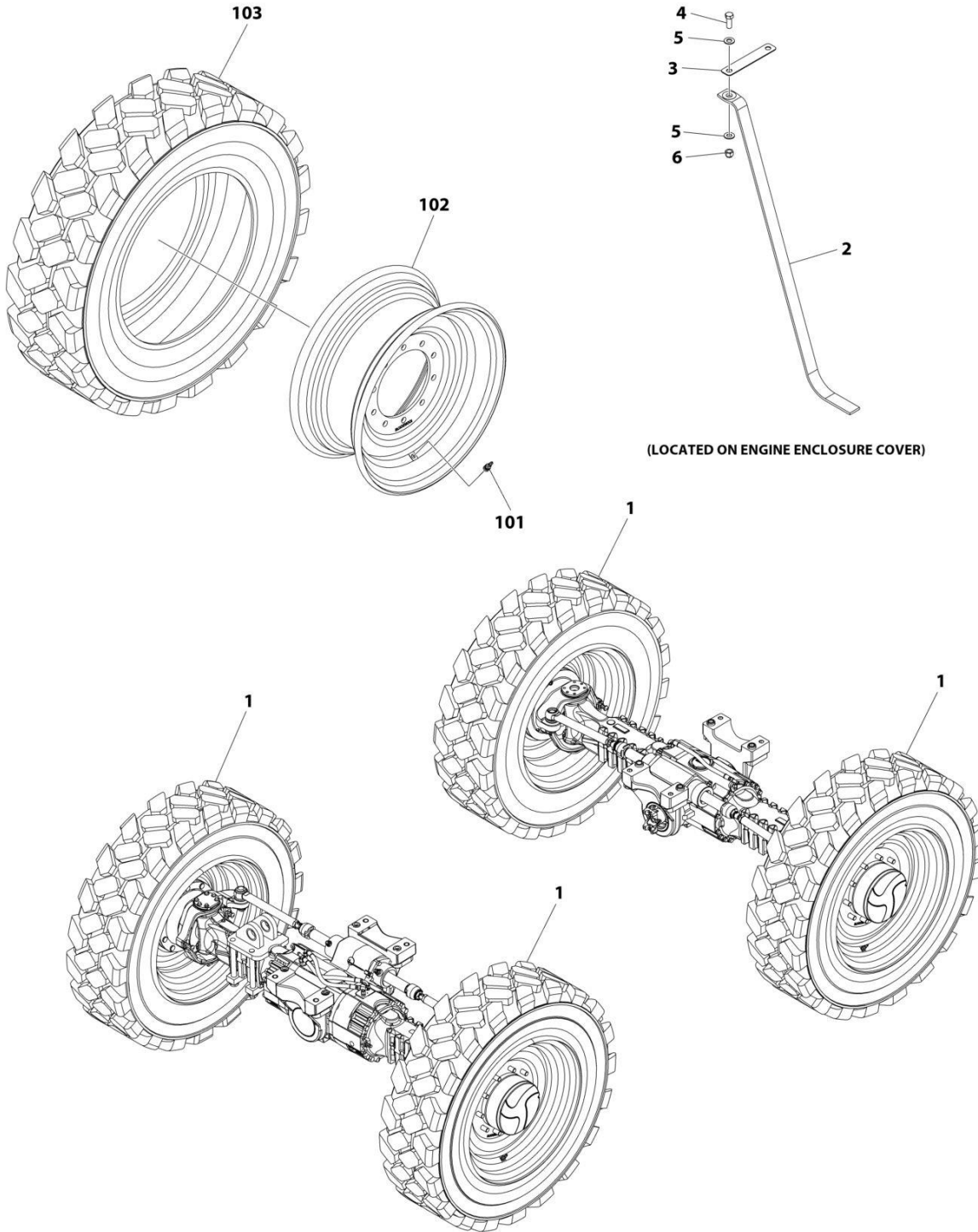
## SECTION 5 - DRIVE TRAIN

**FIGURE 5-53. TIRE SET - 400/75-28 FOAM-FILLED**

ITEM	PART NUMBER	QTY	DESCRIPTION	REV
	1001222220	Ref	Tire Set, 400/75-28 Foam-Filled	B
		Ref	<b>Note: Assemblies require ballast/foam filling to manufacture's specifications prior to installing on machine. Refer to Operation &amp; Safety or Service &amp; Maintenance Manuals.</b>	
		Ref	<b>Purchase individual tire and/or wheel only if able to foam fill tire &amp; wheel assembly, otherwise purchase complete assembly.</b>	
1	1001121105	4	Tire and Wheel Assembly	
1	8786514	4	Valve, Air (1 per assembly)	
1	1001120178	4	Wheel (1 per assembly)	
1	1001120179	4	Tire 400/75-28 (1 per assembly)	

# SECTION 5 - DRIVE TRAIN

## FIGURE 5-54. TIRE SET - 400/75-28 FOAM-FILLED NON-MARKING



ART\_1001241849

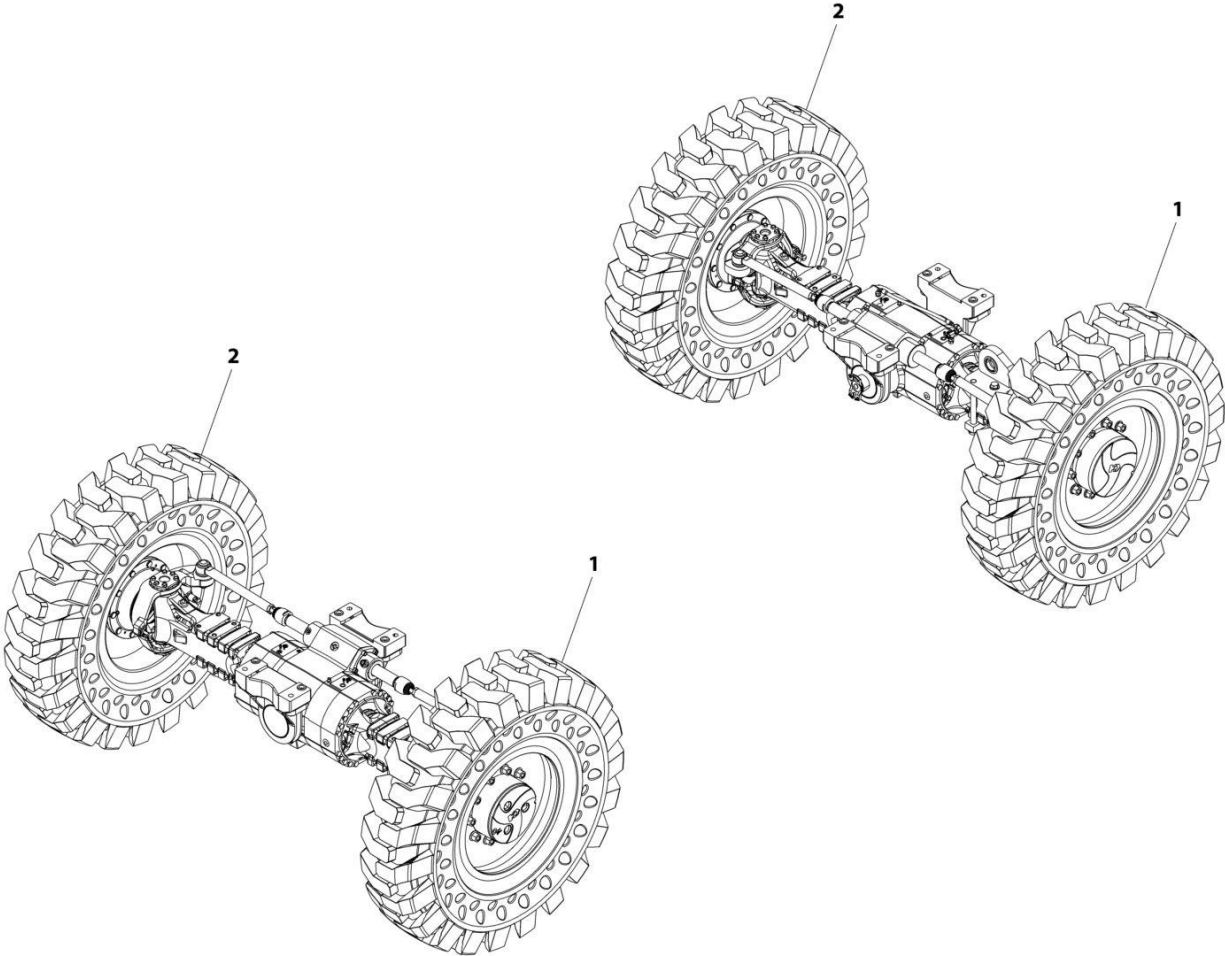
## SECTION 5 - DRIVE TRAIN

**FIGURE 5-54. TIRE SET - 400/75-28 FOAM-FILLED NON-MARKING**

ITEM	PART NUMBER	QTY	DESCRIPTION	REV
	1001241849	Ref	TIRE/WHEEL SET 400/75-28 - FOAM FILLED NON MARKING	B
		Ref	Note: Assemblies require ballast/foam filling to manufacture's specifications prior to installing on machine. Refer to Operation & Safety or Service & Maintenance Manuals.	
		Ref	Purchase individual tire and/or wheel only if able to foam fill tire & wheel assembly, otherwise purchase complete assembly.	
1	1001241842	4	Tire and Wheel Assembly (See Items 101-103)	
2	1001275637	1	Strap, Anti-Static	
3	1001275638	1	Bracket	
4	8303620	1	Bolt 3/8 x 1	
5	8307110	2	Washer 3/8	
6	8305645	1	Nut 3/8	
	1001241842	Ref	TIRE AND WHEEL ASSEMBLY	A
101	8786514	4	Valve, Air (1 per assembly)	
102	1001120178	4	Wheel (1 per assembly)	
103	1001241837	4	Tire 400/75-28 Non-Marking (1 per assembly)	

**SECTION 5 - DRIVE TRAIN**

**FIGURE 5-55. TIRE SET, 14-24 SOLID (DIRECTIONAL)**



ART\_1001274721

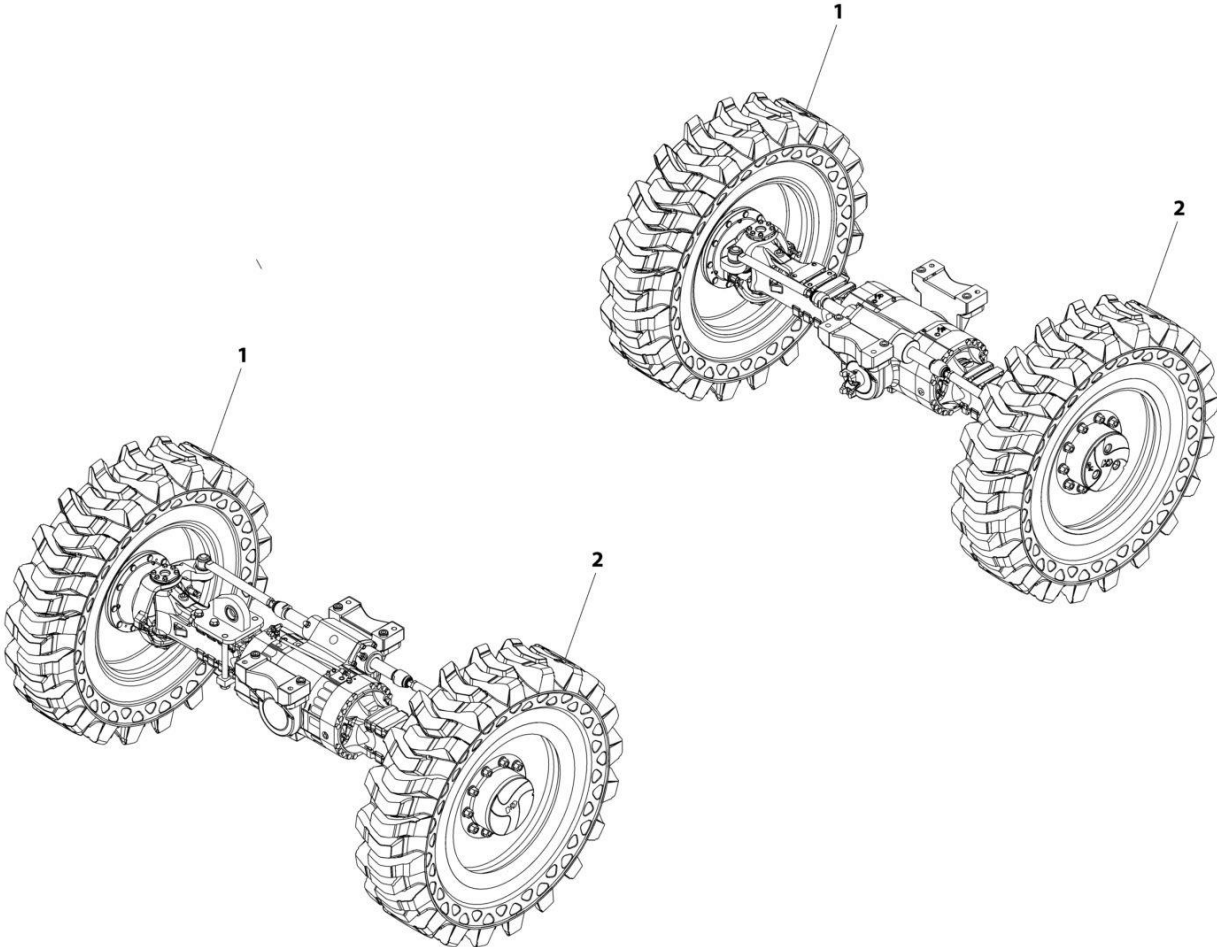
## SECTION 5 - DRIVE TRAIN

**FIGURE 5-55. TIRE SET, 14-24 SOLID (DIRECTIONAL)**

ITEM	PART NUMBER	QTY	DESCRIPTION	REV
	1001274721	Ref	TIRE/WHEEL SET 14-24 SOLIDBOSS (DIRECTIONAL)	A
1	1001274719	2	Tire/Wheel Left 14X24 - Solid	
2	1001274720	2	Tire/Wheel Right 14X24 - Solid	

**SECTION 5 - DRIVE TRAIN**

**FIGURE 5-56. TIRE SET, 14-28 SOLID (DIRECTIONAL)**



ART\_1001274305



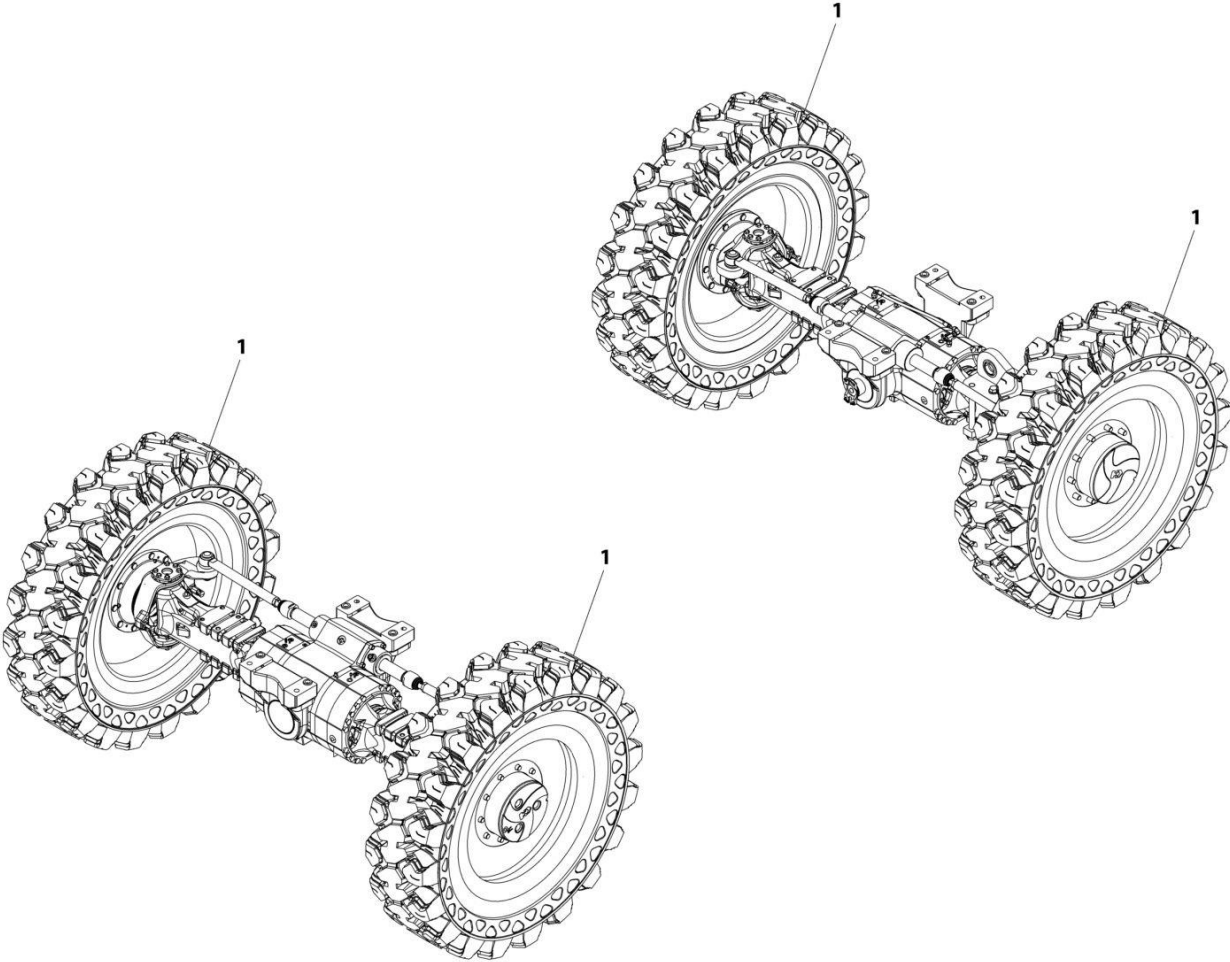
## SECTION 5 - DRIVE TRAIN

**FIGURE 5-56. TIRE SET, 14-28 SOLID (DIRECTIONAL)**

ITEM	PART NUMBER	QTY	DESCRIPTION	REV
	1001274305	Ref	TIRE/WHEEL SET 14-28 SOLIDBOSS (DIRECTIONAL)	A
1	1001274303	2	Tire/Wheel Left 14X28 - Solid	
2	1001274304	2	Tire/Wheel Right 14X28 - Solid	

**SECTION 5 - DRIVE TRAIN**

**FIGURE 5-57. TIRE SET, 14-24 SOLID (NON-DIRECTIONAL)**



ART\_1001274307

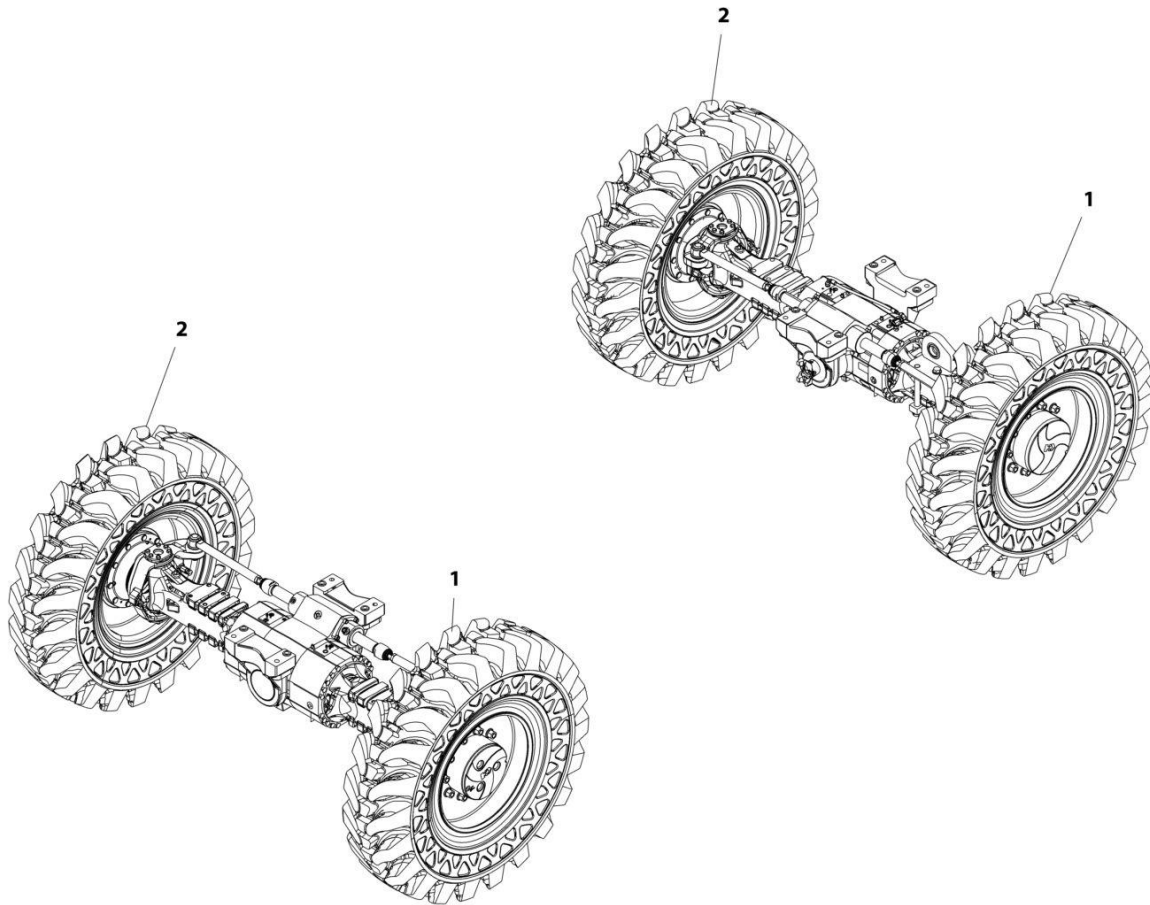
## SECTION 5 - DRIVE TRAIN

**FIGURE 5-57. TIRE SET, 14-24 SOLID (NON-DIRECTIONAL)**

ITEM	PART NUMBER	QTY	DESCRIPTION	REV
1	1001274307	Ref	TIRE/WHEEL SET 14-28 SOLIDBOSS (NON-DIRECTIONAL)	A
	1001274306	4	Tire/Wheel 14X28 - Solid	

# SECTION 5 - DRIVE TRAIN

FIGURE 5-58. TIRE SET, 14-24 SOLID



ART\_1001151108-A

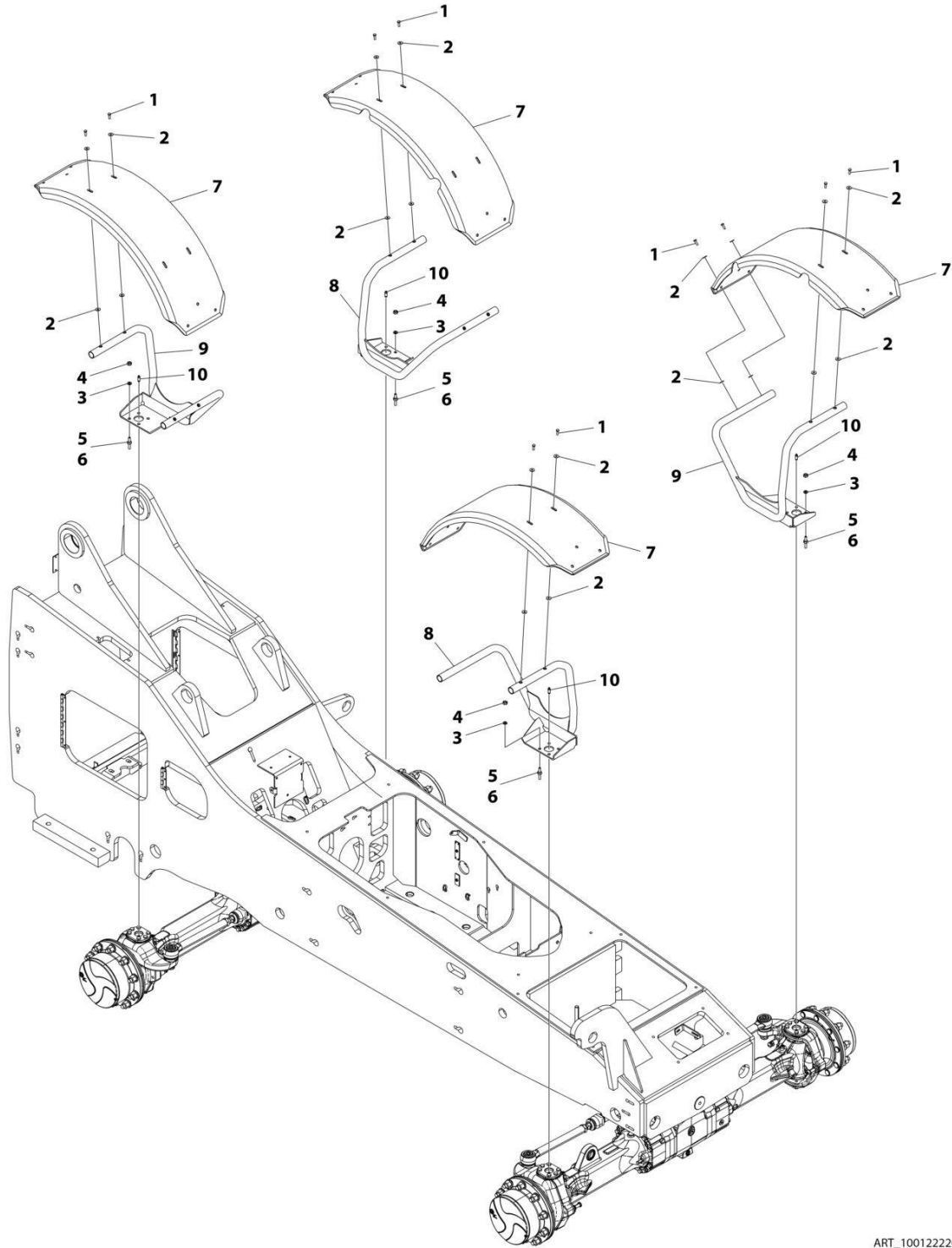
## SECTION 5 - DRIVE TRAIN

### FIGURE 5-58. TIRE SET, 14-24 SOLID

ITEM	PART NUMBER	QTY	DESCRIPTION	REV
	1001151108	1	Tire/Wheel Set 14-24 - Solid	A
1	1001151101	2	Tire/Wheel Left 14-24 .219 - Offset	
2	1001151102	2	Tire/Wheel Right 14-24 .219 - Offset	

# SECTION 5 - DRIVE TRAIN

## FIGURE 5-59. FENDER INSTALLATION



ART\_1001222200

## SECTION 5 - DRIVE TRAIN

### FIGURE 5-59. FENDER INSTALLATION

ITEM	PART NUMBER	QTY	DESCRIPTION	REV
	1001222200	Ref	Fender Installation	D
1	0760812	16	Capscrew, M8X25	
2	4811902	32	Washer	
3	83191010	16	Washer, Lock M12	
4	91513266	16	Nut, M12	
5	91514118	16	Stud, Fender	
6	1001095650	AR	Adhesive	
7	1001154055	4	Fender	
8	1001222203	2	Bracket, Fender	
9	1001222717	2	Bracket, Fender	
10	1001225317	4	Fitting, Grease	

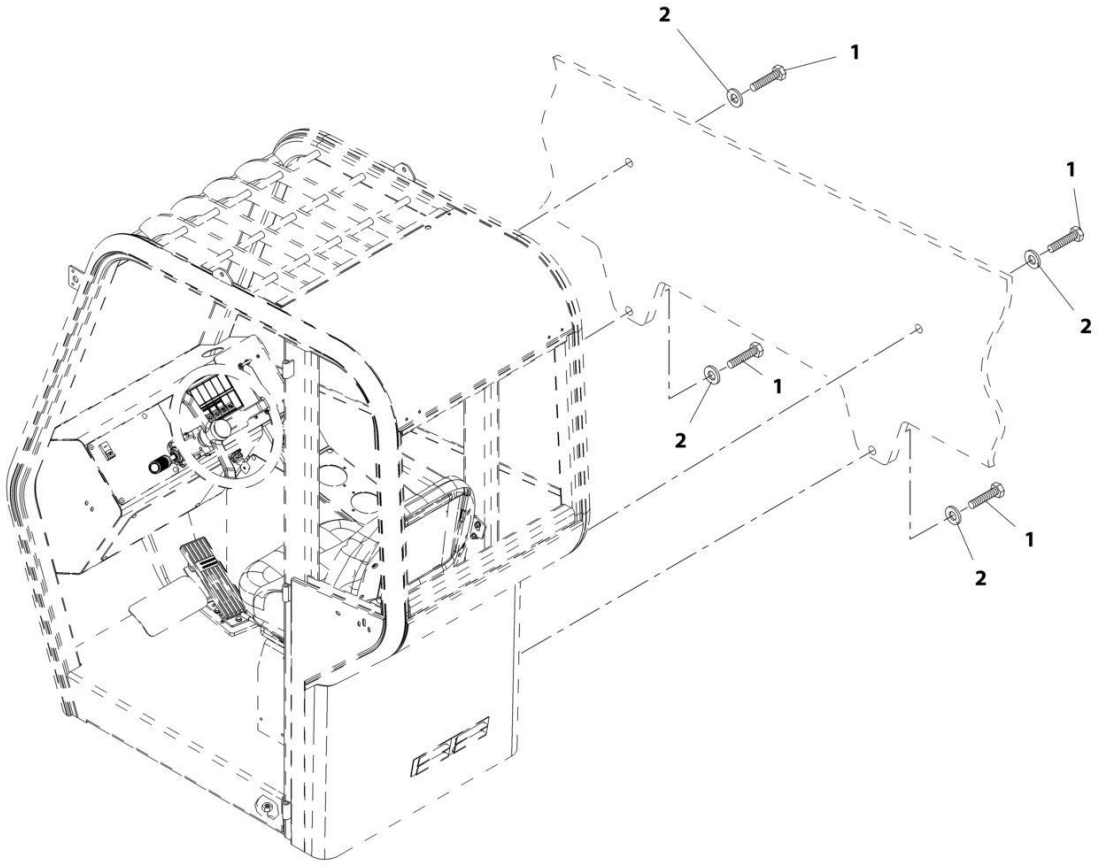




**SECTION 6 - CAB**

# SECTION 6 - CAB

## FIGURE 6-1. CAB MOUNTING HARDWARE INSTALLATION



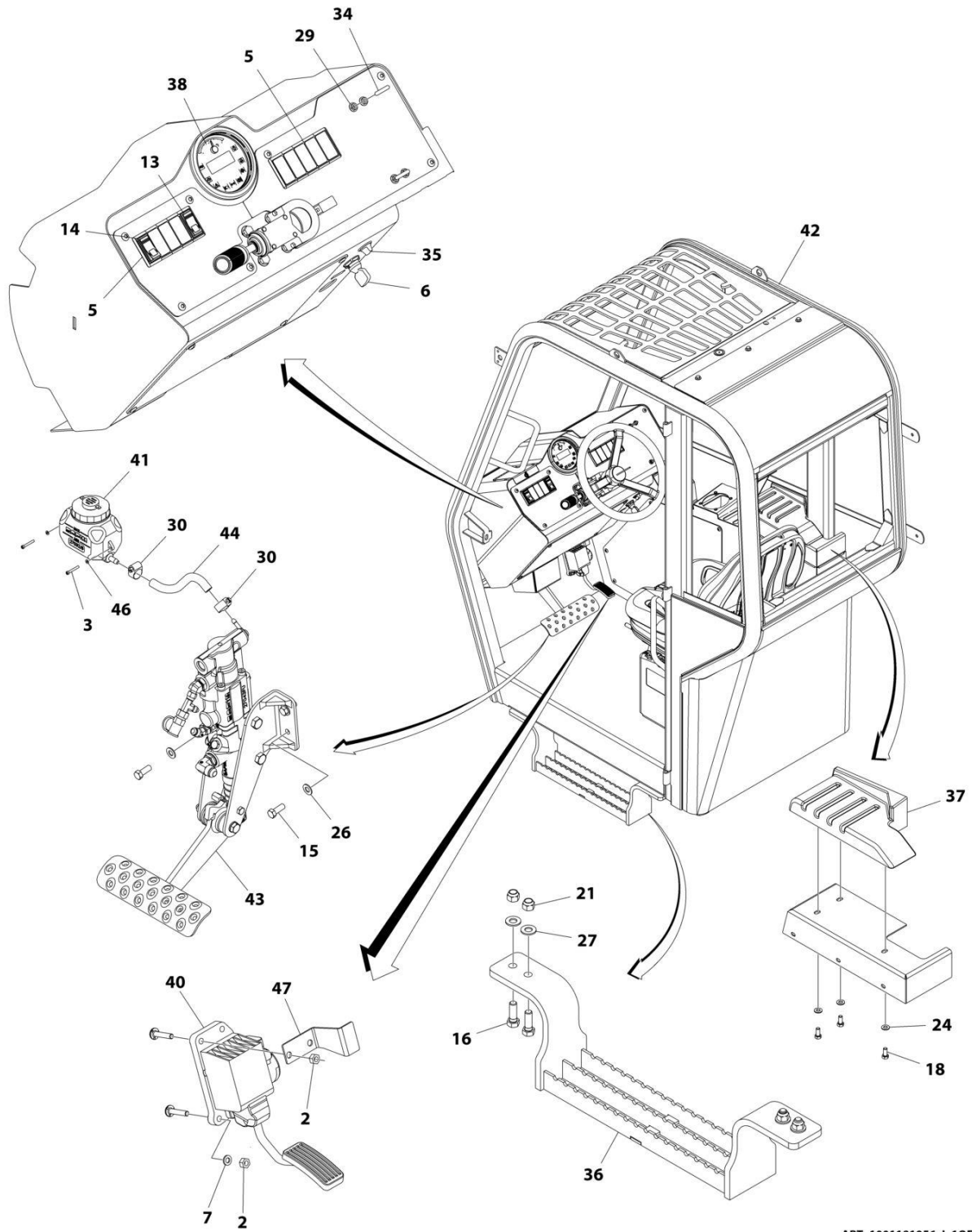
ART\_713882\_AA

**FIGURE 6-1. CAB MOUNTING HARDWARE INSTALLATION**

<b>ITEM</b>	<b>PART NUMBER</b>	<b>QTY</b>	<b>DESCRIPTION</b>	<b>REV</b>
	7138882	Ref	Cab Installation	AA
1	8310493	4	Bolt, 7/8-9X5-1/2, Grade 8	
2	8307011	4	Washer, Lock 7/8	

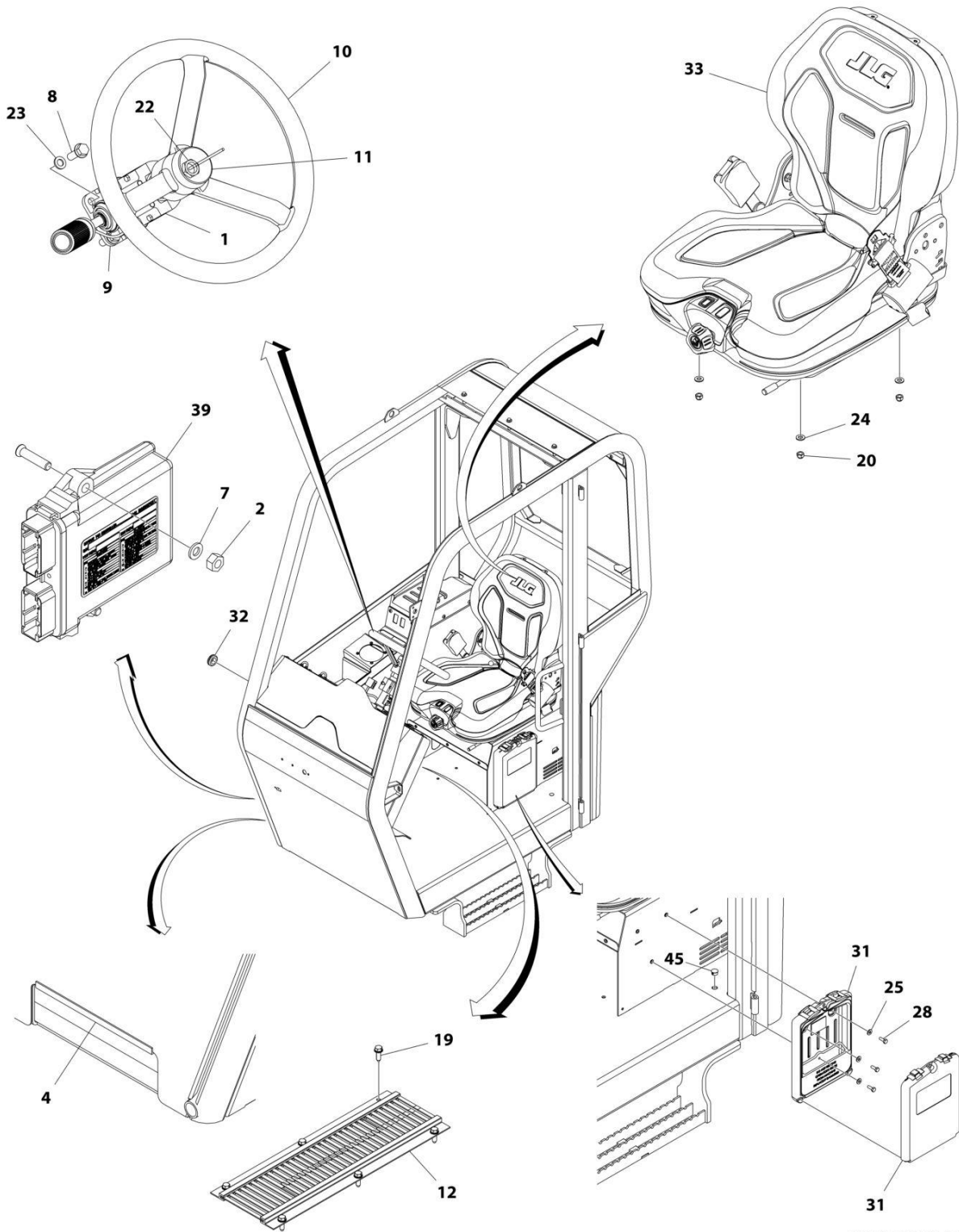
# SECTION 6 - CAB

## FIGURE 6-2. CAB INSTALLATION - OPEN CAB (BLACK SEAT BELT)



ART\_1001181956\_I\_10F2

# SECTION 6 - CAB



ART\_1001181956\_I\_20F2

## SECTION 6 - CAB

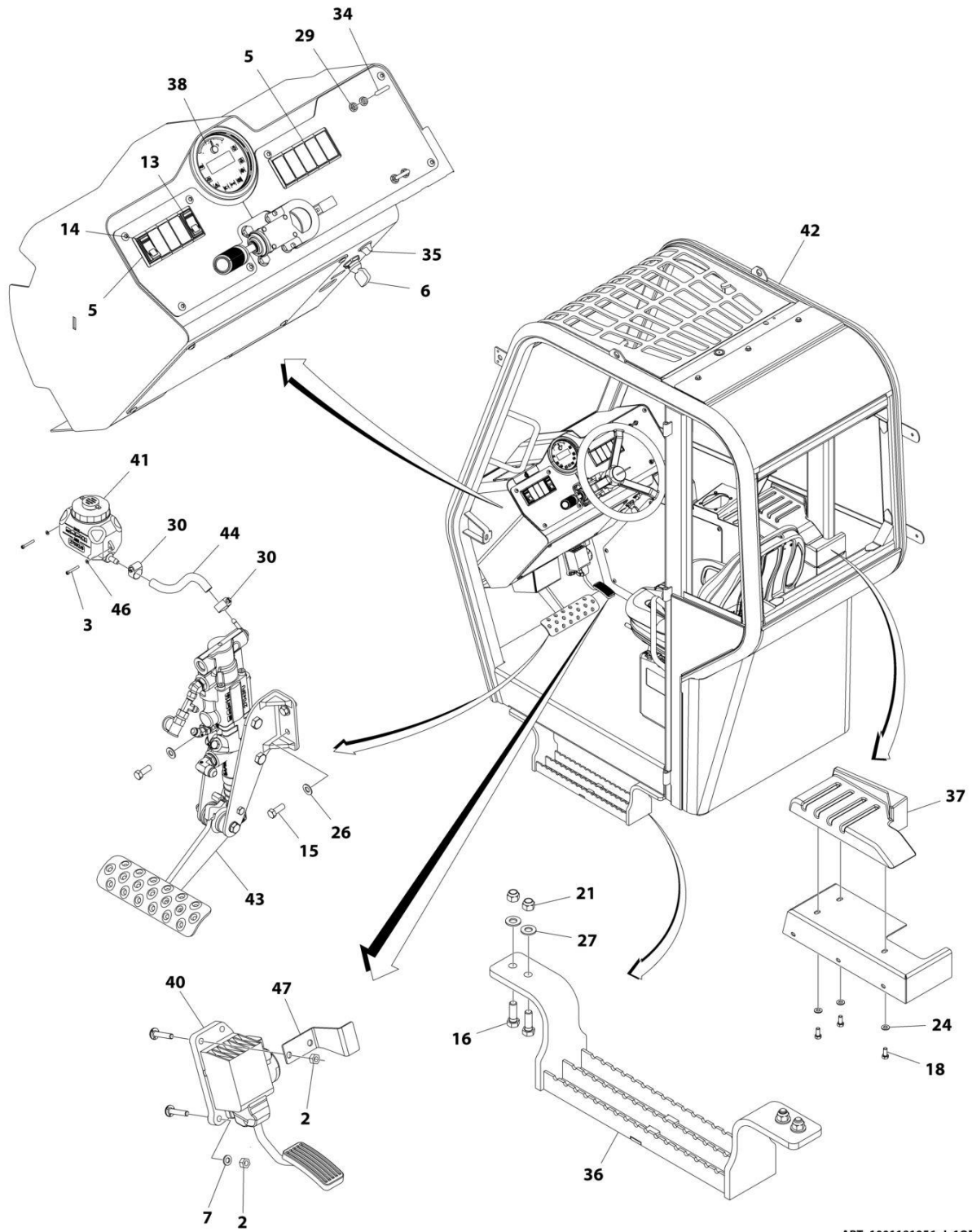
**FIGURE 6-2. CAB INSTALLATION - OPEN CAB (BLACK SEAT BELT)**

ITEM	PART NUMBER	QTY	DESCRIPTION	REV
	1001181956	Ref	OPEN CAB INSTALLATION	I
1	1600429	1	Selector, Transmission Control	
2	3311401	5	Nut 1/4	
3	3930610	2	Bolt #6 x 5/8	
4	4060806	11 in	Flex-Trim	
5	4360569	2	Switch, Bezel	
6	4360690	1	Switch, Ignition	
6	8035807	1	Key (with cover)	
7	4761400	3	Washer 1/4	
8	5251014	4	Bolt M10 x 30	
9	7138833	1	Column, Steering	
10	7138836	1	Wheel, Steering	
11	7138878	1	Button, Horn	
12	7138944	2	Strips, Brush	
13	8223037	1	Switch, Steer Select	
14	8223054	1	Switch, Park Brake	
15	8303620	4	Bolt 3/8 x 1	
16	8303626	4	Bolt 1/2 x 1-1/2	
18	8303697	3	Bolt 5/16 x 3/4	
19	8303982	6	Screw 1/4 x 3/4	
20	8305626	4	Nut 5/16	
21	8305644	4	Nut 1/2	
22	8305916	1	Nut, Steering Column	
23	8307023	4	Washer M10	
24	8307106	7	Washer 5/16	
25	8307109	3	Washer 1/4	
26	8307110	4	Washer 3/8	
27	8307112	4	Washer 1/2	
28	8310026	3	Bolt 1/4 x 3/4	
29	8310382	8	Nut 1/4	
30	1320022	2	Clamp, Fuel Line	
31	8990147	1	Holder, Manual	
32	1001081049	1	Grommet, Split	
33	1001190229	1	Seat, Cab (See Separate Breakdown in this Section)	
34	1001102844	2	U-Bolt 1/4 x 1-1/4	
35	1001114867	1	Socket, 12V Power Point	
36	1001256519	1	Mount, Cab Step	
37	1001159878	1	Support, Armrest	
38	1001170738	1	Gauge	
39	1001210703	1	Controller	
40	1001264554	1	Accelerator (Note: No Serviceable Parts - Purchase Complete Assembly)	
41	1001183164	1	Reservoir, Brake Valve	
42	1001246736	1	Cab, Open (See Separate Breakdown in this Section)	
43	1001223052	1	Assembly, Brake (See Separate Breakdown in CONTROLS Section)	
44	1001201658	1	Hose	
45	1001207963	1	Plug, 5/8	
46	4710600	2	Washer	
47	1001265914	1	Cover, Pedal	



# SECTION 6 - CAB

## FIGURE 6-3. CAB INSTALLATION - OPEN CAB (ORANGE SEAT BELT)



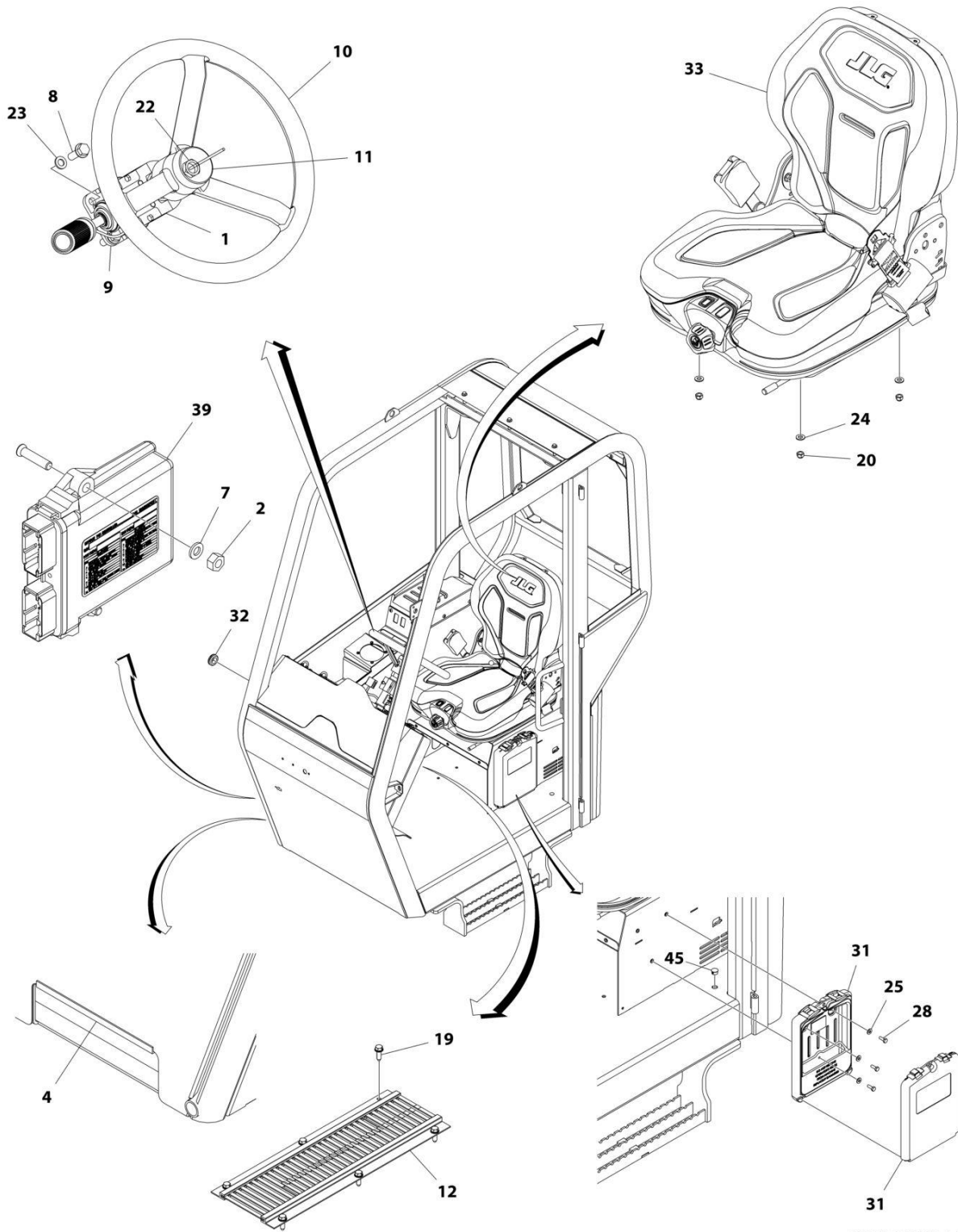
ART\_1001181956\_J\_10F2





# SECTION 6 - CAB

## FIGURE 6-4. CAB INSTALLATION - OPEN CAB (ORANGE SEAT BELT)



ART\_1001181956\_J\_20F2

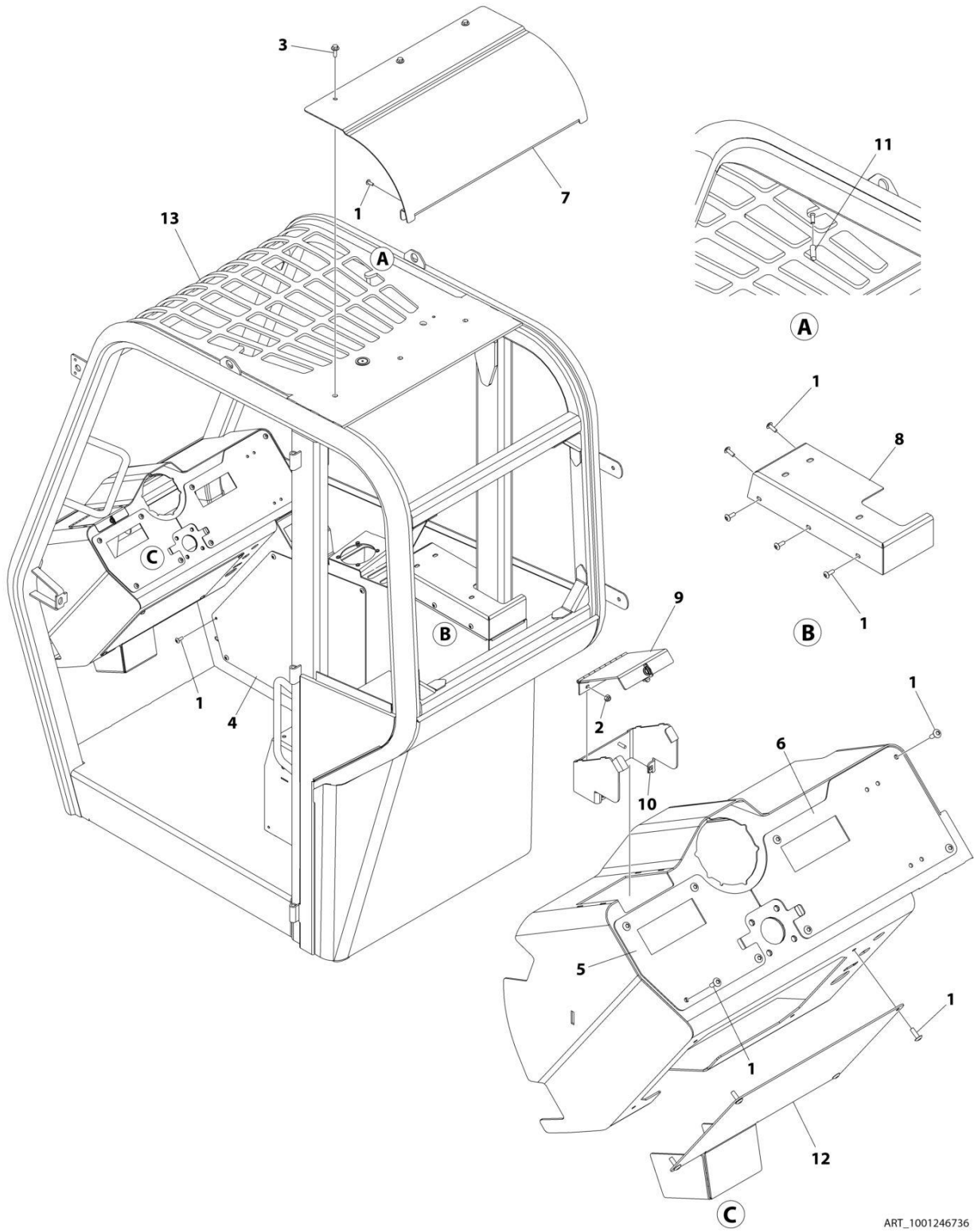
## SECTION 6 - CAB

**FIGURE 6-4. CAB INSTALLATION - OPEN CAB (ORANGE SEAT BELT)**

ITEM	PART NUMBER	QTY	DESCRIPTION	REV
	1001181956	Ref	OPEN CAB INSTALLATION	J
1	1600429	1	Selector, Transmission Control	
2	3311401	5	Nut 1/4	
3	3930610	2	Bolt #6 x 5/8	
4	4060806	11 in	Flex-Trim	
5	4360569	2	Switch, Bezel	
6	4360690	1	Switch, Ignition	
6	8035807	1	Key (with cover)	
7	4761400	3	Washer 1/4	
8	5251014	4	Bolt M10 x 30	
9	7138833	1	Column, Steering	
10	7138836	1	Wheel, Steering	
11	7138878	1	Button, Horn	
12	7138944	2	Strips, Brush	
13	8223037	1	Switch, Steer Select	
14	8223054	1	Switch, Park Brake	
15	8303620	4	Bolt 3/8 x 1	
16	8303626	4	Bolt 1/2 x 1-1/2	
18	8303697	3	Bolt 5/16 x 3/4	
19	8303982	6	Screw 1/4 x 3/4	
20	8305626	4	Nut 5/16	
21	8305644	4	Nut 1/2	
22	8305916	1	Nut, Steering Column	
23	8307023	4	Washer M10	
24	8307106	7	Washer 5/16	
25	8307109	3	Washer 1/4	
26	8307110	4	Washer 3/8	
27	8307112	4	Washer 1/2	
28	8310026	3	Bolt 1/4 x 3/4	
29	8310382	8	Nut 1/4	
30	1320022	2	Clamp, Fuel Line	
31	8990147	1	Holder, Manual	
32	1001081049	1	Grommet, Split	
33	1001275934	1	Seat, Cab (See Separate Breakdown in this Section)	
34	1001102844	2	U-Bolt 1/4 x 1-1/4	
35	1001114867	1	Socket, 12V Power Point	
36	1001256519	1	Mount, Cab Step	
37	1001159878	1	Support, Armrest	
38	1001170738	1	Gauge	
39	1001210703	1	Controller	
40	1001264554	1	Accelerator (Note: No Serviceable Parts - Purchase Complete Assembly)	
41	1001183164	1	Reservoir, Brake Valve	
42	1001246736	1	Cab, Open (See Separate Breakdown in this Section)	
43	1001223052	1	Assembly, Brake (See Separate Breakdown in CONTROLS Section)	
44	1001201658	1	Hose	
45	1001207963	1	Plug, 5/8	
46	4710600	2	Washer	
47	1001265914	1	Cover, Pedal	

# SECTION 6 - CAB

## FIGURE 6-5. CAB ASSEMBLY - OPEN



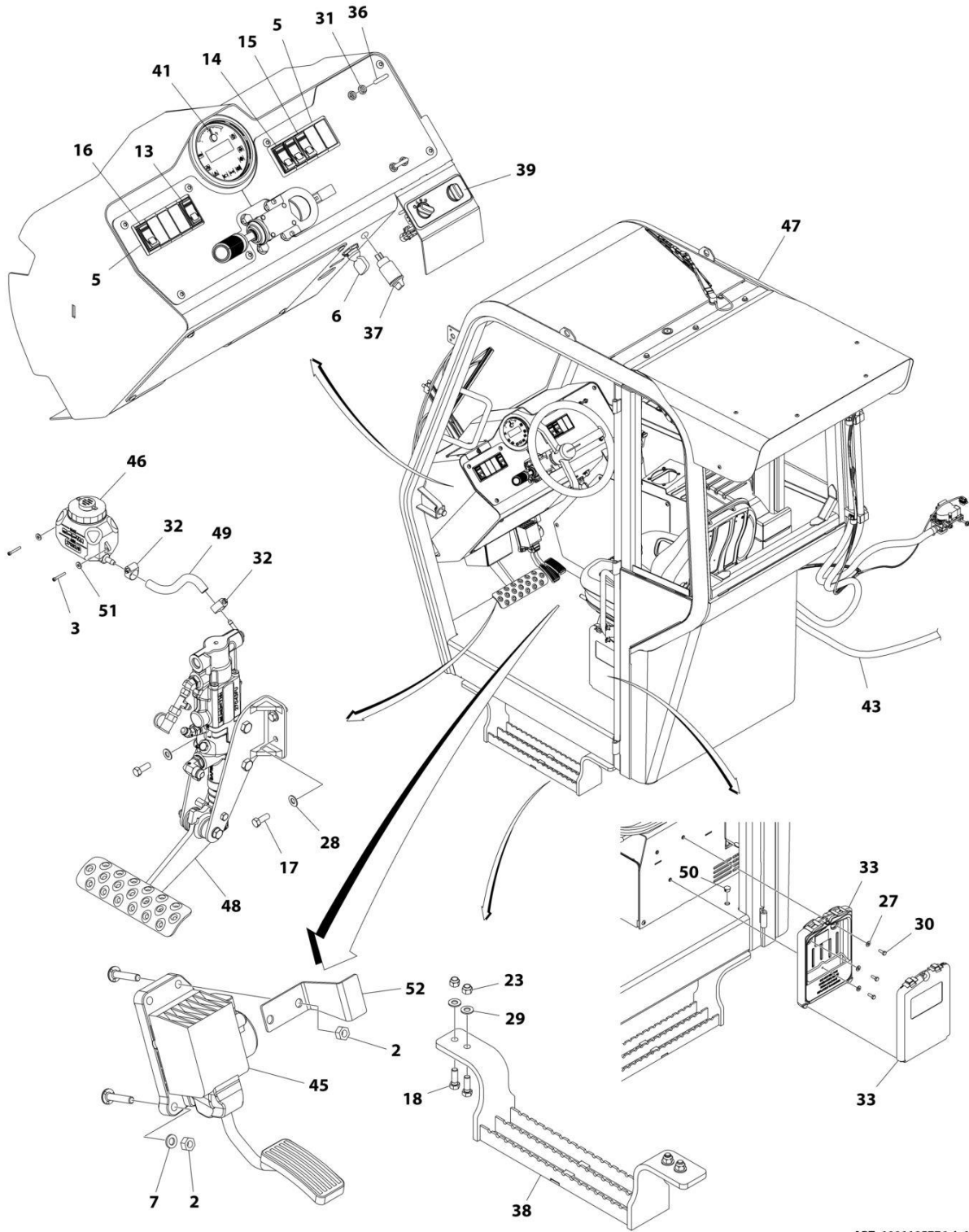
ART\_1001246736

FIGURE 6-5. CAB ASSEMBLY - OPEN

ITEM	PART NUMBER	QTY	DESCRIPTION	REV
	1001246736	Ref	CAB OPEN	D
1	8303034	25	Screw 1/4 x 3/4	
2	8310085	2	Nut M10	
3	1001149227	3	Screw 5/16 x 1	
4	1001160788	1	Panel, RH Console Access Plate	
5	1001160790	1	Panel, LH Dash Cover	
6	1001160791	1	Panel, RH Dash Cover	
7	1001160815	1	Panel, Roof Cover	
8	1001165617	1	Assembly, Side Console Access Panel	
9	1001202189	1	Door, Brake Reservoir	
10	1001202202	2	Nut	
11	1001202615	2	Cap, Silicon Stud Cover	
12	1001202746	1	Panel, Brake Access Plate	
13	1001246735	1	Cab Weldment	

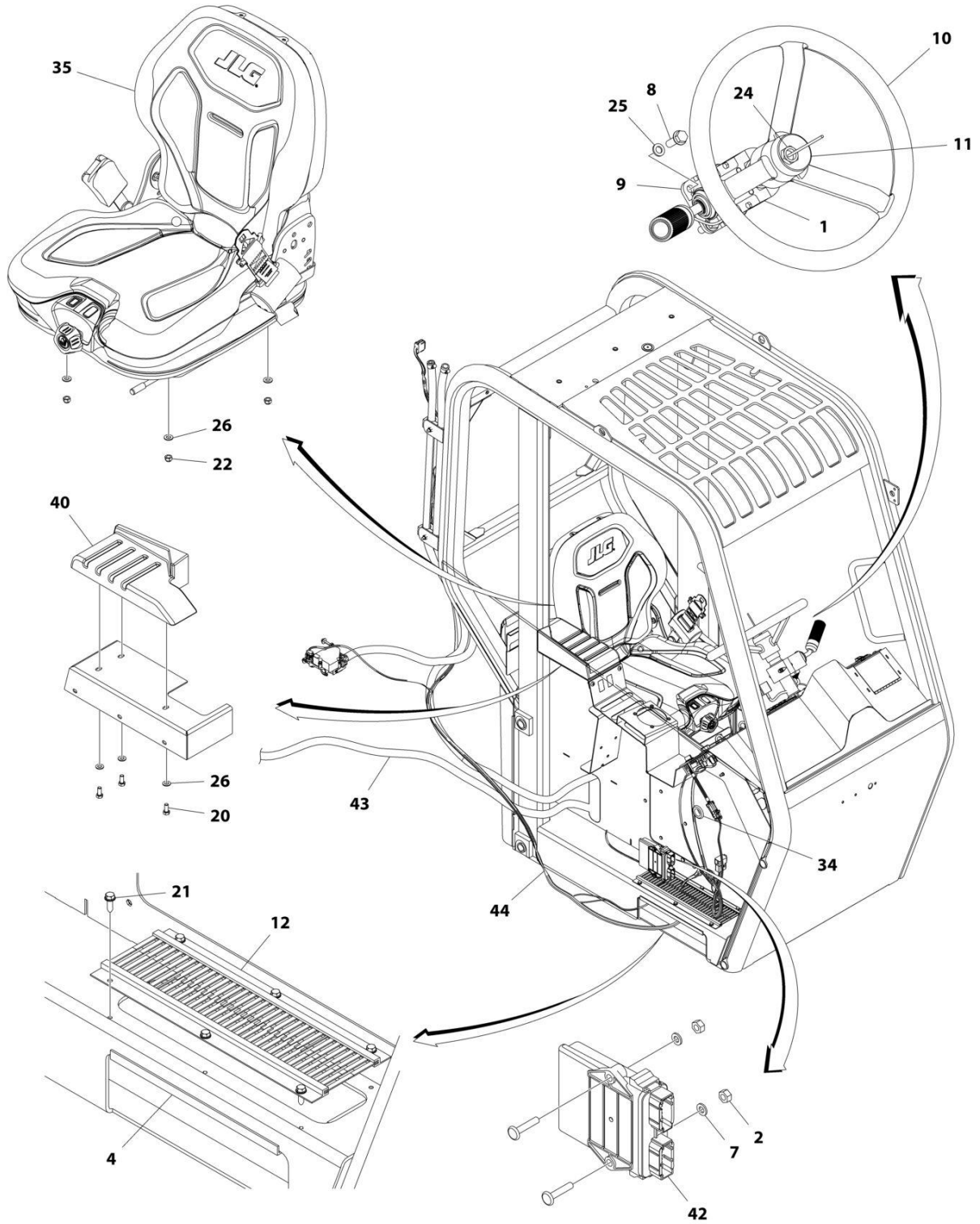
# SECTION 6 - CAB

## FIGURE 6-6. CAB INSTALLATION - ENCLOSED CAB WITH HEATER (BLACK SEAT BELT)



ART\_1001185776\_I\_10F2

# SECTION 6 - CAB



ART\_1001185776\_L\_20F2

## SECTION 6 - CAB

**FIGURE 6-6. CAB INSTALLATION - ENCLOSED CAB WITH HEATER (BLACK SEAT BELT)**

ITEM	PART NUMBER	QTY	DESCRIPTION	REV
	1001185776	Ref	ENCLOSED CAB WITH HEATER INSTALLATION	I
1	1600429	1	Selector, Transmission Control	
2	3311401	5	Nut 1/4	
3	3930610	2	Bolt 6 x 5/8	
4	4060806	11 in	Shield, Flex Trim, 5/16	
5	4360569	2	Switch, Bezel	
6	4360690	1	Switch, Ignition	
6	8035807	1	Key (with cover)	
7	4761400	3	Washer 1/4	
8	5251014	4	Bolt M10 x 30	
9	7138833	1	Column, Steering	
10	7138836	1	Wheel, Steering	
11	7138878	1	Button, Horn	
12	7138944	2	Strips, Brush	
13	8223037	1	Switch, Steer Select	
14	8223043	2	Switch, Windscreen Wiper	
15	8223044	1	Switch, Windscreen Washer	
16	8223054	1	Switch, Park Brake	
17	8303620	4	Bolt 3/8 x 1	
18	8303626	4	Bolt 1/2 x 1-1/2	
20	8303697	3	Bolt 5/16 x 3/4	
21	8303982	6	Screw 1/4 x 3/4	
22	8305626	4	Nut 5/16	
23	8305644	4	Nut 1/2	
24	8305916	1	Nut, Steering Column	
25	8307023	4	Washer M10	
26	8307106	7	Washer 5/16	
27	8307109	3	Washer 1/4	
28	8307110	4	Washer 3/8	
29	8307112	4	Washer 1/2	
30	8310026	3	Bolt 1/4 x 3/4	
31	8310382	8	Nut 1/4	
32	1320022	2	Clamp, Fuel Line	
33	8990147	1	Holder, Manual	
34	1001081049	1	Grommet, Split	
35	1001190229	1	Seat, Cab (See Separate Breakdown in this Section)	
36	1001102844	2	Bolt 1/4 x 1-1/4	
37	1001114867	1	Socket, 12V Power Point	
38	1001256519	1	Mount, Cab Step	
39	1001159850	1	Panel, Heater Control	
40	1001159878	1	Support, Armrest	
41	1001170738	1	Gauge	
42	1001210703	1	Controller	
43	1001171807	1	Installation, Cab Heater Lines (See Separate Breakdown in this Section)	
44	1001178347	1	Harness, HVAC (See Separate Breakdown in ELECTRICAL Section)	
45	1001264554	1	Accelerator (Note: No Serviceable Parts - Purchase Complete Assembly)	
46	1001183164	1	Reservoir, Brake Valve	

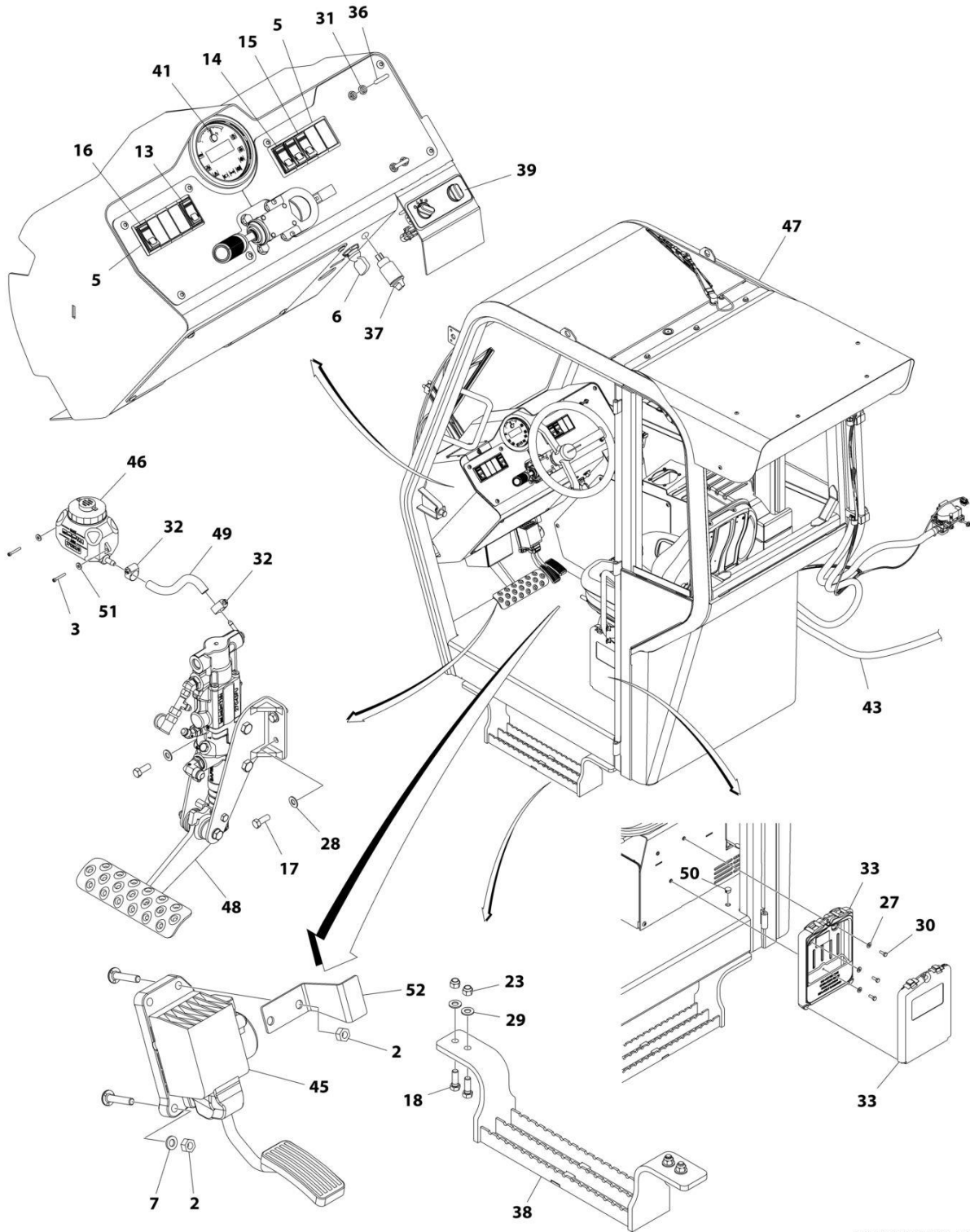


## SECTION 6 - CAB

ITEM	PART NUMBER	QTY	DESCRIPTION	REV
47	1001246737	1	Cab, Enclosed with Heater (See Separate Breakdown in this Section)	
48	1001223052	1	Assembly, Brake (See Separate Breakdown in CONTROLS Section)	
49	1001201658	1	Hose	
50	1001207963	1	Plug, 5/8	
51	4710600	2	Washer #6	
52	1001265914	1	Cover, Pedal	

# SECTION 6 - CAB

## FIGURE 6-7. CAB INSTALLATION - ENCLOSED CAB WITH HEATER (ORANGE SEAT BELT)

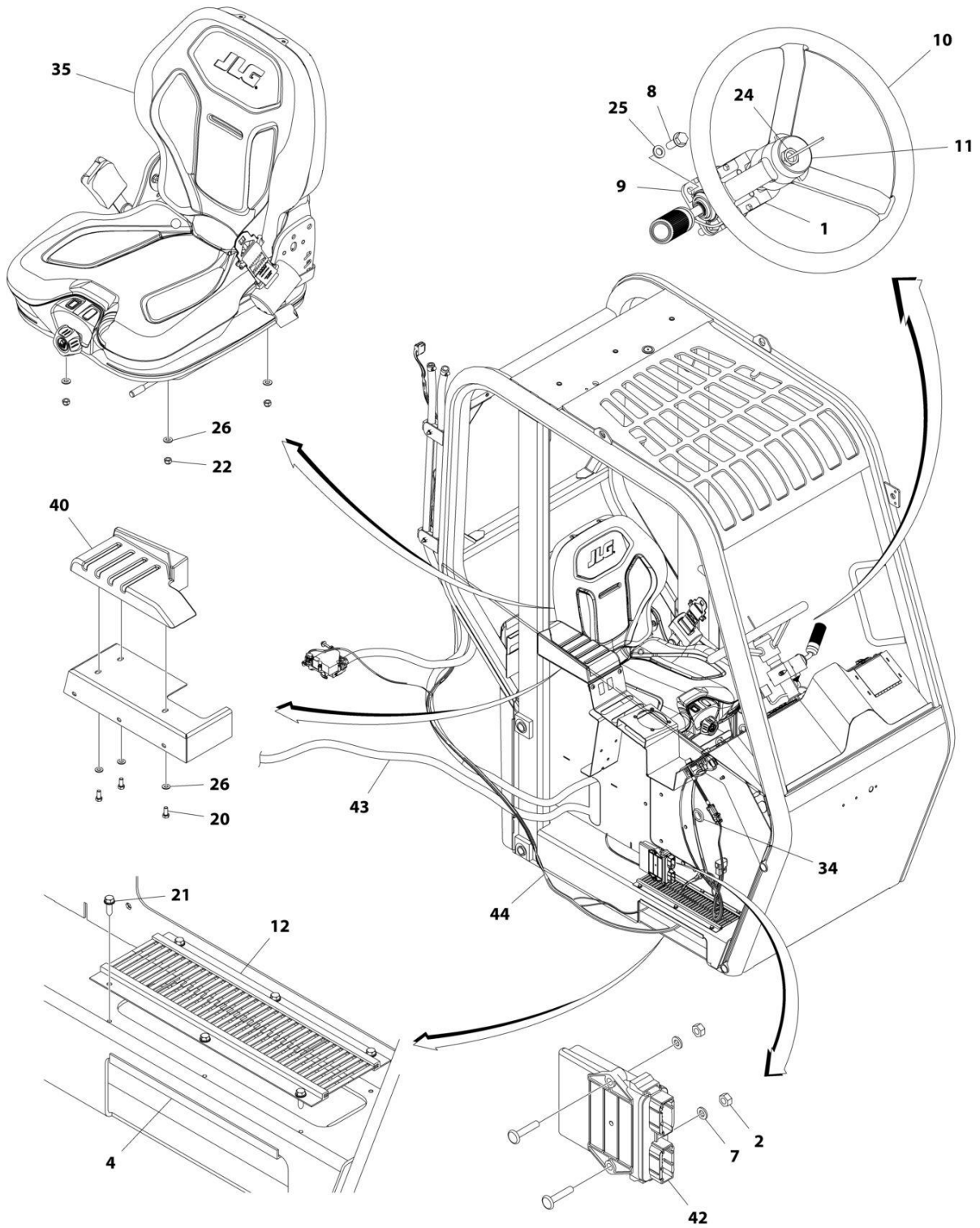


ART\_1001185776\_J\_10F2



# SECTION 6 - CAB

## FIGURE 6-8. CAB INSTALLATION - ENCLOSED CAB WITH HEATER (ORANGE SEAT BELT)



ART\_1001185776\_J\_20F2

## SECTION 6 - CAB

**FIGURE 6-8. CAB INSTALLATION - ENCLOSED CAB WITH HEATER (ORANGE SEAT BELT)**

ITEM	PART NUMBER	QTY	DESCRIPTION	REV
	1001185776	Ref	ENCLOSED CAB WITH HEATER INSTALLATION	J
1	1600429	1	Selector, Transmission Control	
2	3311401	5	Nut 1/4	
3	3930610	2	Bolt 6 x 5/8	
4	4060806	11 in	Shield, Flex Trim, 5/16	
5	4360569	2	Switch, Bezel	
6	4360690	1	Switch, Ignition	
6	8035807	1	Key (with cover)	
7	4761400	3	Washer 1/4	
8	5251014	4	Bolt M10 x 30	
9	7138833	1	Column, Steering	
10	7138836	1	Wheel, Steering	
11	7138878	1	Button, Horn	
12	7138944	2	Strips, Brush	
13	8223037	1	Switch, Steer Select	
14	8223043	2	Switch, Windscreen Wiper	
15	8223044	1	Switch, Windscreen Washer	
16	8223054	1	Switch, Park Brake	
17	8303620	4	Bolt 3/8 x 1	
18	8303626	4	Bolt 1/2 x 1-1/2	
20	8303697	3	Bolt 5/16 x 3/4	
21	8303982	6	Screw 1/4 x 3/4	
22	8305626	4	Nut 5/16	
23	8305644	4	Nut 1/2	
24	8305916	1	Nut, Steering Column	
25	8307023	4	Washer M10	
26	8307106	7	Washer 5/16	
27	8307109	3	Washer 1/4	
28	8307110	4	Washer 3/8	
29	8307112	4	Washer 1/2	
30	8310026	3	Bolt 1/4 x 3/4	
31	8310382	8	Nut 1/4	
32	1320022	2	Clamp, Fuel Line	
33	8990147	1	Holder, Manual	
34	1001081049	1	Grommet, Split	
35	1001275934	1	Seat, Cab (See Separate Breakdown in this Section)	
36	1001102844	2	Bolt 1/4 x 1-1/4	
37	1001114867	1	Socket, 12V Power Point	
38	1001256519	1	Mount, Cab Step	
39	1001159850	1	Panel, Heater Control	
40	1001159878	1	Support, Armrest	
41	1001170738	1	Gauge	
42	1001210703	1	Controller	
43	1001171807	1	Installation, Cab Heater Lines (See Separate Breakdown in this Section)	
44	1001178347	1	Harness, HVAC (See Separate Breakdown in ELECTRICAL Section)	
45	1001264554	1	Accelerator (Note: No Serviceable Parts - Purchase Complete Assembly)	
46	1001183164	1	Reservoir, Brake Valve	

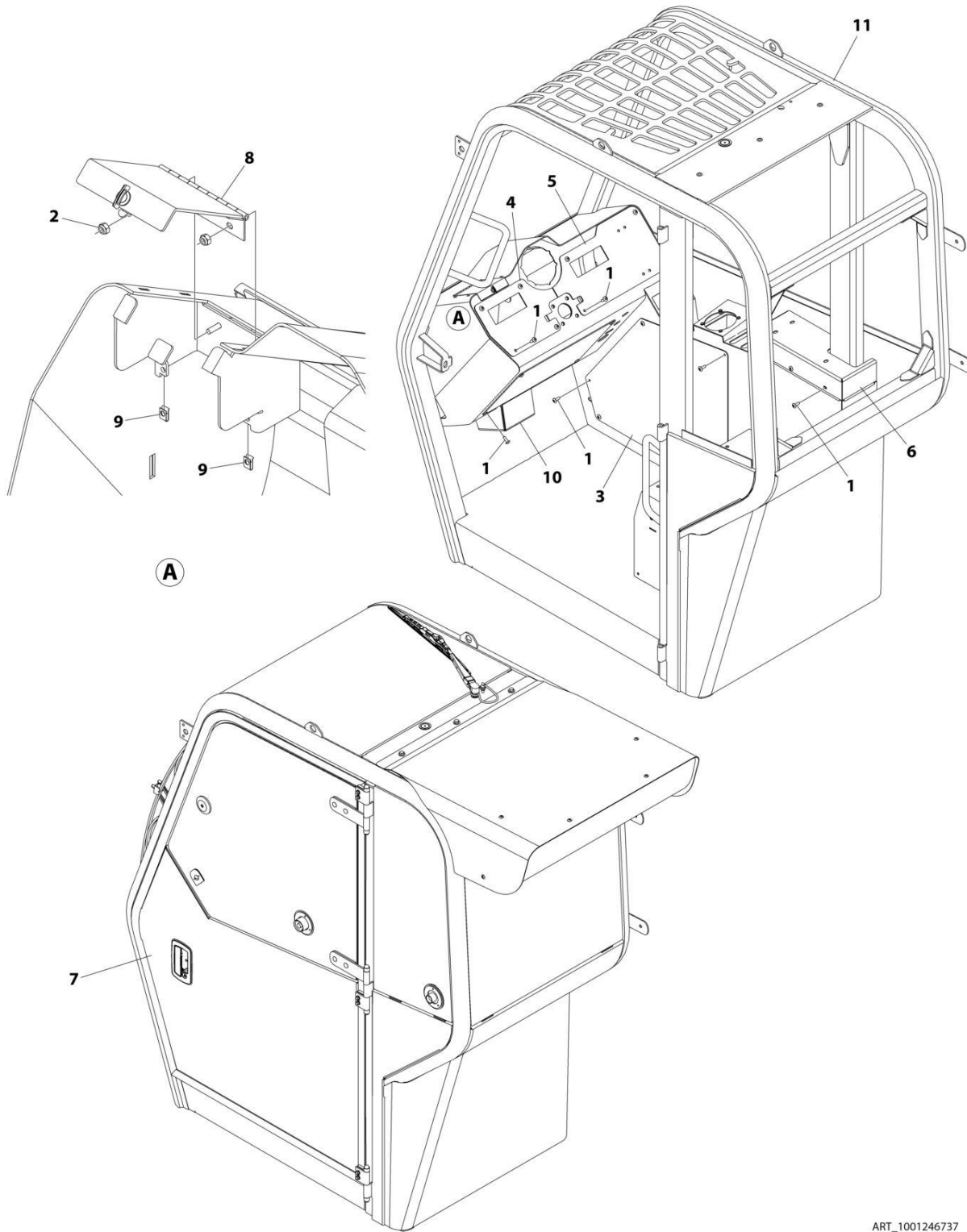
## SECTION 6 - CAB

ITEM	PART NUMBER	QTY	DESCRIPTION	REV
47	1001246737	1	Cab, Enclosed with Heater (See Separate Breakdown in this Section)	
48	1001223052	1	Assembly, Brake (See Separate Breakdown in CONTROLS Section)	
49	1001201658	1	Hose	
50	1001207963	1	Plug, 5/8	
51	4710600	2	Washer #6	
52	1001265914	1	Cover, Pedal	



# SECTION 6 - CAB

## FIGURE 6-9. CAB ASSEMBLY - ENCLOSED WITH HEATER



ART\_1001246737

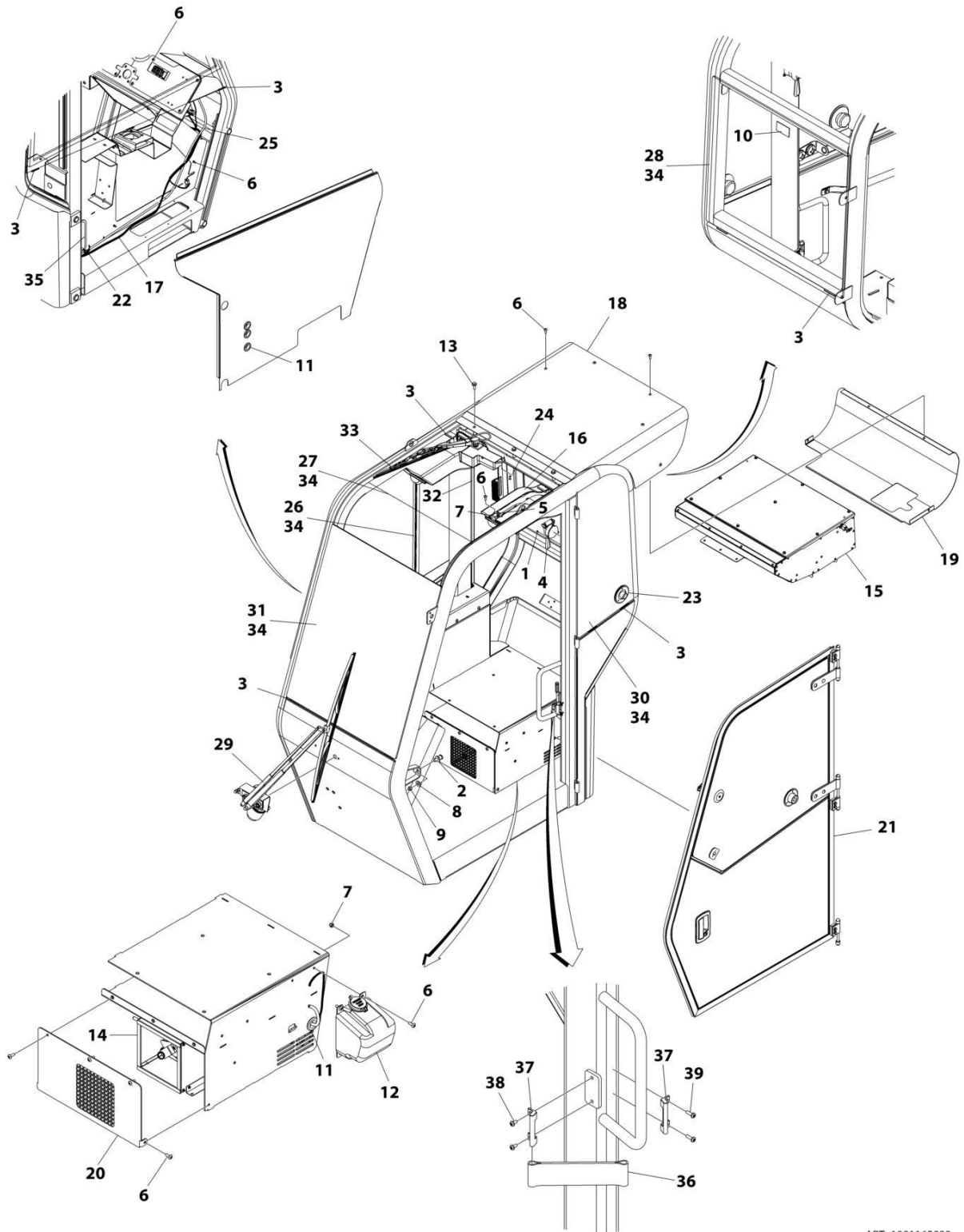


FIGURE 6-9. CAB ASSEMBLY - ENCLOSED WITH HEATER

ITEM	PART NUMBER	QTY	DESCRIPTION	REV
	1001246737	Ref	CAB ENCLOSED WITH HEATER	G
1	8303034	22	Screw 1/4 x 3/4	
2	8310085	2	Nut	
3	1001160788	1	Panel, RH Console Access Plate	
4	1001160790	1	Panel, LH Dash Cover	
5	1001160791	1	Panel, RH Dash Cover	
6	1001165617	1	Assembly, Side Console Access Panel	
7	1001165823	1	Enclosure, Cab (See Separate Breakdown in this Section)	
8	1001202189	1	Door, Brake Reservoir	
9	1001202202	2	Nut	
10	1001202746	1	Panel, Brake Access Plate	
11	See Note	NSS	Cab (Purchase Complete Assembly)	

# SECTION 6 - CAB

## FIGURE 6-10. CAB ENCLOSURE WITH HEATER



ART\_1001165823

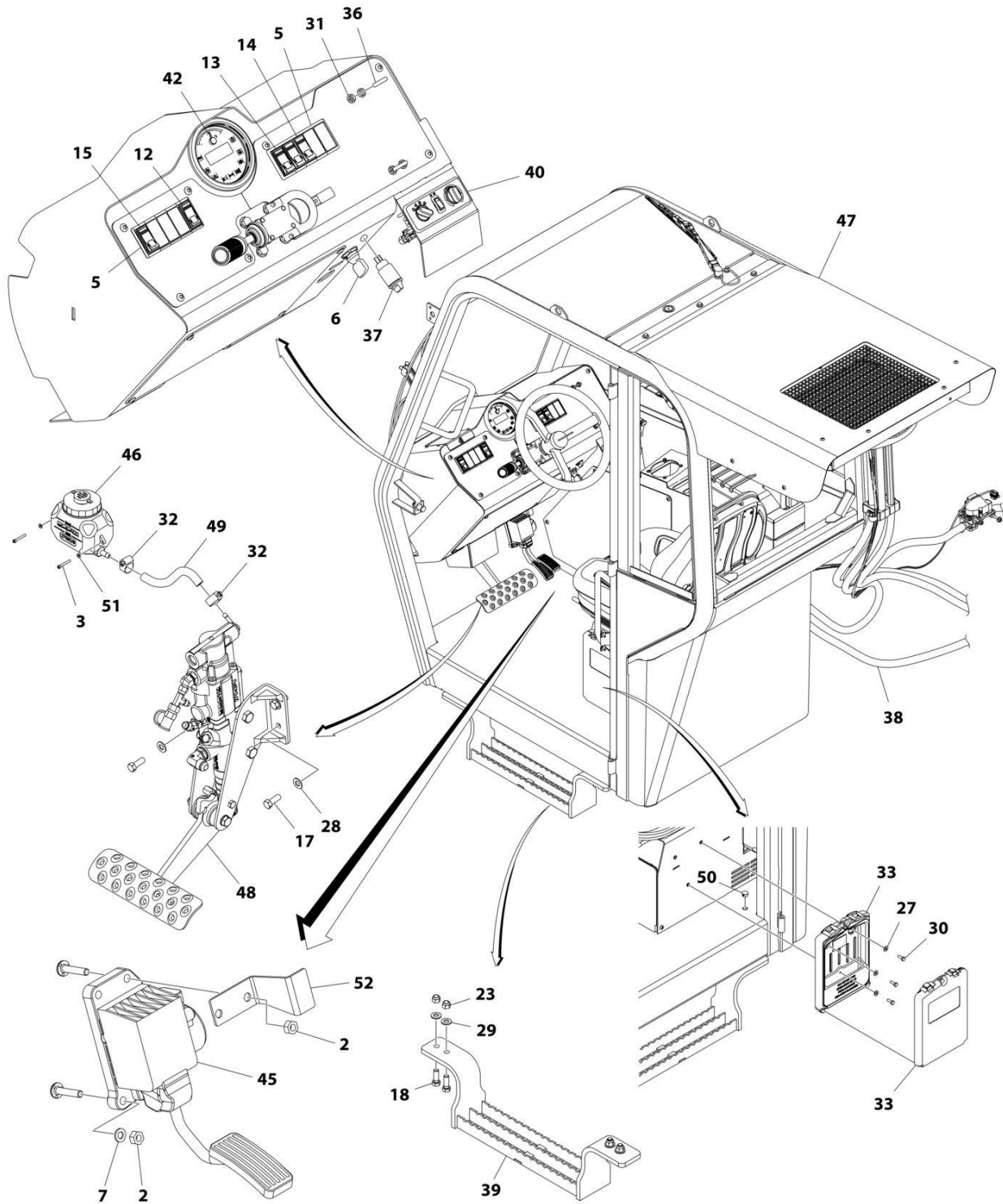
**SECTION 6 - CAB**

**FIGURE 6-10. CAB ENCLOSURE WITH HEATER**

ITEM	PART NUMBER	QTY	DESCRIPTION	REV
	1001165823	Ref	CAB ENCLOSURE	0
1	91404298	3	Rivet	
2	1001109478	1	Latch, Striker	
3	1001181968	13	Mould, Setting Block	
4	91404301	1	Hammer, Emergency	
5	4711400	2	Washer 1/4	
6	8303034	33	Screw 1/4 x 3/4	
7	8305624	4	Nut 1/4	
8	8307112	1	Washer 1/2	
9	8310109	1	Nut 7/164	
10	91404299	1	Decal, Escape	
11	1001081049	4	Grommet, Split	
12	1001111112	1	Tank, Window Washer Fluid	
12	70025480	1	Pump, Reservoir	
13	1001149227	3	Screw 5/16 x 1	
14	1001159856	1	Heater Assembly - Floor (See Separate Breakdown in this Section)	
15	1001159860	1	HVAC Assembly - Roof Top (See Separate Breakdown in this Section)	
16	1001160785	2	Duct, HVAC	
17	1001178349	1	Harness, Wiper (See Separate Breakdown in ELECTRICAL Section)	
18	1001164282	1	Hood, Top	
19	1001164284	1	Hood, Bottom	
20	1001164717	1	Panel, Floor Heater Access	
21	1001165806	1	Door, Cab (See Separate Breakdown in this Section)	
22	1001008742	1	Coupling, Tee	
23	1001081243	1	Retainer, Door Window Hold	
24	0630464	1	Screw #10 x 1/2	
25	82033997	168 in	Hose, Washer Fluid	
26	8036050	1	Window, RH Slider (See Separate Breakdown in this Section)	
27	7138958	1	Glass, Skylight	
28	1001181707	1	Window, Rear	
29	8036056	1	Assembly, Front Wiper (See Separate Breakdown in this Section)	
30	1001181893	1	Window, LH Rear	
31	1001181903	1	Window, Windshield	
32	1001182091	1	Duct, Wire	
33	1001182470	1	Wiper, Skylight (See Separate Breakdown in this Section)	
34	1001177746	AR	Compound, Locking	
35	4060803	16.5 in	Flex-Trim	
36	80384218	1	Strap, Door	
37	1001196128	2	Bracket, Strap Holder	
38	1001197098	2	Screw #10 x 3/8	
39	1001197099	2	Screw #10 x 5/8	

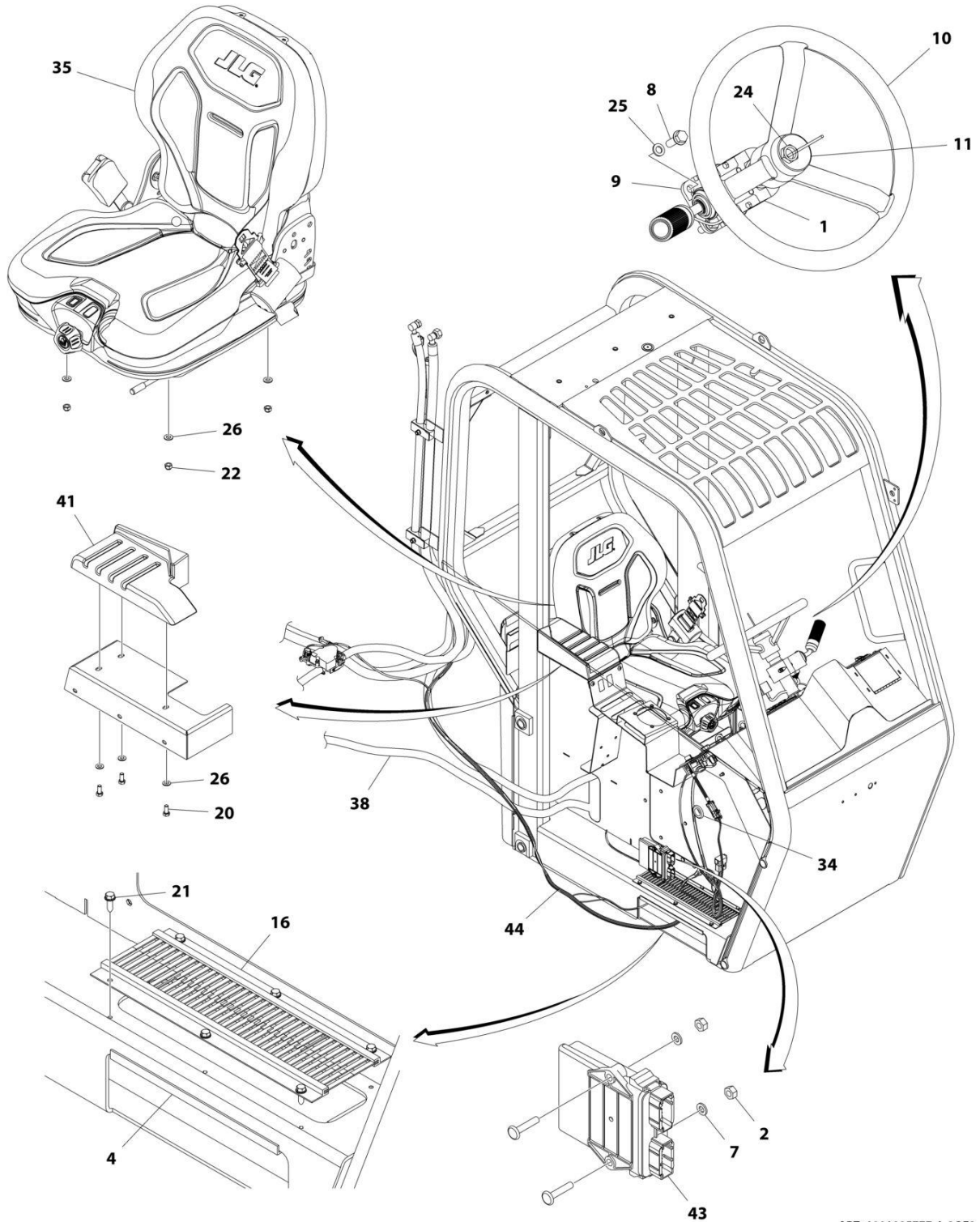
# SECTION 6 - CAB

## FIGURE 6-11. CAB INSTALLATION - ENCLOSED CAB WITH HEATER/AC (BLACK SEAT BELT)



ART\_1001185777\_I\_10F2

# SECTION 6 - CAB



ART\_1001185777\_I\_20F2

## SECTION 6 - CAB

**FIGURE 6-11. CAB INSTALLATION - ENCLOSED CAB WITH HEATER/AC (BLACK SEAT BELT)**

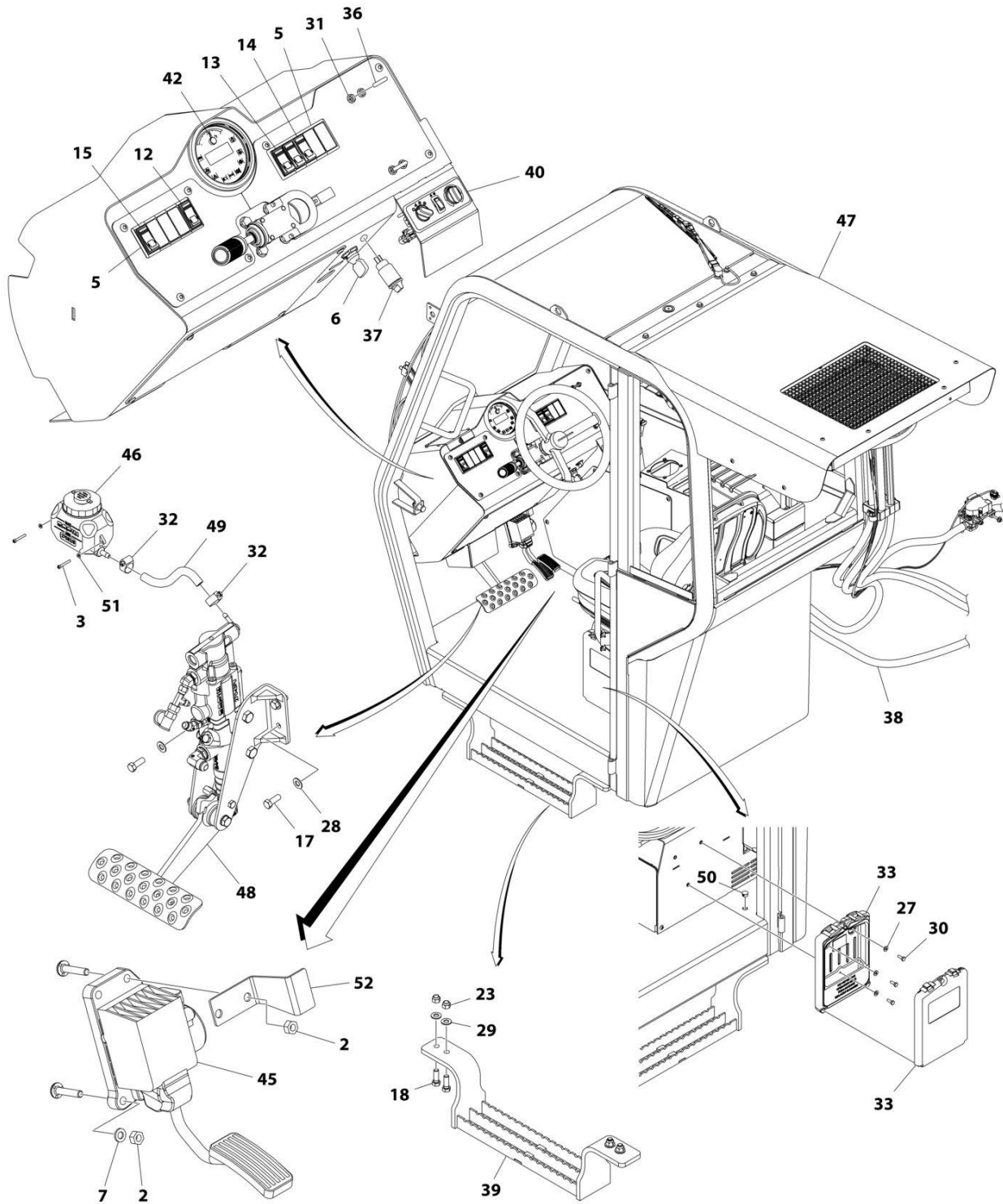
ITEM	PART NUMBER	QTY	DESCRIPTION	REV
	1001185777	Ref	ENCLOSED CAB WITH HEATER/AC INSTALLATION	I
1	1600429	1	Selector, Transmission Control	
2	3311401	5	Nut 1/4	
3	3930610	2	Bolt #6 x 5/8	
4	4060806	11 in	Shield, Flex Trim 5/16	
5	4360569	2	Switch, Bezel	
6	4360690	1	Switch, Ignition	
7	4761400	3	Washer 1/4	
8	5251014	4	Bolt M10 x 30	
9	7138833	1	Column, Steering	
10	7138836	1	Wheel, Steering	
11	7138878	1	Button, Horn	
12	8223037	1	Switch, Steer Select	
13	8223043	2	Switch, Windscreen Wiper	
14	8223044	1	Switch, Windscreen Washer	
15	8223054	1	Switch, Park Brake	
16	7138944	2	Strips, Brush	
17	8303620	4	Bolt 3/8 x 1	
18	8303626	4	Bolt 1/2 x 1-1/2	
20	8303697	3	Bolt 5/16 x 3/4	
21	8303982	6	Screw 1/4 x 3/4	
22	8305626	4	Nut 5/16	
23	8305644	4	Nut 1/2	
24	8305916	1	Nut, Steering Column	
25	8307023	4	Washer M10	
26	8307106	7	Washer 5/16	
27	8307109	3	Washer 1/4	
28	8307110	4	Washer 3/8	
29	8307112	4	Washer 1/2	
30	8310026	3	Bolt 1/4 x 3/4	
31	8310382	8	Nut 1/4	
32	1320022	2	Clamp, Fuel Line	
33	8990147	1	Holder, Manual	
34	1001081049	1	Grommet	
35	1001190229	1	Seat, Cab (See Separate Breakdown in this Section)	
36	1001102844	2	U-Bolt 1/4 x 1-1/4	
37	1001114867	1	Socket, 12V Power Point	
38	1001171806	1	Installation, Cab Heater/AC Lines (See Separate Breakdown in this Section)	
39	1001256519	1	Mount, Cab Step	
40	1001159851	1	Panel, HVAC Control	
40	1001204362	1	Switch, Fan	
40	7301265	1	Switch, A/C	
41	1001159878	1	Support, Armrest	
42	1001170738	1	Gauge	
43	1001210703	1	Controller	
44	1001178347	1	Harness, HVAC (See Separate Breakdown in ELECTRICAL Section)	
45	1001264554	1	Accelerator (Note: No Serviceable Parts - Purchase Complete Assembly)	

## SECTION 6 - CAB

ITEM	PART NUMBER	QTY	DESCRIPTION	REV
46	1001183164	1	Reservoir, Brake Valve	
47	1001246738	1	Cab, Enclosed with Heater/AC (See Separate Breakdown in this Section)	
48	1001223052	1	Assembly, Brake (See Separate Breakdown in CONTROLS Section)	
49	1001201658	1	Hose	
50	1001207963	1	Plug, 5/8	
51	4710600	2	Washer #6	
52	1001265914	1	Cover, Pedal	

# SECTION 6 - CAB

## FIGURE 6-12. CAB INSTALLATION - ENCLOSED CAB WITH HEATER/AC (ORANGE SEAT BELT)



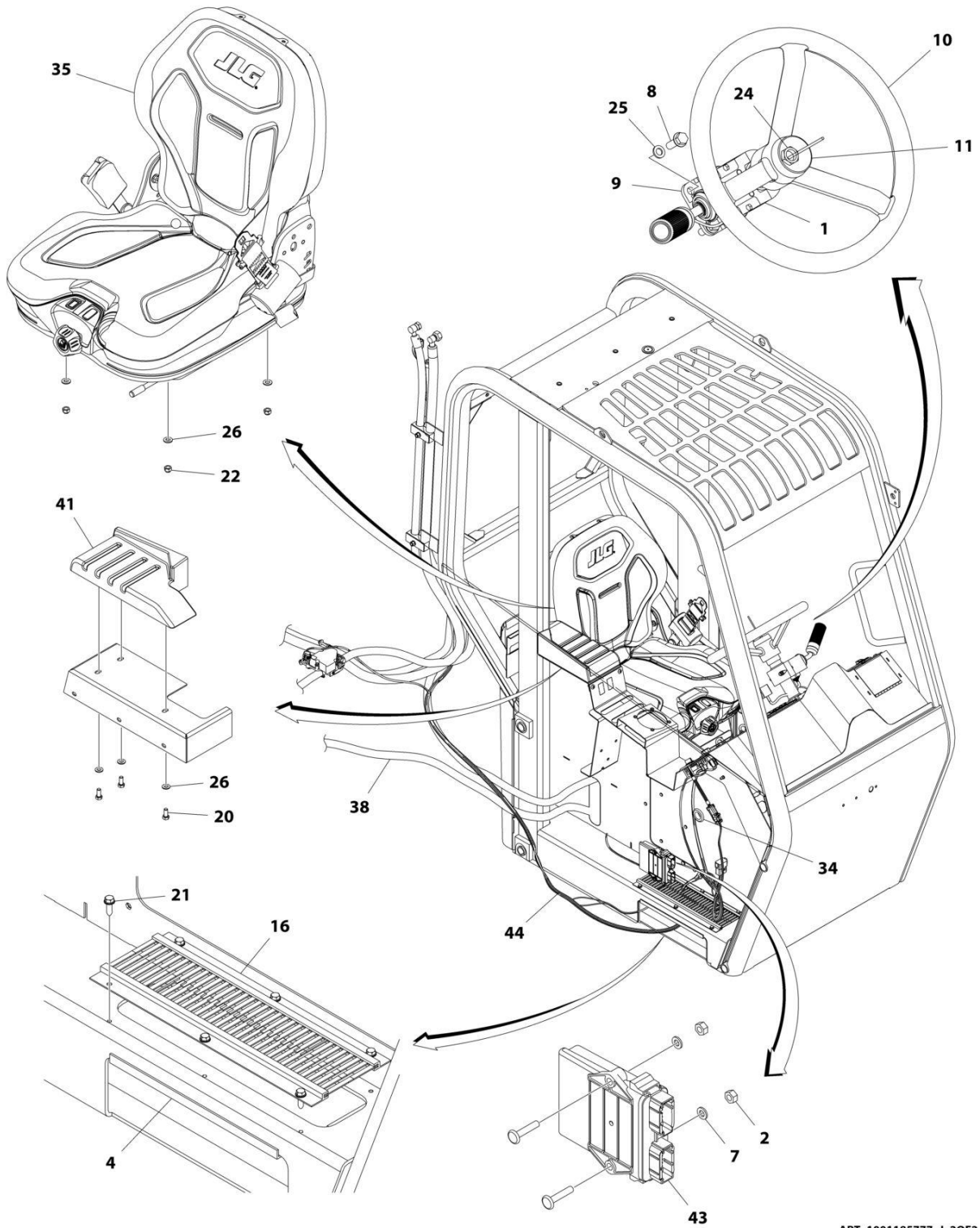
ART\_1001185777\_J\_10F2





# SECTION 6 - CAB

## FIGURE 6-13. CAB INSTALLATION - ENCLOSED CAB WITH HEATER/AC (ORANGE SEAT BELT)



ART\_1001185777\_J\_20F2

## SECTION 6 - CAB

**FIGURE 6-13. CAB INSTALLATION - ENCLOSED CAB WITH HEATER/AC (ORANGE SEAT BELT)**

ITEM	PART NUMBER	QTY	DESCRIPTION	REV
	1001185777	Ref	ENCLOSED CAB WITH HEATER/AC INSTALLATION	J
1	1600429	1	Selector, Transmission Control	
2	3311401	5	Nut 1/4	
3	3930610	2	Bolt #6 x 5/8	
4	4060806	11 in	Shield, Flex Trim 5/16	
5	4360569	2	Switch, Bezel	
6	4360690	1	Switch, Ignition	
7	4761400	3	Washer 1/4	
8	5251014	4	Bolt M10 x 30	
9	7138833	1	Column, Steering	
10	7138836	1	Wheel, Steering	
11	7138878	1	Button, Horn	
12	8223037	1	Switch, Steer Select	
13	8223043	2	Switch, Windscreen Wiper	
14	8223044	1	Switch, Windscreen Washer	
15	8223054	1	Switch, Park Brake	
16	7138944	2	Strips, Brush	
17	8303620	4	Bolt 3/8 x 1	
18	8303626	4	Bolt 1/2 x 1-1/2	
20	8303697	3	Bolt 5/16 x 3/4	
21	8303982	6	Screw 1/4 x 3/4	
22	8305626	4	Nut 5/16	
23	8305644	4	Nut 1/2	
24	8305916	1	Nut, Steering Column	
25	8307023	4	Washer M10	
26	8307106	7	Washer 5/16	
27	8307109	3	Washer 1/4	
28	8307110	4	Washer 3/8	
29	8307112	4	Washer 1/2	
30	8310026	3	Bolt 1/4 x 3/4	
31	8310382	8	Nut 1/4	
32	1320022	2	Clamp, Fuel Line	
33	8990147	1	Holder, Manual	
34	1001081049	1	Grommet	
35	1001275934	1	Seat, Cab (See Separate Breakdown in this Section)	
36	1001102844	2	U-Bolt 1/4 x 1-1/4	
37	1001114867	1	Socket, 12V Power Point	
38	1001171806	1	Installation, Cab Heater/AC Lines (See Separate Breakdown in this Section)	
39	1001256519	1	Mount, Cab Step	
40	1001159851	1	Panel, HVAC Control	
40	1001204362	1	Switch, Fan	
40	7301265	1	Switch, A/C	
41	1001159878	1	Support, Armrest	
42	1001170738	1	Gauge	
43	1001210703	1	Controller	
44	1001178347	1	Harness, HVAC (See Separate Breakdown in ELECTRICAL Section)	
45	1001264554	1	Accelerator (Note: No Serviceable Parts - Purchase Complete Assembly)	

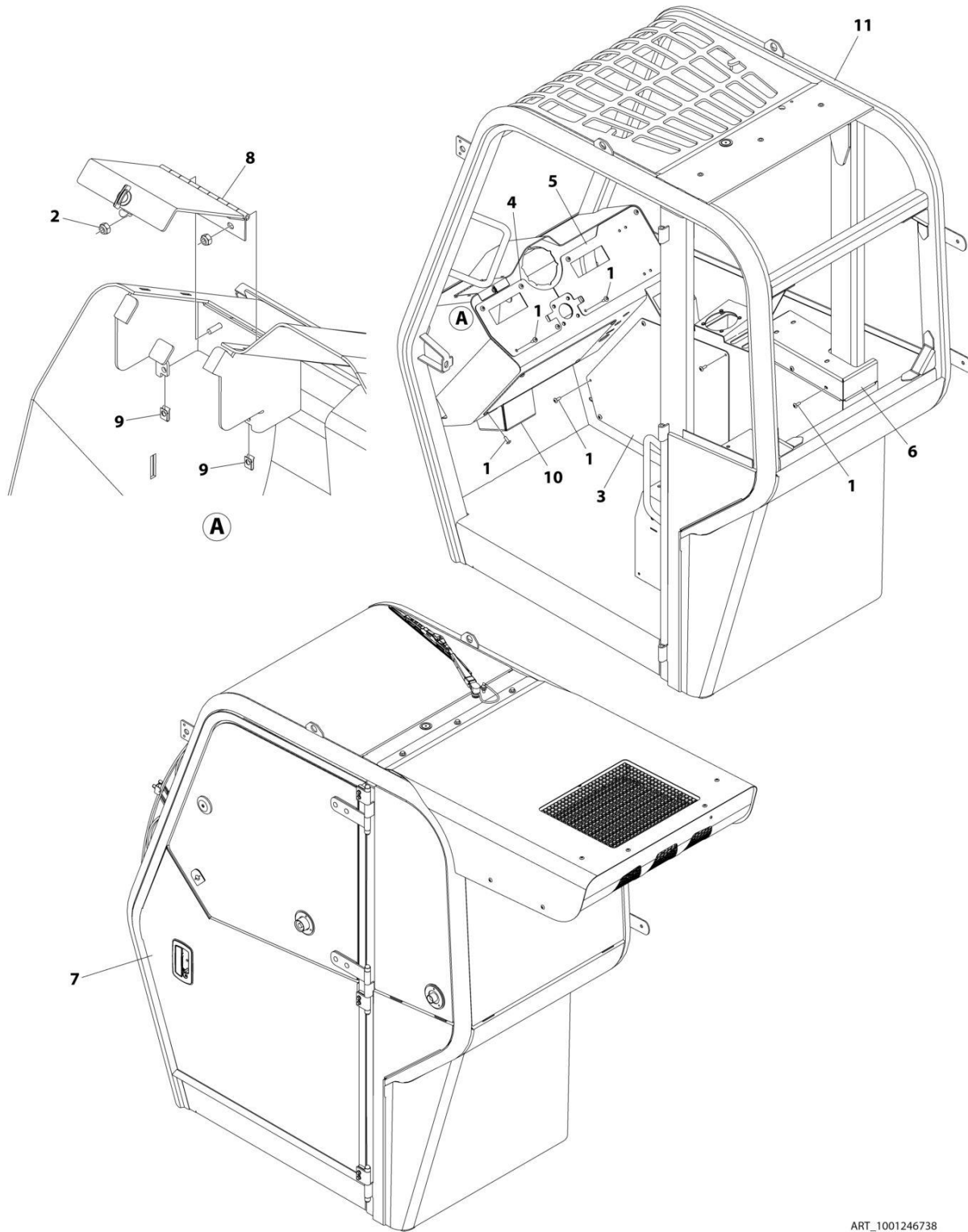
## SECTION 6 - CAB

ITEM	PART NUMBER	QTY	DESCRIPTION	REV
46	1001183164	1	Reservoir, Brake Valve	
47	1001246738	1	Cab, Enclosed with Heater/AC (See Separate Breakdown in this Section)	
48	1001223052	1	Assembly, Brake (See Separate Breakdown in CONTROLS Section)	
49	1001201658	1	Hose	
50	1001207963	1	Plug, 5/8	
51	4710600	2	Washer #6	
52	1001265914	1	Cover, Pedal	



# SECTION 6 - CAB

## FIGURE 6-14. CAB ASSEMBLY - ENCLOSED WITH HEATER & AC



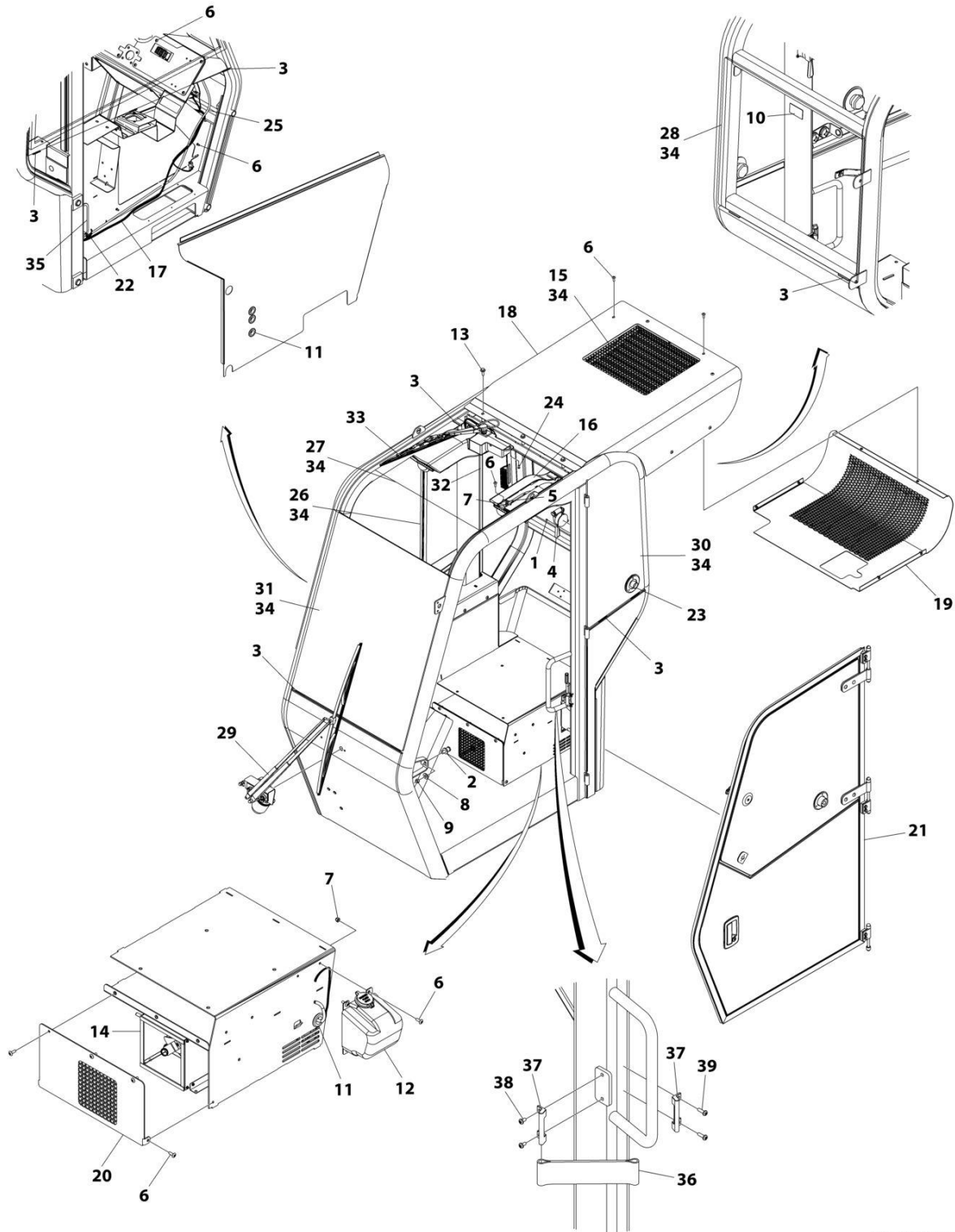
ART\_1001246738

FIGURE 6-14. CAB ASSEMBLY - ENCLOSED WITH HEATER &amp; AC

ITEM	PART NUMBER	QTY	DESCRIPTION	REV
	1001246738	Ref	CAB ENCLOSED WITH HEATER/AC	F
1	8303034	22	Screw 1/4 x 3/4	
2	8310085	2	Nut	
3	1001160788	1	Panel, RH Console Access Plate	
4	1001160790	1	Panel, LH Dash Cover	
5	1001160791	1	Panel, RH Dash Cover	
6	1001165617	1	Assembly, Side Console Access Panel	
7	1001168066	1	Enclosure, Cab HVAC (See Separate Breakdown in this Section)	
8	1001202189	1	Door, Brake Reservoir	
9	1001202202	2	Nut M6	
10	1001202746	1	Panel, Brake Access Plate	
11	1001246735	1	Cab Weldment	

# SECTION 6 - CAB

## FIGURE 6-15. CAB ENCLOSURE WITH HEATER & AC



ART\_1001168066

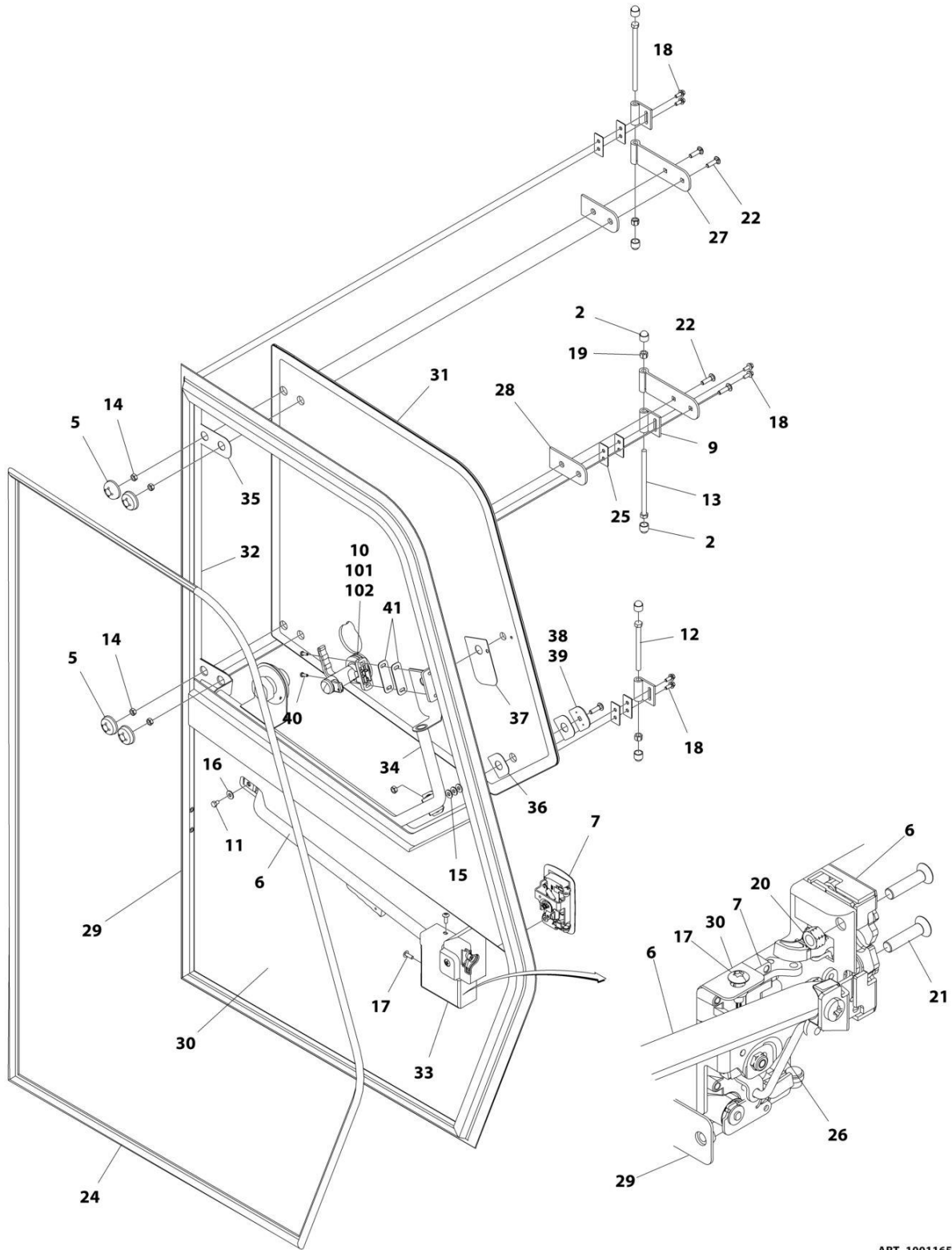


FIGURE 6-15. CAB ENCLOSURE WITH HEATER &amp; AC

ITEM	PART NUMBER	QTY	DESCRIPTION	REV
	1001168066	Ref	CAB HVAC ENCLOSURE	0
1	91404298	3	Rivet	
2	1001109478	1	Latch, Striker	
3	1001181968	13	Mould, Setting Block	
4	91404301	1	Hammer, Emergency	
5	4711400	2	Washer 1/4	
6	8303034	35	Screw 1/4 x 3/4	
7	8305624	4	Nut 1/4	
8	8307112	1	Washer 1/2	
9	8310109	1	Nut 7/16	
10	91404299	1	Decal, Escape	
11	1001081049	4	Grommet, Split	
12	1001111112	1	Tank, Window Washer Fluid	
12	70025480	1	Pump, Reservoir	
13	1001149227	3	Screw 5/16 x 1	
14	1001159856	1	Heater, Floor (See Separate Breakdown in this Section)	
15	1001159861	1	Box, Roof (See Separate Breakdown in this Section)	
16	1001160785	2	Duct, HVAC	
17	1001178349	1	Harness, Wiper (See Separate Breakdown in ELECTRICAL Section)	
18	1001164096	1	Hood, Top	
19	1001164099	1	Hood, Bottom	
20	1001164717	1	Panel, Floor Heater Access	
21	1001165806	1	Door, Cab (See Separate Breakdown in this Section)	
22	1001008742	1	Coupling, Tee	
23	1001081243	1	Retainer, Door Window Hold	
24	0630464	1	Screw #10 x 1/2	
25	82033997	168 in	Hose, Washer Fluid	
26	8036050	1	Window, RH Slider (See Separate Breakdown in this Section)	
27	7138958	1	Glass, Skylight	
28	1001181707	1	Window, Rear	
29	8036056	1	Assembly, Front Wiper (See Separate Breakdown in this Section)	
30	1001181893	1	Window, LH Rear	
31	1001181903	1	Window, Windshield	
32	1001182091	1	Duct, Wire	
33	1001182470	1	Wiper, Skylight (See Separate Breakdown in this Section)	
34	1001177746	AR	Compound, Locking	
35	4060803	16.5 in	Flex-Trim	
36	80384218	1	Strap, Door	
37	1001196128	2	Bracket, strap Holder	
38	1001197098	2	Screw #10 x 3/8	
39	1001197099	2	Screw #10 x 5/8	

# SECTION 6 - CAB

## FIGURE 6-16. CAB DOOR ASSEMBLY



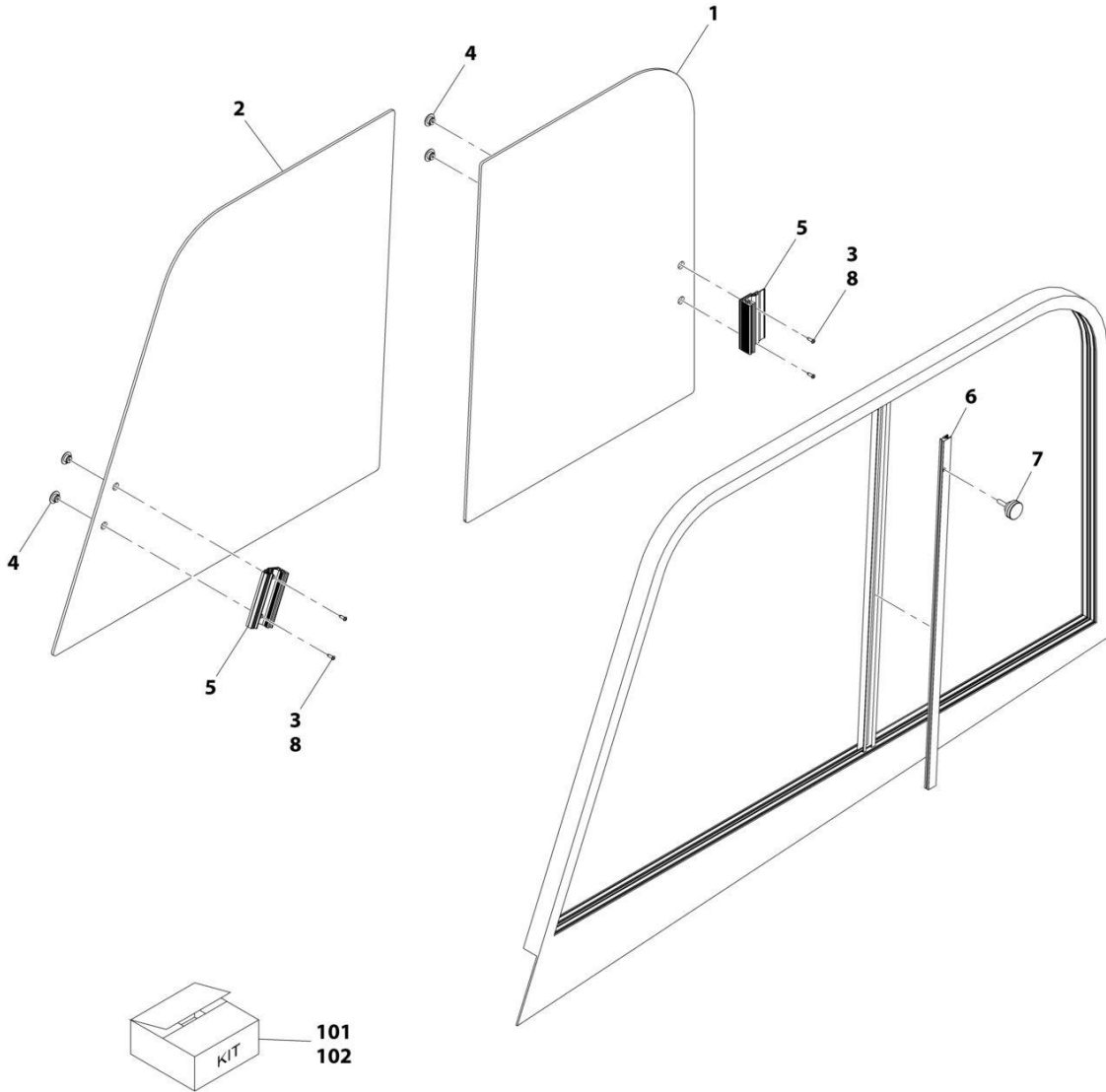
ART\_1001165806

FIGURE 6-16. CAB DOOR ASSEMBLY

ITEM	PART NUMBER	QTY	DESCRIPTION	REV
	1001165806	Ref	CAB DOOR	I
1	1001183104	2	Fastener, Latch	
2	1001182663	6	Cap, Hex Dome	
5	1001081246	5	Cap, Nut M6	
6	1001081247	1	Handle, Interior Cab Door	
7	1001081241	1	Handle, Exterior Cab Door	
7	70021948	1	Key, Cab Door	
9	1001183209	3	Hinge, Slotted	
10	1001220260	1	Handle, Window	
11	0641403	1	Bolt 1/4 x 3/8	
12	0641636	1	Bolt 3/8 x 4-1/2	
13	0641652	2	Bolt 3/8 x 6-1/2	
14	3290801	5	Nut M8	
15	4711500	3	Washer 5/16	
16	4751400	1	Washer 1/4	
17	8303034	2	Screw 1/4 x 3/4	
18	8303119	6	Screw 1/4 x 5/8	
19	8305603	3	Nut 3/8	
20	8305638	2	Nut M8	
21	1001094312	2	Screw M8 x 30	
22	1001108575	5	Screw M8 x 30	
24	1001182408	1	Seal, Door	
25	1001182135	6	Shim, Door Hinge	
26	1001182514	1	Linkage, Exterior Latch	
27	1001081242	2	Hinge, Door	
28	1001081266	2	Spacer, Hinge	
29	1001182842	1	Weldment, Door	
30	1001182800	1	Foam, Door	
31	1001182808	1	Glass, Door	
32	1001182810	1	Seal, Glass	
33	1001182865	1	Cover, Latch	
34	1001182871	1	Handle, Door Glass	
35	1001182882	2	Shim, Hinge	
36	1001182883	2	Shim, Handle	
37	1001182884	1	Shim, Handle Latch	
38	1001183084	1	Plate, Window	
39	1001177746	1	Compound, Locking	
40	1001197099	2	Screw 1/4 x 5/8	
41	1001265272	AR	Shim	
101	1001165276	1	Striker Plate	
102	1001165275	1	Window Latch	
103	1001169787	1	Latch Seal (not shown)	
201	1001280231	1	Door Window Kit (Includes Items 5, 10, 14, 15, 22, 27, 28, 31, 32, 34-41 & Window Lock)	

**SECTION 6 - CAB**

**FIGURE 6-17. SLIDER WINDOW ASSEMBLY (RH)**



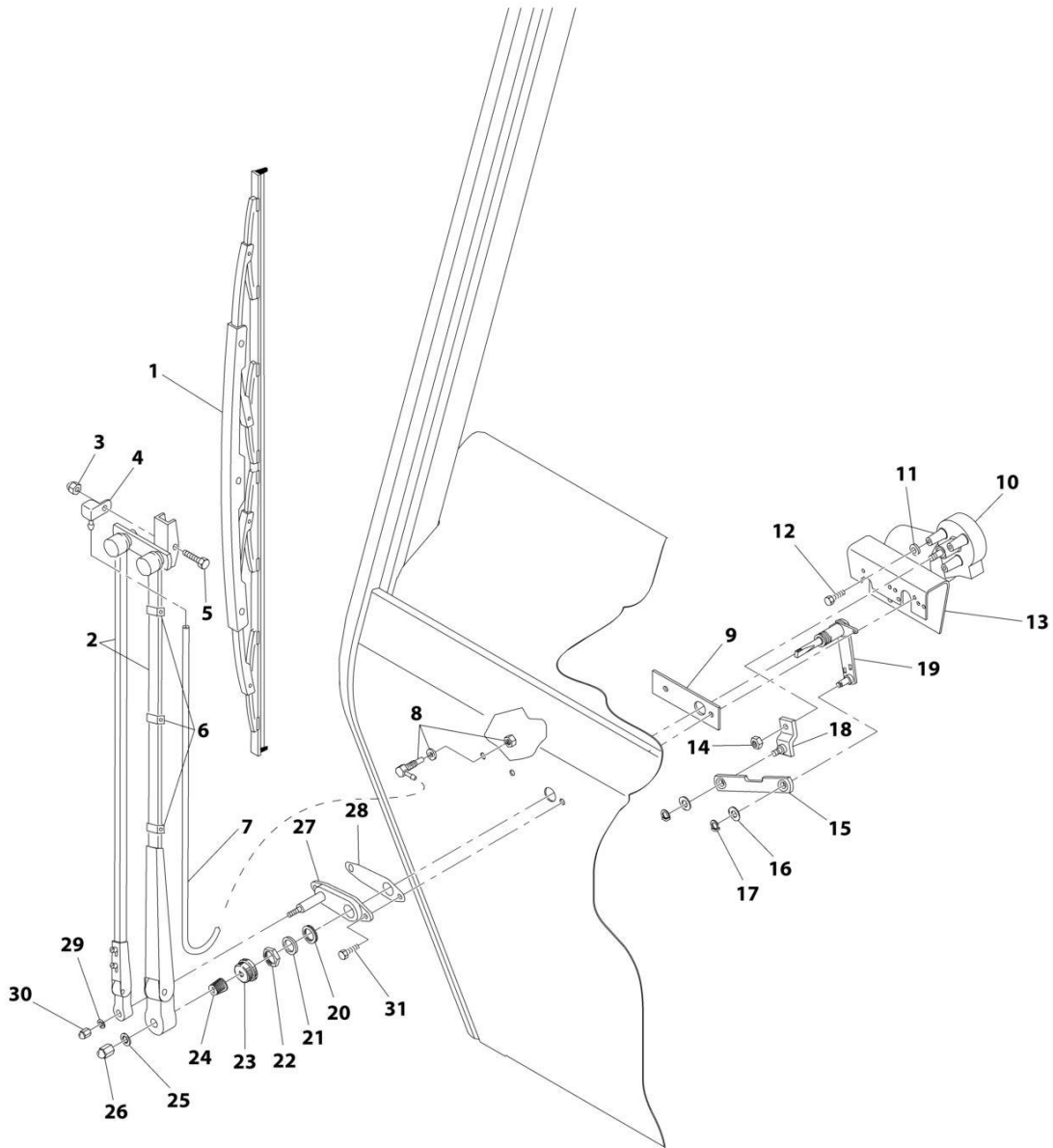
ART\_8036050-B

FIGURE 6-17. SLIDER WINDOW ASSEMBLY (RH)

ITEM	PART NUMBER	QTY	DESCRIPTION	REV
	8036050	Ref	RH Slider Window	B
1	8036197	1	Glass, Rear Slide	
2	8036196	1	Glass, Front Slide	
3	Kit	NSS	Capscrew (Use Item 101)	
4	Kit	NSS	Spacer (Use Item 101)	
5	Kit	NSS	Latch (Use Item 101)	
6	Kit	NSS	Block, Lock (Use Item 102)	
7	Kit	NSS	Assembly, Knob (Use Item 102)	
8	8035523	AR	Compound, Locking	
101	80384445	1	Latch Assembly Kit (with Latch & Slider - Worthington Windows) (includes items 3 thru 5)	
101	8036199	1	Latch Assembly Kit (with Two Latches - Young Windows) (includes items 3 thru 5)	
102	8036198	1	Friction Lock Assembly Kit (includes items 6 & 7)	

# SECTION 6 - CAB

## FIGURE 6-18. WIPER INSTALLATION (FRONT)



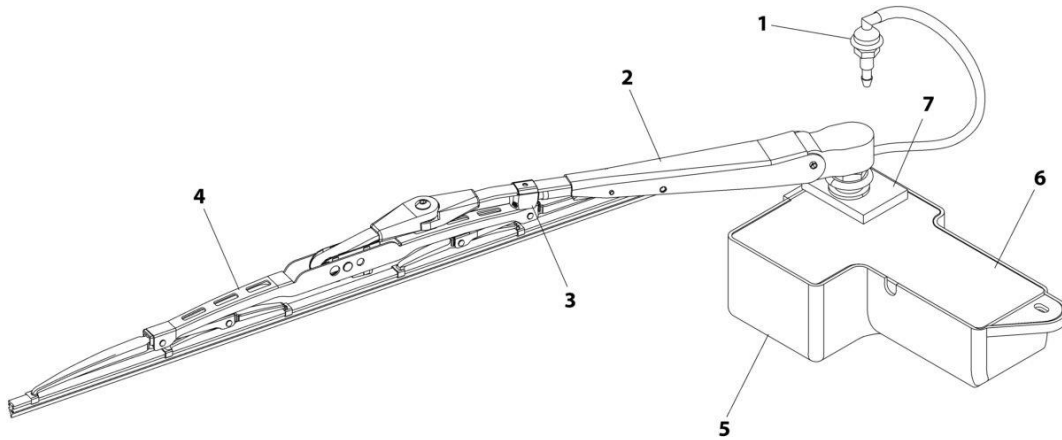
ART\_8036056-A

FIGURE 6-18. WIPER INSTALLATION (FRONT)

ITEM	PART NUMBER	QTY	DESCRIPTION	REV
	8036056	Ref	Front Wiper Assembly	A
1	80384213	1	Blade, Wiper	
2	8035393	1	Assembly, Wiper Arm	
3	N.S.S.	1	Nut, Lock	
4	N.S.S.	1	Nozzle, Sprayer	
5	N.S.S.	1	Bolt	
6	N.S.S.	3	Clip, Hose	
7	N.S.S.	1	Hose	
8	1001081310	1	Adaptor, Wet Arm	
9	8036100	1	Spacer, Front Wiper Motor	
10	7029860	1	Motor, Wiper 12V	
11	N.S.S.	3	Washer, 5/16	
12	N.S.S.	3	Bolt, 1/4-28X1	
13	N.S.S.	1	Bracket, Wiper Motor	
14	N.S.S.	1	Nut	
15	8035409	1	Link, Connecting	
16	N.S.S.	2	Washer, 0.56X0.251X0.015	
17	N.S.S.	2	Clip, Spring	
18	8035411	1	Drive, Wiper Arm	
19	8036099	1	Assembly, Wiper Shaft and Pivot	
20	N.S.S.	1	Washer, Rubber	
21	N.S.S.	1	Washer, Metal	
22	N.S.S.	1	Nut, Jam 11/16-18	
23	N.S.S.	1	Cap, Rubber	
24	N.S.S.	1	Driver, Knurled	
25	N.S.S.	1	Washer, Lock 3/8	
26	N.S.S.	1	Nut, Acorn 1/4-28	
27	8034815	1	Assembly, Panto Adaptor	
28	N.S.S.	1	Gasket	
29	N.S.S.	1	Washer, Lock 1/4	
30	N.S.S.	1	Nut, Acorn 1/4-28	
31	80384207	2	Bolt, 1/4-28X3/4	

# SECTION 6 - CAB

## FIGURE 6-19. WIPER INSTALLATION (SKYLIGHT)



ART\_1001182470

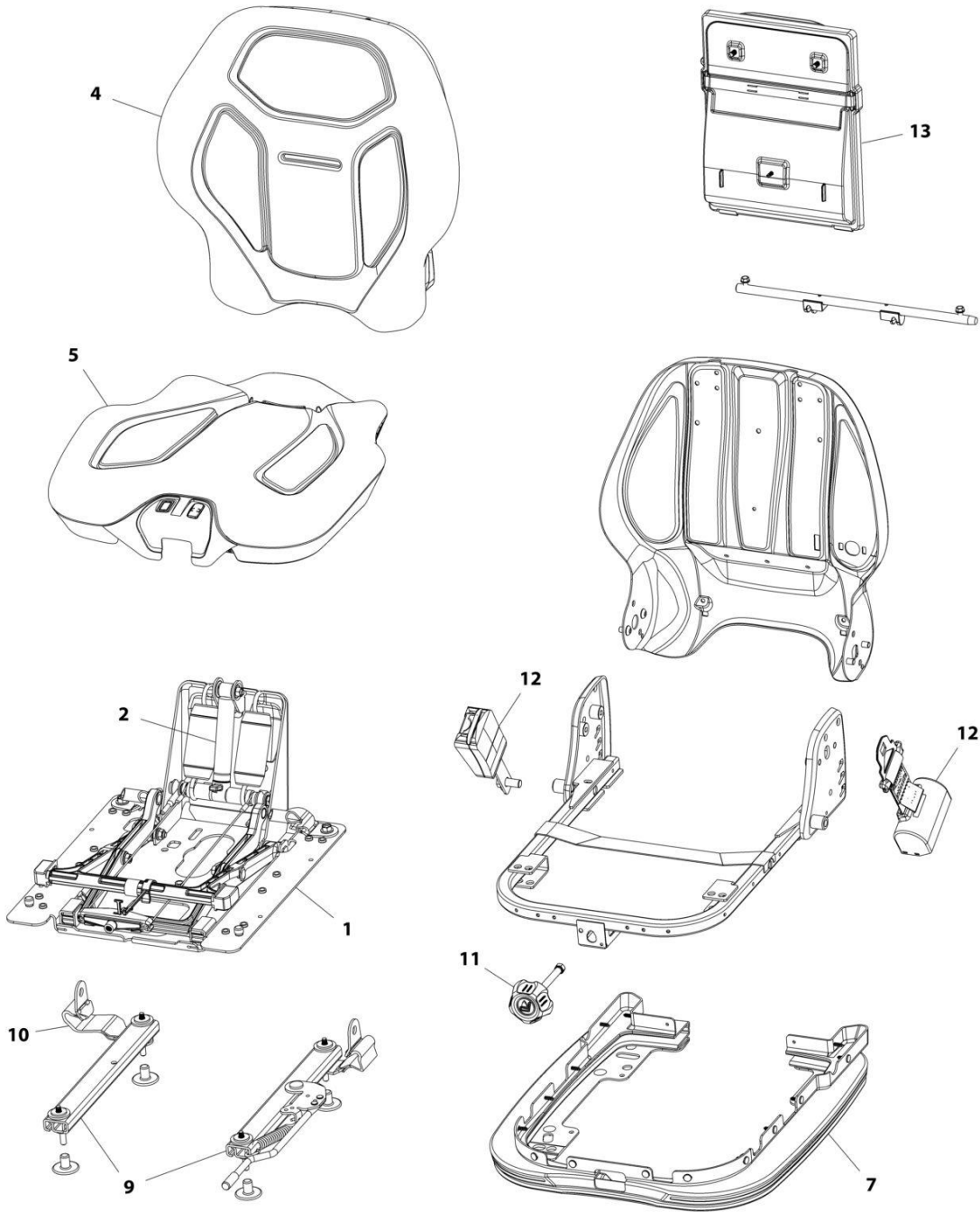


FIGURE 6-19. WIPER INSTALLATION (SKYLIGHT)

ITEM	PART NUMBER	QTY	DESCRIPTION	REV
	1001182470	Ref	SKYLIGHT WIPER ASSEMBLY	B
1	1001081310	1	Adaptor, Wet Arm	
2	8035500	1	Arm, Wiper	
3	8035499	1	Arm, Wet Kit	
4	8035498	1	Blade, Wiper	
5	70020652	1	Motor, Wiper	
6	8035493	1	Cover, Wiper	
7	70026352	1	Block, Skylight Wiper Motor	

# SECTION 6 - CAB

## FIGURE 6-20. CAB SEAT (BLACK SEAT BELT)



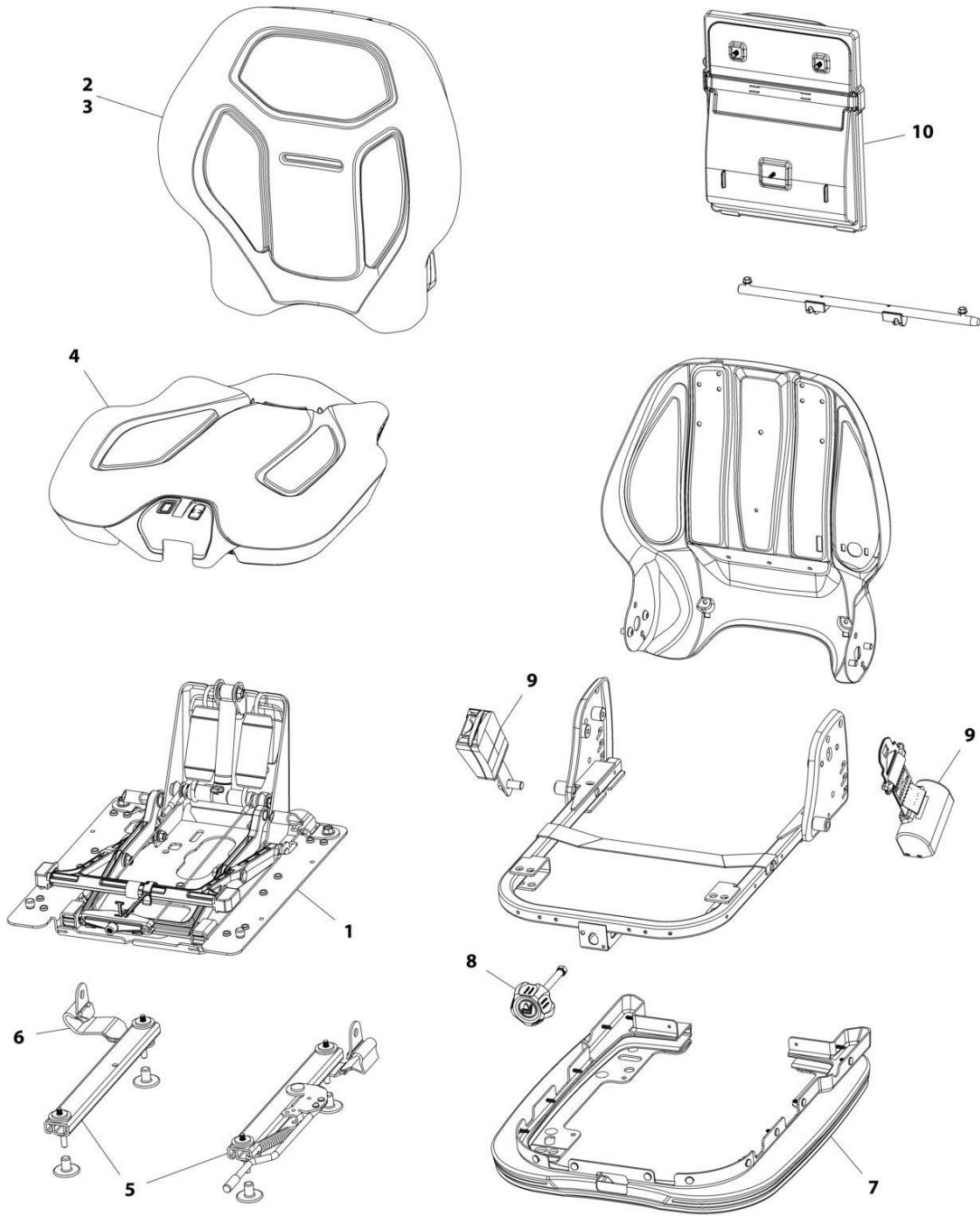
ART\_1001190229-E

FIGURE 6-20. CAB SEAT (BLACK SEAT BELT)

ITEM	PART NUMBER	QTY	DESCRIPTION	REV
	1001190229	Ref	Cab Seat	E
1	70027024	1	Suspension Assembly Kit	
2	70027025	1	Spring Saddle Assembly Kit	
4	70027026	1	Back Cushion Kit	
5	70027028	1	Seat Cushion Assembly Kit	
7	70027030	1	Boot Kit	
9	7026798	1	Adjuster Kit	
10	70027032	1	Tether strap	
11	70027033	1	Weight adjust knob kit	
12	70027034	2	Seat belt kit	
13	70027035	1	Document box kit	

# SECTION 6 - CAB

## FIGURE 6-21. CAB SEAT (ORANGE SEAT BELT)



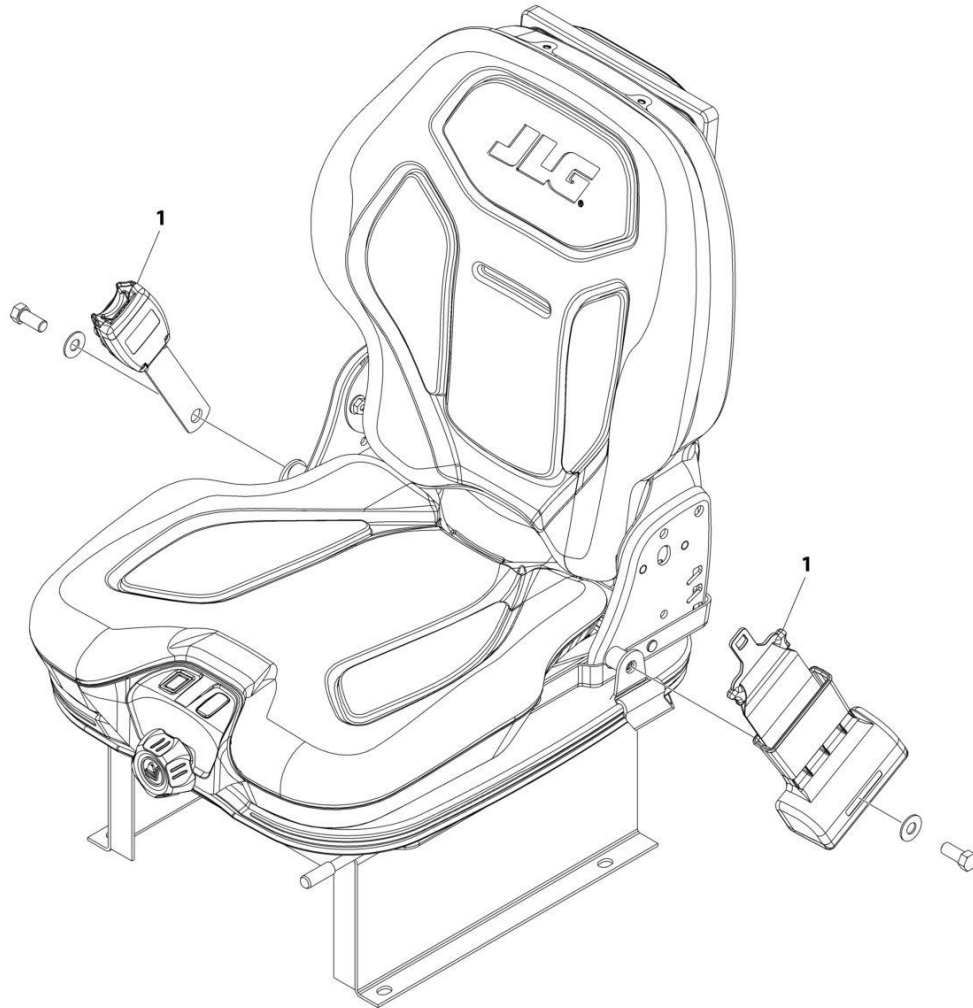
ART\_1001275934

FIGURE 6-21. CAB SEAT (ORANGE SEAT BELT)

ITEM	PART NUMBER	QTY	DESCRIPTION	REV
	1001275934	Ref	SEAT INSTALLATION	B
1	70027024	1	Suspension Kit	
2	70027026	1	Back Cushion Kit (JLG)	
3	70027027	1	Back Cushion Kit (CAT)	
4	70027028	1	Seat Cushion Kit	
5	7026798	1	Adjuster Kit	
6	70027032	1	Tether strap	
7	70027030	1	Boot Kit	
8	70027033	1	Weight Adjust Knob Kit	
9	1001275933	1	Seat Belt	
10	70027035	1	Document box Kit	

# SECTION 6 - CAB

## FIGURE 6-22. SEAT BELT INSTALLATION (3 INCH)



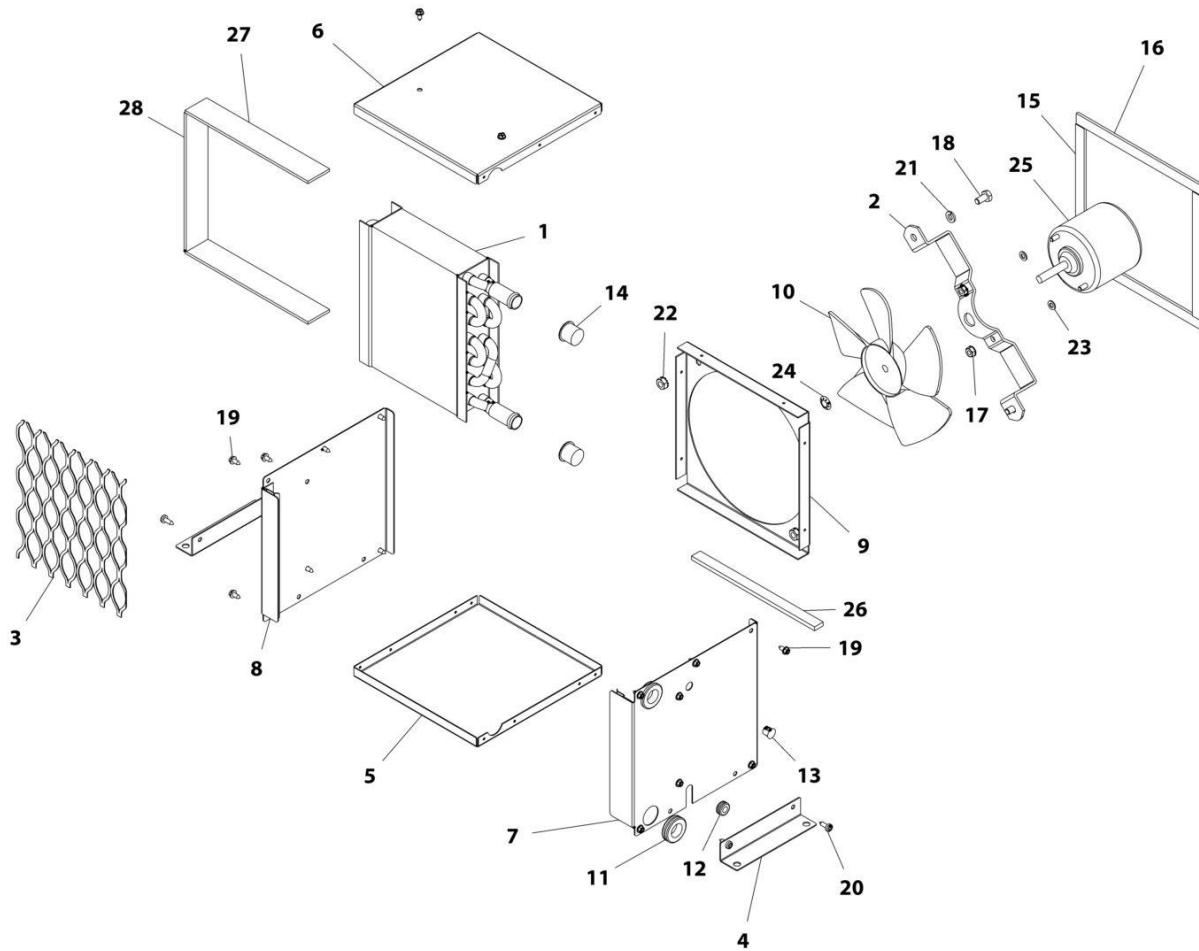
ART\_1001258245

**FIGURE 6-22. SEAT BELT INSTALLATION (3 INCH)**

<b>ITEM</b>	<b>PART NUMBER</b>	<b>QTY</b>	<b>DESCRIPTION</b>	<b>REV</b>
	1001258245	Ref	Seat Belt Installation (3in Width)	B
1	1001258244	1	Seat Belt (3in) (Black Strap)	
1	1001275933	1	Seat Belt (3in) (Orange Strap)	

# SECTION 6 - CAB

## FIGURE 6-23. HEATER ASSEMBLY - FLOOR



ART\_1001159856-D

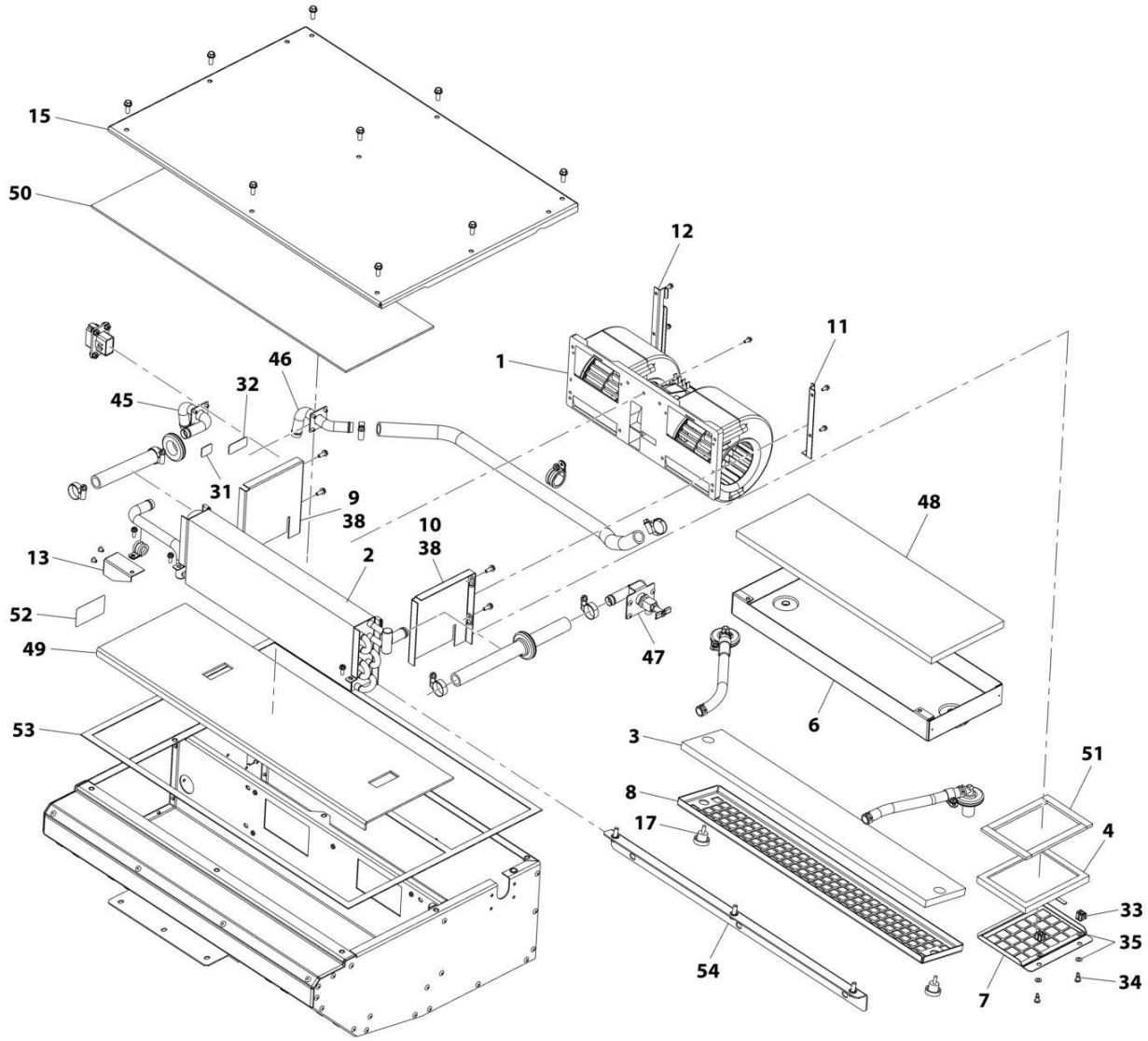


FIGURE 6-23. HEATER ASSEMBLY - FLOOR

ITEM	PART NUMBER	QTY	DESCRIPTION	REV
	1001159856	Ref	Floor Heater	D
1	70026100	1	Coil, Heater	
2	70026101	1	Bracket, Motor	
3	70026102	1	Protector, Coil	
4	70026103	2	Bracket, Mounting	
5	70026104	1	Casing, Bottom	
6	70026105	1	Casing, Top	
7	70026106	1	Casing, RH Side	
8	70026107	1	Casing, LH Side	
9	70026108	1	Mount, Fan	
10	70026109	1	Fan	
11	70026110	2	Grommet	
12	70026111	1	Grommet, 3/8	
13	70026112	1	Plug, Hole 3/8	
14	70026113	2	Plug, 3/8	
15	70026114	2	Foam, 1/4X158	
16	70026114	2	Foam, 1/4X184	
17	70026115	2	Nut, 10-32	
18	70026116	2	Screw, 1/4-20X1/2	
19	70026117	16	Screw, 8X3/8	
20	70024855	4	Screw, Tap 8X1/2	
21	70026118	2	Lockwasher, 1/4	
22	70026119	2	Nut, Kep 1/4-20	
23	70026120	2	Washer, M5	
24	70026121	1	Retainer	
25	70026122	1	Motor Assembly, 12V	
26	70026123	1	Foam, 3/16X180	
27	70026124	2	Foam, 1/4X180	
28	70026124	1	Foam, 1/4X175	

# SECTION 6 - CAB

## FIGURE 6-24. HEATER BOX ASSEMBLY - HEATER



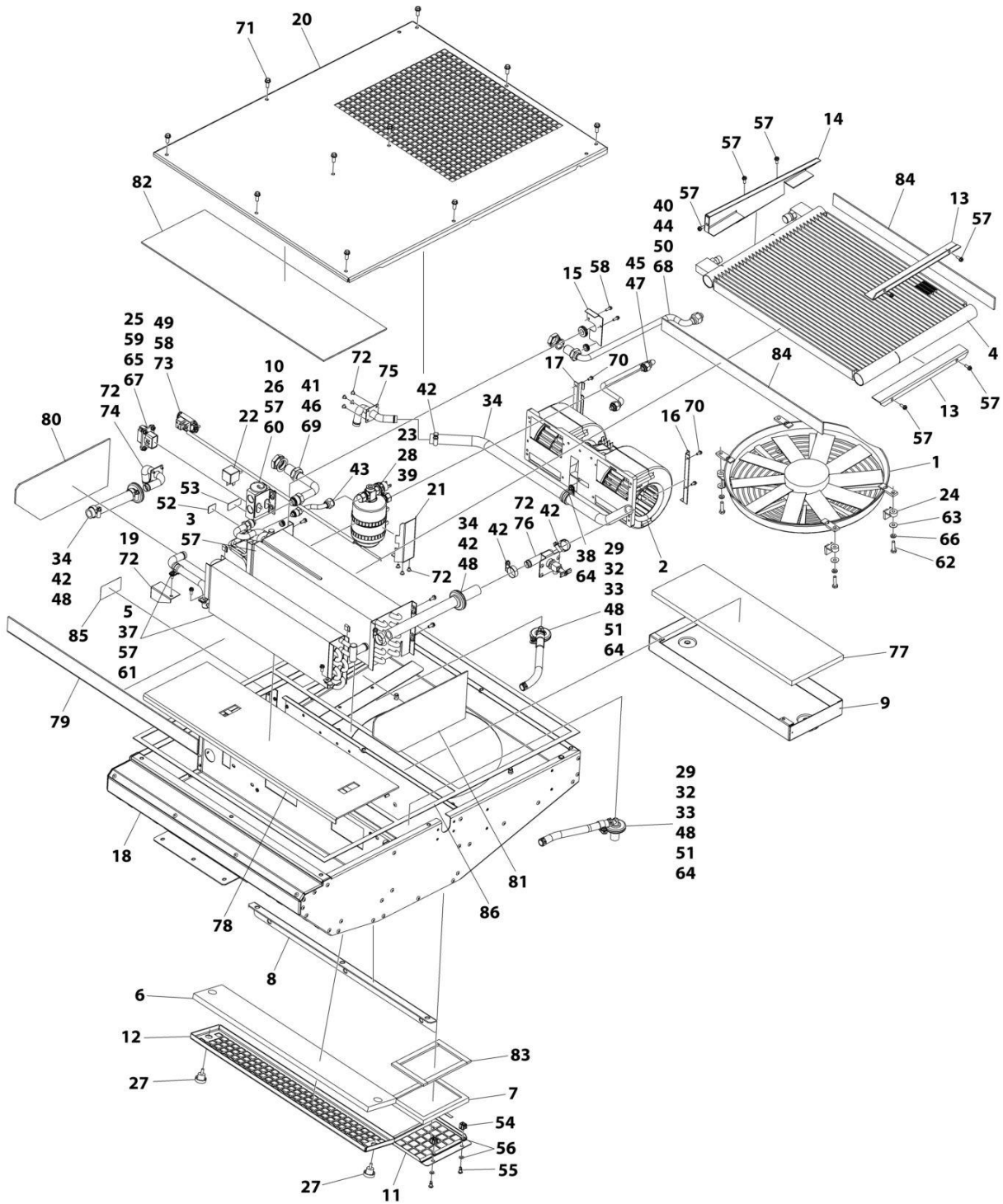
ART\_1001159860-B

FIGURE 6-24. HEATER BOX ASSEMBLY - HEATER

ITEM	PART NUMBER	QTY	DESCRIPTION	REV
	1001159860	Ref	Roof Heater Box	B
1	70026978	1	Blower, 12V	
2	70026981	1	Heater Coil	
3	70026982	1	Air Filter	
4	70026983	1	Air Filter	
6	70029822	1	Drain Pan	
7	70029823	1	Cover, Air Filter	
8	70029824	1	Cover, Air Filter	
9	70029825	1	Bracket, Coil (R)	
10	70029826	1	Bracket, Coil (L)	
11	70029827	1	Bracket, Blower	
12	70029828	1	Bracket, Blower	
13	70029829	1	Support Bracket	
15	70029830	1	Cover	
16	70029831	1	Harness (not shown)	
17	8036726	2	Knob	
31	70029832	1	Overlay In	
32	70029833	1	Overlay Out	
33	70029834	2	Receptacle	
34	70029835	2	Stud, Oval Slotted	
35	70029836	4	Retainer	
38	70029837	2	Panel, Coil Clip	
45	70029838	1	Tube Assembly	
46	70029839	1	Tube Assembly	
47	70026991	1	Valve, Bleeder	
48	70029840	1	Foam	
49	70029841	1	Foam, Closed Cell	
50	70029842	1	Foam, Closed Cell	
51	70026123	1	Foam, 3/16X180	
52	See Note	1	Foam 456mm	
53	70029843	1	Foam, Closed Cell	
54	70029844	1	Bracket Assembly	

# SECTION 6 - CAB

## FIGURE 6-25. HEATER BOX ASSEMBLY - HEATER & AC



ART\_1001159861

**SECTION 6 - CAB**

**FIGURE 6-25. HEATER BOX ASSEMBLY - HEATER & AC**

ITEM	PART NUMBER	QTY	DESCRIPTION	REV
	1001159861	Ref	ROOF BOX HVAC	B
1	70026945	1	Assembly, Fan	
2	70026978	1	Blower	
3	70026979	1	Coil, Evaporator	
4	70026980	1	Condenser	
5	70026981	1	Coil, Heater	
6	70026982	1	Filter, Air	
7	70026983	1	Filter, Air	
8	70030281	1	Bracket	
9	70029822	1	Pan, Drain	
10	NPN	1	Bracket	
11	70029823	1	Cover	
12	70029824	1	Cover	
13	NPN	2	Rail, Condenser	
14	NPN	1	Bracket, Condenser	
15	70031394	1	Bracket	
16	70029827	1	Bracket, Blower	
17	70029828	1	Bracket, Blower	
18	NPN	1	Housing	
19	70029829	1	Bracket	
20	70031395	1	Cover	
21	70031396	1	Bracket	
22	70026986	1	Relay	
23	70026854	1	Sensor, Pressure	
24	70029981	4	Mount, Fan	
25	70031397	1	Harness, Wiring	
26	70020876	1	Valve, Block	
27	8036726	2	Knob	
28	70026984	1	Drier, Receiver	
29	7029412	AR	Hose	
32	7029413	2	Fitting, 90	
33	7029415	4	Clamp	
34	70031398	AR	Hose	
37	70026987	1	Clamp	
38	70026988	1	Clamp	
39	70026989	2	Clamp	
40	70031402	1	Nut #8	
41	70031403	1	Nut #10	
42	70026990	6	Clamp	
43	70028782	1	Tube	
44	70028781	1	Tube	
45	70028780	1	Tube	
46	70028779	1	Tube	
47	70031404	1	Grommet	
48	70031405	4	Grommet	
49	70026111	1	Grommet	
50	70031406	1	Grommet	
51	NPN	2	Clamp	
52	70029832	1	Cover, In	
53	70029833	1	Cover, Out	

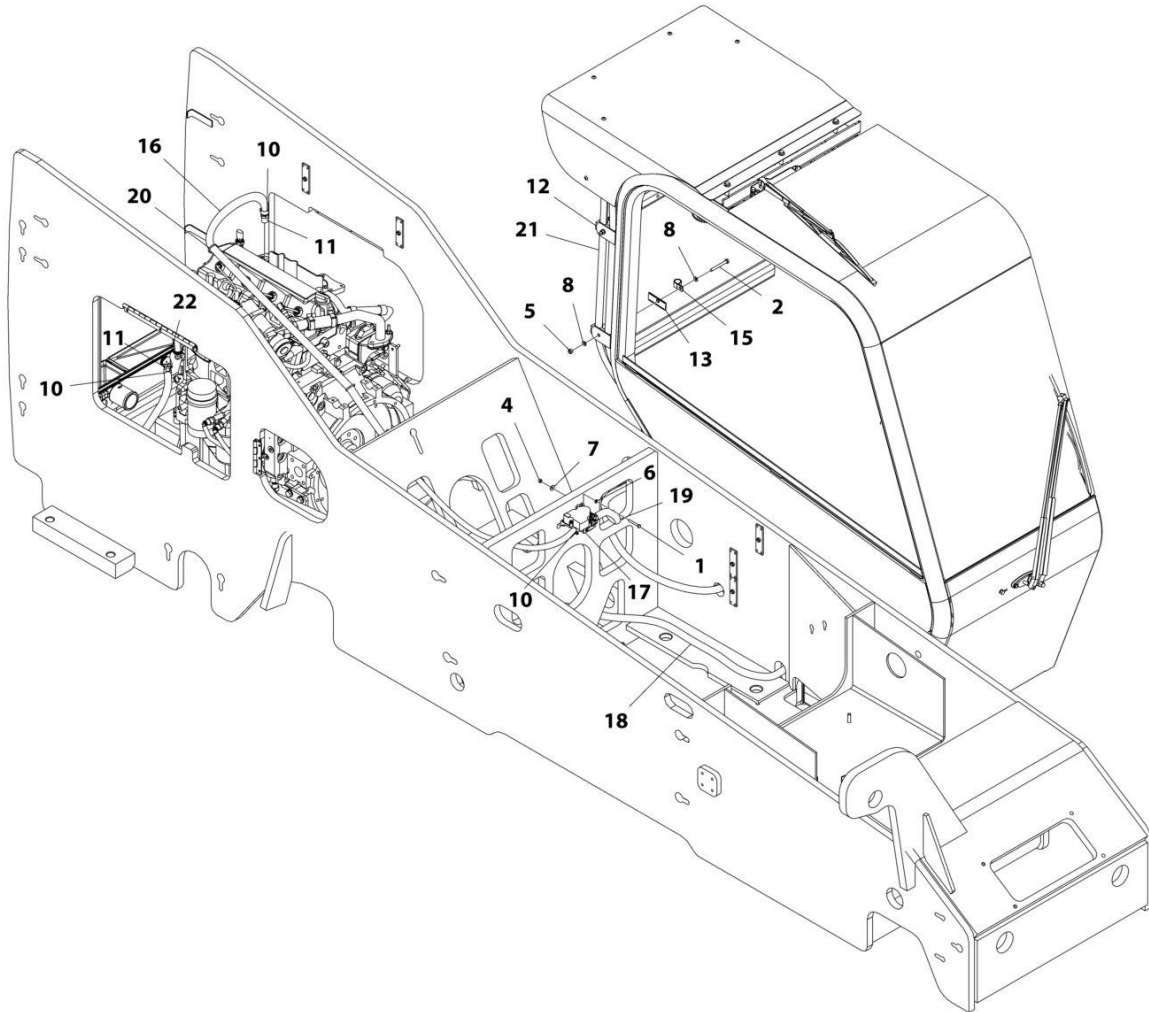
## SECTION 6 - CAB

ITEM	PART NUMBER	QTY	DESCRIPTION	REV
54	70029834	2	Connector	
55	70029835	2	Screw	
56	70029836	4	Washer	
57	NPN	16	Bolt #10 x 1/2	
58	NPN	5	Bolt #8 x 1/2	
59	NPN	8	Washer #8	
60	NPN	2	Bolt 1/4 x 1-1/2	
61	70029837	2	Clip	
62	NPN	4	Bolt 1/4 x 1	
63	NPN	6	Washer 1/4	
64	NPN	3	Nut #10	
65	NPN	4	Nut #8	
66	70029984	4	Washer 1/4	
67	NPN	4	Bolt #8 x 1/2	
68	70031413	1	Washer	
69	70031414	1	Washer	
70	NPN	5	Bolt #8 x 3/8	
71	NPN	10	Bolt 1/4 x 5/8	
72	NPN	17	Rivet	
73	70026985	1	Thermostat	
74	70029838	1	Tube	
75	70029839	1	Tube	
76	70026991	1	Valve, Bleeder	
77	70029840	1	Foam	
78	70029841	1	Foam	
79	70031420	1	Foam	
80	70031421	1	Foam	
81	70031422	1	Foam	
82	70029842	1	Foam	
83	70026123	1	Insulation	
84	70026124	2	Foam	
85	NPN	1	Decal	
86	70029843	1	Foam	



# SECTION 6 - CAB

## FIGURE 6-26. CAB HEATER LINES INSTALLATION - HEATER ONLY



ART\_1001171807-D

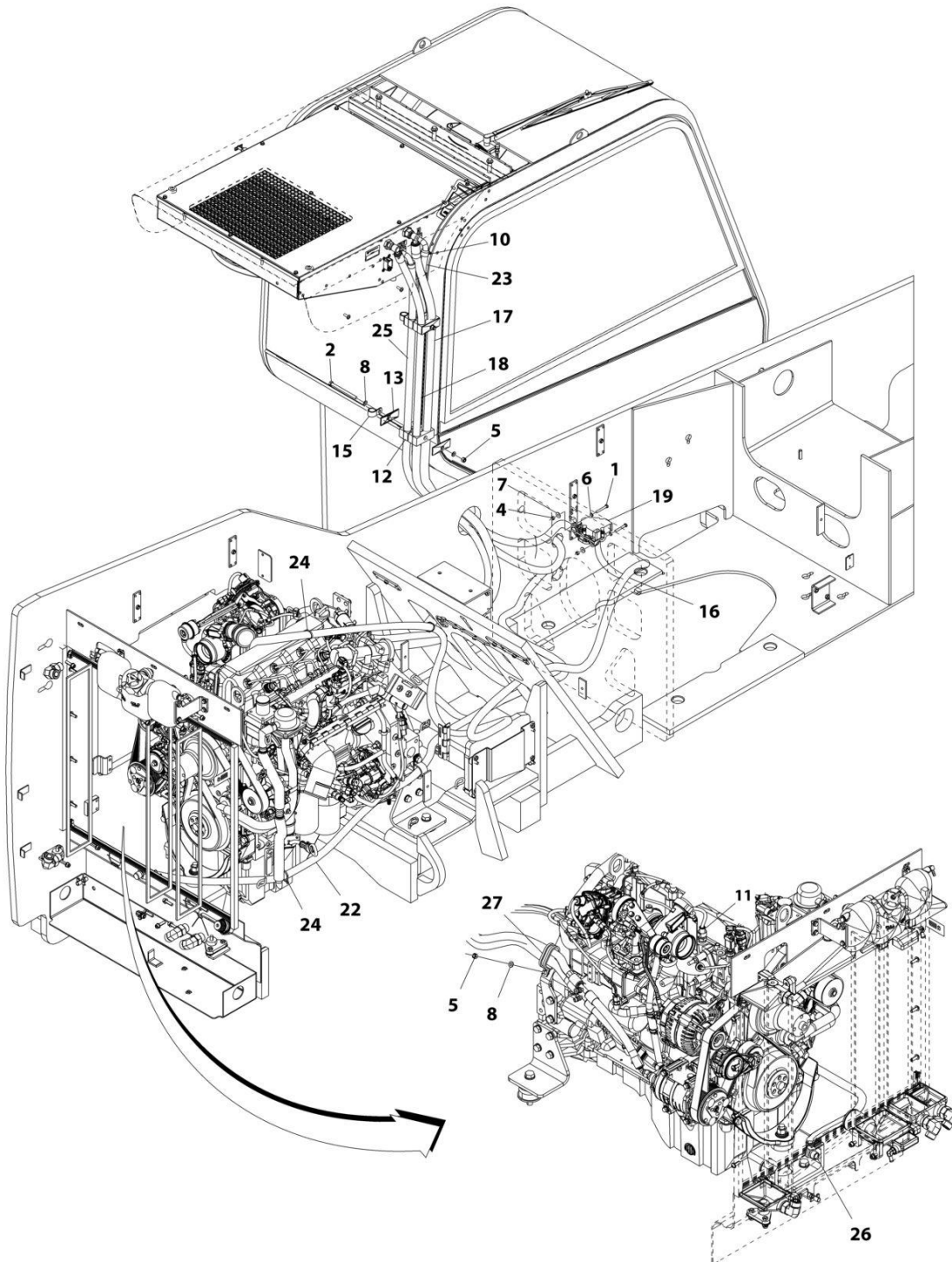


FIGURE 6-26. CAB HEATER LINES INSTALLATION - HEATER ONLY

ITEM	PART NUMBER	QTY	DESCRIPTION	REV
	1001171807	Ref	Cab Heater Lines Installation	G
1	0700617	2	Bolt, M6X45	
2	0700822	2	Bolt, M8X70	
4	3290605	2	Nut, Lock M6X1	
5	3290805	2	Nut, Lock M8X1-1/4	
6	4811700	2	Washer, M6	
7	4811702	2	Washer, M6	
8	4811900	4	Washer, M8	
10	8405007	8	Clamp, Gear	
11	8430048	2	Reducer, Hose Barb	
12	77133133	2	Clamp, Twin	
13	77133134	2	Clamp, Cover Plate	
15	91043147	2	Clamp, Support	
16	1001158404	1	Hose, Cab Heater	
17	1001159844	1	Valve, Heater (See Separate Breakdown in this section)	
18	1001172537	1	Hose, Heater Return	
19	1001172561	1	Hose, Heater Send Valve to Roof	
20	8584001	4	Wrap, Tie	
21	1001173217	1	Hose, Heater Roof to Floor	
22	1001179229	1	Fitting, 45	

# SECTION 6 - CAB

## FIGURE 6-27. CAB HEATER LINES INSTALLATION - HEATER & AC



ART\_1001171806-J

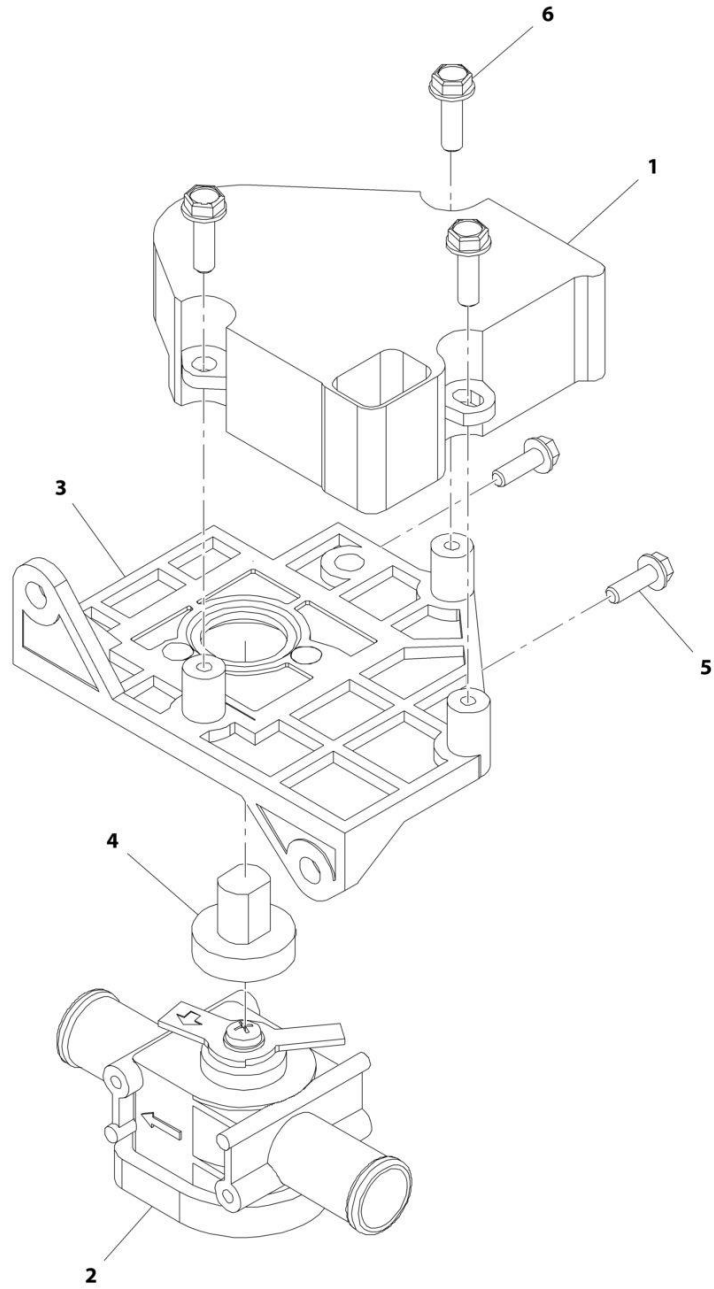
## SECTION 6 - CAB

**FIGURE 6-27. CAB HEATER LINES INSTALLATION - HEATER & AC**

ITEM	PART NUMBER	QTY	DESCRIPTION	REV
	1001171806	Ref	Cab Heater/AC Lines Installation	J
1	0700617	2	Bolt, M6X45	
2	0700828	2	Bolt, M8X110	
4	3290605	2	Nut, Lock M6X1	
5	3290805	3	Nut, Lock M8X1-1/4	
6	4811700	2	Washer, M6	
7	4811702	2	Washer, M6	
8	4811900	5	Washer, M8	
10	8405007	8	Clamp, Gear	
11	8430048	2	Reducer, Hose Barb	
12	77133133	4	Clamp, Twin	
13	77133134	4	Clamp, Cover Plate	
15	91043147	2	Clamp, Support	
16	1001158404	1	Hose, Cab Heater	
17	1001182798	1	Hose, A/C Compressor Suction	
18	1001182723	1	Hose, A/C Compressor Discharge	
19	1001159844	1	Valve, Heater (See Separate Breakdown in this section)	
22	1001172537	1	Hose, Heater Return	
23	1001172561	1	Hose, Heater Send Valve to Roof	
24	8584001	4	Wrap, Tie	
25	1001173217	1	Hose, Heater Roof to Floor	
26	1001179229	1	Fitting, 45	
27	1001164196	1	Clamp	

# SECTION 6 - CAB

## FIGURE 6-28. HEATER VALVE ASSEMBLY



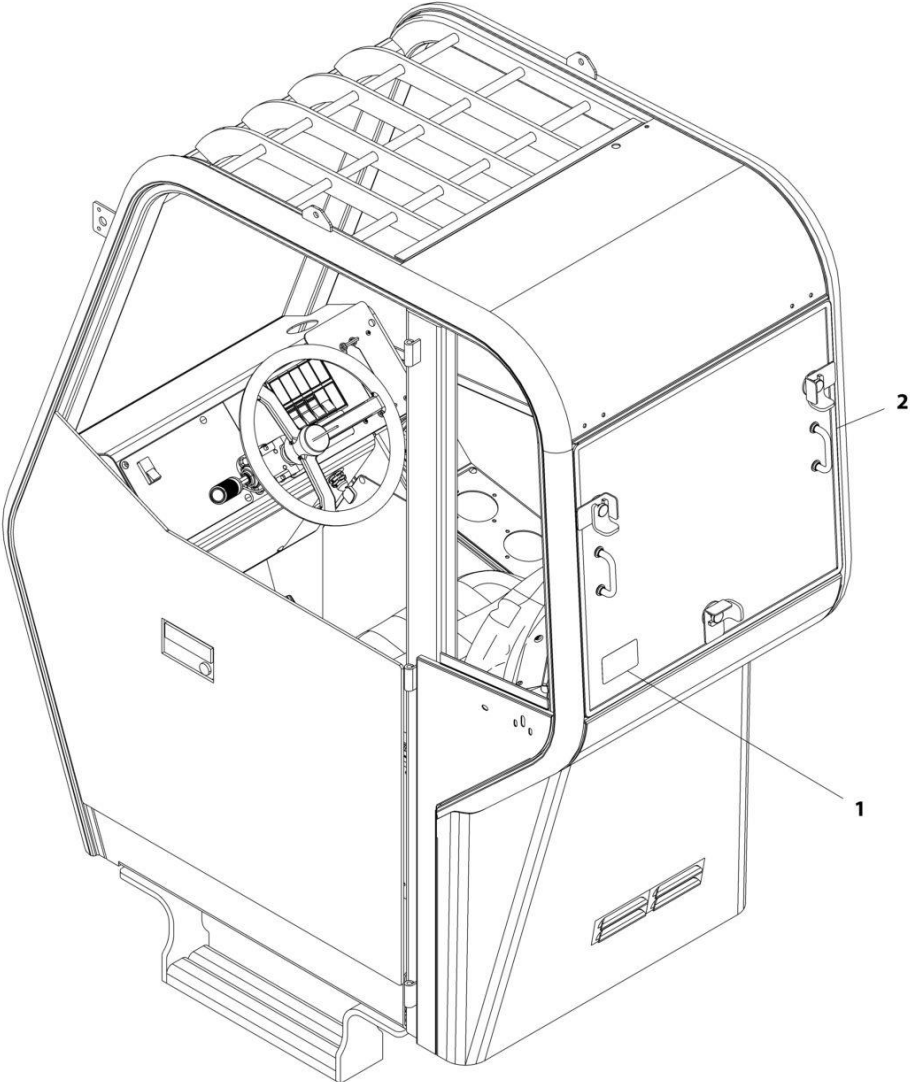
ART\_1001159844-C

FIGURE 6-28. HEATER VALVE ASSEMBLY

ITEM	PART NUMBER	QTY	DESCRIPTION	REV
	1001159844	Ref	Heater Valve	C
1	70026088	1	Motor Actuator, 12V	
2	70026089	1	Assembly, Heater Valve	
3	70026090	1	Assembly, Valve Bracket	
4	70026091	1	Adapter, Shaft	
5	70026092	2	Screw, 8-18X1/2	
6	70026093	3	Screw, 10-16X5/8	

**SECTION 6 - CAB**

**FIGURE 6-29. REAR WINDOW INSTALLATION (ANSI ENGLISH)**



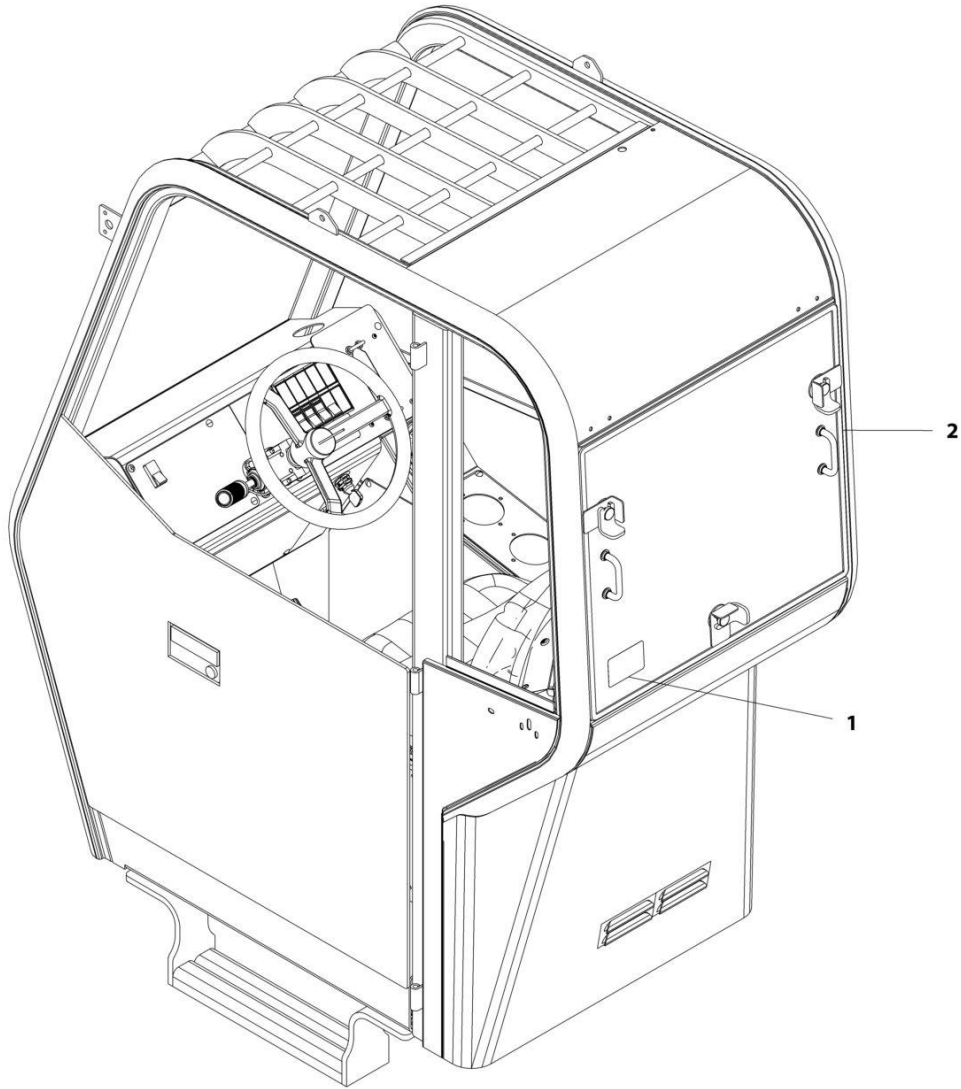
ART\_1001162806-A

**FIGURE 6-29. REAR WINDOW INSTALLATION (ANSI ENGLISH)**

<b>ITEM</b>	<b>PART NUMBER</b>	<b>QTY</b>	<b>DESCRIPTION</b>	<b>REV</b>
	1001162806	Ref	Rear Dropout Window Installation (ANSI)	A
1	1001160071	2	Decal, Rear Emergency Exit	
2	1001162804	1	Window, Rear Dropout	

# SECTION 6 - CAB

## FIGURE 6-30. REAR WINDOW INSTALLATION (ENGLISH/SPANISH)



ART\_1001167250-A

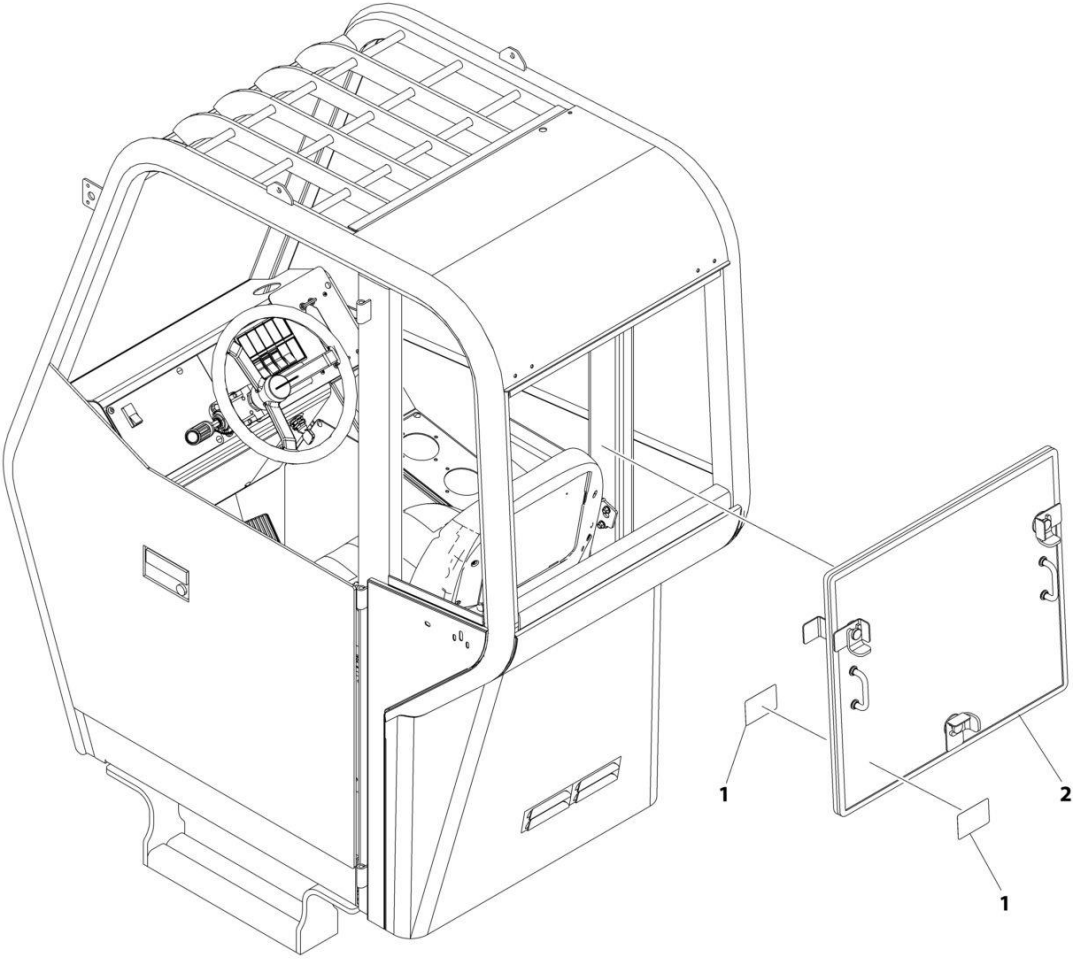


**FIGURE 6-30. REAR WINDOW INSTALLATION (ENGLISH/SPANISH)**

ITEM	PART NUMBER	QTY	DESCRIPTION	REV
	1001167250	Ref	Rear Dropout Window Installation (ENGLISH/FRENCH)	A
1	1001160787	2	Decal, Rear Emergency Exit	
2	1001162804	1	Window, Rear Dropout	

**SECTION 6 - CAB**

**FIGURE 6-31. REAR WINDOW INSTALLATION (ENGLISH/SPANISH)**



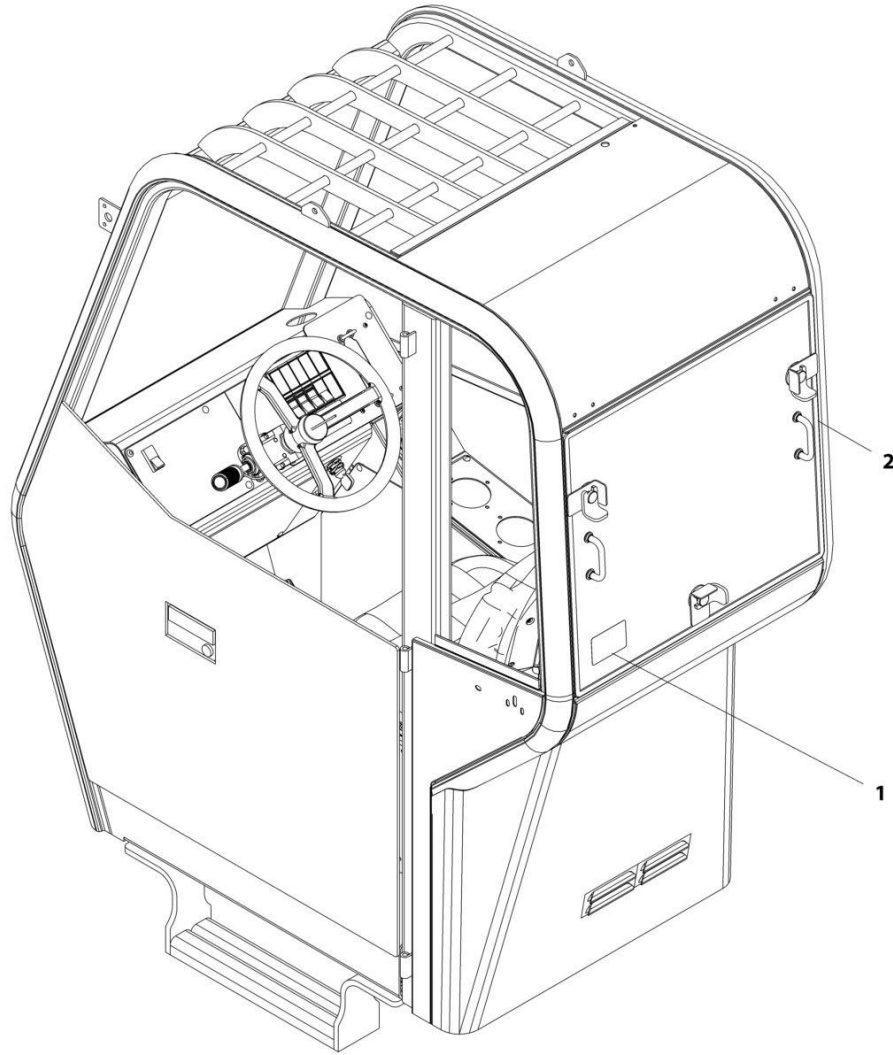
ART\_1001242916

**FIGURE 6-31. REAR WINDOW INSTALLATION (ENGLISH/SPANISH)**

<b>ITEM</b>	<b>PART NUMBER</b>	<b>QTY</b>	<b>DESCRIPTION</b>	<b>REV</b>
	1001242916	Ref	REAR WINDOW EXIT INSTALLATION (ENG/SP)	B
1	1001273850	2	Decal, Rear Window Entry/Exit	
2	1001162804	1	Window	

# SECTION 6 - CAB

## FIGURE 6-32. REAR WINDOW INSTALLATION (ISO)



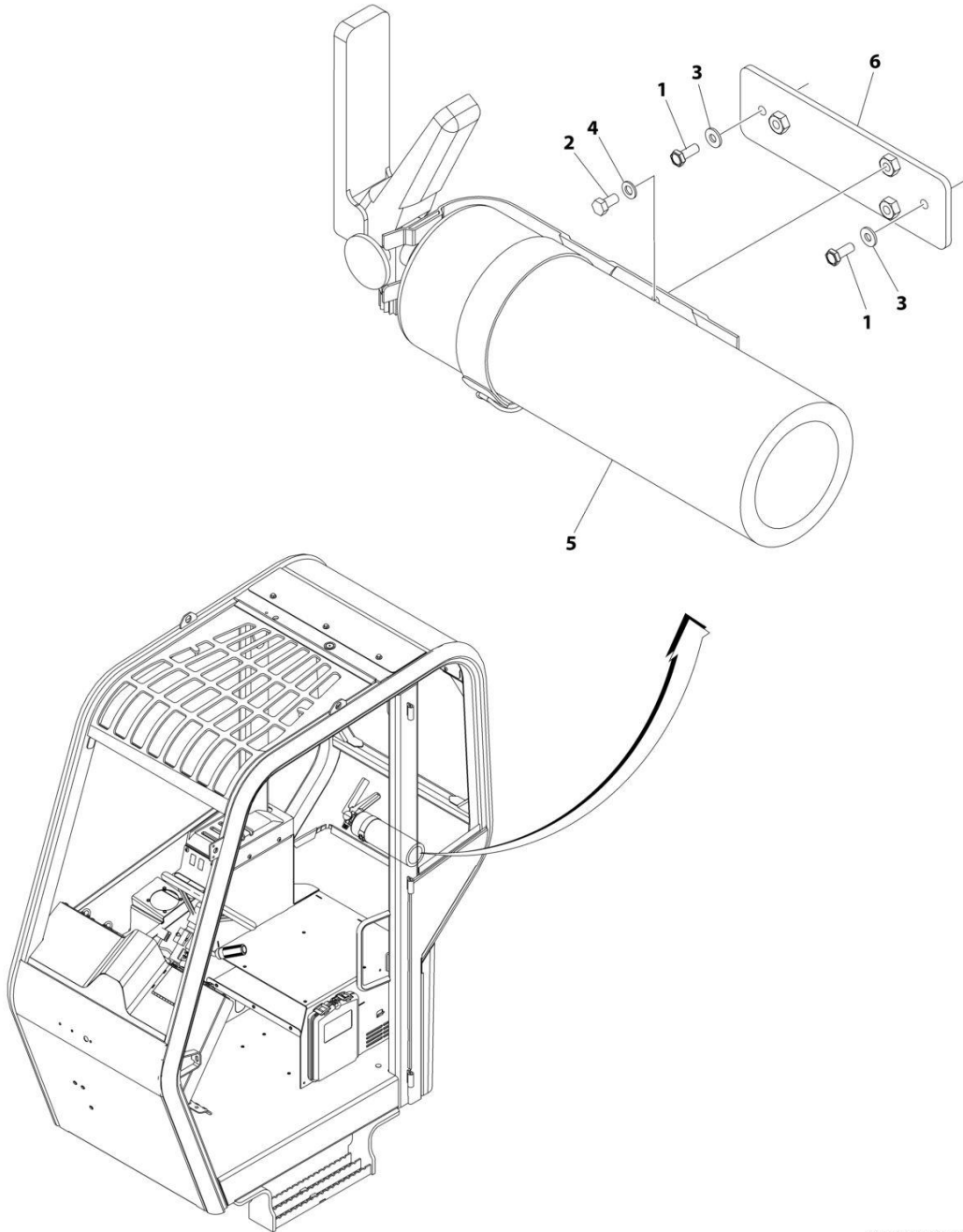
ART\_1001167251-A

**FIGURE 6-32. REAR WINDOW INSTALLATION (ISO)**

<b>ITEM</b>	<b>PART NUMBER</b>	<b>QTY</b>	<b>DESCRIPTION</b>	<b>REV</b>
	1001167251	Ref	Rear Dropout Window Installation (ISO)	A
1	1001160912	2	Decal, Rear Emergency Exit	
2	1001162804	1	Window, Rear Dropout	

# SECTION 6 - CAB

## FIGURE 6-33. SKYTRAK FIRE EXTINGUISHER INSTALLATION



ART\_1001258100

FIGURE 6-33. SKYTRAK FIRE EXTINGUISHER INSTALLATION

ITEM	PART NUMBER	QTY	DESCRIPTION	REV
	1001258100	Ref	Skytrak Fire Extinguisher Installation	A
1	0721004	2	Screw M10X1/2	
2	0760505	3	Bolt M5X10	
3	4750800	2	Washer M8	
4	4811600	3	Washer M5	
5	1001099699	1	Extinguisher, Fire with Bracket	
5	1001100082	1	Bracket	
6	1001241305	1	Bracket	

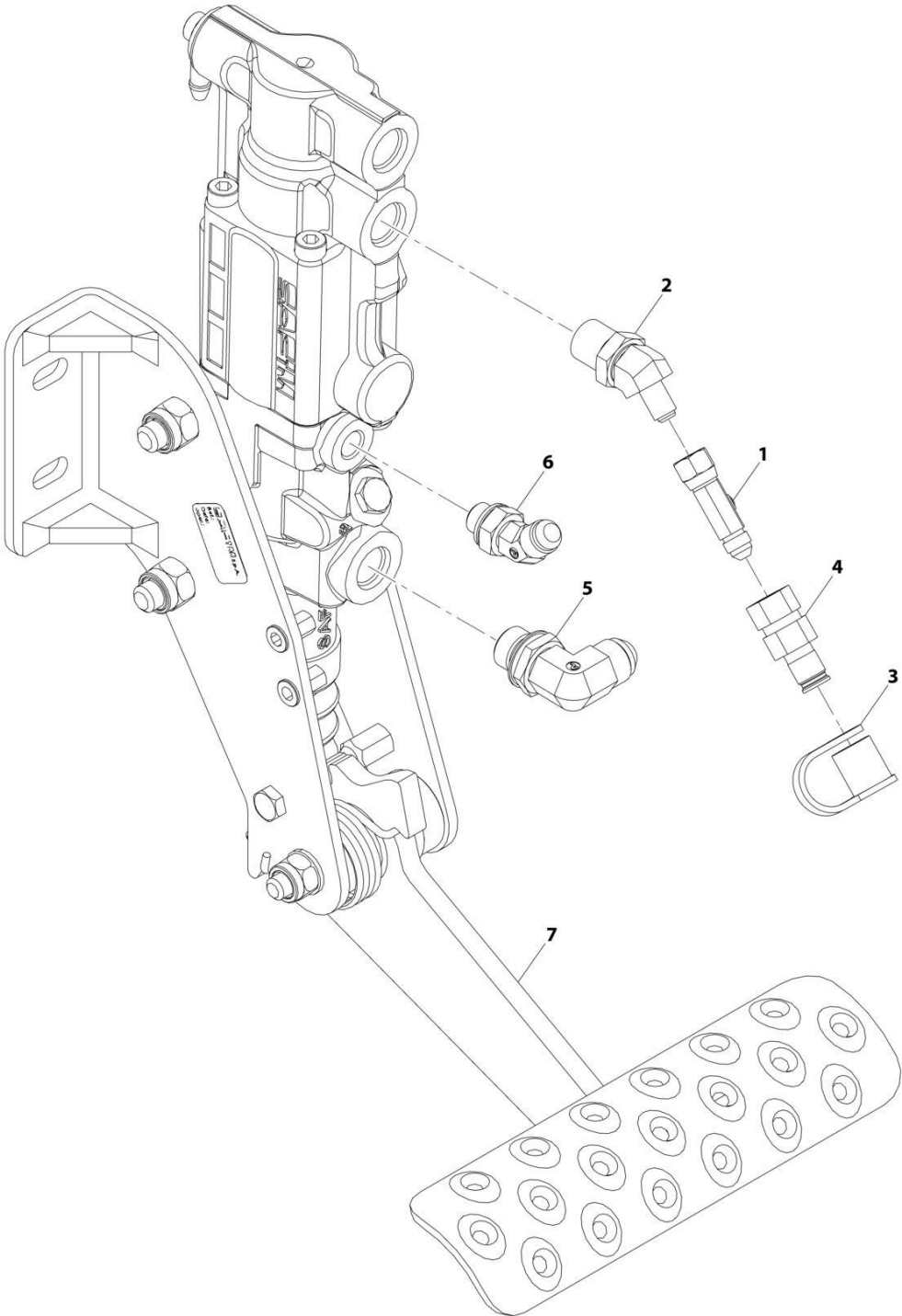




**SECTION 7 - CONTROLS**

**SECTION 7 - CONTROLS**

**FIGURE 7-1. BRAKE ASSEMBLY**



ART\_1001223052-A

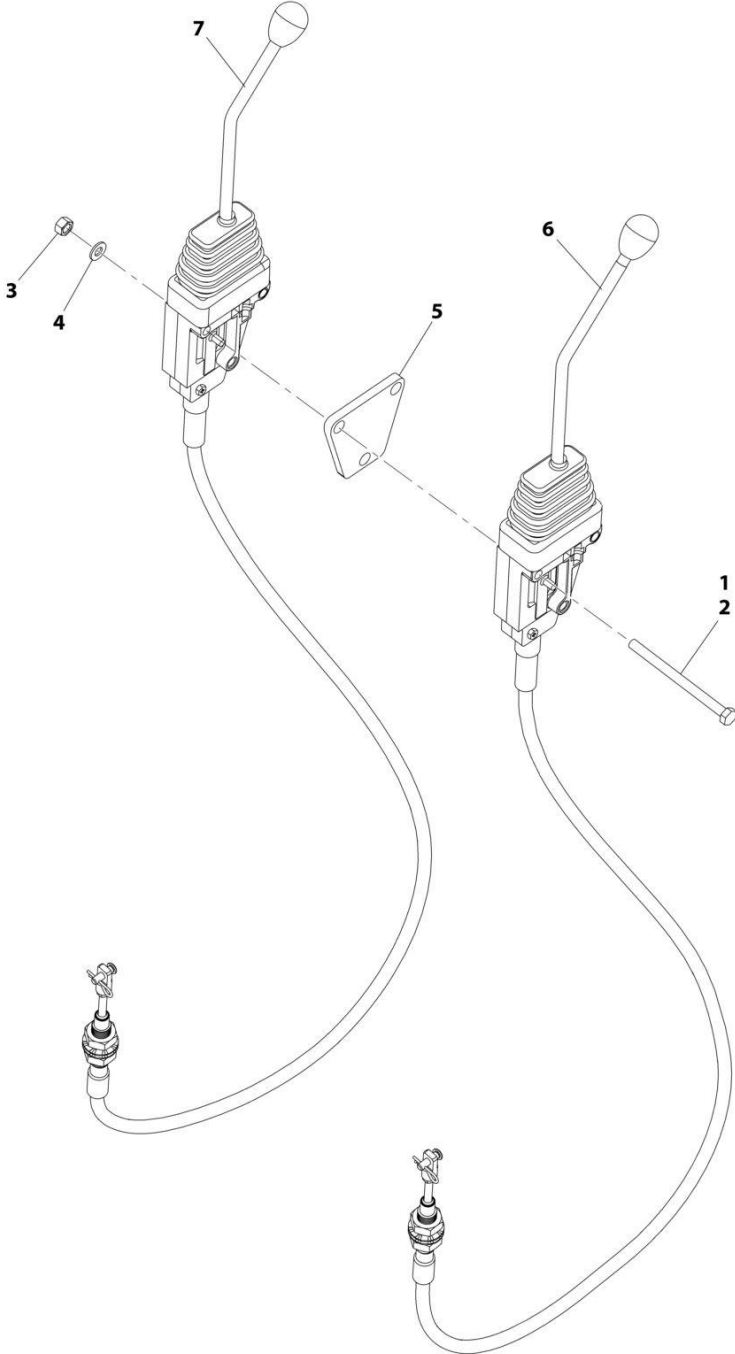
## SECTION 7 - CONTROLS

### FIGURE 7-1. BRAKE ASSEMBLY

ITEM	PART NUMBER	QTY	DESCRIPTION	REV
	1001223052	Ref	Brake Assembly - Safim	A
1	2220605	1	Adapter	
2	2221344	1	Adapter	
3	8430032	1	Plug, Dust Cap	
4	10727374	1	Adapter	
5	91473086	1	Adapter	
6	1001183341	1	Adapter	
7	1001223050	1	Installation, Hydraulic Brake Valve (See Separate Breakdown in HYDRAULIC CIRCUITS Section)	

# SECTION 7 - CONTROLS

## FIGURE 7-2. SECONDARY CONTROLS INSTALLATION



ART\_1001244650

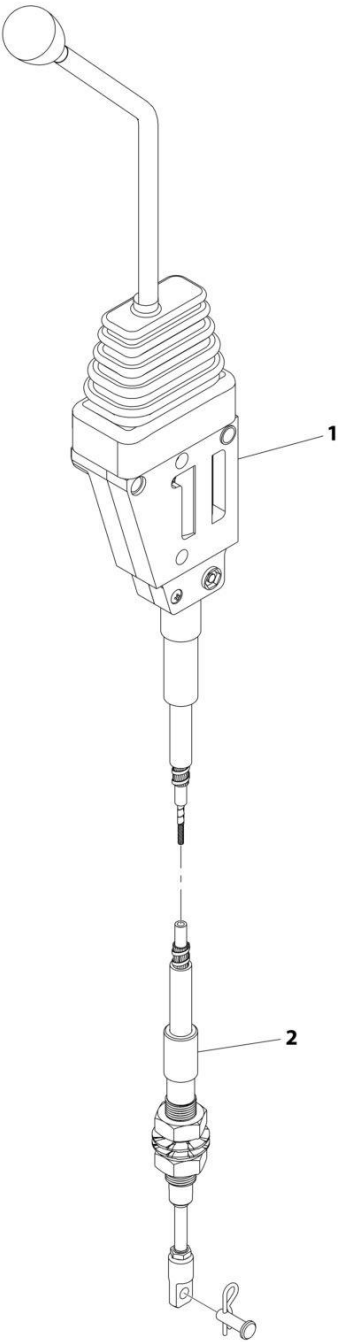
## SECTION 7 - CONTROLS

**FIGURE 7-2. SECONDARY CONTROLS INSTALLATION**

ITEM	PART NUMBER	QTY	DESCRIPTION	REV
	1001244650	Ref	Secondary Controls Installation	C
1	0100011	AR	Compound, Locking	
2	0700828	3	Bolt, M8X110	
3	8305043	3	Nut, M8X1-1/4	
4	8307222	3	Washer, Plain M8	
5	1001174340	1	Bracket, Control Spacer Plate	
6	1001244652	1	Auxiliary Control Assembly	
6	1001173581	1	Control, Auxiliary	
6	1001244654	1	Cable, Auxiliary Control	
7	1001244653	1	Frame Level Control Assembly	
7	1001173582	1	Control, Frame Level	
7	1001244654	1	Cable, Frame Level	

**SECTION 7 - CONTROLS**

**FIGURE 7-3. AUXILIARY CONTROL ASSEMBLY**



ART\_1001244652

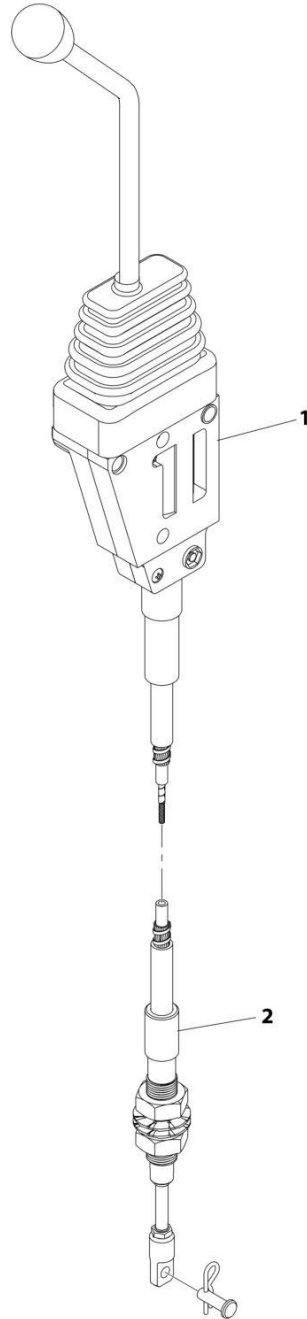
## SECTION 7 - CONTROLS

FIGURE 7-3. AUXILIARY CONTROL ASSEMBLY

ITEM	PART NUMBER	QTY	DESCRIPTION	REV
	1001244652	Ref	Auxiliary Control	C
1	1001173581	1	Control	
2	1001244654	1	Cable	

# SECTION 7 - CONTROLS

## FIGURE 7-4. FRAME LEVEL CONTROL ASSEMBLY



ART\_1001244653



## SECTION 7 - CONTROLS

FIGURE 7-4. FRAME LEVEL CONTROL ASSEMBLY

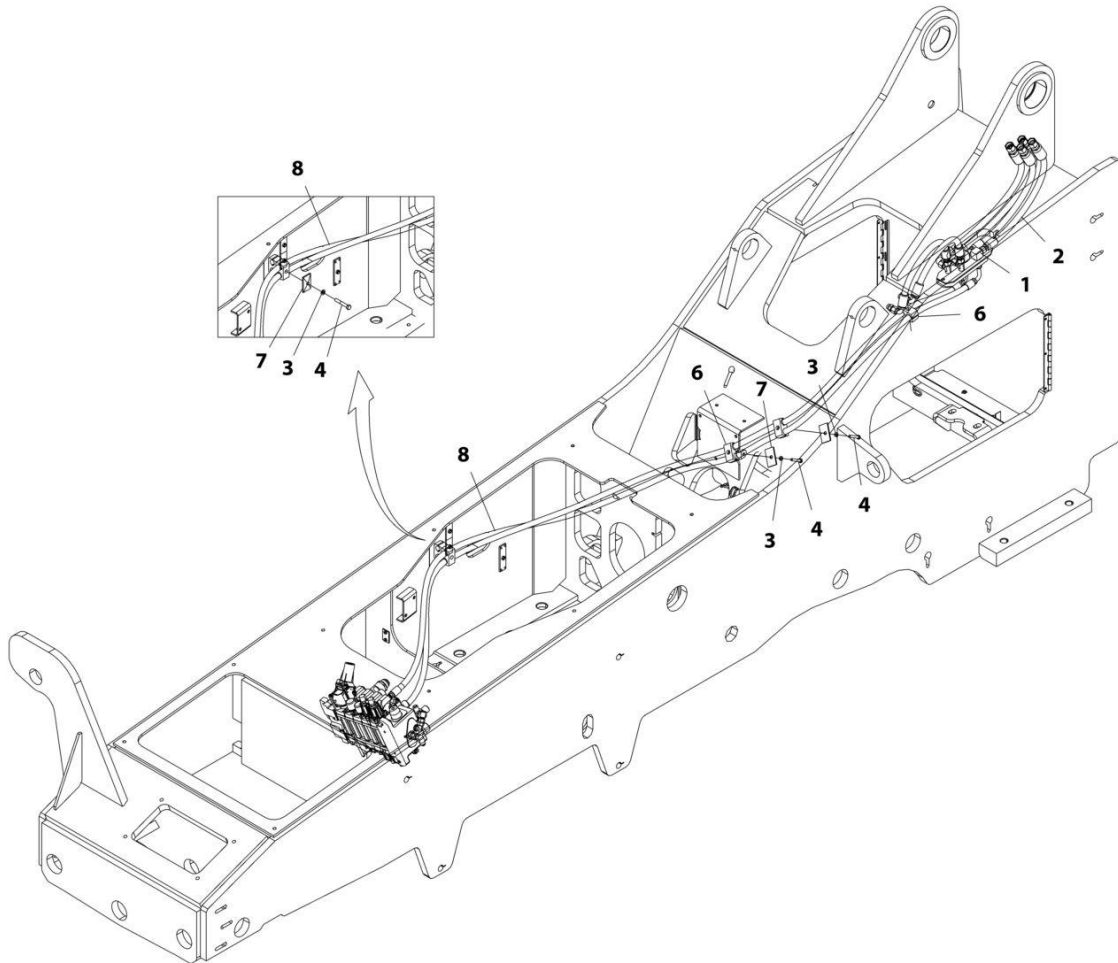
ITEM	PART NUMBER	QTY	DESCRIPTION	REV
	1001244653	Ref	Frame Level Control	C
1	1001173582	1	Control	
2	1001244654	1	Cable	



**SECTION 8 - HYDRAULIC CIRCUITS**

# SECTION 8 - HYDRAULIC CIRCUITS

## FIGURE 8-1. AUXILIARY CONTROLS HYDRAULICS INSTALLATION



ART\_1001158041\_J

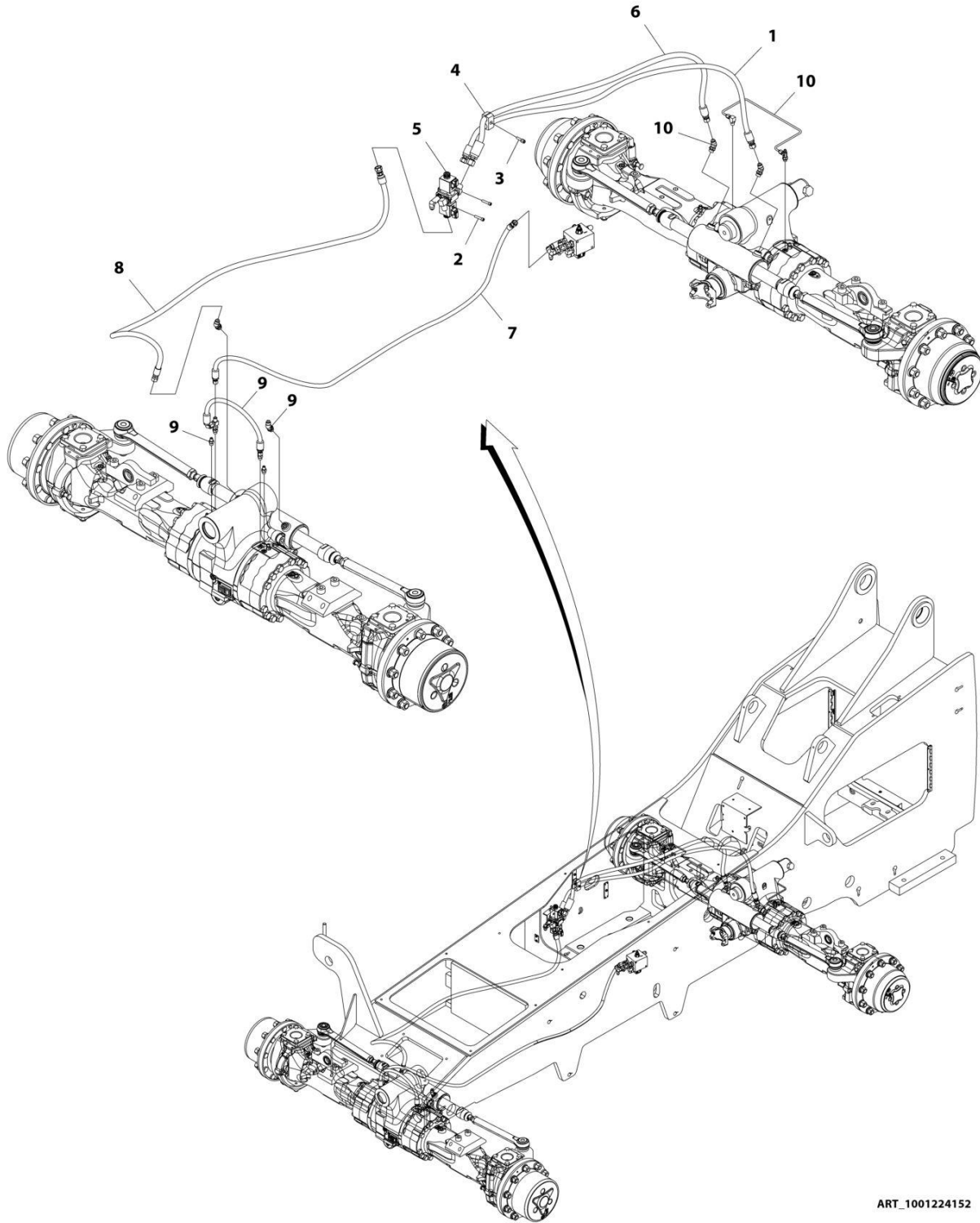
## SECTION 8 - HYDRAULIC CIRCUITS

### FIGURE 8-1. AUXILIARY CONTROLS HYDRAULICS INSTALLATION

ITEM	PART NUMBER	QTY	DESCRIPTION	REV
	1001158041	Ref	Auxiliary Controls Hydraulic Installation	J
1	2230044	2	Adapter, Bulkhead 90 JIC	
2	1001245061	2	Hose 26 in/ 66cm	
2	2716713	2	Hose 30 in/ 76cm	
3	8307004	3	Washer 5/16	
4	8310009	3	Bolt 5/16X2	
5	8750012	1	Bolt, Stacking (Not Shown)	
6	8750027	4	Clamp Set, Twin	
7	8769128	3	Cover Plate, Twin	
8	1001245060	2	Hose	

# SECTION 8 - HYDRAULIC CIRCUITS

## FIGURE 8-2. AXLE HYDRAULICS INSTALLATION



ART\_1001224152

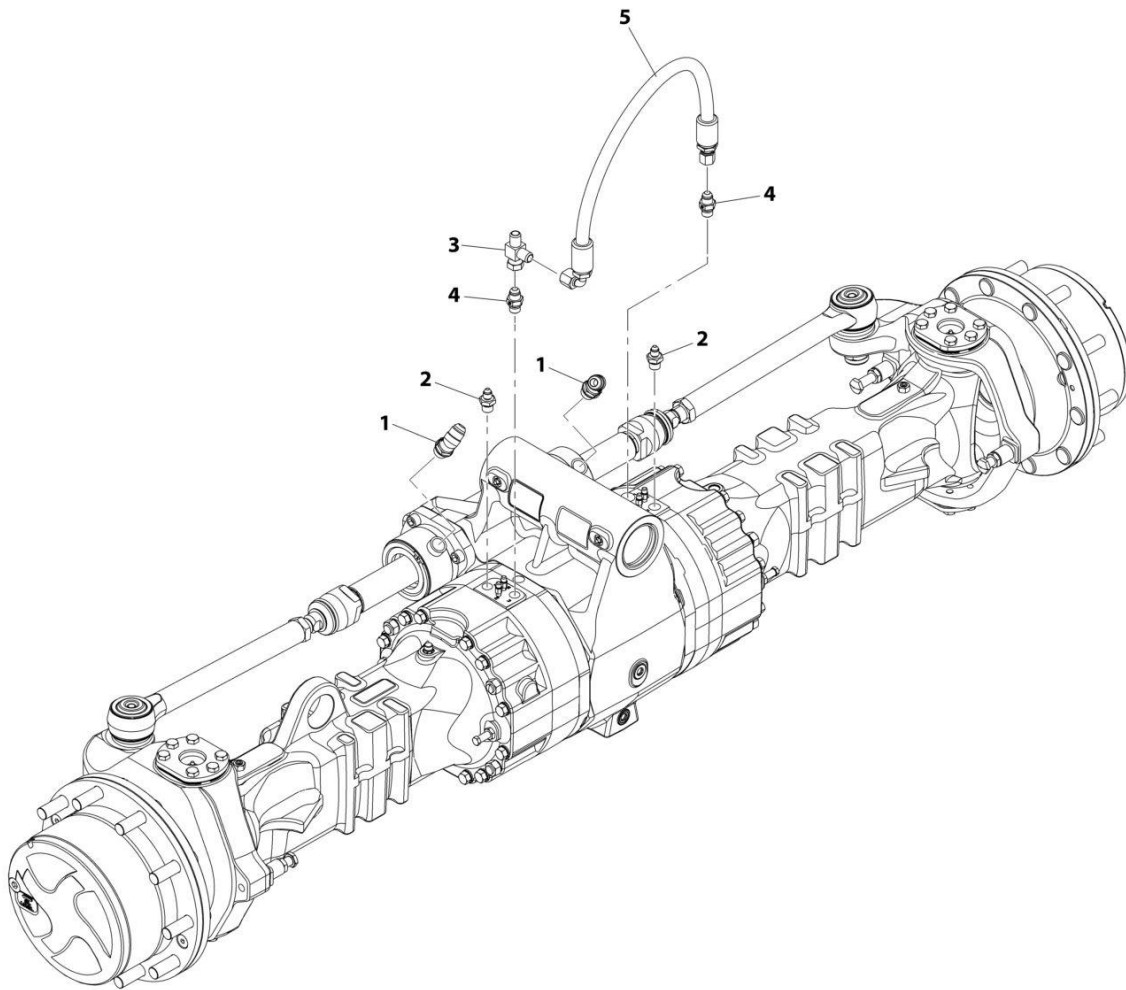
## SECTION 8 - HYDRAULIC CIRCUITS

### FIGURE 8-2. AXLE HYDRAULICS INSTALLATION

ITEM	PART NUMBER	QTY	DESCRIPTION	REV
	1001224152	Ref	Axle Hydraulic Installation	B
	1001201991	Ref	Axle Hydraulic Installation	C
1	2716673	1	Hose	
2	8304608	2	Screw, 5/16-18X1-1/2	
3	8750012	1	Bolt, Stacking	
4	8750027	1	Clamp Set, Twin	
5	1001172784	1	Assembly, Steer Select Valve (See STEER SELECT VALVE ASSEMBLY for Breakdown)	
6	1001178224	1	Hose	
7	1001194620	1	Hose	
8	1001194745	1	Hose	
9	1001224459	1	Assembly, Front Axle Hydraulic (See FRONT AXLE HYDRAULIC ASSEMBLY for Breakdown)	
10	1001224460	1	Assembly, Rear Axle Hydraulic (See REAR AXLE HYDRAULIC ASSEMBLY for Breakdown)	

# SECTION 8 - HYDRAULIC CIRCUITS

## FIGURE 8-3. AXLE HYDRAULICS INSTALLATION - FRONT



ART\_1001224459-C



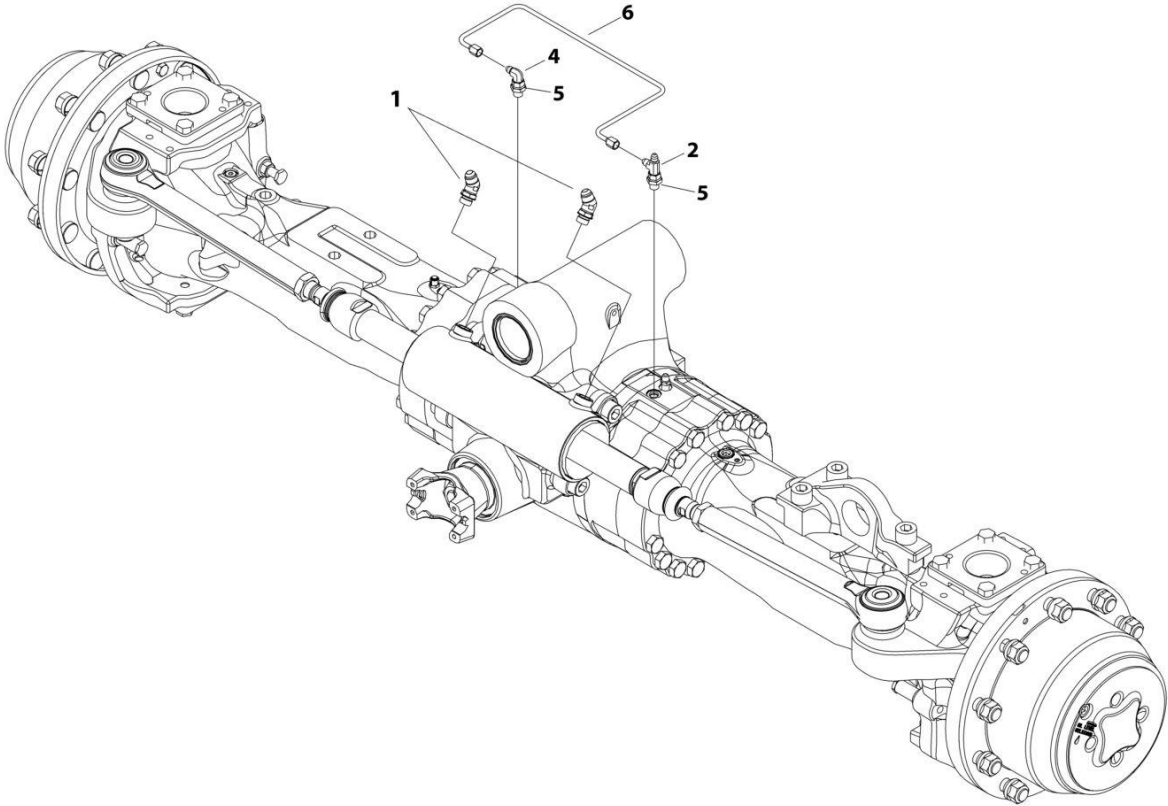
## SECTION 8 - HYDRAULIC CIRCUITS

### FIGURE 8-3. AXLE HYDRAULICS INSTALLATION - FRONT

ITEM	PART NUMBER	QTY	DESCRIPTION	REV
	1001224459	Ref	Front Axle Hydraulic Assembly	C
1	2220500	2	Adapter, Straight	
2	1001227636	2	Adapter, Straight	
3	2220635	1	Adapter, Run Tee	
4	8770064	2	Fitting	
5	1001224467	1	Hose Assembly	

# SECTION 8 - HYDRAULIC CIRCUITS

## FIGURE 8-4. AXLE HYDRAULICS INSTALLATION - REAR



ART\_1001224460

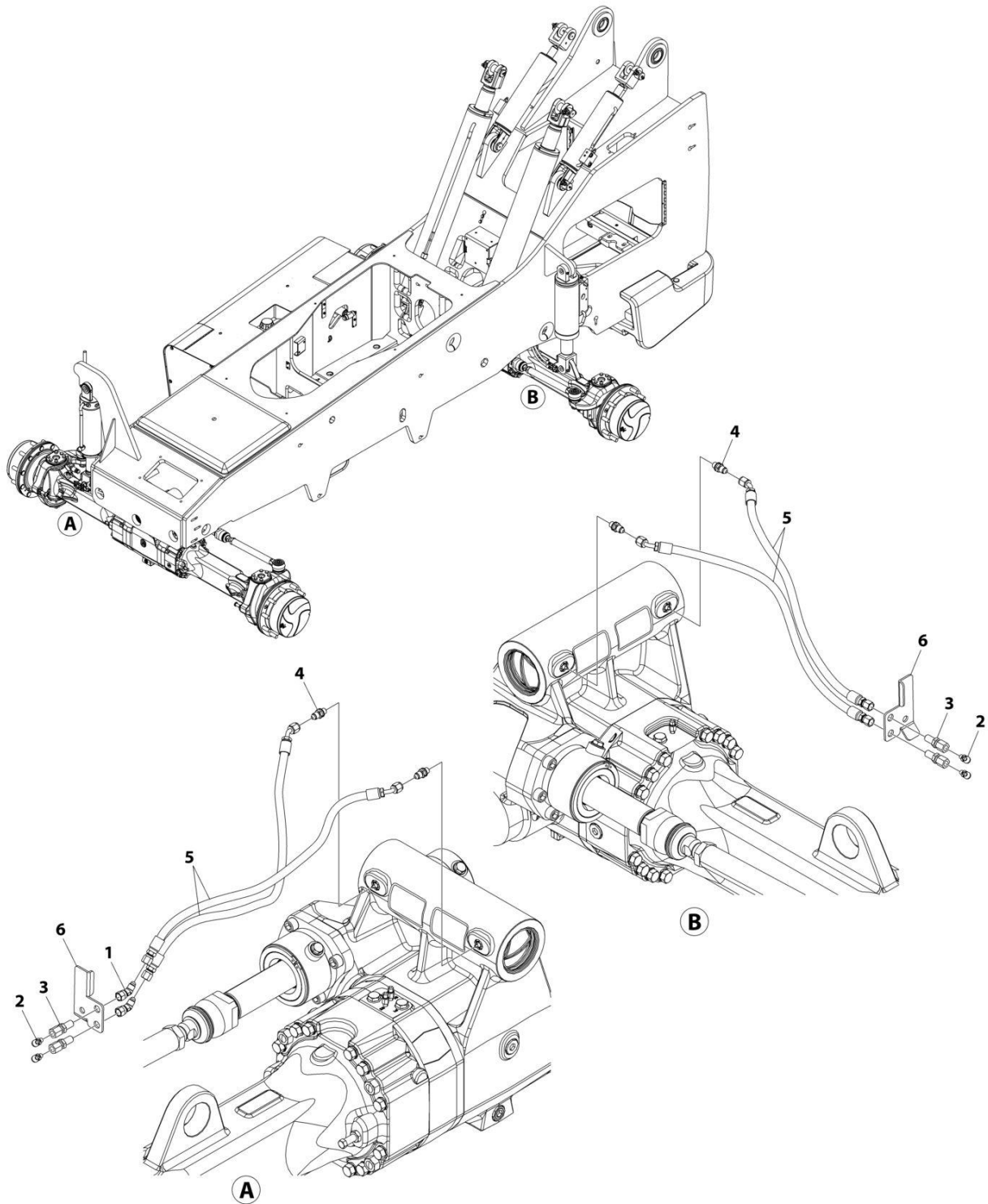
## SECTION 8 - HYDRAULIC CIRCUITS

### FIGURE 8-4. AXLE HYDRAULICS INSTALLATION - REAR

ITEM	PART NUMBER	QTY	DESCRIPTION	REV
	1001224460	Ref	Rear Axle Hydraulic Assembly	C
1	2220500	2	Fitting, 45 JIC/ORB	
2	2220605	1	Fitting, Tee JIC/FSJIC/JIC	
4	2220654	1	Fitting, 90 JIC/FSJIC	
5	1001227636	2	Fitting, Straight JIC/MMP	
6	1001224471	1	Tube	

# SECTION 8 - HYDRAULIC CIRCUITS

## FIGURE 8-5. AXLE PIN LUBE HYDRAULICS INSTALLATION



ART\_1001224150

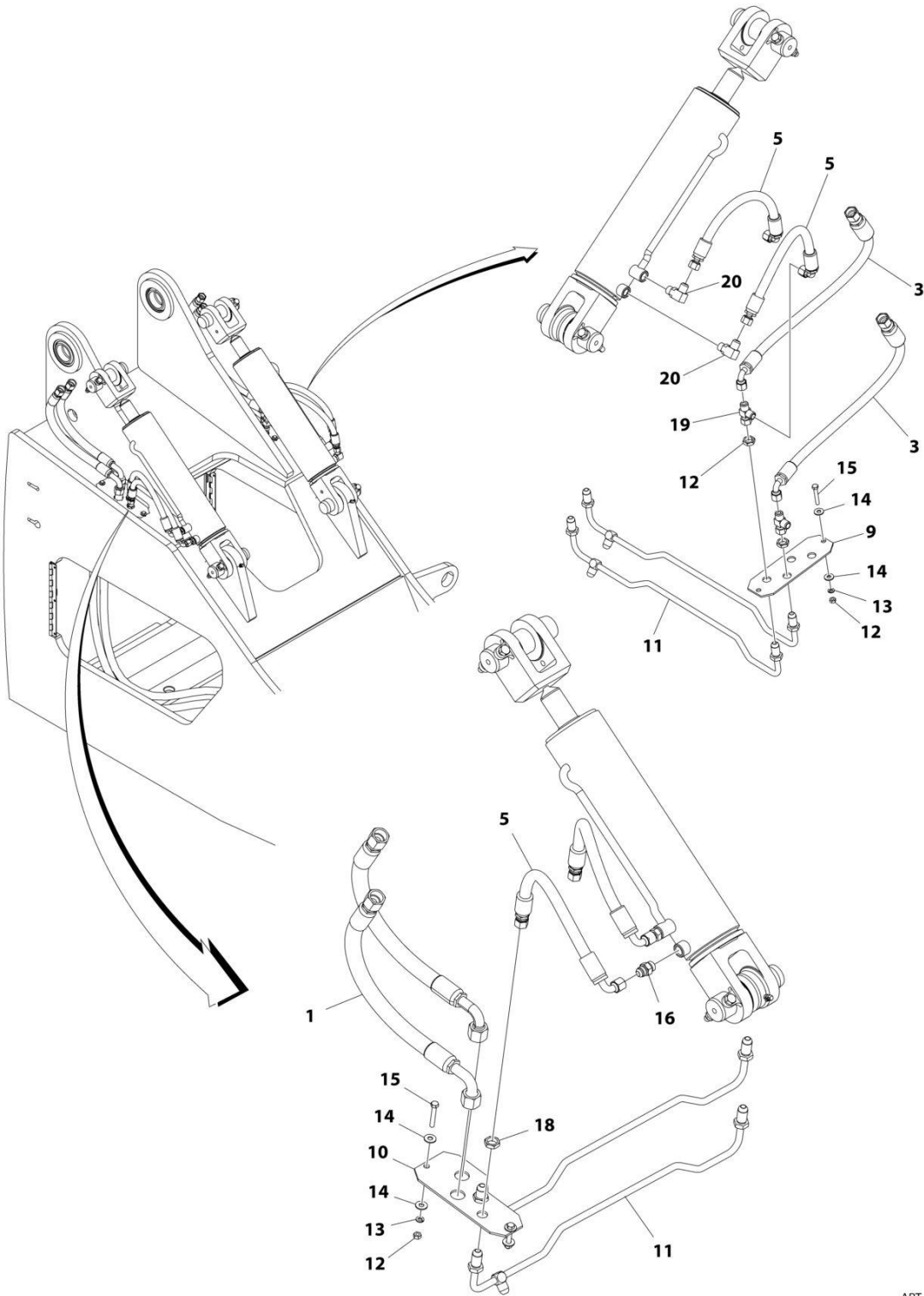
## SECTION 8 - HYDRAULIC CIRCUITS

### FIGURE 8-5. AXLE PIN LUBE HYDRAULICS INSTALLATION

ITEM	PART NUMBER	QTY	DESCRIPTION	REV
	1001224150	Ref	Axle Pin Lube Kit Installation	B
1	2220677	2	Adapter, 45	
2	8520003	4	Fitting, 90 Lube	
3	80623016	4	Adapter, Bulkhead Straight	
4	1001107589	4	Adapter, Straight	
5	1001226795	4	Hose, Lubrication	
6	1001224242	2	Bracket, Hose	

# SECTION 8 - HYDRAULIC CIRCUITS

## FIGURE 8-6. BULKHEAD (REAR) INSTALLATION (10054)



ART\_7301721\_I

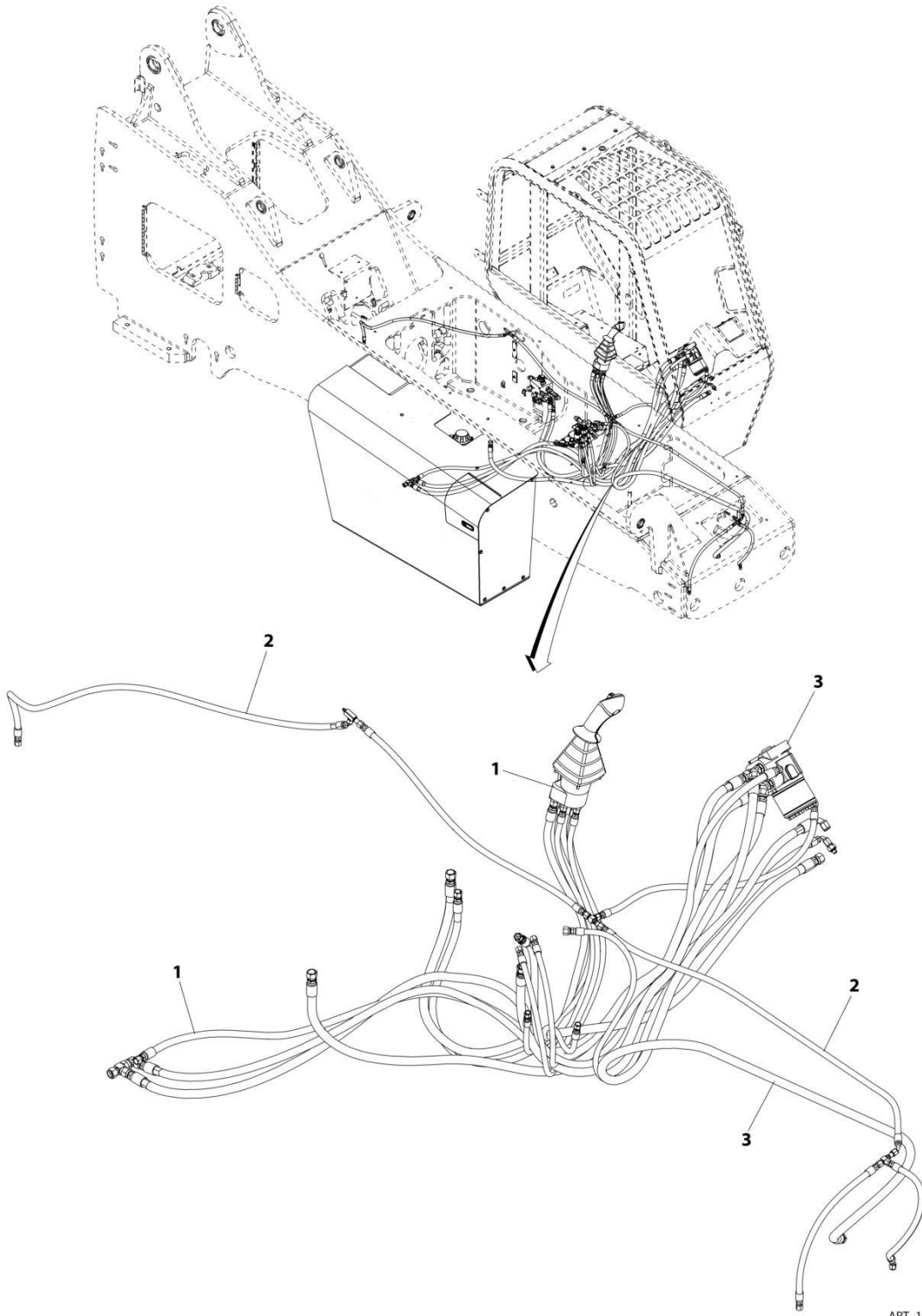
## SECTION 8 - HYDRAULIC CIRCUITS

**FIGURE 8-6. BULKHEAD (REAR) INSTALLATION (10054)**

ITEM	PART NUMBER	QTY	DESCRIPTION	REV
	7301721	Ref	Rear Bulkhead Installation	1
1	2755060	2	Hose	
3	2716714	2	Hose	
5	2716715	4	Hose	
9	7139504	1	Plate, Bulkhead	
10	7139505	1	Plate, Bulkhead	
11	1001257571	2	Tube	
12	8305006	4	Nut 5/16	
13	8307004	4	Washer 5/16	
14	8307203	8	Washer 5/16	
15	8310009	4	Bolt 5/16X2	
16	2220373	2	Fitting, Straight JIC	
18	8760463	2	Fitting, Nut	
19	2220385	2	Fitting, Tee	
20	2220596	2	Fitting, 90 JIC/ORB	

# SECTION 8 - HYDRAULIC CIRCUITS

## FIGURE 8-7. CAB HYDRAULICS INSTALLATION



ART\_1001244357-A



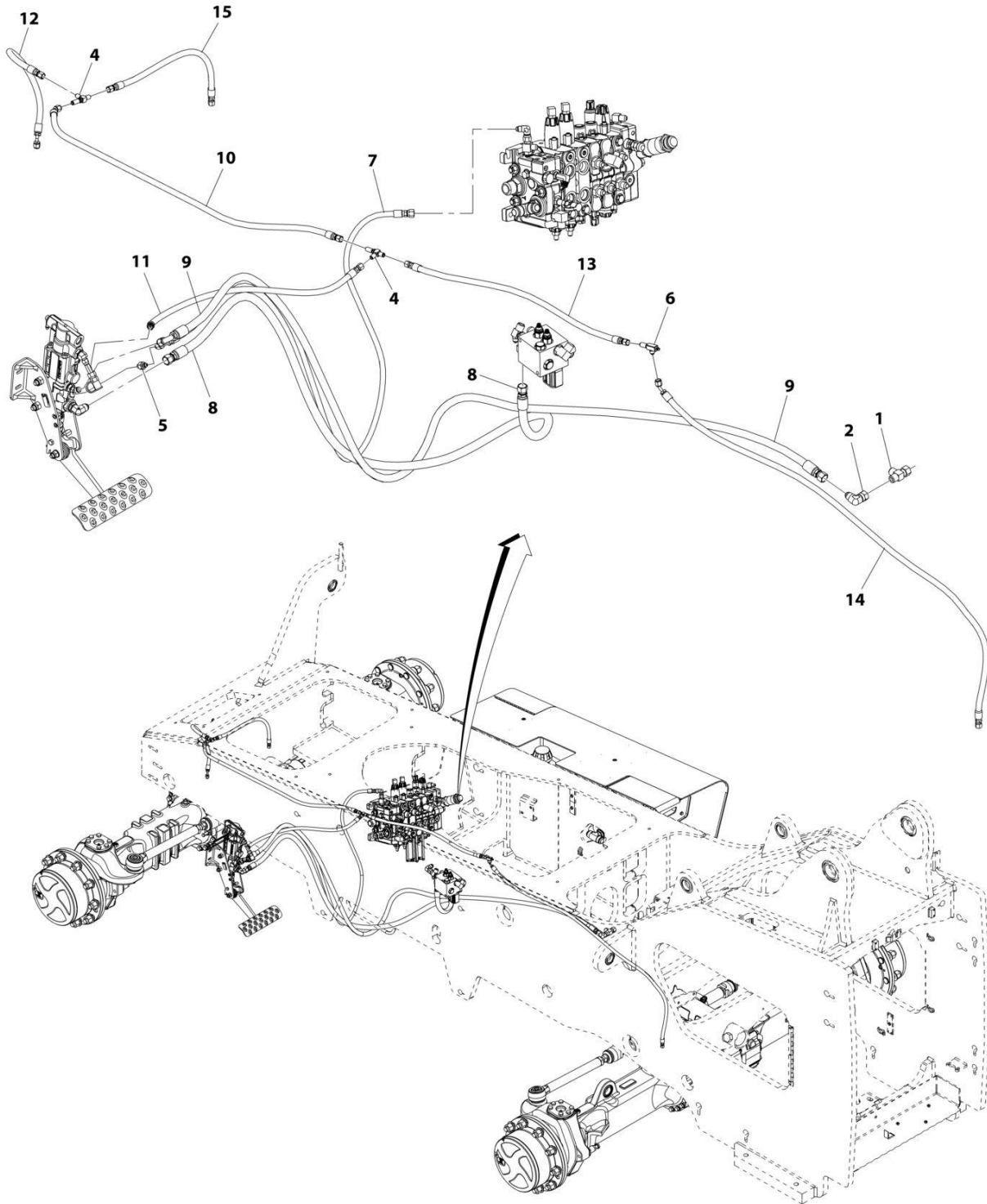
## SECTION 8 - HYDRAULIC CIRCUITS

### FIGURE 8-7. CAB HYDRAULICS INSTALLATION

ITEM	PART NUMBER	QTY	DESCRIPTION	REV
1	1001244357	Ref	Cab Hydraulics Installation	A
	1001158786	Ref	Pilot Controls Installation (See Separate Breakdown in this Section)	
2	1001245054	Ref	Brake Hydraulic Installation (See Separate Breakdown in this Section)	
3	1001245057	Ref	Steering Hydraulic Installation (See Separate Breakdown in this Section)	

# SECTION 8 - HYDRAULIC CIRCUITS

## FIGURE 8-8. CAB TO BRAKE HYDRAULICS INSTALLATION



ART\_1001245054-B

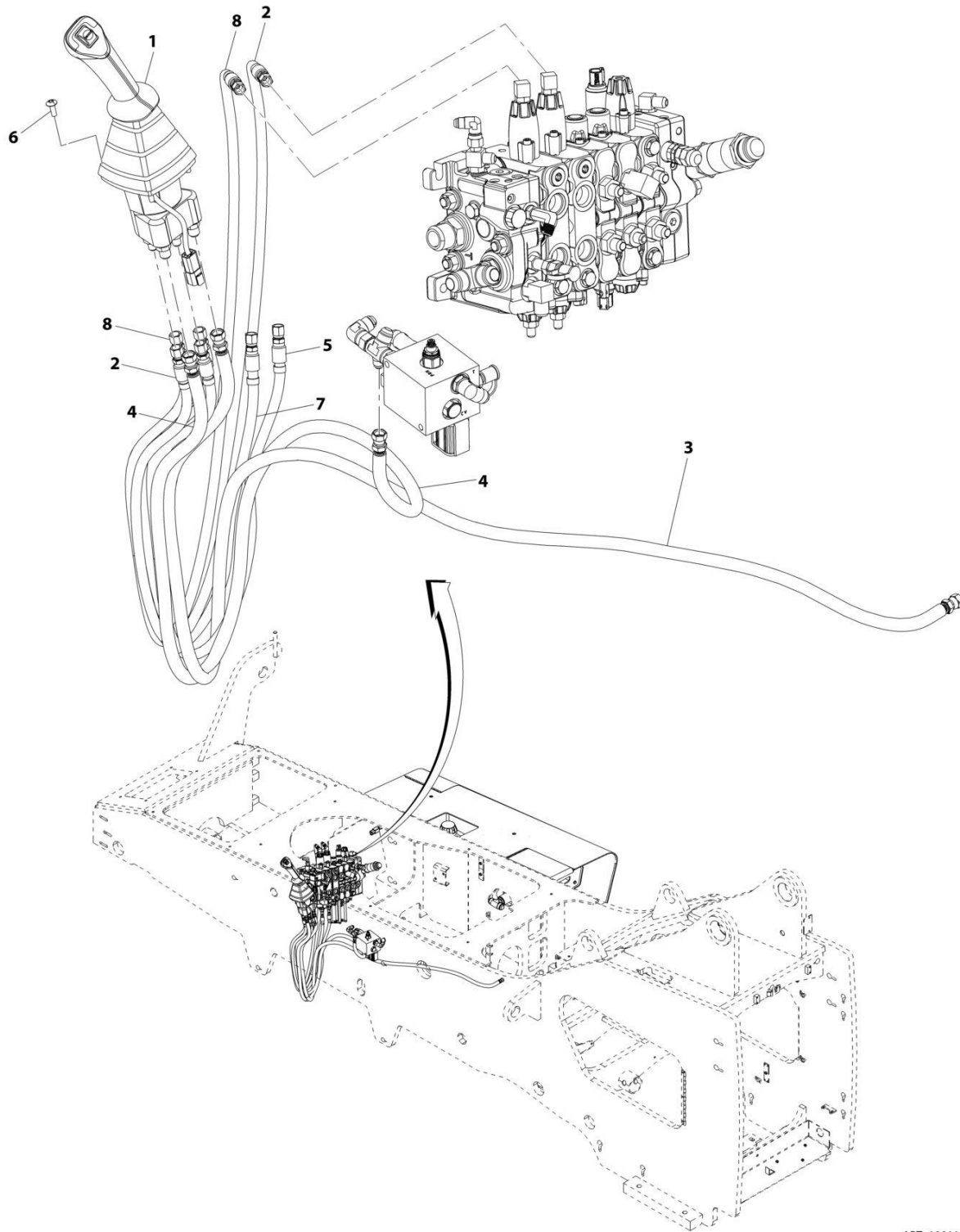
## SECTION 8 - HYDRAULIC CIRCUITS

### FIGURE 8-8. CAB TO BRAKE HYDRAULICS INSTALLATION

ITEM	PART NUMBER	QTY	DESCRIPTION	REV
	1001245054	Ref	Hydraulic Brake Installation	C
1	2220385	1	Adapter, Run Tee	
2	8765204	1	Adapter, Straight	
4	10728823	2	Bulkhead Connector Tee	
5	1001183370	1	Check Valve	
6	1001201734	1	Brake Bleeder Tee, Manifold	
7	1001244980	1	Hose Assembly	
8	1001201737	1	Hose Assembly	
9	1001201738	1	Hose Assembly	
10	1001210093	1	Hose Assembly	
11	1001210859	1	Hose Assembly	
12	1001210860	1	Hose Assembly	
13	1001210862	1	Hose Assembly	
14	1001210863	1	Hose Assembly	
15	1001219045	1	Hose Assembly	

# SECTION 8 - HYDRAULIC CIRCUITS

## FIGURE 8-9. CAB PILOT CONTROLS HYDRAULICS INSTALLATION



ART\_1001158786-G

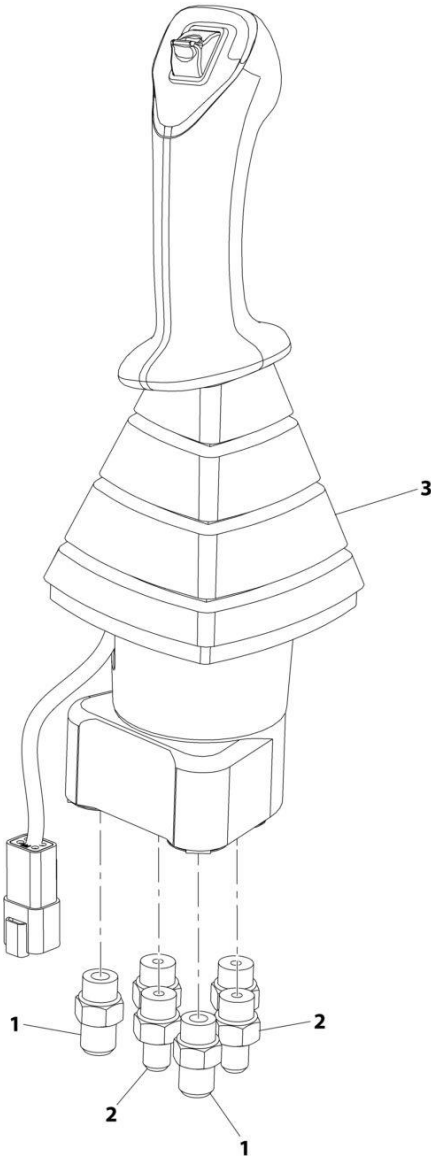
## SECTION 8 - HYDRAULIC CIRCUITS

**FIGURE 8-9. CAB PILOT CONTROLS HYDRAULICS INSTALLATION**

ITEM	PART NUMBER	QTY	DESCRIPTION	REV
	1001158786	Ref	Pilot Controls Installation	G
1	1001158004	1	Assembly, Pilot Joystick (See Separate Breakdown in this Section)	
2	1001252971	1	Hose	
3	1001254099	1	Hose	
4	1001158398	1	Hose	
5	1001252970	1	Hose	
6	8303034	4	Screw, 1/4-20X3/4	
7	1001252968	1	Hose	
8	1001252969	1	Hose	

**SECTION 8 - HYDRAULIC CIRCUITS**

**FIGURE 8-10. CAB PILOT JOYSTICK & FITTING ASSEMBLY**



ART\_1001158004-B

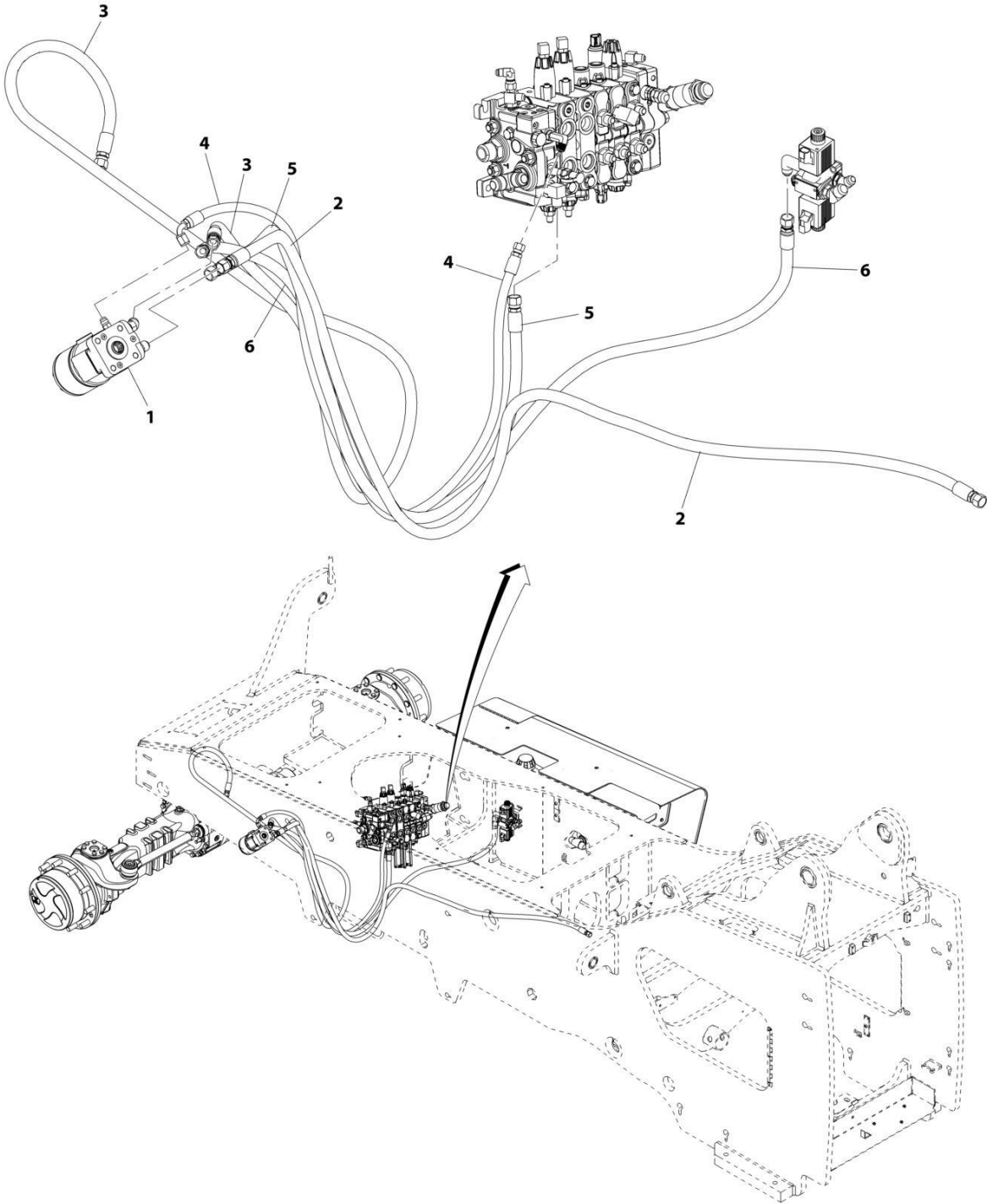
## SECTION 8 - HYDRAULIC CIRCUITS

**FIGURE 8-10. CAB PILOT JOYSTICK & FITTING ASSEMBLY**

ITEM	PART NUMBER	QTY	DESCRIPTION	REV
	1001158004	Ref	Pilot Joystick & Fitting Assembly	B
1	2220371	2	Adapter, Straight JIC	
2	2220582	4	Adapter, Straight JIC	
3	1001158002	1	Control & Fittings Assembly - Pilot Joystick (See Separate Breakdown in CONTROLS Section)	

# SECTION 8 - HYDRAULIC CIRCUITS

## FIGURE 8-11. CAB TO STEERING HYDRAULICS INSTALLATION



ART\_1001245057-B



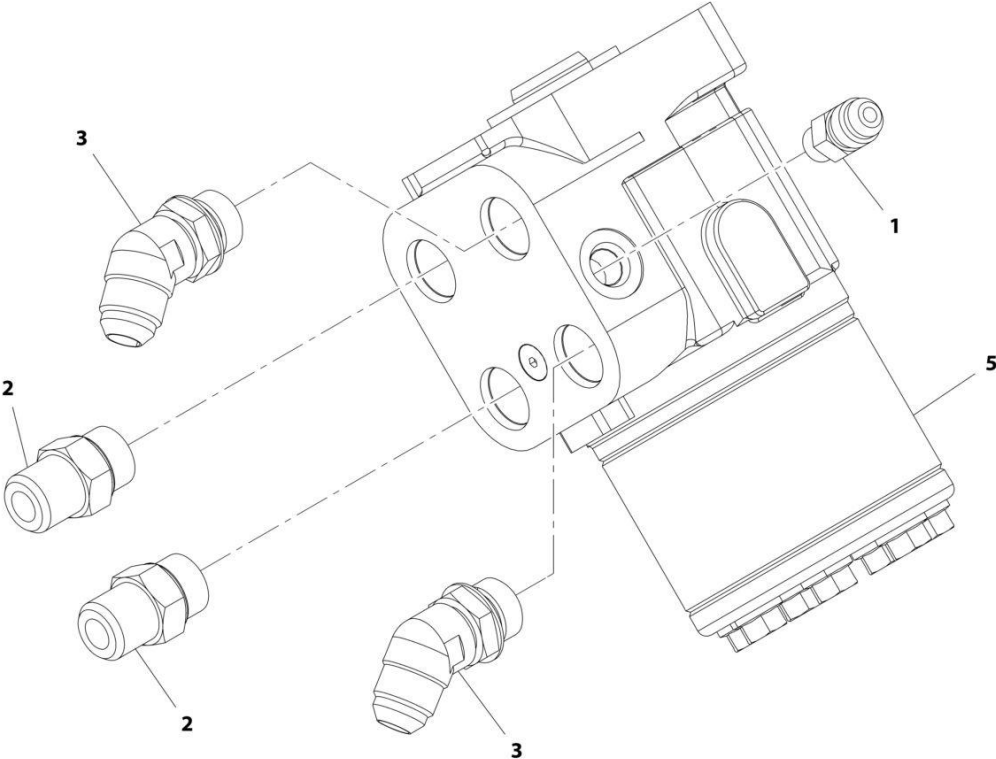
## SECTION 8 - HYDRAULIC CIRCUITS

### FIGURE 8-11. CAB TO STEERING HYDRAULICS INSTALLATION

ITEM	PART NUMBER	QTY	DESCRIPTION	REV
	1001245057	Ref	Hydraulic Steering Installation	B
1	1001158528	1	Steering Valve Installation (See Separate Breakdown in this Section)	
2	1001245058	1	Hose Assembly	
3	1001157102	1	Hose Assembly	
4	1001158357	1	Hose Assembly	
5	1001171786	1	Hose Assembly	
6	1001173177	1	Hose Assembly	

**SECTION 8 - HYDRAULIC CIRCUITS**

**FIGURE 8-12. CAB STEERING VALVE & FITTING ASSEMBLY**



ART\_1001158528-C

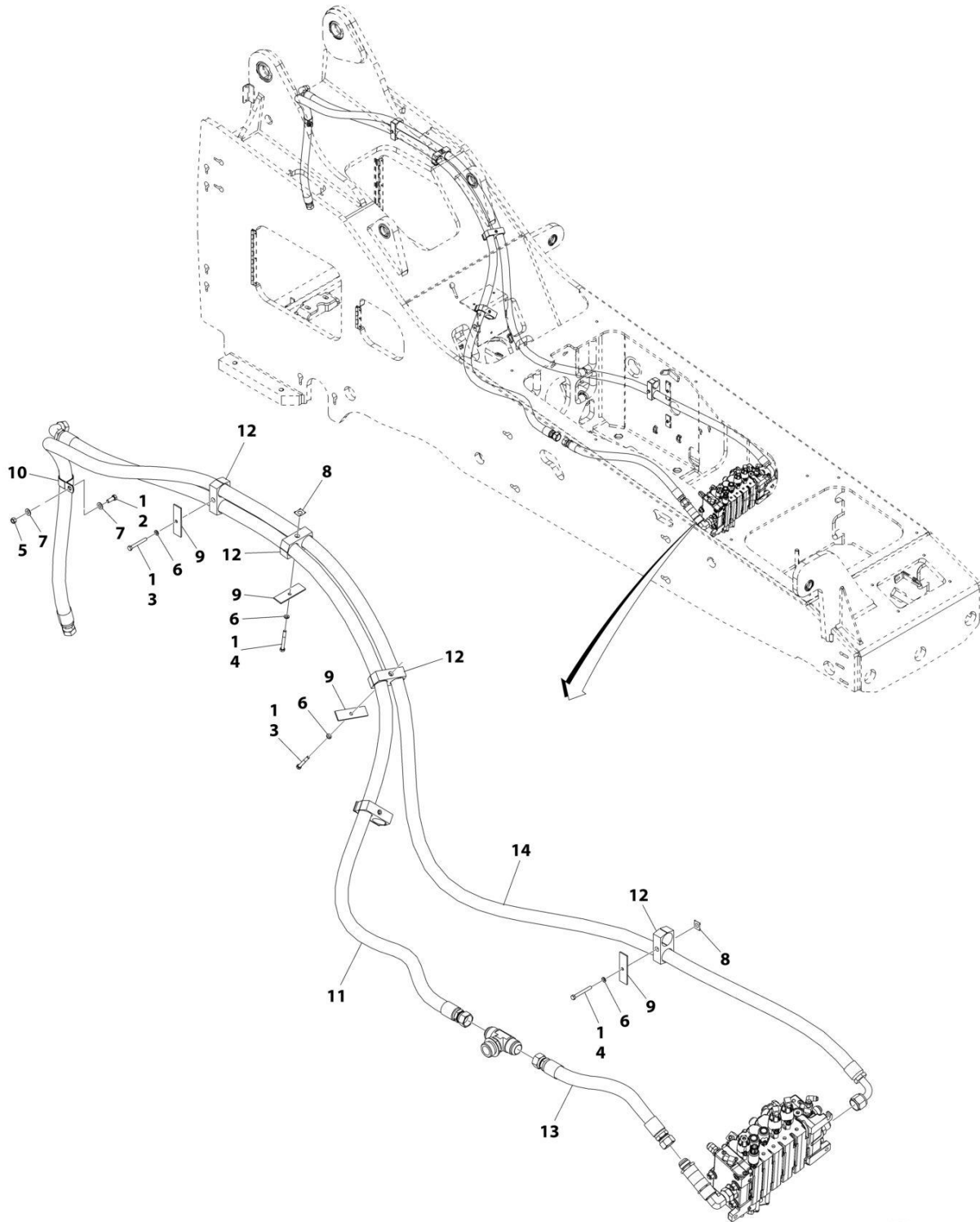
## SECTION 8 - HYDRAULIC CIRCUITS

### FIGURE 8-12. CAB STEERING VALVE & FITTING ASSEMBLY

ITEM	PART NUMBER	QTY	DESCRIPTION	REV
	1001158528	1	Steering Valve & Fitting Assembly	C
1	2220603	1	Adapter, Straight JIC	
2	2220373	2	Adapter, Straight JIC	
3	2220500	2	Adapter, 45 JIC	
5	1001158527	1	Valve, Steering	
5	70026401	1	Seal Kit - Steering Valve	

# SECTION 8 - HYDRAULIC CIRCUITS

## FIGURE 8-13. COOLER HYDRAULICS INSTALLATION



ART\_1001244308-B

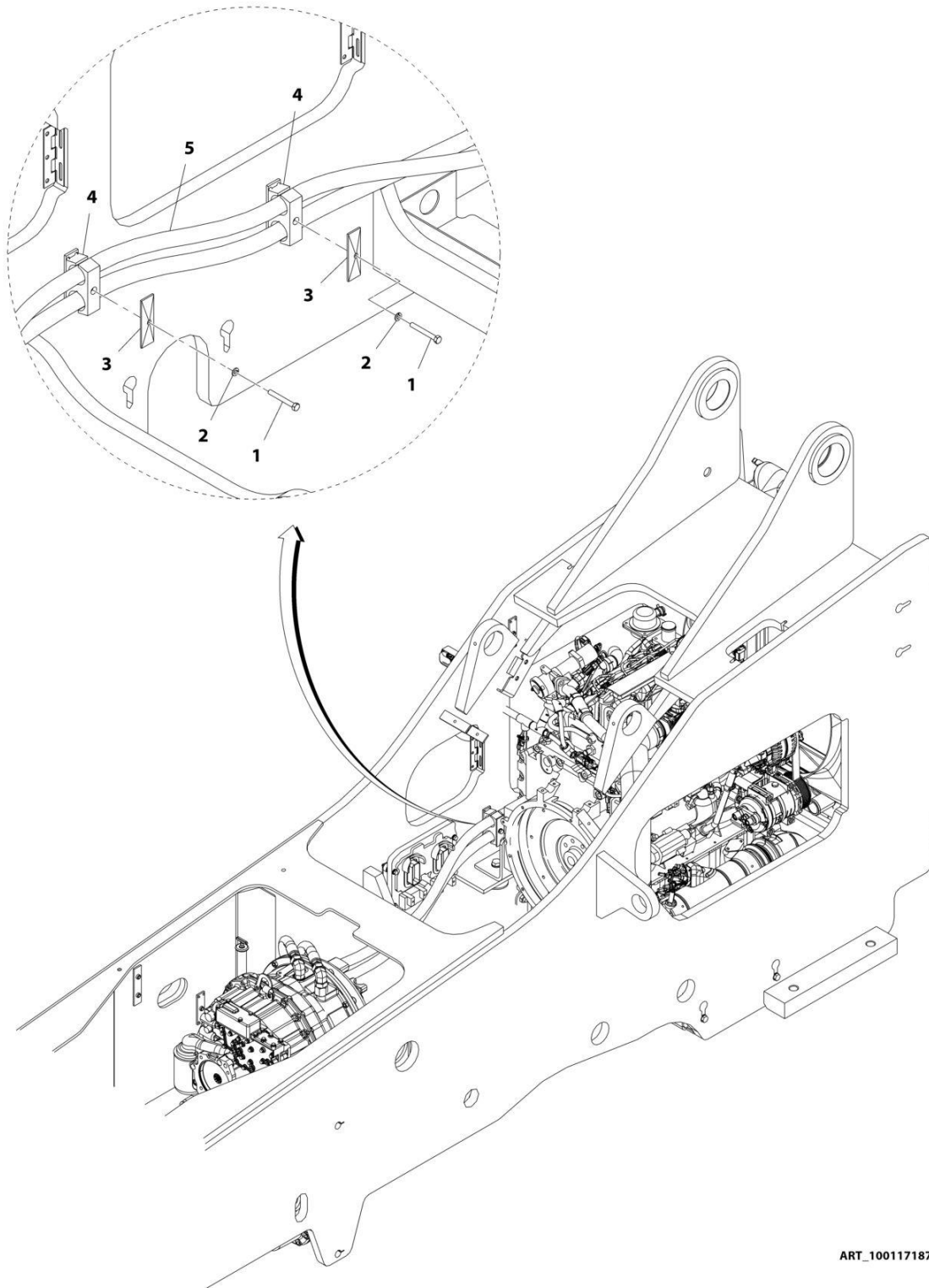
## SECTION 8 - HYDRAULIC CIRCUITS

**FIGURE 8-13. COOLER HYDRAULICS INSTALLATION**

ITEM	PART NUMBER	QTY	DESCRIPTION	REV
	1001244308	Ref	Hydraulic Cooler Plumbing Installation	B
1	0100011	AR	Compound, Locking	
2	8303620	1	Bolt, 3/8X1	
3	8303757	3	Bolt, 5/16X2-1/2	
4	8303766	2	Bolt, 5/16X2-3/4	
5	8305008	1	Nut, 3/8	
6	8307004	5	Washer	
7	8307110	2	Washer	
8	8750017	2	Locking Plate	
9	8750025	5	Cover Plate, Twin	
10	85841150	1	Clamp, Support	
11	1001177753	1	Hose Assembly	
12	1001196109	5	Clamp, Twin Hose	
13	1001244306	1	Hose	
14	1001244307	1	Hose	

# SECTION 8 - HYDRAULIC CIRCUITS

## FIGURE 8-14. COOLER (TRANSMISSION) HYDRAULICS INSTALLATION



ART\_1001171873-C

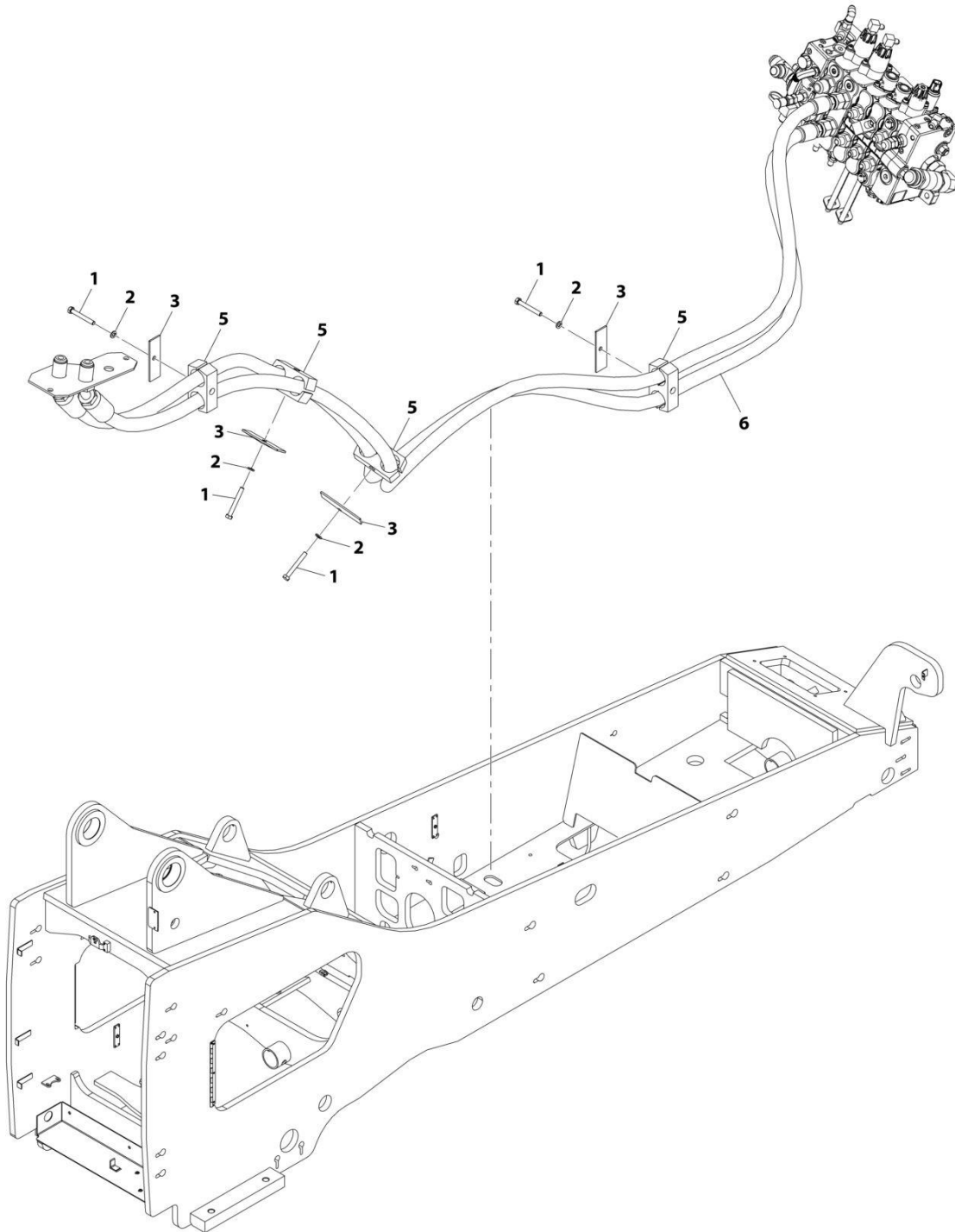
## SECTION 8 - HYDRAULIC CIRCUITS

**FIGURE 8-14. COOLER (TRANSMISSION) HYDRAULICS INSTALLATION**

ITEM	PART NUMBER	QTY	DESCRIPTION	REV
	1001171873	Ref	Hydraulic Transmission Cooler Plumbing Installation	C
1	8303757	2	Bolt, 5/16X2-1/2	
2	8307004	2	Washer, Lock 5/16	
3	8750025	2	Cover Plate, Twin	
4	8750040	2	Clamp Set, Twin	
5	1001171986	2	Hose	

# SECTION 8 - HYDRAULIC CIRCUITS

## FIGURE 8-15. CYLINDER HYDRAULICS INSTALLATION - BOOM EXTEND



ART\_1001158046-E



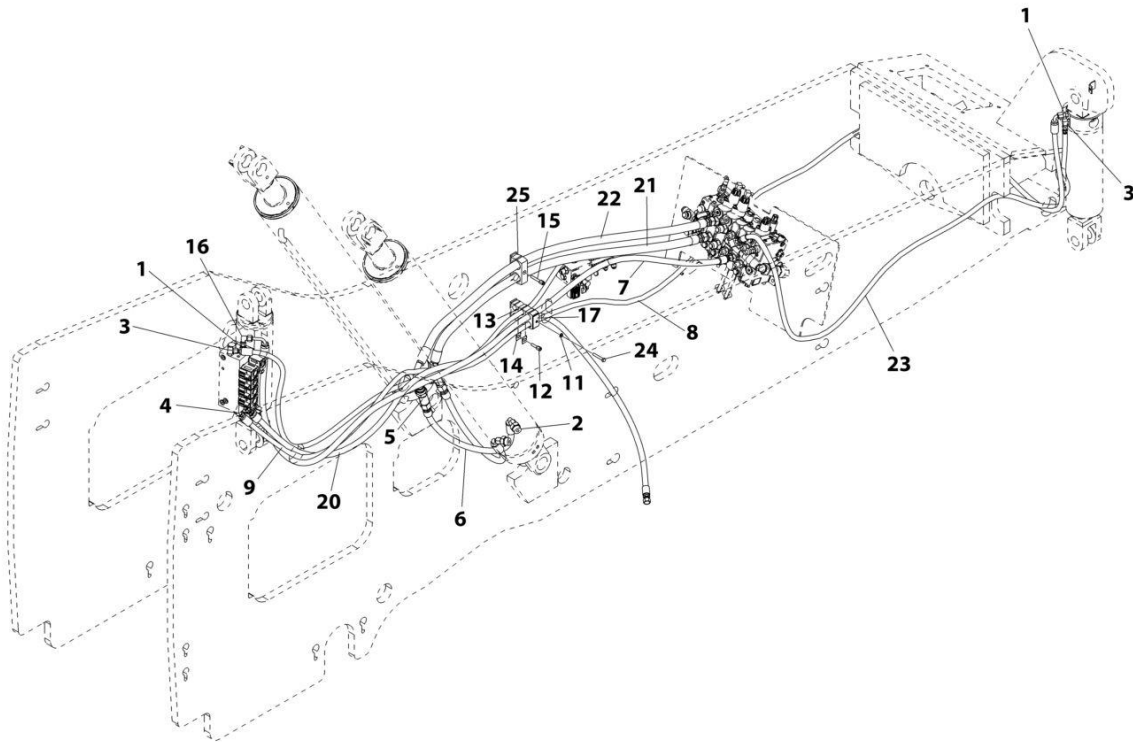
## SECTION 8 - HYDRAULIC CIRCUITS

**FIGURE 8-15. CYLINDER HYDRAULICS INSTALLATION - BOOM EXTEND**

ITEM	PART NUMBER	QTY	DESCRIPTION	REV
	1001158046	Ref	Extend Cylinder Installation	E
1	8303757	4	Bolt, 5/16-18X2-1/2	
2	8307004	4	Washer, Lock 5/16	
3	8750025	4	Cover Plate, Twin	
5	8750040	4	Clamp Set, Twin	
6	1001171190	2	Hose	

# SECTION 8 - HYDRAULIC CIRCUITS

## FIGURE 8-16. CYLINDER HYDRAULICS INSTALLATION - FRAME



ART\_1001173841-G

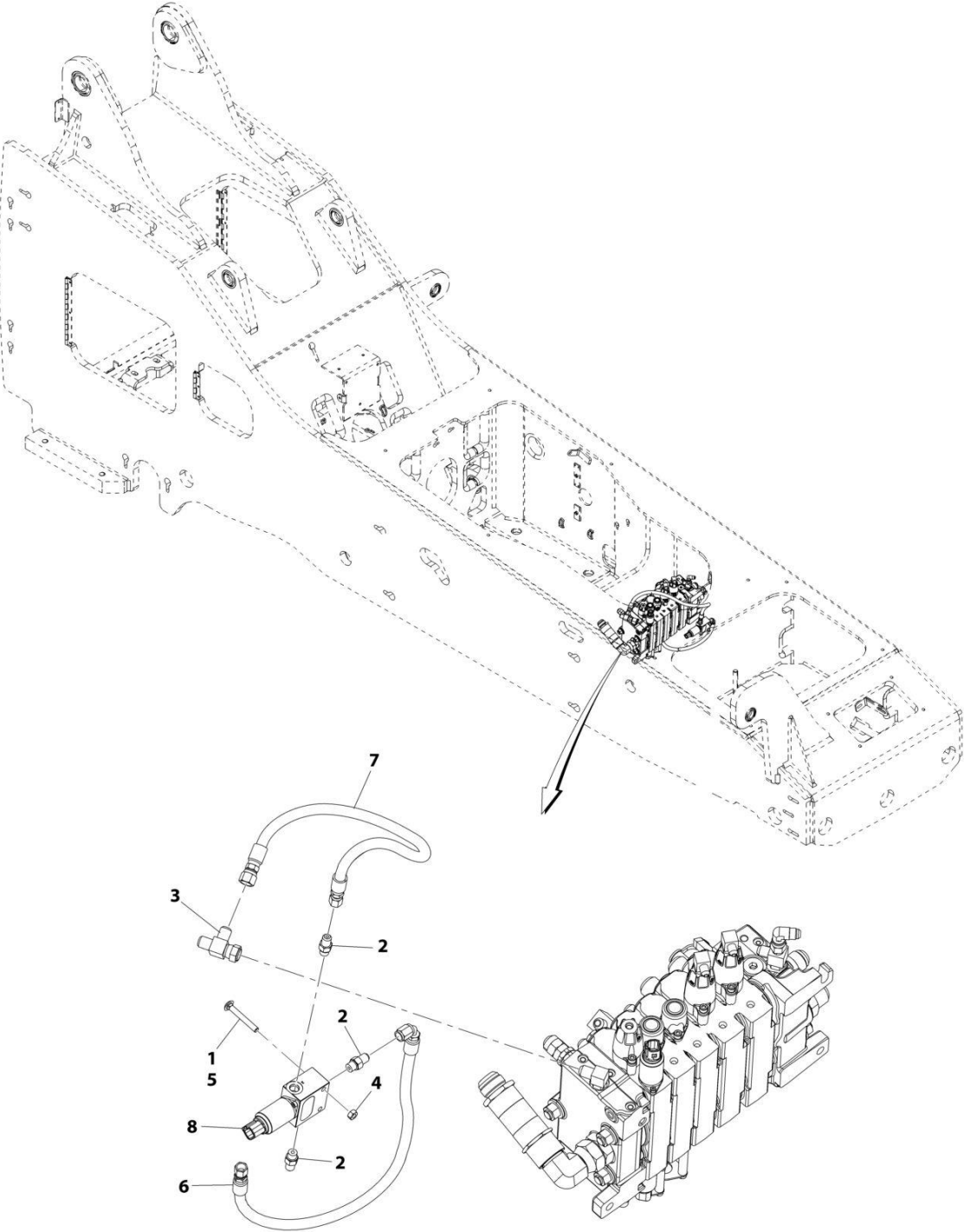
## SECTION 8 - HYDRAULIC CIRCUITS

**FIGURE 8-16. CYLINDER HYDRAULICS INSTALLATION - FRAME**

ITEM	PART NUMBER	QTY	DESCRIPTION	REV
	1001173841	Ref	Hydraulic Frame Cylinders Installation	G
1	2220371	2	Adapter, Straight	
2	2220375	2	Adapter, Straight	
3	2220473	2	Adapter, 90	
4	2220501	2	Adapter, 45	
5	2220695	2	Adapter, Branch Tee	
6	2716675	2	Hose	
7	2716686	1	Hose	
8	2716688	1	Hose	
9	2716691	1	Hose	
11	8307004	1	Washer, Lock 5/16	
12	8750012	1	Bolt, Stacking	
13	8750027	2	Clamp Set, Twin	
14	8750017	2	Plate, Twin Clamp Locking	
15	8750026	1	Bolt, Stacking	
16	8760268	1	Adapter, 90	
17	8769128	1	Cover Plate, Twin	
20	1001202384	1	Hose	
21	1001171191	1	Hose	
22	1001171193	1	Hose	
23	1001171194	1	Hose	
24	8310009	1	Bolt, 5/16X2	
25	8750040	1	Clamp Set, Twin	

# SECTION 8 - HYDRAULIC CIRCUITS

FIGURE 8-17. CYLINDER HYDRAULICS INSTALLATION - TELESCOPE CYLINDER CUTOUT



ART\_1001244610-B

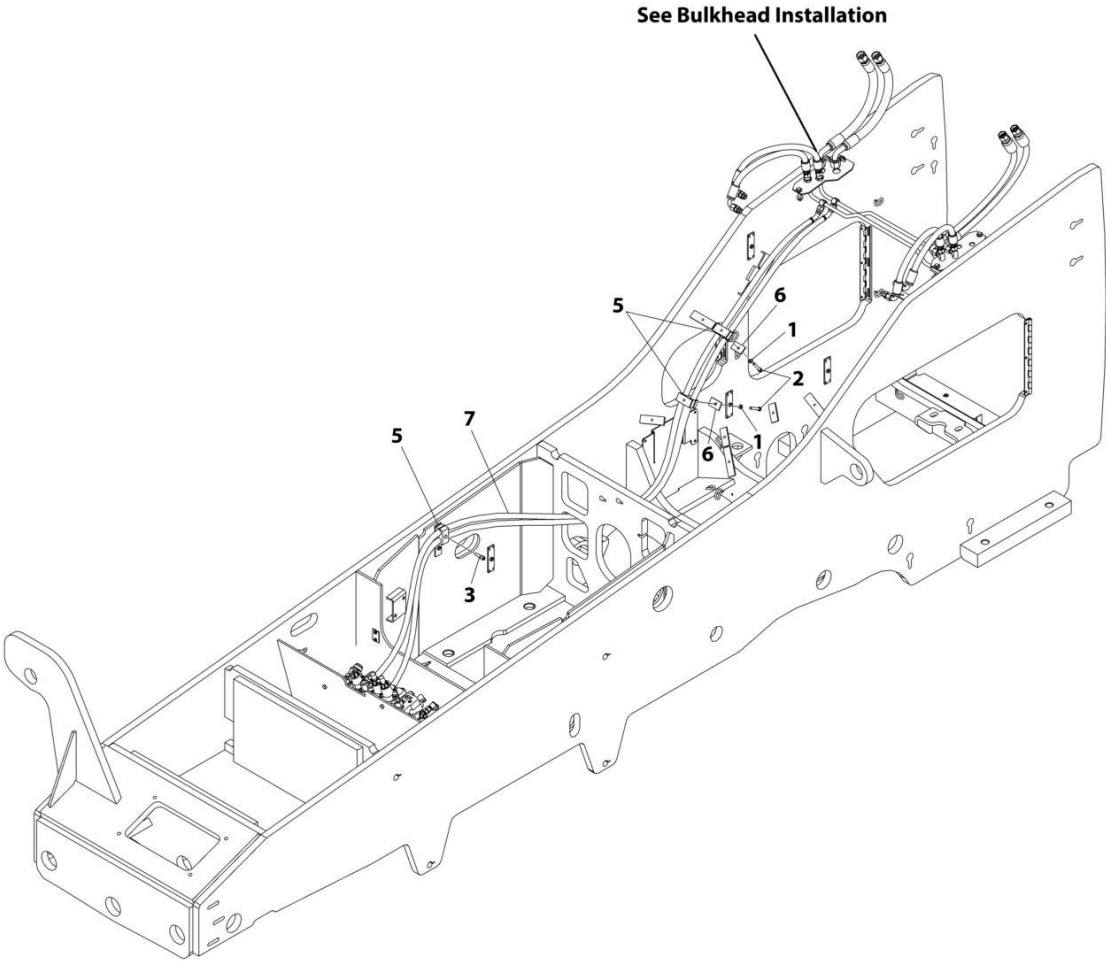
## SECTION 8 - HYDRAULIC CIRCUITS

FIGURE 8-17. CYLINDER HYDRAULICS INSTALLATION - TELESCOPE CYLINDER CUTOUT

ITEM	PART NUMBER	QTY	DESCRIPTION	REV
	1001244610	Ref	Extend Cylinder Lockout Installation	B
1	0100011	AR	Compound, Locking	
2	2220415	3	Adapter, Straight	
3	2220635	1	Adapter, Run Tee	
4	8305004	2	Nut	
5	8310576	2	Bolt, Carriage	
6	1001244359	1	Hose Assembly	
7	1001244361	1	Hose Assembly	
8	1001245158	1	Valve, 2 Position/ 3 Port	
8	70030036	1	Valve, Solenoid	
8	70030037	2	Screw	

# SECTION 8 - HYDRAULIC CIRCUITS

## FIGURE 8-18. FORK TILT HYDRAULICS INSTALLATION



ART\_1001158040

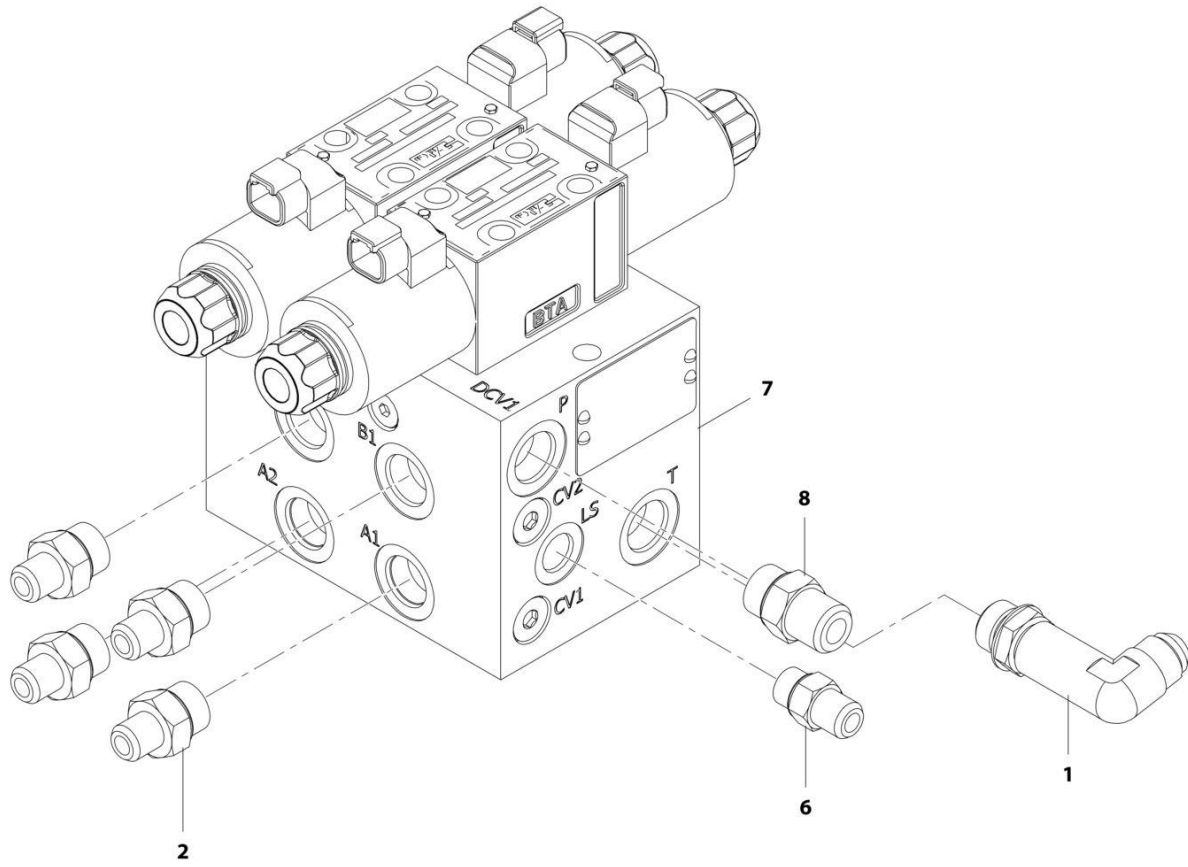
## SECTION 8 - HYDRAULIC CIRCUITS

### FIGURE 8-18. FORK TILT HYDRAULICS INSTALLATION

ITEM	PART NUMBER	QTY	DESCRIPTION	REV
	1001158040	Ref	HYDRAULIC FORK TILT INSTALLATION	G
1	8307004	2	Washer 5/16	
2	8310009	2	Bolt 5/16 x 2	
3	8750012	1	Bolt, Stacking	
5	8750027	3	Clamp Set, Twin	
6	8769128	2	Cover Plate, Twin	
7	1001171188	2	Hose	

# SECTION 8 - HYDRAULIC CIRCUITS

## FIGURE 8-19. OUTRIGGER VALVE & FITTING ASSEMBLY



ART\_1001158611\_E



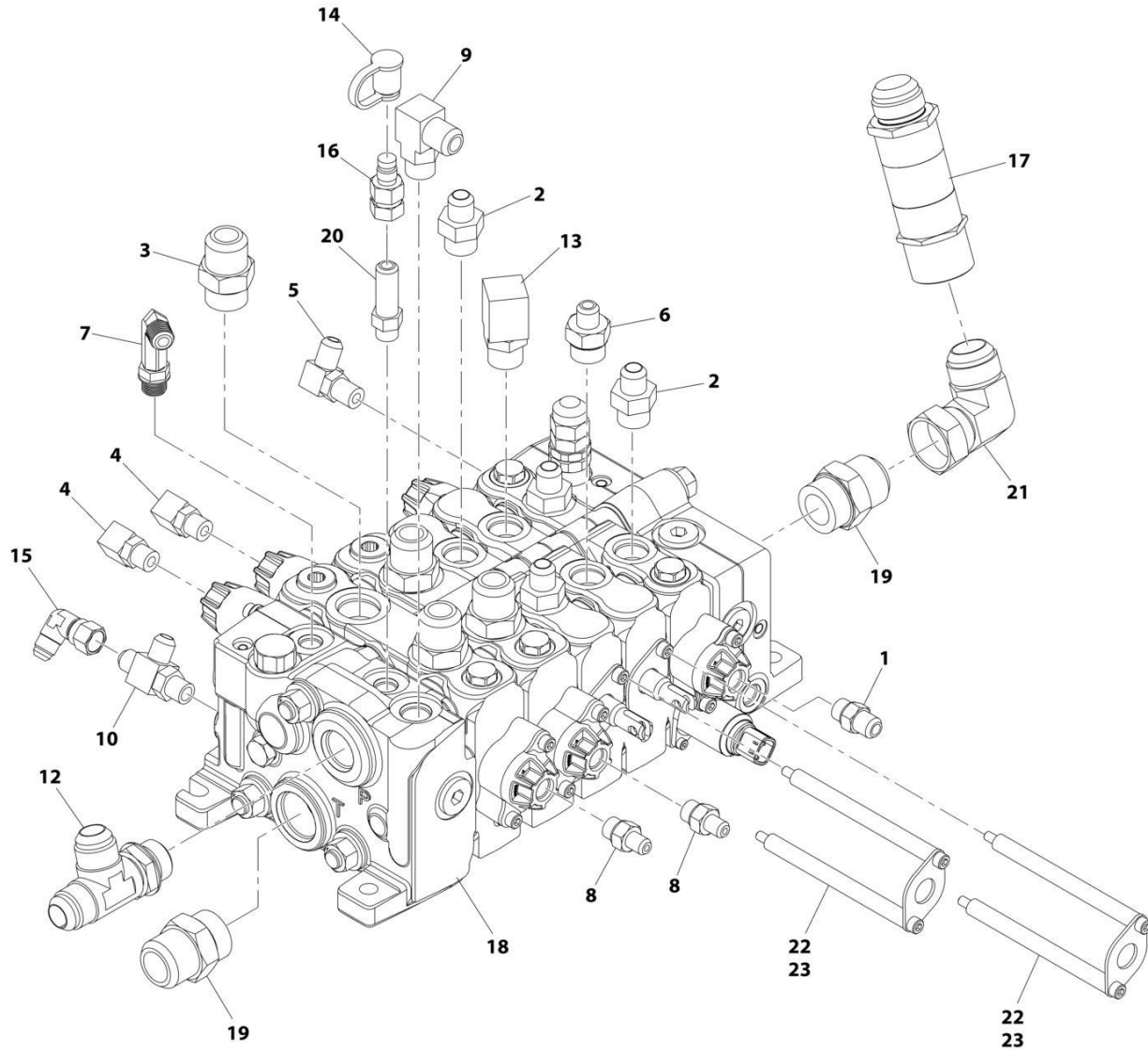
## SECTION 8 - HYDRAULIC CIRCUITS

### FIGURE 8-19. OUTRIGGER VALVE & FITTING ASSEMBLY

ITEM	PART NUMBER	QTY	DESCRIPTION	REV
	1001158611	1	Outrigger Valve & Fitting Assembly	E
1	2220474	1	Adapter, Long 90	
2	2220372	4	Adapter, Straight JIC	
6	2220371	1	Adapter, Straight JIC	
7	1001256316	1	Valve, Outrigger (See Separate Breakdown in HYDRAULIC COMPONENTS SECTION)	
8	2220373	1	Adapter, Straight JIC	

# SECTION 8 - HYDRAULIC CIRCUITS

## FIGURE 8-20. MAIN CONTROL VALVE INSTALLATION



ART\_1001243411-C

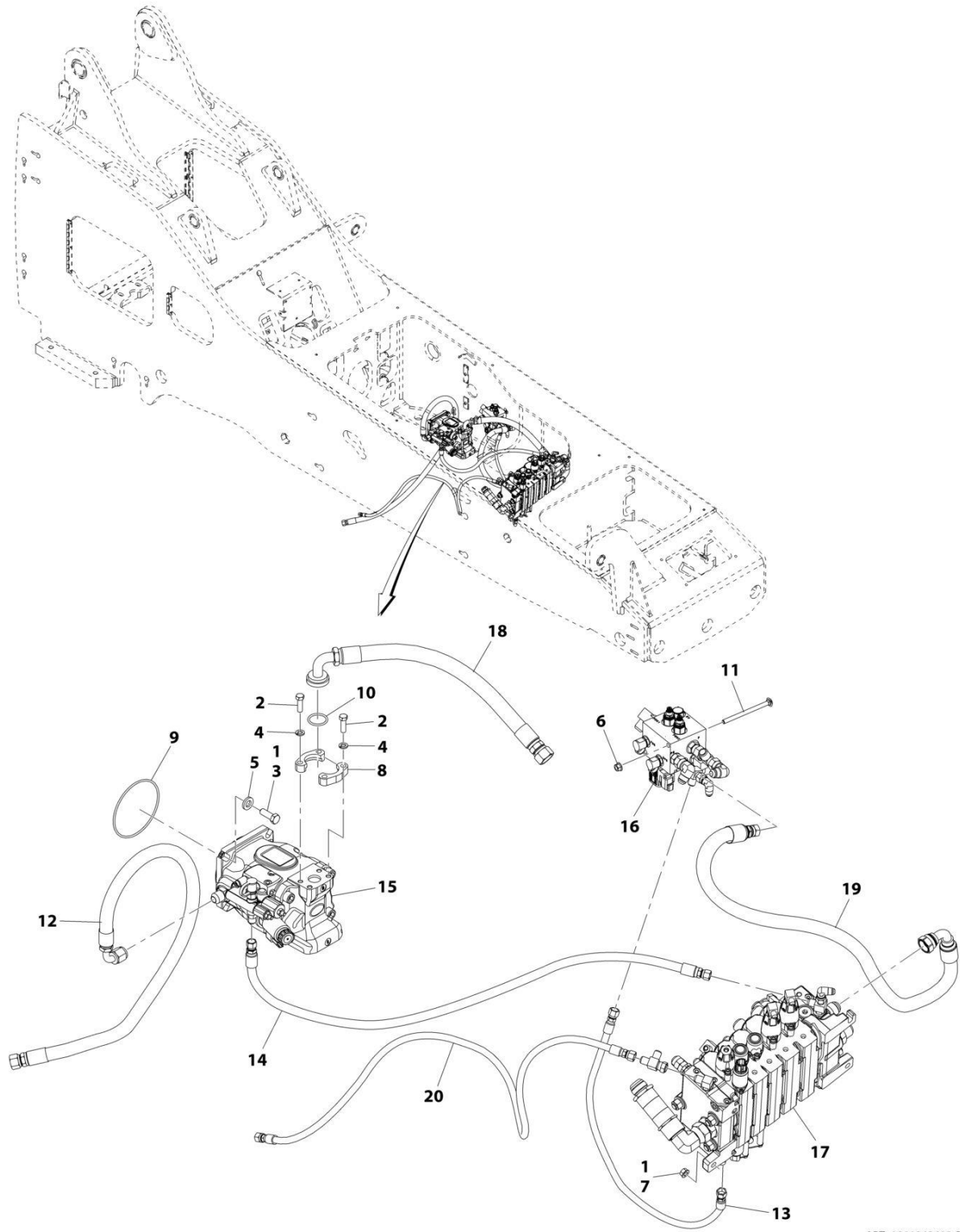
## SECTION 8 - HYDRAULIC CIRCUITS

**FIGURE 8-20. MAIN CONTROL VALVE INSTALLATION**

ITEM	PART NUMBER	QTY	DESCRIPTION	REV
	1001243411	Ref	Main Control Valve & Fittings Sub-Assembly	C
1	2220371	1	Adapter	
2	2220374	4	Adapter	
3	2220451	4	Adapter	
4	2220472	2	Adapter	
5	2220473	1	Adapter	
6	2220497	1	Adapter	
7	2220819	1	Adapter	
8	2220582	2	Adapter	
9	2220596	1	Adapter	
10	2220606	1	Adapter	
12	2220738	1	Adapter	
13	2220828	1	Adapter	
14	8430032	1	Plug	
15	8760268	1	Adapter	
16	8430046	1	Adapter	
17	1001174375	1	Valve, Check	
18	1001242925	1	Valve, Main Control Valve Assembly (See Separate Breakdown in HYDRAULIC COMPONENTS SECTION)	
19	2220377	2	Adapter	
20	2220998	1	Adapter	
21	2220878	1	Adapter	
22	1001254386	2	Mount, Cable Control	
23	0100011	AR	Compound, Locking	

# SECTION 8 - HYDRAULIC CIRCUITS

## FIGURE 8-21. PUMP HYDRAULICS INSTALLATION



ART\_1001243412-B

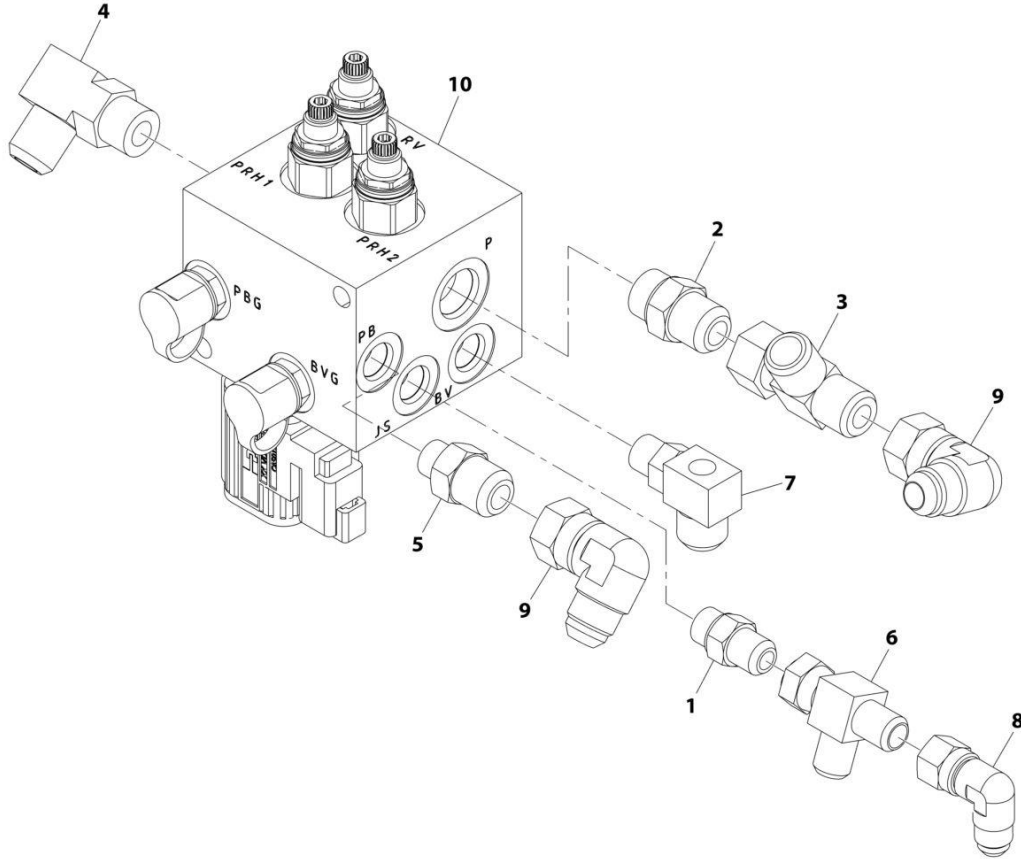
## SECTION 8 - HYDRAULIC CIRCUITS

### FIGURE 8-21. PUMP HYDRAULICS INSTALLATION

ITEM	PART NUMBER	QTY	DESCRIPTION	REV
	1001243412	Ref	Hydraulic Pump Installation	C
1	0100011	AR	Compound, Locking	
2	8303675	4	Screw, 3/8 x 1-1/4	
3	8303519	4	Screw, M12 x 1-3/4	
4	8307005	4	Washer	
5	8310356	4	Washer	
6	8310420	2	Nut	
7	8310522	3	Nut	
8	8530030	2	Flange	
9	8630019	1	O-Ring	
10	8640123	1	O-Ring	
11	1001163685	2	Bolt, 5/16-18 x 4-1/2	
12	1001168451	1	Hose Assembly	
13	1001194592	1	Hose Assembly	
14	1001198684	1	Hose Assembly	
15	1001251426	1	Piston Pump Installation	
16	1001247171	1	Valve & Fitting Assembly - Secondary (See Separate Breakdown in this Section)	
17	1001243411	1	Valve & Fitting Assembly - Main (See Separate Breakdown in this Section)	
18	1001244278	1	Hose Assembly	
19	1001247654	1	Hose Assembly	
20	1001244302	1	Hose Assembly	

# SECTION 8 - HYDRAULIC CIRCUITS

## FIGURE 8-22. SECONDARY VALVE AND FITTING ASSEMBLY



ART\_1001247171-B

## SECTION 8 - HYDRAULIC CIRCUITS

**FIGURE 8-22. SECONDARY VALVE AND FITTING ASSEMBLY**

ITEM	PART NUMBER	QTY	DESCRIPTION	REV
	1001247171	Ref	Secondary Valve & Fittings Installation	B
1	2220371	1	Fitting, Straight JIC/ORB	
2	2220373	1	Fitting, Straight JIC/ORB	
3	2220385	1	Fitting, Tee JIC/FSJIC/JIC	
4	2220596	1	Fitting, 90 JIC/ORB	
5	2220600	1	Fitting, Straight ORB	
6	2220635	1	Fitting, Tee FM SW x JIC x JIC	
7	2220726	1	Fitting, 90 JIC/ORB	
8	8760268	1	Fitting, 90 JIC/FSJIC	
9	8765204	2	Fitting, 90 JIC/FSJIC	
10	1001266771	1	Valve Assembly - Secondary (See Separate Breakdown in HYDRAULIC COMPONENTS Section)	

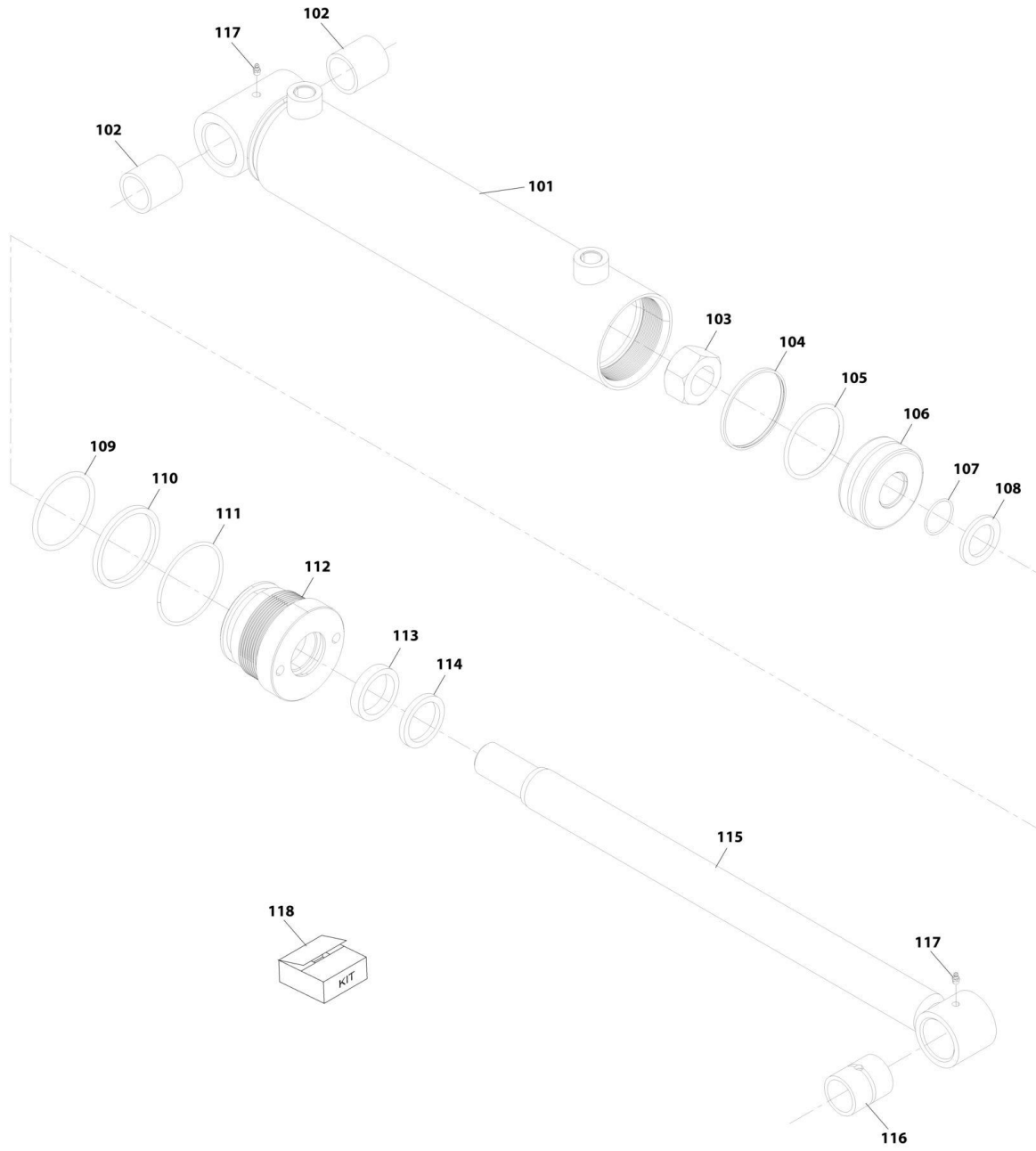




**SECTION 9 - HYDRAULIC COMPONENTS**

# SECTION 9 - HYDRAULIC COMPONENTS

## FIGURE 9-1. CYLINDER ASSEMBLY - CARRIAGE SIDE SHIFT



ART\_70021376

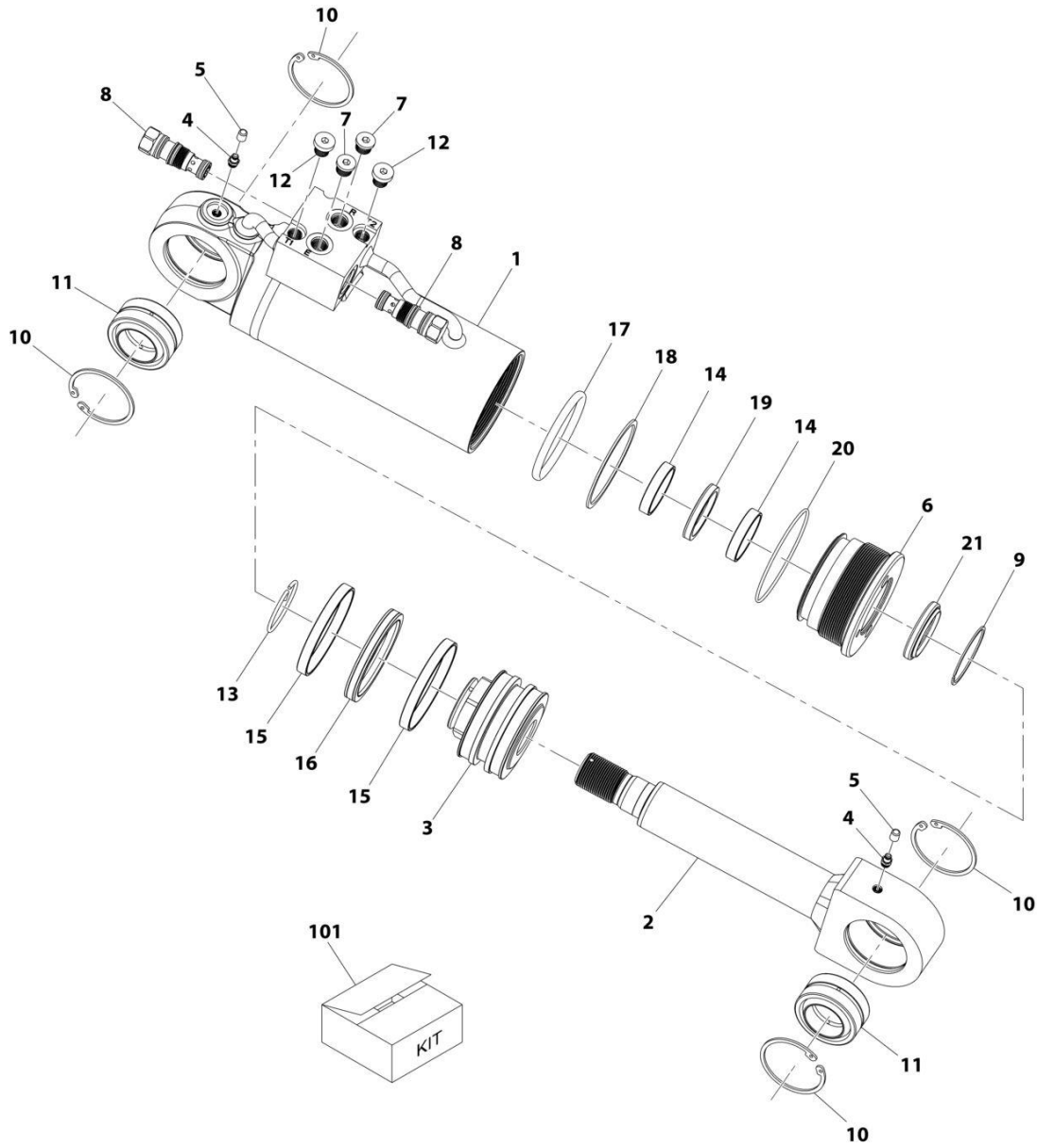
## SECTION 9 - HYDRAULIC COMPONENTS

**FIGURE 9-1. CYLINDER ASSEMBLY - CARRIAGE SIDE SHIFT**

ITEM	PART NUMBER	QTY	DESCRIPTION	REV
	70021376	1	Cylinder Assembly, Side Shift Carriage 12K	
		Ref	Note: Original Cylinder May Have Been Replaced with Service Replacement. Identify PN Stamped on Cylinder Before Ordering Parts.	
101	See Note	NSS	Barrel (Note: Use PN 70021376)	
102	70021448	2	Bushing	
103	70021440	1	Nut	
104	See Note	NSS	Ring, Piston (Note Use Item 118)	
105	See Note	NSS	O-Ring (Note: Use Item 118)	
106	70021451	1	Piston	
107	See Note	NSS	O-Ring (Note: Use Item 118)	
108	70021444	1	Spacer, Sheave	
109	See Note	NSS	O-Ring (Note: Use Item 118)	
110	See Note	NSS	Washer, Back-Up (Note: Use Item 118)	
111	See Note	NSS	O-Ring (Note: Use Item 118)	
112	70021446	1	Head	
113	See Note	NSS	Seal (Note: Use Item 118)	
114	See Note	NSS	Wiper, Rod (Note: Use Item 118)	
115	70021445	1	Rod	
116	70021447	1	Bushing	
117	90554045	2	Grease Fitting	
118	70021452	1	Seal Kit, (includes items 104, 105, 107, 109, 110, 111, 113 & 114)	

# SECTION 9 - HYDRAULIC COMPONENTS

## FIGURE 9-2. CYLINDER ASSEMBLY - CARRIAGE SIDE TILT



ART\_1001163414-A

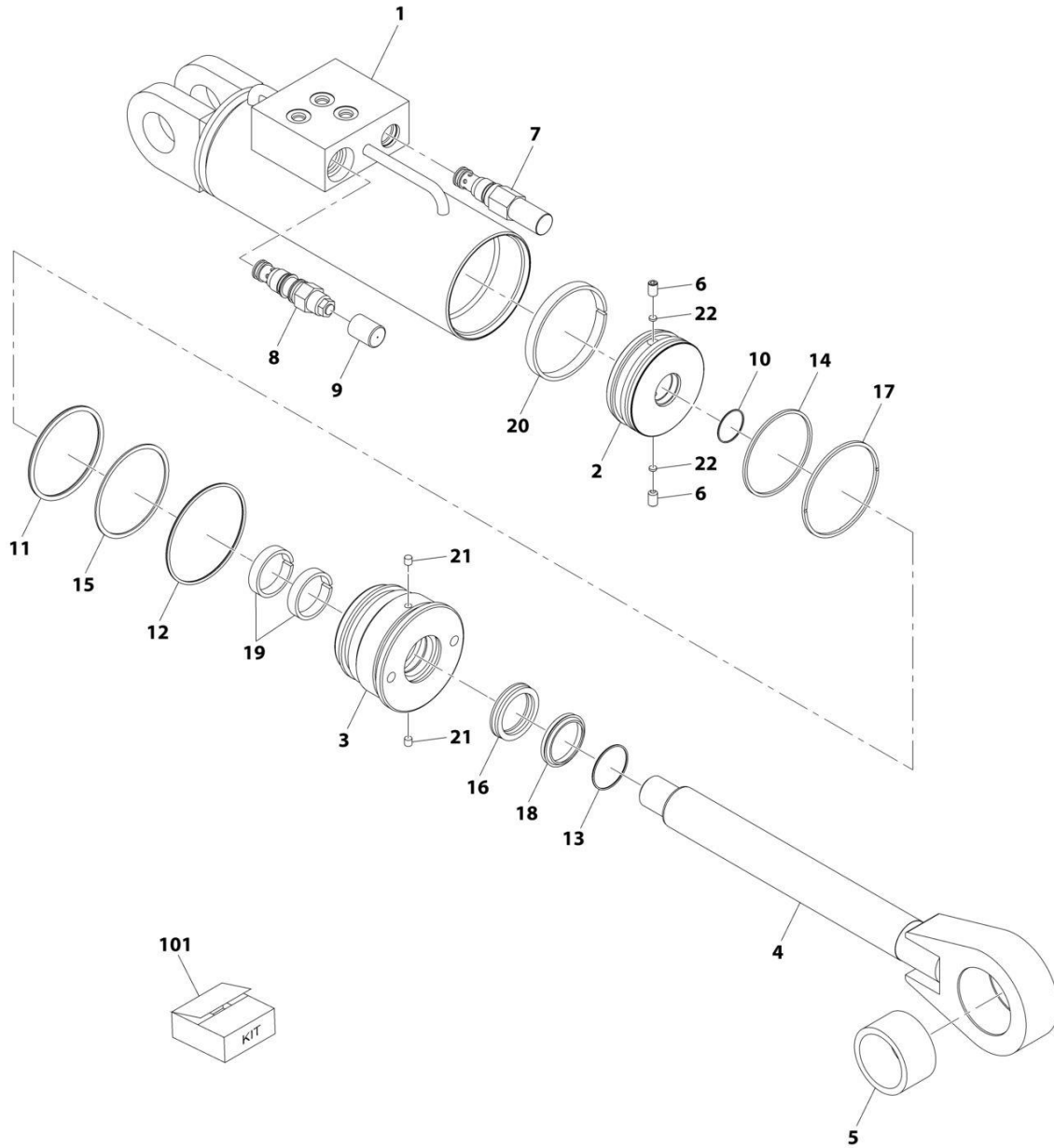
## SECTION 9 - HYDRAULIC COMPONENTS

### FIGURE 9-2. CYLINDER ASSEMBLY - CARRIAGE SIDE TILT

ITEM	PART NUMBER	QTY	DESCRIPTION	REV
	1001163414	Ref	Side Tilt Cylinder	A
		Ref	<b>Note: Original Cylinder May Have Been Replaced with Service Replacement. Identify PN Stamped on Cylinder Before Ordering Parts.</b>	
1	70026056	1	Barrel	
2	70026057	1	Rod	
3	70026058	1	Piston	
4	70025606	2	Nipple, Grease	
5	70024020	2	Fitting, Grease	
6	70003849	1	Head	
7	70025959	2	Plug	
8	70026059	2	Valve, Check	
9	70002219	1	Ring, Retaining	
10	70026060	4	Ring, Retaining	
11	70026061	2	Bearing	
12	70024262	2	Plug	
13	70002224	1	Ring, Lock	
14	Kit	NSS	Ring, Rod Bearing (Note: Use Item 101)	
15	Kit	NSS	Ring, Piston Bearing (Note: Use Item 101)	
16	Kit	NSS	Seal, Piston (Note: Use Item 101)	
17	Kit	NSS	O-Ring (Note: Use Item 101)	
18	Kit	NSS	Ring, Back-Up (Note: Use Item 101)	
19	Kit	NSS	Seal, Rod (Note: Use Item 101)	
20	Kit	NSS	O-Ring (Note: Use Item 101)	
21	Kit	NSS	Seal, Wiper (Note: Use Item 101)	
101	70026062	1	Kit, Seal (includes items 14 thru 21)	

# SECTION 9 - HYDRAULIC COMPONENTS

FIGURE 9-3. CYLINDER ASSEMBLY - CARRIAGE SWING (Prior to SN 0160115808)



ART\_1001103182-B

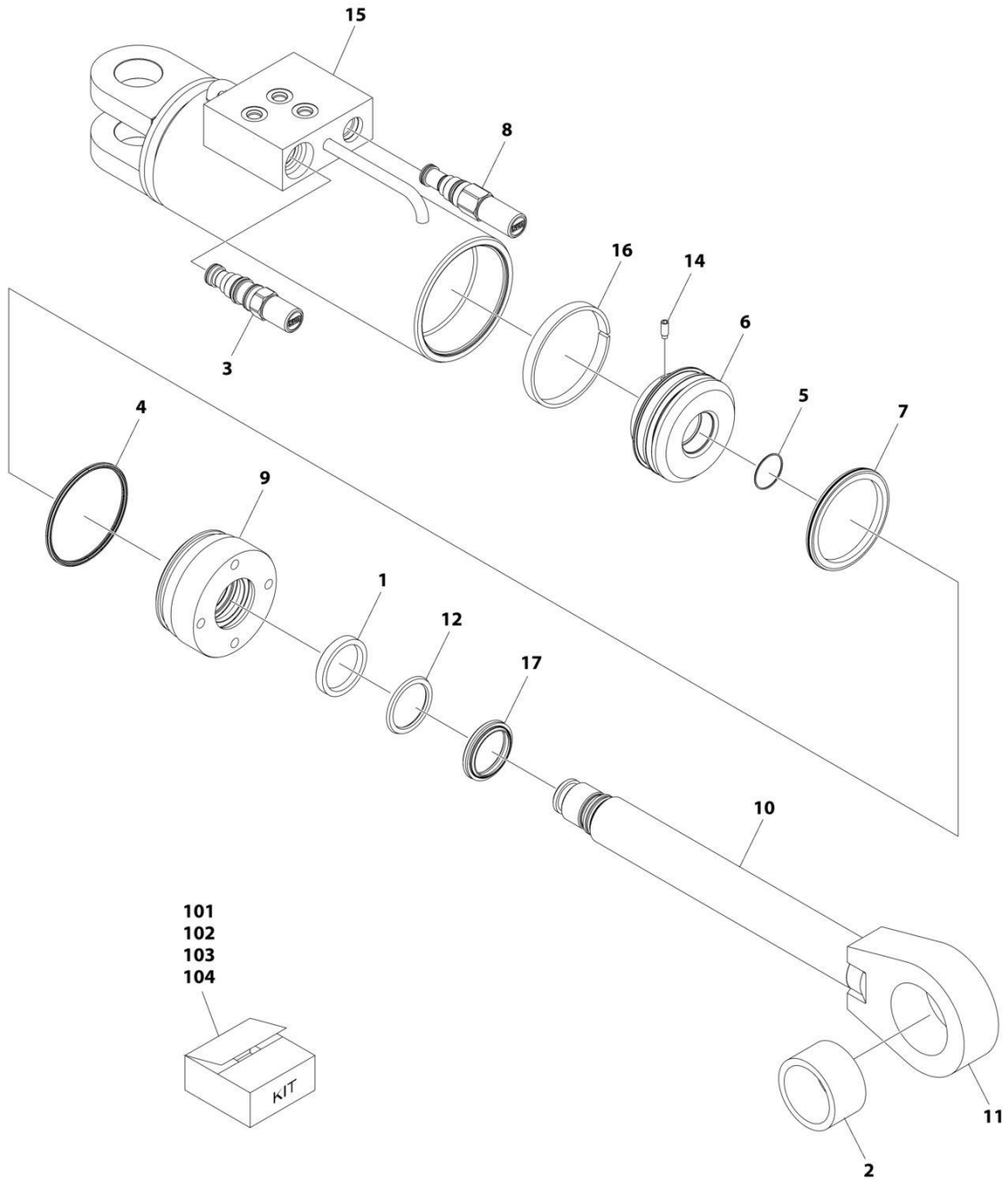
## SECTION 9 - HYDRAULIC COMPONENTS

**FIGURE 9-3. CYLINDER ASSEMBLY - CARRIAGE SWING (Prior to SN 0160115808)**

ITEM	PART NUMBER	QTY	DESCRIPTION	REV
	1001103182	Ref	Swing Carriage Cylinder	B
1	70022044	1	Barrel	
2	8035863	1	Piston	
3	8035862	1	Head	
4	70022045	1	Rod	
5	70022046	1	Bearing	
6	8035536	2	Setscrew 5/16X1/2	
7	70020428	1	Valve, Relief	
7	7024574	1	Kit, Seal	
8	8033786	1	Valve, Counterbalance	
8	8205655	1	Kit, Seal	
9	70021812	1	Tamper-proof Cap	
10	See Note	NSS	O-Ring (Note: Use Item 101)	
11	See Note	NSS	O-Ring (Note: Use Item 101)	
12	See Note	NSS	O-Ring (Note: Use Item 101)	
13	See Note	NSS	O-Ring (Note: Use Item 101)	
14	See Note	NSS	Ring, Square (Note: Use Item 101)	
15	See Note	NSS	Ring, Backup (Note: Use Item 101)	
16	See Note	NSS	Seal (Note: Use Item 101)	
17	See Note	NSS	Seal, Piston (Note: Use Item 101)	
18	See Note	NSS	Wiper, Rod (Note: Use Item 101)	
19	See Note	NSS	Ring, Wear (Note: Use Item 101)	
20	See Note	NSS	Ring, Wear (Note: Use Item 101)	
21	See Note	NSS	Insert (Note: Use Item 101)	
22	See Note	NSS	Insert (Note: Use Item 101)	
101	2915023	1	Kit, Seal (includes items 11 thru 22)	

# SECTION 9 - HYDRAULIC COMPONENTS

FIGURE 9-4. CYLINDER ASSEMBLY - CARRIAGE SWING (SN 0160115808 to Present)



ART\_1001293182



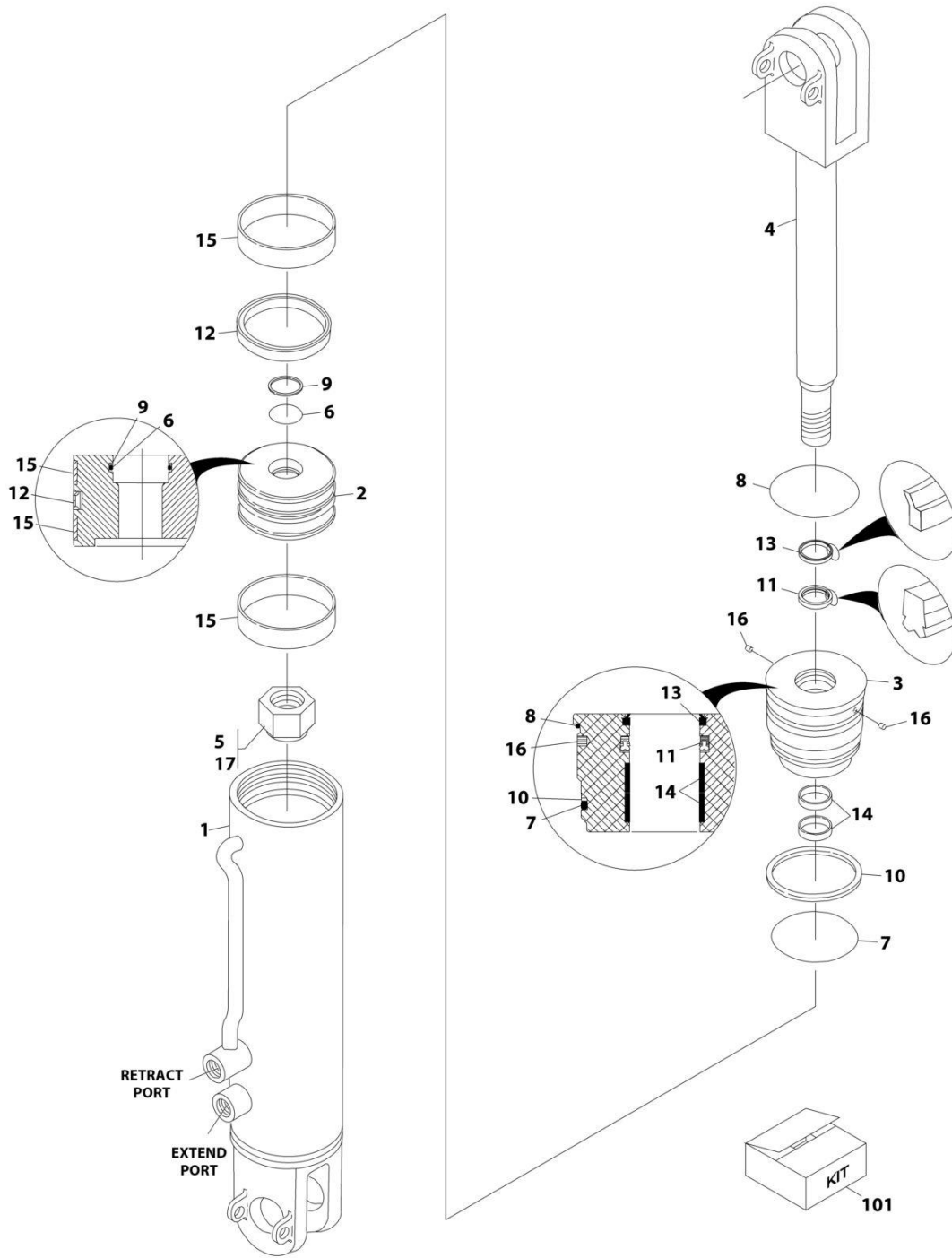
## SECTION 9 - HYDRAULIC COMPONENTS

**FIGURE 9-4. CYLINDER ASSEMBLY - CARRIAGE SWING (SN 0160115808 to Present)**

ITEM	PART NUMBER	QTY	DESCRIPTION	REV
	1001293182	Ref	SWING CARRIAGR CYLINDER	A
		Ref	Note: Original Cylinder May Have Been Replaced with Service Replacement. Identify PN Stamped on Cylinder Before Ordering Parts.	
1	See Note	NSS	Ring, Buffer (Note: Use Item 101 or 102)	
2	70031329	1	Bushing (Note: Use Item 104)	
3	8033786	1	Valve, Counterbalance	
4	See Note	NSS	Seal, Head (Note: Use Item 101 or 102)	
5	See Note	NSS	O-Ring (Note: Use Item 101)	
6	See Note	NSS	Piston (Note: Use Item 103)	
7	See Note	NSS	Seal, Piston (Note: Use Item 101 or 103)	
8	8902842	1	Valve, Relief	
9	See Note	NSS	Retainer (Note: Use Item 102)	
10	See Note	NSS	Rod (Note: Use Item 104)	
11	See Note	NSS	Rod End (Note: Use Item 104)	
12	See Note	NSS	Seal, Rod (Note: Use Item 101 or 102)	
14	See Note	NSS	Setscrew (Note: Use Item 103)	
15	See Note	NSS	Shell Assembly (Note: No Service Parts Available)	
16	See Note	NSS	Ring, Wear (Note: Use Items 101 or 103)	
17	See Note	NSS	Wiper (Note: Use Items 101 or 102)	
101	70031325	1	Seal Kit (Includes Items # 1, 4-5, 7, 12, 16 & 17)	
102	70031326	1	Retainer Kit (Includes Items # 1, 4, 9, 12 & 17)	
103	70031327	1	Piston Kit ( Includes Items # 6-7, 14 & 16)	
104	70031328	1	Rod Service Kit ( Includes Items # 2 & 10-11)	

# SECTION 9 - HYDRAULIC COMPONENTS

## FIGURE 9-5. CYLINDER ASSEMBLY - COMPENSATION



ART\_2714973

## SECTION 9 - HYDRAULIC COMPONENTS

### FIGURE 9-5. CYLINDER ASSEMBLY - COMPENSATION

ITEM	PART NUMBER	QTY	DESCRIPTION	REV
	2714973	Ref	Compensation Cylinder	E
		Ref	Note: Original Cylinder May Have Been Replaced with Service Replacement. Identify PN Stamped on Cylinder Before Ordering Parts.	
		Ref	Note: Refer to PN Stamped on Barrel before ordering parts.	
1	8036001	1	Tube, Cylinder	
2	8035613	1	Piston	
3	8035612	1	Gland, Head	
4	8035611	1	Rod	
5	8035547	1	Nut, Lock	
6	Kit	1	O-Ring	
7	Kit	1	O-Ring	
8	Kit	1	O-Ring	
9	Kit	1	Ring, Backup	
10	Kit	1	Ring, Backup	
11	Kit	1	Z-Seal, Deep	
12	Kit	1	T-Seal, Capped	
13	Kit	1	Wiper, Seal	
14	Kit	2	Wearband	
15	Kit	2	Wearband	
16	Kit	2	Insert, Locking	
17	8526011	AR	Compound, Locking	
101	8034695	1	Kit, Seal (includes items 6 thru 16)	



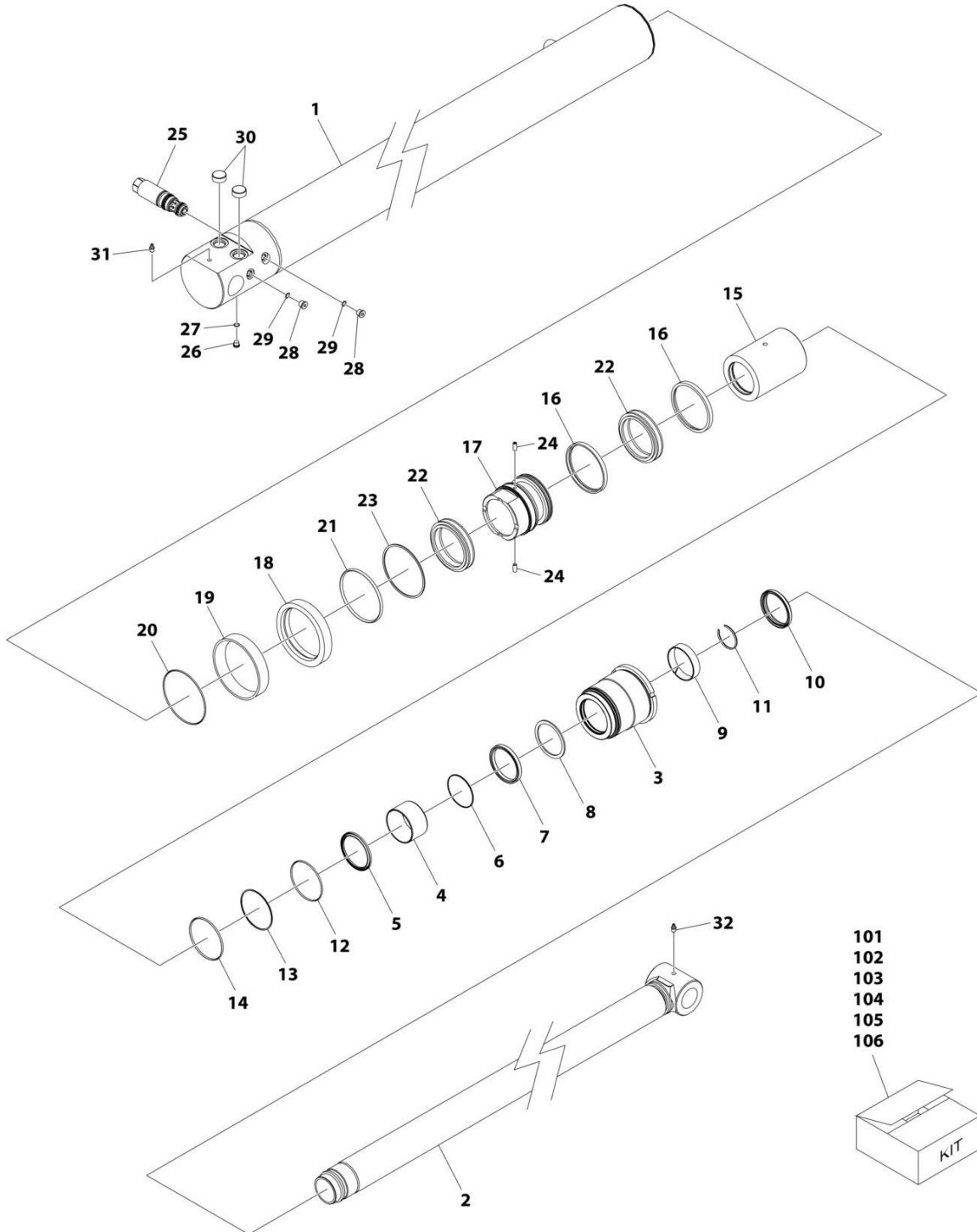
## SECTION 9 - HYDRAULIC COMPONENTS

**FIGURE 9-6. CYLINDER ASSEMBLY - EXTEND/RETRACT (Prior to SN 0160115808)**

ITEM	PART NUMBER	QTY	DESCRIPTION	REV
	1001156009	Ref	Extend/Retract Cylinder	D
		Ref	Note: Original Cylinder May Have Been Replaced with Service Replacement. Identify PN Stamped on Cylinder Before Ordering Parts.	
1	70026036	1	Barrel	
2	70026039	1	Piston	
3	70026040	1	Head	
4	70026041	1	Spacer, Rod	
5	70026042	1	Rod	
6	8035536	2	Screw, 5/16-18X1/2	
7	70020375	2	Fitting, Straight Lube	
8	1001170316	1	Cartridge, Counterbalance Valve	
9	Kit	1	O-Ring	
10	Kit	1	O-Ring	
11	Kit	1	O-Ring	
12	Kit	1	O-Ring	
13	Kit	1	Ring, Square	
14	Kit	2	Ring, Backup	
15	Kit	1	Ring, Backup	
16	Kit	1	U-Cup	
17	Kit	1	Seal, Buffer	
18	Kit	1	Seal, Piston	
19	Kit	1	Seal, Wiper	
20	Kit	2	Ring, Wear	
21	Kit	2	Ring, Wear	
22	Kit	2	Insert, Locking	
23	8526007	AR	Compound, Locking	
24	8526011	AR	Compound, Locking	
101	70026043	1	Kit, Seal (includes items 9 thru 22)	

# SECTION 9 - HYDRAULIC COMPONENTS

FIGURE 9-7. CYLINDER ASSEMBLY - EXTEND/RETRACT (SN 0160115808 to Present)



ART\_1001296009

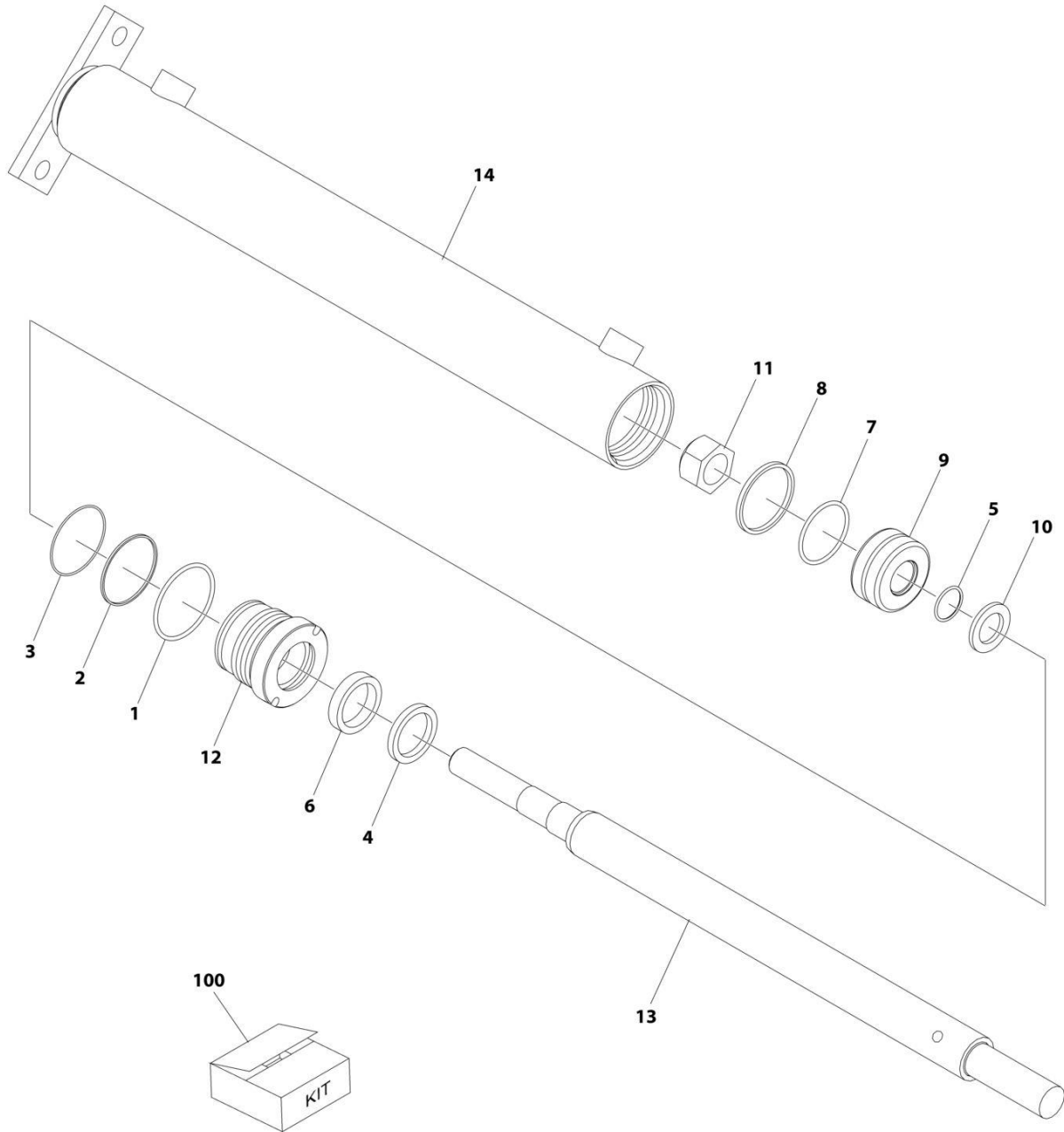
## SECTION 9 - HYDRAULIC COMPONENTS

**FIGURE 9-7. CYLINDER ASSEMBLY - EXTEND/RETRACT (SN 0160115808 to Present)**

ITEM	PART NUMBER	QTY	DESCRIPTION	REV
	1001296009	Ref	EXTEND/RETRACT CYLINDER	A
		Ref	Note: Original Cylinder May Have Been Replaced with Service Replacement. Identify PN Stamped on Cylinder Before Ordering Parts.	
1	See Note	NSS	Tube (Note: No Service Parts Available)	
2	See Note	NSS	Rod (Note: Use Item 101)	
3	See Note	NSS	Rod Cover (Note Use Item 102)	
4	See Note	NSS	Rod Bush (Note: Use Item 102)	
5	See Note	NSS	Ring, Retaining (Note: Use Item 102)	
6	See Note	NSS	Buffer Seal (Note: Use Item 103)	
7	See Note	NSS	U-Packing (Note: Use Item 103)	
8	See Note	NSS	Ring, Back-Up (Note: Use Item 103)	
9	See Note	NSS	Ring, Wear (Note: Use Item 103)	
10	See Note	NSS	Dust Wiper (Note: Use Item 103)	
11	See Note	NSS	Ring, Retaining (Note: Use Item 103)	
12	See Note	NSS	O-Ring (Note: Use Item 103)	
13	See Note	NSS	Ring, Back-Up (Note: Use Item 103)	
14	See Note	NSS	O-Ring (Note: Use Item 103)	
15	See Note	NSS	Spacer (Note: Use Item 104)	
16	See Note	NSS	O-Ring (Note: Use Item 104)	
17	See Note	NSS	Piston (Note: Use Item 105)	
18	See Note	NSS	Compact Seal (Note: Use Item 103)	
19	See Note	NSS	Ring, Wear (Note: Use Item 103)	
20	See Note	NSS	Dust Ring (Note: Use Item 103)	
21	See Note	NSS	O-Ring (Note: Use Item 103)	
22	See Note	NSS	Ring, Back-Up (Note: Use Item 103)	
23	See Note	NSS	O-Ring (Note: Use Item 103)	
24	See Note	NSS	Set Screw (Note: Use Item 105)	
25	1001170316	1	Cartridge, Counterbalance Valve	
26	See Note	NSS	Plug (Note: Use Item 106)	
27	See Note	NSS	O-Ring (Note: Use Item 106)	
28	See Note	NSS	Plug (Note: Use Item 106)	
29	See Note	NSS	O-Ring (Note: Use Item 106)	
30	See Note	NSS	Dust Cap (Note: No Service Parts Available)	
31	See Note	NSS	Grease Nipple (Note: No Service Parts Available)	
32	See Note	NSS	Grease Nipple (Note: Use Item 101)	
101	70031344	1	Rod Kit (Includes Items # 2 & 32)	
102	70031345	1	Rod Cover Kit (Includes Items # 3-5)	
103	70031346	1	Seal Kit (Includes Items # 6-14 & 18-23)	
104	70031347	1	Spacer Kit (Includes Items # 15 & 16)	
105	70031348	1	Piston Kit (Includes Items # 17 & 24)	
106	70031349	1	Plug Kit (Includes Items # 26-29)	

# SECTION 9 - HYDRAULIC COMPONENTS

## FIGURE 9-8. CYLINDER ASSEMBLY - FORK POSITIONING



ART\_2717283



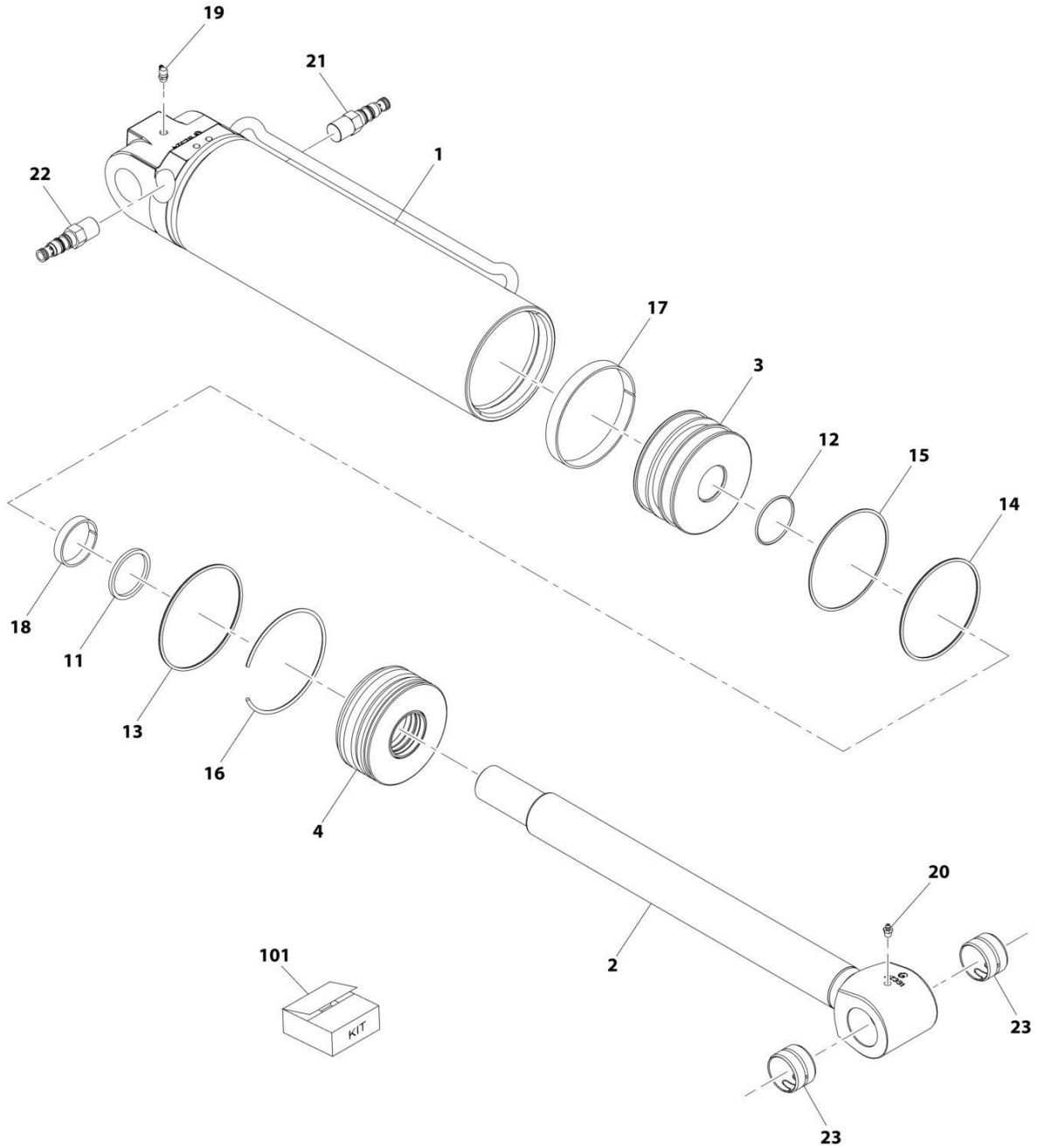
## SECTION 9 - HYDRAULIC COMPONENTS

**FIGURE 9-8. CYLINDER ASSEMBLY - FORK POSITIONING**

ITEM	PART NUMBER	QTY	DESCRIPTION	REV
	2717283	Ref	FORK POSITIONING CYLINDER	B
		Ref	<b>Note: Original Cylinder May Have Been Replaced with Service Replacement. Identify PN Stamped on Cylinder Before Ordering Parts.</b>	
1	See Note	NSS	O-Ring (Use Item 100)	
2	See Note	NSS	Ring, Back-up (Use Item 100)	
3	See Note	NSS	O-Ring (Use Item 100)	
4	See Note	NSS	Seal (Use Item 100)	
5	See Note	NSS	O-Ring (Use Item 100)	
6	See Note	NSS	Seal (Use Item 100)	
7	See Note	NSS	O-Ring (Use Item 100)	
8	See Note	NSS	Seal (Use Item 100)	
9	70026771	1	Piston	
10	70026775	1	Washer	
11	70026770	1	Nut	
12	70026774	1	Head	
13	70026773	1	Rod	
14	See Note	NSS	Barrel (Note: Use PN 2717283)	
100	8036733	1	Seal Kit (includes items 1 thru 8)	

# SECTION 9 - HYDRAULIC COMPONENTS

## FIGURE 9-9. CYLINDER ASSEMBLY - FORK TILT



ART\_1001180763-B

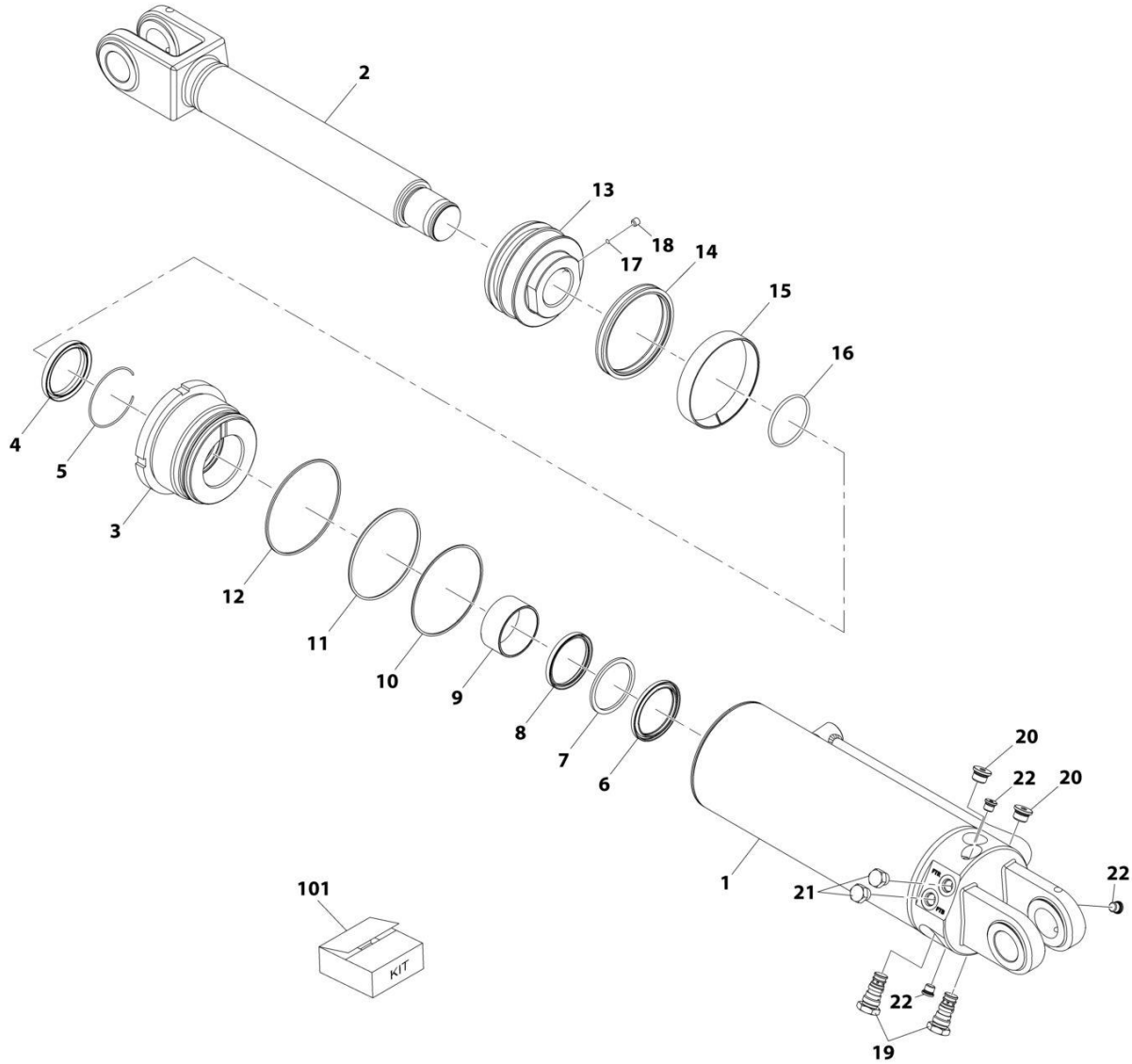
## SECTION 9 - HYDRAULIC COMPONENTS

### FIGURE 9-9. CYLINDER ASSEMBLY - FORK TILT

ITEM	PART NUMBER	QTY	DESCRIPTION	REV
	1001180763	Ref	FORK TILT CYLINDER ASSEMBLY	B
		Ref	Note: Original Cylinder May Have Been Replaced with Service Replacement. Identify PN Stamped on Cylinder Before Ordering Parts.	
1		Ref	Barrel (Note: Use PN 1001180763)	
2	70028402	1	Rod	
3	70028403	1	Piston	
4	70028404	1	Head	
7	3951404	1	Setscrew 1/4 x 1/2 (Not Shown - Used With Item 3 Piston)	
8	Kit	NSS	Seal, Piston (Not Shown) (Use Item 101)	
9	Kit	NSS	Ring (Not Shown) (Use Item 101)	
10	Kit	NSS	Wiper (Not Shown) (Use Item 101)	
11	Kit	NSS	Seal, Rod (Use Item 101)	
12	Kit	NSS	O-Ring (Use Item 101)	
13	Kit	NSS	O-Ring (Use Item 101)	
14	Kit	NSS	O-Ring (Use Item 101)	
15	Kit	NSS	Ring, Backup (Use Item 101)	
16	Kit	NSS	Ring, Backup (Use Item 101)	
17	Kit	NSS	Wearband for the Piston (Use Item 101)	
18	Kit	NSS	Wearband for the Gland (Use Item 101)	
19	70028407	1	Fitting, Grease (90)	
20	70020375	1	Fitting, Grease (Straight)	
21	8035321	1	Cartridge, Counterbalance Valve	
22	8036750	1	Cartridge, Check Valve	
23	70031092	2	Bushing	
101	70028408	1	Seal Kit - 1001180763 Cylinder (includes items 8 thru 18)	

# SECTION 9 - HYDRAULIC COMPONENTS

## FIGURE 9-10. CYLINDER ASSEMBLY - FRAME LEVEL



ART\_1001180762-C

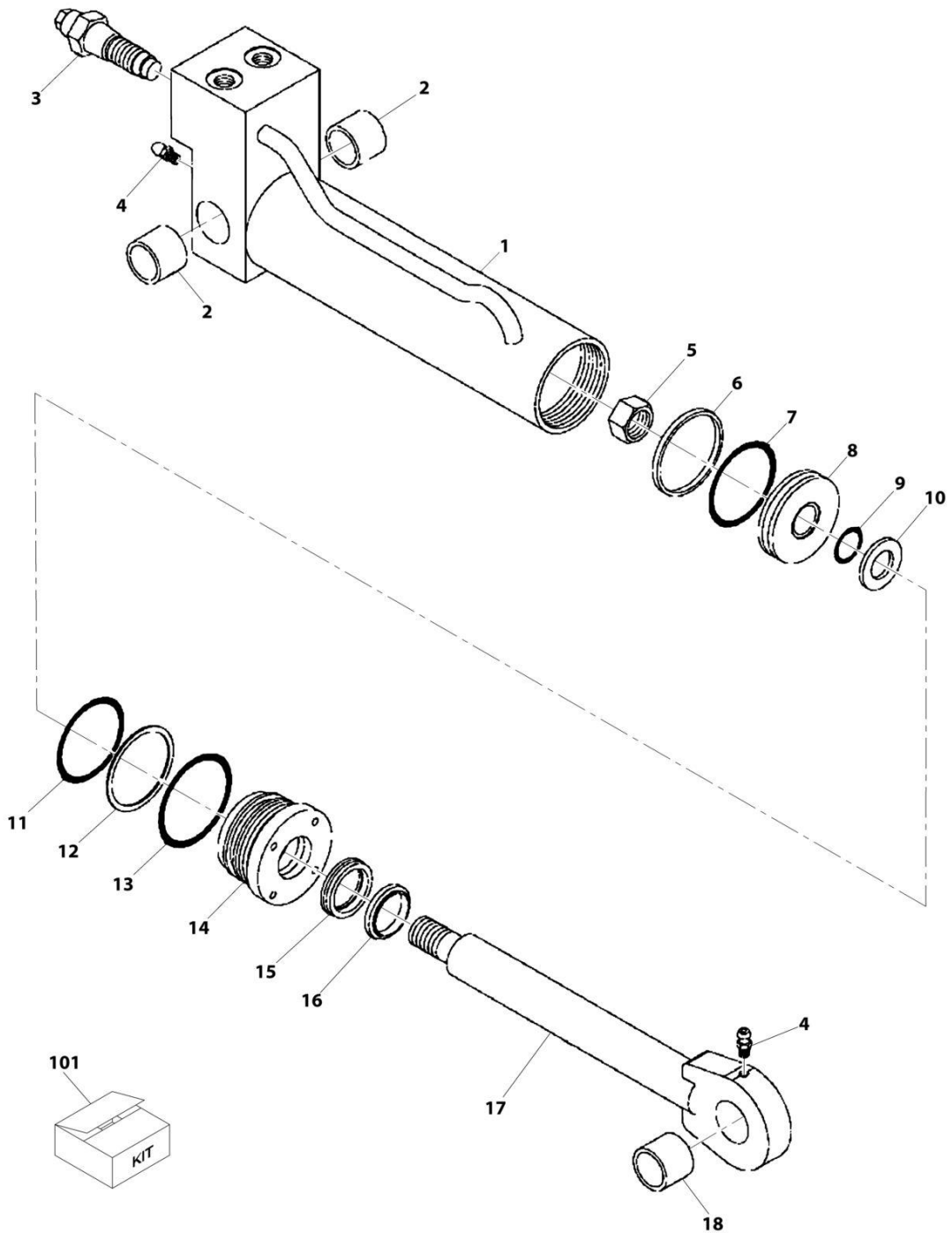
## SECTION 9 - HYDRAULIC COMPONENTS

**FIGURE 9-10. CYLINDER ASSEMBLY - FRAME LEVEL**

ITEM	PART NUMBER	QTY	DESCRIPTION	REV
	1001180762	Ref	Frame Level Cylinder Assembly	C
		Ref	Note: Original Cylinder May Have Been Replaced with Service Replacement. Identify PN Stamped on Cylinder Before Ordering Parts.	
1	70027689	1	Barrel	
2	70027690	1	Rod	
3	70027691	1	Head	
4	Kit	NSS	Wiper (Note: Use Item 101)	
5	70027244	1	Ring, Retaining	
6	Kit	NSS	Seal, Rod (Note: Use Item 101)	
7	Kit	NSS	Ring, Back-Up (Note: Use Item 101)	
8	Kit	NSS	Ring, Buffer (Note: Use Item 101)	
9	70004637	1	Ring, Wear	
10	Kit	NSS	O-Ring (Note: Use Item 101)	
11	Kit	NSS	Ring, Back-Up (Note: Use Item 101)	
12	Kit	NSS	O-Ring (Note: Use Item 101)	
13	70027692	1	Piston	
14	Kit	NSS	Seal, Piston (Note: Use Item 101)	
15	Kit	NSS	Ring, Wear (Note: Use Item 101)	
16	Kit	NSS	O-Ring	
17	70022564	1	Ball	
18	70022563	1	Setscrew	
19	70027693	2	Valve, Check	
20	70027694	2	Plug	
21	70027695	2	Plug	
22	2220883	3	Plug	
101	70027696	1	Seal Kit (Includes Items 4,6-8, 10-12 & 14-16)	

# SECTION 9 - HYDRAULIC COMPONENTS

## FIGURE 9-11. CYLINDER ASSEMBLY - GRAPPLE BUCKET



ART\_70021393-A

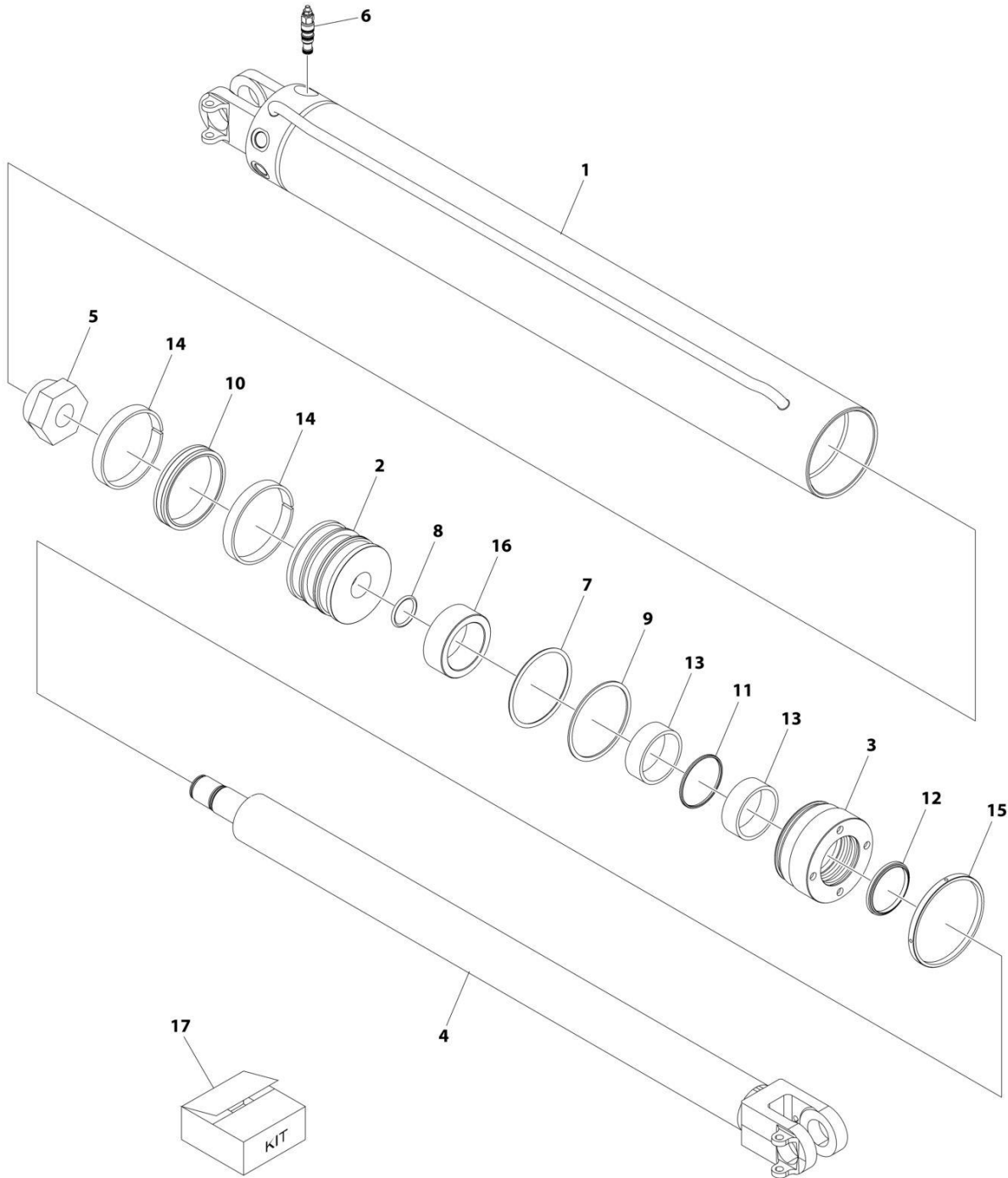
## SECTION 9 - HYDRAULIC COMPONENTS

### FIGURE 9-11. CYLINDER ASSEMBLY - GRAPPLE BUCKET

ITEM	PART NUMBER	QTY	DESCRIPTION	REV
	70021393	Ref	Grapple Bucket Cylinder	A
		Ref	Note: Original Cylinder May Have Been Replaced with Service Replacement. Identify PN Stamped on Cylinder Before Ordering Parts.	
1	70021465	1	Barrel	
2	70021448	2	Bushing	
3	70021464	2	Cartridge, Valve	
4	90554045	2	Fitting, Grease	
5	70021440	1	Nut	
6	Kit	NSS	Ring, Piston (Note: Use Item 101)	
7	Kit	NSS	O-Ring (Note: Use Item 101)	
8	70021451	1	Piston	
9	Kit	NSS	O-Ring (Note: Use Item 101)	
10	70021444	1	Washer	
11	Kit	NSS	O-Ring (Note: Use Item 101)	
12	Kit	NSS	Washer, Back-Up (Note: Use Item 101)	
13	Kit	NSS	O-Ring (Note: Use Item 101)	
14	70021446	1	Head	
15	Kit	NSS	Seal, Poly-Pak (Note: Use Item 101)	
16	Kit	NSS	Wiper, Rod (Note: Use Item 101)	
17	70021466	1	Rod	
18	70021447	1	Bushing	
101	70021452	1	Kit, Seal (includes items 6, 7, 9, 11 thru 13, 15 & 16)	

# SECTION 9 - HYDRAULIC COMPONENTS

## FIGURE 9-12. CYLINDER ASSEMBLY - LIFT



ART\_1001256322



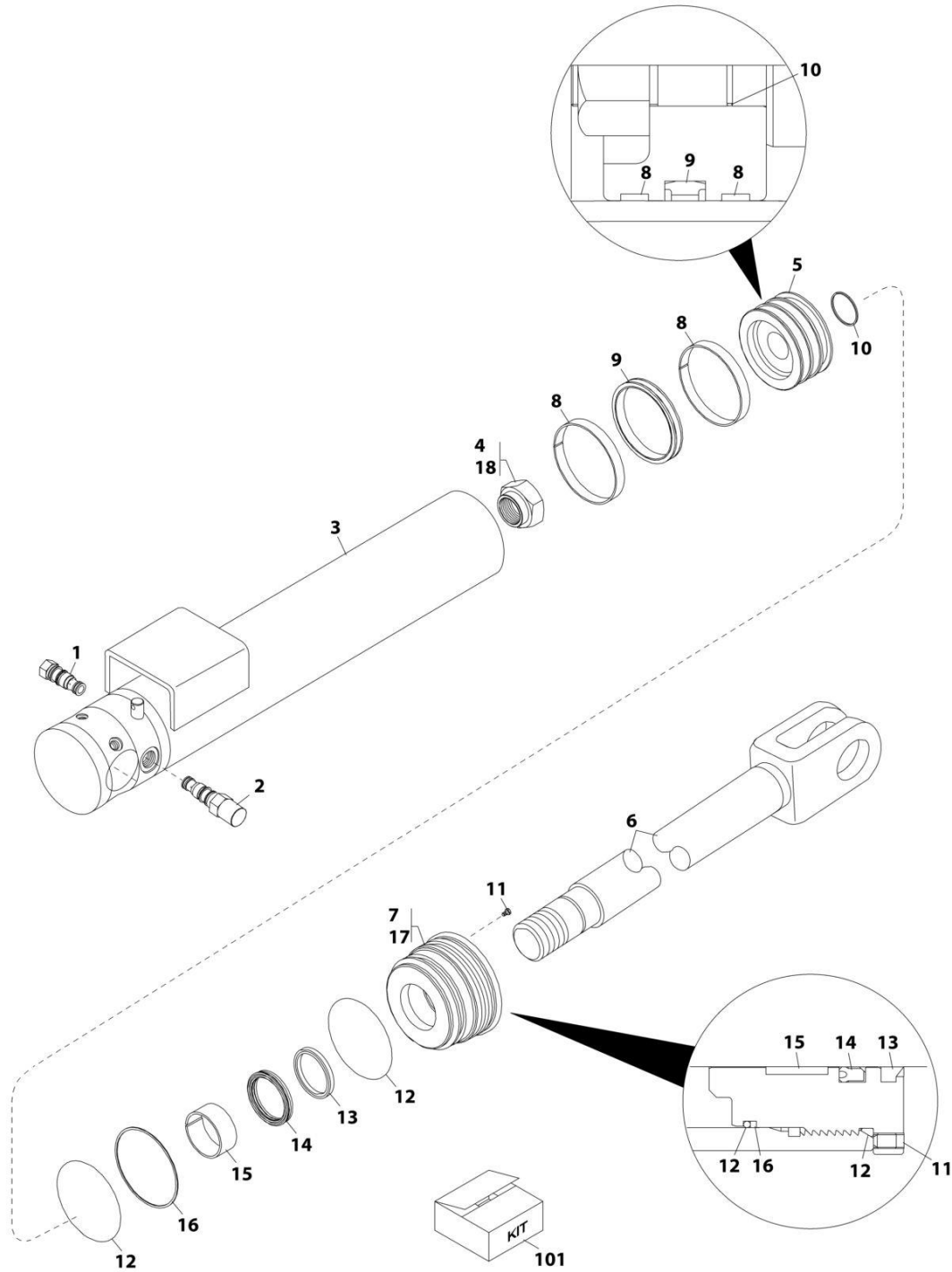
## SECTION 9 - HYDRAULIC COMPONENTS

**FIGURE 9-12. CYLINDER ASSEMBLY - LIFT**

ITEM	PART NUMBER	QTY	DESCRIPTION	REV
	1001256322	Ref	CYLINDER ASSEMBLY - LIFT	A
		Ref	Note: Original Cylinder May Have Been Replaced with Service Replacement. Identify PN Stamped on Cylinder Before Ordering Parts.	
1	See Note	NSS	Barrel (Note: Use PN 1001256322)	
2	See Note	NSS	Piston (Note: Use PN 1001256322)	
3	See Note	NSS	Head (Note: Use PN 1001256322)	
4	See Note	NSS	Rod (Note: Use PN 1001256322)	
5	See Note	NSS	Nut, Lock (Note: Use PN 1001256322)	
6	1001254411	1	Valve, Check	
7	See Note	NSS	O-Ring (Note: Use Item 17)	
8	See Note	NSS	O-Ring (Note: Use Item 17)	
9	See Note	NSS	Ring, Backup (Note: Use Item 17)	
10	See Note	NSS	Seal, Piston (Note: Use Item 17)	
11	See Note	NSS	Seal, Rod (Note: Use Item 17)	
12	See Note	NSS	Wiper, Rod (Note: Use Item 17)	
13	See Note	NSS	Ring, Wear (Note: Use Item 17)	
14	See Note	NSS	Ring, Wear (Note: Use Item 17)	
15	See Note	NSS	Collar, Locking (Note: Use PN 1001256322)	
16	See Note	NSS	Spacer (Note: Use PN 1001256322)	
17	70026025	1	Seal kit (Includes Items 7-14)	

# SECTION 9 - HYDRAULIC COMPONENTS

## FIGURE 9-13. CYLINDER ASSEMBLY - OUTRIGGER



ART\_2717201-E

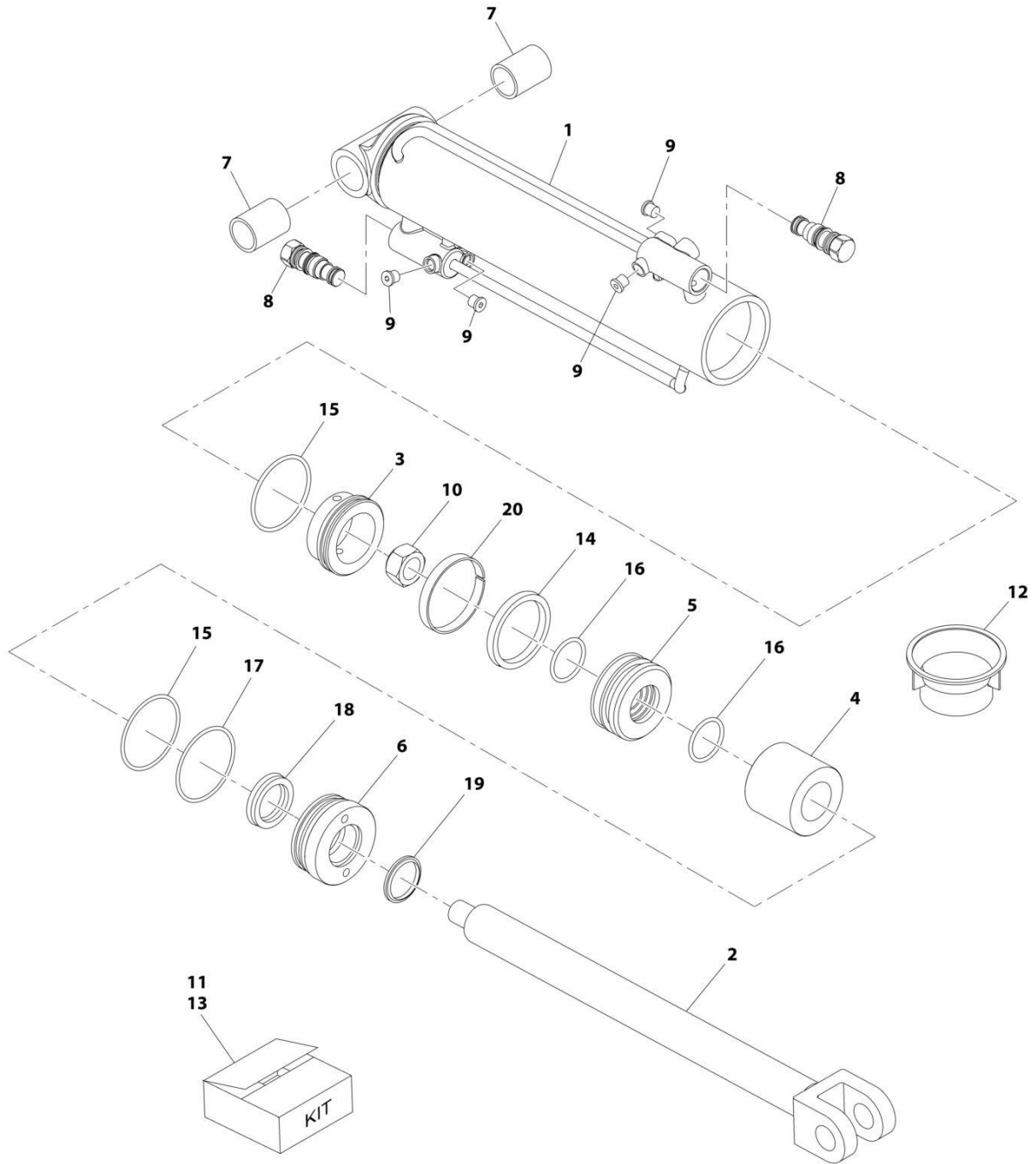
## SECTION 9 - HYDRAULIC COMPONENTS

**FIGURE 9-13. CYLINDER ASSEMBLY - OUTRIGGER**

ITEM	PART NUMBER	QTY	DESCRIPTION	REV
	2717201	Ref	Outrigger Cylinder	E
		Ref	Note: Original Cylinder May Have Been Replaced with Service Replacement. Identify PN Stamped on Cylinder Before Ordering Parts.	
1	8036750	1	Valve, PO Check	
	2900770	1	Kit, Seal	
2	8036732	1	Valve, Counterbalance, 1000 PSI	
	8035327	1	Kit, Seal	
3	70020658	1	Assembly, Barrel	
4	8036825	1	Nut, Lock 1-1/2-12	
5	8036837	1	Piston	
6	8036838	1	Weldment, Rod	
7	8036839	1	Gland, Head	
8	Kit	2	Wearband, Precision	
9	Kit	1	T-Seal, Capped	
10	Kit	1	O-Ring	
11	8036811	1	Screw, 1/4-20X3/8	
12	Kit	2	O-Ring	
13	Kit	1	Ring, Wiper	
14	Kit	1	Z-Seal	
15	Kit	1	Wearband, Precision	
16	Kit	1	Ring, Backup	
17	8526007	AR	Compound, Locking	
18	8526011	AR	Compound, Locking	
101	8036784	2	Kit, Seal (includes items 8 thru 10 & 12 thru 16)	

# SECTION 9 - HYDRAULIC COMPONENTS

## FIGURE 9-14. CYLINDER ASSEMBLY - PIPE HANDLER



ART\_70026587

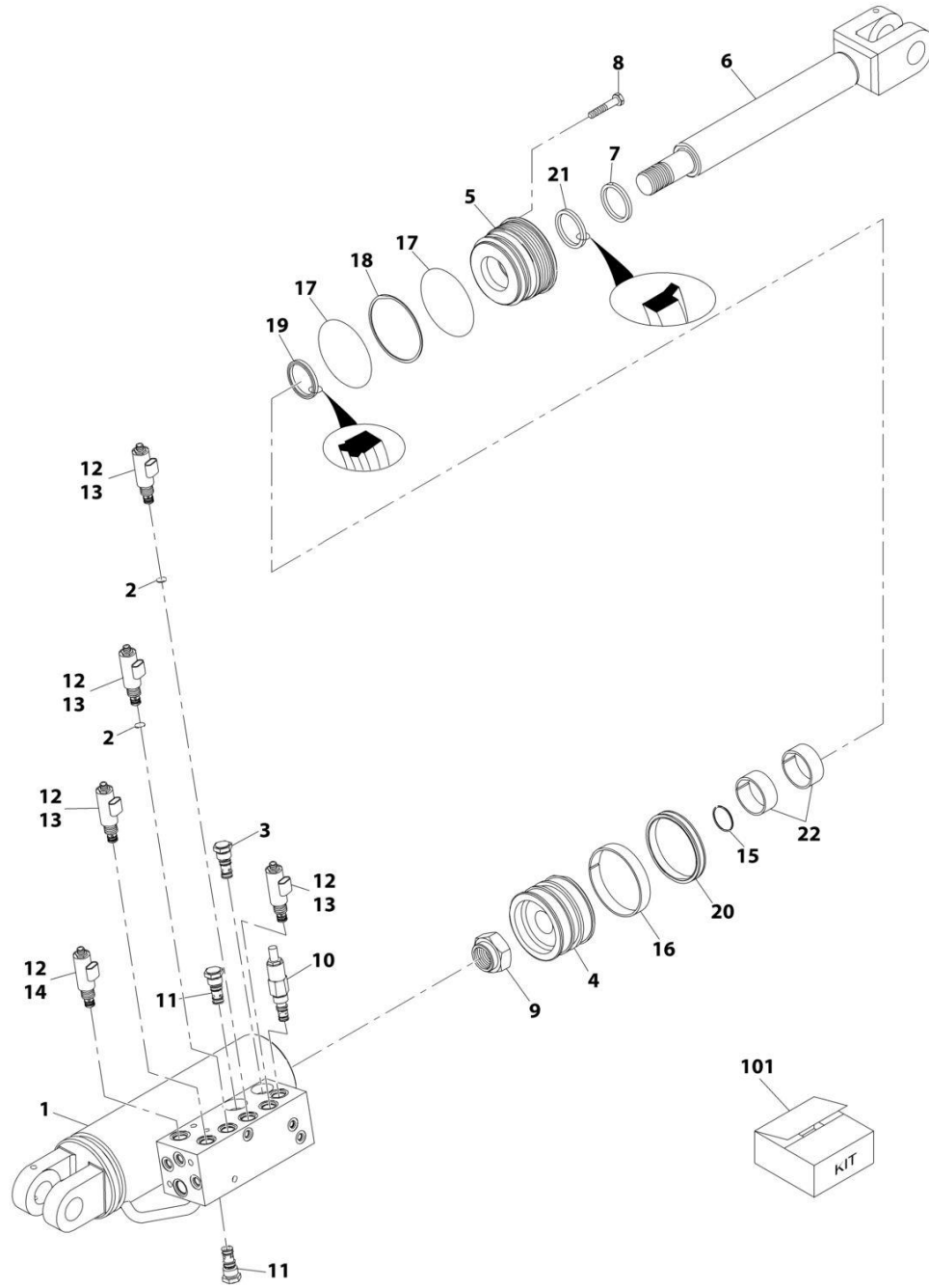
## SECTION 9 - HYDRAULIC COMPONENTS

**FIGURE 9-14. CYLINDER ASSEMBLY - PIPE HANDLER**

ITEM	PART NUMBER	QTY	DESCRIPTION	REV
	70026587	Ref	Pipe Handler Cylinder	
		Ref	Note: Original Cylinder May Have Been Replaced with Service Replacement. Identify PN Stamped on Cylinder Before Ordering Parts.	
1	70026495	1	Barrel	
2	70026610	1	Rod	
3	70026497	1	Spacer	
4	70026611	1	Spacer	
5	70026499	1	Piston	
6	70026500	1	Retainer	
7	70026501	2	Bushing	
8	70026502	2	Valve, Check	
9	70024129	4	Fitting, 4	
10	70026503	1	Nut	
11	70024734	1	Kit, Check Valve Service	
12	70026505	1	Seal Loader	
13	70026506	1	Seal Kit (includes items 14 thru 20)	
14	Kit	AR	Seal (Note: Use Item 13)	
15	Kit	AR	O-Ring (Note: Use Item 13)	
16	Kit	AR	O-Ring (Note: Use Item 13)	
17	Kit	AR	Ring, Back-up (Note: Use Item 13)	
18	Kit	AR	Seal (Note: Use Item 13)	
19	Kit	AR	Wiper (Note: Use Item 13)	
20	Kit	AR	Ring, Wear (Note: Use Item 13)	

# SECTION 9 - HYDRAULIC COMPONENTS

## FIGURE 9-15. CYLINDER ASSEMBLY - STABIL-TRAK



ART\_2717198-E

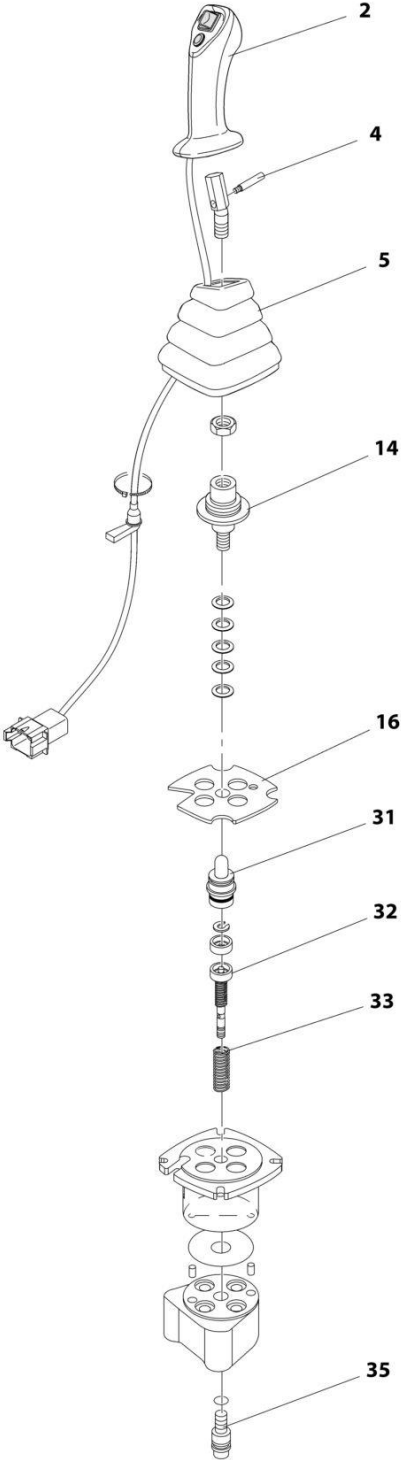
## SECTION 9 - HYDRAULIC COMPONENTS

### FIGURE 9-15. CYLINDER ASSEMBLY - STABIL-TRAK

ITEM	PART NUMBER	QTY	DESCRIPTION	REV
	2717198	Ref	Stabil-Trak Cylinder	E
		Ref	<b>Note: Original Cylinder May Have Been Replaced with Service Replacement. Identify PN Stamped on Cylinder Before Ordering Parts.</b>	
1	N.S.S.	NSS	Barrel (Note Use PN 2717198)	
2	8035781	2	Orifice	
3	8036582	1	Valve, Check	
3	7017496	1	Kit, Seal	
4	8036826	1	Piston	
5	8036828	1	Guide	
6	8036827	1	Rod	
7	7029153	1	O-Ring	
8	8036811	1	Setscrew, Set 1/4X3/8	
9	8036825	1	Nut 1-1/2	
10	8035282	1	Valve, Pressure Reducing	
10	8032994	1	Kit, Seal	
11	8035281	2	Valve, Check	
11	8036192	2	Kit, Seal	
12	7029246	5	Coil, Solenoid	
13	8036581	4	Valve, Solenoid	
13	7017496	4	Seal Kit - 8036581 Valve	
14	8036580	1	Valve, Solenoid	
14	7012903	1	Seal Kit - 8036580 Valve	
15	Kit	NSS	O-Ring (Note: Use Item 101)	
16	Kit	NSS	Ring, Wear (Note: Use Item 101)	
17	Kit	NSS	O-Ring (Note: Use Item 101)	
18	Kit	NSS	Ring, Back-Up (Note: Use Item 101)	
19	Kit	NSS	Z-Seal (Note: Use Item 101)	
20	Kit	NSS	T-Seal (Note: Use Item 101)	
21	Kit	NSS	Ring, Wiper (Note: Use Item 101)	
22	Kit	NSS	Ring, Wear	
101	8036747	1	Kit, Seal (includes items 15 thru 22)	

# SECTION 9 - HYDRAULIC COMPONENTS

## FIGURE 9-16. STICKJOY ASSEMBLY



ART\_1001158002-B



## SECTION 9 - HYDRAULIC COMPONENTS

### FIGURE 9-16. STICKJOY ASSEMBLY

ITEM	PART NUMBER	QTY	DESCRIPTION	REV
	1001158002	Ref	Pilot Joystick Control	B
2	70026097	1	Handle	
4	91404011	1	Kit, Bent Lever	
5	80364095	1	Boot, Rubber	
14	80264138	1	Kit, Cardan	
16	91404013	1	Plate, Retaining	
31	91304025	2	Kit, Plunger (set of two)	
32	70026098	4	Unit, Regulating	
33	91514225	1	Spring, Return (set of four)	
35	91404326	1	Kit, Seal	



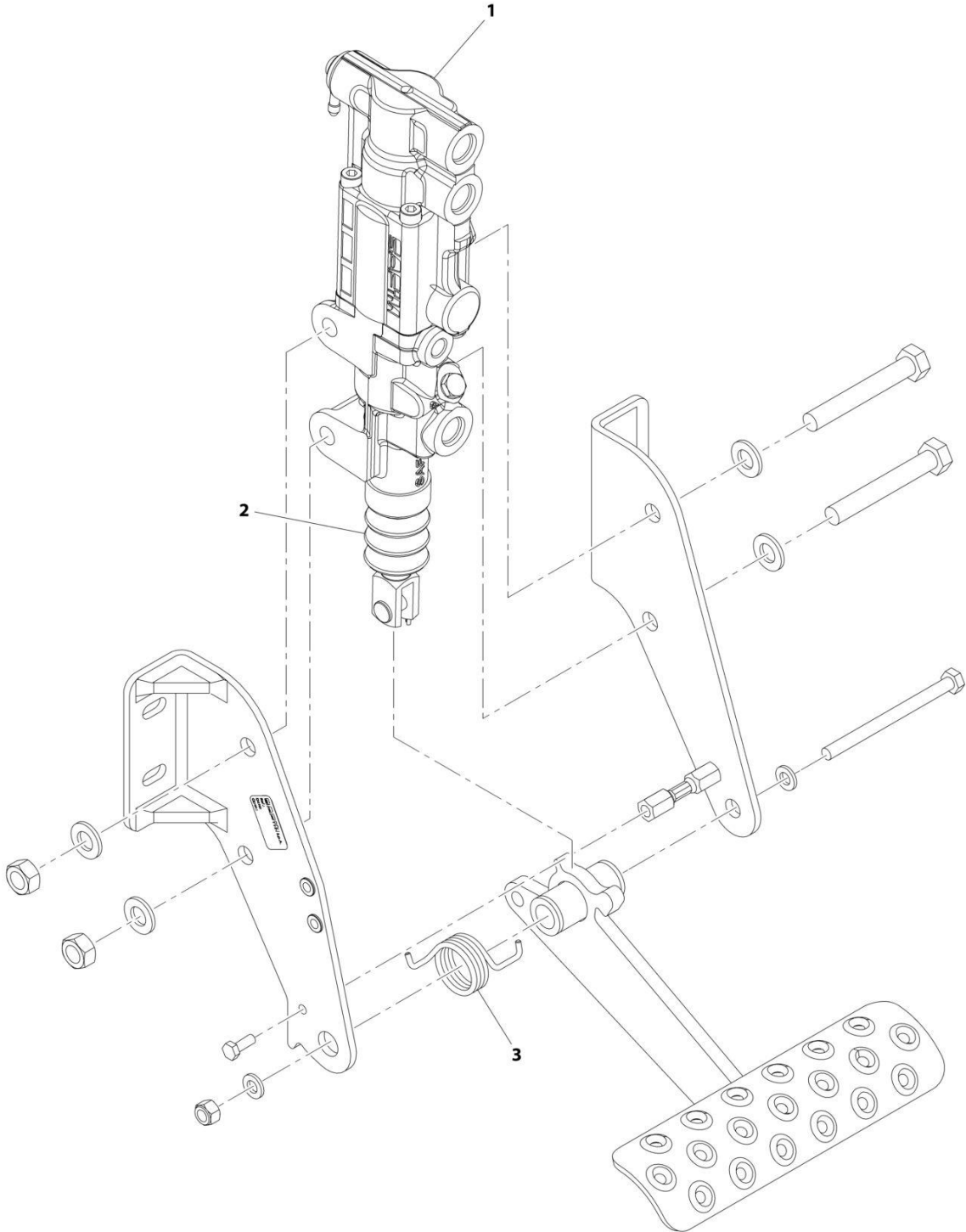
## SECTION 9 - HYDRAULIC COMPONENTS

FIGURE 9-17. VALVE ASSEMBLY - AIR SHUT OFF

ITEM	PART NUMBER	QTY	DESCRIPTION	REV
	1001204032	Ref	Air Shut Off Valve	C
1	70028514	1	Kit, Solenoid 12V (Includes Solenoid, Coil, O-Ring)	
2	70028515	1	Kit, Switch (Includes Ball Switch & O-Ring)	
3	70028516	1	Kit, Flange and Hardware (Includes Flanges (Male & Female) & Mounting Hardware)	
4	70028517	1	Kit, Handle (Includes Handle & Pin)	

# SECTION 9 - HYDRAULIC COMPONENTS

## FIGURE 9-18. VALVE SUB-ASSEMBLY - BRAKE



ART\_1001223050-B

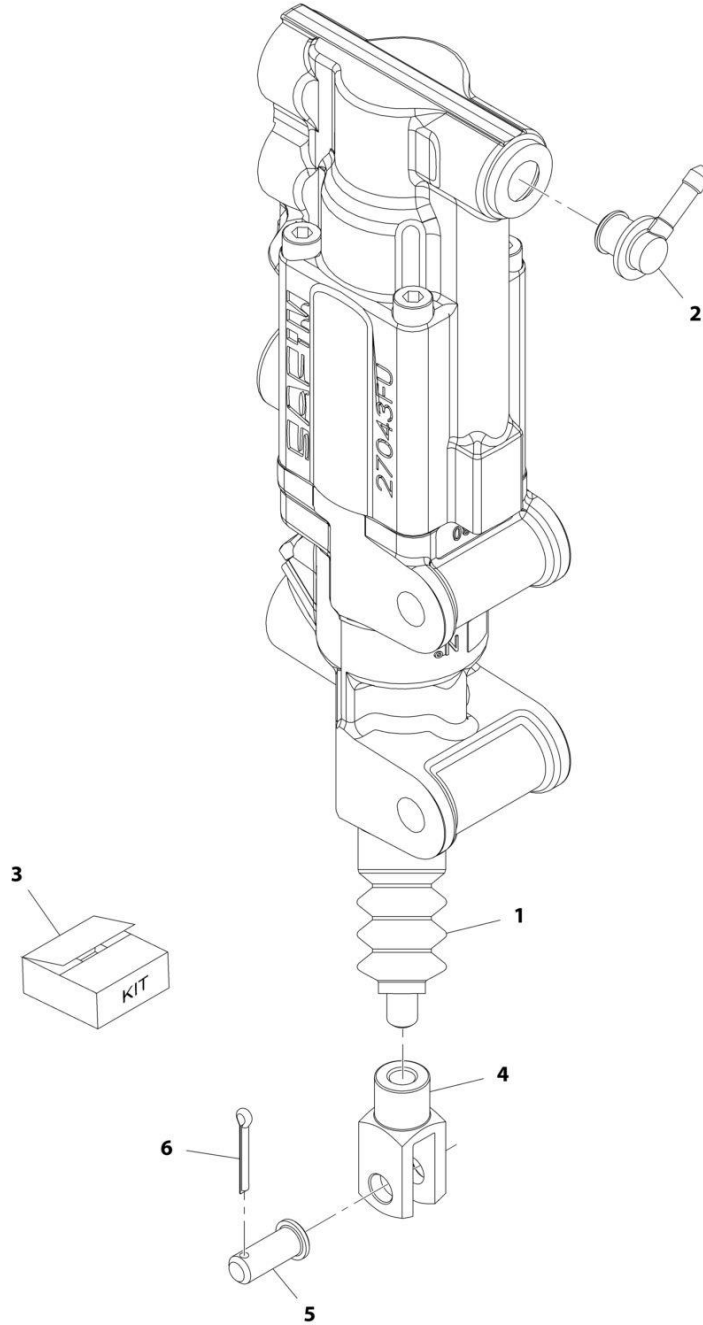
## SECTION 9 - HYDRAULIC COMPONENTS

FIGURE 9-18. VALVE SUB-ASSEMBLY - BRAKE

ITEM	PART NUMBER	QTY	DESCRIPTION	REV
1	1001223050	Ref	Hydraulic Brake Valve Installation	B
	1001201721	1	Brake Valve (See Separate Breakdown in HYDRAULIC COMPONENTS Section)	
2	70025859	1	Dust Cover	
3	70028547	1	Spring, Return	

# SECTION 9 - HYDRAULIC COMPONENTS

## FIGURE 9-19. VALVE ASSEMBLY - BRAKE



ART\_1001201721-D

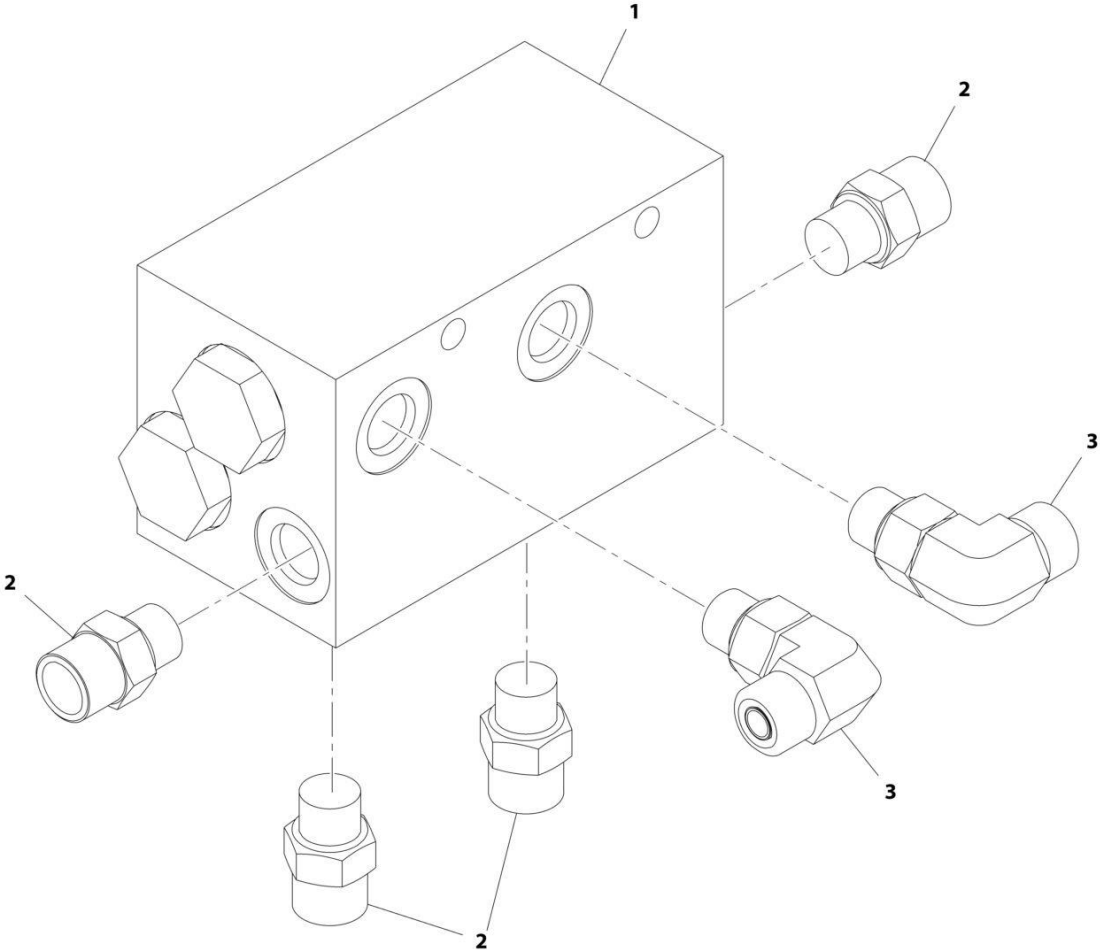
## SECTION 9 - HYDRAULIC COMPONENTS

FIGURE 9-19. VALVE ASSEMBLY - BRAKE

ITEM	PART NUMBER	QTY	DESCRIPTION	REV
	1001201721	Ref	Brake Valve	D
1	70025859	1	Dust Cover	
2	70027275	1	Reservoir Joint	
3	70027276	1	Seal Kit	
4	70022650	1	Yoke	
5	70020743	1	Pin, Yoke	
6	70020745	1	Pin, Cotter	

**SECTION 9 - HYDRAULIC COMPONENTS**

**FIGURE 9-20. VALVE ASSEMBLY - CARRIAGE FORK POSITIONING**



ART\_4641502-B



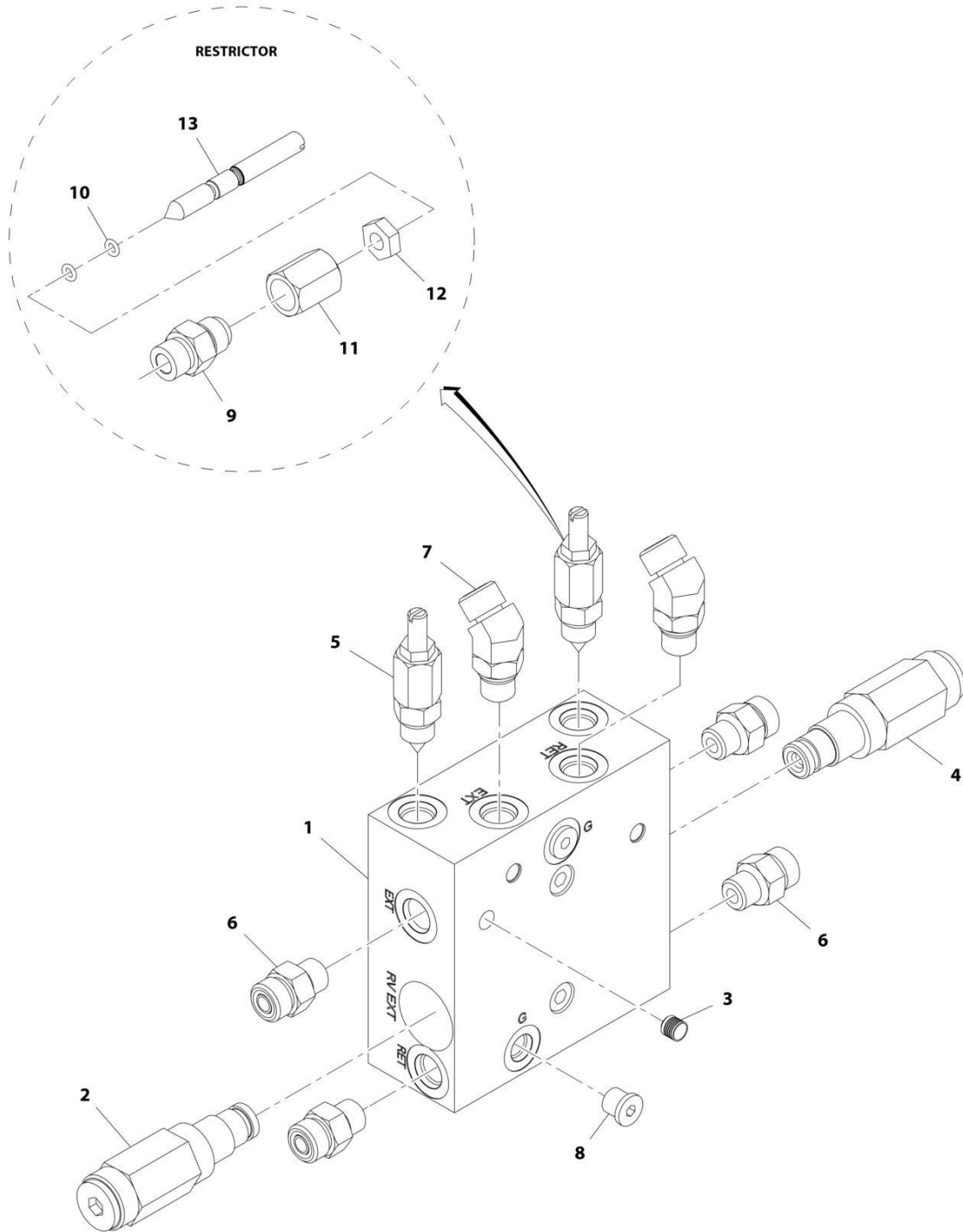
## SECTION 9 - HYDRAULIC COMPONENTS

**FIGURE 9-20. VALVE ASSEMBLY - CARRIAGE FORK POSITIONING**

ITEM	PART NUMBER	QTY	DESCRIPTION	REV
	4641502	Ref	Dual Fork Carriage Valve Assembly	B
1	4641501	1	Valve, Flow Divider (See Separate Breakdown in this Section)	
2	2110606	4	Fitting, Straight ORFS	
3	2130606	2	Fitting, 90	

# SECTION 9 - HYDRAULIC COMPONENTS

## FIGURE 9-21. VALVE ASSEMBLY - CARRIAGE PIPE GRAPPLE



ART\_70026589

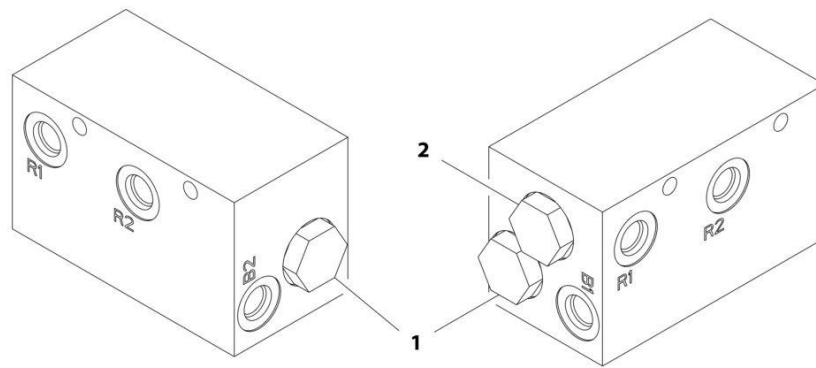
## SECTION 9 - HYDRAULIC COMPONENTS

**FIGURE 9-21. VALVE ASSEMBLY - CARRIAGE PIPE GRAPPLE**

ITEM	PART NUMBER	QTY	DESCRIPTION	REV
	70026589	Ref	Valve Assembly	
1	70026612	NLA	Manifold (Purchase Complete Assembly)	
2	70026613	1	Cartridge	
3	70026614	4	Plug	
4	70026478	1	Cartridge	
5	70026615	2	Restrictor	
6	70024130	4	Fitting	
7	70026616	2	Fitting	
8	70024129	2	Plug	
9	70026617	1	Fitting	
10	70026618	2	O-Ring	
11	70026619	1	Cap	
12	70026620	1	Jam Nut	
13	70026621	1	Plunger	

# SECTION 9 - HYDRAULIC COMPONENTS

FIGURE 9-22. VALVE ASSEMBLY - FLOW DIVIDER



ART\_4641501-A

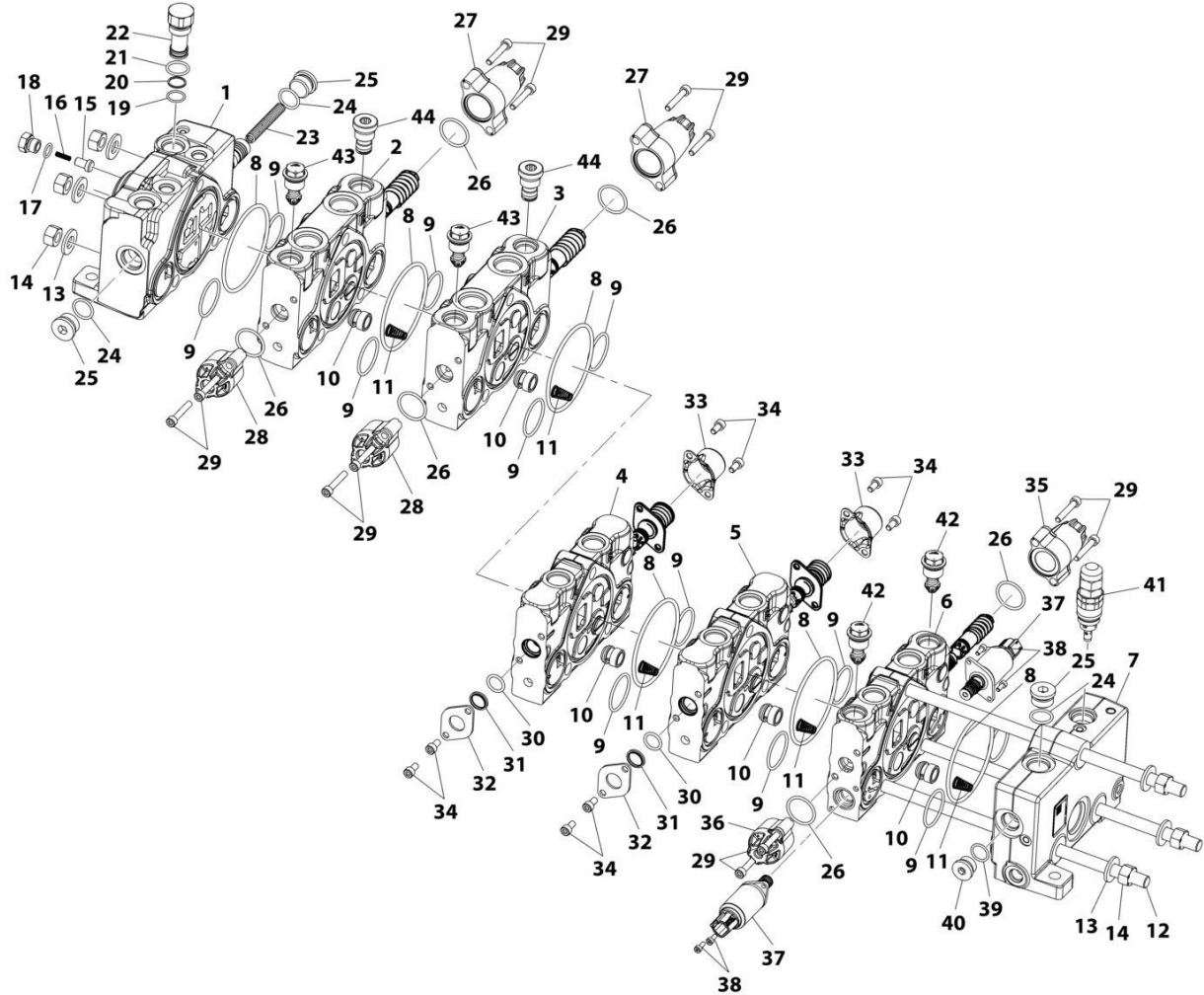
## SECTION 9 - HYDRAULIC COMPONENTS

FIGURE 9-22. VALVE ASSEMBLY - FLOW DIVIDER

ITEM	PART NUMBER	QTY	DESCRIPTION	REV
	4641501	Ref	Flow Divider Valve	A
1	70023928	2	Valve, Check	
2	70023929	1	Valve, Cartridge	

# SECTION 9 - HYDRAULIC COMPONENTS

## FIGURE 9-23. VALVE ASSEMBLY - MAIN CONTROL



ART\_1001242925

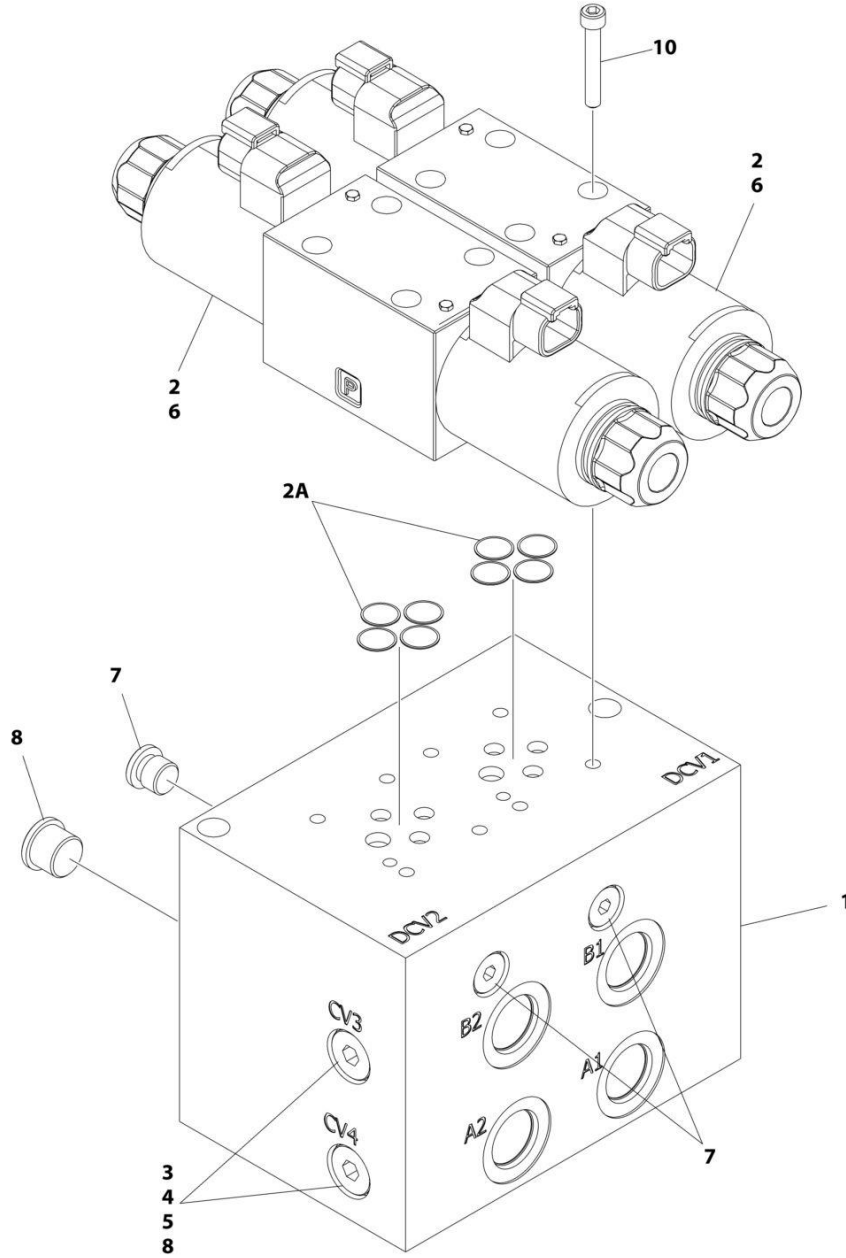
## SECTION 9 - HYDRAULIC COMPONENTS

**FIGURE 9-23. VALVE ASSEMBLY - MAIN CONTROL**

ITEM	PART NUMBER	QTY	DESCRIPTION	REV
	1001242925	Ref	MAIN CONTROL VALVE	F
1	70030023	1	Inlet Section Assembly	
2	70030001	1	Lift Section Assembly	
3	70030002	1	Extend/Retract Section Assembly	
4	70030003	1	Aux Section Assembly	
5	70030004	1	Sway Section Assembly	
6	70030005	1	Tilt Section Assembly	
7	70030006	1	Outlet Section Assembly	
8	8034697	6	O-Ring	
9	70030007	12	O-Ring	
10	8903015	5	Poppet CV	
11	70030012	5	Spring	
12	70030038	3	Tie Rod	
13	70030039	6	Washer	
14	8035347	6	Nut	
15	70030009	1	Poppet, CV	
16	70030010	1	Spring	
17	70030040	1	O-Ring	
18	70030011	1	Plug	
19	70026370	1	O-Ring	
20	70026376	1	Back-Up Ring	
21	10837928	1	O-Ring	
22	70030041	1	Drain Regulator Assembly	
23	70030008	1	Spring	
24	70026652	3	O-Ring	
25	70026653	3	Plug	
26	70030013	6	O-Ring	
27	70030015	2	Spool Cap	
28	70030014	2	Spool Cap	
29	70030016	12	Screw	
30	8037109	2	O-Ring	
31	70030018	2	Wiper	
32	70030017	2	Sealing Plate	
33	70030019	2	Cap Spool	
34	70026133	8	Screw	
35	70030021	1	Spool Cap	
36	70030020	1	Spool Cap	
37	70029874	2	Valve, Solenoid Cartridge	
38	70022014	4	Screw	
39	70024202	1	O-Ring	
40	8035382	1	Plug Assembly	
41	70030022	1	Valve Assembly, LS Relief	
42	70027134	2	Valve Assembly, Relief	
43	70025982	2	Valve Assembly, Relief	
44	70022008	2	Shut-Off Plug Assembly	

# SECTION 9 - HYDRAULIC COMPONENTS

## FIGURE 9-24. VALVE ASSEMBLY - OUTRIGGER



ART\_1001256316



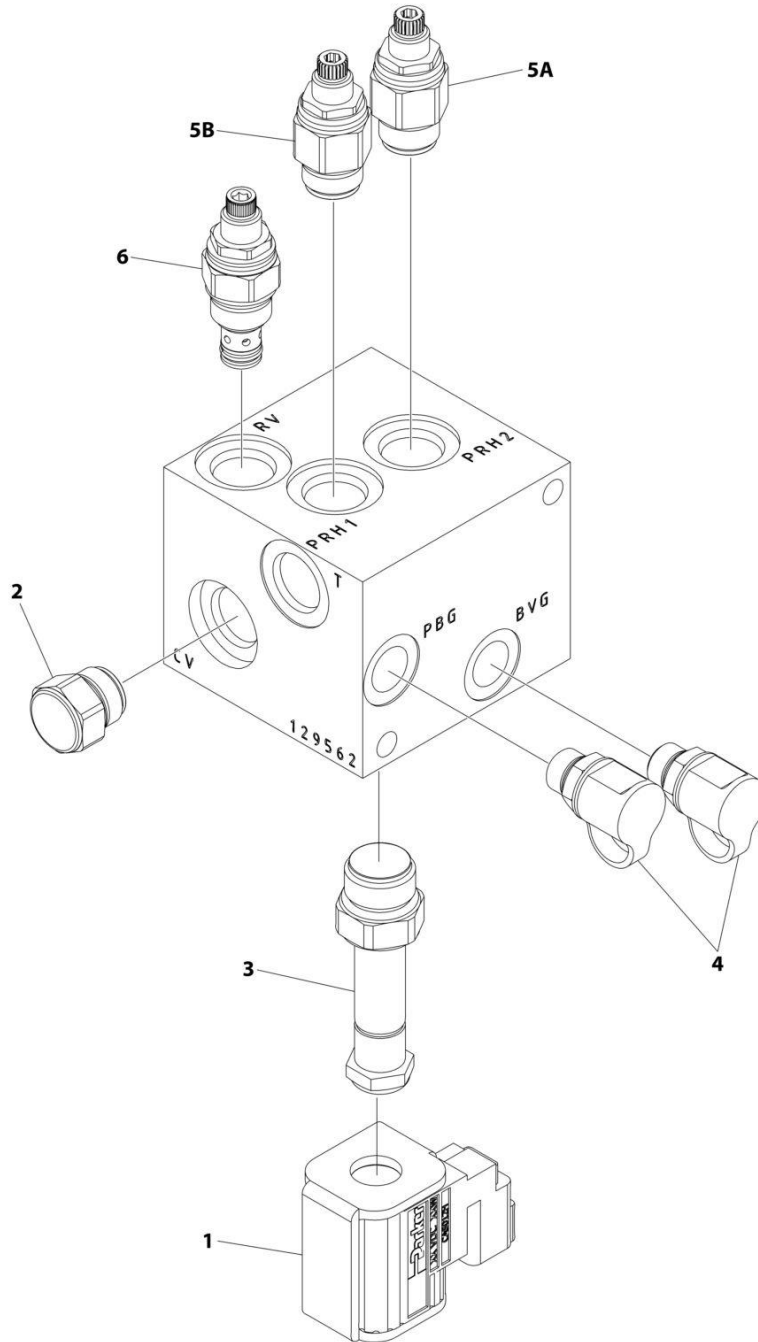
## SECTION 9 - HYDRAULIC COMPONENTS

**FIGURE 9-24. VALVE ASSEMBLY - OUTRIGGER**

ITEM	PART NUMBER	QTY	DESCRIPTION	REV
	1001256316	Ref	Outrigger Valve	A
1		Ref	Manifold	
2	70026564	2	Valve, Directional Control, (includes o-rings)	
2A	7010746	4	O-Ring	
3	70023506	4	Bearing, Ball	
4	70023507	4	Spring	
5	70023508	4	Retainer	
6	70023509	2	Orifice	
7	8032790	6	Plug	
8	2220885	6	Plug	
10	70029798	8	Capscrew M10X215	

# SECTION 9 - HYDRAULIC COMPONENTS

## FIGURE 9-25. VALVE ASSEMBLY - SECONDARY



ART\_1001266771

## SECTION 9 - HYDRAULIC COMPONENTS

**FIGURE 9-25. VALVE ASSEMBLY - SECONDARY**

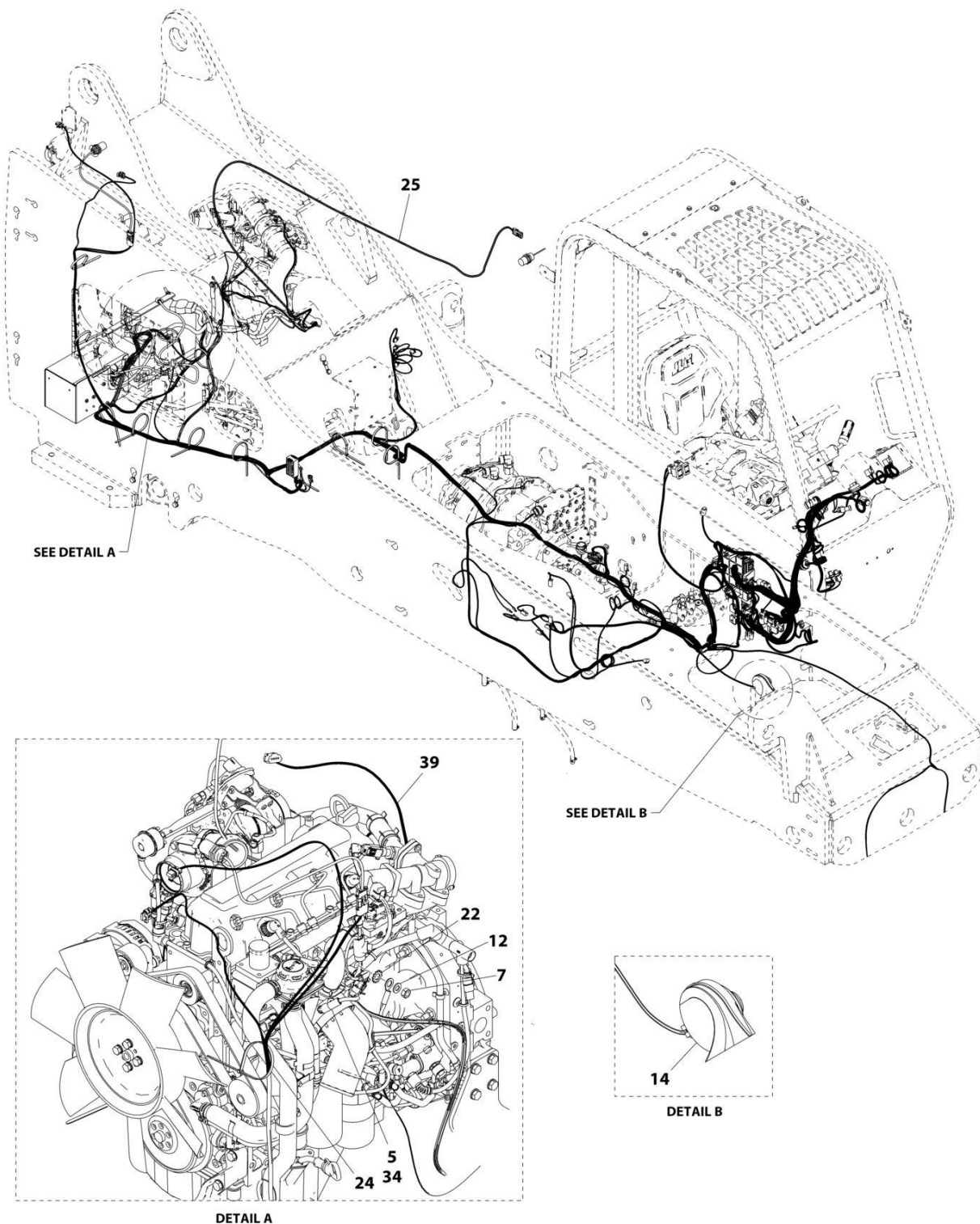
ITEM	PART NUMBER	QTY	DESCRIPTION	REV
	1001266771	Ref	VALVE ASSEMBLY - SECONDARY	B
1	70026085	1	Coil	
2	91474023	1	Cartridge, Check Valve	
	7010769	1	Seal Kit - 91474023 Valve	
3	70026087	1	Cartridge, Solenoid Less Coil	
	8032695	1	Seal Kit - 70026087 Valve	
4	See Note	N.S.S.	Fitting, Straight	
5A	70029558	1	Cartridge, Pressure Relief Valve	
	8032694	1	Seal Kit - 70029558 Valve	
5B	70029584	1	Cartridge, Pressure Relief Valve	
	8032694	1	Seal Kit - 70029584 Valve	
6	70030292	1	Cartridge, Pressure Relief Valve	
	7010769	1	Seal Kit - 70030292 Valve	



**SECTION 10 - ELECTRICAL**

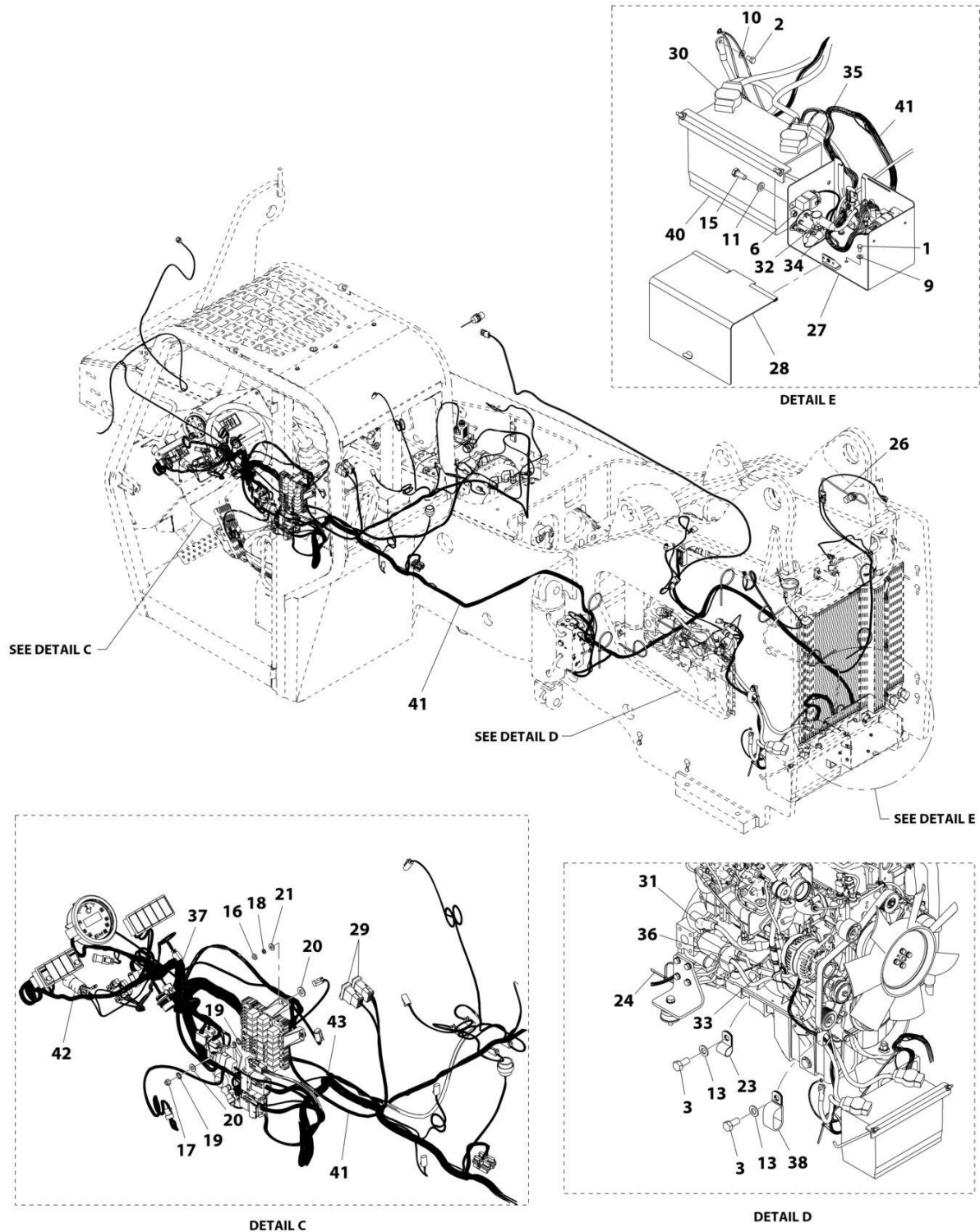
# SECTION 10 - ELECTRICAL

## FIGURE 10-1. ELECTRICAL INSTALLATION (74HP) (ULS)



ART\_1001252321\_1-B

# SECTION 10 - ELECTRICAL



ART\_1001252321\_2-B

## SECTION 10 - ELECTRICAL

**FIGURE 10-1. ELECTRICAL INSTALLATION (74HP) (LS)**

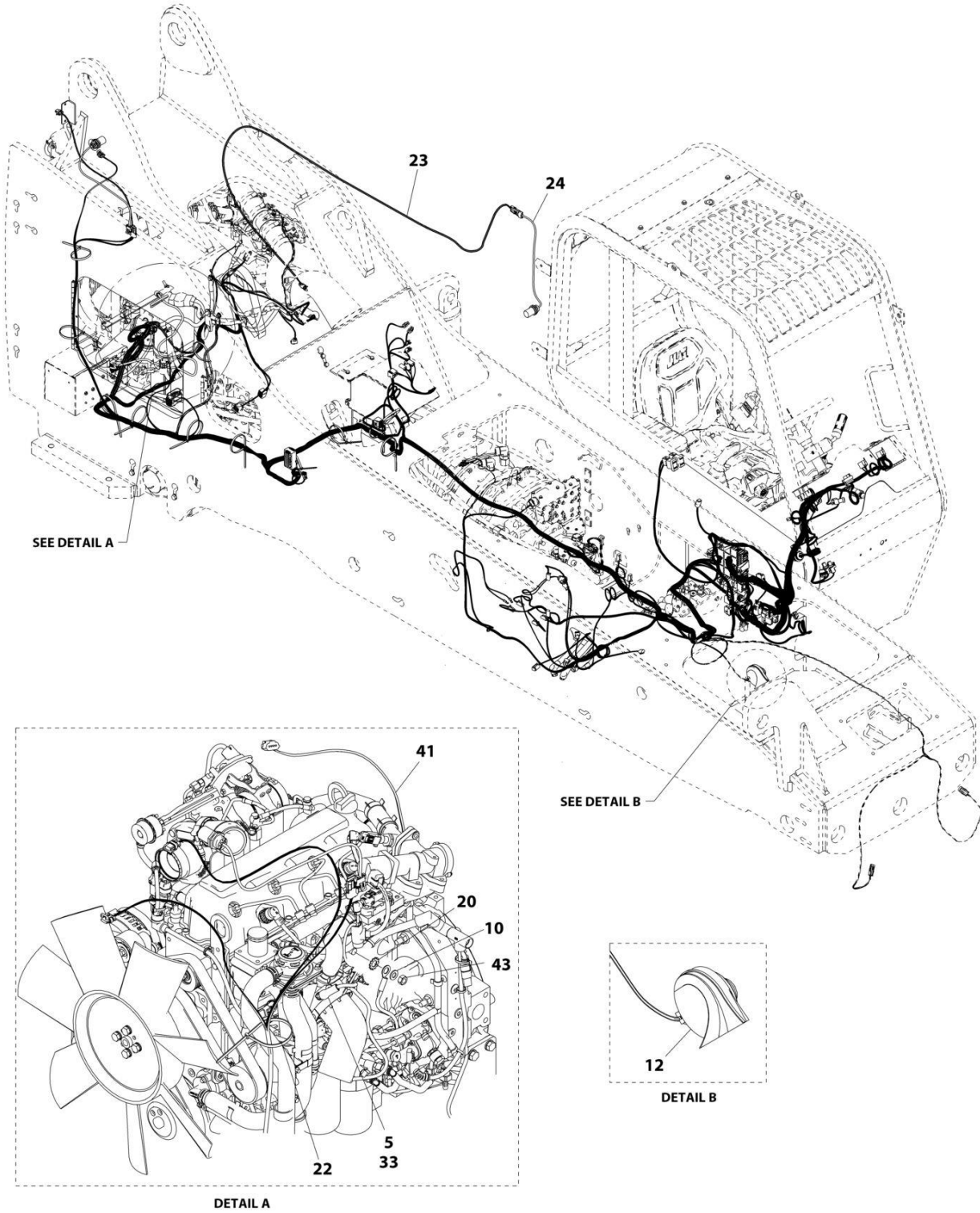
ITEM	PART NUMBER	QTY	DESCRIPTION	REV
	1001252321	Ref	Electrical Installation (74HP) (ULS)	B
1	0641404	3	Bolt 1/4X1/2	
2	0641605	1	Bolt 3/8X5/8	
3	0761212	2	Bolt M12X25	
5	3290601	1	Nut M6	
6	3290605	1	Nut M6	
7	3290801	1	Nut M8	
9	4711400	3	Washer 1/4	
10	4711600	1	Washer 3/8	
11	4811702	1	Washer M6	
12	4811900	1	Washer, M8	
13	4812100	2	Washer M12	
14	8270620	1	Horn, Signal	
15	8303545	1	Bolt M6X14	
16	8305002	4	Nut #10	
17	8305624	2	Nut 1/4	
18	8307003	4	Washer M10	
19	8307027	4	Washer 5/16	
20	8307106	6	Washer 5/16	
21	8307111	4	Washer M10	
22	8310046	1	Washer M10	
23	8406105	1	Clip, Tube	
24	8584001	13	Wrap, Tie	
25	1001127226	1	Harness, Boom Extend (See Separate Breakdown in this Section)	
26	1001130307	2	Sensor, Boom	
27	1001170233	1	Installation, Relay Panel (See Separate Breakdown in this Section)	
28	1001170234	1	Assembly, Relay Panel Cover (See Separate Breakdown in this Section)	
29	1001170269	2	Switch, Outtrigger	
30	1001171234	1	Cable, Battery Negative	
31	1001171236	1	Cable, Starter Ground	
32	1001171237	1	Cable, Grid Heater to Fuse Power	
33	1001171238	1	Cable, Alternator Power	
34	1001171239	1	Cable, Grid Heater Power	
35	1001171633	1	Cable, Buss Power	
36	1001171757	1	Cable, Starter Power	
37	1001178285	1	Harness, Cab Power Distribution (See Separate Breakdown in this Section)	
38	1001181899	1	Clamp	
39	1001184835	1	Harness, TBAP (See Separate Breakdown in this Section)	
40	1001186841	1	Installation, Battery (See Separate Breakdown in this Section)	
41	1001199889	1	Engine Harness (See Separate Breakdown in this Section)	
42	1001250700	1	Switch, Pressure	
43	1001251503	1	Harness, Logic (See Separate Breakdown in this Section)	





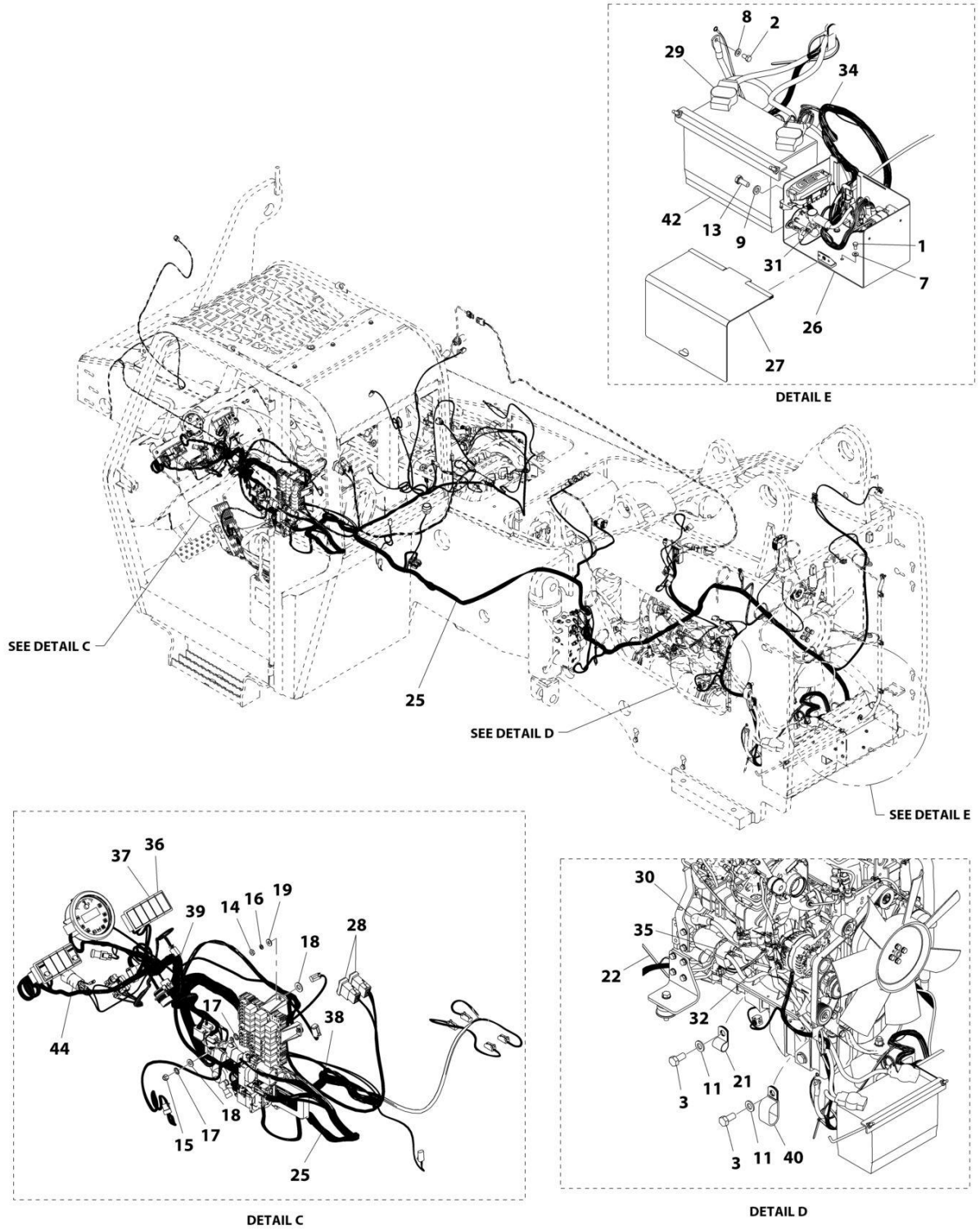
# SECTION 10 - ELECTRICAL

## FIGURE 10-2. ELECTRICAL INSTALLATION (110HP) (ULS)



ART\_1001252320\_1-B

# SECTION 10 - ELECTRICAL



ART\_1001252320\_2-B

## SECTION 10 - ELECTRICAL

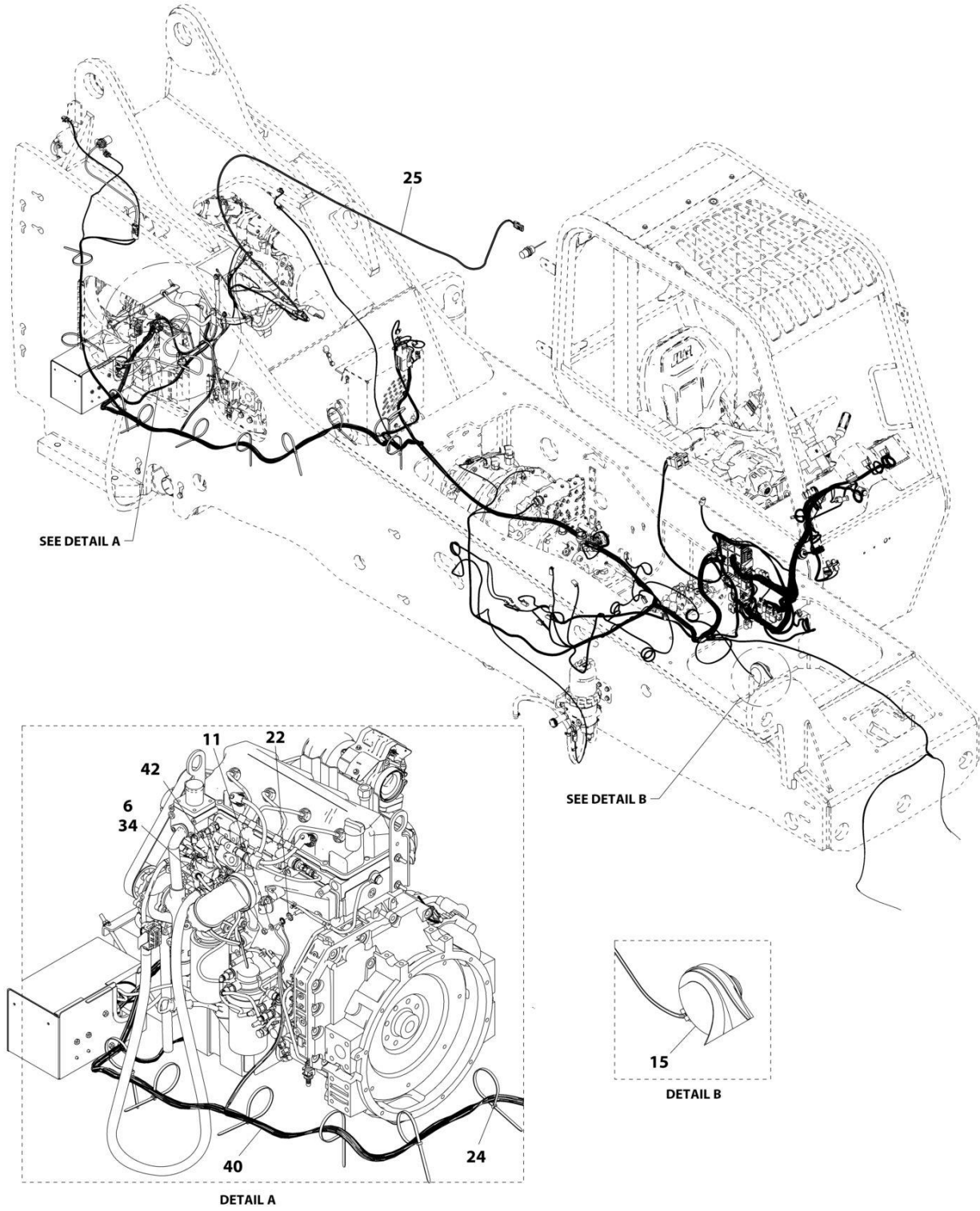
**FIGURE 10-2. ELECTRICAL INSTALLATION (110HP) (ULS)**

ITEM	PART NUMBER	QTY	DESCRIPTION	REV
	1001252320	Ref	Electrical Installation (ULS)	B
1	0641404	3	Bolt 1/4X1/2	
2	0641605	1	Bolt 3/8X5/8	
3	0761212	2	Bolt M12X25	
5	3290601	1	Nut M6X1	
7	4711400	3	Washer 1/4	
8	4711600	1	Washer 3/8	
9	4811700	2	Washer M6	
10	4811900	1	Washer, M8	
11	4812100	2	Washer, M12	
12	8270620	1	Horn, Signal	
13	8303545	2	Bolt M6X14	
14	8305002	4	Nut #10	
15	8305624	2	Nut 1/4	
16	8307003	4	Washer M10	
17	8307027	4	Washer 5/16	
18	8307106	6	Washer 5/16	
19	8307111	4	Washer M10	
20	8310046	1	Washer M10	
21	8406105	1	Clip, Tube	
22	8584001	14	Wrap, Tie	
23	1001127226	1	Boom Extend Harness (See Separate Breakdown in this Section)	
24	1001130307	2	Sensor, Boom	
25	1001169620	1	Harness, Engine (See Separate Breakdown in this Section)	
26	1001170233	1	Installation, Relay Panel (See Separate Breakdown in this Section)	
27	1001170234	1	Assembly, Relay Panel Cover (See Separate Breakdown in this Section)	
28	1001170269	2	Switch, Outtrigger	
29	1001171234	1	Cable, Battery Negative	
30	1001171236	1	Cable, Starter Ground	
31	1001171237	1	Cable, Grid Heater to Fuse Power	
32	1001171238	1	Cable, Alternator Power	
33	1001171239	1	Cable, Grid Heater Power	
34	1001171633	1	Cable, Buss Power	
35	1001171757	1	Cable, Starter Power	
36	1001172135	1	Indicator, Engine	
37	1001172136	1	Indicator, Hest	
38	1001251503	1	Logic Harness (See Separate Breakdown in this Section)	
39	1001178285	1	Harness, Cab Power Distribution (See Separate Breakdown in this Section)	
40	1001181899	1	Clamp	
41	1001184835	1	Harness, TBAP (See Separate Breakdown in this Section)	
42	1001186841	1	Installation, Battery (See Separate Breakdown in this Section)	
43	3290801	1	Nut M8	
44	1001250700	1	Switch, Pressure	



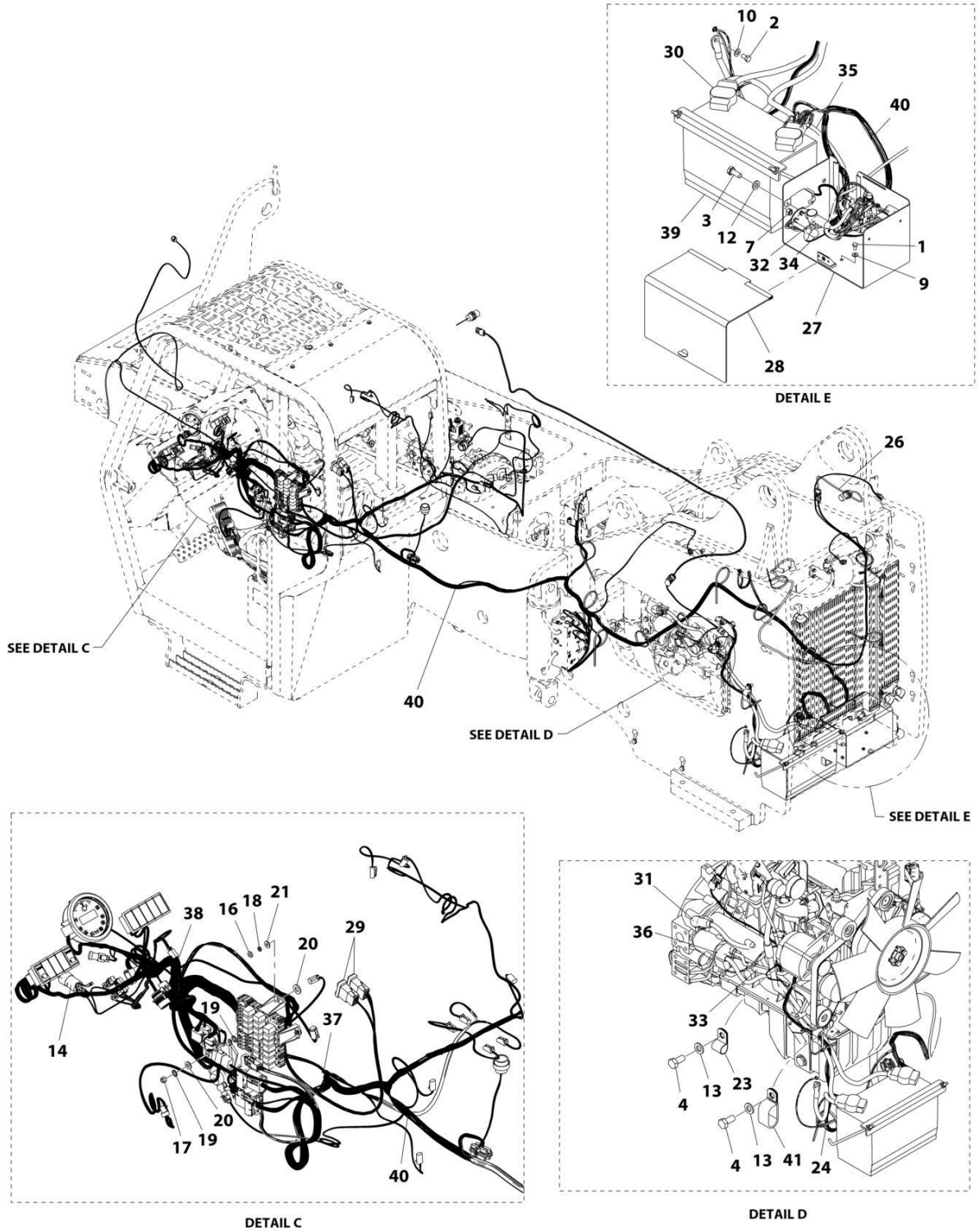
# SECTION 10 - ELECTRICAL

## FIGURE 10-3. ELECTRICAL INSTALLATION (110HP) (LS)



ART\_1001252322\_1-B

# SECTION 10 - ELECTRICAL



ART\_1001252322\_2-B

# SECTION 10 - ELECTRICAL

**FIGURE 10-3. ELECTRICAL INSTALLATION (110HP) (LS)**

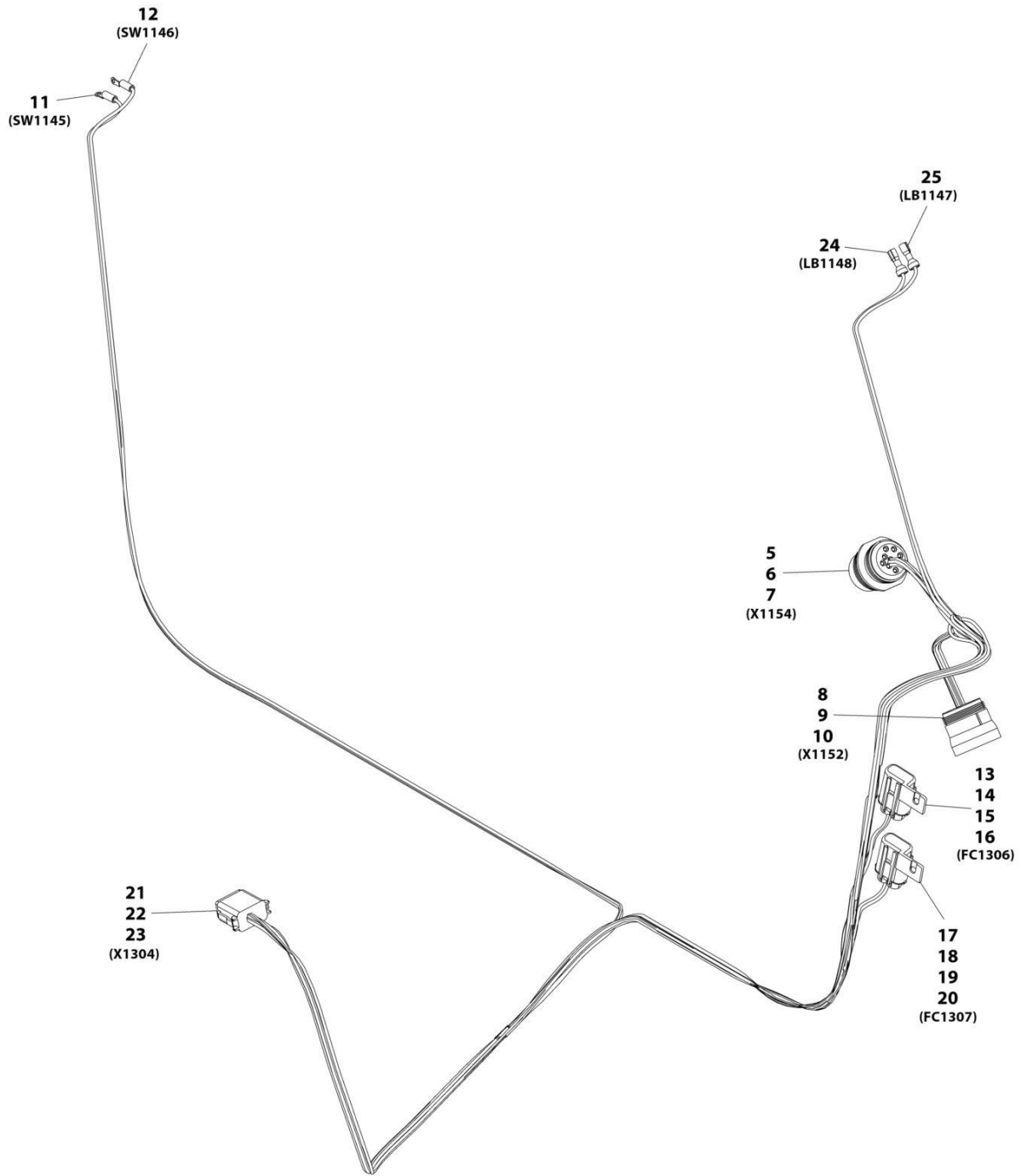
ITEM	PART NUMBER	QTY	DESCRIPTION	REV
	1001252322	Ref	Electrical Installation (LS)	B
1	0641404	3	Bolt 1/4X1/2	
2	0641605	1	Bolt 3/8X5/8	
3	8303545	1	Bolt M6X14	
4	0761212	2	Bolt, M12X25	
6	3290601	1	Nut M6	
7	3290605	1	Nut M6	
9	4711400	3	Washer 1/4	
10	4711600	1	Washer 3/8	
11	4811900	1	Washer M8	
12	4811702	1	Washer, M6	
13	4812100	2	Washer M12	
14	1001250700	1	Switch, Pressure	
15	8270620	1	Horn, Signal	
16	8305002	4	Nut #10	
17	8305624	2	Nut 1/4	
18	8307003	4	Washer M10	
19	8307027	4	Washer 5/16	
20	8307106	6	Washer 5/16	
21	8307111	4	Washer M10	
22	8310046	1	Washer M10	
23	8406105	1	Clip, Tube	
24	8584001	14	Wrap, Tie	
25	1001127226	1	Harness, Boom Extend (See Separate Breakdown in this Section)	
26	1001130307	2	Sensor, Boom	
27	1001170233	1	Installation, Relay Panel (See Separate Breakdown in this Section)	
28	1001170234	1	Assembly, Relay Panel Cover (See Separate Breakdown in this Section)	
29	1001170269	2	Switch, Outtrigger	
30	1001171234	1	Cable, Battery Negative	
31	1001171236	1	Cable, Starter Ground	
32	1001171237	1	Cable, Grid Heater to Fuse Power	
33	1001171238	1	Cable, Alternator Power	
34	1001171239	1	Cable, Grid Heater Power	
35	1001171633	1	Cable, Buss Power	
36	1001171757	1	Cable, Starter Power	
37	1001251503	1	Harness, Logic (See Separate Breakdown in this Section)	
38	1001178285	1	Harness, Cab Power Distribution (See Separate Breakdown in this Section)	
39	1001186841	1	Installation, Battery (See Separate Breakdown in this Section)	
40	1001189488	1	Engine Harness (See Separate Breakdown in this Section)	
41	1001181899	1	Clamp	
42	3290801	1	Nut M8	





# SECTION 10 - ELECTRICAL

## FIGURE 10-4. AIR SHUT-OFF VALVE HARNESS - CAB



ART\_1001231560-C

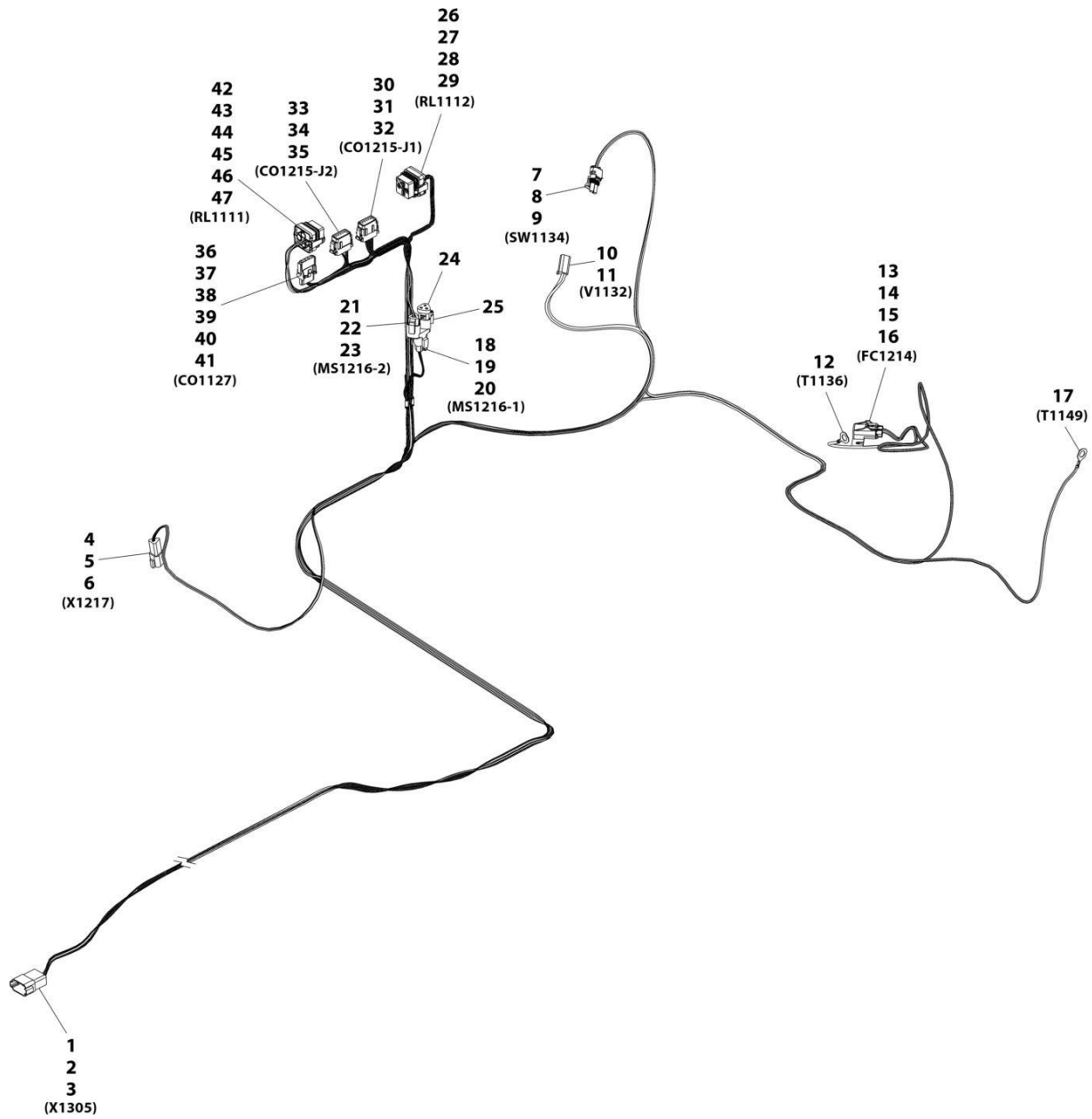
## SECTION 10 - ELECTRICAL

**FIGURE 10-4. AIR SHUT-OFF VALVE HARNESS - CAB**

ITEM	PART NUMBER	QTY	DESCRIPTION	REV
	1001231560	Ref	POSI Air Shut Off Valve Cab, Harness	C
5	1001112612	1	Connector	
6	4460464	6	Terminal	
7	4460466	3	Plug	
8	1001116945	1	Connector	
9	4460465	6	Terminal	
10	4460466	3	Plug	
11	8220035	1	Terminal, Ring	
12	8220035	1	Terminal, Ring	
13	1001231397	1	Connector	
14	8229261	1	Fuse 5A	
15	1001231400	2	Terminal	
16	1001231404	2	Plug	
17	1001231397	1	Connector	
18	8229234	1	Fuse 10A	
19	1001231400	2	Terminal	
20	1001231404	2	Plug	
21	4460930	1	Connector	
22	4460465	6	Terminal	
23	4460466	2	Plug	
24	8220108	1	Connector	
25	8220108	1	Connector	

# SECTION 10 - ELECTRICAL

## FIGURE 10-5. AIR SHUT-OFF VALVE HARNESS - ENGINE



ART\_1001216455

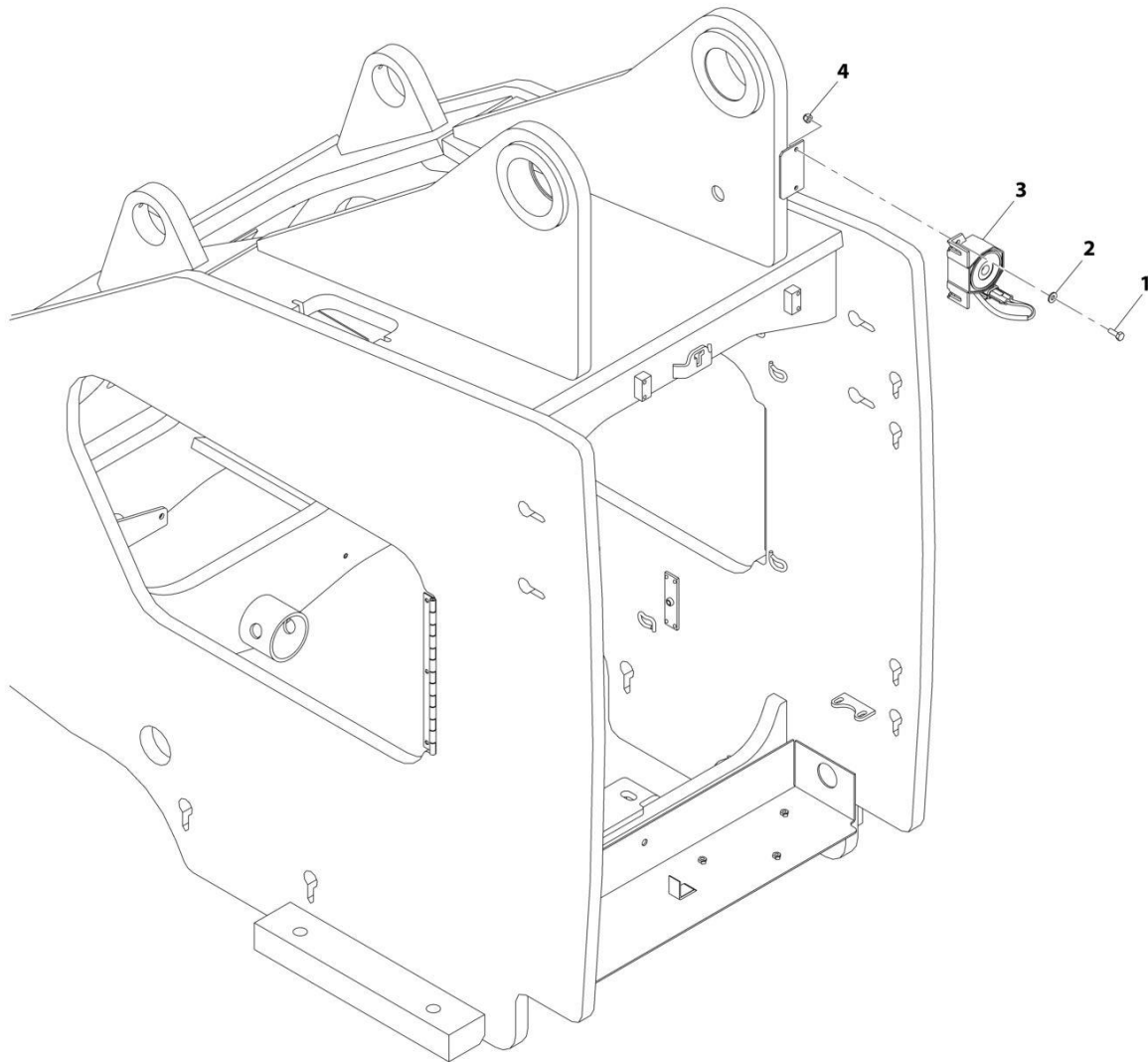
## SECTION 10 - ELECTRICAL

**FIGURE 10-5. AIR SHUT-OFF VALVE HARNESS - ENGINE**

ITEM	PART NUMBER	QTY	DESCRIPTION	REV
	1001216455	Ref	POSI Air Shut Off Valve T4F, Harness	F
1	4460931	1	Connector	
2	4460464	6	Terminal	
3	4460466	2	Plug	
4	1001144147	1	Connector	
5	4460464	2	Terminal	
6	4460466	1	Plug	
7	4460742	1	Connector	
8	4460475	2	Terminal	
9	4460458	2	Seal	
10	4460891	1	Connector	
11	1001157890	2	Terminal	
12	1001187078	1	Terminal, Ring	
13	1001231397	1	Connector	
14	8229235	1	Fuse 20A	
15	1001231401	2	Terminal	
16	1001230402	2	Seal	
17	1001187078	1	Connector	
18	1001116812	1	Connector	
19	4460465	2	Terminal	
20	4460466	1	Plug	
21	4460539	1	Connector	
22	4460465	2	Terminal	
23	4460466	1	Plug	
24	1001116815	1	Connector, 3 Pin	
25	4460945	1	Terminal, 3 Way "T" Receptacle	
26	1001231398	1	Connector	
27	1001231400	4	Terminal	
28	1001231406	1	Plug	
29	1001231404	4	Seal	
30	1001116808	1	Connector	
31	1001126008	9	Terminal	
32	4460518	3	Plug	
33	1001116774	1	Connector	
34	4460518	8	Plug	
35	1001126008	4	Terminal	
36	4460761	1	Connector	
37	4460321	1	Connector - 4 Position	
38	4460809	4	Plug	
39	1001118378	4	Terminal	
40	1001143551	1	Seal	
41	1001218358	1	Lanyard, Rope	
42	1001231398	1	Connector	
43	1001231401	2	Terminal	
44	1001231400	2	Terminal	
45	1001231406	1	Plug	
46	1001231402	2	Seal	
47	1001231404	2	Seal	

# SECTION 10 - ELECTRICAL

## FIGURE 10-6. BACKUP ALARM INSTALLATION



ART\_1001206542-A

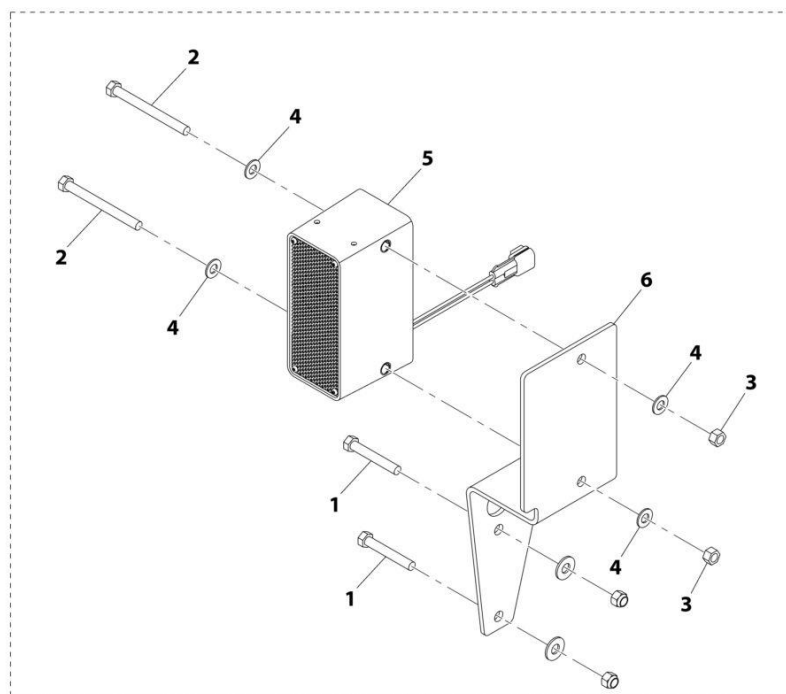
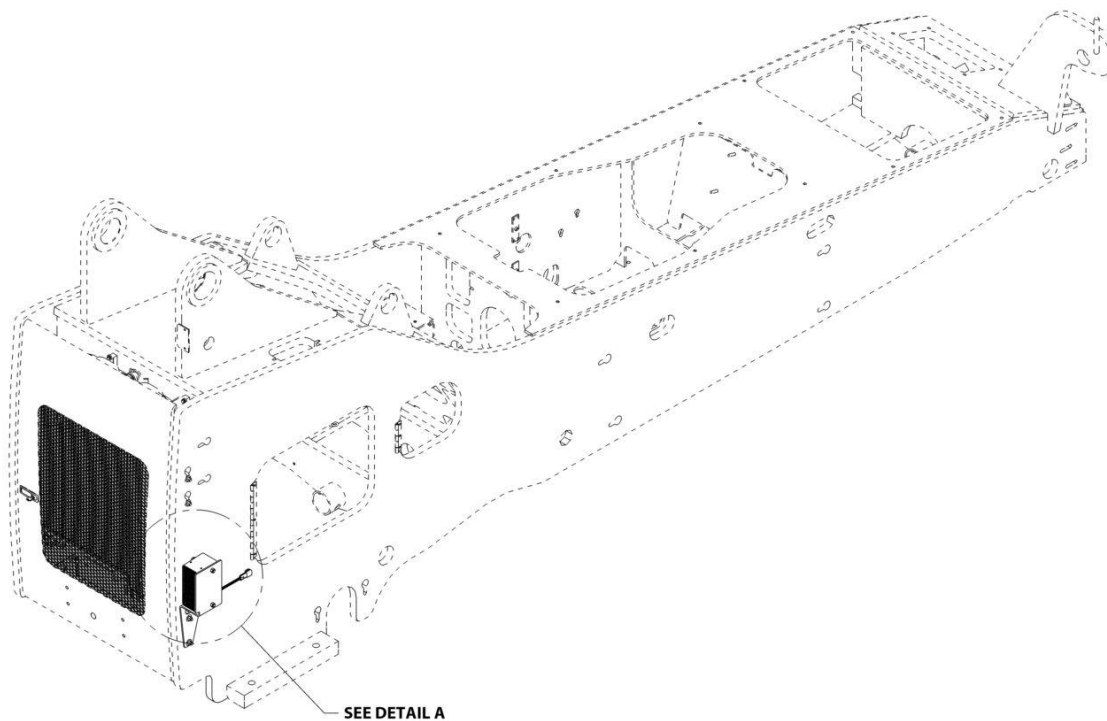
## SECTION 10 - ELECTRICAL

### FIGURE 10-6. BACKUP ALARM INSTALLATION

ITEM	PART NUMBER	QTY	DESCRIPTION	REV
	1001206542	Ref	Back-Up Alarm Installation	A
1	0641406	2	Bolt 1/4X3/4	
2	4711400	2	Washer 1/4	
3	8270621	1	Alarm, Back-Up	
4	8305624	2	Nut 1/4	

# SECTION 10 - ELECTRICAL

## FIGURE 10-7. BACKUP ALARM INSTALLATION (WHITE NOISE)



DETAIL A

ART\_1001206543-A



## SECTION 10 - ELECTRICAL

### FIGURE 10-7. BACKUP ALARM INSTALLATION (WHITE NOISE)

ITEM	PART NUMBER	QTY	DESCRIPTION	REV
	1001206543	Ref	Back-Up Alarm Installation (White Noise)	A
1	0641620	2	Bolt 3/82-1/2	
2	0641632	2	Bolt 3/8X4	
3	3311605	2	Nut 3/8	
4	4711600	4	Washer 3/8	
5	1001198728	1	Alarm	
6	1001213574	1	Bracket	



## SECTION 10 - ELECTRICAL

**FIGURE 10-8. REVERSE CAMERA (Prior to SN 0160117103)**

ITEM	PART NUMBER	QTY	DESCRIPTION	REV
	1001265982	Ref	SKYTRAK BACKUP CAMERA INSTALLATION	A
1	0641410	4	Bolt 1/4 x 1	
2	3311401	1	Nut 1/4	
3	3931012	2	Capscrew, #10 x 3/4	
4	4240032	1	Tie-Strap	
5	4460234	1	Mount, Tie-Strap	
6	4711000	2	Washer M10	
7	4711400	8	Washer 1/4	
8	8303771	1	Bolt 3/8 x 2-1/4	
9	8305004	5	Nut 1/4	
10	8305645	2	Nut 3/8	
11	8307204	4	Washer 3/8	
12	8406010	1	Clip	
13	1001204692	1	Bracket	
14	1001233174	1	Camera, Rear View	
15	1001233217	1	Bracket, Monitor Mount	
16	1001233434	1	Harness, Extension Cable Camera	
17	1001233828	1	Bracket, Camera Mount	
18	1001233976	1	Harness, Rear Camera Option (See Separate Breakdown in this Section)	
19	1001264534	1	Camera (LH)	
19	70031717	1	Cable, Camera	
20	1001264536	1	Camera (RH)	
20	70031717	1	Cable, Camera	
21	1001265679	1	Bracket, Camera (LH)	
22	1001265680	1	Bracket, Camera (RH)	
23	1001265979	1	Harness, Extension (LH)	
24	1001265980	1	Harness, Extension (RH)	
25	1001265986	1	Monitor, Display	
26	1001265987	1	Harness, Monitor/Display	



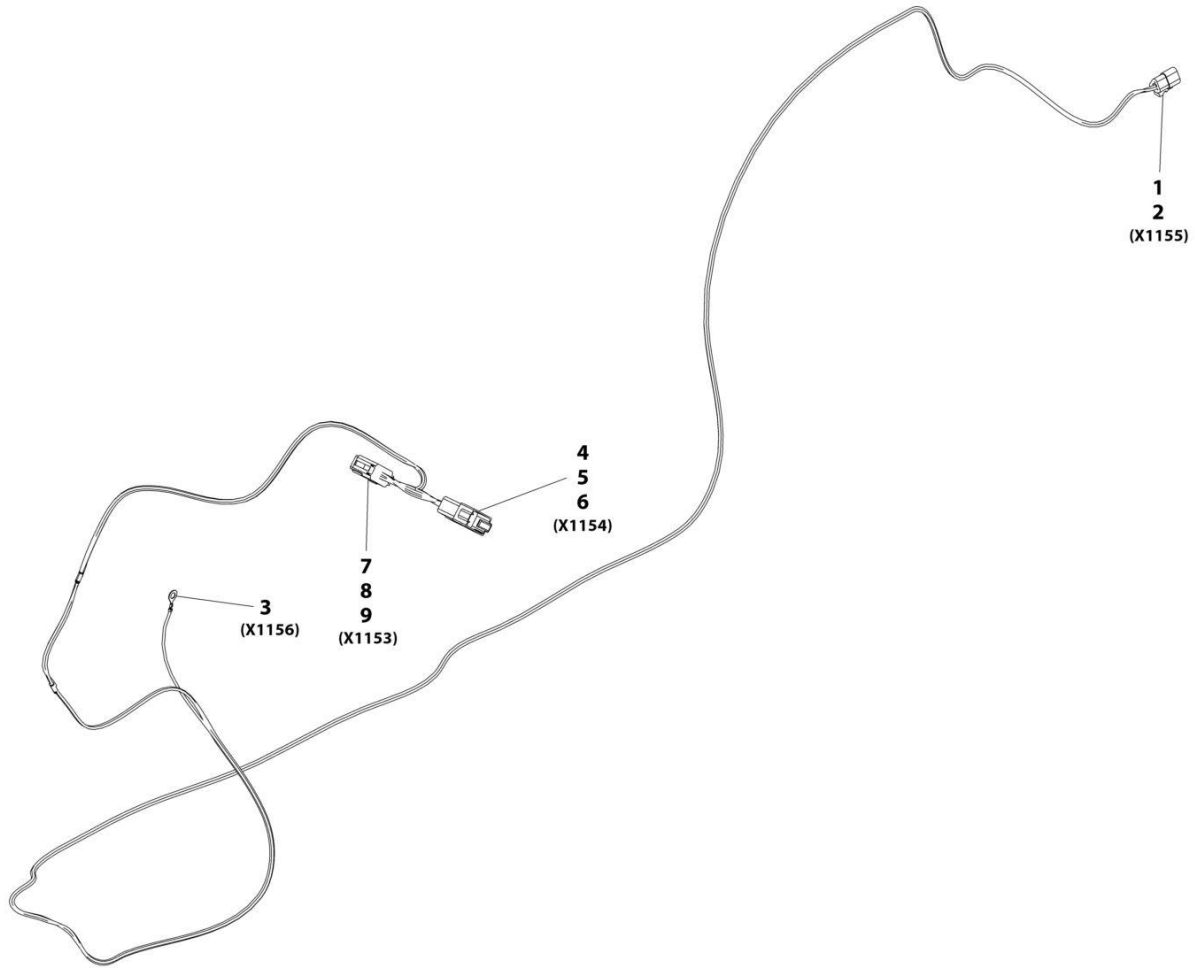
## SECTION 10 - ELECTRICAL

**FIGURE 10-9. REVERSE CAMERA (SN 0160117103 to Present)**

ITEM	PART NUMBER	QTY	DESCRIPTION	REV
	1001265982	Ref	SKYTRAK BACKUP CAMERA INSTALLATION	B
1	0641410	4	Bolt 1/4 x 1	
2	3311401	1	Nut 1/4	
3	3931012	2	Capscrew, #10 x 3/4	
4	4240032	1	Tie-Strap	
5	4460234	1	Mount, Tie-Strap	
6	4711000	2	Washer M10	
7	4711400	8	Washer 1/4	
8	8303771	1	Bolt 3/8 x 2-1/4	
9	8305004	5	Nut 1/4	
10	8305645	2	Nut 3/8	
11	8307204	4	Washer 3/8	
12	8406010	1	Clip	
13	1001204692	1	Bracket	
14	1001233174	1	Camera, Rear View	
15	1001233217	1	Bracket, Monitor Mount	
16	1001233434	1	Harness, Extension Cable Camera	
17	1001233828	1	Bracket, Camera Mount	
18	1001233976	1	Harness, Rear Camera Option (See Separate Breakdown in this Section)	
19	1001264534	1	Camera (LH)	
19	70031717	1	Cable, Camera	
20	1001264536	1	Camera (RH)	
20	70031717	1	Cable, Camera	
21	1001265679	1	Bracket, Camera (LH)	
22	1001265680	1	Bracket, Camera (RH)	
23	1001265979	1	Harness, Extension (LH)	
24	1001265980	1	Harness, Extension (RH)	
25	1001289479	1	Monitor, Display	
26	1001265987	1	Harness, Monitor/Display	

# SECTION 10 - ELECTRICAL

## FIGURE 10-10. BACKUP CAMERA HARNESS



ART\_1001233976-A

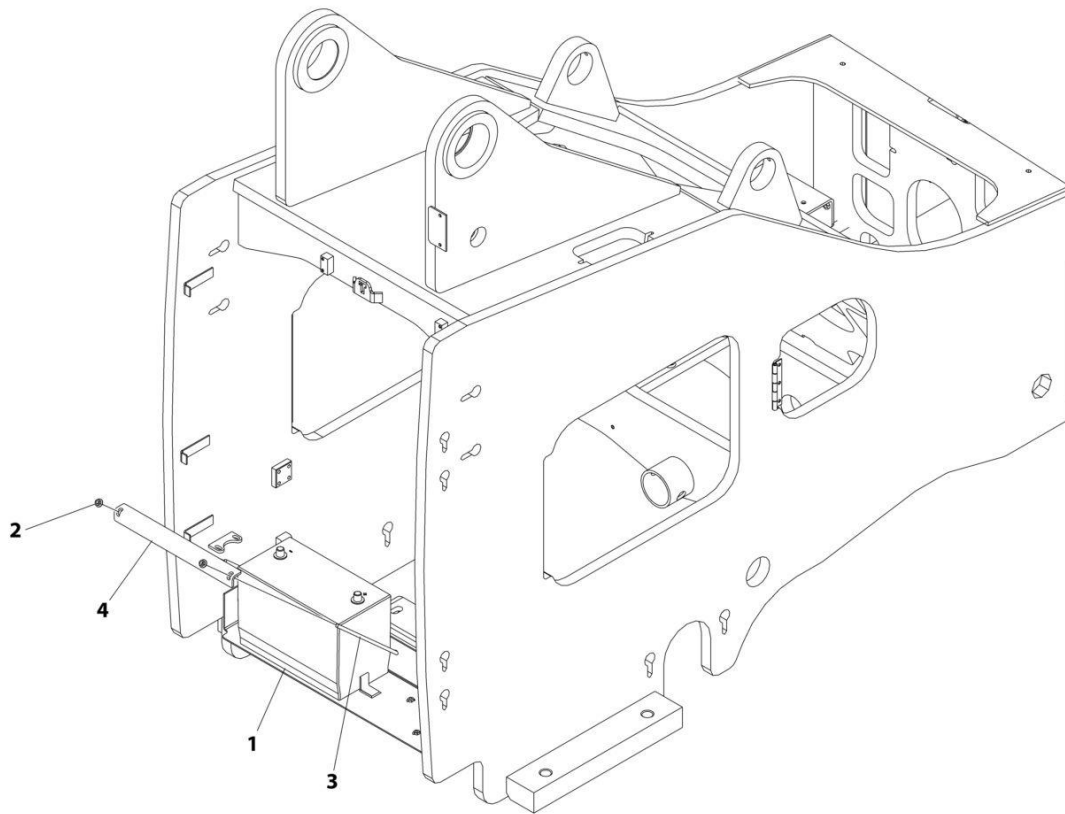
# SECTION 10 - ELECTRICAL

## FIGURE 10-10. BACKUP CAMERA HARNESS

ITEM	PART NUMBER	QTY	DESCRIPTION	REV
	1001233976	Ref	Skytrak Rear Camera Option Harness	A
1	4460539	1	Connector	
2	4460465	3	Terminal	
3	1001207173	1	Terminal, Ring	
4	4460970	1	Connector	
5	4460464	9	Terminal	
6	4460466	3	Plug	
7	4460933	1	Connector	
8	4460465	9	Terminal	
9	4460466	3	Plug	

# SECTION 10 - ELECTRICAL

## FIGURE 10-11. BATTERY INSTALLATION



ART\_1001186841



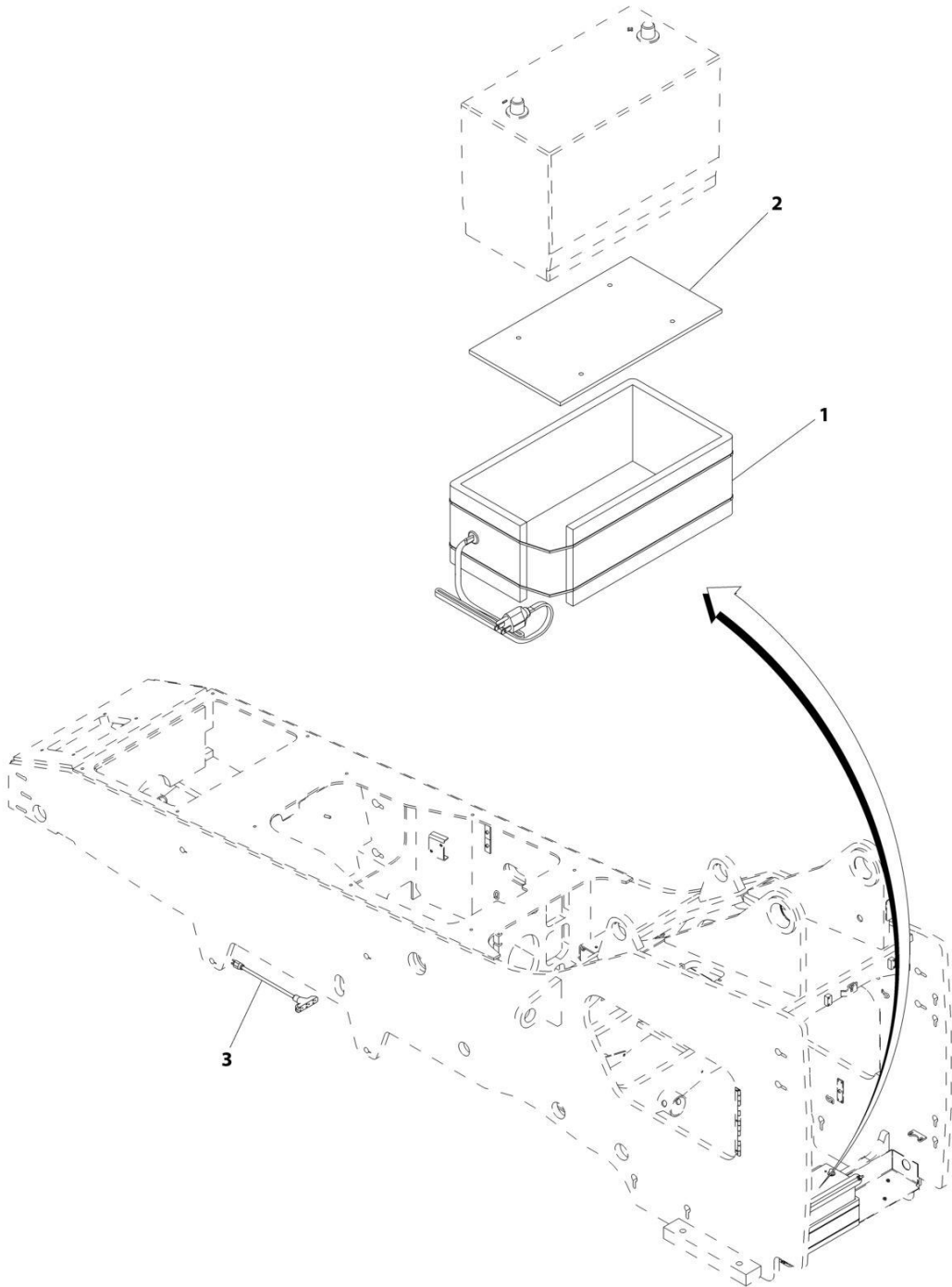
## SECTION 10 - ELECTRICAL

### FIGURE 10-11. BATTERY INSTALLATION

ITEM	PART NUMBER	QTY	DESCRIPTION	REV
	1001186841	Ref	Battery Installation	B
1	0400075	1	Battery, 12V	
2	77143006	2	Nut 5/16	
3	91081640	2	Bolt, Battery Hold Down	
4	1001258991	1	Plate, Battery Hold Down	

**SECTION 10 - ELECTRICAL**

**FIGURE 10-12. BATTERY BLANKET INSTALLATION**



ART\_1001234216-A

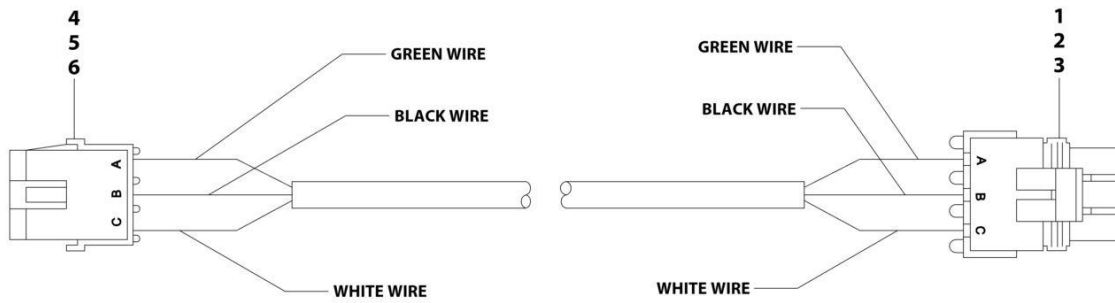
## SECTION 10 - ELECTRICAL

### FIGURE 10-12. BATTERY BLANKET INSTALLATION

ITEM	PART NUMBER	QTY	DESCRIPTION	REV
	1001234216	Ref	Battery Blanket Installation	A
1	1001093564	1	Battery Heater	
2	1001119278	1	Battery Insulate	
3	1060626	1	3 Way Plug	

# SECTION 10 - ELECTRICAL

## FIGURE 10-13. BOOM EXTEND HARNESS (10054)



ART\_1001127226-C

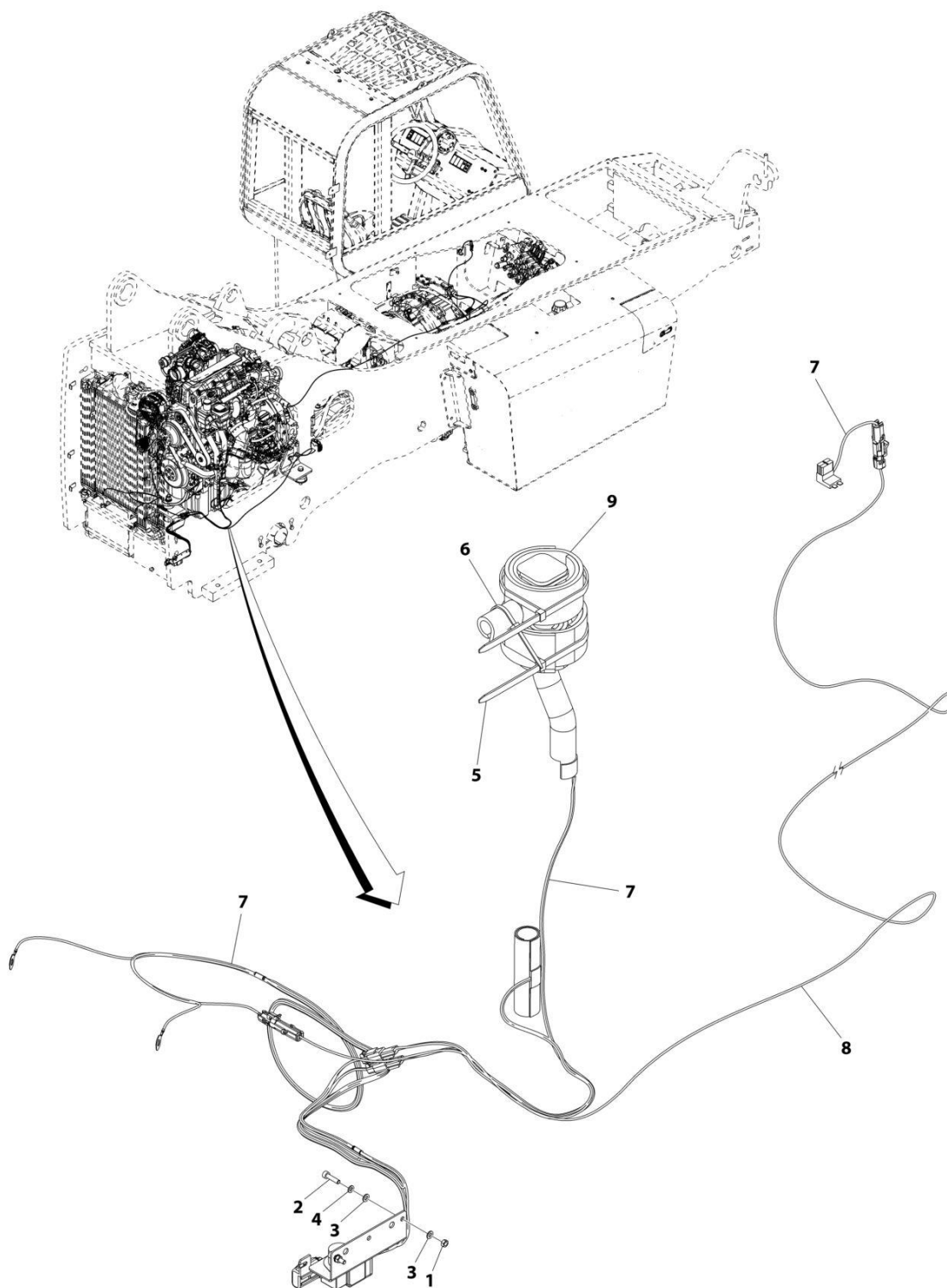
# SECTION 10 - ELECTRICAL

## FIGURE 10-13. BOOM EXTEND HARNESS (10054)

ITEM	PART NUMBER	QTY	DESCRIPTION	REV
	1001127226	Ref	Boom Extend Harness	C
1	4460459	1	Connector	
2	4460457	3	Terminal	
3	4460458	3	Seal	
4	4460476	1	Connector	
5	4460475	3	Terminal	
6	4460458	3	Seal	

# SECTION 10 - ELECTRICAL

## FIGURE 10-14. BREATHER HEATER INSTALLATION



ART\_1001232750-A

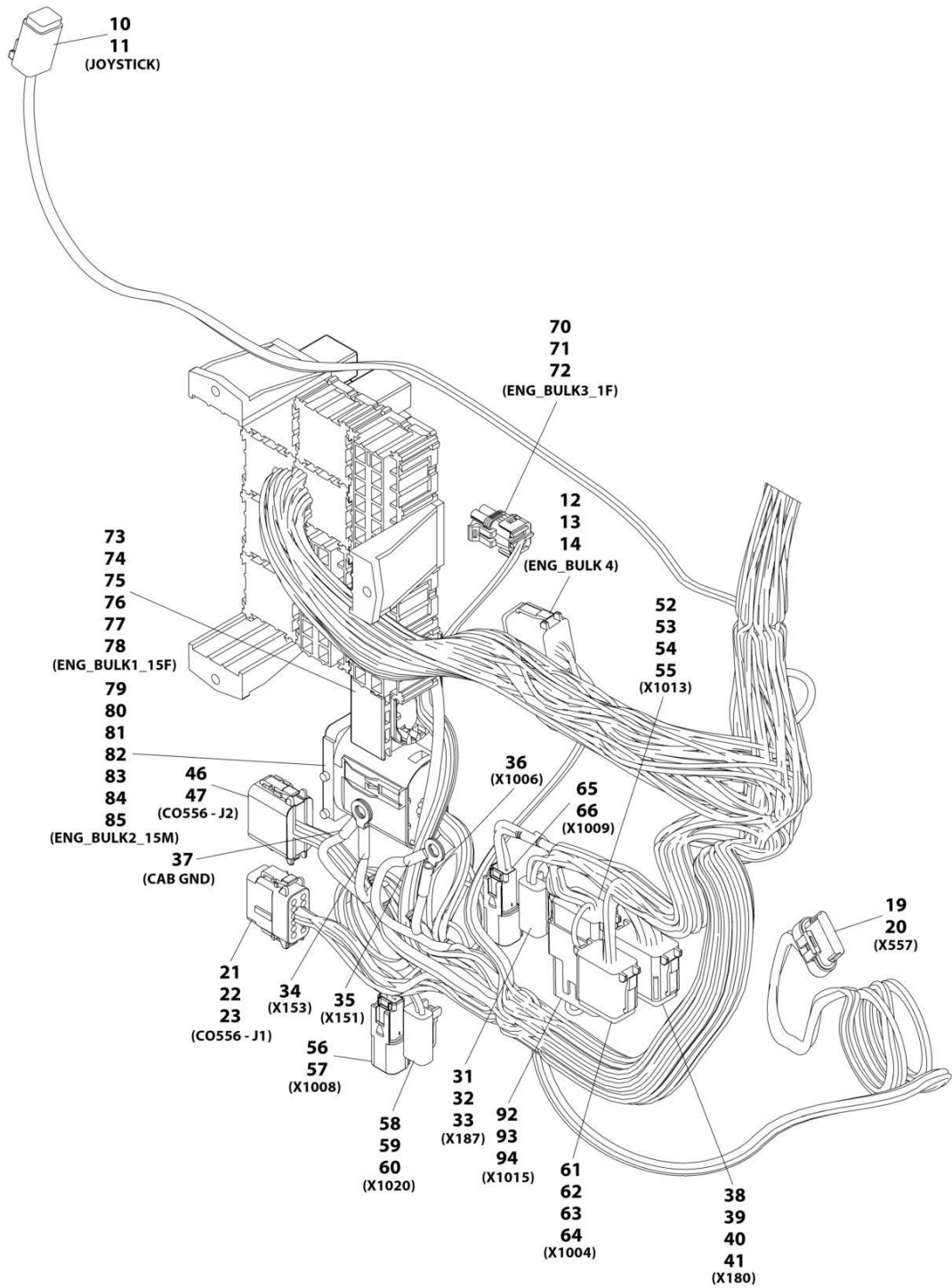
## SECTION 10 - ELECTRICAL

### FIGURE 10-14. BREATHER HEATER INSTALLATION

ITEM	PART NUMBER	QTY	DESCRIPTION	REV
	1001232750	Ref	Heater Breather - 74 HP	A
1	3290501	2	Nut, M5X0.8	
2	4031608	2	Screw, M5X20	
3	4811600	4	Washer, M5	
4	4831600	2	Washer, Lock M5	
5	01043892	2	Strap, Tie	
6	86683122	1	Strap, Tie	
7	1001232439	1	Engine, Cummins Breather Kit	
8	1001232599	1	Harness, Cummins Breather Heater	
9	1001232624	1	Insulate, Cummins Insulation	

# SECTION 10 - ELECTRICAL

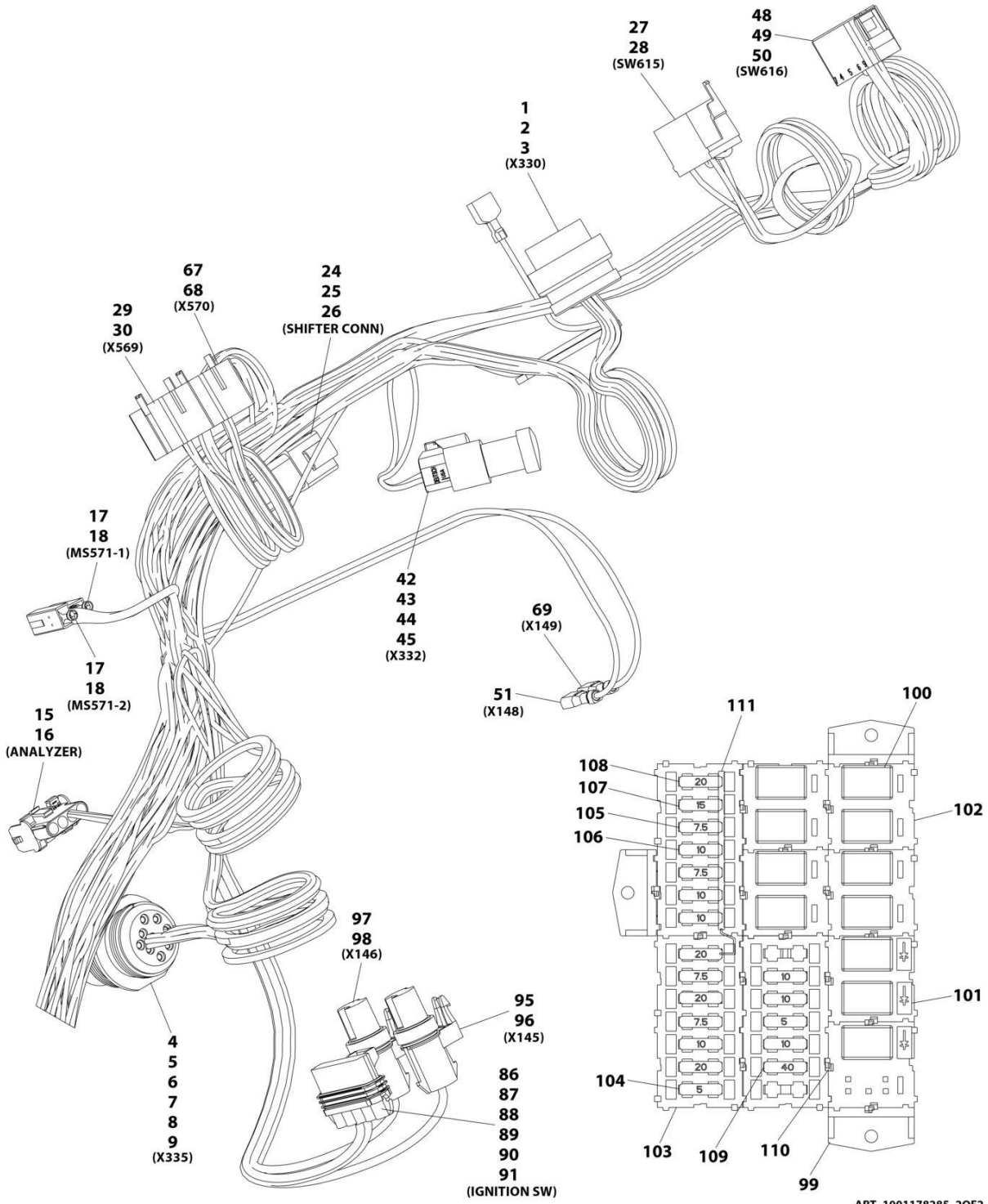
## FIGURE 10-15. CAB DISTRIBUTION HARNESS



ART\_1001178285\_10F2



# SECTION 10 - ELECTRICAL



ART\_1001178285\_20F2

# SECTION 10 - ELECTRICAL

## FIGURE 10-15. CAB DISTRIBUTION HARNESS

ITEM	PART NUMBER	QTY	DESCRIPTION	REV
	1001178285	Ref	Cab Power Distribution Harness	O
1	4460872	1	Connector	
2	4460871	10	Terminal, Socket	
3	4460905	4	Plug, Seal	
4	1001112612	1	Connector	
5	1001149712	1	Cap	
6	1001125784	1	Lockwasher	
7	1001125785	1	Nut	
8	4460464	6	Terminal	
9	4460466	3	Plug	
10	4460884	1	Connector	
11	4460465	4	Terminal	
12	4460930	1	Connector	
13	4460465	6	Terminal	
14	4460466	2	Plug	
15	4460761	1	Connector	
16	1001118378	4	Terminal	
17	4460994	2	Connector	
18	1001200833	4	Terminal	
19	1001230931	1	Connector	
20	1001116748	6	Terminal	
21	1001116808	1	Connector	
22	1001126008	10	Terminal, Socket	
23	4460518	2	Terminal, Plug	
24	4460970	1	Connector	
25	4460464	9	Terminal	
26	4460466	3	Plug	
27	8220904	1	Connector	
28	4460419	6	Terminal	
29	1001117119	1	Connector	
30	1001159186	4	Terminal	
31	4460891	1	Connector	
32	1001157890	1	Terminal	
33	4460942	1	Terminal	
34	1001117106	1	Terminal, Ring	
35	1001117106	1	Terminal, Ring	
36	1001117106	1	Terminal, Ring	
37	1001117106	1	Terminal, Ring	
38	4460836	1	Connector	
39	4460509	5	Terminal, Socket	
40	4460465	6	Terminal	
41	4460466	1	Plug	
42	1001116812	1	Connector	
43	4461070	1	Connector	
44	4460465	2	Terminal	
45	4460466	1	Plug	
46	1001116774	1	Connector	
47	1001126008	12	Terminal, Socket	
48	8220904	1	Connector	
49	4460419	8	Terminal	

## SECTION 10 - ELECTRICAL

ITEM	PART NUMBER	QTY	DESCRIPTION	REV
50	1001195760	2	Terminal	
51	8220051	1	Terminal	
52	4460933	1	Connector	
53	1001003174	3	Terminal, Socket	
54	4460465	7	Terminal	
55	4460466	2	Terminal	
56	4460897	1	Connector	
57	4460464	2	Terminal	
58	4460891	1	Connector	
59	4460465	1	Terminal	
60	1001157890	1	Terminal	
61	4460930	1	Connector	
62	4460465	3	Terminal	
63	1001157890	2	Terminal	
64	4460466	3	Plug	
65	4461017	1	Connector	
66	4460508	2	Terminal, Socket	
67	1001117119	1	Connector	
68	1001159186	2	Terminal	
69	8220051	1	Terminal	
70	80963061	1	Connector	
71	4460790	4	Terminal, Socket	
72	8220089	4	Seal	
73	8220927	1	Connector	
74	1001116726	10	Terminal	
75	8220097	4	Terminal	
76	8220098	1	Terminal	
77	4460458	14	Seal	
78	4460789	1	Seal	
79	8220929	1	Connector	
80	1001116745	3	Terminal	
81	8220162	3	Terminal	
82	1001116729	8	Terminal	
83	1001116727	1	Plug	
84	4460458	11	Seal	
85	80963067	3	Seal	
86	1001121726	1	Connector	
87	8220125	2	Terminal	
88	8220089	2	Seal	
89	1001116726	1	Terminal	
90	4460458	1	Seal	
91	1001116727	2	Plug	
92	4460970	1	Connector	
93	4460466	6	Terminal	
94	4460464	6	Terminal	
95	1001121728	1	Connector, Packard Female, 1POS	
96	1001121730	1	Terminal	
97	1001121728	1	Connector, Packard Female, 1POS	
98	1001121730	1	Terminal	
99	1001200845	3	Leg, Mounting	
100	1001205172	11	Relay, Micro 280, 12V, 35 Amp	

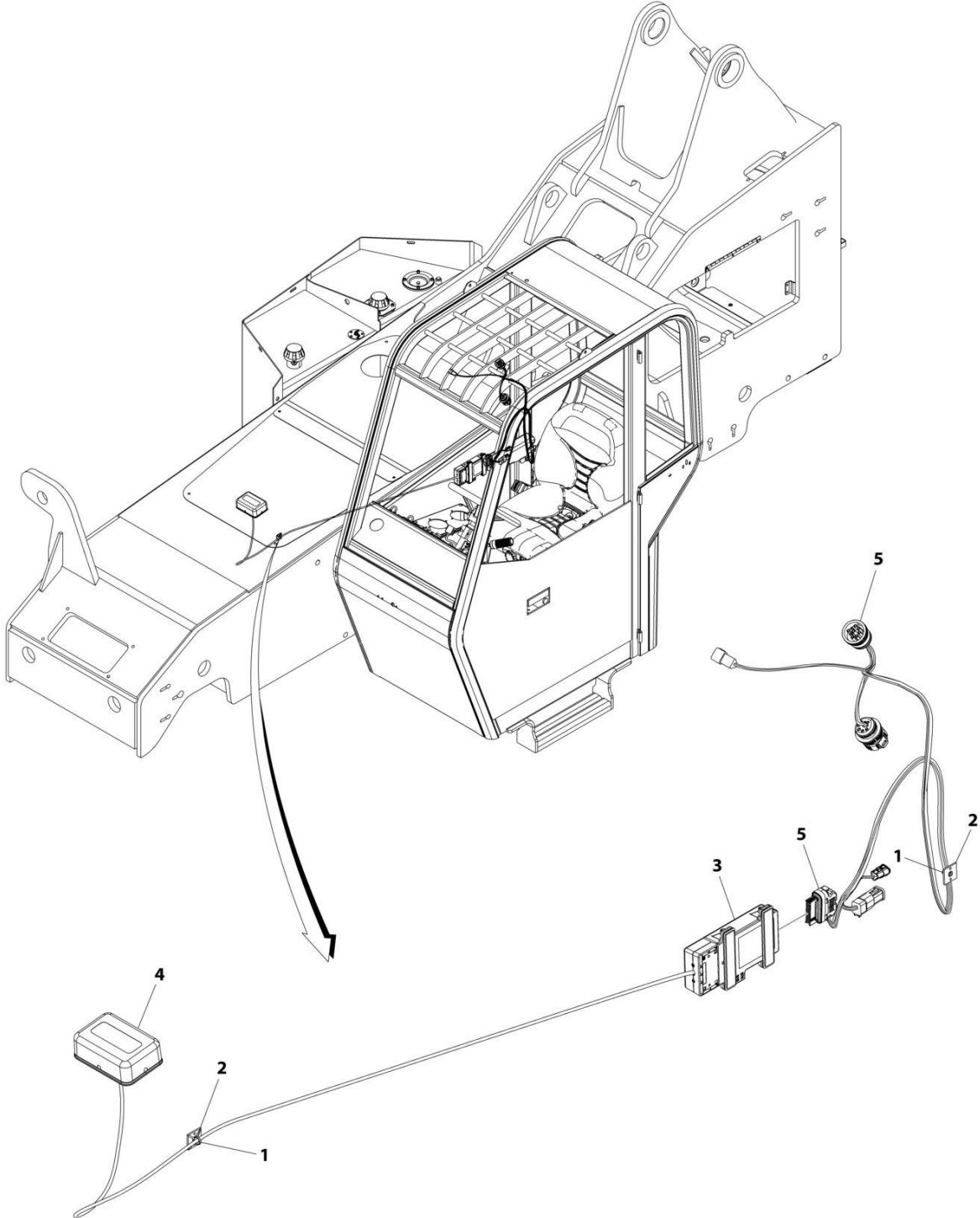
## SECTION 10 - ELECTRICAL

ITEM	PART NUMBER	QTY	DESCRIPTION	REV
101	1001129285	3	Fuse, Mini Diode	
102	1001177198	6	Module, 2 Fuse	
103	1001187952	3	Assembly, Electrical	
104	8229261	2	Fuse, Type 5 A	
105	8229233	4	Fuse, Type 7.5 A	
106	8229234	7	Fuse, Type 10 A	
107	8229237	1	Fuse, Type 15 A	
108	8229235	4	Fuse, Type 20 A	
109	8229238	1	Fuse, Type 40 A	
110	4461103	17	Relay, Locking Wedge	
111	1001210779	1	Terminal	
112	1001116710	43	Terminal	
113	1001116712	12	Terminal	
114	1001210779	1	Terminal	
115	1001192050	10	Terminal	
116	1001210776	4	Terminal	
117	1001192049	11	Terminal	
118	1001210778	2	Terminal	
119	1001210777	8	Terminal	



**SECTION 10 - ELECTRICAL**

**FIGURE 10-16. CLEARSKY INSTALLATION - CANBUS**



ART\_1001227459\_D

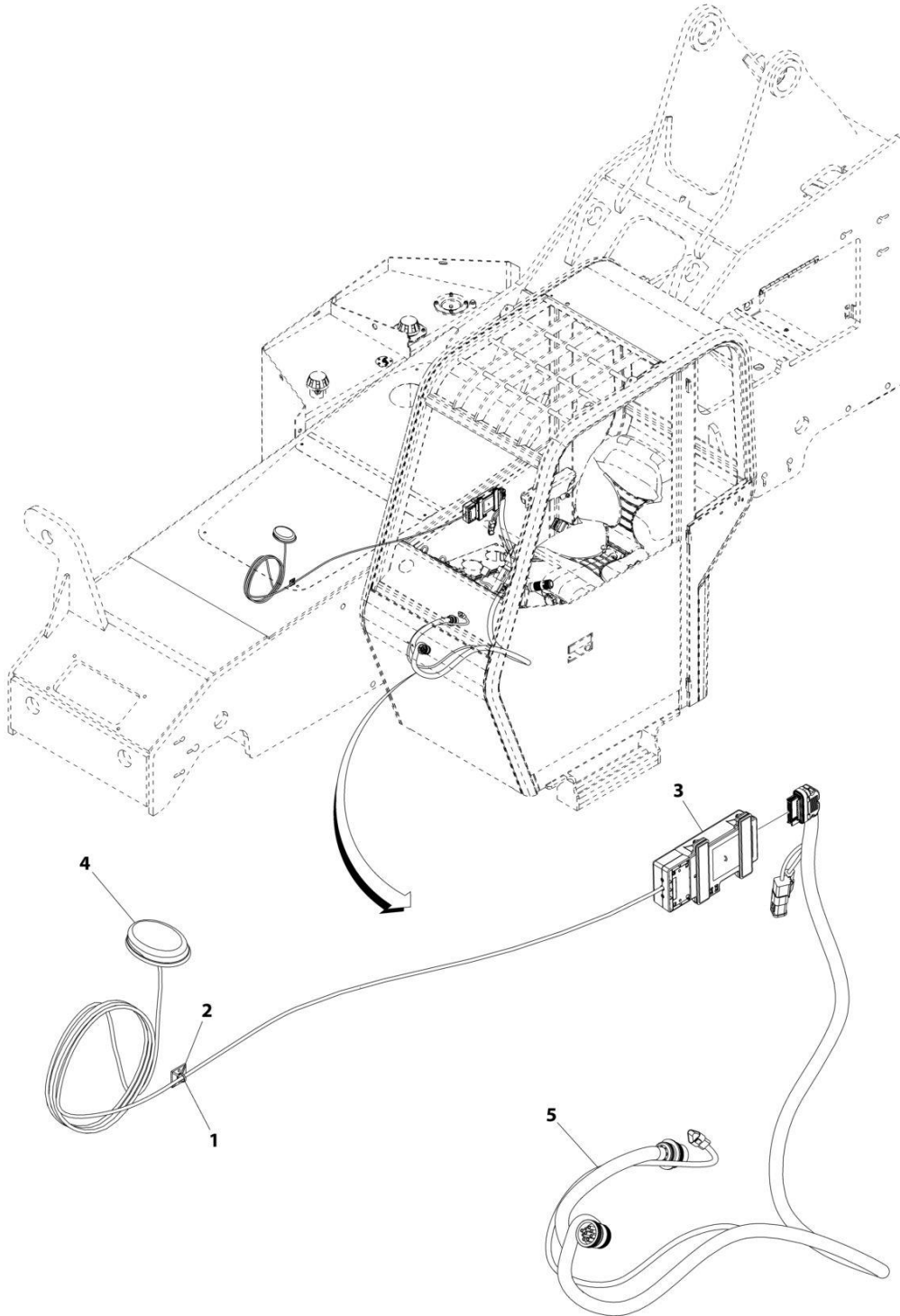
## SECTION 10 - ELECTRICAL

### FIGURE 10-16. CLEARSKY INSTALLATION - CANBUS

ITEM	PART NUMBER	QTY	DESCRIPTION	REV
	1001227459	Ref	CLEARSKY INSTALLATION	D
1	4240032	AR	Tie-Strap	
2	4460234	AR	Mount, Tie-Strap	
3	1001226796	1	Module (3G)	
3	1001262322	1	Module (4G)	
4	1001226799	1	Antenna (3G)	
4	1001262326	1	Antenna (4G)	
5	1001226856	1	Harness, Clearsky (See Separate Breakdown in this Section)	

# SECTION 10 - ELECTRICAL

## FIGURE 10-17. CLEARSKY INSTALLATION - CANBUS (CE)



ART\_1001239250-A



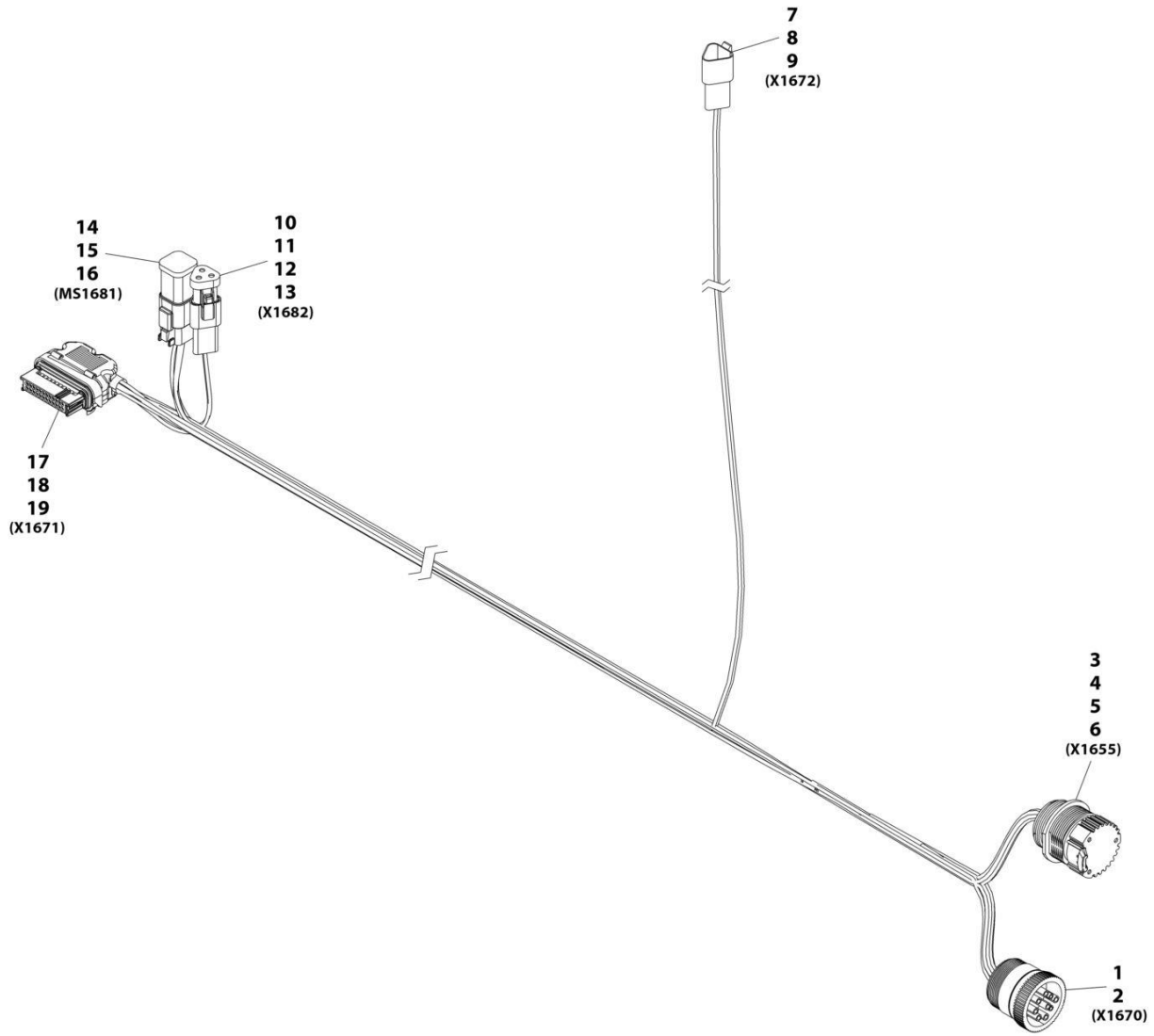
## SECTION 10 - ELECTRICAL

### FIGURE 10-17. CLEARSKY INSTALLATION - CANBUS (CE)

ITEM	PART NUMBER	QTY	DESCRIPTION	REV
	1001239250	Ref	Clearsky Installation (CE)	A
1	4240032	AR	Tie-Strap	
2	4460234	AR	Mount, Tie-Strap	
3	1001228954	1	Module	
4	1001226799	1	Antenna	
5	1001226856	1	Harness, Clearsky (See Separate Breakdown in this Section)	

# SECTION 10 - ELECTRICAL

## FIGURE 10-18. CLEARSKY HARNESS - CANBUS



ART\_1001226856-A

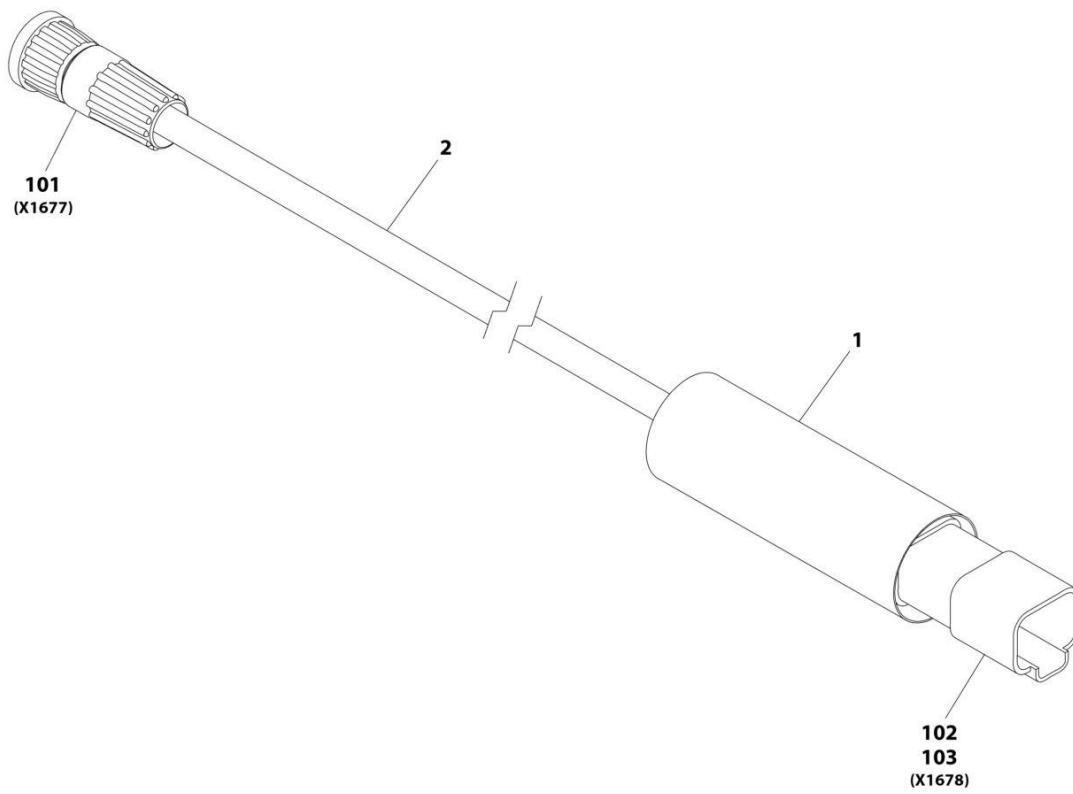
## SECTION 10 - ELECTRICAL

**FIGURE 10-18. CLEARSKY HARNESS - CANBUS**

ITEM	PART NUMBER	QTY	DESCRIPTION	REV
	1001226856	Ref	Clearsky Telematics Harness	A
1	1001112796	1	Connector	
2	4460465	9	Terminal	
3	1001112612	1	Connector	
4	1001149712	1	Cap	
5	1001116693	6	Terminal	
6	4460466	3	Plug	
7	1001144147	1	Connector	
8	4460464	2	Terminal	
9	4460466	1	Plug	
10	1001144147	1	Connector	
11	1001116815	1	Plug	
12	4460464	2	Terminal	
13	4460466	1	Plug	
14	4460894	1	Connector	
15	1001226541	1	Bussbar	
16	4460465	6	Terminal	
17	1001226636	1	Connector	
18	1001116731	16	Plug	
19	1001226637	8	Terminal	

# SECTION 10 - ELECTRICAL

## FIGURE 10-19. CLEARSKY HARNESS - 3-WIRE



ART\_1001227066-A

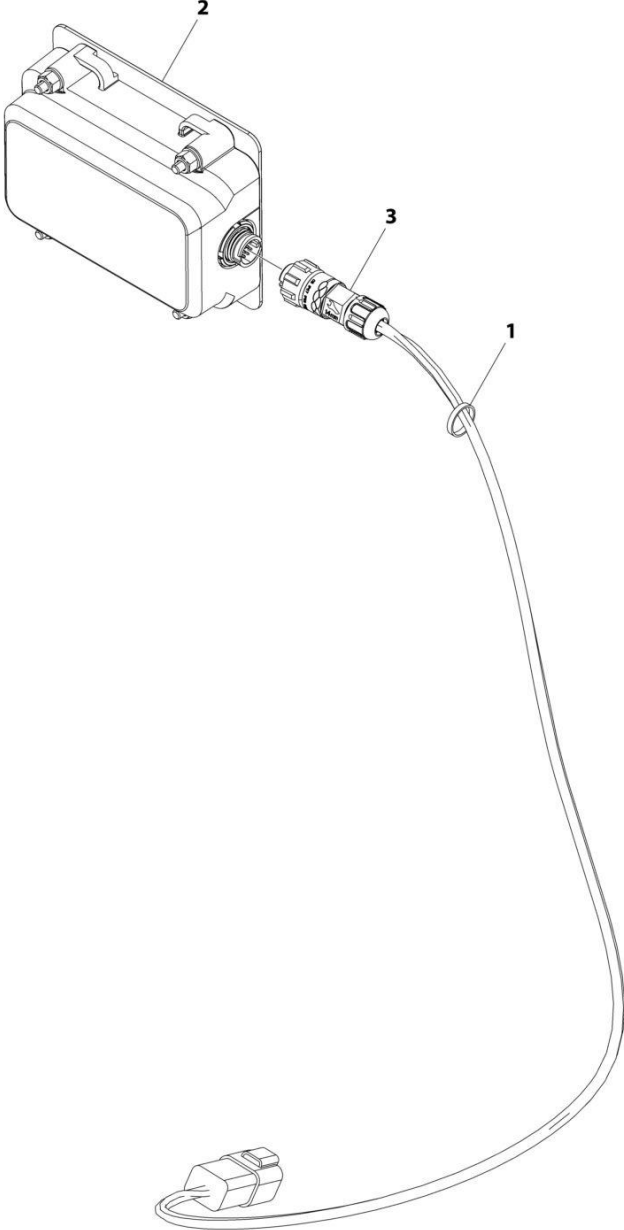
## SECTION 10 - ELECTRICAL

### FIGURE 10-19. CLEARSKY HARNESS - 3-WIRE

ITEM	PART NUMBER	QTY	DESCRIPTION	REV
	1001227066	Ref	CLEARSKY TELEMATICS HARNESS	A
1	1001226400	0.33 ft	Insulate, Heat Shrink	
2	1001227068	3.3 ft	Cable	
101	1001227266	1	Connector	
102	1001129407	1	Connector	
103	4460464	4	Terminal	

**SECTION 10 - ELECTRICAL**

**FIGURE 10-20. CLEARSKY TELEMATICS 3-WIRE INSTALLATION**



ART\_1001276920

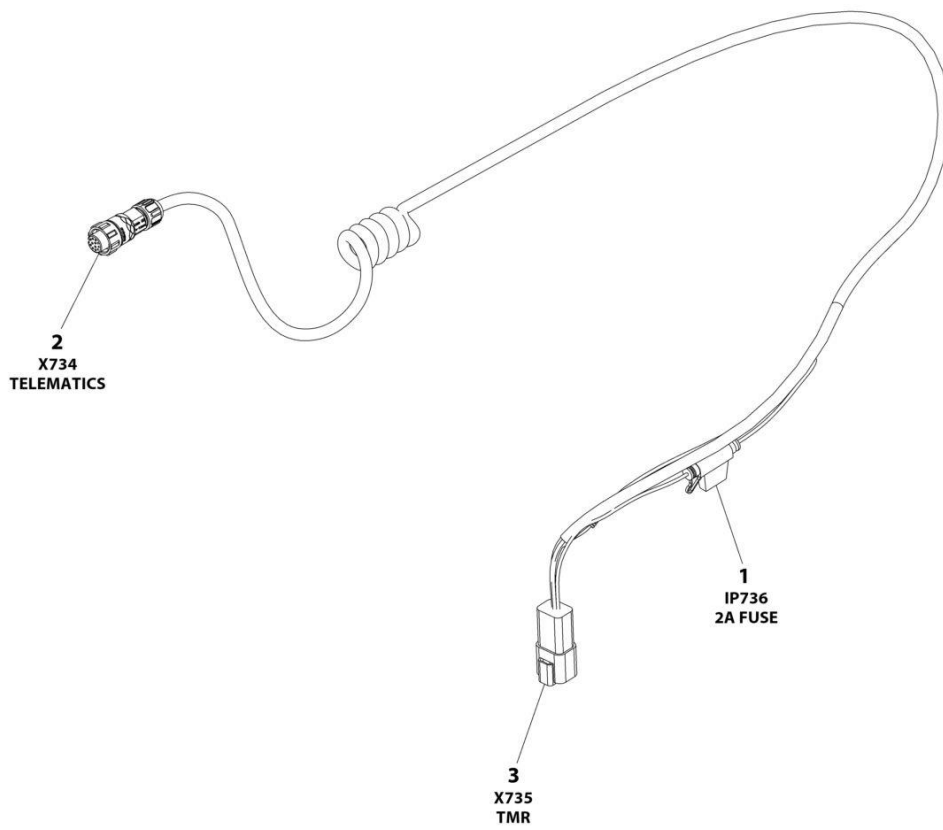
## SECTION 10 - ELECTRICAL

**FIGURE 10-20. CLEARSKY TELEMATICS 3-WIRE INSTALLATION**

ITEM	PART NUMBER	QTY	DESCRIPTION	REV
	1001276920	Ref	CLEARSKY TELEMATICS 3-WIRE INSTALLATION	A
1	4240032	AR	Tie, Strap	
2	1001272659	1	Module - GT1030	
3	1001273012	1	ClearSky Telematics 3-Wire Harness (See Separate Breakdown in this Section)	

# SECTION 10 - ELECTRICAL

## FIGURE 10-21. CLEARSKY TELEMATICS 3-WIRE HARNESS



ART\_1001273012



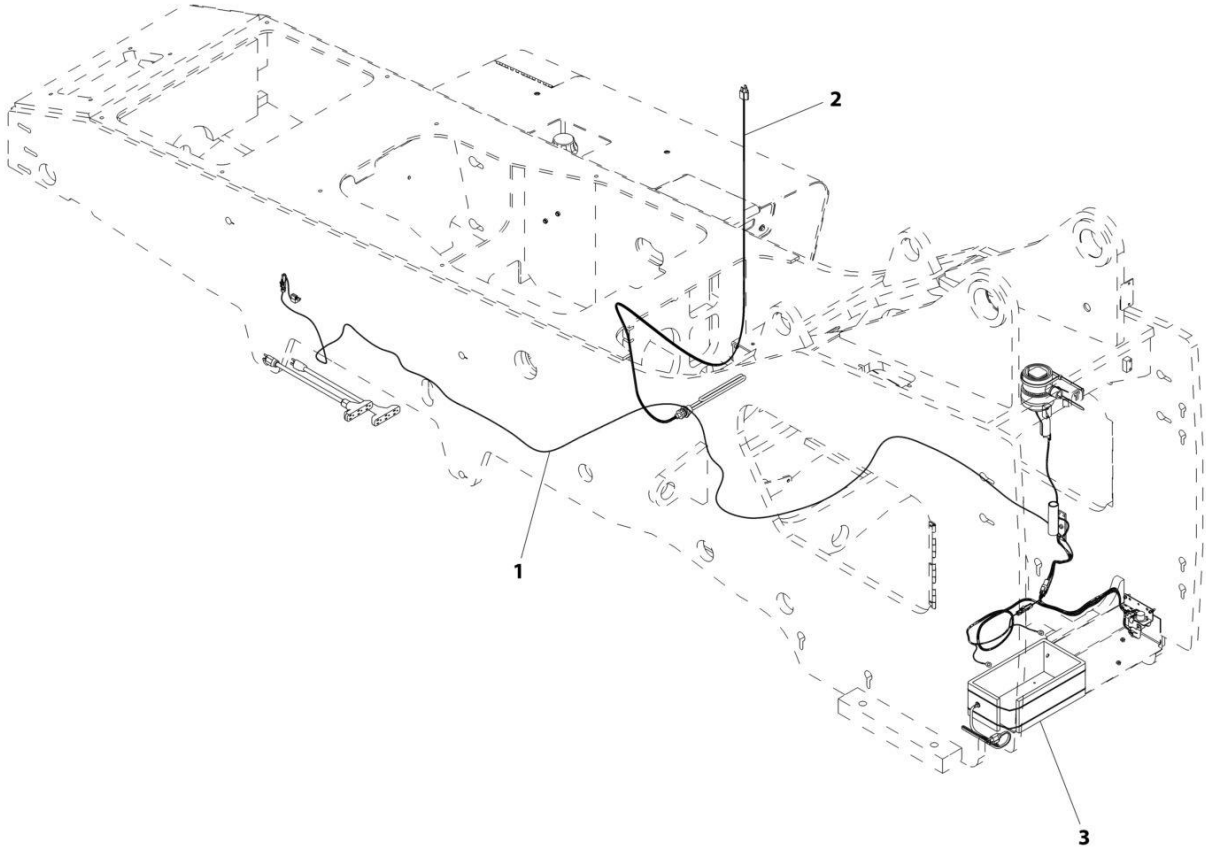
## SECTION 10 - ELECTRICAL

### FIGURE 10-21. CLEARSKY TELEMATICS 3-WIRE HARNESS

ITEM	PART NUMBER	QTY	DESCRIPTION	REV
	1001273012	Ref	CLEARSKY TELEMATICS HARNESS - GT1030	D
1	1001255901	1	Fuseholder	
1	1001196634	1	Fuse - 2Amp	
2	1001272997	1	Connector - 12 Position	
2		Ref	Terminal	
3	4460932	1	Receptacle, Female - 4 Position	
3	4460464	4	Pin, Male	

**SECTION 10 - ELECTRICAL**

**FIGURE 10-22. COLD WEATHER PACKAGE (ULS)**



ART\_1001234530-A

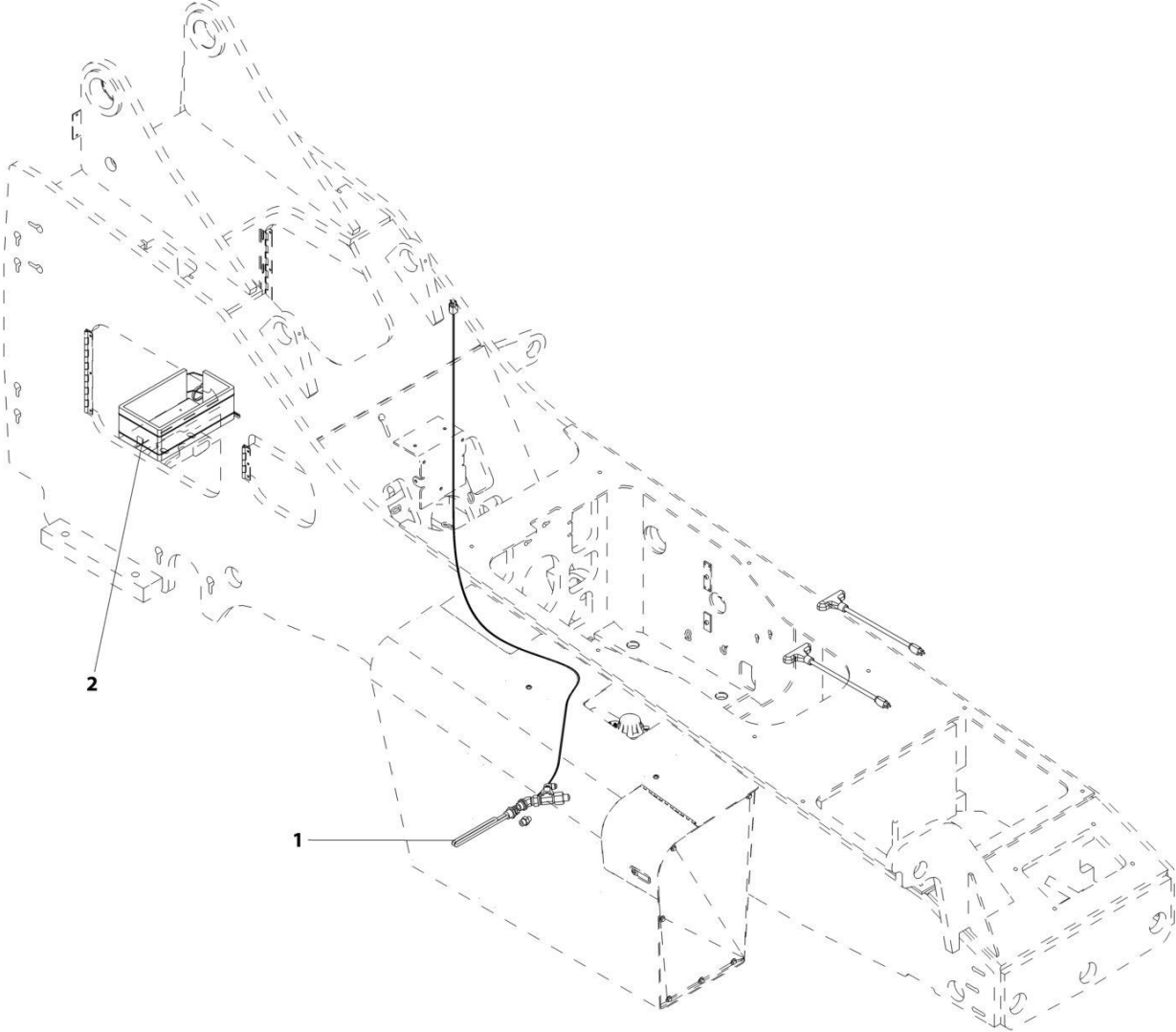
## SECTION 10 - ELECTRICAL

### FIGURE 10-22. COLD WEATHER PACKAGE (ULS)

ITEM	PART NUMBER	QTY	DESCRIPTION	REV
1	1001234530	Ref	Arctic Weather Package Installation (ULS)	A
	1001232750	Ref	Heater, Breather (See Separate Breakdown in Engine And Attaching Parts Section)	
2	1001233964	Ref	Installation, Tank Heater (See Separate Breakdown in this Section)	
3	1001234216	Ref	Installation, Battery Blanket (See Separate Breakdown in this Section)	

**SECTION 10 - ELECTRICAL**

**FIGURE 10-23. COLD WEATHER PACKAGE (LS)**



ART\_1001239958-A

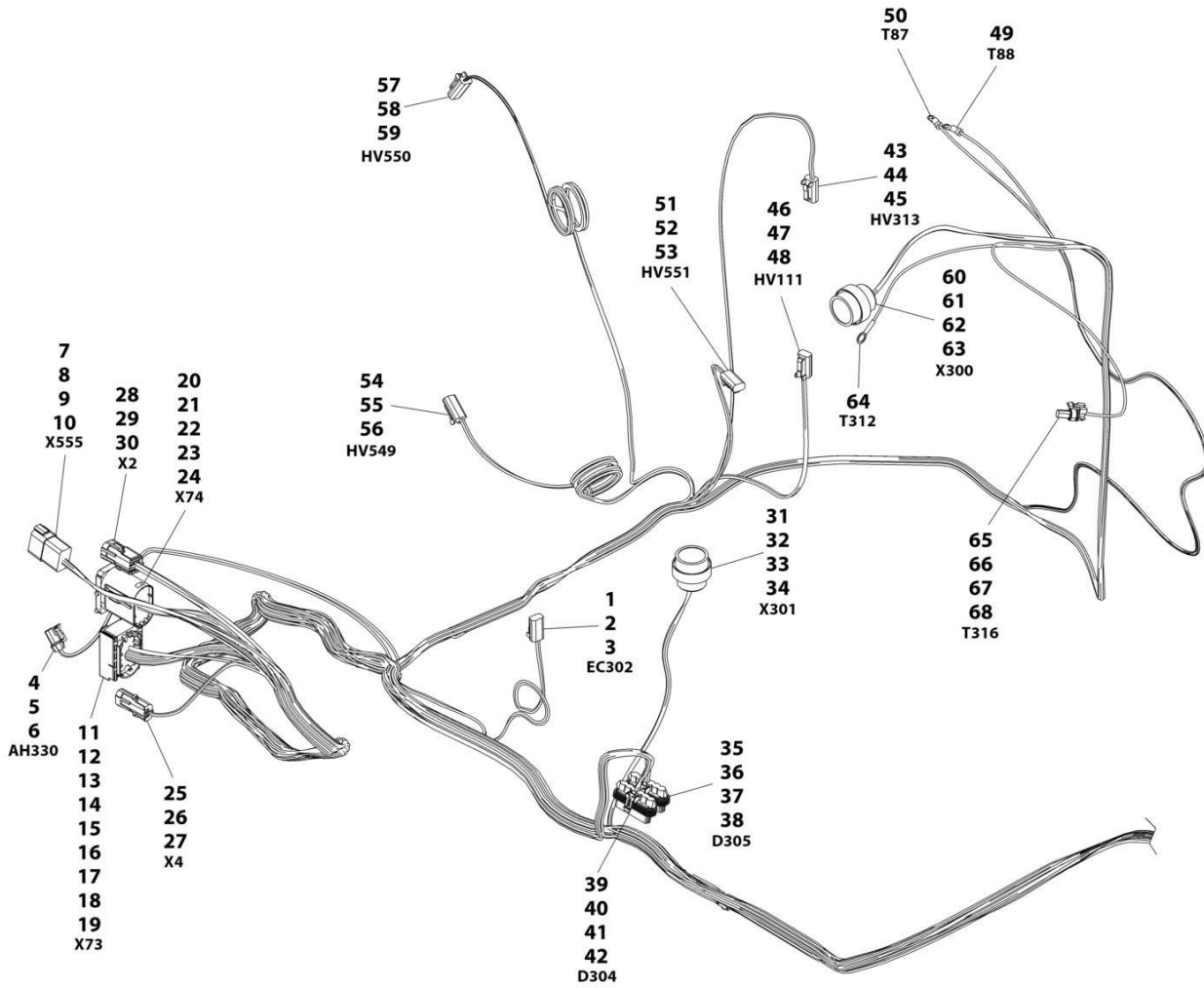
## SECTION 10 - ELECTRICAL

**FIGURE 10-23. COLD WEATHER PACKAGE (LS)**

ITEM	PART NUMBER	QTY	DESCRIPTION	REV
1	1001239958	Ref	Arctic Weather Package Installation (LS)	A
	1001233964	Ref	Installation, Tank Heater (See Separate Breakdown in this Section)	
2	1001234216	Ref	Installation, Battery Blanket (See Separate Breakdown in this Section)	

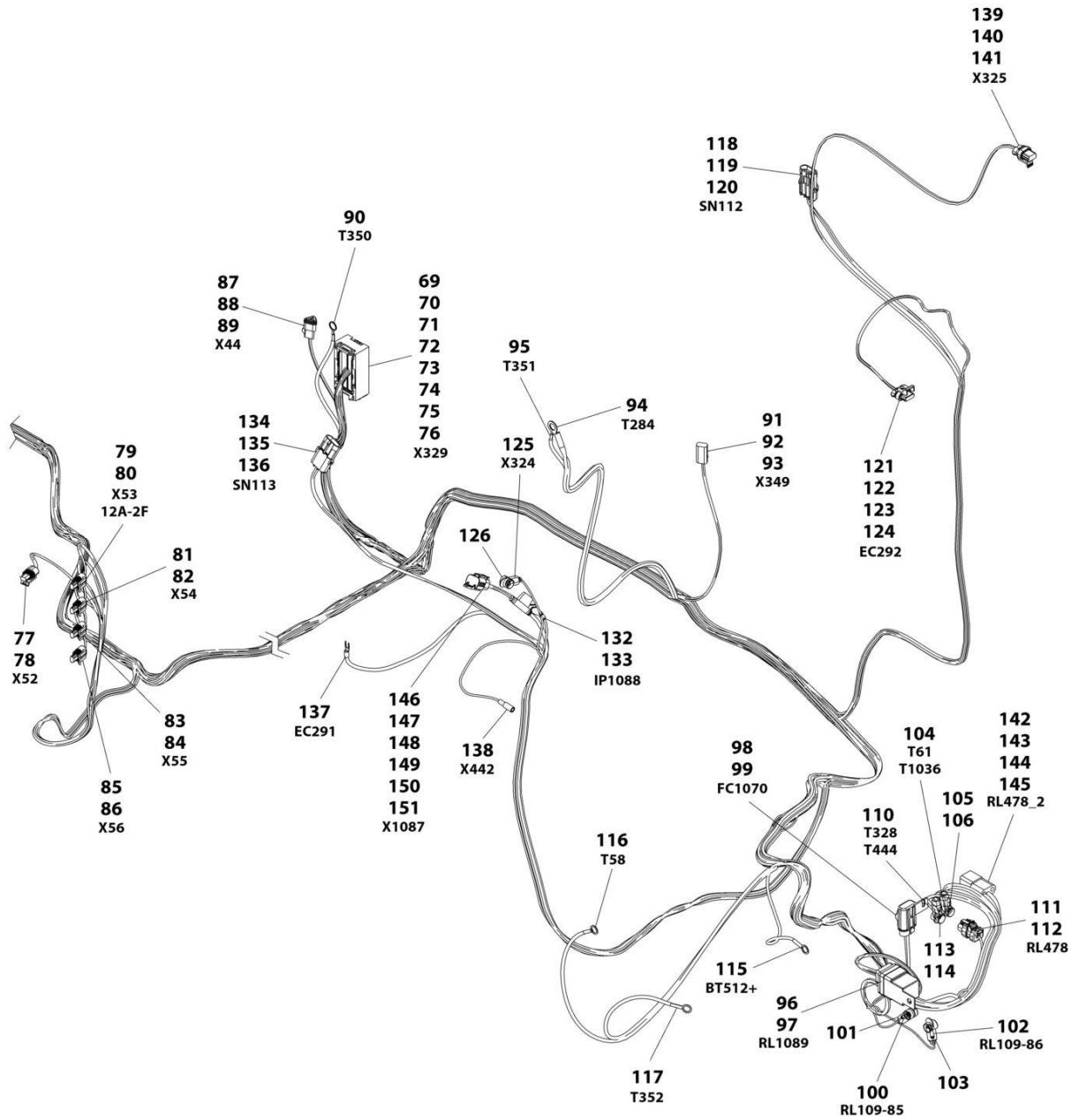
# SECTION 10 - ELECTRICAL

## FIGURE 10-24. ENGINE HARNESS (74HP)



ART\_1001199889\_1OF2

# SECTION 10 - ELECTRICAL



ART\_1001199889\_2OF2

# SECTION 10 - ELECTRICAL

## FIGURE 10-24. ENGINE HARNESS (74HP)

ITEM	PART NUMBER	QTY	DESCRIPTION	REV
	1001199889	Ref	ENGINE HARNESS 74HP (IF EQUIPPED FOR ULS)	I
1	4460891	1	Connector	
2	80604018	1	Lock, Wedge	
3	4460465	2	Terminal	
4	1001117068	1	Connector	
5	8220124	2	Terminal	
6	80963067	2	Seal	
6	4460608	2	Seal	
7	4460931	1	Connector	
8	91503106	1	Lock, Wedge	
9	4460464	4	Terminal	
10	4460466	4	Plug	
11	8220927	1	Connector	
12	70024256	1	Lock, Slide	
13	70024255	1	Seal, Connector	
14	70024254	1	Lock, Secondary	
15	8220097	10	Terminal	
16	4460458	10	Seal	
17	8220098	3	Terminal	
18	80963067	3	Seal	
19	1001116727	2	Plug	
20	8220929	1	Connector	
21	70024253	1	Lock, Secondary	
22	1001116745	1	Terminal	
23	1001116729	14	Terminal	
24	4460458	15	Seal	
25	4461157	1	Connector	
26	4460475	2	Terminal	
27	4460458	2	Seal	
28	80963062	1	Connector	
29	4460850	4	Terminal	
30	80963067	4	Seal	
31	8220536	1	Connector	
32	1001116758	12	Plug	
33	1001116757	4	Terminal	
34	1001189875	4	Seal	
35	4460744	1	Connector	
36	1001116728	4	Terminal	
37	1001116727	2	Plug	
38	8220081	4	Seal	
39	4460744	1	Connector	
40	1001116728	4	Terminal	
41	1001116727	2	Plug	
42	8220081	4	Seal	
43	4460891	1	Connector	
44	80604018	1	Lock, Wedge	
45	4460465	2	Terminal	
46	4460891	1	Connector	
47	80604018	1	Lock, Wedge	
48	4460465	2	Terminal	



## SECTION 10 - ELECTRICAL

ITEM	PART NUMBER	QTY	DESCRIPTION	REV
49	4460042	1	Terminal, Ring	
50	4460042	1	Terminal, Ring	
51	4460891	1	Connector	
52	80604018	1	Lock, Wedge	
53	4460465	2	Terminal	
54	4460891	1	Connector	
55	80604018	1	Lock, Wedge	
56	4460465	2	Terminal	
57	4460891	1	Connector	
58	80604018	1	Lock, Wedge	
59	4460465	2	Terminal	
60	8220536	1	Connector	
61	1001116757	4	Terminal	
62	1001116758	12	Plug	
63	1001189875	4	Seal	
64	4460256	1	Terminal, Ring	
65	1001119004	1	Connector	
66	8220889	1	Lock, Secondary	
67	1001116728	1	Terminal	
68	4460458	1	Seal	
69	1001167641	1	Connector	
70	1001167643	1	Cover	
71	1001167644	1	Lock, Secondary	
72	1001167646	1	Lock, Secondary	
73	1001167647	1	Boot, Rubber	
74	1001167648	10	Terminal	
75	1001167650	75	Plug	
76	1001167649	11	Terminal	
77	4460955	1	Connector	
78	1001116748	2	Terminal	
79	4460955	1	Connector	
80	1001116748	2	Terminal	
81	4460955	1	Connector	
82	1001116748	2	Terminal	
83	4460955	1	Connector	
84	1001116748	2	Terminal	
85	4460955	1	Connector	
86	1001116748	2	Terminal	
87	4461095	1	Connector	
88	4460465	2	Terminal	
89	4460466	1	Plug	
90	4460019	1	Terminal, Ring	
91	4460891	1	Connector	
92	80604018	1	Lock, Wedge	
93	4460465	2	Terminal	
94	8220164	2	Terminal, Ring	
95	4460019	1	Terminal, Ring	
96	1001145707	1	Connector	
97	1001116732	4	Terminal	
98	1001117070	1	Connector	
99	1001116734	2	Terminal	

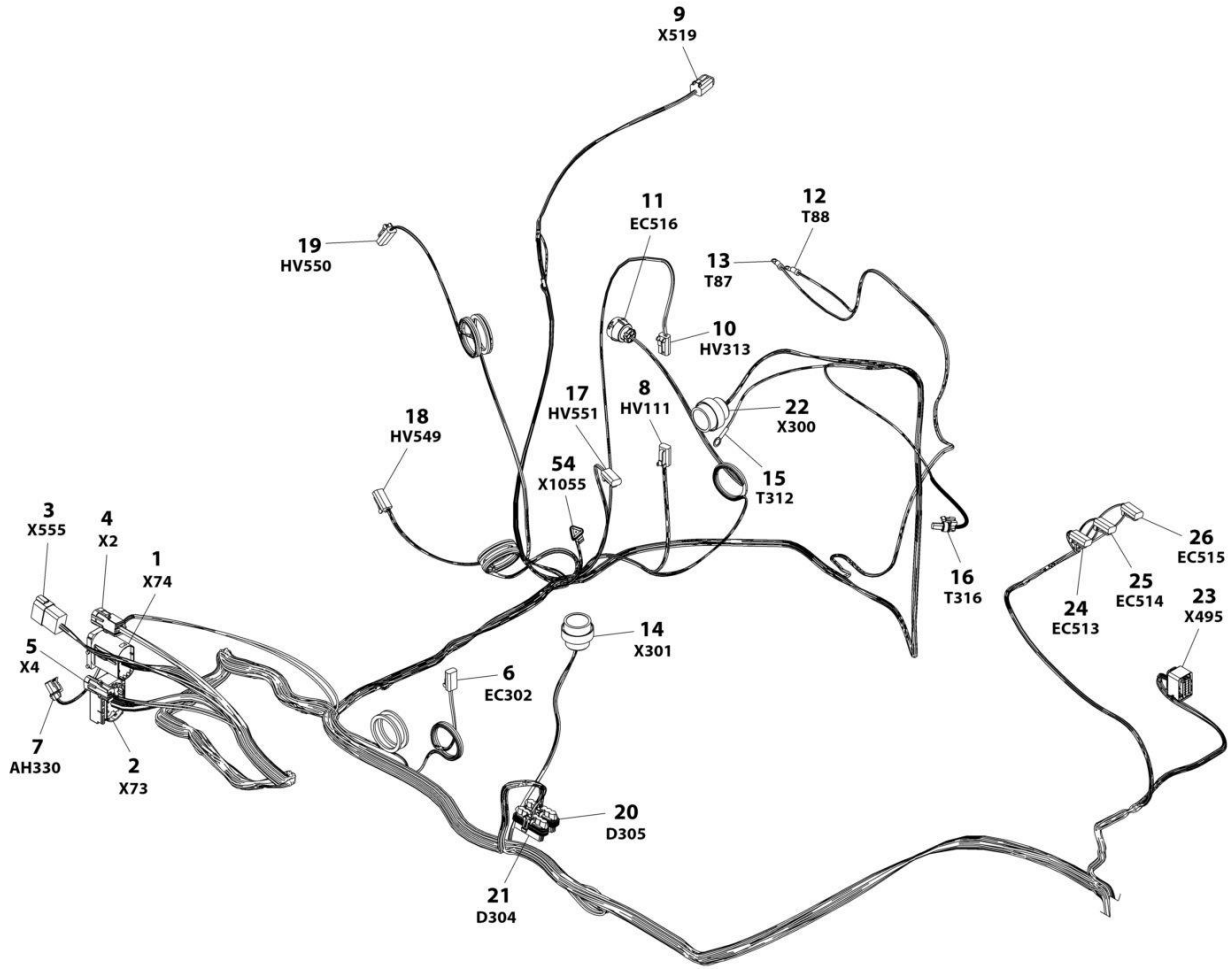
## SECTION 10 - ELECTRICAL

ITEM	PART NUMBER	QTY	DESCRIPTION	REV
100	4460247	1	Terminal, Ring	
101	1001195057	1	Red Boot	
102	4460247	1	Terminal, Ring	
103	1001195055	1	Red Boot	
104	4460312	1	Terminal, Ring	
105	4460312	1	Terminal, Ring	
106	1001195087	1	Red Boot	
110	4460312	1	Terminal, Ring	
111	1001116950	1	Connector	
112	4460465	2	Terminal	
113	4460312	2	Terminal, Ring	
114	1001195087	1	Red Boot	
115	4460019	1	Terminal, Ring	
115	4460312	1	Terminal, Ring	
116	4460019	1	Terminal, Ring	
117	4460019	1	Terminal, Ring	
118	4460476	1	Connector	
119	4460475	3	Terminal	
120	4460458	3	Seal	
121	1001125027	1	Connector	
122	70026217	1	Lock, Secondary	
123	8220124	3	Terminal	
124	4460608	3	Seal	
125	8220058	1	Terminal, Ring	
126	1001195055	1	Red Boot	
132	2400060	1	Fuse Holder	
133	8229242	1	Fuse 5A	
134	4460476	1	Connector	
135	4460475	3	Terminal	
136	4460458	3	Seal	
137	1001117111	1	Terminal, Fork	
138	1001117125	1	Terminal, Snap Plug	
138	1001246391	1	Terminal, Snap Plug	
139	1001117021	1	Connector	
140	1001116728	2	Terminal	
141	8220081	2	Seal	
142	1001117103	1	Connector	
143	7026404	1	Lock, Connector	
144	1001121730	2	Terminal	
145	8220160	2	Seal	
146	4460884	1	Connector	
147	80604021	1	Lock, Wedge	
148	1001157890	1	Terminal	
149	1001116692	2	Terminal	
150	4460466	1	Plug	
151	1001192401	1	Dust Cap	



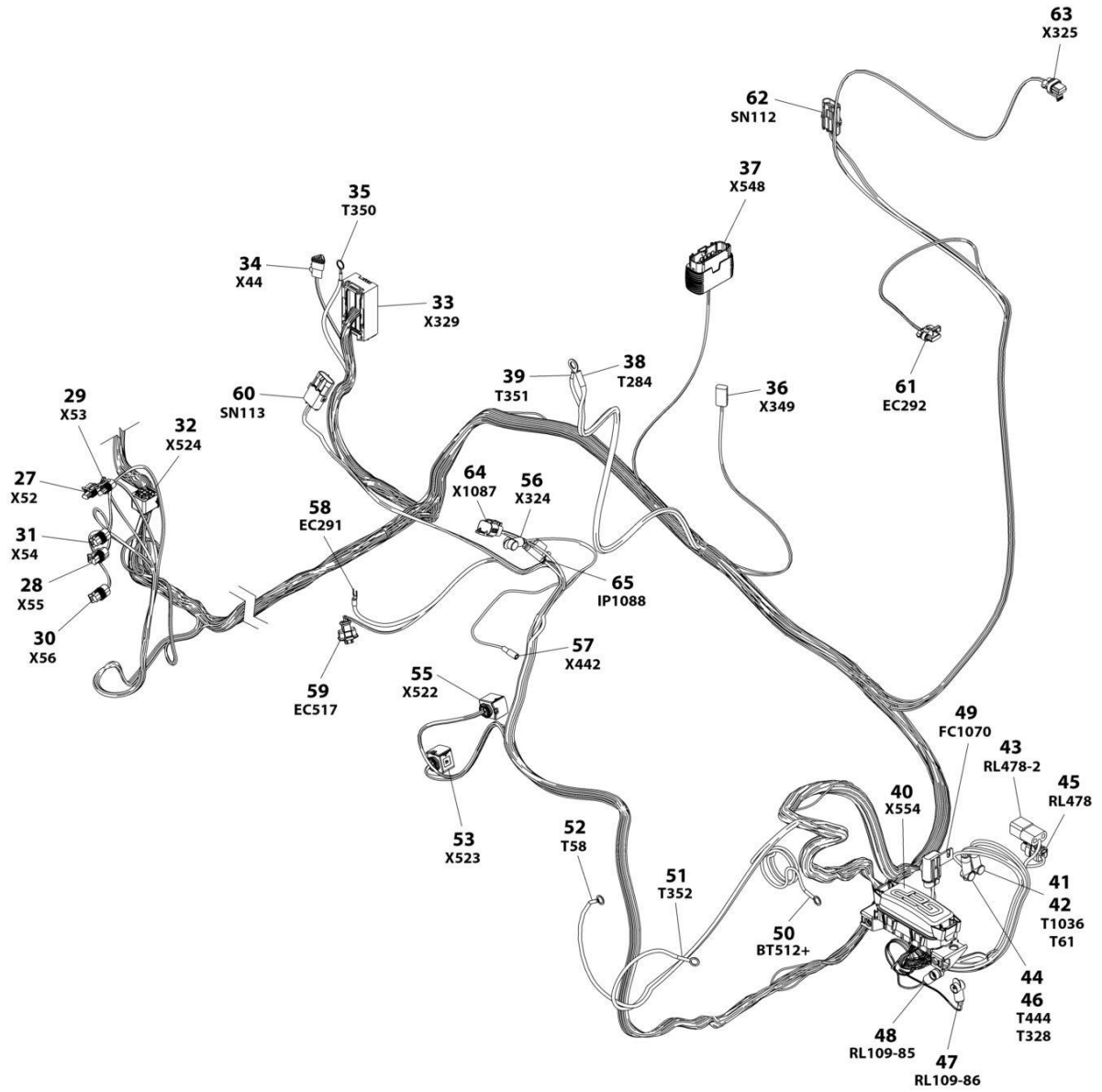
# SECTION 10 - ELECTRICAL

## FIGURE 10-25. ENGINE HARNESS (110HP ULS)



ART\_1001169620\_10F2

# SECTION 10 - ELECTRICAL



ART\_1001169620\_20F2

# SECTION 10 - ELECTRICAL

## FIGURE 10-25. ENGINE HARNESS (110HP ULS)

ITEM	PART NUMBER	QTY	DESCRIPTION	REV
	1001169620	Ref	ENGINE HARNESS	O
1	8220929	1	Connector	
	70024253	1	Lock, Secondary	
	1001116745	1	Terminal	
	4460458	14	Seal	
	1001116729	13	Terminal	
	1001116727	1	Plug	
2	8220927	1	Connector	
	70024256	1	Lock, Slide	
	70024255	1	Seal, Connector	
	70024254	1	Lock, Secondary	
	8220097	11	Terminal	
	4460458	11	Seal	
	8220098	3	Terminal	
	80963067	3	Seal	
	1001116727	1	Plug	
3	4460931	1	Connector	
	80604024	1	Lock, Wedge	
	4460464	6	Terminal	
	4460466	2	Plug	
4	80963062	1	Connector	
	4460850	4	Terminal	
	80963067	4	Seal	
5	4461157	1	Connector	
	4460475	2	Terminal	
	4460458	2	Seal	
6	4460891	1	Connector	
	80604018	1	Lock, Wedge	
	4460465	2	Terminal	
7	1001117068	1	Connector	
	8220124	2	Terminal	
	80963067	2	Seal	
	4460608	2	Seal	
8	4460891	1	Connector	
	80604018	1	Lock, Wedge	
	4460465	2	Terminal	
9	4460884	1	Connector	
	80604021	1	Lock, Wedge	
	4460465	4	Terminal	
10	4460891	1	Connector	
	80604018	1	Lock, Wedge	
	4460465	2	Terminal	
	4460458	2	Seal	
11	1001167620	1	Connector	
	1001176004	2	Terminal	
	1001167624	2	Plug	
	1001176002	2	Seal	
12	4460042	1	Terminal, Ring	
13	4460042	1	Terminal, Ring	
14	8220536	1	Connector	

## SECTION 10 - ELECTRICAL

ITEM	PART NUMBER	QTY	DESCRIPTION	REV
	1001116757	12	Terminal	
	1001116758	3	Plug	
	1001189875	4	Seal	
15	4460256	1	Terminal, Ring	
16	1001119004	1	Connector	
	8220889	1	Lock, Secondary Terminal	
	1001116728	1	Terminal	
	4460458	1	Seal	
17	4460891	1	Connector	
	80604018	1	Lock, Wedge	
	4460465	2	Terminal	
18	4460891	1	Connector	
	80604018	1	Lock, Wedge	
	4460465	2	Terminal	
19	4460891	1	Connector	
	80604018	1	Lock, Wedge	
	4460465	2	Terminal	
20	4460744	1	Connector	
	1001116728	4	Terminal	
	8220081	4	Seal	
	4460458	4	Seal	
	8220375	1	CAP,EXTENDED CLEAR VES-PAC	
	8220366	1	Diode Board Flyback	
21	1001116727	2	Plug	
	4460744	1	Connector	
	1001116728	4	Terminal	
	8220081	4	Seal	
	4460458	4	Seal	
	1001116727	2	Plug	
	8220366	1	Diode Board Flyback	
	8220375	1	CAP,EXTENDED CLEAR VES-PAC	
22	8220536	1	Connector	
	1001116757	4	Terminal	
	1001116758	12	Plug	
	1001189875	4	Seal	
23	1001165194	1	Connector	
	1001166556	10	Terminal	
	1001126391	2	Terminal	
	1001126393	10	Seal	
24	4460891	1	Connector	
	80604018	1	Lock, Wedge	
	4460465	2	Terminal	
25	4460891	1	Connector	
	80604018	1	Lock, Wedge	
	4460465	2	Terminal	
26	4460891	1	Connector	
	80604018	1	Lock, Wedge	
	4460465	2	Terminal	
27	4460955	1	Connector	
	1001116748	2	Terminal	
28	4460955	1	Connector	

## SECTION 10 - ELECTRICAL

ITEM	PART NUMBER	QTY	DESCRIPTION	REV
	1001116748	2	Terminal	
29	4460955	1	Connector	
	1001116748	2	Terminal	
30	4460955	1	Connector	
	1001116748	2	Terminal	
31	4460955	1	Connector	
	1001116748	2	Terminal	
32	1001176935	1	Connector	
	1001166704	4	Terminal	
	4461006	4	Seal	
33	1001167641	1	Connector	
	1001167643	1	Cover	
	1001167644	1	Lock, Secondary	
	1001167646	1	Relief, Strain	
	1001167647	1	Boot, Rubber	
	1001167648	12	Terminal	
	1001167650	54	Plug	
	1001167649	30	Terminal	
34	4461095	1	Connector	
	4461070	1	Attach Mating Connector	
	4460465	2	Terminal	
	4460466	1	Terminal	
35	4460019	1	Terminal, Ring	
36	4460891	1	Connector	
	80604018	1	Lock, Wedge	
	4460465	2	Terminal	
37	1001125083	1	Connector	
	1001125085	1	Terminal	
	1001125089	1	Terminal	
38	8220164	2	Terminal, Ring	
39	4460019	1	Terminal, Ring	
40	1001167617	1	Connector	
	4460746	22	Terminal	
	1001116727	24	Plug	
	1001189877	2	Seal	
	8220089	1	Seal	
	4460458	19	Seal	
	8220125	2	Terminal	
	80963067	2	Seal	
	1001187512	1	Decal	
	1001187513	1	Decal	
	1001095704	5	Relay	
	8229244	2	Fuse, 15 Amp	
41	4460312	2	Terminal, Ring	
	1001195087	1	Red Boot	
42	4460312	1	Terminal, Ring	
43	1001117103	1	Connector	
	7026404	1	Lock, Connector	
	1001121730	2	Terminal	
	8220160	2	Seal	
44	4460312	1	Terminal, Ring	



## SECTION 10 - ELECTRICAL

ITEM	PART NUMBER	QTY	DESCRIPTION	REV
45	1001116950	1	Connector	
	4460465	2	Terminal	
	1001118390	2	Terminal	
46	4460312	2	Terminal, Ring	
	1001195087	1	Red Boot	
47	4460247	1	Terminal, Ring	
	1001195055	1	Red Boot	
48	4460247	1	Terminal, Ring	
	1001195087	1	Black Boot	
49	1001117070	1	Connector	
	1001116734	2	Terminal	
50	4460312	1	Terminal, Ring	
	4460019	1	Terminal, Ring	
51	4460019	1	Terminal, Ring	
52	4460019	1	Terminal, Ring	
53	1001176935	1	Connector	
	1001166704	4	Terminal	
	4461006	4	Seal	
54	4461095	1	Connector	
	4461070	1	Attach Mating Connector	
	4460465	2	Terminal	
	4460466	1	Plug	
55	1001167528	1	Connector	
	1001166704	4	Terminal	
	4461006	4	Seal	
56	8220058	1	Terminal, Ring	
	1001195055	1	Red Boot	
57	1001117125	1	Terminal, Snap Plug	
	1001246391	1	Terminal, Snap Plug	
58	1001117111	1	Terminal, Fork	
59	1001126487	1	Connector	
	1001126484	2	Terminal	
	4461006	2	Seal	
60	4460476	1	Connector	
	4460475	3	Terminal	
	4460458	3	Seal	
61	1001125027	1	Connector	
	70026217	1	Lock, Secondary	
	8220124	3	Terminal	
	4460608	3	Seal	
	1001237778	3	Seal	
62	4460476	1	Connector	
	4460475	3	Terminal	
	4460458	3	Seal	
63	1001117021	1	Connector	
	1001116728	2	Terminal	
	8220081	2	Seal	
64	4460884	1	Connector	
	1001192401	1	Dust Cap	
	1001157890	1	Terminal	
	1001116692	2	Terminal	

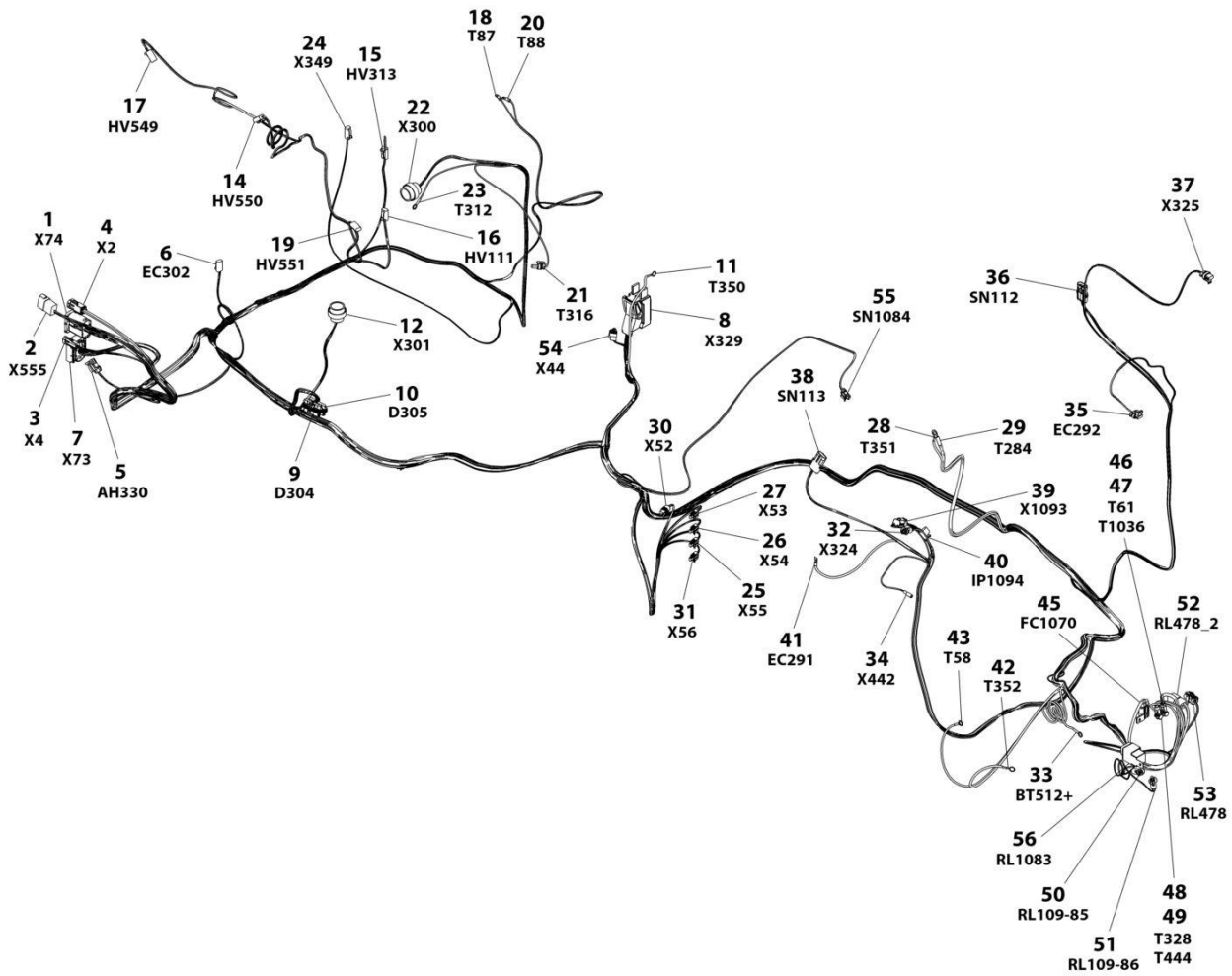
## SECTION 10 - ELECTRICAL

ITEM	PART NUMBER	QTY	DESCRIPTION	REV
65	4460466	1	Plug	
	2400066	1	Connector	
	2400060	1	Fuseholder	
	8229242	1	Fuse, 5 Amp	



# SECTION 10 - ELECTRICAL

## FIGURE 10-26. ENGINE HARNESS (110HP LS)



ART\_1001189488

## SECTION 10 - ELECTRICAL

### FIGURE 10-26. ENGINE HARNESS (110HP LS)

ITEM	PART NUMBER	QTY	DESCRIPTION	REV
	1001189488	Ref	ENGINE HARNESS	K
1	8220929	1	Connector	
	1001116745	1	Terminal	
	1001116729	14	Terminal	
	4460458	15	Seal	
2	4460931	1	Connector	
	80604024	1	Lock, Wedge	
	4460464	4	Terminal	
	4460466	4	Plug	
3	4461157	1	Connector	
	4460475	2	Terminal	
	4460458	2	Seal	
4	80963062	1	Connector	
	4460850	4	Terminal	
	80963067	4	Seal	
5	1001117068	1	Connector	
	8220124	2	Terminal	
	80963067	2	Seal	
6	4460891	1	Connector	
	80604018	1	Lock, Wedge	
	4460465	2	Terminal	
7	8220927	1	Connector	
	8220097	12	Terminal	
	8220098	2	Terminal	
	1001116727	1	Plug	
	4460458	11	Seal	
	80963067	2	Seal	
	1001189877	1	Seal	
8	1001133173	1	Connector	
	1001138643	6	Terminal	
	1001126356	77	Terminal	
	1001138642	8	Terminal	
	1001126351	3	Terminal	
	1001126353	6	Seal	
9	4460744	1	Connector	
	1001116728	4	Terminal	
	1001116727	2	Plug	
	8220081	4	Seal	
10	4460744	1	Connector	
	1001116728	4	Terminal	
	1001116727	2	Plug	
	8220081	4	Seal	
11	4460019	1	Terminal, Ring	
12	8220536	1	Connector	
	1001116758	12	Plug	
	1001116757	4	Terminal	
	1001189875	4	Seal	
14	4460891	1	Connector	
	80604018	1	Lock, Wedge	
	4460465	2	Terminal	

## SECTION 10 - ELECTRICAL

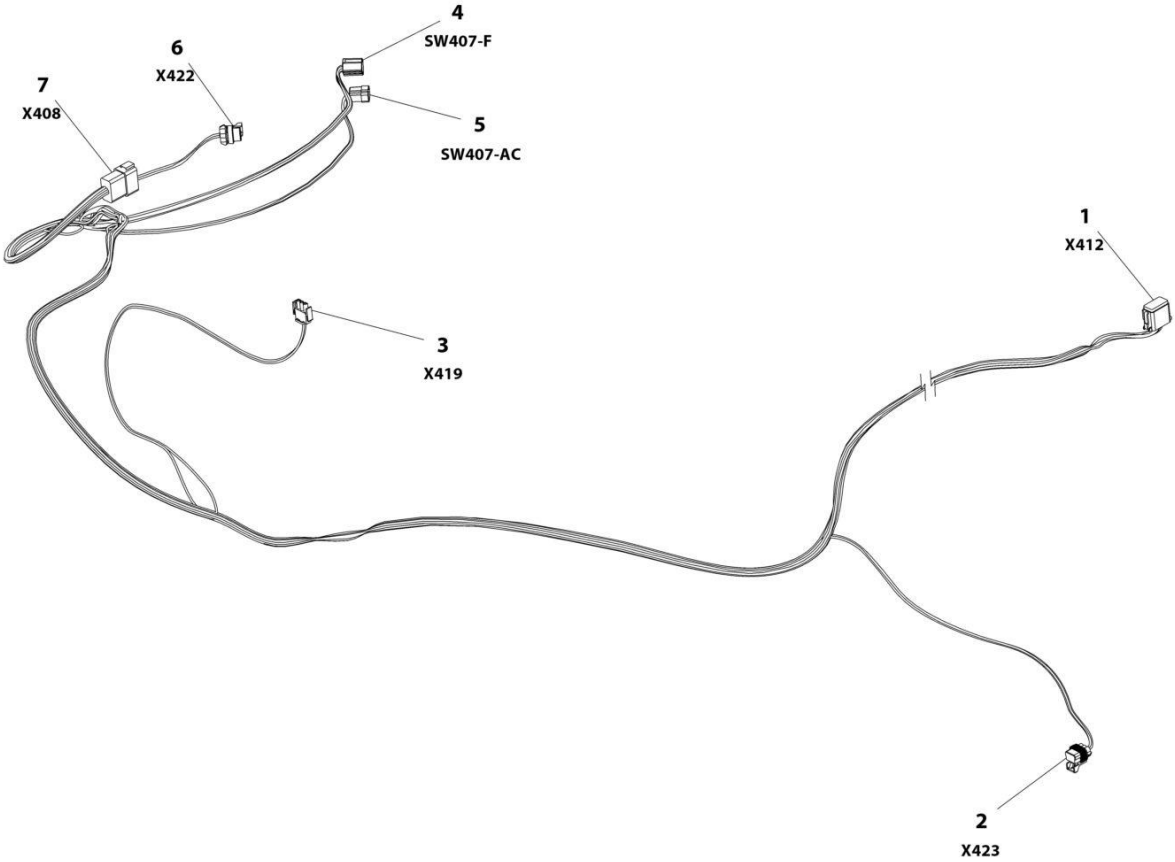
ITEM	PART NUMBER	QTY	DESCRIPTION	REV
15	4460891	1	Connector	
	80604018	1	Lock, Wedge	
	4460465	2	Terminal	
16	4460891	1	Connector	
	80604018	1	Lock, Wedge	
	4460465	2	Terminal	
17	4460891	1	Connector	
	80604018	1	Lock, Wedge	
	4460465	2	Terminal	
18	4460042	1	Terminal, Ring	
19	4460891	1	Connector	
	80604018	1	Lock, Wedge	
	4460465	2	Terminal	
20	4460042	1	Terminal, Ring	
21	1001119004	1	Connector	
	1001116728	1	Terminal	
	4460458	1	Seal	
22	8220536	1	Connector	
	1001116757	4	Terminal	
	1001116758	12	Plug	
	1001189875	4	Seal	
23	4460256	1	Terminal, Ring	
24	4460891	1	Connector	
	80604018	1	Lock, Wedge	
	4460465	2	Terminal	
25	4460955	1	Connector	
	1001116748	2	Terminal	
26	4460955	1	Connector	
	1001116748	2	Terminal	
27	4460955	1	Connector	
	1001116748	2	Terminal	
28	4460019	1	Terminal, Ring	
29	8220164	1	Terminal, Ring	
30	4460955	1	Connector	
	1001116748	2	Terminal	
31	4460955	1	Connector	
	1001116748	2	Terminal	
32	8220058	1	Terminal, Ring	
33	4460019	1	Terminal, Ring	
34	1001117125	1	Terminal, Snap Plug	
35	1001125027	1	Connector	
	8220124	3	Terminal	
	4460608	3	Seal	
36	4460476	1	Connector	
	4460475	3	Terminal	
	4460458	3	Seal	
37	1001117021	1	Connector	
	1001116728	2	Terminal	
	8220081	2	Seal	
38	4460476	1	Connector	
	4460475	3	Terminal	

## SECTION 10 - ELECTRICAL

ITEM	PART NUMBER	QTY	DESCRIPTION	REV
	4460458	3	Seal	
39	4460884	1	Connector	
	80604021	1	Lock, Wedge	
	4460465	3	Terminal	
	4460466	1	Plug	
	1001192401	1	Dust Cap	
40	2400060	1	Fuse Holder	
41	4460142	1	Connector	
	1001117111	1	Terminal	
42	4460019	1	Terminal, Ring	
43	4460019	1	Terminal, Ring	
45	1001117070	1	Connector	
	1001116734	2	Terminal	
46	4460312	1	Terminal, Ring	
	1001195087	1	Red Boot	
47	4460312	2	Terminal, Ring	
48	4460312	2	Terminal, Ring	
	1001195087	1	Red Boot	
49	4460312	1	Terminal, Ring	
50	4460247	1	Terminal, Ring	
	1001195057	1	Black Boot	
51	4460247	1	Terminal, Ring	
	1001195055	1	Red Boot	
52	1001117103	1	Connector	
	1001121730	2	Terminal	
53	1001116950	1	Connector	
	4460465	2	Terminal	
54	4461095	1	Plug	
	4461070	1	Connector	
	4460465	2	Terminal	
	4460466	1	Terminal	
55	1001209097	1	Connector	
	8220124	2	Terminal	
56	1001145707	1	Connector	
	1001116732	4	Terminal	

**SECTION 10 - ELECTRICAL**

**FIGURE 10-27. HVAC HARNESS**



ART\_1001178347-E



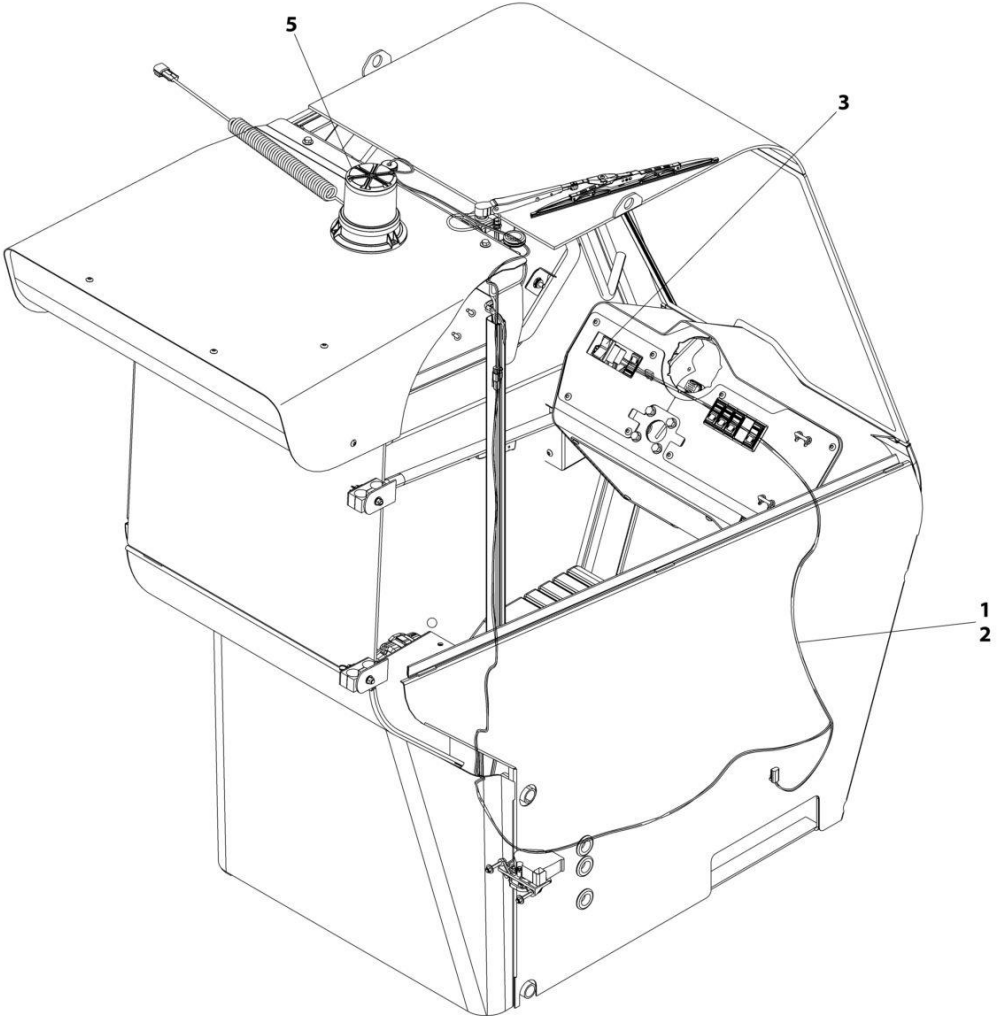
## SECTION 10 - ELECTRICAL

### FIGURE 10-27. HVAC HARNESS

ITEM	PART NUMBER	QTY	DESCRIPTION	REV
	1001178347	Ref	HVAC Harness	E
1	4460933	1	Connector	
	80604016	1	Lock, Wedge	
	4460942	9	Terminal	
	4460465	2	Terminal	
	4460466	1	Terminal	
2	8220895	1	Connector	
	70026216	1	Lock, Secondary	
	8220124	3	Terminal	
	1001116751	3	Terminal, Plug	
3	4460326	1	Connector	
	4460268	2	Terminal	
4	1001117080	1	Connector	
	1001116723	5	Terminal	
5	1001117059	1	Connector	
	1001116736	3	Terminal	
6	1001125027	1	Connector	
	70026217	1	Lock, Secondary	
	8220124	3	Terminal	
7	4460950	1	Connector	
	80363179	1	Lock, Wedge	
	1001157891	5	Terminal	
	4460464	6	Terminal	
	4460466	1	Terminal	

**SECTION 10 - ELECTRICAL**

**FIGURE 10-28. LIGHTS - BEACON LIGHT INSTALLATION (ENCLOSED CAB)**



ART\_1001161213\_G

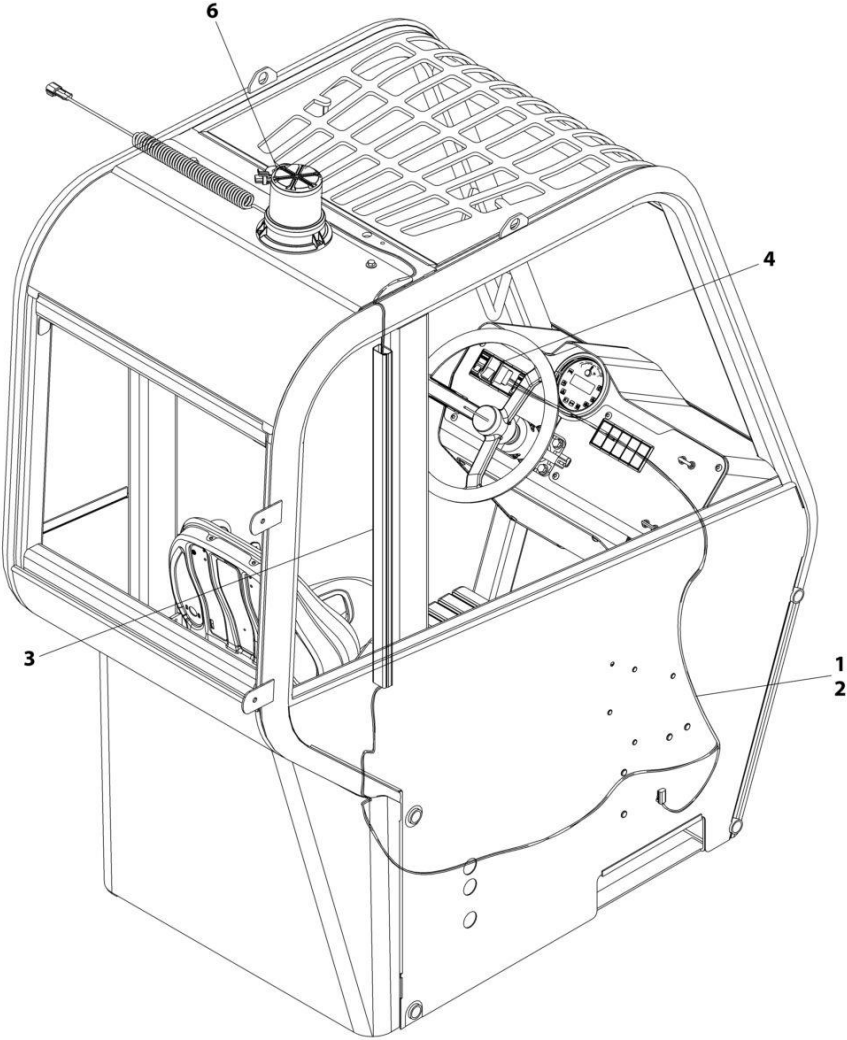
## SECTION 10 - ELECTRICAL

**FIGURE 10-28. LIGHTS - BEACON LIGHT INSTALLATION (ENCLOSED CAB)**

ITEM	PART NUMBER	QTY	DESCRIPTION	REV
	1001161213	Ref	LIGHTS - BEACON LIGHT INSTALLATION (ENCLOSED CAB)	G
1	0100009	AR	Sealant	
2	1001178345	1	Harness, Beacon Option (See Separate Breakdown in this Section)	
3	8223038	1	Switch, Beacon	
5	1001271586	1	Light, Rotating Beacon	

**SECTION 10 - ELECTRICAL**

**FIGURE 10-29. LIGHTS - BEACON LIGHT INSTALLATION (OPEN CAB)**



ART\_1001161212\_I

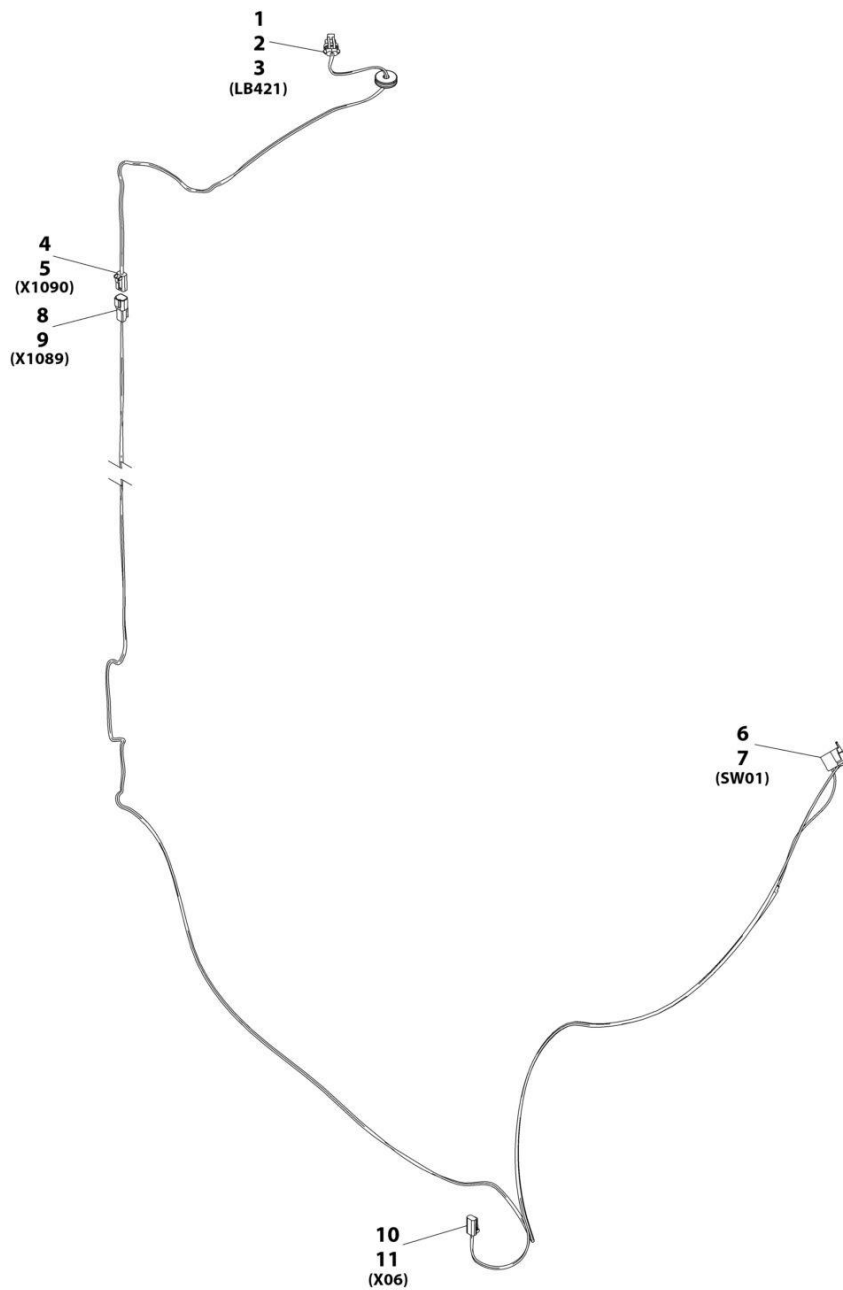
## SECTION 10 - ELECTRICAL

**FIGURE 10-29. LIGHTS - BEACON LIGHT INSTALLATION (OPEN CAB)**

ITEM	PART NUMBER	QTY	DESCRIPTION	REV
	1001161212	Ref	LIGHTS - BEACON LIGHT INSTALLATION (OPEN CAB)	I
1	0100009	AR	Sealant	
2	1001178345	1	Harness, Beacon Option (See Separate Breakdown in this Section)	
3	1001182091	1	Duct, Upper Wire	
4	8223038	1	Switch, Beacon	
6	1001271586	1	Light, Rotating Beacon	

# SECTION 10 - ELECTRICAL

## FIGURE 10-30. LIGHTS - BEACON LIGHT HARNESS



ART\_1001178345-H

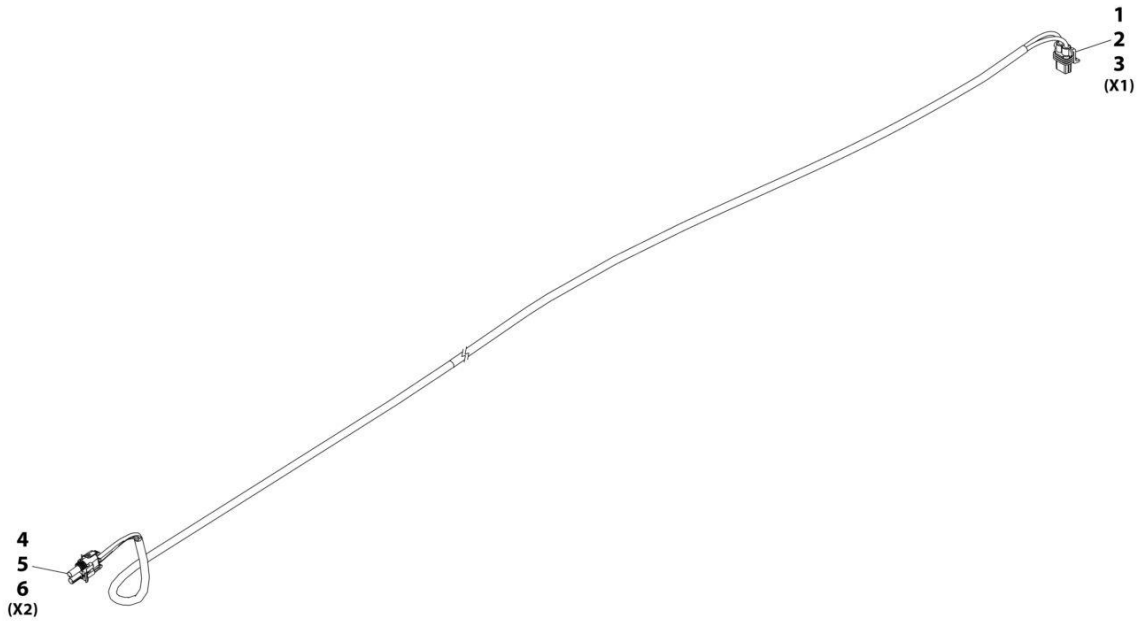
## SECTION 10 - ELECTRICAL

### FIGURE 10-30. LIGHTS - BEACON LIGHT HARNESS

ITEM	PART NUMBER	QTY	DESCRIPTION	REV
	1001178345	Ref	Beacon Option Harness	H
1	1001117021	1	Connector	
2	1001116728	2	Terminal	
3	4460458	2	Seal	
4	4460891	1	Connector	
5	4460465	2	Terminal	
6	8220904	1	Connector	
7	4460419	5	Terminal	
8	4460897	1	Connector	
9	4460464	2	Terminal	
10	4460891	1	Connector	
11	4460465	2	Terminal	

# SECTION 10 - ELECTRICAL

## FIGURE 10-31. LIGHTS - BOOM WORK LIGHT HARNESS



ART\_1001238111



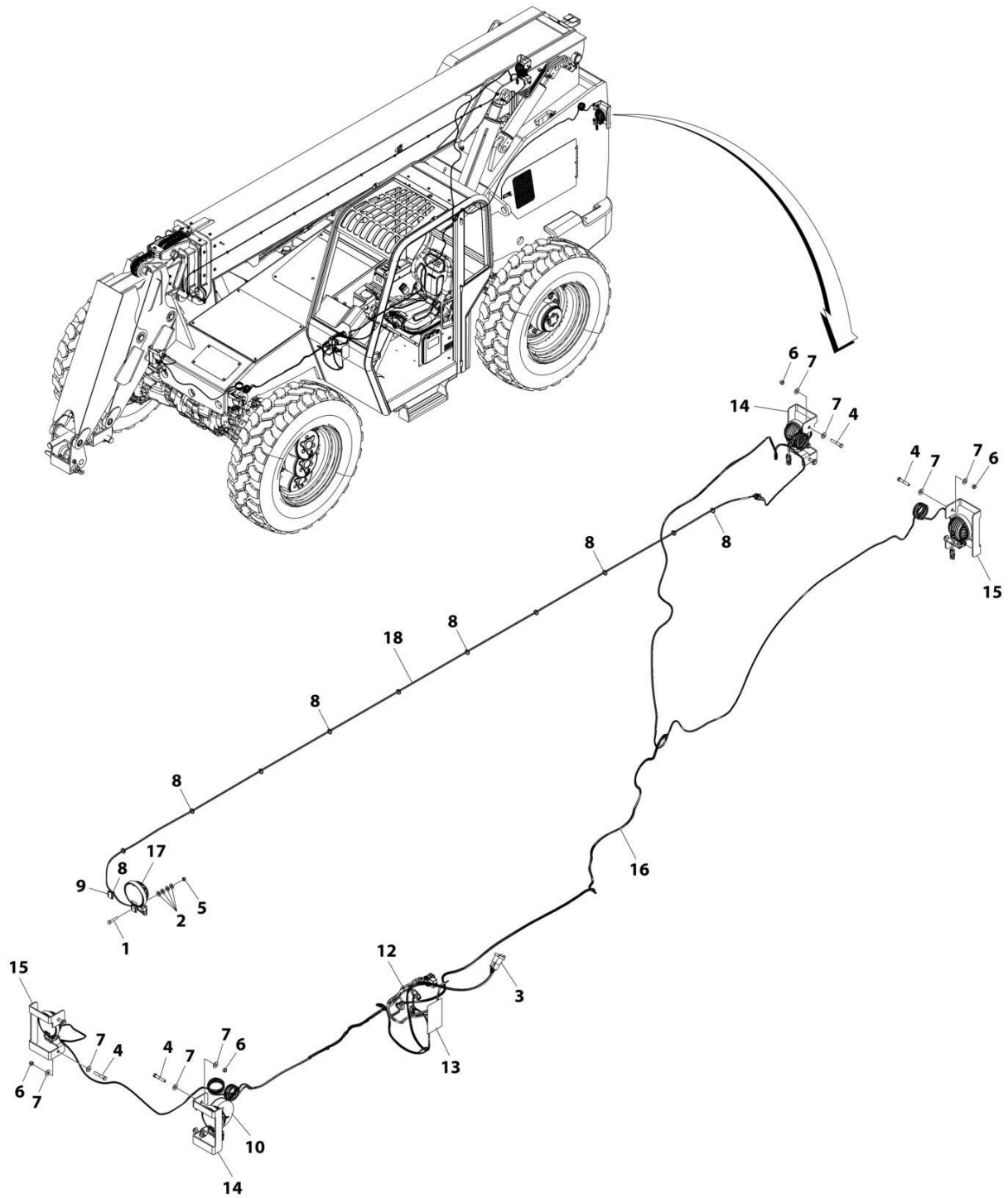
## SECTION 10 - ELECTRICAL

### FIGURE 10-31. LIGHTS - BOOM WORK LIGHT HARNESS

ITEM	PART NUMBER	QTY	DESCRIPTION	REV
	1001238111	Ref	Boom Worklight Harness	B
1	1001117021	1	Connector	
2	1001116747	2	Terminal	
3	4460789	2	Seal	
4	4460742	1	Connector	
5	4460457	2	Terminal	
6	4460789	2	Seal	

# SECTION 10 - ELECTRICAL

## FIGURE 10-32. LIGHTS - LED WORK LIGHT PACKAGE INSTALLATION



ART\_1001237847

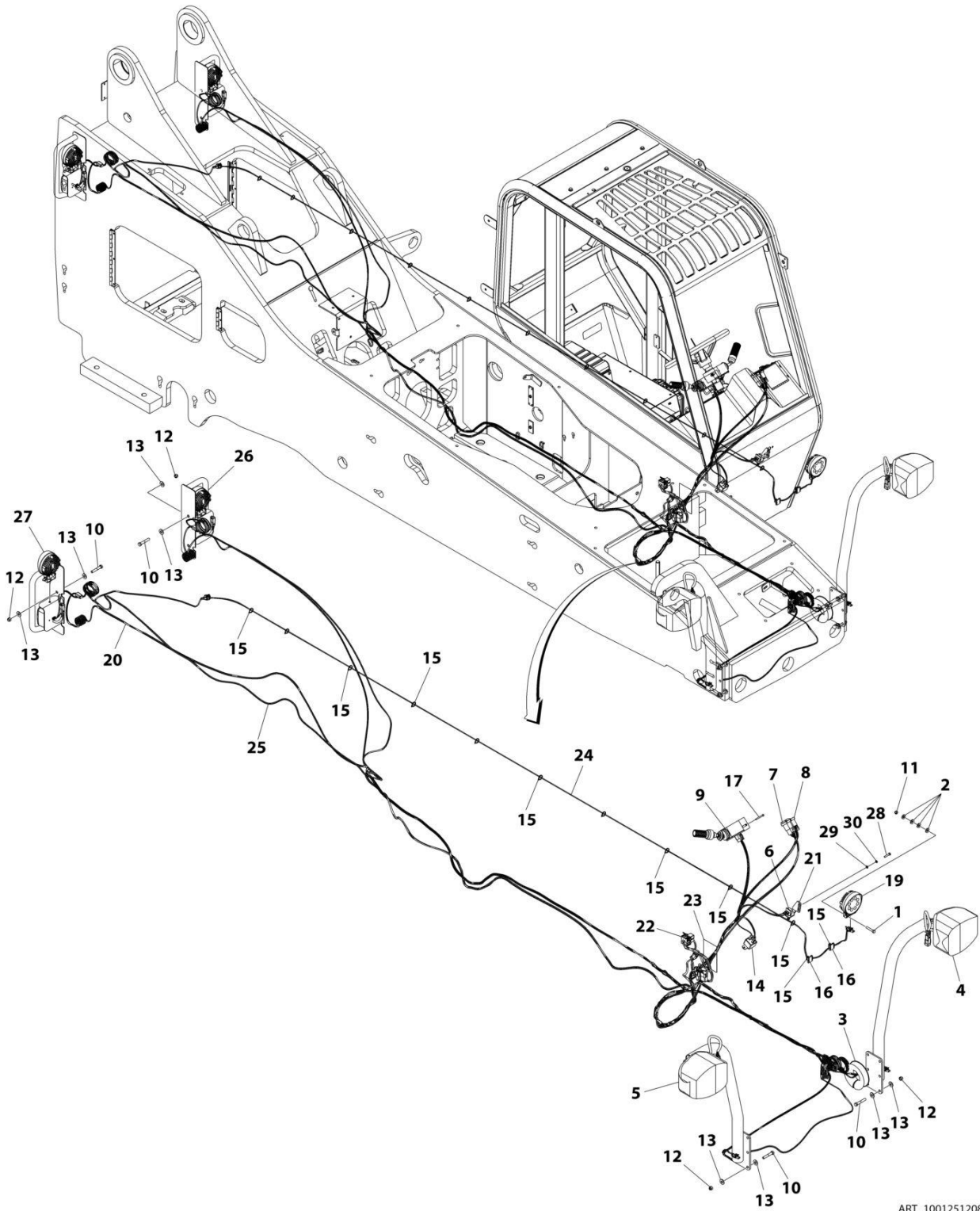
## SECTION 10 - ELECTRICAL

**FIGURE 10-32. LIGHTS - LED WORK LIGHT PACKAGE INSTALLATION**

ITEM	PART NUMBER	QTY	DESCRIPTION	REV
	1001237847	Ref	LIGHTS - LED WORK LIGHT PACKAGE INSTALLATION	C
1	0641514	1	Bolt 5/16 x 1-3/8	
2	4891600	AR	Washer 3/8	
3	8223059	1	Switch, Work Light	
4	8303771	8	Bolt 3/8 x 2-1/4	
5	8305626	1	Nut 5/16	
6	8305645	8	Nut 3/8	
7	8307204	16	Washer 3/8	
8	8584001	AR	Wrap, Tie	
9	8584018	4	Mount, Tie-Strap	
10	7124471	1	Conduit, 1 x 12.5	
11	88501005	AR	Nut 5/16	
12	1001205248	1	Harness, Roadlight Worklight (See Separate Breakdown in this Section)	
13	1001205264	1	Decal, Light Fuse Panel	
14	1001237853	2	Assembly, LED RH Worklight (See Separate Breakdown in this Section)	
15	1001237854	2	Assembly, LED LH Worklight (See Separate Breakdown in this Section)	
16	1001238199	1	Harness, Work Light Option (See Separate Breakdown in this Section)	
17	1001176337	1	Lamp, LED Worklight	
18	1001238111	1	Harness, Boom Worklight (See Separate Breakdown in this Section)	

# SECTION 10 - ELECTRICAL

## FIGURE 10-33. LIGHTS - ROADLIGHT PACKAGE INSTALLATION



ART\_1001251208

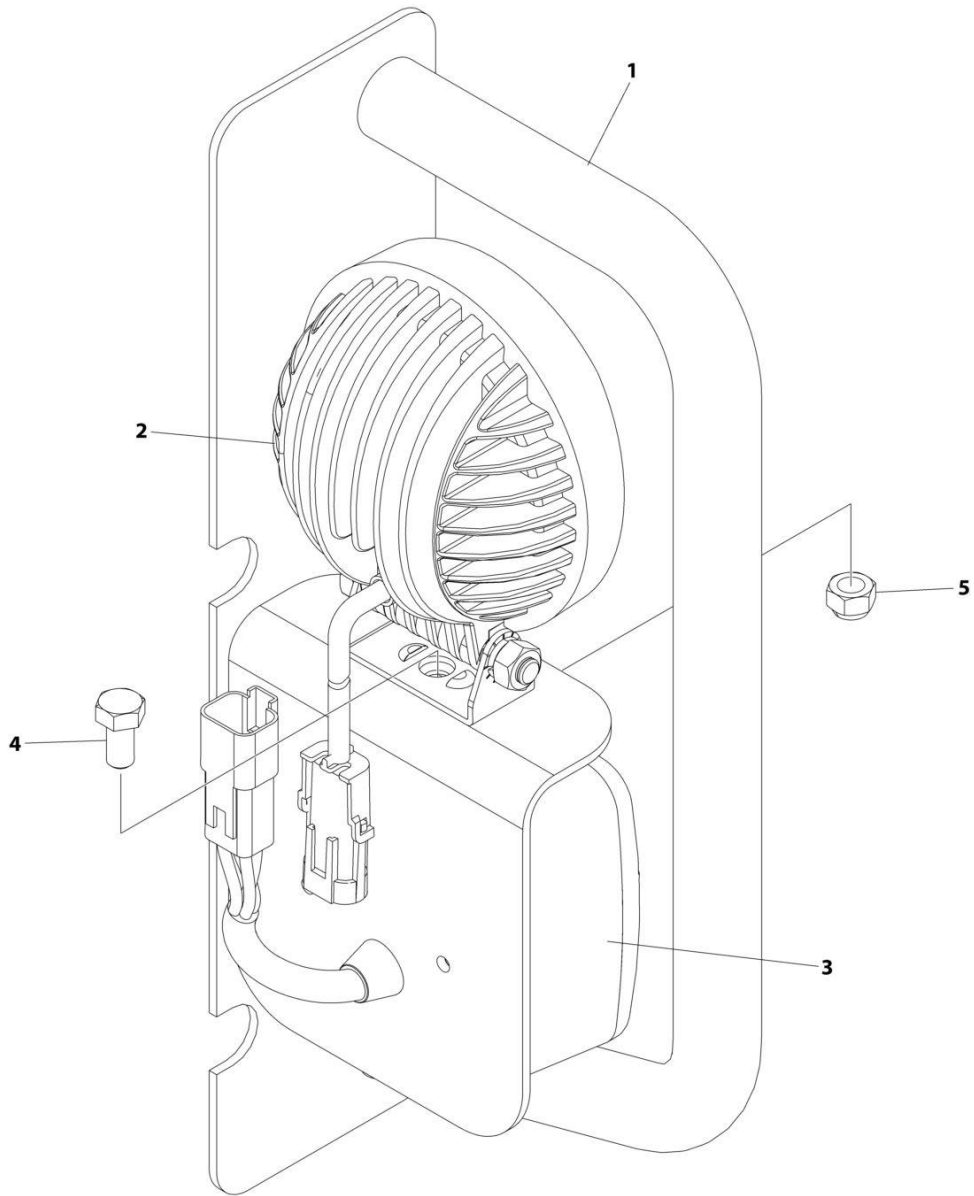
## SECTION 10 - ELECTRICAL

**FIGURE 10-33. LIGHTS - ROADLIGHT PACKAGE INSTALLATION**

ITEM	PART NUMBER	QTY	DESCRIPTION	REV
	1001251208	Ref	ROADLIGHT PACKAGE INSTALLATION	B
1	0641514	1	Bolt 5/16 x 1-3/4	
2	4891600	4	Washer 3/8	
3	7124471	1	Conduit 1 x 12.5	
4	7150699	1	Assembly, LH Roadlight Bracket (See Separate Breakdown in this Section)	
5	7150716	1	Assembly, RH Roadlight Bracket (See Separate Breakdown in this Section)	
6	8223025	1	Switch, Brake Lights	
7	8223059	1	Switch, Work Light	
8	8223060	1	Switch, Hazard	
9	8223073	1	Control, Turn Signal	
10	8303771	10	Bolt 3/8 x 2-1/4	
11	8305626	1	Nut 5/16	
12	8305645	10	Nut 3/8	
13	8307204	20	Washer 3/8	
14	8500203	1	Flasher, Hazard Warning 12V	
15	8584001	AR	Wrap, Tie	
16	8584018	2	Mount, Cable Tie	
17	88211516	2	Screw M10	
19	1001176337	1	Lamp, LED Worklight	
20	1001178346	1	Harness, Road Light Option (See Separate Breakdown in this Section)	
21	1001201752	1	Bracket, Brake Switch	
22	1001205248	1	Harness, Roadlight Worklight (See Separate Breakdown in this Section)	
23	1001205264	1	Decal, Light Fuse Panel	
24	1001238111	1	Harness, Boom Worklight (See Separate Breakdown in this Section)	
25	1001238199	1	Harness, Work Light Option (See Separate Breakdown in this Section)	
26	1001251270	1	Assembly, LH Roadlight (See Separate Breakdown in this Section)	
27	1001251271	1	Assembly, RH Roadlight (See Separate Breakdown in this Section)	
28	0700614	2	Bolt M6 x 30	
29	4811700	2	Washer M6	
30	4831700	2	Washer M6	

# SECTION 10 - ELECTRICAL

## FIGURE 10-34. LIGHTS - ROAD LIGHT ASSEMBLY (LH)



ART\_1001251270

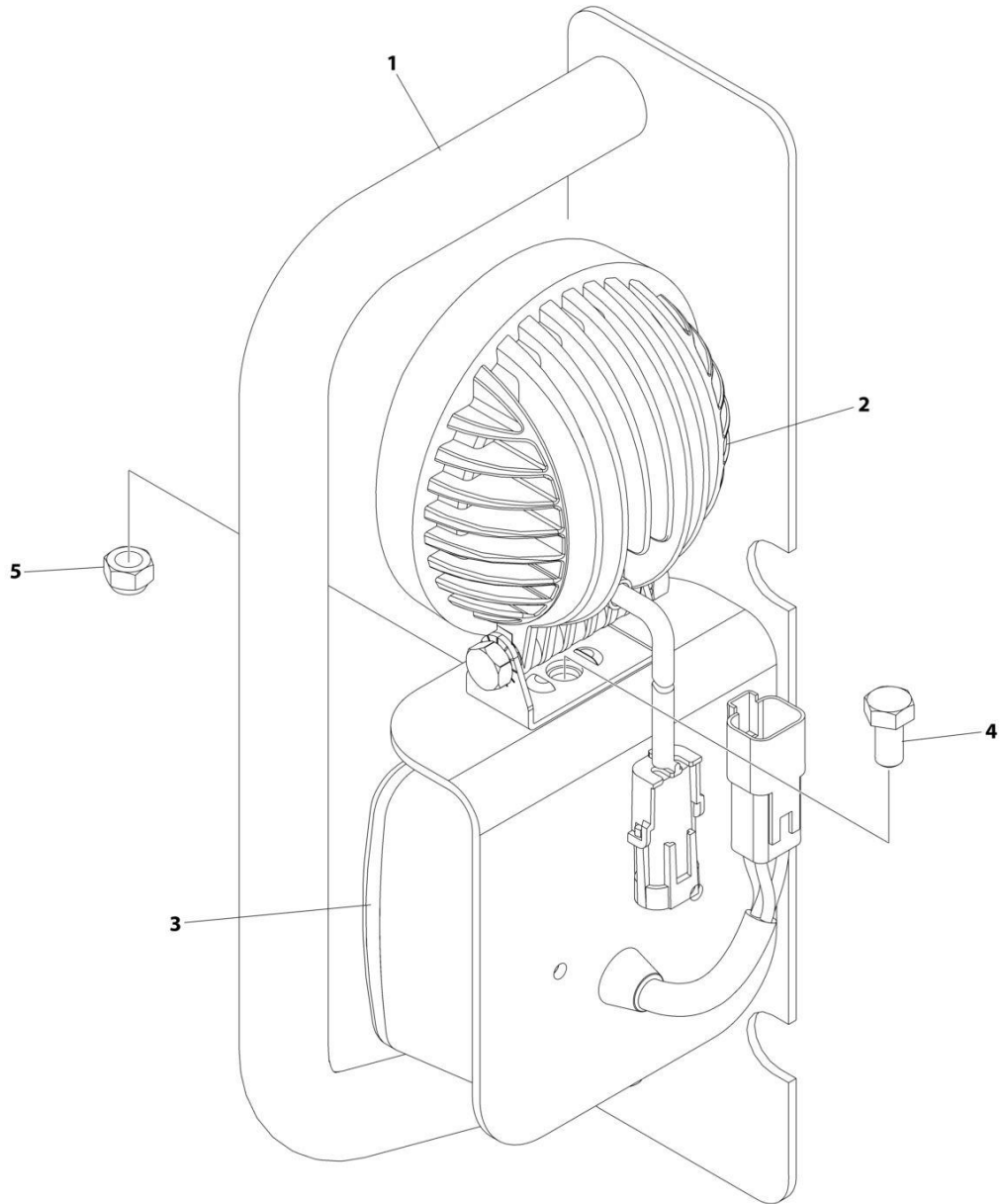
## SECTION 10 - ELECTRICAL

### FIGURE 10-34. LIGHTS - ROAD LIGHT ASSEMBLY (LH)

ITEM	PART NUMBER	QTY	DESCRIPTION	REV
	1001251270	Ref	LH ROADLIGHT ASSEMBLY	A
1	7150681	1	Assembly, LH Roadlight Bracket	
2	1001176337	1	Lamp, LED Worklight	
3	7150690	1	Light, Tail/Indicator	
4	8303745	1	Bolt 5/16 x 5/8	
5	8305626	1	Nut 5/16	

# SECTION 10 - ELECTRICAL

## FIGURE 10-35. LIGHTS - ROAD LIGHT ASSEMBLY (RH)



ART\_1001251271



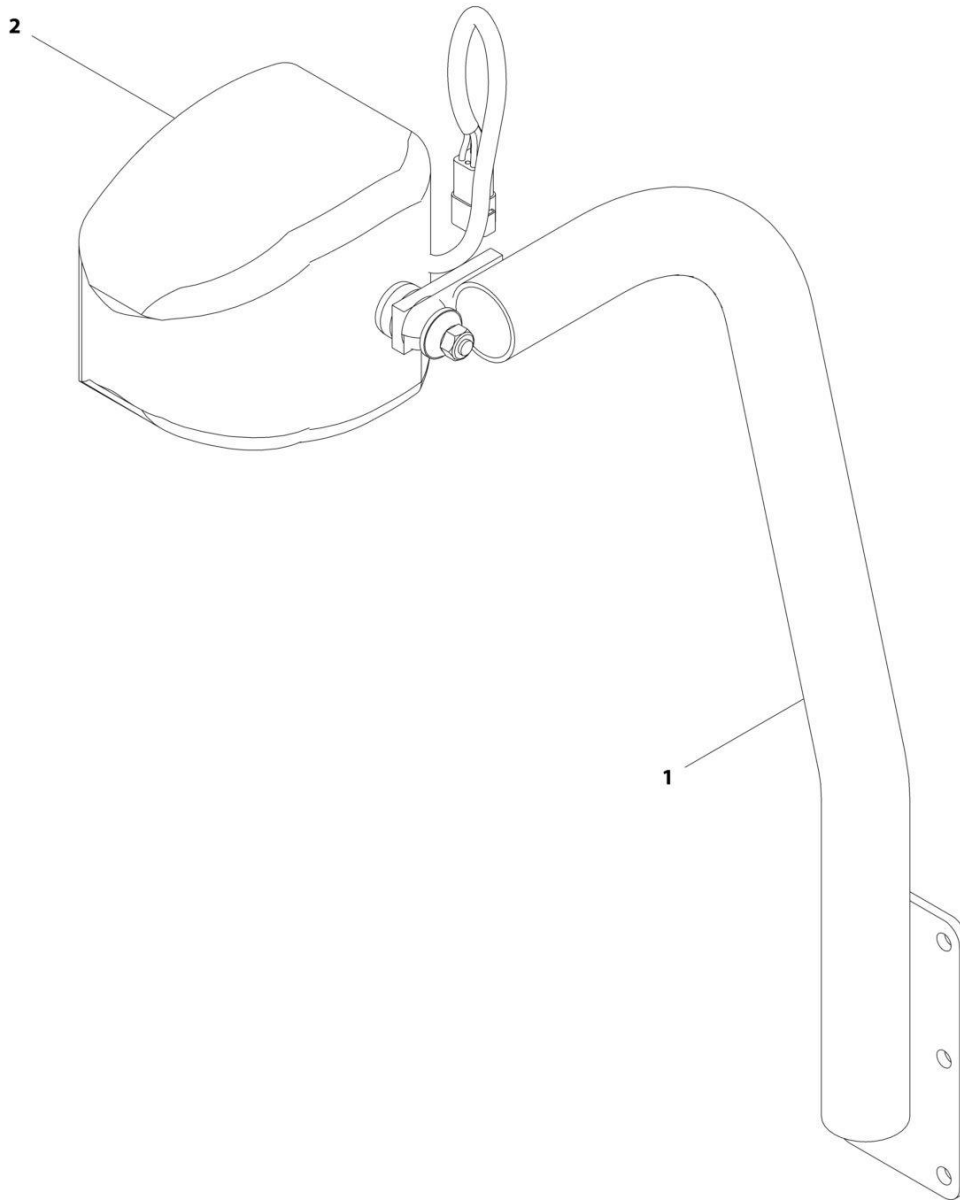
## SECTION 10 - ELECTRICAL

### FIGURE 10-35. LIGHTS - ROAD LIGHT ASSEMBLY (RH)

ITEM	PART NUMBER	QTY	DESCRIPTION	REV
	1001251271	Ref	RH ROADLIGHT ASSEMBLY	A
1	7150680	1	Assembly, RH Roadlight Bracket	
2	1001176337	1	Lamp, LED Worklight	
3	7150690	1	Light, Tail/Indicator	
4	8303745	1	Bolt 5/16 x 5/8	
5	8305626	1	Nut 5/16	

# SECTION 10 - ELECTRICAL

FIGURE 10-36. LIGHTS - ROAD LIGHT BRACKET ASSEMBLY (LH)



ART\_7150699-B

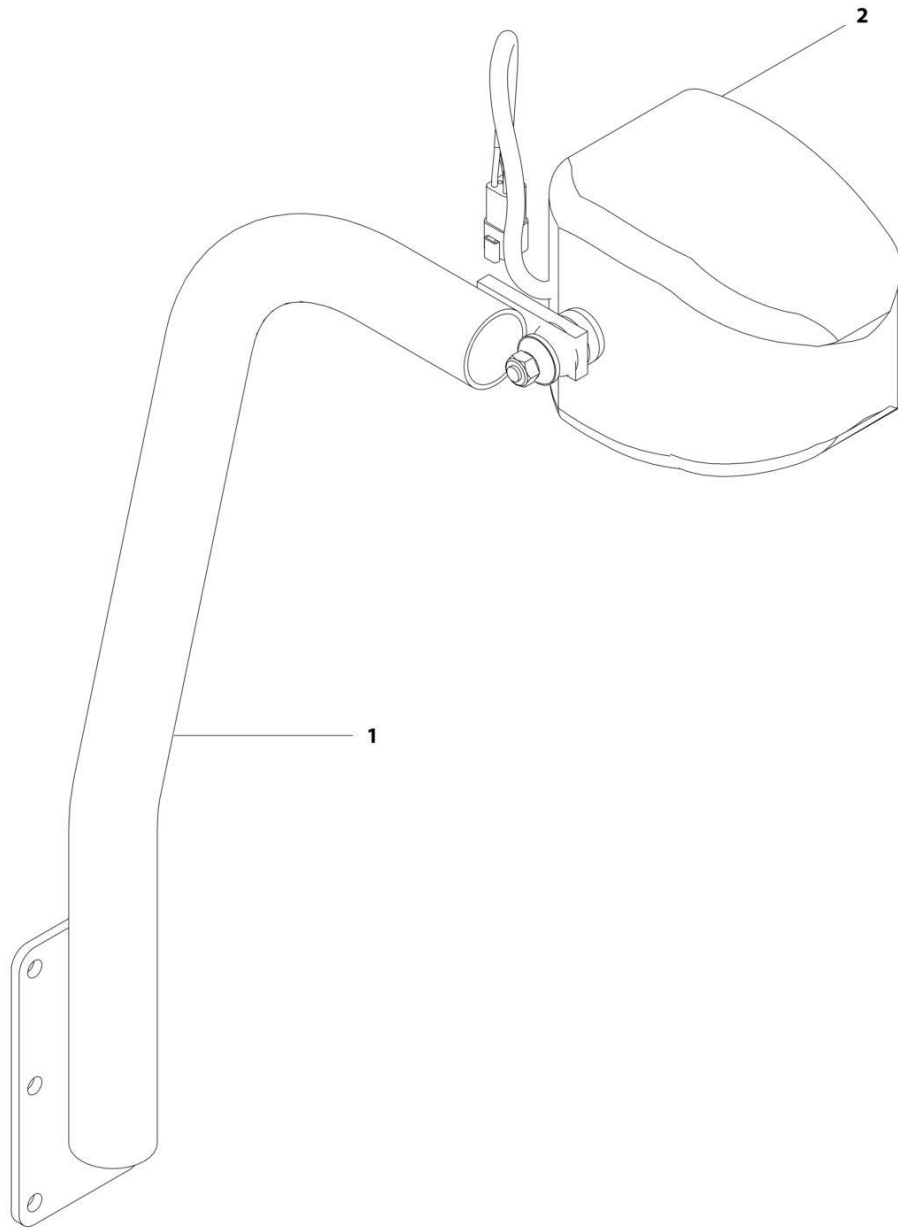
## SECTION 10 - ELECTRICAL

### FIGURE 10-36. LIGHTS - ROAD LIGHT BRACKET ASSEMBLY (LH)

ITEM	PART NUMBER	QTY	DESCRIPTION	REV
	7150699	Ref	LH Roadlight Bracket Assembly	B
1	7150685	1	Bracket, LH Roadlight	
2	7150702	1	Roadlight, LH Front	
2	8036216	6	Screw, Headlight Lens	
2	8036212	1	Lens, Headlight	
2	8036213	1	Bulb, Headlight 12V, 60/55W	
2	8036214	1	Bulb, Blinker 12V, 5W	
2	8036215	1	Harness, Wiring (includes 6-way connector)	
2	8036209	1	Lens, Left Amber Headlight	

# SECTION 10 - ELECTRICAL

## FIGURE 10-37. LIGHTS - ROAD LIGHT BRACKET ASSEMBLY (RH)



ART\_7150716-B

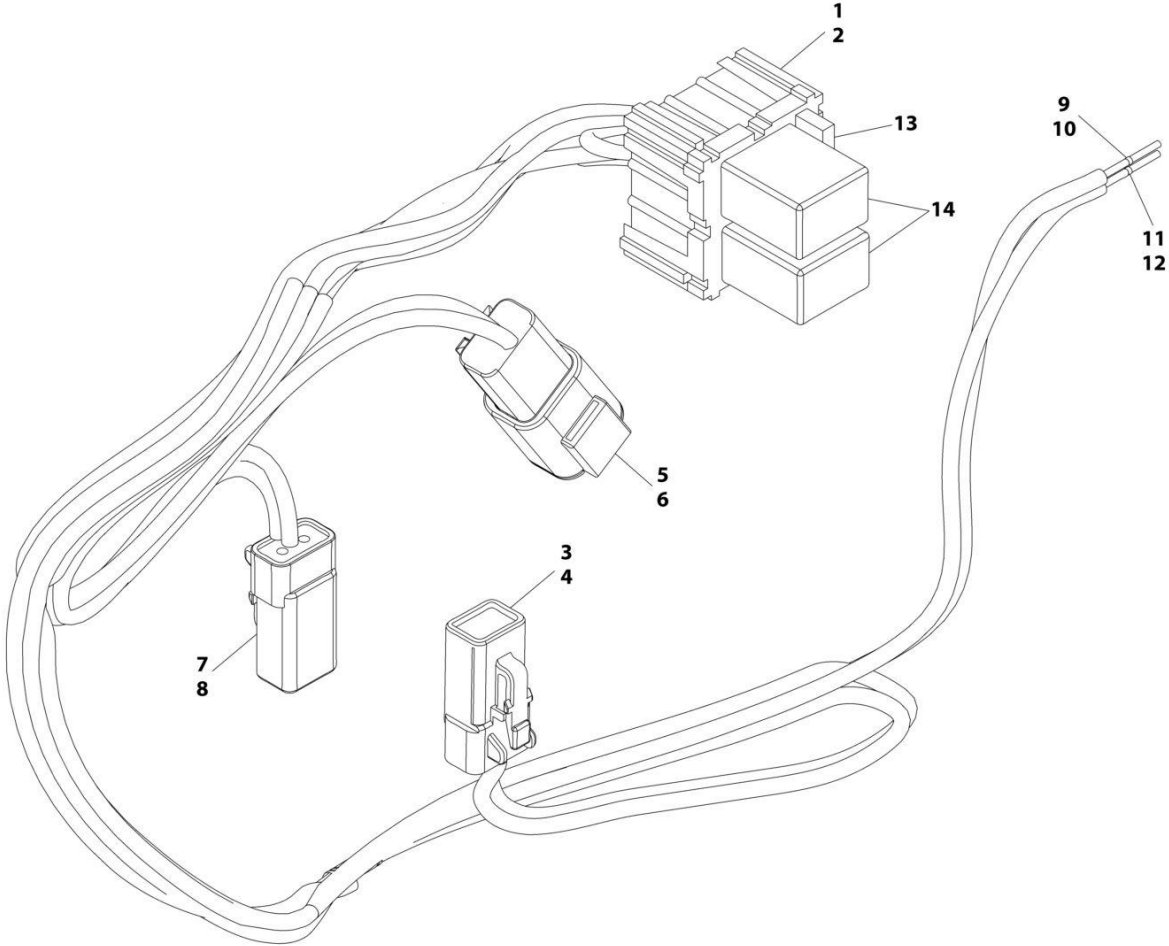
## SECTION 10 - ELECTRICAL

### FIGURE 10-37. LIGHTS - ROAD LIGHT BRACKET ASSEMBLY (RH)

ITEM	PART NUMBER	QTY	DESCRIPTION	REV
	7150716	Ref	RH Roadlight Bracket Assembly	B
1	7150717	1	Bracket, RH Roadlight	
2	7150703	1	Roadlight, LH Front	
2	8036210	1	Lens, Right Amber Headlight	
2	8036216	6	Screw, Headlight Lens	
2	8036212	1	Lens, Headlight	
2	8036213	1	Bulb, Headlight, 12V, 60/55W	
2	8036214	1	Bulb, Blinker 12V, 5W	
2	8036215	1	Harness, Wiring (includes 6-way connector)	

**SECTION 10 - ELECTRICAL**

**FIGURE 10-38. LIGHTS - ROAD LIGHT WORK LIGHT HARNESS**



ART\_1001205248\_A

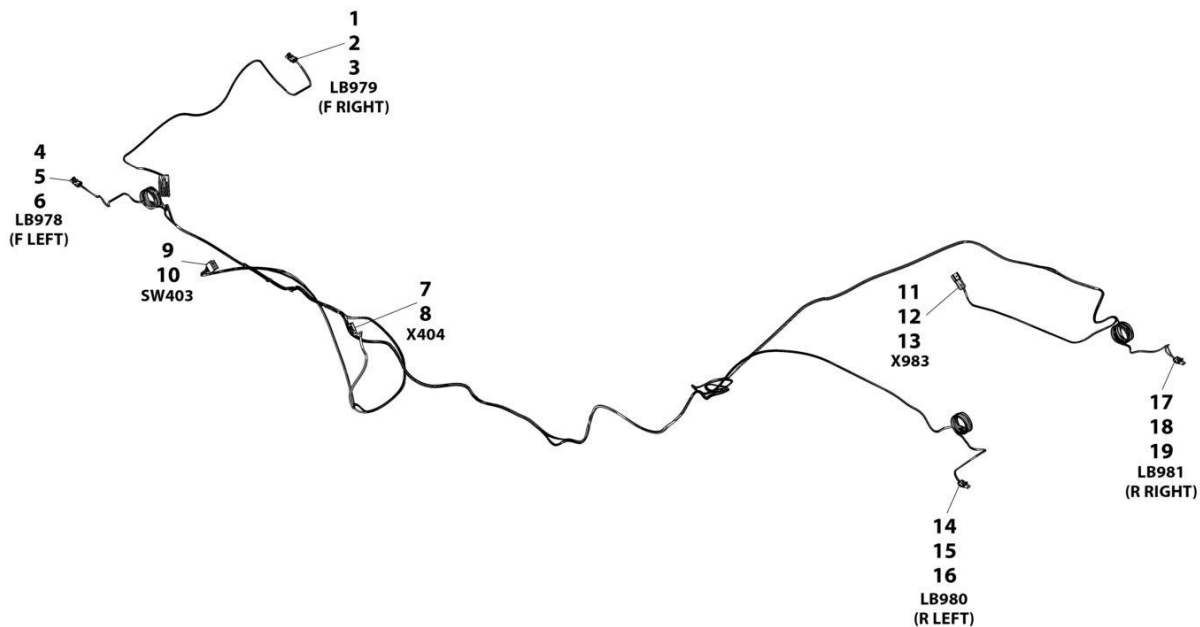
## SECTION 10 - ELECTRICAL

### FIGURE 10-38. LIGHTS - ROAD LIGHT WORK LIGHT HARNESS

ITEM	PART NUMBER	QTY	DESCRIPTION	REV
	1001205248	Ref	Roadlight Worklight Harness	A
1	1001177198	1	Connector	
2	1001116712	12	Terminal	
3	4461018	1	Connector	
4	4460509	2	Terminal	
5	4461017	1	Connector	
6	4460508	2	Terminal	
7	4461018	1	Connector	
8	4460509	2	Terminal	
9	4460790	1	Terminal, Socket	
10	8220089	1	Seal	
11	4460790	1	Terminal, Socket	
12	8220089	1	Seal	
13	8229245	2	Fuse 30Amp	
14	1001205172	2	Relay	

# SECTION 10 - ELECTRICAL

## FIGURE 10-39. LIGHTS - WORK LIGHT OPTIONS HARNESS



ART\_1001238199-A



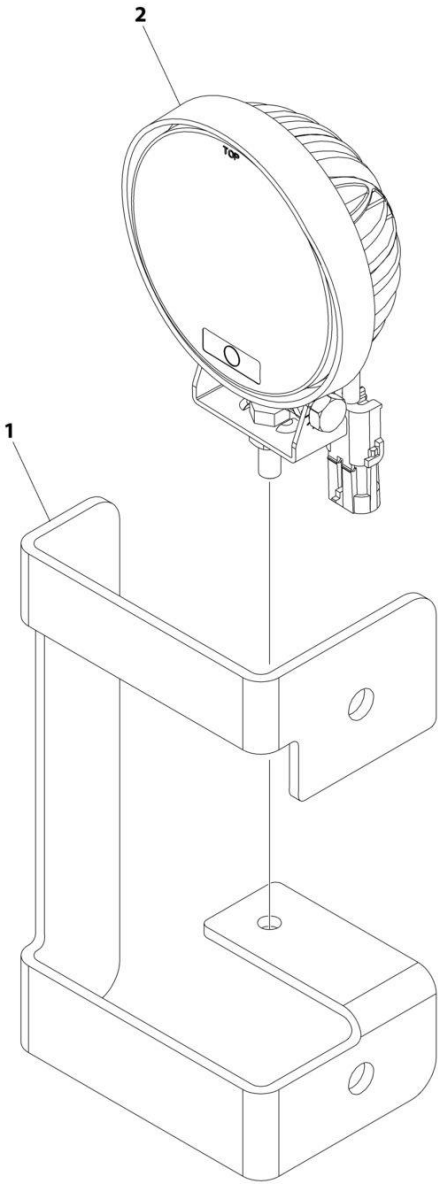
## SECTION 10 - ELECTRICAL

**FIGURE 10-39. LIGHTS - WORK LIGHT OPTIONS HARNESS**

ITEM	PART NUMBER	QTY	DESCRIPTION	REV
	1001238199	Ref	Work Lighting Option Harness	A
1	4460742	1	Connector	
2	4460457	2	Terminal	
3	4460789	2	Seal	
4	4460742	1	Connector	
5	4460457	2	Terminal	
6	4460789	2	Seal	
7	4461018	1	Connector	
8	4460509	2	Terminal	
9	8220904	1	Connector	
10	4460419	6	Terminal	
11	1001117026	1	Connector	
12	1001116729	2	Terminal	
13	8220081	2	Seal	
14	4460742	1	Connector	
15	4460457	2	Terminal	
16	4460789	2	Seal	
17	4460742	1	Connector	
18	4460457	2	Terminal	
19	4460457	2	Seal	

**SECTION 10 - ELECTRICAL**

**FIGURE 10-40. LIGHTS - WORK LIGHT ASSEMBLY - LED (LH)**



ART\_1001237854

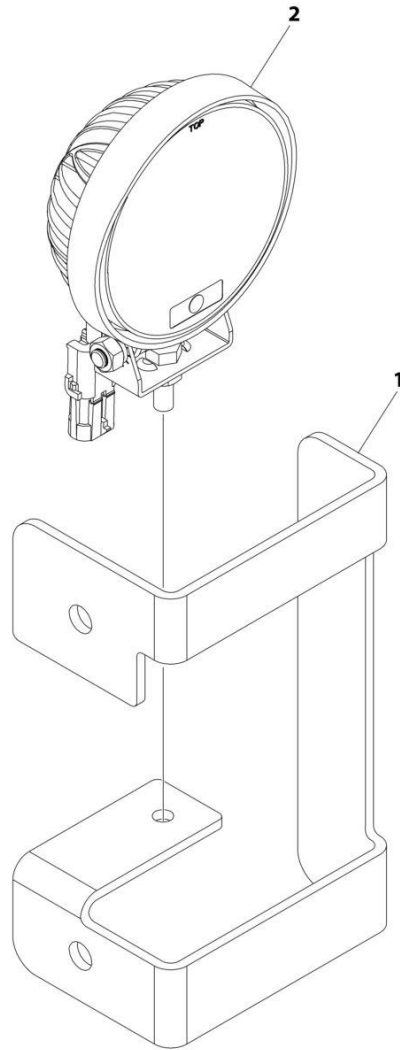
## SECTION 10 - ELECTRICAL

### FIGURE 10-40. LIGHTS - WORK LIGHT ASSEMBLY - LED (LH)

ITEM	PART NUMBER	QTY	DESCRIPTION	REV
	1001237854	Ref	LIGHTS - WORK LIGHT ASSEMBLY - LED (LH)	A
1	1001097080	1	Bracket, LH Worklight Mount	
2	1001176337	1	Lamp, LED Worklight	

# SECTION 10 - ELECTRICAL

FIGURE 10-41. LIGHTS - WORK LIGHT ASSEMBLY - LED (RH)



ART\_1001237853

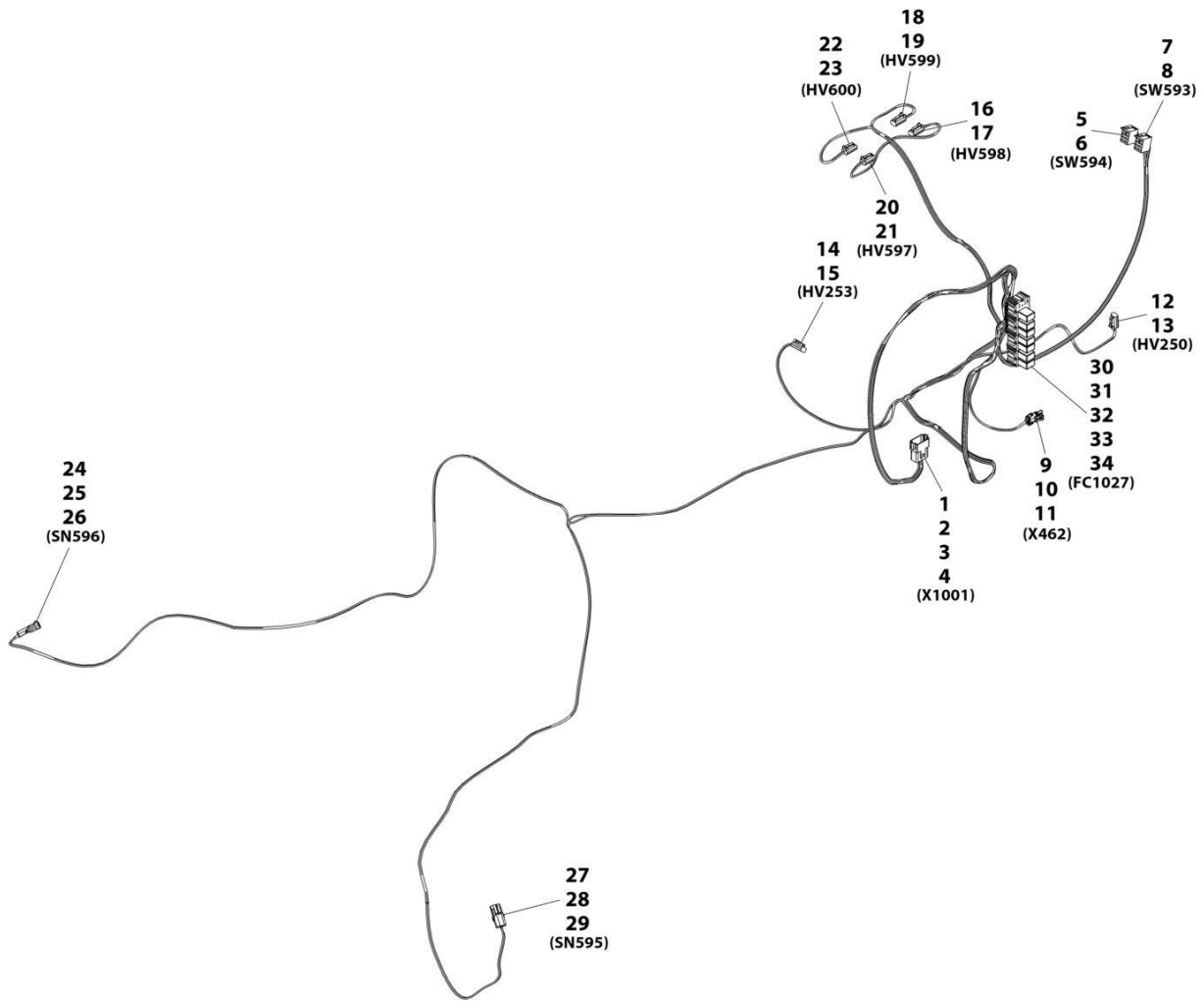
## SECTION 10 - ELECTRICAL

**FIGURE 10-41. LIGHTS - WORK LIGHT ASSEMBLY - LED (RH)**

ITEM	PART NUMBER	QTY	DESCRIPTION	REV
	1001237853	Ref	LIGHTS - WORK LIGHT ASSEMBLY - LED (RH)	A
1	1001097079	1	Bracket, RH Worklight Mount	
2	1001176337	1	Lamp, LED Worklight	

# SECTION 10 - ELECTRICAL

## FIGURE 10-42. LOGIC HARNESS (10054)



ART\_1001251503

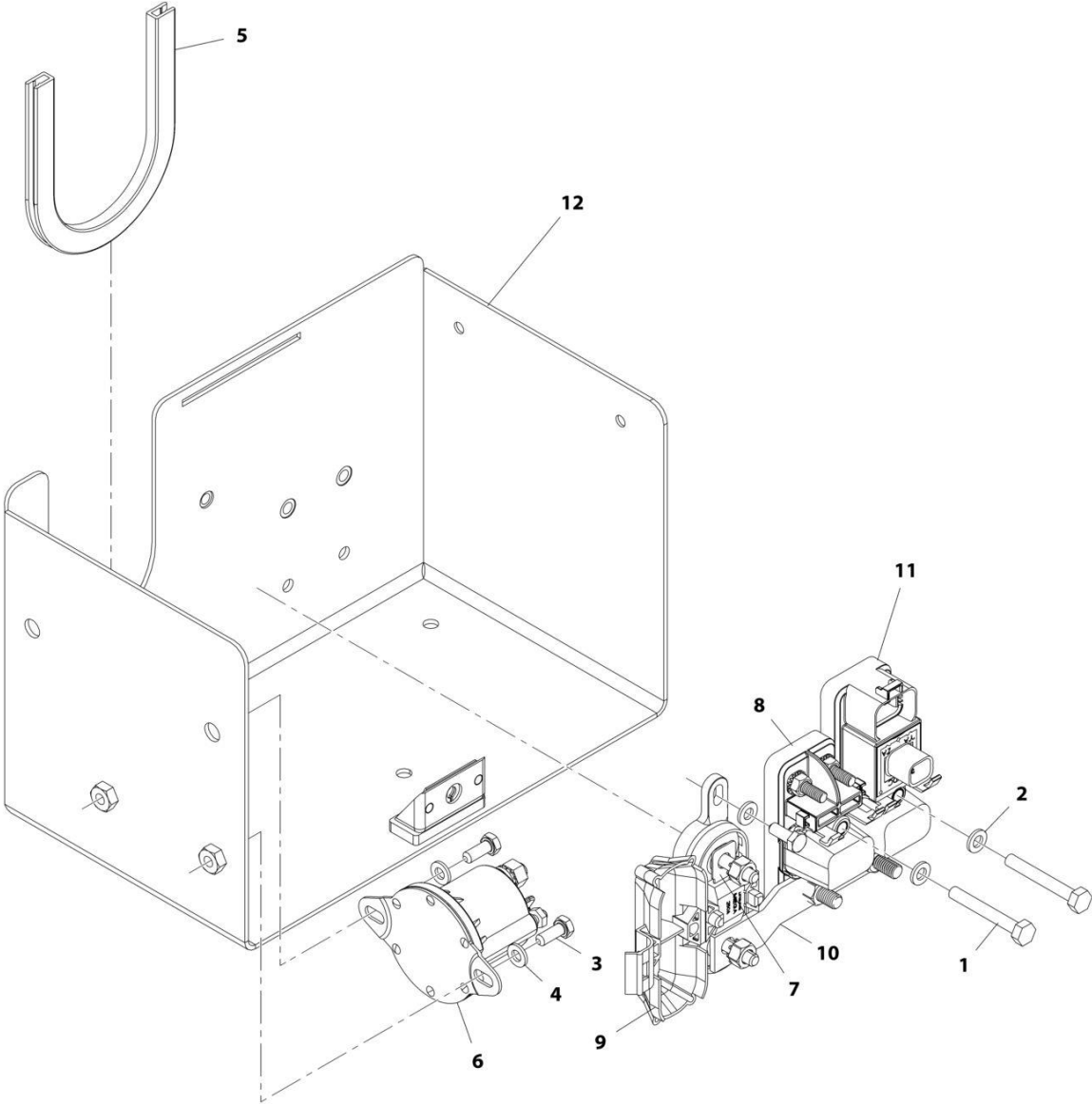
## SECTION 10 - ELECTRICAL

**FIGURE 10-42. LOGIC HARNESS (10054)**

ITEM	PART NUMBER	QTY	DESCRIPTION	REV
	1001251503	Ref	Logic Harness	D
1	4460970	1	Connector	
2	4460941	3	Terminal	
3	4460464	5	Terminal	
4	4460466	4	Plug	
5	8220904	1	Connector	
6	1001116720	3	Terminal	
7	8820904	1	Connector	
8	1001116720	3	Terminal	
9	4460742	1	Connector	
10	4460457	2	Terminal	
11	4460458	2	Seal	
12	4460891	1	Connector	
13	4460465	2	Terminal	
14	4460891	1	Connector	
15	4460465	2	Terminal	
16	4460891	1	Connector	
17	4460465	2	Terminal	
18	4460891	1	Connector	
19	4460465	2	Terminal	
20	4460891	1	Connector	
21	4460465	2	Terminal	
22	4460891	1	Connector	
23	4460465	2	Terminal	
24	4461157	1	Connector	
25	4460475	2	Terminal	
26	4460458	2	Seal	
27	4461157	1	Connector	
28	4460475	2	Terminal	
29	4460458	2	Seal	
30	4461103	8	Relay, Locking Wedge	
31	8229243	2	Fuse, 7.5 AMP Mini	
32	1001177198	4	Electric Assembly	
33	1001200845	1	Mounting Leg	
34	1001205172	7	Relay	

**SECTION 10 - ELECTRICAL**

**FIGURE 10-43. RELAY PANEL INSTALLATION**



ART\_1001170233-F



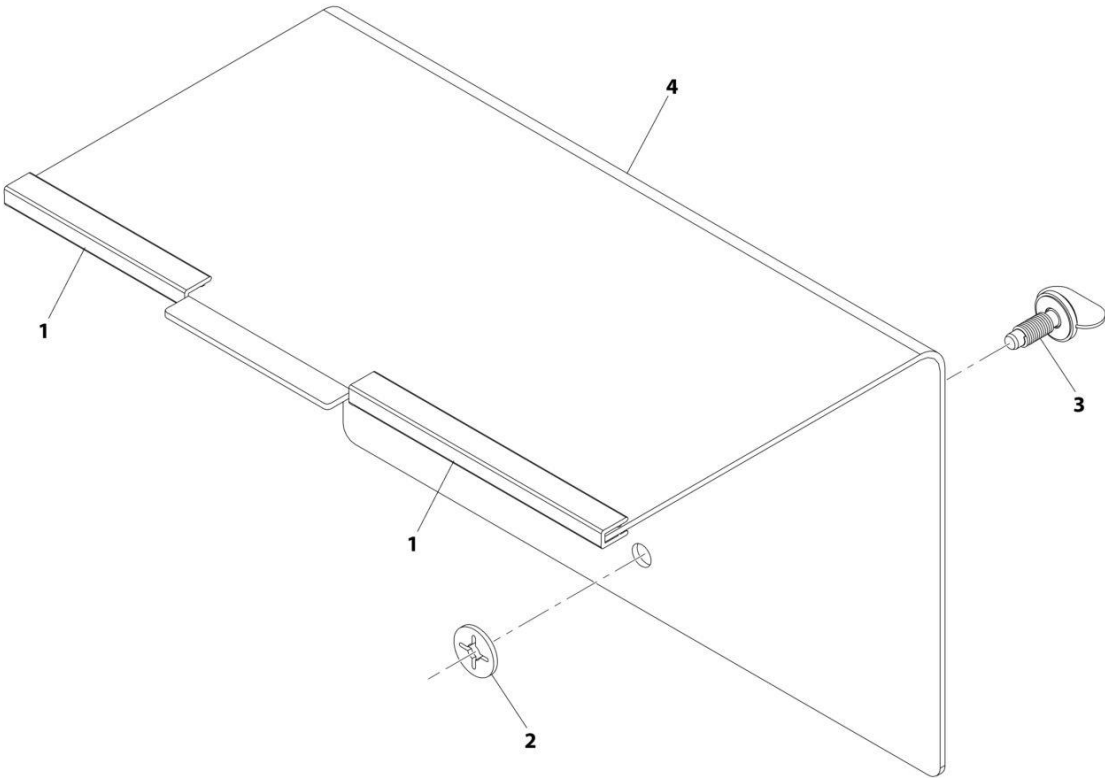
## SECTION 10 - ELECTRICAL

**FIGURE 10-43. RELAY PANEL INSTALLATION**

ITEM	PART NUMBER	QTY	DESCRIPTION	REV
	1001170233	Ref	Relay Panel Installation	F
1	0641415	2	Bolt 1/4X1-7/8	
2	4761400	2	Washer 1/4	
3	8303545	4	Bolt M6X14	
4	8307219	4	Washer M6	
5	90206196	257 mm	Trim, Vinyl Edge	
6	1001186417	1	Relay, 150 Amp	
7	1001118245	1	Fuse, 250 Amp	
8	1001127699	1	Fuse, Power Module	
9	1001127700	1	Holder, AMG Fuse	
10	1001129615	1	Bar, Buss Connector	
11	1001184316	1	Relay, Power Module	
12	1001170230	1	Bracket, Relay Mount	

**SECTION 10 - ELECTRICAL**

**FIGURE 10-44. RELAY PANEL COVER INSTALLATION**



ART\_1001170234-B

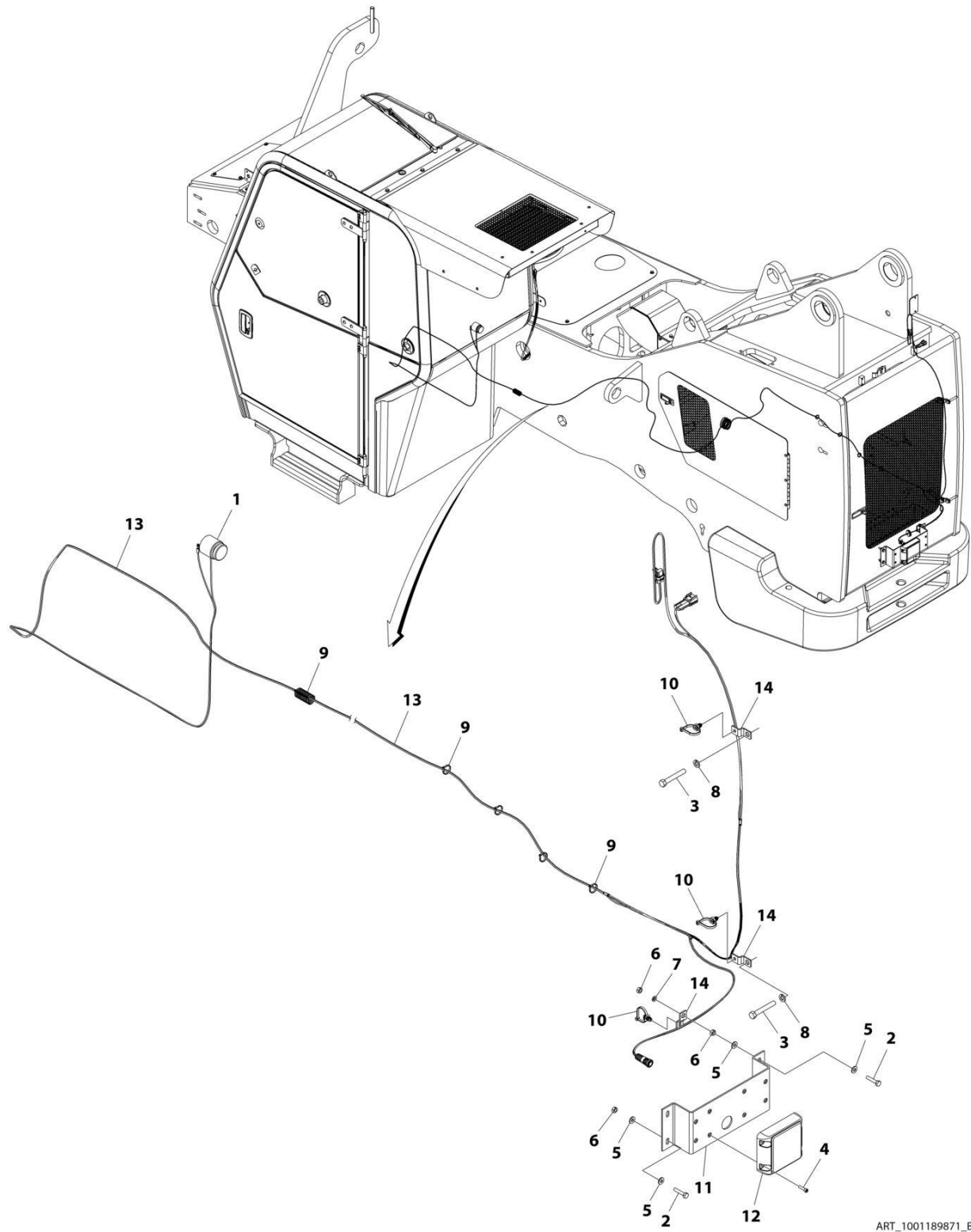
## SECTION 10 - ELECTRICAL

### FIGURE 10-44. RELAY PANEL COVER INSTALLATION

ITEM	PART NUMBER	QTY	DESCRIPTION	REV
	1001170234	Ref	Relay Panel Cover Assembly	B
1	90206196	220 mm	Trim, Vinyl Edge	
2	1001135770	1	Washer, Push-On Retainer	
3	1001135777	1	Screw, Fastener Assembly Wing Head	
4	1001170235	1	Cover, Relay Panel	

# SECTION 10 - ELECTRICAL

## FIGURE 10-45. REVERSE SENSING SYSTEM INSTALLATION



ART\_1001189871\_B

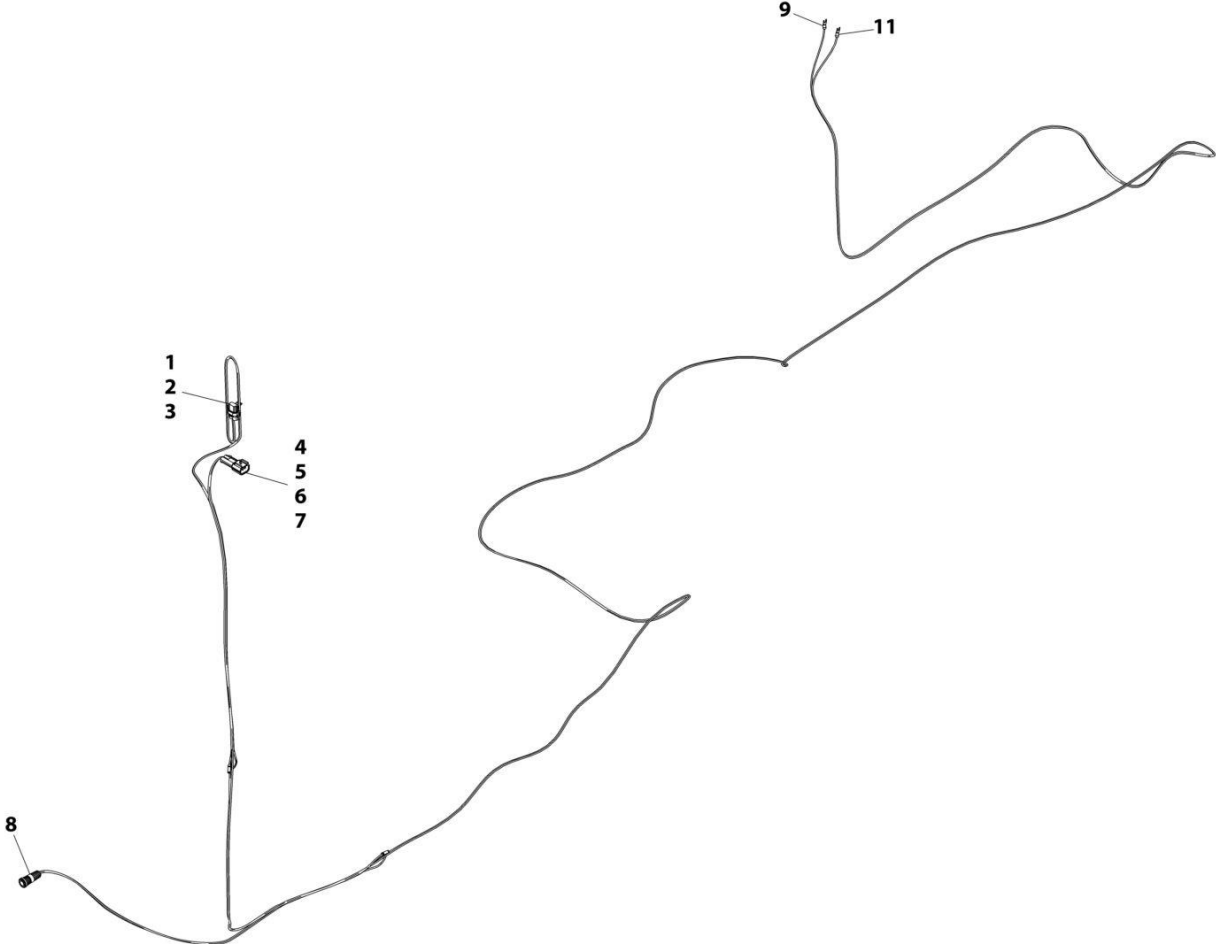
## SECTION 10 - ELECTRICAL

**FIGURE 10-45. REVERSE SENSING SYSTEM INSTALLATION**

ITEM	PART NUMBER	QTY	DESCRIPTION	REV
	1001189871	Ref	REVERSE SENSOR INSTALLATION	B
1	0140011	1	Audible, Signal Device	
2	0641410	4	Bolt 1/4 x 1	
3	0641620	2	Bolt 3/8 x 2	
4	3931012	4	Capscrew #10 x 3/4	
5	4711400	8	Washer 1/4	
6	8305004	5	Nut 1/4	
7	8307002	1	Washer 1/4	
8	8307005	2	Washer 3/8	
9	8584001	AR	Wrap, Tie 3/16	
10	1001004720	3	Strap, Cable	
11	1001154375	1	Bracket	
12	1001247421	1	Control, Reverse Sensor	
13	1001189886	1	Harness, Reverse Sensor (See Separate Breakdown in this Section)	
14	1001204692	3	Bracket	

**SECTION 10 - ELECTRICAL**

**FIGURE 10-46. REVERSE SENSING HARNESS**



ART\_1001189886-B

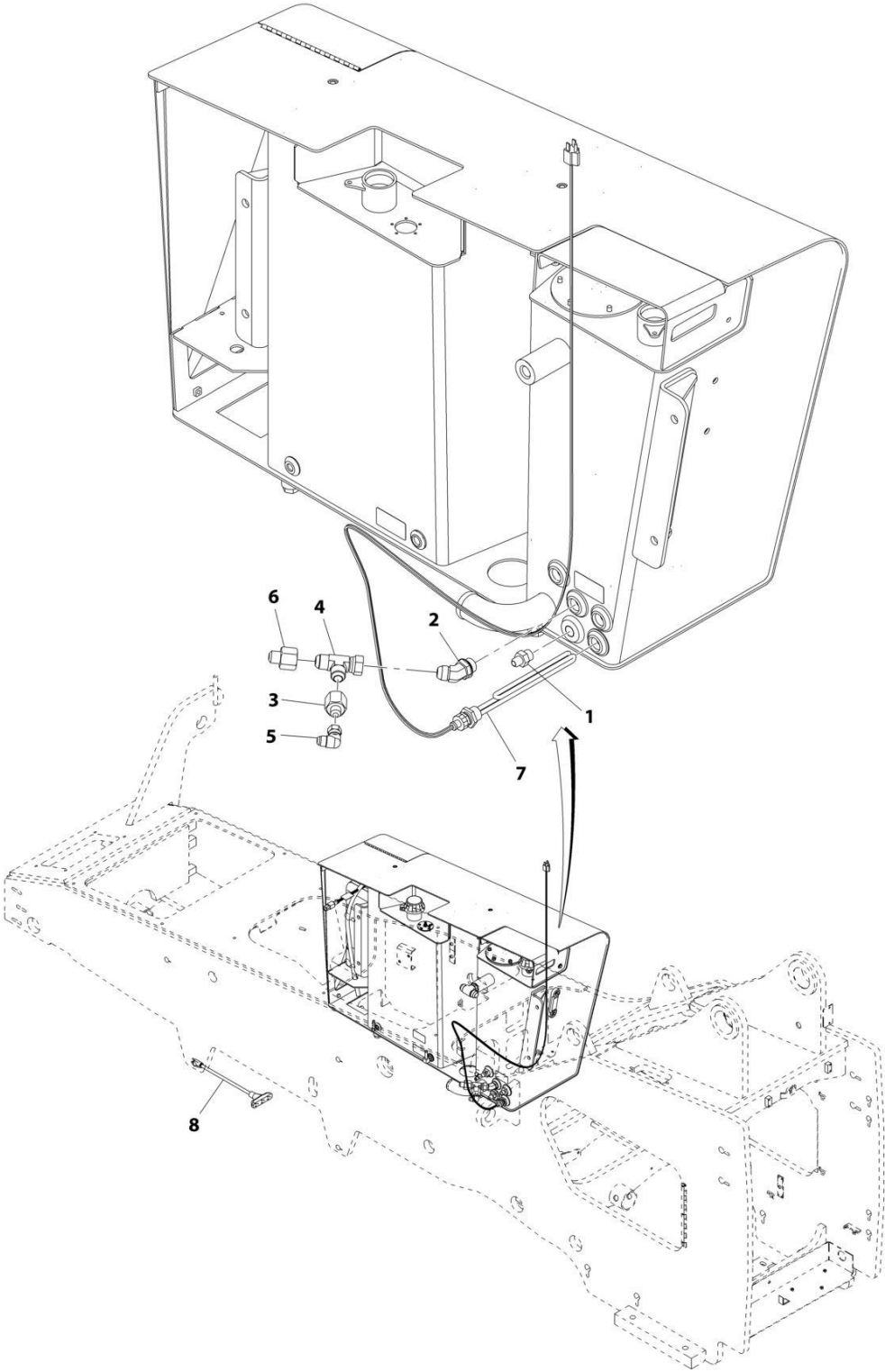
## SECTION 10 - ELECTRICAL

### FIGURE 10-46. REVERSE SENSING HARNESS

ITEM	PART NUMBER	QTY	DESCRIPTION	REV
	1001189886	Ref	Reverse Sensor Harness	B
1	1001117021	1	Connector	
2	1001116728	2	Terminal	
3	4460458	2	Seal	
4	1001117026	1	Connector	
5	8220890	1	Lock, Secondary	
6	1001116745	2	Terminal	
7	4460458	2	Seal	
8	1001175733	1	Connector	
9	4460183	1	Fork Terminal	
11	4460183	1	Fork Terminal	

**SECTION 10 - ELECTRICAL**

**FIGURE 10-47. TANK BLANKET INSTALLATION**



ART\_1001233964-A



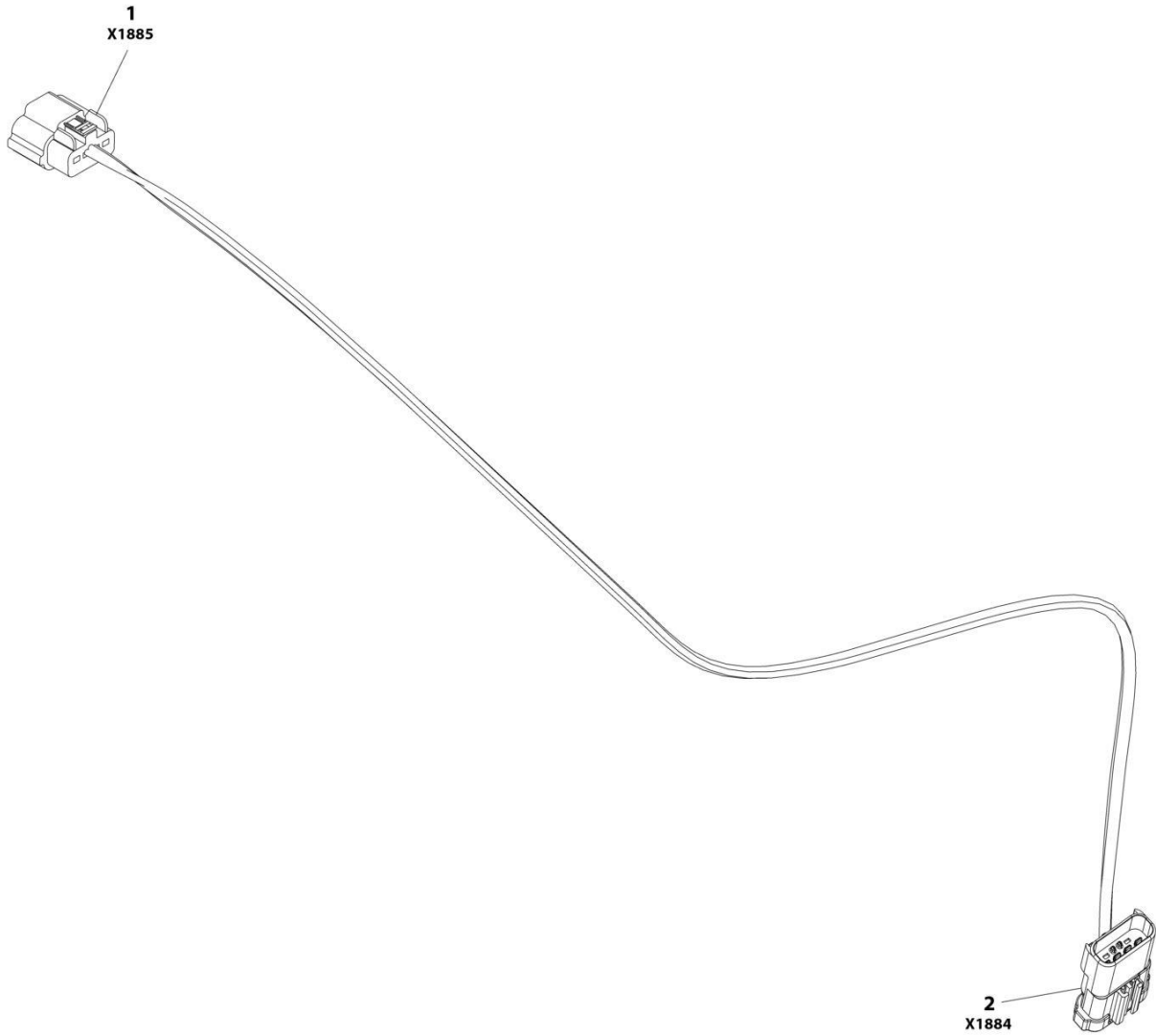
## SECTION 10 - ELECTRICAL

### FIGURE 10-47. TANK BLANKET INSTALLATION

ITEM	PART NUMBER	QTY	DESCRIPTION	REV
	1001233964	Ref	Hydraulic Tank Heater Installation	A
1	2220374	1	Connector	
2	2220498	1	Adapter, 45	
3	2220622	1	Reducer	
4	2220700	1	Tee Fitting	
5	8765204	1	Elbow	
6	1001094696	1	Adapter	
7	1001105886	1	Immersion Heater	
8	1060626	1	3 Way Plug	

# SECTION 10 - ELECTRICAL

## FIGURE 10-48. TBAP HARNESS



ART\_1001184835

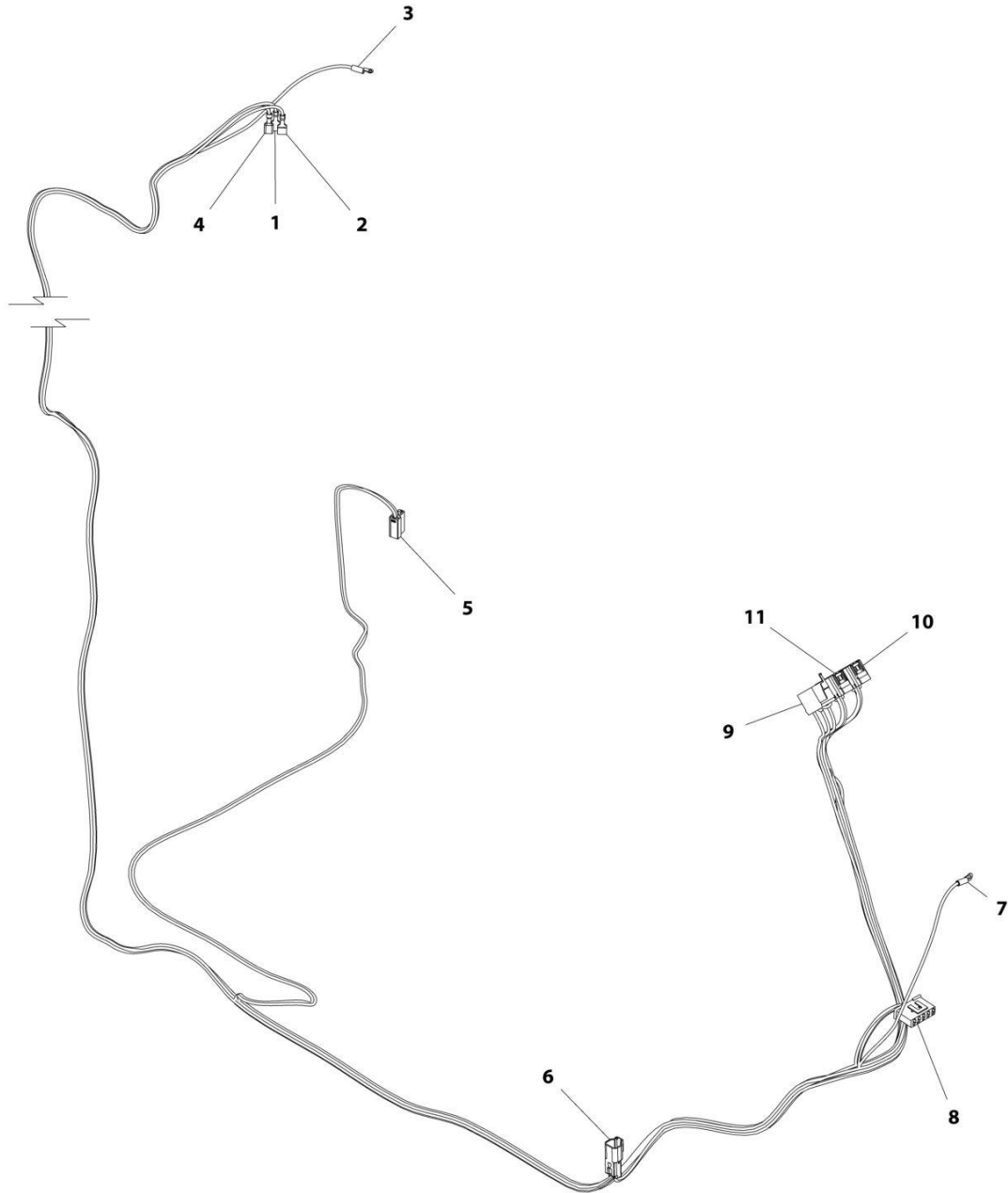
# SECTION 10 - ELECTRICAL

## FIGURE 10-48. TBAP HARNESS

ITEM	PART NUMBER	QTY	DESCRIPTION	REV
1	1001184835	Ref	TBAP Harness	C
	10011184495	1	Connector	
	1001260509	4	Terminal	
	1001184496	4	Seal	
2	1001184491	1	Connector	
	1001184493	4	Terminal	

# SECTION 10 - ELECTRICAL

## FIGURE 10-49. WIPER HARNESS



ART\_1001178349-D

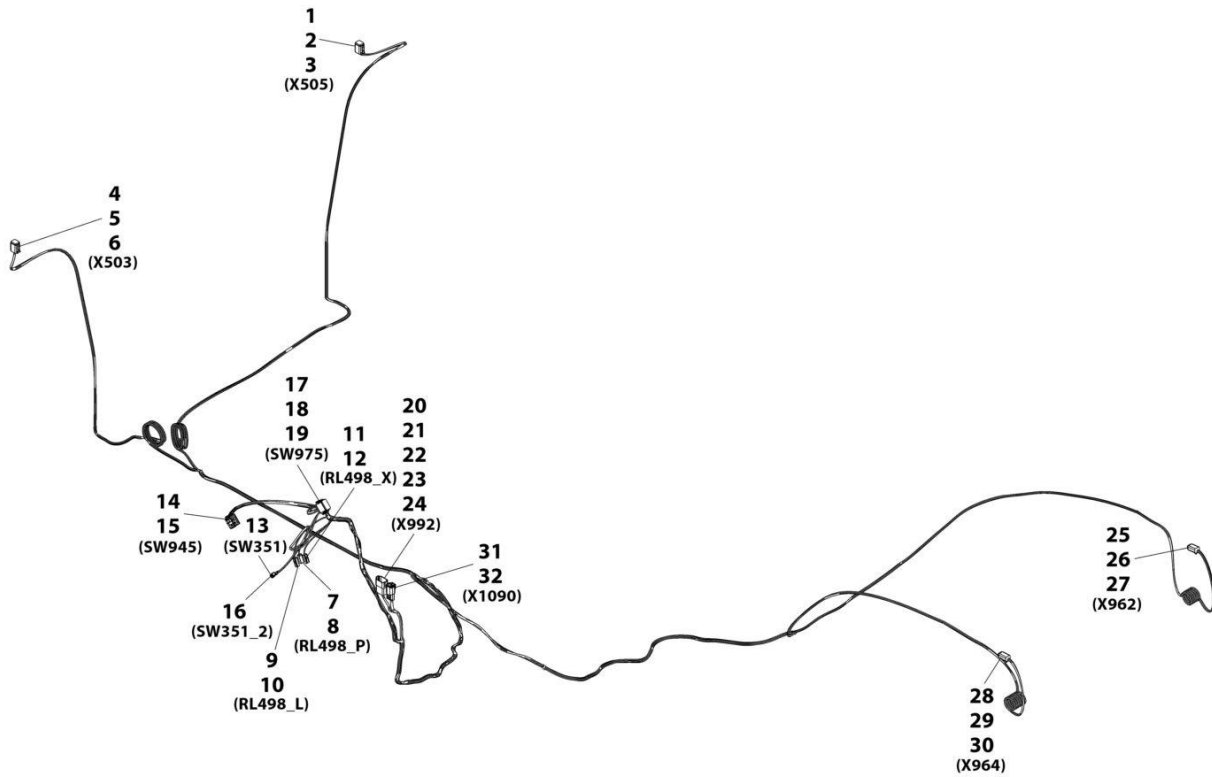
## SECTION 10 - ELECTRICAL

### FIGURE 10-49. WIPER HARNESS

ITEM	PART NUMBER	QTY	DESCRIPTION	REV
	1001178349	Ref	Wiper Harness	D
1	8220051	1	Terminal	
2	8220051	1	Terminal	
3	8220035	1	Terminal, Ring	
4	8220051	1	Terminal	
5	4460994	1	Housing, Terminal	
	1001169816	2	Terminal	
6	4460897	1	Connector	
	80604017	1	Lock, Wedge	
	4460464	2	Terminal	
7	8220007	1	Terminal, Ring	
8	1001127066	1	Connector	
	1001116720	3	Terminal	
9	8220904	1	Connector	
	4460419	5	Terminal	
10	1001117081	1	Connector	
	4460419	9	Terminal	
11	1001117081	1	Connector	
	4460419	9	Terminal	

# SECTION 10 - ELECTRICAL

## FIGURE 10-50. ROAD LIGHT OPTION HARNESS



ART\_1001178346-H

## SECTION 10 - ELECTRICAL

### FIGURE 10-50. ROAD LIGHT OPTION HARNESS

ITEM	PART NUMBER	QTY	DESCRIPTION	REV
	1001178346	Ref	ROAD LIGHT OPTION HARNESS	H
1	4460894	1	Connector	
2	4460465	5	Terminal	
3	4460466	1	Plug	
4	4460894	1	Connector	
5	4460465	5	Terminal	
6	4460466	1	Plug	
7	7116572	1	Connector	
8	1001116736	1	Terminal	
9	7116572	1	Connector	
10	1001116736	1	Terminal	
11	7116572	1	Connector	
12	1001116736	1	Terminal	
13	8220051	1	Terminal, Ring	
14	1001117079	1	Connector	
15	4460419	9	Terminal	
16	8220051	1	Terminal, Ring	
17	4460933	1	Connector	
18	4460465	8	Terminal	
19	4460466	4	Plug	
20	4460931	1	Connector	
21	4460466	3	Plug	
22	4460464	2	Terminal	
23	1001157891	2	Terminal	
24	4460941	1	Terminal	
25	4460884	1	Connector	
26	4460465	3	Terminal	
27	4460942	1	Terminal	
28	4460884	1	Connector	
29	4460465	3	Terminal	
30	4460942	1	Terminal	
31	4461017	1	Connector	
32	4460508	2	Terminal	

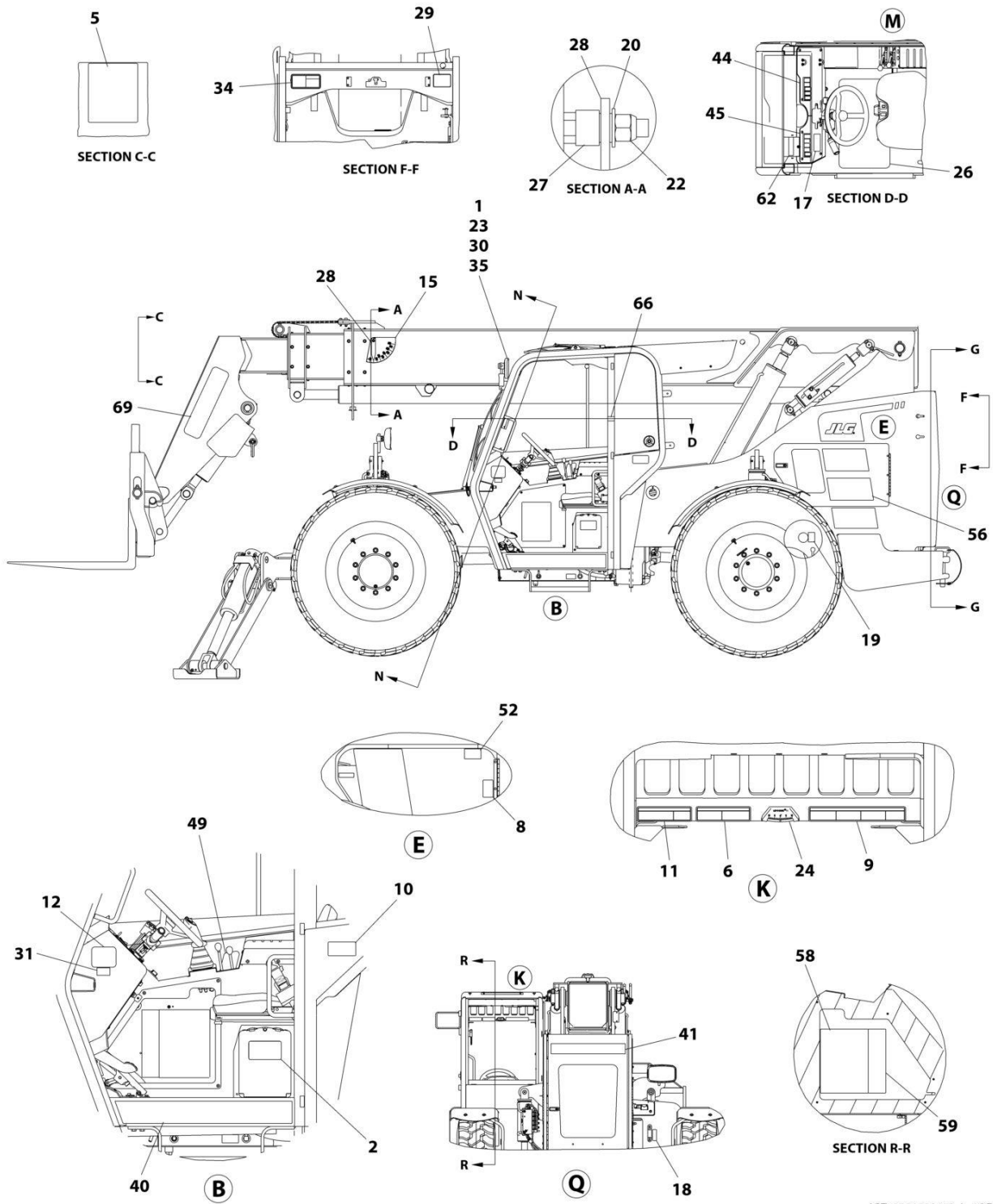




**SECTION 11 - DECALS**

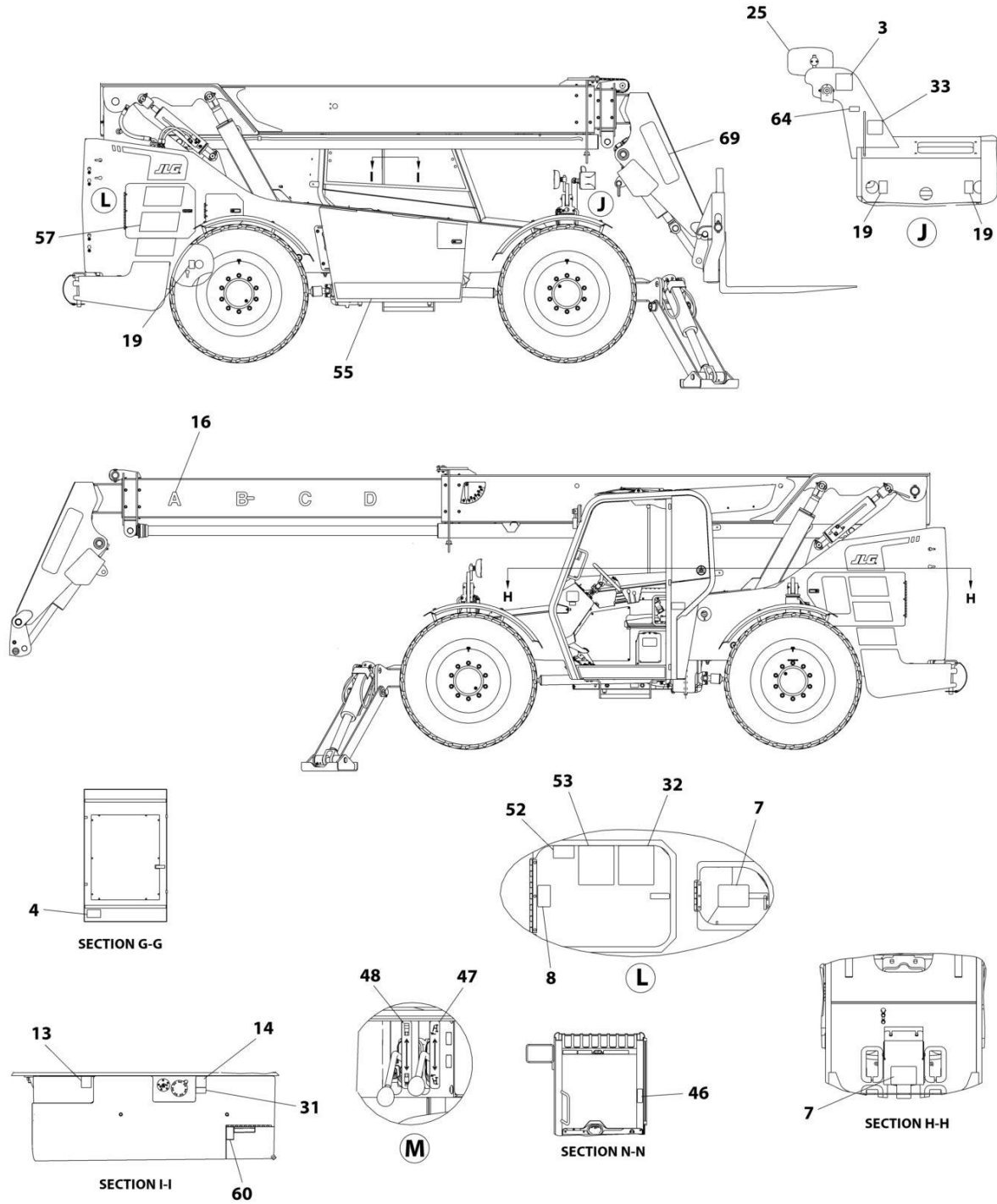
# SECTION 11 - DECALS

## FIGURE 11-1. DECALS INSTALLATION - 74HP (ANSI SPECS)



ART\_1001213433\_L\_10F2

# SECTION 11 - DECALS



ART\_1001213433\_L\_20F2

# SECTION 11 - DECALS

## FIGURE 11-1. DECALS INSTALLATION - 74HP (ANSI SPECS)

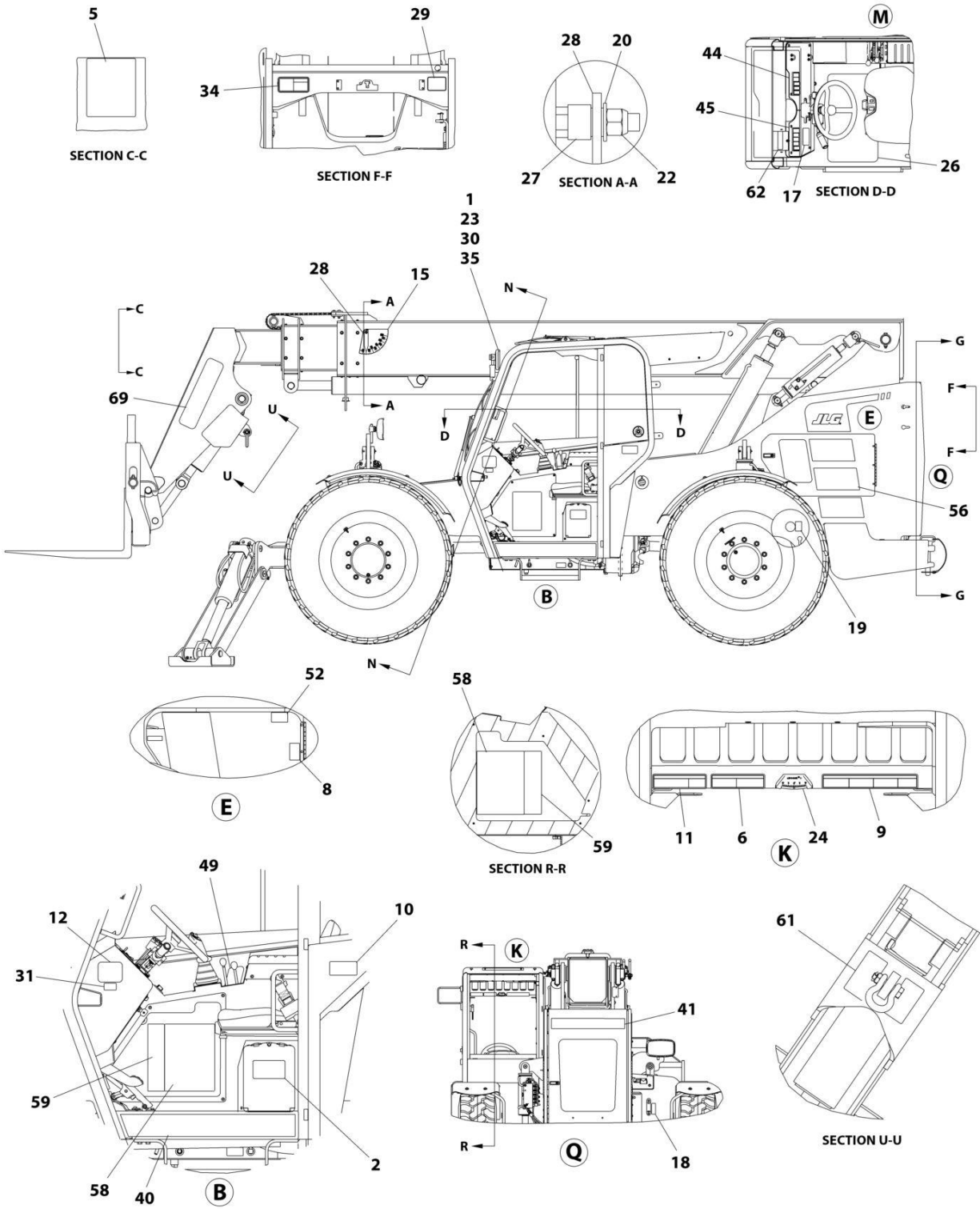
ITEM	PART NUMBER	QTY	DESCRIPTION	REV
	1001213433	Ref	DECALS INSTALLATION - 74HP (ANSI SPECS)	L
1	0700610	2	Bolt M6 x 20	
2	1701640	1	Decal, Manual	
3	See Note	NSS	Decal, Bar Code (Note: Not Available for Purchase)	
4	1706296	1	Decal, Battery Warning (ANSI)	
5	1706298	1	Decal, Carry Personnel	
6	1706299	1	Decal, Contacting Power Lines Warning	
7	1706300	2	Decal, Ether Warning	
8	1706301	2	Decal, Keep Clear of Rotating Parts Warning	
9	1706306	1	Decal, Tip Over Warning	
10	1706768	1	Decal, No Riders	
11	1706850	1	Decal, Crush Hazard Warning	
12	3251813	1	Decal, USA	
13	4100181	1	Decal, Hydraulic Oil Fill	
14	1001189017	1	Decal, Diesel Fuel Fill	
15	4105262	1	Decal, Boom Angle Indicator	
16	4107442	1	Decal, Boom Extend Letters	
17	4107971	1	Decal, Outrigger Contact (10042,10054)	
18	4108302	1	Decal, Hydraulic Oil Level	
19	1702300	4	Decal, Tie Down	
20	4711600	1	Washer 3/8	
22	8305645	1	Locknut 3/8	
23	8307024	2	Washer, Lock M6	
24	8466306	1	Gage, Tilt Angle	
25	1001191635	1	Mirror, RH	
26	10139087	1	Tread, Safety	
27	1001096404	1	Sleeve, Angle Indicator Spacer	
28	1001098769	1	Plate, Book Angle Indicator	
29	1001109053	1	Decal, Coolant Fill	
30	1001114675	1	Arm, Mirror	
31	1001125387	2	Decal, Ultra Low Sulfur Fuel	
32	1001191996	1	Decal, Lubrication Chart (10054)	
33	1001131271	1	Decal, Telehandlers Patent	
34	1001139578	1	Decal, Hot Fluid Warning	
35	1001148177	1	Mirror, Rectangular	
40	1001259302	1	Decal, Cab Side	
41	1001263821	1	Decal, Rear Door	
44	1001158272	1	Decal, RH Overlay	
45	1001158319	1	Decal, LH Overlay	
46	1001162734	1	Decal, Joystick Control	
47	1001162735	1	Decal, Sway Control	
48	1001162736	1	Decal, Auxiliary Control	
49	1001162737	1	Decal, Outrigger Control (10042,10054)	
52	1001202626	2	Decal, 74HP	
53	1001202627	1	Decal, Maintenance Chart	
55	1001259303	1	Decal, Tank Side	
56	1001259305	1	Decal, Left Side Stripe	
57	1001259306	1	Decal, Right Side Stripe	
58	1001189327	1	Decal, Main Fuse Panel	
59	1001189328	1	Decal, Fuse Panel	

## SECTION 11 - DECALS

ITEM	PART NUMBER	QTY	DESCRIPTION	REV
60	1001207217	1	Decal, Danger Swinging Load	
62	1001218659	1	Decal, Brake Fluid Spec	
64	1001223453	1	Decal, ICES (CAN)	
66	1001231801	1	Decal, Warning PROP 65 Diesel	
69	1001263589	2	Decal, Model Boom Head	

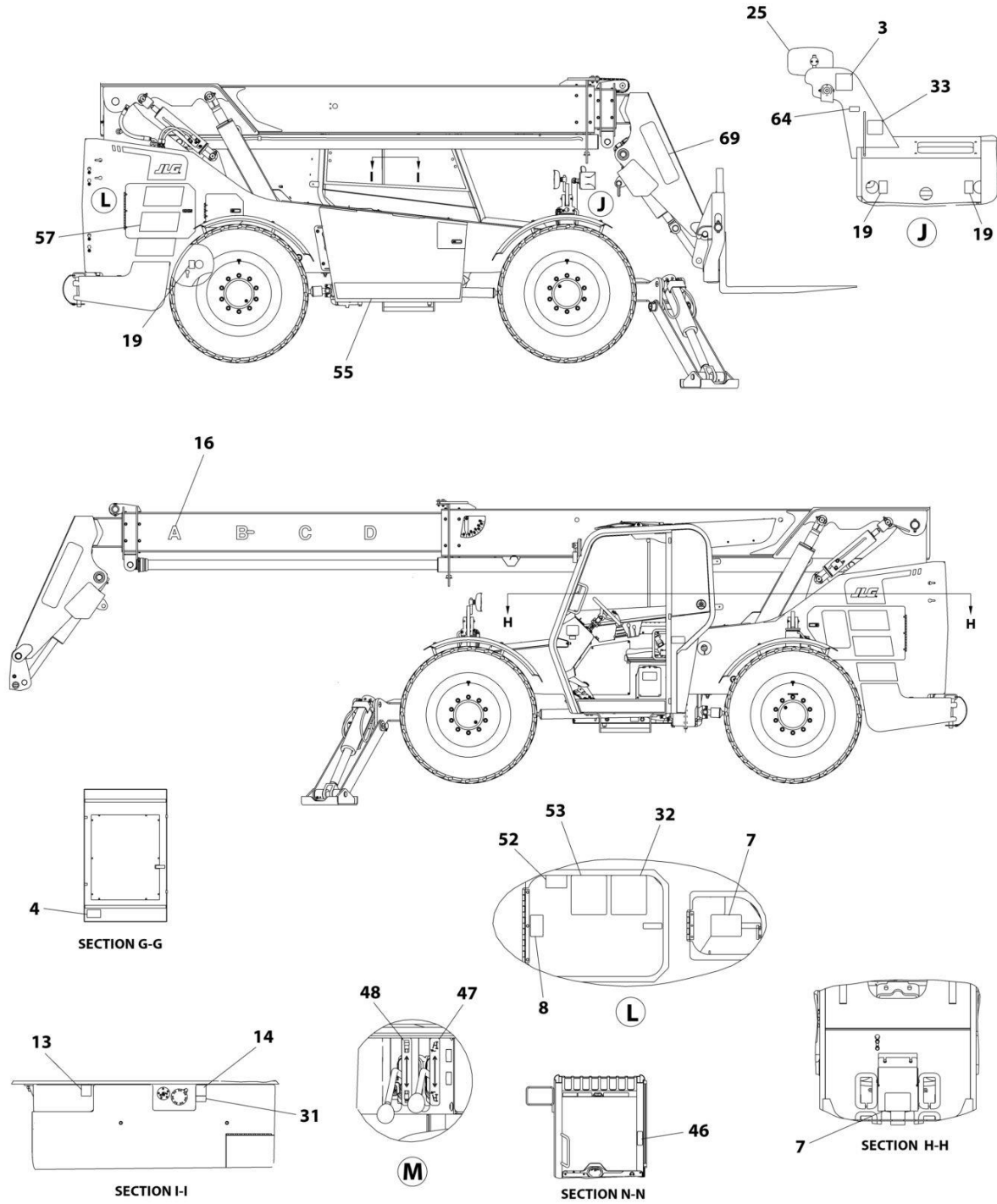
# SECTION 11 - DECALS

## FIGURE 11-2. DECALS INSTALLATION - 74HP (ENGLISH/FRENCH SPECS)



ART\_1001213434\_L\_10F2

# SECTION 11 - DECALS



ART\_1001213434\_L\_2OF2

## SECTION 11 - DECALS

FIGURE 11-2. DECALS INSTALLATION - 74HP (ENGLISH/FRENCH SPECS)

ITEM	PART NUMBER	QTY	DESCRIPTION	REV
	1001213434	Ref	DECALS INSTALLATION - 74HP (ENGLISH/FRENCH SPECS)	L
1	0700610	2	Bolt M6 x 20	
2	1701640	1	Decal, Manual	
3	See Note	NSS	Decal, Bar Code (Note: Not Available for Purchase)	
4	1001163174	1	Decal, Battery Warning (CAN)	
5	1001163206	1	Decal, Carry Personnel (CAN)	
6	1001163210	1	Decal, Electrocuting Hazard (CAN)	
7	1001163212	2	Decal, Ether Starting Warning (CAN)	
8	1001163222	2	Decal, Keep Clear of Rotating Parts (CAN)	
9	1001163285	1	Decal, Tip Over Warning (CAN)	
10	1001163300	1	Decal, No Riders (CAN)	
11	1001163304	1	Decal, Crush Hazard Warning (CAN)	
12	3251813	1	Decal, USA	
13	4100181	1	Decal, Hydraulic Oil Fill	
14	1001189017	1	Decal, Diesel Fuel Fill	
15	4105262	1	Decal, Boom Angle Indicator	
16	4107442	1	Decal, Boom Extend Letters	
17	1001187239	1	Decal, Outrigger (ENG/FR)	
18	4108302	1	Decal, Hydraulic Oil Level	
19	1702300	4	Decal, Tie Down	
20	4711600	1	Washer 3/8	
22	8305645	1	Locknut 3/8	
23	8307024	2	Washer, Lock M6	
24	8466306	1	Gage, Tilt Angle	
25	1001191635	1	Mirror, RH	
26	10139087	1	Tread, Safety	
27	1001096404	1	Sleeve, Angle Indicator Spacer	
28	1001098769	1	Plate, Boom Angle Indicator	
29	1001109053	1	Decal, Coolant Fill	
30	1001114675	1	Arm, Mirror	
31	1001163355	2	Decal, Ultra Low Sulfur Fuel (CAN)	
32	1001191996	1	Decal, Lubrication Chart (10054)	
33	1001131271	1	Decal, Telehandlers Patent	
34	1001163323	1	Decal, Hot Fluid Warning (CAN)	
35	1001148177	1	Mirror, Rectangular	
40	1001259302	1	Decal, Cab Side	
41	1001263821	1	Decal, Rear Door	
44	1001180175	1	Decal, RH Overlay	
45	1001180176	1	Decal, LH Overlay	
46	1001162734	1	Decal, Joystick Control	
47	1001162735	1	Decal, Sway Control	
48	1001162736	1	Decal, Auxiliary Control	
49	1001162737	1	Decal, Outrigger Control (10042,10054)	
52	1001202626	2	Decal, 74HP	
53	1001202627	1	Decal, Maintenance Chart	
55	1001259303	1	Decal, Tank Side	
56	1001259305	1	Decal, Left Side Stripe	
57	1001259306	1	Decal, Right Side Stripe	
58	1001189327	1	Decal, Main Fuse Panel	
59	1001189328	1	Decal, Fuse Panel	

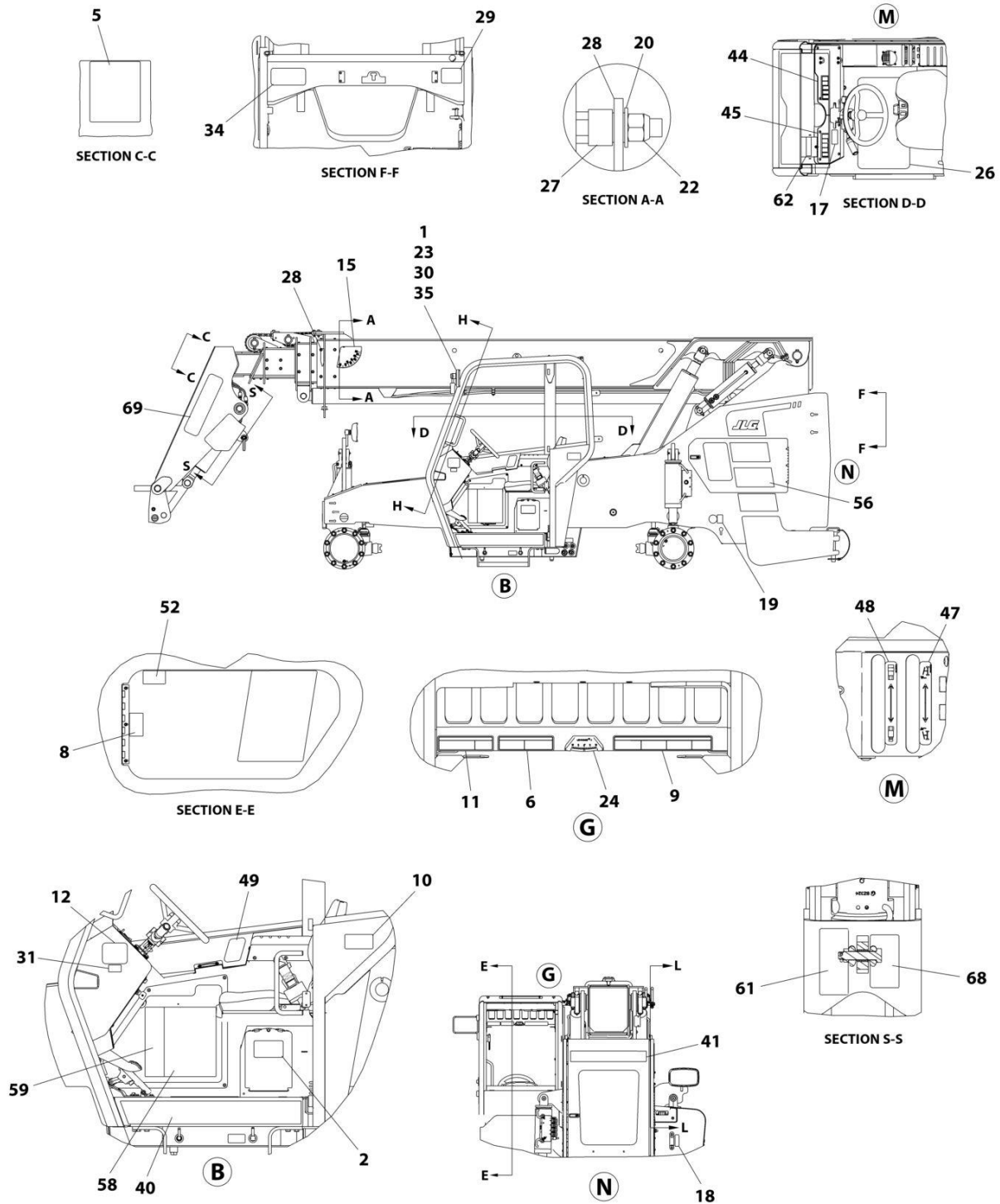


## SECTION 11 - DECALS

ITEM	PART NUMBER	QTY	DESCRIPTION	REV
61	1001211278	1	Decal, Swinging Load Decal Kit (CAN)	
62	1001219211	1	Decal, Brake Fluid Spec	
64	1001223453	1	Decal, ICES (CAN)	
69	1001263589	2	Decal, Model Boom Head	

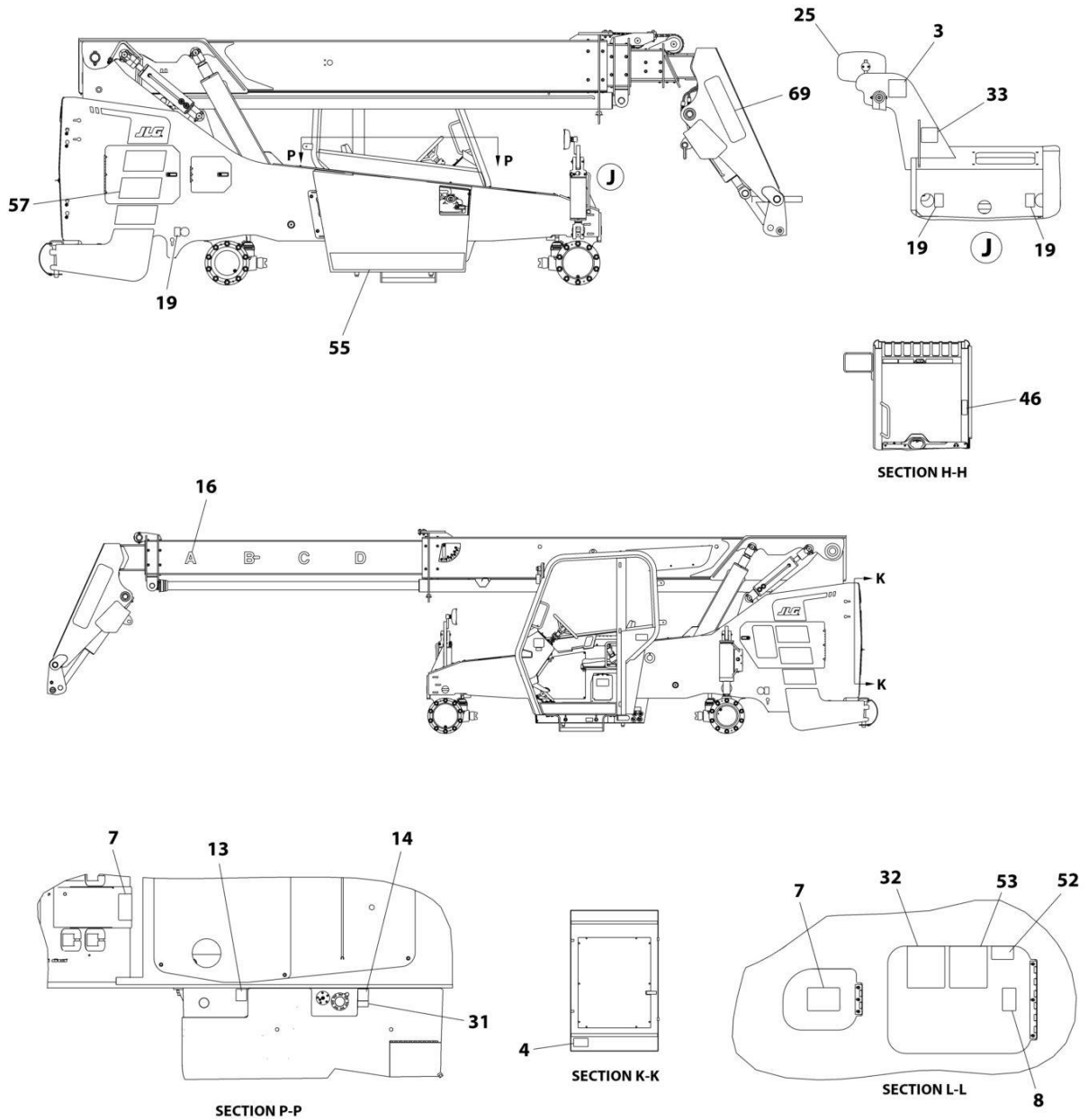
# SECTION 11 - DECALS

FIGURE 11-3. DECALS INSTALLATION - 74HP ULS (ENGLISH/SPANISH SPECS)



ART\_1001242117\_F\_10F2

# SECTION 11 - DECALS



ART\_1001242117\_F\_2OF2

## SECTION 11 - DECALS

FIGURE 11-3. DECALS INSTALLATION - 74HP ULS (ENGLISH/SPANISH SPECS)

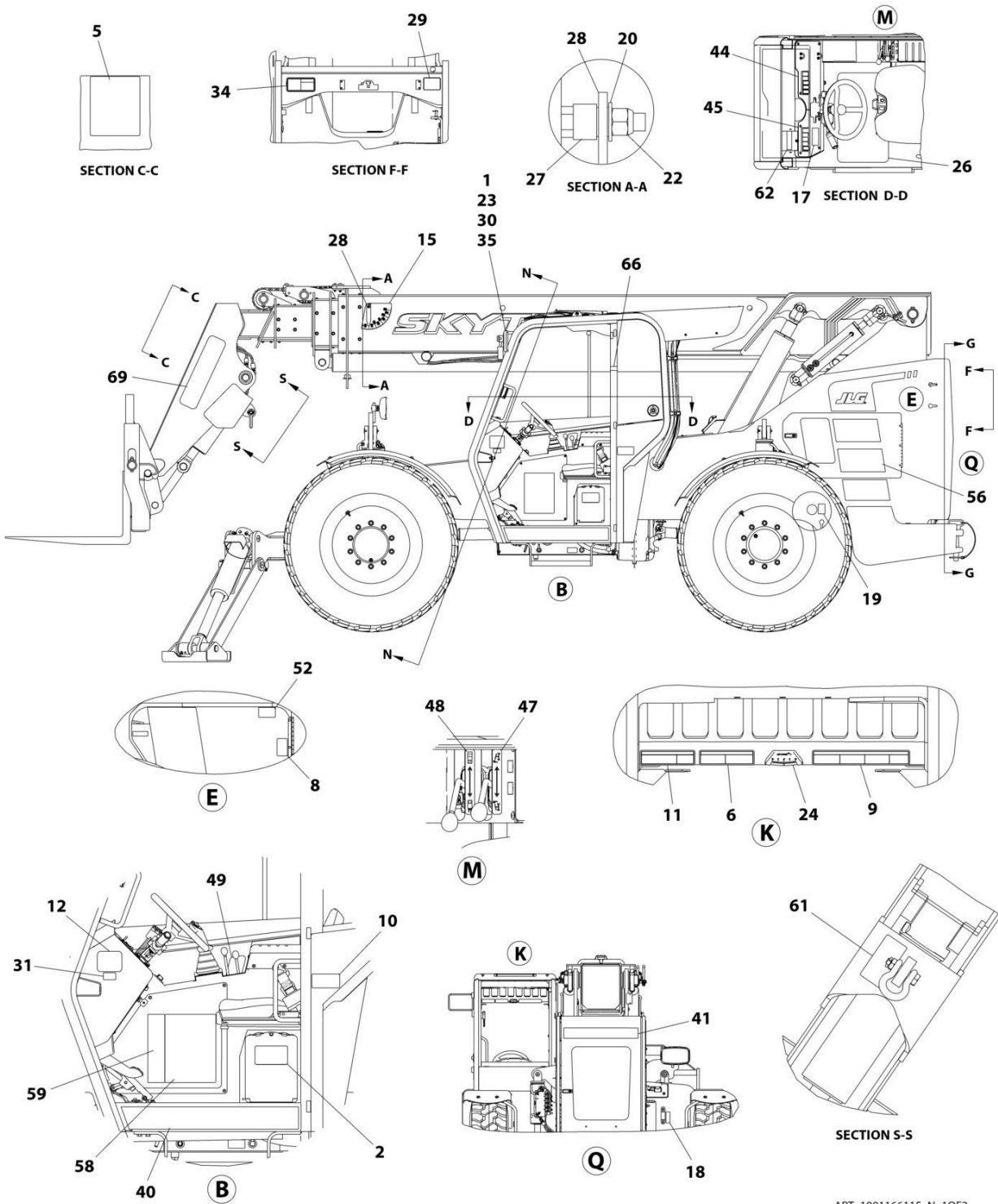
ITEM	PART NUMBER	QTY	DESCRIPTION	REV
	1001242117	Ref	DECALS INSTALLATION - 74HP ULS (ENGLISH/SPANISH SPECS)	F
1	0700610	2	Bolt M6 x 20	
2	1701640	1	Decal, Manual	
3	See Note	NSS	Decal, Bar Code (Note: Not Available for Purchase)	
4	1001235794	1	Decal, Battery Warning (SPAN)	
5	1001235796	1	Decal, Carry Personnel (SPAN)	
6	1001235797	1	Decal, Electrocutation Hazard (SPAN)	
7	1001235798	2	Decal, Warning No Either (SPAN)	
8	1001235799	2	Decal, Moving Parts (SPAN)	
9	1001235801	1	Decal, Tipover Warning	
10	1001235802	1	Decal, No Riders	
11	1001235803	1	Decal, Warning Crushing Hazard (SPAN)	
12	3251813	1	Decal, USA	
13	4100181	1	Decal, Hydraulic Oil Fill	
14	1001189017	1	Decal, Diesel Fuel Fill	
15	4105262	1	Decal, Boom Angle Indicator	
16	4107442	1	Decal, Boom Extend Letters	
17	1001242122	1	Decal, Outrigger (ENG/SPAN)	
18	4108302	1	Decal, Hydraulic Oil Level	
19	1702300	4	Decal, Tie Down	
20	4711600	1	Washer 3/8	
22	8305645	1	Locknut 3/8	
23	8307024	2	Washer, Lock M6	
24	8466306	1	Gage, Tilt Angle	
25	1001191635	1	Mirror, RH	
26	10139087	1	Tread, Safety	
27	1001096404	1	Sleeve, Angle Indicator Spacer	
28	1001098769	1	Plate, Boom Angle Indicator	
29	1001109053	1	Decal, Coolant Fill	
30	1001114675	1	Arm, Mirror	
31	1001235804	2	Decal, Ultra Low Sulfur Fuel (SPAN)	
32	1001191996	1	Decal, Lubrication Chart (10054)	
33	1001131271	1	Decal, Telehandlers Patent	
34	1001235805	1	Decal, Hot Fluid Warning	
35	1001148177	1	Mirror, Rectangular	
40	1001259302	1	Decal, Cab Side	
41	1001263821	1	Decal, Rear Door	
44	1001242172	1	Decal, RH Overlay	
45	1001242173	1	Decal, LH Overlay	
46	1001162734	1	Decal, Joystick Control	
47	1001162735	1	Decal, Sway Control	
48	1001162736	1	Decal, Auxiliary Control	
49	1001162737	1	Decal, Outrigger Control	
52	1001236313	2	Decal, MCO 74HP (SPAN)	
53	1001202627	1	Decal, Maintenance Chart	
55	1001259303	1	Decal, Tank Side	
56	1001259305	1	Decal, Left Side Stripe	
57	1001259306	1	Decal, Right Side Stripe	
58	1001189327	1	Decal, Main Fuse Panel	

## SECTION 11 - DECALS

ITEM	PART NUMBER	QTY	DESCRIPTION	REV
59	1001189328	1	Decal, Fuse panel	
61	1001246078	1	Decal, Danger Swinging Load Boom (SPAN)	
62	1001219211	1	Decal, Brake Fluid Spec	
68	1001242179	1	Decal, Danger Swinging Load Boom Head (SPAN)	
69	1001263589	2	Decal, Model Boom Head	

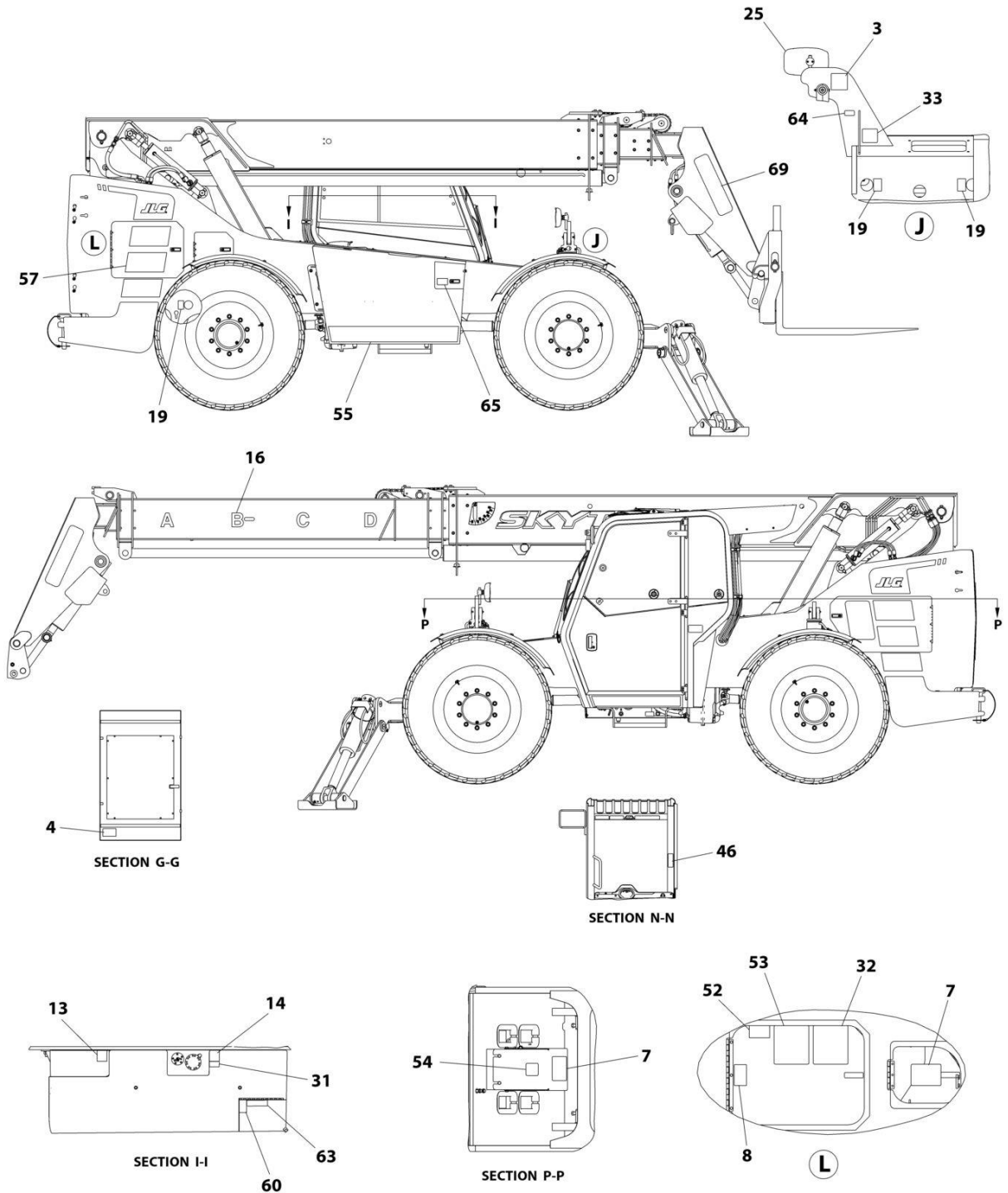
# SECTION 11 - DECALS

## FIGURE 11-4. DECALS INSTALLATION - 110HP ULS (ANSI SPECS)



ART\_1001166115\_N\_10F2

# SECTION 11 - DECALS



ART\_1001166115\_N\_20F2

# SECTION 11 - DECALS

**FIGURE 11-4. DECALS INSTALLATION - 110HP ULS (ANSI SPECS)**

ITEM	PART NUMBER	QTY	DESCRIPTION	REV
	1001166115	Ref	Decal Installation (ANSI) 110HP	N
1	0700610	2	Bolt, M6X20	
2	1701640	1	Decal, Manual	
3	See Note	NSS	Decal, Bar Code (Note: Not Available for Purchase)	
4	1706296	1	Decal, Battery Hazard	
5	1706298	1	Decal, Carry Personnel	
6	1706299	1	Decal, Contacting Power Lines Warning	
7	1706300	2	Decal, Ether Warning	
8	1706301	2	Decal, Keep Clear of Rotating Parts	
9	1706306	1	Decal, Tip Over Warning	
10	1706768	1	Decal, No Riders	
11	1706850	1	Decal, Crush Hazard Warning	
12	3251813	1	Decal, USA	
13	4100181	1	Decal, Hydraulic Oil Fill	
14	1001189017	1	Decal, Diesel Fuel Fill	
15	4105262	1	Decal, Boom Angle Indicator	
16	4107442	1	Decal, Boom Extend Letters	
17	4107971	1	Decal, Outrigger Contact (10042,10054)	
18	4108302	1	Decal, Hydraulic Oil Level	
19	1702300	4	Decal, Tie Down	
20	4711600	1	Washer, 3/8	
22	8305645	1	Nut, Lock 3/8	
23	8307024	2	Washer, Lock M6	
24	8466306	1	Gage, Tilt Angle	
25	1001191635	1	Mirror, RH	
26	10139087	1	Tread, Safety	
27	1001096404	1	Sleeve, Angle Indicator Spacer	
28	1001098769	1	Plate, Boom Angle Indicator	
29	1001109053	1	Decal, Coolant Fill	
30	1001114675	1	Arm, Mirror	
31	1001125387	2	Decal, Ultra Low Sulfur Fuel	
32	1001191996	1	Decal, Lubrication Chart (10054)	
33	1001131271	1	Decal, Telehandlers Patent	
34	1001139578	1	Decal, Hot Fluid Warning	
35	1001148177	1	Mirror, Rectangular	
40	1001259302	1	Decal, Cab Side	
41	1001263821	1	Decal, Rear Door	
44	1001158272	1	Decal, RH Overlay	
45	1001158319	1	Decal, LH Overlay	
46	1001162734	1	Decal, Joystick Control	
47	1001162735	1	Decal, Sway Control	
48	1001162736	1	Decal, Auxiliary Control	
49	1001162737	1	Decal, Outrigger Control (10042,10054)	
52	1001173422	2	Decal, MCO 110HP	
53	1001174152	1	Decal, Maintenance Chart	
54	1001142452	1	Decal, No Step	
55	1001259303	1	Decal, Tank Side	
56	1001259305	1	Decal, Tank Side	
57	1001259306	1	Decal, Right Side Stripe	
58	1001189327	1	Decal, Main Fuse Panel	

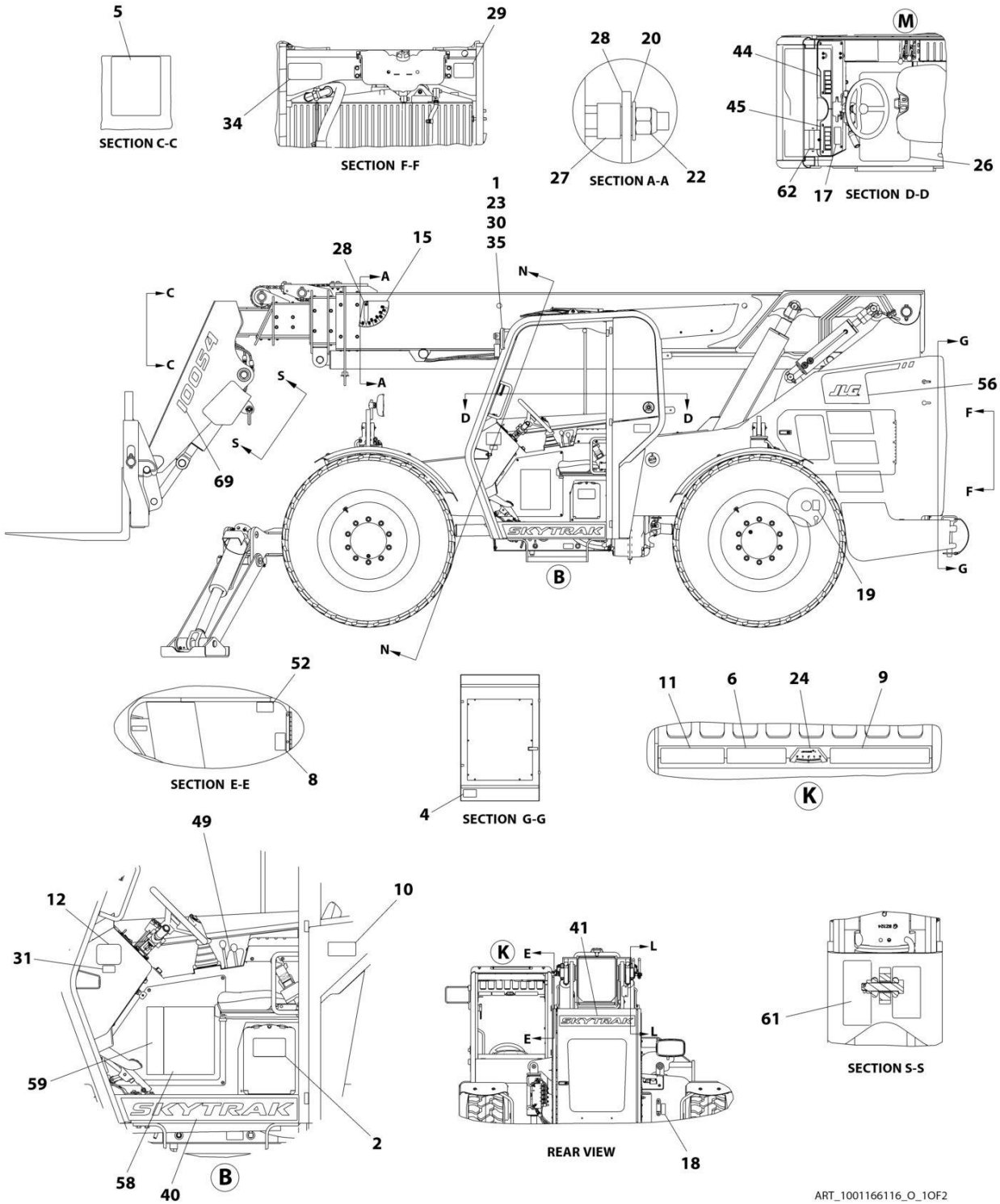


## SECTION 11 - DECALS

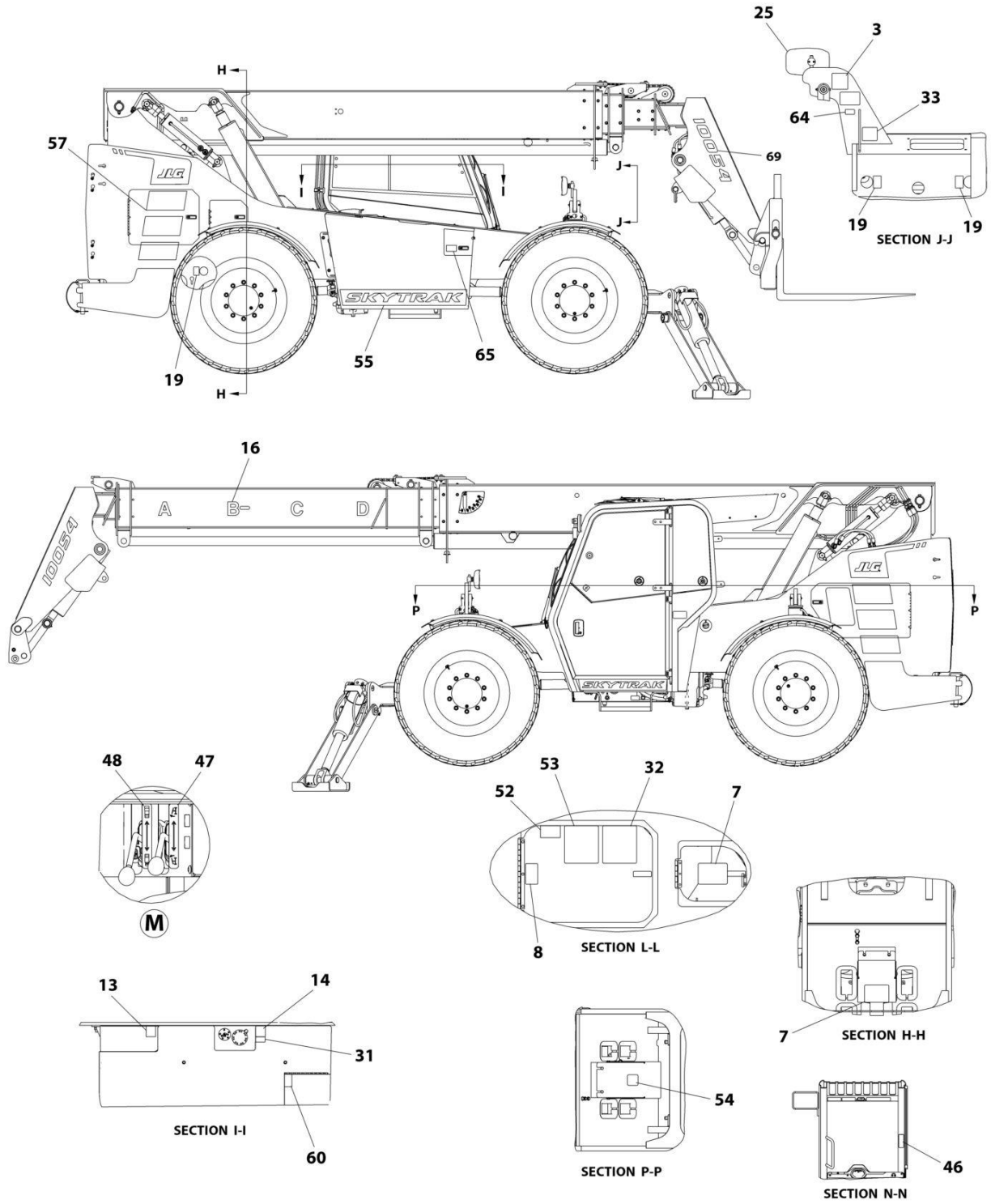
ITEM	PART NUMBER	QTY	DESCRIPTION	REV
59	1001189328	1	Decal, Fuse panel	
60	1001196806	1	Decal, Diesel Exhaust Fluid	
61	1001207217	1	Decal, Danger Swinging Load	
62	1001218659	1	Decal, Brake Fluid Spec	
63	1001219212	1	Decal, DEF Fluid	
64	1001223453	1	Decal, ICES (CAN)	
65	1001230307	1	Decal, Cummins DEF Tank Service	
66	1001231801	1	Decal, Warning Prop 65 Diesel	
69	1001263589	1	Decal, Model Boom Head	

# SECTION 11 - DECALS

## FIGURE 11-5. DECALS INSTALLATION - 110HP ULS (ENGLISH/FRENCH SPECS)



# SECTION 11 - DECALS



ART\_1001166116\_O\_20F2

## SECTION 11 - DECALS

FIGURE 11-5. DECALS INSTALLATION - 110HP ULS (ENGLISH/FRENCH SPECS)

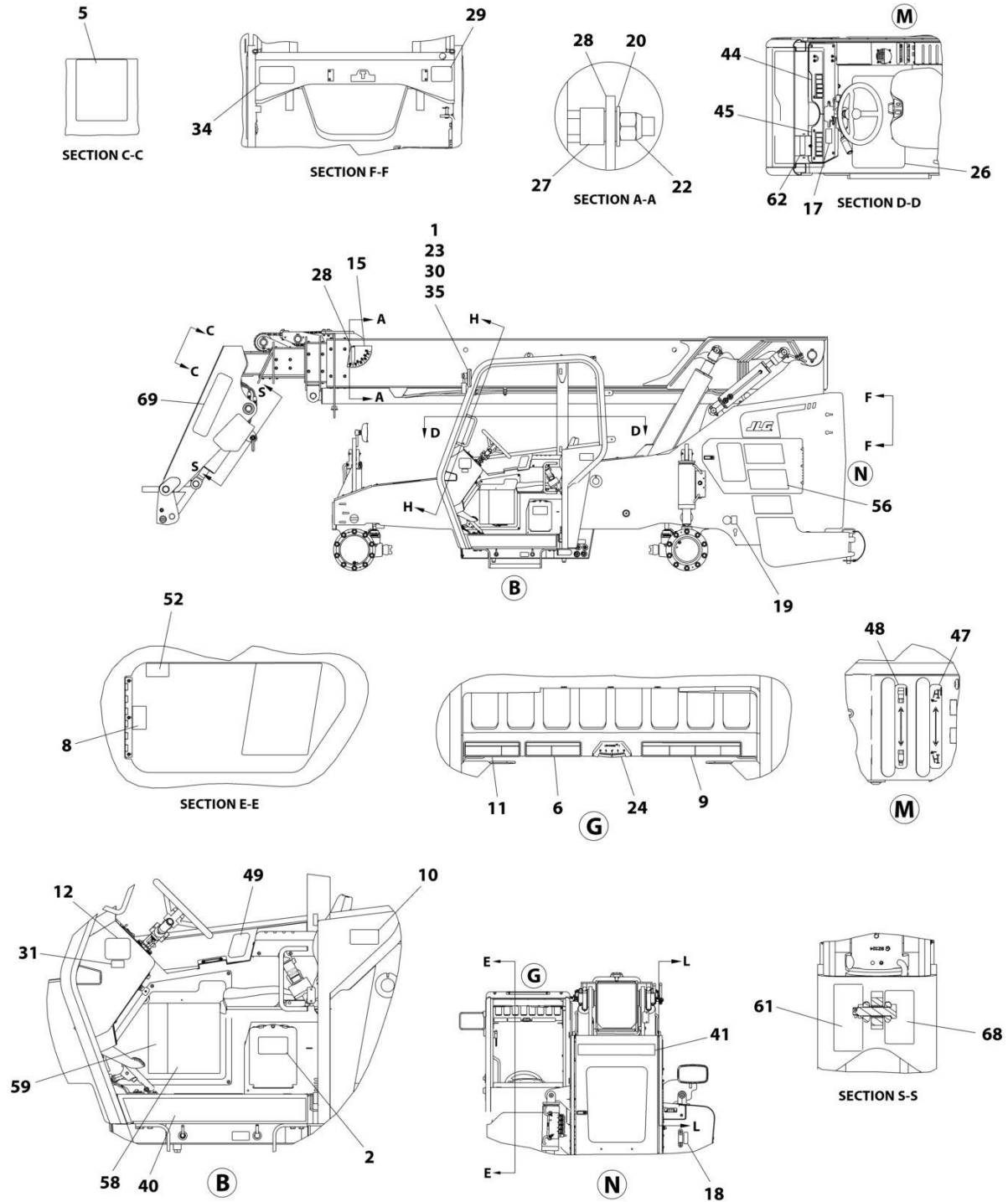
ITEM	PART NUMBER	QTY	DESCRIPTION	REV
	1001166116	Ref	Decal Installation (ENGLISH/FRENCH) 110HP	O
1	0700610	2	Bolt, M6X20	
2	1701640	1	Decal, Manual	
3	1702631	1	Decal, Bar Code	
4	1001163174	1	Decal, Battery Warning (CAN)	
5	1001163206	1	Decal, Carry Personnel (CAN)	
6	1001163210	1	Decal, Electrocuting Hazard (CAN)	
7	1001163212	2	Decal, Ether Starting Warning (CAN)	
8	1001163222	2	Decal, Keep Clear of Rotating Parts (CAN)	
9	1001163285	1	Decal, Tip Over Warning (CAN)	
10	1001163300	1	Decal, No Riders (CAN)	
11	1001163304	1	Decal, Crush Hazard Warning (CAN)	
12	3251813	1	Decal, USA	
13	4100181	1	Decal, Hydraulic Oil Fill	
14	1001189017	1	Decal, Diesel Fuel Fill	
15	4105262	1	Decal, Boom Angle Indicator	
16	4107442	1	Decal, Boom Extend Letters	
17	1001187239	1	Decal, Outrigger (ENG/FR)	
18	4108302	1	Decal, Hydraulic Oil Level	
19	1702300	4	Decal, Tie Down	
20	4711600	1	Washer, 3/8	
22	8305645	1	Nut, Lock 3/8	
23	8307024	2	Washer, Lock M6	
24	8466306	1	Gage, Tilt Angle	
25	1001191635	1	Mirror, RH	
26	10139087	1	Tread, Safety	
27	1001096404	1	Sleeve, Angle Indicator Spacer	
28	1001098769	1	Plate, Boom Angle Indicator	
29	1001109053	1	Decal, Coolant Fill	
30	1001114675	1	Arm, Mirror	
31	1001163355	2	Decal, Ultra Low Sulfur Fuel (CAN)	
32	1001191996	1	Decal, Lubrication Chart (10054)	
33	1001131271	1	Decal, Telehandlers Patent	
34	1001163323	1	Decal, Hot Fluid Warning (CAN)	
35	1001148177	1	Mirror, Rectangular	
40	1001259302	1	Decal, Cab Side	
41	1001263821	1	Decal, Rear Door	
44	1001180175	1	Decal, RH Overlay	
45	1001180176	1	Decal, LH Overlay	
46	1001162734	1	Decal, Joystick Control	
47	1001162735	1	Decal, Sway Control	
48	1001162736	1	Decal, Auxiliary Control	
49	1001162737	1	Decal, Outrigger Control (10042,10054)	
52	1001173422	2	Decal, MCO 110HP	
53	1001174152	1	Decal, Maintenance Chart	
54	1001142452	1	Decal, No Step	
55	1001259303	1	Decal, Tank Side	
56	1001259305	1	Decal, Left Side Stripe	
57	1001259306	1	Decal, Right Side Stripe	
58	1001189327	1	Decal, Main Fuse Panel	

## SECTION 11 - DECALS

ITEM	PART NUMBER	QTY	DESCRIPTION	REV
59	1001189328	1	Decal, Fuse panel	
60	1001196806	1	Decal, Diesel Exhaust Fluid	
61	1001211278	1	Decal, Swinging Load Decal Kit (CAN)	
62	1001219211	1	Decal, Brake Fluid Spec	
64	1001223453	1	Decal, ICES (CAN)	
65	1001230309	1	Decal, EN/FR Cummins DEF Tank Services	
69	1001263589	2	Decal, Model Boom Head	

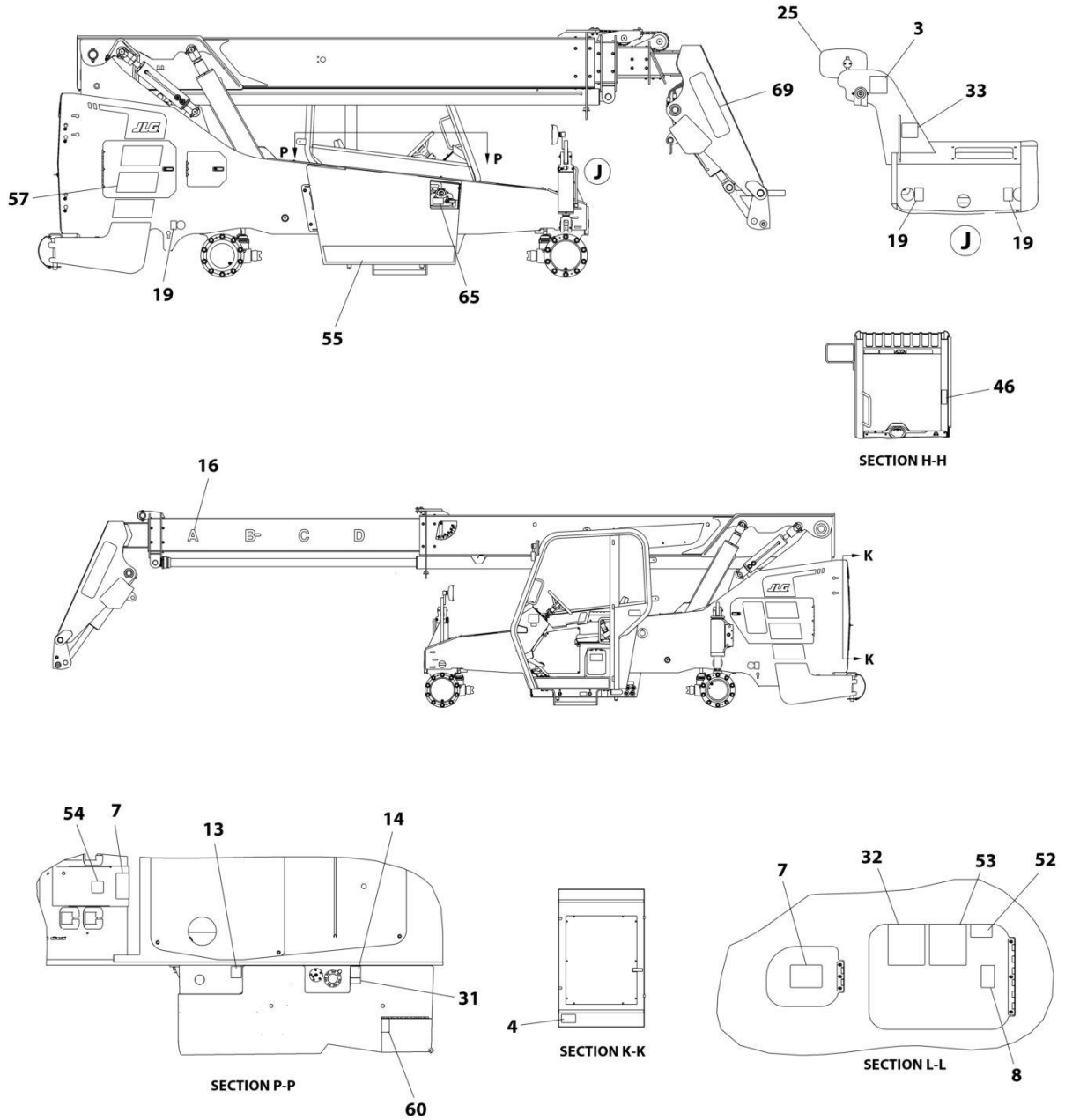
# SECTION 11 - DECALS

FIGURE 11-6. DECALS INSTALLATION - 110HP ULS (ENGLISH/SPANISH SPECS)



ART\_1001242116\_D\_10F2

# SECTION 11 - DECALS



ART\_1001242116\_D\_20F2

# SECTION 11 - DECALS

**FIGURE 11-6. DECALS INSTALLATION - 110HP ULS (ENGLISH/SPANISH SPECS)**

ITEM	PART NUMBER	QTY	DESCRIPTION	REV
	1001242116	Ref	Decal Installation (ENG/SPAN) 110HP	D
1	0700610	2	Bolt, M6X20	
2	1701640	1	Decal, Manual	
3	See Note	NSS	Decal, Bar Code (Note: Not Available for Purchase)	
4	1001235794	1	Decal, Battery Warning (SPAN)	
5	1001235796	1	Decal, Carry Personnel (SPAN)	
6	1001235797	1	Decal, Electrocutation Hazard (SPAN)	
7	1001235798	2	Decal, No Ether Warning (SPAN)	
8	1001235799	2	Decal, Moving Parts (SPAN)	
9	1001235801	1	Decal, Tipover Warning (SPAN)	
10	1001235802	1	Decal, No Riders (SPAN)	
11	1001235803	1	Decal, Crush Hazard Warning (SPAN)	
12	3251813	1	Decal, USA	
13	4100181	1	Decal, Hydraulic Oil Fill	
14	1001189017	1	Decal, Diesel Fuel Fill	
15	4105262	1	Decal, Boom Angle Indicator	
16	4107442	1	Decal, Boom Extend Letters	
17	1001242122	1	Decal, Outrigger (ENG/SPAN)	
18	4108302	1	Decal, Hydraulic Oil Level	
19	1702300	4	Decal, Tie Down	
20	4711600	1	Washer, 3/8	
22	8305645	1	Nut, Lock 3/8	
23	8307024	2	Washer, Lock M6	
24	8466306	1	Gage, Tilt Angle	
25	1001191635	1	Mirror, RH	
26	10139087	1	Tread, Safety	
27	1001096404	1	Sleeve, Angle Indicator Spacer	
28	1001098769	1	Plate, Boom Angle Indicator	
29	1001109053	1	Decal, Coolant Fill	
30	1001114675	1	Arm, Mirror	
31	1001235804	2	Decal, Ultra Low Sulfur Fuel (SPAN)	
32	1001191996	1	Decal, Lubrication Chart (10054)	
33	1001131271	1	Decal, Telehandlers Patent	
34	1001235805	1	Decal, Hot Fluid Warning (SPAN)	
35	1001148177	1	Mirror, Rectangular	
40	1001259302	1	Decal, Cab Side	
41	1001263821	1	Decal, Rear Door	
44	1001242172	1	Decal, RH Overlay (ENG/SPAN)	
45	1001242173	1	Decal, LH Overlay (ENG/SPAN)	
46	1001162734	1	Decal, Joystick Control	
47	1001162735	1	Decal, Sway Control	
48	1001162736	1	Decal, Auxiliary Control	
49	1001162737	1	Decal, Outrigger Control (10042,10054)	
52	1001236312	2	Decal, MCO 110HP (SPAN)	
53	1001174152	1	Decal, Maintenance Chart	
54	1001142452	1	Decal, No Step	
55	1001259303	1	Decal, Tank Side	
56	1001259305	1	Decal, Left Side Stripe	
57	1001259306	1	Decal, Right Side Stripe	
58	1001189327	1	Decal, Main Fuse Panel	

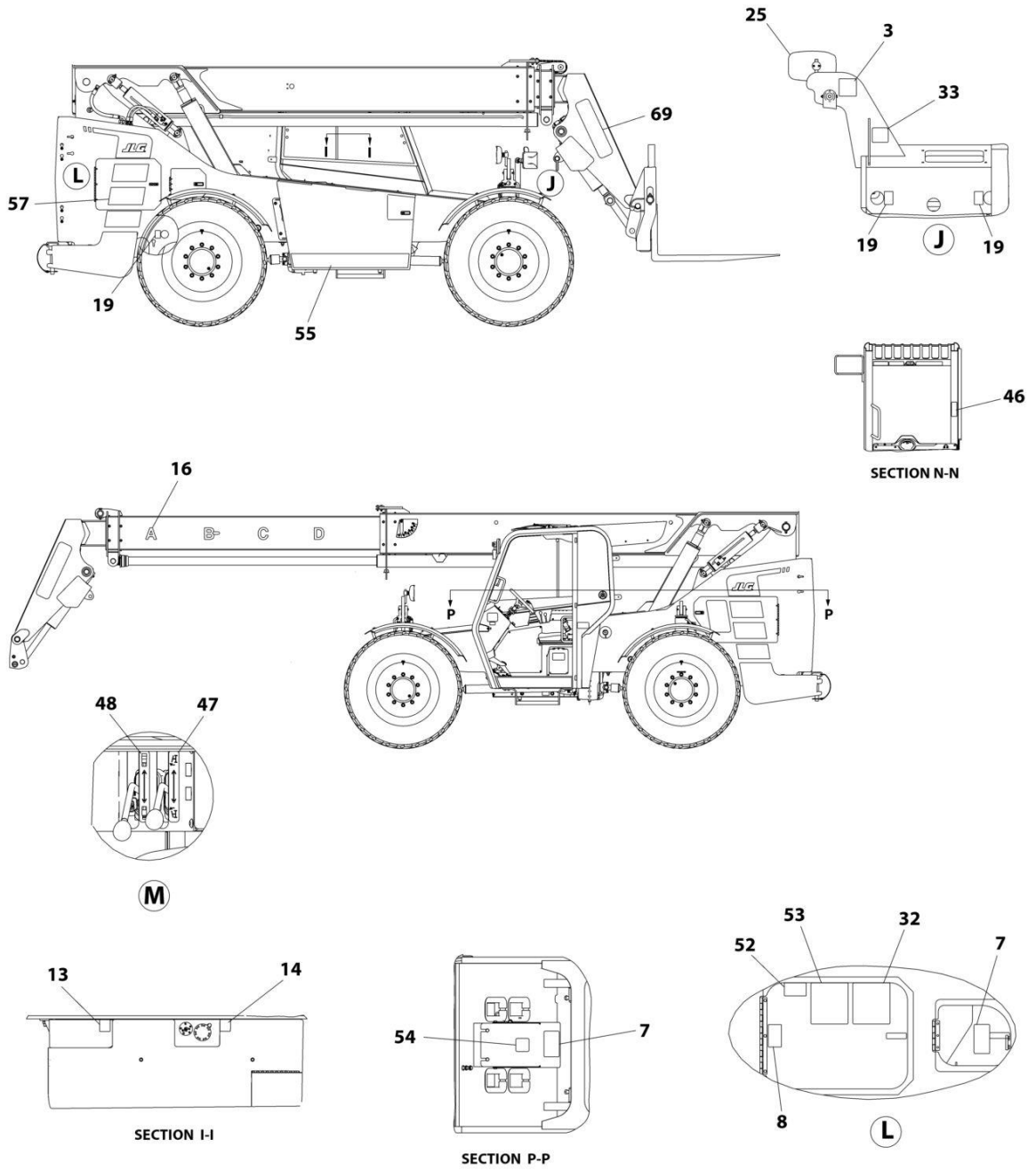


## SECTION 11 - DECALS

ITEM	PART NUMBER	QTY	DESCRIPTION	REV
59	1001189328	1	Decal, Fuse panel	
60	1001196806	1	Decal, Diesel Exhaust Fluid	
61	1001246078	1	Decal, Danger Swinging Load (SPAN)	
62	1001219211	1	Decal, DEF Fluid	
65	1001242181	1	Decal, EN/FR Cummins DEF Tank Service	
68	1001242179	1	Decal, Danger Swing Load Boom Head (SPAN)	
69	1001263589	2	Decal, Model Boom Head	



# SECTION 11 - DECALS



ART\_1001166117\_K\_20F2

# SECTION 11 - DECALS

**FIGURE 11-7. DECALS INSTALLATION - 110HP LS (ISO DECALS)**

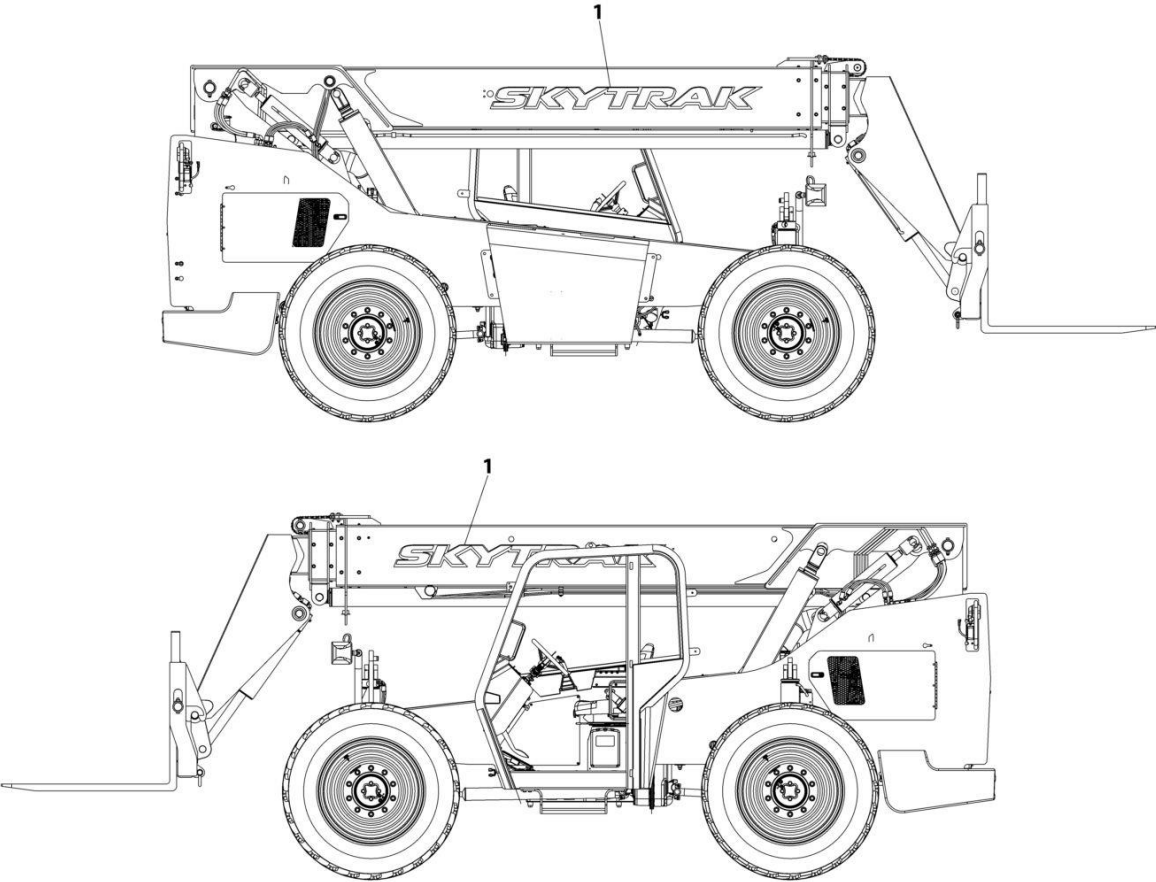
ITEM	PART NUMBER	QTY	DESCRIPTION	REV
	1001166117	Ref	Decal Installation (ISO)	K
1	0700610	2	Bolt, M6X20	
2	1701640	1	Decal, Manual	
3	See Note	NSS	Decal, Bar Code (Note: Not Available for Purchase)	
4	1706281	1	Decal, Battery Warning	
5	1706282	1	Decal, Carry Personnel	
6	1706284	1	Decal, Electrocution Hazard	
7	1706098	2	Decal, Ether Warning	
8	1706285	2	Decal, Moving Parts	
9	1706288	1	Decal, Tipover Warning	
10	1001092878	1	Decal, No Riders	
11	1001092877	1	Decal, Crush Hazard Warning	
12	3251813	1	Decal, USA	
13	4100181	1	Decal, Hydraulic Oil Fill	
14	1001189017	1	Decal, Diesel Fuel Fill	
15	4105262	1	Decal, Boom Angle Indicator	
16	4107442	1	Decal, Boom Extend Letters	
17	1706279	1	Decal, Warning Outrigger Contact, ISO	
18	4108302	1	Decal, Hydraulic Oil Level	
19	1702300	4	Decal, Tie Down	
20	4711600	1	Washer, 3/8	
22	8305645	1	Nut, Lock 3/8	
23	8307024	2	Washer, Lock M6	
24	8466306	1	Gage, Tilt Angle	
25	1001191635	1	Mirror, RH	
26	10139087	1	Tread, Safety	
27	1001096404	1	Sleeve, Angle Indicator Spacer	
28	1001098769	1	Plate, Boom Angle Indicator	
29	1001109053	1	Decal, Coolant Fill	
30	1001114675	1	Arm, Mirror	
32	1001191996	1	Decal, Lubrication Chart (10054)	
33	1001131271	1	Decal, Telehandlers Patent	
34	1001139942	1	Decal, Hot Fluid Warning	
35	1001148177	1	Mirror, Rectangular	
40	1001259302	1	Decal, Cab Side	
41	1001263821	1	Decal, Rear Door	
44	1001158321	1	Decal, Overlay RH (ISO)	
45	1001158320	1	Decal, Overlay LH (ISO)	
46	1001162734	1	Decal, Joystick Control	
47	1001162735	1	Decal, Sway Control	
48	1001162736	1	Decal, Auxiliary Control	
49	1001162737	1	Decal, Outrigger Control (10042,10054)	
52	1001173422	2	Decal, MCO 110HP	
53	1001202627	1	Decal, Maintenance Charts	
54	1001142452	1	Decal, No Step	
55	1001259303	1	Decal, Tank Side	
56	1001259305	1	Decal, Left Side Stripe	
57	1001259306	1	Decal, Right Side Stripe	
58	1001189327	1	Decal, Main Fuse Panel	
59	1001189328	1	Decal, Fuse Panel	

## SECTION 11 - DECALS

ITEM	PART NUMBER	QTY	DESCRIPTION	REV
61	1001207218	1	Decal, Danger Swinging Load	
62	1001219211	1	Decal, Brake Fluid Spec	
69	1001263589	2	Decal, Model Boom Head	

**SECTION 11 - DECALS**

**FIGURE 11-8. BOOM DECALS INSTALLATION**



ART\_1001157277-A

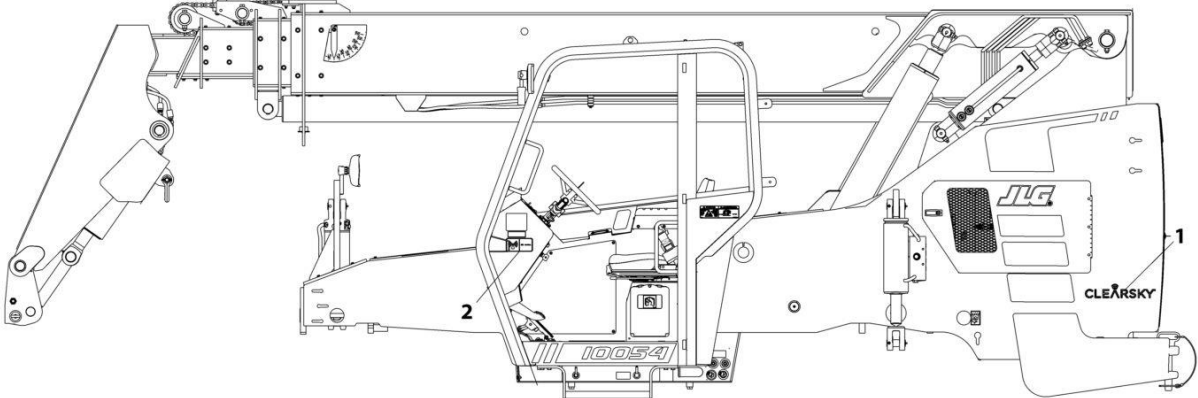
## SECTION 11 - DECALS

### FIGURE 11-8. BOOM DECALS INSTALLATION

ITEM	PART NUMBER	QTY	DESCRIPTION	REV
1	1001157277	Ref	Boom Decal Installation	A
	1001157275	2	Decal, Boom SkyTrak	

**SECTION 11 - DECALS**

**FIGURE 11-9. CLEARSKY DECALS INSTALLATION**



ART\_1001229708-B



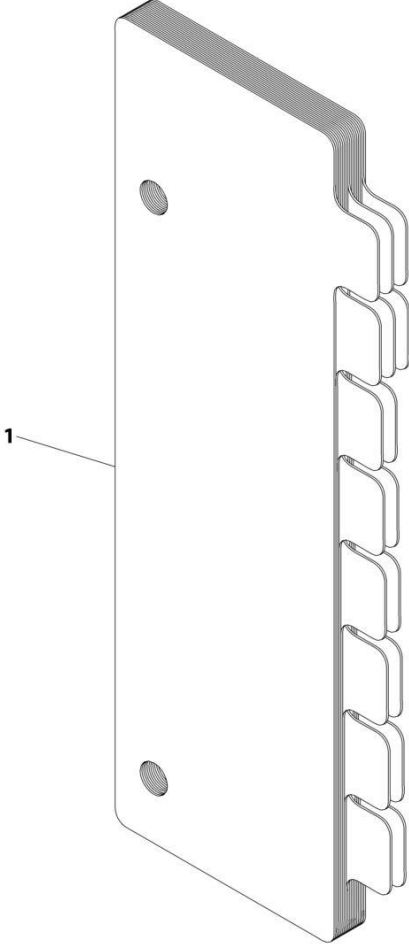
## SECTION 11 - DECALS

### FIGURE 11-9. CLEARSKY DECALS INSTALLATION

ITEM	PART NUMBER	QTY	DESCRIPTION	REV
	1001229708	Ref	Clearsky Decal Installation	C
1	1001294815	1	Decal - ClearSky	
2	1001120989	1	Radio Frequency Decal	

**SECTION 11 - DECALS**

**FIGURE 11-10. LOAD CHART BOOKLET (ANSI)**



ART\_1001211875

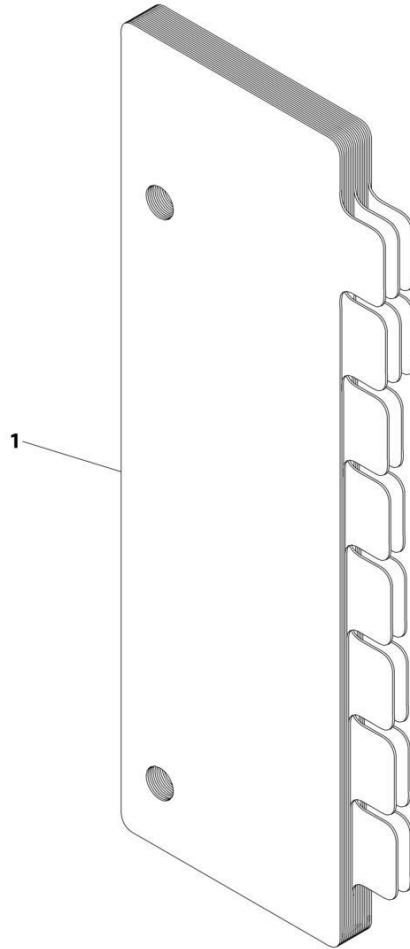
## SECTION 11 - DECALS

FIGURE 11-10. LOAD CHART BOOKLET (ANSI)

ITEM	PART NUMBER	QTY	DESCRIPTION	REV
1	1001211875	1	Capacity Chart (ANSI)	

# SECTION 11 - DECALS

FIGURE 11-11. LOAD CHART BOOKLET (ISO)



ART\_1001211876

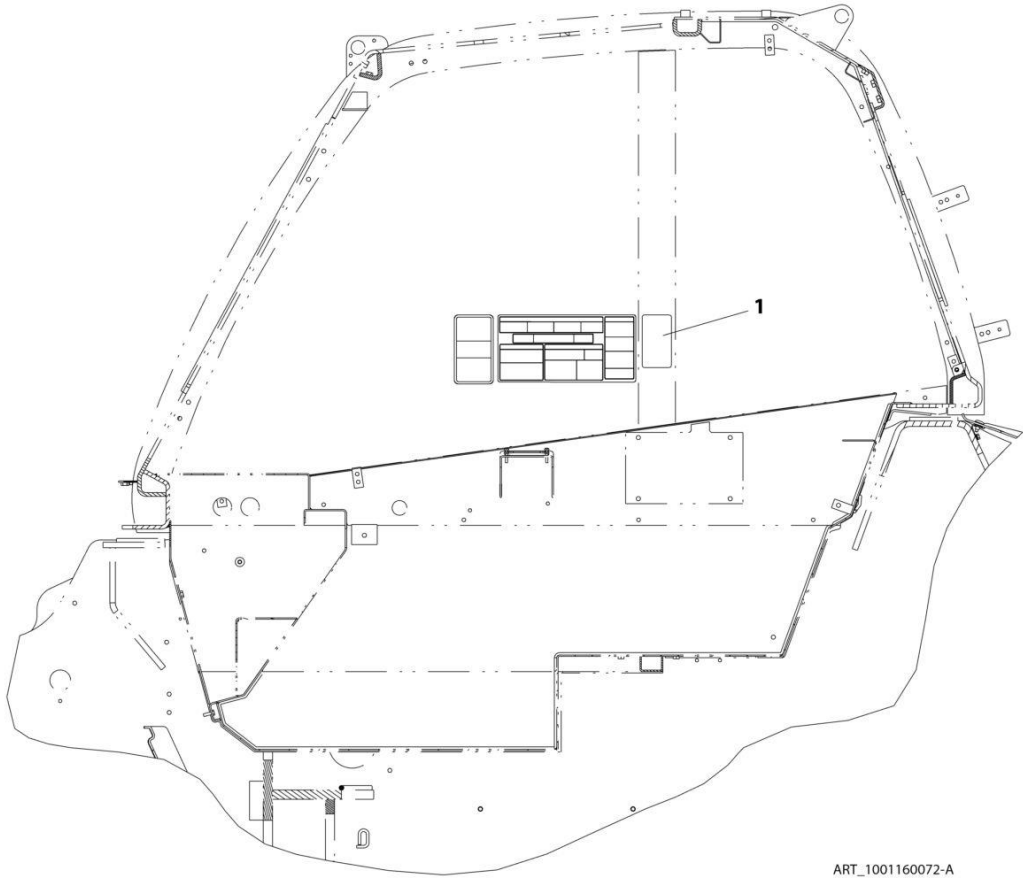
## SECTION 11 - DECALS

FIGURE 11-11. LOAD CHART BOOKLET (ISO)

ITEM	PART NUMBER	QTY	DESCRIPTION	REV
1	1001211876	1	Capacity Chart (ISO)	

**SECTION 11 - DECALS**

**FIGURE 11-12. REVERSE SENSING SYSTEM DECAL INSTALLATION (ENGLISH)**



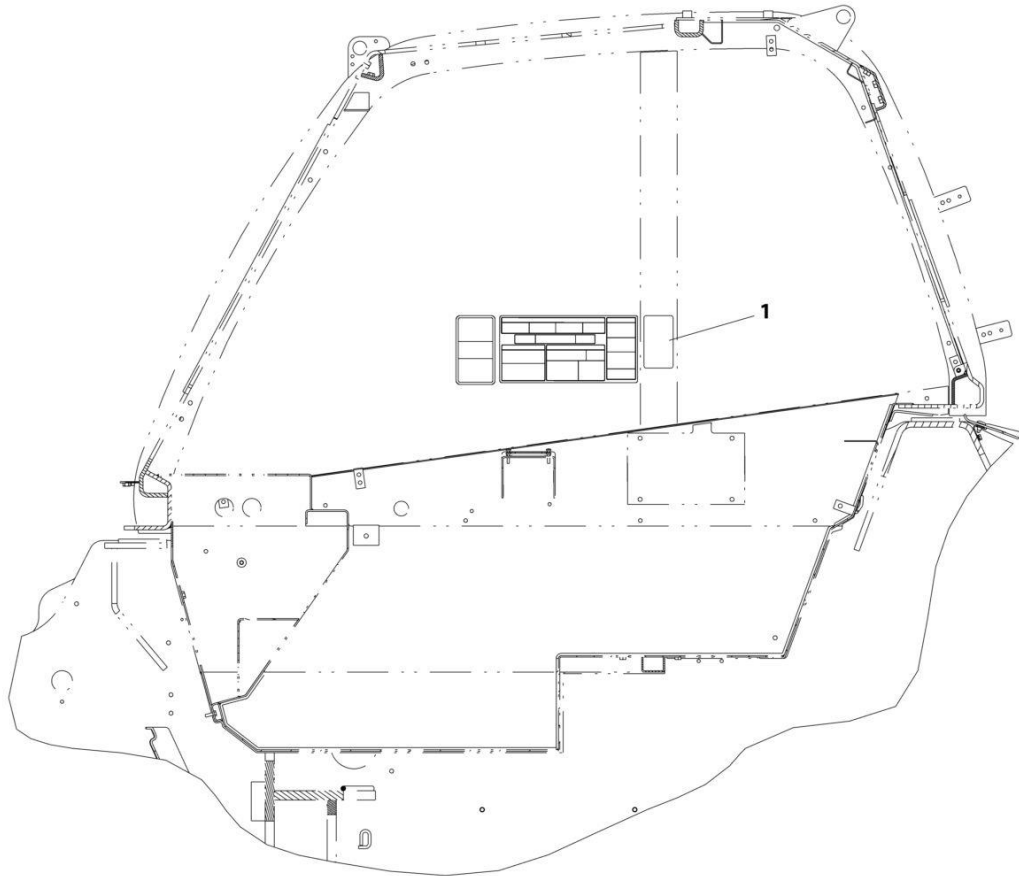
## SECTION 11 - DECALS

**FIGURE 11-12. REVERSE SENSING SYSTEM DECAL INSTALLATION (ENGLISH)**

ITEM	PART NUMBER	QTY	DESCRIPTION	REV
1	1001160072	1	Reverse Sensor System Decal (English)	A

# SECTION 11 - DECALS

## FIGURE 11-13. REVERSE SENSING SYSTEM DECAL INSTALLATION (ENGLISH/FRENCH)



ART\_1001160945-A



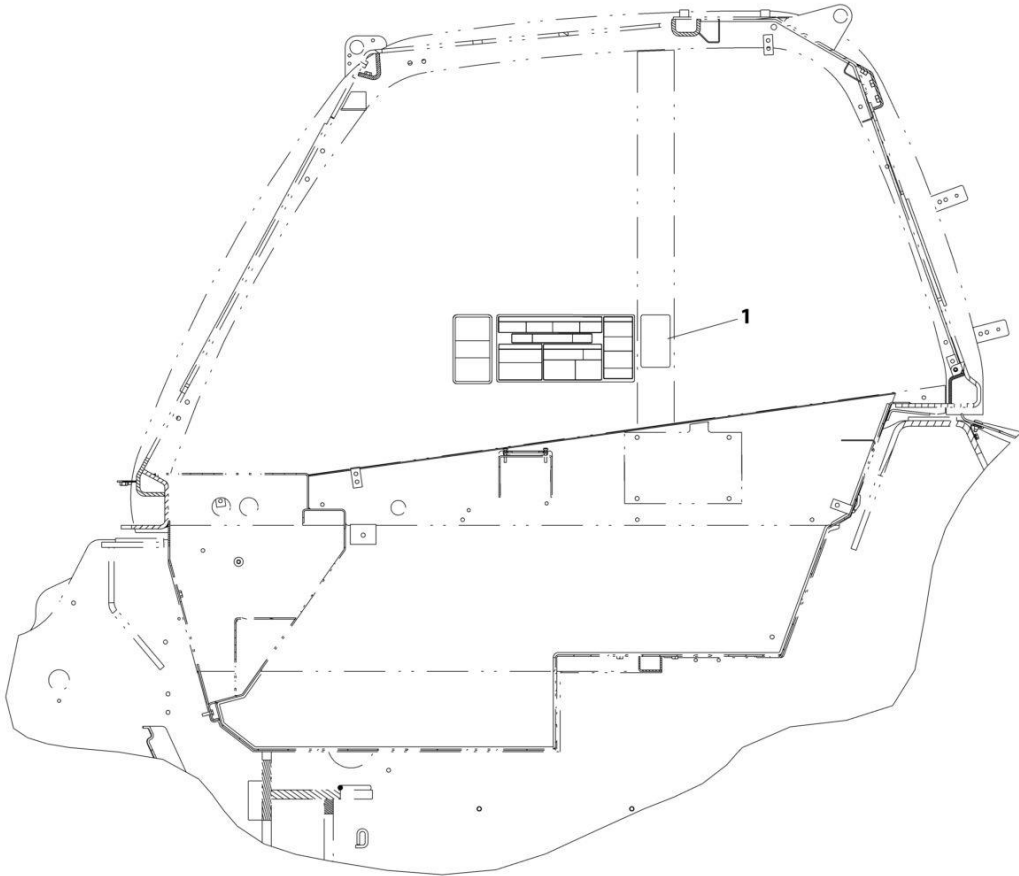
## SECTION 11 - DECALS

**FIGURE 11-13. REVERSE SENSING SYSTEM DECAL INSTALLATION (ENGLISH/FRENCH)**

ITEM	PART NUMBER	QTY	DESCRIPTION	REV
1	1001160945	1	Reverse Sensor System Decal (ENGLISH/FRENCH)	A

**SECTION 11 - DECALS**

**FIGURE 11-14. REVERSE SENSING SYSTEM DECAL INSTALLATION (ENGLISH/SPANISH)**



ART\_1001237846-A

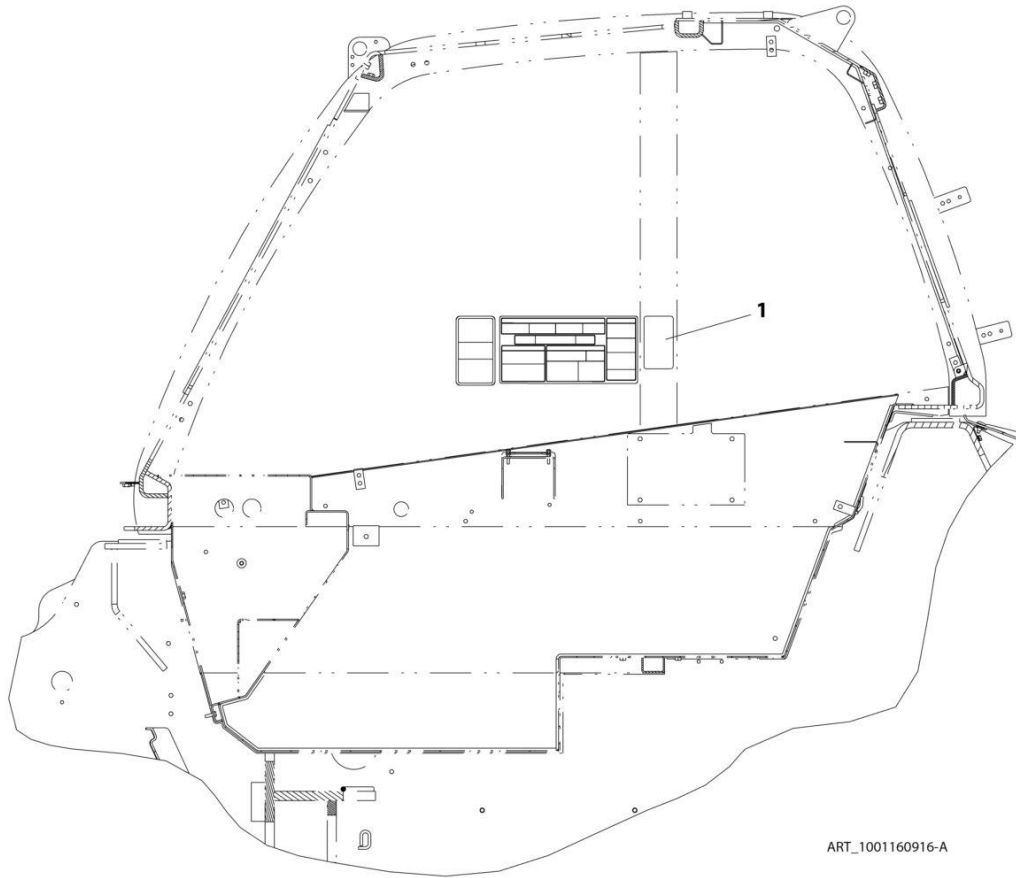
## SECTION 11 - DECALS

**FIGURE 11-14. REVERSE SENSING SYSTEM DECAL INSTALLATION (ENGLISH/SPANISH)**

ITEM	PART NUMBER	QTY	DESCRIPTION	REV
1	1001237846	Ref	REVERSE SENSOR SYSTEM DECAL (ENGLISH/SPANISH LANGUAGES)	A

# SECTION 11 - DECALS

## FIGURE 11-15. REVERSE SENSING SYSTEM DECAL INSTALLATION (ISO)



## SECTION 11 - DECALS

**FIGURE 11-15. REVERSE SENSING SYSTEM DECAL INSTALLATION (ISO)**

ITEM	PART NUMBER	QTY	DESCRIPTION	REV
1	1001160916	1	Reverse Sensor System Decal (ISO)	A



**SECTION 12 - RECOMMENDED SERVICE PARTS STOCK**

**SECTION 12 - RECOMMENDED SERVICE PARTS STOCK**

## SECTION 12 - RECOMMENDED SERVICE PARTS STOCK

FIGURE 12-1. RECOMMENDED SERVICE PARTS STOCK

ITEM	PART NUMBER	QTY	DESCRIPTION	REV
		Ref	Note: The following list will service one machine (built to current production per date on the front cover) with emergency repair parts which can be installed in the field. Parts from the list should be replaced when inventory is depleted to keep service parts stock supplied. For further information, contact your JLG dealer or the JLG Industries Parts Department.	
	70026085	1	Coil (Secondary Valve)	
	7029246	1	Coil, Solenoid (Stabil-Trak)	
	1001203181	1	Control (ASOV)	
	1001210703	1	Control, Cab	
	1001247421	1	Control, Reverse Sensor	
	1001173581	1	Controller, Auxiliary	
	1001173582	1	Controller, Frame Level	
	1001158002	1	Controller, Pilot Joystick	
	1600429	1	Controller, Transmission	
	8223073	1	Controller, Turn Signal (Road Lights)	
		Ref	Engine - 74HP (ULS)	
	70026234	12	Element, Fuel Filter Primary	
	70026453	12	Element, Fuel Filter Secondary	
	70026237	12	Filter, Oil	
	70025852	12	Filter, Primary Air	
	70025853	12	Filter, Secondary Air	
	8229242	2	Fuse, 5A	
		Ref	Engine - 110HP (ULS)	
	70026453	12	Element, Fuel Filter Secondary	
	70026237	12	Filter, Oil	
	70025852	12	Filter, Primary Air	
	70025853	12	Filter, Secondary Air	
	8229244	2	Fuse, 15A	
	8229242	2	Fuse, 5A	
	1001095704	1	Relay	
		Ref	Engine - 110HP (LS)	
	70026234	12	Element, Fuel Filter Primary	
	70026801	12	Element, Fuel Filter Secondary	
	70026237	12	Filter, Oil	
	1101312	12	Filter, Primary Air	
	1101313	12	Filter, Secondary Air	
	1001199205	12	Element, Filter (Hydraulic)	
	7139077	1	Filler/Breather (Hydraulic)	
	1001228872	12	Filter, Coolant Screen	
	8229261	2	Fuse 5A (Cab Distribution Harness)	
	8229233	2	Fuse, 7.5A (Cab Distribution Harness)	
	8229243	2	Fuse, 7.5A Mini (Logic Harness)	
	8229234	2	Fuse, 10A (Cab Distribution Harness & ASOV Harness)	
	8229237	2	Fuse, 15A (Cab Distribution Harness)	
	8229235	2	Fuse, 20A (Cab Distribution Harness & ASOV Harness)	
	8229238	2	Fuse, 40A (Cab Distribution Harness)	
	1001118245	2	Fuse, 250A (Relay Panel)	
	1001129285	2	Fuse, Mini Diode (Cab Distribution Harness)	



## SECTION 12 - RECOMMENDED SERVICE PARTS STOCK

ITEM	PART NUMBER	QTY	DESCRIPTION	REV
	1001127699	2	Fuse, Power Module (Relay Panel)	
	70021948	1	Key, Cab Door	
	8035807	1	Key, Ignition	
	2940074	1	Latch (Fork Mounted Platform)	
	1001262322	1	Module, 4G (ClearSky - Canbus)	
	1001228954	1	Module (ClearSky - Canbus CE)	
	1001226328	1	Module, 3W-TCU (ClearSky 3-Wire, North America)	
	1001233236	1	Module, 3W-TCU (ClearSky 3-Wire, CE)	
	3740080	1	Relay, ASOV	
	1001205172	1	Relay, Micro 280, 12V, 35 Amp (Cab Distribution Harness & Logic Harness)	
	70026986	1	Relay, 12V 30/40A (Heater & AC)	
	1001186417	1	Relay, 150 Amp (Relay Panel)	
	1001184316	1	Relay, Power Module (Relay Panel)	
	1001130307	1	Sensor, Boom	
	1001245478	1	Sensor, Coolant Level	
	1001145026	1	Sensor, Fuel	
	1001169077	1	Sensor, PRS Temperature (Air Cleaner)	
	1001215941	1	Switch, ASOV	
	8223038	1	Switch, Beacon (Beacon Install)	
	8223025	1	Switch, Brake Lights (Road Light Package)	
	8223060	1	Switch, Hazard (Road Light Package)	
	7138878	1	Switch, Horn (Cab - All)	
	4360690	1	Switch, Ignition (Cab - All)	
	1001170269	1	Switch, Outrigger (Electrical Installation)	
	8223054	1	Switch, Park Brake (Cab - All)	
	8223037	1	Switch, Steer Select (Cab -All)	
	8223044	1	Switch, Windscreen Washer (Enclosed Cab)	
	8223043	1	Switch, Windscreen Wiper (Enclosed Cab)	
	8223059	1	Switch, Work Light (LED Work Light Package)	



**SECTION 13 - SPECIAL OPTIONS/ACCESSORIES/KITS**

**SECTION 13 - SPECIAL OPTIONS/ACCESSORIES/KITS**

# SECTION 13 - SPECIAL OPTIONS/ACCESSORIES/KITS

FIGURE 13-1. SPECIAL OPTIONS/ACCESSORIES/KITS

ITEM	PART NUMBER	QTY	DESCRIPTION	REV
	See Note	Ref	Note: This list is to accommodate machines ordered with special equipment. Options may not be applicable to all models. For more specific parts information contact JLG Parts Department.	
		Ref	SPECIAL OPTIONS/ACCESSORIES/KITS	
	1001273266	Ref	Accelerator Extension Harness (for Accelerator 1001264554) (Note: Verify cab power harness version before purchasing)	
	1001273267	Ref	Accelerator Extension Harness (for Accelerator 1001180555) (Note: Verify cab power harness version before purchasing)	
	1001243577	Ref	Access Control Kit	
	1001214790	Ref	Aftermarket Kits	O
	1001239455	Ref	Backup Camera Kit	
	1001109532	Ref	Baffle Kit	
	1001214398	Ref	Battery Disconnect Kit	
	1001126387	Ref	Bearing Retainer Kit	
	8024032	Ref	Boom Chain Kit - Extend	
	8024053	Ref	Boom Chain Kit - Extend (4th Boom)	
	8024033	Ref	Boom Chain Kit - Retract	
	7131633	Ref	Boom Pivot Replacement Kit (LH)	
	7131643	Ref	Boom Pivot Replacement Kit (RH)	
	2915208	Ref	Boom Pivot Replacement Kit	
	2910996	Ref	Boom Wear Pads Kit	
	1001167009	Ref	Brake Inlet pressure Kit	
	1001201455	Ref	Cab A/C Kit	
	1001154226	Ref	Cab Cooler Vent Kit	
	1001280231	Ref	Cab Door Window Kit	
	1001201453	Ref	Cab Enclosure Kit	
	1001193427	Ref	Cab Enclosure Kit with Heater	
	1001193428	Ref	Cab Enclosure Kit with HVAC	
	1001201456	Ref	Cab Heater Kit	
	1001201454	Ref	Cab HVAC Kit	
	1001268341	Ref	Camera Kit - Multi-View Rear	
	1001243183	Ref	ClearSky Telematics Kit - Canbus (North America)	
	1001243184	Ref	ClearSky Telematics Kit - Canbus (CE)	
	1001276923	Ref	ClearSky Telematics Add-on Kit (Contact JLG for Approved Countries)	
	1001238933	Ref	Cold Weather Kit (ULS)	
	1001242195	Ref	Cold Weather Kit (LS)	
	1001262156	Ref	Decal Kit	
		Ref	Electrical Connector Kits	
	1001148902	Ref	Amp/Tyco Electrical Connectors	
	1001148903	Ref	Deutsch DT Electrical Connectors	
	1001148904	Ref	Deutsch HD Electrical Connectors	
	1001148905	Ref	Packard Electrical Connectors	
	1001148906	Ref	Various Electrical Connectors	
	1001196127	Ref	Engine FAPL - 74HP ULS	
	1001165489	Ref	Engine FAPL - 110HP ULS	
	1001166034	Ref	Engine FAPL - 110HP LS	
	1001177168	Ref	Engine Removal Brackets Kit	
	1001258010	Ref	Fender Kit	

## SECTION 13 - SPECIAL OPTIONS/ACCESSORIES/KITS

ITEM	PART NUMBER	QTY	DESCRIPTION	REV
	1001150524	Ref	Filter Kit - 250Hour (LS)	
	1001199737	Ref	Filter Kit - 500Hour	
	1001199738	Ref	Filter Kit - 1000Hour	
	1001239988	Ref	Fire Extinguisher Kit	
	1001224162	Ref	Hydraulic Circuit FAPL	C
	1001253916	Ref	Latch Catch Kit (ANSI)	
	1001201459	Ref	Lights - Beacon Lights Kit	
	1001201458	Ref	Lights - Roadlights Kit (Safim Brakes)	
	1001213944	Ref	Lights - Roadlights Kit (Eaton Brakes)	
	1001137627	Ref	Lights - Worklight Kit	
	1001238893	Ref	Lights - Worklight Kit (LED)	
	1001188068	Ref	Luk Coupler Kit	
	1001281475	1	Quick Oil Change Valve	
	1001253829	Ref	Reverse Sensing System Kit (All)	
	1001130717	Ref	Service Kits	Z
	1001265373	Ref	Skytrak Telematics Harness Kit	
	1001196630	Ref	Steer Kit - Orbital	
	1001248572	Ref	Tire Kit (Set of 4) G2 14.00 x 24 Foam-Filled	
	1001248573	Ref	Tire Kit (Set of 4) G2 14.00 x 24 Pneumatic	
	1001274257	Ref	Tire Kit (Set of 4) Solid 13x28 Directional	
	1001274302	Ref	Tire Kit (Set of 4) Solid 13x28 Non-Directional	
	1001274305	Ref	Tire Kit (Set of 4) Solid 14x28 Directional	
	1001274307	Ref	Tire Kit (Set of 4) Solid 14x28 Non-Directional	
	1001274718	Ref	Tire Kit (Set of 4) Solid 13x24 Directional	
	1001274721	Ref	Tire Kit (Set of 4) Solid 13x24 Directional	
	1001262436	Ref	Tire Kit (Set of 4) Turf Pneumatic, ZF Axles	
		Ref	Tools for Service	
	1001249695	Ref	Tools- Analyzer and Cable Kit	
	1001249941	Ref	Tools- Analyzer and Cable Kit (Battery Powered)	
	70022871	Ref	Tools - Counter Support, ZF Transmission	
	7002821	Ref	Tools - Crimper, Wire	
	70023174	Ref	Tools - Eye Bolt Assortment, ZF Transmission	
	70022872	Ref	Tools - Internal Extractor, 45-58mm, ZF Transmission	
	7002823	Ref	Tools - Pin Extractor - Universal (For Electrical Connectors with Pins and Sockets)	
	4460510	Ref	Tools - Pin Extractor - 12-14 Gauge (For Removal of Pin/Sockets from Deutsch Connectors)	
	4460467	Ref	Tools - Pin Extractor - 16-18 Gauge (For Removal of Pin/Sockets from Deutsch Connectors)	
	7016654	Ref	Tools - Screwdriver, Magnetic	
	7002822	Ref	Tools - Screwdriver, Potentiometer	
	7004275	Ref	Tools - Seal Tool 1in (For Cylinders)	
	7004276	Ref	Tools - Seal Tool 1-1/2in (For Cylinders)	
	70026448	Ref	Tools - Spanner Wrench	
	7002828	Ref	Tools - Stripper, Wire	
	70010239	Ref	Tools - Two-Armed Puller, 160-150mm, ZF Transmission	
	1001116482	Ref	Transmission Shift Kit - 3SPD ZF	
	1001262959	Ref	Voltage Regulator ClearSky Locate Kit	
	1001200204	Ref	White Noise Alarm Kit	
	1001213885	Ref	White Noise Alarm Kit	



## SECTION 13 - SPECIAL OPTIONS/ACCESSORIES/KITS

### PART NUMBER INDEX

## SECTION 13 - SPECIAL OPTIONS/ACCESSORIES/KITS

0100009.....667, 669	0760405 ... 101, 103, 105, 107, 111, 113, 117, 125, 127, 131, 133, 135, 137, 139, 141	1001097080 ..... 691	1001116731..... 635
0100011.....47, 125, 127, 131, 133, 139, 141, 205, 209, 213, 267, 269, 485, 517, 525, 531, 533	0760505 ..... 479	1001097205 ..... 171	1001116732.....649, 663
0100019..... 17, 21, 25, 51	0760605 ..... 205, 209	1001097735 ..... 60, 66	1001116734.....649, 657, 663
01043892.....265, 623	0760608 ..... 239, 241	1001098769 ..... 716, 720, 724, 728, 732, 736, 740	1001116736.....665, 711
0140011.....701	0760610 ..... 45, 235	1001099113 ..... 125, 127, 131, 133, 139, 141	1001116745.....627, 648, 654, 661, 703
0240156.....167	0760614 ..... 213	1001099115 ..... 125, 127, 131, 133, 139, 141	1001116747.....673
0400075.....617	0760810,41, 43, 213, 217, 227, 229	1001099351 ..... 99	1001116748.....626, 649, 655, 656, 662
0630464.....427, 441	0760812 ... 225, 229, 399	1001099699 ..... 479	1001116751.....665
0641403.....235, 443	0760815 ..... 221	1001099901 ..... 105	1001116757.....648, 649, 655, 661, 662
0641404.....592, 596, 600	0761012 ..... 239, 261	1001099902 ..... 101	1001116758.....648, 649, 655, 661, 662
0641405.....91, 247, 249	0761014 ..... 213	1001100082 ..... 479	1001116774.....605, 626
0641406.....607	0761017 ..... 103, 107	1001100227 ..... 181	1001116808.....605, 626
0641410.....611, 613, 701	0761212 ... 592, 596, 600	1001100228 ..... 185	1001116812.....605, 626
0641415.....697	0771618 ... 205, 209, 213	1001100229 ..... 183	1001116815.....605, 635
0641507.....225	0791606 ..... 47	1001100265 ..... 111	1001116945.....603
0641508.....247, 249	0860520 ..... 91	1001100266 ..... 113	1001116950.....650, 657, 663
0641509.....247, 249	0930020 ..... 115	1001100267 ..... 117	1001117021.....650, 657, 662, 671, 673, 703
0641510... 17, 21, 25, 201	1001003174 ..... 627	1001100822 ..... 111	1001117026.....689, 703
0641511.....205, 209	1001004720 .... 243, 245, 701	1001100823 ..... 113	1001117059.....665
0641514.....675, 677	1001008742 ..... 427, 441	1001100824 ..... 117	1001117068.....648, 654, 661
0641520.....61, 67	1001081049 .... 406, 411, 416, 421, 427, 430, 435, 441	1001100967 ..... 97	1001117070.....649, 657, 663
0641605.....592, 596, 600	1001081241 ..... 443	1001101115 ..... 181, 185	1001117079.....711
0641607.....225, 227, 229	1001081242 ..... 443	1001101116 ..... 181, 183	1001117080.....665
0641608.....213, 227	1001081243 ..... 427, 441	1001101845 ..... 61, 67	1001117081.....709
0641609.....241	1001081246 ..... 443	1001101867 ..... 61, 67	1001117103.....650, 656, 663
0641612... 125, 131, 139, 241	1001081247 ..... 443	1001102844 .... 406, 411, 416, 421, 430, 435	1001117106.....626
0641614.....247, 249	1001081266 ..... 443	1001103182 ..... 135, 543	1001117111.....650, 657, 663
0641618... 17, 21, 25, 37, 39, 41, 43, 45	1001081310 ..... 447, 449	1001105886 ..... 705	1001117119.....626, 627
0641620.....609, 701	1001090063 .... 125, 131, 139	1001107589 ..... 501	1001117125.....650, 657, 662
0641632.....609	1001090064 .... 125, 131, 139	1001108524 ..... 273	1001118245.....697, 760
0641636.....443	1001090140 .... 125, 127, 131, 133, 139, 141	1001108575 ..... 443	1001118378.....605, 626
0641652.....443	1001092481 ..... 85	1001108668 ..... 174	1001118390.....657
0642032... 123, 125, 127, 129, 131, 133, 139, 141, 143	1001092482 ..... 85	1001109053 .... 716, 720, 724, 728, 732, 736, 740	10011184495.....707
0642640.....51, 315, 317	1001092877 ..... 740	1001109478 ..... 427, 441	1001119004.....649, 655, 662
0681810... 125, 127, 131, 133, 139, 141	1001092878 ..... 740	1001109532 ..... 764	1001119278.....619
0682418.....51	1001093171 ..... 171	1001110704 ..... 135, 137	1001120083.....217
0682496.....51	1001093273 ..... 167	1001111112 ..... 427, 441	1001120178.....383, 385, 387, 389
0682648..... 17, 21, 25	1001093377 ..... 167, 181	1001111190 .... 135, 137, 174	1001120179.....383, 387
0700610... 716, 720, 724, 728, 732, 736, 740	1001093465 ..... 167	1001112612 .... 603, 626, 635	1001120869.....247, 249
0700614.....201, 677	1001093564 ..... 619	1001112796 ..... 635	1001120914..... 125, 127, 131, 133, 139, 141
0700617 .....465, 467	1001094312 ..... 443	1001114495 ..... 243, 245	1001120915..... 125, 127, 131, 133, 139, 141
0700812.....229	1001094330 ..... 167	1001114675 .... 716, 720, 724, 728, 732, 736, 740	1001120989.....745
0700822.....465	1001094696 ..... 705	1001114867 .... 406, 411, 416, 421, 430, 435	1001121103.....383
0700827.....267, 269	1001094830 ..... 167	1001116482 ..... 765	1001121105.....387
0700828.....467, 485	1001095418 ..... 135, 137	1001116692 ..... 650, 657	1001121726.....627
0701026.....257, 259	1001095650 ..... 399	1001116693 ..... 635	1001121728.....627
0701216.....239	1001095704 ..... 656, 760	1001116710 ..... 628	1001121730.....627, 650, 656, 663
0701219.....225, 227, 229	1001095810 ..... 91	1001116712 ..... 628, 687	1001125027.....650, 657, 662, 665
0711214... 205, 209, 213, 225, 227, 267	1001096019 ..... 89	1001116720 ..... 695, 709	1001125083.....656
0711219.....205, 209, 213	1001096020 ..... 89	1001116723 ..... 665	
0711227.....205, 209, 213	1001096021 ..... 87	1001116726 ..... 627	
0711627.....205, 209, 213	1001096023 ..... 87	1001116727 .... 627, 648, 654, 655, 656, 661	
0711628.....205, 209, 213	1001096024 ..... 89	1001116728 .... 648, 649, 650, 655, 657, 661, 662, 671, 703	
0721004.....479	1001096025 ..... 87	1001116729 .... 627, 648, 654, 661, 689	
0741610... 125, 127, 131, 133, 139, 141	1001096404 .... 716, 720, 724, 728, 732, 736, 740		
	1001097079 ..... 693		



## SECTION 13 - SPECIAL OPTIONS/ACCESSORIES/KITS

1001125085 ..... 656	1001148177..... 716, 720, 724, 728, 732, 736, 740	1001160072..... 751	1001165617 ..... 413, 425, 439
1001125089 ..... 656	1001148902..... 764	1001160116..... 205, 209, 213	1001165660 ..... 205, 209, 213
1001125387 ..... 716, 728	1001148903..... 764	1001160250..... 17, 21, 25	1001165668 ..... 259
1001125784 ..... 626	1001148904..... 764	1001160782..... 227	1001165669 ..... 217
1001125785 ..... 626	1001148905..... 764	1001160785..... 427, 441	1001165670 ..... 249
1001126008 ..... 605, 626	1001148906..... 764	1001160787..... 473	1001165672 ..... 239
1001126351 ..... 661	1001149227..... 413, 427, 441	1001160788..... 413, 425, 439	1001165673 ..... 243
1001126356 ..... 661	1001149712..... 626, 635	1001160790..... 413, 425, 439	1001165675 ..... 231
1001126387 ..... 764	1001150524..... 765	1001160791 ..... 413, 425, 439	1001165806 ..... 427, 441, 443
1001126391 ..... 655	1001151101..... 397	1001160815..... 413	1001165818 ..... 217
1001126393 ..... 655	1001151102..... 397	1001160844..... 227	1001165823 ..... 425, 427
1001126484 ..... 657	1001151108..... 397	1001160845..... 209	1001166008 ..... 269
1001126487 ..... 657	1001152415..... 375	1001160912..... 477	1001166034 ..... 764
1001127066 ..... 709	1001152416..... 375	1001160916..... 757	1001166070 ..... 41
1001127226 ..... 592, 596, 600, 621	1001153912..... 251	1001160945..... 753	1001166115 ..... 728
1001127699 ..... 697, 761	1001154055..... 399	1001161212..... 669	1001166116 ..... 732
1001127700 ..... 697	1001154226..... 764	1001161213..... 667	1001166117 ..... 740
1001127784 ..... 307, 309	1001154375..... 701	1001161920..... 205, 209, 213	1001166229 ..... 261
1001127864 ... 37, 39, 41, 43, 45, 47	1001154511..... 209, 211	1001162212..... 235	1001166238 ..... 17, 21
1001127867 ..... 47	1001154790..... 213, 215	1001162734..... 716, 720, 724, 728, 732, 736, 740	1001166239 ..... 17, 21
1001128341 ..... 247, 249	1001155867..... 59, 65	1001162735..... 716, 720, 724, 728, 732, 736, 740	1001166556 ..... 655
1001128363 ..... 225	1001155869..... 59, 65	1001162736..... 716, 720, 724, 728, 732, 736, 740	1001166566 ..... 217, 219
1001128364 ..... 225	1001155870..... 59, 65	1001162737 ..... 716, 720, 724, 728, 732, 736, 740	1001166693 ..... 227
1001128594 ..... 207, 211, 215	1001156009..... 59, 549	1001162804..... 471, 473, 475, 477	1001166704 ..... 656, 657
1001128714 ..... 225	1001156283... 37, 39, 41, 43, 45	1001162806..... 471	1001166715 ..... 221
1001128890 ..... 95	1001157102..... 513	1001163174..... 720, 732	1001166935 ..... 225, 227, 229
1001128901 ..... 225	1001157275..... 743	1001163206..... 720, 732	1001166976 ..... 227
1001129285 ..... 628, 760	1001157277..... 743	1001163210..... 720, 732	1001167009 ..... 764
1001129407 ..... 637	1001157663..... 267, 269	1001163222..... 720, 732	1001167167 ..... 227
1001129615 ..... 697	1001157890..... 605, 626, 627, 650, 657	1001163285..... 720, 732	1001167168 ..... 227
1001130307 ..... 592, 596, 600, 761	1001157891..... 665, 711	1001163300..... 720, 732	1001167250 ..... 473
1001130717 ..... 765	1001158002..... 511, 569, 760	1001163304..... 720, 732	1001167251 ..... 477
1001131271 ..... 716, 720, 724, 728, 732, 736, 740	1001158004..... 509, 511	1001163323..... 720, 732	1001167357 ..... 267, 269
1001133072 ..... 131, 139	1001158040..... 527	1001163355..... 720, 732	1001167528 ..... 657
1001133173 ..... 661	1001158041..... 493	1001163414..... 125, 127, 131, 133, 139, 141, 541	1001167617 ..... 656
1001133534 ..... 241	1001158046..... 521	1001163685..... 533	1001167620 ..... 654
1001134488 ..... 247, 249	1001158272..... 716, 728	1001164096..... 441	1001167624 ..... 654
1001135770 ..... 699	1001158319..... 716, 728	1001164099..... 441	1001167641 ..... 649, 656
1001135777 ..... 699	1001158320..... 740	1001164196..... 467	1001167643 ..... 649, 656
1001136358 ..... 239, 241	1001158321..... 740	1001164282..... 427	1001167644 ..... 649, 656
1001136975 ..... 239, 241, 243, 245	1001158357..... 513	1001164284..... 427	1001167646 ..... 649, 656
1001137512 ..... 165	1001158398..... 509	1001164404..... 227	1001167647 ..... 649, 656
1001137627 ..... 765	1001158404..... 465, 467	1001164717 ..... 427, 441	1001167648 ..... 649, 656
1001138642 ..... 661	1001158527..... 515	1001164837..... 227	1001167649 ..... 649, 656
1001138643 ..... 661	1001158528..... 513, 515	1001164838..... 227	1001167650 ..... 649, 656
1001138645 ..... 213	1001158611..... 529	1001165057..... 17, 21, 25	1001168051 ..... 217
1001139578 ..... 716, 728	1001158786..... 505, 509	1001165194..... 655	1001168052 ..... 217
1001139942 ..... 740	1001159186..... 626, 627	1001165275..... 443	1001168053 ..... 217
1001141892 ..... 53	1001159319..... 37, 39, 41, 43, 45	1001165276..... 443	1001168066 ..... 439, 441
1001142247 ..... 178	1001159844..... 465, 467, 469	1001165489..... 764	1001168451 ..... 533
1001142452 ..... 728, 732, 736, 740	1001159850..... 416, 421	1001165517 ..... 205, 209, 213	1001168478 ..... 249, 255
1001143551 ..... 605	1001159851..... 430, 435	1001165518..... 205, 209, 213	1001168822 ..... 209
1001144147 ..... 605, 635	1001159856..... 427, 441, 457	1001165609..... 227	1001168859 ..... 237
1001144629J ..... 91	1001159860..... 427, 459		1001169001 ..... 235
1001145026 .. 29, 33, 761	1001159861..... 441, 461		1001169006 ... 37, 39, 41, 43, 45
1001145707 ..... 649, 663	1001159878..... 406, 411, 416, 421, 430, 435		1001169057 ..... 225, 227, 229
1001146160 ..... 95	1001159932..... 227		1001169059 ..... 247, 249
1001147515 ..... 53	1001160071..... 471		1001169077 ..... 217, 761

## SECTION 13 - SPECIAL OPTIONS/ACCESSORIES/KITS

1001169329.....21, 31	1001173581 ..... 485, 487, 760	1001182255 ..... 247, 249, 251	1001189877.....656, 661
1001169466.....25, 31, 33	1001173582 ..... 485, 489, 760	1001182408 ..... 443	1001189886.....701, 703
1001169620.....596, 654	1001173841 ..... 523	1001182470 ..... 427, 441, 449	1001190005.....221
1001169787 .....443	1001174152 ..... 728, 732, 736	1001182514 ..... 443	1001190007.....25
1001169816.....709	1001174227 .... 17, 21, 25	1001182603 ..... 239	1001190183.....221
1001170117.....247, 249	1001174327 ..... 225, 227, 229	1001182663 ..... 443	1001190229.....406, 416, 430, 451
1001170186.....247, 249	1001174340 ..... 485	1001182723 ..... 467	1001190295.....267
1001170230.....697	1001174375 ..... 531	1001182798 ..... 467	1001190341....37, 39, 41, 43, 45
1001170233.....592, 596, 600, 697	1001174822 ..... 259	1001182800 ..... 443	1001190344.....241
1001170234.....592, 596, 600, 699	1001175568 ..... 239, 241	1001182808 ..... 443	1001190349.....241
1001170235.....699	1001175733 ..... 703	1001182810 ..... 443	1001190370.....241
1001170269.....592, 596, 600, 761	1001176002 ..... 654	1001182842 ..... 443	1001190371.....241
1001170316.....549, 551	1001176004 ..... 654	1001182865 ..... 443	1001190372.....241
1001170329.....29, 33	1001176337 .... 675, 677, 679, 681, 691, 693	1001182871 ..... 443	1001190629.....241
1001170738.....406, 411, 416, 421, 430, 435	1001176515 ..... 93	1001182882 ..... 443	1001190630.....241
1001170856.....31	1001176935 ..... 656, 657	1001182883 ..... 443	1001190631.....241
1001171188.....527	1001177168 ..... 764	1001182884 ..... 443	1001190962.....229
1001171190.....521	1001177190 .... 17, 21, 25	1001183084 ..... 443	1001190990.....229
1001171191.....523	1001177192 .... 17, 21, 25	1001183104 ..... 443	1001191635.....716, 720, 724, 728, 732, 736, 740
1001171193.....523	1001177198 ..... 628, 687, 695	1001183164 .... 406, 411, 416, 421, 431, 436	1001191996.....716, 720, 724, 728, 732, 736, 740
1001171194.....523	1001177746 ..... 427, 441, 443	1001183209 ..... 443	1001192049.....628
1001171234.....592, 596, 600	1001177753 ..... 517	1001183341 ..... 483	1001192050.....628
1001171236.....592, 596, 600	1001178224 ..... 495	1001183370 ..... 507	1001192134.....213
1001171237 .....592, 596, 600	1001178285 ..... 592, 596, 600, 626	1001183811 ..... 227	1001192390....37, 39, 41, 43, 45
1001171238 .....592, 596, 600	1001178345 ..... 667, 669, 671	1001184316 ..... 697, 761	1001192401.....650, 657, 663
1001171239 .....592, 596, 600	1001178346 ..... 677, 711	1001184491 ..... 707	1001192711.....201
1001171384.....37, 41, 45	1001178347 ..... 416, 421, 430, 435, 665	1001184493 ..... 707	1001192720.....201
1001171385....37, 39, 41, 43, 45	1001178349 ..... 427, 441, 709	1001184496 ..... 707	1001192875.....201
1001171472.....235	1001178582 ..... 247, 249	1001184835 ..... 592, 596, 707	1001192876.....201
1001171473.....235	1001178776 . 29, 33, 241, 247, 249	1001185071 ..... 261	1001192877.....201
1001171474.....235	1001179229 ..... 465, 467	1001185649 ..... 229	1001192878.....201
1001171633.....592, 596, 600	1001179375 ..... 239	1001185650 ..... 213	1001192879.....201
1001171757 .....592, 596, 600	1001179845 ..... 247, 249	1001185651 ..... 221	1001193427.....764
1001171786.....513	1001180175 ..... 720, 732	1001185652 ..... 245	1001193428.....764
1001171802.....239	1001180176 ..... 720, 732	1001185776 ..... 416, 421	1001193540.....201
1001171803.....239	1001180227 ..... 229	1001185777 ..... 430, 435	1001193729.....201
1001171805.....239, 241	1001180244 ..... 261	1001186373 ..... 205, 209	1001194592.....533
1001171806.....430, 435, 467	1001180473 ..... 205, 209, 213	1001186417 ..... 697, 761	1001194620.....495
1001171807.....416, 421, 465	1001180762 ... 17, 21, 25, 557	1001186490 ..... 241	1001194745.....495
1001171873.....519	1001180763 .. 59, 65, 555	1001186537 ..... 45	1001195055.....650, 657, 663
1001171986.....519	1001181584 ..... 247, 249	1001186718 ..... 213	1001195057.....650, 663
1001172135.....596	1001181585 ..... 247, 249	1001186841 ..... 592, 596, 600, 617	1001195087.....650, 656, 657, 663
1001172136.....596	1001181707 ..... 427, 441	1001187078 ..... 605	1001195760.....627
1001172537 .....465, 467	1001181893 ..... 427, 441	1001187239 ..... 720, 732	1001195826.....17, 21, 25
1001172561 .....465, 467	1001181899 .... 231, 592, 596, 600	1001187512 ..... 656	1001195952.....17, 21, 25
1001172658.....17, 21, 25	1001181903 ..... 427, 441	1001187513 ..... 656	1001195970.....109
1001172784.....495	1001181956 ..... 406, 411	1001188068 ..... 765	1001196109.....517
1001173177 .....513	1001181968 ..... 427, 441	1001189017 .... 716, 720, 724, 728, 732, 736, 740	1001196124.....205
1001173217 .....465, 467	1001182091 ..... 427, 441, 669	1001189318 ..... 245	1001196125.....225
1001173422.....728, 732, 740	1001182094 ..... 239	1001189327 .... 716, 720, 724, 728, 732, 736, 740	1001196127.....764
1001173535.....213, 235	1001182135 ..... 443	1001189328 .... 716, 720, 725, 729, 733, 737, 740	1001196128.....427, 441
		1001189488 ..... 600, 661	1001196396.....225
		1001189602 ..... 245	1001196397.....225
		1001189712 ..... 245	1001196630.....765
		1001189715 ..... 245	1001196634.....641
		1001189871 ..... 701	1001196665.....205, 207
		1001189875 ..... 648, 649, 655, 661, 662	1001196736.....257
			1001196737.....247
			1001196806.....729, 733, 737
			1001197098.....427, 441

## SECTION 13 - SPECIAL OPTIONS/ACCESSORIES/KITS

1001197099 ..... 427, 441, 443	1001204097.....243, 245	1001220260.....443	1001229025 ..... 231, 237
1001197233 ..... 209, 213, 267	1001204098.....243, 245	1001220490.....315, 347, 349, 351, 353, 357, 359	1001229095 ..... 31
1001197475 ..... 247, 253	1001204099.....243	1001220491.....315, 361, 363, 365, 367, 371, 373	1001229117 ..... 231, 235
1001198355 ..... 201	1001204362..... 430, 435	1001222200.....399	1001229210 ..... 235
1001198684 ..... 533	1001204692..... 611, 613, 701	1001222203.....399	1001229708 ..... 745
1001198728 ..... 609	1001205172..... 627, 687, 695, 761	1001222211 .....315	1001229921 ..... 317
1001199116 ..... 29, 33	1001205248..... 675, 677, 687	1001222217 .....375	1001230239 ..... 95
1001199135 ..... 29, 33	1001205264..... 675, 677	1001222218 .....377	1001230241 ..... 95
1001199136 ..... 29, 33	1001206542.....607	1001222219 .....383	1001230307 ..... 729
1001199177 ..... 29, 33	1001206543.....609	1001222220 .....387	1001230309 ..... 733
1001199181 ..... 29, 33	1001206956.....263	1001222221 .....381	1001230402 ..... 605
1001199199 ..... 33	1001206983.....263	1001222496.....49, 51	1001230931 ..... 626
1001199205 .. 29, 33, 760	1001206985.....263	1001222497 .....49, 53	1001231397 ..... 603, 605
1001199210 ..... 29, 33	1001207173.....615	1001222717 .....399	1001231398 ..... 605
1001199670 ..... 235	1001207217..... 717, 729	1001222870.....307, 311	1001231400 ..... 603, 605
1001199737 ..... 765	1001207218..... 741	1001223050.....483, 573	1001231401 ..... 605
1001199738 ..... 765	1001207218..... 741	1001223052.....406, 411, 417, 422, 431, 436, 483	1001231402 ..... 605
1001199889 ..... 592, 648	1001207606..... 169	1001223453.....717, 721, 729, 733	1001231404 ..... 603, 605
1001199951 ..... 235	1001207963..... 406, 411, 417, 422, 431, 436	1001223727 .....307	1001231406 ..... 605
1001200204 ..... 765	1001208664..... 17, 21, 25	1001224096 .....235	1001231560 ..... 263, 603
1001200833 ..... 626	1001209097.....663	1001224119 .....49	1001231692 ..... 95
1001200845 ..... 627, 695	1001210093.....507	1001224150 .....501	1001231801 ..... 717, 729
1001201111 ..... 239, 241	1001210351.....257	1001224152 .....495	1001232355 ..... 161
1001201453 ..... 764	1001210703..... 406, 411, 416, 421, 430, 435, 760	1001224162 .....765	1001232439 ..... 265, 623
1001201454 ..... 764	1001210776.....628	1001224242 .....501	1001232500 ..... 95
1001201455 ..... 764	1001210777.....628	1001224459 .....495, 497	1001232517 ..... 51
1001201456 ..... 764	1001210778.....628	1001224460 .....495, 499	1001232518 ..... 51
1001201458 ..... 765	1001210779.....628	1001224467 .....497	1001232599 ..... 265, 623
1001201459 ..... 765	1001210859.....507	1001224471 .....499	1001232624 ..... 265, 623
1001201554 ..... 17, 21, 25	1001210860.....507	1001225317 .....399	1001232750 ..... 265, 623, 643
1001201573 ..... 21	1001210862.....507	1001226328 .....761	1001233174 ..... 611, 613
1001201574 ..... 25	1001210863.....507	1001226400 .....637	1001233217 ..... 611, 613
1001201658 ..... 406, 411, 417, 422, 431, 436	1001211139..... 135, 137	1001226541 .....635	1001233236 ..... 761
1001201693 ..... 17, 21, 25	1001211278..... 721, 733	1001226636 .....635	1001233383 ..... 125
1001201721 ..... 573, 575	1001211516..... 143	1001226637 .....635	1001233384 ..... 131
1001201734 ..... 507	1001211688.....213	1001226795 .....501	1001233385 ..... 139
1001201737 ..... 507	1001211690..... 45	1001226796 .....631	1001233434 ..... 611, 613
1001201738 ..... 507	1001211697.....213	1001226799 .....631, 633	1001233828 ..... 611, 613
1001201752 ..... 677	1001211875..... 747	1001226856 .....631, 633, 635	1001233964 ..... 643, 645, 705
1001201831 ..... 217	1001211876..... 749	1001227066 .....637	1001233976 ..... 611, 613, 615
1001201945 ..... 243, 245	1001212670.....221	1001227068 .....637	1001234216 ..... 619, 643, 645
1001201983 ..... 243	1001213200J.....381	1001227077 .....263	1001234530 ..... 643
1001201991 ..... 495	1001213210..... 231, 233	1001227208 .....43	1001235725 ..... 243
1001202189 ..... 413, 425, 439	1001213430..... 17	1001227211 ..... 17, 29	1001235794 ..... 724, 736
1001202202 ..... 413, 425, 439	1001213432..... 37	1001227266 .....637	1001235796 ..... 724, 736
1001202247 ..... 263	1001213433..... 716	1001227379 .....155	1001235797 ..... 724, 736
1001202304 ..... 263	1001213434..... 720	1001227382 .....159	1001235798 ..... 724, 736
1001202384 ..... 523	1001213574.....609	1001227459 .....631	1001235799 ..... 724, 736
1001202615 ..... 413	1001213885.....765	1001227636 .....497, 499	1001235801 ..... 724, 736
1001202626 ..... 716, 720	1001213938.....243	1001227670, 97, 101, 103, 105, 107, 111, 113, 115, 117, 119, 121, 125, 127, 131, 133, 135, 137, 139, 141, 174, 178, 187	1001235802 ..... 724, 736
1001202627 ..... 716, 720, 724, 740	1001213944.....765	1001227964 .....263	1001235803 ..... 724, 736
1001202746 ..... 413, 425, 439	1001214398.....764	1001228512 .....39	1001235804 ..... 724, 736
1001202904 ..... 187, 189, 191, 193, 195, 197, 199	1001214790.....764	1001228872 .....235, 760	1001235805 ..... 724, 736
1001203181 ..... 263, 760	1001215941.....263, 761	1001228954 .....633, 761	1001236312 ..... 736
1001203503 ..... 201	1001216291..... 39, 43	1001228986 .....31, 35	1001236313 ..... 724
1001203969 ..... 243, 245	1001216455.....263, 605	1001229023 .....237	1001237778 ..... 657
1001203970 ..... 243	1001218358.....605	1001229024 .....237	1001237846 ..... 755
1001204032 ..... 263, 571	1001218659..... 717, 729		1001237847 ..... 675
1001204045 ..... 59, 65	1001219045.....507		1001237853 ..... 675, 693
	1001219082.....263		1001237854 ..... 675, 691
	1001219211..... 721, 725, 733, 737, 741		1001238111 ..... 673, 675, 677
	1001219212..... 729		

## SECTION 13 - SPECIAL OPTIONS/ACCESSORIES/KITS

1001238199.....675, 677, 689	1001245060 ..... 493	1001262156 ..... 764	1001301600..... 135, 137
1001238560.....91, 201	1001245061 ..... 493	1001262322 ..... 631, 761	1005798200.....317, 319, 321, 323, 325, 329, 331
1001238565.....85, 87, 89, 91	1001245158 ..... 525	1001262326 ..... 631	1005798300..... 317, 333, 335, 337, 339, 343, 345
1001238566.....201	1001245213 ..... 315, 317	1001262436 ..... 765	10139087..716, 720, 724, 728, 732, 736, 740
1001238570.....201	1001245214 ..... 315, 317	1001262959 ..... 765	10268515.....221, 223
1001238653.....85	1001245215 ..... 315, 317	1001263589 ..... 717, 721, 725, 729, 733, 737, 741	10268516.....221
1001238654.....87	1001245478 ..... 251, 761	1001263821 ..... 716, 720, 724, 728, 732, 736, 740	1060379.....91
1001238655.....89	1001246001 ..... 379	1001264534 ..... 611, 613	1060626.....619, 705
1001238893.....765	1001246078 ..... 725, 737	1001264536 ..... 611, 613	10705034.....121
1001238933.....764	1001246391 ..... 650, 657	1001264554 ..... 406, 411, 416, 421, 430, 435	10719267.....217
1001239250.....633	1001246735 ..... 413, 439	1001265272 ..... 443	10725554.....323, 351
1001239455.....764	1001246736 ..... 406, 411, 413	1001265373 ..... 765	10725627.....357, 371
1001239539.....263	1001246737 ..... 417, 422, 425	1001265679 ..... 611, 613	10727374.....483
1001239734.....125, 127, 131, 133, 139, 141	1001246738 ..... 431, 436, 439	1001265680 ..... 611, 613	10728823.....507
1001239958.....645	1001247171 ..... 533, 535	1001265914 ..... 406, 411, 417, 422, 431, 436	10731702.....277
1001239988.....765	1001247421 ..... 701, 760	1001265979 ..... 611, 613	10731709...299, 300, 303
1001241305.....479	1001247654 ..... 533	1001265980 ..... 611, 613	10731744.....281
1001241837 .....385, 389	1001248572 ..... 765	1001265982 ..... 611, 613	10731748.....277
1001241841 .....385	1001248573 ..... 765	1001265986 ..... 611	10731751.....277
1001241842 .....389	1001249695 ..... 765	1001265987 ..... 611, 613	10731845...283, 285, 289
1001241848 .....385	1001249941 ..... 765	1001266771 ..... 535, 587	10731913.....279
1001241849 .....389	1001250700 ..... 592, 596, 600	1001268341 ..... 764	10731959.....295
1001242035.....37, 39, 41, 43, 45	1001251208 ..... 677	1001269415 ..... 59, 65	10732063.....299, 303
1001242116.....736	1001251270 ..... 677, 679	1001271586 ..... 667, 669	10732064.....299
1001242117 .....724	1001251271 ..... 677, 681	1001272659 ..... 639	10732071.....297
1001242122 .....724, 736	1001251426 ..... 533	1001272997 ..... 641	10732072.....297
1001242172 .....724, 736	1001251503 ..... 592, 596, 600, 695	1001273012 ..... 639, 641	10732095.....277
1001242173 .....724, 736	1001252320 ..... 596	1001273266 ..... 764	10732150..37, 39, 41, 43, 45
1001242179 .....725, 737	1001252321 ..... 592	1001273267 ..... 764	10837928.....583
1001242181 .....737	1001252322 ..... 600	1001273850 ..... 475	10839156.....295
1001242195.....764	1001252968 ..... 509	1001274257 ..... 765	1101312.....223, 760
1001242644 .....119	1001252969 ..... 509	1001274302 ..... 765	1101313.....223, 760
1001242916 .....475	1001252970 ..... 509	1001274303 ..... 393	1101841.....309
1001242920 .....53	1001252971 ..... 509	1001274304 ..... 393	1170012.....123
1001242925 .....531, 583	1001252986 ..... 379	1001274305 ..... 393, 765	1170021.....123
1001242996.....59, 65, 73	1001253829 ..... 765	1001274306 ..... 395	1170024.....129
1001243025 .....73	1001253916 ..... 765	1001274307 ..... 395, 765	1319203.....277
1001243026 .....73	1001254099 ..... 509	1001274718 ..... 765	1319204.....277
1001243183 .....764	1001254386 ..... 531	1001274719 ..... 391	1319205.....277
1001243184 .....764	1001254411 ..... 561	1001274720 ..... 391	1319209.....277
1001243219 .....73	1001255901 ..... 641	1001274721 ..... 391, 765	1319210.....277
1001243411 .....531, 533	1001256316 ..... 529, 585	1001275637 ..... 385, 389	1319211.....277
1001243412 .....533	1001256322 ..... 561	1001275638 ..... 385, 389	1319213.....277
1001243577 .....764	1001256519 ..... 406, 411, 416, 421, 430, 435	1001275841 ..... 103, 107	1319557.....279
1001244278 .....533	1001257571 ..... 503	1001275852 ..... 107	1319558.....279
1001244302 .....533	1001258010 ..... 764	1001275853 ..... 103	1319563.....279
1001244306 .....517	1001258100 ..... 479	1001275933 ..... 453, 455	1319565.....279
1001244307 .....517	1001258244 ..... 455	1001275934 ..... 411, 421, 435, 453	1319566.....279
1001244308 .....517	1001258245 ..... 455	1001276666 ..... 141	1319569.....281
1001244357 .....505	1001258991 ..... 617	1001276920 ..... 639	1319570.....281
1001244359 .....525	1001259206 ..... 149	1001276923 ..... 764	1319571.....281
1001244361 .....525	1001259302 ..... 716, 720, 724, 728, 732, 736, 740	1001277290 ..... 127	1319574.....281
1001244592 .....51	1001259303 ..... 716, 720, 724, 728, 732, 736, 740	1001277338 ..... 133	1319575.....281
1001244610 .....525	1001259305 ..... 716, 720, 724, 728, 732, 736, 740	1001280231 ..... 443, 764	1319576.....281
1001244650 .....485	1001259306 ..... 716, 720, 724, 728, 732, 736, 740	1001281475 ..... 765	1319577.....281
1001244652 .....485, 487	1001260509 ..... 707	1001287742 ..... 103, 107	1319582.....281, 305
1001244653 .....485, 489		1001289479 ..... 613	1319583.....281
1001244654 .....485, 487, 489		1001293182 ..... 137, 545	1319584.....281
1001244980.....507		1001294815 ..... 745	1319585.....281, 305
1001245054 .....505, 507		1001296009 ..... 65, 551	1319586.....281
1001245057 .....505, 513		1001296322 ..... 18, 22, 26	1319587.....281
1001245058 .....513		1001301599 ..... 135, 137	1319590.....281
			1319591.....283

## SECTION 13 - SPECIAL OPTIONS/ACCESSORIES/KITS

1319592 ..... 283	1319674 ..... 299	1706279 ..... 740	2220726 ..... 535
1319593 ... 283, 285, 287, 289, 291, 293	1319675 ..... 299	1706281 ..... 740	2220738 ..... 531
1319594 ... 283, 285, 287, 289, 291, 293	1319676 ..... 299	1706282 ..... 740	2220819 ..... 531
1319595 ... 283, 285, 287, 289, 291, 293	1319677 ..... 299	1706284 ..... 740	2220828 ..... 531
1319596 ... 283, 285, 289	1319678 ..... 299	1706285 ..... 740	2220878 ..... 531
1319600 ... 283, 285, 287, 289, 291, 293	1319679 ..... 299	1706288 ..... 740	2220883 ..... 557
1319601 ... 283, 285, 287, 289, 291, 293	1319680 ..... 299	1706296 ..... 716, 728	2220885 ..... 585
1319602 ... 283, 285, 287, 289, 291, 293	1319681 ..... 299	1706298 ..... 716, 728	2220998 ..... 531
1319603 ... 283, 285, 287, 289, 291, 293	1319682 ..... 299	1706299 ..... 716, 728	2221344 ..... 483
1319604 ... 283, 285, 287, 289, 291, 293	1319683 ..... 299	1706300 ..... 716, 728	2230025 ..... 61, 67
1319605 ... 283, 285, 289	1319684 ..... 299	1706301 ..... 716, 728	2230044 ..... 493
1319606 ... 283, 285, 289	1319685 ..... 299	1706302 ..... 201	2340037 ..... 147
1319607 ..... 283	1319686 ..... 299	1706306 ..... 716, 728	2340038 ..... 153
1319608 ..... 283, 293	1319687 ..... 299	1706768 ..... 716, 728	2340039 ..... 163
1319609 ..... 283	1319688 ..... 299	1706850 ..... 716, 728	2340045 ..... 151
1319610 ..... 283	1319689 ..... 299	1706892 ..... 85	2340046 ..... 145
1319611 ..... 283	1319690 ..... 299	2080040 ..... 91	2400060 ... 650, 658, 663
1319612 ... 283, 285, 287, 289, 291, 293	1319691 ..... 299	2110606 ... 125, 127, 131, 133, 139, 141, 577	2400066 ..... 658
1319613 ..... 285	1319692 ..... 299	2130606 ..... 121, 577	24921332 ..... 225, 229
1319614 ..... 285	1319693 ..... 299	2130608 ..... 121	2600281 ..... 91
1319615 ... 285, 289, 291	1319694 ..... 299	2130808 ... 125, 127, 131, 133, 139, 141	2713642 ..... 81
1319616 ..... 287	1319695 ..... 299	2131210 ..... 273	2714973 ... 17, 21, 25, 547
1319617 ... 287, 291, 293	1319696 ..... 299, 303	2131212 ... 247, 249, 273	2716673 ..... 495
1319618 ... 287, 291, 293	1319697 ..... 299	2172106 ... 125, 127, 131, 133, 139, 141	2716675 ..... 523
1319619 ..... 287	1319698 ..... 299	2180798 ..... 221	2716686 ..... 523
1319620 ... 287, 291, 293	1319699 ..... 299	2220218 ..... 241	2716688 ..... 523
1319621 ... 287, 291, 293	1319700 ..... 299	2220239 ..... 29, 33	2716691 ..... 523
1319622 ... 287, 291, 293	1319701 ..... 299	2220371 ... 511, 523, 529, 531, 535	2716709 ..... 53
1319623 ... 287, 291, 293	1319702 ..... 299, 303	2220372 ..... 529	2716713 ..... 493
1319624 ... 287, 291, 293	1319703 ..... 299, 303	2220373 ... 503, 515, 529, 535	2716714 ..... 503
1319625 ... 287, 291, 293	1319704 ..... 299	2220374 ..... 531, 705	2716715 ..... 503
1319626 ... 287, 291, 293	1319705 ..... 299	2220375 ..... 29, 33, 523	2717160 ..... 121
1319627 ... 287, 291, 293	1319706 ..... 299, 303	2220376 ..... 529	2717161 ..... 121
1319628 ... 287, 291, 293	1319707 ..... 299, 303	2220377 ..... 531	2717162 ..... 121
1319629 ... 287, 291, 293	1319708 ..... 303	2220378 ... 503, 507, 535	2717198 ... 18, 22, 26, 567
1319630 ... 287, 291, 293	1319709 ..... 303	2220415 ... 135, 137, 525	2717201 ..... 53, 563
1319631 ... 287, 291, 293	1319710 ..... 303	2220451 ..... 531	2717283 ..... 121, 553
1319632 ... 287, 291, 293	1319711 ..... 303	2220472 ..... 531	2717287 ..... 135, 137
1319633 ..... 287, 295	1319712 ..... 303	2220473 ... 53, 135, 137, 523, 531	2755060 ..... 503
1319634 ..... 289	1319713 ..... 303	2220474 ..... 529	2900770 ..... 563
1319635 ..... 289	1319714 ..... 303	2220497 ..... 531	2910996 ..... 764
1319636 ... 289, 291, 293	1319715 ..... 303	2220498 ..... 705	2915023 ..... 543
1319637 ..... 291	1319716 ..... 303	2220499 ..... 29, 33	2915208 ..... 764
1319638 ..... 291, 293	1319717 ..... 303	2220500 60, 66, 497, 499, 515	2940074 ..... 91, 761
1319639 ..... 293	1319718 ..... 305	2220501 ..... 523	31200160 ..... 85
1319641 ..... 295	1319719 ..... 305	2220505 ..... 29, 33	31200386 ..... 89
1319643 ..... 295	1319720 ..... 305	2220578 ..... 60, 66	31200387 ..... 87
1319646 ..... 295	1319721 ..... 305	2220582 ..... 511, 531	31200388 ..... 87
1319647 ..... 295	1319722 ..... 305	2220596 ... 503, 531, 535	3251813 ... 716, 720, 724, 728, 732, 736, 740
1319648 ..... 295	1319723 ..... 305	2220600 ..... 535	3290501 ..... 265, 623
1319649 ..... 295	1319724 ..... 305	2220603 ..... 515	3290505 ..... 263
1319650 ..... 297	1319725 ..... 305	2220605 ..... 483, 499	3290601 ... 201, 592, 596, 600
1319652 ..... 297, 299	1319726 ..... 305	2220606 ..... 531	3290605 ... 239, 241, 465, 467, 592, 600
1319659 ..... 297	1320022 ... 245, 406, 411, 416, 421, 430, 435	2220622 ..... 705	3290801 ... 227, 443, 592, 596, 600
1319661 ..... 297, 299	1320032 ..... 235	2220635 29, 33, 497, 525, 535	3290805 ... 213, 231, 465, 467
1319670 ..... 299, 303	1321094 ... 207, 211, 215	2220651 ..... 61, 67	3291007 ..... 103, 107
1319671 ..... 299	1322039 ... 207, 211, 215	2220654 ..... 499	3291205 ..... 239
1319673 ..... 299	1322040 ... 207, 211, 215	2220677 ..... 501	3300240 ... 123, 125, 127, 129, 131, 133, 139, 141, 143
	1600429 ... 406, 411, 416, 421, 430, 435, 760	2220695 ..... 523	3300429 ..... 29, 33
	1701509 ..... 91	2220700 ..... 705	
	1701640 ... 716, 720, 724, 728, 732, 736, 740		
	1702300 ... 716, 720, 724, 728, 732, 736, 740		
	1702631 ..... 732		
	1702773 ..... 85, 87, 89		
	1704277 ..... 91		
	1704885 ..... 85, 87, 89		
	1706098 ..... 740		

## SECTION 13 - SPECIAL OPTIONS/ACCESSORIES/KITS

3311401.....247, 249, 406, 411, 416, 421, 430, 435, 611, 613	4460042 .... 649, 654, 662	4460905 ..... 626	4812100.....205, 209, 213, 225, 227, 229, 239, 267, 592, 596, 600
3311405.....91	4460142 ..... 663	4460930 .... 603, 626, 627	4812300.....205, 209, 213
3311502.....201	4460183 ..... 703	4460931 ... 605, 648, 654, 661, 711	4831600.....265, 623
3311601.....61, 67	4460234 ... 611, 613, 631, 633	4460932 ..... 641	4831700.....677
3311605.....609	4460247 .... 650, 657, 663	4460933 ... 615, 627, 665, 711	4832000.....257, 259
3331615.....205, 209, 213	4460256 .... 649, 655, 662	4460941 ..... 695, 711	4891500.....225
3391410.....201	4460268 ..... 665	4460942 .... 626, 665, 711	4891600..17, 21, 25, 225, 227, 229, 675, 677
3421453.....91	4460312 ... 650, 656, 657, 663	4460945 ..... 605	4891800....125, 127, 131, 133, 139, 141
3423226.....59, 65	4460321 ..... 605	4460950 ..... 665	4892400.....51
3423227.....17, 21, 25	4460326 ..... 665	4460955 ... 649, 655, 656, 662	5240800.....267, 269
3423242.....129, 131, 133	4460419 ... 626, 671, 689, 709, 711	4460970 ... 615, 626, 627, 695	5241000.....103, 107
3423248.....51	4460457 ... 621, 673, 689, 695	4460994 ..... 626, 709	5242400.....201
3423254.....315, 317	4460458 ... 605, 621, 627, 648, 649, 650, 654, 655, 656, 657, 661, 662, 663, 671, 695, 703	4461006 ..... 656, 657	5251014....406, 411, 416, 421, 430, 435
3423275.....123, 125, 127	4460459 ..... 621	4461017 .... 627, 687, 711	5724622.....60, 66
3423276....135, 137, 139, 141, 143	4460464 ... 603, 605, 615, 626, 627, 635, 637, 641, 648, 654, 661, 665, 671, 695, 709, 711	4461018 ..... 687, 689	5746411.....60, 66
3423307....125, 127, 131, 133, 139, 141	4460465 ... 603, 605, 615, 626, 627, 635, 648, 649, 650, 654, 655, 656, 657, 661, 662, 663, 665, 671, 695, 711	4461070 ... 626, 656, 657, 663	6604662.....135, 137
3440620.....95	4460466 ... 603, 605, 615, 626, 627, 635, 637, 641, 648, 654, 661, 665, 671, 695, 709, 711	4461095 ... 649, 656, 657, 663	70002219.....541
3460383.....61, 67	4460467 ..... 765	4461103 ..... 628, 695	70002224.....541
3460384.....61, 67	4460475 ... 605, 621, 648, 650, 654, 657, 661, 662, 695	4461157 ... 648, 654, 661, 695	70003849.....541
3520030....37, 39, 41, 43, 45	4460476 ... 621, 650, 657, 662	4520356 ..... 379	70004637.....557
3520072.....91	4460508 .... 627, 687, 711	4520527 ..... 377	70010239.....765
3520198.....91	4460509 .... 626, 687, 689	4641122 ..... 379	70020002.....119
3740080.....263, 761	4460510 ..... 765	4641501 ..... 577, 581	70020004.....191
3760170.....91	4460518 ..... 605, 626	4641502 ..... 121, 577	70020028.....119
3790152.....263	4460539 ..... 605, 615	4710600 ... 406, 411, 417, 422, 431, 436	70020375.....549, 555
3820020.....91	4460608 ... 648, 650, 654, 657, 662	4711000 ..... 611, 613	70020425.....297
3841203....125, 127, 131, 133, 139, 141	4460742 ... 605, 673, 689, 695	4711400 .... 91, 247, 249, 427, 441, 592, 596, 600, 607, 611, 613, 701	70020426.....297
3930610....406, 411, 416, 421, 430, 435	4460744 .... 648, 655, 661	4711500 ... 205, 209, 247, 249, 443	70020427.....303
3931012....611, 613, 701	4460746 ..... 656	4711600 ... 241, 592, 596, 600, 609, 716, 720, 724, 728, 732, 736, 740	70020428.....543
3951404.....555	4460761 ..... 605, 626	4740362 ..... 247, 249	70020430.....295
3968141.....337, 365	4460789 .... 627, 673, 689	4750800 ..... 479	70020431.....295
4031608.....265, 623	4460790 ..... 627, 687	4751400 ..... 235, 443	70020555.....169, 171
4060803.....427, 441	4460809 ..... 605	4761400 ... 406, 411, 416, 421, 430, 435, 697	70020562.....115
4060804.....17, 21, 25	4460836 ..... 626	4761500 ..... 205, 209	70020652.....449
4060805.....17, 21, 25	4460850 .... 648, 654, 661	4811400 ... 101, 103, 105, 107, 111, 113, 117, 125, 127, 131, 133, 135, 137, 139, 141	70020658.....563
4060806....406, 411, 416, 421, 430, 435	4460871 ..... 626	4811700 ... 201, 205, 209, 213, 235, 239, 465, 467, 596, 677	70020743.....575
4100181....716, 720, 724, 728, 732, 736, 740	4460882 ..... 626	4811702 .... 45, 465, 467, 592, 600	70020745.....575
4105262....716, 720, 724, 728, 732, 736, 740	4460884 ... 626, 650, 654, 657, 663, 711	4811900 41, 43, 225, 227, 229, 231, 465, 467, 592, 596, 600	70020876.....461
4107442....716, 720, 724, 728, 732, 736, 740	4460891 ... 605, 626, 627, 648, 649, 654, 655, 656, 661, 662, 671, 695	4811902 .... 213, 217, 399	70021140.....337, 365
4107971.....716, 728	4460894 ..... 635, 711	4812000 ... 213, 227, 239, 257, 259	70021140.....99, 115
4108302....716, 720, 724, 728, 732, 736, 740	4460897 .... 627, 671, 709		70021342.....99, 115
4110422..95, 97, 99, 101, 103, 105, 107			70021349.....97, 99
4110473.....121			70021351.....119
4240032....611, 613, 631, 633, 639			70021358.....115
4240099....205, 209, 213			70021359.....115
4360569....406, 411, 416, 421, 430, 435			70021360.....115
4360690....406, 411, 416, 421, 430, 435, 761			70021361.....115
4420037....31, 37, 39, 41, 43, 45			70021362.....115
4460019....649, 650, 656, 657, 661, 662, 663			70021364.....115
			70021365.....115
			70021366.....115
			70021367.....115
			70021376.....119, 539
			70021377.....119
			70021378.....119
			70021379.....119
			70021382.....119
			70021387.....97, 115
			70021389.....119
			70021391.....115
			70021392.....115
			70021393.....115, 559
			70021399.....115

## SECTION 13 - SPECIAL OPTIONS/ACCESSORIES/KITS

70021415 .....	97, 99	70022998 .....	175	70025480.....	427, 441	70026110.....	457
70021440 ....	93, 539, 559	70023000 .....	178	70025555.....	337, 365	70026111.....	457, 461
70021444 .....	539, 559	70023003 .....	174	70025556.....	337, 365	70026112.....	457
70021445 .....	539	70023004 .....	174	70025561..	325, 339, 353,	70026113.....	457
70021446 .....	539, 559	70023005 .....	174	367		70026114.....	457
70021447 .....	539, 559	70023006 .....	174	70025562..	323, 325, 337,	70026115.....	457
70021448 .....	539, 559	70023007 .....	174	339, 351, 353, 365, 367		70026116.....	457
70021451 .....	539, 559	70023008 .....	174	70025569.....	337, 365	70026117.....	457
70021452 .....	539, 559	70023009 .....	174	70025570.....	337, 365	70026118.....	457
70021464 .....	559	70023010 .....	174	70025606.....	541	70026119.....	457
70021465 .....	559	70023014 .....	174	70025821.....	343, 371	70026120.....	457
70021466 .....	559	70023015 .....	174	70025822.....	343, 371	70026121.....	457
70021613 .....	343, 371	70023016 .....	174	70025823.....	343, 371	70026122.....	457
70021812 .....	543	70023116 .....	326, 354	70025852.....	219, 760	70026123..	457, 459, 462
70021921 .....	97, 99	70023174 .....	765	70025853.....	219, 760	70026124.....	457, 462
70021935 .....	97, 99	70023404 .....	281	70025856.....	323, 351	70026133.....	583
70021948 .....	443, 761	70023482 .....	277	70025857.....	325, 353	70026139.....	337
70021977 .....	97, 99	70023483 .....	277	70025859.....	573, 575	70026216.....	665
70021978 .....	97, 99	70023490 .....	323, 351	70025887.....	323, 351	70026217..	650, 657, 665
70021979 .....	97, 99	70023494 .....	323, 351	70025959.....	541	70026220.....	207, 211
70021980 .....	115	70023506 .....	585	70025970.....	329, 357	70026221.....	207
70021981 .....	115	70023507 .....	585	70025982.....	583	70026222.....	207, 215
70021982 .....	115	70023508 .....	585	70026002.....	325, 353	70026223.....	211
70022008 .....	583	70023509 .....	585	70026025.....	561	70026224..	207, 211, 215
70022014 .....	583	70023736 ..	207, 211, 215	70026036.....	549	70026225..	207, 211, 215
70022028 .....	97, 99	70023829 .....	326, 354	70026039.....	549	70026226..	207, 211, 215
70022044 .....	543	70023885 .....	281, 305	70026040.....	549	70026228..	207, 211, 215
70022045 .....	543	70023925 .....	174	70026041.....	549	70026229..	207, 211, 215
70022046 .....	543	70023928 .....	581	70026042.....	549	70026230..	207, 211, 215
70022140 .....	323, 351	70023929 .....	581	70026043.....	549	70026231..	207, 211, 215
70022527 .....	97, 99, 115	70023933 .....	207, 211	70026056.....	541	70026232..	207, 211, 215
70022528 .....	97, 99	70024004 .....	323, 351	70026057.....	541	70026233.....	215
70022529 .....	97, 99	70024016 ..	207, 211, 215	70026058.....	541	70026234..	207, 215, 760
70022563 .....	557	70024020 .....	541	70026059.....	541	70026235..	207, 211, 215
70022564 .....	557	70024059 .....	97, 99	70026060.....	541	70026236.....	211
70022634 ..	207, 211, 215	70024060 .....	99	70026061.....	541	70026237..	207, 211, 215,
70022650 .....	575	70024062 .....	93	70026062.....	541	760	
70022797 .....	337, 365	70024123 .....	178	70026066.....	325, 353	70026238.....	339, 367
70022799 .....	339, 367	70024129 .....	565, 579	70026075.....	253, 255	70026241..	207, 211, 215
70022871 .....	765	70024130 .....	579	70026076.....	253, 255	70026244.....	233
70022872 .....	765	70024146 .....	325, 354	70026077.....	253, 255	70026245.....	233
70022931 .....	174	70024147 .....	325, 353	70026078.....	253, 255	70026247.....	233
70022932 .....	174	70024152 .....	29, 33	70026079.....	253, 255	70026248.....	233
70022934 .....	174	70024202 .....	583	70026080.....	255	70026255.....	351
70022935 .....	175	70024210 .	329, 343, 357,	70026081.....	253, 255	70026262.....	329, 357
70022936 .....	174	371		70026082.....	253, 255	70026263.....	329, 357
70022937 .....	174	70024213 .....	329, 357	70026083.....	253, 255	70026264.....	329, 357
70022939 .....	175	70024215 .....	329, 357	70026085.....	587, 760	70026347.....	178
70022942 .....	174	70024253 .....	648, 654	70026087.....	587	70026352.....	449
70022946 .....	175	70024254 .....	648, 654	70026088.....	469	70026370.....	583
70022949 .....	174, 175	70024255 .....	648, 654	70026089.....	469	70026376.....	583
70022950 .....	174	70024256 .....	648, 654	70026090.....	469	70026393.....	219
70022952 .....	174	70024262 .....	541	70026091.....	469	70026394.....	219
70022957 .....	174	70024306 .....	165	70026092.....	469	70026401.....	515
70022960 .....	174	70024307 .....	165	70026093.....	469	70026448.....	765
70022969 .....	174	70024519 .....	335, 363	70026097.....	569	70026453..	207, 211, 760
70022970 .....	174	70024522 .....	337, 365	70026098.....	569	70026470.....	178
70022980 .....	175	70024538 .....	178	70026100.....	457	70026471.....	178
70022984 .....	174	70024550 .....	178	70026101.....	457	70026472.....	178
70022985 .....	174	70024734 .....	565	70026102.....	457	70026473.....	178
70022987 .....	174	70024848 .....	329, 357	70026103.....	457	70026476.....	178
70022990 .....	175	70024849 .....	329, 357	70026104.....	457	70026478.....	579
70022992 .....	174	70024851 .....	325, 353	70026105.....	457	70026481.....	178
70022993 .....	174	70024855 .....	457	70026106.....	457	70026482.....	178
70022994 .....	174	70024881 .	321, 325, 335,	70026107.....	457	70026495.....	565
70022995 .....	174	339, 349, 353, 363, 367		70026108.....	457	70026497.....	565
70022996 .....	178	70025339 .....	323, 351	70026109.....	457	70026499.....	565

## SECTION 13 - SPECIAL OPTIONS/ACCESSORIES/KITS

70026500.....	565	70026948.....	93	70028407.....	555	70029704.....	199
70026501.....	178, 565	70026949.....	93	70028408.....	555	70029705.....	199
70026502.....	565	70026978.....	459, 461	70028450.....	207, 211	70029706.....	199
70026503.....	565	70026979.....	461	70028471.....	337, 365	70029707.....	199
70026505.....	565	70026980.....	461	70028514.....	571	70029708.....	199
70026506.....	565	70026981.....	459, 461	70028515.....	571	70029709.....	199
70026564.....	585	70026982.....	459, 461	70028516.....	571	70029710.....	199
70026585.....	178	70026983.....	459, 461	70028517.....	571	70029711.....	199
70026586.....	178	70026984.....	461	70028547.....	573	70029712.....	199
70026587.....	178, 565	70026985.....	462	70028779.....	461	70029713.....	199
70026588.....	178	70026986.....	461, 761	70028780.....	461	70029714.....	199
70026589.....	178, 579	70026987.....	461	70028781.....	461	70029715.....	199
70026590.....	178	70026988.....	461	70028782.....	461	70029716.....	199
70026591.....	178	70026989.....	461	70028881.....	339, 367	70029717.....	193
70026592.....	178	70026990.....	461	70028886.....	321, 335, 349, 363	70029718.....	193
70026593.....	178	70026991.....	459, 462	70028890.....	325, 339, 353, 367	70029719.....	193
70026594.....	178	70027009.....	97	70028891.....	325, 339, 353, 367	70029720.....	191
70026595.....	178	70027022.....	329, 357	70028892.....	353	70029721.....	191
70026596.....	178	70027024.....	451, 453	70028922.....	326, 354	70029722.....	191
70026597.....	178	70027025.....	451	70028923.....	326, 354	70029723.....	191
70026598.....	178	70027026.....	451, 453	70028924.....	325, 353	70029724.....	191
70026599.....	178	70027027.....	453	70028925.....	339, 367	70029725.....	189, 191
70026600.....	178	70027028.....	451, 453	70028926.....	325, 353	70029726.....	191
70026601.....	178	70027030.....	451, 453	70028938.....	321, 335, 349, 363	70029727.....	197
70026602.....	178	70027032.....	451, 453	70028939.....	321, 335, 349, 363	70029728.....	191
70026603.....	178	70027033.....	451, 453	70028941.....	339, 367	70029729.....	191
70026604.....	178	70027034.....	451	70028943.....	340, 368	70029730.....	197
70026605.....	178	70027035.....	451, 453	70028944.....	340, 368	70029731.....	197
70026606.....	178	70027092.....	329, 357	70028947.....	331, 345, 359, 373	70029732.....	191, 199
70026607.....	178	70027094.....	253	70028948.....	331, 345, 359, 373	70029733.....	199
70026608.....	178	70027105.....	323, 351	70028949.....	331, 345, 359, 373	70029734.....	189, 191, 199
70026609.....	178	70027134.....	583	70028950.....	331, 345, 359, 373	70029735.....	189, 191
70026610.....	565	70027244.....	557	70028951.....	331, 345, 359, 373	70029736.....	191
70026611.....	565	70027275.....	575	70028952.....	331, 345, 359, 373	70029737.....	199
70026612.....	579	70027276.....	575	70028974.....	321, 335, 349, 363	70029738.....	189, 191
70026613.....	579	70027281.....	207, 215	70028975.....	325, 339, 353, 367	70029739.....	189, 191, 193, 195
70026614.....	579	70027315.....	339, 367	70028976.....	339, 367	70029740.....	189
70026615.....	579	70027317.....	329, 343, 357, 371	70028977.....	340, 368	70029741.....	191, 193, 195
70026616.....	579	70027642.....	119	70028997.....	365	70029742.....	189, 191
70026617.....	579	70027689.....	557	70029454.....	325, 353	70029743.....	189, 191, 193
70026618.....	579	70027690.....	557	70029471.....	339, 367	70029744.....	195
70026619.....	579	70027691.....	557	70029472.....	339, 367	70029745.....	191
70026620.....	579	70027692.....	557	70029482.....	321, 349	70029746.....	193, 195
70026621.....	579	70027693.....	557	70029483.....	323, 351	70029747.....	189, 191
70026622.....	339, 367	70027694.....	557	70029484.....	325, 353	70029748.....	195
70026631.....	337, 365	70027695.....	557	70029486.....	325, 353	70029749.....	193, 195
70026652.....	583	70027696.....	557	70029488.....	325, 354	70029750.....	189
70026653.....	583	70027705.....	233	70029489.....	325, 353	70029751.....	191
70026698.....	97, 99	70027706.....	233	70029544.....	325	70029752.....	191
70026699.....	93	70027772.....	343	70029545.....	326, 354	70029753.....	199
70026745.....	169	70027796.....	329, 357	70029546.....	339, 367	70029754.....	199
70026746.....	169	7002821.....	765	70029547.....	340, 367	70029755.....	191
70026747.....	93	7002822.....	765	70029558.....	587	70029756.....	189, 191
70026750.....	323, 351	7002823.....	765	70029584.....	587	70029757.....	191
70026770.....	553	7002828.....	765			70029758.....	199
70026771.....	553	70028388.....	321, 325, 349, 353			70029759.....	199
70026773.....	553	70028389.....	321, 325, 349, 353			70029760.....	191
70026774.....	553	70028390.....	323, 351			70029761.....	193
70026775.....	553	70028391.....	323			70029762.....	189, 191
70026800.....	215	70028392.....	326, 339, 354, 367			70029763.....	195
70026801.....	215, 760	70028402.....	555			70029764.....	191
70026803.....	339, 367	70028403.....	555			70029765.....	191
70026812.....	339, 367	70028404.....	555			70029766.....	191
70026854.....	461					70029767.....	191
70026944.....	93					70029768.....	191
70026945.....	461					70029769.....	193
70026946.....	93						



## SECTION 13 - SPECIAL OPTIONS/ACCESSORIES/KITS

70029770 .....	195	70030014 .....	583	70041617 ...	207, 211, 215	7085571 .....	73
70029771 .....	193	70030015 .....	583	70041619 ...	207, 211, 215	7090871 .....	53
70029772 .....	193	70030016 .....	583	70041620 ...	207, 211, 215	7090891 .....	53
70029773 .....	191	70030017 .....	583	7004275 .....	765	7091373 .....	53
70029774 .....	191	70030018 .....	583	7004276 .....	765	7095312 .....	59, 65
70029775 .....	191	70030019 .....	583	7010746 .....	585	7095352 .....	59, 65
70029776 .....	191	70030020 .....	583	7010769 .....	587	7095522 .....	59, 65
70029777 .....	189, 191	70030021 .....	583	7012903 .....	567	7096552 .....	59, 65
70029778 .....	191	70030022 .....	583	7016654 .....	765	7096562 .....	59, 65
70029779 .....	191	70030023 .....	583	7017496 .....	567	7096702 .....	59, 65
70029780 .....	189, 191	70030036 .....	525	7024441 .....	29, 33	7096772 .....	59, 65
70029781 .....	189, 191	70030037 .....	525	7024574 .....	543	7096882 .....	59, 65
70029782 .....	197	70030038 .....	583	7026404 .....	650, 656	7110172 .....	61, 67
70029783 .....	197	70030039 .....	583	7026758 ...	283, 285, 287,	7110702 .....	135, 137
70029784 .....	191	70030040 .....	583	289, 291, 293		7110712 .....	135, 137
70029785 .....	189	70030041 .....	583	7026759 ...	283, 285, 287,	7110722 .....	135, 137
70029786 .....	191	70030141 .....	119	289, 291, 293		7111402 .....	61, 67
70029787 .....	195	70030142 .....	119	7026760 ...	283, 285, 287,	7111572 .....	59, 65
70029788 .....	191	70030143 .....	119	289, 291, 293		7112452 .....	59, 65, 81
70029789 .....	193, 195	70030144 .....	119	7026798 .....	451, 453	7112642 .....	181
70029790 .....	191	70030145 .....	119	7026911 .....	311, 313	7112732 .....	60, 66
70029791 .....	199	70030281 .....	461	7027273 .....	295	7113952 .....	79
70029792 .....	189	70030292 .....	587	7028706 ...	335, 339, 363,	7113982 .....	79
70029793 .....	191	70030317 .....	211	367		7114922 .....	60, 66
70029794 .....	189, 191	70030347 .....	211	7028714 ...	325, 339, 353,	7114941 .....	183, 185
70029795 .....	199	70031092 .....	555	367		7116572 .....	711
70029796 .....	199	70031148 .....	207	7028716 ...	325, 339, 353,	7116642 .....	69
70029798 .....	585	70031325 .....	545	367		7116652 .....	69
70029822 .....	459, 461	70031326 .....	545	7028721 .....	339, 367	7116662 .....	69
70029823 .....	459, 461	70031327 .....	545	7028722 .....	339, 367	7116691 .....	69
70029824 .....	459, 461	70031328 .....	545	7028731 .....	339, 367	7116733 .....	59, 65, 69
70029825 .....	459	70031329 .....	545	7028732 .....	339, 367	7116792 .....	59, 65
70029826 .....	459	70031344 .....	551	7029037 .....	297, 299	7116812 .....	69
70029827 .....	459, 461	70031345 .....	551	7029039 .....	299	7117031 .....	61, 67
70029828 .....	459, 461	70031346 .....	551	7029127 ...	331, 345, 359,	7117502 .....	61, 67
70029829 .....	459, 461	70031347 .....	551	373		7117582 .....	59, 65
70029830 .....	459	70031348 .....	551	7029131 .....	337, 365	7118882 .....	71
70029831 .....	459	70031349 .....	551	7029153 .....	567	7118892 .....	59, 65, 71
70029832 .....	459, 461	70031350 .....	211	7029246 .....	567, 760	7124301 .....	17, 21, 25
70029833 .....	459, 461	70031351 .....	211	7029288 .....	321, 349	7124451 .....	17, 21, 25
70029834 .....	459, 462	70031352 .....	211	7029309 .....	325, 353	7124471 .	17, 21, 25, 675,
70029835 .....	459, 462	70031380 .....	211	7029311 ...	325, 339, 353,	677	
70029836 .....	459, 462	70031394 .....	461	367		7124491 .....	53
70029837 .....	459, 462	70031395 .....	461	7029412 .....	461	7125801 .....	53
70029838 .....	459, 462	70031396 .....	461	7029413 .....	461	7125811 .....	60, 66
70029839 .....	459, 462	70031397 .....	461	7029415 .....	461	7125871 ...	205, 209, 213
70029840 .....	459, 462	70031398 .....	461	7029417 .....	305	7126662 .....	61, 67
70029841 .....	459, 462	70031402 .....	461	7029520 .....	171	7127852 .....	61, 67
70029842 .....	459, 462	70031403 .....	461	7029521 .....	171	7127862 .....	61, 67
70029843 .....	459, 462	70031404 .....	461	7029532 ...	285, 287, 295	7131633 .....	764
70029844 .....	459	70031405 .....	461	7029533 ...	285, 287, 295	7131643 .....	764
70029874 .....	583	70031406 .....	461	7029692 .....	99, 115	7137142 .....	17, 21, 25
70029981 .....	461	70031413 .....	462	7029711 .....	119	7138468 .....	61, 67
70029984 .....	462	70031414 .....	462	7029714 .....	115	7138634 .....	273
70030001 .....	583	70031420 .....	462	7029734 .....	329, 357	7138639 .....	307, 313
70030002 .....	583	70031421 .....	462	7029735 .....	329, 357	7138833 ...	406, 411, 416,
70030003 .....	583	70031422 .....	462	7029786 .....	343, 371	421, 430, 435	
70030004 .....	583	70031442 .....	178	7029787 .....	329, 357	7138836 ...	406, 411, 416,
70030005 .....	583	70031443 .....	121	7029860 .....	447	421, 430, 435	
70030006 .....	583	70031444 .....	119	7054351 .....	273	7138878 ...	406, 411, 416,
70030007 .....	583	70031445 .....	97, 99	7057141 .....	247, 249	421, 430, 435, 761	
70030008 .....	583	70031446 .....	115	7062922 .....	135, 137	7138882 .....	403
70030009 .....	583	70031448 .....	178	7079572 .....	59, 65	7138944 ...	406, 411, 416,
70030010 .....	583	70031458 .....	340	7082311 .....	59, 65	421, 430, 435	
70030011 .....	583	70031459 .....	340	7082342 .....	59, 65	7138958 .....	427, 441
70030012 .....	583	70031717 .....	611, 613	7082362 .....	59, 65	7138977 .....	59, 65
70030013 .....	583	70041616 ..	207, 211, 215	7083992 .....	59, 65	7138979 .....	59, 65

## SECTION 13 - SPECIAL OPTIONS/ACCESSORIES/KITS

7138986.....59, 65	8032994.....567	8036216.....683, 685	8220162.....627
7139032.....75, 77	8033786.....543, 545	8036250.....305	8220164....649, 656, 662
7139047....37, 39, 41, 43, 45	8034695.....547	80363179.....665	8220366.....655
7139077.....29, 33, 760	8034697.....583	80364095.....569	8220375.....655
7139180.....59, 65	8034815.....447	8036580.....567	8220536....648, 649, 654, 655, 661, 662
7139407....37, 39, 41, 43, 45	8035109....309, 311, 313	8036581.....567	8220889.....649, 655
7139416.....75, 77	8035281.....567	8036582.....567	8220890.....703
7139504.....503	8035282.....567	8036726.....459, 461	8220895.....665
7139505.....503	8035321.....555	8036732.....563	8220904....626, 671, 689, 695, 709
7139690.....59, 65, 77	8035327.....563	8036733.....553	8220927....627, 648, 654, 661
7139692.....61, 67, 75	8035347.....583	8036747.....567	8220929....627, 648, 654, 661
7139693.....60, 66, 79	8035382.....583	8036750.....555, 563	8223025.....677, 761
7139918.....121	8035393.....447	8036784.....563	8223037....406, 411, 416, 421, 430, 435, 761
7150680.....681	8035409.....447	8036811.....563, 567	8223038....667, 669, 761
7150681.....679	8035411.....447	8036825.....563, 567	8223043....416, 421, 430, 435, 761
7150685.....683	8035493.....449	8036826.....567	8223044....416, 421, 430, 435, 761
7150690.....679, 681	8035498.....449	8036827.....567	8223054....406, 411, 416, 421, 430, 435, 761
7150699.....677, 683	8035499.....449	8036828.....567	8223059....675, 677, 761
7150702.....683	8035500.....449	8036837.....563	8223060.....677, 761
7150703.....685	8035523.....445	8036838.....563	8223073.....677, 760
7150716.....677, 685	8035536.....543, 549	8036839.....563	8223232.....273
7150717.....685	8035547.....547	8037109.....583	8223536.....49
7300435....205, 209, 213	8035611.....547	80373094.....223	8229233.....628, 760
7300672.....59, 65	8035612.....547	80384207.....447	8229234....603, 628, 760
7300673.....59, 65	8035613.....547	80384213.....447	8229235....605, 628, 760
7300674.....59, 65	8035781.....567	80384218.....427, 441	8229237.....628, 760
7300675.....59, 65	8035807...406, 411, 416, 421, 761	80384445.....445	8229238.....628, 760
7301265.....430, 435	8035862.....543	8050001 .17, 21, 25, 315, 317	8229242....650, 658, 760
7301295.....121	8035863.....543	80604016.....665	8229243.....695, 760
7301408.....157	8036001.....547	80604017.....709	8229244.....656, 760
7301721.....503	8036021.....277	80604018 .648, 649, 654, 655, 656, 661, 662	8229245.....687
7302010.....59, 65	8036022.....277	80604021 ..650, 654, 663	8229261....603, 628, 760
77133133.....465, 467	8036023.....279	80604024.....654, 661	8270620....592, 596, 600
77133134.....465, 467	8036024.....281	80623016.....501	8270621.....607
77143006.....617	8036025.....281	8065062.....135, 137	8278020.....247, 249
80204002.....321, 349	8036026.....281	8065063.....53	8302470....37, 39, 41, 43, 45
80204005..325, 339, 353, 367	8036027.....281	8065640 ...17, 21, 25, 59, 65	8303034....413, 425, 427, 439, 441, 443, 509
80204012..321, 326, 349, 354	8036028.....281	8065641 .....17, 21, 25	8303041.....60, 66
80204033.....323, 351	8036029...285, 287, 289, 291, 293	80963061.....627	8303119.....443
80204035.....323, 351	8036030.....295	80963062 ..648, 654, 661	8303519.....533
80204043.....323, 351	8036031.....295	80963067 .627, 648, 654, 656, 661	8303540.....60, 66
80204048.....323, 351	8036032.....295	8124138.....75, 77	8303545....592, 596, 600, 697
80204060.....329, 357	8036033.....297	8127009.....79	8303615....37, 39, 41, 43, 45
80204065..325, 339, 353, 367	8036036.....299	8127022.....77	8303620 60, 66, 385, 389, 406, 411, 416, 421, 430, 435, 517
80204071..325, 339, 353, 367	8036038.....299	8127024.....75	8303621.....60, 66
80204076.....325, 353	8036039.....299	82033997.....427, 441	8303622.....60, 66
80204108.....329, 357	8036040.....299	8205655.....543	8303624.....60, 66
80204117..329, 339, 343, 357, 367, 371	8036041.....305	8220007.....709	8303626....181, 183, 185, 406, 411, 416, 421, 430, 435
80204144..331, 345, 359, 373	8036042.....305	8220035.....603, 709	8303628.....53
80204281.....329, 343	8036050 ....427, 441, 445	8220051 ....627, 709, 711	8303629.....53
8024032.....764	8036056 ....427, 441, 447	8220058 ....650, 657, 662	
8024033.....764	8036099.....447	8220081 ...648, 650, 655, 657, 661, 662, 689	
8024053.....764	8036100.....447	8220089 ....627, 656, 687	
80241137.....17, 21, 25	8036190 ....285, 287, 295	8220097 ...627, 648, 654, 661	
80264138.....569	8036192.....567	8220098 ...627, 648, 654, 661	
80304405.....279	8036196.....445	8220108.....603	
8032694.....587	8036197.....445	8220124 ...648, 650, 654, 657, 661, 662, 663, 665	
8032695.....587	8036198.....445	8220125.....627, 656	
8032790.....585	8036199.....445	8220160.....650, 656	
	8036209.....683		
	8036210.....685		
	8036212.....683, 685		
	8036213.....683, 685		
	8036214.....683, 685		
	8036215.....683, 685		

## SECTION 13 - SPECIAL OPTIONS/ACCESSORIES/KITS

8303634 60, 66, 121, 135, 137	8307005 60, 66, 533, 701	8310281.....247, 249	8640123..... 533
8303640 ..... 73	8307006 .....307	8310302.....121	8642207 ..... 135, 137
8303655 ..... 60, 66	8307007 60, 66, 181, 183, 185	8310356.....533	8642224 ..... 60, 66
8303658 ..... 121	8307009 ..... 17, 21, 25	8310382....406, 411, 416, 421, 430, 435	8642237 ..... 75, 77
8303666 ..... 60, 66	8307011 .....403	8310420.....533	86683122 ..... 265, 623
8303675 ..... 533	8307023 ... 406, 411, 416, 421, 430, 435	8310424.....231	8750003 ..... 60, 66
8303679 ..... 60, 66	8307024 ... 716, 720, 724, 728, 732, 736, 740	8310425.....307	8750011 ..... 60, 66
8303681 ..... 60, 66	8307027 .... 592, 596, 600	8310431.....61, 67	8750012... 237, 493, 495, 523, 527
8303697 ... 29, 33, 60, 66, 406, 411, 416, 421, 430, 435	8307049 .....273	8310435.....121	8750017 59, 65, 235, 237, 517, 523
8303715 60, 66, 135, 137	8307104 ..... 60, 66, 73	8310493.....403	8750025 .... 517, 519, 521
8303724 ..... 273	8307106 61, 67, 221, 406, 411, 416, 421, 430, 435, 592, 596, 600	8310497.....59, 65	8750026 ..... 523
8303729 ... 37, 39, 41, 43, 45	8307109 ... 406, 411, 416, 421, 430, 435	8310522... 17, 21, 25, 533	8750027 ... 493, 495, 523, 527
8303738 ..... 61, 67	8307110 ... 385, 389, 406, 411, 416, 421, 430, 435, 517	8310576.....525	8750040 .... 519, 521, 523
8303745 ..... 679, 681	8307111 .... 592, 596, 600	83191010.....399	8760268 .... 523, 531, 535
8303752 ..... 17, 21, 25	8307112 ... 183, 185, 406, 411, 416, 421, 427, 430, 435, 441	8405007....243, 245, 465, 467	8760463 ..... 503
8303757 .... 517, 519, 521	8307202 ... 37, 39, 41, 43, 45	8405104.....243, 245	8760465 ..... 60, 66
8303766 ..... 517	8307203 .. 17, 21, 25, 503	8405212....243, 245, 263	8760468 ..... 61, 67
8303771 ... 611, 613, 675, 677	8307204 ... 37, 39, 41, 43, 45, 60, 66, 69, 611, 613, 675, 677	8405305.....243, 245	8760548 ..... 273
8303772 ..... 60, 66	8307206 ..... 69	8405307.....221	8760552 ..... 29, 33
8303782 ..... 17, 21, 25	8307219 ..... 697	8405404.....217	8765204 .... 507, 535, 705
8303784 ..... 261	8307222 ..... 221, 485	8406010.....611, 613	8769122 ..... 60, 66
8303982 ... 406, 411, 416, 421, 430, 435	8307904 61, 67, 135, 137	8406105....273, 592, 596, 600	8769123 ..... 60, 66
8304608 ..... 495	8307910 ..... 60, 66	8406112....205, 209, 239, 241	8769127 ..... 235, 237
8305002 .... 592, 596, 600	8307911 ..... 60, 66	8406303.....213	8769128 61, 67, 235, 493, 523, 527
8305004 ... 37, 39, 41, 43, 45, 525, 611, 613, 701	8307912 ..... 51	8410007.....217	8769132 ..... 135, 137
8305006 .. 17, 21, 25, 503	8307913 ..... 51	8410021.....221	8769139 ..... 61, 67
8305008 .... 247, 249, 517	8307918 60, 66, 135, 137	8420053..61, 67, 97, 119, 121, 125, 127, 131, 133, 135, 137, 139, 141	8770016 ..... 135, 137
8305012 ..... 181	8310009 ... 235, 493, 503, 523, 527	8420055..61, 67, 97, 119, 121, 125, 127, 131, 133, 135, 137, 139, 141	8770048 ..... 29, 33
8305014 ..... 17, 21, 25	8310019 ..... 60, 66	8430032.....483, 531	8770064 ..... 497
8305043 ..... 221, 485	8310020 ..... 60, 66	8430046.....531	8770189 ..... 53
8305603 ..... 443	8310026 59, 65, 406, 411, 416, 421, 430, 435	8430048.....465, 467	8780039 ..... 375
8305619 ..... 73	8310039 ..... 17, 21, 25	8466306....716, 720, 724, 728, 732, 736, 740	8786514... 383, 385, 387, 389
8305624 60, 66, 121, 427, 441, 592, 596, 600, 607	8310046 .... 592, 596, 600	8500203.....677	8820904 ..... 695
8305626 ... 17, 21, 25, 61, 67, 406, 411, 416, 421, 430, 435, 675, 677, 679, 681	8310066 ..... 60, 66	8520001.... 17, 21, 25, 60, 66	88211516 ..... 677
8305638 ..... 443	8310067 ..... 273	8520003.... 17, 21, 25, 61, 67, 501	88261015 ..... 213
8305643 60, 66, 121, 135, 137	8310081 ..... 60, 66	8520013..... 53, 60, 66	8841036 ... 273, 275, 277, 279, 281, 283, 285, 287, 289, 291, 293, 295, 297, 299, 303, 305
8305644 ... 17, 21, 25, 53, 60, 66, 69, 183, 185, 406, 411, 416, 421, 430, 435	8310085 .... 413, 425, 439	8522012.... 17, 21, 25, 59, 65, 75, 77	88671001. 125, 127, 131, 133, 139, 141
8305645 ... 37, 39, 41, 43, 45, 60, 66, 69, 385, 389, 611, 613, 675, 677, 716, 720, 724, 728, 732, 736, 740	8310093 ..... 60, 66	8526007..59, 65, 71, 261, 549, 563	8880218-OM ..... 307
8305646 ..... 60, 66	8310109 ..... 427, 441	8526011 .... 547, 549, 563	8880219-OM ..... 307
8305906 ..... 59, 65	8310113 ..... 61, 67	8526048.....61, 67	8881800 ..... 213
8305916 ... 406, 411, 416, 421, 430, 435	8310116 ..... 51, 315, 317	8526406.....59, 65	8902842 ..... 545
8307002 ... 37, 39, 41, 43, 45, 701	8310151 ..... 53	8530030.....533	8903015 ..... 583
8307003 .... 592, 596, 600	8310160 ..... 135, 137	8580315..... 135, 137	8990147 ... 406, 411, 416, 421, 430, 435
8307004 60, 66, 235, 493, 503, 517, 519, 521, 523, 527	8310161 ..... 135, 137	8580420.... 37, 39, 41, 43, 45	90028631 ..... 221
	8310205 ..... 60, 66	8584001..... 81, 135, 137, 465, 467, 592, 596, 600, 675, 677, 701	90200003. 121, 123, 125, 127, 129, 131, 133, 135, 137, 139, 141, 143
	8310209 ..... 69	8584018..... 675, 677	90206196 ..... 697, 699
	8310210 ..... 60, 66	8584021..... 81	90451058 ..... 121
	8310215 ..... 273	85841150..... 517	90554016 93, 97, 99, 115, 119, 169
	8310235 ..... 69	8630003..... 121	90554017 ..... 115, 119
	8310245 ..... 69	8630019..... 533	90554018 ..... 115
	8310266 ..... 71		90554020 ..... 97, 99, 119
	8310276 ..... 71		90554033 ..... 93

## SECTION 13 - SPECIAL OPTIONS/ACCESSORIES/KITS

90554034.....93	133, 135, 137, 139,	91513266 ..... 399	91514149..325, 339, 353,
90554042.....97, 99	141, 174, 179	91514081 . 325, 339, 353,	367
90554045.....539, 559	91403448 ..... 95	367	91514151.....329, 357
90554054.....97, 99	91404011 ..... 569	91514082 . 325, 339, 353,	91514154..329, 343, 357,
90554062.....99, 115	91404013 ..... 569	367	371
90554065.....115, 119	91404298 ..... 427, 441	91514083 ..... 325, 353	91514159..329, 343, 357,
90554067.....119	91404299 ..... 427, 441	91514084 ..... 325, 353	371
90554076.....99, 115	91404301 ..... 427, 441	91514089 . 321, 325, 329,	91514174.....325, 353
90554080.....171	91404326 ..... 569	349, 353, 357	91514175.. 325, 339, 353,
91043125.....175	91473086 ..... 483	91514095 . 325, 339, 353,	367
91043126.....174	91474023 ..... 587	367	91514177..... 325, 353
91043147.....465, 467	91474507 ..... 335, 363	91514101 ..... 321, 349	91514180.....325, 353
91053419.....263	91474512 . 321, 335, 349,	91514111 . 325, 339, 353,	91514181..325, 339, 353,
91081640.....617	363	367	367
91083129.....221	91474529 ..... 337, 365	91514118 ..... 399	91514183..325, 339, 353,
91083385.....375, 377	91474533 ..... 337, 365	91514130 ..... 323, 351	367
91163035.....229	91474539 ..... 337, 365	91514131 ..... 323, 351	91514188..325, 335, 339,
91293003.....221	91474547 ..... 337, 365	91514133 ..... 323, 351	353, 363, 367
91304025.....569	91474550 ..... 337, 365	91514134 . 323, 337, 351,	91514189..325, 339, 353,
91364023.....223	91474551 ..... 337, 365	365	367
91403097.....273	91474553 ..... 337, 365	91514143 ..... 323, 351	91514225.....569
91403193.....315, 317	91474568 ..... 343, 371	91514146 . 325, 339, 353,	91563250.....375, 377
9140341361, 67, 97, 119,	91474576 ..... 339, 367	367	91565039.....377
121, 125, 127, 131,	91474584 ..... 339, 367	91514147 . 325, 339, 353,	91565040.....377
133, 135, 137, 139,	91474591 ..... 335, 363	367	
141, 175, 179	91474593 ..... 337, 365	91514148 . 325, 339, 353,	
9140341461, 67, 97, 119,	91474595 ..... 337, 365	367	
121, 125, 127, 131,	91503106 ..... 648		





**Corporate Office  
JLG Industries, Inc.  
1 JLG Drive  
McConnellsburg, PA 17233-9533 USA  
☎ (717) 485-5161 (Corporate)  
☎ (877) 554-5438 (Customer Support)  
📠 (717) 485-6417**

**Visit our website for JLG Worldwide Locations.  
[www.jlg.com](http://www.jlg.com)**



**OSHKOSH™**