

SKYTRAK[®]

Illustrated Parts Manual

***Model
12054***

**PVC
2205**

**P/N
31211856**

November 1, 2023 - Rev E

JLG[®]
An Oshkosh Corporation Company

EFFECTIVITY PAGE

May 1, 2022 - A - Original Issue of Manual (Edited to B/M 1001239973 Revision Q)

November 1, 2022 - B - Revised Manual (Edited to B/M 1001239973 Revision U)

March 1, 2023 - C - Revised Manual (Edited to B/M 1001239973 Revision U)

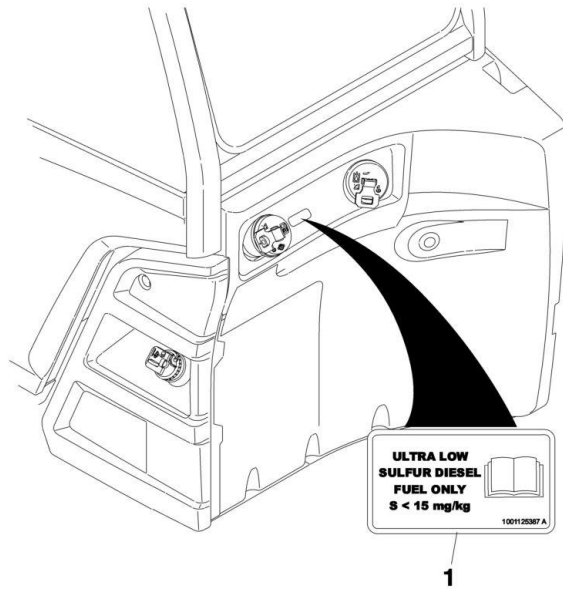
July 15, 2023 - D - Revised Manual (Edited to B/M 1001239973 Revision U)

November 1, 2023 - E - Revised Manual (Edited to B/M 1001239973 Revision U)

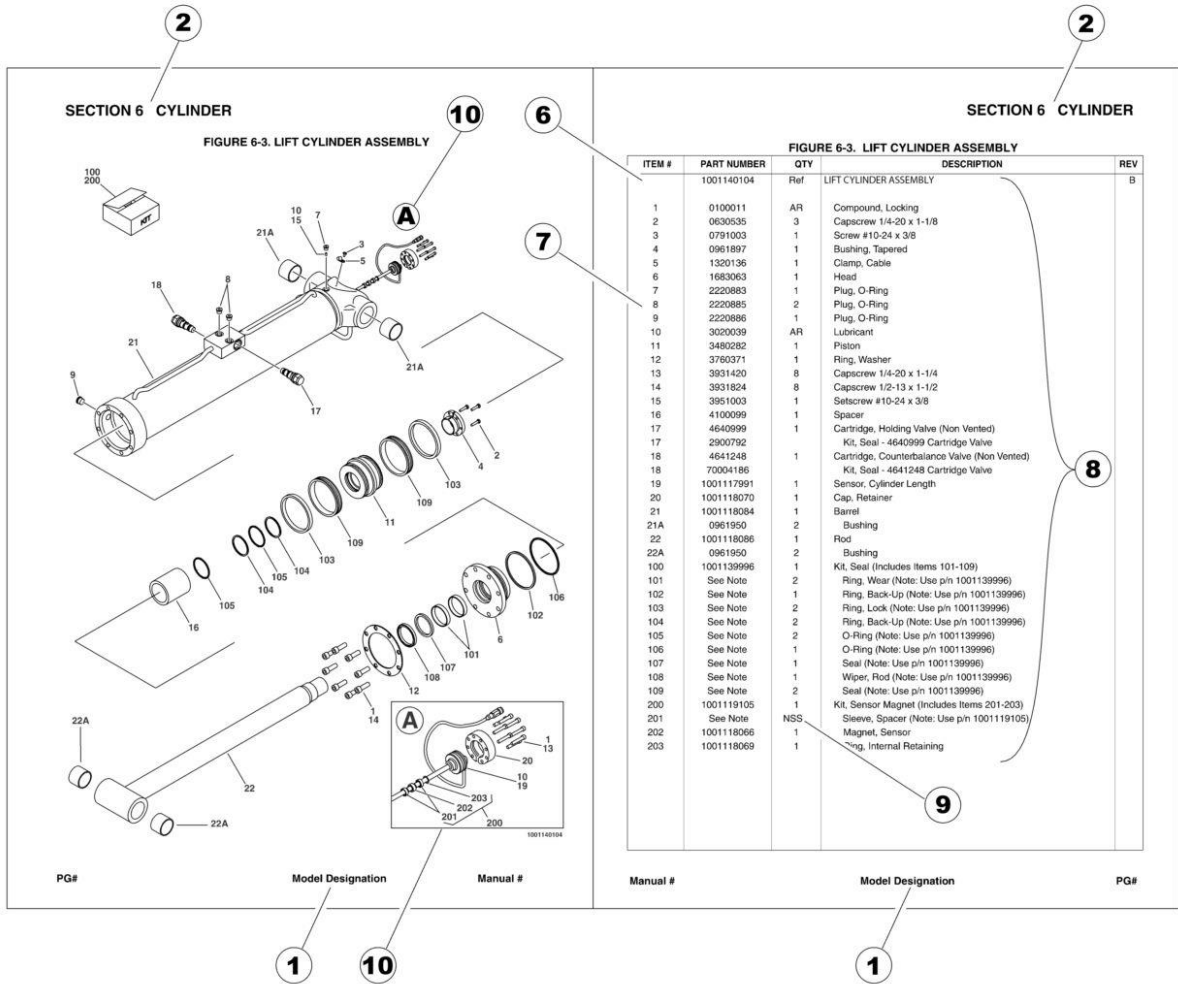
Machine Configuration

Two configurations of each machine are included in this manual. Determine if machine is equipped with Ultra Sulfur Fuel Decal (1) as indicated below.

- If equipped with the Ultra Low Sulfur decal, all specific references to this machine configuration will be referred to as Ultra Low Sulfur (ULS) from this point forward.
- If not equipped with the Ultra Low Sulfur decal, all specific references to this machine configuration will be referred to as Low Sulfur (LS) from this point forward.



GENERAL INFORMATION



1) MACHINE IDENTIFICATION

Machines are identified by model and in some cases a combination of models, serial number (SN) or regional standard (i.e ANSI, CE, CSA). Components may also be identified by SN or manufacturer. Common components that may be identified by these characteristics are engines and hydraulic components.

2) PARTS MANUAL ORGANIZATION

Product information in this manual is organized under section titles. Frame, Cylinder, Hydraulic and Electrical are a few examples. Each section is organized by figure and page number. The information within the Figure is then organized by item number, part number, description and corresponding illustration (s).

3) TABLE OF CONTENTS (NOT SHOWN)

A table of contents is found toward the beginning of the manual. Figure number, description and page number are provided for quick reference to the page containing the related information.

4) RECOMMENDED SPARE PARTS (NOT SHOWN)

The Recommended Spare Parts List, located near the end of the manual, reference most frequently used maintenance parts.

5) PART NUMBER INDEX (NOT SHOWN)

A numerical index listing all part numbers and the corresponding page number(s) appears at the back of the manual.

GENERAL INFORMATION

6) NON-SERVICED PARTS

In some instances, it is necessary to display non-serviced parts, assemblies or installations. In the case of assemblies and installations there will be a Ref in the Qty. column. In case of parts that are not available for service within assemblies or components, there will be a NSS (Not Sold Separately) or NLA (No Longer Available) listed in the Qty. column of the manual.

7) PARTS LIST ITEM NUMBERS

Numbers shown in the item# column correspond to numbers used in the associated illustration (s). Item numbers which are missing from the sequence in the parts list are not used on that page.

8) INDENTED PARTS DESCRIPTION

An indented part description is included in the item under which it is indented.

9) ABBREVIATION AND SYMBOLS

AC.....	Alternating Current	L.....	Liter
ADE.....	Advanced Design Electronics	LB(LBS).....	Pounds
AG.....	Agricultural	LCD.....	Liquid Crystal Display
ANSI.....	American National Standards Institute	LED.....	Light Emitting Diodes
AR.....	As Required	LH.....	Left Hand
ASSY.....	Assembly	LRC.....	Low Rated Countries
AUS.....	Australia	LSS.....	Load Sensing System
AUX.....	Auxiliary	M(m).....	Metric/Meter
AWG.....	American Wire Gauge	MM(mm).....	Milimeter
B/M.....	Bill of Material	mA.....	Miliamps
CAC.....	Charge Air Cooler	NLA.....	No Longer Available
CE.....	European Conformity	NPT.....	National Pipe Threads
CCW.....	Counter Clockwise	NSS.....	Not Sold Separately
CM.....	Centimeter	OD.....	Outside Diameter
CW.....	Clockwise	ORB.....	O-Ring Boss
CSA.....	Canadian Standards Association	ORFS.....	O-Ring Face Seal
CYL.....	Cylinder	OZ (oz).....	Ounces
DIA.....	Diameter	PG.....	Page
DC.....	Direct Current	PN.....	Part Number
DEF.....	Diesel Exhaust Fluid	QT(qt.).....	Quarts
EMS.....	Emergency Stop	QTY.....	Quantity
ENG.....	Engine	REF.....	Reference
FT(ft).....	Feet	REV.....	Revision Level
GA(Ga).....	Gauge	RH.....	Right Hand
HRC.....	High Rated Countries	SAE.....	Society of Automotive Engineers
HVAC.....	Heating, Ventilating, and Air Conditioning	SN.....	Serial Number
HYD.....	Hydraulic	SPEC(S).....	Specifications
Hz.....	Hertz	T/T.....	Turntable
ID.....	Inside Diameter	UGM.....	Universal Ground Module
IN.....	inches	V.....	Volts
ISO.....	International Organization for Standards	W.....	Watts
JIC.....	Joint Industry Council	#.....	Number
KG.....	Kilogram		

10) ILLUSTRATION REFERENCE LETTERS

When necessary, illustrations may contain reference letters that are intended to track information (i. e. hoses, harnesses) from one point to another or to track visual enlargement of components to show details that may be located in another area on the illustration.

Note: Due to continuous product improvements, JLG Industries, Inc. reserves the right to make specification changes without prior notification. Contact JLG Industries, Inc. for updated information.

TABLE OF CONTENTS

SECTION 1 - FRAME AND ATTACHING PARTS.....	15
FIGURE 1-1. FRAME COMPONENTS INSTALLATION	16
FIGURE 1-2. COUNTERWEIGHT INSTALLATION.....	18
FIGURE 1-3. FRAME COVERS INSTALLATION.....	20
FIGURE 1-4. FRAME COVERS INSTALLATION W/AIR SHUT OFF VALVE	22
FIGURE 1-5. DUST SHIELD INSTALLATION.....	24
FIGURE 1-6. OUTRIGGER INSTALLATION.....	26
FIGURE 1-7. OUTRIGGER SUB-ASSEMBLY INSTALLATION	28
FIGURE 1-8. OUTRIGGER MOUNTING INSTALLATION	30
SECTION 2 - BOOM.....	33
FIGURE 2-1. BOOM INSTALLATION.....	34
FIGURE 2-2. BOOM ASSEMBLY.....	36
FIGURE 2-3. FOURTH BOOM SECTION ASSEMBLY	40
FIGURE 2-4. THIRD BOOM SECTION ASSEMBLY	42
FIGURE 2-5. SECOND BOOM SECTION ASSEMBLY.....	44
FIGURE 2-6. FIRST BOOM SECTION ASSEMBLY.....	46
FIGURE 2-7. EXTEND CHAIN ASSEMBLY	48
FIGURE 2-8. RETRACT CHAIN ASSEMBLY.....	50
FIGURE 2-9. EXTEND CHAIN ASSEMBLY	52
FIGURE 2-10. RETRACT CHAIN AND CLEVIS ASSEMBLY	54
FIGURE 2-11. HOSE AND CARRIER ASSEMBLY	56
FIGURE 2-12. HOSE PULLY ASSEMBLY	58
FIGURE 2-13. MECHANICAL BOOM ANGLE INDICATOR.....	60
FIGURE 2-14. COUPLER ASSEMBLY	62
SECTION 3 - ATTACHMENTS	65
FIGURE 3-1. BASKET, PERSONNEL (1.2MX2.4M) (DOMESTIC).....	66
FIGURE 3-2. BASKET, PERSONNEL (1.2MX2.4M) (ISO).....	68
FIGURE 3-3. BASKET, PERSONNEL (1.2MX2.4M) (FRENCH LANGUAGE)	70
FIGURE 3-4. BASKET ASSEMBLY.....	72
FIGURE 3-5. BOOM (8FT)	74
FIGURE 3-6. BOOM - ADJUSTABLE.....	78
FIGURE 3-7. BOOM - ADJUSTABLE (FORK MOUNTED)	80
FIGURE 3-8. BOOM - 3FT WITH WINCH	82
FIGURE 3-9. BOOM - 12FT WITH WINCH	84
FIGURE 3-10. BOOM - 12FT WITHOUT WINCH (Prior to SN 0160116861)	86
FIGURE 3-11. BOOM - 12FT WITHOUT WINCH (SN 0160116861 to Present)	88
FIGURE 3-12. BOOM - 15FT WITHOUT WINCH (Prior to SN 0160116861)	90
FIGURE 3-13. BOOM - 15FT WITHOUT WINCH (SN 0160116861 to Present)	92
FIGURE 3-14. BUCKET (GRAPPLE MULTI-PURPOSE).....	94
FIGURE 3-15. BUCKET (60 INCH) FORK MOUNTED)	96
FIGURE 3-16. BUCKET (72 INCH)	98
FIGURE 3-17. BUCKET (96 INCH)	100
FIGURE 3-18. BUCKET (102 INCH)	102

TABLE OF CONTENTS

FIGURE 3-19. SIDE SHIFT CARRIAGE ASSEMBLY (48 INCH 12K)	104
FIGURE 3-20. CARRIAGE ASSEMBLY (50 INCH 12K)	106
FIGURE 3-21. CARRIAGE (50 INCH 12K) (DUAL FORK).....	108
FIGURE 3-22. SIDE TILT CARRIAGE ASSEMBLY (50 INCH) (Prior to SN 0160116861)	110
FIGURE 3-23. SIDE TILT CARRIAGE ASSEMBLY (50 INCH) (SN 0160116861 to Present)	112
FIGURE 3-24. CARRIAGE ASSEMBLY (60 INCH 12K)	114
FIGURE 3-25. SIDE TILT CARRIAGE ASSEMBLY (60 INCH) (Prior to SN 0160116861)	116
FIGURE 3-26. SIDE TILT CARRIAGE ASSEMBLY (60 INCH) (SN 0160116861 to Present)	118
FIGURE 3-27. CARRIAGE ASSEMBLY (72 INCH 12K)	120
FIGURE 3-28. SIDE TILT CARRIAGE ASSEMBLY (72 INCH) (Prior to SN 0160116861)	122
FIGURE 3-29. SIDE TILT CARRIAGE ASSEMBLY (72 INCH) (SN 0160116861 to Present)	124
FIGURE 3-30. CARRIAGE ASSEMBLY (72 INCH 10K) (90 DEGREE SWING) (Prior to SN 0160115730)	126
FIGURE 3-31. CARRIAGE ASSEMBLY (72 INCH 10K) (90 DEGREE SWING) (SN 0160115730 to Present)	128
FIGURE 3-32. FORK - BLOCKING (50X50X1220MM).....	130
FIGURE 3-33. FORK - LUMBER (50X180X1540MM).....	132
FIGURE 3-34. FORK - LUMBER (60X150X1524MM).....	134
FIGURE 3-35. FORK - LUMBER (2.00X6X72)	136
FIGURE 3-36. FORK - PALLET (2.36X5X48).....	138
FIGURE 3-37. FORK - PALLET (2.36X5X72).....	140
FIGURE 3-38. FORK - PALLET (60X125X1524MM)	142
FIGURE 3-39. FORK CLAMPS INSTALLATION	144
FIGURE 3-40. FORK EXTENSIONS (62X163X2286MM).....	146
FIGURE 3-41. FORK PIN LOCK INSTALLATION	148
FIGURE 3-42. HOOK - CRANE	150
FIGURE 3-43. HOOK - FRAME MOUNTED (4T).....	152
FIGURE 3-44. PIPE GRAPPLE	154
FIGURE 3-45. SWEEPER ASSEMBLY	158
FIGURE 3-46. SWEEPER - HOPPER	160
FIGURE 3-47. SWEEPER - BODY	162
FIGURE 3-48. SWEEPER - MOTOR	164
FIGURE 3-49. SWEEPER - IDLER.....	166
FIGURE 3-50. SWEEPER - CORE	168
FIGURE 3-51. SWEEPER - HYDRAULIC LINES	170
FIGURE 3-52. TRASH HOPPER (FORK MOUNTED)	172
SECTION 4 - ENGINE AND ATTACHING PARTS.....	175
FIGURE 4-1. ENGINE PACKAGE INSTALLATION (74HP ULS).....	176
FIGURE 4-2. ENGINE PACKAGE INSTALLATION (130HP ULS).....	178
FIGURE 4-3. ENGINE PACKAGE INSTALLATION (130HP LS)	180
FIGURE 4-4. ENGINE INSTALLATION (74HP ULS)	182
FIGURE 4-5. ENGINE INSTALLATION (130HP ULS)	184
FIGURE 4-6. ENGINE INSTALLATION (130HP LS).....	186
FIGURE 4-7. ENGINE COMPONENTS (74HP ULS).....	188
FIGURE 4-8. ENGINE COMPONENTS (130HP ULS).....	190
FIGURE 4-9. ENGINE COMPONENTS (130HP LS).....	192
FIGURE 4-10. FAN INSTALLATION (74HP).....	194

TABLE OF CONTENTS

FIGURE 4-11. FAN INSTALLATION (130HP)	196
FIGURE 4-12. AIR CLEANER ASSEMBLY (74HP ULS).....	198
FIGURE 4-13. AIR CLEANER ASSEMBLY (130HP ULS).....	200
FIGURE 4-14. AIR CLEANER ASSEMBLY (130HP LS)	202
FIGURE 4-15. AIR CLEANER ASSEMBLY (130HP LS)	204
FIGURE 4-16. COOLING INSTALLATION (74HP).....	206
FIGURE 4-17. COOLING INSTALLATION (130HP).....	208
FIGURE 4-18. RADIATOR ASSEMBLY (74HP)	210
FIGURE 4-19. RADIATOR ASSEMBLY (130HP).....	212
FIGURE 4-20. FUEL PLUMBING INSTALLATION (ULS)	214
FIGURE 4-21. FUEL PLUMBING INSTALLATION (LS)	216
FIGURE 4-22. PLUMBING COOLING INSTALLATION (ULS)	218
FIGURE 4-23. PLUMBING COOLING INSTALLATION (LS).....	220
FIGURE 4-24. AFTERTREATMENT INSTALLATION (ULS).....	222
FIGURE 4-25. EXHAUST INSTALLATION (74HP)	224
FIGURE 4-26. EXHAUST INSTALLATION (130HP)	226
FIGURE 4-27. DEF SYSTEM INSTALLATION (ULS)	228
FIGURE 4-28. DEF MODULE PUMP	230
FIGURE 4-29. DEF COOLANT LINES INSTALLATION.....	232
FIGURE 4-30. DEF LINES INSTALLATION	234
FIGURE 4-31. PUMP COUPLER INSTALLATION.....	236
FIGURE 4-32. A/C COMPONENTS INSTALLATION (74HP).....	238
FIGURE 4-33. A/C COMPONENTS INSTALLATION (130HP).....	240
FIGURE 4-34. AIR INTAKE SHUT OFF VALVE INSTALLATION	242
FIGURE 4-35. HEATER BREATHER	244
SECTION 5 - DRIVE TRAIN	247
FIGURE 5-1. TRANSMISSION INSTALLATION	248
FIGURE 5-2. TRANSMISSION, 4-SPEED	250
FIGURE 5-3. TRANSMISSION, ENGINE CONNECTION AND CONVERTER	252
FIGURE 5-4. TRANSMISSION, INPUT SHAFTS.....	254
FIGURE 5-5. TRANSMISSION, GEARBOX HOUSING	256
FIGURE 5-6. TRANSMISSION, COUPLING GROUP 1	258
FIGURE 5-7. TRANSMISSION, COUPLING GROUP 2	260
FIGURE 5-8. TRANSMISSION, COUPLING GROUP 3	262
FIGURE 5-9. TRANSMISSION, COUPLING GROUP 4	264
FIGURE 5-10. TRANSMISSION, REVERSING GEAR GROUP 1	266
FIGURE 5-11. TRANSMISSION, REVERSING GEAR GROUP 2	268
FIGURE 5-12. TRANSMISSION, OUTPUT	270
FIGURE 5-13. TRANSMISSION, CONTROL UNIT	272
FIGURE 5-14. TRANSMISSION, VALVE HOUSING ASSEMBLY	274
FIGURE 5-15. TRANSMISSION, VALVE BLOCK ASSEMBLY	278
FIGURE 5-16. TRANSMISSION, OIL PUMP AND FILTER.....	280
FIGURE 5-17. DRIVETRAIN INSTALLATION.....	282
FIGURE 5-18. DRIVESHAFTS INSTALLATION.....	284
FIGURE 5-19. DRIVE SHAFT IMPUT	286

TABLE OF CONTENTS

FIGURE 5-20. AXLE INSTALLATION	288
FIGURE 5-21. FRONT AXLE	290
FIGURE 5-22. FRONT AXLE - CENTRAL HOUSING.....	292
FIGURE 5-23. FRONT AXLE - DIFFERENTIAL	294
FIGURE 5-24. FRONT AXLE - HUB REDUCTION	296
FIGURE 5-25. FRONT AXLE - BRAKES	300
FIGURE 5-26. FRONT AXLE - STEERING.....	302
FIGURE 5-27. REAR AXLE	304
FIGURE 5-28. REAR AXLE - CENTRAL HOUSING	306
FIGURE 5-29. REAR AXLE - DIFFERENTIAL.....	308
FIGURE 5-30. REAR AXLE - HUB REDUCTION	310
FIGURE 5-31. REAR AXLE - BRAKES.....	314
FIGURE 5-32. REAR AXLE - STEERING	316
FIGURE 5-33. TIRE SET, 14.00-24 FOAM	318
FIGURE 5-34. TIRE SET, 17.5-25 PNEUMATIC G-2	320
FIGURE 5-35. TIRE SET, 17.5-25 FOAM G-2	322
FIGURE 5-36. TIRE SET, 18 X 625 TURF/SAND.....	324
FIGURE 5-37. TIRE SET, 360/85-28 SOLID.....	326
FIGURE 5-38. TIRE SET, 400/75-28 PNEUMATIC	328
FIGURE 5-39. TIRE SET, 400/75-28 PNEUMATIC (NON-MARKING)	330
FIGURE 5-40. TIRE SET, 400/75-28 FOAM	332
FIGURE 5-41. TIRE SET, 400/75-28 FOAM (NON-MARKING).....	334
FIGURE 5-42. TIRE SET, 14-28 SOLID (DIRECTIONAL)	336
FIGURE 5-43. TIRE SET, 14-24 SOLID (NON-DIRECTIONAL).....	338
FIGURE 5-44. TIRE SET, 14-24 SOLID (DIRECTIONAL)	340
FIGURE 5-45. TIRE SET, 14-24 SOLID.....	342
FIGURE 5-46. FENDER INSTALLATION	344
SECTION 6 - CAB	347
FIGURE 6-1. CAB INSTALLATION.....	348
FIGURE 6-2. CAB INSTALLATION - OPEN CAB (BLACK SEAT BELT).....	350
FIGURE 6-3. CAB INSTALLATION - OPEN CAB (ORANGE SEAT BELT).....	354
FIGURE 6-4. CAB INSTALLATION - OPEN CAB (ORANGE SEAT BELT).....	356
FIGURE 6-5. OPEN CAB	358
FIGURE 6-6. CAB INSTALLATION - ENCLOSED CAB WITH HEATER (BLACK SEAT BELT).....	360
FIGURE 6-7. CAB INSTALLATION - ENCLOSED CAB WITH HEATER (ORANGE SEAT BELT).....	364
FIGURE 6-8. CAB INSTALLATION - ENCLOSED CAB WITH HEATER (ORANGE SEAT BELT).....	366
FIGURE 6-9. CAB, ENCLOSED WITH HEATER	370
FIGURE 6-10. CAB ENCLOSURE	372
FIGURE 6-11. ROOF HEATER BOX	374
FIGURE 6-12. CAB HEATER LINES INSTALLATION.....	376
FIGURE 6-13. CAB INSTALLATION - ENCLOSED CAB WITH HEATER/AC (BLACK SEAT BELT).....	378
FIGURE 6-14. CAB INSTALLATION - ENCLOSED CAB WITH HEATER/AC (ORANGE SEAT BELT).....	382
FIGURE 6-15. CAB INSTALLATION - ENCLOSED CAB WITH HEATER/AC (ORANGE SEAT BELT).....	384
FIGURE 6-16. ENCLOSED CAB WITH HEATER.....	388
FIGURE 6-17. CAB HVAC ENCLOSURE	390

TABLE OF CONTENTS

FIGURE 6-18. ROOF BOX HVAC	392
FIGURE 6-19. FLOOR HEATER	396
FIGURE 6-20. CAB DOOR ASSEMBLY.....	398
FIGURE 6-21. RH SLIDER WINDOW	400
FIGURE 6-22. FRONT WIPER ASSEMBLY.....	402
FIGURE 6-23. SKYLIGHT WIPER ASSEMBLY	404
FIGURE 6-24. CAB HEATER/AC LINES INSTALLATION	406
FIGURE 6-25. HEATER VALVE.....	408
FIGURE 6-26. CAB SEAT (BLACK SEAT BELT).....	410
FIGURE 6-27. CAB SEAT (ORANGE SEAT BELT).....	412
FIGURE 6-28. SEAT BELT INSTALLATION (3IN)	414
FIGURE 6-29. REAR DROPOUT WINDOW INSTALLATION (ANSI)	416
FIGURE 6-30. REAR DROPOUT WINDOW INSTALLATION (ENGLISH/FRENCH)	418
FIGURE 6-31. REAR DROPOUT WINDOW INSTALLATION (ISO).....	420
FIGURE 6-32. REAR DROPOUT WINDOW INSTALLATION (ENGLISH/SPANISH)	422
FIGURE 6-33. MIRROR INSTALLATION.....	424
FIGURE 6-34. FIRE EXTINGUISHER INSTALLATION.....	426
SECTION 7 - CONTROLS	429
FIGURE 7-1. SECONDARY CONTROLS INSTALLATION	430
FIGURE 7-2. PILOT JOYSTICK CONTROL.....	432
FIGURE 7-3. BRAKE ASSEMBLY - SAFIM	434
SECTION 8 - HYDRAULIC CIRCUITS.....	437
FIGURE 8-1. HYDRAULIC INSTALLATION.....	438
FIGURE 8-2. AUXILIARY HYDRAULICS INSTALLATION.....	440
FIGURE 8-3. AXLE HYDRAULIC INSTALLATION.....	442
FIGURE 8-4. AXLE HYDRAULIC ASSEMBLY (FRONT)	444
FIGURE 8-5. AXLE HYDRAULIC ASSEMBLY (REAR).....	446
FIGURE 8-6. AXLE PIN LUBE KIT INSTALLATION.....	448
FIGURE 8-7. BRAKE HYDRAULICS INSTALLATION	450
FIGURE 8-8. BRAKE VALVE INSTALLATION.....	452
FIGURE 8-9. BULKHEAD INSTALLATION (REAR).....	454
FIGURE 8-10. CAB HYDRAULICS INSTALLATION	456
FIGURE 8-11. CAB PILOT CONTROLS INSTALLATION	458
FIGURE 8-12. CAB PILOT JOYSTICK CONTROL ASSEMBLY	460
FIGURE 8-13. COOLER HYDRAULIC PLUMBING INSTALLATION	462
FIGURE 8-14. COOLER HYDRAULICS PLUMBING INSTALLATION - TRANSMISSION	464
FIGURE 8-15. CYLINDER INSTALLATION - EXTEND.....	466
FIGURE 8-16. CYLINDER INSTALLATION - EXTEND LOCKOUT.....	468
FIGURE 8-17. CYLINDERS HYDRAULICS INSTALLATION - FRAME	470
FIGURE 8-18. FORK TILT HYDRAULICS INSTALLATION	472
FIGURE 8-19. FRAME HYDRAULICS INSTALLATION	474
FIGURE 8-20. FRAME SECONDARY VALVE & FITTINGS SUB-ASSEMBLY.....	476
FIGURE 8-21. MAIN CONTROL VALVE & FITTINGS SUB-ASSEMBLY.....	478
FIGURE 8-22. OUTRIGGER & FITINGS SUB-VALVE ASSEMBLY.....	480

TABLE OF CONTENTS

FIGURE 8-23. PISTON PUMP INSTALLATION	482
FIGURE 8-24. PUMP HYDRAULICS INSTALLATION.....	484
FIGURE 8-25. STEERING HYDRAULICS INSTALLATION.....	486
FIGURE 8-26. STEERING VALVE INSTALLATION	488
SECTION 9 - HYDRAULIC COMPONENTS	491
FIGURE 9-1. CYLINDER GROUP INSTALLATION.....	492
FIGURE 9-2. CYLINDER - BUCKET (GRAPPLE).....	494
FIGURE 9-3. CYLINDER - CARRIAGE (DUAL FORK).....	496
FIGURE 9-4. CYLINDER - CARRIAGE (SIDE SHIFT).....	498
FIGURE 9-5. CYLINDER - CARRIAGE (SWING) (Prior to SN 0160115730)	500
FIGURE 9-6. CYLINDER - CARRIAGE (SWING) (SN 0160115730 to Present).....	502
FIGURE 9-7. CYLINDER - COMPENSATION	504
FIGURE 9-8. CYLINDER - LIFT.....	506
FIGURE 9-9. CYLINDER - EXTEND/RETRACT	508
FIGURE 9-10. CYLINDER - FRAME LEVEL.....	510
FIGURE 9-11. CYLINDER - OUTRIGGER.....	512
FIGURE 9-12. CYLINDER - PIPE HANDLER	514
FIGURE 9-13. CYLINDER - SIDE TILT.....	516
FIGURE 9-14. CYLINDER - STABIL-TRAK	518
FIGURE 9-15. CYLINDER - TILT	520
FIGURE 9-16. PUMP - PISTON.....	522
FIGURE 9-17. TANK INSTALLATION (74HP ULS)	524
FIGURE 9-18. TANK ASSEMBLY - HYDRAULIC FUEL (74HP ULS).....	526
FIGURE 9-19. TANK INSTALLATION (130HP ULS)	528
FIGURE 9-20. TANK INSTALLATION - HYDRAULIC/FUEL/DEF (130HP ULS)	530
FIGURE 9-21. TANK - DEF TANK (130HP ULS).....	532
FIGURE 9-22. TANK INSTALLATION (130HP LS).....	534
FIGURE 9-23. TANK ASSEMBLY - HYDRAULIC/FUEL/DEF (130HP LS).....	536
FIGURE 9-24. VALVE - AIR SHUT OFF	538
FIGURE 9-25. VALVE - BRAKE.....	540
FIGURE 9-26. VALVE - FRAME SECONDARY CONTROL	542
FIGURE 9-27. VALVE - MAIN CONTROL	544
FIGURE 9-28. VALVE - OUTRIGGER	546
FIGURE 9-29. VALVE - PIPE GRAPPLE	548
FIGURE 9-30. VALVE AND FITTING SUB-ASSEMBLY - STEERING SELECT	550
SECTION 10 - ELECTRICAL.....	553
FIGURE 10-1. ELECTRICAL INSTALLATION (74HP ULS).....	554
FIGURE 10-2. ELECTRICAL INSTALLATION (130HP ULS).....	558
FIGURE 10-3. ELECTRICAL INSTALLATION (130HP LS)	562
FIGURE 10-4. AIR SHUT OFF VALVE ENGINE HARNESS	566
FIGURE 10-5. AIR SHUT OFF VALVE CAB HARNESS.....	568
FIGURE 10-6. ALARM INSTALLATION - BACK-UP.....	570
FIGURE 10-7. ALARM INSTALLATION - BACK-UP (WHITE NOISE).....	572
FIGURE 10-8. BATTERY INSTALLATION.....	574

TABLE OF CONTENTS

FIGURE 10-9. BATTERY BLANKET INSTALLATION.....	576
FIGURE 10-10. BOOM EXTEND HARNESS	578
FIGURE 10-11. CAB POWER DISTRIBUTION HARNESS.....	580
FIGURE 10-12. CLEARSKY CANBUS TELEMATICS INSTALLATION	586
FIGURE 10-13. CLEARSKY INSTALLATION CANBUS (ANSI).....	588
FIGURE 10-14. CLEARSKY INSTALLATION CANBUS (CE)	590
FIGURE 10-15. CLEARSKYTELEMATICS HARNESS	592
FIGURE 10-16. CLEARSKY TELEMATICS HARNESS	594
FIGURE 10-17. CLEARSKYTELEMATICS GATEWAY HARNESS	596
FIGURE 10-18. CLEARSKY TELEMATICS 3-WIRE INSTALLATION.....	598
FIGURE 10-19. CLEARSKY TELEMATICS 3-WIRE HARNESS.....	600
FIGURE 10-20. COLD WEATHER PACKAGE INSTALLATION (74HP ULS)	602
FIGURE 10-21. COLD WEATHER PACKAGE INSTALLATION (130HP LS).....	604
FIGURE 10-22. ENGINE HARNESS, 74HP ULS	606
FIGURE 10-23. ENGINE HARNESS - 130HP ULS	612
FIGURE 10-24. ENGINE HARNESS 130HP LS.....	620
FIGURE 10-25. HVAC HARNESS.....	624
FIGURE 10-26. LIGHTS - BEACON INSTALLATION (ENCLOSED CAB)	626
FIGURE 10-27. LIGHTS - BEACON INSTALLATION (OPEN CAB).....	628
FIGURE 10-28. LIGHTS - BEACON OPTION HARNESS	630
FIGURE 10-29. ROADLIGHT PACKAGE INSTALLATION	632
FIGURE 10-30. LIGHTS - ROADLIGHT ASSEMBLY (LH).....	634
FIGURE 10-31. LIGHTS - ROADLIGHT ASSEMBLY (RH)	636
FIGURE 10-32. LIGHTS - ROADLIGHT BRACKET ASSEMBLY (LH)	638
FIGURE 10-33. LIGHTS - ROADLIGHT BRACKET ASSEMBLY (RH)	640
FIGURE 10-34. LIGHTS - ROADLIGHT WORKLIGHT HARNESS	642
FIGURE 10-35. LIGHTS - ROADLIGHT OPTION HARNESS	644
FIGURE 10-36. LIGHTS - WORKLIGHT PACKAGE INSTALLATION (LED)	646
FIGURE 10-37. LIGHTS - WORKLIGHT ASSEMBLY - LED (RH)	648
FIGURE 10-38. LIGHTS - WORKLIGHT ASSEMBLY - LED (LH).....	650
FIGURE 10-39. LIGHTS - WORK LIGHT OPTION HARNESS	652
FIGURE 10-40. LIGHTS - WORKLIGHT BOOM HARNESS	654
FIGURE 10-41. LOGIC HARNESS.....	656
FIGURE 10-42. RELAY PANEL INSTALLATION.....	658
FIGURE 10-43. REVERSE CAMERA (Prior to SN 0160117103).....	660
FIGURE 10-44. REVERSE CAMERA (SN 0160117103 to Present)	662
FIGURE 10-45. RELAY PANEL COVER ASSEMBLY.....	664
FIGURE 10-46. REVERSE CAMERA OPTION HARNESS.....	666
FIGURE 10-47. REVERSE SENSOR INSTALLATION	668
FIGURE 10-48. REVERSE SENSOR HARNESS.....	670
FIGURE 10-49. TANK HEATER INSTALLATION - HYDRAULIC TANK.....	672
FIGURE 10-50. TBAP HARNESS	674
FIGURE 10-51. WIPER HARNESS.....	676
SECTION 11 - DECALS.....	679
FIGURE 11-1. DECALS INSTALLATION (74HP) (ANSI)	680

TABLE OF CONTENTS

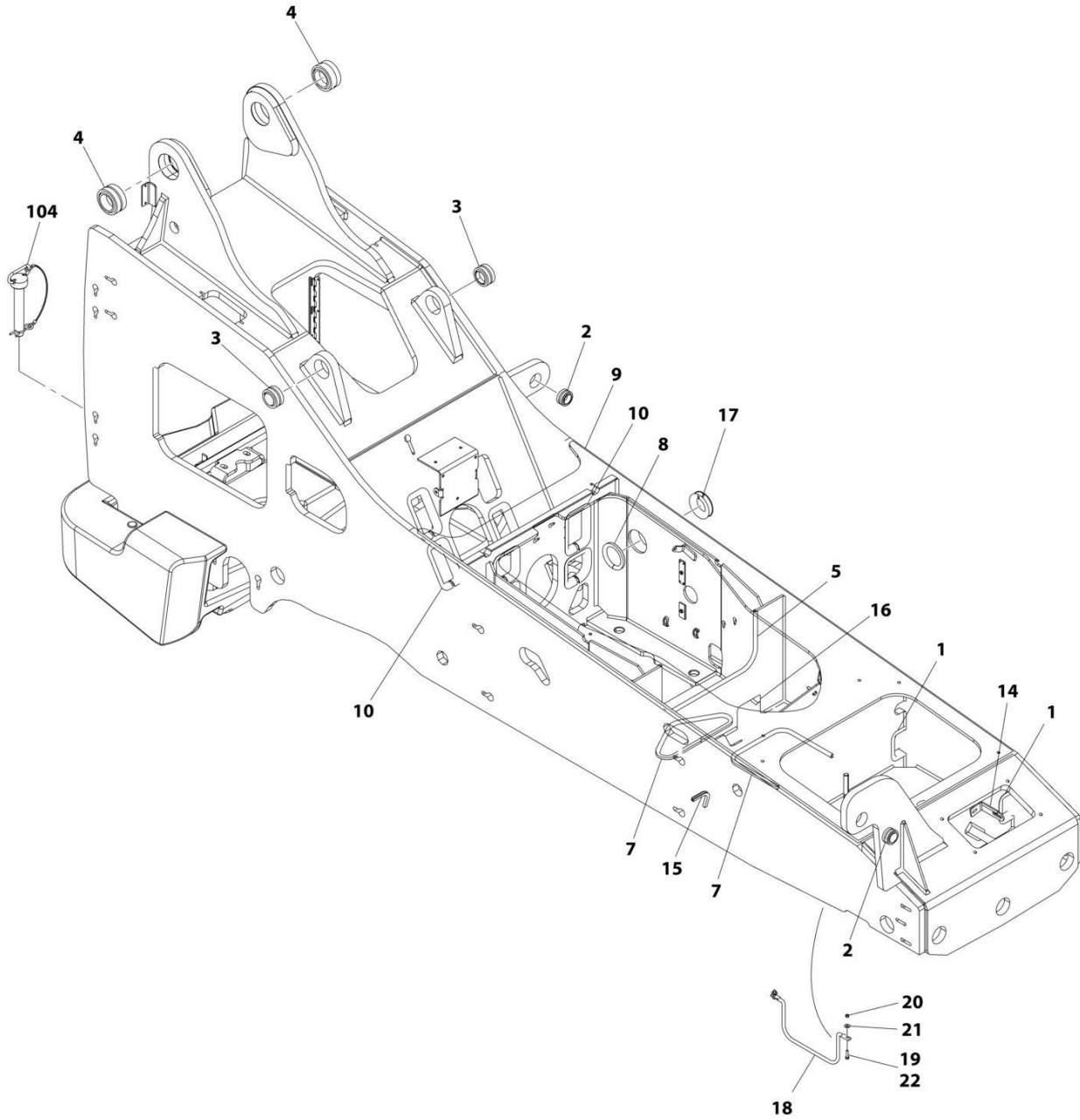
FIGURE 11-2. DECALS INSTALLATION (74HP) (ENGLISH/FRENCH).....	684
FIGURE 11-3. DECALS INSTALLATION (74HP) (ENGLISH/SPANISH).....	688
FIGURE 11-4. DECALS INSTALLATION (130HP) (ANSI).....	692
FIGURE 11-5. DECALS INSTALLATION (130HP) (ENGLISH/FRENCH).....	696
FIGURE 11-6. DECALS INSTALLATION (130HP) (ENGLISH/SPANISH).....	700
FIGURE 11-7. DECALS INSTALLATION (130HP) (ISO).....	704
FIGURE 11-8. DECAL INSTALLATION (BRAND AND MODELS).....	708
FIGURE 11-9. BOOM DECALS INSTALLATION (PVC 2011).....	710
FIGURE 11-10. CLEARSKY DECALS INSTALLATION.....	712
FIGURE 11-11. LOADCHART BOOKLET (ANSI).....	714
FIGURE 11-12. LOADCHART BOOKLET (ISO).....	716
FIGURE 11-13. REVERSE SENSOR SYSTEM DECAL (ENGLISH).....	718
FIGURE 11-14. REVERSE SENSOR SYSTEM DECAL (ENGLISH/FRENCH).....	720
FIGURE 11-15. REVERSE SENSOR SYSTEM DECAL (ENGLISH/SPANISH).....	722
FIGURE 11-16. REVERSE SENSOR SYSTEM DECAL (ISO).....	724
SECTION 12 - RECOMMENDED SERVICE PARTS STOCK.....	727
FIGURE 12-1. RECOMMENDED SERVICE PARTS STOCK.....	728
SECTION 13 - SPECIAL OPTIONS/ACCESSORIES/KITS.....	731
FIGURE 13-1. SPECIAL OPTIONS/ACCESSORIES/KITS.....	732
PART NUMBER INDEX.....	735

SECTION 1 - FRAME AND ATTACHING PARTS

SECTION 1 - FRAME AND ATTACHING PARTS

SECTION 1 - FRAME AND ATTACHING PARTS

FIGURE 1-1. FRAME COMPONENTS INSTALLATION



ART_1001241711-B

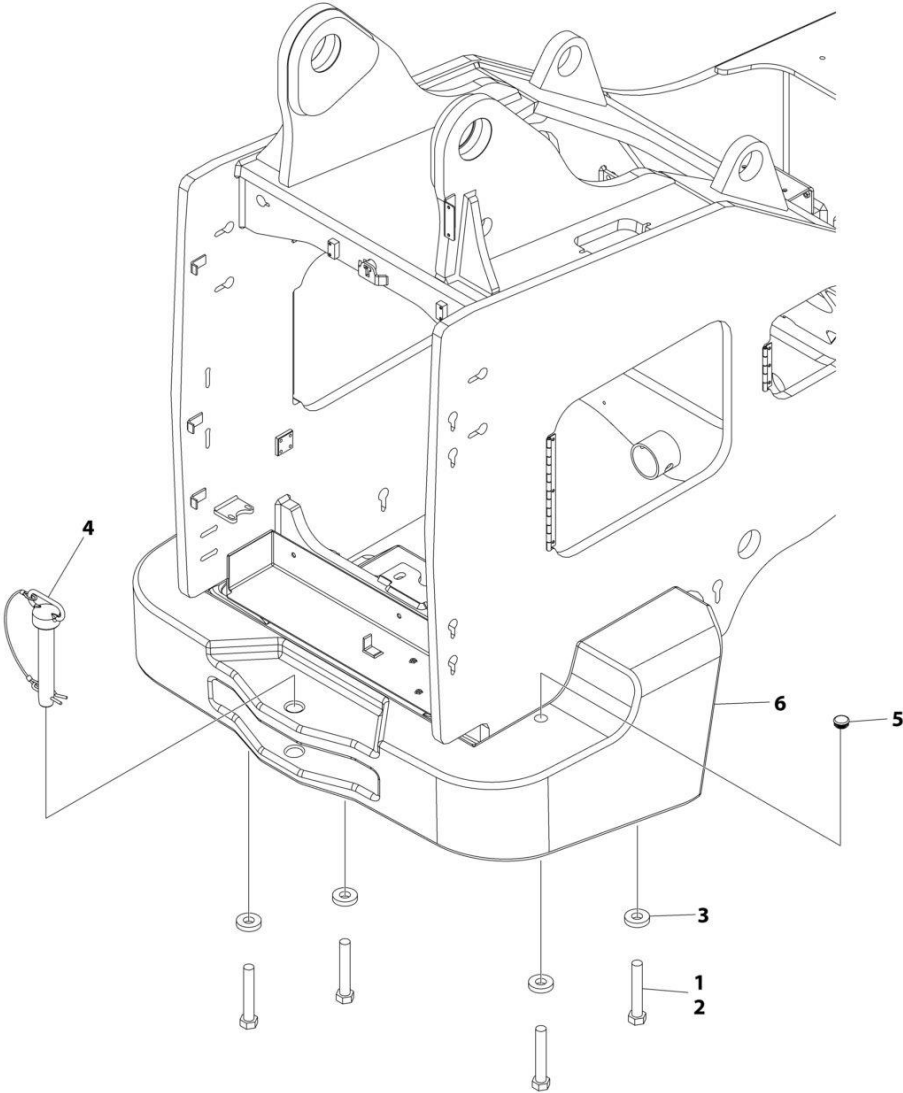
SECTION 1 - FRAME AND ATTACHING PARTS

FIGURE 1-1. FRAME COMPONENTS INSTALLATION

ITEM	PART NUMBER	QTY	DESCRIPTION	REV
	1001241711	Ref	Frame Components Installation	B
1	7124451	4	Conduit, 1X8	
2	8050001	2	Bearing, Self-Align	
3	8065640	4	Bearing, Self-Align	
4	8065641	2	Bearing, Self-Align	
5	1001172658	1	Conduit, 1/2X41	
7	1001177190	2	Conduit, 1/2X28	
8	1001177192	1	Conduit, 1/2X12-1/2	
9	N.S.S.	1	Weldment, Frame	
10	1001174227	7	Conduit, 1X21-1/2	
14	4060804	4 in	Shield, Flex Trim 3/16	
15	4060805	6 in	Shield, Flex Trim 1/4	
16	7124301	2	Conduit, 1/2X15-1/2	
17	7124471	2	Conduit, 1X12-1/2	
18	1001165057	1	Bracket, Cab Hose	
19	0641510	2	Bolt, 5/16-18X1	
20	8305006	2	Nut, Hex 5/16-18	
21	8307203	2	Washer, Plain 5/16	
22	0100011	AR	Compound, Locking	

SECTION 1 - FRAME AND ATTACHING PARTS

FIGURE 1-2. COUNTERWEIGHT INSTALLATION



ART_1001246923

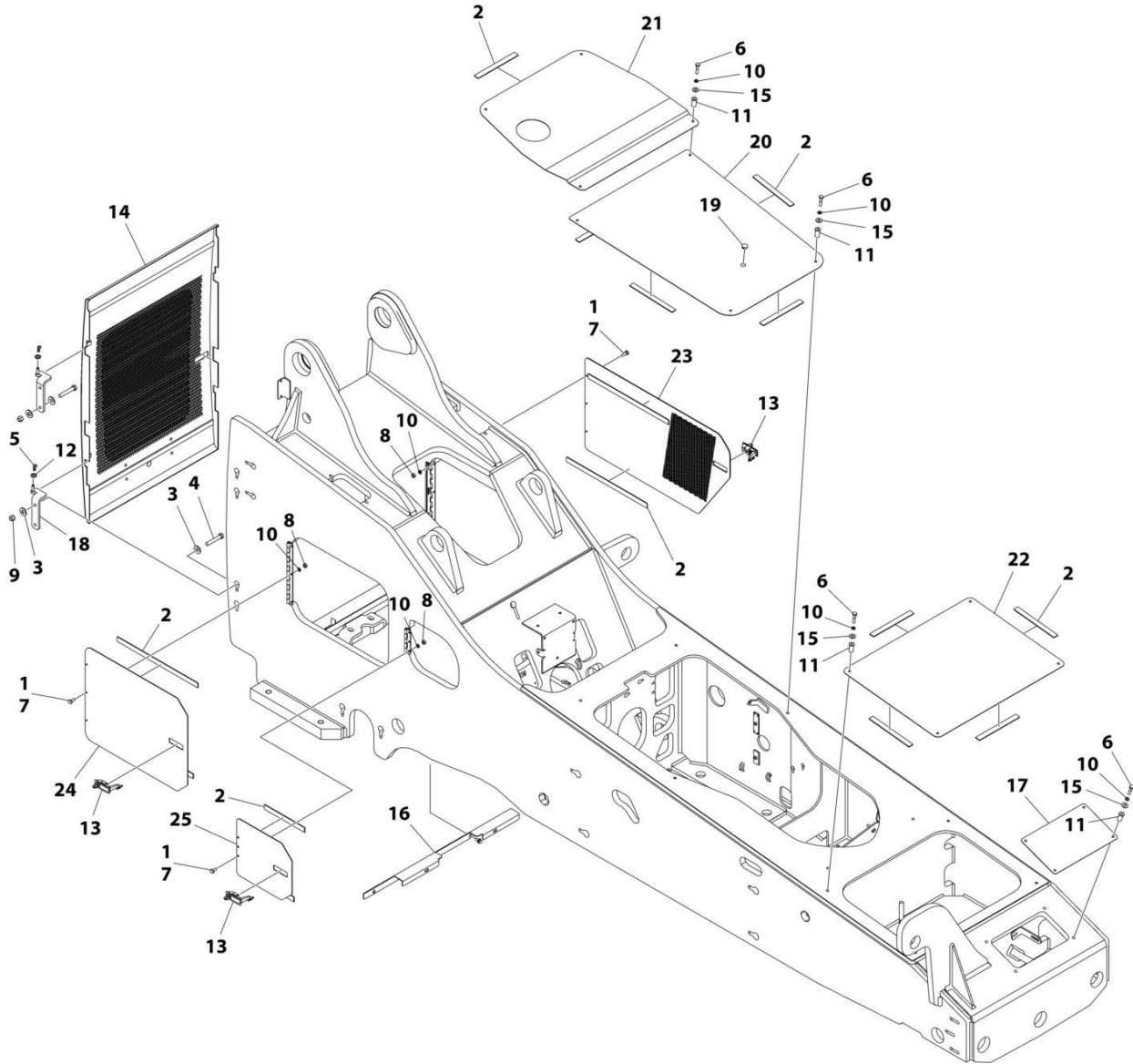
SECTION 1 - FRAME AND ATTACHING PARTS

FIGURE 1-2. COUNTERWEIGHT INSTALLATION

ITEM	PART NUMBER	QTY	DESCRIPTION	REV
	1001246923	Ref	COUNTERWEIGHT INSTALLATION	B
1	0100019	AR	Compound, Locking	
2	0682648	4	Bolt 1 x 6 Grade 8	
3	80241137	4	Washer	
4	1001160250	1	Pin, Hitch	
5	1001195952	2	Plug	
6	1001246922	1	Counterweight	

SECTION 1 - FRAME AND ATTACHING PARTS

FIGURE 1-3. FRAME COVERS INSTALLATION



ART_1001242031

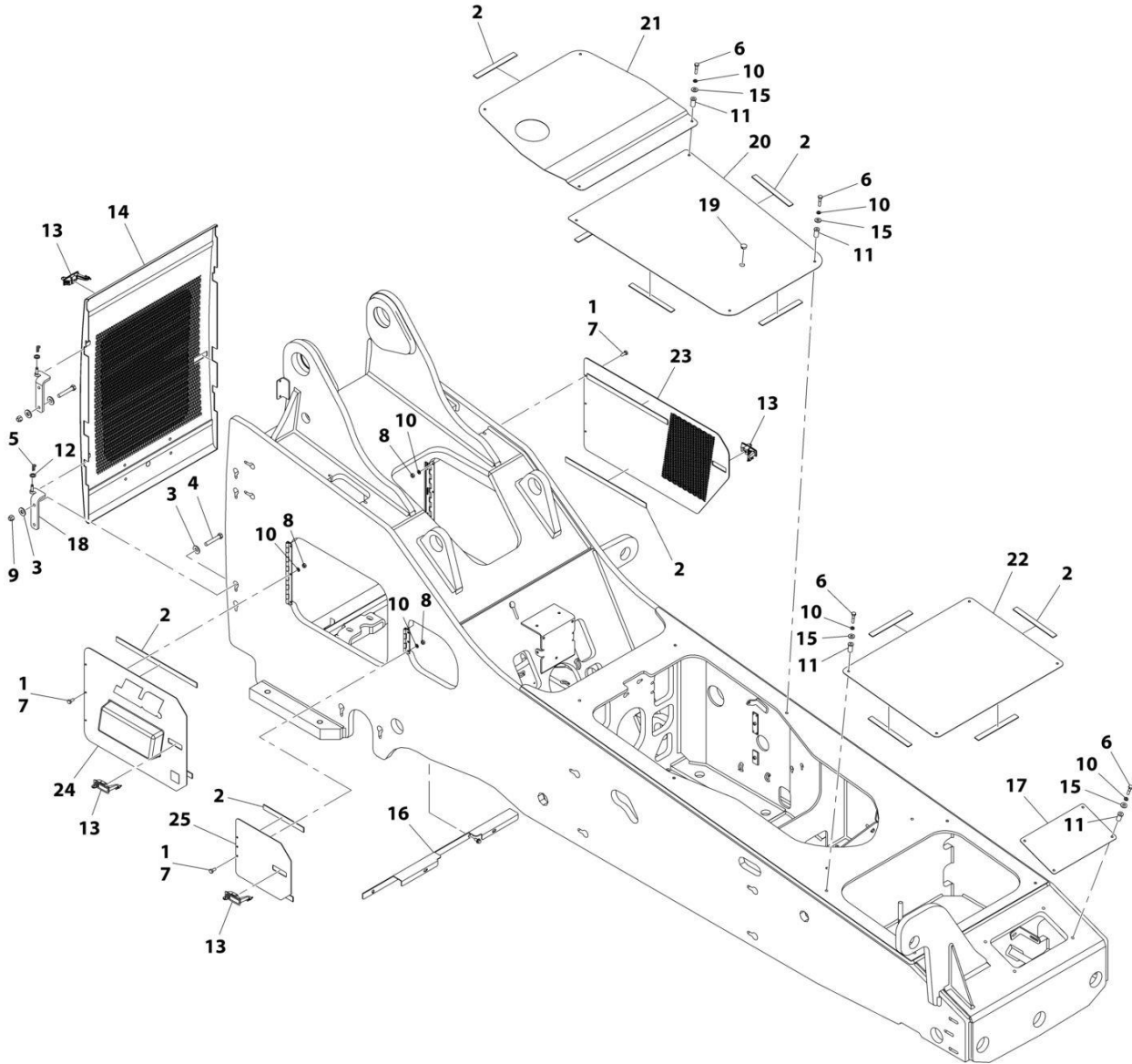
SECTION 1 - FRAME AND ATTACHING PARTS

FIGURE 1-3. FRAME COVERS INSTALLATION

ITEM	PART NUMBER	QTY	DESCRIPTION	REV
	1001242031	Ref	FRAME COVERS INSTALLATION	D
1	0100011	AR	Compound, Locking	
2	4420037	190 in	Tape, Insulation	
3	8307204	8	Washer 3/8	
4	0641618	4	Bolt 3/8 x 2-1/4	
5	8302470	2	Pin, Hair	
6	8303615	14	Bolt 1/4 x 1-1/4	
7	8303729	9	Bolt 1/4 x 5/8	
8	8305004	9	Nut 1/4	
9	8305645	4	Nut 3/8	
10	8307002	23	Washer 1/4	
11	8580420	14	Nut, Well	
12	10732150	2	Washer M10	
13	1001190341	3	Latch, Adjustable Trigger	
14	1001242032	1	Assembly, Rear Door	
15	8307202	14	Washer 1/4	
16	1001127864	1	Installation, Dust Shield (See Separate Breakdown in this Section)	
17	1001192390	1	Cover, Front	
18	1001159319	2	Mount, Rear Door	
19	3520030	1	Plug, Hole	
20	1001242035	1	Cover, Lower Transmission	
21	7139407	1	Cover, Upper Transmission	
22	7139047	1	Cover, Counterweight	
23	1001169006	1	Panel, Left Side Access	
24	1001171384	1	Panel, Engine Access Right Side	
25	1001171385	1	Panel, Air Cleaner Access	

SECTION 1 - FRAME AND ATTACHING PARTS

FIGURE 1-4. FRAME COVERS INSTALLATION W/AIR SHUT OFF VALVE



ART_1001244085-C

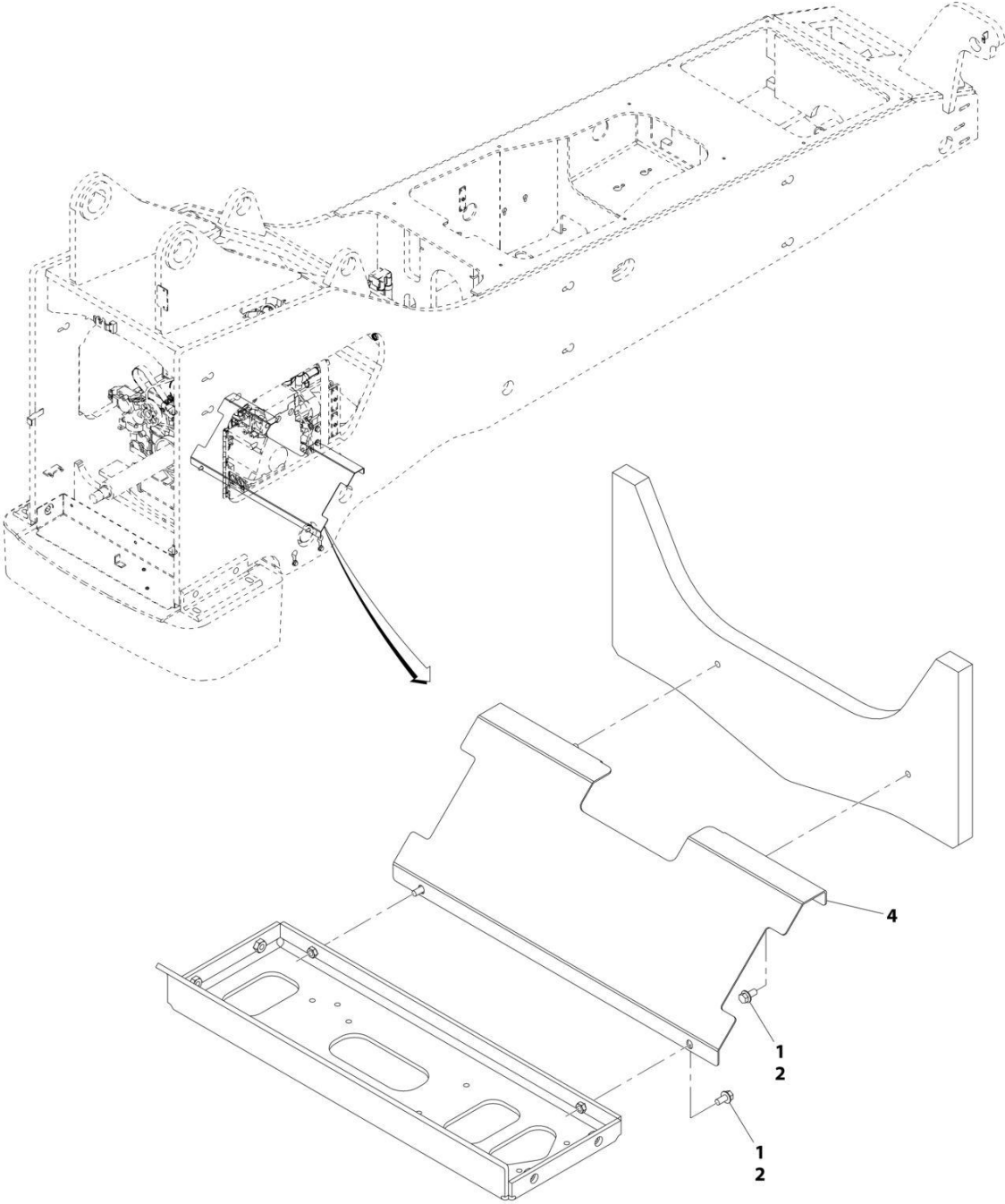
SECTION 1 - FRAME AND ATTACHING PARTS

FIGURE 1-4. FRAME COVERS INSTALLATION W/AIR SHUT OFF VALVE

ITEM	PART NUMBER	QTY	DESCRIPTION	REV
	1001244085	Ref	Frame Covers Installation W/Air Shut Off Valve	C
1	0100011	AR	Compound, Locking	
2	4420037	190 in	Tape, Insulation	
3	8307204	8	Washer, 3/8	
4	0641618	4	Bolt, 3/8-16X2-1/4	
5	8302470	2	Pin, Hair	
6	8303615	14	Bolt, 1/4-20X1-1/4	
7	8303729	9	Bolt, 1/4-20X5/8	
8	8305004	9	Nut, Hex 1/4-20	
9	8305645	4	Nut, Lock 3/8-16	
10	8307002	23	Washer, Lock 1/4	
11	8580420	14	Nut, Well	
12	10732150	2	Washer, Flat M10	
13	1001190341	4	Latch, Adjustable Trigger	
14	1001242032	1	Assembly, Door Rear	
15	8307202	14	Washer, Plain 1/4	
16	1001127864	1	Installation, Dust Shield (See Separate Breakdown in this Section)	
17	1001192390	1	Cover, Front	
18	1001159319	2	Mount, Rear Door	
19	3520030	1	Plug, Hole	
20	1001242035	1	Cover, Lower Transmission	
21	7139407	1	Cover, Upper Transmission	
22	7139047	1	Cover, Counterweight	
23	1001169006	1	Panel, Left Side Access	
24	1001216291	1	Panel, Engine Access Right Side	
25	1001171385	1	Panel, Air Cleaner Access	

SECTION 1 - FRAME AND ATTACHING PARTS

FIGURE 1-5. DUST SHIELD INSTALLATION



ART_1001127864-B

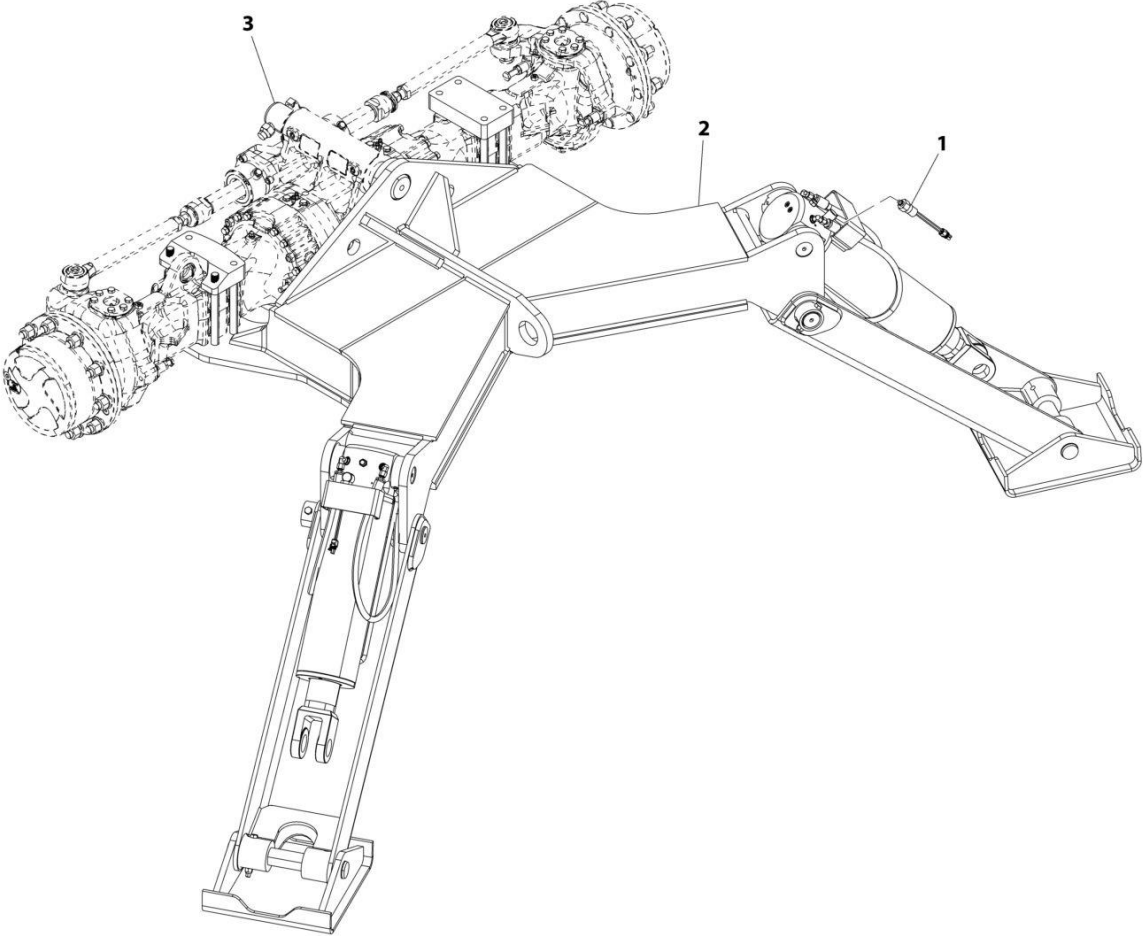
SECTION 1 - FRAME AND ATTACHING PARTS

FIGURE 1-5. DUST SHIELD INSTALLATION

ITEM	PART NUMBER	QTY	DESCRIPTION	REV
	1001127864	Ref	Dust Shield Installation	B
1	0100011	AR	Compound, Locking	
2	0791606	4	Bolt, 3/8-16X3/4	
4	1001127867	1	Panel, Dust Baffle Front	

SECTION 1 - FRAME AND ATTACHING PARTS

FIGURE 1-6. OUTRIGGER INSTALLATION



ART_1001242960-B

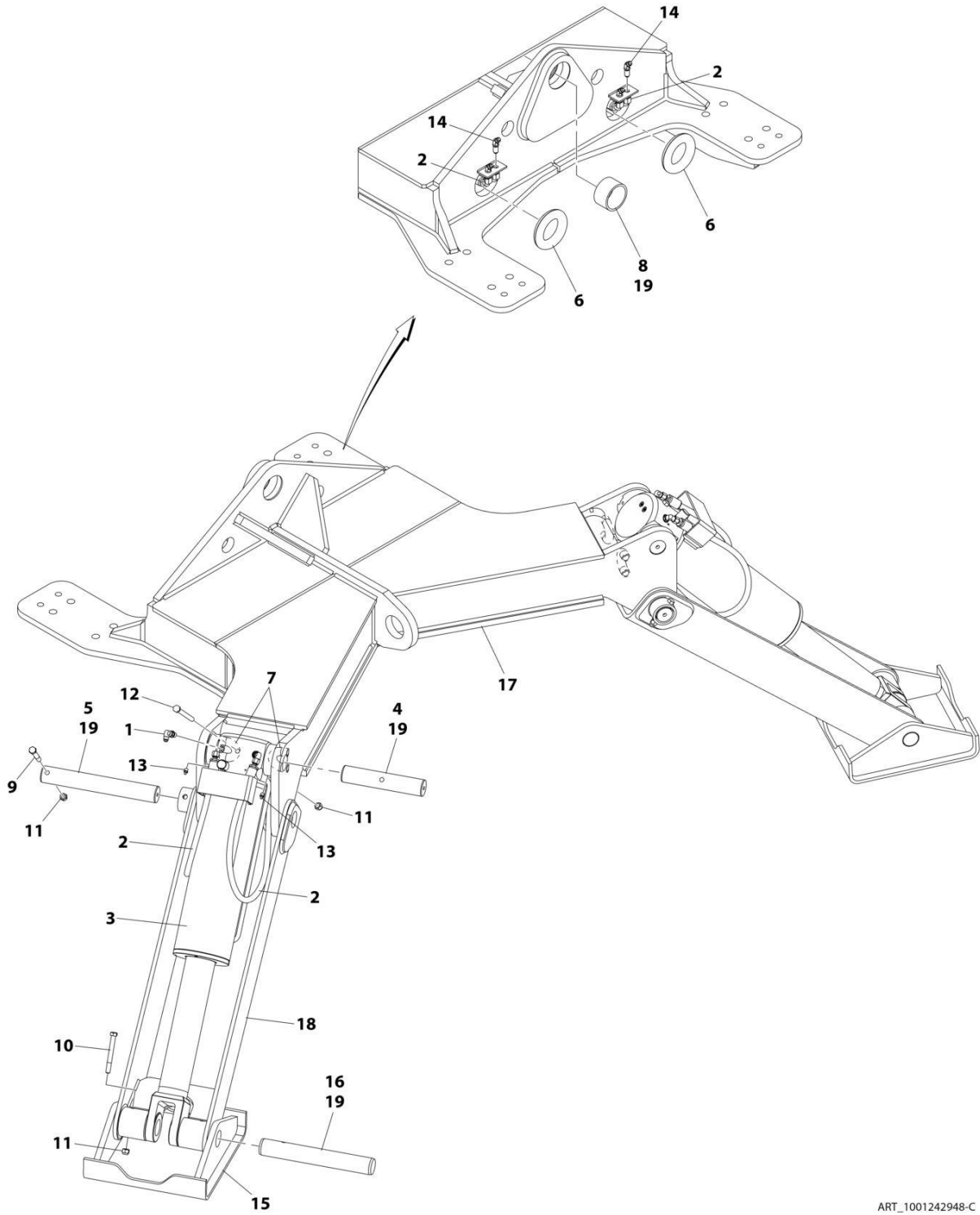
SECTION 1 - FRAME AND ATTACHING PARTS

FIGURE 1-6. OUTRIGGER INSTALLATION

ITEM	PART NUMBER	QTY	DESCRIPTION	REV
1	1001242960	Ref	Outrigger Installation	B
1	8223536	2	Switch, Pressure	
2	1001242948	1	Installation, Outriggers Sub-Assembly (See Separate Breakdown in this Section)	
3	1001242959	1	Installation, Outriggers Mounting (See Separate Breakdown in this Section)	

SECTION 1 - FRAME AND ATTACHING PARTS

FIGURE 1-7. OUTRIGGER SUB-ASSEMBLY INSTALLATION



ART_1001242948-C

SECTION 1 - FRAME AND ATTACHING PARTS

FIGURE 1-7. OUTRIGGER SUB-ASSEMBLY INSTALLATION

ITEM	PART NUMBER	QTY	DESCRIPTION	REV
	1001242948	Ref	Outrigger Sub-Assembly Installation	C
1	2220473	4	Adapter, 90	
2	2716709	4	Hose	
3	1001239183	2	Cylinder, Outrigger (See Separate Breakdown in HYDRAULIC COMPONENTS Section)	
4	7090871	2	Pin, Cylinder Pivot Outrigger	
5	7090891	2	Pin, Leg Pivot Outrigger	
6	7124491	2	Conduit, 1X15-1/2	
7	7125801	4	Conduit, 3/4X4	
8	8065063	1	Bushing	
9	8303628	2	Bolt, 1/2-13X3-3/4	
10	8303629	2	Bolt, 1/2-13X4-1/2	
11	8305644	6	Nut, Lock 1/2-13	
12	0641864	2	Bolt	
13	8520001	8	Fitting, Straight Lube 1/8	
14	8770189	4	Adapter, 45	
15	1001141892	2	Stabilizer, Pad Weld	
16	1001147515	2	Pin, Outrigger Shoe	
17	1001242920	1	Weldment, Stabilizer Frame	
18	1001244577	2	Weldment, Stabilizer Leg	
19	8522012	AR	Lube, Anti-Seize	

SECTION 1 - FRAME AND ATTACHING PARTS

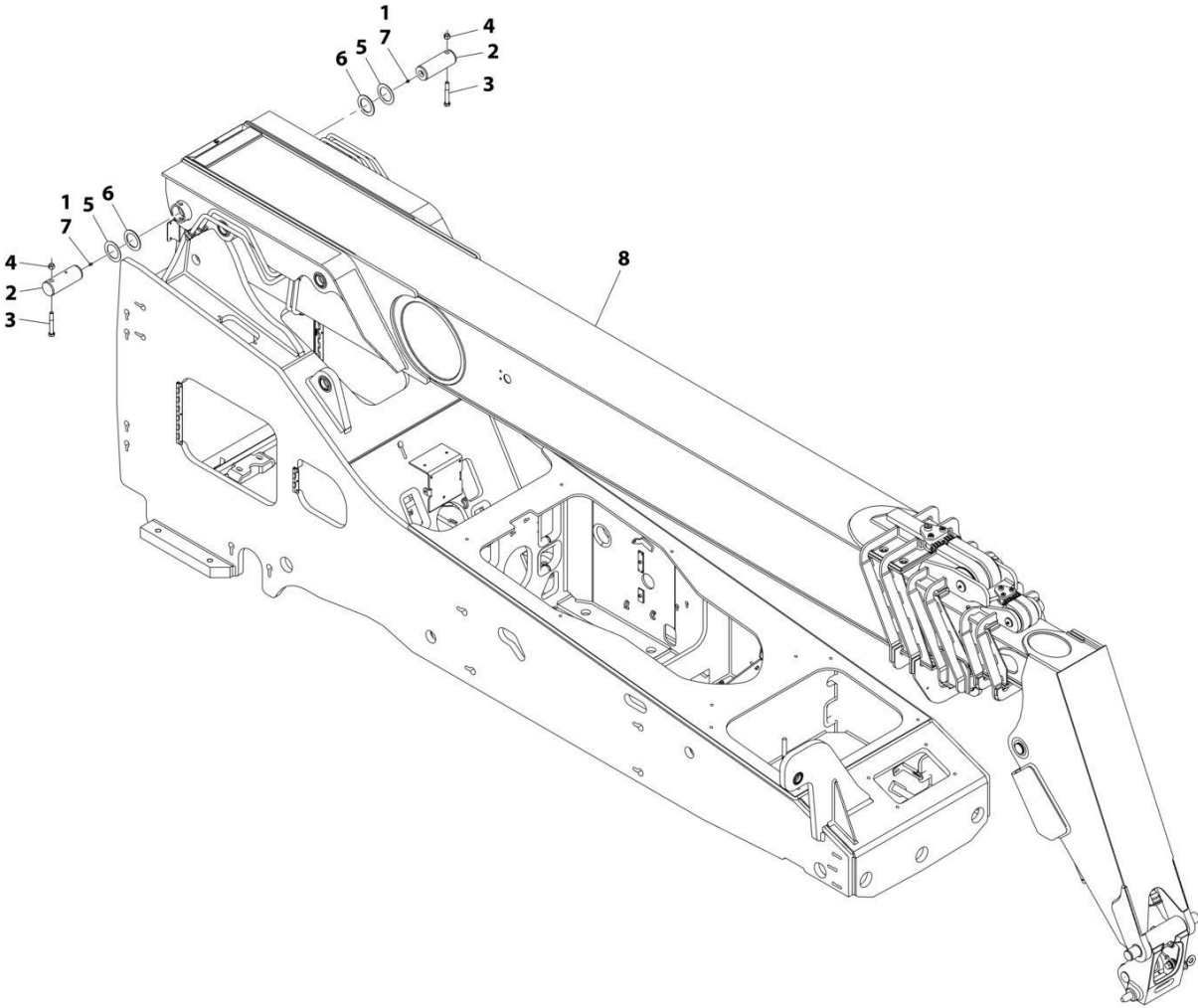
FIGURE 1-8. OUTRIGGER MOUNTING INSTALLATION

ITEM	PART NUMBER	QTY	DESCRIPTION	REV
	1001242959	Ref	Outrigger Mounting Installation	C
1	0100019	AR	Compound, Locking	
2	0642640	1	Bolt, 1-8X5	
3	0682418	4	Bolt, 7/8-9X2	
4	3423248	1	Pin, Axle/Outrigger	
5	4892400	12	Washer	
6	1001245213	AR	Washer, Shim 0.06	
7	1001245215	AR	Washer, Shim 0.12	
8	8310116	1	Nut, Lock 1-8	
9	1001250165	8	Bolt	
10	1001232517	1	Brace	
11	1001232518	1	Brace	
12	1001244592	2	Stop, Block Outrigger	
13	8522012	AR	Lube, Anti-Seize	
14	1001245214	AR	Washer, Shim 0.09	

SECTION 2 - BOOM

SECTION 2 - BOOM

FIGURE 2-1. BOOM INSTALLATION



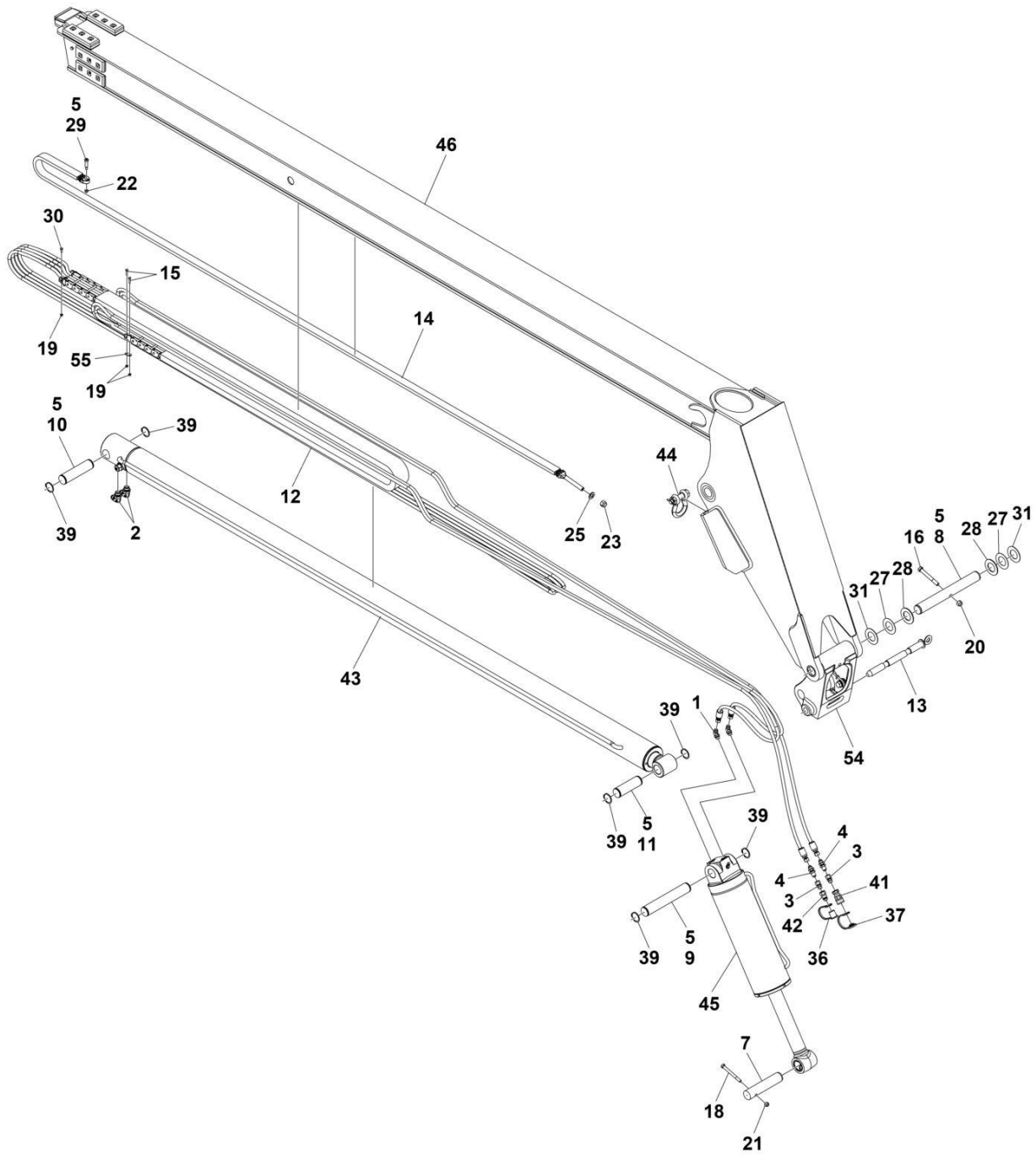
ART_1001239473-A

FIGURE 2-1. BOOM INSTALLATION

ITEM	PART NUMBER	QTY	DESCRIPTION	REV
	1001239473	Ref	Boom Installation	A
1	3020039	AR	Lube	
2	3423226	2	Pin, Boom Pivot	
3	8303655	2	Bolt, 5/8-11X4-1/2	
4	8305643	2	Nut, Lock 5/8-11	
5	8307910	AR	Washer, Shim	
6	8307911	AR	Washer, Shim	
7	8520013	2	Fitting, Straight Lube 1/8	
8	1001239474	1	Boom, Assembly (See Separate Breakdown in this Section)	

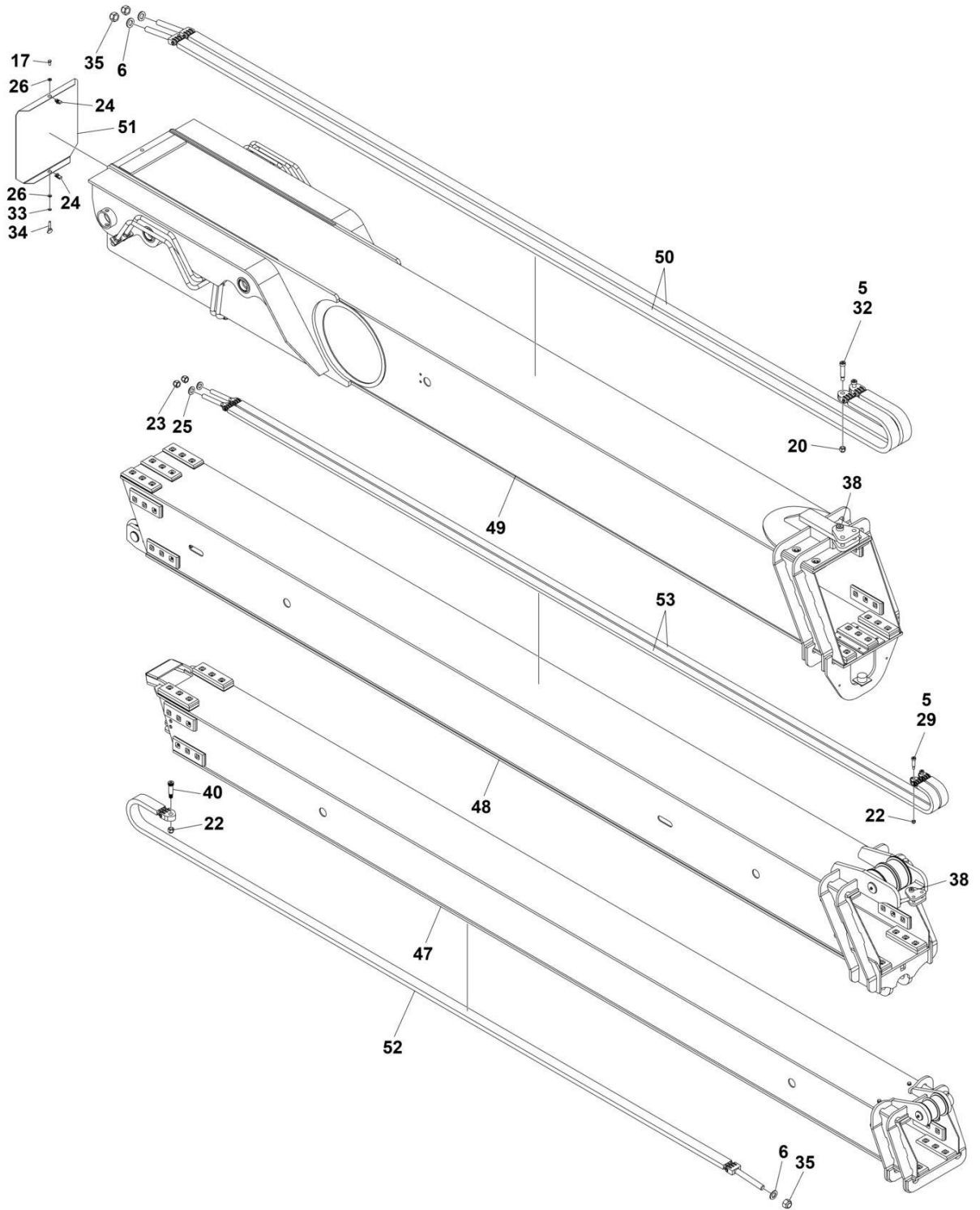
SECTION 2 - BOOM

FIGURE 2-2. BOOM ASSEMBLY



ART_1001239474_E_1OF2

SECTION 2 - BOOM



ART_1001239474_E_20F2

SECTION 2 - BOOM

FIGURE 2-2. BOOM ASSEMBLY

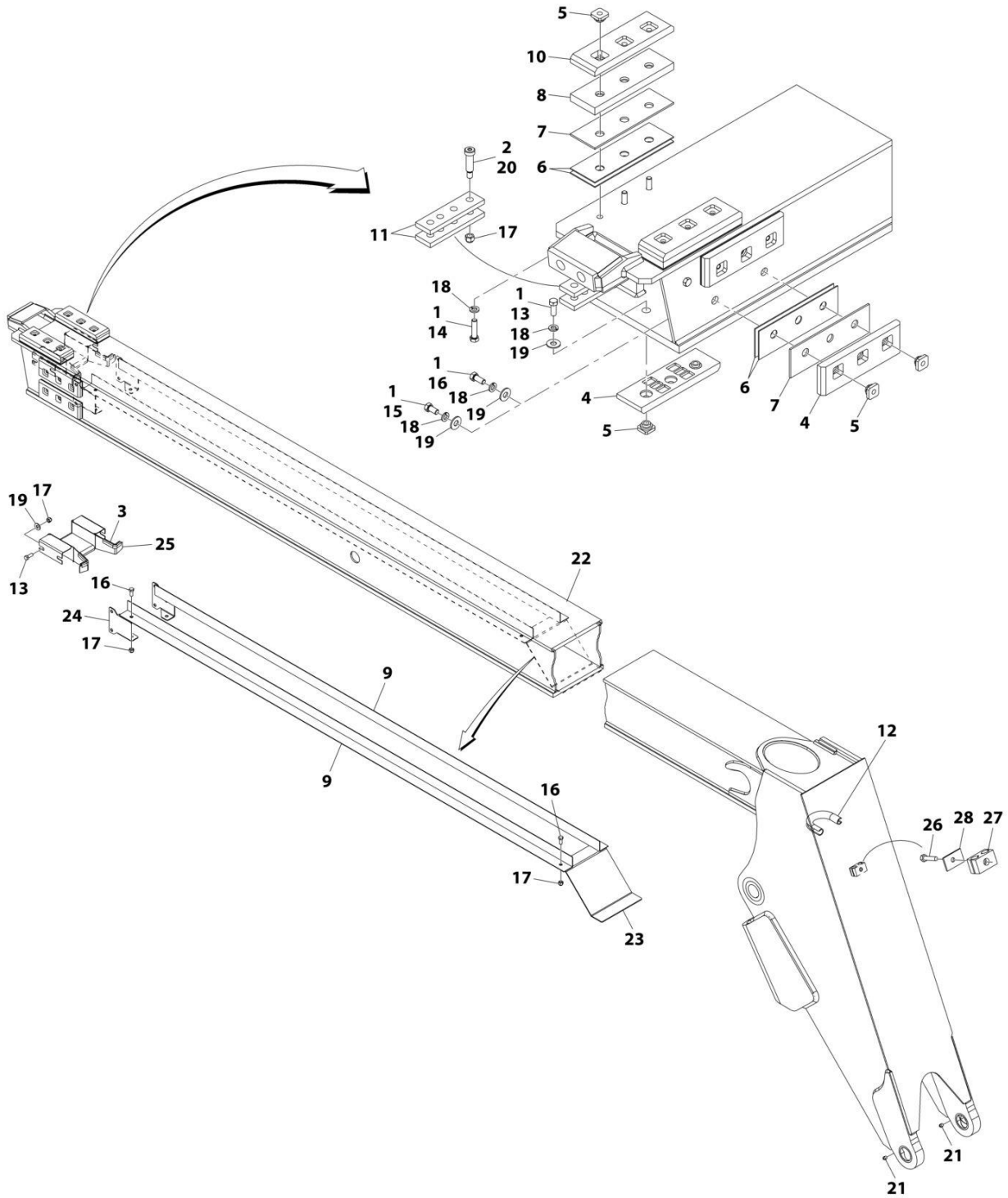
ITEM	PART NUMBER	QTY	DESCRIPTION	REV
	1001239474	Ref	Boom Assembly	E
1	2220500	2	Adapter, 45	
2	2220578	2	Adapter, 90	
3	2220651	2	Adapter, Bulkhead Straight	
4	2230025	2	Adapter, Bulkhead Straight	
5	3020039	AR	Lube	
6	4812700	3	Washer	
7	7083992	1	Pin, Rod End	
8	7095352	1	Pin, Carriage Pivot	
9	7095522	1	Pin, Base End	
10	7096552	1	Pin, Base End	
11	7096562	1	Pin, Rod End	
12	7112452	1	Assembly, Hose and Carrier (See Separate Breakdown in this Section)	
13	7118892	1	Assembly, Lock Pin	
14	7139692	1	Assembly, Retract Chain and Clevis (See Separate Breakdown in this Section)	
15	0641409	4	Bolt, 1/4X1-1/8	
16	8303666	1	Bolt, 5/8-11X5	
17	8303697	1	Bolt, 5/16-18X3/4	
18	8303772	1	Bolt, 1/2-13X5	
19	8305624	8	Nut, Lock 1/4-20	
20	8305643	4	Nut, Lock 5/8-11	
21	8305644	1	Nut, Lock 1/2-13	
22	8305645	3	Nut, Lock 3/8-16	
23	8305646	3	Nut, Lock 3/4-16	
24	8305906	2	Nut, Retainer 5/16-18	
25	8307104	3	Washer, Plain 3/4	
26	8307106	2	Washer, Plain 5/16	
27	8307904	AR	Washer, Shim	
28	8307918	2	Washer, Shim	
29	8310019	3	Screw, Shoulder 1/2X1-1/2X3/8-16	
30	8310026	4	Bolt, 1/4-20X3/4	
31	8310093	AR	Washer, Shim	
32	8310205	2	Bolt, Shoulder 3/4X2-1/2X5/8-11	
33	8310431	1	Washer, Lock 5/16	
34	8310497	1	Screw, Thumb 5/16-18X1-1/2	
35	8310672	3	Nut	
36	8420053	1	Cap, Dust	
37	8420055	1	Plug, Dust	
38	8526406	AR	Sealant, Varnish	
39	8642224	6	Ring, Retaining	
40	88251074	1	Bolt	
41	91403413	1	Adapter, Quick Disconnect	
42	91403414	1	Adapter, Quick Disconnect	
43	1001156009	1	Extend/Retract Cylinder (See Separate Breakdown in HYDRAULIC COMPONENTS Section)	
44	1001204045	1	Clevis, Bolt	
45	1001258911	1	Tilt Cylinder (See Separate Breakdown in HYDRAULIC COMPONENTS Section)	

SECTION 2 - BOOM

ITEM	PART NUMBER	QTY	DESCRIPTION	REV
46	1001239475	1	Assembly, Fourth Boom Section (See Separate Breakdown in this Section)	
47	1001239476	1	Assembly, Third Boom Section (See Separate Breakdown in this Section)	
48	1001239477	1	Assembly, Second Boom Section (See Separate Breakdown in this Section)	
49	1001239478	1	Assembly, First Boom Section (See Separate Breakdown in this Section)	
50	1001241567	2	Chain	
51	1001242311	1	Cover Plate	
52	1001242608	1	Chain	
53	1001242923	2	Chain	
54	1001242996	1	Assembly, Coupler (See Separate Breakdown in this Section)	
55	1001258779	AR	Washer	
56	0761010	1	Bolt M10 x 20	
57	2221027	1	Fitting	
58	4812000	1	Washer M10	
59	1001272715	1	Plate	

SECTION 2 - BOOM

FIGURE 2-3. FOURTH BOOM SECTION ASSEMBLY



ART_1001239475-B

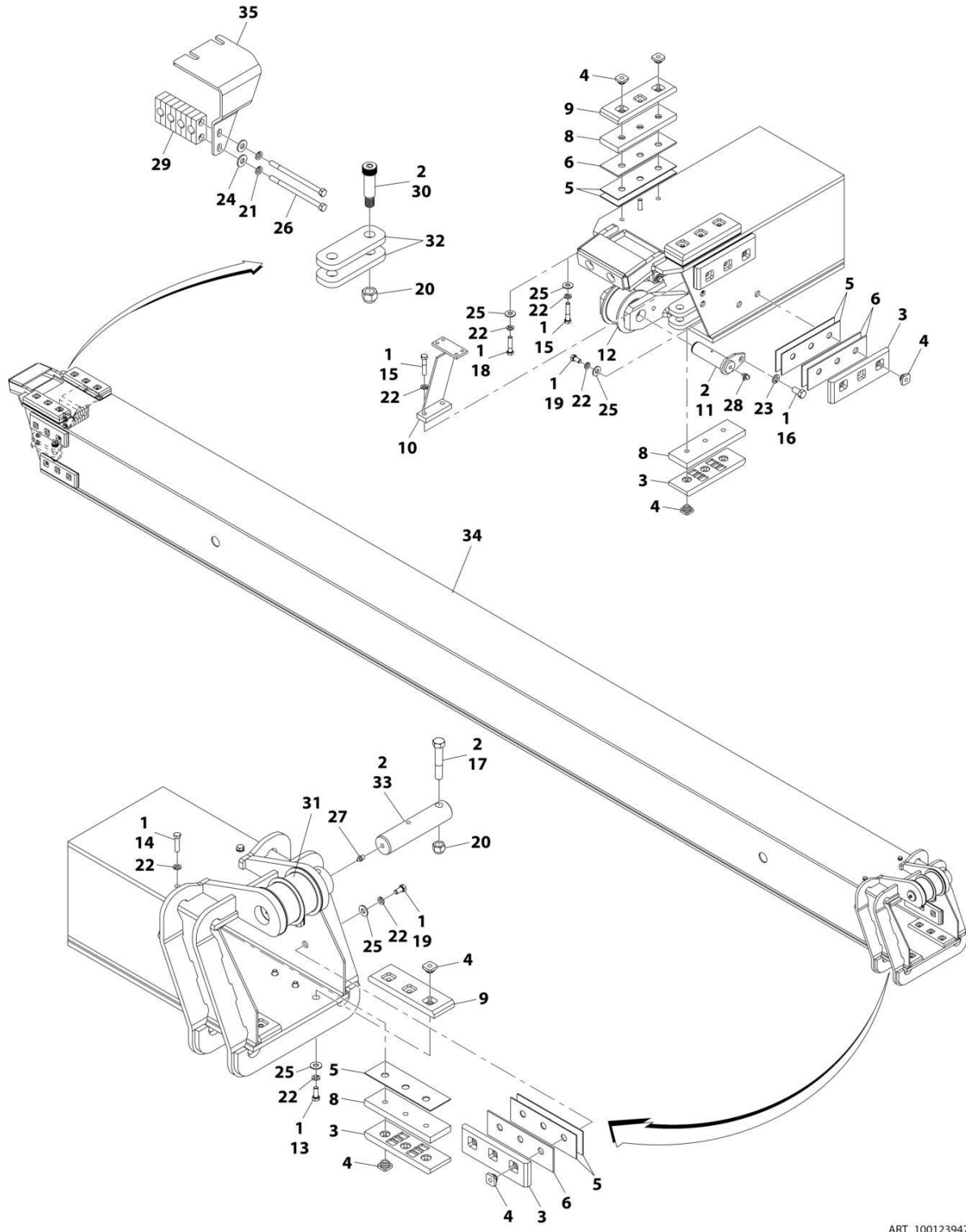
SECTION 2 - BOOM

FIGURE 2-3. FOURTH BOOM SECTION ASSEMBLY

ITEM	PART NUMBER	QTY	DESCRIPTION	REV
	1001239475	Ref	Fourth Boom Section Assembly	B
1	0100011	AR	Compound, Locking	
2	3020039	AR	Lube	
3	5746411	150 mm	Moulding	
4	7079572	5	Pad, Wear	
5	7082311	16	Insert, Wear Pad	
6	7082342	AR	Shim, Wear Pad	
7	7082362	AR	Shim, Wear Pad	
8	7096882	2	Spacer, Wear Pad	
9	7110172	2	Guide, Hose Carrier	
10	7111572	2	Pad, Wear	
11	7117031	2	Link	
12	7125811	1	Conduit, 3/4X8	
13	8303620	4	Bolt, 3/8-16X1	
14	8303621	6	Bolt, 3/8-16X1-1/2	
15	8303681	2	Bolt, 3/8-16X3/4	
16	8303738	10	Bolt, 3/8-16X7/8	
17	8305645	7	Nut, Lock 3/8-16	
18	8307005	16	Washer, Lock 3/8	
19	8307204	12	Washer, 3/8	
20	8310019	1	Screw, Shoulder 1/2X1-1/2X3/8-16	
21	8520001	2	Fitting, Straight Lube 1/8	
22	1001242203	1	Boom, Fourth Section	
23	1001242303	1	Bracket, Hose Support	
24	1001242305	2	Bracket, Hose Side Support	
25	1001248777	1	Bracket, Hose Carrier Support	
26	0641511	1	Bolt, 5/16-18X1-3/8	
27	8769122	1	Clamp Set, Twin 5/8	
28	8769123	1	Cover Plate, Twin	

SECTION 2 - BOOM

FIGURE 2-4. THIRD BOOM SECTION ASSEMBLY



ART_1001239476-B

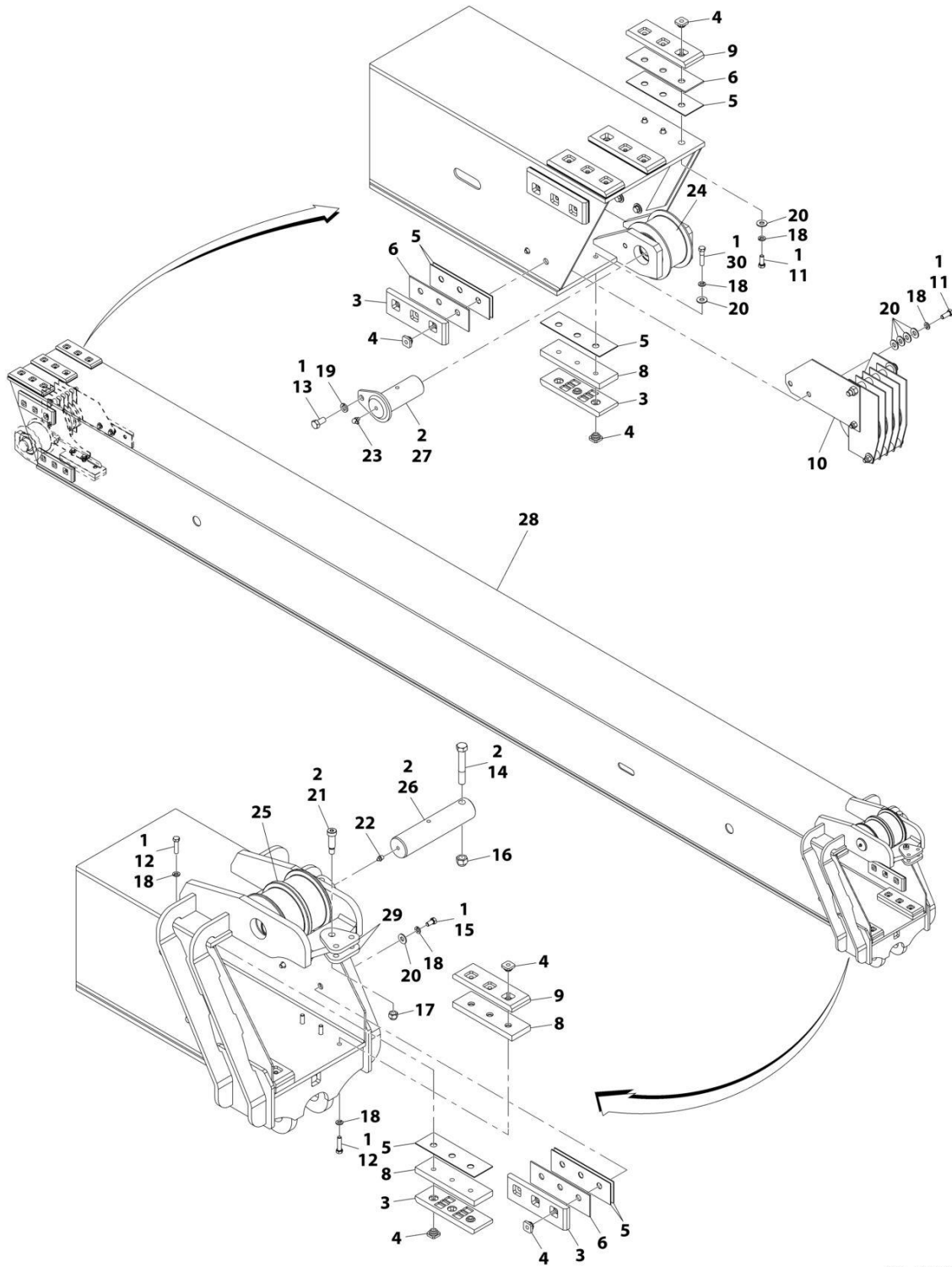
SECTION 2 - BOOM

FIGURE 2-4. THIRD BOOM SECTION ASSEMBLY

ITEM	PART NUMBER	QTY	DESCRIPTION	REV
	1001239476	Ref	Third Boom Section Assembly	B
1	0100011	AR	Compound, Locking	
2	3020039	AR	Lube	
3	7079572	11	Pad, Wear	
4	7082311	34	Insert, Wear Pad	
5	7082342	AR	Shim, Wear Pad	
6	7082362	AR	Shim, Wear Pad	
8	7096882	5	Spacer, Wear Pad	
9	7111572	4	Pad, Wear	
10	7112732	1	Support, Hose Clamp	
11	7138977	1	Pin, Retract Chain Sheave	
12	7138986	1	Sheave, Retract Chain	
13	8303620	6	Bolt, 3/8-16X1	
14	8303621	4	Bolt, 3/8-16X1-1/2	
15	8303622	4	Bolt, 3/8-16X2	
16	8303624	1	Bolt, 1/2-13X1	
17	8303633	1	Bolt	
18	8303679	4	Bolt, 3/8-16X1-3/4	
19	8303681	16	Bolt, 3/8-16X3/4	
20	8305643	2	Nut, Lock 5/8-11	
21	8307004	2	Washer, Lock 5/16	
22	8307005	34	Washer, Lock 3/8	
23	8307007	1	Washer, Lock 1/2	
24	8307203	2	Washer, 5/16	
25	8307204	28	Washer, 3/8	
26	8310081	2	Bolt, 5/16-18X5	
27	8520001	1	Fitting, Straight Lube 1/8	
28	8520003	1	Fitting, 90 Lube 1/8	
29	8750003	8	Clamp, Half 5/8	
31	1001168567	1	Roller, Extend Chain	
31	0440296	2	Bearing	
32	1001241369	2	Chain, Retract Anchor	
33	1001241541	1	Pin, Extended	
34	1001242070	1	Boom, Third Section	
35	1001242583	1	Bracket, Hose Clamp	

SECTION 2 - BOOM

FIGURE 2-5. SECOND BOOM SECTION ASSEMBLY



ART_1001239477-B

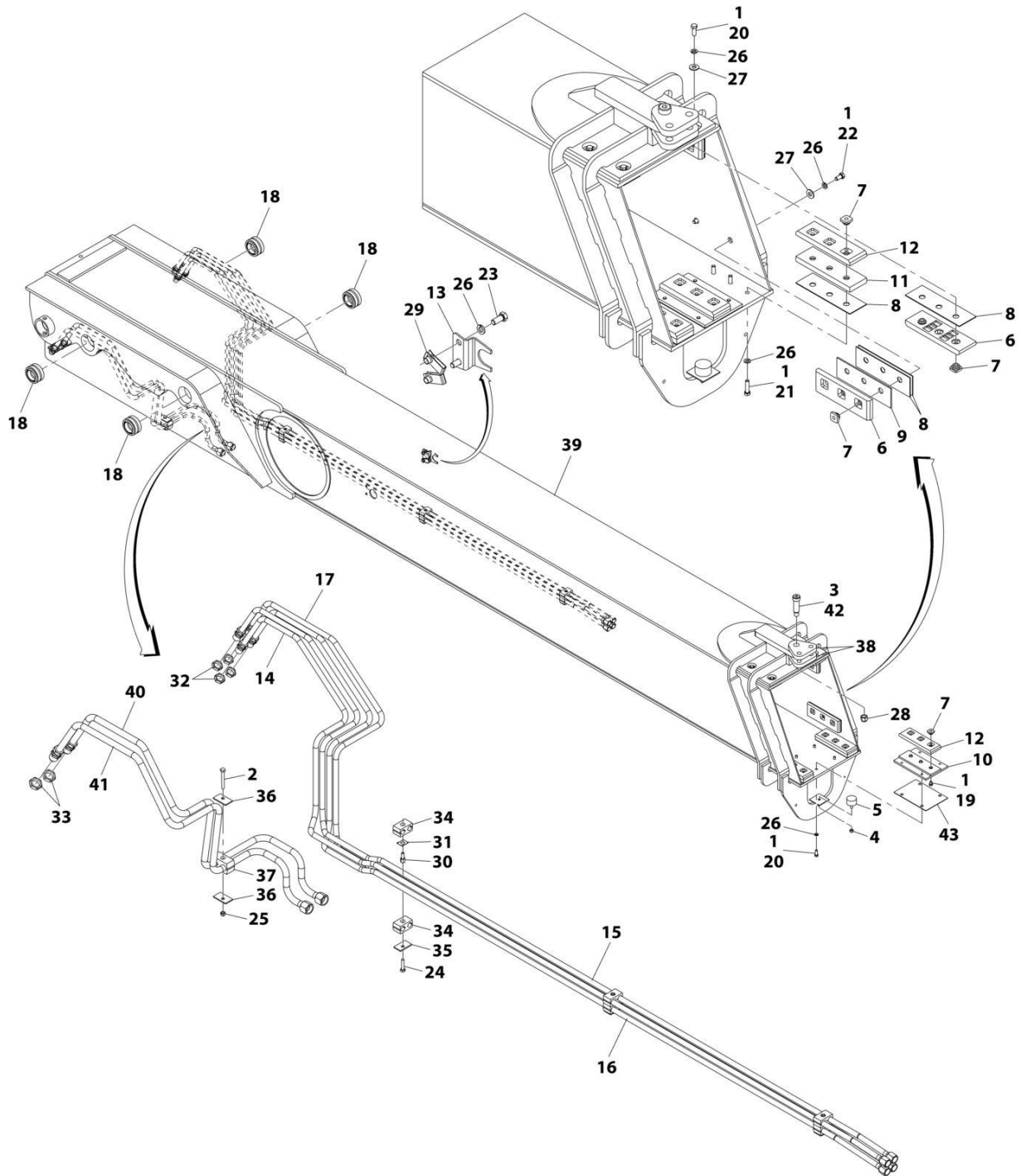
SECTION 2 - BOOM

FIGURE 2-5. SECOND BOOM SECTION ASSEMBLY

ITEM	PART NUMBER	QTY	DESCRIPTION	REV
	1001239477	Ref	Second Boom Section Assembly	B
1	0100011	AR	Compound, Locking	
2	3020039	AR	Lube	
3	7079572	11	Pad, Wear	
4	7082311	36	Insert, Wear Pad	
5	7082342	AR	Shim, Wear Pad	
6	7082362	AR	Shim, Wear Pad	
8	7096882	5	Spacer, Wear Pad	
9	7111572	5	Pad, Wear	
10	7116733	1	Assembly, Hose Pulley (See Separate Breakdown in this Section)	
11	8303620	10	Bolt, 3/8-16X1	
12	8303621	10	Bolt, 3/8-16X1-1/2	
13	8303624	1	Bolt, 1/2-13X1	
14	8303634	1	Bolt, 5/8-11X4	
15	8303681	14	Bolt, 3/8-16X3/4	
16	8305643	1	Nut, Lock 5/8-11	
17	8305644	1	Nut, Lock 1/2-13	
18	8307005	36	Washer, Lock 3/8	
19	8307007	1	Washer, Lock 1/2	
20	8307204	34	Washer, Plain 3/8	
21	8310020	1	Screw, Shoulder 5/8X1-1/2X1/2-13	
22	8520001	1	Fitting, Straight Lube 1/8	
23	8520003	1	Fitting, 90 Lube 1/8	
24	1001101867	1	Sheave with Bushings	
24	7117502	2	Bushing	
25	1001168286	1	Roller, Extend Chain with Bushings	
25	1001167025	2	Bushing	
26	1001241438	1	Pin, Extended	
27	1001241480	1	Pin, Retract Weldment	
28	1001242051	1	Boom, Second Section	
29	1001242310	2	Bracket, Sheave	
30	8303679	2	Bolt, 3/8-16X1-3/4	

SECTION 2 - BOOM

FIGURE 2-6. FIRST BOOM SECTION ASSEMBLY



ART_1001239478-B

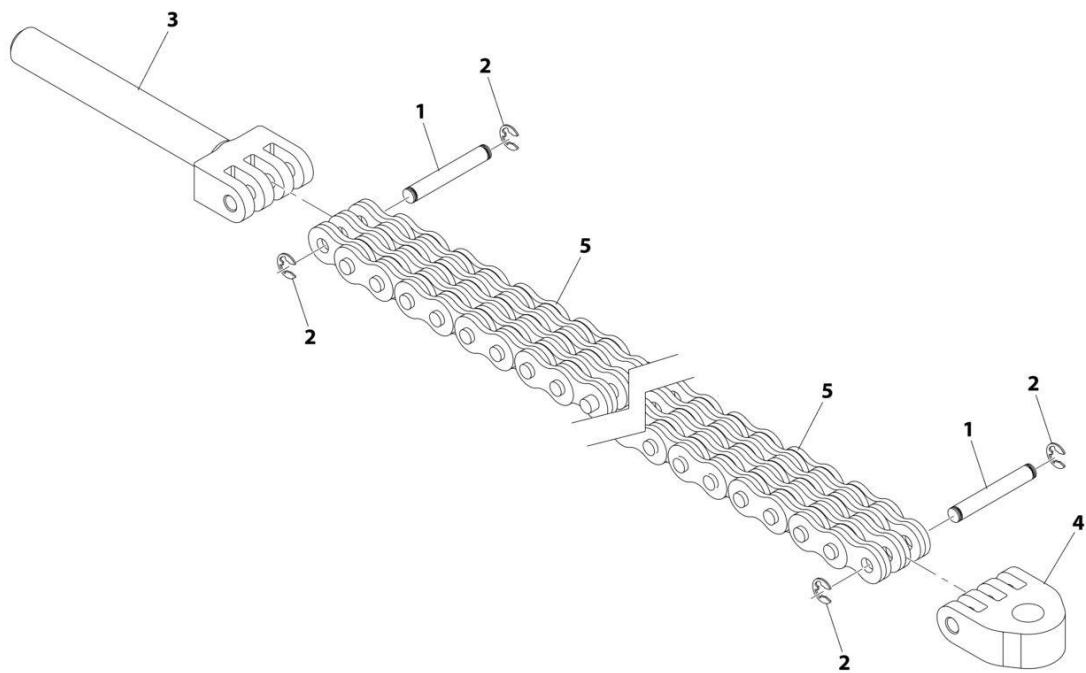
SECTION 2 - BOOM

FIGURE 2-6. FIRST BOOM SECTION ASSEMBLY

ITEM	PART NUMBER	QTY	DESCRIPTION	REV
	1001239478	Ref	First Boom Section Assembly	B
1	0100011	AR	Compound, Locking	
2	0641520	1	Bolt, 5/16-18X2-1/2	
3	3020039	AR	Lube	
4	3311601	1	Nut, 3/8-16	
5	5724622	1	Bumper, Rubber	
6	7079572	6	Pad, Wear	
7	7082311	21	Insert, Wear Pad	
8	7082342	AR	Shim, Wear Pad	
9	7082362	AR	Shim, Wear Pad	
10	7096772	1	Spacer, Wear Pad	
11	7096882	2	Spacer, Wear Pad	
12	7111572	3	Pad, Wear	
13	7138468	1	Clip	
14	7300672	1	Tube	
15	7300673	1	Tube	
16	7300674	1	Tube	
17	7300675	1	Tube	
18	8065640	4	Bearing, Spherical	
19	8303041	3	Bolt, 3/8-16X1/2	
20	8303620	8	Bolt, 3/8-16X1	
21	8303621	6	Bolt, 3/8-16X1-1/2	
22	8303681	8	Bolt, 3/8-16X3/4	
23	8303738	2	Bolt, 3/8-16X7/8	
24	0641511	3	Bolt, 5/16-18X1-3/8	
25	8305626	1	Nut, Lock 5/16-18	
26	8307005	24	Washer, Lock 3/8	
27	8307204	12	Washer, 3/8	
28	8310067	1	Nut, Lock 3/4-10	
29	8310113	2	Nut, Cage 3/8-16	
30	8750011	3	Bolt, Stacking 5/16	
31	8750017	3	Plate, Twin Clamp Locking	
32	8760465	4	Adapter, Bulkhead Nut	
33	8760468	2	Adapter, Bulkhead Nut	
34	8769122	6	Clamp Set, Twin 5/8	
35	8769123	3	Cover Plate, Twin	
36	8769128	2	Cover Plate, Twin	
37	8769139	1	Clamp Set, Twin 3/4	
38	1001241368	2	Bracket, Sheave	
39	1001242036	1	Boom, First Section	
40	1001242308	1	Pipe, Telescopic Extend	
41	1001242309	1	Pipe, Telescopic Retract	
42	1001242316	1	Bolt	
43	1001250718	1	Shim, Wear Pad	

SECTION 2 - BOOM

FIGURE 2-7. EXTEND CHAIN ASSEMBLY



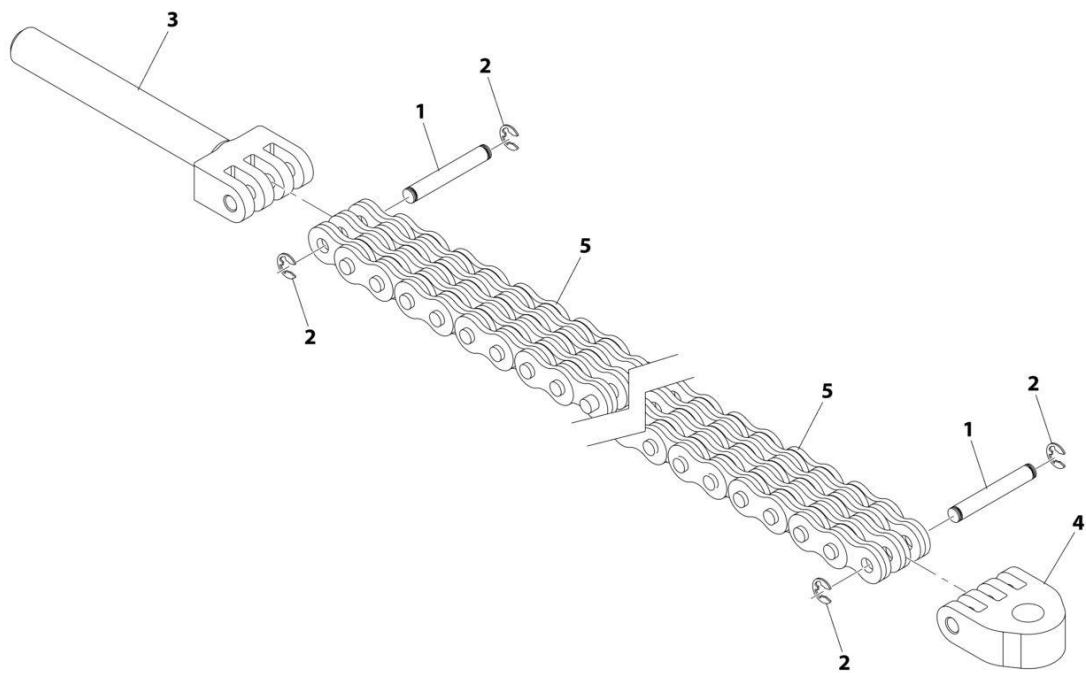
ART_1001241567-A

FIGURE 2-7. EXTEND CHAIN ASSEMBLY

ITEM	PART NUMBER	QTY	DESCRIPTION	REV
	1001241567	Ref	Extend Chain Assembly	A
1	1001163841	2	Pin, Chain Clevis	
2	1001164039	4	Ring, External	
3	1001165590	1	Clevis Chain	
4	1001239967	1	Clevis Chain	
5	1001241549	1	Chain	

SECTION 2 - BOOM

FIGURE 2-8. RETRACT CHAIN ASSEMBLY



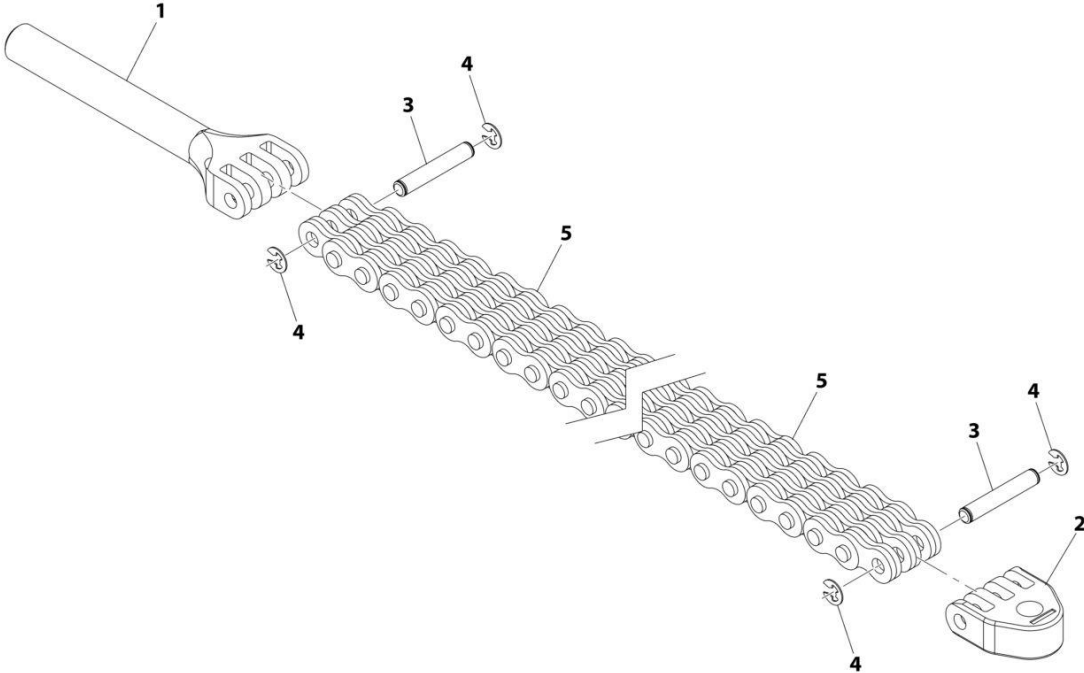
ART_1001242608-B

FIGURE 2-8. RETRACT CHAIN ASSEMBLY

ITEM	PART NUMBER	QTY	DESCRIPTION	REV
	1001242608	Ref	Retract Chain Assembly	B
1	1001163841	2	Pin, Chain Clevis	
2	1001164039	4	Ring, External	
3	1001165590	1	Chain Clevis	
4	1001239967	1	Chain Clevis	
5	1001242609	1	Chain	

SECTION 2 - BOOM

FIGURE 2-9. EXTEND CHAIN ASSEMBLY



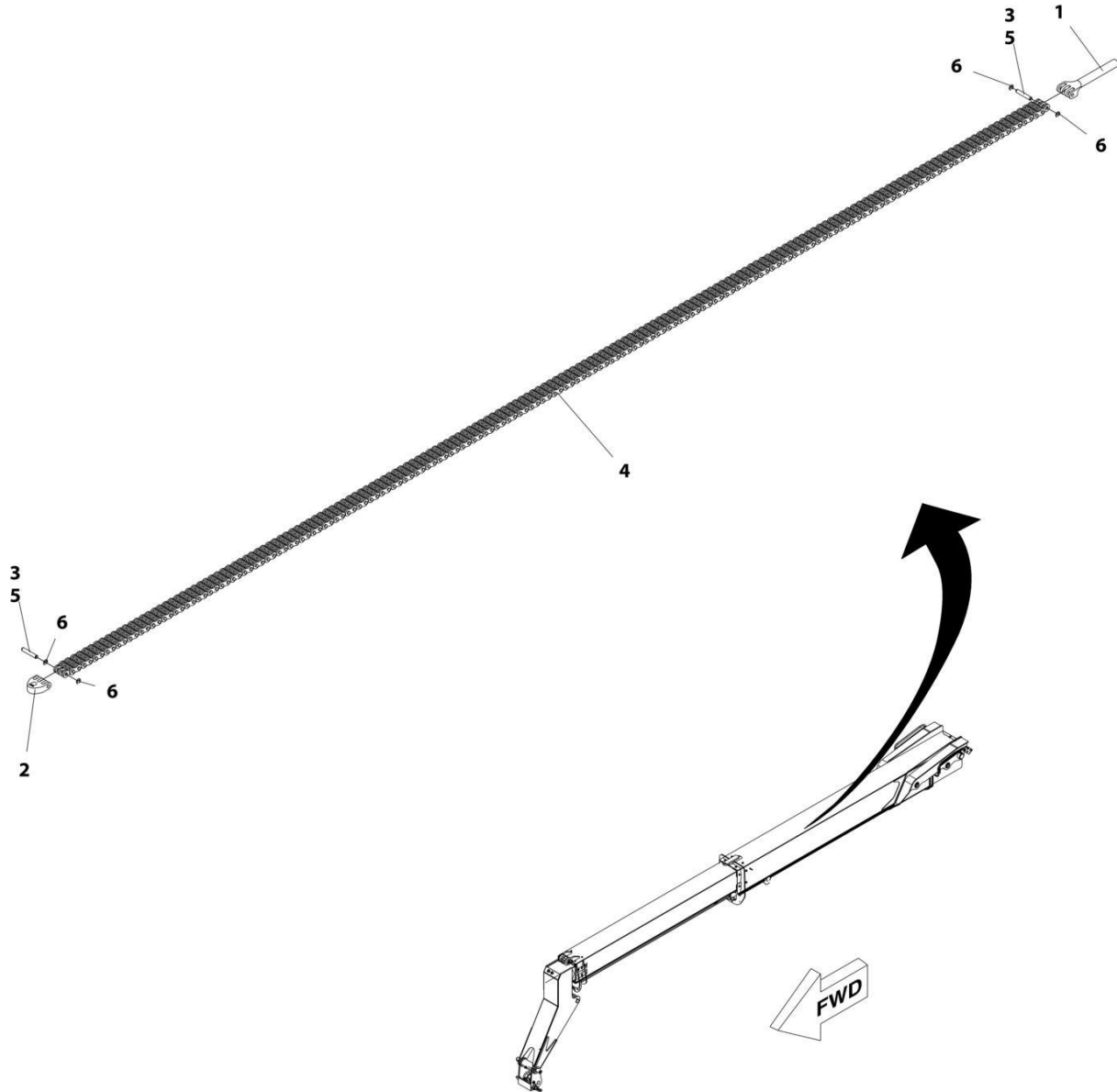
ART_1001242923-A

FIGURE 2-9. EXTEND CHAIN ASSEMBLY

ITEM	PART NUMBER	QTY	DESCRIPTION	REV
	1001242923	Ref	Extend Chain Assembly	A
1	7139032	1	Clevis, Female Anchor	
2	7139416	1	Clevis, Female Anchor	
3	8124138	2	Pin, Chain Clevis	
4	8642237	4	Ring, Retaining	
5	1001242924	1	Chain	

SECTION 2 - BOOM

FIGURE 2-10. RETRACT CHAIN AND CLEVIS ASSEMBLY



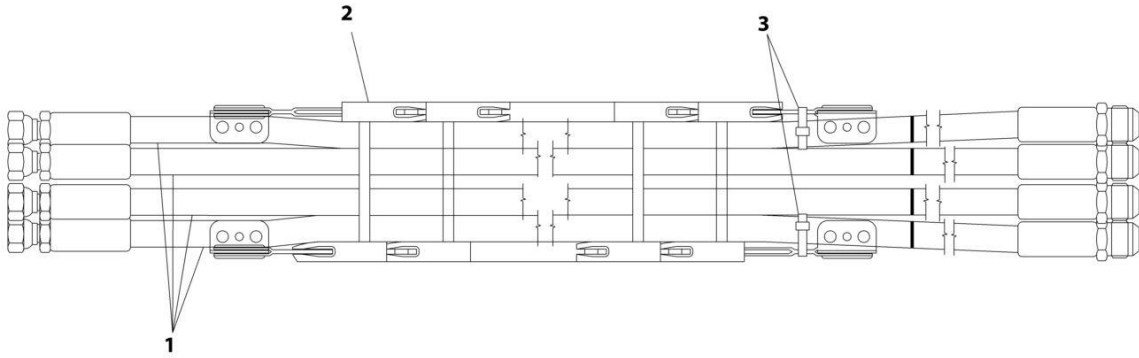
ART_7139692_B

FIGURE 2-10. RETRACT CHAIN AND CLEVIS ASSEMBLY

ITEM	PART NUMBER	QTY	DESCRIPTION	REV
	7139692	Ref	Chain and Clevis Assembly	B
1	7139032	1	Clevis, Female Anchor	
2	7139416	1	Clevis, Female Anchor	
3	8124138	2	Pin, Chain Clevis	
4	8127024	1	Chain, Leaf	
5	8522012	AR	Lube, Anti-Seize	
6	8642237	4	Ring, Retaining	

SECTION 2 - BOOM

FIGURE 2-11. HOSE AND CARRIER ASSEMBLY



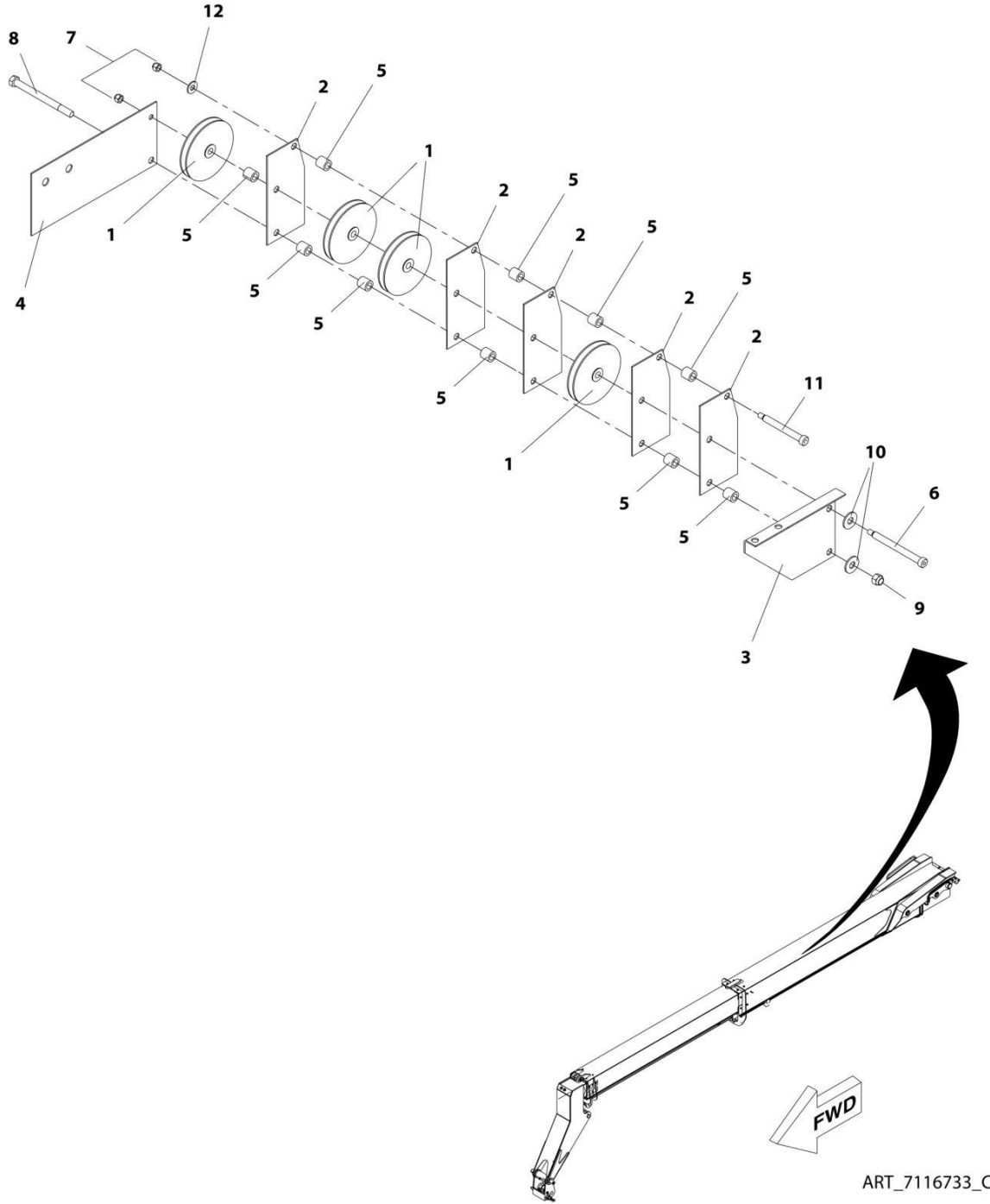
ART_7112452-G

FIGURE 2-11. HOSE AND CARRIER ASSEMBLY

ITEM	PART NUMBER	QTY	DESCRIPTION	REV
	7112452	Ref	Hose and Carrier Assembly	G
1	2713642	4	Hose	
2	8584021	1	Carrier, Hose	
3	8584001	2	Wrap, Tie 3/16	

SECTION 2 - BOOM

FIGURE 2-12. HOSE PULLEY ASSEMBLY



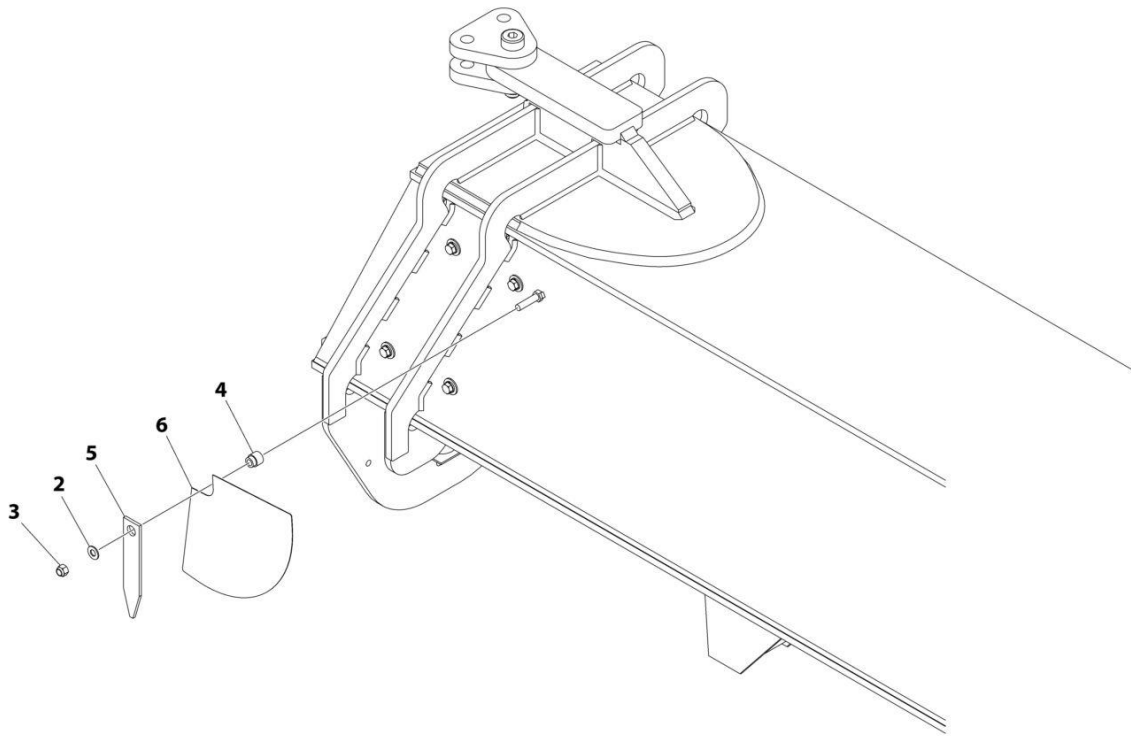
ART_7116733_C

FIGURE 2-12. HOSE PULLY ASSEMBLY

ITEM	PART NUMBER	QTY	DESCRIPTION	REV
	7116733	Ref	Hose Pulley Assembly	C
1	7116812	4	Wheel, Roller	
2	7116642	5	Divider	
3	7116652	1	Bracket, RH	
4	7116662	1	Bracket, LH	
5	7116691	10	Spacer	
6	8310235	1	Screw, Shoulder 1/2X5	
7	8305645	2	Nut, Lock 3/8-16	
8	8310209	1	Bolt, 1/2-13X6	
9	8305644	1	Nut, Lock 1/2-13	
10	8307206	2	Washer, Plain 1/2	
11	8310245	1	Screw, Shoulder 1/2X4	
12	8307204	1	Washer, Plain 3/8	

SECTION 2 - BOOM

FIGURE 2-13. MECHANICAL BOOM ANGLE INDICATOR



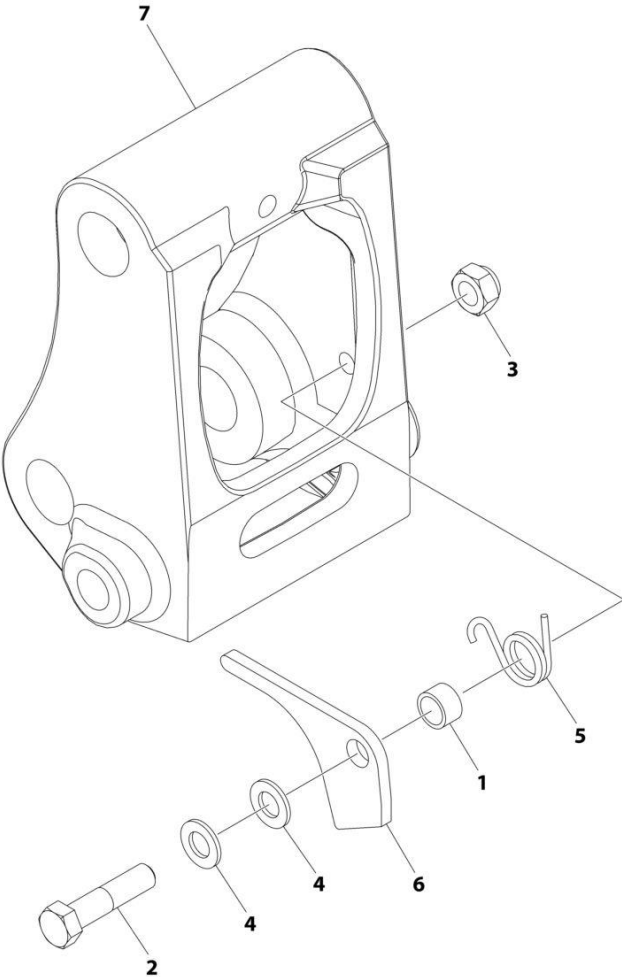
ART_1001242682_C

FIGURE 2-13. MECHANICAL BOOM ANGLE INDICATOR

ITEM	PART NUMBER	QTY	DESCRIPTION	REV
	1001242682	Ref	Mechanical Boom Angle Indicator	C
2	4711600	1	Washer, 3/8	
3	8305645	1	Nut, Lock 3/8-16	
4	1001096404	1	Sleeve, Angle Indicator Spacer	
5	1001098769	1	Plate, Boom Angle Indicator	
6	4105262	1	Decal, Boom Angle Indicator	

SECTION 2 - BOOM

FIGURE 2-14. COUPLER ASSEMBLY



ART_1001242996_C

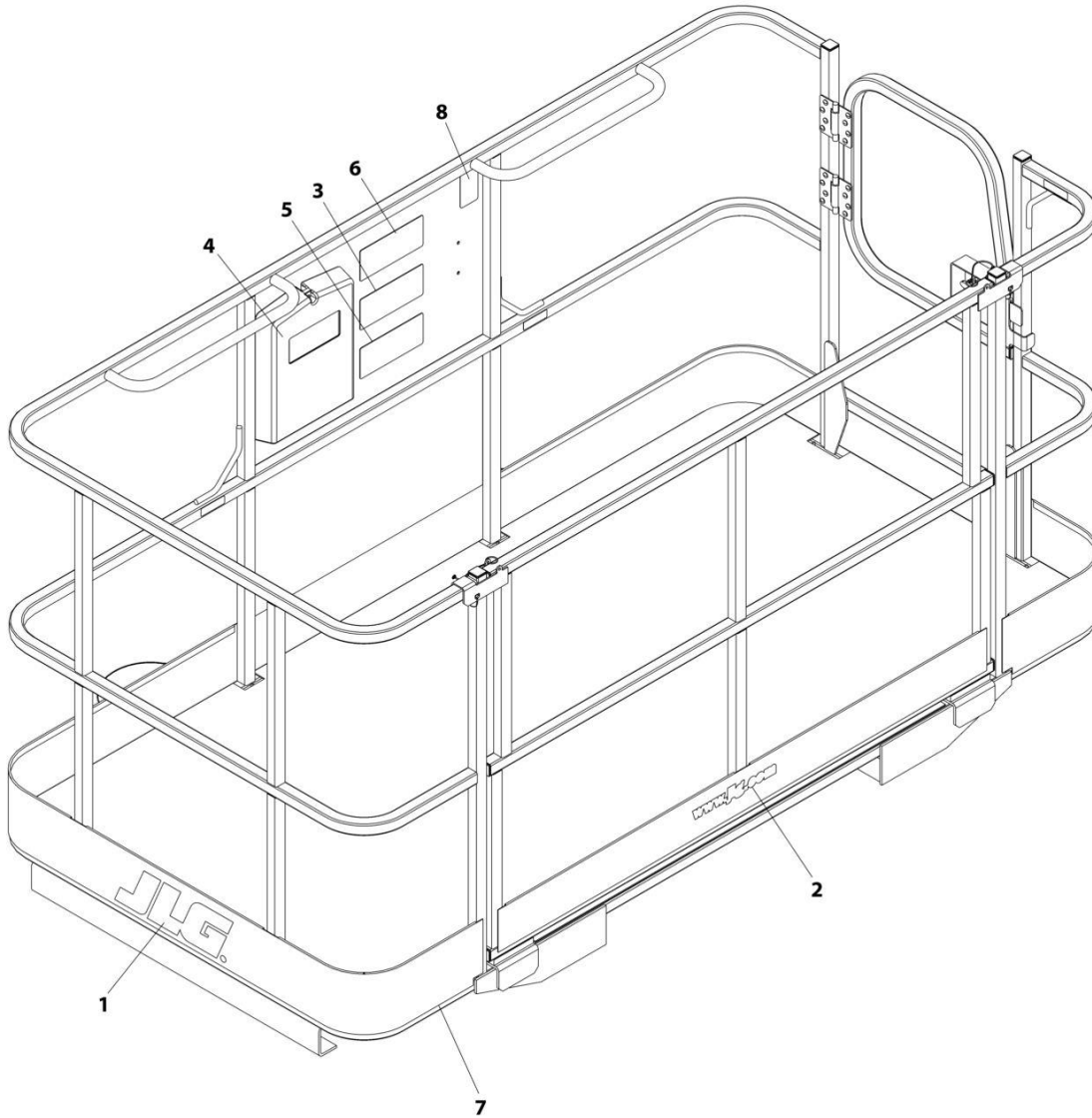
FIGURE 2-14. COUPLER ASSEMBLY

ITEM	PART NUMBER	QTY	DESCRIPTION	REV
	1001242996	Ref	COUPLER ASSEMBLY	C
1	7085571	1	Spacer	
2	8303640	1	Bolt	
3	8305619	1	Nut 3/4	
4	8307104	2	Washer 3/4	
5	1001243025	1	Spring, Torsion	
6	1001243026	1	Plate, Pin Latch	
7	1001243219	1	Coupler, Link	

SECTION 3 - ATTACHMENTS

SECTION 3 - ATTACHMENTS

FIGURE 3-1. BASKET, PERSONNEL (1.2MX2.4M) (DOMESTIC)



ART_1001238653-A

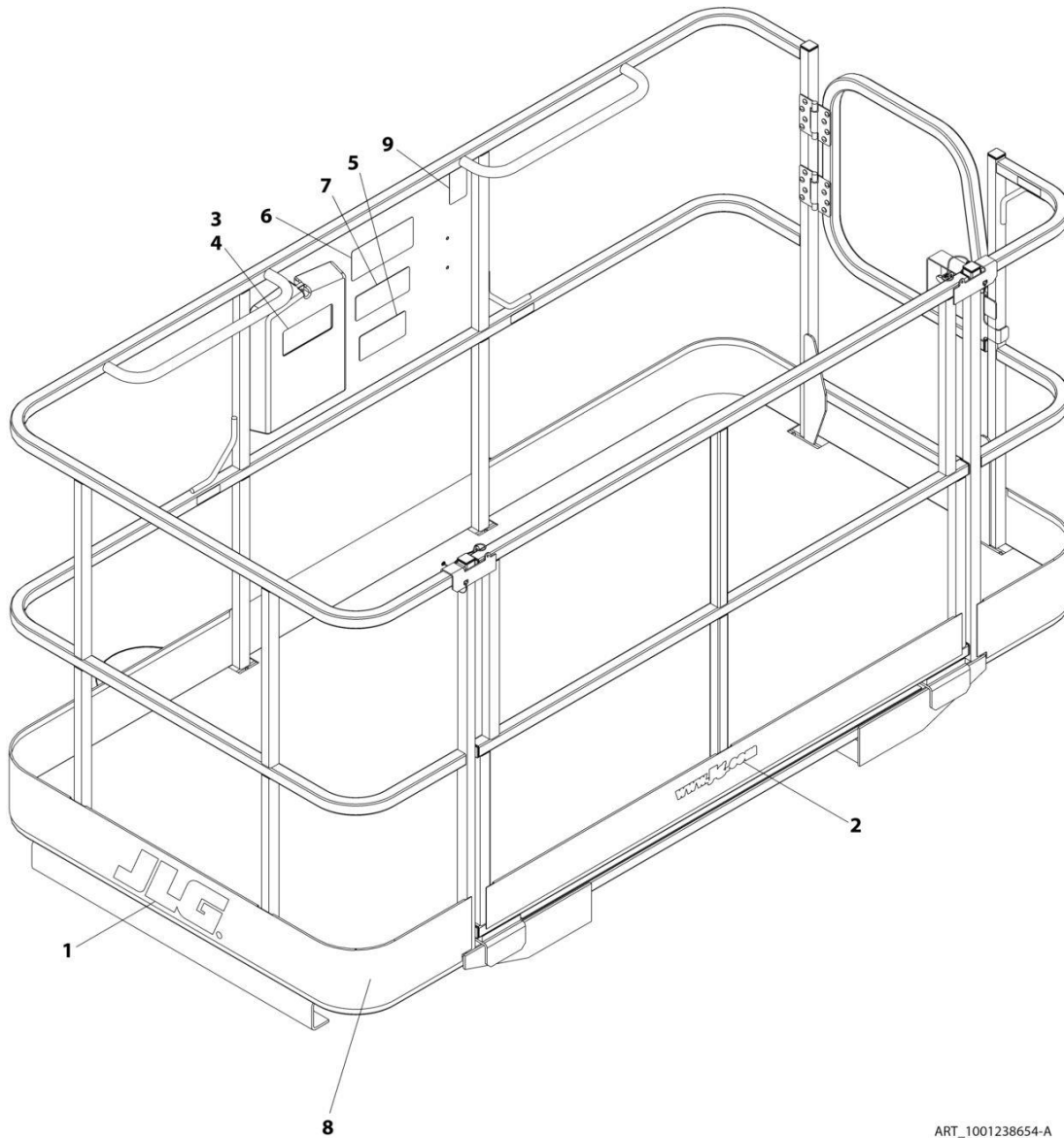
SECTION 3 - ATTACHMENTS

FIGURE 3-1. BASKET, PERSONNEL (1.2MX2.4M) (DOMESTIC)

ITEM	PART NUMBER	QTY	DESCRIPTION	REV
	1001238653	Ref	FORK MOUNTED PLATFORM	B
1	1702773	2	Decal, JLG	
2	1704885	1	Decal, Website	
3	1706892	1	Decal, Platform Warning	
4	31200160	1	Manual, Personnel Work Platform Operation and Safety	
5	1001092481	1	Decal, Warning Attachment	
6	1001092482	1	Decal, Platform Capacity	
7	1001238565	1	Platform, Fork Mounted (See Separate Breakdown in this Section)	
8	See Note	NSS	SN Plate (Note: Stamped Part - Not Available for Purchase)	

SECTION 3 - ATTACHMENTS

FIGURE 3-2. BASKET, PERSONNEL (1.2MX2.4M) (ISO)



ART_1001238654-A

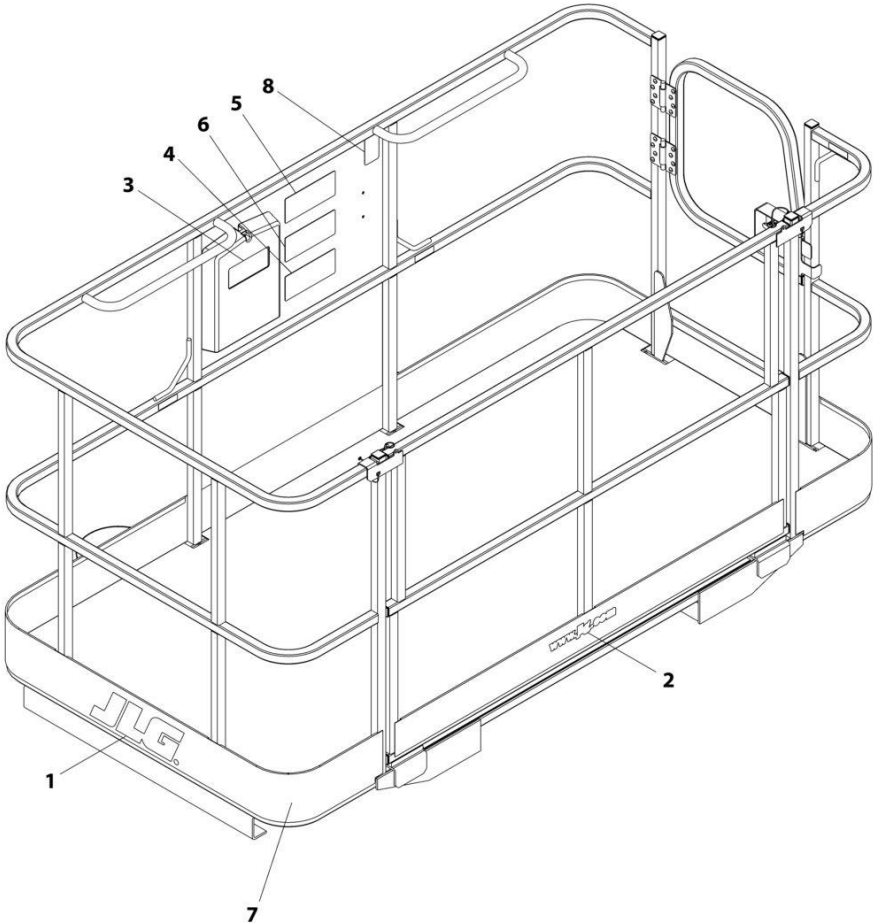
SECTION 3 - ATTACHMENTS

FIGURE 3-2. BASKET, PERSONNEL (1.2MX2.4M) (ISO)

ITEM	PART NUMBER	QTY	DESCRIPTION	REV
	1001238654	Ref	BASKET, PERSONNEL	B
1	1702773	2	Decal, JLG	
2	1704885	1	Decal, Website	
3	31200387	1	Manual, Operation and Safety, Spanish	
4	31200388	1	Manual, Operation and Safety, Portuguese	
5	1001096021	1	Decal, Warning Attachment	
6	1001096023	1	Decal, Platform Capacity	
7	1001096025	1	Decal, Platform Warning	
8	1001238565	1	Platform, Fork Mounted (ANSI) (See Separate Breakdown in this Section)	
9	See Note	NSS	SN Plate (Note: Stamped Part - Not Available for Purchase)	

SECTION 3 - ATTACHMENTS

FIGURE 3-3. BASKET, PERSONNEL (1.2MX2.4M) (FRENCH LANGUAGE)



ART_1001238655-A

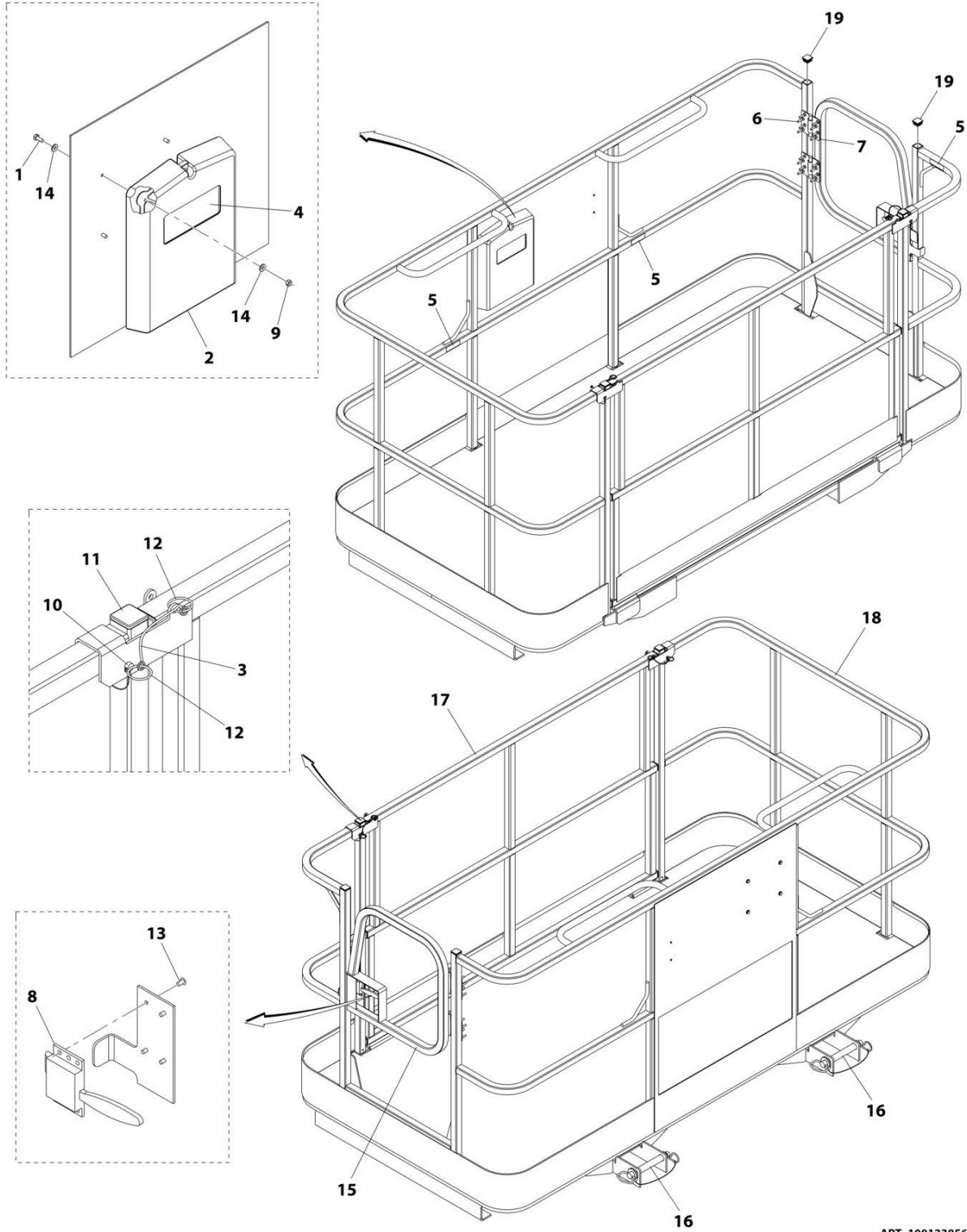
SECTION 3 - ATTACHMENTS

FIGURE 3-3. BASKET, PERSONNEL (1.2MX2.4M) (FRENCH LANGUAGE)

ITEM	PART NUMBER	QTY	DESCRIPTION	REV
	1001238655	Ref	BASKET, PERSONNEL	B
1	1702773	2	Decal, JLG	
2	1704885	1	Decal, Website	
3	31200386	1	Manual, Operation and Safety (French)	
4	1001096019	1	Decal, Warning Attachment (French)	
5	1001096020	1	Decal, Platform Capacity (French)	
6	1001096024	1	Decal, Platform Warning (French)	
7	1001238565	1	Platform, Fork Mounted (ANSI) (See Separate Breakdown in this Section)	
8	See Note	NSS	SN Plate (Note: Stamped Part - Not Available for Purchase)	

SECTION 3 - ATTACHMENTS

FIGURE 3-4. BASKET ASSEMBLY



ART_1001238565

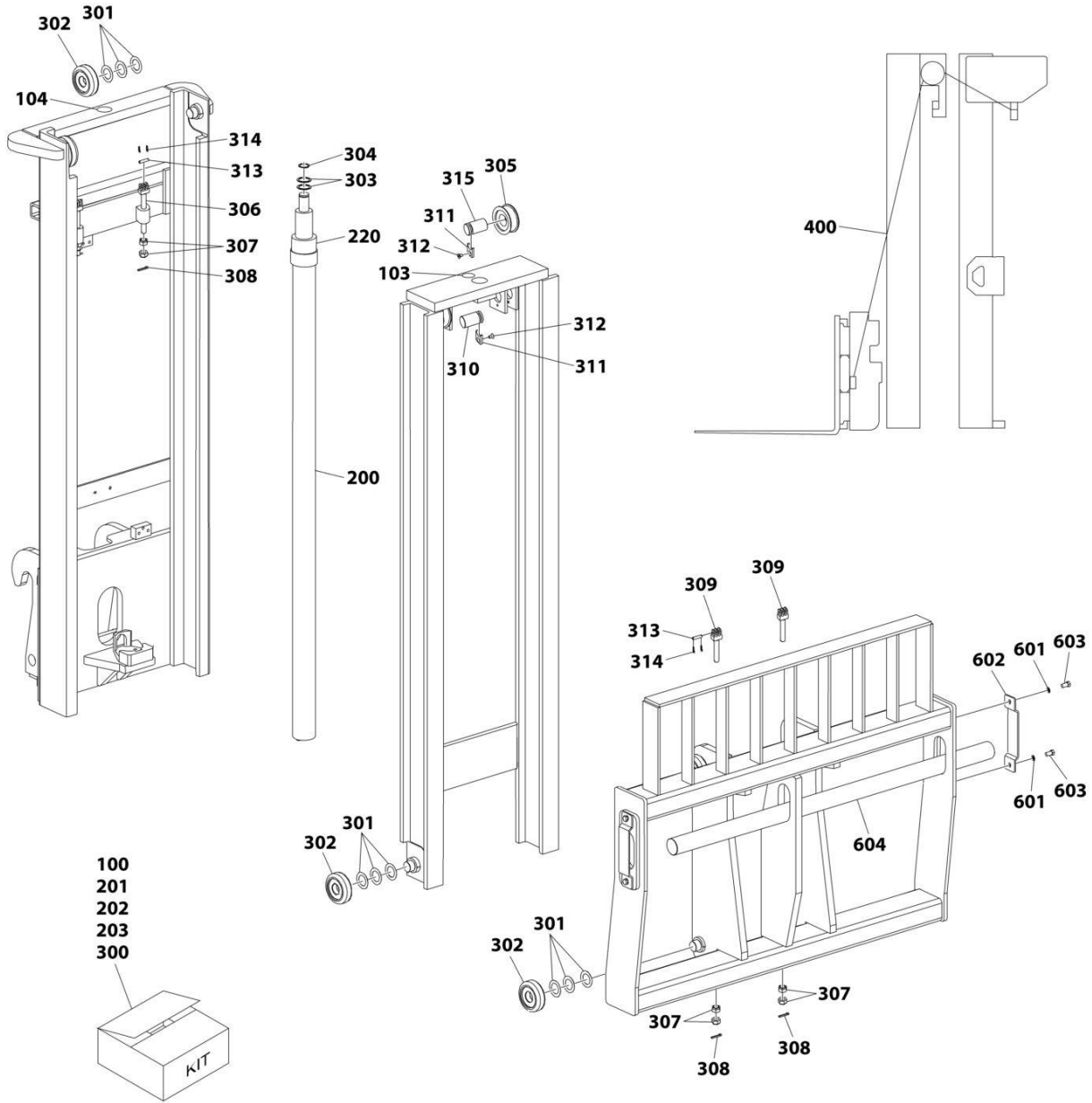
SECTION 3 - ATTACHMENTS

FIGURE 3-4. BASKET ASSEMBLY

ITEM	PART NUMBER	QTY	DESCRIPTION	REV
	1001238565	Ref	FORK MOUNTED PLATFORM ASSEMBLY	F
1	0641405	4	Bolt 1/4 x 5/8	
2	0860520	1	Box, Manual Storage	
3	1060379	2	Cable, Lanyard	
4	1701509	1	Decal, Manual	
5	1704277	3	Decal, Lanyard Attach	
6	2080040	16	Fastener	
7	2600281	2	Hinge	
8	2940074	1	Latch	
9	3311405	4	Nut 1/4	
10	3421453	2	Pin	
11	3520072	7	Plug	
12	3760170	4	Ring	
13	3820020	4	Rivet	
14	4711400	8	Washer 1/4	
15	1001144629J	1	Gate	
16	1001238560	2	Pin, Hitch	
17	1001095810	1	Gate	
18	See Note	NSS	Platform, Fork Mounted	
19	3520198	4	Plug	

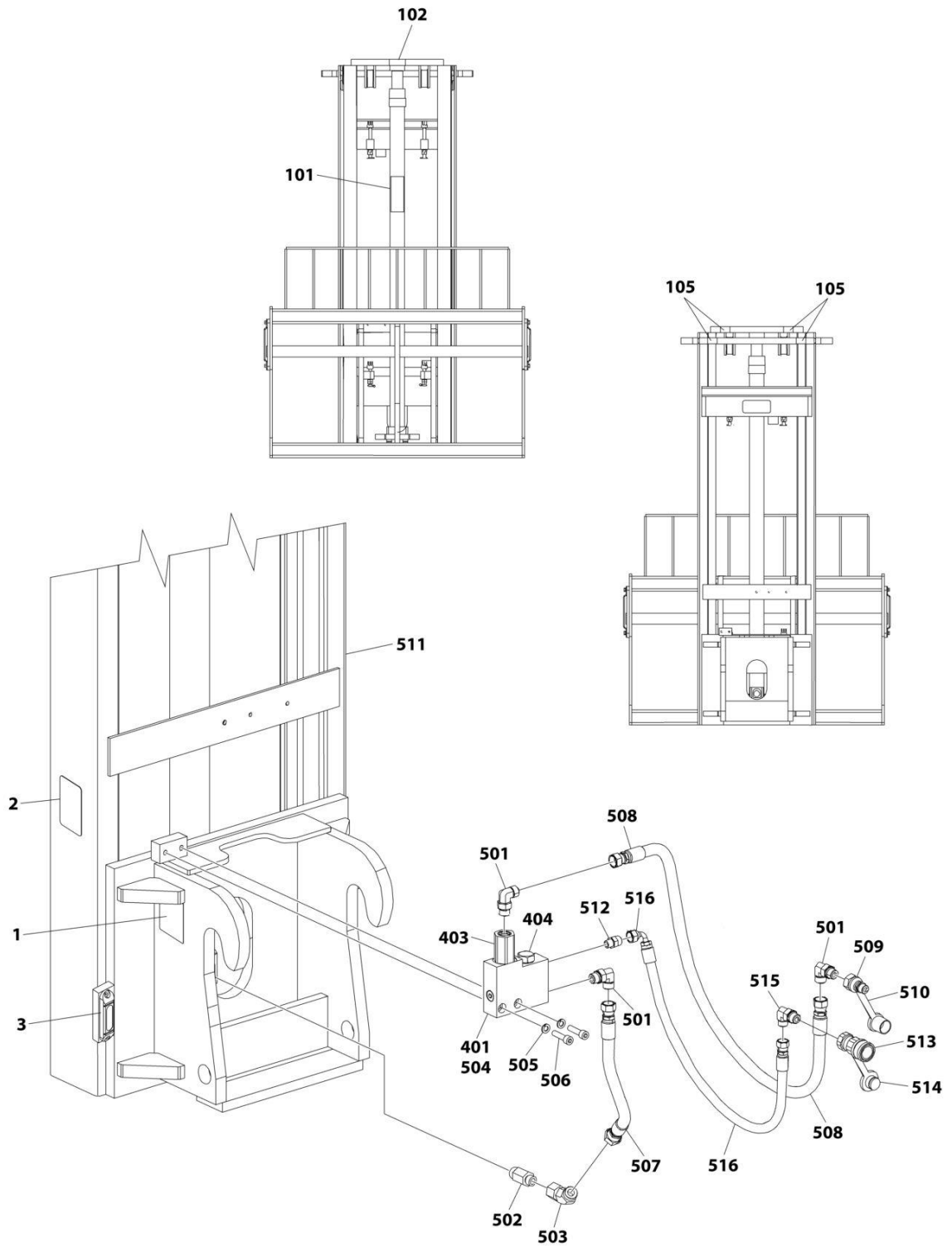
SECTION 3 - ATTACHMENTS

FIGURE 3-5. BOOM (8FT)



ART_1001108668_1OF2

SECTION 3 - ATTACHMENTS



ART_1001108668_20F2

SECTION 3 - ATTACHMENTS

FIGURE 3-5. BOOM (8FT)

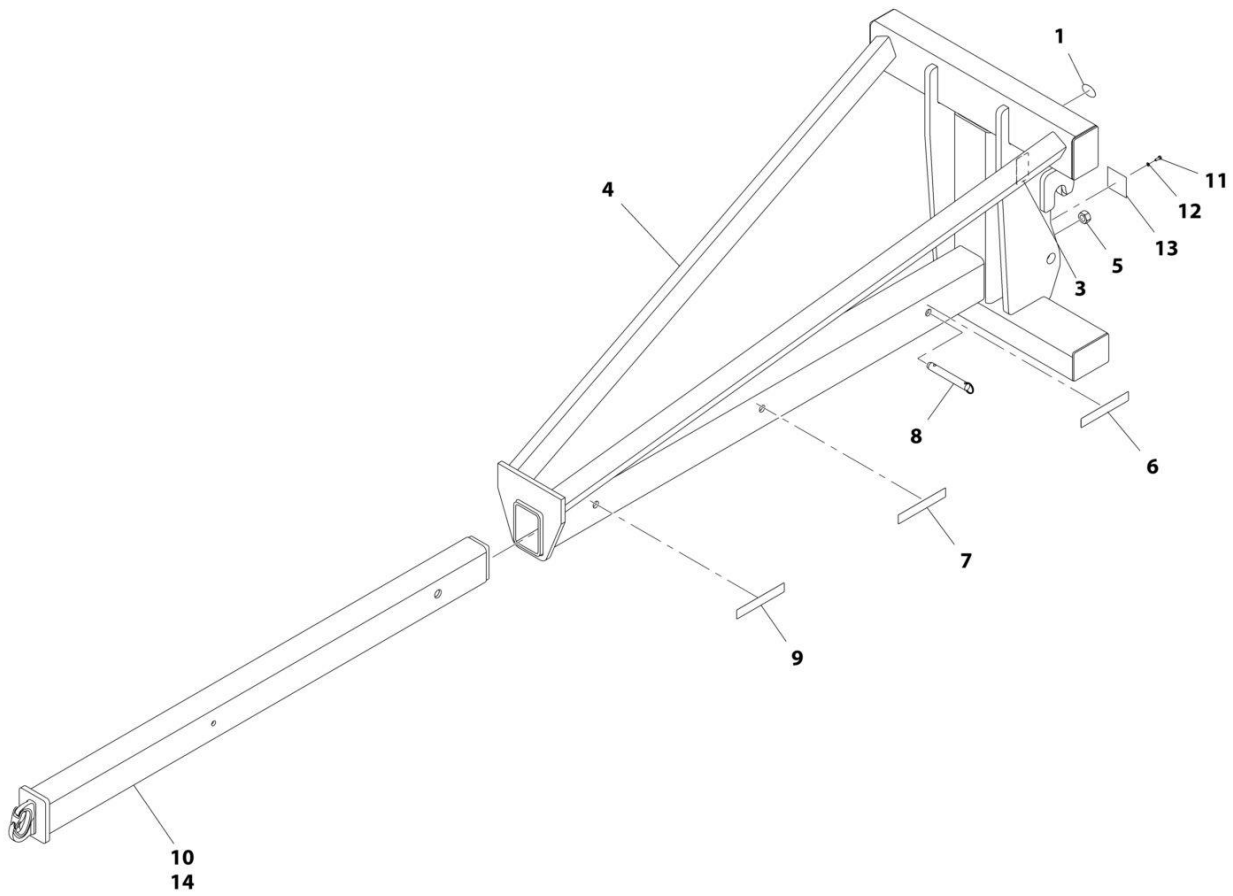
ITEM	PART NUMBER	QTY	DESCRIPTION	REV
	1001108668	Ref	MAST ASSEMBLY - 8FT	G
1	See Note	NSS	Nameplate, Serial Number (Note: Not Available for Purchase)	
2	1001111190	2	Decal - Warning	
3	1001227670	1	RFID Tag	
100	70023925	1	Decal Kit (includes items 1, Warning, No Step & Hose Routing Decals)	
101	See Note	NSS	Decal, Warning (Use Item 100)	
102	See Note	NSS	Decal, Warning (Use Item 100)	
103	See Note	NSS	Decal, No Step (Use Item 100)	
104	See Note	NSS	Decal, No Step (Use Item 100)	
105	See Note	NSS	Decal, Hands Off (Use Item 100)	
200	70023008	1	Cylinder Assembly - Lift (includes items 201-203 & 220. No Other Service Parts Available)	
201	70023005	1	Seal Kit - 70023008 Cylinder (includes Seals & Seal Retaining Hardware)	
202	70023006	1	Check Valve Kit (includes Mounting O-Rings & Hardware)	
203	70023007	1	Shim Kit (Includes items 303)	
220	70023004	1	Head/Retainer	
300	70023015	1	Mast Kit (includes items 100 & 301-315)	
301	70023014	24	Shim	
302	70022987	8	Bearing, Ball	
303	See Note	NLA	Shim (Note: Use item 203)	
304	70023016	1	Ring, Retaining	
305	70022969	2	Sheave	
306	70022960	2	Anchor, Chain	
307	70022957	8	Nut 5/8	
308	70022993	4	Pin, Cotter	
309	70022995	2	Anchor, Chain	
310	70022984	1	Shaft, Sheave	
311	70022970	2	Bar	
312	70023003	2	Screw	
313	70022994	4	Pin	
314	70022992	8	Pin, Cotter	
315	70022985	1	Shaft, Sheave	
400	70023009	2	Chain, Hoist	
401	70022932	1	Valve Assembly - Lowering Control	
403	70022931	1	Cartridge, Valve	
404	70023010	1	Cartridge, Valve	
501	70022934	3	Fitting, 90	
502	70022936	1	Fitting, Flow Limiter	
503	70022937	1	Fitting, 45	
504	70022932	1	Valve Assembly - Lowering Control (Note: Duplicate of Item 401 - Only Qty 1 Used)	
505	70022949	2	Washer, M10	
506	70022950	2	Bolt M10	
507	70022942	1	Hose	
508	70022952	1	Hose	
509	91403414	1	Fitting, Quick Disconnect Coupling (Male)	
510	91043126	1	Cap, Dust	
511	70023015	1	Mast Kit (Note: Duplicate of Item 300 - Only Qty 1 Used)	

SECTION 3 - ATTACHMENTS

ITEM	PART NUMBER	QTY	DESCRIPTION	REV
512	70022939	1	Fitting, Straight	
513	91403413	1	Fitting, Quick Disconnect Coupling (Female)	
514	91043125	1	Cap, Dust	
515	70022935	1	Fitting, 90	
516	70022946	1	Hose	
601	70022949	4	Washer M10	
602	70022980	2	Keeper, Pin	
603	70022998	4	Bolt M10 x 20	
604	70022990	1	Pin, Fork	

SECTION 3 - ATTACHMENTS

FIGURE 3-6. BOOM - ADJUSTABLE



ART_1001176515-C

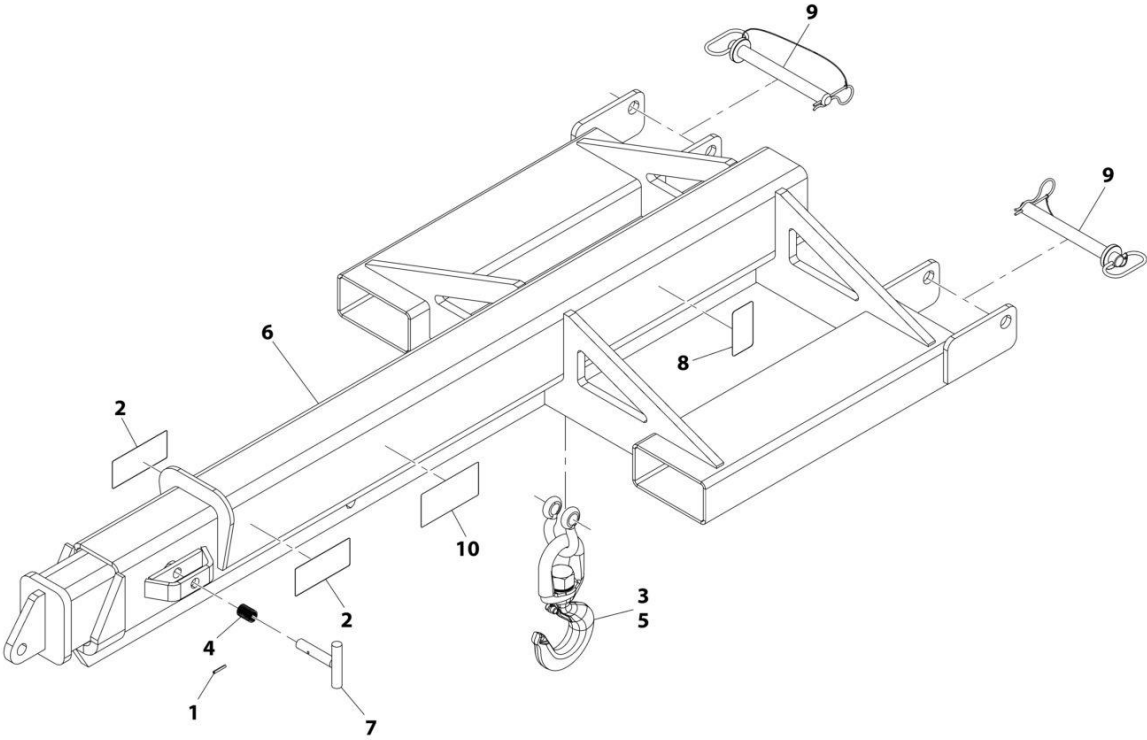
SECTION 3 - ATTACHMENTS

FIGURE 3-6. BOOM - ADJUSTABLE

ITEM	PART NUMBER	QTY	DESCRIPTION	REV
	1001176515	Ref	ADJUSTABLE TRUSS BOOM	C
1	90554016	1	Decal, Made in USA	
3	See Note	NSS	S/N Plate (Note: Stamped Part - Not Available for Purchase)	
4	See Note	NSS	Truss Boom (Note: Purchase Complete Assembly)	
5	70021440	1	Nut	
6	70024062	2	Decal, 4000 lbs cap	
7	70026944	2	Decal, 3000 lbs cap	
8	70026946	1	Pin	
9	70026699	2	Decal, 2000 lbs cap	
10	70026747	1	Seal	
11	90554033	1	Bolt 3/4 x 1/4	
12	90554034	1	Washer 1/4	
13	70026948	1	Plate, Stop	
14	70026949	1	Boom, Telescopic	

SECTION 3 - ATTACHMENTS

FIGURE 3-7. BOOM - ADJUSTABLE (FORK MOUNTED)



ART_1001230241-H

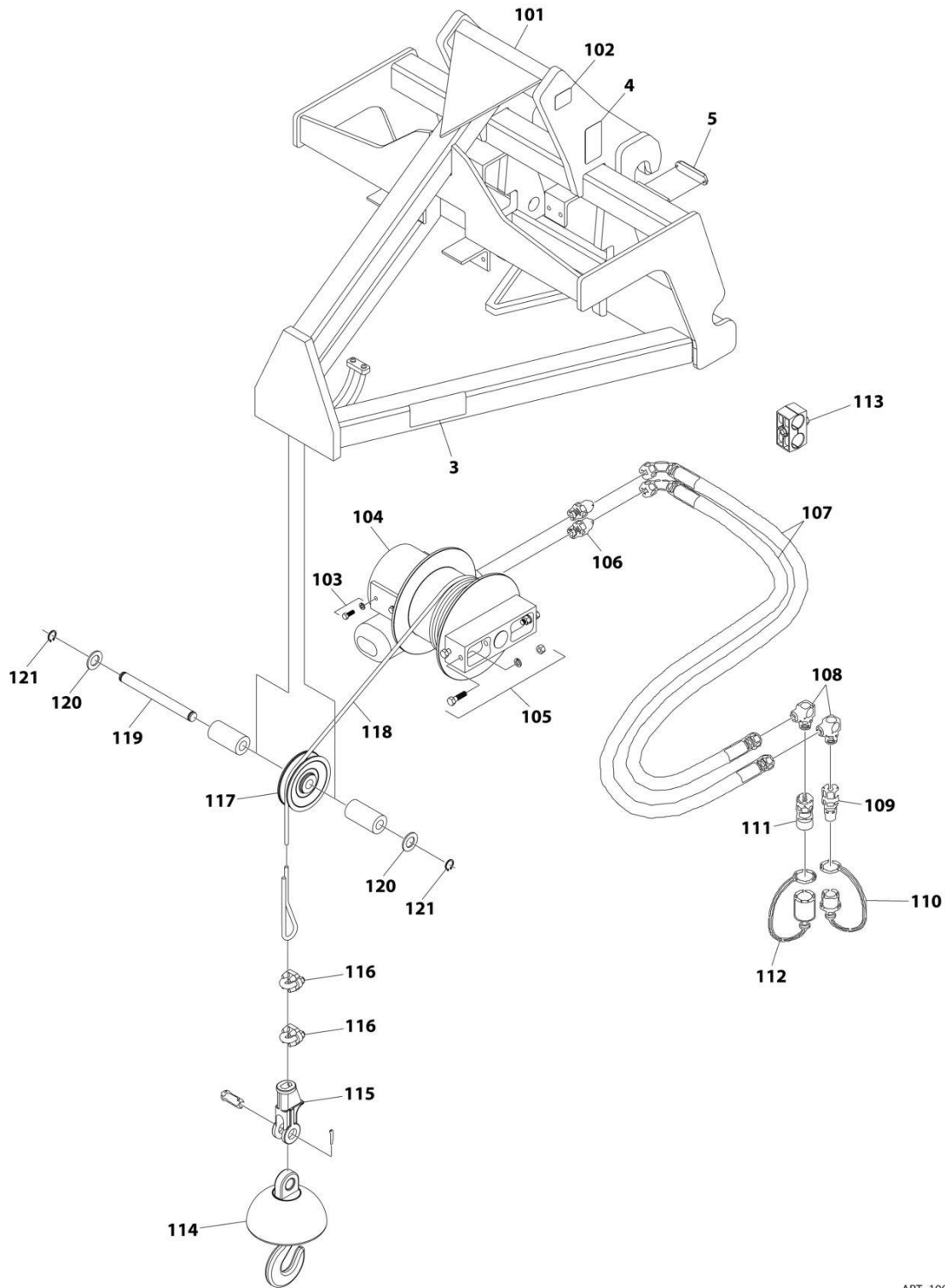
SECTION 3 - ATTACHMENTS

FIGURE 3-7. BOOM - ADJUSTABLE (FORK MOUNTED)

ITEM	PART NUMBER	QTY	DESCRIPTION	REV
	1001230241	Ref	Adjustable Truss Boom Installation (Fork Mounted)	J
1	3440620	1	Pin	
2	4110422	2	Decal, Danger Swinging Loads	
3	91403448	1	Hook, Swivel	
4	1001128890	1	Spring	
5	1001146160	1	Shackle	
6	See Note	NSS	Boom, Truss - Adjustable (Note: Purchase Complete Assembly)	
7	1001230239	1	Pin	
8	See Note	NSS	SN Plate (Note:Stamped Part - Not Available for Purchase)	
9	1001231692	2	Pin	
10	1001232500	1	Decal, Load Capacities	

SECTION 3 - ATTACHMENTS

FIGURE 3-8. BOOM - 3FT WITH WINCH



ART_1001100967_H

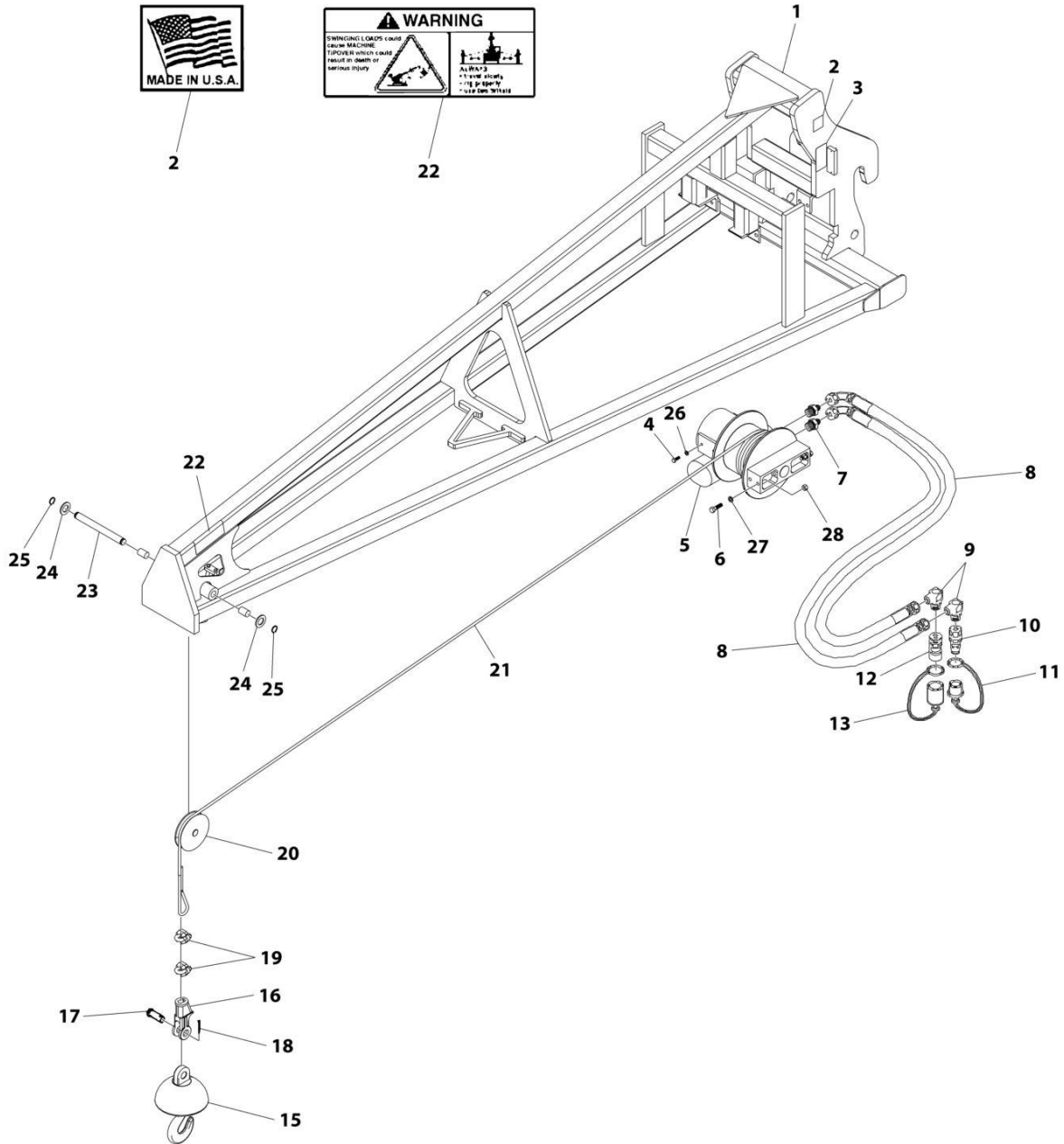
SECTION 3 - ATTACHMENTS

FIGURE 3-8. BOOM - 3FT WITH WINCH

ITEM	PART NUMBER	QTY	DESCRIPTION	REV
	1001100967	Ref	TRUSS BOOM ASSEMBLY (3 FOOT WITH WINCH) (INCLUDES ITEMS 3, 4, 5 & 101 THRU 121)	H
3	4110422	2	Decal, Danger, Swinging Loads	
4	See Note	NSS	S/N Plate (Note: Stamped Part - Not Available for Purchase)	
5	1001227670	1	Tag, RFID	
101	See Note	NSS	Truss Boom Frame (Note: Purchase Complete Assembly)	
102	90554016	1	Decal	
103	70021349	4	Bolt	
103	90554042	4	Washer	
104	70021921	1	Winch, Truss Boom	
105	70024059	4	Bolt	
105	90554054	4	Nut	
105	90554020	4	Washer	
106	70021415	2	Fitting	
107	70021977	2	Hose 32in (Boom Front Disconnect)	
107	70031445	2	Hose 48in (Boom Side Disconnect)	
108	70022527	2	Fitting, 90	
109	91403414	1	Fitting, Straight	
110	8420053	1	Cap	
111	91403413	1	Fitting, Straight	
112	8420055	1	Plug	
113	70021387	1	Clamp	
114	70021978	1	Ball Swivel Safety Hook	
115	70021979	1	Assembly, Socket	
116	70022528	2	Clamp	
117	70021935	1	Pulley	
118	70022028	1	Cable	
119	70022529	1	Pin	
120	70027009	2	Washer	
121	70026698	2	Ring, Snap	

SECTION 3 - ATTACHMENTS

FIGURE 3-9. BOOM - 12FT WITH WINCH



ART_1001099351

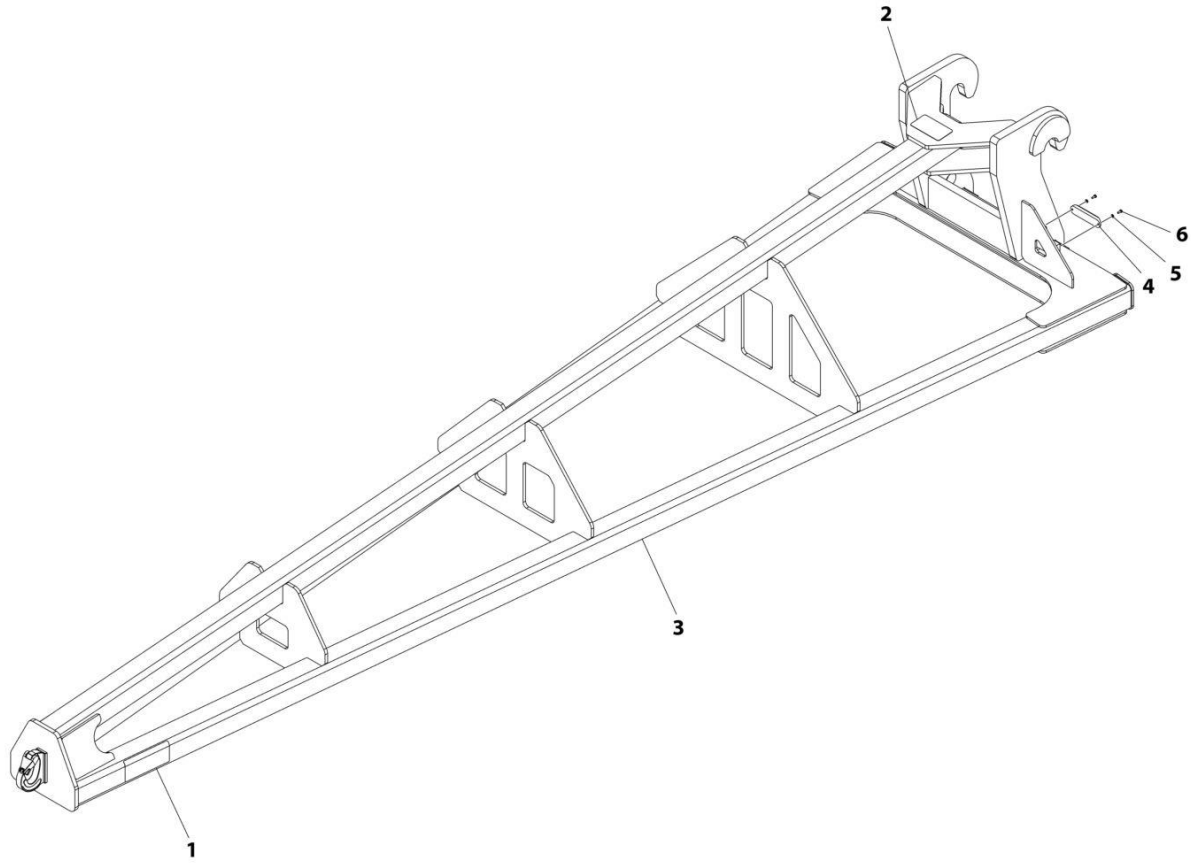
SECTION 3 - ATTACHMENTS

FIGURE 3-9. BOOM - 12FT WITH WINCH

ITEM	PART NUMBER	QTY	DESCRIPTION	REV
	1001099351	Ref	TRUSS BOOM (0.9 TON - 3.7M WITH WINCH)	L
1	See Note	NSS	Frame, Truss Boom (Note: Purchase Complete Assembly)	
2	90554016	1	Decal, Made in USA	
	See Note	NSS	S/N Plate (Note: Stamped Part - Not Available for Purchase)	
4	70021349	4	Bolt 3/8 x 1	
5	70021921	1	Motor, Truss Boom Winch	
6	70024059	2	Bolt 1/2 x 1-3/4	
7	70021415	2	Connector	
8	70021977	2	Hose 32in (Boom Front Disconnect)	
8	70031445	2	Hose 48in (Boom Side Disconnect)	
9	70022527	2	Fitting, 90	
10	7029692	1	Fitting, Straight	
11	90554062	1	Cap, Dust	
12	70021342	1	Fitting, Straight	
13	90554076	1	Cap, Dust	
15	70021978	1	Ball Swivel with Safety Hook	
16	70021979	1	Assembly, Socket (includes items 17 thru 18)	
17	See Note	NSS	Pin (Note: Use Item 16)	
18	See Note	NSS	Pin, Cotter (Note: Use Item 16)	
19	70022528	2	Clamp	
20	70021935	1	Pulley	
21	70022028	1	Cable	
22	4110422	2	Decal, Warning Swinging Loads	
23	70022529	1	Pin	
24	70024060	2	Washer	
25	70026698	2	Ring, Snap	
26	90554042	4	Washer 3/8	
27	90554020	2	Washer 1/2	
28	90554054	2	Nut 1/2	

SECTION 3 - ATTACHMENTS

FIGURE 3-10. BOOM - 12FT WITHOUT WINCH (Prior to SN 0160116861)



ART_1001099902_H

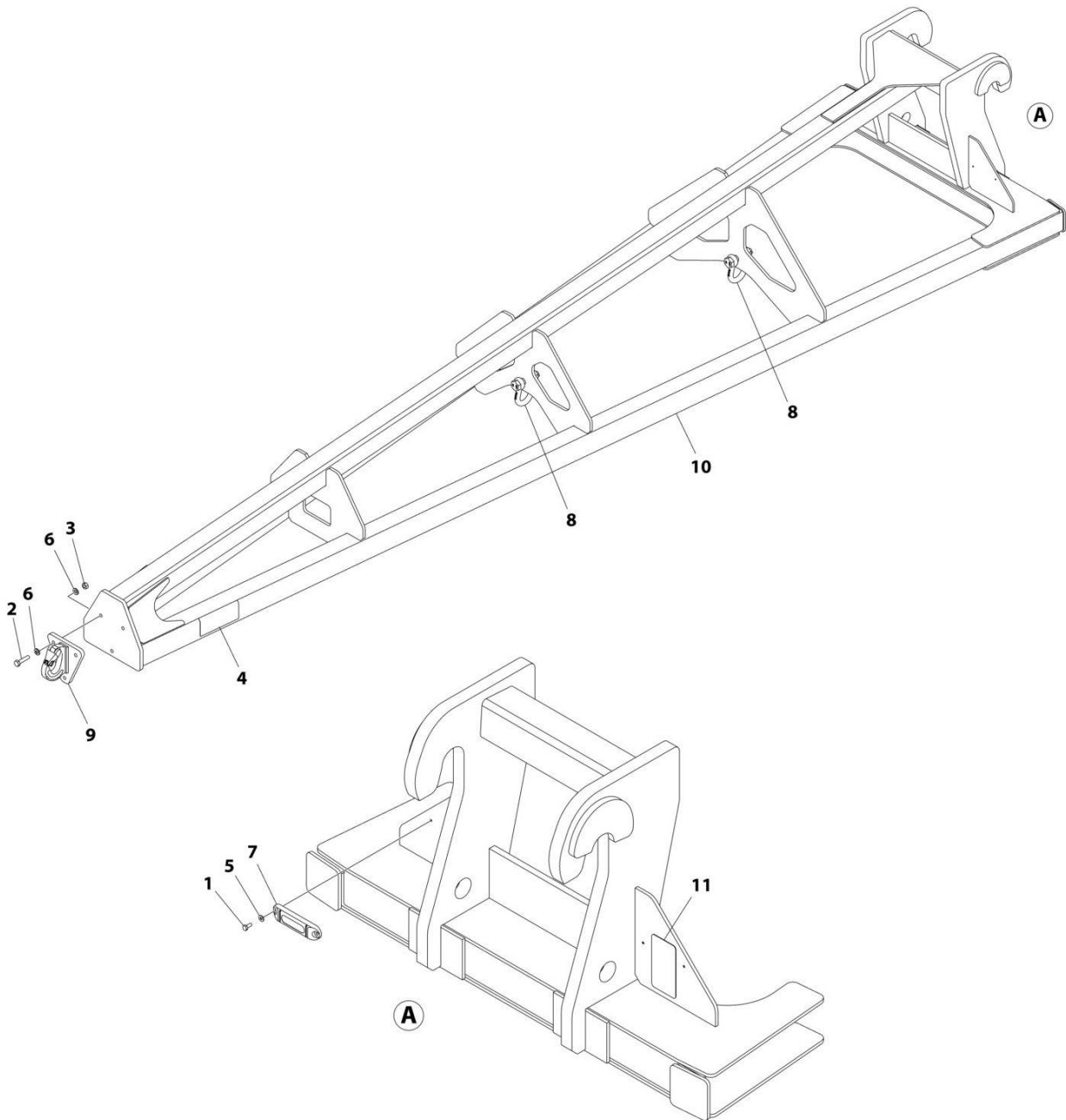
SECTION 3 - ATTACHMENTS

FIGURE 3-10. BOOM - 12FT WITHOUT WINCH (Prior to SN 0160116861)

ITEM	PART NUMBER	QTY	DESCRIPTION	REV
	1001099902	Ref	TRUSS BOOM (0.9 TON - 3.7M)	H
1	4110422	2	Decal, Danger Swinging Loads	
2	See Note	NSS	SN Plate (Note: Stamped Part - Not Available for Purchase)	
3	See Note	NSS	Boom, Truss (Note: Purchase Complete Assembly)	
4	1001227670	1	Tag, RFID	
5	4811400	2	Washer M4	
6	0760405	2	Bolt M4 x 10	

SECTION 3 - ATTACHMENTS

FIGURE 3-11. BOOM - 12FT WITHOUT WINCH (SN 0160116861 to Present)



ART_1001275853

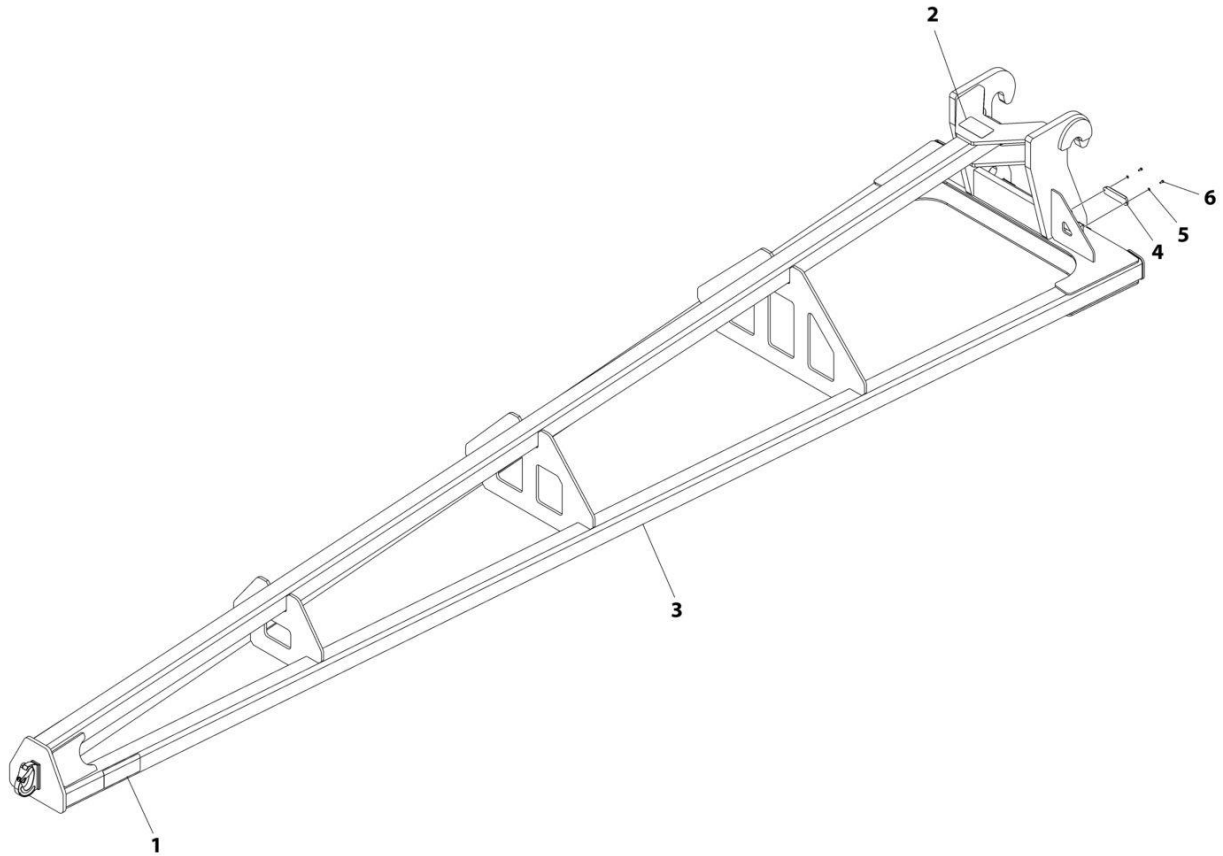
SECTION 3 - ATTACHMENTS

FIGURE 3-11. BOOM - 12FT WITHOUT WINCH (SN 0160116861 to Present)

ITEM	PART NUMBER	QTY	DESCRIPTION	REV
	1001275853	Ref	BOOM - 12FT WITHOUT WINCH	D
1	0760405	2	Bolt M4 x 10	
2	0761017	3	Bolt M10 x 45	
3	3291007	3	Nut M10	
4	4110422	2	Decal, Danger Swinging Loads	
5	4811400	2	Washer M4	
6	5241000	6	Washer M10	
7	1001227670	1	Tag, RFID	
8	1001287742	2	Clevis	
9	1001275841	1	Hook	
10	See Note	NSS	Boom, Truss (Note: Purchase Complete Assembly)	
11	See Note	NSS	SN Plate (Note: Stamped Part - Not Available for Purchase)	

SECTION 3 - ATTACHMENTS

FIGURE 3-12. BOOM - 15FT WITHOUT WINCH (Prior to SN 0160116861)



ART_1001099901_H

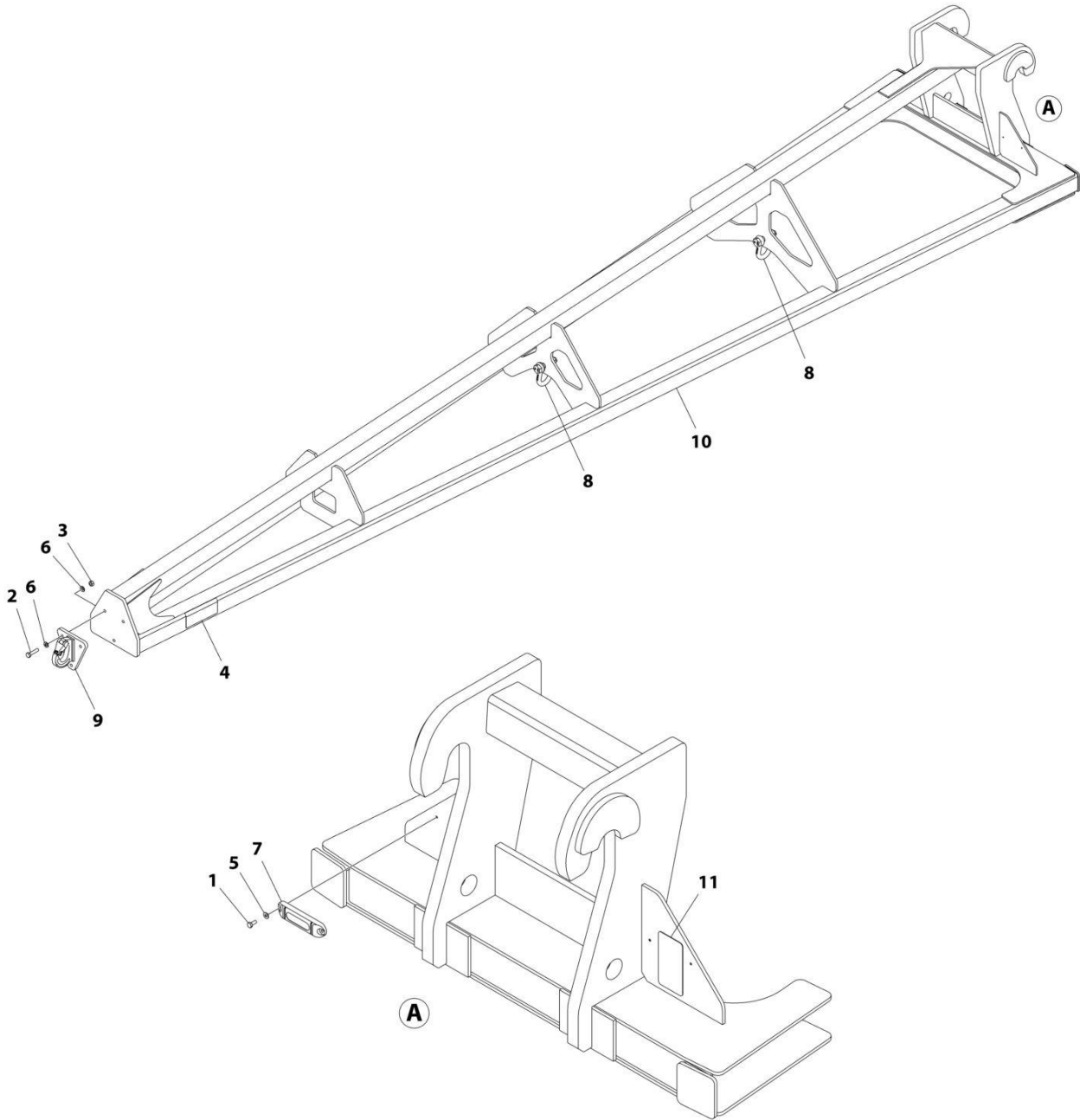
SECTION 3 - ATTACHMENTS

FIGURE 3-12. BOOM - 15FT WITHOUT WINCH (Prior to SN 0160116861)

ITEM	PART NUMBER	QTY	DESCRIPTION	REV
	1001099901	Ref	TRUSS BOOM (15 FOOT)	H
1	4110422	2	Decal, Danger Swinging Loads	
2	See Note	NSS	SN Plate (Note:Stamped Part - Not Available for Purchase)	
3	See Note	NSS	Boom, Truss (Note: Purchase Complete Assembly)	
4	1001227670	1	Tag, RFID	
5	4811400	2	Washer M4	
6	0760405	2	Bolt M4 x 10	

SECTION 3 - ATTACHMENTS

FIGURE 3-13. BOOM - 15FT WITHOUT WINCH (SN 0160116861 to Present)



ART_1001275852

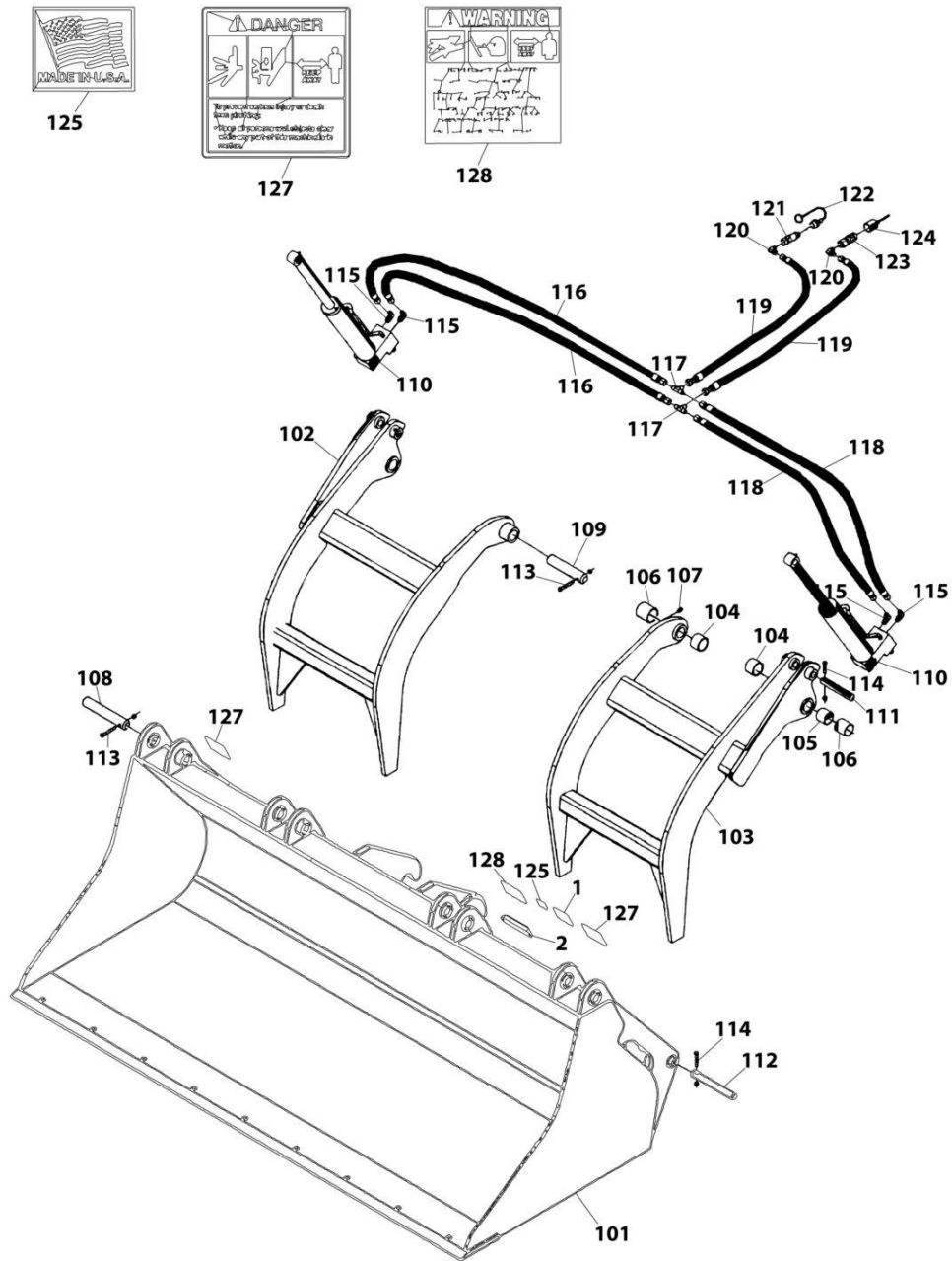
SECTION 3 - ATTACHMENTS

FIGURE 3-13. BOOM - 15FT WITHOUT WINCH (SN 0160116861 to Present)

ITEM	PART NUMBER	QTY	DESCRIPTION	REV
	1001275852	Ref	BOOM - 15FT WITHOUT WINCH	D
1	0760405	2	Bolt M4 x 10	
2	0761017	3	Bolt M10 x 45	
3	3291007	3	Nut M10	
4	4110422	2	Decal, Danger Swinging Loads	
5	4811400	2	Washer M4	
6	5241000	6	Washer M10	
7	1001227670	1	Tag, RFID	
8	1001287742	2	Clevis	
9	1001275841	1	Hook	
10	See Note	NSS	Boom, Truss (Note: Purchase Complete Assembly)	
11	See Note	NSS	SN Plate (Note: Stamped Part - Not Available for Purchase)	

SECTION 3 - ATTACHMENTS

FIGURE 3-14. BUCKET (GRAPPLE MULTI-PURPOSE)



ART_0930020

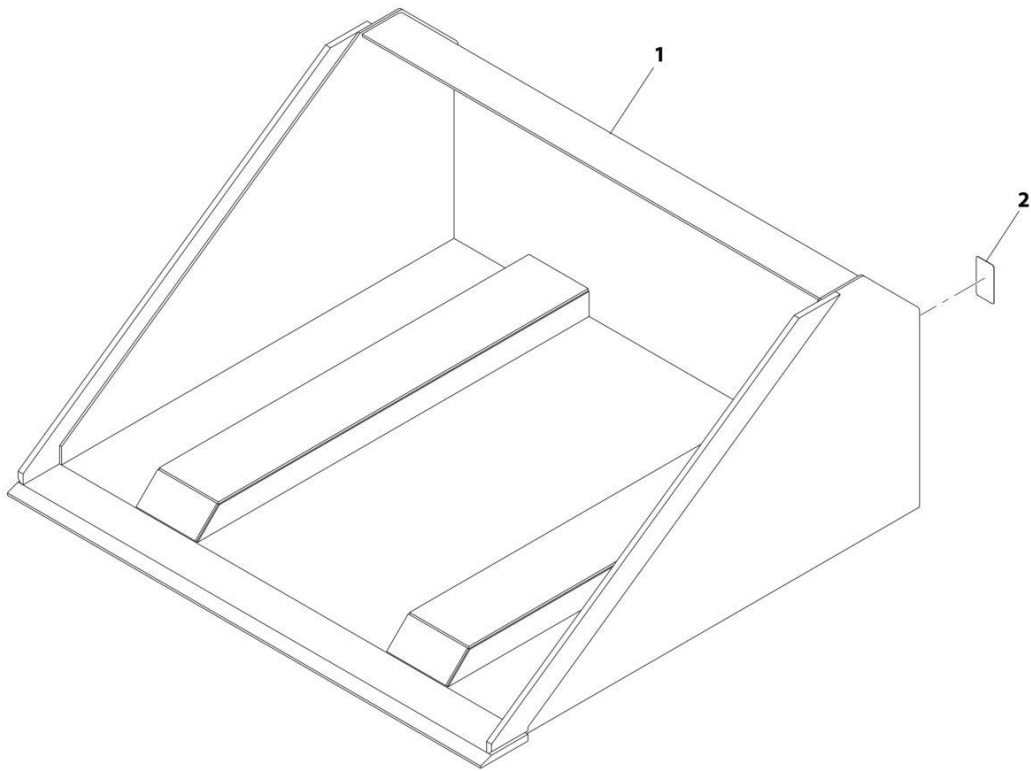
SECTION 3 - ATTACHMENTS

FIGURE 3-14. BUCKET (GRAPPLE MULTI-PURPOSE)

ITEM	PART NUMBER	QTY	DESCRIPTION	REV
	0930020	Ref	Multi-Purpose Grapple Bucket (2450 MM)	L
1	See Note	NSS	S/N Plate (Note: Stamped Part - Not Available for Purchase)	
2	1001227670	1	Tag, RFID	
101	N.S.S.	1	Bucket	
101	70021387	4	Clamp, Hose	
102	70021391	1	Hook, RH Grapple	
103	70021392	1	Hook, LH Grapple	
104	70021358	4	Bushing	
105	70021359	2	Spacer	
106	70021360	4	Bushing	
107	7029714	4	Fitting, Grease	
108	70021361	2	Pin	
109	70021362	2	Pin	
110	70021393	2	Cylinder, Grapple Bucket (See Separate Breakdown in HYDRAULIC COMPONENTS Section)	
111	70021364	2	Pin	
112	70021365	2	Pin	
113	70021366	4	Bolt, 3/8X2-3/4	
113	70021367	4	Nut 3/8	
114	70021399	4	Bolt, 3/8X2-1/4	
114	70021367	4	Nut, Lock 3/8	
115	90554065	4	Fitting, 90	
116	70021980	2	Hose	
117	70020562	2	Fitting, Tee	
118	70021981	2	Hose	
119	70021982	2	Hose 34in (Boom Front Disconnect)	
119	70031446	2	Hose 45in (Boom Side Disconnect)	
120	70022527	2	Fitting, 90	
121	7029692	1	Coupler	
122	90554062	1	Cover	
123	70021342	1	Coupler	
124	90554076	1	Cover	
125	90554016	1	Decal, Made in USA	
127	90554017	2	Decal, Danger Pinch Point	
128	90554018	1	Decal, Warning High Pressure	

SECTION 3 - ATTACHMENTS

FIGURE 3-15. BUCKET (60 INCH) FORK MOUNTED)



ART_1001195970-D

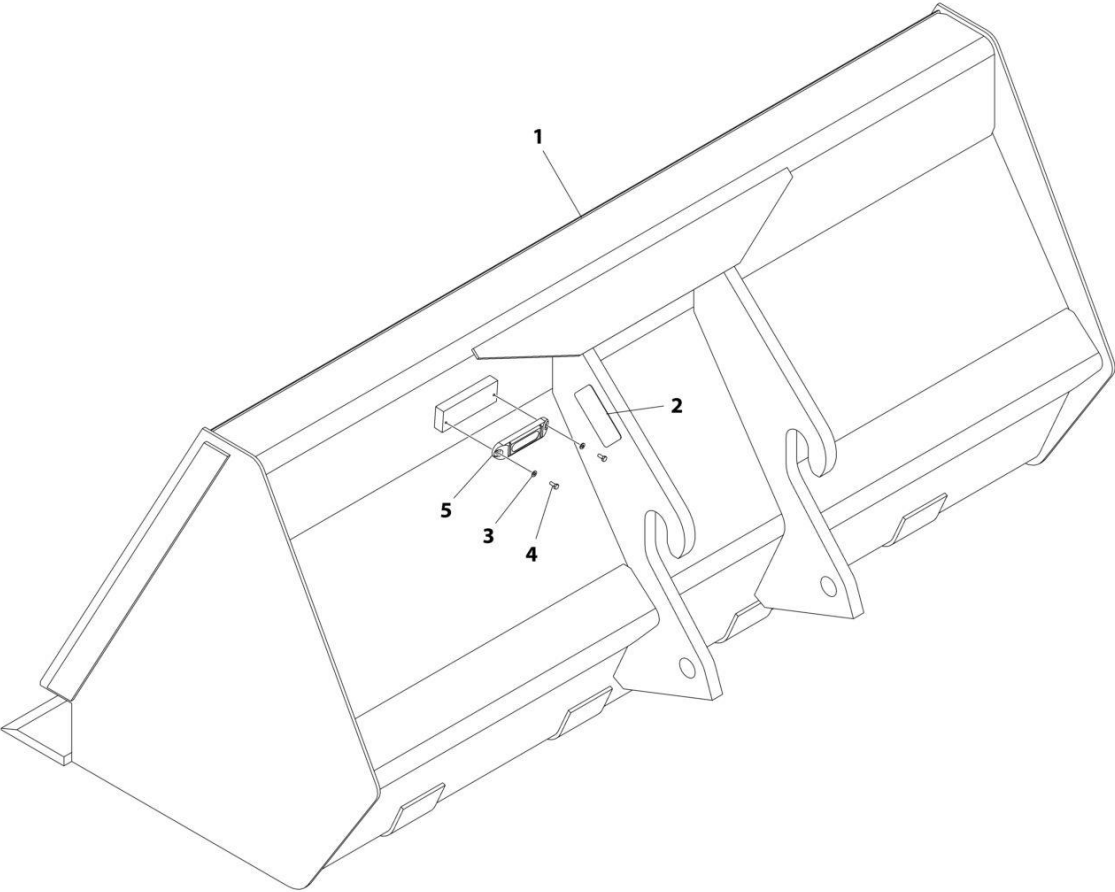
SECTION 3 - ATTACHMENTS

FIGURE 3-15. BUCKET (60 INCH) FORK MOUNTED)

ITEM	PART NUMBER	QTY	DESCRIPTION	REV
1	1001195970	Ref	Bucket 1.0 m ³ (Fork Mounted)	E
2	See Note	NSS	S/N Plate (Note: Stamped Part - Not Available for Purchase)	

SECTION 3 - ATTACHMENTS

FIGURE 3-16. BUCKET (72 INCH)



ART_1001100822_I

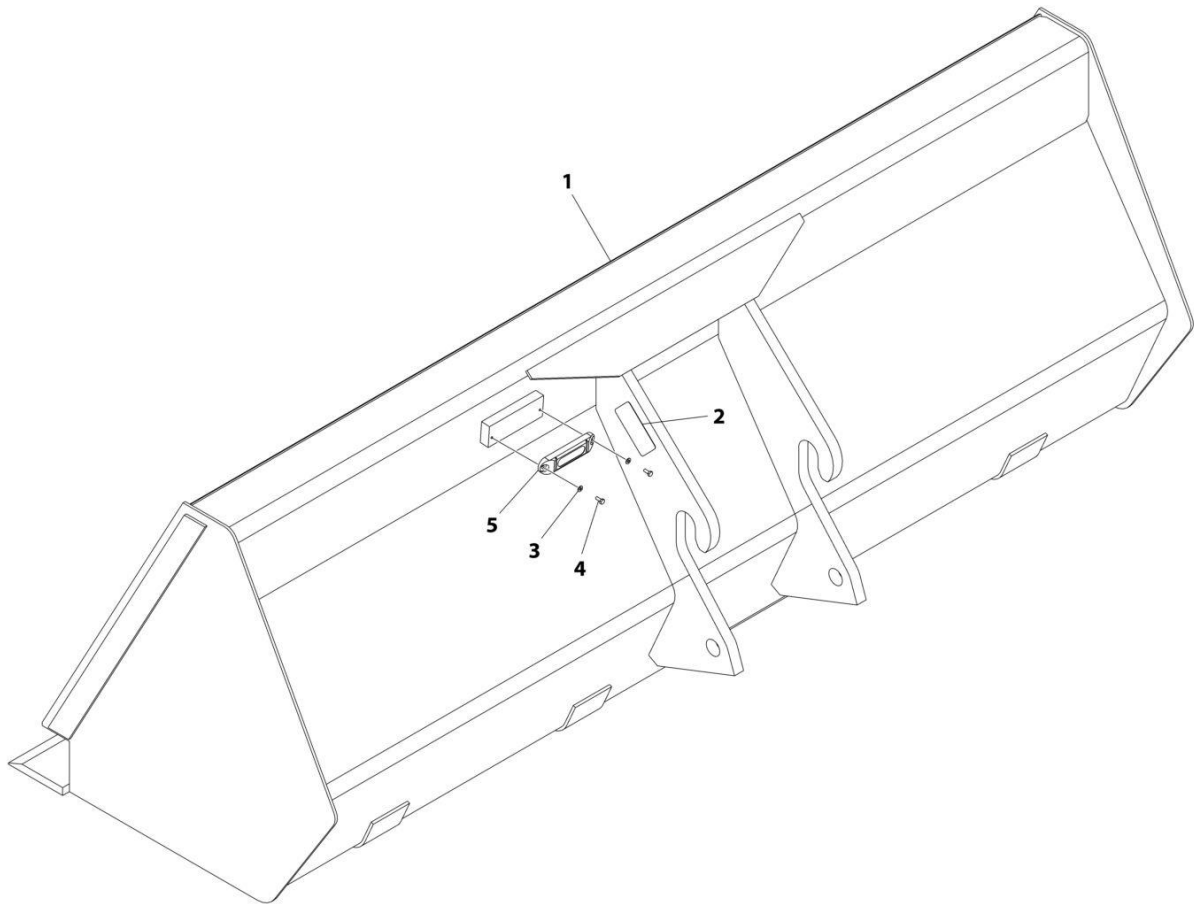
SECTION 3 - ATTACHMENTS

FIGURE 3-16. BUCKET (72 INCH)

ITEM	PART NUMBER	QTY	DESCRIPTION	REV
	1001100822	Ref	BUCKET 1.0 YD ³ (ANSI - JLG)	I
1	1001100265	1	Bucket Weldment	
2	See Note	NSS	SN Plate (Note:Stamped Part - Not Available for Purchase)	
3	4811400	2	Washer M4	
4	0760405	2	Bolt M4 x 10	
5	1001227670	1	Tag, RFID	

SECTION 3 - ATTACHMENTS

FIGURE 3-17. BUCKET (96 INCH)



ART_1001100823_I

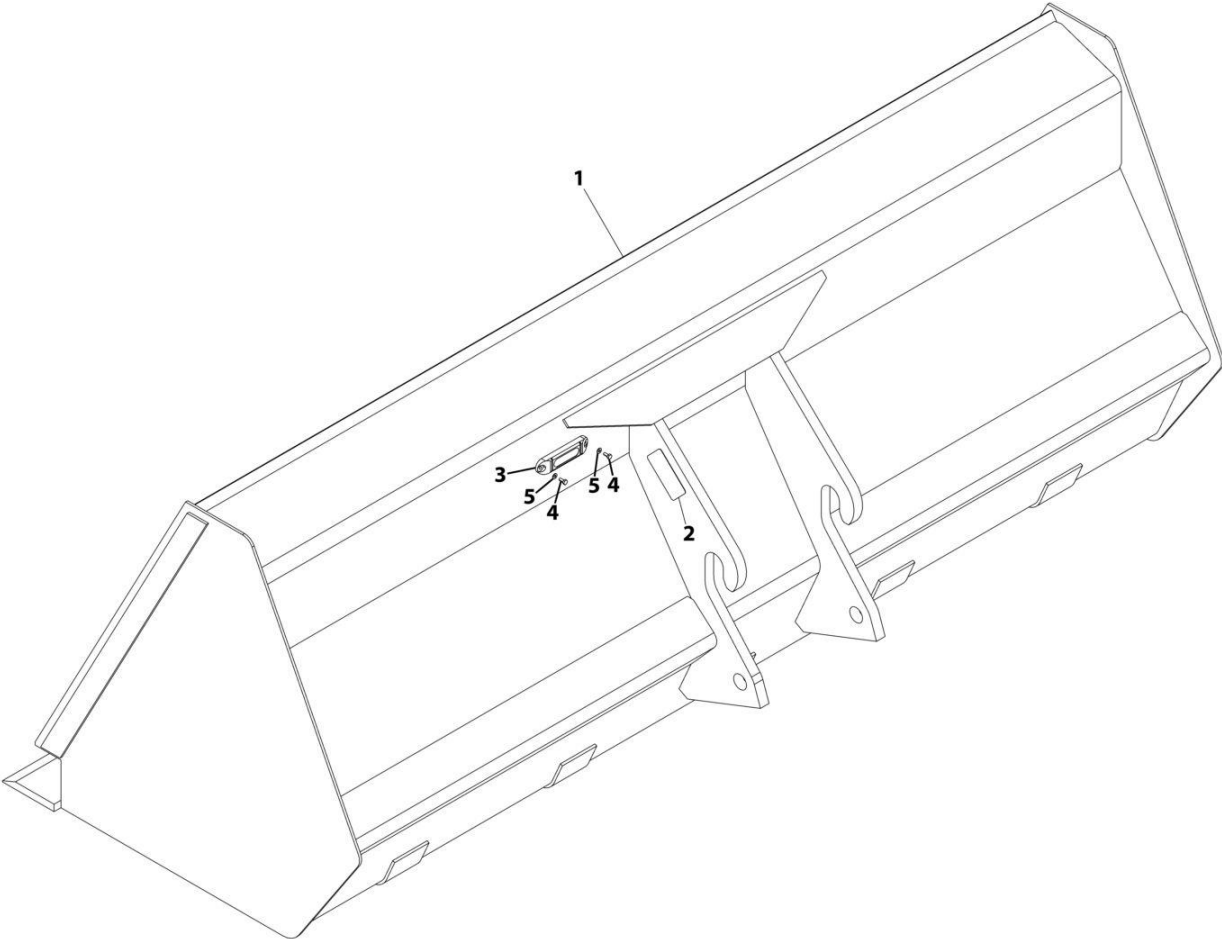
SECTION 3 - ATTACHMENTS

FIGURE 3-17. BUCKET (96 INCH)

ITEM	PART NUMBER	QTY	DESCRIPTION	REV
	1001100823	Ref	BUCKET (1.15 M ³)	I
1	1001100266	1	Bucket	
2	See Note	NSS	SN Plate (Note:Stamped Part - Not Available for Purchase)	
3	4811400	2	Washer M4	
4	0760405	2	Bolt M4 x 10	
5	1001227670	1	Tag, RFID	

SECTION 3 - ATTACHMENTS

FIGURE 3-18. BUCKET (102 INCH)



ART_1001100824

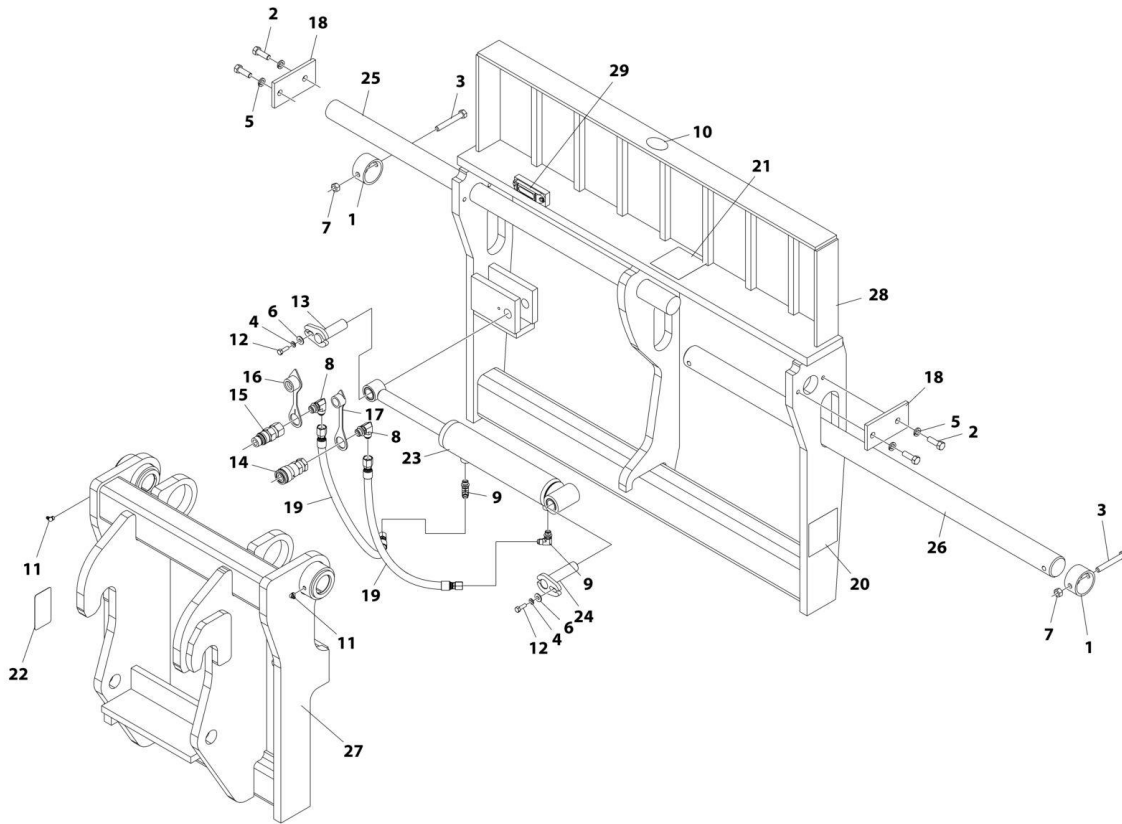
SECTION 3 - ATTACHMENTS

FIGURE 3-18. BUCKET (102 INCH)

ITEM	PART NUMBER	QTY	DESCRIPTION	REV
	1001100824	Ref	Bucket (102 Inch)	H
1	1001100267	NLA	Bucket (Note: Purchase PN 1001100824)	
2	See Note	NSS	S/N Plate (Note: Stamped Part - Not Available for Purchase)	
3	1001227670	1	Tag, RFID	
4	0760405	2	Bolt M4 x 10	
5	4811400	2	Washer M4	

SECTION 3 - ATTACHMENTS

FIGURE 3-19. SIDE SHIFT CARRIAGE ASSEMBLY (48 INCH 12K)



ART_1001242644_C

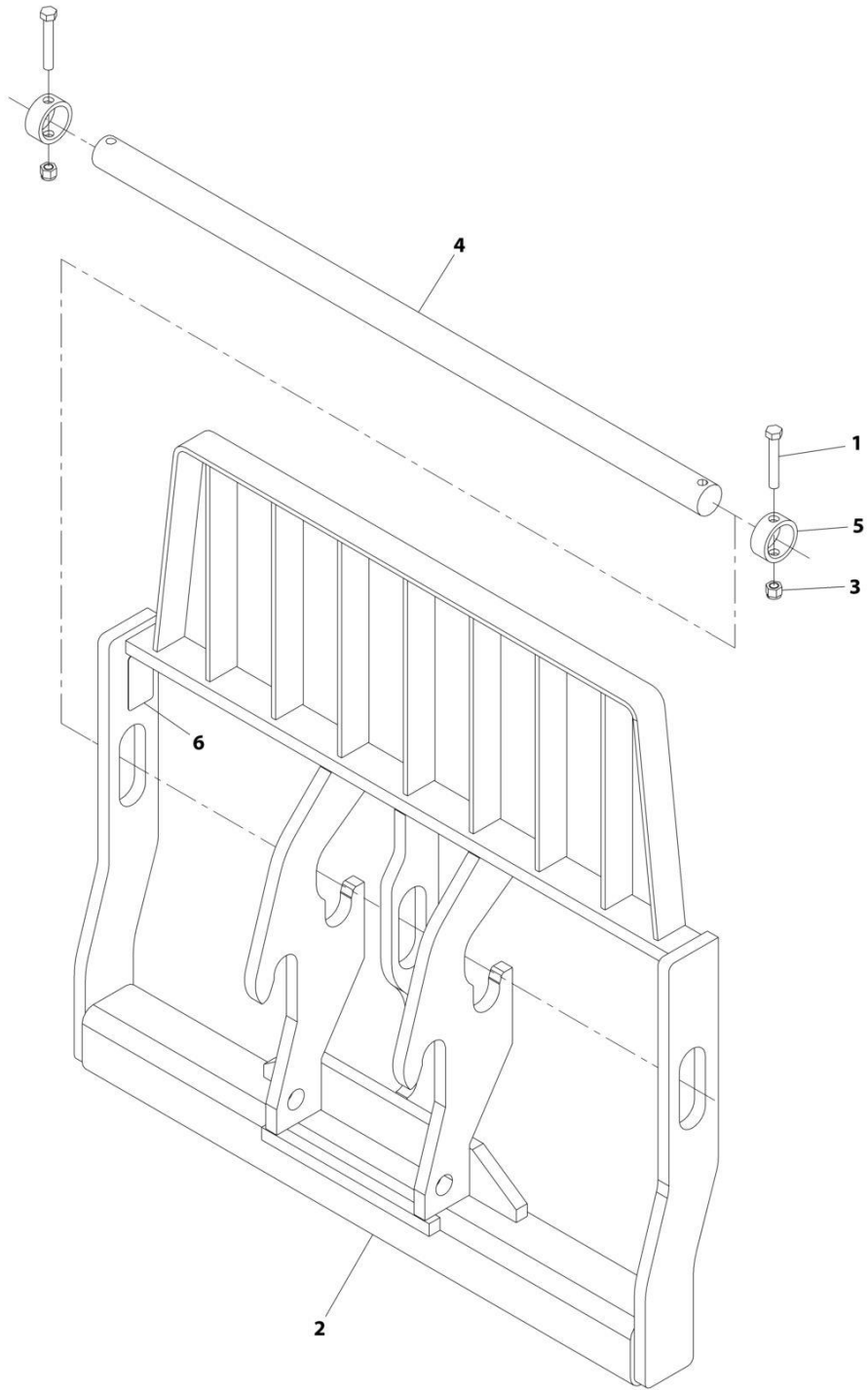
SECTION 3 - ATTACHMENTS

FIGURE 3-19. SIDE SHIFT CARRIAGE ASSEMBLY (48 INCH 12K)

ITEM	PART NUMBER	QTY	DESCRIPTION	REV
	1001242644	Ref	SIDE SHIFT CARRIAGE ASSEMBLY (48 INCH)	C
1	70020028	2	Bushing	
2	70021382	4	Bolt 1/2 x 1-1/2	
3	70020002	2	Bolt 1/2 x 4	
4	90554067	2	Washer 5/16	
5	90554020	4	Washer 1/2	
6	70021379	2	Washer	
7	70027642	2	Washer	
8	70030141	2	Elbow	
9	90554065	2	Elbow 90	
10	90554016	1	Decal - Made in USA	
11	70021389	2	Fitting 90	
12	70021378	2	Capscrew	
13	70021351	1	Pin	
14	91403413	1	Adapter	
15	91403414	1	Adapter	
16	8420053	1	Cap, Dust	
17	8420055	1	Plug, Dust	
18	70030142	2	Plate	
19	70030143	2	Hose 30in (Boom Front Disconnect)	
19	70031444	2	Hose 55in (Boom Side Disconnect)	
20	90554017	2	Decal - Danger Pinch Point	
21	7029711	1	Decal - High Pressure	
22	See Note	NSS	SN Plate (Note: Stamped Part - Not Available for Purchase)	
23	70021376	1	Cylinder Assembly (See Separate Breakdown in HYDRAULIC COMPONENTS Section)	
24	70021377	1	Pin	
25	70030144	1	Pin	
26	70030145	1	Pin	
27	See Note	NSS	Frame - Rear (Note: Purchase Complete Assembly)	
28	See Note	NSS	Frame - Front (Note: Purchase Complete Assembly)	
29	1001227670	1	Tag, RFID	

SECTION 3 - ATTACHMENTS

FIGURE 3-20. CARRIAGE ASSEMBLY (50 INCH 12K)



ART_1170021-H

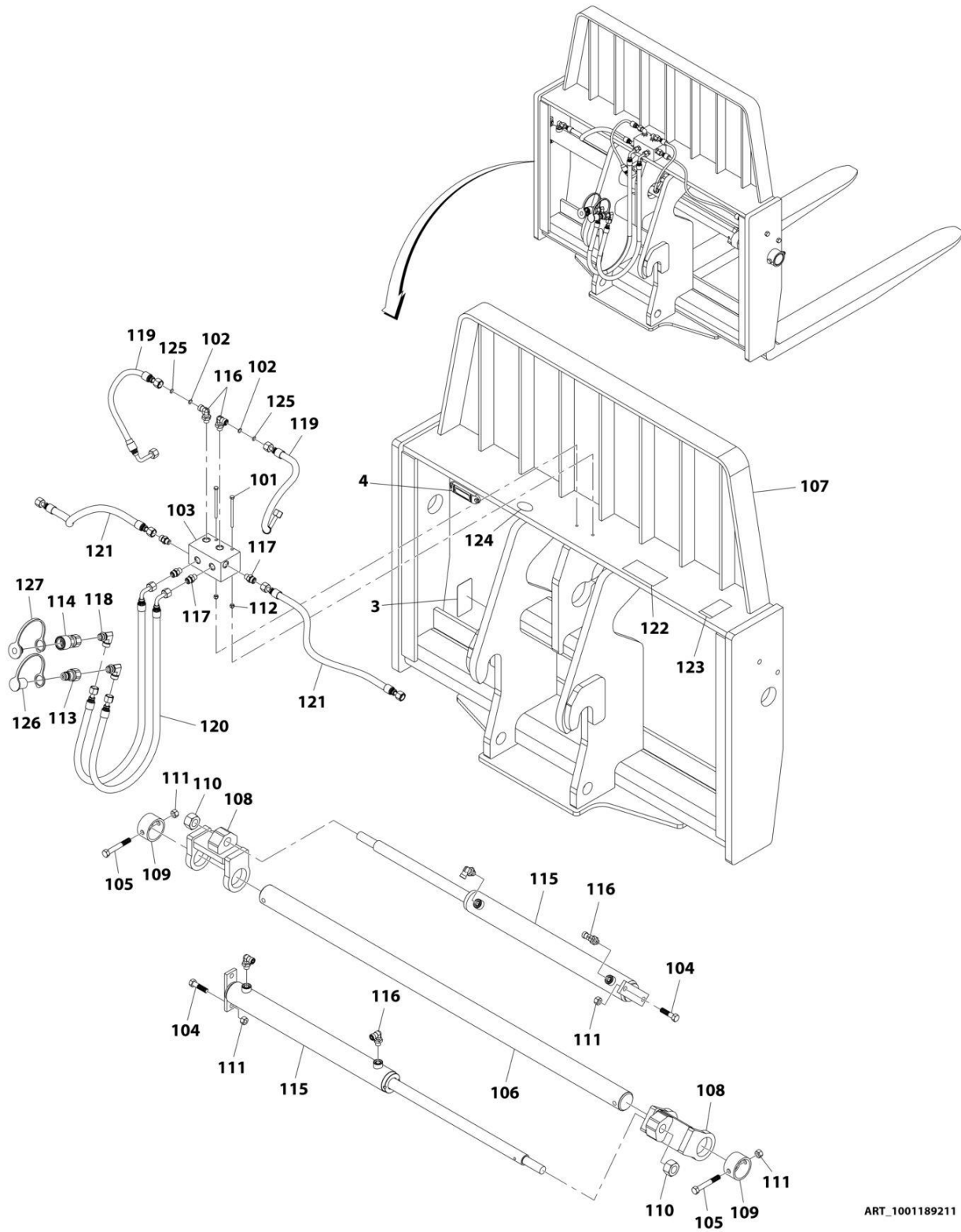
SECTION 3 - ATTACHMENTS

FIGURE 3-20. CARRIAGE ASSEMBLY (50 INCH 12K)

ITEM	PART NUMBER	QTY	DESCRIPTION	REV
	1170021	Ref	Carriage Assembly (50 INCH)	H
1	0642032	2	Bolt, 5/8-11X4	
2	1170012	1	Weldment, Carriage	
3	3300240	2	Nut, Lock 5/8-11	
4	3423275	1	Pin, Fork	
5	90200003	2	Collar, Fork Pin	
6	See Note	NSS	S/N Plate (Note: Stamped Part - Not Available for Purchase)	

SECTION 3 - ATTACHMENTS

FIGURE 3-21. CARRIAGE (50 INCH 12K) (DUAL FORK)



ART_1001189211

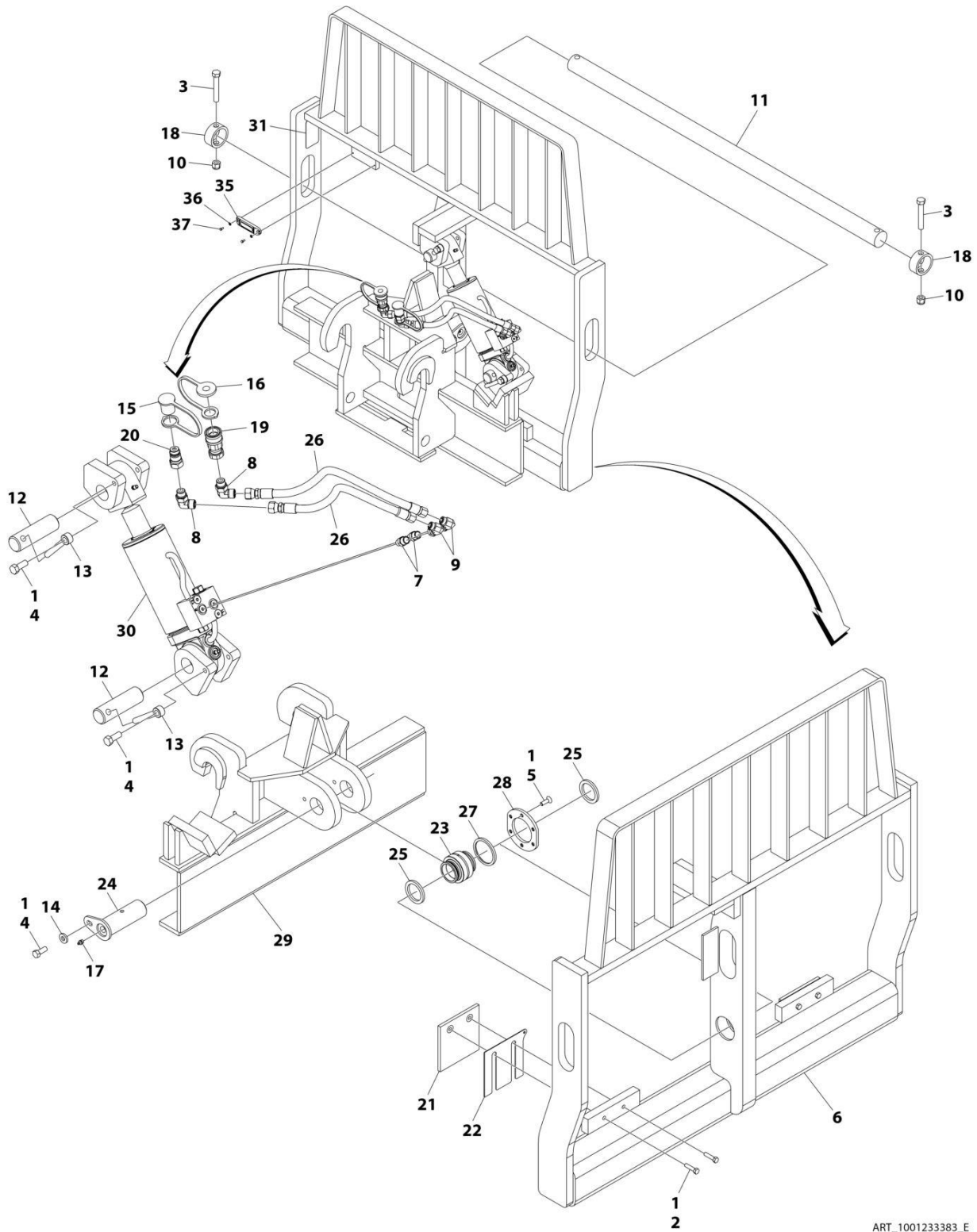
SECTION 3 - ATTACHMENTS

FIGURE 3-21. CARRIAGE (50 INCH 12K) (DUAL FORK)

ITEM	PART NUMBER	QTY	DESCRIPTION	REV
	1001189211	Ref	DUAL FORK POSITIONING CARRIAGE ASSEMBLY (50 INCH)	F
3	See Note	NSS	S/N Plate (Note: Stamped Part - Not Available for Purchase)	
4	1001227670	1	Tag. RFID	
101	70028519	2	Bolt	
102	70028520	2	Orifice	
103	70028521	1	Valve	
104	90554019	4	Bolt	
105	70020002	2	Bolt	
106	70027283	1	Pin Fork	
107	See Note	NSS	Carriage (Note: Purchase Complete Assembly)	
108	70028522	2	Weldment, Fork Adapter	
109	70020028	2	Bushing	
110	70021440	2	Nut	
111	70028523	6	Nut	
112	70028524	2	Nut	
113	91403414	1	Adapter, Male Quick Disconnect	
114	91403413	1	Adapter, Female Quick Disconnect	
115	2717283	2	Cylinder, Dual Fork (See Separate Breakdown in HYDRAUIC COMPONENTS Section)	
116	70028525	6	Elbow, 90	
117	70028486	4	Fitting	
118	70028526	2	Elbow, 90	
119	70028527	2	Hose	
120	70028528	2	Hose 36in (Boom Front Disconnect)	
120	70031443	2	Hose 44in (Boom Side Disconnect)	
121	70028529	2	Hose	
122	70028530	1	Decal, Hose Routing	
123	See Note	NSS	S/N Plate (Note: Stamped Part - Not Available for Purchase)	
124	90554016	1	Decal	
125	70028531	2	O-Ring	
126	8420055	1	Plug, Dust	
127	8420053	1	Cap, Dust	

SECTION 3 - ATTACHMENTS

FIGURE 3-22. SIDE TILT CARRIAGE ASSEMBLY (50 INCH) (Prior to SN 0160116861)



ART_1001233383_E

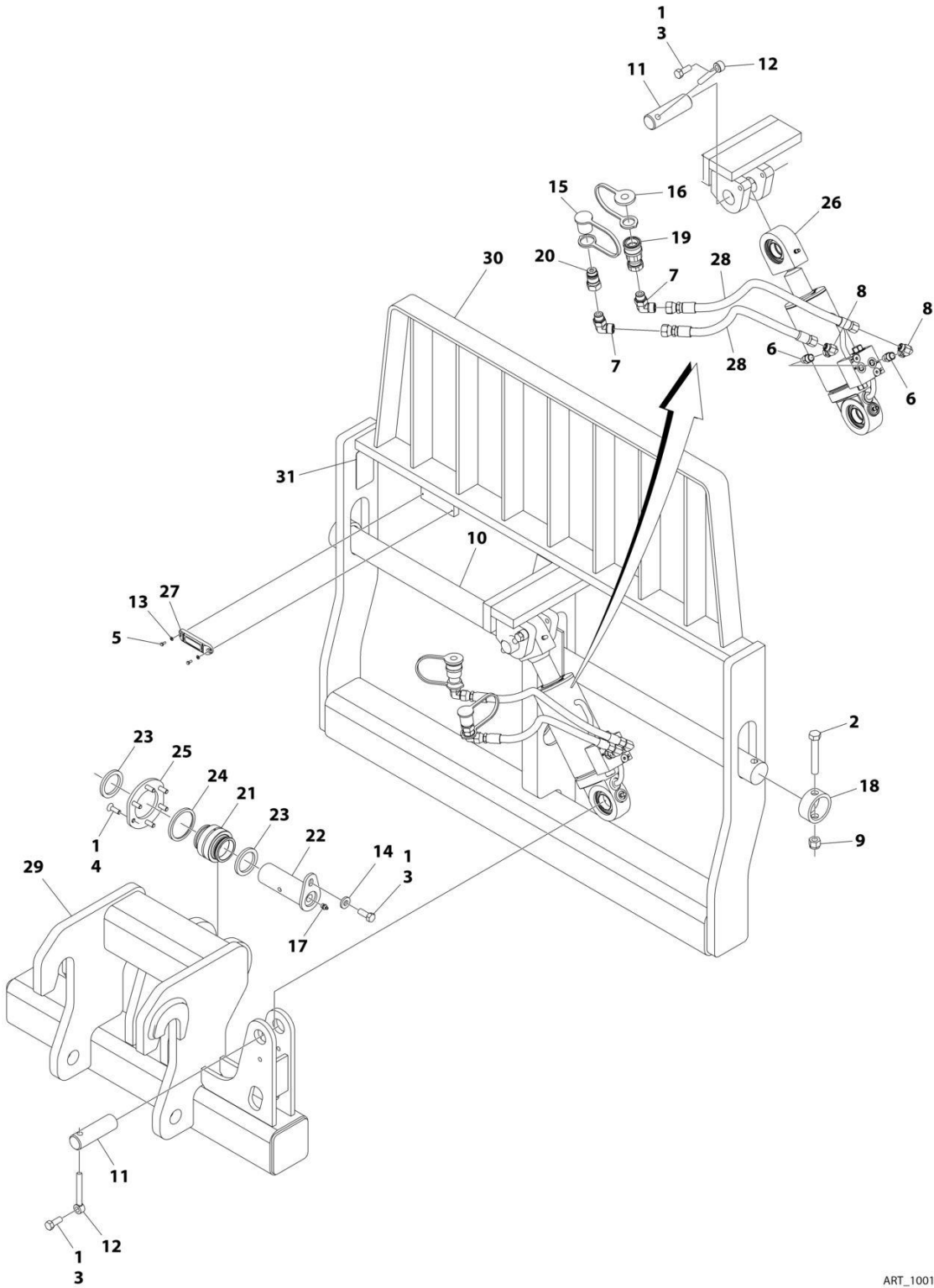
SECTION 3 - ATTACHMENTS

FIGURE 3-22. SIDE TILT CARRIAGE ASSEMBLY (50 INCH) (Prior to SN 0160116861)

ITEM	PART NUMBER	QTY	DESCRIPTION	REV
	1001233383	NLA	SIDE TILT CARRIAGE ASSEMBLY (50 INCH) (No longer available, use item 1 to 37 for service or 1001277290 for replacement)	E
1	0100011	AR	Compound, Locking	
2	0641612	4	Bolt 3/8 x 1-1/2	
3	0642032	2	Bolt 5/8 x 4	
4	0681810	3	Bolt 1/2 x 1-1/4	
5	0741610	6	Screw 3/8 x 1.25	
6	See Note	NSS	Carriage (Note: Purchase Complete Assembly)	
7	2110606	2	Fitting, Straight ORFS	
8	2130808	2	Adapter, 90	
9	2172106	2	Fitting, 90 ORFS	
10	3300240	2	Nut 5/8	
11	3423275	1	Pin	
12	3423307	2	Pin	
13	3841203	2	Keeper	
14	4891800	1	Flatwasher	
15	8420053	1	Cap	
16	8420055	1	Plug	
17	88671001	1	Fitting, Grease	
18	90200003	2	Collar	
19	91403413	1	Fitting, Straight	
20	91403414	1	Fitting, Straight	
21	1001090063	2	Pad	
22	1001090064	AR	Shim	
23	1001090140	1	Bearing	
24	1001099113	1	Pin	
25	1001099115	2	Sleeve	
26	1001239734	2	Hose	
27	1001120914	1	Shim	
28	1001120915	1	Plate	
29	See Note	NSS	Carriage, Base Plate (Note: Purchase Complete Assembly)	
30	1001163414	1	Cylinder, Side Tilt (See Separate Breakdown in HYDRAULIC COMPONENTS Section)	
31	See Note	NSS	SN Plate (Note: Stamped Part - Not Available for Purchase)	
35	1001227670	1	Tag, RFID	
36	4811400	2	Washer M4	
37	0760405	2	Bolt M4 x 10	

SECTION 3 - ATTACHMENTS

FIGURE 3-23. SIDE TILT CARRIAGE ASSEMBLY (50 INCH) (SN 0160116861 to Present)



ART_1001277290

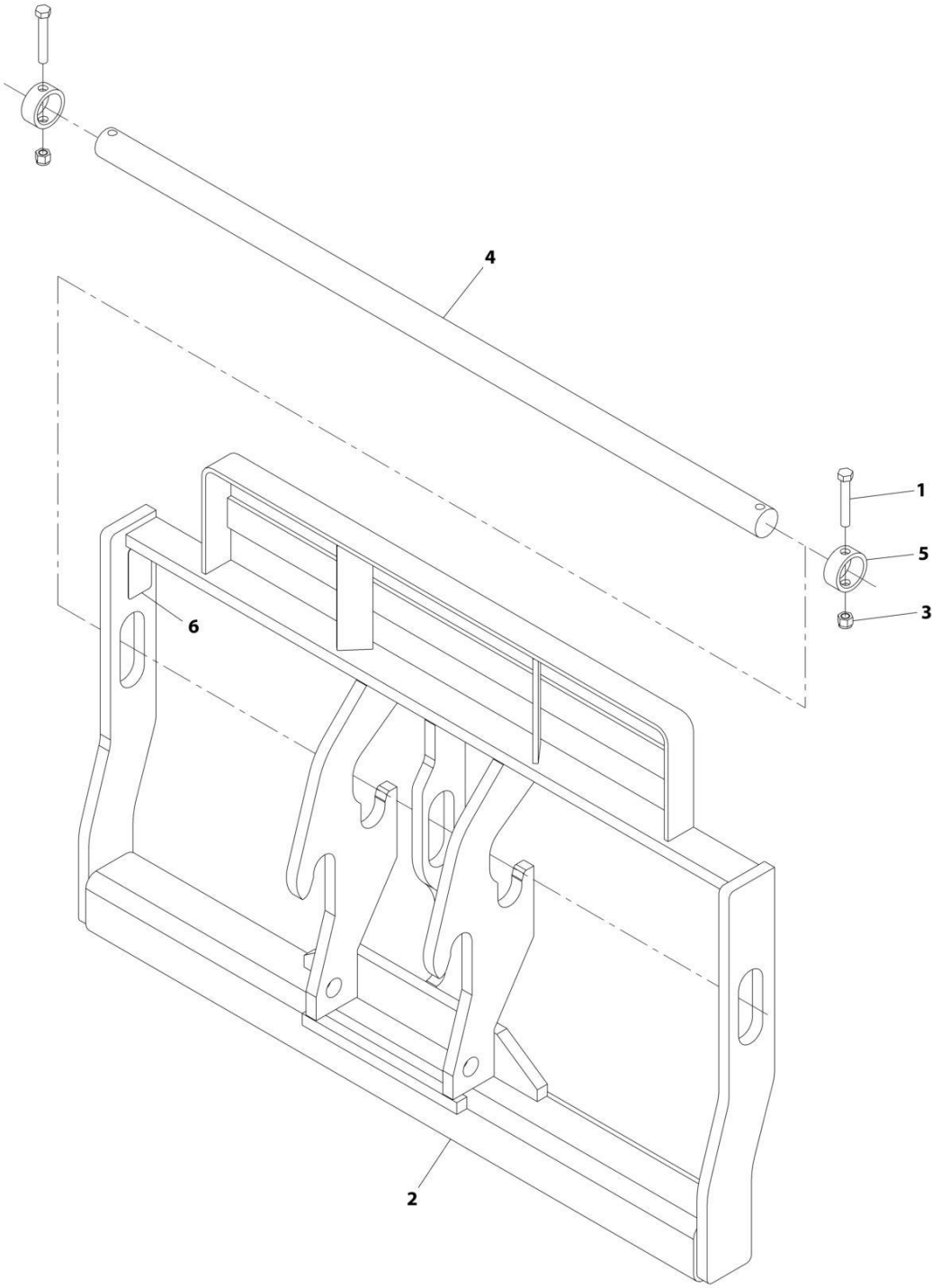
SECTION 3 - ATTACHMENTS

FIGURE 3-23. SIDE TILT CARRIAGE ASSEMBLY (50 INCH) (SN 0160116861 to Present)

ITEM	PART NUMBER	QTY	DESCRIPTION	REV
	1001277290	Ref	SIDE TILT CARRIAGE ASSEMBLY (50 INCH)	A
1	0100011	AR	Compound, Locking	
2	0642032	2	Bolt 5/8 x 4	
3	0681810	3	Bolt 1/2 x 1-1/4	
4	0741610	6	Screw 3/8 x 1-1/4	
5	0760405	2	Bolt M4 x 10	
6	2110606	2	Fitting, Straight ORFS	
7	2130808	2	Fitting, 90 ORFS	
8	2172106	2	Fitting, 90 ORFS	
9	3300240	2	Nut 5/8	
10	3423275	1	Pin	
11	3423307	2	Pin	
12	3841203	2	Keeper	
13	4811400	2	Washer M4	
14	4891800	1	Washer	
15	8420053	1	Cap	
16	8420055	1	Plug	
17	88671001	1	Fitting, Grease	
18	90200003	2	Collar	
19	91403413	1	Fitting, Straight	
20	91403414	1	Fitting, Straight	
21	1001090140	1	Bearing	
22	1001099113	1	Pin	
23	1001099115	2	Sleeve	
24	1001120914	1	Shim	
25	1001120915	1	Plate	
26	1001163414	1	Cylinder, Side Tilt (See Separate Breakdown in HYDRAULIC COMPONENTS Section)	
27	1001227670	1	Tag, RFID	
28	1001239734	2	Hose	
29	See Note	NSS	Carriage, Base Plate (Note: Purchase Complete Assembly)	
30	See Note	NSS	Carriage (Note: Purchase Complete Assembly)	
31	See Note	NSS	SN Plate (Note: Stamped Part - Not Available for Purchase)	

SECTION 3 - ATTACHMENTS

FIGURE 3-24. CARRIAGE ASSEMBLY (60 INCH 12K)



ART_1170024-H

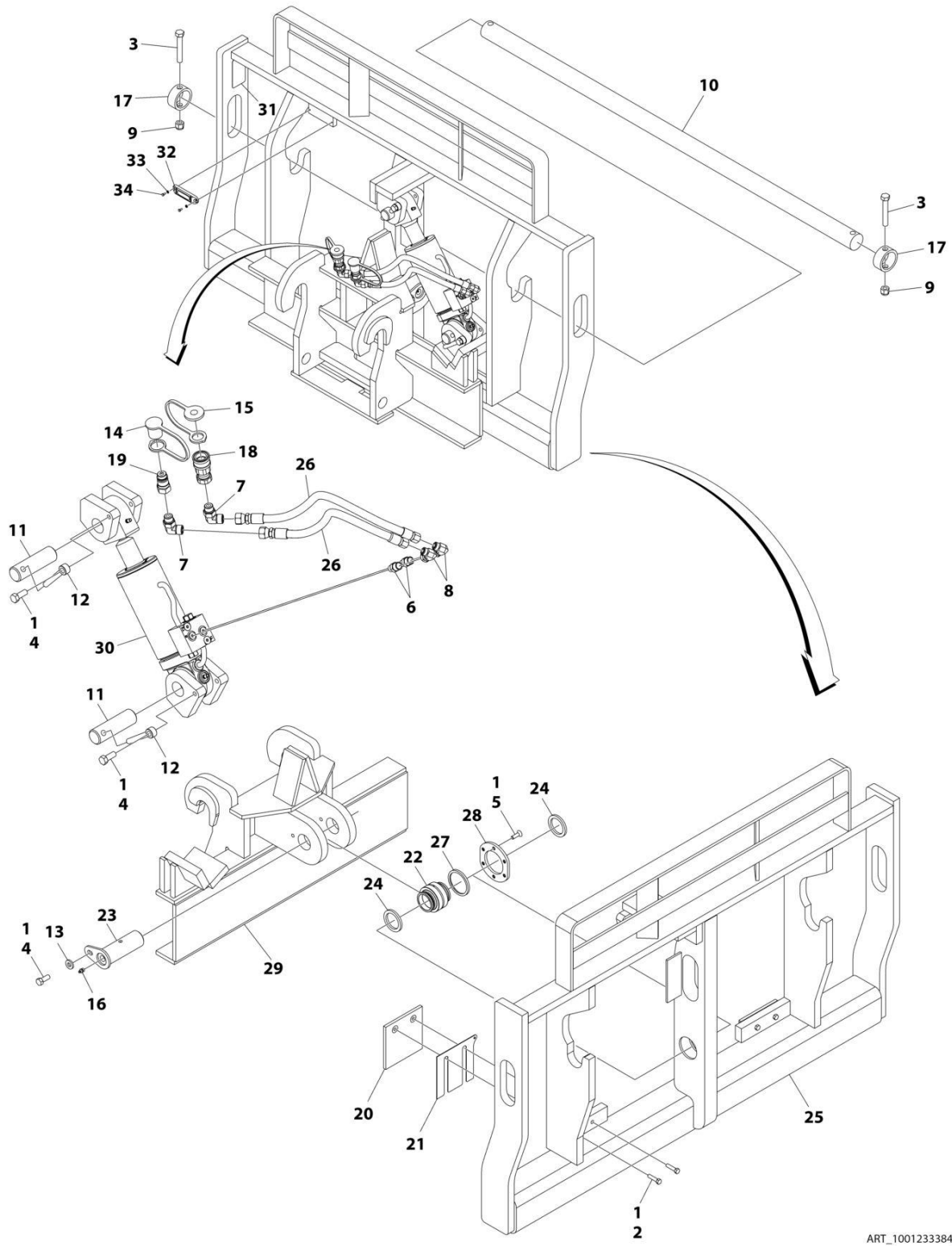
SECTION 3 - ATTACHMENTS

FIGURE 3-24. CARRIAGE ASSEMBLY (60 INCH 12K)

ITEM	PART NUMBER	QTY	DESCRIPTION	REV
	1170024	Ref	Carriage Assembly (1524 MM)	H
1	0642032	2	Bolt 5/8 x 4	
2	See Note	NSS	Carriage (Note: Purchase Complete Assembly)	
3	3300240	2	Nut 5/8	
4	3423242	1	Pin	
5	90200003	2	Sleeve	
6	See Note	NSS	S/N Plate (Note: Stamped Part - Not Available for Purchase)	

SECTION 3 - ATTACHMENTS

FIGURE 3-25. SIDE TILT CARRIAGE ASSEMBLY (60 INCH) (Prior to SN 0160116861)



ART_1001233384_F

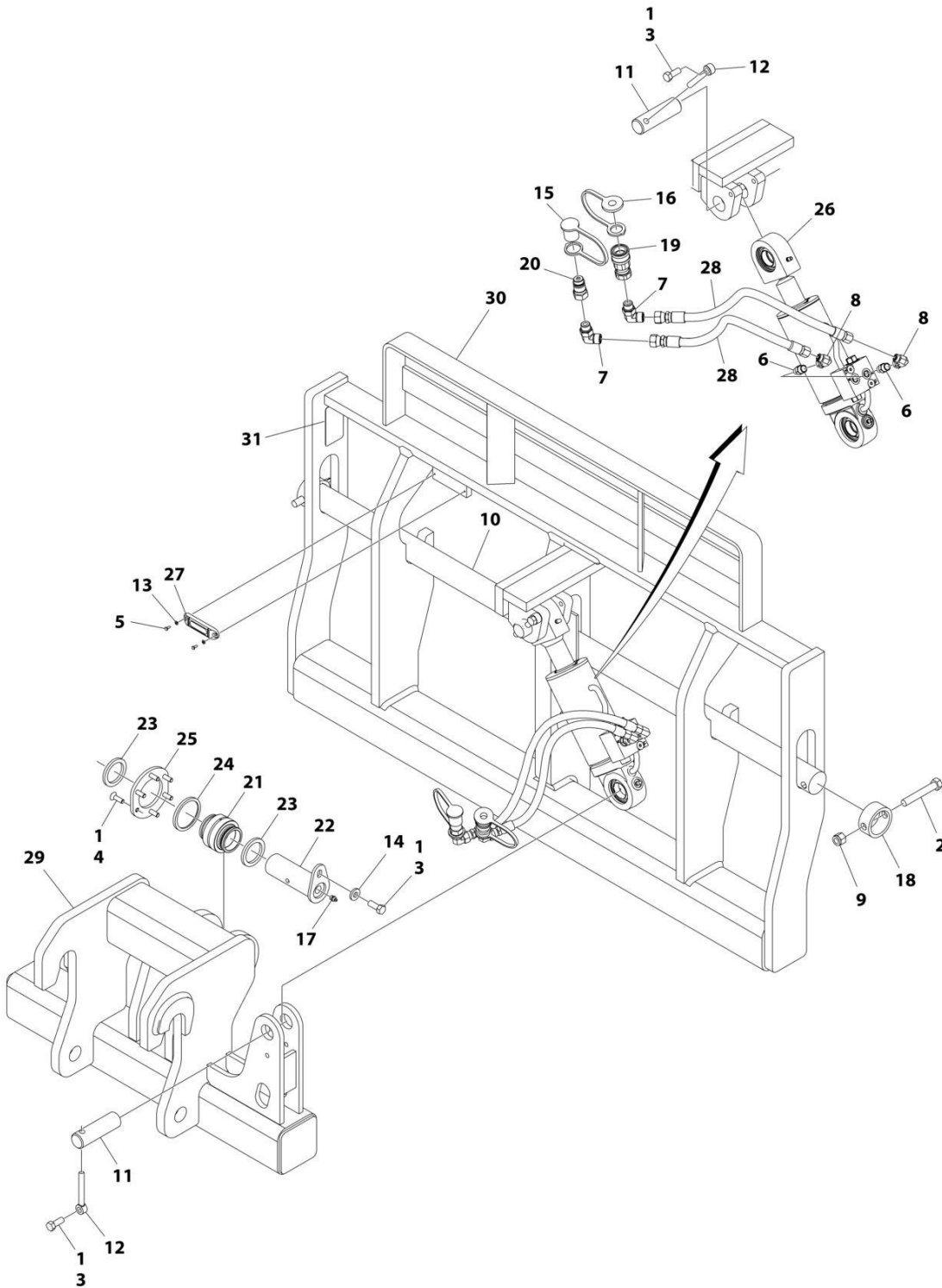
SECTION 3 - ATTACHMENTS

FIGURE 3-25. SIDE TILT CARRIAGE ASSEMBLY (60 INCH) (Prior to SN 0160116861)

ITEM	PART NUMBER	QTY	DESCRIPTION	REV
	1001233384	Ref	SIDE TILT CARRIAGE ASSEMBLY (60 INCH)	F
1	0100011	AR	Compound, Locking	
2	0641612	4	Bolt 3/8 x 1-1/2	
3	0642032	2	Bolt 5/8 x 4	
4	0681810	3	Bolt 1/2 x 1-1/4	
5	0741610	6	Screw 3/8 x 1-1/4	
6	2110606	2	Fitting, Straight	
7	2130808	2	Adapter, 90	
8	2172106	2	Fitting, 90	
9	3300240	2	Nut 5/8	
10	3423242	1	Pin	
11	3423307	2	Pin	
12	3841203	2	Keeper	
13	4891800	1	Washer	
14	8420053	1	Cap	
15	8420055	1	Plug	
16	88671001	1	Fitting, Grease	
17	90200003	2	Collar	
18	91403413	1	Fitting, Straight	
19	91403414	1	Fitting, Straight	
20	1001090063	2	Pad	
21	1001090064	AR	Shim	
22	1001090140	1	Bearing	
23	1001099113	1	Pin	
24	1001099115	2	Sleeve	
25	See Note	NSS	Carriage, Side Tilt (Note: Purchase Complete Assembly)	
26	1001239734	2	Hose	
27	1001120914	1	Shim	
28	1001120915	1	Plate	
29	1001133072	1	Carriage, Base Pivot	
30	1001163414	1	Cylinder, Side Tilt (See Separate Breakdown in HYDRAULIC COMPONENTS Section)	
31	See Note	NSS	SN Plate (Note: Stamped Part - Not Available for Purchase)	
32	1001227670	1	Tag, RFID	
33	4811400	2	Washer M4	
34	0760405	2	Bolt M4 x 10	

SECTION 3 - ATTACHMENTS

FIGURE 3-26. SIDE TILT CARRIAGE ASSEMBLY (60 INCH) (SN 0160116861 to Present)



ART_1001277338

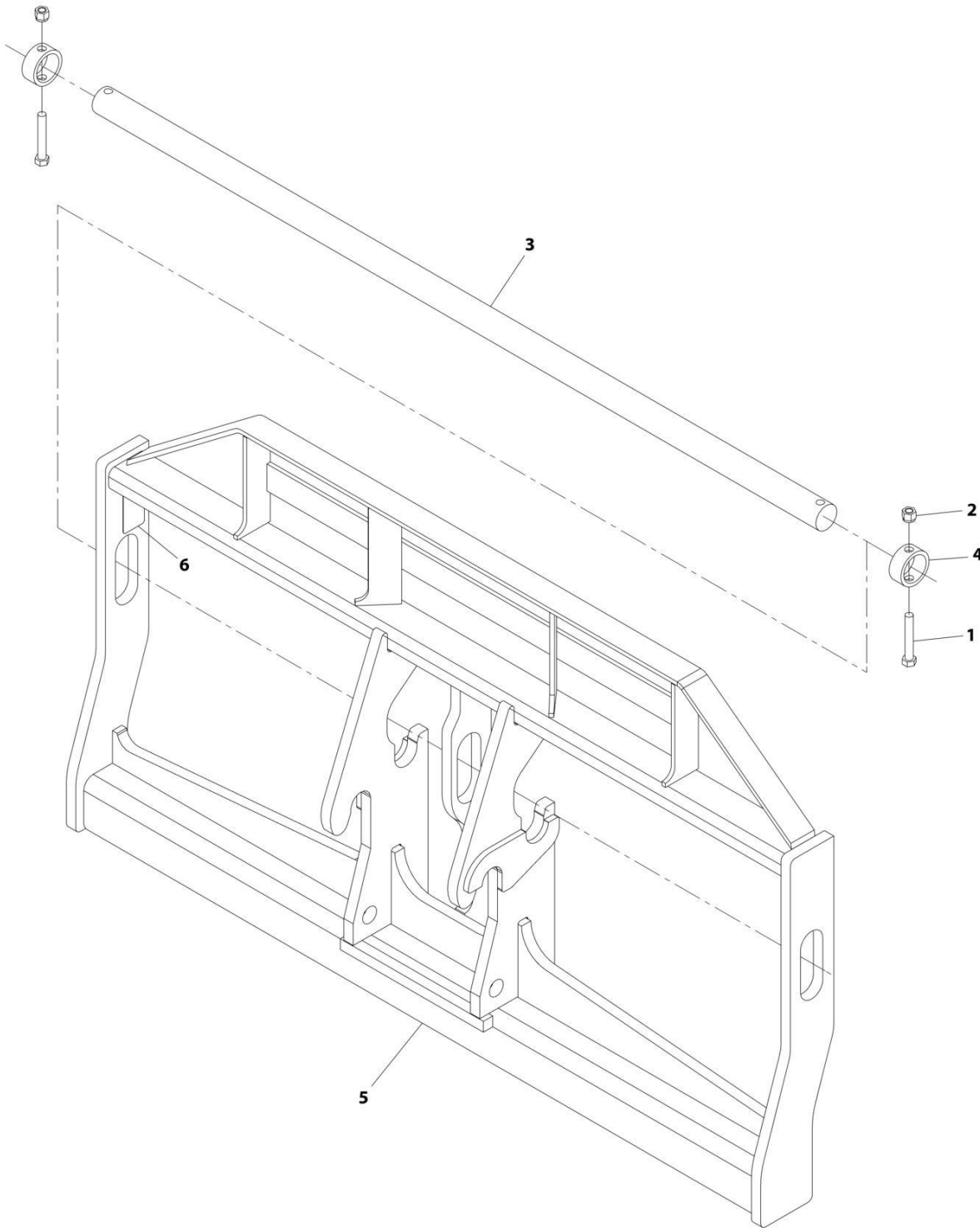
SECTION 3 - ATTACHMENTS

FIGURE 3-26. SIDE TILT CARRIAGE ASSEMBLY (60 INCH) (SN 0160116861 to Present)

ITEM	PART NUMBER	QTY	DESCRIPTION	REV
	1001277338	Ref	SIDE TILT CARRIAGE ASSEMBLY (60 INCH)	A
1	0100011	AR	Compound, Locking	
2	0642032	2	Bolt 5/8 x 4	
3	0681810	3	Bolt 1/2 x 1-1/4	
4	0741610	6	Screw 3/8 x 1-1/4	
5	0760405	2	Bolt M4 x 10	
6	2110606	2	Fitting, Straight	
7	2130808	2	Fitting, 90 ORFS	
8	2172106	2	Fitting, 90 ORFS	
9	3300240	2	Nut 5/8	
10	3423242	1	Pin	
11	3423307	2	Pin	
12	3841203	2	Keeper	
13	4811400	2	Washer M4	
14	4891800	1	Washer	
15	8420053	1	Cap	
16	8420055	1	Plug	
17	88671001	1	Fitting, Grease	
18	90200003	2	Collar	
19	91403413	1	Fitting, Straight	
20	91403414	1	Fitting, Straight	
21	1001090140	1	Bearing	
22	1001099113	1	Pin	
23	1001099115	2	Sleeve	
24	1001120914	1	Shim	
25	1001120915	1	Plate	
26	1001163414	1	Cylinder, Side Tilt (See Separate Breakdown in HYDRAULIC COMPONENTS Section)	
27	1001227670	1	Tag, RFID	
28	1001239734	2	Hose	
29	See Note	NSS	Carriage, Base Plate (Note: Purchase Complete Assembly)	
30	See Note	NSS	Carriage, Side Tilt (Note: Purchase Complete Assembly)	
31	See Note	NSS	SN Plate (Note: Stamped Part - Not Available for Purchase)	

SECTION 3 - ATTACHMENTS

FIGURE 3-27. CARRIAGE ASSEMBLY (72 INCH 12K)



ART_1001211516-D

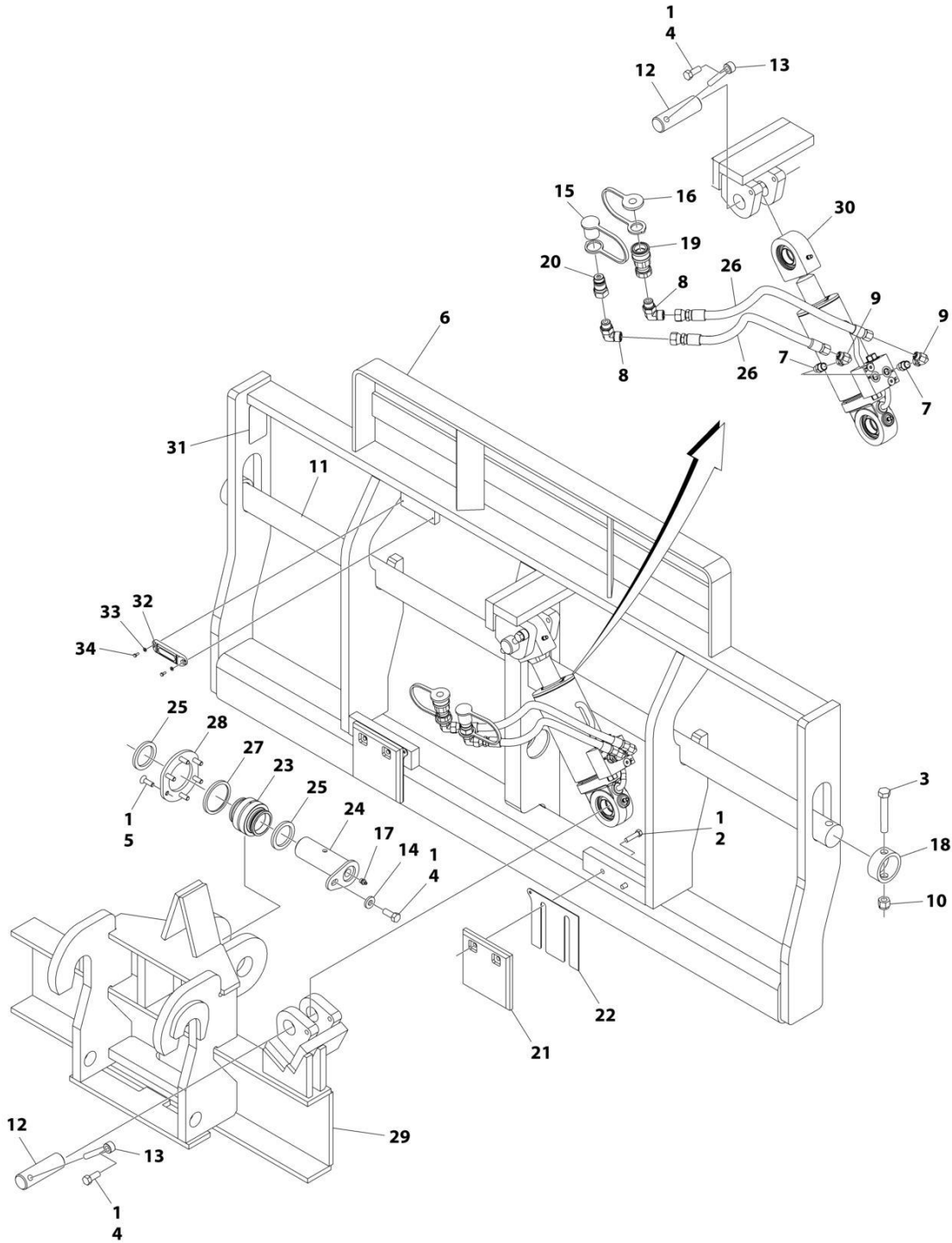
SECTION 3 - ATTACHMENTS

FIGURE 3-27. CARRIAGE ASSEMBLY (72 INCH 12K)

ITEM	PART NUMBER	QTY	DESCRIPTION	REV
	1001211516	Ref	CARRIAGE ASSEMBLY (72 INCH)	D
1	0642032	2	Bolt 5/8 x 4	
2	3300240	2	Nut 5/8	
3	3423276	1	Pin	
4	90200003	2	Sleeve	
5	See Note	NSS	Carriage (Note: Purchase Complete Assembly)	
6	See Note	NSS	S/N Plate (Note: Stamped Part - Not Available for Purchase)	

SECTION 3 - ATTACHMENTS

FIGURE 3-28. SIDE TILT CARRIAGE ASSEMBLY (72 INCH) (Prior to SN 0160116861)



ART_1001233385_E

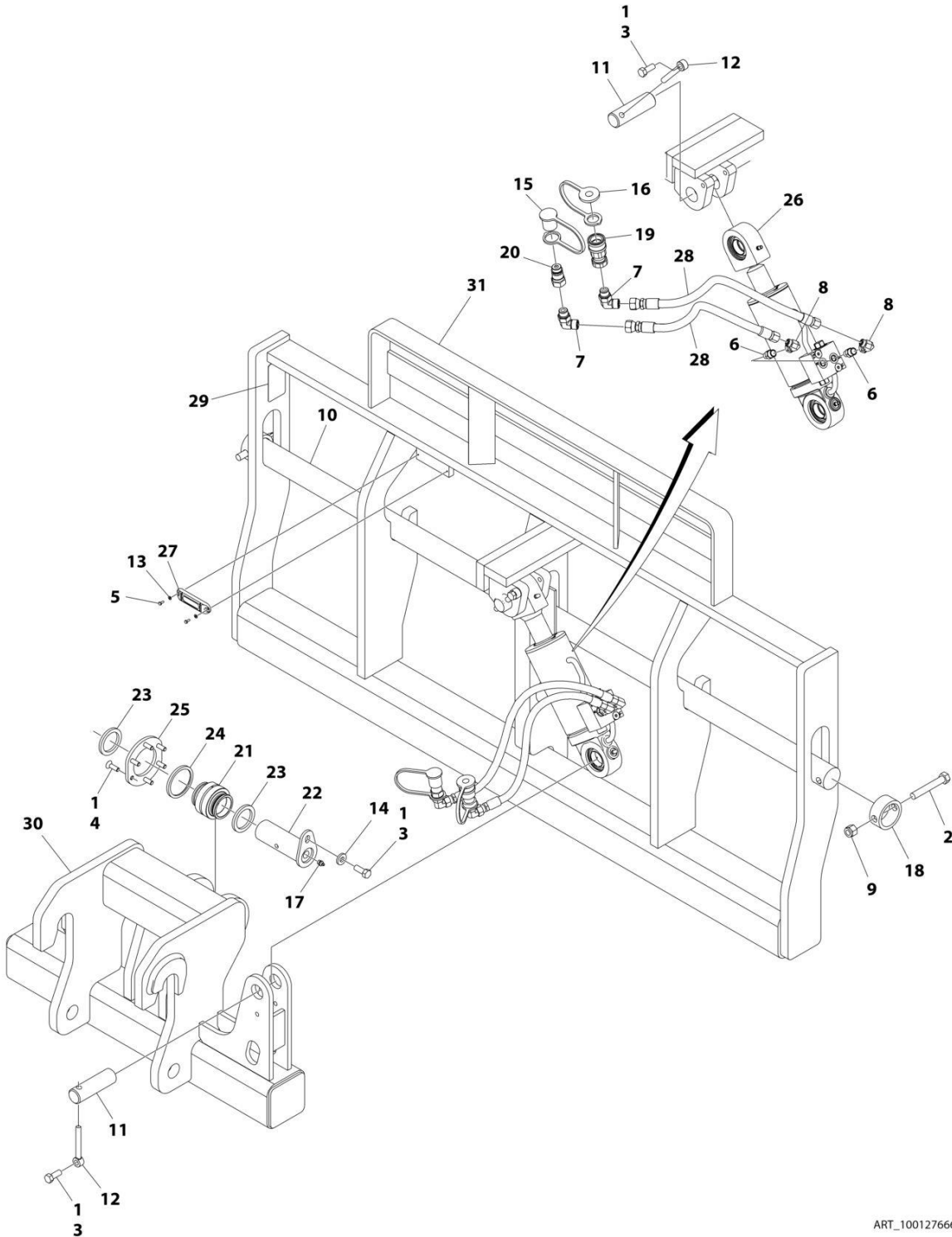
SECTION 3 - ATTACHMENTS

FIGURE 3-28. SIDE TILT CARRIAGE ASSEMBLY (72 INCH) (Prior to SN 0160116861)

ITEM	PART NUMBER	QTY	DESCRIPTION	REV
	1001233385	NLA	SIDE TILT CARRIAGE ASSEMBLY (72 INCH) (No longer available, use item 1 to 34 for service or 1001276666 for replacement)	E
1	0100011	AR	Compound, Locking	
2	0641612	4	Bolt 3/8 x 1-1/2	
3	0642032	2	Bolt 5/8 x 4	
4	0681810	3	Bolt 1/2 x 1-1/4	
5	0741610	6	Screw 3/8 x 1-1/4	
5	See Note	NSS	Carriage, Side Tilt (Note: Purchase Complete Assembly)	
7	2110606	2	Adapter, Straight	
8	2130808	2	Adapter, 90	
9	2172106	2	Adapter, 90	
10	3300240	2	Nut 5/8	
11	3423276	1	Pin, Fork	
12	3423307	2	Pin, Side Tilt Cylinder	
13	3841203	2	Keeper, Rod	
14	4891800	1	Washer 1/2	
15	8420053	1	Cap, Dust	
16	8420055	1	Plug, Dust	
17	88671001	1	Fitting, Grease	
18	90200003	2	Collar, Fork Pin	
19	91403413	1	Adapter	
20	91403414	1	Adapter	
21	1001090063	2	Pad, Wear	
22	1001090064	AR	Shim, Wear Pad	
23	1001090140	1	Bearing, Side Tilt Spherical	
24	1001099113	1	Pin, Side Tilt Frame Pivot	
25	1001099115	2	Sleeve, Tilt Bearing Spacer	
26	1001239734	2	Hose	
27	1001120914	1	Shim, Bearing Retainer	
28	1001120915	1	Plate, Bearing Retainer	
29	1001133072	1	Carriage, Base Pivot	
30	1001163414	1	Cylinder, Side Tilt (See Separate Breakdown in HYDRAULIC COMPONENTS Section)	
31	See Note	NSS	SN Plate (Note: Stamped Part - Not Available for Purchase)	
32	1001227670	1	Tag, RFID	
33	4811400	2	Washer M4	
34	0760405	2	Bolt M4 x 10	

SECTION 3 - ATTACHMENTS

FIGURE 3-29. SIDE TILT CARRIAGE ASSEMBLY (72 INCH) (SN 0160116861 to Present)



ART_1001276666

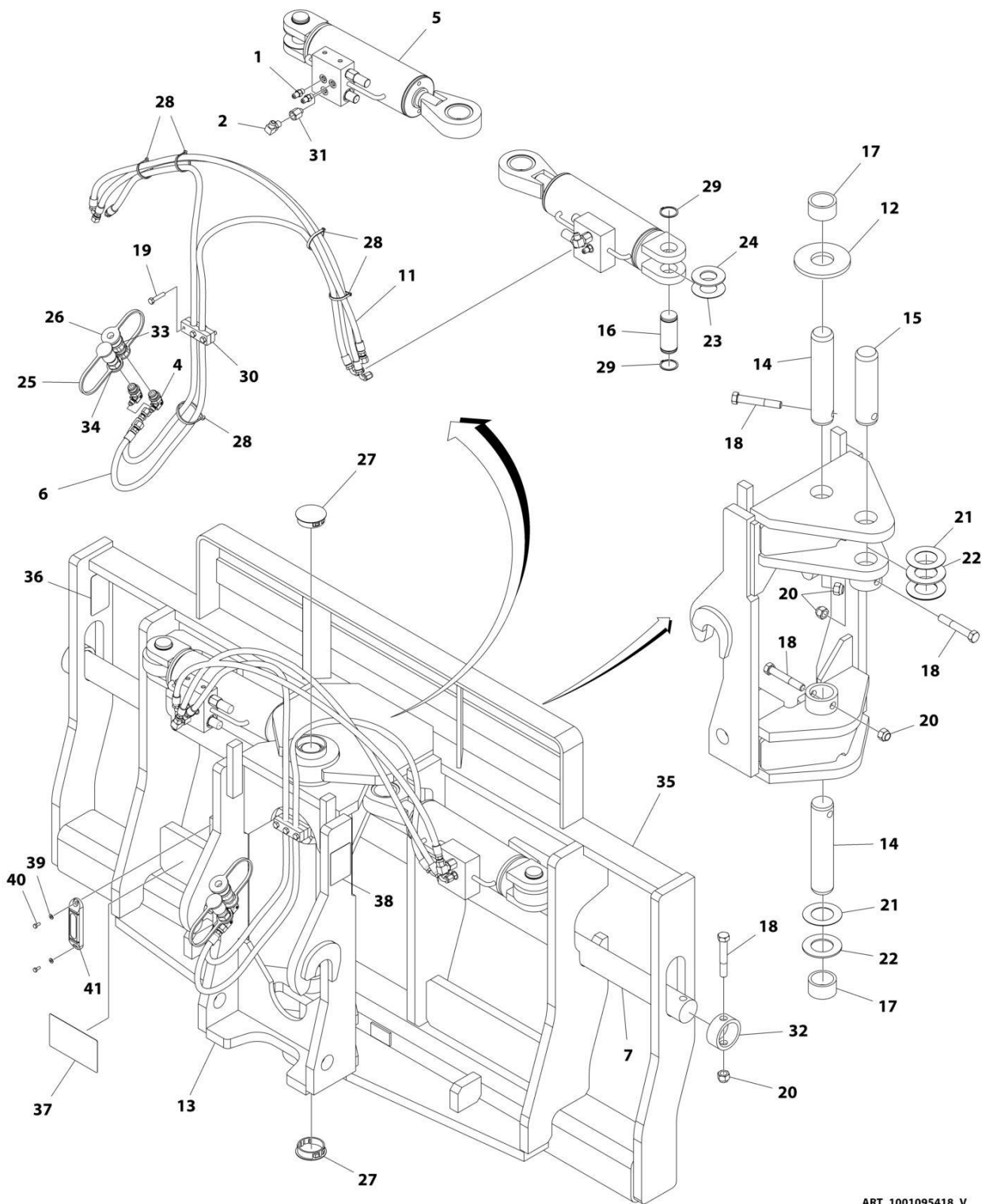
SECTION 3 - ATTACHMENTS

FIGURE 3-29. SIDE TILT CARRIAGE ASSEMBLY (72 INCH) (SN 0160116861 to Present)

ITEM	PART NUMBER	QTY	DESCRIPTION	REV
	1001276666	Ref	SIDE TILT CARRIAGE ASSEMBLY (72 INCH)	A
1	0100011	AR	Compound, Locking	
2	0642032	2	Bolt 5/8 x 4	
3	0681810	3	Bolt 1/2 x 1-1/4	
4	0741610	6	Screw 3/8 x 1-1/4	
5	0760405	2	Bolt M4 x 10	
6	2110606	2	Fitting, Straight	
7	2130808	2	Fitting, 90 ORFS	
8	2172106	2	Fitting, 90 ORFS	
9	3300240	2	Nut 5/8	
10	3423276	1	Pin, Fork	
11	3423307	2	Pin, Side Tilt Cylinder	
12	3841203	2	Keeper, Rod	
13	4811400	2	Washer M4	
14	4891800	1	Washer 1/2	
15	8420053	1	Cap, Dust	
16	8420055	1	Plug, Dust	
17	88671001	1	Fitting, Grease	
18	90200003	2	Collar, Fork Pin	
19	91403413	1	Fitting, Straight	
20	91403414	1	Fitting, Straight	
21	1001090140	1	Bearing, Side Tilt Spherical	
22	1001099113	1	Pin, Side Tilt Frame Pivot	
23	1001099115	2	Sleeve, Tilt Bearing Spacer	
24	1001120914	1	Shim, Bearing Retainer	
25	1001120915	1	Plate, Bearing Retainer	
26	1001163414	1	Cylinder, Side Tilt (See Separate Breakdown in HYDRAULIC COMPONENTS Section)	
27	1001227670	1	Tag, RFID	
28	1001239734	2	Hose	
29	See Note	NSS	SN Plate (Note: Stamped Part - Not Available for Purchase)	
30	See Note	NSS	Carriage, Base Plate (Note: Purchase Complete Assembly)	
31	See Note	NSS	Carriage, Side Tilt (Note: Purchase Complete Assembly)	

SECTION 3 - ATTACHMENTS

FIGURE 3-30. CARRIAGE ASSEMBLY (72 INCH 10K) (90 DEGREE SWING) (Prior to SN 0160115730)



ART_1001095418_V

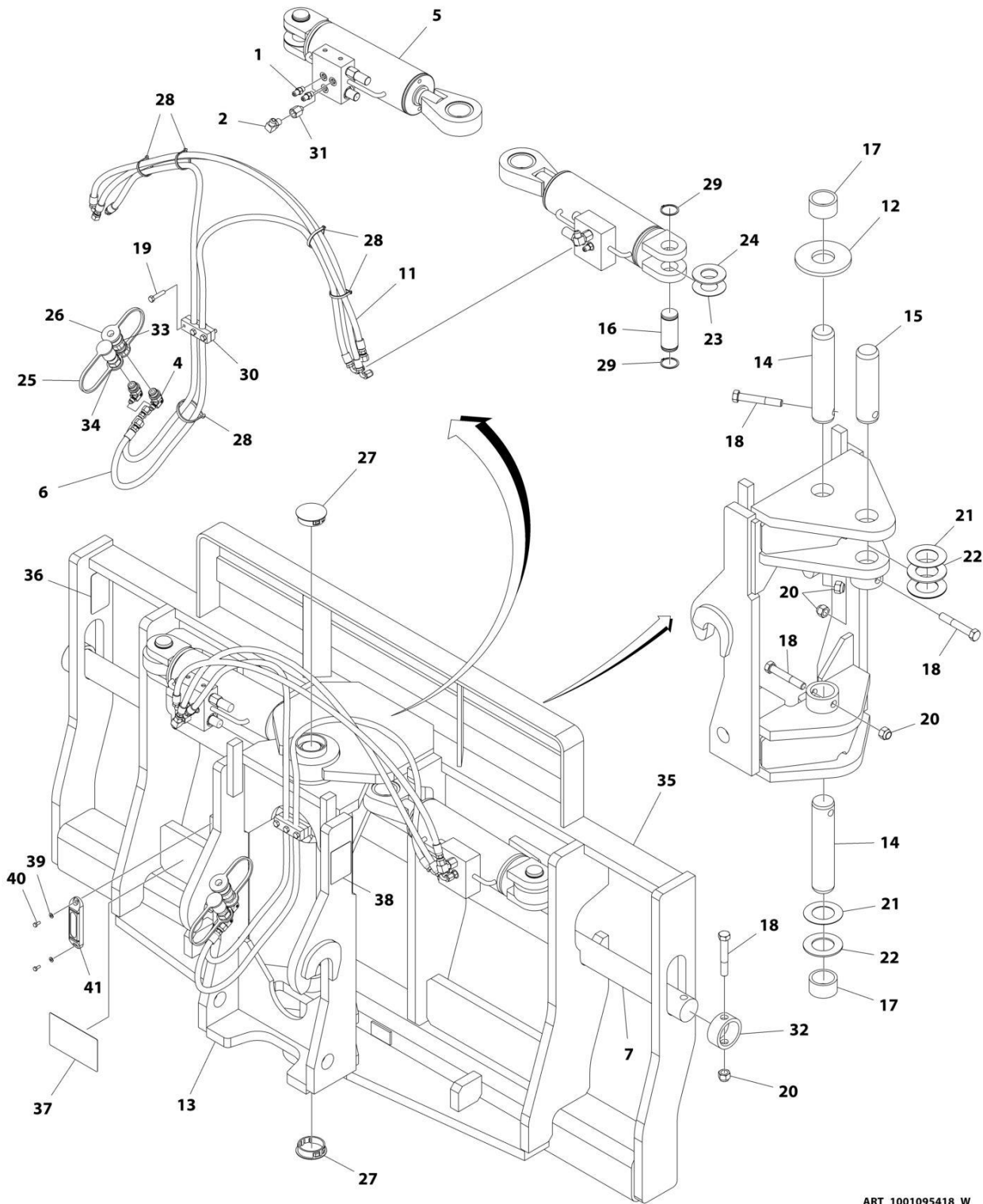
SECTION 3 - ATTACHMENTS

FIGURE 3-30. CARRIAGE ASSEMBLY (72 INCH 10K) (90 DEGREE SWING) (Prior to SN 0160115730)

ITEM	PART NUMBER	QTY	DESCRIPTION	REV
	1001095418	Ref	CARRIAGE ASSEMBLY - SWING (72 INCH)	V
1	2220415	4	Fitting, Straight ORFS	
2	2220473	2	Fitting, 90 ORFS	
4	1001211139	2	Adapter, 90	
5	1001103182	1	Swing Carriage Cylinder (See Separate Breakdown in HYDRAULIC COMPONENTS Section)	
6	2717287	2	Hose 58IN (Boom Front Disconnect)	
6	1001301599	1	Hose 66IN (Boom Side Disconnect)	
6	1001301600	1	Hose 46IN (Boom Side Disconnect)	
7	3423276	1	Pin	
11	6604662	2	Hose	
12	7062922	1	Washer	
13	See Note	NSS	Pivot (Note: Purchase Complete Assembly)	
14	7110702	2	Pin	
15	7110712	1	Pin	
16	7110722	2	Pin	
17	8065062	2	Bushing	
18	8303634	5	Bolt 5/8 x 4	
19	8303715	3	Bolt 5/16 x 1-1/2	
20	8305643	5	Nut 5/8	
21	8307904	AR	Washer	
22	8307918	AR	Washer	
23	8310160	AR	Washer	
24	8310161	AR	Washer	
25	8420053	1	Cap	
26	8420055	1	Plug	
27	8580315	2	Plug	
28	8584001	5	Tie Wrap	
29	8642207	4	Ring, Retaining	
30	8769132	2	Clamp	
31	8770016	2	Fitting, Straight ORFS	
32	90200003	2	Collar	
33	91403413	1	Fitting, Straight ORFS	
34	91403414	1	Fitting, Straight	
35	See Note	NSS	Carriage (Note: Purchase Complete Assembly)	
36	See Note	NSS	SN Plate (Note: Stamped Part - Not Available for Purchase)	
37	1001110704	1	Decal, Warning Crushing Hazard	
38	1001111190	2	Decal, Warning	
39	4811400	2	Washer M4	
40	0760405	2	Bolt M4 x 10	
41	1001227670	1	Tag - RFID	

SECTION 3 - ATTACHMENTS

FIGURE 3-31. CARRIAGE ASSEMBLY (72 INCH 10K) (90 DEGREE SWING) (SN 0160115730 to Present)



ART_1001095418_W

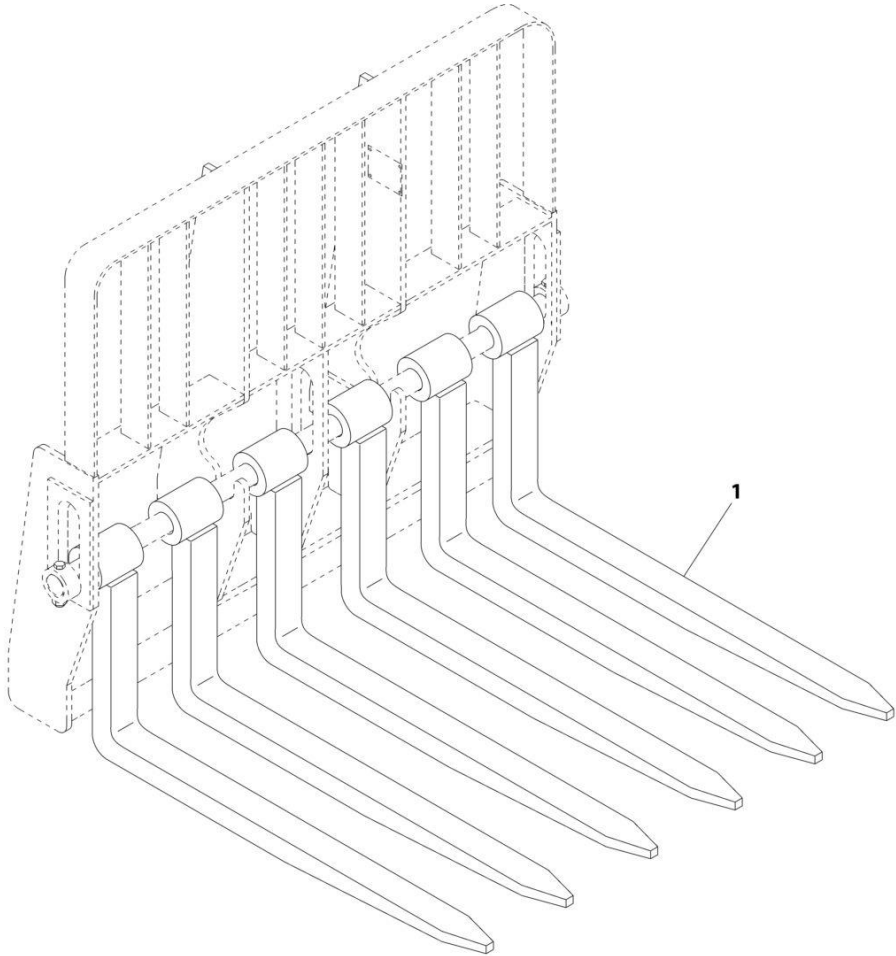
SECTION 3 - ATTACHMENTS

FIGURE 3-31. CARRIAGE ASSEMBLY (72 INCH 10K) (90 DEGREE SWING) (SN 0160115730 to Present)

ITEM	PART NUMBER	QTY	DESCRIPTION	REV
	1001095418	Ref	CARRIAGE ASSEMBLY - SWING (72 INCH)	W
1	2220415	4	Fitting, Straight ORFS	
2	2220473	2	Fitting, 90 ORFS	
4	1001211139	2	Adapter, 90	
5	1001293182	1	Swing Carriage Cylinder (See Separate Breakdown in HYDRAULIC COMPONENTS Section)	
6	2717287	2	Hose 58in (Boom Front Disconnect)	
6	1001301599	1	Hose 66in (Boom Side Disconnect)	
6	1001301600	1	Hose 46in (Boom Side Disconnect)	
7	3423276	1	Pin	
11	6604662	2	Hose	
12	7062922	1	Washer	
13	See Note	NSS	Pivot (Note: Purchase Complete Assembly)	
14	7110702	2	Pin	
15	7110712	1	Pin	
16	7110722	2	Pin	
17	8065062	2	Bushing	
18	8303634	5	Bolt 5/8 x 4	
19	8303715	3	Bolt 5/16 x 1-1/2	
20	8305643	5	Nut 5/8	
21	8307904	AR	Washer	
22	8307918	AR	Washer	
23	8310160	AR	Washer	
24	8310161	AR	Washer	
25	8420053	1	Cap	
26	8420055	1	Plug	
27	8580315	2	Plug	
28	8584001	5	Tie Wrap	
29	8642207	4	Ring, Retaining	
30	8769132	2	Clamp	
31	8770016	2	Fitting, Straight ORFS	
32	90200003	2	Collar	
33	91403413	1	Fitting, Straight ORFS	
34	91403414	1	Fitting, Straight	
35	See Note	NSS	Carriage (Note: Purchase Complete Assembly)	
36	See Note	NSS	SN Plate (Note: Stamped Part - Not Available for Purchase)	
37	1001110704	1	Decal, Warning Crushing Hazard	
38	1001111190	2	Decal, Warning	
39	4811400	2	Washer M4	
40	0760405	2	Bolt M4 x 10	
41	1001227670	1	Tag - RFID	

SECTION 3 - ATTACHMENTS

FIGURE 3-32. FORK - BLOCKING (50X50X1220MM)



ART_2340037

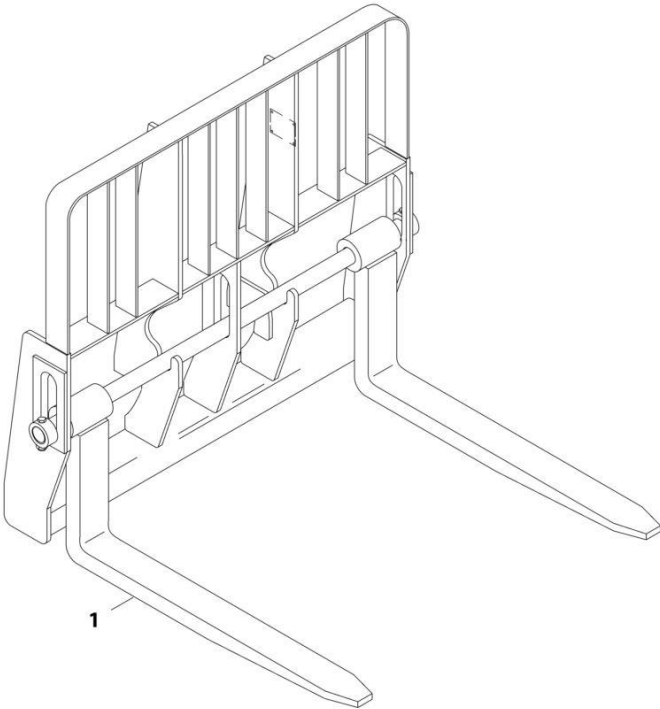
SECTION 3 - ATTACHMENTS

FIGURE 3-32. FORK - BLOCKING (50X50X1220MM)

ITEM	PART NUMBER	QTY	DESCRIPTION	REV
1	2340037	1	Cubing Fork (2.00X2X48)	A
	Note	Ref	FORKS RATED LESS THAN THE ATTACHMENT OR MACHINE'S CAPACITY DECREASES CAPACITY OF THE ATTACHMENT OR MACHINE TO THAT OF THE FORKS. FORKS RATED MORE THAN THE ATTACHMENT OR MACHINE'S CAPACITY DO NOT INCREASE ATTACHMENT OR MACHINE'S CAPACITY.	
	Note	Ref	PLEASE CONSULT JLG PARTS DEPARTMENT TO DETERMINE THE CORRECT FORKS APPLICABLE TO YOUR SPECIFIC CARRIAGE ASSEMBLY AND APPLICATION.	

SECTION 3 - ATTACHMENTS

FIGURE 3-33. FORK - LUMBER (50X180X1540MM)



ART_1001097110-A

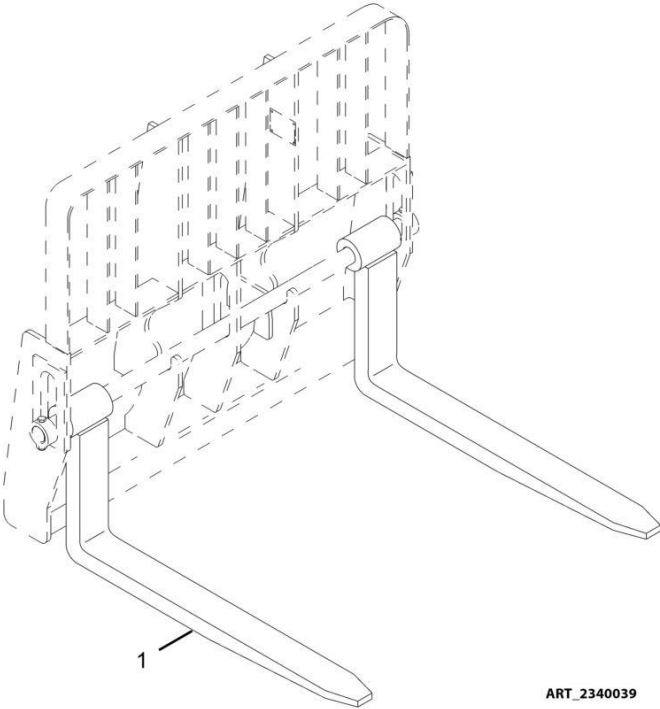
SECTION 3 - ATTACHMENTS

FIGURE 3-33. FORK - LUMBER (50X180X1540MM)

ITEM	PART NUMBER	QTY	DESCRIPTION	REV
1	1001097110	2	Lumber Fork (2.00X7X60)	A
	Note	Ref	FORKS RATED LESS THAN THE ATTACHMENT OR MACHINE'S CAPACITY DECREASES CAPACITY OF THE ATTACHMENT OR MACHINE TO THAT OF THE FORKS. FORKS RATED MORE THAN THE ATTACHMENT OR MACHINE'S CAPACITY DO NOT INCREASE ATTACHMENT OR MACHINE'S CAPACITY.	
	Note	Ref	PLEASE CONSULT JLG PARTS DEPARTMENT TO DETERMINE THE CORRECT FORKS APPLICABLE TO YOUR SPECIFIC CARRIAGE ASSEMBLY AND APPLICATION.	

SECTION 3 - ATTACHMENTS

FIGURE 3-34. FORK - LUMBER (60X150X1524MM)



ART_2340039

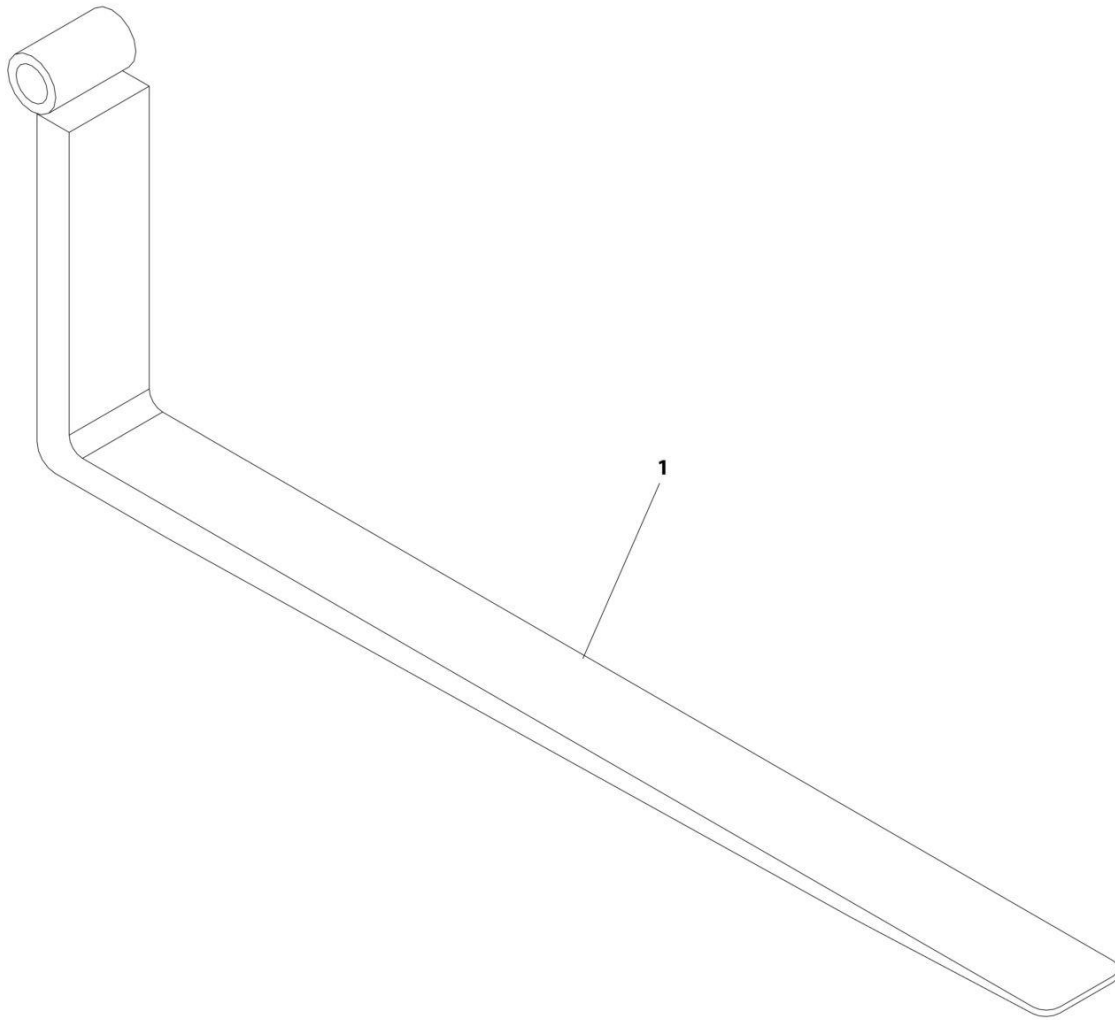
SECTION 3 - ATTACHMENTS

FIGURE 3-34. FORK - LUMBER (60X150X1524MM)

ITEM	PART NUMBER	QTY	DESCRIPTION	REV
1	2340039	2	Lumber Fork (60X150X1524)	
	Note	Ref	FORKS RATED LESS THAN THE ATTACHMENT OR MACHINE'S CAPACITY DECREASES CAPACITY OF THE ATTACHMENT OR MACHINE TO THAT OF THE FORKS. FORKS RATED MORE THAN THE ATTACHMENT OR MACHINE'S CAPACITY DO NOT INCREASE ATTACHMENT OR MACHINE'S CAPACITY.	
	Note	Ref	PLEASE CONSULT JLG PARTS DEPARTMENT TO DETERMINE THE CORRECT FORKS APPLICABLE TO YOUR SPECIFIC CARRIAGE ASSEMBLY AND APPLICATION.	

SECTION 3 - ATTACHMENTS

FIGURE 3-35. FORK - LUMBER (2.00X6X72)



ART_1001259206

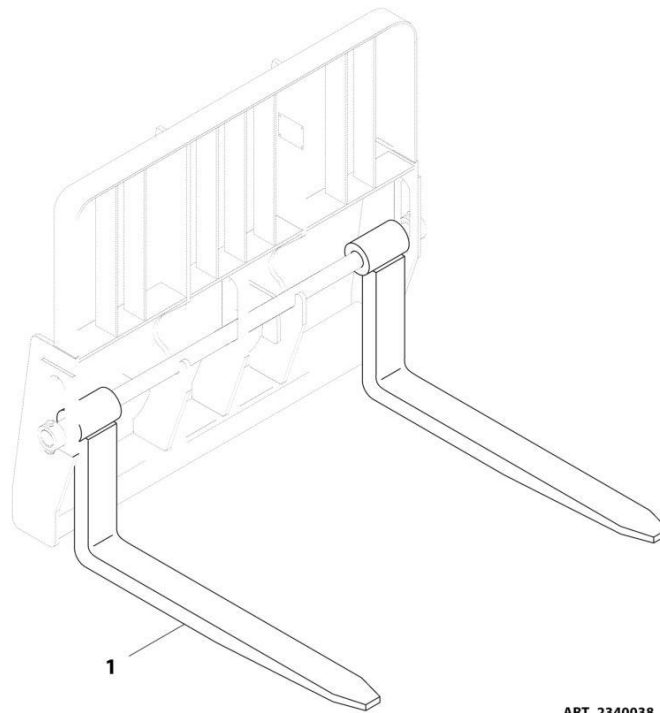
SECTION 3 - ATTACHMENTS

FIGURE 3-35. FORK - LUMBER (2.00X6X72)

ITEM	PART NUMBER	QTY	DESCRIPTION	REV
1	1001259206	2	Dual Taper Fork (2.00X6X72)	A
	Note	Ref	FORKS RATED LESS THAN THE ATTACHMENT OR MACHINE'S CAPACITY DECREASES CAPACITY OF THE ATTACHMENT OR MACHINE TO THAT OF THE FORKS. FORKS RATED MORE THAN THE ATTACHMENT OR MACHINE'S CAPACITY DO NOT INCREASE ATTACHMENT OR MACHINE'S CAPACITY.	
	Note	Ref	PLEASE CONSULT JLG PARTS DEPARTMENT TO DETERMINE THE CORRECT FORKS APPLICABLE TO YOUR SPECIFIC CARRIAGE ASSEMBLY AND APPLICATION.	

SECTION 3 - ATTACHMENTS

FIGURE 3-36. FORK - PALLET (2.36X5X48)



ART_2340038

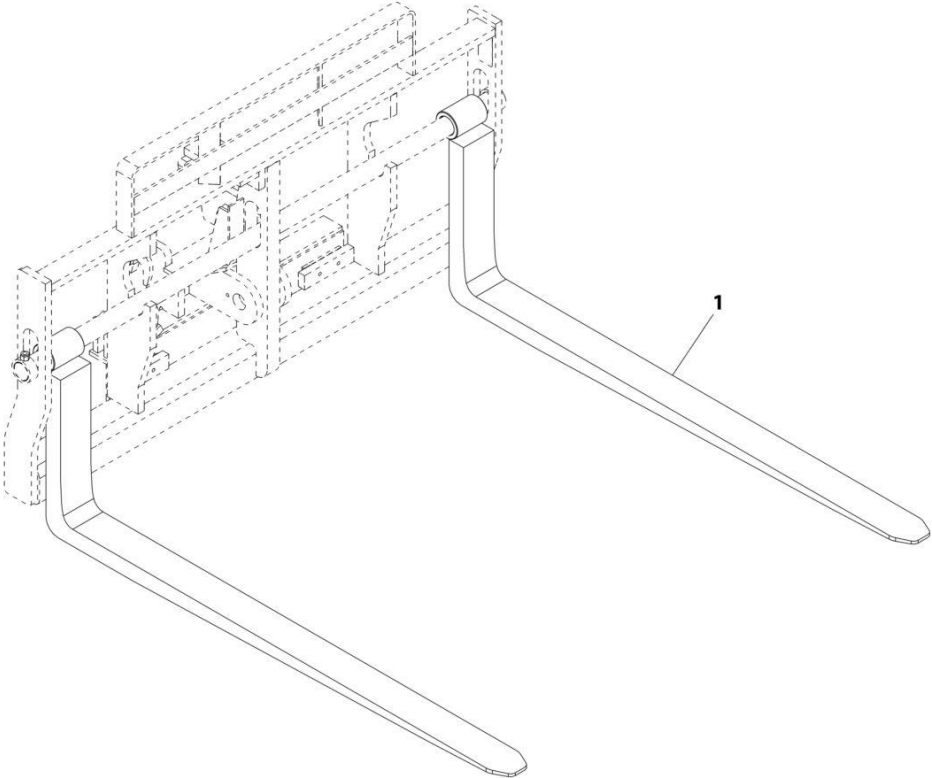
SECTION 3 - ATTACHMENTS

FIGURE 3-36. FORK - PALLET (2.36X5X48)

ITEM	PART NUMBER	QTY	DESCRIPTION	REV
1	2340038	2	Pallet Fork (2.36X5X48)	B
	Note	Ref	FORKS RATED LESS THAN THE ATTACHMENT OR MACHINE'S CAPACITY DECREASES CAPACITY OF THE ATTACHMENT OR MACHINE TO THAT OF THE FORKS. FORKS RATED MORE THAN THE ATTACHMENT OR MACHINE'S CAPACITY DO NOT INCREASE ATTACHMENT OR MACHINE'S CAPACITY.	
	Note	Ref	PLEASE CONSULT JLG PARTS DEPARTMENT TO DETERMINE THE CORRECT FORKS APPLICABLE TO YOUR SPECIFIC CARRIAGE ASSEMBLY AND APPLICATION.	

SECTION 3 - ATTACHMENTS

FIGURE 3-37. FORK - PALLET (2.36X5X72)



ART_1001232355

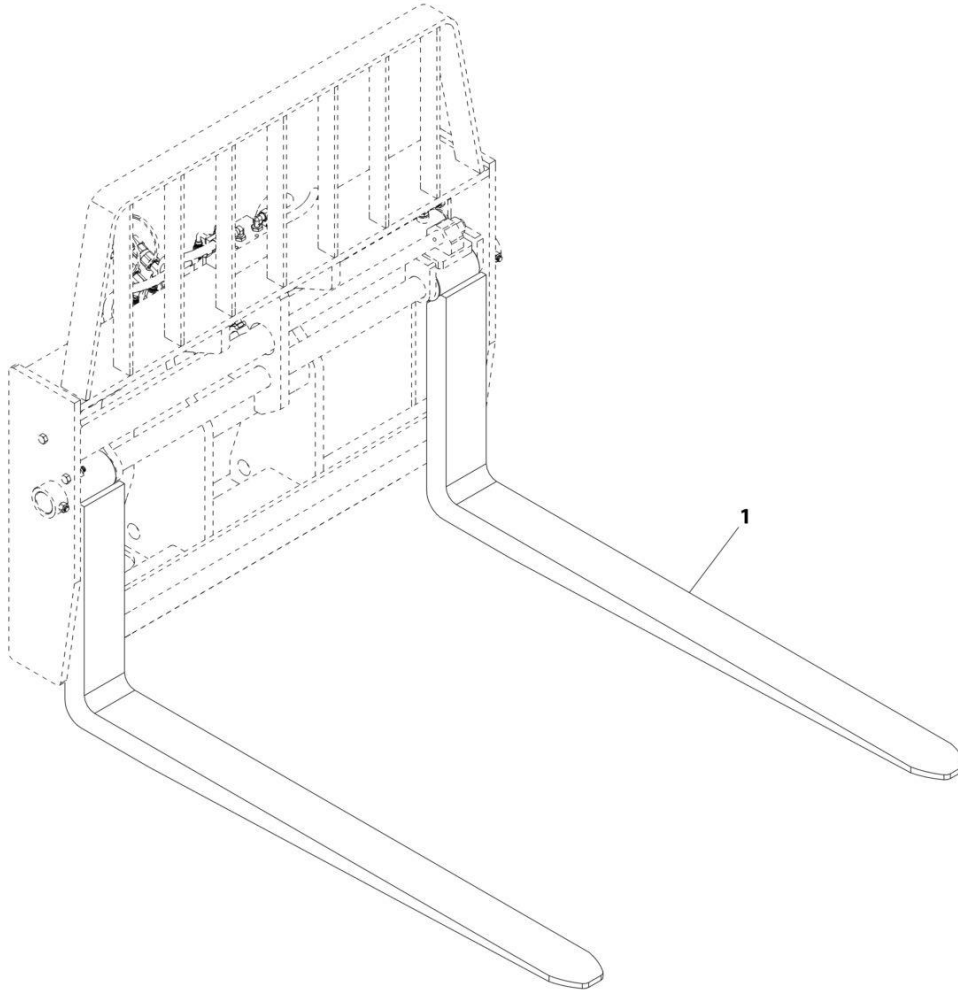
SECTION 3 - ATTACHMENTS

FIGURE 3-37. FORK - PALLET (2.36X5X72)

ITEM	PART NUMBER	QTY	DESCRIPTION	REV
	1001232355	1 pr	Pallet Fork (2.36X5X72)	A
	Note	Ref	FORKS RATED LESS THAN THE ATTACHMENT OR MACHINE'S CAPACITY DECREASES CAPACITY OF THE ATTACHMENT OR MACHINE TO THAT OF THE FORKS. FORKS RATED MORE THAN THE ATTACHMENT OR MACHINE'S CAPACITY DO NOT INCREASE ATTACHMENT OR MACHINE'S CAPACITY.	
	Note	Ref	PLEASE CONSULT JLG PARTS DEPARTMENT TO DETERMINE THE CORRECT FORKS APPLICABLE TO YOUR SPECIFIC CARRIAGE ASSEMBLY AND APPLICATION.	

SECTION 3 - ATTACHMENTS

FIGURE 3-38. FORK - PALLET (60X125X1524MM)



ART_1001227382

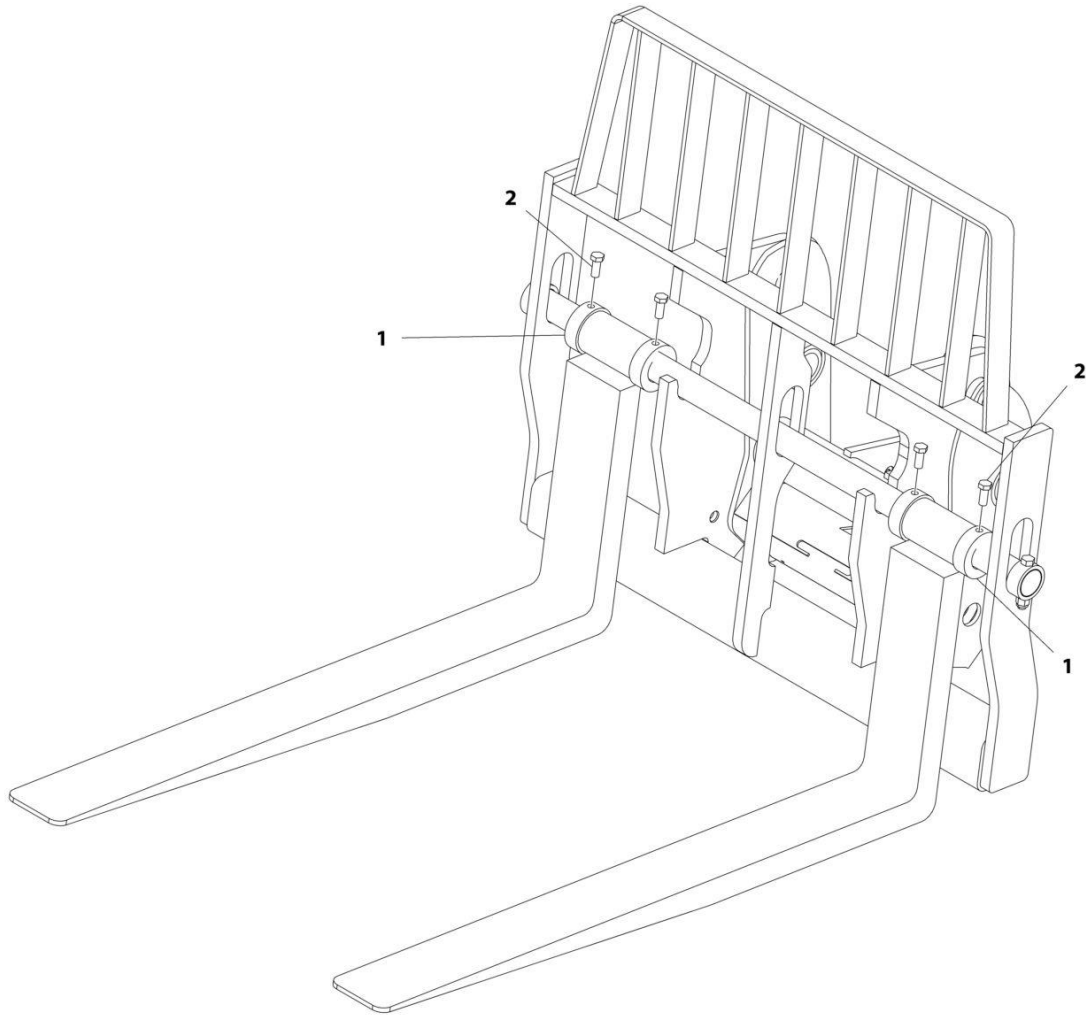
SECTION 3 - ATTACHMENTS

FIGURE 3-38. FORK - PALLET (60X125X1524MM)

ITEM	PART NUMBER	QTY	DESCRIPTION	REV
1	1001227382	1	Pallet Fork (2.36X5X60)	A
N1	Note	Ref	FORKS RATED LESS THAN THE ATTACHMENT OR MACHINE'S CAPACITY DECREASES CAPACITY OF THE ATTACHMENT OR MACHINE TO THAT OF THE FORKS. FORKS RATED MORE THAN THE ATTACHMENT OR MACHINE'S CAPACITY DO NOT INCREASE ATTACHMENT OR MACHINE'S CAPACITY.	
N2	Note	Ref	PLEASE CONSULT JLG PARTS DEPARTMENT TO DETERMINE THE CORRECT FORKS APPLICABLE TO YOUR SPECIFIC CARRIAGE ASSEMBLY AND APPLICATION.	

SECTION 3 - ATTACHMENTS

FIGURE 3-39. FORK CLAMPS INSTALLATION



ART_1001094134-A

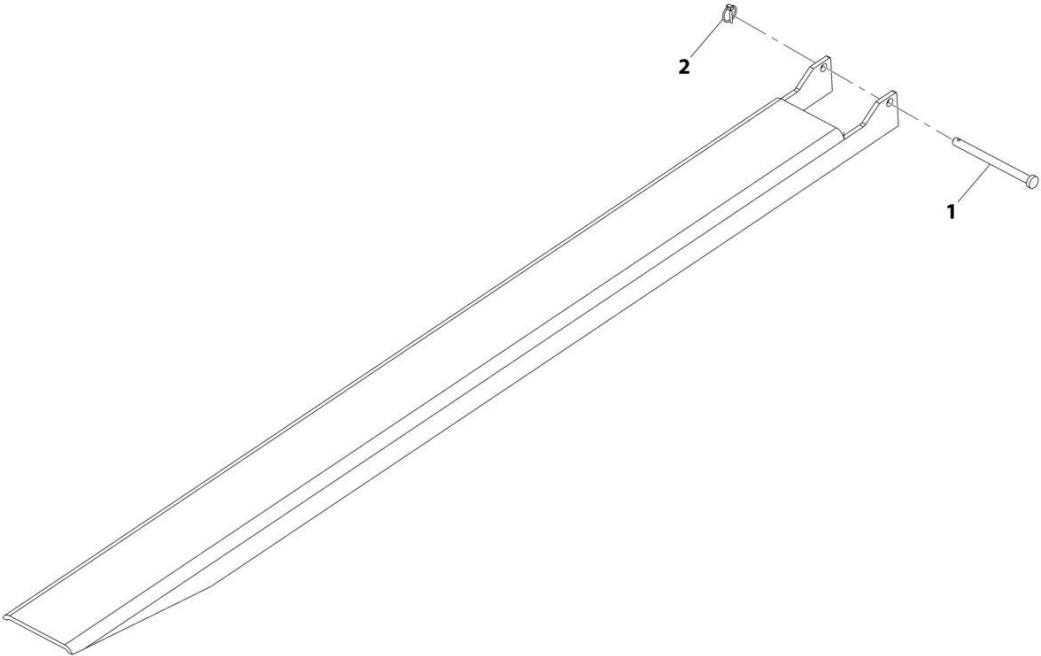
SECTION 3 - ATTACHMENTS

FIGURE 3-39. FORK CLAMPS INSTALLATION

ITEM	PART NUMBER	QTY	DESCRIPTION	REV
	1001094134	Ref	Fork Clamps Installation	A
1	1001094136	4	Clamp, Fork	
2	10700681	4	Bolt, 0.625-18X1.5	

SECTION 3 - ATTACHMENTS

FIGURE 3-40. FORK EXTENSIONS (62X163X2286MM)



ART_1001137512-D

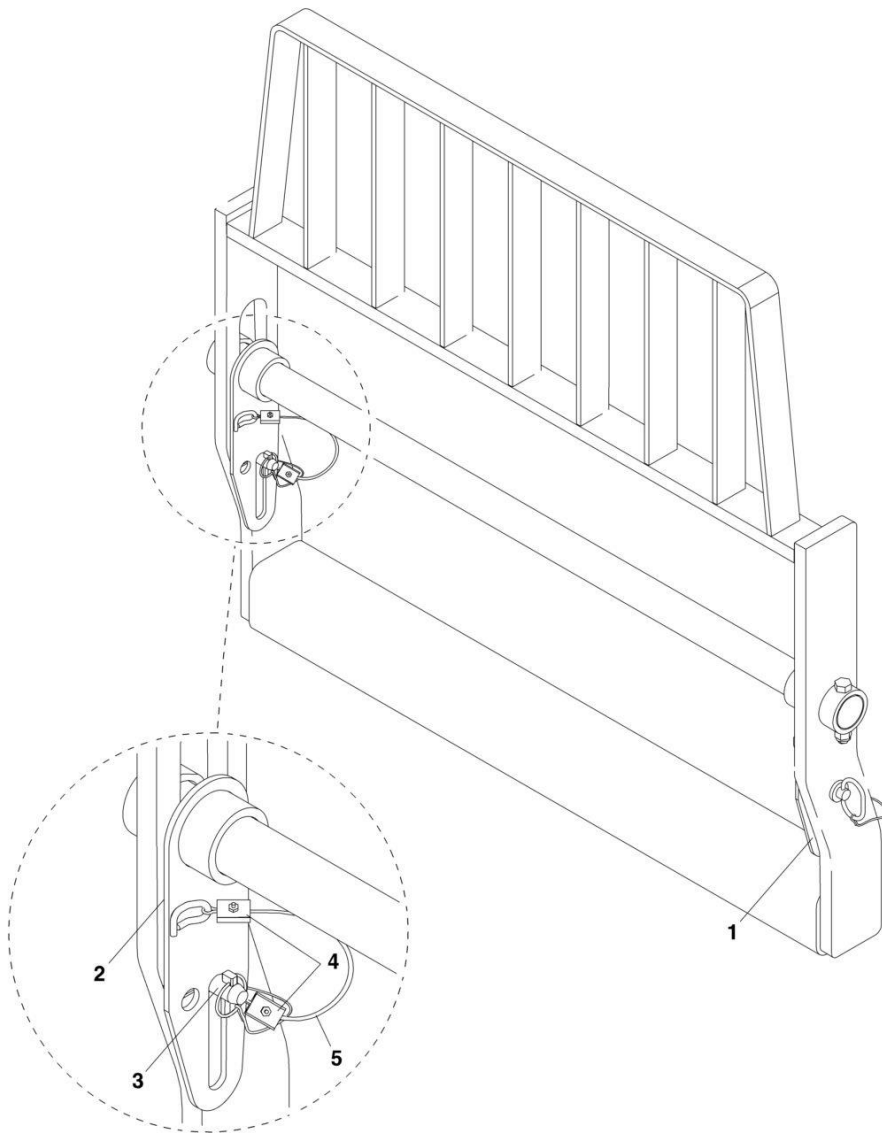
SECTION 3 - ATTACHMENTS

FIGURE 3-40. FORK EXTENSIONS (62X163X2286MM)

ITEM	PART NUMBER	QTY	DESCRIPTION	REV
	1001137512	2 pr	Fork Extensions (62X163X2286)	D
1	70024306	1	Pin	
2	70024307	1	Clip	

SECTION 3 - ATTACHMENTS

FIGURE 3-41. FORK PIN LOCK INSTALLATION



ART_1001093465_B

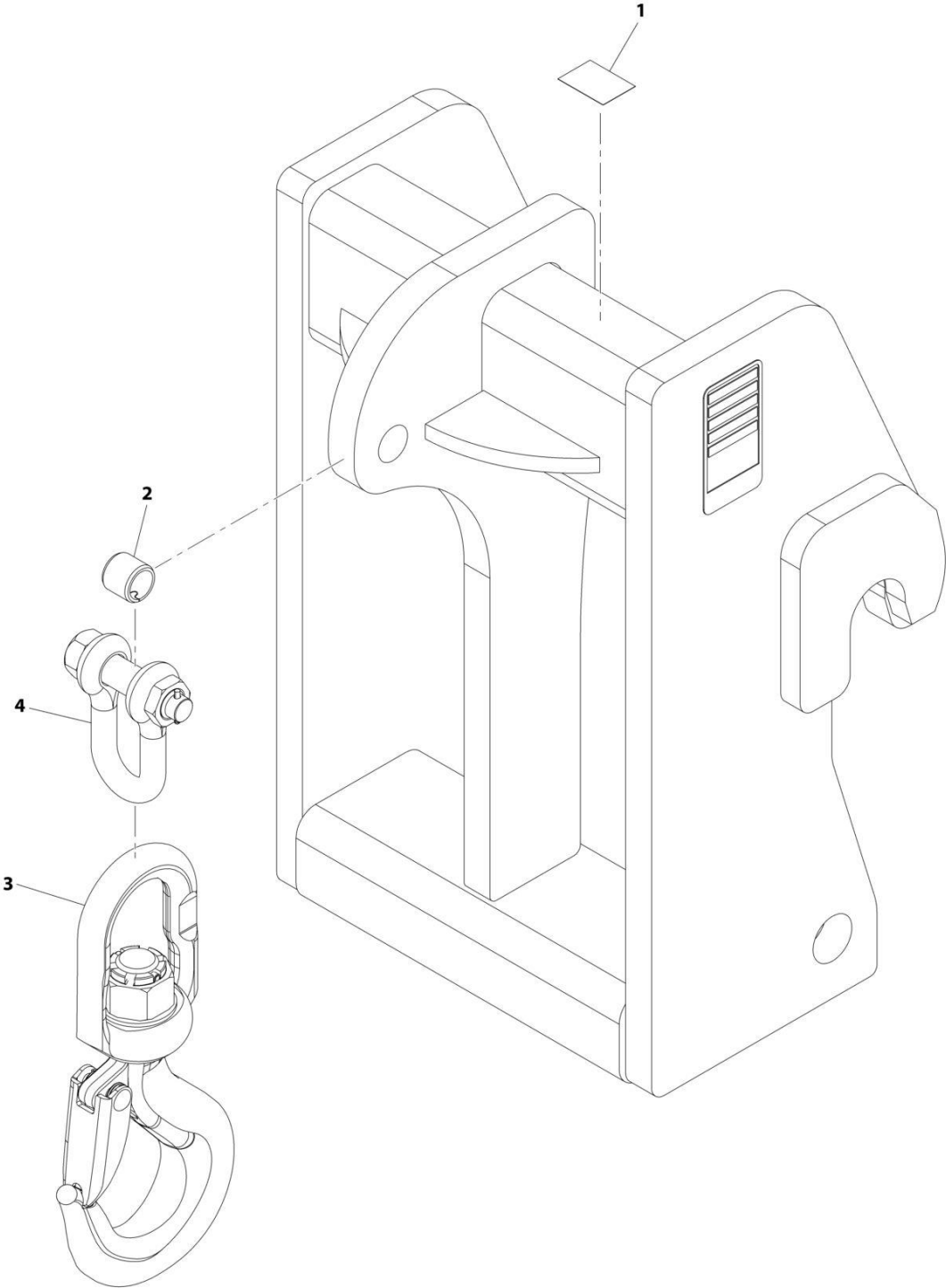
SECTION 3 - ATTACHMENTS

FIGURE 3-41. FORK PIN LOCK INSTALLATION

ITEM	PART NUMBER	QTY	DESCRIPTION	REV
	1001093465	Ref	Fork Pin Lock Installation	B
1	0240156	1	Lock, LH Fork Pin	
2	1001093273	1	Lock, RH Fork Pin	
3	1001093377	2	Pin, Hitch	
4	1001094830	4	Clamp	
5	1001094330	2	Lanyard	

SECTION 3 - ATTACHMENTS

FIGURE 3-42. HOOK - CRANE



ART_1001207606-C

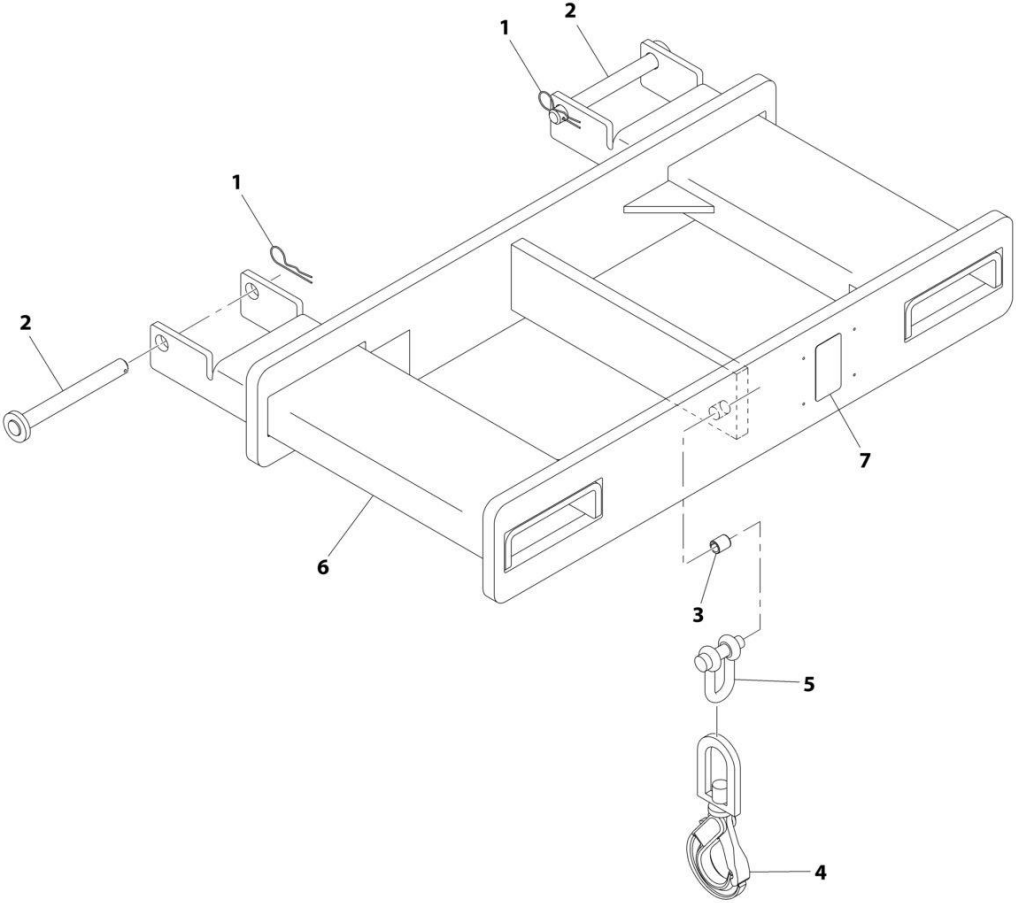
SECTION 3 - ATTACHMENTS

FIGURE 3-42. HOOK - CRANE

ITEM	PART NUMBER	QTY	DESCRIPTION	REV
	1001207606	Ref	COUPLER MOUNTED HOOK	C
1	90554016	1	Decal	
2	70020555	1	Bushing	
3	70026745	1	Hook Swivel	
4	70026746	1	Shackle Chain	

SECTION 3 - ATTACHMENTS

FIGURE 3-43. HOOK - FRAME MOUNTED (4T)



ART_1001097205-I

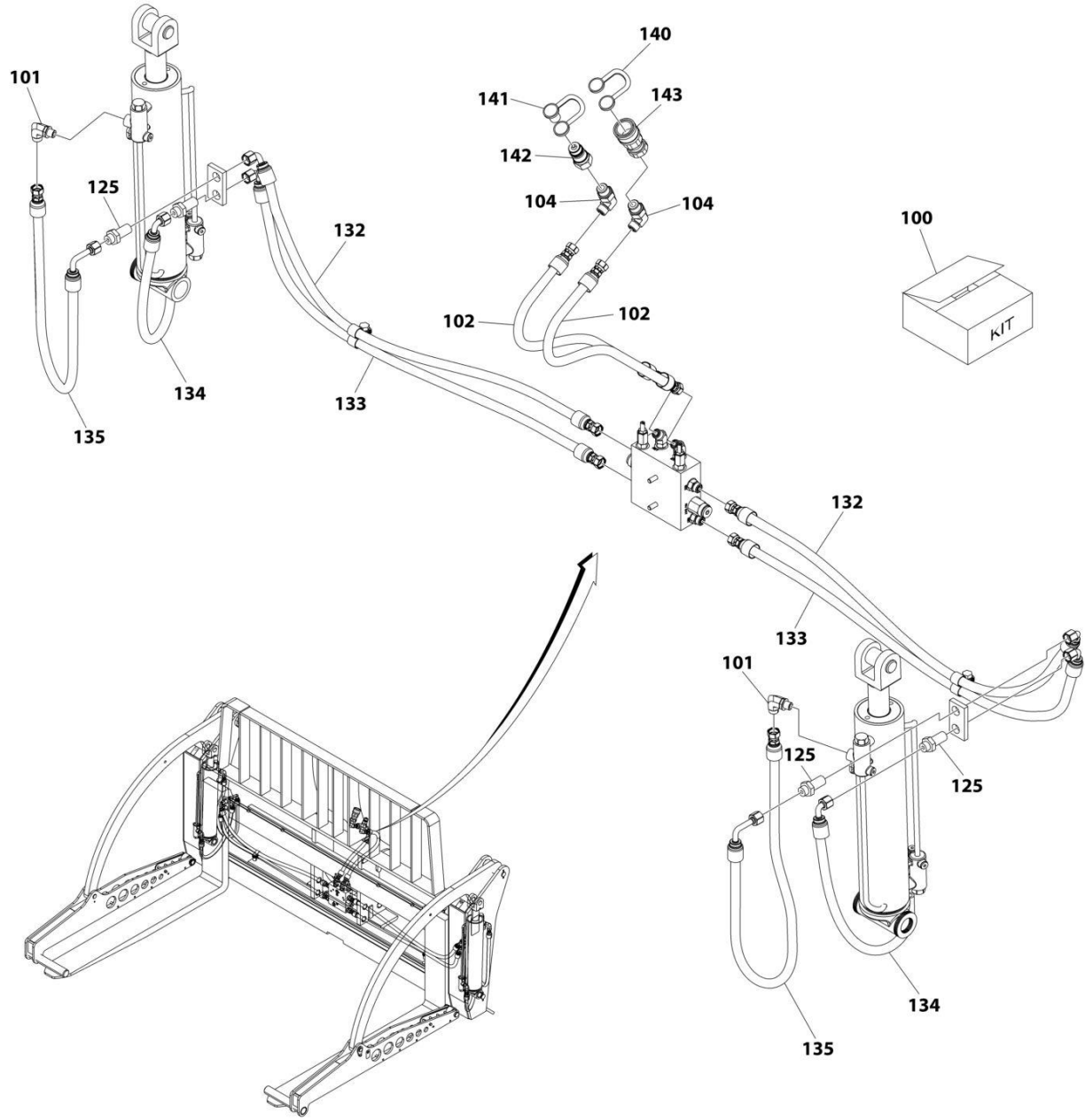
SECTION 3 - ATTACHMENTS

FIGURE 3-43. HOOK - FRAME MOUNTED (4T)

ITEM	PART NUMBER	QTY	DESCRIPTION	REV
	1001097205	Ref	Fork Mounted Hook (4 Ton)	J
1	7029520	2	Pin, Cotter	
2	1001093171	2	Pin	
3	70020555	1	Bushing	
4	90554080	1	Hook	
5	7029521	1	Shackle	
6	See Note	NSS	Frame, Hook (Note: Purchase Complete Assembly)	
7	See Note	NSS	S/N Plate (Note: Stamped Part - Not Available for Purchase)	

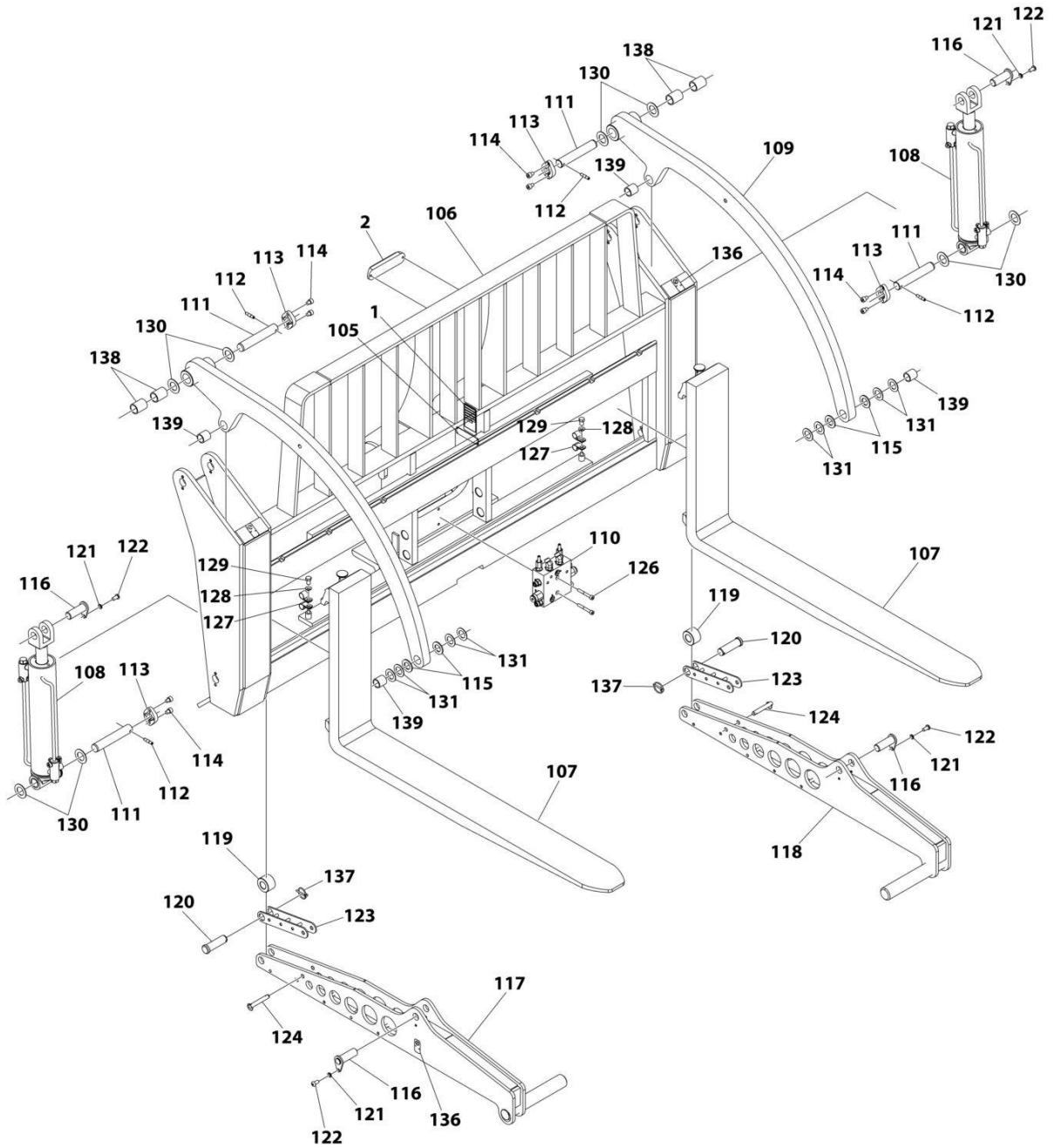
SECTION 3 - ATTACHMENTS

FIGURE 3-44. PIPE GRAPPLE



ART_1001142247_1

SECTION 3 - ATTACHMENTS



ART_1001142247_2

SECTION 3 - ATTACHMENTS

FIGURE 3-44. PIPE GRAPPLE

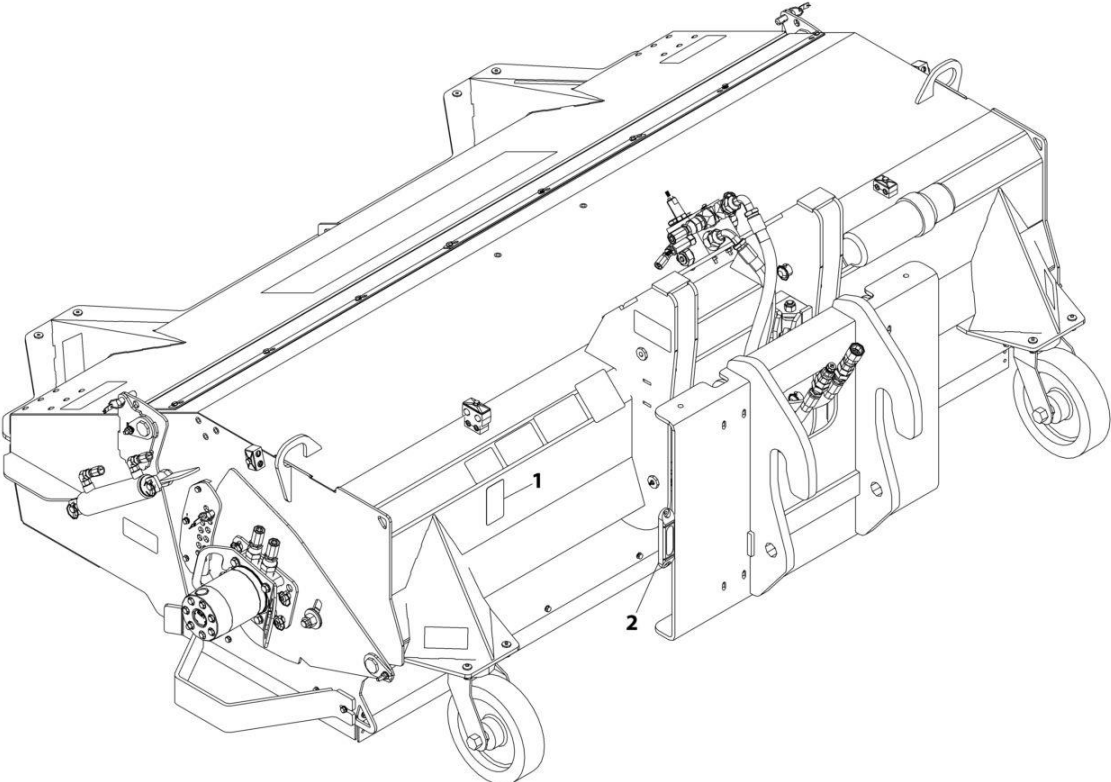
ITEM	PART NUMBER	QTY	DESCRIPTION	REV
	1001142247	Ref	PIPE HANDLER ASSEMBLY	G
1	See Note	NSS	JLG Plate (Note: Stamped Part - Not Available for Purchase)	
2	1001227670	1	Tag, RFID	
100	70026585	1	Disconnect & Hose Kit (Boom Front Disconnect) (Includes Items 101, 102, 104, 125, 132-135, 140-143)	
100	70031442	1	Disconnect Kit (Boom Side Disconnect) (Includes Items 102, 104, & 140-143)	
101	70024123	4	Fitting, 90	
102	70026347	2	Hose 20in (Boom Front Disconnect)	
102	70031448	2	Hose 44in (Boom Side Disconnect)	
104	70024550	2	Fitting, 90	
105	See Note	NSS	S/N Plate (Note: Stamped Part - Not Available for Purchase)	
106	See Note	NSS	Carriage (Note: Purchase Complete Assembly)	
107	70026586	2	Fork	
108	70026587	2	Cylinder, Pipe Handler (See Separate Breakdown in HYDRAULIC COMPONENTS Section)	
109	70026588	2	Arm	
110	70026589	1	Valve Assembly (See Separate Breakdown in HYDRAULIC CIRCUITS Section)	
111	70026470	4	Pin	
112	70026471	4	Pin Drive - Lock	
113	70026472	4	Retainer	
114	70026473	8	Capscrew, M10 x 12	
115	70026590	4	Thrust Washer	
116	70026591	4	Pin Weldment	
117	70026592	1	Contact Pad - RH	
118	70026593	1	Contact Pad - LH	
119	70026594	2	Roller	
120	70026595	2	Clevis Pin	
121	70026596	4	Lockwasher, M8	
122	70026597	4	Capscrew, M8 x 16	
123	70026598	2	Retainer	
124	70026599	2	Ring Detent Pin	
125	70023000	4	Fitting	
126	70026600	2	Capscrew, M8 x 60	
127	70026481	4	Hose Clamp	
128	70026482	2	Washer	
129	70022996	2	Capscrew, M10X16	
130	70026476	24	Shim	
131	70026601	8	Shim	
132	70026602	2	Hose	
133	70026603	2	Hose	
134	70026604	2	Hose	
135	70026605	2	Hose	
136	70024538	4	Warning Decal	
137	70026606	2	Lynch Pin, 3/16	
138	70026501	4	Bushing	
139	70026607	4	Bushing	
140	70026608	1	Plug	
141	70026609	1	Cap	

SECTION 3 - ATTACHMENTS

ITEM	PART NUMBER	QTY	DESCRIPTION	REV
142	91403414	1	Coupler - Male	
143	91403413	1	Coupler - Female	

SECTION 3 - ATTACHMENTS

FIGURE 3-45. SWEEPER ASSEMBLY



ART_1001202904

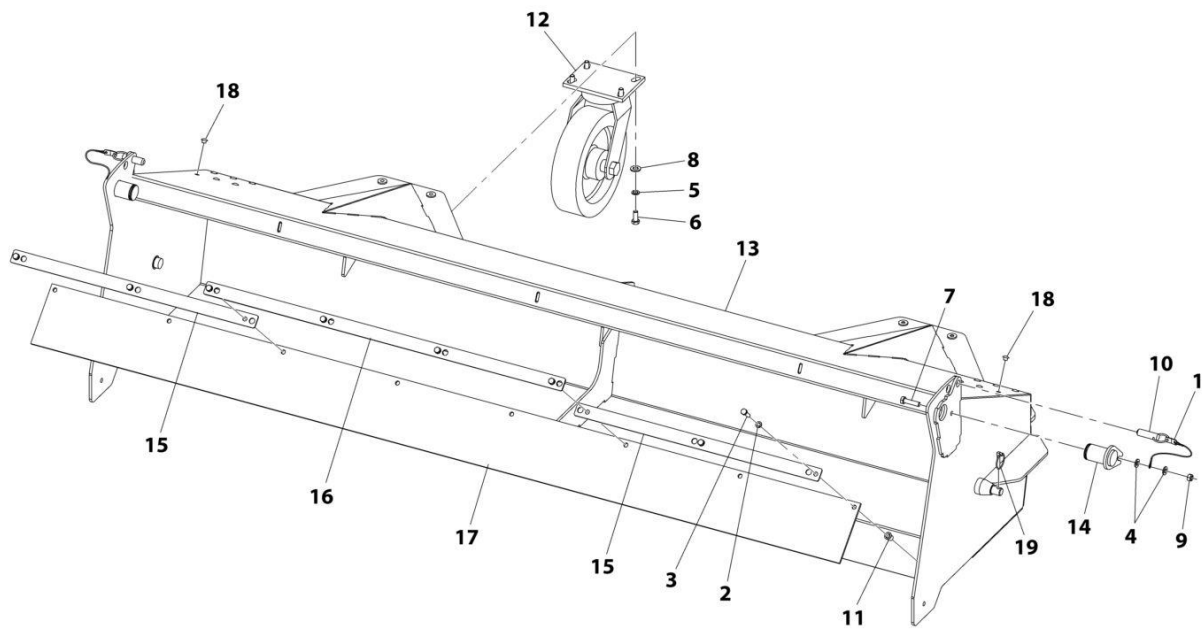
SECTION 3 - ATTACHMENTS

FIGURE 3-45. SWEEPER ASSEMBLY

ITEM	PART NUMBER	QTY	DESCRIPTION	REV
	1001202904	Ref	Sweeper Assembly	D
1	See Note	NSS	S/N Plate (Note: Stamped Part - Not Available for Purchase)	
2	1001227670	1	Tag, RFID	
		Ref	Sweeper Assembly- Hopper (See Separate Breakdown in this Section)	
		Ref	Sweeper Assembly - Body (See Separate Breakdown in this Section)	
		Ref	Sweeper Assembly - Motor (See Separate Breakdown in this Section)	
		Ref	Sweeper Assembly - Idler (See Separate Breakdown in this Section)	
		Ref	Sweeper Assembly - Core (See Separate Breakdown in this Section)	
		Ref	Sweeper Assembly - Hydraulic Single Motor (See Separate Breakdown in this Section)	

SECTION 3 - ATTACHMENTS

FIGURE 3-46. SWEEPER - HOPPER



ART_1001202904_1-B

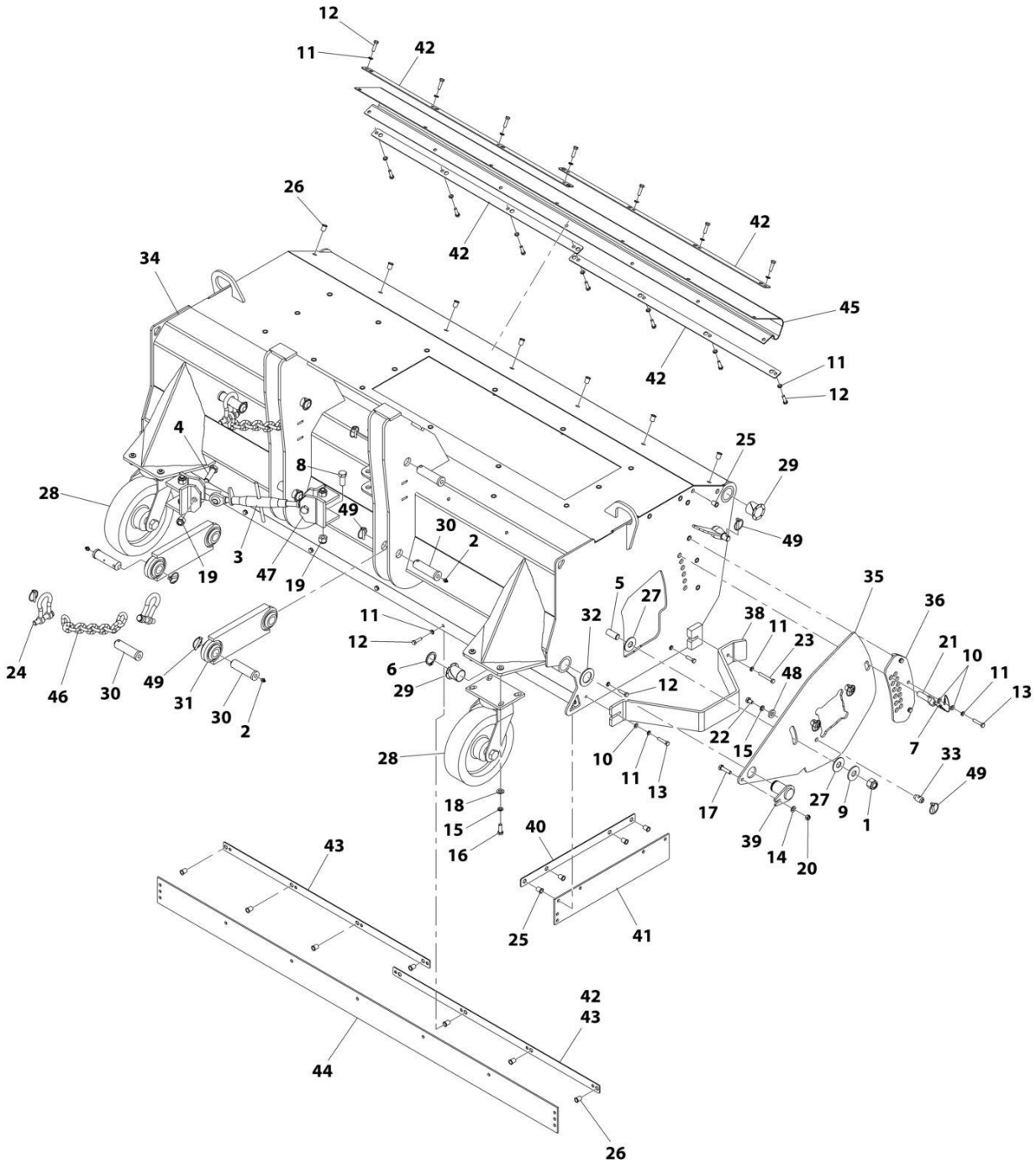
SECTION 3 - ATTACHMENTS

FIGURE 3-46. SWEEPER - HOPPER

ITEM	PART NUMBER	QTY	DESCRIPTION	REV
	1001202904	Ref	SWEEPER ASSEMBLY - HOPPER	
1	70029725	2	Lanyard	
2	70029734	8	Washer	
3	70029735	8	Screw	
4	70029738	4	Washer	
5	70029739	8	Washer	
6	70029740	8	Screw	
7	70029742	2	Screw	
8	70029743	8	Washer	
9	70029747	2	Nut	
10	70029750	2	Pin	
11	70029756	8	Nut	
12	70029762	2	Assembly, Caster	
13	See Note	NSS	Hopper (Note: Purchase Complete Assembly)	
14	70029777	2	Pin	
15	70029780	2	Plate	
16	70029781	1	Plate	
17	70029785	1	Flap	
18	70029792	12	Plug	
19	70029794	2	Pin, Lynch	

SECTION 3 - ATTACHMENTS

FIGURE 3-47. SWEEPER - BODY



ART_1001202904_2-B

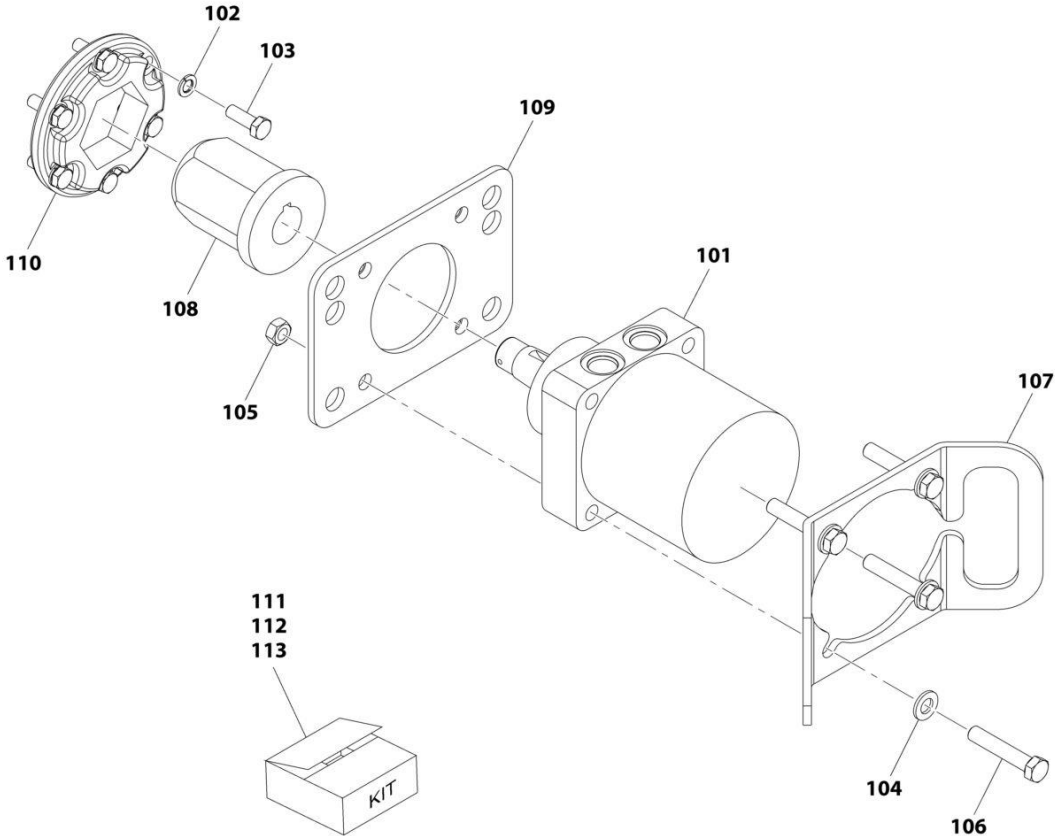
SECTION 3 - ATTACHMENTS

FIGURE 3-47. SWEEPER - BODY

ITEM	PART NUMBER	QTY	DESCRIPTION	REV
	1001202904	Ref	SWEEPER ASSEMBLY - BODY	
1	70029720	2	Nut	
2	70029721	4	Fitting, Grease	
3	70029722	1	Toplink	
4	70029723	2	Screw	
5	70020004	2	Screw	
6	70029724	2	Ring, Snap	
7	70029725	2	Lanyard	
8	70029726	4	Screw	
9	70029728	2	Washer	
10	70029732	6	Washer	
11	70029734	38	Washer	
12	70029735	32	Screw	
13	70029736	4	Screw	
14	70029738	2	Washer	
15	70029739	14	Washer	
16	70029741	8	Screw	
17	70029742	2	Screw	
18	70029743	8	Washer	
19	70029745	6	Nut	
20	70029747	2	Nut	
21	70029729	2	Pin	
22	70029751	6	Screw	
23	70029752	2	Screw	
24	70029755	4	Shackle	
25	70029756	45	Nut	
26	70029757	25	Nut	
27	70029760	4	Washer	
28	70029762	2	Assembly, Caster	
29	70029764	4	Bearing	
30	70029765	8	Pin	
31	70029766	2	Link	
32	70029767	2	Washer	
33	70029768	6	Stud	
34	See Note	NSS	Body, Sweeper (Note: Purchase Complete Assembly)	
35	70029773	2	Plate	
36	70029774	2	Plate	
37	70029775	2	Plate	
38	70029776	2	Plate	
39	70029777	2	Pin	
40	70029778	2	Plate	
41	70029779	2	Flap	
42	70029780	6	Plate	
43	70029781	3	Plate	
44	70029784	1	Flap	
45	70029786	1	Flap	
46	70029788	2	Chain	
47	70029790	2	Toplink	
48	70029793	6	Washer	
49	70029794	16	Pin, Lynch	

SECTION 3 - ATTACHMENTS

FIGURE 3-48. SWEEPER - MOTOR



ART_1001202904_3-B

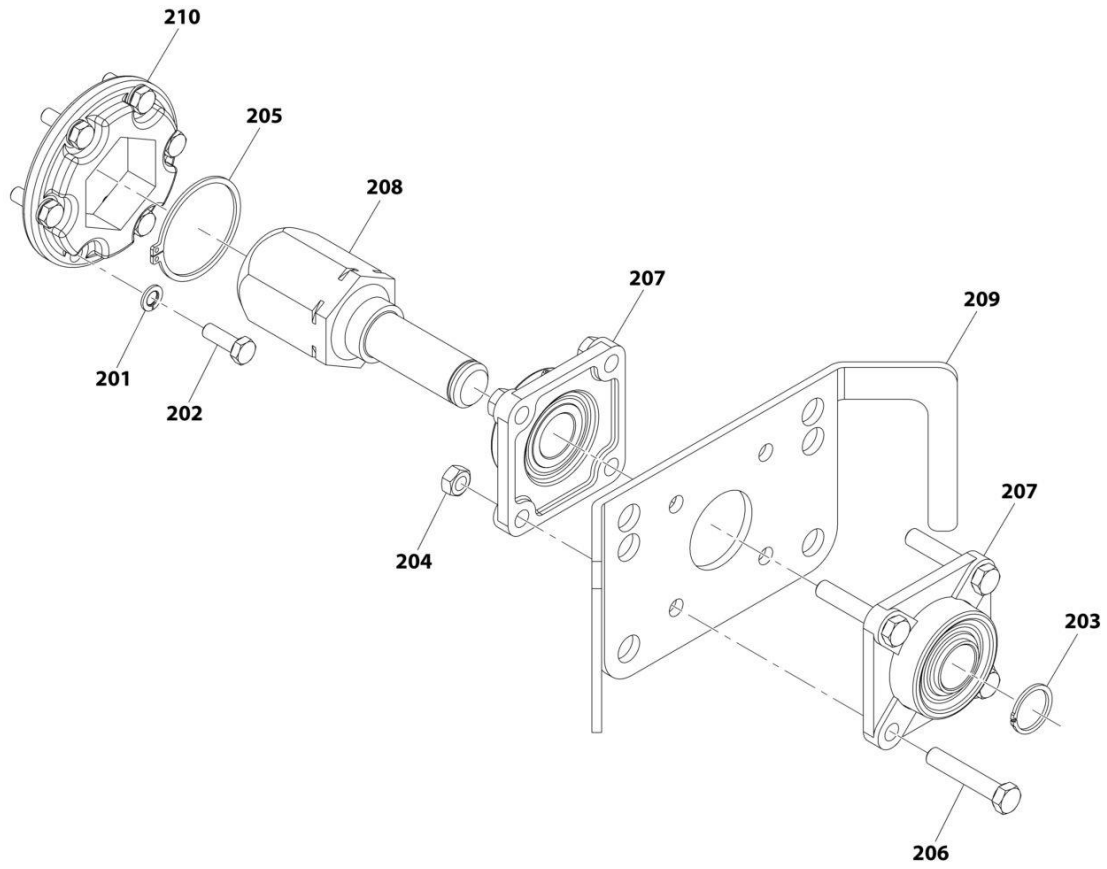
SECTION 3 - ATTACHMENTS

FIGURE 3-48. SWEEPER - MOTOR

ITEM	PART NUMBER	QTY	DESCRIPTION	REV
	1001202904	Ref	SWEEPER ASSEMBLY - MOTOR	
101	70029717	1	Motor	
102	70029739	6	Washer	
103	70029741	6	Screw	
104	70029743	4	Washer	
105	70029746	4	Nut	
106	70029749	4	Screw	
107	70029769	1	Plate	
108	70029771	1	Hub	
109	70029772	1	Plate	
110	70029789	1	Plate	
111	70029719	1	Nut, Motor Shaft Lock	
112	70029718	1	Kit, Seal	
113	70029761	1	Key	

SECTION 3 - ATTACHMENTS

FIGURE 3-49. SWEEPER - IDLER



ART_1001202904_4-B

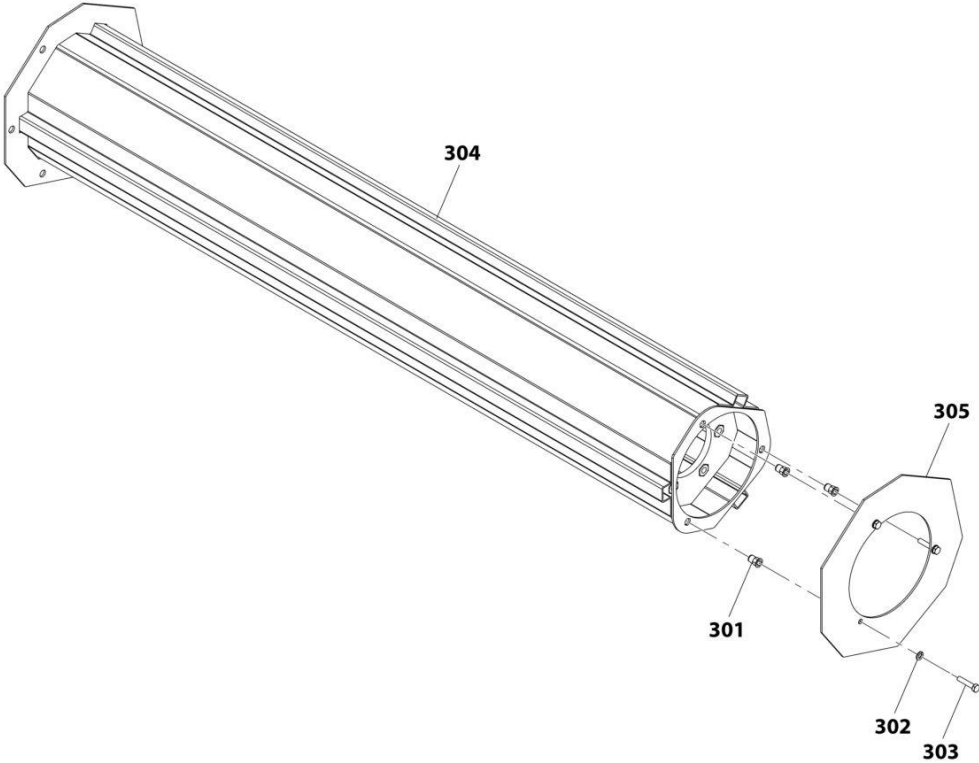
SECTION 3 - ATTACHMENTS

FIGURE 3-49. SWEEPER - IDLER

ITEM	PART NUMBER	QTY	DESCRIPTION	REV
	1001202904	Ref	SWEEPER ASSEMBLY - IDLER	
201	70029739	6	Washer	
202	70029741	6	Screw	
203	70029744	1	Ring, Snap	
204	70029746	4	Nut	
205	70029748	1	Ring, Snap	
206	70029749	4	Screw	
207	70029763	2	Bearing	
208	70029770	1	Hub	
209	70029787	1	Plate	
210	70029789	1	Plate	

SECTION 3 - ATTACHMENTS

FIGURE 3-50. SWEEPER - CORE



ART_1001202904_5-B

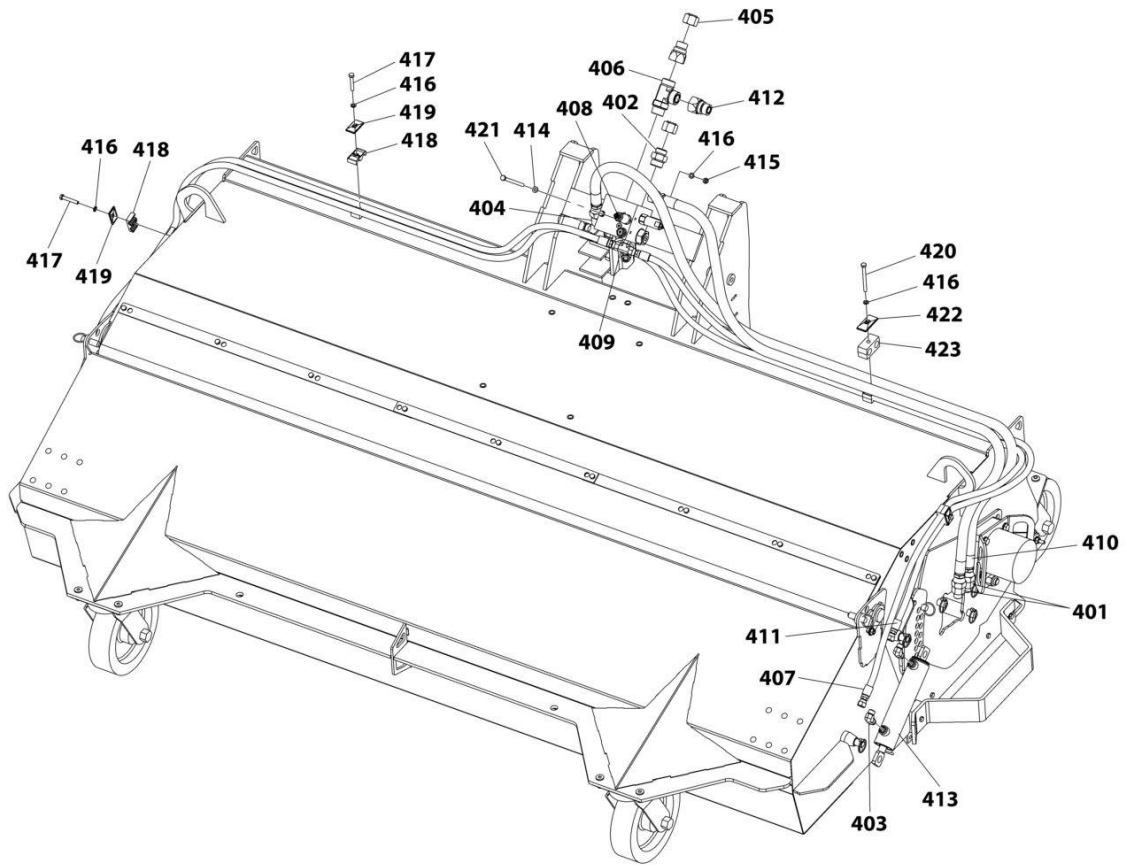
SECTION 3 - ATTACHMENTS

FIGURE 3-50. SWEEPER - CORE

ITEM	PART NUMBER	QTY	DESCRIPTION	REV
	1001202904	1	SWEEPER ASSEMBLY - CORE	
301	70029727	3	Nut	
302	70029730	3	Washer	
303	70029731	3	Screw	
304	70029782	1	Core	
305	70029783	1	Plate	

SECTION 3 - ATTACHMENTS

FIGURE 3-51. SWEEPER - HYDRAULIC LINES



ART_1001202904_6-B

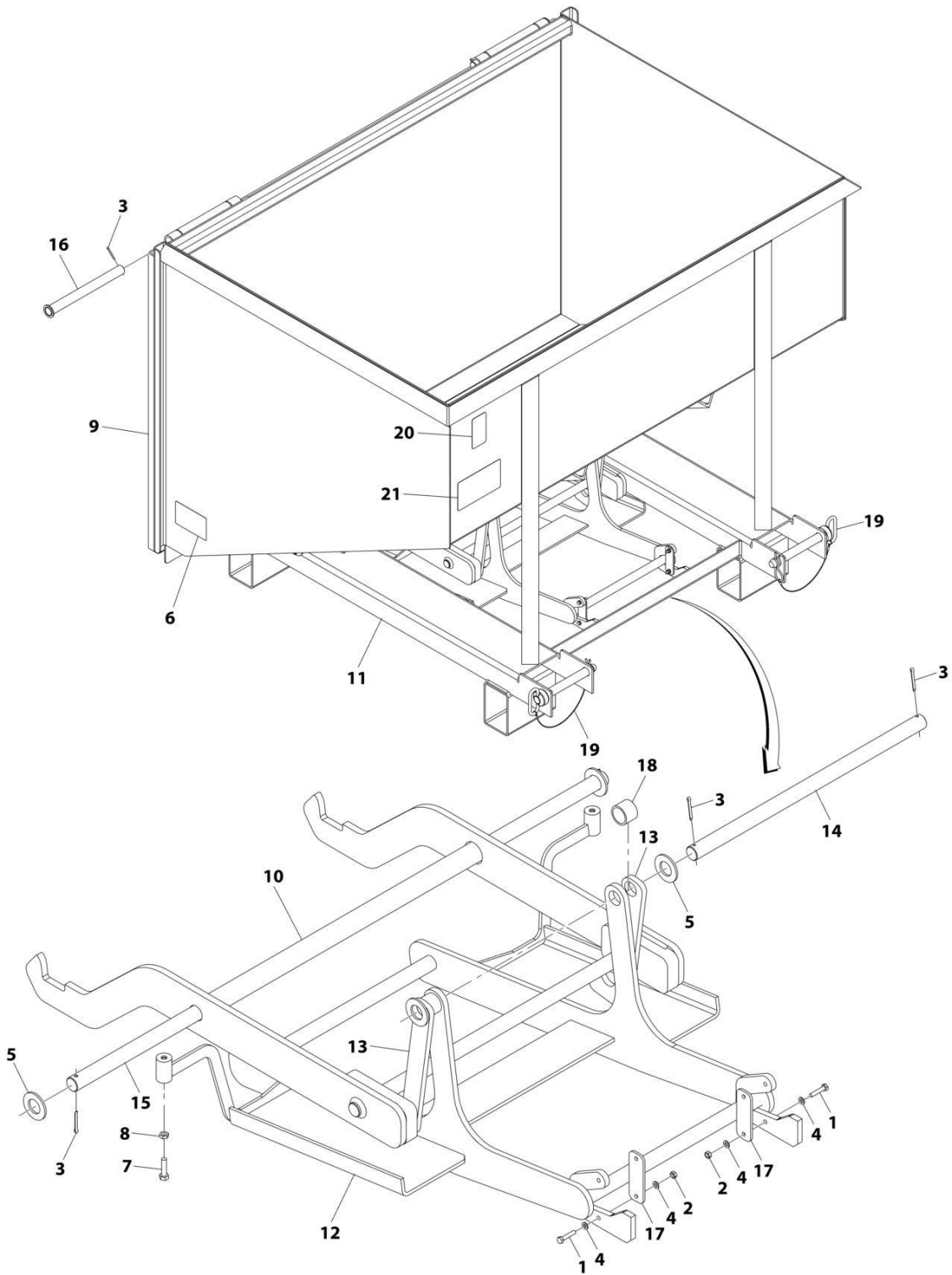
SECTION 3 - ATTACHMENTS

FIGURE 3-51. SWEEPER - HYDRAULIC LINES

ITEM	PART NUMBER	QTY	DESCRIPTION	REV
	1001202904	Ref	SWEEPER ASSEMBLY - HYDRAULICS	
401	70029704	2	Fitting	
402	70029705	1	Fitting	
403	70029706	4	Fitting, 90	
404	70029707	1	Fitting, 90	
405	70029708	2	Cap	
406	70029709	1	Fitting, Tee	
407	70029710	2	Hose	
408	70029711	1	Manifold	
409	70029712	2	Fitting, Tee	
410	70029713	2	Hose	
411	70029714	2	Hose	
412	70029715	2	Fitting	
413	70029716	2	Cylinder	
413	70029791	1	Kit, Seal	
414	70029732	2	Washer	
415	70029733	2	Nut	
416	70029734	6	Washer	
417	70029737	3	Screw	
418	70029753	8	Hose	
419	70029754	3	Cover	
420	70029758	1	Screw	
421	70029759	2	Screw	
422	70029795	1	Cover	
423	70029796	1	Cradle, Hose	

SECTION 3 - ATTACHMENTS

FIGURE 3-52. TRASH HOPPER (FORK MOUNTED)



ART_1001238566-B

SECTION 3 - ATTACHMENTS

FIGURE 3-52. TRASH HOPPER (FORK MOUNTED

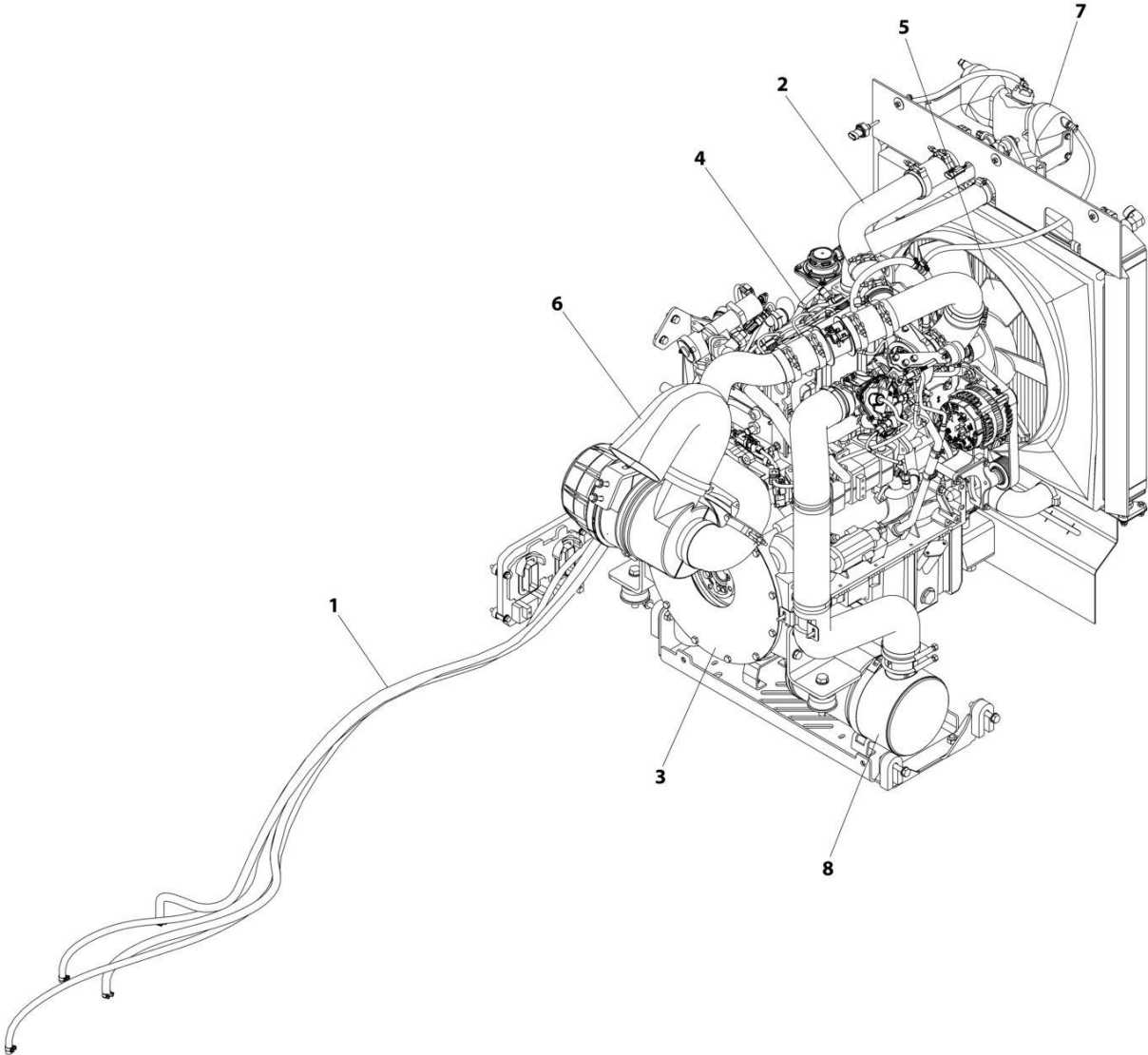
ITEM	PART NUMBER	QTY	DESCRIPTION	REV
	1001238566	Ref	FORK MOUNTED TRASH HOPPER	C
1	0700614	4	Bolt M6 x 30	
2	3290601	4	Nut M6 x 1	
3	3391410	6	Pin	
4	4811700	8	Washer M6	
5	5242400	4	Washer M24	
6	1706302	2	Decal, Pinch Point	
7	0641510	2	Bolt 5/16 x 1-1/4	
8	3311502	2	Nut 5/16	
9	1001192711	1	Door Assembly	
10	1001192720	1	Hook Assembly	
11	See Note	NSS	Hopper, Trash (Note: Purchase Complete Assembly)	
12	1001192875	1	Tray Assembly	
13	1001192876	2	Arm, Swing	
14	1001192877	1	Rod, Swing	
15	1001238570	1	Bar	
16	1001193540	2	Pin	
17	1001193729	2	Plate	
18	1001198355	2	Spacer	
19	1001238560	2	Pin	
20	See Note	NSS	SN Plate (Note: Stamped Part - Not Available for Purchase)	
21	1001203503	1	Decal, Trash Hopper Operation	

SECTION 4 - ENGINE AND ATTACHING PARTS

SECTION 4 - ENGINE AND ATTACHING PARTS

SECTION 4 - ENGINE AND ATTACHING PARTS

FIGURE 4-1. ENGINE PACKAGE INSTALLATION (74HP ULS)



ART_1001243880-A

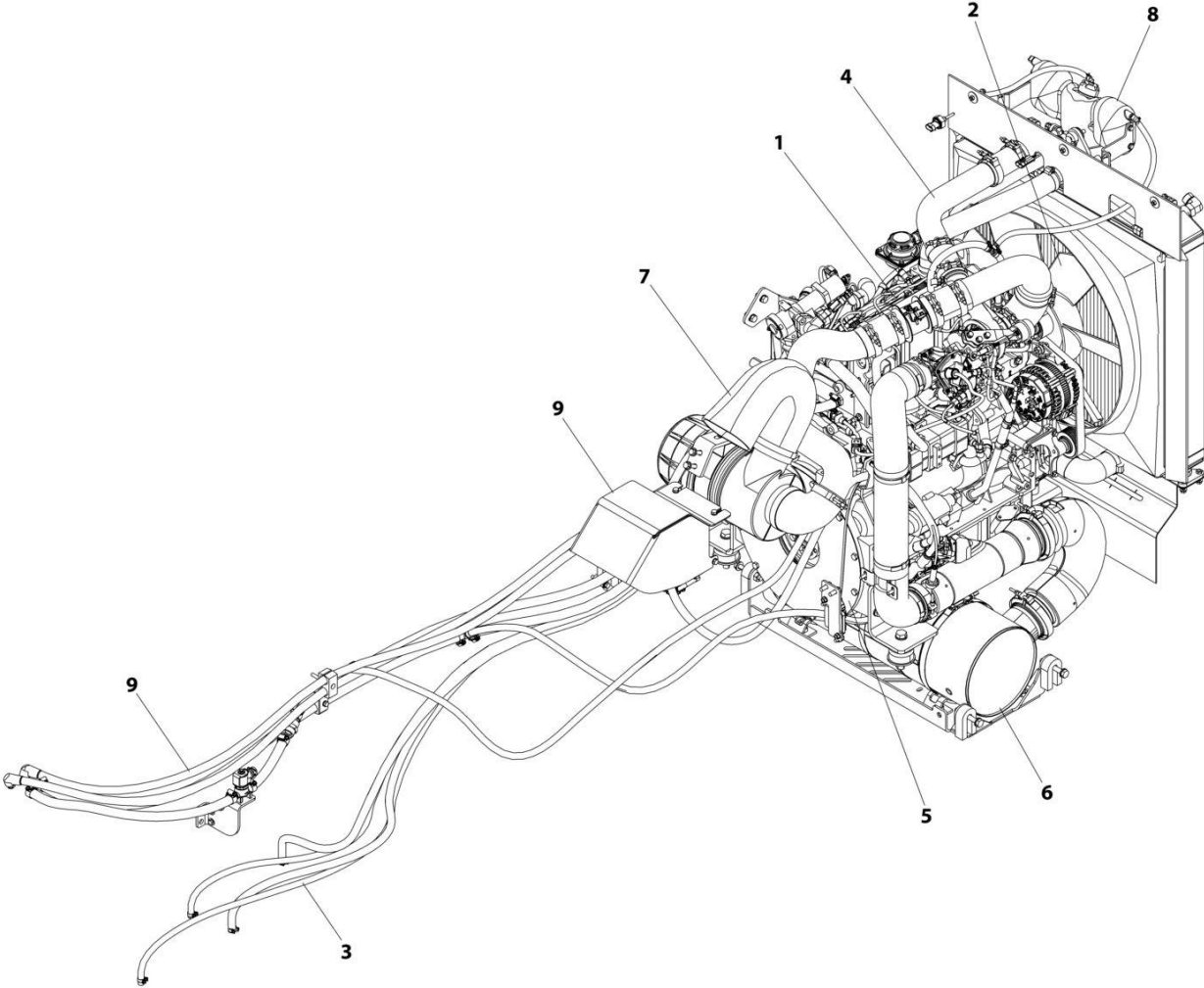
SECTION 4 - ENGINE AND ATTACHING PARTS

FIGURE 4-1. ENGINE PACKAGE INSTALLATION (74HP ULS)

ITEM	PART NUMBER	QTY	DESCRIPTION	REV
1	1001243880	Ref	Engine Package Installation (74HP)	A
	1001165672	Ref	Installation, Fuel Plumbing (ULS) (See Separate Breakdown in this Section)	
2	1001165673	Ref	Installation, Plumbing Cooling (ULS) (See Separate Breakdown in this Section)	
3	1001166229	Ref	Installation, Pump Coupler (See Separate Breakdown in this Section)	
4	1001196124	Ref	Installation, Engine (74HP) (See Separate Breakdown in this Section)	
5	1001196736	Ref	Installation, Fan (74HP) (See Separate Breakdown in this Section)	
6	1001243882	Ref	Installation, Air Cleaner (ULS) (See Separate Breakdown in this Section)	
7	1001243887	Ref	Installation, Cooling (74HP) (See Separate Breakdown in this Section)	
8	1001243888	Ref	Installation, Exhaust (74HP) (See Separate Breakdown in this Section)	

SECTION 4 - ENGINE AND ATTACHING PARTS

FIGURE 4-2. ENGINE PACKAGE INSTALLATION (130HP ULS)



ART_1001243783-A

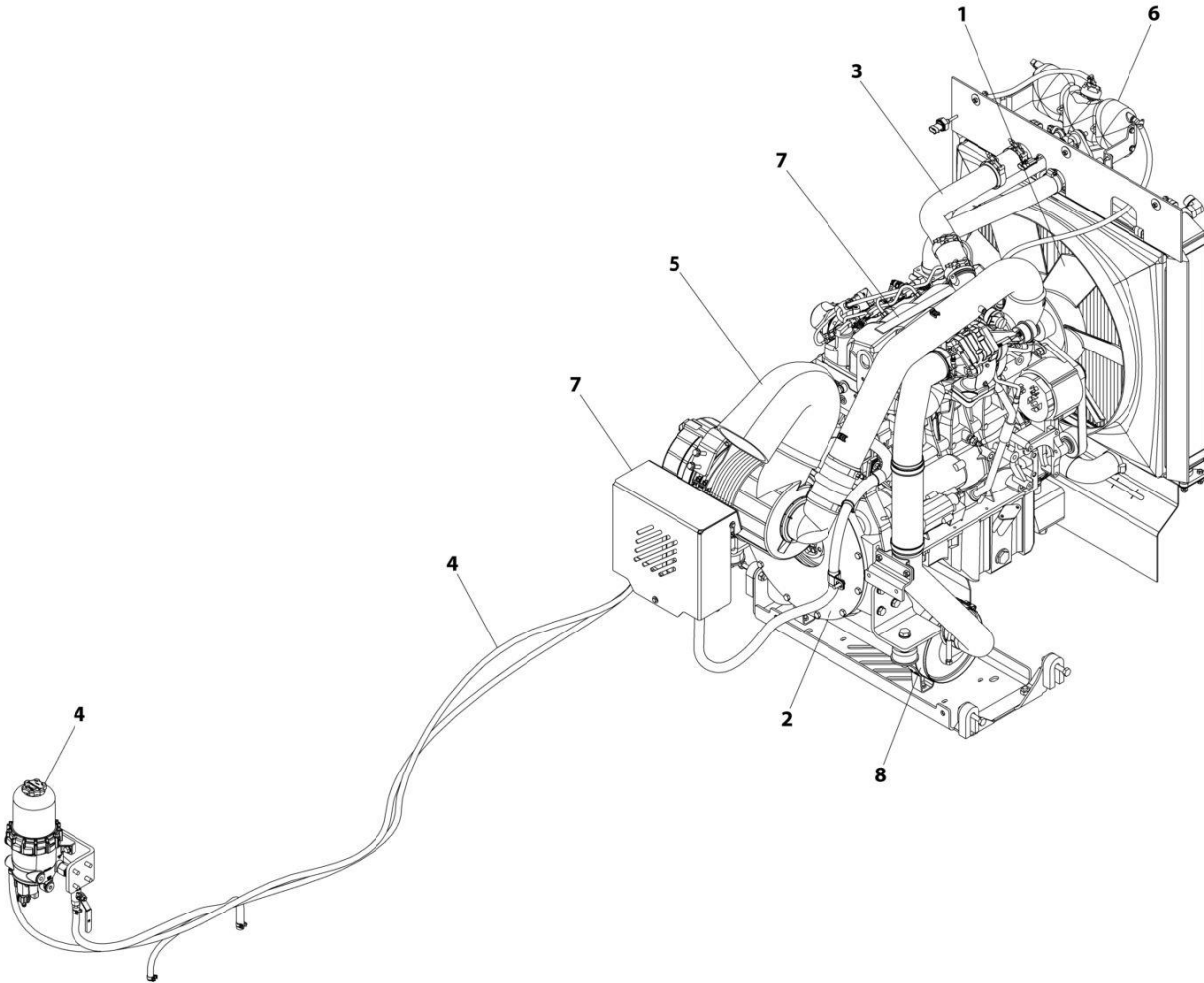
SECTION 4 - ENGINE AND ATTACHING PARTS

FIGURE 4-2. ENGINE PACKAGE INSTALLATION (130HP ULS)

ITEM	PART NUMBER	QTY	DESCRIPTION	REV
1	1001243783	Ref	Engine Package Installation (ULS)	A
	1001160845	Ref	Installation, Engine (ULS) (See Separate Breakdown in this Section)	
2	1001165668	Ref	Installation, Fan (130HP) (See Separate Breakdown in this Section)	
3	1001165672	Ref	Installation, Fuel Plumbing (ULS) (See Separate Breakdown in this Section)	
4	1001165673	Ref	Installation, Plumbing Cooling (ULS) (See Separate Breakdown in this Section)	
5	1001166229	Ref	Installation, Pump Coupler (See Separate Breakdown in this Section)	
6	1001243881	Ref	Installation, After-treatment (ULS) (See Separate Breakdown in this Section)	
7	1001243882	Ref	Installation, Air Cleaner (ULS) (See Separate Breakdown in this Section)	
8	1001243884	Ref	Installation, Cooling (130HP) (See Separate Breakdown in this Section)	
9	1001243885	Ref	Installation, DEF System (ULS) (See Separate Breakdown in this Section)	

SECTION 4 - ENGINE AND ATTACHING PARTS

FIGURE 4-3. ENGINE PACKAGE INSTALLATION (130HP LS)



ART_1001243879-A

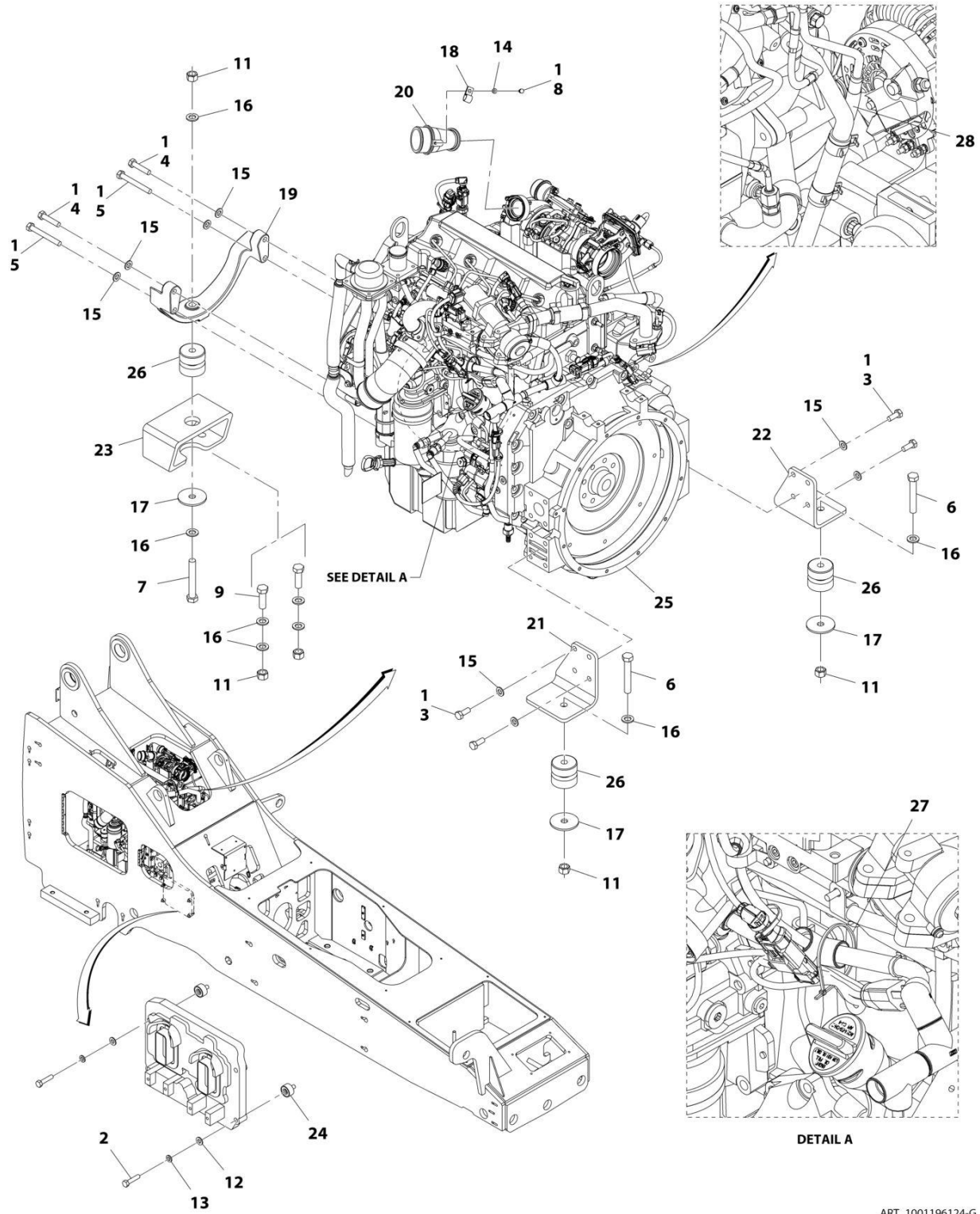
SECTION 4 - ENGINE AND ATTACHING PARTS

FIGURE 4-3. ENGINE PACKAGE INSTALLATION (130HP LS)

ITEM	PART NUMBER	QTY	DESCRIPTION	REV
1	1001243879	Ref	Engine Package Installation (LS)	A
	1001165668	Ref	Installation, Fan (130HP) (See Separate Breakdown in this Section)	
2	1001166229	Ref	Installation, Pump Coupler (See Separate Breakdown in this Section)	
3	1001185652	Ref	Installation, Plumbing Cooling (LS) (See Separate Breakdown in this Section)	
4	1001186490	Ref	Installation, Fuel Plumbing (LS) (See Separate Breakdown in this Section)	
5	1001243883	Ref	Installation, Air Cleaner (LS) (See Separate Breakdown in this Section)	
6	1001243884	Ref	Installation, Cooling (130HP) (See Separate Breakdown in this Section)	
7	1001243886	Ref	Installation, Engine (LS) (See Separate Breakdown in this Section)	
8	1001243889	Ref	Installation, Exhaust (130HP) (See Separate Breakdown in this Section)	

SECTION 4 - ENGINE AND ATTACHING PARTS

FIGURE 4-4. ENGINE INSTALLATION (74HP ULS)



ART_1001196124-G

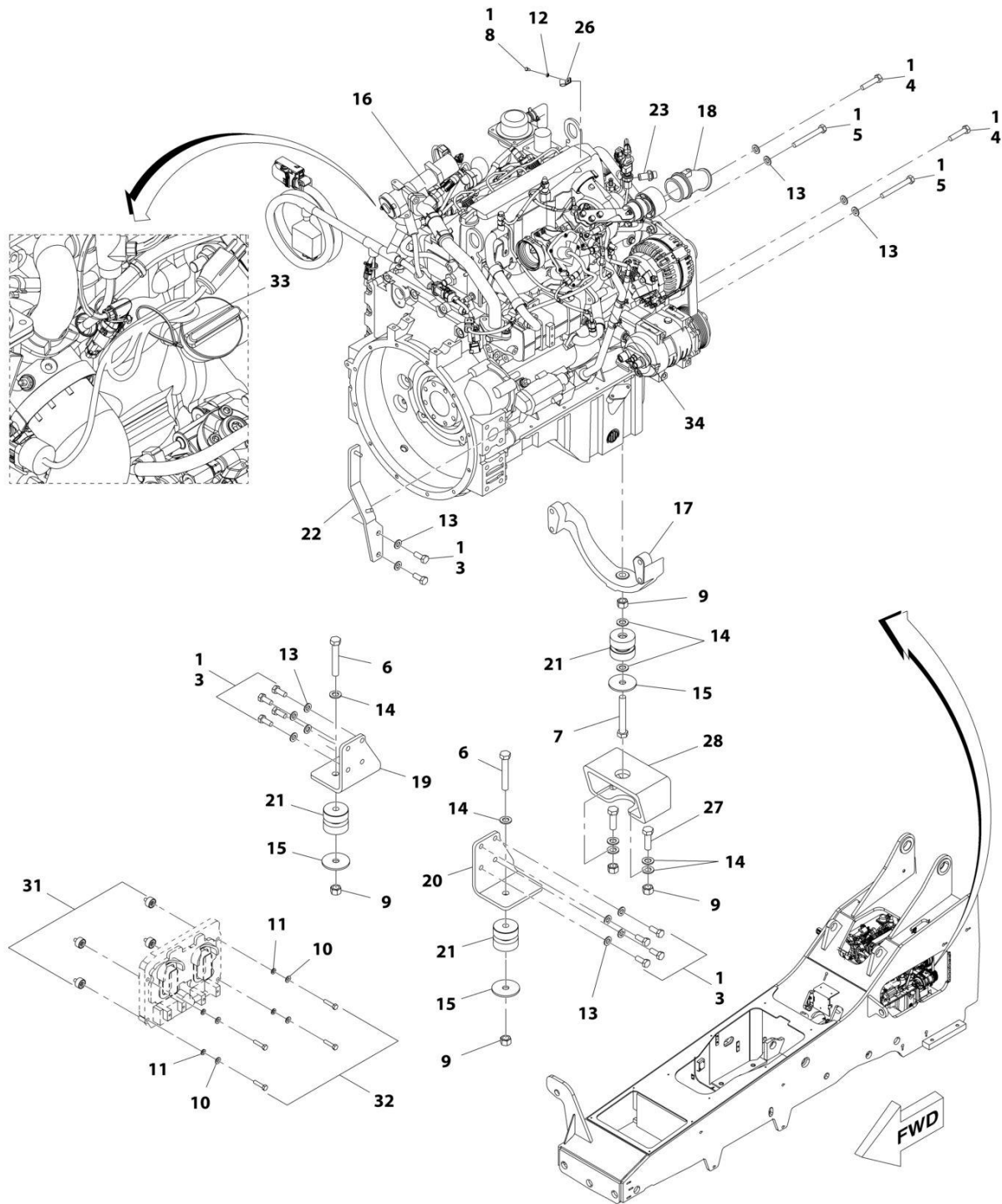
SECTION 4 - ENGINE AND ATTACHING PARTS

FIGURE 4-4. ENGINE INSTALLATION (74HP ULS)

ITEM	PART NUMBER	QTY	DESCRIPTION	REV
	1001196124	Ref	Engine Installation, 74HP (if equipped for ULS)	G
1	0100011	AR	Compound, Locking	
2	0641511	4	Bolt, 5/16-18X1-3/8	
3	0711214	8	Bolt, M12X30	
4	0711219	2	Bolt, M12X55	
5	0711227	2	Bolt, M12X100	
6	0711627	2	Bolt, M16X100	
7	0711628	1	Bolt, M16X110	
8	0760605	1	Bolt, M6X10	
9	0771618	2	Bolt, M16X50	
11	3331615	5	Nut, Lock M16X12	
12	4711500	4	Washer, 5/16	
13	4761500	4	Washer, Lock 5/16	
14	4811700	1	Washer, M6	
15	4812100	12	Washer, M12	
16	4812300	8	Washer, M16	
17	7300435	3	Washer, Rebound	
18	8406112	1	Clip, Tube 5/8	
19	1001160116	1	Bracket, Engine Mount Casting	
20	1001161920	1	Adapter	
21	1001165517	1	Bracket, Engine Mount	
22	1001165518	1	Bracket, Engine Mount	
23	1001180473	1	Bracket, Rear Engine Mount	
24	1001186373	4	Mount, Isolator ECM	
25	1001196665	1	Engine (See Separate Breakdown in this Section)	
26	1001165660	3	Mount, Isolator Engine	
27	4240099	1	Strap, Tie	
28	7125871	1	Conduit 0.5X8	

SECTION 4 - ENGINE AND ATTACHING PARTS

FIGURE 4-5. ENGINE INSTALLATION (130HP ULS)



ART_1001160845-L

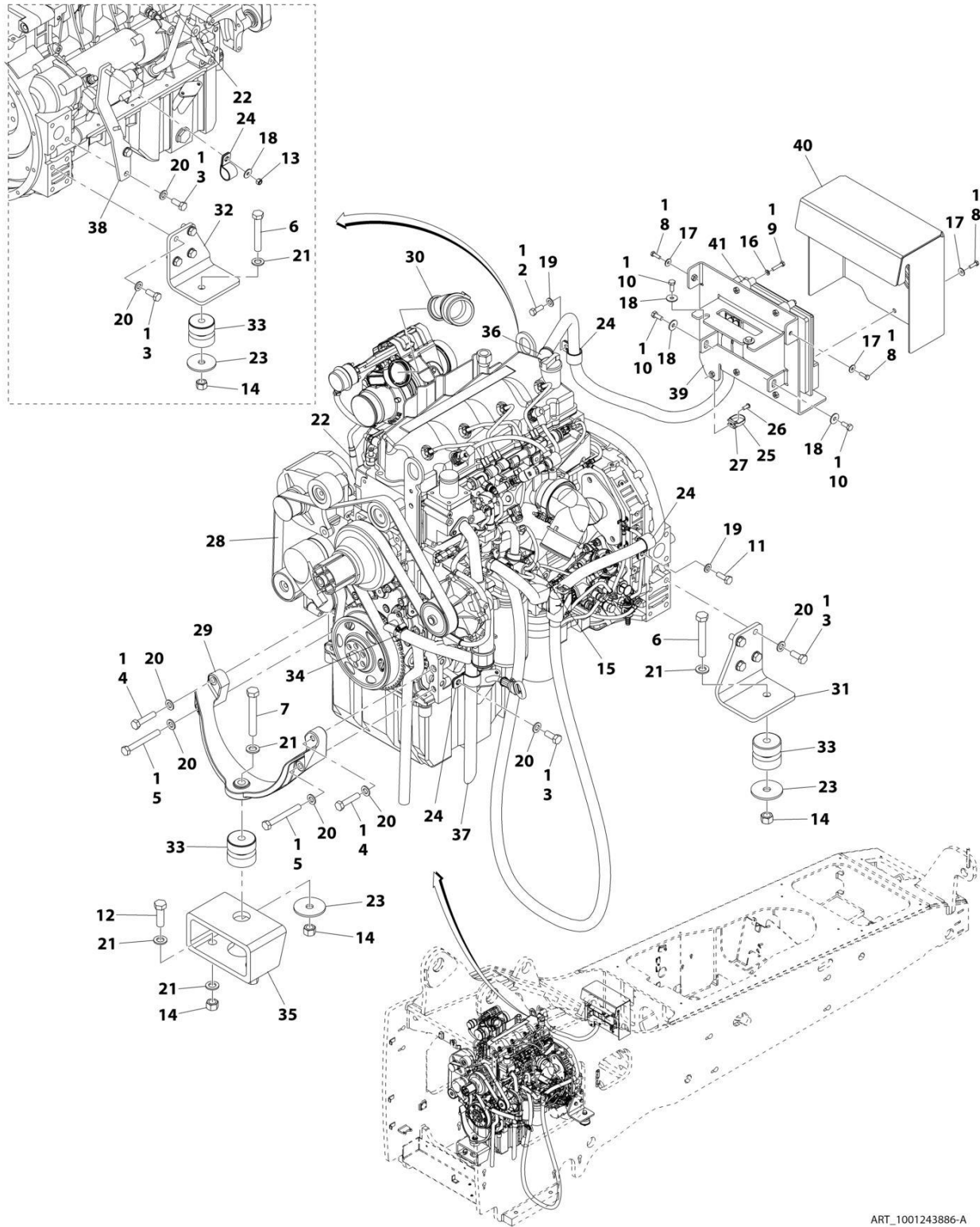
SECTION 4 - ENGINE AND ATTACHING PARTS

FIGURE 4-5. ENGINE INSTALLATION (130HP ULS)

ITEM	PART NUMBER	QTY	DESCRIPTION	REV
	1001160845	Ref	Engine Installation, 110HP (if equipped for ULS)	L
1	0100011	AR	Compound, Locking	
3	0711214	10	Bolt, M12X30	
4	0711219	2	Bolt, M12X55	
5	0711227	2	Bolt, M12X100	
6	0711627	2	Bolt, 16-2X100	
7	0711628	1	Bolt, 16-2X110	
8	0760605	1	Bolt, M6X10	
9	3331615	5	Nut, Lock M16X2	
10	4711500	4	Washer, Plain 5/16	
11	4761500	4	Washer, Lock 5/16	
12	4811700	1	Washer, M6	
13	4812100	14	Washer, M12	
14	4812300	8	Washer, M16	
15	7300435	3	Washer, Rebound	
16	1001154511	1	Engine (ULS) (See Separate Breakdown in this Section)	
17	1001160116	1	Bracket, Engine Mount Casting	
18	1001161920	1	Adapter	
19	1001165517	1	Bracket, Engine Mount	
20	1001165518	1	Bracket, Engine Mount	
21	1001165660	3	Mount, Isolator Engine	
22	1001197233	1	Bracket, Hose Support	
23	1001168822	1	Fitting, Hose Barb	
26	8406112	1	Clip, Tube 5/8	
27	0771618	2	Bolt, M16X50	
28	1001180473	1	Bracket, Rear Engine Mount	
31	1001186373	4	Mount, Isolator ECM	
32	0641511	4	Bolt, 5/16-18X1-3/8	
33	4240099	1	Strap, Tie	
34	7125871	1	Conduit, 1/2X8	

SECTION 4 - ENGINE AND ATTACHING PARTS

FIGURE 4-6. ENGINE INSTALLATION (130HP LS)



ART_1001243886-A

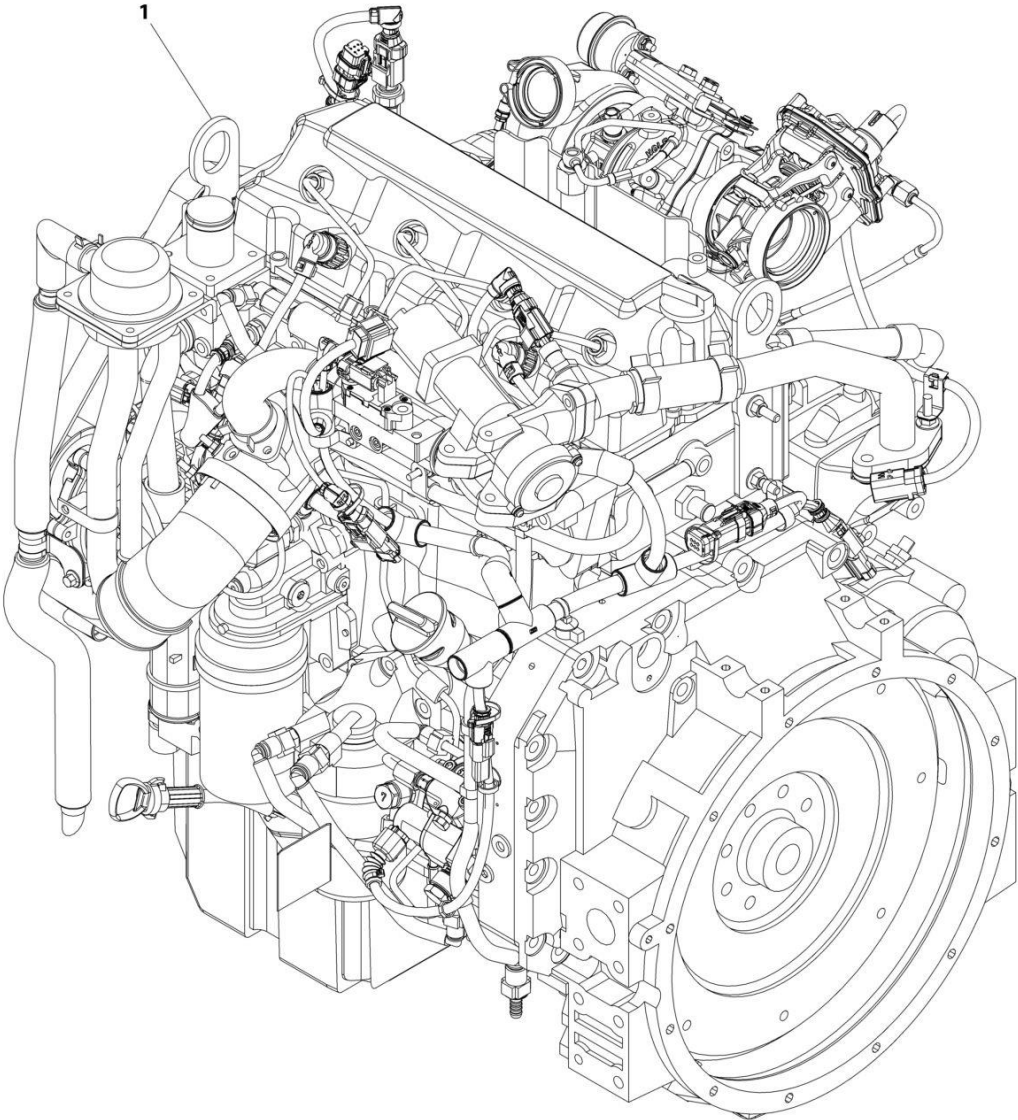
SECTION 4 - ENGINE AND ATTACHING PARTS

FIGURE 4-6. ENGINE INSTALLATION (130HP LS)

ITEM	PART NUMBER	QTY	DESCRIPTION	REV
	1001243886	Ref	Engine Installation (LS)	A
1	0100011	AR	Compound, Locking	
2	0641608	1	Bolt, M8X1	
3	0711214	11	Bolt, M12X30	
4	0711219	2	Bolt, M12X55	
5	0711227	2	Bolt, M12X100	
6	0711627	2	Bolt, M16X100	
7	0711628	1	Bolt, M16X110	
8	0760610	3	Bolt, M6X20	
9	0760614	4	Bolt, M6X30	
10	0760810	4	Bolt, M8X20	
11	0761014	1	Bolt, M10X30	
12	0771618	2	Bolt, M16X50	
13	3290805	1	Nut, Lock M8	
14	3331615	5	Nut	
15	4240099	3	Strap, Cable	
16	4811700	4	Washer, M6	
17	4811702	3	Washer, M6	
18	4811902	5	Washer, M8	
19	4812000	2	Washer, M10	
20	4812100	15	Washer, M12	
21	4812300	7	Washer, M16	
22	7125871	1	Conduit	
23	7300435	3	Washer, Rebound	
24	8406303	4	Clip, Tube 1-3/16	
25	8881800	1	Strap, Cable	
26	88261015	1	Bolt, 1/4X5/8	
27	1001138645	1	Mount, Cable Tie	
28	1001154790	1	Engine (See Separate Breakdown in this Section)	
29	1001160116	1	Bracket, Engine Mount Casting	
30	1001161920	1	Adapter	
31	1001165517	1	Bracket, Engine Mount	
32	1001165518	1	Bracket, Engine Mount	
33	1001165660	3	Mount, Isolator Engine	
34	1001173535	1	Clamp	
35	1001180473	1	Bracket, Rear Engine Mount	
36	1001186718	1	Insulate, Heat Shield Tube	
37	1001192134	1	Hose	
38	1001197233	1	Bracket	
39	1001211688	1	Bracket, ECM Mount	
40	1001211690	1	Bracket, ECM Cover	
41	1001211697	4	Mount, Isolator ECM	

SECTION 4 - ENGINE AND ATTACHING PARTS

FIGURE 4-7. ENGINE COMPONENTS (74HP ULS)



ART_1001196665

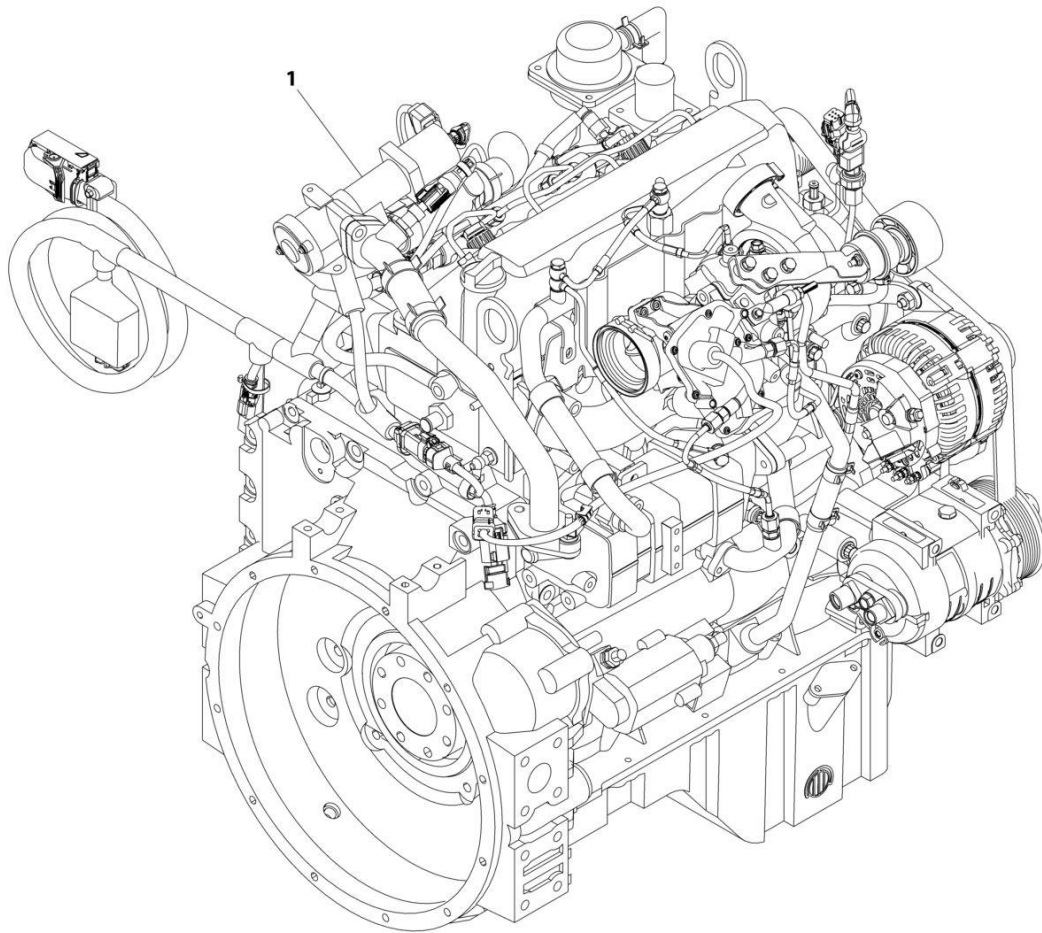
SECTION 4 - ENGINE AND ATTACHING PARTS

FIGURE 4-7. ENGINE COMPONENTS (74HP ULS)

ITEM	PART NUMBER	QTY	DESCRIPTION	REV
1	1001196665	Ref	Engine, 74HP (if equipped for ULS)	O
	70026220	1	Assembly, Secondary Fuel Filter (includes filter head, seal and element)	
	70026453	1	Element, Fuel Filter	
	70026221	1	Head, Fuel Filter	
	70026222	1	Assembly, Flywheel Housing	
	70027281	1	Pan, Oil	
	70026224	1	Seal, Oil Pan	
	70026225	1	Plug, Oil Pan	
	70026226	1	Seal, Oil Pan Plug	
	1001128594	1	Starter	
	70026228	1	Filler Cap, Valve Cover	
	70026229	1	Fan Belt, V-Ribbed	
	70026230	1	Support, Fan	
	70026231	1	Pulley, Fan	
	70026232	1	Alternator	
	70028450	1	Assembly, Primary Fuel Filter	
	70026234	1	Element, Fuel Filter	
	70026235	1	Assembly, Dipstick Oil Level	
	70026241	1	Assembly, Fuel Filter Plug	
	70026237	1	Filter, Oil	
	70023933	1	O-Ring, Oil Pressure Switch	
	70041620	2	Ring, Retaining	
	70041616	1	Bolt	
	70041617	1	Bearing, Ball	
	70041619	1	Retainer, Fan Hub	
	1322039	1	Spacer, Fan Pilot	
	1321094	19	Screw	
	70024016	1	Cap, Side Oil Fill	
	70022634	1	Flywheel w/Ring Gear	
	70023736	1	Ring Gear, Flywheel	
	1322040	1	Plug, Flywheel	
	70031148	1	Sensor, Speed	

SECTION 4 - ENGINE AND ATTACHING PARTS

FIGURE 4-8. ENGINE COMPONENTS (130HP ULS)



ART_1001154511

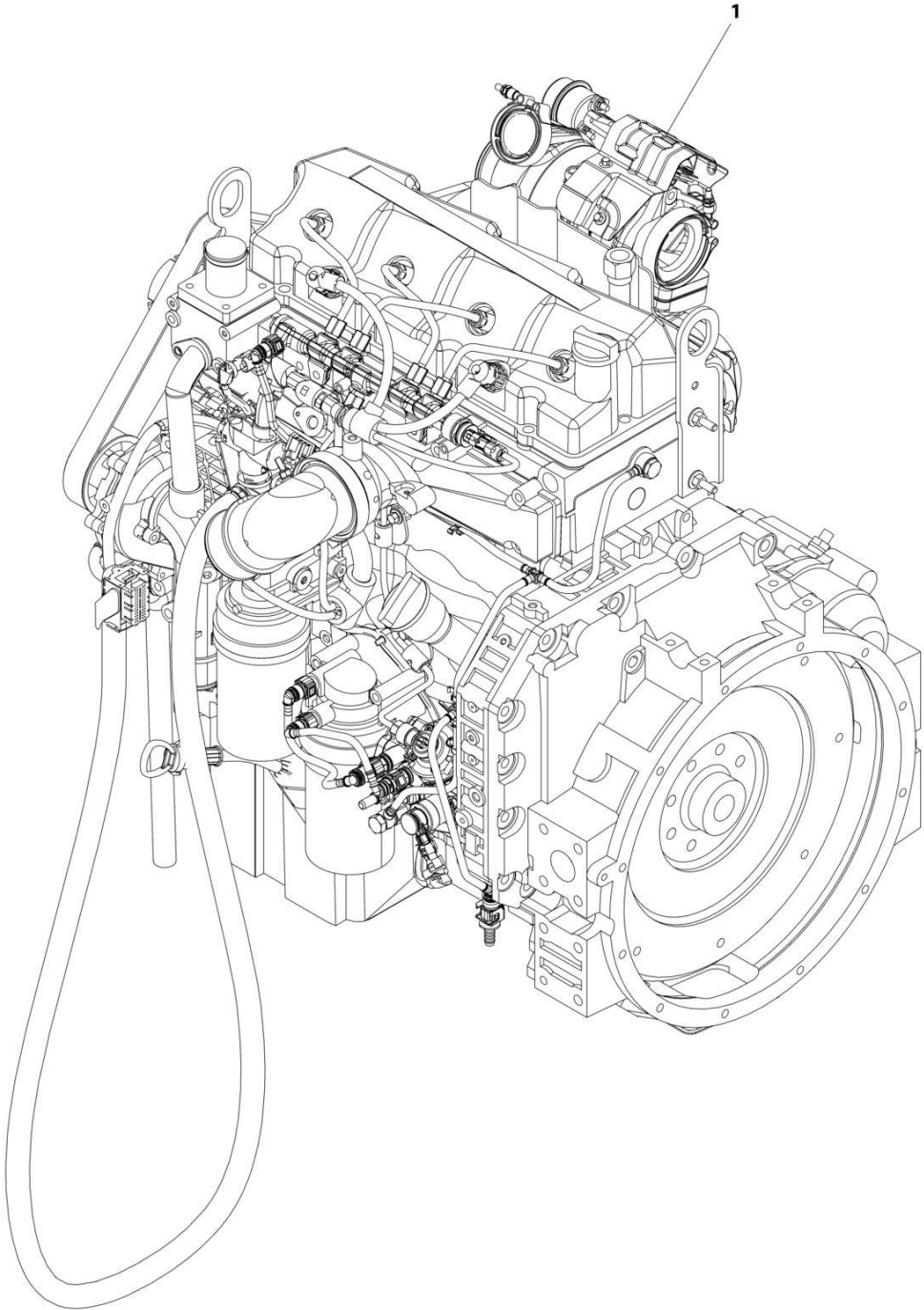
SECTION 4 - ENGINE AND ATTACHING PARTS

FIGURE 4-8. ENGINE COMPONENTS (130HP ULS)

ITEM	PART NUMBER	QTY	DESCRIPTION	REV
1	1001154511	Ref	Engine, QSF 3.8L (if equipped for ULS)	W
	70026220	1	Assembly, Secondary Fuel Filter (includes shell, seal and cartridge)	
	70026453	1	Cartridge, Fuel Filter	
	70031350	1	Rail, Fuel	
	70031351	1	Sensor, Fuel Pressure	
	70031352	1	Valve, Fuel Pressure Relief Valve	
	70026223	1	Pan, Oil	
	70026224	1	Seal, Oil Pan	
	70026225	1	Plug, Oil Pan	
	70026226	1	Seal, Oil Pan Plug	
	1001128594	1	Starter	
	70026228	1	Filler Cap, Valve Cover	
	70026229	1	Fan Belt, V-Ribbed	
	70026230	1	Support, Fan	
	70026231	1	Pulley, Fan	
	70026232	1	Alternator	
	70028450	1	Assembly, Primary Fuel Filter, (includes filter head, seal and element)	
	70026235	1	Assembly, Dipstick Oil Level	
	70026236	1	Assembly, Block Heater	
	70026241	1	Assembly, Fuel Filter Plug	
	70026237	1	Filter, Oil	
	70023933	1	O-Ring, Oil Pressure Switch	
	70041620	2	Ring, Retaining	
	70041616	1	Bolt, Fan Drive	
	70041617	1	Bearing, Ball	
	70041619	1	Retainer, Fan Hub	
	1322039	1	Spacer, Fan Pilot	
	1321094	16	Bolt, Oil Pan	
	70024016	1	Cap, Side Oil Fill	
	70022634	1	Flywheel w/Ring Gear	
	70023736	1	Ring Gear, Flywheel	
	1322040	1	Plug, Flywheel	
	70030317	1	Connection, Fuel Actuator	
	70030347	1	Valve, Exhaust Throttle	
	70031380	1	Harness, ECM	

SECTION 4 - ENGINE AND ATTACHING PARTS

FIGURE 4-9. ENGINE COMPONENTS (130HP LS)



ART_1001154790

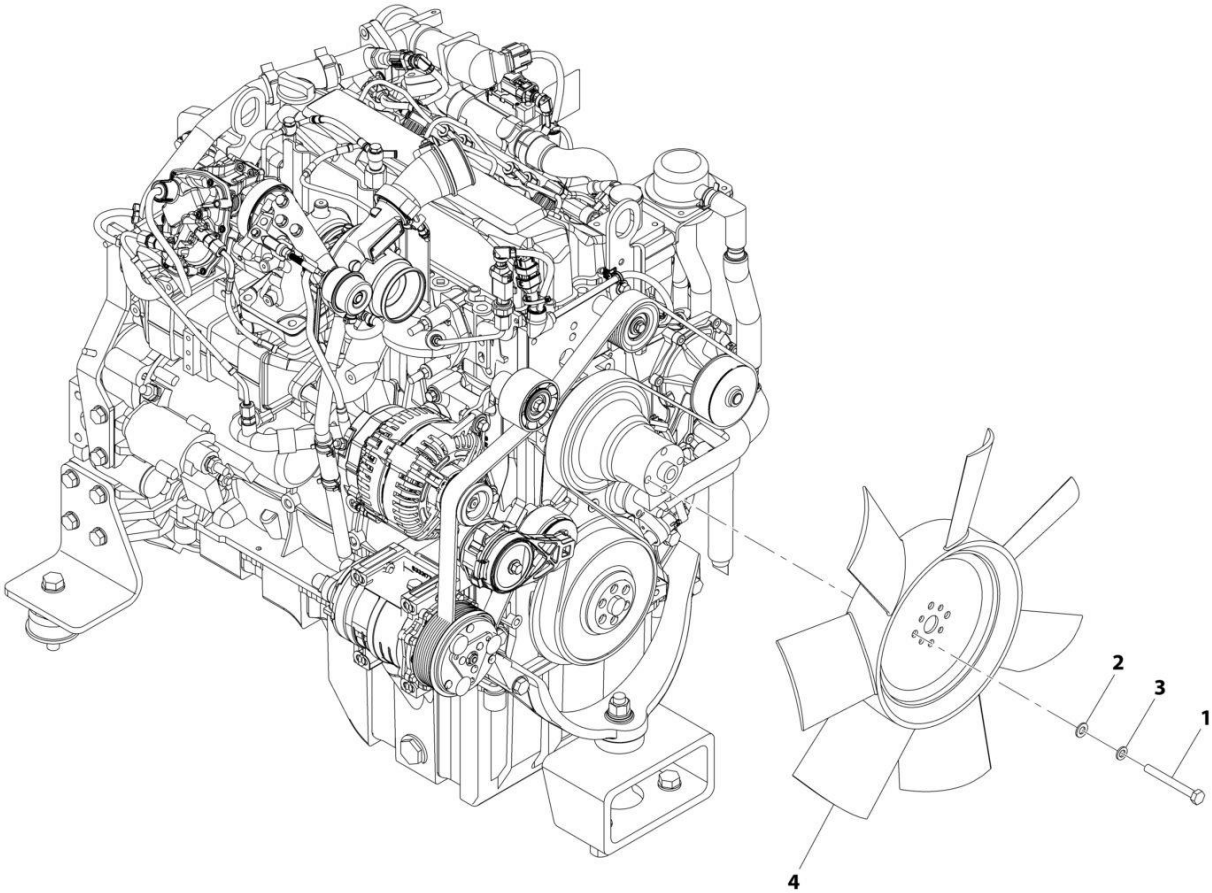
SECTION 4 - ENGINE AND ATTACHING PARTS

FIGURE 4-9. ENGINE COMPONENTS (130HP LS)

ITEM	PART NUMBER	QTY	DESCRIPTION	REV
1	1001154790	Ref	3.8L Engine (LS)	L
	70026800	1	Fuel Filter Assembly	
	70026801	1	Fuel Filter Element	
	70026222	1	Assembly, Flywheel Housing	
	70027281	1	Pan, Oil	
	70026224	1	Seal, Oil Pan	
	70026225	1	Plug, Oil Pan	
	70026226	1	Seal, Oil Pan Plug	
	1001128594	1	Starter	
	70026228	1	Filler Cap, Valve Cover	
	70026229	1	Fan Belt, V-Ribbed	
	70026230	1	Support, Fan	
	70026231	1	Pulley, Fan	
	70026232	1	Alternator	
	70026233	1	Assembly, Primary Fuel Filter	
	70026234	1	Element, Fuel Filter	
	70026235	1	Assembly, Dipstick Oil Level	
	70026241	1	Assembly, Fuel Filter Plug	
	70026237	1	Filter, Oil	
	70041620	2	Ring, Retaining	
	70041616	1	Bolt	
	70041617	1	Bearing, Ball	
	70041619	1	Retainer, Fan Hub	
	1322039	1	Spacer, Fan Pilot	
	1321094	17	Screw	
	70024016	1	Cap, Side Oil Fill	
	70022634	1	Flywheel w/Ring Gear	
	70023736	1	Ring Gear, Flywheel	
	1322040	1	Plug, Flywheel	

SECTION 4 - ENGINE AND ATTACHING PARTS

FIGURE 4-10. FAN INSTALLATION (74HP)



ART_1001196736-C

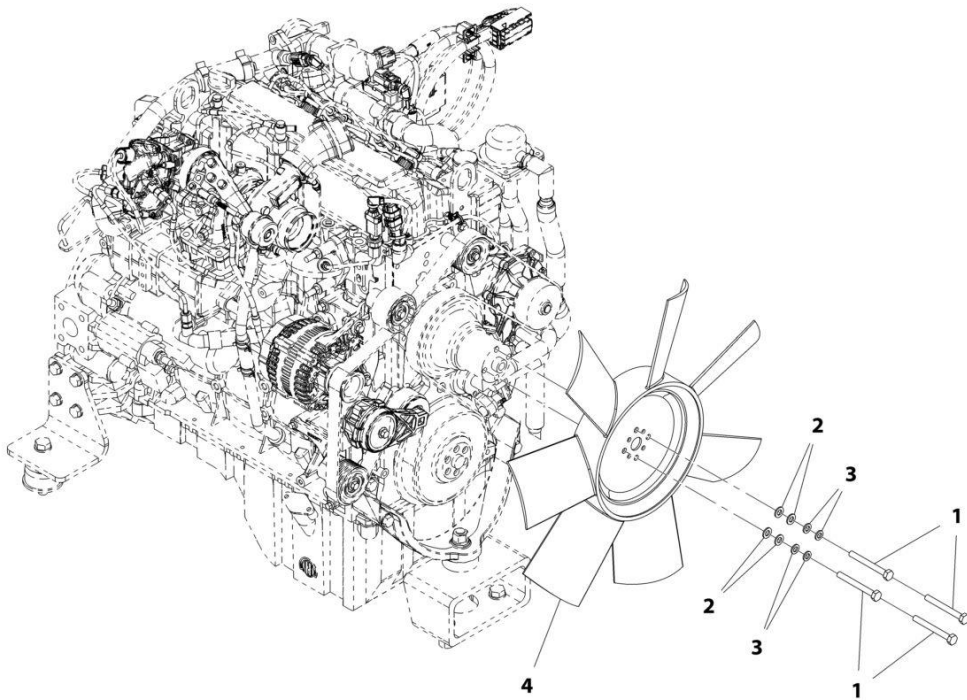
SECTION 4 - ENGINE AND ATTACHING PARTS

FIGURE 4-10. FAN INSTALLATION (74HP)

ITEM	PART NUMBER	QTY	DESCRIPTION	REV
	1001196736	Ref	Fan Installation, 74HP	C
1	0701026	4	Bolt, M10X90	
2	4812000	4	Washer, M10	
3	4832000	4	Washer, Lock M10	
4	1001210351	1	Fan	

SECTION 4 - ENGINE AND ATTACHING PARTS

FIGURE 4-11. FAN INSTALLATION (130HP)



ART_1001165668-B

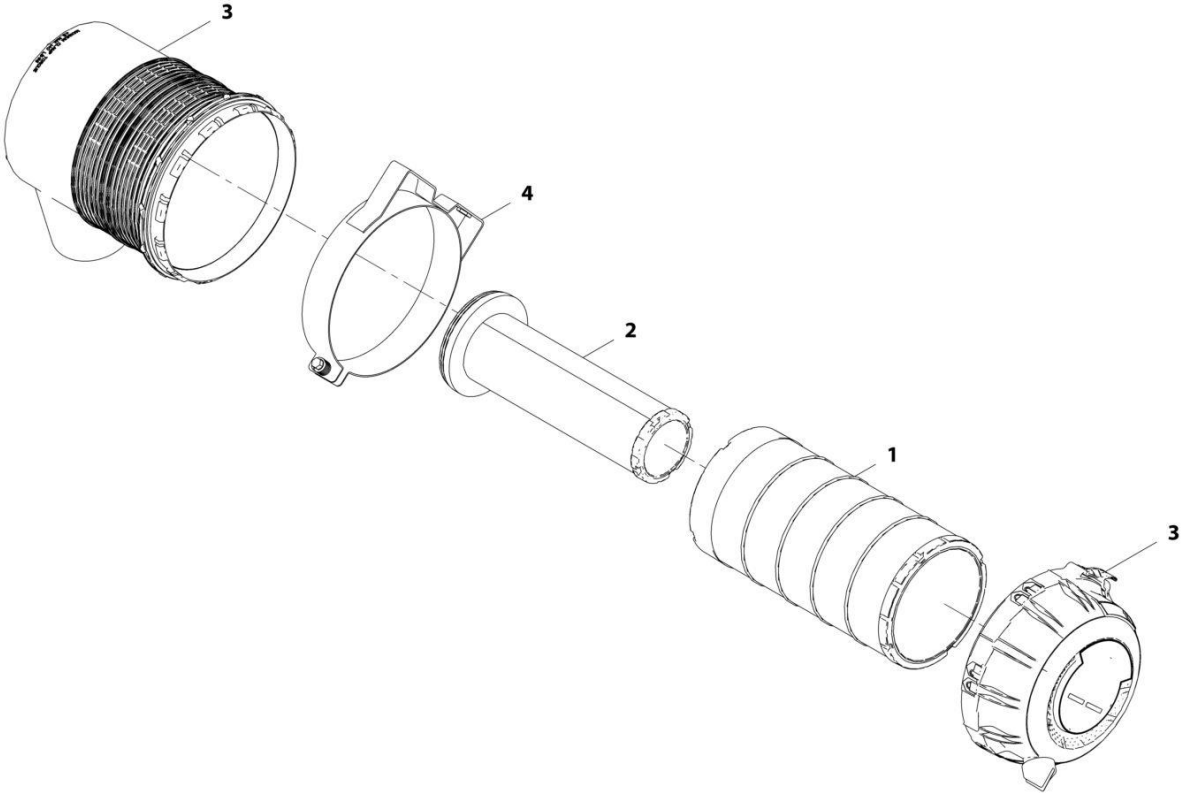
SECTION 4 - ENGINE AND ATTACHING PARTS

FIGURE 4-11. FAN INSTALLATION (130HP)

ITEM	PART NUMBER	QTY	DESCRIPTION	REV
	1001165668	Ref	Fan Installation, 85HP	B
1	0701026	4	Bolt, M10X90	
2	4812000	4	Washer, M10	
3	4832000	4	Washer, Lock M10	
4	1001174822	1	Fan	

SECTION 4 - ENGINE AND ATTACHING PARTS

FIGURE 4-12. AIR CLEANER ASSEMBLY (74HP ULS)



ART_1001166566-G

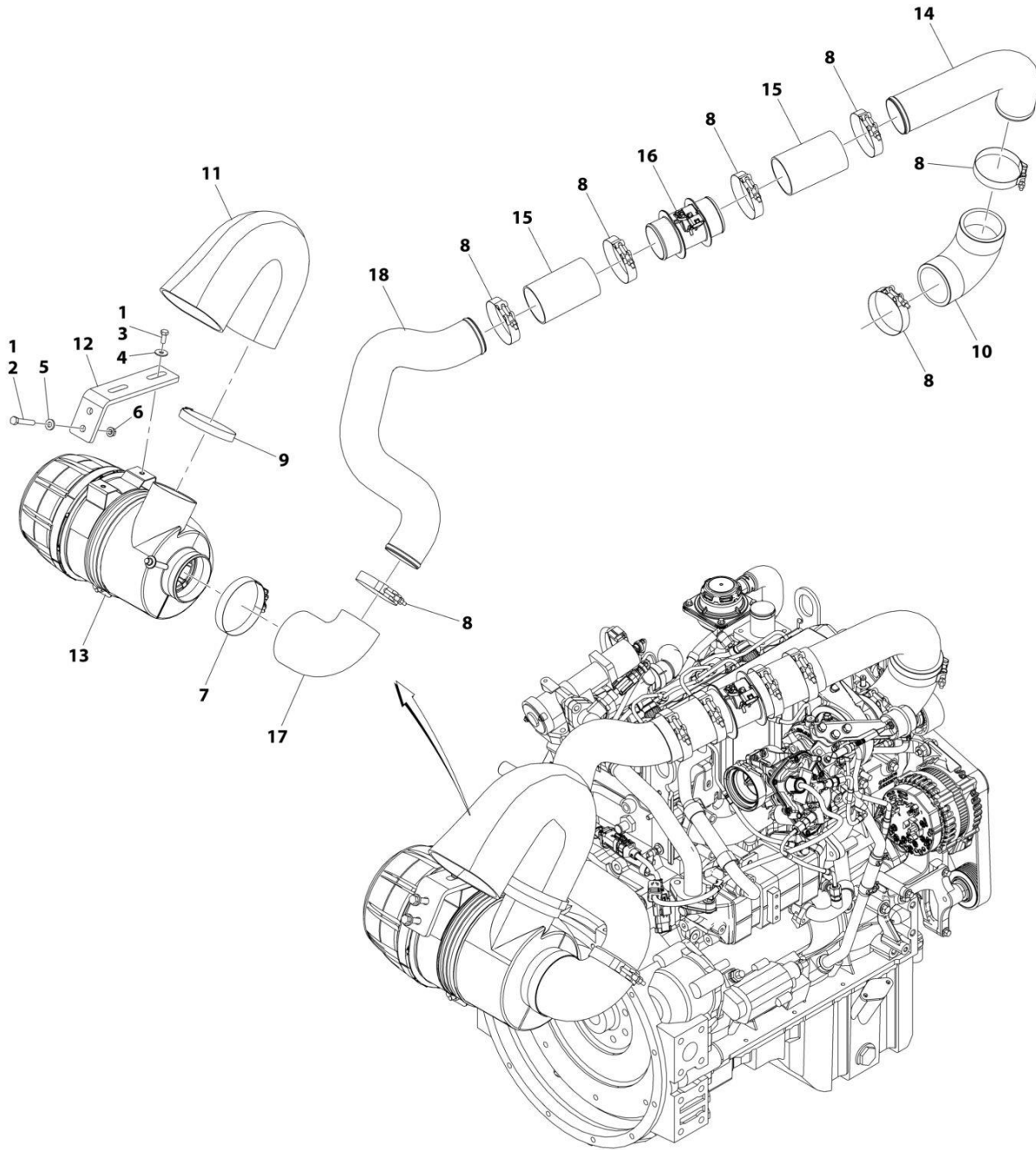
SECTION 4 - ENGINE AND ATTACHING PARTS

FIGURE 4-12. AIR CLEANER ASSEMBLY (74HP ULS)

ITEM	PART NUMBER	QTY	DESCRIPTION	REV
	1001166566	Ref	Air Cleaner Assembly (74.4KW)	G
1	70025852	1	Filter, Air Cylindrical Primary	
2	70025853	1	Filter, Air Cylindrical Secondary	
3	70026393	1	Cover, Air Cleaner	
4	70026394	1	Bracket, Mounting Band	

SECTION 4 - ENGINE AND ATTACHING PARTS

FIGURE 4-13. AIR CLEANER ASSEMBLY (130HP ULS)



ART_1001243882-C

SECTION 4 - ENGINE AND ATTACHING PARTS

FIGURE 4-13. AIR CLEANER ASSEMBLY (130HP ULS)

ITEM	PART NUMBER	QTY	DESCRIPTION	REV
	1001243882	Ref	Air Cleaner Installation (ULS)	C
1	0100011	AR	Compound, Locking	
2	0641618	2	Bolt, 3/8X2-1/4	
3	0760810	2	Bolt, M8X20	
4	4811902	2	Washer, M8	
5	4891600	2	Washer, 3/8	
6	8310522	2	Nut, Flange 3/8-16	
7	8405404	1	Clamp, T-Bolt	
8	8410007	7	Clamp, T-Bolt	
9	10719267	1	Clamp, Hose	
10	1001120083	1	Hose, Air Intake	
11	1001165818	1	Hose, Air Intake	
12	1001166238	1	Bracket, Air Filter	
13	1001166566	1	Assembly, Air Cleaner (See Breakdown Breakdown in this Section)	
14	1001168052	1	Pipe, Air Intake	
15	1001168053	2	Hose, Sleeve	
16	1001169077	1	Sensor, PRS Temperature	
17	1001201831	1	Hose, Air Intake	
18	1001242986	1	Pipe, Air Intake	

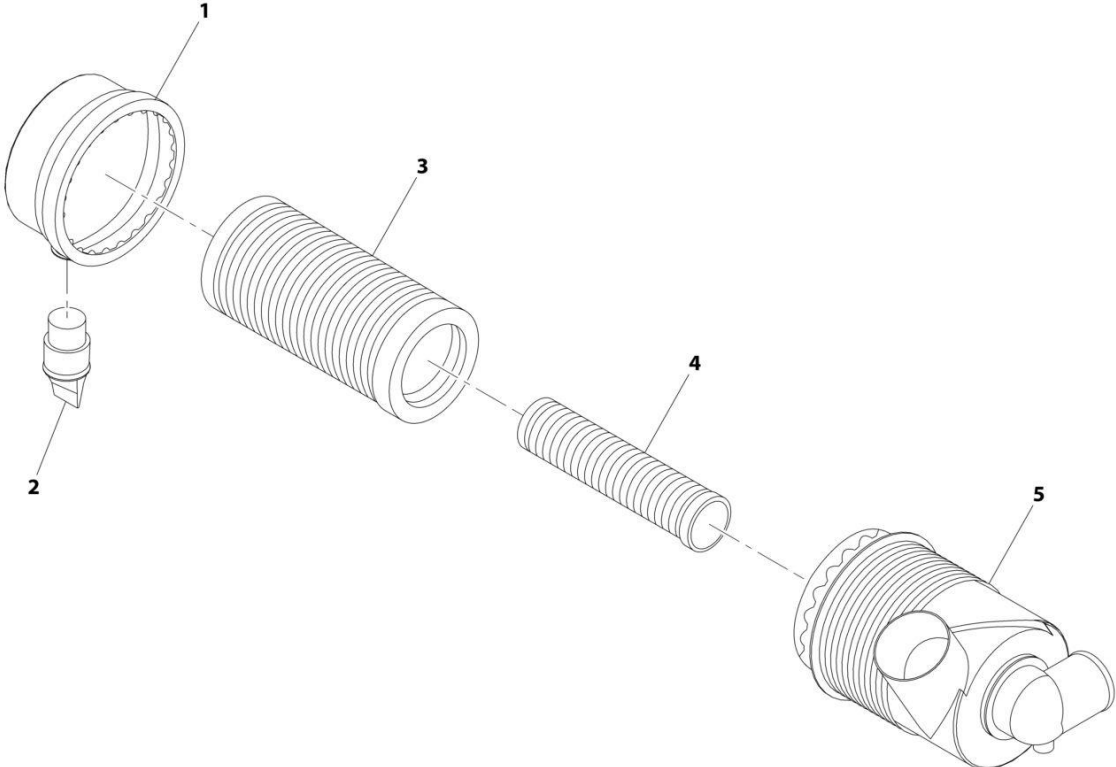
SECTION 4 - ENGINE AND ATTACHING PARTS

FIGURE 4-14. AIR CLEANER ASSEMBLY (130HP LS)

ITEM	PART NUMBER	QTY	DESCRIPTION	REV
	1001243883	Ref	Air Cleaner Installation (LS)	A
1	0100011	AR	Compound, Locking	
2	0641618	2	Bolt, 3/8X2-1/4	
3	0760815	2	Bolt, M8X15	
4	2180798	1	Fitting	
5	4891600	2	Washer, 3/8	
6	8305043	2	Nut, M8X1.25	
7	8307106	2	Washer, Plain 5/16	
8	8307222	2	Washer, Plain M8	
9	8310522	2	Nut, Flange 3/8-16	
10	8405307	3	Clamp, T-Bolt	
11	8410021	1	Clamp, T-Bolt	
12	10268515	1	Assembly, Air Cleaner (See Separate Breakdown in this Section)	
13	10268516	1	Band, Mounting	
14	90028631	1	Clamp, T-Bolt	
15	91083129	1	Elbow, Reducer	
16	91293003	1	Hose, Hump Reducer	
17	1001166715	1	Restriction, Indicator	
18	1001190005	1	Hose, Air Intake	
19	1001190007	1	Bracket, Air Filter	
20	1001190183	1	Bracket, Air Filter	
21	1001212670	1	Pipe, Air Intake	

SECTION 4 - ENGINE AND ATTACHING PARTS

FIGURE 4-15. AIR CLEANER ASSEMBLY (130HP LS)



ART_10268515-D

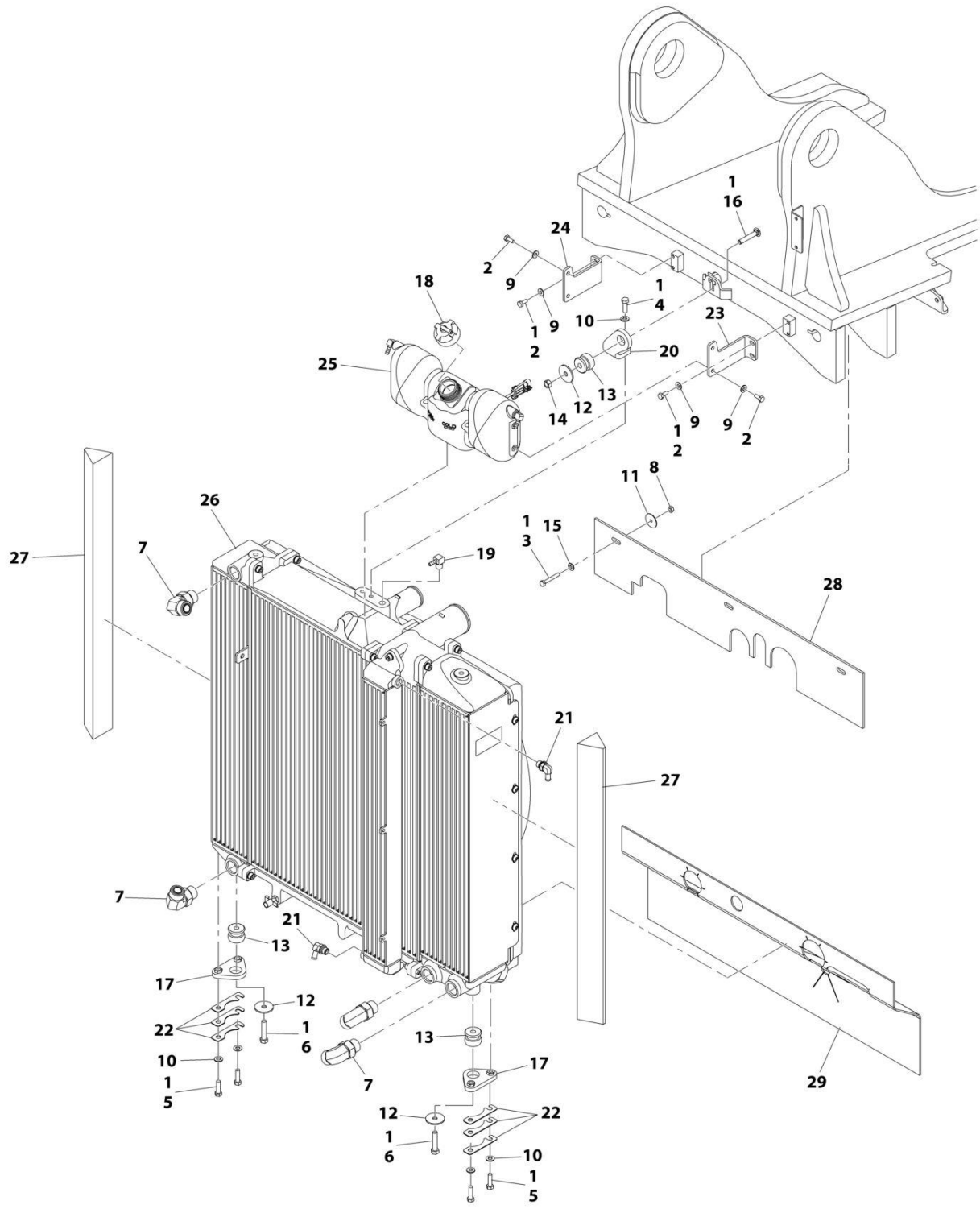
SECTION 4 - ENGINE AND ATTACHING PARTS

FIGURE 4-15. AIR CLEANER ASSEMBLY (130HP LS)

ITEM	PART NUMBER	QTY	DESCRIPTION	REV
	10268515	Ref	Air Cleaner Assembly (if equipped for LS)	D
1	91364023	1	Cover Assembly	
2	80373094	1	Vacuator Valve	
3	1101312	1	Primary Filter Element	
4	1101313	1	Secondary Filter Element	
5	See Note	NSS	Air Cleaner Body (Note; Purchase Complete Assembly)	

SECTION 4 - ENGINE AND ATTACHING PARTS

FIGURE 4-16. COOLING INSTALLATION (74HP)



ART_1001243887-A

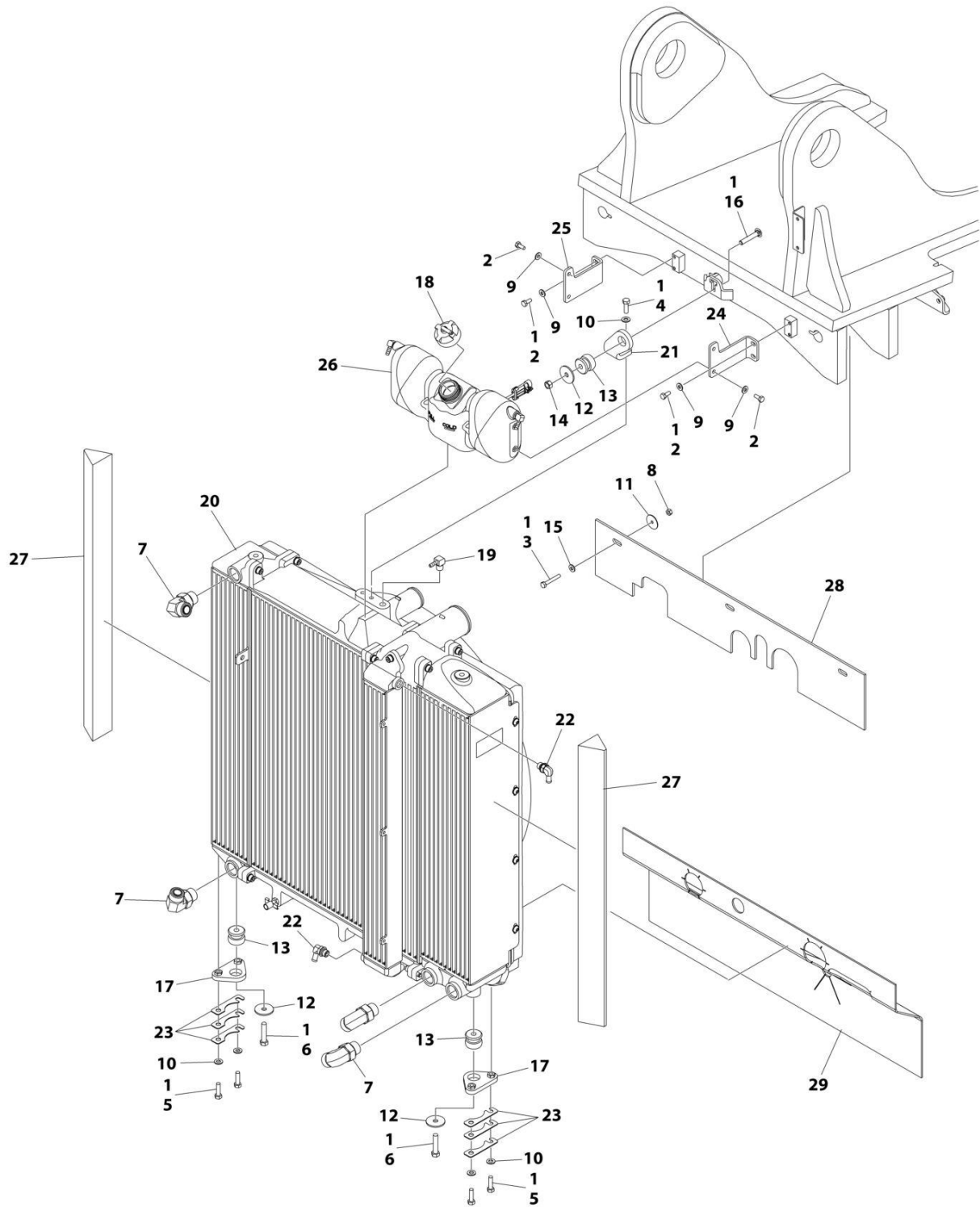
SECTION 4 - ENGINE AND ATTACHING PARTS

FIGURE 4-16. COOLING INSTALLATION (74HP)

ITEM	PART NUMBER	QTY	DESCRIPTION	REV
	1001243887	Ref	Cooling Installation (74HP)	A
1	0100011	AR	Compound, Locking	
2	0641405	8	Bolt, 1/4X5/8	
3	0641414	3	Bolt, 1/4X1-3/4	
4	0641508	2	Bolt, 5/16X1	
5	0641509	4	Bolt, 5/16X1-1/8	
6	0641614	2	Bolt, 3/8X1-3/4	
7	2131212	4	Adapter, 90	
8	3311401	3	Nut, 1/4	
9	4711400	8	Washer, 1/4	
10	4711500	6	Washer, 5/16	
11	4740362	3	Washer, Fender 1/4	
12	7057141	3	Washer, Flat	
13	8278020	3	Mount, Rubber Isolator	
14	8305008	1	Nut, 3/8	
15	8307109	3	Washer, 1/4	
16	8310281	1	Bolt, Carriage 3/8X2-1/4	
17	1001120869	2	Bracket, Cooler Mount Lower	
18	1001128341	1	Cap, Deaeration Tank	
19	1001134488	1	Fitting, Barbed 90	
20	1001169059	1	Mount, Cooler Bracket	
21	1001178776	2	Fitting, Hose Barb 90	
22	1001179845	6	Shim	
23	1001181584	1	Bracket, LH Tank	
24	1001181585	1	Bracket, RH Tank	
25	1001182255	1	Tank, Deaeration	
25	1001245478	1	Sensor, Coolant Level	
26	1001197475	1	Assembly, Radiator (See Separate Breakdown in this Section)	
27	1001244608	2	Seal, Foam	
28	1001244616	1	Panel, Air Dam Upper	
29	1001244617	1	Panel, Air Dam Lower	

SECTION 4 - ENGINE AND ATTACHING PARTS

FIGURE 4-17. COOLING INSTALLATION (130HP)



ART_1001243884_C

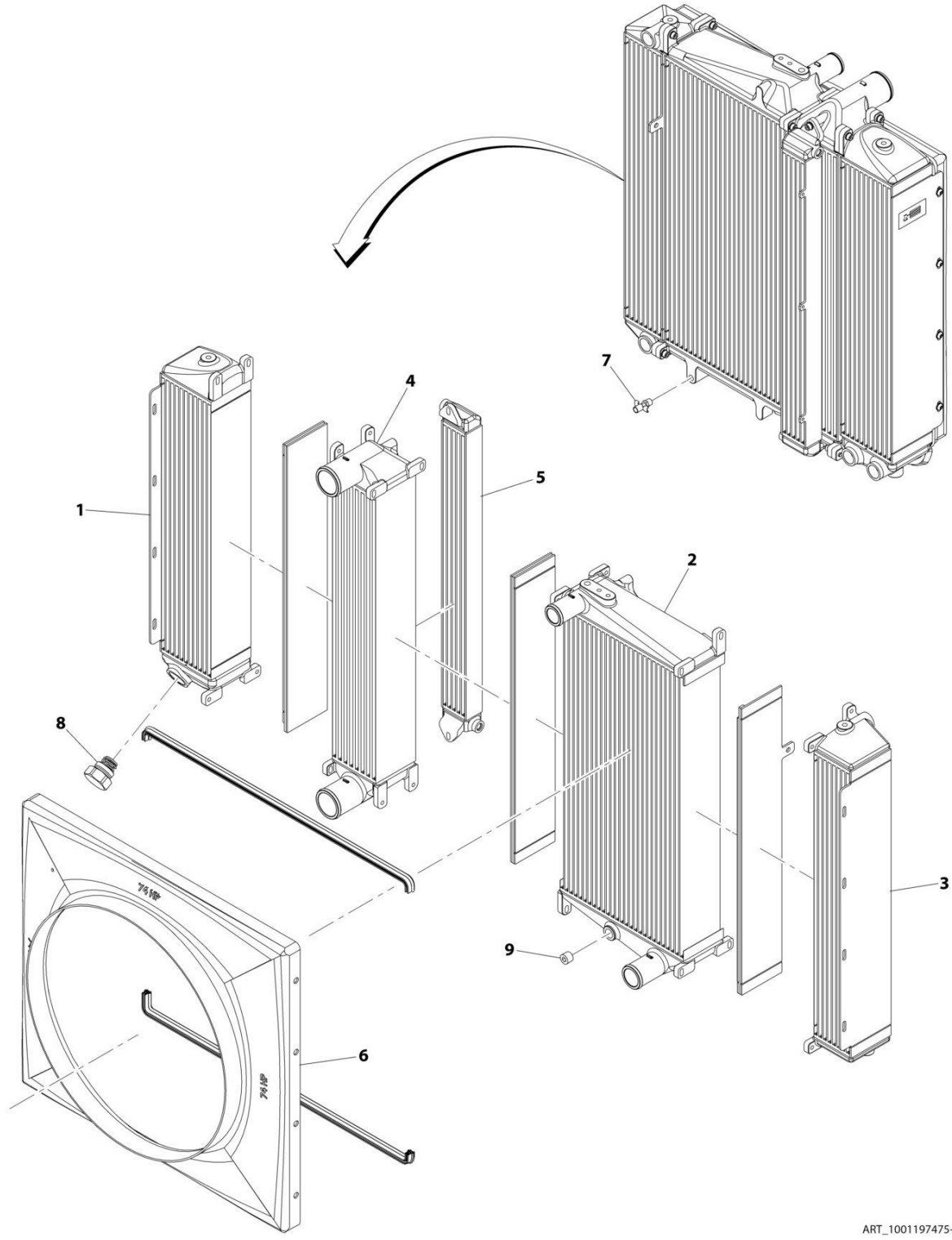
SECTION 4 - ENGINE AND ATTACHING PARTS

FIGURE 4-17. COOLING INSTALLATION (130HP)

ITEM	PART NUMBER	QTY	DESCRIPTION	REV
	1001243884	Ref	Cooling Installation (130HP)	C
1	0100011	AR	Compound, Locking	
2	0641405	8	Bolt, 1/4X5/8	
3	0641414	3	Bolt, 1/4X1-3/4	
4	0641508	2	Bolt, 5/16X1	
5	0641510	4	Bolt, 5/16x 1-1/4	
6	0641614	2	Bolt, 3/8X1-3/4	
7	2131212	4	Adapter, 90	
8	3311401	3	Nut, 1/4	
9	4711400	8	Washer, 1/4	
10	4711500	6	Washer, 5/16	
11	4740362	3	Washer, Fender 1/4	
12	7057141	3	Washer, Flat	
13	8278020	3	Mount, Rubber Isolator	
14	8305008	1	Nut, 3/8	
15	8307109	3	Washer, 1/4	
16	8310281	1	Bolt, Carriage 3/8X2-1/4	
17	1001120869	2	Bracket, Cooler Mount Lower	
18	1001128341	1	Cap, Deaeration Tank	
19	1001134488	1	Fitting, Barbed 90	
20	1001168478	1	Assembly, Radiator (See Separate Breakdown in this Section)	
21	1001169059	1	Mount, Cooler Bracket	
22	1001178776	2	Fitting, Hose Barb 90	
23	1001179845	6	Shim	
24	1001181584	1	Bracket, LH Tank	
25	1001181585	1	Bracket, RH Tank	
26	1001182255	1	Tank, Deaeration	
26	1001245478	1	Sensor, Coolant Level	
27	1001244608	2	Seal, Foam	
28	1001244616	1	Panel, Air Dam Upper	
29	1001244617	1	Panel, Air Dam Lower	

SECTION 4 - ENGINE AND ATTACHING PARTS

FIGURE 4-18. RADIATOR ASSEMBLY (74HP)



ART_1001197475-D

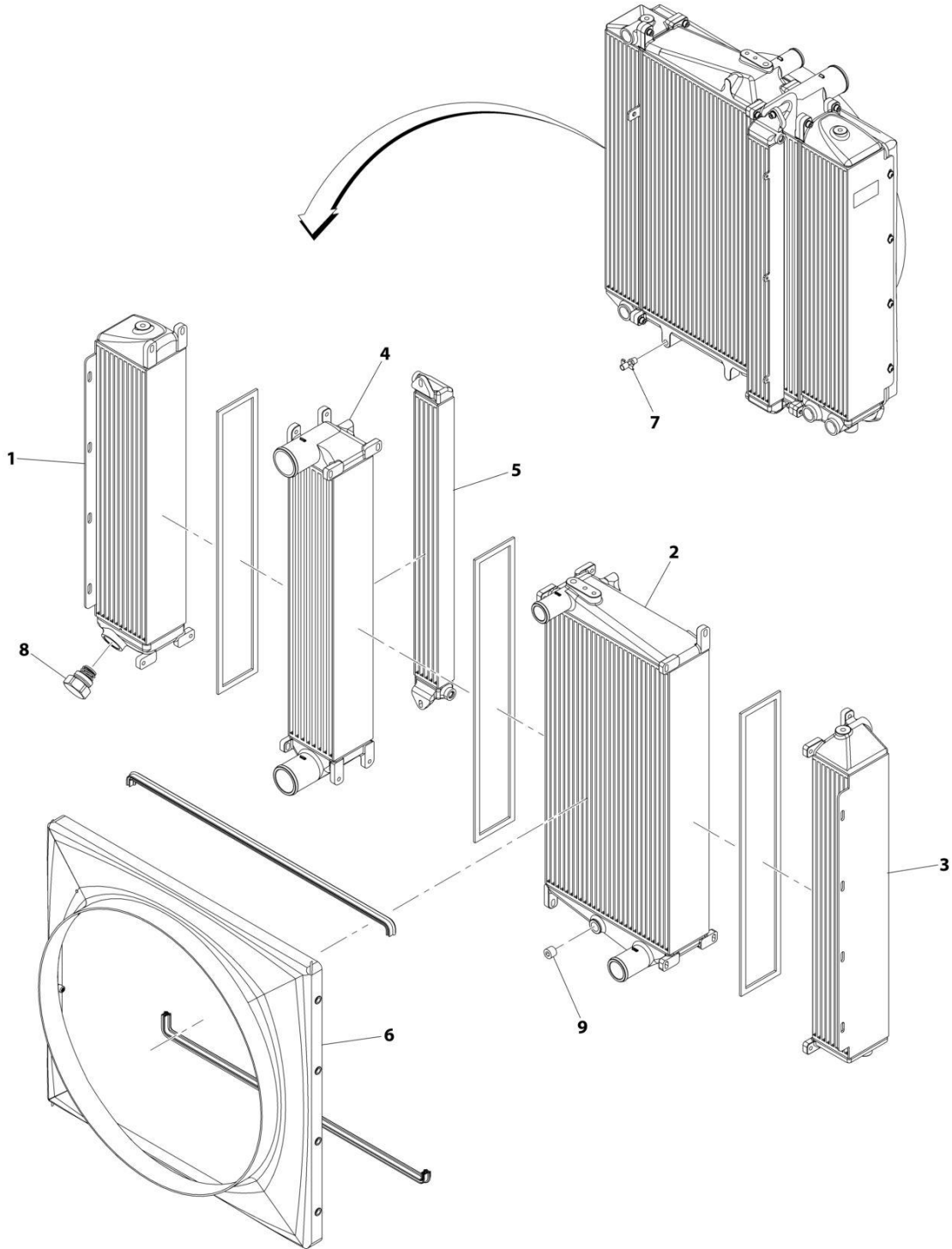
SECTION 4 - ENGINE AND ATTACHING PARTS

FIGURE 4-18. RADIATOR ASSEMBLY (74HP)

ITEM	PART NUMBER	QTY	DESCRIPTION	REV
	1001197475	Ref	Radiator Assembly (74HP)	D
1	70026075	1	Transmission Oil Cooler	
2	70026076	1	Radiator	
3	70026077	1	Hydraulic Oil Cooler	
4	70026078	1	Charge Air Cooler	
5	70026079	1	Fuel Cooler	
6	70027094	1	Fan Shroud	
7	70026081	1	Petcock	
8	70026082	1	Valve, Bypass	
9	70026083	1	Plug, Hex	

SECTION 4 - ENGINE AND ATTACHING PARTS

FIGURE 4-19. RADIATOR ASSEMBLY (130HP)



ART_1001168478

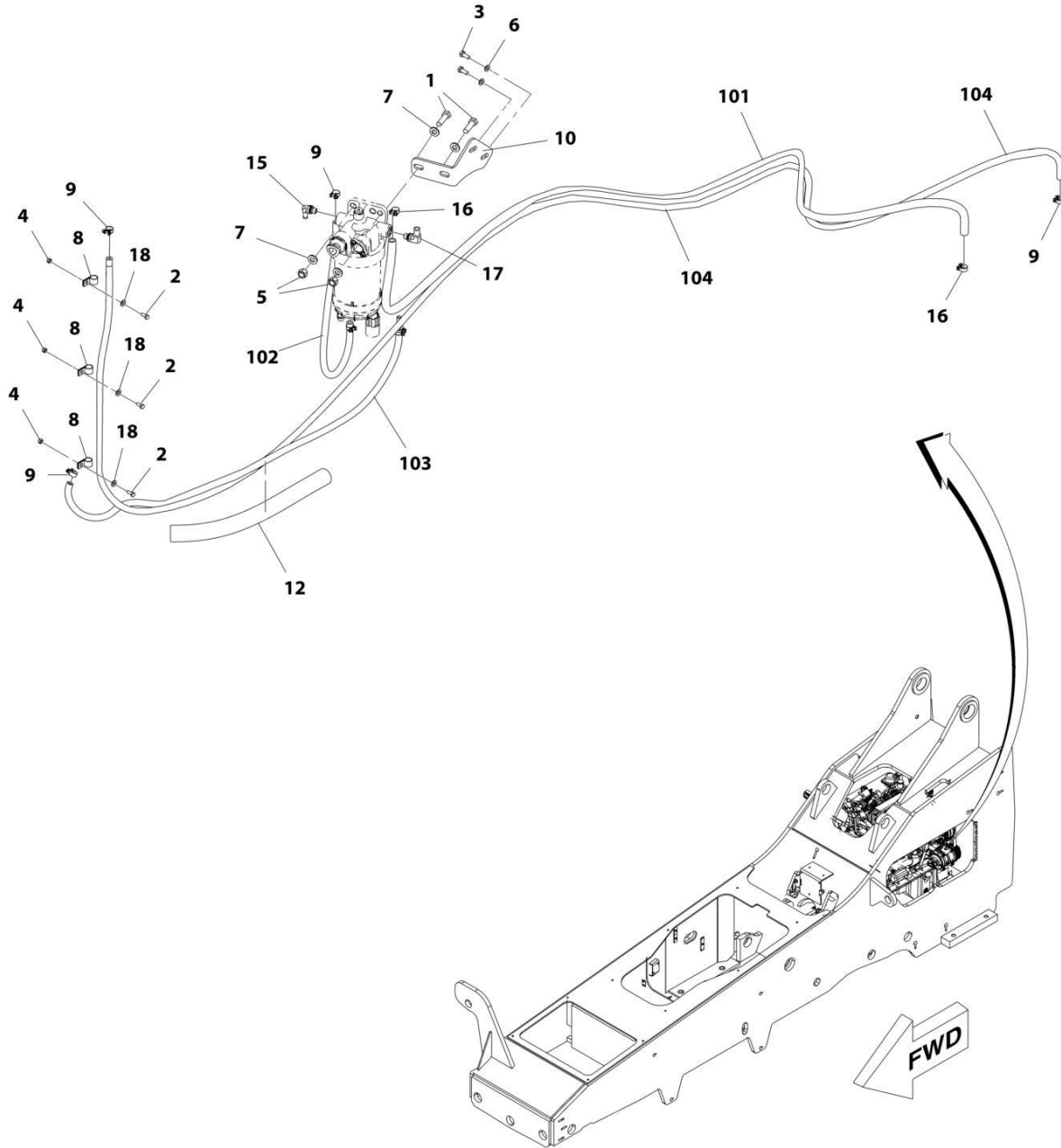
SECTION 4 - ENGINE AND ATTACHING PARTS

FIGURE 4-19. RADIATOR ASSEMBLY (130HP)

ITEM	PART NUMBER	QTY	DESCRIPTION	REV
	1001168478	Ref	Radiator Assembly	F
1	70026075	1	Transmission Oil Cooler	
2	70026076	1	Radiator	
3	70026077	1	Hydraulic Oil Cooler	
4	70026078	1	Charge Air Cooler	
5	70026079	1	Fuel Cooler	
6	70026080	1	Shroud, Fan	
7	70026081	1	Petcock	
8	70026082	1	Valve, Bypass	
9	70026083	1	Plug, Hex	

SECTION 4 - ENGINE AND ATTACHING PARTS

FIGURE 4-20. FUEL PLUMBING INSTALLATION (ULS)



ART_1001165672-H

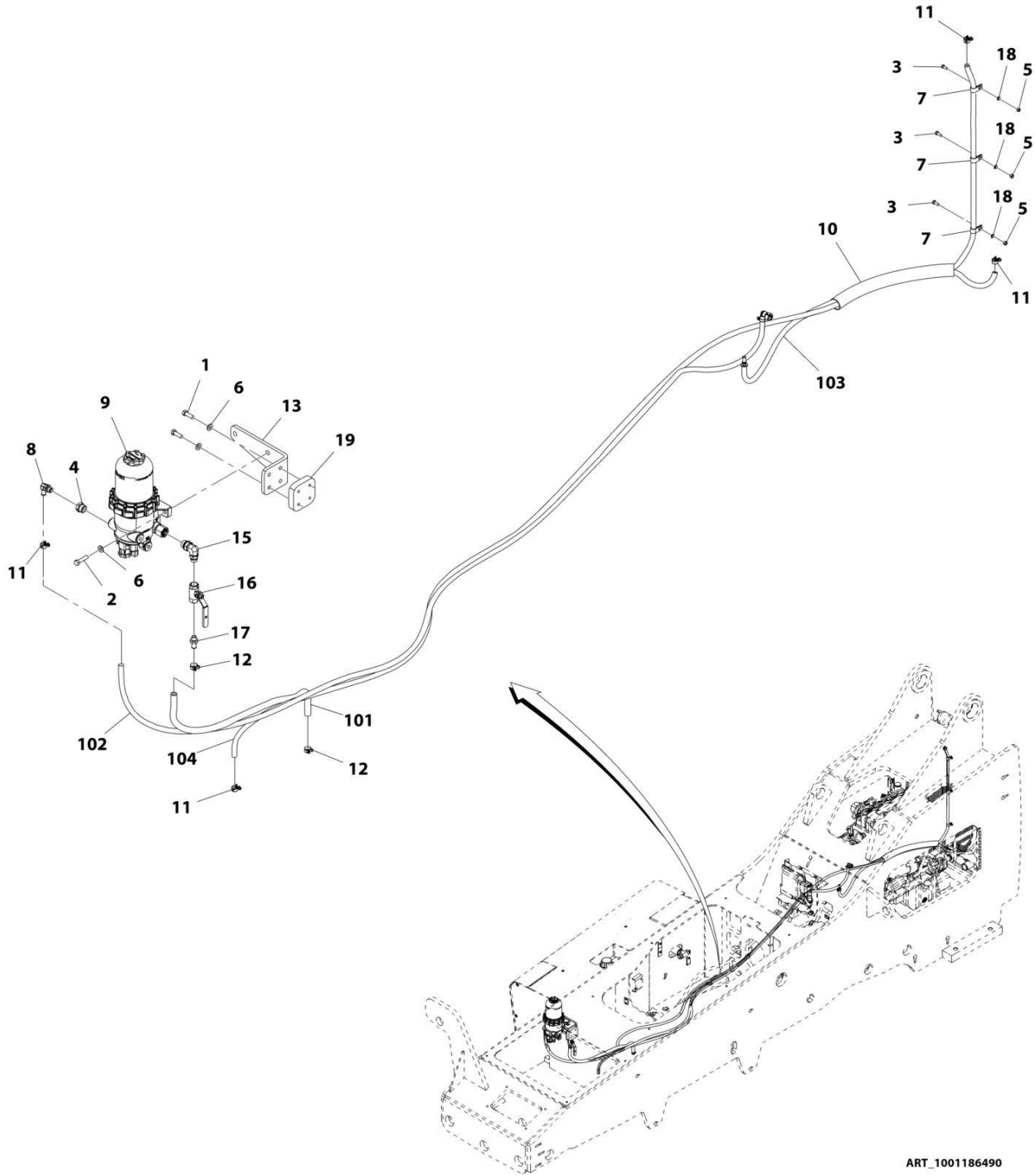
SECTION 4 - ENGINE AND ATTACHING PARTS

FIGURE 4-20. FUEL PLUMBING INSTALLATION (ULS)

ITEM	PART NUMBER	QTY	DESCRIPTION	REV
	1001165672	Ref	Fuel Plumbing Installation (if equipped for ULS)	H
1	0701216	2	Bolt, M12X40	
2	0760608	3	Bolt, M6X16	
3	0761012	2	Bolt, M10X25	
4	3290605	3	Nut, Lock M6X1	
5	3291205	2	Nut, Lock M12X1-3/4	
6	4812000	2	Washer, M10	
7	4812100	4	Washer, M12	
8	8406112	3	Clip, Tube 5/8	
9	1001136975	5	Clamp, Fuel Hose	
10	1001182603	1	Bracket, Filter Mount	
12	1001136358	1	Sleeve, Abrasion	
15	1001182094	1	Adapter, Banjo M14X3/8	
16	1001175568	2	Clip, Hose	
17	1001179375	1	Adapter, Banjo M14X1/2	
18	4811700	3	Washer, M6	
101	1001171802	1	Hose	
102	1001171803	1	Hose	
103	1001201111	1	Hose	
104	1001171805	1	Hose	

SECTION 4 - ENGINE AND ATTACHING PARTS

FIGURE 4-21. FUEL PLUMBING INSTALLATION (LS)



ART_1001186490

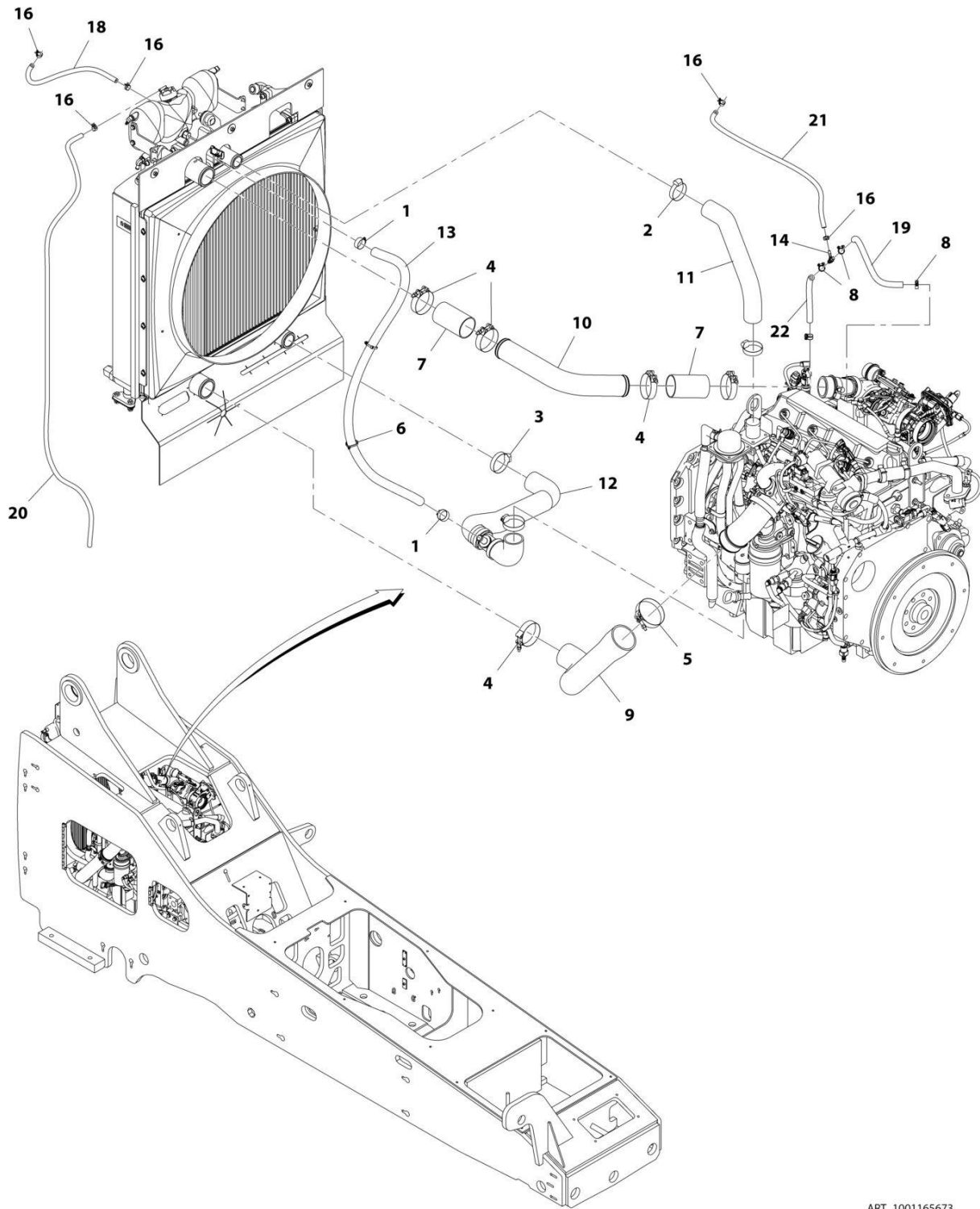
SECTION 4 - ENGINE AND ATTACHING PARTS

FIGURE 4-21. FUEL PLUMBING INSTALLATION (LS)

ITEM	PART NUMBER	QTY	DESCRIPTION	REV
	1001186490	Ref	Fuel Plumbing Installation (if equipped for LS)	J
1	0641609	4	Bolt, 3/8-16X1-1/8	
2	0641612	2	Bolt, 3/8-16X1-1/2	
3	0760608	3	Bolt, M6X16	
4	2220218	1	Adapter, Straight	
5	3290605	3	Nut, Lock M6X1	
6	4711600	6	Washer, 3/8	
7	8406112	3	Clip, Tube 5/8	
8	1001178776	1	Elbow, 90	
9	1001133534	1	Filter, Fuel	
10	1001136358	1	Sleeve, Abrasion	
11	1001136975	4	Clamp, Fuel Hose	
12	1001175568	2	Clip, Hose	
13	1001190349	1	Bracket, Support	
15	1001190629	1	Adapter, 90	
16	1001190630	1	Valve Shutoff, Female	
17	1001190631	1	Fitting, Hose Barb	
18	4811600	3	Washer, M6	
19	1001190344	1	Bracket	
100	1001190372	1	Hose Kit (Not Shown)	
101	1001190370	1	Hose	
102	1001190371	1	Hose	
103	1001201111	1	Hose	
104	1001171805	1	Hose	

SECTION 4 - ENGINE AND ATTACHING PARTS

FIGURE 4-22. PLUMBING COOLING INSTALLATION (ULS)



ART_1001165673

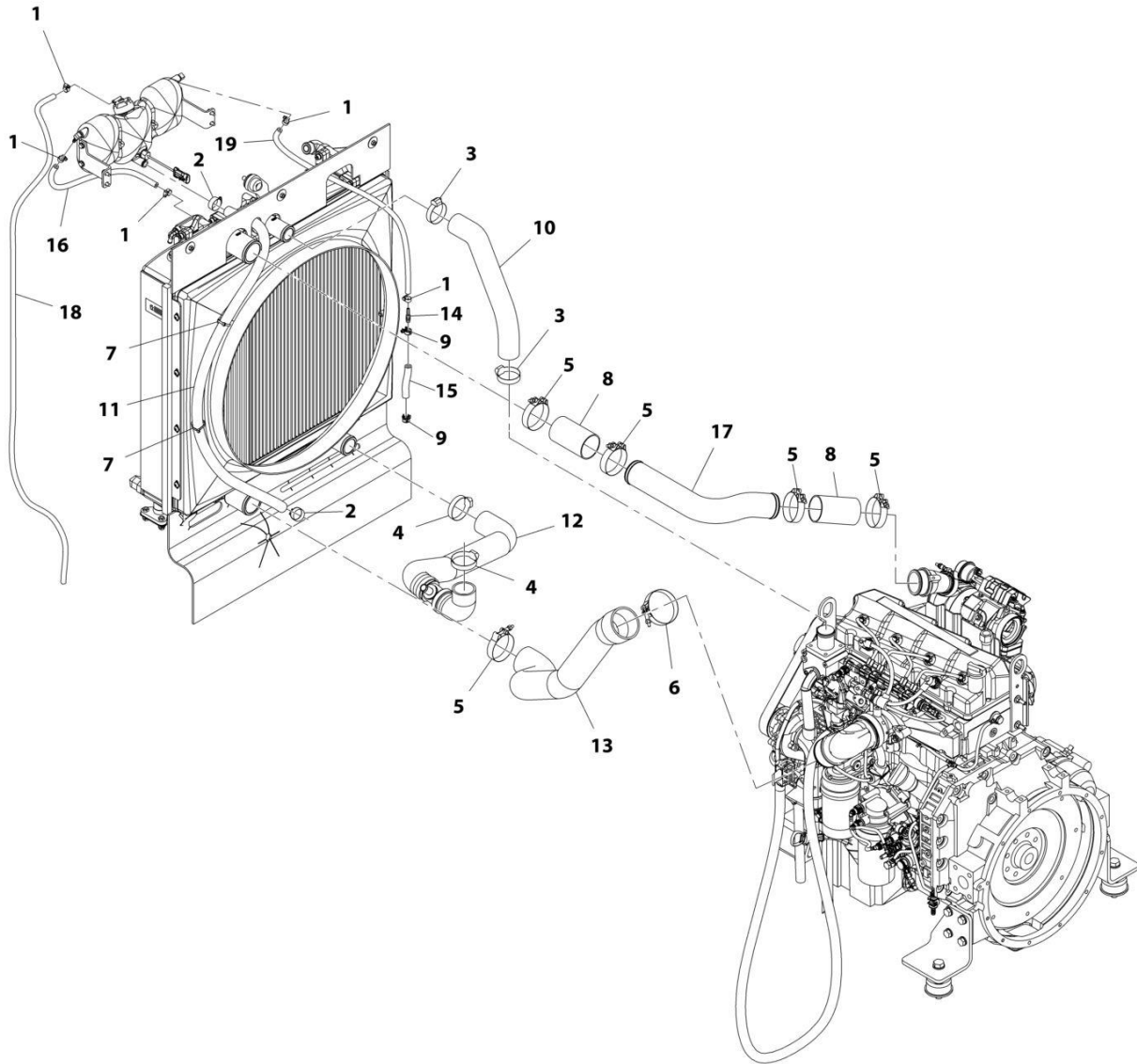
SECTION 4 - ENGINE AND ATTACHING PARTS

FIGURE 4-22. PLUMBING COOLING INSTALLATION (ULS)

ITEM	PART NUMBER	QTY	DESCRIPTION	REV
	1001165673	Ref	Plumbing Cooling Installation (if equipped for ULS)	I
1	8405007	2	Clamp, Gear 1-1/4	
2	8405104	2	Clamp, Gear 2-1/4	
3	8405201	2	Clamp, Gear 2-1/2	
4	8405212	5	Clamp, T-Bolt	
5	8405305	1	Clamp, T-Bolt	
6	1001004720	2	Strap, Cable	
7	1001114495	2	Hose, CAC Straight	
8	1001136975	4	Clamp, Fuel Hose	
9	1001201983	1	Hose, CAC Outlet	
10	1001169271	1	Pipe, CAC Inlet	
11	1001169272	1	Hose, Upper Radiator	
12	1001201945	1	Hose, Lower Radiator	
13	1001169274	1	Hose, Draw Down	
14	1001235725	1	Fitting, Union Tee	
16	1001213938	5	Clamp, Fuel Line	
18	1001203969	1	Hose, Vent Line	
19	1001203970	1	Hose, Vent Line	
20	1001204097	1	Hose, Vent Line	
21	1001204098	1	Hose, Vent Line	
22	1001204099	1	Hose, Vent Line	

SECTION 4 - ENGINE AND ATTACHING PARTS

FIGURE 4-23. PLUMBING COOLING INSTALLATION (LS)



ART_1001185652-D

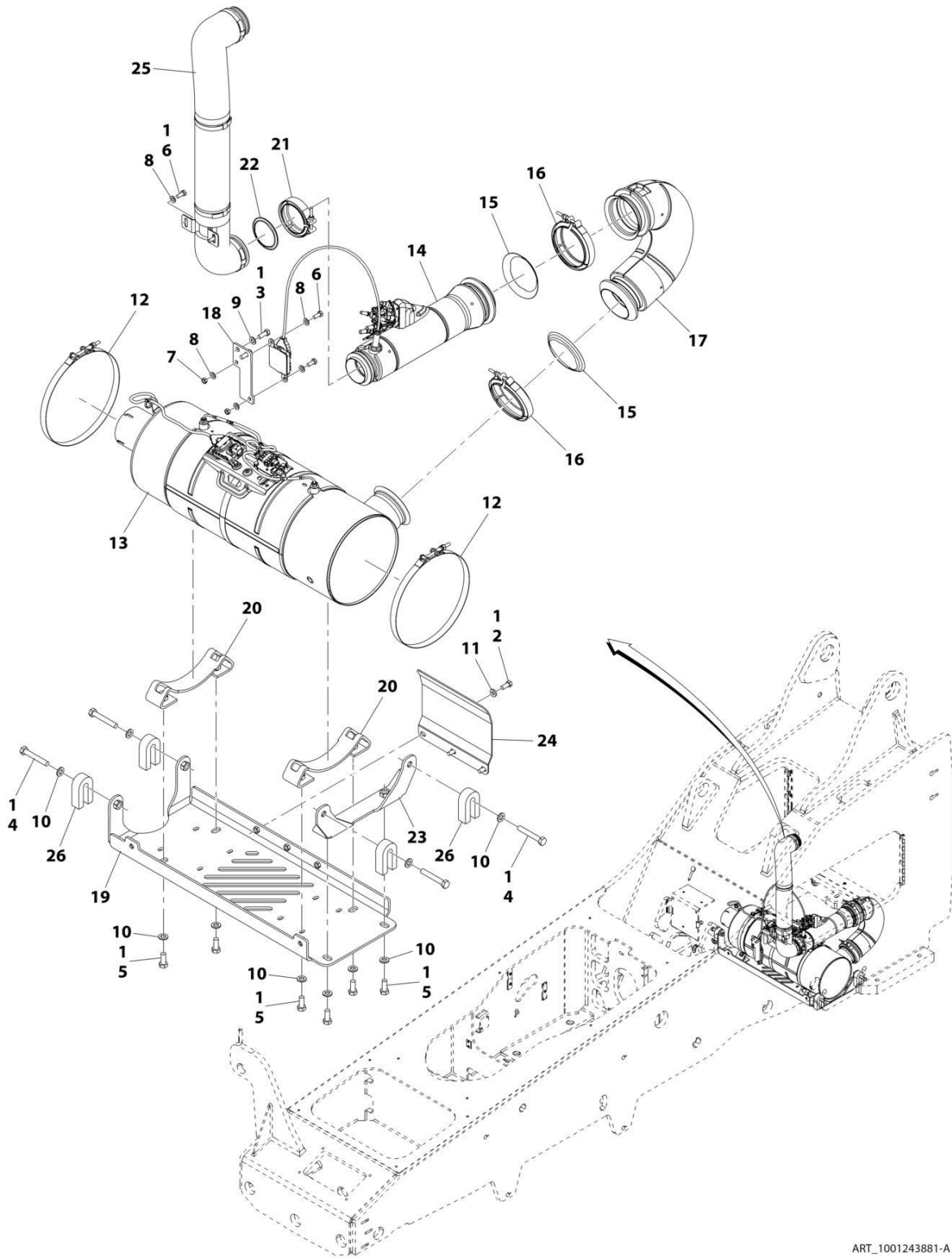
SECTION 4 - ENGINE AND ATTACHING PARTS

FIGURE 4-23. PLUMBING COOLING INSTALLATION (LS)

ITEM	PART NUMBER	QTY	DESCRIPTION	REV
	1001185652	Ref	Plumbing Cooling Installation (if equipped for LS)	D
1	1320022	5	Clamp, Fuel Line	
2	8405007	2	Clamp, Gear 1-1/4	
3	8405104	2	Clamp, Gear 2-1/4	
4	8405201	2	Clamp, Gear 2-1/2	
5	8405212	5	Clamp, T-Bolt	
6	8405305	1	Clamp, T-Bolt	
7	1001004720	2	Strap, Cable	
8	1001114495	2	Hose, CAC Straight	
9	1001136975	2	Clamp, Fuel Hose	
10	1001169272	1	Hose, Upper Radiator	
11	1001169274	1	Hose, Draw Down	
12	1001201945	1	Hose, Lower Radiator	
13	1001189318	1	Hose, CAC Outlet	
14	1001189602	1	Fitting, Union Tee	
15	1001189712	1	Hose, Vent Line 3/8	
16	1001203969	1	Hose, Vent 1/4	
17	1001189715	1	Pipe, CAC Inlet	
18	1001204097	1	Hose, Vent 1/4	
19	1001204098	1	Hose, Vent 1/4	

SECTION 4 - ENGINE AND ATTACHING PARTS

FIGURE 4-24. AFTERTREATMENT INSTALLATION (ULS)



ART_1001243881-A

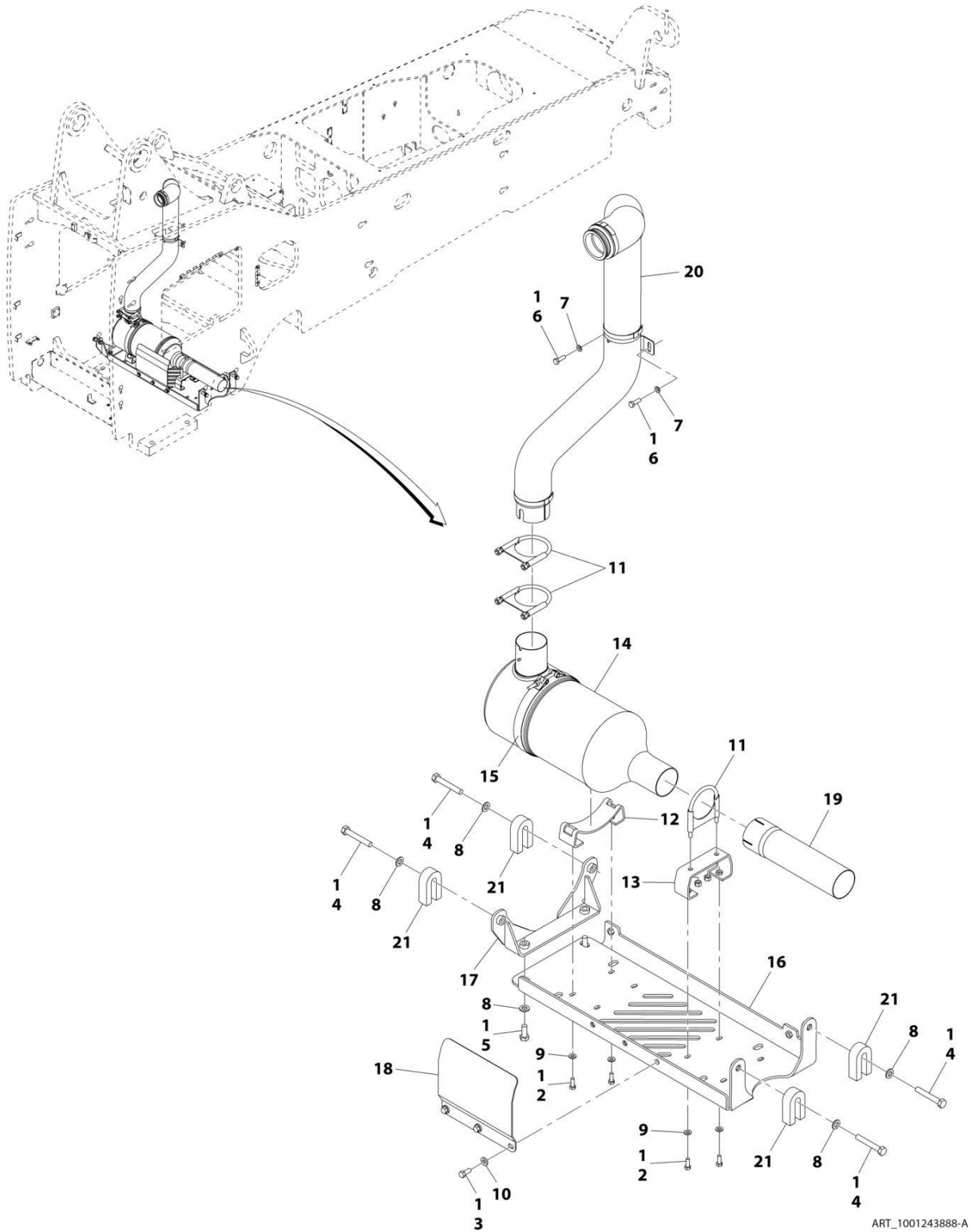
SECTION 4 - ENGINE AND ATTACHING PARTS

FIGURE 4-24. AFTERTREATMENT INSTALLATION (ULS)

ITEM	PART NUMBER	QTY	DESCRIPTION	REV
	1001243881	Ref	Aftertreatment Installation (ULS)	A
1	0100011	AR	Compound, Locking	
2	0641607	3	Capscrew, 3/8-16X7/8	
3	0641608	2	Bolt, 3/8-16X1	
4	0701224	4	Bolt, M12X80	
5	0711214	6	Bolt, M12X30	
6	0760810	4	Bolt, M8X20	
7	3290801	2	Nut, M8X1-1/4	
8	4811900	6	Washer, M8	
9	4812000	2	Washer, M10	
10	4812100	10	Washer, M12	
11	4891600	3	Washer, 3/8	
12	1001159932	2	Strap, Clamp	
13	1001160782	1	Muffler, After-Treatment	
14	1001164404	1	Muffler, Decomposition Reactor Tube	
15	1001164837	2	Seal, Gasket	
16	1001164838	2	Clamp, V-Band	
17	1001165609	1	Pipe, Exhaust	
18	1001166693	1	Bracket	
19	1001166935	1	Bracket	
20	1001166976	2	Bracket	
21	1001167167	1	Clamp, V-Band	
22	1001167168	1	Seal, Gasket	
23	1001169057	1	Bracket	
24	1001174327	1	Shield	
25	1001183811	1	Pipe, Exhaust	
26	1001244277	4	Spacer	

SECTION 4 - ENGINE AND ATTACHING PARTS

FIGURE 4-25. EXHAUST INSTALLATION (74HP)



ART_1001243888-A

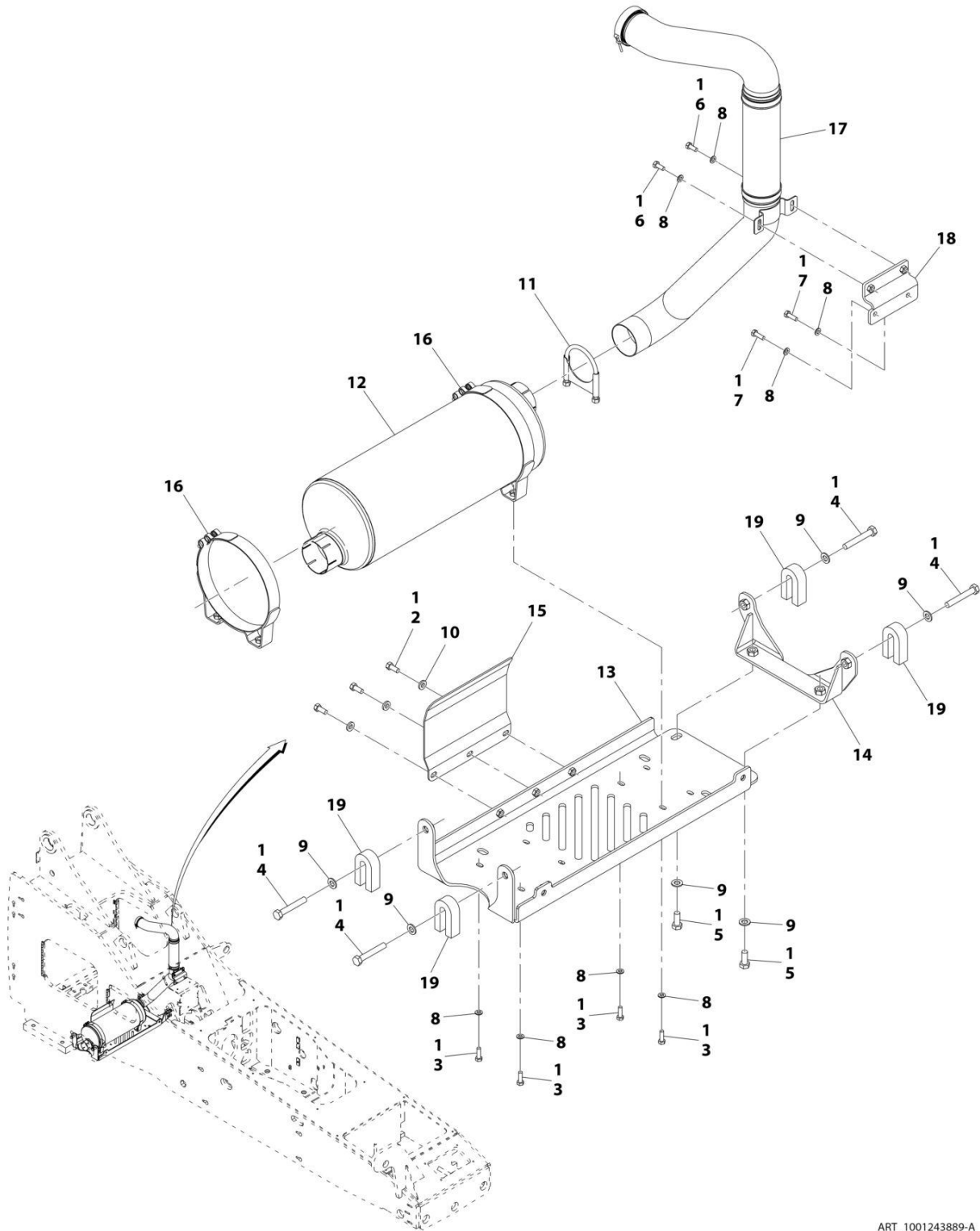
SECTION 4 - ENGINE AND ATTACHING PARTS

FIGURE 4-25. EXHAUST INSTALLATION (74HP)

ITEM	PART NUMBER	QTY	DESCRIPTION	REV
	1001243888	Ref	Exhaust Installation (74HP)	A
1	0100011	AR	Compound, Locking	
2	0641507	4	Bolt, 5/16-18X7/8	
3	0641607	3	Bolt, 3/8-16X7/8	
4	0701224	4	Bolt, M12X80	
5	0711214	2	Bolt, M12X30	
6	0760812	2	Bolt, M8X25	
7	4811900	2	Washer, M8	
8	4812100	6	Washer, M12	
9	4891500	4	Washer, 5/16	
10	4891600	3	Washer, 3/8	
11	24921332	3	Clamp	
12	1001128363	1	Bracket	
13	1001128364	1	Bracket	
14	1001128714	1	Muffler	
15	1001128901	1	Strap	
16	1001166935	1	Bracket	
17	1001169057	1	Bracket	
18	1001174327	1	Shield	
19	1001196396	1	Pipe, Exhaust	
20	1001196397	1	Pipe, Exhaust	
21	1001244277	4	Spacer	

SECTION 4 - ENGINE AND ATTACHING PARTS

FIGURE 4-26. EXHAUST INSTALLATION (130HP)



ART_1001243889-A

SECTION 4 - ENGINE AND ATTACHING PARTS

FIGURE 4-26. EXHAUST INSTALLATION (130HP)

ITEM	PART NUMBER	QTY	DESCRIPTION	REV
	1001243889	Ref	Exhaust Installation (130HP)	A
1	0100011	AR	Compound, Locking	
2	0641607	3	Bolt, 3/8-16X7/8	
3	0700812	4	Bolt, M8X25	
4	0701224	4	Bolt, M12X80	
5	0711214	2	Bolt, M12X30	
6	0760810	2	Bolt, M8X20	
7	0760812	2	Bolt, M8X25	
8	4811900	8	Washer, M8	
9	4812100	6	Washer, M12	
10	4891600	3	Washer, 3/8	
11	24921332	1	Clamp	
12	91163035	1	Muffler	
13	1001166935	1	Bracket	
14	1001169057	1	Bracket	
15	1001174327	1	Shield	
16	1001180227	2	Muffler, Band Clamp	
17	1001190962	1	Pipe, Exhaust	
18	1001190990	1	Bracket, Exhaust Support	
19	1001244277	4	Spacer	

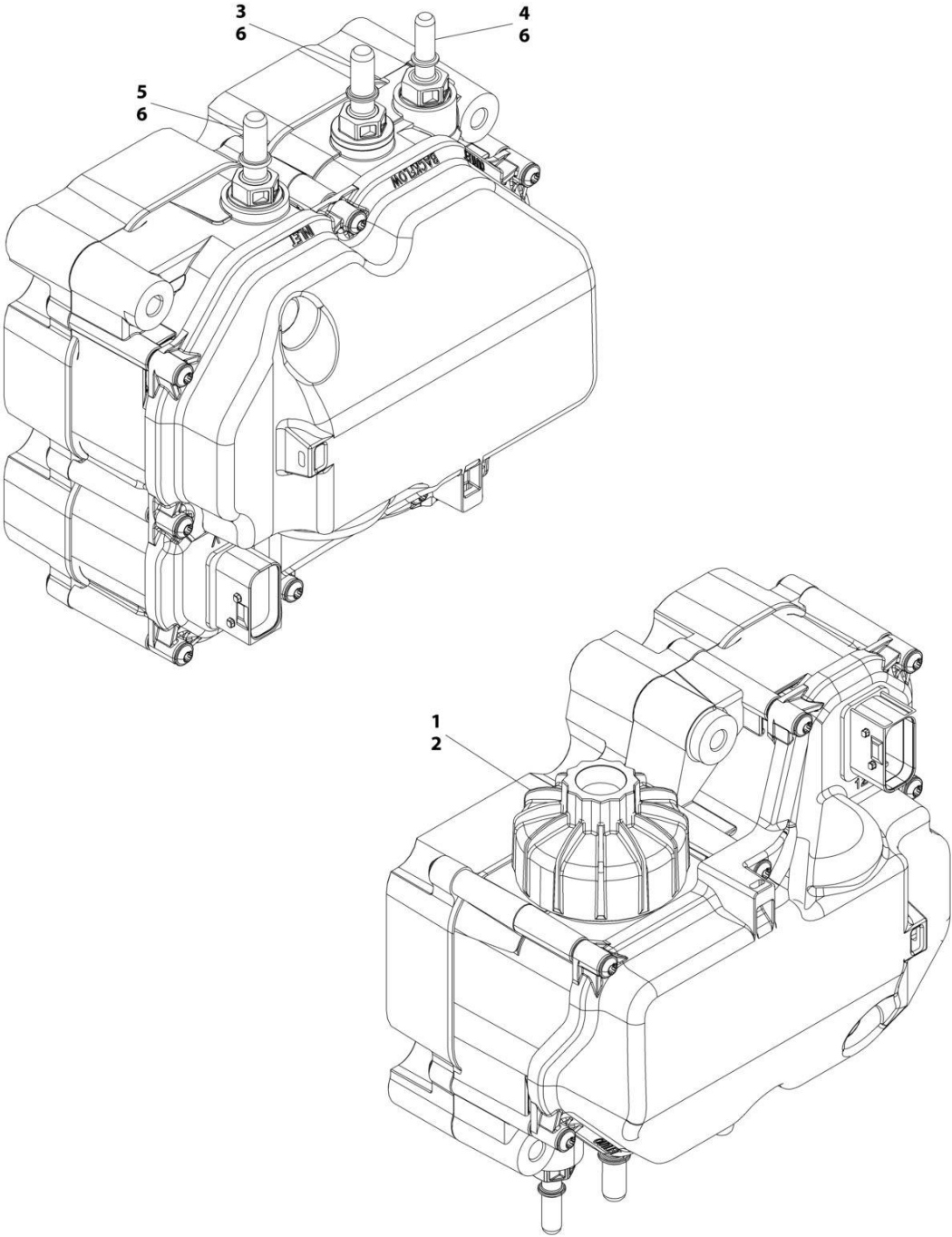
SECTION 4 - ENGINE AND ATTACHING PARTS

FIGURE 4-27. DEF SYSTEM INSTALLATION (ULS)

ITEM	PART NUMBER	QTY	DESCRIPTION	REV
	1001243885	Ref	DEF System Installation (ULS)	B
1	0100011	AR	Compound, Locking	
2	0760810	4	Bolt, M8X20	
3	3290805	1	Nut, Lock M8X1-1/4	
4	4811900	8	Washer, M8	
5	8310424	3	Bolt, M8X90	
6	1001169172	1	Cover, DEF Supply	
7	1001181899	1	Clamp	
8	1001213210	1	DEF Module Pump (See Separate Breakdown in this Section)	
9	1001229025	1	Installation, DEF Lines (See Separate Breakdown in this Section)	
10	1001229117	1	Installation, DEF Coolant Lines (See Separate Breakdown in this Section)	

SECTION 4 - ENGINE AND ATTACHING PARTS

FIGURE 4-28. DEF MODULE PUMP



ART_1001213210-A

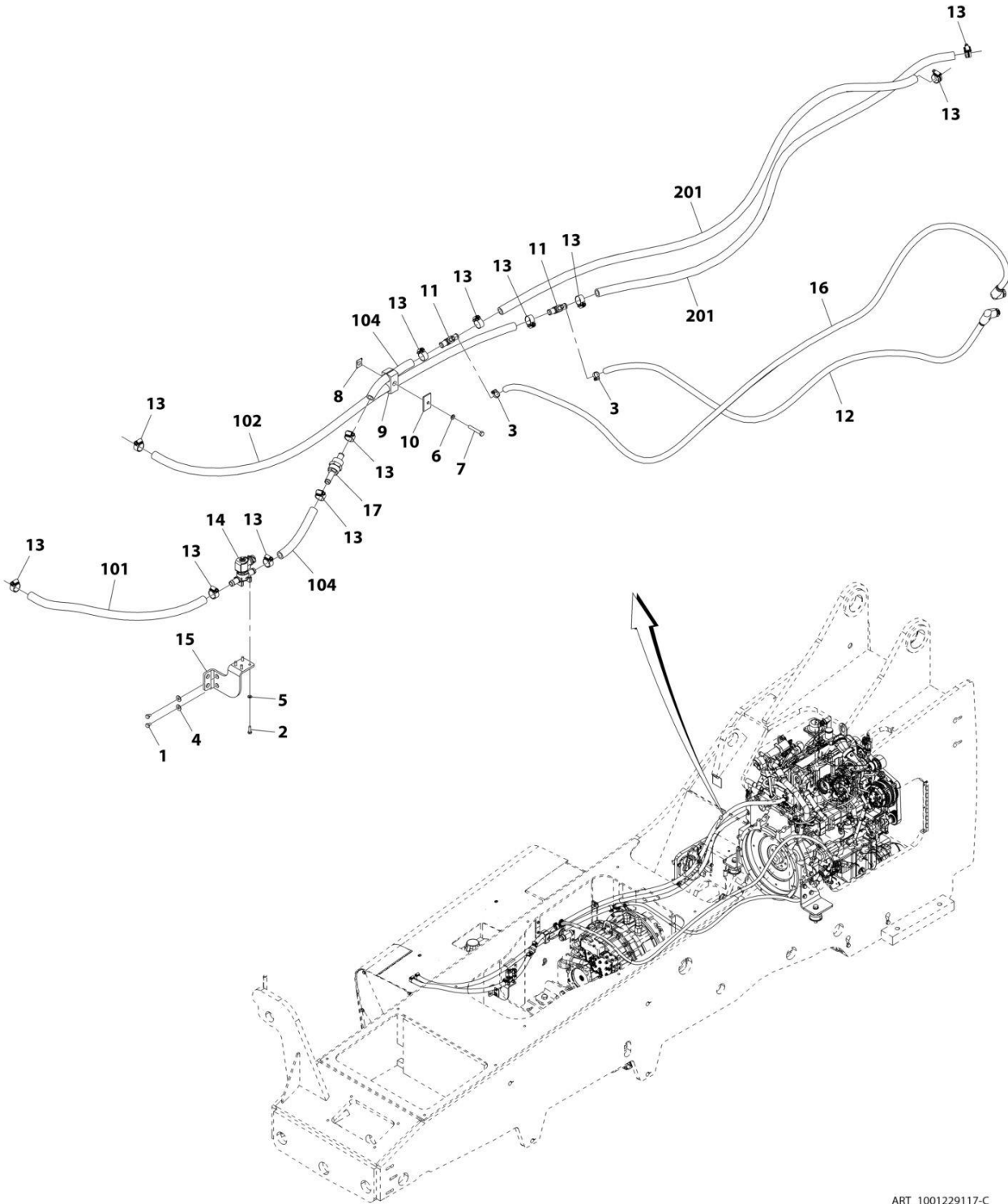
SECTION 4 - ENGINE AND ATTACHING PARTS

FIGURE 4-28. DEF MODULE PUMP

ITEM	PART NUMBER	QTY	DESCRIPTION	REV
	1001213210	Ref	DEF Module Pump	B
1	70026248	1	Kit, Filter	
2	70026247	1	Cap, Filter	
3	70027705	1	Connector, Male (Backflow)	
4	70026245	1	Connector, Male (Outlet)	
5	70026244	1	Connector, Male (Inlet)	
6	70027706	3	Gasket, Circular (O-Ring)	

SECTION 4 - ENGINE AND ATTACHING PARTS

FIGURE 4-29. DEF COOLANT LINES INSTALLATION



ART_1001229117-C

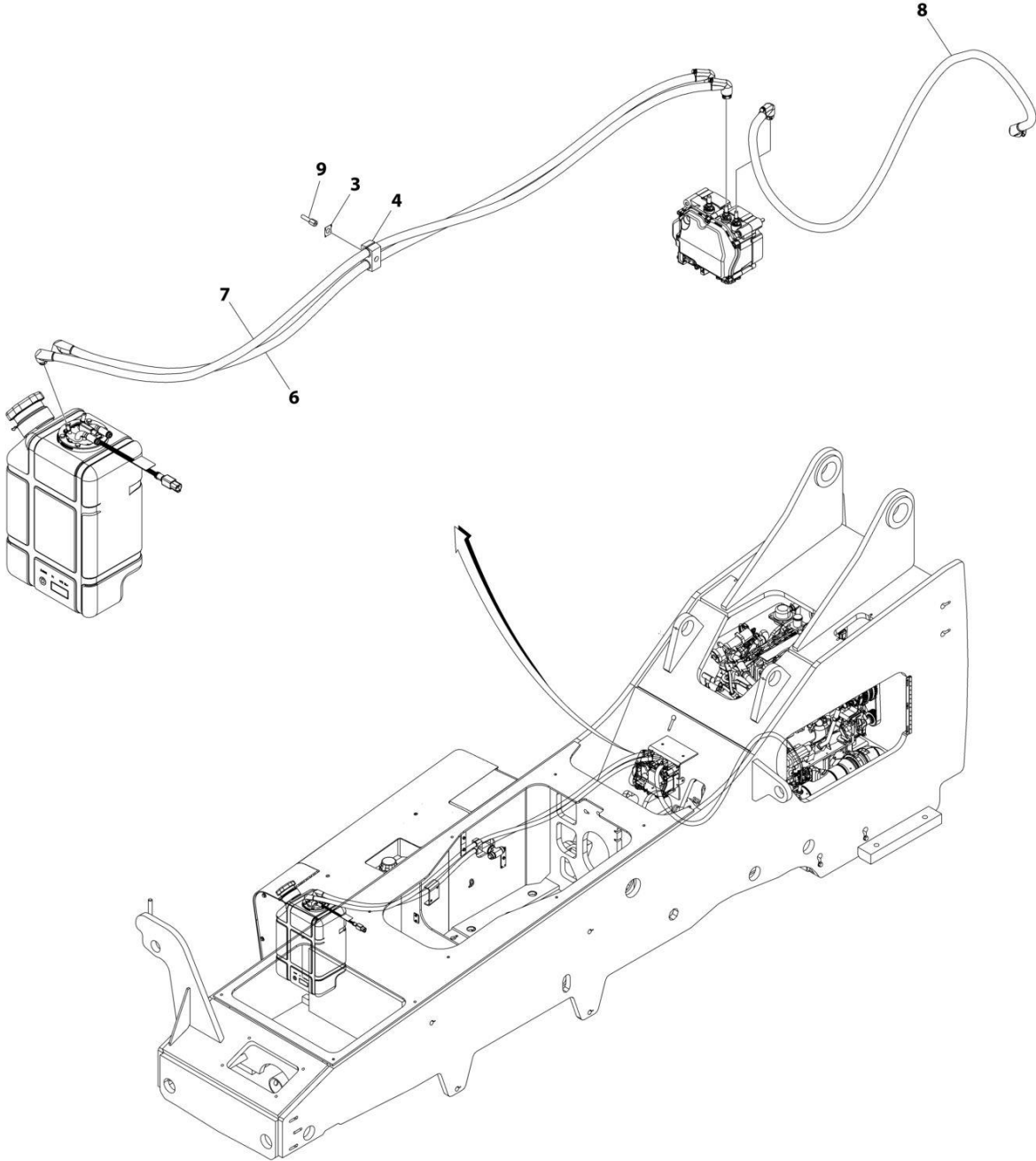
SECTION 4 - ENGINE AND ATTACHING PARTS

FIGURE 4-29. DEF COOLANT LINES INSTALLATION

ITEM	PART NUMBER	QTY	DESCRIPTION	REV
	1001229117	Ref	DEF Coolant Lines Installation	C
1	0641403	2	Bolt, 1/4X3/8	
2	0760610	4	Bolt, M6X20	
3	1320032	2	Clamp, Fuel Line	
4	4751400	2	Washer, 1/4	
5	4811700	4	Washer, M6	
6	8307004	1	Washer 5/16	
7	8310009	1	Bolt, 5/16X2	
8	8750017	1	Plate, Locking	
9	8769127	1	Clamp Set, Twin	
10	8769128	1	Plate, Twin Cover	
11	1001162212	2	Fitting, Hose Barb Tee	
12	1001169001	1	Hose	
13	1001173535	12	Clamp	
14	1001199670	1	Valve, Coolant Control	
15	1001199951	1	Bracket, Valve Mount	
16	1001224096	1	Hose	
17	1001228872	1	Filter, Coolant Screen	
101	1001171472	1	Hose	
102	1001171473	1	Hose	
103	1001229210	2	Hose	
201	1001171474	2	Hose	

SECTION 4 - ENGINE AND ATTACHING PARTS

FIGURE 4-30. DEF LINES INSTALLATION



ART_1001229025_D

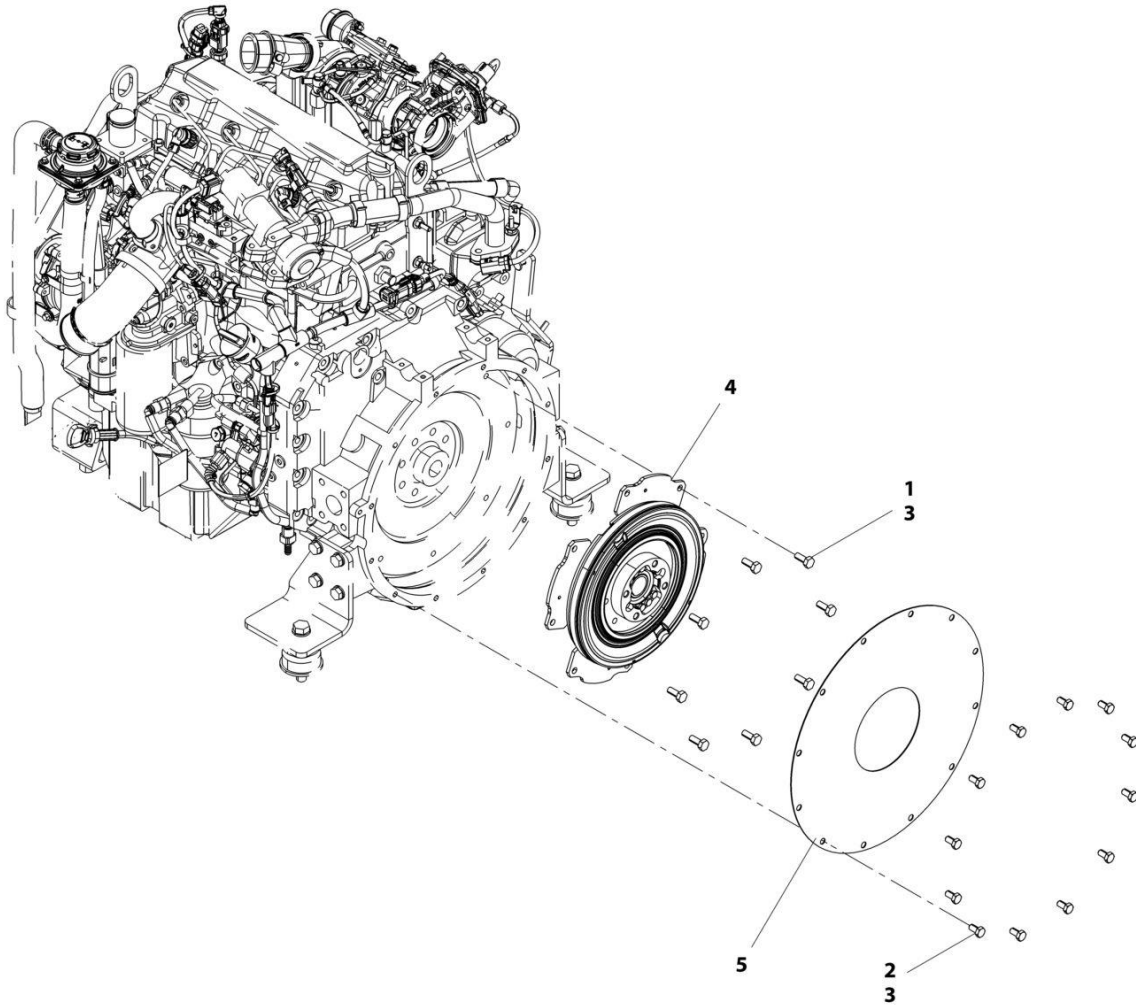
SECTION 4 - ENGINE AND ATTACHING PARTS

FIGURE 4-30. DEF LINES INSTALLATION

ITEM	PART NUMBER	QTY	DESCRIPTION	REV
	1001229025	Ref	DEF Lines Installation	D
3	8750017	1	Plate, Locking	
4	8769127	1	Clamp Set, Twin	
6	1001229023	1	Hose	
7	1001229024	1	Hose	
8	1001168859	1	Hose	
9	8750012	1	Bolt, Stacking	

SECTION 4 - ENGINE AND ATTACHING PARTS

FIGURE 4-31. PUMP COUPLER INSTALLATION



ART_1001166229_B

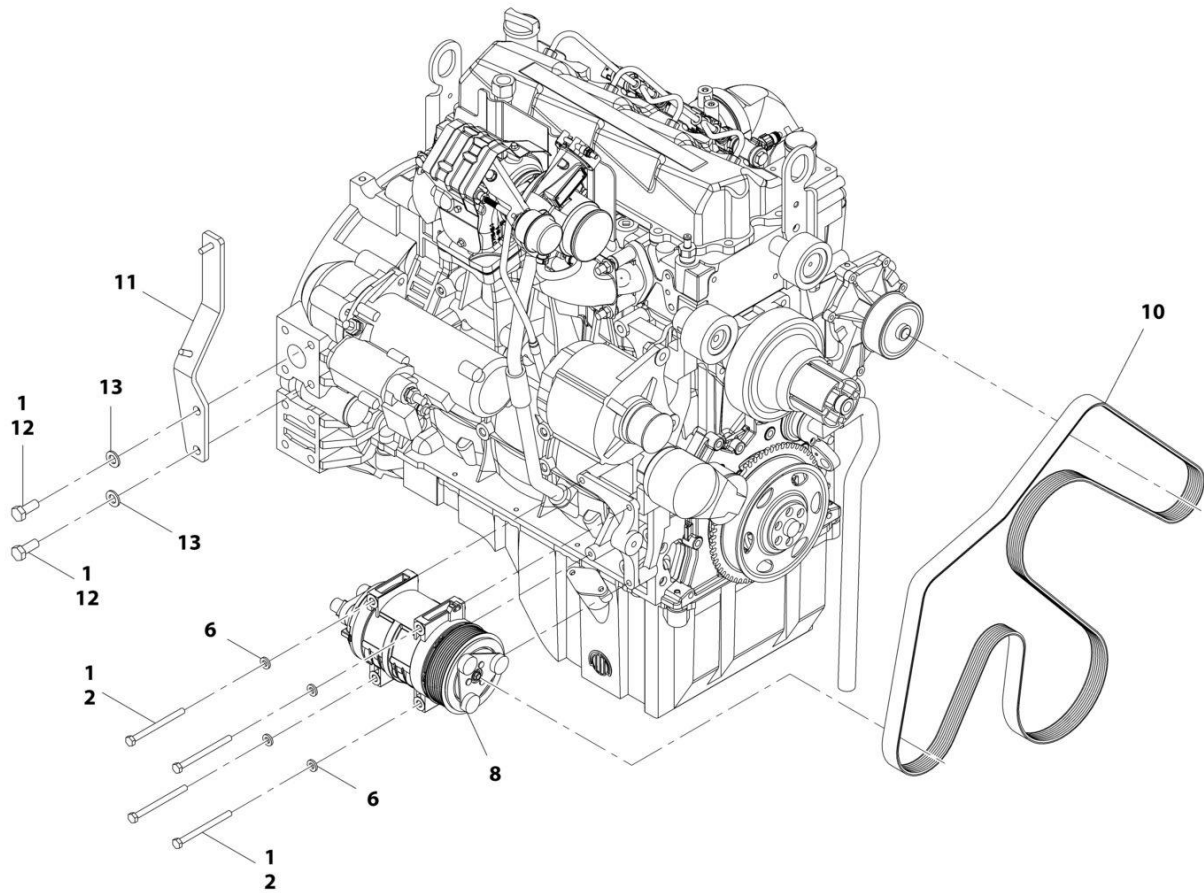
SECTION 4 - ENGINE AND ATTACHING PARTS

FIGURE 4-31. PUMP COUPLER INSTALLATION

ITEM	PART NUMBER	QTY	DESCRIPTION	REV
	1001166229	Ref	Isolation Coupler Installation	B
1	0761012	8	Bolt, M10X25	
2	8303784	12	Bolt, M10X20	
3	8526007	AR	Compound, Locking	
4	1001180244	1	Coupling, Torsion Damper	
5	1001185071	1	Panel, Isolation Coupler	

SECTION 4 - ENGINE AND ATTACHING PARTS

FIGURE 4-32. A/C COMPONENTS INSTALLATION (74HP)



ART_1001190295-B

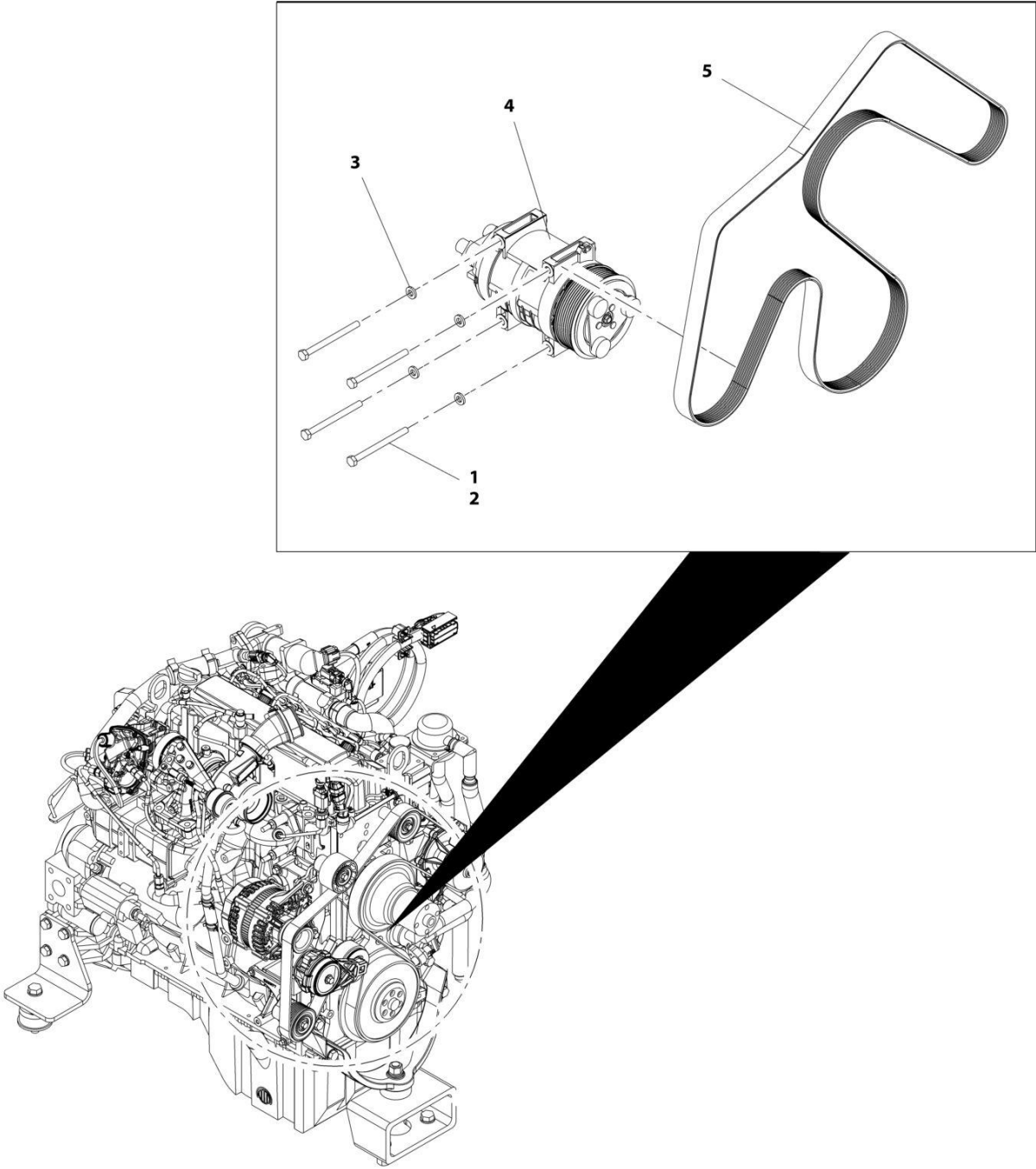
SECTION 4 - ENGINE AND ATTACHING PARTS

FIGURE 4-32. A/C COMPONENTS INSTALLATION (74HP)

ITEM	PART NUMBER	QTY	DESCRIPTION	REV
	1001190295	Ref	A/C Components Installation (if equipped for LS)	B
1	0100011	AR	Compound, Locking	
2	0700827	4	Bolt, M8X100	
6	5240800	4	Washer, M8	
8	1001157663	1	Compressor, A/C	
10	1001167357	1	Belt	
11	1001197233	1	Bracket, AC Hose Support	
12	0711214	2	Bolt, M12X30	
13	4812100	2	Washer, M12	

SECTION 4 - ENGINE AND ATTACHING PARTS

FIGURE 4-33. A/C COMPONENTS INSTALLATION (130HP)



ART_1001166008_A

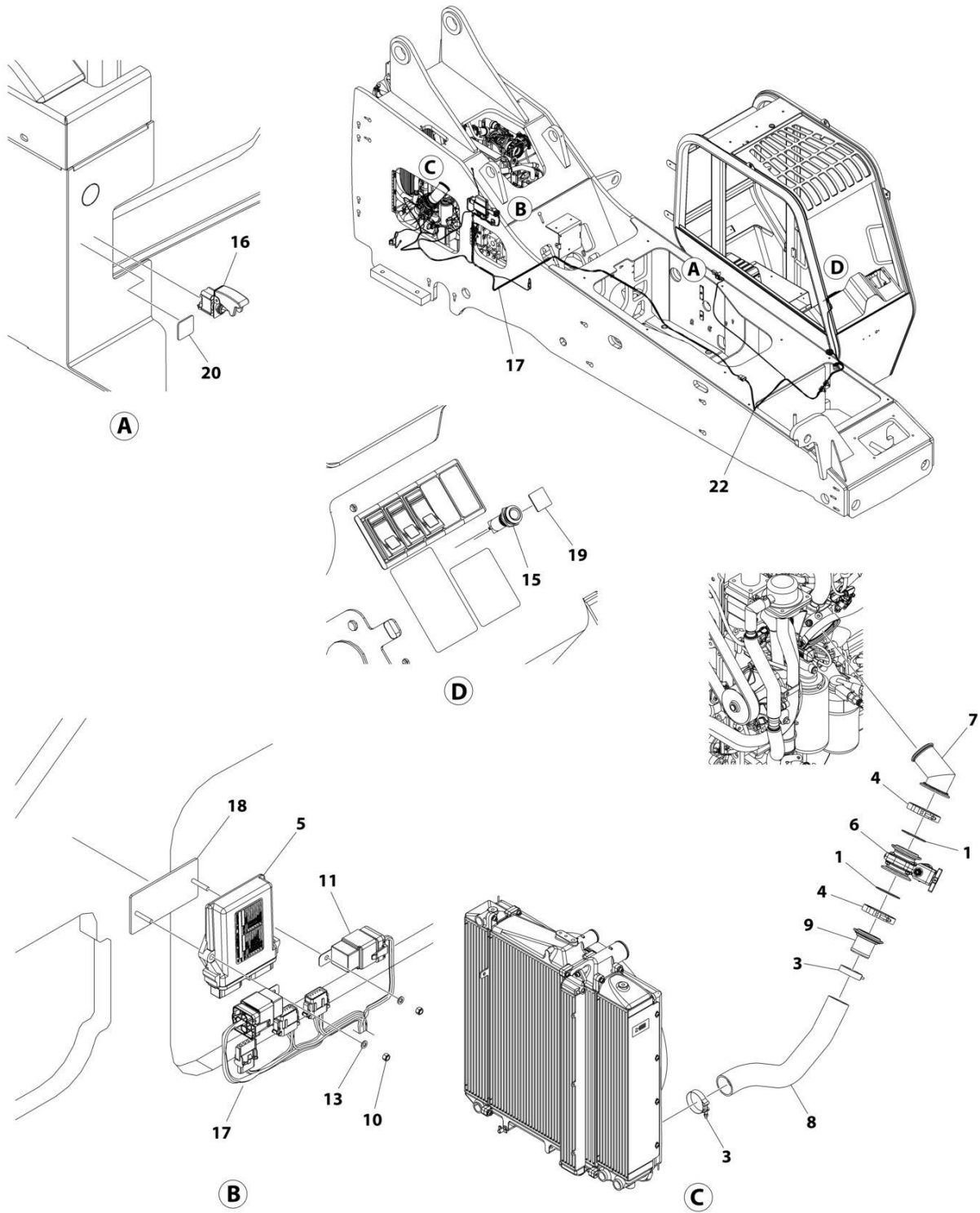
SECTION 4 - ENGINE AND ATTACHING PARTS

FIGURE 4-33. A/C COMPONENTS INSTALLATION (130HP)

ITEM	PART NUMBER	QTY	DESCRIPTION	REV
	1001166008	Ref	A/C Components Installation	A
1	0100011	AR	Compound, Locking	
2	0700827	4	Bolt, M8X100	
3	5240800	4	Washer, M8	
4	1001157663	1	Compressor, A/C	
5	1001167357	1	Belt	

SECTION 4 - ENGINE AND ATTACHING PARTS

FIGURE 4-34. AIR INTAKE SHUT OFF VALVE INSTALLATION



ART_1001202304_F

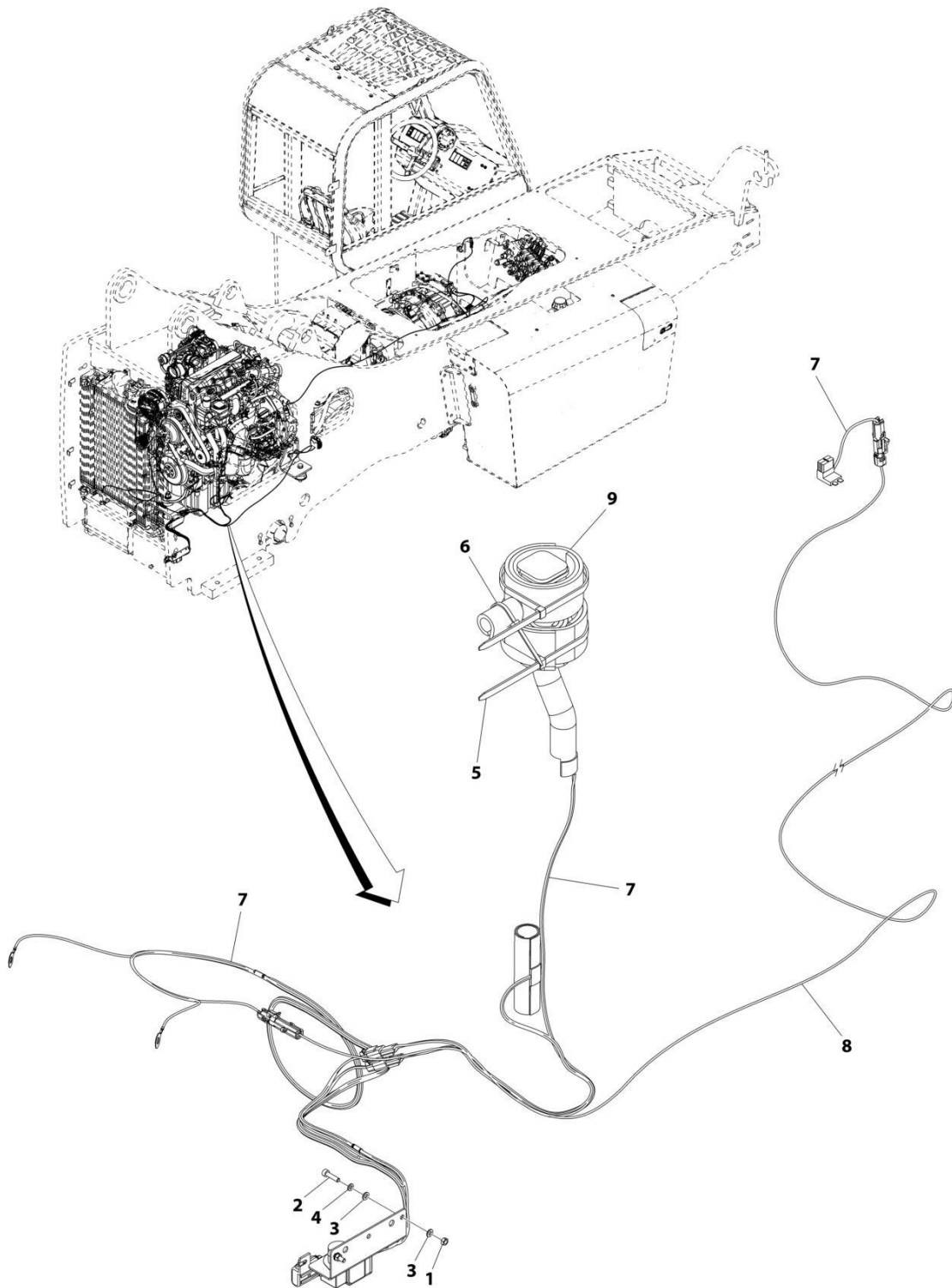
SECTION 4 - ENGINE AND ATTACHING PARTS

FIGURE 4-34. AIR INTAKE SHUT OFF VALVE INSTALLATION

ITEM	PART NUMBER	QTY	DESCRIPTION	REV
	1001202304	Ref	Air Intake Shut Off Valve Installation	F
1	3790152	2	Ring	
3	8405212	2	Clamp	
4	1001202247	2	Clamp	
5	1001203181	1	Accessory, Control	
6	1001204032	1	Valve, Air Shut Off (See Separate Breakdown in HYDRAULIC COMPONENTS Section)	
7	1001206956	1	Pipe	
8	1001206983	1	Hose	
9	1001206985	1	Adapter	
10	3290505	2	Nut M5 Grade 8	
11	3740080	2	Relay	
13	4811600	2	Washer, M5	
14	91053419	AR	Strap, Cable (not shown)	
15	1001239539	1	Lamp	
16	1001215941	1	Switch	
17	1001216455	1	Harness, POSI Air Shut Off Valve T4F (See Separate Breakdown in ELECTRICAL Section)	
18	1001219082	1	Bracket	
19	1001227077	1	Decal, Air Shut Off	
20	1001227964	1	Decal, ASOV Test	
22	1001231560	1	Harness, POSI Air Shut Off Valve Cab (See Separate Breakdown in ELECTRICAL Section)	

SECTION 4 - ENGINE AND ATTACHING PARTS

FIGURE 4-35. HEATER BREATHER



ART_1001232750-A

SECTION 4 - ENGINE AND ATTACHING PARTS

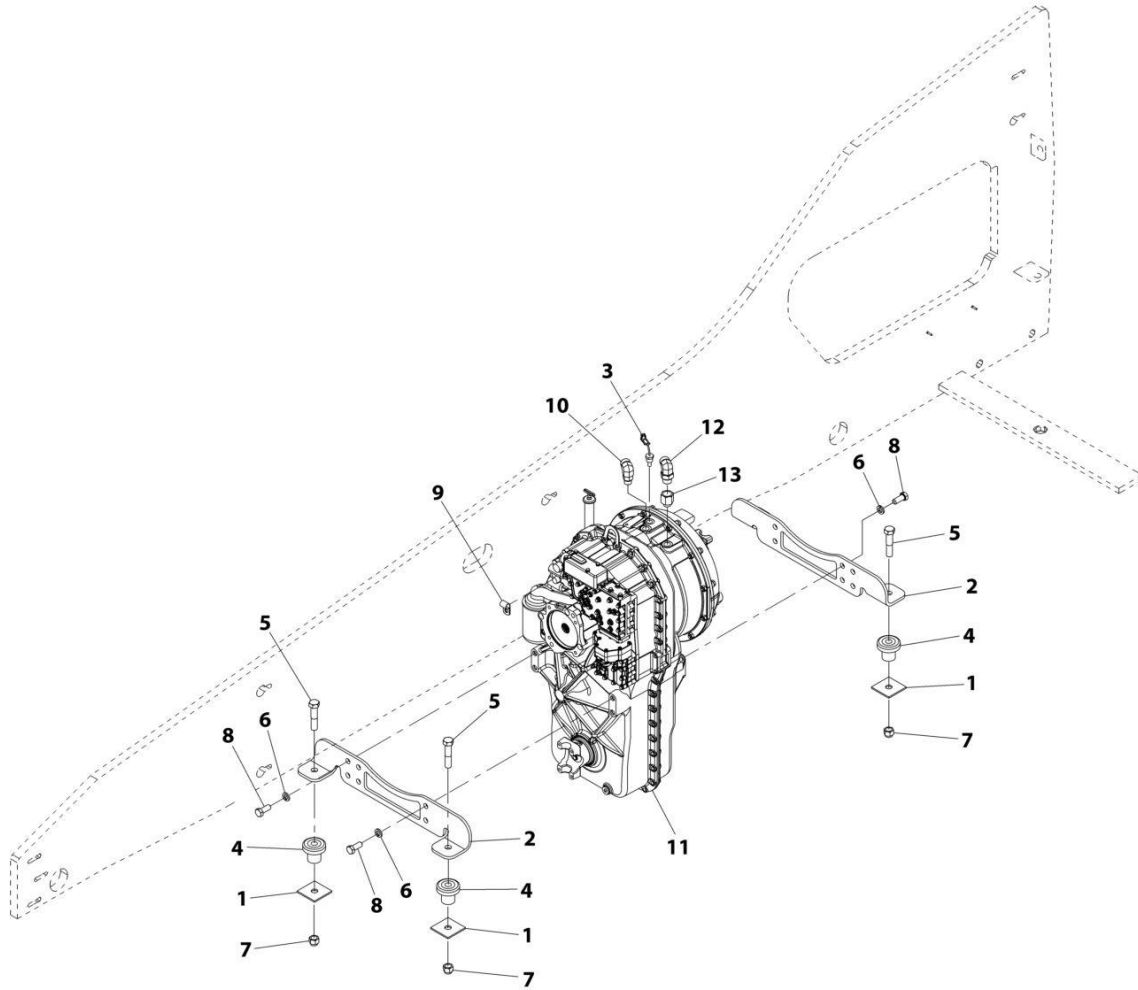
FIGURE 4-35. HEATER BREATHER

ITEM	PART NUMBER	QTY	DESCRIPTION	REV
	1001232750	Ref	Heater Breather - 74 HP	A
1	3290501	2	Nut, M5X0.8	
2	4031608	2	Screw, M5X20	
3	4811600	4	Washer, M5	
4	4831600	2	Washer, Lock M5	
5	01043892	2	Strap, Tie	
6	86683122	1	Strap, Tie	
7	1001232439	1	Engine, Cummins Breather Kit	
8	1001232599	1	Harness, Cummins Breather Heater	
9	1001232624	1	Insulate, Cummins Insulation	

SECTION 5 - DRIVE TRAIN

SECTION 5 - DRIVE TRAIN

FIGURE 5-1. TRANSMISSION INSTALLATION



ART_1001108524-B

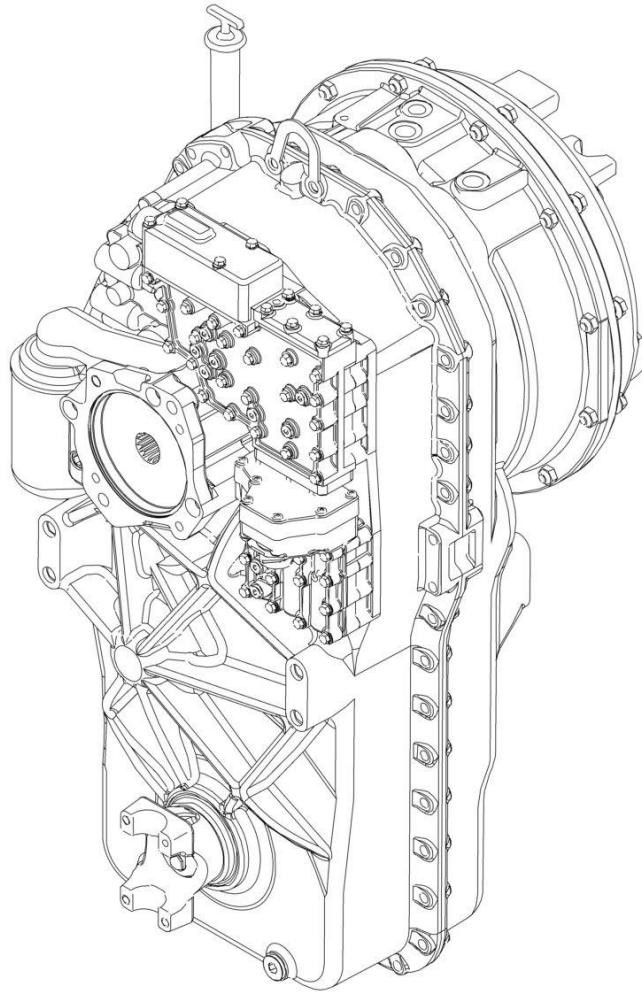
SECTION 5 - DRIVE TRAIN

FIGURE 5-1. TRANSMISSION INSTALLATION

ITEM	PART NUMBER	QTY	DESCRIPTION	REV
	1001108524	Ref	Transmission Installation	B
1	7054351	4	Washer, Rebound	
2	7138634	2	Bracket, Transmission Mount	
3	8223232	1	Switch, Transmission Temperature	
4	91403097	4	Mount, Rubber	
5	8303724	4	Bolt, 3/4-10X3-1/2	
6	8307049	8	Washer, Lock M16	
7	8310067	4	Nut, Lock 3/4-10	
8	8310215	8	Bolt, M16X40	
9	8406105	1	Clip, Tube	
10	2131210	1	Adapter, 90	
11	8841036	1	Transmission, 4-Speed (See Separate Breakdown in this Section)	
12	2131212	1	Adapter, 90	
13	8760548	1	Adapter, Straight	

SECTION 5 - DRIVE TRAIN

FIGURE 5-2. TRANSMISSION, 4-SPEED



ART_8841036_1-C

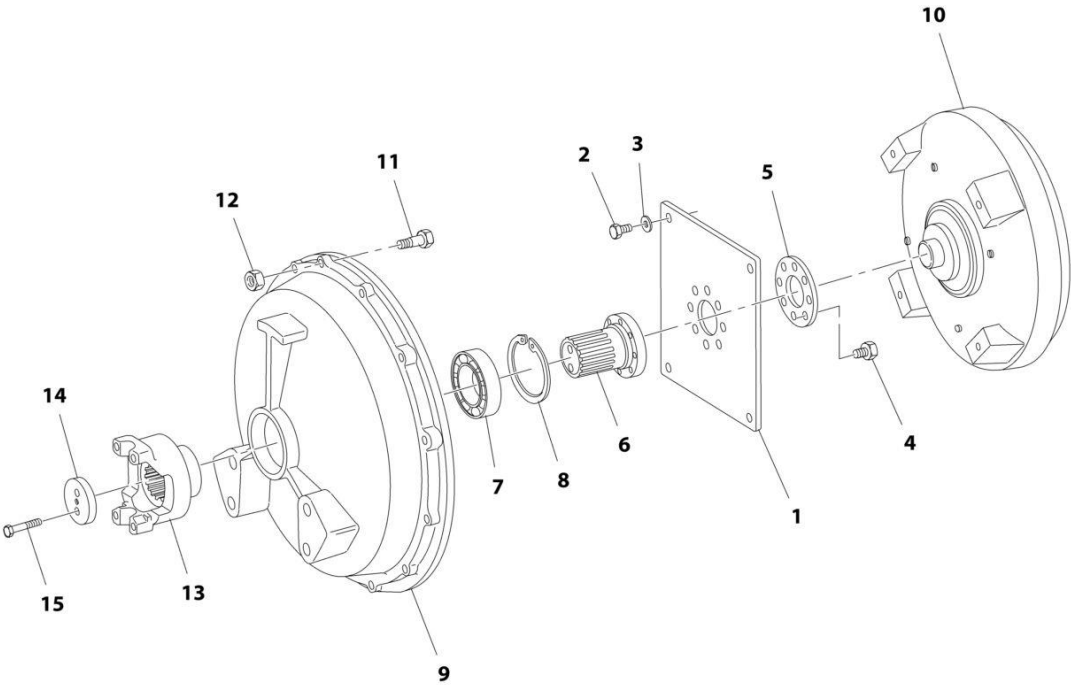
SECTION 5 - DRIVE TRAIN

FIGURE 5-2. TRANSMISSION, 4-SPEED

ITEM	PART NUMBER	QTY	DESCRIPTION	REV
	8841036	Ref	TRANSMISSION ASSEMBLY	C
		Ref	Transmission - Engine Connection and Converter (See Separate Breakdown in this Section)	
		Ref	Transmission - Input Shafts (See Separate Breakdown in this Section)	
		Ref	Transmission - Gearbox Housing (See Separate Breakdown in this Section)	
		Ref	Transmission - Coupling Group 1 (See Separate Breakdown in this Section)	
		Ref	Transmission - Coupling Group 2 (See Separate Breakdown in this Section)	
		Ref	Transmission - Coupling Group 3 (See Separate Breakdown in this Section)	
		Ref	Transmission - Coupling Group 4 (See Separate Breakdown in this Section)	
		Ref	Transmission - Reversing Gear Group 1 (See Separate Breakdown in this Section)	
		Ref	Transmission - Reversing Gear Group 2 (See Separate Breakdown in this Section)	
		Ref	Transmission - Output (See Separate Breakdown in this Section)	
		Ref	Transmission - Control Unit (See Separate Breakdown in this Section)	
		Ref	Transmission - Valve Housing Assembly (See Separate Breakdown in this Section)	
		Ref	Transmission - Valve Block Assembly (See Separate Breakdown in this Section)	
		Ref	Transmission - Oil Pump and Filter (See Separate Breakdown in this Section)	

SECTION 5 - DRIVE TRAIN

FIGURE 5-3. TRANSMISSION, ENGINE CONNECTION AND CONVERTER



ART_8841036_2-C

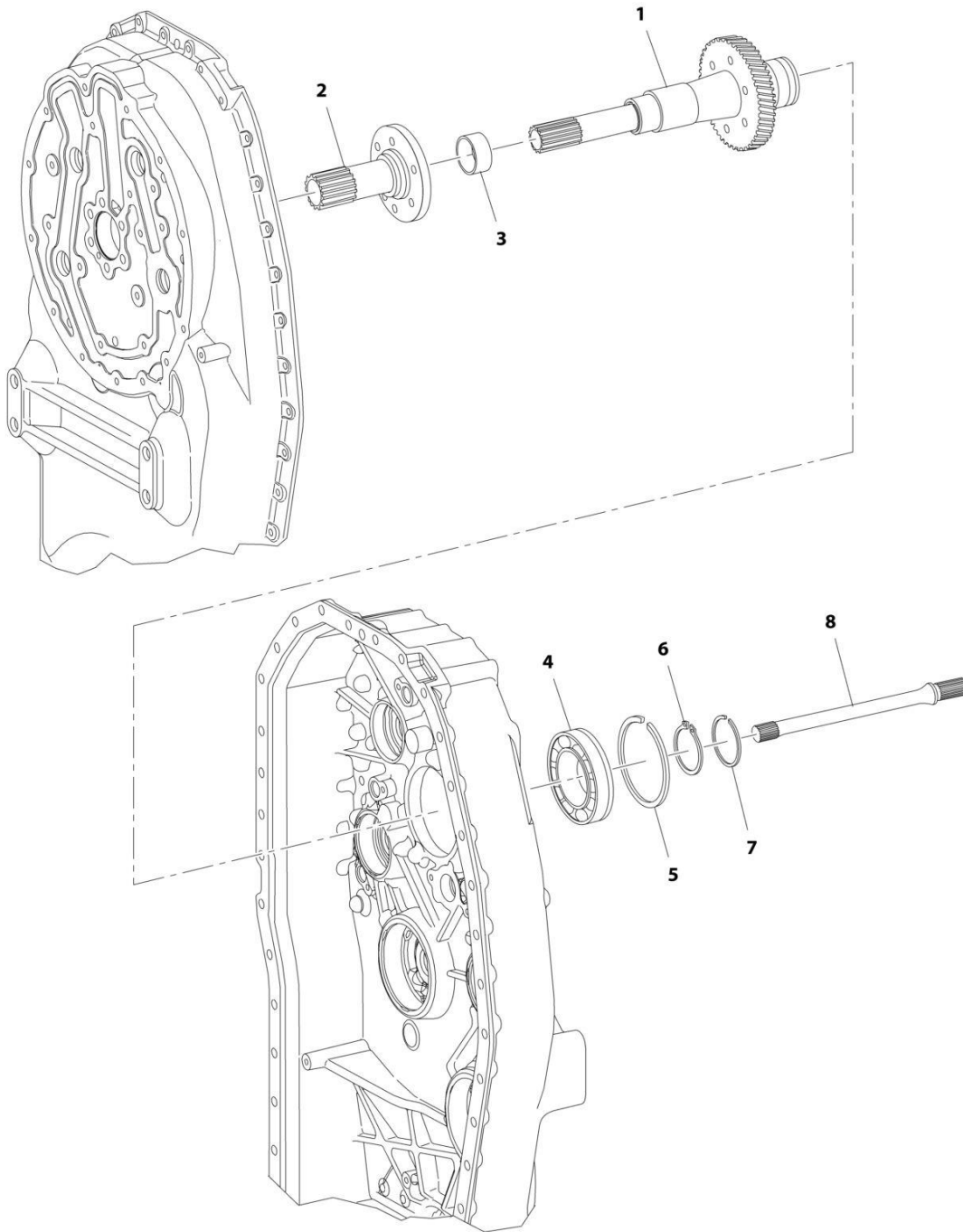
SECTION 5 - DRIVE TRAIN

FIGURE 5-3. TRANSMISSION, ENGINE CONNECTION AND CONVERTER

ITEM	PART NUMBER	QTY	DESCRIPTION	REV
	8841036	Ref	TRANSMISSION - ENGINE CONNECTION AND CONVERTER	
1	1319203	1	Diaphragm	
2	1319204	4	Bolt, M10X18	
3	10732095	4	Washer	
4	10731702	8	Bolt, M10X16	
5	1319213	1	Washer	
6	70023482	1	Shaft, Input	
7	1319209	1	Bearing, Ball	
8	1319210	1	Ring, Retaining	
9	8036021	1	Cover	
10	8036022	1	Converter	
11	10731748	12	Bolt, M10X45	
12	10731751	12	Nut, M10	
13	1319211	1	Yoke, End	
14	1319205	1	Washer	
15	70023483	2	Bolt	

SECTION 5 - DRIVE TRAIN

FIGURE 5-4. TRANSMISSION, INPUT SHAFTS



ART_8841036_3-C

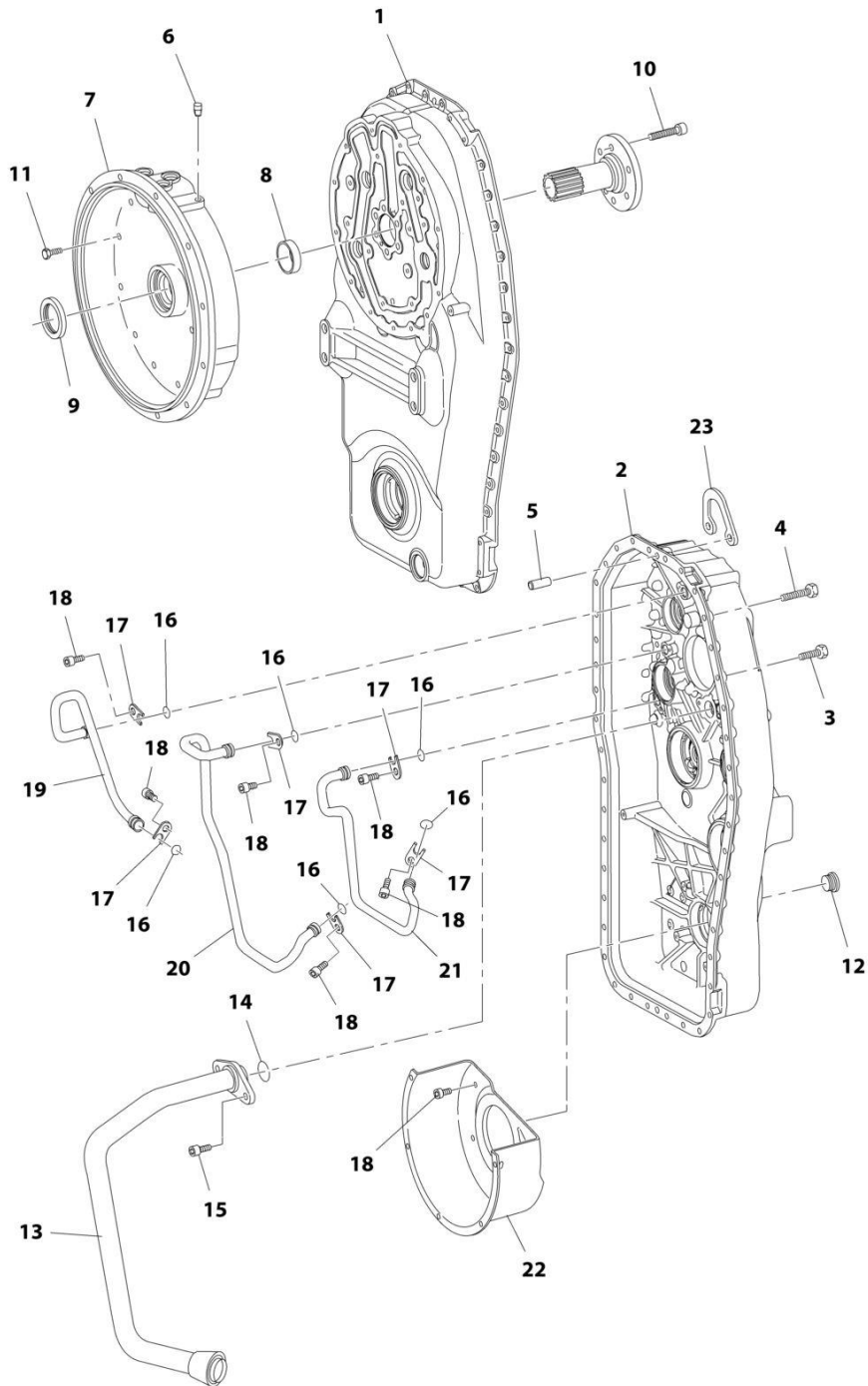
SECTION 5 - DRIVE TRAIN

FIGURE 5-4. TRANSMISSION, INPUT SHAFTS

ITEM	PART NUMBER	QTY	DESCRIPTION	REV
	8841036	Ref	TRANSMISSION - INPUT SHAFTS	
1	8036023	1	Shaft, Turbine	
2	1319557	1	Shaft, Stator	
3	1319558	1	Bushing, Bearing	
4	1319563	1	Bearing, Ball	
5	10731913	1	Ring, Snap	
6	80304405	1	Ring, Retaining	
7	1319565	1	Ring, Piston	
8	1319566	1	Shaft, Central	

SECTION 5 - DRIVE TRAIN

FIGURE 5-5. TRANSMISSION, GEARBOX HOUSING



ART_8841036_4-C

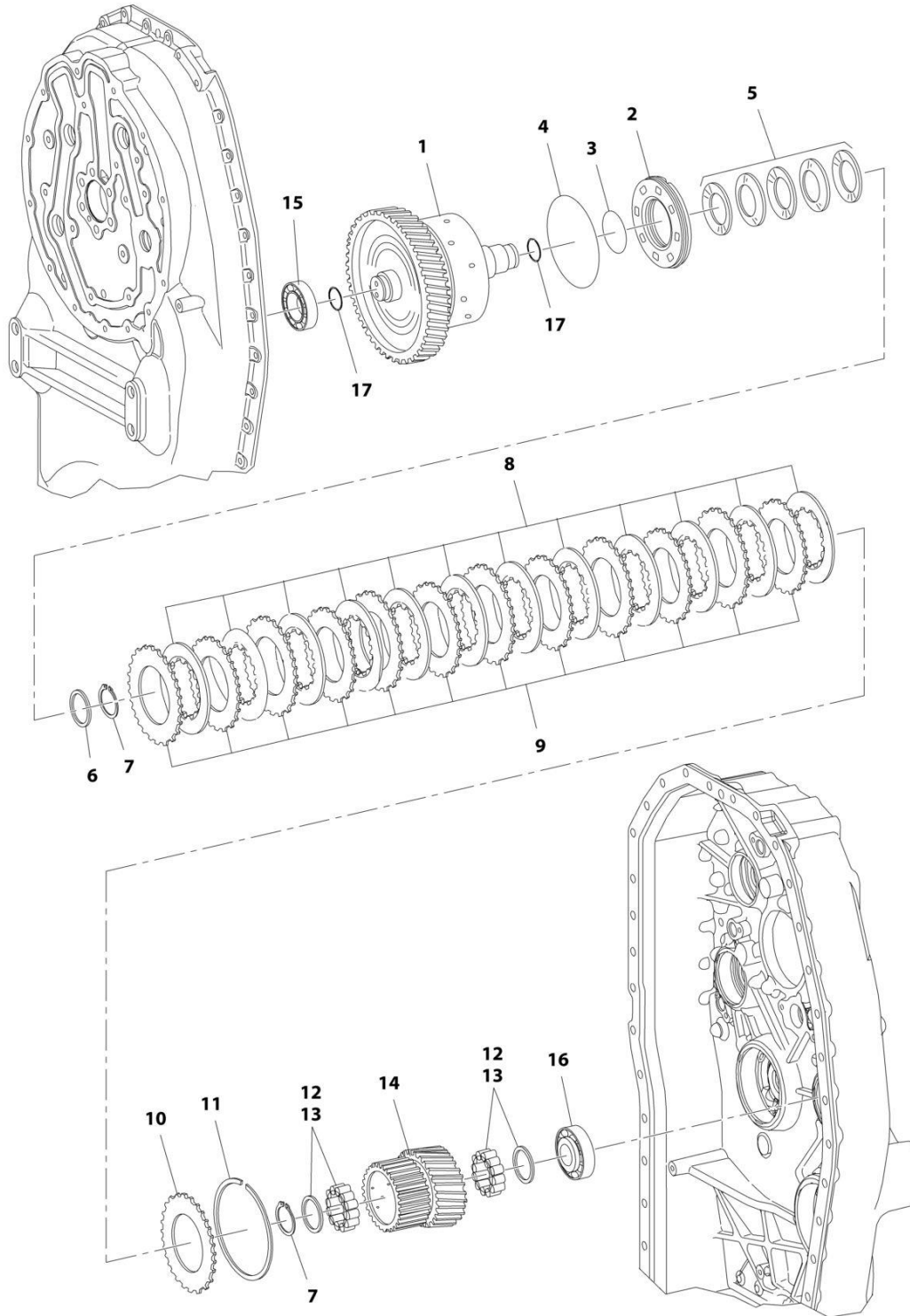
SECTION 5 - DRIVE TRAIN

FIGURE 5-5. TRANSMISSION, GEARBOX HOUSING

ITEM	PART NUMBER	QTY	DESCRIPTION	REV
	8841036	Ref	TRANSMISSION - GEARBOX HOUSING	
1	8036024	1	Housing I	
2	8036025	1	Housing II	
3	1319569	36	Bolt, M10X30	
4	1319570	6	Bolt, M10X50	
5	1319571	2	Pin, Cylindrical M6X24	
6	10731744	1	Breather	
7	1319574	1	Bell, Converter	
8	1319575	1	Bushing, Bearing	
9	1319576	1	Seal, Shaft	
10	1319577	6	Screw, M10X50	
11	1319569	23	Bolt, M10X30	
12	70023404	1	Plug, Screw	
13	8036026	1	Pipe, Oil Suction	
14	70023885	1	O-Ring	
15	1319582	2	Screw, M8X20	
16	1319583	6	O-Ring	
17	1319584	6	Plate, Fixing	
18	1319585	11	Screw, M8X16	
19	1319586	1	Pipe	
20	1319587	1	Pipe	
21	8036027	1	Pipe	
22	8036028	1	Sheet, Screen	
23	1319590	1	Bracket	

SECTION 5 - DRIVE TRAIN

FIGURE 5-6. TRANSMISSION, COUPLING GROUP 1



ART_8841036_5-C

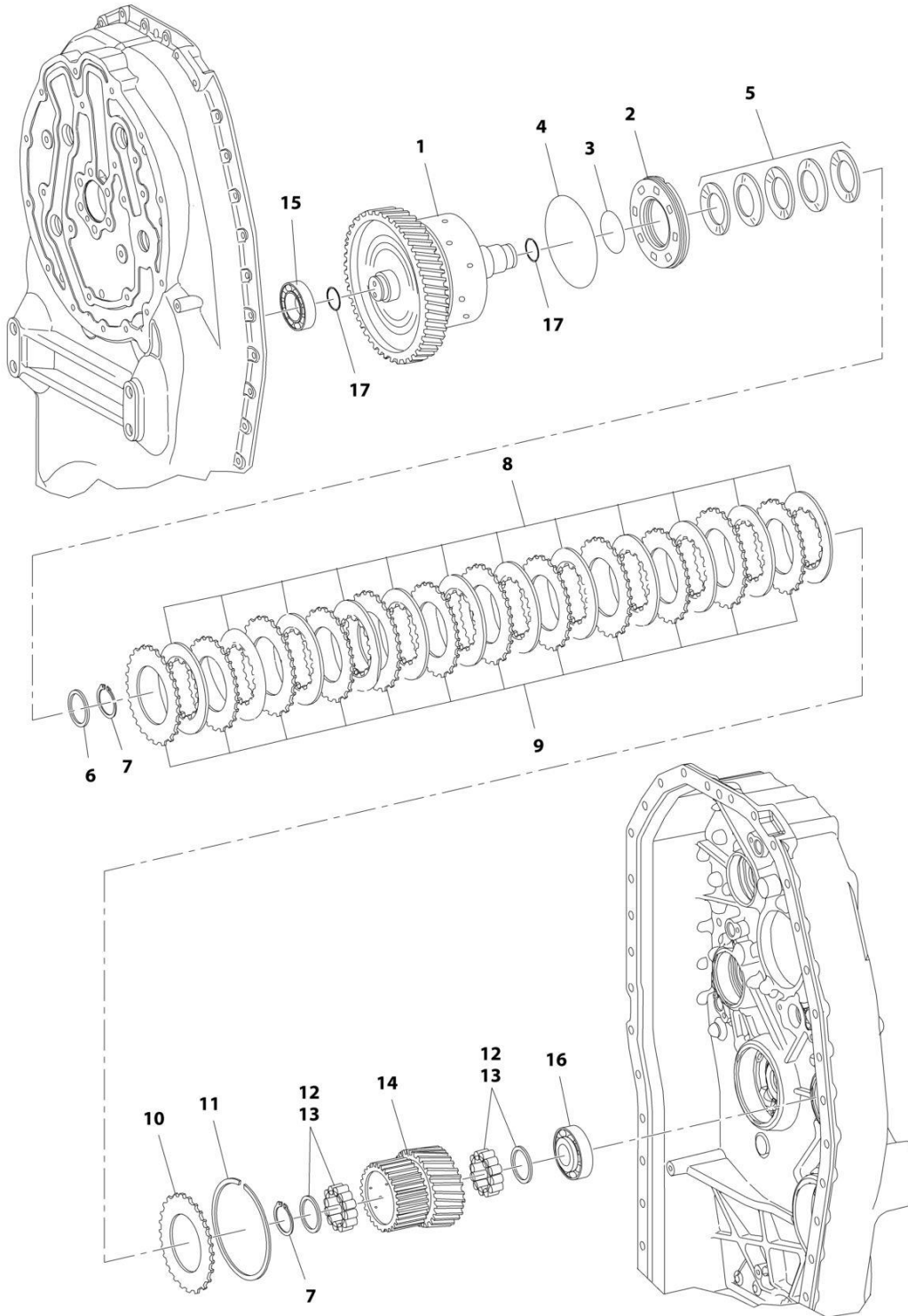
SECTION 5 - DRIVE TRAIN

FIGURE 5-6. TRANSMISSION, COUPLING GROUP 1

ITEM	PART NUMBER	QTY	DESCRIPTION	REV
	8841036	Ref	TRANSMISSION - COUPLING GROUP 1	
1	1319591	1	Coupling	
2	1319592	1	Piston	
3	1319593	1	O-Ring, 52X3	
4	1319594	1	O-Ring, 115X3	
5	1319595	5	Spring, Cup	
6	1319596	1	Shim	
7	10731845	2	Ring, Retaining	
8	7026758	12	Disc, Inner Clutch	
9	7026759	12	Disc, Outer Clutch	
10	7026760	1	Shim, End	
11	1319600	1	Ring, Snap 4	
11	1319601	1	Ring, Snap 3-1/2	
11	1319602	1	Ring, Snap 3	
11	1319603	1	Ring, Snap 2-1/2	
11	1319604	1	Ring, Snap 2	
12	1319605	2	Cage, Roller	
13	1319606	2	Cage, Roller	
14	1319607	1	Carrier, Disc	
15	1319608	1	Bearing, Roller	
16	1319609	1	Bearing, Roller	
16	1319610	1	Bearing, Roller	
16	1319611	1	Bearing, Roller	
17	1319612	2	Ring, Piston 30X2	

SECTION 5 - DRIVE TRAIN

FIGURE 5-7. TRANSMISSION, COUPLING GROUP 2



ART_8841036_6-C

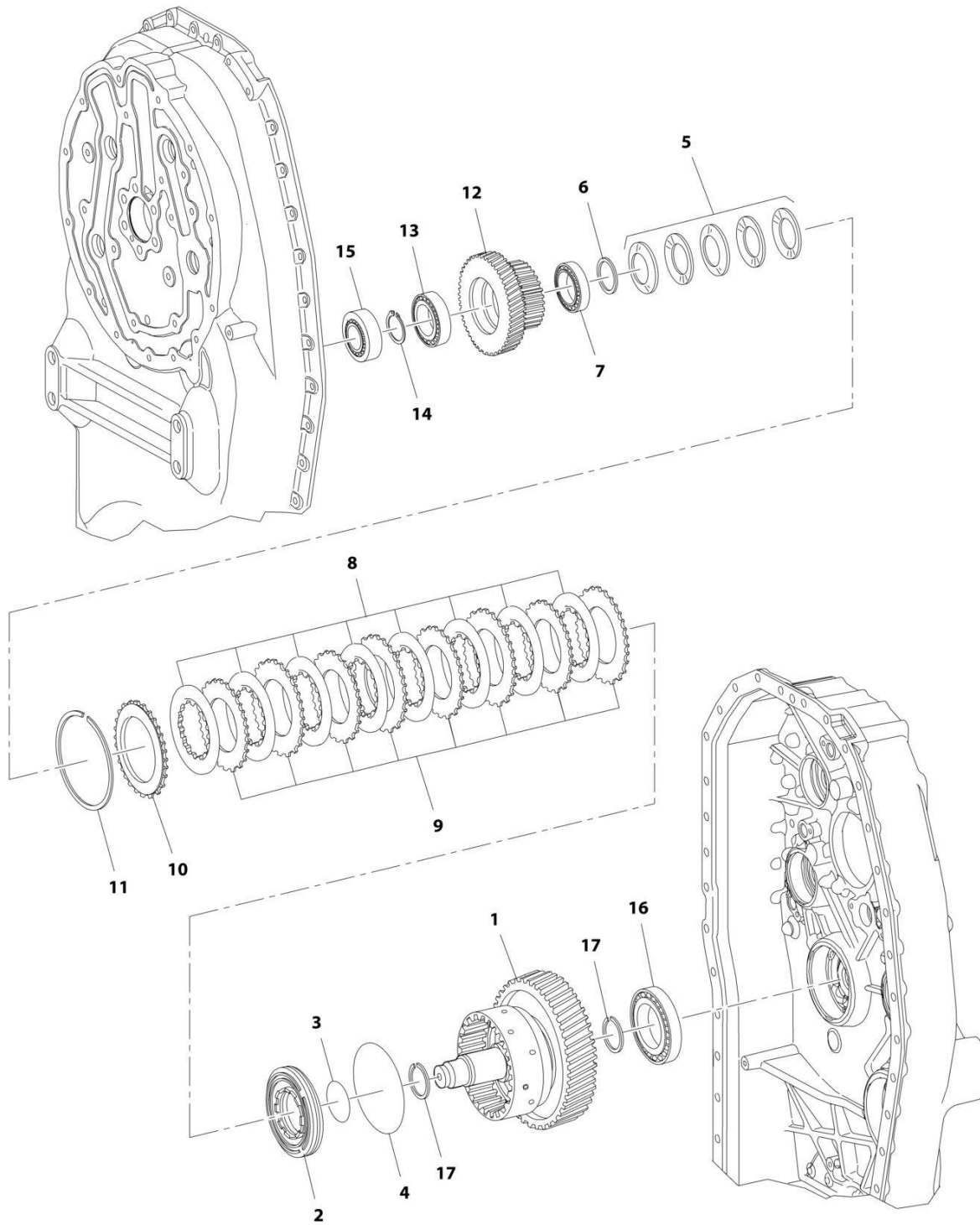
SECTION 5 - DRIVE TRAIN

FIGURE 5-7. TRANSMISSION, COUPLING GROUP 2

ITEM	PART NUMBER	QTY	DESCRIPTION	REV
	8841036	Ref	TRANSMISSION - COUPLING GROUP 2	
1	1319613	1	Coupling	
2	8036029	1	Piston	
3	1319593	1	O-Ring, 52X3	
4	1319594	1	O-Ring, 115X3	
5	1319595	5	Spring, Cup	
6	1319596	1	Shim	
7	10731845	2	Ring, Retaining	
8	7026758	8	Disc, Inner Clutch	
9	7026759	8	Disc, Outer Clutch	
10	7026760	1	Shim, End	
11	1319600	1	Ring, Snap 4	
11	1319601	1	Ring, Snap 3-1/2	
11	1319602	1	Ring, Snap 3	
11	1319603	1	Ring, Snap 2-1/2	
11	1319604	1	Ring, Snap 2	
12	1319605	2	Cage, Roller	
13	1319606	2	Cage, Roller	
14	1319614	1	Carrier, Disc	
15	1319615	1	Bearing, Roller	
16	8036190	1	Assembly, Roller Bearing	
16	7029532	1	Ring, Outer	
16	7029533	1	Ring, Inner	
17	1319612	2	Ring, Piston 30X2	

SECTION 5 - DRIVE TRAIN

FIGURE 5-8. TRANSMISSION, COUPLING GROUP 3



ART_8841036_7-C

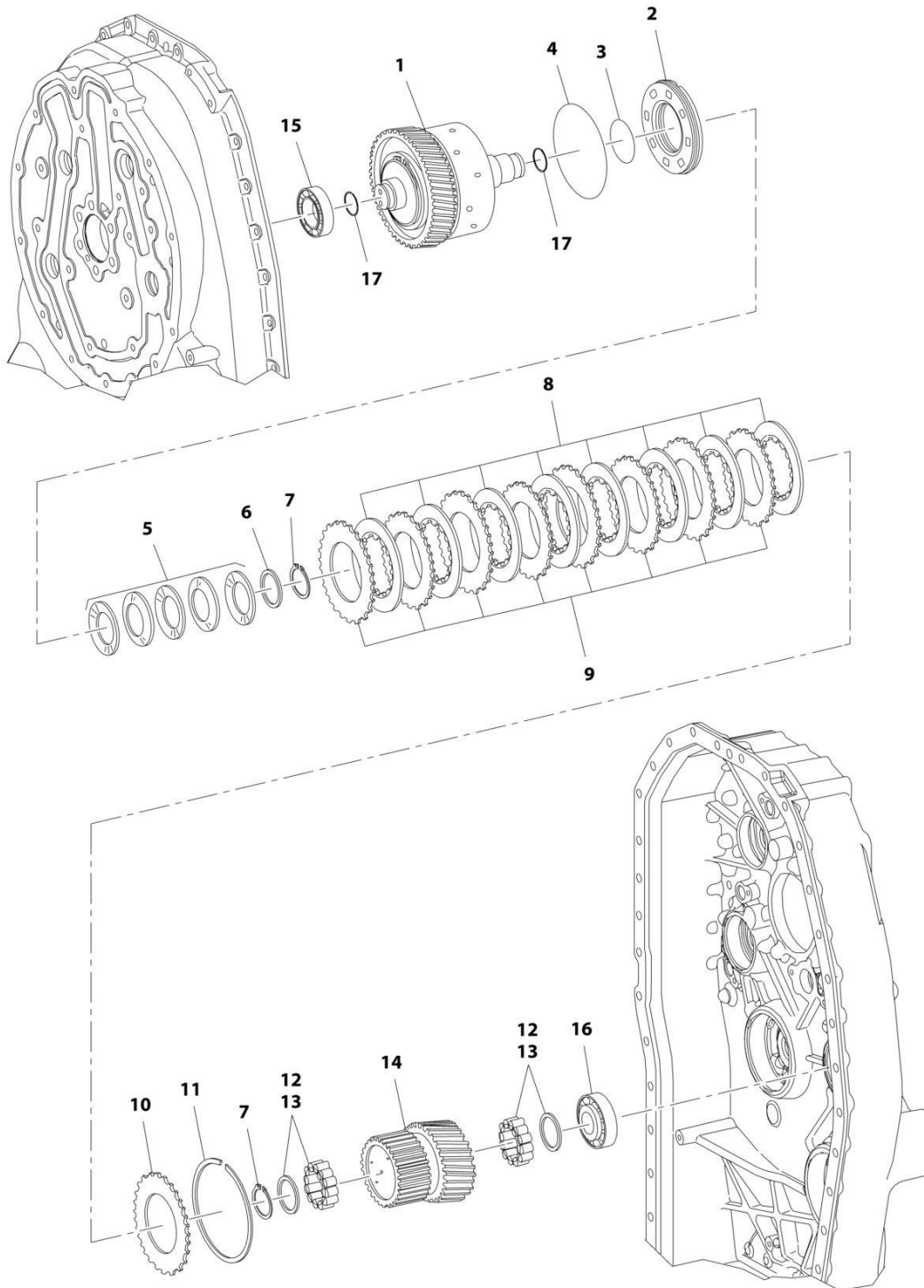
SECTION 5 - DRIVE TRAIN

FIGURE 5-8. TRANSMISSION, COUPLING GROUP 3

ITEM	PART NUMBER	QTY	DESCRIPTION	REV
	8841036	Ref	TRANSMISSION - COUPLING GROUP 3	
1	1319616	1	Coupling	
2	8036029	1	Piston	
3	1319593	1	O-Ring, 52X3	
4	1319594	1	O-Ring, 115X3	
5	1319595	5	Spring, Cup	
6	1319617	1	Shim, Support	
7	1319618	1	Bearing, Roller	
8	7026758	8	Disc, Inner Clutch	
9	7026759	8	Disc, Outer Clutch	
10	7026760	1	Shim, End	
11	1319600	1	Ring, Snap 4	
11	1319601	1	Ring, Snap 3-1/2	
11	1319602	1	Ring, Snap 3	
11	1319603	1	Ring, Snap 2-1/2	
11	1319604	1	Ring, Snap 2	
12	1319619	1	Carrier, Disc	
13	1319620	1	Bearing, Roller	
14	1319621	1	Ring, Retaining 3.2	
14	1319622	1	Ring, Retaining 3.1	
14	1319623	1	Ring, Retaining 3	
14	1319624	1	Ring, Retaining 2.9	
14	1319625	1	Ring, Retaining 2.8	
14	1319626	1	Ring, Retaining 2.7	
14	1319627	1	Ring, Retaining 2.6	
14	1319628	1	Ring, Retaining 2.5	
14	1319629	1	Ring, Retaining 2.4	
14	1319630	1	Ring, Retaining 2.3	
14	1319631	1	Ring, Retaining 2.2	
14	1319632	1	Ring, Retaining 2.1	
15	8036190	1	Assembly, Roller Bearing	
15	7029532	1	Ring, Outer	
15	7029533	1	Ring, Inner	
16	1319633	1	Bearing, Roller	
17	1319612	2	Ring, Piston 30X2	

SECTION 5 - DRIVE TRAIN

FIGURE 5-9. TRANSMISSION, COUPLING GROUP 4



ART_8841036_8-C

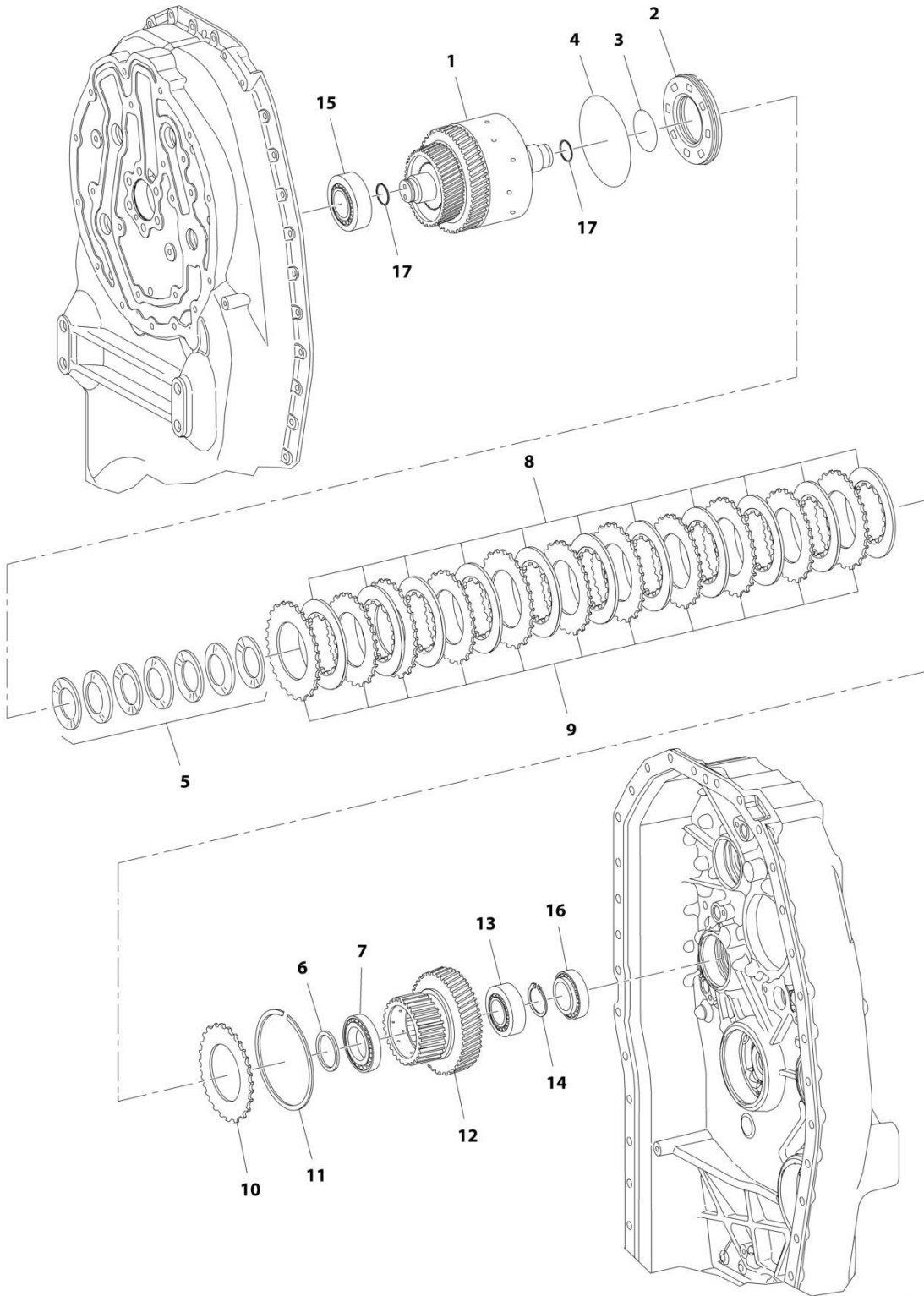
SECTION 5 - DRIVE TRAIN

FIGURE 5-9. TRANSMISSION, COUPLING GROUP 4

ITEM	PART NUMBER	QTY	DESCRIPTION	REV
	8841036	Ref	TRANSMISSION - COUPLING GROUP 4	
1	1319634	1	Coupling	
2	8036029	1	Piston	
3	1319593	1	O-Ring, 52X3	
4	1319594	1	O-Ring, 115X3	
5	1319595	5	Spring, Cup	
6	1319596	1	Shim	
7	10731845	2	Ring, Retaining	
8	7026758	8	Disc, Inner Clutch	
9	7026759	8	Disc, Outer Clutch	
10	7026760	1	Shim, End	
11	1319600	1	Ring, Snap 4	
11	1319601	1	Ring, Snap 3-1/2	
11	1319602	1	Ring, Snap 3	
11	1319603	1	Ring, Snap 2-1/2	
11	1319604	1	Ring, Snap 2	
12	1319605	2	Cage, Roller	
13	1319606	2	Cage, Roller	
14	1319635	1	Carrier, Disc	
15	1319615	1	Bearing, Roller	
16	1319636	1	Bearing, Roller	
17	1319612	2	Ring, Piston 30X2	

SECTION 5 - DRIVE TRAIN

FIGURE 5-10. TRANSMISSION, REVERSING GEAR GROUP 1



ART_8841036_9-C

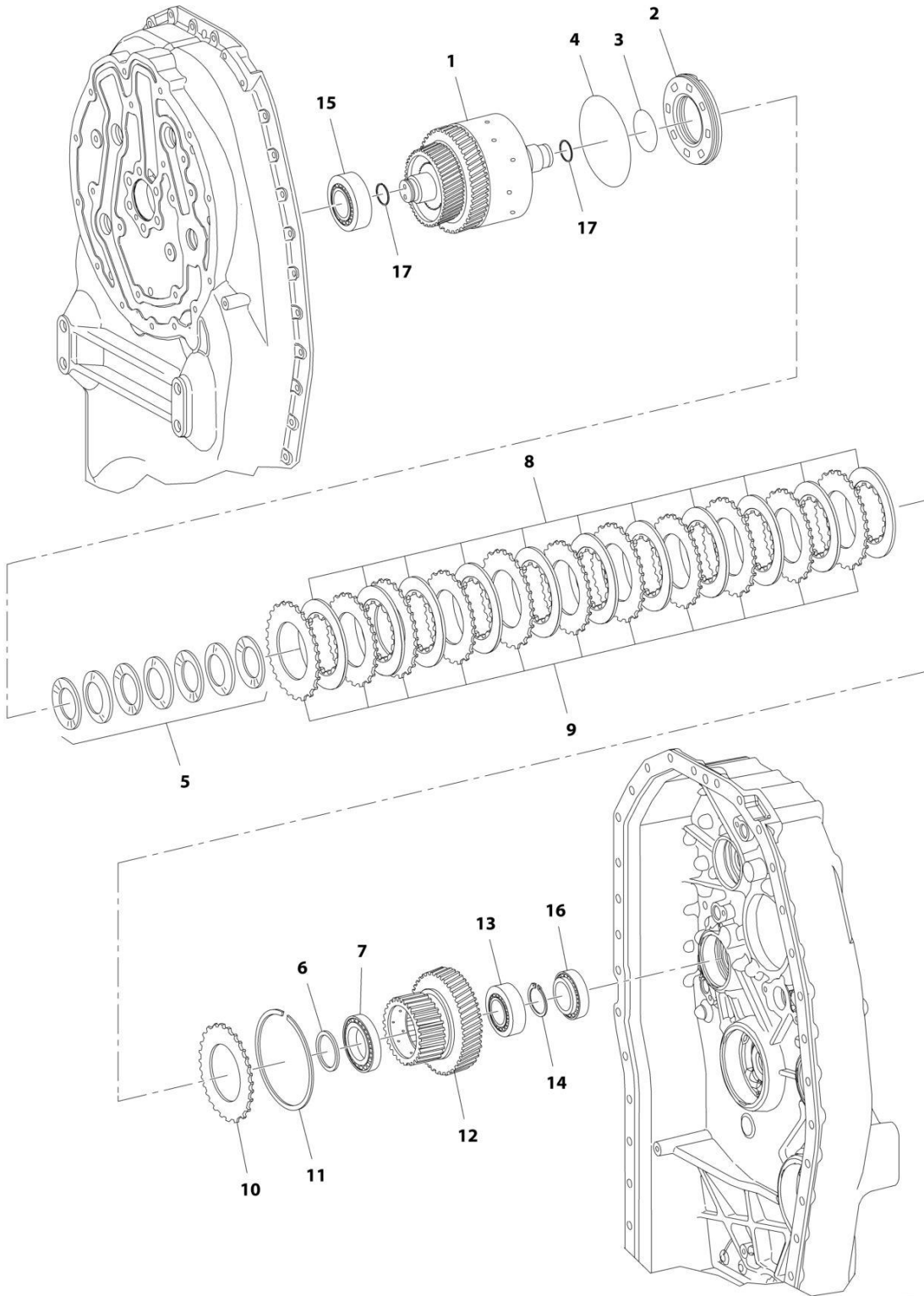
SECTION 5 - DRIVE TRAIN

FIGURE 5-10. TRANSMISSION, REVERSING GEAR GROUP 1

ITEM	PART NUMBER	QTY	DESCRIPTION	REV
	8841036	Ref	TRANSMISSION - REVERSE GEAR GROUP 1	
1	1319637	1	Coupling	
2	8036029	1	Piston	
3	1319593	1	O-Ring, 52X3	
4	1319594	1	O-Ring, 115X3	
5	1319595	7	Spring, Cup	
6	1319617	1	Shim, Support	
7	1319618	1	Bearing, Roller	
8	7026758	11	Disc, Inner Clutch	
9	7026759	11	Disc, Outer Clutch	
10	7026760	1	Shim, End	
11	1319600	1	Ring, Snap 4	
11	1319601	1	Ring, Snap 3-1/2	
11	1319602	1	Ring, Snap 3	
11	1319603	1	Ring, Snap 2-1/2	
11	1319604	1	Ring, Snap 2	
12	1319638	1	Disc, Carrier	
13	1319620	1	Bearing, Roller	
14	1319621	1	Ring, Retaining 3.2	
14	1319622	1	Ring, Retaining 3.1	
14	1319623	1	Ring, Retaining 3	
14	1319624	1	Ring, Retaining 2.9	
14	1319625	1	Ring, Retaining 2.8	
14	1319626	1	Ring, Retaining 2.7	
14	1319627	1	Ring, Retaining 2.6	
14	1319628	1	Ring, Retaining 2.5	
14	1319629	1	Ring, Retaining 2.4	
14	1319630	1	Ring, Retaining 2.3	
14	1319631	1	Ring, Retaining 2.2	
14	1319632	1	Ring, Retaining 2.1	
15	1319615	1	Bearing, Roller	
16	1319636	1	Bearing, Roller	
17	1319612	2	Ring, Piston 30X2	

SECTION 5 - DRIVE TRAIN

FIGURE 5-11. TRANSMISSION, REVERSING GEAR GROUP 2



ART_8841036_10-C

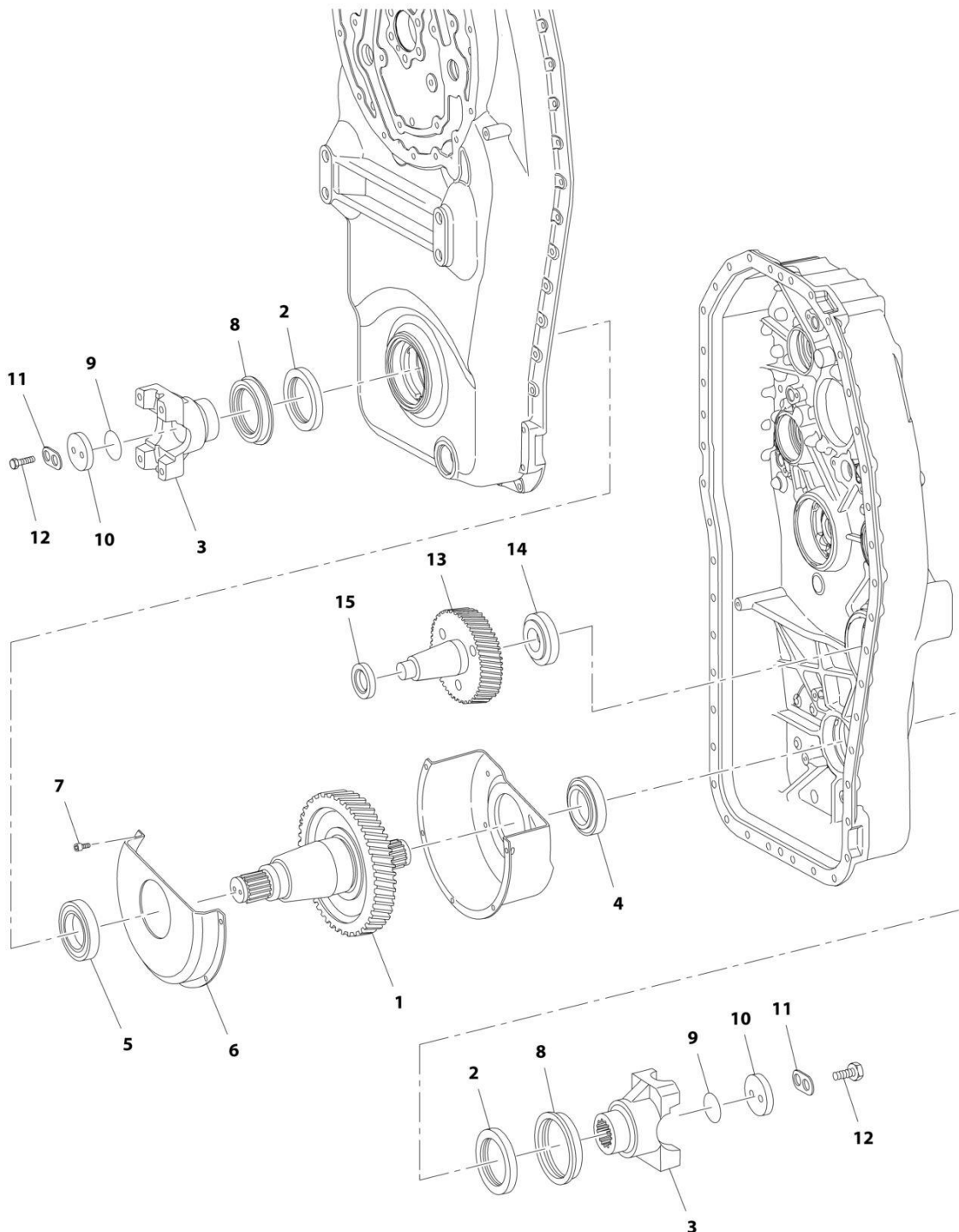
SECTION 5 - DRIVE TRAIN

FIGURE 5-11. TRANSMISSION, REVERSING GEAR GROUP 2

ITEM	PART NUMBER	QTY	DESCRIPTION	REV
	8841036	Ref	TRANSMISSION - REVERSING GEAR GROUP 2	
1	1319639	1	Coupling	
2	8036029	1	Piston	
3	1319593	1	O-Ring, 52X3	
4	1319594	1	O-Ring, 115X3	
5	1319595	7	Spring, Cup	
6	1319617	1	Shim, Support	
7	1319618	1	Bearing, Roller	
8	7026758	11	Disc, Inner Clutch	
9	7026759	11	Disc, Outer Clutch	
10	7026760	1	Shim, End	
11	1319600	1	Ring, Snap 4	
11	1319601	1	Ring, Snap 3-1/2	
11	1319602	1	Ring, Snap 3	
11	1319603	1	Ring, Snap 2-1/2	
11	1319604	1	Ring, Snap 2	
12	1319638	1	Disc, Carrier	
13	1319620	1	Bearing, Roller	
14	1319621	1	Ring, Retaining 3.2	
14	1319622	1	Ring, Retaining 3.1	
14	1319623	1	Ring, Retaining 3	
14	1319624	1	Ring, Retaining 2.9	
14	1319625	1	Ring, Retaining 2.8	
14	1319626	1	Ring, Retaining 2.7	
14	1319627	1	Ring, Retaining 2.6	
14	1319628	1	Ring, Retaining 2.5	
14	1319629	1	Ring, Retaining 2.4	
14	1319630	1	Ring, Retaining 2.3	
14	1319631	1	Ring, Retaining 2.2	
14	1319632	1	Ring, Retaining 2.1	
15	1319608	1	Bearing, Roller	
16	1319636	1	Bearing, Roller	
17	1319612	2	Ring, Piston 30X2	

SECTION 5 - DRIVE TRAIN

FIGURE 5-12. TRANSMISSION, OUTPUT



ART_8841036_11-C

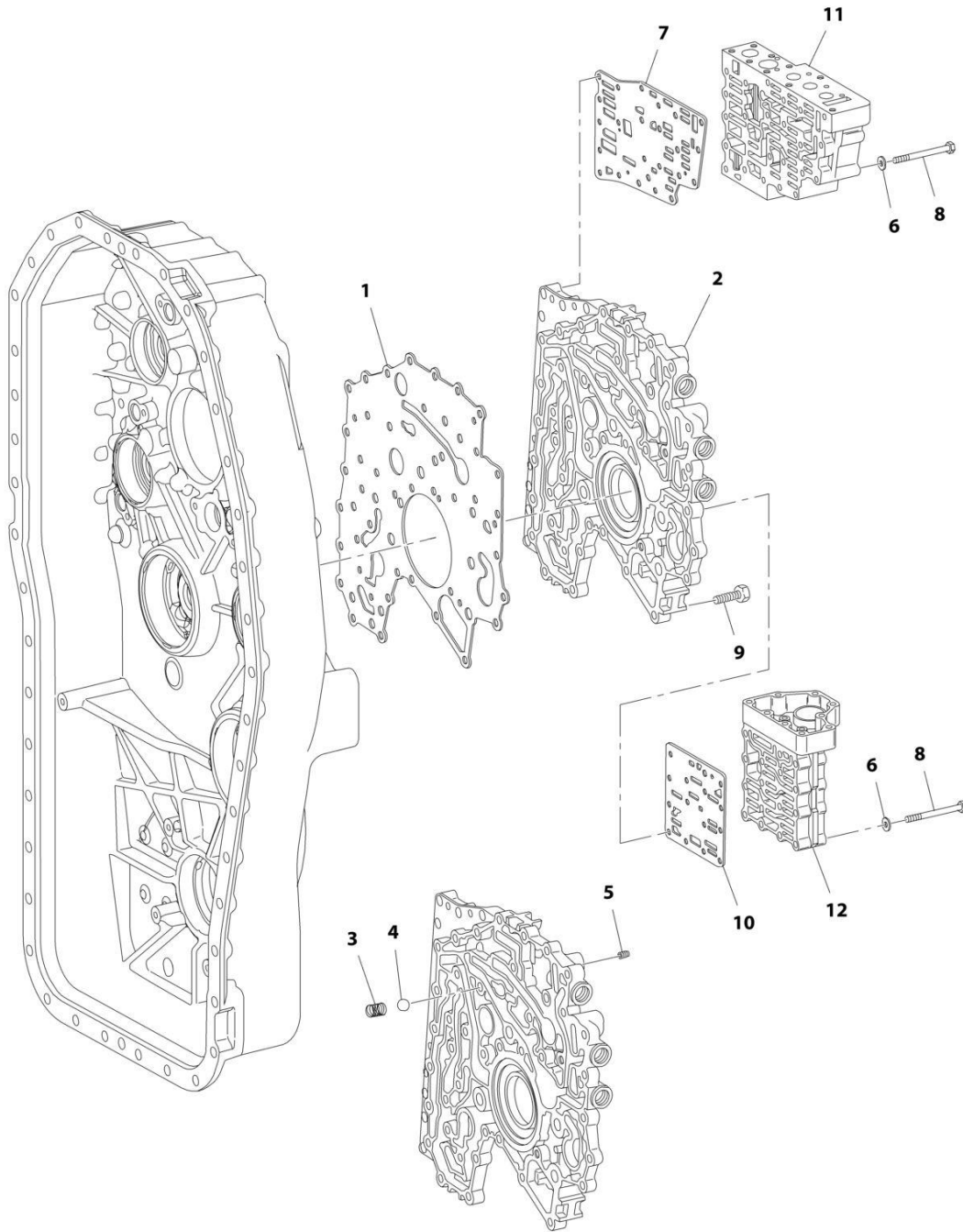
SECTION 5 - DRIVE TRAIN

FIGURE 5-12. TRANSMISSION, OUTPUT

ITEM	PART NUMBER	QTY	DESCRIPTION	REV
	8841036	Ref	TRANSMISSION - OUTPUT	
1	8036030	1	Shaft, Output	
2	1319641	2	Seal, Shaft	
3	7027273	2	Flange, Output	
4	N.S.S.	1	Assembly, Roller Bearing	
4	70020430	1	Cup, Bearing	
4	70020431	1	Cone, Bearing	
5	1319643	1	Bearing, Roller	
6	8036031	1	Sheet, Screen	
7	1319646	5	Bolt, M6X10	
8	1319647	2	Sheet, Screen	
9	10839156	2	O-Ring	
10	1319648	2	Washer, M10	
11	1319649	2	Washer, Tab	
12	10731959	4	Bolt, M8X25	
13	8036032	1	Shaft, Intermediate	
14	1319633	1	Bearing, Roller	
15	8036190	1	Assembly, Roller Bearing	
15	7029532	1	Ring, Outer	
15	7029533	1	Ring, Inner	

SECTION 5 - DRIVE TRAIN

FIGURE 5-13. TRANSMISSION, CONTROL UNIT



ART_8841036_12-C

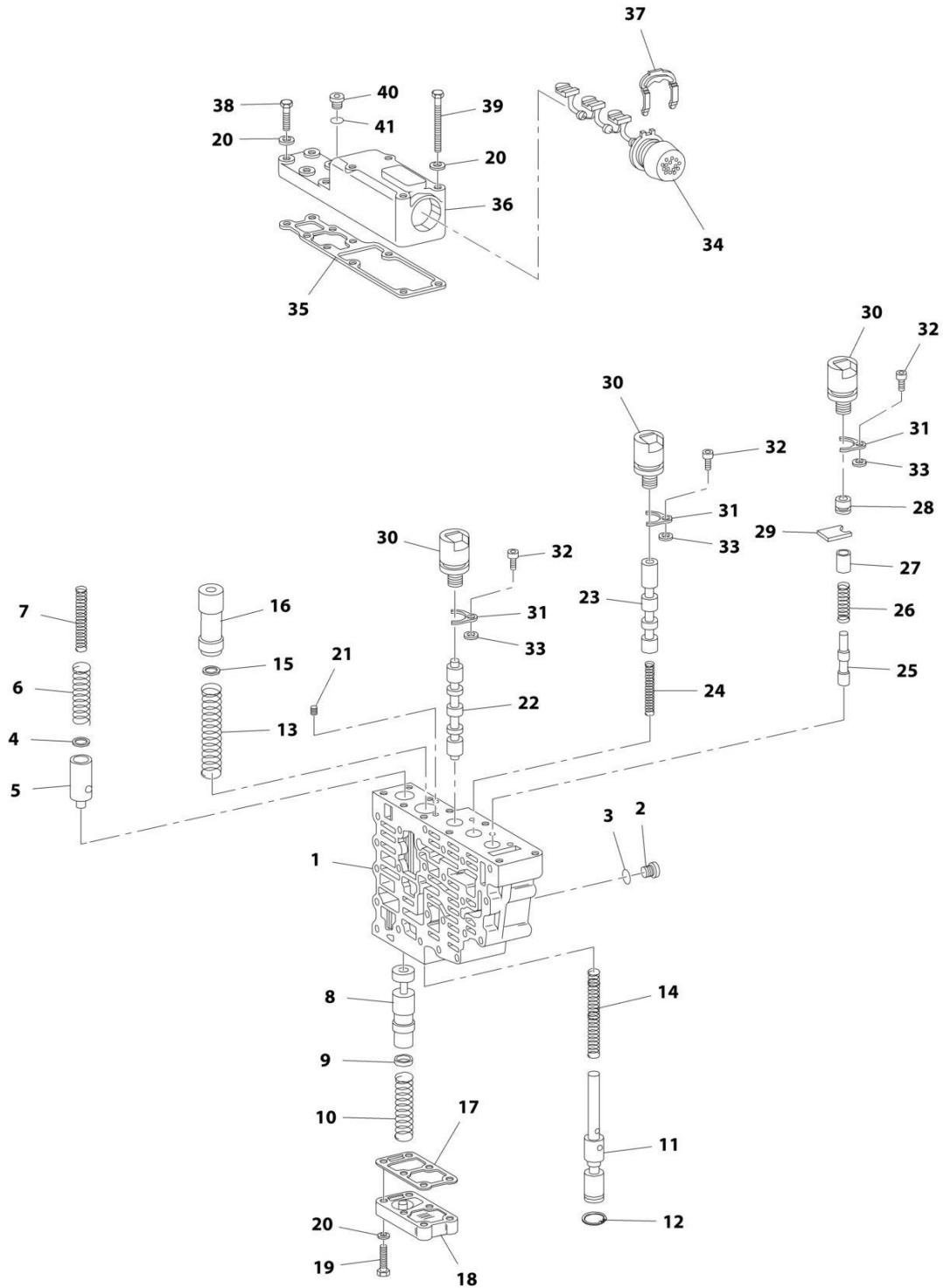
SECTION 5 - DRIVE TRAIN

FIGURE 5-13. TRANSMISSION, CONTROL UNIT

ITEM	PART NUMBER	QTY	DESCRIPTION	REV
	8841036	Ref	TRANSMISSION - CONTROL UNIT	
1	1319650	1	Gasket	
2	8036033	1	Plate, Duct	
3	10732072	1	Spring, Compression	
4	10732071	1	Ball	
5	1319652	1	Orifice	
6	1319661	19	Washer, 6.4	
7	70020425	1	Plate, Intermediate	
8	7029037	19	Bolt, M6X60	
9	1319659	43	Screw, Torx M8X30	
10	70020426	1	Plate, Intermediate	
11		Ref	Housing, Valve (See Separate Breakdown in this Section)	
12		Ref	Block, Valve (See Separate Breakdown in this Section)	

SECTION 5 - DRIVE TRAIN

FIGURE 5-14. TRANSMISSION, VALVE HOUSING ASSEMBLY



ART_8841036_13-C

SECTION 5 - DRIVE TRAIN

FIGURE 5-14. TRANSMISSION, VALVE HOUSING ASSEMBLY

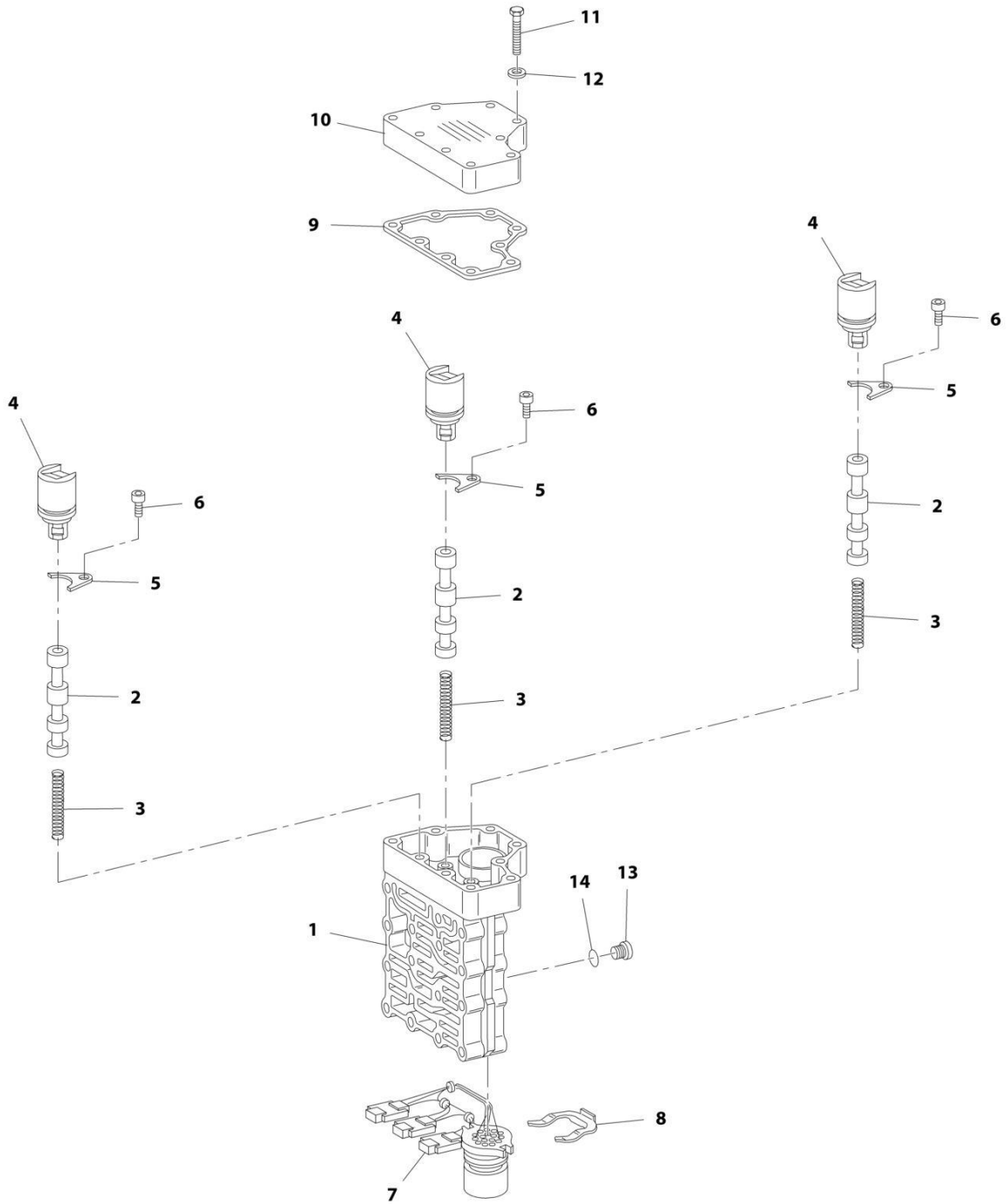
ITEM	PART NUMBER	QTY	DESCRIPTION	REV
	8841036	Ref	TRANSMISSION - VALVE HOUSING ASSEMBLY	
	8036040	Ref	Valve Housing Assembly	
1	1319671	1	Housing, Valve	
2	1319670	7	Plug, Screw M10X1	
3	10731709	7	O-Ring	
4	8036036	1	Washer, 1	
5	7029039	1	Piston	
6	1319673	1	Spring, Compression	
7	8036038	1	Spring, Compression	
8	1319674	1	Piston	
9	1319675	1	Washer, 3.6	
9	1319676	1	Washer, 3.2	
9	1319677	1	Washer, 2.8	
9	1319678	1	Washer, 2.4	
9	1319679	1	Washer, 2	
10	1319680	1	Spring, Compression	
11	1319681	1	Control, Piston	
12	1319682	1	Washer, Lock 12	
13	1319683	1	Spring, Compression	
14	1319684	1	Spring, Compression	
15	1319685	1	Washer, 2	
15	1319686	1	Washer, 1	
15	1319687	1	Washer, 0.5	
15	1319688	1	Washer, 0.3	
15	1319689	1	Washer, 0.2	
16	1319690	1	Piston	
17	1319691	1	Seal	
18	1319692	1	Cover	
19	1319693	6	Bolt, M6X25	
20	1319661	16	Washer, 6.4	
21	1319652	1	Orifice	
22	1319694	1	Valve	
23	1319695	1	Piston	
24	1319696	1	Spring, Compression	
25	1319697	1	Piston	
26	1319698	1	Spring, Compression	
27	1319699	1	Spacer, Sleeve	
28	1319700	1	Plug	
29	1319701	1	Plate, Fixing	
30	1319702	3	Valve, Solenoid	
31	10732063	3	Plate, Fixing	
32	1319703	3	Bolt, M5X12	
33	10732064	3	Washer, 2	
34	1319704	1	Harness, Wiring	
35	1319705	1	Seal	
36	8036039	1	Cover	
37	1319707	1	Clamp, Retaining	
38	1319693	6	Bolt, M6X25	
39	7029037	4	Bolt, M6X60	
40	1319670	1	Plug, Screw M10X1	

SECTION 5 - DRIVE TRAIN

ITEM	PART NUMBER	QTY	DESCRIPTION	REV
41	10731709	1	O-Ring	

SECTION 5 - DRIVE TRAIN

FIGURE 5-15. TRANSMISSION, VALVE BLOCK ASSEMBLY



ART_8841036_14-C

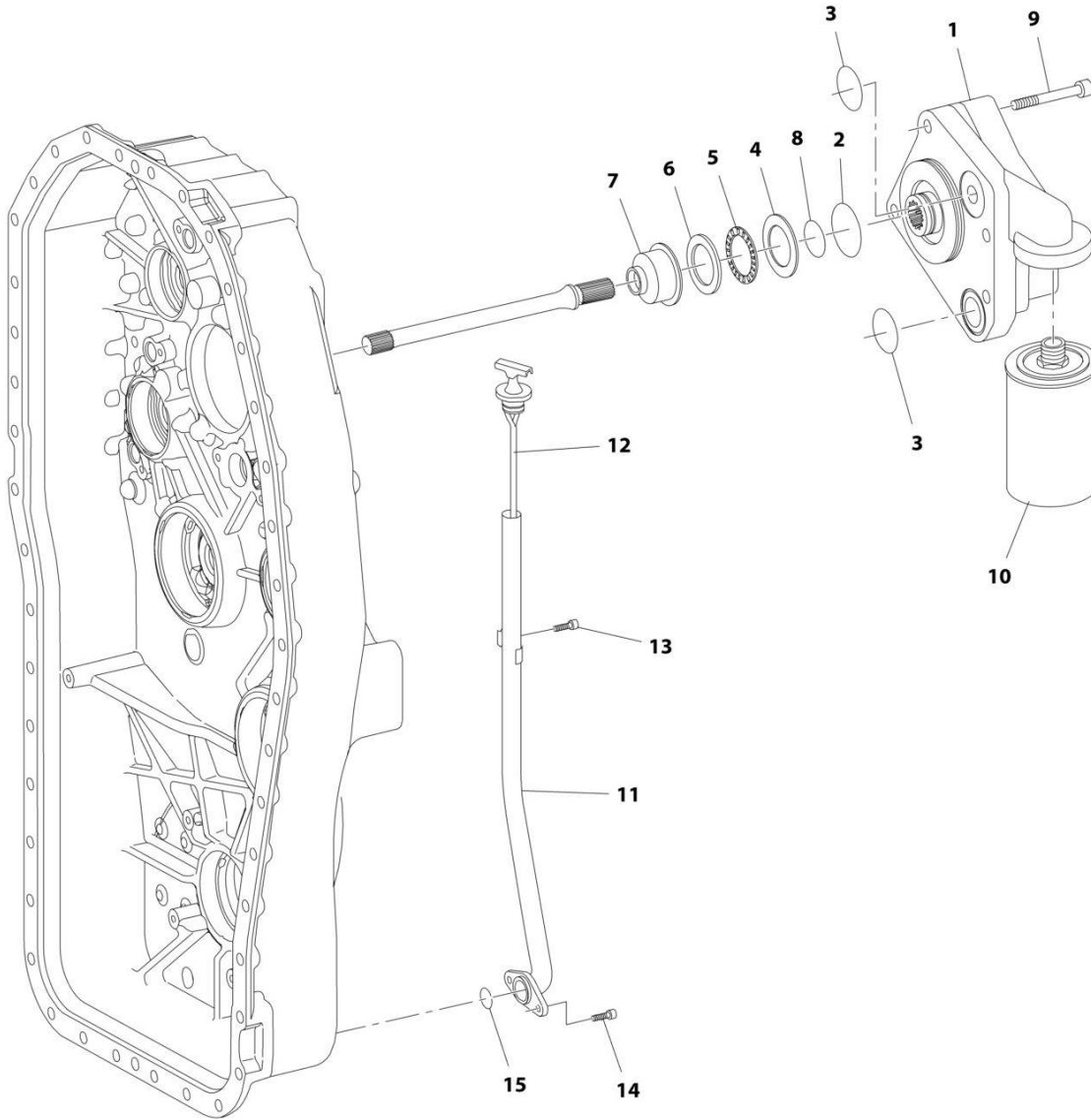
SECTION 5 - DRIVE TRAIN

FIGURE 5-15. TRANSMISSION, VALVE BLOCK ASSEMBLY

ITEM	PART NUMBER	QTY	DESCRIPTION	REV
	8841036	Ref	TRANSMISSION - VALVE BLOCK ASSEMBLY	
	1319717	Ref	Valve Block Assembly	
1	70020427	1	Block, Valve	
2	1319710	3	Piston	
3	1319696	3	Spring, Compression	
4	1319702	3	Valve, Solenoid	
5	10732063	3	Plate, Fixing	
6	1319703	3	Bolt, M5X12	
7	1319711	1	Harness, Wiring	
8	1319707	1	Clamp, Retaining	
9	1319712	1	Gasket	
10	1319713	1	Cover	
11	1319714	9	Bolt, M5X32	
12	1319715	9	Washer, 5.3	
13	1319670	3	Plug, Screw M10X1	
14	10731709	3	O-Ring	

SECTION 5 - DRIVE TRAIN

FIGURE 5-16. TRANSMISSION, OIL PUMP AND FILTER



ART_8841036_15-C

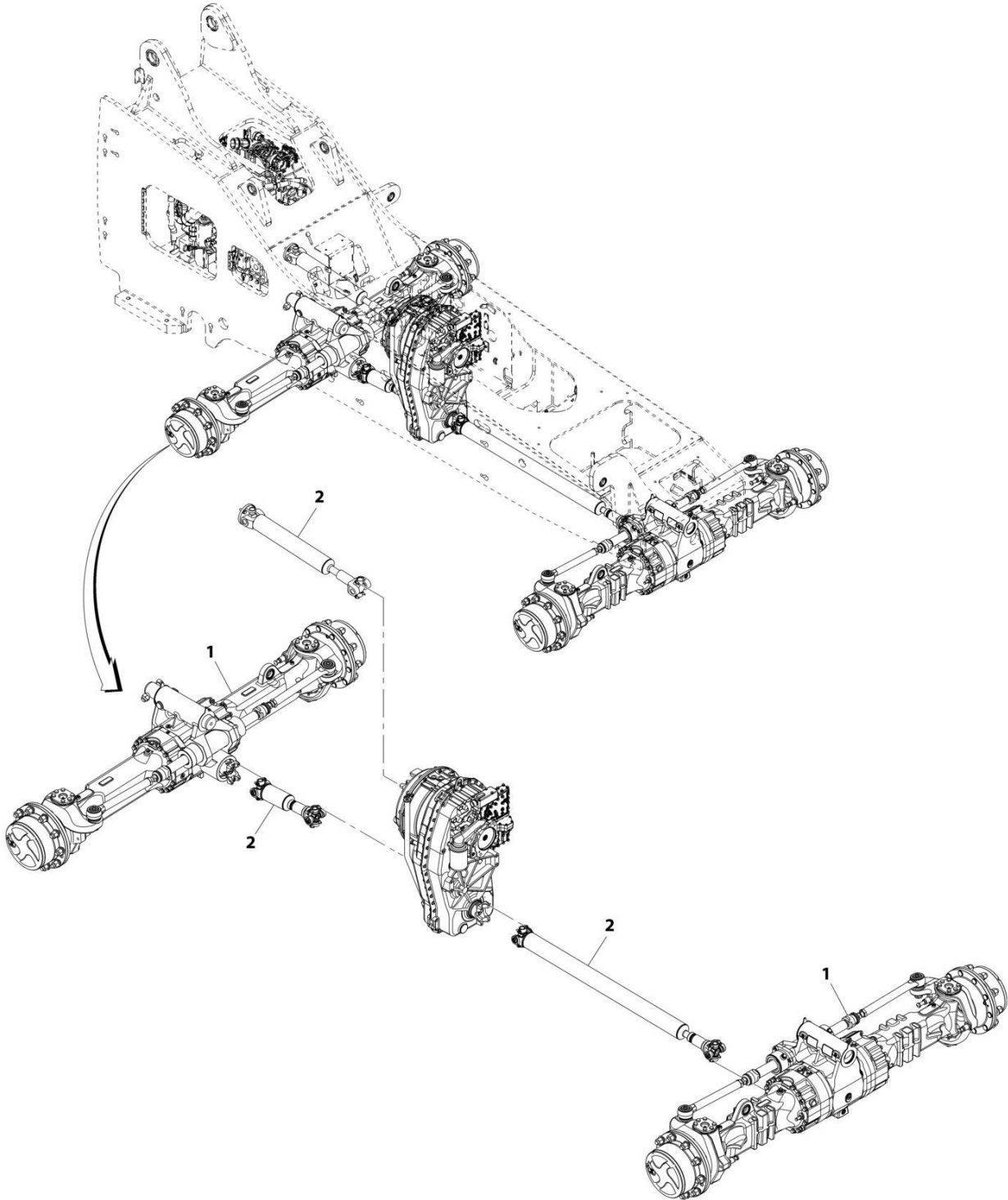
SECTION 5 - DRIVE TRAIN

FIGURE 5-16. TRANSMISSION, OIL PUMP AND FILTER

ITEM	PART NUMBER	QTY	DESCRIPTION	REV
	8841036	Ref	TRANSMISSION - OIL PUMP AND FILTER	
1	1319718	1	Pump	
1	7029417	1	O-Ring, (between pump halves), (not shown)	
2	8036250	1	O-Ring	
3	1319719	2	O-Ring	
4	1319720	1	Washer, Axial 40X60X1	
5	1319721	1	Cage, Axial Needle	
6	1319722	1	Disc, Angle	
7	1319723	1	Sleeve, Stop	
8	1319724	1	O-Ring	
9	1319725	4	Bolt, M12X115	
10	1319726	1	Filter, Transmission Oil	
11	8036041	1	Tube, Dipstick	
12	8036042	1	Dipstick	
13	1319585	1	Screw, M8X16	
14	1319582	1	Screw, M8X20	
15	70023885	1	O-Ring	

SECTION 5 - DRIVE TRAIN

FIGURE 5-17. DRIVETRAIN INSTALLATION



ART_1001242748-A

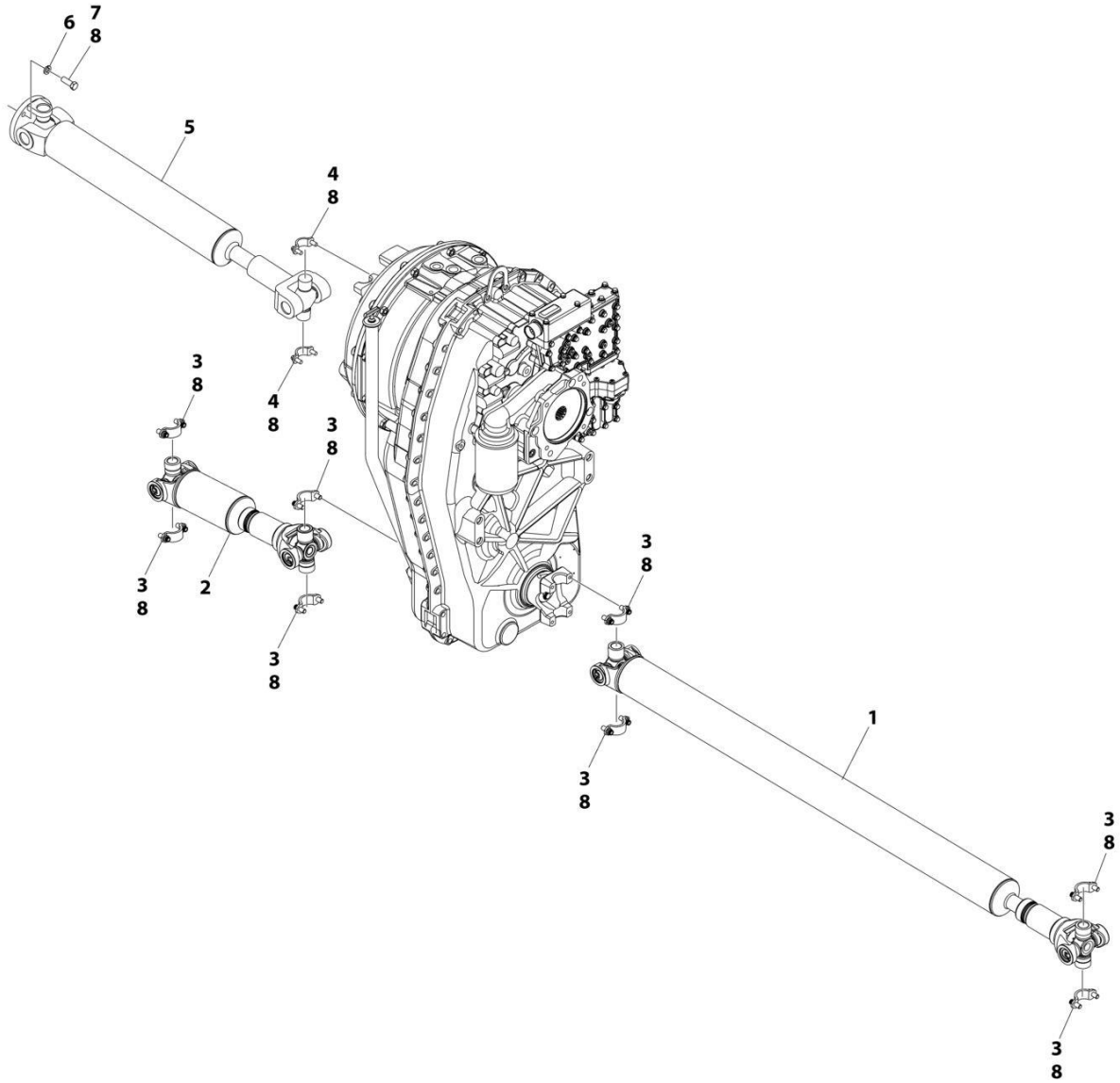
SECTION 5 - DRIVE TRAIN

FIGURE 5-17. DRIVETRAIN INSTALLATION

ITEM	PART NUMBER	QTY	DESCRIPTION	REV
	1001242748	Ref	Drivetrain Installation	A
1	1001242749	1	Installation, Axle (See Separate Breakdown in this Section)	
2	1001242750	1	Installation, Driveshafts (See Separate Breakdown in this Section)	

SECTION 5 - DRIVE TRAIN

FIGURE 5-18. DRIVESHAFTS INSTALLATION



ART_1001242750

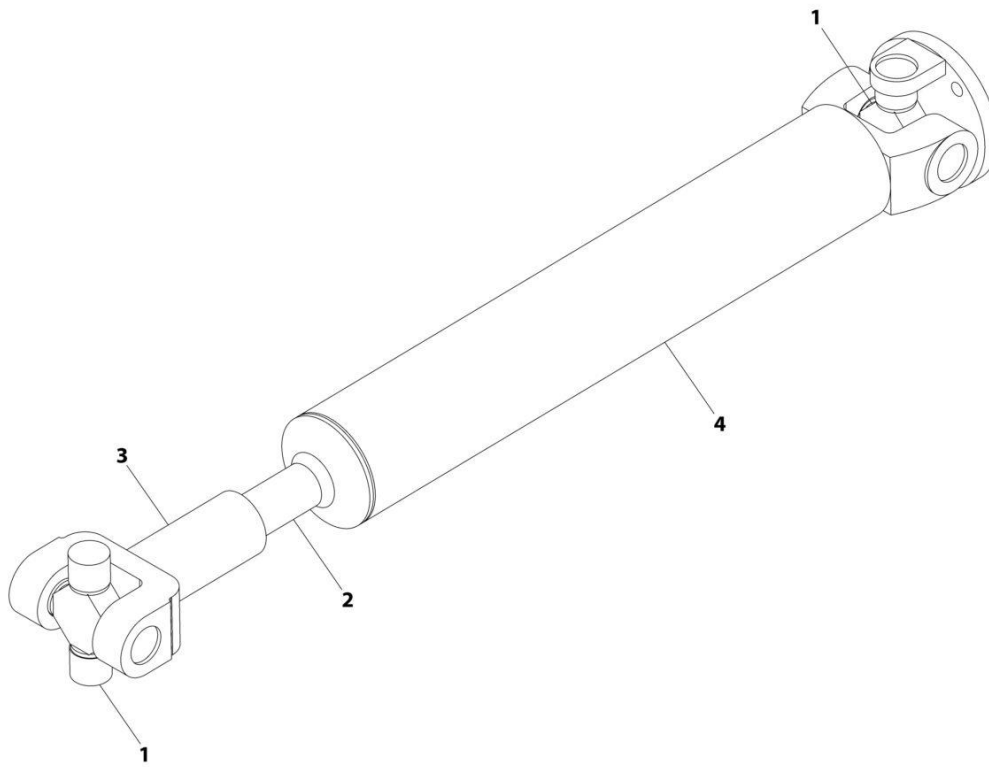
SECTION 5 - DRIVE TRAIN

FIGURE 5-18. DRIVESHAFTS INSTALLATION

ITEM	PART NUMBER	QTY	DESCRIPTION	REV
	1001242750	Ref	DRIVESHAFTS INSTALLATION	C
1	1001222870	1	Shaft, Front Drive	
2	1023036000	1	Shaft, Rear Drive	
3	8880218-OM	4	Strap Kit	
4	8880219-OM	1	Strap Kit	
5	1001127784	1	Shaft, Input (See Separate Breakdown in this Section)	
6	8307006	4	Washer	
7	8310425	4	Bolt 5/16 x 1-1/4 Grade 8	
8	0100011	AR	Compound, Locking	

SECTION 5 - DRIVE TRAIN

FIGURE 5-19. DRIVE SHAFT INPUT



ART_1001127784-C

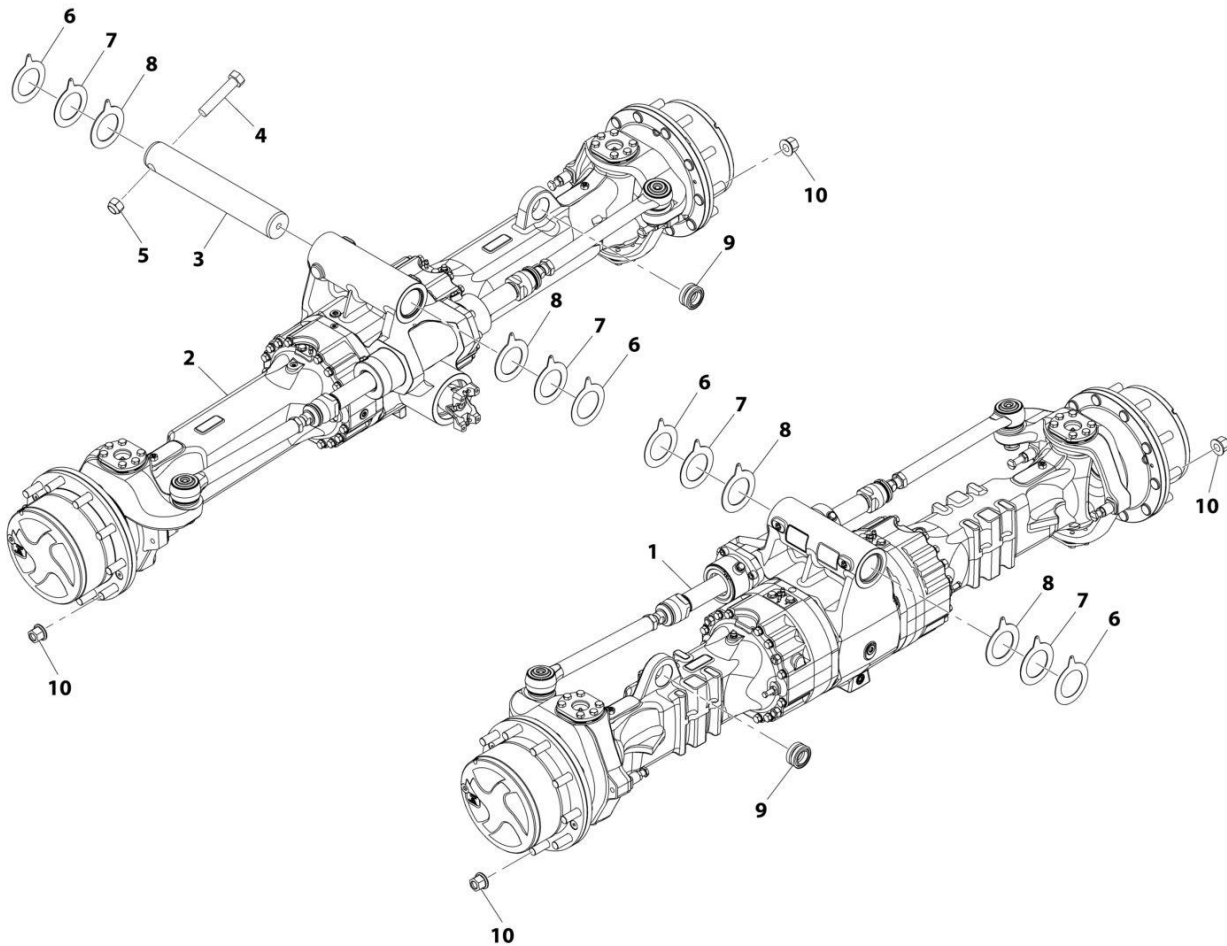
SECTION 5 - DRIVE TRAIN

FIGURE 5-19. DRIVE SHAFT INPUT

ITEM	PART NUMBER	QTY	DESCRIPTION	REV
	1001127784	Ref	Drive Shaft Input Assembly	C
1	1101841	2	Kit, Cross and Bearing	
2	8035109	1	Kit, Dust Cap	
3	See Note	NSS	Joint, Slip (Note: Purchase Complete Assembly)	
4	See Note	NSS	Shaft, Yoke (Note: Purchase Complete Assembly)	

SECTION 5 - DRIVE TRAIN

FIGURE 5-20. AXLE INSTALLATION



ART_1001242749-C

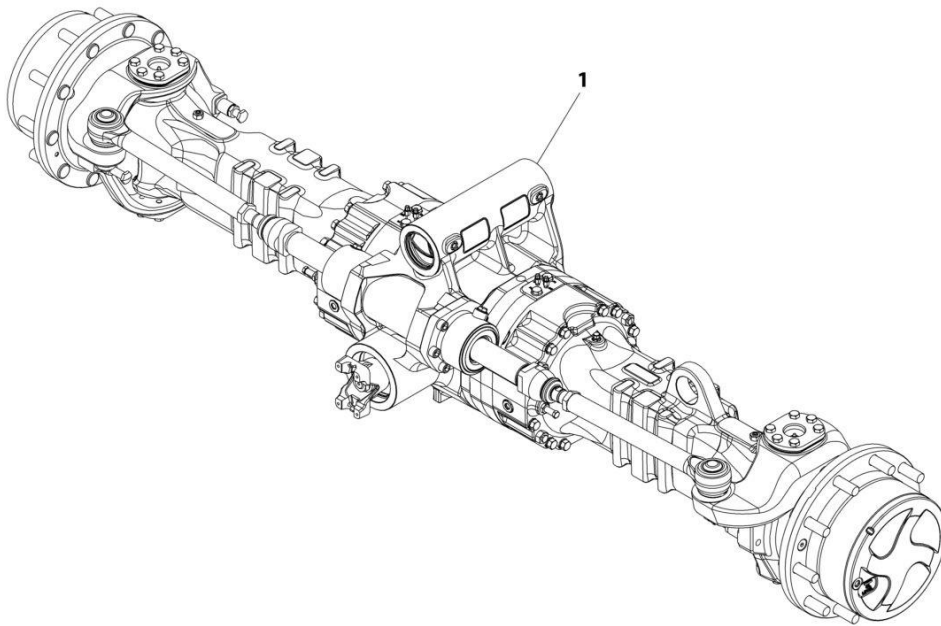
SECTION 5 - DRIVE TRAIN

FIGURE 5-20. AXLE INSTALLATION

ITEM	PART NUMBER	QTY	DESCRIPTION	REV
	1001242749	Ref	Axle Installation	C
1	1005798200	1	Front Axle (See Separate Breakdown in this Section)	
2	1010278300	1	Rear Axle (See Separate Breakdown in this Section)	
3	3423254	1	Pin	
4	0642640	1	Bolt	
5	8310116	1	Nut	
6	1001245213	AR	Shim	
7	1001245214	AR	Shim	
8	1001245215	AR	Shim	
9	8050001	2	Bearing, Self-Align	
10	91403193	40	Nut M22 x 1-1/2	

SECTION 5 - DRIVE TRAIN

FIGURE 5-21. FRONT AXLE



ART_1005798200_E

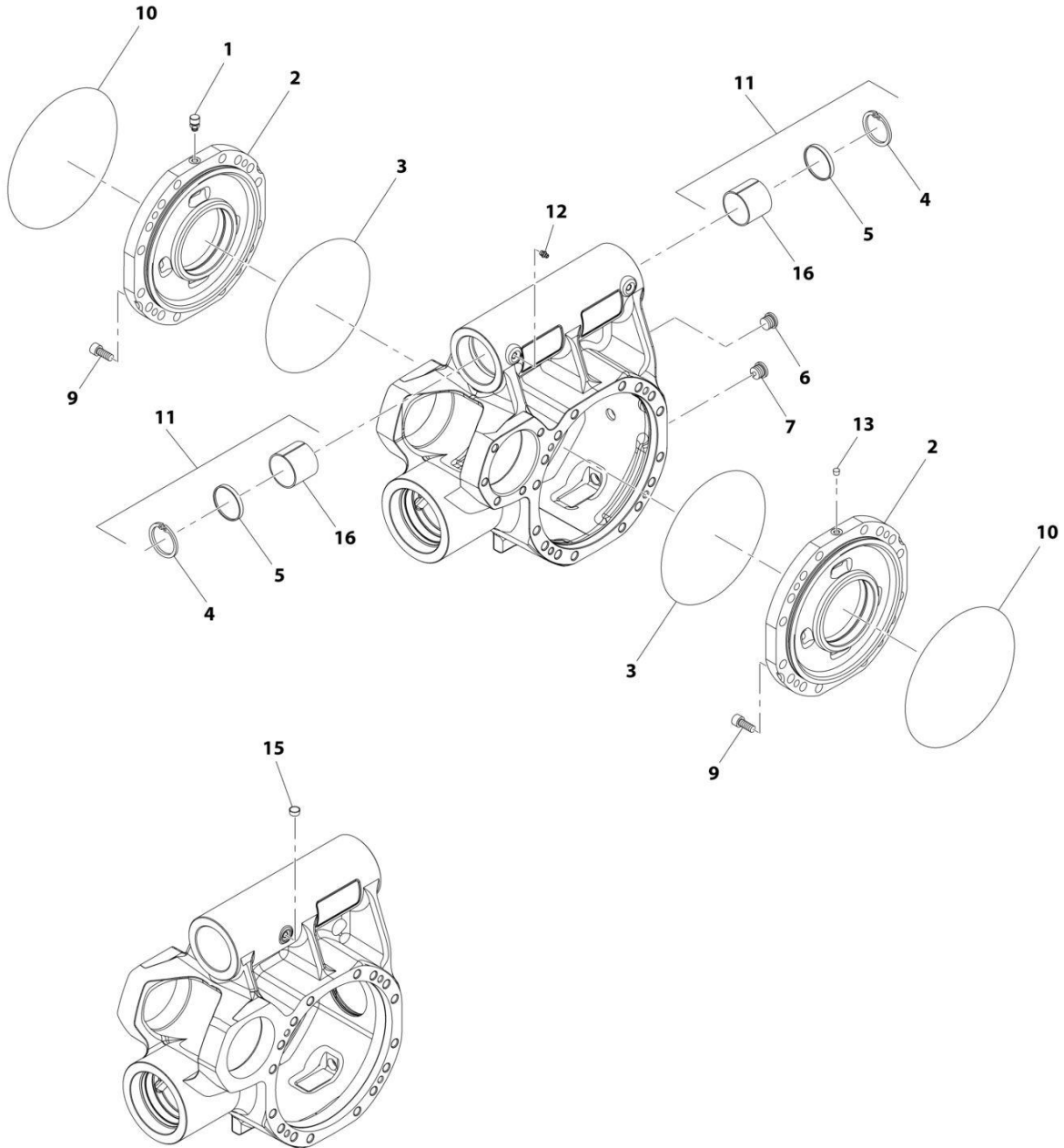
SECTION 5 - DRIVE TRAIN

FIGURE 5-21. FRONT AXLE

ITEM	PART NUMBER	QTY	DESCRIPTION	REV
1	1005798200	Ref	Front Axle	E
		Ref	Front Axle, Central Housing (See Separate Breakdown in this Section)	
		Ref	Front Axle, Differential (See Separate Breakdown in this Section)	
		Ref	Front Axle, Hub Reduction (See Separate Breakdown in this Section)	
		Ref	Front Axle, Brakes (See Separate Breakdown in this Section)	
		Ref	Front Axle, Steering (See Separate Breakdown in this Section)	

SECTION 5 - DRIVE TRAIN

FIGURE 5-22. FRONT AXLE - CENTRAL HOUSING



ART_1005798200-1

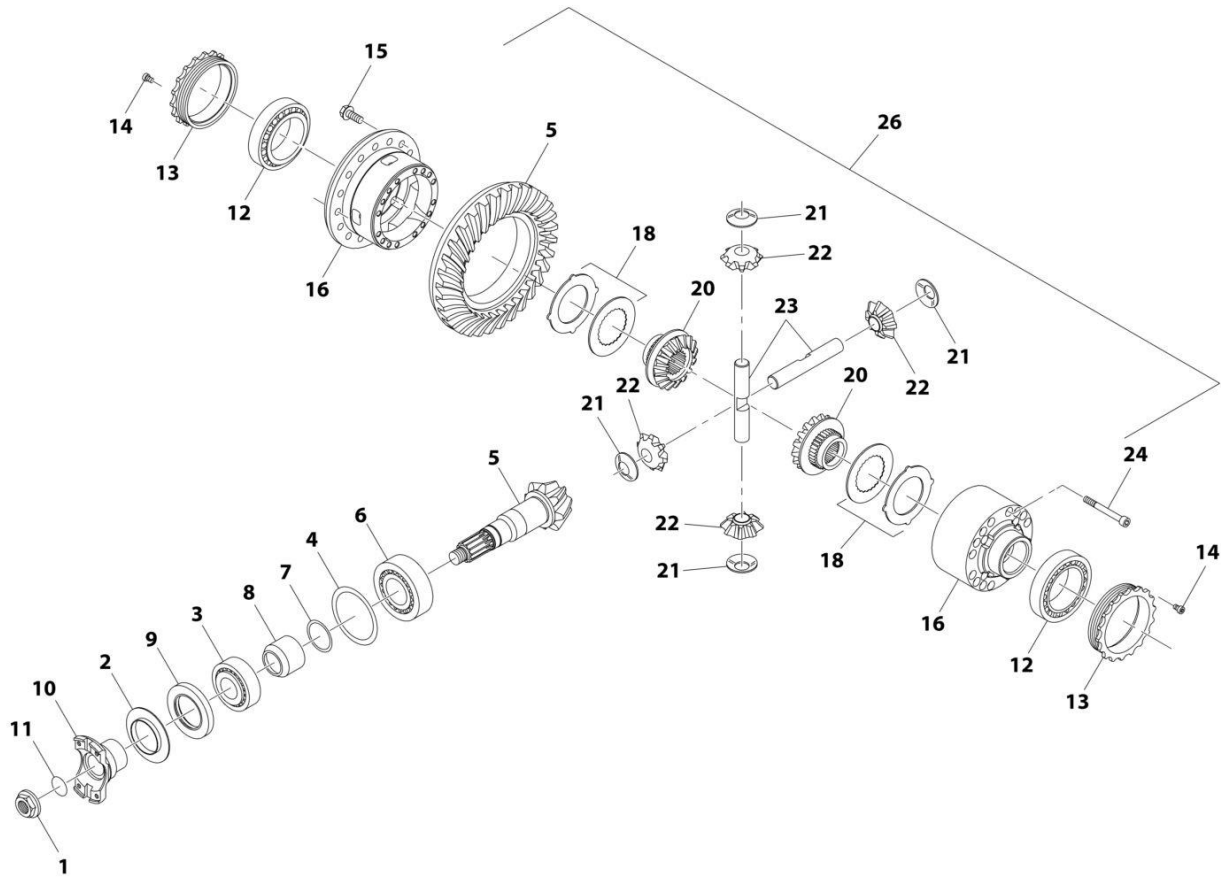
SECTION 5 - DRIVE TRAIN

FIGURE 5-22. FRONT AXLE - CENTRAL HOUSING

ITEM	PART NUMBER	QTY	DESCRIPTION	REV
	1005798200	Ref	FRONT AXLE, CENTRAL HOUSING	E
1	91474512	1	Vent	
2	7029288	2	Intermediate Cover	
3	80204002	2	O-Ring	
4	70028939	2	Ring	
5	70028974	2	Seal	
6	70028389	1	Plug	
7	70028388	1	Plug	
9	91514101	8	Bolt	
10	91514089	2	O-Ring	
11	70029482	1	Housing	
12	70024881	2	Grease Fitting	
13	80204012	1	Plug	
15	70028938	1	Plug	
16	70028886	2	Thrust Bushing	

SECTION 5 - DRIVE TRAIN

FIGURE 5-23. FRONT AXLE - DIFFERENTIAL



ART_1005798200-2

SECTION 5 - DRIVE TRAIN

FIGURE 5-23. FRONT AXLE - DIFFERENTIAL

ITEM	PART NUMBER	QTY	DESCRIPTION	REV
	1005798200	Ref	FRONT AXLE, DIFFERENTIAL	E
1	80204043	1	Nut	
2	91514130	1	Cover Plate	
3	80204048	1	Taper Roller Bearing	
4	70029483	1	Shim Kit	
5	70028391	1	Bevel Gear Set	
6	80204035	1	Taper Roller Bearing	
7	70023494	1	Ring	
8	70022140	1	Spacer	
9	70025887	1	Seal	
10	91514131	1	Flange	
11	10725554	1	O-Ring	
12	80204033	2	Taper Roller Bearing	
13	91514133	2	Ring Nut	
14	91514134	2	Bolt	
15	70025562	16	Bolt	
16	70024004	1	Differential Carrier	
18	70026750	2	Clutch Disc	
20	70025856	2	Gear, Differential Side	
21	70027105	4	Friction Washer	
22	70025339	4	Differential Pinion	
23	70023490	2	Differential Shaft	
24	91514143	15	Bolt	
26	70028390	1	Differential	

SECTION 5 - DRIVE TRAIN

FIGURE 5-24. FRONT AXLE - HUB REDUCTION

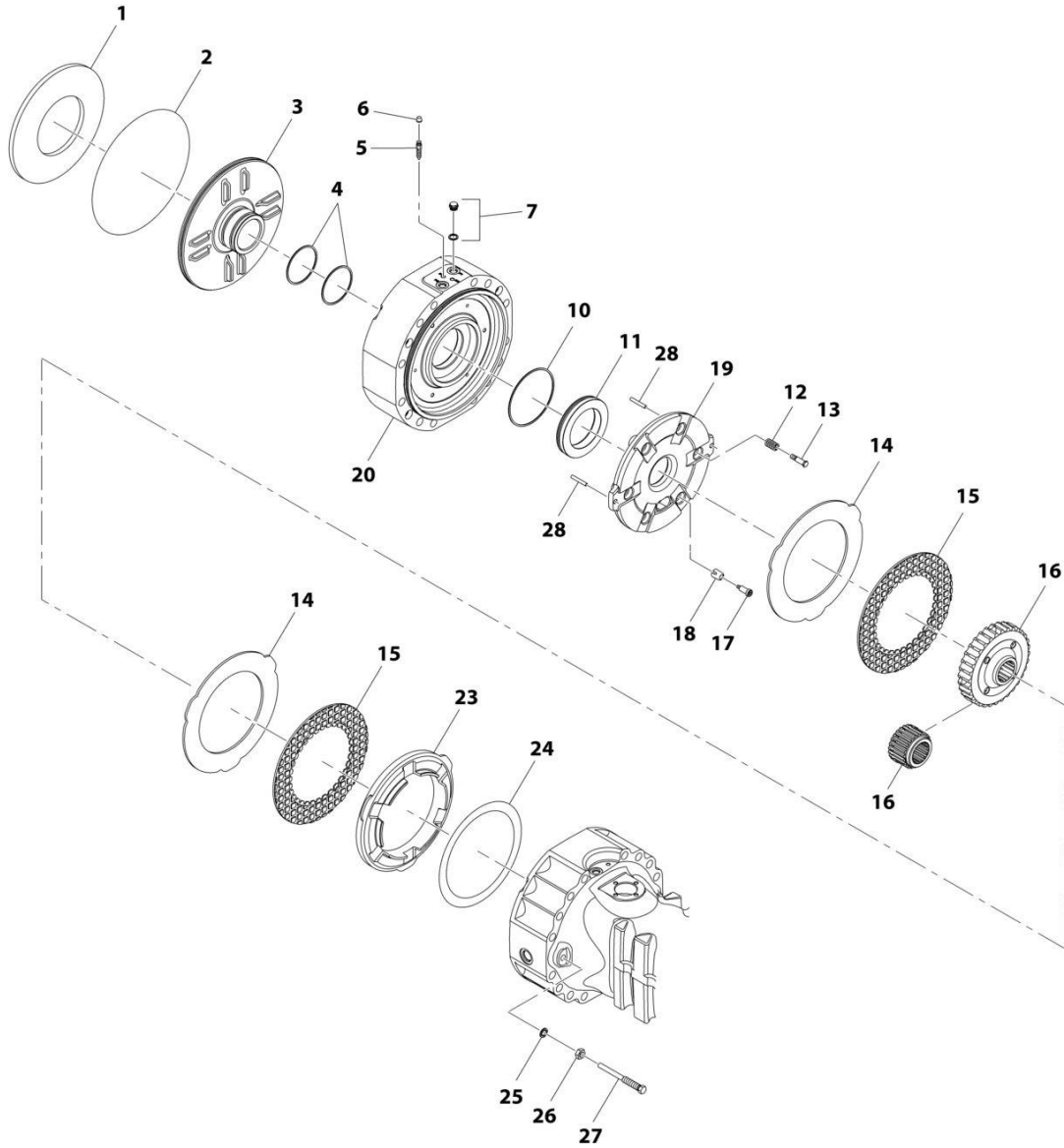
ITEM	PART NUMBER	QTY	DESCRIPTION	REV
	1005798200	Ref	FRONT AXLE, HUB REDUCTION	E
1	70029484	1	Axle Case	
2	91514081	2	Bolt	
3	91514082	2	Nut	
4	91514083	8	Nut	
5	91514084	8	Washer	
6	7029309	24	Bolt	
7	80204071	2	Circlip	
8	80204005	2	Circlip	
9	91514146	2	Bearing, Ball	
10	91514147	2	Seal	
11	91514148	2	O-Ring	
12	91514149	2	Reduction Bushing	
13	70026066	2	Double Universal Joint	
14	70025857	2	Seal	
15	91514111	2	Thrust Bushing	
16	70025562	24	Bolt	
18	70024881	4	Grease Fitting	
19	70028890	2	Pivot Pin	
20	70025561	1	Shim Kit	
21	7028716	4	Dust Seal	
23	7028714	2	Bushing	
24	91514095	2	Bearing	
25	70028891	2	Pivot Pin	
26	80204065	4	Nut	
27	70028975	4	Bolt	
30	70028388	2	Plug	
31	91514188	2	Plug	
32	70024851	8	Stud	
33	70026002	2	Seal	
34	80204076	4	Tapered Roller Bearing	
35	91514174	2	Wheel Hub	
36	91514175	2	Circlip	
37	70024147	2	Ring Gear	
38	91514177	2	Ring Gear Support	
40	70028926	8	Snap Ring	
41	70028924	8	Planet Gear	
43	70029486	2	Planet Gear Carrier	
45	70028389	2	Plug	
46	91514189	4	Bolt, Countersunk	
48	91514180	16	Stud	
49	91514181	2	O-Ring	
51	91514183	20	Wheel Stud	
52	70029454	2	Planet Gear Carrier Assembly	
53	91514089	2	O-Ring	
54	70029544	1	Axle Case	
61	7029311	4	Spacer	
62	70029488	1	Steering Case Assembly (LF)	
63	70029489	1	Steering Case Assembly (RF)	
66	70024146	2	Ring Gear Support Kit	

SECTION 5 - DRIVE TRAIN

ITEM	PART NUMBER	QTY	DESCRIPTION	REV
67	70028923	8	Tapered Roller Bearing	
68	70028922	8	Tapered Roller Bearing	
69	80204012	2	Plug	
73	70028392	2	Cover	
75	70023829	2	Joint Cross	
76	70023116	1	Center Body	
77	70029545	16	Nut	

SECTION 5 - DRIVE TRAIN

FIGURE 5-25. FRONT AXLE - BRAKES



ART_1005798200-4

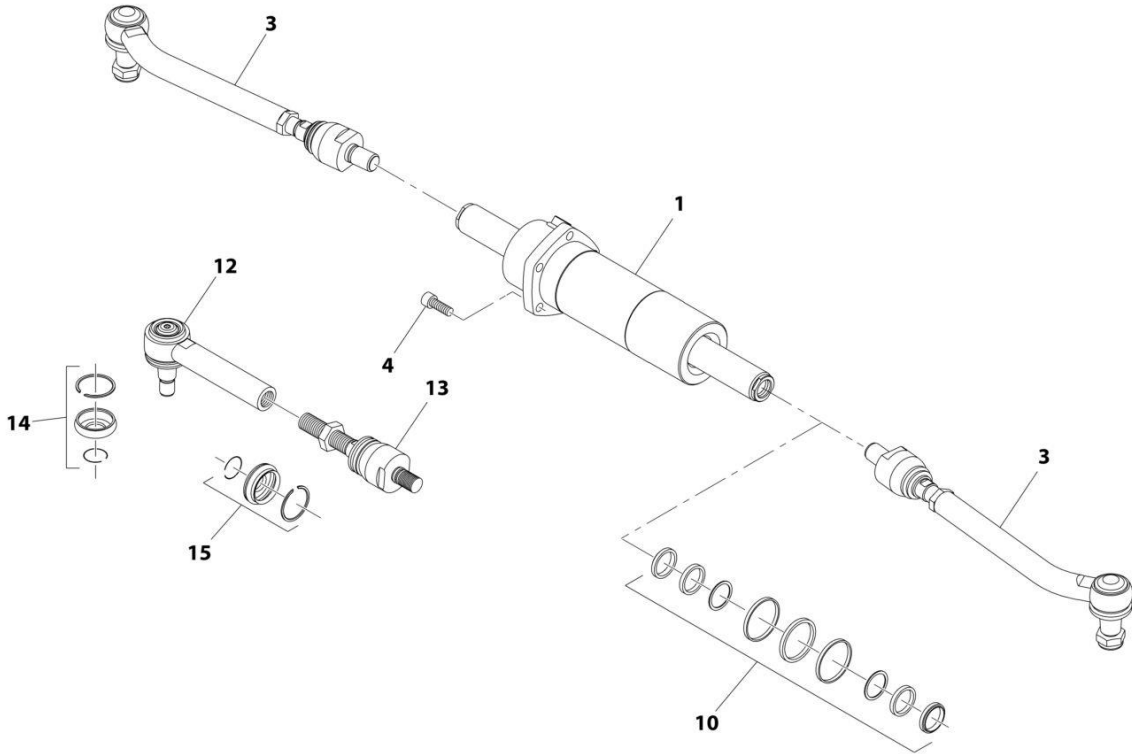
SECTION 5 - DRIVE TRAIN

FIGURE 5-25. FRONT AXLE - BRAKES

ITEM	PART NUMBER	QTY	DESCRIPTION	REV
	1005798200	Ref	FRONT AXLE, BRAKES	E
1	91514151	2	Belleville Washer	
2	91514089	2	O-Ring	
3	70027092	2	Piston	
4	70026262	4	Seal	
5	80204281	4	Bleeding Bolt	
6	80204117	4	Plug	
7	91514154	4	Bolt	
10	70026263	2	Seal	
11	70027796	2	Piston	
12	91514159	6	Spring	
13	70024210	6	Adjusting Bolt	
14	70027022	6	Intermediate Brake Disc	
15	7029735	6	Brake Disc	
16	7029734	2	Reduction Bushing	
17	7029787	6	Adjusting Bolt	
18	70027317	6	Spring	
19	70024849	2	Disc, Intermediate Brake	
20	70024848	2	Cover	
23	70026264	2	Spacer	
24	70025970	1	Shim	
25	80204108	4	Lockwasher	
26	80204060	4	Nut	
27	70024213	4	Bolt, M22 x 245/2	
28	70024215	4	Dowel	

SECTION 5 - DRIVE TRAIN

FIGURE 5-26. FRONT AXLE - STEERING



ART_1005798200-5

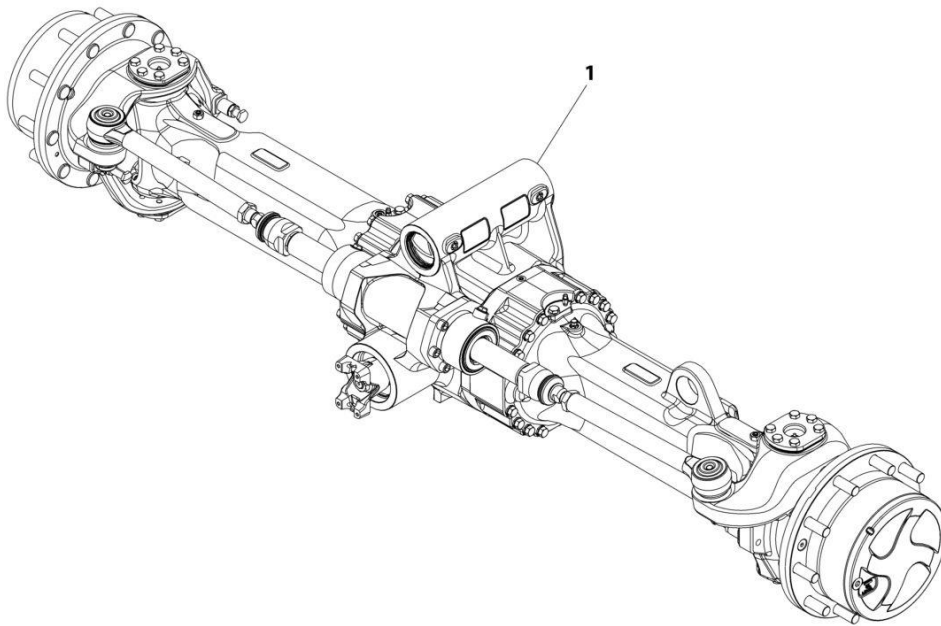
SECTION 5 - DRIVE TRAIN

FIGURE 5-26. FRONT AXLE - STEERING

ITEM	PART NUMBER	QTY	DESCRIPTION	REV
	1005798200	Ref	FRONT AXLE, STEERING	E
1	70028947	1	Cylinder	
3	70028948	2	Tie Rod	
4	80204144	5	Cylinder Bolt	
10	7029127	1	Seal Kit	
12	70028949	1	Joint, 90	
13	70028950	1	Axial Joint Shaft	
14	70028951	1	Rubber Boot and Locking Ring Kit	
15	70028952	1	Rubber Boot and Locking Ring Kit	

SECTION 5 - DRIVE TRAIN

FIGURE 5-27. REAR AXLE



ART_1010278300-C

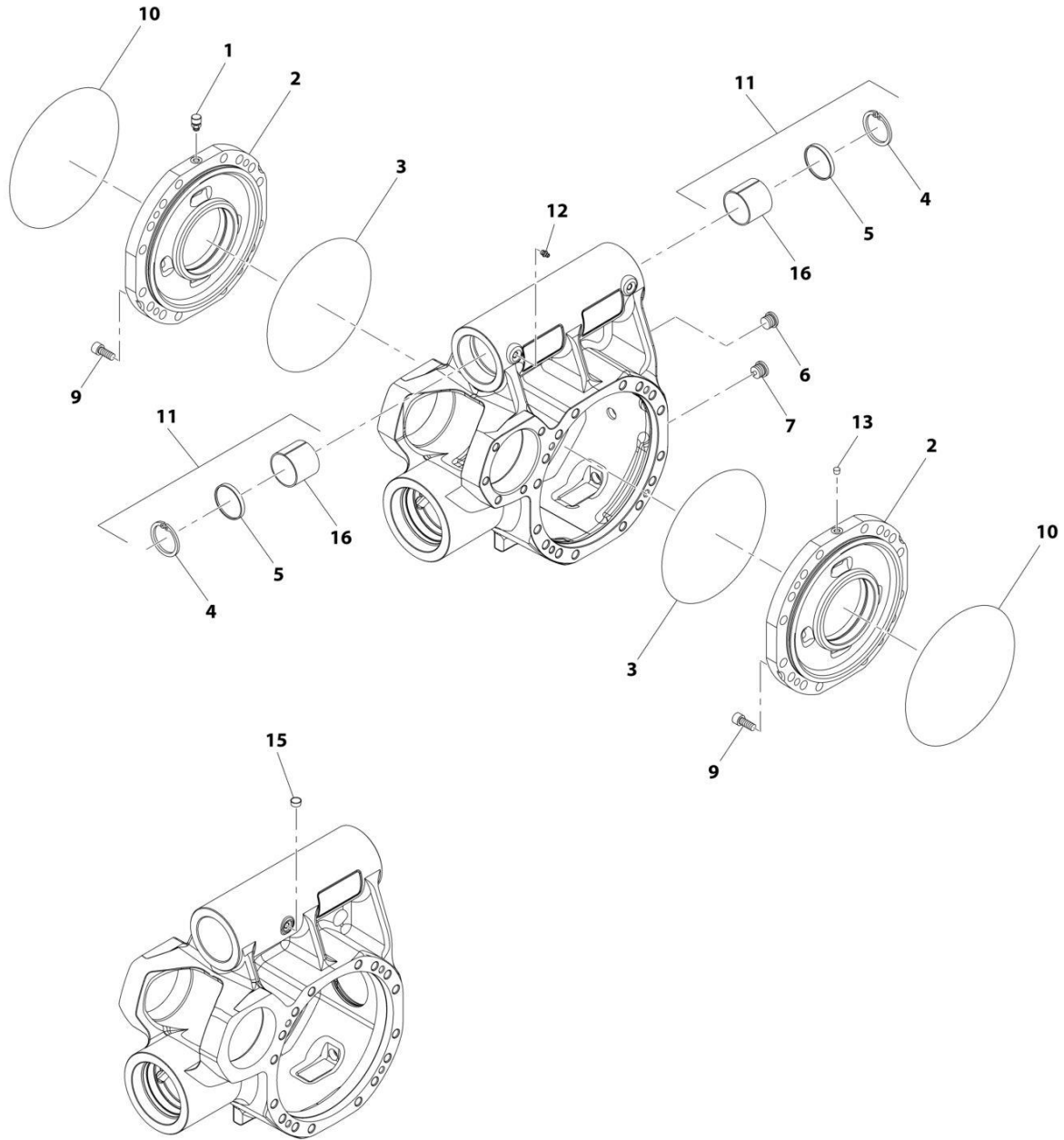
SECTION 5 - DRIVE TRAIN

FIGURE 5-27. REAR AXLE

ITEM	PART NUMBER	QTY	DESCRIPTION	REV
1	1010278300	Ref	Rear Axle	C
		Ref	Rear Axle, Central Housing (See Separate Breakdown in this Section)	
		Ref	Rear Axle, Differential (See Separate Breakdown in this Section)	
		Ref	Rear Axle, Hub Reduction (See Separate Breakdown in this Section)	
		Ref	Rear Axle, Brakes (See Separate Breakdown in this Section)	
		Ref	Rear Axle, Steering (See Separate Breakdown in this Section)	

SECTION 5 - DRIVE TRAIN

FIGURE 5-28. REAR AXLE - CENTRAL HOUSING



ART_1010278300-1

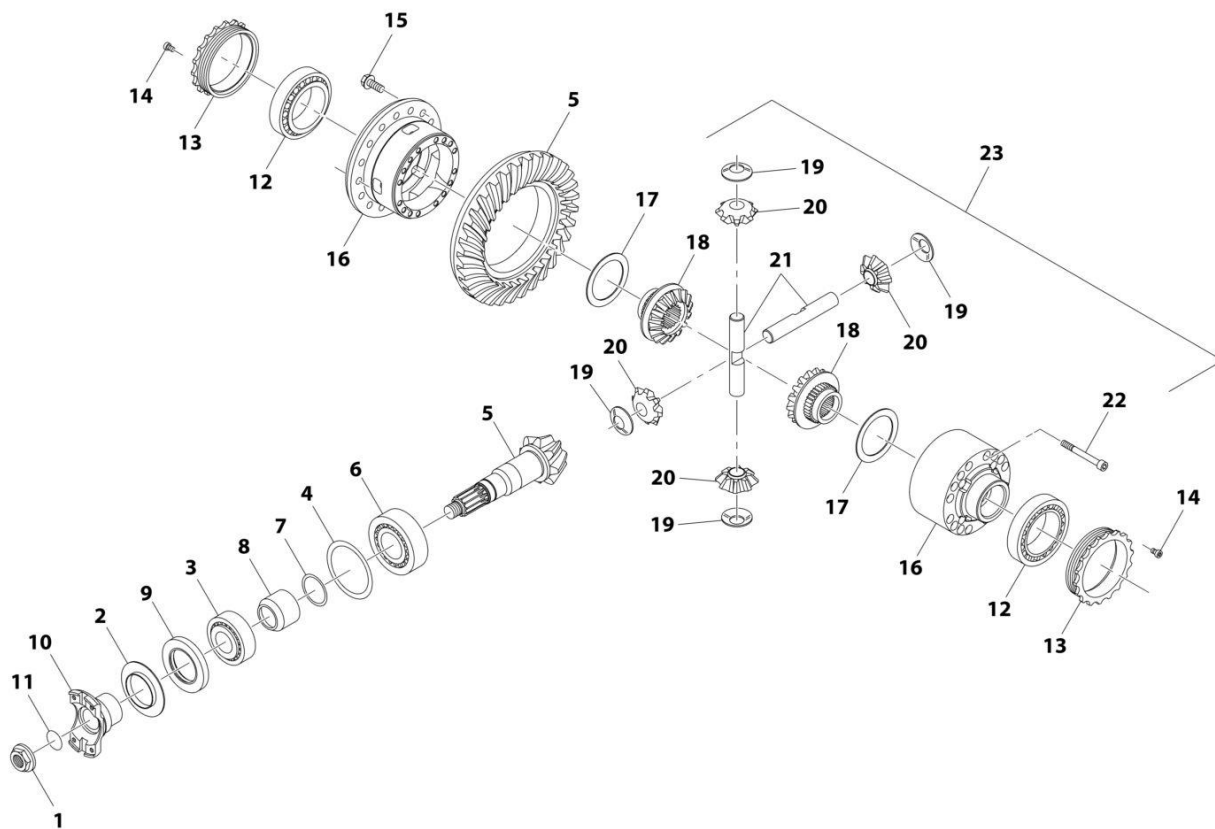
SECTION 5 - DRIVE TRAIN

FIGURE 5-28. REAR AXLE - CENTRAL HOUSING

ITEM	PART NUMBER	QTY	DESCRIPTION	REV
	1010278300	Ref	REAR AXLE, CENTRAL HOUSING	C
1	91474512	1	Vent	
2	7029288	2	Intermediate Cover	
3	80204002	2	O-Ring	
4	70028939	2	Ring	
5	70028974	2	Seal	
6	70028389	1	Plug	
7	70028388	1	Plug	
9	91514101	8	Bolt	
10	91514089	2	O-Ring	
11	70029482	1	Housing	
12	70024881	2	Grease Fitting	
13	80204012	1	Plug	
15	70028938	1	Plug	
16	70028886	2	Thrust Bushing	

SECTION 5 - DRIVE TRAIN

FIGURE 5-29. REAR AXLE - DIFFERENTIAL



ART_1010278300-2

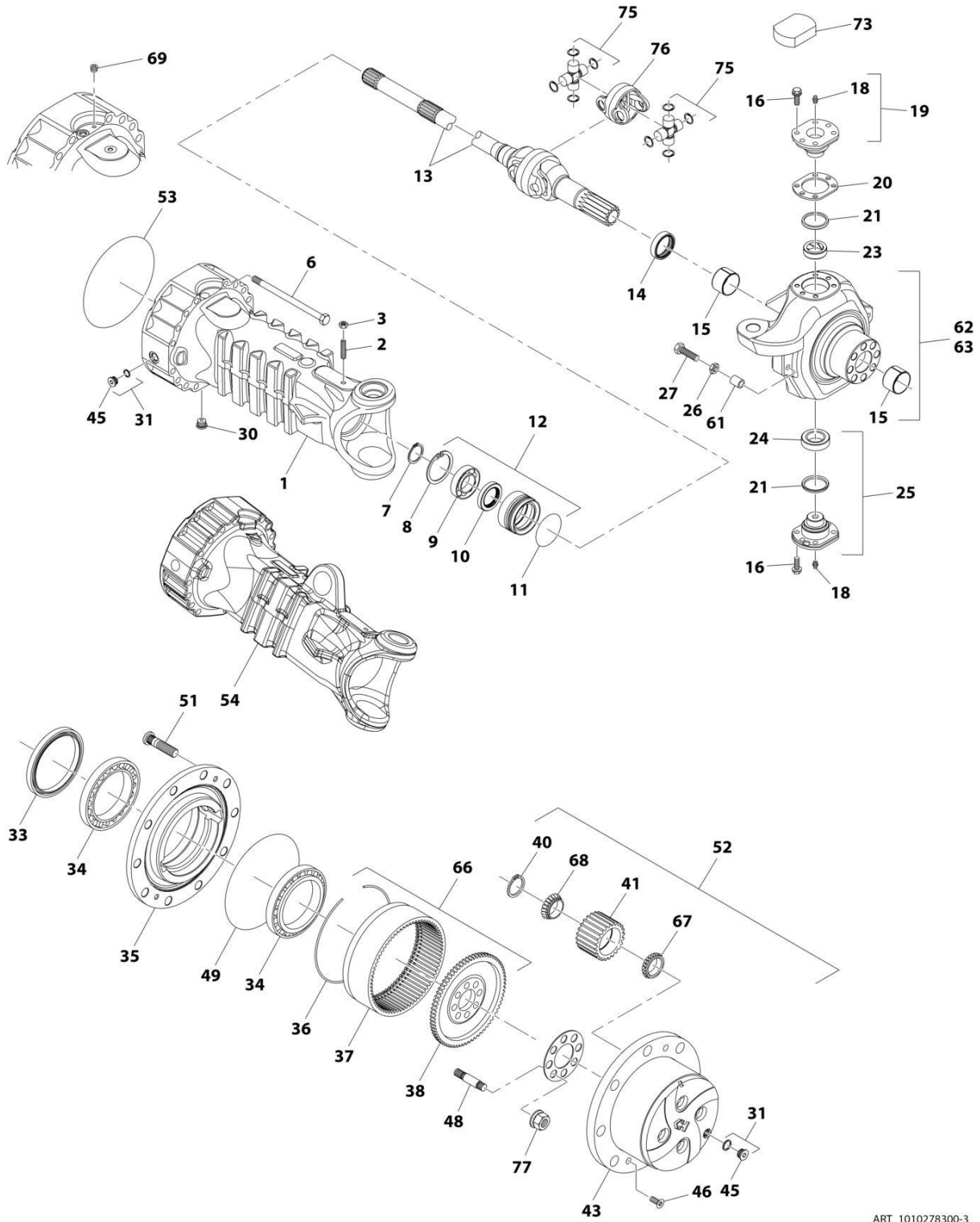
SECTION 5 - DRIVE TRAIN

FIGURE 5-29. REAR AXLE - DIFFERENTIAL

ITEM	PART NUMBER	QTY	DESCRIPTION	REV
	1010278300	Ref	REAR AXLE, DIFFERENTIAL	C
1	80204043	1	Nut	
2	91514130	1	Cover Plate	
3	80204048	1	Taper Roller Bearing	
4	70029483	1	Shim Kit	
5	70028399	1	Bevel Gear Set	
6	80204035	1	Taper Roller Bearing	
7	70023494	1	Ring	
8	70022140	1	Spacer	
9	70025887	1	Seal	
10	91514131	1	Flange	
11	10725554	1	O-Ring	
12	80204033	2	Taper Roller Bearing	
13	91514133	2	Ring Nut	
14	91514134	2	Bolt	
15	70025562	16	Bolt	
16	70025337	1	Differential Carrier	
17	70023493	2	Friction Washer	
18	70025338	2	Differential Side Gear	
19	70027105	4	Friction Washer	
20	70025339	4	Differential Pinion	
21	70023490	2	Differential Shaft	
22	70023489	15	Bolt	
23	70028398	1	Differential Kit	

SECTION 5 - DRIVE TRAIN

FIGURE 5-30. REAR AXLE - HUB REDUCTION



ART_1010278300-3

SECTION 5 - DRIVE TRAIN

FIGURE 5-30. REAR AXLE - HUB REDUCTION

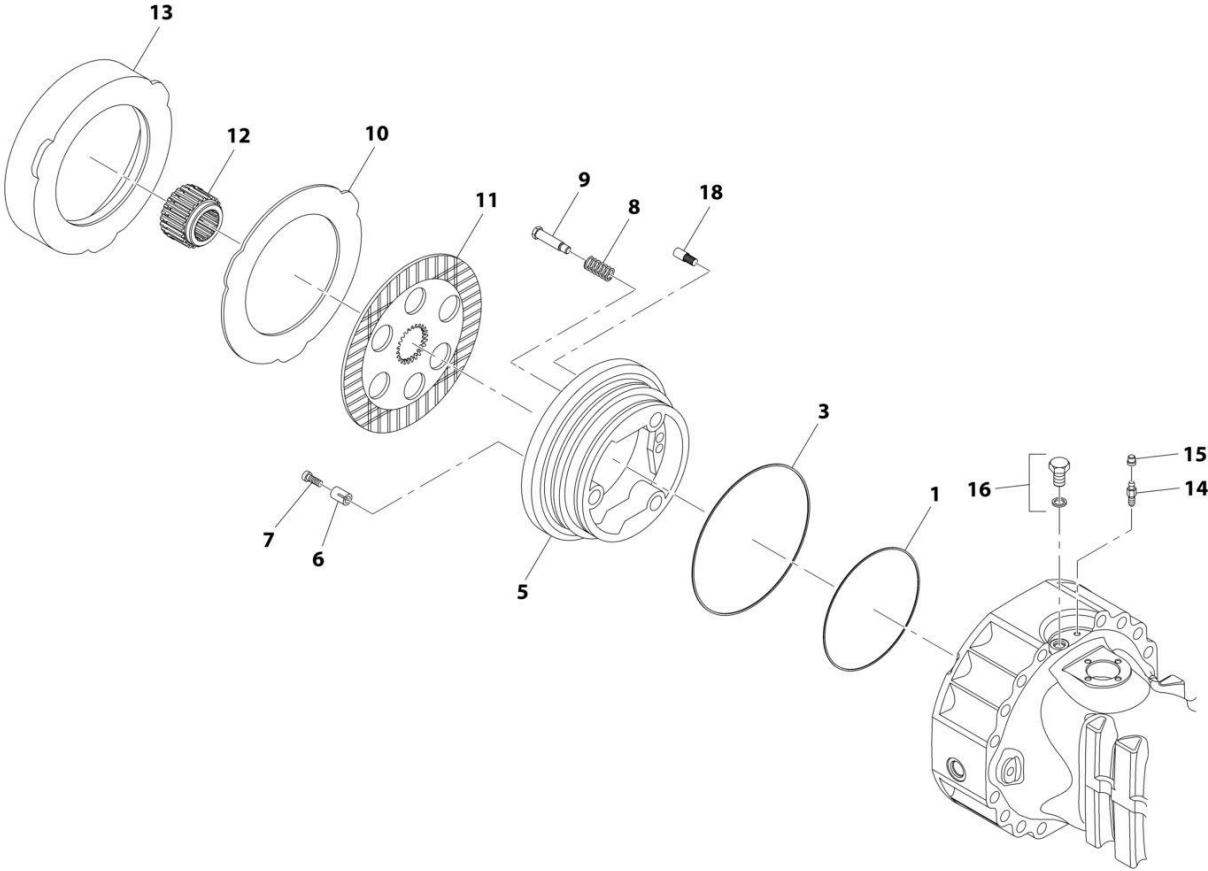
ITEM	PART NUMBER	QTY	DESCRIPTION	REV
	1010278300	Ref	REAR AXLE, HUB REDUCTION	C
1	70029850	1	Axle Case	
2	91514081	2	Bolt	
3	91514082	2	Nut	
6	70028397	32	Bolt	
7	80204071	2	Circlip	
8	80204005	2	Circlip	
9	91514146	2	Ball Bearing	
10	91514147	2	Seal	
11	91514148	2	O-Ring	
12	91514149	2	Reduction Bushing	
13	70026066	2	Double Universal Joint	
14	70025857	2	Seal	
15	91514111	2	Thrust Bushing	
16	70025562	24	Bolt	
18	70024881	4	Grease Fitting	
19	70028890	2	Pivot Pin	
20	70025561	1	Shim Kit	
21	7028716	4	Dust Seal	
23	7028714	2	Bushing	
24	91514095	2	Bearing	
25	70028891	2	Pivot Pin	
26	80204065	4	Nut	
27	70028975	4	Bolt	
30	70028388	2	Plug	
31	91514188	2	Plug	
33	70026002	2	Seal	
34	80204076	4	Taper Roller Bearing	
35	91514174	2	Wheel Hub	
36	91514175	2	Circlip	
37	70024147	2	Ring Gear	
38	91514177	2	Ring Gear Support	
40	70028926	8	Snap Ring	
41	70028924	8	Planet Gear	
43	70029486	2	Planet Gear Carrier	
45	70028389	2	Plug	
46	91514189	4	Bolt, Countersunk	
48	91514180	16	Stud	
49	91514181	2	O-Ring	
51	91514183	20	Wheel Stud	
52	70029454	2	Planet Gear Carrier Assembly	
53	91514089	2	O-Ring	
54	70029851	1	Axle Case	
61	7029311	4	Spacer	
62	70029488	1	Steering Case Assembly (LF)	
63	70029489	1	Steering Case Assembly (RF)	
66	70024146	2	Ring Gear Support Kit	
67	70028923	8	Tapered Roller Bearing	
68	70028922	8	Tapered Roller Bearing	
69	80204012	2	Plug	

SECTION 5 - DRIVE TRAIN

ITEM	PART NUMBER	QTY	DESCRIPTION	REV
73	70028392	2	Cover	
75	70023829	2	Cross Kit	
76	70023116	1	Center Body	
77	70029545	16	Nut	

SECTION 5 - DRIVE TRAIN

FIGURE 5-31. REAR AXLE - BRAKES



ART_1010278300-4

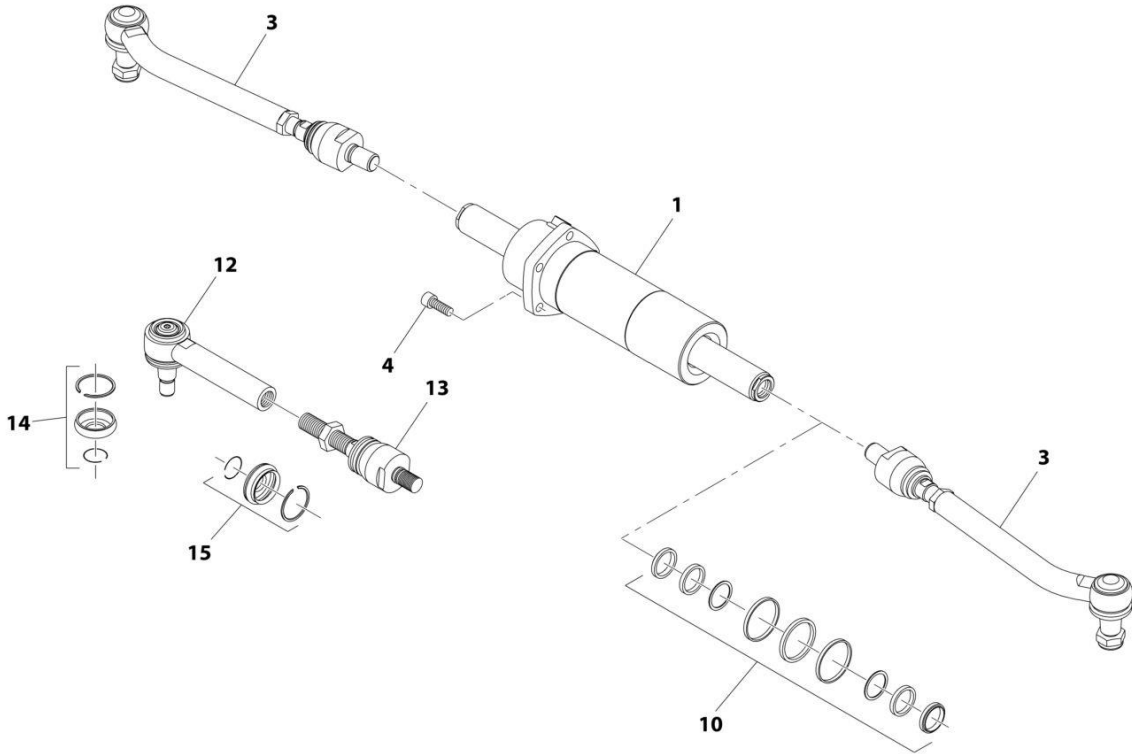
SECTION 5 - DRIVE TRAIN

FIGURE 5-31. REAR AXLE - BRAKES

ITEM	PART NUMBER	QTY	DESCRIPTION	REV
	1010278300	Ref	REAR AXLES, BRAKES	C
1	70026747	2	Seal	
3	70026748	2	Seal	
5	70024216	2	Piston	
6	70027317	6	Spring	
7	7029786	6	Adjusting Bolt	
8	91514159	6	Spring	
9	70024210	6	Adjusting Bolt	
10	70027022	4	Intermediate Brake Disc	
11	7029735	4	Brake Disc	
12	7029734	2	Reduction Bushing	
13	70029852	2	Spacer	
14	10725627	2	Bleeding Bolt	
15	80204117	2	Plug	
16	91514154	2	Bolt	
18	70021613	2	Pilot Body	

SECTION 5 - DRIVE TRAIN

FIGURE 5-32. REAR AXLE - STEERING



ART_1010278300-5

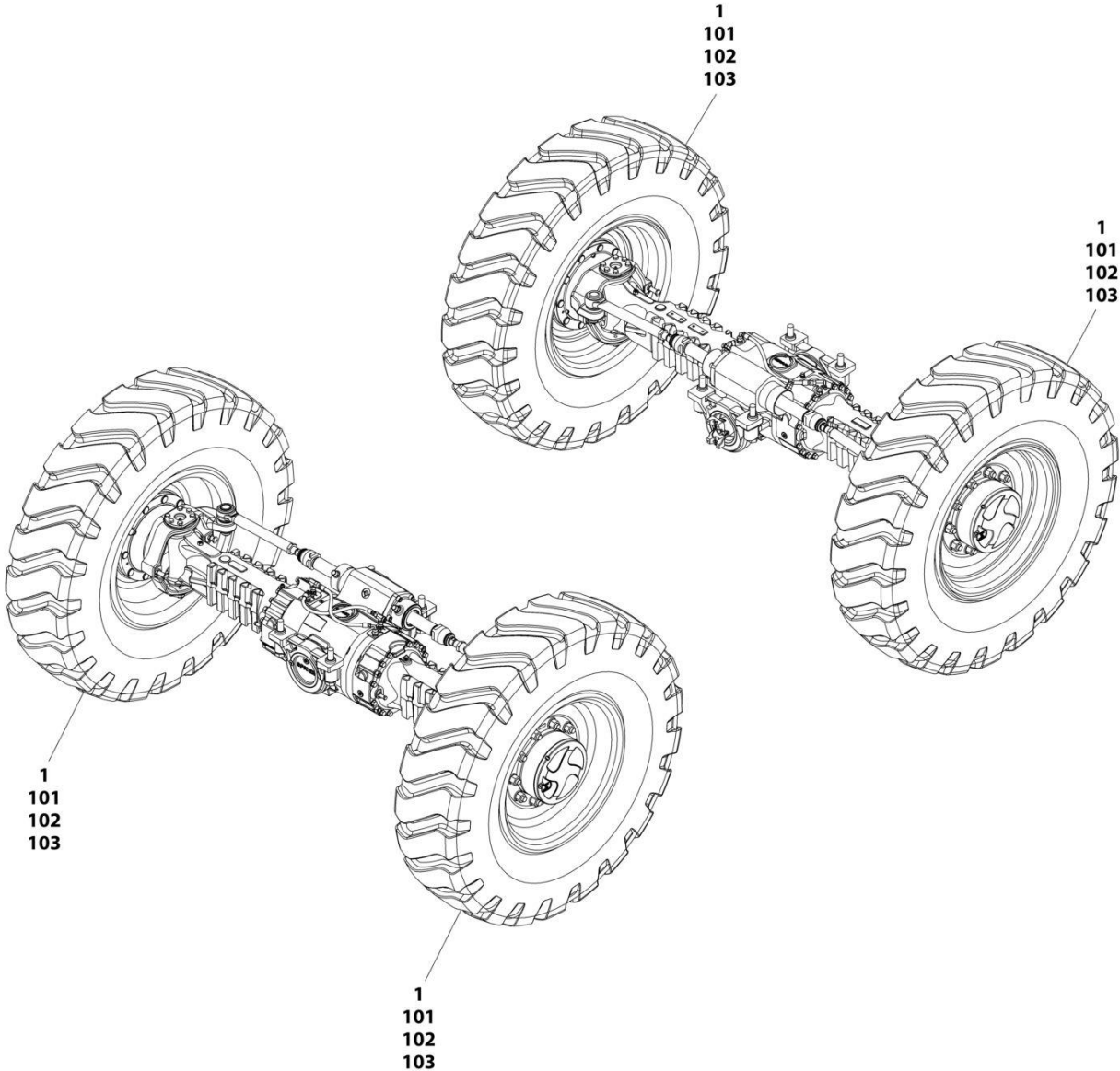
SECTION 5 - DRIVE TRAIN

FIGURE 5-32. REAR AXLE - STEERING

ITEM	PART NUMBER	QTY	DESCRIPTION	REV
	1010278300	Ref	REAR AXLE, STEERING	C
1	70028947	1	Cylinder	
3	70028948	2	Tie Rod	
4	80204144	5	Cylinder Bolt	
10	7029127	1	Seal Kit	
12	70028949	1	Joint, 90	
13	70028950	1	Axial Joint Shaft	
14	70028951	1	Rubber Boot and Locking Ring Kit	
15	70028952	1	Rubber Boot and Locking Ring Kit	

SECTION 5 - DRIVE TRAIN

FIGURE 5-33. TIRE SET, 14.00-24 FOAM



ART_1001264713

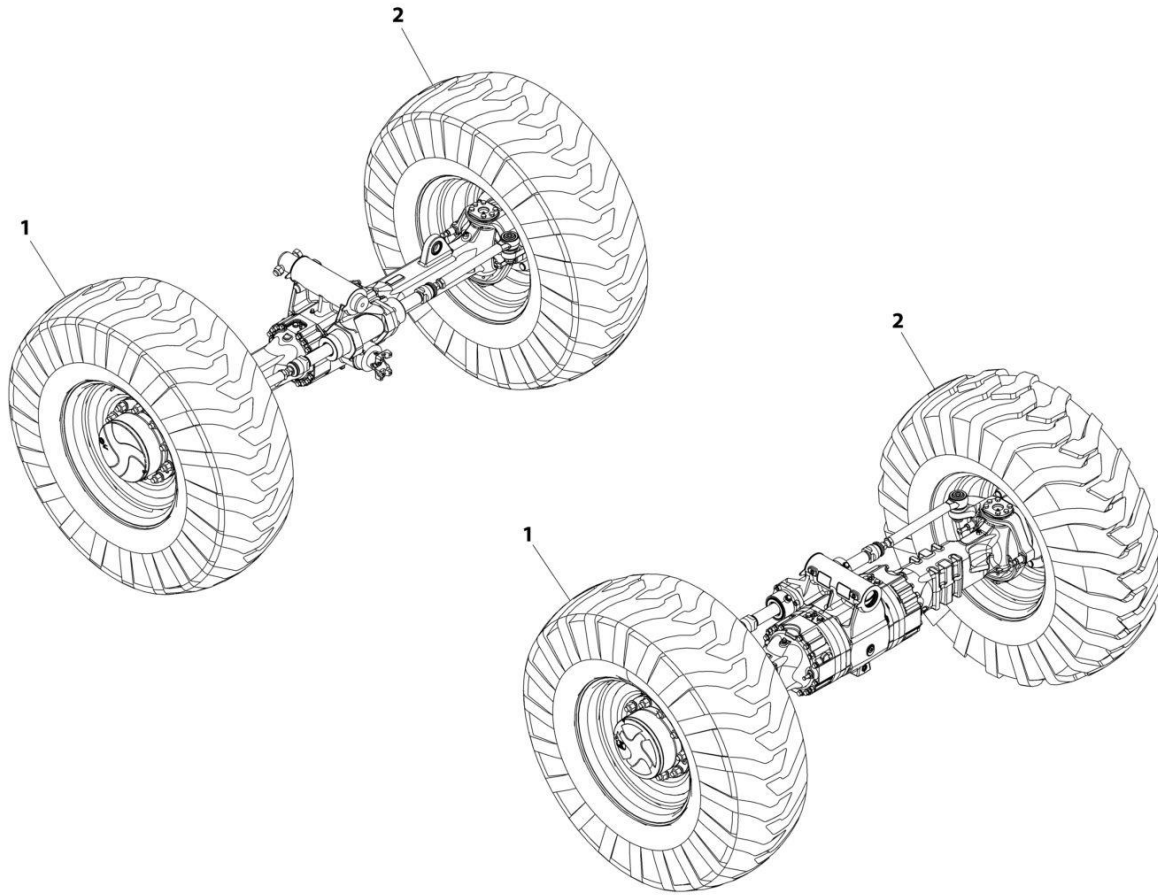
SECTION 5 - DRIVE TRAIN

FIGURE 5-33. TIRE SET, 14.00-24 FOAM

ITEM	PART NUMBER	QTY	DESCRIPTION	REV
	1001264713	Ref	TIRE WHEEL SET - 14.00-24 - FOAM-FILLED	A
		Ref	Note: Assemblies require ballast/foam filling to manufacture's specifications prior to installing on machine. Refer to Operation & Safety or Service & Maintenance Manuals.	
		Ref	Purchase individual tire and/or wheel only if able to foam fill tire & wheel assembly, otherwise purchase complete assembly.	
1	1001264700	4	Tire and Wheel Assembly	
101	8786514	4	Valve, Air (1 per assembly)	
102	91473206	4	Wheel (1 per assembly)	
103	1001263011	4	Tire 14.00-24 (1 per assembly)	

SECTION 5 - DRIVE TRAIN

FIGURE 5-34. TIRE SET, 17.5-25 PNEUMATIC G-2



ART_1001222217-C

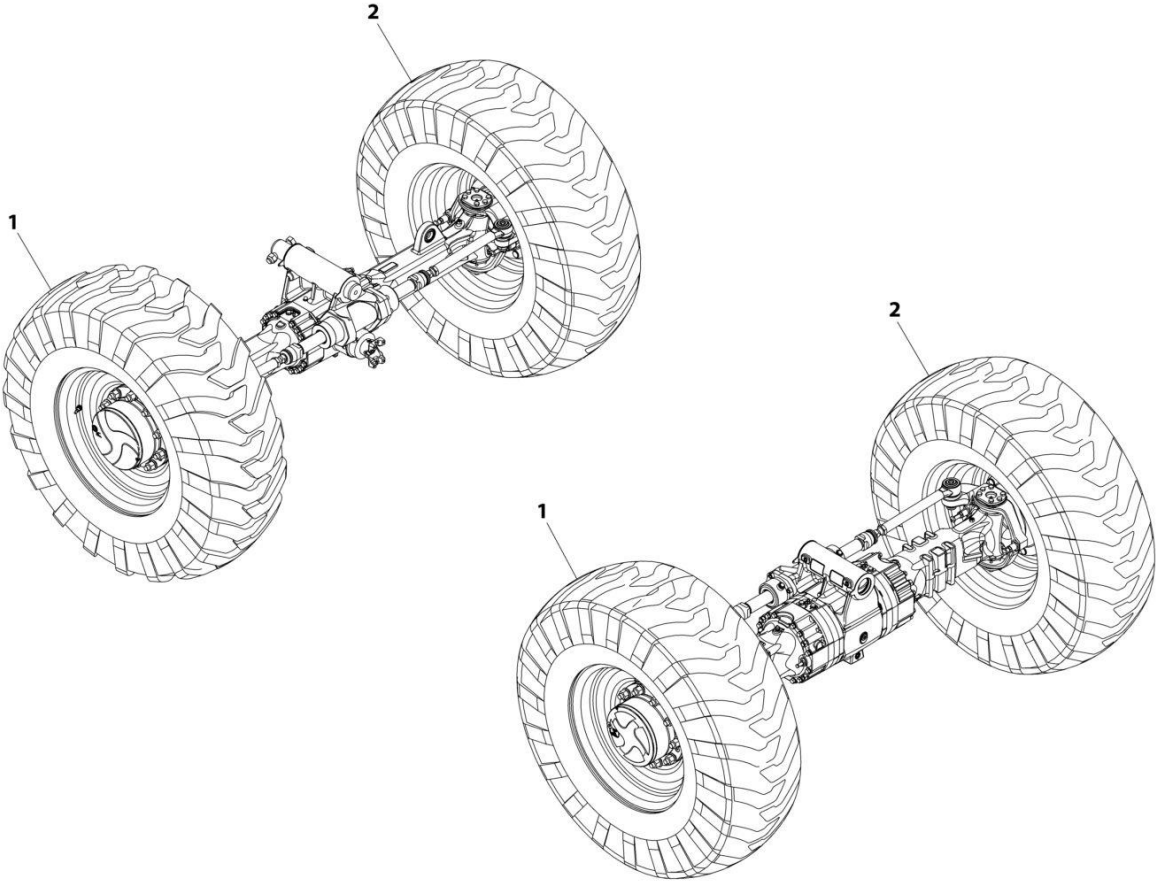
SECTION 5 - DRIVE TRAIN

FIGURE 5-34. TIRE SET, 17.5-25 PNEUMATIC G-2

ITEM	PART NUMBER	QTY	DESCRIPTION	REV
	1001222217	Ref	Tire Set, 17.5-25 Pneumatic	C
1	1001152415	2	Tire and Wheel Assembly (RH)	
1	91563250	2	Wheel (1 per assembly)	
1	8780039	2	Tire 17.2-25 16 Ply (1 per assembly)	
1	91083385	2	Valve, Air (1 per assembly)	
2	1001152416	2	Tire and Wheel Assembly (LH)	
2	91563250	2	Wheel (1 per assembly)	
2	8780039	2	Tire 17.2-25 16 Ply (1 per assembly)	
2	91083385	2	Valve, Air (1 per assembly)	

SECTION 5 - DRIVE TRAIN

FIGURE 5-35. TIRE SET, 17.5-25 FOAM G-2



ART_1001222218-C

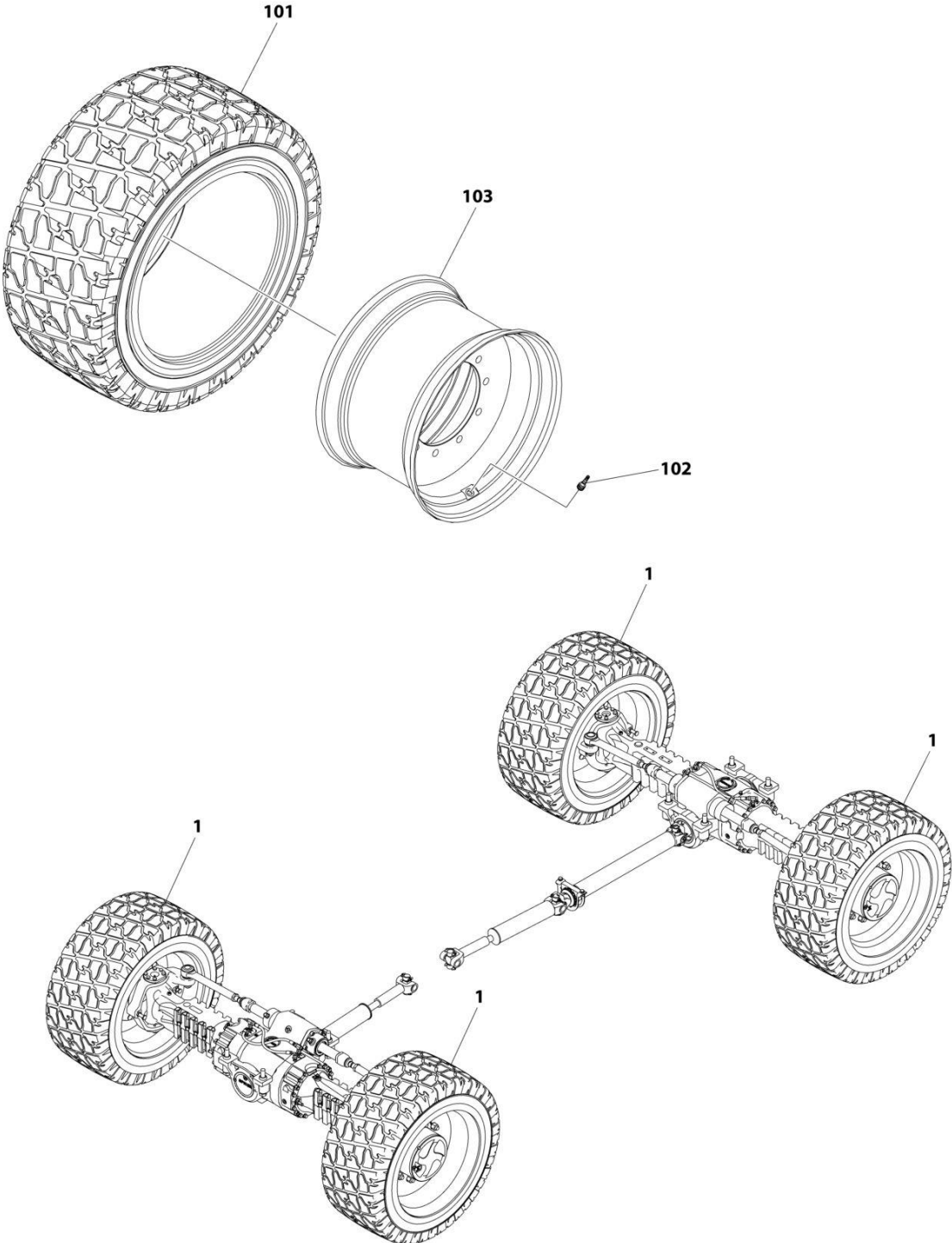
SECTION 5 - DRIVE TRAIN

FIGURE 5-35. TIRE SET, 17.5-25 FOAM G-2

ITEM	PART NUMBER	QTY	DESCRIPTION	REV
	1001222218	Ref	Tire Set, 17.5-25 Foam-Filled	C
		Ref	Note: Assemblies require ballast/foam filling to manufacture's specifications prior to installing on machine. Refer to Operation & Safety or Service & Maintenance Manuals.	
		Ref	Purchase individual tire and/or wheel only if able to foam fill tire & wheel assembly, otherwise purchase complete assembly.	
1	91565040	2	Tire and Wheel Assembly (RH)	
1	91563250	2	Wheel (1 per assembly)	
1	4520527	2	Tire 17.5-25 12 Ply (1 per assembly)	
1	91083385	2	Valve, Air (1 per assembly)	
2	91565039	2	Tire and Wheel Assembly (LH)	
2	91563250	2	Wheel (1 per assembly)	
2	4520527	2	Tire 17.5-25 12 Ply (1 per assembly)	
2	91083385	2	Valve, Air (1 per assembly)	

SECTION 5 - DRIVE TRAIN

FIGURE 5-36. TIRE SET, 18 X 625 TURF/SAND



ART_1001252986

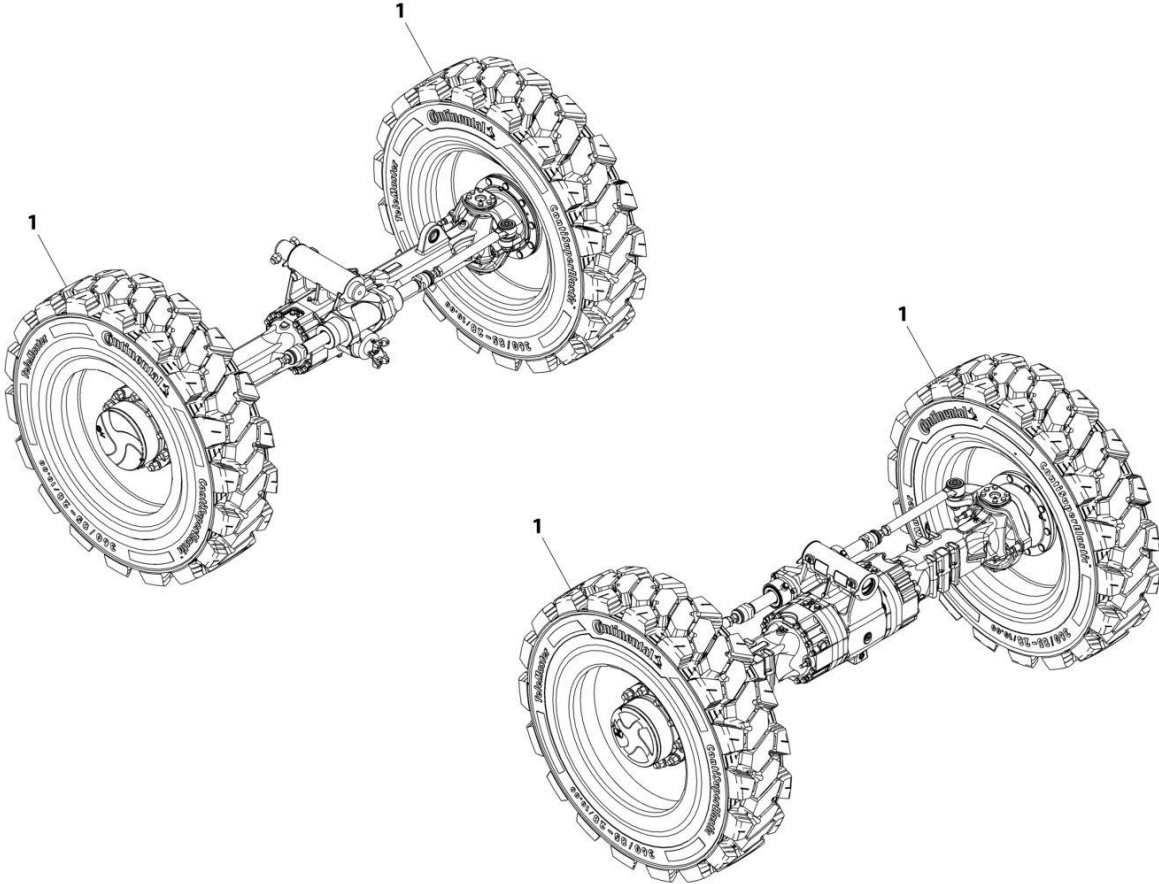
SECTION 5 - DRIVE TRAIN

FIGURE 5-36. TIRE SET, 18 X 625 TURF/SAND

ITEM	PART NUMBER	QTY	DESCRIPTION	REV
	1001252986	Ref	TIRE SET - 18 X 625 (TURF PNEUMATIC)	B
1	1001259635	4	Tire and Wheel Assembly	
101	4520356	4	Tire - 18 x 625 Turf/Sand (1 per assembly)	
102	4641122	4	Valve, Air (1 per assembly)	
103	1001246001	4	Wheel (1 per assembly)	

SECTION 5 - DRIVE TRAIN

FIGURE 5-37. TIRE SET, 360/85-28 SOLID



ART_1001222221-C

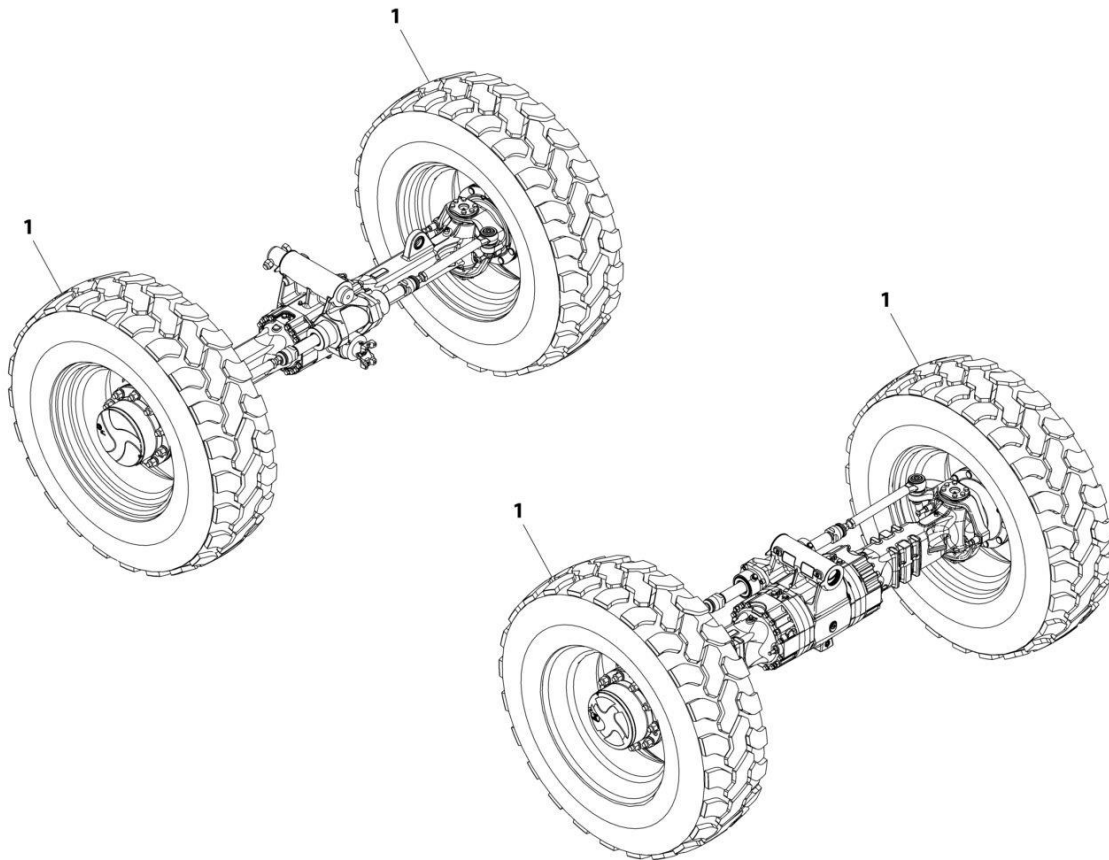
SECTION 5 - DRIVE TRAIN

FIGURE 5-37. TIRE SET, 360/85-28 SOLID

ITEM	PART NUMBER	QTY	DESCRIPTION	REV
1	1001222221	Ref	Tire Set, 360/85-28 Solid	C
	1001213200J	4	Tire, 360/85-28 Solid	

SECTION 5 - DRIVE TRAIN

FIGURE 5-38. TIRE SET, 400/75-28 PNEUMATIC



ART_1001222219-B

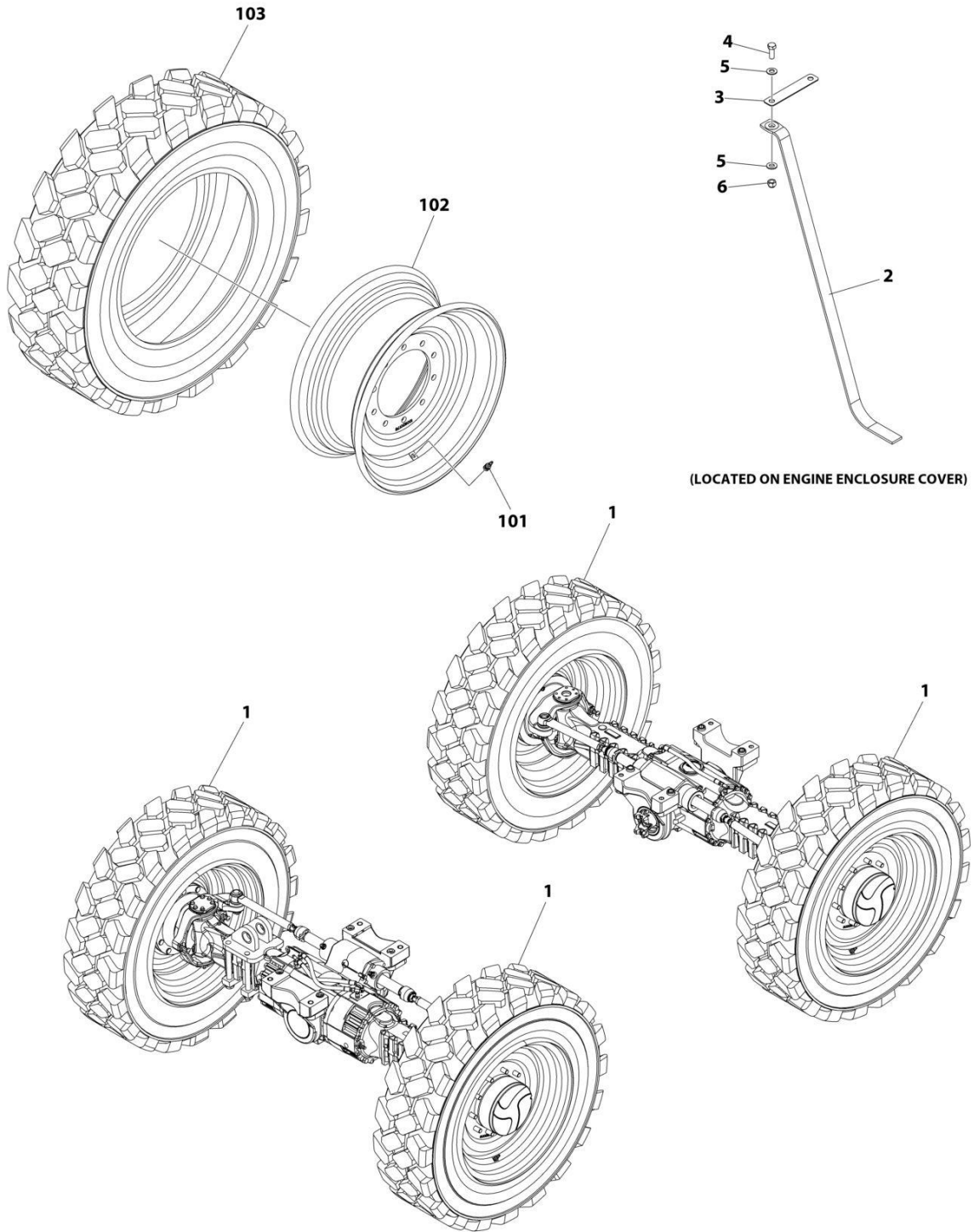
SECTION 5 - DRIVE TRAIN

FIGURE 5-38. TIRE SET, 400/75-28 PNEUMATIC

ITEM	PART NUMBER	QTY	DESCRIPTION	REV
	1001222219	Ref	Tire Set, 400/75-28 Pneumatic	B
1	1001121103	4	Tire and Wheel Assembly	
1	8786514	4	Valve, Air (1 per assembly)	
1	1001120178	4	Wheel (1 per assembly)	
1	1001120179	4	Tire 400/75-28 (1 per assembly)	

SECTION 5 - DRIVE TRAIN

FIGURE 5-39. TIRE SET, 400/75-28 PNEUMATIC (NON-MARKING)



ART_1001241848

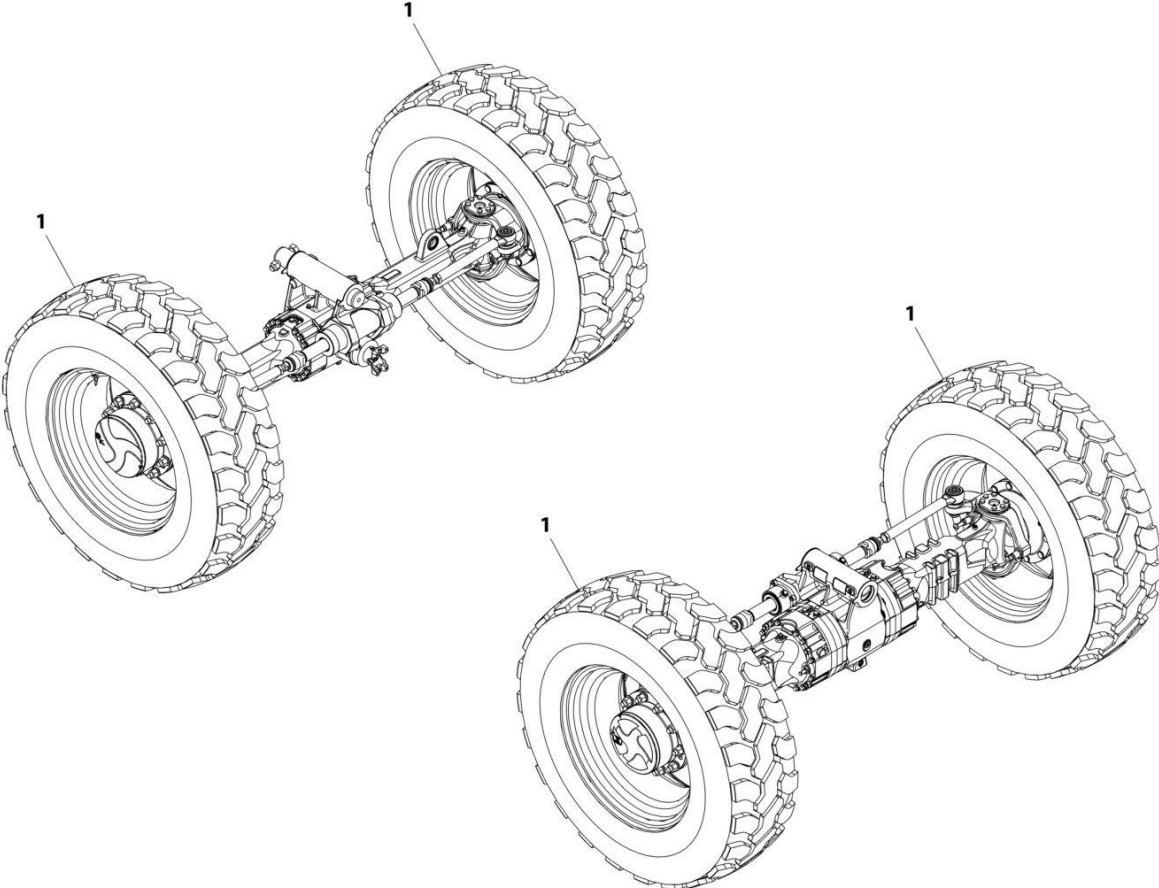
SECTION 5 - DRIVE TRAIN

FIGURE 5-39. TIRE SET, 400/75-28 PNEUMATIC (NON-MARKING)

ITEM	PART NUMBER	QTY	DESCRIPTION	REV
	1001241848	Ref	TIRE/WHEEL SET - 400/75-28 - PNEUMATIC NON MARKING	B
1	1001241841	4	Assembly, Tire and Wheel - 400/75-28 - Pneumatic Non-Marking (See Items 101-103)	
2	1001275637	1	Strap, Anti-Static	
3	1001275638	1	Bracket	
4	8303620	1	Bolt 3/8 x 1	
5	8307110	2	Washer 3/8	
6	8305645	1	Nut 3/8	
	1001241841	Ref	ASSEMBLY, TIRE AND WHEEL - 400/75-28 - PNEUMATIC NON-MARKING	A
101	8786514	4	Valve, Air (1 per assembly)	
102	1001120178	4	Wheel (1 per assembly)	
103	1001241837	4	Tire 400/75-28 Non-Marking (1 per assembly)	

SECTION 5 - DRIVE TRAIN

FIGURE 5-40. TIRE SET, 400/75-28 FOAM



ART_1001222220-B

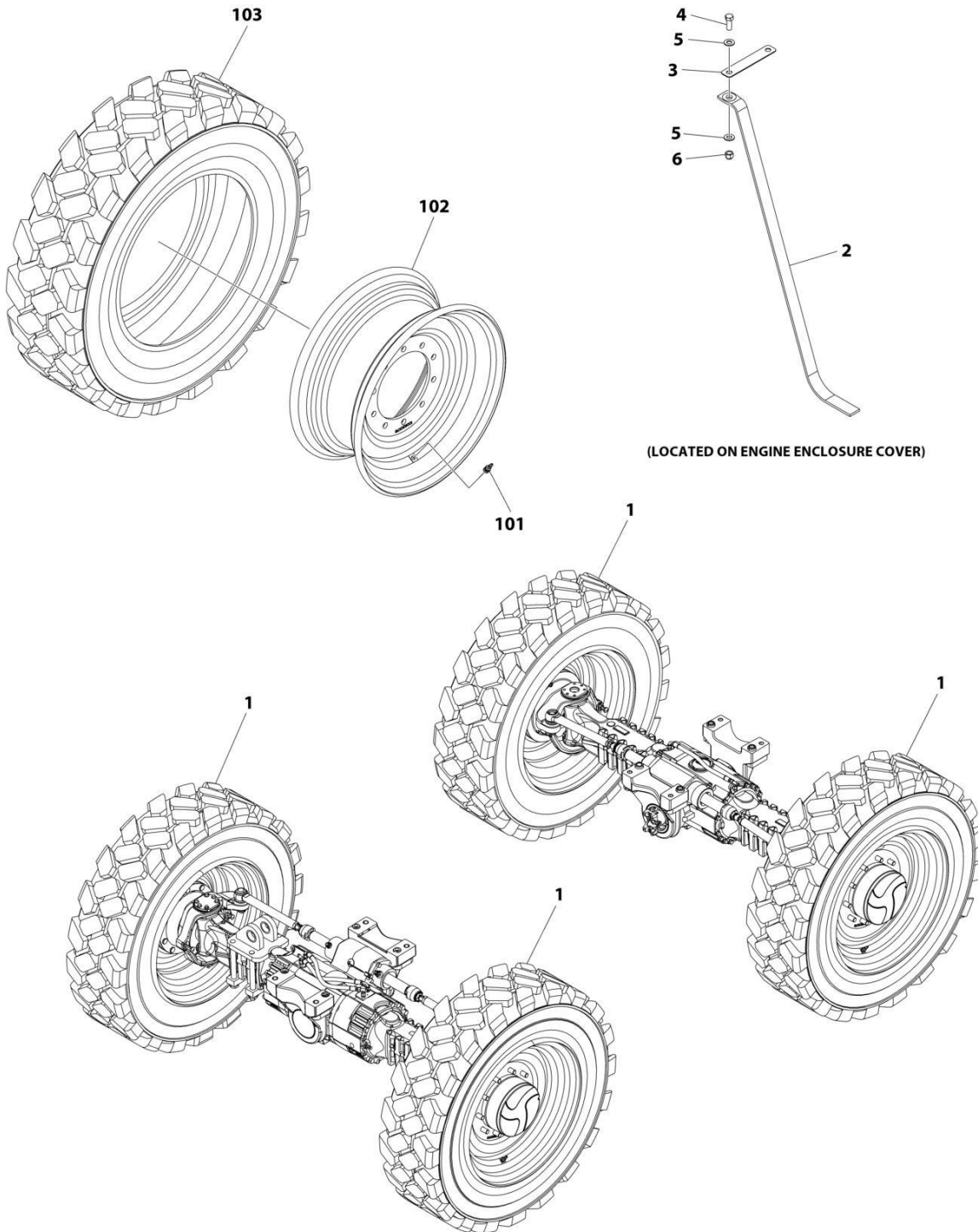
SECTION 5 - DRIVE TRAIN

FIGURE 5-40. TIRE SET, 400/75-28 FOAM

ITEM	PART NUMBER	QTY	DESCRIPTION	REV
	1001222220	Ref	Tire Set, 400/75-28 Foam-Filled	B
		Ref	Note: Assemblies require ballast/foam filling to manufacture's specifications prior to installing on machine. Refer to Operation & Safety or Service & Maintenance Manuals.	
		Ref	Purchase individual tire and/or wheel only if able to foam fill tire & wheel assembly, otherwise purchase complete assembly.	
1	1001121105	4	Tire and Wheel Assembly	
1	8786514	4	Valve, Air (1 per assembly)	
1	1001120178	4	Wheel (1 per assembly)	
1	1001120179	4	Tire 400/75-28 (1 per assembly)	

SECTION 5 - DRIVE TRAIN

FIGURE 5-41. TIRE SET, 400/75-28 FOAM (NON-MARKING)



ART_1001241849

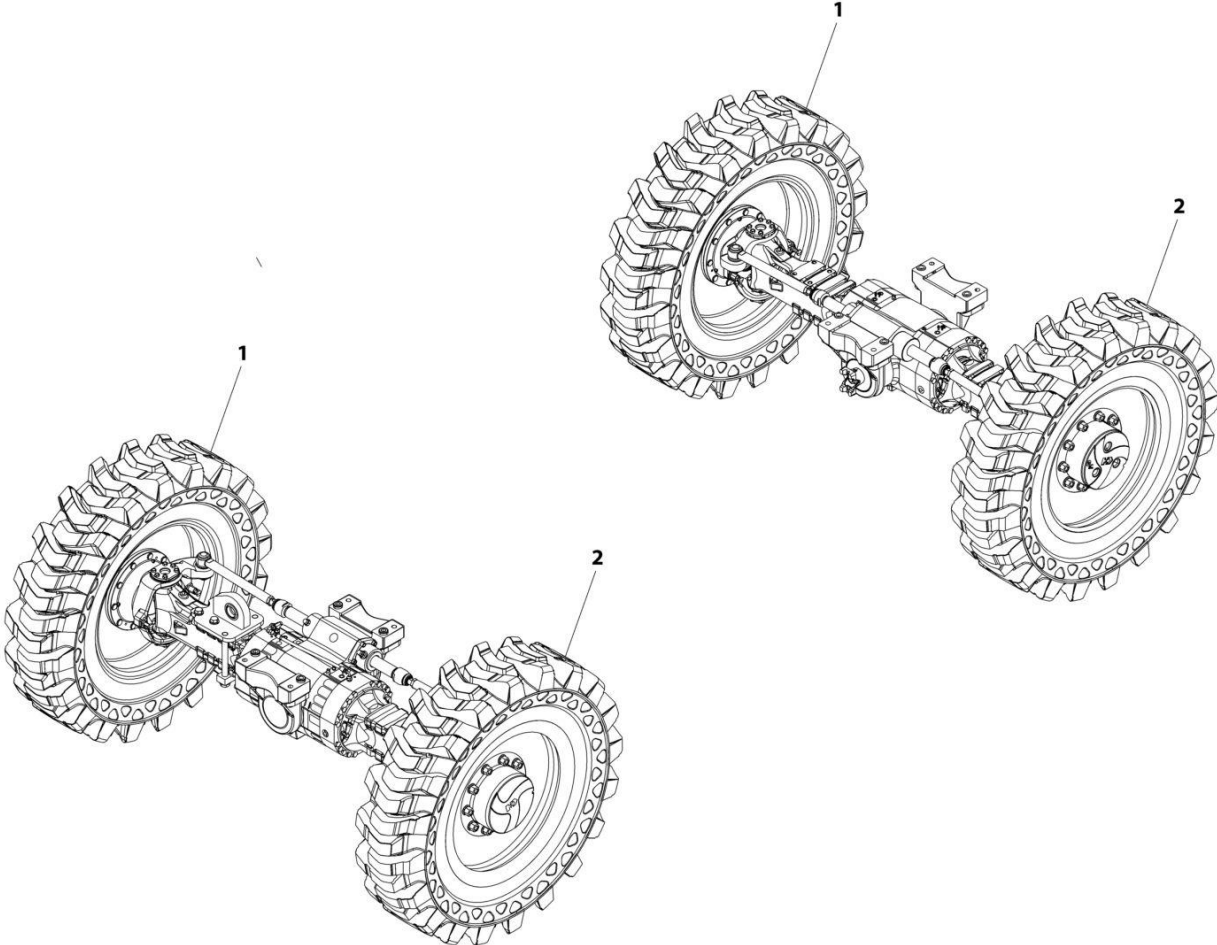
SECTION 5 - DRIVE TRAIN

FIGURE 5-41. TIRE SET, 400/75-28 FOAM (NON-MARKING)

ITEM	PART NUMBER	QTY	DESCRIPTION	REV
	1001241849	Ref	TIRE/WHEEL SET 400/75-28 - FOAM FILLED NON MARKING	B
		Ref	Note: Assemblies require ballast/foam filling to manufacture's specifications prior to installing on machine. Refer to Operation & Safety or Service & Maintenance Manuals.	
		Ref	Purchase individual tire and/or wheel only if able to foam fill tire & wheel assembly, otherwise purchase complete assembly.	
1	1001241842	4	Tire and Wheel Assembly (See Items 101-103)	
2	1001275637	1	Strap, Anti-Static	
3	1001275638	1	Bracket	
4	8303620	1	Bolt 3/8 x 1	
5	8307110	2	Washer 3/8	
6	8305645	1	Nut 3/8	
	1001241842	Ref	TIRE AND WHEEL ASSEMBLY	A
101	8786514	4	Valve, Air (1 per assembly)	
102	1001120178	4	Wheel (1 per assembly)	
103	1001241837	4	Tire 400/75-28 Non-Marking (1 per assembly)	

SECTION 5 - DRIVE TRAIN

FIGURE 5-42. TIRE SET, 14-28 SOLID (DIRECTIONAL)



ART_1001274305

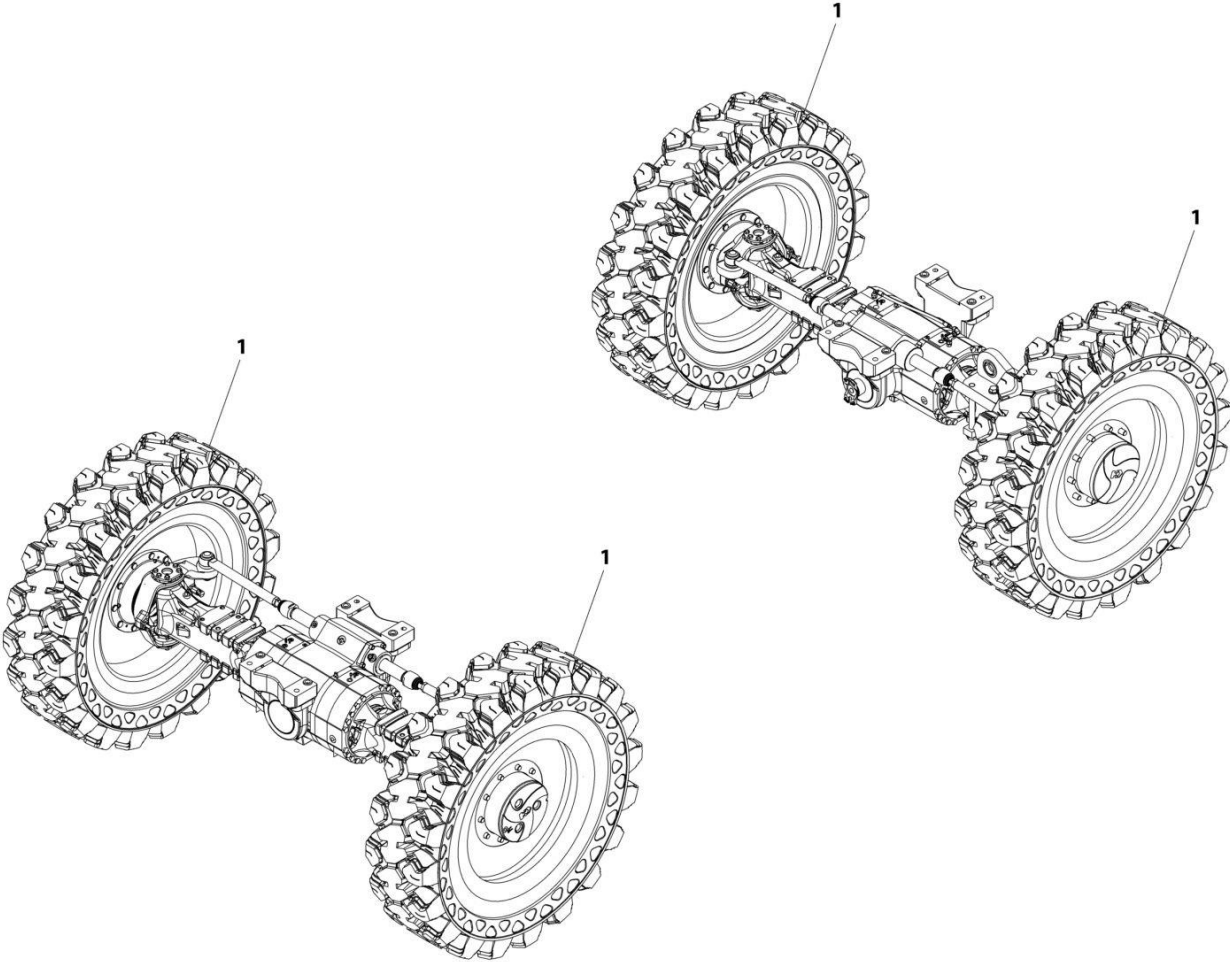
SECTION 5 - DRIVE TRAIN

FIGURE 5-42. TIRE SET, 14-28 SOLID (DIRECTIONAL)

ITEM	PART NUMBER	QTY	DESCRIPTION	REV
	1001274305	Ref	TIRE/WHEEL SET 14-28 SOLIDBOSS (DIRECTIONAL)	A
1	1001274303	2	Tire/Wheel Left 14X28 - Solid	
2	1001274304	2	Tire/Wheel Right 14X28 - Solid	

SECTION 5 - DRIVE TRAIN

FIGURE 5-43. TIRE SET, 14-24 SOLID (NON-DIRECTIONAL)



ART_1001274307

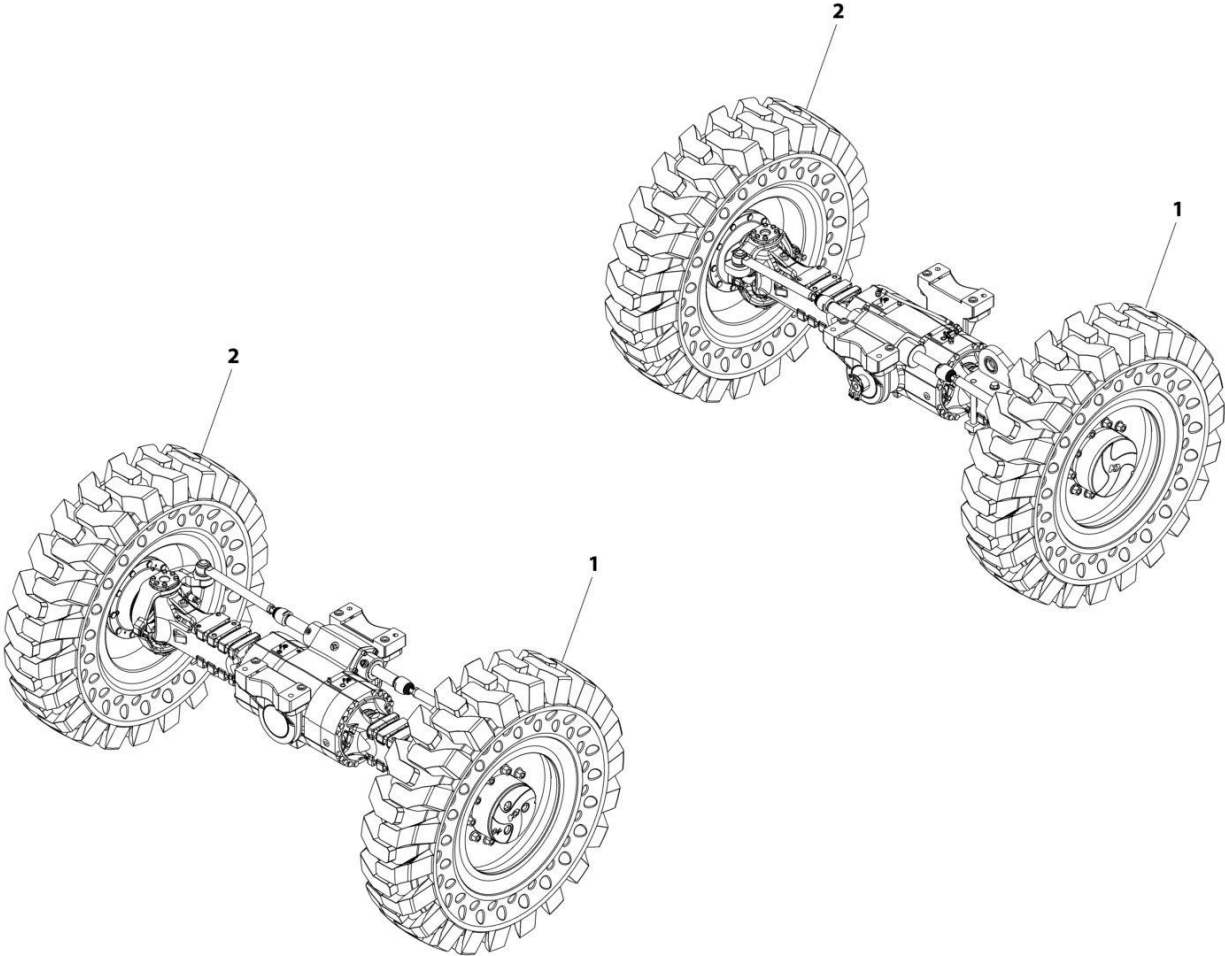
SECTION 5 - DRIVE TRAIN

FIGURE 5-43. TIRE SET, 14-24 SOLID (NON-DIRECTIONAL)

ITEM	PART NUMBER	QTY	DESCRIPTION	REV
1	1001274307	Ref	TIRE/WHEEL SET 14-28 SOLIDBOSS (NON-DIRECTIONAL)	A
	1001274306	4	Tire/Wheel 14X28 - Solid	

SECTION 5 - DRIVE TRAIN

FIGURE 5-44. TIRE SET, 14-24 SOLID (DIRECTIONAL)



ART_1001274721

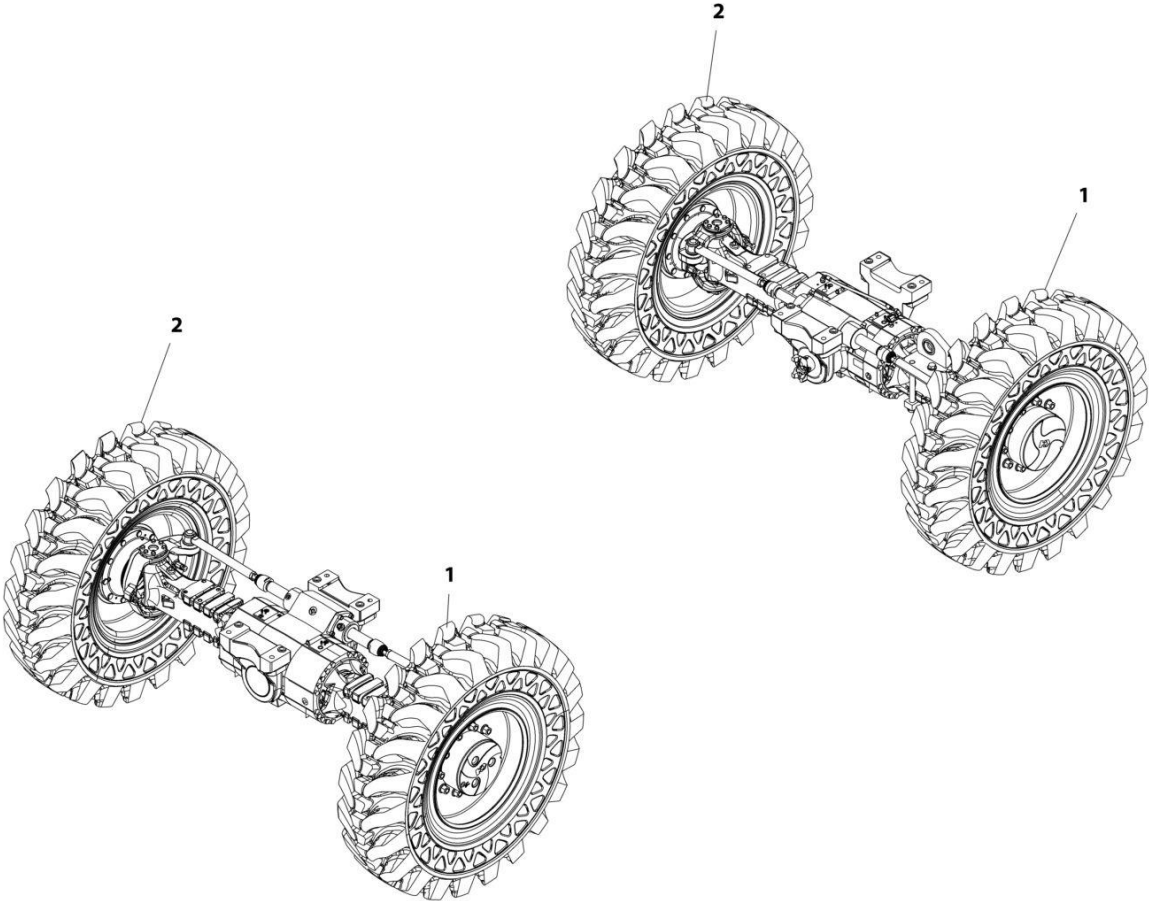
SECTION 5 - DRIVE TRAIN

FIGURE 5-44. TIRE SET, 14-24 SOLID (DIRECTIONAL)

ITEM	PART NUMBER	QTY	DESCRIPTION	REV
	1001274721	Ref	TIRE/WHEEL SET 14-24 SOLIDBOSS (DIRECTIONAL)	A
1	1001274719	2	Tire/Wheel Left 14X24 - Solid	
2	1001274720	2	Tire/Wheel Right 14X24 - Solid	

SECTION 5 - DRIVE TRAIN

FIGURE 5-45. TIRE SET, 14-24 SOLID



ART_1001151108-A

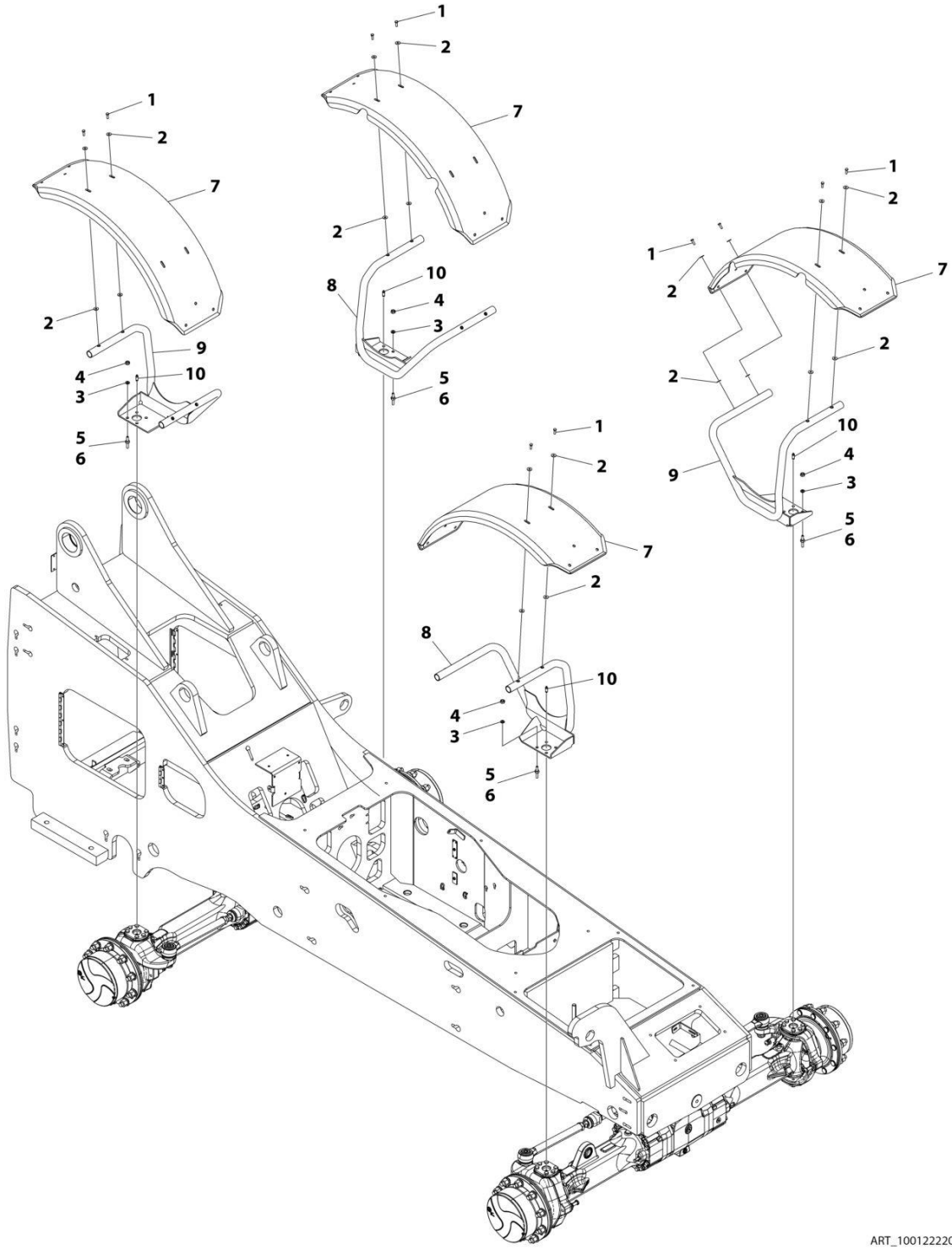
SECTION 5 - DRIVE TRAIN

FIGURE 5-45. TIRE SET, 14-24 SOLID

ITEM	PART NUMBER	QTY	DESCRIPTION	REV
	1001151108	1	Tire/Wheel Set 14-24 - Solid	A
1	1001151101	2	Tire/Wheel Left 14-24 .219 - Offset	
2	1001151102	2	Tire/Wheel Right 14-24 .219 - Offset	

SECTION 5 - DRIVE TRAIN

FIGURE 5-46. FENDER INSTALLATION



ART_1001222200

SECTION 5 - DRIVE TRAIN

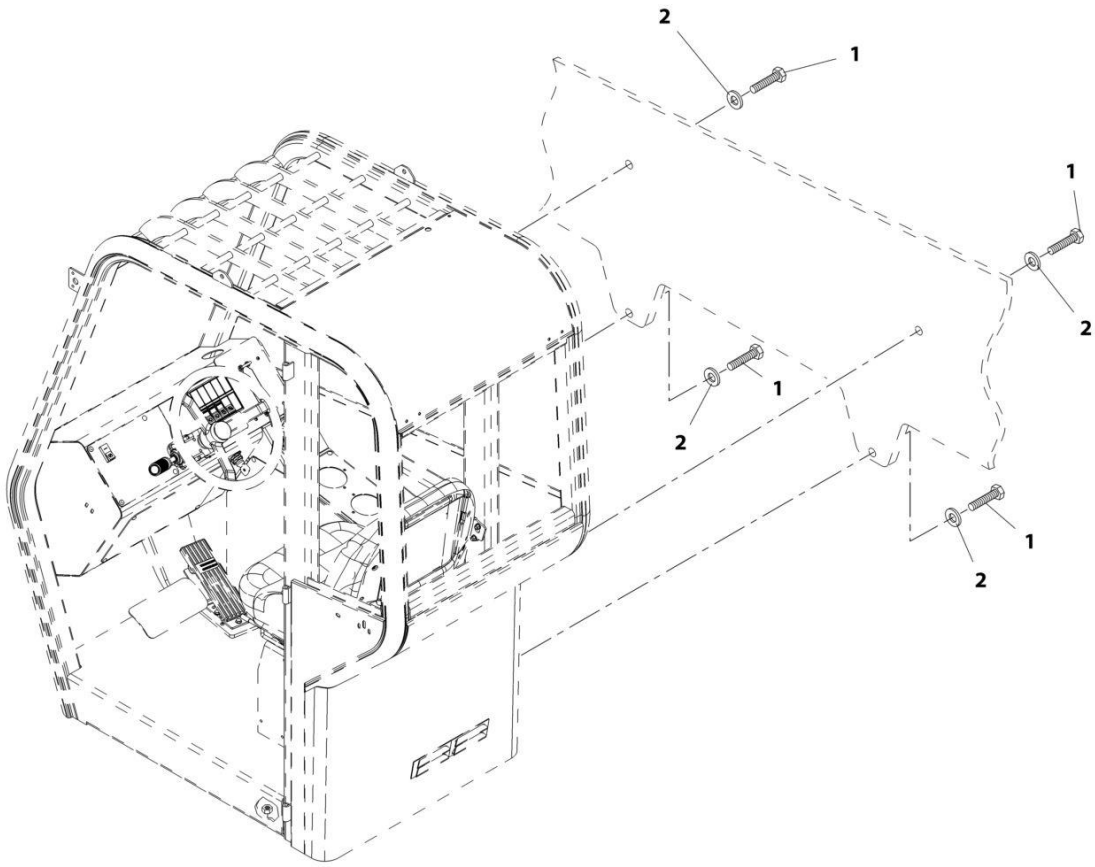
FIGURE 5-46. FENDER INSTALLATION

ITEM	PART NUMBER	QTY	DESCRIPTION	REV
	1001222200	Ref	Fender Installation	D
1	0760812	16	Capscrew, M8X25	
2	4811902	32	Washer	
3	83191010	16	Washer, Lock M12	
4	91513266	16	Nut, M12	
5	91514118	16	Stud, Fender	
6	1001095650	AR	Adhesive	
7	1001154055	4	Fender	
8	1001222203	2	Bracket, Fender	
9	1001222717	2	Bracket, Fender	
10	1001225317	4	Fitting, Grease	

SECTION 6 - CAB

SECTION 6 - CAB

FIGURE 6-1. CAB INSTALLATION



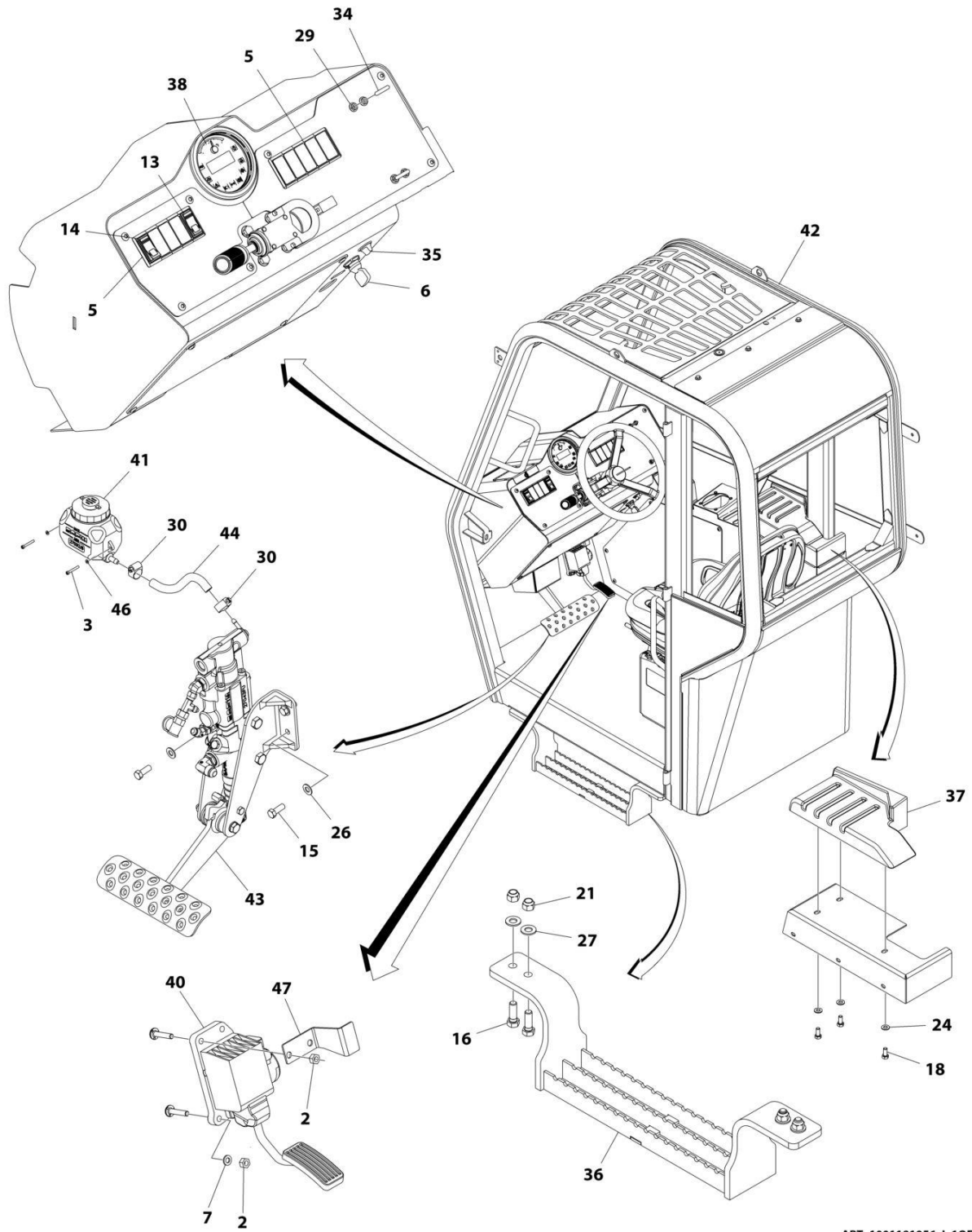
ART_713882_AA

FIGURE 6-1. CAB INSTALLATION

ITEM	PART NUMBER	QTY	DESCRIPTION	REV
	7138882	Ref	Cab Installation	AA
1	8310493	4	Bolt, 7/8-9X5-1/2, Grade 8	
2	8307011	4	Washer, Lock 7/8	

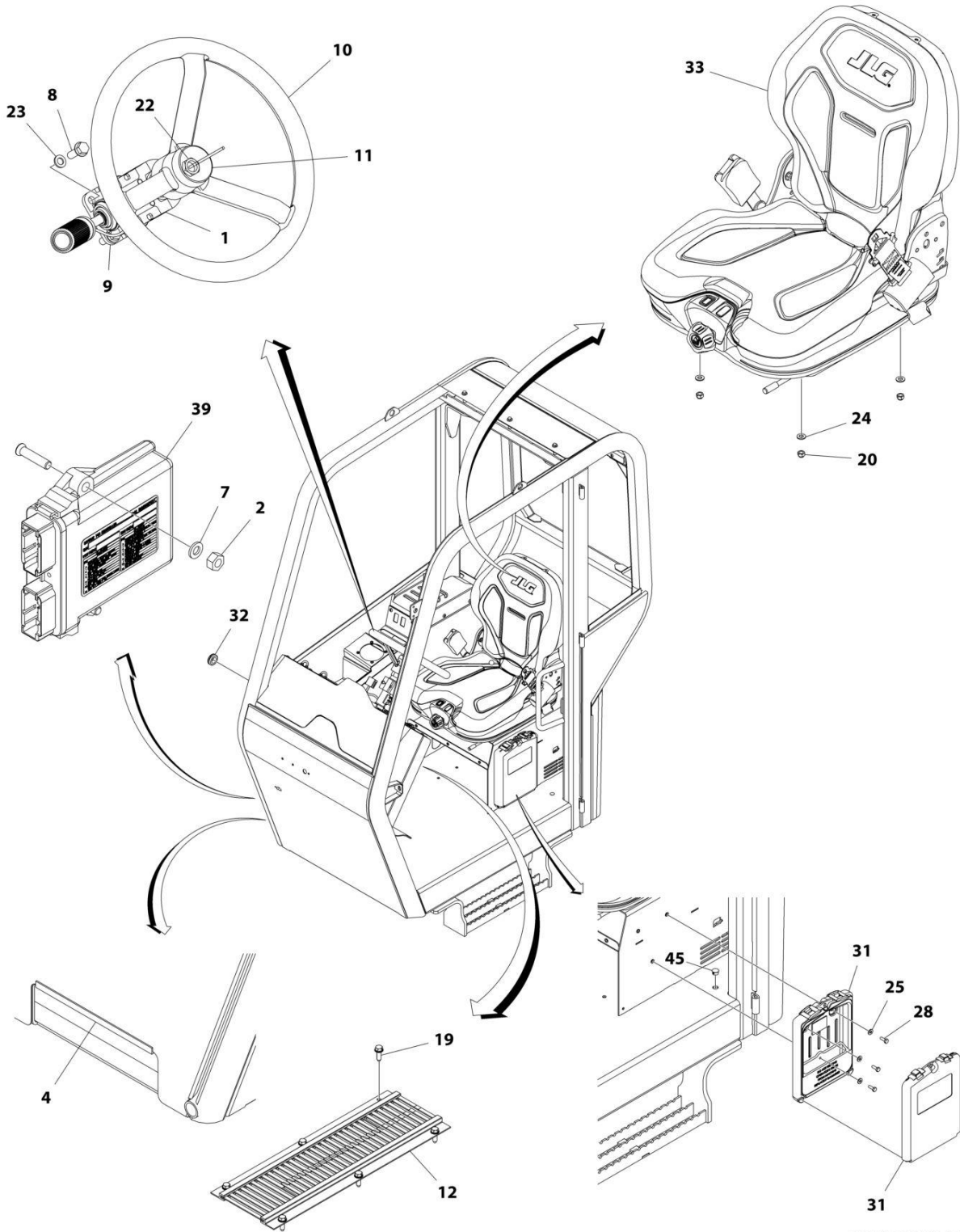
SECTION 6 - CAB

FIGURE 6-2. CAB INSTALLATION - OPEN CAB (BLACK SEAT BELT)



ART_1001181956_I_10F2

SECTION 6 - CAB



ART_1001181956_I_20F2

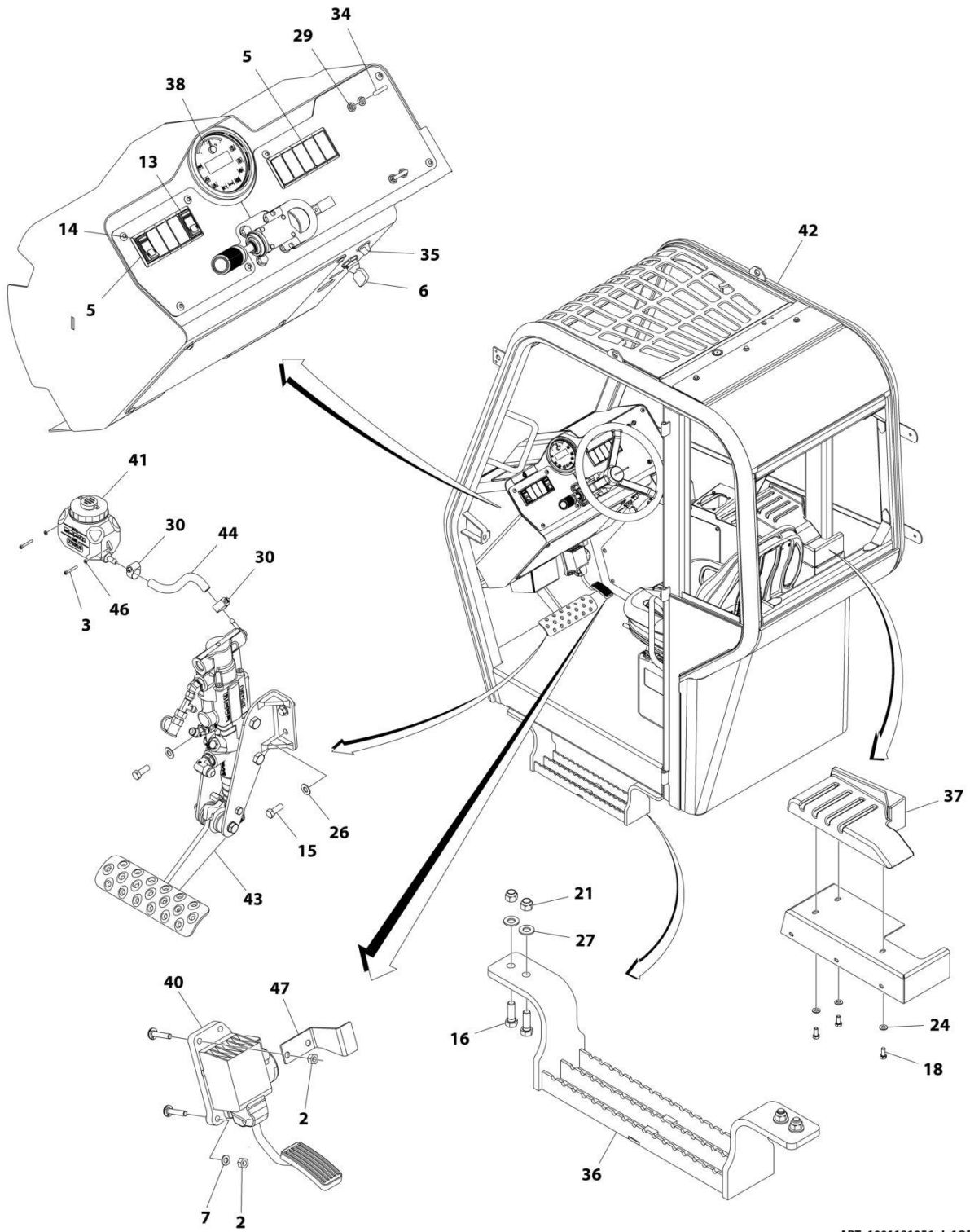
SECTION 6 - CAB

FIGURE 6-2. CAB INSTALLATION - OPEN CAB (BLACK SEAT BELT)

ITEM	PART NUMBER	QTY	DESCRIPTION	REV
	1001181956	Ref	OPEN CAB INSTALLATION	I
1	1600429	1	Selector, Transmission Control	
2	3311401	5	Nut 1/4	
3	3930610	2	Bolt #6 x 5/8	
4	4060806	11 in	Flex-Trim	
5	4360569	2	Switch, Bezel	
6	4360690	1	Switch, Ignition	
6	8035807	1	Key (with cover)	
7	4761400	3	Washer 1/4	
8	5251014	4	Bolt M10 x 30	
9	7138833	1	Column, Steering	
10	7138836	1	Wheel, Steering	
11	7138878	1	Button, Horn	
12	7138944	2	Strips, Brush	
13	8223037	1	Switch, Steer Select	
14	8223054	1	Switch, Park Brake	
15	8303620	4	Bolt 3/8 x 1	
16	8303626	4	Bolt 1/2 x 1-1/2	
18	8303697	3	Bolt 5/16 x 3/4	
19	8303982	6	Screw 1/4 x 3/4	
20	8305626	4	Nut 5/16	
21	8305644	4	Nut 1/2	
22	8305916	1	Nut, Steering Column	
23	8307023	4	Washer M10	
24	8307106	7	Washer 5/16	
25	8307109	3	Washer 1/4	
26	8307110	4	Washer 3/8	
27	8307112	4	Washer 1/2	
28	8310026	3	Bolt 1/4 x 3/4	
29	8310382	8	Nut 1/4	
30	1320022	2	Clamp, Fuel Line	
31	8990147	1	Holder, Manual	
32	1001081049	1	Grommet, Split	
33	1001190229	1	Seat, Cab (See Separate Breakdown in this Section)	
34	1001102844	2	U-Bolt 1/4 x 1-1/4	
35	1001114867	1	Socket, 12V Power Point	
36	1001256519	1	Mount, Cab Step	
37	1001159878	1	Support, Armrest	
38	1001170738	1	Gauge	
39	1001210703	1	Controller	
40	1001264554	1	Accelerator (Note: No Serviceable Parts - Purchase Complete Assembly)	
41	1001183164	1	Reservoir, Brake Valve	
42	1001246736	1	Cab, Open (See Separate Breakdown in this Section)	
43	1001223052	1	Assembly, Brake (See Separate Breakdown in CONTROLS Section)	
44	1001201658	1	Hose	
45	1001207963	1	Plug, 5/8	
46	4710600	2	Washer	
47	1001265914	1	Cover, Pedal	

SECTION 6 - CAB

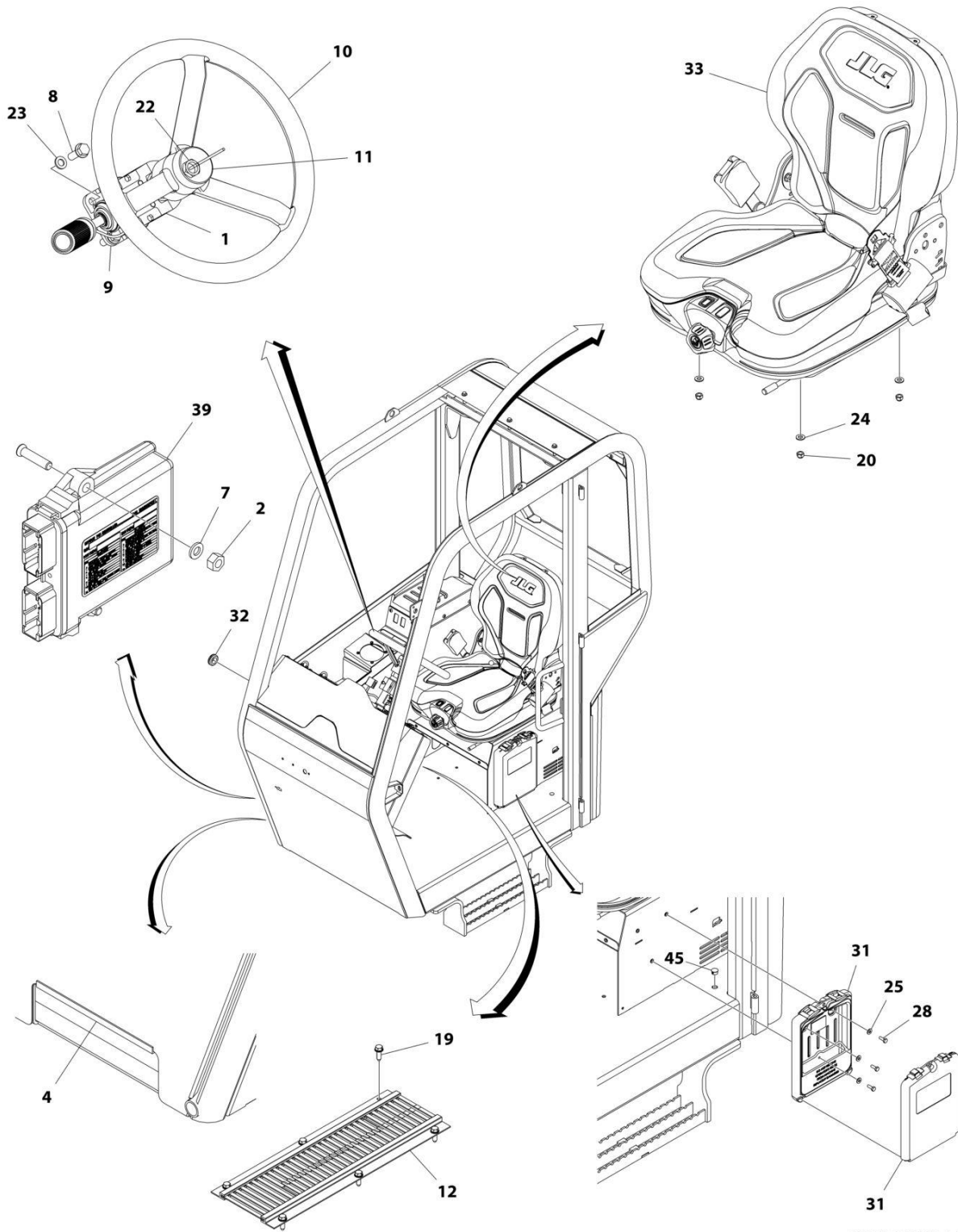
FIGURE 6-3. CAB INSTALLATION - OPEN CAB (ORANGE SEAT BELT)



ART_1001181956_J_10F2

SECTION 6 - CAB

FIGURE 6-4. CAB INSTALLATION - OPEN CAB (ORANGE SEAT BELT)



ART_1001181956_J_20F2

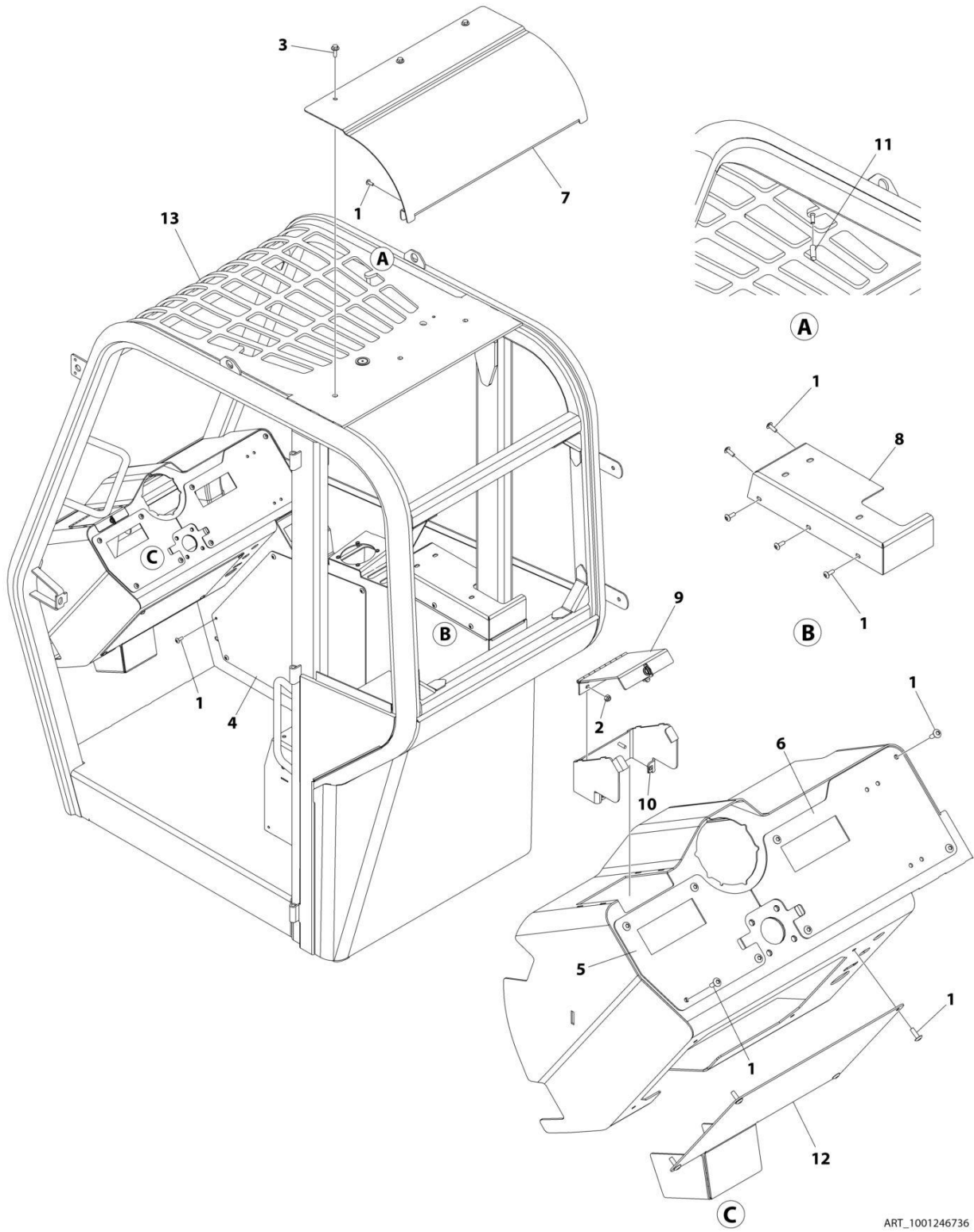
SECTION 6 - CAB

FIGURE 6-4. CAB INSTALLATION - OPEN CAB (ORANGE SEAT BELT)

ITEM	PART NUMBER	QTY	DESCRIPTION	REV
	1001181956	Ref	OPEN CAB INSTALLATION	J
1	1600429	1	Selector, Transmission Control	
2	3311401	5	Nut 1/4	
3	3930610	2	Bolt #6 x 5/8	
4	4060806	11 in	Flex-Trim	
5	4360569	2	Switch, Bezel	
6	4360690	1	Switch, Ignition	
6	8035807	1	Key (with cover)	
7	4761400	3	Washer 1/4	
8	5251014	4	Bolt M10 x 30	
9	7138833	1	Column, Steering	
10	7138836	1	Wheel, Steering	
11	7138878	1	Button, Horn	
12	7138944	2	Strips, Brush	
13	8223037	1	Switch, Steer Select	
14	8223054	1	Switch, Park Brake	
15	8303620	4	Bolt 3/8 x 1	
16	8303626	4	Bolt 1/2 x 1-1/2	
18	8303697	3	Bolt 5/16 x 3/4	
19	8303982	6	Screw 1/4 x 3/4	
20	8305626	4	Nut 5/16	
21	8305644	4	Nut 1/2	
22	8305916	1	Nut, Steering Column	
23	8307023	4	Washer M10	
24	8307106	7	Washer 5/16	
25	8307109	3	Washer 1/4	
26	8307110	4	Washer 3/8	
27	8307112	4	Washer 1/2	
28	8310026	3	Bolt 1/4 x 3/4	
29	8310382	8	Nut 1/4	
30	1320022	2	Clamp, Fuel Line	
31	8990147	1	Holder, Manual	
32	1001081049	1	Grommet, Split	
33	1001275934	1	Seat, Cab (See Separate Breakdown in this Section)	
34	1001102844	2	U-Bolt 1/4 x 1-1/4	
35	1001114867	1	Socket, 12V Power Point	
36	1001256519	1	Mount, Cab Step	
37	1001159878	1	Support, Armrest	
38	1001170738	1	Gauge	
39	1001210703	1	Controller	
40	1001264554	1	Accelerator (Note: No Serviceable Parts - Purchase Complete Assembly)	
41	1001183164	1	Reservoir, Brake Valve	
42	1001246736	1	Cab, Open (See Separate Breakdown in this Section)	
43	1001223052	1	Assembly, Brake (See Separate Breakdown in CONTROLS Section)	
44	1001201658	1	Hose	
45	1001207963	1	Plug, 5/8	
46	4710600	2	Washer	
47	1001265914	1	Cover, Pedal	

SECTION 6 - CAB

FIGURE 6-5. OPEN CAB



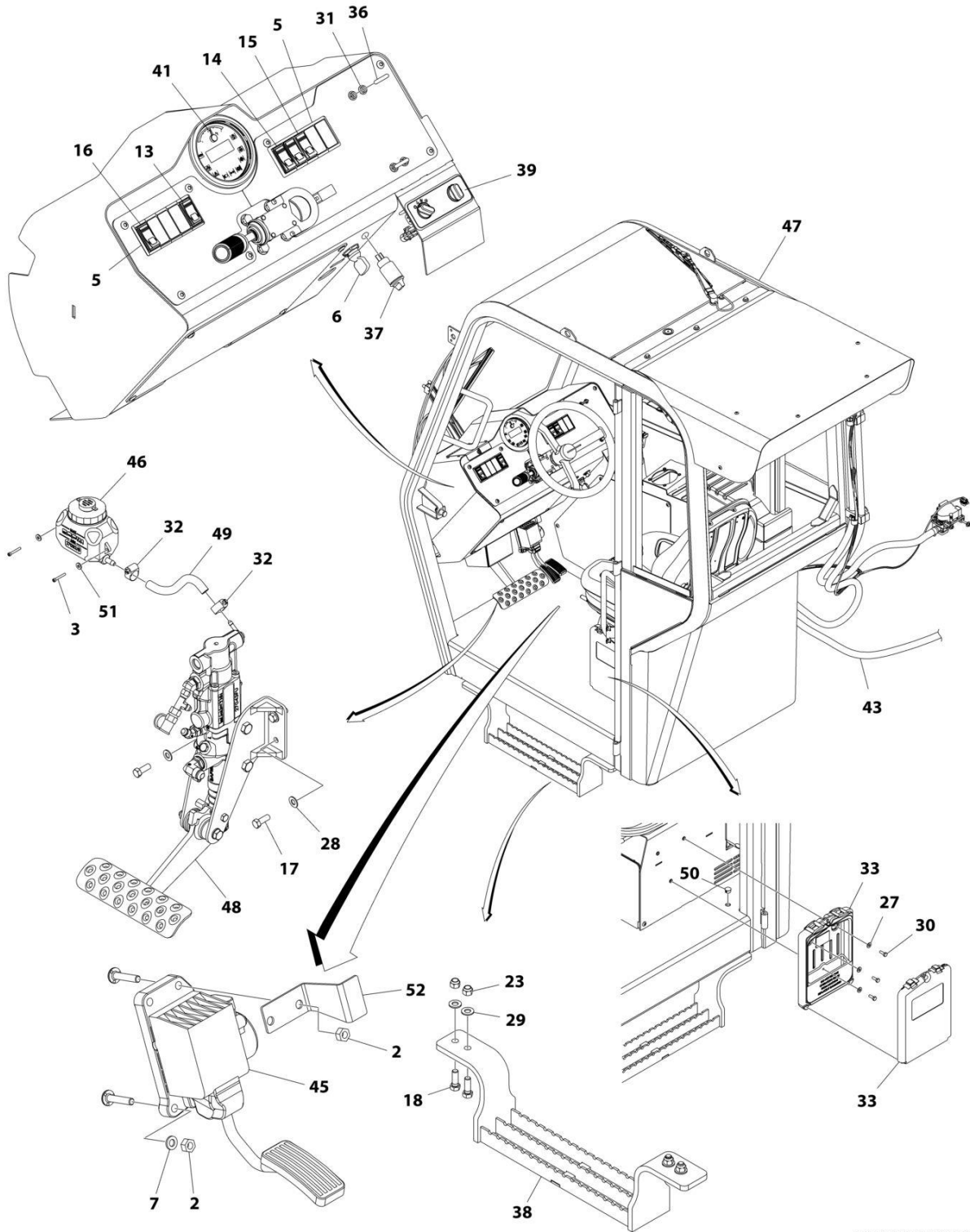
ART_1001246736

FIGURE 6-5. OPEN CAB

ITEM	PART NUMBER	QTY	DESCRIPTION	REV
	1001246736	Ref	CAB OPEN	D
1	8303034	25	Screw 1/4 x 3/4	
2	8310085	2	Nut M10	
3	1001149227	3	Screw 5/16 x 1	
4	1001160788	1	Panel, RH Console Access Plate	
5	1001160790	1	Panel, LH Dash Cover	
6	1001160791	1	Panel, RH Dash Cover	
7	1001160815	1	Panel, Roof Cover	
8	1001165617	1	Assembly, Side Console Access Panel	
9	1001202189	1	Door, Brake Reservoir	
10	1001202202	2	Nut	
11	1001202615	2	Cap, Silicon Stud Cover	
12	1001202746	1	Panel, Brake Access Plate	
13	1001246735	1	Cab Weldment	

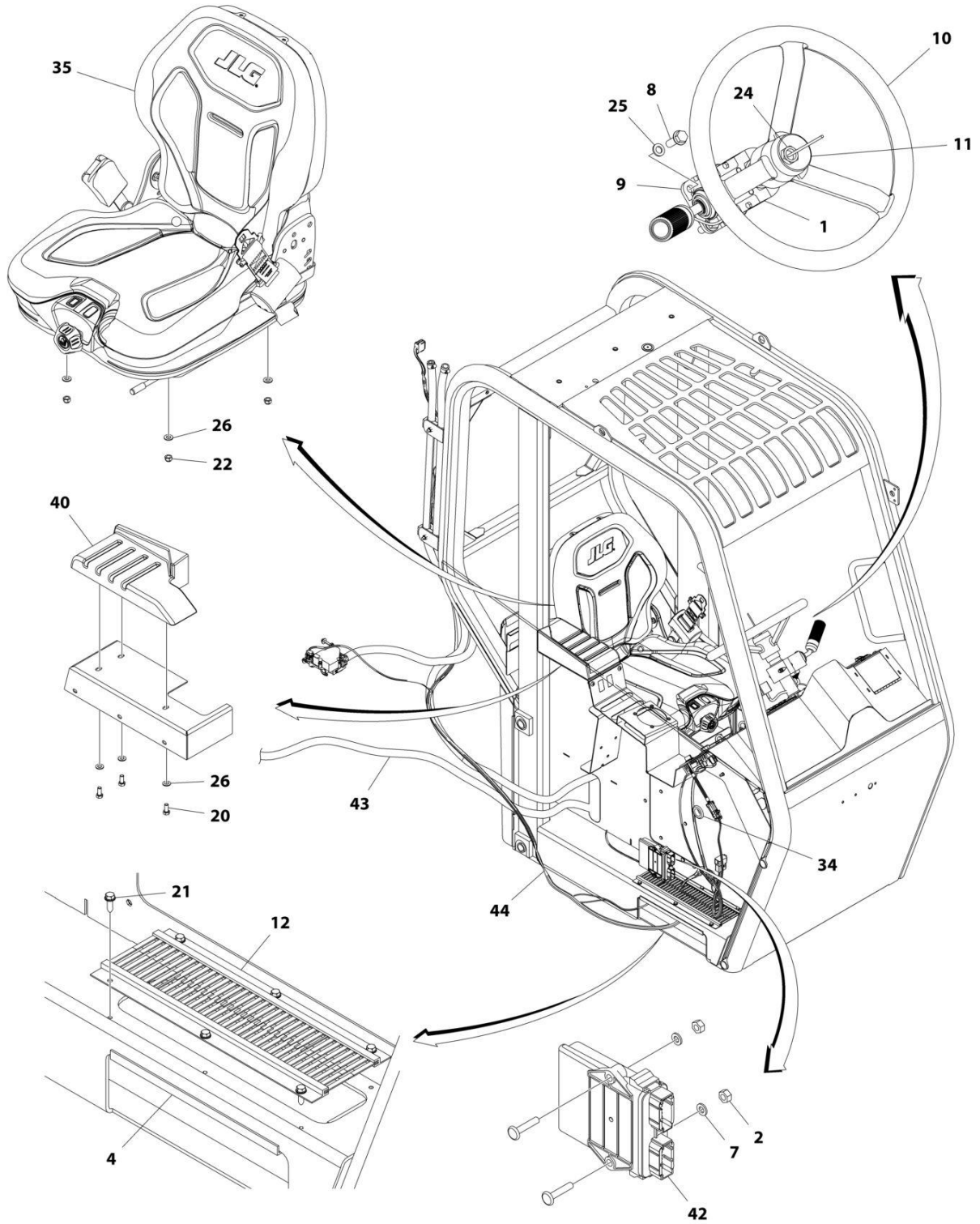
SECTION 6 - CAB

FIGURE 6-6. CAB INSTALLATION - ENCLOSED CAB WITH HEATER (BLACK SEAT BELT)



ART_1001185776_I_10F2

SECTION 6 - CAB



ART_1001185776_L_20F2

SECTION 6 - CAB

FIGURE 6-6. CAB INSTALLATION - ENCLOSED CAB WITH HEATER (BLACK SEAT BELT)

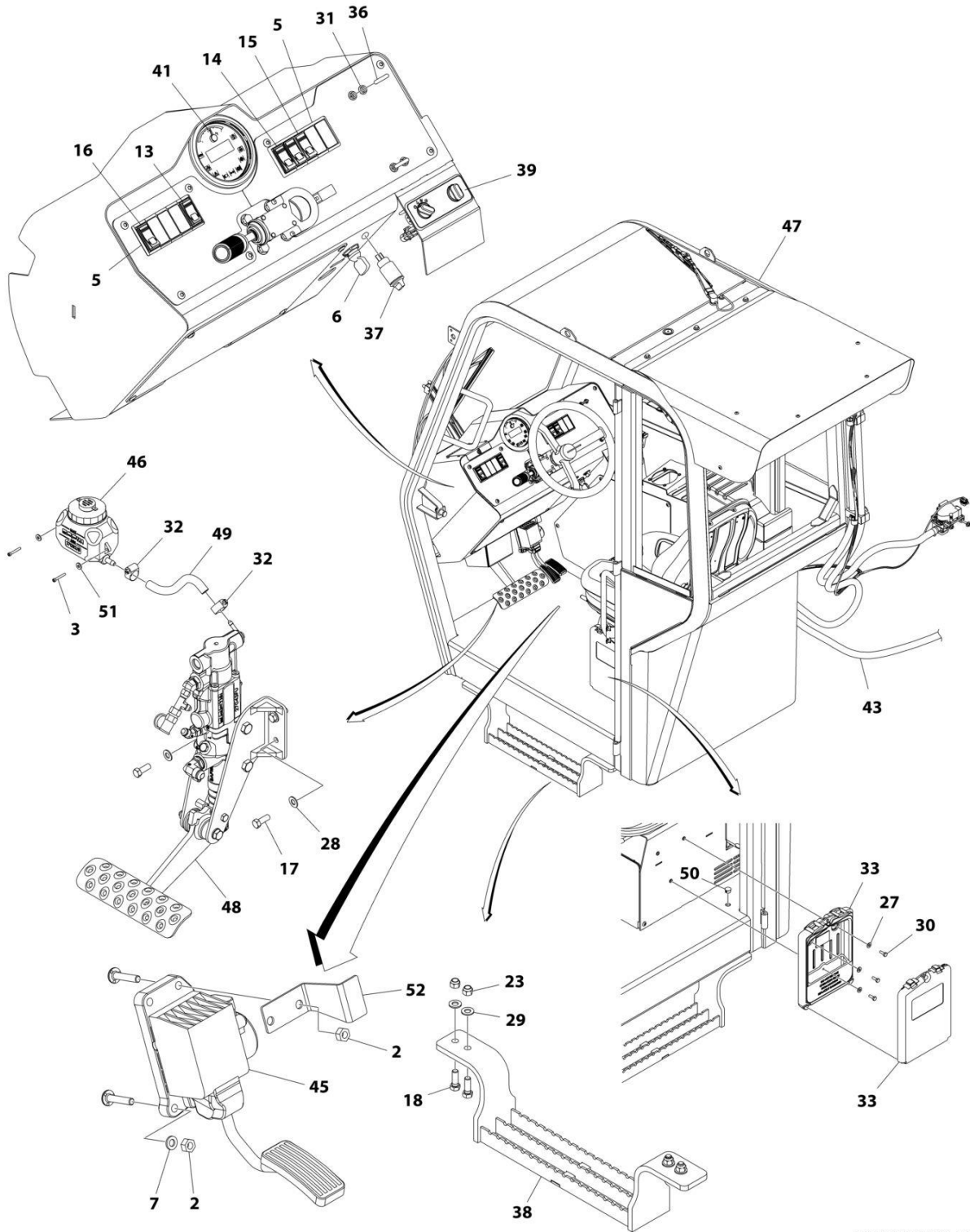
ITEM	PART NUMBER	QTY	DESCRIPTION	REV
	1001185776	Ref	ENCLOSED CAB WITH HEATER INSTALLATION	I
1	1600429	1	Selector, Transmission Control	
2	3311401	5	Nut 1/4	
3	3930610	2	Bolt 6 x 5/8	
4	4060806	11 in	Shield, Flex Trim, 5/16	
5	4360569	2	Switch, Bezel	
6	4360690	1	Switch, Ignition	
6	8035807	1	Key (with cover)	
7	4761400	3	Washer 1/4	
8	5251014	4	Bolt M10 x 30	
9	7138833	1	Column, Steering	
10	7138836	1	Wheel, Steering	
11	7138878	1	Button, Horn	
12	7138944	2	Strips, Brush	
13	8223037	1	Switch, Steer Select	
14	8223043	2	Switch, Windscreen Wiper	
15	8223044	1	Switch, Windscreen Washer	
16	8223054	1	Switch, Park Brake	
17	8303620	4	Bolt 3/8 x 1	
18	8303626	4	Bolt 1/2 x 1-1/2	
20	8303697	3	Bolt 5/16 x 3/4	
21	8303982	6	Screw 1/4 x 3/4	
22	8305626	4	Nut 5/16	
23	8305644	4	Nut 1/2	
24	8305916	1	Nut, Steering Column	
25	8307023	4	Washer M10	
26	8307106	7	Washer 5/16	
27	8307109	3	Washer 1/4	
28	8307110	4	Washer 3/8	
29	8307112	4	Washer 1/2	
30	8310026	3	Bolt 1/4 x 3/4	
31	8310382	8	Nut 1/4	
32	1320022	2	Clamp, Fuel Line	
33	8990147	1	Holder, Manual	
34	1001081049	1	Grommet, Split	
35	1001190229	1	Seat, Cab (See Separate Breakdown in this Section)	
36	1001102844	2	Bolt 1/4 x 1-1/4	
37	1001114867	1	Socket, 12V Power Point	
38	1001256519	1	Mount, Cab Step	
39	1001159850	1	Panel, Heater Control	
40	1001159878	1	Support, Armrest	
41	1001170738	1	Gauge	
42	1001210703	1	Controller	
43	1001171807	1	Installation, Cab Heater Lines (See Separate Breakdown in this Section)	
44	1001178347	1	Harness, HVAC (See Separate Breakdown in ELECTRICAL Section)	
45	1001264554	1	Accelerator (Note: No Serviceable Parts - Purchase Complete Assembly)	
46	1001183164	1	Reservoir, Brake Valve	

SECTION 6 - CAB

ITEM	PART NUMBER	QTY	DESCRIPTION	REV
47	1001246737	1	Cab, Enclosed with Heater (See Separate Breakdown in this Section)	
48	1001223052	1	Assembly, Brake (See Separate Breakdown in CONTROLS Section)	
49	1001201658	1	Hose	
50	1001207963	1	Plug, 5/8	
51	4710600	2	Washer #6	
52	1001265914	1	Cover, Pedal	

SECTION 6 - CAB

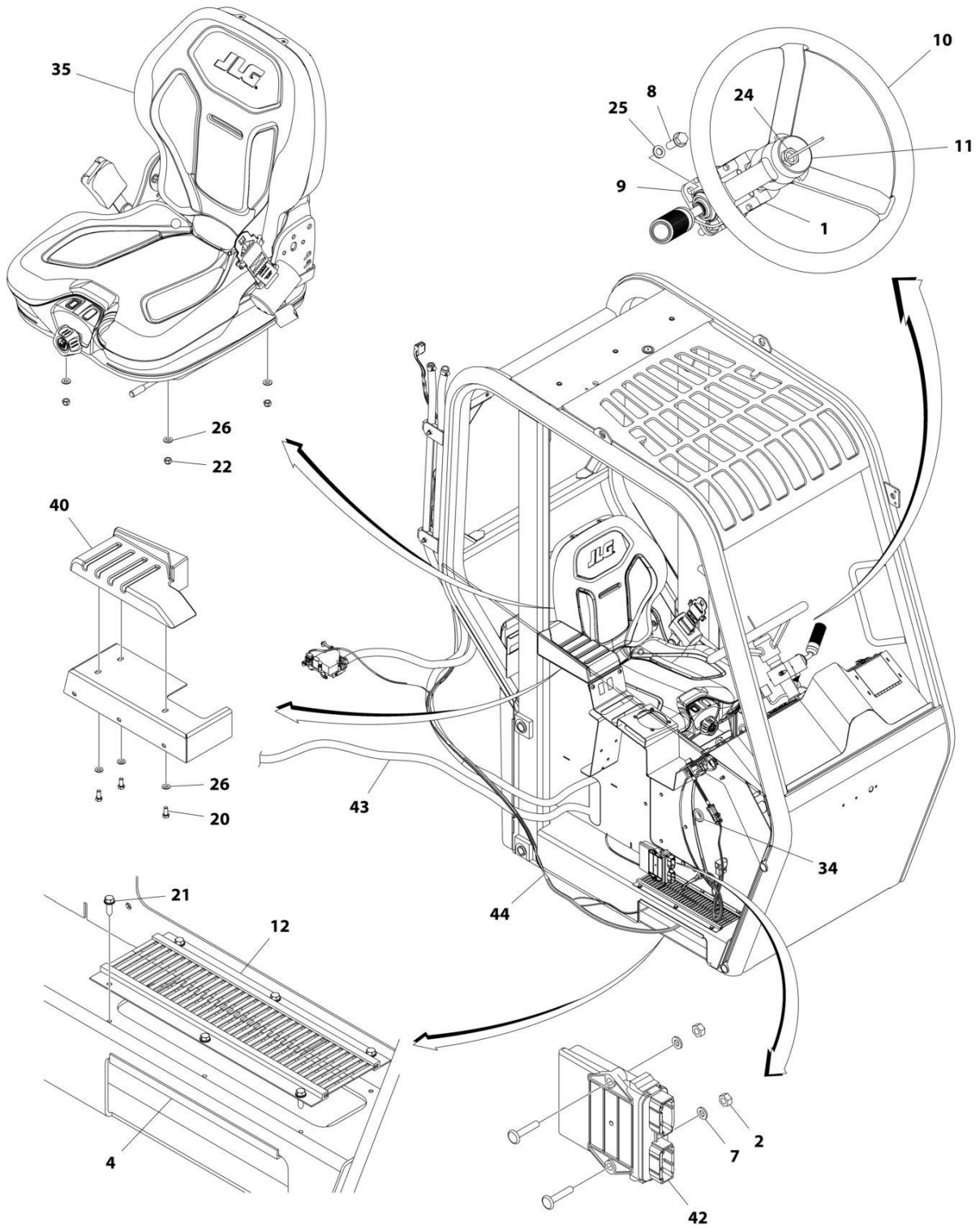
FIGURE 6-7. CAB INSTALLATION - ENCLOSED CAB WITH HEATER (ORANGE SEAT BELT)



ART_1001185776_J_10F2

SECTION 6 - CAB

FIGURE 6-8. CAB INSTALLATION - ENCLOSED CAB WITH HEATER (ORANGE SEAT BELT)



ART_1001185776_J_20F2

SECTION 6 - CAB

FIGURE 6-8. CAB INSTALLATION - ENCLOSED CAB WITH HEATER (ORANGE SEAT BELT)

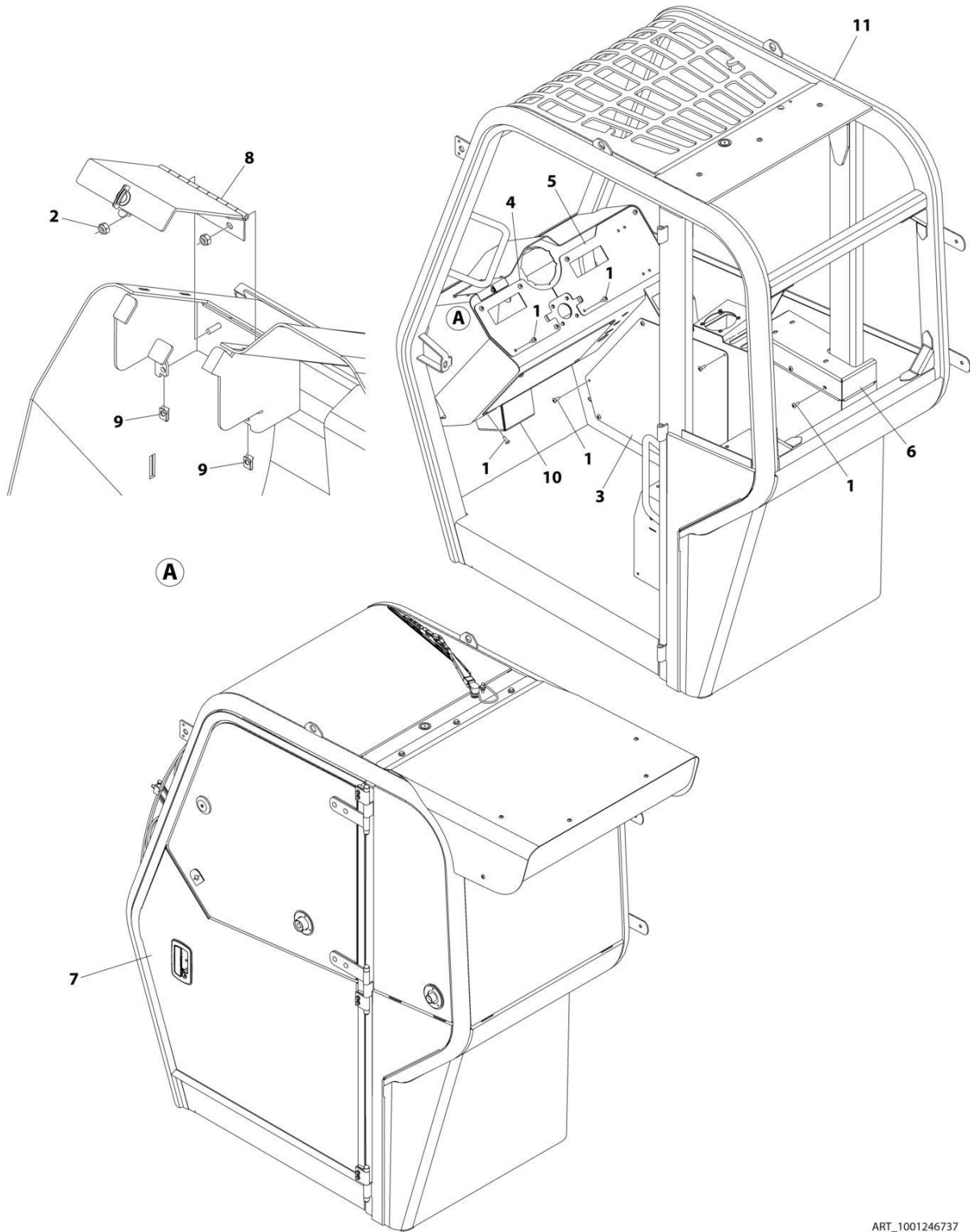
ITEM	PART NUMBER	QTY	DESCRIPTION	REV
	1001185776	Ref	ENCLOSED CAB WITH HEATER INSTALLATION	J
1	1600429	1	Selector, Transmission Control	
2	3311401	5	Nut 1/4	
3	3930610	2	Bolt 6 x 5/8	
4	4060806	11 in	Shield, Flex Trim, 5/16	
5	4360569	2	Switch, Bezel	
6	4360690	1	Switch, Ignition	
6	8035807	1	Key (with cover)	
7	4761400	3	Washer 1/4	
8	5251014	4	Bolt M10 x 30	
9	7138833	1	Column, Steering	
10	7138836	1	Wheel, Steering	
11	7138878	1	Button, Horn	
12	7138944	2	Strips, Brush	
13	8223037	1	Switch, Steer Select	
14	8223043	2	Switch, Windscreen Wiper	
15	8223044	1	Switch, Windscreen Washer	
16	8223054	1	Switch, Park Brake	
17	8303620	4	Bolt 3/8 x 1	
18	8303626	4	Bolt 1/2 x 1-1/2	
20	8303697	3	Bolt 5/16 x 3/4	
21	8303982	6	Screw 1/4 x 3/4	
22	8305626	4	Nut 5/16	
23	8305644	4	Nut 1/2	
24	8305916	1	Nut, Steering Column	
25	8307023	4	Washer M10	
26	8307106	7	Washer 5/16	
27	8307109	3	Washer 1/4	
28	8307110	4	Washer 3/8	
29	8307112	4	Washer 1/2	
30	8310026	3	Bolt 1/4 x 3/4	
31	8310382	8	Nut 1/4	
32	1320022	2	Clamp, Fuel Line	
33	8990147	1	Holder, Manual	
34	1001081049	1	Grommet, Split	
35	1001275934	1	Seat, Cab (See Separate Breakdown in this Section)	
36	1001102844	2	Bolt 1/4 x 1-1/4	
37	1001114867	1	Socket, 12V Power Point	
38	1001256519	1	Mount, Cab Step	
39	1001159850	1	Panel, Heater Control	
40	1001159878	1	Support, Armrest	
41	1001170738	1	Gauge	
42	1001210703	1	Controller	
43	1001171807	1	Installation, Cab Heater Lines (See Separate Breakdown in this Section)	
44	1001178347	1	Harness, HVAC (See Separate Breakdown in ELECTRICAL Section)	
45	1001264554	1	Accelerator (Note: No Serviceable Parts - Purchase Complete Assembly)	
46	1001183164	1	Reservoir, Brake Valve	

SECTION 6 - CAB

ITEM	PART NUMBER	QTY	DESCRIPTION	REV
47	1001246737	1	Cab, Enclosed with Heater (See Separate Breakdown in this Section)	
48	1001223052	1	Assembly, Brake (See Separate Breakdown in CONTROLS Section)	
49	1001201658	1	Hose	
50	1001207963	1	Plug, 5/8	
51	4710600	2	Washer #6	
52	1001265914	1	Cover, Pedal	

SECTION 6 - CAB

FIGURE 6-9. CAB, ENCLOSED WITH HEATER



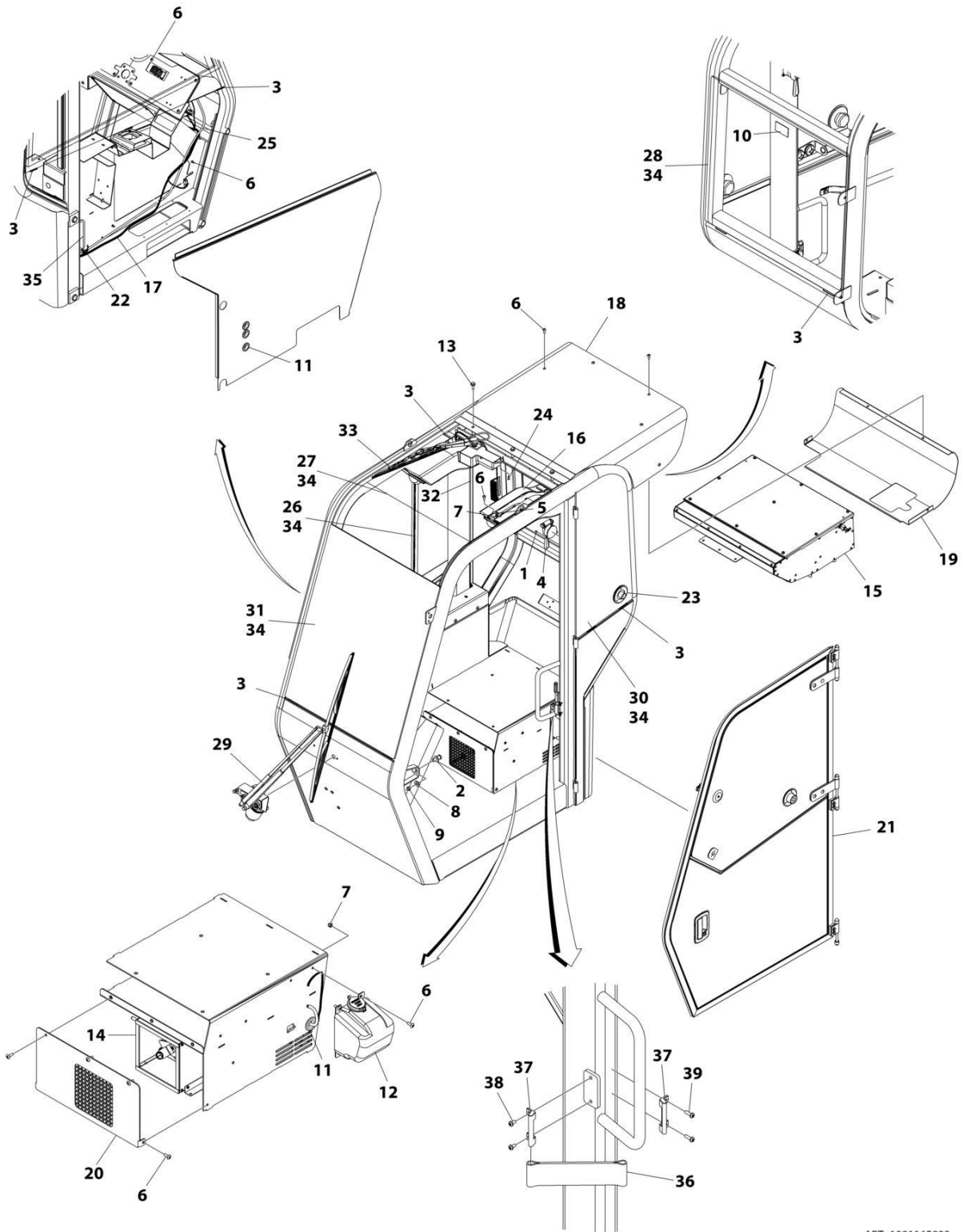
ART_1001246737

FIGURE 6-9. CAB, ENCLOSED WITH HEATER

ITEM	PART NUMBER	QTY	DESCRIPTION	REV
	1001246737	Ref	CAB ENCLOSED WITH HEATER	G
1	8303034	22	Screw 1/4 x 3/4	
2	8310085	2	Nut	
3	1001160788	1	Panel, RH Console Access Plate	
4	1001160790	1	Panel, LH Dash Cover	
5	1001160791	1	Panel, RH Dash Cover	
6	1001165617	1	Assembly, Side Console Access Panel	
7	1001165823	1	Enclosure, Cab (See Separate Breakdown in this Section)	
8	1001202189	1	Door, Brake Reservoir	
9	1001202202	2	Nut	
10	1001202746	1	Panel, Brake Access Plate	
11	See Note	NSS	Cab (Purchase Complete Assembly)	

SECTION 6 - CAB

FIGURE 6-10. CAB ENCLOSURE



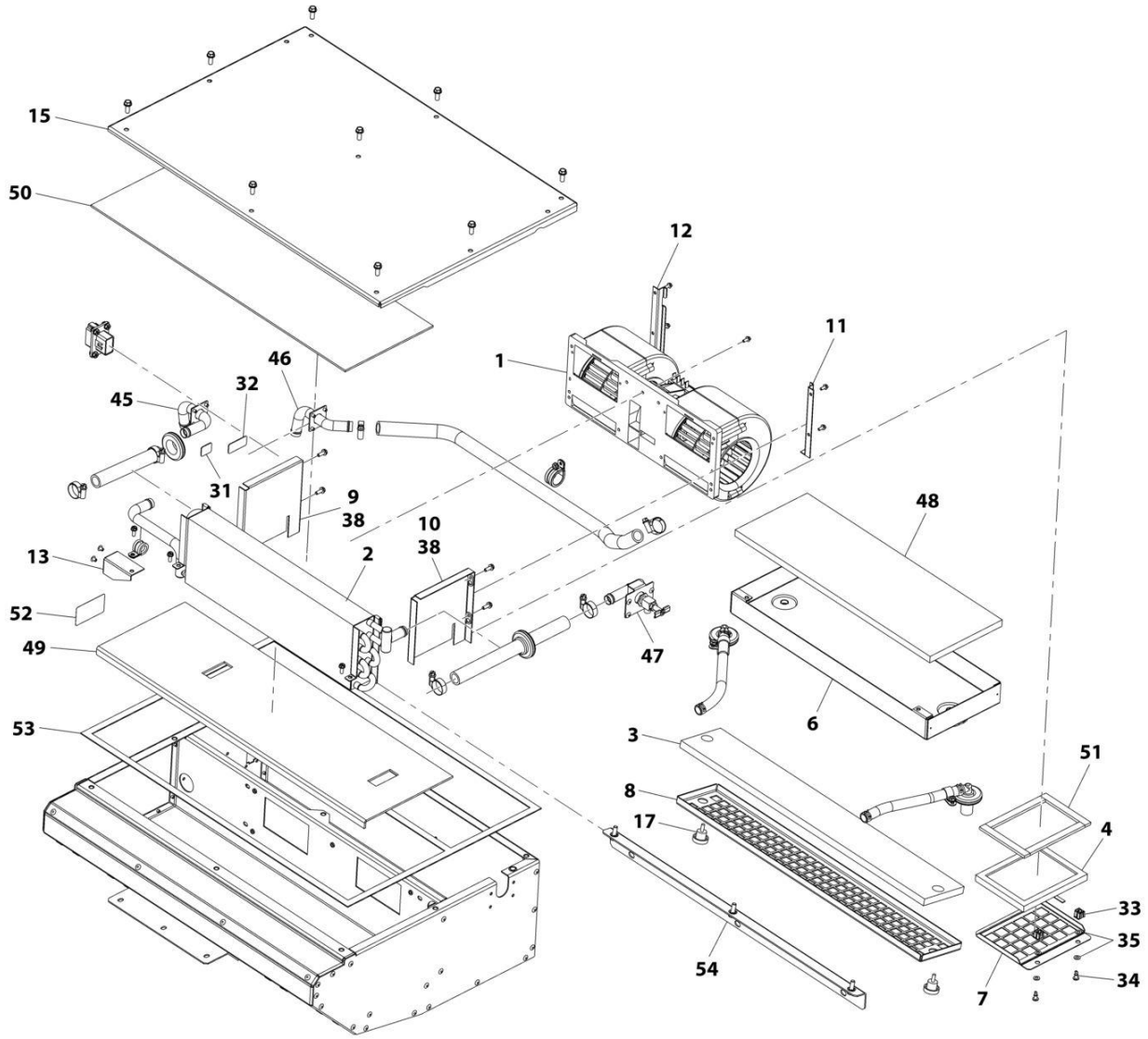
ART_1001165823

FIGURE 6-10. CAB ENCLOSURE

ITEM	PART NUMBER	QTY	DESCRIPTION	REV
	1001165823	Ref	CAB ENCLOSURE	0
1	91404298	3	Rivet	
2	1001109478	1	Latch, Striker	
3	1001181968	13	Mould, Setting Block	
4	91404301	1	Hammer, Emergency	
5	4711400	2	Washer 1/4	
6	8303034	33	Screw 1/4 x 3/4	
7	8305624	4	Nut 1/4	
8	8307112	1	Washer 1/2	
9	8310109	1	Nut 7/164	
10	91404299	1	Decal, Escape	
11	1001081049	4	Grommet, Split	
12	1001111112	1	Tank, Window Washer Fluid	
12	70025480	1	Pump, Reservoir	
13	1001149227	3	Screw 5/16 x 1	
14	1001159856	1	Heater Assembly - Floor (See Separate Breakdown in this Section)	
15	1001159860	1	HVAC Assembly - Roof Top (See Separate Breakdown in this Section)	
16	1001160785	2	Duct, HVAC	
17	1001178349	1	Harness, Wiper (See Separate Breakdown in ELECTRICAL Section)	
18	1001164282	1	Hood, Top	
19	1001164284	1	Hood, Bottom	
20	1001164717	1	Panel, Floor Heater Access	
21	1001165806	1	Door, Cab (See Separate Breakdown in this Section)	
22	1001008742	1	Coupling, Tee	
23	1001081243	1	Retainer, Door Window Hold	
24	0630464	1	Screw #10 x 1/2	
25	82033997	168 in	Hose, Washer Fluid	
26	8036050	1	Window, RH Slider (See Separate Breakdown in this Section)	
27	7138958	1	Glass, Skylight	
28	1001181707	1	Window, Rear	
29	8036056	1	Assembly, Front Wiper (See Separate Breakdown in this Section)	
30	1001181893	1	Window, LH Rear	
31	1001181903	1	Window, Windshield	
32	1001182091	1	Duct, Wire	
33	1001182470	1	Wiper, Skylight (See Separate Breakdown in this Section)	
34	1001177746	AR	Compound, Locking	
35	4060803	16.5 in	Flex-Trim	
36	80384218	1	Strap, Door	
37	1001196128	2	Bracket, Strap Holder	
38	1001197098	2	Screw #10 x 3/8	
39	1001197099	2	Screw #10 x 5/8	

SECTION 6 - CAB

FIGURE 6-11. ROOF HEATER BOX



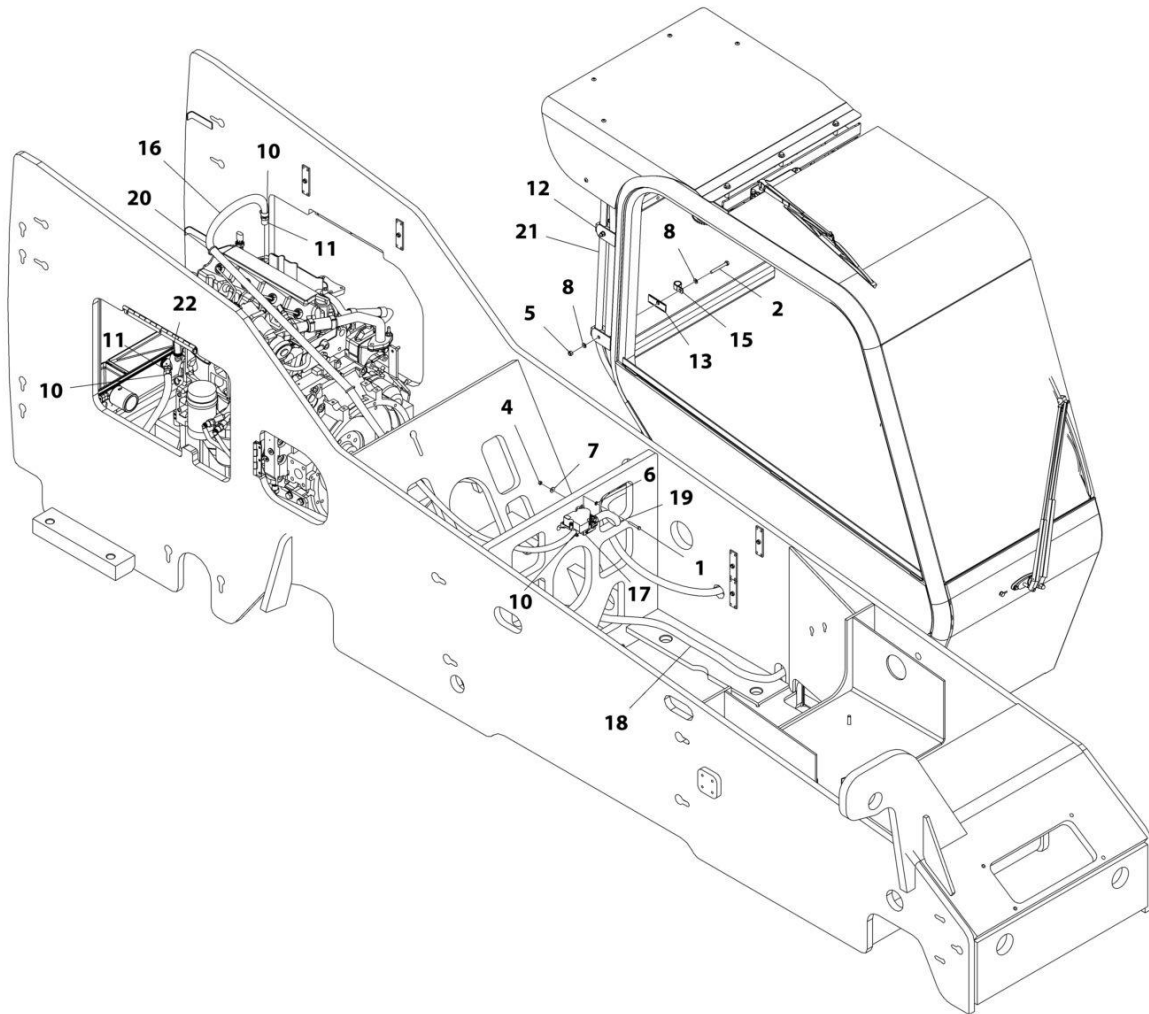
ART_1001159860-B

FIGURE 6-11. ROOF HEATER BOX

ITEM	PART NUMBER	QTY	DESCRIPTION	REV
	1001159860	Ref	Roof Heater Box	B
1	70026978	1	Blower, 12V	
2	70026981	1	Heater Coil	
3	70026982	1	Air Filter	
4	70026983	1	Air Filter	
6	70029822	1	Drain Pan	
7	70029823	1	Cover, Air Filter	
8	70029824	1	Cover, Air Filter	
9	70029825	1	Bracket, Coil (R)	
10	70029826	1	Bracket, Coil (L)	
11	70029827	1	Bracket, Blower	
12	70029828	1	Bracket, Blower	
13	70029829	1	Support Bracket	
15	70029830	1	Cover	
16	70029831	1	Harness (not shown)	
17	8036726	2	Knob	
31	70029832	1	Overlay In	
32	70029833	1	Overlay Out	
33	70029834	2	Receptacle	
34	70029835	2	Stud, Oval Slotted	
35	70029836	4	Retainer	
38	70029837	2	Panel, Coil Clip	
45	70029838	1	Tube Assembly	
46	70029839	1	Tube Assembly	
47	70026991	1	Valve, Bleeder	
48	70029840	1	Foam	
49	70029841	1	Foam, Closed Cell	
50	70029842	1	Foam, Closed Cell	
51	70026123	1	Foam, 3/16X180	
52	See Note	1	Foam 456mm	
53	70029843	1	Foam, Closed Cell	
54	70029844	1	Bracket Assembly	

SECTION 6 - CAB

FIGURE 6-12. CAB HEATER LINES INSTALLATION



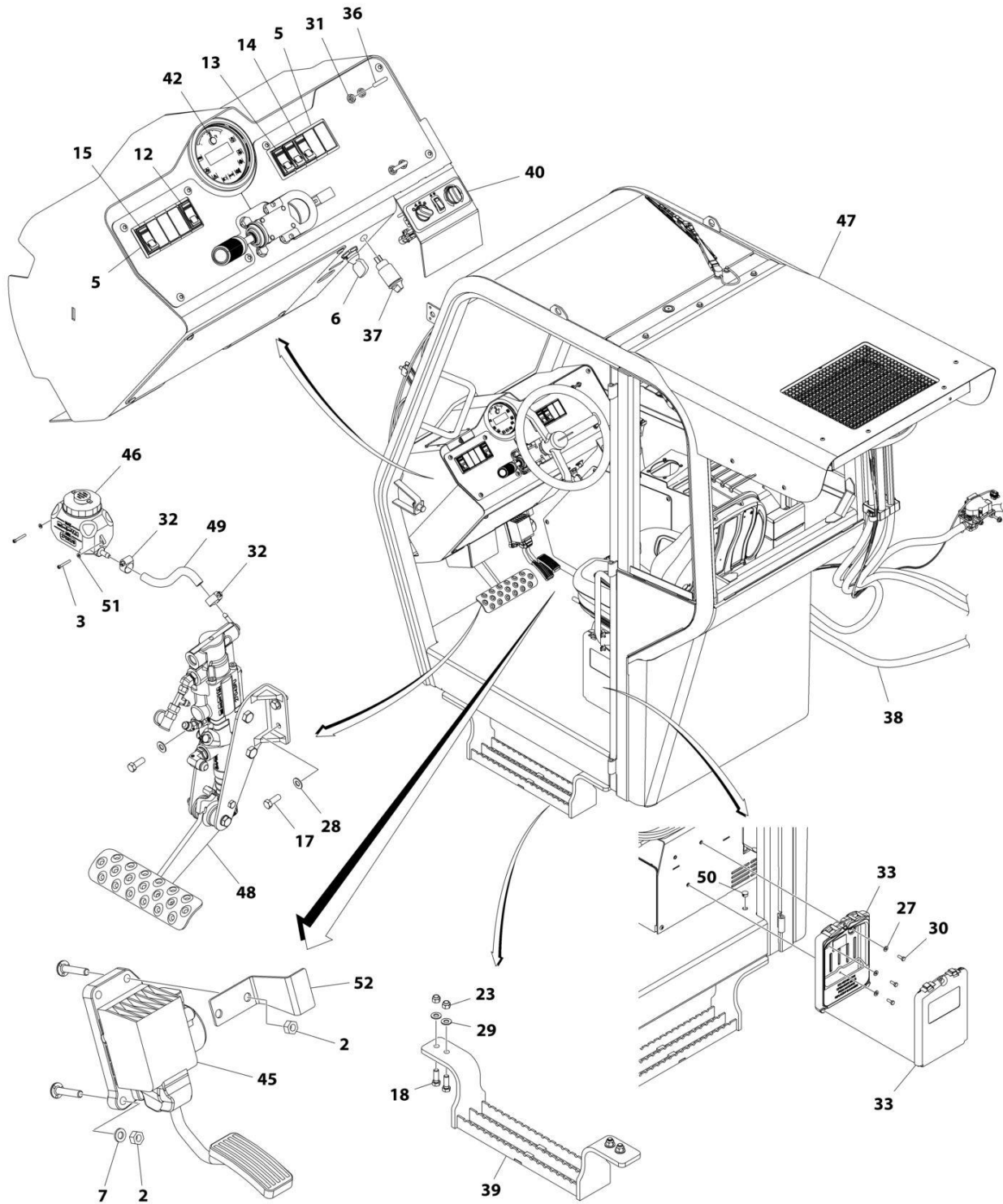
ART_1001171807-D

FIGURE 6-12. CAB HEATER LINES INSTALLATION

ITEM	PART NUMBER	QTY	DESCRIPTION	REV
	1001171807	Ref	Cab Heater Lines Installation	G
1	0700617	2	Bolt, M6X45	
2	0700822	2	Bolt, M8X70	
4	3290605	2	Nut, Lock M6X1	
5	3290805	2	Nut, Lock M8X1-1/4	
6	4811700	2	Washer, M6	
7	4811702	2	Washer, M6	
8	4811900	4	Washer, M8	
10	8405007	8	Clamp, Gear	
11	8430048	2	Reducer, Hose Barb	
12	77133133	2	Clamp, Twin	
13	77133134	2	Clamp, Cover Plate	
15	91043147	2	Clamp, Support	
16	1001158404	1	Hose, Cab Heater	
17	1001159844	1	Valve, Heater (See Separate Breakdown in this section)	
18	1001172537	1	Hose, Heater Return	
19	1001172561	1	Hose, Heater Send Valve to Roof	
20	8584001	4	Wrap, Tie	
21	1001173217	1	Hose, Heater Roof to Floor	
22	1001179229	1	Fitting, 45	

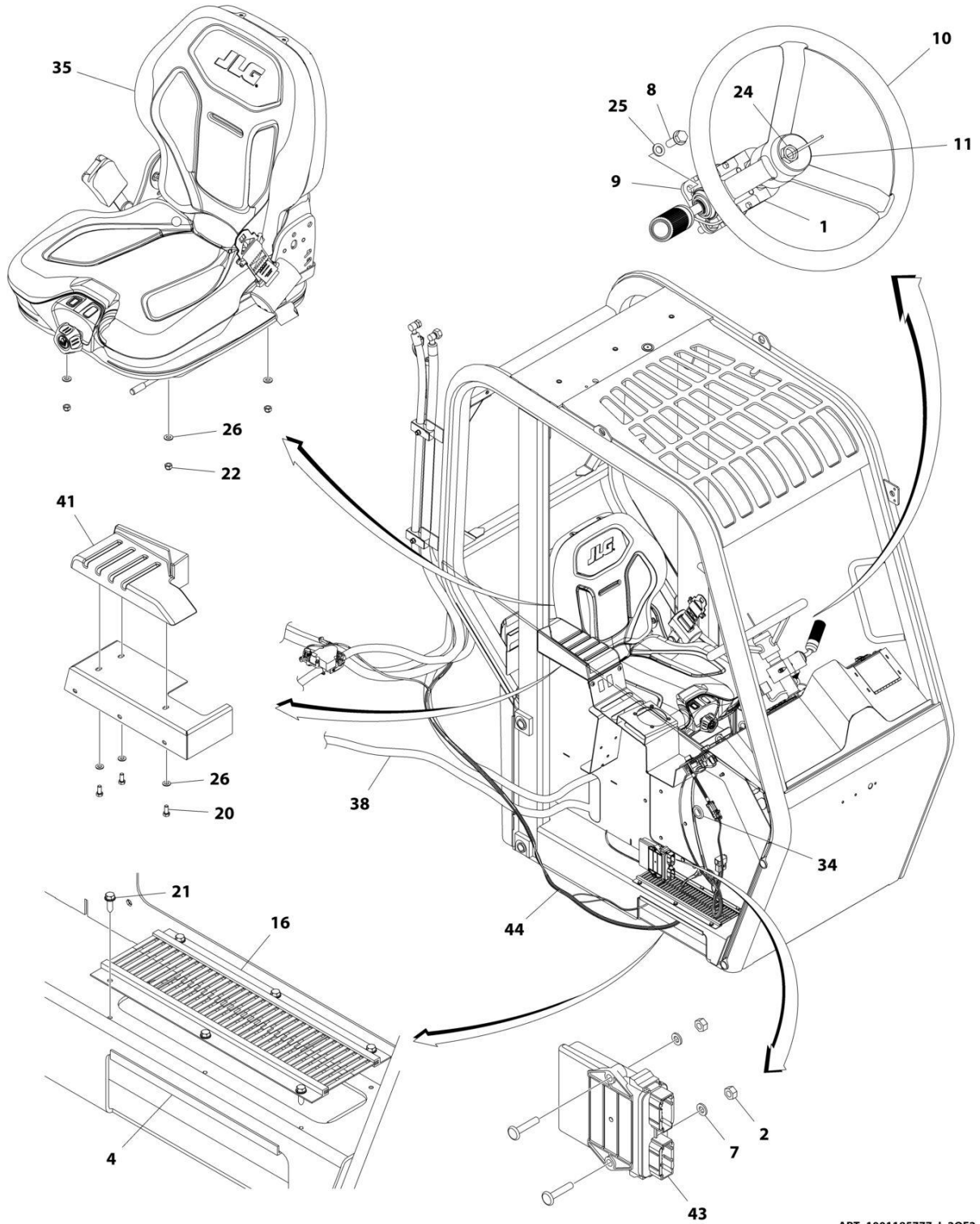
SECTION 6 - CAB

FIGURE 6-13. CAB INSTALLATION - ENCLOSED CAB WITH HEATER/AC (BLACK SEAT BELT)



ART_1001185777_I_10F2

SECTION 6 - CAB



ART_1001185777_I_20F2

SECTION 6 - CAB

FIGURE 6-13. CAB INSTALLATION - ENCLOSED CAB WITH HEATER/AC (BLACK SEAT BELT)

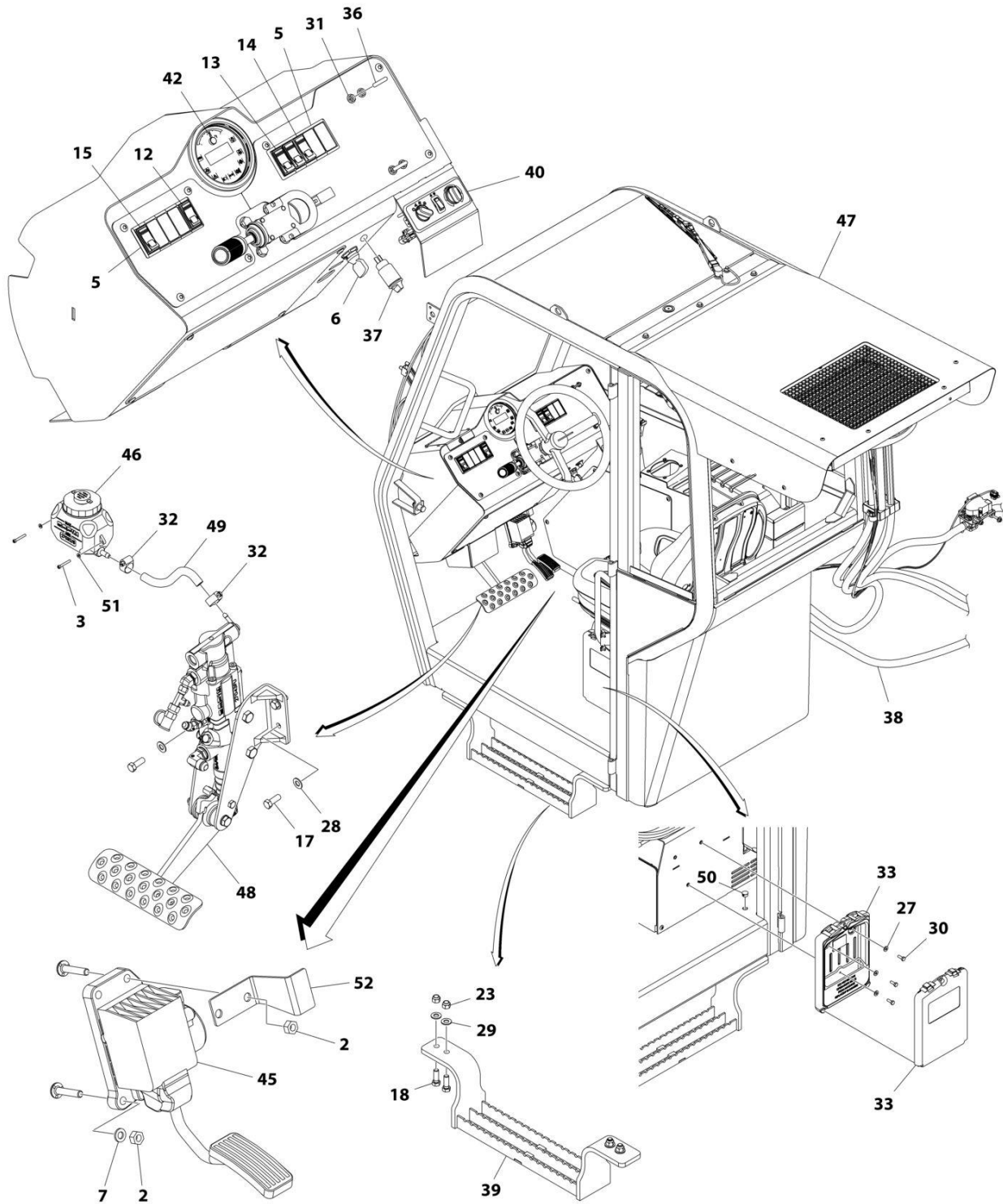
ITEM	PART NUMBER	QTY	DESCRIPTION	REV
	1001185777	Ref	ENCLOSED CAB WITH HEATER/AC INSTALLATION	I
1	1600429	1	Selector, Transmission Control	
2	3311401	5	Nut 1/4	
3	3930610	2	Bolt #6 x 5/8	
4	4060806	11 in	Shield, Flex Trim 5/16	
5	4360569	2	Switch, Bezel	
6	4360690	1	Switch, Ignition	
7	4761400	3	Washer 1/4	
8	5251014	4	Bolt M10 x 30	
9	7138833	1	Column, Steering	
10	7138836	1	Wheel, Steering	
11	7138878	1	Button, Horn	
12	8223037	1	Switch, Steer Select	
13	8223043	2	Switch, Windscreen Wiper	
14	8223044	1	Switch, Windscreen Washer	
15	8223054	1	Switch, Park Brake	
16	7138944	2	Strips, Brush	
17	8303620	4	Bolt 3/8 x 1	
18	8303626	4	Bolt 1/2 x 1-1/2	
20	8303697	3	Bolt 5/16 x 3/4	
21	8303982	6	Screw 1/4 x 3/4	
22	8305626	4	Nut 5/16	
23	8305644	4	Nut 1/2	
24	8305916	1	Nut, Steering Column	
25	8307023	4	Washer M10	
26	8307106	7	Washer 5/16	
27	8307109	3	Washer 1/4	
28	8307110	4	Washer 3/8	
29	8307112	4	Washer 1/2	
30	8310026	3	Bolt 1/4 x 3/4	
31	8310382	8	Nut 1/4	
32	1320022	2	Clamp, Fuel Line	
33	8990147	1	Holder, Manual	
34	1001081049	1	Grommet	
35	1001190229	1	Seat, Cab (See Separate Breakdown in this Section)	
36	1001102844	2	U-Bolt 1/4 x 1-1/4	
37	1001114867	1	Socket, 12V Power Point	
38	1001171806	1	Installation, Cab Heater/AC Lines (See Separate Breakdown in this Section)	
39	1001256519	1	Mount, Cab Step	
40	1001159851	1	Panel, HVAC Control	
40	1001204362	1	Switch, Fan	
40	7301265	1	Switch, A/C	
41	1001159878	1	Support, Armrest	
42	1001170738	1	Gauge	
43	1001210703	1	Controller	
44	1001178347	1	Harness, HVAC (See Separate Breakdown in ELECTRICAL Section)	
45	1001264554	1	Accelerator (Note: No Serviceable Parts - Purchase Complete Assembly)	

SECTION 6 - CAB

ITEM	PART NUMBER	QTY	DESCRIPTION	REV
46	1001183164	1	Reservoir, Brake Valve	
47	1001246738	1	Cab, Enclosed with Heater/AC (See Separate Breakdown in this Section)	
48	1001223052	1	Assembly, Brake (See Separate Breakdown in CONTROLS Section)	
49	1001201658	1	Hose	
50	1001207963	1	Plug, 5/8	
51	4710600	2	Washer #6	
52	1001265914	1	Cover, Pedal	

SECTION 6 - CAB

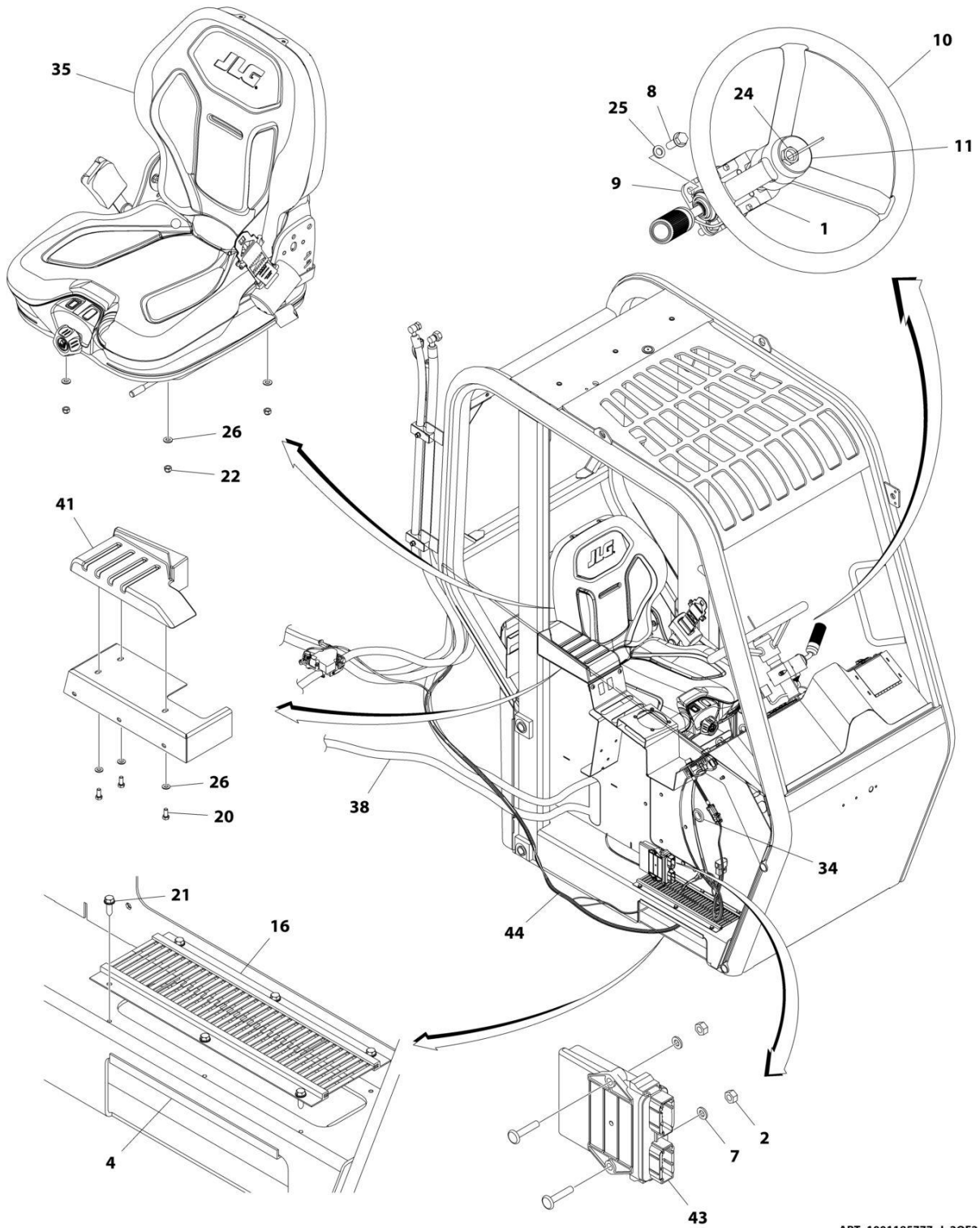
FIGURE 6-14. CAB INSTALLATION - ENCLOSED CAB WITH HEATER/AC (ORANGE SEAT BELT)



ART_1001185777_J_10F2

SECTION 6 - CAB

FIGURE 6-15. CAB INSTALLATION - ENCLOSED CAB WITH HEATER/AC (ORANGE SEAT BELT)



ART_1001185777_J_20F2

SECTION 6 - CAB

FIGURE 6-15. CAB INSTALLATION - ENCLOSED CAB WITH HEATER/AC (ORANGE SEAT BELT)

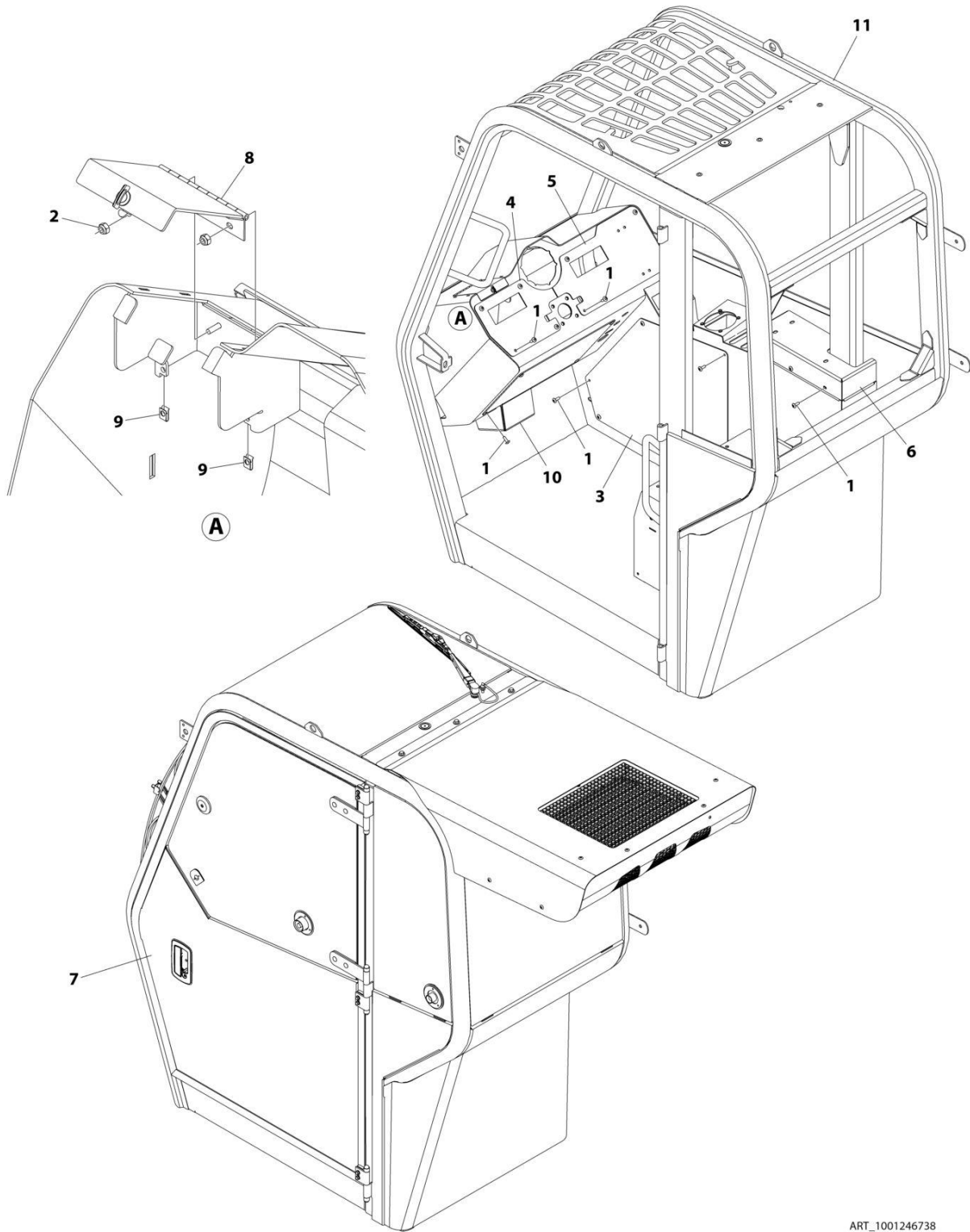
ITEM	PART NUMBER	QTY	DESCRIPTION	REV
	1001185777	Ref	ENCLOSED CAB WITH HEATER/AC INSTALLATION	J
1	1600429	1	Selector, Transmission Control	
2	3311401	5	Nut 1/4	
3	3930610	2	Bolt #6 x 5/8	
4	4060806	11 in	Shield, Flex Trim 5/16	
5	4360569	2	Switch, Bezel	
6	4360690	1	Switch, Ignition	
7	4761400	3	Washer 1/4	
8	5251014	4	Bolt M10 x 30	
9	7138833	1	Column, Steering	
10	7138836	1	Wheel, Steering	
11	7138878	1	Button, Horn	
12	8223037	1	Switch, Steer Select	
13	8223043	2	Switch, Windscreen Wiper	
14	8223044	1	Switch, Windscreen Washer	
15	8223054	1	Switch, Park Brake	
16	7138944	2	Strips, Brush	
17	8303620	4	Bolt 3/8 x 1	
18	8303626	4	Bolt 1/2 x 1-1/2	
20	8303697	3	Bolt 5/16 x 3/4	
21	8303982	6	Screw 1/4 x 3/4	
22	8305626	4	Nut 5/16	
23	8305644	4	Nut 1/2	
24	8305916	1	Nut, Steering Column	
25	8307023	4	Washer M10	
26	8307106	7	Washer 5/16	
27	8307109	3	Washer 1/4	
28	8307110	4	Washer 3/8	
29	8307112	4	Washer 1/2	
30	8310026	3	Bolt 1/4 x 3/4	
31	8310382	8	Nut 1/4	
32	1320022	2	Clamp, Fuel Line	
33	8990147	1	Holder, Manual	
34	1001081049	1	Grommet	
35	1001275934	1	Seat, Cab (See Separate Breakdown in this Section)	
36	1001102844	2	U-Bolt 1/4 x 1-1/4	
37	1001114867	1	Socket, 12V Power Point	
38	1001171806	1	Installation, Cab Heater/AC Lines (See Separate Breakdown in this Section)	
39	1001256519	1	Mount, Cab Step	
40	1001159851	1	Panel, HVAC Control	
40	1001204362	1	Switch, Fan	
40	7301265	1	Switch, A/C	
41	1001159878	1	Support, Armrest	
42	1001170738	1	Gauge	
43	1001210703	1	Controller	
44	1001178347	1	Harness, HVAC (See Separate Breakdown in ELECTRICAL Section)	
45	1001264554	1	Accelerator (Note: No Serviceable Parts - Purchase Complete Assembly)	

SECTION 6 - CAB

ITEM	PART NUMBER	QTY	DESCRIPTION	REV
46	1001183164	1	Reservoir, Brake Valve	
47	1001246738	1	Cab, Enclosed with Heater/AC (See Separate Breakdown in this Section)	
48	1001223052	1	Assembly, Brake (See Separate Breakdown in CONTROLS Section)	
49	1001201658	1	Hose	
50	1001207963	1	Plug, 5/8	
51	4710600	2	Washer #6	
52	1001265914	1	Cover, Pedal	

SECTION 6 - CAB

FIGURE 6-16. ENCLOSED CAB WITH HEATER



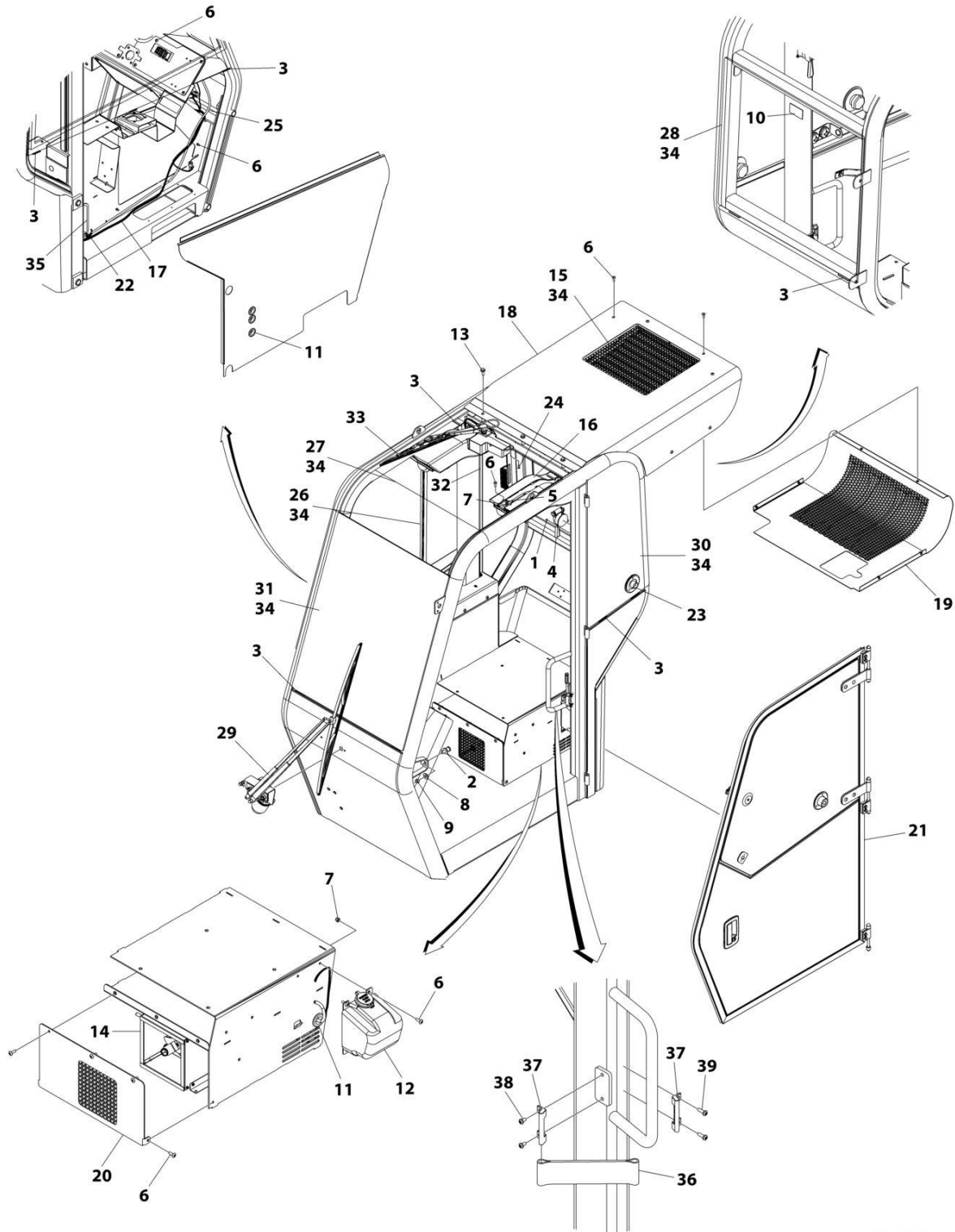
ART_1001246738

FIGURE 6-16. ENCLOSED CAB WITH HEATER

ITEM	PART NUMBER	QTY	DESCRIPTION	REV
	1001246738	Ref	CAB ENCLOSED WITH HEATER/AC	F
1	8303034	22	Screw 1/4 x 3/4	
2	8310085	2	Nut	
3	1001160788	1	Panel, RH Console Access Plate	
4	1001160790	1	Panel, LH Dash Cover	
5	1001160791	1	Panel, RH Dash Cover	
6	1001165617	1	Assembly, Side Console Access Panel	
7	1001168066	1	Enclosure, Cab HVAC (See Separate Breakdown in this Section)	
8	1001202189	1	Door, Brake Reservoir	
9	1001202202	2	Nut M6	
10	1001202746	1	Panel, Brake Access Plate	
11	1001246735	1	Cab Weldment	

SECTION 6 - CAB

FIGURE 6-17. CAB HVAC ENCLOSURE



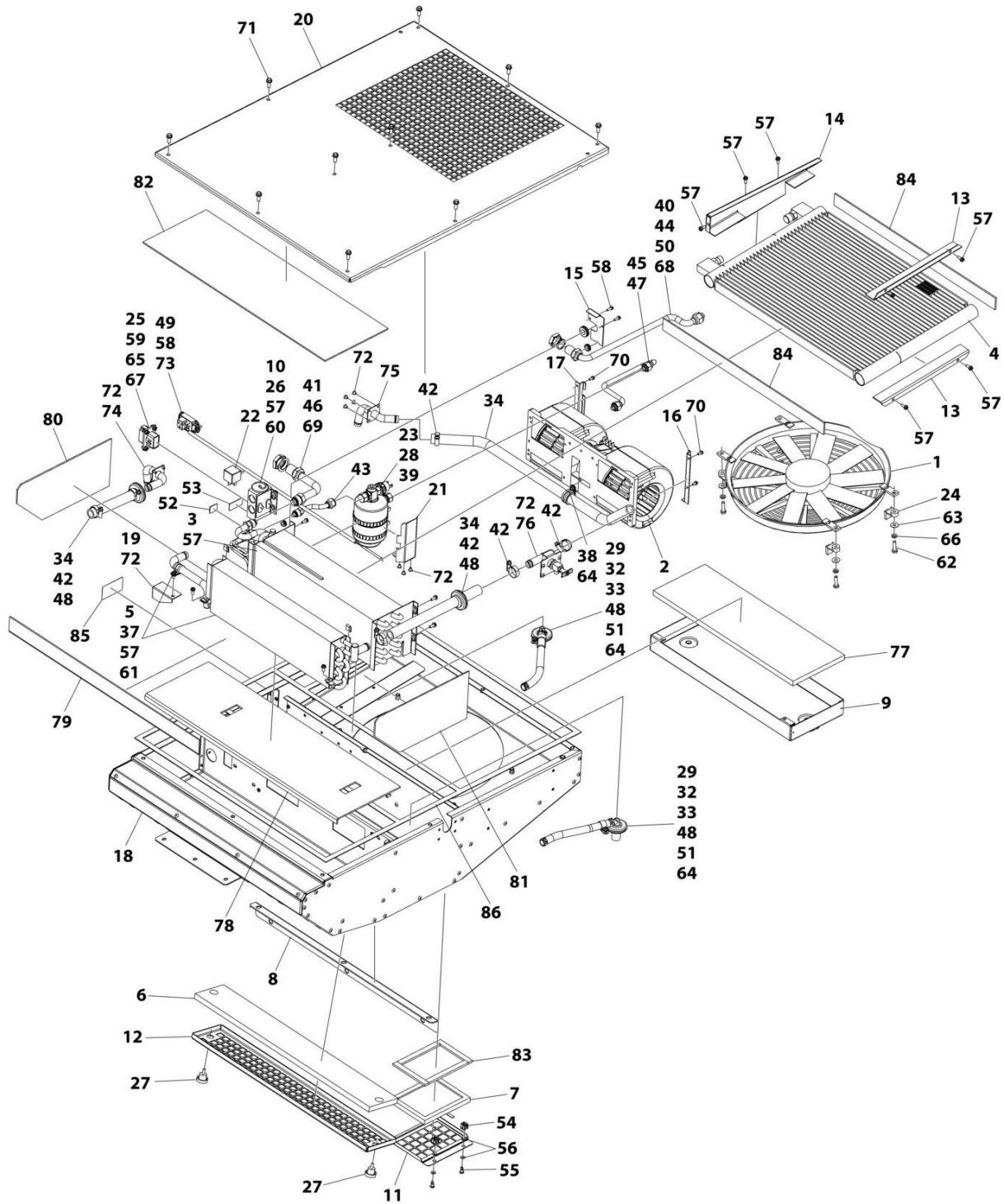
ART_1001168066

FIGURE 6-17. CAB HVAC ENCLOSURE

ITEM	PART NUMBER	QTY	DESCRIPTION	REV
	1001168066	Ref	CAB HVAC ENCLOSURE	O
1	91404298	3	Rivet	
2	1001109478	1	Latch, Striker	
3	1001181968	13	Mould, Setting Block	
4	91404301	1	Hammer, Emergency	
5	4711400	2	Washer 1/4	
6	8303034	35	Screw 1/4 x 3/4	
7	8305624	4	Nut 1/4	
8	8307112	1	Washer 1/2	
9	8310109	1	Nut 7/16	
10	91404299	1	Decal, Escape	
11	1001081049	4	Grommet, Split	
12	1001111112	1	Tank, Window Washer Fluid	
12	70025480	1	Pump, Reservoir	
13	1001149227	3	Screw 5/16 x 1	
14	1001159856	1	Heater, Floor (See Separate Breakdown in this Section)	
15	1001159861	1	Box, Roof (See Separate Breakdown in this Section)	
16	1001160785	2	Duct, HVAC	
17	1001178349	1	Harness, Wiper (See Separate Breakdown in ELECTRICAL Section)	
18	1001164096	1	Hood, Top	
19	1001164099	1	Hood, Bottom	
20	1001164717	1	Panel, Floor Heater Access	
21	1001165806	1	Door, Cab (See Separate Breakdown in this Section)	
22	1001008742	1	Coupling, Tee	
23	1001081243	1	Retainer, Door Window Hold	
24	0630464	1	Screw #10 x 1/2	
25	82033997	168 in	Hose, Washer Fluid	
26	8036050	1	Window, RH Slider (See Separate Breakdown in this Section)	
27	7138958	1	Glass, Skylight	
28	1001181707	1	Window, Rear	
29	8036056	1	Assembly, Front Wiper (See Separate Breakdown in this Section)	
30	1001181893	1	Window, LH Rear	
31	1001181903	1	Window, Windshield	
32	1001182091	1	Duct, Wire	
33	1001182470	1	Wiper, Skylight (See Separate Breakdown in this Section)	
34	1001177746	AR	Compound, Locking	
35	4060803	16.5 in	Flex-Trim	
36	80384218	1	Strap, Door	
37	1001196128	2	Bracket, strap Holder	
38	1001197098	2	Screw #10 x 3/8	
39	1001197099	2	Screw #10 x 5/8	

SECTION 6 - CAB

FIGURE 6-18. ROOF BOX HVAC



ART_1001159861

FIGURE 6-18. ROOF BOX HVAC

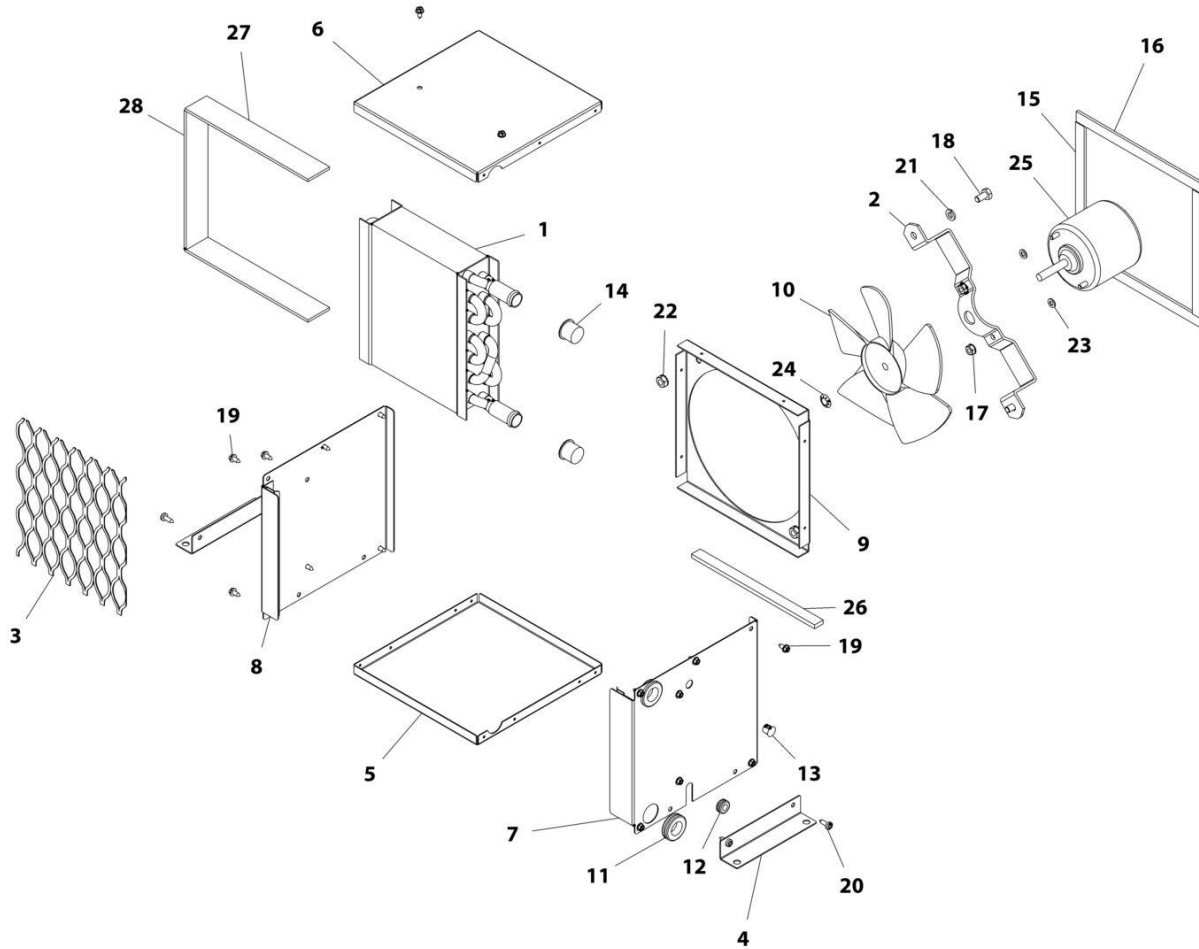
ITEM	PART NUMBER	QTY	DESCRIPTION	REV
	1001159861	Ref	ROOF BOX HVAC	B
1	70026945	1	Assembly, Fan	
2	70026978	1	Blower	
3	70026979	1	Coil, Evaporator	
4	70026980	1	Condenser	
5	70026981	1	Coil, Heater	
6	70026982	1	Filter, Air	
7	70026983	1	Filter, Air	
8	70030281	1	Bracket	
9	70029822	1	Pan, Drain	
10	NPN	1	Bracket	
11	70029823	1	Cover	
12	70029824	1	Cover	
13	NPN	2	Rail, Condenser	
14	NPN	1	Bracket, Condenser	
15	70031394	1	Bracket	
16	70029827	1	Bracket, Blower	
17	70029828	1	Bracket, Blower	
18	NPN	1	Housing	
19	70029829	1	Bracket	
20	70031395	1	Cover	
21	70031396	1	Bracket	
22	70026986	1	Relay	
23	70026854	1	Sensor, Pressure	
24	70029981	4	Mount, Fan	
25	70031397	1	Harness, Wiring	
26	70020876	1	Valve, Block	
27	8036726	2	Knob	
28	70026984	1	Drier, Receiver	
29	7029412	AR	Hose	
32	7029413	2	Fitting, 90	
33	7029415	4	Clamp	
34	70031398	AR	Hose	
37	70026987	1	Clamp	
38	70026988	1	Clamp	
39	70026989	2	Clamp	
40	70031402	1	Nut #8	
41	70031403	1	Nut #10	
42	70026990	6	Clamp	
43	70028782	1	Tube	
44	70028781	1	Tube	
45	70028780	1	Tube	
46	70028779	1	Tube	
47	70031404	1	Grommet	
48	70031405	4	Grommet	
49	70026111	1	Grommet	
50	70031406	1	Grommet	
51	NPN	2	Clamp	
52	70029832	1	Cover, In	
53	70029833	1	Cover, Out	

SECTION 6 - CAB

ITEM	PART NUMBER	QTY	DESCRIPTION	REV
54	70029834	2	Connector	
55	70029835	2	Screw	
56	70029836	4	Washer	
57	NPN	16	Bolt #10 x 1/2	
58	NPN	5	Bolt #8 x 1/2	
59	NPN	8	Washer #8	
60	NPN	2	Bolt 1/4 x 1-1/2	
61	70029837	2	Clip	
62	NPN	4	Bolt 1/4 x 1	
63	NPN	6	Washer 1/4	
64	NPN	3	Nut #10	
65	NPN	4	Nut #8	
66	70029984	4	Washer 1/4	
67	NPN	4	Bolt #8 x 1/2	
68	70031413	1	Washer	
69	70031414	1	Washer	
70	NPN	5	Bolt #8 x 3/8	
71	NPN	10	Bolt 1/4 x 5/8	
72	NPN	17	Rivet	
73	70026985	1	Thermostat	
74	70029838	1	Tube	
75	70029839	1	Tube	
76	70026991	1	Valve, Bleeder	
77	70029840	1	Foam	
78	70029841	1	Foam	
79	70031420	1	Foam	
80	70031421	1	Foam	
81	70031422	1	Foam	
82	70029842	1	Foam	
83	70026123	1	Insulation	
84	70026124	2	Foam	
85	NPN	1	Decal	
86	70029843	1	Foam	

SECTION 6 - CAB

FIGURE 6-19. FLOOR HEATER



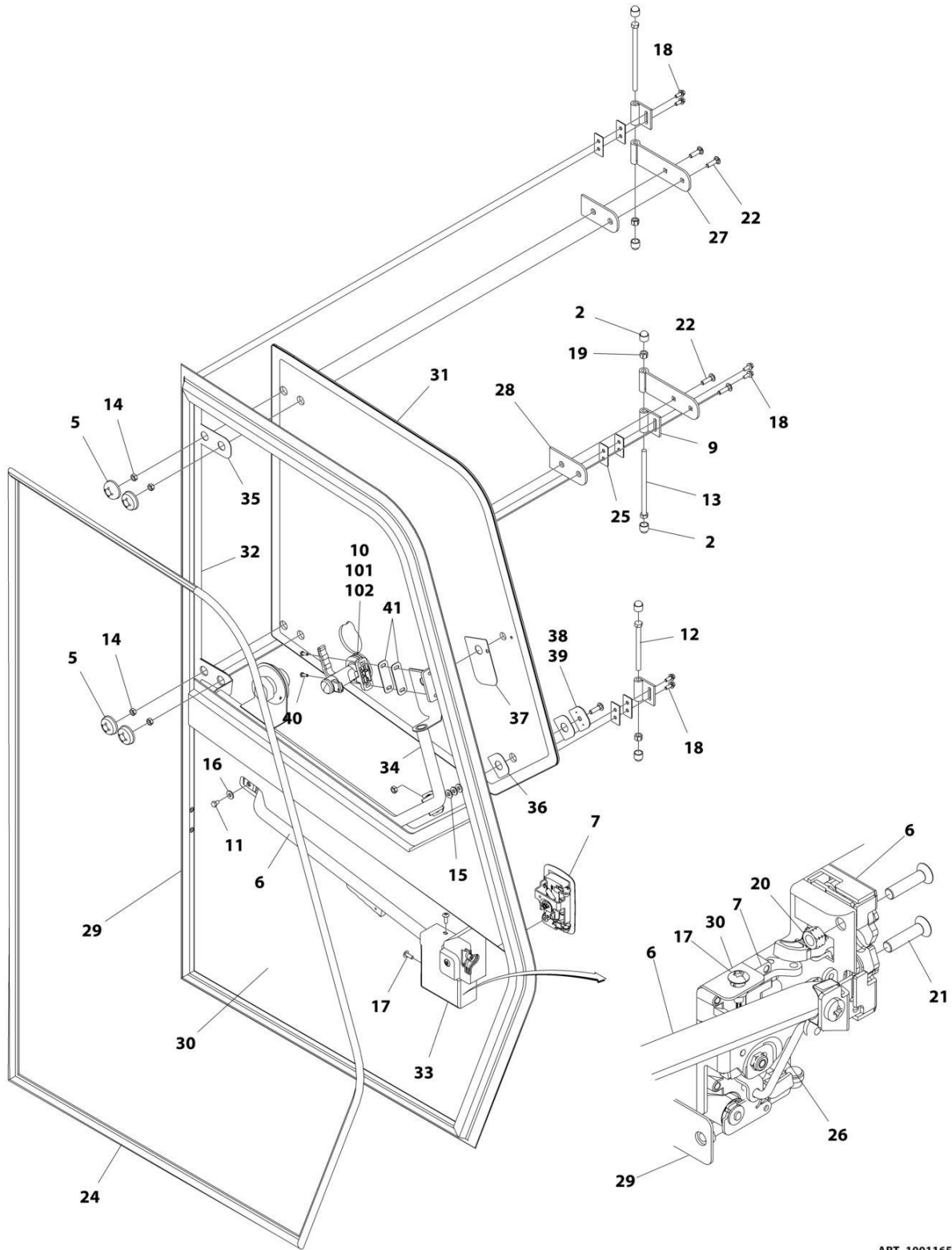
ART_1001159856-D

FIGURE 6-19. FLOOR HEATER

ITEM	PART NUMBER	QTY	DESCRIPTION	REV
	1001159856	Ref	Floor Heater	D
1	70026100	1	Coil, Heater	
2	70026101	1	Bracket, Motor	
3	70026102	1	Protector, Coil	
4	70026103	2	Bracket, Mounting	
5	70026104	1	Casing, Bottom	
6	70026105	1	Casing, Top	
7	70026106	1	Casing, RH Side	
8	70026107	1	Casing, LH Side	
9	70026108	1	Mount, Fan	
10	70026109	1	Fan	
11	70026110	2	Grommet	
12	70026111	1	Grommet, 3/8	
13	70026112	1	Plug, Hole 3/8	
14	70026113	2	Plug, 3/8	
15	70026114	2	Foam, 1/4X158	
16	70026114	2	Foam, 1/4X184	
17	70026115	2	Nut, 10-32	
18	70026116	2	Screw, 1/4-20X1/2	
19	70026117	16	Screw, 8X3/8	
20	70024855	4	Screw, Tap 8X1/2	
21	70026118	2	Lockwasher, 1/4	
22	70026119	2	Nut, Kep 1/4-20	
23	70026120	2	Washer, M5	
24	70026121	1	Retainer	
25	70026122	1	Motor Assembly, 12V	
26	70026123	1	Foam, 3/16X180	
27	70026124	2	Foam, 1/4X180	
28	70026124	1	Foam, 1/4X175	

SECTION 6 - CAB

FIGURE 6-20. CAB DOOR ASSEMBLY



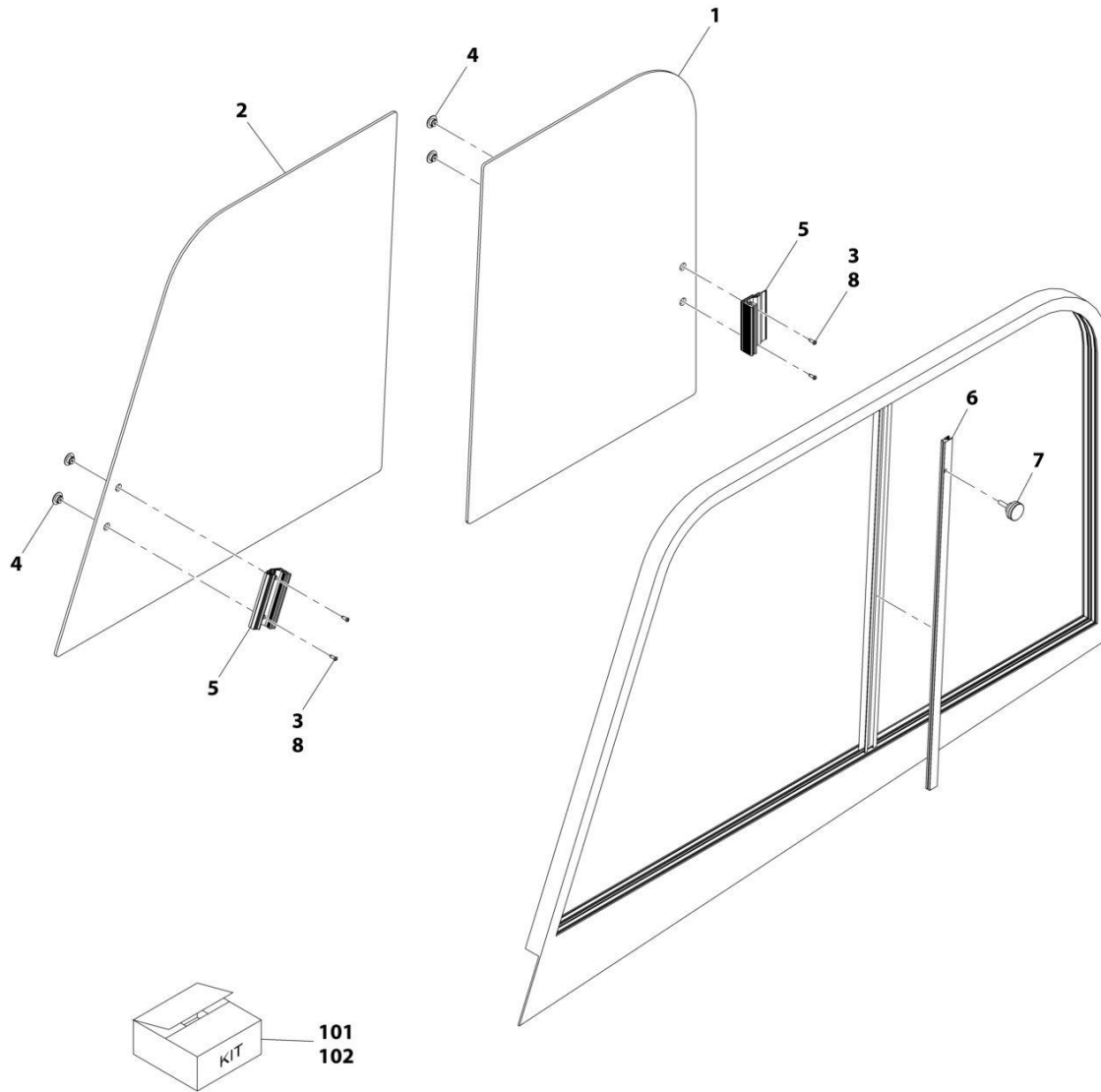
ART_1001165806

FIGURE 6-20. CAB DOOR ASSEMBLY

ITEM	PART NUMBER	QTY	DESCRIPTION	REV
	1001165806	Ref	CAB DOOR	I
1	1001183104	2	Fastener, Latch	
2	1001182663	6	Cap, Hex Dome	
5	1001081246	5	Cap, Nut M6	
6	1001081247	1	Handle, Interior Cab Door	
7	1001081241	1	Handle, Exterior Cab Door	
7	70021948	1	Key, Cab Door	
9	1001183209	3	Hinge, Slotted	
10	1001220260	1	Handle, Window	
11	0641403	1	Bolt 1/4 x 3/8	
12	0641636	1	Bolt 3/8 x 4-1/2	
13	0641652	2	Bolt 3/8 x 6-1/2	
14	3290801	5	Nut M8	
15	4711500	3	Washer 5/16	
16	4751400	1	Washer 1/4	
17	8303034	2	Screw 1/4 x 3/4	
18	8303119	6	Screw 1/4 x 5/8	
19	8305603	3	Nut 3/8	
20	8305638	2	Nut M8	
21	1001094312	2	Screw M8 x 30	
22	1001108575	5	Screw M8 x 30	
24	1001182408	1	Seal, Door	
25	1001182135	6	Shim, Door Hinge	
26	1001182514	1	Linkage, Exterior Latch	
27	1001081242	2	Hinge, Door	
28	1001081266	2	Spacer, Hinge	
29	1001182842	1	Weldment, Door	
30	1001182800	1	Foam, Door	
31	1001182808	1	Glass, Door	
32	1001182810	1	Seal, Glass	
33	1001182865	1	Cover, Latch	
34	1001182871	1	Handle, Door Glass	
35	1001182882	2	Shim, Hinge	
36	1001182883	2	Shim, Handle	
37	1001182884	1	Shim, Handle Latch	
38	1001183084	1	Plate, Window	
39	1001177746	1	Compound, Locking	
40	1001197099	2	Screw 1/4 x 5/8	
41	1001265272	AR	Shim	
101	1001165276	1	Striker Plate	
102	1001165275	1	Window Latch	
103	1001169787	1	Latch Seal (not shown)	
201	1001280231	1	Door Window Kit (Includes Items 5, 10, 14, 15, 22, 27, 28, 31, 32, 34-41 & Window Lock)	

SECTION 6 - CAB

FIGURE 6-21. RH SLIDER WINDOW



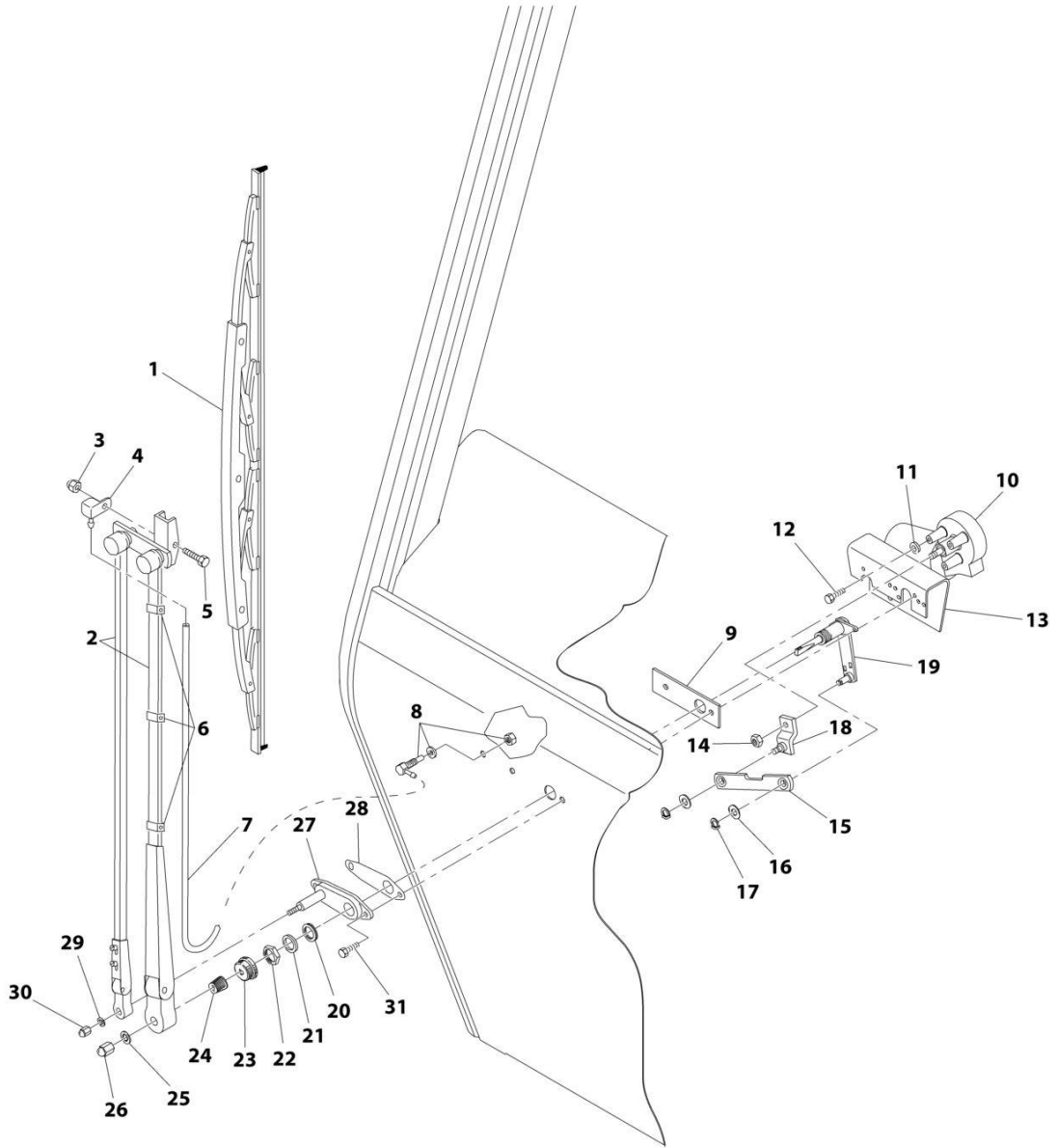
ART_8036050-B

FIGURE 6-21. RH SLIDER WINDOW

ITEM	PART NUMBER	QTY	DESCRIPTION	REV
	8036050	Ref	RH Slider Window	B
1	8036197	1	Glass, Rear Slide	
2	8036196	1	Glass, Front Slide	
3	Kit	NSS	Capscrew (Use Item 101)	
4	Kit	NSS	Spacer (Use Item 101)	
5	Kit	NSS	Latch (Use Item 101)	
6	Kit	NSS	Block, Lock (Use Item 102)	
7	Kit	NSS	Assembly, Knob (Use Item 102)	
8	8035523	AR	Compound, Locking	
101	80384445	1	Latch Assembly Kit (with Latch & Slider - Worthington Windows) (includes items 3 thru 5)	
101	8036199	1	Latch Assembly Kit (with Two Latches - Young Windows) (includes items 3 thru 5)	
102	8036198	1	Friction Lock Assembly Kit (includes items 6 & 7)	

SECTION 6 - CAB

FIGURE 6-22. FRONT WIPER ASSEMBLY



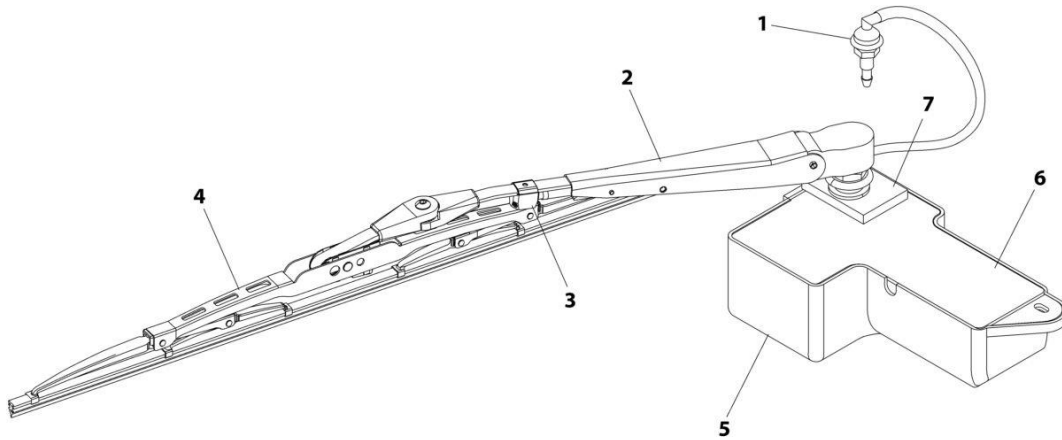
ART_8036056-A

FIGURE 6-22. FRONT WIPER ASSEMBLY

ITEM	PART NUMBER	QTY	DESCRIPTION	REV
	8036056	Ref	Front Wiper Assembly	A
1	80384213	1	Blade, Wiper	
2	8035393	1	Assembly, Wiper Arm	
3	N.S.S.	1	Nut, Lock	
4	N.S.S.	1	Nozzle, Sprayer	
5	N.S.S.	1	Bolt	
6	N.S.S.	3	Clip, Hose	
7	N.S.S.	1	Hose	
8	1001081310	1	Adaptor, Wet Arm	
9	8036100	1	Spacer, Front Wiper Motor	
10	7029860	1	Motor, Wiper 12V	
11	N.S.S.	3	Washer, 5/16	
12	N.S.S.	3	Bolt, 1/4-28X1	
13	N.S.S.	1	Bracket, Wiper Motor	
14	N.S.S.	1	Nut	
15	8035409	1	Link, Connecting	
16	N.S.S.	2	Washer, 0.56X0.251X0.015	
17	N.S.S.	2	Clip, Spring	
18	8035411	1	Drive, Wiper Arm	
19	8036099	1	Assembly, Wiper Shaft and Pivot	
20	N.S.S.	1	Washer, Rubber	
21	N.S.S.	1	Washer, Metal	
22	N.S.S.	1	Nut, Jam 11/16-18	
23	N.S.S.	1	Cap, Rubber	
24	N.S.S.	1	Driver, Knurled	
25	N.S.S.	1	Washer, Lock 3/8	
26	N.S.S.	1	Nut, Acorn 1/4-28	
27	8034815	1	Assembly, Panto Adaptor	
28	N.S.S.	1	Gasket	
29	N.S.S.	1	Washer, Lock 1/4	
30	N.S.S.	1	Nut, Acorn 1/4-28	
31	80384207	2	Bolt, 1/4-28X3/4	

SECTION 6 - CAB

FIGURE 6-23. SKYLIGHT WIPER ASSEMBLY



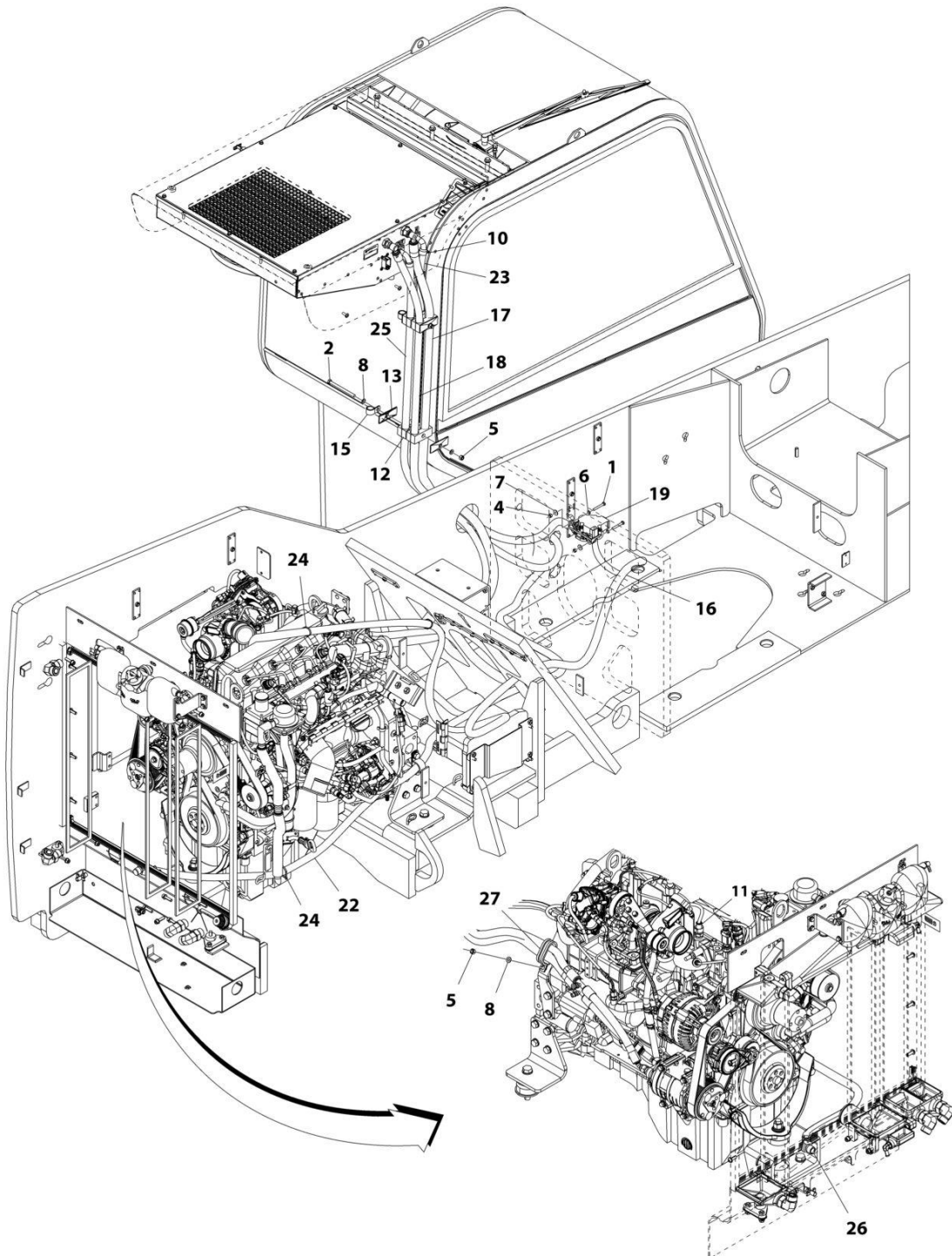
ART_1001182470

FIGURE 6-23. SKYLIGHT WIPER ASSEMBLY

ITEM	PART NUMBER	QTY	DESCRIPTION	REV
	1001182470	Ref	SKYLIGHT WIPER ASSEMBLY	B
1	1001081310	1	Adaptor, Wet Arm	
2	8035500	1	Arm, Wiper	
3	8035499	1	Arm, Wet Kit	
4	8035498	1	Blade, Wiper	
5	70020652	1	Motor, Wiper	
6	8035493	1	Cover, Wiper	
7	70026352	1	Block, Skylight Wiper Motor	

SECTION 6 - CAB

FIGURE 6-24. CAB HEATER/AC LINES INSTALLATION



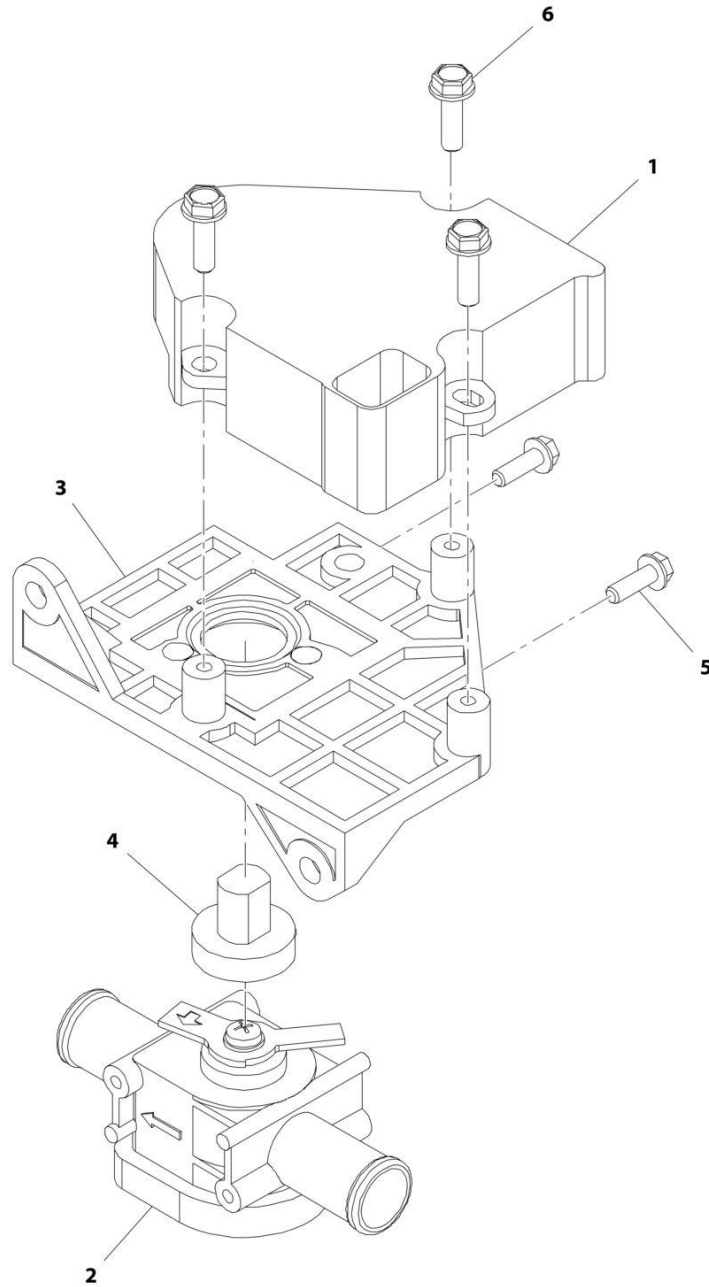
ART_1001171806-J

FIGURE 6-24. CAB HEATER/AC LINES INSTALLATION

ITEM	PART NUMBER	QTY	DESCRIPTION	REV
	1001171806	Ref	Cab Heater/AC Lines Installation	J
1	0700617	2	Bolt, M6X45	
2	0700828	2	Bolt, M8X110	
4	3290605	2	Nut, Lock M6X1	
5	3290805	3	Nut, Lock M8X1-1/4	
6	4811700	2	Washer, M6	
7	4811702	2	Washer, M6	
8	4811900	5	Washer, M8	
10	8405007	8	Clamp, Gear	
11	8430048	2	Reducer, Hose Barb	
12	77133133	4	Clamp, Twin	
13	77133134	4	Clamp, Cover Plate	
15	91043147	2	Clamp, Support	
16	1001158404	1	Hose, Cab Heater	
17	1001182798	1	Hose, A/C Compressor Suction	
18	1001182723	1	Hose, A/C Compressor Discharge	
19	1001159844	1	Valve, Heater (See Separate Breakdown in this section)	
22	1001172537	1	Hose, Heater Return	
23	1001172561	1	Hose, Heater Send Valve to Roof	
24	8584001	4	Wrap, Tie	
25	1001173217	1	Hose, Heater Roof to Floor	
26	1001179229	1	Fitting, 45	
27	1001164196	1	Clamp	

SECTION 6 - CAB

FIGURE 6-25. HEATER VALVE



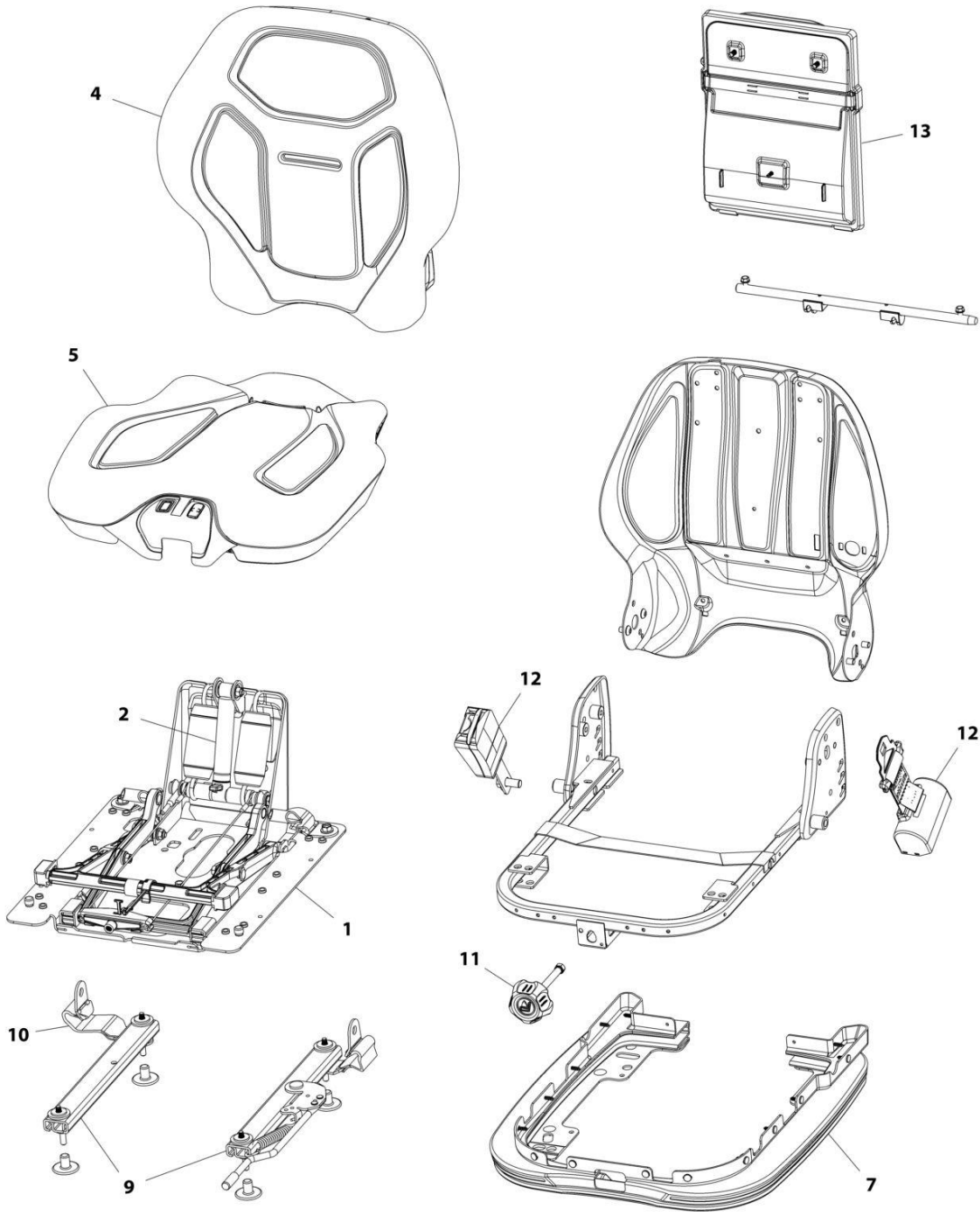
ART_1001159844-C

FIGURE 6-25. HEATER VALVE

ITEM	PART NUMBER	QTY	DESCRIPTION	REV
	1001159844	Ref	Heater Valve	C
1	70026088	1	Motor Actuator, 12V	
2	70026089	1	Assembly, Heater Valve	
3	70026090	1	Assembly, Valve Bracket	
4	70026091	1	Adapter, Shaft	
5	70026092	2	Screw, 8-18X1/2	
6	70026093	3	Screw, 10-16X5/8	

SECTION 6 - CAB

FIGURE 6-26. CAB SEAT (BLACK SEAT BELT)



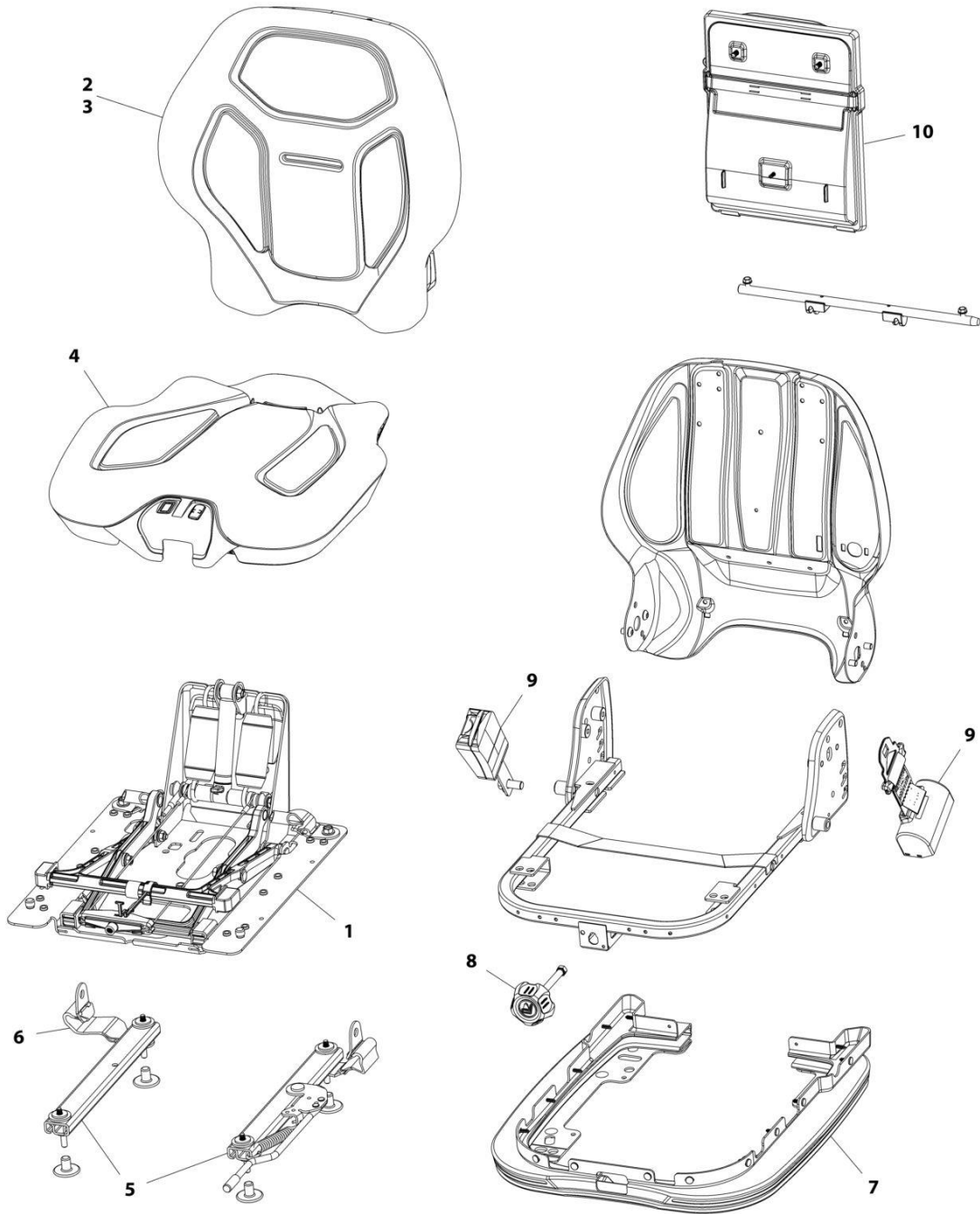
ART_1001190229-E

FIGURE 6-26. CAB SEAT (BLACK SEAT BELT)

ITEM	PART NUMBER	QTY	DESCRIPTION	REV
	1001190229	Ref	Cab Seat	E
1	70027024	1	Suspension Assembly Kit	
2	70027025	1	Spring Saddle Assembly Kit	
4	70027026	1	Back Cushion Kit	
5	70027028	1	Seat Cushion Assembly Kit	
7	70027030	1	Boot Kit	
9	7026798	1	Adjuster Kit	
10	70027032	1	Tether strap	
11	70027033	1	Weight adjust knob kit	
12	70027034	2	Seat belt kit	
13	70027035	1	Document box kit	

SECTION 6 - CAB

FIGURE 6-27. CAB SEAT (ORANGE SEAT BELT)



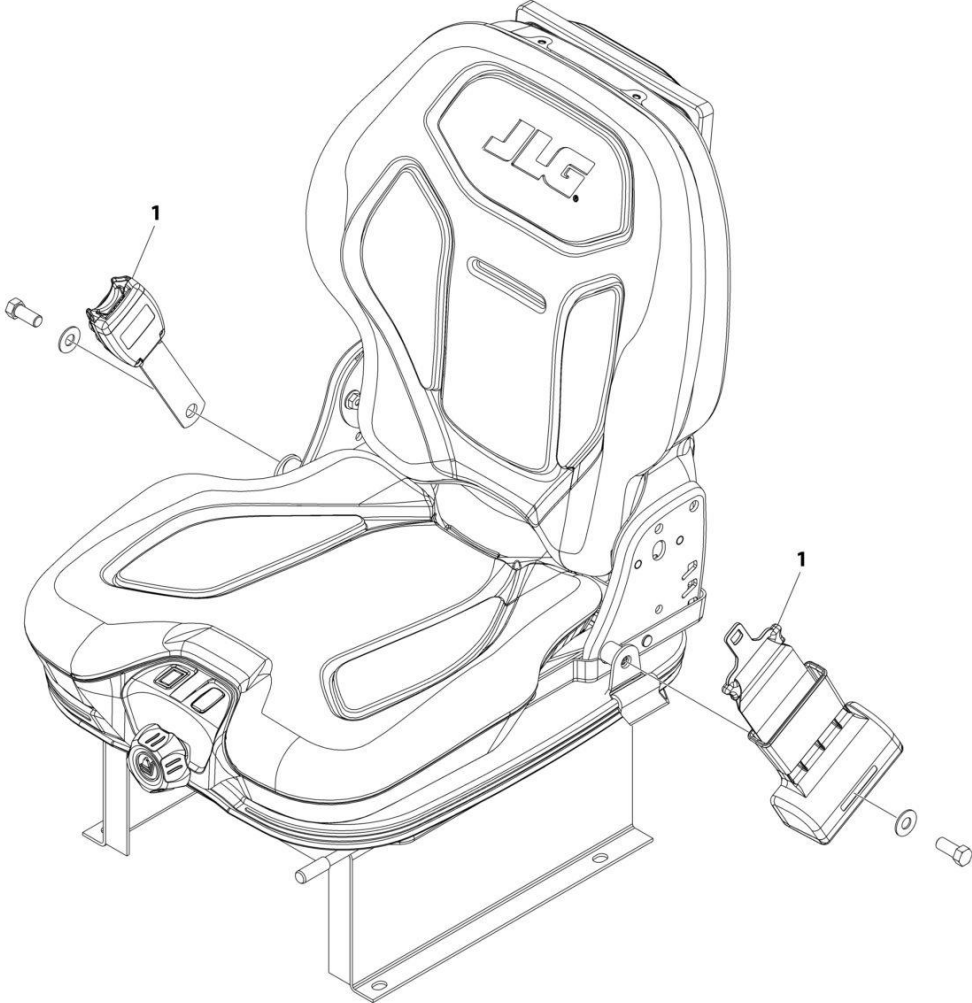
ART_1001275934

FIGURE 6-27. CAB SEAT (ORANGE SEAT BELT)

ITEM	PART NUMBER	QTY	DESCRIPTION	REV
	1001275934	Ref	SEAT INSTALLATION	B
1	70027024	1	Suspension Kit	
2	70027026	1	Back Cushion Kit (JLG)	
3	70027027	1	Back Cushion Kit (CAT)	
4	70027028	1	Seat Cushion Kit	
5	7026798	1	Adjuster Kit	
6	70027032	1	Tether strap	
7	70027030	1	Boot Kit	
8	70027033	1	Weight Adjust Knob Kit	
9	1001275933	1	Seat Belt	
10	70027035	1	Document box Kit	

SECTION 6 - CAB

FIGURE 6-28. SEAT BELT INSTALLATION (3IN)



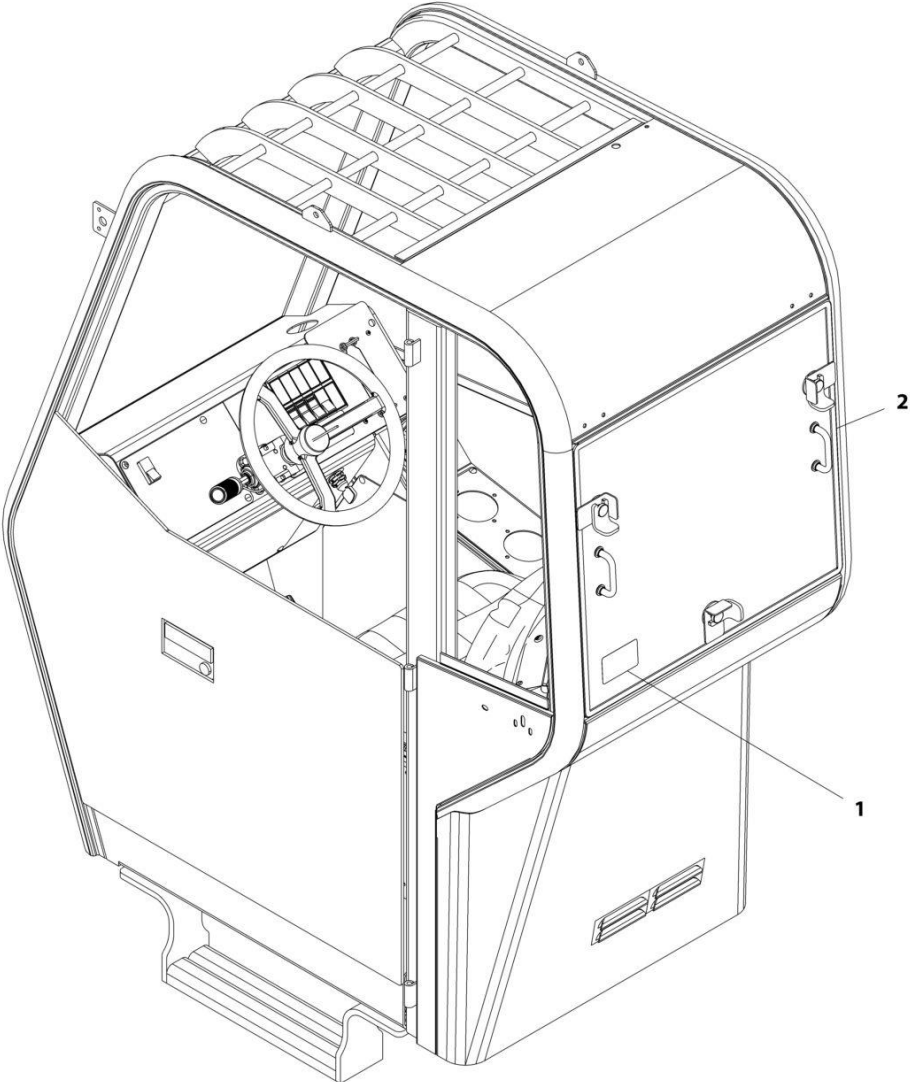
ART_1001258245

FIGURE 6-28. SEAT BELT INSTALLATION (3IN)

ITEM	PART NUMBER	QTY	DESCRIPTION	REV
	1001258245	Ref	Seat Belt Installation (3in Width)	B
1	1001258244	1	Seat Belt (3in) (Black Strap)	
1	1001275933	1	Seat Belt (3in) (Orange Strap)	

SECTION 6 - CAB

FIGURE 6-29. REAR DROPOUT WINDOW INSTALLATION (ANSI)



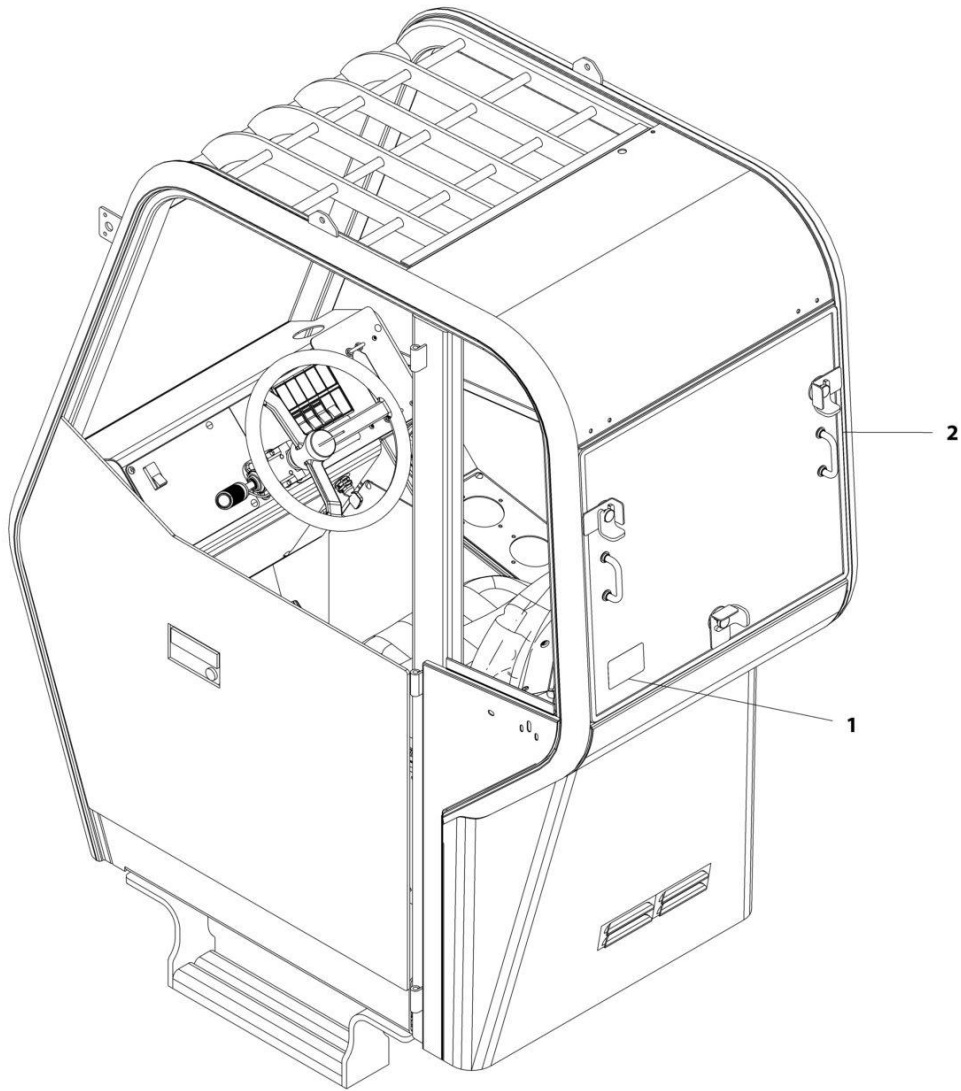
ART_1001162806-A

FIGURE 6-29. REAR DROPOUT WINDOW INSTALLATION (ANSI)

ITEM	PART NUMBER	QTY	DESCRIPTION	REV
	1001162806	Ref	Rear Dropout Window Installation (ANSI)	A
1	1001160071	2	Decal, Rear Emergency Exit	
2	1001162804	1	Window, Rear Dropout	

SECTION 6 - CAB

FIGURE 6-30. REAR DROPOUT WINDOW INSTALLATION (ENGLISH/FRENCH)



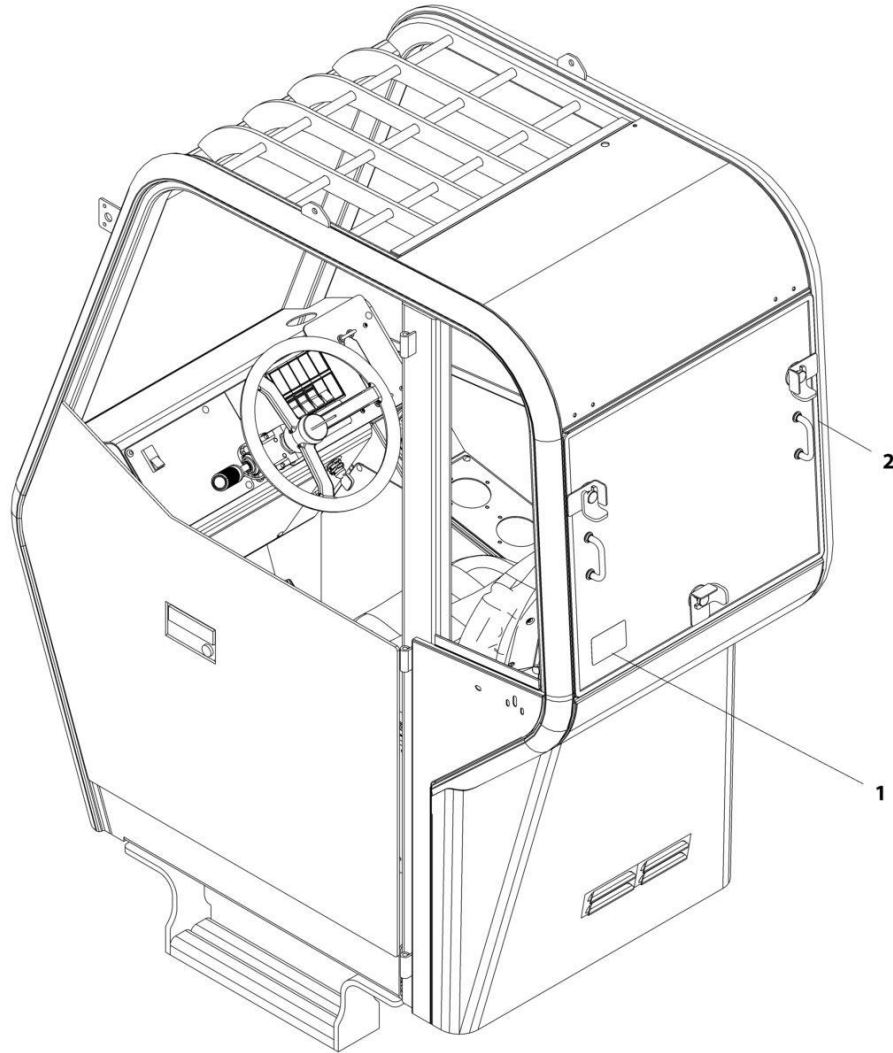
ART_1001167250-A

FIGURE 6-30. REAR DROPOUT WINDOW INSTALLATION (ENGLISH/FRENCH)

ITEM	PART NUMBER	QTY	DESCRIPTION	REV
	1001167250	Ref	Rear Dropout Window Installation (ENGLISH/FRENCH)	A
1	1001160787	2	Decal, Rear Emergency Exit	
2	1001162804	1	Window, Rear Dropout	

SECTION 6 - CAB

FIGURE 6-31. REAR DROPOUT WINDOW INSTALLATION (ISO)



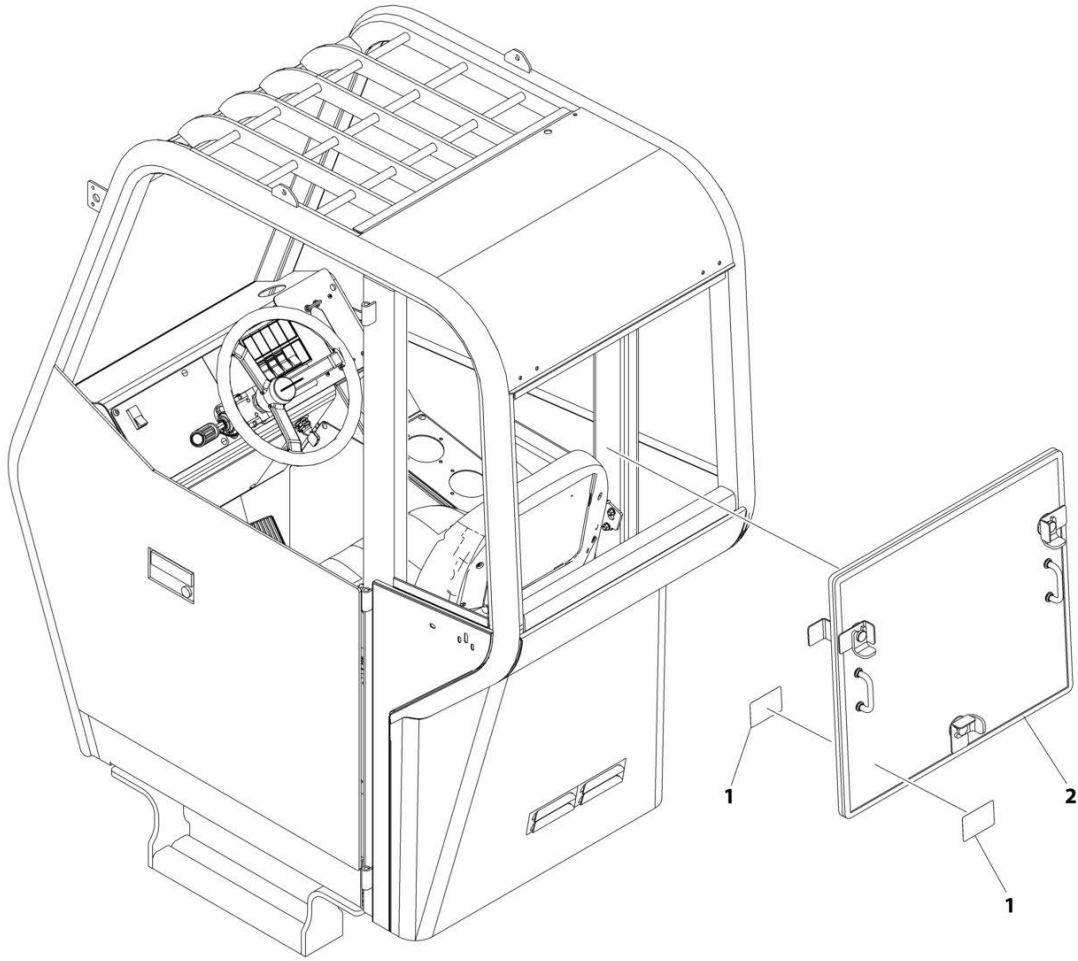
ART_1001167251-A

FIGURE 6-31. REAR DROPOUT WINDOW INSTALLATION (ISO)

ITEM	PART NUMBER	QTY	DESCRIPTION	REV
	1001167251	Ref	Rear Dropout Window Installation (ISO)	A
1	1001160912	2	Decal, Rear Emergency Exit	
2	1001162804	1	Window, Rear Dropout	

SECTION 6 - CAB

FIGURE 6-32. REAR DROPOUT WINDOW INSTALLATION (ENGLISH/SPANISH)



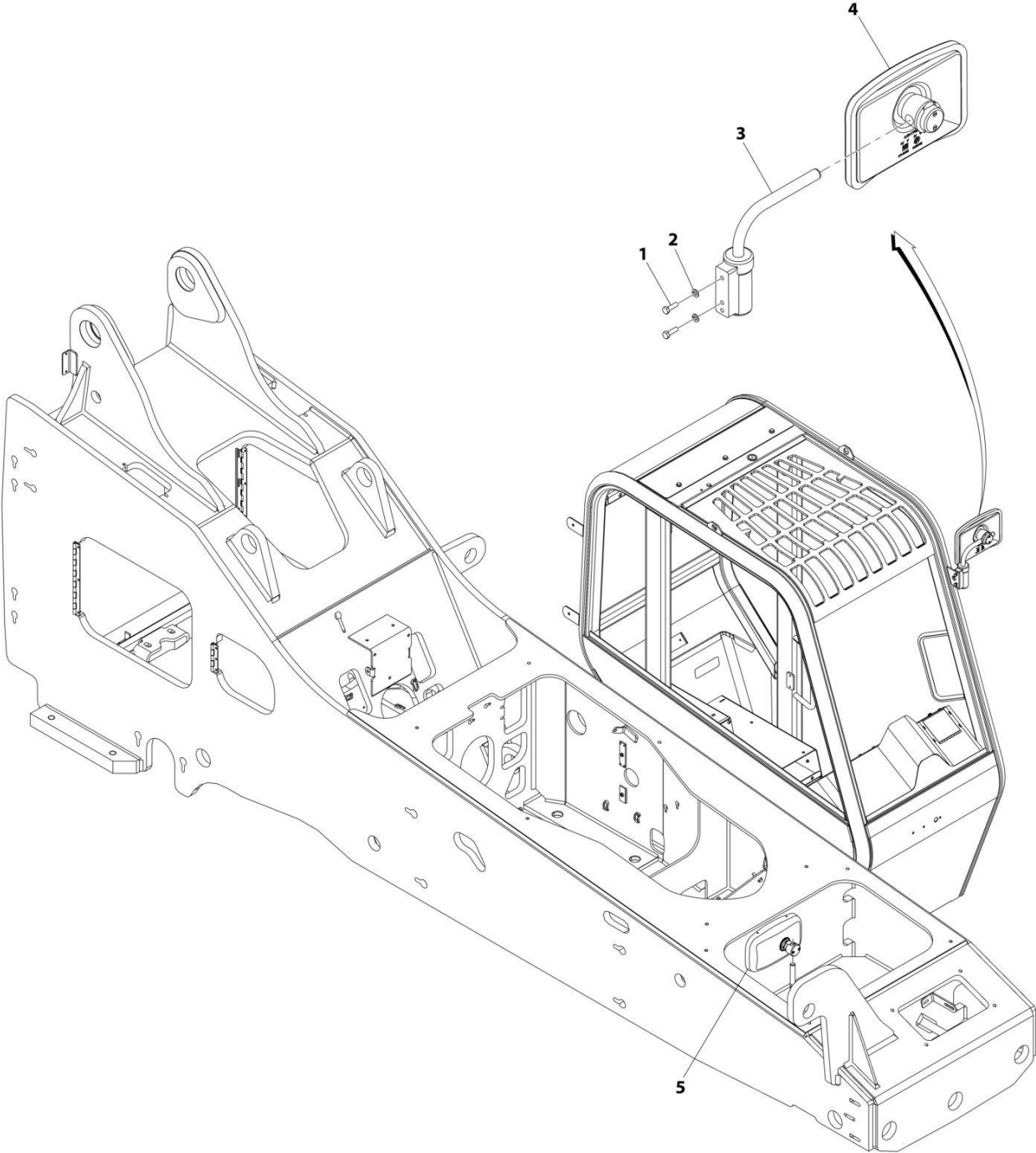
ART_1001242916

FIGURE 6-32. REAR DROPOUT WINDOW INSTALLATION (ENGLISH/SPANISH)

ITEM	PART NUMBER	QTY	DESCRIPTION	REV
	1001242916	Ref	REAR WINDOW EXIT INSTALLATION (ENG/SP)	B
1	1001273850	2	Decal, Rear Window Entry/Exit	
2	1001162804	1	Window	

SECTION 6 - CAB

FIGURE 6-33. MIRROR INSTALLATION



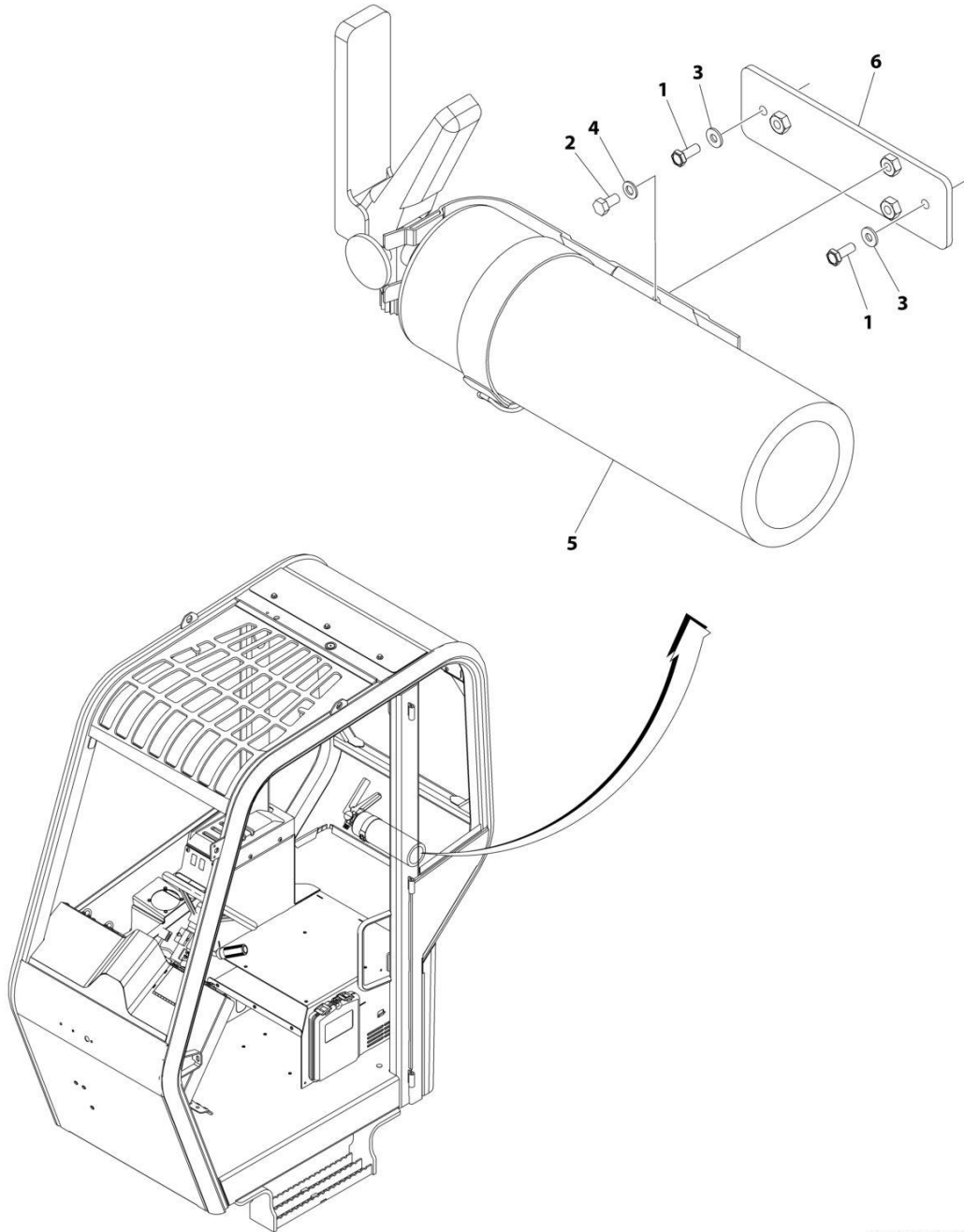
ART_1001242926-A

FIGURE 6-33. MIRROR INSTALLATION

ITEM	PART NUMBER	QTY	DESCRIPTION	REV
	1001242926	Ref	Mirror Installation	A
1	0700610	2	Capscrew, M6 x 20	
2	8307024	2	Washer, M6	
3	1001114675	1	Arm, Mirror	
4	1001148177	1	Mirror, Rectangular	
5	1001191635	1	Mirror Assembly, RH	

SECTION 6 - CAB

FIGURE 6-34. FIRE EXTINGUISHER INSTALLATION



ART_1001258100

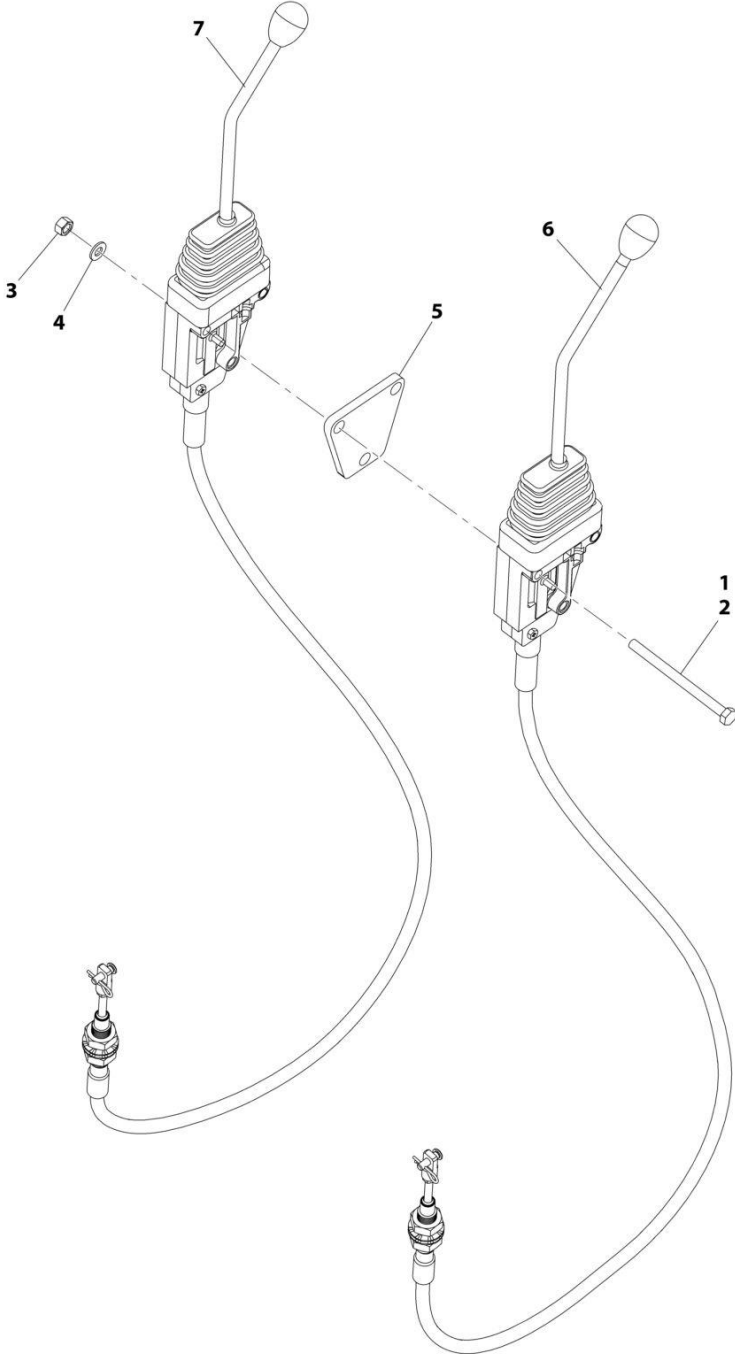
FIGURE 6-34. FIRE EXTINGUISHER INSTALLATION

ITEM	PART NUMBER	QTY	DESCRIPTION	REV
	1001258100	Ref	Skytrak Fire Extinguisher Installation	A
1	0721004	2	Screw M10X1/2	
2	0760505	3	Bolt M5X10	
3	4750800	2	Washer M8	
4	4811600	3	Washer M5	
5	1001099699	1	Extinguisher, Fire with Bracket	
5	1001100082	1	Bracket	
6	1001241305	1	Bracket	

SECTION 7 - CONTROLS

SECTION 7 - CONTROLS

FIGURE 7-1. SECONDARY CONTROLS INSTALLATION



ART_1001244650

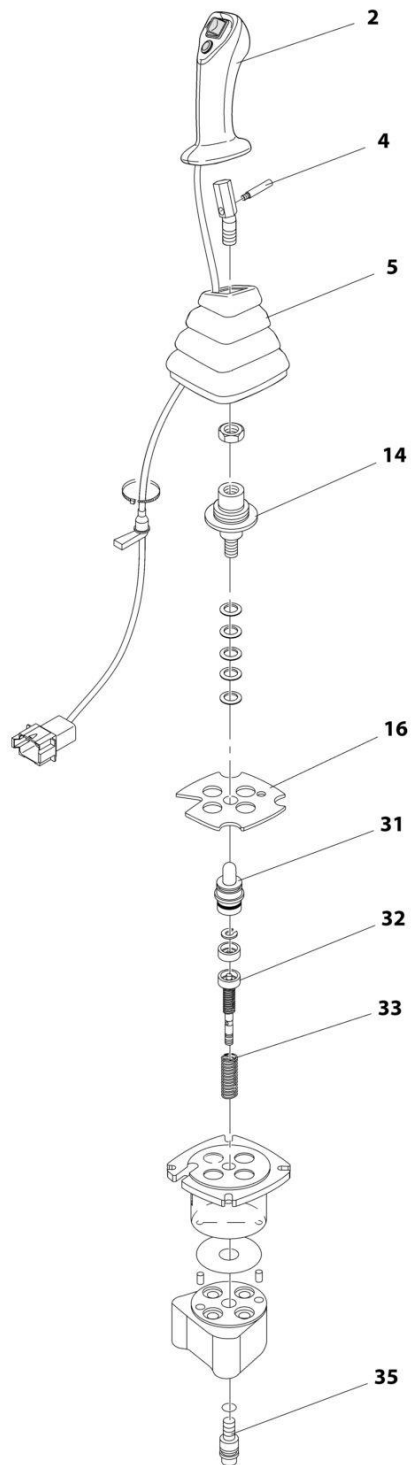
SECTION 7 - CONTROLS

FIGURE 7-1. SECONDARY CONTROLS INSTALLATION

ITEM	PART NUMBER	QTY	DESCRIPTION	REV
	1001244650	Ref	Secondary Controls Installation	C
1	0100011	AR	Compound, Locking	
2	0700828	3	Bolt, M8X110	
3	8305043	3	Nut, M8X1-1/4	
4	8307222	3	Washer, Plain M8	
5	1001174340	1	Bracket, Control Spacer Plate	
6	1001244652	1	Auxiliary Control Assembly	
6	1001173581	1	Control, Auxiliary	
6	1001244654	1	Cable, Auxiliary Control	
7	1001244653	1	Frame Level Control Assembly	
7	1001173582	1	Control, Frame Level	
7	1001244654	1	Cable, Frame Level	

SECTION 7 - CONTROLS

FIGURE 7-2. PILOT JOYSTICK CONTROL



ART_1001158002-B

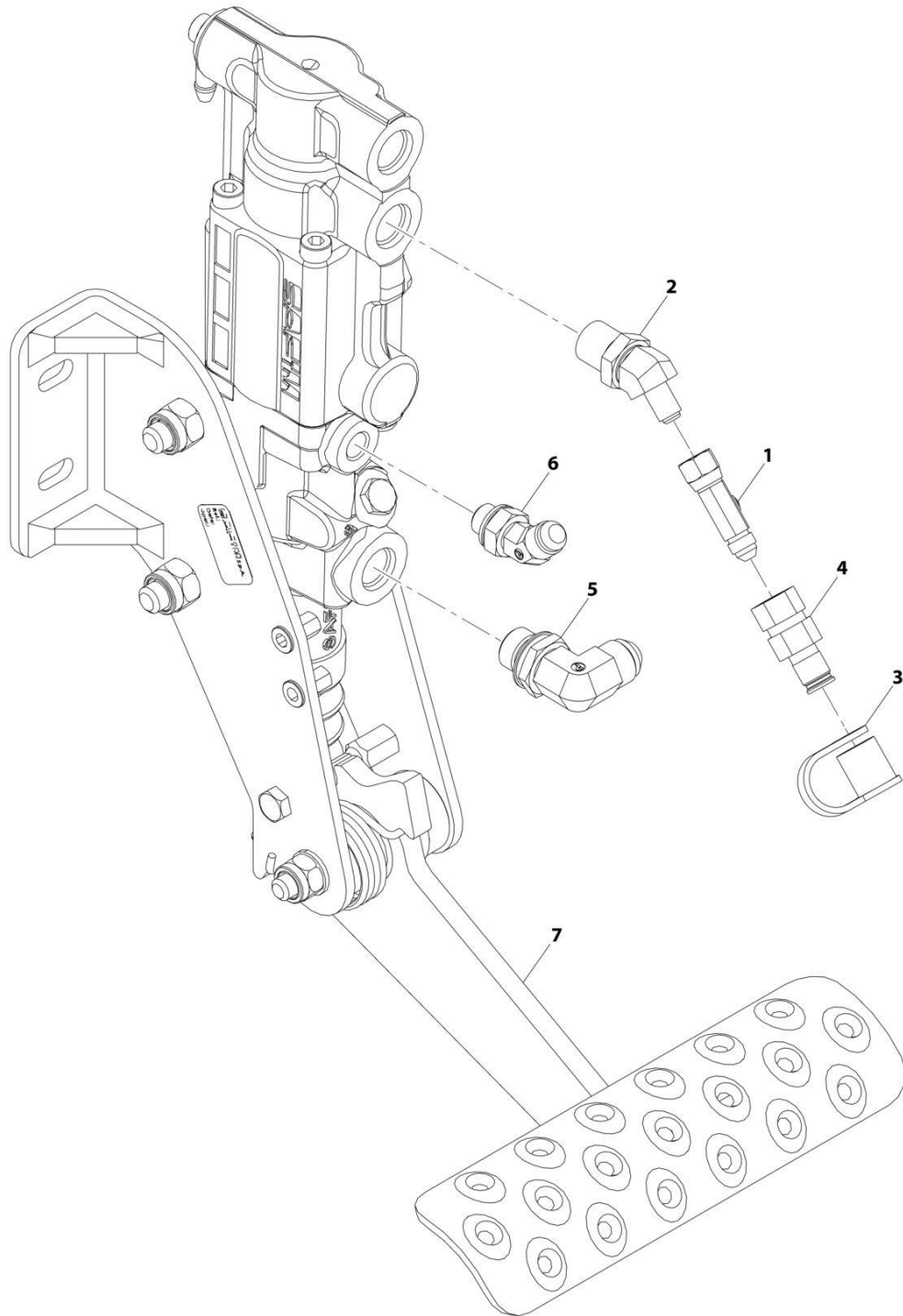
SECTION 7 - CONTROLS

FIGURE 7-2. PILOT JOYSTICK CONTROL

ITEM	PART NUMBER	QTY	DESCRIPTION	REV
	1001158002	Ref	Pilot Joystick Control	B
2	70026097	1	Handle	
4	91404011	1	Kit, Bent Lever	
5	80364095	1	Boot, Rubber	
14	80264138	1	Kit, Cardan	
16	91404013	1	Plate, Retaining	
31	91304025	2	Kit, Plunger (set of two)	
32	70026098	4	Unit, Regulating	
33	91514225	1	Spring, Return (set of four)	
35	91404326	1	Kit, Seal	

SECTION 7 - CONTROLS

FIGURE 7-3. BRAKE ASSEMBLY - SAFIM



ART_1001223052-A

SECTION 7 - CONTROLS

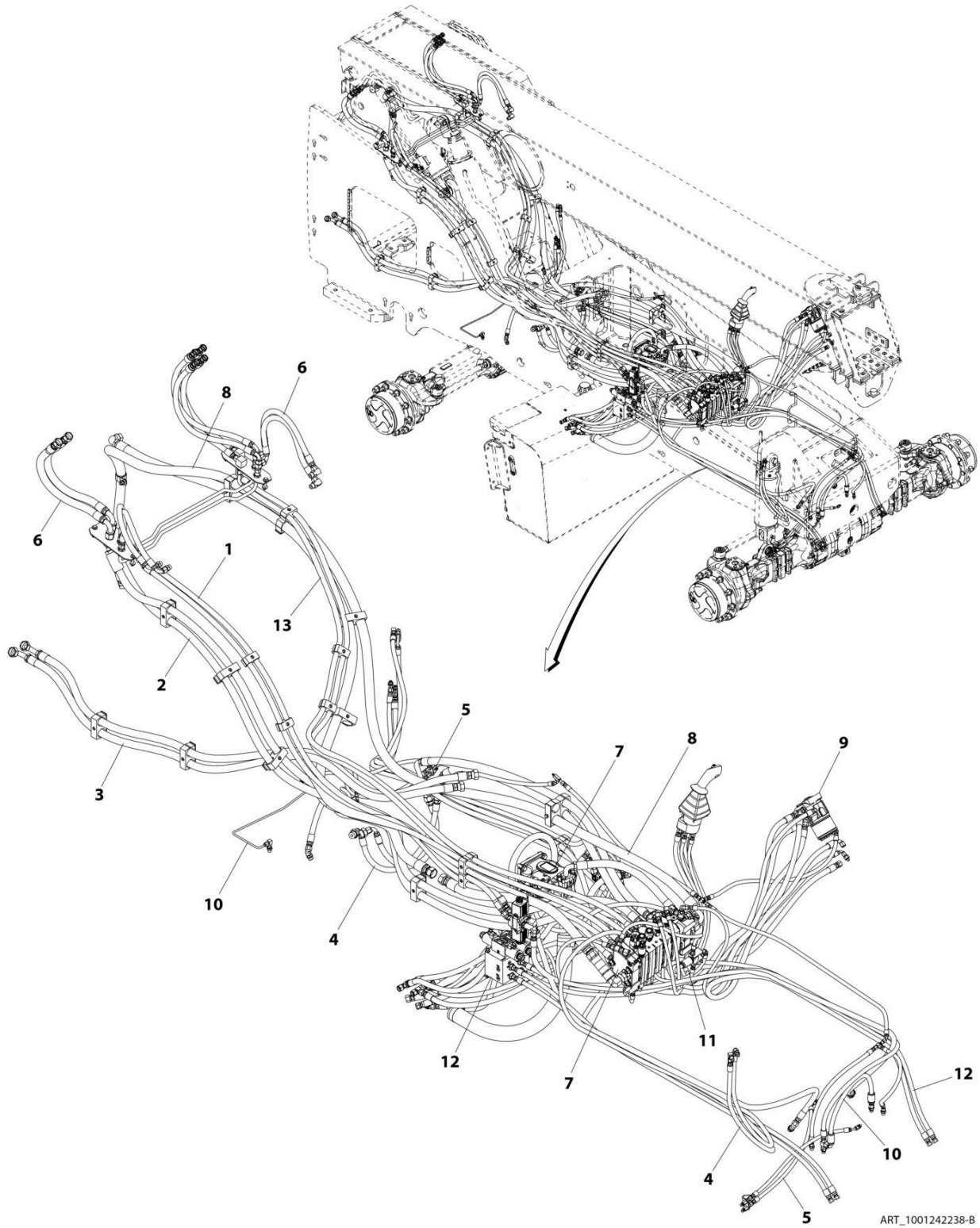
FIGURE 7-3. BRAKE ASSEMBLY - SAFIM

ITEM	PART NUMBER	QTY	DESCRIPTION	REV
	1001223052	Ref	Brake Assembly - Safim	A
1	2220605	1	Adapter	
2	2221344	1	Adapter	
3	8430032	1	Plug, Dust Cap	
4	10727374	1	Adapter	
5	91473086	1	Adapter	
6	1001183341	1	Adapter	
7	1001223050	1	Installation, Hydraulic Brake Valve (See Separate Breakdown in HYDRAULIC CIRCUITS Section)	

SECTION 8 - HYDRAULIC CIRCUITS

SECTION 8 - HYDRAULIC CIRCUITS

FIGURE 8-1. HYDRAULIC INSTALLATION



ART_1001242238-B

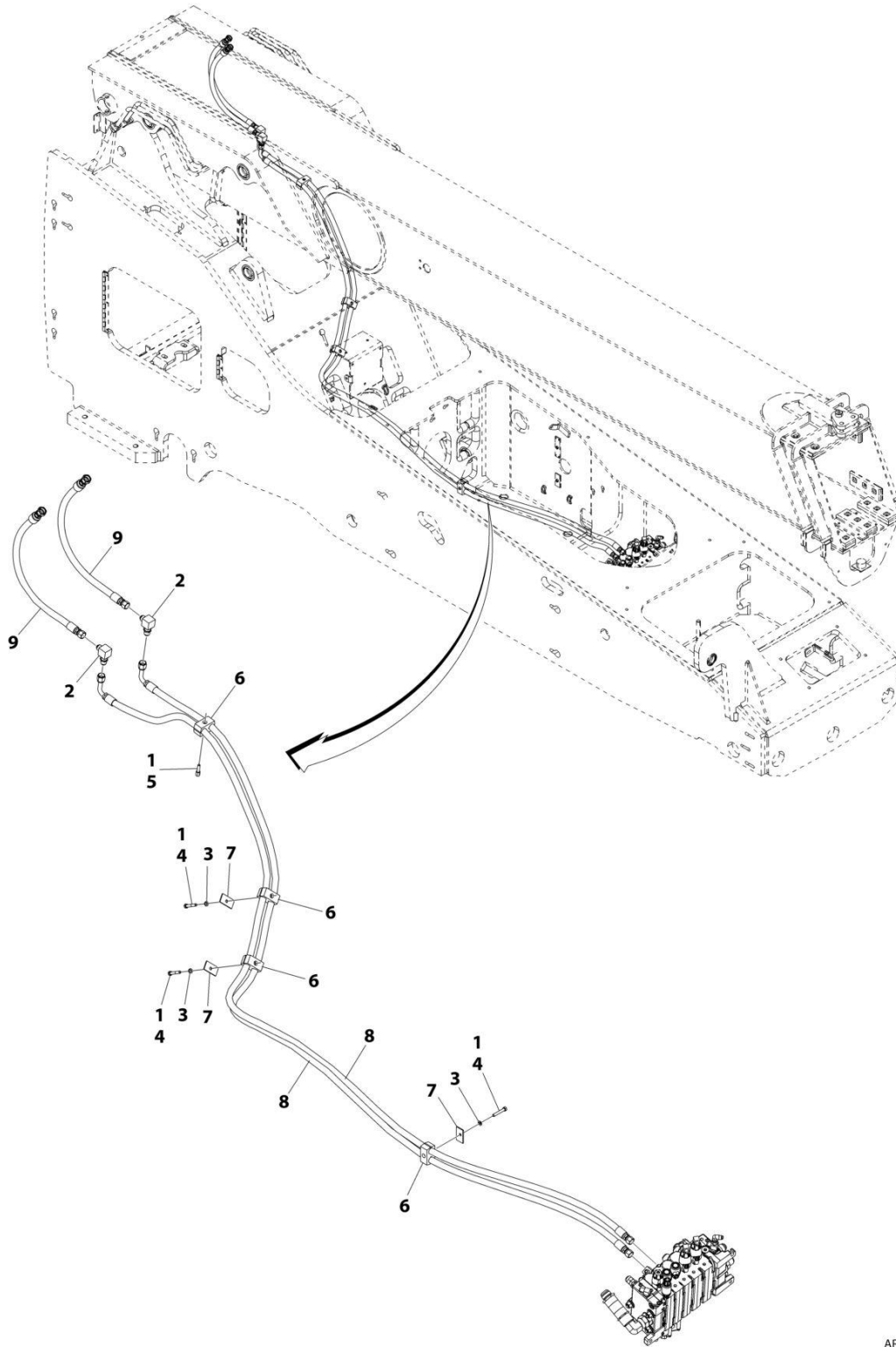
SECTION 8 - HYDRAULIC CIRCUITS

FIGURE 8-1. HYDRAULIC INSTALLATION

ITEM	PART NUMBER	QTY	DESCRIPTION	REV
	1001242238	Ref	Hydraulic Installation	B
1	1001158040	Ref	Fork Tilt Hydraulic Installation (See Separate Breakdown in this Section)	
2	1001158046	Ref	Extend Cylinder Installation (See Separate Breakdown in this Section)	
3	1001171873	Ref	Transmission Cooler Hydraulic Plumbing Installation (See Separate Breakdown in this Section)	
4	1001173841	Ref	Frame Cylinders Hydraulic Installation (See Separate Breakdown in this Section)	
5	1001250818	Ref	Axle Pin Lube Kit Installation (See Separate Breakdown in this Section)	
6	1001242243	Ref	Rear Bulkhead Installation (See Separate Breakdown in this Section)	
7	1001243412	Ref	Pump Hydraulic Installation (See Separate Breakdown in this Section)	
8	1001244308	Ref	Cooler Hydraulic Plumbing Installation (See Separate Breakdown in this Section)	
9	1001244357	Ref	Cab Hydraulics Installation (See Separate Breakdown in this Section)	
10	1001244530	Ref	Axle Hydraulic Installation (See Separate Breakdown in this Section)	
11	1001244610	Ref	Extend Cylinder Lockout Installation (See Separate Breakdown in this Section)	
12	1001244867	Ref	Frame Hydraulics Installation (See Separate Breakdown in this Section)	
13	1001245059	Ref	Auxiliary Hydraulics Installation (See Separate Breakdown in this Section)	

SECTION 8 - HYDRAULIC CIRCUITS

FIGURE 8-2. AUXILIARY HYDRAULICS INSTALLATION



ART_1001245059-A

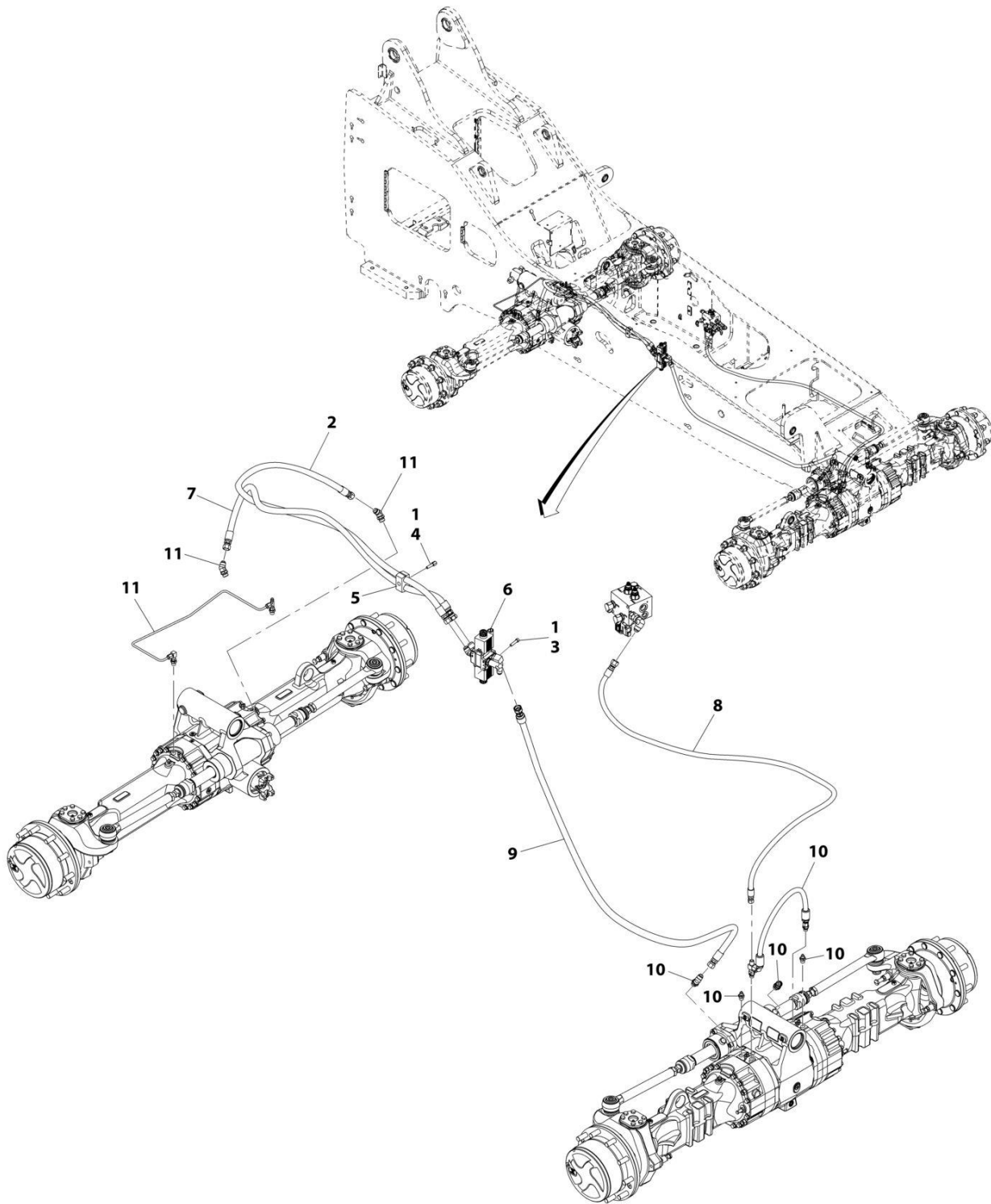
SECTION 8 - HYDRAULIC CIRCUITS

FIGURE 8-2. AUXILIARY HYDRAULICS INSTALLATION

ITEM	PART NUMBER	QTY	DESCRIPTION	REV
	1001245059	Ref	Auxiliary Hydraulics Installation	A
1	0100011	AR	Compound, Locking	
2	2230044	2	Adapter, JIC	
3	8307004	3	Washer	
4	8310009	3	Bolt, 5/16-18X2	
5	8750012	1	Bolt, Stacking	
6	8750027	4	Clamp Set, Twin	
7	8769128	3	Cover Plate, Twin	
8	1001245060	2	Hose Assembly	
9	1001245061	2	Hose Assembly	

SECTION 8 - HYDRAULIC CIRCUITS

FIGURE 8-3. AXLE HYDRAULIC INSTALLATION



ART_1001244530-A

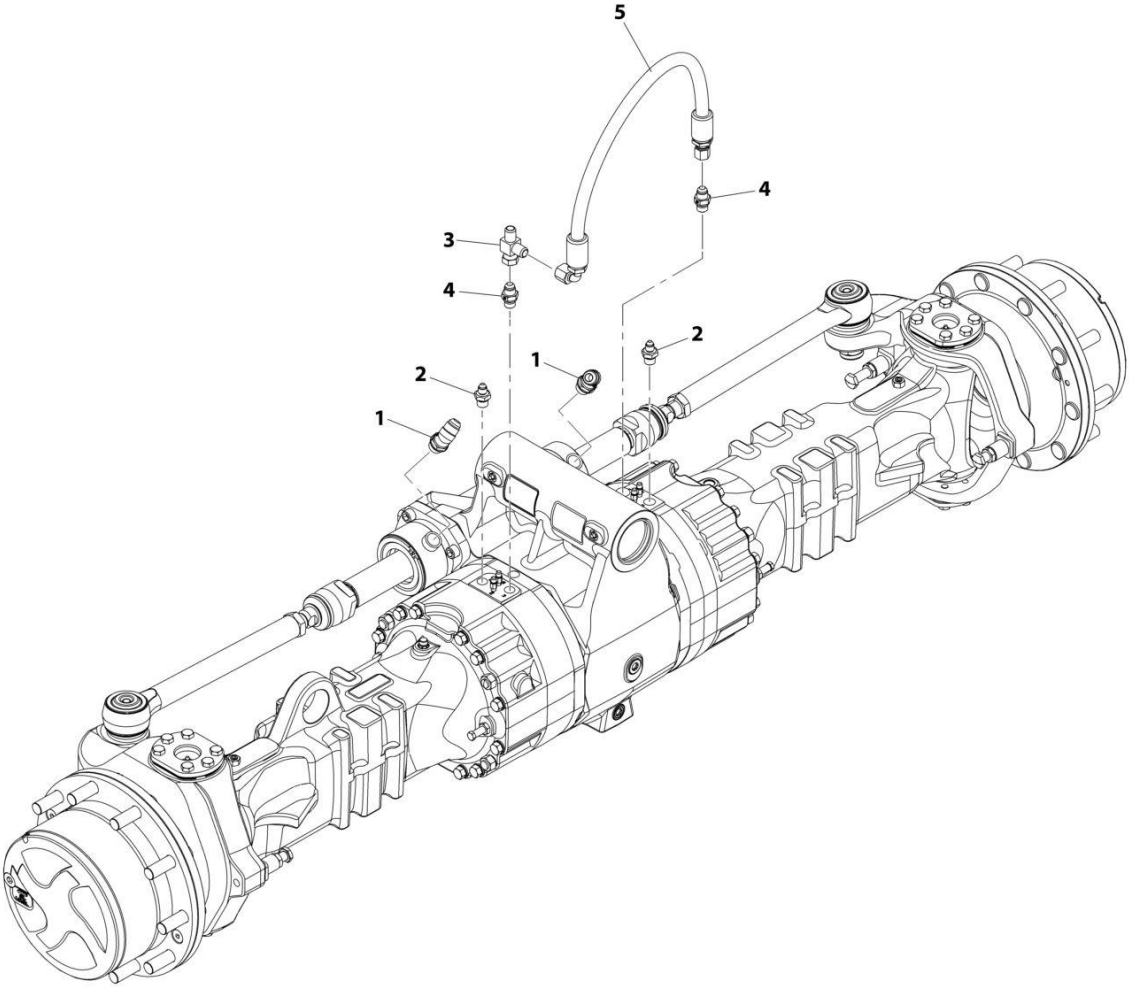
SECTION 8 - HYDRAULIC CIRCUITS

FIGURE 8-3. AXLE HYDRAULIC INSTALLATION

ITEM	PART NUMBER	QTY	DESCRIPTION	REV
	1001244530	Ref	Axle Hydraulic Installation	A
1	0100011	AR	Compound, Locking	
2	2716673	1	Hose	
3	8304608	2	Screw, 5/16X1-1/2	
4	8750012	1	Bolt	
5	8750027	1	Clamp Set	
6	1001172784	1	Valve Assembly	
7	1001178224	1	Hose Assembly	
8	1001194620	1	Hose Assembly	
9	1001194745	1	Hose Assembly	
10	1001224459	1	Front Hydraulic Assembly, Axle (See Separate Breakdown in this Section)	
11	1001244504	1	Rear Hydraulic Assembly, Axle (See Separate Breakdown in this Section)	

SECTION 8 - HYDRAULIC CIRCUITS

FIGURE 8-4. AXLE HYDRAULIC ASSEMBLY (FRONT)



ART_1001224459-C

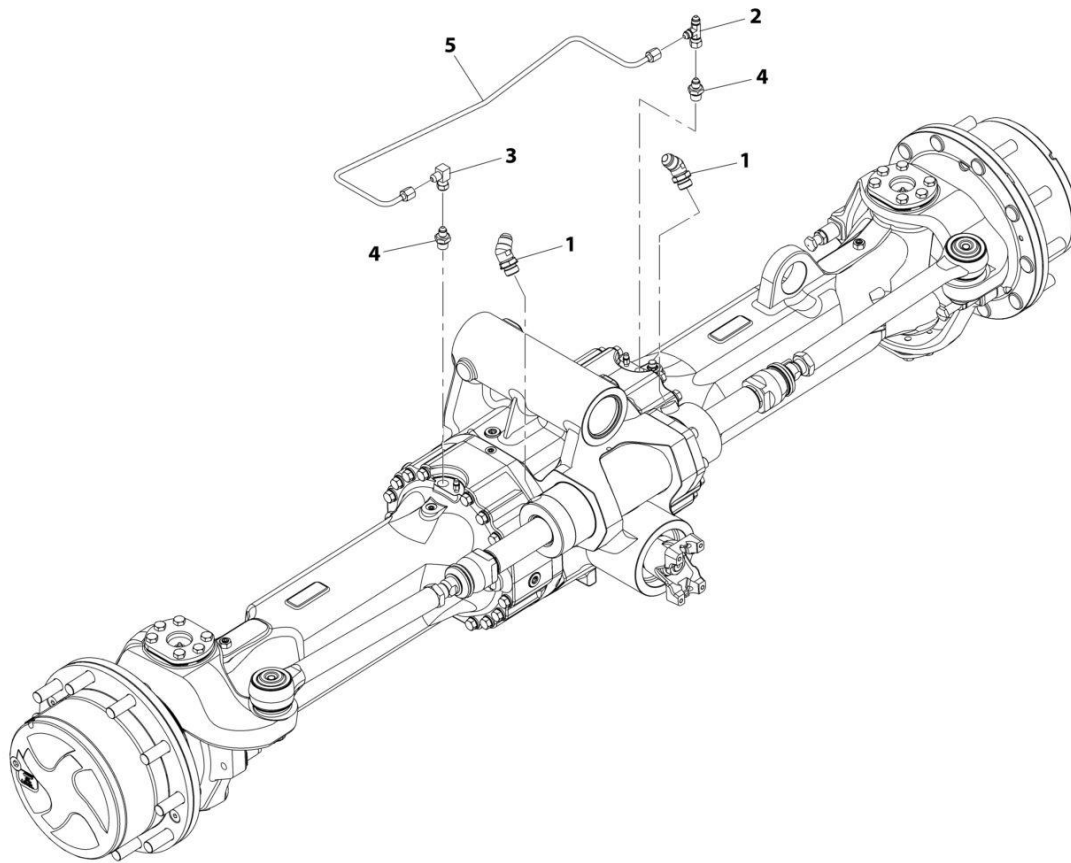
SECTION 8 - HYDRAULIC CIRCUITS

FIGURE 8-4. AXLE HYDRAULIC ASSEMBLY (FRONT)

ITEM	PART NUMBER	QTY	DESCRIPTION	REV
	1001224459	Ref	Front Axle Hydraulic Assembly	C
1	2220500	2	Adapter, Straight	
2	1001227636	2	Adapter, Straight	
3	2220635	1	Adapter, Run Tee	
4	8770064	2	Fitting	
5	1001224467	1	Hose Assembly	

SECTION 8 - HYDRAULIC CIRCUITS

FIGURE 8-5. AXLE HYDRAULIC ASSEMBLY (REAR)



ART_1001244504-A

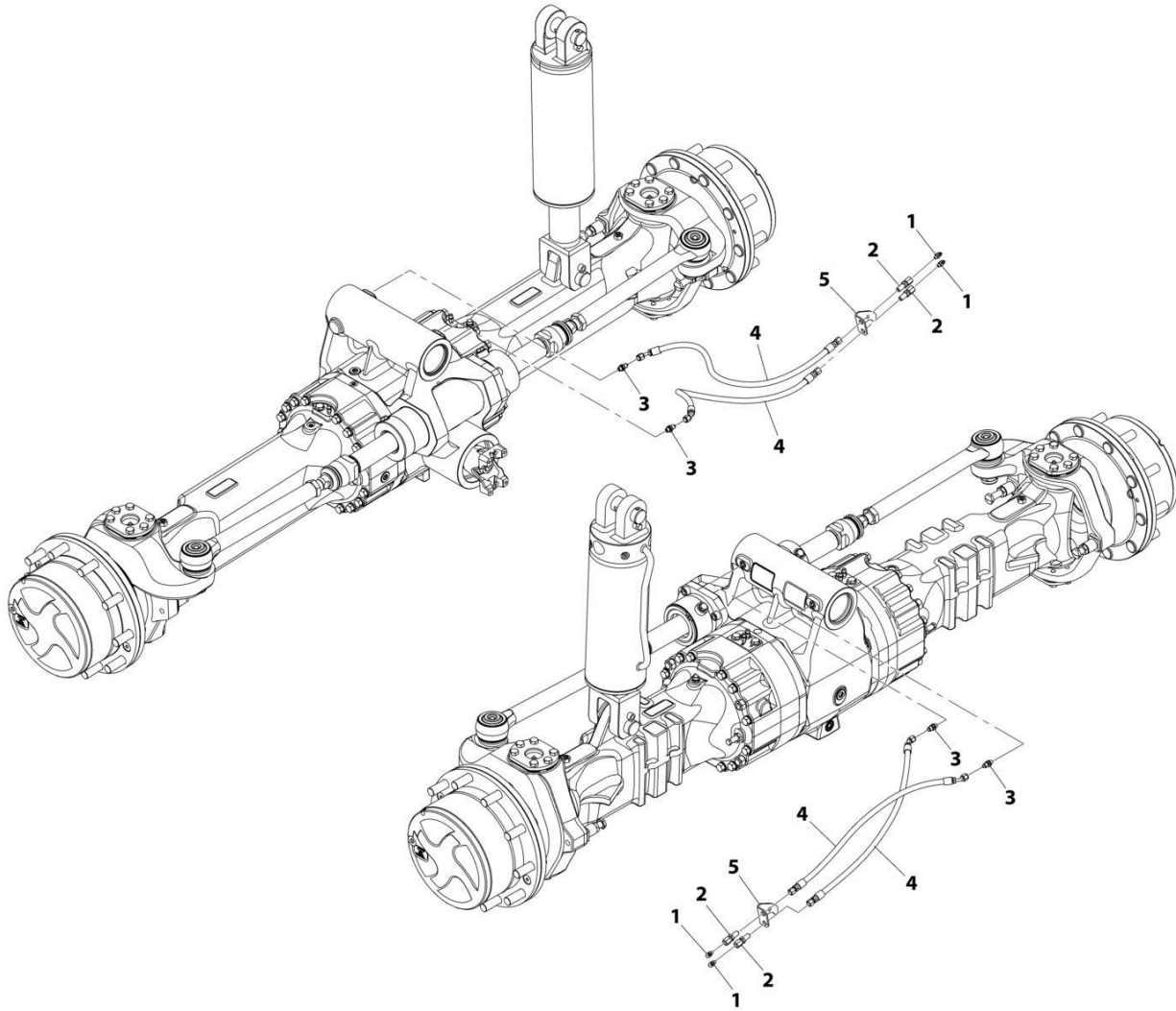
SECTION 8 - HYDRAULIC CIRCUITS

FIGURE 8-5. AXLE HYDRAULIC ASSEMBLY (REAR)

ITEM	PART NUMBER	QTY	DESCRIPTION	REV
	1001244504	Ref	Rear Axle Hydraulic Installation	A
1	2220500	2	Adapter, Straight	
2	2220605	1	Fitting, Tee	
3	2220654	1	Adapter, Straight	
4	1001227636	2	Adapter, Straight	
5	1001244505	1	Pipe Rear Axle Brake	

SECTION 8 - HYDRAULIC CIRCUITS

FIGURE 8-6. AXLE PIN LUBE KIT INSTALLATION



ART_1001250818-A

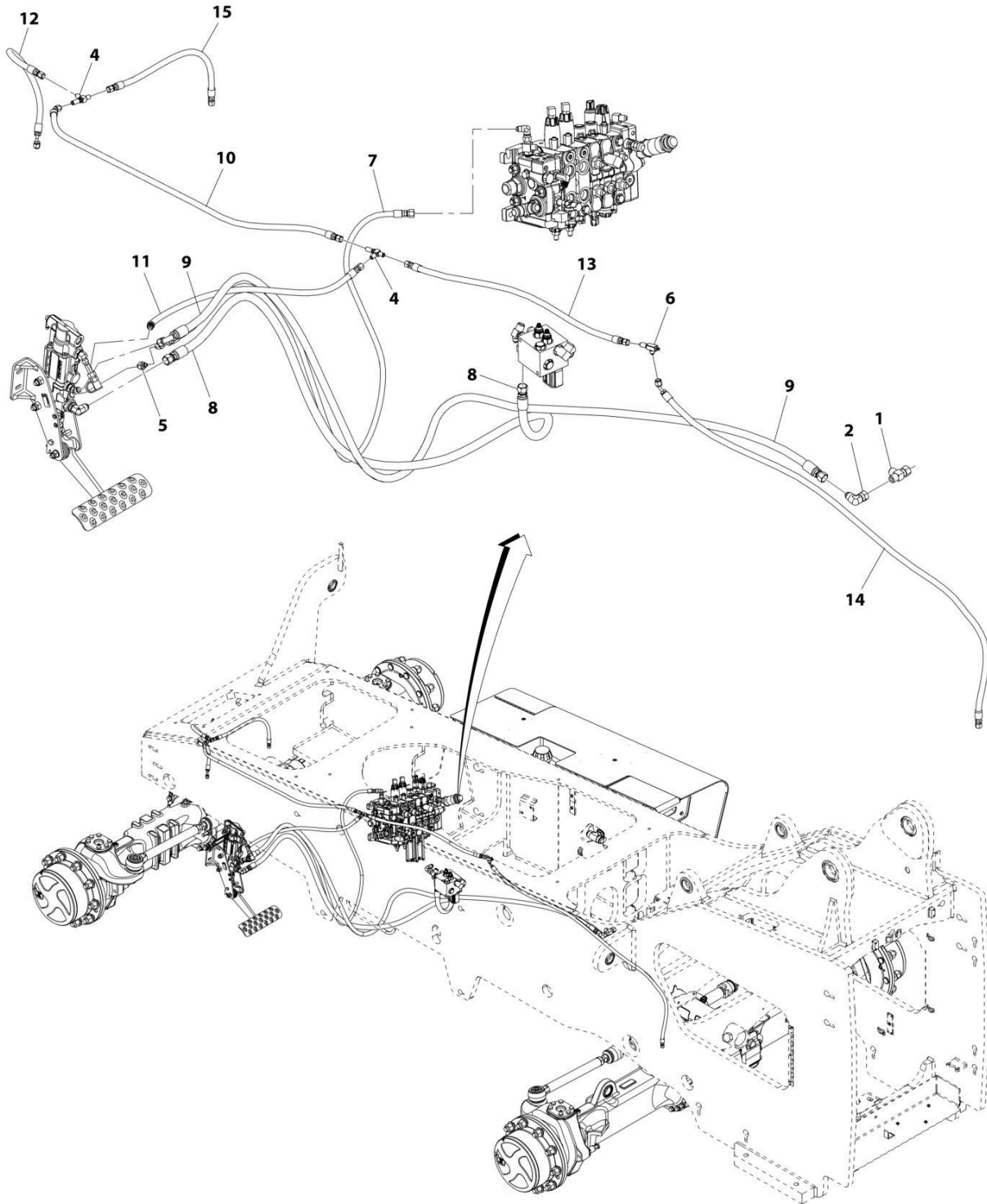
SECTION 8 - HYDRAULIC CIRCUITS

FIGURE 8-6. AXLE PIN LUBE KIT INSTALLATION

ITEM	PART NUMBER	QTY	DESCRIPTION	REV
	1001250818	Ref	Axle Pin Lube Kit Installation	A
1	8520003	4	Fitting Lube	
2	80623016	4	Adapter, JIC	
3	1001107589	4	Adapter, Straight JIC	
4	1001226795	4	Hose Assembly	
5	1001250506	2	Bracket, Grease	

SECTION 8 - HYDRAULIC CIRCUITS

FIGURE 8-7. BRAKE HYDRAULICS INSTALLATION



ART_1001245054-B

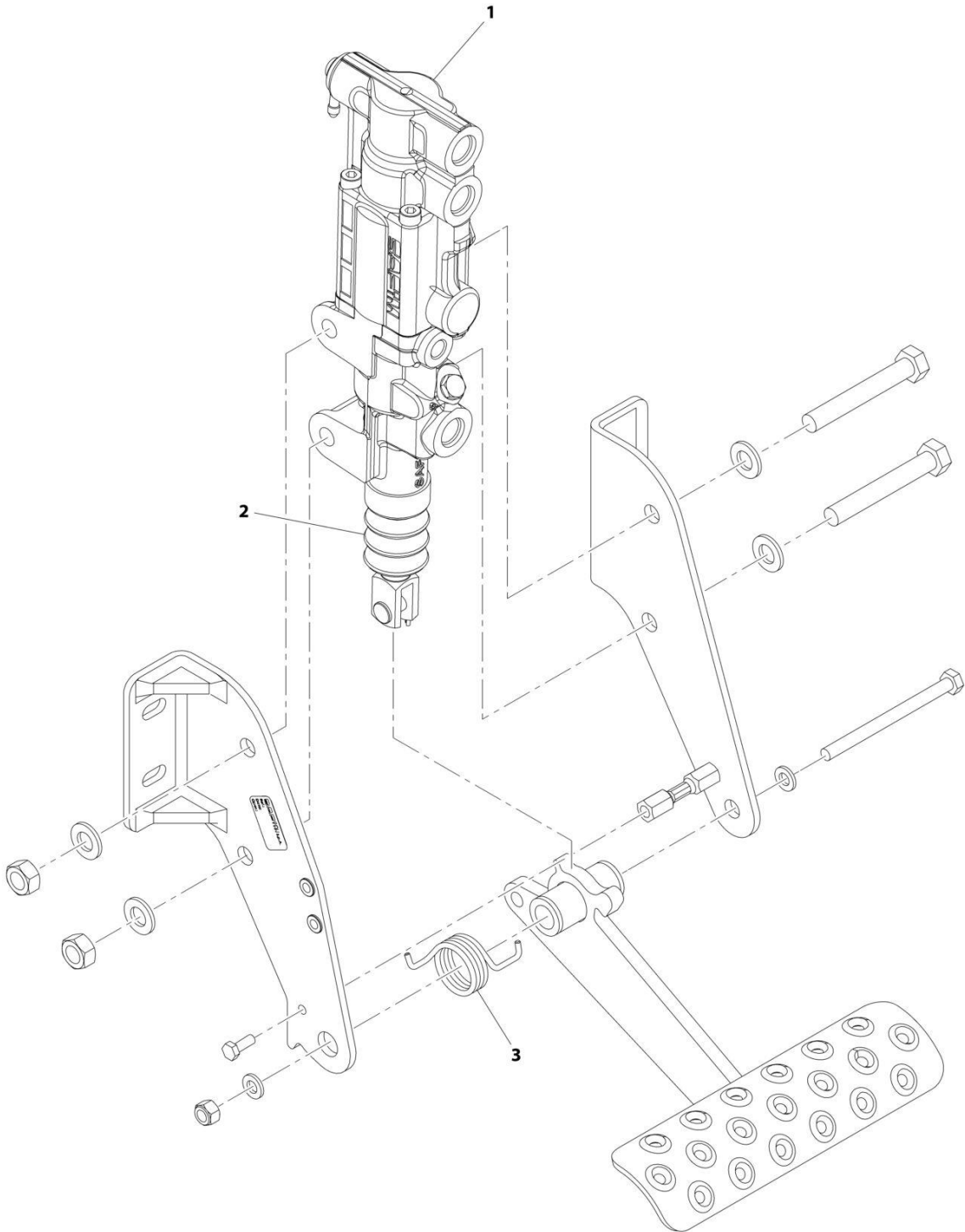
SECTION 8 - HYDRAULIC CIRCUITS

FIGURE 8-7. BRAKE HYDRAULICS INSTALLATION

ITEM	PART NUMBER	QTY	DESCRIPTION	REV
	1001245054	Ref	Hydraulic Brake Installation	C
1	2220385	1	Adapter, Run Tee	
2	8765204	1	Adapter, Straight	
4	10728823	2	Bulkhead Connector Tee	
5	1001183370	1	Check Valve	
6	1001201734	1	Brake Bleeder Tee, Manifold	
7	1001244980	1	Hose Assembly	
8	1001201737	1	Hose Assembly	
9	1001201738	1	Hose Assembly	
10	1001210093	1	Hose Assembly	
11	1001210859	1	Hose Assembly	
12	1001210860	1	Hose Assembly	
13	1001210862	1	Hose Assembly	
14	1001210863	1	Hose Assembly	
15	1001219045	1	Hose Assembly	

SECTION 8 - HYDRAULIC CIRCUITS

FIGURE 8-8. BRAKE VALVE INSTALLATION



ART_1001223050-B

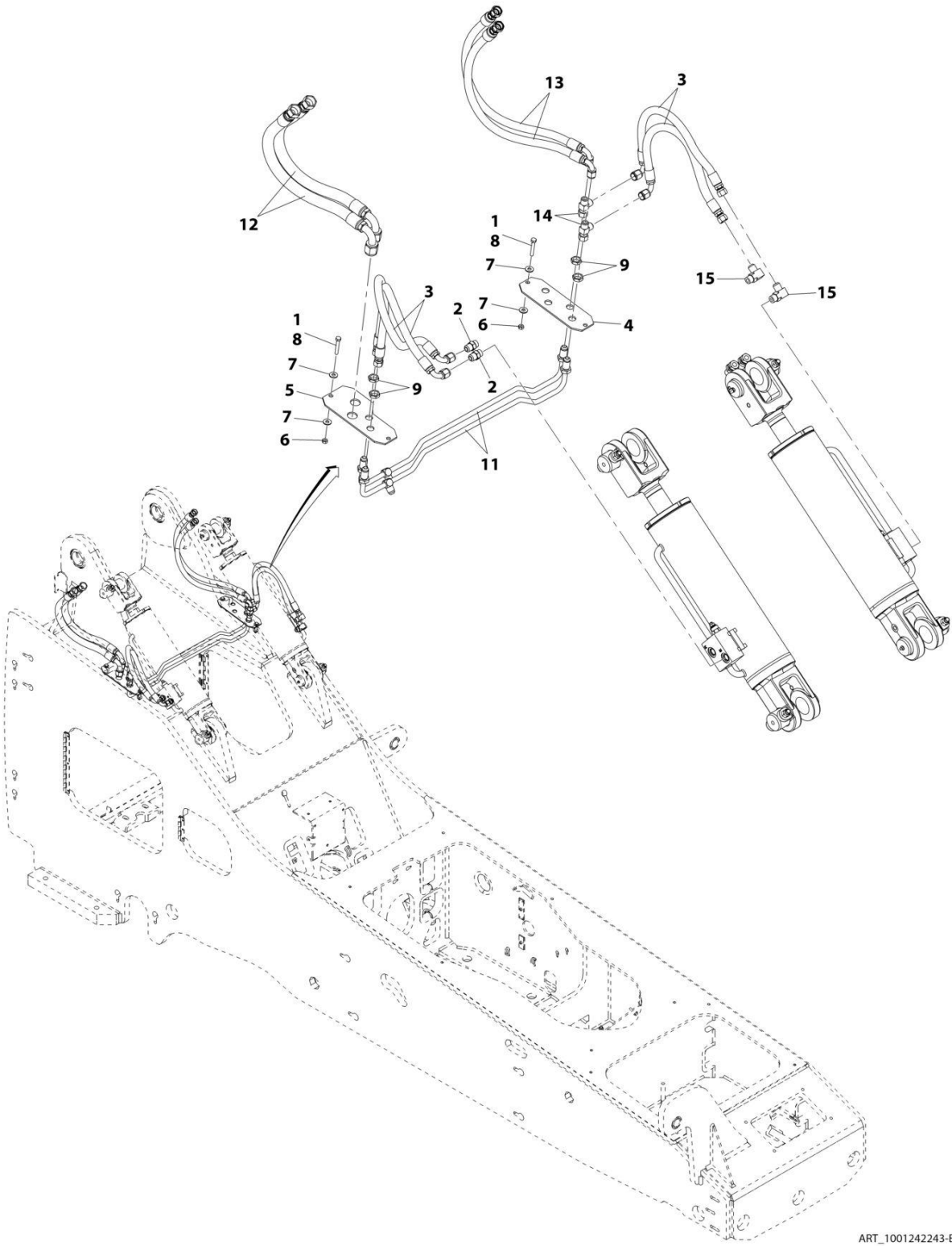
SECTION 8 - HYDRAULIC CIRCUITS

FIGURE 8-8. BRAKE VALVE INSTALLATION

ITEM	PART NUMBER	QTY	DESCRIPTION	REV
1	1001223050	Ref	Hydraulic Brake Valve Installation	B
	1001201721	1	Brake Valve (See Separate Breakdown in HYDRAULIC COMPONENTS Section)	
2	70025859	1	Dust Cover	
3	70028547	1	Spring, Return	

SECTION 8 - HYDRAULIC CIRCUITS

FIGURE 8-9. BULKHEAD INSTALLATION (REAR)



ART_1001242243-B

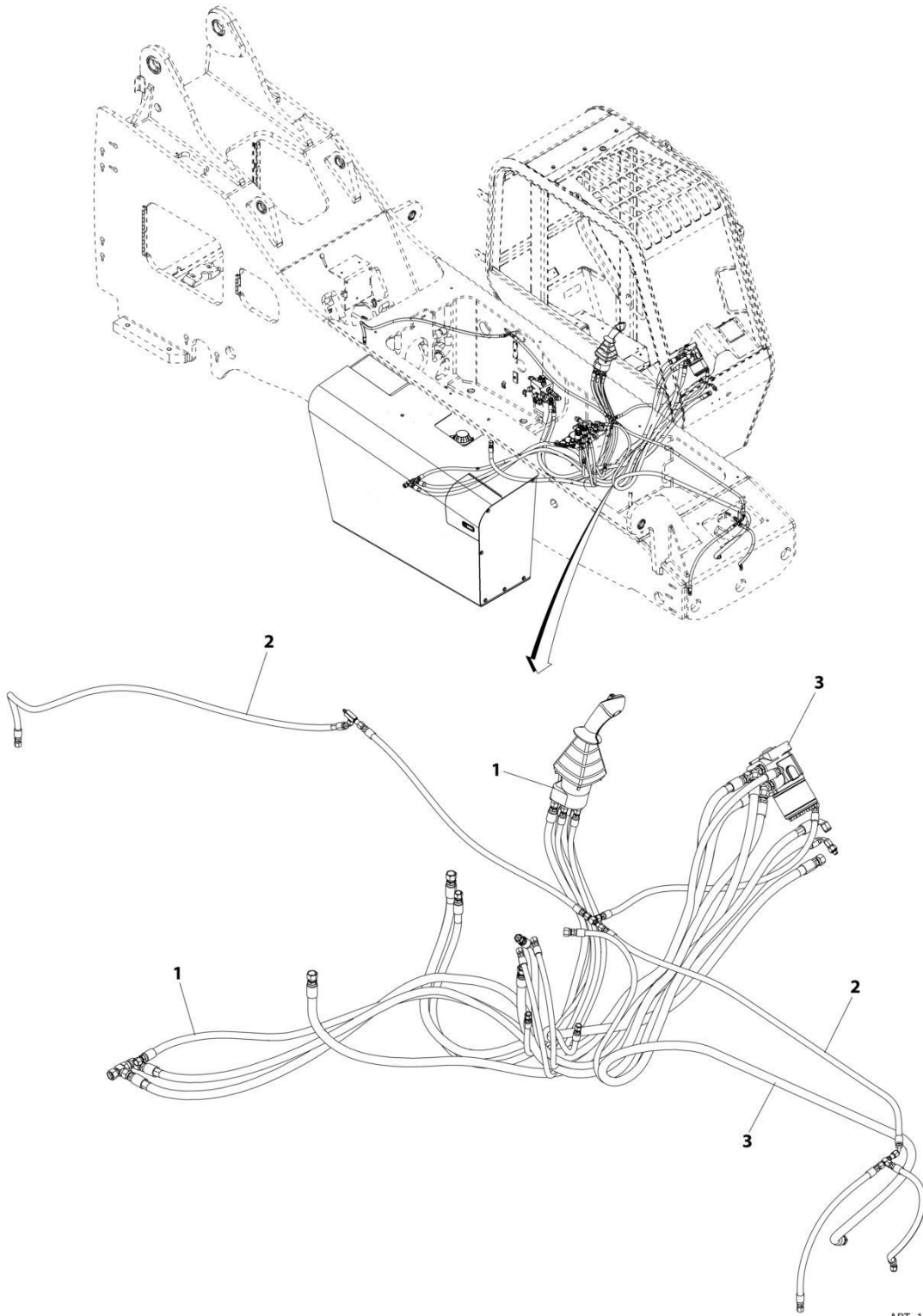
SECTION 8 - HYDRAULIC CIRCUITS

FIGURE 8-9. BULKHEAD INSTALLATION (REAR)

ITEM	PART NUMBER	QTY	DESCRIPTION	REV
	1001242243	Ref	Rear Bulkhead Installation	B
1	0100011	AR	Compound, Locking	
2	2220373	2	Adapter, Straight JIC	
3	2716715	4	Hose	
4	7139504	1	Sheet, Bulkhead	
5	7139505	1	Sheet, Bulkhead	
6	8305006	4	Nut 5/16	
7	8307203	8	Washer	
8	8310009	4	Bolt, 5/16x2	
9	8760463	4	Adapter, Bulkhead Nut	
11	1001246550	2	Manifold, Comp Cylinder Cross Cover	
12	1001245067	2	Hose Assembly	
13	1001245068	2	Hose Assembly	
14	2220385	2	Adapter, Run Tee	
15	2220596	2	Adapter, Straight JIC	

SECTION 8 - HYDRAULIC CIRCUITS

FIGURE 8-10. CAB HYDRAULICS INSTALLATION



ART_1001244357-A

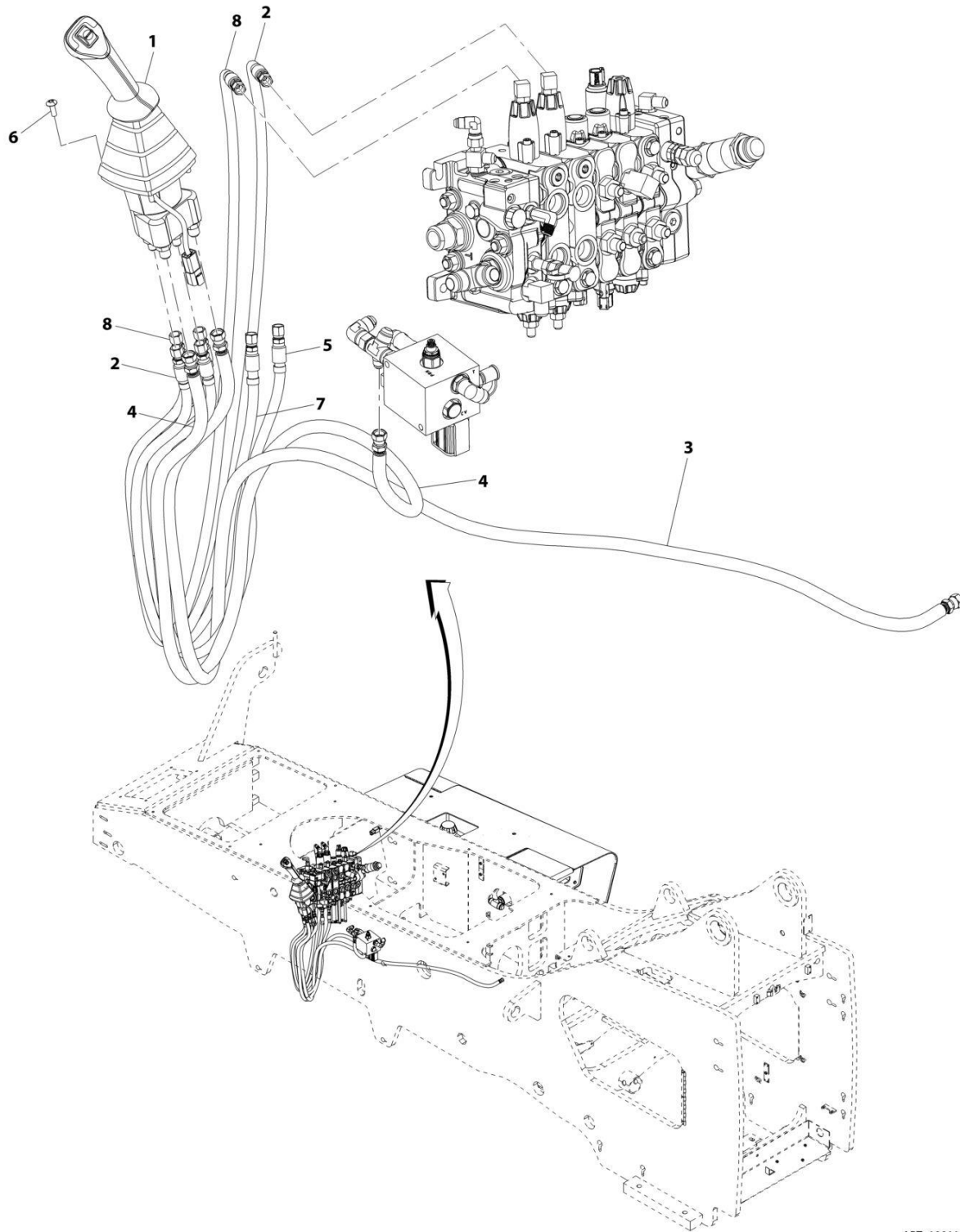
SECTION 8 - HYDRAULIC CIRCUITS

FIGURE 8-10. CAB HYDRAULICS INSTALLATION

ITEM	PART NUMBER	QTY	DESCRIPTION	REV
1	1001244357	Ref	Cab Hydraulics Installation	A
	1001158786	Ref	Pilot Controls Installation (See Separate Breakdown in this Section)	
2	1001245054	Ref	Brake Hydraulic Installation (See Separate Breakdown in this Section)	
3	1001245057	Ref	Steering Hydraulic Installation (See Separate Breakdown in this Section)	

SECTION 8 - HYDRAULIC CIRCUITS

FIGURE 8-11. CAB PILOT CONTROLS INSTALLATION



ART_1001158786-G

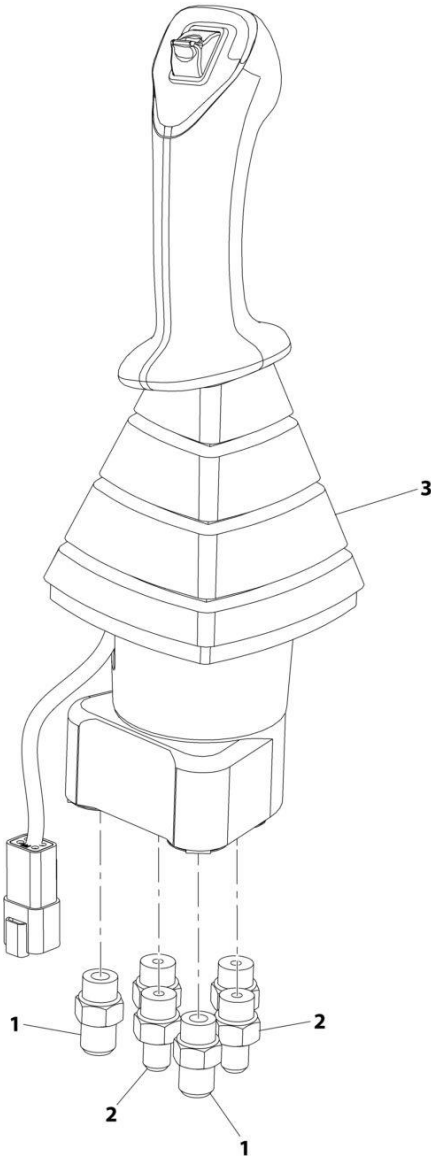
SECTION 8 - HYDRAULIC CIRCUITS

FIGURE 8-11. CAB PILOT CONTROLS INSTALLATION

ITEM	PART NUMBER	QTY	DESCRIPTION	REV
	1001158786	Ref	Pilot Controls Installation	G
1	1001158004	1	Assembly, Pilot Joystick (See Separate Breakdown in this Section)	
2	1001252971	1	Hose	
3	1001254099	1	Hose	
4	1001158398	1	Hose	
5	1001252970	1	Hose	
6	8303034	4	Screw, 1/4-20X3/4	
7	1001252968	1	Hose	
8	1001252969	1	Hose	

SECTION 8 - HYDRAULIC CIRCUITS

FIGURE 8-12. CAB PILOT JOYSTICK CONTROL ASSEMBLY



ART_1001158004-B

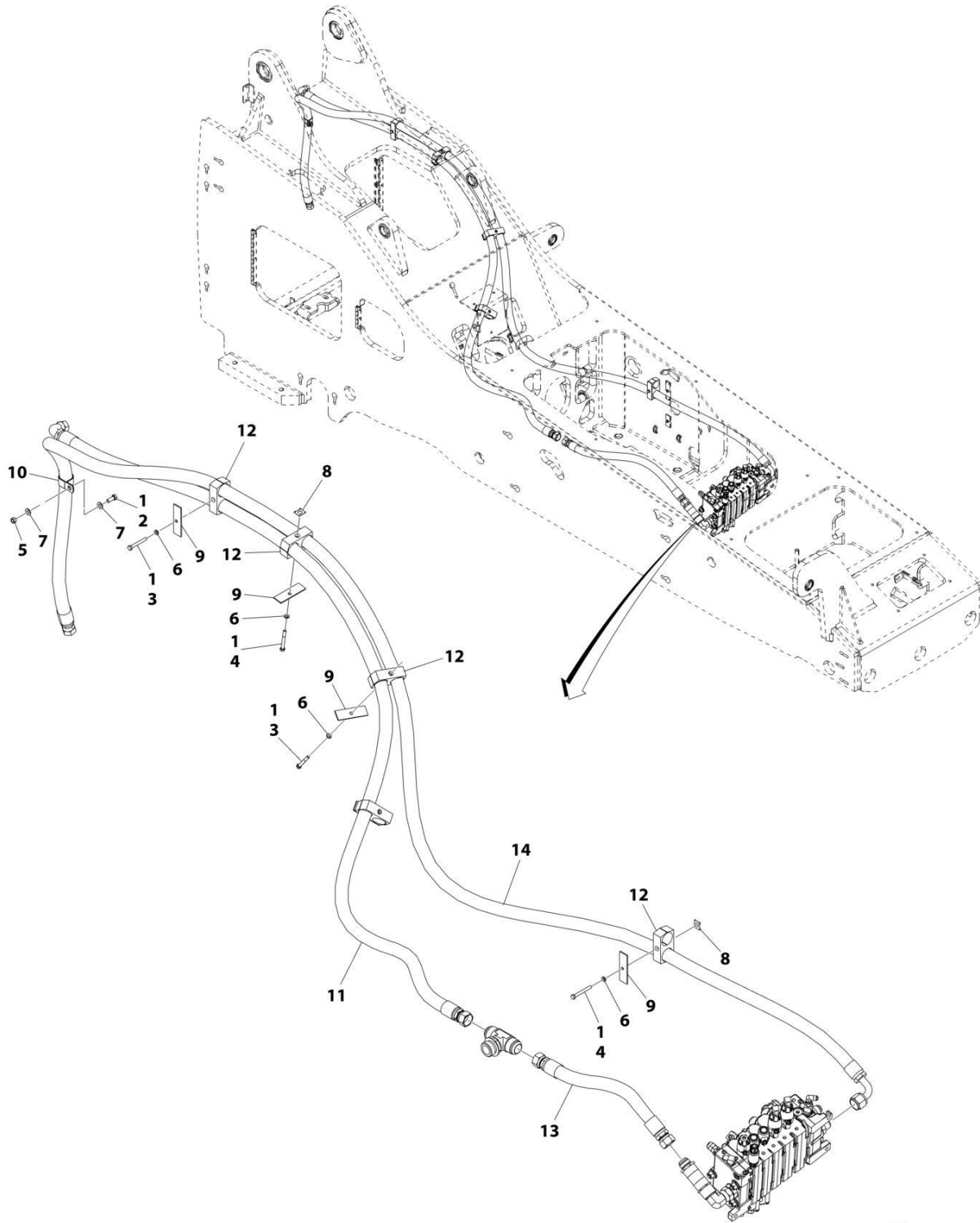
SECTION 8 - HYDRAULIC CIRCUITS

FIGURE 8-12. CAB PILOT JOYSTICK CONTROL ASSEMBLY

ITEM	PART NUMBER	QTY	DESCRIPTION	REV
	1001158004	Ref	Pilot Joystick & Fitting Assembly	B
1	2220371	2	Adapter, Straight JIC	
2	2220582	4	Adapter, Straight JIC	
3	1001158002	1	Control & Fittings Assembly - Pilot Joystick (See Separate Breakdown in CONTROLS Section)	

SECTION 8 - HYDRAULIC CIRCUITS

FIGURE 8-13. COOLER HYDRAULIC PLUMBING INSTALLATION



ART_1001244308-B

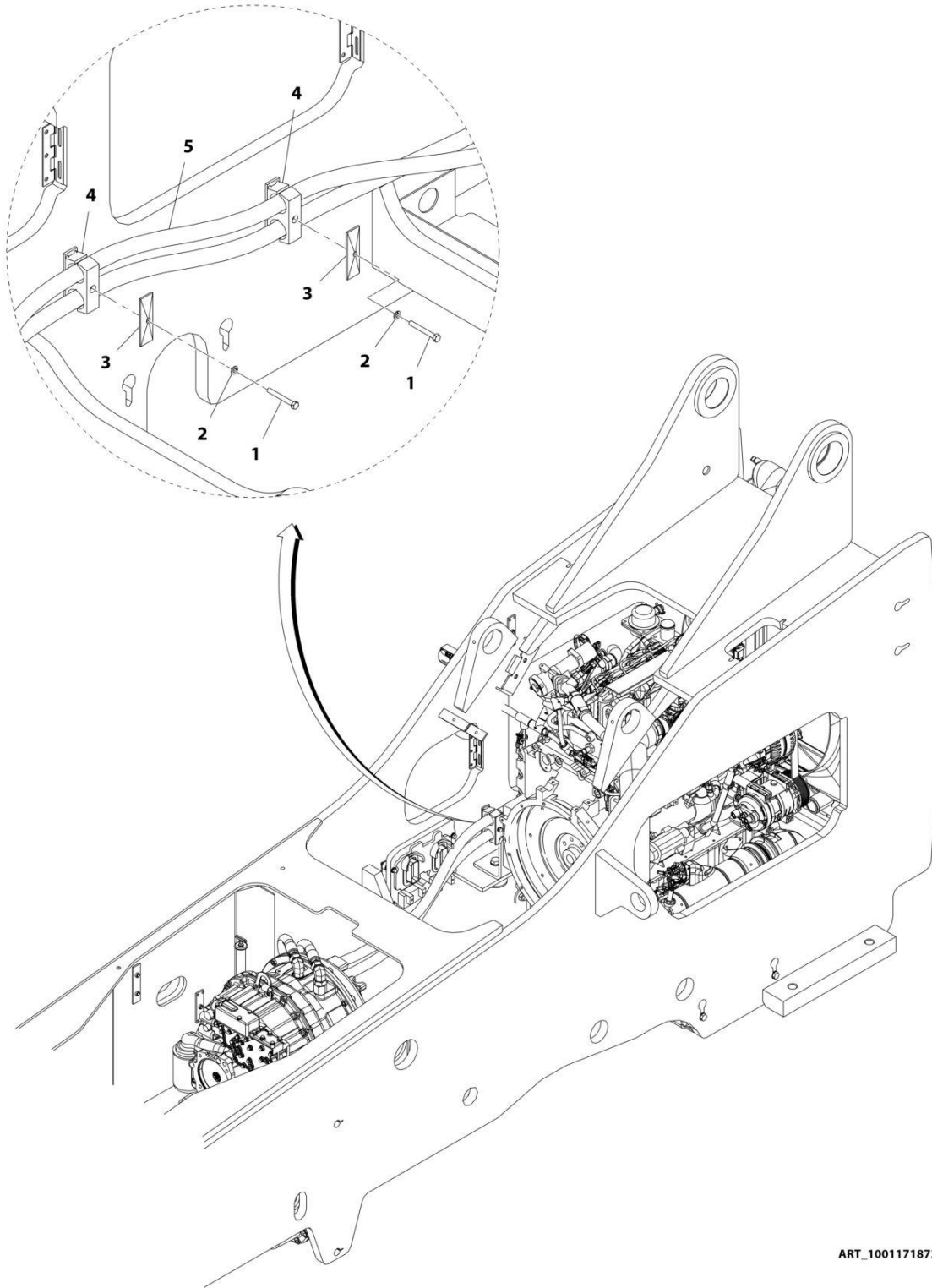
SECTION 8 - HYDRAULIC CIRCUITS

FIGURE 8-13. COOLER HYDRAULIC PLUMBING INSTALLATION

ITEM	PART NUMBER	QTY	DESCRIPTION	REV
	1001244308	Ref	Hydraulic Cooler Plumbing Installation	B
1	0100011	AR	Compound, Locking	
2	8303620	1	Bolt, 3/8X1	
3	8303757	3	Bolt, 5/16X2-1/2	
4	8303766	2	Bolt, 5/16X2-3/4	
5	8305008	1	Nut, 3/8	
6	8307004	5	Washer	
7	8307110	2	Washer	
8	8750017	2	Locking Plate	
9	8750025	5	Cover Plate, Twin	
10	85841150	1	Clamp, Support	
11	1001177753	1	Hose Assembly	
12	1001196109	5	Clamp, Twin Hose	
13	1001244306	1	Hose	
14	1001244307	1	Hose	

SECTION 8 - HYDRAULIC CIRCUITS

FIGURE 8-14. COOLER HYDRAULICS PLUMBING INSTALLATION - TRANSMISSION



ART_1001171873-C

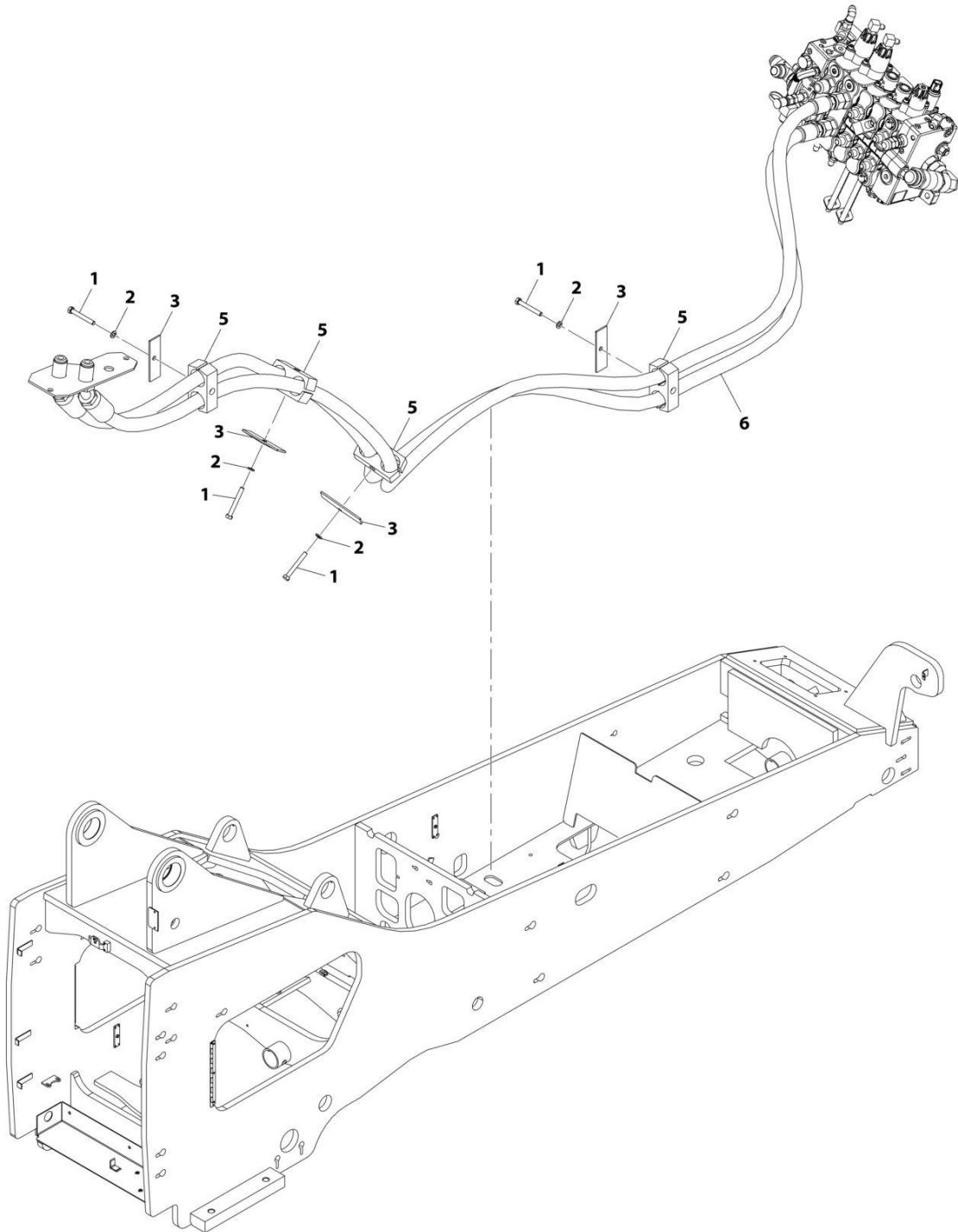
SECTION 8 - HYDRAULIC CIRCUITS

FIGURE 8-14. COOLER HYDRAULICS PLUMBING INSTALLATION - TRANSMISSION

ITEM	PART NUMBER	QTY	DESCRIPTION	REV
	1001171873	Ref	Hydraulic Transmission Cooler Plumbing Installation	C
1	8303757	2	Bolt, 5/16X2-1/2	
2	8307004	2	Washer, Lock 5/16	
3	8750025	2	Cover Plate, Twin	
4	8750040	2	Clamp Set, Twin	
5	1001171986	2	Hose	

SECTION 8 - HYDRAULIC CIRCUITS

FIGURE 8-15. CYLINDER INSTALLATION - EXTEND



ART_1001158046-E

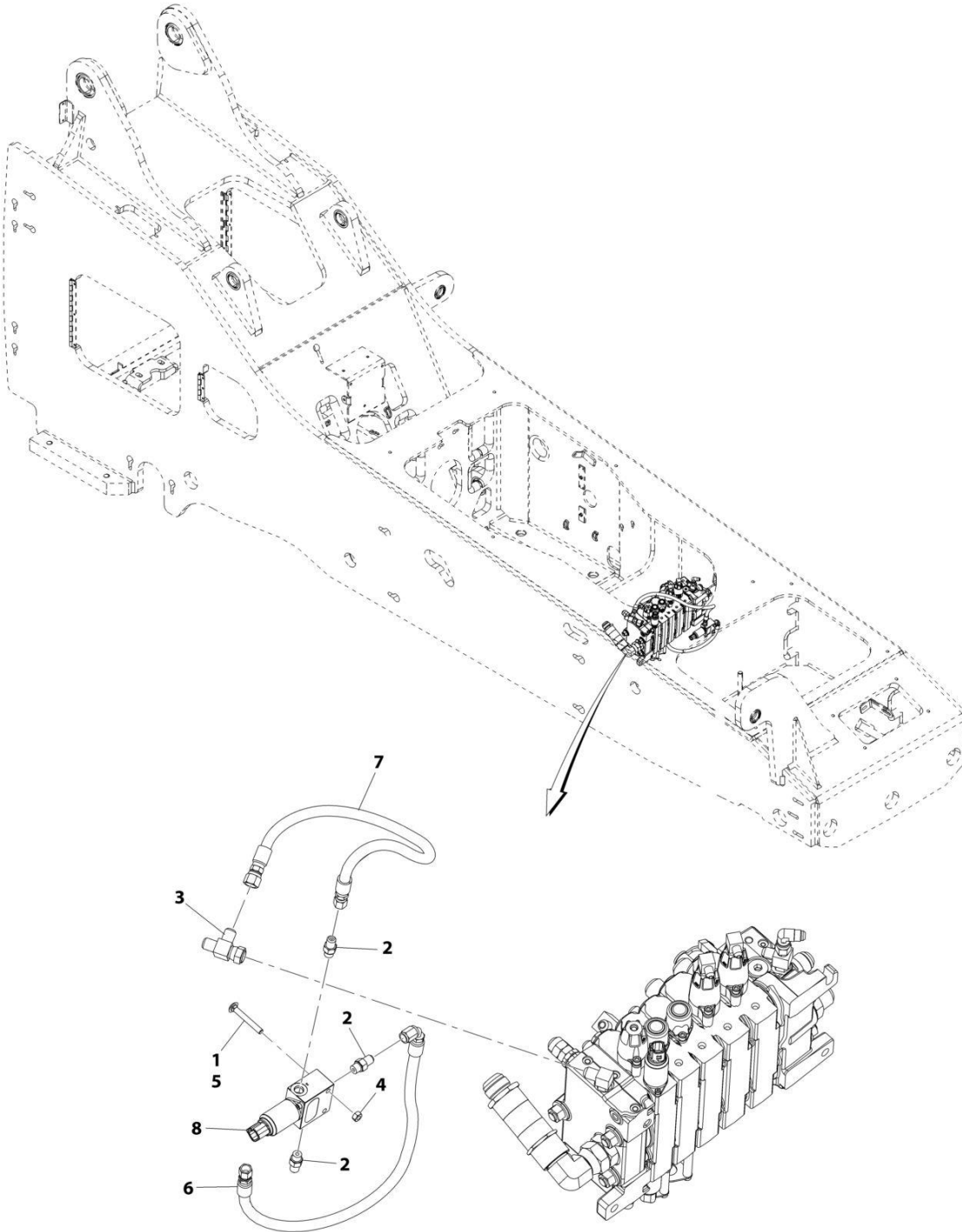
SECTION 8 - HYDRAULIC CIRCUITS

FIGURE 8-15. CYLINDER INSTALLATION - EXTEND

ITEM	PART NUMBER	QTY	DESCRIPTION	REV
	1001158046	Ref	Extend Cylinder Installation	E
1	8303757	4	Bolt, 5/16-18X2-1/2	
2	8307004	4	Washer, Lock 5/16	
3	8750025	4	Cover Plate, Twin	
5	8750040	4	Clamp Set, Twin	
6	1001171190	2	Hose	

SECTION 8 - HYDRAULIC CIRCUITS

FIGURE 8-16. CYLINDER INSTALLATION - EXTEND LOCKOUT



ART_1001244610-B

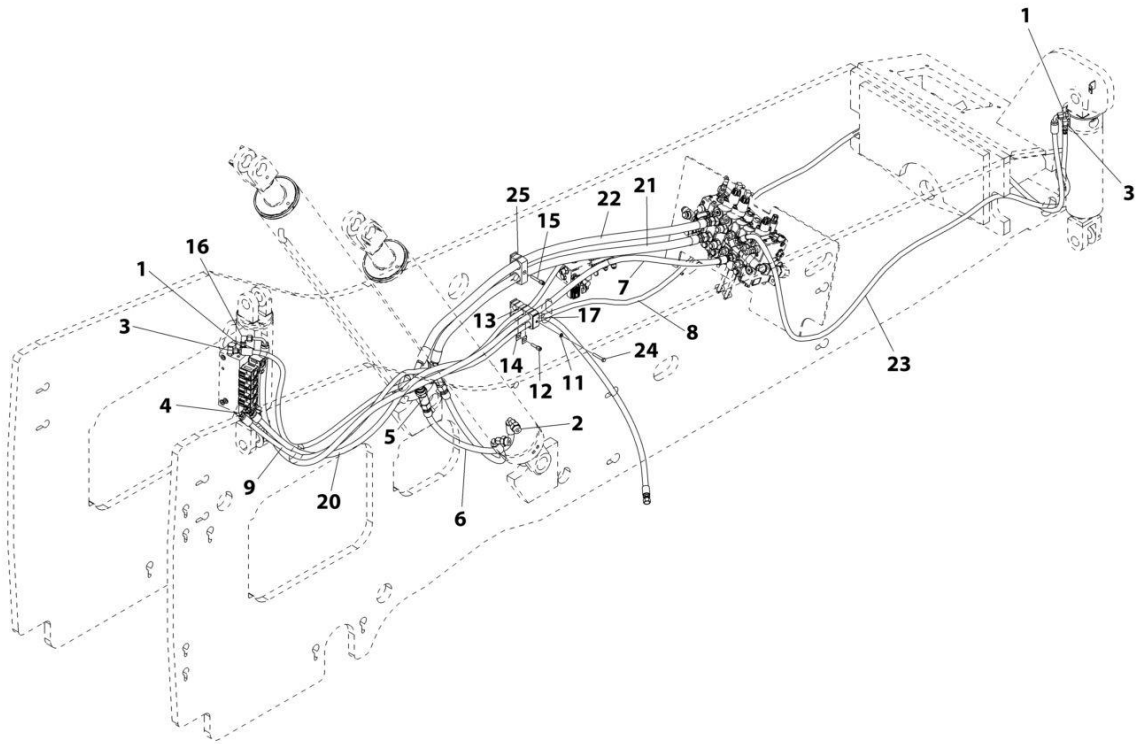
SECTION 8 - HYDRAULIC CIRCUITS

FIGURE 8-16. CYLINDER INSTALLATION - EXTEND LOCKOUT

ITEM	PART NUMBER	QTY	DESCRIPTION	REV
	1001244610	Ref	Extend Cylinder Lockout Installation	B
1	0100011	AR	Compound, Locking	
2	2220415	3	Adapter, Straight	
3	2220635	1	Adapter, Run Tee	
4	8305004	2	Nut	
5	8310576	2	Bolt, Carriage	
6	1001244359	1	Hose Assembly	
7	1001244361	1	Hose Assembly	
8	1001245158	1	Valve, 2 Position/ 3 Port	
8	70030036	1	Valve, Solenoid	
8	70030037	2	Screw	

SECTION 8 - HYDRAULIC CIRCUITS

FIGURE 8-17. CYLINDERS HYDRAULICS INSTALLATION - FRAME



ART_1001173841-G

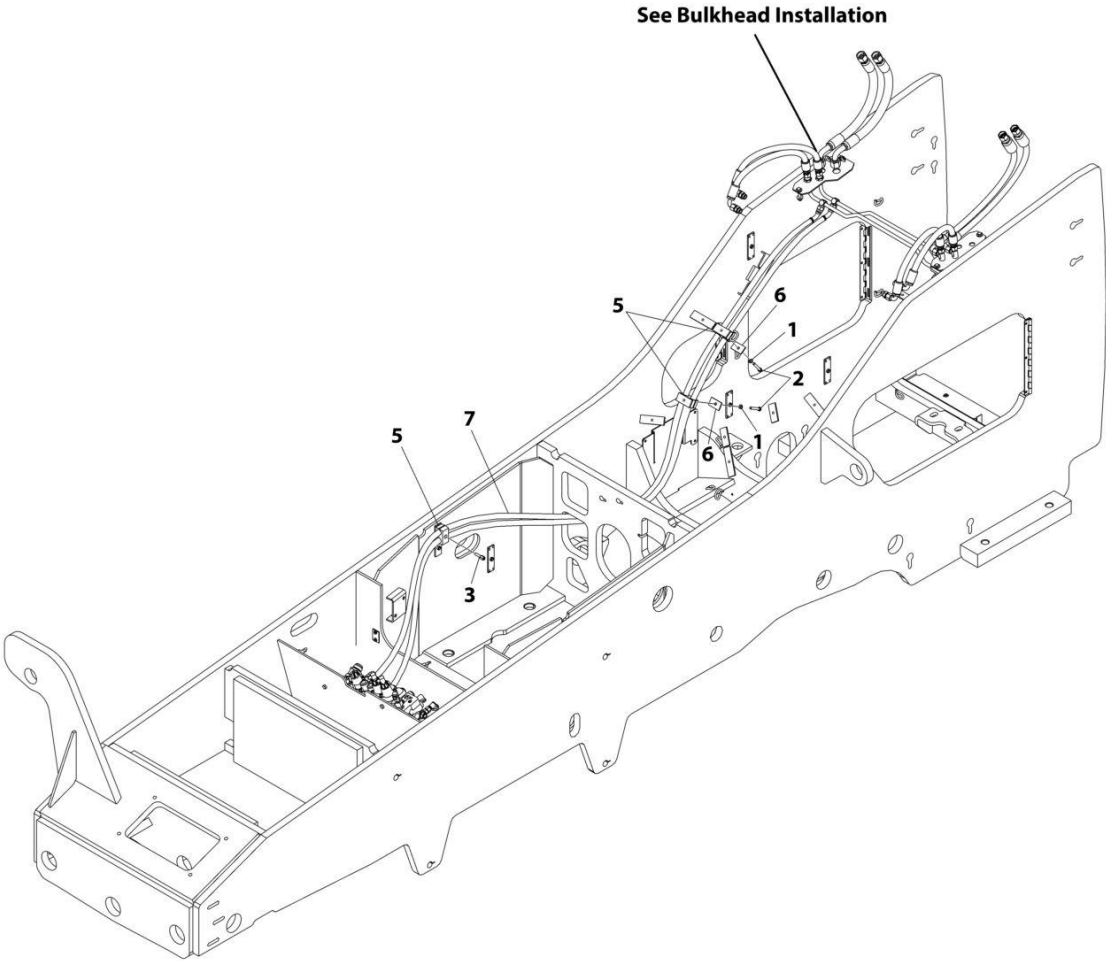
SECTION 8 - HYDRAULIC CIRCUITS

FIGURE 8-17. CYLINDERS HYDRAULICS INSTALLATION - FRAME

ITEM	PART NUMBER	QTY	DESCRIPTION	REV
	1001173841	Ref	Hydraulic Frame Cylinders Installation	G
1	2220371	2	Adapter, Straight	
2	2220375	2	Adapter, Straight	
3	2220473	2	Adapter, 90	
4	2220501	2	Adapter, 45	
5	2220695	2	Adapter, Branch Tee	
6	2716675	2	Hose	
7	2716686	1	Hose	
8	2716688	1	Hose	
9	2716691	1	Hose	
11	8307004	1	Washer, Lock 5/16	
12	8750012	1	Bolt, Stacking	
13	8750027	2	Clamp Set, Twin	
14	8750017	2	Plate, Twin Clamp Locking	
15	8750026	1	Bolt, Stacking	
16	8760268	1	Adapter, 90	
17	8769128	1	Cover Plate, Twin	
20	1001202384	1	Hose	
21	1001171191	1	Hose	
22	1001171193	1	Hose	
23	1001171194	1	Hose	
24	8310009	1	Bolt, 5/16X2	
25	8750040	1	Clamp Set, Twin	

SECTION 8 - HYDRAULIC CIRCUITS

FIGURE 8-18. FORK TILT HYDRAULICS INSTALLATION



ART_1001158040

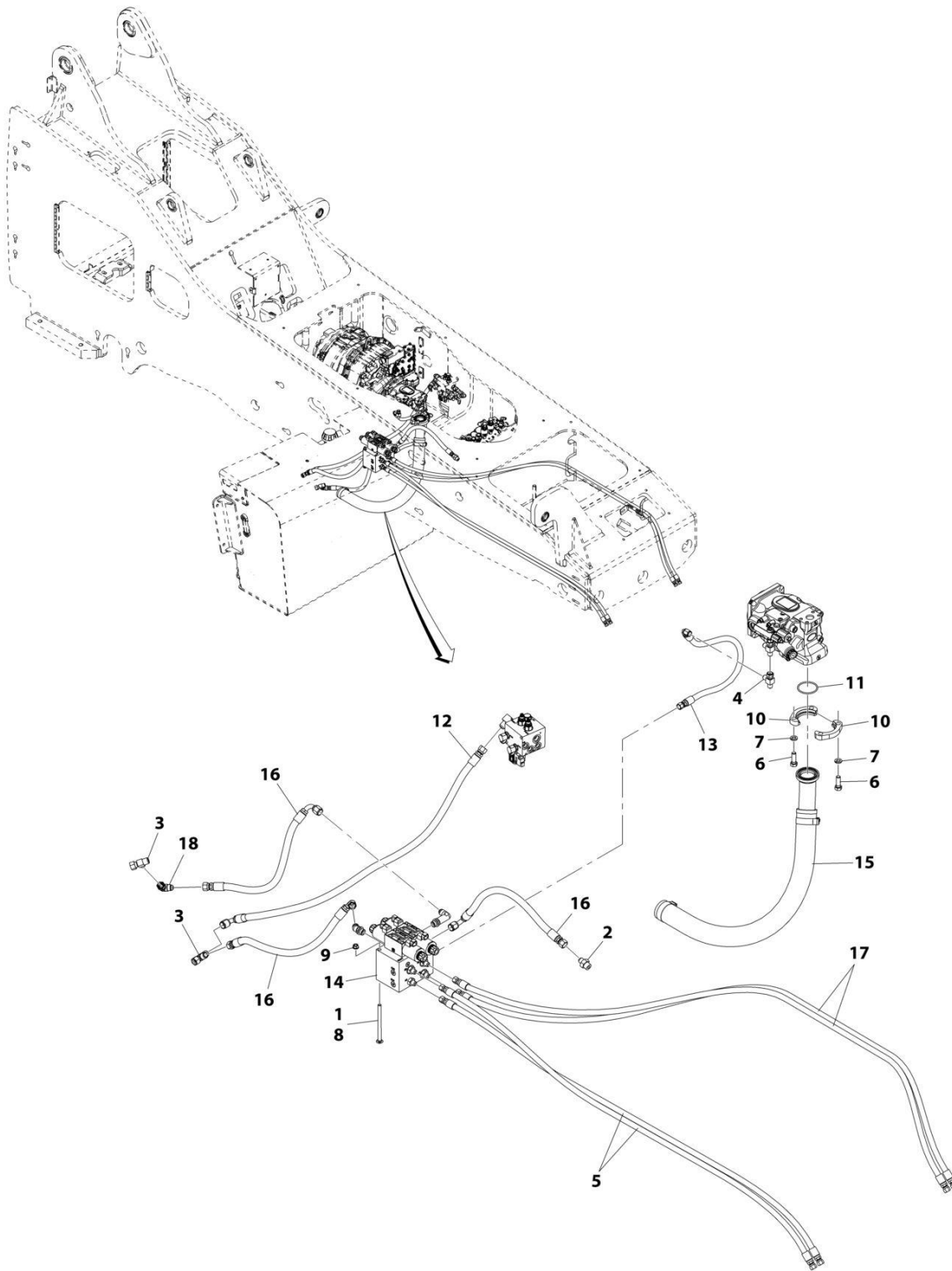
SECTION 8 - HYDRAULIC CIRCUITS

FIGURE 8-18. FORK TILT HYDRAULICS INSTALLATION

ITEM	PART NUMBER	QTY	DESCRIPTION	REV
	1001158040	Ref	HYDRAULIC FORK TILT INSTALLATION	G
1	8307004	2	Washer 5/16	
2	8310009	2	Bolt 5/16 x 2	
3	8750012	1	Bolt, Stacking	
5	8750027	3	Clamp Set, Twin	
6	8769128	2	Cover Plate, Twin	
7	1001171188	2	Hose	

SECTION 8 - HYDRAULIC CIRCUITS

FIGURE 8-19. FRAME HYDRAULICS INSTALLATION



ART_1001244867-B

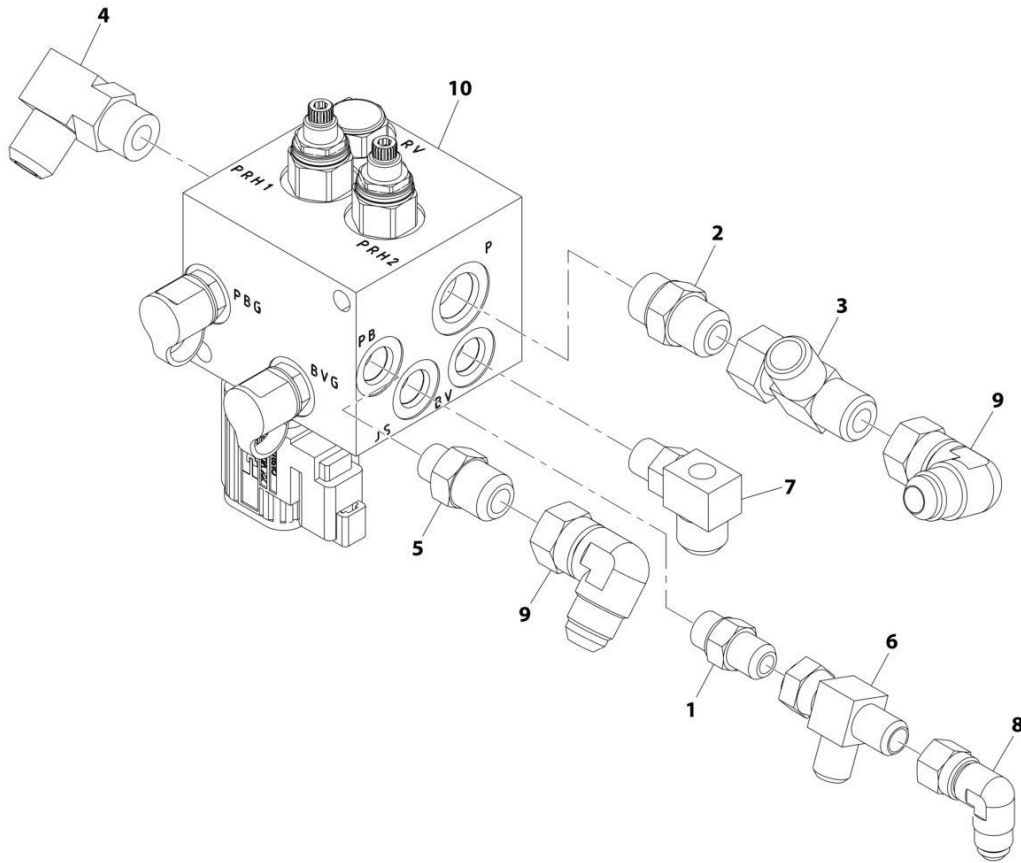
SECTION 8 - HYDRAULIC CIRCUITS

FIGURE 8-19. FRAME HYDRAULICS INSTALLATION

ITEM	PART NUMBER	QTY	DESCRIPTION	REV
	1001244867	Ref	Frame Hydraulics Installation	B
1	0100011	AR	Compound, Locking	
2	2220374	1	Adapter	
3	2220385	2	Adapter	
4	2220635	1	Adapter	
5	2716665	2	Hose	
6	8303626	4	Bolt, 1/2-13X1-1/2	
7	8307007	4	Washer, Lock 1/2	
8	8310478	2	Bolt, 3/8-16X10	
9	8310522	2	Nut, Flange 3/8-16	
10	8546407	1	Flange Half	
11	8640208	1	O-Ring	
12	1001119610	1	Hose	
13	1001158576	1	Hose	
14	1001257141	1	Valve & Fittings Sub-Assembly - Outrigger (See Separate Breakdown in this Section)	
15	1001227508	1	Hose	
16	1001244871	3	Hose	
17	1001245070	2	Hose	
18	8765204	1	Adapter	

SECTION 8 - HYDRAULIC CIRCUITS

FIGURE 8-20. FRAME SECONDARY VALVE & FITTINGS SUB-ASSEMBLY



ART_1001247171-A

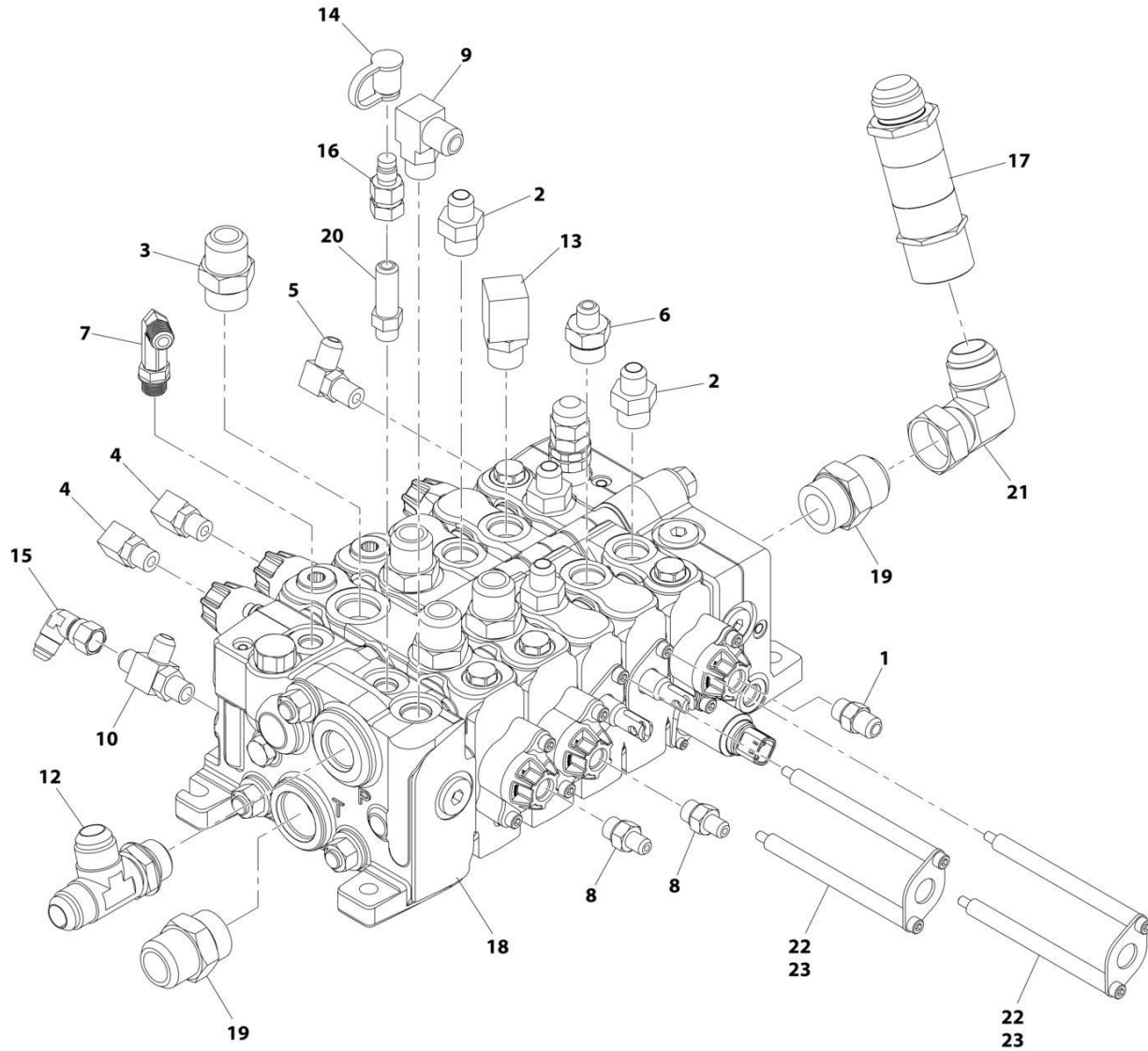
SECTION 8 - HYDRAULIC CIRCUITS

FIGURE 8-20. FRAME SECONDARY VALVE & FITTINGS SUB-ASSEMBLY

ITEM	PART NUMBER	QTY	DESCRIPTION	REV
	1001247171	Ref	Secondary Valve & Fittings Installation	A
1	2220371	1	Fitting, Straight JIC/ORB	
2	2220373	1	Fitting, Straight JIC/ORB	
3	2220385	1	Fitting, Tee JIC/FSJIC/JIC	
4	2220596	1	Fitting, 90 JIC/ORB	
5	2220600	1	Fitting, Straight ORB	
6	2220635	1	Fitting, Tee FM SW x JIC x JIC	
7	2220726	1	Fitting, 90 JIC/ORB	
8	8760268	1	Fitting, 90 JIC/FSJIC	
9	8765204	2	Fitting, 90 JIC/FSJIC	
10	1001247045	1	Valve Assembly - Secondary (See Separate Breakdown in HYDRAULIC COMPONENTS Section)	

SECTION 8 - HYDRAULIC CIRCUITS

FIGURE 8-21. MAIN CONTROL VALVE & FITTINGS SUB-ASSEMBLY



ART_1001243411-C

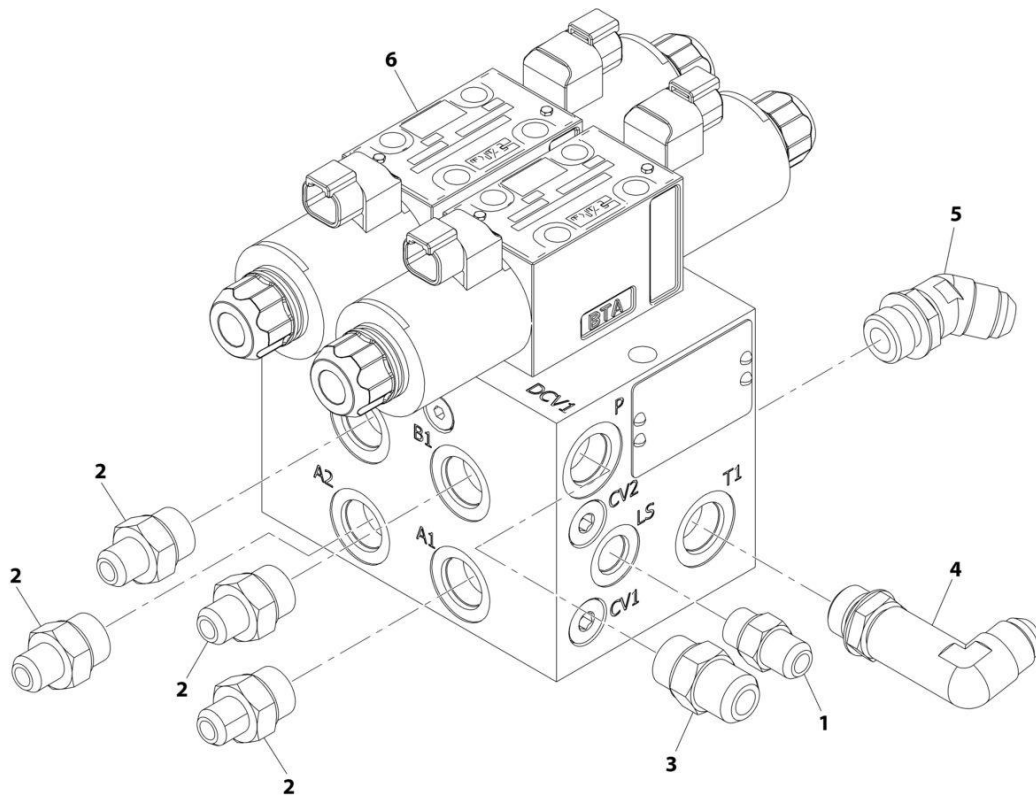
SECTION 8 - HYDRAULIC CIRCUITS

FIGURE 8-21. MAIN CONTROL VALVE & FITTINGS SUB-ASSEMBLY

ITEM	PART NUMBER	QTY	DESCRIPTION	REV
	1001243411	Ref	Main Control Valve & Fittings Sub-Assembly	C
1	2220371	1	Adapter	
2	2220374	4	Adapter	
3	2220451	4	Adapter	
4	2220472	2	Adapter	
5	2220473	1	Adapter	
6	2220497	1	Adapter	
7	2220819	1	Adapter	
8	2220582	2	Adapter	
9	2220596	1	Adapter	
10	2220606	1	Adapter	
12	2220738	1	Adapter	
13	2220828	1	Adapter	
14	8430032	1	Plug	
15	8760268	1	Adapter	
16	8430046	1	Adapter	
17	1001174375	1	Valve, Check	
18	1001242925	1	Valve, Main Control Valve Assembly (See Separate Breakdown in HYDRAULIC COMPONENTS SECTION)	
19	2220377	2	Adapter	
20	2220998	1	Adapter	
21	2220878	1	Adapter	
22	1001254386	2	Mount, Cable Control	
23	0100011	AR	Compound, Locking	

SECTION 8 - HYDRAULIC CIRCUITS

FIGURE 8-22. OUTRIGGER & FITINGS SUB-VALVE ASSEMBLY



ART_1001257141-A

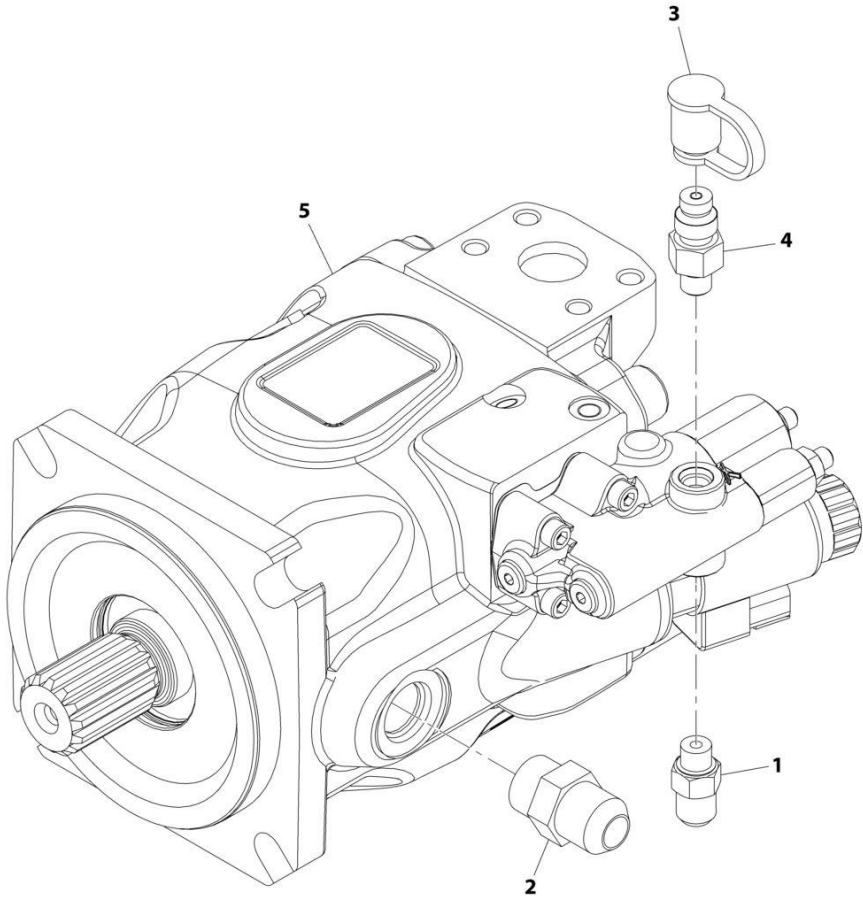
SECTION 8 - HYDRAULIC CIRCUITS

FIGURE 8-22. OUTRIGGER & FITINGS SUB-VALVE ASSEMBLY

ITEM	PART NUMBER	QTY	DESCRIPTION	REV
	1001257141	Ref	Outrigger Valve & Fittings Sub-Assembly	A
1	2220371	1	Adapter, Straight JIC	
2	2220372	4	Adapter, Straight JIC	
3	2220373	1	Adapter, Straight JIC	
4	2220474	1	Adapter, 90	
5	2220500	1	Adapter, 45	
6	1001247857	1	Valve Assembly - Outrigger (See Separate Breakdown in HYDRAULIC COMPONENTS Section)	

SECTION 8 - HYDRAULIC CIRCUITS

FIGURE 8-23. PISTON PUMP INSTALLATION



ART_1001251426-A

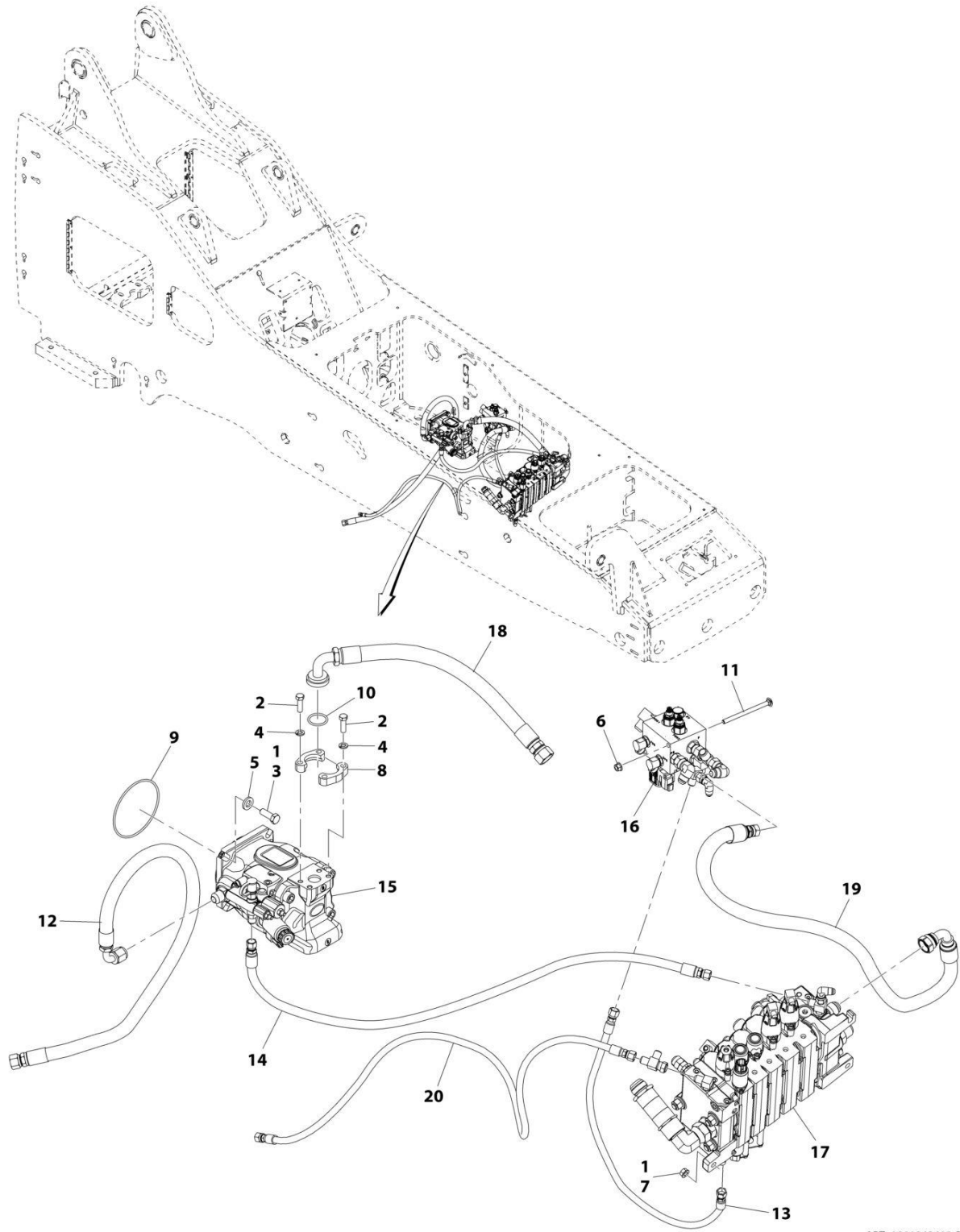
SECTION 8 - HYDRAULIC CIRCUITS

FIGURE 8-23. PISTON PUMP INSTALLATION

ITEM	PART NUMBER	QTY	DESCRIPTION	REV
	1001251426	Ref	Piston Pump Installation	A
1	2220603	1	Adapter, Straight	
2	2220947	1	Adapter, Straight	
3	8430032	1	Cap Dust	
4	8430033	1	Adapter	
5	1001251423	1	Pump, Piston (See Separate Breakdown in HYDRAULIC COMPONENTS Section)	

SECTION 8 - HYDRAULIC CIRCUITS

FIGURE 8-24. PUMP HYDRAULICS INSTALLATION



ART_1001243412-B

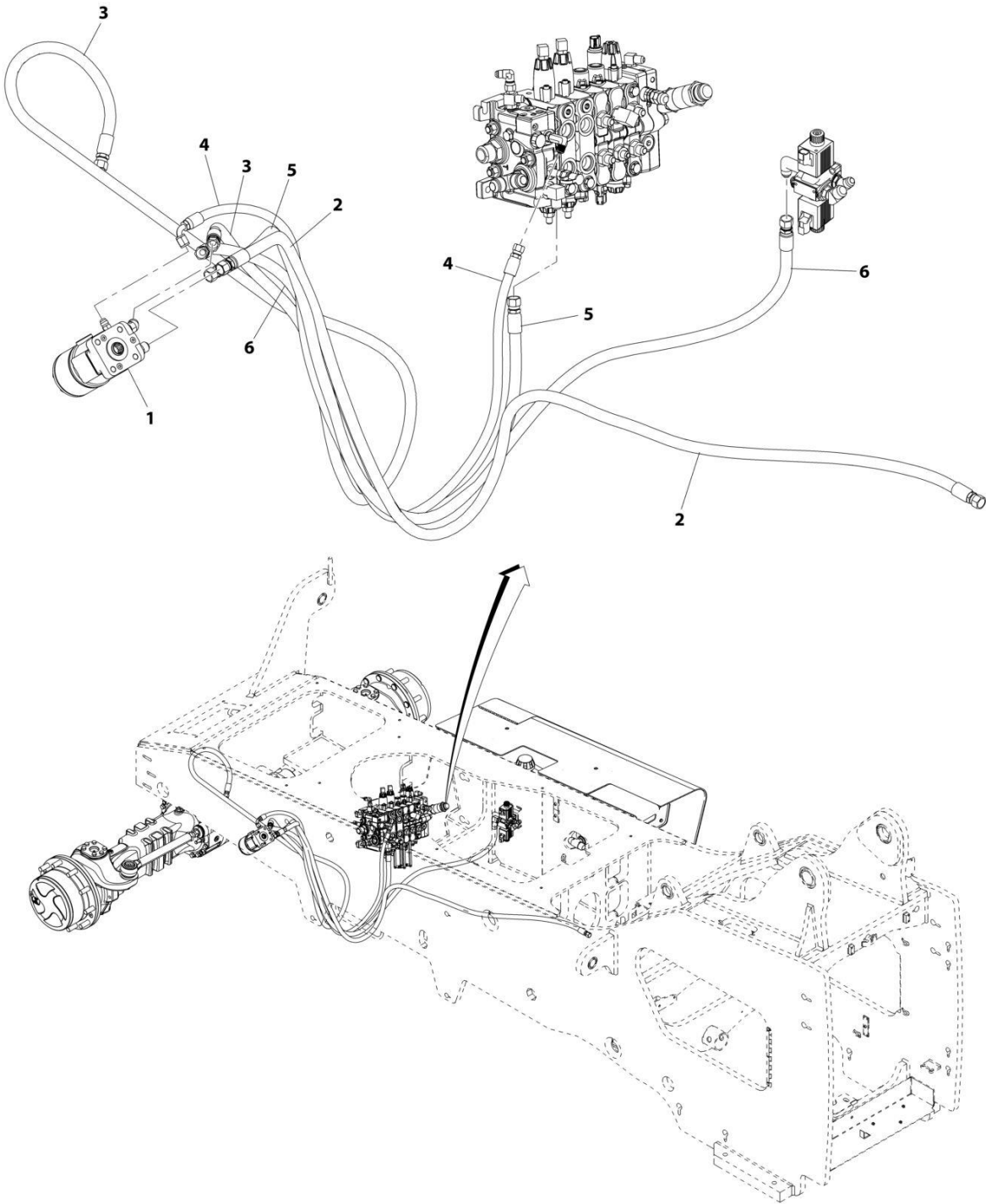
SECTION 8 - HYDRAULIC CIRCUITS

FIGURE 8-24. PUMP HYDRAULICS INSTALLATION

ITEM	PART NUMBER	QTY	DESCRIPTION	REV
	1001243412	Ref	Hydraulic Pump Installation	C
1	0100011	AR	Compound, Locking	
2	8303675	4	Screw, 3/8 x 1-1/4	
3	8303519	4	Screw, M12 x 1-3/4	
4	8307005	4	Washer	
5	8310356	4	Washer	
6	8310420	2	Nut	
7	8310522	3	Nut	
8	8530030	2	Flange	
9	8630019	1	O-Ring	
10	8640123	1	O-Ring	
11	1001163685	2	Bolt, 5/16-18 x 4-1/2	
12	1001168451	1	Hose Assembly	
13	1001194592	1	Hose Assembly	
14	1001198684	1	Hose Assembly	
15	1001251426	1	Piston Pump Installation	
16	1001247171	1	Valve & Fitting Assembly - Secondary (See Separate Breakdown in this Section)	
17	1001243411	1	Valve & Fitting Assembly - Main (See Separate Breakdown in this Section)	
18	1001244278	1	Hose Assembly	
19	1001247654	1	Hose Assembly	
20	1001244302	1	Hose Assembly	

SECTION 8 - HYDRAULIC CIRCUITS

FIGURE 8-25. STEERING HYDRAULICS INSTALLATION



ART_1001245057-B

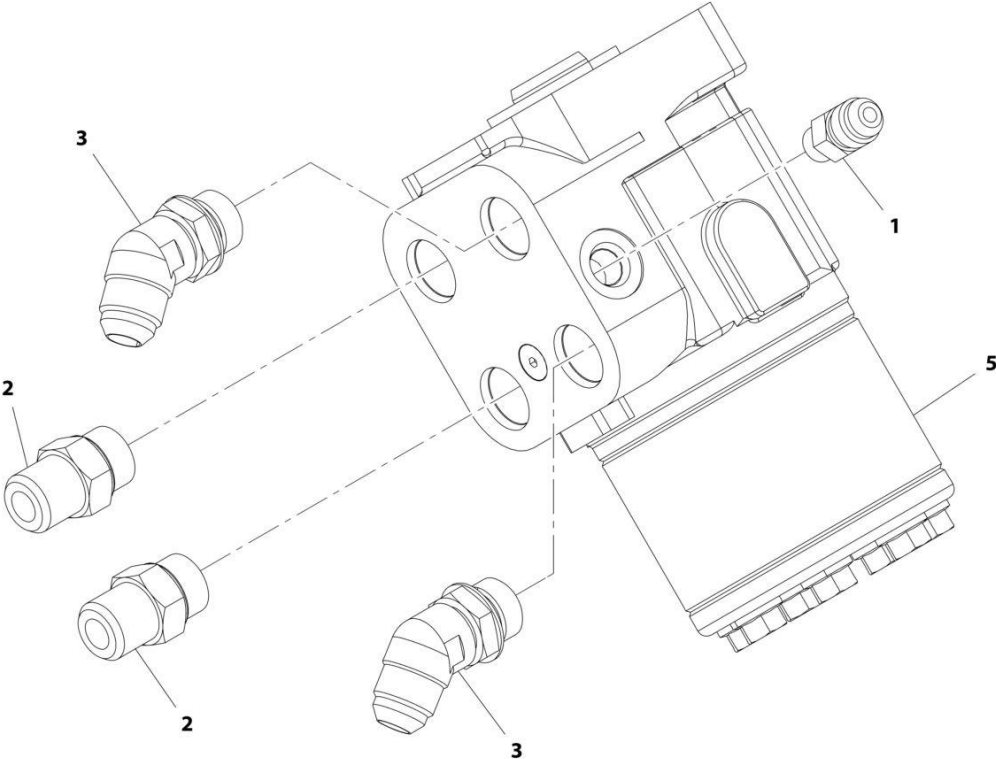
SECTION 8 - HYDRAULIC CIRCUITS

FIGURE 8-25. STEERING HYDRAULICS INSTALLATION

ITEM	PART NUMBER	QTY	DESCRIPTION	REV
	1001245057	Ref	Hydraulic Steering Installation	B
1	1001158528	1	Steering Valve Installation (See Separate Breakdown in this Section)	
2	1001245058	1	Hose Assembly	
3	1001157102	1	Hose Assembly	
4	1001158357	1	Hose Assembly	
5	1001171786	1	Hose Assembly	
6	1001173177	1	Hose Assembly	

SECTION 8 - HYDRAULIC CIRCUITS

FIGURE 8-26. STEERING VALVE INSTALLATION



ART_1001158528-C

SECTION 8 - HYDRAULIC CIRCUITS

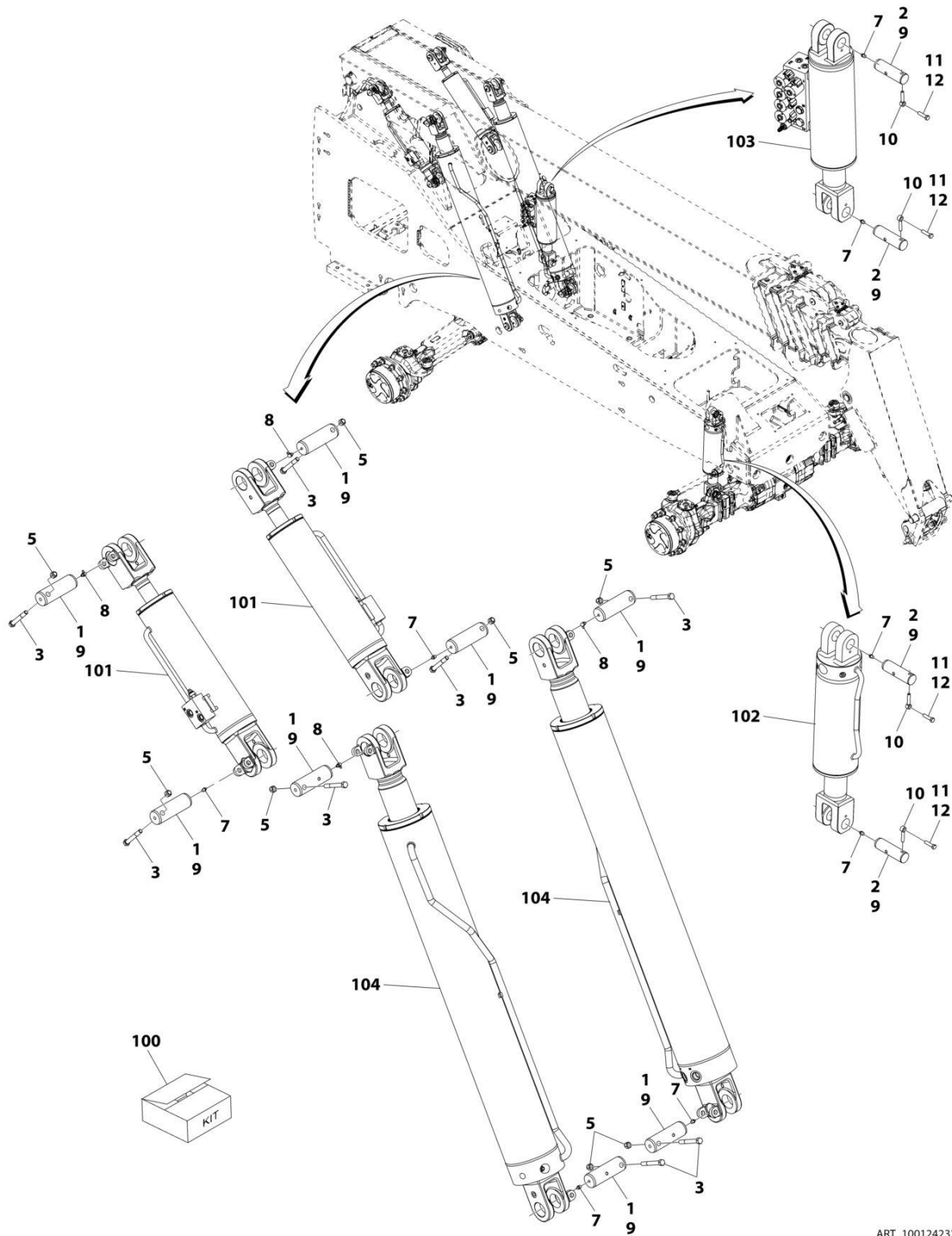
FIGURE 8-26. STEERING VALVE INSTALLATION

ITEM	PART NUMBER	QTY	DESCRIPTION	REV
	1001158528	1	Steering Valve & Fitting Assembly	C
1	2220603	1	Adapter, Straight JIC	
2	2220373	2	Adapter, Straight JIC	
3	2220500	2	Adapter, 45 JIC	
5	1001158527	1	Valve, Steering	
5	70026401	1	Seal Kit - Steering Valve	

SECTION 9 - HYDRAULIC COMPONENTS

SECTION 9 - HYDRAULIC COMPONENTS

FIGURE 9-1. CYLINDER GROUP INSTALLATION



ART_1001242327-C

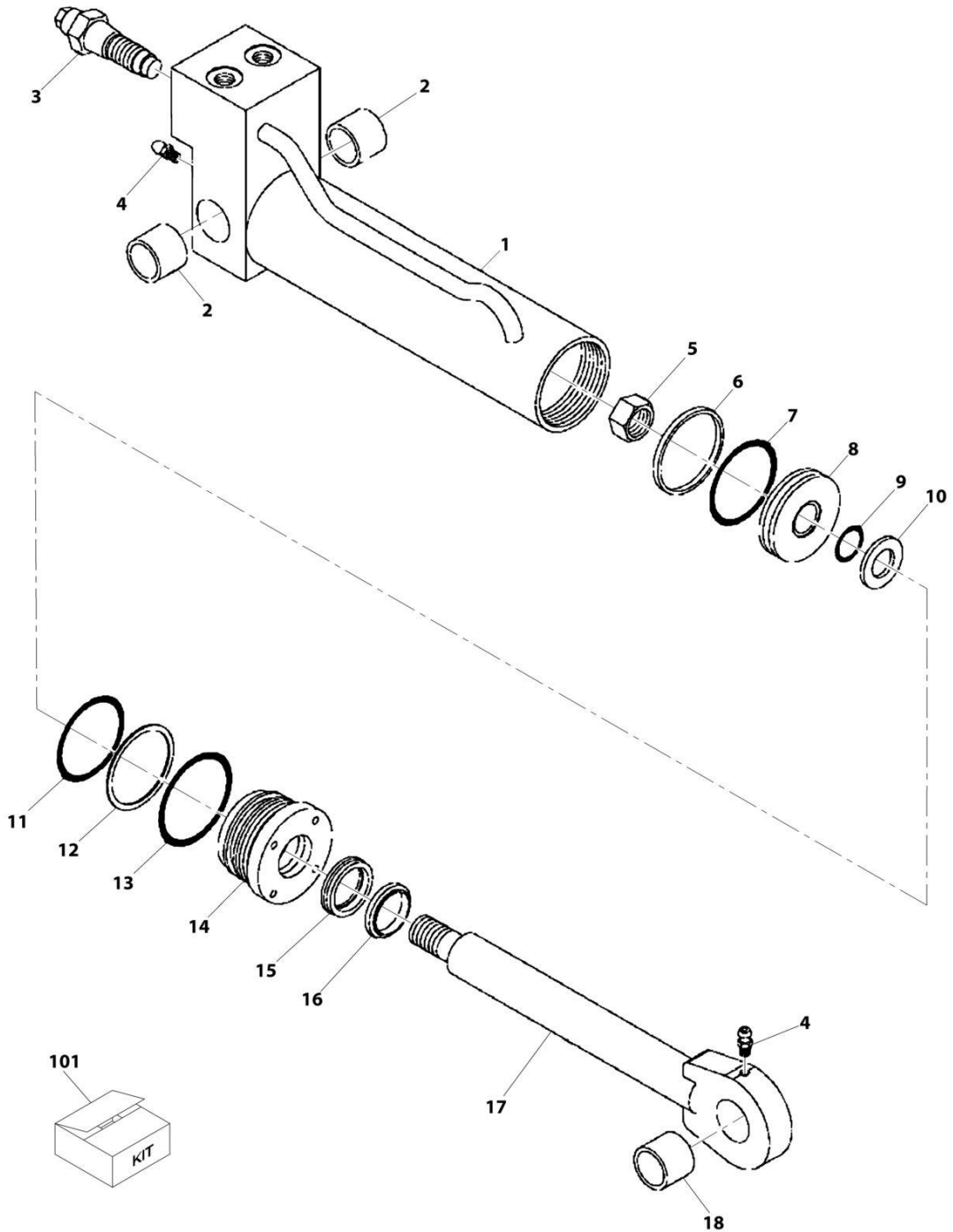
SECTION 9 - HYDRAULIC COMPONENTS

FIGURE 9-1. CYLINDER GROUP INSTALLATION

ITEM	PART NUMBER	QTY	DESCRIPTION	REV
	1001242327	Ref	Cylinder Group Installation	C
1	3423227	8	Pin	
2	1001250505	4	Pin	
3	8303782	8	Bolt, 1/2-13X4	
5	8305644	8	Nut	
7	8520001	8	Fitting, Straight Lube 1/8	
8	8520003	4	Fitting, 90 Lube 1/8	
9	8522012	AR	Lube	
10	3841520	4	Keeper	
11	8303621	4	Screw 3/8 x 3/2	
12	0100011	AR	Compound, Locking	
100	1001245093	1	Cylinder Kit	
101	1001242688	2	Compensation Cylinder	
102	1001239181	1	Frame Level Cylinder	
103	1001239182	1	Stabil-Trak Cylinder	
104	1001239179	2	Lift Cylinder	

SECTION 9 - HYDRAULIC COMPONENTS

FIGURE 9-2. CYLINDER - BUCKET (GRAPPLE)



ART_70021393-A

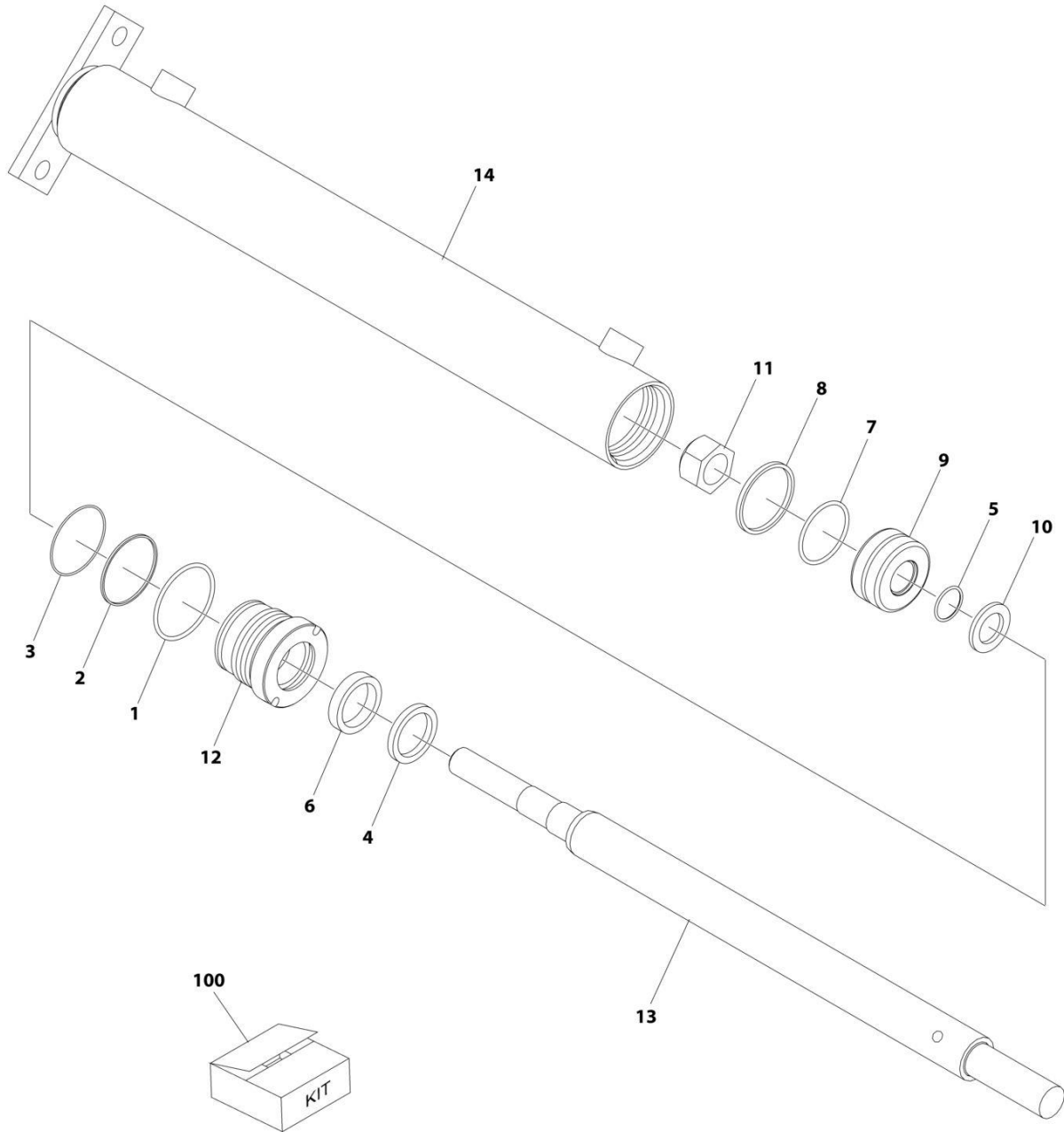
SECTION 9 - HYDRAULIC COMPONENTS

FIGURE 9-2. CYLINDER - BUCKET (GRAPPLE)

ITEM	PART NUMBER	QTY	DESCRIPTION	REV
	70021393	Ref	Grapple Bucket Cylinder	A
		Ref	Note: Original Cylinder May Have Been Replaced with Service Replacement. Identify PN Stamped on Cylinder Before Ordering Parts.	
1	70021465	1	Barrel	
2	70021448	2	Bushing	
3	70021464	2	Cartridge, Valve	
4	90554045	2	Fitting, Grease	
5	70021440	1	Nut	
6	Kit	NSS	Ring, Piston (Note: Use Item 101)	
7	Kit	NSS	O-Ring (Note: Use Item 101)	
8	70021451	1	Piston	
9	Kit	NSS	O-Ring (Note: Use Item 101)	
10	70021444	1	Washer	
11	Kit	NSS	O-Ring (Note: Use Item 101)	
12	Kit	NSS	Washer, Back-Up (Note: Use Item 101)	
13	Kit	NSS	O-Ring (Note: Use Item 101)	
14	70021446	1	Head	
15	Kit	NSS	Seal, Poly-Pak (Note: Use Item 101)	
16	Kit	NSS	Wiper, Rod (Note: Use Item 101)	
17	70021466	1	Rod	
18	70021447	1	Bushing	
101	70021452	1	Kit, Seal (includes items 6, 7, 9, 11 thru 13, 15 & 16)	

SECTION 9 - HYDRAULIC COMPONENTS

FIGURE 9-3. CYLINDER - CARRIAGE (DUAL FORK)



ART_2717283

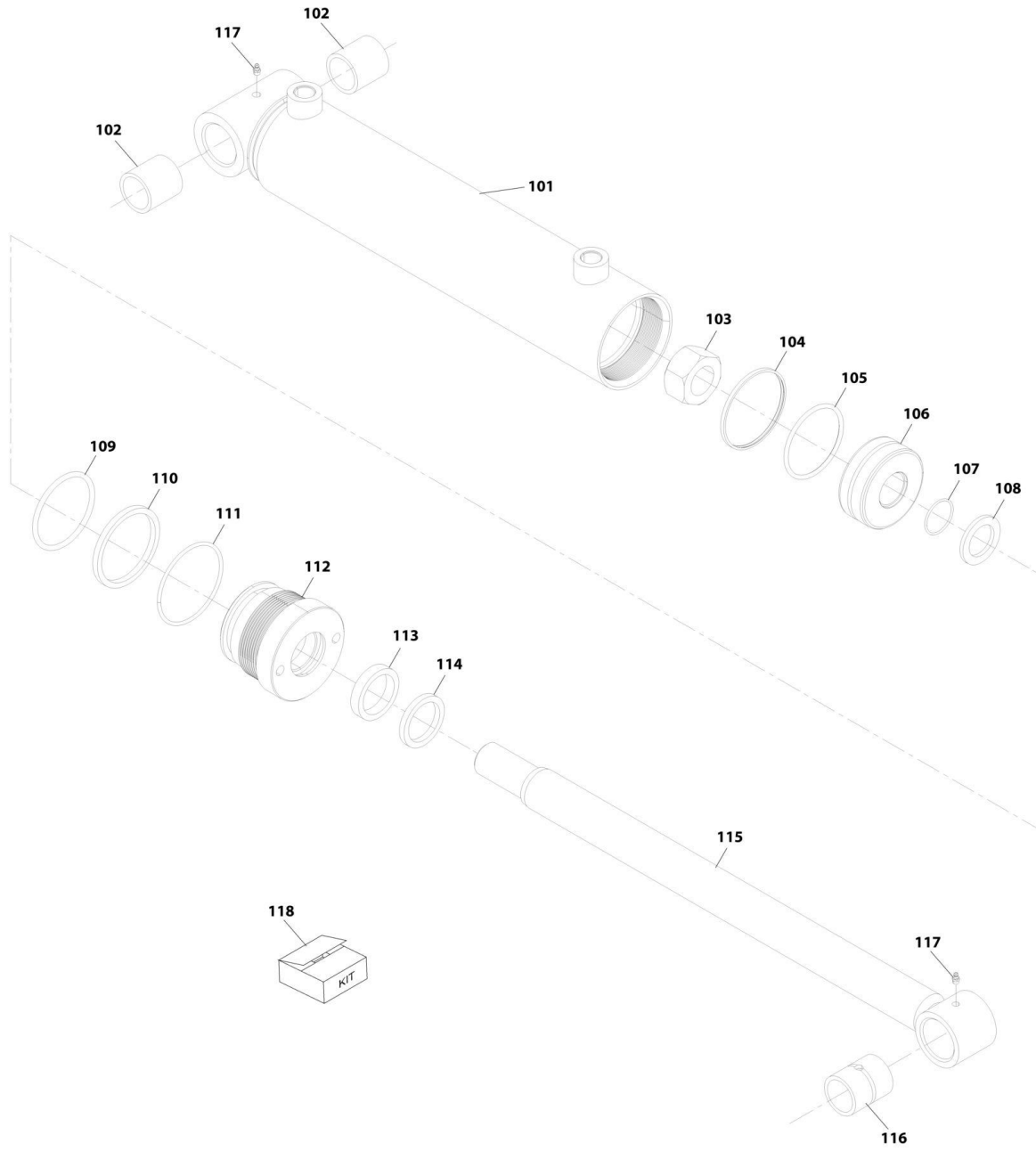
SECTION 9 - HYDRAULIC COMPONENTS

FIGURE 9-3. CYLINDER - CARRIAGE (DUAL FORK)

ITEM	PART NUMBER	QTY	DESCRIPTION	REV
	2717283	Ref	FORK POSITIONING CYLINDER	B
		Ref	Note: Original Cylinder May Have Been Replaced with Service Replacement. Identify PN Stamped on Cylinder Before Ordering Parts.	
1	See Note	NSS	O-Ring (Use Item 100)	
2	See Note	NSS	Ring, Back-up (Use Item 100)	
3	See Note	NSS	O-Ring (Use Item 100)	
4	See Note	NSS	Seal (Use Item 100)	
5	See Note	NSS	O-Ring (Use Item 100)	
6	See Note	NSS	Seal (Use Item 100)	
7	See Note	NSS	O-Ring (Use Item 100)	
8	See Note	NSS	Seal (Use Item 100)	
9	70026771	1	Piston	
10	70026775	1	Washer	
11	70026770	1	Nut	
12	70026774	1	Head	
13	70026773	1	Rod	
14	See Note	NSS	Barrel (Note: Use PN 2717283)	
100	8036733	1	Seal Kit (includes items 1 thru 8)	

SECTION 9 - HYDRAULIC COMPONENTS

FIGURE 9-4. CYLINDER - CARRIAGE (SIDE SHIFT)



ART_70021376

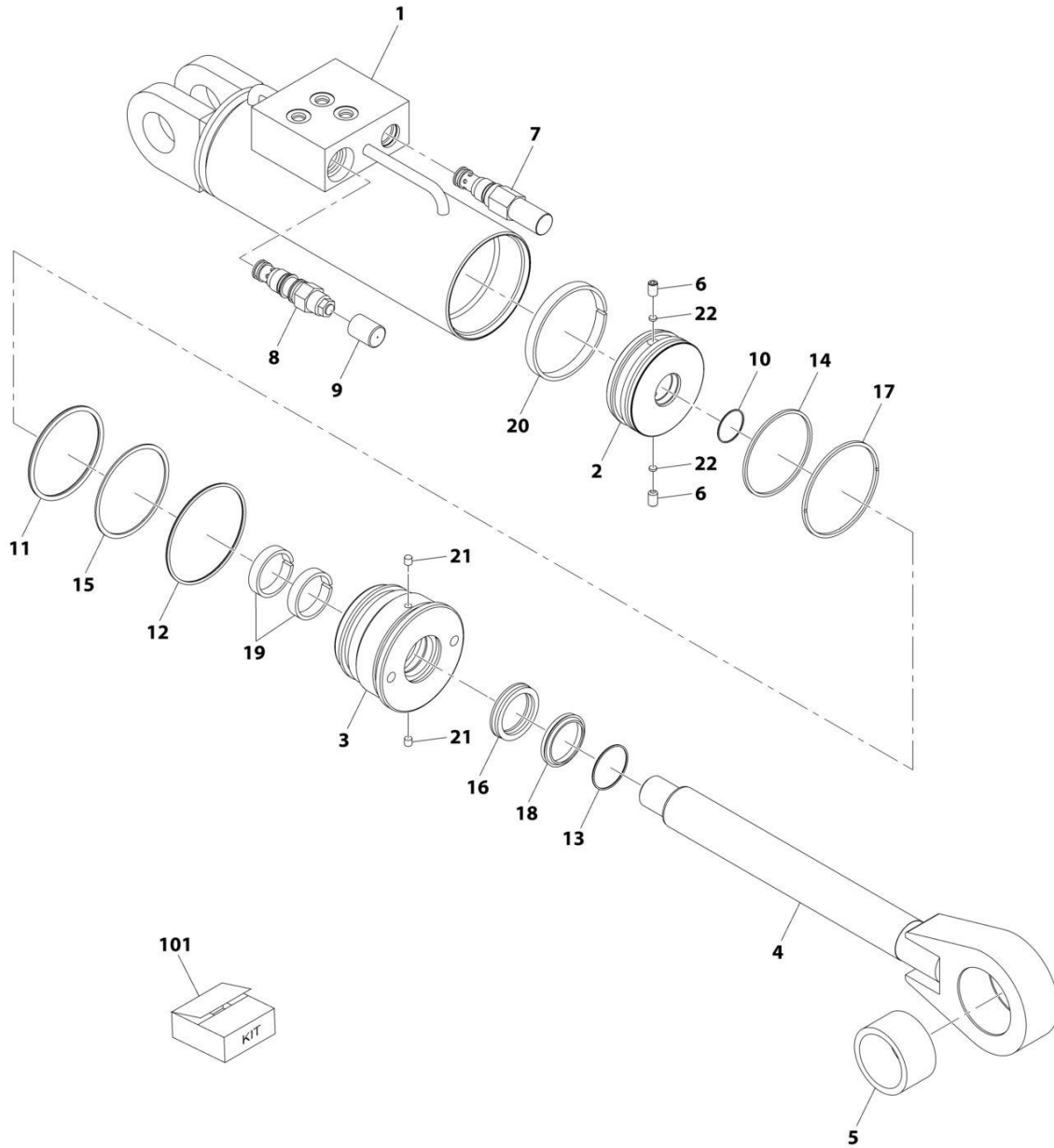
SECTION 9 - HYDRAULIC COMPONENTS

FIGURE 9-4. CYLINDER - CARRIAGE (SIDE SHIFT)

ITEM	PART NUMBER	QTY	DESCRIPTION	REV
	70021376	1	Cylinder Assembly, Side Shift Carriage 12K	
		Ref	Note: Original Cylinder May Have Been Replaced with Service Replacement. Identify PN Stamped on Cylinder Before Ordering Parts.	
101	See Note	NSS	Barrel (Note: Use PN 70021376)	
102	70021448	2	Bushing	
103	70021440	1	Nut	
104	See Note	NSS	Ring, Piston (Note Use Item 118)	
105	See Note	NSS	O-Ring (Note: Use Item 118)	
106	70021451	1	Piston	
107	See Note	NSS	O-Ring (Note: Use Item 118)	
108	70021444	1	Spacer, Sheave	
109	See Note	NSS	O-Ring (Note: Use Item 118)	
110	See Note	NSS	Washer, Back-Up (Note: Use Item 118)	
111	See Note	NSS	O-Ring (Note: Use Item 118)	
112	70021446	1	Head	
113	See Note	NSS	Seal (Note: Use Item 118)	
114	See Note	NSS	Wiper, Rod (Note: Use Item 118)	
115	70021445	1	Rod	
116	70021447	1	Bushing	
117	90554045	2	Grease Fitting	
118	70021452	1	Seal Kit, (includes items 104, 105, 107, 109, 110, 111, 113 & 114)	

SECTION 9 - HYDRAULIC COMPONENTS

FIGURE 9-5. CYLINDER - CARRIAGE (SWING) (Prior to SN 0160115730)



ART_1001103182-B

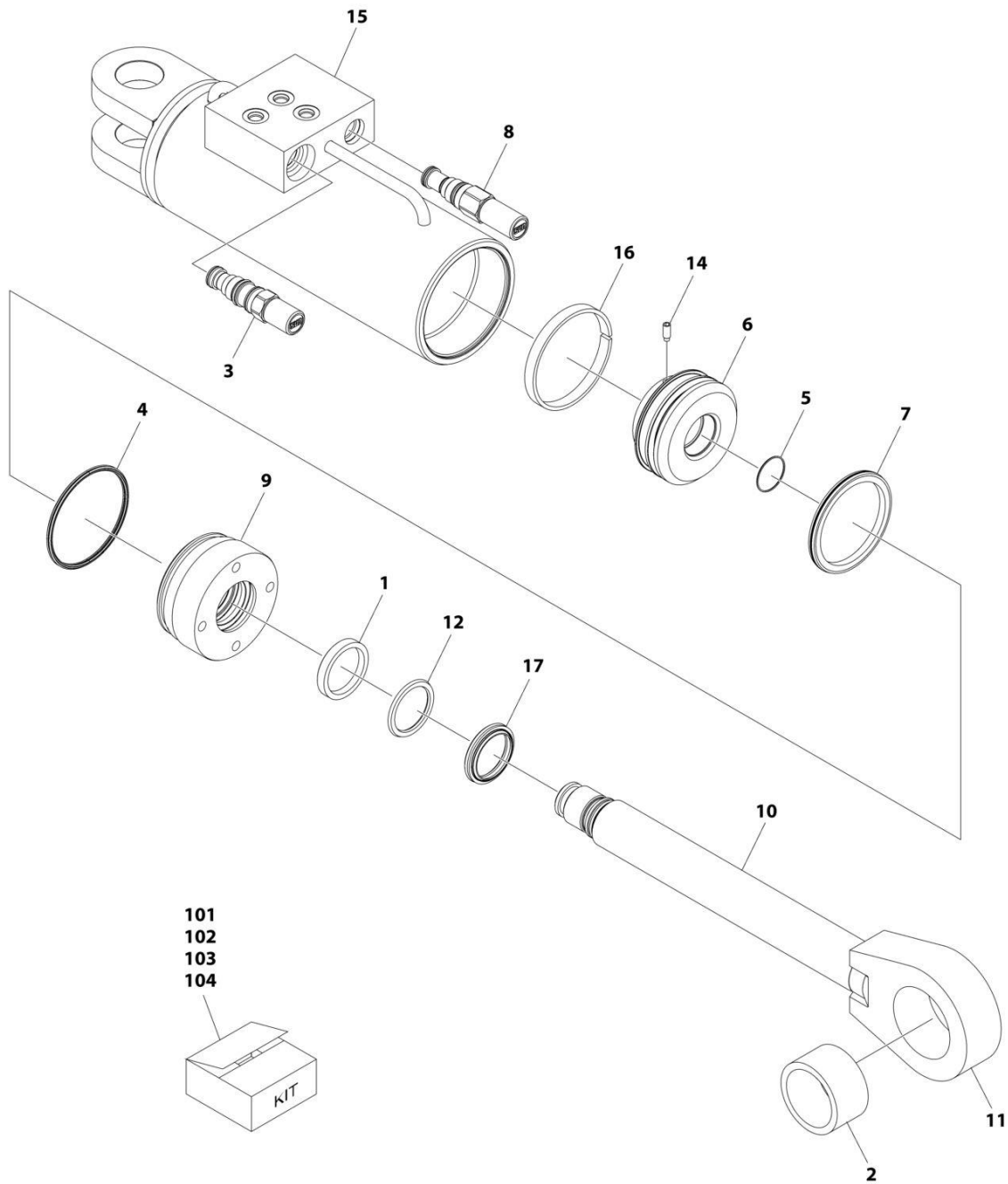
SECTION 9 - HYDRAULIC COMPONENTS

FIGURE 9-5. CYLINDER - CARRIAGE (SWING) (Prior to SN 0160115730)

ITEM	PART NUMBER	QTY	DESCRIPTION	REV
	1001103182	Ref	Swing Carriage Cylinder	B
1	70022044	1	Barrel	
2	8035863	1	Piston	
3	8035862	1	Head	
4	70022045	1	Rod	
5	70022046	1	Bearing	
6	8035536	2	Setscrew 5/16X1/2	
7	70020428	1	Valve, Relief	
7	7024574	1	Kit, Seal	
8	8033786	1	Valve, Counterbalance	
8	8205655	1	Kit, Seal	
9	70021812	1	Tamper-proof Cap	
10	See Note	NSS	O-Ring (Note: Use Item 101)	
11	See Note	NSS	O-Ring (Note: Use Item 101)	
12	See Note	NSS	O-Ring (Note: Use Item 101)	
13	See Note	NSS	O-Ring (Note: Use Item 101)	
14	See Note	NSS	Ring, Square (Note: Use Item 101)	
15	See Note	NSS	Ring, Backup (Note: Use Item 101)	
16	See Note	NSS	Seal (Note: Use Item 101)	
17	See Note	NSS	Seal, Piston (Note: Use Item 101)	
18	See Note	NSS	Wiper, Rod (Note: Use Item 101)	
19	See Note	NSS	Ring, Wear (Note: Use Item 101)	
20	See Note	NSS	Ring, Wear (Note: Use Item 101)	
21	See Note	NSS	Insert (Note: Use Item 101)	
22	See Note	NSS	Insert (Note: Use Item 101)	
101	2915023	1	Kit, Seal (includes items 11 thru 22)	

SECTION 9 - HYDRAULIC COMPONENTS

FIGURE 9-6. CYLINDER - CARRIAGE (SWING) (SN 0160115730 to Present)



ART_1001293182

SECTION 9 - HYDRAULIC COMPONENTS

FIGURE 9-6. CYLINDER - CARRIAGE (SWING) (SN 0160115730 to Present)

ITEM	PART NUMBER	QTY	DESCRIPTION	REV
	1001293182	Ref	SWING CARRIAGR CYLINDER	A
		Ref	Note: Original Cylinder May Have Been Replaced with Service Replacement. Identify PN Stamped on Cylinder Before Ordering Parts.	
1	See Note	NSS	Ring, Buffer (Note: Use Item 101 or 102)	
2	70031329	1	Bushing (Note: Use Item 104)	
3	8033786	1	Valve, Counterbalance	
4	See Note	NSS	Seal, Head (Note: Use Item 101 or 102)	
5	See Note	NSS	O-Ring (Note: Use Item 101)	
6	See Note	NSS	Piston (Note: Use Item 103)	
7	See Note	NSS	Seal, Piston (Note: Use Item 101 or 103)	
8	8902842	1	Valve, Relief	
9	See Note	NSS	Retainer (Note: Use Item 102)	
10	See Note	NSS	Rod (Note: Use Item 104)	
11	See Note	NSS	Rod End (Note: Use Item 104)	
12	See Note	NSS	Seal, Rod (Note: Use Item 101 or 102)	
14	See Note	NSS	Setscrew (Note: Use Item 103)	
15	See Note	NSS	Shell Assembly (Note: No Service Parts Available)	
16	See Note	NSS	Ring, Wear (Note: Use Items 101 or 103)	
17	See Note	NSS	Wiper (Note: Use Items 101 or 102)	
101	70031325	1	Seal Kit (Includes Items # 1, 4-5, 7, 12, 16 & 17)	
102	70031326	1	Retainer Kit (Includes Items # 1, 4, 9, 12 & 17)	
103	70031327	1	Piston Kit (Includes Items # 6-7, 14 & 16)	
104	70031328	1	Rod Service Kit (Includes Items # 2 & 10-11)	

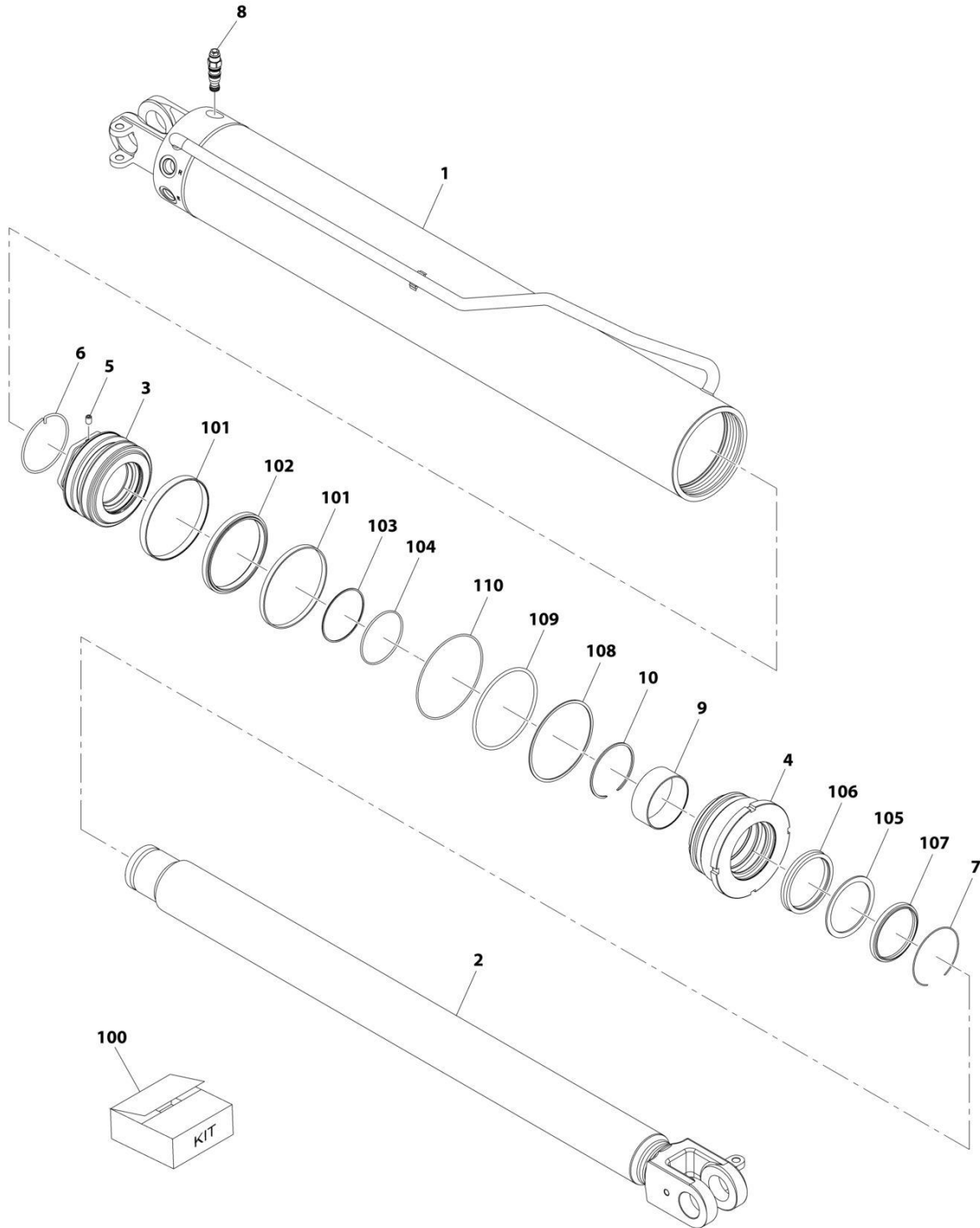
SECTION 9 - HYDRAULIC COMPONENTS

FIGURE 9-7. CYLINDER - COMPENSATION

ITEM	PART NUMBER	QTY	DESCRIPTION	REV
	1001242688	Ref	Compensation Cylinder	E
		Ref	Note: Original Cylinder May Have Been Replaced with Service Replacement. Identify PN Stamped on Cylinder Before Ordering Parts.	
1	N.S.S.	1	Barrel	
2	70029590	1	Rod	
3	70029574	1	Piston	
4	70029575	1	Head End Cover	
5	70029576	1	Steel Ball	
6	70029577	1	Set Screw	
7	70029578	1	Bushing	
8	1001255574	1	Counterbalance Valve	
8	70028164	1	Seal Kit, CB Valve	
100	70029579	1	Seal Kit (Includes Items 101 thru 111)	
101	N.S.S.	1	Piston Seal	
102	N.S.S.	1	O-Ring	
103	N.S.S.	1	Piston Bearing	
104	N.S.S.	1	O-Ring	
105	N.S.S.	1	Back-Up Ring	
106	N.S.S.	1	Rod Seal	
107	N.S.S.	1	Wiper	
108	N.S.S.	1	Snap Ring	
109	N.S.S.	1	O-Ring	
110	N.S.S.	1	Back-Up Ring	
111	N.S.S.	1	O-Ring	

SECTION 9 - HYDRAULIC COMPONENTS

FIGURE 9-8. CYLINDER - LIFT



ART_1001239179-D

SECTION 9 - HYDRAULIC COMPONENTS

FIGURE 9-8. CYLINDER - LIFT

ITEM	PART NUMBER	QTY	DESCRIPTION	REV
	1001239179	Ref	Lift Cylinder	D
		Ref	Note: Original Cylinder May Have Been Replaced with Service Replacement. Identify PN Stamped on Cylinder Before Ordering Parts.	
1	N.S.S.	1	Barrel	
2	70029589	1	Rod	
3	70029559	1	Piston	
4	70029560	1	Head End Cover	
5	70029561	1	Set Screw	
6	70029562	1	Snap Ring	
7	70029563	1	Snap Ring	
8	1001254411	1	Counterbalance Valve (Note: No Seal Kit Available)	
9	70029564	1	Bushing	
10	70029565	1	Snap Ring	
100	70029566	1	Seal Kit	
101	N.S.S.	2	Piston Bearing	
102	N.S.S.	1	Piston Seal	
103	N.S.S.	1	Back-Up Ring	
104	N.S.S.	1	O-Ring	
105	N.S.S.	1	Back-Up Ring	
106	N.S.S.	1	Rod Seal	
107	N.S.S.	1	Wiper	
108	N.S.S.	1	Back-Up Ring	
109	N.S.S.	1	O-Ring	
110	N.S.S.	1	O-Ring	

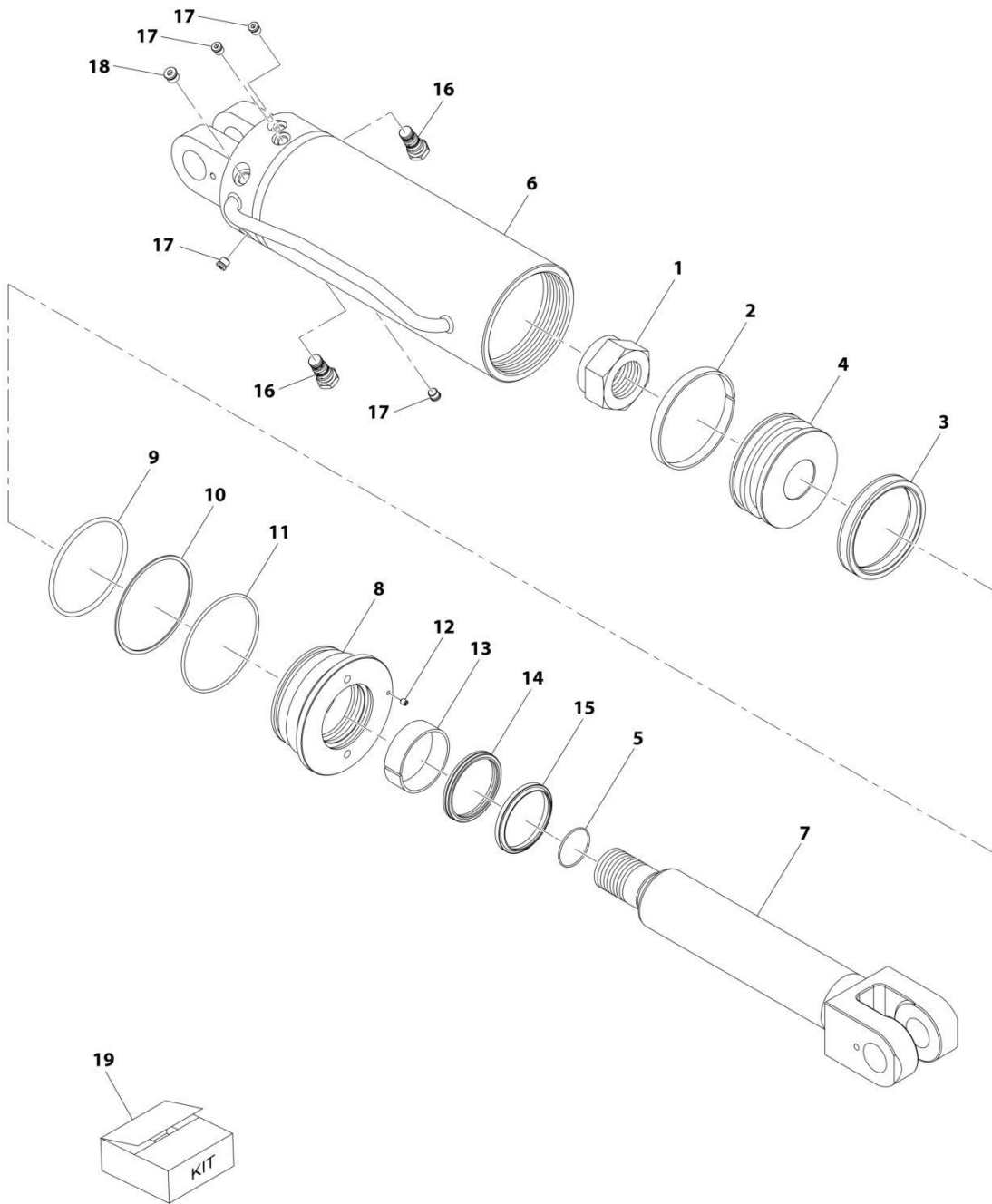
SECTION 9 - HYDRAULIC COMPONENTS

FIGURE 9-9. CYLINDER - EXTEND/RETRACT

ITEM	PART NUMBER	QTY	DESCRIPTION	REV
	1001156009	Ref	Extend/Retract Cylinder	D
		Ref	Note: Original Cylinder May Have Been Replaced with Service Replacement. Identify PN Stamped on Cylinder Before Ordering Parts.	
1	70026036	1	Barrel	
2	70026039	1	Piston	
3	70026040	1	Head	
4	70026041	1	Spacer, Rod	
5	70026042	1	Rod	
6	8035536	2	Screw, 5/16-18X1/2	
7	70020375	2	Fitting, Straight Lube	
8	1001170316	1	Cartridge, Counterbalance Valve	
9	Kit	1	O-Ring	
10	Kit	1	O-Ring	
11	Kit	1	O-Ring	
12	Kit	1	O-Ring	
13	Kit	1	Ring, Square	
14	Kit	2	Ring, Backup	
15	Kit	1	Ring, Backup	
16	Kit	1	U-Cup	
17	Kit	1	Seal, Buffer	
18	Kit	1	Seal, Piston	
19	Kit	1	Seal, Wiper	
20	Kit	2	Ring, Wear	
21	Kit	2	Ring, Wear	
22	Kit	2	Insert, Locking	
23	8526007	AR	Compound, Locking	
24	8526011	AR	Compound, Locking	
101	70026043	1	Kit, Seal (includes items 9 thru 22)	

SECTION 9 - HYDRAULIC COMPONENTS

FIGURE 9-10. CYLINDER - FRAME LEVEL



ART_1001239181-H

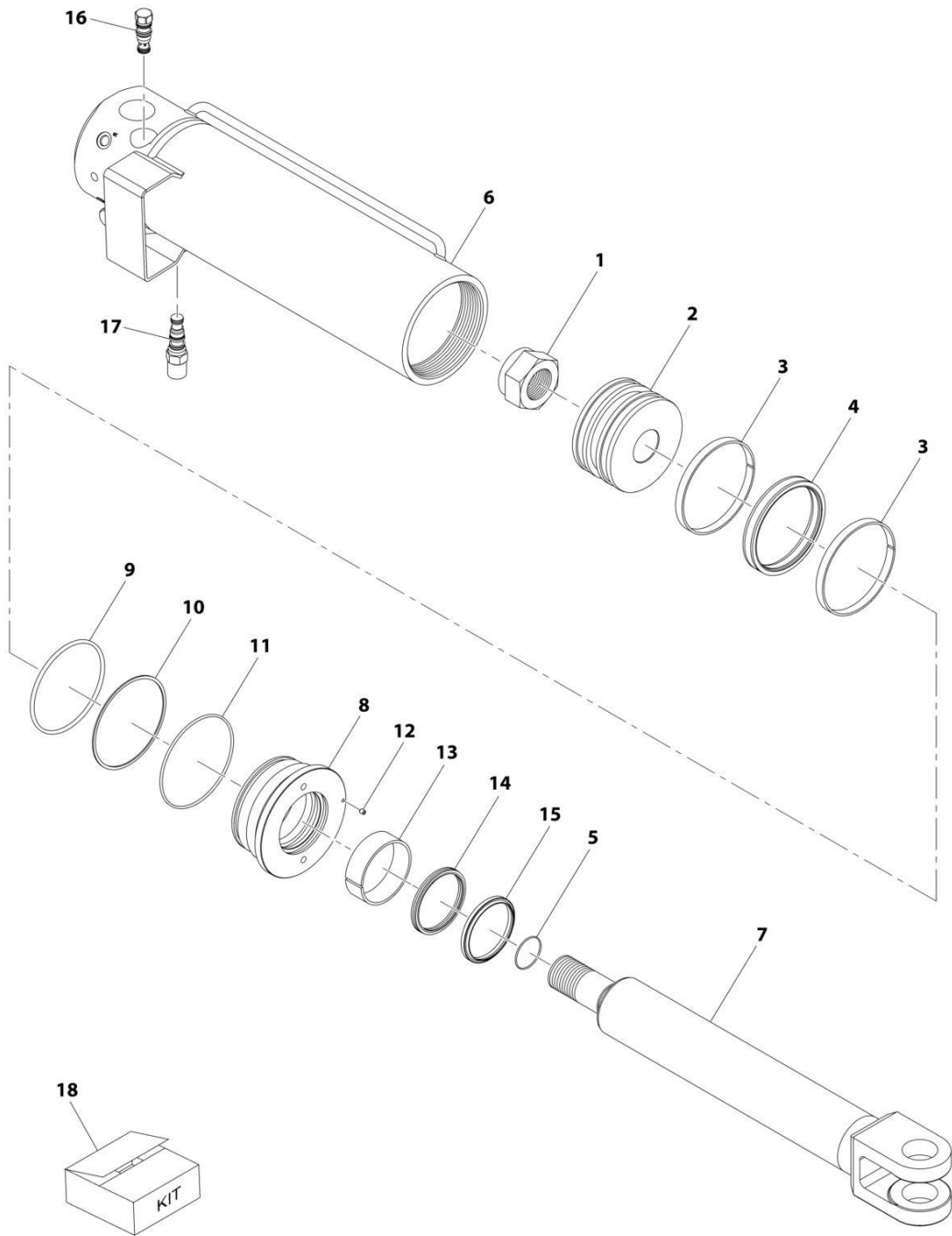
SECTION 9 - HYDRAULIC COMPONENTS

FIGURE 9-10. CYLINDER - FRAME LEVEL

ITEM	PART NUMBER	QTY	DESCRIPTION	REV
	1001239181	Ref	Frame Level Cylinder	H
		Ref	Note: Original Cylinder May Have Been Replaced with Service Replacement. Identify PN Stamped on Cylinder Before Ordering Parts.	
1	70006285	1	Lock Nut	
2	N.S.S.	1	Wear Ring	
3	N.S.S.	1	Capped T-Seal	
4	70029883	1	Piston	
5	N.S.S.	1	O-Ring	
6	N.S.S.	1	Barrel Assembly	
7	70029884	1	Rod	
8	70029885	1	Rod Guide	
9	N.S.S.	1	O-Ring	
10	N.S.S.	1	Back-Up Ring	
11	N.S.S.	1	O-Ring	
12	70028161	1	Set Screw	
13	N.S.S.	1	Wear Ring	
14	N.S.S.	1	Z-Seal	
15	N.S.S.	1	Wiper	
16	70027693	2	Check Valve	
17	70029886	4	Plug	
18	70029887	1	Plug	
19	70029888	1	Seal Kit (Includes Items 2, 3, 5, 6, 9, 10, 11, 13, 14 & 15)	

SECTION 9 - HYDRAULIC COMPONENTS

FIGURE 9-11. CYLINDER - OUTRIGGER



ART_1001239183-E

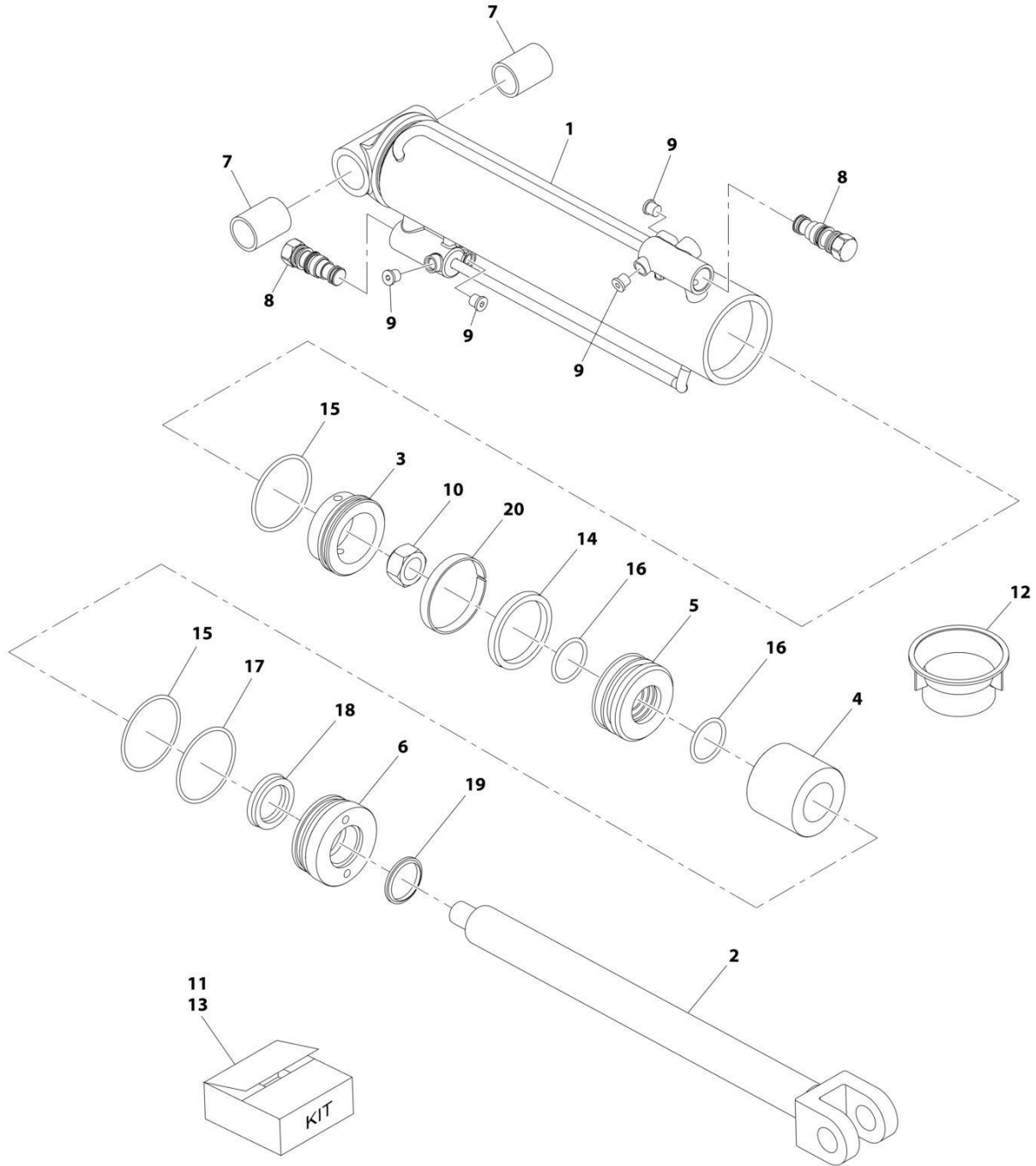
SECTION 9 - HYDRAULIC COMPONENTS

FIGURE 9-11. CYLINDER - OUTRIGGER

ITEM	PART NUMBER	QTY	DESCRIPTION	REV
	1001239183	Ref	Outrigger Cylinder	E
		Ref	Note: Original Cylinder May Have Been Replaced with Service Replacement. Identify PN Stamped on Cylinder Before Ordering Parts.	
1	70006285	1	Lock Nut	
2	70029896	1	Piston	
3	N.S.S.	2	Wear Ring	
4	N.S.S.	1	Capped T-Seal	
5	N.S.S.	1	O-Ring	
6	N.S.S.	1	Barrel Assembly	
7	70029897	1	Rod	
8	70029898	1	Rod Guide	
9	N.S.S.	1	O-Ring	
10	N.S.S.	1	Back-Up Ring	
11	N.S.S.	1	O-Ring	
12	70028161	1	Set Screw	
13	N.S.S.	1	Wear Ring	
14	N.S.S.	1	Z-Seal	
15	N.S.S.	1	Wiper	
16	4640438	1	Cartridge, Check Valve	
16	2900770	1	Seal Kit - 4640438 Valve	
17	8036732	1	Cartridge, Counterbalance Valve	
17	2900770	1	Seal Kit - 8036732 Valve	
18	70029974	1	Seal Kit (Includes Items 3 thru 6, 9, 10, 11, 13, 14 & 15)	

SECTION 9 - HYDRAULIC COMPONENTS

FIGURE 9-12. CYLINDER - PIPE HANDLER



ART_70026587

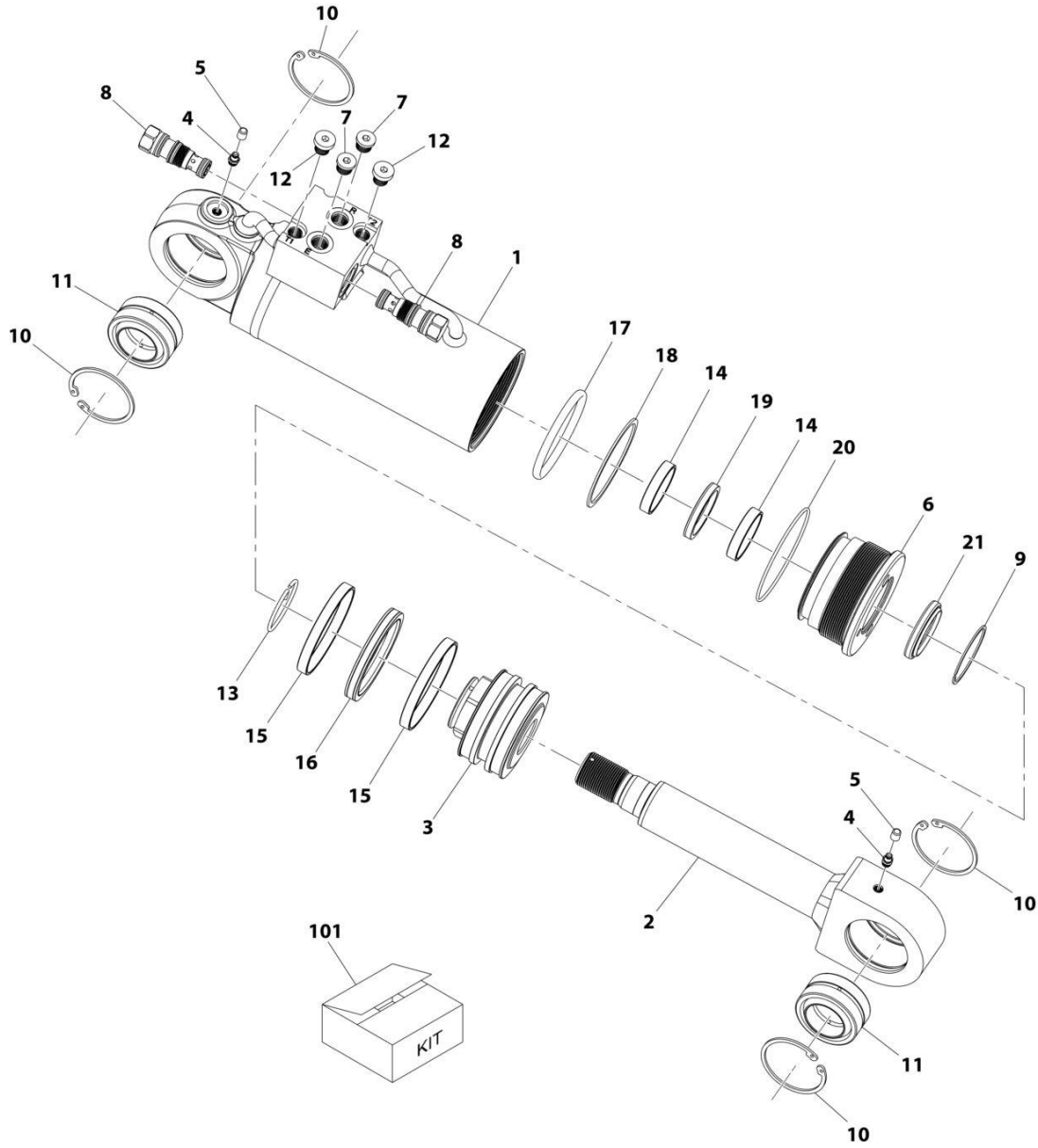
SECTION 9 - HYDRAULIC COMPONENTS

FIGURE 9-12. CYLINDER - PIPE HANDLER

ITEM	PART NUMBER	QTY	DESCRIPTION	REV
	70026587	Ref	Pipe Handler Cylinder	
		Ref	Note: Original Cylinder May Have Been Replaced with Service Replacement. Identify PN Stamped on Cylinder Before Ordering Parts.	
1	70026495	1	Barrel	
2	70026610	1	Rod	
3	70026497	1	Spacer	
4	70026611	1	Spacer	
5	70026499	1	Piston	
6	70026500	1	Retainer	
7	70026501	2	Bushing	
8	70026502	2	Valve, Check	
9	70024129	4	Fitting, 4	
10	70026503	1	Nut	
11	70024734	1	Kit, Check Valve Service	
12	70026505	1	Seal Loader	
13	70026506	1	Seal Kit (includes items 14 thru 20)	
14	Kit	AR	Seal (Note: Use Item 13)	
15	Kit	AR	O-Ring (Note: Use Item 13)	
16	Kit	AR	O-Ring (Note: Use Item 13)	
17	Kit	AR	Ring, Back-up (Note: Use Item 13)	
18	Kit	AR	Seal (Note: Use Item 13)	
19	Kit	AR	Wiper (Note: Use Item 13)	
20	Kit	AR	Ring, Wear (Note: Use Item 13)	

SECTION 9 - HYDRAULIC COMPONENTS

FIGURE 9-13. CYLINDER - SIDE TILT



ART_1001163414-A

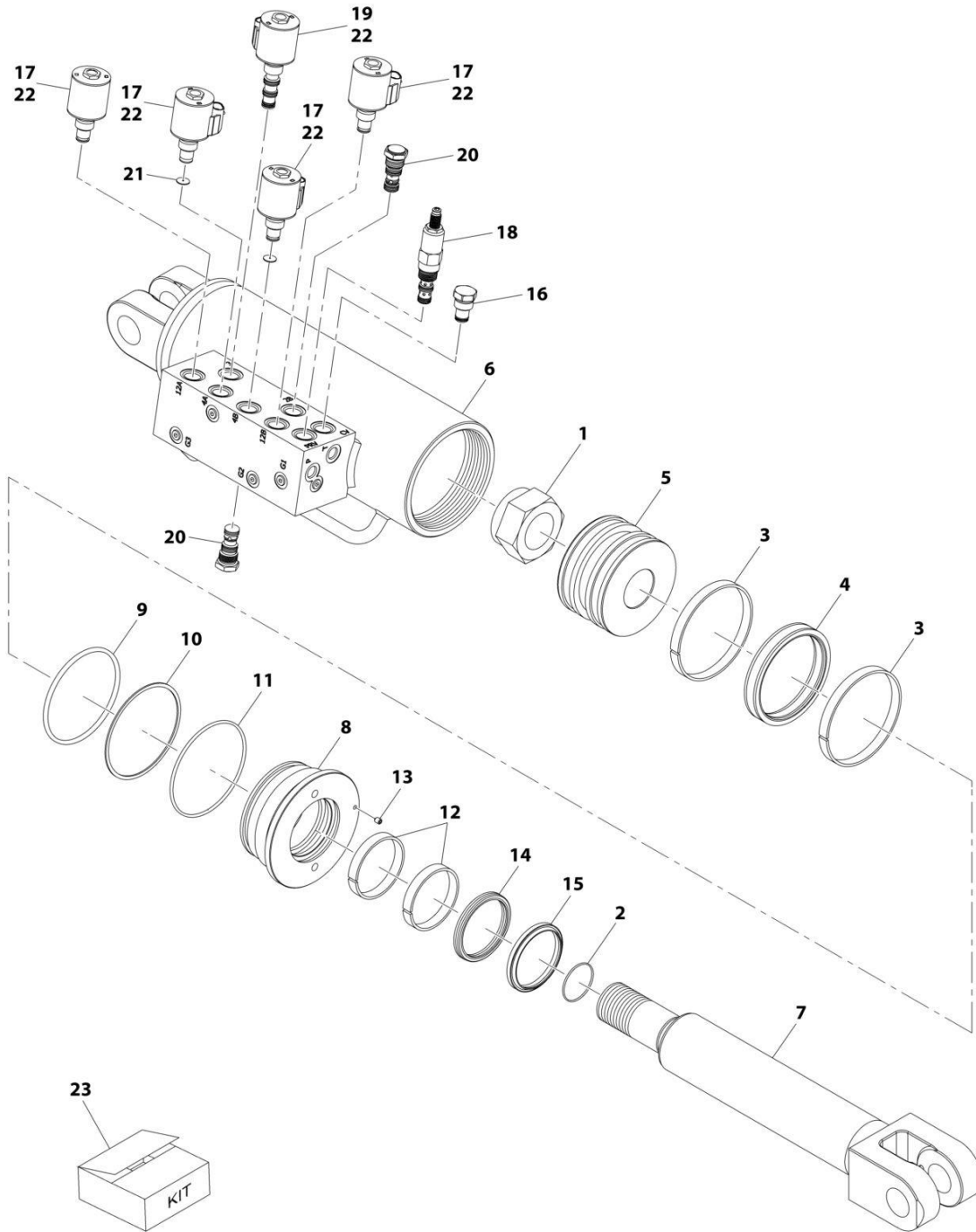
SECTION 9 - HYDRAULIC COMPONENTS

FIGURE 9-13. CYLINDER - SIDE TILT

ITEM	PART NUMBER	QTY	DESCRIPTION	REV
	1001163414	Ref	Side Tilt Cylinder	A
		Ref	Note: Original Cylinder May Have Been Replaced with Service Replacement. Identify PN Stamped on Cylinder Before Ordering Parts.	
1	70026056	1	Barrel	
2	70026057	1	Rod	
3	70026058	1	Piston	
4	70025606	2	Nipple, Grease	
5	70024020	2	Fitting, Grease	
6	70003849	1	Head	
7	70025959	2	Plug	
8	70026059	2	Valve, Check	
9	70002219	1	Ring, Retaining	
10	70026060	4	Ring, Retaining	
11	70026061	2	Bearing	
12	70024262	2	Plug	
13	70002224	1	Ring, Lock	
14	Kit	NSS	Ring, Rod Bearing (Note: Use Item 101)	
15	Kit	NSS	Ring, Piston Bearing (Note: Use Item 101)	
16	Kit	NSS	Seal, Piston (Note: Use Item 101)	
17	Kit	NSS	O-Ring (Note: Use Item 101)	
18	Kit	NSS	Ring, Back-Up (Note: Use Item 101)	
19	Kit	NSS	Seal, Rod (Note: Use Item 101)	
20	Kit	NSS	O-Ring (Note: Use Item 101)	
21	Kit	NSS	Seal, Wiper (Note: Use Item 101)	
101	70026062	1	Kit, Seal (includes items 14 thru 21)	

SECTION 9 - HYDRAULIC COMPONENTS

FIGURE 9-14. CYLINDER - STABIL-TRAK



ART_1001239182-G

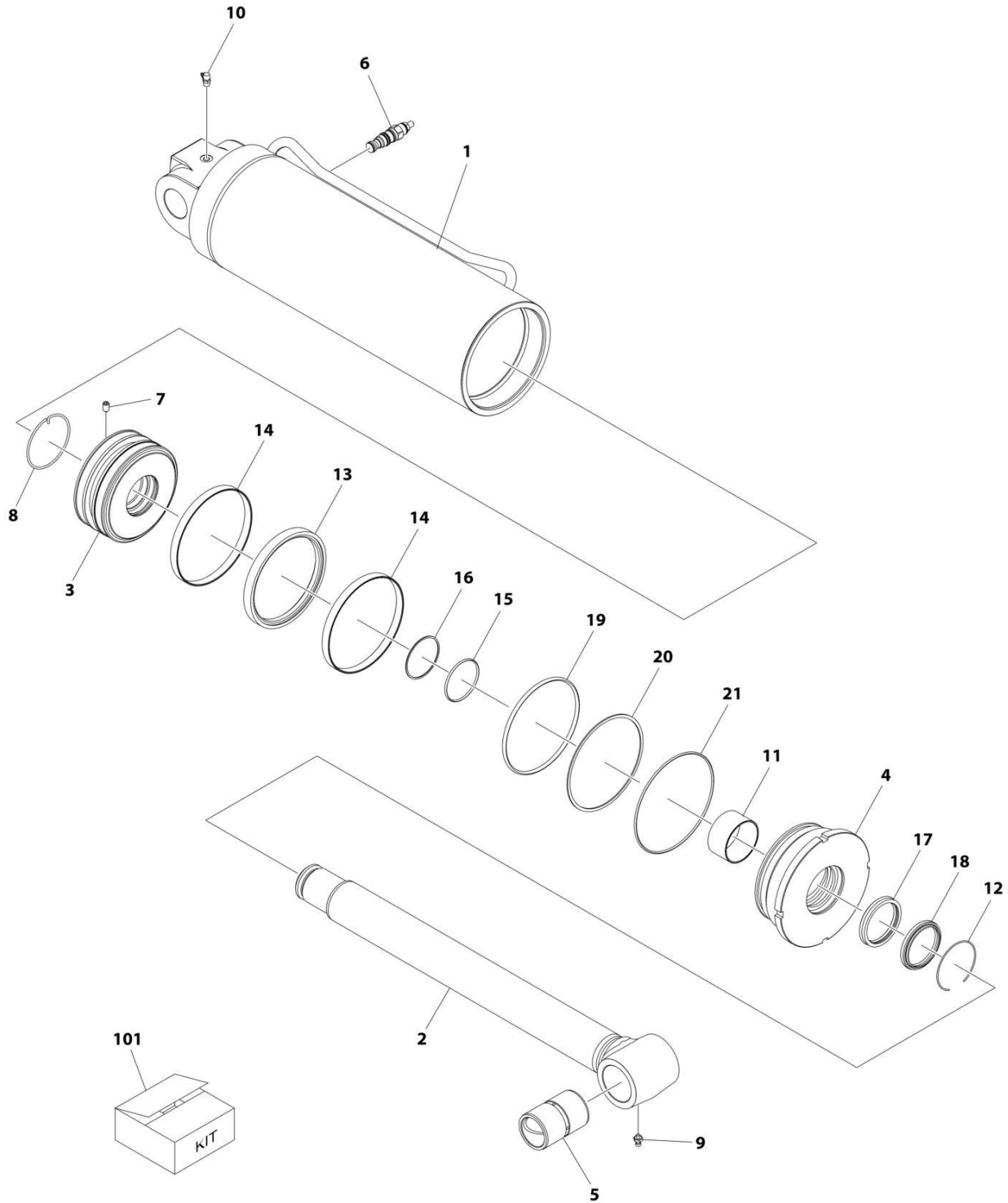
SECTION 9 - HYDRAULIC COMPONENTS

FIGURE 9-14. CYLINDER - STABIL-TRAK

ITEM	PART NUMBER	QTY	DESCRIPTION	REV
	1001239182	Ref	Stabil-Trak Cylinder	G
		Ref	Note: Original Cylinder May Have Been Replaced with Service Replacement. Identify PN Stamped on Cylinder Before Ordering Parts.	
1	70006285	1	Lock Nut	
2	N.S.S.	1	O-Ring	
3	N.S.S.	2	Wear Ring	
4	N.S.S.	1	Capped T-Seal	
5	70029893	1	Piston	
6	N.S.S.	1	Barrel Assembly	
7	70029894	1	Rod	
8	70029885	1	Rod Guide	
9	N.S.S.	1	O-Ring	
10	N.S.S.	1	Back-Up Ring	
11	N.S.S.	1	O-Ring	
12	N.S.S.	2	Wear Ring	
13	70028161	1	Set Screw	
14	N.S.S.	1	Z-Seal	
15	N.S.S.	1	Wiper	
16	8036582	1	Valve, Check	
17	8036581	4	Valve, Cartridge	
18	8035282	1	Pres Reducing Valve	
19	8036580	1	Valve, Cartridge	
19	7012903	1	Seal Kit - 8036580 Valve	
20	8035281	2	Valve, Pilot	
21	8035781	2	Orifice Disc	
22	7029246	5	Solenoid Coil	
23	70029895	1	Seal Kit (Includes Items 2, 3, 4, 9 thru 11, 14 & 15)	

SECTION 9 - HYDRAULIC COMPONENTS

FIGURE 9-15. CYLINDER - TILT



ART_1001258911

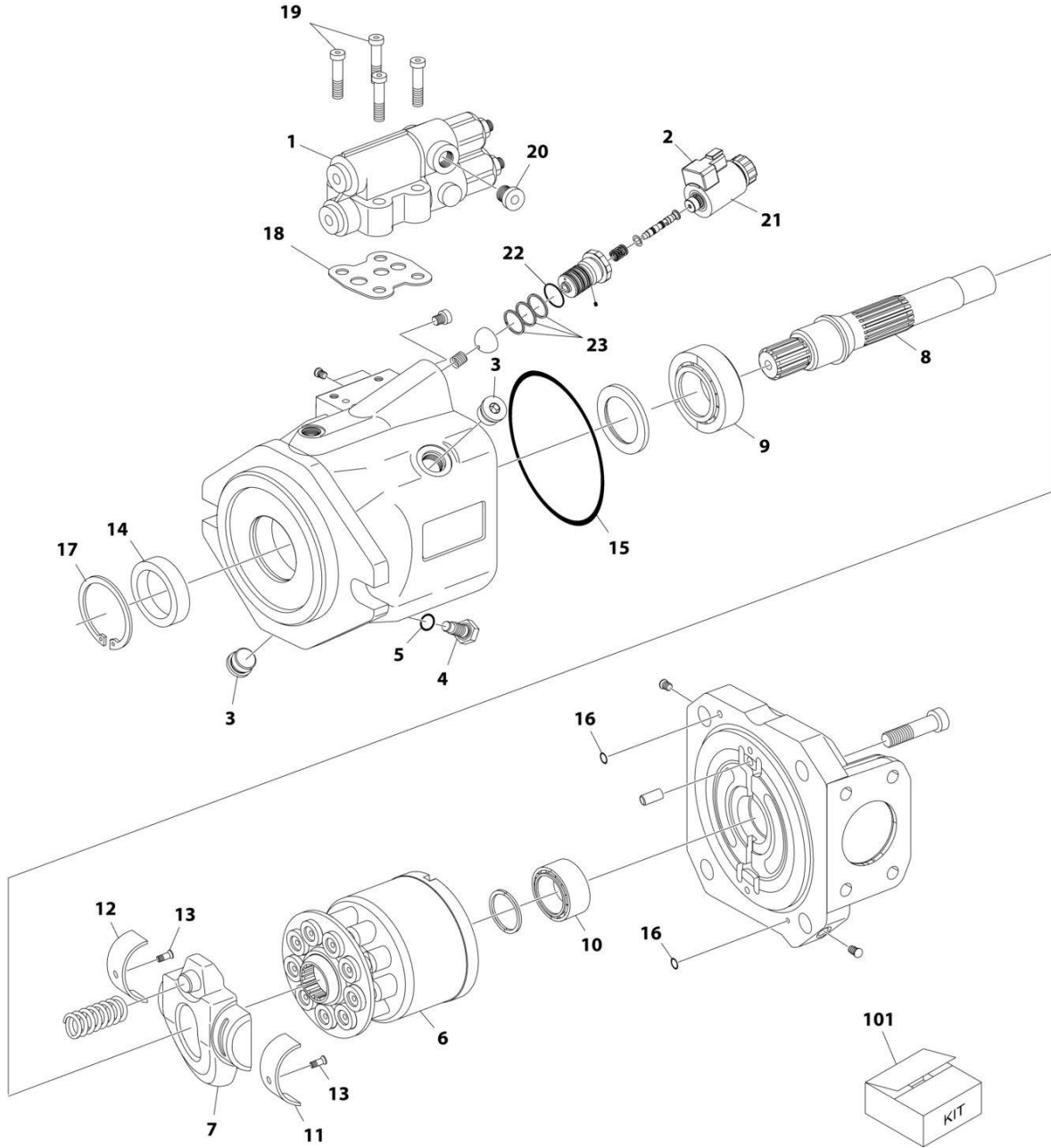
SECTION 9 - HYDRAULIC COMPONENTS

FIGURE 9-15. CYLINDER - TILT

ITEM	PART NUMBER	QTY	DESCRIPTION	REV
	1001258911	Ref	Tilt Cylinder	A
		Ref	Note: Original Cylinder May Have Been Replaced with Service Replacement. Identify PN Stamped on Cylinder Before Ordering Parts.	
1	N.S.S.	1	Barrel	
2	70029590	1	Rod	
3	70029567	1	Piston	
4	70029568	1	Head End Cover	
5	70029569	1	Bushing	
6	8035321	1	Counterbalance Valve	
6	8035327	1	Seal Kit, Cb Valve	
7	70029561	1	Set Screw	
8	70029570	1	Snap Ring	
9	8520013	1	Grease Nipple, Str	
10	8520021	1	Grease Nipple, 90 Deg	
11	70029571	1	Bushing	
12	70029572	1	Snap Ring	
13	N.S.S.	1	Piston Seal	
14	N.S.S.	2	Piston Bearing	
15	N.S.S.	1	O-Ring	
16	N.S.S.	1	Back-Up Ring	
17	N.S.S.	1	Rod Seal	
18	N.S.S.	1	Wiper	
19	N.S.S.	1	O-Ring	
20	N.S.S.	1	Back-Up Ring	
21	N.S.S.	1	O-Ring	
101	70029573	1	Seal Kit, (includes items 13 Thru 21)	

SECTION 9 - HYDRAULIC COMPONENTS

FIGURE 9-16. PUMP - PISTON



ART_1001251423_C

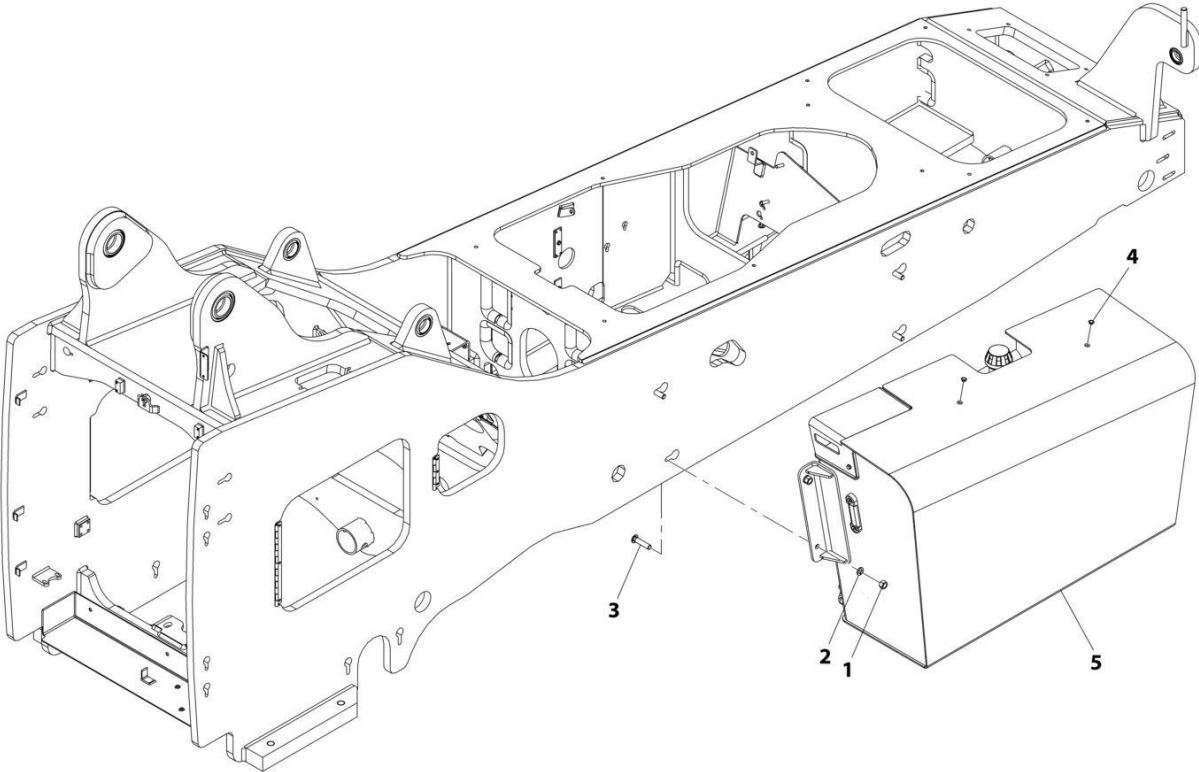
SECTION 9 - HYDRAULIC COMPONENTS

FIGURE 9-16. PUMP - PISTON

ITEM	PART NUMBER	QTY	DESCRIPTION	REV
	1001251423	Ref	PISTON PUMP	C
1	70003738	1	Control Valve	
2	70024186	1	Control Valve	
3	70024407	2	Plug	
4	70024408	1	Stop Screw	
4	See Note	NSS	O-Ring (Note: Use Item 101)	
6	70024411	1	Rotary Group	
7	70024412	1	Swash Plate	
8	7024939	1	Drive Shaft	
9	7024943	1	Bearing	
10	7024944	1	Bearing	
11	70024414	1	Bearing-Liner	
12	70024415	1	Bearing-Liner	
13	7024953	2	Screw	
14	80634004	1	Shaft Seal	
15	See Note	NSS	O-Ring (Note: Use Item 101)	
16	See Note	NSS	Seal (Note: Use Item 101)	
17	80334277	1	Ring, Retaining	
18	70021867	1	Gasket	
19	7024954	4	Capscrew	
20	70024416	1	Plug	
21	70025897	1	Solenoid	
22	See Note	NSS	O-Ring (Note: Use Item 101)	
23	See Note	NSS	R-Ring (Note: Use Item 101)	
101	70024189	1	Seal Kit (Includes Items 5, 15,16,22 & 23)	

SECTION 9 - HYDRAULIC COMPONENTS

FIGURE 9-17. TANK INSTALLATION (74HP ULS)



ART_1001242910-B

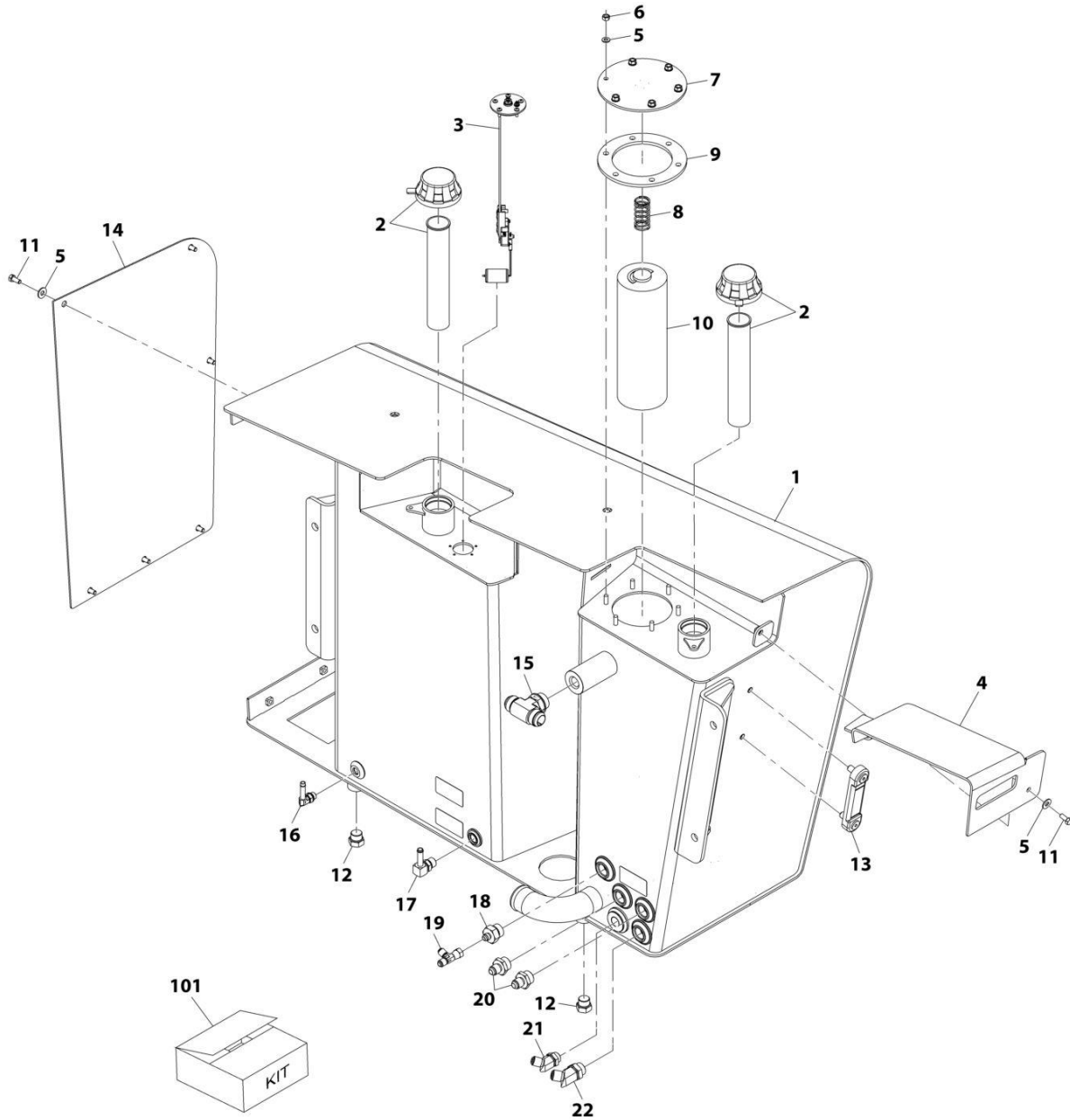
SECTION 9 - HYDRAULIC COMPONENTS

FIGURE 9-17. TANK INSTALLATION (74HP ULS)

ITEM	PART NUMBER	QTY	DESCRIPTION	REV
	1001242910	Ref	Tank Installation (74HP)	B
1	8305014	4	Nut	
2	8307009	4	Washer	
3	88411148	4	Bolt	
4	1001195826	2	Plug	
5	1001227211	1	Tank Assembly (See Separate Breakdown in this Section)	

SECTION 9 - HYDRAULIC COMPONENTS

FIGURE 9-18. TANK ASSEMBLY - HYDRAULIC FUEL (74HP ULS)



ART_1001227211

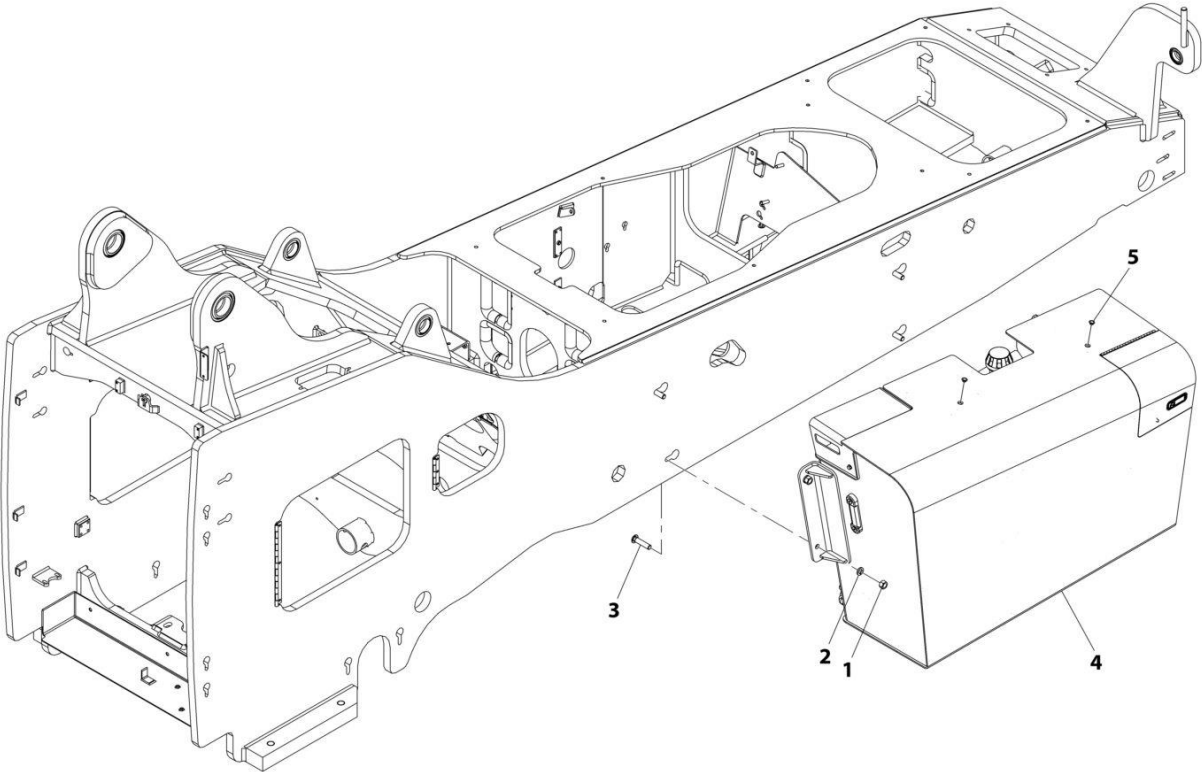
SECTION 9 - HYDRAULIC COMPONENTS

FIGURE 9-18. TANK ASSEMBLY - HYDRAULIC FUEL (74HP ULS)

ITEM	PART NUMBER	QTY	DESCRIPTION	REV
	1001227211	Ref	Hydraulic/Fuel Tank Assembly (ULS)	B
1	N.S.S.	1	Tank, Hydraulic/Fuel	
2	7139077	2	Filler/Breather	
3	1001145026	1	Sensor, Fuel	
4	1001199116	1	Panel, Hydraulic Fill Cover	
5	1001170329	13	Washer, Flat M8	
6	3300429	6	Nut 5/16	
7	1001199135	1	Assembly, Cover	
8	1001199136	1	Spring	
9	1001199177	1	Seal	
10	1001199205	1	Element, Filter	
11	8303697	7	Bolt 5/16 X 3/4	
12	2220239	2	Plug	
13	7024441	1	Gauge, Sight	
14	1001199181	1	Cover, DEF Tank	
15	8760552	1	Tee, Branch	
16	1001178776	1	Elbow, 90	
17	1001199210	1	Elbow, 90	
18	2220577	1	Adapter	
19	2220635	1	Tee, Run	
20	2220375	2	Adapter	
21	2220499	1	Elbow, 45	
22	8770048	1	Elbow, 45	
101	70024152	1	Kit, Filter (Includes Items 9 & 10)	

SECTION 9 - HYDRAULIC COMPONENTS

FIGURE 9-19. TANK INSTALLATION (130HP ULS)



ART_1001242755-B

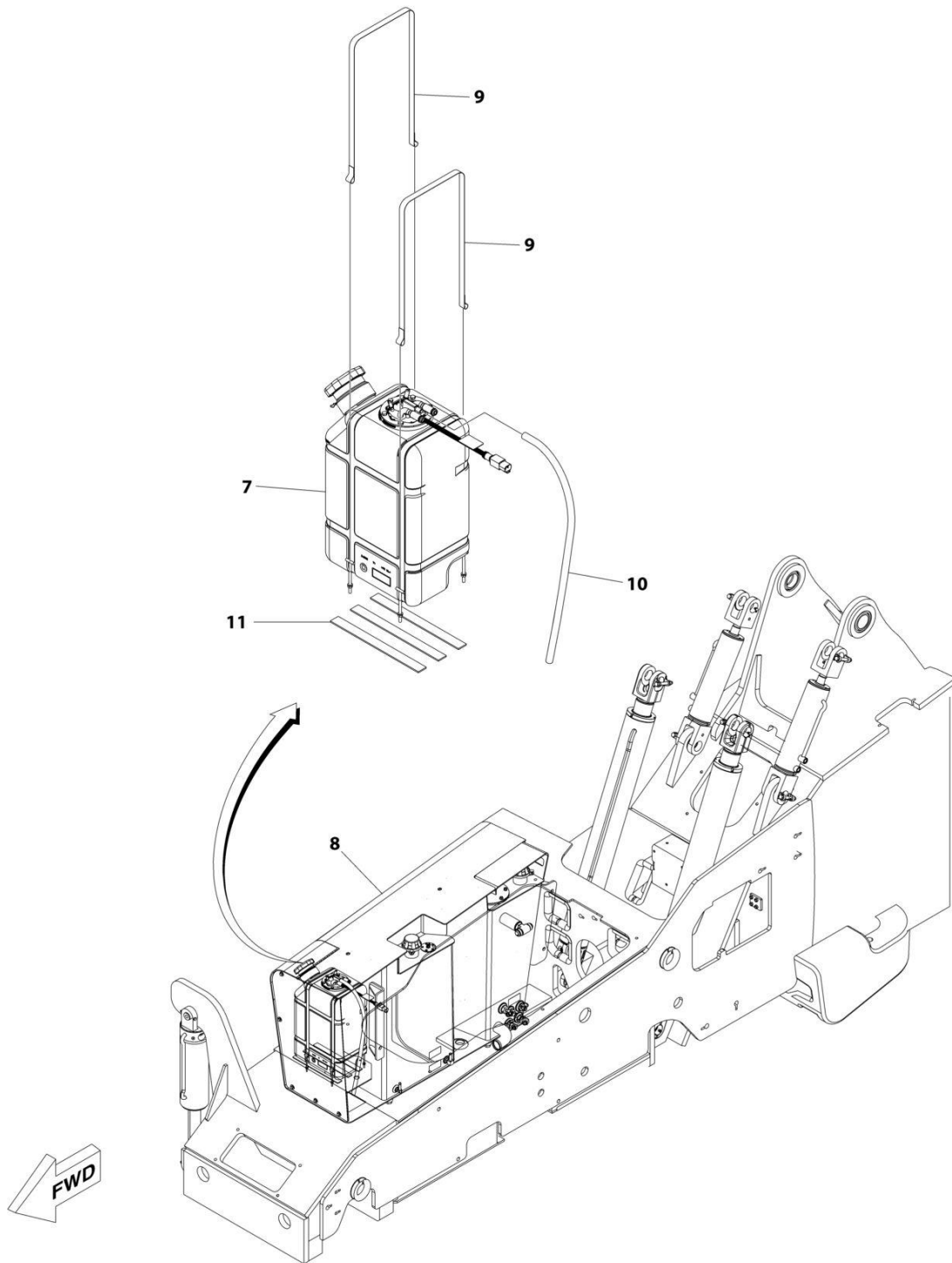
SECTION 9 - HYDRAULIC COMPONENTS

FIGURE 9-19. TANK INSTALLATION (130HP ULS)

ITEM	PART NUMBER	QTY	DESCRIPTION	REV
	1001242755	Ref	Tank Installation (ULS)	B
1	8305014	4	Nut	
2	8307009	4	Washer	
3	88411148	4	Bolt	
4	1001169329	1	Hydraulic/Fuel/DEF Tank Installation (See Separate breakdown in this Section)	
5	1001195826	2	Plug	

SECTION 9 - HYDRAULIC COMPONENTS

FIGURE 9-20. TANK INSTALLATION - HYDRAULIC/FUEL/DEF (130HP ULS)



ART_1001169329_F

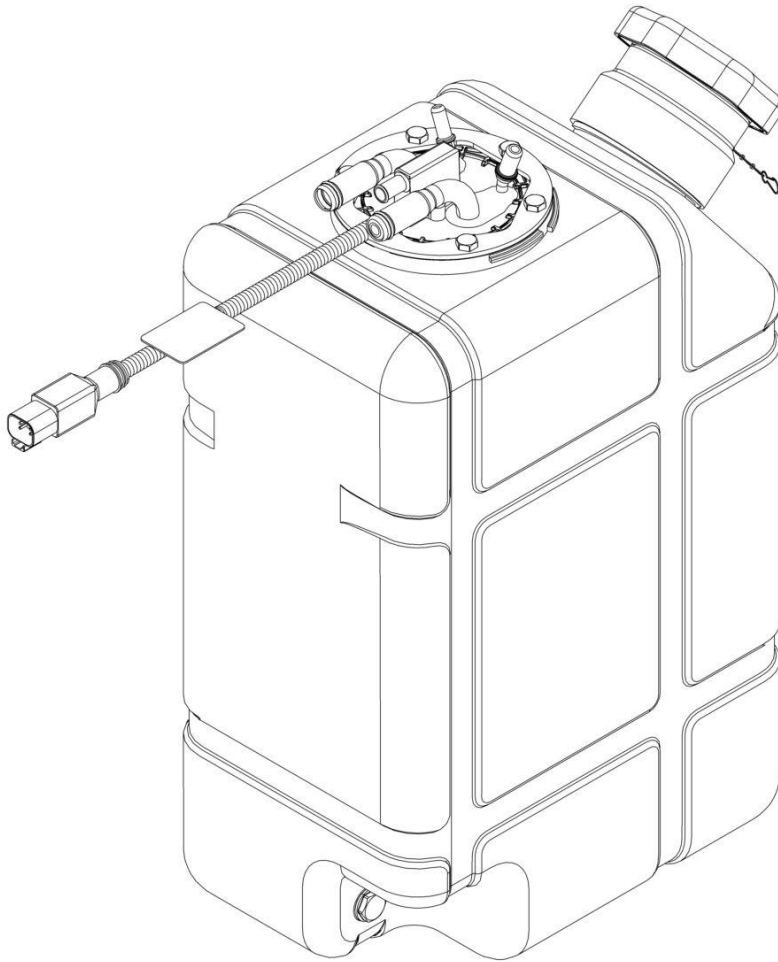
SECTION 9 - HYDRAULIC COMPONENTS

FIGURE 9-20. TANK INSTALLATION - HYDRAULIC/FUEL/DEF (130HP ULS)

ITEM	PART NUMBER	QTY	DESCRIPTION	REV
	1001169329	Ref	TANK INSTALLATION - HYDRAULIC/FUEL/DEF	F
7	1001228986	1	DEF Tank (See Separate Breakdown in this Section)	
8	1001169466	1	Weldment, Fuel/Hydraulic Tank (See Separate Breakdown in this Section)	
9	1001170856	2	Strap, DEF Tank	
10	1001229095	1	Hose, DEF Tank Vent	
11	4420037	AR	Tape, Insulation	

SECTION 9 - HYDRAULIC COMPONENTS

FIGURE 9-21. TANK - DEF TANK (130HP ULS)



ART_1001228986-A

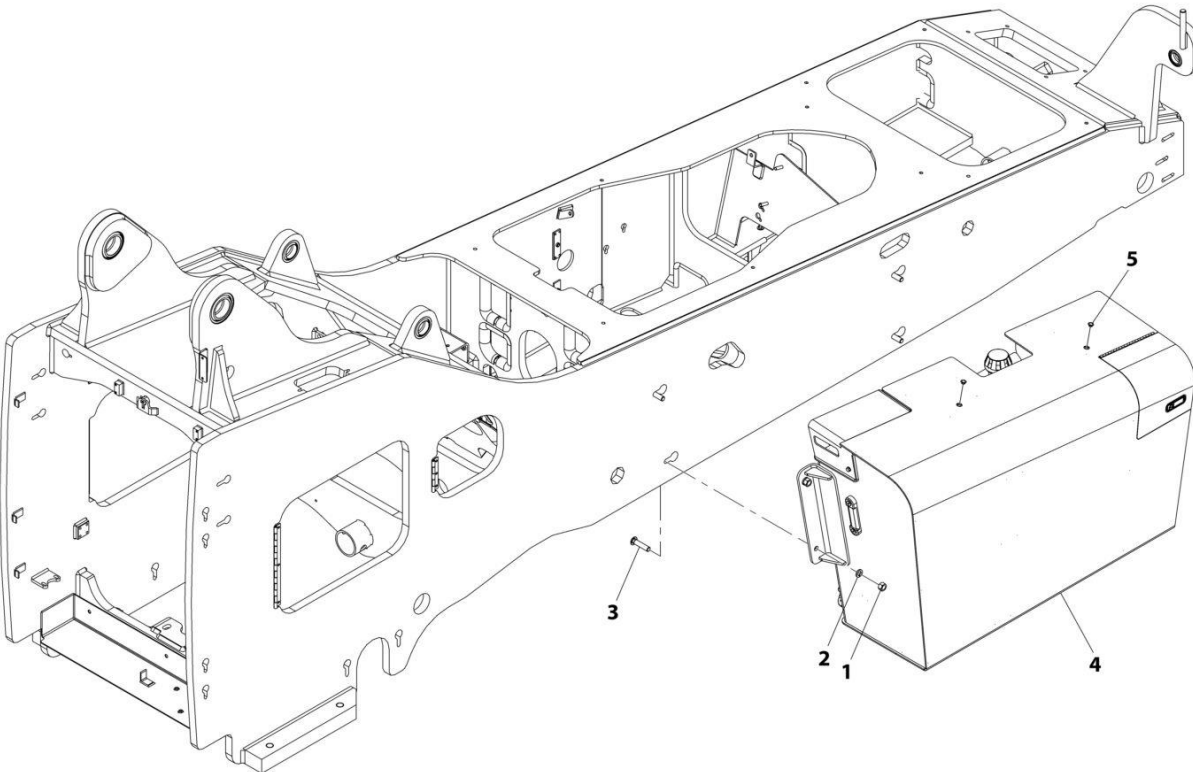
SECTION 9 - HYDRAULIC COMPONENTS

FIGURE 9-21. TANK - DEF TANK (130HP ULS)

ITEM	PART NUMBER	QTY	DESCRIPTION	REV
	1001228986	1	DEF Tank Assembly, (Contact Cummins at 1-800-CUMMINS for all service if the DEF tank assembly is still within warranty. Warranty may be voided if service is conducted by anyone other than Cummins service personnel)	A

SECTION 9 - HYDRAULIC COMPONENTS

FIGURE 9-22. TANK INSTALLATION (130HP LS)



ART_1001242909-B

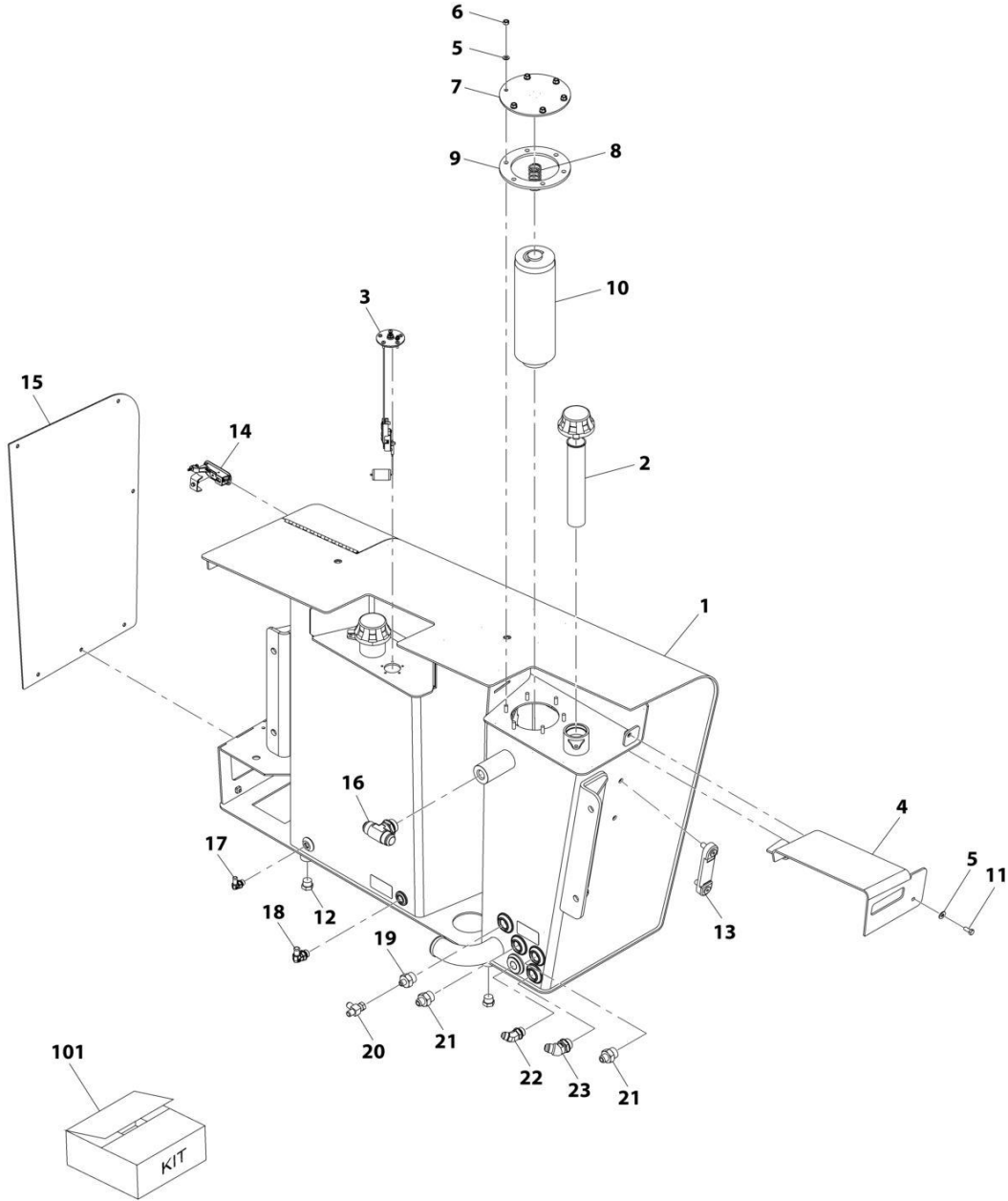
SECTION 9 - HYDRAULIC COMPONENTS

FIGURE 9-22. TANK INSTALLATION (130HP LS)

ITEM	PART NUMBER	QTY	DESCRIPTION	REV
	1001242909	Ref	Tank Installation (LS)	B
1	8305014	4	Nut	
2	8307009	4	Washer	
3	88411148	4	Bolt	
4	1001169466	1	Hydraulic/Fuel/DEF Tank Installation (See Separate Breakdown in this Section)	
5	1001195826	2	Plug	

SECTION 9 - HYDRAULIC COMPONENTS

FIGURE 9-23. TANK ASSEMBLY - HYDRAULIC/FUEL/DEF (130HP LS)



ART_1001169466

SECTION 9 - HYDRAULIC COMPONENTS

FIGURE 9-23. TANK ASSEMBLY - HYDRAULIC/FUEL/DEF (130HP LS)

ITEM	PART NUMBER	QTY	DESCRIPTION	REV
	1001169466	Ref	Hydraulic/Fuel/DEF Tank Assembly (LS)	M
1	N.S.S.	1	Weldment, Hydraulic/Fuel Tank	
2	7139077	2	Filler/Breather	
3	1001145026	1	Sensor, Fuel	
4	1001199116	1	Panel, Hydraulic Fill Cover	
5	1001170329	7	Washer, Flat M8	
6	3300429	6	Nut, Hex 31-18	
7	1001199135	1	Assembly, Cover	
8	1001199136	1	Spring	
9	1001199177	1	Seal	
10	1001199205	1	Element, Filter	
11	8303697	1	Bolt, Hex Hd 5/16-18X3/4	
12	2220239	2	Plug	
13	7024441	1	Gauge, Sight	
14	1001199199	1	Latch	
15	1001199181	1	Cover, DEF Tank	
16	8760552	1	Tee, Branch	
17	1001178776	1	Elbow, 90	
18	1001199210	1	Elbow, 90	
19	2220577	1	Adapter	
20	2220635	1	Tee, Run	
21	2220375	2	Adapter	
22	2220499	1	Elbow, 45	
23	8770048	1	Elbow, 45	
101	70024152	1	Kit, Filter (Includes Items 9 & 10)	

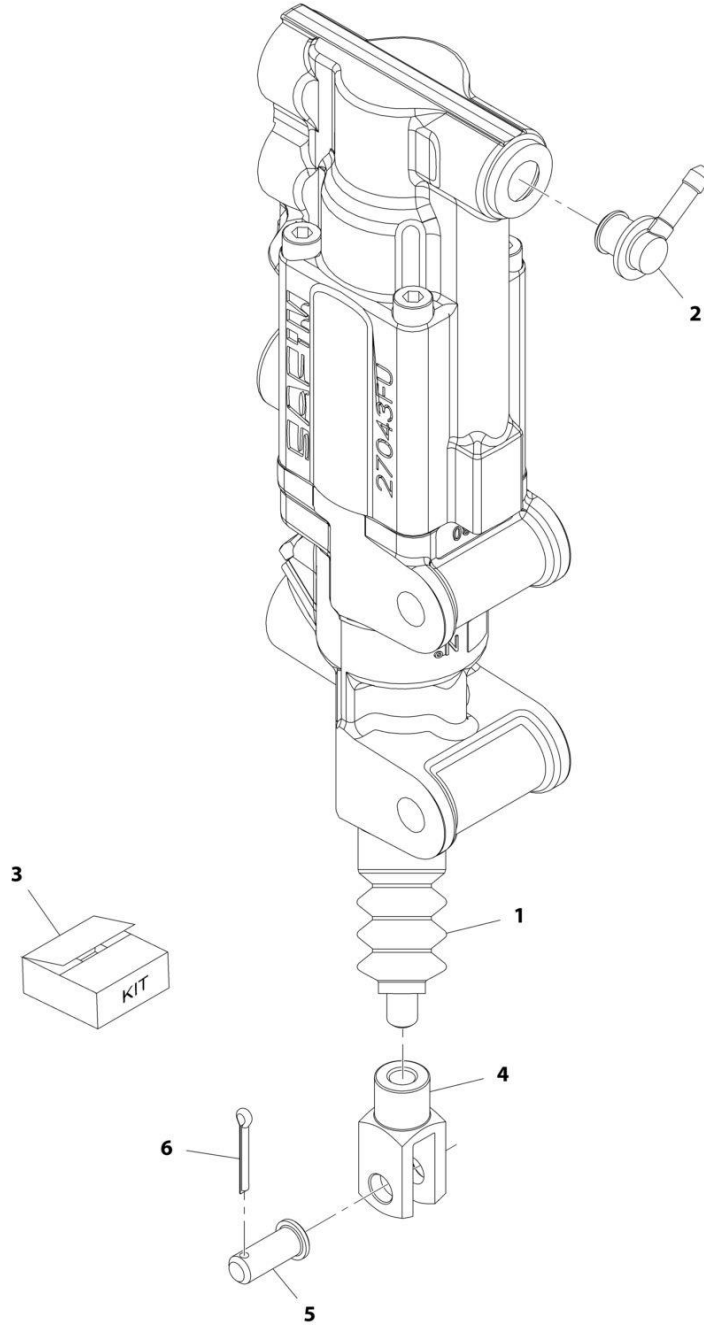
SECTION 9 - HYDRAULIC COMPONENTS

FIGURE 9-24. VALVE - AIR SHUT OFF

ITEM	PART NUMBER	QTY	DESCRIPTION	REV
	1001204032	Ref	Air Shut Off Valve	C
1	70028514	1	Kit, Solenoid 12V (Includes Solenoid, Coil, O-Ring)	
2	70028515	1	Kit, Switch (Includes Ball Switch & O-Ring)	
3	70028516	1	Kit, Flange and Hardware (Includes Flanges (Male & Female) & Mounting Hardware)	
4	70028517	1	Kit, Handle (Includes Handle & Pin)	

SECTION 9 - HYDRAULIC COMPONENTS

FIGURE 9-25. VALVE - BRAKE



ART_1001201721-D

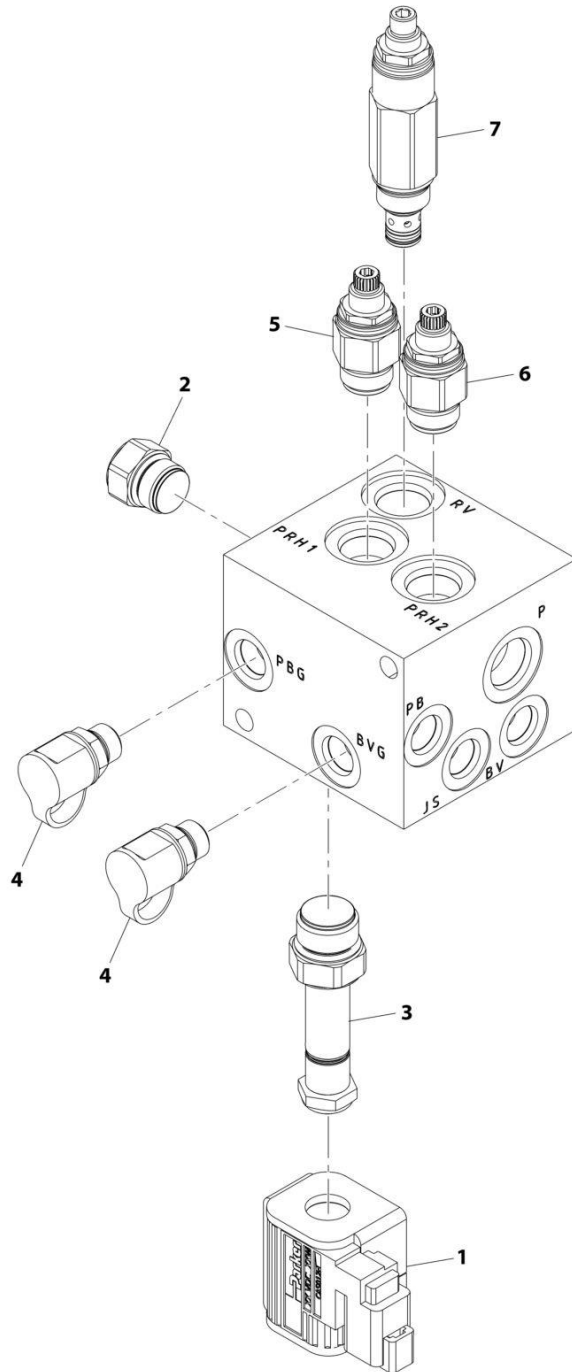
SECTION 9 - HYDRAULIC COMPONENTS

FIGURE 9-25. VALVE - BRAKE

ITEM	PART NUMBER	QTY	DESCRIPTION	REV
	1001201721	Ref	Brake Valve	D
1	70025859	1	Dust Cover	
2	70027275	1	Reservoir Joint	
3	70027276	1	Seal Kit	
4	70022650	1	Yoke	
5	70020743	1	Pin, Yoke	
6	70020745	1	Pin, Cotter	

SECTION 9 - HYDRAULIC COMPONENTS

FIGURE 9-26. VALVE - FRAME SECONDARY CONTROL



ART_1001247045-C

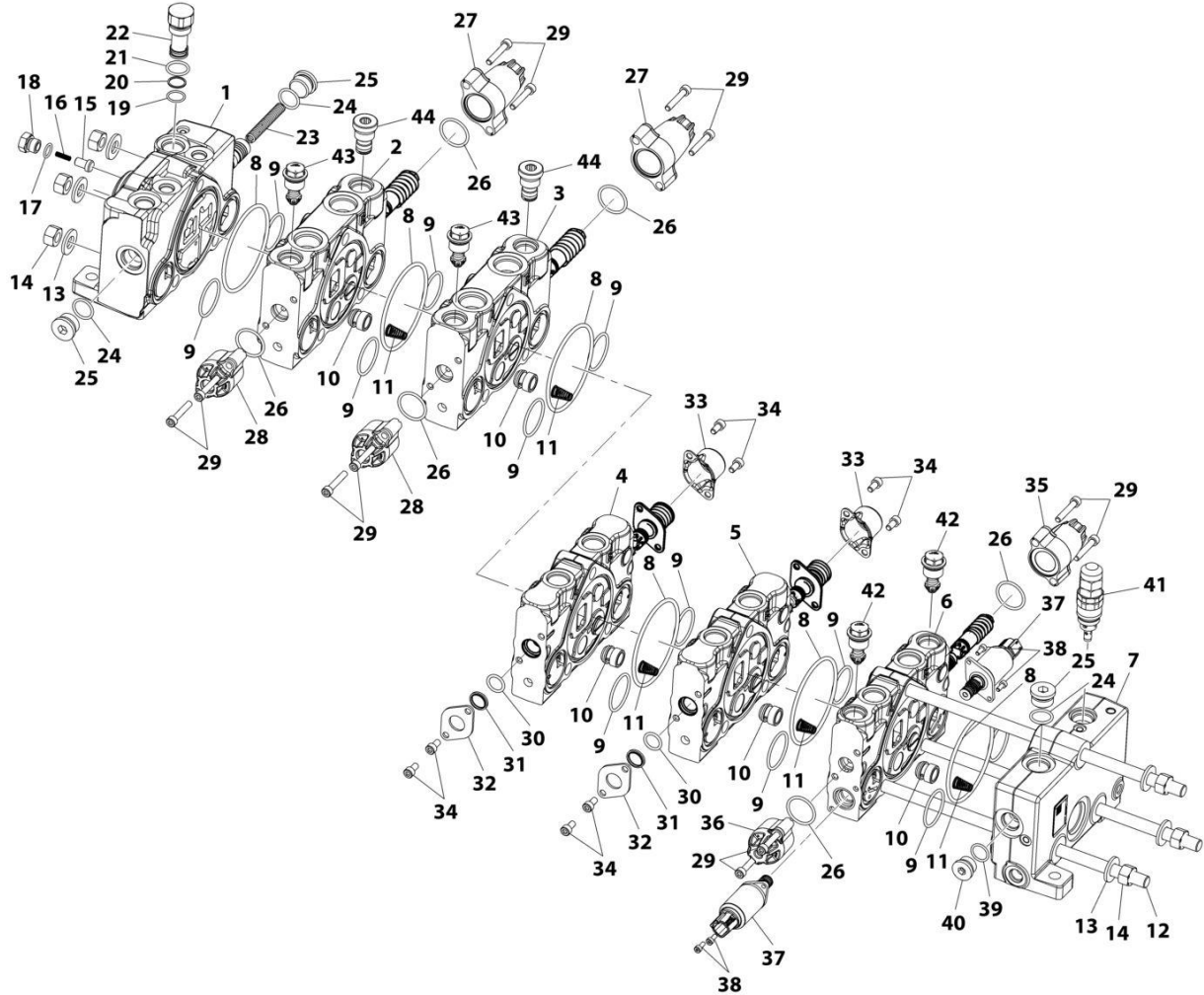
SECTION 9 - HYDRAULIC COMPONENTS

FIGURE 9-26. VALVE - FRAME SECONDARY CONTROL

ITEM	PART NUMBER	QTY	DESCRIPTION	REV
	1001247045	Ref	Secondary Control Valve	C
1	70026085	1	Coil	
2	70029821	1	Check Valve	
	7010769	1	Seal Kit	
3	70026087	1	Valve, Solenoid	
	8032695	1	Seal Kit	
4	See Note	NSS	Fitting (Note: Purchase Complete Assembly)	
6	70029584	2	Valve, Pressure Relief	
	8032694	1	Seal Kit	
7	70029523	1	Valve Assembly	
	70029522	1	Seal Kit	

SECTION 9 - HYDRAULIC COMPONENTS

FIGURE 9-27. VALVE - MAIN CONTROL



ART_1001242925

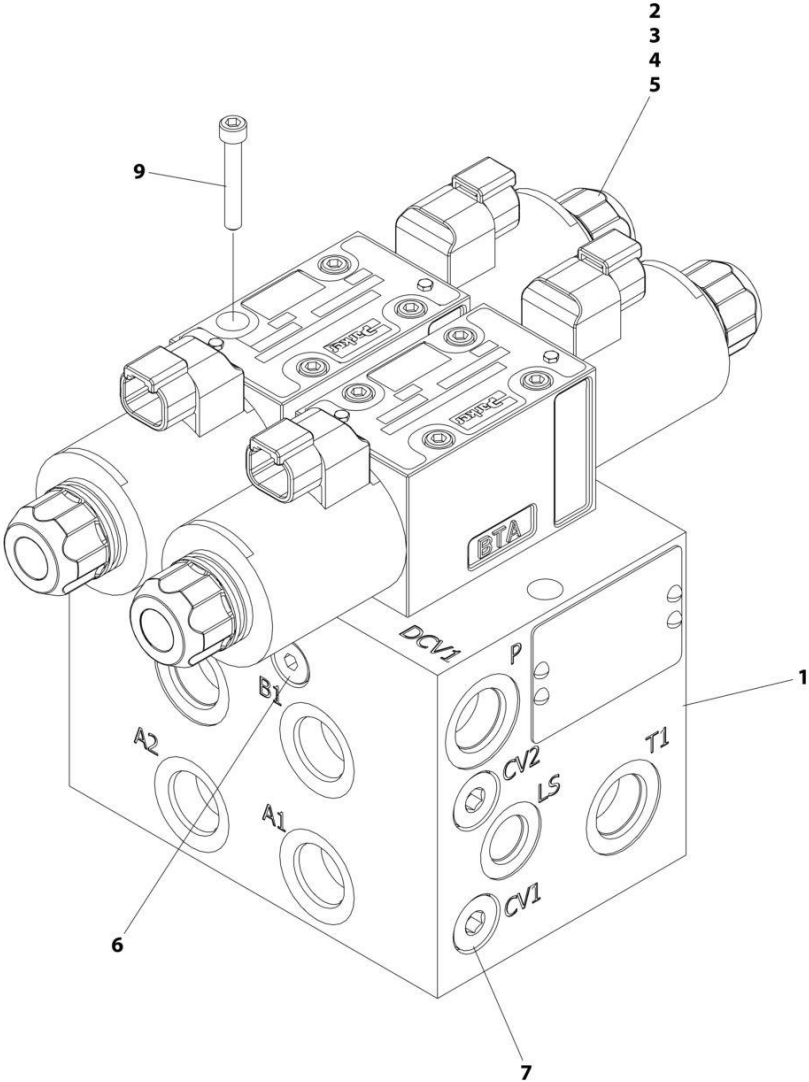
SECTION 9 - HYDRAULIC COMPONENTS

FIGURE 9-27. VALVE - MAIN CONTROL

ITEM	PART NUMBER	QTY	DESCRIPTION	REV
	1001242925	Ref	MAIN CONTROL VALVE	F
1	70030023	1	Inlet Section Assembly	
2	70030001	1	Lift Section Assembly	
3	70030002	1	Extend/Retract Section Assembly	
4	70030003	1	Aux Section Assembly	
5	70030004	1	Sway Section Assembly	
6	70030005	1	Tilt Section Assembly	
7	70030006	1	Outlet Section Assembly	
8	8034697	6	O-Ring	
9	70030007	12	O-Ring	
10	8903015	5	Poppet CV	
11	70030012	5	Spring	
12	70030038	3	Tie Rod	
13	70030039	6	Washer	
14	8035347	6	Nut	
15	70030009	1	Poppet, CV	
16	70030010	1	Spring	
17	70030040	1	O-Ring	
18	70030011	1	Plug	
19	70026370	1	O-Ring	
20	70026376	1	Back-Up Ring	
21	10837928	1	O-Ring	
22	70030041	1	Drain Regulator Assembly	
23	70030008	1	Spring	
24	70026652	3	O-Ring	
25	70026653	3	Plug	
26	70030013	6	O-Ring	
27	70030015	2	Spool Cap	
28	70030014	2	Spool Cap	
29	70030016	12	Screw	
30	8037109	2	O-Ring	
31	70030018	2	Wiper	
32	70030017	2	Sealing Plate	
33	70030019	2	Cap Spool	
34	70026133	8	Screw	
35	70030021	1	Spool Cap	
36	70030020	1	Spool Cap	
37	70029874	2	Valve, Solenoid Cartridge	
38	70022014	4	Screw	
39	70024202	1	O-Ring	
40	8035382	1	Plug Assembly	
41	70030022	1	Valve Assembly, LS Relief	
42	70027134	2	Valve Assembly, Relief	
43	70025982	2	Valve Assembly, Relief	
44	70022008	2	Shut-Off Plug Assembly	

SECTION 9 - HYDRAULIC COMPONENTS

FIGURE 9-28. VALVE - OUTRIGGER



ART_1001247857

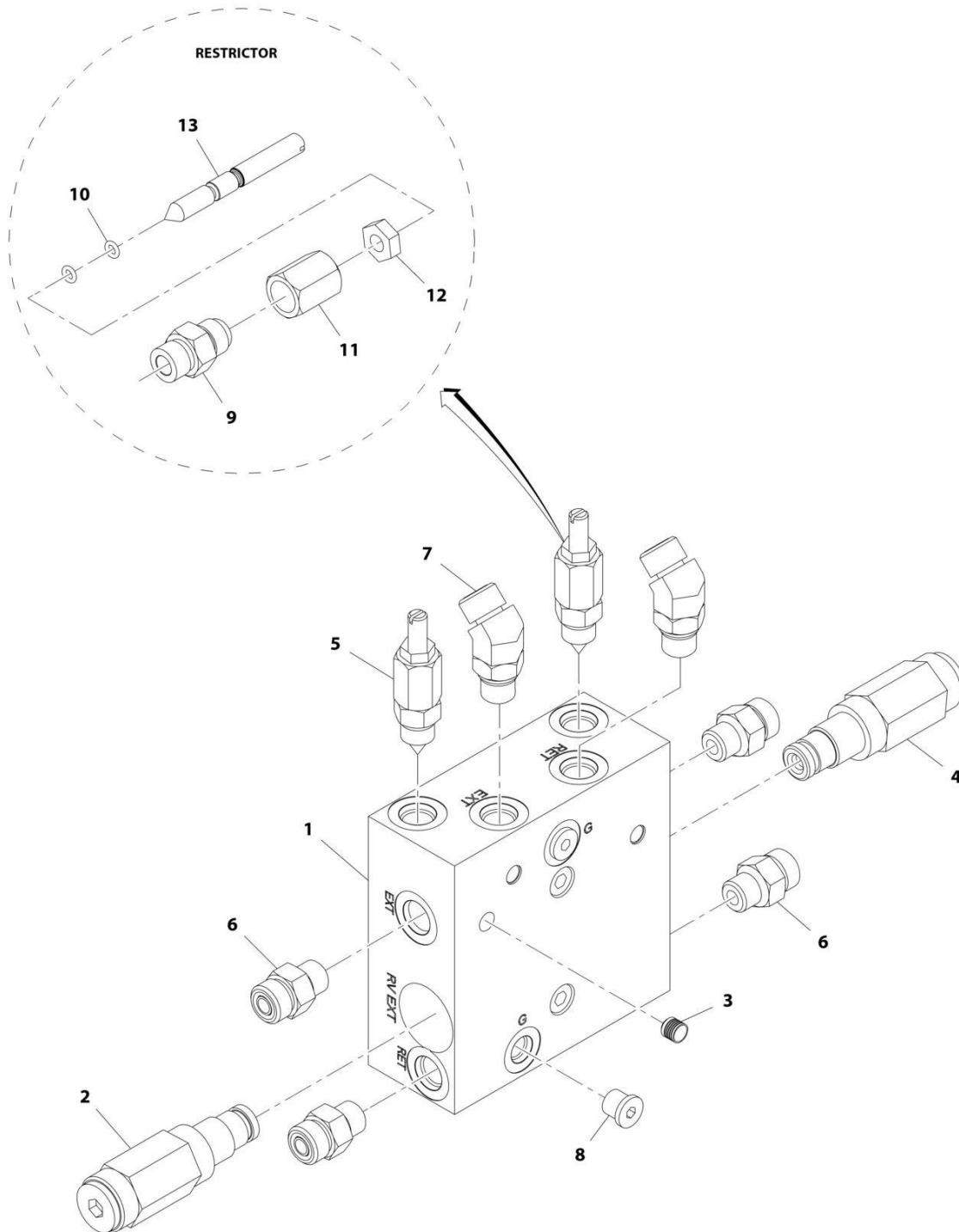
SECTION 9 - HYDRAULIC COMPONENTS

FIGURE 9-28. VALVE - OUTRIGGER

ITEM	PART NUMBER	QTY	DESCRIPTION	REV
	1001247857	Ref	OUTRIGGER VALVE	A
1	See Note	NSS	Manifold	
2	70026564	2	Directional Control Valve	
3	70023506	4	Ball Bearing	
4	70023507	4	Spring	
5	70023508	4	Retainer	
6	2220883	5	Plug #4	
7	2220885	6	Plug #6	
8	91474028	2	Expander Plug (Not Shown)	
9	70029798	8	Capscrew	

SECTION 9 - HYDRAULIC COMPONENTS

FIGURE 9-29. VALVE - PIPE GRAPPLE



ART_70026589

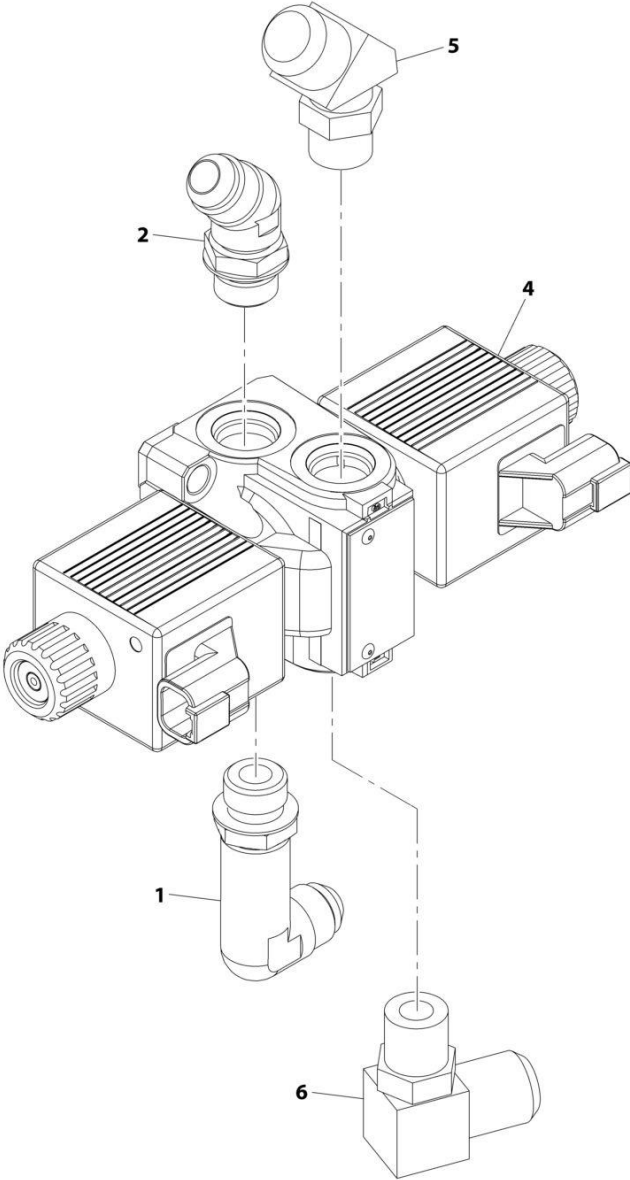
SECTION 9 - HYDRAULIC COMPONENTS

FIGURE 9-29. VALVE - PIPE GRAPPLE

ITEM	PART NUMBER	QTY	DESCRIPTION	REV
	70026589	Ref	Valve Assembly	
1	70026612	NLA	Manifold (Purchase Complete Assembly)	
2	70026613	1	Cartridge	
3	70026614	4	Plug	
4	70026478	1	Cartridge	
5	70026615	2	Restrictor	
6	70024130	4	Fitting	
7	70026616	2	Fitting	
8	70024129	2	Plug	
9	70026617	1	Fitting	
10	70026618	2	O-Ring	
11	70026619	1	Cap	
12	70026620	1	Jam Nut	
13	70026621	1	Plunger	

SECTION 9 - HYDRAULIC COMPONENTS

FIGURE 9-30. VALVE AND FITTING SUB-ASSEMBLY - STEERING SELECT



ART_1001172784-F

SECTION 9 - HYDRAULIC COMPONENTS

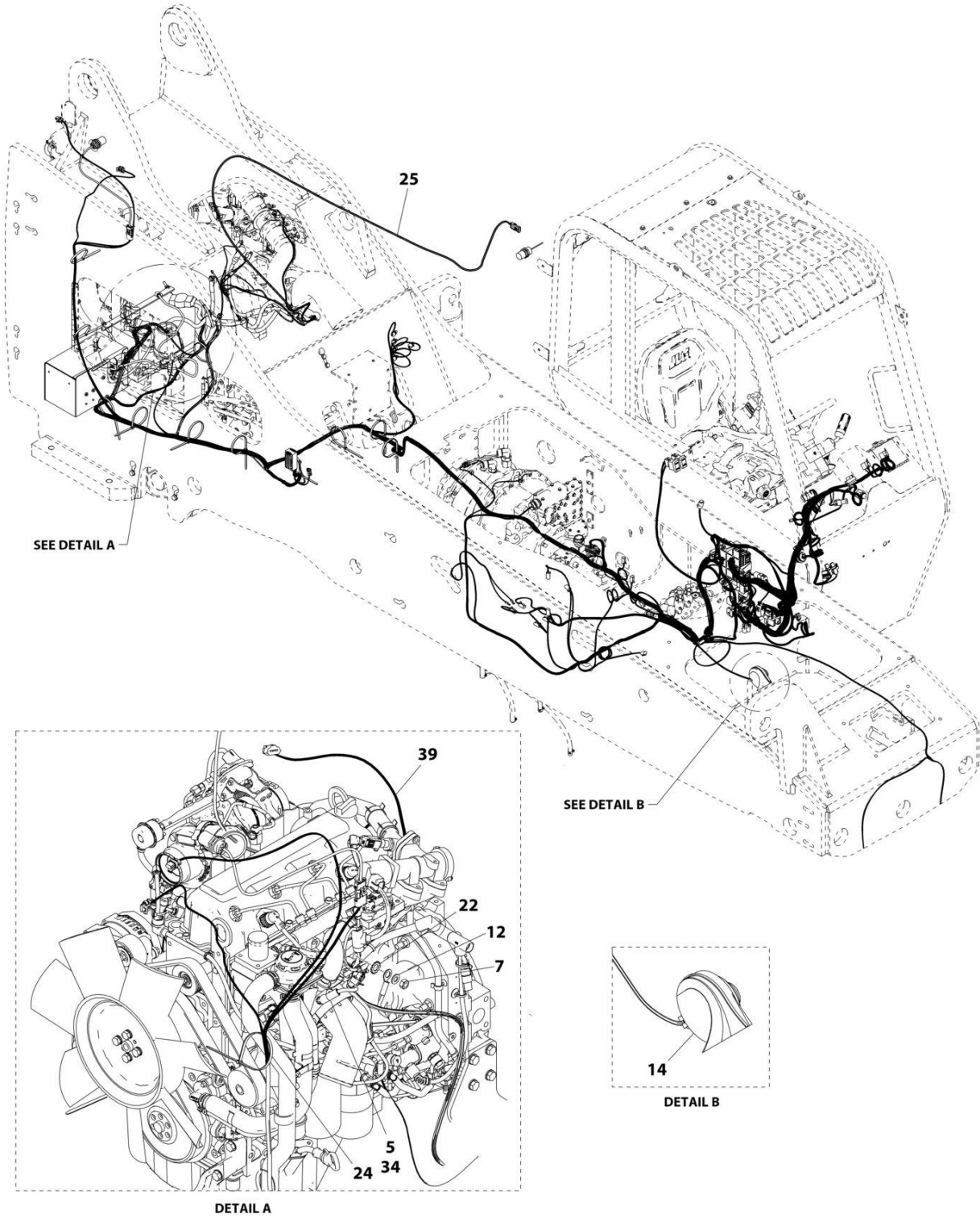
FIGURE 9-30. VALVE AND FITTING SUB-ASSEMBLY - STEERING SELECT

ITEM	PART NUMBER	QTY	DESCRIPTION	REV
	1001172784	Ref	Steer Select Valve Assembly	F
1	2220474	1	Adapter, Long 90	
2	2220500	1	Adapter, 45	
4	1001153748	1	Valve, Steer Select	
4	70020867	2	Coil Nut/Seal Kit	
4	70026582	2	Coil	
5	2220950	1	Adapter, 45	
6	2221042	1	Adapter, 90	

SECTION 10 - ELECTRICAL

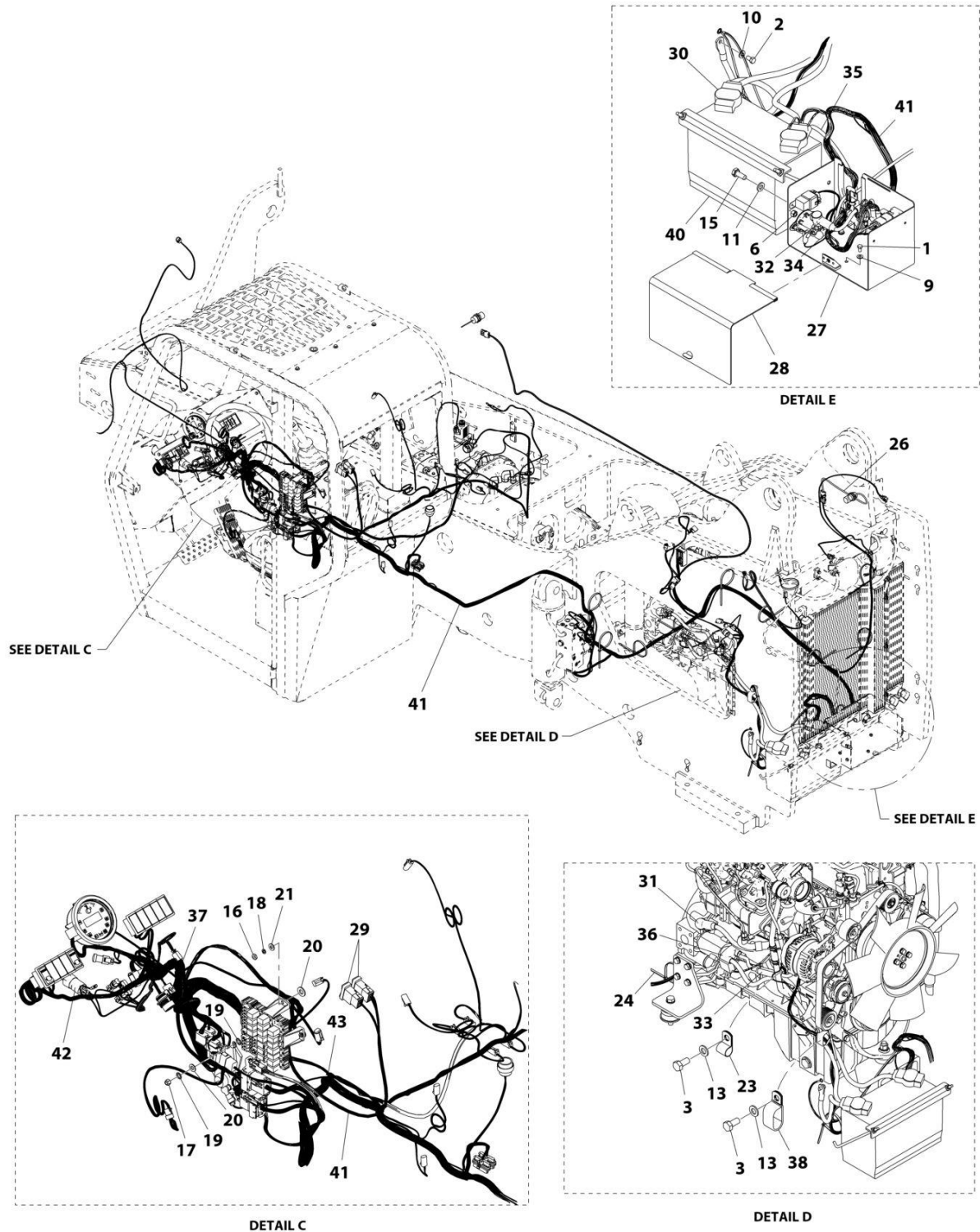
SECTION 10 - ELECTRICAL

FIGURE 10-1. ELECTRICAL INSTALLATION (74HP ULS)



ART_1001252321_1-B

SECTION 10 - ELECTRICAL



ART_1001252321_2-B

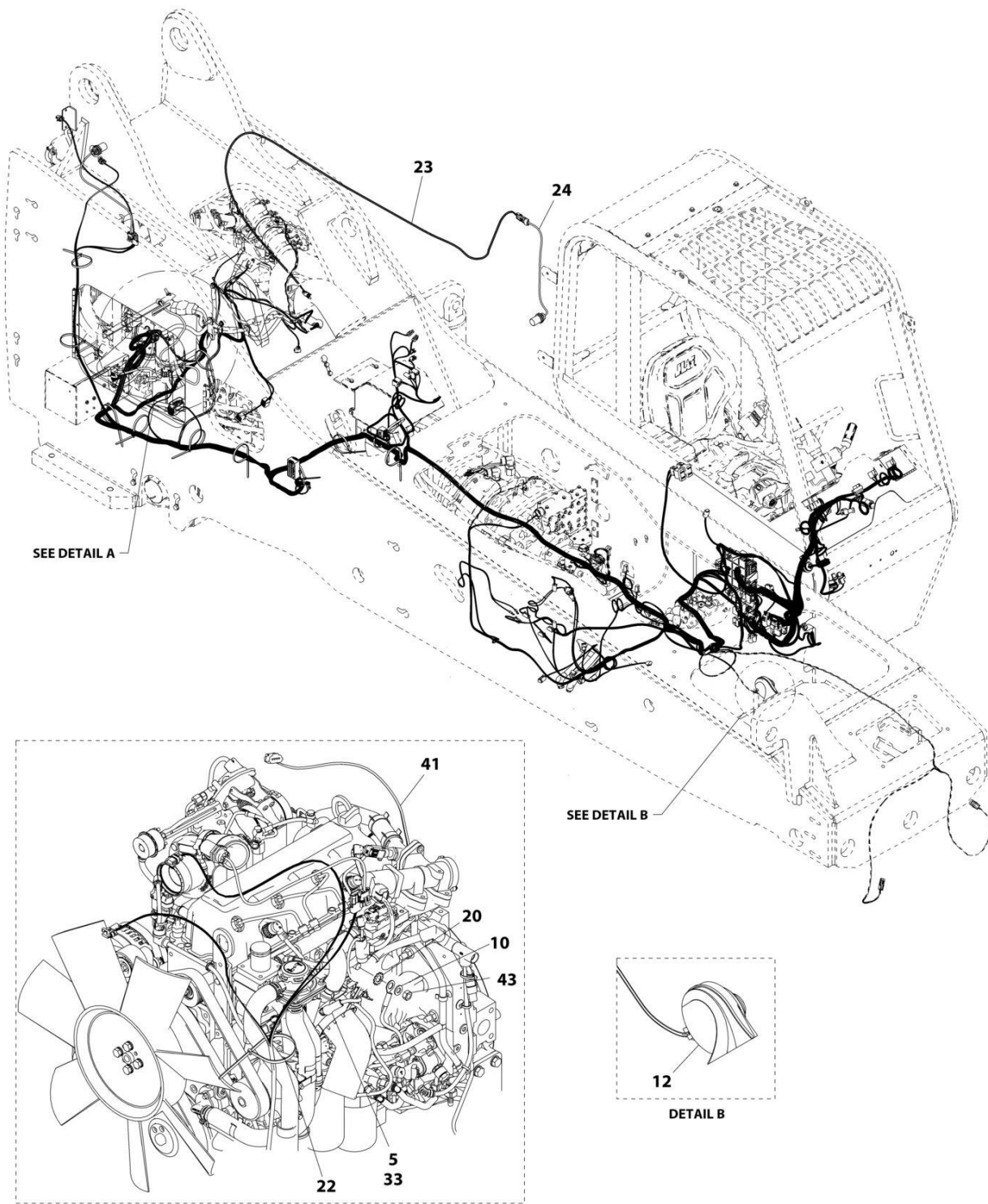
SECTION 10 - ELECTRICAL

FIGURE 10-1. ELECTRICAL INSTALLATION (74HP ULS)

ITEM	PART NUMBER	QTY	DESCRIPTION	REV
	1001252321	Ref	Electrical Installation (74HP) (ULS)	B
1	0641404	3	Bolt 1/4X1/2	
2	0641605	1	Bolt 3/8X5/8	
3	0761212	2	Bolt M12X25	
5	3290601	1	Nut M6	
6	3290605	1	Nut M6	
7	3290801	1	Nut M8	
9	4711400	3	Washer 1/4	
10	4711600	1	Washer 3/8	
11	4811702	1	Washer M6	
12	4811900	1	Washer, M8	
13	4812100	2	Washer M12	
14	8270620	1	Horn, Signal	
15	8303545	1	Bolt M6X14	
16	8305002	4	Nut #10	
17	8305624	2	Nut 1/4	
18	8307003	4	Washer M10	
19	8307027	4	Washer 5/16	
20	8307106	6	Washer 5/16	
21	8307111	4	Washer M10	
22	8310046	1	Washer M10	
23	8406105	1	Clip, Tube	
24	8584001	13	Wrap, Tie	
25	1001127226	1	Harness, Boom Extend (See Separate Breakdown in this Section)	
26	1001130307	2	Sensor, Boom	
27	1001170233	1	Installation, Relay Panel (See Separate Breakdown in this Section)	
28	1001170234	1	Assembly, Relay Panel Cover (See Separate Breakdown in this Section)	
29	1001170269	2	Switch, Outtrigger	
30	1001171234	1	Cable, Battery Negative	
31	1001171236	1	Cable, Starter Ground	
32	1001171237	1	Cable, Grid Heater to Fuse Power	
33	1001171238	1	Cable, Alternator Power	
34	1001171239	1	Cable, Grid Heater Power	
35	1001171633	1	Cable, Buss Power	
36	1001171757	1	Cable, Starter Power	
37	1001178285	1	Harness, Cab Power Distribution (See Separate Breakdown in this Section)	
38	1001181899	1	Clamp	
39	1001184835	1	Harness, TBAP (See Separate Breakdown in this Section)	
40	1001186841	1	Installation, Battery (See Separate Breakdown in this Section)	
41	1001199889	1	Engine Harness (See Separate Breakdown in this Section)	
42	1001250700	1	Switch, Pressure	
43	1001251503	1	Harness, Logic (See Separate Breakdown in this Section)	

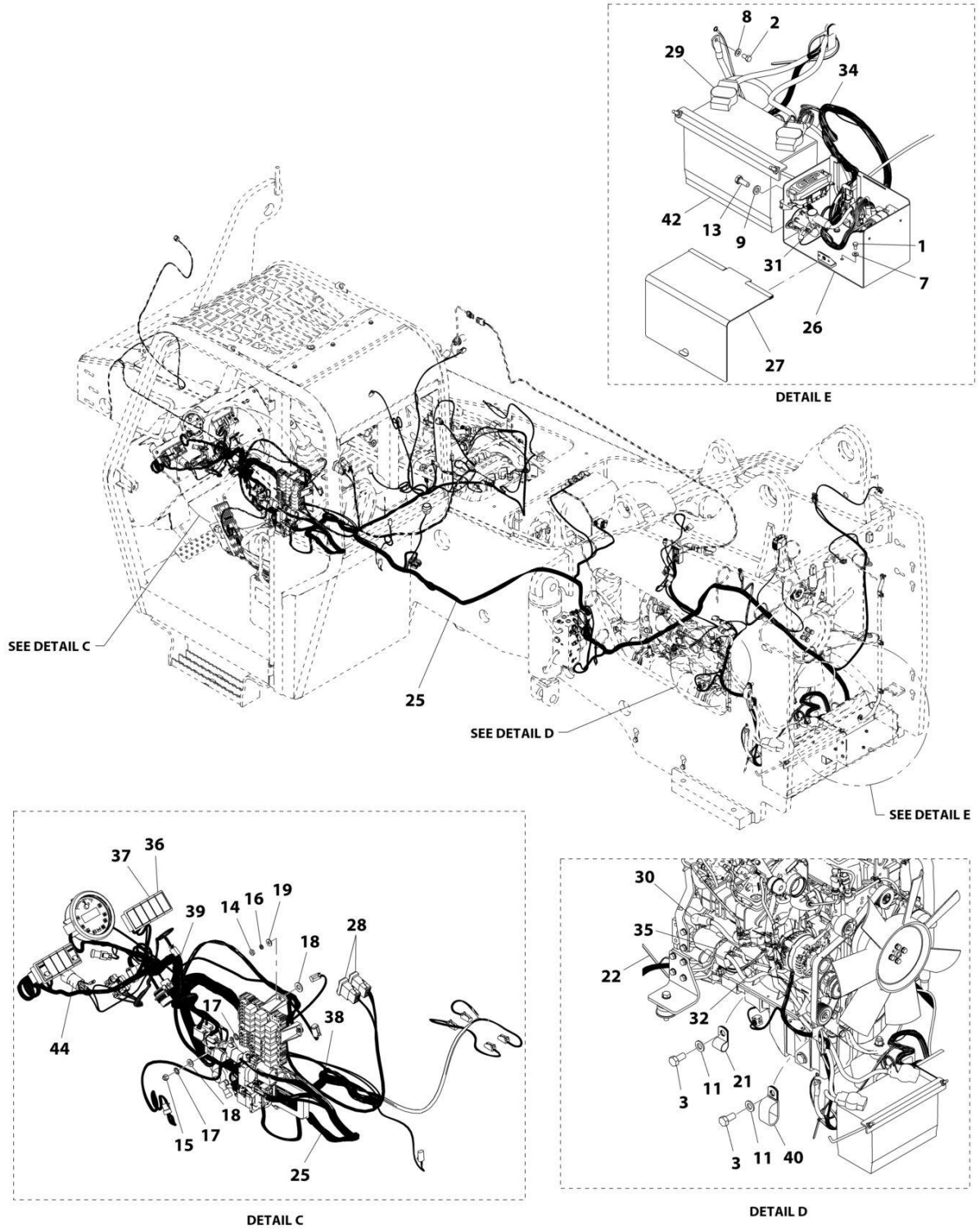
SECTION 10 - ELECTRICAL

FIGURE 10-2. ELECTRICAL INSTALLATION (130HP ULS)



ART_1001252320_1-B

SECTION 10 - ELECTRICAL



ART_1001252320_2-B

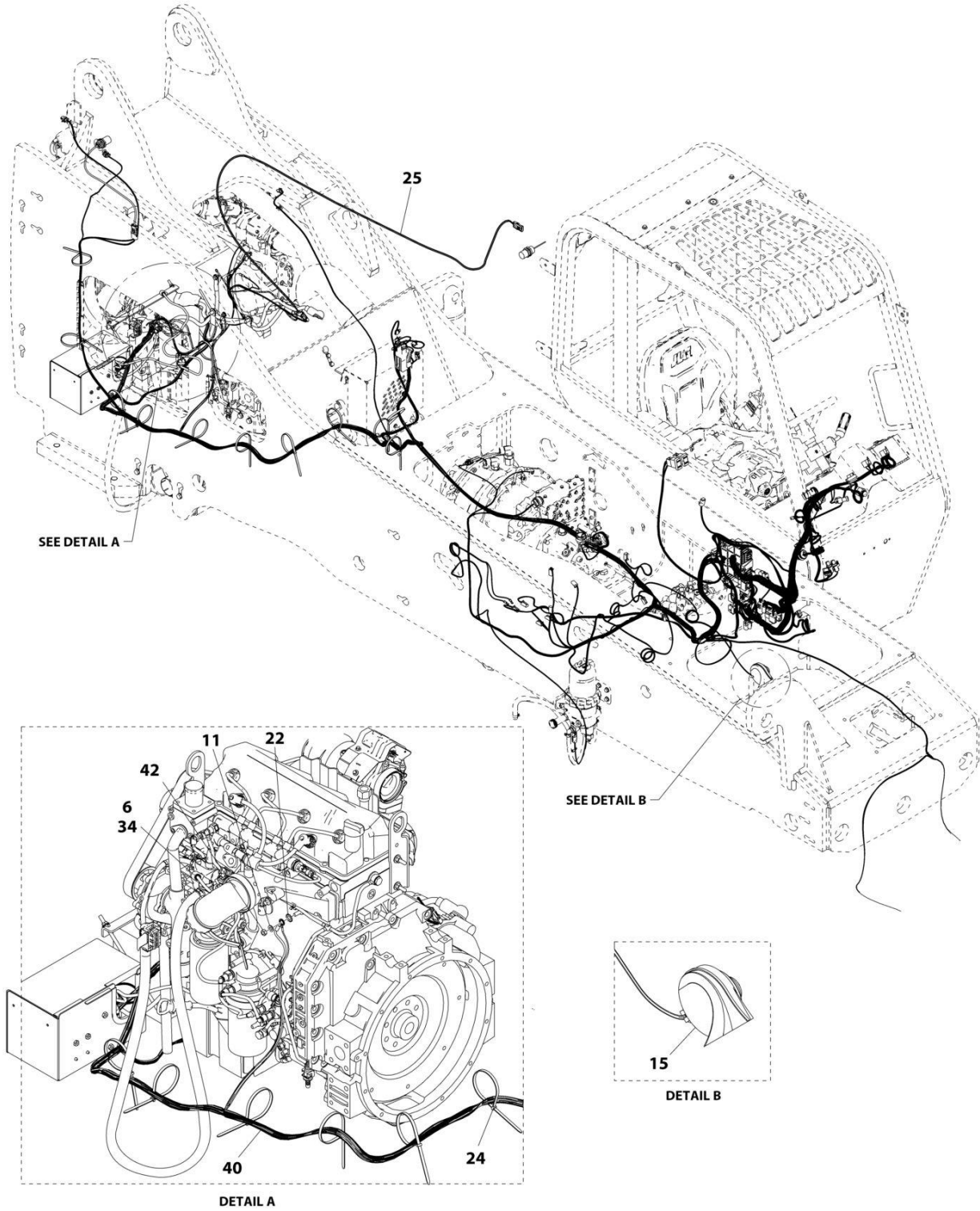
SECTION 10 - ELECTRICAL

FIGURE 10-2. ELECTRICAL INSTALLATION (130HP ULS)

ITEM	PART NUMBER	QTY	DESCRIPTION	REV
	1001252320	Ref	Electrical Installation (ULS)	B
1	0641404	3	Bolt 1/4X1/2	
2	0641605	1	Bolt 3/8X5/8	
3	0761212	2	Bolt M12X25	
5	3290601	1	Nut M6X1	
7	4711400	3	Washer 1/4	
8	4711600	1	Washer 3/8	
9	4811700	2	Washer M6	
10	4811900	1	Washer, M8	
11	4812100	2	Washer, M12	
12	8270620	1	Horn, Signal	
13	8303545	2	Bolt M6X14	
14	8305002	4	Nut #10	
15	8305624	2	Nut 1/4	
16	8307003	4	Washer M10	
17	8307027	4	Washer 5/16	
18	8307106	6	Washer 5/16	
19	8307111	4	Washer M10	
20	8310046	1	Washer M10	
21	8406105	1	Clip, Tube	
22	8584001	14	Wrap, Tie	
23	1001127226	1	Boom Extend Harness (See Separate Breakdown in this Section)	
24	1001130307	2	Sensor, Boom	
25	1001169620	1	Harness, Engine (See Separate Breakdown in this Section)	
26	1001170233	1	Installation, Relay Panel (See Separate Breakdown in this Section)	
27	1001170234	1	Assembly, Relay Panel Cover (See Separate Breakdown in this Section)	
28	1001170269	2	Switch, Outtrigger	
29	1001171234	1	Cable, Battery Negative	
30	1001171236	1	Cable, Starter Ground	
31	1001171237	1	Cable, Grid Heater to Fuse Power	
32	1001171238	1	Cable, Alternator Power	
33	1001171239	1	Cable, Grid Heater Power	
34	1001171633	1	Cable, Buss Power	
35	1001171757	1	Cable, Starter Power	
36	1001172135	1	Indicator, Engine	
37	1001172136	1	Indicator, Hest	
38	1001251503	1	Logic Harness (See Separate Breakdown in this Section)	
39	1001178285	1	Harness, Cab Power Distribution (See Separate Breakdown in this Section)	
40	1001181899	1	Clamp	
41	1001184835	1	Harness, TBAP (See Separate Breakdown in this Section)	
42	1001186841	1	Installation, Battery (See Separate Breakdown in this Section)	
43	3290801	1	Nut M8	
44	1001250700	1	Switch, Pressure	

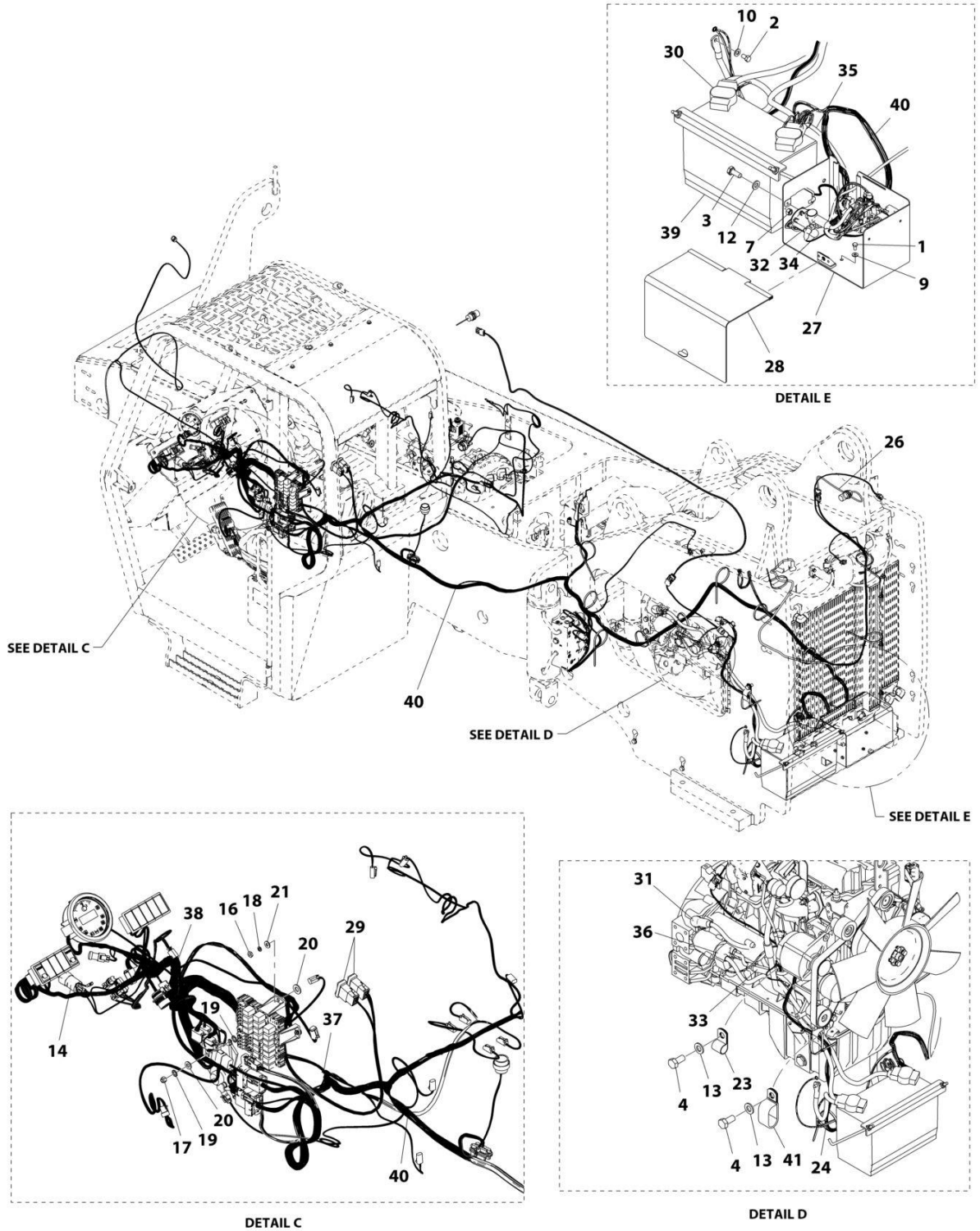
SECTION 10 - ELECTRICAL

FIGURE 10-3. ELECTRICAL INSTALLATION (130HP LS)



ART_1001252322_1-B

SECTION 10 - ELECTRICAL



ART_1001252322_2-B

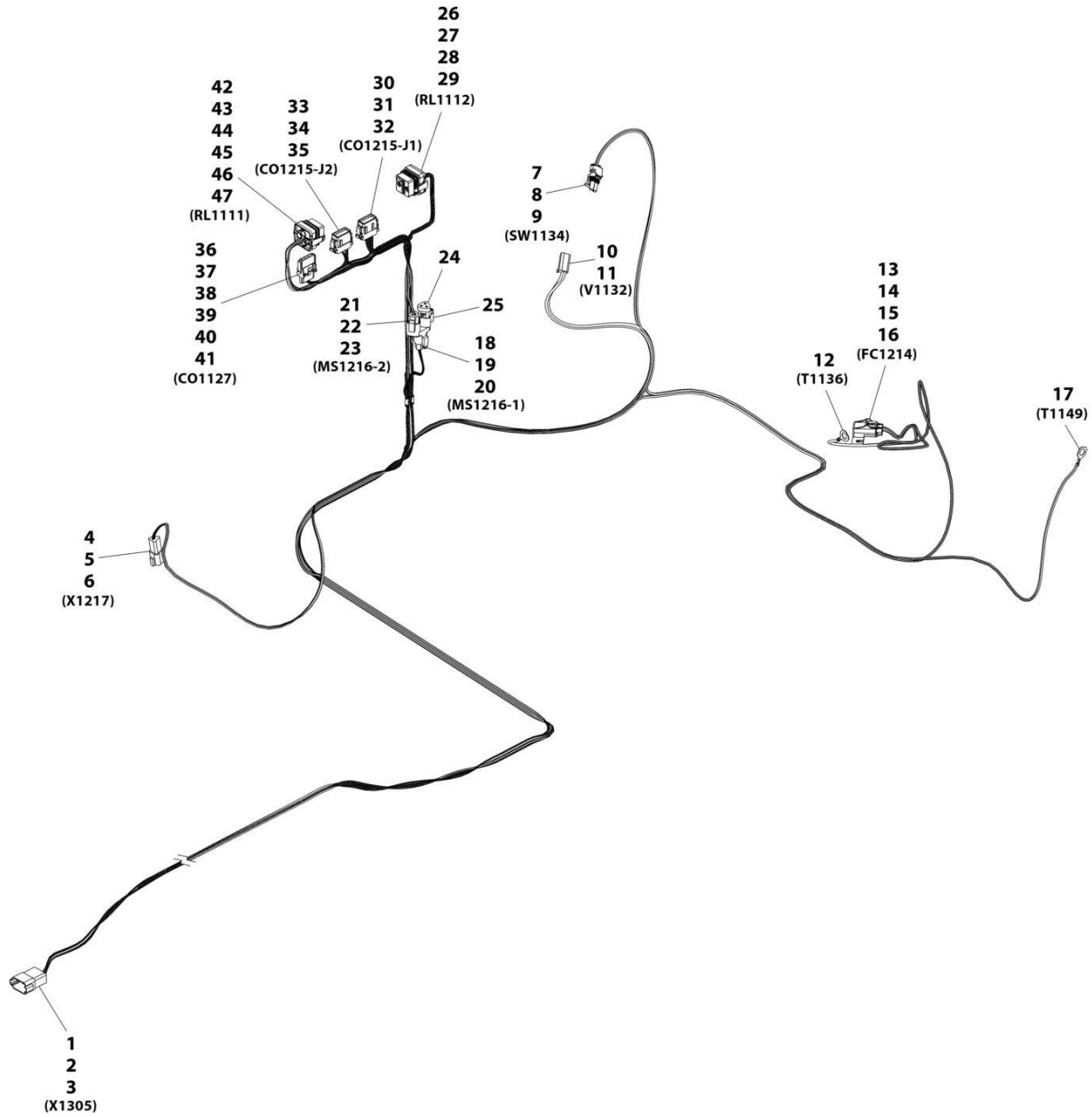
SECTION 10 - ELECTRICAL

FIGURE 10-3. ELECTRICAL INSTALLATION (130HP LS)

ITEM	PART NUMBER	QTY	DESCRIPTION	REV
	1001252322	Ref	Electrical Installation (LS)	B
1	0641404	3	Bolt 1/4X1/2	
2	0641605	1	Bolt 3/8X5/8	
3	8303545	1	Bolt M6X14	
4	0761212	2	Bolt, M12X25	
6	3290601	1	Nut M6	
7	3290605	1	Nut M6	
9	4711400	3	Washer 1/4	
10	4711600	1	Washer 3/8	
11	4811900	1	Washer M8	
12	4811702	1	Washer, M6	
13	4812100	2	Washer M12	
14	1001250700	1	Switch, Pressure	
15	8270620	1	Horn, Signal	
16	8305002	4	Nut #10	
17	8305624	2	Nut 1/4	
18	8307003	4	Washer M10	
19	8307027	4	Washer 5/16	
20	8307106	6	Washer 5/16	
21	8307111	4	Washer M10	
22	8310046	1	Washer M10	
23	8406105	1	Clip, Tube	
24	8584001	14	Wrap, Tie	
25	1001127226	1	Harness, Boom Extend (See Separate Breakdown in this Section)	
26	1001130307	2	Sensor, Boom	
27	1001170233	1	Installation, Relay Panel (See Separate Breakdown in this Section)	
28	1001170234	1	Assembly, Relay Panel Cover (See Separate Breakdown in this Section)	
29	1001170269	2	Switch, Outtrigger	
30	1001171234	1	Cable, Battery Negative	
31	1001171236	1	Cable, Starter Ground	
32	1001171237	1	Cable, Grid Heater to Fuse Power	
33	1001171238	1	Cable, Alternator Power	
34	1001171239	1	Cable, Grid Heater Power	
35	1001171633	1	Cable, Buss Power	
36	1001171757	1	Cable, Starter Power	
37	1001251503	1	Harness, Logic (See Separate Breakdown in this Section)	
38	1001178285	1	Harness, Cab Power Distribution (See Separate Breakdown in this Section)	
39	1001186841	1	Installation, Battery (See Separate Breakdown in this Section)	
40	1001189488	1	Engine Harness (See Separate Breakdown in this Section)	
41	1001181899	1	Clamp	
42	3290801	1	Nut M8	

SECTION 10 - ELECTRICAL

FIGURE 10-4. AIR SHUT OFF VALVE ENGINE HARNESS



ART_1001216455

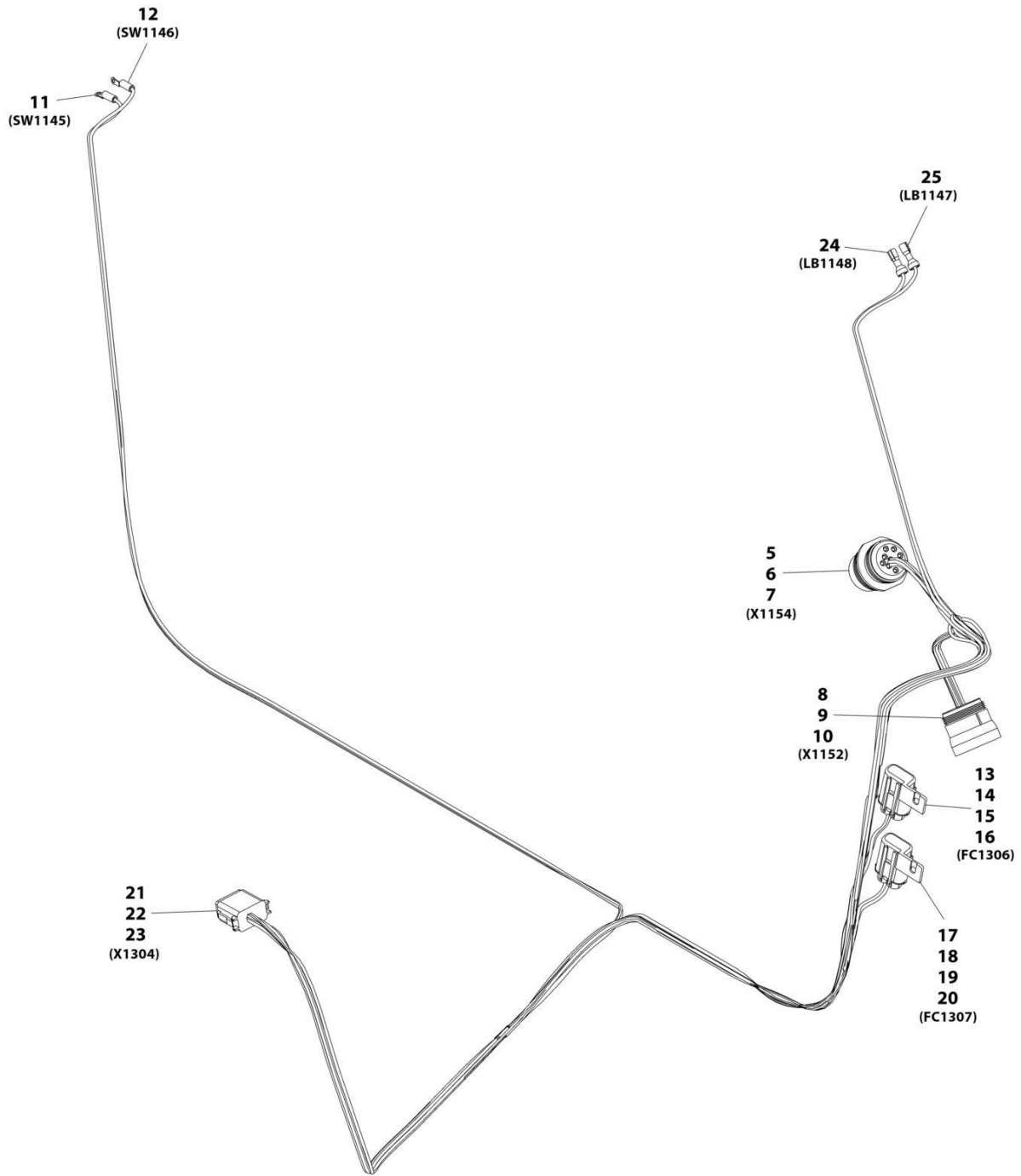
SECTION 10 - ELECTRICAL

FIGURE 10-4. AIR SHUT OFF VALVE ENGINE HARNESS

ITEM	PART NUMBER	QTY	DESCRIPTION	REV
	1001216455	Ref	POSI Air Shut Off Valve T4F, Harness	F
1	4460931	1	Connector	
2	4460464	6	Terminal	
3	4460466	2	Plug	
4	1001144147	1	Connector	
5	4460464	2	Terminal	
6	4460466	1	Plug	
7	4460742	1	Connector	
8	4460475	2	Terminal	
9	4460458	2	Seal	
10	4460891	1	Connector	
11	1001157890	2	Terminal	
12	1001187078	1	Terminal, Ring	
13	1001231397	1	Connector	
14	8229235	1	Fuse 20A	
15	1001231401	2	Terminal	
16	1001230402	2	Seal	
17	1001187078	1	Connector	
18	1001116812	1	Connector	
19	4460465	2	Terminal	
20	4460466	1	Plug	
21	4460539	1	Connector	
22	4460465	2	Terminal	
23	4460466	1	Plug	
24	1001116815	1	Connector, 3 Pin	
25	4460945	1	Terminal, 3 Way "T" Receptacle	
26	1001231398	1	Connector	
27	1001231400	4	Terminal	
28	1001231406	1	Plug	
29	1001231404	4	Seal	
30	1001116808	1	Connector	
31	1001126008	9	Terminal	
32	4460518	3	Plug	
33	1001116774	1	Connector	
34	4460518	8	Plug	
35	1001126008	4	Terminal	
36	4460761	1	Connector	
37	4460321	1	Connector - 4 Position	
38	4460809	4	Plug	
39	1001118378	4	Terminal	
40	1001143551	1	Seal	
41	1001218358	1	Lanyard, Rope	
42	1001231398	1	Connector	
43	1001231401	2	Terminal	
44	1001231400	2	Terminal	
45	1001231406	1	Plug	
46	1001231402	2	Seal	
47	1001231404	2	Seal	

SECTION 10 - ELECTRICAL

FIGURE 10-5. AIR SHUT OFF VALVE CAB HARNESS



ART_1001231560-C

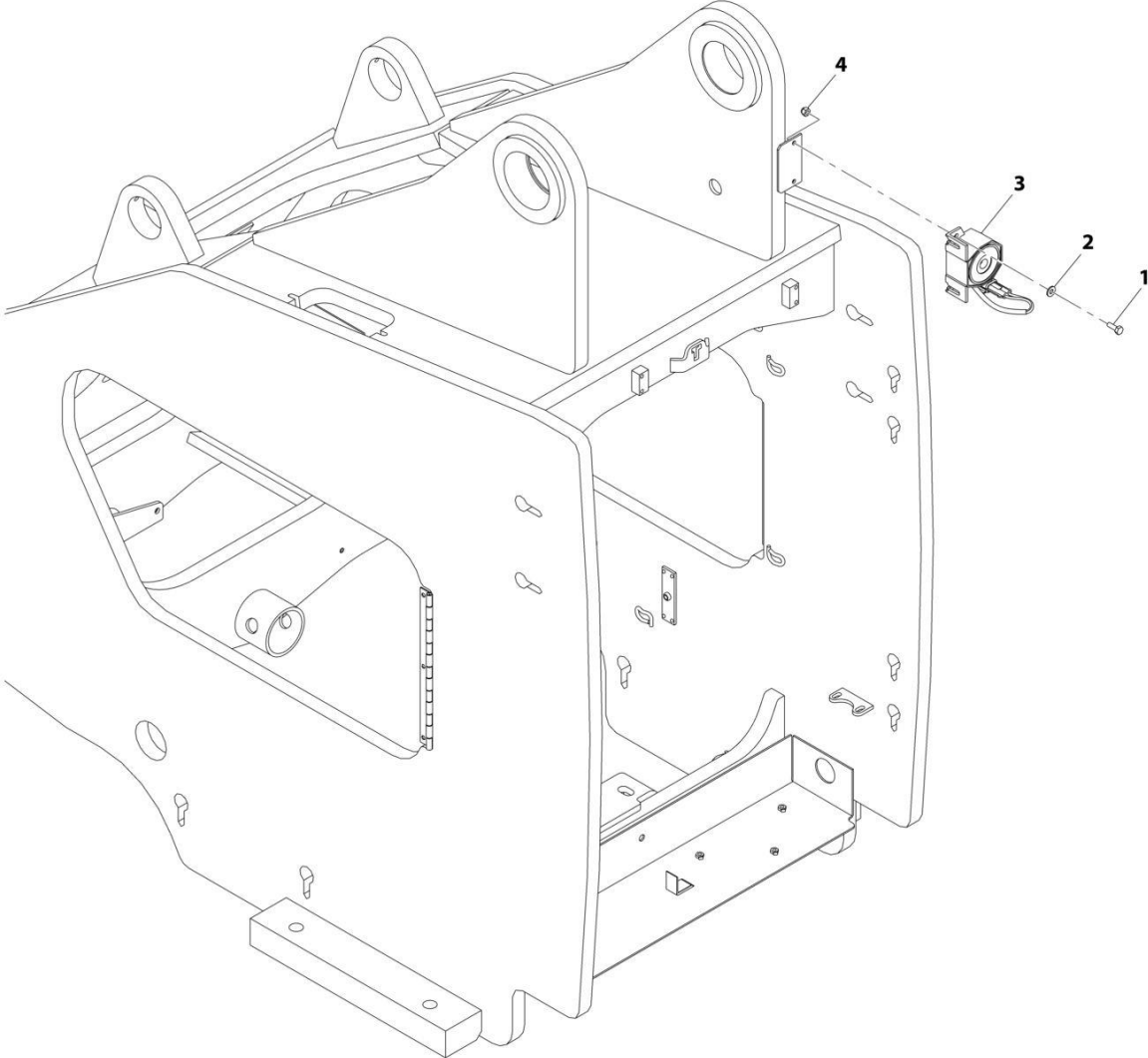
SECTION 10 - ELECTRICAL

FIGURE 10-5. AIR SHUT OFF VALVE CAB HARNESS

ITEM	PART NUMBER	QTY	DESCRIPTION	REV
	1001231560	Ref	POSI Air Shut Off Valve Cab, Harness	C
5	1001112612	1	Connector	
6	4460464	6	Terminal	
7	4460466	3	Plug	
8	1001116945	1	Connector	
9	4460465	6	Terminal	
10	4460466	3	Plug	
11	8220035	1	Terminal, Ring	
12	8220035	1	Terminal, Ring	
13	1001231397	1	Connector	
14	8229261	1	Fuse 5A	
15	1001231400	2	Terminal	
16	1001231404	2	Plug	
17	1001231397	1	Connector	
18	8229234	1	Fuse 10A	
19	1001231400	2	Terminal	
20	1001231404	2	Plug	
21	4460930	1	Connector	
22	4460465	6	Terminal	
23	4460466	2	Plug	
24	8220108	1	Connector	
25	8220108	1	Connector	

SECTION 10 - ELECTRICAL

FIGURE 10-6. ALARM INSTALLATION - BACK-UP



ART_1001206542-A

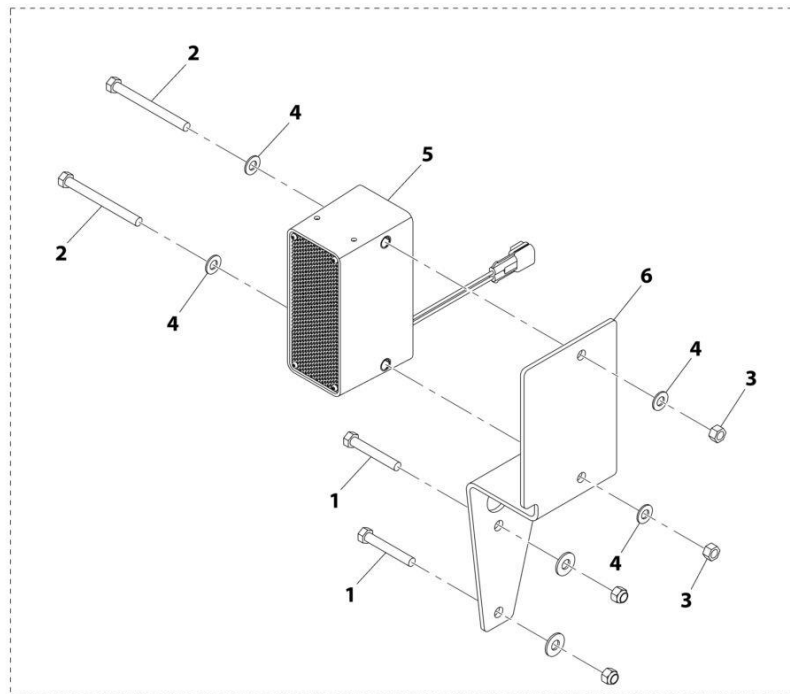
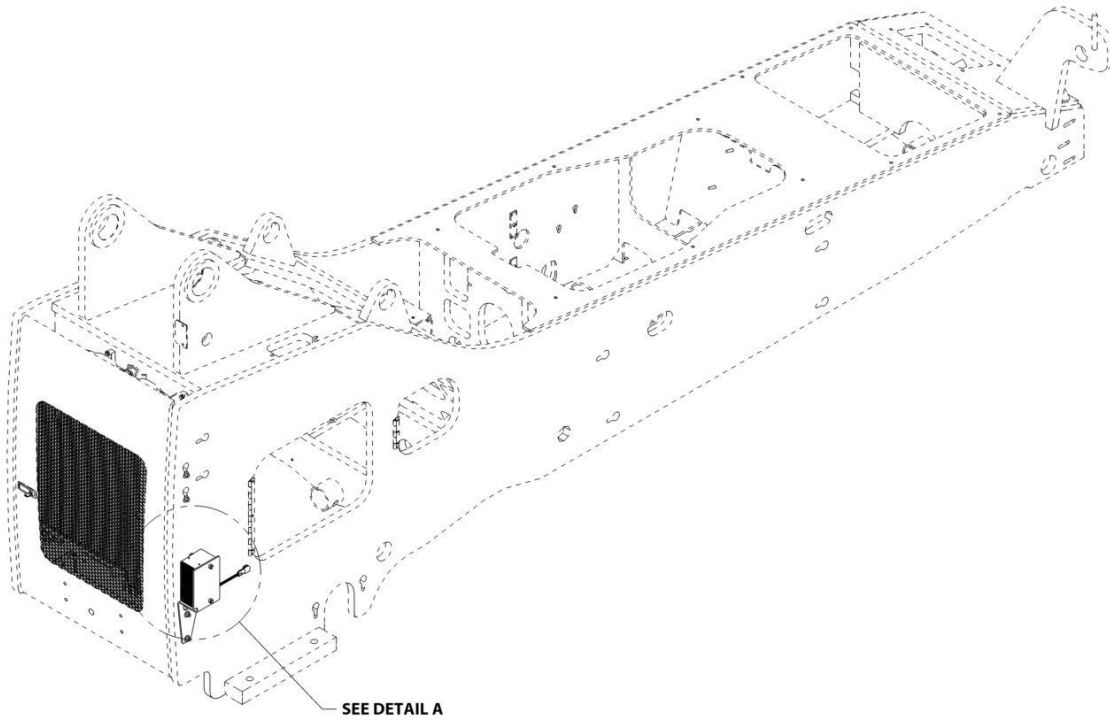
SECTION 10 - ELECTRICAL

FIGURE 10-6. ALARM INSTALLATION - BACK-UP

ITEM	PART NUMBER	QTY	DESCRIPTION	REV
	1001206542	Ref	Back-Up Alarm Installation	A
1	0641406	2	Bolt 1/4X3/4	
2	4711400	2	Washer 1/4	
3	8270621	1	Alarm, Back-Up	
4	8305624	2	Nut 1/4	

SECTION 10 - ELECTRICAL

FIGURE 10-7. ALARM INSTALLATION - BACK-UP (WHITE NOISE)



DETAIL A

ART_1001206543-A

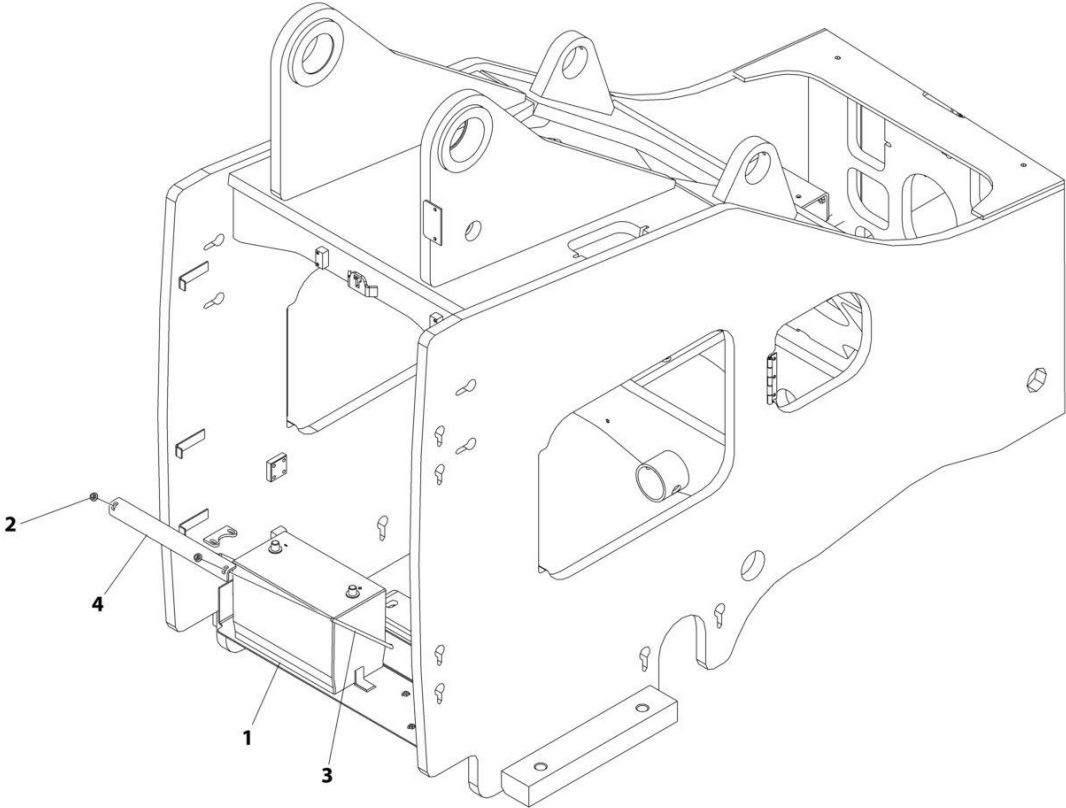
SECTION 10 - ELECTRICAL

FIGURE 10-7. ALARM INSTALLATION - BACK-UP (WHITE NOISE)

ITEM	PART NUMBER	QTY	DESCRIPTION	REV
	1001206543	Ref	Back-Up Alarm Installation (White Noise)	A
1	0641620	2	Bolt 3/82-1/2	
2	0641632	2	Bolt 3/8X4	
3	3311605	2	Nut 3/8	
4	4711600	4	Washer 3/8	
5	1001198728	1	Alarm	
6	1001213574	1	Bracket	

SECTION 10 - ELECTRICAL

FIGURE 10-8. BATTERY INSTALLATION



ART_1001186841

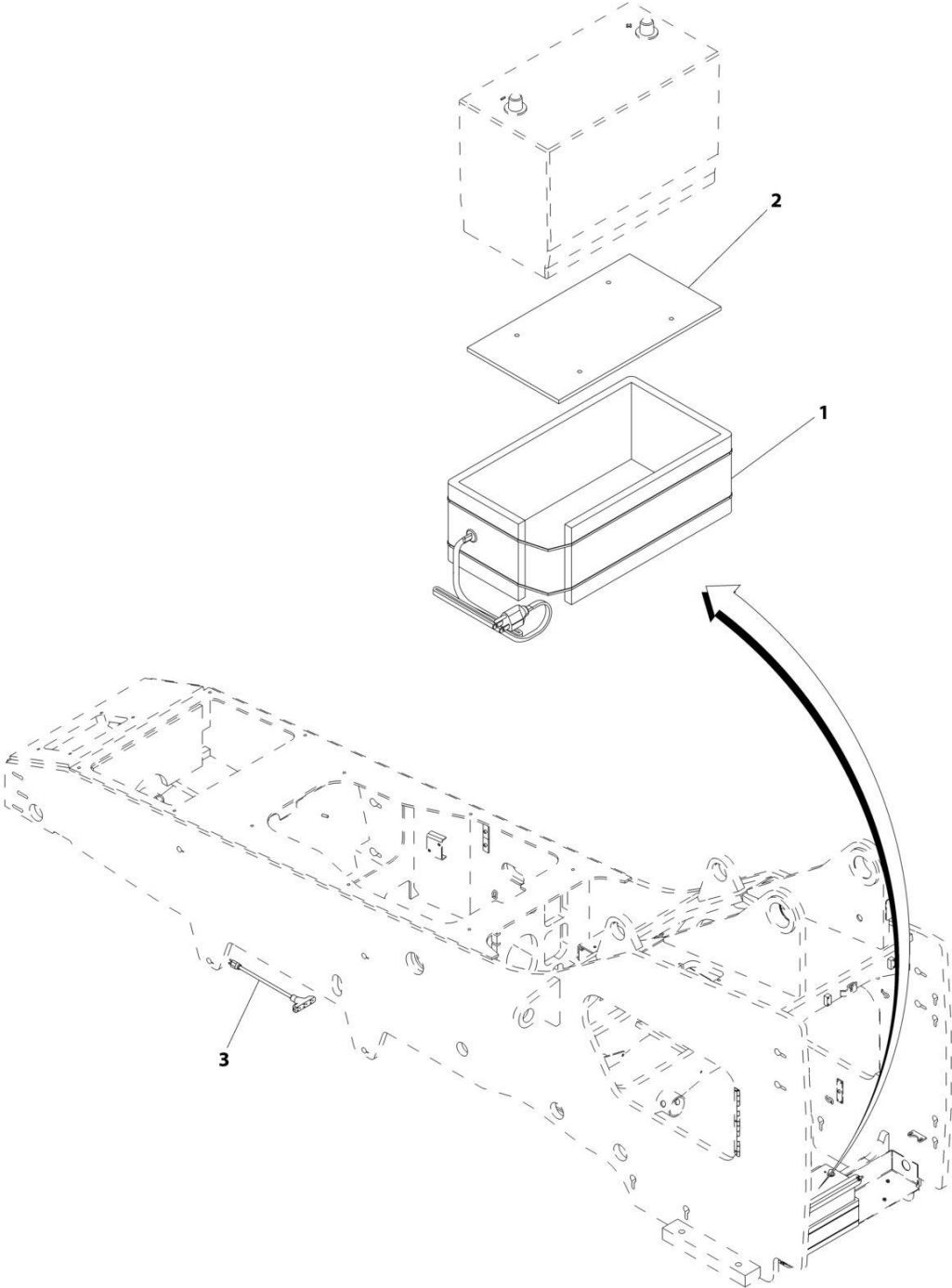
SECTION 10 - ELECTRICAL

FIGURE 10-8. BATTERY INSTALLATION

ITEM	PART NUMBER	QTY	DESCRIPTION	REV
	1001186841	Ref	Battery Installation	B
1	0400075	1	Battery, 12V	
2	77143006	2	Nut 5/16	
3	91081640	2	Bolt, Battery Hold Down	
4	1001258991	1	Plate, Battery Hold Down	

SECTION 10 - ELECTRICAL

FIGURE 10-9. BATTERY BLANKET INSTALLATION



ART_1001234216-A

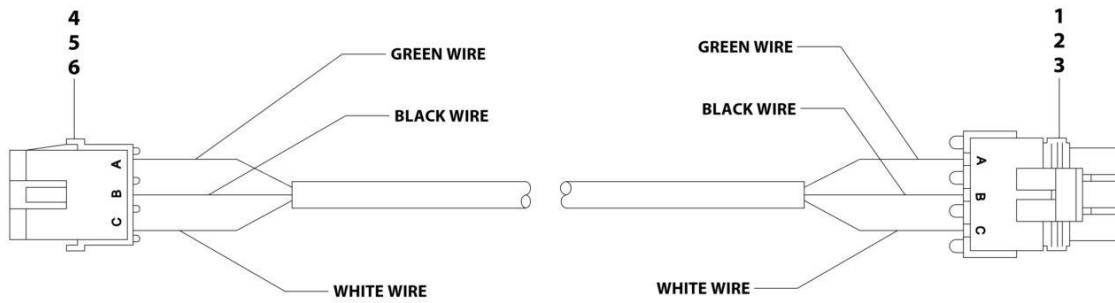
SECTION 10 - ELECTRICAL

FIGURE 10-9. BATTERY BLANKET INSTALLATION

ITEM	PART NUMBER	QTY	DESCRIPTION	REV
	1001234216	Ref	Battery Blanket Installation	A
1	1001093564	1	Battery Heater	
2	1001119278	1	Battery Insulate	
3	1060626	1	3 Way Plug	

SECTION 10 - ELECTRICAL

FIGURE 10-10. BOOM EXTEND HARNESS



ART_1001127226-C

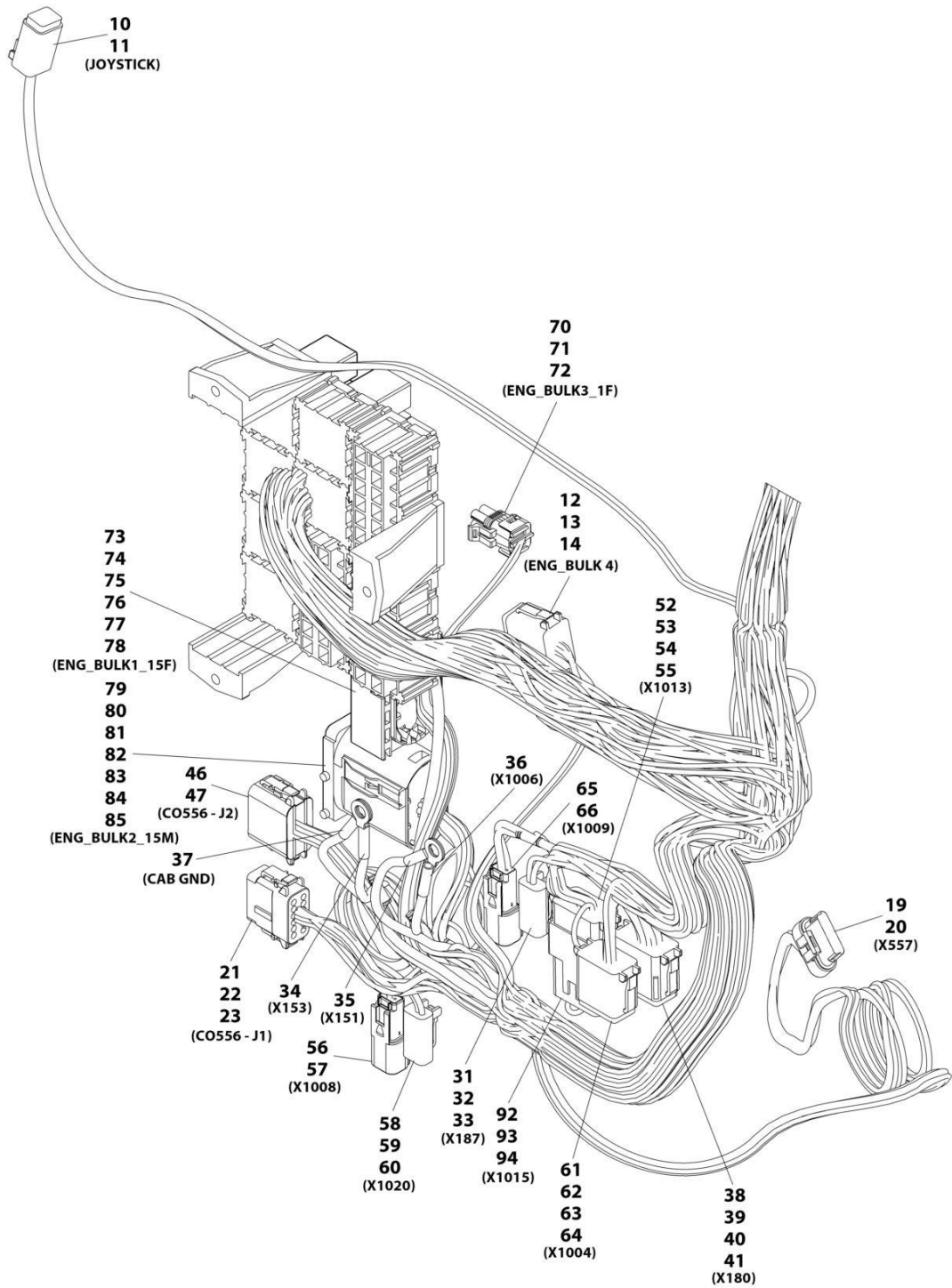
SECTION 10 - ELECTRICAL

FIGURE 10-10. BOOM EXTEND HARNESS

ITEM	PART NUMBER	QTY	DESCRIPTION	REV
	1001127226	Ref	Boom Extend Harness	C
1	4460459	1	Connector	
2	4460457	3	Terminal	
3	4460458	3	Seal	
4	4460476	1	Connector	
5	4460475	3	Terminal	
6	4460458	3	Seal	

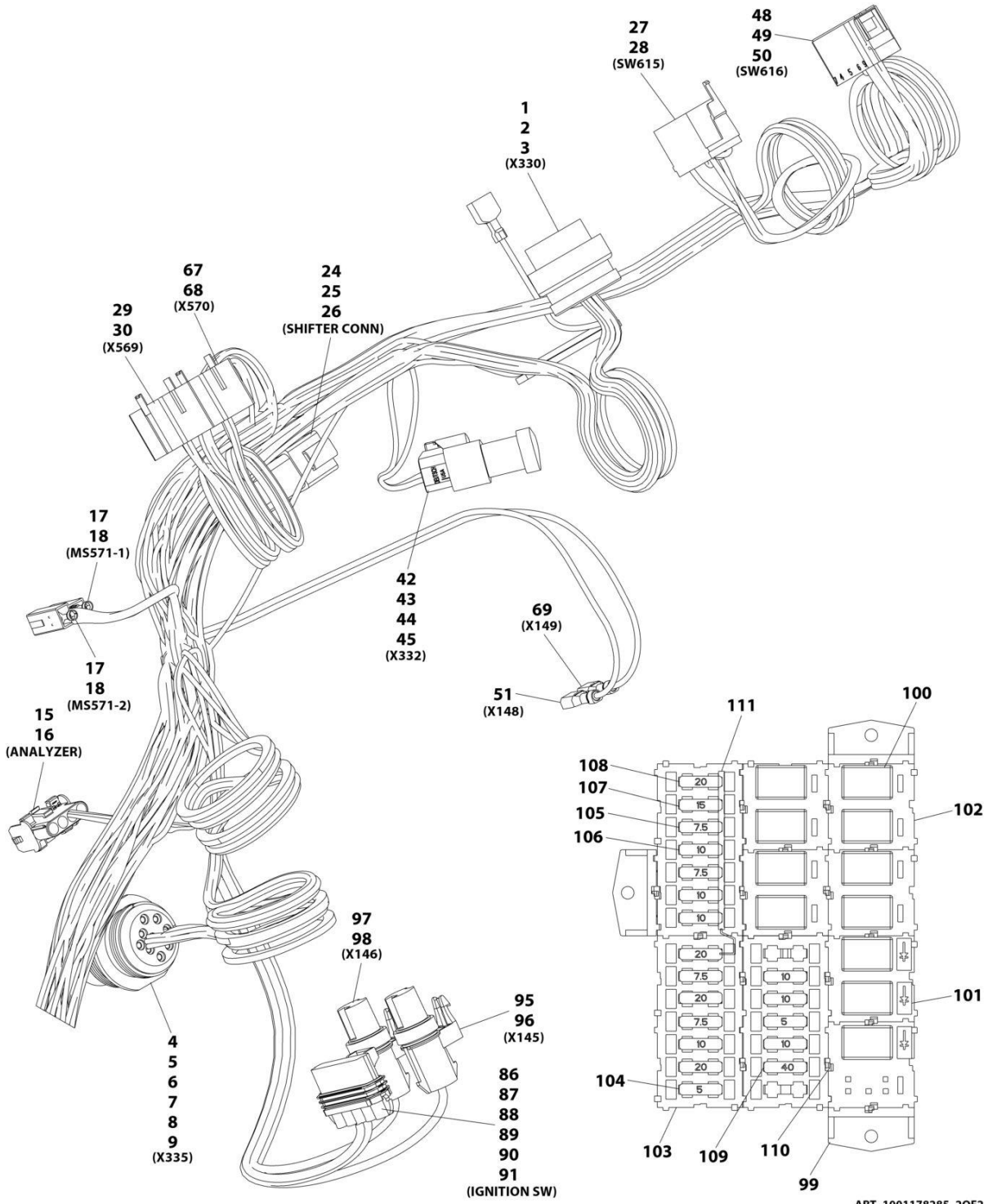
SECTION 10 - ELECTRICAL

FIGURE 10-11. CAB POWER DISTRIBUTION HARNESS



ART_1001178285_10F2

SECTION 10 - ELECTRICAL



ART_1001178285_20F2

SECTION 10 - ELECTRICAL

FIGURE 10-11. CAB POWER DISTRIBUTION HARNESS

ITEM	PART NUMBER	QTY	DESCRIPTION	REV
	1001178285	Ref	Cab Power Distribution Harness	O
1	4460872	1	Connector	
2	4460871	10	Terminal, Socket	
3	4460905	4	Plug, Seal	
4	1001112612	1	Connector	
5	1001149712	1	Cap	
6	1001125784	1	Lockwasher	
7	1001125785	1	Nut	
8	4460464	6	Terminal	
9	4460466	3	Plug	
10	4460884	1	Connector	
11	4460465	4	Terminal	
12	4460930	1	Connector	
13	4460465	6	Terminal	
14	4460466	2	Plug	
15	4460761	1	Connector	
16	1001118378	4	Terminal	
17	4460994	2	Connector	
18	1001200833	4	Terminal	
19	1001230931	1	Connector	
20	1001116748	6	Terminal	
21	1001116808	1	Connector	
22	1001126008	10	Terminal, Socket	
23	4460518	2	Terminal, Plug	
24	4460970	1	Connector	
25	4460464	9	Terminal	
26	4460466	3	Plug	
27	8220904	1	Connector	
28	4460419	6	Terminal	
29	1001117119	1	Connector	
30	1001159186	4	Terminal	
31	4460891	1	Connector	
32	1001157890	1	Terminal	
33	4460942	1	Terminal	
34	1001117106	1	Terminal, Ring	
35	1001117106	1	Terminal, Ring	
36	1001117106	1	Terminal, Ring	
37	1001117106	1	Terminal, Ring	
38	4460836	1	Connector	
39	4460509	5	Terminal, Socket	
40	4460465	6	Terminal	
41	4460466	1	Plug	
42	1001116812	1	Connector	
43	4461070	1	Connector	
44	4460465	2	Terminal	
45	4460466	1	Plug	
46	1001116774	1	Connector	
47	1001126008	12	Terminal, Socket	
48	8220904	1	Connector	
49	4460419	8	Terminal	

SECTION 10 - ELECTRICAL

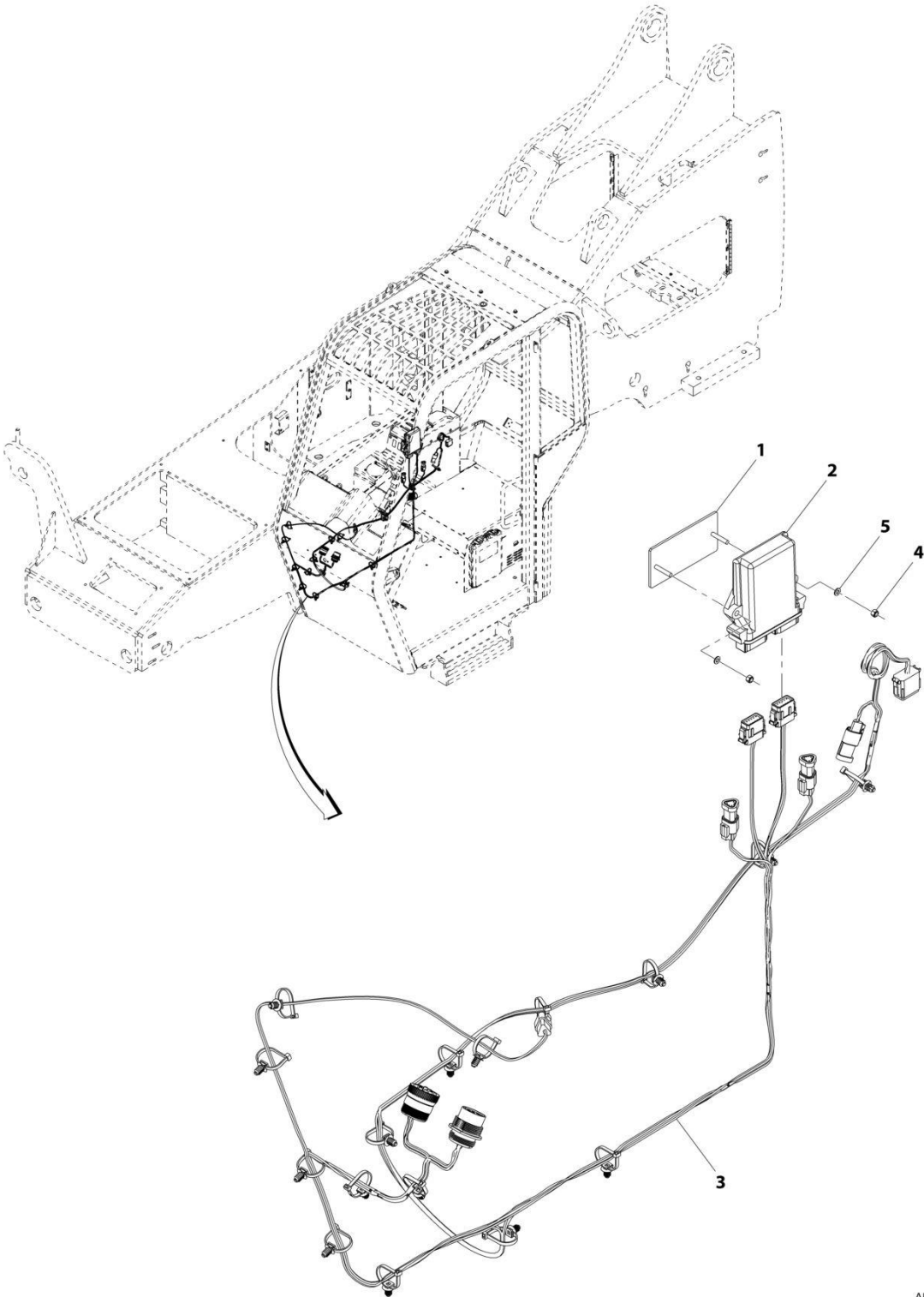
ITEM	PART NUMBER	QTY	DESCRIPTION	REV
50	1001195760	2	Terminal	
51	8220051	1	Terminal	
52	4460933	1	Connector	
53	1001003174	3	Terminal, Socket	
54	4460465	7	Terminal	
55	4460466	2	Terminal	
56	4460897	1	Connector	
57	4460464	2	Terminal	
58	4460891	1	Connector	
59	4460465	1	Terminal	
60	1001157890	1	Terminal	
61	4460930	1	Connector	
62	4460465	3	Terminal	
63	1001157890	2	Terminal	
64	4460466	3	Plug	
65	4461017	1	Connector	
66	4460508	2	Terminal, Socket	
67	1001117119	1	Connector	
68	1001159186	2	Terminal	
69	8220051	1	Terminal	
70	80963061	1	Connector	
71	4460790	4	Terminal, Socket	
72	8220089	4	Seal	
73	8220927	1	Connector	
74	1001116726	10	Terminal	
75	8220097	4	Terminal	
76	8220098	1	Terminal	
77	4460458	14	Seal	
78	4460789	1	Seal	
79	8220929	1	Connector	
80	1001116745	3	Terminal	
81	8220162	3	Terminal	
82	1001116729	8	Terminal	
83	1001116727	1	Plug	
84	4460458	11	Seal	
85	80963067	3	Seal	
86	1001121726	1	Connector	
87	8220125	2	Terminal	
88	8220089	2	Seal	
89	1001116726	1	Terminal	
90	4460458	1	Seal	
91	1001116727	2	Plug	
92	4460970	1	Connector	
93	4460466	6	Terminal	
94	4460464	6	Terminal	
95	1001121728	1	Connector, Packard Female, 1POS	
96	1001121730	1	Terminal	
97	1001121728	1	Connector, Packard Female, 1POS	
98	1001121730	1	Terminal	
99	1001200845	3	Leg, Mounting	
100	1001205172	11	Relay, Micro 280, 12V, 35 Amp	

SECTION 10 - ELECTRICAL

ITEM	PART NUMBER	QTY	DESCRIPTION	REV
101	1001129285	3	Fuse, Mini Diode	
102	1001177198	6	Module, 2 Fuse	
103	1001187952	3	Assembly, Electrical	
104	8229261	2	Fuse, Type 5 A	
105	8229233	4	Fuse, Type 7.5 A	
106	8229234	7	Fuse, Type 10 A	
107	8229237	1	Fuse, Type 15 A	
108	8229235	4	Fuse, Type 20 A	
109	8229238	1	Fuse, Type 40 A	
110	4461103	17	Relay, Locking Wedge	
111	1001210779	1	Terminal	
112	1001116710	43	Terminal	
113	1001116712	12	Terminal	
114	1001210779	1	Terminal	
115	1001192050	10	Terminal	
116	1001210776	4	Terminal	
117	1001192049	11	Terminal	
118	1001210778	2	Terminal	
119	1001210777	8	Terminal	

SECTION 10 - ELECTRICAL

FIGURE 10-12. CLEARSKY CANBUS TELEMATICS INSTALLATION



ART_1001220468-A

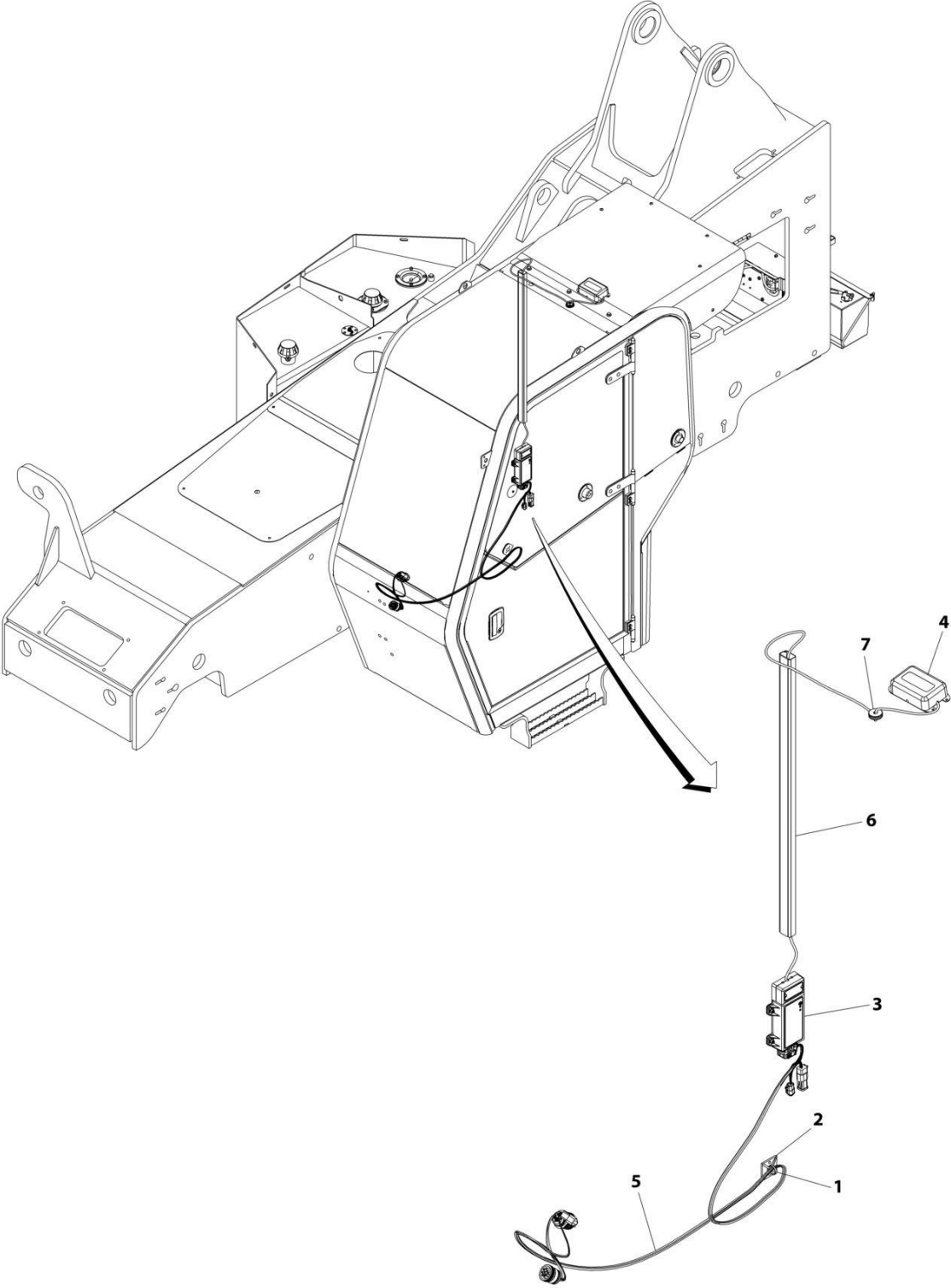
SECTION 10 - ELECTRICAL

FIGURE 10-12. CLEARSKY CANBUS TELEMATICS INSTALLATION

ITEM	PART NUMBER	QTY	DESCRIPTION	REV
	1001220468	Ref	Canbus Telematics Installation	A
1	1001219082	1	Bracket, Control Mount	
2	1001229458	1	Controller, Gateway	
3	1001219895	1	Telematics Gateway Harness (See Separate Breakdown in Electrical Section)	
4	3290505	2	Nut, M5X0.8	
5	4811600	2	Washer, M6	

SECTION 10 - ELECTRICAL

FIGURE 10-13. CLEARSKY INSTALLATION CANBUS (ANSI)



ART_1001227459_E

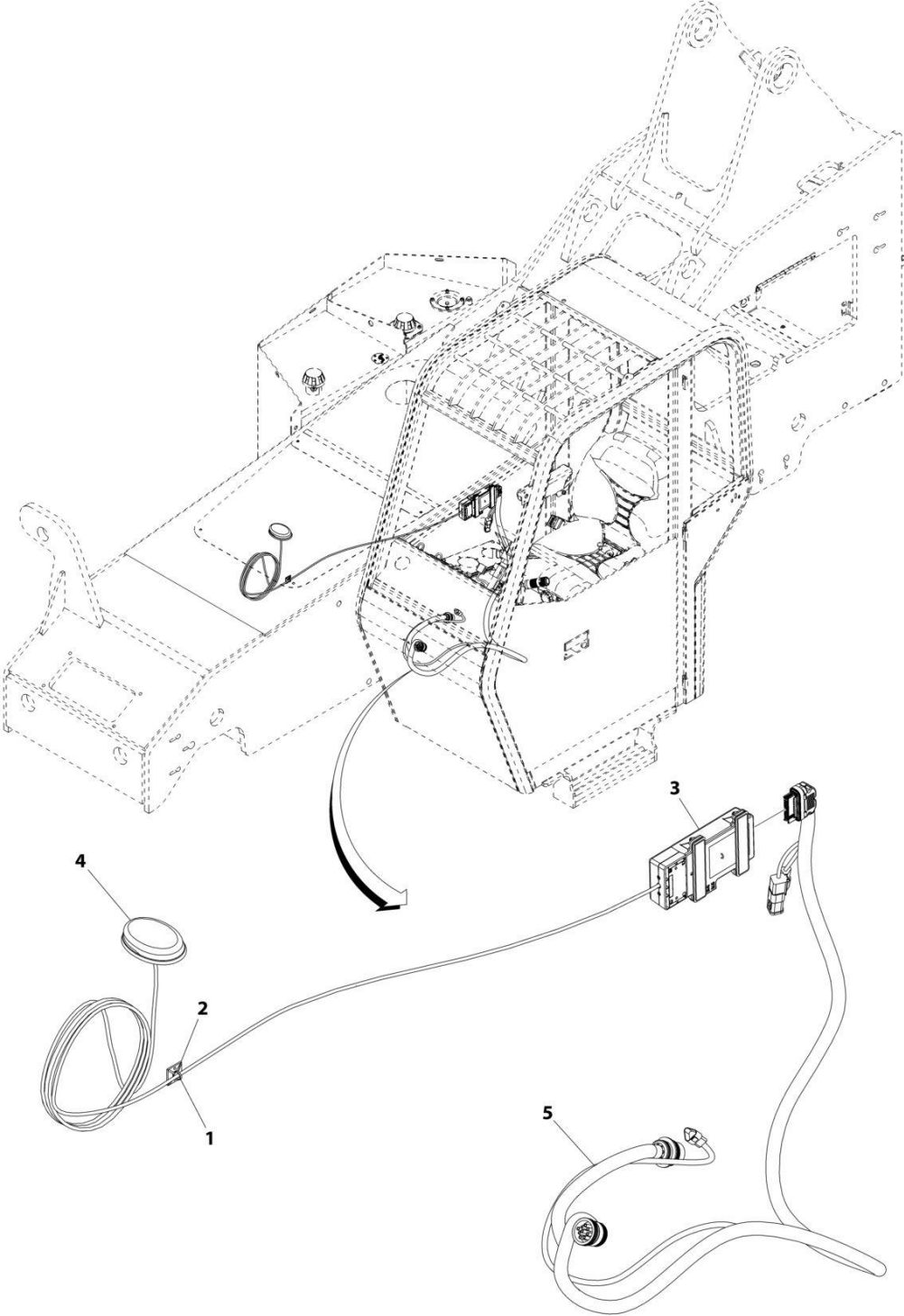
SECTION 10 - ELECTRICAL

FIGURE 10-13. CLEARSKY INSTALLATION CANBUS (ANSI)

ITEM	PART NUMBER	QTY	DESCRIPTION	REV
	1001227459	Ref	CLEARSKY INSTALLATION	E
1	4240032	AR	Tie-Strap	
2	4460234	AR	Mount, Tie-Strap	
3	1001262322	1	Module (4G)	
4	1001262327	1	Antenna (4G)	
5	1001226856	1	Harness, Clearsky (See Separate Breakdown in this Section)	
6	1001182091	1	Duct, Wire	
7	1001195913	1	Grommet	

SECTION 10 - ELECTRICAL

FIGURE 10-14. CLEARSKY INSTALLATION CANBUS (CE)



ART_1001239250-A

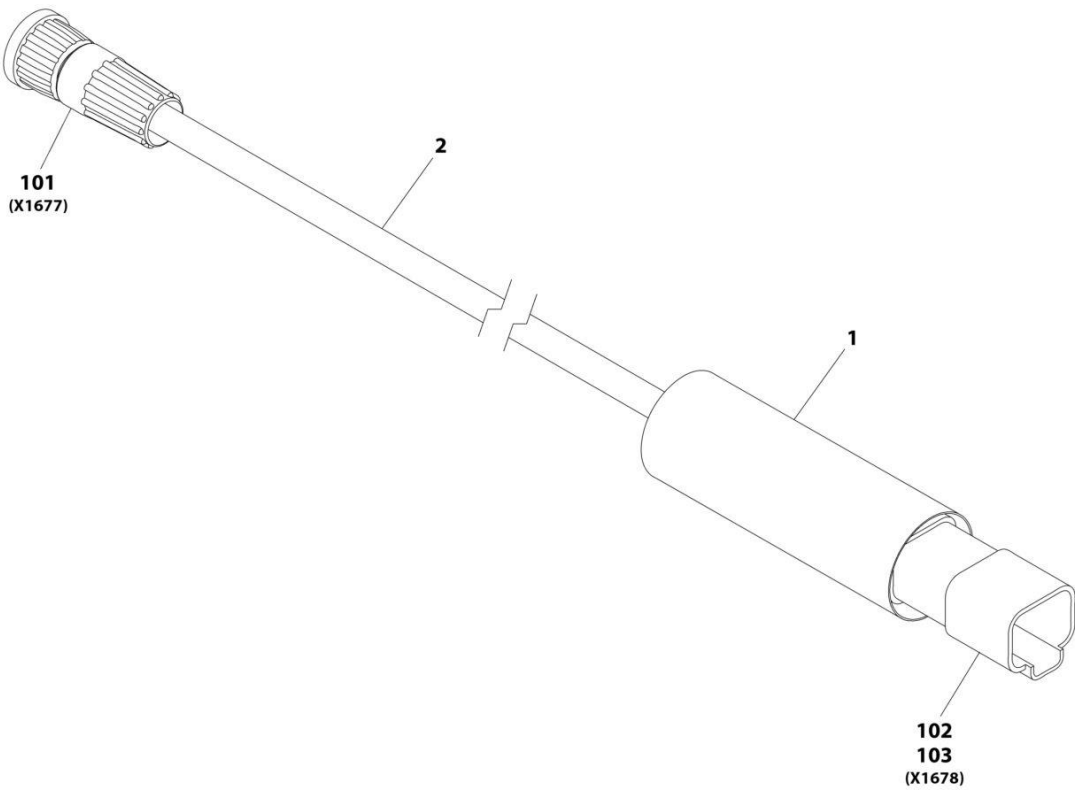
SECTION 10 - ELECTRICAL

FIGURE 10-14. CLEARSKY INSTALLATION CANBUS (CE)

ITEM	PART NUMBER	QTY	DESCRIPTION	REV
	1001239250	Ref	Clearsky Installation (CE)	A
1	4240032	AR	Tie-Strap	
2	4460234	AR	Mount, Tie-Strap	
3	1001228954	1	Module	
4	1001226799	1	Antenna	
5	1001226856	1	Harness, Clearsky (See Separate Breakdown in this Section)	

SECTION 10 - ELECTRICAL

FIGURE 10-15. CLEARSKYTELEMATICS HARNESS



ART_1001227066-A

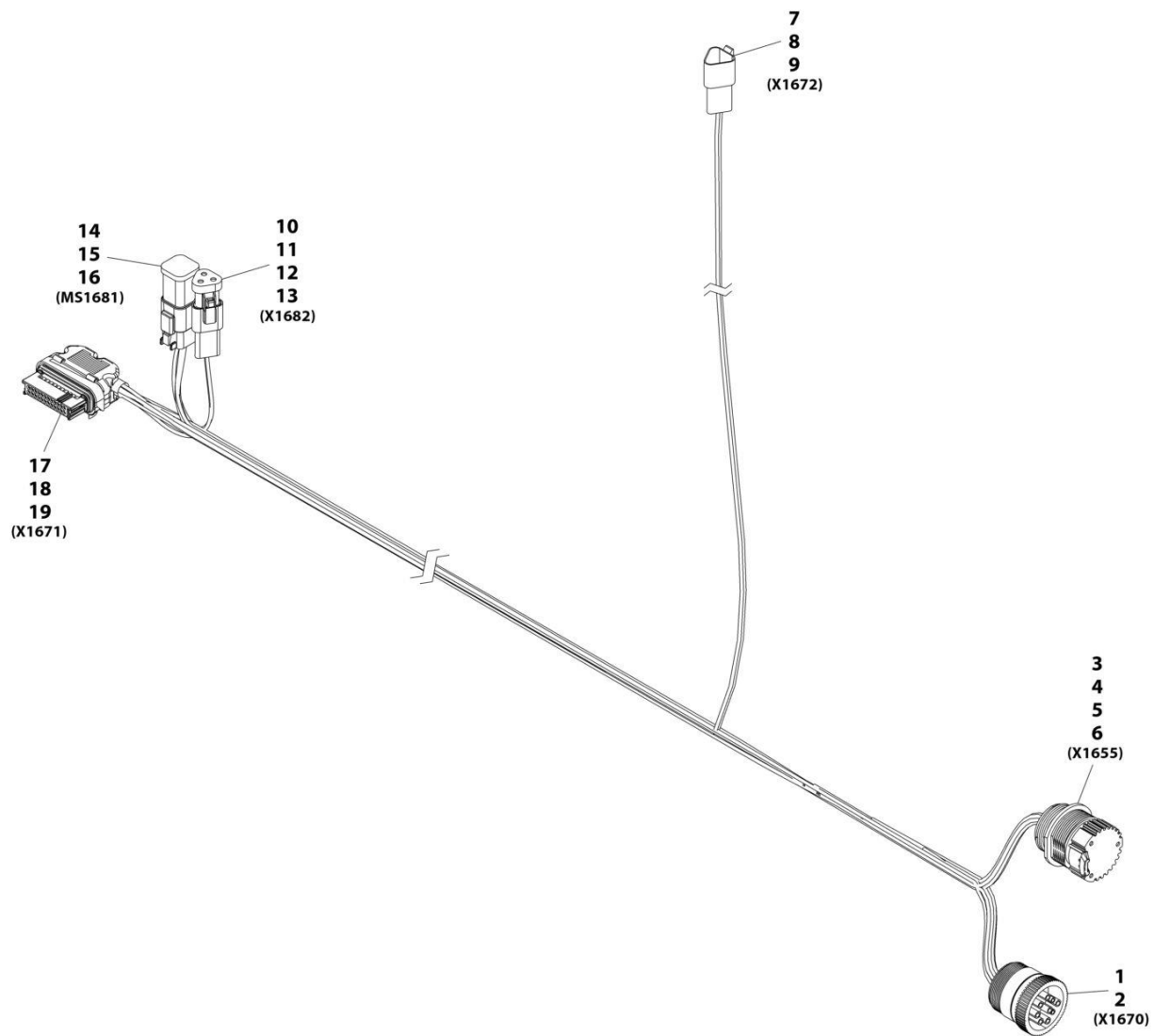
SECTION 10 - ELECTRICAL

FIGURE 10-15. CLEARSKYTELEMATICS HARNESS

ITEM	PART NUMBER	QTY	DESCRIPTION	REV
	1001227066	Ref	CLEARSKY TELEMATICS HARNESS	A
1	1001226400	0.33 ft	Insulate, Heat Shrink	
2	1001227068	3.3 ft	Cable	
101	1001227266	1	Connector	
102	1001129407	1	Connector	
103	4460464	4	Terminal	

SECTION 10 - ELECTRICAL

FIGURE 10-16. CLEARSKY TELEMATICS HARNESS



ART_1001226856-A

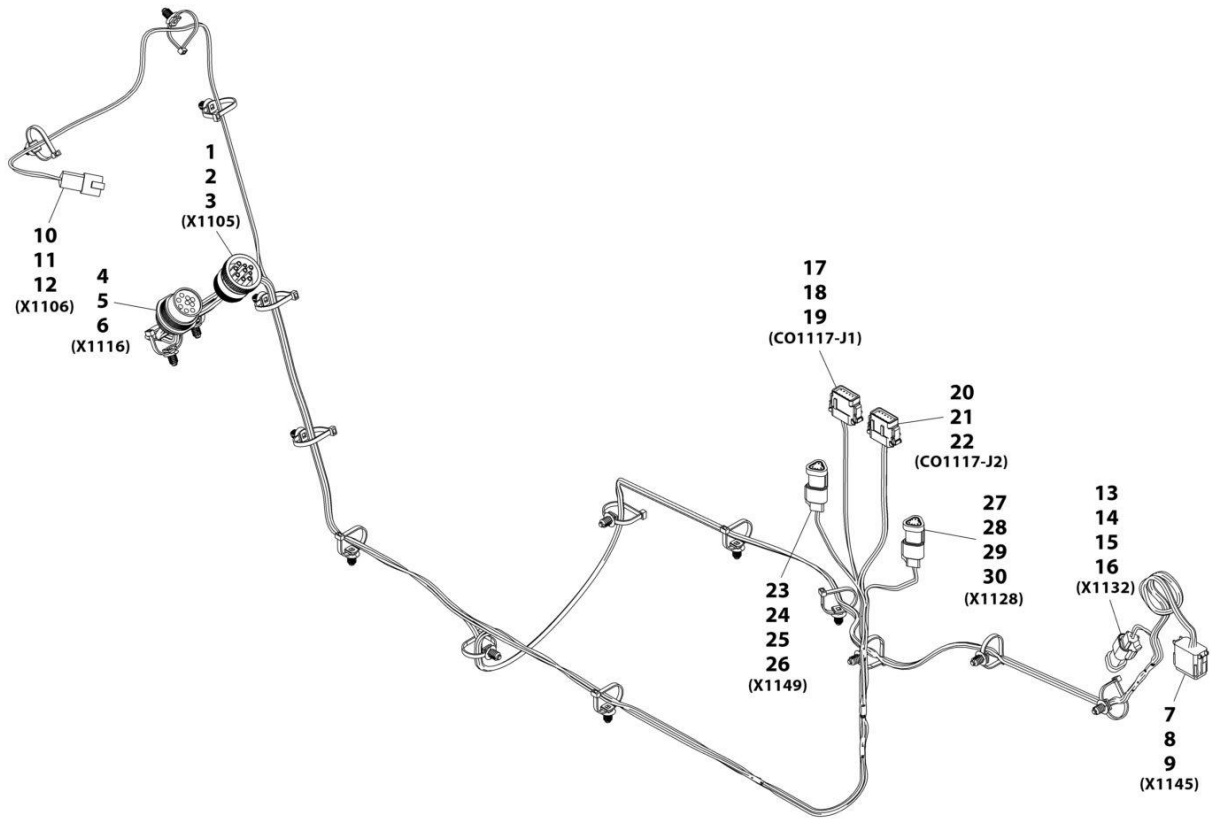
SECTION 10 - ELECTRICAL

FIGURE 10-16. CLEARSKY TELEMATICS HARNESS

ITEM	PART NUMBER	QTY	DESCRIPTION	REV
	1001226856	Ref	Clearsky Telematics Harness	A
1	1001112796	1	Connector	
2	4460465	9	Terminal	
3	1001112612	1	Connector	
4	1001149712	1	Cap	
5	1001116693	6	Terminal	
6	4460466	3	Plug	
7	1001144147	1	Connector	
8	4460464	2	Terminal	
9	4460466	1	Plug	
10	1001144147	1	Connector	
11	1001116815	1	Plug	
12	4460464	2	Terminal	
13	4460466	1	Plug	
14	4460894	1	Connector	
15	1001226541	1	Bussbar	
16	4460465	6	Terminal	
17	1001226636	1	Connector	
18	1001116731	16	Plug	
19	1001226637	8	Terminal	

SECTION 10 - ELECTRICAL

FIGURE 10-17. CLEARSKYTELEMATICS GATEWAY HARNESS



ART_1001219895-A

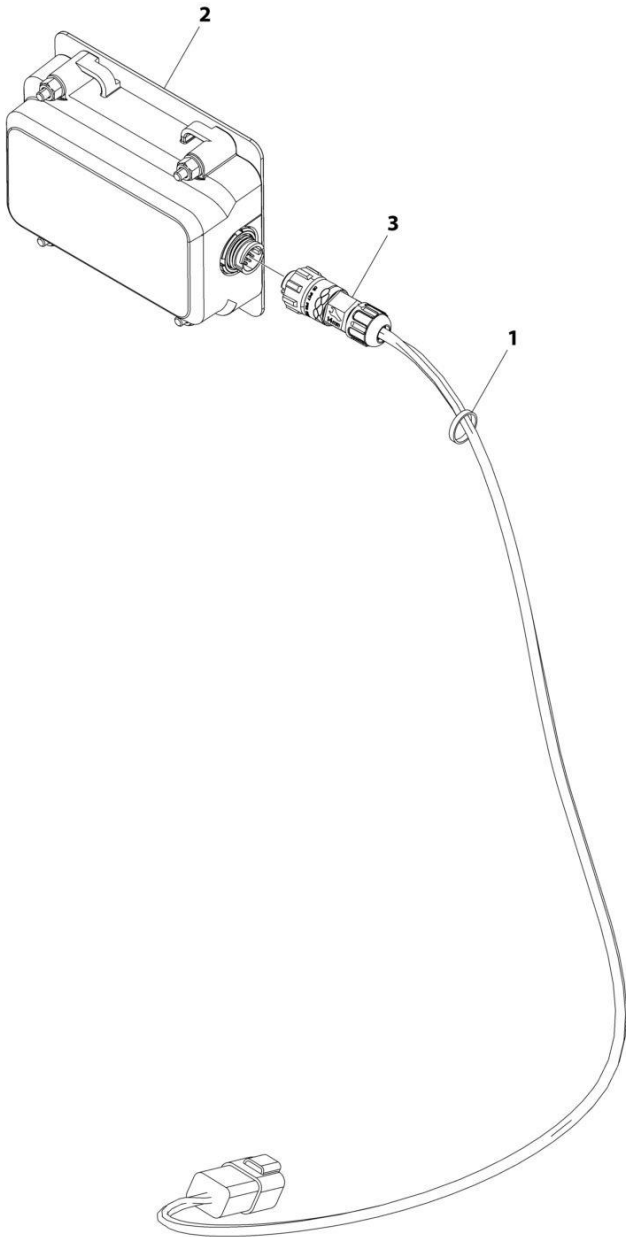
SECTION 10 - ELECTRICAL

FIGURE 10-17. CLEARSKYTELEMATICS GATEWAY HARNESS

ITEM	PART NUMBER	QTY	DESCRIPTION	REV
	1001219895	Ref	Telematics Gateway Harness	A
1	1001112796	1	Connector	
2	1001116692	6	Terminal	
3	4460466	3	Plug	
4	1001112612	1	Connector	
5	1001116693	6	Terminal	
6	4460466	3	Plug	
7	4460933	1	Connector	
8	1001116692	5	Terminal	
9	4460466	7	Plug	
10	1001144147	1	Connector	
11	4460464	2	Terminal	
12	4460466	1	Plug	
13	1001116812	1	Connector	
14	4461070	1	Terminal	
15	4460944	2	Terminal	
16	4460466	1	Plug	
17	1001116774	1	Connector	
18	4460518	8	Plug	
19	1001116694	4	Terminal	
20	1001116808	1	Connector	
21	4460518	10	Plug	
22	1001116694	2	Terminal	
23	1001116812	1	Connector	
24	4461070	1	Terminal	
25	4460944	2	Terminal	
26	4460466	1	Plug	
27	1001116812	1	Connector	
28	4461070	1	Terminal	
29	4460944	2	Terminal	
30	4460466	1	Plug	

SECTION 10 - ELECTRICAL

FIGURE 10-18. CLEARSKY TELEMATICS 3-WIRE INSTALLATION



ART_1001276920

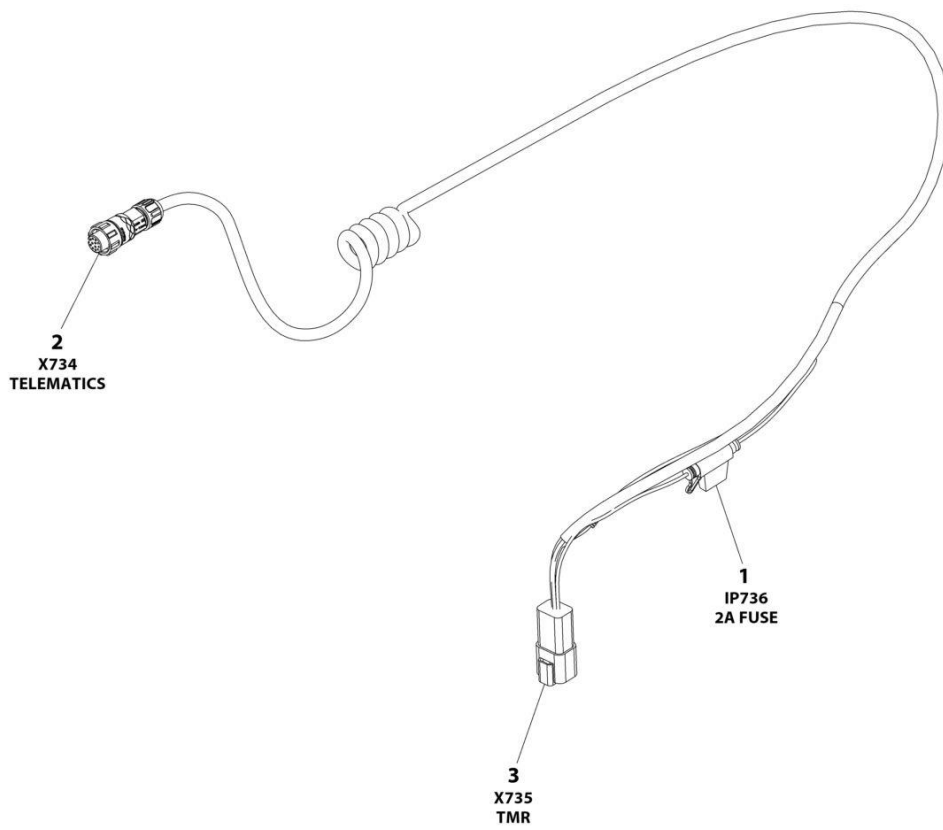
SECTION 10 - ELECTRICAL

FIGURE 10-18. CLEARSKY TELEMATICS 3-WIRE INSTALLATION

ITEM	PART NUMBER	QTY	DESCRIPTION	REV
	1001276920	Ref	CLEARSKY TELEMATICS 3-WIRE INSTALLATION	A
1	4240032	AR	Tie, Strap	
2	1001272659	1	Module - GT1030	
3	1001273012	1	ClearSky Telematics 3-Wire Harness (See Separate Breakdown in this Section)	

SECTION 10 - ELECTRICAL

FIGURE 10-19. CLEARSKY TELEMATICS 3-WIRE HARNESS



ART_1001273012

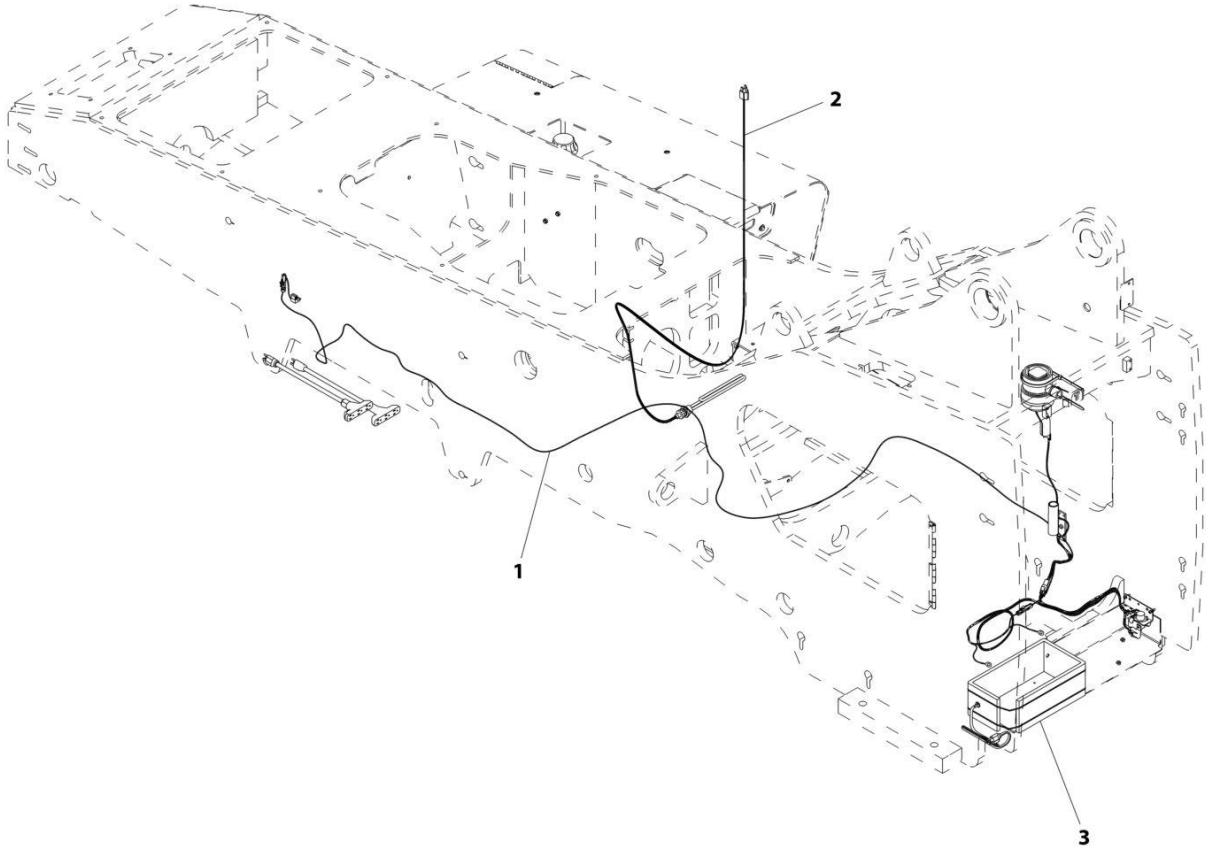
SECTION 10 - ELECTRICAL

FIGURE 10-19. CLEARSKY TELEMATICS 3-WIRE HARNESS

ITEM	PART NUMBER	QTY	DESCRIPTION	REV
	1001273012	Ref	CLEARSKY TELEMATICS HARNESS - GT1030	D
1	1001255901	1	Fuseholder	
1	1001196634	1	Fuse - 2Amp	
2	1001272997	1	Connector - 12 Position	
2		Ref	Terminal	
3	4460932	1	Receptacle, Female - 4 Position	
3	4460464	4	Pin, Male	

SECTION 10 - ELECTRICAL

FIGURE 10-20. COLD WEATHER PACKAGE INSTALLATION (74HP ULS)



ART_1001234530-A

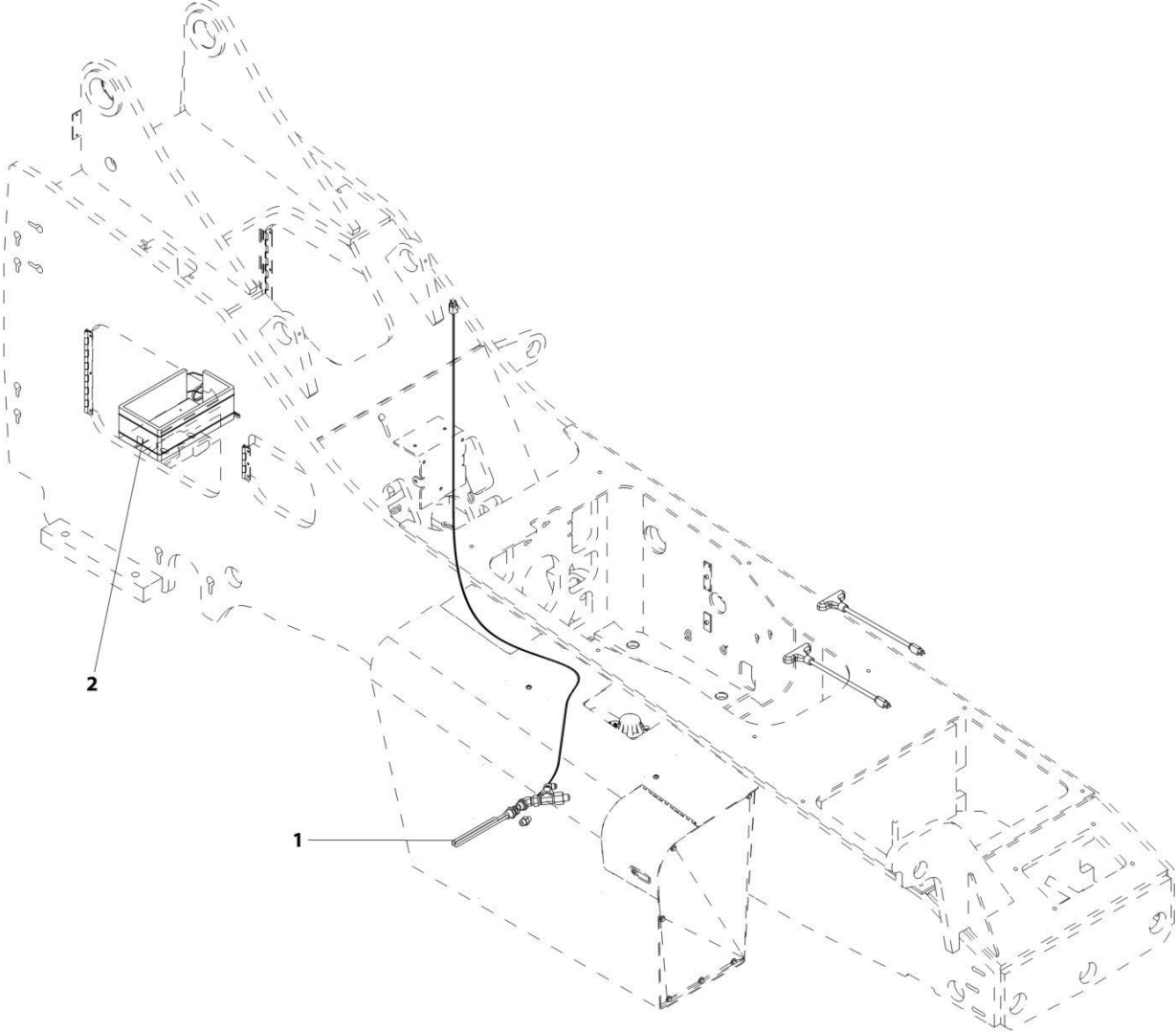
SECTION 10 - ELECTRICAL

FIGURE 10-20. COLD WEATHER PACKAGE INSTALLATION (74HP ULS)

ITEM	PART NUMBER	QTY	DESCRIPTION	REV
1	1001234530	Ref	Arctic Weather Package Installation (ULS)	A
	1001232750	Ref	Heater, Breather (See Separate Breakdown in Engine And Attaching Parts Section)	
2	1001233964	Ref	Installation, Tank Heater (See Separate Breakdown in this Section)	
3	1001234216	Ref	Installation, Battery Blanket (See Separate Breakdown in this Section)	

SECTION 10 - ELECTRICAL

FIGURE 10-21. COLD WEATHER PACKAGE INSTALLATION (130HP LS)



ART_1001239958-A

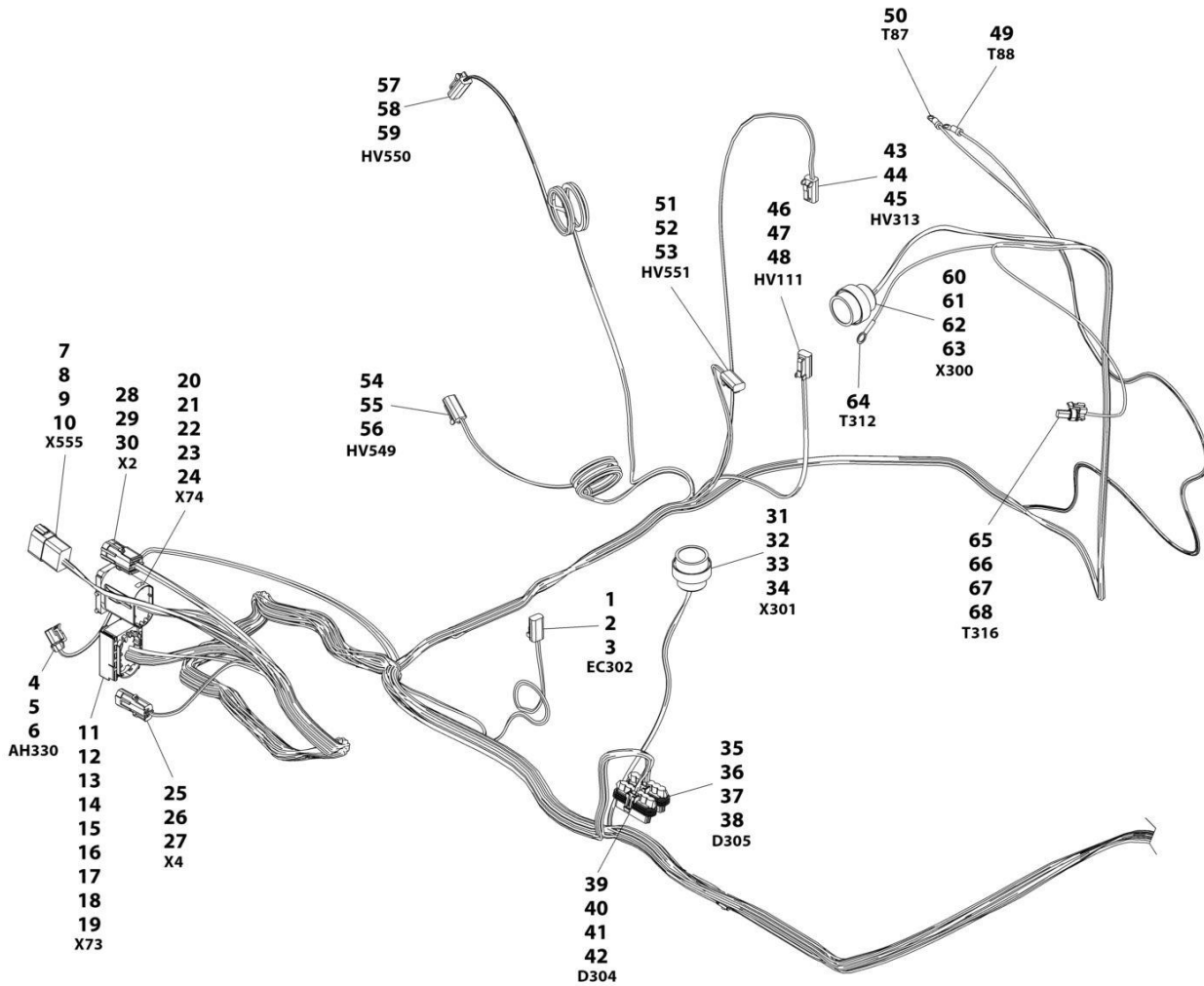
SECTION 10 - ELECTRICAL

FIGURE 10-21. COLD WEATHER PACKAGE INSTALLATION (130HP LS)

ITEM	PART NUMBER	QTY	DESCRIPTION	REV
1	1001239958	Ref	Arctic Weather Package Installation (LS)	A
	1001233964	Ref	Installation, Tank Heater (See Separate Breakdown in this Section)	
2	1001234216	Ref	Installation, Battery Blanket (See Separate Breakdown in this Section)	

SECTION 10 - ELECTRICAL

FIGURE 10-22. ENGINE HARNESS, 74HP ULS



ART_1001199889_1OF2

SECTION 10 - ELECTRICAL

FIGURE 10-22. ENGINE HARNESS, 74HP ULS

ITEM	PART NUMBER	QTY	DESCRIPTION	REV
	1001199889	Ref	ENGINE HARNESS 74HP (IF EQUIPPED FOR ULS)	I
1	4460891	1	Connector	
2	80604018	1	Lock, Wedge	
3	4460465	2	Terminal	
4	1001117068	1	Connector	
5	8220124	2	Terminal	
6	80963067	2	Seal	
6	4460608	2	Seal	
7	4460931	1	Connector	
8	91503106	1	Lock, Wedge	
9	4460464	4	Terminal	
10	4460466	4	Plug	
11	8220927	1	Connector	
12	70024256	1	Lock, Slide	
13	70024255	1	Seal, Connector	
14	70024254	1	Lock, Secondary	
15	8220097	10	Terminal	
16	4460458	10	Seal	
17	8220098	3	Terminal	
18	80963067	3	Seal	
19	1001116727	2	Plug	
20	8220929	1	Connector	
21	70024253	1	Lock, Secondary	
22	1001116745	1	Terminal	
23	1001116729	14	Terminal	
24	4460458	15	Seal	
25	4461157	1	Connector	
26	4460475	2	Terminal	
27	4460458	2	Seal	
28	80963062	1	Connector	
29	4460850	4	Terminal	
30	80963067	4	Seal	
31	8220536	1	Connector	
32	1001116758	12	Plug	
33	1001116757	4	Terminal	
34	1001189875	4	Seal	
35	4460744	1	Connector	
36	1001116728	4	Terminal	
37	1001116727	2	Plug	
38	8220081	4	Seal	
39	4460744	1	Connector	
40	1001116728	4	Terminal	
41	1001116727	2	Plug	
42	8220081	4	Seal	
43	4460891	1	Connector	
44	80604018	1	Lock, Wedge	
45	4460465	2	Terminal	
46	4460891	1	Connector	
47	80604018	1	Lock, Wedge	
48	4460465	2	Terminal	

SECTION 10 - ELECTRICAL

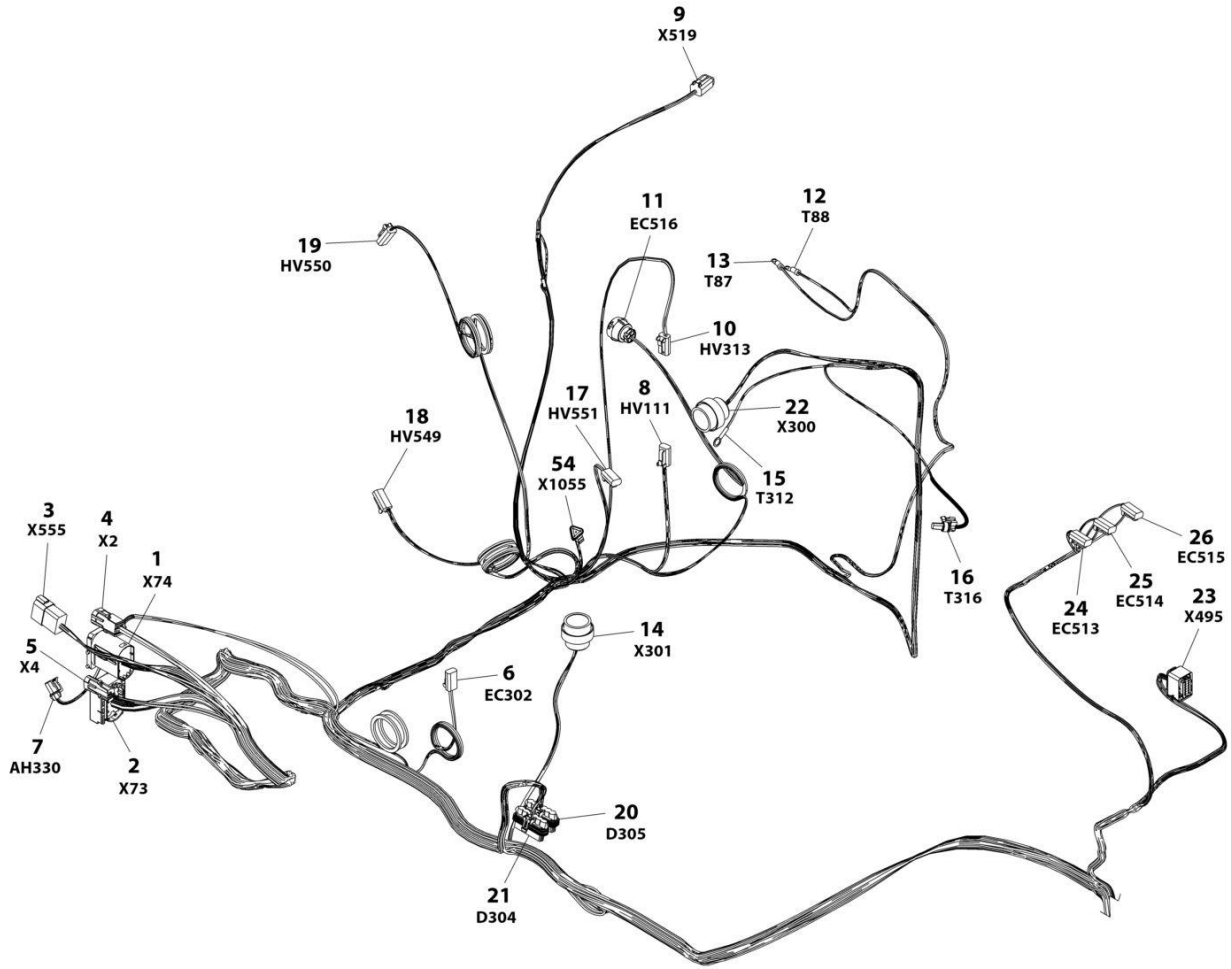
ITEM	PART NUMBER	QTY	DESCRIPTION	REV
49	4460042	1	Terminal, Ring	
50	4460042	1	Terminal, Ring	
51	4460891	1	Connector	
52	80604018	1	Lock, Wedge	
53	4460465	2	Terminal	
54	4460891	1	Connector	
55	80604018	1	Lock, Wedge	
56	4460465	2	Terminal	
57	4460891	1	Connector	
58	80604018	1	Lock, Wedge	
59	4460465	2	Terminal	
60	8220536	1	Connector	
61	1001116757	4	Terminal	
62	1001116758	12	Plug	
63	1001189875	4	Seal	
64	4460256	1	Terminal, Ring	
65	1001119004	1	Connector	
66	8220889	1	Lock, Secondary	
67	1001116728	1	Terminal	
68	4460458	1	Seal	
69	1001167641	1	Connector	
70	1001167643	1	Cover	
71	1001167644	1	Lock, Secondary	
72	1001167646	1	Lock, Secondary	
73	1001167647	1	Boot, Rubber	
74	1001167648	10	Terminal	
75	1001167650	75	Plug	
76	1001167649	11	Terminal	
77	4460955	1	Connector	
78	1001116748	2	Terminal	
79	4460955	1	Connector	
80	1001116748	2	Terminal	
81	4460955	1	Connector	
82	1001116748	2	Terminal	
83	4460955	1	Connector	
84	1001116748	2	Terminal	
85	4460955	1	Connector	
86	1001116748	2	Terminal	
87	4461095	1	Connector	
88	4460465	2	Terminal	
89	4460466	1	Plug	
90	4460019	1	Terminal, Ring	
91	4460891	1	Connector	
92	80604018	1	Lock, Wedge	
93	4460465	2	Terminal	
94	8220164	2	Terminal, Ring	
95	4460019	1	Terminal, Ring	
96	1001145707	1	Connector	
97	1001116732	4	Terminal	
98	1001117070	1	Connector	
99	1001116734	2	Terminal	

SECTION 10 - ELECTRICAL

ITEM	PART NUMBER	QTY	DESCRIPTION	REV
100	4460247	1	Terminal, Ring	
101	1001195057	1	Red Boot	
102	4460247	1	Terminal, Ring	
103	1001195055	1	Red Boot	
104	4460312	1	Terminal, Ring	
105	4460312	1	Terminal, Ring	
106	1001195087	1	Red Boot	
110	4460312	1	Terminal, Ring	
111	1001116950	1	Connector	
112	4460465	2	Terminal	
113	4460312	2	Terminal, Ring	
114	1001195087	1	Red Boot	
115	4460019	1	Terminal, Ring	
115	4460312	1	Terminal, Ring	
116	4460019	1	Terminal, Ring	
117	4460019	1	Terminal, Ring	
118	4460476	1	Connector	
119	4460475	3	Terminal	
120	4460458	3	Seal	
121	1001125027	1	Connector	
122	70026217	1	Lock, Secondary	
123	8220124	3	Terminal	
124	4460608	3	Seal	
125	8220058	1	Terminal, Ring	
126	1001195055	1	Red Boot	
132	2400060	1	Fuse Holder	
133	8229242	1	Fuse 5A	
134	4460476	1	Connector	
135	4460475	3	Terminal	
136	4460458	3	Seal	
137	1001117111	1	Terminal, Fork	
138	1001117125	1	Terminal, Snap Plug	
138	1001246391	1	Terminal, Snap Plug	
139	1001117021	1	Connector	
140	1001116728	2	Terminal	
141	8220081	2	Seal	
142	1001117103	1	Connector	
143	7026404	1	Lock, Connector	
144	1001121730	2	Terminal	
145	8220160	2	Seal	
146	4460884	1	Connector	
147	80604021	1	Lock, Wedge	
148	1001157890	1	Terminal	
149	1001116692	2	Terminal	
150	4460466	1	Plug	
151	1001192401	1	Dust Cap	

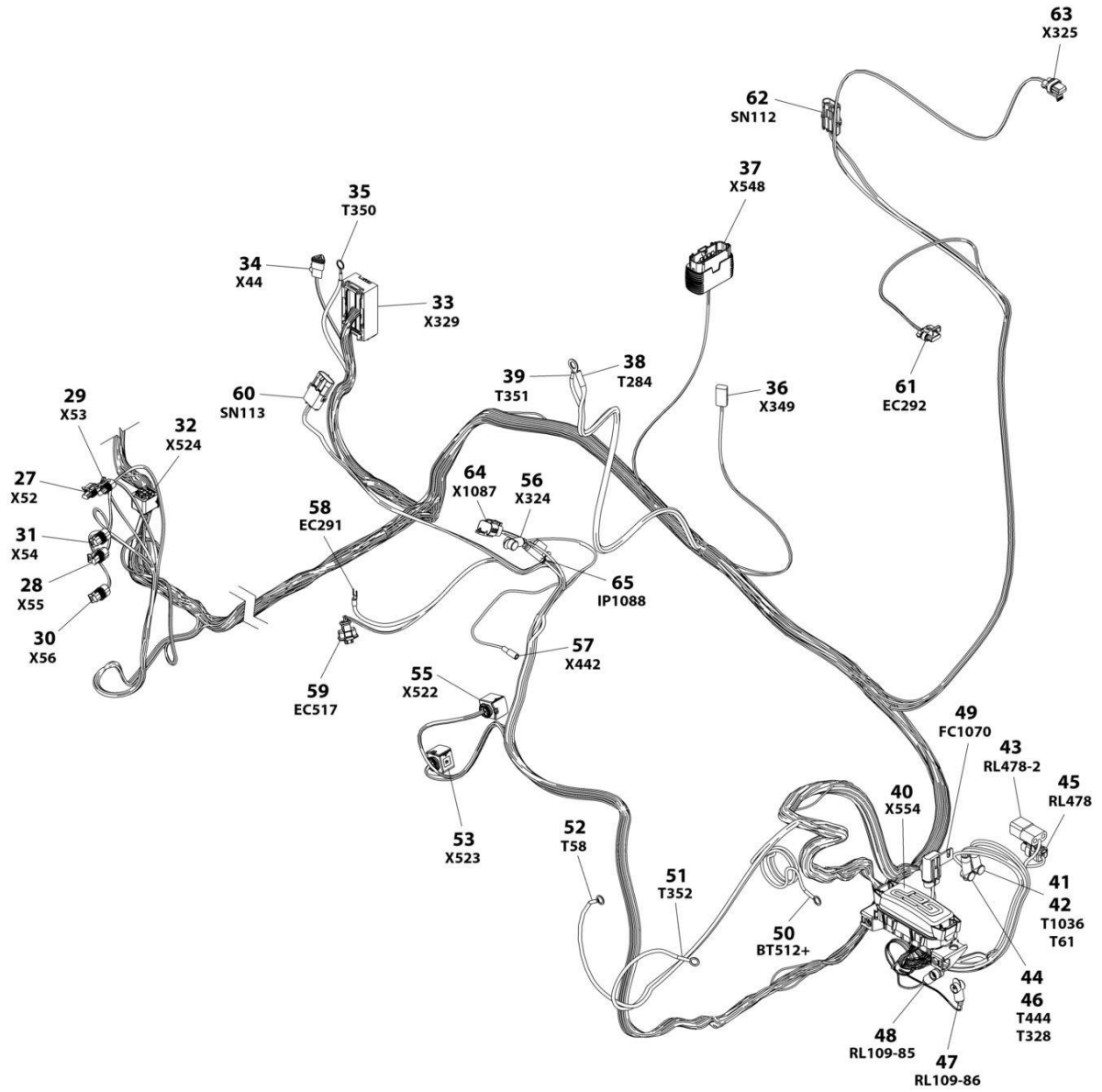
SECTION 10 - ELECTRICAL

FIGURE 10-23. ENGINE HARNESS - 130HP ULS



ART_1001169620_10F2

SECTION 10 - ELECTRICAL



ART_1001169620_20F2

SECTION 10 - ELECTRICAL

FIGURE 10-23. ENGINE HARNESS - 130HP ULS

ITEM	PART NUMBER	QTY	DESCRIPTION	REV
	1001169620	Ref	ENGINE HARNESS	O
1	8220929	1	Connector	
	70024253	1	Lock, Secondary	
	1001116745	1	Terminal	
	4460458	14	Seal	
	1001116729	13	Terminal	
	1001116727	1	Plug	
2	8220927	1	Connector	
	70024256	1	Lock, Slide	
	70024255	1	Seal, Connector	
	70024254	1	Lock, Secondary	
	8220097	11	Terminal	
	4460458	11	Seal	
	8220098	3	Terminal	
	80963067	3	Seal	
	1001116727	1	Plug	
3	4460931	1	Connector	
	80604024	1	Lock, Wedge	
	4460464	6	Terminal	
	4460466	2	Plug	
4	80963062	1	Connector	
	4460850	4	Terminal	
	80963067	4	Seal	
5	4461157	1	Connector	
	4460475	2	Terminal	
	4460458	2	Seal	
6	4460891	1	Connector	
	80604018	1	Lock, Wedge	
	4460465	2	Terminal	
7	1001117068	1	Connector	
	8220124	2	Terminal	
	80963067	2	Seal	
	4460608	2	Seal	
8	4460891	1	Connector	
	80604018	1	Lock, Wedge	
	4460465	2	Terminal	
9	4460884	1	Connector	
	80604021	1	Lock, Wedge	
	4460465	4	Terminal	
10	4460891	1	Connector	
	80604018	1	Lock, Wedge	
	4460465	2	Terminal	
	4460458	2	Seal	
11	1001167620	1	Connector	
	1001176004	2	Terminal	
	1001167624	2	Plug	
	1001176002	2	Seal	
12	4460042	1	Terminal, Ring	
13	4460042	1	Terminal, Ring	
14	8220536	1	Connector	

SECTION 10 - ELECTRICAL

ITEM	PART NUMBER	QTY	DESCRIPTION	REV
	1001116757	12	Terminal	
	1001116758	3	Plug	
	1001189875	4	Seal	
15	4460256	1	Terminal, Ring	
16	1001119004	1	Connector	
	8220889	1	Lock, Secondary Terminal	
	1001116728	1	Terminal	
	4460458	1	Seal	
17	4460891	1	Connector	
	80604018	1	Lock, Wedge	
	4460465	2	Terminal	
18	4460891	1	Connector	
	80604018	1	Lock, Wedge	
	4460465	2	Terminal	
19	4460891	1	Connector	
	80604018	1	Lock, Wedge	
	4460465	2	Terminal	
20	4460744	1	Connector	
	1001116728	4	Terminal	
	8220081	4	Seal	
	4460458	4	Seal	
	8220375	1	CAP,EXTENDED CLEAR VES-PAC	
	8220366	1	Diode Board Flyback	
21	1001116727	2	Plug	
	4460744	1	Connector	
	1001116728	4	Terminal	
	8220081	4	Seal	
	4460458	4	Seal	
	1001116727	2	Plug	
	8220366	1	Diode Board Flyback	
	8220375	1	CAP,EXTENDED CLEAR VES-PAC	
22	8220536	1	Connector	
	1001116757	4	Terminal	
	1001116758	12	Plug	
	1001189875	4	Seal	
23	1001165194	1	Connector	
	1001166556	10	Terminal	
	1001126391	2	Terminal	
	1001126393	10	Seal	
24	4460891	1	Connector	
	80604018	1	Lock, Wedge	
	4460465	2	Terminal	
25	4460891	1	Connector	
	80604018	1	Lock, Wedge	
	4460465	2	Terminal	
26	4460891	1	Connector	
	80604018	1	Lock, Wedge	
	4460465	2	Terminal	
27	4460955	1	Connector	
	1001116748	2	Terminal	
28	4460955	1	Connector	

SECTION 10 - ELECTRICAL

ITEM	PART NUMBER	QTY	DESCRIPTION	REV
	1001116748	2	Terminal	
29	4460955	1	Connector	
	1001116748	2	Terminal	
30	4460955	1	Connector	
	1001116748	2	Terminal	
31	4460955	1	Connector	
	1001116748	2	Terminal	
32	1001176935	1	Connector	
	1001166704	4	Terminal	
	4461006	4	Seal	
33	1001167641	1	Connector	
	1001167643	1	Cover	
	1001167644	1	Lock, Secondary	
	1001167646	1	Relief, Strain	
	1001167647	1	Boot, Rubber	
	1001167648	12	Terminal	
	1001167650	54	Plug	
	1001167649	30	Terminal	
34	4461095	1	Connector	
	4461070	1	Attach Mating Connector	
	4460465	2	Terminal	
	4460466	1	Terminal	
35	4460019	1	Terminal, Ring	
36	4460891	1	Connector	
	80604018	1	Lock, Wedge	
	4460465	2	Terminal	
37	1001125083	1	Connector	
	1001125085	1	Terminal	
	1001125089	1	Terminal	
38	8220164	2	Terminal, Ring	
39	4460019	1	Terminal, Ring	
40	1001167617	1	Connector	
	4460746	22	Terminal	
	1001116727	24	Plug	
	1001189877	2	Seal	
	8220089	1	Seal	
	4460458	19	Seal	
	8220125	2	Terminal	
	80963067	2	Seal	
	1001187512	1	Decal	
	1001187513	1	Decal	
	1001095704	5	Relay	
	8229244	2	Fuse, 15 Amp	
41	4460312	2	Terminal, Ring	
	1001195087	1	Red Boot	
42	4460312	1	Terminal, Ring	
43	1001117103	1	Connector	
	7026404	1	Lock, Connector	
	1001121730	2	Terminal	
	8220160	2	Seal	
44	4460312	1	Terminal, Ring	

SECTION 10 - ELECTRICAL

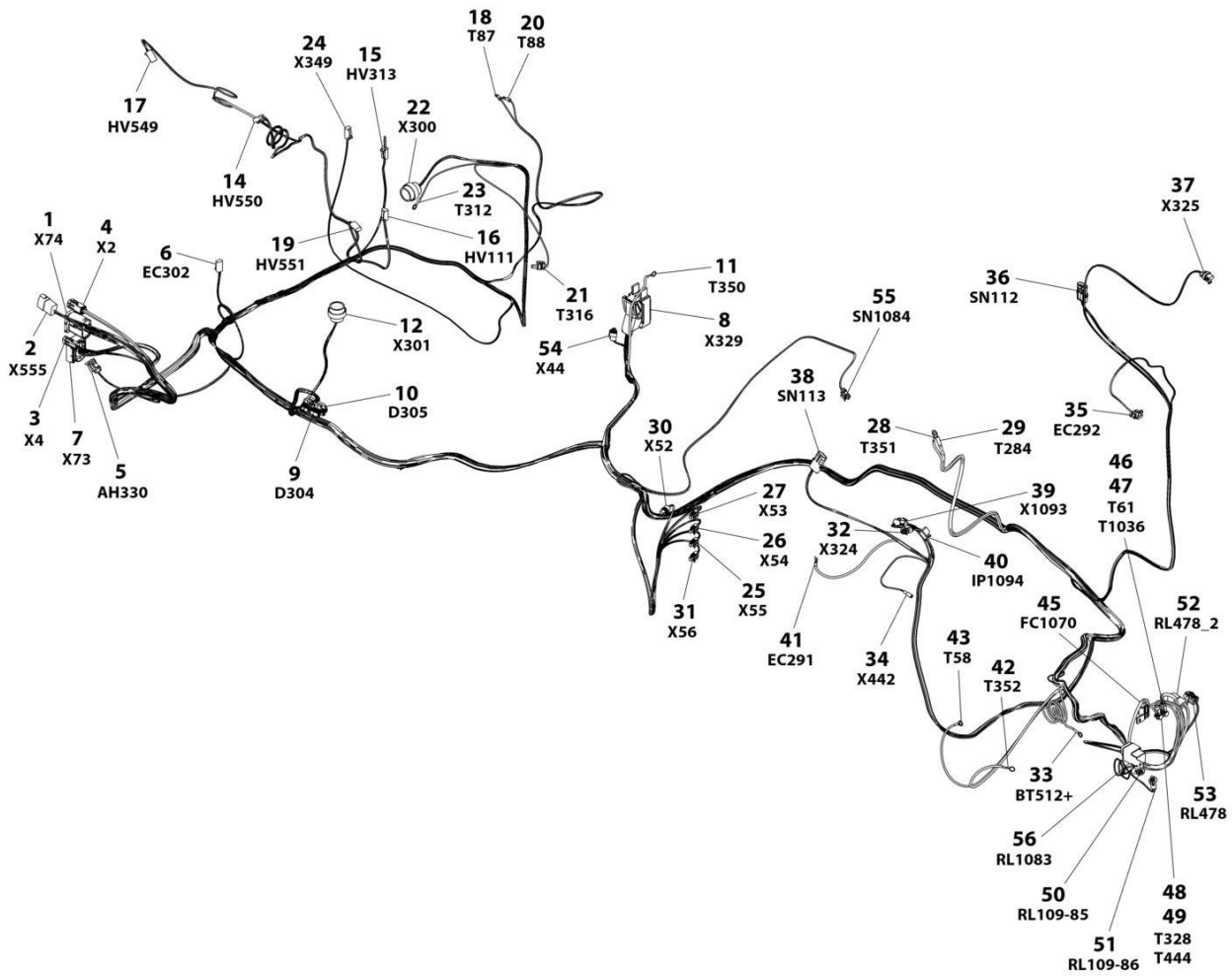
ITEM	PART NUMBER	QTY	DESCRIPTION	REV
45	1001116950	1	Connector	
	4460465	2	Terminal	
	1001118390	2	Terminal	
46	4460312	2	Terminal, Ring	
	1001195087	1	Red Boot	
47	4460247	1	Terminal, Ring	
	1001195055	1	Red Boot	
48	4460247	1	Terminal, Ring	
	1001195087	1	Black Boot	
49	1001117070	1	Connector	
	1001116734	2	Terminal	
50	4460312	1	Terminal, Ring	
	4460019	1	Terminal, Ring	
51	4460019	1	Terminal, Ring	
52	4460019	1	Terminal, Ring	
53	1001176935	1	Connector	
	1001166704	4	Terminal	
	4461006	4	Seal	
54	4461095	1	Connector	
	4461070	1	Attach Mating Connector	
	4460465	2	Terminal	
	4460466	1	Plug	
55	1001167528	1	Connector	
	1001166704	4	Terminal	
	4461006	4	Seal	
56	8220058	1	Terminal, Ring	
	1001195055	1	Red Boot	
57	1001117125	1	Terminal, Snap Plug	
	1001246391	1	Terminal, Snap Plug	
58	1001117111	1	Terminal, Fork	
59	1001126487	1	Connector	
	1001126484	2	Terminal	
	4461006	2	Seal	
60	4460476	1	Connector	
	4460475	3	Terminal	
	4460458	3	Seal	
61	1001125027	1	Connector	
	70026217	1	Lock, Secondary	
	8220124	3	Terminal	
	4460608	3	Seal	
	1001237778	3	Seal	
62	4460476	1	Connector	
	4460475	3	Terminal	
	4460458	3	Seal	
63	1001117021	1	Connector	
	1001116728	2	Terminal	
	8220081	2	Seal	
64	4460884	1	Connector	
	1001192401	1	Dust Cap	
	1001157890	1	Terminal	
	1001116692	2	Terminal	

SECTION 10 - ELECTRICAL

ITEM	PART NUMBER	QTY	DESCRIPTION	REV
65	4460466	1	Plug	
	2400066	1	Connector	
	2400060	1	Fuseholder	
	8229242	1	Fuse, 5 Amp	

SECTION 10 - ELECTRICAL

FIGURE 10-24. ENGINE HARNESS 130HP LS



ART_1001189488

SECTION 10 - ELECTRICAL

FIGURE 10-24. ENGINE HARNESS 130HP LS

ITEM	PART NUMBER	QTY	DESCRIPTION	REV
	1001189488	Ref	ENGINE HARNESS	K
1	8220929	1	Connector	
	1001116745	1	Terminal	
	1001116729	14	Terminal	
	4460458	15	Seal	
2	4460931	1	Connector	
	80604024	1	Lock, Wedge	
	4460464	4	Terminal	
	4460466	4	Plug	
3	4461157	1	Connector	
	4460475	2	Terminal	
	4460458	2	Seal	
4	80963062	1	Connector	
	4460850	4	Terminal	
	80963067	4	Seal	
5	1001117068	1	Connector	
	8220124	2	Terminal	
	80963067	2	Seal	
6	4460891	1	Connector	
	80604018	1	Lock, Wedge	
	4460465	2	Terminal	
7	8220927	1	Connector	
	8220097	12	Terminal	
	8220098	2	Terminal	
	1001116727	1	Plug	
	4460458	11	Seal	
	80963067	2	Seal	
	1001189877	1	Seal	
8	1001133173	1	Connector	
	1001138643	6	Terminal	
	1001126356	77	Terminal	
	1001138642	8	Terminal	
	1001126351	3	Terminal	
	1001126353	6	Seal	
9	4460744	1	Connector	
	1001116728	4	Terminal	
	1001116727	2	Plug	
	8220081	4	Seal	
10	4460744	1	Connector	
	1001116728	4	Terminal	
	1001116727	2	Plug	
	8220081	4	Seal	
11	4460019	1	Terminal, Ring	
12	8220536	1	Connector	
	1001116758	12	Plug	
	1001116757	4	Terminal	
	1001189875	4	Seal	
14	4460891	1	Connector	
	80604018	1	Lock, Wedge	
	4460465	2	Terminal	

SECTION 10 - ELECTRICAL

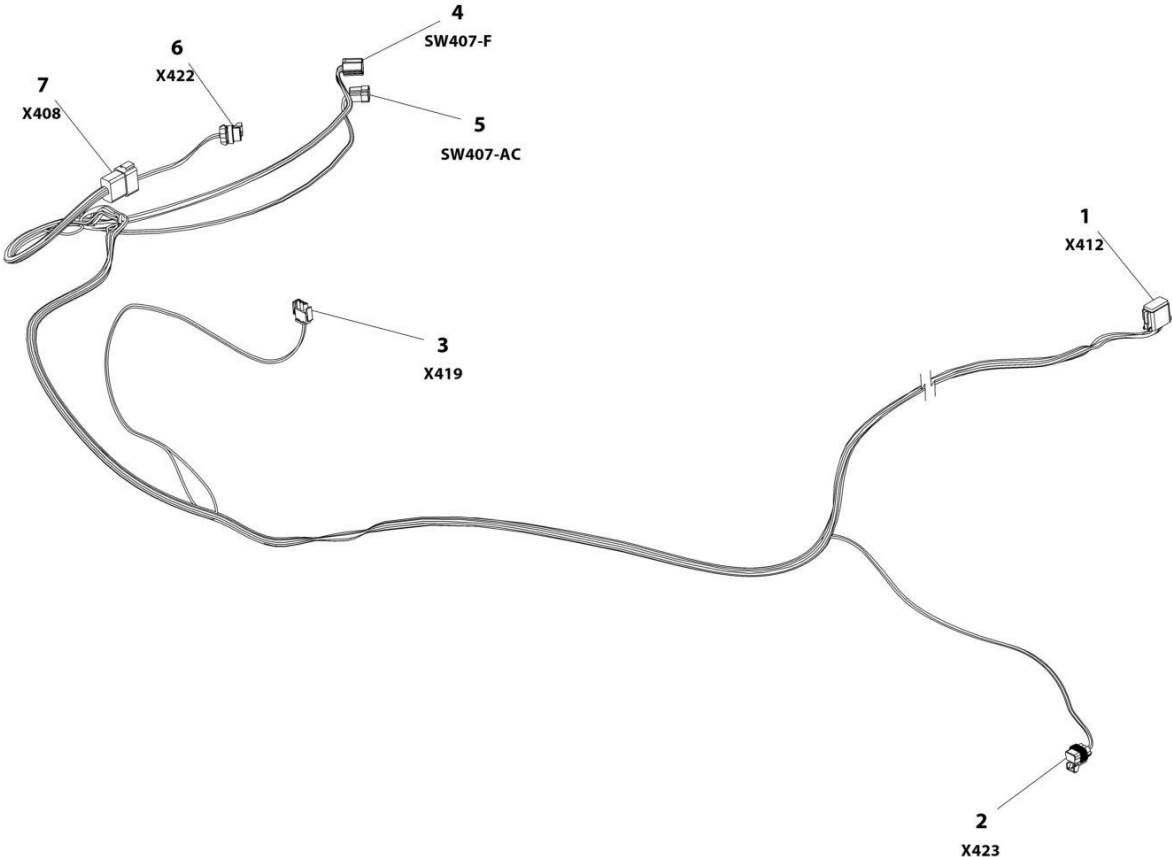
ITEM	PART NUMBER	QTY	DESCRIPTION	REV
15	4460891	1	Connector	
	80604018	1	Lock, Wedge	
	4460465	2	Terminal	
16	4460891	1	Connector	
	80604018	1	Lock, Wedge	
	4460465	2	Terminal	
17	4460891	1	Connector	
	80604018	1	Lock, Wedge	
	4460465	2	Terminal	
18	4460042	1	Terminal, Ring	
19	4460891	1	Connector	
	80604018	1	Lock, Wedge	
	4460465	2	Terminal	
20	4460042	1	Terminal, Ring	
21	1001119004	1	Connector	
	1001116728	1	Terminal	
	4460458	1	Seal	
22	8220536	1	Connector	
	1001116757	4	Terminal	
	1001116758	12	Plug	
	1001189875	4	Seal	
23	4460256	1	Terminal, Ring	
24	4460891	1	Connector	
	80604018	1	Lock, Wedge	
	4460465	2	Terminal	
25	4460955	1	Connector	
	1001116748	2	Terminal	
26	4460955	1	Connector	
	1001116748	2	Terminal	
27	4460955	1	Connector	
	1001116748	2	Terminal	
28	4460019	1	Terminal, Ring	
29	8220164	1	Terminal, Ring	
30	4460955	1	Connector	
	1001116748	2	Terminal	
31	4460955	1	Connector	
	1001116748	2	Terminal	
32	8220058	1	Terminal, Ring	
33	4460019	1	Terminal, Ring	
34	1001117125	1	Terminal, Snap Plug	
35	1001125027	1	Connector	
	8220124	3	Terminal	
	4460608	3	Seal	
36	4460476	1	Connector	
	4460475	3	Terminal	
	4460458	3	Seal	
37	1001117021	1	Connector	
	1001116728	2	Terminal	
	8220081	2	Seal	
38	4460476	1	Connector	
	4460475	3	Terminal	

SECTION 10 - ELECTRICAL

ITEM	PART NUMBER	QTY	DESCRIPTION	REV
	4460458	3	Seal	
39	4460884	1	Connector	
	80604021	1	Lock, Wedge	
	4460465	3	Terminal	
	4460466	1	Plug	
	1001192401	1	Dust Cap	
40	2400060	1	Fuse Holder	
41	4460142	1	Connector	
	1001117111	1	Terminal	
42	4460019	1	Terminal, Ring	
43	4460019	1	Terminal, Ring	
45	1001117070	1	Connector	
	1001116734	2	Terminal	
46	4460312	1	Terminal, Ring	
	1001195087	1	Red Boot	
47	4460312	2	Terminal, Ring	
48	4460312	2	Terminal, Ring	
	1001195087	1	Red Boot	
49	4460312	1	Terminal, Ring	
50	4460247	1	Terminal, Ring	
	1001195057	1	Black Boot	
51	4460247	1	Terminal, Ring	
	1001195055	1	Red Boot	
52	1001117103	1	Connector	
	1001121730	2	Terminal	
53	1001116950	1	Connector	
	4460465	2	Terminal	
54	4461095	1	Plug	
	4461070	1	Connector	
	4460465	2	Terminal	
	4460466	1	Terminal	
55	1001209097	1	Connector	
	8220124	2	Terminal	
56	1001145707	1	Connector	
	1001116732	4	Terminal	

SECTION 10 - ELECTRICAL

FIGURE 10-25. HVAC HARNESS



ART_1001178347-E

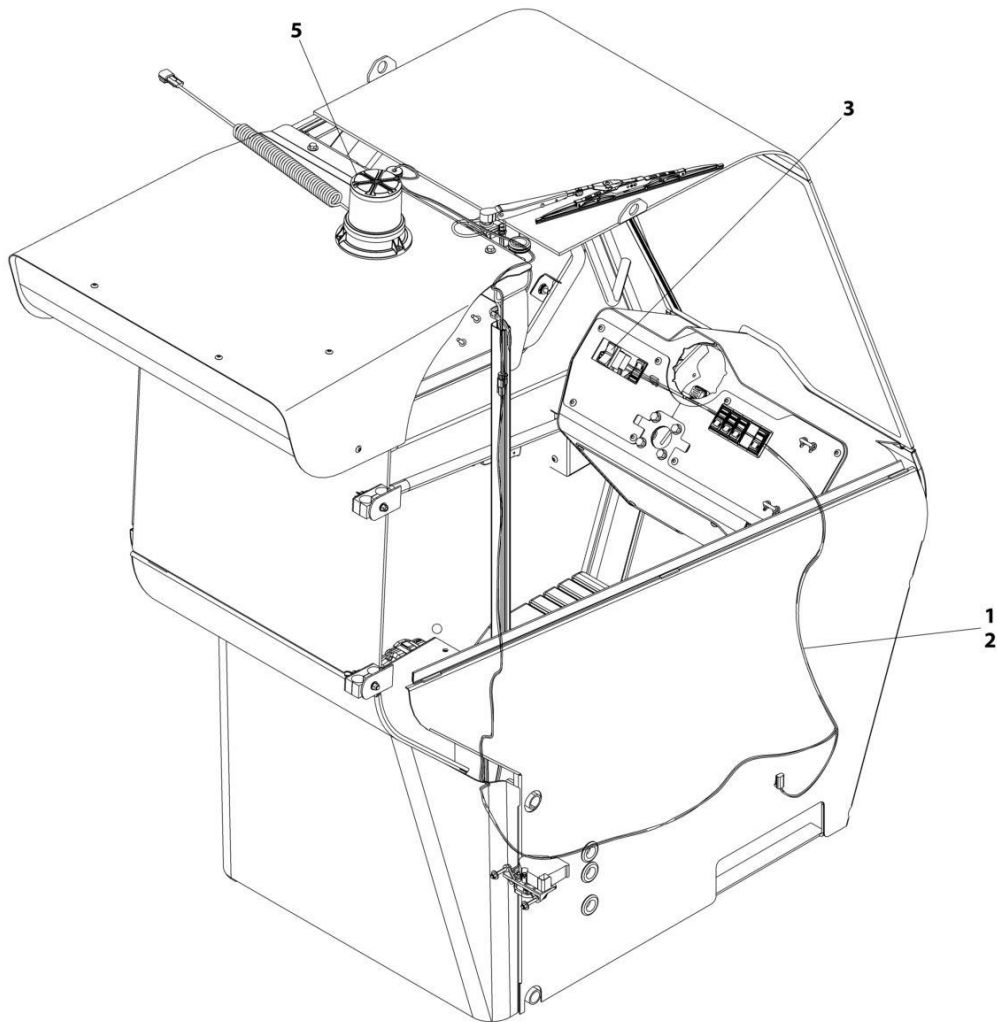
SECTION 10 - ELECTRICAL

FIGURE 10-25. HVAC HARNESS

ITEM	PART NUMBER	QTY	DESCRIPTION	REV
	1001178347	Ref	HVAC Harness	E
1	4460933	1	Connector	
	80604016	1	Lock, Wedge	
	4460942	9	Terminal	
	4460465	2	Terminal	
	4460466	1	Terminal	
2	8220895	1	Connector	
	70026216	1	Lock, Secondary	
	8220124	3	Terminal	
	1001116751	3	Terminal, Plug	
3	4460326	1	Connector	
	4460268	2	Terminal	
4	1001117080	1	Connector	
	1001116723	5	Terminal	
5	1001117059	1	Connector	
	1001116736	3	Terminal	
6	1001125027	1	Connector	
	70026217	1	Lock, Secondary	
	8220124	3	Terminal	
7	4460950	1	Connector	
	80363179	1	Lock, Wedge	
	1001157891	5	Terminal	
	4460464	6	Terminal	
	4460466	1	Terminal	

SECTION 10 - ELECTRICAL

FIGURE 10-26. LIGHTS - BEACON INSTALLATION (ENCLOSED CAB)



ART_1001161213_G

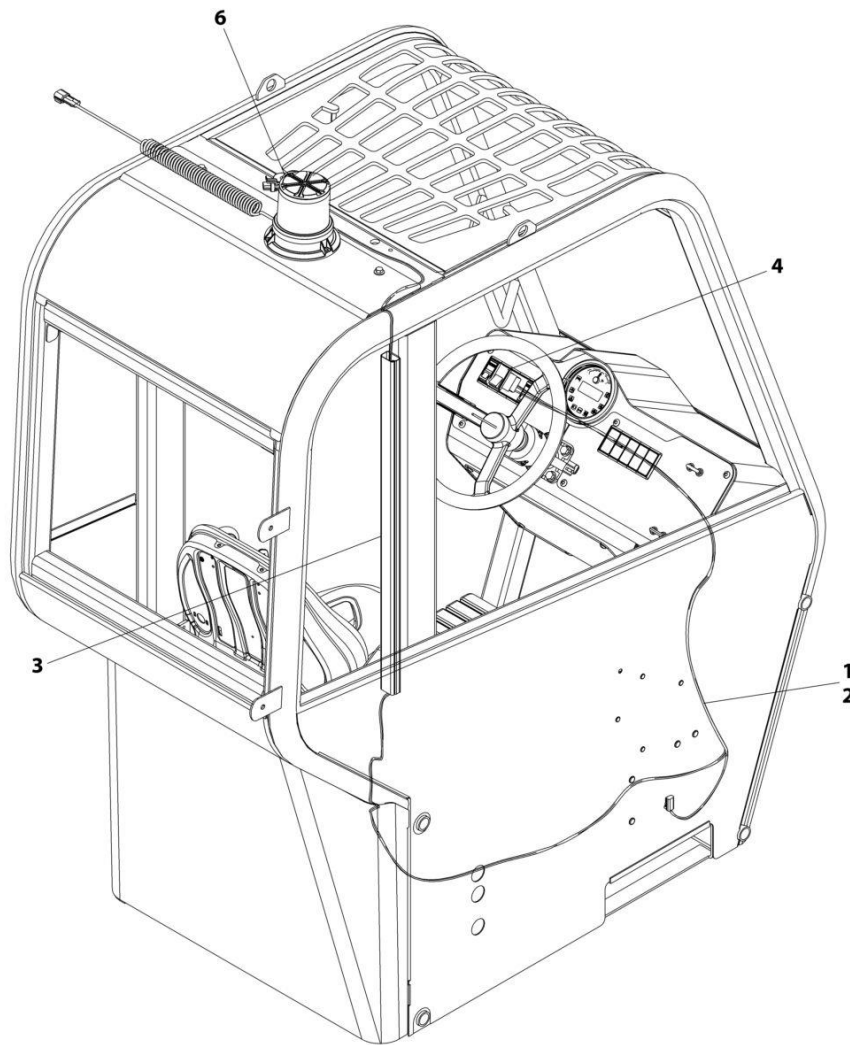
SECTION 10 - ELECTRICAL

FIGURE 10-26. LIGHTS - BEACON INSTALLATION (ENCLOSED CAB)

ITEM	PART NUMBER	QTY	DESCRIPTION	REV
	1001161213	Ref	LIGHTS - BEACON LIGHT INSTALLATION (ENCLOSED CAB)	G
1	0100009	AR	Sealant	
2	1001178345	1	Harness, Beacon Option (See Separate Breakdown in this Section)	
3	8223038	1	Switch, Beacon	
5	1001271586	1	Light, Rotating Beacon	

SECTION 10 - ELECTRICAL

FIGURE 10-27. LIGHTS - BEACON INSTALLATION (OPEN CAB)



ART_1001161212_I

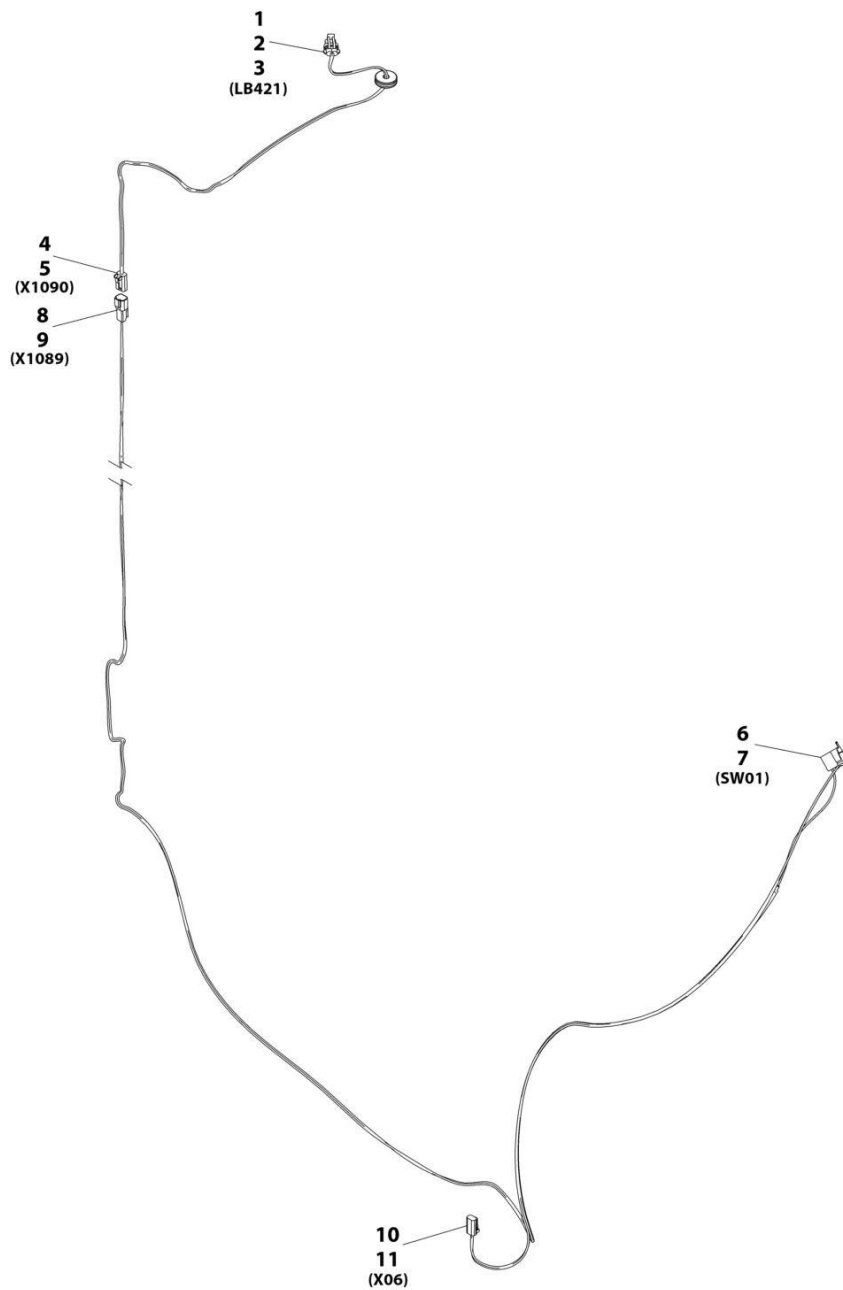
SECTION 10 - ELECTRICAL

FIGURE 10-27. LIGHTS - BEACON INSTALLATION (OPEN CAB)

ITEM	PART NUMBER	QTY	DESCRIPTION	REV
	1001161212	Ref	LIGHTS - BEACON LIGHT INSTALLATION (OPEN CAB)	I
1	0100009	AR	Sealant	
2	1001178345	1	Harness, Beacon Option (See Separate Breakdown in this Section)	
3	1001182091	1	Duct, Upper Wire	
4	8223038	1	Switch, Beacon	
6	1001271586	1	Light, Rotating Beacon	

SECTION 10 - ELECTRICAL

FIGURE 10-28. LIGHTS - BEACON OPTION HARNESS



ART_1001178345-H

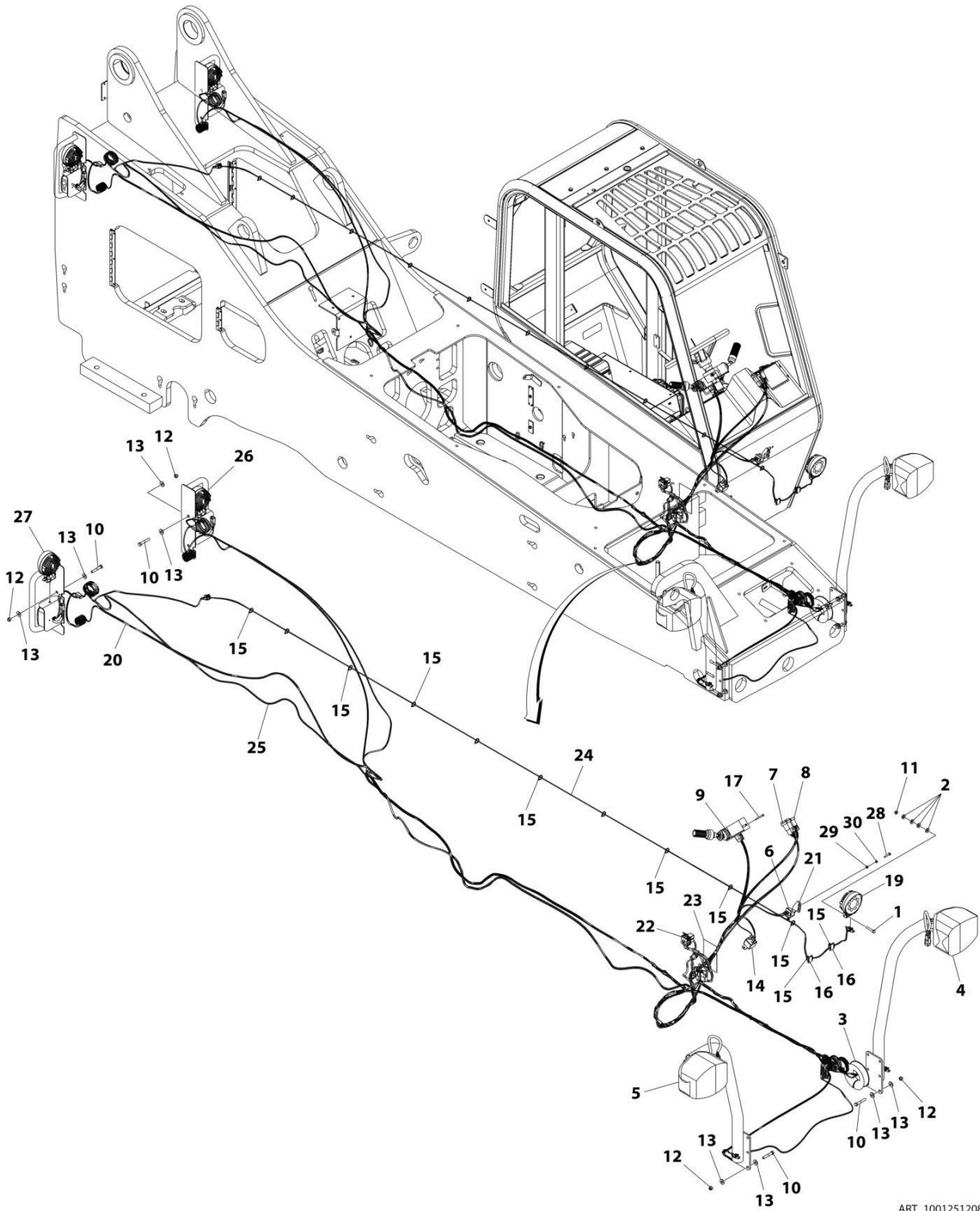
SECTION 10 - ELECTRICAL

FIGURE 10-28. LIGHTS - BEACON OPTION HARNESS

ITEM	PART NUMBER	QTY	DESCRIPTION	REV
	1001178345	Ref	Beacon Option Harness	H
1	1001117021	1	Connector	
2	1001116728	2	Terminal	
3	4460458	2	Seal	
4	4460891	1	Connector	
5	4460465	2	Terminal	
6	8220904	1	Connector	
7	4460419	5	Terminal	
8	4460897	1	Connector	
9	4460464	2	Terminal	
10	4460891	1	Connector	
11	4460465	2	Terminal	

SECTION 10 - ELECTRICAL

FIGURE 10-29. ROADLIGHT PACKAGE INSTALLATION



ART_1001251208

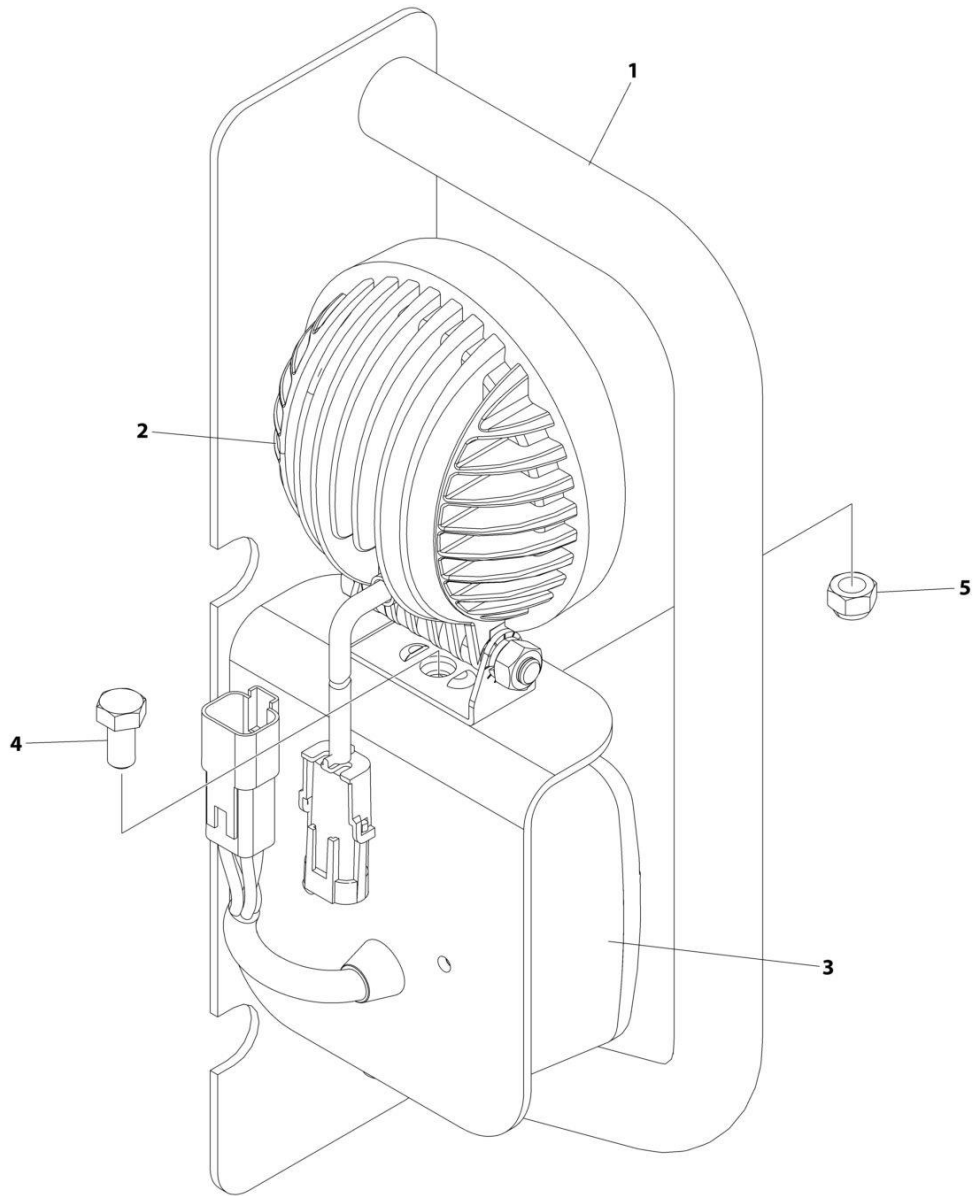
SECTION 10 - ELECTRICAL

FIGURE 10-29. ROADLIGHT PACKAGE INSTALLATION

ITEM	PART NUMBER	QTY	DESCRIPTION	REV
	1001251208	Ref	ROADLIGHT PACKAGE INSTALLATION	B
1	0641514	1	Bolt 5/16 x 1-3/4	
2	4891600	4	Washer 3/8	
3	7124471	1	Conduit 1 x 12.5	
4	7150699	1	Assembly, LH Roadlight Bracket (See Separate Breakdown in this Section)	
5	7150716	1	Assembly, RH Roadlight Bracket (See Separate Breakdown in this Section)	
6	8223025	1	Switch, Brake Lights	
7	8223059	1	Switch, Work Light	
8	8223060	1	Switch, Hazard	
9	8223073	1	Control, Turn Signal	
10	8303771	10	Bolt 3/8 x 2-1/4	
11	8305626	1	Nut 5/16	
12	8305645	10	Nut 3/8	
13	8307204	20	Washer 3/8	
14	8500203	1	Flasher, Hazard Warning 12V	
15	8584001	AR	Wrap, Tie	
16	8584018	2	Mount, Cable Tie	
17	88211516	2	Screw M10	
19	1001176337	1	Lamp, LED Worklight	
20	1001178346	1	Harness, Road Light Option (See Separate Breakdown in this Section)	
21	1001201752	1	Bracket, Brake Switch	
22	1001205248	1	Harness, Roadlight Worklight (See Separate Breakdown in this Section)	
23	1001205264	1	Decal, Light Fuse Panel	
24	1001238111	1	Harness, Boom Worklight (See Separate Breakdown in this Section)	
25	1001238199	1	Harness, Work Light Option (See Separate Breakdown in this Section)	
26	1001251270	1	Assembly, LH Roadlight (See Separate Breakdown in this Section)	
27	1001251271	1	Assembly, RH Roadlight (See Separate Breakdown in this Section)	
28	0700614	2	Bolt M6 x 30	
29	4811700	2	Washer M6	
30	4831700	2	Washer M6	

SECTION 10 - ELECTRICAL

FIGURE 10-30. LIGHTS - ROADLIGHT ASSEMBLY (LH)



ART_1001251270

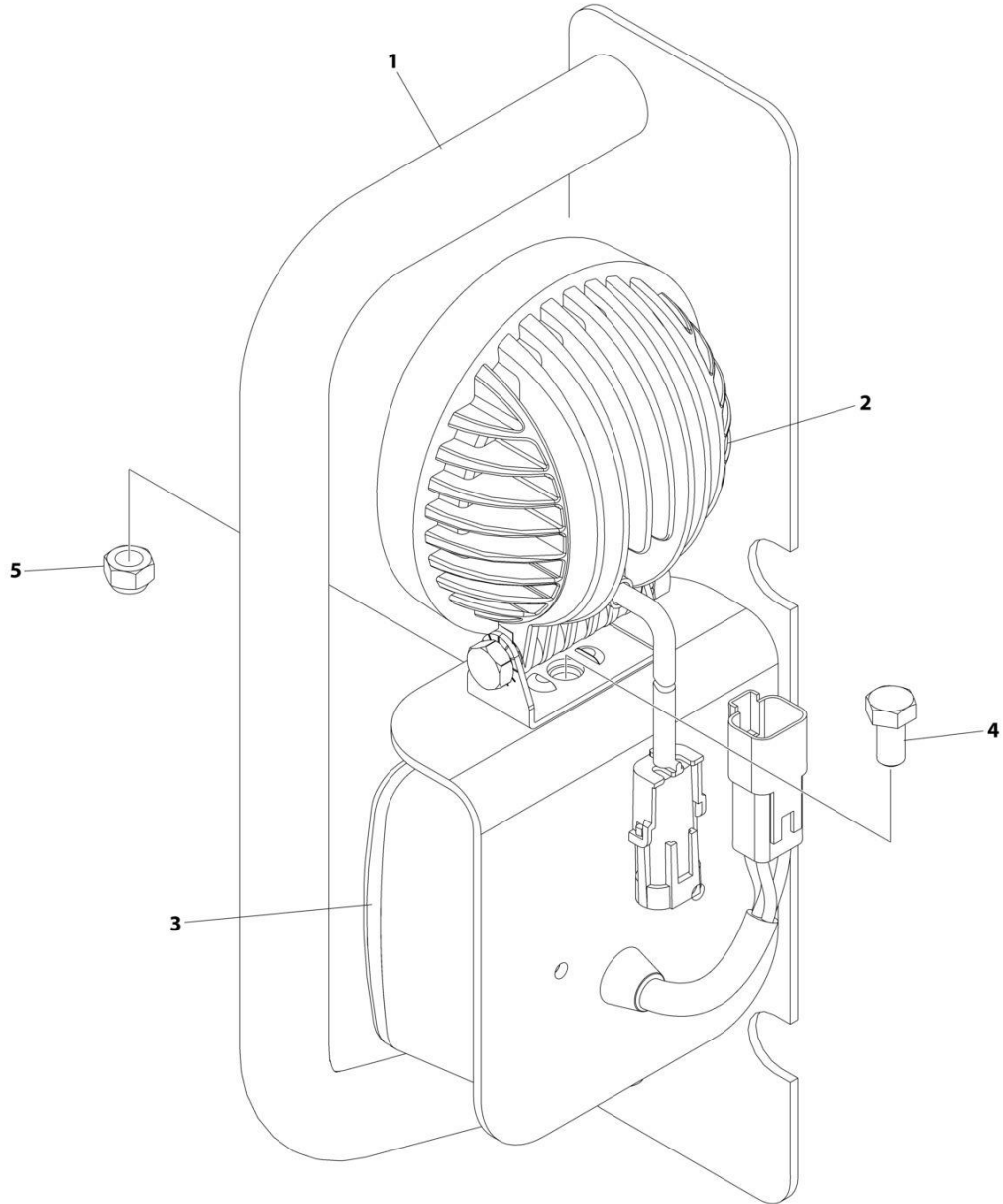
SECTION 10 - ELECTRICAL

FIGURE 10-30. LIGHTS - ROADLIGHT ASSEMBLY (LH)

ITEM	PART NUMBER	QTY	DESCRIPTION	REV
	1001251270	Ref	LH ROADLIGHT ASSEMBLY	A
1	7150681	1	Assembly, LH Roadlight Bracket	
2	1001176337	1	Lamp, LED Worklight	
3	7150690	1	Light, Tail/Indicator	
4	8303745	1	Bolt 5/16 x 5/8	
5	8305626	1	Nut 5/16	

SECTION 10 - ELECTRICAL

FIGURE 10-31. LIGHTS - ROADLIGHT ASSEMBLY (RH)



ART_1001251271

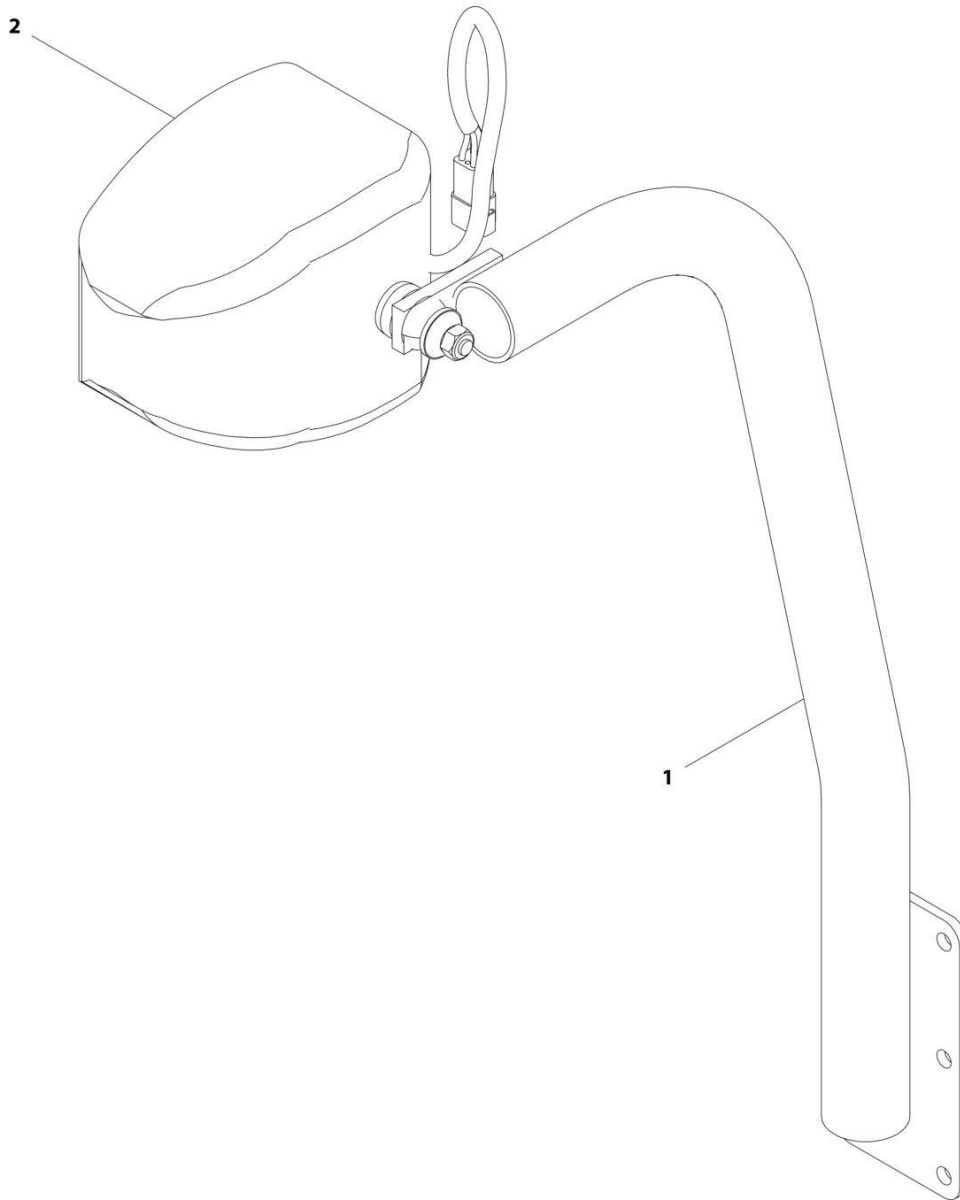
SECTION 10 - ELECTRICAL

FIGURE 10-31. LIGHTS - ROADLIGHT ASSEMBLY (RH)

ITEM	PART NUMBER	QTY	DESCRIPTION	REV
	1001251271	Ref	RH ROADLIGHT ASSEMBLY	A
1	7150680	1	Assembly, RH Roadlight Bracket	
2	1001176337	1	Lamp, LED Worklight	
3	7150690	1	Light, Tail/Indicator	
4	8303745	1	Bolt 5/16 x 5/8	
5	8305626	1	Nut 5/16	

SECTION 10 - ELECTRICAL

FIGURE 10-32. LIGHTS - ROADLIGHT BRACKET ASSEMBLY (LH)



ART_7150699-B

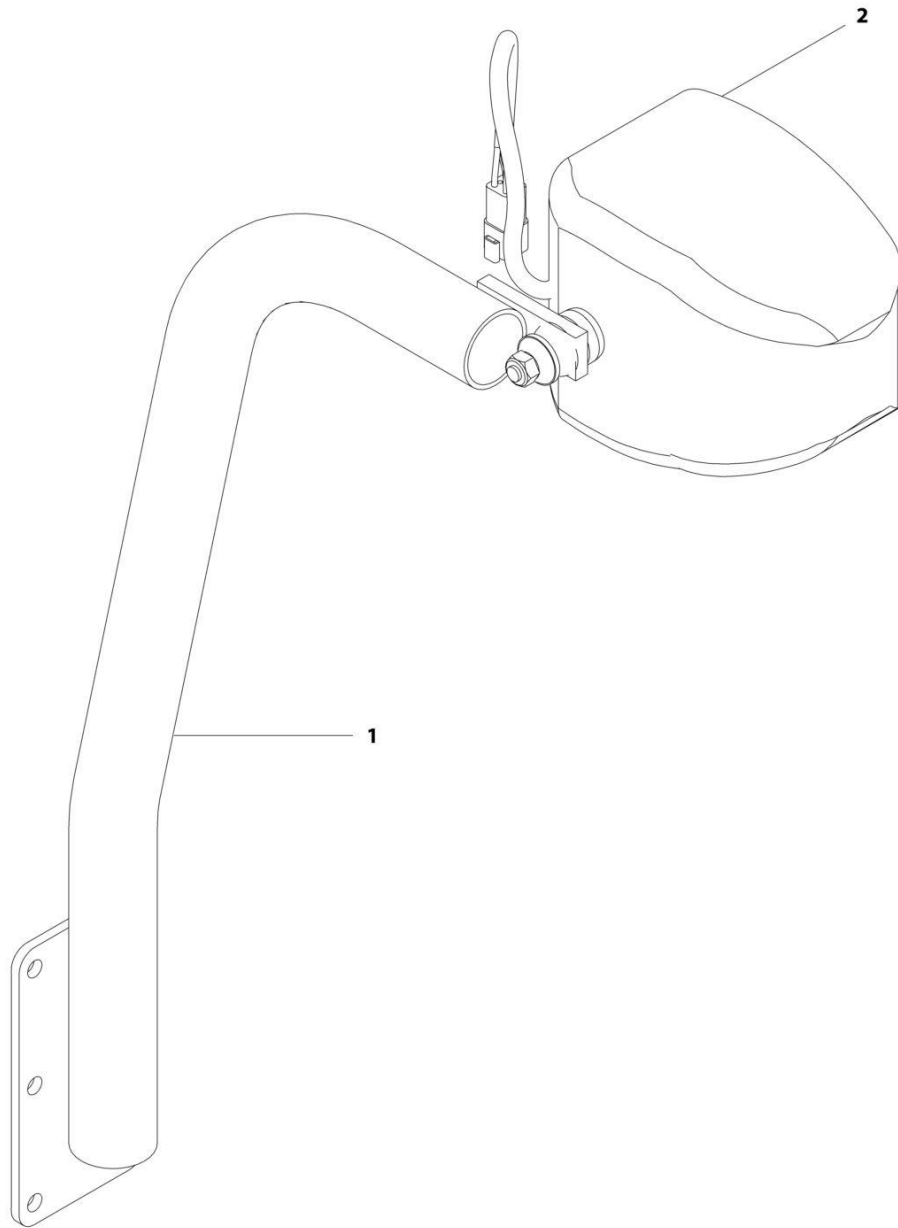
SECTION 10 - ELECTRICAL

FIGURE 10-32. LIGHTS - ROADLIGHT BRACKET ASSEMBLY (LH)

ITEM	PART NUMBER	QTY	DESCRIPTION	REV
	7150699	Ref	LH Roadlight Bracket Assembly	B
1	7150685	1	Bracket, LH Roadlight	
2	7150702	1	Roadlight, LH Front	
2	8036216	6	Screw, Headlight Lens	
2	8036212	1	Lens, Headlight	
2	8036213	1	Bulb, Headlight 12V, 60/55W	
2	8036214	1	Bulb, Blinker 12V, 5W	
2	8036215	1	Harness, Wiring (includes 6-way connector)	
2	8036209	1	Lens, Left Amber Headlight	

SECTION 10 - ELECTRICAL

FIGURE 10-33. LIGHTS - ROADLIGHT BRACKET ASSEMBLY (RH)



ART_7150716-B

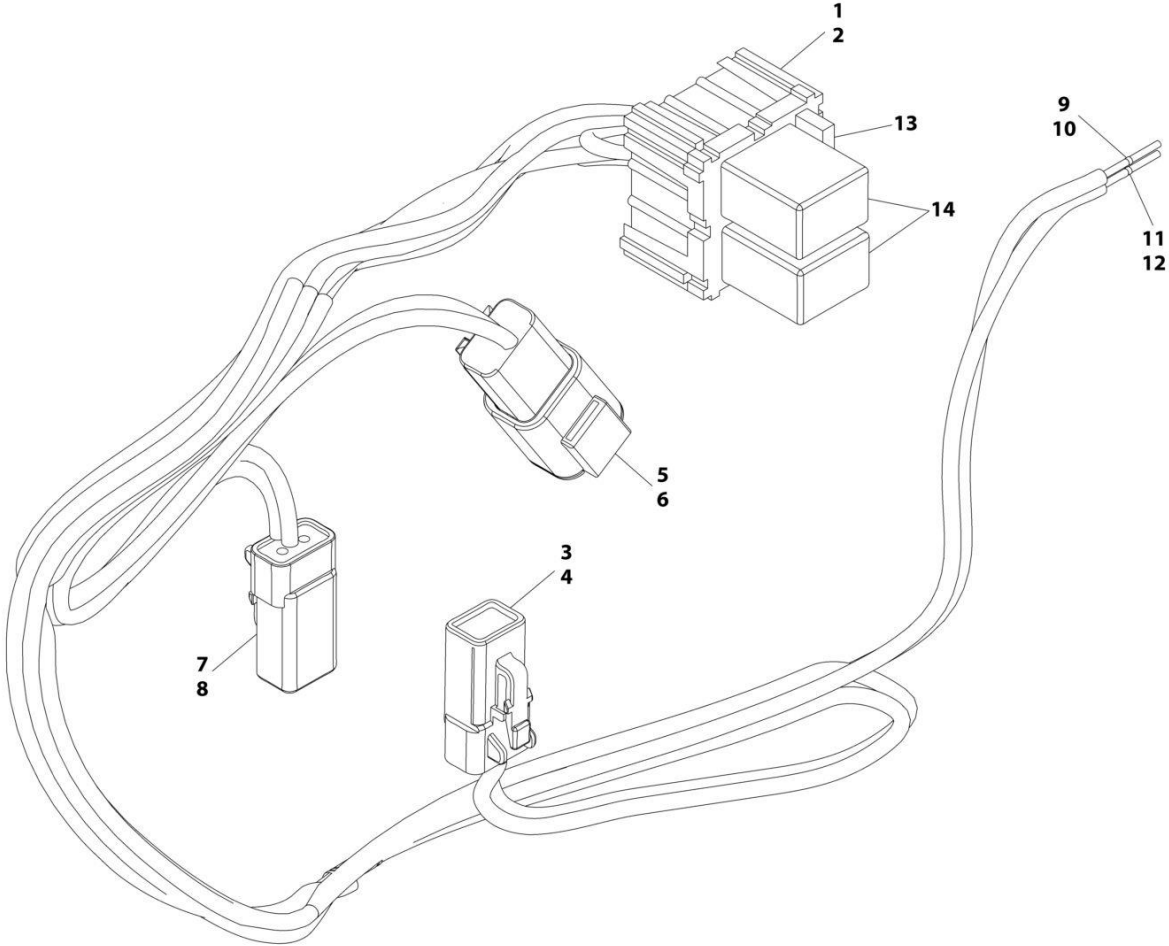
SECTION 10 - ELECTRICAL

FIGURE 10-33. LIGHTS - ROADLIGHT BRACKET ASSEMBLY (RH)

ITEM	PART NUMBER	QTY	DESCRIPTION	REV
	7150716	Ref	RH Roadlight Bracket Assembly	B
1	7150717	1	Bracket, RH Roadlight	
2	7150703	1	Roadlight, LH Front	
2	8036210	1	Lens, Right Amber Headlight	
2	8036216	6	Screw, Headlight Lens	
2	8036212	1	Lens, Headlight	
2	8036213	1	Bulb, Headlight, 12V, 60/55W	
2	8036214	1	Bulb, Blinker 12V, 5W	
2	8036215	1	Harness, Wiring (includes 6-way connector)	

SECTION 10 - ELECTRICAL

FIGURE 10-34. LIGHTS - ROADLIGHT WORKLIGHT HARNESS



ART_1001205248_A

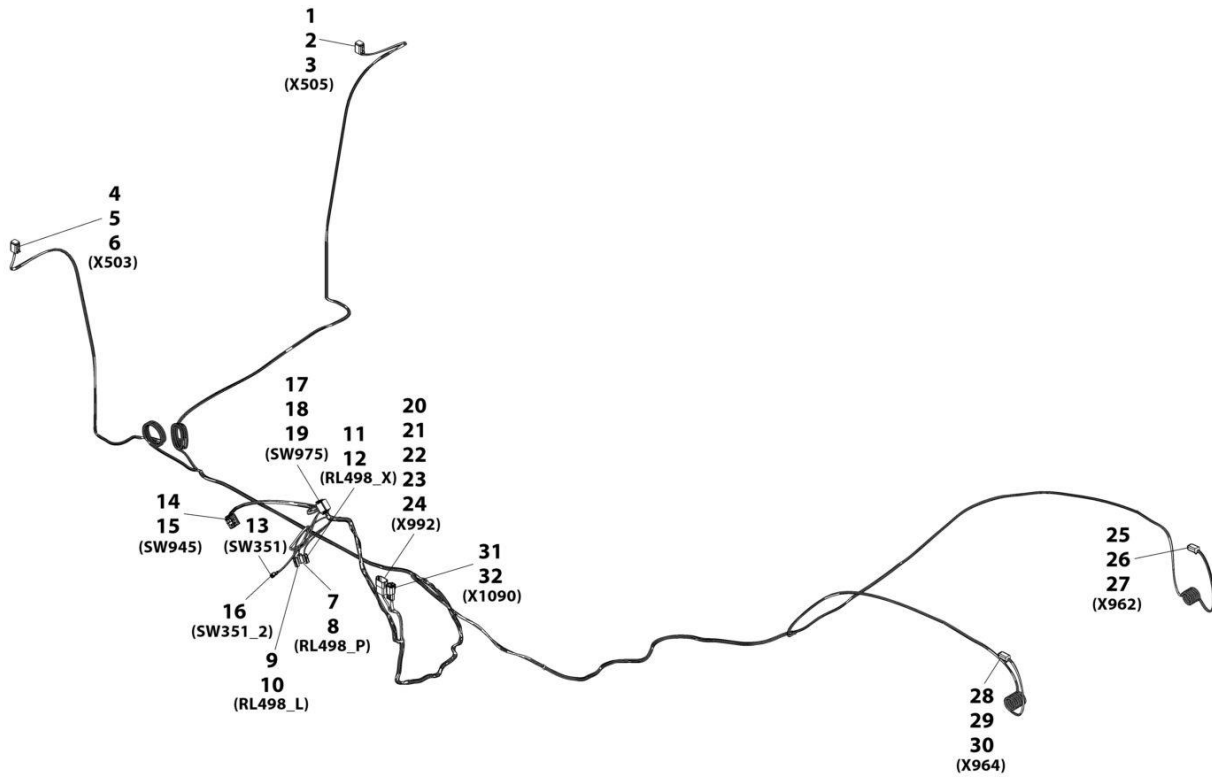
SECTION 10 - ELECTRICAL

FIGURE 10-34. LIGHTS - ROADLIGHT WORKLIGHT HARNESS

ITEM	PART NUMBER	QTY	DESCRIPTION	REV
	1001205248	Ref	Roadlight Worklight Harness	A
1	1001177198	1	Connector	
2	1001116712	12	Terminal	
3	4461018	1	Connector	
4	4460509	2	Terminal	
5	4461017	1	Connector	
6	4460508	2	Terminal	
7	4461018	1	Connector	
8	4460509	2	Terminal	
9	4460790	1	Terminal, Socket	
10	8220089	1	Seal	
11	4460790	1	Terminal, Socket	
12	8220089	1	Seal	
13	8229245	2	Fuse 30Amp	
14	1001205172	2	Relay	

SECTION 10 - ELECTRICAL

FIGURE 10-35. LIGHTS - ROADLIGHT OPTION HARNESS



ART_1001178346-H

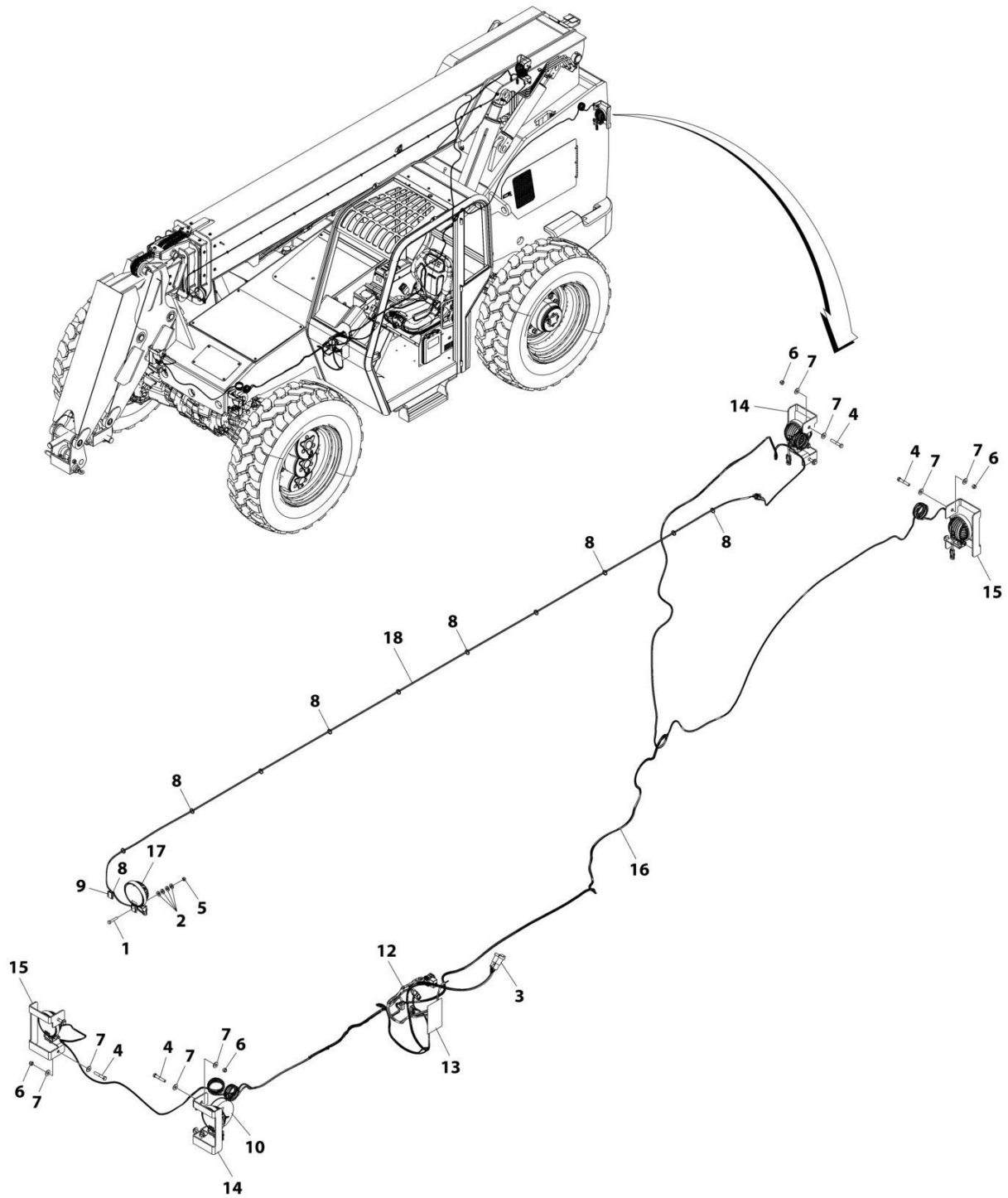
SECTION 10 - ELECTRICAL

FIGURE 10-35. LIGHTS - ROADLIGHT OPTION HARNESS

ITEM	PART NUMBER	QTY	DESCRIPTION	REV
	1001178346	Ref	ROAD LIGHT OPTION HARNESS	H
1	4460894	1	Connector	
2	4460465	5	Terminal	
3	4460466	1	Plug	
4	4460894	1	Connector	
5	4460465	5	Terminal	
6	4460466	1	Plug	
7	7116572	1	Connector	
8	1001116736	1	Terminal	
9	7116572	1	Connector	
10	1001116736	1	Terminal	
11	7116572	1	Connector	
12	1001116736	1	Terminal	
13	8220051	1	Terminal, Ring	
14	1001117079	1	Connector	
15	4460419	9	Terminal	
16	8220051	1	Terminal, Ring	
17	4460933	1	Connector	
18	4460465	8	Terminal	
19	4460466	4	Plug	
20	4460931	1	Connector	
21	4460466	3	Plug	
22	4460464	2	Terminal	
23	1001157891	2	Terminal	
24	4460941	1	Terminal	
25	4460884	1	Connector	
26	4460465	3	Terminal	
27	4460942	1	Terminal	
28	4460884	1	Connector	
29	4460465	3	Terminal	
30	4460942	1	Terminal	
31	4461017	1	Connector	
32	4460508	2	Terminal	

SECTION 10 - ELECTRICAL

FIGURE 10-36. LIGHTS - WORKLIGHT PACKAGE INSTALLATION (LED)



ART_1001237847

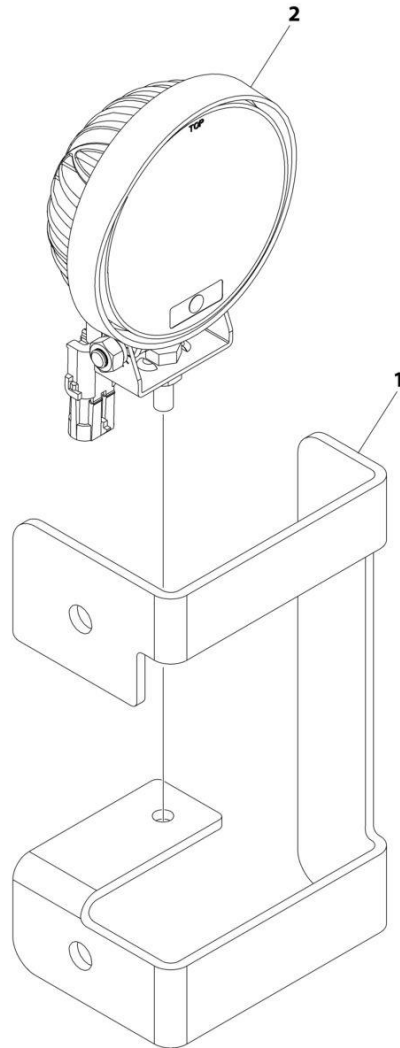
SECTION 10 - ELECTRICAL

FIGURE 10-36. LIGHTS - WORKLIGHT PACKAGE INSTALLATION (LED)

ITEM	PART NUMBER	QTY	DESCRIPTION	REV
	1001237847	Ref	LIGHTS - LED WORK LIGHT PACKAGE INSTALLATION	C
1	0641514	1	Bolt 5/16 x 1-3/8	
2	4891600	AR	Washer 3/8	
3	8223059	1	Switch, Work Light	
4	8303771	8	Bolt 3/8 x 2-1/4	
5	8305626	1	Nut 5/16	
6	8305645	8	Nut 3/8	
7	8307204	16	Washer 3/8	
8	8584001	AR	Wrap, Tie	
9	8584018	4	Mount, Tie-Strap	
10	7124471	1	Conduit, 1 x 12.5	
11	88501005	AR	Nut 5/16	
12	1001205248	1	Harness, Roadlight Worklight (See Separate Breakdown in this Section)	
13	1001205264	1	Decal, Light Fuse Panel	
14	1001237853	2	Assembly, LED RH Worklight (See Separate Breakdown in this Section)	
15	1001237854	2	Assembly, LED LH Worklight (See Separate Breakdown in this Section)	
16	1001238199	1	Harness, Work Light Option (See Separate Breakdown in this Section)	
17	1001176337	1	Lamp, LED Worklight	
18	1001238111	1	Harness, Boom Worklight (See Separate Breakdown in this Section)	

SECTION 10 - ELECTRICAL

FIGURE 10-37. LIGHTS - WORKLIGHT ASSEMBLY - LED (RH)



ART_1001237853

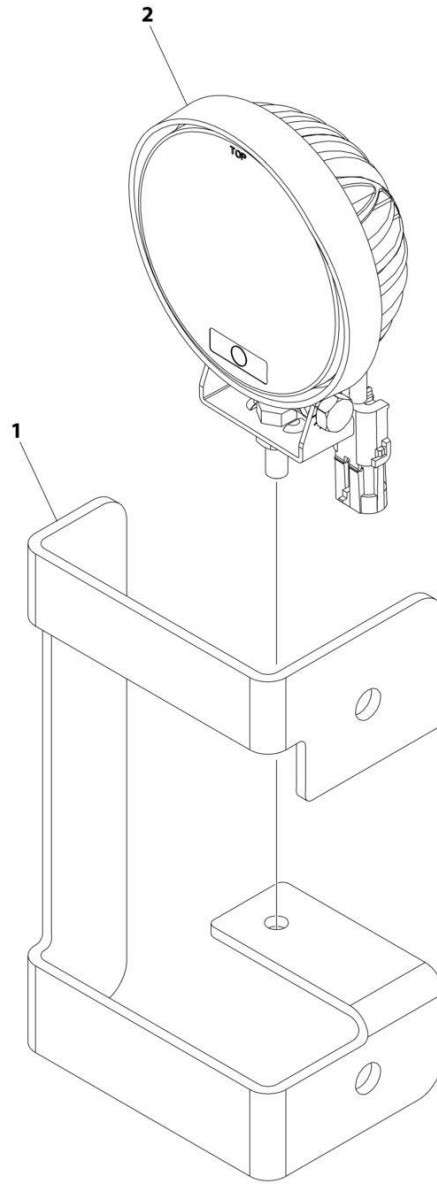
SECTION 10 - ELECTRICAL

FIGURE 10-37. LIGHTS - WORKLIGHT ASSEMBLY - LED (RH)

ITEM	PART NUMBER	QTY	DESCRIPTION	REV
	1001237853	Ref	LIGHTS - WORK LIGHT ASSEMBLY - LED (RH)	A
1	1001097079	1	Bracket, RH Worklight Mount	
2	1001176337	1	Lamp, LED Worklight	

SECTION 10 - ELECTRICAL

FIGURE 10-38. LIGHTS - WORKLIGHT ASSEMBLY - LED (LH)



ART_1001237854

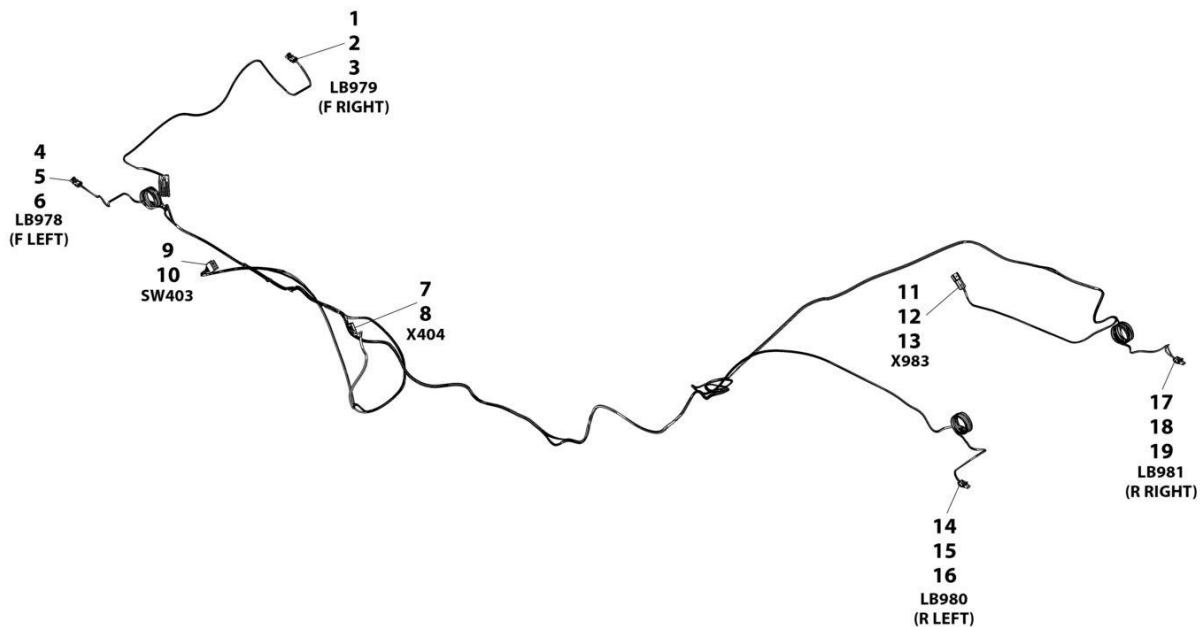
SECTION 10 - ELECTRICAL

FIGURE 10-38. LIGHTS - WORKLIGHT ASSEMBLY - LED (LH)

ITEM	PART NUMBER	QTY	DESCRIPTION	REV
	1001237854	Ref	LIGHTS - WORK LIGHT ASSEMBLY - LED (LH)	A
1	1001097080	1	Bracket, LH Worklight Mount	
2	1001176337	1	Lamp, LED Worklight	

SECTION 10 - ELECTRICAL

FIGURE 10-39. LIGHTS - WORK LIGHT OPTION HARNESS



ART_1001238199-A

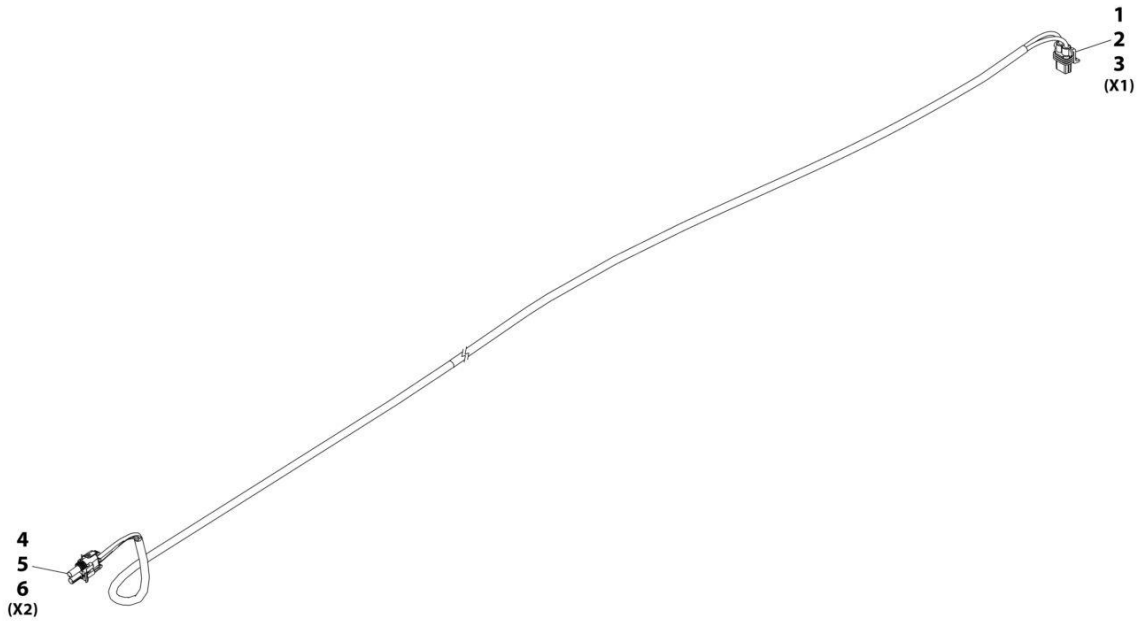
SECTION 10 - ELECTRICAL

FIGURE 10-39. LIGHTS - WORK LIGHT OPTION HARNESS

ITEM	PART NUMBER	QTY	DESCRIPTION	REV
	1001238199	Ref	Work Lighting Option Harness	A
1	4460742	1	Connector	
2	4460457	2	Terminal	
3	4460789	2	Seal	
4	4460742	1	Connector	
5	4460457	2	Terminal	
6	4460789	2	Seal	
7	4461018	1	Connector	
8	4460509	2	Terminal	
9	8220904	1	Connector	
10	4460419	6	Terminal	
11	1001117026	1	Connector	
12	1001116729	2	Terminal	
13	8220081	2	Seal	
14	4460742	1	Connector	
15	4460457	2	Terminal	
16	4460789	2	Seal	
17	4460742	1	Connector	
18	4460457	2	Terminal	
19	4460457	2	Seal	

SECTION 10 - ELECTRICAL

FIGURE 10-40. LIGHTS - WORKLIGHT BOOM HARNESS



ART_1001238111

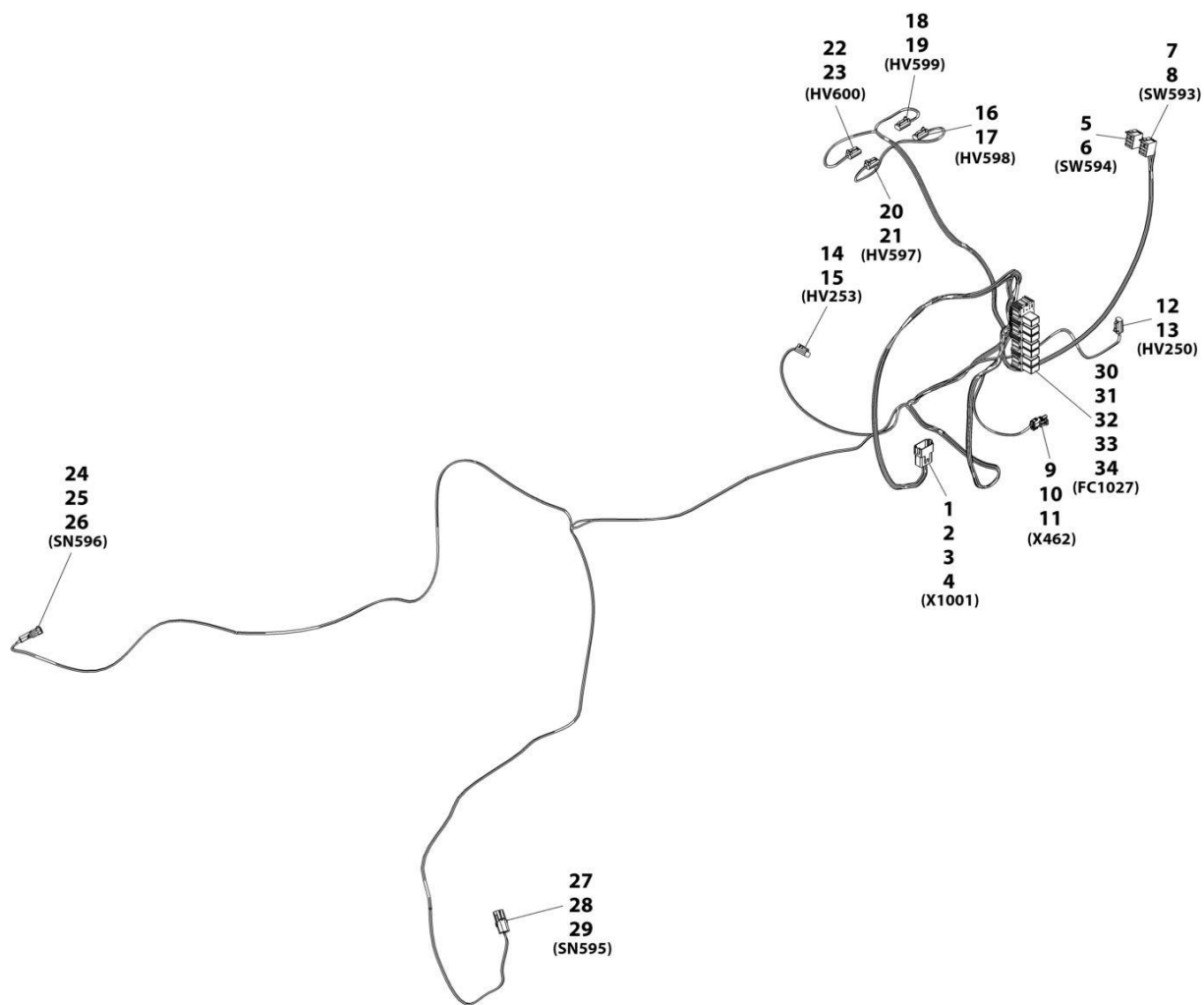
SECTION 10 - ELECTRICAL

FIGURE 10-40. LIGHTS - WORKLIGHT BOOM HARNESS

ITEM	PART NUMBER	QTY	DESCRIPTION	REV
	1001238111	Ref	Boom Worklight Harness	B
1	1001117021	1	Connector	
2	1001116747	2	Terminal	
3	4460789	2	Seal	
4	4460742	1	Connector	
5	4460457	2	Terminal	
6	4460789	2	Seal	

SECTION 10 - ELECTRICAL

FIGURE 10-41. LOGIC HARNESS



ART_1001251503

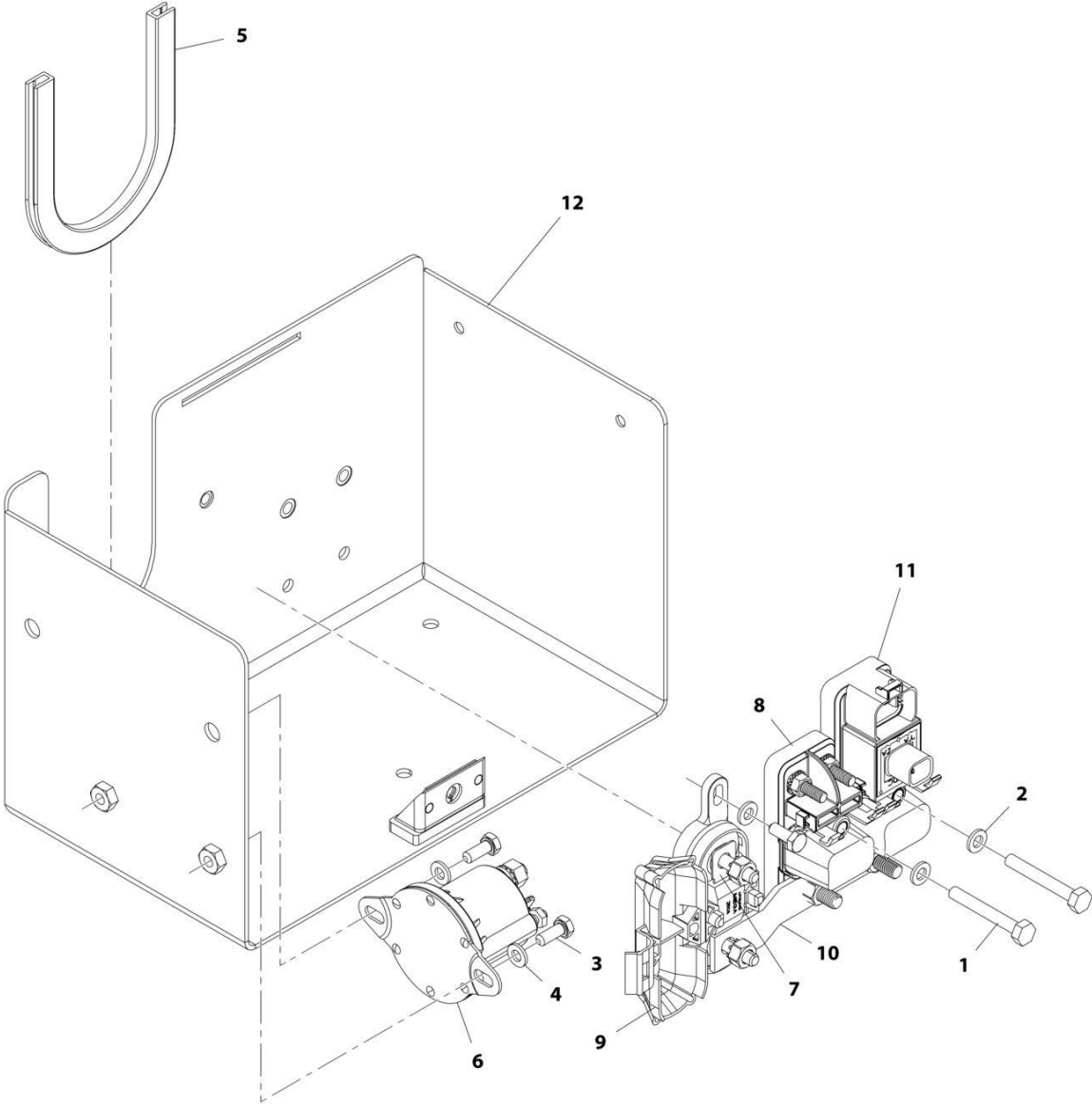
SECTION 10 - ELECTRICAL

FIGURE 10-41. LOGIC HARNESS

ITEM	PART NUMBER	QTY	DESCRIPTION	REV
	1001251503	Ref	Logic Harness	D
1	4460970	1	Connector	
2	4460941	3	Terminal	
3	4460464	5	Terminal	
4	4460466	4	Plug	
5	8220904	1	Connector	
6	1001116720	3	Terminal	
7	8820904	1	Connector	
8	1001116720	3	Terminal	
9	4460742	1	Connector	
10	4460457	2	Terminal	
11	4460458	2	Seal	
12	4460891	1	Connector	
13	4460465	2	Terminal	
14	4460891	1	Connector	
15	4460465	2	Terminal	
16	4460891	1	Connector	
17	4460465	2	Terminal	
18	4460891	1	Connector	
19	4460465	2	Terminal	
20	4460891	1	Connector	
21	4460465	2	Terminal	
22	4460891	1	Connector	
23	4460465	2	Terminal	
24	4461157	1	Connector	
25	4460475	2	Terminal	
26	4460458	2	Seal	
27	4461157	1	Connector	
28	4460475	2	Terminal	
29	4460458	2	Seal	
30	4461103	8	Relay, Locking Wedge	
31	8229243	2	Fuse, 7.5 AMP Mini	
32	1001177198	4	Electric Assembly	
33	1001200845	1	Mounting Leg	
34	1001205172	7	Relay	

SECTION 10 - ELECTRICAL

FIGURE 10-42. RELAY PANEL INSTALLATION



ART_1001170233-F

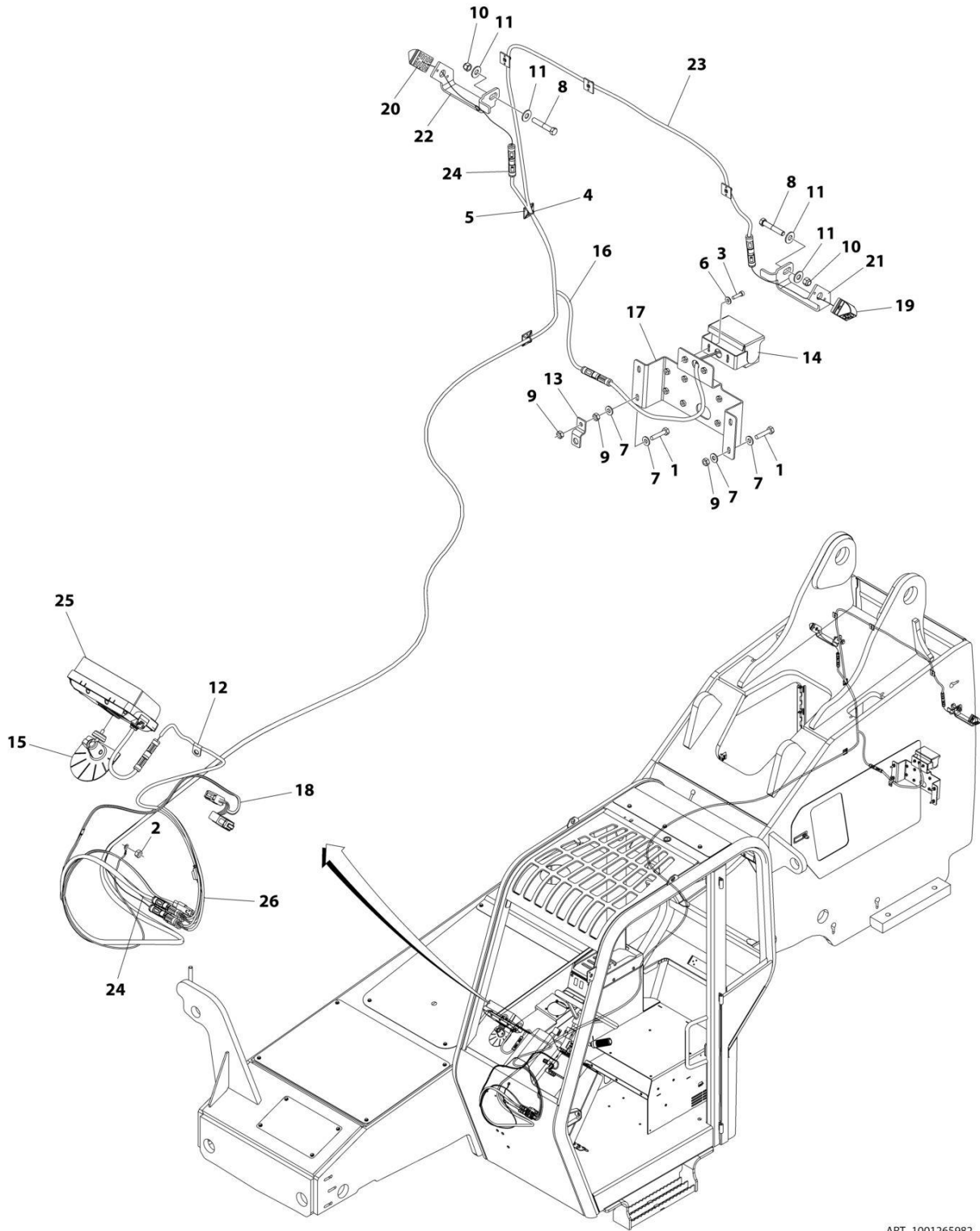
SECTION 10 - ELECTRICAL

FIGURE 10-42. RELAY PANEL INSTALLATION

ITEM	PART NUMBER	QTY	DESCRIPTION	REV
	1001170233	Ref	Relay Panel Installation	F
1	0641415	2	Bolt 1/4X1-7/8	
2	4761400	2	Washer 1/4	
3	8303545	4	Bolt M6X14	
4	8307219	4	Washer M6	
5	90206196	257 mm	Trim, Vinyl Edge	
6	1001186417	1	Relay, 150 Amp	
7	1001118245	1	Fuse, 250 Amp	
8	1001127699	1	Fuse, Power Module	
9	1001127700	1	Holder, AMG Fuse	
10	1001129615	1	Bar, Buss Connector	
11	1001184316	1	Relay, Power Module	
12	1001170230	1	Bracket, Relay Mount	

SECTION 10 - ELECTRICAL

FIGURE 10-43. REVERSE CAMERA (Prior to SN 0160117103)



ART_1001265982

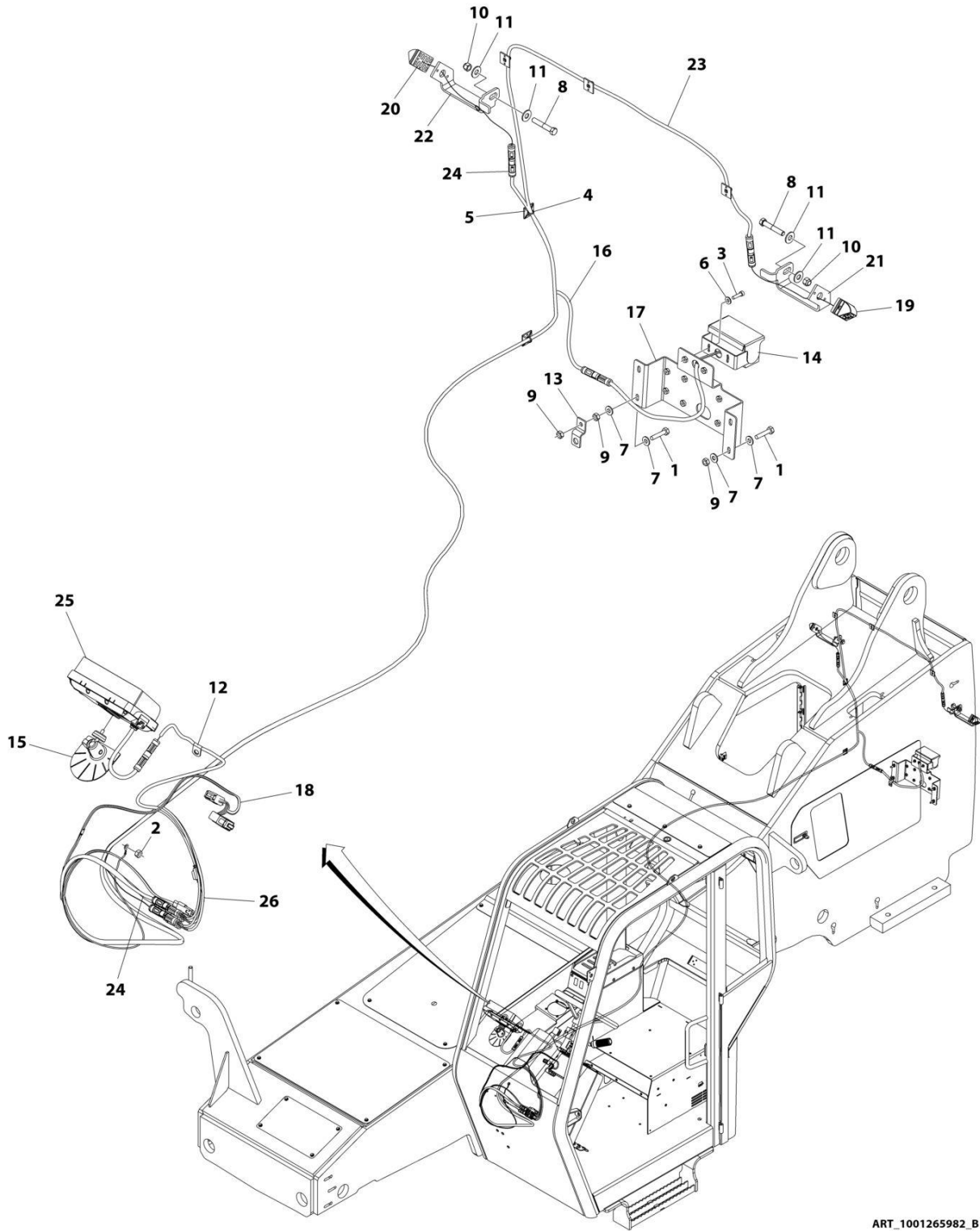
SECTION 10 - ELECTRICAL

FIGURE 10-43. REVERSE CAMERA (Prior to SN 0160117103)

ITEM	PART NUMBER	QTY	DESCRIPTION	REV
	1001265982	Ref	SKYTRAK BACKUP CAMERA INSTALLATION	A
1	0641410	4	Bolt 1/4 x 1	
2	3311401	1	Nut 1/4	
3	3931012	2	Capscrew, #10 x 3/4	
4	4240032	1	Tie-Strap	
5	4460234	1	Mount, Tie-Strap	
6	4711000	2	Washer M10	
7	4711400	8	Washer 1/4	
8	8303771	1	Bolt 3/8 x 2-1/4	
9	8305004	5	Nut 1/4	
10	8305645	2	Nut 3/8	
11	8307204	4	Washer 3/8	
12	8406010	1	Clip	
13	1001204692	1	Bracket	
14	1001233174	1	Camera, Rear View	
15	1001233217	1	Bracket, Monitor Mount	
16	1001233434	1	Harness, Extension Cable Camera	
17	1001233828	1	Bracket, Camera Mount	
18	1001233976	1	Harness, Rear Camera Option (See Separate Breakdown in this Section)	
19	1001264534	1	Camera (LH)	
19	70031717	1	Cable, Camera	
20	1001264536	1	Camera (RH)	
20	70031717	1	Cable, Camera	
21	1001265679	1	Bracket, Camera (LH)	
22	1001265680	1	Bracket, Camera (RH)	
23	1001265979	1	Harness, Extension (LH)	
24	1001265980	1	Harness, Extension (RH)	
25	1001265986	1	Monitor, Display	
26	1001265987	1	Harness, Monitor/Display	

SECTION 10 - ELECTRICAL

FIGURE 10-44. REVERSE CAMERA (SN 0160117103 to Present)



ART_1001265982_B

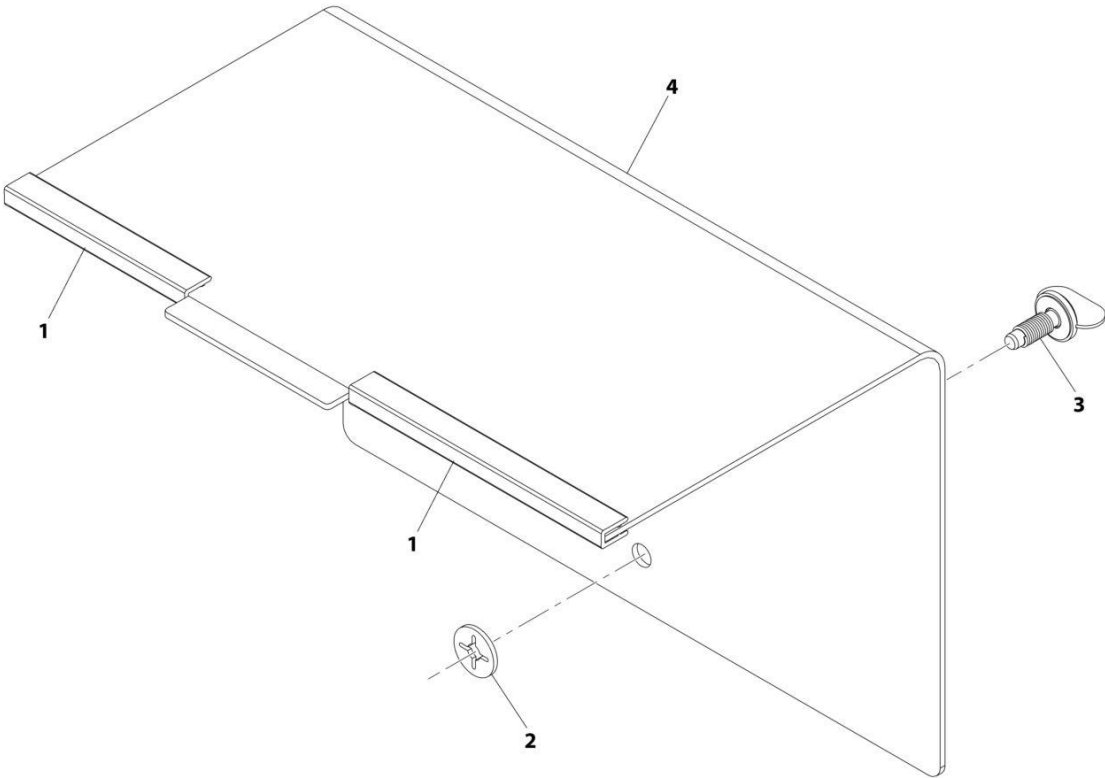
SECTION 10 - ELECTRICAL

FIGURE 10-44. REVERSE CAMERA (SN 0160117103 to Present)

ITEM	PART NUMBER	QTY	DESCRIPTION	REV
	1001265982	Ref	SKYTRAK BACKUP CAMERA INSTALLATION	B
1	0641410	4	Bolt 1/4 x 1	
2	3311401	1	Nut 1/4	
3	3931012	2	Capscrew, #10 x 3/4	
4	4240032	1	Tie-Strap	
5	4460234	1	Mount, Tie-Strap	
6	4711000	2	Washer M10	
7	4711400	8	Washer 1/4	
8	8303771	1	Bolt 3/8 x 2-1/4	
9	8305004	5	Nut 1/4	
10	8305645	2	Nut 3/8	
11	8307204	4	Washer 3/8	
12	8406010	1	Clip	
13	1001204692	1	Bracket	
14	1001233174	1	Camera, Rear View	
15	1001233217	1	Bracket, Monitor Mount	
16	1001233434	1	Harness, Extension Cable Camera	
17	1001233828	1	Bracket, Camera Mount	
18	1001233976	1	Harness, Rear Camera Option (See Separate Breakdown in this Section)	
19	1001264534	1	Camera (LH)	
19	70031717	1	Cable, Camera	
20	1001264536	1	Camera (RH)	
20	70031717	1	Cable, Camera	
21	1001265679	1	Bracket, Camera (LH)	
22	1001265680	1	Bracket, Camera (RH)	
23	1001265979	1	Harness, Extension (LH)	
24	1001265980	1	Harness, Extension (RH)	
25	1001289479	1	Monitor, Display	
26	1001265987	1	Harness, Monitor/Display	

SECTION 10 - ELECTRICAL

FIGURE 10-45. RELAY PANEL COVER ASSEMBLY



ART_1001170234-B

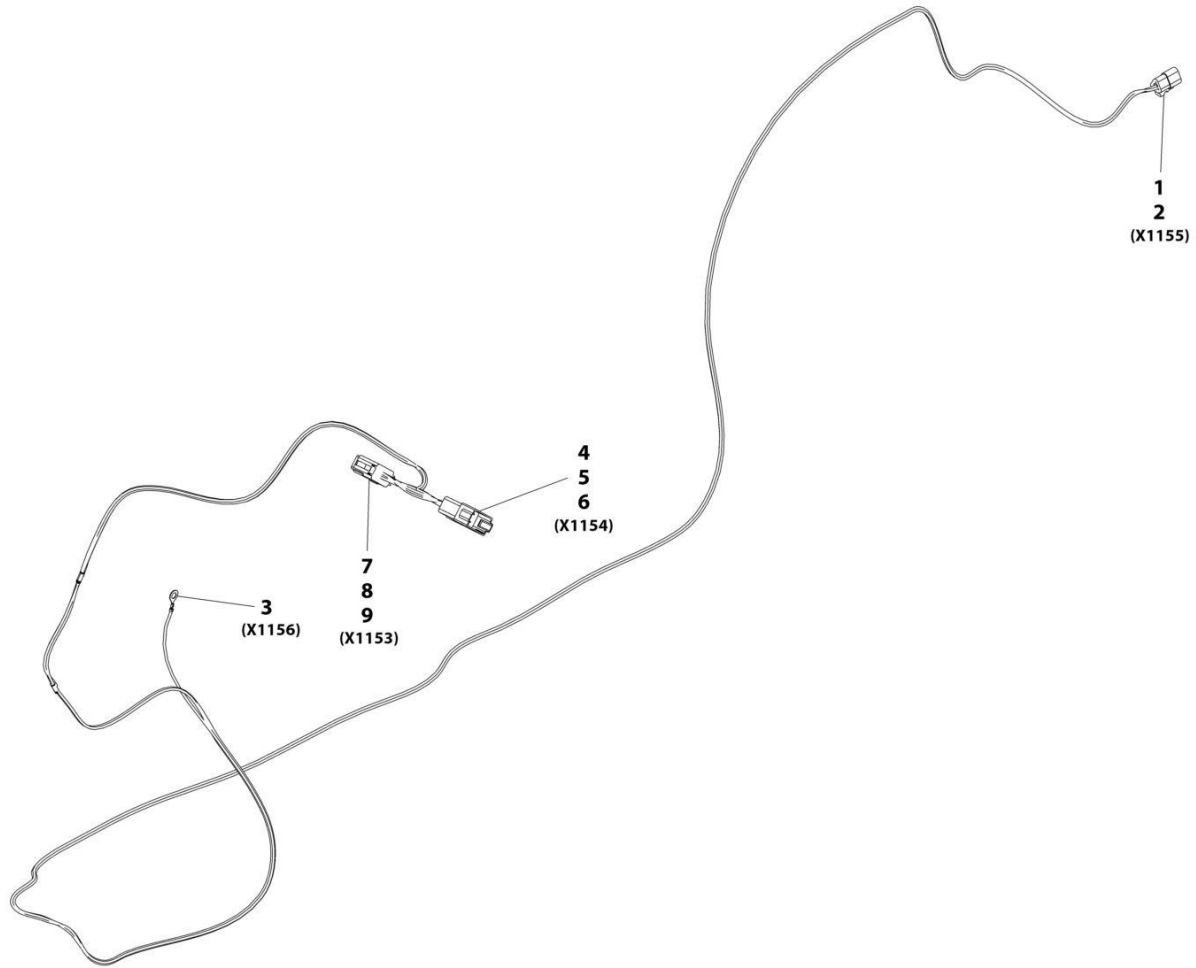
SECTION 10 - ELECTRICAL

FIGURE 10-45. RELAY PANEL COVER ASSEMBLY

ITEM	PART NUMBER	QTY	DESCRIPTION	REV
	1001170234	Ref	Relay Panel Cover Assembly	B
1	90206196	220 mm	Trim, Vinyl Edge	
2	1001135770	1	Washer, Push-On Retainer	
3	1001135777	1	Screw, Fastener Assembly Wing Head	
4	1001170235	1	Cover, Relay Panel	

SECTION 10 - ELECTRICAL

FIGURE 10-46. REVERSE CAMERA OPTION HARNESS



ART_1001233976-A

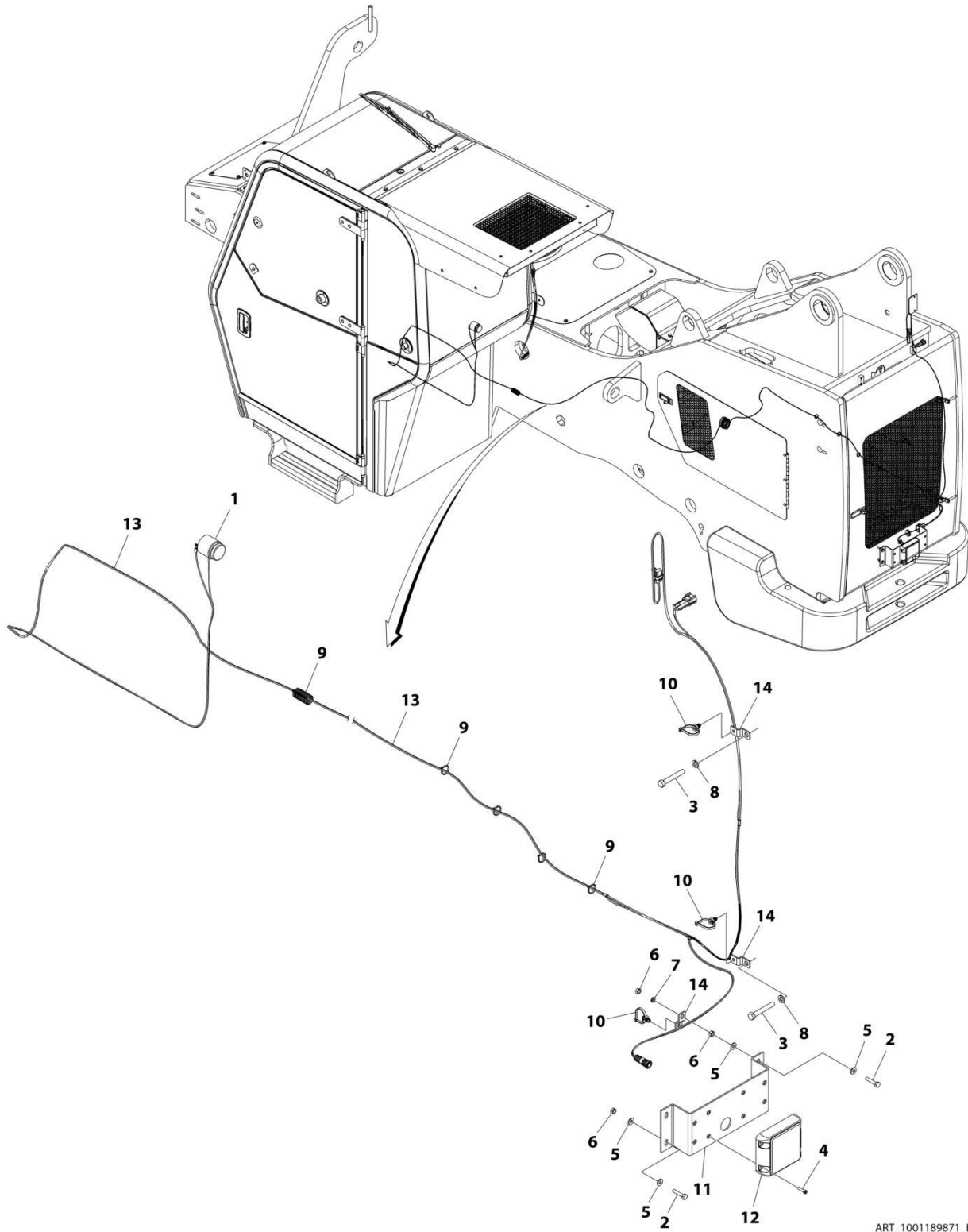
SECTION 10 - ELECTRICAL

FIGURE 10-46. REVERSE CAMERA OPTION HARNESS

ITEM	PART NUMBER	QTY	DESCRIPTION	REV
	1001233976	Ref	Skytrak Rear Camera Option Harness	A
1	4460539	1	Connector	
2	4460465	3	Terminal	
3	1001207173	1	Terminal, Ring	
4	4460970	1	Connector	
5	4460464	9	Terminal	
6	4460466	3	Plug	
7	4460933	1	Connector	
8	4460465	9	Terminal	
9	4460466	3	Plug	

SECTION 10 - ELECTRICAL

FIGURE 10-47. REVERSE SENSOR INSTALLATION



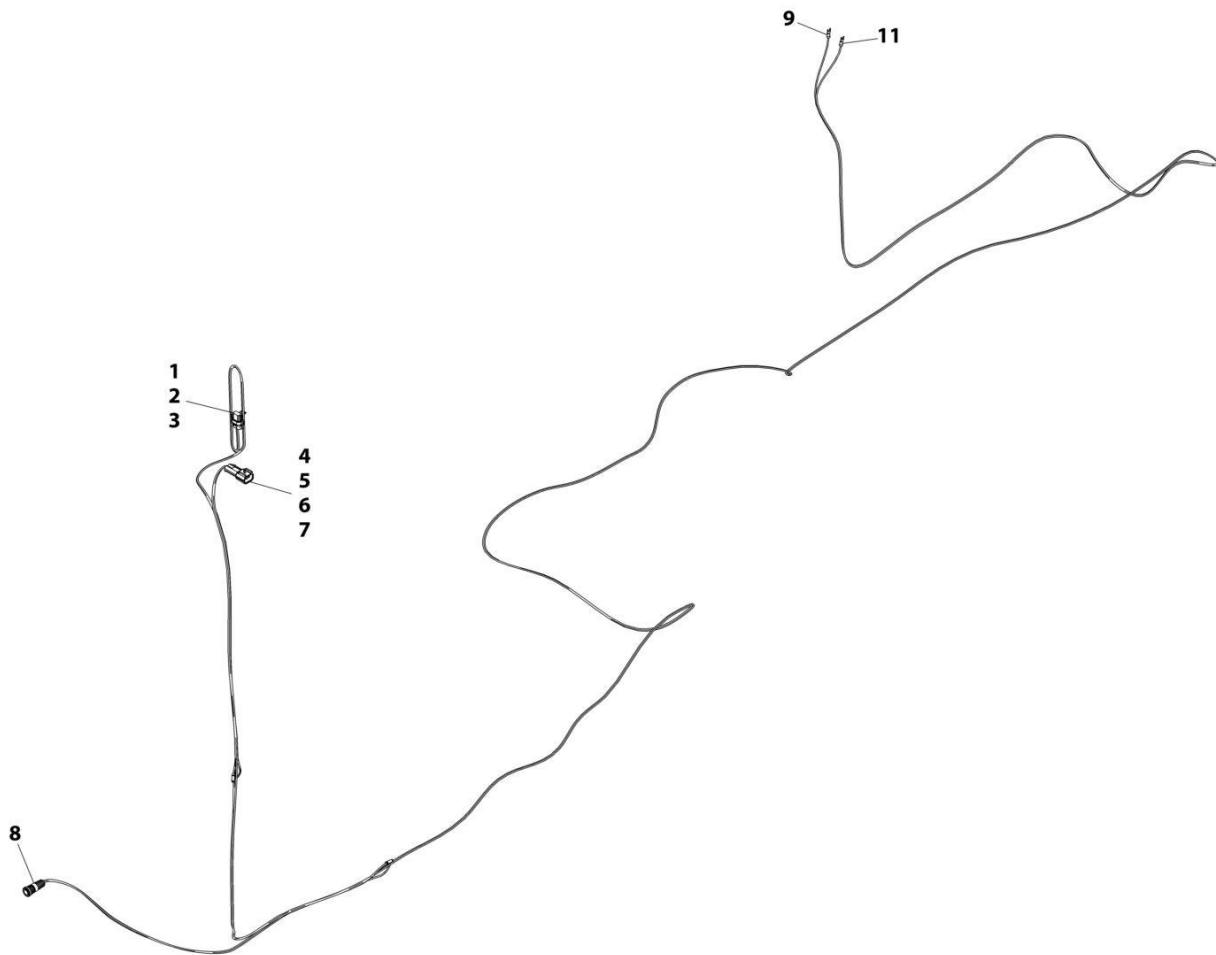
SECTION 10 - ELECTRICAL

FIGURE 10-47. REVERSE SENSOR INSTALLATION

ITEM	PART NUMBER	QTY	DESCRIPTION	REV
	1001189871	Ref	REVERSE SENSOR INSTALLATION	B
1	0140011	1	Audible, Signal Device	
2	0641410	4	Bolt 1/4 x 1	
3	0641620	2	Bolt 3/8 x 2	
4	3931012	4	Capscrew #10 x 3/4	
5	4711400	8	Washer 1/4	
6	8305004	5	Nut 1/4	
7	8307002	1	Washer 1/4	
8	8307005	2	Washer 3/8	
9	8584001	AR	Wrap, Tie 3/16	
10	1001004720	3	Strap, Cable	
11	1001154375	1	Bracket	
12	1001247421	1	Control, Reverse Sensor	
13	1001189886	1	Harness, Reverse Sensor (See Separate Breakdown in this Section)	
14	1001204692	3	Bracket	

SECTION 10 - ELECTRICAL

FIGURE 10-48. REVERSE SENSOR HARNESS



ART_1001189886-B

SECTION 10 - ELECTRICAL

FIGURE 10-48. REVERSE SENSOR HARNESS

ITEM	PART NUMBER	QTY	DESCRIPTION	REV
	1001189886	Ref	Reverse Sensor Harness	B
1	1001117021	1	Connector	
2	1001116728	2	Terminal	
3	4460458	2	Seal	
4	1001117026	1	Connector	
5	8220890	1	Lock, Secondary	
6	1001116745	2	Terminal	
7	4460458	2	Seal	
8	1001175733	1	Connector	
9	4460183	1	Fork Terminal	
11	4460183	1	Fork Terminal	

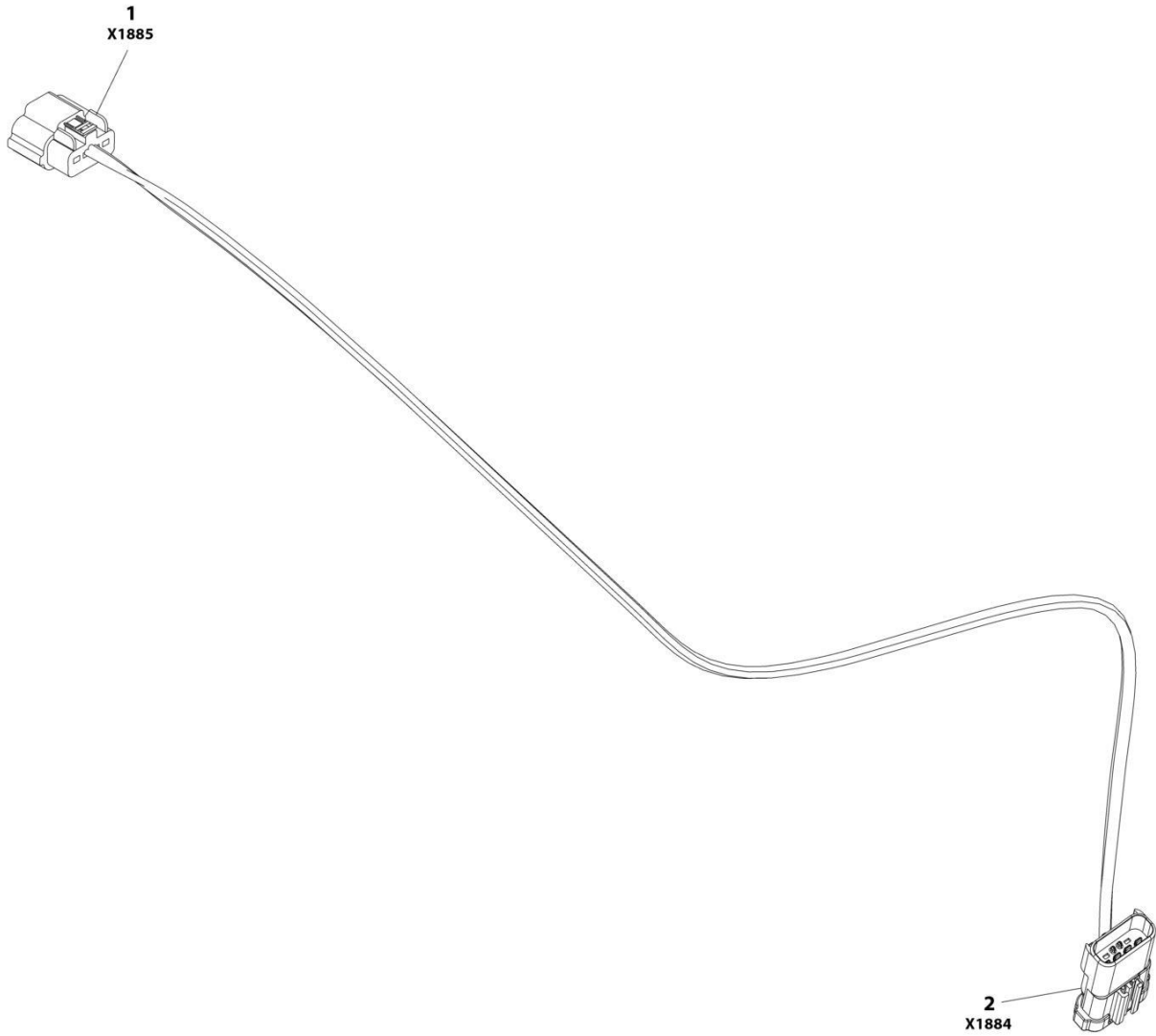
SECTION 10 - ELECTRICAL

FIGURE 10-49. TANK HEATER INSTALLATION - HYDRAULIC TANK

ITEM	PART NUMBER	QTY	DESCRIPTION	REV
	1001233964	Ref	Hydraulic Tank Heater Installation	A
1	2220374	1	Connector	
2	2220498	1	Adapter, 45	
3	2220622	1	Reducer	
4	2220700	1	Tee Fitting	
5	8765204	1	Elbow	
6	1001094696	1	Adapter	
7	1001105886	1	Immersion Heater	
8	1060626	1	3 Way Plug	

SECTION 10 - ELECTRICAL

FIGURE 10-50. TBAP HARNESS



ART_1001184835

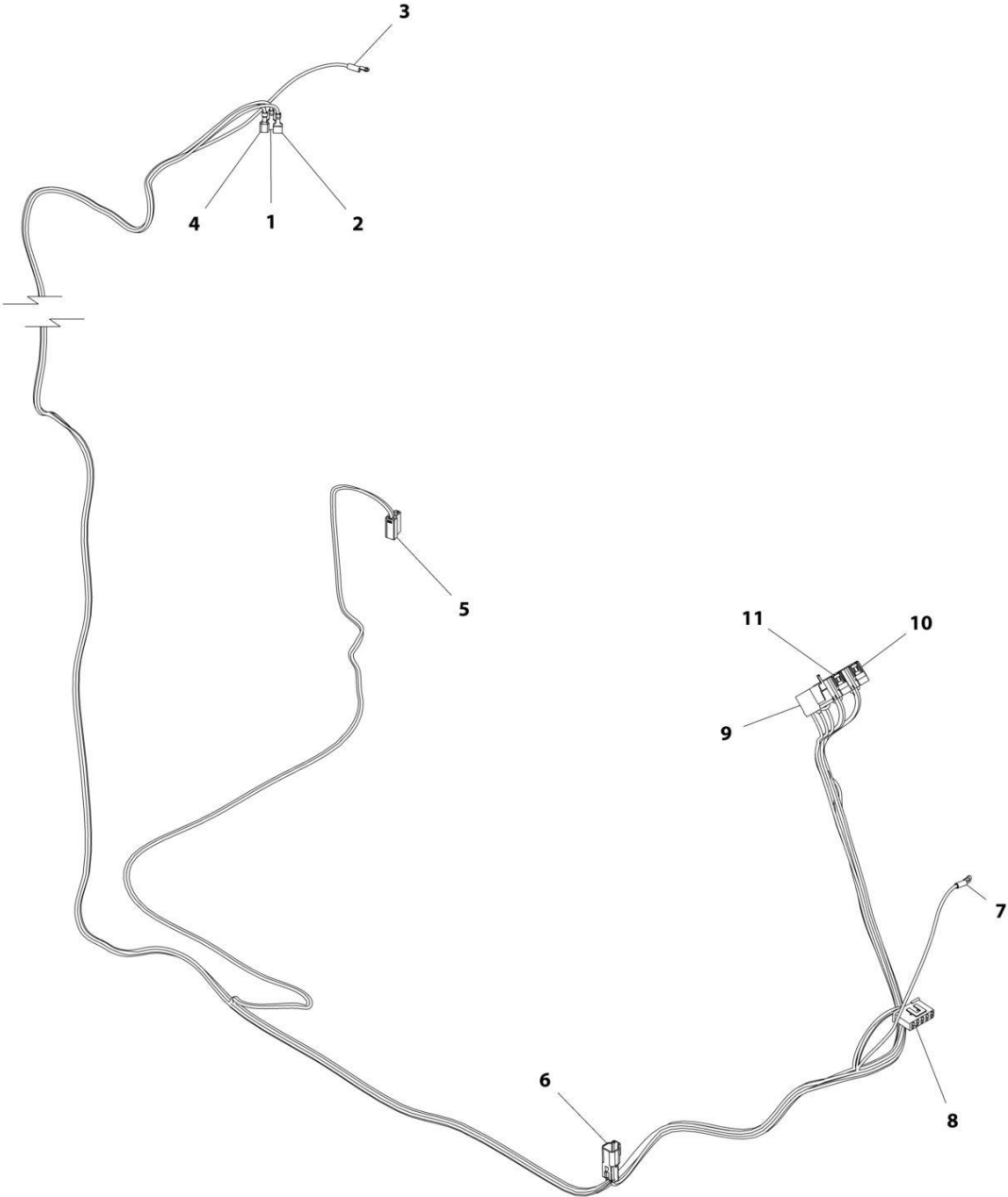
SECTION 10 - ELECTRICAL

FIGURE 10-50. TBAP HARNESS

ITEM	PART NUMBER	QTY	DESCRIPTION	REV
1	1001184835	Ref	TBAP Harness	C
	10011184495	1	Connector	
	1001260509	4	Terminal	
	1001184496	4	Seal	
2	1001184491	1	Connector	
	1001184493	4	Terminal	

SECTION 10 - ELECTRICAL

FIGURE 10-51. WIPER HARNESS



ART_1001178349-D

SECTION 10 - ELECTRICAL

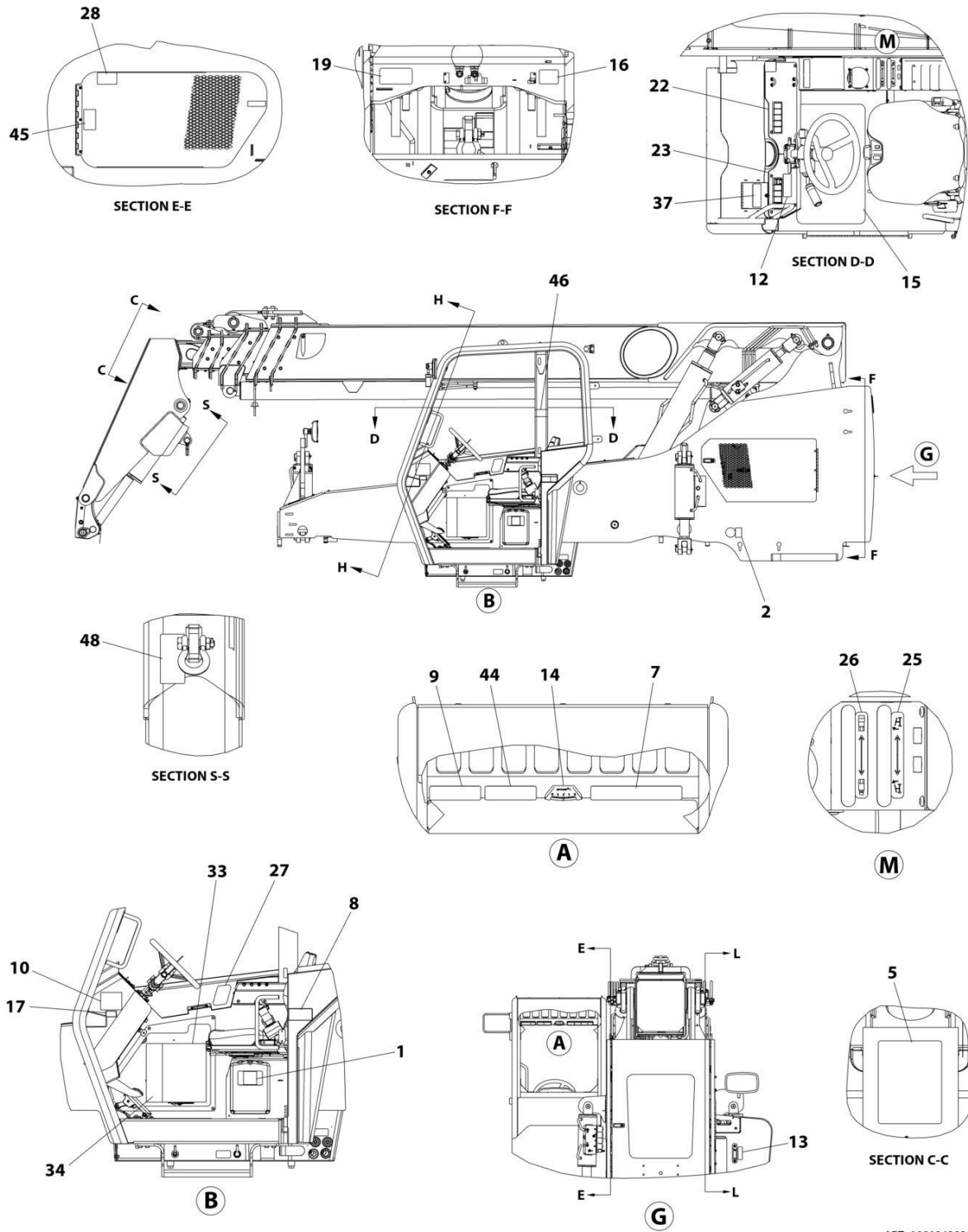
FIGURE 10-51. WIPER HARNESS

ITEM	PART NUMBER	QTY	DESCRIPTION	REV
	1001178349	Ref	Wiper Harness	D
1	8220051	1	Terminal	
2	8220051	1	Terminal	
3	8220035	1	Terminal, Ring	
4	8220051	1	Terminal	
5	4460994	1	Housing, Terminal	
	1001169816	2	Terminal	
6	4460897	1	Connector	
	80604017	1	Lock, Wedge	
	4460464	2	Terminal	
7	8220007	1	Terminal, Ring	
8	1001127066	1	Connector	
	1001116720	3	Terminal	
9	8220904	1	Connector	
	4460419	5	Terminal	
10	1001117081	1	Connector	
	4460419	9	Terminal	
11	1001117081	1	Connector	
	4460419	9	Terminal	

SECTION 11 - DECALS

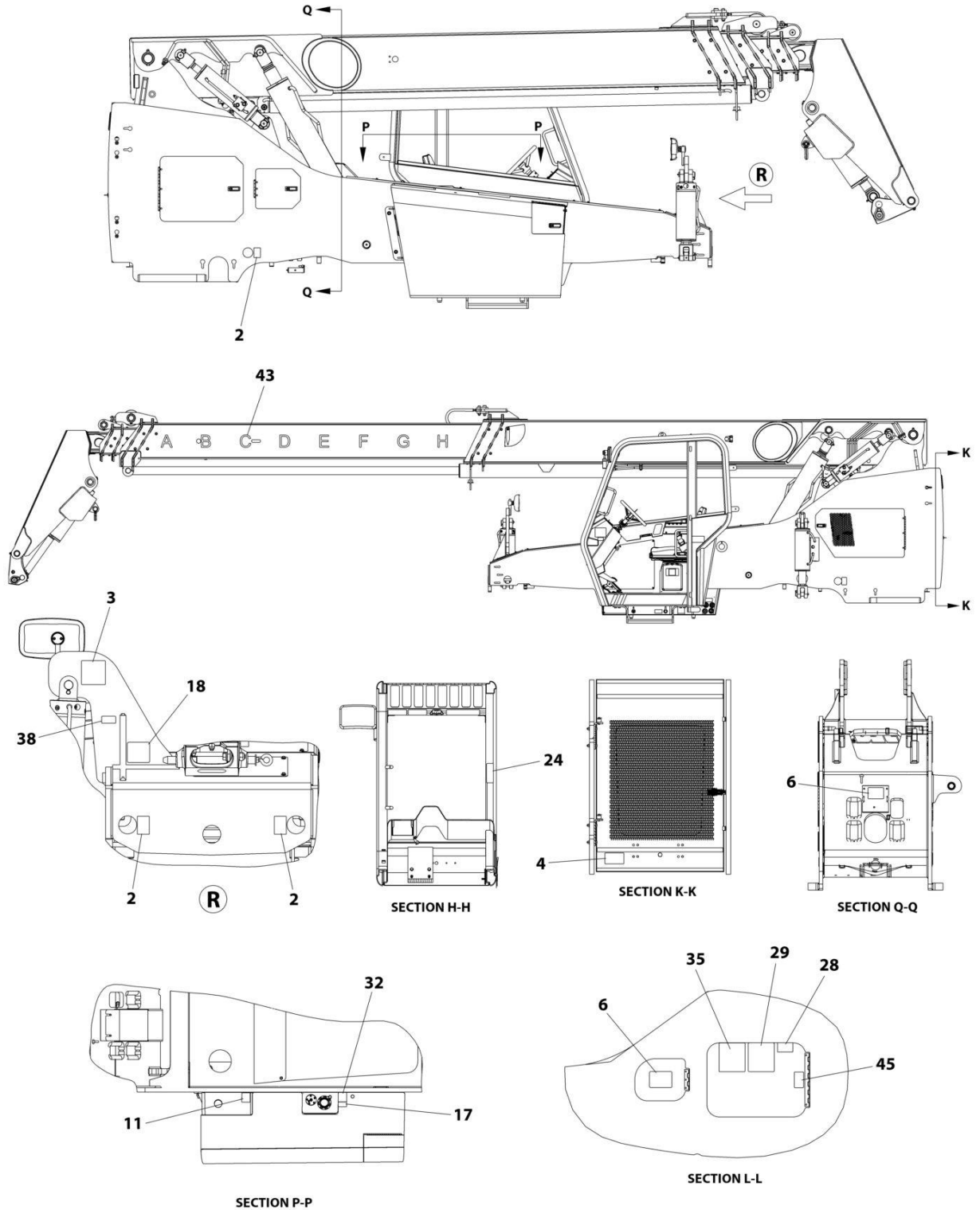
SECTION 11 - DECALS

FIGURE 11-1. DECALS INSTALLATION (74HP) (ANSI)



ART_1001242930_10F2

SECTION 11 - DECALS



ART_1001242930_20F2

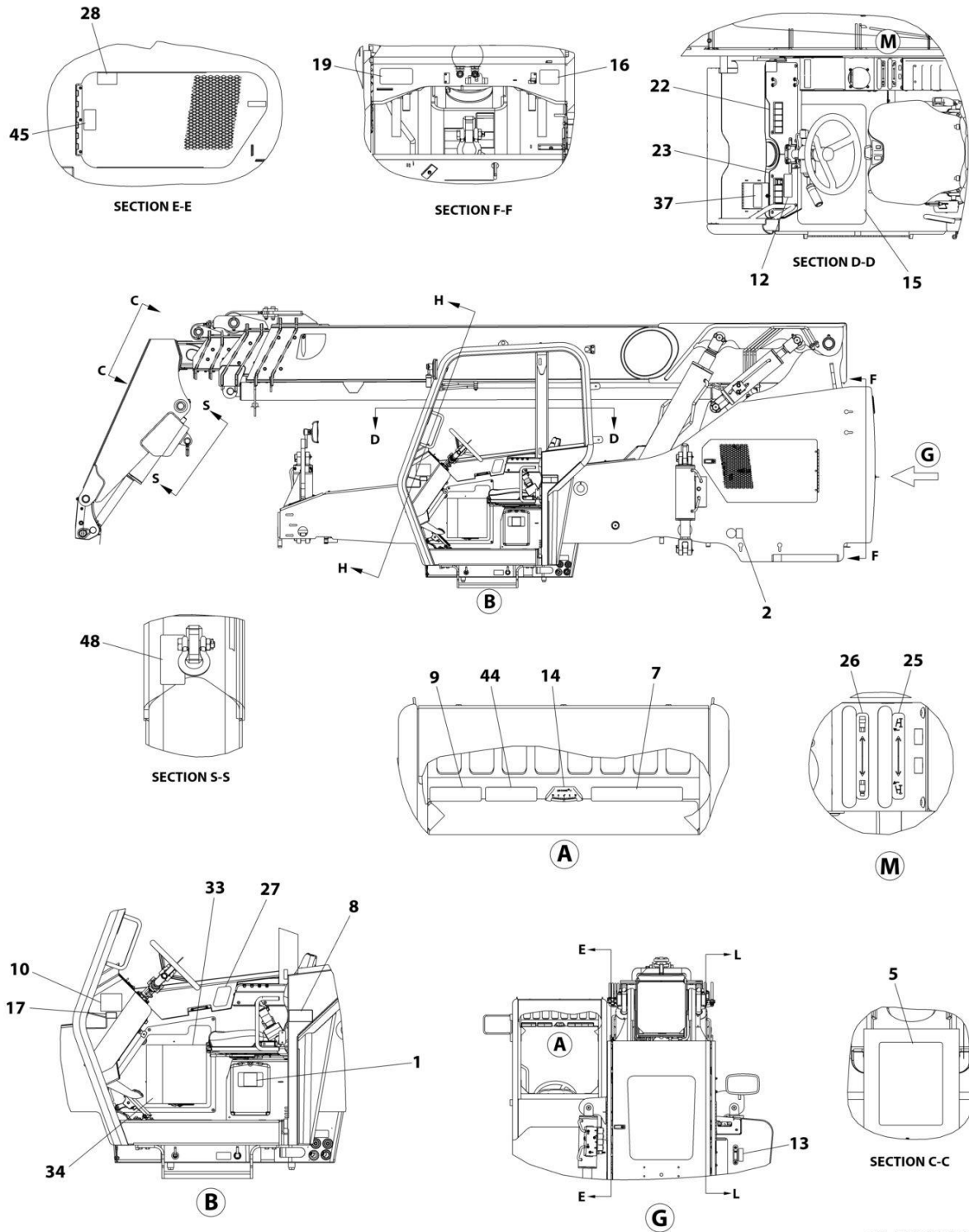
SECTION 11 - DECALS

FIGURE 11-1. DECALS INSTALLATION (74HP) (ANSI)

ITEM	PART NUMBER	QTY	DESCRIPTION	REV
	1001242930	Ref	DECAL INSTALLATION (ANSI) 74HP	F
1	1701640	1	Decal, Manual	
2	1702300	4	Decal, Tie Down	
3	See Note	NSS	Decal, Barcode (Note: Not Available for Purchase)	
4	1706296	1	Decal, Battery Hazard	
5	1706298	1	Decal, Carry Personnel	
6	1706300	2	Decal, Ether Starting Warning	
7	1706306	1	Decal, Tip Over Warning	
8	1706768	1	Decal, No Riders	
9	1706850	1	Decal, Crush Hazard Warning	
10	3251813	1	Decal, USA	
11	4100181	1	Decal, Hydraulic Oil Fill	
12	4107971	1	Decal, Outrigger Contact	
13	4108302	1	Decal, Hydraulic Oil Level	
14	8466306	1	Gage, Tilt Angle	
15	10139087	1	Tread, Safety	
16	1001109053	1	Decal, Coolant Fill	
17	1001125387	2	Decal, Ultra Low Sulfur Fuel	
18	1001131271	1	Decal, Telehandlers Patent	
19	1001139578	1	Decal, Hot Fluid Warning	
22	1001158272	1	Decal, RH Overlay	
23	1001158319	1	Decal, LH Overlay	
24	1001162734	1	Decal, Joystick Control	
25	1001162735	1	Decal, Sway Control	
26	1001162736	1	Decal, Auxiliary Control	
27	1001162737	1	Decal, Outrigger Control	
28	1001202626	2	Decal, 74HP	
29	1001202627	1	Decal, Maintenance Chart	
32	1001189017	1	Decal, Diesel Fuel Fill	
33	1001189327	1	Decal, Main Fuse Panel	
34	1001189328	1	Decal, Fuse Panel	
35	1001254736	1	Decal, Lubrication Chart	
37	1001218659	1	Decal, Brake Fluid	
38	1001223453	1	Decal, ICES (CAN)	
43	4107442	1	Decal, Boom Extend Letters	
44	1706299	1	Decal, Contacting Power Lines Warning	
45	1706301	2	Decal, Keep Clear of Rotating Parts Warning	
46	1001231801	1	Decal, Warning Prop 65 Diesel	
48	1001207217	1	Decal, Danger Swinging Load	

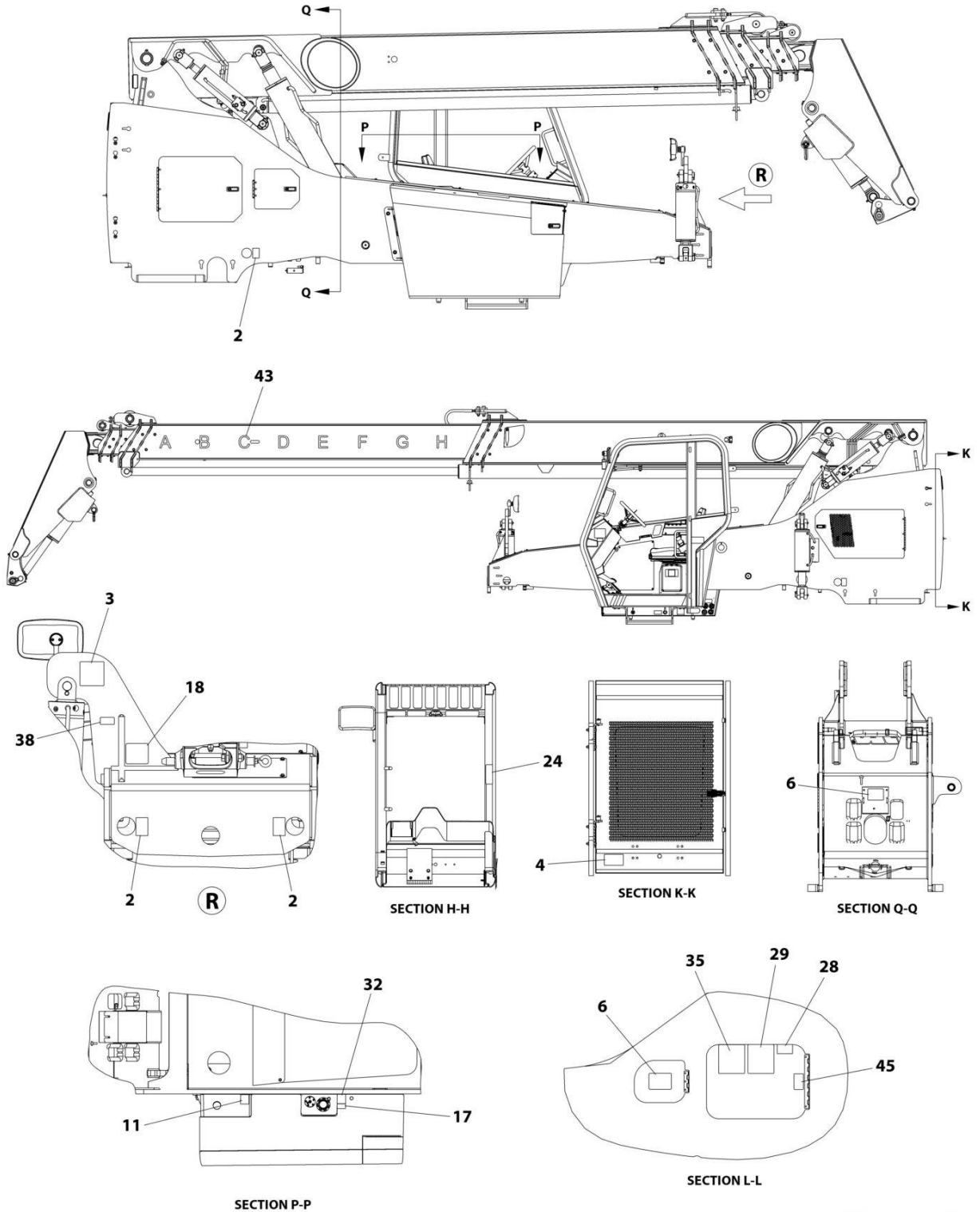
SECTION 11 - DECALS

FIGURE 11-2. DECALS INSTALLATION (74HP) (ENGLISH/FRENCH)



ART_1001242931_1OF2

SECTION 11 - DECALS



ART_1001242931_20F2

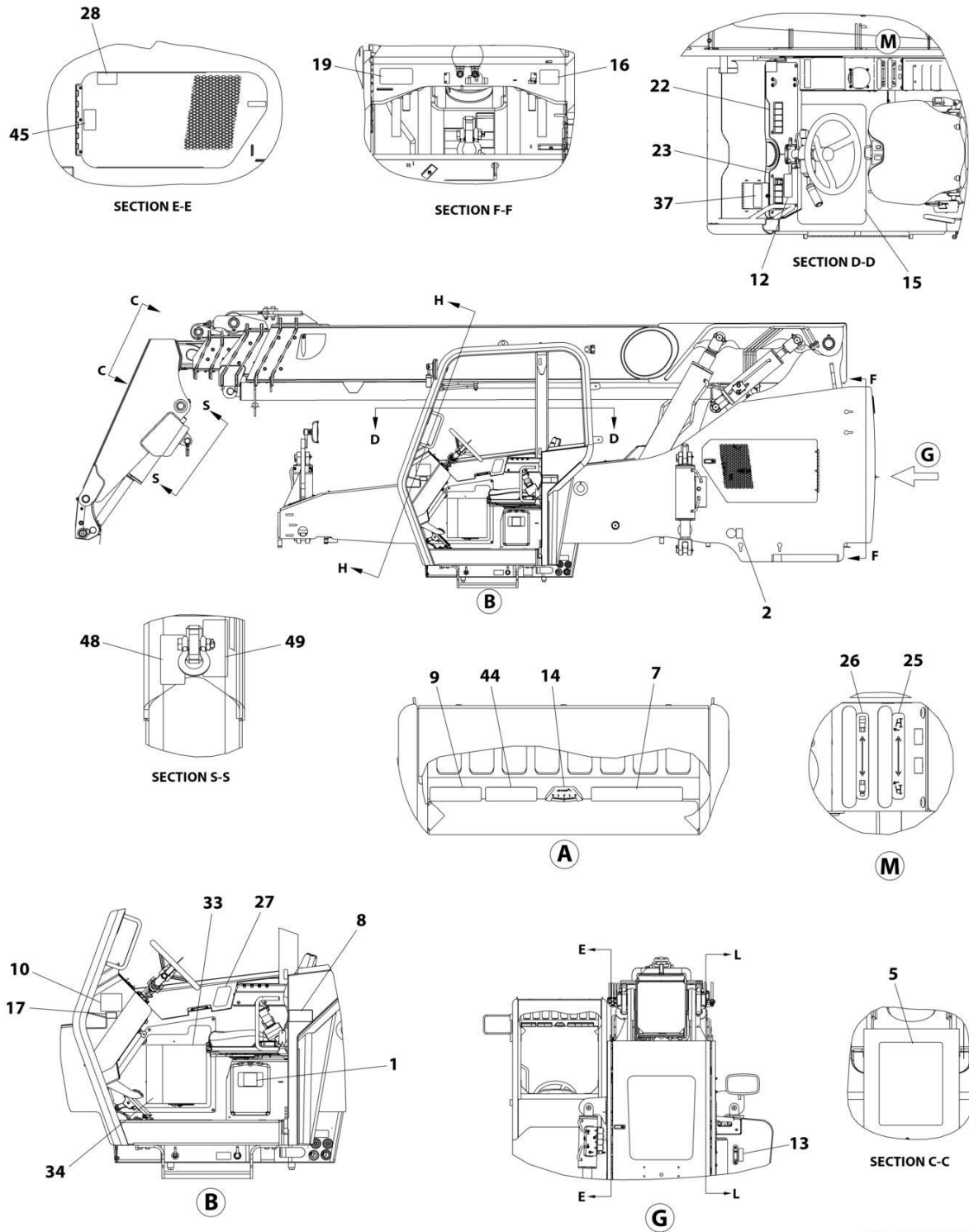
SECTION 11 - DECALS

FIGURE 11-2. DECALS INSTALLATION (74HP) (ENGLISH/FRENCH)

ITEM	PART NUMBER	QTY	DESCRIPTION	REV
	1001242931	Ref	DECAL INSTALLATION (ENGLISH/FRENCH) 74HP	F
1	1701640	1	Decal, Manual	
2	1702300	4	Decal, Tie Down	
3	See Note	NSS	Decal, Bar Code (Note: Not Available for Purchase)	
4	1001163174	1	Decal, Battery Warning	
5	1001163206	1	Decal, Carry Personnel	
6	1001163212	2	Decal, No Ether Warning	
7	1001163285	1	Decal, Tip Over Warning	
8	1001163300	1	Decal, No Riders	
9	1001163304	1	Decal, Crush Hazard Warning	
10	3251813	1	Decal, USA	
11	4100181	1	Decal, Hydraulic Oil Fill	
12	1001187239	1	Decal, Outrigger	
13	4108302	1	Decal, Hydraulic Oil Level	
14	8466306	1	Gage, Tilt Angle	
15	10139087	1	Tread, Safety	
16	1001109053	1	Decal, Coolant Fill	
17	1001163355	2	Decal, Ultra Low Sulfur Diesel	
18	1001131271	1	Decal, Telehandlers Patent	
19	1001163323	1	Decal, Hot Fluid Warning	
22	1001180175	1	Decal, RH Overlay	
23	1001180176	1	Decal, LH Overlay	
24	1001162734	1	Decal, Joystick Control	
25	1001162735	1	Decal, Sway Control	
26	1001162736	1	Decal, Auxiliary Control	
27	1001162737	1	Decal, Outrigger Control	
28	1001202626	2	Decal, 74HP	
29	1001202627	1	Decal, Maintenance Chart	
32	1001189017	1	Decal, Diesel Fuel Fill	
33	1001189327	1	Decal, Main Fuse Panel	
34	1001189328	1	Decal, Fuse Panel Logic Harness	
35	1001254736	1	Decal, Lubrication Chart	
37	1001219211	1	Decal, DEF Fluid	
38	1001223453	1	Decal, ICES (CAN)	
43	4107442	1	Decal, Boom Extend Letters	
44	1001163210	1	Decal, Electrocutation Hazard	
45	1001163222	2	Decal, Moving Parts	
48	1001211278	1	Decal, Swinging Load Decal Kit	

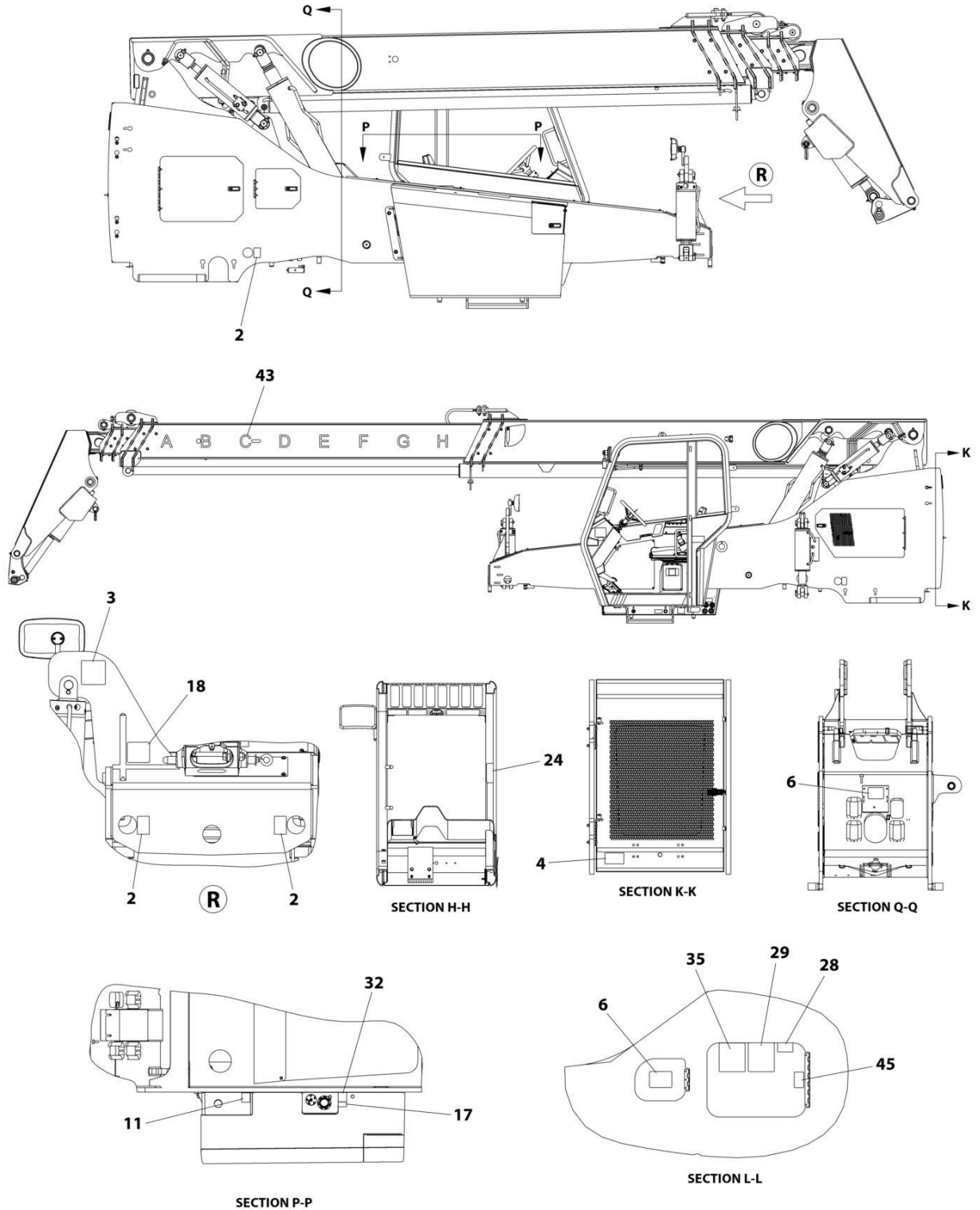
SECTION 11 - DECALS

FIGURE 11-3. DECALS INSTALLATION (74HP) (ENGLISH/SPANISH)



ART_1001245746_10F2

SECTION 11 - DECALS



ART_1001245746_20F2

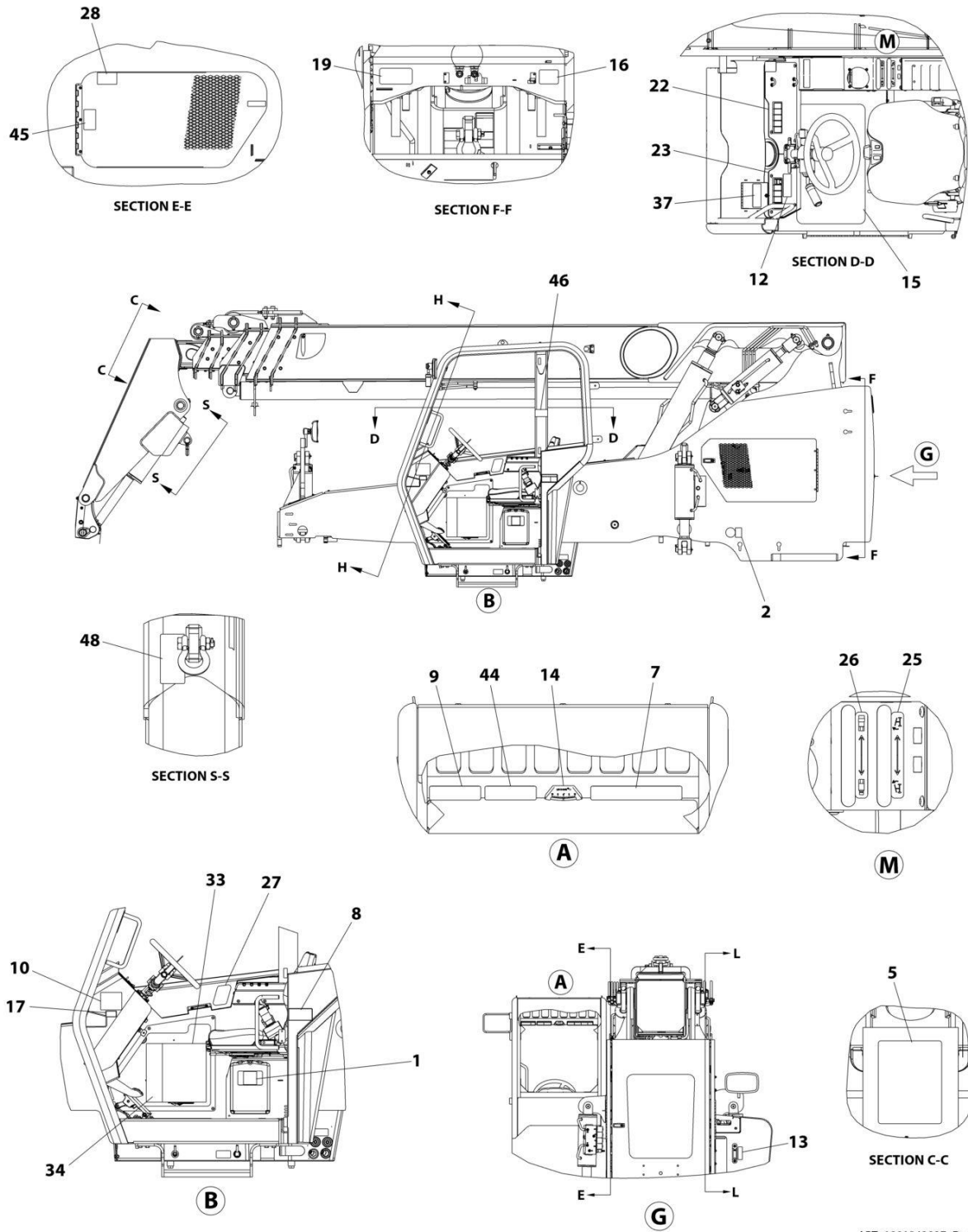
SECTION 11 - DECALS

FIGURE 11-3. DECALS INSTALLATION (74HP) (ENGLISH/SPANISH)

ITEM	PART NUMBER	QTY	DESCRIPTION	REV
	1001245746	Ref	DECAL INSTALLATION (ENGLISH/SPANISH) 74HP	F
1	1701640	1	Decal, Manual	
2	1702300	4	Decal, Tie Down	
3	See Note	NSS	Decal, Bar Code (Note: Not Available for Purchase)	
4	1001235794	1	Decal, Battery Warning	
5	1001235796	1	Decal, Carry Personnel	
6	1001235798	2	Decal, Ether Starting Warning	
7	1001235801	1	Decal, Tip Over Warning	
8	1001235802	1	Decal, No Riders	
9	1001235803	1	Decal, Crush Hazard Warning	
10	3251813	1	Decal, USA	
11	4100181	1	Decal, Hydraulic Oil Fill	
12	1001242122	1	Decal, Outrigger	
13	4108302	1	Decal, Hydraulic Oil Level	
14	8466306	1	Gage, Tilt Angle	
15	10139087	1	Tread, Safety	
16	1001109053	1	Decal, Coolant Fill	
17	1001235804	2	Decal, Ultra Low Sulfur Diesel	
18	1001131271	1	Decal, Telehandlers Patent	
19	1001235805	1	Decal, Hot Fluid Warning	
22	1001242172	1	Decal, RH Overlay	
23	1001242173	1	Decal, LH Overlay	
24	1001162734	1	Decal, Joystick Control	
25	1001162735	1	Decal, Sway Control	
26	1001162736	1	Decal, Auxiliary Control	
27	1001162737	1	Decal, Outrigger Control	
28	1001236313	2	Decal, MCO 74HP	
29	1001174152	1	Decal, Maintenance Chart	
32	1001189017	1	Decal, Diesel Fuel Fill	
33	1001189327	1	Decal, Main Fuse Panel	
34	1001189328	1	Decal, Fuse Panel Logic Harness	
35	1001254736	1	Decal, Lubrication Chart	
37	1001219211	1	Decal, DEF Fluid	
43	4107442	1	Decal, Boom Extend Letters	
44	1001235797	1	Decal, Electrocutation Hazard	
45	1001235799	2	Decal, Moving Parts	
48	1001246078	1	Decal, Swinging Loads Boom Head Skytrak (SPAN)	
49	1001242179	1	Decal, Danger Swinging Load	

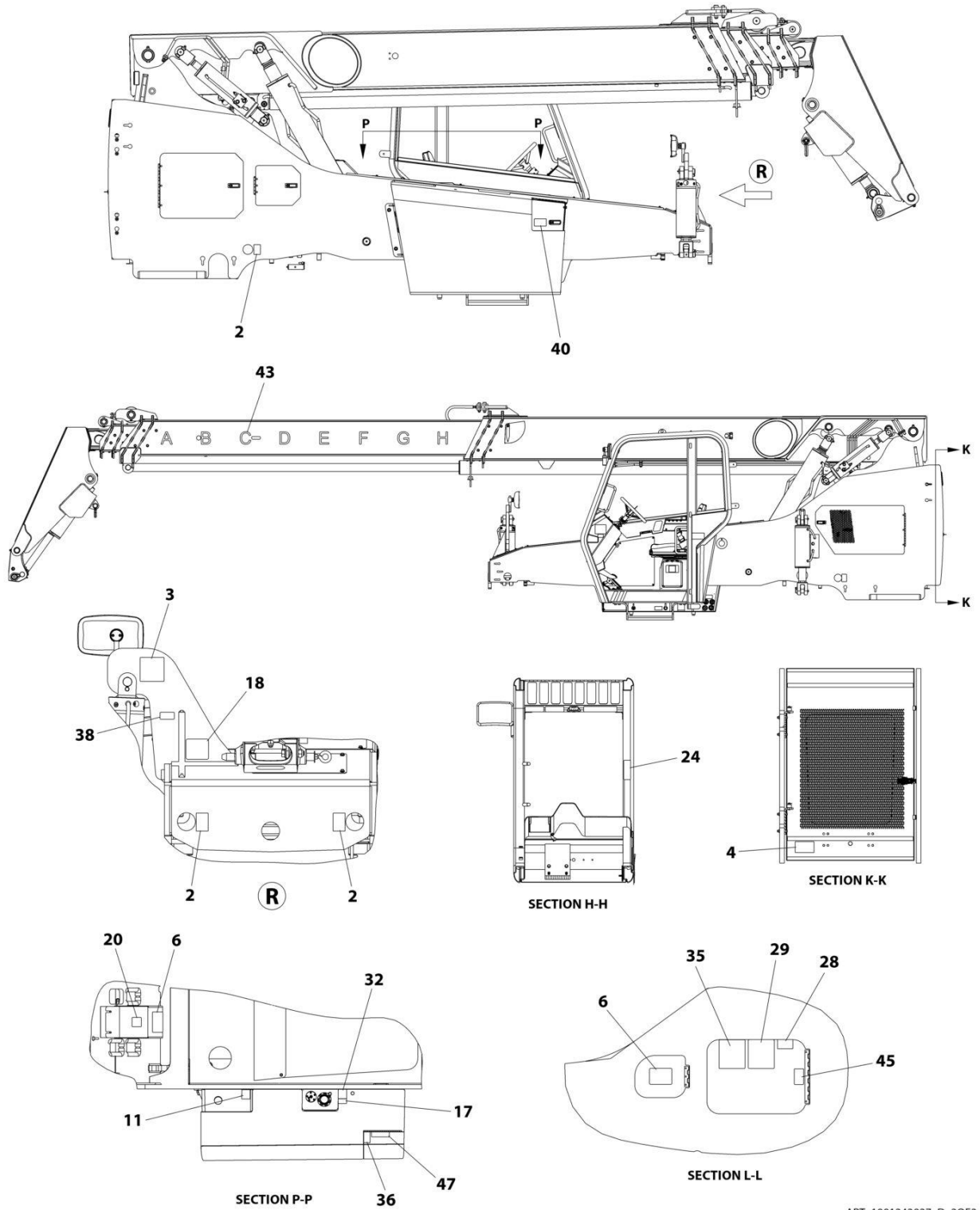
SECTION 11 - DECALS

FIGURE 11-4. DECALS INSTALLATION (130HP) (ANSI)



ART_1001242927_D_10F2

SECTION 11 - DECALS



ART_1001242927_D_2OF2

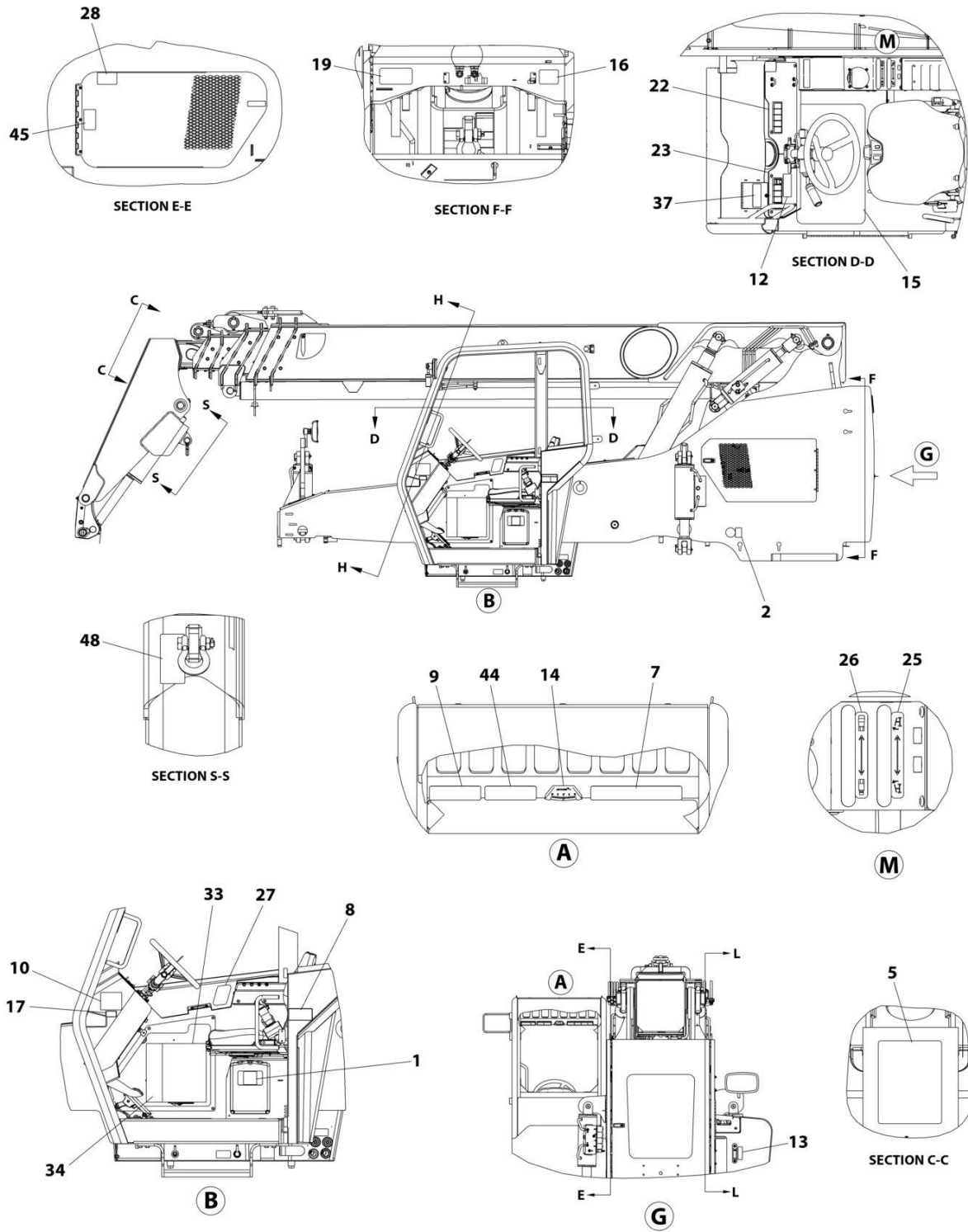
SECTION 11 - DECALS

FIGURE 11-4. DECALS INSTALLATION (130HP) (ANSI)

ITEM	PART NUMBER	QTY	DESCRIPTION	REV
	1001242927	Ref	DECAL INSTALLATION (ANSI)	D
1	1701640	1	Decal, Manual	
2	1702300	4	Decal, Tie Down	
3	See Note	NSS	Decal, Bar Code (Note: Not Available for Purchase)	
4	1706296	1	Decal, Battery Hazard	
5	1706298	1	Decal, Carry Personnel	
6	1706300	2	Decal, Ether Starting Warning	
7	1706306	1	Decal, Tip Over Warning	
8	1706768	1	Decal, No Riders	
9	1706850	1	Decal, Crush Hazard Warning	
10	3251813	1	Decal, USA	
11	4100181	1	Decal, Hydraulic Oil Fill	
12	4107971	1	Decal, Outrigger	
13	4108302	1	Decal, Hydraulic Oil Level	
14	8466306	1	Gage, Tilt Angle	
15	10139087	1	Tread, Safety	
16	1001109053	1	Decal, Coolant Fill	
17	1001125387	2	Decal, Ultra Low Sulfur Fuel	
18	1001131271	1	Decal, Telehandlers Patent	
19	1001139578	1	Decal, Hot Fluid Warning	
20	1001142452	1	Decal, No Step	
22	1001158272	1	Decal, RH Overlay	
23	1001158319	1	Decal, LH Overlay	
24	1001162734	1	Decal, Joystick Control	
25	1001162735	1	Decal, Sway Control	
26	1001162736	1	Decal, Auxiliary Control	
27	1001162737	1	Decal, Outrigger Control	
28	1001173422	2	Decal, MCO 110 HP	
29	1001174152	1	Decal, Maintenance Chart	
32	1001189017	1	Decal, Diesel Fuel Fill	
33	1001189327	1	Decal, Main Fuse Panel	
34	1001189328	1	Decal, Fuse Panel	
35	1001254736	1	Decal, Lubrication Chart	
36	1001196806	1	Decal, Diesel Exhaust Fluid	
37	1001218659	1	Decal, Brake Fluid	
38	1001223453	1	Decal, ICES (CAN)	
40	1001230307	1	Decal, DEF Tank Service Cummins	
43	4107442	1	Decal, Boom Extend Letters	
44	1706299	1	Decal, Contacting Power Lines Warning	
45	1706301	2	Decal, Keep Clear of Rotating Parts Warning	
46	1001231801	1	Decal, Warning Prop 65 Diesel	
47	1001219212	1	Decal, DEF Fluid	
48	1001207217	1	Decal, Danger Swinging Load	

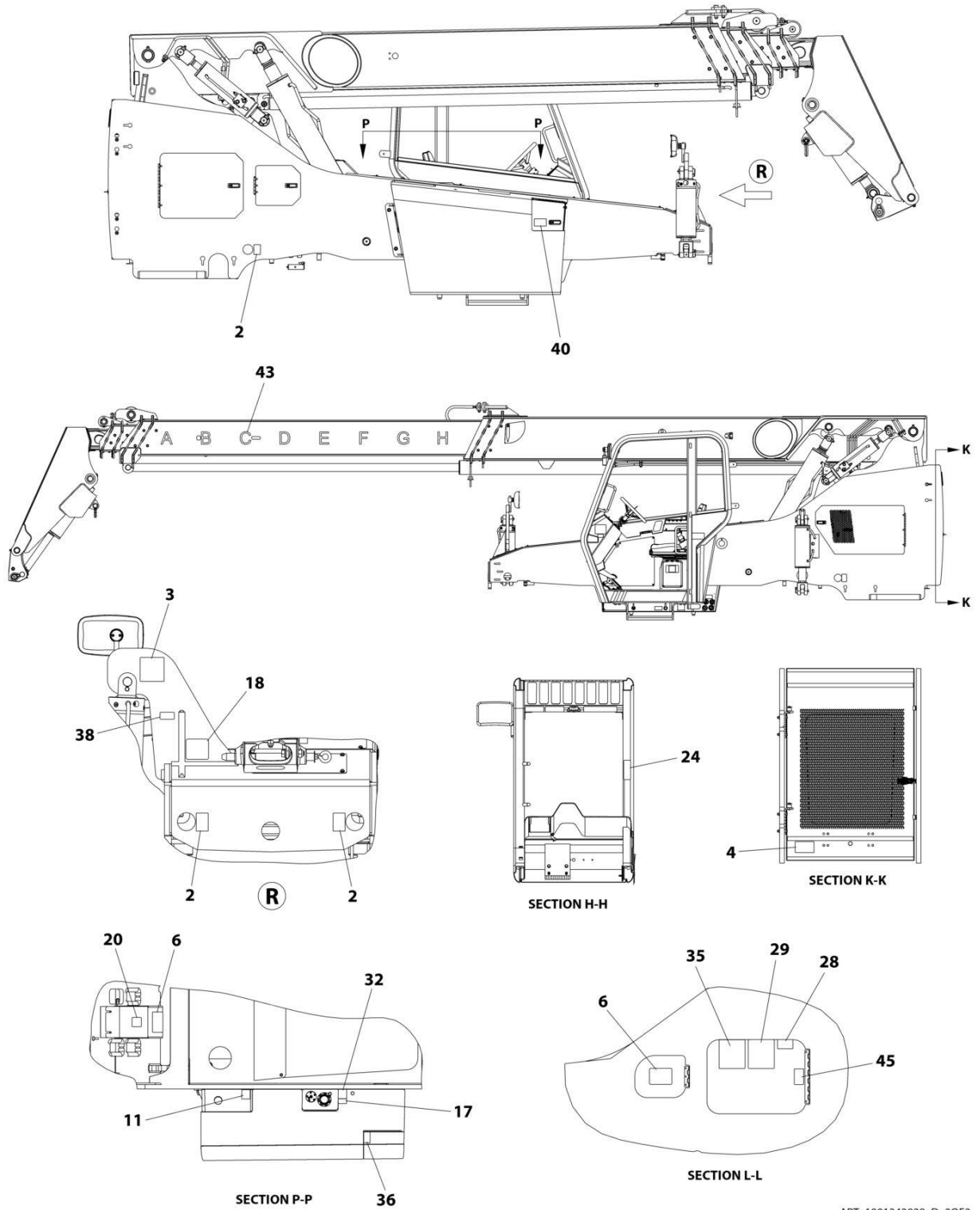
SECTION 11 - DECALS

FIGURE 11-5. DECALS INSTALLATION (130HP) (ENGLISH/FRENCH)



ART_1001242928_D_10F2

SECTION 11 - DECALS



ART_1001242928_D_20F2

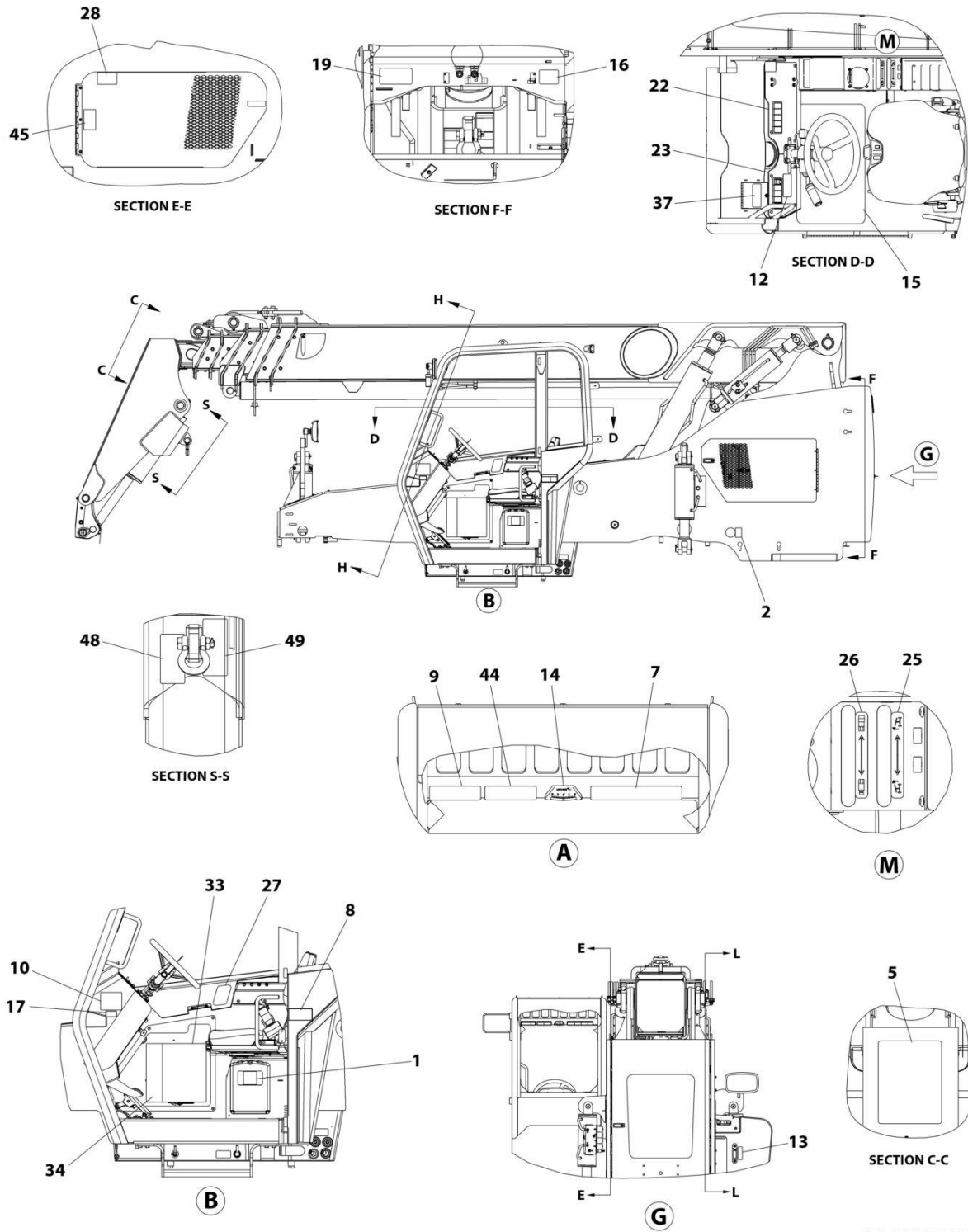
SECTION 11 - DECALS

FIGURE 11-5. DECALS INSTALLATION (130HP) (ENGLISH/FRENCH)

ITEM	PART NUMBER	QTY	DESCRIPTION	REV
	1001242928	Ref	DECAL INSTALLATION (ENGLISH/FRENCH) (ULS)	D
1	1701640	1	Decal, Manual	
2	1702300	4	Decal, Tie Down	
3	See Note	NSS	Decal, Bar Code (Note: Not Available for Purchase)	
4	1001163174	1	Decal, Battery Warning	
5	1001163206	1	Decal, Carry Personnel	
6	1001163212	2	Decal, No Ether Warning	
7	1001163285	1	Decal, Tip Over Warning	
8	1001163300	1	Decal, No Riders	
9	1001163304	1	Decal, Crush Hazard Warning	
10	3251813	1	Decal, USA	
11	4100181	1	Decal, Hydraulic Oil Fill	
12	1001187239	1	Decal, Outrigger	
13	4108302	1	Decal, Hydraulic Oil Level	
14	8466306	1	Gage, Tilt Angle	
15	10139087	1	Tread, Safety	
16	1001109053	1	Decal, Coolant Fill	
17	1001163355	2	Decal, Ultra Low Sulfur Diesel	
18	1001131271	1	Decal, Telehandlers Patent	
19	1001163323	1	Decal, Hot Fluid Warning	
20	1001142452	1	Decal, No Step	
22	1001180175	1	Decal, RH Overlay	
23	1001180176	1	Decal, LH Overlay	
24	1001162734	1	Decal, Joystick Control	
25	1001162735	1	Decal, Sway Control	
26	1001162736	1	Decal, Auxiliary Control	
27	1001162737	1	Decal, Outrigger Control	
28	1001173422	2	Decal, MCO 110HP	
29	1001174152	1	Decal, Maintenance Chart	
32	1001189017	1	Decal, Diesel Fuel Fill	
33	1001189327	1	Decal, Main Fuse Panel	
34	1001189328	1	Decal, Fuse Panel Logic Harness	
35	1001254736	1	Decal, Lubrication Chart	
36	1001196806	1	Decal, Diesel Exhaust Fluid	
37	1001219211	1	Decal, DEF Fluid	
38	1001223453	1	Decal, ICES (CAN)	
40	1001230309	1	Decal, DEF Tank	
43	4107442	1	Decal, Boom Extend Letters	
44	1001163210	1	Decal, Electrocutation Hazard	
45	1001163222	2	Decal, Moving Parts	
48	1001211278	1	Decal, Swinging Load Decal Kit	

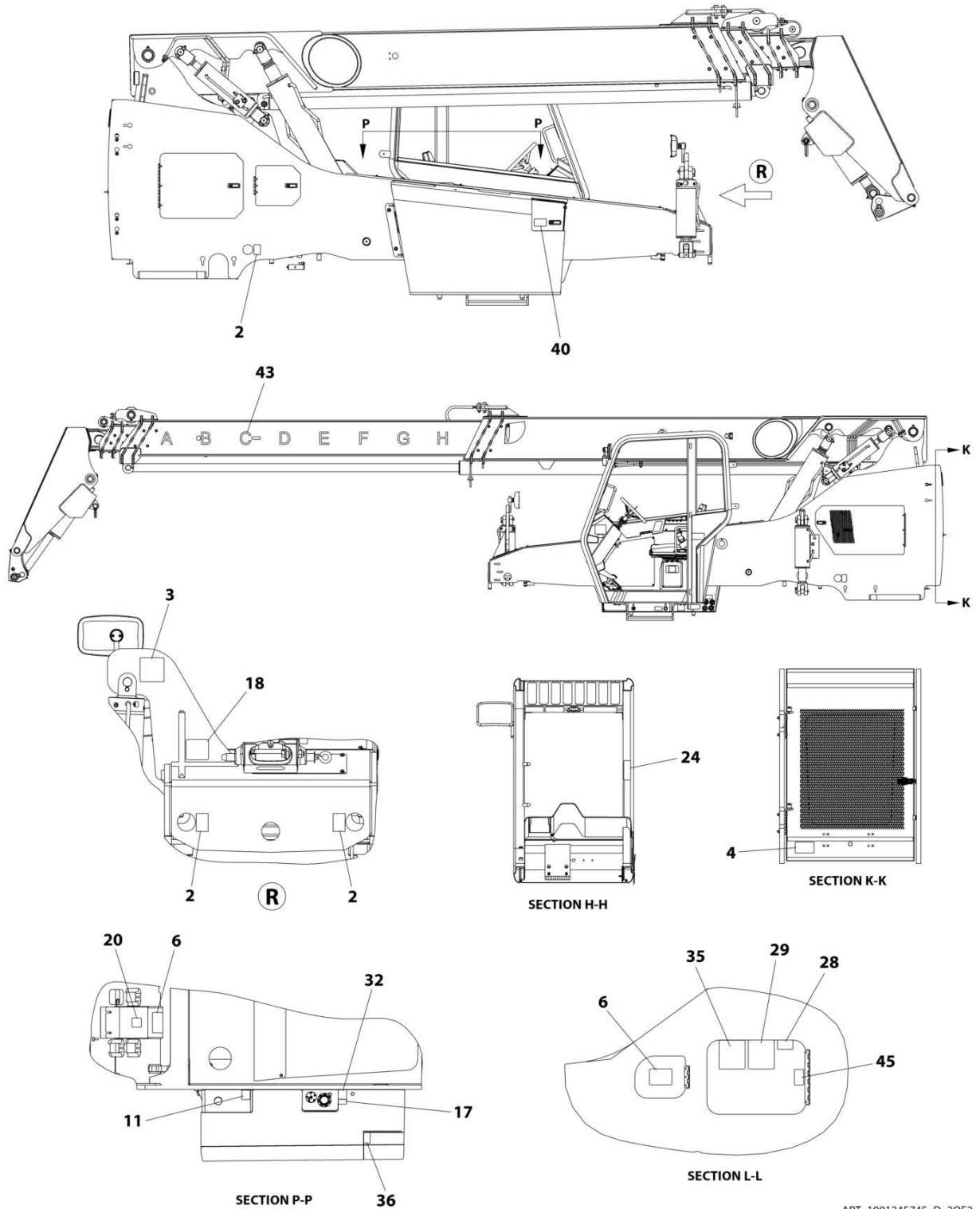
SECTION 11 - DECALS

FIGURE 11-6. DECALS INSTALLATION (130HP) (ENGLISH/SPANISH)



ART_1001245745_D_10F2

SECTION 11 - DECALS



ART_1001245745_D_20F2

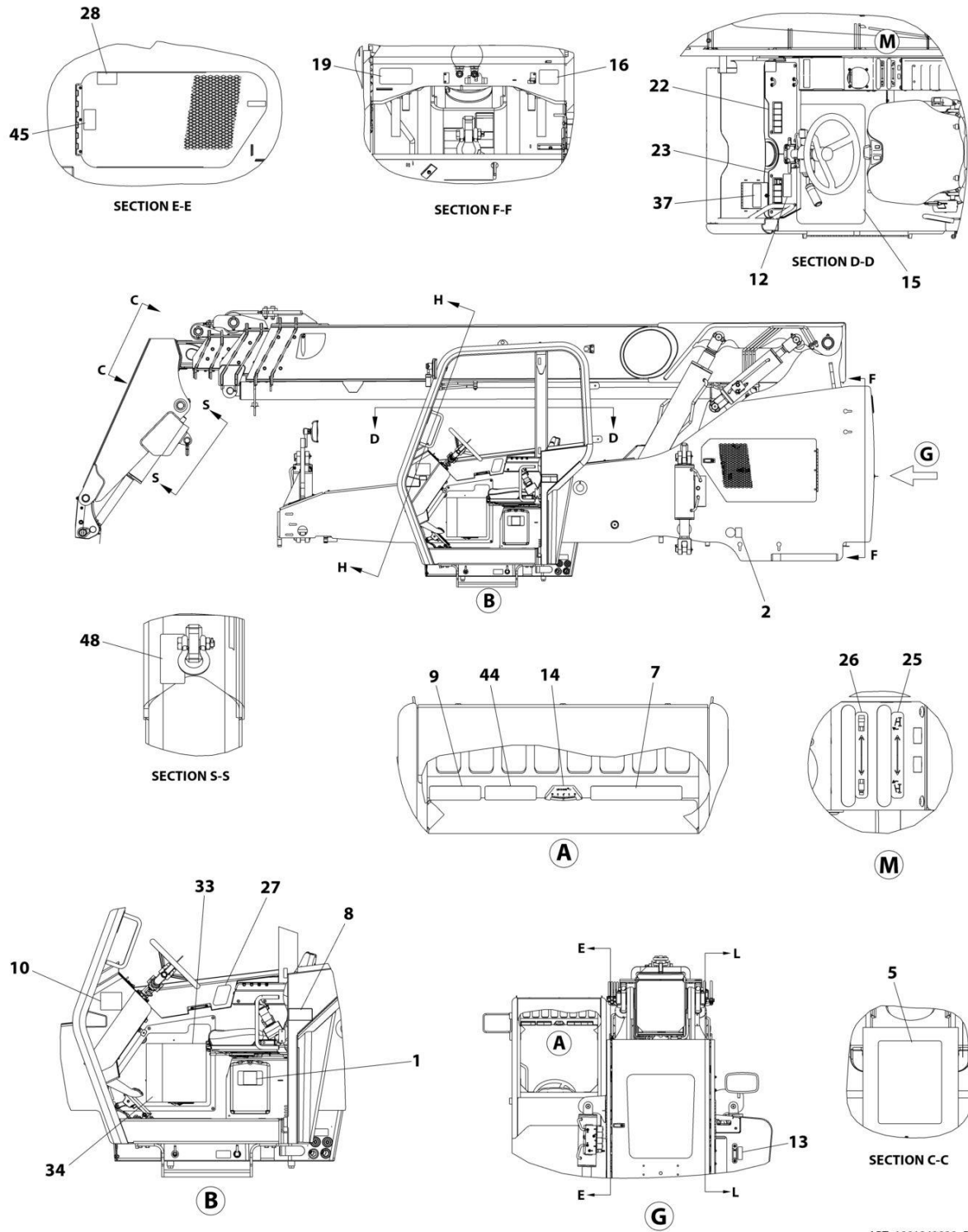
SECTION 11 - DECALS

FIGURE 11-6. DECALS INSTALLATION (130HP) (ENGLISH/SPANISH)

ITEM	PART NUMBER	QTY	DESCRIPTION	REV
	1001245745	Ref	DECAL INSTALLATION (ENGLISH/SPANISH) (ULS)	D
1	1701640	1	Decal, Manual	
2	1702300	4	Decal, Tie Down	
3	See Note	NSS	Decal, Bar Code (Note: Not Available for Purchase)	
4	1001235794	1	Decal, Battery Warning	
5	1001235796	1	Decal, Carry Personnel	
6	1001235798	2	Decal, Ether Starting Warning	
7	1001235801	1	Decal, Tip Over Warning	
8	1001235802	1	Decal, No Riders	
9	1001235803	1	Decal, Crush Hazard Warning	
10	3251813	1	Decal, USA	
11	4100181	1	Decal, Hydraulic Oil Fill	
12	1001242122	1	Decal, Outrigger	
13	4108302	1	Decal, Hydraulic Oil Level	
14	8466306	1	Gage, Tilt Angle	
15	10139087	1	Tread, Safety	
16	1001109053	1	Decal, Coolant Fill	
17	1001235804	2	Decal,Ultra Low Sulfur Diesel (SPAN)	
18	1001131271	1	Decal, Telehandlers Patent	
19	1001235805	1	Decal, Hot Fluid Warning	
20	1001142452	1	Decal, No Step	
22	1001242172	1	Decal, RH Overlay	
23	1001242173	1	Decal, LH Overlay	
24	1001162734	1	Decal, Joystick Control	
25	1001162735	1	Decal, Sway Control	
26	1001162736	1	Decal, Auxiliary Control	
27	1001162737	1	Decal, Outrigger Control	
28	1001236312	2	Decal, MCO 110HP	
29	1001174152	1	Decal, Maintenance Chart	
32	1001189017	1	Decal, Diesel Fuel Fill	
33	1001189327	1	Decal, Main Fuse Panel	
34	1001189328	1	Decal, Fuse Panel Logic Harness	
35	1001254736	1	Decal, Lubrication Chart	
36	1001196806	1	Decal, Diesel Exhaust Fluid	
37	1001219211	1	Decal, DEF Fluid	
39	See Note	NSS	SN Plate (Note: Stamped Part - Not Available for Purchase)	
40	1001242181	1	Decal, Cummins DEF Tank Service	
43	4107442	1	Decal, Boom Extend Letters	
44	1001235797	1	Decal, Electrocution Hazard	
45	1001235799	2	Decal, Moving Parts	
48	1001246078	1	Decal, Swinging Loads Boom Head	
49	1001242179	1	Decal, Danger Swinging Load	

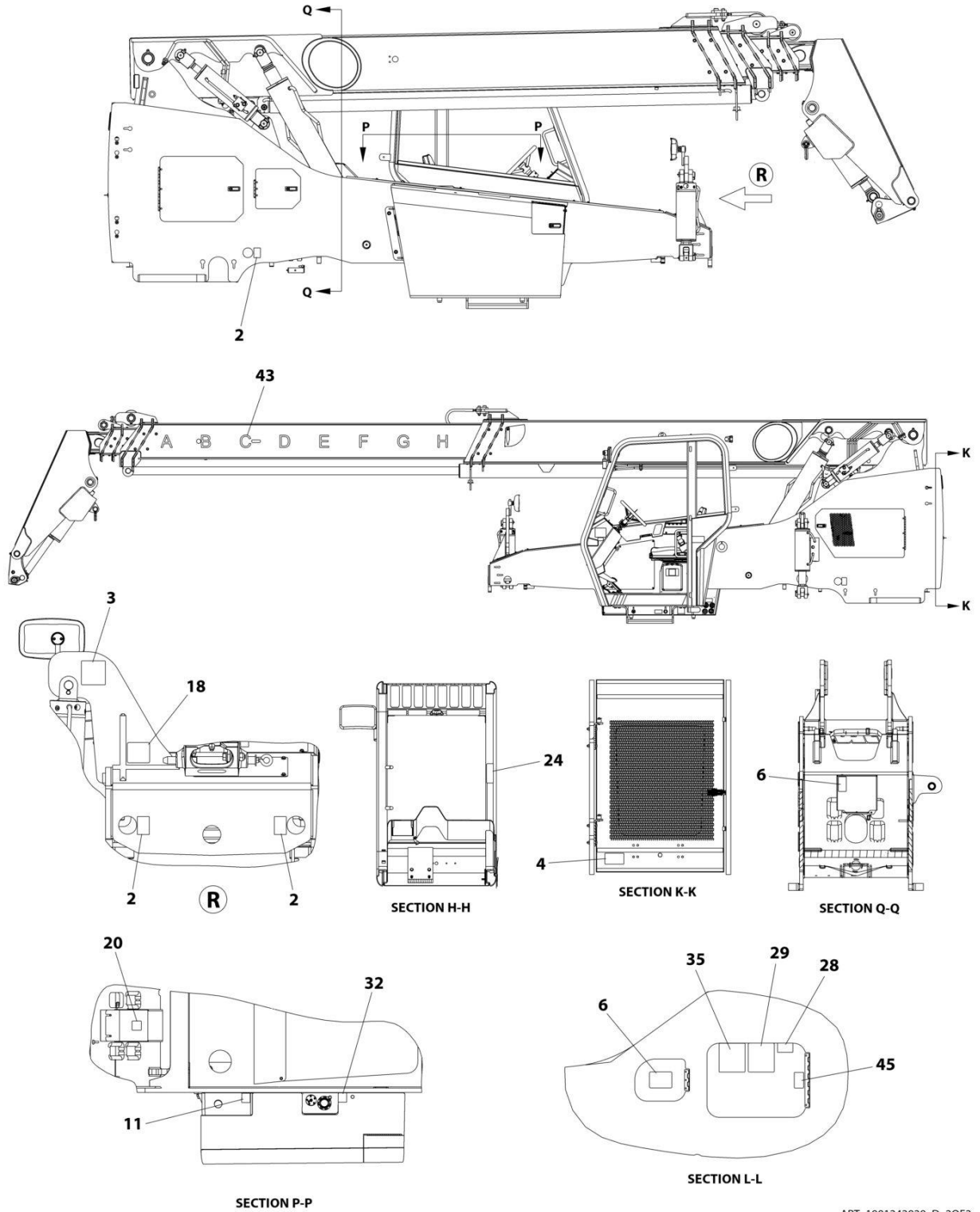
SECTION 11 - DECALS

FIGURE 11-7. DECALS INSTALLATION (130HP) (ISO)



ART_1001242929_D_10F2

SECTION 11 - DECALS



ART_1001242929_D_2OF2

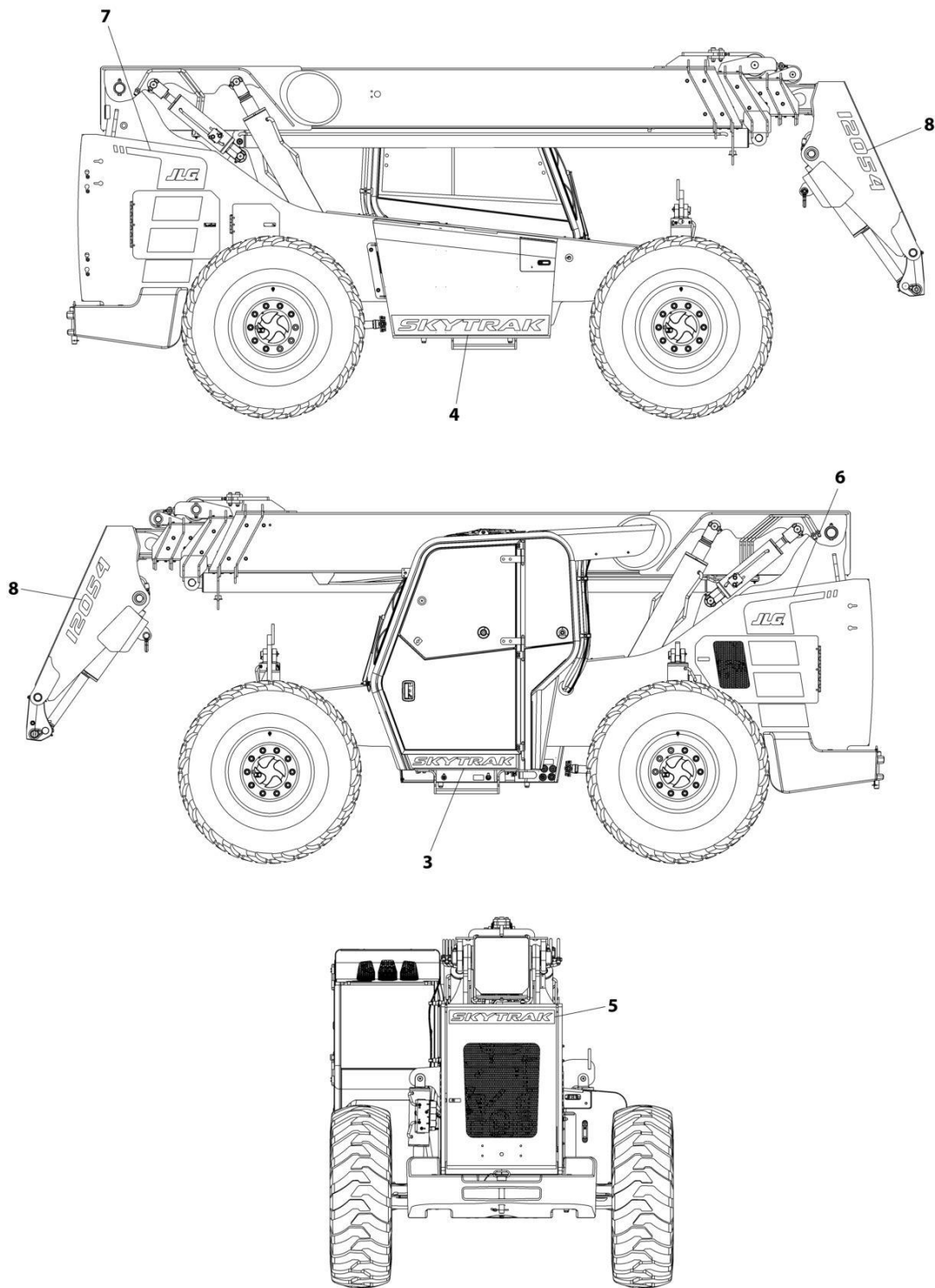
SECTION 11 - DECALS

FIGURE 11-7. DECALS INSTALLATION (130HP) (ISO)

ITEM	PART NUMBER	QTY	DESCRIPTION	REV
	1001242929	Ref	DECAL INSTALLATION (ISO)	D
1	1701640	1	Decal, Manual	
2	1702300	4	Decal, Tie Down	
3	See Note	NSS	Decal, Bar Code (Note: Not Available for Purchase)	
4	1706281	1	Decal, Battery Warning	
5	1706282	1	Decal, Carry Personnel	
6	1706098	2	Decal, Ether Starting Warning	
7	1706288	1	Decal, Tip Over Warning	
8	1001092878	1	Decal, No Riders	
9	1001092877	1	Decal, Crush Hazard Warning	
10	3251813	1	Decal, USA	
11	4100181	1	Decal, Hydraulic Oil Fill	
12	1706279	1	Decal, Warning Outrigger	
13	4108302	1	Decal, Hydraulic Oil Level	
14	8466306	1	Gage, Tilt Angle	
15	10139087	1	Tread, Safety	
16	1001109053	1	Decal, Coolant Fill	
18	1001131271	1	Decal, Telehandlers Patent	
19	1001139942	1	Decal, Hot Fluid Warning	
20	1001142452	1	Decal, No Step	
22	1001158321	1	Decal, RH Overlay	
23	1001158320	1	Decal, LH Overlay	
24	1001162734	1	Decal, Joystick Control	
25	1001162735	1	Decal, Sway Control	
26	1001162736	1	Decal, Auxiliary Control	
27	1001162737	1	Decal, Outrigger Control	
28	1001173422	2	Decal, MCO 110HP	
29	1001202627	1	Decal, Maintenance Chart (74HP)	
32	1001189017	1	Decal, Diesel Fuel Fill	
33	1001189327	1	Decal, Main Fuse Panel	
34	1001189328	1	Decal, Fuse Panel	
35	1001254736	1	Decal, Lubrication Chart	
37	1001219211	1	Decal, Brake Fluid	
43	4107442	1	Decal, Boom Extend Letters	
44	1706284	1	Decal, Electrocutation Hazard	
45	1706285	2	Decal, Moving Parts	
48	1001207218	1	Decal, Danger Swinging Load	

SECTION 11 - DECALS

FIGURE 11-8. DECAL INSTALLATION (BRAND AND MODELS)



ART_1001259417

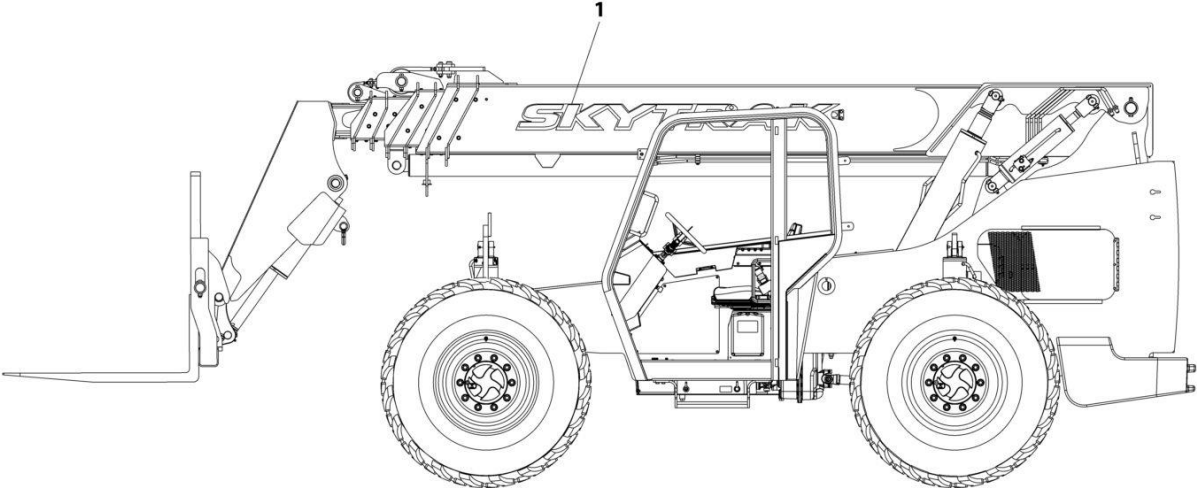
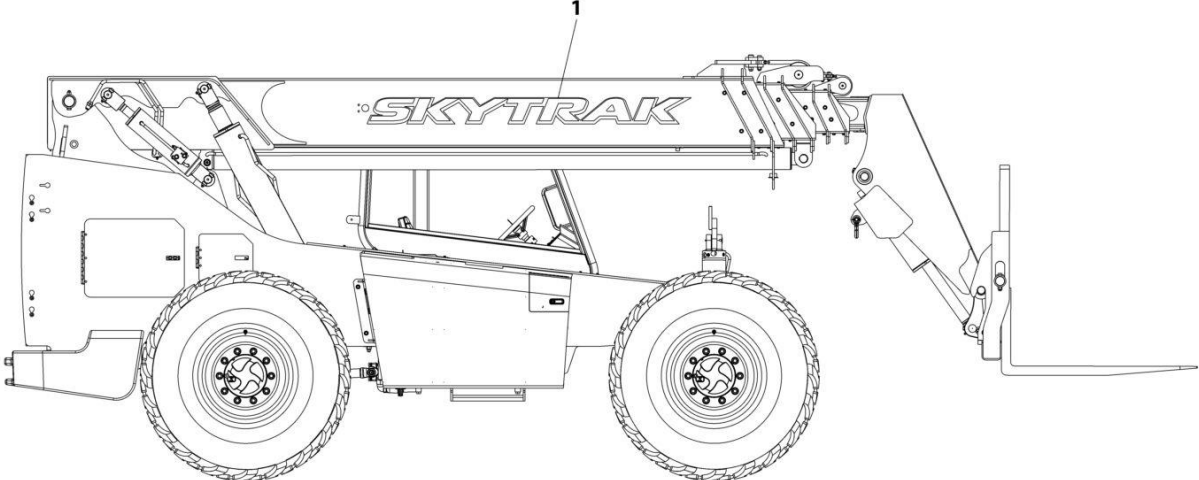
SECTION 11 - DECALS

FIGURE 11-8. DECAL INSTALLATION (BRAND AND MODELS)

ITEM	PART NUMBER	QTY	DESCRIPTION	REV
	1001259417	Ref	Decal Installation (Brand and Models)	B
3	1001259302	1	Decal, Cab Side	
4	1001259303	1	Decal, Tank Side	
5	1001259304	1	Decal, Rear Door	
6	1001259305	1	Decal, Left Side Stripe	
7	1001259306	1	Decal, Right Side Stripe	
8	1001262058	2	Decal, Model Boom Head	

SECTION 11 - DECALS

FIGURE 11-9. BOOM DECALS INSTALLATION (PVC 2011)



ART_1001244020_B

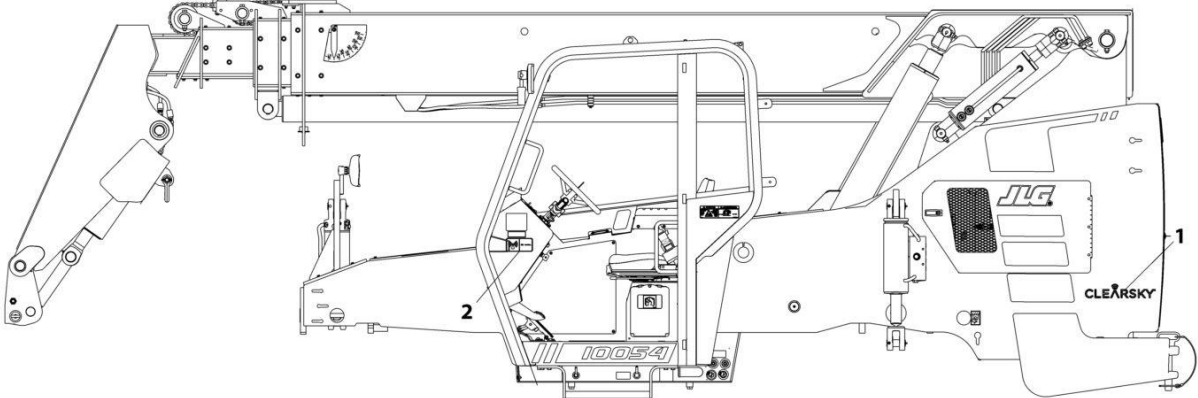
SECTION 11 - DECALS

FIGURE 11-9. BOOM DECALS INSTALLATION (PVC 2011)

ITEM	PART NUMBER	QTY	DESCRIPTION	REV
1	1001244020	Ref	Boom Decals Installation	B
	1001262057	2	Decal, Boom	

SECTION 11 - DECALS

FIGURE 11-10. CLEARSKY DECALS INSTALLATION



ART_1001229708-B

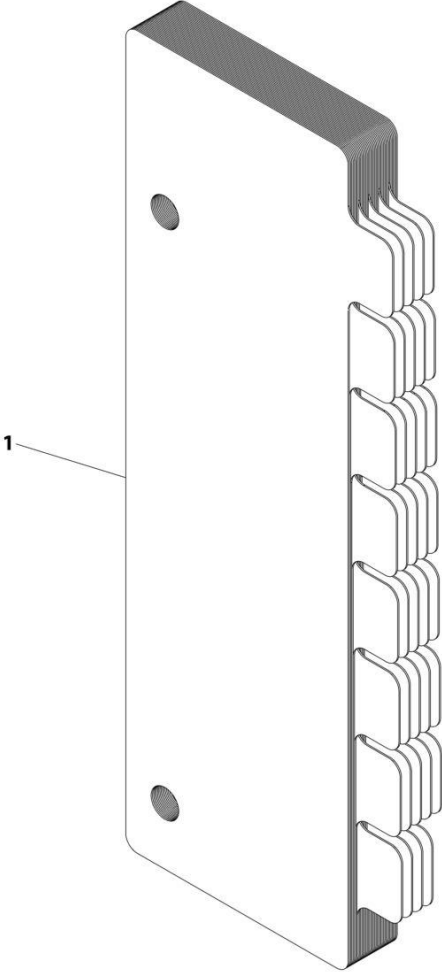
SECTION 11 - DECALS

FIGURE 11-10. CLEARSKY DECALS INSTALLATION

ITEM	PART NUMBER	QTY	DESCRIPTION	REV
	1001229708	Ref	Clearsky Decal Installation	C
1	1001294815	1	Decal - ClearSky	
2	1001120989	1	Radio Frequency Decal	

SECTION 11 - DECALS

FIGURE 11-11. LOADCHART BOOKLET (ANSI)



ART_1001245474_C

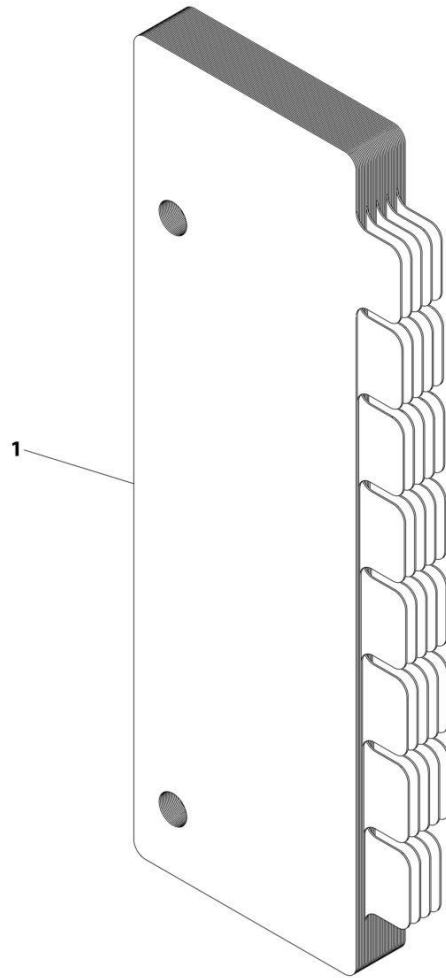
SECTION 11 - DECALS

FIGURE 11-11. LOADCHART BOOKLET (ANSI)

ITEM	PART NUMBER	QTY	DESCRIPTION	REV
1	1001245474	Ref	Loadcharts (ANSI)	C

SECTION 11 - DECALS

FIGURE 11-12. LOADCHART BOOKLET (ISO)



ART_1001245475_B

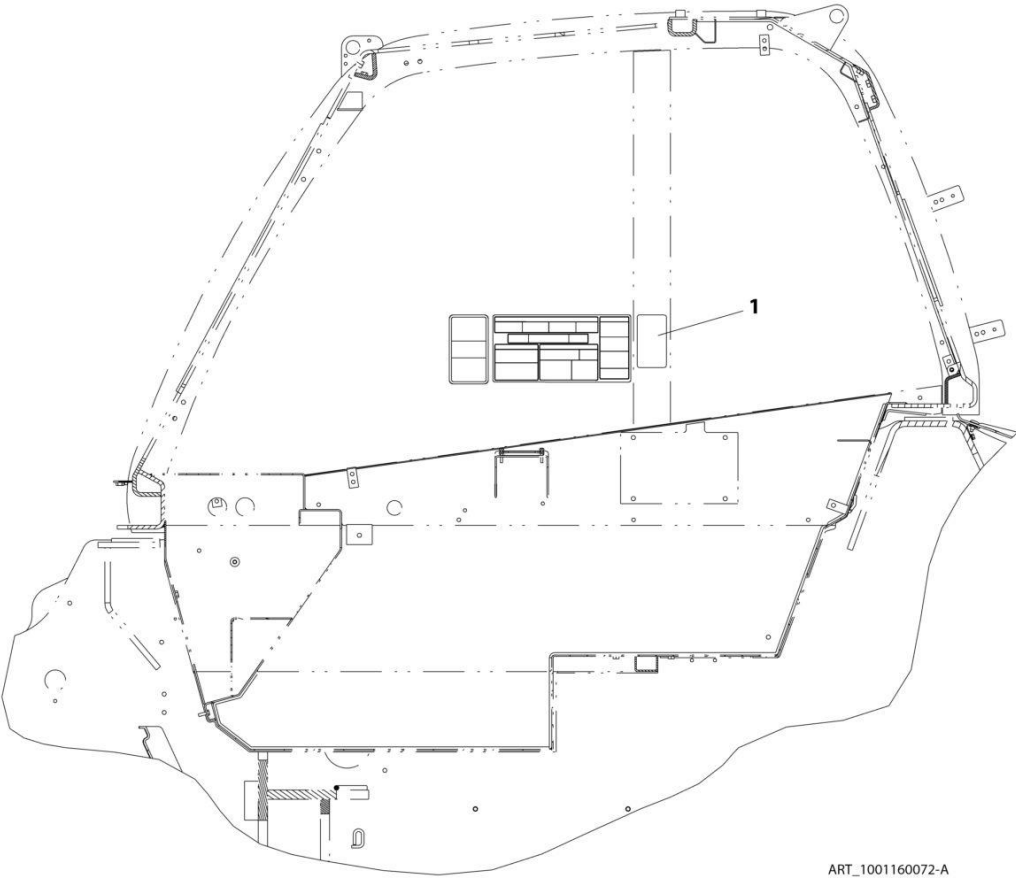
SECTION 11 - DECALS

FIGURE 11-12. LOADCHART BOOKLET (ISO)

ITEM	PART NUMBER	QTY	DESCRIPTION	REV
1	1001245475	Ref	Loadcharts (ISO)	B

SECTION 11 - DECALS

FIGURE 11-13. REVERSE SENSOR SYSTEM DECAL (ENGLISH)



ART_1001160072-A

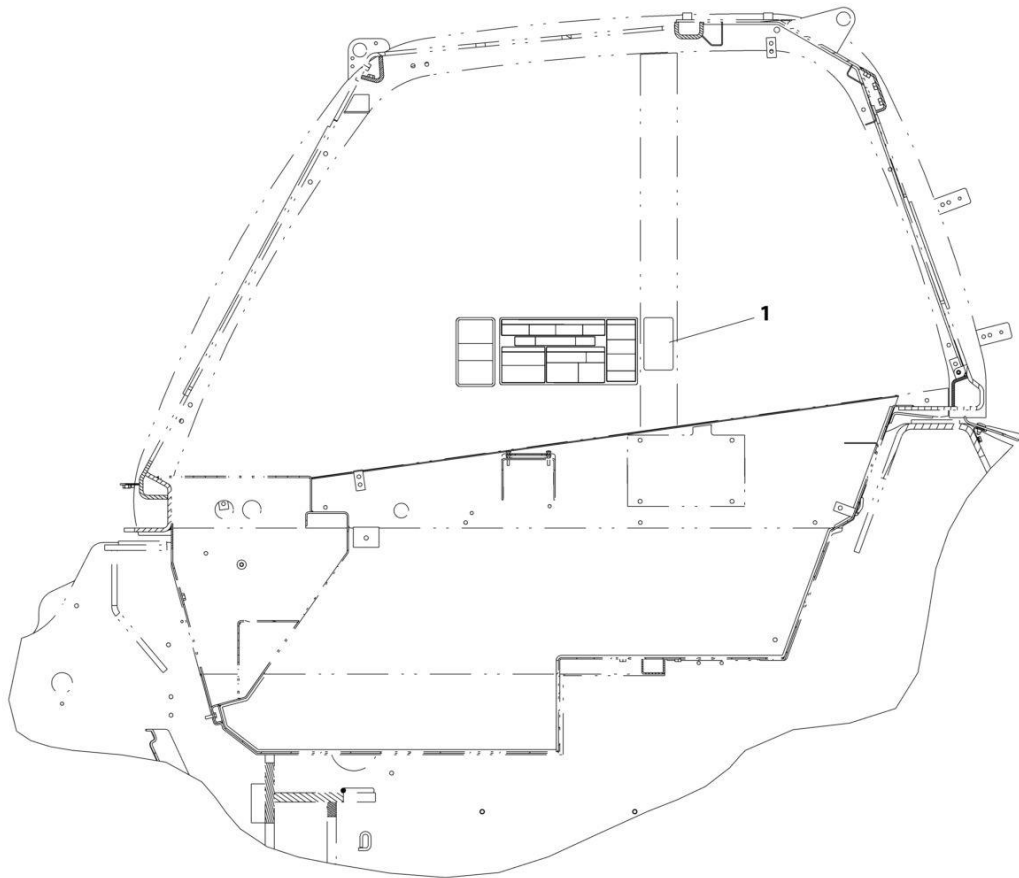
SECTION 11 - DECALS

FIGURE 11-13. REVERSE SENSOR SYSTEM DECAL (ENGLISH)

ITEM	PART NUMBER	QTY	DESCRIPTION	REV
1	1001160072	1	Reverse Sensor System Decal (English)	A

SECTION 11 - DECALS

FIGURE 11-14. REVERSE SENSOR SYSTEM DECAL (ENGLISH/FRENCH)



ART_1001160945-A

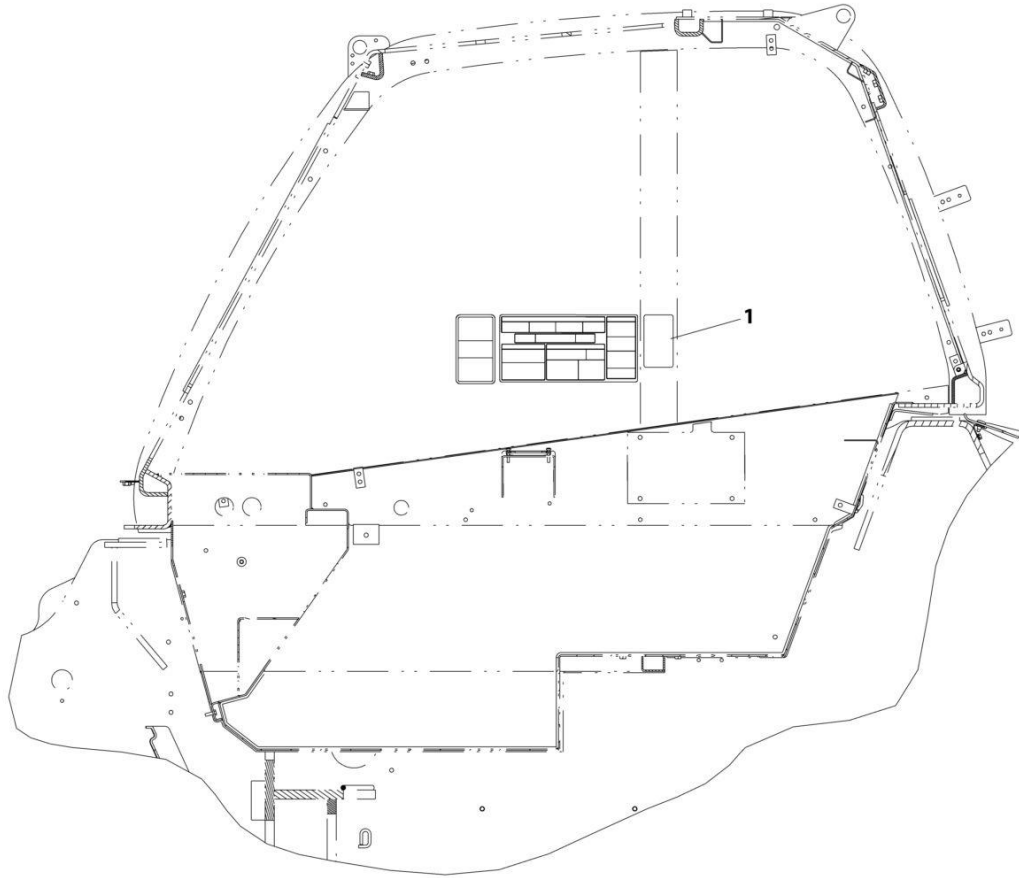
SECTION 11 - DECALS

FIGURE 11-14. REVERSE SENSOR SYSTEM DECAL (ENGLISH/FRENCH)

ITEM	PART NUMBER	QTY	DESCRIPTION	REV
1	1001160945	1	Reverse Sensor System Decal (ENGLISH/FRENCH)	A

SECTION 11 - DECALS

FIGURE 11-15. REVERSE SENSOR SYSTEM DECAL (ENGLISH/SPANISH)



ART_1001237846-A

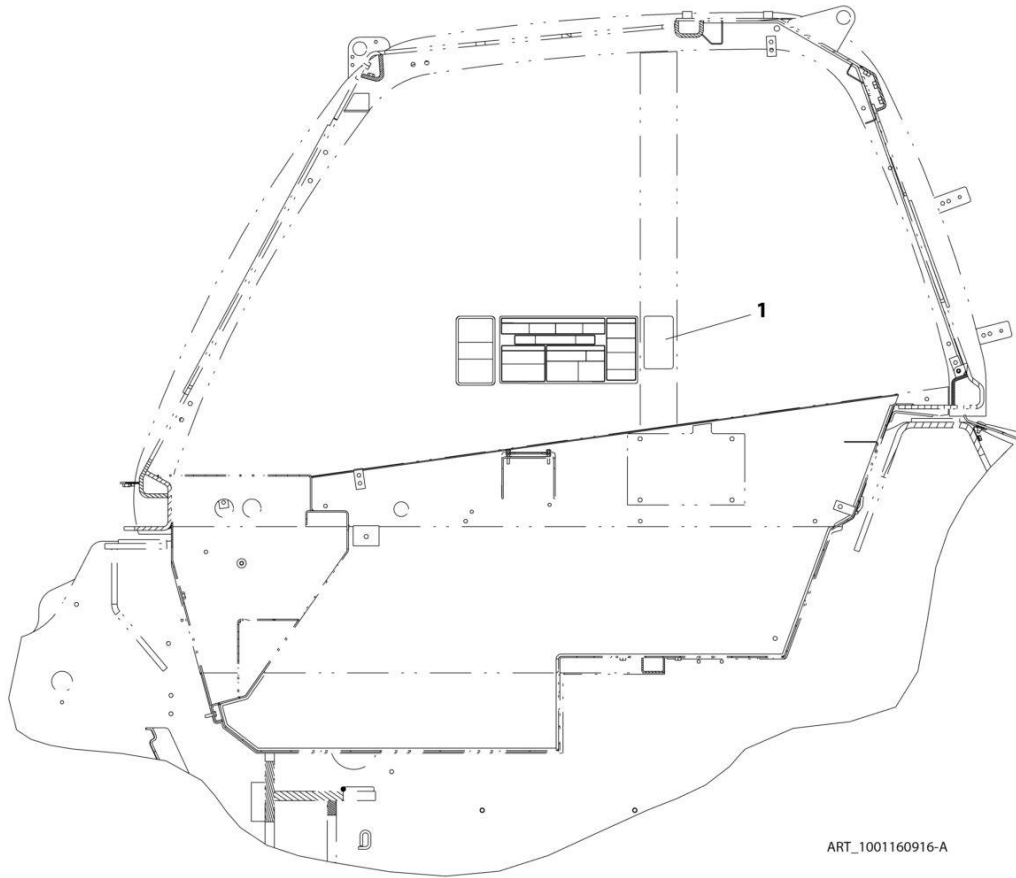
SECTION 11 - DECALS

FIGURE 11-15. REVERSE SENSOR SYSTEM DECAL (ENGLISH/SPANISH)

ITEM	PART NUMBER	QTY	DESCRIPTION	REV
1	1001237846	Ref	REVERSE SENSOR SYSTEM DECAL (ENGLISH/SPANISH LANGUAGES)	A

SECTION 11 - DECALS

FIGURE 11-16. REVERSE SENSOR SYSTEM DECAL (ISO)



SECTION 11 - DECALS

FIGURE 11-16. REVERSE SENSOR SYSTEM DECAL (ISO)

ITEM	PART NUMBER	QTY	DESCRIPTION	REV
1	1001160916	1	Reverse Sensor System Decal (ISO)	A

SECTION 12 - RECOMMENDED SERVICE PARTS STOCK

SECTION 12 - RECOMMENDED SERVICE PARTS STOCK

SECTION 12 - RECOMMENDED SERVICE PARTS STOCK

FIGURE 12-1. RECOMMENDED SERVICE PARTS STOCK

ITEM	PART NUMBER	QTY	DESCRIPTION	REV
		Ref	Note: The following list will service one machine (built to current production per date on the front cover) with emergency repair parts which can be installed in the field. Parts from the list should be replaced when inventory is depleted to keep service parts stock supplied. For further information, contact your JLG dealer or the JLG Industries Parts Department.	
	70026085	1	Coil (Frame Control Valve)	
	70026582	1	Coil (Steer Select Valve)	
	1001173581	1	Control, Auxiliary	
	1001173582	1	Control, Frame Level	
	1001210703	1	Controller (Cab)	
	1001203181	1	Control, Accessory (ASOV)	
	1001229458	1	Controller, Gateway (ClearSky)	
	1001158002	1	Control, JoyStick	
	1001159850	1	Control, Heater (Enclosed Cab with Heater)	
	1001159851	1	Control, HVAC (Enclosed Cab with Heater & AC)	
	1001247421	1	Control, Reverse Sensor	
	8223073	1	Control, Turn Signal (Roadlight Package)	
	1001199205	1	Element, Filter	
		Ref	Engine - ULS	
	70026453	12	Element, Fuel Filter (Secondary)	
	70026234	12	Element, Fuel Filter (Primary)	
	70026237	12	Filter, Oil	
	70025852	12	Filter, Air Cylindrical Primary	
	70025853	12	Filter, Air Cylindrical Secondary	
		Ref	Engine - LS	
	70026801	12	Element, Fuel Filter (Secondary)	
	70026234	12	Element, Fuel Filter (Primary)	
	1001133534	1	Filter, Fuel (LS Engine)	
	70026237	12	Filter, Oil	
	1101312	12	Filter, Air Cylindrical Primary	
	1101313	12	Filter, Air Cylindrical Secondary	
	7139077	1	Filler/Breather (Hydraulic Tank)	
	8229234	2	Fuse 10A	
	8229235	2	Fuse 20A	
	8229261	2	Fuse 5A	
	8229242	2	Fuse 5A	
	8229244	2	Fuse, 15 Amp (130HP ULS)	
	1001118245	2	Fuse, 250 Amp	
	8229243	2	Fuse, 7.5 AMP Mini	
	1001129285	2	Fuse, Mini Diode	
	1001127699	2	Fuse, Power Module	
	8229237	2	Fuse, 15 A	
	8229238	2	Fuse, 40 A	
	8229233	2	Fuse, 7.5 A	
	8035807	1	Key (Ignition)	
	70021948	1	Key (Cab Door)	
	70028514	1	Kit, Solenoid 12V (ASOV)	
	2940074	1	Latch	

SECTION 12 - RECOMMENDED SERVICE PARTS STOCK

ITEM	PART NUMBER	QTY	DESCRIPTION	REV
	1001228954	1	Module (ClearSky C.E.)	
	1001226796	1	Module (ClearSky N.A.)	
	1001226328	1	Module, 3W TCU (ClearSky ANSI)	
	1001233236	1	Module, 3W TCU (ClearSky C.E.)	
	3740080	1	Relay (ASOV)	
	1001095704	1	Relay	
	70026986	1	Relay, 12V 30/40A	
	1001186417	1	Relay, 150 Amp	
	1001205172	1	Relay, Micro 280, 12V, 35 Amp	
	1001184316	1	Relay, Power Module	
	1600429	1	Selector, Transmission Control	
	1001130307	1	Sensor, Boom	
	70025897	1	Solenoid (Piston Pump)	
	7029246	1	Solenoid Coil (Stabil-Trak)	
	1001215941	1	Switch (ASOV)	
	8223038	1	Switch, Beacon	
	8223025	1	Switch, Brake Lights (Roadlight Package)	
	8223060	1	Switch, Hazard (Roadlight Package)	
	4360690	1	Switch, Ignition	
	1001170269	1	Switch, Outrigger	
	8223054	1	Switch, Park Brake	
	8223037	1	Switch, Steer Select	
	8223044	1	Switch, Windscreen Washer (Enclosed Cab)	
	8223043	1	Switch, Windscreen Wiper (Enclosed Cab)	
	8223059	1	Switch, Work Light (Roadlight & Worklight Package)	

SECTION 13 - SPECIAL OPTIONS/ACCESSORIES/KITS

SECTION 13 - SPECIAL OPTIONS/ACCESSORIES/KITS

SECTION 13 - SPECIAL OPTIONS/ACCESSORIES/KITS

FIGURE 13-1. SPECIAL OPTIONS/ACCESSORIES/KITS

ITEM	PART NUMBER	QTY	DESCRIPTION	REV
	See Note	Ref	Note: This list is to accommodate machines ordered with special equipment. Options may not be applicable to all models. For more specific parts information contact JLG Parts Department.	
		Ref	SPECIAL OPTIONS/ACCESSORIES/KITS	
	1001243577	Ref	Access Control Kit	F
	1001260645	Ref	Aftermarket Kits	
	1001239455	Ref	Backup Camera Kit	
	1001214398	Ref	Battery Disconnect Kit	
	1001261689	Ref	Boom Chain Kit - Fly Extend	
	1001261688	Ref	Boom Chain Kit - Inner Boom Extend	
	8024033	Ref	Boom Chain Kit - Fly Retract	
	1001261690	Ref	Boom Chain Kit - Inner Mid Boom Retract	
	2910996	Ref	Boom Wear Pads Kit	
	1001201455	Ref	Cab A/C Kit	
	1001280231	Ref	Cab Door Window Kit	
	1001201453	Ref	Cab Enclosure Kit	
	1001193427	Ref	Cab Enclosure Kit with Heater	
	1001193428	Ref	Cab Enclosure Kit with HVAC	
	1001201456	Ref	Cab Heater Kit	
	1001201454	Ref	Cab HVAC Kit	
	1001268341	Ref	Camera Kit - Multi-View Rear View	
	1001243183	Ref	ClearSky Telematics Kit - Canbus (North America)	
	1001243184	Ref	ClearSky Telematics Kit - Canbus (CE)	
	1001276923	Ref	ClearSky Telematics Add-on Kit (Contact JLG for Approved Countries)	
	1001261691	Ref	Cold Weather Kit	
	1001261692	Ref	Cold Weather LRC Kit	
	7028739	Ref	Compensation Cylinder Seal Kit	
	1001262231	Ref	Decal Kit	
	1001177168	Ref	Engine Removal Brackets Kit	
	8036502	Ref	Extend/Retract Cylinder Seal Kit	
	1001258010	Ref	Fender Kit	
	1001199737	Ref	Filter Kit - 500Hour	
	1001199738	Ref	Filter Kit - 1000Hour	
	1001239988	Ref	Fire Extinguisher Kit	
	8035720	Ref	Fork Tilt Cylinder Seal Kit	
	8035326	Ref	Frame Level Cylinder Seal Kit	
	1001201459	Ref	Lights - Beacon Lights Kit	
	1001201460	Ref	Lights - Worklight Kit	
	1001238893	Ref	Lights - Worklight Kit (LED)	
	1001251208	Ref	Lights, Roadlights Kit	
	1001253829	Ref	Reverse Sensing System Kit (All)	
	1001281475	Ref	Quick Oil Change Valve	
	8036747	Ref	Stabil-Trak Cylinder Seal Kit	
		Ref	Tools for Service	
	70022871	Ref	Counter Support, ZF Transmission	
	70023174	Ref	Eye Bolt Assortment, ZF Transmission	
	70022872	Ref	Internal Extractor, 45-58mm, ZF Transmission	
	70026448	Ref	Spanner Wrench	

SECTION 13 - SPECIAL OPTIONS/ACCESSORIES/KITS

ITEM	PART NUMBER	QTY	DESCRIPTION	REV
	70010239	Ref	Two-Armed Puller, 160-150mm, ZF Transmission	
	1001249695	Ref	Analyzer and Cable Kit	
	1001249941	Ref	Analyzer and Cable Kit (Battery Powered)	
	1001213885	Ref	White Noise Alarm Kit	

SECTION 13 - SPECIAL OPTIONS/ACCESSORIES/KITS

PART NUMBER INDEX

SECTION 13 - SPECIAL OPTIONS/ACCESSORIES/KITS

0100009.....627, 629	0711627 183, 185, 187	1001096020 71	1001116734.....609, 617, 623
010001117, 21, 23, 25, 41, 43, 45, 47, 111, 113, 117, 119, 123, 125, 183, 185, 187, 201, 203, 207, 209, 223, 225, 227, 229, 239, 241, 285, 431, 441, 443, 455, 463, 469, 475, 479, 485, 493	0711628 183, 185, 187	1001096021 69	1001116736.....625, 645
0100019.....19, 31	0721004 427	1001096023 69	1001116745.....583, 608, 614, 621, 671
01043892.....245	0741610 ... 111, 113, 117, 119, 123, 125	1001096024 71	1001116747.....655
0140011669	0760405... 87, 89, 91, 93, 99, 101, 103, 111, 113, 117, 119, 123, 125, 127, 129	1001096025 69	1001116748.....582, 609, 615, 616, 622
0240156.....149	0760505 427	1001096404 61	1001116751.....625
0400075.....575	0760605 183, 185	1001097079 649	1001116757.....608, 609, 615, 621, 622
0440296.....43	0760608 215, 217	1001097080 651	1001116758.....608, 609, 615, 621, 622
0630464.....373, 391	0760610 187, 233	1001097110 133	1001116774.....567, 582, 597
0641403.....233, 399	0760614 187	1001097205 153	1001116808.....567, 582, 597
0641404.....556, 560, 564	0760810 ... 187, 201, 223, 227, 229	1001098769 61	1001116812.....567, 582, 597
0641405.....73, 207, 209	0760812 225, 227, 345	1001099113 111, 113, 117, 119, 123, 125	1001116815.....567, 595
0641406.....571	0760815 203	1001099115 111, 113, 117, 119, 123, 125	1001116945.....569
0641409.....38	0761010 39	1001099351 85	1001116950.....610, 617, 623
0641410.....661, 663, 669	0761012 215, 237	1001099699 427	1001117021.....610, 617, 622, 631, 655, 671
0641414.....207, 209	0761014 187	1001099901 91	1001117026.....653, 671
0641415.....659	0761017 89, 93	1001099902 87	1001117059.....625
0641507.....225	0761212 556, 560, 564	1001100082 427	1001117068.....608, 614, 621
0641508.....207, 209	0761618 183, 185, 187	1001100265 99	1001117070.....609, 617, 623
0641509.....207	0791606 25	1001100266 101	1001117079.....645
0641510.....17, 173, 209	0860520 73	1001100267 103	1001117080.....625
0641511.41, 47, 183, 185	0930020 95	1001100822 99	1001117081.....677
0641514.....633, 647	1001003174 583	1001100823 101	1001117103.....610, 616, 623
0641520.....47	1001004720 219, 221, 669	1001100824 103	1001117106.....582
0641605.....556, 560, 564	1001008742 373, 391	1001100967 83	1001117111.....610, 617, 623
0641607.....223, 225, 227	1001081049 352, 357, 362, 367, 373, 380, 385, 391	1001101867 45	1001117119.....582, 583
0641608.....187, 223	1001081241 399	1001102844 352, 357, 362, 367, 380, 385	1001117125.....610, 617, 622
0641609.....217	1001081242 399	1001103182 127, 501	1001118245.....659, 728
0641612.... 111, 117, 123, 217	1001081243 373, 391	1001105886 673	1001118378.....567, 582
0641614.....207, 209	1001081246 399	1001107589 449	1001118390.....617
0641618.21, 23, 201, 203	1001081247 399	1001108524 249	10011184495.....675
0641620.....573, 669	1001081266 399	1001108575 399	1001119004.....609, 615, 622
0641632.....573	1001081310 403, 405	1001108668 76	1001119278.....577
0641636.....399	1001090063 111, 117, 123	1001109053 682, 686, 690, 694, 698, 702, 706	1001119610.....475
0641652.....399	1001090064 111, 117, 123	1001109478 373, 391	1001120083.....201
0641864.....29	1001090140 111, 113, 117, 119, 123, 125	1001110704 127, 129	1001120178.....329, 331, 333, 335
0642032.... 107, 111, 113, 115, 117, 119, 121, 123, 125	1001092481 67	1001111112 373, 391	1001120179.....329, 333
0642640.....31, 289	1001092482 67	1001111190 76, 127, 129	1001120869.....207, 209
0681810.... 111, 113, 117, 119, 123, 125	1001092877 706	1001112612 569, 582, 595, 597	1001120914.....111, 113, 117, 119, 123, 125
0682418.....31	1001092878 706	1001112796 595, 597	1001120915.....111, 113, 117, 119, 123, 125
0682648.....19	1001093171 153	1001114495 219, 221	1001120989.....713
0700610.....425	1001093273 149	1001114675 425	1001121103.....329
0700614.....173, 633	1001093377 149	1001114867 352, 357, 362, 367, 380, 385	1001121105.....333
0700617.....377, 407	1001093465 149	1001116692 597, 610, 617	100112126.....583
0700812.....227	1001093564 577	1001116693 595, 597	1001121272.....583
0700822.....377	1001094134 145	1001116694 597	1001121728.....583
0700827.....239, 241	1001094136 145	1001116710 584	1001121730.....583, 610, 616, 623
0700828.....407, 431	1001094312 399	1001116712 584, 643	
0701026.....195, 197	1001094330 149	1001116720 657, 677	
0701216.....215	1001094696 673	1001116723 625	
0701224.....223, 225, 227	1001094830 149	1001116726 583	
0711214.... 183, 185, 187, 223, 225, 227, 239	1001095418 127, 129	1001116727 583, 608, 614, 615, 616, 621	
0711219.... 183, 185, 187	1001095650 345	1001116728 608, 609, 610, 615, 617, 621, 622, 631, 671	
0711227.... 183, 185, 187	1001095704 616, 729	1001116729 583, 608, 614, 621, 653	
	1001095810 73	1001116731 595	
	1001096019 71	1001116732 609, 623	

SECTION 13 - SPECIAL OPTIONS/ACCESSORIES/KITS

1001125027 610, 617, 622, 625	1001149227..... 359, 373, 391	1001160916..... 725	1001166229 177, 179, 181, 237
1001125083 616	1001149712..... 582, 595	1001160945..... 721	1001166238 201
1001125085 616	1001151101..... 343	1001161212..... 629	1001166556 615
1001125089 616	1001151102..... 343	1001161213..... 627	1001166566 199, 201
1001125387 682, 694	1001151108..... 343	1001161920..... 183, 185, 187	1001166693 223
1001125784 582	1001152415..... 321	1001162212..... 233	1001166704 616, 617
1001125785 582	1001152416..... 321	1001162734..... 682, 686, 690, 694, 698, 702, 706	1001166715 203
1001126008 567, 582	1001153748..... 551	1001162735..... 682, 686, 690, 694, 698, 702, 706	1001166935 223, 225, 227
1001126351 621	1001154055..... 345	1001162736..... 682, 686, 690, 694, 698, 702, 706	1001166976 223
1001126353 621	1001154375..... 669	1001162737..... 682, 686, 690, 694, 698, 702, 706	1001167025 45
1001126356 621	1001154511..... 185, 191	1001162804..... 417, 419, 421, 423	1001167167 223
1001126391 615	1001154790..... 187, 193	1001162806..... 417	1001167168 223
1001126393 615	1001156009..... 38, 509	1001163174..... 686, 698	1001167250 419
1001126484 617	1001157102..... 487	1001163206..... 686, 698	1001167251 421
1001126487 617	1001157663..... 239, 241	1001163210..... 686, 698	1001167357 239, 241
1001127066 677	1001157890..... 567, 582, 583, 610, 617	1001163212..... 686, 698	1001167528 617
1001127226 556, 560, 564, 579	1001157891..... 625, 645	1001163222..... 686, 698	1001167617 616
1001127699 659, 728	1001158002..... 433, 461, 728	1001163285..... 686, 698	1001167620 614
1001127700 659	1001158004..... 459, 461	1001163300..... 686, 698	1001167624 614
1001127784 285, 287	1001158040..... 439, 473	1001163304..... 686, 698	1001167641 609, 616
1001127864 21, 23, 25	1001158046..... 439, 467	1001163323..... 686, 698	1001167643 609, 616
1001127867 25	1001158272..... 682, 694	1001163355..... 686, 698	1001167644 609, 616
1001128341 207, 209	1001158319..... 682, 694	1001163414..... 111, 113, 117, 119, 123, 125, 517	1001167646 609, 616
1001128363 225	1001158320..... 706	1001163685..... 485	1001167647 609, 616
1001128364 225	1001158321..... 706	1001163841 49, 51	1001167648 609, 616
1001128594 189, 191, 193	1001158357..... 487	1001164039..... 49, 51	1001167649 609, 616
1001128714 225	1001158398..... 459	1001164096..... 391	1001167650 609, 616
1001128890 81	1001158404..... 377, 407	1001164099..... 391	1001168052 201
1001128901 225	1001158527..... 489	1001164196..... 407	1001168053 201
1001129285 584, 728	1001158528..... 487, 489	1001164282..... 373	1001168066 389, 391
1001129407 593	1001158576..... 475	1001164284..... 373	1001168286 45
1001129615 659	1001158786..... 457, 459	1001164404..... 223	1001168451 485
1001130307 556, 560, 564, 729	1001159186..... 582, 583	1001164717..... 373, 391	1001168478 209, 213
1001131271 682, 686, 690, 694, 698, 702, 706	1001159319..... 21, 23	1001164837..... 223	1001168567 43
1001133072 117, 123	1001159844..... 377, 407, 409	1001164838..... 223	1001168822 185
1001133173 621	1001159850..... 362, 367, 728	1001165057..... 17	1001168859 235
1001133534 217, 728	1001159851..... 380, 385, 728	1001165194..... 615	1001169001 233
1001134488 207, 209	1001159856..... 373, 391, 397	1001165275..... 399	1001169006 21, 23
1001135770 665	1001159860..... 373, 375	1001165276..... 399	1001169057 223, 225, 227
1001135777 665	1001159861..... 391, 393	1001165517..... 183, 185, 187	1001169059 207, 209
1001136358 215, 217	1001159878..... 352, 357, 362, 367, 380, 385	1001165518..... 183, 185, 187	1001169077 201
1001136975 215, 217, 219, 221	1001159932..... 223	1001165590..... 49, 51	1001169172 229
1001137512 147	1001160071..... 417	1001165609..... 223	1001169271 219
1001138642 621	1001160072..... 719	1001165617..... 359, 371, 389	1001169272 219, 221
1001138643 621	1001160116..... 183, 185, 187	1001165660..... 183, 185, 187	1001169274 219, 221
1001138645 187	1001160250..... 19	1001165668..... 179, 181, 197	1001169329 529, 531
1001139578 682, 694	1001160782..... 223	1001165672..... 177, 179, 215	1001169466 531, 535, 537
1001139942 706	1001160785..... 373, 391	1001165673..... 177, 179, 219	1001169620 560, 614
1001141892 29	1001160787..... 419	1001165806..... 373, 391, 399	1001169787 399
1001142247 156	1001160788..... 359, 371, 389	1001165818..... 201	1001169816 677
1001142452 694, 698, 702, 706	1001160790..... 359, 371, 389	1001165823..... 371, 373	1001170230 659
1001143551 567	1001160791..... 359, 371, 389	1001166008..... 241	1001170233 556, 560, 564, 659
1001144147 567, 595, 597	1001160815..... 359		1001170234 556, 560, 564, 665
1001144629J 73	1001160845..... 179, 185		1001170235 665
1001145026 527, 537	1001160912..... 421		1001170269 556, 560, 564, 729
1001145707 609, 623			1001170316 509
1001146160 81			1001170329 527, 537
1001147515 29			1001170738 352, 357, 362, 367, 380, 385
1001148177 425			1001170856 531

SECTION 13 - SPECIAL OPTIONS/ACCESSORIES/KITS

1001171188.....473	1001177198 584, 643, 657	1001184493 675	1001193540.....173
1001171190.....467	1001177746 373, 391, 399	1001184496 675	1001193729.....173
1001171191.....471	1001177753 463	1001184835 556, 560, 675	1001194592.....485
1001171193.....471	1001178224 443	1001185071 237	1001194620.....443
1001171194.....471	1001178285 556, 560, 564, 582	1001185652 181, 221	1001194745.....443
1001171234.....556, 560, 564	1001178345 627, 629, 631	1001185776 362, 367	1001195055.....610, 617, 623
1001171236.....556, 560, 564	1001178346 633, 645	1001185777 380, 385	1001195057.....610, 623
1001171237556, 560, 564	1001178347 362, 367, 380, 385, 625	1001186373 183, 185	1001195087.....610, 616, 617, 623
1001171238.....556, 560, 564	1001178349 373, 391, 677	1001186417 659, 729	1001195760.....583
1001171239.....556, 560, 564	1001178776 207, 209, 217, 527, 537	1001186490 181, 217	1001195826.....525, 529, 535
1001171384.....21	1001179229 377, 407	1001186718 187	1001195913.....589
1001171385.....21, 23	1001179375 215	1001187078 567	1001195952.....19
1001171472.....233	1001179845 207, 209	1001187239 686, 698	1001195970.....97
1001171473.....233	1001180175 686, 698	1001187512 616	1001196109.....463
1001171474.....233	1001180176 686, 698	1001187513 616	1001196124.....177, 183
1001171633.....556, 560, 564	1001180227 227	1001187952 584	1001196128.....373, 391
1001171757556, 560, 564	1001180244 237	1001189017 682, 686, 690, 694, 698, 702, 706	1001196396.....225
1001171786.....487	1001180473 183, 185, 187	1001189211 109	1001196397.....225
1001171802.....215	1001181584 207, 209	1001189318 221	1001196634.....601
1001171803.....215	1001181585 207, 209	1001189327 682, 686, 690, 694, 698, 702, 706	1001196665.....183, 189
1001171805.....215, 217	1001181707 373, 391	1001189328 682, 686, 690, 694, 698, 702, 706	1001196736.....177, 195
1001171806.....380, 385, 407	1001181893 373, 391	1001189488 564, 621	1001196806.....694, 698, 702
1001171807362, 367, 377	1001181899 229, 556, 560, 564	1001189602 221	1001197098.....373, 391
1001171873.....439, 465	1001181903 373, 391	1001189712 221	1001197099.....373, 391, 399
1001171986.....465	1001181956 352, 357	1001189715 221	1001197233.....185, 187, 239
1001172135.....560	1001181968 373, 391	1001189871 669	1001197475.....207, 211
1001172136.....560	1001182091 373, 391, 589, 629	1001189875 608, 609, 615, 621, 622	1001198355.....173
1001172537377, 407	1001182094 215	1001189877 616, 621	1001198684.....485
1001172561377, 407	1001182135 399	1001189886 669, 671	1001198728.....573
1001172658.....17	1001182255 207, 209	1001190005 203	1001199116.....527, 537
1001172784.....443, 551	1001182408 399	1001190007 203	1001199135.....527, 537
1001173177487	1001182470 373, 391, 405	1001190183 203	1001199136.....527, 537
1001173217377, 407	1001182514 399	1001190229 352, 362, 380, 411	1001199177.....527, 537
1001173422694, 698, 706	1001182603 215	1001190295 239	1001199181.....527, 537
1001173535.....187, 233	1001182663 399	1001190341 21, 23	1001199199.....537
1001173581.....431, 728	1001182723 407	1001190344 217	1001199205.....527, 537, 728
1001173582.....431, 728	1001182798 407	1001190349 217	1001199210.....527, 537
1001173841439, 471	1001182800 399	1001190370 217	1001199670.....233
1001174152690, 694, 698, 702	1001182808 399	1001190371 217	1001199737.....732
100117422717	1001182810 399	1001190372 217	1001199738.....732
1001174327223, 225, 227	1001182842 399	1001190372 217	1001199889.....556, 608
1001174340.....431	1001182865 399	1001190629 217	1001199951.....233
1001174375479	1001182871 399	1001190630 217	1001200833.....582
1001174822197	1001182882 399	1001190631 217	1001200845.....583, 657
1001175568.....215, 217	1001182883 399	1001190962 227	1001201111.....215, 217
1001175733.....671	1001182884 399	1001190990 227	1001201453.....732
1001176002.....614	1001183084 399	1001191635 425	1001201454.....732
1001176004.....614	1001183104 399	1001192049 584	1001201455.....732
1001176337633, 635, 637, 647, 649, 651	1001183164 352, 357, 362, 367, 381, 386	1001192050 584	1001201456.....732
1001176515.....79	1001183209 399	1001192134 187	1001201459.....732
1001176935.....616, 617	1001183341 435	1001192390 21, 23	1001201460.....732
1001177168732	1001183370 451	1001192401 610, 617, 623	1001201658.....352, 357, 363, 368, 381, 386
100117719017	1001183811 223	1001192711 173	1001201721.....453, 541
100117719217	1001184316 659, 729	1001192720 173	1001201734.....451
	1001184491 675	1001192875 173	1001201737.....451
		1001192876 173	1001201738.....451
		1001192877 173	1001201752.....633
		1001193427 732	1001201831.....201
		1001193428 732	1001201945.....219, 221

SECTION 13 - SPECIAL OPTIONS/ACCESSORIES/KITS

1001201983..... 219	1001213885..... 733	1001229210..... 233	1001238566..... 173
1001202189 359, 371, 389	1001213938..... 219	1001229458..... 587, 728	1001238570 173
1001202202 359, 371, 389	1001214398..... 732	1001229708..... 713	1001238653 67
1001202247 243	1001215941..... 243, 729	1001230239..... 81	1001238654 69
1001202304 243	1001216291..... 23	1001230241..... 81	1001238655 71
1001202384 471	1001216455..... 243, 567	1001230307..... 694	1001238893 732
1001202615 359	1001218358..... 567	1001230309..... 698	1001239179 493, 507
1001202626 682, 686	1001218659..... 682, 694	1001230402..... 567	1001239181 493, 511
1001202627 682, 686, 706	1001219045..... 451	1001230931..... 582	1001239182 493, 519
1001202746 359, 371, 389	1001219082..... 243, 587	1001231397..... 567, 569	1001239183 29, 513
1001202904 159, 161, 163, 165, 167, 169, 171	1001219211..... 686, 690, 698, 702, 706	1001231398..... 567	1001239250 591
1001203181 243, 728	1001219212..... 694	1001231400..... 567, 569	1001239455 732
1001203503 173	1001219895..... 587, 597	1001231401..... 567	1001239473 35
1001203969 219, 221	1001220260..... 399	1001231402..... 567	1001239474 35, 38
1001203970 219	1001220468..... 587	1001231404..... 567, 569	1001239475 39, 41
1001204032 243, 539	1001222200..... 345	1001231406..... 567	1001239476 39, 43
1001204045 38	1001222203..... 345	1001231560..... 243, 569	1001239477 39, 45
1001204097 219, 221	1001222203..... 345	1001231692..... 81	1001239478 39, 47
1001204098 219, 221	1001222217..... 321	1001231801..... 682, 694	1001239539 243
1001204099 219	1001222218..... 323	1001232355..... 141	1001239734 111, 113, 117, 119, 123, 125
1001204362 380, 385	1001222219..... 329	1001232439..... 245	1001239958 605
1001204692 661, 663, 669	1001222220..... 333	1001232500..... 81	1001239967 49, 51
1001205172 583, 643, 657, 729	1001222221..... 327	1001232517..... 31	1001239988 732
1001205248 633, 643, 647	1001222717..... 345	1001232518..... 31	1001241305 427
1001205264 633, 647	1001222870..... 285	1001232599..... 245	1001241368 47
1001206542 571	1001223050..... 435, 453	1001232624..... 245	1001241369 43
1001206543 573	1001223052..... 352, 357, 363, 368, 381, 386, 435	1001232750..... 245, 603	1001241369 43
1001206956 243	1001223453..... 682, 686, 694, 698	1001233174..... 661, 663	1001241438 45
1001206983 243	1001224096..... 233	1001233217..... 661, 663	1001241480 45
1001206985 243	1001224459..... 443, 445	1001233236..... 729	1001241541 43
1001207173 667	1001224467..... 445	1001233383..... 111	1001241549 49
1001207217 682, 694	1001225317..... 345	1001233384..... 117	1001241567 39, 49
1001207218 706	1001226328..... 729	1001233385..... 123	1001241711 17
1001207606 151	1001226400..... 593	1001233434..... 661, 663	1001241837 331, 335
1001207963 352, 357, 363, 368, 381, 386	1001226541..... 595	1001233828..... 661, 663	1001241841 331
1001209097 623	1001226636..... 595	1001233964..... 603, 605, 673	1001241842 335
1001210093 451	1001226637..... 595	1001233976..... 661, 663, 667	1001241849 335
1001210351 195	1001226795..... 449	1001234216..... 577, 603, 605	1001242031 21
1001210703 352, 357, 362, 367, 380, 385, 728	1001226796..... 729	1001234530..... 603	1001242032 21, 23
1001210776 584	1001226799..... 591	1001235725..... 219	1001242035 21, 23
1001210777 584	1001226856..... 589, 591, 595	1001235794..... 690, 702	1001242036 47
1001210778 584	1001227066..... 593	1001235796..... 690, 702	1001242051 45
1001210779 584	1001227068..... 593	1001235797..... 690, 702	1001242070 43
1001210859 451	1001227077..... 243	1001235798..... 690, 702	1001242122 690, 702
1001210860 451	1001227211..... 525, 527	1001235799..... 690, 702	1001242172 690, 702
1001210862 451	1001227266..... 593	1001235801..... 690, 702	1001242173 690, 702
1001210863 451	1001227382..... 143	1001235802..... 690, 702	1001242179 690, 702
1001211139 127, 129	1001227459..... 589	1001235803..... 690, 702	1001242181 702
1001211278 686, 698	1001227508..... 475	1001235804..... 690, 702	1001242203 41
1001211516 121	1001227636..... 445, 447	1001235805..... 690, 702	1001242238 439
1001211688 187	1001227670..... 76, 83, 87, 89, 91, 93, 95, 99, 101, 103, 105, 109, 111, 113, 117, 119, 123, 125, 127, 129, 156, 159	1001236312..... 702	1001242243 439, 455
1001211690 187	1001227964..... 243	1001236313..... 690	1001242303 41
1001211697 187	1001228872..... 233	1001237778..... 617	1001242305 41
1001212670 203	1001228954..... 591, 729	1001237846..... 723	1001242308 47
1001213200J 327	1001228986..... 531, 533	1001237847..... 647	1001242309 47
1001213210 229, 231	1001229023..... 235	1001237853..... 647, 649	1001242310 45
1001213574 573	1001229024..... 235	1001237854..... 647, 651	1001242311 39
	1001229025..... 229, 235	1001238111..... 633, 647, 655	1001242316 47
	1001229095..... 531	1001238199..... 633, 647, 653	1001242327 493
	1001229117..... 229, 233	1001238560..... 73, 173	1001242583 43
		1001238565..... 67, 69, 71, 73	1001242608 39, 51
			1001242609 51
			1001242644 105
			1001242682 61
			1001242688 493, 505
			1001242748 283

SECTION 13 - SPECIAL OPTIONS/ACCESSORIES/KITS

1001242749.....283, 289	1001244654.....431	1001254099.....459	1001274720.....341
1001242750.....283, 285	1001244867.....439, 475	1001254386.....479	1001274721.....341
1001242755.....529	1001244871.....475	1001254411.....507	1001275637.....331, 335
1001242909.....535	1001244980.....451	1001254736.....682, 686, 690, 694, 698, 702, 706	1001275638.....331, 335
1001242910.....525	1001245054.....451, 457	1001255574.....505	1001275841.....89, 93
1001242916.....423	1001245057.....457, 487	1001255901.....601	1001275852.....93
1001242920.....29	1001245058.....487	1001256519.....352, 357, 362, 367, 380, 385	1001275853.....89
1001242923.....39, 53	1001245059.....439, 441	1001257141.....475, 481	1001275933.....413, 415
1001242924.....53	1001245060.....441	1001258010.....732	1001275934.....357, 367, 385, 413
1001242925.....479, 545	1001245061.....441	1001258100.....427	1001276666.....125
1001242926.....425	1001245067.....455	1001258244.....415	1001276920.....599
1001242927.....694	1001245068.....455	1001258245.....415	1001276923.....732
1001242928.....698	1001245070.....475	1001258779.....39	1001277290.....113
1001242929.....706	1001245093.....493	1001258911.....38, 521	1001277338.....119
1001242930.....682	1001245158.....469	1001258991.....575	1001280231.....399, 732
1001242931.....686	1001245213.....31, 289	1001259206.....137	1001281475.....732
1001242948.....27, 29	1001245214.....31, 289	1001259302.....709	1001287742.....89, 93
1001242959.....27, 31	1001245215.....31, 289	1001259303.....709	1001289479.....663
1001242960.....27	1001245474.....715	1001259304.....709	1001293182.....129, 503
1001242986.....201	1001245475.....717	1001259305.....709	1001294815.....713
1001242996.....39, 63	1001245478.....207, 209	1001259306.....709	1001301599.....127, 129
1001243025.....63	1001245745.....702	1001259417.....709	1005798200.....289, 291, 293, 295, 297, 301, 303
1001243026.....63	1001245746.....690	1001259635.....325	1010278300.....289, 305, 307, 309, 311, 315, 317
1001243183.....732	1001246001.....325	1001260509.....675	10139087.....682, 686, 690, 694, 698, 702, 706
1001243184.....732	1001246078.....690, 702	1001260645.....732	1023036000.....285
1001243219.....63	1001246391.....610, 617	1001261688.....732	10268515.....203, 205
1001243411.....479, 485	1001246550.....455	1001261689.....732	10268516.....203
1001243412.....439, 485	1001246735.....359, 389	1001261692.....732	1060379.....73
1001243577.....732	1001246736.....352, 357, 359	1001262057.....711	1060626.....577, 673
1001243783.....179	1001246737.....363, 368, 371	1001262058.....709	10700681.....145
1001243879.....181	1001246738.....381, 386, 389	1001262231.....732	10719267.....201
1001243880.....177	1001246922.....19	1001262322.....589	10725554.....295, 309
1001243881.....179, 223	1001246923.....19	1001262327.....589	10725627.....315
1001243882.....177, 179, 201	1001247045.....477, 543	1001263011.....319	10727374.....435
1001243883.....181, 203	1001247171.....477, 485	1001264534.....661, 663	10728823.....451
1001243884.....179, 181, 209	1001247421.....669, 728	1001264536.....661, 663	10731702.....253
1001243885.....179, 229	1001247654.....485	1001264554.....352, 357, 362, 367, 380, 385	10731709.....275, 276, 279
1001243886.....181, 187	1001247857.....481, 547	1001264700.....319	10731744.....257
1001243887.....177, 207	1001248777.....41	1001264713.....319	10731748.....253
1001243888.....177, 225	1001249695.....733	1001265272.....399	10731751.....253
1001243889.....181, 227	1001249941.....733	1001265679.....661, 663	10731845.....259, 261, 265
1001244020.....711	1001250165.....31	1001265680.....661, 663	10731913.....255
1001244085.....23	1001250505.....493	1001265914.....352, 357, 363, 368, 381, 386	10731959.....271
1001244277.....223, 225, 227	1001250506.....449	1001265979.....661, 663	10732063.....275, 279
1001244278.....485	1001250700.....556, 560, 564	1001265980.....661, 663	10732064.....275
1001244302.....485	1001250718.....47	1001265982.....661, 663	10732071.....273
1001244306.....463	1001250818.....439, 449	1001265986.....661	10732072.....273
1001244307.....463	1001251208.....633, 732	1001265987.....661, 663	10732095.....253
1001244308.....439, 463	1001251270.....633, 635	1001268341.....732	10732150.....21, 23
1001244357.....439, 457	1001251271.....633, 637	1001271586.....627, 629	10837928.....545
1001244359.....469	1001251423.....483, 523	1001272659.....599	10839156.....271
1001244361.....469	1001251426.....483, 485	1001272715.....39	1101312.....205, 728
1001244504.....443, 447	1001251503.....556, 560, 564, 657	1001272997.....601	1101313.....205, 728
1001244505.....447	1001252320.....560	1001273012.....599, 601	1101841.....287
1001244530.....439, 443	1001252321.....566	1001273850.....423	1170012.....107
1001244577.....29	1001252322.....564	1001274303.....337	1170021.....107
1001244592.....31	1001252968.....459	1001274304.....337	1170024.....115
1001244608.....207, 209	1001252969.....459	1001274305.....337	1319203.....253
1001244610.....439, 469	1001252970.....459	1001274306.....339	1319204.....253
1001244616.....207, 209	1001252971.....459	1001274307.....339	1319205.....253
1001244617.....207, 209	1001252986.....325	1001274719.....341	1319209.....253
1001244650.....431	1001253829.....732		1319210.....253
1001244652.....431			
1001244653.....431			

SECTION 13 - SPECIAL OPTIONS/ACCESSORIES/KITS

1319211	253	1319631	263, 267, 269	1319723.....	281	2220499	527, 537
1319213	253	1319632	263, 267, 269	1319724.....	281	2220500	38, 445, 447, 481, 489, 551
1319557	255	1319633	263, 271	1319725.....	281	2220501	471
1319558	255	1319634	265	1319726.....	281	2220577	527, 537
1319563	255	1319635	265	1320022.....	221, 352, 357, 362, 367, 380, 385	2220578	38
1319565	255	1319636	265, 267, 269	1320032.....	233	2220582	461, 479
1319566	255	1319637	267	1321094.....	189, 191, 193	2220596	455, 477, 479
1319569	257	1319638	267, 269	1322039.....	189, 191, 193	2220600	477
1319570	257	1319639	269	1322040.....	189, 191, 193	2220603	483, 489
1319571	257	1319641	271	1600429.....	352, 357, 362, 367, 380, 385, 729	2220605	435, 447
1319574	257	1319643	271	1701509.....	73	2220606	479
1319575	257	1319646	271	1701640.....	682, 686, 690, 694, 698, 702, 706	2220622	673
1319576	257	1319647	271	1702300.....	682, 686, 690, 694, 698, 702, 706	2220635 ...	445, 469, 475, 477, 527, 537
1319577	257	1319648	271	1702773.....	67, 69, 71	2220651	38
1319582	257, 281	1319649	271	1704277.....	73	2220654	447
1319583	257	1319650	273	1704885.....	67, 69, 71	2220695	471
1319584	257	1319652	273, 275	1706098.....	706	2220700	673
1319585	257, 281	1319659	273	1706279.....	706	2220726	477
1319586	257	1319661	273, 275	1706281.....	706	2220738	479
1319587	257	1319670	275, 279	1706282.....	706	2220819	479
1319590	257	1319671	275	1706284.....	706	2220828	479
1319591	259	1319673	275	1706285.....	706	2220878	479
1319592	259	1319674	275	1706288.....	706	2220883	547
1319593 ...	259, 261, 263, 265, 267, 269	1319675	275	1706296.....	682, 694	2220885	547
1319594 ...	259, 261, 263, 265, 267, 269	1319676	275	1706298.....	682, 694	2220947	483
1319595 ...	259, 261, 263, 265, 267, 269	1319677	275	1706299.....	682, 694	2220950	551
1319596	259, 261, 265	1319680	275	1706300.....	682, 694	2220998	479
1319600 ...	259, 261, 263, 265, 267, 269	1319681	275	1706301.....	682, 694	2221027	39
1319601 ...	259, 261, 263, 265, 267, 269	1319682	275	1706302.....	173	2221042	551
1319602 ...	259, 261, 263, 265, 267, 269	1319683	275	1706306.....	682, 694	2221344	435
1319603 ...	259, 261, 263, 265, 267, 269	1319684	275	1706768.....	682, 694	2230025	38
1319604 ...	259, 261, 263, 265, 267, 269	1319685	275	1706850.....	682, 694	2230044	441
1319605	259, 261, 265	1319686	275	1706882.....	67	2340037	131
1319606	259, 261, 265	1319687	275	1706892.....	73	2340038	139
1319607	259	1319688	275	2080040.....	73	2340039	135
1319608	259, 269	1319689	275	2110606....	111, 113, 117, 119, 123, 125	2400060 ...	610, 618, 623
1319609	259	1319690	275	2130808....	111, 113, 117, 119, 123, 125	2400066	618
1319610	259	1319691	275	2131210.....	249	24921332.....	225, 227
1319611	259	1319692	275	2131212....	207, 209, 249	2600281	73
1319612 ...	259, 261, 263, 265, 267, 269	1319693	275	2172106....	111, 113, 117, 119, 123, 125	2713642	57
1319613	261	1319694	275	2180798.....	203	2716665	475
1319614	261	1319695	275	2220218.....	217	2716673	443
1319615	261, 265, 267	1319696	275, 279	2220239.....	527, 537	2716675	471
1319616	263	1319697	275	2220371....	461, 471, 477, 479, 481	2716686	471
1319617	263, 267, 269	1319698	275	2220372.....	481	2716688	471
1319618	263, 267, 269	1319700	275	2220373....	455, 477, 481, 489	2716691	471
1319619	263	1319701	275	2220374....	475, 479, 673	2716709	29
1319620	263, 267, 269	1319702	275, 279	2220375....	471, 527, 537	2716715	455
1319621 ...	263, 267, 269	1319703	275, 279	2220377.....	479	2717283	109, 497
1319622	263, 267, 269	1319704	275	2220385....	451, 455, 475, 477	2717287	127, 129
1319623	263, 267, 269	1319705	275	2220415....	127, 129, 469	2900770	513
1319624	263, 267, 269	1319707	275, 279	2220451.....	479	2910996	732
1319625	263, 267, 269	1319710	279	2220472.....	479	2915023	501
1319626	263, 267, 269	1319711	279	2220473.....	29, 127, 129, 471, 479	2940074	73, 728
1319627	263, 267, 269	1319712	279	2220474.....	481, 551	3020039 ...	35, 38, 41, 43, 45, 47
1319628	263, 267, 269	1319713	279	2220497.....	479	31200160.....	67
1319629	263, 267, 269	1319714	279	2220498.....	673	31200386.....	71
1319630	263, 267, 269	1319715	279			31200387.....	69
		1319717	279			31200388.....	69
		1319718	281			3251813 ...	682, 686, 690, 694, 698, 702, 706
		1319719	281			3290501	245
		1319720	281			3290505	243, 587
		1319721	281				
		1319722	281				

SECTION 13 - SPECIAL OPTIONS/ACCESSORIES/KITS

3290601 173, 556, 560, 564	4360569 ... 352, 357, 362, 367, 380, 385	4460884 ... 582, 610, 614, 617, 623, 645	4811900..... 223, 225, 227, 229, 377, 407, 556, 560, 564
3290605..... 215, 217, 377, 407, 556, 564	4360690 ... 352, 357, 362, 367, 380, 385, 729	4460891 ... 567, 582, 583, 608, 609, 614, 615, 616, 621, 622, 631, 657	4811902..... 187, 201, 345
3290801..... 223, 399, 556, 560, 564	4420037 21, 23, 531	4460894 595, 645	4812000..... 39, 187, 195, 197, 215, 223
3290805..... 187, 229, 377, 407	4460019 ... 609, 610, 616, 617, 621, 622, 623	4460897 583, 631, 677	4812100..... 183, 185, 187, 215, 223, 225, 227, 239, 556, 560, 564
3291007..... 89, 93	4460042 609, 614, 622	4460905 582	4812300..... 183, 185, 187
3291205..... 215	4460142 623	4460930 569, 582, 583	4812700..... 38
3300240.... 107, 111, 113, 115, 117, 119, 121, 123, 125	4460183 671	4460931 ... 567, 608, 614, 621, 645	4831600..... 245
3300429..... 527, 537	4460234 ... 589, 591, 661, 663	4460932 601	4831700..... 633
3311401.... 207, 209, 352, 357, 362, 367, 380, 385, 661, 663	4460247 610, 617, 623	4460933 ... 583, 597, 625, 645, 667	4832000..... 195, 197
3311405..... 73	4460256 609, 615, 622	4460941 645, 657	4891500..... 225
3311502..... 173	4460268 625	4460942 582, 625, 645	4891600.... 201, 203, 223, 225, 227, 633, 647
3311601..... 47	4460312 ... 610, 616, 617, 623	4460944 597	4891800.... 111, 113, 117, 119, 123, 125
3311605..... 573	4460321 567	4460945 567	4892400..... 31
3331615..... 183, 185, 187	4460326 625	4460950 625	5240800..... 239, 241
3391410..... 173	4460419 ... 582, 631, 645, 653, 677	4460955 ... 609, 615, 616, 622	5241000..... 89, 93
3421453..... 73	4460457 ... 579, 653, 655, 657	4460970 ... 582, 583, 657, 667	5242400..... 173
3423226..... 35	4460458 ... 567, 579, 583, 608, 609, 610, 614, 615, 616, 617, 621, 622, 623, 631, 657, 671	4460994 582, 677	5251014.... 352, 357, 362, 367, 380, 385
3423227..... 493	4460459 579	4461006 616, 617	5724622..... 47
3423242..... 115, 117, 119	4460464 ... 567, 569, 582, 583, 593, 595, 597, 601, 608, 614, 621, 625, 631, 645, 657, 667, 677	4461017 583, 643, 645	5746411..... 41
3423248..... 31	4460465 ... 567, 569, 582, 583, 595, 608, 609, 610, 614, 615, 616, 617, 621, 622, 623, 625, 631, 645, 657, 667	4461018 643, 653	6604662..... 127, 129
3423254..... 289	4460475 ... 567, 579, 608, 610, 614, 617, 621, 622, 657	4461070 ... 582, 597, 616, 617, 623	70002219..... 517
3423275..... 107, 111, 113	4460476 ... 579, 610, 617, 622	4461095 ... 609, 616, 617, 623	70002224..... 517
3423276.... 121, 123, 125, 127, 129	4460508 583, 643, 645	4461103 584, 657	70003738..... 523
3423307.... 111, 113, 117, 119, 123, 125	4460509 582, 643, 653	4461157 ... 608, 614, 621, 657	70003849..... 517
3440620..... 81	4460518 567, 582, 597	4520356 325	70006285... 511, 513, 519
3520030..... 21, 23	4460539 567, 667	4520527 323	70010239..... 733
3520072..... 73	4460608 ... 608, 610, 614, 617, 622	4640438 513	70020002..... 105, 109
3520198..... 73	4460742 ... 567, 653, 655, 657	4641122 325	70020004..... 163
3740080..... 243, 729	4460744 608, 615, 621	4710600 ... 352, 357, 363, 368, 381, 386	70020028..... 105, 109
3760170..... 73	4460746 616	4711000 661, 663	70020375..... 509
3790152..... 243	4460761 567, 582	4711400 73, 207, 209, 373, 391, 556, 560, 564, 571, 661, 663, 669	70020425..... 273
3820020..... 73	4460789 583, 653, 655	4711500 ... 183, 185, 207, 209, 399	70020426..... 273
3841203.... 111, 113, 117, 119, 123, 125	4460790 583, 643	4711600 61, 217, 556, 560, 564, 573	70020427..... 279
3841520..... 493	4460809 567	4740362 207, 209	70020428..... 501
3930610.... 352, 357, 362, 367, 380, 385	4460836 582	4750800 427	70020430..... 271
3931012.... 661, 663, 669	4460850.... 608, 614, 621	4751400 233, 399	70020431..... 271
4031608..... 245	4460871 582	4761400 ... 352, 357, 362, 367, 380, 385, 659	70020555..... 151, 153
4060803..... 373, 391	4460872 582	4761500 183, 185	70020562..... 95
4060804..... 17		4811400 ... 87, 89, 91, 93, 99, 101, 103, 111, 113, 117, 119, 123, 125, 127, 129	70020652..... 405
4060805..... 17		4811600 ... 217, 243, 245, 427, 587	70020743..... 541
4060806.... 352, 357, 362, 367, 380, 385		4811700 ... 173, 183, 185, 187, 215, 233, 377, 407, 560, 633	70020745..... 541
4100181.... 682, 686, 690, 694, 698, 702, 706		4811702 ... 187, 377, 407, 556, 564	70020867..... 551
4105262..... 61			70020876..... 393
4107442.... 682, 686, 690, 694, 698, 702, 706			70021342..... 85, 95
4107971..... 682, 694			70021349..... 83, 85
4108302.... 682, 686, 690, 694, 698, 702, 706			70021351..... 105
4110422.... 81, 83, 85, 87, 89, 91, 93			70021358..... 95
4240032.... 589, 591, 599, 661, 663			70021359..... 95
4240099.... 183, 185, 187			70021360..... 95
			70021361..... 95
			70021362..... 95
			70021364..... 95
			70021365..... 95
			70021366..... 95
			70021367..... 95
			70021376..... 105, 499
			70021377..... 105
			70021378..... 105
			70021379..... 105

SECTION 13 - SPECIAL OPTIONS/ACCESSORIES/KITS

70021382	105	70022992	76	70024416	523	70026105	397
70021387	83, 95	70022993	76	70024538	156	70026106	397
70021389	105	70022994	76	70024550	156	70026107	397
70021391	95	70022995	76	70024734	515	70026108	397
70021392	95	70022996	156	70024848	301	70026109	397
70021393	95, 495	70022998	77	70024849	301	70026110	397
70021399	95	70023000	156	70024851	297	70026111	393, 397
70021415	83, 85	70023003	76	70024855	397	70026112	397
70021440	79, 109, 495, 499	70023004	76	70024881	293, 297, 307, 311	70026113	397
70021444	495, 499	70023005	76	70025337	309	70026114	397
70021445	499	70023006	76	70025338	309	70026115	397
70021446	495, 499	70023007	76	70025339	295, 309	70026116	397
70021447	495, 499	70023008	76	70025480	373, 391	70026117	397
70021448	495, 499	70023009	76	70025480	373, 391	70026118	397
70021451	495, 499	70023010	76	70025561	297, 311	70026119	397
70021452	495, 499	70023014	76	70025562	295, 297, 309, 311	70026120	397
70021464	495	70023015	76	70025606	517	70026121	397
70021465	495	70023016	76	70025852	199, 728	70026122	397
70021466	495	70023116	298, 312	70025852	199, 728	70026123	375, 394, 397
70021613	315	70023174	732	70025853	199, 728	70026124	394, 397
70021812	501	70023404	257	70025856	295	70026133	545
70021867	523	70023482	253	70025857	297, 311	70026216	625
70021921	83, 85	70023483	253	70025859	453, 541	70026217	610, 617, 625
70021935	83, 85	70023489	309	70025887	295, 309	70026220	189, 191
70021948	399, 728	70023490	295, 309	70025897	523, 729	70026221	189
70021977	83, 85	70023493	309	70025959	517	70026222	189, 193
70021978	83, 85	70023494	295, 309	70025970	301	70026223	191
70021979	83, 85	70023506	547	70025982	545	70026224	189, 191, 193
70021980	95	70023507	547	70026002	297, 311	70026225	189, 191, 193
70021981	95	70023508	547	70026036	509	70026226	189, 191, 193
70021982	95	70023736	189, 191, 193	70026039	509	70026228	189, 191, 193
70022008	545	70023829	298, 312	70026040	509	70026229	189, 191, 193
70022014	545	70023885	257, 281	70026041	509	70026230	189, 191, 193
70022028	83, 85	70023925	76	70026042	509	70026231	189, 191, 193
70022044	501	70023933	189, 191	70026043	509	70026232	189, 191, 193
70022045	501	70024004	295	70026056	517	70026233	193
70022046	501	70024016	189, 191, 193	70026057	517	70026234	189, 193, 728
70022140	295, 309	70024020	517	70026058	517	70026235	189, 191, 193
70022527	83, 85, 95	70024059	83, 85	70026059	517	70026236	191
70022528	83, 85	70024060	85	70026060	517	70026237	189, 191, 193, 728
70022529	83, 85	70024062	79	70026061	517	70026241	189, 191, 193
70022634	189, 191, 193	70024123	156	70026062	517	70026244	231
70022650	541	70024129	515, 549	70026066	297, 311	70026245	231
70022871	732	70024130	549	70026075	211, 213	70026247	231
70022872	732	70024146	297, 311	70026076	211, 213	70026248	231
70022931	76	70024147	297, 311	70026077	211, 213	70026262	301
70022932	76	70024152	527, 537	70026078	211, 213	70026263	301
70022934	76	70024186	523	70026079	211, 213	70026264	301
70022935	77	70024189	523	70026080	213	70026347	156
70022936	76	70024202	545	70026081	211, 213	70026352	405
70022937	76	70024210	301, 315	70026082	211, 213	70026370	545
70022939	77	70024213	301	70026083	211, 213	70026376	545
70022942	76	70024215	301	70026085	543, 728	70026393	199
70022946	77	70024216	315	70026087	543	70026394	199
70022949	76, 77	70024253	608, 614	70026088	409	70026401	489
70022950	76	70024254	608, 614	70026089	409	70026448	732
70022952	76	70024255	608, 614	70026090	409	70026453	189, 191, 728
70022957	76	70024256	608, 614	70026091	409	70026470	156
70022960	76	70024262	517	70026092	409	70026471	156
70022969	76	70024306	147	70026093	409	70026472	156
70022970	76	70024307	147	70026097	433	70026473	156
70022980	77	70024407	523	70026098	433	70026476	156
70022984	76	70024408	523	70026100	397	70026478	549
70022985	76	70024411	523	70026101	397	70026481	156
70022987	76	70024412	523	70026102	397	70026482	156
70022990	77	70024414	523	70026103	397	70026495	515
		70024415	523	70026104	397		

SECTION 13 - SPECIAL OPTIONS/ACCESSORIES/KITS

70026497.....	515	70026948.....	79	70028526.....	109	70029708.....	171
70026499.....	515	70026949.....	79	70028527.....	109	70029709.....	171
70026500.....	515	70026978.....	375, 393	70028528.....	109	70029710.....	171
70026501.....	156, 515	70026979.....	393	70028529.....	109	70029711.....	171
70026502.....	515	70026980.....	393	70028530.....	109	70029712.....	171
70026503.....	515	70026981.....	375, 393	70028531.....	109	70029713.....	171
70026505.....	515	70026982.....	375, 393	70028547.....	453	70029714.....	171
70026506.....	515	70026983.....	375, 393	70028779.....	393	70029715.....	171
70026564.....	547	70026984.....	393	70028780.....	393	70029716.....	171
70026582.....	551, 728	70026985.....	394	70028781.....	393	70029717.....	165
70026585.....	156	70026986.....	393, 729	70028782.....	393	70029718.....	165
70026586.....	156	70026987.....	393	70028886.....	293, 307	70029719.....	165
70026587.....	156, 515	70026988.....	393	70028890.....	297, 311	70029720.....	163
70026588.....	156	70026989.....	393	70028891.....	297, 311	70029721.....	163
70026589.....	156, 549	70026990.....	393	70028922.....	298, 311	70029722.....	163
70026590.....	156	70026991.....	375, 394	70028923.....	298, 311	70029723.....	163
70026591.....	156	70027009.....	83	70028924.....	297, 311	70029724.....	163
70026592.....	156	70027022.....	301, 315	70028926.....	297, 311	70029725.....	161, 163
70026593.....	156	70027024.....	411, 413	70028938.....	293, 307	70029726.....	163
70026594.....	156	70027025.....	411	70028939.....	293, 307	70029727.....	169
70026595.....	156	70027026.....	411, 413	70028947.....	303, 317	70029728.....	163
70026596.....	156	70027027.....	413	70028948.....	303, 317	70029729.....	163
70026597.....	156	70027028.....	411, 413	70028949.....	303, 317	70029730.....	169
70026598.....	156	70027030.....	411, 413	70028950.....	303, 317	70029731.....	169
70026599.....	156	70027032.....	411, 413	70028951.....	303, 317	70029732.....	163, 171
70026600.....	156	70027033.....	411, 413	70028952.....	303, 317	70029733.....	171
70026601.....	156	70027034.....	411	70028974.....	293, 307	70029734... 161, 163, 171	
70026602.....	156	70027035.....	411, 413	70028975.....	297, 311	70029735.....	161, 163
70026603.....	156	70027092.....	301	70029454.....	297, 311	70029736.....	163
70026604.....	156	70027094.....	211	70029482.....	293, 307	70029737.....	171
70026605.....	156	70027105.....	295, 309	70029483.....	295, 309	70029738.....	161, 163
70026606.....	156	70027134.....	545	70029484.....	297	70029739.. 161, 163, 165,	
70026607.....	156	70027275.....	541	70029486.....	297, 311	167	
70026608.....	156	70027276.....	541	70029488.....	297, 311	70029740.....	161
70026609.....	156	70027281.....	189, 193	70029489.....	297, 311	70029741... 163, 165, 167	
70026610.....	515	70027283.....	109	70029522.....	543	70029742.....	161, 163
70026611.....	515	70027317.....	301, 315	70029523.....	543	70029743... 161, 163, 165	
70026612.....	549	70027642.....	105	70029544.....	297	70029744.....	167
70026613.....	549	70027693.....	511	70029545.....	298, 312	70029745.....	163
70026614.....	549	70027705.....	231	70029559.....	507	70029746.....	165, 167
70026615.....	549	70027706.....	231	70029560.....	507	70029747.....	161, 163
70026616.....	549	70027796.....	301	70029561.....	507, 521	70029748.....	167
70026617.....	549	70028161 ..	511, 513, 519	70029562.....	507	70029749.....	165, 167
70026618.....	549	70028164.....	505	70029563.....	507	70029750.....	161
70026619.....	549	70028388 ..	293, 297, 307,	70029564.....	507	70029751.....	163
70026620.....	549	311		70029565.....	507	70029752.....	163
70026621.....	549	70028389 ..	293, 297, 307,	70029566.....	507	70029753.....	171
70026652.....	545	311		70029567.....	521	70029754.....	171
70026653.....	545	70028390.....	295	70029568.....	521	70029755.....	163
70026698.....	83, 85	70028391.....	295	70029569.....	521	70029756.....	161, 163
70026699.....	79	70028392.....	298, 312	70029570.....	521	70029757.....	163
70026745.....	151	70028397.....	311	70029571.....	521	70029758.....	171
70026746.....	151	70028398.....	309	70029572.....	521	70029759.....	171
70026747.....	79, 315	70028399.....	309	70029573.....	521	70029760.....	163
70026748.....	315	70028450.....	189, 191	70029574.....	505	70029761.....	165
70026750.....	295	70028486.....	109	70029575.....	505	70029762.....	161, 163
70026770.....	497	70028514.....	539, 728	70029576.....	505	70029763.....	167
70026771.....	497	70028515.....	539	70029577.....	505	70029764.....	163
70026773.....	497	70028516.....	539	70029578.....	505	70029765.....	163
70026774.....	497	70028517.....	539	70029579.....	505	70029766.....	163
70026775.....	497	70028519.....	109	70029584.....	543	70029767.....	163
70026800.....	193	70028520.....	109	70029589.....	507	70029768.....	163
70026801.....	193, 728	70028521.....	109	70029590.....	505, 521	70029769.....	165
70026854.....	393	70028522.....	109	70029704.....	171	70029770.....	167
70026944.....	79	70028523.....	109	70029705.....	171	70029771.....	165
70026945.....	393	70028524.....	109	70029706.....	171	70029772.....	165
70026946.....	79	70028525.....	109	70029707.....	171	70029773.....	163

SECTION 13 - SPECIAL OPTIONS/ACCESSORIES/KITS

70029774 163	70030001 545	70031448..... 156	7110172 41
70029775 163	70030002 545	70031717..... 661, 663	7110702 127, 129
70029776 163	70030003 545	70041616... 189, 191, 193	7110712 127, 129
70029777 161, 163	70030004 545	70041617... 189, 191, 193	7110722 127, 129
70029778 163	70030005 545	70041619... 189, 191, 193	7111572 41, 43, 45, 47
70029779 163	70030006 545	70041620... 189, 191, 193	7112452 38, 57
70029780 161, 163	70030007 545	7010769..... 543	7112732 43
70029781 161, 163	70030008 545	7012903..... 519	7116572 645
70029782 169	70030009 545	7024441..... 527, 537	7116642 59
70029783 169	70030010 545	7024574..... 501	7116652 59
70029784 163	70030011 545	7024939..... 523	7116662 59
70029785 161	70030012 545	7024943..... 523	7116691 59
70029786 163	70030013 545	7024944..... 523	7116733 45, 59
70029787 167	70030014 545	7024953..... 523	7116812 59
70029788 163	70030015 545	7024954..... 523	7117031 41
70029789 165, 167	70030016 545	7026404..... 610, 616	7117502 45
70029790 163	70030017 545	7026758.... 259, 261, 263, 265, 267, 269	7118892 38
70029791 171	70030018 545	7026759.... 259, 261, 263, 265, 267, 269	7124301 17
70029792 161	70030019 545	7026760.... 259, 261, 263, 265, 267, 269	7124451 17
70029793 163	70030020 545	7026760.... 259, 261, 263, 265, 267, 269	7124471 17, 633, 647
70029794 161, 163	70030021 545	7026798..... 411, 413	7124491 29
70029795 171	70030022 545	7027273..... 271	7125801 29
70029796 171	70030023 545	7028714..... 297, 311	7125811 41
70029798 547	70030036 469	7028716..... 297, 311	7125871 183, 185, 187
70029821 543	70030037 469	7028739..... 732	7138468 47
70029822 375, 393	70030038 545	7029037..... 273, 275	7138634 249
70029823 375, 393	70030039 545	7029039..... 275	7138833 ... 352, 357, 362, 367, 380, 385
70029824 375, 393	70030040 545	7029127..... 303, 317	7138836 ... 352, 357, 362, 367, 380, 385
70029825 375	70030141 105	7029246..... 519, 729	7138878 ... 352, 357, 362, 367, 380, 385
70029826 375	70030142 105	7029288..... 293, 307	7138882 349
70029827 375, 393	70030143 105	7029309..... 297	7138944 ... 352, 357, 362, 367, 380, 385
70029828 375, 393	70030144 105	7029311..... 297, 311	7138958 373, 391
70029829 375, 393	70030145 105	7029412..... 393	7138977 43
70029830 375	70030281 393	7029413..... 393	7138986 43
70029831 375	70030317 191	7029415..... 393	7139032 53, 55
70029832 375, 393	70030347 191	7029417..... 281	7139047 21, 23
70029833 375, 393	70031148 189	7029520..... 153	7139077 527, 537, 728
70029834 375, 394	70031325 503	7029521..... 153	7139407 21, 23
70029835 375, 394	70031326 503	7029532.... 261, 263, 271	7139416 53, 55
70029836 375, 394	70031327 503	7029533.... 261, 263, 271	7139504 455
70029837 375, 394	70031328 503	7029692..... 85, 95	7139505 455
70029838 375, 394	70031329 503	7029711..... 105	7139692 38, 55
70029839 375, 394	70031350 191	7029714..... 95	7150680 637
70029840 375, 394	70031351 191	7029734..... 301, 315	7150681 635
70029841 375, 394	70031352 191	7029735..... 301, 315	7150685 639
70029842 375, 394	70031380 191	7029786..... 315	7150690 635, 637
70029843 375, 394	70031394 393	7029787..... 301	7150699 633, 639
70029844 375	70031395 393	7029860..... 403	7150702 639
70029845 311	70031396 393	7054351..... 249	7150703 641
70029851 311	70031397 393	7057141..... 207, 209	7150716 633, 641
70029852 315	70031398 393	7062922..... 127, 129	7150717 641
70029853 545	70031402 393	7079572.... 41, 43, 45, 47	7300435 183, 185, 187
70029854 511	70031403 393	7082311.... 41, 43, 45, 47	7300672 47
70029855 511, 519	70031404 393	7082342.... 41, 43, 45, 47	7300673 47
70029856 511	70031405 393	7082362.... 41, 43, 45, 47	7300674 47
70029857 511	70031406 393	7083992..... 38	7300675 47
70029858 511	70031413 394	7085571..... 63	7301265 380, 385
70029859 519	70031414 394	7090871..... 29	77133133 377, 407
70029860 519	70031420 394	7090891..... 29	77133134 377, 407
70029861 513	70031421 394	7095352..... 38	77143006 575
70029862 513	70031422 394	7095522..... 38	80204002 293, 307
70029863 513	70031442 156	7096552..... 38	80204005 297, 311
70029864 513	70031443 109	7096562..... 38	
70029865 513	70031444 105	7096562..... 38	
70029866 513	70031445 105	7096772..... 47	
70029867 513	70031446 95	7096882.... 41, 43, 45, 47	
70029868 513			
70029869 513			
70029870 513			
70029871 513			
70029872 513			
70029873 513			
70029874 513			
70029875 513			
70029876 513			
70029877 513			
70029878 513			
70029879 513			
70029880 513			
70029881 513			
70029882 513			
70029883 513			
70029884 513			
70029885 513			
70029886 513			
70029887 513			
70029888 513			
70029889 513			
70029890 513			
70029891 513			
70029892 513			
70029893 513			
70029894 513			
70029895 513			
70029896 513			
70029897 513			
70029898 513			
70029899 513			
70029900 513			
70029901 513			
70029902 513			
70029903 513			
70029904 513			
70029905 513			
70029906 513			
70029907 513			
70029908 513			
70029909 513			
70029910 513			
70029911 513			
70029912 513			
70029913 513			
70029914 513			
70029915 513			
70029916 513			
70029917 513			
70029918 513			
70029919 513			
70029920 513			
70029921 513			
70029922 513			
70029923 513			
70029924 513			
70029925 513			
70029926 513			
70029927 513			
70029928 513			
70029929 513			
70029930 513			
70029931 513			
70029932 513			
70029933 513			
70029934 513			
70029935 513			
70029936 513			
70029937 513			
70029938 513			
70029939 513			
70029940 513			
70029941 513			
70029942 513			
70029943 513			
70029944 513			
70029945 513			
70029946 513			
70029947 513			
70029948 513			
70029949 513			
70029950 513			
70029951 513			
70029952 513			
70029953 513			
70029954 513			
70029955 513			
70029956 513			
70029957 513			
70029958 513			
70029959 513			
70029960 513			
70029961 513			
70029962 513			
70029963 513			
70029964 513			
70029965 513			
70029966 513			
70029967 513			
70029968 513			
70029969 513			
70029970 513			
70029971 513			
70029972 513			
70029973 513			
70029974 513			
70029975 513			
70029976 513			
70029977 513			
70029978 513			
70029979 513			
70029980 513			
70029981 513			
70029982 513			
70029983 513			
70029984 513			
70029985 513			
70029986 513			
70029987 513			
70029988 513			
70029989 513			
70029990 513			
70029991 513			
70029992 513			
70029993 513			
70029994 513			
70029995 513			
70029996 513			
70029997 513			
70029998 513			
70029999 513			

SECTION 13 - SPECIAL OPTIONS/ACCESSORIES/KITS

80204012..293, 298, 307, 311	8036050 373, 391, 401	8220124 ... 608, 610, 614, 617, 621, 622, 623, 625	8303633.....43
80204033.....295, 309	8036056 373, 391, 403	8220125 583, 616	8303634..... 45, 127, 129
80204035.....295, 309	8036099 403	8220160 610, 616	8303640..... 63
80204043.....295, 309	8036100 403	8220162 583	8303655..... 35
80204048.....295, 309	8036190 ... 261, 263, 271	8220164 ... 609, 616, 622	8303666..... 38
80204060.....301	8036196 401	8220366 615	8303675.....485
80204065.....297, 311	8036197 401	8220375 615	8303679..... 43, 45
80204071.....297, 311	8036198 401	8220536 ... 608, 609, 614, 615, 621, 622	8303681..... 41, 43, 45, 47
80204076.....297, 311	8036199 401	8220889 609, 615	8303697.....38, 352, 357, 362, 367, 380, 385, 527, 537
80204108.....301	8036209 639	8220890 671	8303715..... 127, 129
80204117.....301, 315	8036210 641	8220895 625	8303724..... 249
80204144.....303, 317	8036212 639, 641	8220904 ... 582, 631, 653, 657, 677	8303729.....21, 23
80204281.....301	8036213 639, 641	8220927 ... 583, 608, 614, 621	8303738..... 41, 47
8024033.....732	8036214 639, 641	8220929 ... 583, 608, 614, 621	8303745.....635, 637
80241137..... 19	8036215 639, 641	8223025 633, 729	8303757.....463, 465, 467
80264138.....433	8036216 639, 641	8223037 ... 352, 357, 362, 367, 380, 385, 729	8303766.....463
80304405.....255	8036250 281	8223038 ... 627, 629, 729	8303771.... 633, 647, 661, 663
8032694.....543	80363179 625	8223043 ... 362, 367, 380, 385, 729	8303772..... 38
8032695.....543	80364095 433	8223044 ... 362, 367, 380, 385, 729	8303782.....493
80334277.....523	8036502 732	8223054 ... 352, 357, 362, 367, 380, 385, 729	8303784.....237
8033786.....501, 503	8036580 519	8223059 633, 647, 729	8303982....352, 357, 362, 367, 380, 385
8034697.....545	8036581 519	8223060 633, 729	8304608.....443
8034815.....403	8036582 519	8223073 633, 728	8305002.....556, 560, 564
8035109.....287	8036726 375, 393	8223232 249	8305004 21, 23, 469, 661, 663, 669
8035281.....519	8036732 513	8223536 27	8305006..... 17, 455
8035282.....519	8036733 497	8229233 584, 728	8305008....207, 209, 463
8035321.....521	8036747 732	8229234 569, 584, 728	8305014....525, 529, 535
8035326.....732	8037109 545	8229235 567, 584, 728	8305043..... 203, 431
8035327.....521	80373094 205	8229237 584, 728	8305603.....399
8035347545	80384207 403	8229238 584, 728	8305619..... 63
8035382.....545	80384213 403	8229242 610, 618, 728	8305624.....38, 373, 391, 556, 560, 564, 571
8035393.....403	80384218 373, 391	8229243 657, 728	8305626.....47, 352, 357, 362, 367, 380, 385, 633, 635, 637, 647
8035409.....403	80384445 401	8229244 616, 728	8305638.....399
8035411.....403	8050001 17, 289	8229245 643	8305643....35, 38, 43, 45, 127, 129
8035493.....405	80604016 625	8229261 569, 584, 728	8305644....29, 38, 45, 59, 352, 357, 362, 367, 380, 385, 493
8035498.....405	80604017 677	8270620 556, 560, 564	8305645....21, 23, 38, 41, 59, 61, 331, 335, 633, 647, 661, 663
8035499.....405	80604018 . 608, 609, 614, 615, 616, 621, 622	8270621 571	8305646..... 38
8035500.....405	80604021 .. 610, 614, 623	8278020 207, 209	8305906..... 38
8035523.....401	80604024 614, 621	8302470 21, 23	8305916....352, 357, 362, 367, 380, 385
8035536.....501, 509	80623016 449	8303034 ... 359, 371, 373, 389, 391, 399, 459	8307002.....21, 23, 669
8035720.....732	80634004 523	8303041 47	8307003.....556, 560, 564
8035781.....519	8065062 127, 129	8303119 399	8307004.....43, 233, 441, 463, 465, 467, 471, 473
8035807352, 357, 362, 367, 728	8065063 29	8303519 485	8307005....41, 43, 45, 47, 485, 669
8035862.....501	8065640 17, 47	8303545 ... 556, 560, 564, 659	8307006.....285
8035863.....501	8065641 17	8303615 21, 23	8307007..... 43, 45, 475
8036021.....253	80963061 583	8303620 ... 41, 43, 45, 47, 331, 335, 352, 357, 362, 367, 380, 385, 463	8307009....525, 529, 535
8036022.....253	80963062 .. 608, 614, 621	8303621 ... 41, 43, 45, 47, 493	8307011.....349
8036023.....255	80963067 . 583, 608, 614, 616, 621	8303622 43	8307023....352, 357, 362, 367, 380, 385
8036024.....257	8124138 53, 55	8303624 43, 45	8307024.....425
8036025.....257	8127024 55	8303626 ... 352, 357, 362, 367, 380, 385, 475	8307027.....556, 560, 564
8036026.....257	82033997 373, 391	8303628 29	
8036027.....257	8205655 501	8303629 29	
8036028.....257	8220007 677		
8036029....261, 263, 265, 267, 269	8220035 569, 677		
8036030.....271	8220051 583, 645, 677		
8036031.....271	8220058 610, 617, 622		
8036032.....271	8220081 ... 608, 610, 615, 617, 621, 622, 653		
8036033.....273	8220089 583, 616, 643		
8036036.....275	8220097 ... 583, 608, 614, 621		
8036038.....275	8220098 ... 583, 608, 614, 621		
8036039.....275	8220108 569		
8036040.....275			
8036041.....281			
8036042.....281			

SECTION 13 - SPECIAL OPTIONS/ACCESSORIES/KITS

8307049..... 249	8405201.....219, 221	8760465.....47	91083129..... 203
8307104..... 38, 63	8405212219, 221, 243	8760468.....47	91083385..... 321, 323
8307106..... 38, 203, 352, 357, 362, 367, 380, 385, 556, 560, 564	8405305 219, 221	8760548.....249	91163035..... 227
8307109... 207, 209, 352, 357, 362, 367, 380, 385	8405307 203	8760552.....527, 537	91293003..... 203
8307110 ... 331, 335, 352, 357, 362, 367, 380, 385, 463	8405404 201	8765204....451, 475, 477, 673	91304025..... 433
8307111 556, 560, 564	8406010 661, 663	8769122.....41, 47	91364023..... 205
8307112 ... 352, 357, 362, 367, 373, 380, 385, 391	8406105 ... 249, 556, 560, 564	8769123.....41, 47	91403097..... 249
8307202 21, 23	8406112 ... 183, 185, 215, 217	8769127.....233, 235	91403193..... 289
8307203 17, 43, 455	8406303 187	8769128.....47, 233, 441, 471, 473	9140341338, 77, 83, 105, 109, 111, 113, 117, 119, 123, 125, 127, 129, 157
8307204 ... 21, 23, 41, 43, 45, 47, 59, 633, 647, 661, 663	8410007 201	8769132..... 127, 129	9140341438, 76, 83, 105, 109, 111, 113, 117, 119, 123, 125, 127, 129, 157
8307206 59	8410021 203	8769139.....47	91403448..... 81
8307219 659	842005338, 83, 105, 109, 111, 113, 117, 119, 123, 125, 127, 129	8770016..... 127, 129	91404011..... 433
8307222 203, 431	842005538, 83, 105, 109, 111, 113, 117, 119, 123, 125, 127, 129	8770048.....527, 537	91404013..... 433
8307904..... 38, 127, 129	8430032 ... 435, 479, 483	8770064.....445	91404298..... 373, 391
8307910 35	8430033 483	8770189.....29	91404299..... 373, 391
8307911 35	8430046 479	8780039.....321	91404301..... 373, 391
8307918..... 38, 127, 129	8430048 377, 407	8786514....319, 329, 331, 333, 335	91404326..... 433
8310009... 233, 441, 455, 471, 473	8466306 ... 682, 686, 690, 694, 698, 702, 706	8820904.....657	91404302..... 433
8310019..... 38, 41	8500203 633	88261015.....187	91473086..... 435
8310020..... 45	8520001 ... 29, 41, 43, 45, 493	8841036....249, 251, 253, 255, 257, 259, 261, 263, 265, 267, 269, 271, 273, 275, 279, 281	91473206..... 319
8310026..... 38, 352, 357, 362, 367, 380, 385	8520003 43, 45, 449, 493	88411148...525, 529, 535	91474028..... 547
8310046..... 556, 560, 564	8520013 35, 521	88501005.....647	91474512..... 293, 307
8310067 47, 249	8520021 521	88671001...111, 113, 117, 119, 123, 125	91503106..... 608
8310081 43	8522012 .. 29, 31, 55, 493	8880218-OM.....285	91513266..... 345
8310085 359, 371, 389	8526007 237, 509	8880219-OM.....285	91514081..... 297, 311
8310093 38	8526011 509	8881800.....187	91514082..... 297, 311
8310109 373, 391	8526406 38	8902842.....503	91514083..... 297
8310113 47	8530030 485	8903015.....545	91514084..... 297
8310116 31, 289	8546407 475	890147....352, 357, 362, 367, 380, 385	91514089. 293, 297, 301, 307, 311
8310160 127, 129	8580315 127, 129	8990147....352, 357, 362, 367, 380, 385	91514095..... 297, 311
8310161 127, 129	8580420 21, 23	90028631.....203	91514101..... 293, 307
8310205 38	8584001 57, 127, 129, 377, 407, 556, 560, 564, 633, 647, 669	90200003..107, 111, 113, 115, 117, 119, 121, 123, 125, 127, 129	91514111..... 297, 311
8310209 59	8584018 633, 647	90206196.....659, 665	91514118..... 345
8310215 249	8584021 57	90554016..79, 83, 85, 95, 105, 109, 151	91514130..... 295, 309
8310235 59	85841150 463	90554017.....95, 105	91514131..... 295, 309
8310245 59	8630019 485	90554018.....95	91514133..... 295, 309
8310281 207, 209	8640123 485	90554019.....109	91514134..... 295, 309
8310356 485	8640208 475	90554020.....83, 85, 105	91514143..... 295
8310382 ... 352, 357, 362, 367, 380, 385	8642207 127, 129	90554033.....79	91514146..... 297, 311
8310420 485	8642224 38	90554034.....79	91514147..... 297, 311
8310424 229	8642237 53, 55	90554042.....83, 85	91514148..... 297, 311
8310425 285	86683122 245	90554045.....495, 499	91514149..... 297, 311
8310431 38	8750003 43	90554054.....83, 85	91514151..... 301
8310478 475	8750011 47	90554062.....85, 95	91514154..... 301, 315
8310493 349	8750012 ... 235, 441, 443, 471, 473	90554065.....95, 105	91514159..... 301, 315
8310497 38	8750017 47, 233, 235, 463, 471	90554067.....105	91514174..... 297, 311
8310522 ... 201, 203, 475, 485	8750025 463, 465, 467	90554076.....85, 95	91514177..... 297, 311
8310576 469	8750026 471	90554080.....153	91514180..... 297, 311
8310672 38	8750027 ... 441, 443, 471, 473	91043125.....77	91514181..... 297, 311
83191010 345	8750040 465, 467, 471	91043126.....76	91514183..... 297, 311
8405007 ... 219, 221, 377, 407	8760268 471, 477, 479	91043147.....377, 407	91514188..... 297, 311
8405104 219, 221	8760463 455	91053419.....243	91514189..... 297, 311
		91081640.....575	91514225..... 433
			91563250..... 321, 323
			91565039..... 323
			91565040..... 323



**Corporate Office
JLG Industries, Inc.
1 JLG Drive
McConnellsburg, PA 17233-9533 USA
☎ (717) 485-5161 (Corporate)
☎ (877) 554-5438 (Customer Support)
📠 (717) 485-6417**

**Visit our website for JLG Worldwide Locations.
www.jlg.com**



OSHKOSH™