



# Illustrated Parts Manual

***Model  
R4045***

**PVC  
2204**

**P/N  
31219995**

**October 10, 2022 - Rev B**

**ANSI**

**CE**



**UK  
CA**

**AS/NZS**



An Oshkosh Corporation Company

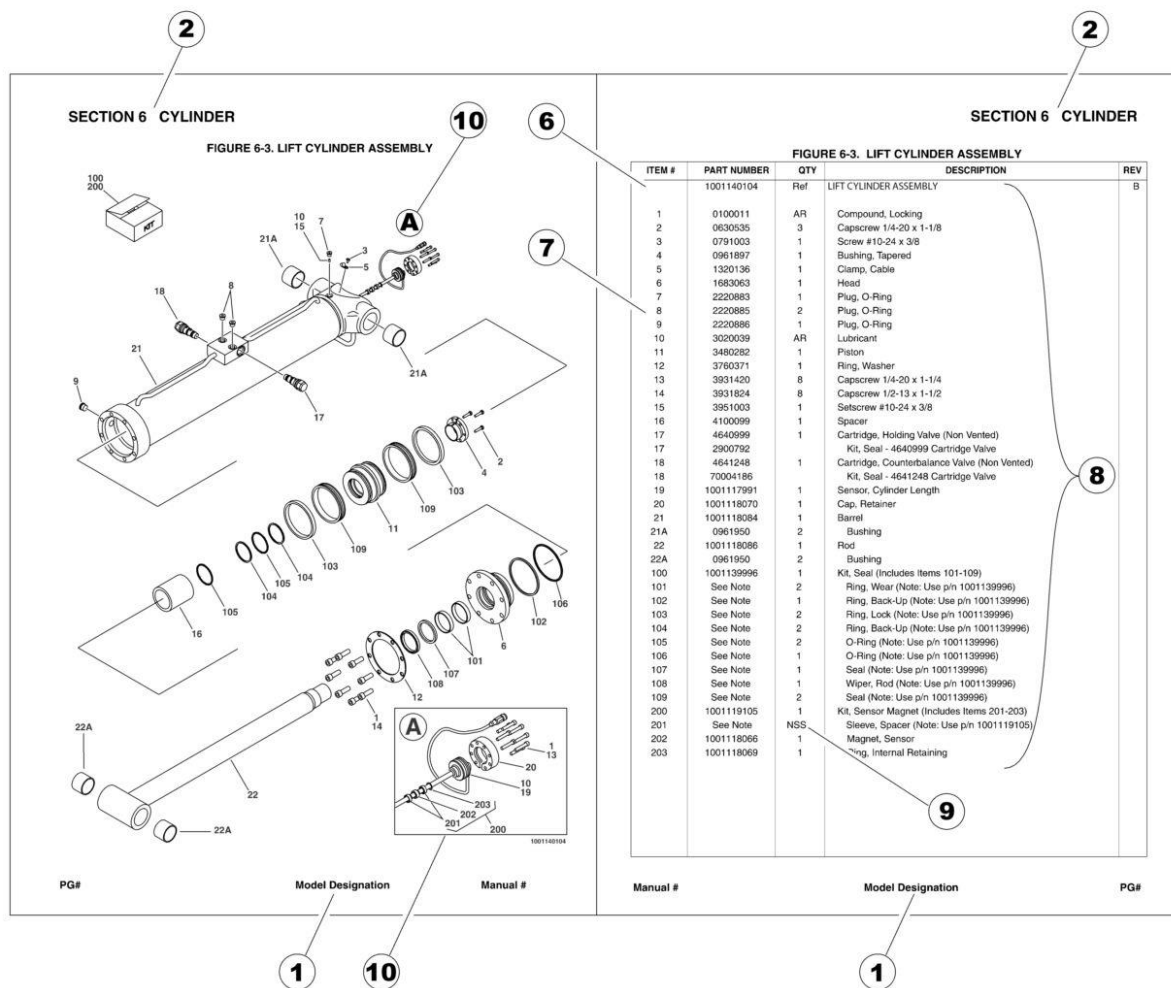


## **REVISION LOG**

April 4, 2022 - A - Original Issue of Manual (Edited to 1001212500 Rev AE & 1001253722 Rev C)

October 10, 2022 - B - Revised Manual (Edited to 1001212500 Rev AF, 1001253722 Rev C  
& 1001284955 Rev A)

# GENERAL INFORMATION



## 1) MACHINE IDENTIFICATION

Machines are identified by model and in some cases a combination of models, serial number (SN) or regional standard (i.e ANSI, CE, CSA). Components may also be identified by SN or manufacturer. Common components that may be identified by these characteristics are engines and hydraulic components.

## 2) PARTS MANUAL ORGANIZATION

Product information in this manual is organized under section titles. Frame, Cylinder, Hydraulic and Electrical are a few examples. Each section is organized by figure and page number. The information within the Figure is then organized by item number, part number, description and corresponding illustration (s).

## 3) TABLE OF CONTENTS (NOT SHOWN)

A table of contents is found toward the beginning of the manual. Figure number, description and page number are provided for quick reference to the page containing the related information.

## 4) RECOMMENDED SPARE PARTS (NOT SHOWN)

The Recommended Spare Parts List, located near the end of the manual, reference most frequently used maintenance parts.

## 5) PART NUMBER INDEX (NOT SHOWN)

A numerical index listing all part numbers and the corresponding page number(s) appears at the back of the manual.



## GENERAL INFORMATION

### 6) NON-SERVICED PARTS

In some instances, it is necessary to display non-serviced parts, assemblies or installations. In the case of assemblies and installations there will be a Ref in the Qty. column. In case of parts that are not available for service within assemblies or components, there will be a NSS (Not Sold Separately) or NLA (No Longer Available) listed in the Qty. column of the manual.

### 7) PARTS LIST ITEM NUMBERS

Numbers shown in the item# column correspond to numbers used in the associated illustration (s). Item numbers which are missing from the sequence in the parts list are not used on that page.

### 8) INDENTED PARTS DESCRIPTION

An indented part description is included in the item under which it is indented.

### 9) ABBREVIATION AND SYMBOLS

AC.....	Alternating Current	L.....	Liter
ADE.....	Advanced Design Electronics	LB(LBS).....	Pounds
AG.....	Agricultural	LCD.....	Liquid Crystal Display
ANSI.....	American National Standards Institute	LED.....	Light Emitting Diodes
AR.....	As Required	LH.....	Left Hand
ASSY.....	Assembly	LRC.....	Low Rated Countries
AUS.....	Australia	LSS.....	Load Sensing System
AUX.....	Auxiliary	M(m).....	Metric/Meter
AWG.....	American Wire Gauge	MM(mm).....	Milimeter
B/M.....	Bill of Material	mA.....	Miliamps
CAC.....	Charge Air Cooler	NLA.....	No Longer Available
CE.....	European Conformity	NPT.....	National Pipe Threads
CCW.....	Counter Clockwise	NSS.....	Not Sold Separately
CM.....	Centimeter	OD.....	Outside Diameter
CW.....	Clockwise	ORB.....	O-Ring Boss
CSA.....	Canadian Standards Association	ORFS.....	O-Ring Face Seal
CYL.....	Cylinder	OZ (oz).....	Ounces
DIA.....	Diameter	PG.....	Page
DC.....	Direct Current	PN.....	Part Number
DEF.....	Diesel Exhaust Fluid	QT(qt.).....	Quarts
EMS.....	Emergency Stop	QTY.....	Quantity
ENG.....	Engine	REF.....	Reference
FT(ft).....	Feet	REV.....	Revision Level
GA(Ga).....	Gauge	RH.....	Right Hand
HRC.....	High Rated Countries	SAE.....	Society of Automotive Engineers
HVAC.....	Heating, Ventilating, and Air Conditioning	SN.....	Serial Number
HYD.....	Hydraulic	SPEC(S).....	Specifications
Hz.....	Hertz	T/T.....	Turntable
ID.....	Inside Diameter	UGM.....	Universal Ground Module
IN.....	inches	V.....	Volts
ISO.....	International Organization for Standards	W.....	Watts
JIC.....	Joint Industry Council	#.....	Number
KG.....	Kilogram		

### 10) ILLUSTRATION REFERENCE LETTERS

When necessary, illustrations may contain reference letters that are intended to track information (i. e. hoses, harnesses) from one point to another or to track visual enlargement of components to show details that may be located in another area on the illustration.

*Note: Due to continuous product improvements, JLG Industries, Inc. reserves the right to make specification changes without prior notification. Contact JLG Industries, Inc. for updated information.*



# TABLE OF CONTENTS

SECTION 1 - FRAME.....	11
FIGURE 1-1. STEER INSTALLATION.....	12
FIGURE 1-2. DRIVE/BRAKE INSTALLATION .....	14
FIGURE 1-3. DRIVE MOTOR ASSEMBLY .....	16
FIGURE 1-4. TIRE AND WHEEL INSTALLATION .....	18
FIGURE 1-5. POTHOLE PROTECTION SYSTEM INSTALLATION .....	20
FIGURE 1-6. TILT SENSOR INSTALLATION .....	22
FIGURE 1-7. BATTERY CHARGER INSTALLATION - DELTA-Q WITHOUT COMMUNICATION PORT (LOCALLY SUPPLIED PLUG).....	24
FIGURE 1-8. BATTERY CHARGER INSTALLATION - DELTA-Q WITH COMMUNICATION PORT (LOCALLY SUPPLIED PLUG).....	26
FIGURE 1-9. BATTERY CHARGER INSTALLATION - DELTA-Q WITHOUT COMMUNICATION PORT (110V PLUG).....	28
FIGURE 1-10. BATTERY CHARGER INSTALLATION - DELTA-Q WITH COMMUNICATION PORT (110V PLUG) .....	30
FIGURE 1-11. BATTERY CHARGER INSTALLATION - DELTA-Q WITHOUT COMMUNICATION PORT (AUSTRALIAN PLUG).....	32
FIGURE 1-12. BATTERY CHARGER INSTALLATION - DELTA-Q WITH COMMUNICATION PORT (AUSTRALIAN PLUG) .....	34
FIGURE 1-13. BATTERY CHARGER INSTALLATION - DELTA-Q WITHOUT COMMUNICATION PORT (KOREAN PLUG).....	36
FIGURE 1-14. BATTERY CHARGER INSTALLATION - DELTA-Q WITH COMMUNICATION PORT (KOREAN PLUG) .....	38
FIGURE 1-15. BATTERY CHARGER INSTALLATION - EAGLE PERFORMANCE (110V PLUG).....	40
FIGURE 1-16. BATTERY CHARGER INSTALLATION - GREEN POWER (LOCALLY SUPPLIED PLUG) .....	42
FIGURE 1-17. BATTERY CHARGER INSTALLATION - GREEN POWER (CHINA PLUG).....	44
FIGURE 1-18. STROBE LIGHT INSTALLATION - SINGLE ECCO BRAND (AMBER) (WITHOUT GUARD) .....	46
FIGURE 1-19. STROBE LIGHT INSTALLATION - SINGLE SAMMOON BRAND (WITHOUT GUARD) .....	48
FIGURE 1-20. STROBE LIGHT INSTALLATION - SINGLE SLIM (AMBER) (WITHOUT GUARD).....	50
FIGURE 1-21. STROBE LIGHT INSTALLATION - SINGLE ECCO BRAND (AMBER) (WITH GUARD).....	52
FIGURE 1-22. STROBE LIGHT INSTALLATION - SINGLE SAMMOON BRAND (WITH GUARD) .....	54
FIGURE 1-23. STROBE LIGHT INSTALLATION - SINGLE SLIM (AMBER) (WITH GUARD) .....	56
FIGURE 1-24. STROBE LIGHT INSTALLATION - DUAL ECCO BRAND (AMBER) (WITHOUT GUARD).....	58
FIGURE 1-25. STROBE LIGHT INSTALLATION - DUAL SAMMOON BRAND (WITHOUT GUARD) .....	60
FIGURE 1-26. STROBE LIGHT INSTALLATION - DUAL SLIM (AMBER) (WITHOUT GUARD) .....	62
FIGURE 1-27. STROBE LIGHT INSTALLATION - DUAL ECCO BRAND (AMBER) (WITH GUARD) .....	64
FIGURE 1-28. STROBE LIGHT INSTALLATION - DUAL SAMMOON BRAND (WITH GUARD).....	66
FIGURE 1-29. STROBE LIGHT INSTALLATION - DUAL SLIM (AMBER) (WITH GUARD).....	68
FIGURE 1-30. ALARM INSTALLATION (AMBIENT/WHITE NOISE) .....	70
FIGURE 1-31. LADDER INSTALLATION .....	72
SECTION 2 - GROUND CONTROLS .....	75
FIGURE 2-1. HYDRAULIC COMPONENTS INSTALLATION (WITH CONCENTRIC PUMP/MOTOR) .....	76
FIGURE 2-2. HYDRAULIC COMPONENTS INSTALLATION (WITH BUCHER PUMP/MOTOR) .....	78
FIGURE 2-3. HYDRAULIC MOTOR/PUMP ASSEMBLY (BUCHER).....	80
FIGURE 2-4. VALVE ASSEMBLY .....	82
FIGURE 2-5. ELECTRICAL COMPONENTS INSTALLATION (MACHINES WITH SN STARTING WITH 12, B2, G2 & M2) .....	84
FIGURE 2-6. ELECTRICAL COMPONENTS INSTALLATION (MACHINES WITH SN STARTING WITH 12, B2 & G2) .....	86
FIGURE 2-7. MDI INSTALLATION .....	88
FIGURE 2-8. ACCESS CONTROL KEYPAD INSTALLATION .....	90
FIGURE 2-9. MOBILE CONTROL INSTALLATION.....	92
FIGURE 2-10. BATTERIES INSTALLATION - STANDARD 12V-150AH .....	94
FIGURE 2-11. BATTERIES INSTALLATION - STANDARD 12V-185AH .....	96
FIGURE 2-12. BATTERIES INSTALLATION - AGM 12V-150AH .....	98
FIGURE 2-13. INVERTER INSTALLATION (OPTIONAL) .....	100
FIGURE 2-14. DOORS INSTALLATION .....	102
SECTION 3 - SCISSORS ARMS .....	105
FIGURE 3-1. SCISSOR ARMS INSTALLATION (MACHINES WITH SN STARTING WITH 12, B2 & G2) .....	106
FIGURE 3-2. SCISSOR ARMS INSTALLATION (MACHINES WITH SN STARTING WITH M2).....	110
FIGURE 3-3. ARM GUARD INSTALLATION.....	114
SECTION 4 - PLATFORM.....	117
FIGURE 4-1. PLATFORM INSTALLATION .....	118
FIGURE 4-2. PLATFORM EXTENSION INSTALLATION .....	120
FIGURE 4-3. EXTENSION HANDLES INSTALLATION (OPTIONAL).....	122
FIGURE 4-4. RAILS INSTALLATION (SIDE BY SIDE) .....	124
FIGURE 4-5. RAILS INSTALLATION (TUBE IN TUBE) .....	126

# TABLE OF CONTENTS

FIGURE 4-6. PLATFORM CONSOLE INSTALLATION .....	128
FIGURE 4-7. CONTROLLER ASSEMBLY .....	130
FIGURE 4-8. USB/PHONE CRADLE INSTALLATION.....	132
FIGURE 4-9. PANEL CARRIER INSTALLATION (OPTIONAL).....	134
FIGURE 4-10. PIPE RACK INSTALLATION (OPTIONAL).....	136
FIGURE 4-11. WORKSTATION INSTALLATION (OPTIONAL) .....	138
FIGURE 4-12. ELECTRICIAN'S TREE INSTALLATION (OPTIONAL) .....	140
FIGURE 4-13. VISE INSTALLATION (OPTIONAL).....	142
FIGURE 4-14. PLATFORM CONTROL PLUG INSTALLATION .....	144
 SECTION 5 - CYLINDER.....	 147
FIGURE 5-1. LIFT CYLINDER ASSEMBLY - LOWER.....	148
FIGURE 5-2. LIFT CYLINDER ASSEMBLY - UPPER .....	150
FIGURE 5-3. STEER CYLINDER ASSEMBLY .....	152
 SECTION 6 - HYDRAULIC .....	 155
FIGURE 6-1. HYDRAULIC COMPONENTS INSTALLATION (WITH CONCENTRIC MOTOR/PUMP) .....	156
FIGURE 6-2. HYDRAULIC COMPONENTS INSTALLATION (WITH BUCHER PUMP/MOTOR).....	158
 SECTION 7 - ELECTRICAL.....	 161
FIGURE 7-1. AC BOX AT PLATFORM INSTALLATION - 110V GFI (ALL SPECS EXCEPT AUSTRALIAN, CE & UK CA SPECS) .....	162
FIGURE 7-2. AC BOX AT PLATFORM INSTALLATION (AUSTRALIAN SPECS).....	164
FIGURE 7-3. AC BOX AT PLATFORM INSTALLATION - 110V IEC YELLOW (CE & UK CA SPECS).....	166
FIGURE 7-4. AC BOX AT PLATFORM INSTALLATION - 220V IEC BLUE (CE & UK CA SPECS) .....	168
FIGURE 7-5. AC BOX AT PLATFORM INSTALLATION - 220V CEE7 POST GROUND (CE & UK CA SPECS) .....	170
FIGURE 7-6. AC BOX AT PLATFORM INSTALLATION - 220V CEE7 SIDE GROUND (CE & UK CA SPECS).....	172
FIGURE 7-7. AC BOX AT PLATFORM INSTALLATION - 220V AFSINT 107 (CE & UK CA SPECS).....	174
FIGURE 7-8. AC BOX AT PLATFORM INSTALLATION - 220V CHINA PLUG (CHINA SPECS).....	176
FIGURE 7-9. AC BOX AT PLATFORM INSTALLATION - 220V LOCALLY SUPPLIED COMPONENTS (ALL SPECS).....	178
FIGURE 7-10. BREAKER BOX KIT WITH 1 DOUBLE BREAKER .....	180
FIGURE 7-11. BREAKER BOX KIT WITH 3 BREAKERS.....	182
FIGURE 7-12. CAN SPLICE HARNESS (MACHINES WITH CHARGER COMMUNICATION PORT) .....	184
FIGURE 7-13. CHARGER PLUG INSTALLATION - CEE7 POST GROUND (CE & UK CA SPEC) .....	186
FIGURE 7-14. CHARGER PLUG INSTALLATION - CEE7 SIDE GROUND (ANSI EXPORT SPEC).....	188
FIGURE 7-15. CHARGER PLUG INSTALLATION - AFSINT 107 (CE & UK CA SPEC) .....	190
FIGURE 7-16. CHARGER PLUG INSTALLATION - IEC 60309 YELLOW (CE & UK CA SPEC) .....	192
FIGURE 7-17. CHARGER PLUG INSTALLATION - IEC 60309 BLUE (CE & UK CA SPEC).....	194
FIGURE 7-18. CHARGER HARNESS (MACHINES WITH CHARGER COMMUNICATION PORT) (PVC 1910).....	196
FIGURE 7-19. CHARGER HARNESS (MACHINES WITH CHARGER COMMUNICATION PORT) (PVC 2004).....	198
FIGURE 7-20. CHASSIS HARNESS.....	200
FIGURE 7-21. GROUND TO PLATFORM CABLE INSTALLATION - WITHOUT PLATFORM COIL CABLE/WITH AC CABLE (MACHINES WITH SN STARTING WITH 12, B2, G2 & M2) .....	204
FIGURE 7-22. GROUND TO PLATFORM CABLE INSTALLATION - WITHOUT PLATFORM COIL CABLE/WITHOUT AC CABLE (MACHINES WITH SN STARTING WITH 12, B2 & G2) .....	206
FIGURE 7-23. GROUND TO PLATFORM CABLE INSTALLATION - WITH PLATFORM COIL CABLE/WITH AC CABLE (MACHINES WITH SN STARTING WITH 12, B2, G2 & M2) .....	208
FIGURE 7-24. GROUND TO PLATFORM CABLE INSTALLATION - WITH PLATFORM COIL CABLE/WITHOUT AC CABLE (MACHINES WITH SN STARTING WITH 12, B2 & G2) .....	210
FIGURE 7-25. GROUND TO PLATFORM CABLE INSTALLATION - WITHOUT PLATFORM COIL CABLE/WITH AC CABLE AND WITH FOOTSWITCH (MACHINES WITH SN STARTING WITH 12, B2 & G2) .....	212
FIGURE 7-26. GROUND TO PLATFORM CABLE INSTALLATION - WITH PLATFORM COIL CABLE/WITH AC CABLE & FOOTSWITCH (MACHINES WITH SN STARTING WITH 12, B2 & G2) .....	214
FIGURE 7-27. GROUND TO PLATFORM CABLE INSTALLATION - PLATFORM STRAIGHT CABLE ONLY (MACHINES WITH SN STARTING WITH 12, B2 & G2) .....	216
FIGURE 7-28. GROUND TO PLATFORM CABLE INSTALLATION - PLATFORM COIL CABLE ONLY (MACHINES WITH SN STARTING WITH 12, B2 & G2) .....	218
FIGURE 7-29. GROUND TO PLATFORM CABLE INSTALLATION - SCISSORS ARMS CABLE ONLY (MACHINES WITH SN STARTING WITH 12, B2 & G2) .....	220
FIGURE 7-30. INVERTER HARNESS .....	222
FIGURE 7-31. LIFT DOWN HARNESS - LOWER .....	224
FIGURE 7-32. LIFT DOWN HARNESS - UPPER .....	226
FIGURE 7-33. LSS HARNESS .....	228
FIGURE 7-34. MOBILE CONTROL HARNESS .....	230

# TABLE OF CONTENTS

FIGURE 7-35. PLATFORM CONTROL BOX HARNESS .....	232
FIGURE 7-36. RECEPTACLE BOX KIT - 110V GFI.....	234
FIGURE 7-37. RECEPTACLE BOX KIT - 110V IEC YELLOW (CE & UK CA SPEC) .....	236
FIGURE 7-38. RECEPTACLE BOX KIT - 220V IEC BLUE (CE & UK CA SPEC).....	238
FIGURE 7-39. RECEPTACLE BOX KIT - 220V CEE7 POST GROUND (CE & UK CA SPEC) .....	240
FIGURE 7-40. RECEPTACLE BOX KIT - 220V CEE7 SIDE GROUND (CE & UK CA SPEC).....	242
FIGURE 7-41. RECEPTACLE BOX KIT - 220V AFSINT 107 (CE & UK CA SPEC).....	244
FIGURE 7-42. RECEPTACLE AND BREAKER ASSEMBLY (AUSTRALIAN SPECS) .....	246
SECTION 8 - DECALS.....	249
FIGURE 8-1. DECAL INSTALLATION (ANSI SPECS).....	250
FIGURE 8-2. DECAL INSTALLATION (AUSTRALIAN SPECS).....	252
FIGURE 8-3. DECAL INSTALLATION (BRAZIL SPECS).....	254
FIGURE 8-4. DECAL INSTALLATION (CE & UK CA SPECS).....	256
FIGURE 8-5. DECAL INSTALLATION (CHINA SPECS).....	258
FIGURE 8-6. DECAL INSTALLATION (CSA SPECS).....	260
FIGURE 8-7. DECAL INSTALLATION (KOREAN SPECS).....	262
FIGURE 8-8. DECAL INSTALLATION (LATIN AMERICAN SPECS) .....	264
FIGURE 8-9. DECAL INSTALLATION - OPTIONS .....	266
SECTION 9 - RECOMMENDED SERVICE PARTS STOCK .....	269
FIGURE 9-1. RECOMMENDED SERVICE PARTS STOCK .....	270
SECTION 10 - SPECIAL OPTIONS/ACCESSORIES/KITS .....	271
FIGURE 10-1. SPECIAL OPTIONS/ACCESSORIES/KITS .....	272
PART NUMBER INDEX .....	275



**SECTION 1 - FRAME**





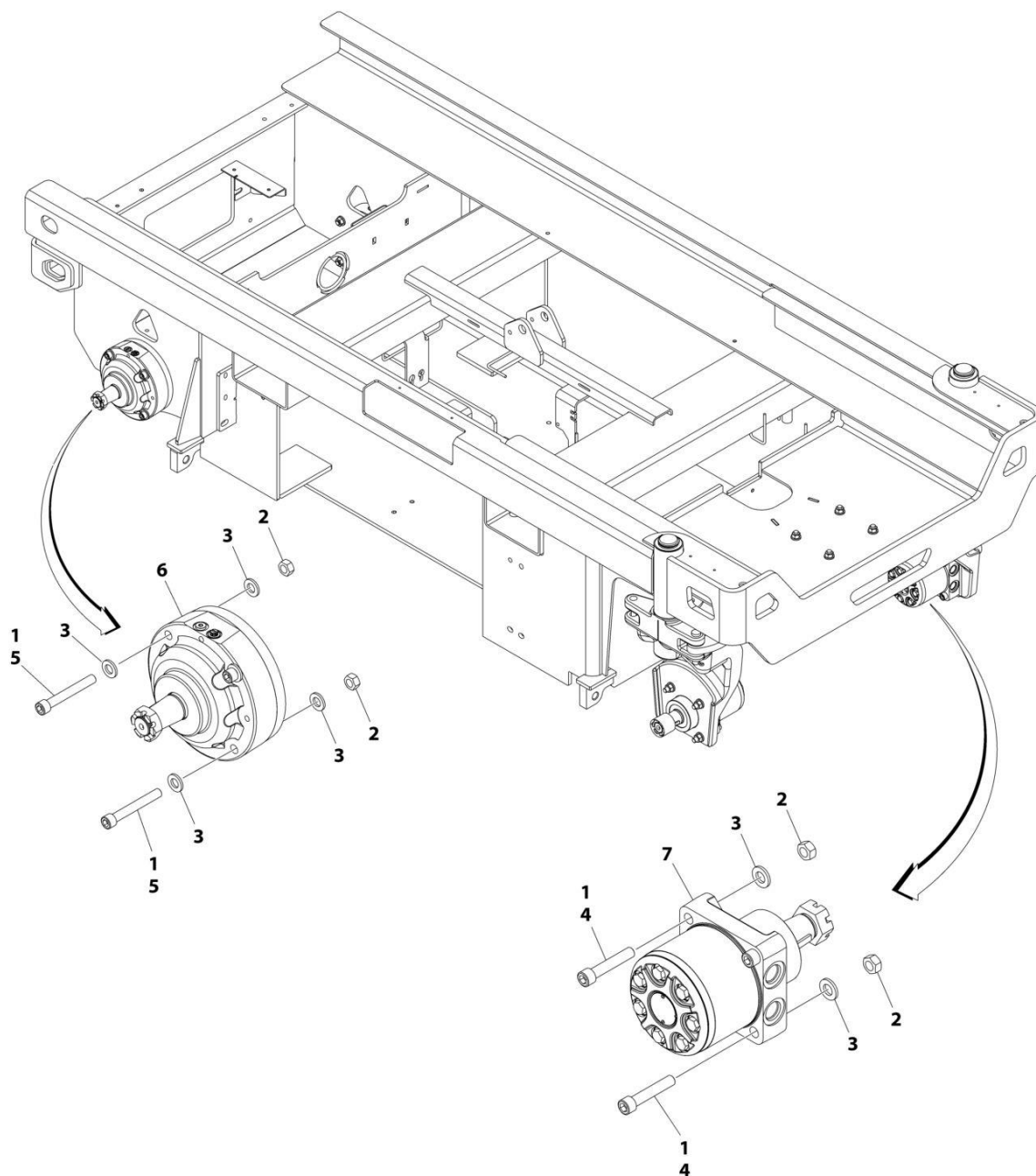
## SECTION 1 - FRAME

### FIGURE 1-1. STEER INSTALLATION

ITEM	PART NUMBER	QTY	DESCRIPTION	REV
	1001213926	Ref	STEER INSTALLATION	A
1	0100011	AR	Compound, Locking	
2	0711221	4	Bolt M12 x 65	
3	3331211	4	Nut M12	
4	3431218	2	Pin	
5	3431228	2	Pin	
6	3450505	4	Pin, 5/32 x 1/2	
7	3760217	2	Ring, Retaining	
8	4740086	4	Washer	
9	5241200	8	Washer M12	
10	1001163178	1	Steer Cylinder Assembly (See Separate Breakdown in CYLINDER SECTION)	
11	1001197396	2	Washer	
12	1001213747	2	Link	
13	1001214024	2	Washer	
14	1001214152	2	Spindle	
100	1001153785	4	Bearing (Part of Frame)	

# SECTION 1 - FRAME

## FIGURE 1-2. DRIVE/BRAKE INSTALLATION



ART\_1001213816

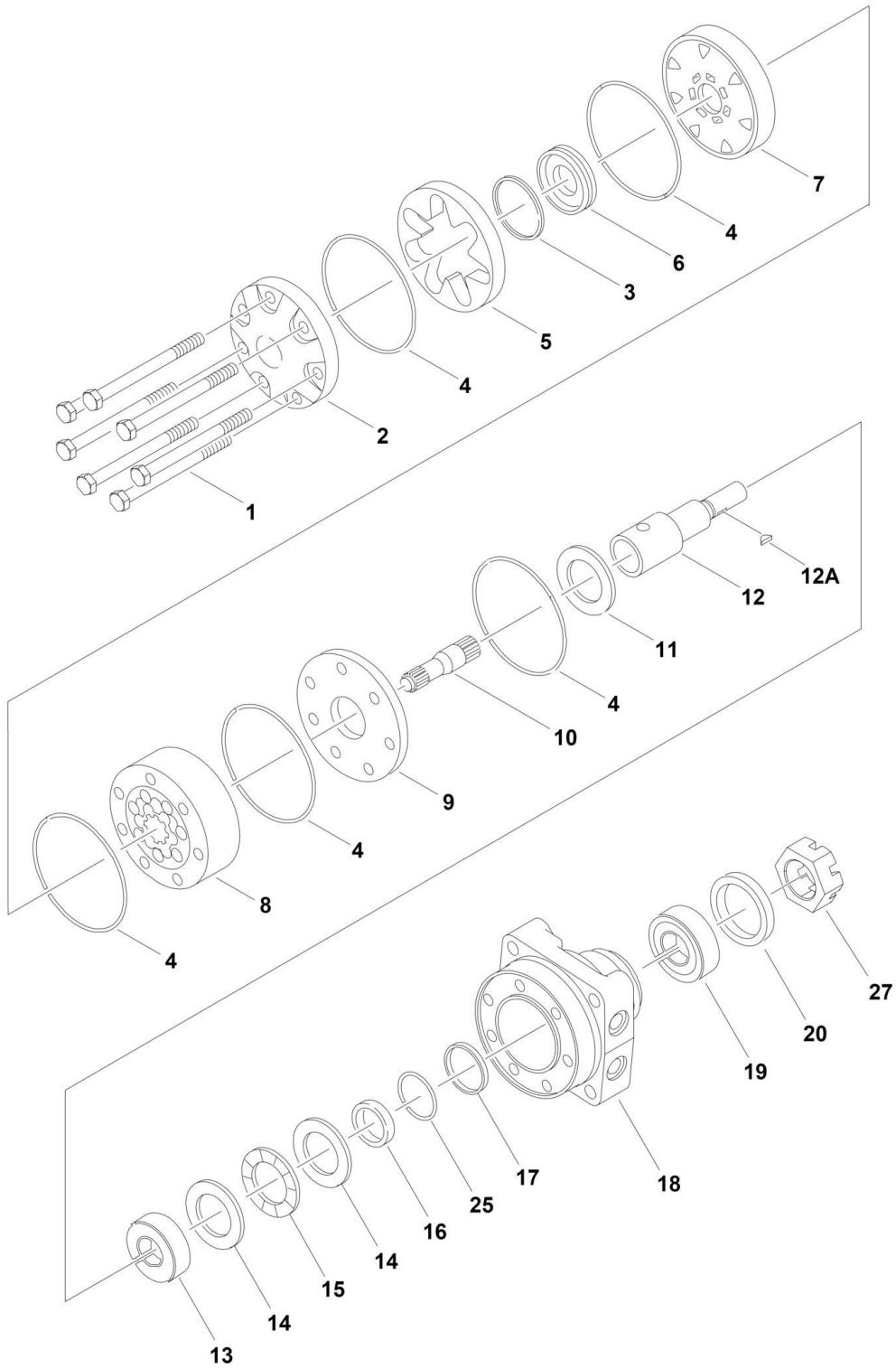
**SECTION 1 - FRAME**

**FIGURE 1-2. DRIVE/BRAKE INSTALLATION**

<b>ITEM</b>	<b>PART NUMBER</b>	<b>QTY</b>	<b>DESCRIPTION</b>	<b>REV</b>
	1001213816	Ref	DRIVE/BRAKE INSTALLATION	A
1	0100011	AR	Compound, Locking	
2	3331211	16	Nut M12	
3	5241200	24	Washer M12	
4	5272120	8	Capscrew M12 x 80	
5	5272122	8	Capscrew M12 x 90	
6	1001202773	2	Drive Brake Assembly (Note: No Internal Service Parts Available.)	
6	70005918	1	Key, Shaft	
6	70005919	1	Nut 1-1/8	
7	1001213264	2	Drive Motor Assembly (See Separate Breakdown in this Section)	

# SECTION 1 - FRAME

## FIGURE 1-3. DRIVE MOTOR ASSEMBLY



ART\_1001213264

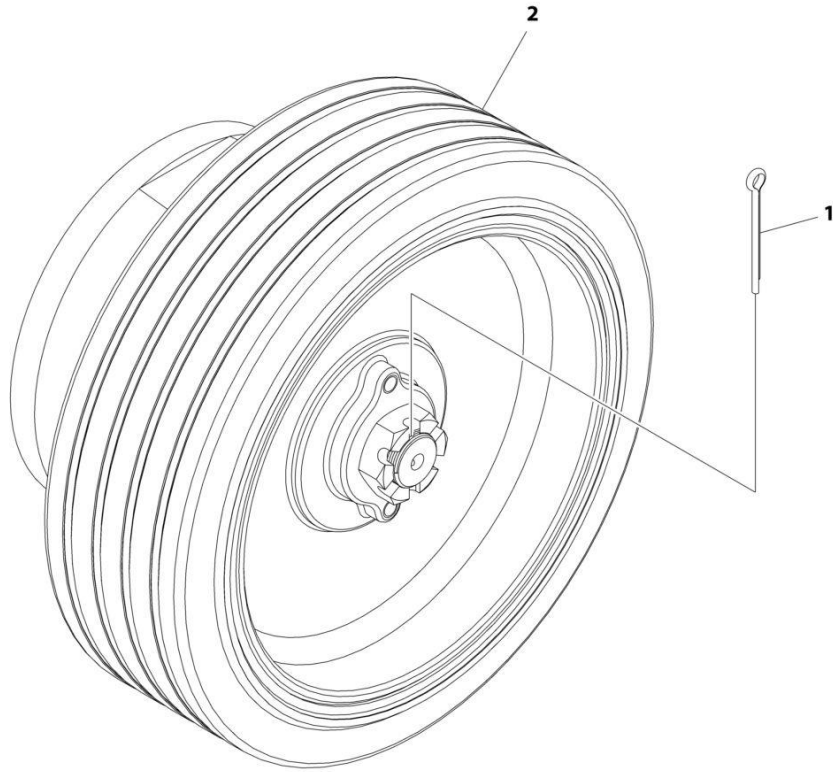
# SECTION 1 - FRAME

## FIGURE 1-3. DRIVE MOTOR ASSEMBLY

ITEM	PART NUMBER	QTY	DESCRIPTION	REV
	1001213264	Ref	DRIVE MOTOR ASSEMBLY	B
1	7023329	7	Bolt	
2	7023328	1	Cover	
3	7023318	1	Seal, Commutator	
4	7023310	5	Ring, Seal	
5	7023315	1	Commutator (Includes Item 6)	
6	See Note	NSS	Ring, Commutator (Use p/n 7023315)	
7	70005812	1	Manifold	
8	70006245	1	Rotor Set	
9	7023311	1	Plate, Wear	
10	70006244	1	Link, Drive	
11	7023308	1	Bearing, Thrust	
12	70005813	1	Shaft	
12A	7023324	1	Key, Shaft (Supplied with Shaft)	
12A	7026179	1	Key, Shaft (Supplied Individually)	
13	7026174	1	Bearing, Inner	
14	70006724	2	Thrustwasher	
15	7023407	1	Bearing, Thrust	
16	70006725	1	Seal	
17	7023321	1	Washer, Backup	
18	See Note	NSS	Housing (Note: Use p/n 1001213264)	
19	7023408	1	Bearing, Outer	
20	70007513	1	Seal, Dirt and Water	
25	7023322	1	Washer, Backup	
27	70005807	1	Nut	

# SECTION 1 - FRAME

## FIGURE 1-4. TIRE AND WHEEL INSTALLATION



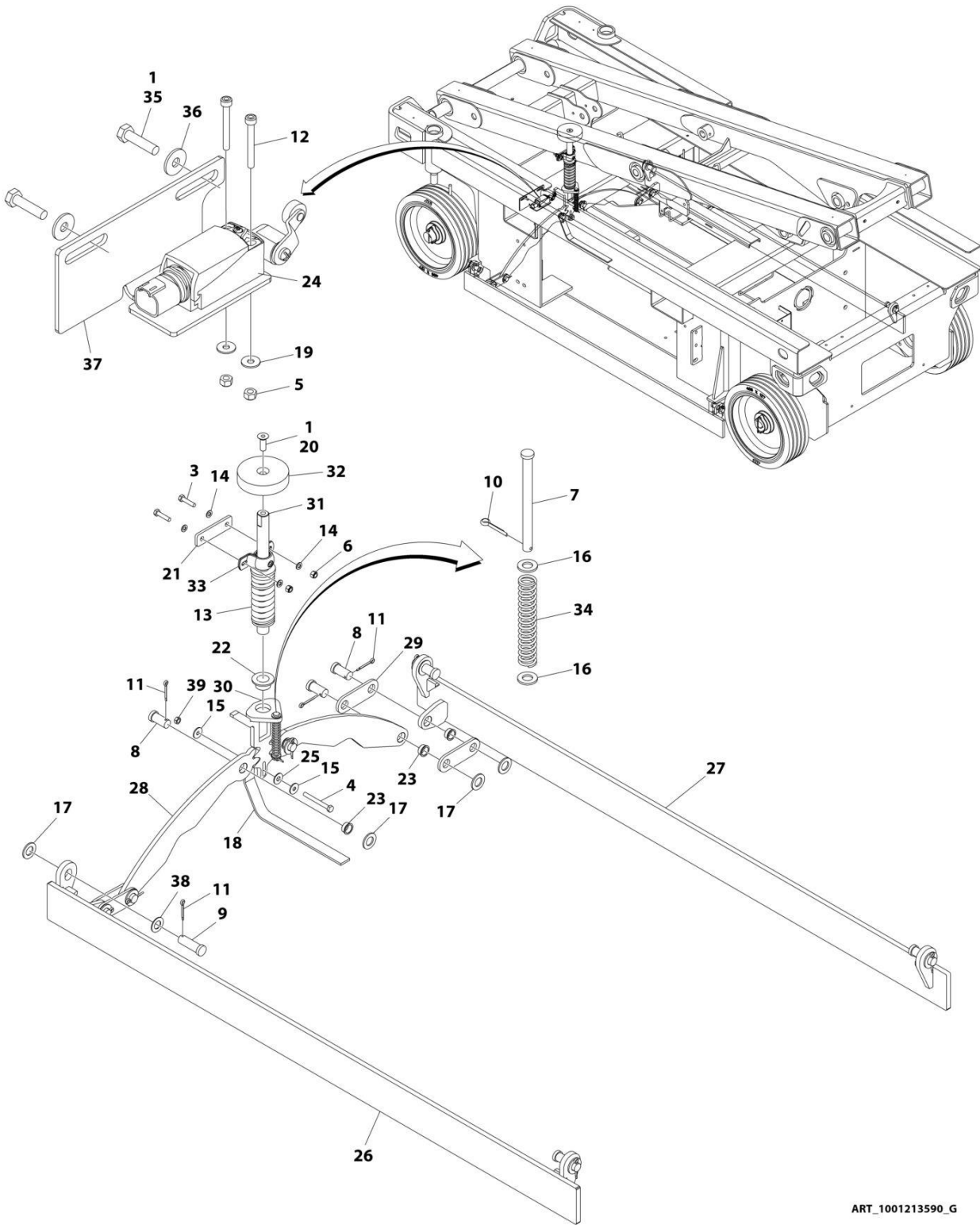
ART\_1001213928

**FIGURE 1-4. TIRE AND WHEEL INSTALLATION**

<b>ITEM</b>	<b>PART NUMBER</b>	<b>QTY</b>	<b>DESCRIPTION</b>	<b>REV</b>
		Ref	Note: Must Replace Tire and Wheel Assemblies in pairs per axle.	
1	3450508	4	Pin, Cotter 5/32 x 2	
2	1001212187	4	Tire and Wheel	

# SECTION 1 - FRAME

## FIGURE 1-5. POTHOLE PROTECTION SYSTEM INSTALLATION



ART\_1001213590\_G



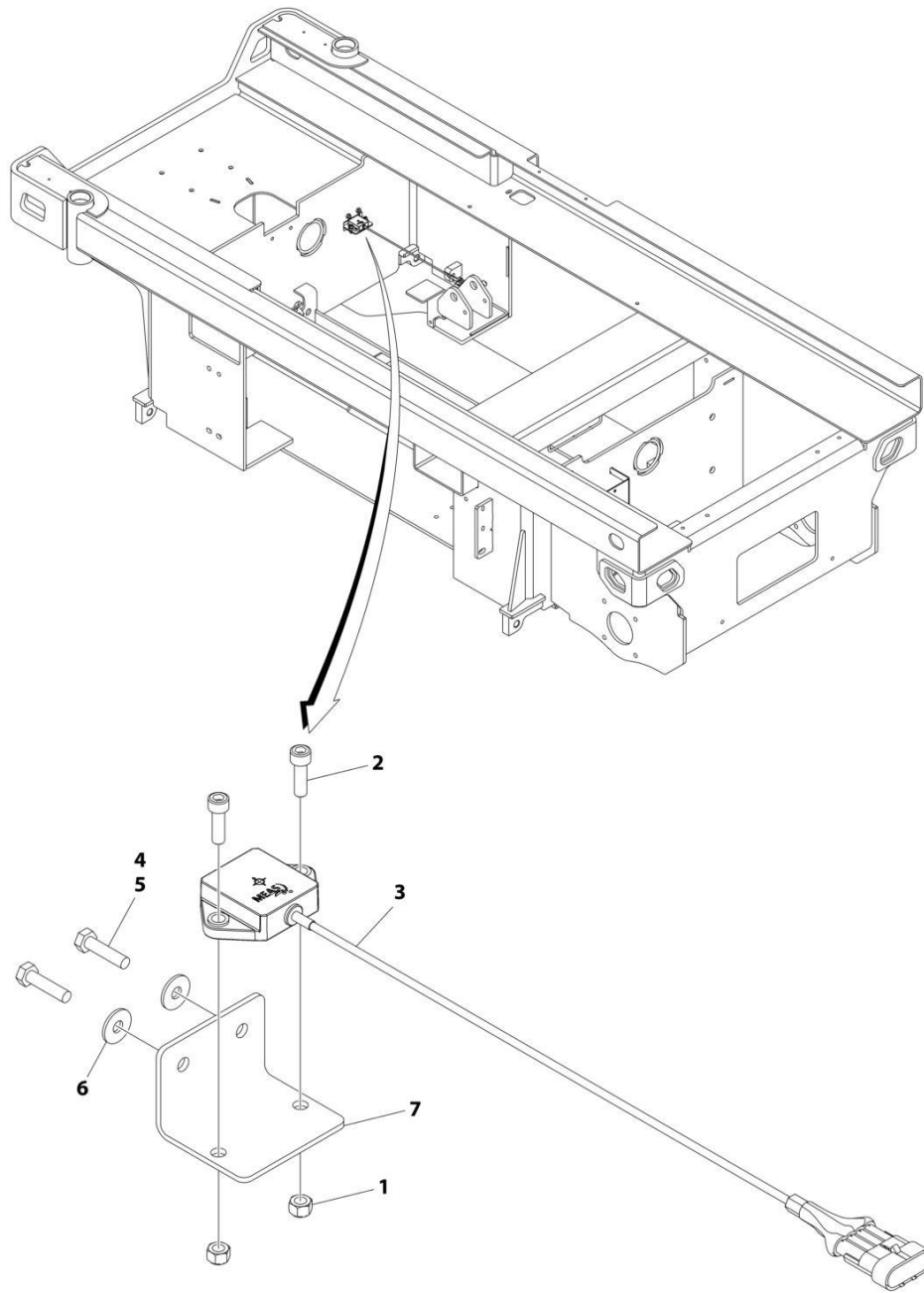
## SECTION 1 - FRAME

**FIGURE 1-5. POTHOLE PROTECTION SYSTEM INSTALLATION**

ITEM	PART NUMBER	QTY	DESCRIPTION	REV
	1001213590	Ref	POTHOLE PROTECTION SYSTEM INSTALLATION	G
1	0100011	AR	Compound, Locking	
3	0700815	2	Bolt M8 x 35	
4	0700823	1	Bolt M8 x 75	
5	3290405	2	Nut M4	
6	3290805	2	Nut M8	
7	3430636	1	Pin	
8	3431212	6	Pin	
9	3431218	4	Pin	
10	3450403	1	Pin 1/8 x 3/4	
11	3450505	10	Pin 5/32 x 1/2	
12	4031511	2	Capscrew M4 x 35	
13	4160202	1	Spring	
14	4811900	4	Washer M8	
15	4811902	2	Washer M8	
16	4812000	2	Washer M10	
17	4812500	10	Washer M20	
18	4240147	1	Strap, Anti-Static	
19	1001091102	2	Washer M4	
20	1001110302	1	Screw M12 x 35	
21	1001202987	1	Plate, Mounting	
22	1001203869	1	Bearing	
23	1001203870	6	Bearing	
24	1001203871	1	Switch, Limit	
25	1001203872	1	Washer	
26	1001213591	1	Bar (LH)	
27	1001213595	1	Bar (RH)	
28	1001242587	2	Plate, Pinion	
29	1001202999	4	Link	
30	1001214526	1	Actuator (Lower)	
31	1001214528	1	Actuator (Upper)	
32	1001214534	1	Pad	
33	1001215953	1	Bearing	
34	1001227855	1	Spring	
35	0700612	2	Bolt M6 x 25	
36	4811702	2	Washer M6	
37	1001218307	1	Plate, Sensor Mounting	
38	4740086	2	Washer	
39	3290801	1	Nut M8	

# SECTION 1 - FRAME

## FIGURE 1-6. TILT SENSOR INSTALLATION



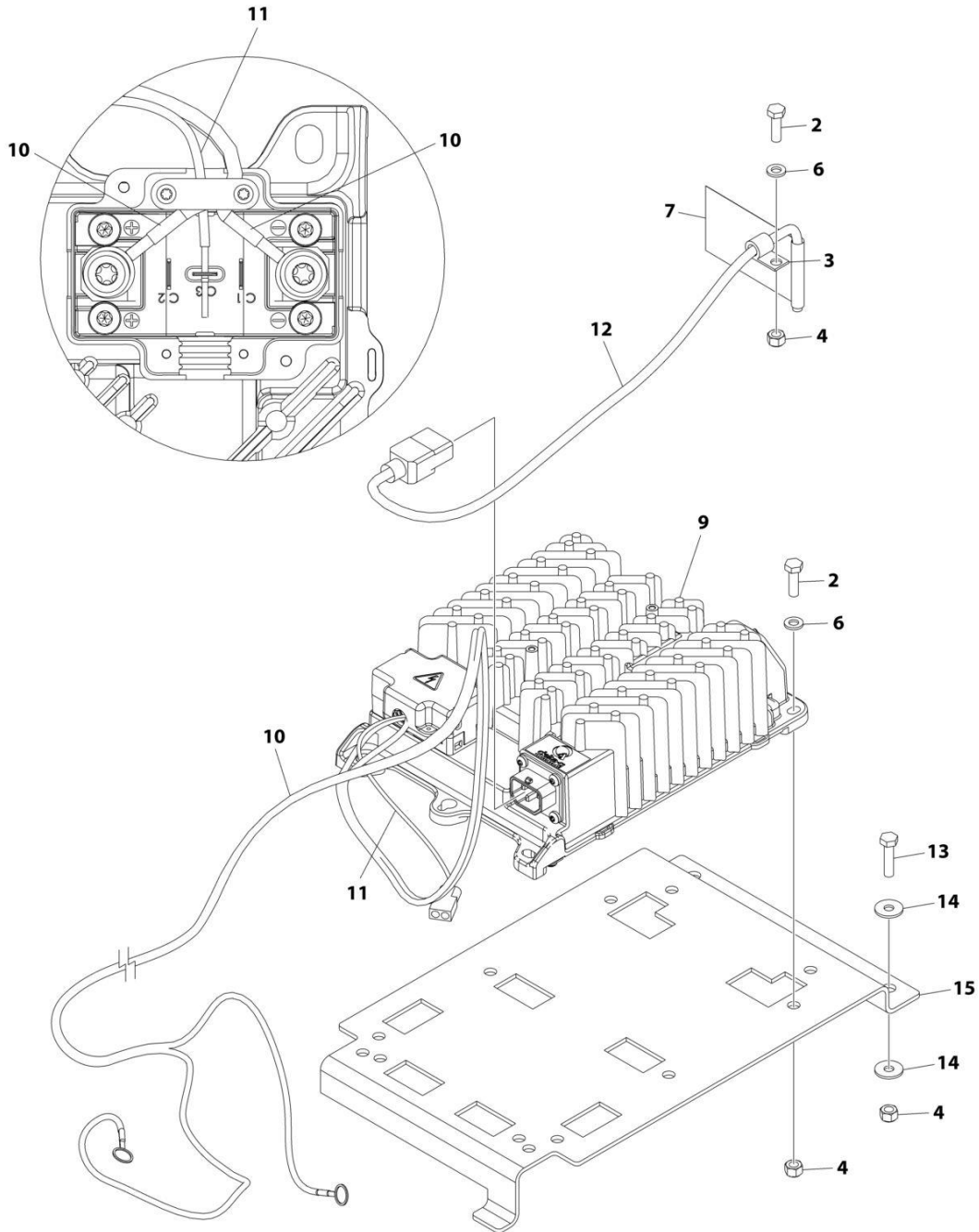
ART\_1001214217

**FIGURE 1-6. TILT SENSOR INSTALLATION**

<b>ITEM</b>	<b>PART NUMBER</b>	<b>QTY</b>	<b>DESCRIPTION</b>	<b>REV</b>
	1001214217	Ref	TILT SENSOR INSTALLATION	D
1	3290601	2	Nut M6	
2	4031708	2	Capscrew M6 x 20	
3	1001186466	1	Sensor, Tilt	
4	0100011	AR	Compound, Locking	
5	0700612	2	Bolt M6 x 25	
6	4811702	2	Washer M6	
7	1001217059	1	Plate, Mounting	

# SECTION 1 - FRAME

## FIGURE 1-7. BATTERY CHARGER INSTALLATION - DELTA-Q WITHOUT COMMUNICATION PORT (LOCALLY SUPPLIED PLUG)



ART\_1001218851

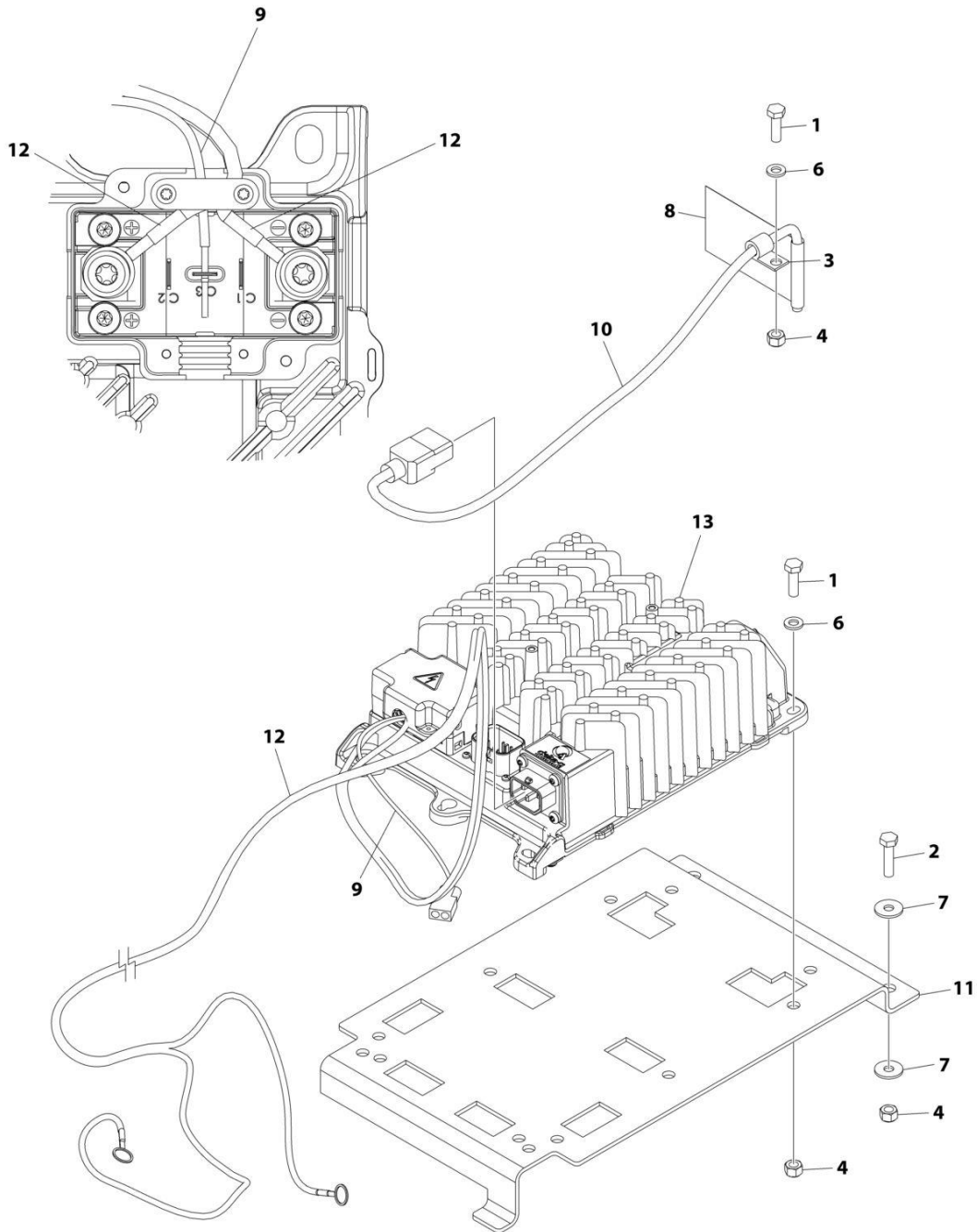
## SECTION 1 - FRAME

**FIGURE 1-7. BATTERY CHARGER INSTALLATION - DELTA-Q WITHOUT COMMUNICATION PORT  
(LOCALLY SUPPLIED PLUG)**

ITEM	PART NUMBER	QTY	DESCRIPTION	REV
	1001218851	Ref	BATTERY CHARGER INSTALLATION - DELTA-Q (LOCALLY SUPPLIED PLUG)	C
2	0760610	5	Bolt M6 x 20	
3	1321293	1	Clamp	
4	3290605	7	Nut M6	
5	4240017	AR	Tie-Strap (Not Shown)	
6	4811700	5	Washer M6	
7	1001102489	1	Decal - Charger Label	
9	1001200561	1	Charger, Battery - Delta-Q	
10	1001215074	1	Battery Charger DC Harness	
11	1001207009	1	Charger Interlock Harness	
11	4460424	1	Receptacle, Female - 2 Position	
11	4460227	2	Pin, Male	
12	1001207974	1	Battery Charger to AC Connection Cable (Note: See SPECIAL OPTIONS for Korean Specs Cable)	
13	0760612	2	Bolt M6 x 25	
14	4811702	4	Washer M6	
15	1001214195	1	Bracket	

# SECTION 1 - FRAME

## FIGURE 1-8. BATTERY CHARGER INSTALLATION - DELTA-Q WITH COMMUNICATION PORT (LOCALLY SUPPLIED PLUG)



ART\_1001253650

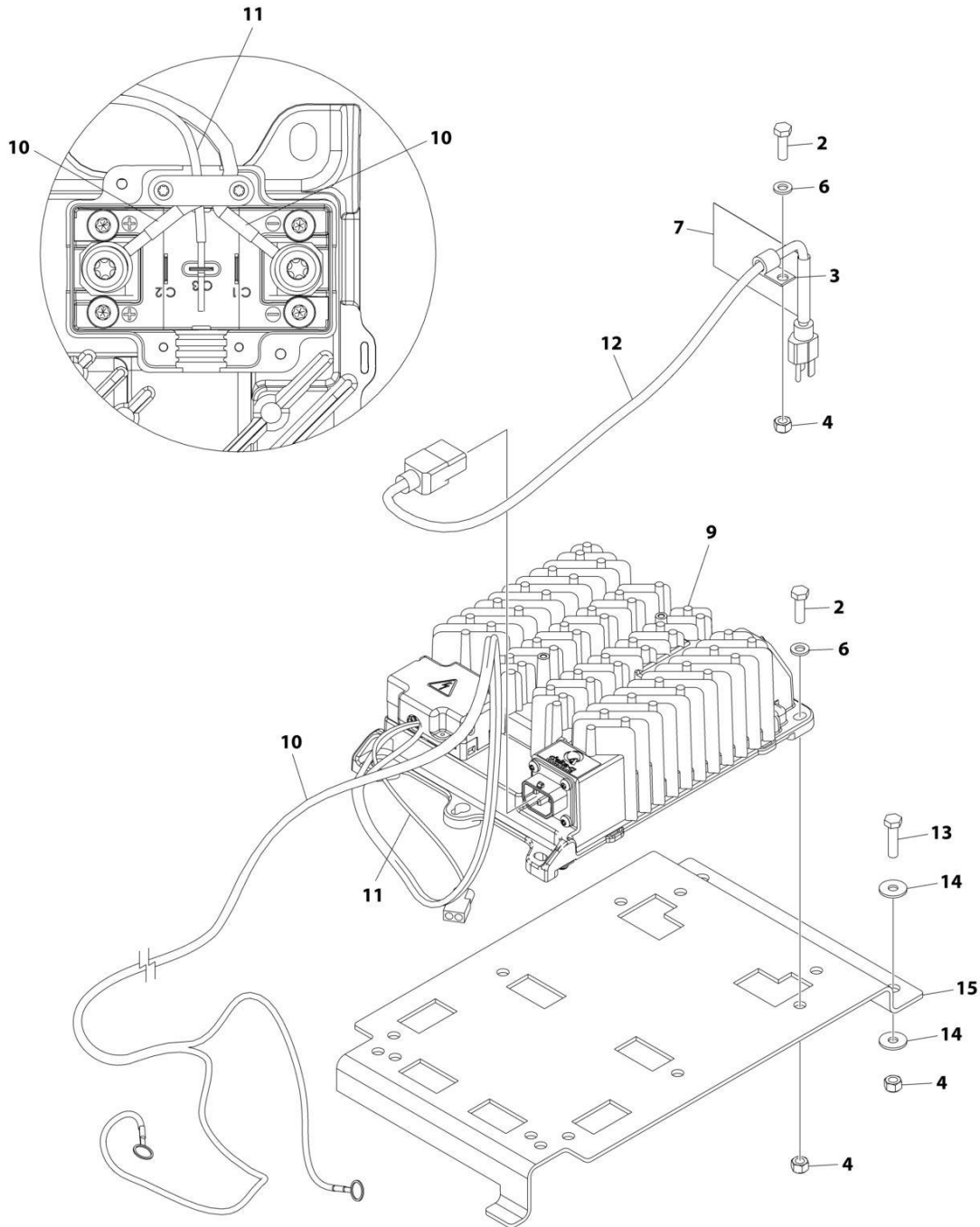
## SECTION 1 - FRAME

**FIGURE 1-8. BATTERY CHARGER INSTALLATION - DELTA-Q WITH COMMUNICATION PORT  
(LOCALLY SUPPLIED PLUG)**

ITEM	PART NUMBER	QTY	DESCRIPTION	REV
	1001253650	Ref	BATTERY CHARGER INSTALLATION - DELTA-Q (LOCALLY SUPPLIED PLUG)	A
1	0760610	5	Bolt M6 x 20	
2	0760612	2	Bolt M6 x 25	
3	1321293	1	Clamp	
4	3290605	7	Nut M6	
5	4240017	AR	Tie-Strap (Not Shown)	
6	4811700	5	Washer M6	
7	4811702	4	Washer M6	
8	1001102489	1	Decal - Charger Label	
9	1001207009	1	Charger Interlock Harness	
9	4460424	1	Receptacle, Female - 2 Position	
9	4460227	2	Pin, Male	
10	1001207974	1	Battery Charger to AC Connection Cable (Note: See SPECIAL OPTIONS for Korean Specs Cable)	
11	1001214195	1	Bracket	
12	1001215074	1	Battery Charger DC Harness	
13	1001253952	1	Charger, Battery - Delta-Q	
14	1001254027	1	Can Splice Harness (Not Shown - See Separate Breakdown in ELECTRICAL SECTION)	
15	1001254028	1	Charger To Battery Harness (Not Shown - See Separate Breakdown in ELECTRICAL SECTION)	

# SECTION 1 - FRAME

## FIGURE 1-9. BATTERY CHARGER INSTALLATION - DELTA-Q WITHOUT COMMUNICATION PORT (110V PLUG)



ART\_1001214214



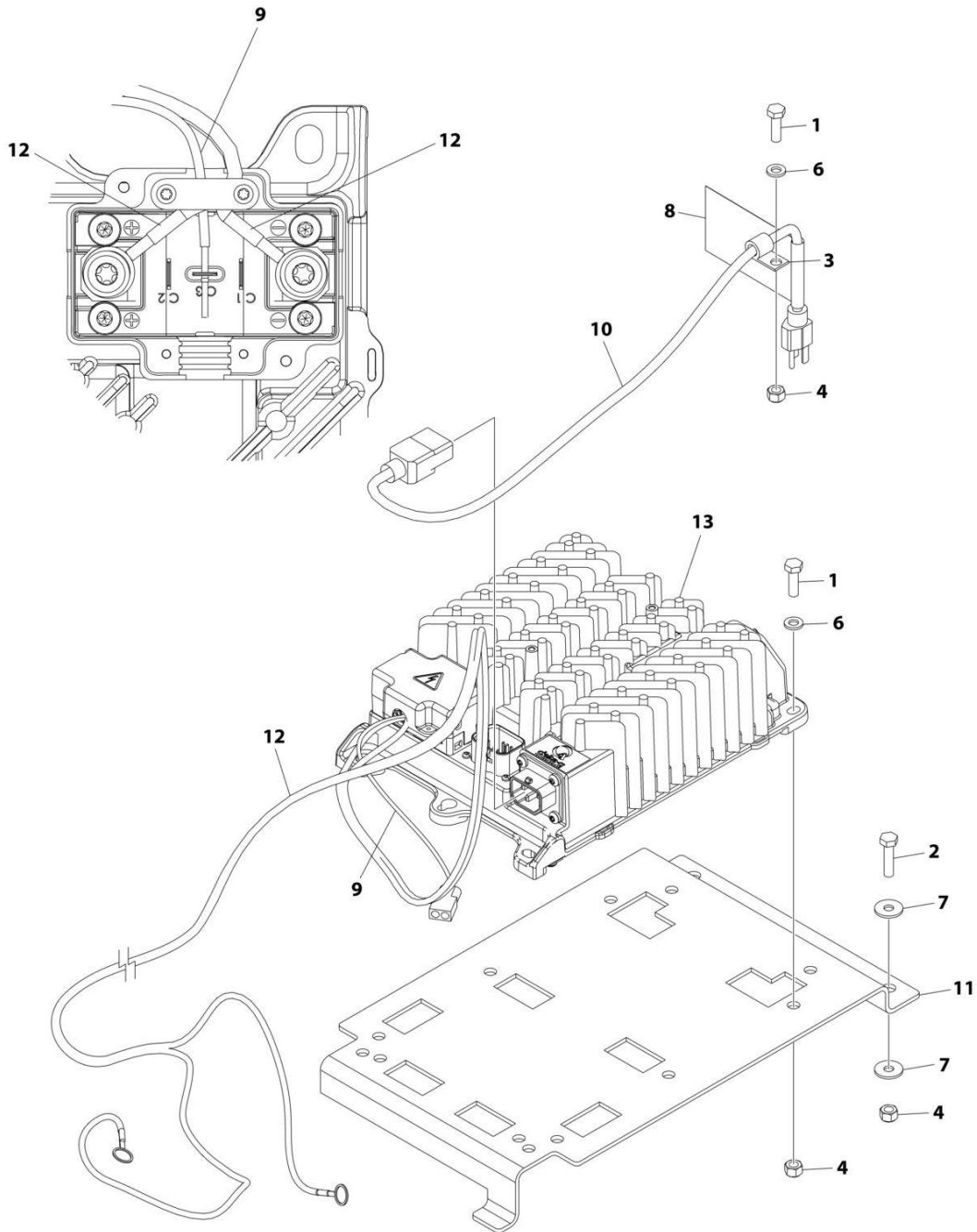
## SECTION 1 - FRAME

**FIGURE 1-9. BATTERY CHARGER INSTALLATION - DELTA-Q WITHOUT COMMUNICATION PORT  
(110V PLUG)**

ITEM	PART NUMBER	QTY	DESCRIPTION	REV
	1001214214	Ref	BATTERY CHARGER INSTALLATION - DELTA-Q (110V PLUG)	C
2	0760610	5	Bolt M6 x 20	
3	1321293	1	Clamp	
4	3290605	7	Nut M6	
5	4240017	AR	Tie-Strap (Not Shown)	
6	4811700	5	Washer M6	
7	1001102489	1	Decal - Charger Label	
9	1001200561	1	Charger, Battery - Delta-Q	
10	1001215074	1	Battery Charger DC Harness	
11	1001207009	1	Charger Interlock Harness	
11	4460424	1	Receptacle, Female - 2 Position	
11	4460227	2	Pin, Male	
12	1001207970	1	Battery Charger to AC Connection Cable	
13	0760612	2	Bolt M6 x 25	
14	4811702	4	Washer M6	
15	1001214195	1	Bracket	

# SECTION 1 - FRAME

## FIGURE 1-10. BATTERY CHARGER INSTALLATION - DELTA-Q WITH COMMUNICATION PORT (110V PLUG)



ART\_1001253649

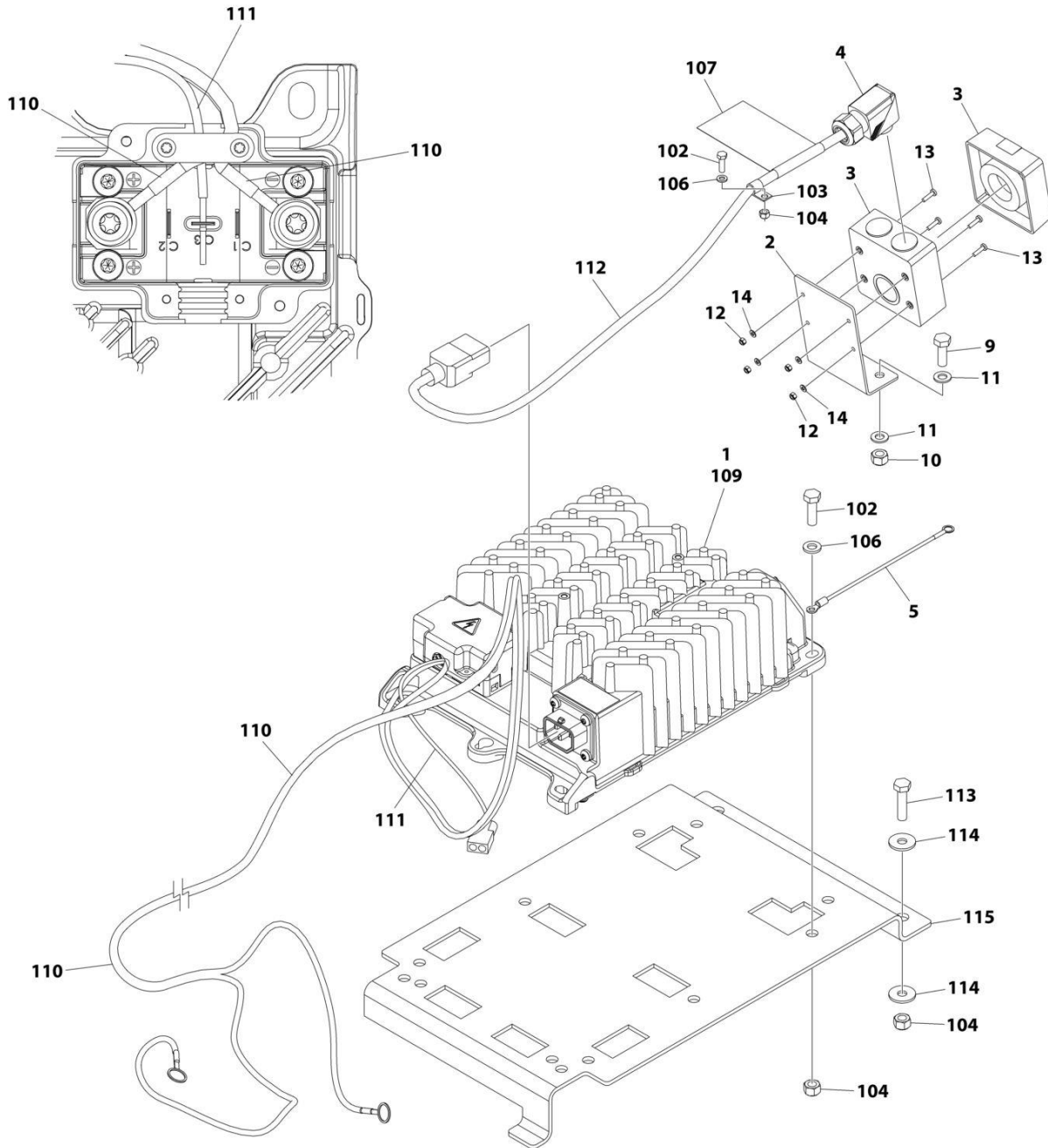
## SECTION 1 - FRAME

**FIGURE 1-10. BATTERY CHARGER INSTALLATION - DELTA-Q WITH COMMUNICATION PORT (110V PLUG)**

ITEM	PART NUMBER	QTY	DESCRIPTION	REV
	1001253649	Ref	BATTERY CHARGER INSTALLATION - DELTA-Q (110V PLUG)	A
1	0760610	5	Bolt M6 x 20	
2	0760612	2	Bolt M6 x 25	
3	1321293	1	Clamp	
4	3290605	7	Nut M6	
5	4240017	AR	Tie-Strap (Not Shown)	
6	4811700	5	Washer M6	
7	4811702	4	Washer M6	
8	1001102489	1	Decal - Charger Label	
9	1001207009	1	Charger Interlock Harness	
9	4460424	1	Receptacle, Female - 2 Position	
9	4460227	2	Pin, Male	
10	1001207970	1	Battery Charger to AC Connection Cable (Note: See SPECIAL OPTIONS for Korean Specs Cable)	
11	1001214195	1	Bracket	
12	1001215074	1	Battery Charger DC Harness	
13	1001253952	1	Charger, Battery - Delta-Q	
14	1001254027	1	Can Splice Harness (Not Shown - See Separate Breakdown in ELECTRICAL SECTION)	
15	1001254028	1	Charger To Battery Harness (Not Shown - See Separate Breakdown in ELECTRICAL SECTION)	

# SECTION 1 - FRAME

## FIGURE 1-11. BATTERY CHARGER INSTALLATION - DELTA-Q WITHOUT COMMUNICATION PORT (AUSTRALIAN PLUG)



ART\_1001244446

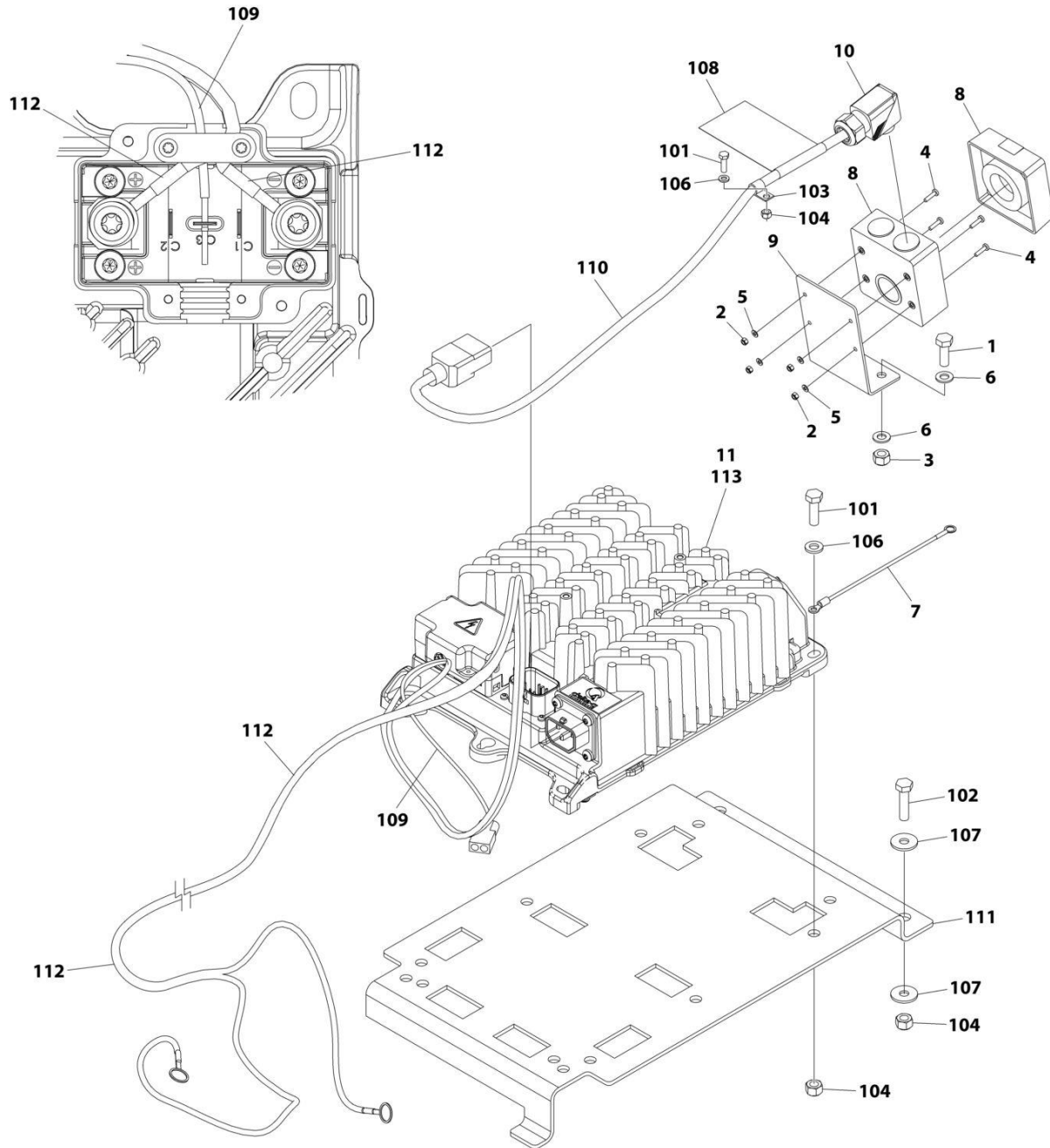
## SECTION 1 - FRAME

**FIGURE 1-11. BATTERY CHARGER INSTALLATION - DELTA-Q WITHOUT COMMUNICATION PORT  
(AUSTRALIAN PLUG)**

ITEM	PART NUMBER	QTY	DESCRIPTION	REV
	1001244446	Ref	BATTERY CHARGER INSTALLATION - DELTA-Q (AUSTRALIAN PLUG)	A
1	1001218851	Ref	Battery Charger Installation (See Items 102-115 for Breakdown)	
2	1001234397	1	Bracket	
3	1001227267	1	Socket, Electrical - Australian	
4	1001245917	1	Connector, Strain Relief - 90	
5	1001227219	1	Harness, Ground	
9	0761014	2	Bolt M10 x 30	
10	3291005	2	Nut M10	
11	4812000	4	Washer M10	
12	3290405	4	Nut M4	
13	4010408	4	Screw M4 x 16	
14	4811400	4	Washer M4	
	1001218851	Ref	BATTERY CHARGER INSTALLATION - DELTA-Q	C
102	0760610	5	Bolt M6 x 20	
103	1321293	1	Clamp	
104	3290605	7	Nut M6	
105	4240017	AR	Tie-Strap (Not Shown)	
106	4811700	5	Washer M6	
107	1001102489	1	Decal - Charger Label	
109	1001200561	1	Charger, Battery - Delta-Q	
110	1001215074	1	Battery Charger DC Harness	
111	1001207009	1	Charger Interlock Harness	
111	4460424	1	Receptacle, Female - 2 Position	
111	4460227	2	Pin, Male	
112	1001207974	1	Battery Charger to AC Connection Cable	
113	0760612	2	Bolt M6 x 25	
114	4811702	4	Washer M6	
115	1001214195	1	Bracket	

# SECTION 1 - FRAME

## FIGURE 1-12. BATTERY CHARGER INSTALLATION - DELTA-Q WITH COMMUNICATION PORT (AUSTRALIAN PLUG)



ART\_1001253652

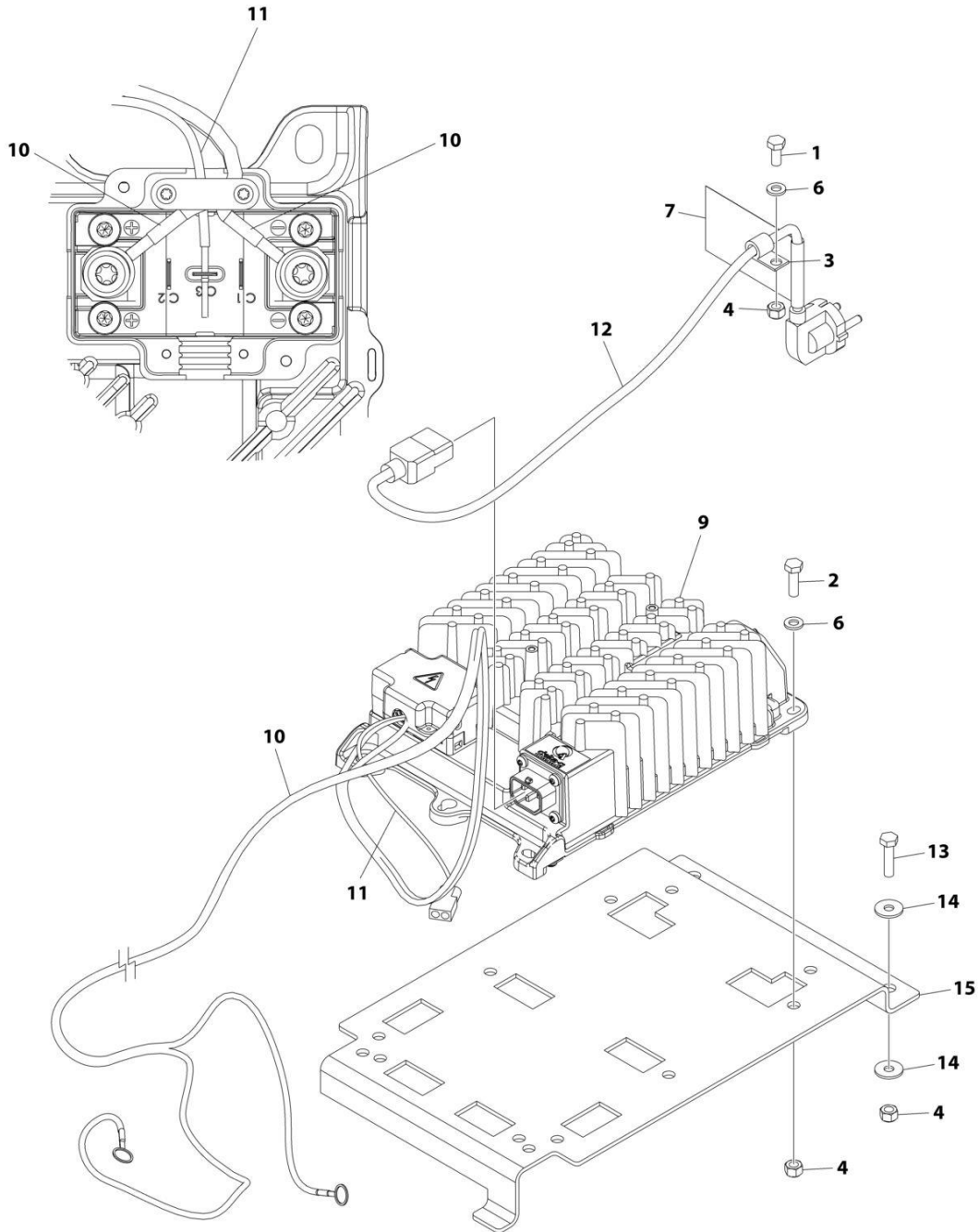
## SECTION 1 - FRAME

**FIGURE 1-12. BATTERY CHARGER INSTALLATION - DELTA-Q WITH COMMUNICATION PORT  
(AUSTRALIAN PLUG)**

ITEM	PART NUMBER	QTY	DESCRIPTION	REV
	1001253652	Ref	BATTERY CHARGER INSTALLATION - DELTA-Q (AUSTRALIAN PLUG)	A
1	0761014	2	Bolt M10 x 30	
2	3290405	4	Nut M4	
3	3291005	2	Nut M10	
4	4010408	4	Screw M4 x 16	
5	4811400	4	Washer M4	
6	4812000	4	Washer M10	
7	1001227219	1	Harness, Ground	
8	1001227267	1	Socket, Electrical - Australian	
9	1001234397	1	Bracket	
10	1001245917	1	Connector, Strain Relief - 90	
11	1001253650	Ref	Battery Charger Installation (See Items 101-115 for Breakdown)	
	1001253650	Ref	BATTERY CHARGER INSTALLATION - DELTA-Q	A
101	0760610	5	Bolt M6 x 20	
102	0760612	2	Bolt M6 x 25	
103	1321293	1	Clamp	
104	3290605	7	Nut M6	
105	4240017	AR	Tie-Strap (Not Shown)	
106	4811700	5	Washer M6	
107	4811702	4	Washer M6	
108	1001102489	1	Decal - Charger Label	
109	1001207009	1	Charger Interlock Harness	
109	4460424	1	Receptacle, Female - 2 Position	
109	4460227	2	Pin, Male	
110	1001207974	1	Battery Charger to AC Connection Cable	
111	1001214195	1	Bracket	
112	1001215074	1	Battery Charger DC Harness	
113	1001253952	1	Charger, Battery - Delta-Q	
114	1001254027	1	Can Splice Harness (Not Shown - See Separate Breakdown in ELECTRICAL SECTION)	
115	1001254028	1	Charger To Battery Harness (Not Shown - See Separate Breakdown in ELECTRICAL SECTION)	

# SECTION 1 - FRAME

FIGURE 1-13. BATTERY CHARGER INSTALLATION - DELTA-Q WITHOUT COMMUNICATION PORT (KOREAN PLUG)



ART\_1001226422



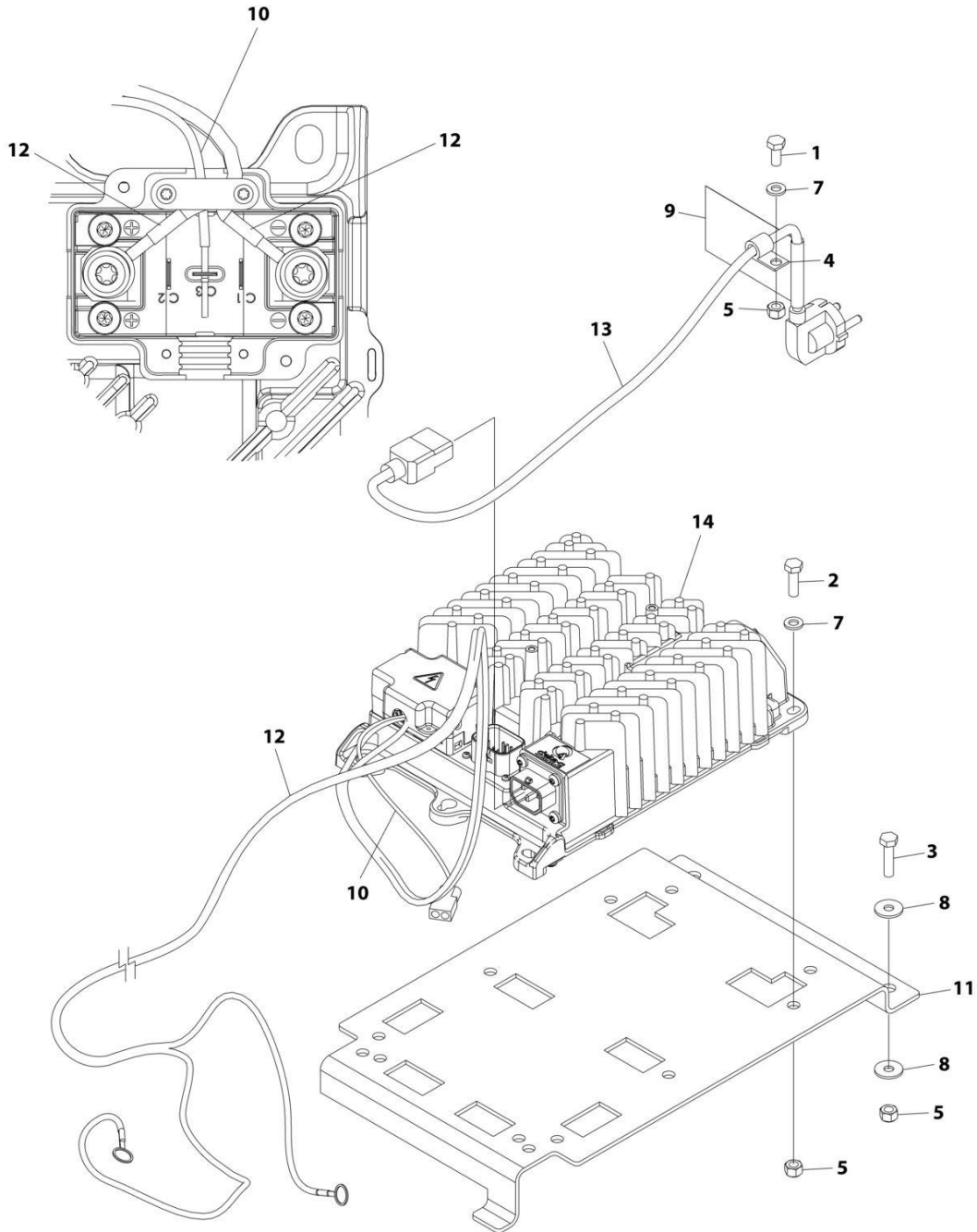
## SECTION 1 - FRAME

**FIGURE 1-13. BATTERY CHARGER INSTALLATION - DELTA-Q WITHOUT COMMUNICATION PORT  
(KOREAN PLUG)**

ITEM	PART NUMBER	QTY	DESCRIPTION	REV
	1001226422	Ref	BATTERY CHARGER INSTALLATION - DELTA-Q (KOREAN PLUG)	A
1	0760607	1	Bolt M6 x 14	
2	0760610	4	Bolt M6 x 20	
3	1321293	1	Clamp	
4	3290605	7	Nut M6	
5	4240017	AR	Tie-Strap (Not Shown)	
6	4811700	5	Washer M6	
7	1001102489	1	Decal - Charger Label	
9	1001200561	1	Charger, Battery - Delta-Q	
10	1001215074	1	Battery Charger DC Harness	
11	1001207009	1	Charger Interlock Harness	
11	4460424	1	Receptacle, Female - 2 Position	
11	4460227	2	Pin, Male	
12	1001221949	1	Battery Charger to AC Connection Cable	
13	0760612	2	Bolt M6 x 25	
14	4811702	4	Washer M6	
15	1001214195	1	Bracket	

# SECTION 1 - FRAME

## FIGURE 1-14. BATTERY CHARGER INSTALLATION - DELTA-Q WITH COMMUNICATION PORT (KOREAN PLUG)



ART\_1001253651

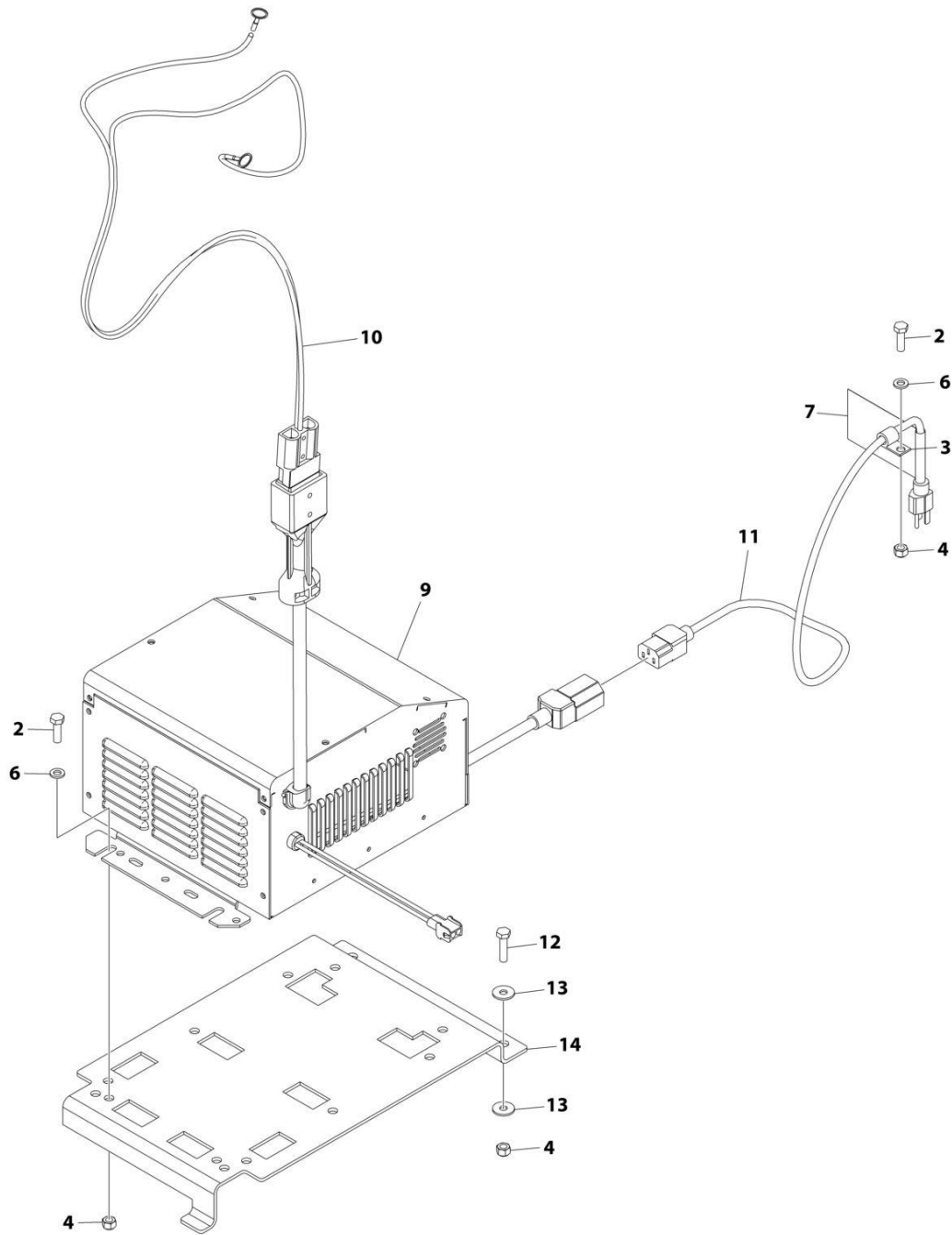
## SECTION 1 - FRAME

**FIGURE 1-14. BATTERY CHARGER INSTALLATION - DELTA-Q WITH COMMUNICATION PORT  
(KOREAN PLUG)**

ITEM	PART NUMBER	QTY	DESCRIPTION	REV
	1001253651	Ref	BATTERY CHARGER INSTALLATION - DELTA-Q (KOREAN PLUG)	A
1	0760607	1	Bolt M6 x 14	
2	0760610	4	Bolt M6 x 20	
3	0760612	2	Bolt M6 x 25	
4	1321293	1	Clamp	
5	3290605	7	Nut M6	
6	4240017	AR	Tie-Strap (Not Shown)	
7	4811700	5	Washer M6	
8	4811702	4	Washer M6	
9	1001102489	1	Decal - Charger Label	
10	1001207009	1	Charger Interlock Harness	
10	4460424	1	Receptacle, Female - 2 Position	
10	4460227	2	Pin, Male	
11	1001214195	1	Bracket	
12	1001215074	1	Battery Charger DC Harness	
13	1001221949	1	Battery Charger to AC Connection Cable (Note: See SPECIAL OPTIONS for Korean Specs Cable)	
14	1001253952	1	Charger, Battery - Delta-Q	
15	1001254027	1	Can Splice Harness (Not Shown - See Separate Breakdown in ELECTRICAL SECTION)	
16	1001254028	1	Charger To Battery Harness (Not Shown - See Separate Breakdown in ELECTRICAL SECTION)	

# SECTION 1 - FRAME

## FIGURE 1-15. BATTERY CHARGER INSTALLATION - EAGLE PERFORMANCE (110V PLUG)



ART\_1001219077

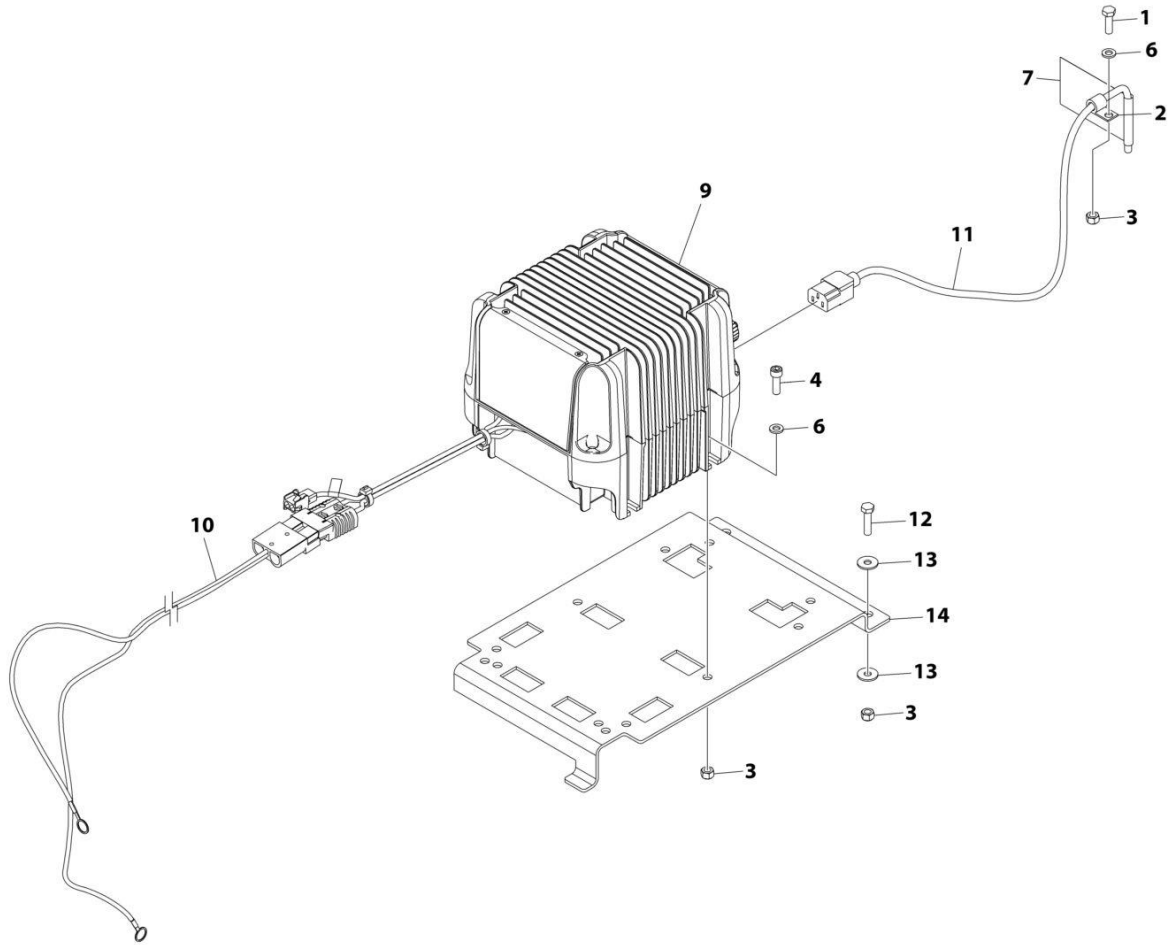
## SECTION 1 - FRAME

**FIGURE 1-15. BATTERY CHARGER INSTALLATION - EAGLE PERFORMANCE (110V PLUG)**

ITEM	PART NUMBER	QTY	DESCRIPTION	REV
	1001219077	Ref	BATTERY CHARGER INSTALLATION - EAGLE PERFORMANCE (110V PLUG)	C
2	0760610	5	Bolt M6 x 20	
3	1321293	1	Clamp	
4	3290605	7	Nut M6	
5	4240017	AR	Tie-Strap (Not Shown)	
6	4811700	5	Washer M6	
7	1001102489	1	Decal - Charger Label	
9	1001206995	1	Charger, Battery - Eagle Performance	
10	1001215075	1	Battery Charger DC Connection Harness	
11	1001207970	1	Battery Charger to AC Connection Cable	
12	0760612	2	Bolt M6 x 25	
13	4811702	4	Washer M6	
14	1001214195	1	Bracket	

# SECTION 1 - FRAME

FIGURE 1-16. BATTERY CHARGER INSTALLATION - GREEN POWER (LOCALLY SUPPLIED PLUG)



ART\_1001218989

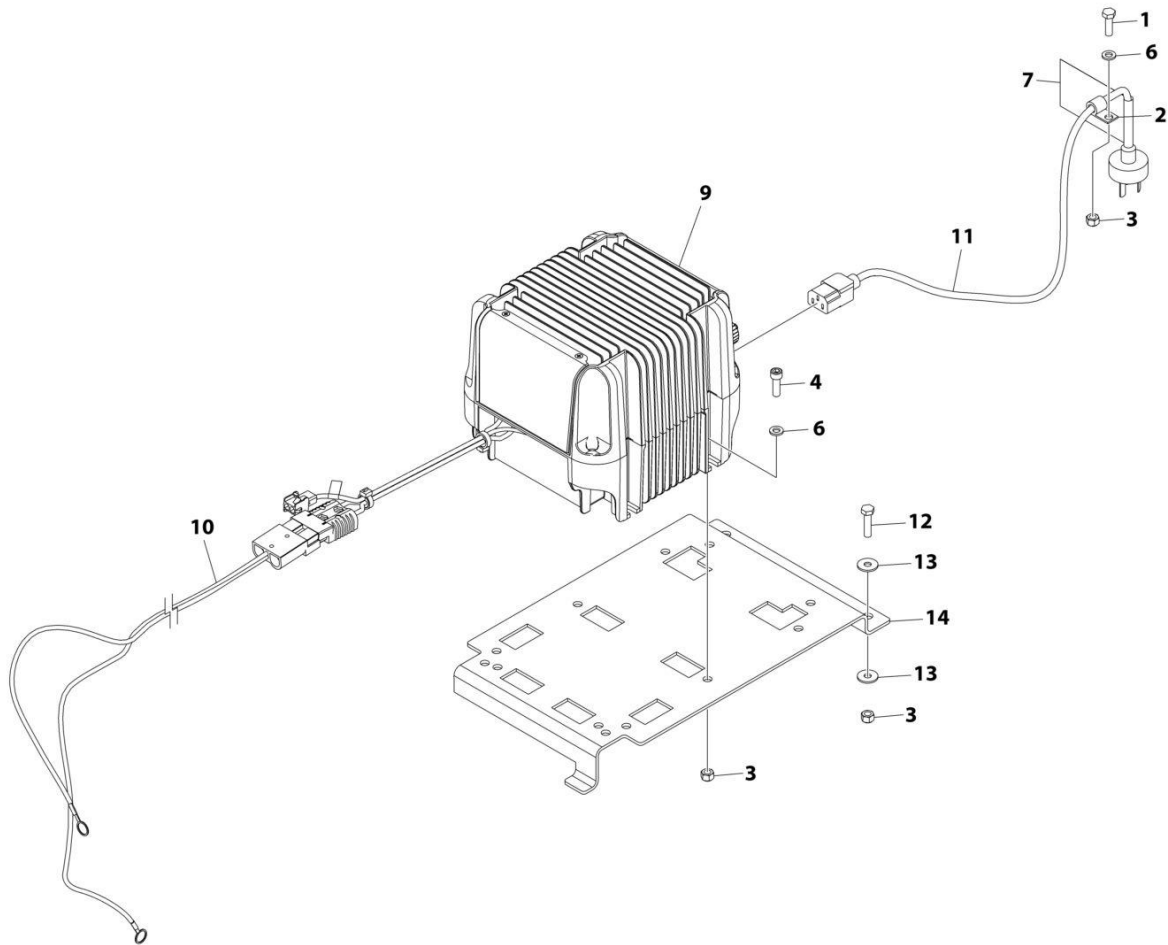
## SECTION 1 - FRAME

**FIGURE 1-16. BATTERY CHARGER INSTALLATION - GREEN POWER (LOCALLY SUPPLIED PLUG)**

ITEM	PART NUMBER	QTY	DESCRIPTION	REV
	1001218989	Ref	BATTERY CHARGER INSTALLATION - GREEN POWER (LOCALLY SUPPLIED PLUG)	C
1	0760610	1	Bolt M6 x 20	
2	1321293	1	Clamp	
3	3290605	7	Nut M6	
4	4031708	4	Capscrew M6 x 20	
5	4240017	AR	Tie-Strap (Not Shown)	
6	4811700	5	Washer M6	
7	1001102489	1	Decal - Charger Label	
9	1001205598	1	Charger, Battery - Green Power	
10	1001215075	1	Battery Charger DC Connection Harness	
11	1001207974	1	Battery Charger to AC Connection Cable (Note: See SPECIAL OPTIONS for Korean Specs Cable)	
12	0760612	2	Bolt M6 x 25	
13	4811702	4	Washer M6	
14	1001214195	1	Bracket	

# SECTION 1 - FRAME

## FIGURE 1-17. BATTERY CHARGER INSTALLATION - GREEN POWER (CHINA PLUG)



ART\_1001218933



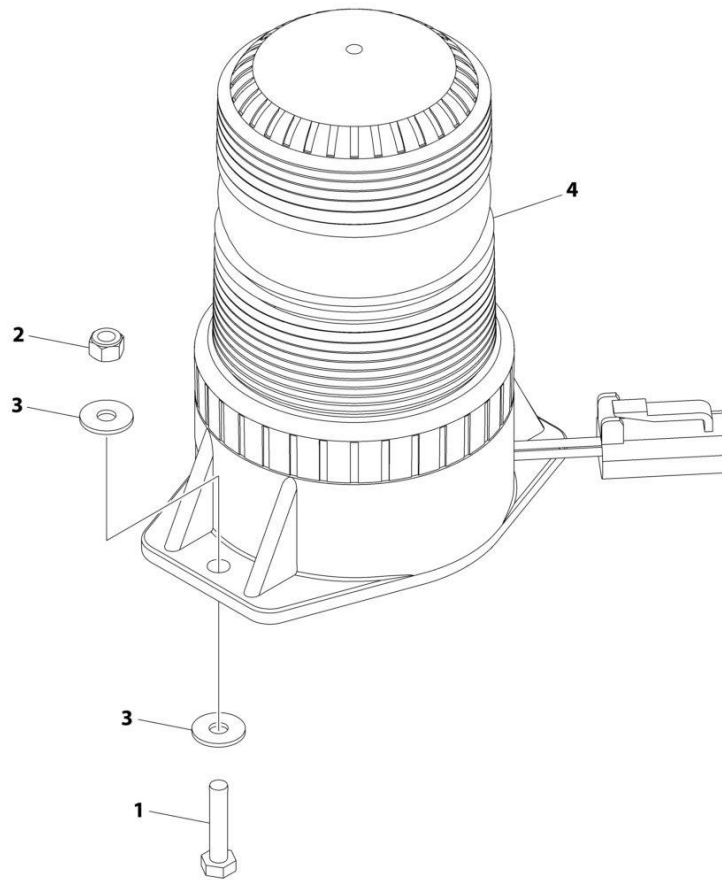
## SECTION 1 - FRAME

**FIGURE 1-17. BATTERY CHARGER INSTALLATION - GREEN POWER (CHINA PLUG)**

ITEM	PART NUMBER	QTY	DESCRIPTION	REV
	1001218933	Ref	BATTERY CHARGER INSTALLATION - GREEN POWER (CHINA PLUG)	C
1	0760610	1	Bolt M6 x 20	
2	1321293	1	Clamp	
3	3290605	7	Nut M6	
4	4031708	4	Capscrew M6 x 20	
5	4240017	AR	Tie-Strap (Not Shown)	
6	4811700	5	Washer M6	
7	1001102489	1	Decal - Charger Label	
9	1001205598	1	Charger, Battery - Green Power	
10	1001215075	1	Battery Charger DC Connection Harness	
11	1001207973	1	Battery Charger to AC Connection Cable (Note: See SPECIAL OPTIONS for Korean Specs Cable)	
12	0760612	2	Bolt M6 x 25	
13	4811702	4	Washer M6	
14	1001214195	1	Bracket	

# SECTION 1 - FRAME

FIGURE 1-18. STROBE LIGHT INSTALLATION - SINGLE ECCO BRAND (AMBER) (WITHOUT GUARD)



ART\_1001214211

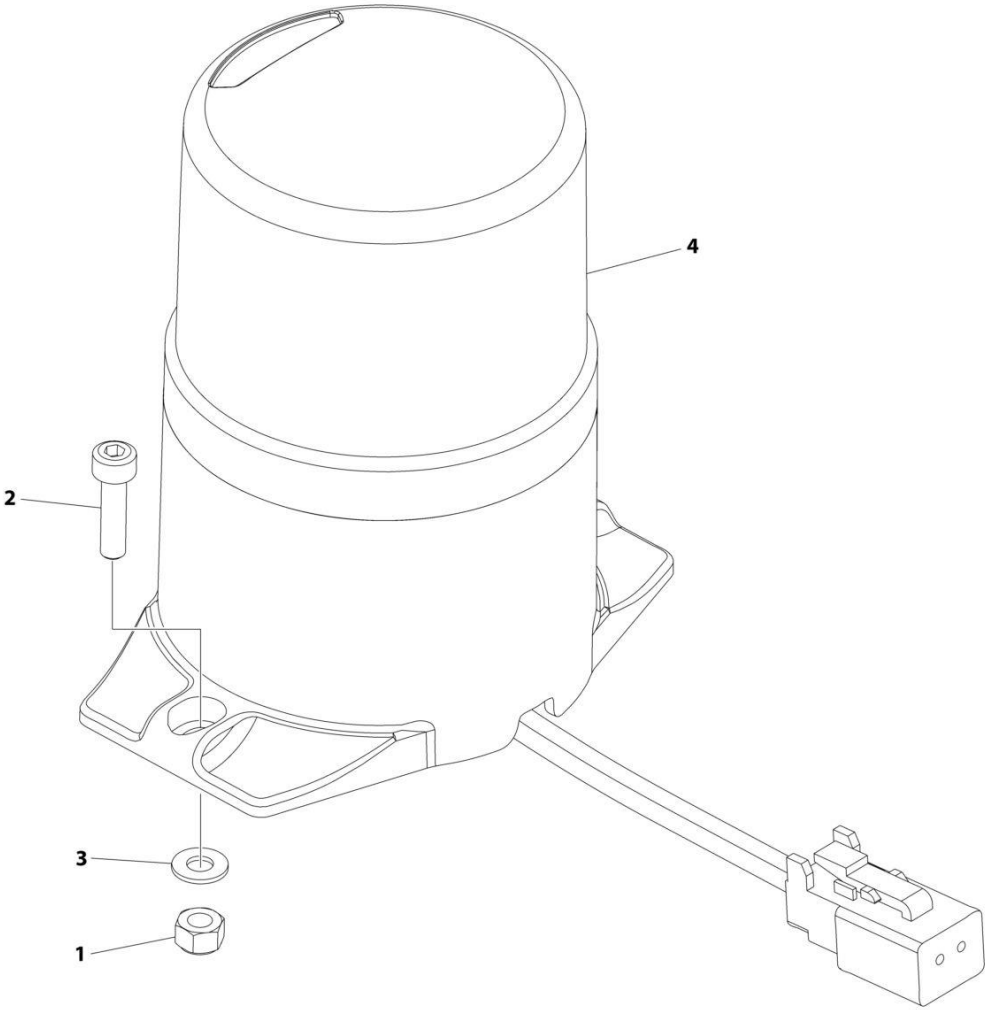
## SECTION 1 - FRAME

**FIGURE 1-18. STROBE LIGHT INSTALLATION - SINGLE ECCO BRAND (AMBER) (WITHOUT GUARD)**

ITEM	PART NUMBER	QTY	DESCRIPTION	REV
	1001214211	Ref	STROBE LIGHT INSTALLATION - SINGLE (AMBER) (WITHOUT GUARD)	B
1	0700410	2	Bolt M4 x 20	
2	3290405	2	Nut M4	
3	1001091102	4	Washer M4	
4	1001191139	1	Light, Strobe (Amber)	
4	4460891	1	Plug, Male - 2 Position	
4	4460465	2	Socket, Female	

**SECTION 1 - FRAME**

**FIGURE 1-19. STROBE LIGHT INSTALLATION - SINGLE SAMMOON BRAND (WITHOUT GUARD)**



ART\_1001238862

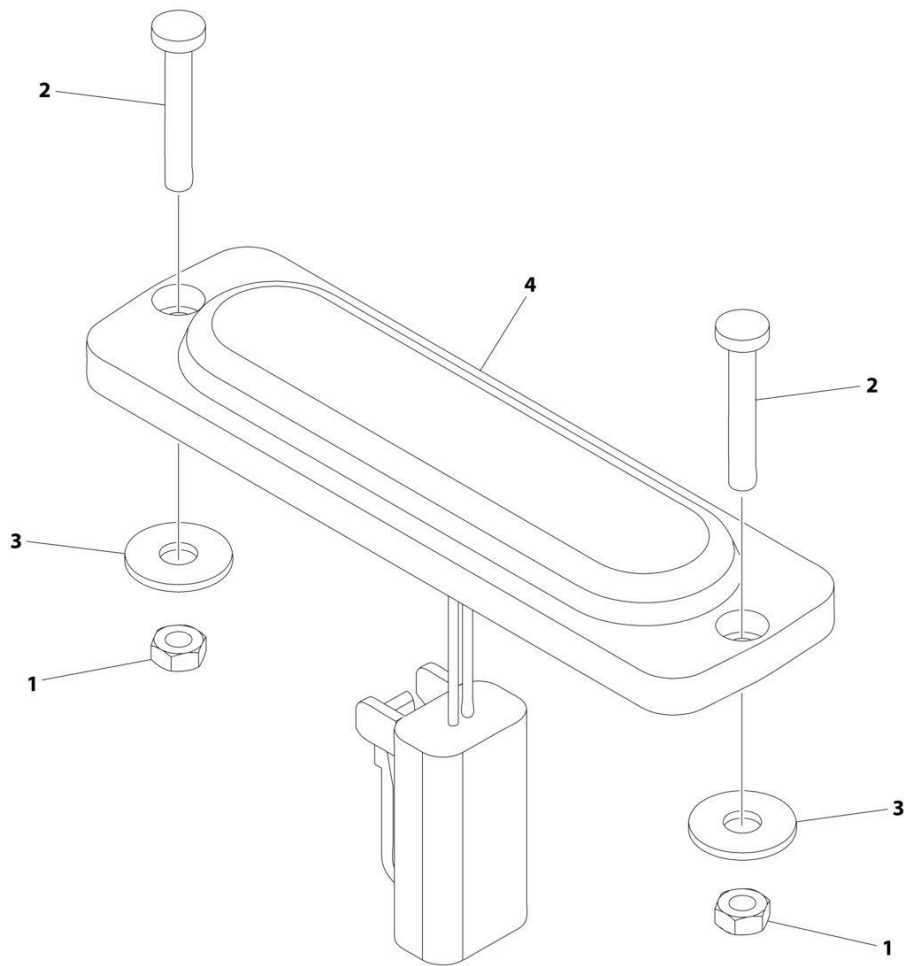
## SECTION 1 - FRAME

**FIGURE 1-19. STROBE LIGHT INSTALLATION - SINGLE SAMMOON BRAND (WITHOUT GUARD)**

ITEM	PART NUMBER	QTY	DESCRIPTION	REV
	1001238862	Ref	STROBE LIGHT INSTALLATION - SINGLE (WITHOUT GUARD)	A
1	3290405	2	Nut M4	
2	4031507	2	Bolt M4 x 16	
3	4811400	2	Washer M4	
4	1001233479	1	Light, Strobe	
4	4460891	1	Plug, Male - 2 Position	
4	4460465	2	Socket, Female	

# SECTION 1 - FRAME

## FIGURE 1-20. STROBE LIGHT INSTALLATION - SINGLE SLIM (AMBER) (WITHOUT GUARD)



ART\_1001242988

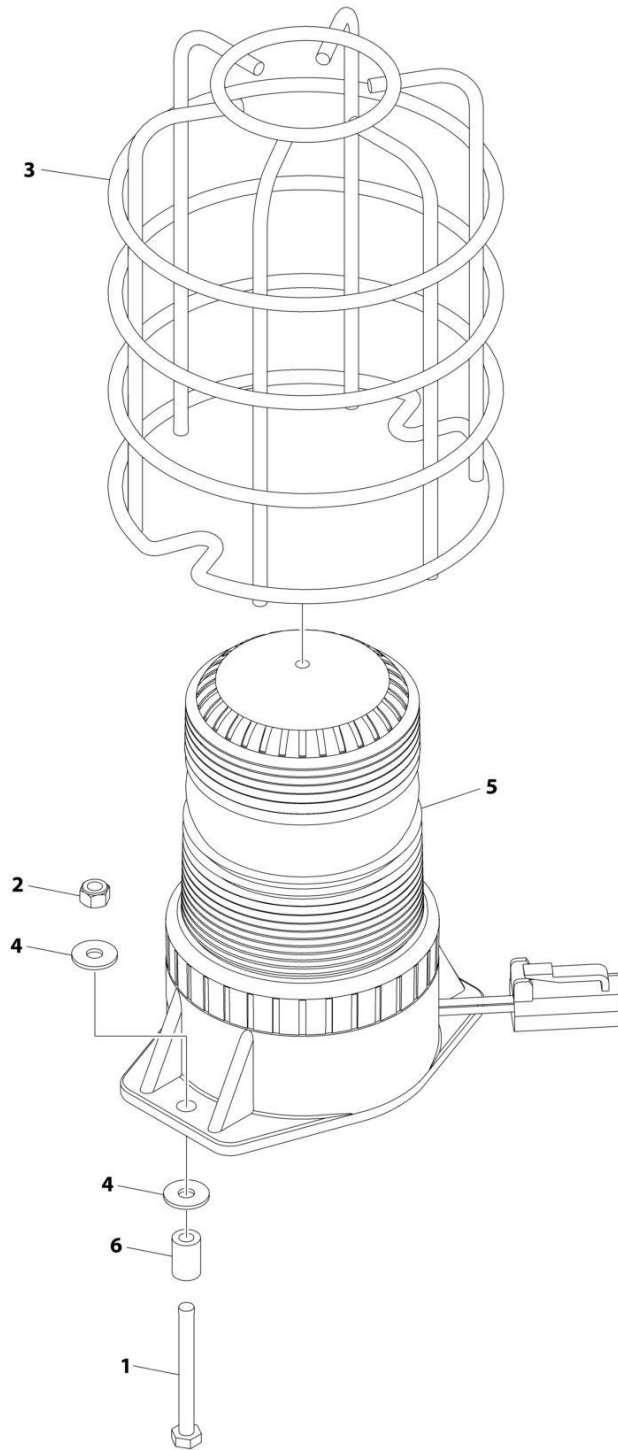
## SECTION 1 - FRAME

**FIGURE 1-20. STROBE LIGHT INSTALLATION - SINGLE SLIM (AMBER) (WITHOUT GUARD)**

ITEM	PART NUMBER	QTY	DESCRIPTION	REV
	1001242988	Ref	STROBE LIGHT INSTALLATION - SINGLE (AMBER) (WITHOUT GUARD)	C
1	3290305	2	Nut M3	
2	4010310	2	Screw M3 x 20	
3	1001091102	2	Washer M4	
4	1001239224	1	Light, Strobe	
4	4460891	1	Plug, Male - 2 Position	
4	4460465	2	Socket, Female	

# SECTION 1 - FRAME

FIGURE 1-21. STROBE LIGHT INSTALLATION - SINGLE ECCO BRAND (AMBER) (WITH GUARD)



ART\_1001219596



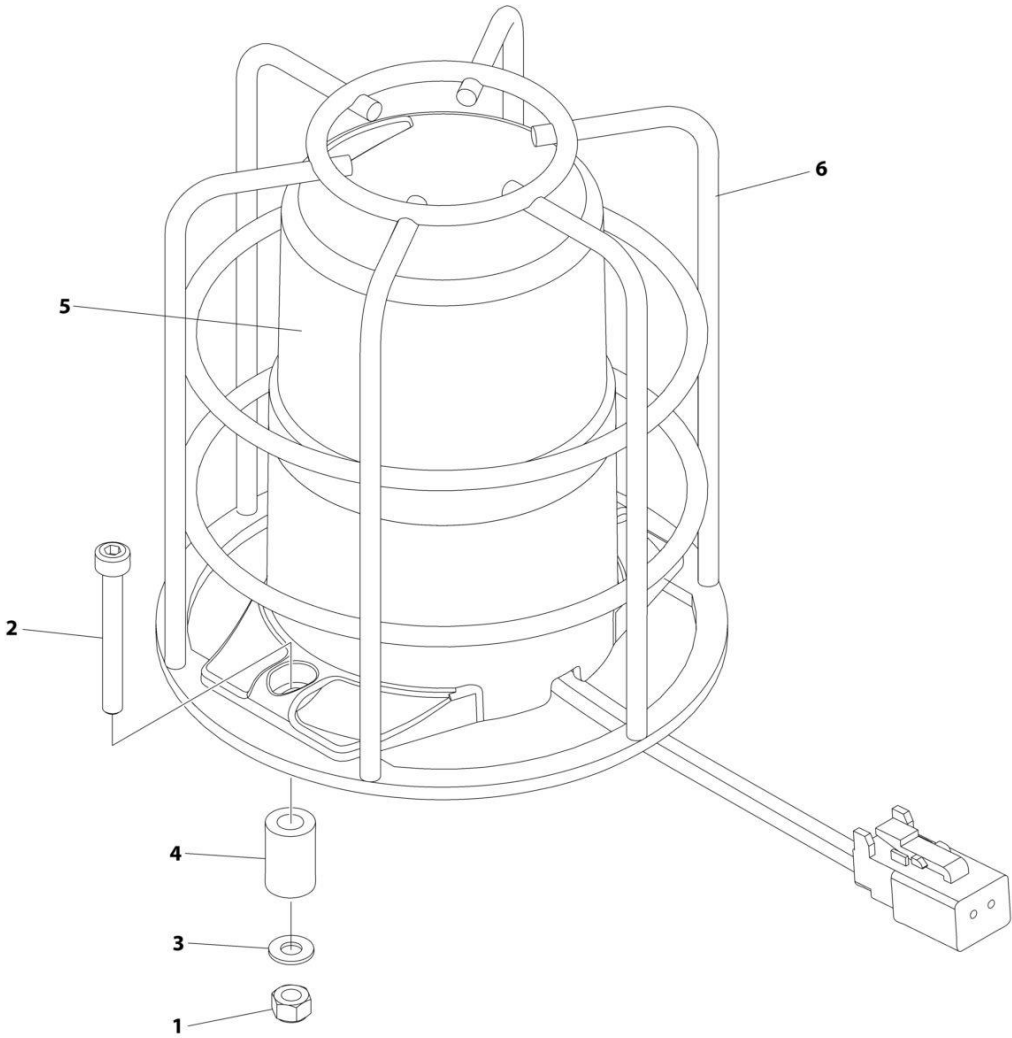
## SECTION 1 - FRAME

**FIGURE 1-21. STROBE LIGHT INSTALLATION - SINGLE ECCO BRAND (AMBER) (WITH GUARD)**

ITEM	PART NUMBER	QTY	DESCRIPTION	REV
	1001219596	Ref	STROBE LIGHT INSTALLATION - SINGLE (AMBER) (WITH GUARD)	B
1	0700416	2	Bolt M4 x 40	
2	3290405	2	Nut M4	
3	4060865	1	Guard	
4	1001091102	4	Washer M4	
5	1001191139	1	Light, Strobe (Amber)	
5	4460891	1	Plug, Male - 2 Position	
5	4460465	2	Socket, Female	
6	1001220766	2	Sleeve	

**SECTION 1 - FRAME**

**FIGURE 1-22. STROBE LIGHT INSTALLATION - SINGLE SAMMOON BRAND (WITH GUARD)**



ART\_1001238864

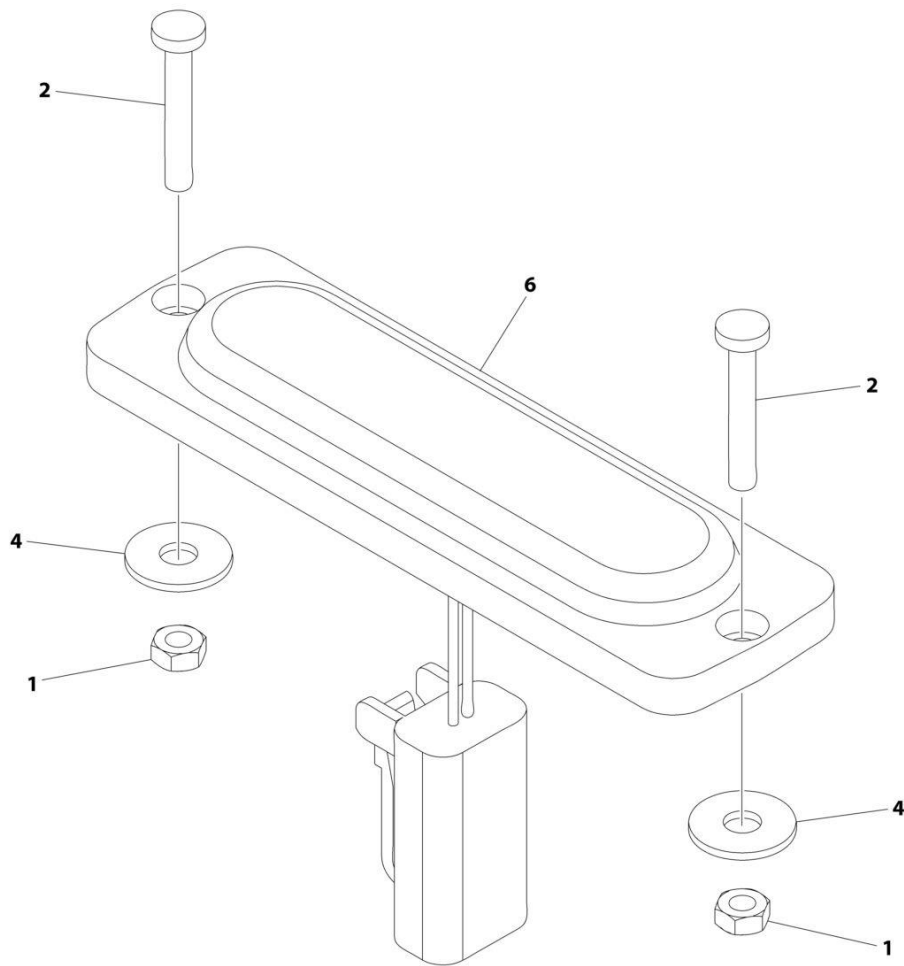
## SECTION 1 - FRAME

**FIGURE 1-22. STROBE LIGHT INSTALLATION - SINGLE SAMMOON BRAND (WITH GUARD)**

ITEM	PART NUMBER	QTY	DESCRIPTION	REV
	1001238864	Ref	STROBE LIGHT INSTALLATION - SINGLE (WITH GUARD)	A
1	3290405	2	Nut M4	
2	4031511	2	Bolt M4 x 35	
3	4811400	2	Washer M4	
4	1001220766	2	Sleeve	
5	1001233479	1	Light, Strobe	
5	4460891	1	Plug, Male - 2 Position	
5	4460465	1	Socket, Female	
6	1001233998	1	Guard	

# SECTION 1 - FRAME

## FIGURE 1-23. STROBE LIGHT INSTALLATION - SINGLE SLIM (AMBER) (WITH GUARD)



ART\_1001242989

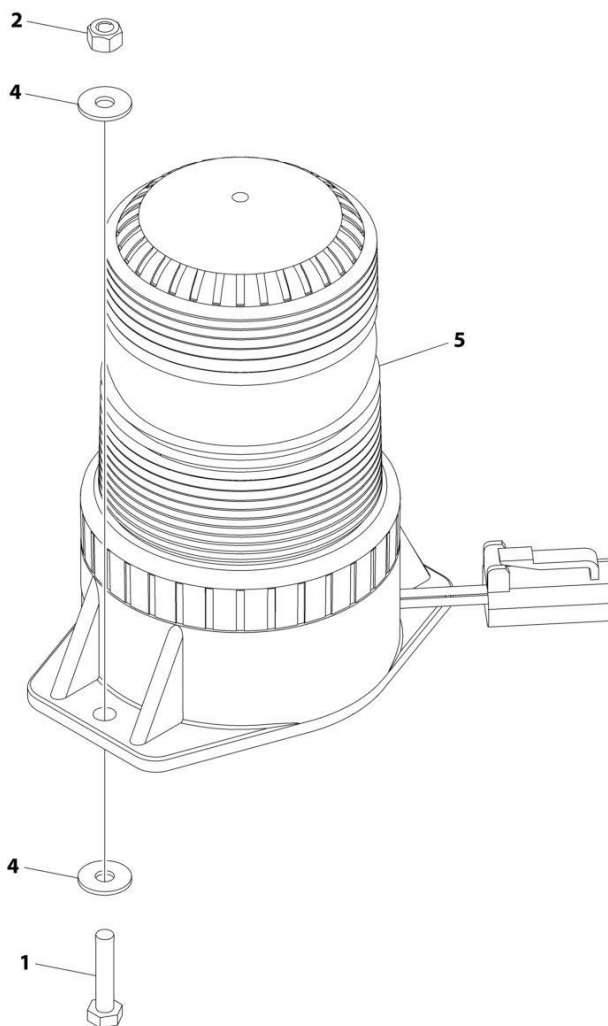
## SECTION 1 - FRAME

**FIGURE 1-23. STROBE LIGHT INSTALLATION - SINGLE SLIM (AMBER) (WITH GUARD)**

ITEM	PART NUMBER	QTY	DESCRIPTION	REV
	1001242989	Ref	STROBE LIGHT INSTALLATION - DUAL (AMBER) (WITHOUT GUARD)	C
1	3290305	4	Nut M3	
2	4010310	4	Screw M3 x 20	
3	4240018	AR	Tie-Strap (Not Shown)	
4	1001091102	4	Washer M4	
5	1001215216	1	Strobe Light Jumper Harness (Not Shown)	
5	4460897	2	Receptacle, Female - 2 Position	
5	4460464	4	Pin, Male	
5	4460891	1	Plug, Male - 2 Position	
5	4460465	2	Socket, Female	
6	1001239224	2	Light, Strobe	
6	4460891	1	Plug, Male - 2 Position	
6	4460465	2	Socket, Female	

## SECTION 1 - FRAME

FIGURE 1-24. STROBE LIGHT INSTALLATION - DUAL ECCO BRAND (AMBER) (WITHOUT GUARD)



ART\_1001214212

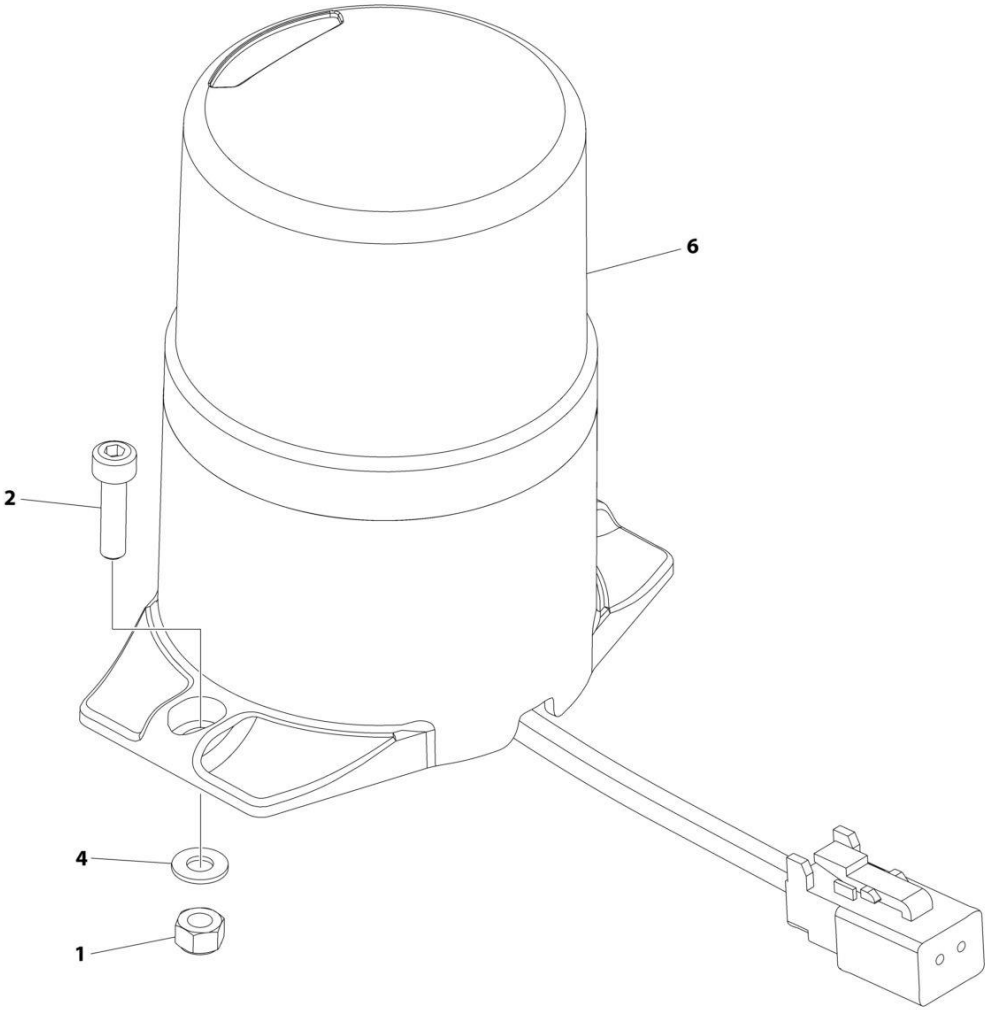
## SECTION 1 - FRAME

**FIGURE 1-24. STROBE LIGHT INSTALLATION - DUAL ECCO BRAND (AMBER) (WITHOUT GUARD)**

ITEM	PART NUMBER	QTY	DESCRIPTION	REV
	1001214212	Ref	STROBE LIGHT INSTALLATION - DUAL (AMBER) (WITHOUT GUARD)	B
1	0700410	4	Bolt M4 x 20	
2	3290405	4	Nut M4	
3	4240018	4	Tie-Strap (Not Shown)	
4	1001091102	8	Washer M4	
5	1001191139	2	Light, Strobe (Amber)	
5	4460891	1	Plug, Male - 2 Position	
5	4460465	2	Socket, Female	
6	1001215216	1	Strobe Light Jumper Harness (Not Shown)	
6	4460897	2	Receptacle, Female - 2 Position	
6	4460464	4	Pin, Male	
6	4460891	1	Plug, Male - 2 Position	
6	4460465	2	Socket, Female	

**SECTION 1 - FRAME**

**FIGURE 1-25. STROBE LIGHT INSTALLATION - DUAL SAMMOON BRAND (WITHOUT GUARD)**



ART\_1001238863



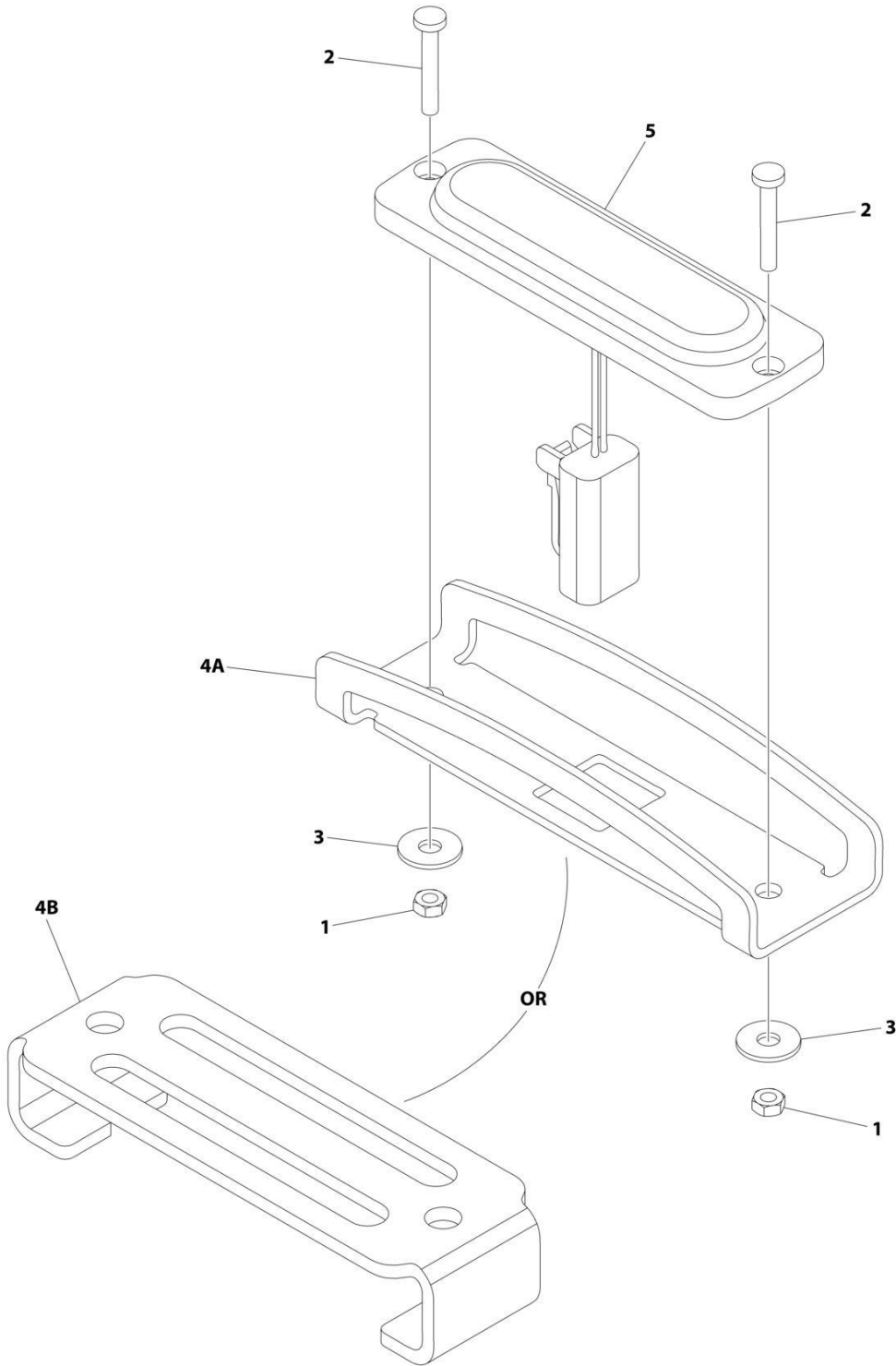
## SECTION 1 - FRAME

**FIGURE 1-25. STROBE LIGHT INSTALLATION - DUAL SAMMOON BRAND (WITHOUT GUARD)**

ITEM	PART NUMBER	QTY	DESCRIPTION	REV
	1001238863	Ref	STROBE LIGHT INSTALLATION - DUAL (WITHOUT GUARD)	A
1	3290405	4	Nut M4	
2	4031507	4	Bolt M4 x 16	
3	4240018	4	Tie-Strap (Not Shown)	
4	4811400	4	Washer M4	
5	1001215216	1	Strobe Light Jumper Harness (Not Shown)	
5	4460897	2	Receptacle, Female - 2 Position	
5	4460464	4	Pin, Male	
5	4460891	1	Plug, Male - 2 Position	
5	4460465	2	Socket, Female	
6	1001233479	2	Light, Strobe	
6	4460891	1	Plug, Male - 2 Position	
6	4460465	2	Socket, Female	

# SECTION 1 - FRAME

FIGURE 1-26. STROBE LIGHT INSTALLATION - DUAL SLIM (AMBER) (WITHOUT GUARD)



ART\_1001242697

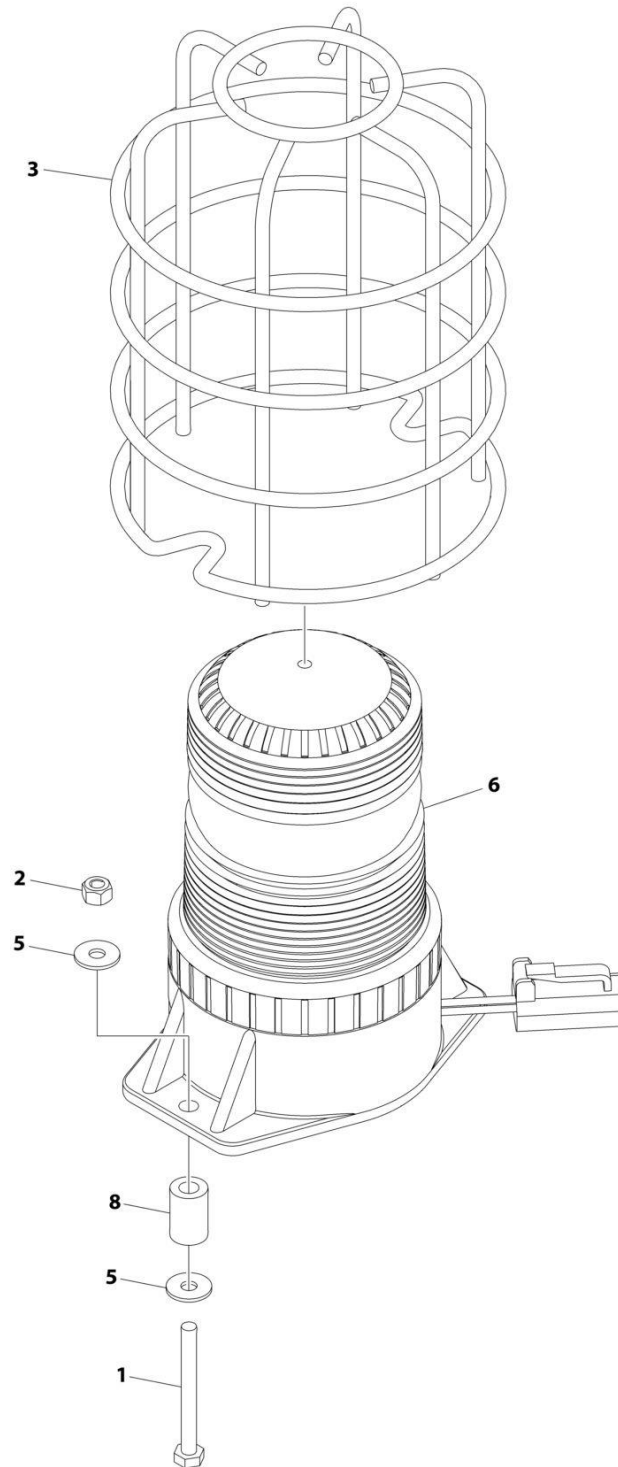
## SECTION 1 - FRAME

**FIGURE 1-26. STROBE LIGHT INSTALLATION - DUAL SLIM (AMBER) (WITHOUT GUARD)**

ITEM	PART NUMBER	QTY	DESCRIPTION	REV
	1001242697	Ref	STROBE LIGHT INSTALLATION - SINGLE (AMBER) (WITH GUARD)	D
1	3290305	2	Nut M3	
2	4010310	2	Screw M3 x 20	
3	1001091102	2	Washer M4	
4A	1001242539	1	Guard	
4B	1001239661	1	Cover	
5	1001239224	1	Light, Strobe	
5	4460891	1	Plug, Male - 2 Position	
5	4460465	2	Socket, Female	

# SECTION 1 - FRAME

FIGURE 1-27. STROBE LIGHT INSTALLATION - DUAL ECCO BRAND (AMBER) (WITH GUARD)



ART\_1001219597

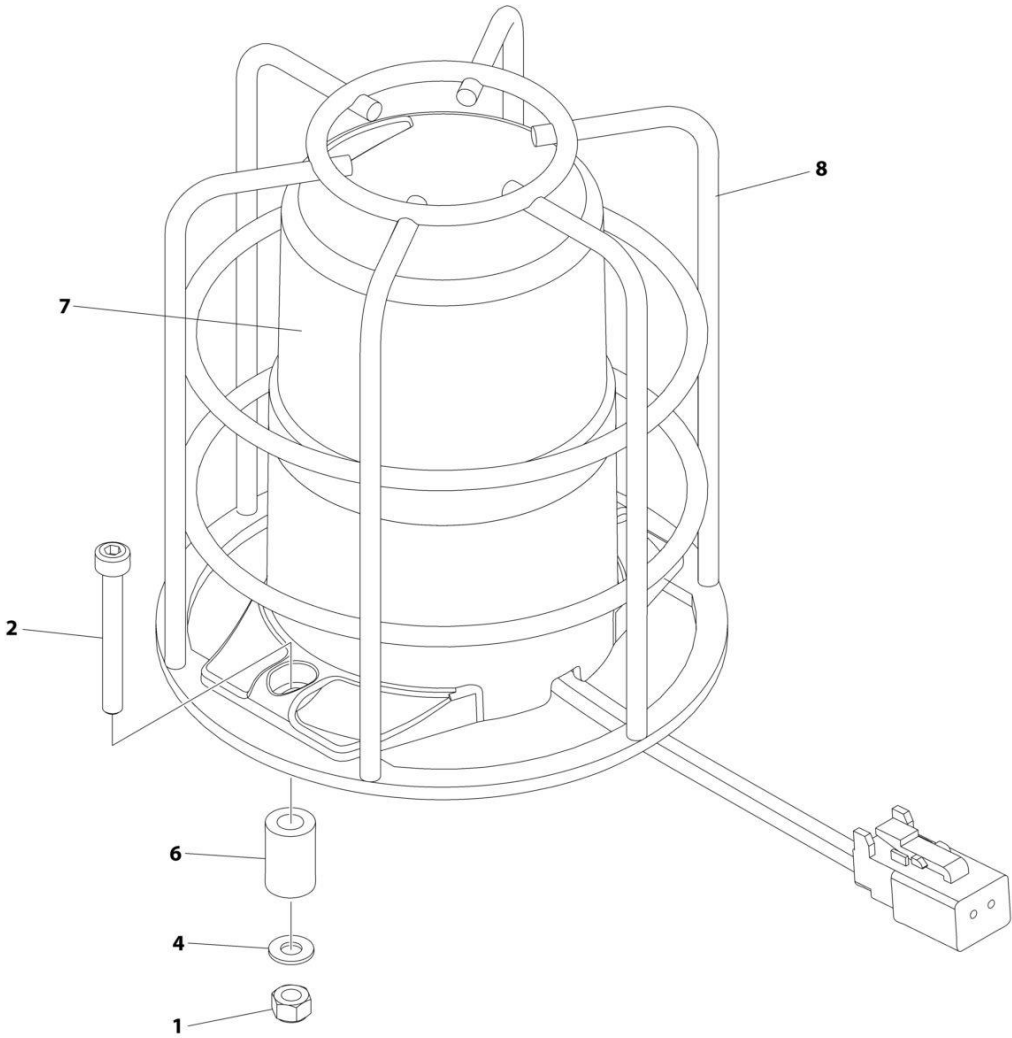
## SECTION 1 - FRAME

**FIGURE 1-27. STROBE LIGHT INSTALLATION - DUAL ECCO BRAND (AMBER) (WITH GUARD)**

ITEM	PART NUMBER	QTY	DESCRIPTION	REV
	1001219597	Ref	STROBE LIGHT INSTALLATION - DUAL (AMBER) (WITH GUARD)	B
1	0700416	4	Bolt M4 x 40	
2	3290405	4	Nut M4	
3	4060865	2	Guard	
4	4240018	4	Tie-Strap (Not Shown)	
5	1001091102	8	Washer M4	
6	1001191139	2	Light, Strobe (Amber)	
6	4460891	1	Plug, Male - 2 Position	
6	4460465	2	Socket, Female	
6	4460865	1	Guard (Must be Purchased Separately) (Not Shown)	
7	1001215216	1	Strobe Light Jumper Harness (Not Shown)	
7	4460897	2	Receptacle, Female - 2 Position	
7	4460464	4	Pin, Male	
7	4460891	1	Plug, Male - 2 Position	
7	4460465	2	Socket, Female	
8	1001220766	4	Sleeve	

**SECTION 1 - FRAME**

**FIGURE 1-28. STROBE LIGHT INSTALLATION - DUAL SAMMOON BRAND (WITH GUARD)**



ART\_1001238865

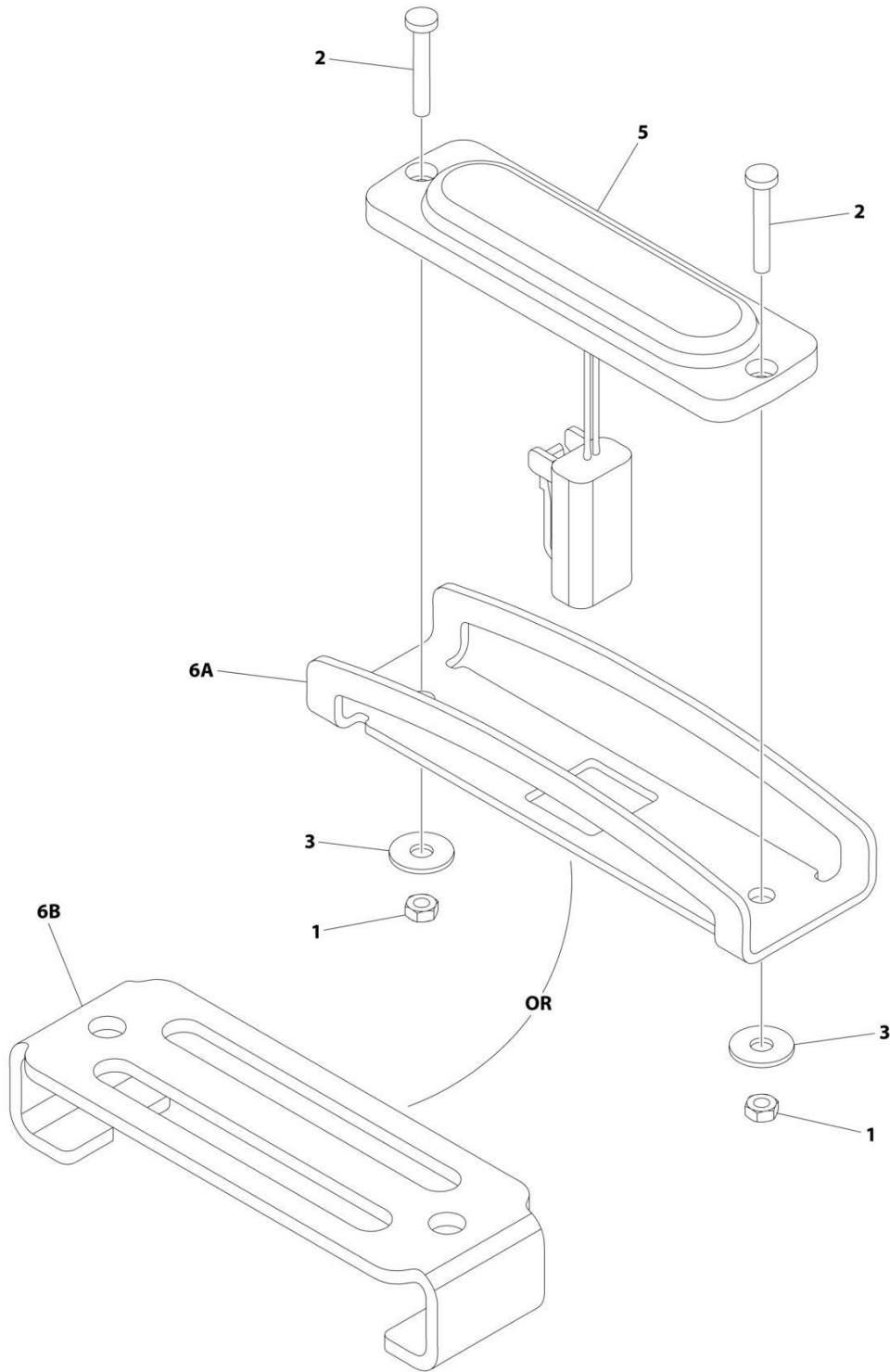
## SECTION 1 - FRAME

**FIGURE 1-28. STROBE LIGHT INSTALLATION - DUAL SAMMOON BRAND (WITH GUARD)**

ITEM	PART NUMBER	QTY	DESCRIPTION	REV
	1001238865	Ref	STROBE LIGHT INSTALLATION - DUAL (WITH GUARD)	A
1	3290405	4	Nut M4	
2	4031511	4	Bolt M4 x 35	
3	4240018	4	Tie-Strap (Not Shown)	
4	4811400	4	Washer M4	
5	1001215216	1	Strobe Light Jumper Harness (Not Shown)	
5	4460897	2	Receptacle, Female - 2 Position	
5	4460464	4	Pin, Male	
5	4460891	1	Plug, Male - 2 Position	
5	4460465	2	Socket, Female	
6	1001220766	4	Sleeve	
7	1001233479	2	Light, Strobe	
7	4460891	1	Plug, Male - 2 Position	
7	4460465	2	Socket, Female	
7	4460865	1	Guard (Must be Purchased Separately) (Not Shown)	
8	1001233998	2	Guard	

# SECTION 1 - FRAME

FIGURE 1-29. STROBE LIGHT INSTALLATION - DUAL SLIM (AMBER) (WITH GUARD)



ART\_1001242990



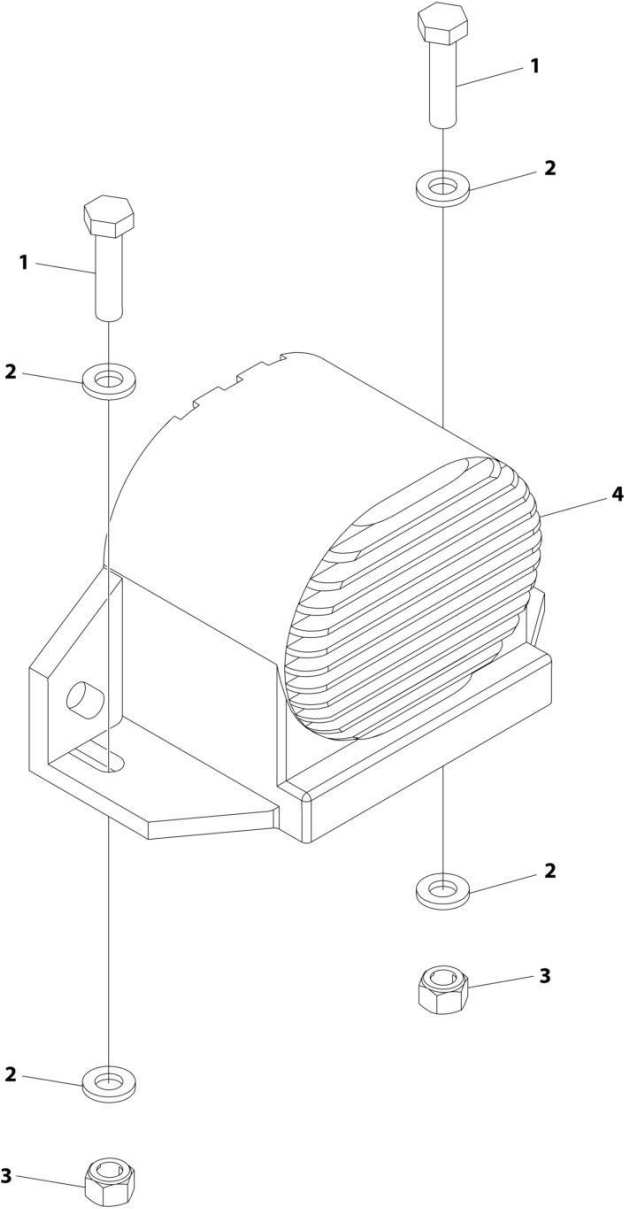
## SECTION 1 - FRAME

**FIGURE 1-29. STROBE LIGHT INSTALLATION - DUAL SLIM (AMBER) (WITH GUARD)**

ITEM	PART NUMBER	QTY	DESCRIPTION	REV
	1001242990	Ref	STROBE LIGHT INSTALLATION - DUAL (AMBER) (WITH GUARD)	D
1	3290305	4	Nut M3	
2	4010310	4	Screw M3 x 20	
3	1001091102	4	Washer M4	
4	1001215216	1	Strobe Light Jumper Harness (Not Shown)	
4	4460897	2	Receptacle, Female - 2 Position	
4	4460464	4	Pin, Male	
4	4460891	1	Plug, Male - 2 Position	
4	4460465	2	Socket, Female	
5	1001239224	2	Light, Strobe	
5	4460891	1	Plug, Male - 2 Position	
5	4460465	2	Socket, Female	
6A	1001242539	2	Guard	
6B	1001239661	2	Cover	
7	4240018	AR	Tie-Strap (Not Shown)	

**SECTION 1 - FRAME**

**FIGURE 1-30. ALARM INSTALLATION (AMBIENT/WHITE NOISE)**



ART\_1001214150

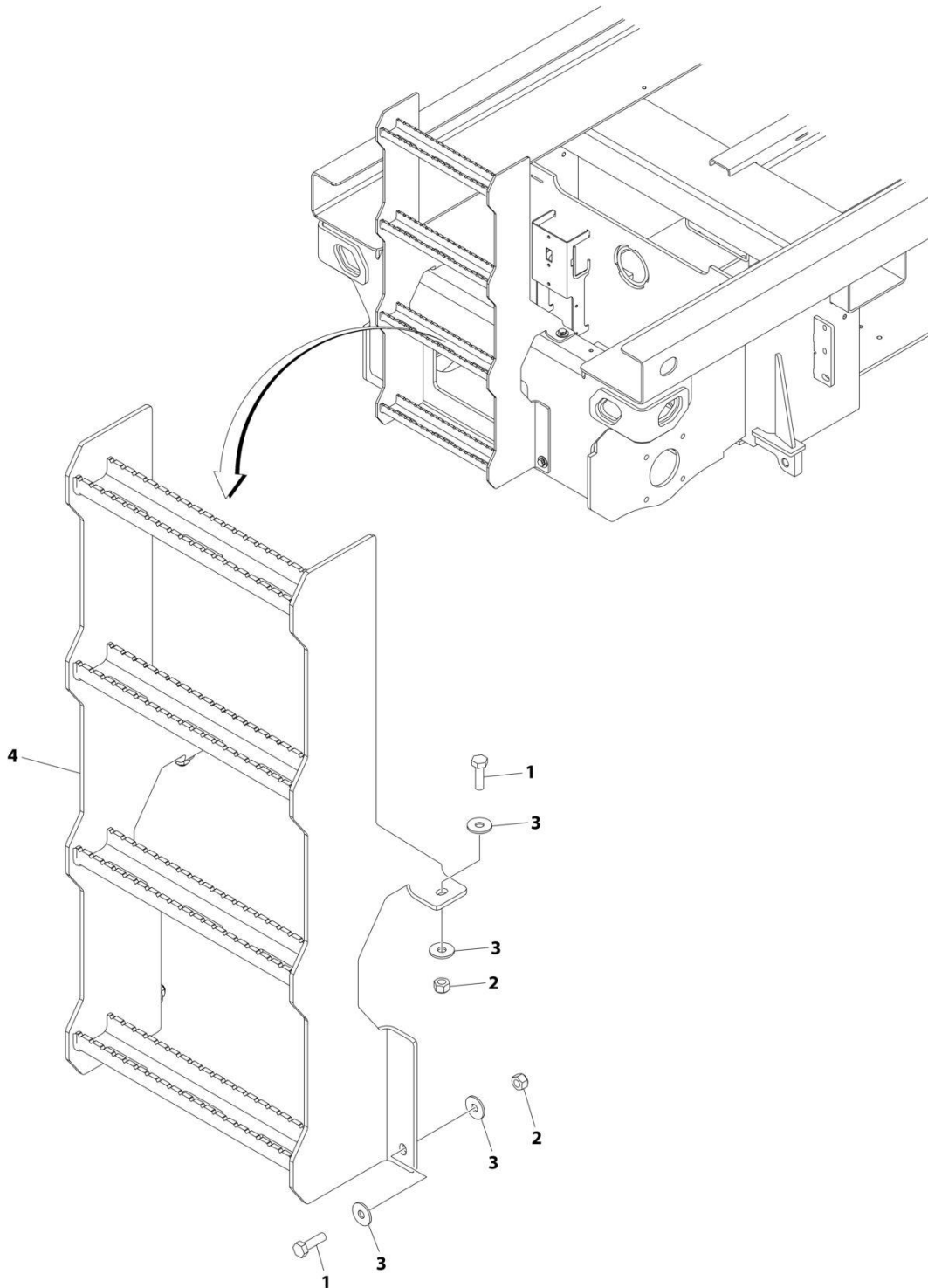
**SECTION 1 - FRAME**

**FIGURE 1-30. ALARM INSTALLATION (AMBIENT/WHITE NOISE)**

<b>ITEM</b>	<b>PART NUMBER</b>	<b>QTY</b>	<b>DESCRIPTION</b>	<b>REV</b>
	1001214150	Ref	ALARM INSTALLATION (AMBIENT/WHITE NOISE)	B
1	0760612	2	Bolt M6 x 25	
2	4811700	4	Washer M6	
3	3290605	2	Nut, Tinnerman M6	
4	1001182806	1	Alarm	
4	4460897	1	Receptacle, Female - 2 Position	
4	4460464	2	Pin, Male	

# SECTION 1 - FRAME

## FIGURE 1-31. LADDER INSTALLATION



ART\_1001214219

FIGURE 1-31. LADDER INSTALLATION

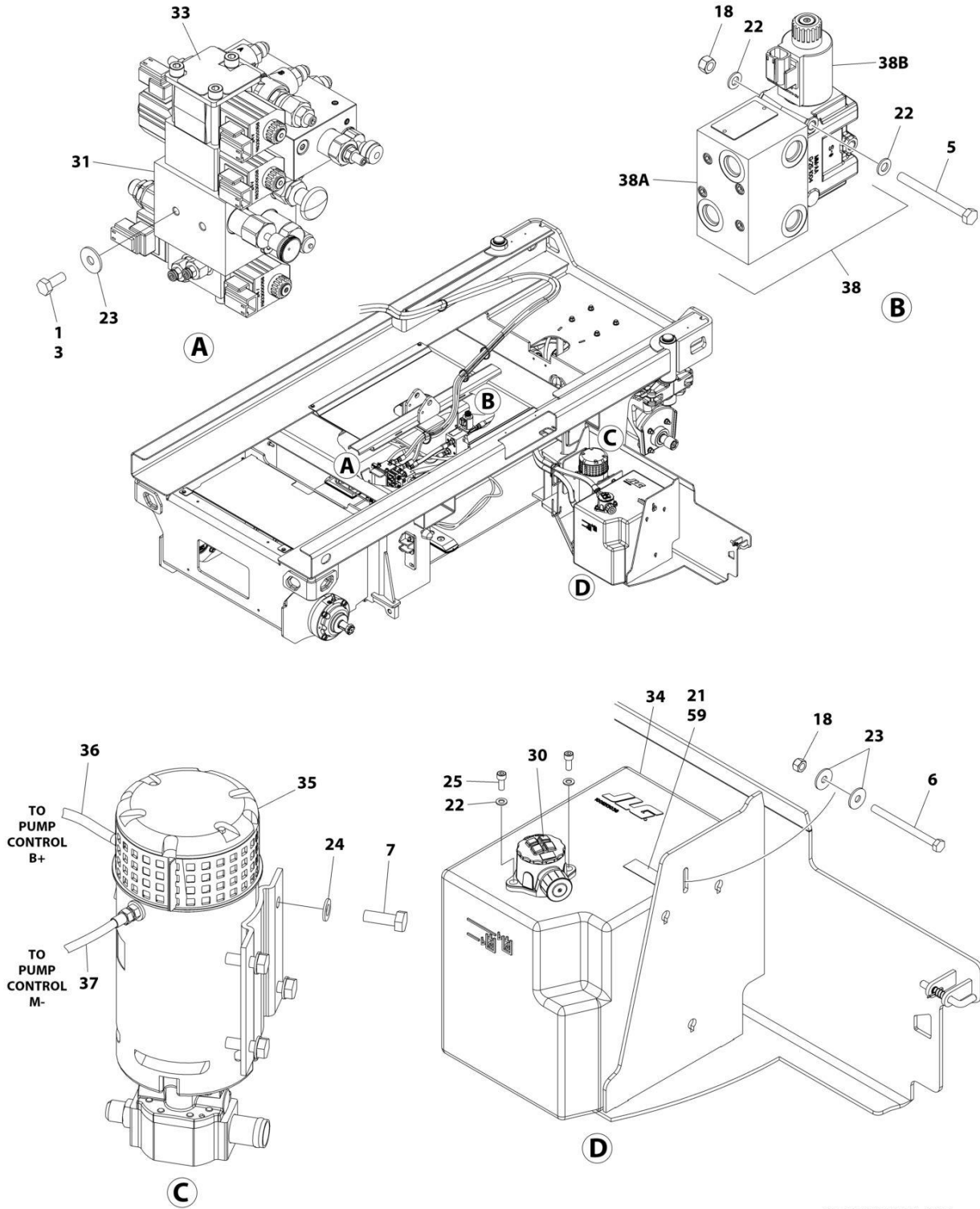
ITEM	PART NUMBER	QTY	DESCRIPTION	REV
	1001214219	Ref	LADDER INSTALLATION	A
1	0761015	4	Bolt M10 x 35	
2	3291005	4	Nut M10	
3	4812002	8	Washer M10	
4	1001217216	1	Ladder	



**SECTION 2 - GROUND CONTROLS**

# SECTION 2 - GROUND CONTROLS

## FIGURE 2-1. HYDRAULIC COMPONENTS INSTALLATION (WITH CONCENTRIC PUMP/MOTOR)



ART\_1001213815\_K\_10F2



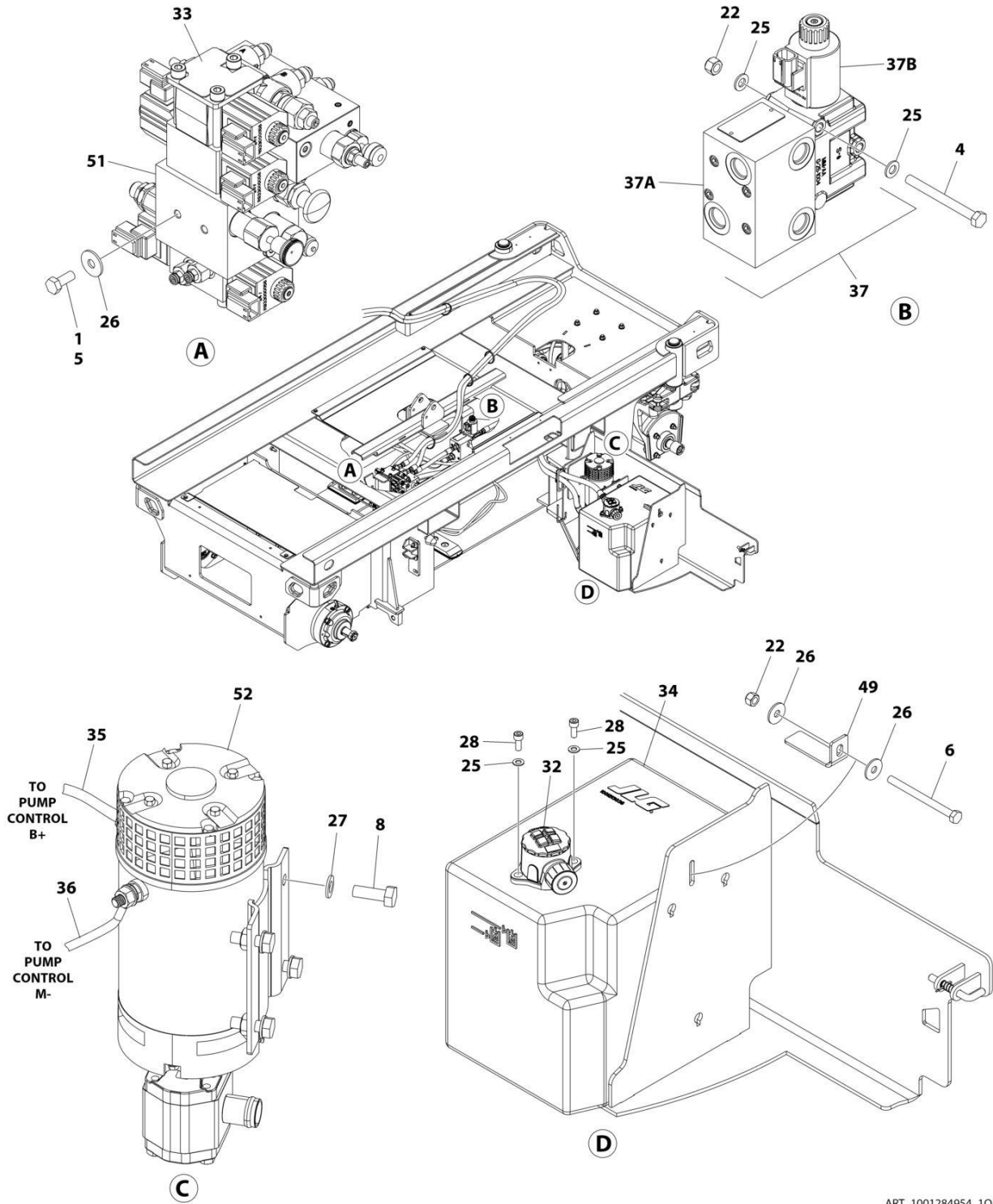
## SECTION 2 - GROUND CONTROLS

**FIGURE 2-1. HYDRAULIC COMPONENTS INSTALLATION (WITH CONCENTRIC PUMP/MOTOR)**

ITEM	PART NUMBER	QTY	DESCRIPTION	REV
	1001213815	Ref	HYDRAULIC COMPONENTS INSTALLATION	K
1	0100011	AR	Compound, Locking	
3	0760810	2	Bolt M8 x 20	
5	0700825	2	Bolt M8 x 85	
6	0760812	1	Bolt M8 x 25	
7	0761014	4	Bolt M10 x 30	
18	3290805	AR	Nut M8	
21	4420062	3 in/ 75mm	Tape	
22	4811900	AR	Washer M8	
23	4811902	4	Washer M8	
24	4812000	4	Washer M10	
25	5271808	2	Capscrew M8 x 20	
30	1001202851	1	Filter, Hydraulic	
30	70005423	1	Service Kit (Includes Element & Cap & Bowl O-Rings)	
30	70007946	1	O-Ring, Bowl	
31	1001248679	1	Main Valve Assembly (See Separate Breakdown in this Section)	
33	1001212294	1	Decal - Manifold	
34	1001213036	1	Tank, Hydraulic	
35	1001213875	1	Motor/Pump Assembly	
35	70006351	1	Motor, Replacement	
35	70006352	1	Pump, Replacement	
35	70005816	1	Pump Seal & Mounting Kit (Includes Shaft Seal, Retaining Ring, Gasket, Bolts & Washers)	
36	1001214875	1	Cable, Pump (+)	
37	1001214876	1	Cable, Pump (-)	
38	1001215434	1	Traction Valve Assembly	
38	70006295	4	Screw	
38A	70004465	1	Valve, Flow Divider	
38A	70004164	1	Seal Kit - 70004465 Valve	
38B	70006296	1	Valve, Diverter	
38B	70006297	1	Coil	
38B	70006298	1	Seal, Interface	
38B	70006299	1	Coil Seal & Nut Kit	
59	1001231841	1	Bracket, Hydraulic Tank	

# SECTION 2 - GROUND CONTROLS

## FIGURE 2-2. HYDRAULIC COMPONENTS INSTALLATION (WITH BUCHER PUMP/MOTOR)



ART\_1001284954\_1OF2

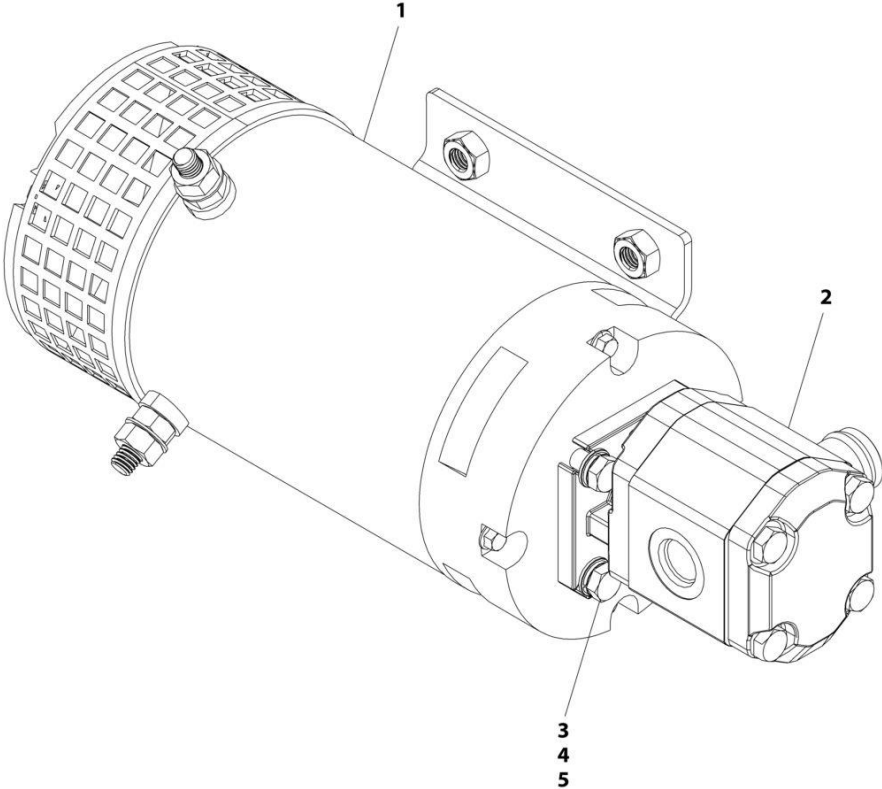
## SECTION 2 - GROUND CONTROLS

**FIGURE 2-2. HYDRAULIC COMPONENTS INSTALLATION (WITH BUCHER PUMP/MOTOR)**

ITEM	PART NUMBER	QTY	DESCRIPTION	REV
	1001284954	Ref	HYDRAULIC COMPONENTS INSTALLATION	A
1	0100011	AR	Compound, Locking	
4	0700825	2	Bolt M8 x 85	
5	0760810	2	Bolt M8 x 20	
6	0760812	1	Bolt M8 x 25	
8	0761014	4	Bolt M10 x 30	
22	3290805	8	Nut, Lock M8	
25	4811900	16	Washer M8	
26	4811902	4	Washer M8	
27	4812000	4	Washer M10	
28	5271808	2	Capscrew M8 x 20	
32	1001202851	1	Filter, Hydraulic	
32	70005423	1	Service Kit (Includes Element & Cap & Bowl O-Rings)	
32	70007946	1	O-Ring, Bowl	
33	1001212294	1	Decal - Manifold	
34	1001213036	1	Tank, Hydraulic	
35	1001214875	1	Cable, Pump (+)	
36	1001214876	1	Cable, Pump (-)	
37	1001215434	1	Traction Valve Assembly	
37	70006295	4	Screw	
37A	70004465	1	Valve, Flow Divider	
37A	70004164	1	Seal Kit - 70004465 Valve	
37B	70006296	1	Valve, Diverter	
37B	70006297	1	Coil	
37B	70006298	1	Seal, Interface	
37B	70006299	1	Coil Seal & Nut Kit	
49	1001231841	1	Bracket, Hydraulic Tank	
51	1001248679	1	Main Valve Assembly (See Separate Breakdown in this Section)	
52	1001284939	1	Motor/Pump Assembly (See Separate Breakdown in this Section)	

**SECTION 2 - GROUND CONTROLS**

**FIGURE 2-3. HYDRAULIC MOTOR/PUMP ASSEMBLY (BUCHER)**



ART\_1001284939

## SECTION 2 - GROUND CONTROLS

**FIGURE 2-3. HYDRAULIC MOTOR/PUMP ASSEMBLY (BUCHER)**

ITEM	PART NUMBER	QTY	DESCRIPTION	REV
	1001284939	Ref	AUXILIARY MOTOR/PUMP ASSEMBLY	B
1	70008409	1	Motor	
2	70008410	1	Pump	
3	70008411	4	Washer	
4	70008412	4	Washer, Spring	
5	70008413	4	Bolt 5/16 x 20	
6	70008414	1	Seal (Not Shown)	



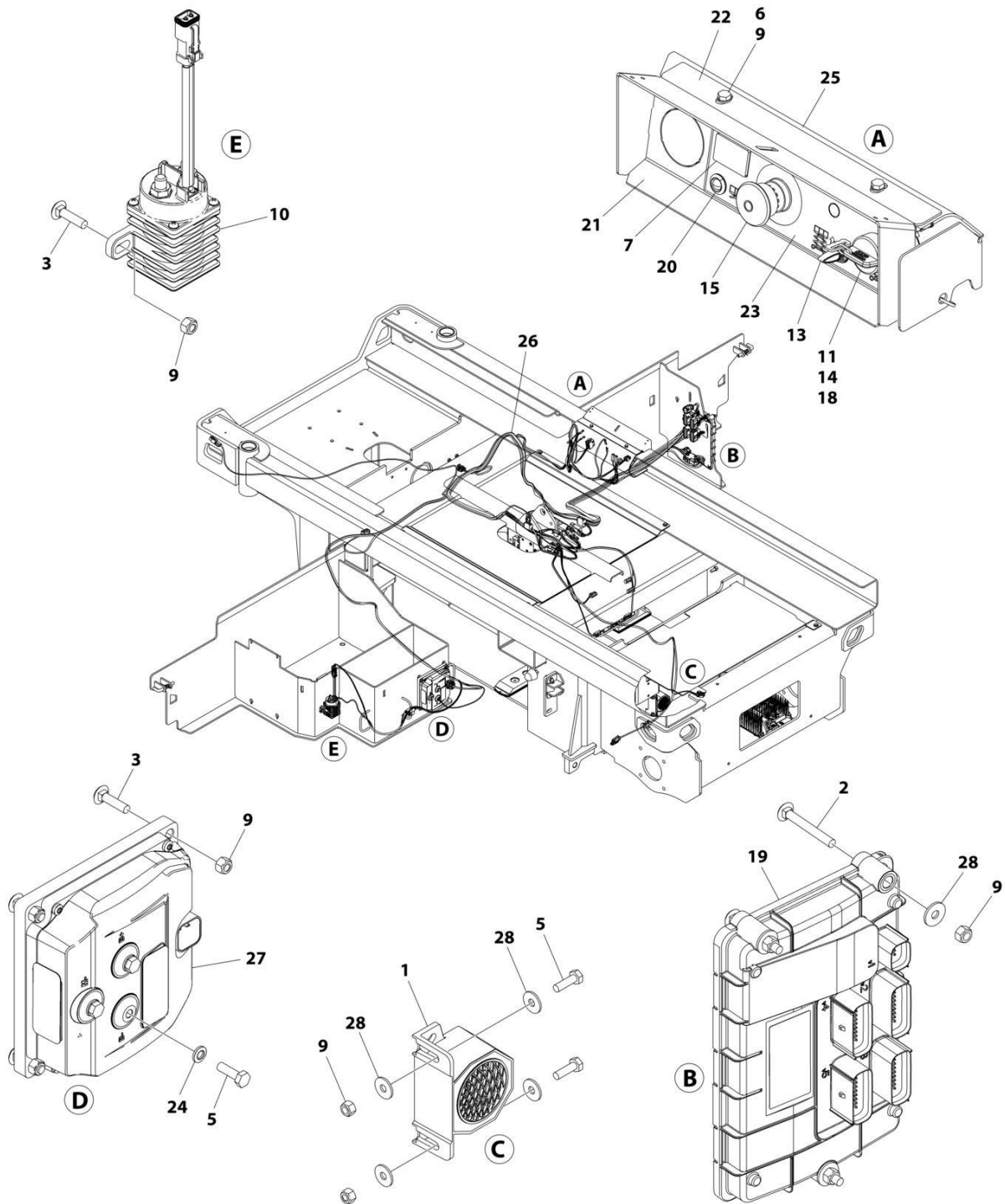
## SECTION 2 - GROUND CONTROLS

### FIGURE 2-4. VALVE ASSEMBLY

ITEM	PART NUMBER	QTY	DESCRIPTION	REV
	1001248679	Ref	MAIN VALVE ASSEMBLY	D
1	70007595	1	Valve Assembly (Includes Items 7-9)	
2	70005903	1	Valve Assembly - Lower Drive	
3	70007594	1	Valve Assembly - Lift	
4	70005911	1	Plate	
5	70005909	1	Valve, Cartridge	
6	70007593	1	Valve Assembly - Upperr Drive	
7	70005900	1	Valve, Cartridge	
8	70005898	1	Valve, Cartridge	
9	70005899	1	Valve, Cartridge	
10	70007598	1	Restrictor, Flow	
11	70007596	1	Cartridge, Valve	
12	70007597	1	Orifice	
13	70005893	5	Coil	
14	70021209	5	Coil Nut Kit	
15	70007599	1	Bolt Kit	
16	70007600	1	Bolt Kit	
17	70007601	1	Seal Kit	
18	70007602	1	Fitting Kit	
26	NPN	1	Valve Assembly - Steer	
27	70006301	2	Valve, Cartridge - Relief	
28	NPN	2	Valve, Solenoid Cartridge	

## SECTION 2 - GROUND CONTROLS

FIGURE 2-5. ELECTRICAL COMPONENTS INSTALLATION (MACHINES WITH SN STARTING WITH 12, B2, G2 & M2)



ART\_1001217492\_E



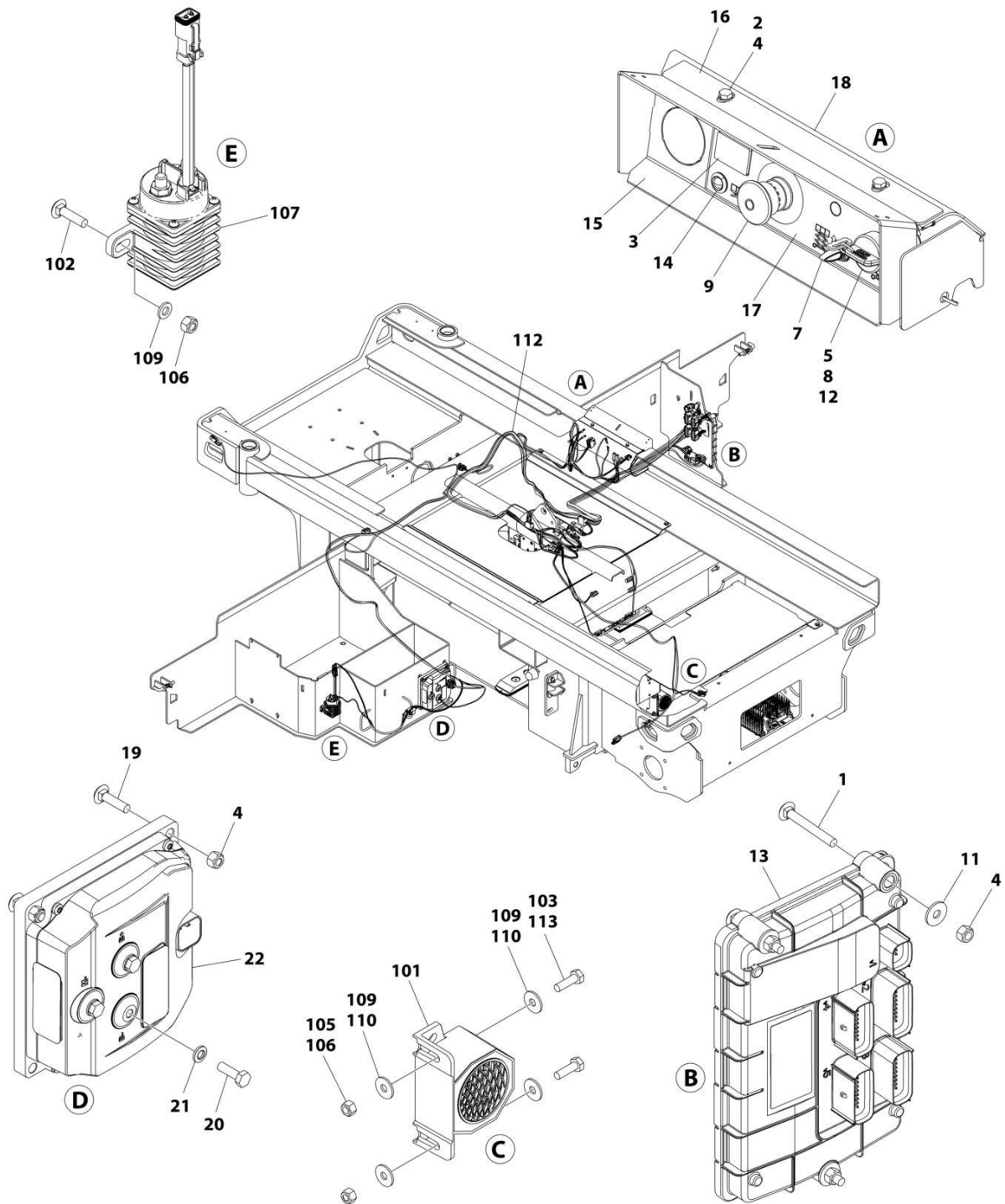
## SECTION 2 - GROUND CONTROLS

**FIGURE 2-5. ELECTRICAL COMPONENTS INSTALLATION (MACHINES WITH SN STARTING WITH 12, B2, G2 & M2)**

ITEM	PART NUMBER	QTY	DESCRIPTION	REV
	1001217492	Ref	ELECTRICAL COMPONENTS INSTALLATION	E
1	0140043	1	Alarm	
2	0630586	3	Bolt M6 x 50	
3	0630587	4	Bolt M6 x 25	
5	0760610	AR	Bolt M6 x 20	
6	0760612	2	Bolt M6 x 25	
7	2420172	1	Hourmeter	
9	3290605	AR	Nut M6	
10	3740150	1	Relay	
11	3910804	3	Screw #8 x 1/4	
12	4240017	AR	Tie-Strap (Not Shown)	
13	4360328	1	Switch, Toggle	
14	4360469	1	Switch, Key	
14	2860030	1 Set	Key, Replacement	
15	4360475	1	Switch, Emergency Stop (Metal)	
15	7020175	1	Cap	
15	7020176	1	Block, Contact	
15	1001274559	1	Switch, Emergency Stop (Plastic)	
18	1001130590	1	Plate, Key Switch	
19	1001200629	1	Module, Control (Note: Recalibration Required when Replaced)	
20	1001200631	1	Light, Indicator (Red)	
21	1001207214	1	Support	
22	1001207215	1	Bracket	
23	1001209682	1	Decal - Ground Control	
24	1001210966	3	Washer	
25	1001231264	1	Bracket, Ground Control Back	
26	1001283409	1	Chassis Harness (See Separate Breakdown in ELECTRICAL Section)	
27	1001216062	1	Module, Power (Note: Recalibration Required when Replaced)	
28	4811702	AR	Washer M6	

## SECTION 2 - GROUND CONTROLS

FIGURE 2-6. ELECTRICAL COMPONENTS INSTALLATION (MACHINES WITH SN STARTING WITH 12, B2 & G2)



ART\_1001223790\_E

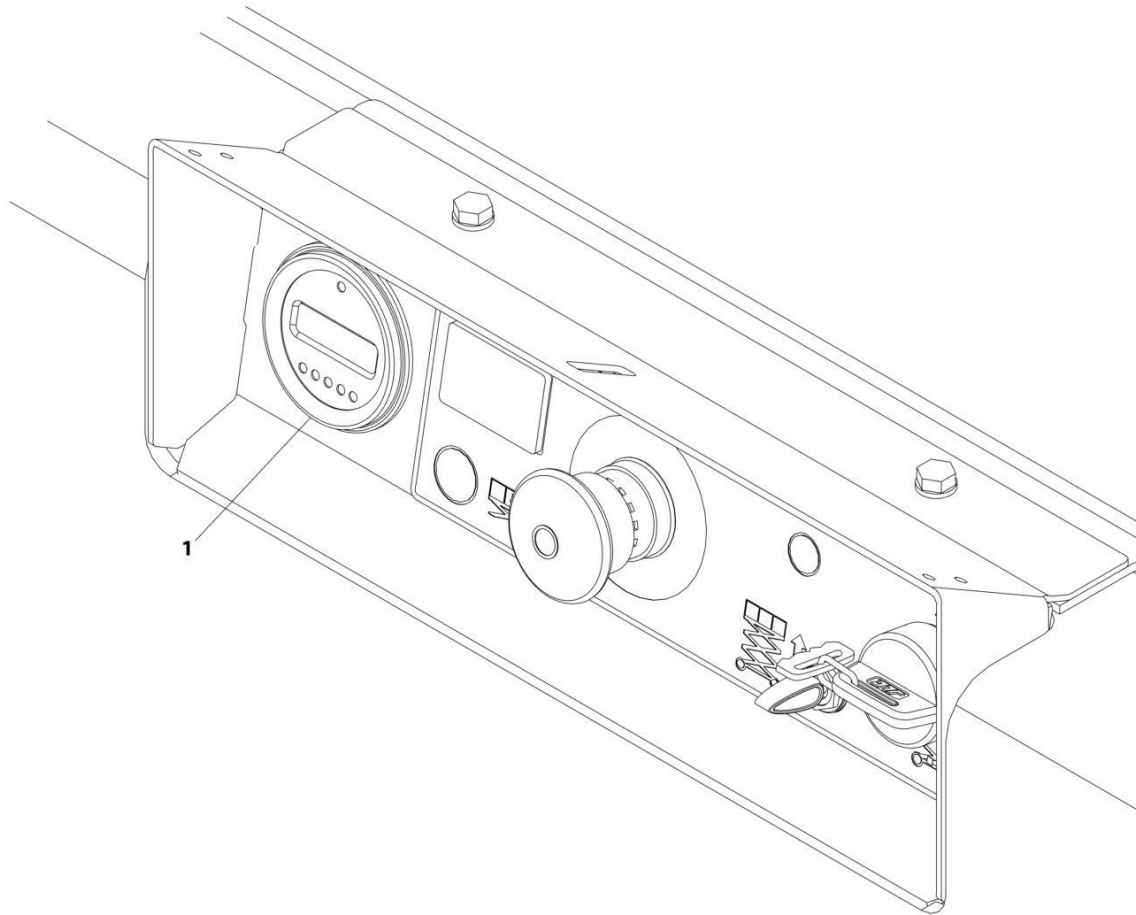
## SECTION 2 - GROUND CONTROLS

**FIGURE 2-6. ELECTRICAL COMPONENTS INSTALLATION (MACHINES WITH SN STARTING WITH 12, B2 & G2)**

ITEM	PART NUMBER	QTY	DESCRIPTION	REV
		Ref	ELECTRICAL COMPONENTS INSTALLATION	
	1001223790	Ref	GROUND CONTROL AND MODULE INSTALLATION	E
1	0630586	3	Bolt M6 x 50	
2	0760612	2	Bolt M6 x 25	
3	2420172	1	Hourmeter	
4	3290605	AR	Nut M6	
5	3910804	3	Screw #8 x 1/4	
6	4240017	AR	Tie-Strap (Not Shown)	
7	4360328	1	Switch, Toggle	
8	4360469	1	Switch, Key	
8	2860030	1 Set	Key, Replacement	
9	4360475	1	Switch, Emergency Stop (Metal)	
9	7020175	1	Cap	
9	7020176	1	Block, Contact	
9	1001274559	1	Switch, Emergency Stop (Plastic)	
11	4811702	AR	Washer M6	
12	1001130590	1	Plate, Key Switch	
13	1001200629	1	Module, Control (Note: Recalibration Required when Replaced)	
14	1001200631	1	Light, Indicator (Red)	
15	1001207214	1	Support	
16	1001207215	1	Bracket	
17	1001209682	1	Decal - Ground Control	
18	1001231264	1	Bracket, Ground Control Back	
19	0630587	2	Bolt M6 x 25	
20	0760610	3	Bolt M6 x 20	
21	1001210966	3	Washer	
22	1001216062	1	Control, Power (Note: Recalibration Required when Replaced)	
	1001223446	Ref	ALARM, RELAY AND POWER MODULE INSTALLATION	C
101	0140043	1	Alarm	
102	0630587	2	Bolt M6 x 25	
103	0700408	AR	Bolt M4 x 16	
105	3290405	AR	Nut M4	
106	3290605	AR	Nut M6	
107	3740150	1	Relay	
108	4240017	AR	Tie-Strap (Not Shown)	
109	4811702	AR	Washer M6	
110	1001091102	AR	Washer M4	
112	1001214596	1	Chassis Harness (See Separate Breakdown in ELECTRICAL Section)	
113	0760610	AR	Bolt M6 x 20	

## SECTION 2 - GROUND CONTROLS

FIGURE 2-7. MDI INSTALLATION



ART\_1001207293

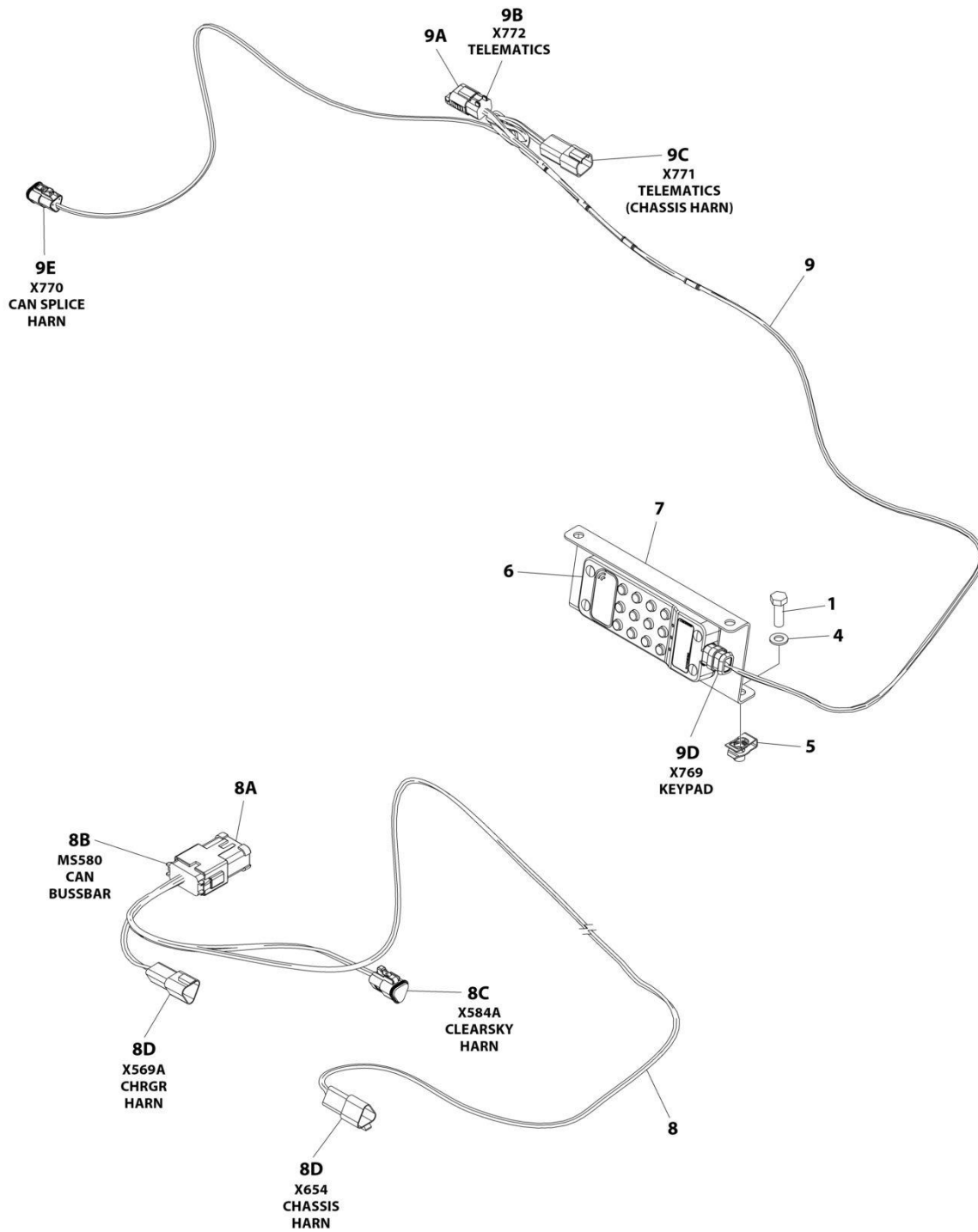
## SECTION 2 - GROUND CONTROLS

### FIGURE 2-7. MDI INSTALLATION

ITEM	PART NUMBER	QTY	DESCRIPTION	REV
1	1001207293 1001200632	Ref 1	MDI INSTALLATION Gauge, MDI	B

# SECTION 2 - GROUND CONTROLS

## FIGURE 2-8. ACCESS CONTROL KEYPAD INSTALLATION



ART\_1001258356

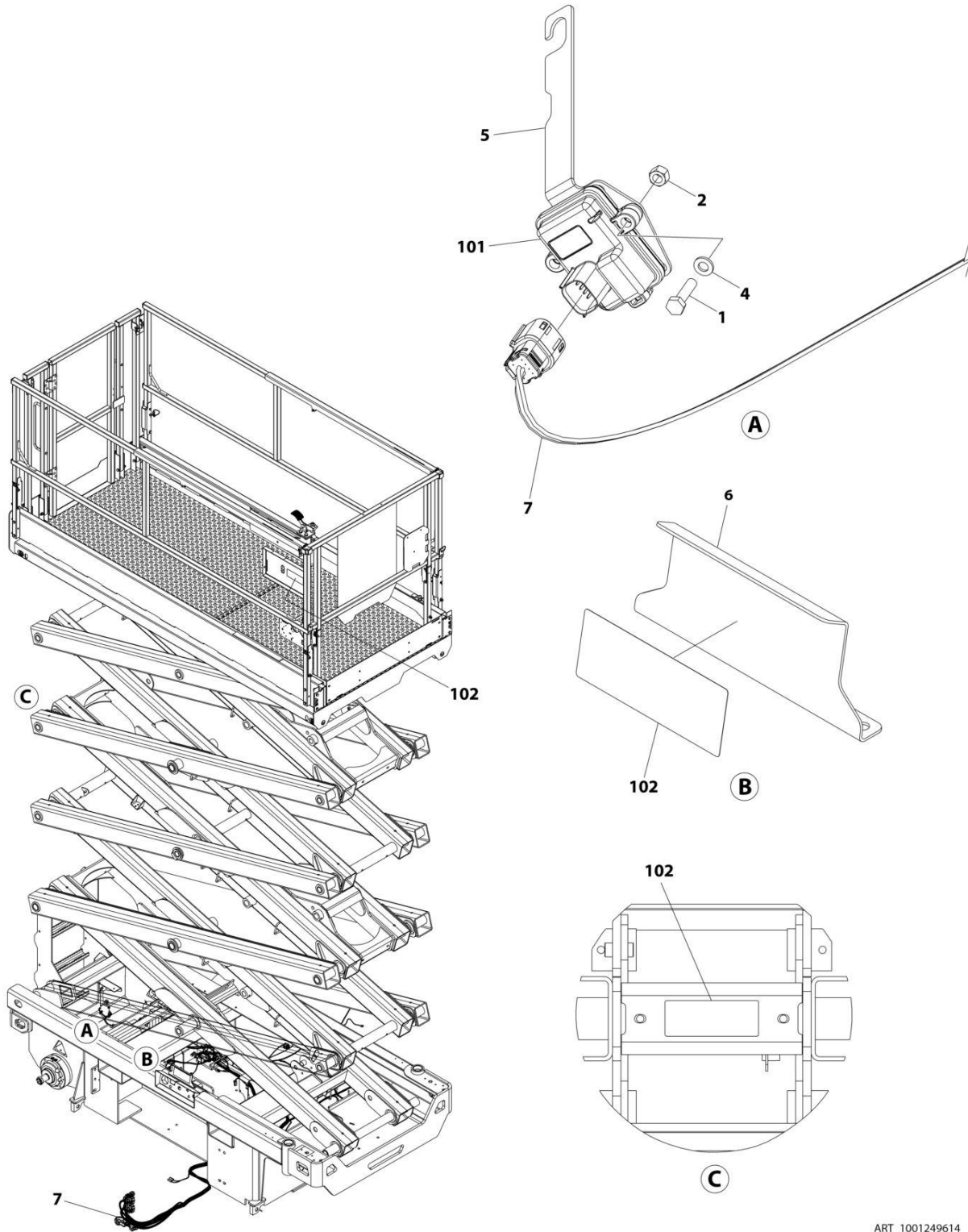
## SECTION 2 - GROUND CONTROLS

**FIGURE 2-8. ACCESS CONTROL KEYPAD INSTALLATION**

ITEM	PART NUMBER	QTY	DESCRIPTION	REV
	1001258356	Ref	ACCESS CONTROL KEYPAD INSTALLATION	A
1	0760812	2	Bolt, M8 x 25	
2	1062255	AR	Tie-Strap (Not Shown)	
3	4240032	AR	Tie-Strap (Not Shown)	
4	4811900	2	Washer M8	
5	1001118274	2	Nut, Tinnerman	
6	1001238392	1	Keypad	
7	1001248773	1	Bracket	
8	1001254027	1	Access Control Keypad Can Splice Harness	
8A	1001125677	AR	Connector, Bus Bar - 12 Position	
8B	4460933	1	Plug, Male - 12 Position	
8B	4460944	6	Socket, Female	
8B	4460466	6	Plug, Terminal	
8C	1001118812	1	Plug, Male - 3 Position	
8C	4460944	2	Socket, Female	
8C	4460466	1	Plug, Terminal	
8D	1001144147	2	Receptacle, Female - 3 Position	
8D	4460943	4	Pin, Male	
8D	4460466	2	Plug, Terminal	
9	1001258691	1	Access Control Keypad Harness	
9A	1001192401	1	Dustcap	
9B	4460884	1	Plug, Male - 4 Position	
9B	4460465	4	Socket, Female	
9C	4460932	1	Receptacle, Female - 4 Position	
9C	4460464	4	Pin, Male	
9D	1001210079	1	Plug, Male - 4 Position	
9D	4460465	2	Socket, Female	
9D	4460944	2	Socket, Female	
9E	1001116812	1	Plug, Male - 3 Position	
9E	4460944	2	Socket, Female	
9E	4460466	1	Plug, Terminal	

# SECTION 2 - GROUND CONTROLS

## FIGURE 2-9. MOBILE CONTROL INSTALLATION



ART\_1001249614



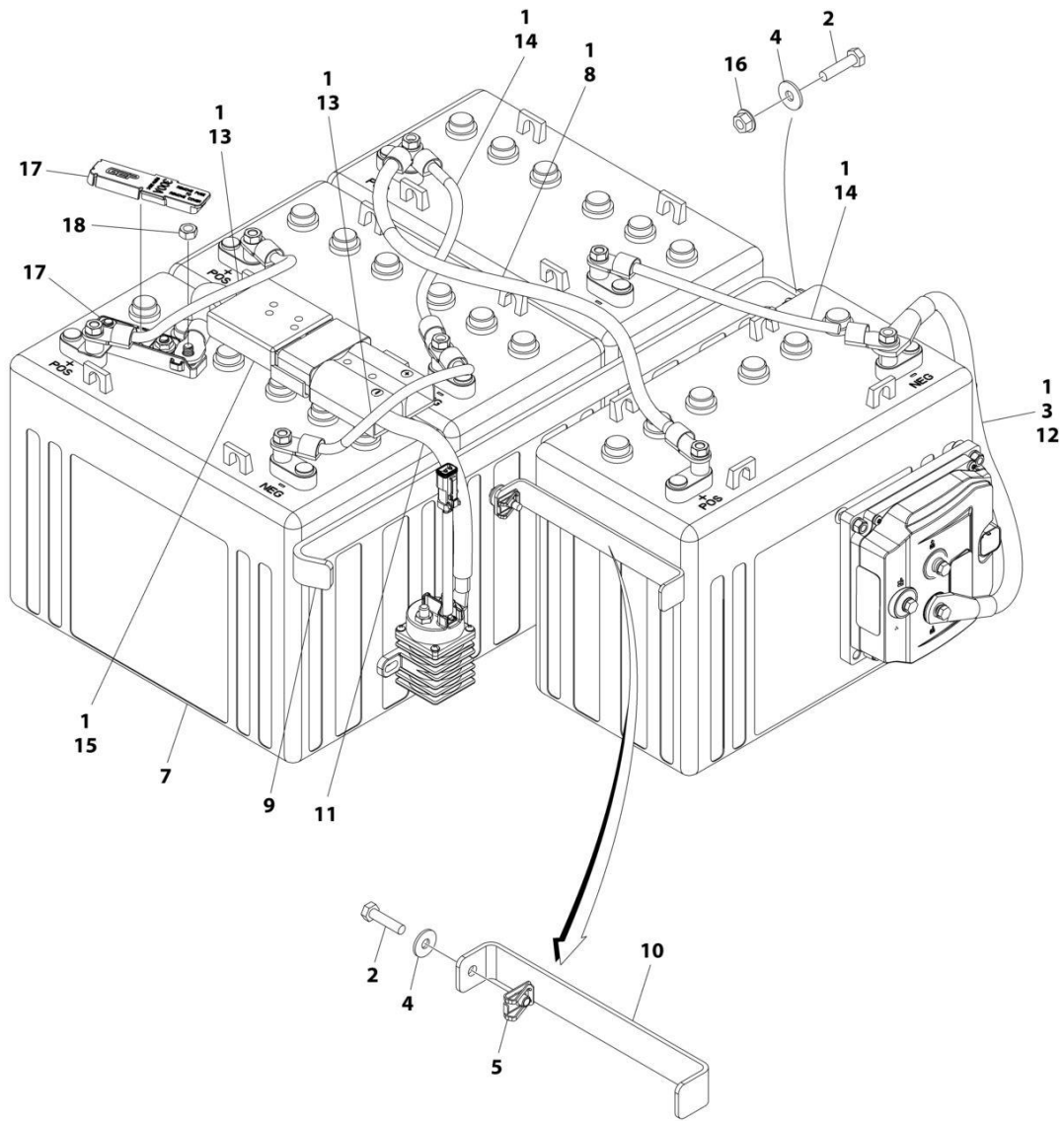
## SECTION 2 - GROUND CONTROLS

**FIGURE 2-9. MOBILE CONTROL INSTALLATION**

ITEM	PART NUMBER	QTY	DESCRIPTION	REV
	1001249614	Ref	Mobile Control Installation	A
1	0700612	2	Bolt M6 x 25	
2	3290605	2	Nut M6	
3	4240017	AR	Tie-Strap (Not Shown)	
4	4811700	2	Washer M6	
5	1001244394	1	Bracket	
6	1001244885	1	Plate	
7	1001249613	1	Mobile Control Harness (See Separate Breakdown in ELECTRICAL SECTION)	
100	1001252928	1	Mobile Control / Decal Kit (Not Shown)	
101	1001245293	1	Module, Mobile Control	
102	1001248768	3	Decal - Mobile Control	

# SECTION 2 - GROUND CONTROLS

## FIGURE 2-10. BATTERIES INSTALLATION - STANDARD 12V-150AH



ART\_1001214913\_D

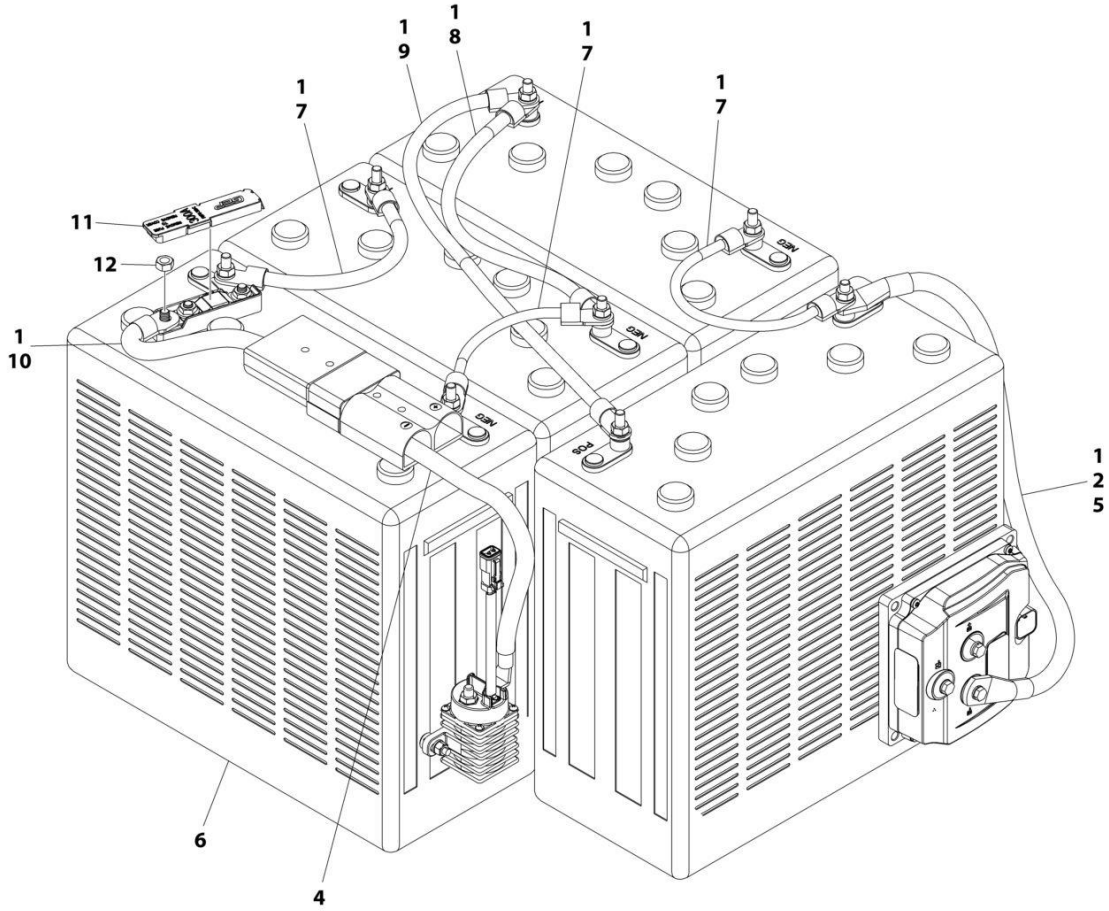
## SECTION 2 - GROUND CONTROLS

**FIGURE 2-10. BATTERIES INSTALLATION - STANDARD 12V-150AH**

ITEM	PART NUMBER	QTY	DESCRIPTION	REV
	1001214913	Ref	BATTERIES INSTALLATION - STANDARD 12V-150AH	D
1	0100051	AR	Grease, Terminal	
2	0760612	2	Bolt M6 x 25	
3	4240017	AR	Tie-Strap	
4	4811702	2	Washer M6	
5	8305919	1	Nut, Retainer, M6	
7	1001214981	4	Battery	
8	1001216411	1	Cable, Battery (+ to -)	
9	1001220904	1	Bracket	
10	1001220905	1	Bracket	
11	1001214878	1	Cable, Contactor to Battery Disconnect	
11	4460290	1	Connector, Anderson	
12	1001214879	1	Cable, Battery to Pump Control B-	
13	1001216409	2	Cable	
14	1001216410	2	Cable	
15	1001216417	1	Cable, Battery Disconnect +	
15	2400087	1	Fuse - 300Amp	
16	5260600	1	Nut, M6 Class 10	
17	1001229522	1	Holder, Mega Fuse 300A	
18	3290801	1	Nut M8	

# SECTION 2 - GROUND CONTROLS

FIGURE 2-11. BATTERIES INSTALLATION - STANDARD 12V-185AH



ART\_1001214915\_E

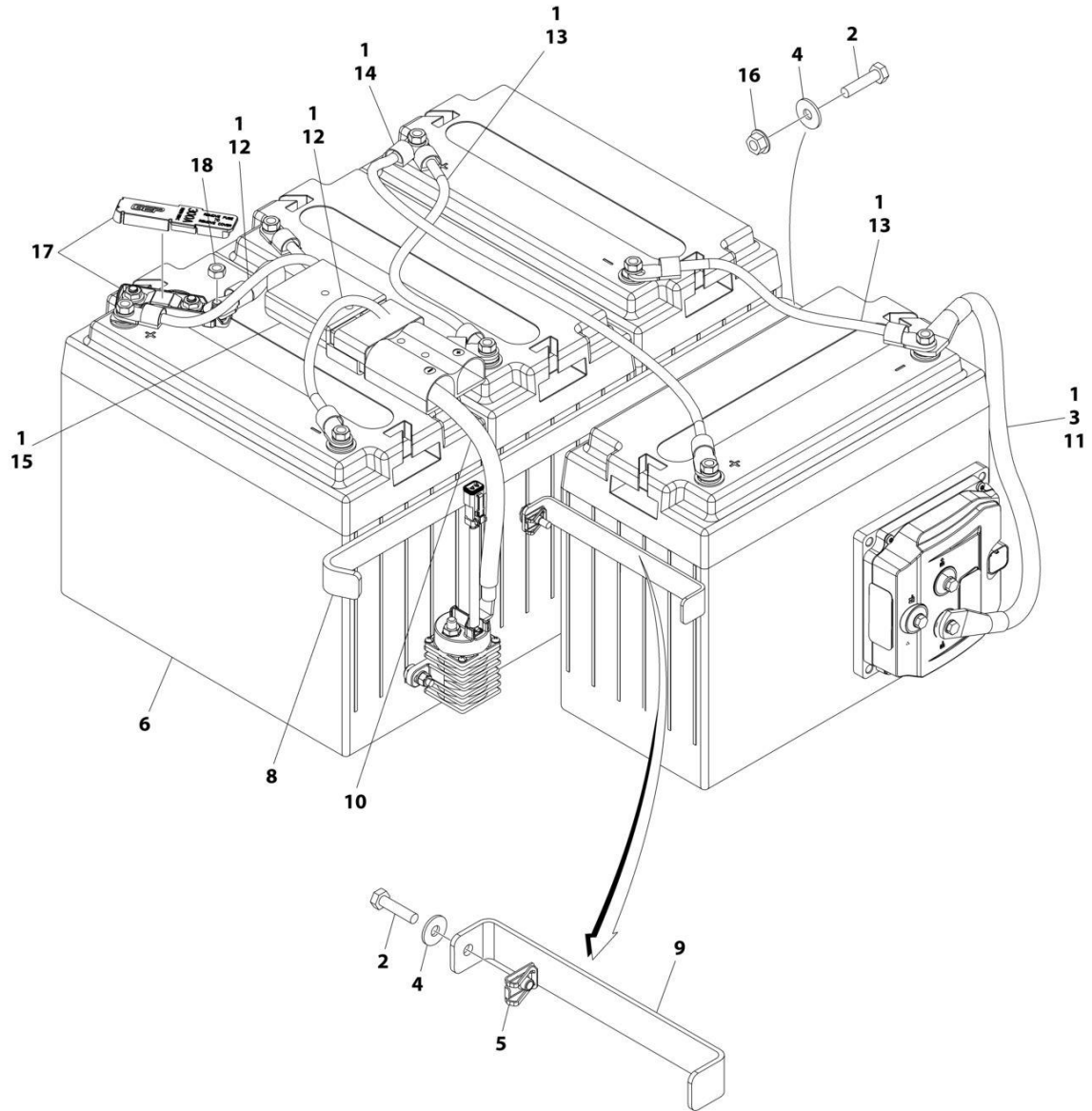
## SECTION 2 - GROUND CONTROLS

**FIGURE 2-11. BATTERIES INSTALLATION - STANDARD 12V-185AH**

ITEM	PART NUMBER	QTY	DESCRIPTION	REV
	1001214915	Ref	BATTERIES INSTALLATION - STANDARD 12V-185AH	E
1	0100051	AR	Grease, Terminal	
2	4240017	AR	Tie-Strap	
4	1001214878	1	Cable, Contactor to Battery Disconnect	
4	4460290	1	Connector, Anderson	
5	1001214879	1	Cable, Battery - to Pump Control B-	
6	1001214980	4	Battery	
7	1001216409	3	Cable, Battery	
8	1001216410	1	Cable, Battery (+ to -)	
9	1001216411	1	Cable, Battery (+ to +)	
10	1001216417	1	Cable, Battery Disconnect to Fuse	
10	4460290	1	Connector, Anderson	
10	2400087	1	Fuse - 300Amp	
11	1001229522	1	Holder, Mega Fuse 300A	
12	3290801	1	Nut M8	

# SECTION 2 - GROUND CONTROLS

## FIGURE 2-12. BATTERIES INSTALLATION - AGM 12V-150AH



ART\_1001214911\_D

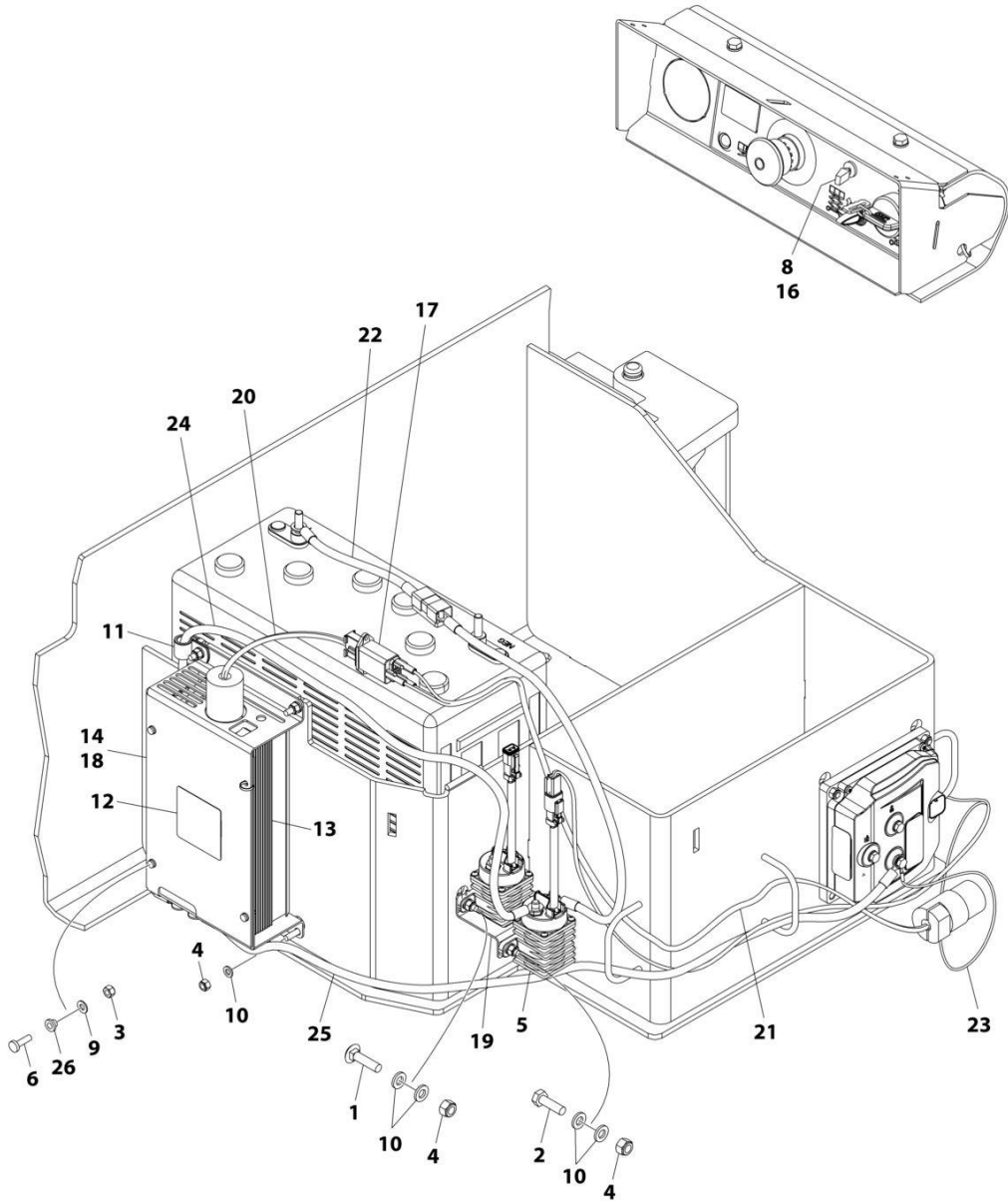
## SECTION 2 - GROUND CONTROLS

**FIGURE 2-12. BATTERIES INSTALLATION - AGM 12V-150AH**

ITEM	PART NUMBER	QTY	DESCRIPTION	REV
	1001214911	Ref	BATTERIES INSTALLATION - AGM 12V-150AH	D
1	0100051	AR	Grease, Terminal	
2	0760612	2	Bolt M6 x 25	
3	4240017	AR	Tie-Strap	
4	4811702	2	Washer M6	
5	8305919	1	Nut, Retainer, M6	
6	1001214309	4	Battery	
8	1001220904	1	Bracket	
9	1001220905	1	Bracket	
10	1001214878	1	Cable, Contactor to Battery Disconnect	
10	4460290	1	Connector, Anderson	
11	1001214879	1	Cable, Battery to Pump Control B-	
12	1001216409	2	Cable, Battery	
13	1001216410	2	Cable, Battery	
14	1001216411	1	Cable, Battery (+ to +)	
15	1001216417	1	Cable, Battery Disconnect +	
15	2400087	1	Fuse - 300Amp	
16	5260600	1	Nut, M6 Class 10	
17	1001229522	1	Holder, Mega Fuse 300A	
18	3290801	1	Nut M8	

# SECTION 2 - GROUND CONTROLS

## FIGURE 2-13. INVERTER INSTALLATION (OPTIONAL)



ART\_1001214215



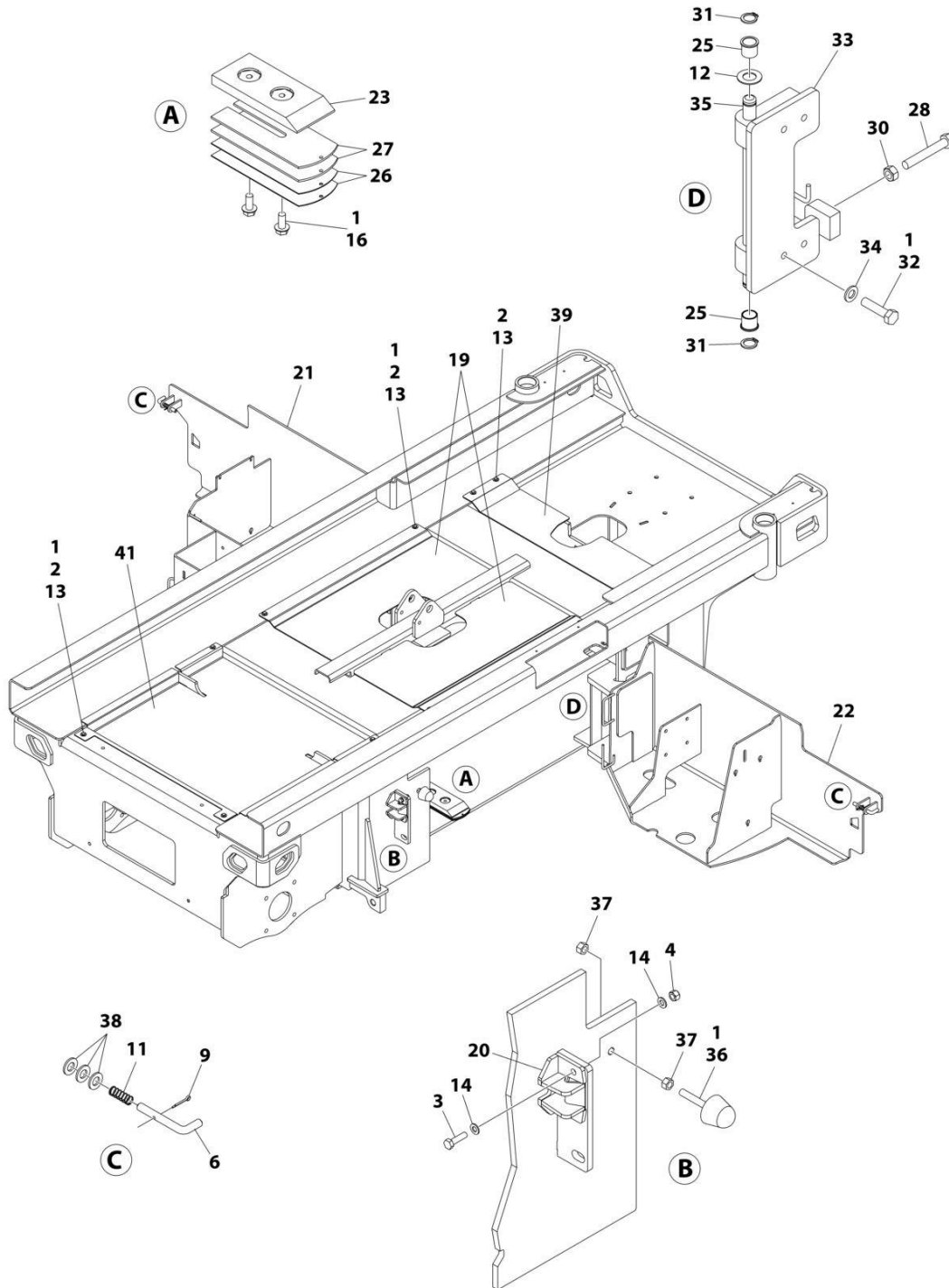
## SECTION 2 - GROUND CONTROLS

**FIGURE 2-13. INVERTER INSTALLATION (OPTIONAL)**

ITEM	PART NUMBER	QTY	DESCRIPTION	REV
	1001214215	Ref	INVERTER INSTALLATION (OPTIONAL)	B
1	0630587	6	Bolt M6 x 25	
2	0760610	2	Bolt M6 x 20	
3	3290405	3	Nut M4	
4	3290605	8	Nut M6	
5	3740150	1	Relay	
6	1001101540	3	Screw M4 x 14	
7	4240017	AR	Tie-Strap (Not Shown)	
8	4360336	1	Switch, Toggle	
9	4811400	3	Washer M4	
10	4811700	8	Washer M6	
11	85941016	1	Clamp	
12	1001125483	1	Decal - Pressure Wash	
13	1001136757	1	Inverter	
14	1001142173	1	Insulate	
15	1001143009	1	Decal - Inverter (Not Shown - Located on LH side of Frame)	
16	1001143010	1	Decal - On/Off Inverter	
17	1001157547	1	Inverter	
18	1001210440	1	Support	
19	1001210605	1	Support	
20	1001210881	1	Cable, Inverter to AC Filter	
20	4460138	1	Plug, Male - 3 Prong	
20	1001157513	1	Plug, Male - 3 Position	
20	1001157790	3	Terminal	
21	1001210882	1	Cable AC Filter to AC Plug	
21	4460779	1	Receptacle, Female	
22	1001214880	1	Cable, Battery + to Relay	
23	1001214994	1	Harness, Inverter (See Separate Breakdown in ELECTRICAL SECTION)	
24	1001215215	1	Cable, Inverter + to Relay	
25	1001217445	1	Cable, Pump Control B- to Inverter -	
26	1001142174	3	Washer 1/8	

# SECTION 2 - GROUND CONTROLS

## FIGURE 2-14. DOORS INSTALLATION



ART\_1001216353\_G

## SECTION 2 - GROUND CONTROLS

### FIGURE 2-14. DOORS INSTALLATION

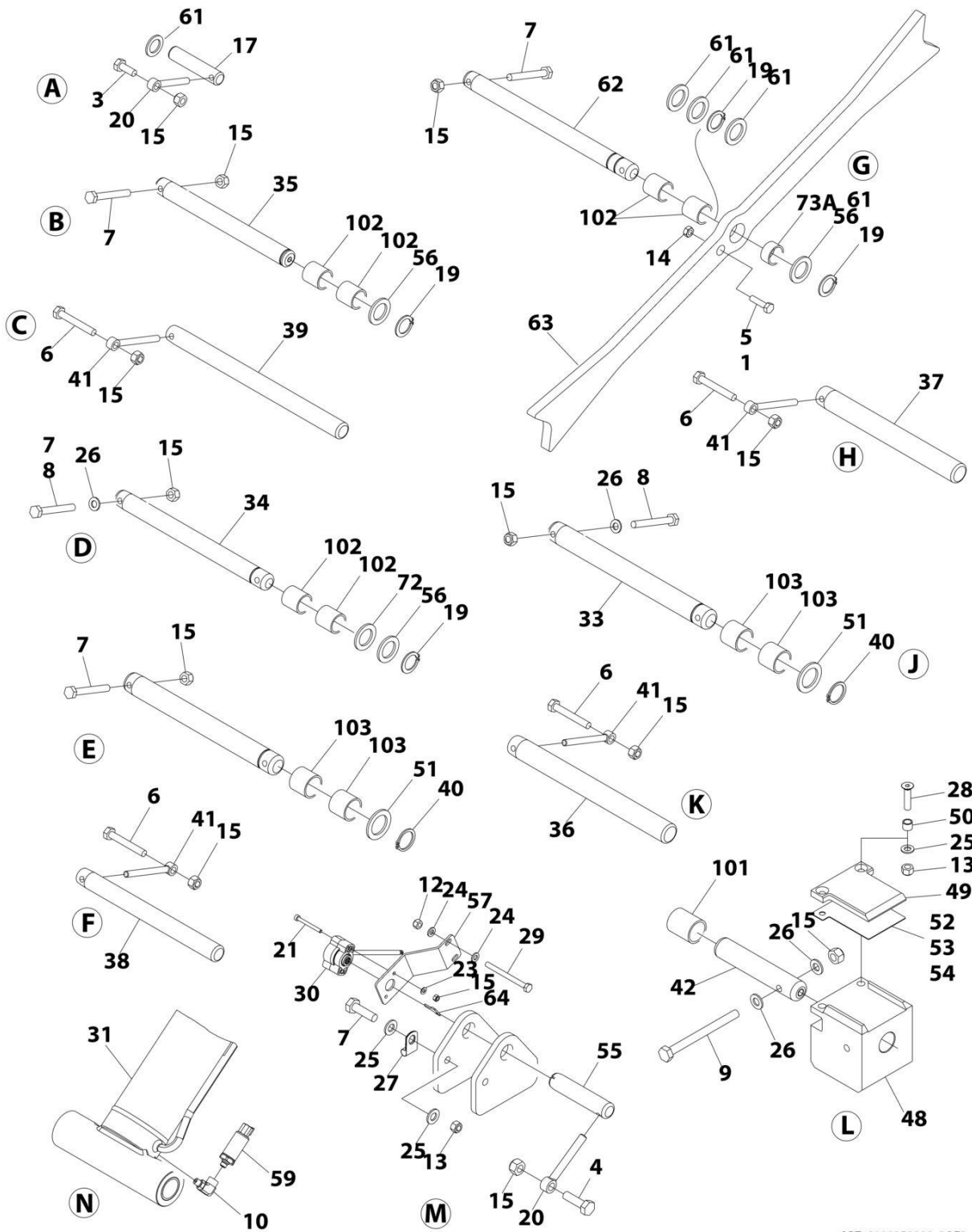
ITEM	PART NUMBER	QTY	DESCRIPTION	REV
	1001216353	Ref	DOORS INSTALLATION	G
1	0100011	AR	Compound, Locking	
2	0700612	12	Bolt M6 x 25	
3	0700817	4	Bolt M8 x 45	
4	3290805	4	Nut M8	
6	3423243	2	Pin, Latch	
9	3450303	2	Pin	
11	4160214	2	Spring	
12	4740086	2	Washer	
13	4811702	12	Washer M6	
14	4811902	4	Washer M8	
16	5251011	2	Bolt M10 x 22	
19	1001217464	2	Panel	
20	1001214810	2	Bracket	
21	1001218048	1	Door, Battery	
22	1001218181	1	Door, Hydraulic	
23	1001218563	2	Pad, Wear	
25	1001218573	4	Bearing	
26	1001219828	AR	Shim 18GA	
27	1001219829	AR	Shim, Wear Pad 11GA	
28	0761224	2	Bolt M12 x 80	
30	3291201	2	Nut M12	
31	3760348	4	Ring, Retaining	
32	0761218001	8	Bolt M12 x 50	
33	1001223073	2	Hinge	
34	4812100001	8	Washer M12	
35	1001223171	2	Pin	
36	0940071	2	Bumper	
37	3271601	4	Nut 3/8	
38	4812000	AR	Washer M10	
39	1001234257	1	Panel	
41	1001256516	1	Cover, Frame	



**SECTION 3 - SCISSORS ARMS**



# SECTION 3 - SCISSORS ARMS



ART\_1001258819\_20F2

## SECTION 3 - SCISSORS ARMS

FIGURE 3-1. SCISSOR ARMS INSTALLATION (MACHINES WITH SN STARTING WITH 12, B2 & G2)

ITEM	PART NUMBER	QTY	DESCRIPTION	REV
	1001258819	Ref	SCISSORS ARMS INSTALLATION	A
1	0100011	AR	Compound, Locking	
2	0700814	1	Bolt M8 x 30	
3	0701014	2	Bolt M10 x 30	
4	0701015	1	Bolt M10 x 35	
5	0701016	2	Bolt M10 x 40	
6	0701022	4	Bolt M10 x 70	
7	0701024	18	Bolt M10 x 80	
8	0701025	8	Bolt M10 x 85	
9	0701030	AR	Bolt M10 x 130	
10	2221116	2	Fitting, 90 ORB/ORB	
11	3290405	2	Nut M4	
12	3290605	2	Nut M6	
13	3290805	9	Nut M8	
14	3291001	2	Nut M10	
15	3291005	39	Nut M10	
16	3321402	1	Nut 1/4	
17	3422943	2	Pin	
18	3760170	4	Ring, Split	
19	3760387	20	Ring, Retaining	
20	3841143	3	Keeper, Pin	
21	4031512	2	Capscrew M4 x 40	
22	4160078	1	Spring	
23	4811400	2	Washer M4	
24	4811700	4	Washer M6	
25	4811900	10	Washer M8	
26	4812000	24	Washer M10	
27	8406003	1	Clamp	
28	1001094312	8	Screw M8 x 30	
29	1001096653	2	Bolt M6 x 70	
30	1001146963	1	Sensor, BEI Angle	
31	1001153195	6	Washer M10	
32	1001174673	2	Screw M10 x 30	
33	1001214625	4	Pin	
34	1001214641	12	Pin	
35	1001214644	4	Pin	
36	1001214646	1	Pin	
37	1001214648	1	Pin	
38	1001214649	1	Pin	
39	1001214650	1	Pin	
40	1001214689	8	Ring, Reatining	
41	1001214907	4	Keeper, Pin	
42	1001215790	4	Pin	
43	1001216593	1	LSS Harness (Not Shown - See Separate Breakdown in ELECTRICAL SECTION)	
44	1001216594	1	Lift Down Harness - Lower (Not Shown) (See Separate Breakdown in ELECTRICAL SECTION)	
45	1001216595	1	Lift Down Harness - Upper (Not Shown) (See Separate Breakdown in ELECTRICAL SECTION)	
46	1001216690	2	Support, Cable	

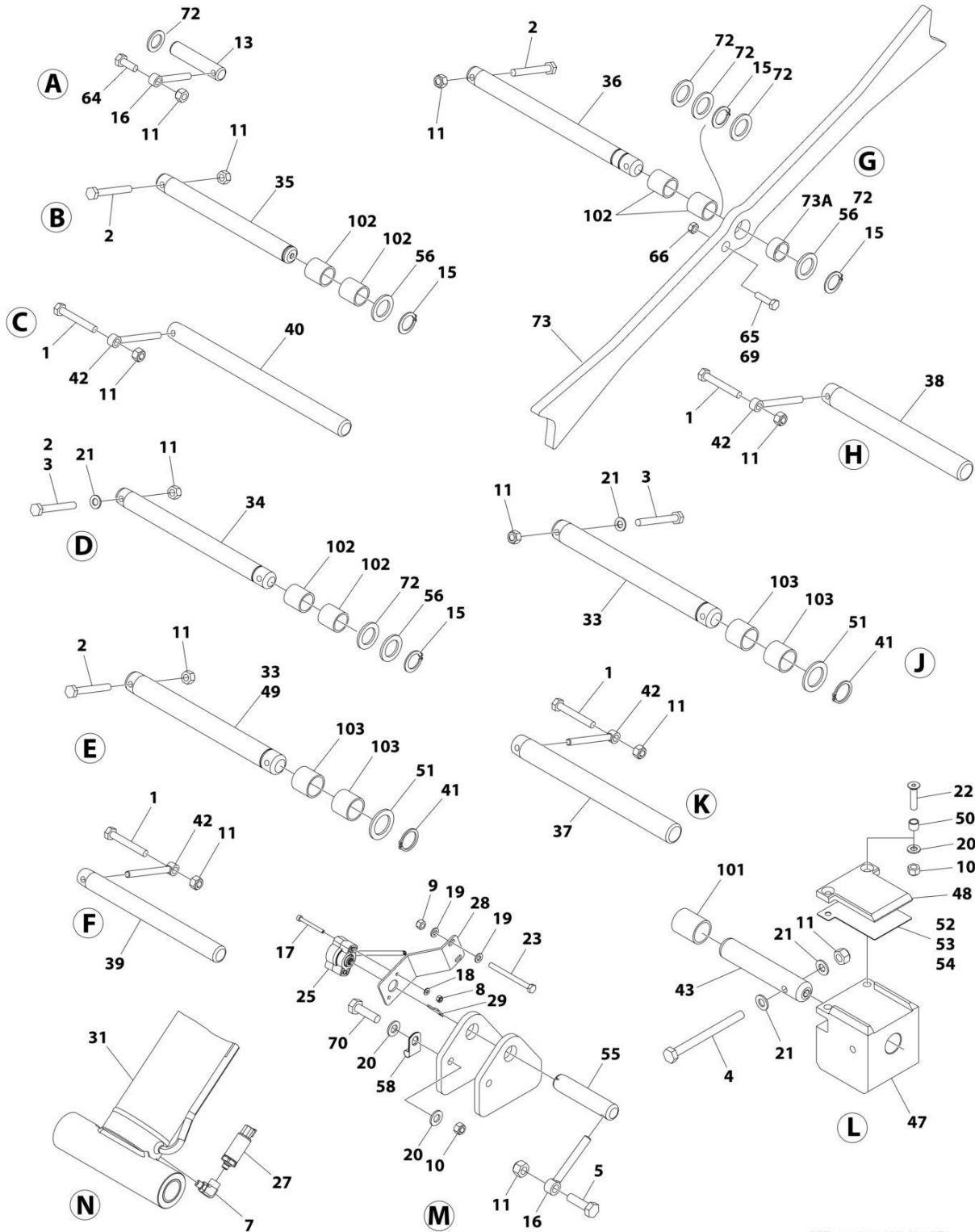


## SECTION 3 - SCISSORS ARMS

ITEM	PART NUMBER	QTY	DESCRIPTION	REV
47	1001216691	2	Support, Cable	
48	1001216781	4	Block, Slide	
49	1001216792	4	Pad, Slide	
50	1001217110	8	Sleeve	
51	1001217457	8	Washer	
52	1001217466	AR	Shim, 20 Gauge	
53	1001219834	AR	Shim, 15 Gauge	
54	1001219835	AR	Shim, 24 Gauge	
55	1001220144	1	Pin, Sensor	
56	1001220407	16	Washer	
57	1001222308	1	Bracket	
58	1001225164	1	Sensor, Pressure Transducer	
59	1001227516	2	Transducer, Pressure	
60	1001228533	36	Pad	
61	1001231270	AR	Shim	
62	1001231837	2	Pin	
63	1001231890	2	Assembly, Safety Prop	
64	1001234204	1	Key, Sensor	
65	1001242708	1	LOWER LIFT CYLINDER	
66	1001242709	1	UPPER LIFT CYLINDER	
67	1001218696	1	Cable, Manual Descent	
	1001219766	Ref	ARM KIT	
101	0440266	8	Bearing	
102	0440267	36	Bearing	
103	0962272	16	Bearing	
104	1001211677	1	Arm - Inner 3	
105	1001211951	2	Link	
105	0962474	4	Bushing	
106	1001212768	1	Arm - Inner 1	
107	1001212795	1	Arm - Outer 1	
108	1001212829	1	Arm - Inner 2	
109	1001212958	2	Arm - Outer 2	
110	1001212963	1	Arm - Outer 3 (LH)	
111	1001212964	1	Arm - Outer 3 (RH)	
112	1001212967	2	Arm - Outer 4	
113	1001212970	1	Arm - Inner 4	
114	1001212971	1	Arm - Inner 5	
115	1001212972	1	Arm - Outer 5	



# SECTION 3 - SCISSORS ARMS



ART\_1001213137\_N\_20F2

## SECTION 3 - SCISSORS ARMS

FIGURE 3-2. SCISSOR ARMS INSTALLATION (MACHINES WITH SN STARTING WITH M2)

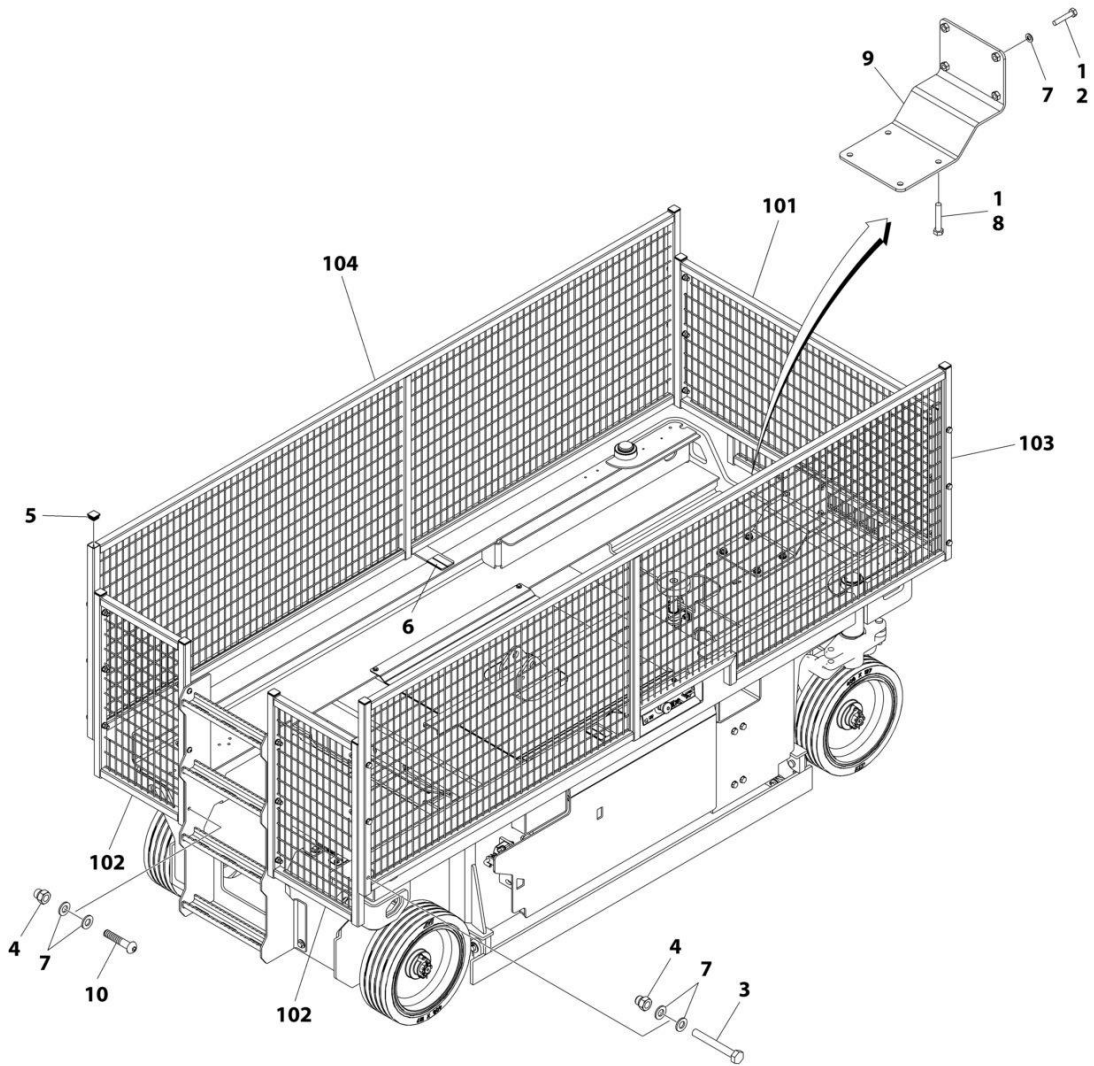
ITEM	PART NUMBER	QTY	DESCRIPTION	REV
	1001213137	Ref	SCISSORS ARMS INSTALLATION	N
1	0701022	4	Bolt M10 x 70	
2	0701024	18	Bolt M10 x 80	
3	0701025	8	Bolt M10 x 85	
4	0701030	AR	Bolt M10 x 130	
5	0701015	1	Bolt M10 x 35	
7	2221116	2	Fitting, 90 ORB/ORB	
8	3290405	2	Nut M4	
9	3290605	2	Nut M6	
10	3290805	9	Nut M8	
11	3291005	39	Nut M10	
12	1001228533	36	Pad	
13	3422943	2	Pin	
14	3760170	4	Ring, Split	
15	3760387	20	Ring, Retaining	
16	3841143	3	Keeper, Pin	
17	4031512	2	Capscrew M4 x 40	
18	4811400	2	Washer M4	
19	4811700	4	Washer M6	
20	4811900	10	Washer M8	
21	4812000	24	Washer M10	
22	1001094312	8	Screw M8 x 30	
23	1001096653	2	Bolt M6 x 70	
25	1001146963	1	Sensor, BEI Angle	
25	4460899	1	Receptacle, Female - 6 Position	
25	4460464	6	Pin, Male	
26	1001153195	6	Washer M10	
27	1001227516	2	Transducer, Pressure	
28	1001222308	1	Bracket	
29	1001234204	1	Key, Sensor	
31	1001212482	1	Lift Cylinder Assembly - Lower (See Separate Breakdown in CYLINDER SECTION)	
32	1001212483	1	Lift Cylinder Assembly - Upper (See Separate Breakdown in CYLINDER SECTION)	
33	1001214625	8	Pin	
34	1001214641	12	Pin	
35	1001214644	4	Pin	
36	1001231837	2	Pin	
37	1001214646	1	Pin	
38	1001214648	1	Pin	
39	1001214649	1	Pin	
40	1001214650	1	Pin	
41	1001214689	8	Ring, Reatining	
42	1001214907	4	Keeper, Pin	
43	1001215790	4	Pin	
45	1001216690	2	Support, Cable	
46	1001216691	2	Support, Cable	
47	1001216781	4	Block, Slide	
48	1001216792	4	Pad, Slide	
49	1001216808	NLA	Pin (Use P/N 1001214625)	

## SECTION 3 - SCISSORS ARMS

ITEM	PART NUMBER	QTY	DESCRIPTION	REV
50	1001217110	8	Sleeve	
51	1001217457	8	Washer	
52	1001217466	AR	Shim, 20 Gauge	
53	1001219834	AR	Shim, 15 Gauge	
54	1001219835	AR	Shim, 24 Gauge	
55	1001220144	1	Pin, Sensor	
56	1001220407	16	Washer	
57	1001174673	2	Screw M10 x 30	
58	8406003	1	Clamp	
59	3321402	1	Nut 1/4	
60	4160078	1	Spring	
61	1001218696	1	Cable, Manual Descent	
61	7020218	1	Handle	
62	1001216594	1	Lift Down Harness - Lower (Not Shown) (See Separate Breakdown in ELECTRICAL SECTION)	
63	1001216595	1	Lift Down Harness - Upper (Not Shown) (See Separate Breakdown in ELECTRICAL SECTION)	
64	0701014	2	Bolt M10 x 30	
65	0701016	2	Bolt M10 x 40	
66	3291001	2	Nut M10	
67	1001216593	1	LSS Harness (Not Shown - See Separate Breakdown in ELECTRICAL SECTION)	
68	1001225164	1	Sensor, Pressure Transducer	
69	0100011	AR	Compound, Locking	
70	0700814	1	Bolt M8 x 30	
72	1001231270	AR	Shim	
73	1001231890	2	Assembly, Safety Prop	
73A	1001227919	1	Bearing, Bronze	
	1001219766	Ref	ARM KIT	
101	0440266	8	Bearing	
102	0440267	36	Bearing	
103	0962272	16	Bearing	
104	1001211677	1	Arm - Inner 3	
105	1001211951	2	Link	
105	0962474	4	Bushing	
106	1001212768	1	Arm - Inner 1	
107	1001212795	1	Arm - Outer 1	
108	1001212829	1	Arm - Inner 2	
109	1001212958	2	Arm - Outer 2	
110	1001212963	1	Arm - Outer 3 (LH)	
111	1001212964	1	Arm - Outer 3 (RH)	
112	1001212967	2	Arm - Outer 4	
113	1001212970	1	Arm - Inner 4	
114	1001212971	1	Arm - Inner 5	
115	1001212972	1	Arm - Outer 5	

# SECTION 3 - SCISSORS ARMS

## FIGURE 3-3. ARM GUARD INSTALLATION



ART\_1001226220

## SECTION 3 - SCISSORS ARMS

### FIGURE 3-3. ARM GUARD INSTALLATION

ITEM	PART NUMBER	QTY	DESCRIPTION	REV
	1001226220	Ref	ARM GUARD INSTALLATION	A
1	0100011	AR	Compound, Locking	
2	0701019	4	Bolt M10 x 55	
3	0701024	12	Bolt M10 x 80	
4	3291006	18	Nut M10	
5	3520072	10	Plug	
6	4420062	1 ft/30cm	Tape	
7	4812000	40	Washer M10	
8	1001098828	4	Bolt M12 x 70 Garde 10.9	
9	1001226215	1	Bracket	
10	1001229529	6	Screw M10 x 50	
100	1001226219	1	Arm Guard Kit (Not Shown)	
101	1001226216	1	Guard, Arm (Front)	
102	1001226218	2	Guard, Arm (Rear)	
103	1001229950	1	Guard, Arm (RH)	
104	1001229951	1	Guard, Arm (LH)	

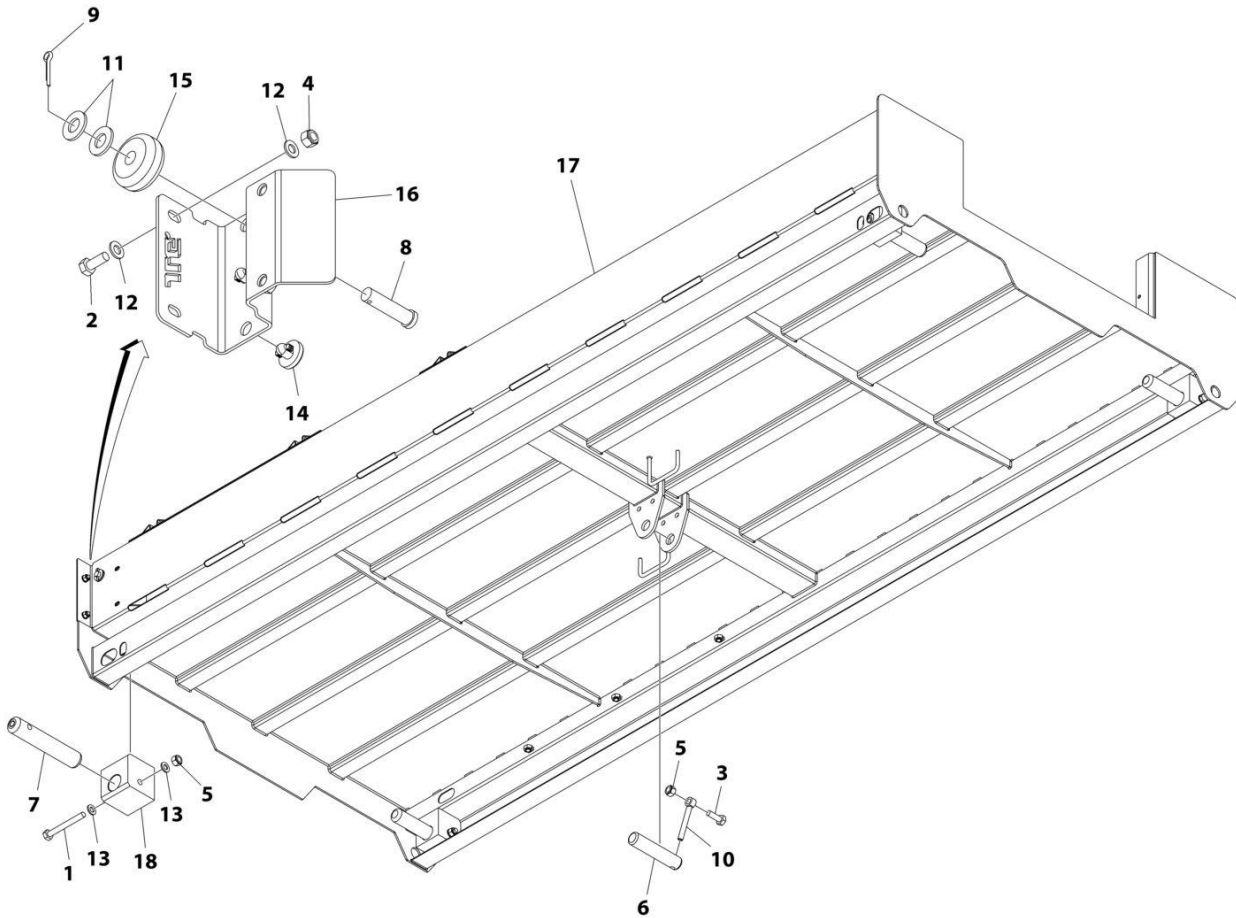




**SECTION 4 - PLATFORM**

# SECTION 4 - PLATFORM

## FIGURE 4-1. PLATFORM INSTALLATION



ART\_1001213267

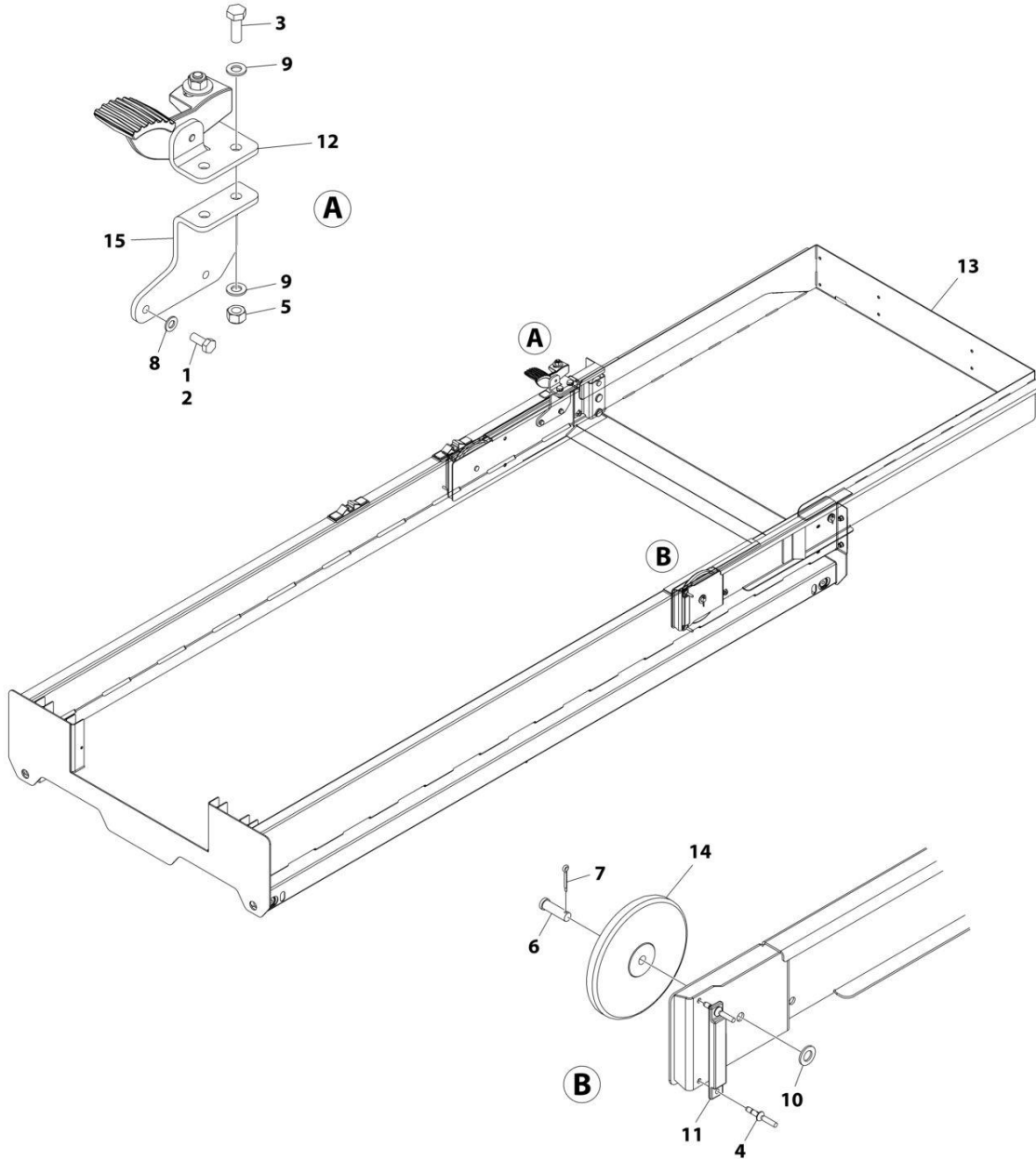
## SECTION 4 - PLATFORM

**FIGURE 4-1. PLATFORM INSTALLATION**

ITEM	PART NUMBER	QTY	DESCRIPTION	REV
	1001213267	Ref	PLATFORM INSTALLATION	F
1	0701026	4	Bolt M10 x 90	
2	0760810	4	Bolt M8 x 20	
3	0761014	1	Bolt M10 x 30	
4	3290805	4	Nut M8	
5	3291005	5	Nut M10	
6	3422943	1	Pin	
7	1001215790	4	Pin	
8	3430816	2	Pin	
9	3450403	2	Pin 1/8 x 3/4	
10	3841143	1	Keeper, Pin	
11	4711800	4	Washer 1/2	
12	4811900	8	Washer M8	
13	4812000	8	Washer M10	
14	1001137675	4	Bumper	
15	1001205422	2	Roller	
16	1001210064	2	Support, Roller	
17	1001213275	1	Platform	
18	1001214268	4	Block, Slide	

# SECTION 4 - PLATFORM

## FIGURE 4-2. PLATFORM EXTENSION INSTALLATION



ART\_1001213268\_C

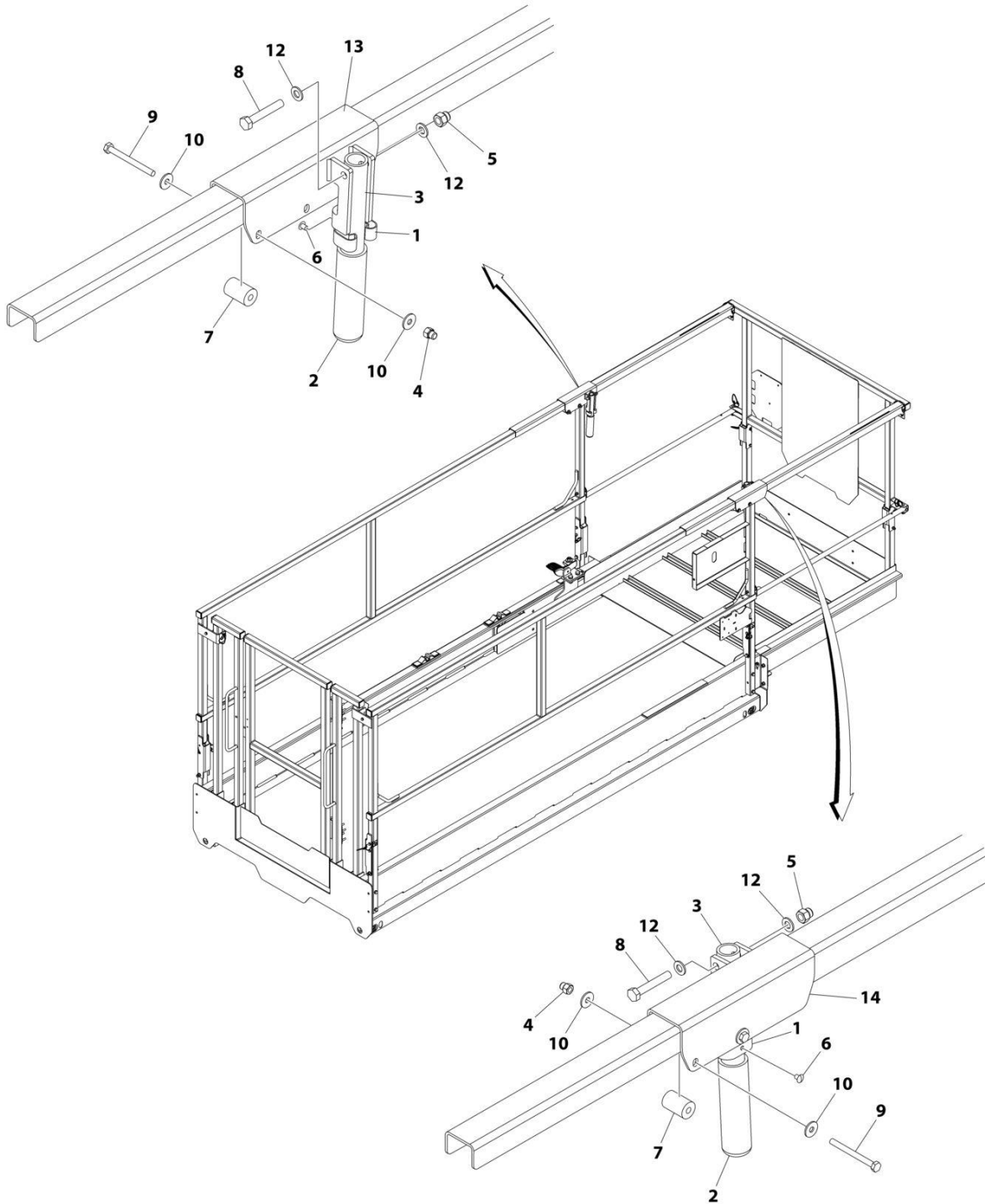
## SECTION 4 - PLATFORM

**FIGURE 4-2. PLATFORM EXTENSION INSTALLATION**

ITEM	PART NUMBER	QTY	DESCRIPTION	REV
	1001213268	Ref	PLATFORM EXTENSION INSTALLATION	C
1	0100011	AR	Compound, Locking	
2	0760810	AR	Bolt M8 x 20	
2	0760812	AR	Bolt M8 x 25	
3	0761014	2	Bolt M10 x 30	
4	2080040	4	Fastener	
5	3291005	2	Nut M10	
6	3430813	2	Pin	
7	3450404	2	Pin 1/8 x 1	
8	4811900	2	Washer M8	
9	4812000	4	Washer M10	
10	4812200	2	Washer M14	
11	1001208852	2	Pad, Slide	
12	1001234407	1	Bracket, Latch	
13	1001213470	1	Extension	
14	1001213550	2	Roller	
15	1001213838	1	Plate	

# SECTION 4 - PLATFORM

## FIGURE 4-3. EXTENSION HANDLES INSTALLATION (OPTIONAL)



ART\_1001215446\_E

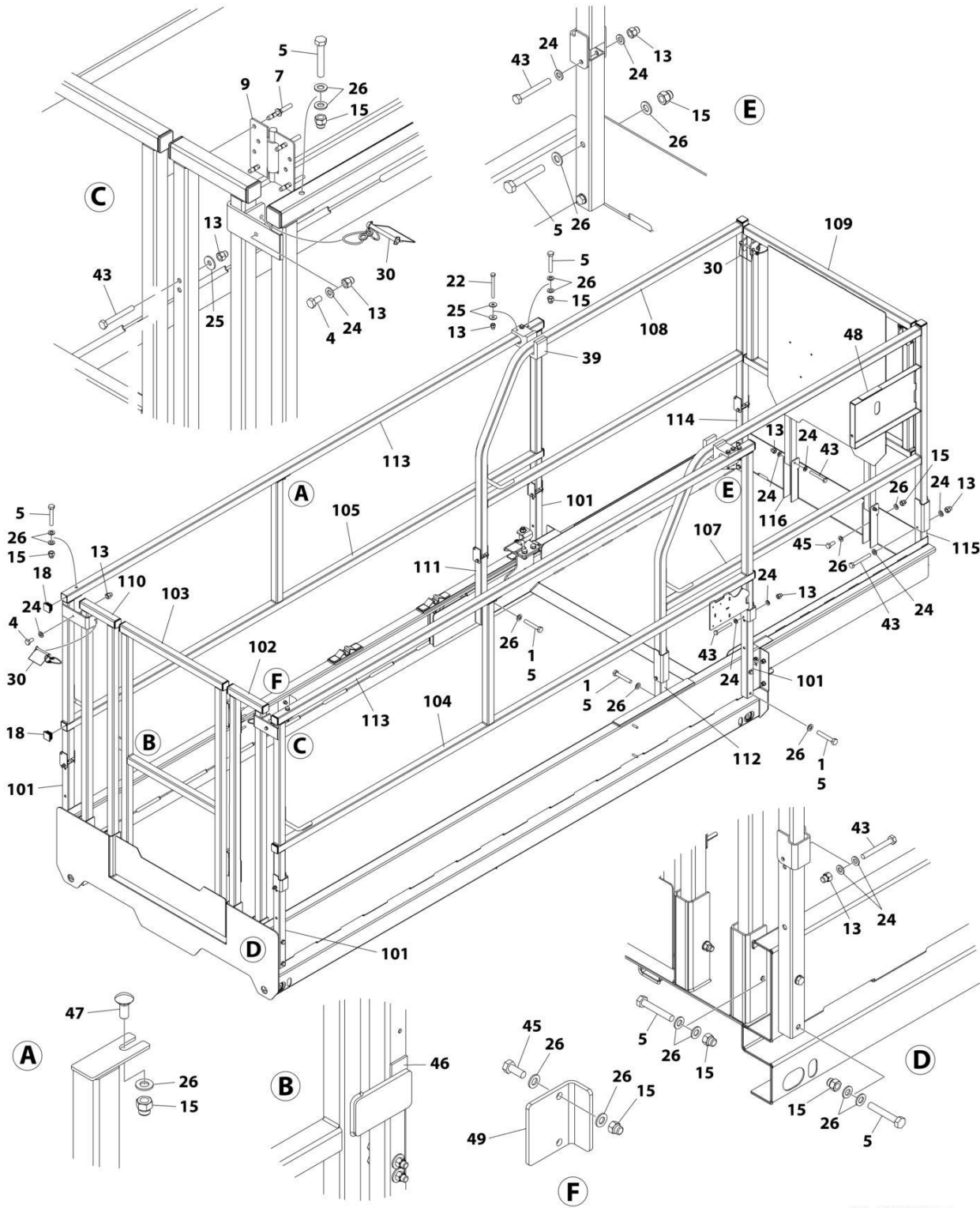
## SECTION 4 - PLATFORM

**FIGURE 4-3. EXTENSION HANDLES INSTALLATION (OPTIONAL)**

ITEM	PART NUMBER	QTY	DESCRIPTION	REV
	1001215446	Ref	EXTENSION HANDLES INSTALLATION (OPTIONAL)	E
1	1380132	2	Clip	
2	2560088	2	Grip	
3	2560190	2	Handle	
4	3290606	2	Nut M6	
5	3290806	2	Nut M8	
6	3820019	2	Rivet	
7	3860111	2	Roller	
8	0700818	AR	Bolt M8 x 50	
9	0700621	AR	Bolt M6 x 65	
10	4811702	AR	Washer M6	
12	4811900	AR	Washer M8	
13	1001235560	1	Bracket (LH)	
14	1001235561	1	Bracket (RH)	

# SECTION 4 - PLATFORM

## FIGURE 4-4. RAILS INSTALLATION (SIDE BY SIDE)



ART\_1001213270\_J



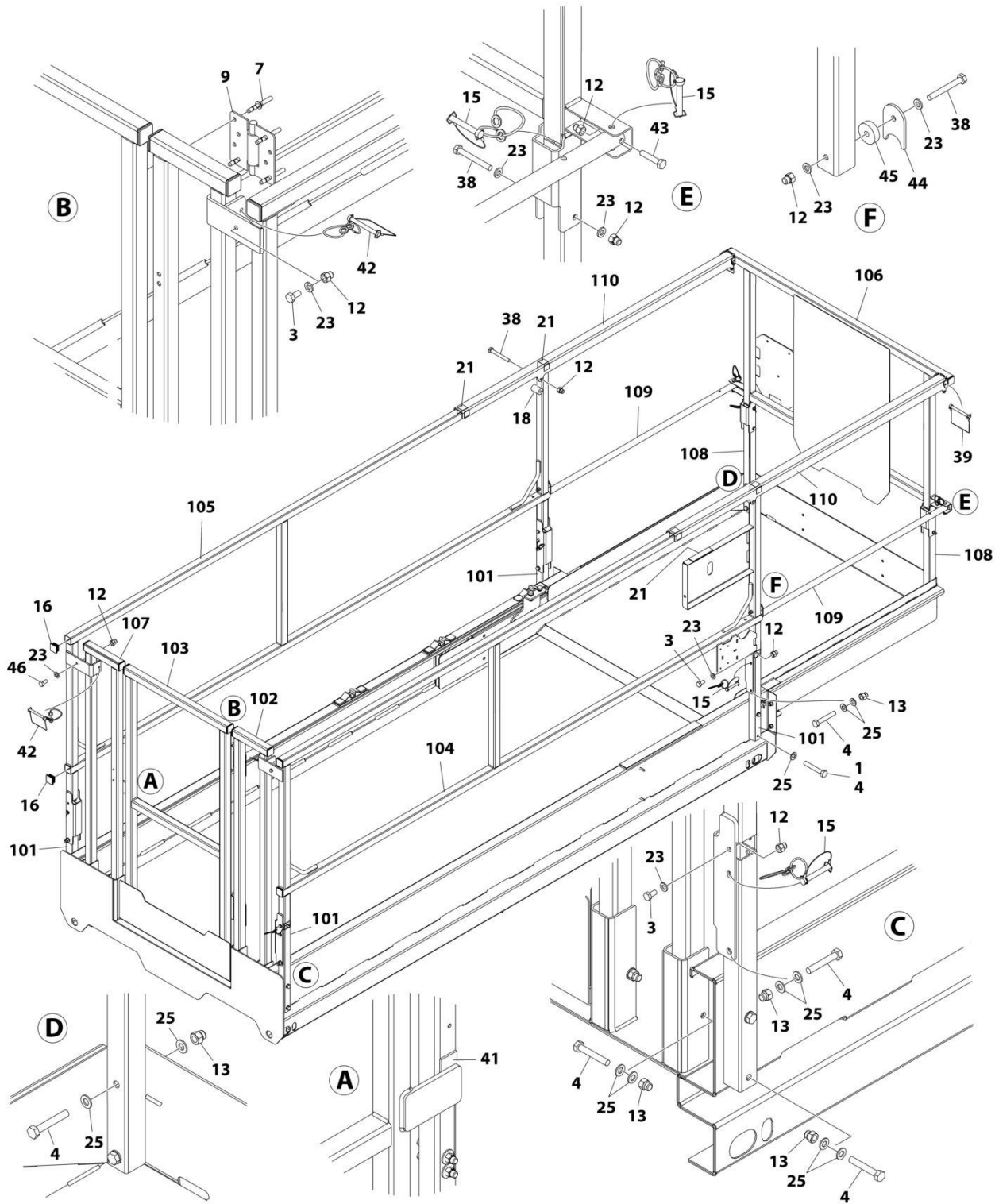
## SECTION 4 - PLATFORM

**FIGURE 4-4. RAILS INSTALLATION (SIDE BY SIDE)**

ITEM	PART NUMBER	QTY	DESCRIPTION	REV
	1001213270	Ref	RAILS INSTALLATION (SIDE BY SIDE)	J
1	0100011	AR	Compound, Locking	
4	0760606	2	Bolt M6 x 12	
5	0700818	24	Bolt M8 x 50	
7	2080040	18	Fastener	
9	2600281	2	Hinge	
13	3290606	16	Nut M6	
15	3290806	24	Nut M8	
18	3520072	20	Plug	
22	0700617	4	Bolt M6 x 45	
24	4811700	22	Washer M6	
25	4811702	8	Washer M6	
26	4811900	54	Washer M8	
30	1001187587	1	Pin, Snap with Lanyard	
39	1001237911	2	Bracket, Slide	
43	0700618	10	Bolt M6 x 50	
45	0760810	6	Bolt M8 x 20	
46	3080007	1	Magnet, Gate	
47	1001186235	2	Bolt M8 x 20	
48	4420062	4 in/ 10cm	Tape	
49	1001232622	1	Bracket, Stop	
	1001218264	Ref	Rail Kit	
101	1001213393	4	Tube	
102	1001213394	1	Rail, Rear (RH)	
103	1001213397	1	Gate	
104	1001222907	1	Rail, Side (RH)	
105	1001222913	1	Rail, Side (LH)	
107	1001213915	1	Rail, Extension Side (RH)	
108	1001213916	1	Rail, Extension Side (LH)	
109	1001213931	1	Rail, Extension Front	
110	1001222742	1	Rail, Rear (LH)	
111	1001222861	1	Tube (LH)	
112	1001222869	1	Tube (RH)	
113	1001223040	2	Rail, Top	
114	1001223165	1	Tube, Extension (LH)	
115	1001223166	1	Tube, Extension (RH)	
116	1001223053	2	Bracket	

# SECTION 4 - PLATFORM

## FIGURE 4-5. RAILS INSTALLATION (TUBE IN TUBE)



ART\_1001213269\_H

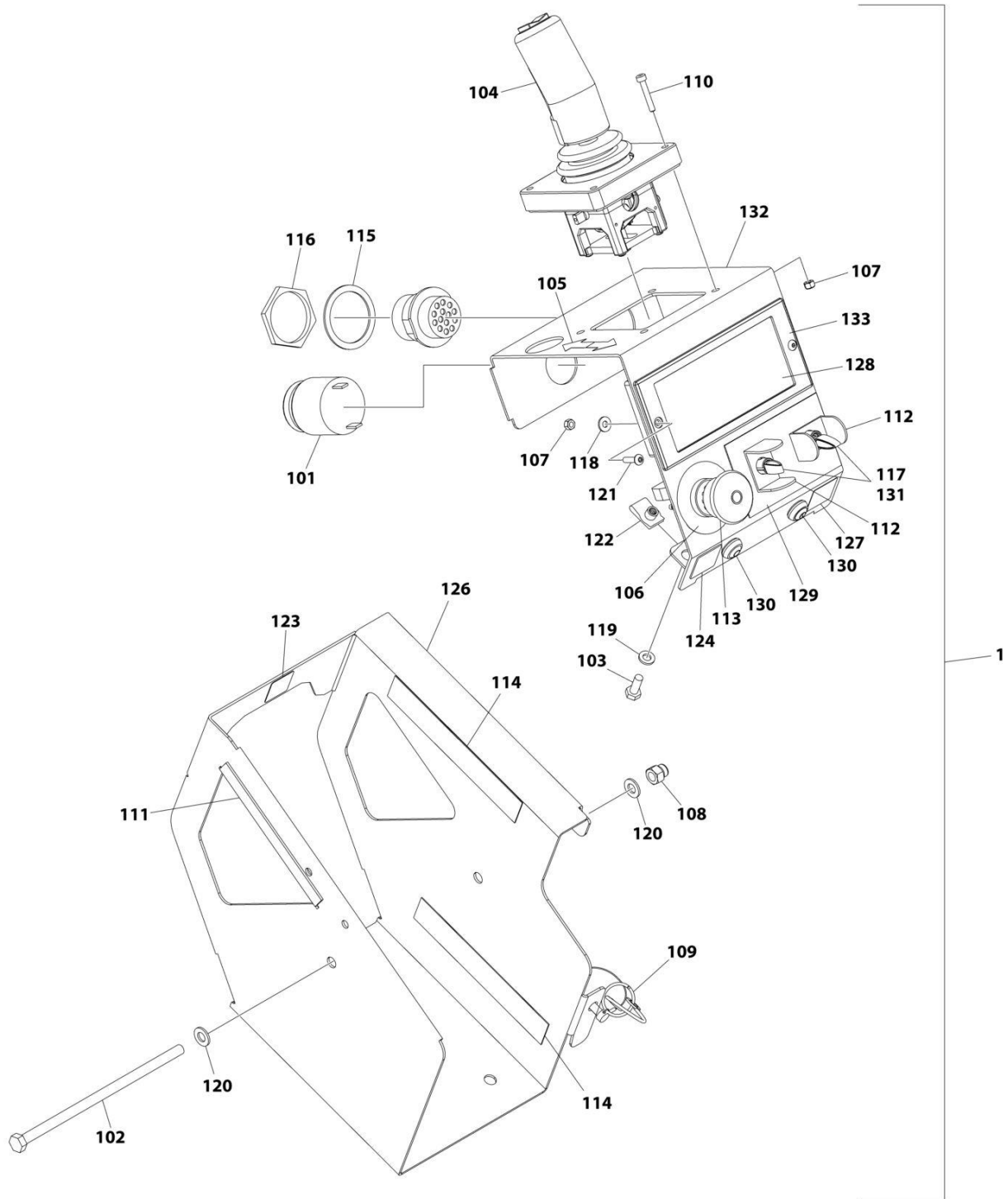
## SECTION 4 - PLATFORM

**FIGURE 4-5. RAILS INSTALLATION (TUBE IN TUBE)**

ITEM	PART NUMBER	QTY	DESCRIPTION	REV
	1001213269	Ref	RAILS INSTALLATION (TUBE IN TUBE)	H
1	0100011	AR	Compound, Locking	
3	0760606	4	Bolt M6 x 12	
4	0700818	20	Bolt M8 x 50	
7	2080040	16	Fastener	
9	2600281	2	Hinge	
12	3290606	14	Nut M6	
13	3290806	16	Nut M8	
15	3423278	8	Pin, Snap	
16	3520072	14	Plug	
18	3860111	2	Roller	
21	4420062	16 in/ 40cm	Tape	
23	4811700	14	Washer M6	
25	4811900	36	Washer M8	
38	0700618	6	Bolt M6 x 50	
39	3422219	2	Pin, Snap	
41	3080007	1	Magnet, Gate	
42	1001187587	2	Pin, Snap with Lanyard	
43	0700614	2	Bolt M6 x 30	
44	1001227972	2	Plate, Extension Rod Stop	
45	1001227994	2	Washer	
46	0760608	2	Bolt M6 x 16	
	1001218263	Ref	RAIL KIT	
101	1001213393	4	Tube	
102	1001213394	1	Rail, Rear (RH)	
103	1001213397	1	Gate	
104	1001213403	1	Rail, Side (RH)	
105	1001213407	1	Rail, Side (LH)	
106	1001213409	1	Rail, Extension Front	
107	1001222742	1	Rail, Rear (LH)	
108	1001223164	2	Tube, Extension	
109	1001227969	2	Rail, Center Slide	
110	1001213416	2	Rail, Top Slide	

# SECTION 4 - PLATFORM

## FIGURE 4-6. PLATFORM CONSOLE INSTALLATION



ART\_1001274659

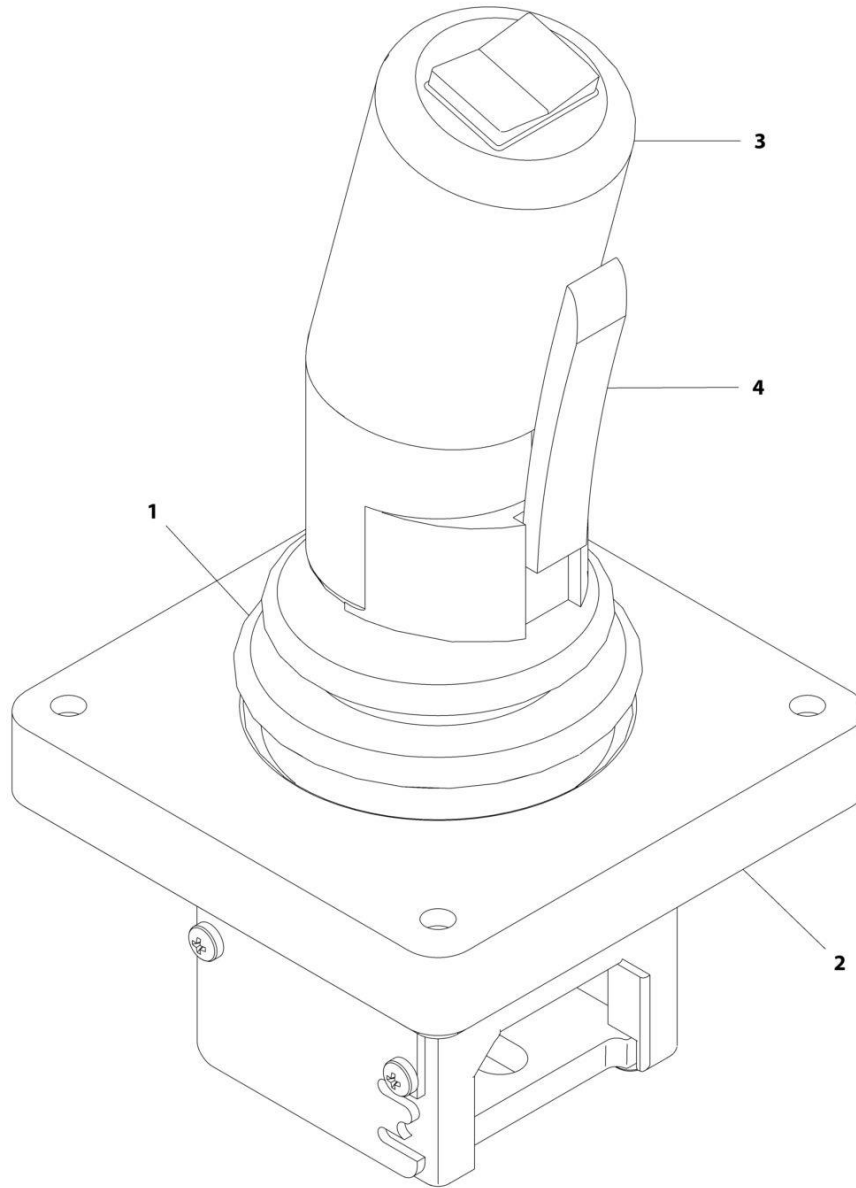
## SECTION 4 - PLATFORM

**FIGURE 4-6. PLATFORM CONSOLE INSTALLATION**

ITEM	PART NUMBER	QTY	DESCRIPTION	REV
	1001274659	Ref	PLATFORM CONTROL INSTALLATION (LED)	A
1	1001274604	1	Platform Control Box	B
101	0140030	1	Alarm	
102	0700835	1	Bolt M8 x 180	
103	0760610	2	Bolt M6 x 20	
104	1600402	1	Controller Assembly (See Separate Breakdown in this Section)	
105	1703819	1	Decal - Arrow	
106	1704260	1	Decal - Emergency Stop	
107	3290405	6	Nut M4	
108	3290806	1	Nut M8	
109	3423278	1	Pin, Snap with Lanyard	
110	4031509	4	Capscrew M4 x 25	
111	4060803	6 in/ 14cm	Flex-Trim	
112	4060906	2	Guard, Switch	
113	4360475	1	Switch, Emergency Stop	
113	7020175	1	Cap	
113	7020176	1	Block, Contact	
114	4420062	12 in/ 30cm	Tape	
115	4460496	1	Washer, Terminal	
116	4460497	1	Nut, Terminal	
117	4711700	2	Washer 7/16	
118	4811400	2	Washer M4	
119	4811700	2	Washer M6	
120	4811900	2	Washer M8	
121	1001047064	2	Screw M4 x 15	
122	1001130220	2	Nut, Tinnerman M6	
123	1001132358	1	Decal - Steer	
124	1001132361	1	Decal - Horn	
125	1001200819	1	Platform Control Box Harness (Not Shown) (See Separate Breakdown in ELECTRICAL Section)	
126	1001209596	1	Plate, Box (Outside)	
127	1001213886	1	Decal - Indoor/Outdoor	
128	1001218285	1	Decal - Platform Control	
129	1001220893	1	Decal - Lift/Drive Function	
130	1001226749	2	Switch, Push Button	
131	1001258446	2	Switch, Toggle	
132	1001262655	1	Plate, Box (Inside)	
133	1001274605	1	Module, Platform Control	

# SECTION 4 - PLATFORM

## FIGURE 4-7. CONTROLLER ASSEMBLY



ART\_1600402

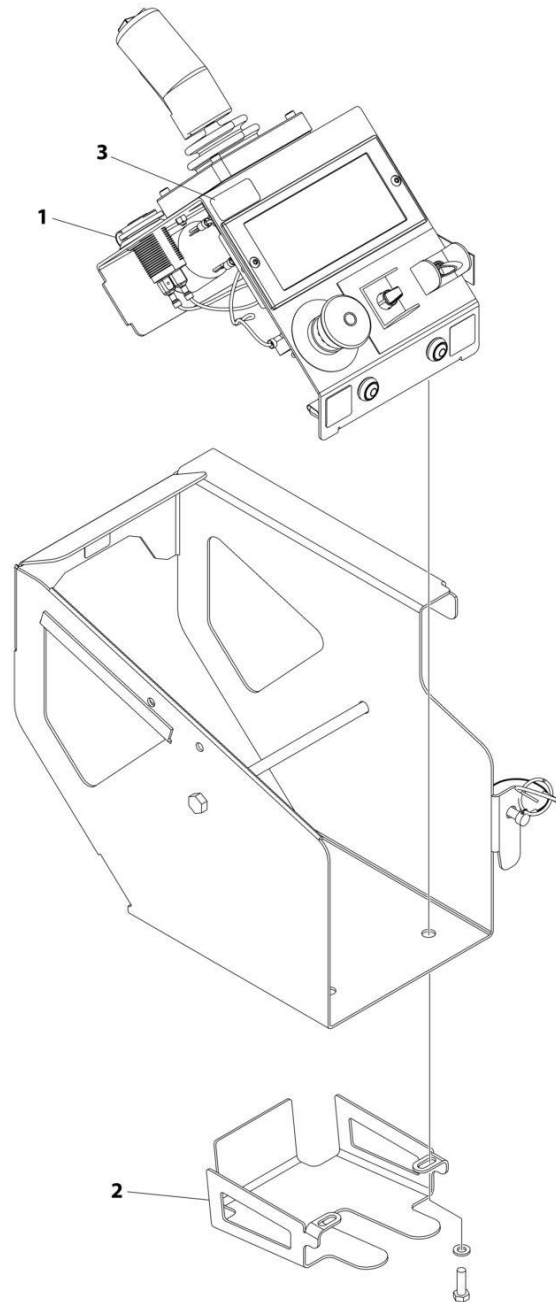
## SECTION 4 - PLATFORM

### FIGURE 4-7. CONTROLLER ASSEMBLY

ITEM	PART NUMBER	QTY	DESCRIPTION	REV
	1600402	Ref	DRIVE/STEER CONTROLLER ASSEMBLY	A
1	70001250	1	Boot, Panel	
2	70001252	1	Gasket, Mounting	
2	70001251	1	Bezel, Mounting	
3	70003650	1	Handle Repair Kit (Includes handle gasket, item#4 push button and item #4 lever installed in front handle half, back handle half, top actuator, boot and hardware.)	
3	70000084	1	Cap, Rubber	
3	70000082	1	Microswitch	
3	7027766	1	Ring, Retaining	
3	7027365	1	Actuator, Handle	
3	70001253	1	Gasket, Handle	
3	70000683	4	Washer, Neoprene	
3	70000685	2	Spacer, Plastic	
3	70000686	2	Screw (Top)	
3	70000684	2	Screw (Bottom)	
4	7027367	1	Switch, Push Button	
4	7027765	1	Lever, Enable	

# SECTION 4 - PLATFORM

## FIGURE 4-8. USB/PHONE CRADLE INSTALLATION



ART\_1001262150



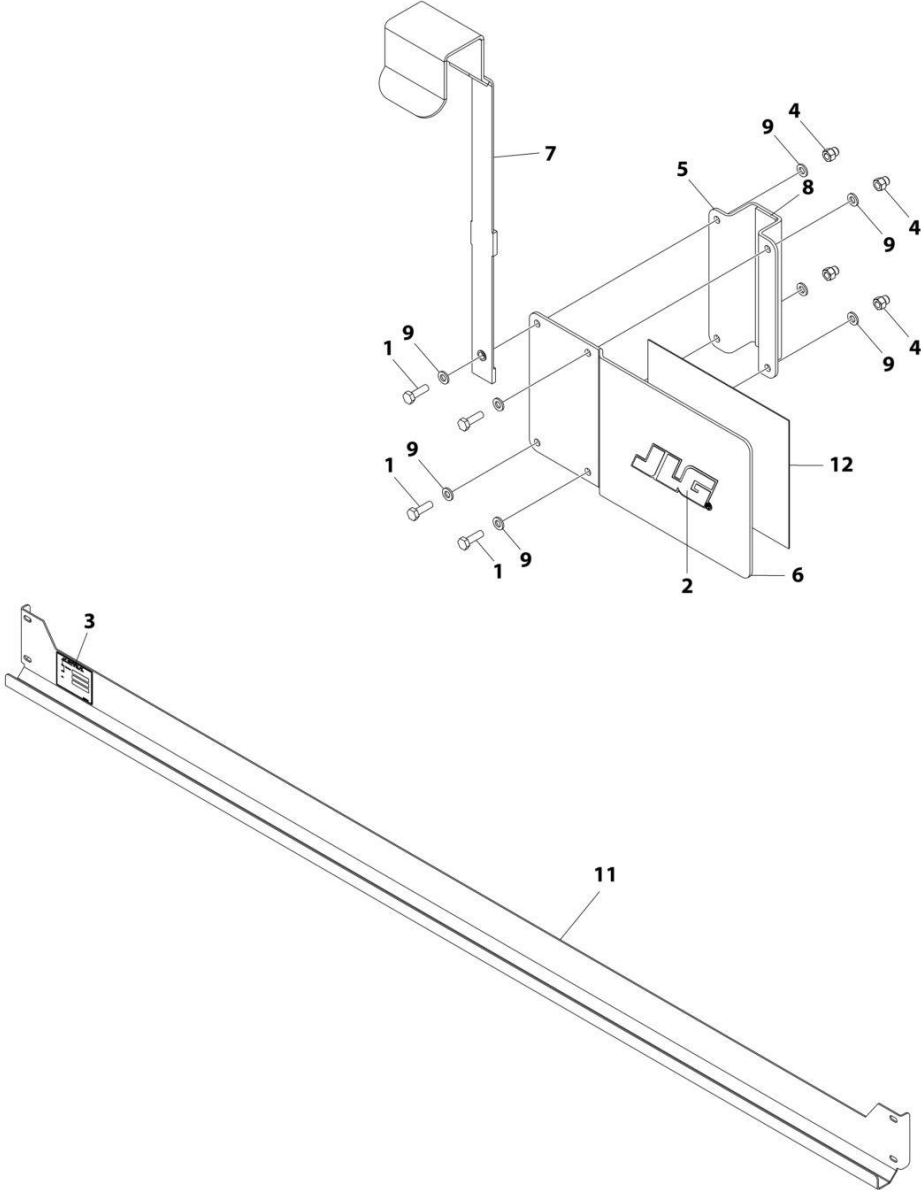
## SECTION 4 - PLATFORM

### FIGURE 4-8. USB/PHONE CRADLE INSTALLATION

ITEM	PART NUMBER	QTY	DESCRIPTION	REV
	1001262150	Ref	USB/PHONE CRADLE INSTALLATION	B
1	1001253800	1	Terminal, USB Receptacle	
2	1001261131	1	Bracket, Phone	
3	1001274168	1	Decal, USB Charge	

**SECTION 4 - PLATFORM**

**FIGURE 4-9. PANEL CARRIER INSTALLATION (OPTIONAL)**



ART\_1001216779

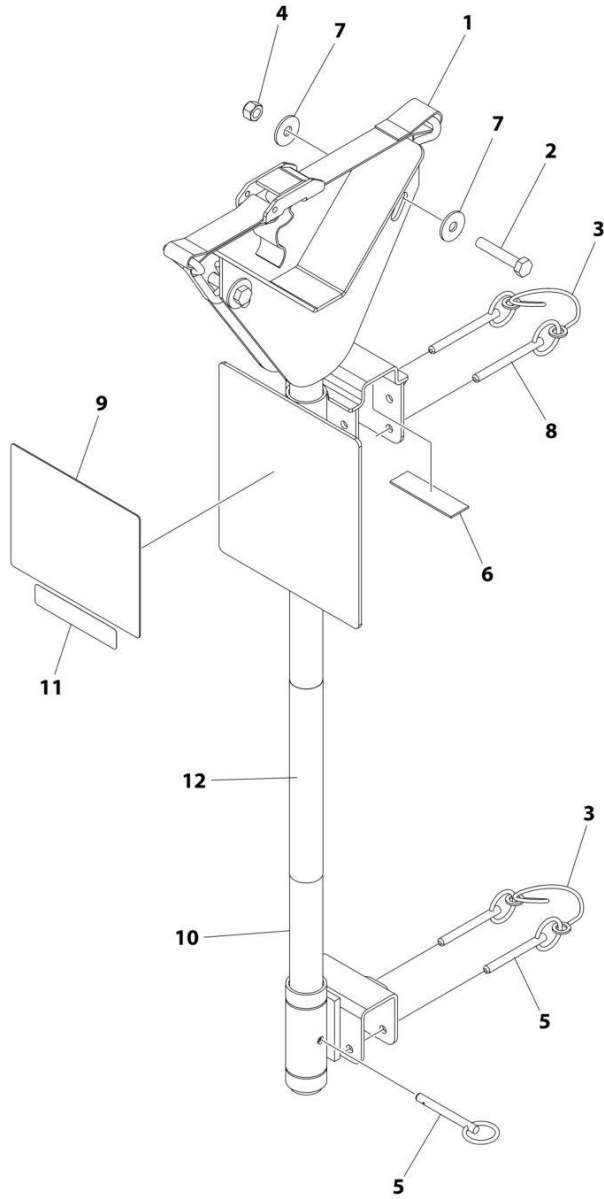
## SECTION 4 - PLATFORM

**FIGURE 4-9. PANEL CARRIER INSTALLATION (OPTIONAL)**

ITEM	PART NUMBER	QTY	DESCRIPTION	REV
	1001216779	Ref	PANEL CARRIER INSTALLATION (OPTIONAL)	B
1	0760610	4	Bolt M6 x 20	
2	1702010	1	Decal - JLG	
3	See Note	NSS	Nameplate - Accessory SN (Note: Not Available for Purchase)	
4	3290606	4	Nut M6	
5	3574505	1	Bracket	
6	3574506	1	Plate, Billboard	
7	4240165	1	Strap	
8	4420037	6 in /15cm	Tape	
9	4811700	8	Washer M6	
11	1001216816	1	Channel, Panel Carrier	
12	1001220891	1	Decal - Capacity	

# SECTION 4 - PLATFORM

## FIGURE 4-10. PIPE RACK INSTALLATION (OPTIONAL)



ART\_1001270855

## SECTION 4 - PLATFORM

**FIGURE 4-10. PIPE RACK INSTALLATION (OPTIONAL)**

ITEM	PART NUMBER	QTY	DESCRIPTION	REV
	1001270855	Ref	PIPE RACK INSTALLATION	C
1	0480100	2	Tie-Strap	
2	0700817	4	Bolt M8 x 45	
3	1060379	4	Lanyard	
4	3290805	4	Nut M8	
5	3422661	6	Pin	
6	4420062	AR	Tape	
7	4811902	8	Washer M8	
8	1001235941	4	Pin	
9	1001287711	2	Decal - Pipe Rack Capacity	
10	1001270533	2	Rack Pipe	
11	1001270631	2	Decal - ACCY Weight	
12	1001271412	2	Decal - JLG	



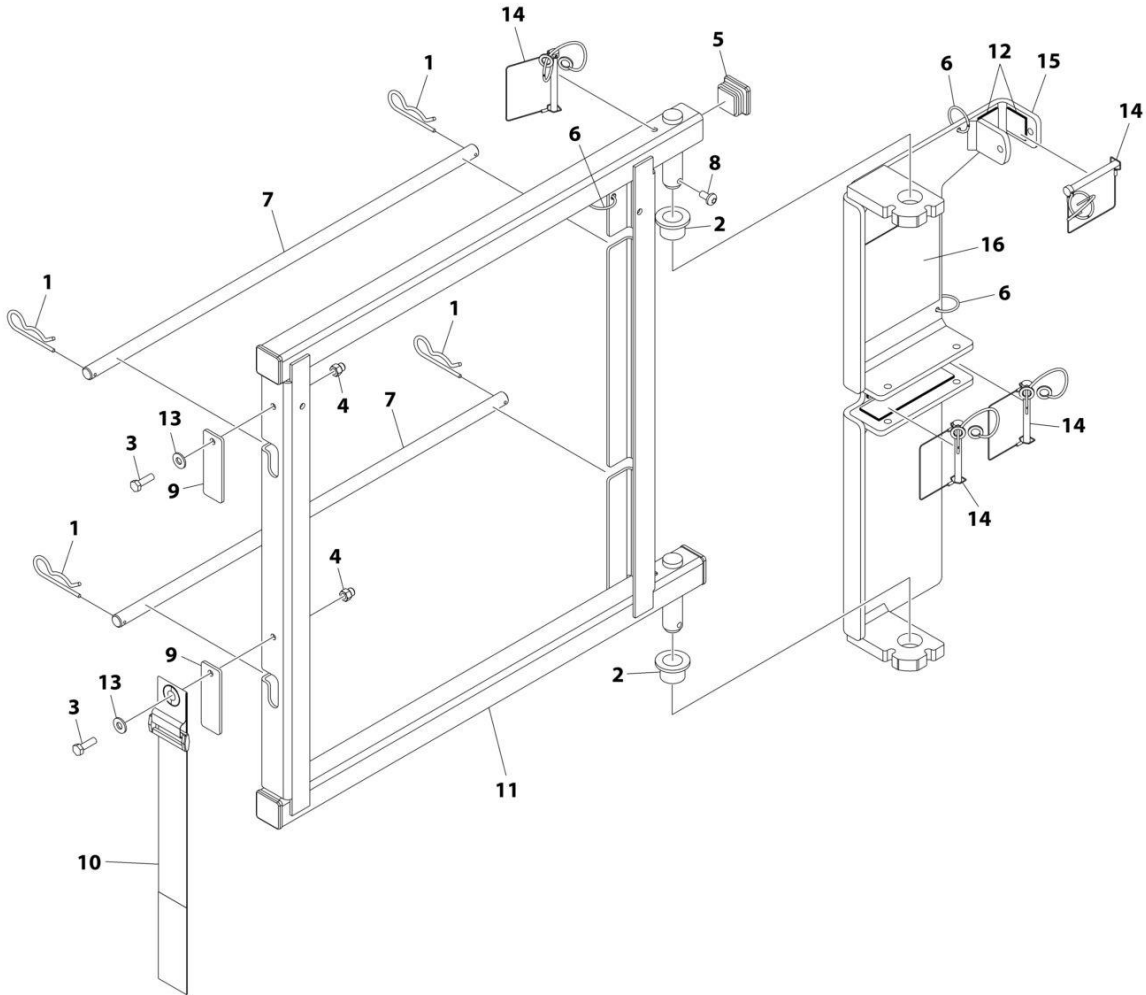
## SECTION 4 - PLATFORM

**FIGURE 4-11. WORKSTATION INSTALLATION (OPTIONAL)**

ITEM	PART NUMBER	QTY	DESCRIPTION	REV
	1001218190	Ref	WORKSTATION INSTALLATION	B
	1001246392	Ref	Workstation Assembly	B
1	1060379	1	Lanyard	
2	1120555	2	Cap	
3	1580023	1	Container, Work Bench	
4	1580024	1	Tray	
5	1705997	1	Decal - Workstation	
6	2700100	1	Hook	
7	1001246395	1	Decal - Workstation Capacity	
8	3422219	1	Pin, Snap	
9	3460334	1	Tube	
10	3760170	2	Ring	
11	3900355	2	Screw 5/16	
12	3931412	2	Capscrew 1/4 x 3/4	
13	3931508	6	Capscrew 5/16 x 1/2	
14	4240003	2	Strap, Cinch	
15	4340853	1	Mount (RH)	
16	4340854	1	Mount (LH)	
17	4711400	2	Washer 1/4	
18	4740480	2	Insert	

# SECTION 4 - PLATFORM

## FIGURE 4-12. ELECTRICIAN'S TREE INSTALLATION (OPTIONAL)



ART\_1001214274



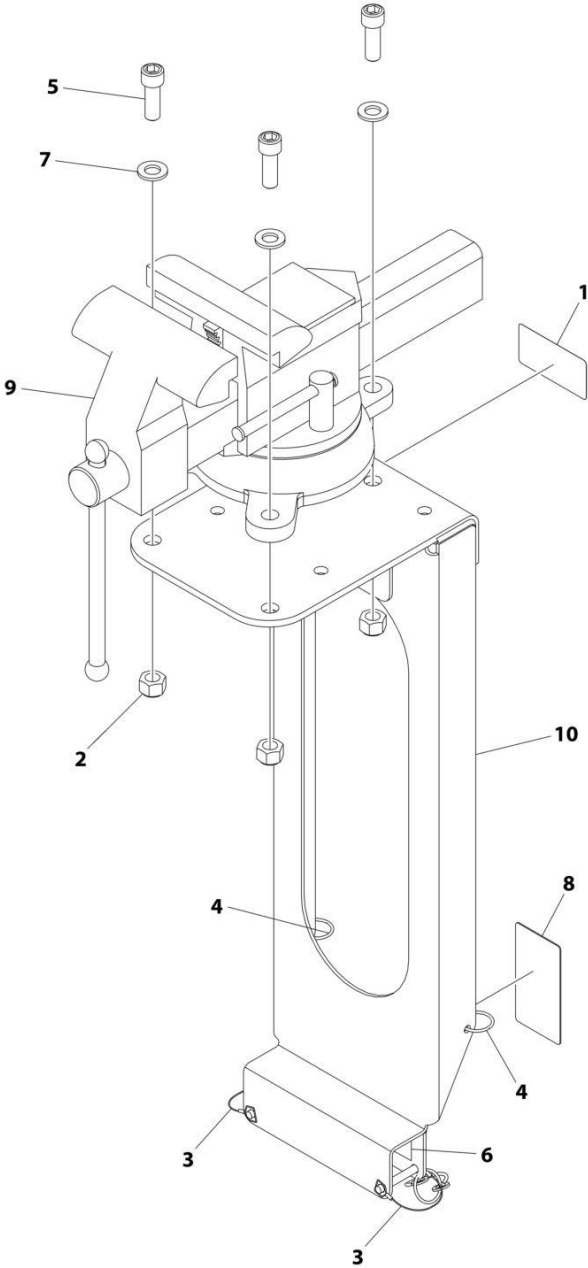
## SECTION 4 - PLATFORM

**FIGURE 4-12. ELECTRICIAN'S TREE INSTALLATION (OPTIONAL)**

ITEM	PART NUMBER	QTY	DESCRIPTION	REV
	1001214274	Ref	ELECTRICIAN'S TREE INSTALLATION	A
	1001219622	Ref	ELECTRICIAN'S TREE ASSEMBLY	A
1	80325	4	Hairpin	
2	0440223	2	Bushing	
3	0700610	2	Bolt M6 x 20	
4	3290606	2	Nut M6	
5	3520072	4	Plug	
6	3760170	3	Ring	
7	3841675	2	Rod, Spool	
8	4191706	1	Screw M6 x 12	
9	4220227	2	Stop	
10	4240003	1	Strap, Cinch	
11	4340947	1	Mount	
12	4420062	15 in/ 38cm	Tape	
13	4711400	2	Washer 1/4	
14	1001187587	4	Pin, Snap with Lanyard	
15	1001219670	1	Mount	
16	1001220894	1	Decal - Electrician's Tree	

**SECTION 4 - PLATFORM**

**FIGURE 4-13. VISE INSTALLATION (OPTIONAL)**



ART\_1001219133

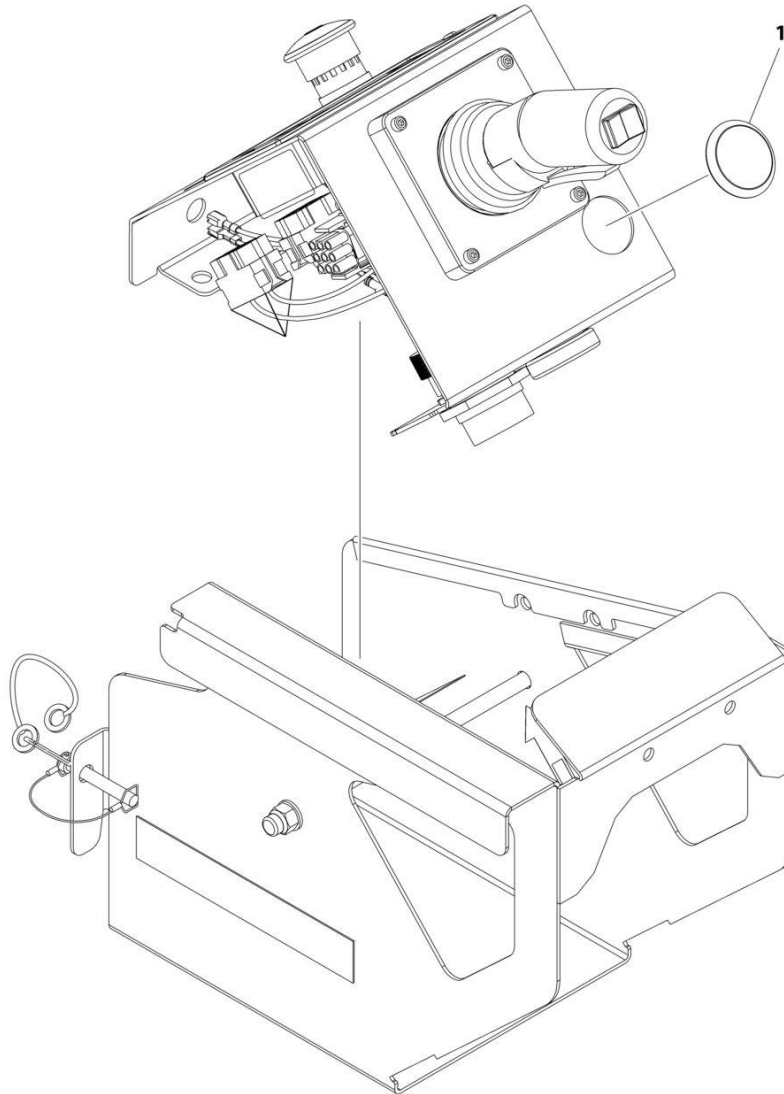
## SECTION 4 - PLATFORM

### FIGURE 4-13. VISE INSTALLATION (OPTIONAL)

ITEM	PART NUMBER	QTY	DESCRIPTION	REV
	1001219133	Ref	WISE INSTALLATION (OPTIONAL)	A
1	1705985	1	Decal - Weight	
2	3291205	3	Nut M12	
3	3423278	2	Pin, Snap with Lanyard	
4	3760170	2	Ring	
5	4032111	3	Capscrew M12 x 35	
6	4420062	39 in/ 99cm	Tape	
7	4812100	3	Washer M12	
8	8005670	1	Decal - Instruction/Read Operators Manual	
9	1001157050	1	Vise	
10	1001219319	1	Bracket	

# SECTION 4 - PLATFORM

## FIGURE 4-14. PLATFORM CONTROL PLUG INSTALLATION



ART\_1001274661

## SECTION 4 - PLATFORM

**FIGURE 4-14. PLATFORM CONTROL PLUG INSTALLATION**

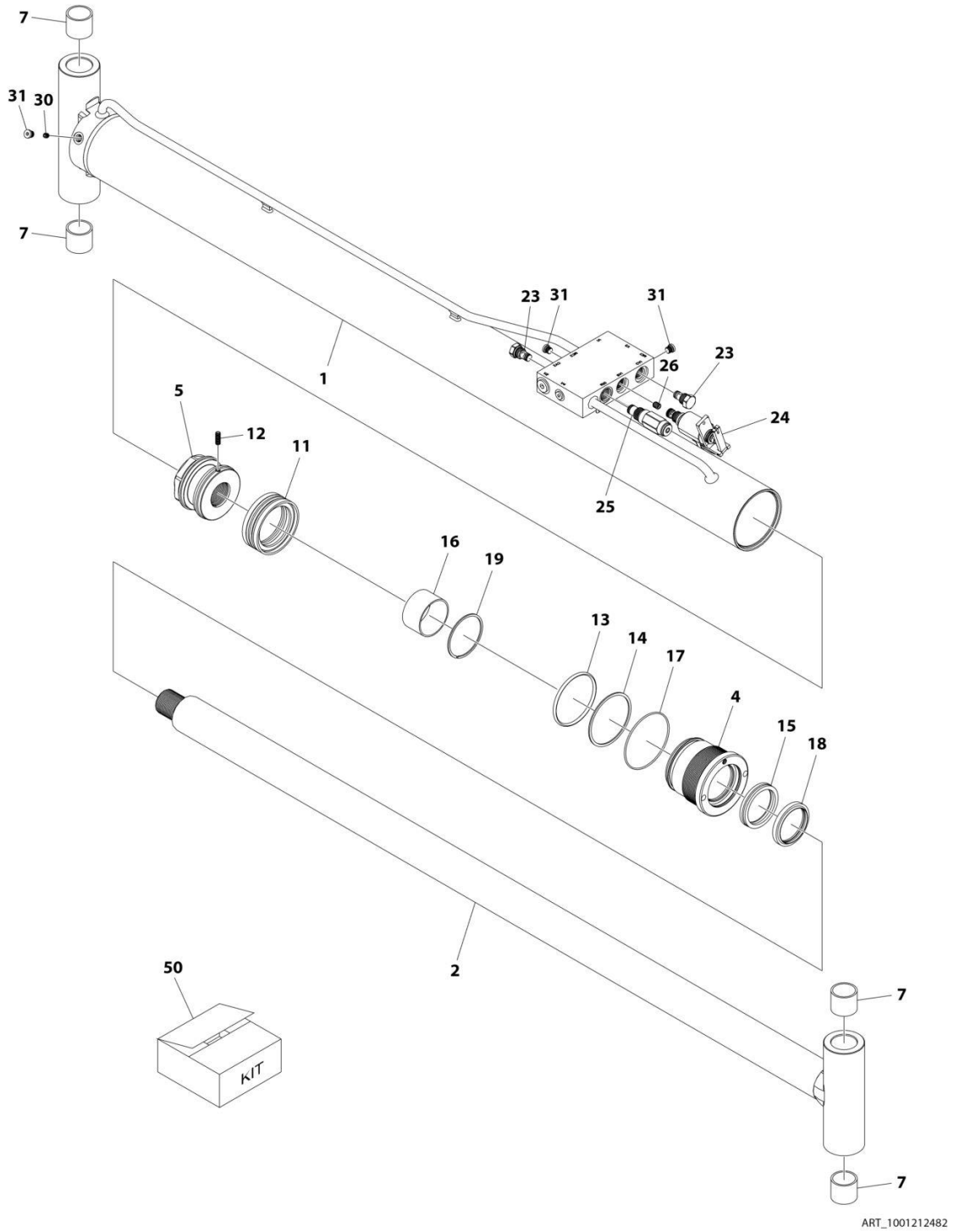
ITEM	PART NUMBER	QTY	DESCRIPTION	REV
1	1001274661 1001262221	Ref 1	PLATFORM CONTROL PLUG INSTALLATION Plug	A



**SECTION 5 - CYLINDER**

# SECTION 5 - CYLINDER

## FIGURE 5-1. LIFT CYLINDER ASSEMBLY - LOWER





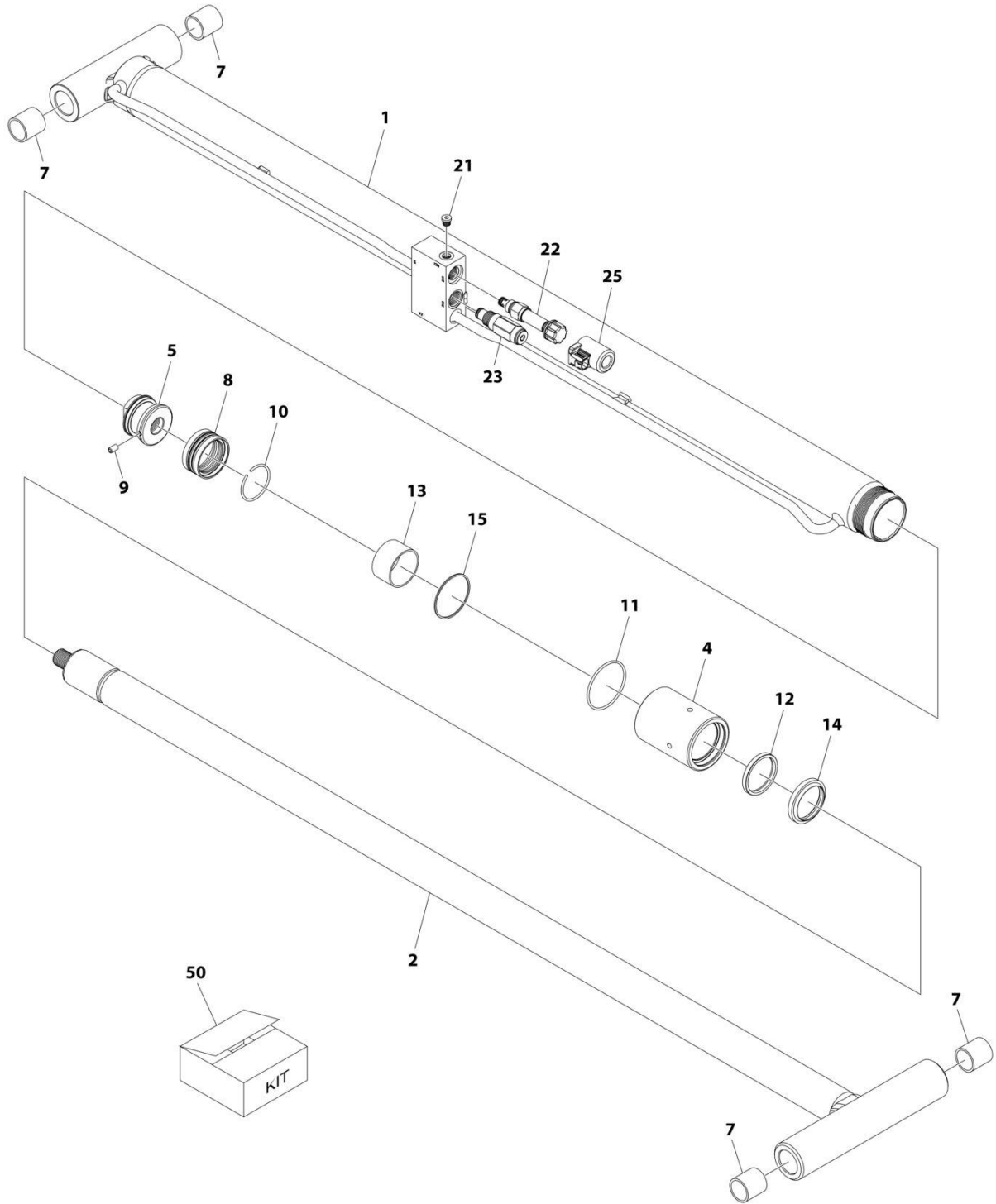
## SECTION 5 - CYLINDER

**FIGURE 5-1. LIFT CYLINDER ASSEMBLY - LOWER**

ITEM	PART NUMBER	QTY	DESCRIPTION	REV
	1001212482	Ref	LIFT CYLINDER ASSEMBLY - LOWER	G
		Ref	<b>Note: Original Cylinder May Have Been Replaced with Service Replacement. Identify PN Stamped on Cylinder Before Ordering Parts.</b>	
1	70006316	1	Barrel	
2	70006317	1	Rod	
4	70006318	1	Head	
5	70000764	1	Piston	
7	0962272	4	Bushing	
11	See Note	NSS	Seal, Piston (Note: Use Item 50)	
12	70006319	1	Setscrew	
13	See Note	NSS	O-Ring (Note: Use Item 50)	
14	See Note	NSS	Ring, Back-up (Note: Use Item 50)	
15	See Note	NSS	Seal, Rod (Note: Use Item 50)	
16	70006320	1	Spacer	
17	See Note	NSS	O-Ring (Note: Use Item 50)	
18	See Note	NSS	Wiper (Note: Use Item 50)	
19	70006321	1	Ring, Retaining	
23	7012955	2	Valve, Check	
23	7012967	2	Seal Kit - 7012955 Valve	
24	70005236	1	Solenoid Valve Assembly (Note: Sold as Assembly Only)	
25	70006325	1	Valve, Relief	
25	7017496	1	Seal Kit - 70006325 Valve	
26	70006322	1	Orifice	
30	70006323	1	Orifice	
31	70025619	3	Plug	
50	70005664	1	Seal Kit - 1001212482 Cylinder (Includes Items 11,13,14,15,17 & 18)	

# SECTION 5 - CYLINDER

## FIGURE 5-2. LIFT CYLINDER ASSEMBLY - UPPER



ART\_1001212483

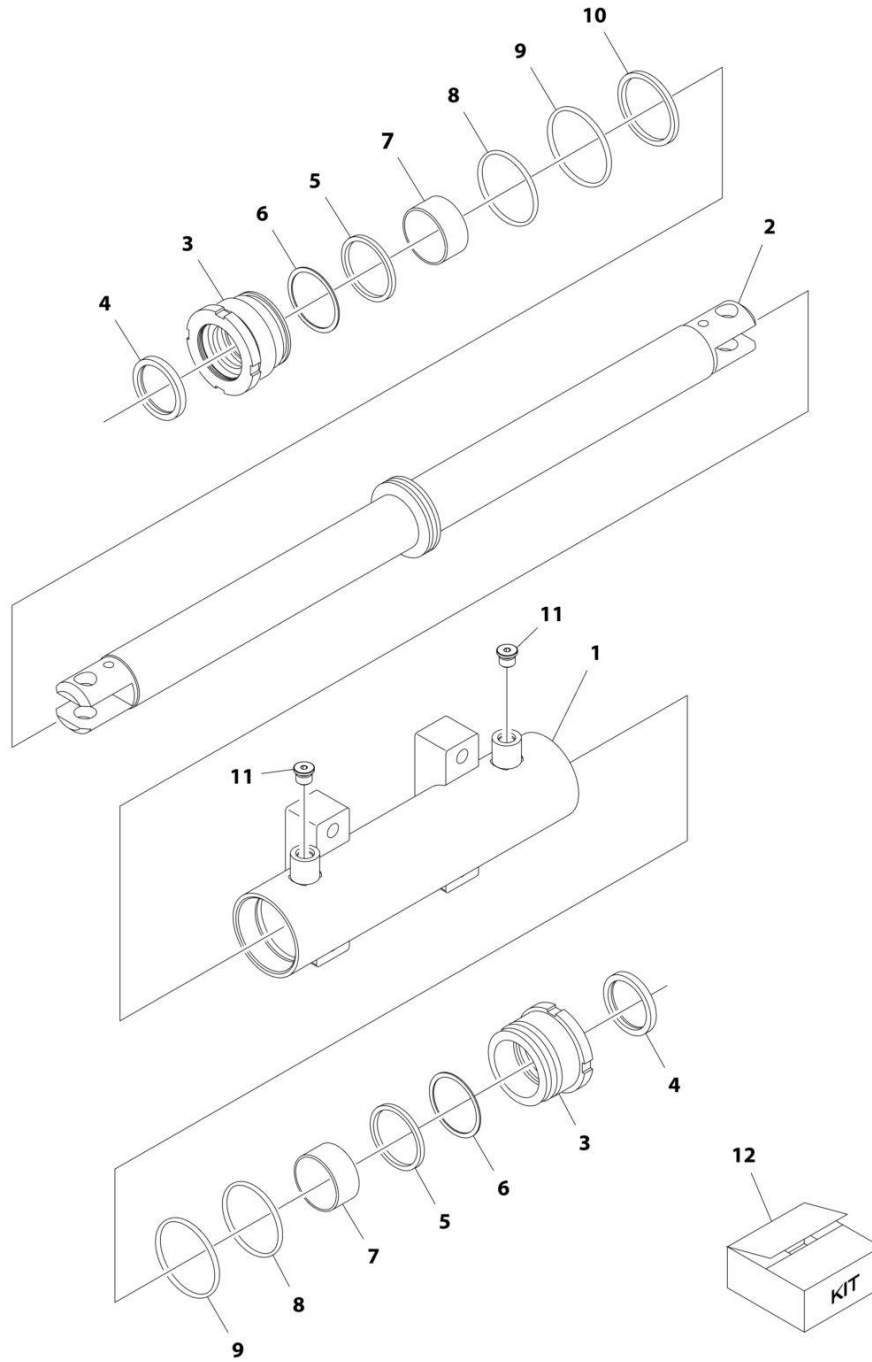
## SECTION 5 - CYLINDER

**FIGURE 5-2. LIFT CYLINDER ASSEMBLY - UPPER**

ITEM	PART NUMBER	QTY	DESCRIPTION	REV
	1001212483	Ref	LIFT CYLINDER ASSEMBLY - UPPER	I
		Ref	<b>Note: Original Cylinder May Have Been Replaced with Service Replacement. Identify PN Stamped on Cylinder Before Ordering Parts.</b>	
1	70006326	1	Barrel	
2	70006327	1	Rod	
4	70006328	1	Head	
5	70006329	1	Piston	
7	0440267	4	Bushing	
8	See Note	NSS	Seal, Piston (Note: Use Item 50)	
9	70025605	1	Setscrew	
10	70006330	1	Ring, Retaining	
11	See Note	NSS	O-Ring (Note: Use Item 50)	
12	See Note	NSS	Seal, Rod (Note: Use Item 50)	
13	70006331	1	Spacer	
14	See Note	NSS	Wiper (Note: Use Item 50)	
15	70025627	1	Ring, Retaining	
21	70025619	3	Plug	
22	70006333	1	Cartridge, Solenoid Less Coil	
22	70006334	1	Seal Kit - 70006333 Valve	
23	70006325	1	Valve, Relief	
23	7017496	1	Seal Kit - 70006325 Valve	
25	70006335	1	Coil	
50	70005665	1	Seal Kit - 1001212483 Cylinder (Includes Items 8,11,12 & 14)	

# SECTION 5 - CYLINDER

## FIGURE 5-3. STEER CYLINDER ASSEMBLY



ART\_1001163178

## SECTION 5 - CYLINDER

**FIGURE 5-3. STEER CYLINDER ASSEMBLY**

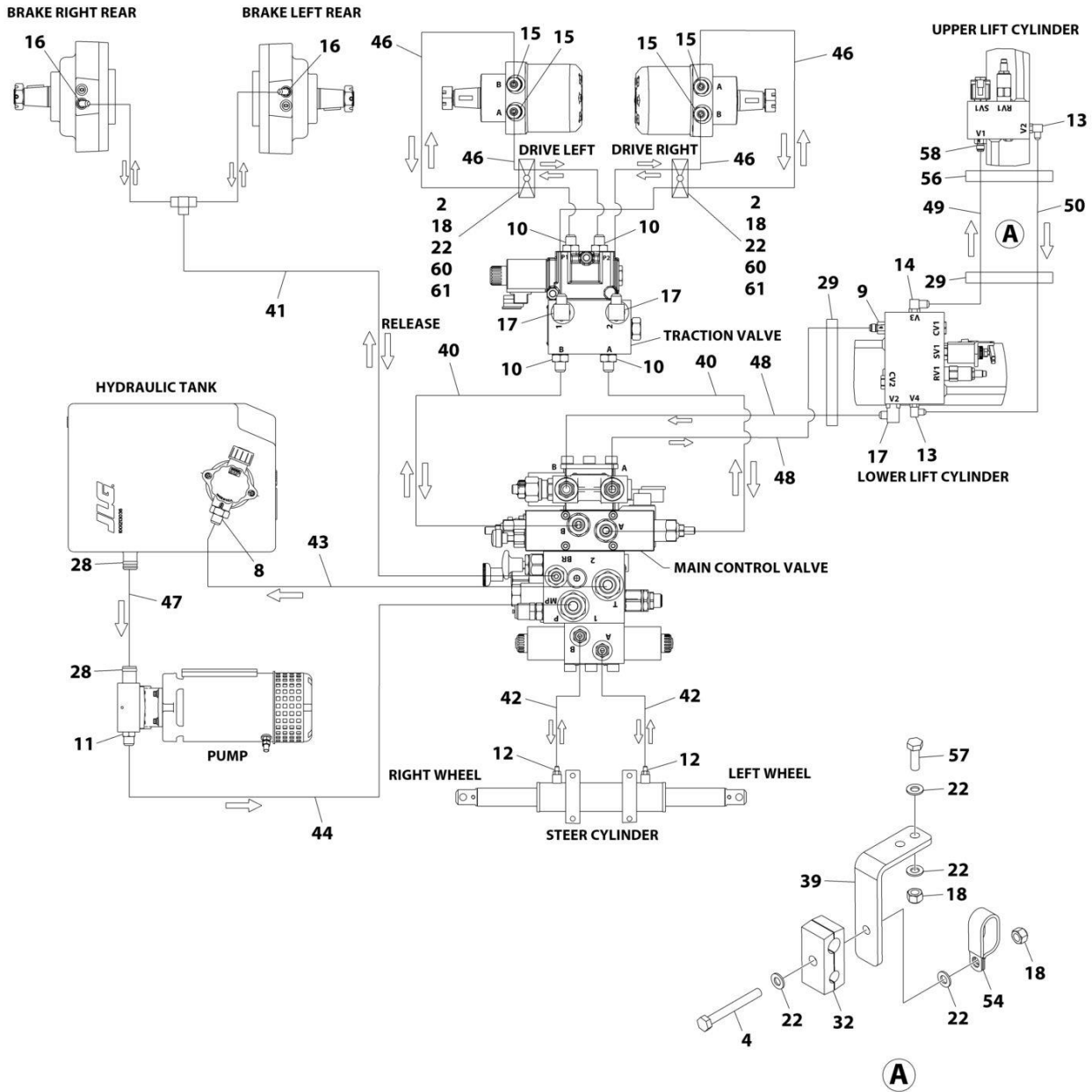
ITEM	PART NUMBER	QTY	DESCRIPTION	REV
	1001163178	Ref	STEER CYLINDER ASSEMBLY	E
		Ref	Note: Original Cylinder May Have Been Replaced with Service Replacement. Identify PN Stamped on Cylinder Before Ordering Parts.	
1	70005150	1	Barrel	
2	70005151	1	Rod	
3	70005152	2	Head	
4	See Note	NSS	Wiper (Note: Use Item 12)	
5	See Note	NSS	Seal, Rod (Note: Use Item 12)	
6	See Note	NSS	Ring, Back-up (Note: Use Item 12)	
7	70005153	2	Bearing, Dry	
8	See Note	NSS	O-Ring (Note: Use Item 12)	
9	See Note	NSS	O-Ring (Note: Use Item 12)	
10	See Note	NSS	Seal, Piston (Note: Use Item 12)	
11	See Note	2	Plug 9/16 (Note: Not Available for Purchase)	
12	70005154	1	Seal Kit - 1001163178 Cylinder (Includes Items 4-6 & 8-10)	



**SECTION 6 - HYDRAULIC**

# SECTION 6 - HYDRAULIC

FIGURE 6-1. HYDRAULIC COMPONENTS INSTALLATION (WITH CONCENTRIC MOTOR/PUMP)



ART\_1001213815\_K\_20F2



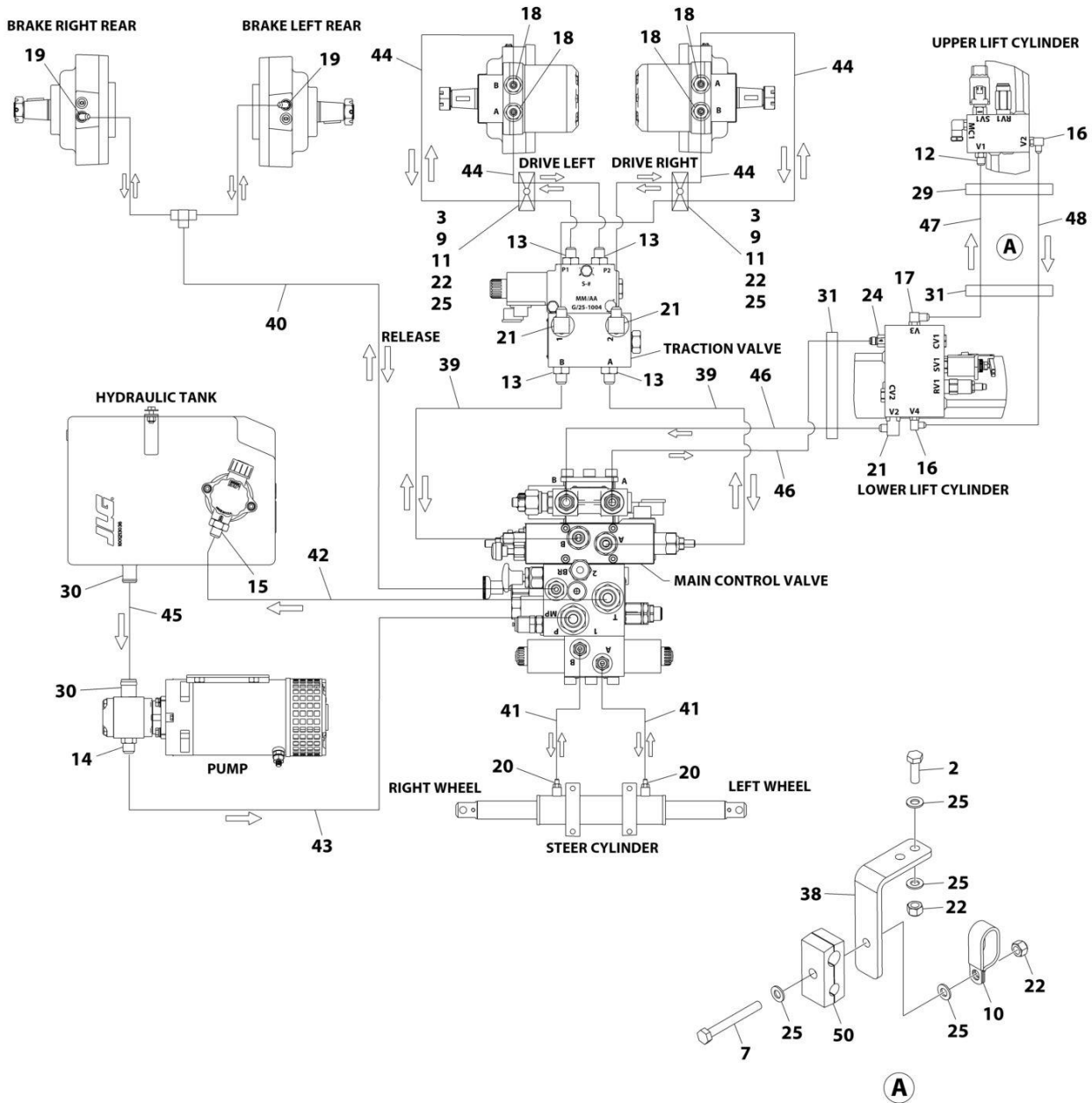
## SECTION 6 - HYDRAULIC

**FIGURE 6-1. HYDRAULIC COMPONENTS INSTALLATION (WITH CONCENTRIC MOTOR/PUMP)**

ITEM	PART NUMBER	QTY	DESCRIPTION	REV
	1001213815	Ref	HYDRAULIC COMPONENTS INSTALLATION	J
2	0700819	2	Bolt M8 x 55	
4	0760822	1	Bolt M8 x 70	
8	2220346	1	Fitting, Straight JIC/NPT	
9	4640780	1	Valve, Cartridge - Check	
10	2220372	4	Fitting, Straight JIC/ORB	
11	2220373	1	Fitting, Straight JIC/ORB	
12	2220582	2	Fitting, Straight JIC/ORB	
13	2220466	2	Fitting, 90 JIC/ORB	
14	2220473	1	Fitting, 90 JIC/ORB	
15	2220497	4	Fitting, Straight JIC/ORB	
16	2220502	2	Fitting, 45 JIC/ORB	
17	2220628	3	Fitting, 90 JIC/ORB	
18	3290805	8	Nut M8	
20	4240018	21	Tie-Strap (Not Shown)	
22	4811900	16	Washer M8	
28	1001143501	2	Clamp	
29	1001143645	3	Strap, Cinch	
32	1001243109	1	Clamp	
39	1001217386	1	Bracket	
40	1001218159	2	Hose	
41	1001218160	1	Hose	
42	1001218161	2	Hose	
43	1001218162	1	Hose	
44	1001218163	1	Hose	
46	1001218165	4	Hose	
47	1001218167	1	Hose	
48	1001218168	2	Hose	
49	1001218169	1	Hose	
50	1001218170	1	Hose	
54	1321283	1	Clamp	
56	1001137263	2	Strap, Cinch	
57	0700812	2	Bolt M8 x 25	
58	2220371	1	Fitting, Straight JIC/ORB	
60	1320187	2	Clamp, Twin	
61	1321752	2	Clamp, Top Plate	

# SECTION 6 - HYDRAULIC

FIGURE 6-2. HYDRAULIC COMPONENTS INSTALLATION (WITH BUCHER PUMP/MOTOR)



ART\_1001284954\_2OF2

## SECTION 6 - HYDRAULIC

**FIGURE 6-2. HYDRAULIC COMPONENTS INSTALLATION (WITH BUCHER PUMP/MOTOR)**

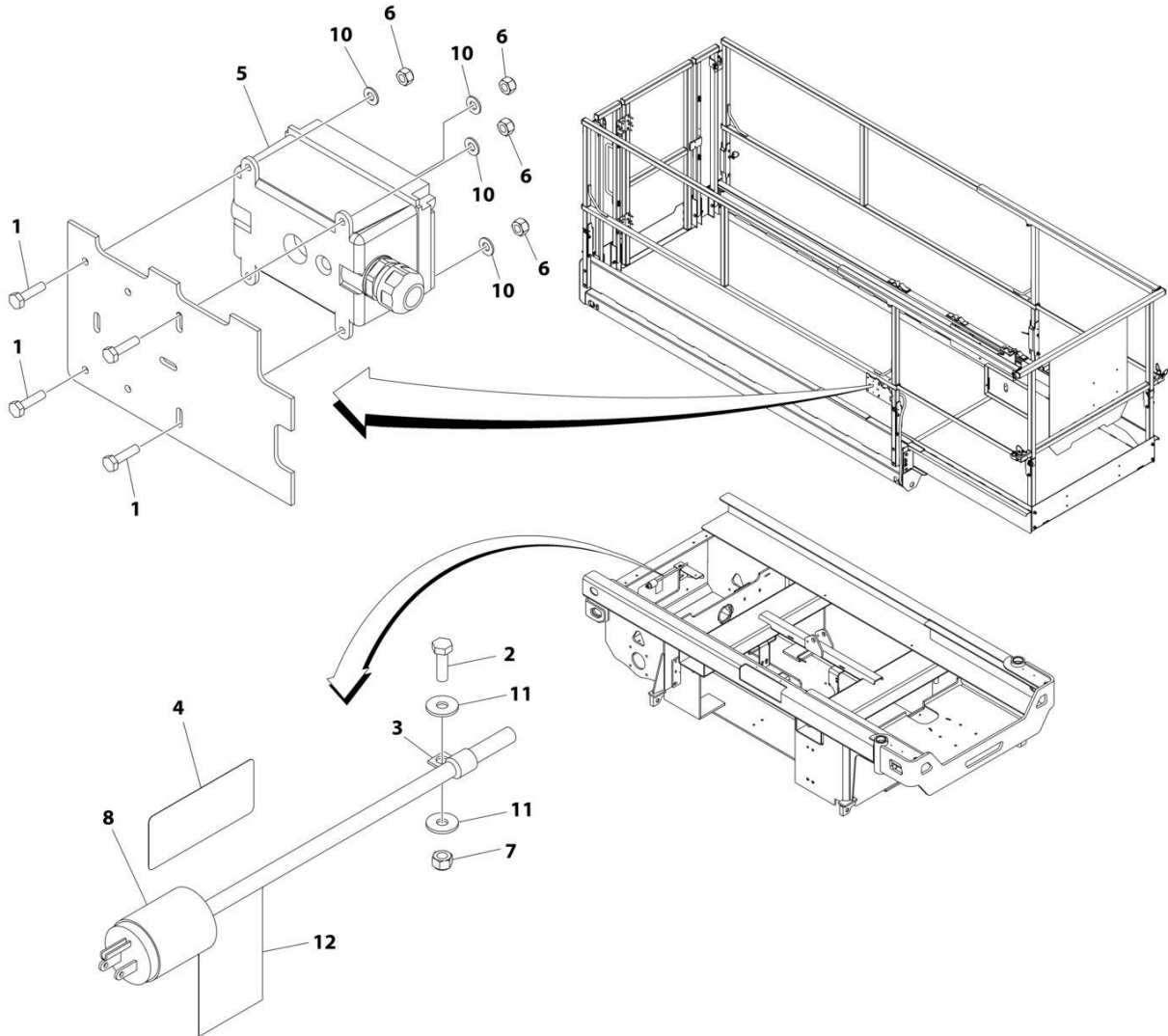
ITEM	PART NUMBER	QTY	DESCRIPTION	REV
	1001284954	Ref	HYDRAULIC COMPONENTS INSTALLATION	A
2	0700812	2	Bolt M8 x 25	
3	0700819	2	Bolt M8 x 55	
7	0760822	1	Bolt M8 x 70	
9	1320187	2	Clamp, Twin	
10	1321283	1	Clamp	
11	1321752	2	Clamp, Top Plate	
12	2220371	1	Fitting, Straight JIC/ORB	
13	2220372	4	Fitting, Straight JIC/ORB	
14	2220373	1	Fitting, Straight JIC/ORB	
15	2220375	1	Fitting, Straight JIC/ORB	
16	2220466	2	Fitting, 90 JIC/ORB	
17	2220473	1	Fitting, 90 JIC/ORB	
18	2220497	4	Fitting, Straight JIC/ORB	
19	2220502	2	Fitting, 45 JIC/ORB	
20	2220582	2	Fitting, Straight JIC/ORB	
21	2220628	3	Fitting, 90 JIC/ORB	
22	3290805	8	Nut, Lock M8	
23	4240018	AR	Tie-Strap (Not Shown)	
24	4640780	1	Valve, Cartridge - Check	
25	4811900	16	Washer M8	
29	1001137263	2	Strap, Cinch	
30	1001143501	2	Clamp	
31	1001143645	3	Strap, Cinch	
38	1001217386	1	Bracket	
39	1001218159	2	Hose	
40	1001218160	1	Hose	
41	1001218161	2	Hose	
42	1001218162	1	Hose	
43	1001218163	1	Hose	
44	1001218165	4	Hose	
45	1001218167	1	Hose	
46	1001218168	2	Hose	
47	1001218169	1	Hose	
48	1001218170	1	Hose	
50	1001243109	1	Clamp	



**SECTION 7 - ELECTRICAL**

# SECTION 7 - ELECTRICAL

FIGURE 7-1. AC BOX AT PLATFORM INSTALLATION - 110V GFI (ALL SPECS EXCEPT AUSTRALIAN, CE & UK CA SPECS)



ART\_1001214446

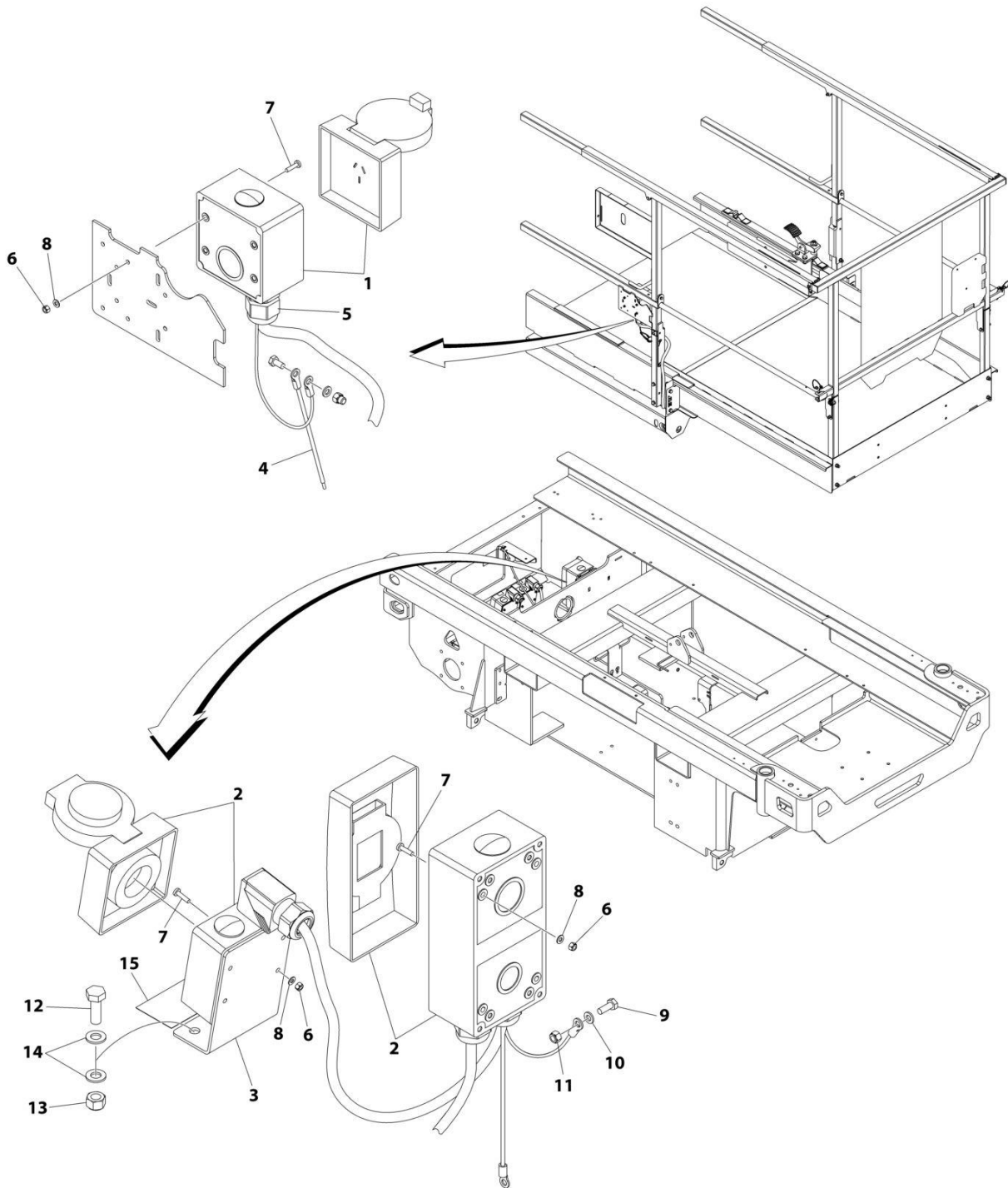
## SECTION 7 - ELECTRICAL

**FIGURE 7-1. AC BOX AT PLATFORM INSTALLATION - 110V GFI (ALL SPECS EXCEPT AUSTRALIAN, CE & UK CA SPECS)**

ITEM	PART NUMBER	QTY	DESCRIPTION	REV
	1001214446	Ref	AC BOX AT PLATFORM INSTALLATION - 110V GFI (ALL SPECS EXCEPT AUSTRALIAN, CE & UK CA SPECS)	B
1	0760408	4	Bolt M4 x 16	
2	0760610	1	Bolt M6 x 20	
3	1321293	1	Clamp	
4	1703464	1	Decal - AC Power	
5	2902431	1	Receptacle Box Kit (See Separate Breakdown in this Section)	
6	3290405	4	Nut M4	
7	3290605	1	Nut M6	
8	4460138	1	Plug, Male - AC	
9	4460315	1	Terminal (Not Shown)	
10	4811400	4	Washer M4	
11	4811702	2	Washer M6	
12	1001102258	1	Decal - AC Label	

# SECTION 7 - ELECTRICAL

## FIGURE 7-2. AC BOX AT PLATFORM INSTALLATION (AUSTRALIAN SPECS)



ART\_1001245255



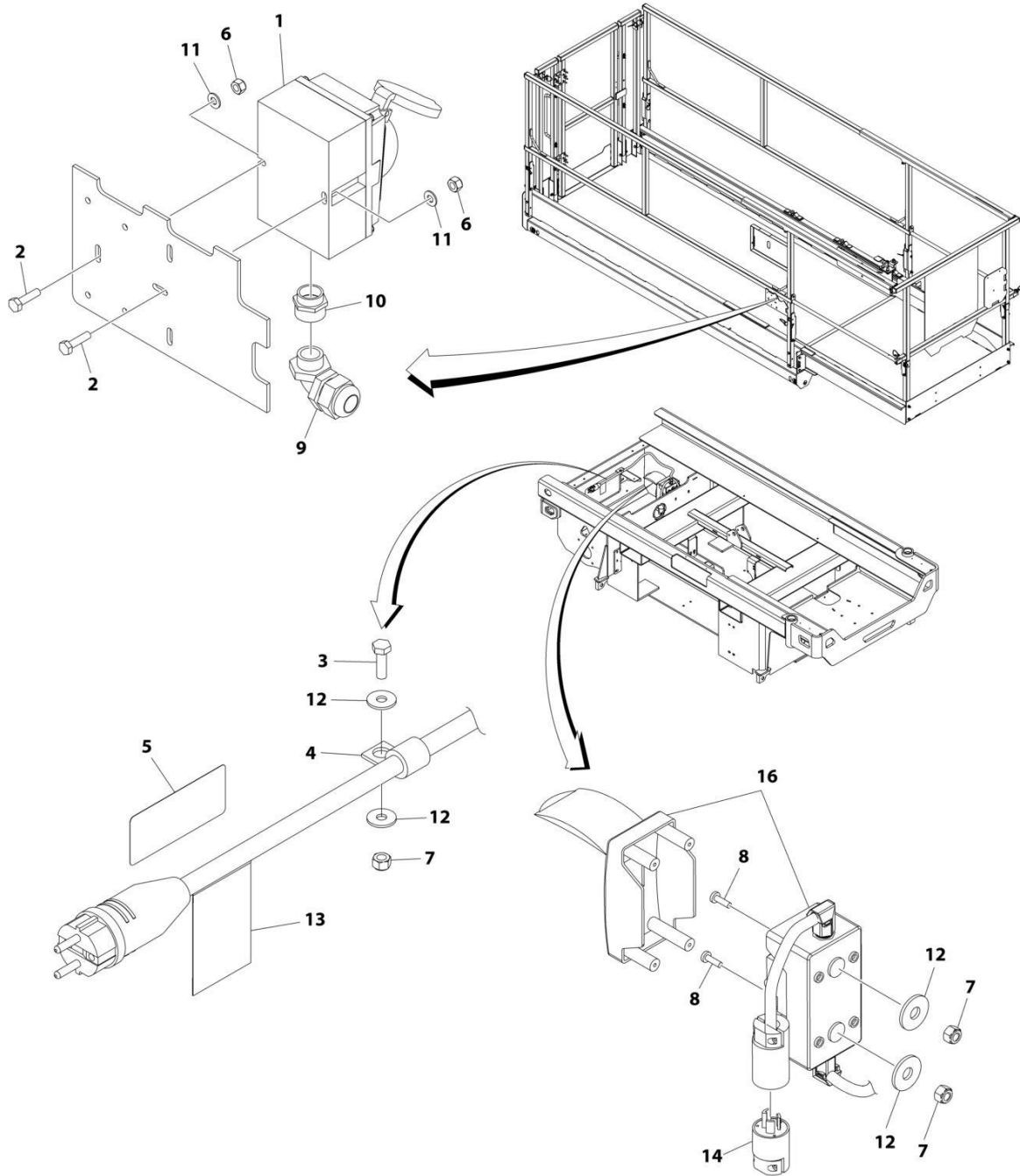
## SECTION 7 - ELECTRICAL

**FIGURE 7-2. AC BOX AT PLATFORM INSTALLATION (AUSTRALIAN SPECS)**

ITEM	PART NUMBER	QTY	DESCRIPTION	REV
	1001245255	Ref	AC BOX AT PLATFORM INSTALLATION	A
1	1001227268	1	Receptacle (Australian)	
2	1001246085	1	Receptacle and Breaker Assembly (See Separate Breakdown in this Section)	
3	1001234397	1	Bracket	
4	1001245744	1	Harness, Ground	
5	1001097150	1	Connector Strain Relief	
6	3290405	12	Nut M4	
7	4010408	12	Screw M4 x 16	
8	4811400	12	Washer M4	
9	0760608	1	Bolt M6 x 16	
10	4811700	1	Washer M6	
11	3290605	1	Nut M6	
12	0761014	2	Bolt M10 x 30	
13	3291005	2	Nut M10	
14	4812000	4	Washer M10	
15	1001102258	1	Decal - AC Label	

# SECTION 7 - ELECTRICAL

FIGURE 7-3. AC BOX AT PLATFORM INSTALLATION - 110V IEC YELLOW (CE & UK CA SPECS)



ART\_1001214453

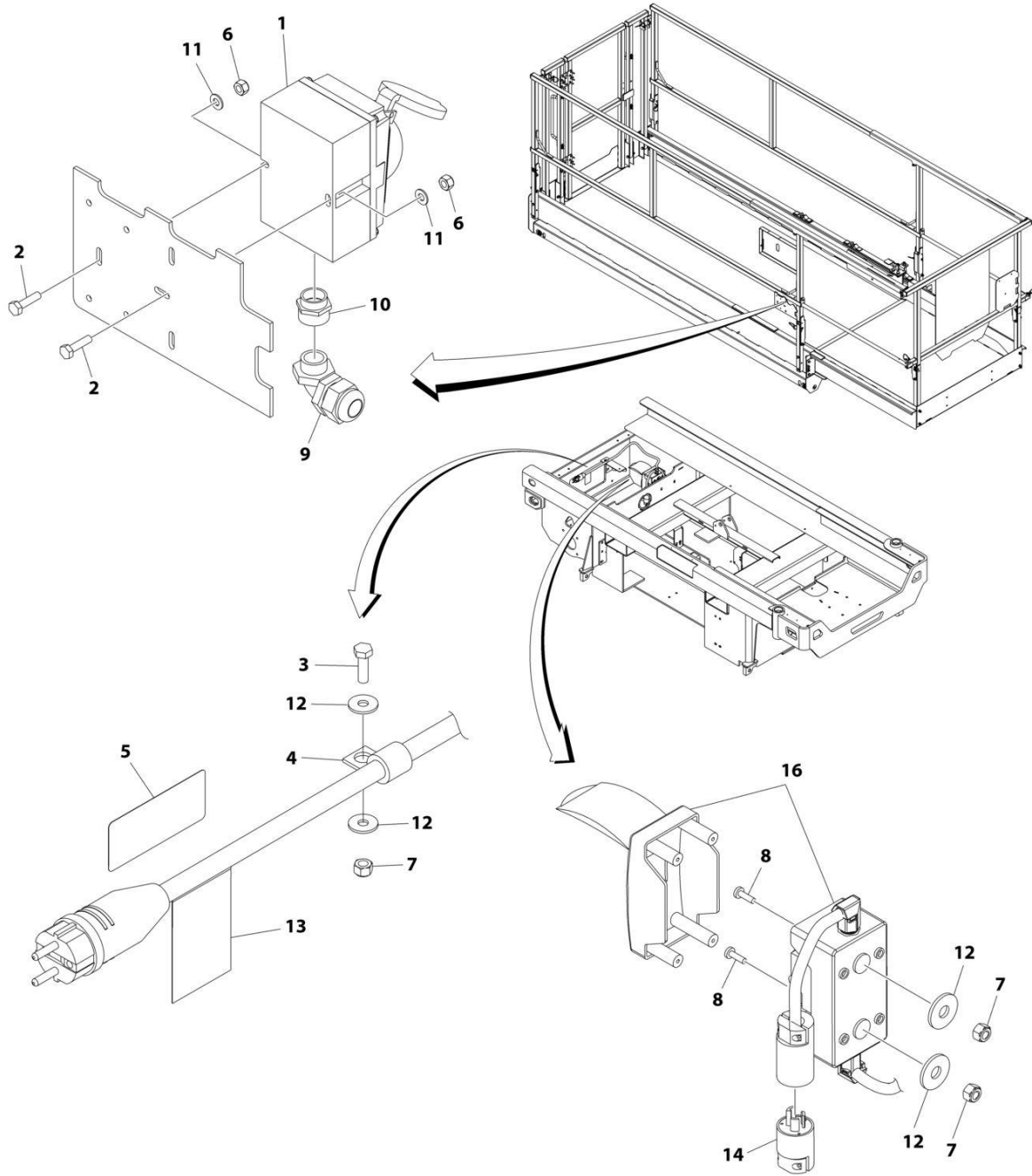
## SECTION 7 - ELECTRICAL

**FIGURE 7-3. AC BOX AT PLATFORM INSTALLATION - 110V IEC YELLOW (CE & UK CA SPECS)**

ITEM	PART NUMBER	QTY	DESCRIPTION	REV
	1001214453	Ref	AC BOX AT PLATFORM INSTALLATION - 110V IEC YELLOW (CE & UK CA SPECS)	C
1	0275216	1	Receptacle Box Kit - 110V IEC Yellow (See Separate Breakdown in this Section)	
2	0760408	2	Bolt M4 x 16	
3	0760610	1	Bolt M6 x 20	
4	1321293	1	Clamp	
5	1703464	1	Decal - AC Power	
6	3290405	2	Nut M4	
7	3290605	3	Nut M6	
8	4010610	2	Screw M6 x 20	
9	4461257	1	Connector, Strain Relief	
10	4461258	1	Connector, Adapter	
11	4811400	2	Washer M4	
12	4811702	4	Washer M6	
13	1001102258	1	Decal - AC Label	
14	1001120204	1	Plug, Male Twist	
16	1001219041	1	Breaker Box Kit (See Separate Breakdown in this Section)	

# SECTION 7 - ELECTRICAL

FIGURE 7-4. AC BOX AT PLATFORM INSTALLATION - 220V IEC BLUE (CE & UK CA SPECS)



ART\_1001214456

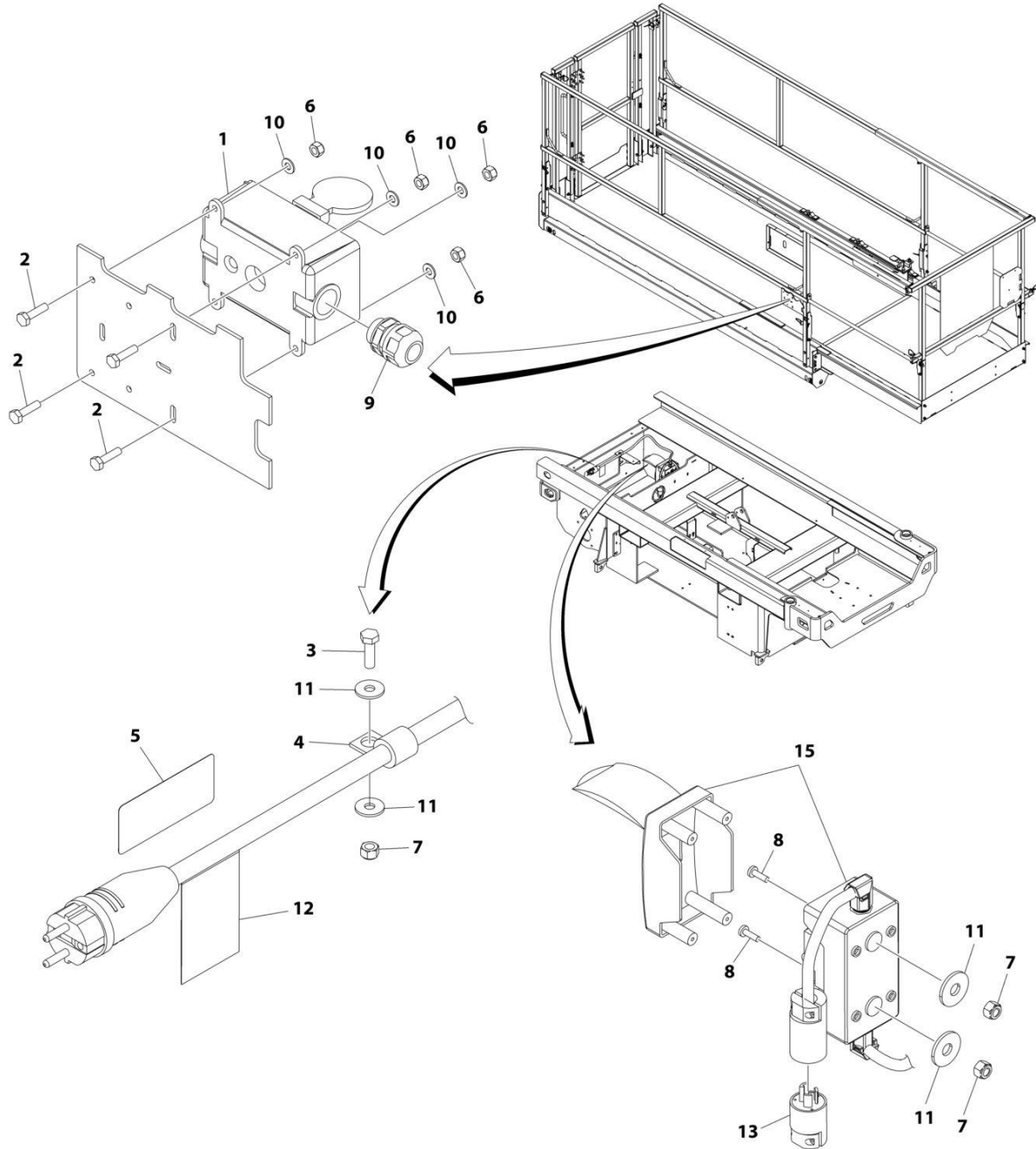
## SECTION 7 - ELECTRICAL

**FIGURE 7-4. AC BOX AT PLATFORM INSTALLATION - 220V IEC BLUE (CE & UK CA SPECS)**

ITEM	PART NUMBER	QTY	DESCRIPTION	REV
	1001214456	1	AC BOX AT PLATFORM INSTALLATION - 220V IEC BLUE (CE & UK CA SPECS)	
1	0275217	1	Receptacle Box Kit - 220V IEC Blue (See Separate Breakdown in this Section)	
2	0760408	2	Bolt M4 x 16	
3	0760610	1	Bolt M6 x 20	
4	1321293	1	Clamp	
5	3252507	1	Decal - AC Power	
6	3290405	2	Nut M4	
7	3290605	3	Nut M6	
8	4010610	2	Screw M6 x 20	
9	4461257	1	Connector, Strain Relief	
10	4461258	1	Connector, Adapter	
11	4811400	2	Washer M4	
12	4811702	4	Washer M6	
13	1001102258	1	Decal - AC Label	
14	1001120204	1	Plug, Male Twist	
16	1001219041	1	Breaker Box Kit (See Separate Breakdown in this Section)	

# SECTION 7 - ELECTRICAL

## FIGURE 7-5. AC BOX AT PLATFORM INSTALLATION - 220V CEE7 POST GROUND (CE & UK CA SPECS)



ART\_1001214450

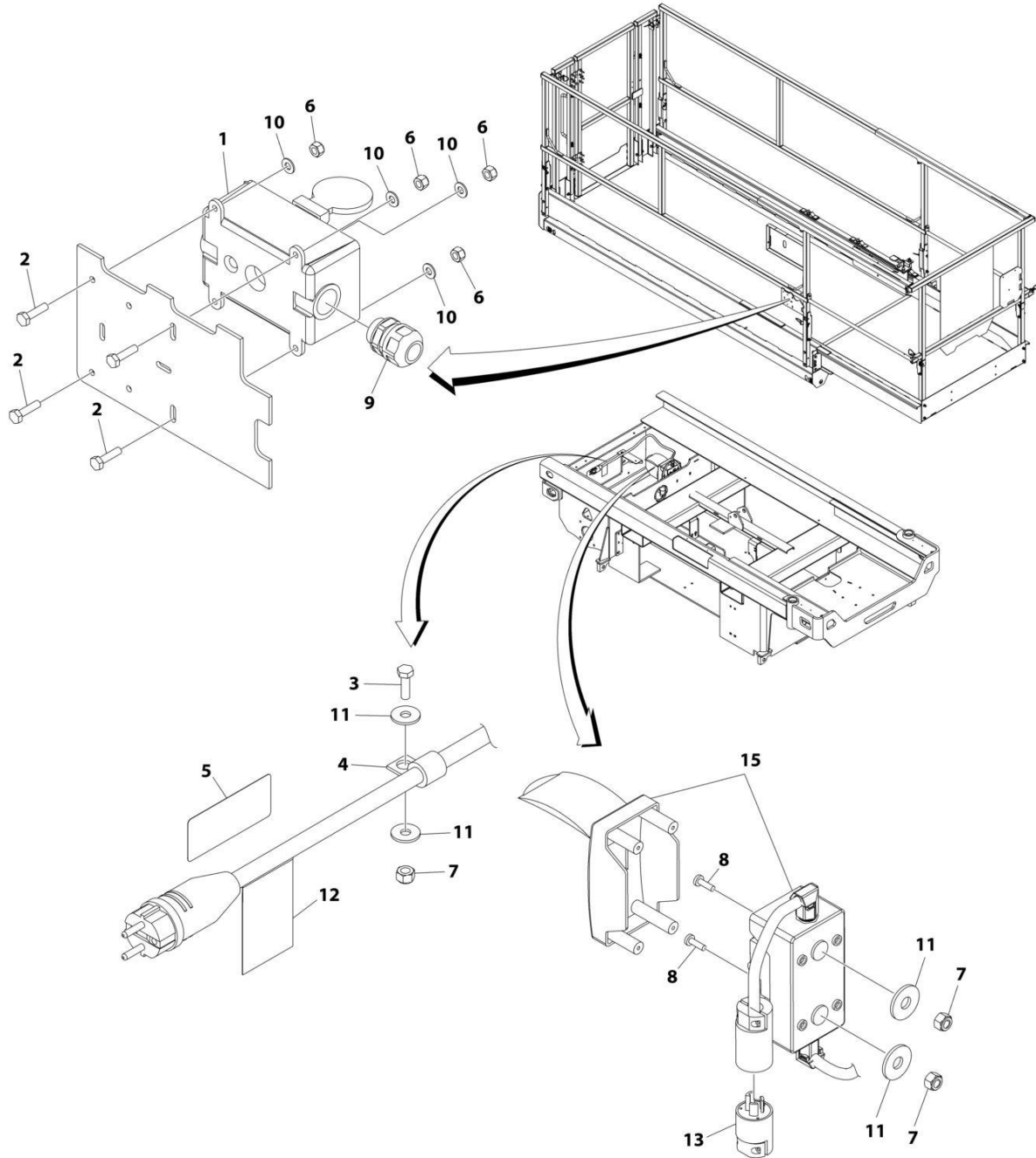
## SECTION 7 - ELECTRICAL

**FIGURE 7-5. AC BOX AT PLATFORM INSTALLATION - 220V CEE7 POST GROUND (CE & UK CA SPECS)**

ITEM	PART NUMBER	QTY	DESCRIPTION	REV
	1001214450	Ref	AC BOX AT PLATFORM INSTALLATION - 220V CEE7 POST GROUND (CE & UK CA SPECS)	B
1	0275452	1	Receptacle Box Kit - 220V CEE7 Post Ground (See Separate Breakdown in this Section)	
2	0760408	4	Bolt M4 x 16	
3	0760610	1	Bolt M6 x 20	
4	1321293	1	Clamp	
5	3252507	1	Decal - AC Power	
6	3290405	4	Nut M4	
7	3290605	3	Nut M6	
8	4010610	2	Screw M6 x 20	
9	4460662	1	Connector, Strain Relief	
10	4811400	4	Washer M4	
11	4811702	4	Washer M6	
12	1001102258	1	Decal - AC Label	
13	1001120204	1	Plug, Male Twist	
15	1001219018	1	Breaker Box Kit (See Separate Breakdown in this Section)	

# SECTION 7 - ELECTRICAL

## FIGURE 7-6. AC BOX AT PLATFORM INSTALLATION - 220V CEE7 SIDE GROUND (CE & UK CA SPECS)



ART\_1001214451



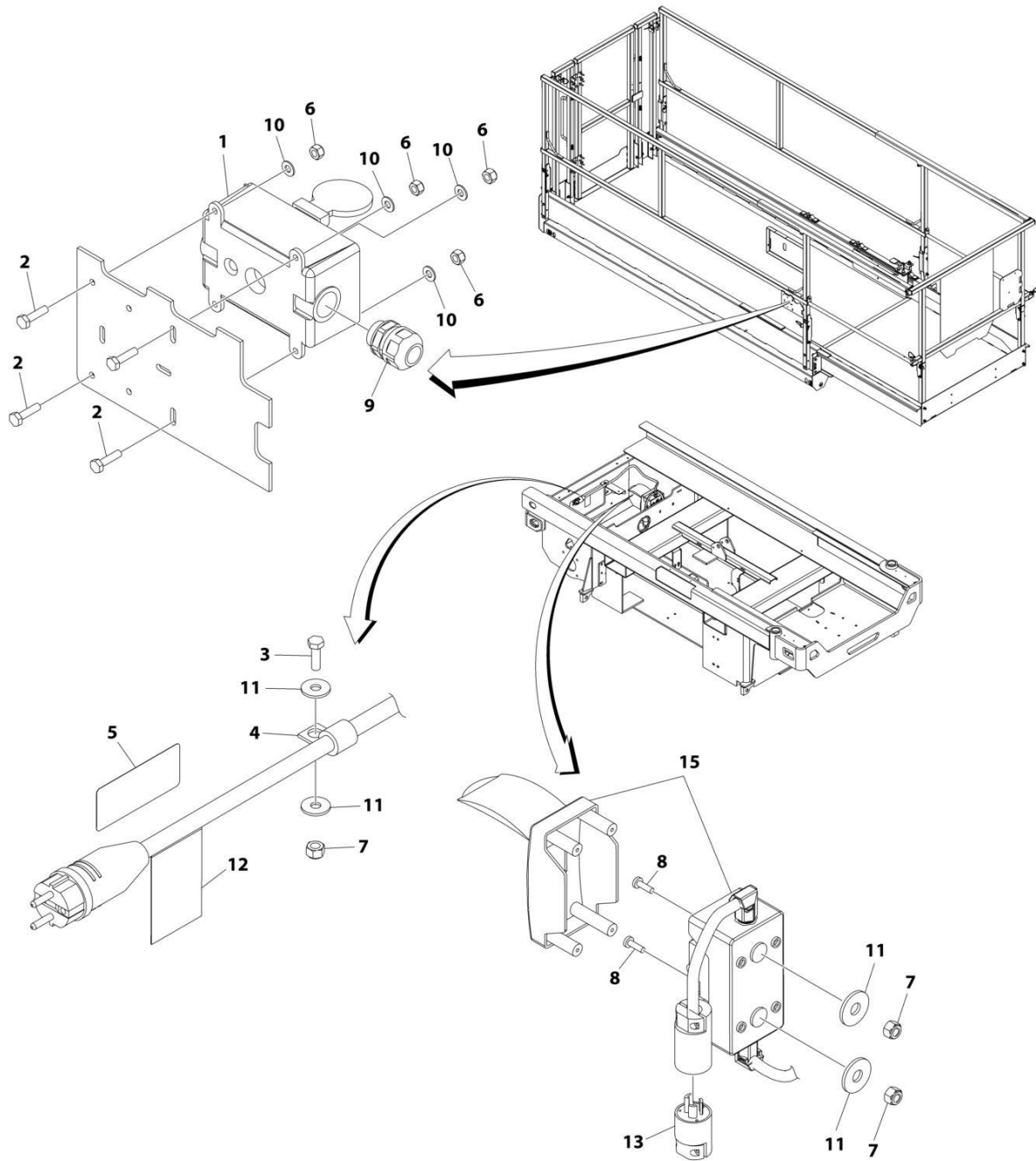
## SECTION 7 - ELECTRICAL

**FIGURE 7-6. AC BOX AT PLATFORM INSTALLATION - 220V CEE7 SIDE GROUND (CE & UK CA SPECS)**

ITEM	PART NUMBER	QTY	DESCRIPTION	REV
	1001214451	Ref	AC BOX AT PLATFORM INSTALLATION - 220V CEE7 SIDE GROUND (CE & UK CA SPECS)	B
1	0275453	1	Receptacle Box Kit - 220V CEE7 Side Ground (See Separate Breakdown in this Section)	
2	0760408	4	Bolt M4 x 16	
3	0760610	1	Bolt M6 x 20	
4	1321293	1	Clamp	
5	3252507	1	Decal - AC Power	
6	3290405	4	Nut M4	
7	3290605	3	Nut M6	
8	4010610	2	Screw M6 x 20	
9	4460662	1	Connector, Strain Relief	
10	4811400	4	Washer M4	
11	4811702	4	Washer M6	
12	1001102258	1	Decal - AC Label	
13	1001120204	1	Plug, Male Twist	
15	1001219018	1	Breaker Box Kit (See Separate Breakdown in this Section)	

# SECTION 7 - ELECTRICAL

## FIGURE 7-7. AC BOX AT PLATFORM INSTALLATION - 220V AFSINT 107 (CE & UK CA SPECS)



ART\_1001214452

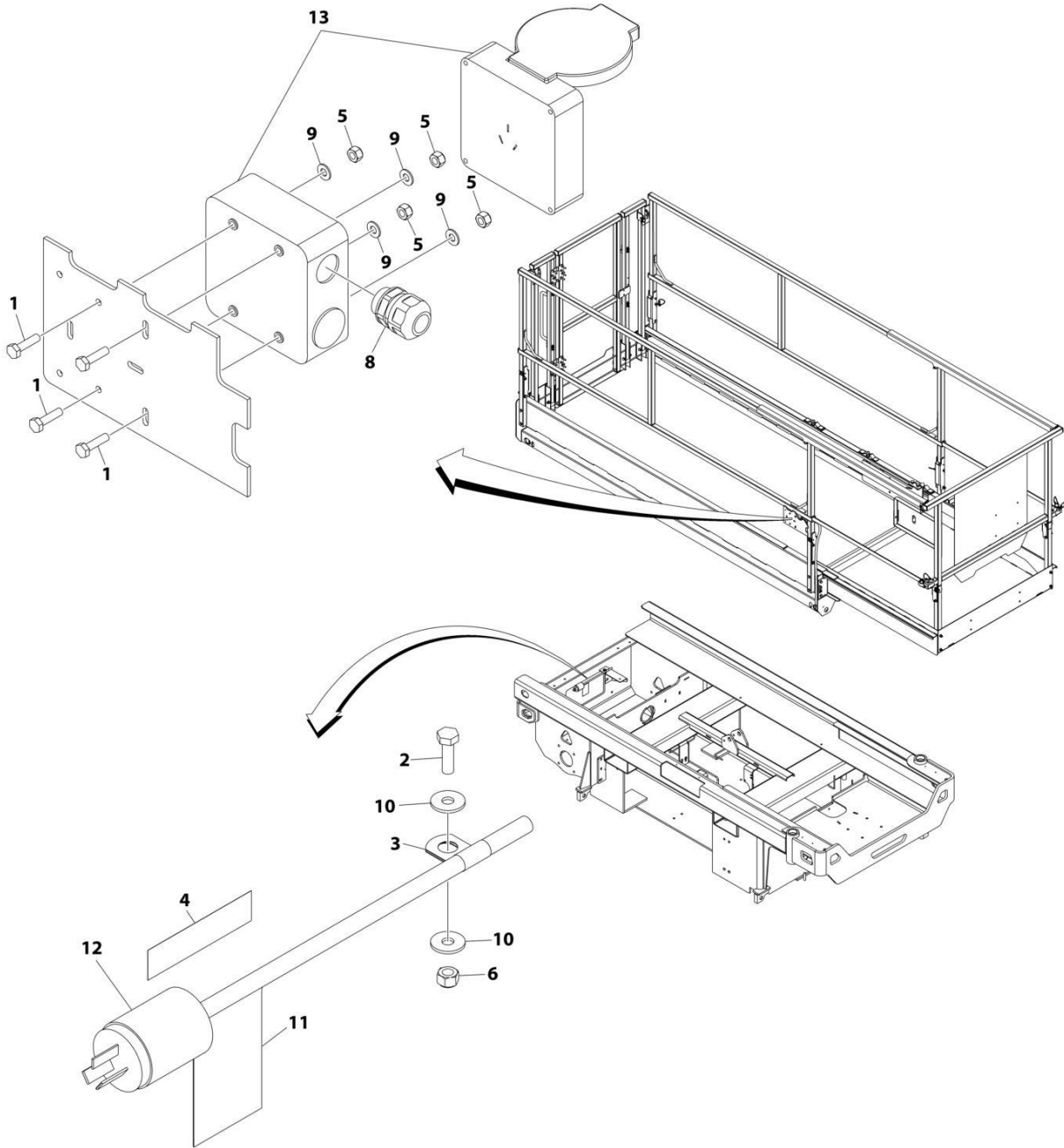
## SECTION 7 - ELECTRICAL

**FIGURE 7-7. AC BOX AT PLATFORM INSTALLATION - 220V AFSINT 107 (CE & UK CA SPECS)**

ITEM	PART NUMBER	QTY	DESCRIPTION	REV
	1001214452	Ref	AC BOX AT PLATFORM INSTALLATION - 220V AFSINT 107 (CE & UK CA SPECS)	B
1	0275454	1	Receptacle Box Kit - 220V AFSINT 107 (See Separate Breakdown in this Section)	
2	0760408	4	Bolt M4 x 16	
3	0760610	1	Bolt M6 x 20	
4	1321293	1	Clamp	
5	3252507	1	Decal - AC Power	
6	3290405	4	Nut M4	
7	3290605	3	Nut M6	
8	4010610	2	Screw M6 x 20	
9	4460662	1	Connector, Strain Relief	
10	4811400	4	Washer M4	
11	4811702	4	Washer M6	
12	1001102258	1	Decal - AC Label	
13	1001120204	1	Plug, Male Twist	
15	1001219041	1	Breaker Box Kit (See Separate Breakdown in this Section)	

# SECTION 7 - ELECTRICAL

FIGURE 7-8. AC BOX AT PLATFORM INSTALLATION - 220V CHINA PLUG (CHINA SPECS)



ART\_1001214457

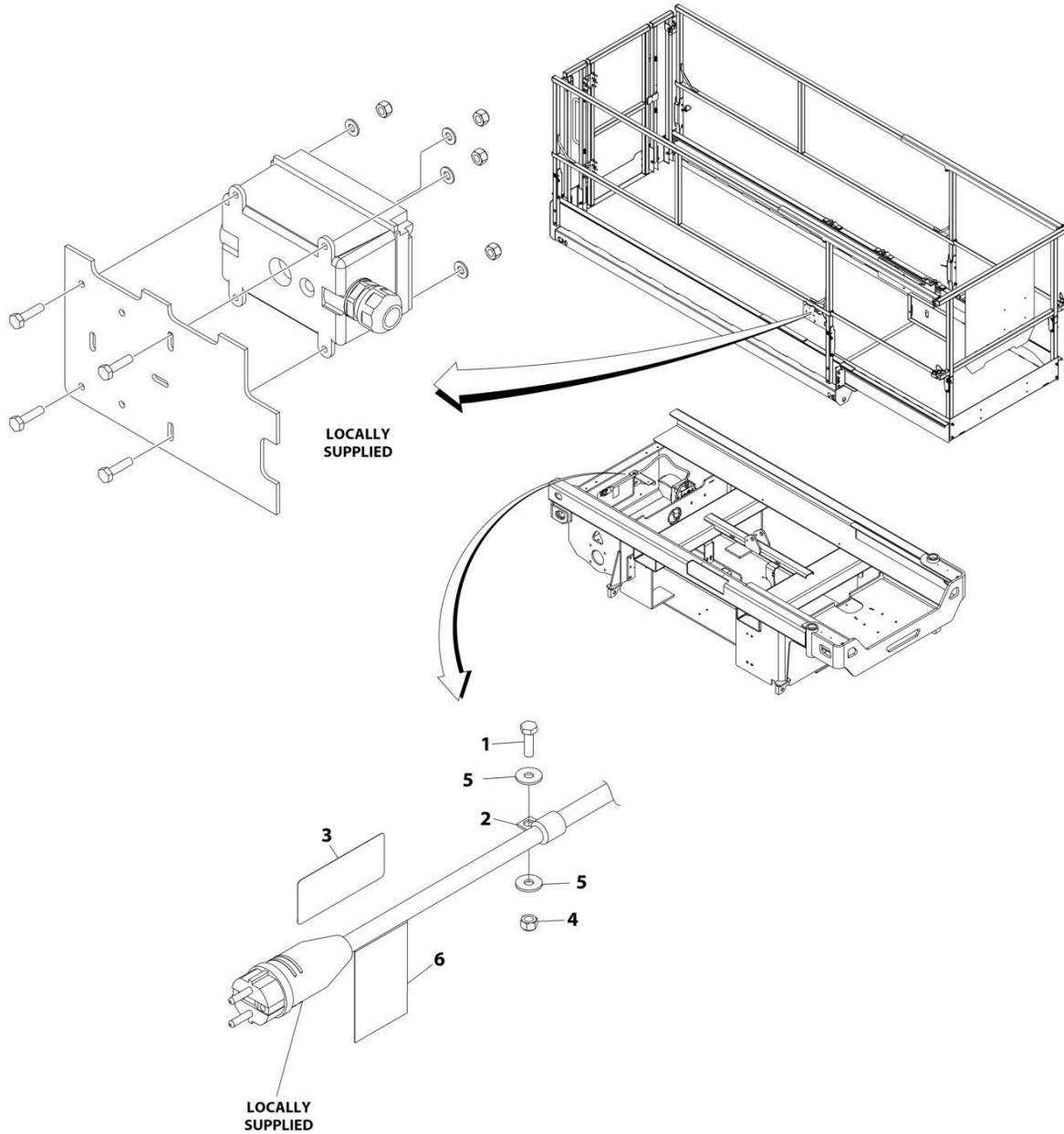
## SECTION 7 - ELECTRICAL

**FIGURE 7-8. AC BOX AT PLATFORM INSTALLATION - 220V CHINA PLUG (CHINA SPECS)**

ITEM	PART NUMBER	QTY	DESCRIPTION	REV
	1001214457	Ref	AC BOX AT PLATFORM INSTALLATION - 220V CHINA PLUG (CHINA SPECS)	A
1	0760408	4	Bolt M4 x 16	
2	0760610	1	Bolt M6 x 20	
3	8406003	1	Clamp	
4	3252507	1	Decal - 220 Volt	
5	3290405	4	Nut M4	
6	3290605	1	Nut M6	
7	4460315	1	Terminal (Not Shown)	
8	4460968	1	Connector, Strain Relief	
9	4811400	4	Washer M4	
10	4811702	2	Washer M6	
11	1001102258	1	Decal - AC Label	
12	1001187816	1	Plug	
13	1001188116	1	Box	

# SECTION 7 - ELECTRICAL

## FIGURE 7-9. AC BOX AT PLATFORM INSTALLATION - 220V LOCALLY SUPPLIED COMPONENTS (ALL SPECS)



ART\_1001214447

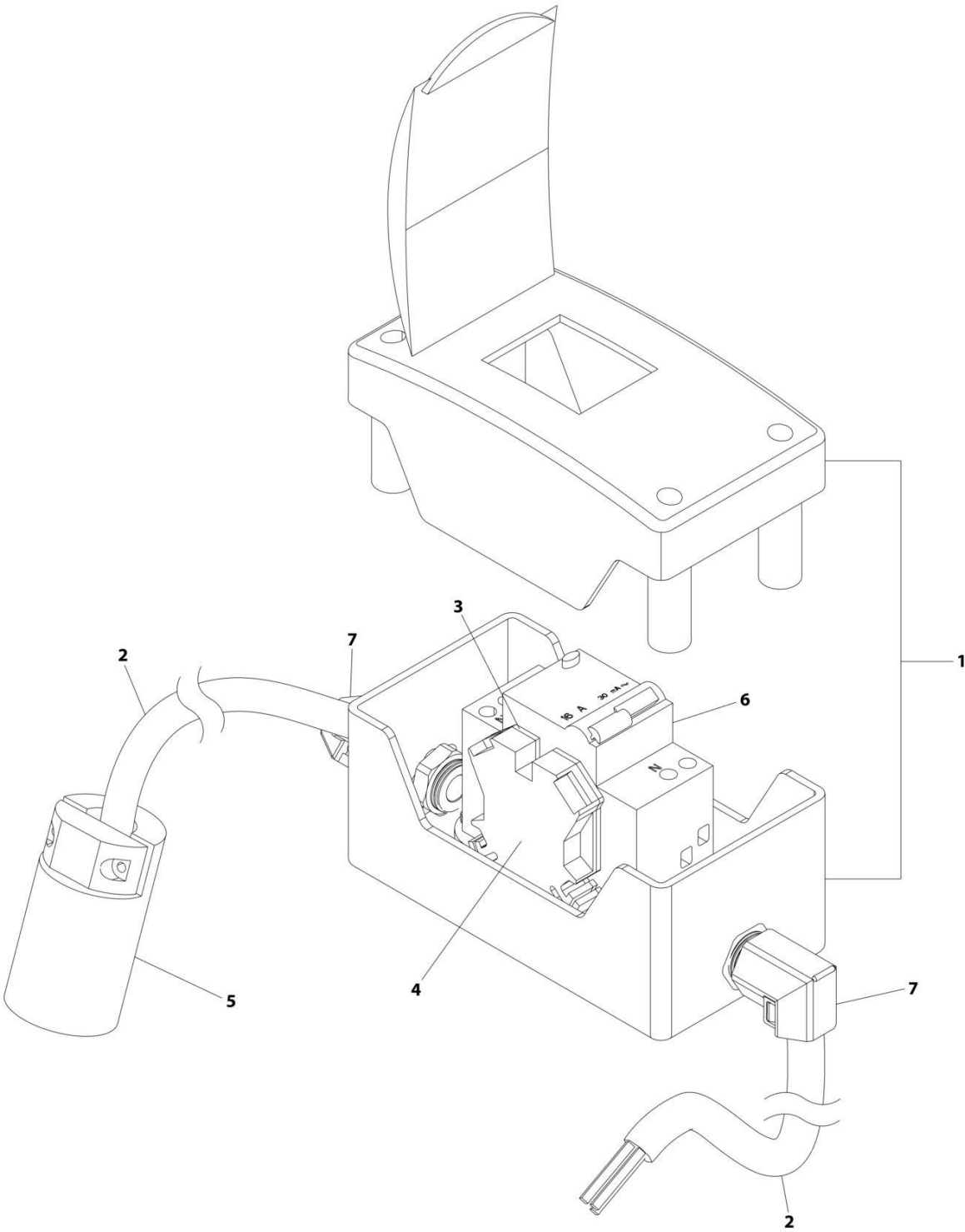
## SECTION 7 - ELECTRICAL

**FIGURE 7-9. AC BOX AT PLATFORM INSTALLATION - 220V LOCALLY SUPPLIED COMPONENTS  
(ALL SPECS)**

ITEM	PART NUMBER	QTY	DESCRIPTION	REV
	1001214447	Ref	AC BOX AT PLATFORM INSTALLATION - 220V LOCALLY SUPPLIED COMPONENTS (ALL SPECS)	A
1	0760610	1	Bolt M6 x 20	
2	1321293	1	Clamp	
3	3252507	1	Decal - 220 Volt	
4	3290605	1	Nut M6	
5	4811702	2	Washer M6	
6	1001102258	1	Decal - AC Label	

**SECTION 7 - ELECTRICAL**

**FIGURE 7-10. BREAKER BOX KIT WITH 1 DOUBLE BREAKER**



ART\_1001219041



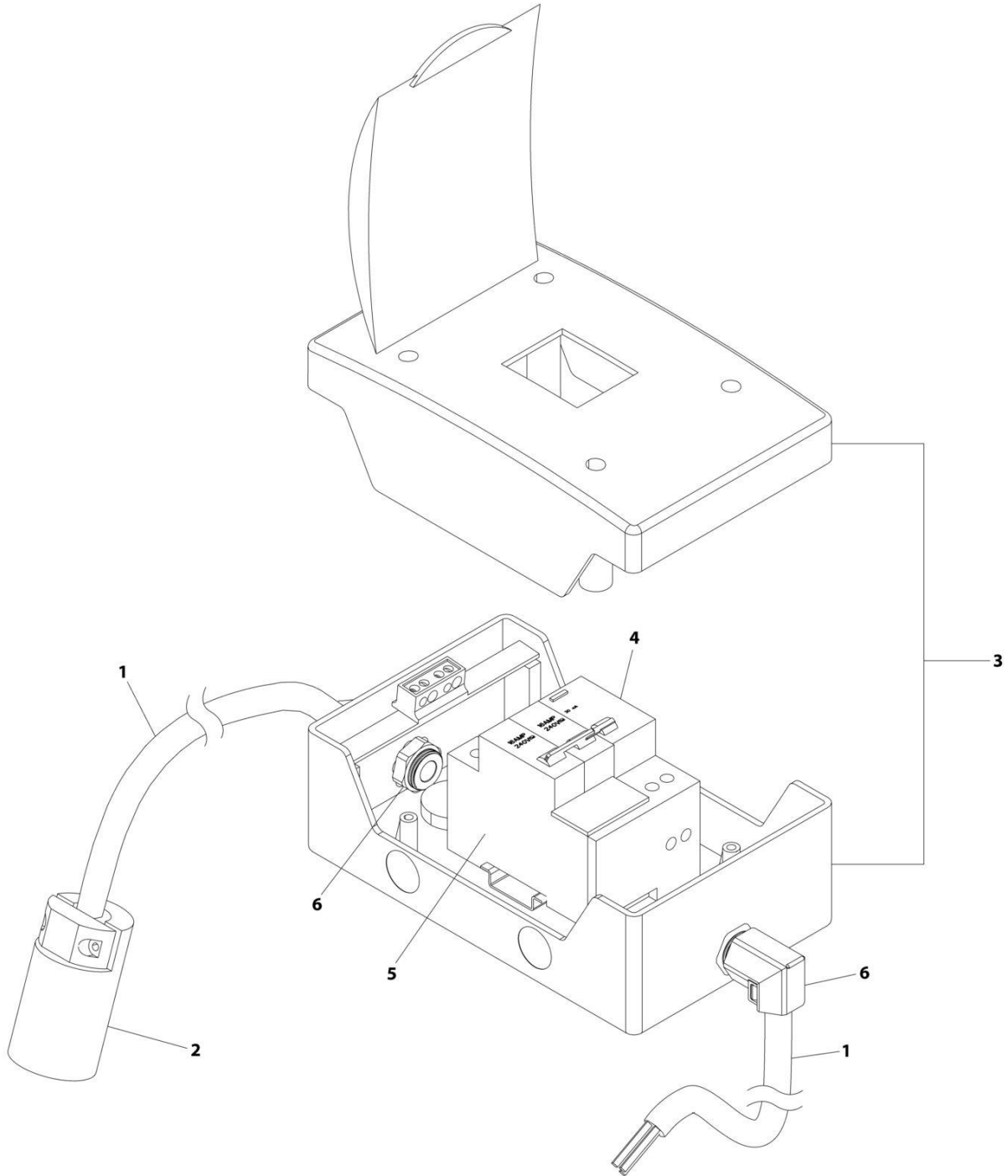
## SECTION 7 - ELECTRICAL

**FIGURE 7-10. BREAKER BOX KIT WITH 1 DOUBLE BREAKER**

ITEM	PART NUMBER	QTY	DESCRIPTION	REV
	1001219041	Ref	BREAKER BOX KIT WITH 1 DOUBLE BREAKER	A
1	0861880	1	Box	
2	1060908	4.5 ft/ 1.3m	Cable, 12/3	
3	4460956	1	Barrier, Terminal	
4	4460957	1	Block, Terminal	
5	1001120205	1	Connector, Female Twist	
6	1001181045	1	Breaker 30mAmp/16 Amp	
7	1001217164	2	Connector, Strain Relief 90	

# SECTION 7 - ELECTRICAL

## FIGURE 7-11. BREAKER BOX KIT WITH 3 BREAKERS



ART\_1001219018

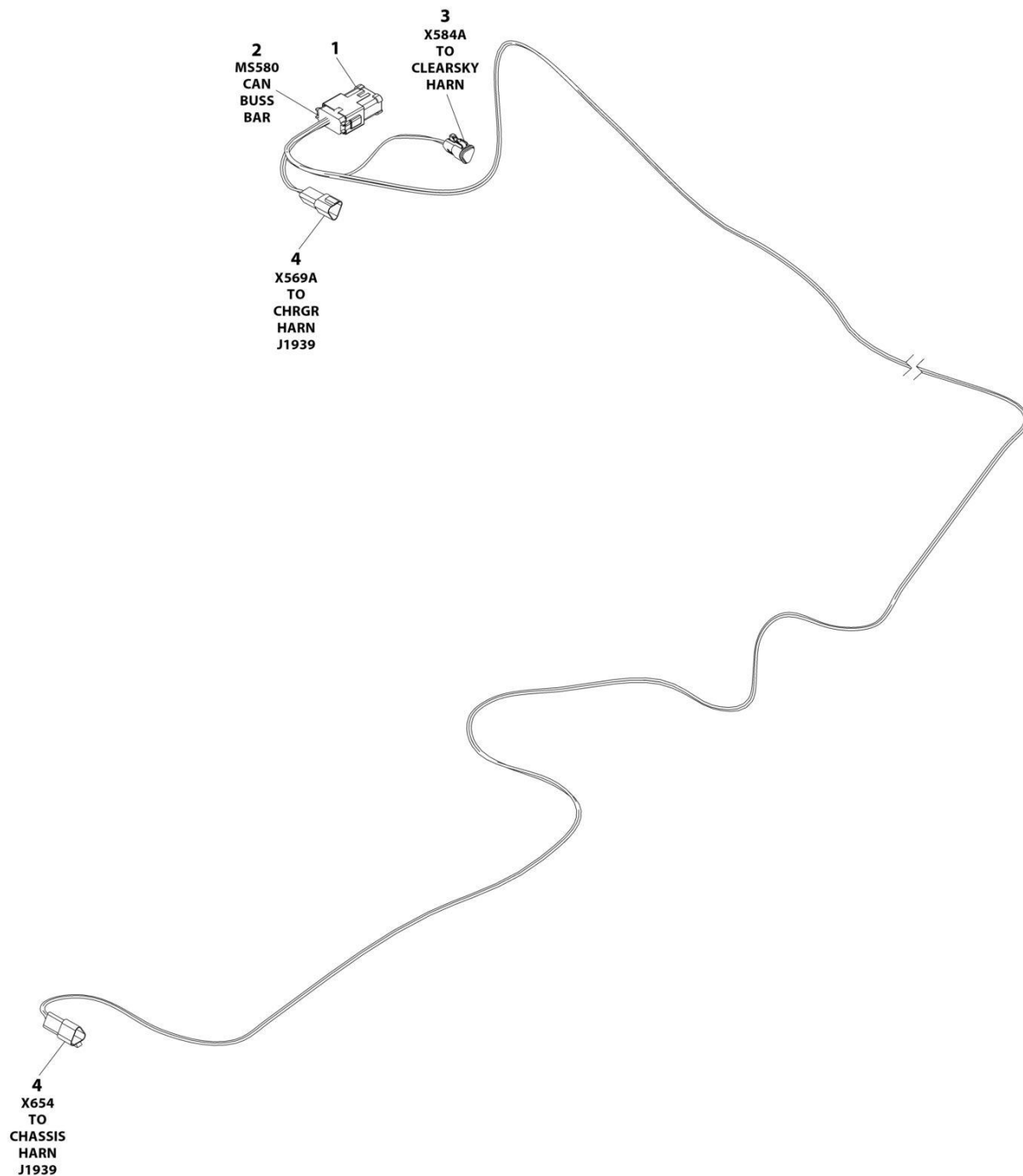
## SECTION 7 - ELECTRICAL

### FIGURE 7-11. BREAKER BOX KIT WITH 3 BREAKERS

ITEM	PART NUMBER	QTY	DESCRIPTION	REV
	1001219018	Ref	BREAKER BOX KIT WITH 3 BREAKERS	B
1	1060908	4.5 ft/ 1.3m	Cable, 12/3	
2	1001120205	1	Connector, Female Twist	
3	1001152483	1	Box	
4	1001189171	1	Breaker, 30mAmp	
5	1001189172	1	Breaker 16 Amp, Double	
6	1001217164	2	Connector, Strain Relief 90	

# SECTION 7 - ELECTRICAL

## FIGURE 7-12. CAN SPLICE HARNESS (MACHINES WITH CHARGER COMMUNICATION PORT)



ART\_1001254027

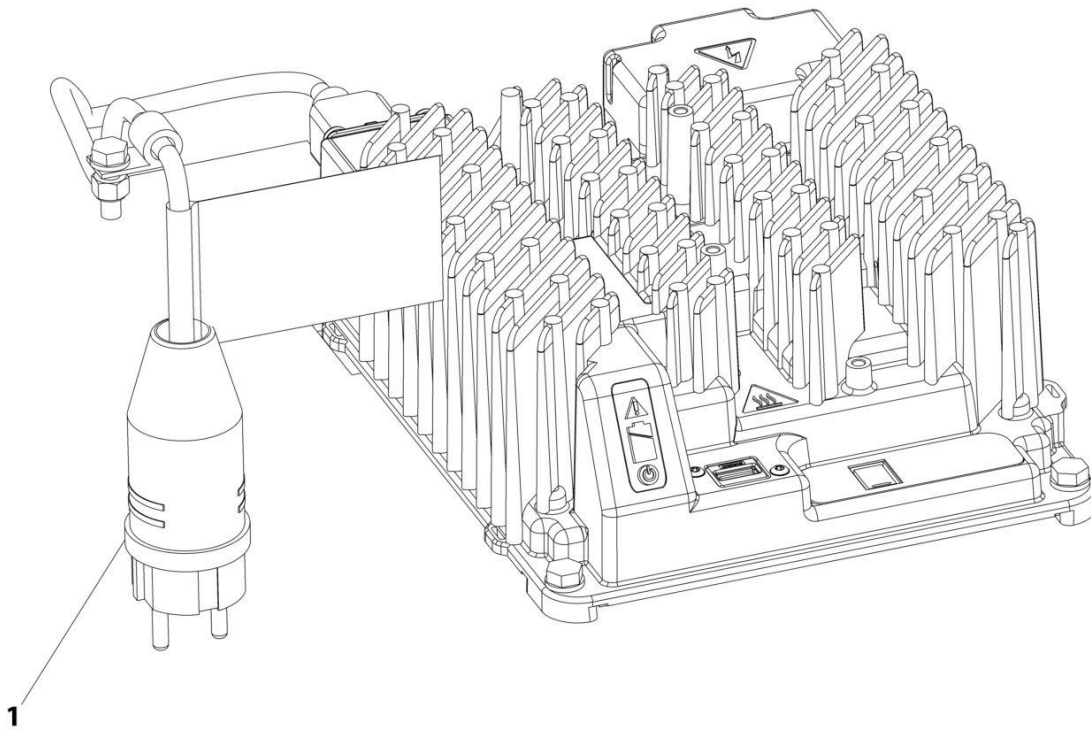
## SECTION 7 - ELECTRICAL

**FIGURE 7-12. CAN SPLICE HARNESS (MACHINES WITH CHARGER COMMUNICATION PORT)**

ITEM	PART NUMBER	QTY	DESCRIPTION	REV
	1001254027	Ref	CAN SPLICE HARNESS	A
1	1001125677	1	Connector, Bus Bar - 12 Position	
2	4460933	1	Plug, Male - 12 Position	
2	4460944	6	Socket, Female	
2	4460466	6	Plug, Terminal	
3	1001118812	1	Plug, Male - 3 Position	
3	4460944	2	Socket, Female	
3	4460466	1	Plug, Terminal	
4	1001144147	2	Receptacle, Female - 3 Position	
4	4460943	4	Pin, Male	
4	4460466	2	Plug, Terminal	

## SECTION 7 - ELECTRICAL

FIGURE 7-13. CHARGER PLUG INSTALLATION - CEE7 POST GROUND (CE & UK CA SPEC)



ART\_1001258856

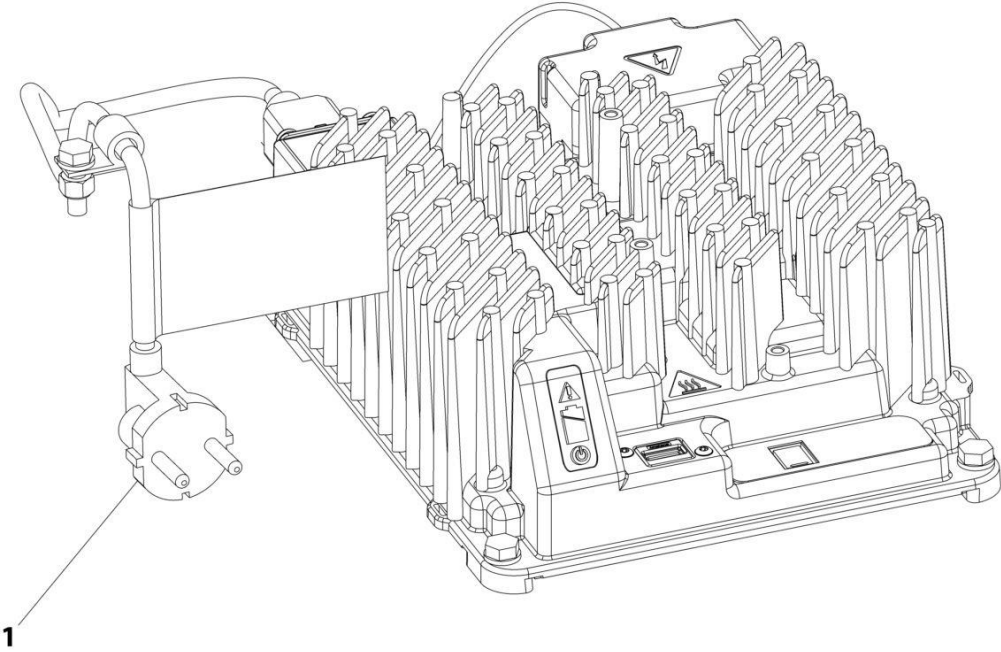
## SECTION 7 - ELECTRICAL

**FIGURE 7-13. CHARGER PLUG INSTALLATION - CEE7 POST GROUND (CE & UK CA SPEC)**

ITEM	PART NUMBER	QTY	DESCRIPTION	REV
1	1001258856 4461205	Ref 1	CHARGER PLUG INSTALLATION Terminal, 250VAC Male CE	A

**SECTION 7 - ELECTRICAL**

**FIGURE 7-14. CHARGER PLUG INSTALLATION - CEE7 SIDE GROUND (ANSI EXPORT SPEC)**



ART\_1001258857



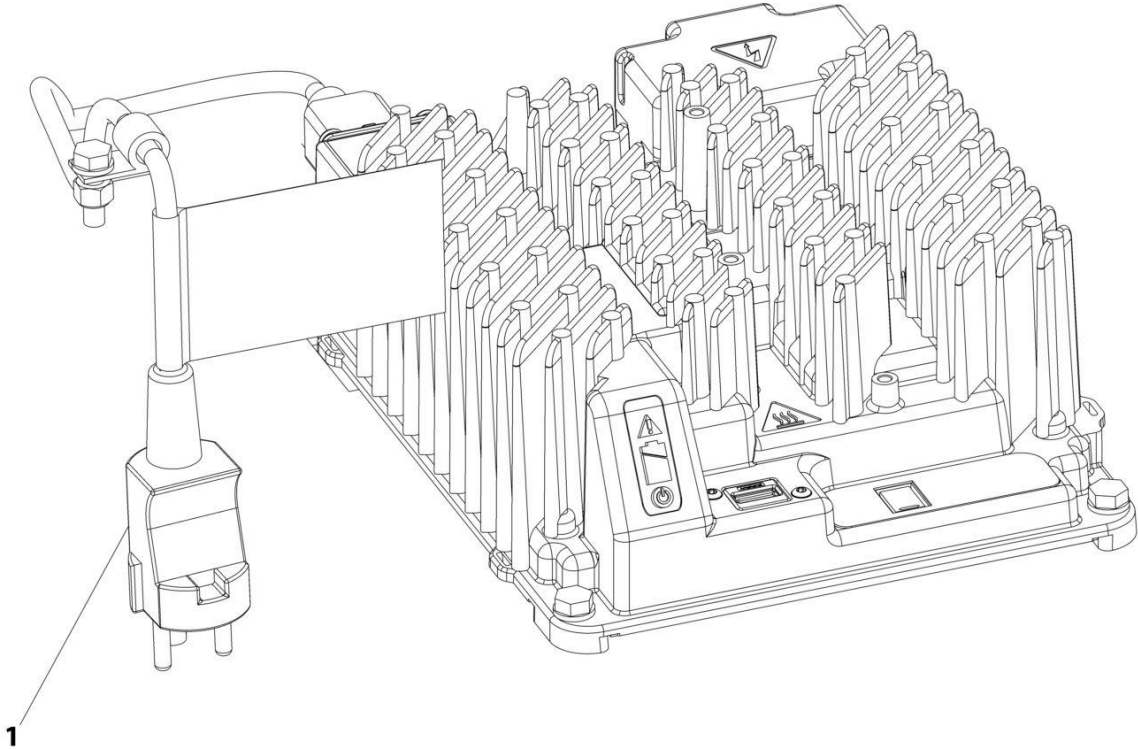
## SECTION 7 - ELECTRICAL

**FIGURE 7-14. CHARGER PLUG INSTALLATION - CEE7 SIDE GROUND (ANSI EXPORT SPEC)**

ITEM	PART NUMBER	QTY	DESCRIPTION	REV
1	1001258857 1001221949	Ref 1	CHARGER PLUG INSTALLATION Cable, AC Input, KOR Plug	A

**SECTION 7 - ELECTRICAL**

**FIGURE 7-15. CHARGER PLUG INSTALLATION - AFSINT 107 (CE & UK CA SPEC)**



ART\_1001258858

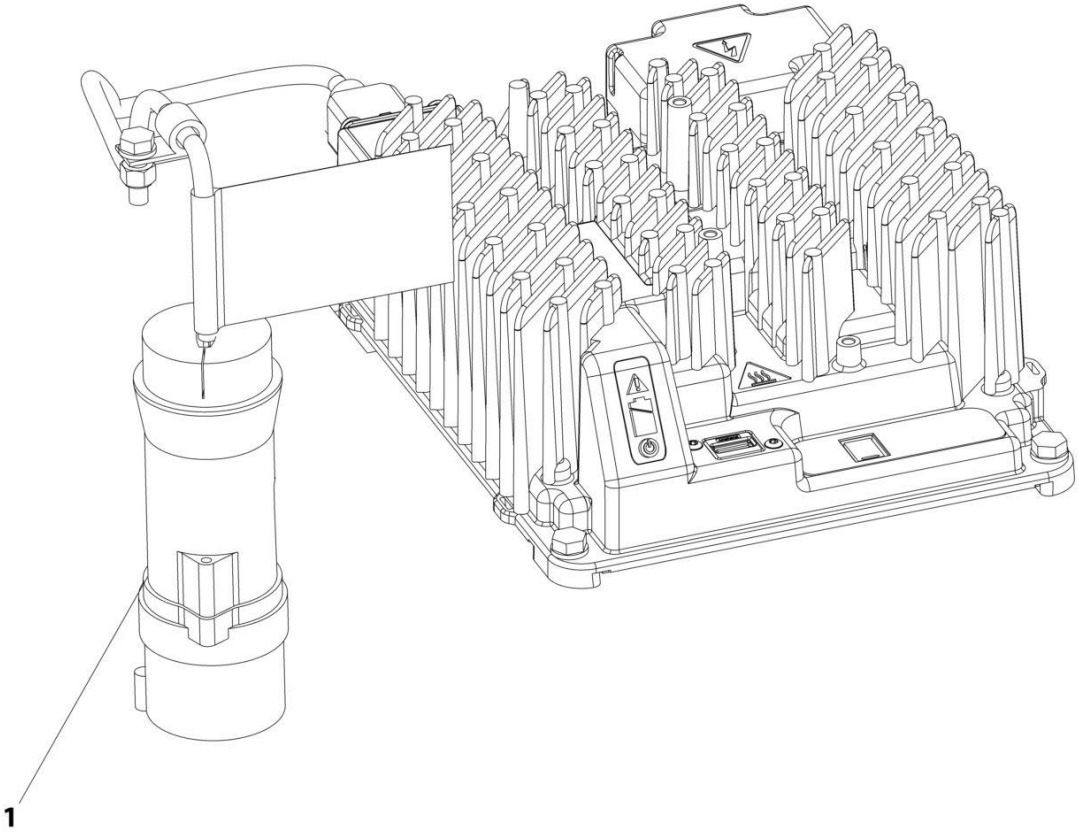
## SECTION 7 - ELECTRICAL

**FIGURE 7-15. CHARGER PLUG INSTALLATION - AFSINT 107 (CE & UK CA SPEC)**

ITEM	PART NUMBER	QTY	DESCRIPTION	REV
1	1001258858 4461249	Ref 1	CHARGER PLUG INSTALLATION Terminal, 250VAC Male CE	A

**SECTION 7 - ELECTRICAL**

**FIGURE 7-16. CHARGER PLUG INSTALLATION - IEC 60309 YELLOW (CE & UK CA SPEC)**



ART\_1001258859

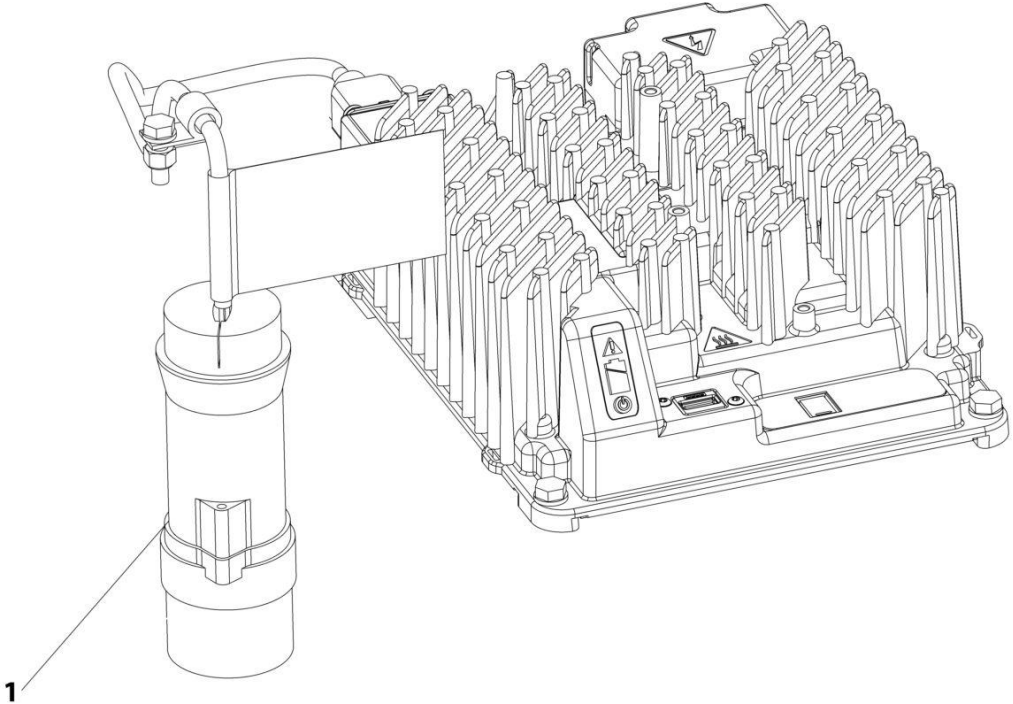
## SECTION 7 - ELECTRICAL

**FIGURE 7-16. CHARGER PLUG INSTALLATION - IEC 60309 YELLOW (CE & UK CA SPEC)**

ITEM	PART NUMBER	QTY	DESCRIPTION	REV
1	1001258859 4461196	Ref 1	CHARGER PLUG INSTALLATION Terminal, 250VAC Male CE	A

**SECTION 7 - ELECTRICAL**

**FIGURE 7-17. CHARGER PLUG INSTALLATION - IEC 60309 BLUE (CE & UK CA SPEC)**



ART\_1001258860

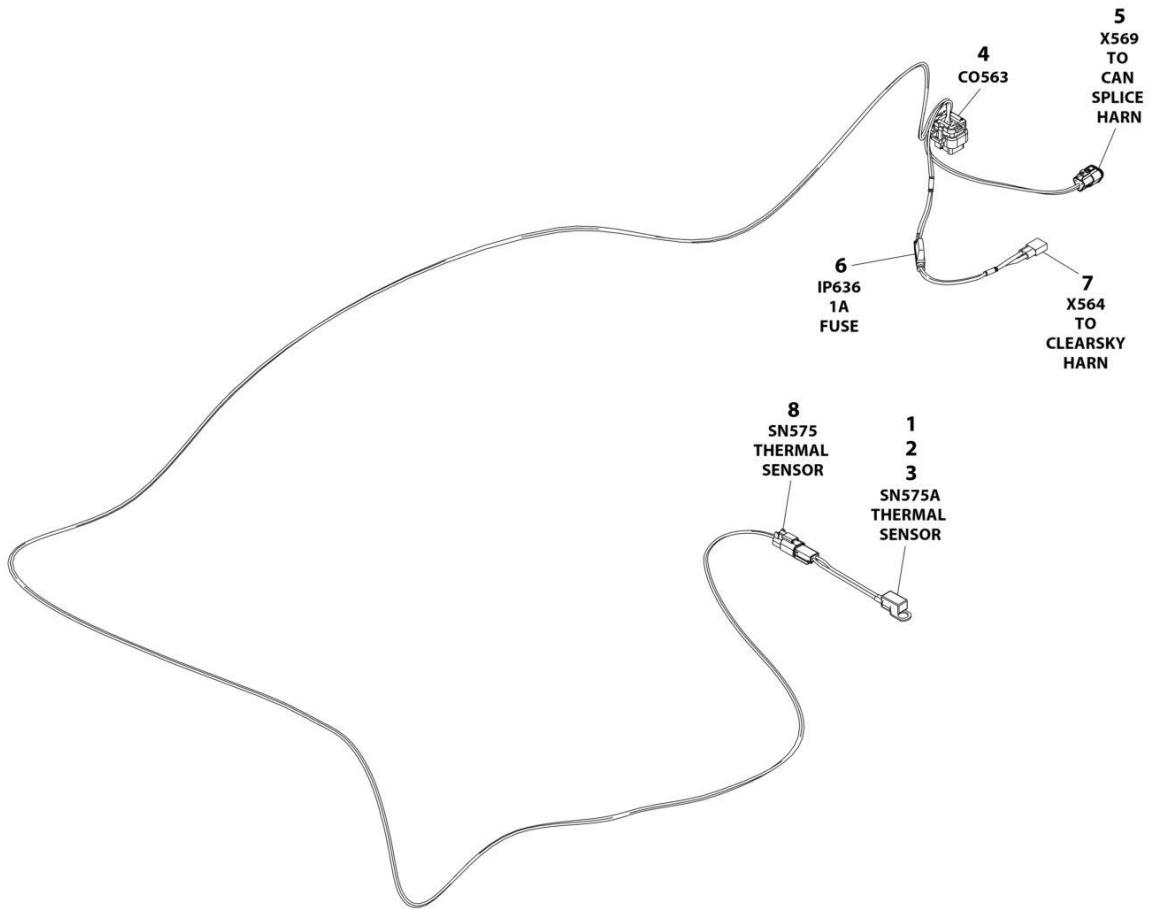
## SECTION 7 - ELECTRICAL

**FIGURE 7-17. CHARGER PLUG INSTALLATION - IEC 60309 BLUE (CE & UK CA SPEC)**

ITEM	PART NUMBER	QTY	DESCRIPTION	REV
1	1001258860 4461199	Ref 1	CHARGER PLUG INSTALLATION Terminal, 250 AC Male CE	A

# SECTION 7 - ELECTRICAL

FIGURE 7-18. CHARGER HARNESS (MACHINES WITH CHARGER COMMUNICATION PORT) (PVC 1910)



ART\_1001254028



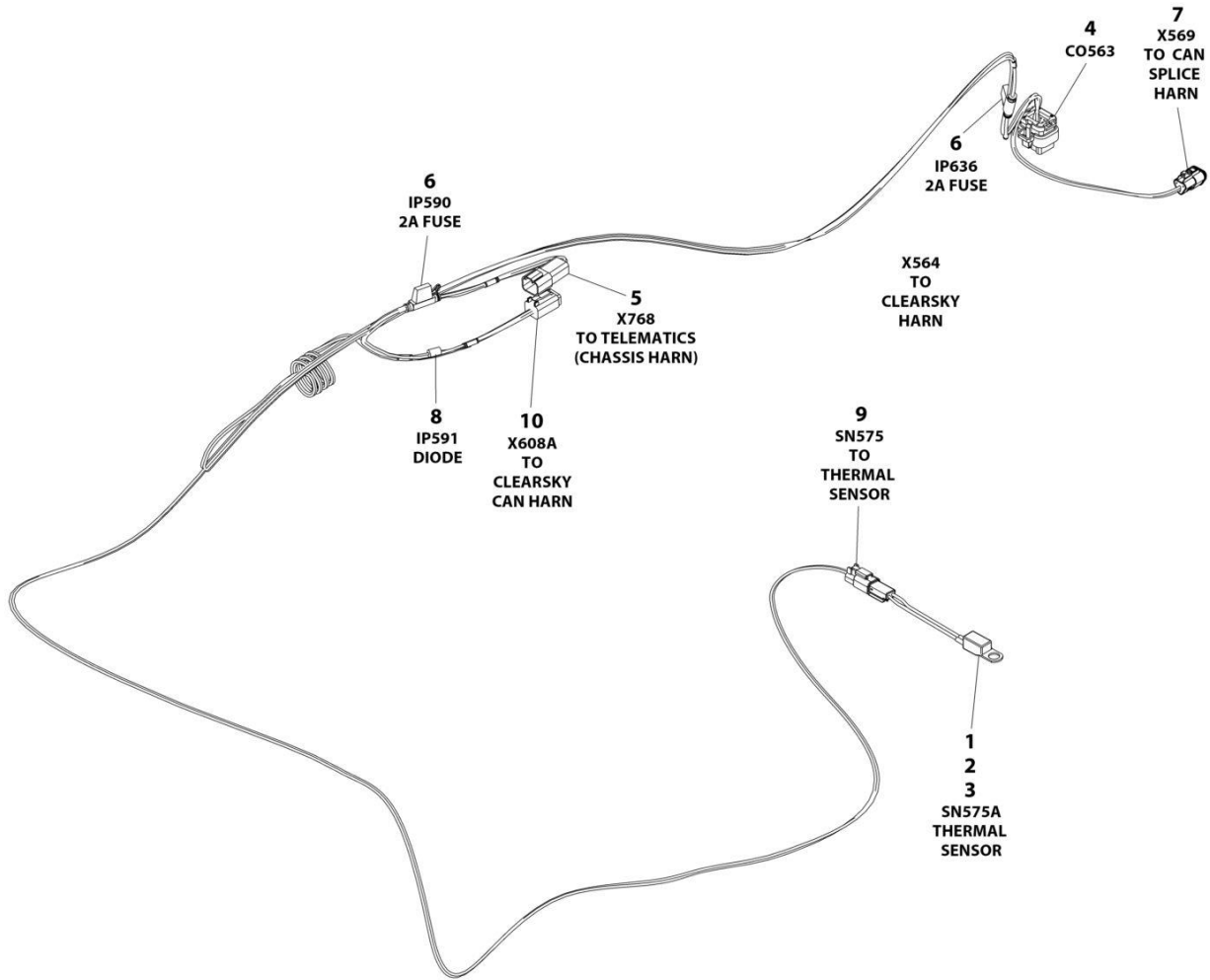
## SECTION 7 - ELECTRICAL

**FIGURE 7-18. CHARGER HARNESS (MACHINES WITH CHARGER COMMUNICATION PORT) (PVC 1910)**

ITEM	PART NUMBER	QTY	DESCRIPTION	REV
	1001254028	Ref	CHARGER HARNESS	A
1	4460464	2	Pin, Male	
2	4460897	1	Receptacle, Female - 2 Position	
3	1001102771	1	Sensor, Temperature	
4	4460872	1	Connector - 14 Position	
4	4460871	6	Terminal	
4	4460905	8	Plug, Terminal	
5	1001116812	1	Plug, Male - 3 Position	
5	4460944	2	Socket, Female	
5	4460466	1	Plug, Terminal	
6	2400060	1	Fuseholder With Cover	
6	1001228388	1	Fuse 1A	
7	4460424	1	Receptacle, Female - 2 Position	
7	4460227	2	Pin, Male	
8	4460891	1	Plug, Male - 2 Position	
8	4460465	2	Socket, Female	

# SECTION 7 - ELECTRICAL

## FIGURE 7-19. CHARGER HARNESS (MACHINES WITH CHARGER COMMUNICATION PORT) (PVC 2004)



ART\_1001254028\_C

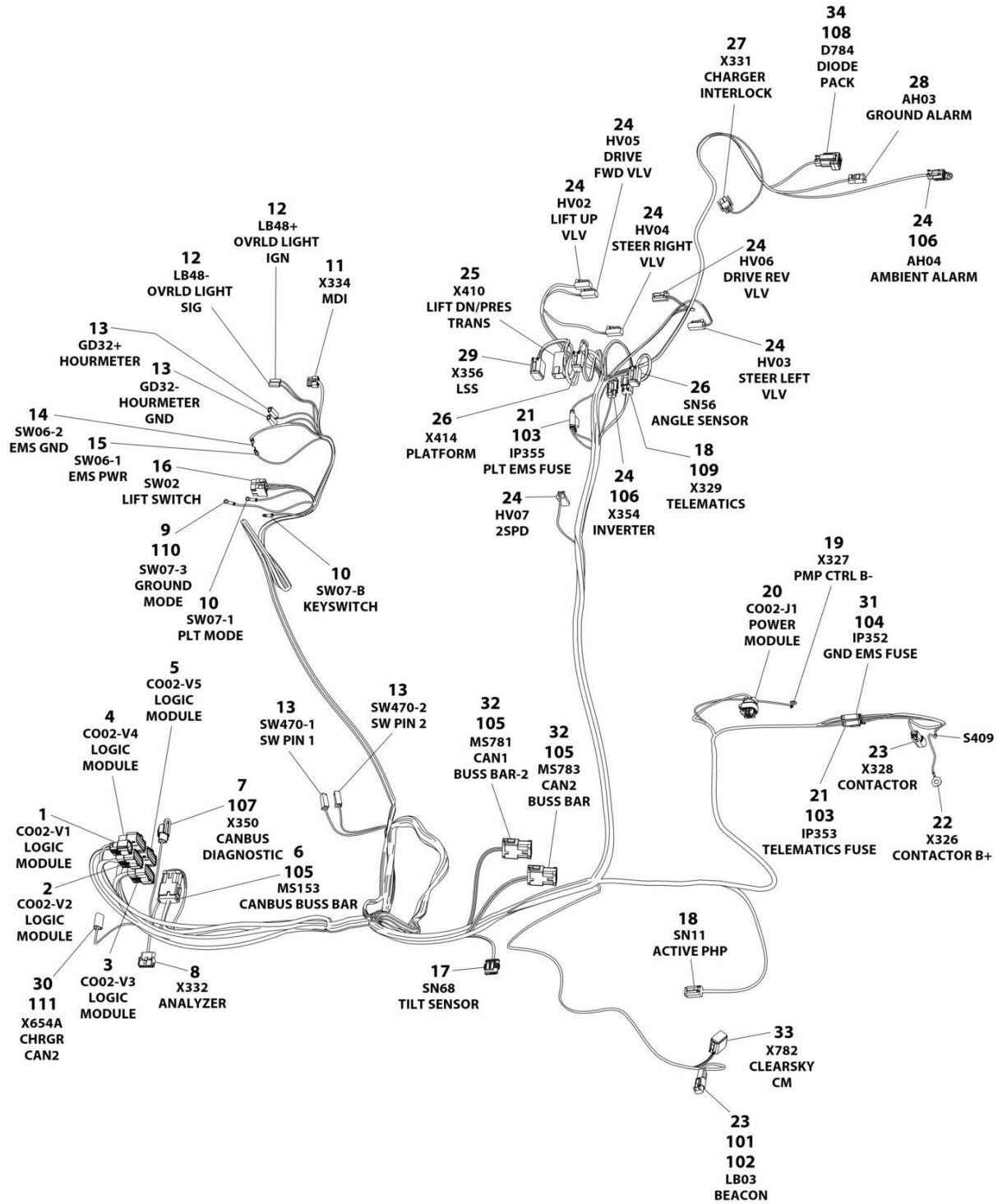
## SECTION 7 - ELECTRICAL

**FIGURE 7-19. CHARGER HARNESS (MACHINES WITH CHARGER COMMUNICATION PORT) (PVC 2004)**

ITEM	PART NUMBER	QTY	DESCRIPTION	REV
	1001254028	Ref	CHARGER HARNESS	C
1	4460464	2	Pin, Male	
2	4460897	1	Receptacle, Female - 2 Position	
3	1001102771	1	Sensor, Temperature	
4	4460872	1	Connector - 14 Position	
4	4460871	6	Terminal	
4	4460905	8	Plug, Terminal	
5	4460932	1	Receptacle, Female - 4 Position	
5	4460464	1	Pin, Male	
6	2400060	2	Fuseholder With Cover	
6	1001196634	2	Fuse 2A	
7	1001116812	1	Plug, Male - 3 Position	
7	4460944	2	Socket, Female	
7	4460466	1	Plug, Terminal	
8	3990001	1	Diode	
9	4460891	1	Plug, Male - 2 Position	
9	4460465	2	Socket, Female	
10	4460884	1	Plug, Male - 4 Position	
10	4460465	4	Socket, Female	

# SECTION 7 - ELECTRICAL

## FIGURE 7-20. CHASSIS HARNESS



ART\_1001283409

## SECTION 7 - ELECTRICAL

### FIGURE 7-20. CHASSIS HARNESS

ITEM	PART NUMBER	QTY	DESCRIPTION	REV
	1001283409	Ref	CHASSIS HARNESS	B
1	1001205409	1	Connector - 8 Position	
1	1001162887	8	Terminal	
2	1001205410	1	Connector - 20 Position	
2	1001162887	13	Terminal	
2	1001163340	7	Plug, Terminal	
3	1001162886	1	Connector - 20 Position	
3	1001162887	16	Terminal	
3	1001163340	4	Plug, Terminal	
4	1001205411	1	Connector - 20 Position	
4	1001162887	14	Terminal	
4	1001163340	6	Plug, Terminal	
5	1001205412	1	Connector - 20 Position	
5	1001162887	18	Terminal	
5	1001163340	2	Plug, Terminal	
6	4460933	1	Plug, Male - 12 Position	
6	4460944	8	Socket, Female	
6	4460466	4	Plug	
7	1001116812	1	Receptacle, Female - 3 Position	
7	4460944	2	Pin, Male	
7	4460466	1	Plug	
7	1001144296	1	Cover	
8	4460761	1	Plug, Male - 4 Position	
8	4460227	4	Socket, Female	
9	4460042	1	Terminal, Ring	
10	4460247	2	Terminal, Ring	
11	1001151629	1	Plug, Male - 8 Position	
11	4461023	2	Terminal	
11	4460877	2	Terminal	
12	1001117000	2	Cover, Terminal	
12	1001118387	2	Terminal	
13	4460260	4	Cover, Terminal	
13	4460259	4	Terminal	
14	4460115	1	Terminal, Ring	
15	4460183	1	Terminal, Ring	
16	4460418	1	Connector - 6 Position	
16	4460419	3	Terminal	
17	1001103012	1	Plug, Male - 4 Position	
17	1001107854	4	Socket, Female	
18	4460884	2	Plug, Male - 4 Position	
18	4460465	8	Socket, Female	
18	1001192401	1	Cover	
19	1001207173	1	Terminal, Ring	
20	1001113961	1	Connector - 8 Position	
20	4460871	4	Socket, Female	
20	4460905	4	Plug, Terminal	
21	2400060	2	Fuseholder with Cover	
22	1001211775	1	Terminal, Ring	
23	4460897	2	Receptacle, Female - 2 Position	
23	4460464	4	Pin, Male	

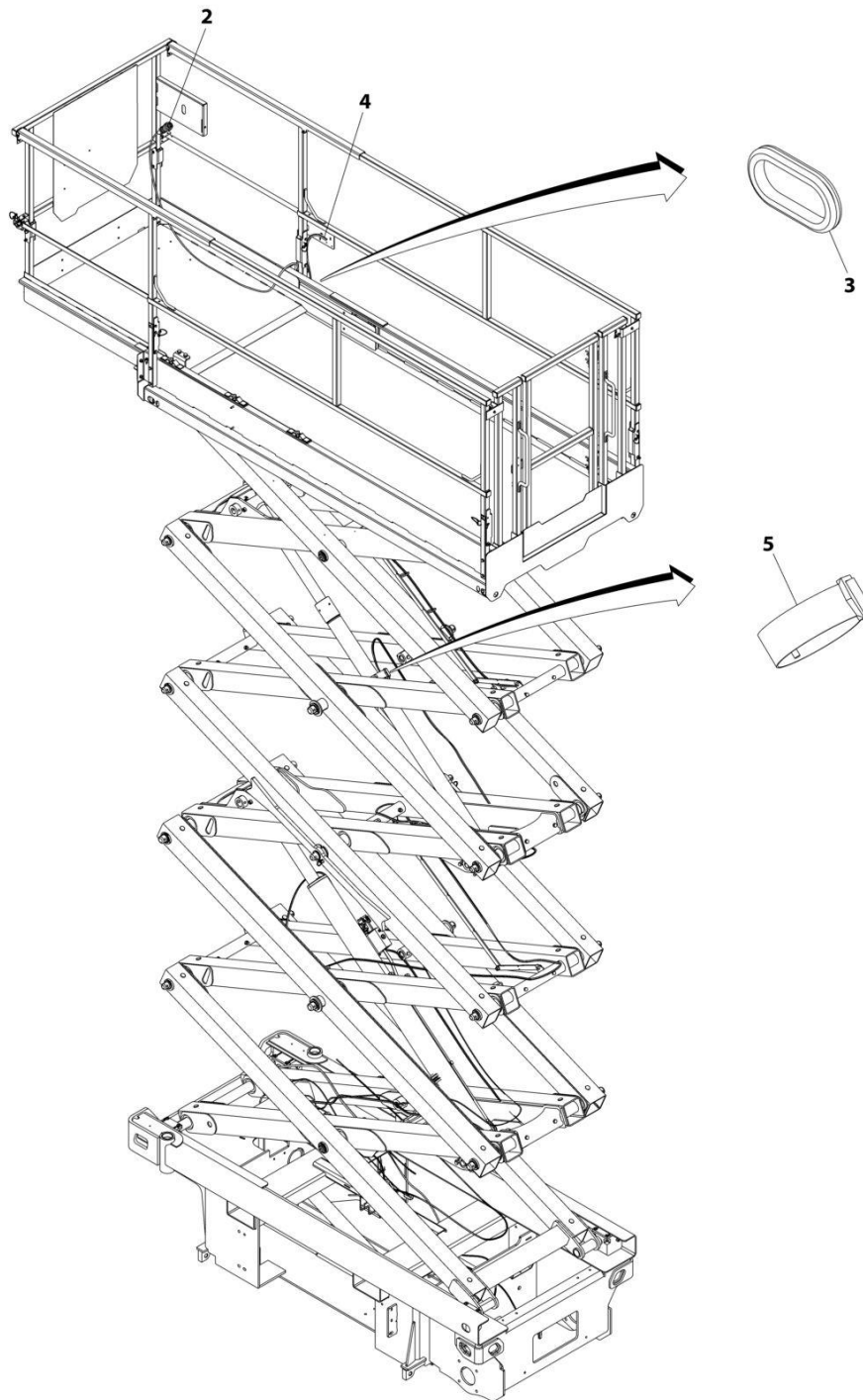
## SECTION 7 - ELECTRICAL

ITEM	PART NUMBER	QTY	DESCRIPTION	REV
24	4460891	8	Plug, Male - 2 Position	
24	4460465	16	Socket, Female	
25	4460899	1	Receptacle, Female - 6 Position	
25	4460464	4	Pin, Male	
25	4460466	2	Plug, Terminal	
26	4460894	2	Plug, Male - 6 Position	
26	4460465	12	Socket, Female	
27	4460320	1	Plug, Male - 2 Position	
27	4460226	1	Socket, Female	
28	4460539	1	Plug, Male - 3 Position	
28	4460465	3	Socket, Female	
29	4460930	1	Plug, Male - 8 Position	
29	4460465	6	Socket, Female	
29	4460466	2	Plug, Terminal	
30	4460966	1	Plug, Male - 3 Position	
30	4460944	2	Socket, Female	
30	4460466	1	Plug, Terminal	
31	2400060	1	Fuseholder with Cover	
32	4460933	2	Connector	
32	4460944	16	Socket	
32	4460466	8	Plug	
33	4460930	1	Connector	
33	4460465	8	Socket	
34	4460884	1	Connector	
34	4460465	4	Socket	
34	1001152266	1	Connector	
101	4460466	2	Plug	
102	4460891	1	Connector	
103	8229242	2	Fuse 5 Amp	
104	8229244	1	Fuse 15 Amp	
105	1001125677	3	Connector, Buss Bar	
106	1001144295	2	Cap, Dust	
107	1001144296	1	Cap, Dust	
108	1001152266	1	Connector	
109	1001192401	1	Cap, Dust	
110	4460042	1	Terminal, Ring	
111	4460966	1	Connector	



## SECTION 7 - ELECTRICAL

FIGURE 7-21. GROUND TO PLATFORM CABLE INSTALLATION - WITHOUT PLATFORM COIL CABLE/WITH AC CABLE (MACHINES WITH SN STARTING WITH 12, B2, G2 & M2)



ART\_1001214442



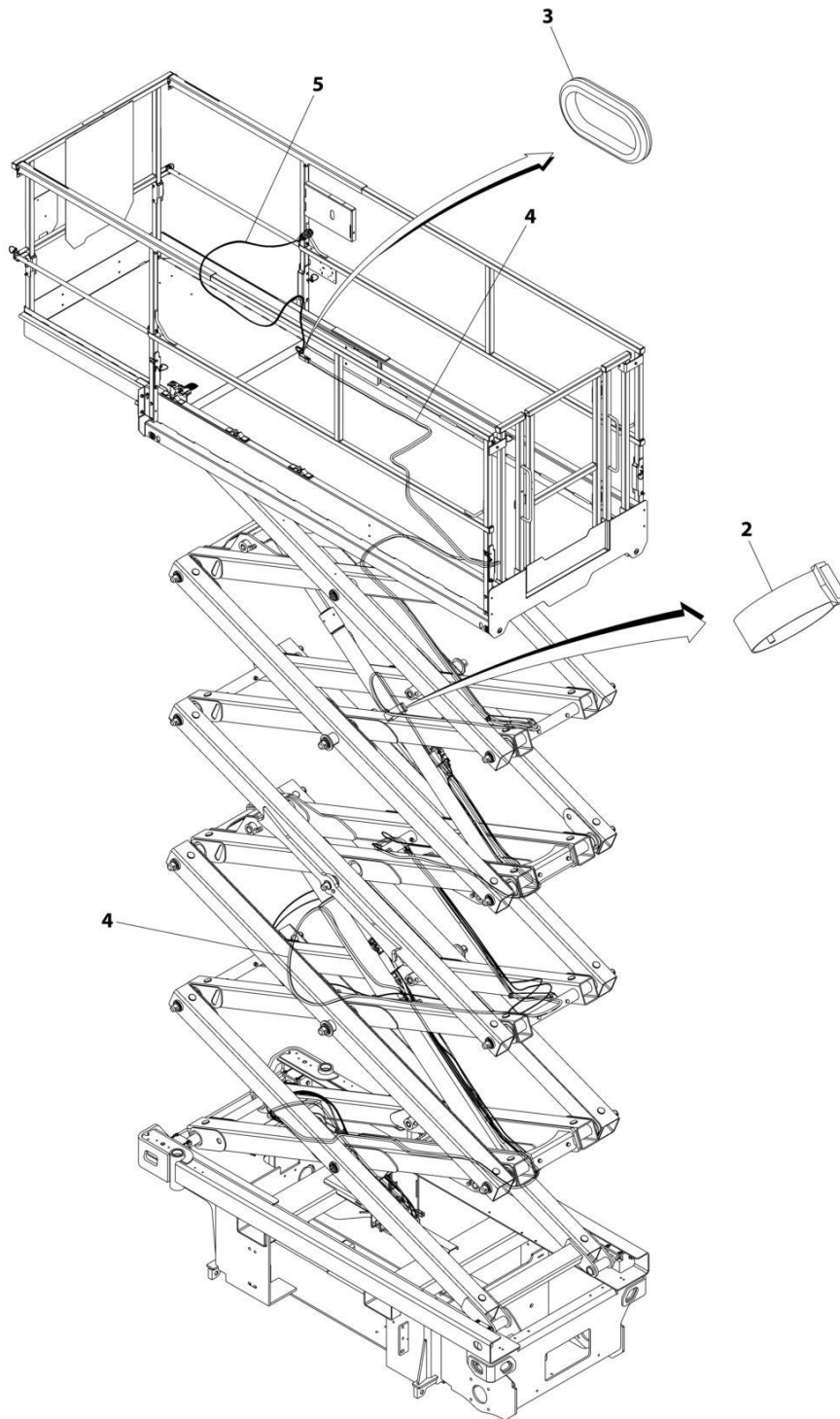
## SECTION 7 - ELECTRICAL

**FIGURE 7-21. GROUND TO PLATFORM CABLE INSTALLATION - WITHOUT PLATFORM COIL CABLE/WITH AC CABLE (MACHINES WITH SN STARTING WITH 12, B2, G2 & M2)**

ITEM	PART NUMBER	QTY	DESCRIPTION	REV
	1001214442	Ref	GROUND TO PLATFORM CABLE INSTALLATION - WITHOUT PLATFORM COIL CABLE	E
1	4240017	AR	Tie-Strap (Not Shown)	
2	1001200812	1	Platform Harness	
2	4460899	1	Receptacle, Female - 6 Position (To Item 4)	
2	4460464	4	Pin, Male	
2	4460943	2	Pin, Male	
2	4460754	1	Connector - 14 Position (To Console Box)	
2	4460465	8	Socket, Female	
2	4460466	6	Plug, Terminal	
3	1001213945	1	Grommet	
4	1001215732	1	Cable Assembly - Ground to Platform	
4	4460894	1	Plug, Male - 6 Position (To Platform Harness Item 2)	
4	4460465	4	Socket, Female	
4	4460944	2	Socket, Female	
4	4460899	1	Receptacle, Female - 6 Position (To Chassis Harness)	
4	4460464	4	Pin, Male	
4	4460943	2	Pin, Male	
5	1001137263	1	Strap, Cinch	

## SECTION 7 - ELECTRICAL

FIGURE 7-22. GROUND TO PLATFORM CABLE INSTALLATION - WITHOUT PLATFORM COIL CABLE/WITHOUT AC CABLE (MACHINES WITH SN STARTING WITH 12, B2 & G2)



ART\_1001239065

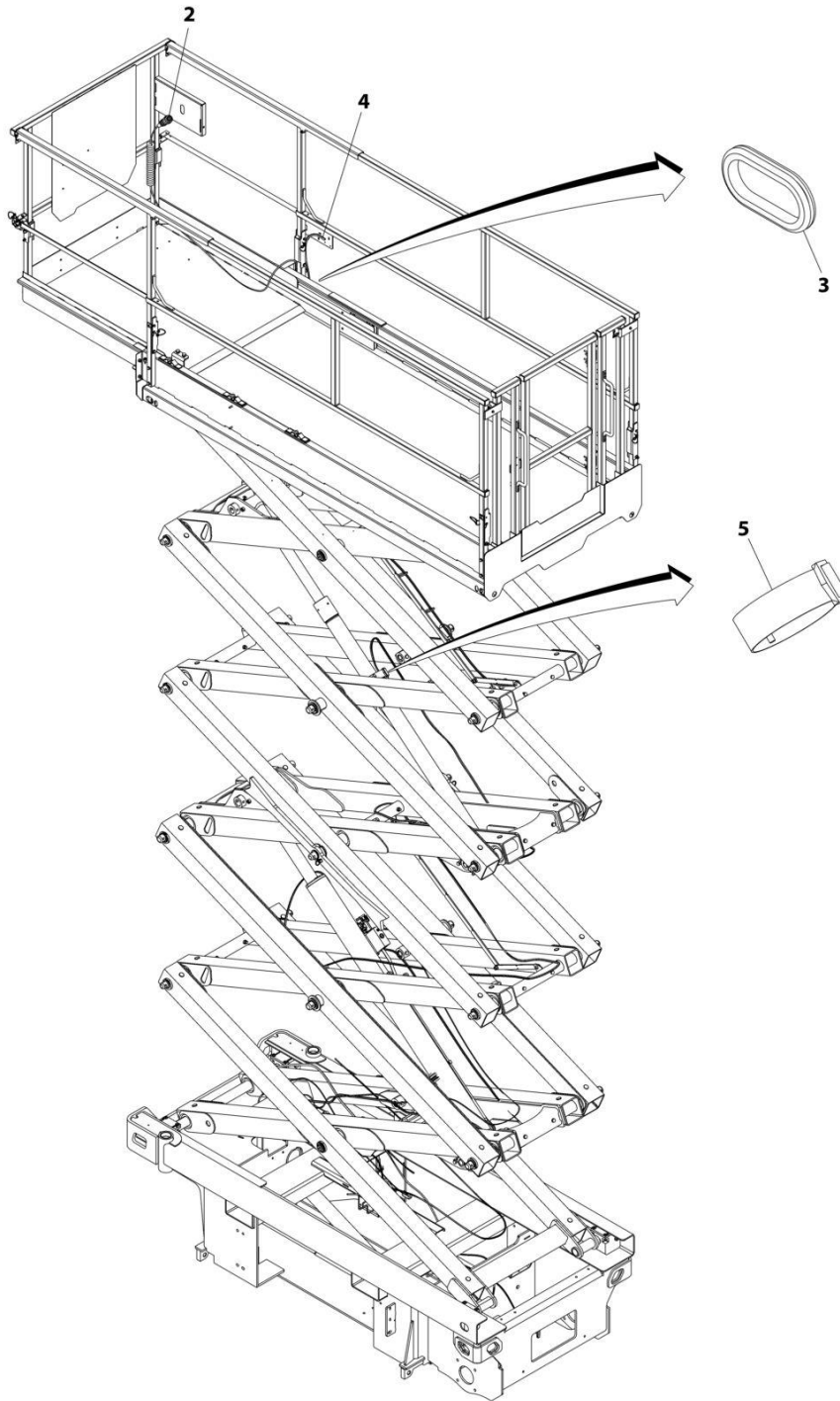
## SECTION 7 - ELECTRICAL

**FIGURE 7-22. GROUND TO PLATFORM CABLE INSTALLATION - WITHOUT PLATFORM COIL CABLE/WITHOUT AC CABLE (MACHINES WITH SN STARTING WITH 12, B2 & G2)**

ITEM	PART NUMBER	QTY	DESCRIPTION	REV
	1001239065	Ref	GROUND TO PLATFORM CABLE INSTALLATION - WITHOUT PLATFORM COIL CABLE	A
1	4240017	AR	Tie-Strap (Not Shown)	
2	1001137263	1	Strap, Cinch	
3	1001213945	1	Grommet	
4	1001239286	1	Cable Assembly - Ground to Platform	
4	4460894	1	Plug, Male - 6 Position (To Platform Harness Item 2)	
4	4460465	4	Socket, Female	
4	4460944	2	Socket, Female	
4	4460899	1	Receptacle, Female - 6 Position (To Chassis Harness)	
4	4460464	4	Pin, Male	
4	4460943	2	Pin, Male	
5	1001200812	1	Platform Harness	
5	4460899	1	Receptacle, Female - 6 Position (To Item 4)	
5	4460464	4	Pin, Male	
5	4460943	2	Pin, Male	
5	4460754	1	Connector - 14 Position (To Console Box)	
5	4460465	8	Socket, Female	
5	4460466	6	Plug, Terminal	

## SECTION 7 - ELECTRICAL

**FIGURE 7-23. GROUND TO PLATFORM CABLE INSTALLATION - WITH PLATFORM COIL CABLE/WITH AC CABLE (MACHINES WITH SN STARTING WITH 12, B2, G2 & M2)**



ART\_1001214443

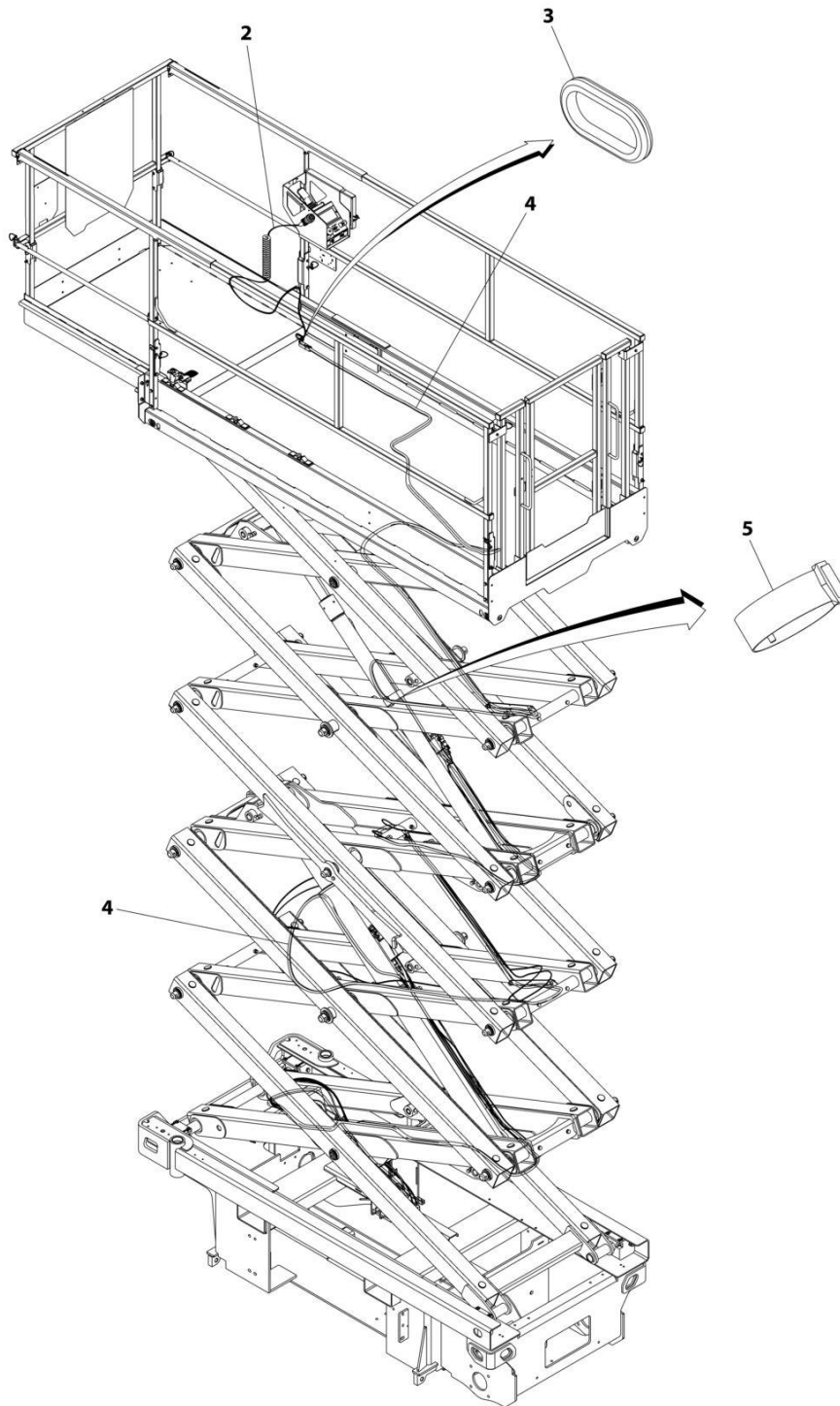
## SECTION 7 - ELECTRICAL

**FIGURE 7-23. GROUND TO PLATFORM CABLE INSTALLATION - WITH PLATFORM COIL CABLE/WITH AC CABLE (MACHINES WITH SN STARTING WITH 12, B2, G2 & M2)**

ITEM	PART NUMBER	QTY	DESCRIPTION	REV
	1001214443	Ref	GROUND TO PLATFORM CABLE INSTALLATION - WITH PLATFORM COIL CABLE	E
1	4240017	AR	Tie-Strap (Not Shown)	
2	1001202184	1	Platform Harness	
2	4460899	1	Receptacle, Female - 6 Position (To Item 4)	
2	4460464	4	Pin, Male	
2	4460943	2	Pin, Male	
2	4460754	1	Connector - 14 Position (To Console Box)	
2	4460465	8	Socket, Female	
2	4460466	6	Plug, Terminal	
3	1001213945	1	Grommet	
4	1001215732	1	Cable Assembly - Ground to Platform	
4	4460894	1	Plug, Male - 6 Position (To Platform Harness Item 2)	
4	4460465	4	Socket, Female	
4	4460944	2	Socket, Female	
4	4460899	1	Receptacle, Female - 6 Position (To Chassis Harness)	
4	4460464	4	Pin, Male	
4	4460943	2	Pin, Male	
5	1001137263	1	Strap, Cinch	

## SECTION 7 - ELECTRICAL

**FIGURE 7-24. GROUND TO PLATFORM CABLE INSTALLATION - WITH PLATFORM COIL CABLE/WITHOUT AC CABLE (MACHINES WITH SN STARTING WITH 12, B2 & G2)**



ART\_1001239066

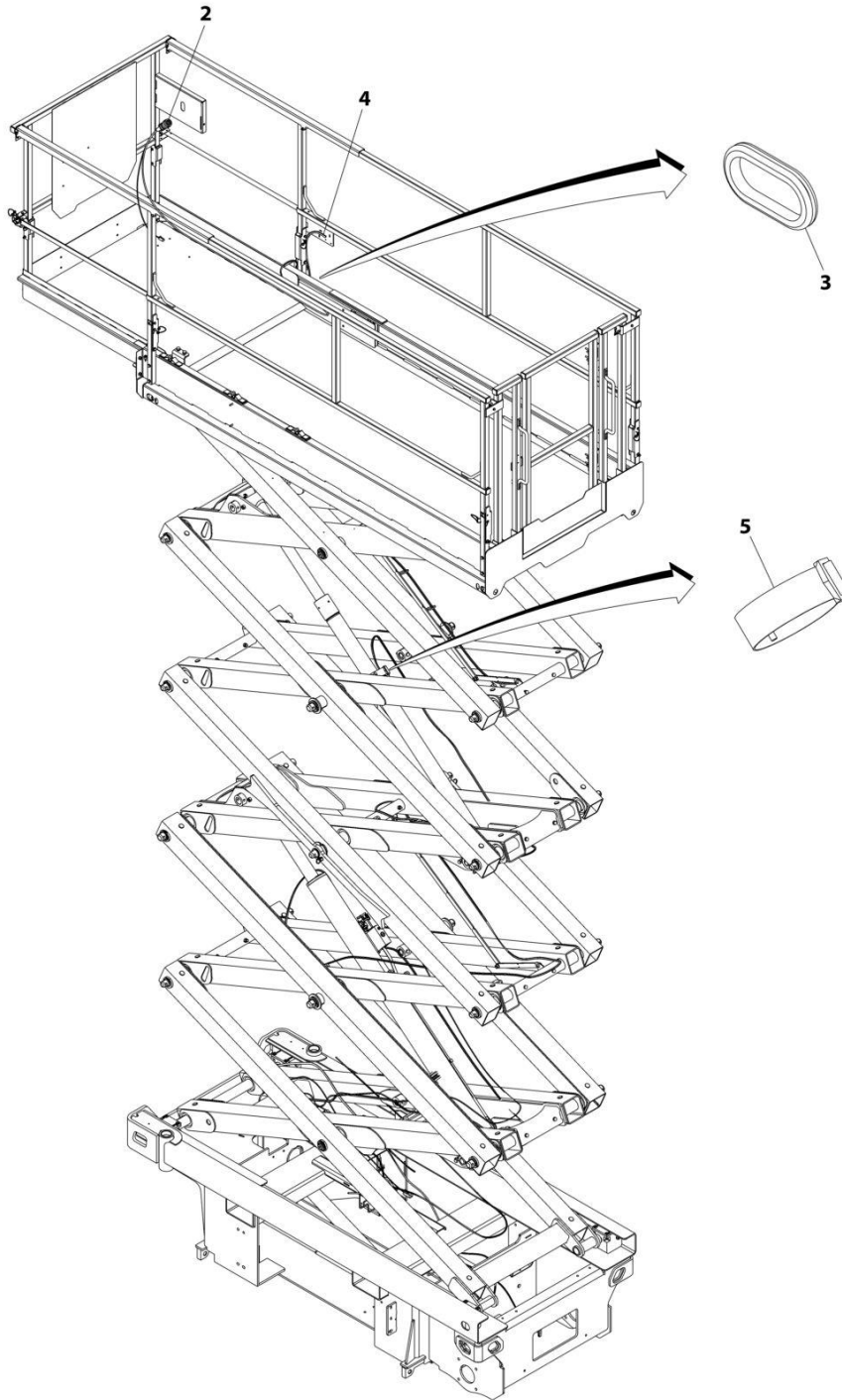
## SECTION 7 - ELECTRICAL

**FIGURE 7-24. GROUND TO PLATFORM CABLE INSTALLATION - WITH PLATFORM COIL CABLE/WITHOUT AC CABLE (MACHINES WITH SN STARTING WITH 12, B2 & G2)**

ITEM	PART NUMBER	QTY	DESCRIPTION	REV
	1001239066	Ref	GROUND TO PLATFORM CABLE INSTALLATION - WITH PLATFORM COIL CABLE	A
1	4240017	AR	Tie-Strap (Not Shown)	
2	1001202184	1	Platform Harness	
2	4460899	1	Receptacle, Female - 6 Position (To Item 4)	
2	4460464	4	Pin, Male	
2	4460943	2	Pin, Male	
2	4460754	1	Connector - 14 Position (To Console Box)	
2	4460465	8	Socket, Female	
2	4460466	6	Plug, Terminal	
3	1001213945	1	Grommet	
4	1001239286	1	Cable Assembly - Ground to Platform	
4	4460894	1	Plug, Male - 6 Position (To Platform Harness Item 2)	
4	4460465	4	Socket, Female	
4	4460944	2	Socket, Female	
4	4460899	1	Receptacle, Female - 6 Position (To Chassis Harness)	
4	4460464	4	Pin, Male	
4	4460943	2	Pin, Male	
5	1001137263	1	Strap, Cinch	

## SECTION 7 - ELECTRICAL

FIGURE 7-25. GROUND TO PLATFORM CABLE INSTALLATION - WITHOUT PLATFORM COIL CABLE/WITH AC CABLE AND WITH FOOTSWITCH (MACHINES WITH SN STARTING WITH 12, B2 & G2)



ART\_1001214444



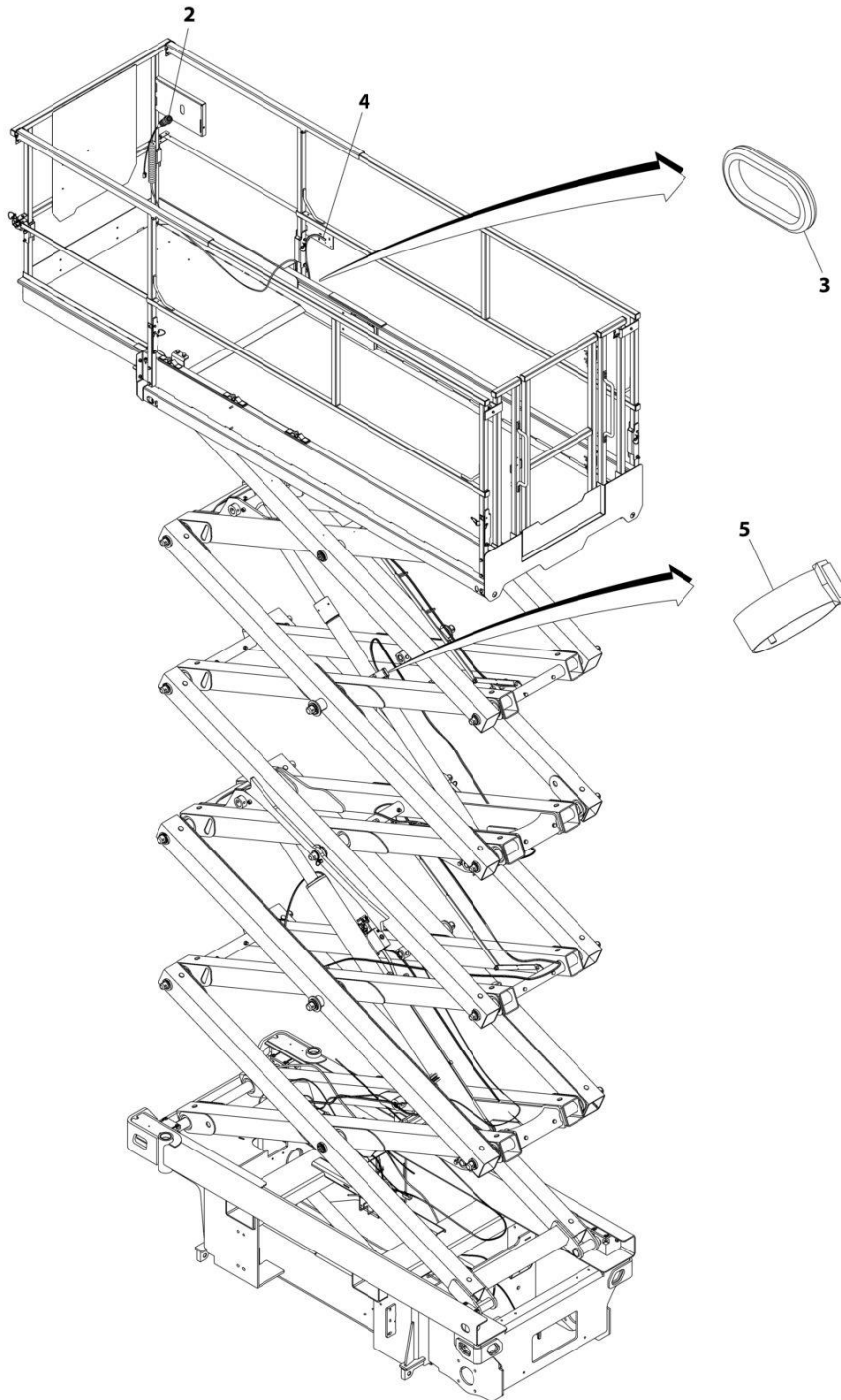
## SECTION 7 - ELECTRICAL

**FIGURE 7-25. GROUND TO PLATFORM CABLE INSTALLATION - WITHOUT PLATFORM COIL CABLE/WITH AC CABLE AND WITH FOOTSWITCH (MACHINES WITH SN STARTING WITH 12, B2 & G2)**

ITEM	PART NUMBER	QTY	DESCRIPTION	REV
	1001214444	Ref	GROUND TO PLATFORM CABLE INSTALLATION - WITHOUT PLATFORM COIL CABLE AND WITH FOOTSWITCH	F
		Ref	Note: Only Available on Japanese Specs.	
1	4240017	AR	Tie-Strap (Not Shown)	
2	1001223263	1	Platform Harness - Without Coil Cable	
2	4460899	1	Receptacle, Female - 6 Position (To Ground to Platform Cable to Item 4)	
2	4460464	4	Pin, Male	
2	4460943	2	Pin, Male	
2	4460539	1	Plug, Male - 3 Position (To Overhead Switches)	
2	4460465	2	Socket, Female	
2	4460466	1	Plug, Terminal	
2	4460891	1	Plug, Male - 2 Position (To Footswitch)	
2	4460465	2	Socket, Female	
2	4460754	1	Connector - 14 Position (To Platform Box)	
2	4460465	8	Socket, Female	
2	4460944	2	Socket, Female	
2	4460466	4	Plug, Terminal	
2	4460897	1	Receptacle, Female - 2 Position (Jumper for Footswitch Plug)	
2	4460464	2	Pin, Male	
3	1001213945	1	Grommet	
4	1001215732	1	Cable Assembly - Ground to Platform	
4	4460894	1	Plug, Male - 6 Position (To Platform Harness Item 2)	
4	4460465	4	Socket, Female	
4	4460944	2	Socket, Female	
4	4460899	1	Receptacle, Female - 6 Position (To Chassis Harness)	
4	4460464	4	Pin, Male	
4	4460943	2	Pin, Male	
5	1001137263	1	Strap, Cinch	

## SECTION 7 - ELECTRICAL

**FIGURE 7-26. GROUND TO PLATFORM CABLE INSTALLATION - WITH PLATFORM COIL CABLE/WITH AC CABLE & FOOTSWITCH (MACHINES WITH SN STARTING WITH 12, B2 & G2)**



ART\_1001214445

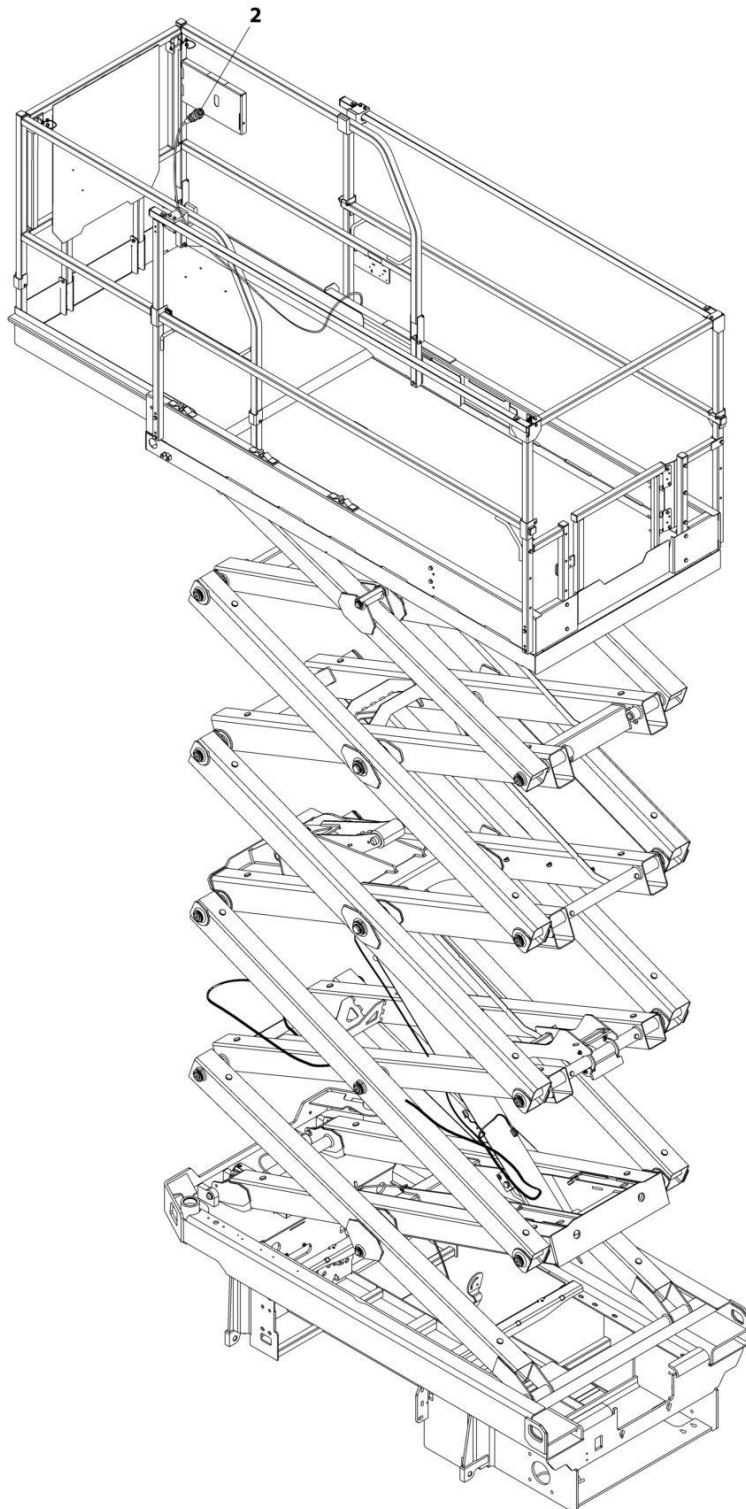
## SECTION 7 - ELECTRICAL

**FIGURE 7-26. GROUND TO PLATFORM CABLE INSTALLATION - WITH PLATFORM COIL CABLE/WITH AC CABLE & FOOTSWITCH (MACHINES WITH SN STARTING WITH 12, B2 & G2)**

ITEM	PART NUMBER	QTY	DESCRIPTION	REV
	1001214445	Ref	GROUND TO PLATFORM CABLE INSTALLATION - WITH PLATFORM COIL CABLE AND FOOTSWITCH	F
		Ref	Note: Only Available on Japanese Specs.	
1	4240017	AR	Tie-Strap (Not Shown)	
2	1001223262	1	Platform Harness - With Coil Cable	
2	4460899	1	Receptacle, Female - 6 Position (To Ground to Platform Cable to Item 4)	
2	4460464	4	Pin, Male	
2	4460943	2	Pin, Male	
2	4460539	1	Plug, Male - 3 Position (To Overhead Switches)	
2	4460465	2	Socket, Female	
2	4460466	1	Plug, Terminal	
2	4460891	1	Plug, Male - 2 Position (To Footswitch)	
2	4460465	2	Socket, Female	
2	4460754	1	Connector - 14 Position (To Platform Box)	
2	4460465	8	Socket, Female	
2	4460944	2	Socket, Female	
2	4460466	4	Plug, Terminal	
2	4460897	1	Receptacle, Female - 2 Position (Jumper for Footswitch Plug)	
2	4460464	2	Pin, Male	
3	1001213945	1	Grommet	
4	1001215732	1	Cable Assembly - Ground to Platform	
4	4460894	1	Plug, Male - 6 Position (To Platform Harness Item 2)	
4	4460465	4	Socket, Female	
4	4460944	2	Socket, Female	
4	4460899	1	Receptacle, Female - 6 Position (To Chassis Harness)	
4	4460464	4	Pin, Male	
4	4460943	2	Pin, Male	
5	1001137263	1	Strap, Cinch	

## SECTION 7 - ELECTRICAL

FIGURE 7-27. GROUND TO PLATFORM CABLE INSTALLATION - PLATFORM STRAIGHT CABLE ONLY (MACHINES WITH SN STARTING WITH 12, B2 & G2)



ART\_1001223650

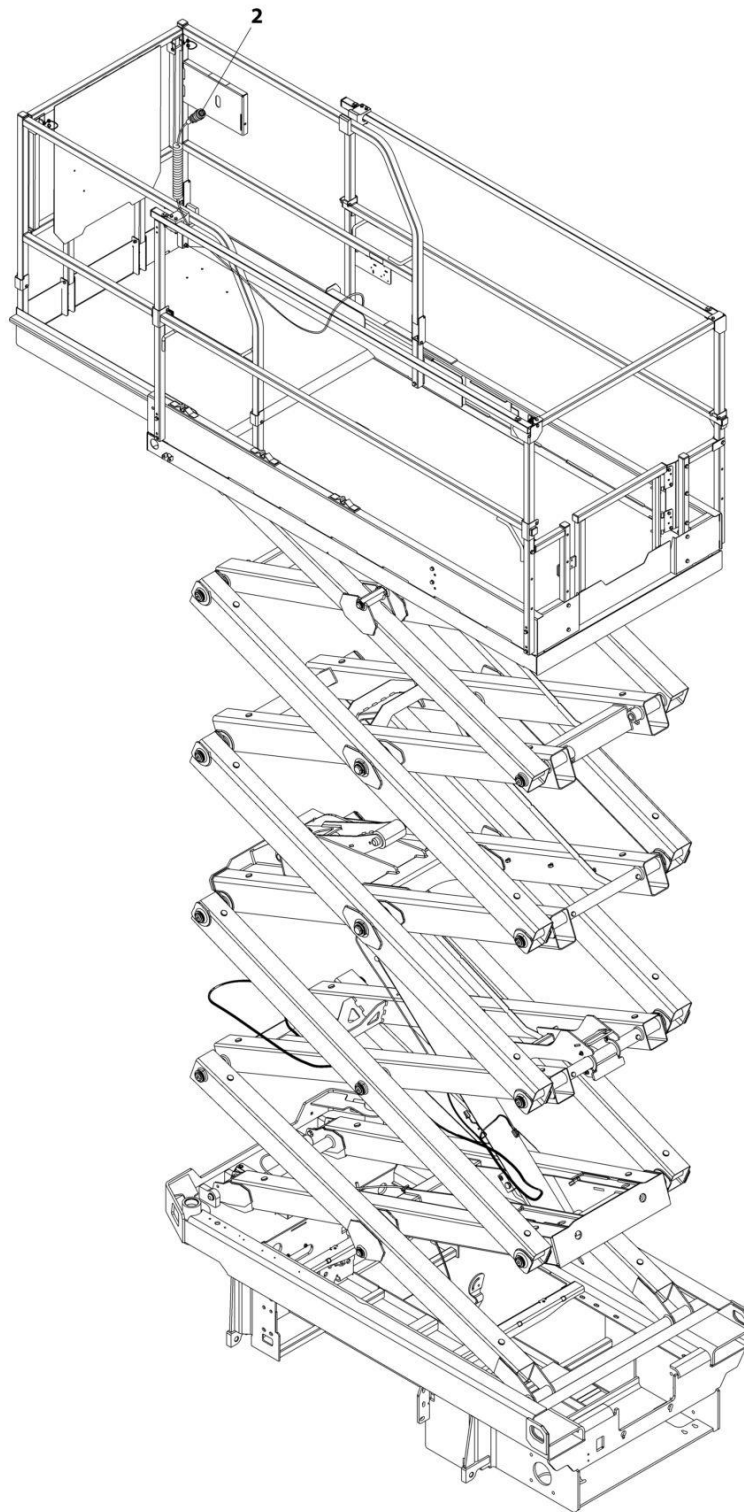
## SECTION 7 - ELECTRICAL

**FIGURE 7-27. GROUND TO PLATFORM CABLE INSTALLATION - PLATFORM STRAIGHT CABLE ONLY (MACHINES WITH SN STARTING WITH 12, B2 & G2)**

ITEM	PART NUMBER	QTY	DESCRIPTION	REV
	1001223650	Ref	GROUND TO PLATFORM CABLE INSTALLATION	A
1	4240017	AR	Tie-Strap (Not Shown)	
2	1001200812	1	Platform Harness	
2	4460899	1	Receptacle, Female - 6 position (To Platform/AC Cable Connector)	
2	4460464	4	Pin, Male	
2	4460943	2	Pin, Male	
2	4460754	1	Connector - 14 Position (To Console Box)	
2	4460465	8	Socket, Female	
2	4460466	6	Plug, Terminal	

## SECTION 7 - ELECTRICAL

**FIGURE 7-28. GROUND TO PLATFORM CABLE INSTALLATION - PLATFORM COIL CABLE ONLY  
(MACHINES WITH SN STARTING WITH 12, B2 & G2)**



ART\_1001223651

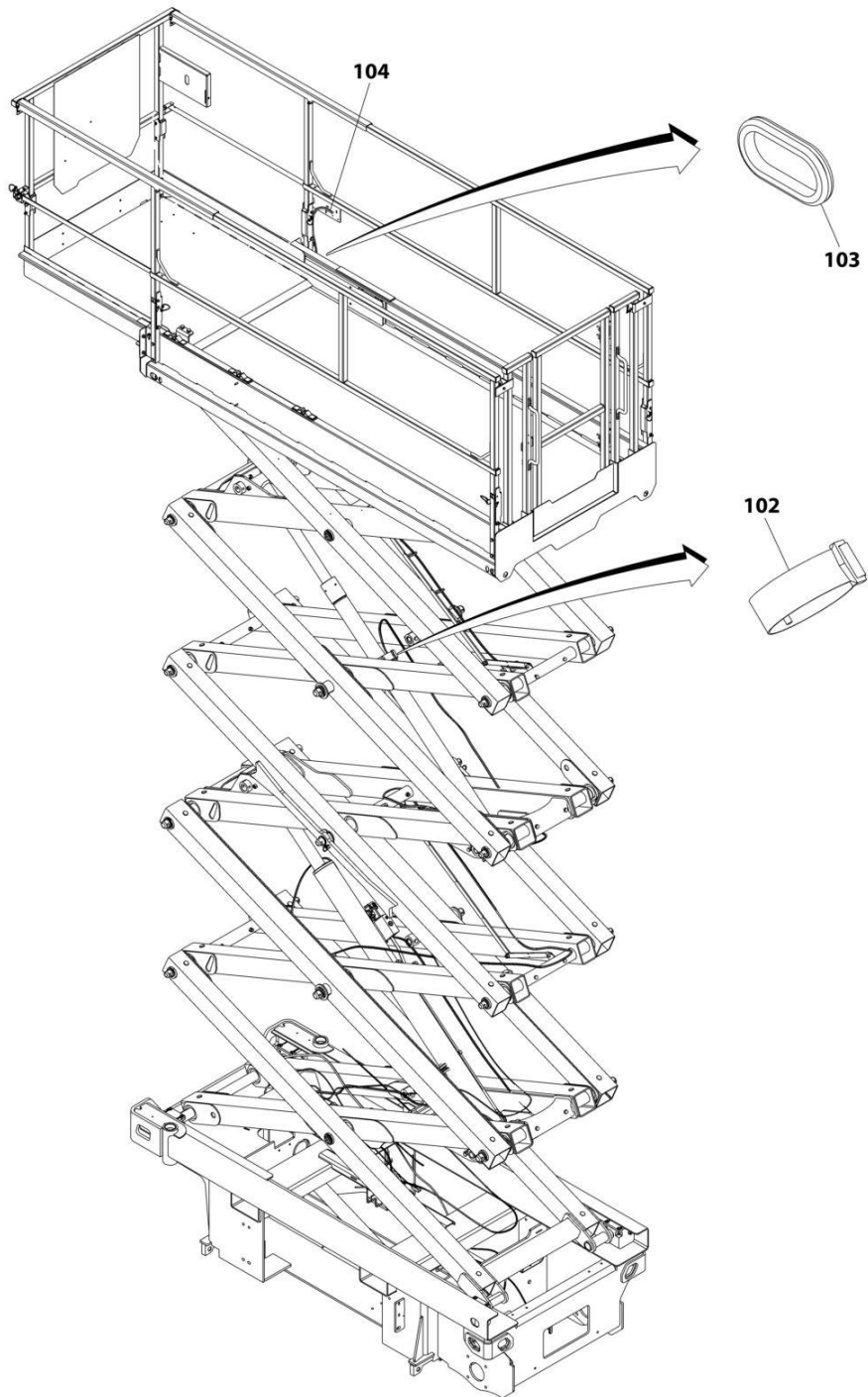
## SECTION 7 - ELECTRICAL

**FIGURE 7-28. GROUND TO PLATFORM CABLE INSTALLATION - PLATFORM COIL CABLE ONLY  
(MACHINES WITH SN STARTING WITH 12, B2 & G2)**

ITEM	PART NUMBER	QTY	DESCRIPTION	REV
	1001223651	Ref	GROUND TO PLATFORM CABLE INSTALLATION	A
1	4240017	AR	Tie-Strap (Not Shown)	
2	1001202184	1	Platform Harness	
2	4460899	1	Receptacle, Female - 6 position (To Platform/AC Cable Connector)	
2	4460464	4	Pin, Male	
2	4460943	2	Pin, Male	
2	4460754	1	Connector - 14 Position (To Console Box)	
2	4460465	8	Socket, Female	
2	4460466	6	Plug, Terminal	

## SECTION 7 - ELECTRICAL

FIGURE 7-29. GROUND TO PLATFORM CABLE INSTALLATION - SCISSORS ARMS CABLE ONLY  
(MACHINES WITH SN STARTING WITH 12, B2 & G2)



ART\_1001223447



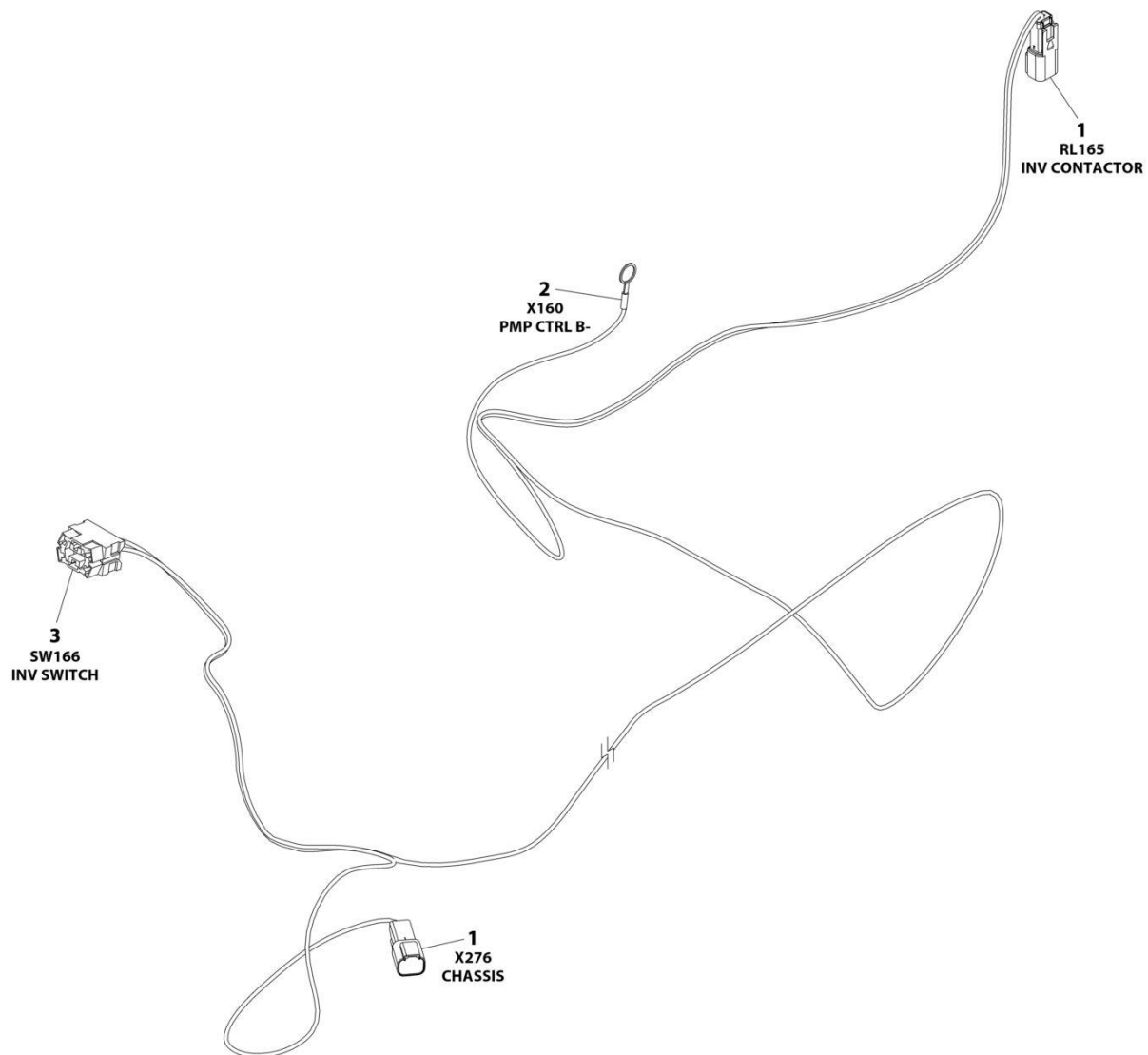
## SECTION 7 - ELECTRICAL

**FIGURE 7-29. GROUND TO PLATFORM CABLE INSTALLATION - SCISSORS ARMS CABLE ONLY  
(MACHINES WITH SN STARTING WITH 12, B2 & G2)**

ITEM	PART NUMBER	QTY	DESCRIPTION	REV
	1001223447	Ref	GROUND TO PLATFORM CABLE INSTALLATION	A
101	4240017	AR	Tie-Strap (Not Shown)	
102	1001137263	1	Strap, Cinch	
103	1001213945	1	Grommet	
104	1001215732	1	Cable Assembly - Ground to Platform	
104	4460894	1	Plug, Male - 6 Position (To Platform Harness Item 2)	
104	4460465	4	Socket, Female	
104	4460944	2	Socket, Female	
104	4460899	1	Receptacle, Female - 6 Position (To Chassis Harness)	
104	4460464	4	Pin, Male	
104	4460943	2	Pin, Male	

# SECTION 7 - ELECTRICAL

## FIGURE 7-30. INVERTER HARNESS



ART\_1001214994

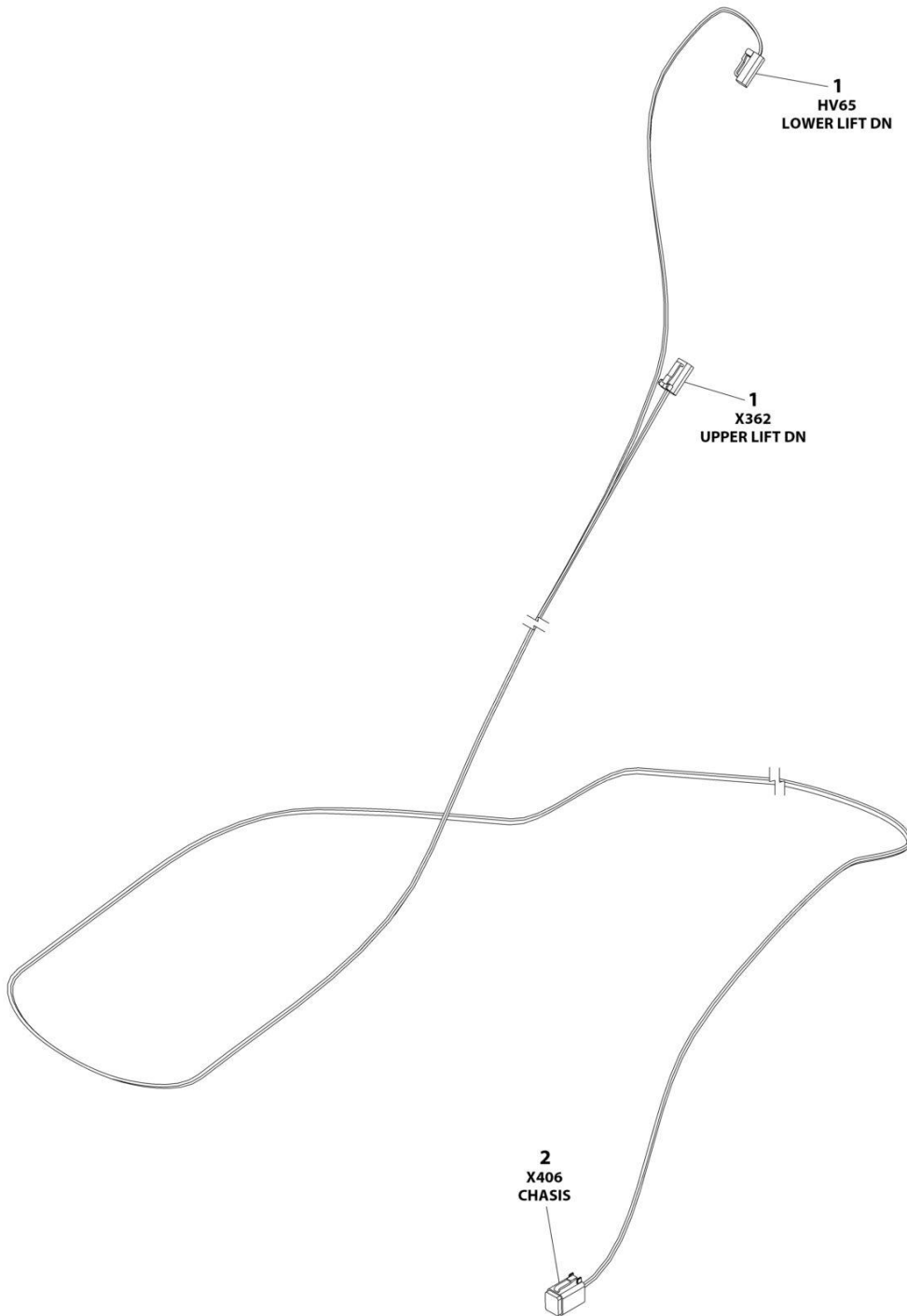
## SECTION 7 - ELECTRICAL

### FIGURE 7-30. INVERTER HARNESS

ITEM	PART NUMBER	QTY	DESCRIPTION	REV
	1001214994	Ref	INVERTER HARNESS	A
1	4460897	2	Receptacle, Female - 2 Position	
1	4460464	3	Pin, Male	
1	4460466	1	Plug, Terminal	
2	4460722	1	Terminal, Ring	
3	4460418	1	Connector - 6 Position	
3	4460419	2	Terminal	

# SECTION 7 - ELECTRICAL

## FIGURE 7-31. LIFT DOWN HARNESS - LOWER



ART\_1001216594

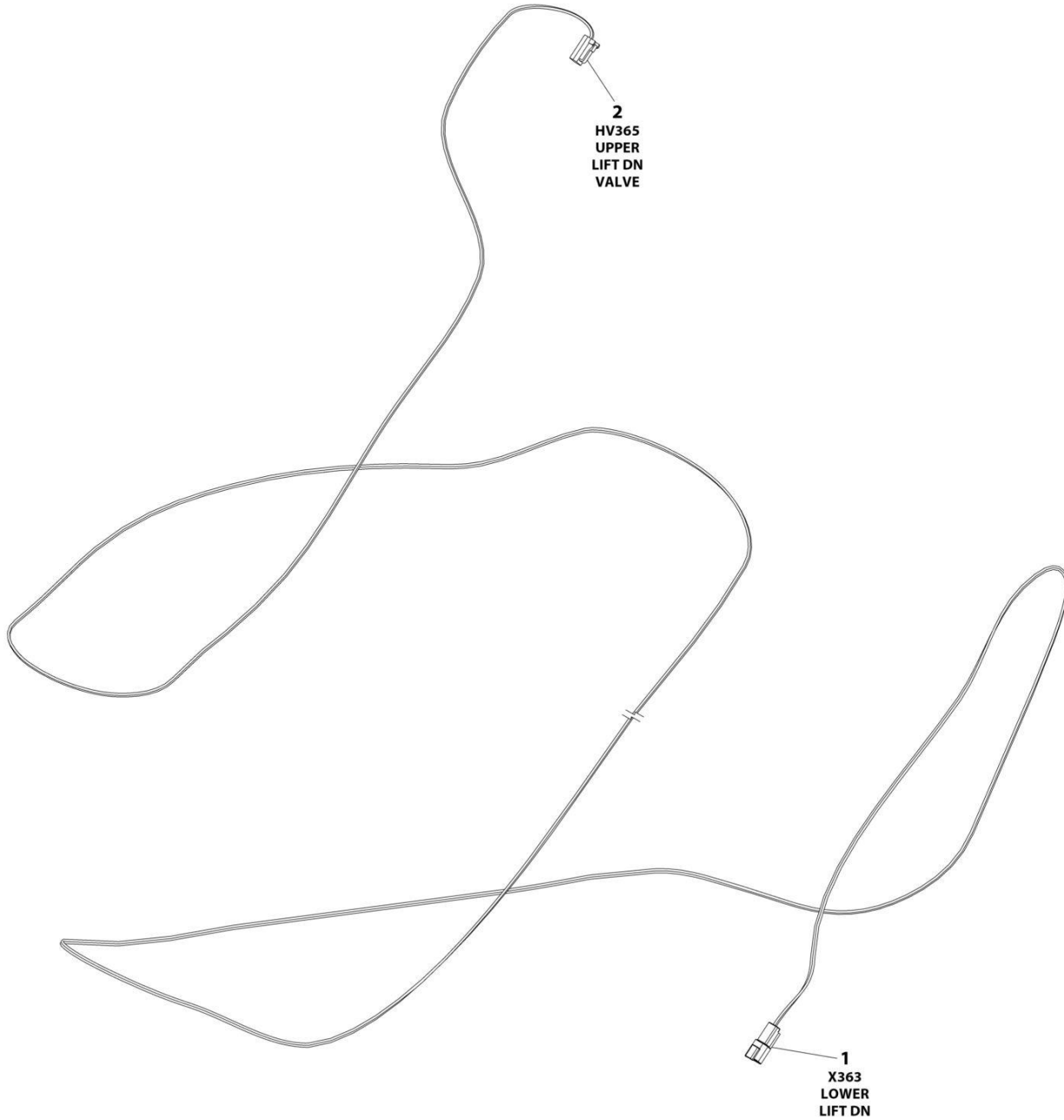
## SECTION 7 - ELECTRICAL

### FIGURE 7-31. LIFT DOWN HARNESS - LOWER

ITEM	PART NUMBER	QTY	DESCRIPTION	REV
	1001216594	Ref	LIFT DOWN HARNESS - LOWER	D
1	4460891	2	Plug, Male - 2 Position	
1	4460465	4	Socket, Female	
2	4460894	1	Plug, Male - 6 Position	
2	4460465	4	Socket, Female	
2	4460466	2	Plug, Terminal	

# SECTION 7 - ELECTRICAL

## FIGURE 7-32. LIFT DOWN HARNESS - UPPER



ART\_1001216595

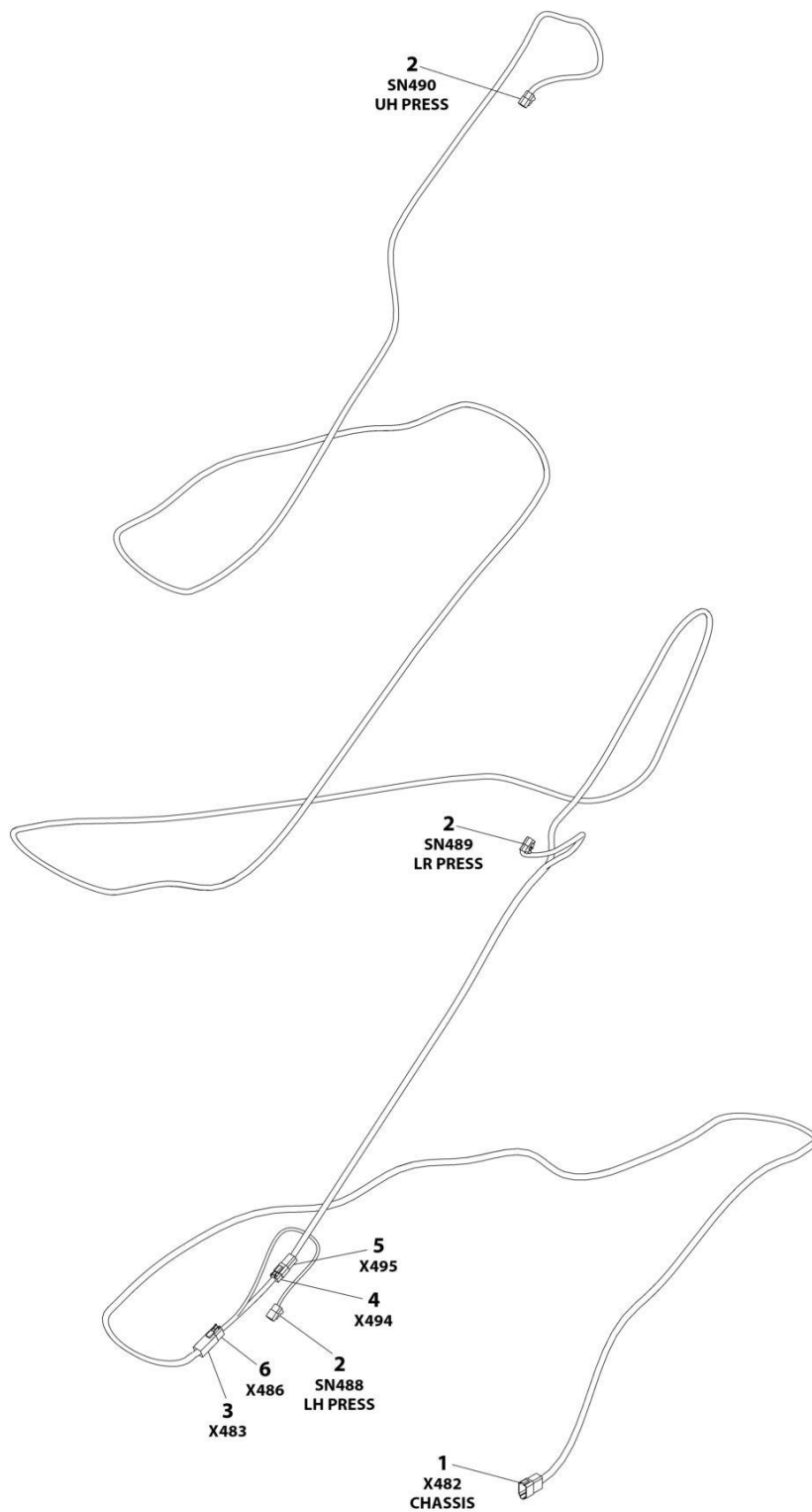
## SECTION 7 - ELECTRICAL

### FIGURE 7-32. LIFT DOWN HARNESS - UPPER

ITEM	PART NUMBER	QTY	DESCRIPTION	REV
	1001216595	Ref	LIFT DOWN HARNESS - UPPER	A
1	4460897	1	Receptacle, Female - 2 Position	
1	4460464	2	Pin, Male	
2	4460891	1	Plug, Male - 2 Position	
2	4460465	2	Socket, Female	

# SECTION 7 - ELECTRICAL

## FIGURE 7-33. LSS HARNESS



ART\_1001216593



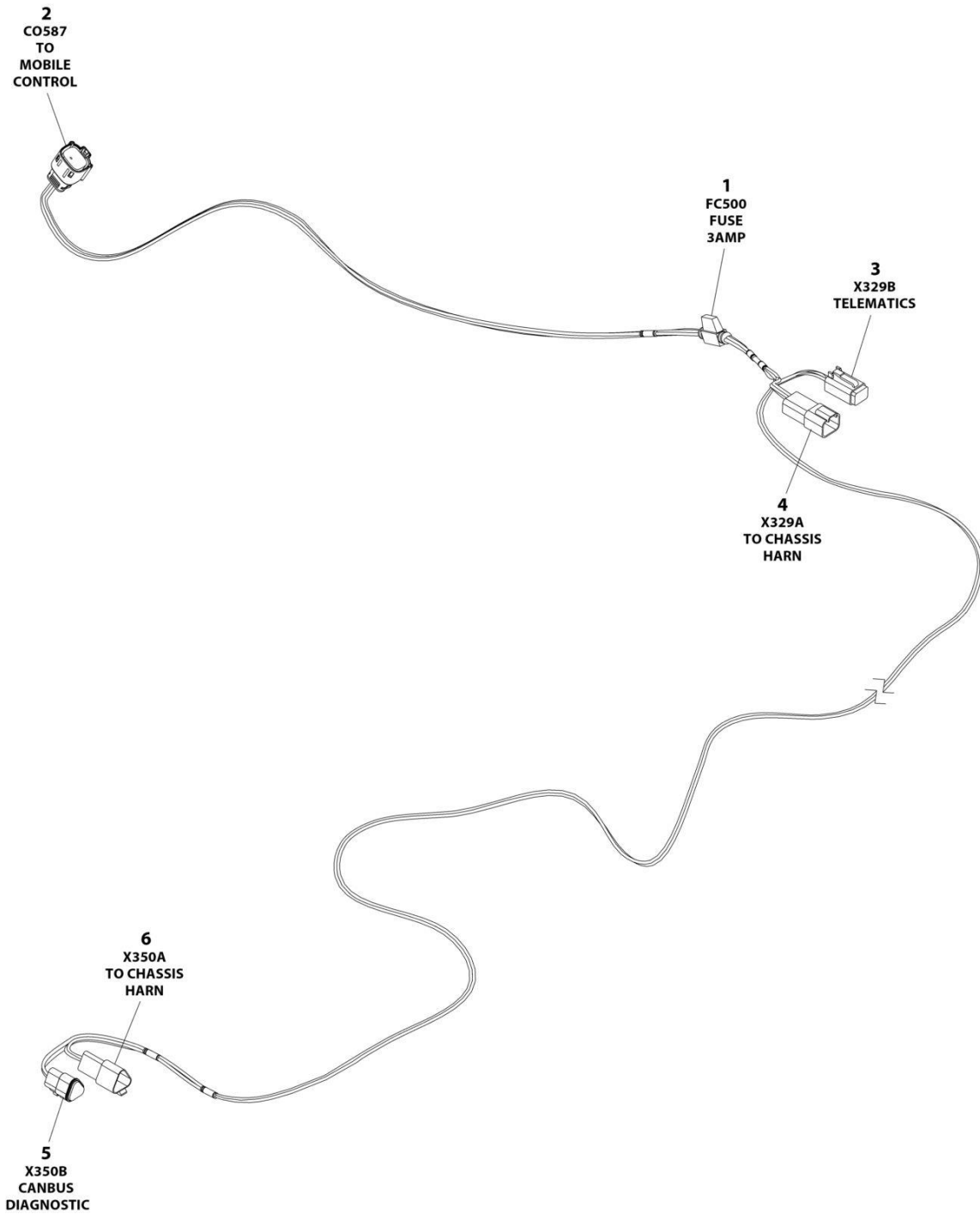
## SECTION 7 - ELECTRICAL

### FIGURE 7-33. LSS HARNESS

ITEM	PART NUMBER	QTY	DESCRIPTION	REV
	1001216593	Ref	LSS HARNESS	C
1	4460931	1	Receptacle, Female - 8 Position	
1	4460464	6	Pin, Male	
1	4460466	2	Plug, Terminal	
2	4460539	3	Plug, Male - 3 Position	
2	4460465	9	Socket, Female	
3	4460899	1	Receptacle, Female - 6 Position	
3	4460464	6	Pin, Male	
4	4460884	1	Plug, Male - 6 Position	
4	4460465	4	Socket, Female	
5	4460932	1	Receptacle, Female - 4 Position	
5	4460464	4	Pin, Male	
6	4460894	1	Plug, Male - 6 Position	
6	4460465	6	Socket, Female	

# SECTION 7 - ELECTRICAL

## FIGURE 7-34. MOBILE CONTROL HARNESS



ART\_1001249613

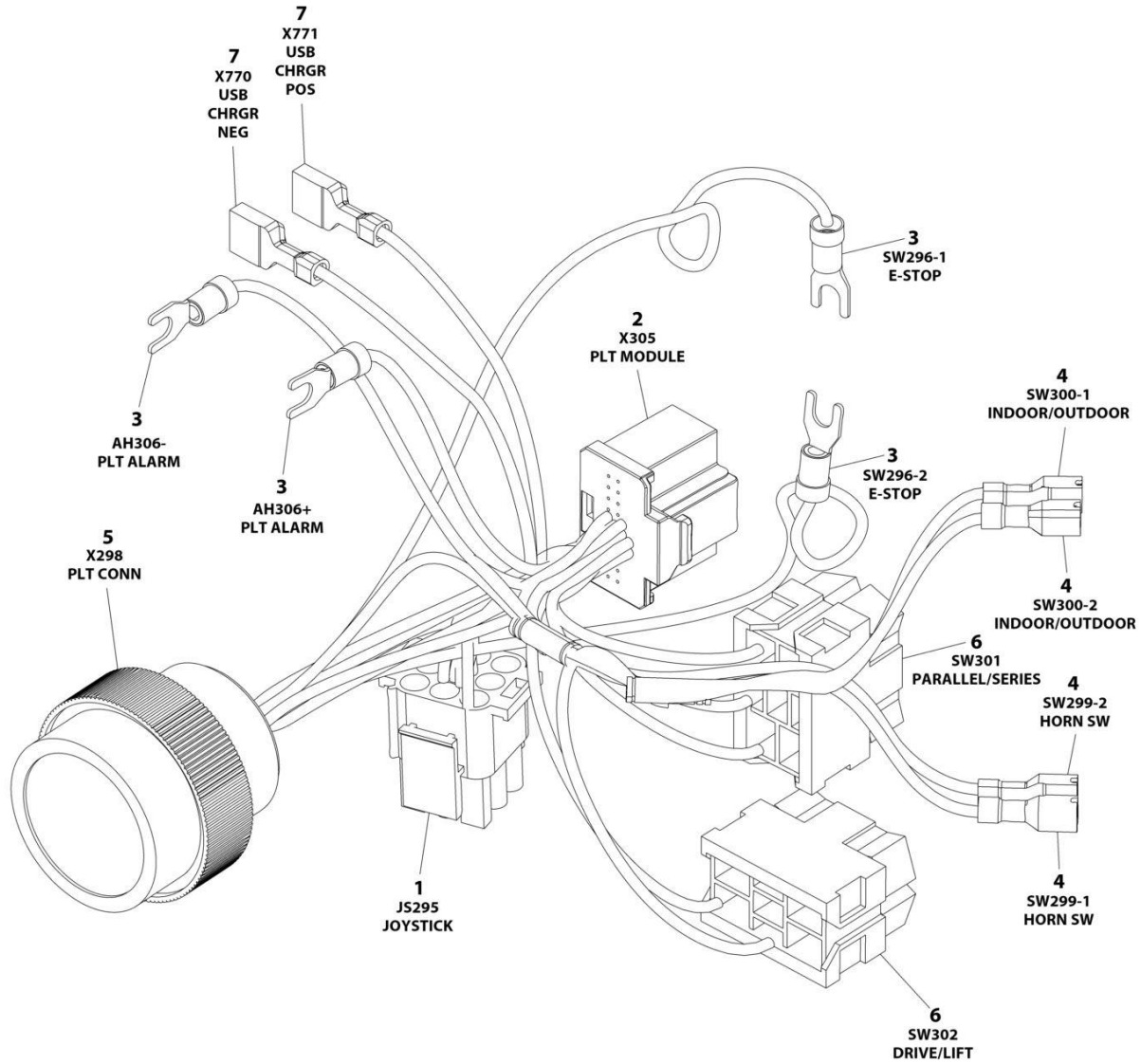
## SECTION 7 - ELECTRICAL

### FIGURE 7-34. MOBILE CONTROL HARNESS

ITEM	PART NUMBER	QTY	DESCRIPTION	REV
	1001249613	Ref	MOBILE CONTROL HARNESS	B
1	2400060	1	Fuseholder With Cover	
1	1001196635	1	Fuse 3A	
2	1001205409	1	Connector - 8 Position	
2	1001162887	4	Terminal	
2	1001163340	4	Plug, Terminal	
3	4460884	1	Plug, Male - 4 Position	
3	4460465	4	Socket, Female	
4	4460932	1	Receptacle, Female - 4 Position	
4	4460464	4	Pin, Male	
5	1001116812	1	Plug, Male - 3 Position	
5	4460944	2	Socket, Female	
5	4460466	1	Plug, Terminal	
6	1001144147	1	Receptacle, Female - 3 Position	
6	4460943	2	Socket, Female	
6	4460466	1	Plug, Terminal	

# SECTION 7 - ELECTRICAL

## FIGURE 7-35. PLATFORM CONTROL BOX HARNESS



ART\_1001200819

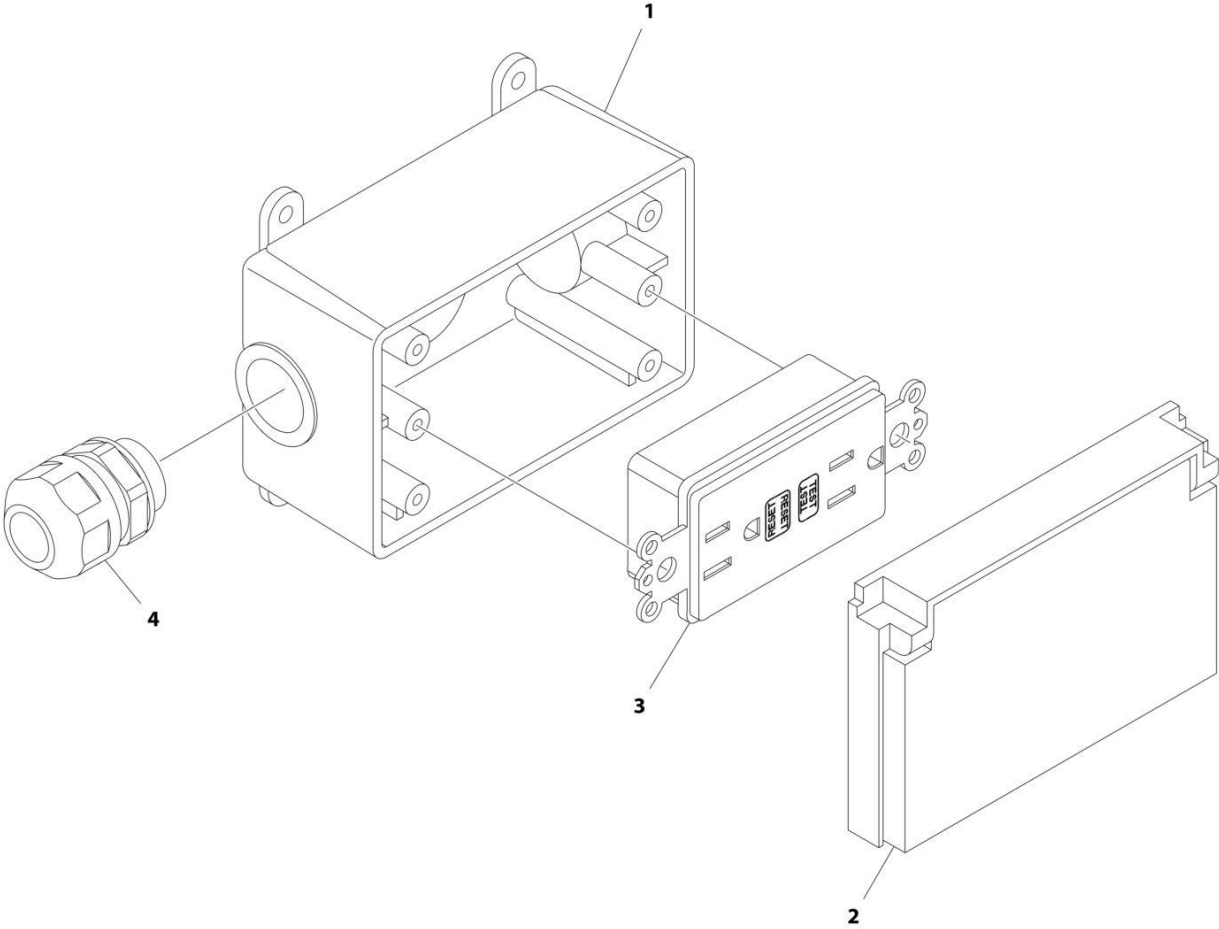
## SECTION 7 - ELECTRICAL

**FIGURE 7-35. PLATFORM CONTROL BOX HARNESS**

ITEM	PART NUMBER	QTY	DESCRIPTION	REV
	1001200819	Ref	PLATFORM CONTROL BOX HARNESS	E
1	4460265	1	Plug, Male - 9 Position	
1	4460267	6	Pin, Male	
2	1001212036	1	Connector - 20 Position	
2	1001212035	16	Terminal	
3	4460183	4	Terminal, Fork	
4	1001201885	4	Terminal with Cover	
5	4461016	1	Connector - 14 Position	
5	4460464	8	Pin, Male	
5	4460466	6	Plug, Terminal	
6	4460418	2	Connector - 6 Position	
6	1001159186	5	Terminal	
7	1001194421	2	Terminal	

**SECTION 7 - ELECTRICAL**

**FIGURE 7-36. RECEPTACLE BOX KIT - 110V GFI**



ART\_2902431

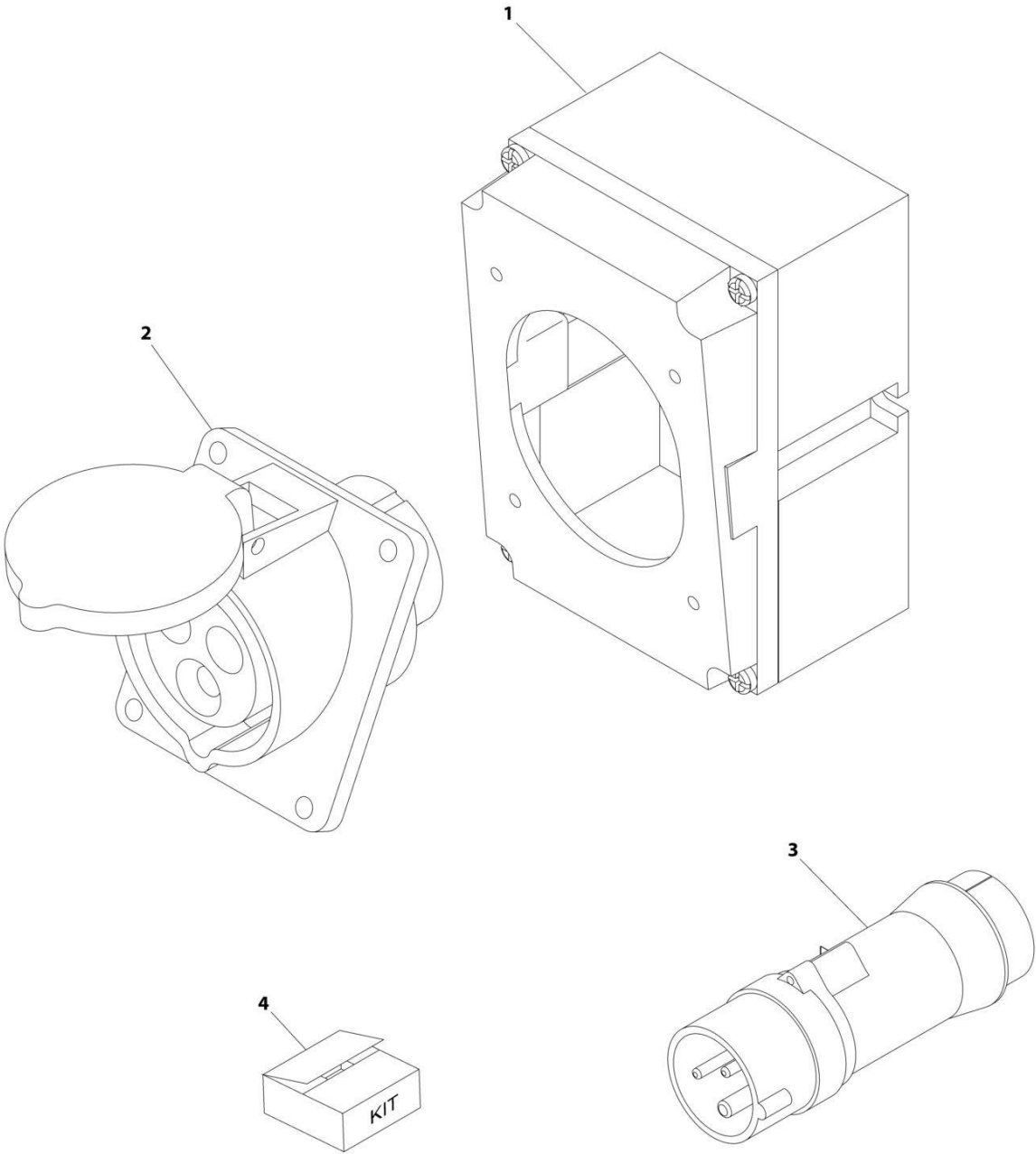
## SECTION 7 - ELECTRICAL

### FIGURE 7-36. RECEPTACLE BOX KIT - 110V GFI

ITEM	PART NUMBER	QTY	DESCRIPTION	REV
	2902431	Ref	RECEPTACLE BOX KIT - 110V GFI	D
1	0861731	1	Box, Receptacle	
2	1671207	1	Cover, Receptacle	
3	4460346	1	Receptacle	
4	4460662	1	Connector, Strain Relief	

**SECTION 7 - ELECTRICAL**

**FIGURE 7-37. RECEPTACLE BOX KIT - 110V IEC YELLOW (CE & UK CA SPEC)**



ART\_0275216



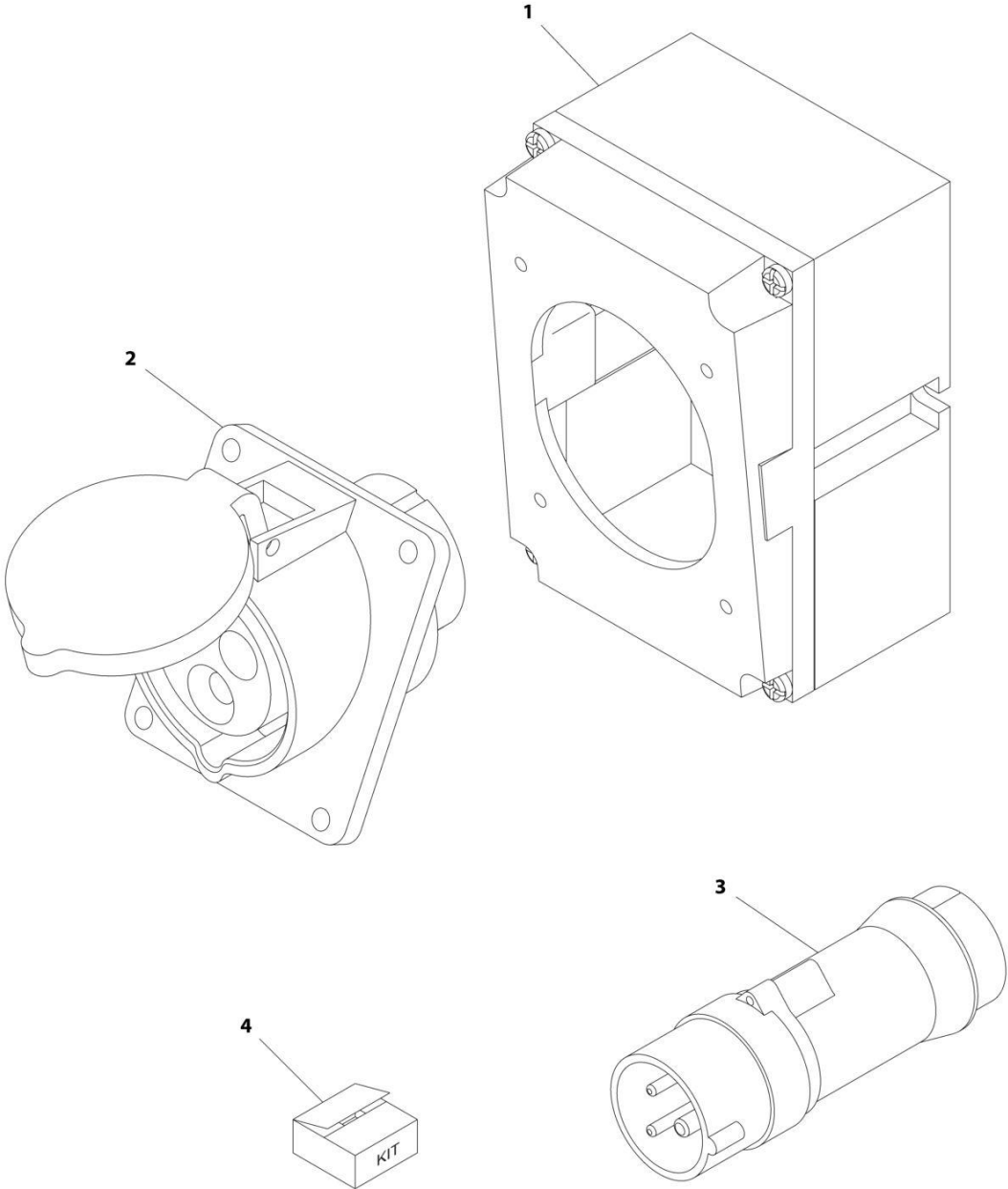
## SECTION 7 - ELECTRICAL

**FIGURE 7-37. RECEPTACLE BOX KIT - 110V IEC YELLOW (CE & UK CA SPEC)**

ITEM	PART NUMBER	QTY	DESCRIPTION	REV
	0275216	Ref	RECEPTACLE BOX KIT - 110V IEC YELLOW	B
1	0861781	1	Box, Switch	
2	4461198	1	Receptacle	
3	4461196	1	Plug, Male	
4	1001100341	1	Plug and Socket Kit (Includes Items 1-3 and Female Plug p/n 4461197)	

**SECTION 7 - ELECTRICAL**

**FIGURE 7-38. RECEPTACLE BOX KIT - 220V IEC BLUE (CE & UK CA SPEC)**



ART\_0275217

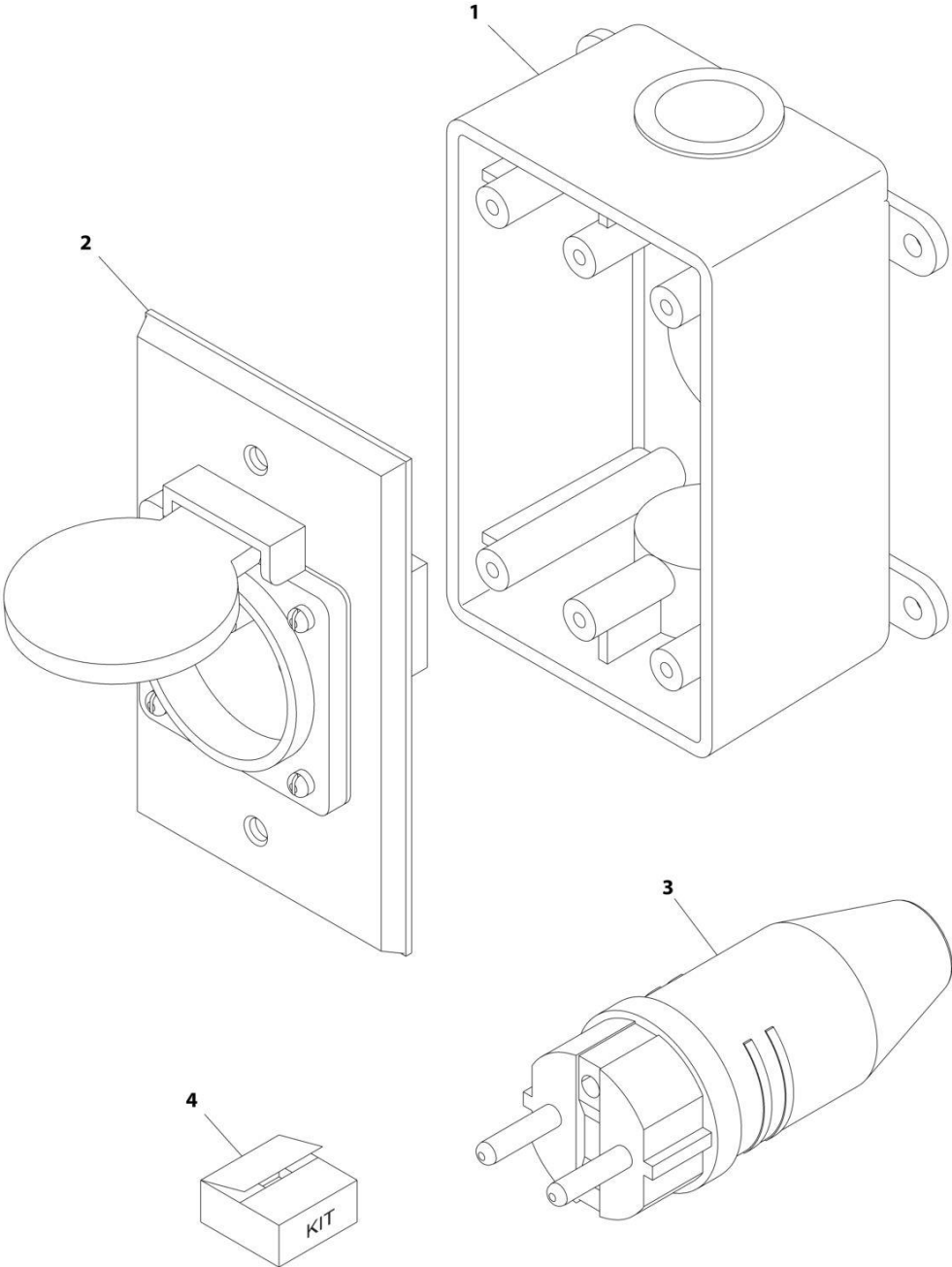
## SECTION 7 - ELECTRICAL

**FIGURE 7-38. RECEPTACLE BOX KIT - 220V IEC BLUE (CE & UK CA SPEC)**

ITEM	PART NUMBER	QTY	DESCRIPTION	REV
	0275217	Ref	RECEPTACLE BOX KIT - 220V IEC BLUE	B
1	0861781	1	Box, Switch	
2	4461201	1	Receptacle	
3	4461199	1	Plug, Male	
4	1001100342	1	Plug and Socket Kit (Includes Items 1-3 and Female Plug p/n 4461200)	

**SECTION 7 - ELECTRICAL**

**FIGURE 7-39. RECEPTACLE BOX KIT - 220V CEE7 POST GROUND (CE & UK CA SPEC)**



ART\_0275452-C

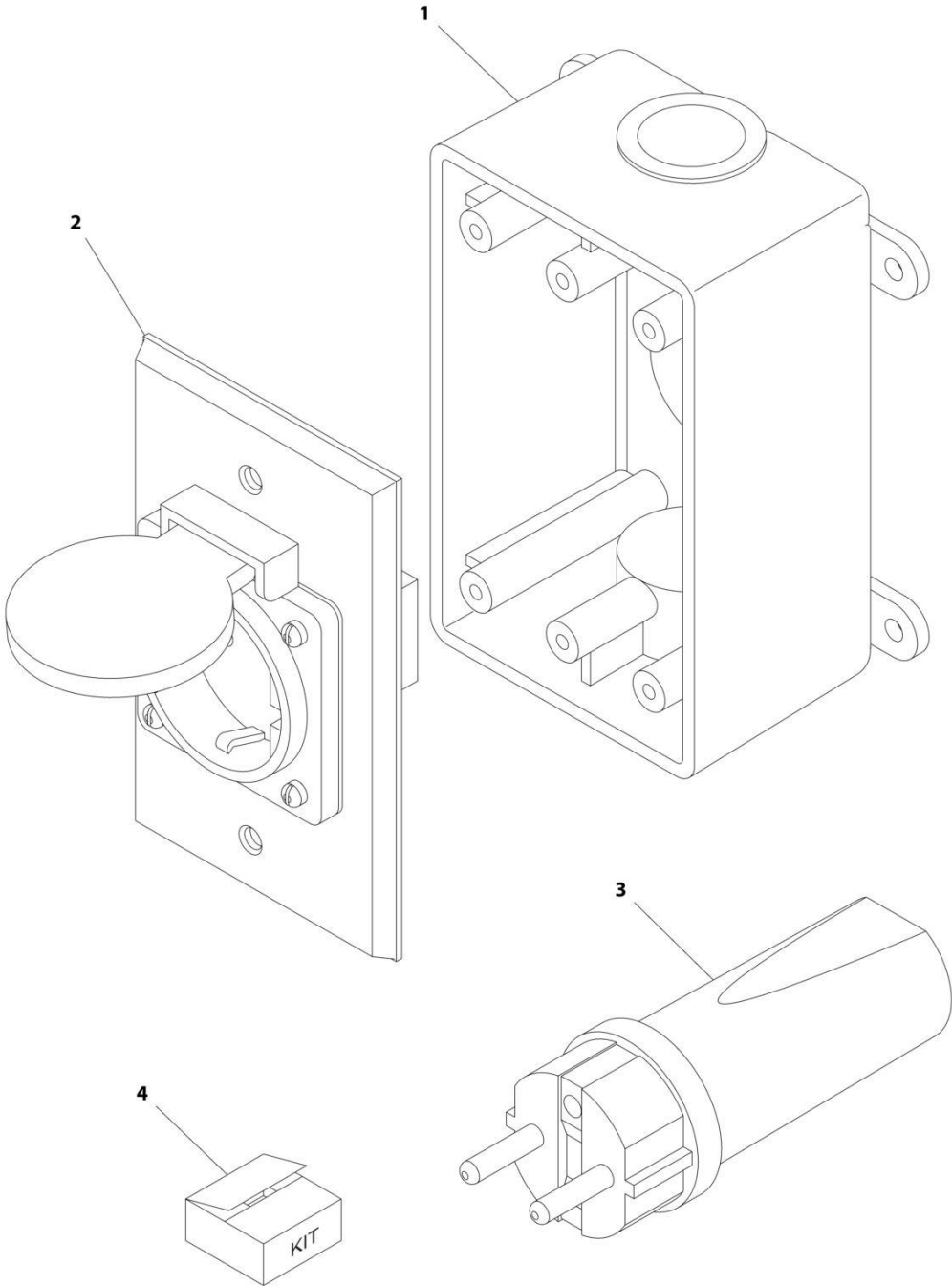
## SECTION 7 - ELECTRICAL

**FIGURE 7-39. RECEPTACLE BOX KIT - 220V CEE7 POST GROUND (CE & UK CA SPEC)**

ITEM	PART NUMBER	QTY	DESCRIPTION	REV
	0275452	Ref	RECEPTACLE BOX KIT - 220V CEE7 POST GROUND 2IN X 4IN BOX	C
1	0861731	1	Box, Switch	
2	4461244	1	Receptacle	
3	4461205	1	Plug, Male	
4	1001100345	1	Plug and Socket Kit (Includes Items 1-3 and Female Plug p/n 4461203)	

**SECTION 7 - ELECTRICAL**

**FIGURE 7-40. RECEPTACLE BOX KIT - 220V CEE7 SIDE GROUND (CE & UK CA SPEC)**



ART\_0275453

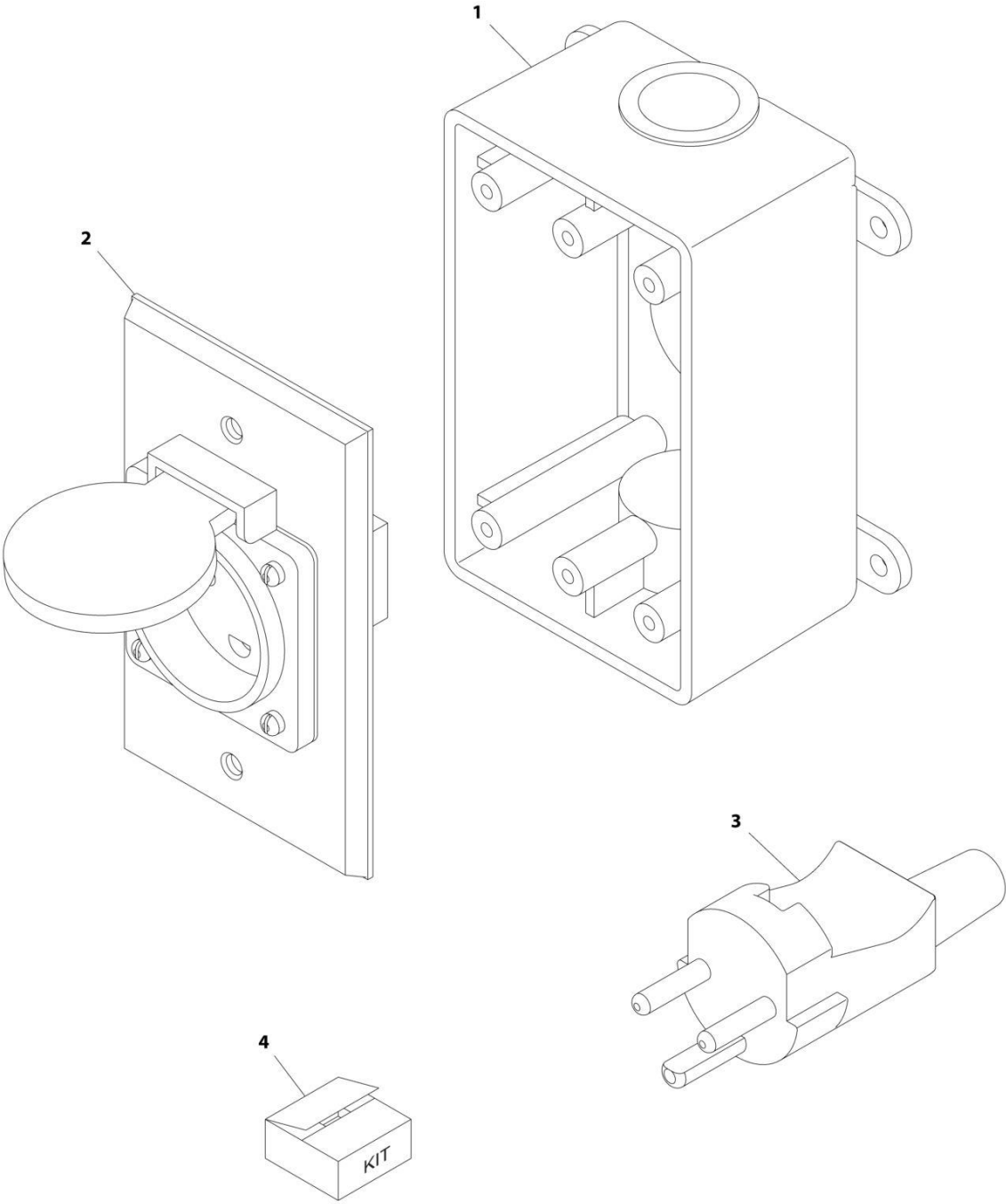
## SECTION 7 - ELECTRICAL

**FIGURE 7-40. RECEPTACLE BOX KIT - 220V CEE7 SIDE GROUND (CE & UK CA SPEC)**

ITEM	PART NUMBER	QTY	DESCRIPTION	REV
	0275453	Ref	RECEPTACLE BOX KIT - 220V CEE7 SIDE GROUND	B
1	0861731	1	Box, Switch	
2	4461245	1	Receptacle	
3	4461205	1	Plug, Male	
4	1001100347	1	Plug and Socket Kit (Includes Items 1-3 and Female Plug p/n 4461206)	

**SECTION 7 - ELECTRICAL**

**FIGURE 7-41. RECEPTACLE BOX KIT - 220V AFSINT 107 (CE & UK CA SPEC)**



ART\_0275454



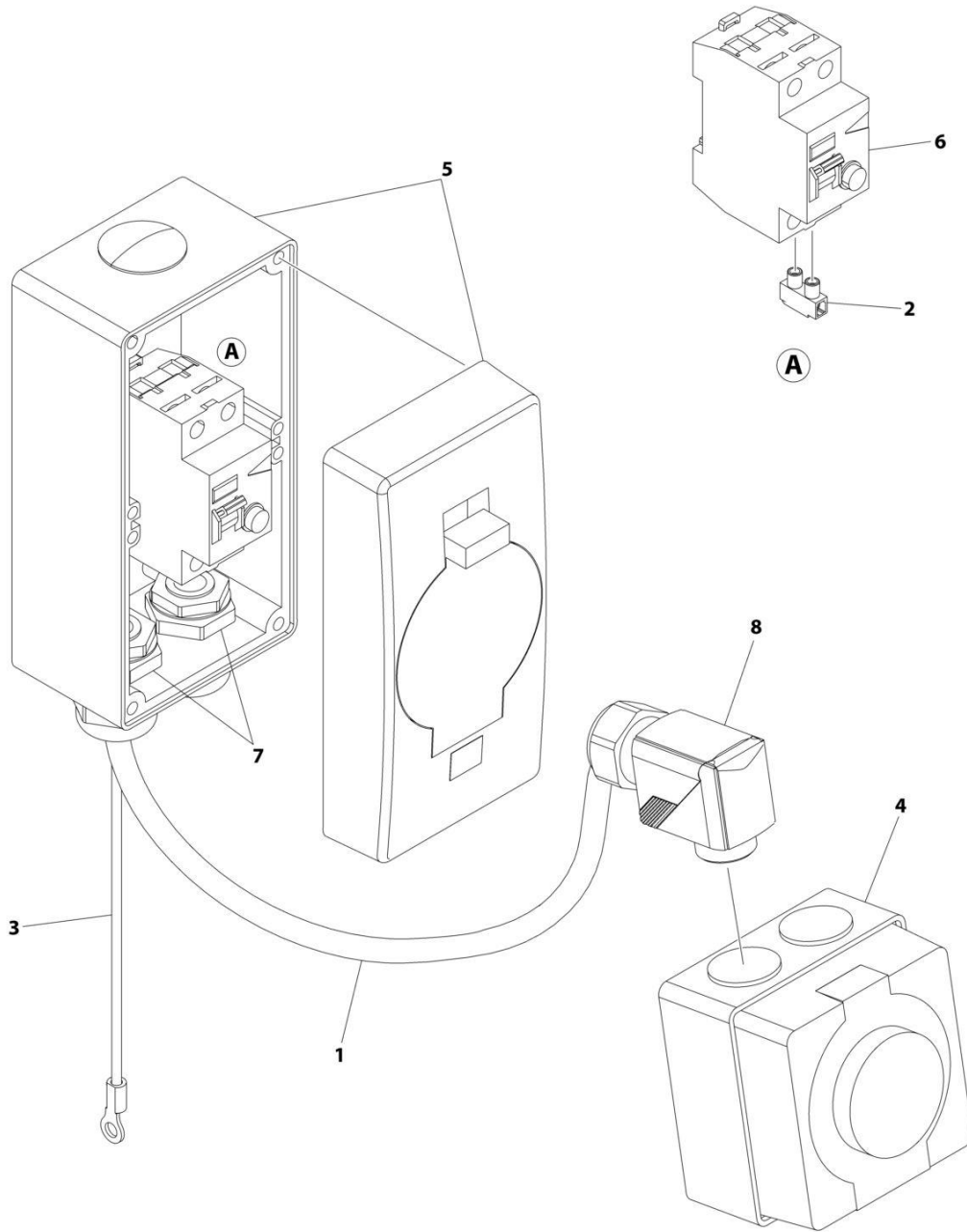
## SECTION 7 - ELECTRICAL

**FIGURE 7-41. RECEPTACLE BOX KIT - 220V AFSINT 107 (CE & UK CA SPEC)**

ITEM	PART NUMBER	QTY	DESCRIPTION	REV
	0275454	Ref	RECEPTACLE BOX KIT - 220V AFSINT 107	B
1	0861731	1	Box, Switch	
2	4461246	1	Receptacle	
3	4461249	1	Plug, Male	
4	1001100346	1	Plug and Socket Kit (Includes Items 1-3 and Female Plug p/n 4461250)	

# SECTION 7 - ELECTRICAL

## FIGURE 7-42. RECEPTACLE AND BREAKER ASSEMBLY (AUSTRALIAN SPECS)



ART\_1001246085

## SECTION 7 - ELECTRICAL

**FIGURE 7-42. RECEPTACLE AND BREAKER ASSEMBLY (AUSTRALIAN SPECS)**

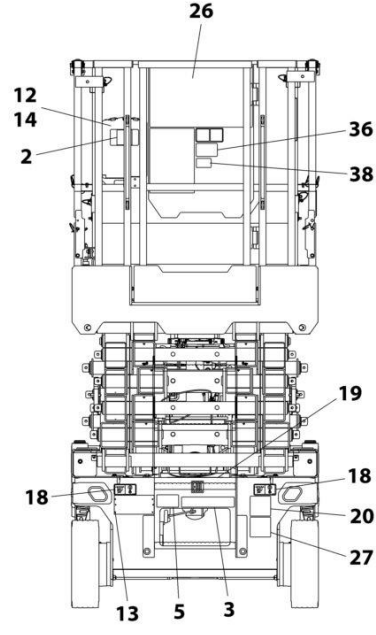
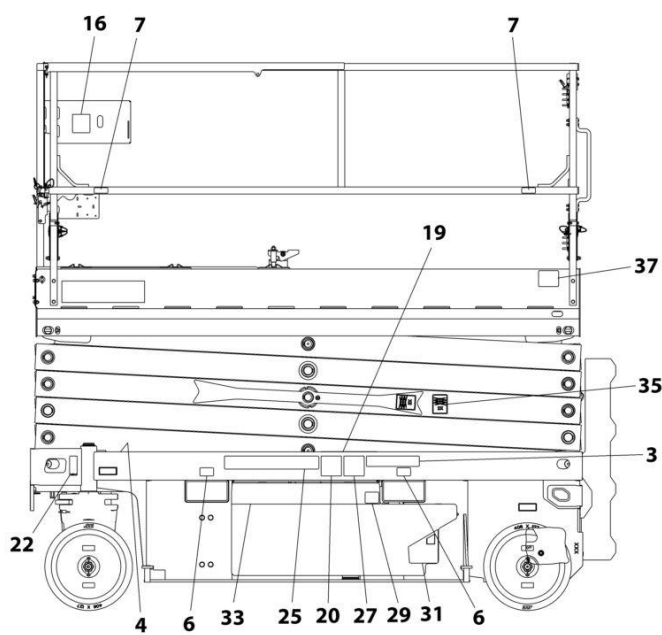
ITEM	PART NUMBER	QTY	DESCRIPTION	REV
	1001246085	Ref	RECEPTACLE AND BREAKER ASSEMBLY	A
1	1060908	1 ft/ 60cm	Cable, 12/3	
2	1001245743	1	Block, Terminal	
3	1001245744	1	Harness, Ground	
4	1001227267	1	Receptacle and Enclosure (Australian)	
5	1001227269	1	Box, Breaker with Cover	
5	1001246171	1	Cover	
6	1001228191	1	Breaker 250V / 10A-30MA Double	
7	1001097150	2	Connector, Strain Relief	
8	1001245917	1	Connector, Strain Relief 90	



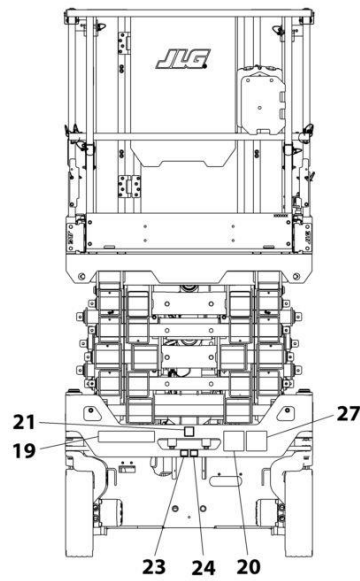
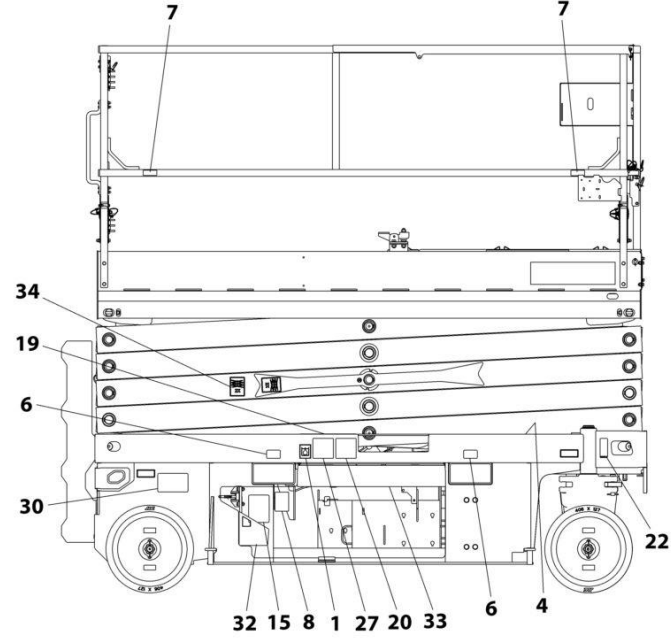
**SECTION 8 - DECALS**

# SECTION 8 - DECALS

## FIGURE 8-1. DECAL INSTALLATION (ANSI SPECS)



NOTE: ITEMS SHOWN MAY NOT BE REQUIRED FOR ALL SPECS. REFER TO PARTS LISTS FOR USAGE.  
NOTE: ADDITIONAL DECALS CALLED OUT ON DECAL INSTALLATION - OPTIONS



ART\_1001222124

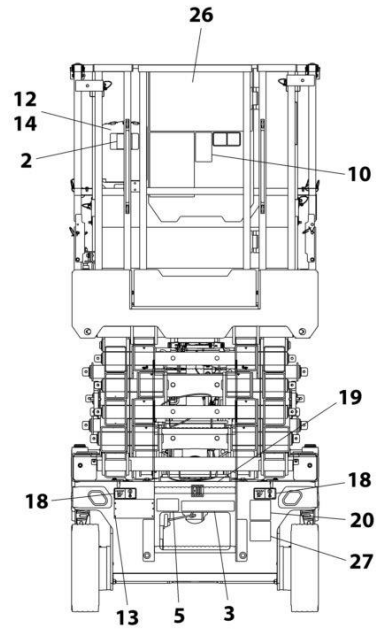
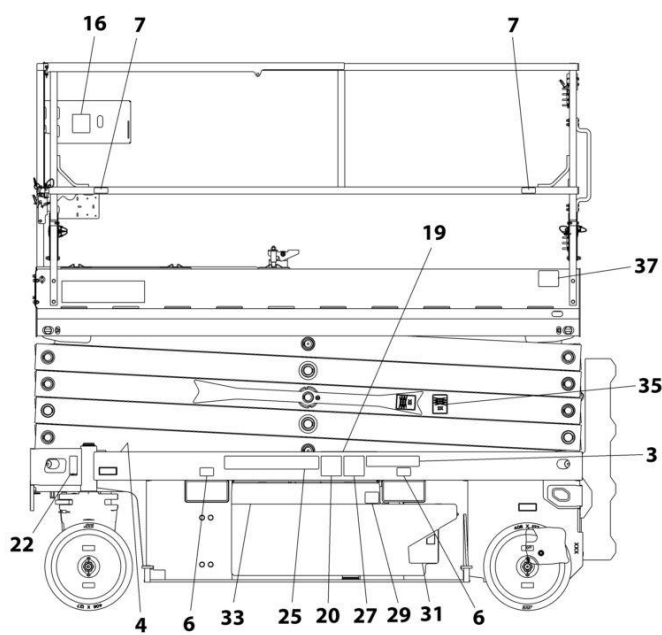
## SECTION 8 - DECALS

**FIGURE 8-1. DECAL INSTALLATION (ANSI SPECS)**

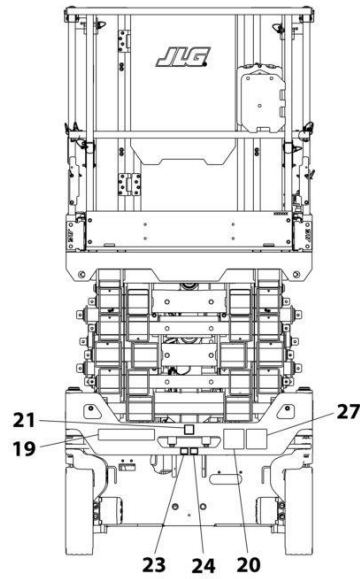
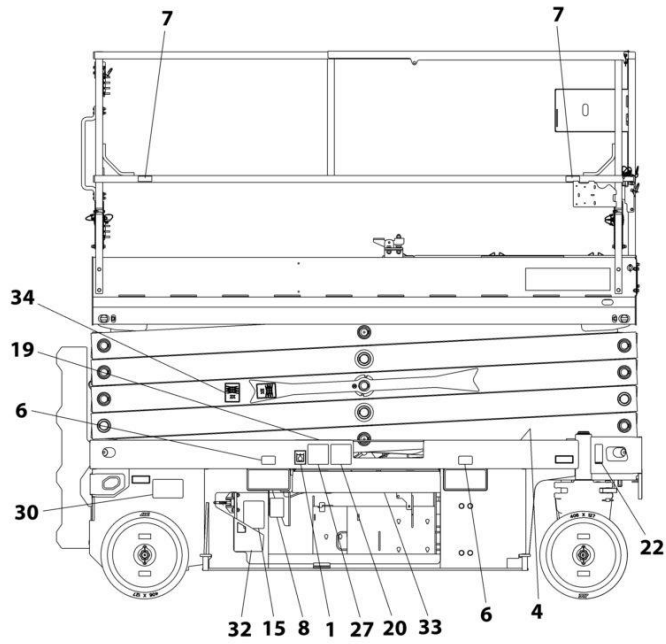
ITEM	PART NUMBER	QTY	DESCRIPTION	REV
	1001222124	Ref	DECAL INSTALLATION (ANSI SPECS)	F
	1001217031	Ref	DECAL REFERENCE CHART	L
1	1701504	1	Decal - Hydraulic Oil	
2	1701640	1	Decal - Manual	
3	1703813	2	Decal - Warning Battery Ventilation	
4	1703819	4	Decal - Direction Arrow	
5	1703822	1	Decal - Manual Descent Instruction	
6	1704016	4	Decal - Forklift	
7	1704277	4	Decal - Lanyard Attach	
8	1704412	1	Decal - Hydraulic Oil	
12	2080040	3	Fastener	
13	2080057	4	Fastener	
14	8990147	1	Box, Manual	
15	1001131270	1	Decal - Patent	
16	1001132359	1	Decal - Control Box Locate	
18	1001162864	2	Decal - Lift Up/Tie Down	
19	1001211777	4	Decal - Crushing Hazard	
20	1001211779	4	Decal - Electrocution	
21	1001212290	1	Decal - Tie Down	
22	1001213442	2	Decal - Lift and Tie Down	
23	1001212292	1	Decal - No Lifting	
24	1001212293	1	Decal - No Forklift	
25	1001146794	1	Decal - Battery/Charger Service	
26	1703816	1	Decal - Danger/Warning	
29	1702155	1	Decal - Battery Disconnect	
30	1001223055	1	Decal - Yearly Inspection	
33	1001225622	2	Decal - Black Strip	
34	1001228641	2	Decal - Safety Prop (RH)	
35	1001228642	2	Decal - Safety Prop (LH)	
36	1001231801	1	Decal - Warning Prop 65	
38	1001228370	1	Decal - ICES (CAN) - 001	

# SECTION 8 - DECALS

## FIGURE 8-2. DECAL INSTALLATION (AUSTRALIAN SPECS)



NOTE: ITEMS SHOWN MAY NOT BE REQUIRED FOR ALL SPECS. REFER TO PARTS LISTS FOR USAGE.  
NOTE: ADDITIONAL DECALS CALLED OUT ON DECAL INSTALLATION - OPTIONS



ART\_1001222131



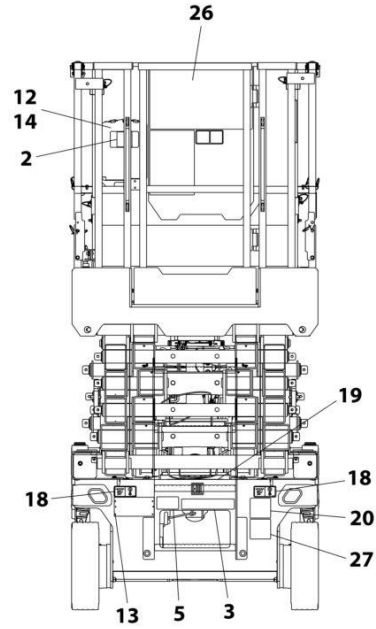
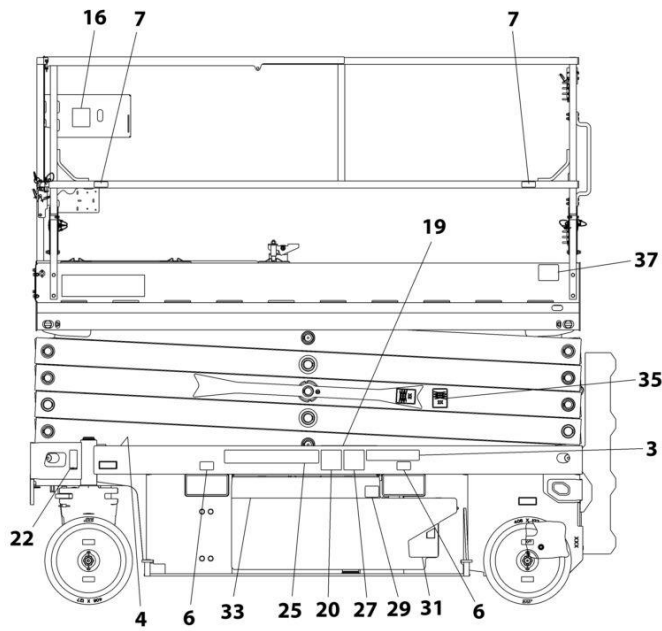
## SECTION 8 - DECALS

**FIGURE 8-2. DECAL INSTALLATION (AUSTRALIAN SPECS)**

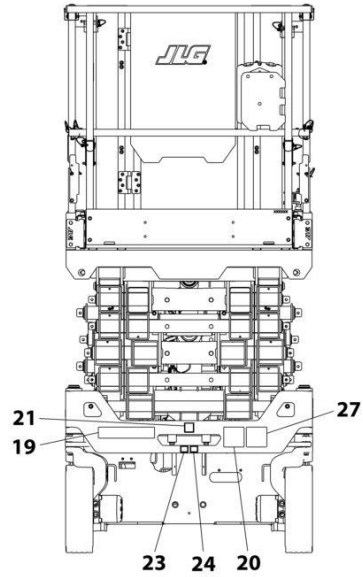
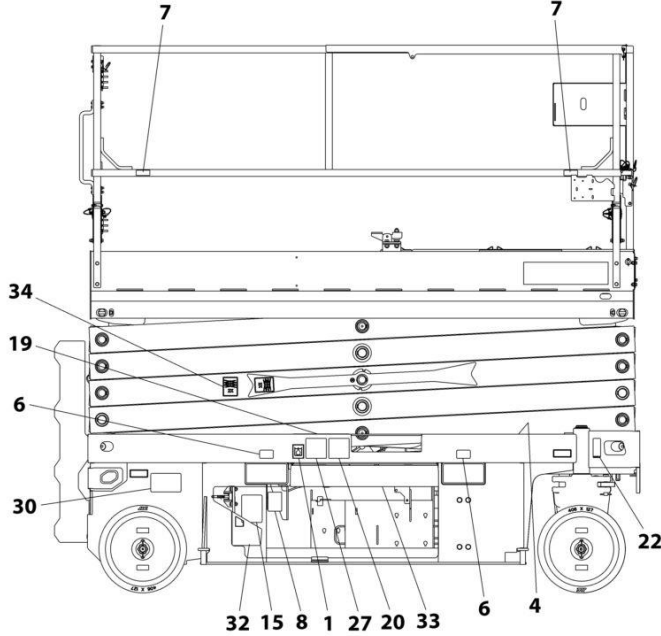
ITEM	PART NUMBER	QTY	DESCRIPTION	REV
	1001222131	Ref	DECAL INSTALLATION (AUSTRALIAN SPECS)	D
	1001217031	Ref	DECAL REFERENCE CHART	L
1	1701504	1	Decal - Hydraulic Oil	
2	1701640	1	Decal - Manual	
3	1705670	2	Decal - Fire Hazard	
4	1703819	4	Decal - Dircetion Arrow	
5	1703822	1	Decal - Manual Descent Instruction	
6	1704016	4	Decal - Forklift	
7	1704277	4	Decal - Lanyard Attach	
8	1704412	1	Decal - Hydraulic Oil	
12	2080040	3	Fastener	
13	2080057	4	Fastener	
14	8990147	1	Box, Manual	
16	1001132359	1	Decal - Control Box Locate	
18	1001162864	2	Decal - Lift Up/Tie Down	
19	1705673	4	Decal - Crushing	
20	1705671	5	Decal - Electrocuton	
21	1001212290	1	Decal - Tie Down	
22	1001213442	2	Decal - Lift and Tie Down	
23	1001212292	1	Decal - No Lifting	
24	1001212293	1	Decal - No Forklift	
25	1001146794	1	Decal - Battery/Charger Service	
29	1702155	1	Decal - Battery Disconnect	
33	1001225622	2	Decal - Black Strip	
34	1001228641	2	Decal - Safety Prop (RH)	
35	1001228642	2	Decal - Safety Prop (LH)	

# SECTION 8 - DECALS

## FIGURE 8-3. DECAL INSTALLATION (BRAZIL SPECS)



NOTE: ITEMS SHOWN MAY NOT BE REQUIRED FOR ALL SPECS. REFER TO PARTS LISTS FOR USAGE.  
NOTE: ADDITIONAL DECALS CALLED OUT ON DECAL INSTALLATION - OPTIONS



ART\_1001222127

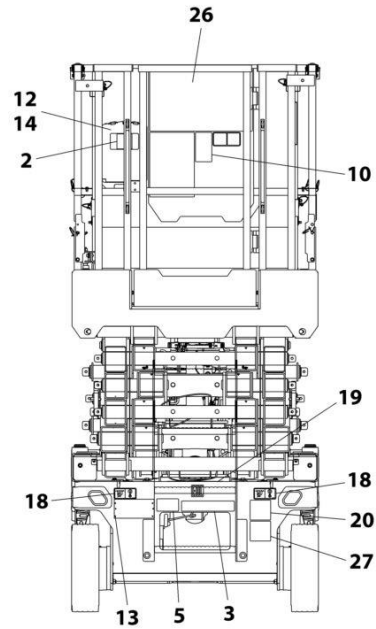
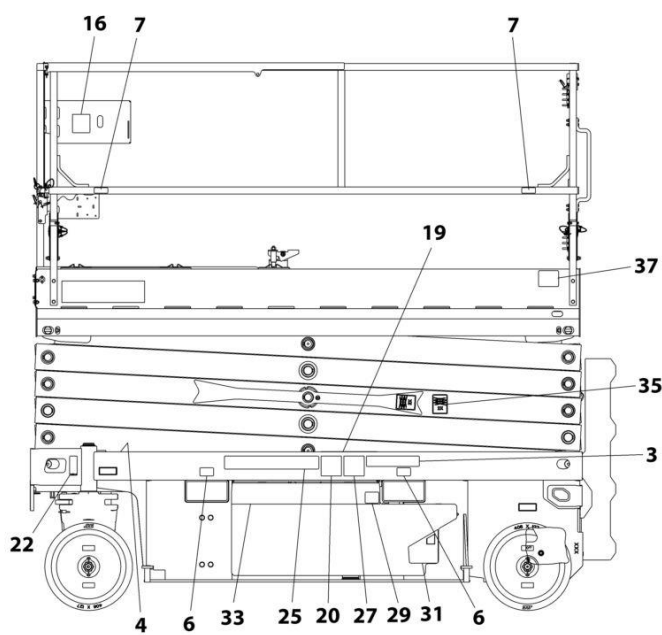
## SECTION 8 - DECALS

**FIGURE 8-3. DECAL INSTALLATION (BRAZIL SPECS)**

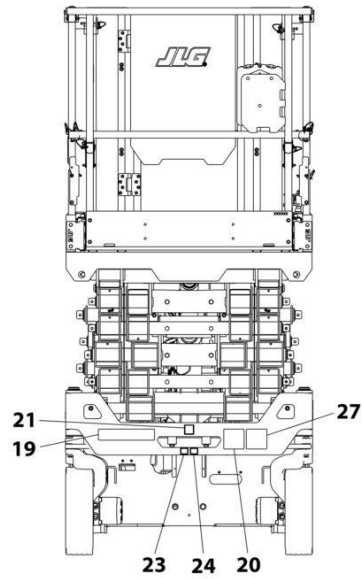
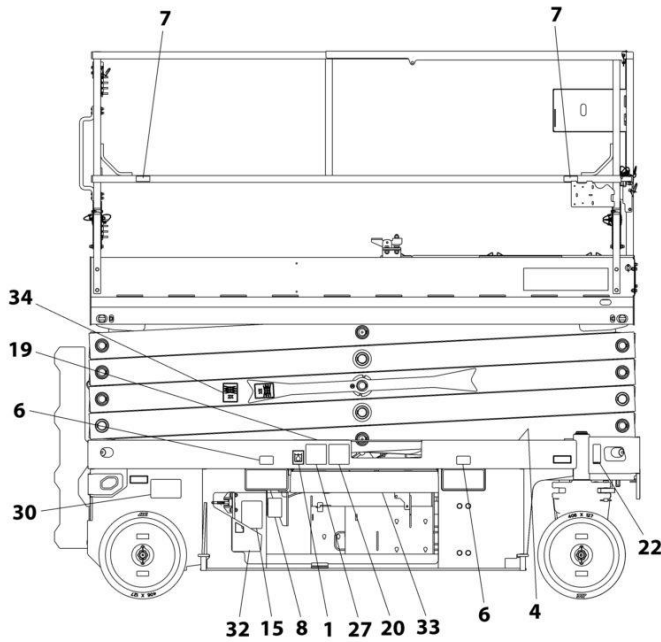
ITEM	PART NUMBER	QTY	DESCRIPTION	REV
	1001222127	Ref	DECAL INSTALLATION (BRAZIL SPECS)	E
	1001217031	Ref	DECAL REFERENCE CHART	L
1	1701504	1	Decal - Hydraulic Oil	
2	1701640	1	Decal - Manual	
3	1704341	2	Decal - Warning Battery Ventilation	
4	1703819	4	Decal - Direction Arrow	
5	1703822	1	Decal - Manual Descent Instruction	
6	1704016	4	Decal - Forklift	
7	1704277	4	Decal - Lanyard Attach	
8	1704412	1	Decal - Hydraulic Oil	
12	2080040	3	Fastener	
13	2080057	4	Fastener	
14	8990147	1	Box, Manual	
16	1001132359	1	Decal - Control Box Locate	
18	1001162864	2	Decal - Lift Up/Tie Down	
19	1001216650	4	Decal - Crushing Hazard	
20	1001215748	4	Decal - Danger Electrocution	
21	1001212290	1	Decal - Tie Down	
22	1001213442	2	Decal - Lift and Tie Down	
23	1001212292	1	Decal - No Lifting	
24	1001212293	1	Decal - No Forklift	
25	1001146794	1	Decal - Battery/Charger Service	
26	1704699	1	Decal - Danger/Warning	
27	1001216648	4	Decal - Danger Electrocution	
29	1702155	1	Decal - Battery Disconnect	
30	1001224052	1	Decal - Yearly Inspection	
33	1001225622	2	Decal - Black Strip	
34	1001228641	2	Decal - Safety Prop (RH)	
35	1001228642	2	Decal - Safety Prop (LH)	

# SECTION 8 - DECALS

## FIGURE 8-4. DECAL INSTALLATION (CE & UK CA SPECS)



NOTE: ITEMS SHOWN MAY NOT BE REQUIRED FOR ALL SPECS. REFER TO PARTS LISTS FOR USAGE.  
NOTE: ADDITIONAL DECALS CALLED OUT ON DECAL INSTALLATION - OPTIONS



ART\_1001222130

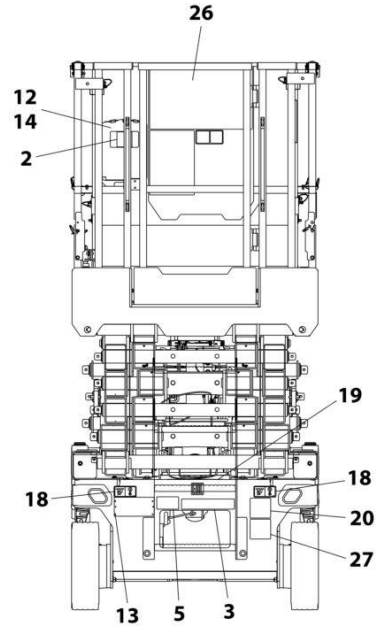
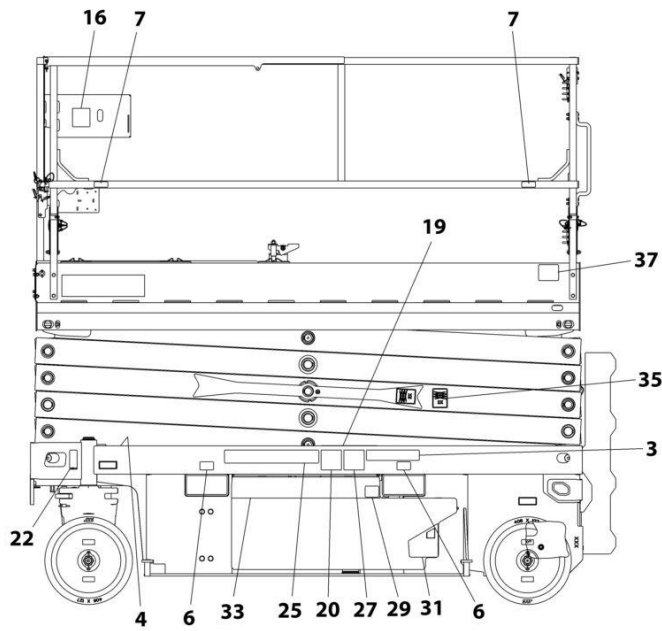
## SECTION 8 - DECALS

**FIGURE 8-4. DECAL INSTALLATION (CE & UK CA SPECS)**

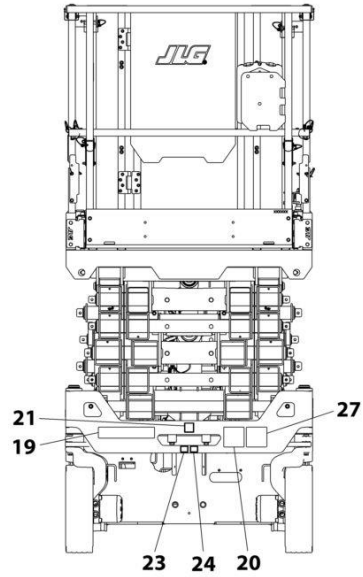
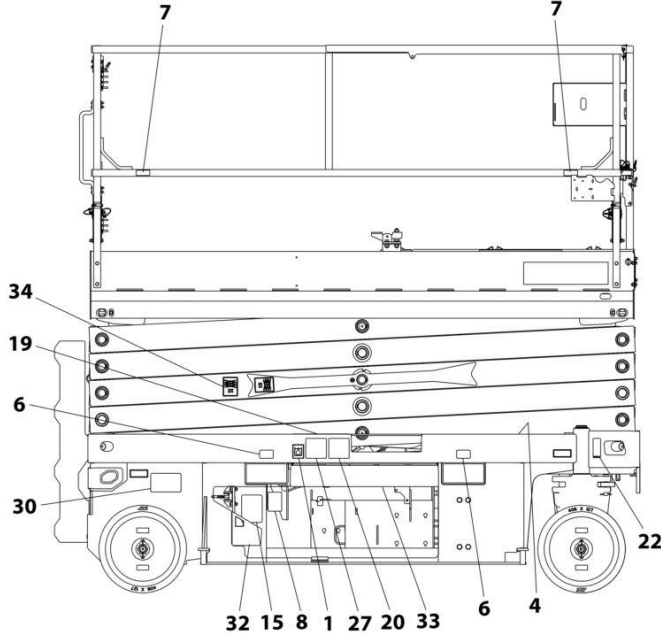
ITEM	PART NUMBER	QTY	DESCRIPTION	REV
	1001222130	Ref	DECAL INSTALLATION (CE & UK CA SPECS)	D
	1001217031	Ref	DECAL REFERENCE CHART	L
1	1701504	1	Decal - Hydraulic Oil	
2	1701640	1	Decal - Manual	
3	1705670	2	Decal - Fire Hazard	
4	1703819	4	Decal - Direction Arrow	
5	1703822	1	Decal - Manual Descent Instruction	
6	1704016	4	Decal - Forklift	
7	1704277	4	Decal - Lanyard Attach	
8	1704412	1	Decal - Hydraulic Oil	
12	2080040	3	Fastener	
13	2080057	4	Fastener	
14	8990147	1	Box, Manual	
16	1001132359	1	Decal - Control Box Locate	
18	1001162864	2	Decal - Lift Up/Tie Down	
19	1705673	4	Decal - Crushing	
20	1705671	5	Decal - Electrocution	
21	1001212290	1	Decal - Tie Down	
22	1001213442	2	Decal - Lift and Tie Down	
23	1001212292	1	Decal - No Lifting	
24	1001212293	1	Decal - No Forklift	
25	1001146795	1	Decal - See Manual	
29	1702155	1	Decal - Battery Disconnect	
33	1001225622	2	Decal - Black Strip	
34	1001228641	2	Decal - Safety Prop (RH)	
35	1001228642	2	Decal - Safety Prop (LH)	

# SECTION 8 - DECALS

## FIGURE 8-5. DECAL INSTALLATION (CHINA SPECS)



NOTE: ITEMS SHOWN MAY NOT BE REQUIRED FOR ALL SPECS. REFER TO PARTS LISTS FOR USAGE.  
NOTE: ADDITIONAL DECALS CALLED OUT ON DECAL INSTALLATION - OPTIONS



ART\_1001222126\_F

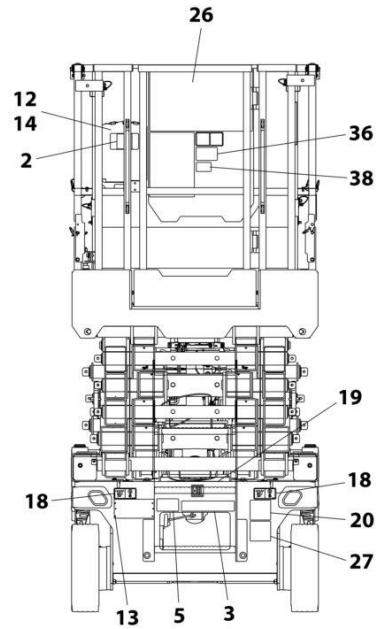
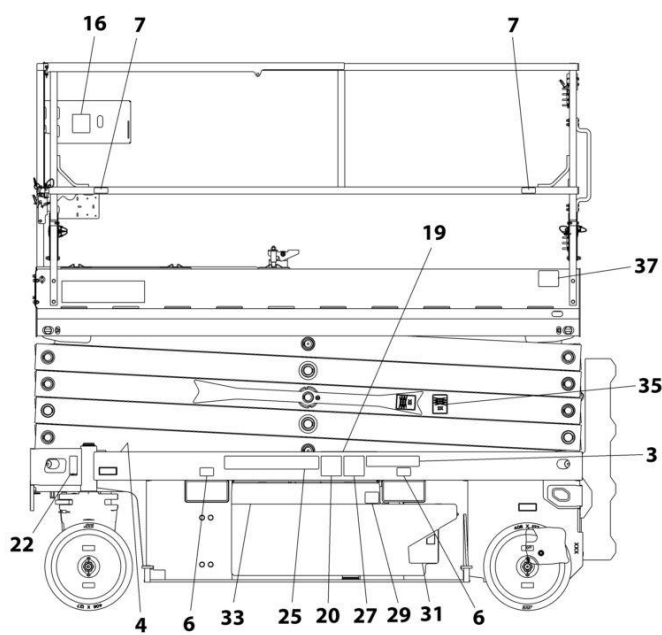
## SECTION 8 - DECALS

**FIGURE 8-5. DECAL INSTALLATION (CHINA SPECS)**

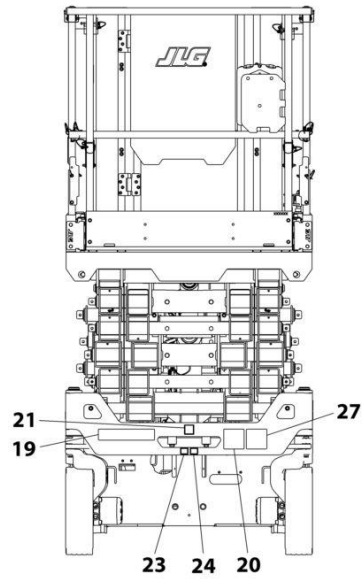
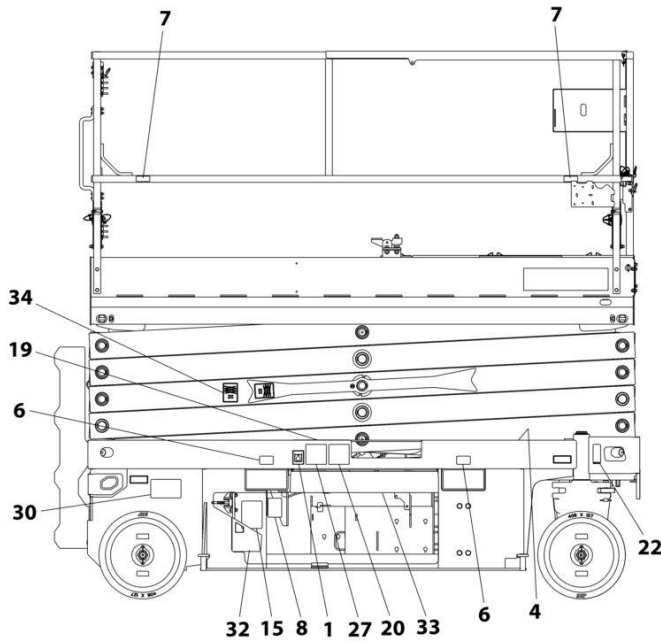
ITEM	PART NUMBER	QTY	DESCRIPTION	REV
	1001222126	Ref	DECAL INSTALLATION (CHINA SPECS)	F
	1001217031	Ref	DECAL REFERENCE CHART	L
1	1701504	1	Decal - Hydraulic Oil	
2	1701640	1	Decal - Manual	
3	1704344	2	Decal - Warning Battery Ventilation	
4	1703819	4	Decal - Direction Arrow	
5	1703822	1	Decal - Manual Descent Instruction	
6	1704016	4	Decal - Forklift	
7	1704277	4	Decal - Lanyard Attach	
8	1704412	1	Decal - Hydraulic Oil	
12	2080040	3	Fastener	
13	2080057	4	Fastener	
14	8990147	1	Box, Manual	
16	1001132359	1	Decal - Control Box Locate	
18	1001162864	2	Decal - Lift Up/Tie Down	
19	1001215752	4	Decal - Crushing Hazard	
20	1001211779	4	Decal - Electrocution	
21	1001212290	1	Decal - Tie Down	
22	1001213442	2	Decal - Lift and Tie Down	
23	1001212292	1	Decal - No Lifting	
24	1001212293	1	Decal - No Forklift	
25	1001146794	1	Decal - Battery/Charger Service	
26	1705195	1	Decal - Danger/Warning	
27	1001215747	4	Decal - Danger Electrocution	
29	1702155	1	Decal - Battery Disconnect	
30	1001224051	1	Decal - Yearly Inspection	
33	1001225622	2	Decal - Black Strip	
34	1001228641	2	Decal - Safety Prop (RH)	
35	1001228642	2	Decal - Safety Prop (LH)	
37	1001244298	2	Decal - Wechat QR Code	

# SECTION 8 - DECALS

## FIGURE 8-6. DECAL INSTALLATION (CSA SPECS)



NOTE: ITEMS SHOWN MAY NOT BE REQUIRED FOR ALL SPECS. REFER TO PARTS LISTS FOR USAGE.  
NOTE: ADDITIONAL DECALS CALLED OUT ON DECAL INSTALLATION - OPTIONS



ART\_1001222129



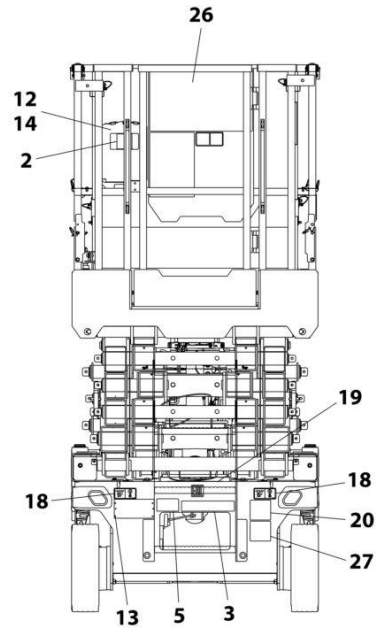
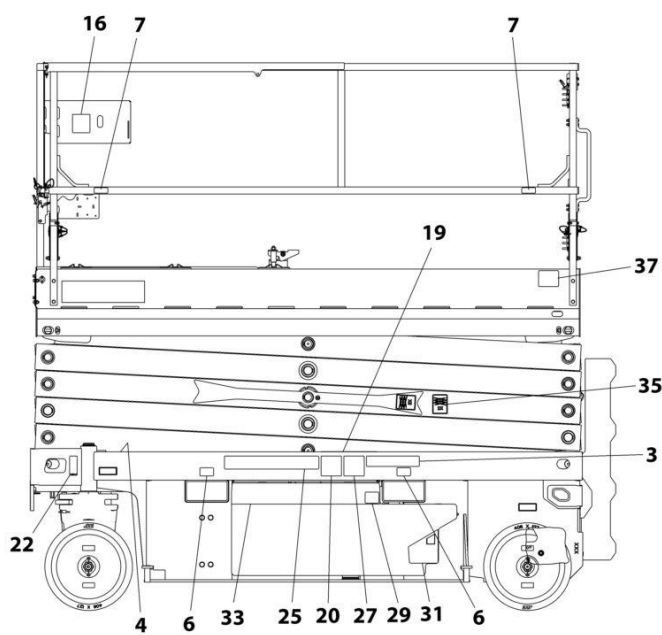
## SECTION 8 - DECALS

**FIGURE 8-6. DECAL INSTALLATION (CSA SPECS)**

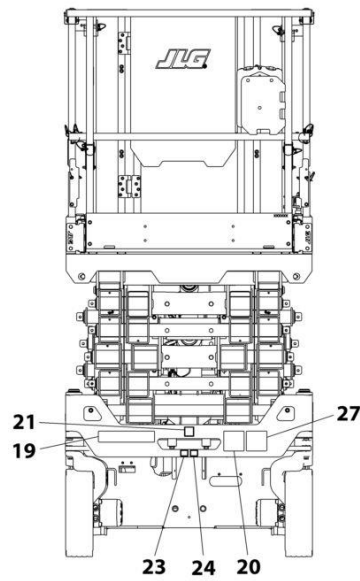
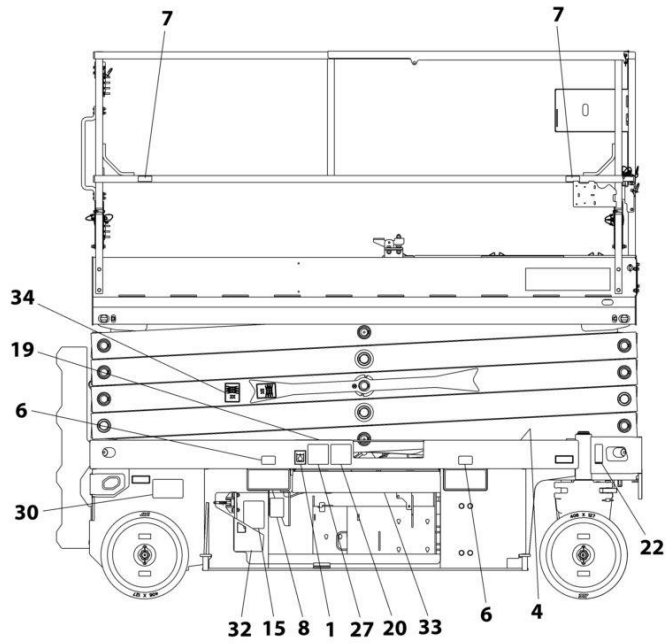
ITEM	PART NUMBER	QTY	DESCRIPTION	REV
	1001222129	Ref	DECAL INSTALLATION (CSA SPECS)	E
	1001217031	Ref	DECAL REFERENCE CHART	L
1	1701504	1	Decal - Hydraulic Oil	
2	1701640	1	Decal - Manual	
3	1704340	2	Decal - Warning Battery Ventilation	
4	1703819	4	Decal - Direction Arrow	
5	1703822	1	Decal - Manual Descent Instruction	
6	1704016	4	Decal - Forklift	
7	1704277	4	Decal - Lanyard Attach	
8	1704412	1	Decal - Hydraulic Oil	
12	2080040	3	Fastener	
13	2080057	4	Fastener	
14	8990147	1	Box, Manual	
15	1001131270	1	Decal - Patent	
16	1001132359	1	Decal - Control Box Locate	
18	1001162864	2	Decal - Lift Up/Tie Down	
19	1001215755	4	Decal - Crushing Hazard	
20	1001211779	4	Decal - Electrocution	
21	1001212290	1	Decal - Tie Down	
22	1001213442	2	Decal - Lift and Tie Down	
23	1001212292	1	Decal - No Lifting	
24	1001212293	1	Decal - No Forklift	
25	1001146794	1	Decal - Battery/Charger Service	
26	1704684	1	Decal - Danger/Warning	
27	1001215749	4	Decal - Danger Electrocution	
29	1702155	1	Decal - Battery Disconnect	
30	1001223971	1	Decal - Yearly Inspection	
33	1001225622	2	Decal - Black Strip	
34	1001228641	2	Decal - Safety Prop (RH)	
35	1001228642	2	Decal - Safety Prop (LH)	
36	1001231801	1	Decal - Warning Prop 65	
38	1001228370	1	Decal - ICES (CAN) - 001	

# SECTION 8 - DECALS

## FIGURE 8-7. DECAL INSTALLATION (KOREAN SPECS)



NOTE: ITEMS SHOWN MAY NOT BE REQUIRED FOR ALL SPECS. REFER TO PARTS LISTS FOR USAGE.  
NOTE: ADDITIONAL DECALS CALLED OUT ON DECAL INSTALLATION - OPTIONS



ART\_1001222125

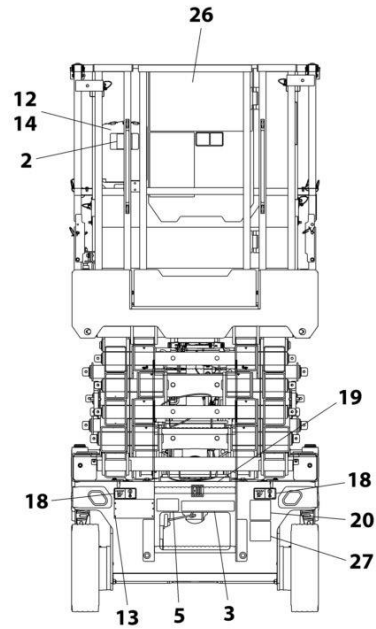
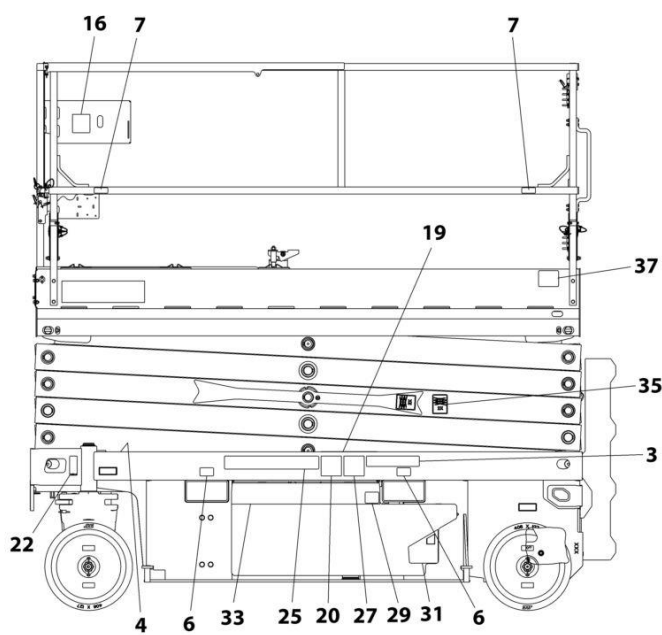
## SECTION 8 - DECALS

**FIGURE 8-7. DECAL INSTALLATION (KOREAN SPECS)**

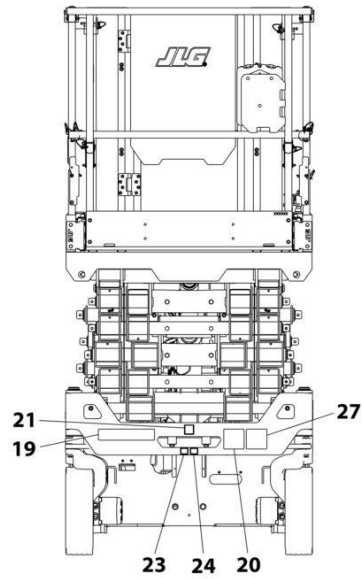
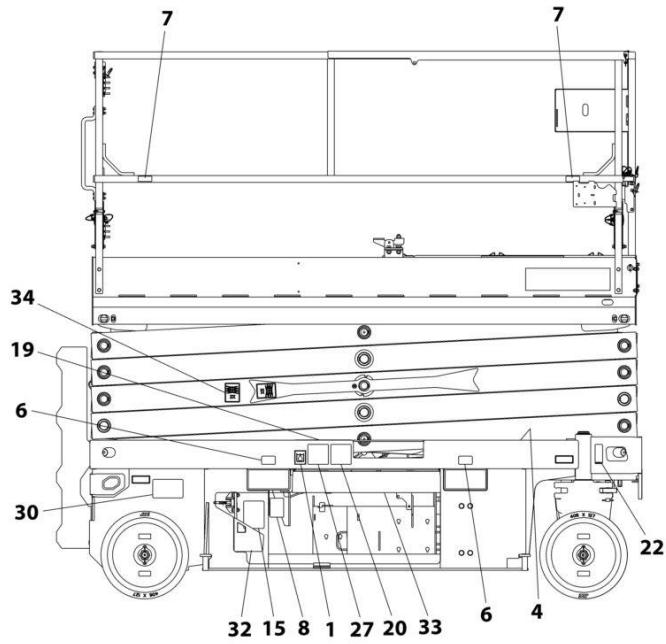
ITEM	PART NUMBER	QTY	DESCRIPTION	REV
	1001222125	Ref	DECAL INSTALLATION (KOREAN SPECS)	E
	1001217031	Ref	DECAL REFERENCE CHART	L
1	1701504	1	Decal - Hydraulic Oil	
2	1701640	1	Decal - Manual	
3	1707022	2	Decal - Warning Battery Ventilation	
4	1703819	4	Decal - Direction Arrow	
5	1703822	1	Decal - Manual Descent Instruction	
6	1704016	4	Decal - Forklift	
7	1704277	4	Decal - Lanyard Attach	
8	1704412	1	Decal - Hydraulic Oil	
12	2080040	3	Fastener	
13	2080057	4	Fastener	
14	8990147	1	Box, Manual	
16	1001132359	1	Decal - Control Box Locate	
18	1001162864	2	Decal - Lift Up/Tie Down	
19	1001215751	4	Decal - Crushing Hazard	
20	1001211779	4	Decal - Electrocution	
21	1001212290	1	Decal - Tie Down	
22	1001213442	2	Decal - Lift and Tie Down	
23	1001212292	1	Decal - No Lifting	
24	1001212293	1	Decal - No Forklift	
25	1001146794	1	Decal - Battery/Charger Service	
26	1001162115	1	Decal - Danger/Warning	
27	1001215750	4	Decal - Danger Electrocution	
29	1702155	1	Decal - Battery Disconnect	
30	1001224048	1	Decal - Yearly Inspection	
33	1001225622	2	Decal - Black Strip	
34	1001228641	2	Decal - Safety Prop (RH)	
35	1001228642	2	Decal - Safety Prop (LH)	

# SECTION 8 - DECALS

## FIGURE 8-8. DECAL INSTALLATION (LATIN AMERICAN SPECS)



NOTE: ITEMS SHOWN MAY NOT BE REQUIRED FOR ALL SPECS. REFER TO PARTS LISTS FOR USAGE.  
NOTE: ADDITIONAL DECALS CALLED OUT ON DECAL INSTALLATION - OPTIONS



ART\_1001222128

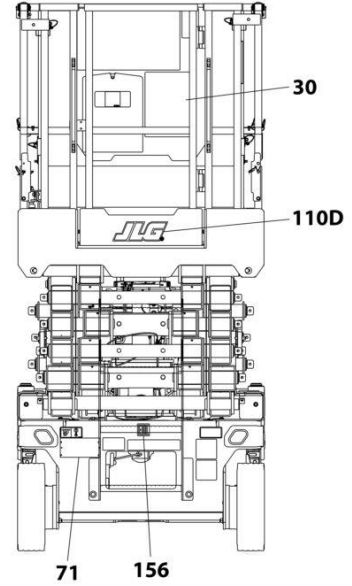
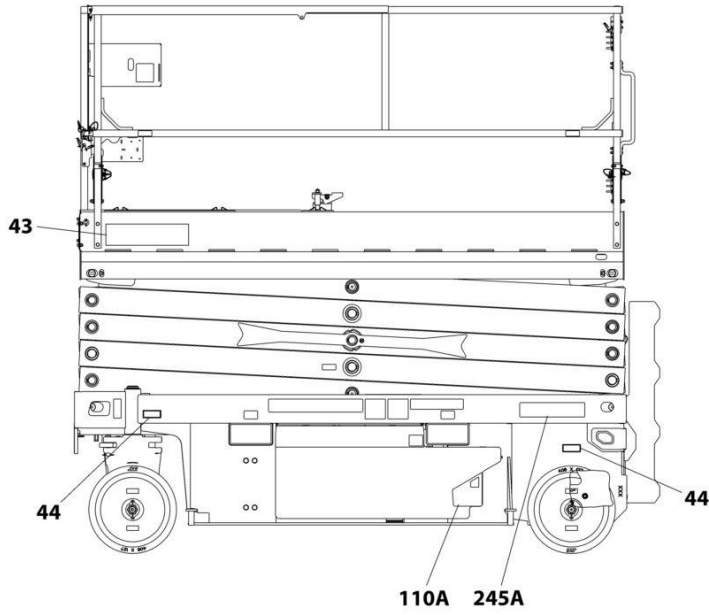
## SECTION 8 - DECALS

**FIGURE 8-8. DECAL INSTALLATION (LATIN AMERICAN SPECS)**

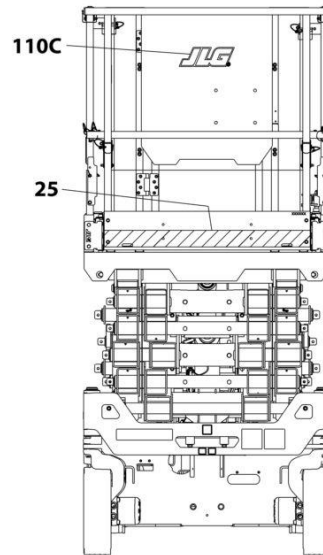
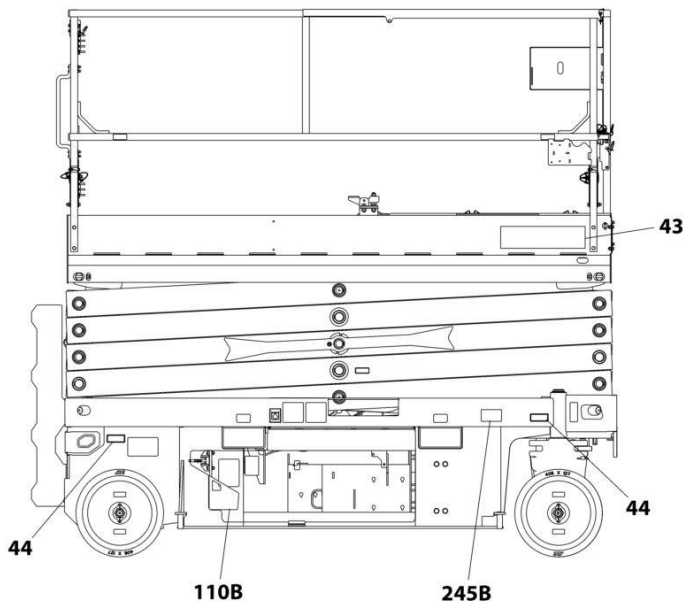
ITEM	PART NUMBER	QTY	DESCRIPTION	REV
	1001222128	Ref	DECAL INSTALLATION (LATIN AMERICAN SPECS)	E
	1001217031	Ref	DECAL REFERENCE CHART	L
1	1701504	1	Decal - Hydraulic Oil	
2	1701640	1	Decal - Manual	
3	1704339	2	Decal - Warning Battery Ventilation	
4	1703819	4	Decal - Direction Arrow	
5	1703822	1	Decal - Manual Descent Instruction	
6	1704016	4	Decal - Forklift	
7	1704277	4	Decal - Lanyard Attach	
8	1704412	1	Decal - Hydraulic Oil	
12	2080040	3	Fastener	
13	2080057	4	Fastener	
14	8990147	1	Box, Manual	
16	1001132359	1	Decal - Control Box Locate	
18	1001162864	2	Decal - Lift Up/Tie Down	
19	1001215754	4	Decal - Crushing Hazard	
20	1001211779	4	Decal - Electrocution	
21	1001212290	1	Decal - Tie Down	
22	1001213442	2	Decal - Lift and Tie Down	
23	1001212292	1	Decal - No Lifting	
24	1001212293	1	Decal - No Forklift	
25	1001146794	1	Decal - Battery/Charger Service	
26	1704691	1	Decal - Danger/Warning	
27	1001215748	4	Decal - Danger Electrocution	
29	1702155	1	Decal - Battery Disconnect	
30	1001224049	1	Decal - Yearly Inspection	
33	1001225622	2	Decal - Black Strip	
34	1001228641	2	Decal - Safety Prop (RH)	
35	1001228642	2	Decal - Safety Prop (LH)	

# SECTION 8 - DECALS

## FIGURE 8-9. DECAL INSTALLATION - OPTIONS



NOTE: ITEMS SHOWN MAY NOT BE REQUIRED FOR ALL SPECS. REFER TO PARTS LISTS FOR USAGE.



ART\_DECAL\_OPTIONS

## SECTION 8 - DECALS

**FIGURE 8-9. DECAL INSTALLATION - OPTIONS**

ITEM	PART NUMBER	QTY	DESCRIPTION	REV
		Ref	DECAL INSTALLATION - OPTIONS	
25	1001217894	Ref	Corner Stripes Installation	
25	4420051	62 in/ 156cm	Tape, Safety	
30		Ref	Decal - Capacity Options	
30	1001220378	1	Decal - Capacity (All Specs except Australian & Japanese Specs)	
30	1001229804	1	Decal - Capacity (Australian Specs)	
30	1001231228	1	Decal - Capacity (Japanese Specs)	
43	1001257176	1	Decal - R4045	
44	1001224553	4	Decal - Maximum Tire Load	
71	See Note	NSS	Decal - Manufacturers Serial Number (Note: Not Available for Purchase)	
110	1001255102	1	JLG Decals Installation (Not Shown)	A
110A	1001255104	1	Decal - JLG (Tank Door Side)	
110B	1001255105	1	Decal - JLG (Battery Door Side)	
110C	1001256675	1	Decal - JLG	
110D	1001256676	1	Decal - JLG	
156	1001173703	1	Decal - EAC (Russian/CIS Specs)	
245	1001236983	Ref	Clearsky Decal Installation	
245A	1001116208	1	Decal - Clearsky	
245B	1001120989	1	Decal - Radio Frequency	





## **SECTION 9 - RECOMMENDED SERVICE PARTS STOCK**

## **SECTION 9 - RECOMMENDED SERVICE PARTS STOCK**

## SECTION 9 - RECOMMENDED SERVICE PARTS STOCK

FIGURE 9-1. RECOMMENDED SERVICE PARTS STOCK

ITEM	PART NUMBER	QTY	DESCRIPTION	REV
		Ref	Note: The following list will service one machine (built to current production per date on the front cover) with emergency repair parts which can be installed in the field. Parts from the list should be replaced when inventory is depleted to keep service parts stock supplied. For further information, contact your JLG dealer or the JLG Industries Parts Department.	
	1001189172	1	Breaker 16Amp Double (AC Box CE & UK CA Specs)	
	1001228191	1	Breaker 250V/10A-30mA (AC Box Australian Specs)	
	1001189171	1	Breaker 30mAmp (AC Box CE & UK CA Specs Machines)	
	1001181045	1	Breaker 30mAmp/16Amp (CE & UK CA Specs Machines)	
	70006297	1	Coil (Flow Diverter)	
	70006335	1	Coil (Lift Cylinder)	
	1600402	1	Controller, Drive/Steer (Platform Console)	
	70005423	12	Filter Service Kit (Hydraulic Tank)	
	1001228388	2	Fuse 1Amp (Machines with Charger Communication Port)	
	1001196635	2	Fuse 3Amp (Machines with Mobile Control)	
	8229242	2	Fuse 5Amp (Chassis Harness)	
	8229244	2	Fuse 15Amp (Chassis Harness)	
	2400087	2	Fuse - 300Amp (Batteries)	
	2860030	1	Key, Replacement (Ground Control)	
	3080007	1	Latch, Magnetic (Platform Gate)	
	1001200629	1	Module, Control (Ground Control)	
	1001228112	1	Module, Platform	
	1001216062	1	Module, Power (Ground Control)	
	3740150	1	Relay (Ground Controls)	
	1001146963	1	Sensor, Angle (Scissors Arms)	
	1001186466	1	Sensor, Tilt (Frame)	
	4360469	1	Switch, Key (Ground Control)	
	4360475	1	Switch, Mushroom (Ground Control/Platform Console)	
	1001226749	1	Switch, Push Button (Platform Console)	
	1001203871	1	Switch, Roller (Pothole Protection)	
	4360328	1	Switch, Toggle (Ground Control)	
	4360336	1	Switch, Toggle (Machines with Inverter)	
	1001258446	1	Switch, Toggle (Platform Control)	

**SECTION 10 - SPECIAL OPTIONS/ACCESSORIES/KITS**

**SECTION 10 - SPECIAL OPTIONS/ACCESSORIES/KITS**

# SECTION 10 - SPECIAL OPTIONS/ACCESSORIES/KITS

## FIGURE 10-1. SPECIAL OPTIONS/ACCESSORIES/KITS

ITEM	PART NUMBER	QTY	DESCRIPTION	REV
		Ref	Note: This list is to accommodate machines ordered with special equipment. Options may not be applicable to all models. For more specific parts information contact the JLG Parts Department.	
		Ref	SPECIAL OPTIONS/ACCESSORIES/KITS	
	1001209921	Ref	Antivandalism Package	
	1001225173	Ref	Anti-Vandalism Add-on Kit	
		Ref	Battery Charger Add-on Kit (Can) Options :	
	1001255617	Ref	Battery Charger Add-on Kit (Can) (ANSI, ANSI Export, CSA and Japanese Specs)	
	1001255822	Ref	Battery Charger Add-on Kit (Can) (ANSI, ANSI Export, Australian, CSA and Japanese Specs)	
	1001255597	Ref	Battery Charger Add-on Kit (Can) (ANSI Export Specs)	
	1001225169	Ref	Beacon Add-on Kit (Single ECCO Brand) (Amber)	
	1001249229	Ref	Beacon Add-on Kit (Single Sanmak Brand) (Amber)	
	1001225170	Ref	Beacon Add-on Kit - (Dual ECCO Brand) (Amber)	
	1001249230	Ref	Beacon Add-on Kit (Dual Sanmak Brand) (Amber)	
		Ref	ClearSky Installation Options (Factory Installed)	
	1001278847	Ref	ClearSky Installation - 3 Wire (All Specs Except China)	
	1001251144	Ref	ClearSky Installation - Canbus (ANSI & CSA Specs)	
	1001251146	Ref	ClearSky Installation - Canbus (Australian Specs)	
	1001251145	Ref	ClearSky Installation - Canbus (ANSI Export, CE & UK CA Specs)	
		Ref	ClearSky Add-On Kit Options (Dealer Installed)	
	1001278848	Ref	ClearSky Add-on Kit - 3 Wire (All Specs Except China)	
	1001265376	Ref	ClearSky Add-On Kit - Canbus (ANSI, ANSI Export & CSA Specs)	
	1001237257	Ref	ClearSky Add-On Kit - Canbus (ANSI Export, CE & UK CA Specs)	
	1001248502	Ref	ClearSky Add-On Kit - Canbus (Australian Specs)	
	1001248503	Ref	ClearSky Add-On Kit (China Specs)	
	1001248689	Ref	ClearSky Add-On Kit - Access Control	
	1001246531	Ref	ClearSky Installation - Canbus (China Specs)	
	1001236983	Ref	Decal - ClearSky	
	1001269651	Ref	Control Box Cover Installation Kit	
	1001274827	Ref	Decal Kit - 4045R	
	1001216582	Ref	Drive Motor Covers installation	
		Ref	Electrical Connector Kits	
	1001148902	Ref	Amp/Tyco Electrical Connector Kit	
	1001148903	Ref	Deutsch DT Electrical Connector Kit	
	1001148904	Ref	Deutsch HD Electrical Connector Kit	
	1001148905	Ref	Packard Electrical Connector Kit	
	1001148906	Ref	Various Electrical Connector Kit	
	1001253722	Ref	European Subassembly Kit	
	1001218728	Ref	Fire Extinguisher Installation	
	1001215448	Ref	Footswitch Installation (ANSI Export & Japanese Specs Only)	
	1001234379	Ref	Frame Cover Upgrade Kit	
	1001232356	Ref	Ground Control Panel Cover Add-on Kit	
	1001225172	Ref	Inverter Add-on Kit (ANSI Specs Only)	
	1001226903	Ref	Low Height Restriction System Installation	
	1001161710	Ref	Switch, Toggle	

## SECTION 10 - SPECIAL OPTIONS/ACCESSORIES/KITS

ITEM	PART NUMBER	QTY	DESCRIPTION	REV
	1001250532	Ref	Mobile Control Add-on Kit (Dealer Installed)	
	1001258356	Ref	Operator Access Control	
	1001229728	Ref	Overhead Protection Add-on Kit (ANSI Export Specs Only)	
	1001270721	Ref	Pipe Racks Kit (Dealer Installed)	
	1001231309	Ref	Platform Extension Deployment Handles Add-on Kit	
	1001223283	Ref	Platform Gate Latch (Magnetic) Installation	
	1001262557	Ref	Platform Self Closing Gate Add-on Kit (Dealer Installed)	
	1001262558	Ref	Platform Self Closing Gate Add-on Kit (Dealer Installed)	
	1001214226	Ref	Platform Worklight Installation	
	1001225171	Ref	Platform Work Lights Add-on Kit	
	1001265316	Ref	Pothole Protection Add-on Kit Dealer Installed)	
	1001225174	Ref	Quik Welder	
	1001224583	Ref	Service Kits List	W
	1001254721	Ref	SkySense Level 1 Add-on Kit (Dealer Installed)	
	1001255883	Ref	SkySense Level 1 Installation (Factory Installed)	
	1001255884	Ref	SkySense Level 2 Add-on Kit (Dealer Installed)	
	1001255339	Ref	SkySense Level 2 Installation (Factory Installed)	
		Ref	Soft-Touch Installation Options:	
	1001214272	Ref	Soft-Touch Installation (Without Switches & With Padding) (Tube-in-Tube Extension)	
	1001220127	Ref	Soft-Touch Installation (Without Switches & With Padding) (Side-by-Side Extension)	
	1001270896	Ref	Spindle/Steering Cover Installation (Factory Installed)	
		Ref	Tools For Service:	
	2901443	1	Analyzer Kit	
	1001232474	1	Bench-Top R-Scissors Harness	
	8896941	1	Wire Stripper	
	7002821	1	Wire Crimper (To Install Wire Ends to Wires)	
	7002823	1	Pin/Socket Extractor - Universal (To Remove Pins/Sockets from Connectors)	
	4460467	1	Extractor - 16-18 Gauge (For Removal Pins/Sockets from Deutsch Connectors)	
	4460510	1	Extractor - 12-14 Gauge (For Removal of Pins/Sockets from Deutsch Connectors)	
	7002822	1	Screwdriver, Potentiometer (To Adjust Drive Controllers)	
	7016654	1	Screwdriver, Magnetic	
	7004275	1	Seal Installation Tool - 1in	
	7004276	1	Seal Installation - 1-1/2in	
	7002826	1	Seal Installation Tool - 2in	
	1001269646	Ref	Tool Tray Add-on Kit (Dealer Installed)	
	1001262959	Ref	Voltage Regulator Relocation Kit (for ClearSky)	



## SECTION 10 - SPECIAL OPTIONS/ACCESSORIES/KITS

### PART NUMBER INDEX

## SECTION 10 - SPECIAL OPTIONS/ACCESSORIES/KITS

0100011.....13, 15, 21, 23, 77, 79, 103, 108, 113, 115, 121, 125, 127	0761224 ..... 103	1001144295 ..... 202	1001203870.....21
0100051.....95, 97, 99	0861731 ... 235, 241, 243, 245	1001144296 ..... 201, 202	1001203871.....21, 270
0140030.....129	0861781 ..... 237, 239	1001146794 ..... 251, 253, 255, 259, 261, 263, 265	1001203872.....21
0140043.....85, 87	0861880 ..... 181	1001146795 ..... 257	1001205409.....201, 231
0275216.....167, 237	0940071 ..... 103	1001146963 ..... 108, 112, 270	1001205410.....201
0275217.....169, 239	0962272 ... 109, 113, 149	1001148902 ..... 272	1001205411.....201
0275452.....171, 241	0962474 ..... 109, 113	1001148903 ..... 272	1001205412.....201
0275453.....173, 243	1001047064 ..... 129	1001148904 ..... 272	1001205422.....119
0275454.....175, 245	1001091102... 21, 47, 51, 53, 57, 59, 63, 65, 69, 87	1001148905 ..... 272	1001205598.....43, 45
0440223.....141	1001094312 ..... 108, 112	1001148906 ..... 272	1001206995.....41
0440266.....109, 113	1001096653 ..... 108, 112	1001151629 ..... 201	1001207009...25, 27, 29, 31, 33, 35, 37, 39
0440267.....109, 113, 151	1001097150 ..... 165, 247	1001152266 ..... 202	1001207173.....201
0480100.....137	1001098828 ..... 115	1001152483 ..... 183	1001207214.....85, 87
0630586.....85, 87	1001100341 ..... 237	1001153195 ..... 108, 112	1001207215.....85, 87
0630587.....85, 87, 101	1001100342 ..... 239	1001153785 ..... 13	1001207293.....89
0700408.....87	1001100343 ..... 241	1001157050 ..... 143	1001207970.....29, 31, 41
0700410.....47, 59	1001100345 ..... 241	1001157513 ..... 101	1001207973.....45
0700416.....53, 65	1001100346 ..... 245	1001157547 ..... 101	1001207974...25, 27, 33, 35, 43
0700610.....141	1001100347 ..... 243	1001157790 ..... 101	1001208852.....121
0700612...21, 23, 93, 103	1001101540 ..... 101	1001159186 ..... 233	1001209596.....129
0700614.....127	1001102258 ..... 163, 165, 167, 169, 171, 173, 175, 177, 179	1001161710 ..... 272	1001209682.....85, 87
0700617.....125	1001102489... 25, 27, 29, 31, 33, 35, 37, 39, 41, 43, 45	1001162115 ..... 263	1001209921.....272
0700618.....125, 127	1001102771 ..... 197, 199	1001162864 ..... 251, 253, 255, 257, 259, 261, 263, 265	1001210064.....119
0700621.....123	1001103012 ..... 201	1001162886 ..... 201	1001210079.....91
0700812.....157, 159	1001107854 ..... 201	1001162887 ..... 201, 231	1001210440.....101
0700814.....108, 113	1001110302 ..... 21	1001163178 ..... 13, 153	1001210605.....101
0700815.....21	1001110302 ..... 21	1001163340 ..... 201, 231	1001210881.....101
0700817.....103, 137	1001113961 ..... 201	1001173703 ..... 267	1001210882.....101
0700818.....123, 125, 127	1001116208 ..... 267	1001174673 ..... 108, 113	1001210966.....85, 87
0700819.....157, 159	100111681291, 197, 199, 201, 231	1001181045 ..... 181, 270	1001211677.....109, 113
0700823.....21	1001117000 ..... 201	1001182806 ..... 71	1001211775.....201
0700825.....77, 79	1001118274 ..... 91	1001186235 ..... 125	1001211777.....251
0700835.....129	1001118387 ..... 201	1001186466 ..... 23, 270	1001211779.....251, 259, 261, 263, 265
0701014.....108, 113	1001118812 ..... 91, 185	1001187587 ..... 125, 127, 141	1001211951.....109, 113
0701015.....108, 112	1001120204 ..... 167, 169, 171, 173, 175	1001187816 ..... 177	1001212035.....233
0701016.....108, 113	1001120205 ..... 181, 183	1001188116 ..... 177	1001212036.....233
0701019.....115	1001120989 ..... 267	1001189171 ..... 183, 270	1001212187.....19
0701022.....108, 112	1001125483 ..... 101	1001189172 ..... 183, 270	1001212290.....251, 253, 255, 257, 259, 261, 263, 265
0701024.....108, 112, 115	1001125677 91, 185, 202	1001191139 ... 47, 53, 59, 65	1001212292.....251, 253, 255, 257, 259, 261, 263, 265
0701025.....108, 112	1001130220 ..... 129	1001192401 91, 201, 202	1001212293.....251, 253, 255, 257, 259, 261, 263, 265
0701026.....119	1001130590 ..... 85, 87	1001194421 ..... 233	1001212294.....77, 79
0701030.....108, 112	1001131270 ..... 251, 261	1001196634 ..... 199	1001212482.....112, 149
0711221.....13	1001132358 ..... 129	1001196635 ..... 231, 270	1001212483.....112, 151
0760408...163, 167, 169, 171, 173, 175, 177	1001132359 ..... 251, 253, 255, 257, 259, 261, 263, 265	1001197396 ..... 13	1001212768.....109, 113
0760606.....125, 127	1001132361 ..... 129	1001200561 ... 25, 29, 33, 37	1001212795.....109, 113
0760607.....37, 39	1001136757 ..... 101	1001200629 .. 85, 87, 270	1001212829.....109, 113
0760608.....127, 165	1001137263 ..... 157, 159, 205, 207, 209, 211, 213, 215, 221	1001200631 ..... 85, 87	1001212958.....109, 113
0760610...25, 27, 29, 31, 33, 35, 37, 39, 41, 43, 45, 85, 87, 101, 129, 135, 163, 167, 169, 171, 173, 175, 177, 179	1001137675 ..... 119	1001200632 ..... 89	1001212963.....109, 113
0760612...25, 27, 29, 31, 33, 35, 37, 39, 41, 43, 45, 71, 85, 87, 95, 99	1001142173 ..... 101	1001200812 ..... 205, 207, 217	1001212964.....109, 113
076081077, 79, 119, 121, 125	1001142174 ..... 101	1001200819 ..... 129, 233	1001212967.....109, 113
0760812...77, 79, 91, 121	1001143009 ..... 101	1001202184 ..... 209, 211, 219	1001212970.....109, 113
0760822.....157, 159	1001143010 ..... 101	1001202773 ..... 15	1001212971.....109, 113
0761014...33, 35, 77, 79, 119, 121, 165	1001143010 ..... 101	1001202851 ..... 77, 79	1001212972.....109, 113
0761015.....73	1001143501 ..... 157, 159	1001202987 ..... 21	1001213036.....77, 79
0761218001.....103	1001143645 ..... 157, 159	1001202999 ..... 21	1001213137.....112
	1001144147 91, 185, 231	1001203869 ..... 21	1001213264.....15, 17
			1001213267.....119



## SECTION 10 - SPECIAL OPTIONS/ACCESSORIES/KITS

1001213268 ..... 121	1001214646..... 108, 112	1001217164..... 181, 183	1001222130 ..... 257
1001213269 ..... 127	1001214648..... 108, 112	1001217216..... 73	1001222131 ..... 253
1001213270 ..... 125	1001214649..... 108, 112	1001217386..... 157, 159	1001222308 ..... 109, 112
1001213275 ..... 119	1001214650..... 108, 112	1001217445..... 101	1001222742 ..... 125, 127
1001213393 ..... 125, 127	1001214689..... 108, 112	1001217457..... 109, 113	1001222861 ..... 125
1001213394 ..... 125, 127	1001214810..... 103	1001217464..... 103	1001222869 ..... 125
1001213397 ..... 125, 127	1001214875..... 77, 79	1001217466..... 109, 113	1001222907 ..... 125
1001213403 ..... 127	1001214876..... 77, 79	1001217492..... 85	1001222913 ..... 125
1001213407 ..... 127	1001214878..... 95, 97, 99	1001217894..... 267	1001223040 ..... 125
1001213409 ..... 127	1001214879..... 95, 97, 99	1001218048..... 103	1001223053 ..... 125
1001213416 ..... 127	1001214880..... 101	1001218159..... 157, 159	1001223055 ..... 251
1001213442 ..... 251, 253, 255, 257, 259, 261, 263, 265	1001214907..... 108, 112	1001218160..... 157, 159	1001223073 ..... 103
1001213470 ..... 121	1001214911..... 99	1001218161..... 157, 159	1001223164 ..... 127
1001213550 ..... 121	1001214913..... 95	1001218162..... 157, 159	1001223165 ..... 125
1001213590 ..... 21	1001214915..... 97	1001218163..... 157, 159	1001223166 ..... 125
1001213591 ..... 21	1001214980..... 97	1001218165..... 157, 159	1001223171 ..... 103
1001213595 ..... 21	1001214981..... 95	1001218167..... 157, 159	1001223262 ..... 215
1001213747 ..... 13	1001214994..... 101, 223	1001218168..... 157, 159	1001223263 ..... 213
1001213815 ..... 77, 157	1001215074..... 25, 27, 29, 31, 33, 35, 37, 39	1001218169..... 157, 159	1001223283 ..... 273
1001213816 ..... 15	1001215075..... 41, 43, 45	1001218170..... 157, 159	1001223446 ..... 87
1001213838 ..... 121	1001215215..... 101	1001218181..... 103	1001223447 ..... 221
1001213875 ..... 77	1001215216..... 57, 59, 61, 65, 67, 69	1001218190..... 139	1001223650 ..... 217
1001213886 ..... 129	1001215434..... 77, 79	1001218263..... 127	1001223651 ..... 219
1001213915 ..... 125	1001215446..... 123	1001218264..... 125	1001223790 ..... 87
1001213916 ..... 125	1001215448..... 272	1001218285..... 129	1001223971 ..... 261
1001213926 ..... 13	1001215472..... 205, 209, 213, 215, 221	1001218307..... 21	1001224048 ..... 263
1001213931 ..... 125	1001215747..... 259	1001218563..... 103	1001224049 ..... 265
1001213945 ..... 205, 207, 209, 211, 213, 215, 221	1001215748..... 255, 265	1001218573..... 103	1001224051 ..... 259
1001214024 ..... 13	1001215749..... 261	1001218696..... 109, 113	1001224052 ..... 255
1001214150 ..... 71	1001215750..... 263	1001218728..... 272	1001224553 ..... 267
1001214152 ..... 13	1001215751..... 263	1001218851..... 25, 33	1001224583 ..... 273
1001214195 ..... 25, 27, 29, 31, 33, 35, 37, 39, 41, 43, 45	1001215752..... 259	1001218933..... 45	1001225164 ..... 109, 113
1001214211 ..... 47	1001215754..... 265	1001218989..... 43	1001225169 ..... 272
1001214212 ..... 59	1001215755..... 261	1001219018..... 171, 173, 183	1001225170 ..... 272
1001214214 ..... 29	1001215790..... 108, 112, 119	1001219041..... 167, 169, 175, 181	1001225171 ..... 273
1001214215 ..... 101	1001215953..... 21	1001219077..... 41	1001225172 ..... 272
1001214217 ..... 23	1001216062... 85, 87, 270	1001219133..... 143	1001225174 ..... 273
1001214219 ..... 73	1001216353..... 103	1001219319..... 143	1001225622 ..... 251, 253, 255, 257, 259, 261, 263, 265
1001214226 ..... 273	1001216409..... 95, 97, 99	1001219596..... 53	1001226215 ..... 115
1001214268 ..... 119	1001216410..... 95, 97, 99	1001219597..... 65	1001226216 ..... 115
1001214272 ..... 273	1001216411..... 95, 97, 99	1001219622..... 141	1001226218 ..... 115
1001214274 ..... 141	1001216417..... 95, 97, 99	1001219670..... 141	1001226219 ..... 115
1001214309 ..... 99	1001216582..... 272	1001219766..... 109, 113	1001226220 ..... 115
1001214442 ..... 205	1001216582..... 272	1001219828..... 103	1001226422 ..... 37
1001214443 ..... 209	1001216593..... 108, 113, 229	1001219829..... 103	1001226749 ..... 129, 270
1001214444 ..... 213	1001216594..... 108, 113, 225	1001219834..... 109, 113	1001226903 ..... 272
1001214445 ..... 215	1001216595..... 108, 113, 227	1001219835..... 109, 113	1001227219 ..... 33, 35
1001214446 ..... 163	1001216648..... 255	1001220127..... 273	1001227267 .. 33, 35, 247
1001214447 ..... 179	1001216650..... 255	1001220144..... 109, 113	1001227268 ..... 165
1001214450 ..... 171	1001216690..... 108, 112	1001220407..... 267	1001227269 ..... 247
1001214451 ..... 173	1001216691..... 109, 112	1001220407..... 109, 113	1001227516 ..... 109, 112
1001214452 ..... 175	1001216779..... 135	1001220766..... 53, 55, 65, 67	1001227855 ..... 21
1001214453 ..... 167	1001216781..... 109, 112	1001220891..... 135	1001227919 ..... 113
1001214456 ..... 169	1001216792..... 109, 112	1001220893..... 129	1001227969 ..... 127
1001214457 ..... 177	1001216808..... 112	1001220894..... 141	1001227972 ..... 127
1001214526 ..... 21	1001216816..... 135	1001220904..... 95, 99	1001227994 ..... 127
1001214528 ..... 21	1001217031..... 251, 253, 255, 257, 259, 261, 263, 265	1001220905..... 95, 99	1001228112 ..... 270
1001214534 ..... 21	1001217059..... 23	1001221949... 37, 39, 189	1001228191 ..... 247, 270
1001214596 ..... 87	1001217110..... 109, 113	1001222124..... 251	1001228370 ..... 251, 261
1001214625 ..... 108, 112		1001222125..... 263	1001228388 ..... 197, 270
1001214641 ..... 108, 112		1001222126..... 259	1001228533 ..... 109, 112
1001214644 ..... 108, 112		1001222127..... 255	1001228641 ..... 251, 253, 255, 257, 259, 261, 263, 265
		1001222128..... 265	
		1001222129..... 261	

## SECTION 10 - SPECIAL OPTIONS/ACCESSORIES/KITS

1001228642.....251, 253, 255, 257, 259, 261, 263, 265	1001246531 ..... 272	1001271412 ..... 137	2080040.... 121, 125, 127, 251, 253, 255, 257, 259, 261, 263, 265
1001229522.....95, 97, 99	1001248502 ..... 272	1001274168 ..... 133	2080057.... 251, 253, 255, 257, 259, 261, 263, 265
1001229529..... 115	1001248503 ..... 272	1001274559 ..... 85, 87	2220346..... 157
1001229728..... 273	1001248679 .... 77, 79, 83	1001274604 ..... 129	2220371..... 157, 159
1001229804..... 267	1001248689 ..... 272	1001274605 ..... 129	2220372..... 157, 159
1001229950..... 115	1001248768 ..... 93	1001274659 ..... 129	2220373..... 157, 159
1001229951..... 115	1001248773 ..... 91	1001274661 ..... 145	2220375..... 159
1001231228..... 267	1001249229 ..... 272	1001274827 ..... 272	2220466..... 157, 159
1001231264..... 85, 87	1001249230 ..... 272	1001278847 ..... 272	2220473..... 157, 159
1001231270..... 109, 113	1001249613 ..... 93, 231	1001278848 ..... 272	2220497..... 157, 159
1001231309..... 273	1001249614 ..... 93	1001283409 ..... 85, 201	2220502..... 157, 159
1001231801..... 251, 261	1001250532 ..... 273	1001284939 ..... 79, 81	2220582..... 157, 159
1001231837 ..... 109, 112	1001251144 ..... 272	1001284954 ..... 79, 159	2220628..... 157, 159
1001231841..... 77, 79	1001251145 ..... 272	1001287711 ..... 137	2221116..... 108, 112
1001231890..... 109, 113	1001251146 ..... 272	1060379 ..... 137, 139	2400060.... 197, 199, 201, 202, 231
1001232356..... 272	1001252928 ..... 93	1060908 .... 181, 183, 247	2400087... 95, 97, 99, 270
1001232474..... 273	1001253649 ..... 31	1062255 ..... 91	2420172..... 85, 87
1001232622 ..... 125	1001253650 ..... 27, 35	1120555 ..... 139	2560088..... 123
1001233479 .... 49, 55, 61, 67	1001253651 ..... 39	1320187 ..... 157, 159	2560190..... 123
1001233998..... 55, 67	1001253652 ..... 35	1321283 ..... 157, 159	2600281..... 125, 127
1001234204..... 109, 112	1001253722 ..... 272	1321293 ... 25, 27, 29, 31, 33, 35, 37, 39, 41, 43, 45, 163, 167, 169, 171, 173, 175, 179	2700100..... 139
1001234257 ..... 103	1001253800 ..... 133	1321752 ..... 157, 159	2860030..... 85, 87, 270
1001234379..... 272	1001253952 ... 27, 31, 35, 39	1380132 ..... 123	2901443..... 273
1001234397 ... 33, 35, 165	1001254027 ... 27, 31, 35, 39, 91, 185	1580023 ..... 139	2902431..... 163, 235
1001234407 ..... 121	1001254028 ... 27, 31, 35, 39, 197, 199	1580024 ..... 139	3080007.... 125, 127, 270
1001235560..... 123	1001254721 ..... 273	1600402 .... 129, 131, 270	3252507.... 169, 171, 173, 175, 177, 179
1001235561 ..... 123	1001254721 ..... 273	1671207 ..... 235	3271601..... 103
1001235941 ..... 137	1001255102 ..... 267	1701504 ... 251, 253, 255, 257, 259, 261, 263, 265	3290305.... 51, 57, 63, 69
1001236983..... 267, 272	1001255104 ..... 267	1701640 ... 251, 253, 255, 257, 259, 261, 263, 265	3290405.... 21, 33, 35, 47, 49, 53, 55, 59, 61, 65, 67, 87, 101, 108, 112, 129, 163, 165, 167, 169, 171, 173, 175, 177
1001237257 ..... 272	1001255105 ..... 267	1702010 ..... 135	3290601..... 23
1001237911 ..... 125	1001255339 ..... 273	1703813 ..... 251	3290605.... 25, 27, 29, 31, 33, 35, 37, 39, 41, 43, 45, 71, 85, 87, 93, 101, 108, 112, 163, 165, 167, 169, 171, 173, 175, 177, 179
1001238392..... 91	1001255597 ..... 272	1703816 ..... 251	3290606.... 123, 125, 127, 135, 141
1001238862..... 49	1001255617 ..... 272	1703819 ... 129, 251, 253, 255, 257, 259, 261, 263, 265	3290801.... 21, 95, 97, 99
1001238863..... 61	1001255822 ..... 272	1703822 ... 251, 253, 255, 257, 259, 261, 263, 265	3290805.. 21, 77, 79, 103, 108, 112, 119, 137, 157, 159
1001238864..... 55	1001255883 ..... 273	1703822 ... 251, 253, 255, 257, 259, 261, 263, 265	3290806.... 123, 125, 127, 129
1001238865..... 67	1001255884 ..... 273	1703464 ..... 163, 167	3291001..... 108, 113
1001239065..... 207	1001256516 ..... 103	1703813 ..... 251	3291005.. 33, 35, 73, 108, 112, 119, 121, 165
1001239066..... 211	1001256675 ..... 267	1703816 ..... 251	3291006..... 115
1001239224 .... 51, 57, 63, 69	1001256676 ..... 267	1703819 ... 129, 251, 253, 255, 257, 259, 261, 263, 265	3291201..... 103
1001239286..... 207, 211	1001257176 ..... 267	1704016 ... 251, 253, 255, 257, 259, 261, 263, 265	3291205..... 143
1001239661..... 63, 69	1001258356 ..... 91, 273	1704260 ..... 129	3321402..... 108, 113
1001242539..... 63, 69	1001258446 ..... 129, 270	1704277 ... 251, 253, 255, 257, 259, 261, 263, 265	3331211..... 13, 15
1001242587 ..... 21	1001258691 ..... 91	1704339 ..... 265	3422219..... 127, 139
1001242697 ..... 63	1001258819 ..... 108	1704340 ..... 261	3422661..... 137
1001242708 ..... 109	1001258856 ..... 187	1704341 ..... 255	3422943.... 108, 112, 119
1001242709 ..... 109	1001258857 ..... 189	1704344 ..... 259	3423243..... 103
1001242988..... 51	1001258858 ..... 191	1704412 ... 251, 253, 255, 257, 259, 261, 263, 265	3423278.... 127, 129, 143
1001242989..... 57	1001258859 ..... 193	1704684 ..... 261	3430636..... 21
1001242990..... 69	1001258860 ..... 195	1704691 ..... 265	
1001243109 ..... 157, 159	1001258865 ..... 187	1704699 ..... 255	
1001244298 ..... 259	1001258867 ..... 189	1705195 ..... 259	
1001244394 ..... 93	1001258858 ..... 191	1705670 ..... 253, 257	
1001244446..... 33	1001258859 ..... 193	1705671 ..... 253, 257	
1001244885..... 93	1001258860 ..... 195	1705673 ..... 253, 257	
1001245255 ..... 165	1001261131 ..... 133	1705985 ..... 143	
1001245293..... 93	1001262150 ..... 133	1705997 ..... 139	
1001245743 ..... 247	1001262221 ..... 145	1707022 ..... 263	
1001245744 ..... 165, 247	1001262557 ..... 273		
1001245917 ... 33, 35, 247	1001262558 ..... 273		
1001246085..... 165, 247	1001262558 ..... 273		
1001246171 ..... 247	1001262655 ..... 129		
1001246392 ..... 139	1001262959 ..... 273		
1001246395 ..... 139	1001265316 ..... 273		
	1001265376 ..... 272		
	1001265376 ..... 272		
	1001269646 ..... 273		
	1001269651 ..... 272		
	1001270533 ..... 137		
	1001270631 ..... 137		
	1001270721 ..... 273		
	1001270855 ..... 137		
	1001270896 ..... 273		

## SECTION 10 - SPECIAL OPTIONS/ACCESSORIES/KITS

3430813 .....	121	4420037 .....	135	4460894.....	202, 205, 207, 209, 211, 213, 215, 221, 225, 229	4812000 ...	21, 33, 35, 77, 79, 103, 108, 112, 115, 119, 121, 165
3430816 .....	119	4420051 .....	267	4460897.....	57, 59, 61, 65, 67, 69, 71, 197, 199, 201, 213, 215, 223, 227	4812002 .....	73
3431212 .....	21	4420062 .....	77, 115, 125, 127, 129, 137, 141, 143	4460905.....	197, 199, 201	4812100 .....	143
3431218 .....	13, 21	4460042 .....	201, 202	4460930.....	202	4812100001 .....	103
3431228 .....	13	4460115 .....	201	4460931.....	229	4812200 .....	121
3450303 .....	103	4460138 .....	101, 163	4460932.....	91, 199, 229, 231	4812500 .....	21
3450403 .....	21, 119	4460183 .....	201, 233	4460933.....	91, 185, 201, 202	5241200 .....	13, 15
3450404 .....	121	4460226 .....	202	4460943.....	91, 185, 205, 207, 209, 211, 213, 215, 217, 219, 221, 229	5251011 .....	103
3450505 .....	13, 21	4460227 ...	25, 27, 29, 31, 33, 35, 37, 39, 197, 201	4460944.....	91, 185, 197, 199, 201, 202, 205, 207, 209, 211, 213, 215, 221, 231	5260600 .....	95, 99
3450508 .....	19	4460247 .....	201	4460956.....	181	5271808 .....	77, 79
3460334 .....	139	4460259 .....	201	4460957.....	181	5272120 .....	15
3520072 ...	115, 125, 127, 141	4460260 .....	201	4460966.....	202	5272122 .....	15
3574505 .....	135	4460265 .....	233	4460968.....	177	7000082 .....	131
3574506 .....	135	4460267 .....	233	4461016.....	233	7000084 .....	131
3740150 85, 87, 101, 270		4460290 .....	95, 97, 99	4461023.....	201	70000883 .....	131
3760170 ...	108, 112, 139, 141, 143	4460315 .....	163, 177	4461196.....	193, 237	70000684 .....	131
3760217 .....	13	4460320 .....	202	4461198.....	237	70000685 .....	131
3760348 .....	103	4460346 .....	235	4461199.....	195, 239	70000686 .....	131
3760387 .....	108, 112	4460418 ...	201, 223, 233	4461201.....	239	70000685 .....	131
3820019 .....	123	4460419 .....	201, 223	4461205.....	187, 241, 243	70000686 .....	131
3841143 ...	108, 112, 119	4460424 ...	25, 27, 29, 31, 33, 35, 37, 39, 197	4461244.....	241	70000685 .....	131
3841675 .....	141	4460464 ...	57, 59, 61, 65, 67, 69, 71, 91, 112, 197, 199, 201, 202, 205, 207, 209, 211, 213, 215, 217, 219, 221, 223, 227, 229, 231, 233	4461245.....	243	70000686 .....	131
3860111 .....	123, 127	4460465 ...	47, 49, 51, 53, 55, 57, 59, 61, 63, 65, 67, 69, 91, 197, 199, 201, 202, 205, 207, 209, 211, 213, 215, 217, 219, 221, 225, 227, 229, 231	4461246.....	245	70000764 .....	149
3900355 .....	139	4460466 .....	91, 185, 197, 199, 201, 202, 205, 207, 209, 211, 213, 215, 217, 219, 223, 225, 229, 231, 233	4461249.....	191, 245	70001250 .....	131
3910804 .....	85, 87	4460467 .....	273	4461257.....	167, 169	70001251 .....	131
3931412 .....	139	4460496 .....	129	4461258.....	167, 169	70001252 .....	131
3931508 .....	139	4460497 .....	129	4640780.....	157, 159	70001253 .....	131
3990001 .....	199	4460510 .....	273	4711400.....	139, 141	70003650 .....	131
4010310 ...	51, 57, 63, 69	4460539 ...	202, 213, 215, 229	4711700.....	129	70004164 .....	77, 79
4010408 .....	33, 35, 165	4460662 ...	171, 173, 175, 235	4711800.....	119	70004465 .....	77, 79
4010610 ...	167, 169, 171, 173, 175	4460722 .....	223	4740086.....	13, 21, 103	70005150 .....	153
4031507 .....	49, 61	4460754 ...	205, 207, 209, 211, 213, 215, 217, 219	4740480.....	139	70005151 .....	153
4031509 .....	129	4460761 .....	201	4811400.....	33, 35, 49, 55, 61, 67, 101, 108, 112, 129, 163, 165, 167, 169, 171, 173, 175, 177	70005152 .....	153
4031511 .....	21, 55, 67	4460779 .....	101	4811700.....	25, 27, 29, 31, 33, 35, 37, 39, 41, 43, 45, 71, 93, 101, 108, 112, 125, 127, 129, 135, 165	70005153 .....	153
4031512 .....	108, 112	4460865 .....	65, 67	4811702.....	21, 23, 25, 27, 29, 31, 33, 35, 37, 39, 41, 43, 45, 85, 87, 95, 99, 103, 123, 125, 163, 167, 169, 171, 173, 175, 177, 179	70005154 .....	153
4031708 .....	23, 43, 45	4460871 ...	197, 199, 201	4811902.....	21, 77, 79, 103, 137	70005236 .....	149
4032111 .....	143	4460872 .....	197, 199			70005423 .....	77, 79, 270
4060803 .....	129	4460877 .....	201			70005664 .....	149
4060865 .....	53, 65	4460884 .....	91, 199, 201, 202, 229, 231			70005665 .....	151
4060906 .....	129	4460891 ...	47, 49, 51, 53, 55, 57, 59, 61, 63, 65, 67, 69, 197, 199, 202, 213, 215, 225, 227			70005807 .....	17
4160078 .....	108, 113					70005812 .....	17
4160202 .....	21					70005813 .....	17
4160214 .....	103					70005816 .....	77
4191706 .....	141					70005893 .....	83
4220227 .....	141					70005898 .....	83
4240003 .....	139, 141					70005899 .....	83
4240017 ...	25, 27, 29, 31, 33, 35, 37, 39, 41, 43, 45, 85, 87, 93, 95, 97, 99, 101, 205, 207, 209, 211, 213, 215, 217, 219, 221					70005900 .....	83
4240018 ...	57, 59, 61, 65, 67, 69, 157, 159					70005903 .....	83
4240032 .....	91					70005909 .....	83
4240147 .....	21					70005911 .....	83
4240165 .....	135					70005918 .....	15
4340853 .....	139					70005919 .....	15
4340854 .....	139					70006244 .....	17
4340947 .....	141					70006245 .....	17
4360328 .....	85, 87, 270					70006295 .....	77, 79
4360336 .....	101, 270					70006296 .....	77, 79
4360469 .....	85, 87, 270					70006297 .....	77, 79, 270
4360475 85, 87, 129, 270						70006298 .....	77, 79
						70006299 .....	77, 79
						70006301 .....	83
						70006316 .....	149
						70006317 .....	149
						70006318 .....	149
						70006319 .....	149
						70006320 .....	149
						70006321 .....	149
						70006322 .....	149
						70006323 .....	149
						70006325 .....	149, 151

## SECTION 10 - SPECIAL OPTIONS/ACCESSORIES/KITS

70006326.....	151	70007598.....	83	7002826.....	273	7023329.....	17
70006327.....	151	70007599.....	83	7004275.....	273	7023407.....	17
70006328.....	151	70007600.....	83	7004276.....	273	7023408.....	17
70006329.....	151	70007601.....	83	7012955.....	149	7026174.....	17
70006330.....	151	70007602.....	83	7012967.....	149	7026179.....	17
70006331.....	151	70007946.....	77, 79	7016654.....	273	7027365.....	131
70006333.....	151	70008409.....	81	7017496.....	149, 151	7027367.....	131
70006334.....	151	70008410.....	81	7020175.....	85, 87, 129	7027765.....	131
70006335.....	151, 270	70008411.....	81	7020176.....	85, 87, 129	7027766.....	131
70006351.....	77	70008412.....	81	7020218.....	113	8005670.....	143
70006352.....	77	70008413.....	81	7023308.....	17	80325.....	141
70006724.....	17	70008414.....	81	7023310.....	17	8229242.....	202, 270
70006725.....	17	70021209.....	83	7023311.....	17	8229244.....	202, 270
70007513.....	17	70025605.....	151	7023315.....	17	8305919.....	95, 99
70007593.....	83	70025619.....	149, 151	7023318.....	17	8406003.....	108, 113, 177
70007594.....	83	70025627.....	151	7023321.....	17	85941016.....	101
70007595.....	83	7002821.....	273	7023322.....	17	8896941.....	273
70007596.....	83	7002822.....	273	7023324.....	17	8990147.....	251, 253, 255, 257, 259, 261, 263, 265
70007597.....	83	7002823.....	273	7023328.....	17		





**Corporate Office  
JLG Industries, Inc.  
1 JLG Drive  
McConnellsburg, PA 17233-9533 USA  
☎ (717) 485-5161 (Corporate)  
☎ (877) 554-5438 (Customer Support)  
📠 (717) 485-6417**

**Visit our website for JLG Worldwide Locations.  
[www.jlg.com](http://www.jlg.com)**



**OSHKOSH™**