



Illustrated Parts Manual

Models
RT3394
RT4394

PVC
2204

P/N
31220301

February 5, 2024 - Rev D

ANSI

CE



UK
CA

AS/NZS



An Oshkosh Corporation Company

REVISION LOG

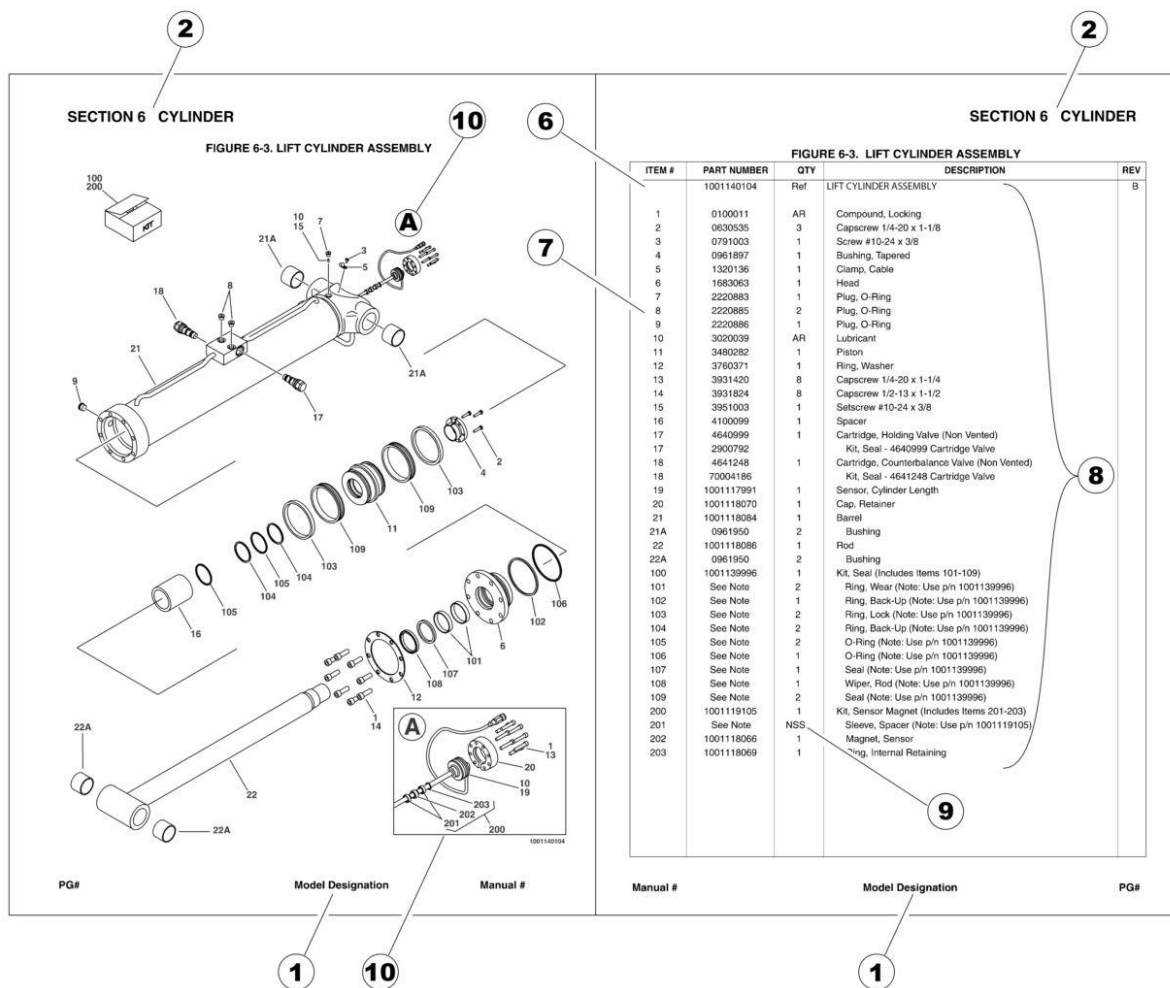
April 4, 2022 - A - Original Issue of Manual (Edited to 1001264334 Rev F)

October 10, 2022 - B - Revised Manual (Edited to 1001264334 Rev G)

December 30, 2022 - C - Revised Manual (Edited to 1001264334 Rev H)

February 5, 2024 - D - Revised Manual (Edited to 1001264334 Rev H)

GENERAL INFORMATION



1) MACHINE IDENTIFICATION

Machines are identified by model and in some cases a combination of models, serial number (SN) or regional standard (i.e ANSI, CE, CSA). Components may also be identified by SN or manufacturer. Common components that may be identified by these characteristics are engines and hydraulic components.

2) PARTS MANUAL ORGANIZATION

Product information in this manual is organized under section titles. Frame, Cylinder, Hydraulic and Electrical are a few examples. Each section is organized by figure and page number. The information within the Figure is then organized by item number, part number, description and corresponding illustration (s).

3) TABLE OF CONTENTS (NOT SHOWN)

A table of contents is found toward the beginning of the manual. Figure number, description and page number are provided for quick reference to the page containing the related information.

4) RECOMMENDED SPARE PARTS (NOT SHOWN)

The Recommended Spare Parts List, located near the end of the manual, reference most frequently used maintenance parts.

5) PART NUMBER INDEX (NOT SHOWN)

A numerical index listing all part numbers and the corresponding page number(s) appears at the back of the manual.

GENERAL INFORMATION

6) NON-SERVICED PARTS

In some instances, it is necessary to display non-serviced parts, assemblies or installations. In the case of assemblies and installations there will be a Ref in the Qty. column. In case of parts that are not available for service within assemblies or components, there will be a NSS (Not Sold Separately) or NLA (No Longer Available) listed in the Qty. column of the manual.

7) PARTS LIST ITEM NUMBERS

Numbers shown in the item# column correspond to numbers used in the associated illustration (s). Item numbers which are missing from the sequence in the parts list are not used on that page.

8) INDENTED PARTS DESCRIPTION

An indented part description is included in the item under which it is indented.

9) ABBREVIATION AND SYMBOLS

AC.....	Alternating Current	L.....	Liter
ADE.....	Advanced Design Electronics	LB(LBS).....	Pounds
AG.....	Agricultural	LCD.....	Liquid Crystal Display
ANSI.....	American National Standards Institute	LED.....	Light Emitting Diodes
AR.....	As Required	LH.....	Left Hand
ASSY.....	Assembly	LRC.....	Low Rated Countries
AUS.....	Australia	LSS.....	Load Sensing System
AUX.....	Auxiliary	M(m).....	Metric/Meter
AWG.....	American Wire Gauge	MM(mm).....	Milimeter
B/M.....	Bill of Material	mA.....	Miliamps
CAC.....	Charge Air Cooler	NLA.....	No Longer Available
CE.....	European Conformity	NPT.....	National Pipe Threads
CCW.....	Counter Clockwise	NSS.....	Not Sold Separately
CM.....	Centimeter	OD.....	Outside Diameter
CW.....	Clockwise	ORB.....	O-Ring Boss
CSA.....	Canadian Standards Association	ORFS.....	O-Ring Face Seal
CYL.....	Cylinder	OZ (oz).....	Ounces
DIA.....	Diameter	PG.....	Page
DC.....	Direct Current	PN.....	Part Number
DEF.....	Diesel Exhaust Fluid	QT(qt.).....	Quarts
EMS.....	Emergency Stop	QTY.....	Quantity
ENG.....	Engine	REF.....	Reference
FT(ft).....	Feet	REV.....	Revision Level
GA(Ga).....	Gauge	RH.....	Right Hand
HRC.....	High Rated Countries	SAE.....	Society of Automotive Engineers
HVAC.....	Heating, Ventilating, and Air Conditioning	SN.....	Serial Number
HYD.....	Hydraulic	SPEC(S).....	Specifications
Hz.....	Hertz	T/T.....	Turntable
ID.....	Inside Diameter	UGM.....	Universal Ground Module
IN.....	inches	V.....	Volts
ISO.....	International Organization for Standards	W.....	Watts
JIC.....	Joint Industry Council	#.....	Number
KG.....	Kilogram		

10) ILLUSTRATION REFERENCE LETTERS

When necessary, illustrations may contain reference letters that are intended to track information (i. e. hoses, harnesses) from one point to another or to track visual enlargement of components to show details that may be located in another area on the illustration.

Note: Due to continuous product improvements, JLG Industries, Inc. reserves the right to make specification changes without prior notification. Contact JLG Industries, Inc. for updated information.

TABLE OF CONTENTS

SECTION 1 - FRAME.....	11
FIGURE 1-1. AXLE INSTALLATION	12
FIGURE 1-2. STEER INSTALLATION (ALL SPECS EXCEPT CE AND JAPANESE SPECS)	14
FIGURE 1-3. STEER INSTALLTION (CE, JAPANESE & UK CA SPECS).....	16
FIGURE 1-4. DRIVE/BRAKE INSTALLATION	18
FIGURE 1-5. DRIVE HUB ASSEMBLY - FRONT.....	20
FIGURE 1-6. DRIVE HUB AND BRAKE ASSEMBLY - REAR	22
FIGURE 1-7. DRIVE MOTOR ASSEMBLY	26
FIGURE 1-8. TIRE AND WHEEL INSTALLATION - 12 X 16.5 FOAM FILLED (AVAILABLE ON ALL SPECS).....	28
FIGURE 1-9. TIRE AND WHEEL INSTALLATION - 12 X 16.5 FOAM-FILLED NON MARKING	30
FIGURE 1-10. TIRE AND WHEEL INSTALLATION - 33/16LL X 16.1 FOAM-FILLED	32
FIGURE 1-11. TIRE AND WHEEL INSTALLATION - 33/1550-16.5 FOAM-FILLED	34
FIGURE 1-12. TIRE AND WHEEL INSTALLATION - IN315/55D20 FOAM-FILLED	36
FIGURE 1-13. STROBE LIGHT INSTALLATION (AMBER)	38
FIGURE 1-14. LEVELING JACKS INSTALLATION (Prior to SN M200064807, Including M200064906, M200066459 and M20006702)	40
FIGURE 1-15. LEVELING JACKS INSTALLATION (SN M200064807 to Present, Excluding M200064906, M200066459 and M20006702)	42
FIGURE 1-16. LEVELING JACKS ASSEMBLY.....	44
FIGURE 1-17. LEVELING JACKS VALVE ASSEMBLY	46
SECTION 2 - GROUND CONTROLS	49
FIGURE 2-1. VALVES INSTALLATION (ALL SPECS EXCEPT CE AND JAPANESE SPECS)	50
FIGURE 2-2. VALVES INSTALLATION (CE, JAPANESE & UK CA SPECS)	52
FIGURE 2-3. MAIN VALVE ASSEMBLY (ALL SPECS EXCEPT CE, JAPANESE & UK CA SPECS)	54
FIGURE 2-4. MAIN VALVE ASSEMBLY (CE, JAPANESE & UK CA SPECS).....	56
FIGURE 2-5. FLOW DIVIDER VALVE ASSEMBLY	58
FIGURE 2-6. TANKS AND HORN INSTALLATION (DIESEL MACHINES).....	60
FIGURE 2-7. TANKS AND HORN INSTALLATION (GAS MACHINES).....	62
FIGURE 2-8. HYDRAULIC TANK ASSEMBLY.....	64
FIGURE 2-9. GROUND CONTROL BOX ASSEMBLY (DIESEL MACHINES).....	66
FIGURE 2-10. GROUND CONTROL BOX ASSEMBLY (GAS MACHINES)	68
FIGURE 2-11. MOTION ALARM INSTALLATION	70
FIGURE 2-12. HOODS AND LADDERS INSTALLATION (RT3394).....	72
FIGURE 2-13. HOODS AND LADDERS INSTALLATION (RT4394).....	76
SECTION 3 - ENGINE	81
FIGURE 3-1. ENGINE INSTALLATION - KUBOTA DIESEL T4F.....	82
FIGURE 3-2. ENGINE AND PUMP SUB-ASSEMBLY - KUBOTA DIESEL E4B	86
FIGURE 3-3. ENGINE ASSEMBLY - KUBOTA DIESEL E4B (Prior to SN M200059266, Including M200059362, M20059843 and M200059846)	88
FIGURE 3-4. ENGINE ASSEMBLY - KUBOTA DIESEL E4B (SN M200059266 to Present, Excluding M200059362, M20059843 and M200059846).....	92
FIGURE 3-5. ENGINE INSTALLATION - KUBOTA DIESEL STAGE T4F WITH GENERATOR	96
FIGURE 3-6. ENGINE AND PUMP SUB-ASSEMBLY - KUBOTA DIESEL E4B WITH GENERATOR.....	100
FIGURE 3-7. ENGINE ASSEMBLY - KUBOTA DIESEL E4B WITH GENERATOR (Prior to SN M200059266, Including M200059362, M20059843 and M200059846).....	102
FIGURE 3-8. ENGINE ASSEMBLY - KUBOTA DIESEL E4B WITH GENERATOR (SN M200059266 to Present, Excluding M200059362, M20059843 and M200059846).....	106
FIGURE 3-9. ENGINE COMPONENTS - KUBOTA DIESEL E4B	110
FIGURE 3-10. ENGINE INSTALLATION - KUBOTA GASOLINE.....	114
FIGURE 3-11. ENGINE AND PUMP SUB-ASSEMBLY - KUBOTA GASOLINE	118
FIGURE 3-12. ENGINE ASSEMBLY - KUBOTA GASOLINE	120
FIGURE 3-13. ENGINE INSTALLATION - KUBOTA GASOLINE WITH GENERATOR	124
FIGURE 3-14. ENGINE AND PUMP SUB-ASSEMBLY - KUBOTA GASOLINE WITH GENERATOR.....	128
FIGURE 3-15. ENGINE ASSEMBLY - KUBOTA GASOLINE WITH GENERATOR	130
FIGURE 3-16. ENGINE COMPONENTS - KUBOTA GASOLINE.....	134
FIGURE 3-17. FUEL/WATER SEPARATOR ASSEMBLY - DIESEL ENGINES.....	138
FIGURE 3-18. COUPLING KIT - DIESEL ENGINES.....	140
FIGURE 3-19. COUPLING KIT - GASOLINE ENGINES	142
FIGURE 3-20. PISTON PUMP ASSEMBLY	144
FIGURE 3-21. 7500W GENERATOR INSTALLATION - 50HZ (KUBOTA DIESEL).....	148
FIGURE 3-22. 7500W GENERATOR INSTALLATION - 60HZ (KUBOTA DIESEL).....	152

TABLE OF CONTENTS

FIGURE 3-23. 7500W GENERATOR INSTALLATION - 60HZ (KUBOTA GASOLINE)	156
FIGURE 3-24. 4000W GENERATOR INSTALLATION - 50HZ (KUBOTA DIESEL)	160
FIGURE 3-25. 4000W GENERATOR INSTALLATION - 60HZ (KUBOTA DIESEL)	164
FIGURE 3-26. 4000W GENERATOR INSTALLATION - 60HZ (KUBOTA DUAL FUEL).....	168
FIGURE 3-27. QUICKFIT OIL DRAIN INSTALLATION - KUBOTA DIESEL ENGINE	172
FIGURE 3-28. QUICKFIT OIL DRAIN INSTALLATION - KUBOTA GASOLINE ENGINE.....	174
SECTION 4 - SCISSORS ARMS	177
FIGURE 4-1. SCISSORS ARMS INSTALLATION - RT3394	178
FIGURE 4-2. SCISSORS ARMS ASSEMBLY - RT3394.....	180
FIGURE 4-3. SCISSORS ARMS INSTALLATION - RT3394 WITH GENERATOR.....	186
FIGURE 4-4. SCISSORS ARMS ASSEMBLY - RT3394 WITH GENERATOR.....	188
FIGURE 4-5. SCISSORS ARMS INSTALLATION - RT4394	194
FIGURE 4-6. SCISSORS ARMS ASSEMBLY - RT4394.....	196
FIGURE 4-7. SCISSORS ARMS INSTALLATION - RT4394 WITH GENERATOR.....	202
FIGURE 4-8. SCISSORS ARMS ASSEMBLY - RT4394 WITH GENERATOR.....	204
SECTION 5 - PLATFORM	209
FIGURE 5-1. PLATFORM MOUNT INSTALLATION (LSS)	210
FIGURE 5-2. PLATFORM WITH SINGLE EXTENSION INSTALLATION.....	212
FIGURE 5-3. PLATFORM (12.6FT/3.84M LENGTH) WITH DUAL EXTENSION INSTALLATION	214
FIGURE 5-4. RAIL INSTALLATION - PLATFORM WITH SINGLE EXTENSION.....	216
FIGURE 5-5. RAIL INSTALLATION - 12.6FT/3.84M LENGTH PLATFORM WITH DUAL EXTENSION.....	220
FIGURE 5-6. PLATFORM CONSOLE BOX INSTALLATION - DIESEL MACHINES (WITHOUT LEVELING JACKS).....	224
FIGURE 5-7. PLATFORM CONSOLE BOX INSTALLATION - DIESEL MACHINES (WITH LEVELING JACKS)	226
FIGURE 5-8. PLATFORM CONSOLE BOX INSTALLATION - GASOLINE MACHINES (WITHOUT LEVELING JACKS)	228
FIGURE 5-9. PLATFORM CONSOLE BOX INSTALLATION - GASOLINE MACHINES (WITH LEVELING JACKS).....	230
FIGURE 5-10. DRIVE/STEER CONTROLLER ASSEMBLY	232
FIGURE 5-11. PLATFORM MODULE INSTALLATION (LSS)	234
FIGURE 5-12. PIPE RACKS INSTALLATION (OPTIONAL)	236
FIGURE 5-13. WELDER ASSEMBLY	238
FIGURE 5-14. WORKSTATION INSTALLATION (OPTIONAL)	240
SECTION 6 - CYLINDER.....	243
FIGURE 6-1. AXLE LOCKOUT CYLINDER ASSEMBLY.....	244
FIGURE 6-2. LEVELING JACK CYLINDER ASSEMBLY.....	246
FIGURE 6-3. LIFT CYLINDER ASSEMBLY.....	248
FIGURE 6-4. STEER CYLINDER ASSEMBLY	250
SECTION 7 - HYDRAULIC	253
FIGURE 7-1. HYDRAULIC DIAGRAM - LEVELING JACKS.....	254
FIGURE 7-2. HYDRAULIC DIAGRAM - STANDARD (ALL SPECS EXCEPT CE, JAPANESE & UK CA SPECS)	256
FIGURE 7-3. HYDRAULIC DIAGRAM - STANDARD (CE, JAPANESE & UK CA SPECS).....	260
SECTION 8 - ELECTRICAL.....	265
FIGURE 8-1. AC BOX AT PLATFORM INSTALLATION - 110V GFI (ALL SPECS EXCEPT AUSTRALIAN, CE & UK CA SPECS)	266
FIGURE 8-2. AC BOX AT PLATFORM INSTALLATION - 220V (PLUG AND RECEPTACLE SUPPLY LOCALLY) (ALL SPECS EXCEPT AUSTRALIAN, CE & UK CA SPECS).....	268
FIGURE 8-3. AC BOX AT PLATFORM INSTALLATION - 220V (PLUG AND RECEPTACLE BOX SUPPLY LOCALLY) (ALL SPECS EXCEPT JAPANESE SPECS).....	270
FIGURE 8-4. AC BOX AT PLATFORM INSTALLATION - 110V IEC YELLOW (CE & UK CA SPECS).....	272
FIGURE 8-5. AC BOX AT PLATFORM INSTALLATION - 220V IEC BLUE (CE & UK CA SPECS).....	274
FIGURE 8-6. AC BOX AT PLATFORM INSTALLATION - 220V AFSINT 107 (CE & UK CA SPECS).....	276
FIGURE 8-7. AC BOX AT PLATFORM INSTALLATION - 220V CEE7 POST GROUND 2X4 BOX (CE & UK CA SPECS).....	278
FIGURE 8-8. AC BOX AT PLATFORM INSTALLATION - 220V CEE7 POST GROUND 70X70 BOX (CE & UK CA SPECS).....	280
FIGURE 8-9. AC BOX AT PLATFORM INSTALLATION - 220V CEE7 SIDE GROUND 2X4 BOX (CE & UK CA SPECS).....	282
FIGURE 8-10. AC BOX AT PLATFORM INSTALLATION - 220V CEE7 SIDE GROUND 70X70 BOX (CE & UK CA SPECS).....	284
FIGURE 8-11. BATTERY CABLE KIT	286
FIGURE 8-12. BREAKER BOX KIT	288
FIGURE 8-13. CHASSIS HARNESS (Prior to SN M200061197, Excluding M200061101).....	290
FIGURE 8-14. CHASSIS HARNESS (SN M200061197 to Present, Including M200061101)	294

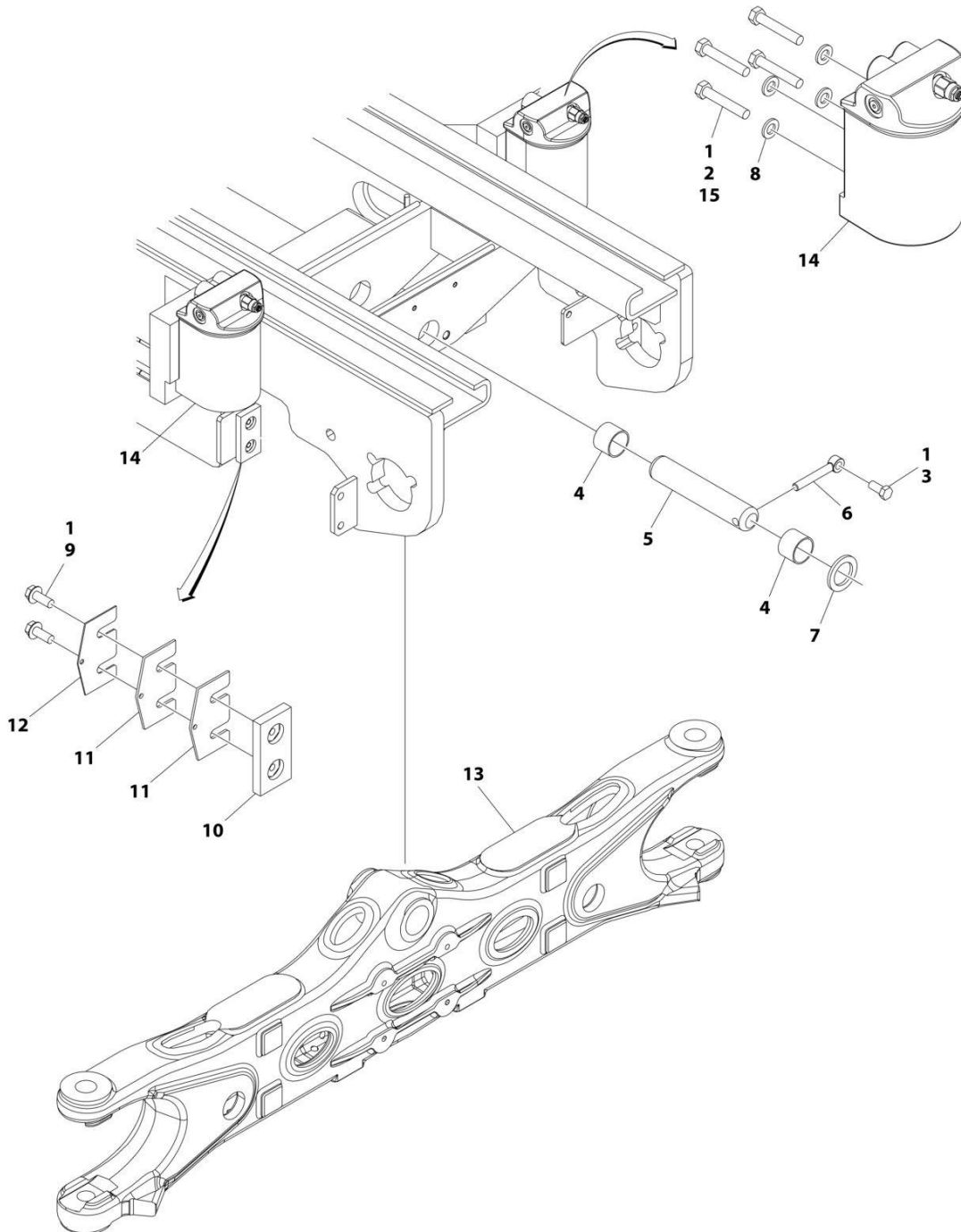
TABLE OF CONTENTS

FIGURE 8-15. ENGINE HARNESS - KUBOTA DIESEL	298
FIGURE 8-16. ENGINE HARNESS - KUBOTA GASOLINE	302
FIGURE 8-17. GENERATOR HARNESS - 7500W.....	306
FIGURE 8-18. GENERATOR HARNESS - 4000W.....	308
FIGURE 8-19. GENERATOR HARNESS - 4000W.....	310
FIGURE 8-20. GENERATOR JUNCTION BOX.....	312
FIGURE 8-21. GENERATOR JUNCTION BOX.....	314
FIGURE 8-22. LEVELING JACKS HARNESS.....	316
FIGURE 8-23. GROUND CONTROL BOX HARNESS (LOWER)	318
FIGURE 8-24. GROUND CONTROL BOX HARNESS (UPPER)	320
FIGURE 8-25. GROUND TO PLATFORM HARNESS - RT3394.....	322
FIGURE 8-26. GROUND TO PLATFORM HARNESS - RT4394.....	324
FIGURE 8-27. LSS HARNESS	326
FIGURE 8-28. NOTIFICATION UNIT HARNESS	328
FIGURE 8-29. PLATFORM CONTROL BOX HARNESS	330
FIGURE 8-30. PLATFORM MODULE HARNESS	332
FIGURE 8-31. RECEPTACLE BOX KIT - 110V GFI.....	334
FIGURE 8-32. RECEPTACLE BOX KIT - 110V IEC YELLOW (CE & UK CA SPEC)	336
FIGURE 8-33. RECEPTACLE BOX KIT - 220V IEC BLUE (CE & UK CA SPEC)	338
FIGURE 8-34. RECEPTACLE BOX KIT - 220V AFSINT 107 (CE & UK CA SPEC).....	340
FIGURE 8-35. RECEPTACLE BOX KIT - 220V CEE7 POST GROUND (CE & UK CA SPEC)	342
FIGURE 8-36. RECEPTACLE BOX KIT - 220V CEE7 POST GROUND 70X70 BOX (CE & UK CA SPEC)	344
FIGURE 8-37. RECEPTACLE BOX KIT - 220V CEE7 SIDE GROUND (CE & UK CA SPEC).....	346
FIGURE 8-38. RECEPTACLE BOX KIT - 220V CEE7 SIDE GROUND 70X70 BOX (CE & UK CA SPEC).....	348
FIGURE 8-39. RECEPTACLE/BREAKER BOX ASSEMBLY - 220V GFI.....	350
SECTION 9 - DECALS.....	353
FIGURE 9-1. DECAL INSTALLATION - ANSI AND ANSI EXPORT SPECS (ENGLISH)	354
FIGURE 9-2. DECAL INSTALLATION - AUSTRALIAN, CE, JAPANESE & UK CA SPEC (ENGLISH)	356
FIGURE 9-3. DECAL INSTALLATION - BRAZIL SPECS (SPANISH/PORTUGUESE).....	358
FIGURE 9-4. DECAL INSTALLATION - CHINESE SPECS (ENGLISH/CHINESE)	360
FIGURE 9-5. DECAL INSTALLATION - CSA SPECS (ENGLISH/FRENCH)	362
FIGURE 9-6. DECAL INSTALLATION - KOREAN SPECS (ENGLISH/KOREAN)	364
FIGURE 9-7. DECAL INSTALLATION - LATIN AMERICAN SPECS (ENGLISH/SPANISH).....	366
FIGURE 9-8. DECAL INSTALLATION - OPTIONS	368
SECTION 10 - RECOMMENDED SERVICE PARTS STOCK	371
FIGURE 10-1. RECOMMENDED SERVICE PARTS STOCK	372
SECTION 11 - SPECIAL OPTIONS/ACCESSORIES/KITS	375
FIGURE 11-1. SPECIAL OPTIONS/ACCESSORIES/KITS	376
PART NUMBER INDEX	379

SECTION 1 - FRAME

SECTION 1 - FRAME

FIGURE 1-1. AXLE INSTALLATION



ART_1001204606

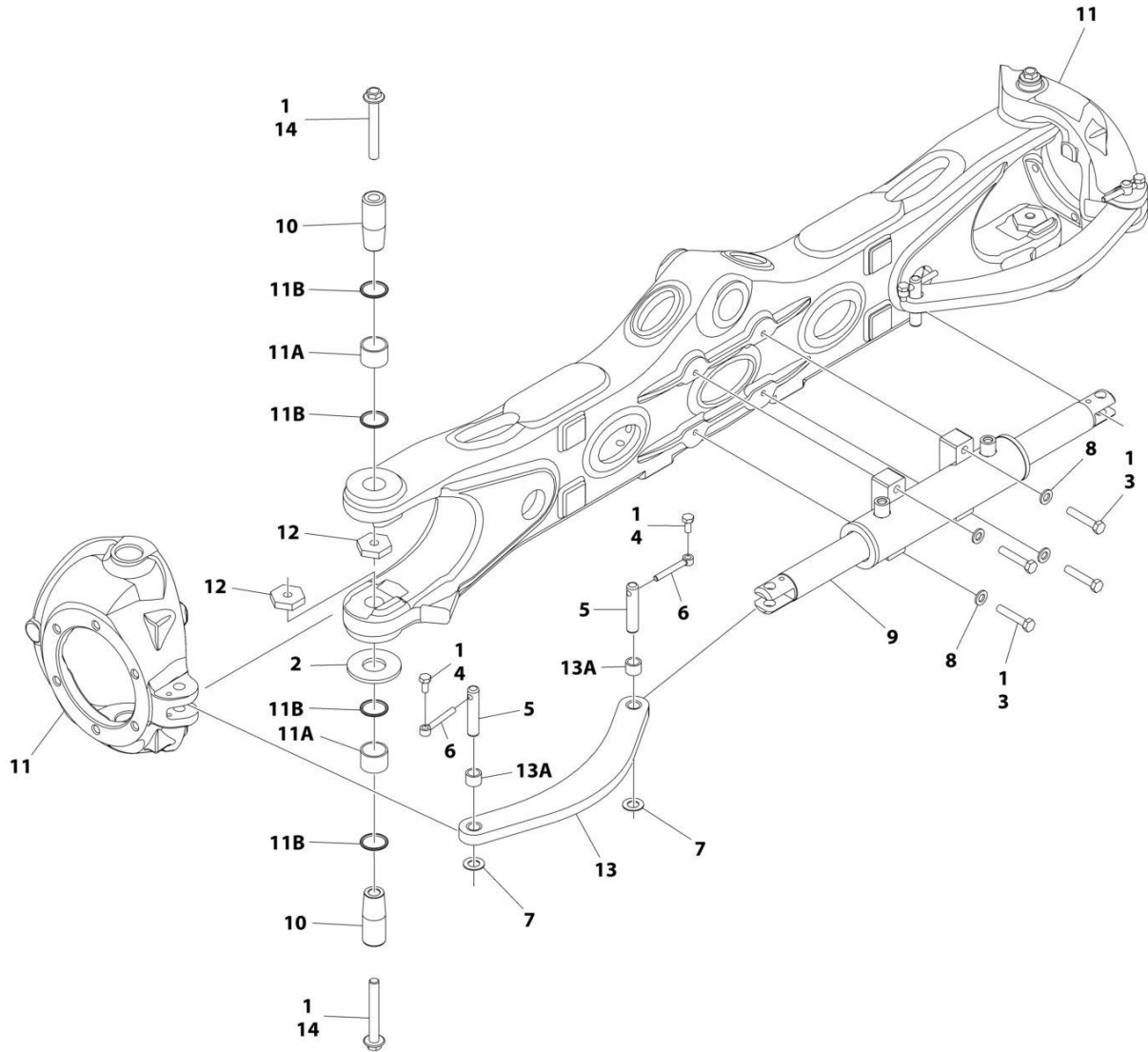
SECTION 1 - FRAME

FIGURE 1-1. AXLE INSTALLATION

ITEM	PART NUMBER	QTY	DESCRIPTION	REV
	1001204606	Ref	AXLE INSTALLATION	B
1	0100011	AR	Compound, Locking	
2	0701222	8	Bolt M12 x 70	
3	0642012	1	Bolt 5/8 x 1-1/2	
4	0961950	2	Bearing	
5	3422592	1	Pin	
6	3841258	1	Keeper, Pin	
7	4740158	1	Washer	
8	5241200	8	Washer M12	
9	5251012	4	Bolt M10 x 25	
10	1001118511	2	Pad	
11	1001118518	4	Shim, 11GA	
12	1001118519	2	Shim, 16GA	
13	1001162995	1	Axle	
14	1001163580	2	Axle Lockout Cylinder Assembly (See Separate Breakdown in CYLINDER SECTION)	
15	0100038	AR	Primer, Locking	

SECTION 1 - FRAME

FIGURE 1-2. STEER INSTALLATION (ALL SPECS EXCEPT CE AND JAPANESE SPECS)



ART_1001204611

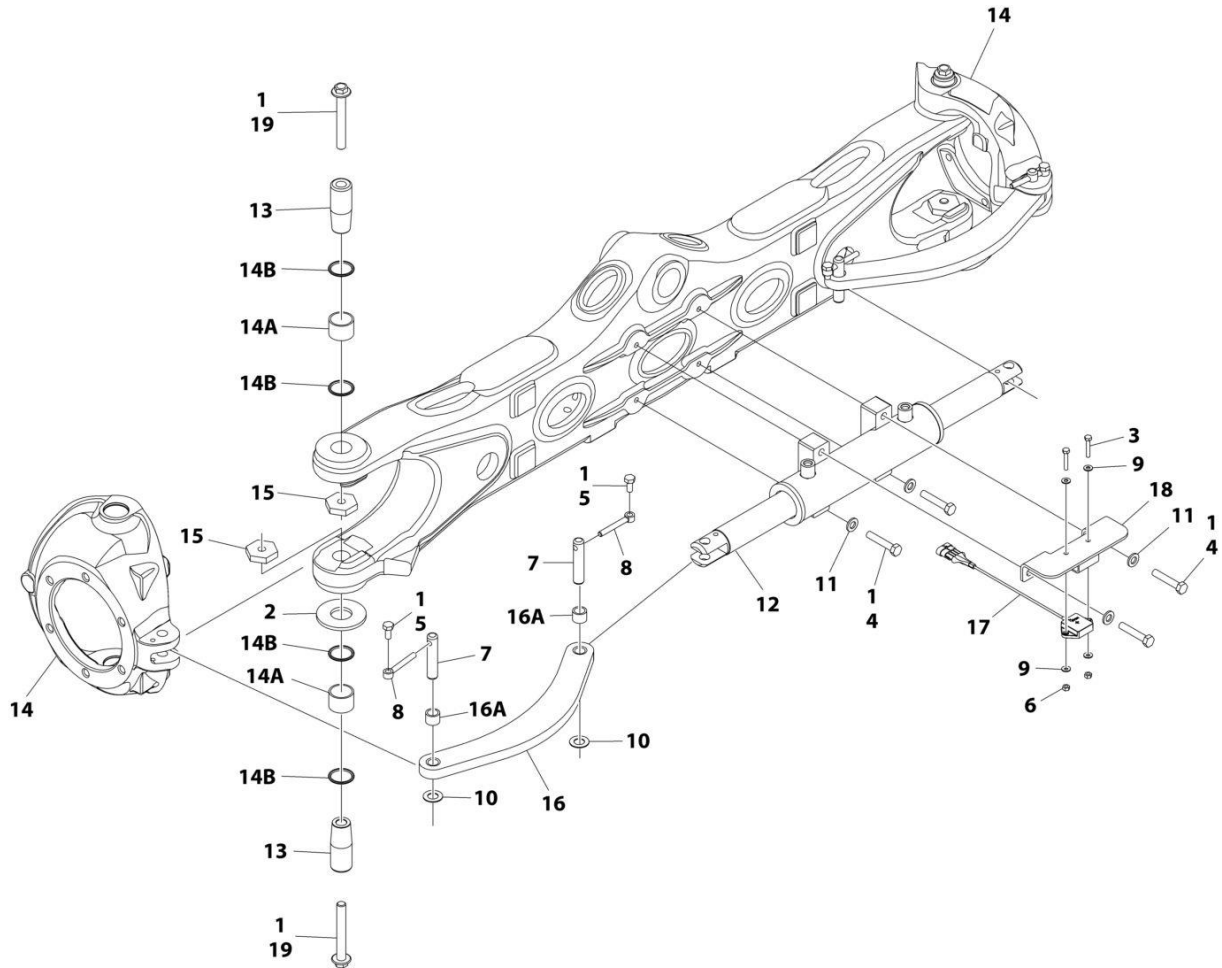
SECTION 1 - FRAME

FIGURE 1-2. STEER INSTALLATION (ALL SPECS EXCEPT CE AND JAPANESE SPECS)

ITEM	PART NUMBER	QTY	DESCRIPTION	REV
	1001204611	Ref	STEER INSTALLATION	B
1	0100011	AR	Compound, Locking	
2	0440271	2	Bearing	
3	0711221	4	Bolt M12 x 65	
4	0761011	4	Bolt M10 x 22	
5	3423304	4	Pin	
6	3841143	4	Keeper, Pin	
7	4740086	4	Washer	
8	5241200	4	Washer M12	
9	1001163178	1	Steer Cylinder Assembly (See Separate Breakdown in CYLINDER SECTION)	
10	1001163405	4	Kingpin	
11	1001163715	2	Spindle	
11A	0961948	4	Bearing (2 Per Spindle)	
11B	1001163716	8	Seal (4 Per Spindle)	
12	1001176848	4	Nut M16	
13	1001163179	2	Link, Tierod	
13A	1001164209	4	Bearing (2 Per Link)	
14	1001190368	4	Bolt M16 x 120	

SECTION 1 - FRAME

FIGURE 1-3. STEER INSTALLTION (CE, JAPANESE & UK CA SPECS)



ART_1001204612

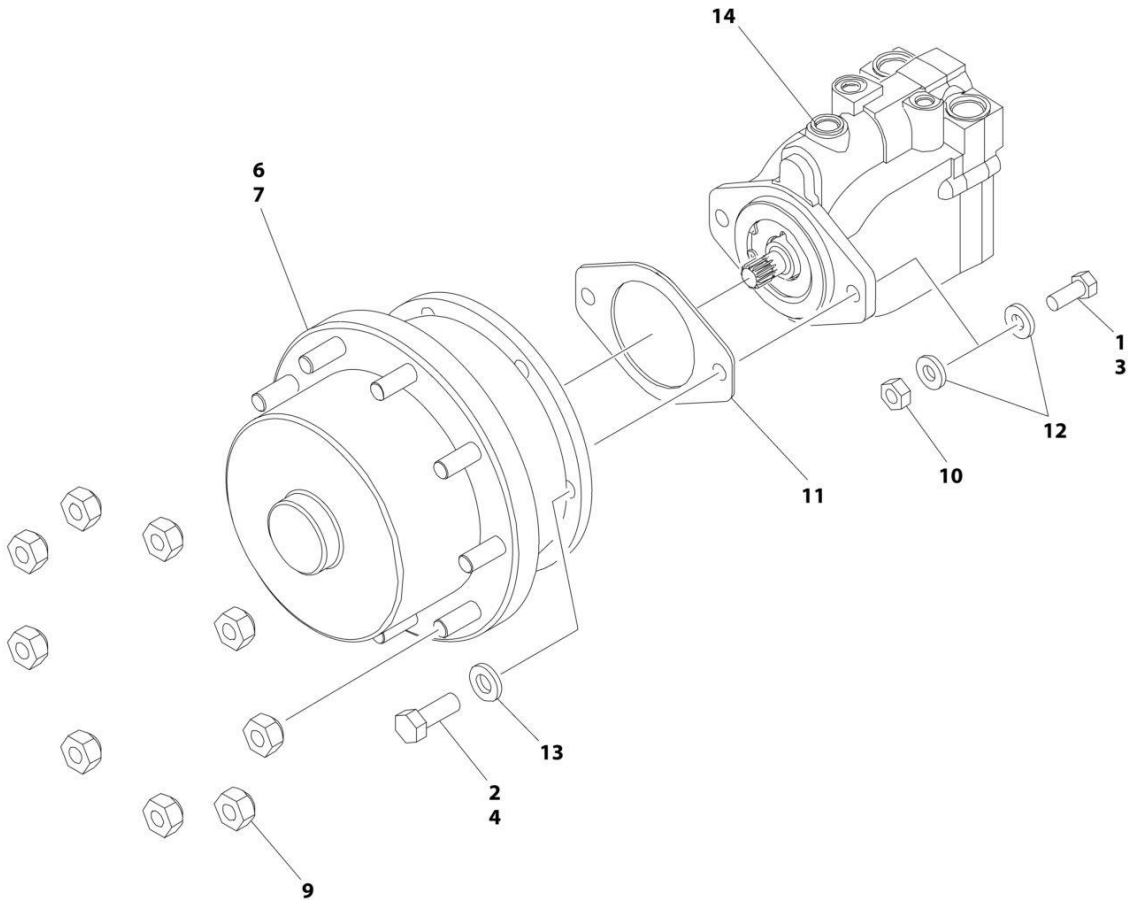
SECTION 1 - FRAME

FIGURE 1-3. STEER INSTALLTION (CE, JAPANESE & UK CA SPECS)

ITEM	PART NUMBER	QTY	DESCRIPTION	REV
	1001204612	Ref	STEER INSTALLATION	C
1	0100011	AR	Compound, Locking	
2	0440271	2	Bearing	
3	0641412	2	Bolt 1/4 x 1-1/2	
4	0711221	4	Bolt M12 x 65	
5	0761011	4	Bolt M10 x 22	
6	3311405	2	Nut 1/4	
7	3423304	4	Pin	
8	3841143	4	Keeper, Pin	
9	4711400	4	Washer 1/4	
10	4740086	4	Washer	
11	5241200	4	Washer M12	
12	1001163178	1	Steer Cylinder Assembly (See Separate Breakdown in CYLINDER SECTION)	
13	1001163405	4	Kingpin	
14	1001163715	2	Spindle	
14A	0961948	4	Bearing (2 Per Spindle)	
14B	1001163716	8	Seal (4 Per Spindle)	
15	1001176848	4	Nut M16	
16	1001163179	2	Link, Tierod	
16A	1001164209	4	Bearing (2 Per Link)	
17	1001186467	1	Sensor, Dual Axis	
17	See Note	NSS	Receptacle, Female - 4 Position (Note: Not Available for Purchase)	
17	See Note	NSS	Terminal (Note: Not Available for Purchase)	
18	1001187695	1	Bracket	
19	1001190368	4	Bolt M16 x 120	

SECTION 1 - FRAME

FIGURE 1-4. DRIVE/BRAKE INSTALLATION



ART_1001204613_C

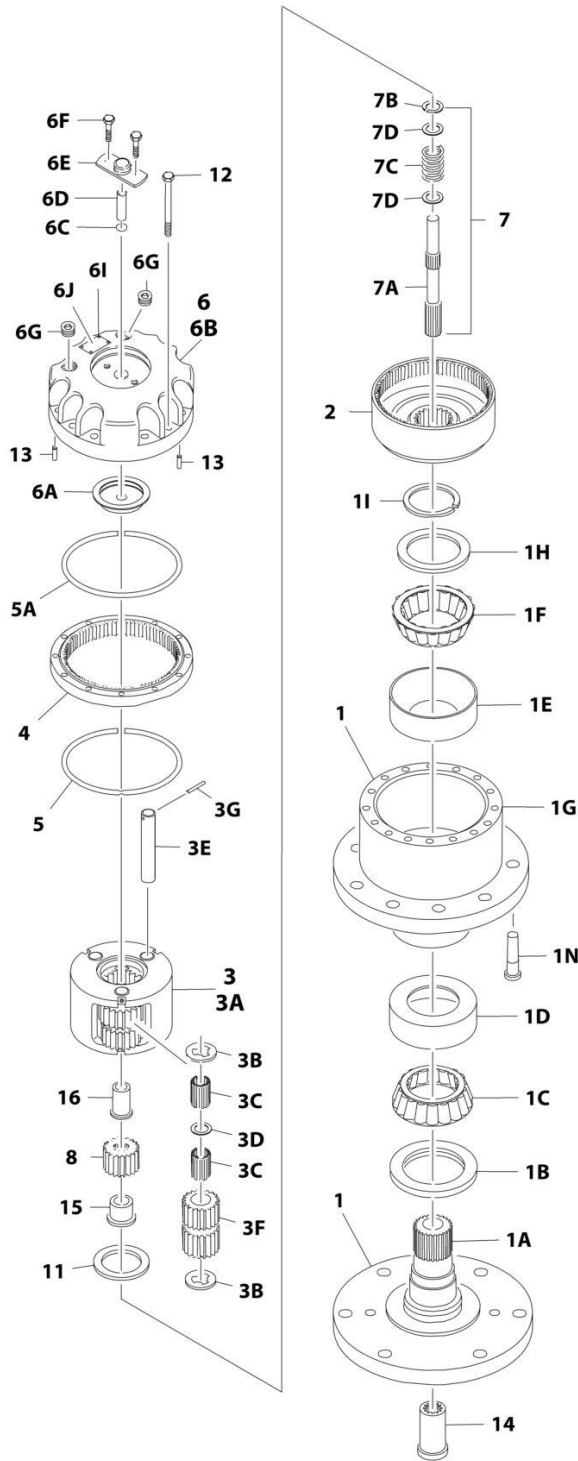
SECTION 1 - FRAME

FIGURE 1-4. DRIVE/BRAKE INSTALLATION

ITEM	PART NUMBER	QTY	DESCRIPTION	REV
	1001204613	Ref	DRIVE/BRAKE INSTALLATION	C
1	0100011	AR	Compound, Locking	
2	0100019	AR	Compound, Locking	
3	0681810	4	Bolt 1/2 x 1-1/4	
4	0682014	24	Bolt 5/8 x 1-3/4	
6	2780267	2	Drive Hub with Brake Assembly (Rear) (See Separate Breakdown in this Section)	
7	2780268	2	Drive Hub without Brake Assembly (Front) (See Separate Breakdown in this Section)	
9	3300106	36	Lugnut	
10	3311801	4	Nut 1/2	
11	3960526	4	Gasket	
12	4891800	8	Washer 1/2	
13	4892000	24	Washer 5/8	
14	1001102805	4	Drive Motor Assembly (See Separate Breakdown in this Section)	

SECTION 1 - FRAME

FIGURE 1-5. DRIVE HUB ASSEMBLY - FRONT



ART_2780268

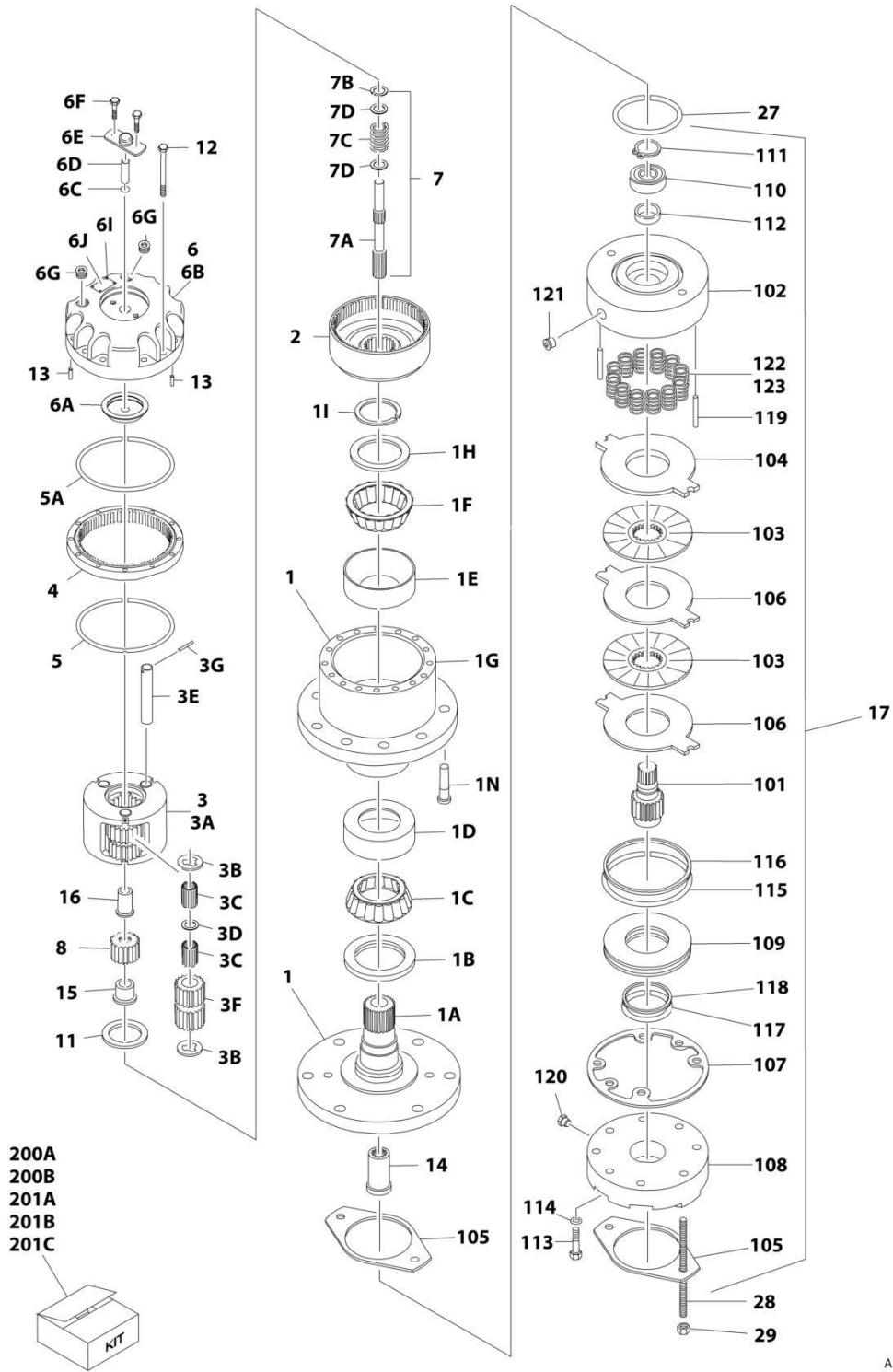
SECTION 1 - FRAME

FIGURE 1-5. DRIVE HUB ASSEMBLY - FRONT

ITEM	PART NUMBER	QTY	DESCRIPTION	REV
	2780268	Ref	DRIVE HUB ASSEMBLY - FRONT	F
1	See Note	1	Spindle/Housing Assembly (Note: Purchase Individual Components)	
1A	7017059	1	Spindle	
1B	7001998	1	Seal	
1C	7010429	1	Cone, Bearing (Includes Item 1D)	
1D	7010429	1	Cup, Bearing (Includes Item 1C)	
1E	7000257	1	Cup, Bearing	
1F	7000258	1	Cone, Bearing	
1G	7007601	1	Housing/Ring Gear	
1H	7000232	1	Washer, Thrust	
1I	7000229	1	Ring, Retaining	
1N	7007640	9	Stud, Wheel	
2	7000246	1	Gear, Internal	
3	7024712	1	Carrier Assembly	
3A	See Note	1	Carrier (Note: Use Item 3)	
3B	See Note	6	Ring, Retaining (Note: Use Item 3)	
3C	See Note	AR	Bearing, Needle (Note: Use Item 3)	
3D	See Note	3	Washer, Thrust (Note: Use Item 3)	
3E	See Note	3	Shaft, Planet (Note: Use Item 3)	
3F	See Note	3	Gear, Planet (Note: Use Item 3)	
3G	See Note	3	Roll Pin (Note: Use Item 3)	
4	7000248	1	Ring Gear	
5	7000230	1	O-Ring	
5A	7017070	1	O-Ring	
6	70001349	1	Cover Assembly Kit	
6A	See Note	1	Spacer, Thrust (Note: Use Item 6)	
6B	See Note	1	Plate, Cover (Note: Use Item 6)	
6C	See Note	1	O-Ring (Note: Use Item 6)	
6D	See Note	1	Rod, Disconnect (Note: Use Item 6)	
6E	See Note	1	Cap, Disengage (Note: Use Item 6)	
6F	See Note	2	Bolt (Note: Use Item 6)	
6G	See Note	1	Plug, Pipe (Note: Use Item 6)	
6I	See Note	4	Rivet (Note: Not Available for Purchase)	
6J	See Note	1	Plate, ID (Note: Not Available for Purchase)	
7		Ref	Input Shaft Assembly	
7A	7024714	1	Shaft	
7B	7000261	1	Ring, Retaining	
7C	7000262	1	Spring	
7D	7000263	2	Spacer, Thrust	
8	7024713	1	Gear, Sun	
11	7000253	1	Washer, Thrust	
12	7017067	12	Bolt	
13	7017080	4	Pin, Dowel	
14	7000206	1	Coupling	
15	7024715	1	Spacer, Input	
16	7024716	1	Spacer, Input	

SECTION 1 - FRAME

FIGURE 1-6. DRIVE HUB AND BRAKE ASSEMBLY - REAR



ART_2780267

SECTION 1 - FRAME

FIGURE 1-6. DRIVE HUB AND BRAKE ASSEMBLY - REAR

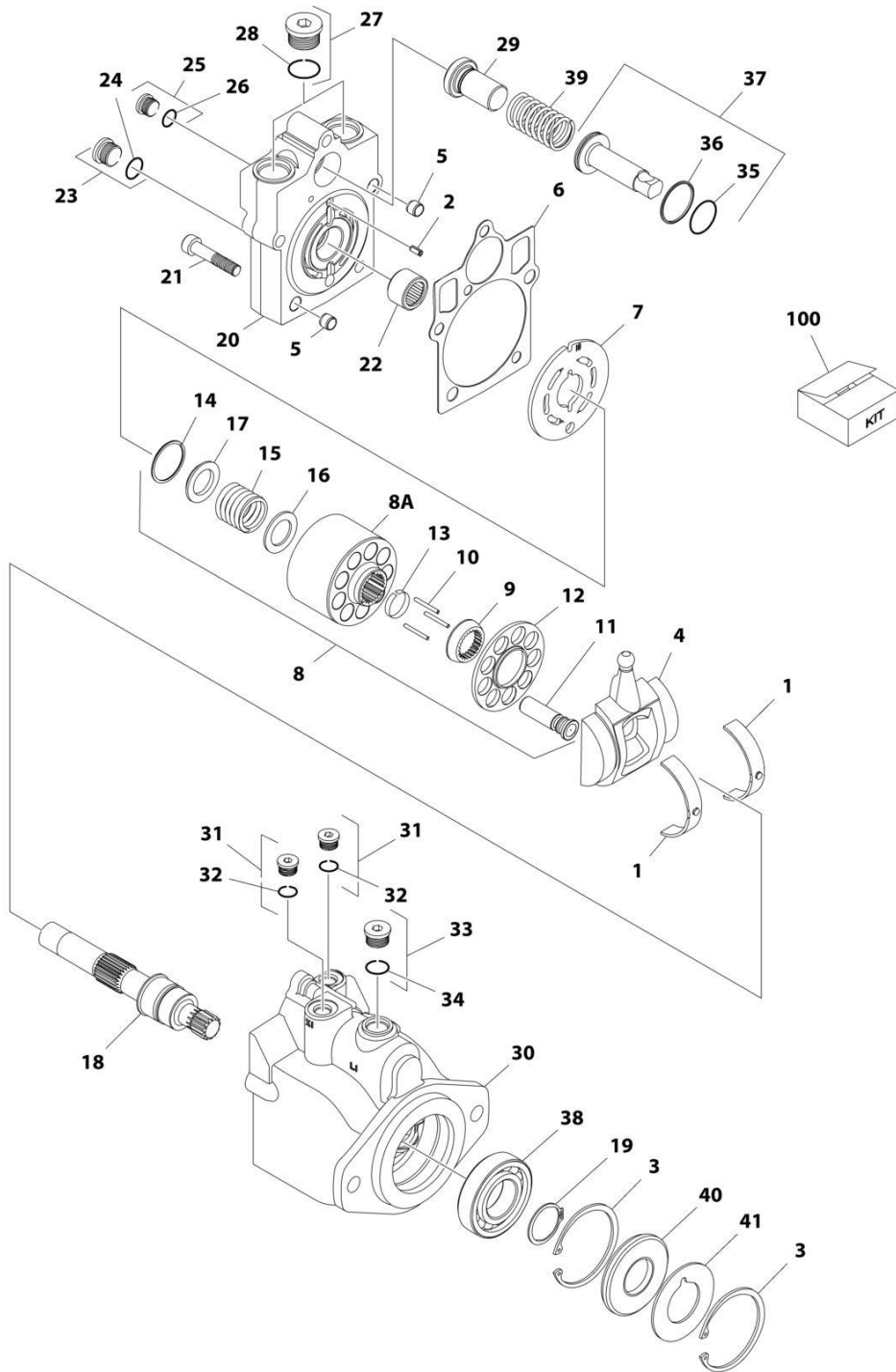
ITEM	PART NUMBER	QTY	DESCRIPTION	REV
	2780267	Ref	DRIVE HUB AND BRAKE ASSEMBLY - REAR	I
1	See Note	1	Spindle/Housing Assembly (Note: Purchase Individual Components)	
1A	7017059	1	Spindle	
1B	7001998	1	Seal	
1C	7010429	1	Cone, Bearing (Includes Item 1D)	
1D	7010429	1	Cup, Bearing (Includes Item 1C)	
1E	7000257	1	Cup, Bearing	
1F	7000258	1	Cone, Bearing	
1G	7007601	1	Housing/Ring Gear	
1H	7000232	1	Washer, Thrust	
1I	7000229	1	Ring, Retaining	
1N	7007640	9	Stud, Wheel	
2	7000246	1	Gear, Internal	
3	7024712	1	Carrier Assembly	
3A	See Note	1	Carrier (Note: Use Item 3)	
3B	See Note	6	Ring, Retaining (Note: Use Item 3)	
3C	See Note	AR	Bearing, Needle (Note: Use Item 3)	
3D	See Note	3	Washer, Thrust (Note: Use Item 3)	
3E	See Note	3	Shaft, Planet (Note: Use Item 3)	
3F	See Note	3	Gear, Planet (Note: Use Item 3)	
3G	See Note	3	Roll Pin (Note: Use Item 3)	
4	7000248	1	Ring Gear	
5	7000230	1	O-Ring	
5A	7017070	1	O-Ring	
6	70001349	1	Cover Assembly Kit	
6A	See Note	1	Spacer, Thrust (Note: Use Item 6)	
6B	See Note	1	Plate, Cover (Note: Use Item 6)	
6C	See Note	1	O-Ring (Note: Use Item 6)	
6D	See Note	1	Rod, Disconnect (Note: Use Item 6)	
6E	See Note	1	Cap, Disengage (Note: Use Item 6)	
6F	See Note	2	Bolt (Note: Use Item 6)	
6G	See Note	1	Plug, Pipe (Note: Use Item 6)	
6I	See Note	4	Rivet (Note: Not Available for Purchase)	
6J	See Note	1	Plate, ID (Note: Not Available for Purchase)	
7		Ref	Input Shaft Assembly	
7A	7024714	1	Shaft	
7B	7000261	1	Ring, Retaining	
7C	7000262	1	Spring	
7D	7000263	2	Spacer, Thrust	
8	7024713	1	Gear, Sun	
11	7000253	1	Washer, Thrust	
12	7017067	12	Bolt	
13	7017080	4	Pin, Dowel	
14	7000206	1	Coupling	
15	7024715	1	Spacer, Input	
16	7024716	1	Spacer, Input	
17	7024182	1	Brake Assembly (See Items 101-123 for Breakdown)	
27	7024705	1	O-Ring	
28	7024717	2	Rod, Threaded	

SECTION 1 - FRAME

ITEM	PART NUMBER	QTY	DESCRIPTION	REV
29	7024718	2	Nut 1/2in-13NC	
	7024182	Ref	BRAKE ASSEMBLY	
101	7024189	1	Shaft	
102	See Note	1	Housing (Note: Use Item 17)	
103	See Note	2	Plate, Friction (Note: Use Item 201B)	
104	See Note	1	Plate, Pressure (Note: Use Item 201B)	
105	7000731	2	Gasket	
106	See Note	2	Plate, Outer (Note: Use Item 201B)	
107	See Note	1	Gasket (Note: Use Item 200A, 201B or 201C)	
108	7024191	1	Cylinder	
109	7024192	1	Piston	
110	See Note	1	Bearing, Ball (Note: Use Item 201C)	
111	See Note	1	Ring, Retaining (Note: Use Item 201C)	
112	See Note	1	Seal, Shaft (Note: Use Item 201C)	
113	See Note	6	Capscrew (Note: Use Item 17)	
114	See Note	6	Lockwasher (Note: Use Item 17)	
115	See Note	1	O-Ring (Note: Use Item 200B)	
116	See Note	1	Ring, Back-up (Note: Use Item 200B)	
117	See Note	1	O-Ring (Note: Use Item 200B)	
118	See Note	1	Ring, Back-up (Note: Use Item 200B)	
119	7024190	2	Pin, Dowel	
120	See Note	1	Plug (Note: Use Item 17)	
121	See Note	2	Plug (Note: Use Item 17)	
122	See Note	12	Spring Kit (Natural) (Note: Use Item 201A)	
123	See Note	2	Spring Kit (Blue) (Note: Use Item 201A)	
		Ref	Kit Options	
200		Ref	Seal Kit Options:	
200A	See Note	1	Hub Seal Kit (Note: Purchase Individual Components)	
200B	7024194	1	Brake Seal Kit (Includes Items 105, 107 & 115-118)	
201		Ref	Repair Kit Options:	
201A	7024196	1	Brake Spring Kit (Includes 12 Natural Colored and 2 Blue Colored Springs Items 122 & 123)	
201B	7024193	1	Brake Friction Disc Kit (Includes Items 103, 104, 106 & 107)	
201C	7024197	1	Brake Bearing Kit (Includes Items 107 & 110-112)	

SECTION 1 - FRAME

FIGURE 1-7. DRIVE MOTOR ASSEMBLY



ART_1001102805

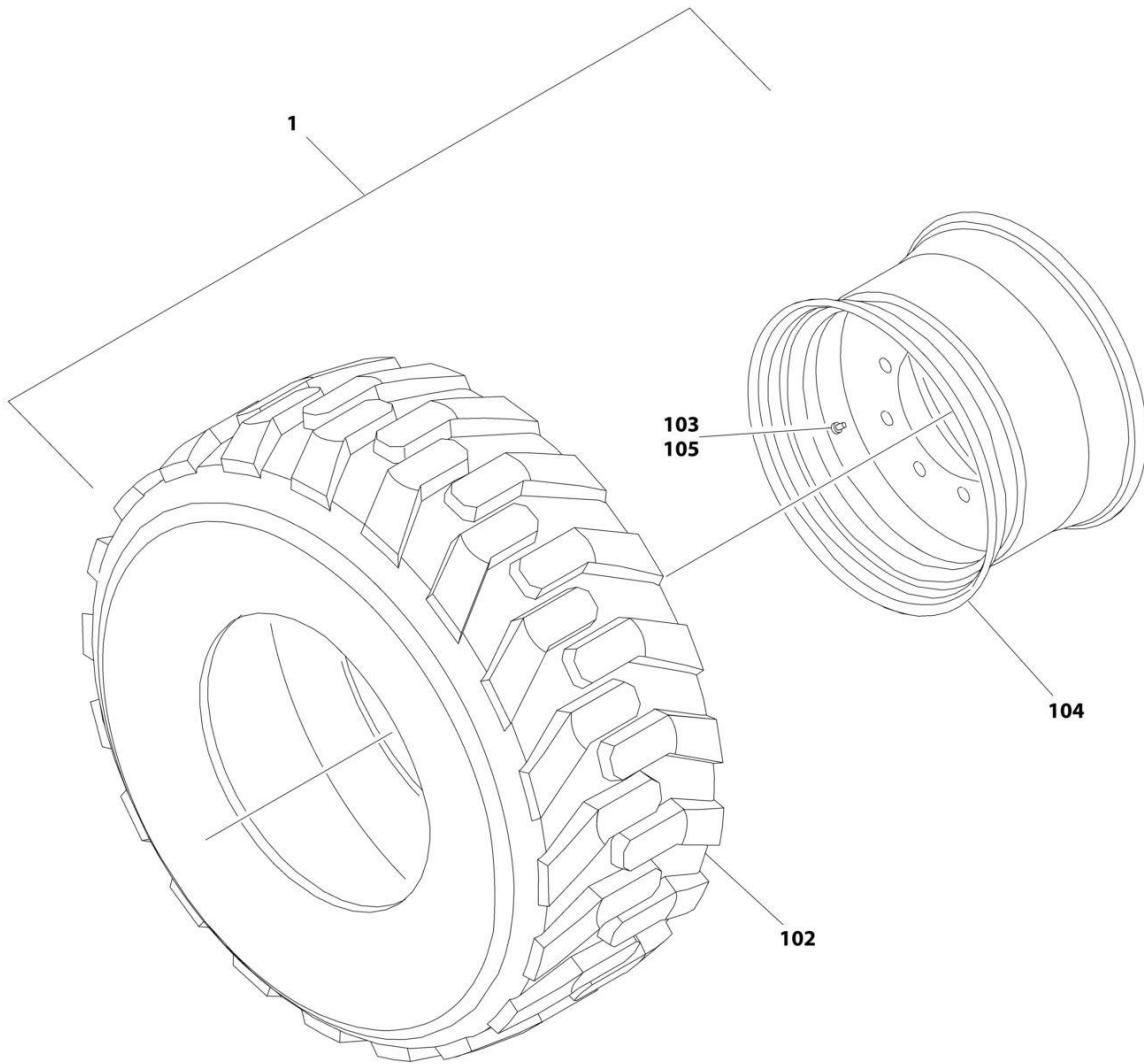
SECTION 1 - FRAME

FIGURE 1-7. DRIVE MOTOR ASSEMBLY

ITEM	PART NUMBER	QTY	DESCRIPTION	REV
	1001102805	Ref	DRIVE MOTOR ASSEMBLY	D
1	7022302	2	Bearing, Journal	
2	7007446	1	Pin	
3	7007438	2	Ring, Retaining	
4	7022305	1	Swash Plate	
5	See Note	2	Pin (Note: Not Available for Purchase)	
6	See Note	1	Gasket (Note: Use Item 100)	
7	7024862	1	Plate, Valve	
8	7023907	1	Cylinder Block Kit (Includes Items 8A & 9-17)	
8A	See Note	1	Block, Cylinder (Note: Use Item 8)	
9	7021277	1	Guide, Slipper Retainer	
10	7021275	3	Pin, Slipper Hold Down	
11	See Note	9	Piston Assembly (Note: Use Item 8)	
12	7021276	1	Retainer, Hold Down Pin	
13	7022310	1	Retainer, Slipper	
14	7022311	1	Ring, Retaining	
15	7022312	1	Spring	
16	7024868	1	Washer	
17	7022314	1	Retainer, Spring	
18	7023910	1	Shaft	
19	7007439	1	Ring, Retaining	
20	70000797	1	Cap, End - Axial	
21	7022368	5	Screw	
22	7021249	1	Bearing, Needle	
23	2220886	1	Plug (Includes Item 24)	
24	See Note	1	O-Ring (Note: Use Item 23 or 100)	
25	2220883	1	Plug (Includes Item 26)	
26	See Note	1	O-Ring (Note: Use Item 25 or 100)	
27	7027419	2	Plug (Includes Item 28)	
28	See Note	2	O-Ring (Note: Use Item 27 or 100)	
29	7022369	1	Seat, Spring	
30	70001932	1	Housing	
31	2220883	2	Plug (Includes Item 32)	
32	See Note	2	O-Ring (Note: Use Item 31 or 100)	
33	2220886	1	Plug (Includes Item 34)	
34	See Note	1	O-Ring (Note: Use Item 33 or 100)	
35	See Note	1	O-Ring (Note: Use Item 37 or 100)	
36	See Note	1	Ring, Seal (Note: Use Item 37 or 100)	
37	7024854	1	Piston, Servo (Includes Items 35 & 36)	
38	7007437	1	Bearing	
39	7022326	1	Spring	
40	See Note	1	Seal, Lip (Note: Use Item 100)	
41	7022371	1	Washer, Support	
100	7022328	1	Seal Kit (Includes Items 6, 24, 26, 28, 32, 34, 35, 36 & 40)	

SECTION 1 - FRAME

FIGURE 1-8. TIRE AND WHEEL INSTALLATION - 12 X 16.5 FOAM FILLED (AVAILABLE ON ALL SPECS)



ART_0270092

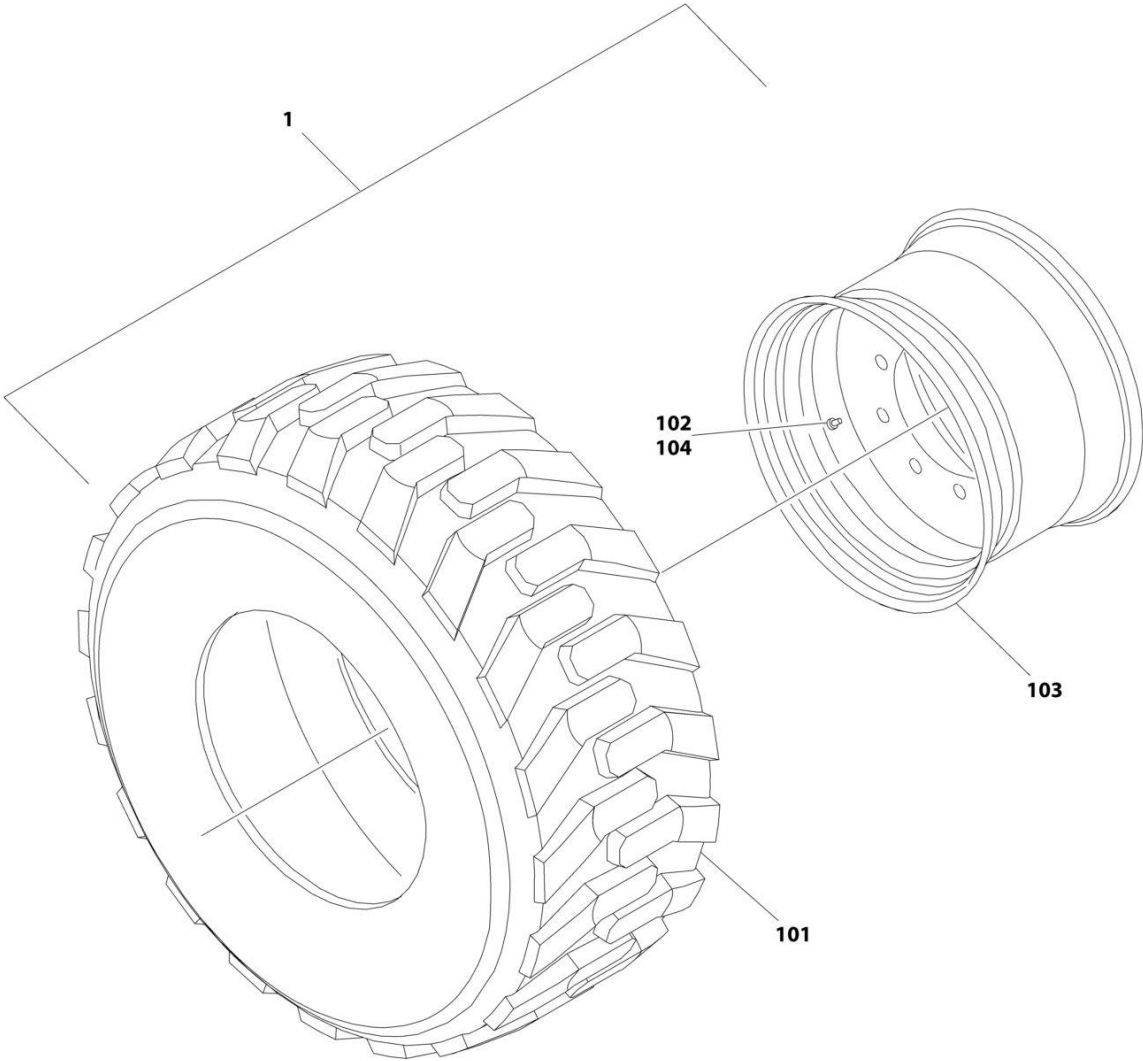
SECTION 1 - FRAME

FIGURE 1-8. TIRE AND WHEEL INSTALLATION - 12 X 16.5 FOAM FILLED (AVAILABLE ON ALL SPECS)

ITEM	PART NUMBER	QTY	DESCRIPTION	REV
	0270092	Ref Ref	TIRE AND WHEEL INSTALLATION - 12 X 16.5 FOAM FILLED Note: Assemblies may require ballast/foam filling to manufacturer's specifications prior to installing on a machine. Refer to Operation and Safety or Service and Maintenance Manuals. Purchase individual tire and/or rim only if able to foam fill tire and wheel assembly, otherwise, purchase complete assembly.	C
1	1001148865	2	Tire and Wheel Assembly - 12 x 16.5 (RH Side)	G
1	1001148866	2	Tire and Wheel Assembly - 12 x 16.5 (LH Side)	G
102	4520216	4	Tire - 12 x 16.5	
103	4641122	4	Valve	
104	1001147274	4	Rim, Wheel	
105	1001149953	4	Cap, Valve Stem	

SECTION 1 - FRAME

FIGURE 1-9. TIRE AND WHEEL INSTALLATION - 12 X 16.5 FOAM-FILLED NON MARKING



ART_0270653

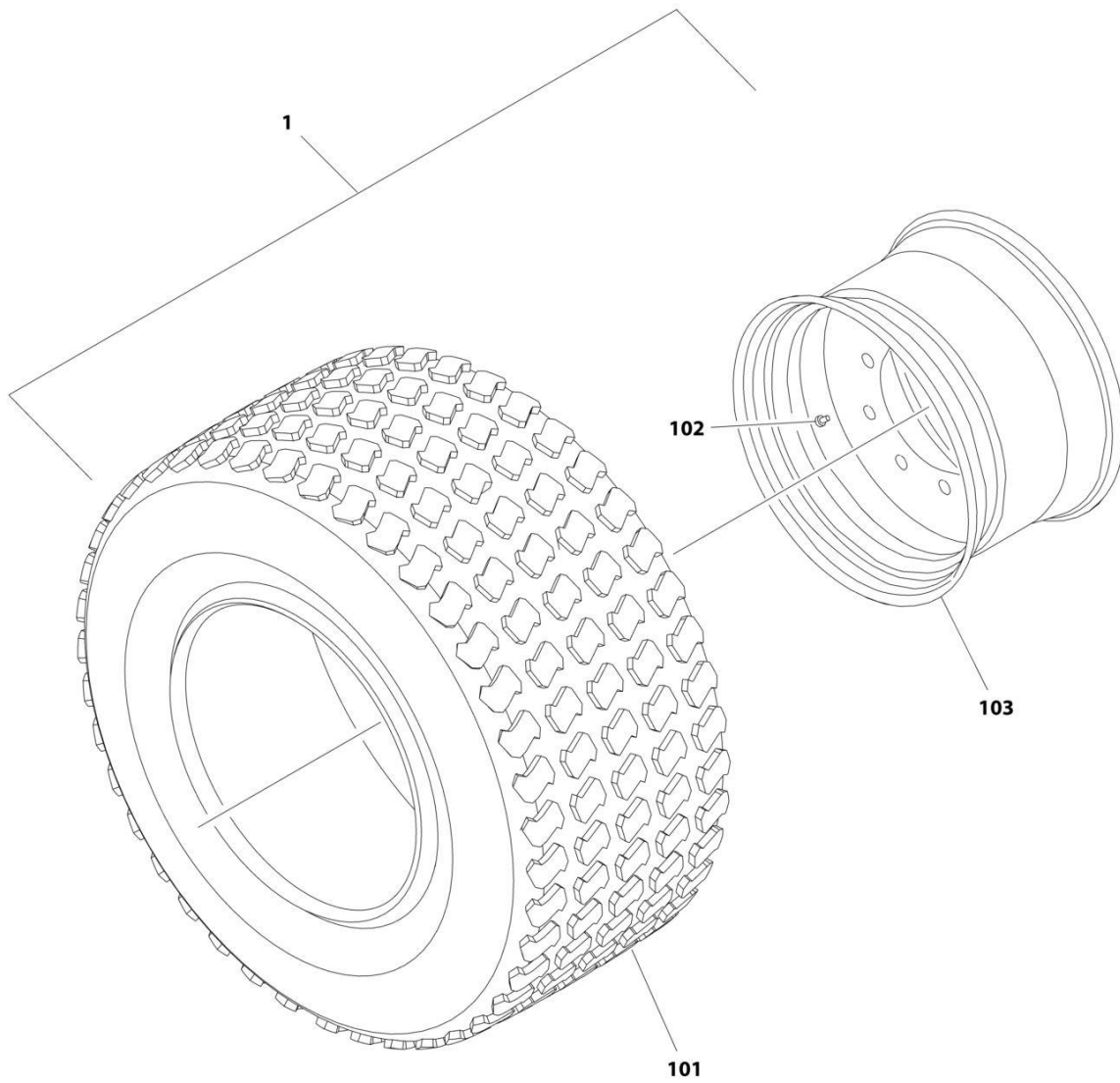
SECTION 1 - FRAME

FIGURE 1-9. TIRE AND WHEEL INSTALLATION - 12 X 16.5 FOAM-FILLED NON MARKING

ITEM	PART NUMBER	QTY	DESCRIPTION	REV
	0270653	Ref	TIRE AND WHEEL INSTALLATION - 12 X 16.5 FOAM FILLED	B
		Ref	Note: Assemblies may require ballast/foam filling to manufacturer's specifications prior to installing on a machine. Refer to Operation and Safety or Service and Maintenance Manuals. Purchase individual tire and/or rim only if able to foam fill tire and wheel assembly, otherwise, purchase complete assembly.	
1	1001148869	1	Tire and Wheel Assembly - Right Side	H
1	1001148870	1	Tire and Wheel Assembly - Left Side	H
101	4520240	1	Tire 12 x 16.5 Non-Marking	
102	4641122	1	Valve	
103	1001147274	1	Rim, Wheel	
104	1001149953	1	Cap, Valve Stem	

SECTION 1 - FRAME

FIGURE 1-10. TIRE AND WHEEL INSTALLATION - 33/16LL X 16.1 FOAM-FILLED



ART_0271785

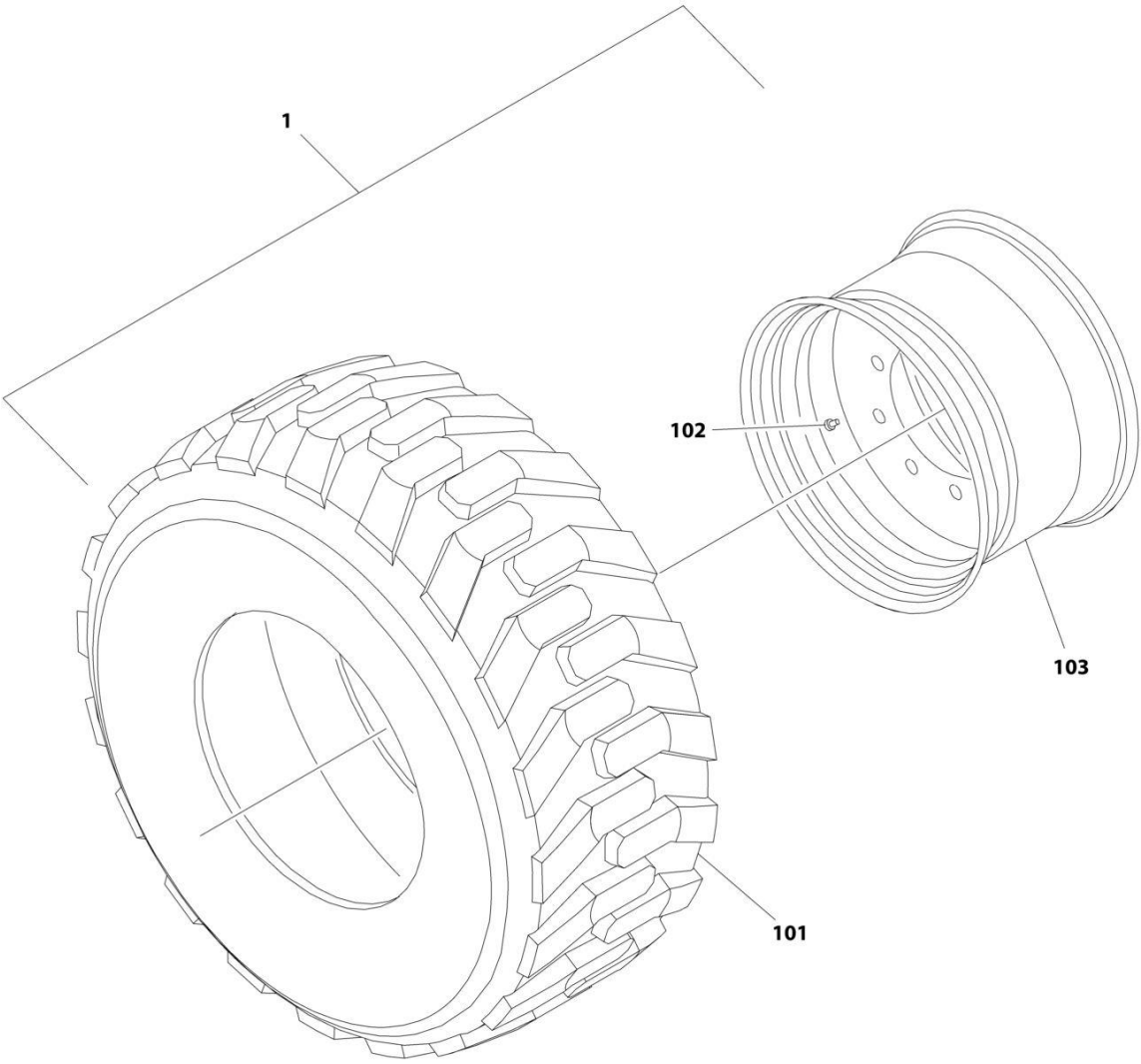
SECTION 1 - FRAME

FIGURE 1-10. TIRE AND WHEEL INSTALLATION - 33/16LL X 16.1 FOAM-FILLED

ITEM	PART NUMBER	QTY	DESCRIPTION	REV
	0271785	Ref	TIRE AND WHEEL INSTALLATION - 33/16LL X 16.1 FOAM-FILLED	B
1	0272268	4	Tire and Wheel Assembly	E
101	4520262	1	Tire, 33 x 16LL500, Sand Tire	
102	4641122	1	Valve, Air	
103	4860237	1	Rim, Wheel - 19.5 x 14	

SECTION 1 - FRAME

FIGURE 1-11. TIRE AND WHEEL INSTALLATION - 33/1550-16.5 FOAM-FILLED



ART_0271719

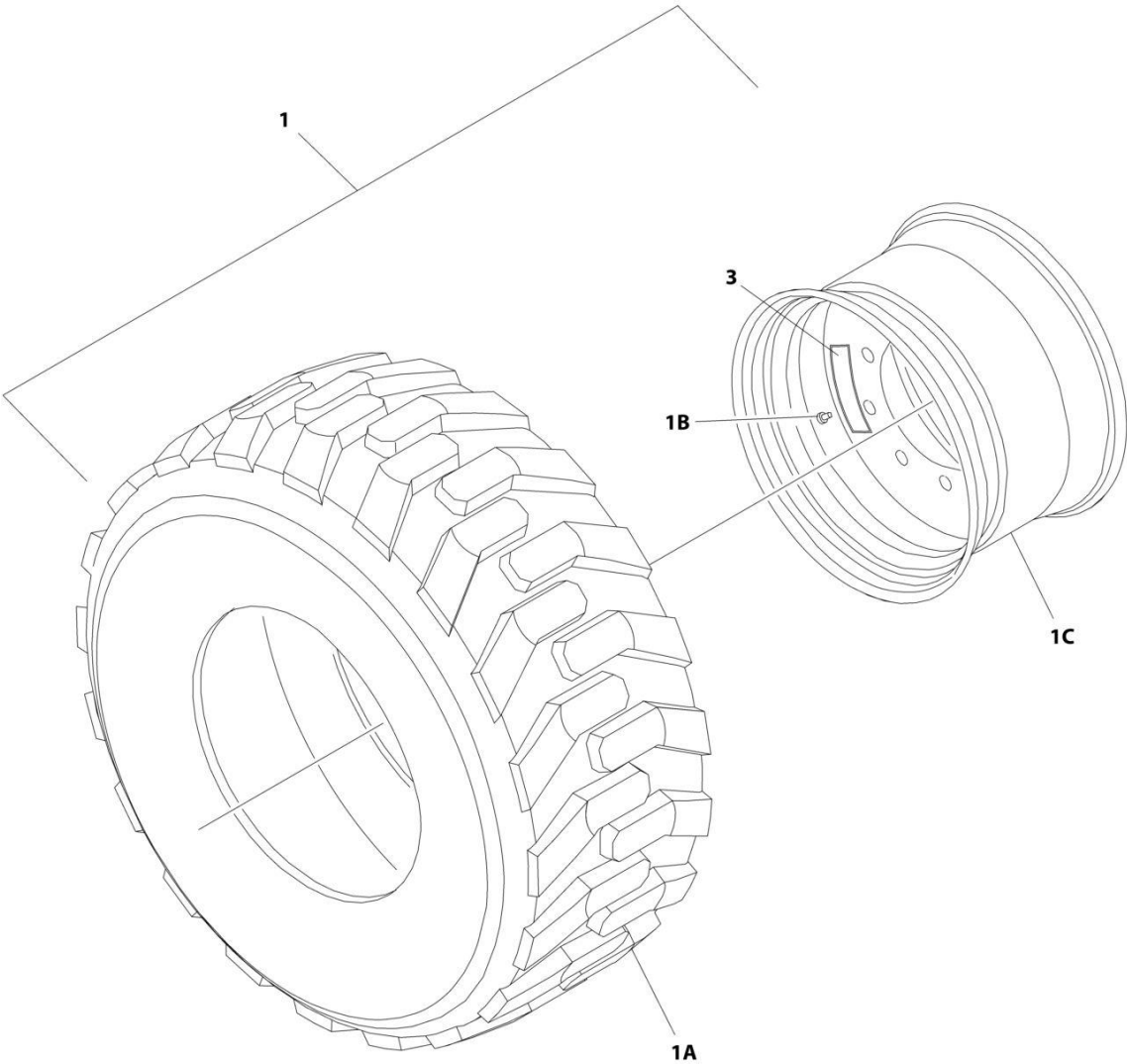
SECTION 1 - FRAME

FIGURE 1-11. TIRE AND WHEEL INSTALLATION - 33/1550-16.5 FOAM-FILLED

ITEM	PART NUMBER	QTY	DESCRIPTION	REV
	0271719	Ref	TIRE AND WHEEL INSTALLATION - 33/1550-16.5 FOAM-FILLED	B
		Ref	Note: Assemblies may require ballast/foam filling to manufacturer's specifications prior to installing on a machine. Refer to Operation and Safety or Service and Maintenance Manuals. Purchase individual tire and/or rim only if able to foam fill tire and wheel assembly, otherwise, purchase complete assembly.	
1	0258011	2	Tire and Wheel Assembly - Right Side	I
1	0258012	2	Tire and Wheel Assembly - Left Side	I
101	4520217	1	Tire, 33/1550 x 16.5, Lug Tire	
102	8786514	1	Valve, Air	
103	4860179	1	Rim, Wheel - 16.5 x 12.0	

SECTION 1 - FRAME

FIGURE 1-12. TIRE AND WHEEL INSTALLATION - IN315/55D20 FOAM-FILLED



ART_1001102196

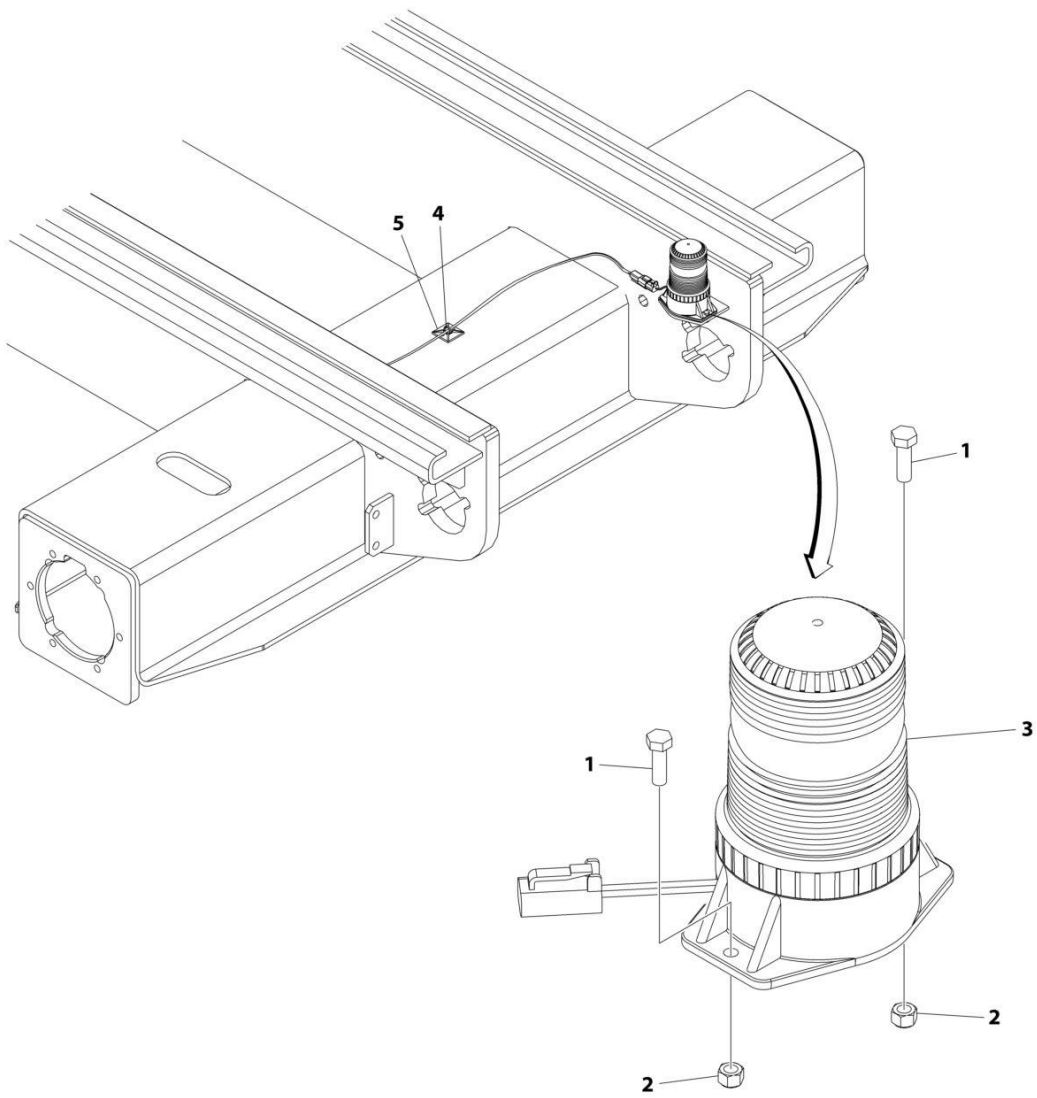
SECTION 1 - FRAME

FIGURE 1-12. TIRE AND WHEEL INSTALLATION - IN315/55D20 FOAM-FILLED

ITEM	PART NUMBER	QTY	DESCRIPTION	REV
	1001102196	Ref	TIRE AND WHEEL INSTALLATION - IN315/55D20 FOAM-FILLED	C
		Ref	Note: Assemblies may require ballast/foam filling to manufacturer's specifications prior to installing on a machine. Refer to Operation and Safety or Service and Maintenance Manuals. Purchase individual tire and/or rim only if able to foam fill tire and wheel assembly, otherwise, purchase complete assembly.	
1	1001102194	2	Tire and Wheel Assembly - Left Side	C
1	1001102195	2	Tire and Wheel Assembly - Right Side	C
1A	4520608	1	Tire, IN315/55D20, Lug Tire	
1B	4641122	1	Valve, Air	
1C	1001101511	1	Rim, Wheel - 20 x 11	
3	1001105700	4	Decal - Transport Wheel Warning	

SECTION 1 - FRAME

FIGURE 1-13. STROBE LIGHT INSTALLATION (AMBER)



ART_1001215697

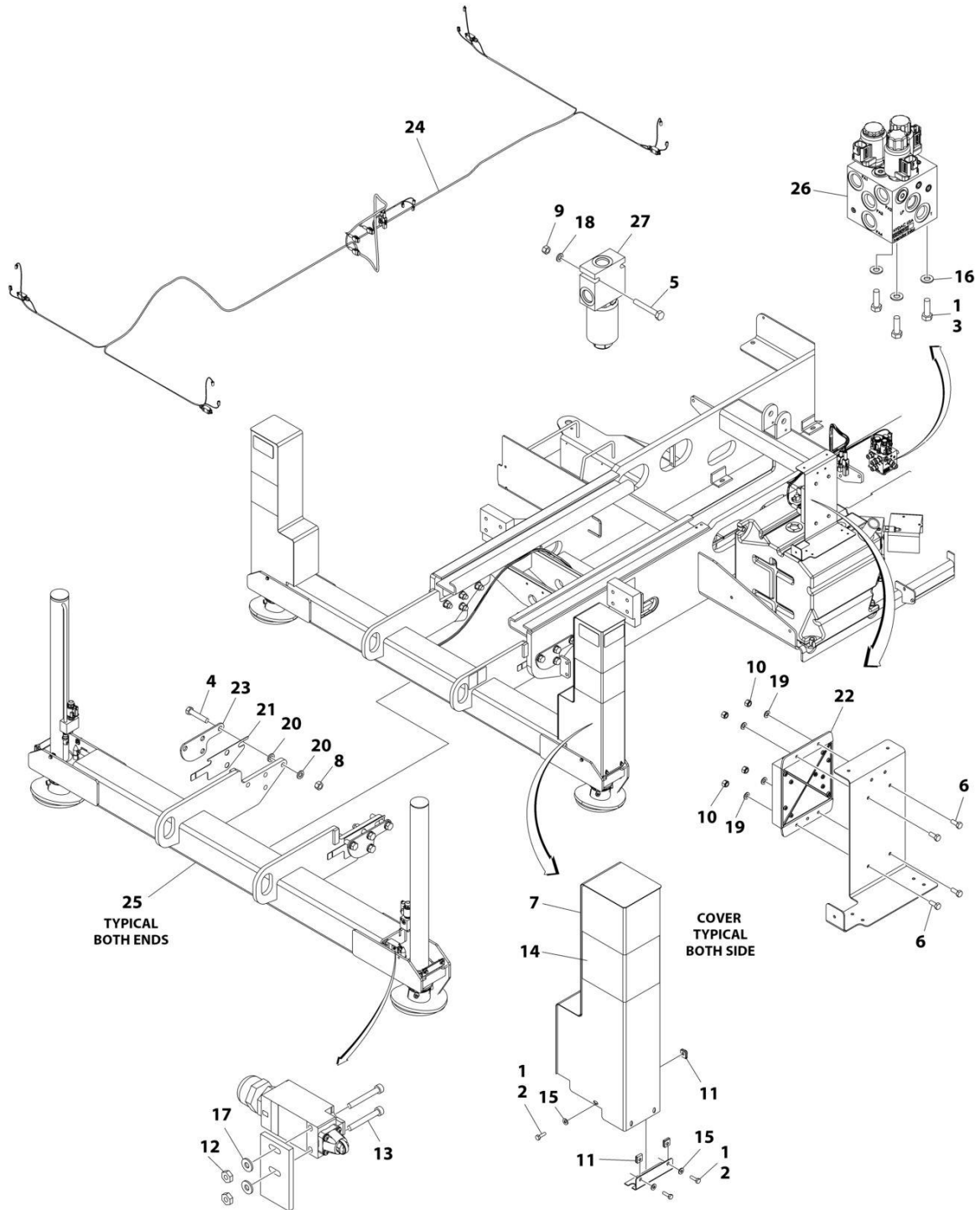
SECTION 1 - FRAME

FIGURE 1-13. STROBE LIGHT INSTALLATION (AMBER)

ITEM	PART NUMBER	QTY	DESCRIPTION	REV
	1001215697	Ref	STROBE LIGHT INSTALLATION (AMBER)	B
1	0760508	2	Bolt M5 x 16	
2	3290505	2	Nut M5	
3	1001191139	1	Beacon Light Assembly	
3	4460891	1	Plug, Male - 2 Position	
3	4460465	2	Socket, Female	
4	4240032	1	Tie-Strap	
5	4460488	1	Mounting, Tie-Strap	

SECTION 1 - FRAME

FIGURE 1-14. LEVELING JACKS INSTALLATION (Prior to SN M200064807, Including M200064906, M200066459 and M20006702)



ART_1001237756

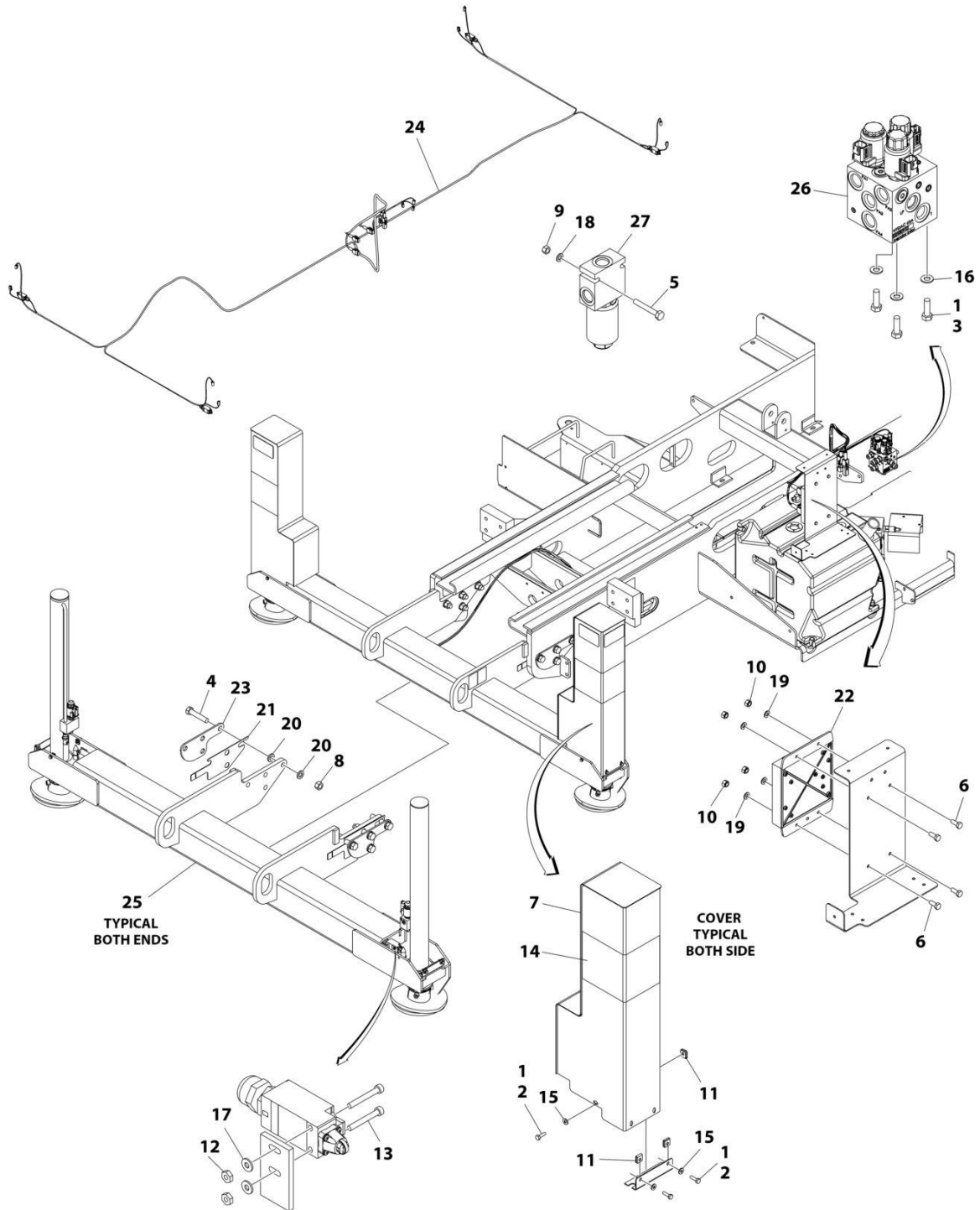
SECTION 1 - FRAME

FIGURE 1-14. LEVELING JACKS INSTALLATION (Prior to SN M200064807, Including M200064906, M200066459 and M20006702)

ITEM	PART NUMBER	QTY	DESCRIPTION	REV
	1001237756	Ref	LEVELING JACKS INSTALLATION	C
1	0100011	AR	Compound, Locking	
2	0641407	16	Bolt 1/4 x 7/8	
3	0641508	3	Bolt 5/16 x 1	
4	0682230	16	Bolt 3/4 x 3-3/4	
5	0760618	2	Bolt M6 x 50	
6	0760810	2	Bolt M8 x 20	
7	1671165	4	Cover	
8	3272205	16	Nut 3/4	
9	3290601	2	Nut M6	
10	3290805	4	Nut M8	
11	3300353	16	Nut, Tinnerman	
12	3310805	8	Nut #8	
13	3930820	8	Capscrew #8 x 1-1/4	
14	4420051	95 in/ 2.4m	Tape, Safety	
15	4711400	16	Washer 1/4	
16	4711500	3	Washer 5/16	
17	4750800	8	Washer #8	
18	4811700	AR	Washer M6	
19	4811900	4	Washer M8	
20	4892200	32	Washer 3/4	
21	1001166837	AR	Shim	
22	1001182481	1	Module, Jack Control	
23	1001183328	4	Plate	
24	1001210619	1	Leveling Jacks Harness (See Separate Breakdown in ELECTRICAL Section)	
25	1001214550	2	Leveling Jacks Assembly (See Separate Breakdown in this Section)	
26	1001217108	1	Leveling Jacks Valve Assembly (See Separate Breakdown in this Section)	
27	1001237453	1	Valve Assembly	
27	7023904	1	Cartridge, Valve Less Coil	
27	7012518	1	Seal Kit - 7023904 Valve	
27	70003789	1	Coil	
27	70006737	1	Nut, Coil	
27	70006738	1	Lockdown Kit	
28	1001237464	1	Leveling Jack Hydraulic Diagram (Not Shown) (See Separate Breakdown in HYDRAULIC Section)	

SECTION 1 - FRAME

FIGURE 1-15. LEVELING JACKS INSTALLATION (SN M200064807 to Present, Excluding M200064906, M200066459 and M20006702)



ART_1001237756_D

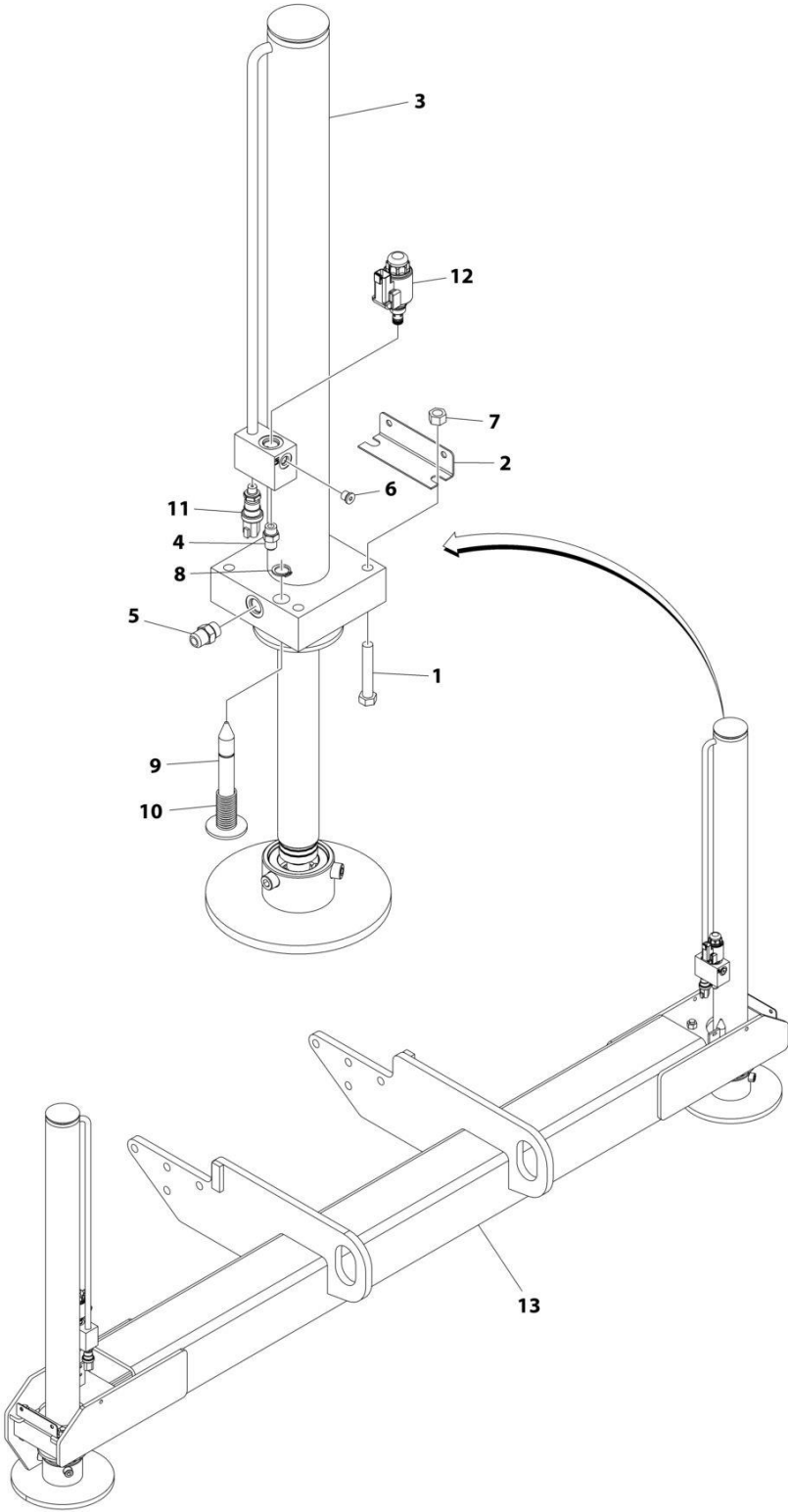
SECTION 1 - FRAME

FIGURE 1-15. LEVELING JACKS INSTALLATION (SN M200064807 to Present, Excluding M200064906, M200066459 and M20006702)

ITEM	PART NUMBER	QTY	DESCRIPTION	REV
	1001237756	Ref	LEVELING JACKS INSTALLATION	D
1	0100011	AR	Compound, Locking	
2	0641407	16	Bolt 1/4 x 7/8	
3	0641508	3	Bolt 5/16 x 1	
4	0682230	16	Bolt 3/4 x 3-3/4	
5	0760618	2	Bolt M6 x 50	
6	0760810	4	Bolt M8 x 20	
7	1671165	4	Cover	
8	3272205	16	Nut 3/4	
9	3290601	2	Nut M6	
10	3290805	4	Nut M8	
11	3300353	16	Nut, Tinnerman	
12	3310805	8	Nut #8	
13	3930820	8	Capscrew #8 x 1-1/4	
14	4420051	95 in/ 2.4m	Tape, Safety	
15	4711400	16	Washer 1/4	
16	4711500	3	Washer 5/16	
17	4750800	8	Washer #8	
18	4811700	AR	Washer M6	
19	4811900	4	Washer M8	
20	4892200	32	Washer 3/4	
21	1001166837	AR	Shim	
22	1001279302	1	Module, Jack Control	
23	1001183328	4	Plate	
24	1001210619	1	Leveling Jacks Harness (See Separate Breakdown in ELECTRICAL Section)	
25	1001214550	2	Leveling Jacks Assembly (See Separate Breakdown in this Section)	
26	1001217108	1	Leveling Jacks Valve Assembly (See Separate Breakdown in this Section)	
27	1001237453	1	Valve Assembly	
27	7023904	1	Cartridge, Valve Less Coil	
27	7012518	1	Seal Kit - 7023904 Valve	
27	70003789	1	Coil	
27	70006737	1	Nut, Coil	
27	70006738	1	Lockdown Kit	
28	1001237464	1	Leveling Jack Hydraulic Diagram (Not Shown) (See Separate Breakdown in HYDRAULIC Section)	

SECTION 1 - FRAME

FIGURE 1-16. LEVELING JACKS ASSEMBLY



ART_1001214550

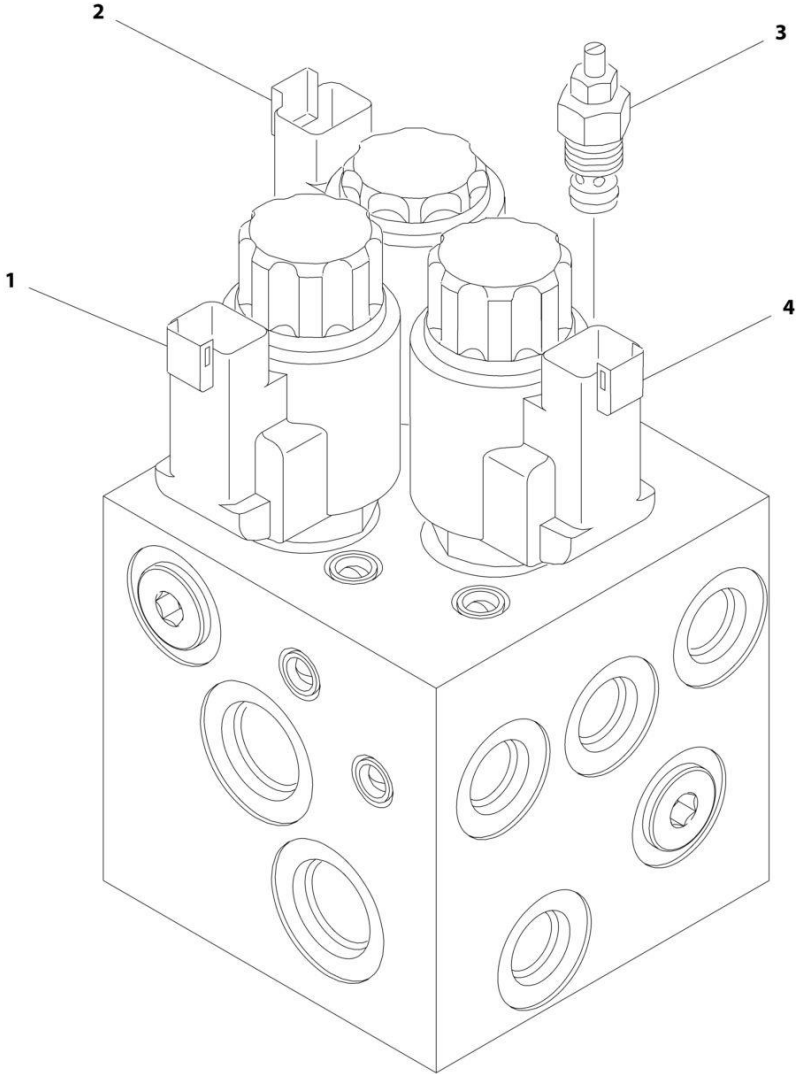
SECTION 1 - FRAME

FIGURE 1-16. LEVELING JACKS ASSEMBLY

ITEM	PART NUMBER	QTY	DESCRIPTION	REV
	1001214550	Ref	LEVELING JACKS ASSEMBLY	A
1	0641824	8	Bolt 1/2 x 3	
2	0903054	2	Bracket	
3	1684406	2	Jack Cylinder Assembly (See Separate Breakdown in CYLINDER SECTION)	
4	2220371	2	Fitting, Straight JIC/ORB	
5	2220373	2	Fitting, Straight JIC/ORB	
6	2220883	2	Plug	
7	3311805	8	Nut 1/2	
8	3760348	2	Ring, Retaining	
9	3841564	2	Rod	
10	4160116	2	Spring	
11	4360518	2	Transducer, Pressure	
12	1001103761	2	Cartridge, Solenoid Valve	
12	7024497	1	Cartridge Less Coil	
12	7024502	1	Seal Kit - 7024497 Valve	
12	70001965	1	Coil	
12	7024506	1	Nut Kit	
13	1001166176	1	Mount, Leveling Jack	

SECTION 1 - FRAME

FIGURE 1-17. LEVELING JACKS VALVE ASSEMBLY



ART_1001217108

SECTION 1 - FRAME

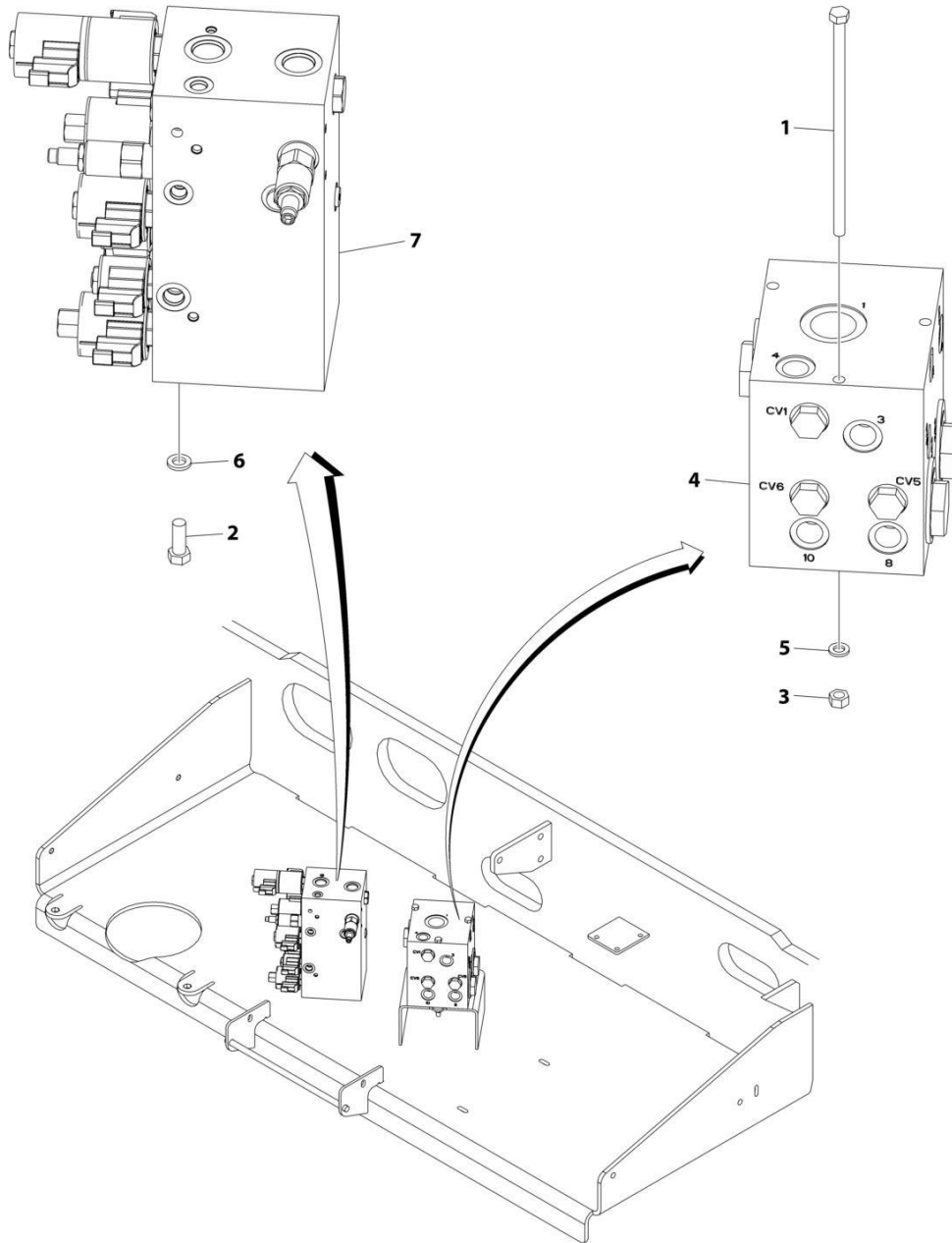
FIGURE 1-17. LEVELING JACKS VALVE ASSEMBLY

ITEM	PART NUMBER	QTY	DESCRIPTION	REV
	1001217108	Ref	LEVELING JACKS VALVE ASSEMBLY	B
1	7024497	1	Cartridge without Coil (Retract)	
1	7024502	1	Seal Kit - 7024497 Cartridge	
1	70001965	1	Coil	
1	7024506	1	Coil Nut Kit	
2	7024498	1	Cartridge without Coil (Extend)	
2	7024503	1	Seal Kit - 7024498 Cartridge	
2	70001965	1	Coil	
2	7024507	1	Coil Nut Kit	
3	70006292	1	Cartridge (Thermal Relief)	
3	7024504	1	Seal Kit - 70006292 Cartridge	
4	7024500	1	Cartridge without Coil	
4	7024505	1	Seal Kit - 7024500 Cartridge	
4	70001965	1	Coil	
4	7024506	1	Coil Nut Kit	

SECTION 2 - GROUND CONTROLS

SECTION 2 - GROUND CONTROLS

FIGURE 2-1. VALVES INSTALLATION (ALL SPECS EXCEPT CE AND JAPANESE SPECS)



ART_1001204614

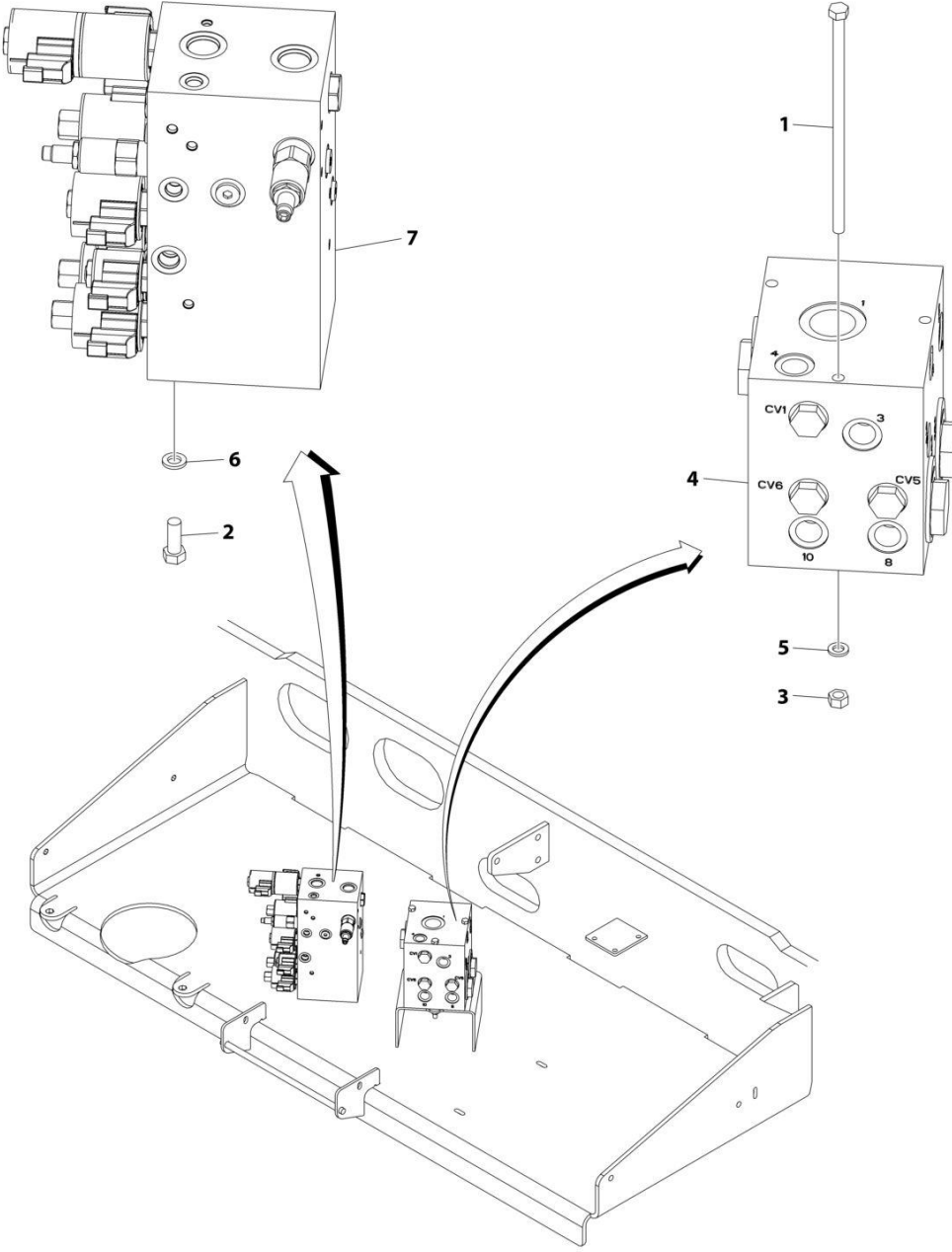
SECTION 2 - GROUND CONTROLS

FIGURE 2-1. VALVES INSTALLATION (ALL SPECS EXCEPT CE AND JAPANESE SPECS)

ITEM	PART NUMBER	QTY	DESCRIPTION	REV
	1001204614	Ref	VALVES INSTALLATION	B
1	0641560	3	Bolt 5/16 x 7-1/2	
2	0641608	4	Bolt 3/8 x 1	
3	3311501	3	Nut 5/16	
4	4641303	1	Flow Divider Valve Assembly (See Separate Breakdown in this Section)	
5	4761500	3	Washer 5/16	
6	4761600	4	Washer 3/8	
7	1001209589	1	Main Valve Assembly (See Separate Breakdown in this Section)	

SECTION 2 - GROUND CONTROLS

FIGURE 2-2. VALVES INSTALLATION (CE, JAPANESE & UK CA SPECS)



ART_1001204615

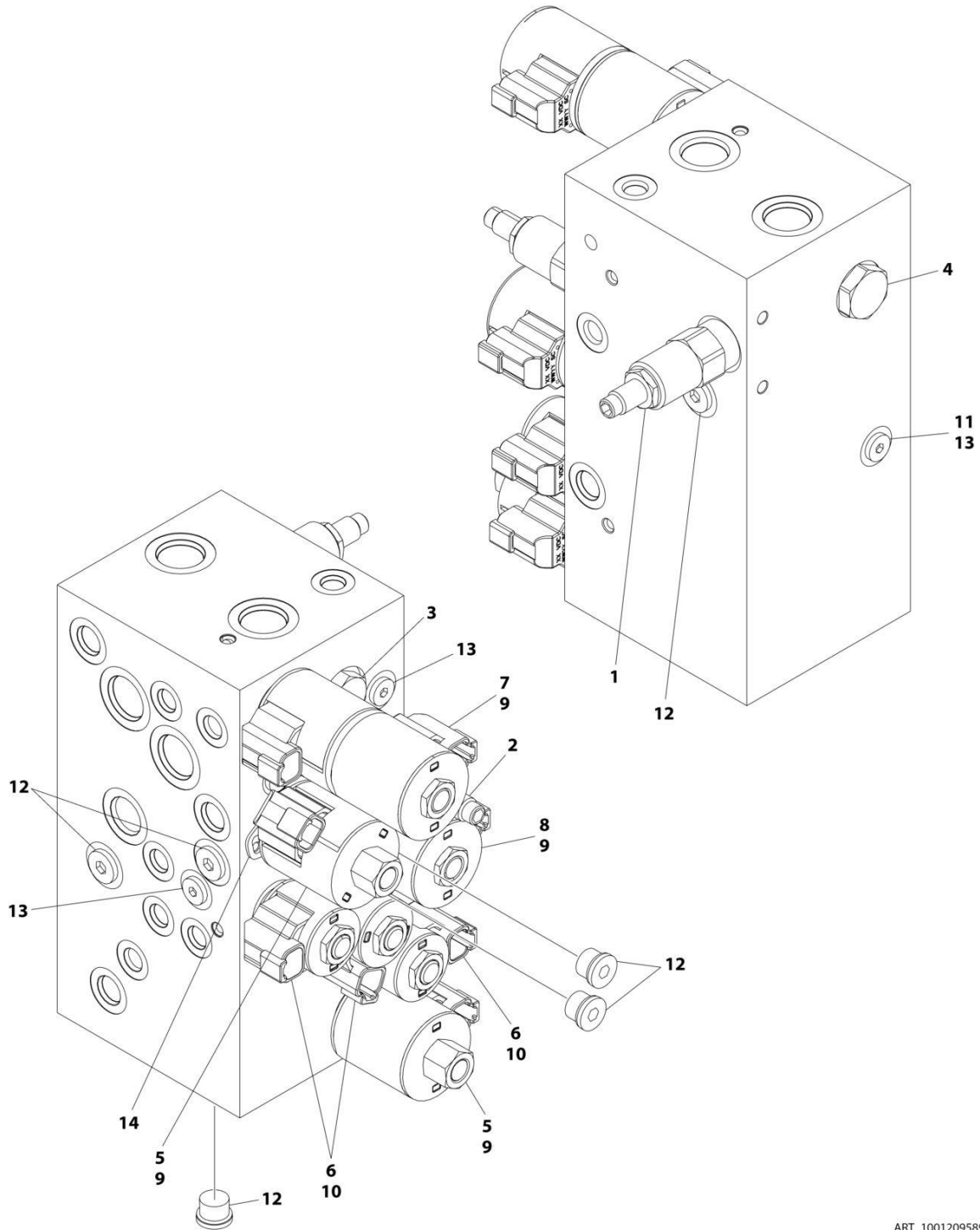
SECTION 2 - GROUND CONTROLS

FIGURE 2-2. VALVES INSTALLATION (CE, JAPANESE & UK CA SPECS)

ITEM	PART NUMBER	QTY	DESCRIPTION	REV
	1001204615	Ref	VALVES INSTALLATION	B
1	0641560	3	Bolt 5/16 x 7-1/2	
2	0641608	4	Bolt 3/8 x 1	
3	3311501	3	Nut 5/16	
4	4641303	1	Flow Divider Valve Assembly (See Separate Breakdown in this Section)	
5	4761500	3	Washer 5/16	
6	4761600	4	Washer 3/8	
7	1001205979	1	Main Valve Assembly (See Separate Breakdown in this Section)	

SECTION 2 - GROUND CONTROLS

FIGURE 2-3. MAIN VALVE ASSEMBLY (ALL SPECS EXCEPT CE, JAPANESE & UK CA SPECS)



ART_1001209589

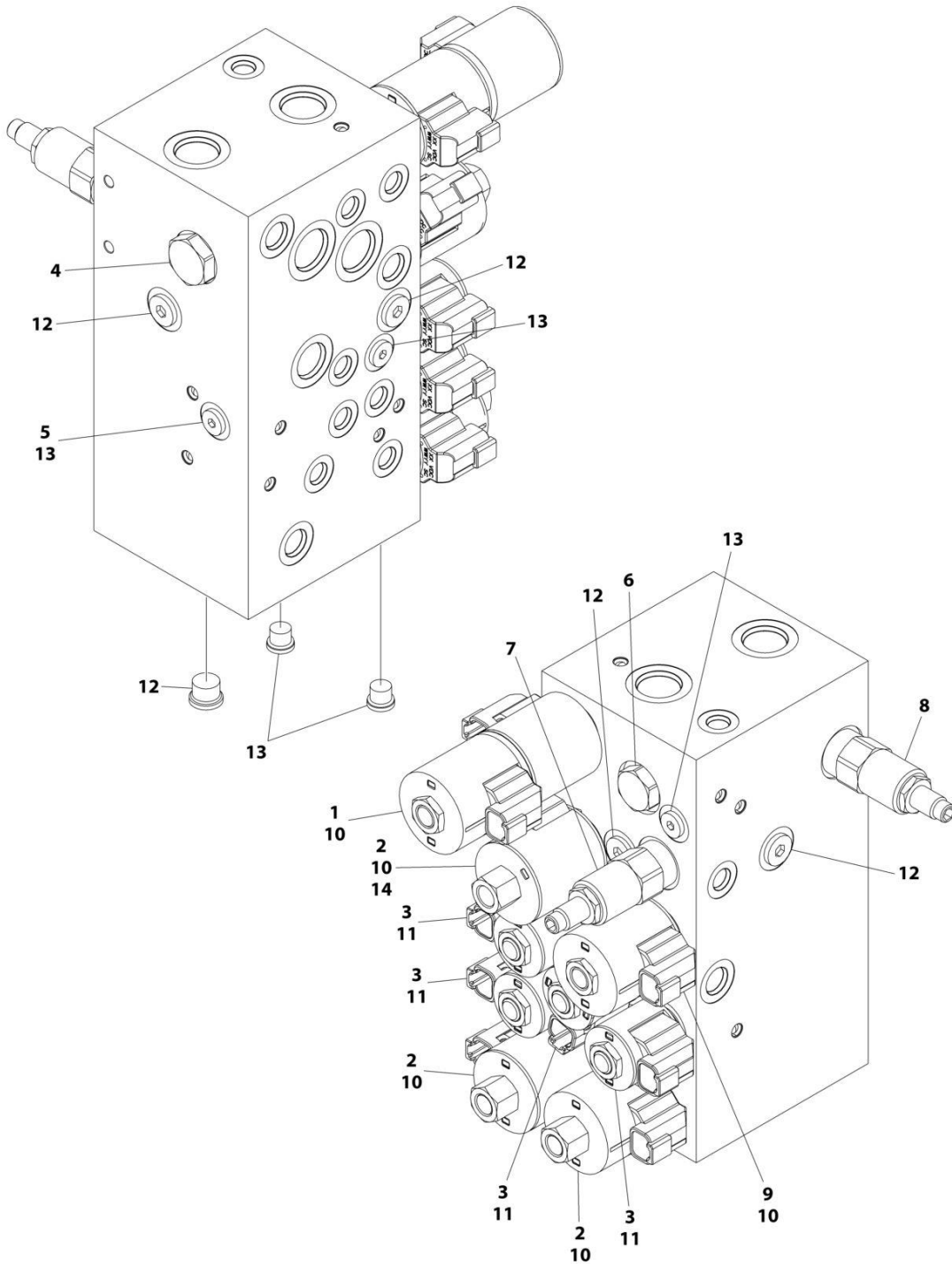
SECTION 2 - GROUND CONTROLS

FIGURE 2-3. MAIN VALVE ASSEMBLY (ALL SPECS EXCEPT CE, JAPANESE & UK CA SPECS)

ITEM	PART NUMBER	QTY	DESCRIPTION	REV
	1001209589	Ref	MAIN VALVE ASSEMBLY	D
1	70005723	1	Cartridge, Valve - Relief (Steer)	
1	7023936	1	Seal Kit - 70005723 Valve	
2	70005165	1	Cartridge, Valve - Relief	
2	7022399	1	Seal Kit - 70005165 Valve	
3	7022398	1	Cartridge, Valve - Load Shuttle	
3	7023900	1	Seal Kit - 7022398 Valve	
4	70005100	1	Cartridge, Valve - Check	
4	7022399	1	Seal Kit - 70005100 Valve	
5	70005069	2	Cartridge, Solenoid Valve	
5	7022399	2	Seal Kit - 70005069 Valve	
5	70003977	2	Nut, Coil	
6	70005167	3	Cartridge, Solenoid Valve	
6	7023900	3	Seal Kit - 70005167 Valve	
6	7022390	3	Nut, Coil	
7	70005449	1	Cartridge, Solenoid Valve	
7	70005073	1	Seal Kit - 70005449 Valve	
7	7022390	1	Nut, Coil	
7	70003024	1	Spacer Coil	
8	70005448	1	Cartridge, Solenoid Valve	
8	70004580	1	Seal Kit - 70005448 Valve	
8	7022390	1	Nut, Coil	
9	70050516	5	Coil	
10	70002963	3	Coil	
11	70004883	1	Orifice	
12	2220885	6	Plug	
13	2220883	4	Plug	
14	70005724	1	Lockdown Kit	

SECTION 2 - GROUND CONTROLS

FIGURE 2-4. MAIN VALVE ASSEMBLY (CE, JAPANESE & UK CA SPECS)



ART_1001205979

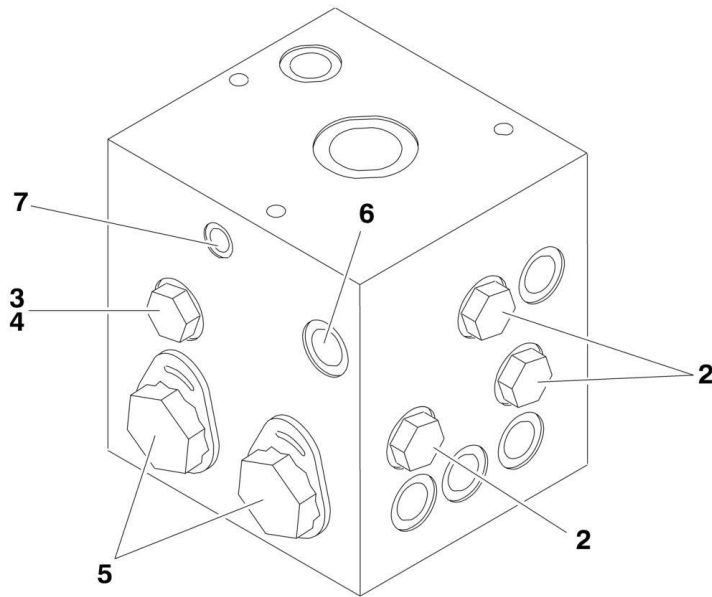
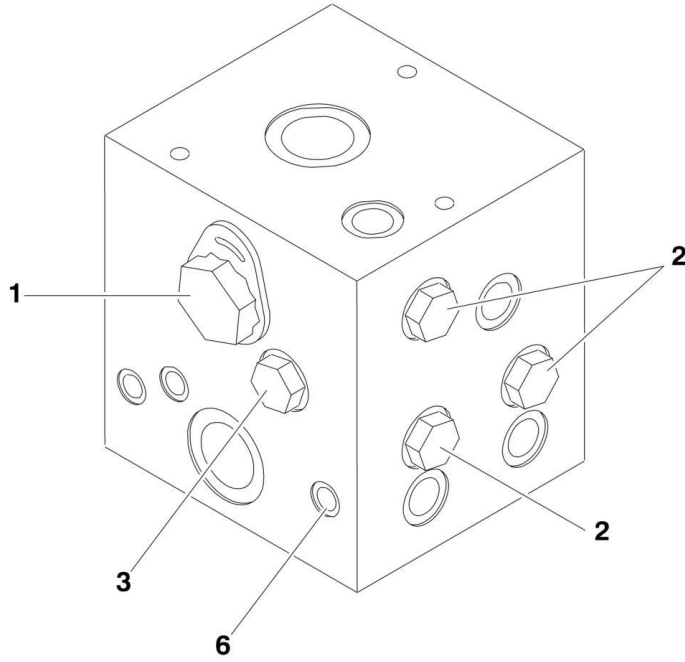
SECTION 2 - GROUND CONTROLS

FIGURE 2-4. MAIN VALVE ASSEMBLY (CE, JAPANESE & UK CA SPECS)

ITEM	PART NUMBER	QTY	DESCRIPTION	REV
	1001205979	Ref	MAIN VALVE ASSEMBLY	C
1	70005449	1	Cartridge, Solenoid Valve	
1	70005073	1	Seal Kit - 70005449 Valve	
1	7022390	1	Nut, Coil	
1	70003024	1	Spacer Coil	
2	70005069	3	Cartridge, Solenoid Valve	
2	7022399	3	Seal Kit - 70005069 Valve	
2	70003977	3	Nut, Coil	
3	70005167	4	Cartridge, Solenoid Valve	
3	7023900	4	Seal Kit - 70005167 Valve	
3	7022390	4	Nut, Coil	
4	70005100	1	Cartridge, Valve - Check	
4	7022399	1	Seal Kit - 70005100 Valve	
5	70004883	1	Orifice	
6	7022398	1	Cartridge, Valve - Load Shuttle	
6	7023900	1	Seal Kit - 7022398 Valve	
7	70005165	1	Cartridge, Valve - Relief	
7	7022399	1	Seal Kit - 70005165 Valve	
8	70005723	1	Cartridge, Valve - Relief (Steer)	
8	7023936	1	Seal Kit - 70005723 Valve	
9	70005448	1	Cartridge, Solenoid Valve	
9	70004580	1	Seal Kit - 70005448 Valve	
9	7022390	1	Nut, Coil	
10	70050516	6	Coil	
11	70002963	4	Coil	
12	2220885	6	Plug	
13	2220883	6	Plug	
14	70005724	1	Lockdown Kit	

SECTION 2 - GROUND CONTROLS

FIGURE 2-5. FLOW DIVIDER VALVE ASSEMBLY



ART_4641303

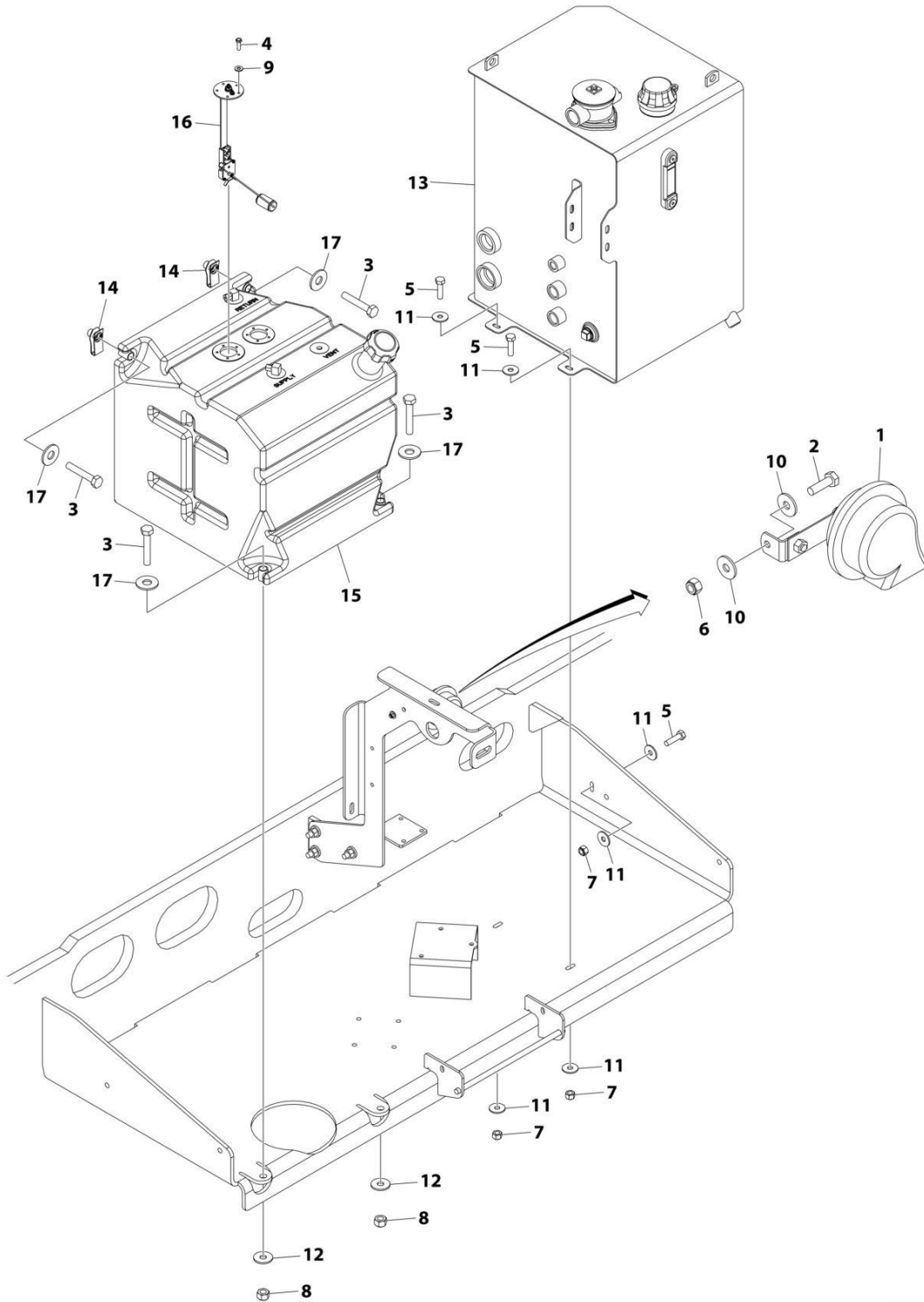
SECTION 2 - GROUND CONTROLS

FIGURE 2-5. FLOW DIVIDER VALVE ASSEMBLY

ITEM	PART NUMBER	QTY	DESCRIPTION	REV
	4641303	Ref	FLOW DIVIDER VALVE ASSEMBLY	C
1	7023933	1	Cartridge, Flow Divider	
1	7021625	1	Seal Kit - 7023933 Cartridge	
2	7022397	6	Cartridge, Check	
2	7022399	6	Seal Kit - 7022397 Cartridge	
3	7021639	2	Cartridge, Check Valves	
3	2900756	2	Seal Kit - 7022398 Cartridge	
4	7024881	1	Piston, Pilot	
5	7023917	2	Cartridge, Flow Divider	
5	7021625	2	Seal Kit - 7023917 Cartridge	
6	70003935	2	Orifice	
7	70003936	1	Orifice	

SECTION 2 - GROUND CONTROLS

FIGURE 2-6. TANKS AND HORN INSTALLATION (DIESEL MACHINES)



ART_1001204617_C

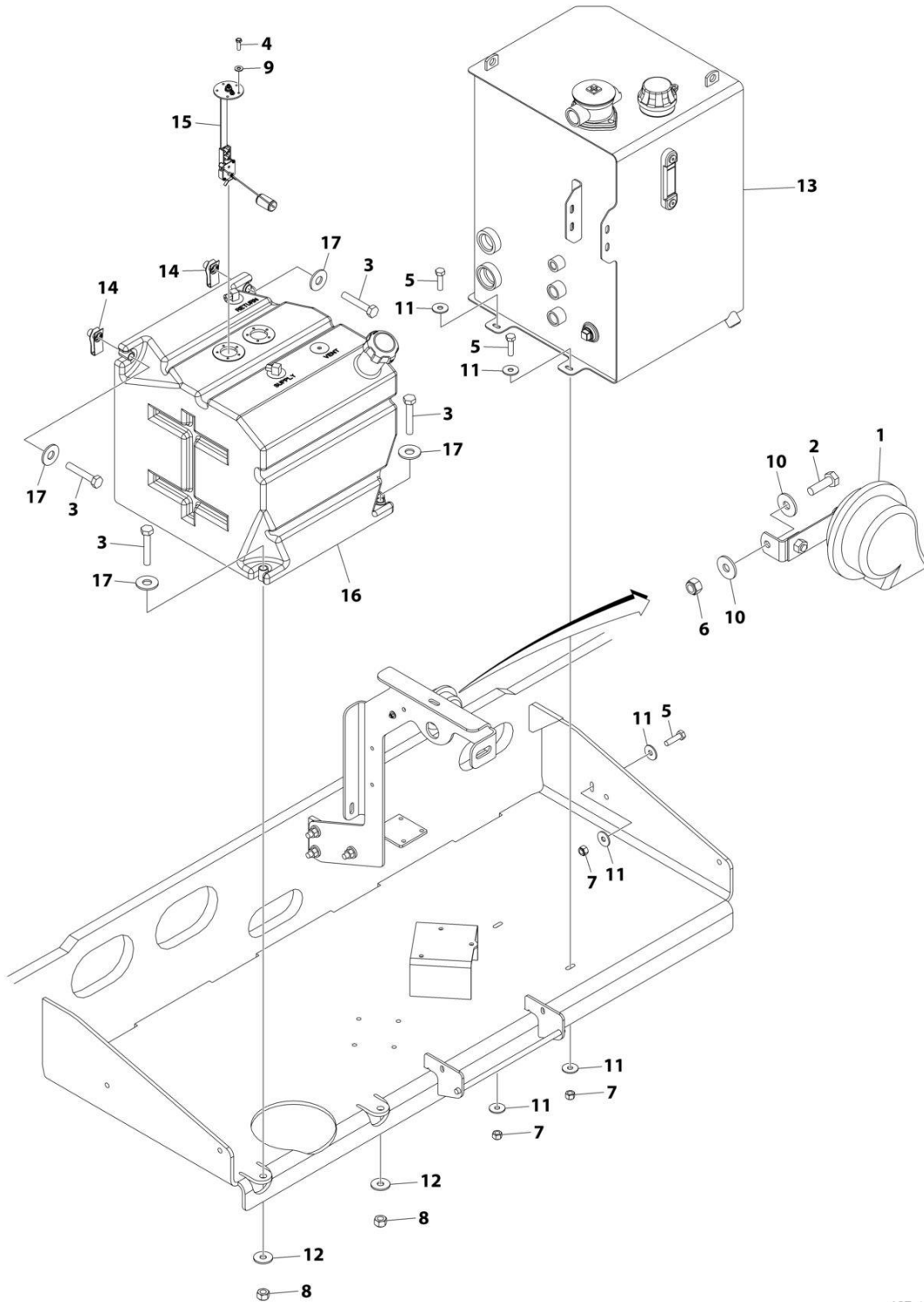
SECTION 2 - GROUND CONTROLS

FIGURE 2-6. TANKS AND HORN INSTALLATION (DIESEL MACHINES)

ITEM	PART NUMBER	QTY	DESCRIPTION	REV
	1001204617	Ref	TANKS AND HORN INSTALLATION (DIESEL MACHINES)	C
1	0140001	1	Horn	
2	0700610	1	Bolt M6 x 20	
3	0701020	4	Bolt M10 x 60	
4	0731005	5	Screw #10 x 5/8	
5	0760814	3	Bolt M8 x 30	
6	3290605	1	Nut M6	
7	3290805	3	Nut M8	
8	3291005	2	Nut M10	
9	4751000	5	Washer #10	
10	4811702	2	Washer M6	
11	4811902	6	Washer M8	
12	4812002	2	Washer M12	
13	1001102823	1	Hydraulic Tank Assembly (See Separate Breakdown in this Section)	
14	1001118972	2	Nut, Tinnerman M10	
15	1001163418	1	Fuel Tank Assembly	
15	1001193336	1	Cap, Fuel	
15	70004794	1	Tube, Pick-up	
16	1001231195	1	Sensor, Fuel Level	
17	4751800	4	Washer 1/2	

SECTION 2 - GROUND CONTROLS

FIGURE 2-7. TANKS AND HORN INSTALLATION (GAS MACHINES)



ART_1001204618_C

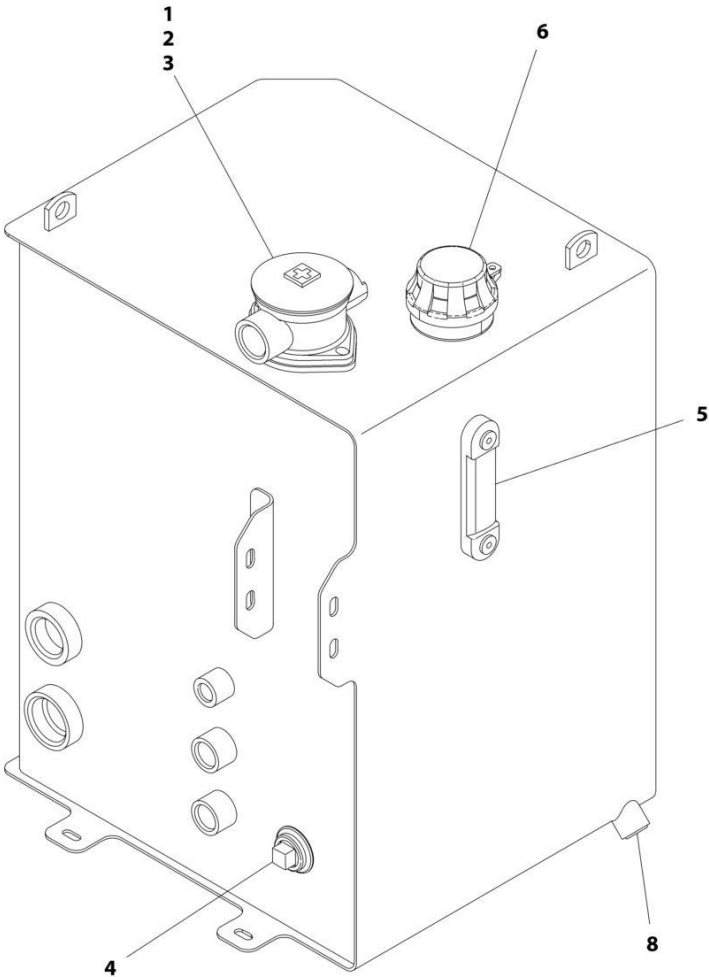
SECTION 2 - GROUND CONTROLS

FIGURE 2-7. TANKS AND HORN INSTALLATION (GAS MACHINES)

ITEM	PART NUMBER	QTY	DESCRIPTION	REV
	1001204618	Ref	TANKS AND HORN INSTALLATION (GAS MACHINES)	C
1	0140001	1	Horn	
2	0700610	1	Bolt M6 x 20	
3	0701020	4	Bolt M10 x 60	
4	0731005	5	Screw #10 x 5/8	
5	0760814	3	Bolt M8 x 30	
6	3290605	1	Nut M6	
7	3290805	3	Nut M8	
8	3291005	2	Nut M10	
9	4751000	5	Washer #10	
10	4811702	2	Washer M6	
11	4811902	6	Washer M8	
12	4812002	2	Washer M10	
13	1001102823	1	Hydraulic Tank Assembly (See Separate Breakdown in this Section)	
14	1001118972	2	Nut, Tinnerman M10	
15	1001231195	1	Sensor, Fuel Level	
16	1001206896	1	Fuel Tank Assembly	
16	1001207109	1	Cap, Fuel	
16	70004794	1	Tube, Pick-up	
17	4751800	4	Washer 1/2	

SECTION 2 - GROUND CONTROLS

FIGURE 2-8. HYDRAULIC TANK ASSEMBLY



ART_1001102823

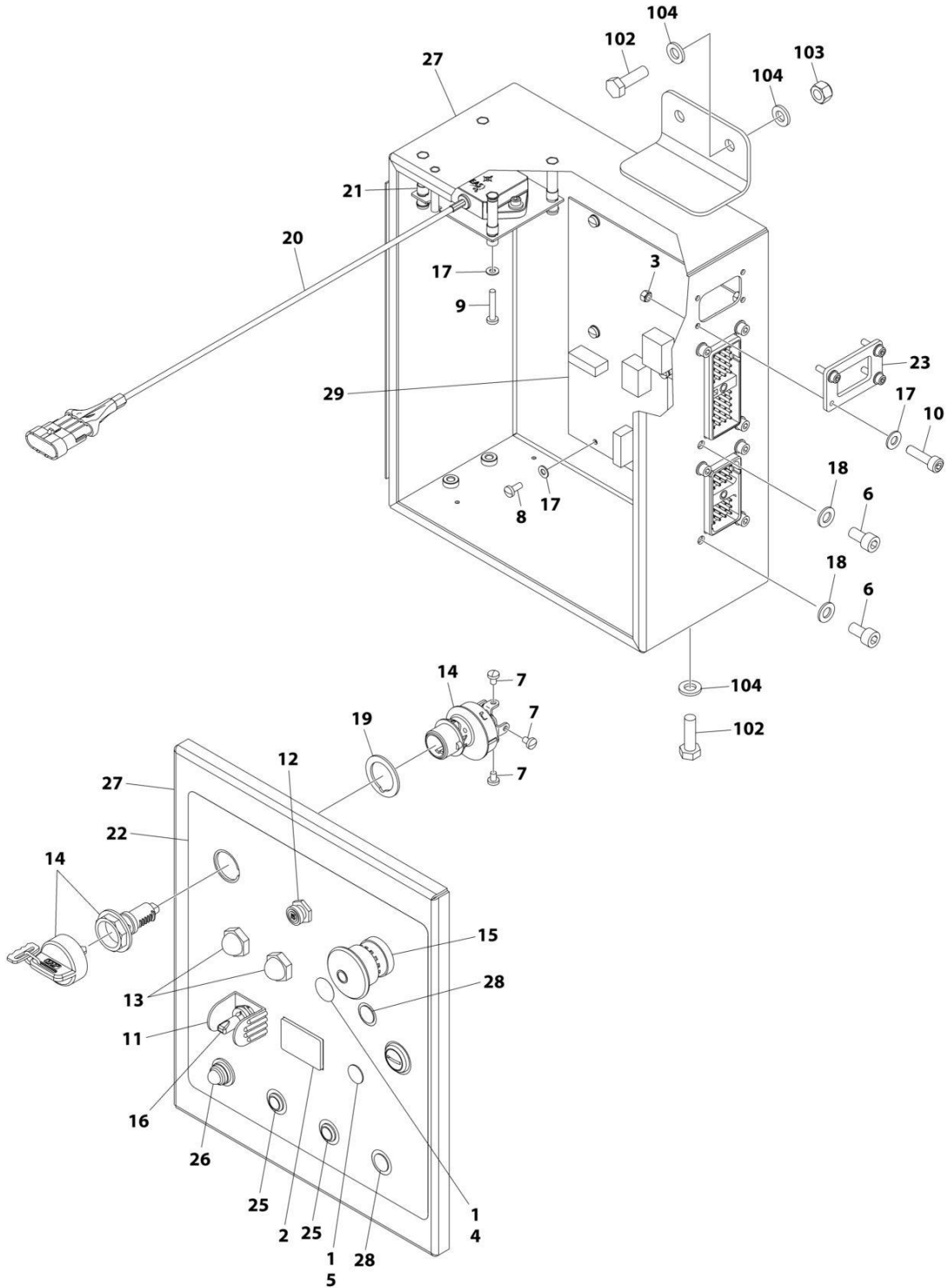
SECTION 2 - GROUND CONTROLS

FIGURE 2-8. HYDRAULIC TANK ASSEMBLY

ITEM	PART NUMBER	QTY	DESCRIPTION	REV
	1001102823	Ref	HYDRAULIC TANK ASSEMBLY	C
1	70001959	1	Filter, Return	
1	70001960	1	Element, Filter	
1	70002768	1	Spring, Return Filter Assembly	
2	7023306	1	Seal Between Filter Cover and Head	
3	7023347	1	Gasket Between Tank and Filter Flange	
4	7024446	1	Plug, Magnetic 1in NPT	
5	7024441	1	Gauge, Fluid Level	
6	70002113	1	Breather/Fill Cap	
7	See Note	2	Strainer (Note: Not a serviceable Item per Vendor) (Not Shown)	
8	70002112	1	Plug, Magnetic	

SECTION 2 - GROUND CONTROLS

FIGURE 2-9. GROUND CONTROL BOX ASSEMBLY (DIESEL MACHINES)



ART_1001236352

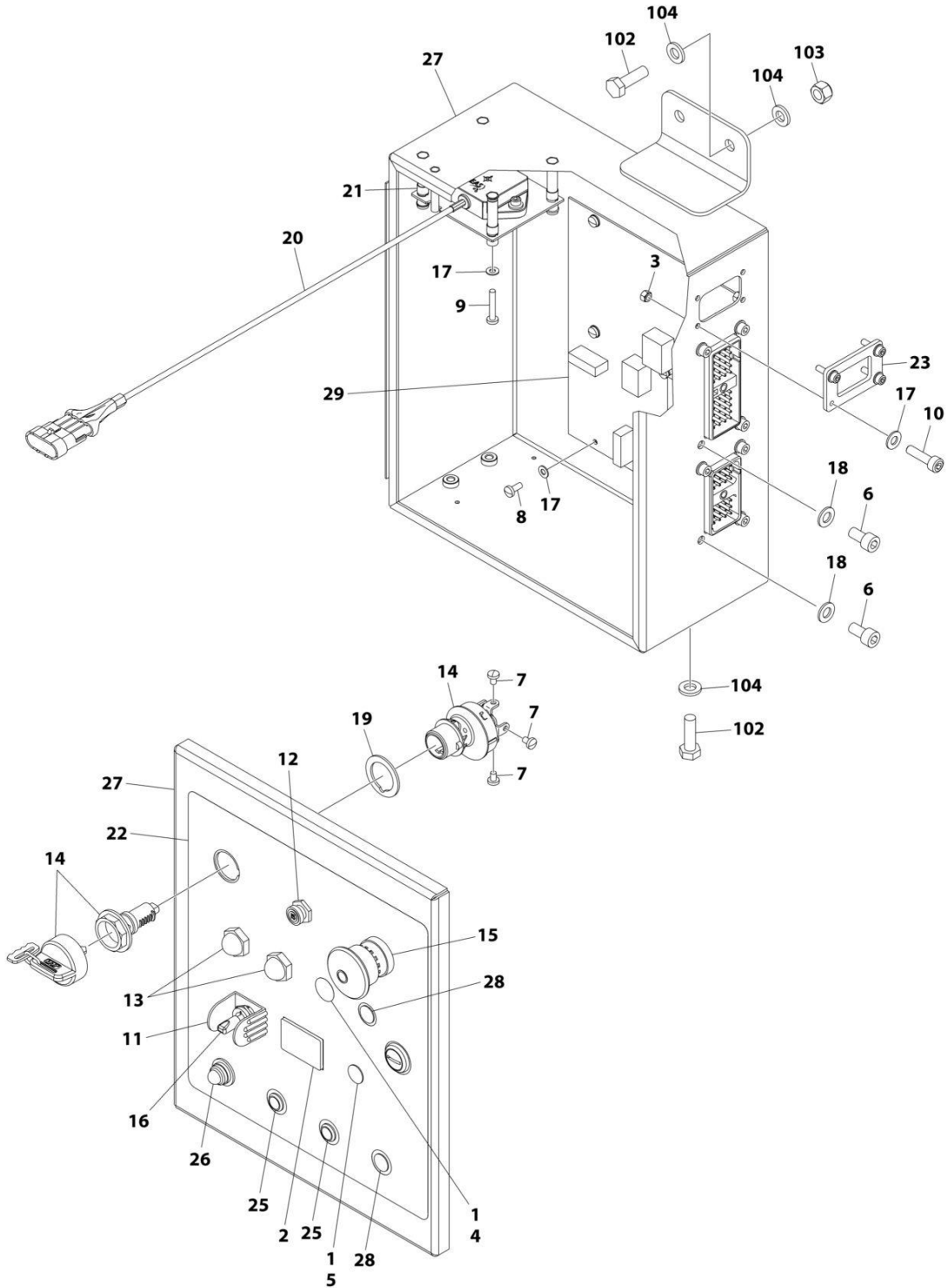
SECTION 2 - GROUND CONTROLS

FIGURE 2-9. GROUND CONTROL BOX ASSEMBLY (DIESEL MACHINES)

ITEM	PART NUMBER	QTY	DESCRIPTION	REV
	1001236352	Ref	GROUND CONTROL BOX ASSEMBLY (DIESEL MACHINES)	C
1	0100009	AR	Sealant	
2	2420172	1	Hourmeter	
3	3290405	4	Nut M4	
4	3520026	1	Plug	
5	3250028	1	Plug	
6	3900300	8	Capscrew #10 x 3/8	
7	4010403	3	Screw M4 x 6	
8	4010405	4	Screw M4 x 10	
9	4010412	4	Screw M4 x 24	
10	4031507	4	Capscrew M4 x 16	
11	4060802	1	Guard, Switch	
12	4360070	1	Breaker, Circuit 15Amp	
13	4360387	2	Switch, Push Button	
14	4360469	1	Switch Key	
14	2860030	1 Set	Key, Replacement	
15	1001274559	1	Switch, Emergency Stop (Plastic)	
15	4360475	1	Switch, Emergency Stop (Metal)	
15	7020175	1	Cap	
15	7020176	1	Block, Contact	
16	4360524	1	Switch, Toggle	
17	4811400	12	Washer M4	
18	4811600	8	Washer M5	
19	1001151393	1	Shim, Nylon .063	
20	1001181330	1	Sensor	
20	See Note	NSS	Connector - 4 Position (Note: Not Available for Purchase)	
20	See Note	NSS	Terminal (Note: Not Available for Purchase)	
21	1001184730	4	Washer	
22	1001189773	1	Decal - Ground Control	
23	1001190002	1	Seal, Connector	
24	1001214989	1	Ground Control Box Harness (Not Shown) (Upper) (See Separate Breakdown in ELECTRICAL SECTION)	
25	1001215255	2	Light, LED with Harness (Yellow)	
26	1001221687	1	Light with Harness (Yellow)	
26	2920029	1	Bulb, Light	
27	1001222169	1	Box, Ground Control	
28	1001226421	2	Plug, Hole	
29	1001234735	1	Module, Ground Control (Note: Re-calibration Required when Replaced)	
30	1001236154	1	Ground Control Box Harness (Not Shown) (Lower) (See Separate Breakdown in ELECTRICAL SECTION)	
	1001210755	Ref	GROUND CONTROL BOX INSTALLATION (DIESEL MACHINES)	C
102	0760610	6	Bolt M6 x 20	
103	3290605	2	Nut M6	
104	4811700	8	Washer M6	

SECTION 2 - GROUND CONTROLS

FIGURE 2-10. GROUND CONTROL BOX ASSEMBLY (GAS MACHINES)



ART_1001236351

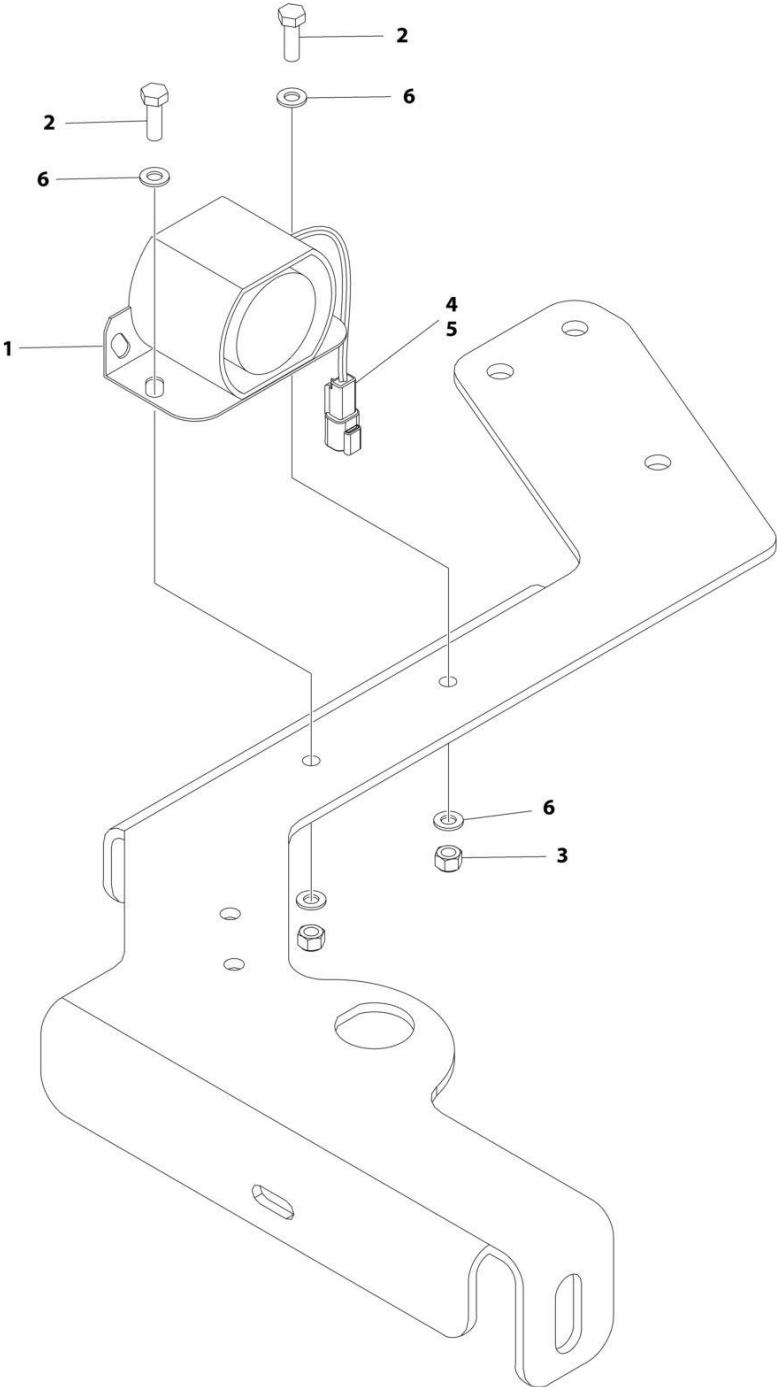
SECTION 2 - GROUND CONTROLS

FIGURE 2-10. GROUND CONTROL BOX ASSEMBLY (GAS MACHINES)

ITEM	PART NUMBER	QTY	DESCRIPTION	REV
	1001236351	Ref	GROUND CONTROL BOX ASSEMBLY (GAS MACHINES)	C
1	0100009	AR	Sealant	
2	2420172	1	Hourmeter	
3	3290405	4	Nut M4	
4	3520026	2	Plug	
5	3250028	1	Plug	
6	3900300	8	Capscrew #10 x 3/8	
7	4010403	3	Screw M4 x 6	
8	4010405	4	Screw M4 x 10	
9	4010412	4	Screw M4 x 24	
10	4031507	4	Capscrew M4 x 16	
11	4060802	1	Guard, Switch	
12	4360070	1	Breaker, Circuit 15Amp	
13	4360387	1	Switch, Push Button	
14	4360469	1	Switch Key	
14	2860030	1 Set	Key, Replacement	
15	1001274559	1	Switch, Emergency Stop (Plastic)	
15	4360475	1	Switch, Emergency Stop (Metal)	
15	7020175	1	Cap	
15	7020176	1	Block, Contact	
16	4360524	1	Switch, Toggle	
17	4811400	12	Washer M4	
18	4811600	8	Washer M5	
19	1001151393	1	Shim, Nylon .063	
20	1001181330	1	Sensor	
20	See Note	NSS	Connector - 4 Position (Note: Not Available for Purchase)	
20	See Note	NSS	Terminal (Note: Not Available for Purchase)	
21	1001184730	4	Washer	
22	1001189773	1	Decal - Ground Control	
23	1001190002	1	Seal, Connector	
24	1001214989	1	Ground Control Box Harness (Not Shown) (Upper) (See Separate Breakdown in ELECTRICAL SECTION)	
25	1001215255	2	Light, LED with Harness (Yellow)	
26	1001221687	1	Light with Harness (Yellow)	
26	2920029	1	Bulb, Light	
27	1001222169	1	Box, Ground Control	
28	1001226421	2	Plug, Hole	
29	1001234735	1	Module, Ground Control (Note: Re-calibration Required when Replaced)	
30	1001236154	1	Ground Control Box Harness (Not Shown) (Lower) (See Separate Breakdown in ELECTRICAL SECTION)	
	1001210754	Ref	GROUND CONTROL BOX INSTALLATION (DIESEL MACHINES)	C
102	0760610	6	Bolt M6 x 20	
103	3290605	2	Nut M6	
104	4811700	8	Washer M6	

SECTION 2 - GROUND CONTROLS

FIGURE 2-11. MOTION ALARM INSTALLATION



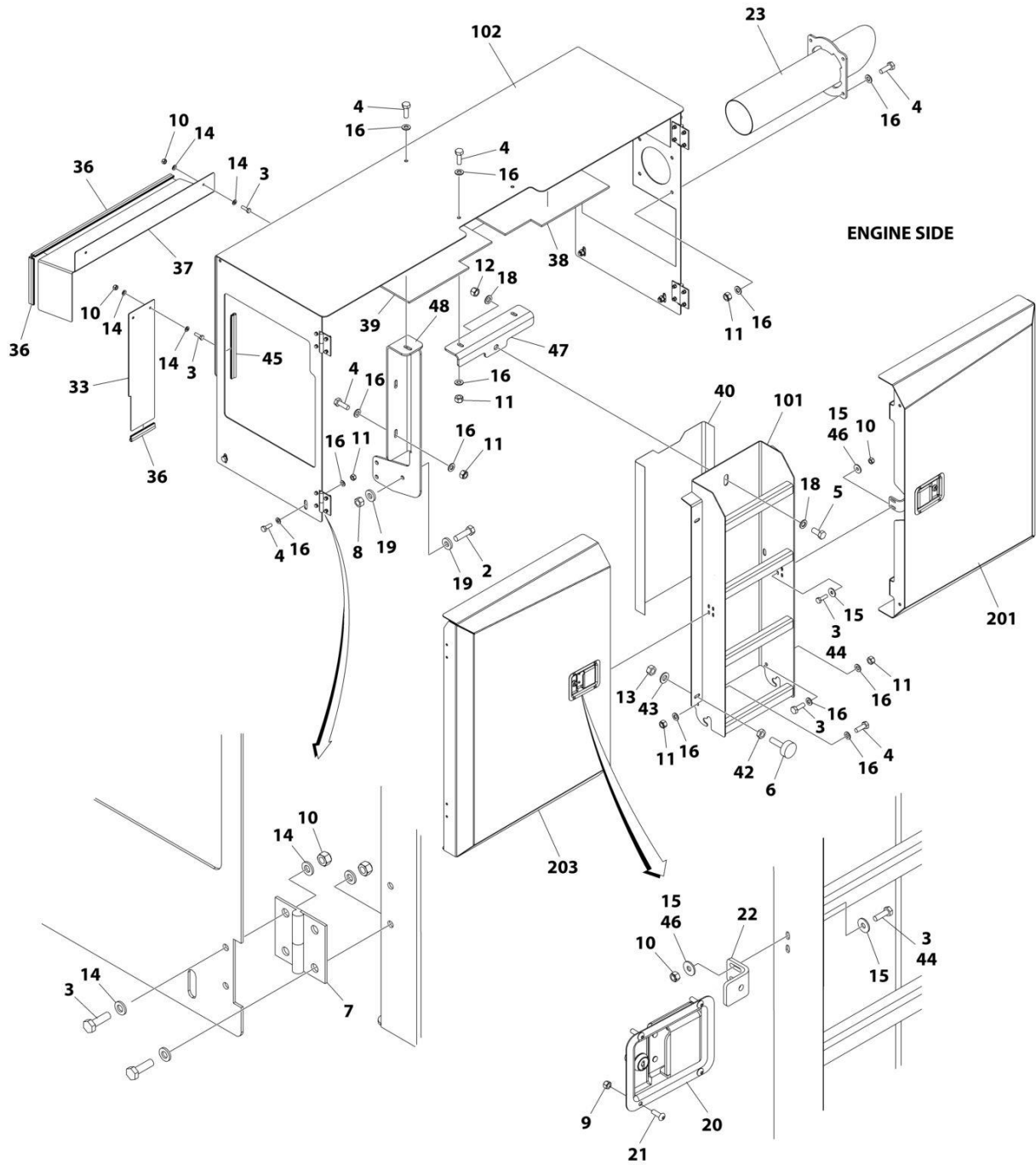
ART_1001206689

SECTION 2 - GROUND CONTROLS

FIGURE 2-11. MOTION ALARM INSTALLATION

ITEM	PART NUMBER	QTY	DESCRIPTION	REV
	1001206689	Ref	MOTION ALARM INSTALLATION	A
1	0140032	1	Alarm	
2	0770812	2	Bolt M8 x 25	
3	3290805	2	Nut M8	
4	4460464	2	Pin, Male	
5	4460897	1	Receptacle, Female - 2 Position	
6	4811900	4	Washer M8	

SECTION 2 - GROUND CONTROLS



ART_1001204695_M_20F2

SECTION 2 - GROUND CONTROLS

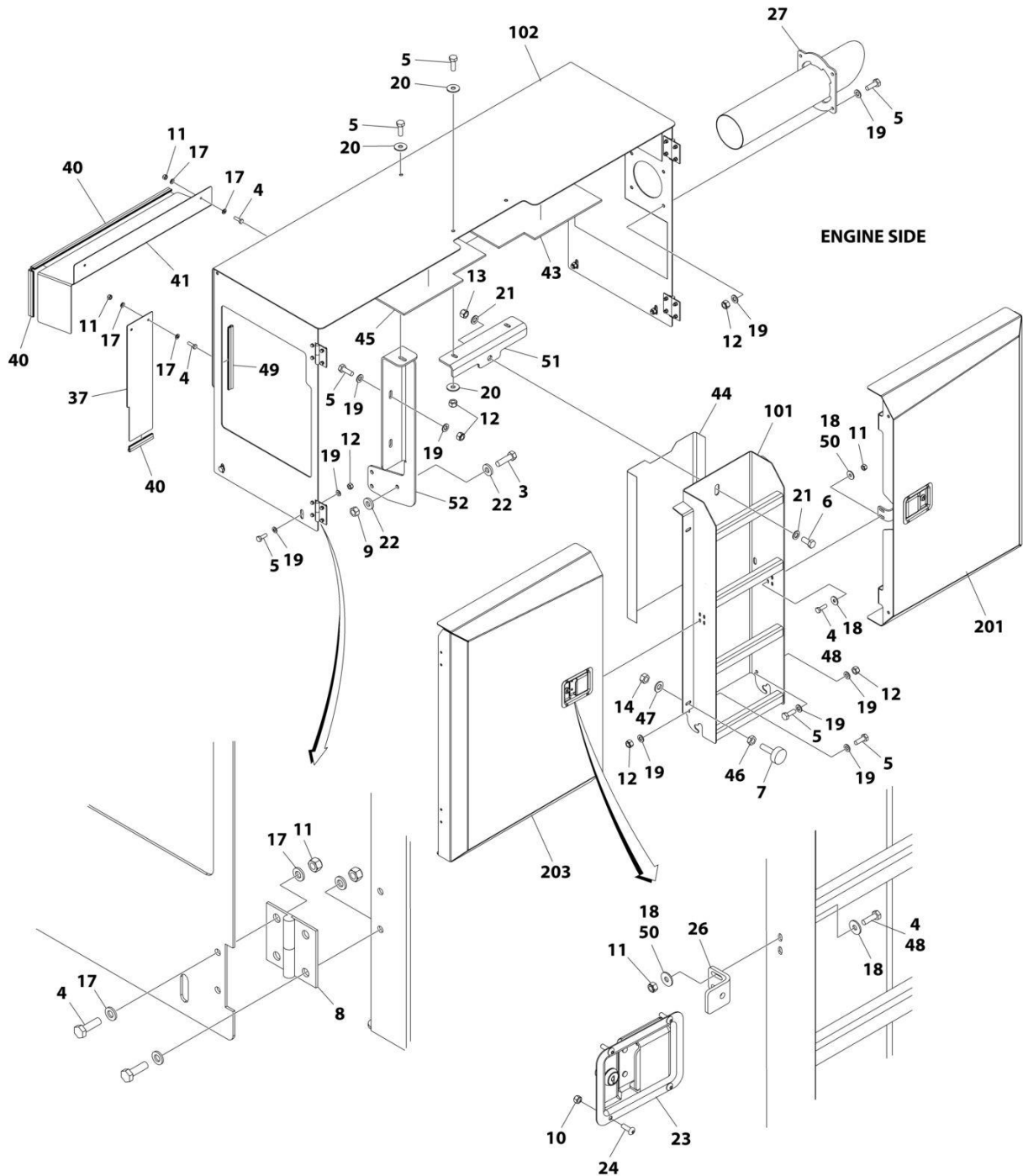
FIGURE 2-12. HOODS AND LADDERS INSTALLATION (RT3394)

ITEM	PART NUMBER	QTY	DESCRIPTION	REV
	1001204695	Ref	HOODS AND LADDERS INSTALLATION	M
1	0100011	AR	Compound, Locking	
2	0681814	6	Bolt 1/2 x 1-3/4 Grade 8	
3	0760610	43	Bolt M6 x 20	
4	0761014	23	Bolt M10 x 30	
5	0761615	2	Bolt M16 x 35	
6	0940049	8	Stopper	
7	2600216	8	Hinge	
8	3271805	6	Nut 1/2 Grade 8	
9	3290505	AR	Nut M5	
10	3290605	51	Nut M6	
11	3291005	19	Nut M10	
12	3291605	2	Nut M16	
13	3311501	8	Nut 5/16	
14	4811700	86	Washer M6	
15	4811702	16	Washer M6	
16	4812000	40	Washer M10	
17	4812002	2	Washer M10	
18	4812300	4	Washer M16	
19	4891800	12	Washer 1/2	
20	1001257454	4	Latch	
21	1001099125	AR	Screw M5 x 16 Grade 10.9	
22	1001219882	4	Bracket, Latch	
23	1001183416	1	Tube, Exhaust	
30	1001204248	1	Bracket, Ground Control Box	
31	1001204382	AR	Support, Ladder	
32	1001209208	1	Support, Harness	
33	1001218727	1	Bracket, Generator	
36	1001110433	37.2 in/ 94.5cm	Seal	
37	1001218729	1	Bracket, Generator	
38	1001225258	1	Insulate (Right)	
39	1001225257	1	Insulate (Left)	
40	1001238471	1	Insulate	
41	1001226221	1	Plate, Access	
42	3311502	8	Nut 5/16 Grade 2	
43	4711500	16	Washer 5/16	
44	0760612	8	Bolt M6 x 25	
45	4060803	7.4 in /19cm	Shield, Flex Trim	
46	5240600	AR	Washer M6	
47	1001237907	1	Bracket, Ladder Support	
48	1001237908	1	Bracket, Hood Support	
100	1001219802	1	Hood Kit	
101	1001204140	2	Ladder	
102	1001239222	1	Cover (Engine Side)	
103	1001204236	1	Cover (Tank Side)	
200	1001258394	1	Door Kit	
201	1001258390	2	Door (Rear)	
202	1001258391	1	Door (Tank Side Front)	

SECTION 2 - GROUND CONTROLS

ITEM	PART NUMBER	QTY	DESCRIPTION	REV
203	1001258392	1	Door (Engine Side Front)	

SECTION 2 - GROUND CONTROLS



ART_1001206467_M_20F2

SECTION 2 - GROUND CONTROLS

FIGURE 2-13. HOODS AND LADDERS INSTALLATION (RT4394)

ITEM	PART NUMBER	QTY	DESCRIPTION	REV
	1001206467	Ref	HOODS AND LADDERS INSTALLATION	M
1	0100011	AR	Compound, Locking	
2	0641609	8	Bolt 3/8 x 1-1/8	
3	0681814	6	Bolt 1/2 x 1-3/4 Grade 8	
4	0760610	43	Bolt M6 x 20	
5	0761014	23	Bolt M10 x 30	
6	0761615	2	Bolt M16 x 35	
7	0940049	8	Stopper	
8	2600216	8	Hinge	
9	3271805	6	Nut 1/2 Grade 8	
10	3290505	AR	Nut M5	
11	3290605	51	Nut M6	
12	3291005	19	Nut M10	
13	3291605	2	Nut M16	
14	3311501	8	Nut 5/16	
15	3311605	8	Nut 3/8	
16	4751600	16	Washer 3/8	
17	4811700	86	Washer M6	
18	4811702	16	Washer M6	
19	4812000	40	Washer M10	
20	4812002	2	Washer M10	
21	4812300	4	Washer M16	
22	4891800	12	Washer 1/2	
23	1001093383	4	Latch	
24	1001099125	AR	Screw M5 x 16 Grade 10.9	
25	1001167469	2	Ladder	
26	1001219882	4	Bracket, Latch	
27	1001183416	1	Tube, Exhaust	
34	1001204248	1	Bracket, Ground Control Box	
35	1001204382	1	Support, Ladder	
36	1001209208	1	Support, Harness	
37	1001218727	1	Bracket, Generator	
40	1001110433	37.2 in/ 94.5cm	Seal	
41	1001218729	1	Bracket, Generator	
42	1001226221	1	Plate, Access	
43	1001225258	1	Insulate (Right)	
44	1001228471	1	Insulate	
45	1001225257	1	Insulate (Left)	
46	3311502	8	Nut 5/16 Grade 2	
47	4711500	16	Washer 5/16	
48	0760612	8	Bolt M6 x 25	
49	4060803	7.4 in /19cm	Shield, Flex Trim	
50	5240600	1	Washer M6	
51	1001237907	1	Bracket, Ladder Support	
52	1001237908	1	Bracket, Hood Support	
100	1001219802	1	Hood Kit	
101	1001204140	2	Ladder	
102	1001239222	1	Cover (Engine Side)	

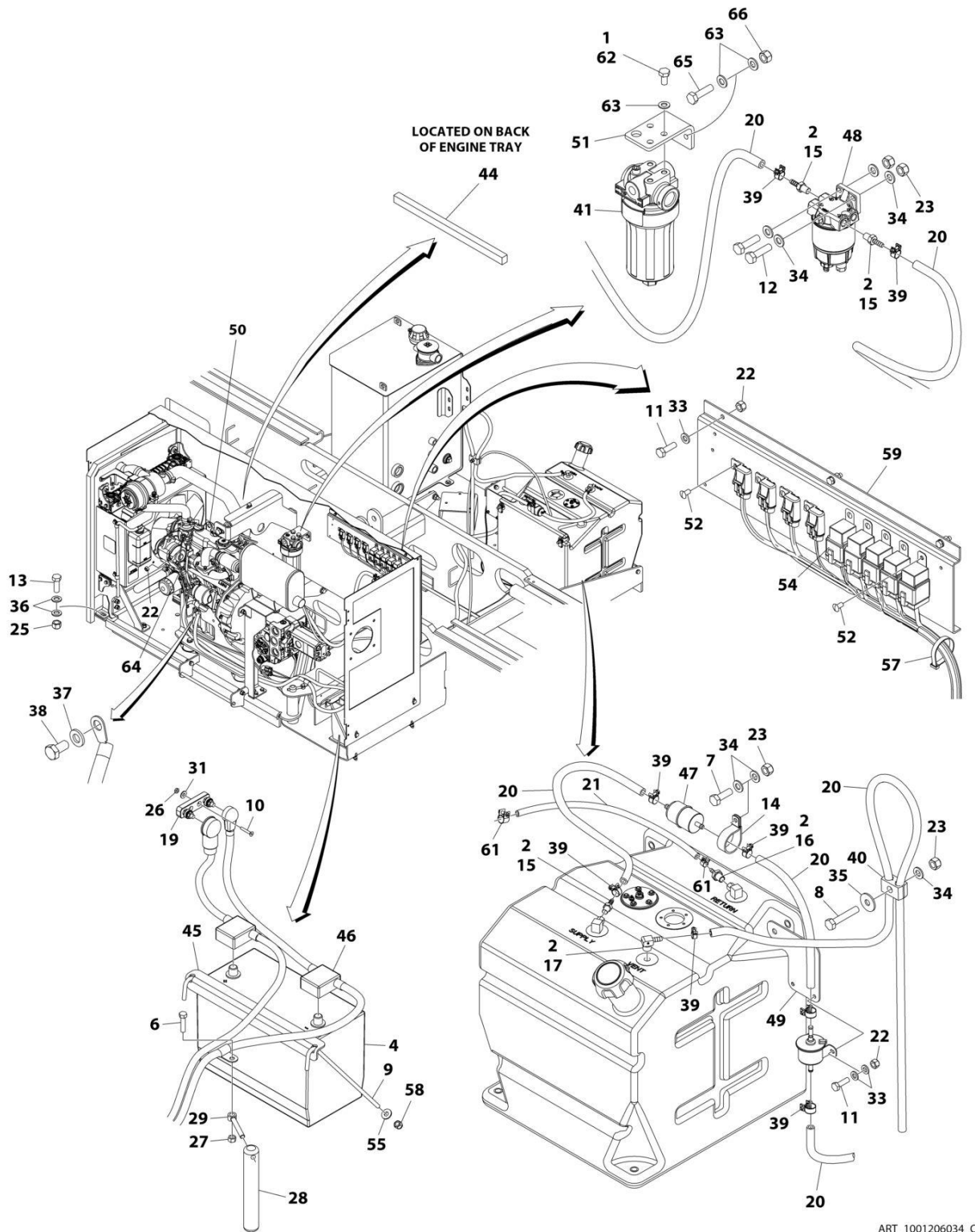
SECTION 2 - GROUND CONTROLS

ITEM	PART NUMBER	QTY	DESCRIPTION	REV
103	1001204236	1	Cover (Tank Side)	
200	1001258394	1	Door Kit	
201	1001258390	2	Door (Rear)	
202	1001258391	1	Door (Tank Side Front)	
203	1001258392	1	Door (Engine Side Front)	

SECTION 3 - ENGINE

SECTION 3 - ENGINE

FIGURE 3-1. ENGINE INSTALLATION - KUBOTA DIESEL T4F



ART_1001206034_O

SECTION 3 - ENGINE

FIGURE 3-1. ENGINE INSTALLATION - KUBOTA DIESEL T4F

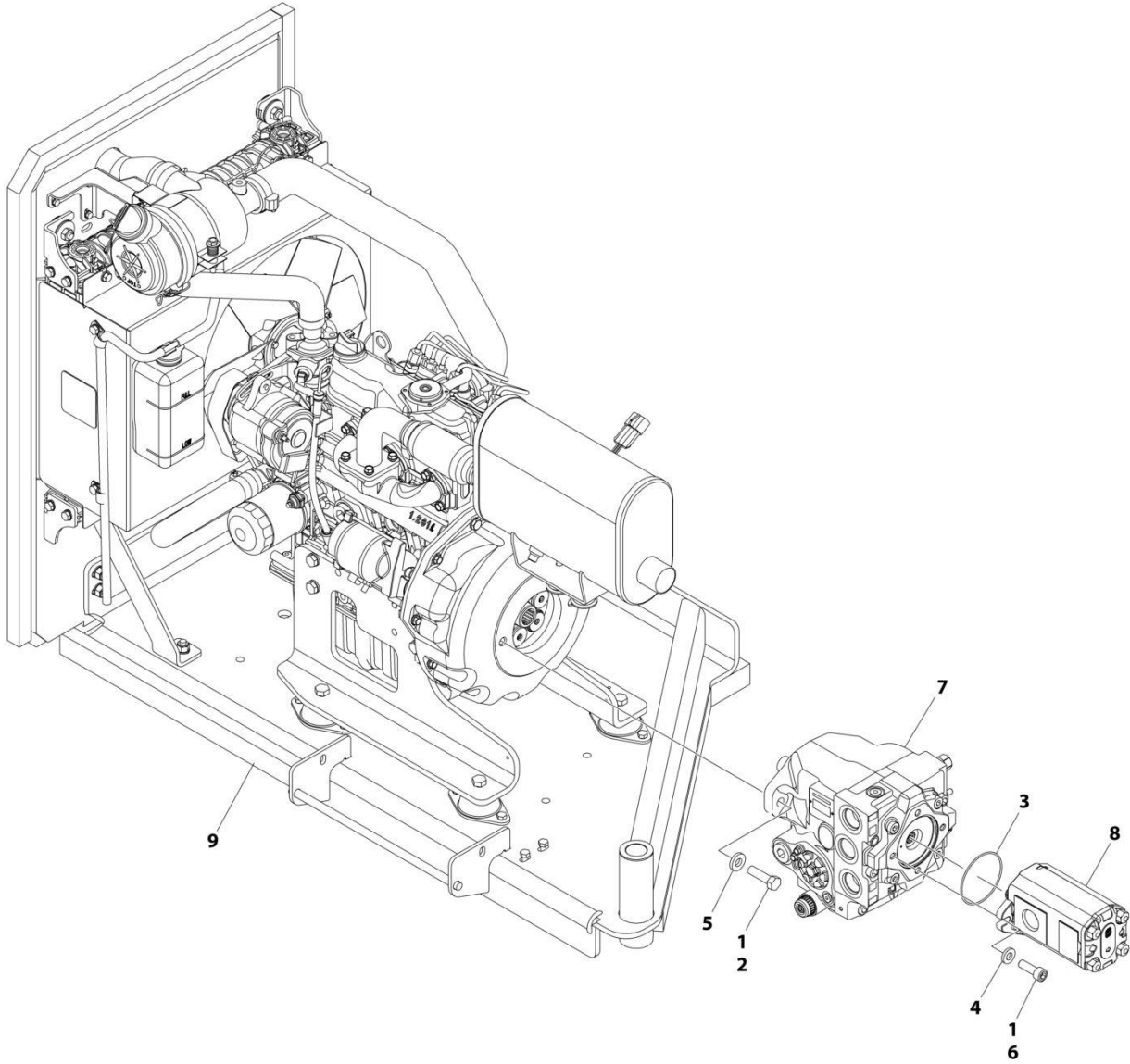
ITEM	PART NUMBER	QTY	DESCRIPTION	REV
	1001206034	Ref	ENGINE INSTALLATION - KUBOTA DIESEL T4F	O
1	0100011	AR	Compound, Locking	
2	0100020	AR	Sealant	
4	0400075	1	Battery	
6	0641612	1	Bolt 3/8 x 1-1/2	
7	0700812	1	Bolt M8 x 25	
8	0700817	1	Bolt M8 x 45	
9	1001093382	2	J-Bolt	
10	0741010	2	Screw #10 x 1-1/4	
11	0760610	5	Bolt M6 x 20	
12	0760814	2	Bolt M8 x 30	
13	0761617	1	Bolt M6 x 45	
14	1320265	1	Clamp	
15	2180348	3	Fitting, Straight NPT x Barbed	
16	2180666	1	Fitting, Straight NPT x Barbed	
17	1001208764	1	Fitting, 90 NPT x Barbed	
19	2400044	1	Block, Fuse Mounting	
20	2720058	242 in/ 6.2m	Hose	
21	2720271	136 in/ 3.5m	Hose	
22	3290605	6	Nut M6	
23	3290805	4	Nut M8	
25	3291605	1	Nut M16	
26	3300408	2	Nut	
27	3311605	1	Nut 3/8	
28	3422669	1	Pin	
29	3841143	1	Keeper, Pin	
31	4711400	2	Washer 1/4	
33	4811700	7	Washer M6	
34	4811900	7	Washer M8	
35	4811902	1	Washer M8	
36	4812300	2	Washer M16	
37	5241000	1	Washer M10	
38	8303511	1	Capscrew M10 x 20	
39	1001174486	9	Clamp	
40	8750014	1	Clamp	
41	1001208874	1	Filter, Change Pump	
41	70010383	1	Element, Filter	
44	1001183421	1	Foam, Baffle	
45	1001184065	1	Bracket, Hold Down	
46	1001186428	1	Battery Cable Kit (See Separate Breakdown in ELECTRICAL Section)	
47	1001190545	1	Filter, Fuel	
48	1001190609	1	Fuel/Water Separator Assembly - Diesel Engines (See Separate Breakdown in this Section)	
49	1001191146	1	Bracket	
50	1001238772	1	Engine and Pump Sub-Assembly – Kubota Diesel T4F (See Separate Breakdown in this Section)	
51	1001194836	1	Bracket	
52	3820020	9	Rivet	

SECTION 3 - ENGINE

ITEM	PART NUMBER	QTY	DESCRIPTION	REV
54	3740080	5	Relay	
55	4751500	2	Washer 5/16	
57	4240018	AR	Tie-Strap	
58	88521205	2	Nut 5/16	
59	1001185125	1	Plate	
60	1001236545	1	Engine Harness - Kubota Diesel T4F (Not Shown - See Separate Breakdown in ELECTRICAL Section)	
61	1001185585	2	Clamp	
62	0761010	3	Bolt M10 x 20	
63	4812000	7	Washer M10	
64	1001234069	1	Harness, Fusible Link	
65	0761014	2	Bolt M10 x 30	
66	3291005	2	Locknut M10	

SECTION 3 - ENGINE

FIGURE 3-2. ENGINE AND PUMP SUB-ASSEMBLY - KUBOTA DIESEL E4B



ART_1001238772

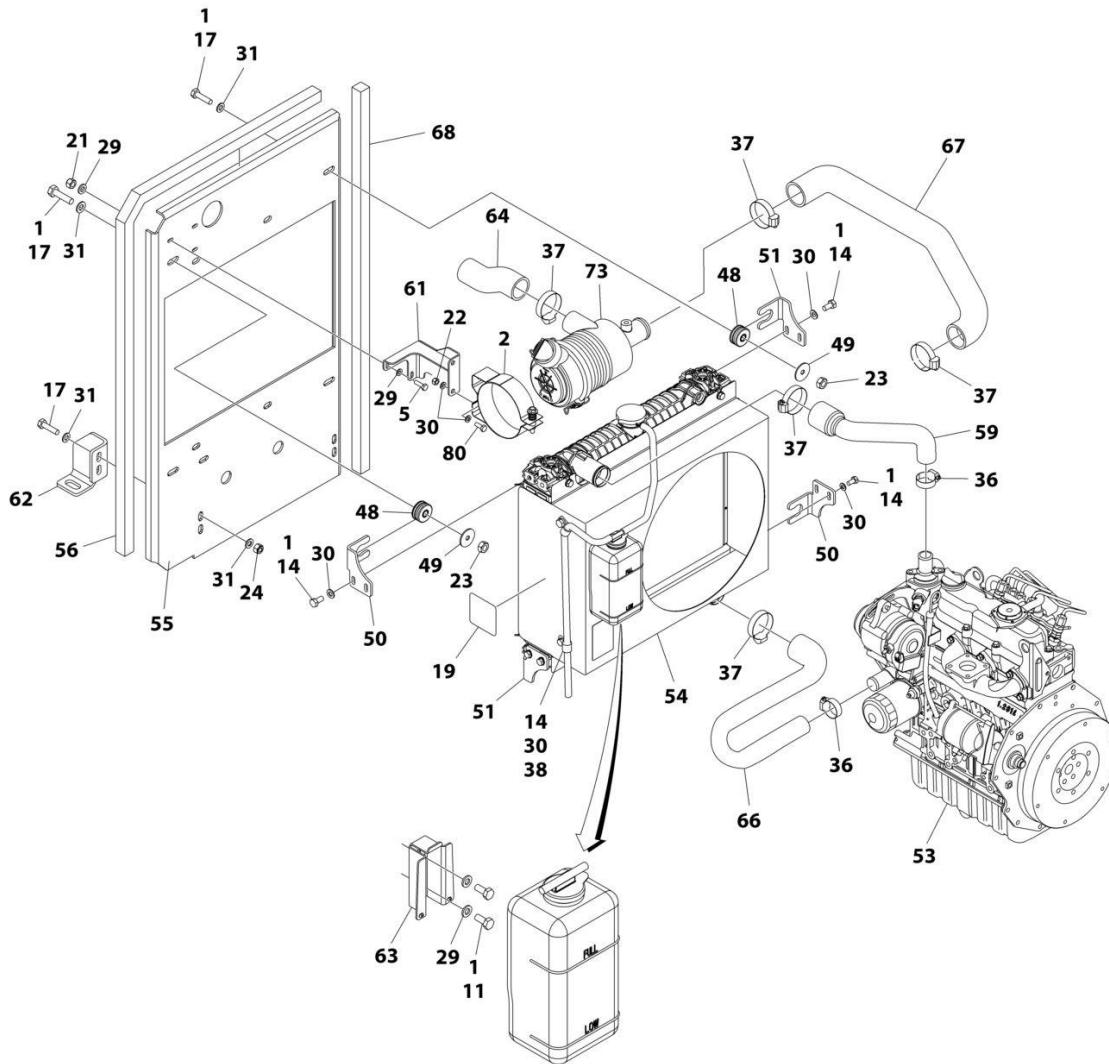
SECTION 3 - ENGINE

FIGURE 3-2. ENGINE AND PUMP SUB-ASSEMBLY - KUBOTA DIESEL E4B

ITEM	PART NUMBER	QTY	DESCRIPTION	REV
	1001238772	Ref	ENGINE AND PUMP SUB-ASSEMBLY - KUBOTA DIESEL E4B	C
1	0100011	AR	Compound, Locking	
2	0641814	2	Bolt 1/2 x 1-3/4	
3	3790152	1	O-Ring	
4	4891600	2	Washer 3/8	
5	4891800	2	Washer 1/2	
6	0761014	2	Capscrew M10 x 30	
7	1001101331	1	Piston Pump Assembly (See Separate Breakdown in this Section)	
8	1001239200	1	Gear Pump Assembly	
8	7023929	1	Seal Kit - 1001239200 Pump (Note: Seal Kit is only service component available)	
9	1001238771	1	Engine Assembly - Kubota Diesel E4B (See Separate Breakdown in this Section)	

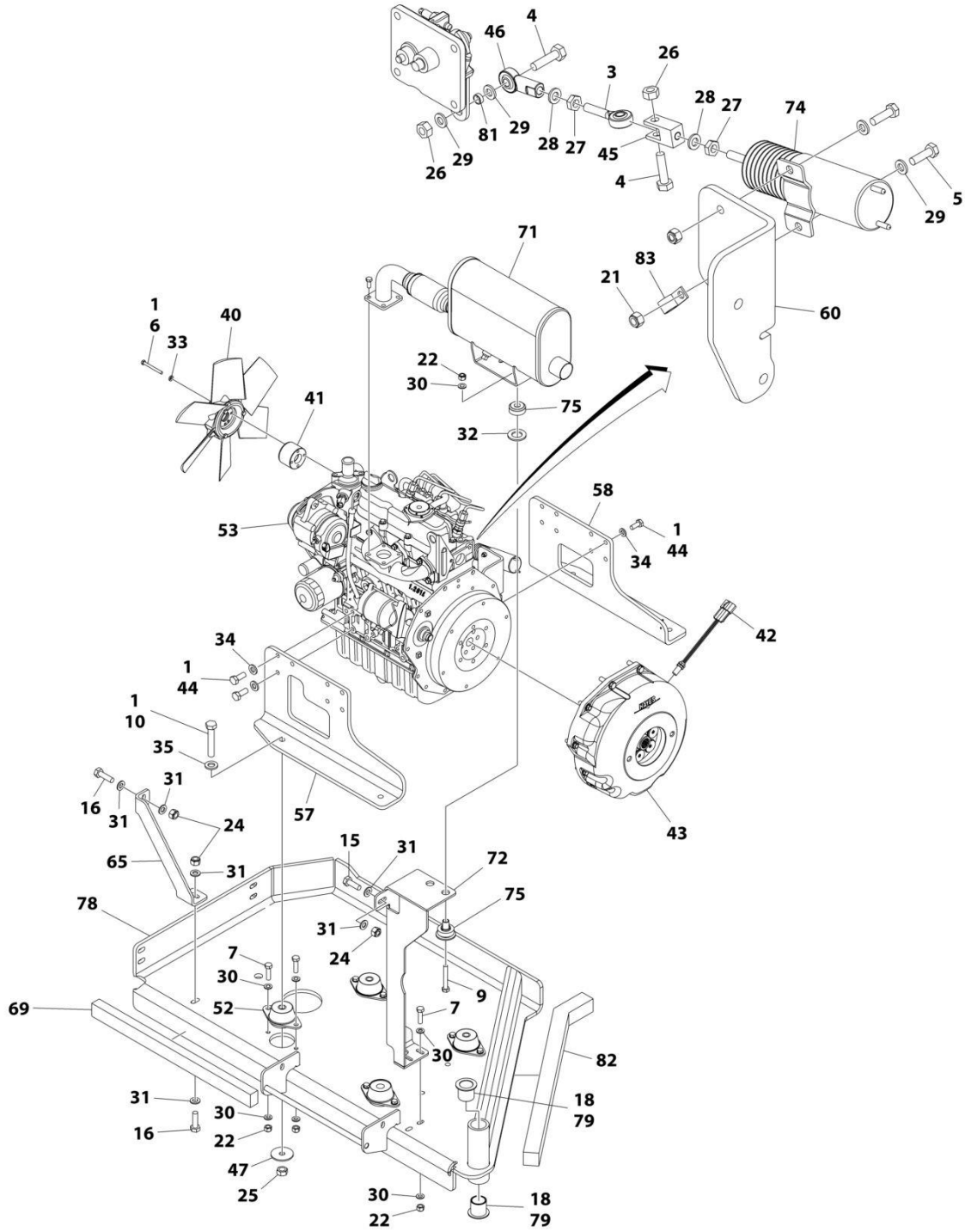
SECTION 3 - ENGINE

FIGURE 3-3. ENGINE ASSEMBLY - KUBOTA DIESEL E4B (Prior to SN M200059266, Including M200059362, M20059843 and M200059846)



ART_1001238771_1OF2

SECTION 3 - ENGINE



ART_1001238771_20F2

SECTION 3 - ENGINE

FIGURE 3-3. ENGINE ASSEMBLY - KUBOTA DIESEL E4B (Prior to SN M200059266, Including M200059362, M20059843 and M200059846)

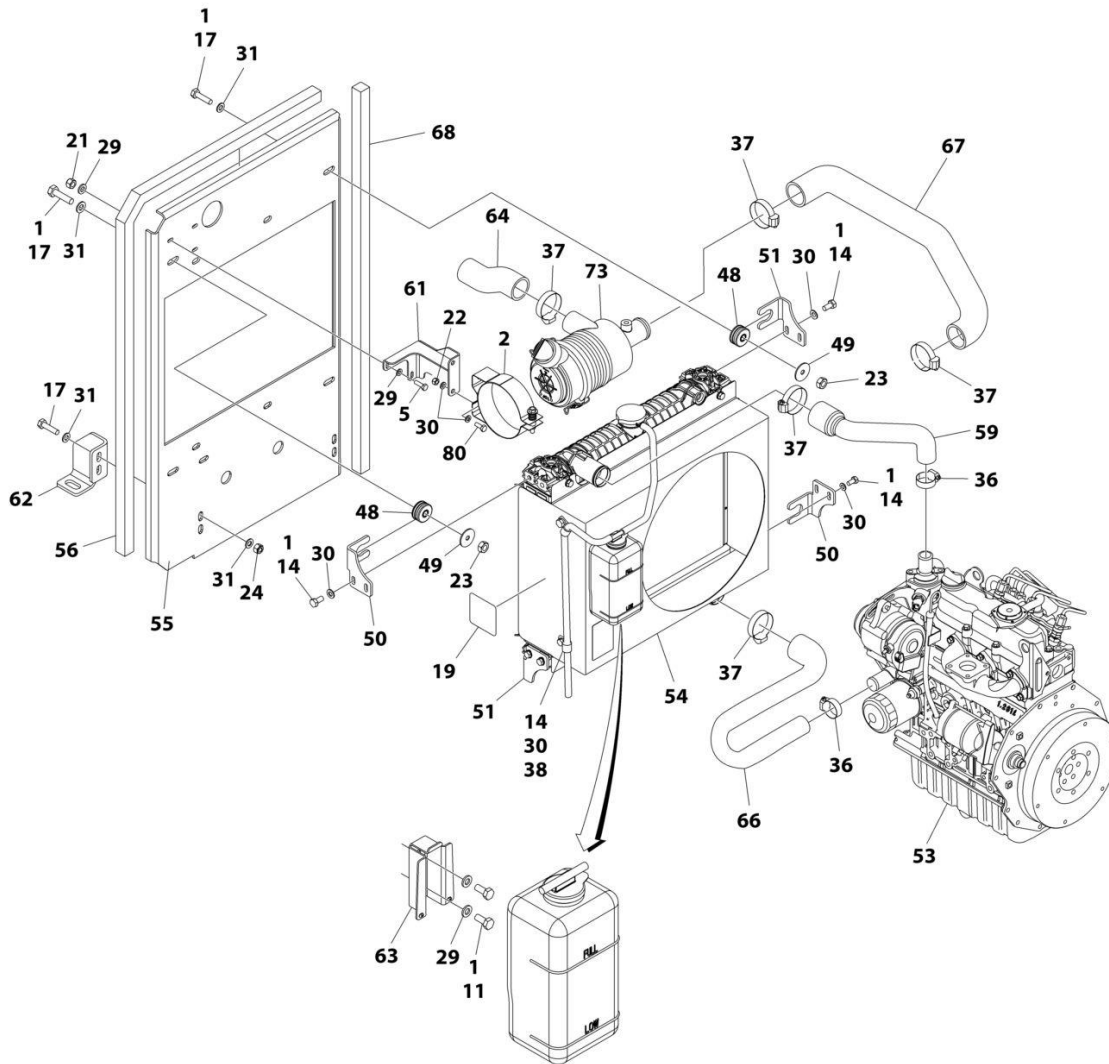
ITEM	PART NUMBER	QTY	DESCRIPTION	REV
	1001238771	Ref	ENGINE ASSEMBLY - KUBOTA DIESEL E4B	A
1	0100011	AR	Compound, Locking	
2	0340045	1	Band, Mounting	
3	0440334	1	End, Rod	
4	0641408	2	Bolt 1/4 x 1	
5	0700610	5	Bolt M6 x 20	
6	0700620	4	Bolt M6 x 60	
7	0700814	10	Bolt M8 x 30	
9	0700819	2	Bolt M8 x 55	
10	0701222	4	Bolt M12 x 70	
11	0760607	2	Bolt M6 x 14	
14	0760808	10	Bolt M8 x 16	
15	0761014	1	Bolt M10 x 30	
16	0761015	4	Bolt M10 x 35	
17	0761016	6	Bolt M10 x 40	
18	0961986	2	Bearing	
19	1703162	2	Decal - Fan Blade	
21	3290605	5	Nut M6	
22	3290805	14	Nut M8	
23	3291001	4	Nut M10	
24	3291005	7	Nut M10	
25	3291201	4	Nut M12	
26	3311405	2	Nut 1/4	
27	3321402	2	Nut 1/4	
28	4761400	2	Washer 1/4	
29	4811700	AR	Washer M6	
30	4811900	36	Washer M8	
31	4812000	18	Washer M10	
32	4812500	2	Washer M20	
33	5240600	4	Washer M6	
34	5241000	8	Washer M10	
35	5241200	4	Washer M12	
36	8405101	2	Clamp	
37	8405104	5	Clamp	
38	85941016	2	Clamp	
40	1001118538	1	Fan	
41	1001118539	1	Spacer, Fan	
42	1001118580	1	Sensor, Speed	
43	1001118675	1	Coupling Kit - Diesel Engines (See Separate Breakdown in this Section)	
44	1001118746	8	Bolt M10 x 25	
45	1001118881	1	Clevis	
46	1001118925	1	End, Rod	
47	1001168018	4	Washer	
48	1001169054	4	Isolator	
49	1001169138	AR	Pad	
50	1001169967	2	Bracket	
51	1001170035	2	Bracket	
52	1001187235	4	Mount, Motor	

SECTION 3 - ENGINE

ITEM	PART NUMBER	QTY	DESCRIPTION	REV
53	1001238770	1	Engine, Kubota T4F (See Separate Breakdown in this Section)	
54	1001220957	1	Radiator & Shroud Assembly	
54	1001198726	1	Radiator	
54	70007502	1	Valve, Drain	
54	1001220959	1	Shroud	
55	1001181658	1	Plate, Radiator	
56	1001227285	1	Seal	
57	1001182976	1	Mount, Engine (LH)	
58	1001182977	1	Mount, Engine (RH)	
59	1001182978	1	Tube, Inlet	
60	1001182979	1	Bracket, Throttle Cylinder	
61	1001182980	1	Bracket, Air Cleaner	
62	1001182981	1	Bracket	
63	1001182982	1	Mount	
64	1001182983	1	Tube, Intake	
65	1001182984	1	Bracket, Support	
66	1001182985	1	Tube, Outlet	
67	1001182987	1	Tube, Air Intake	
68	1001183420	1	Foam, Baffle	
69	1001183424	1	Foam, Baffle	
71	1001234950	1	Muffler	
72	1001195600	1	Bracket, Muffler	
73	1001118280	1	Air Filter Assembly	
73	7015004	2	Element	
73	7015005	1	Cover Assembly	
73	1340069	1	Valve, Vacuator	
74	1001118582	1	Actuator, Throttle	
75	1001125248	2	Mount, Engine	
78	1001205968	1	Tray	
79	1001180620	AR	Adhesive	
80	0760810	2	Bolt M8 x 20	
81	1001128888	1	Washer	
82	1001184066	1	Foam, Baffle	
83	1320043	1	Clamp, Cable	

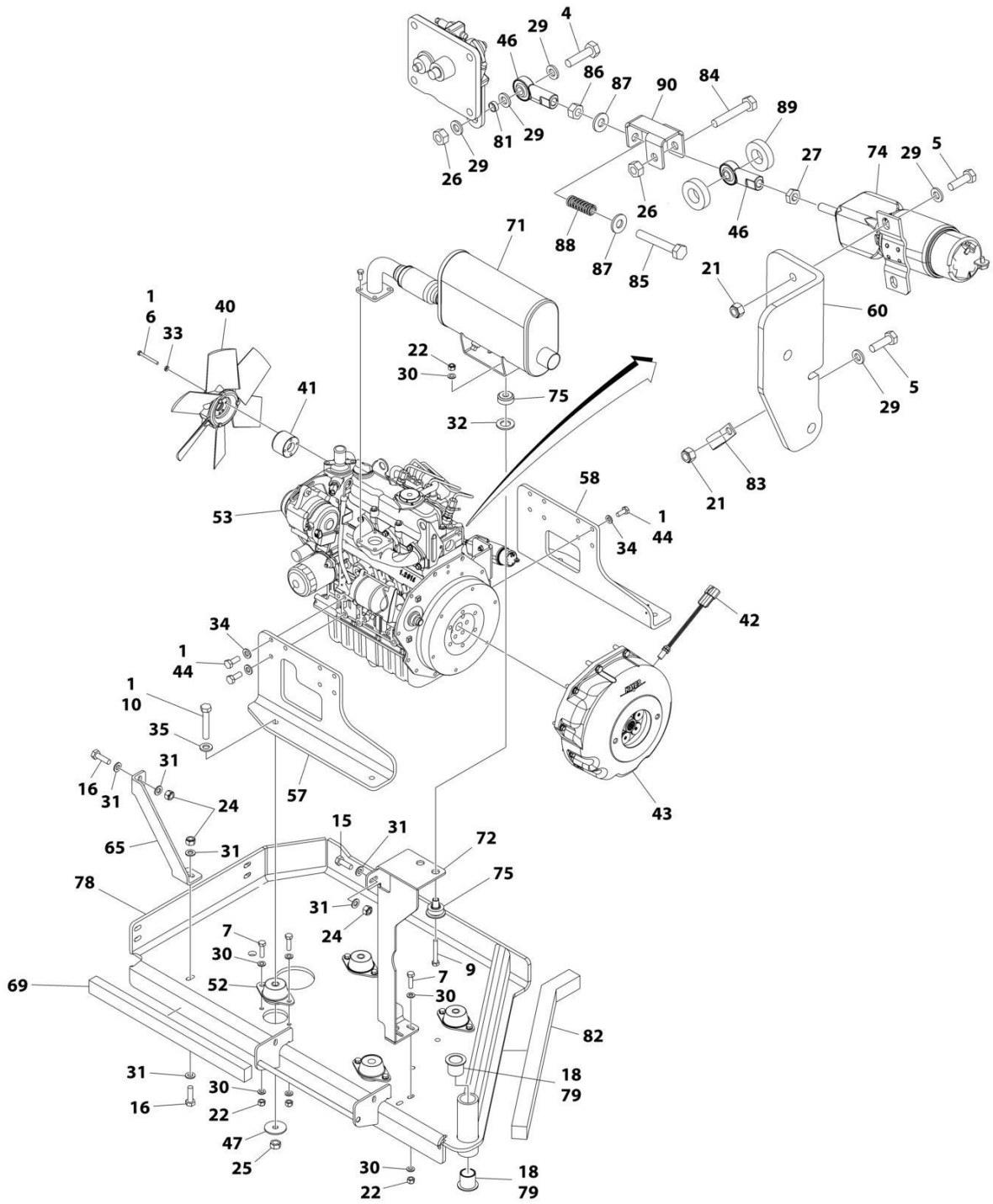
SECTION 3 - ENGINE

FIGURE 3-4. ENGINE ASSEMBLY - KUBOTA DIESEL E4B (SN M200059266 to Present, Excluding M200059362, M20059843 and M200059846)



ART_1001238771_B_10F2

SECTION 3 - ENGINE



ART_1001238771_B_2OF2

SECTION 3 - ENGINE

FIGURE 3-4. ENGINE ASSEMBLY - KUBOTA DIESEL E4B (SN M200059266 to Present, Excluding M200059362, M20059843 and M200059846)

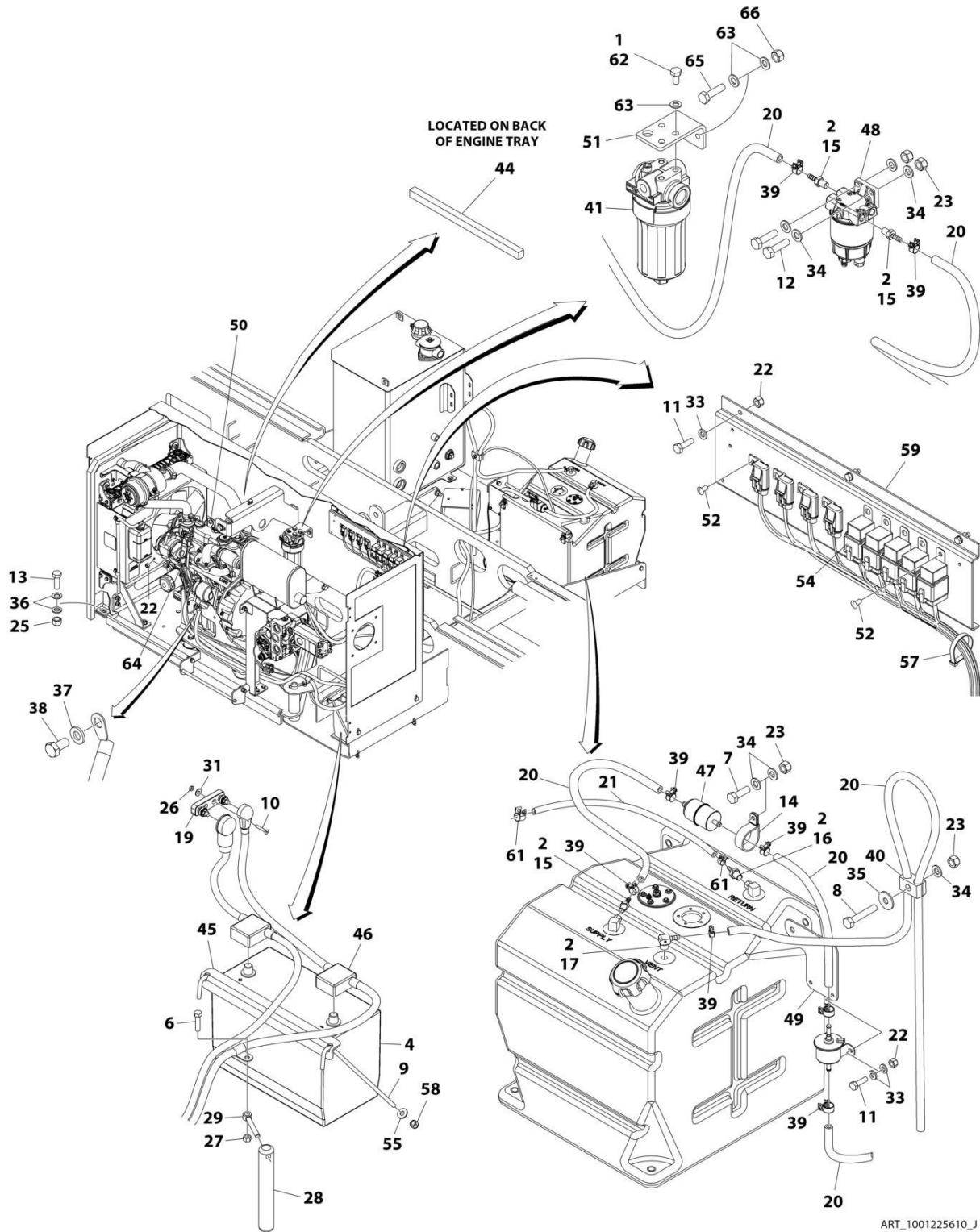
ITEM	PART NUMBER	QTY	DESCRIPTION	REV
	1001238771	Ref	ENGINE ASSEMBLY - KUBOTA DIESEL E4B	B
1	0100011	AR	Compound, Locking	
2	0340045	1	Band, Mounting	
4	0641408	1	Bolt 1/4 x 1	
5	0700610	6	Bolt M6 x 20	
6	0700620	4	Bolt M6 x 60	
7	0700814	10	Bolt M8 x 30	
9	0700819	2	Bolt M8 x 55	
10	0701222	4	Bolt M12 x 70	
11	0760607	2	Bolt M6 x 14	
14	0760808	10	Bolt M8 x 16	
15	0761014	1	Bolt M10 x 30	
16	0761015	4	Bolt M10 x 35	
17	0761016	6	Bolt M10 x 40	
18	0961986	2	Bearing	
19	1703162	2	Decal - Fan Blade	
21	3290605	6	Nut M6	
22	3290805	14	Nut M8	
23	3291001	4	Nut M10	
24	3291005	7	Nut M10	
25	3291201	4	Nut M12	
26	3311405	2	Nut 1/4	
27	3321402	1	Nut 1/4	
29	4811700	14	Washer M6	
30	4811900	36	Washer M8	
31	4812000	18	Washer M10	
32	4812500	2	Washer M20	
33	5240600	4	Washer M6	
34	5241000	8	Washer M10	
35	5241200	4	Washer M12	
36	8405101	2	Clamp	
37	8405104	5	Clamp	
38	85941016	2	Clamp	
40	1001118538	1	Fan	
41	1001118539	1	Spacer, Fan	
42	1001118580	1	Sensor, Speed	
43	1001118675	1	Coupling Kit - Diesel Engines (See Separate Breakdown in this Section)	
44	1001118746	8	Bolt M10 x 25	
46	1001118925	2	End, Rod	
47	1001168018	4	Washer	
48	1001169054	4	Isolator	
49	1001169138	6	Pad	
50	1001169967	2	Bracket	
51	1001170035	2	Bracket	
52	1001187235	4	Mount, Motor	
53	1001238770	1	Engine, Kubota T4F (See Separate Breakdown in this Section)	
54	1001220957	1	Radiator & Shroud Assembly	
54	1001198726	1	Radiator	

SECTION 3 - ENGINE

ITEM	PART NUMBER	QTY	DESCRIPTION	REV
54	70007502	1	Valve, Drain	
54	1001220959	1	Shroud	
55	1001181658	1	Plate, Radiator	
56	1001227285	1	Seal	
57	1001182976	1	Mount, Engine (LH)	
58	1001182977	1	Mount, Engine (RH)	
59	1001182978	1	Tube, Inlet	
60	1001272663	1	Bracket, Throttle Cylinder	
61	1001182980	1	Bracket, Air Cleaner	
62	1001182981	1	Bracket	
63	1001182982	1	Mount	
64	1001182983	1	Tube, Intake	
65	1001182984	1	Bracket, Support	
66	1001182985	1	Tube, Outlet	
67	1001182987	1	Tube, Air Intake	
68	1001183420	1	Foam, Baffle	
69	1001183424	1	Foam, Baffle	
71	1001234950	1	Muffler	
72	1001195600	1	Bracket, Muffler	
73	1001118280	1	Air Filter Assembly	
73	7015004	2	Element	
73	7015005	1	Cover Assembly	
73	1340069	1	Valve, Vacuator	
74	1001274140	1	Actuator, Throttle	
75	1001125248	2	Mount, Engine	
78	1001205968	1	Tray	
79	1001180620	AR	Adhesive	
80	0760810	2	Bolt M8 x 20	
81	1001128888	1	Washer	
82	1001184066	1	Foam, Baffle	
83	1320043	1	Clamp, Cable	
84	0641412	1	Bolt 1/4 x 1-1/2	
85	0651414	1	Bolt 1/4 x 1-3/4	
86	3321401	1	Nut 1/4	
87	4711400	2	Washer 1/4	
88	1001272948	1	Spring	
89	1001272950	2	Washer, Wool Felt	
90	1001273101	1	Bracket, Actuator Link	

SECTION 3 - ENGINE

FIGURE 3-5. ENGINE INSTALLATION - KUBOTA DIESEL STAGE T4F WITH GENERATOR



SECTION 3 - ENGINE

FIGURE 3-5. ENGINE INSTALLATION - KUBOTA DIESEL STAGE T4F WITH GENERATOR

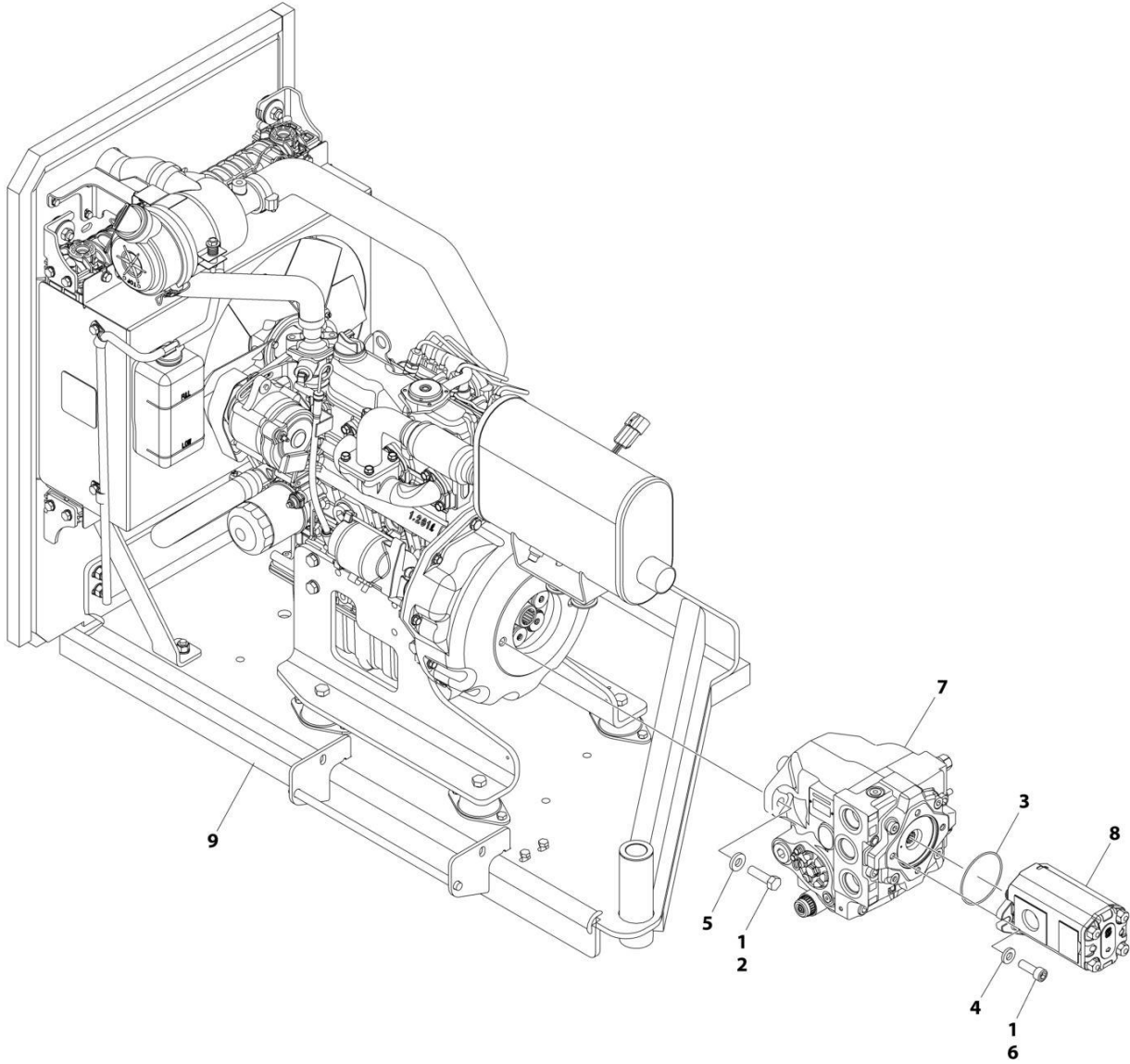
ITEM	PART NUMBER	QTY	DESCRIPTION	REV
	1001225610	Ref	ENGINE INSTALLATION - KUBOTA DIESEL T4F WITH GENERATOR	J
1	0100011	AR	Compound, Locking	
2	0100020	AR	Sealant	
4	0400075	1	Battery	
6	0641612	1	Bolt 3/8 x 1-1/2	
7	0700812	1	Bolt M8 x 25	
8	0700817	1	Bolt M8 x 45	
9	1001093382	2	J-Bolt	
10	0741010	2	Screw #10 x 1-1/4	
11	0760610	5	Bolt M6 x 20	
12	0760814	2	Bolt M8 x 30	
13	0761617	1	Bolt M6 x 45	
14	1320265	1	Clamp	
15	2180348	3	Fitting, Straight NPT x Barbed	
16	2180666	1	Fitting, Straight NPT x Barbed	
17	1001208764	1	Fitting, 90 NPT x Barbed	
19	2400044	1	Block, Fuse Mounting	
20	2720058	242 in/ 6.2m	Hose	
21	2720271	136 in/ 3.5m	Hose	
22	3290605	6	Nut M6	
23	3290805	4	Nut M8	
25	3291605	1	Nut M16	
26	3300408	2	Nut	
27	3311605	1	Nut 3/8	
28	3422669	1	Pin	
29	3841143	1	Keeper, Pin	
31	4711400	2	Washer 1/4	
33	4811700	7	Washer M6	
34	4811900	7	Washer M8	
35	4811902	1	Washer M8	
36	4812300	2	Washer M16	
37	5241000	1	Washer M10	
38	8303511	1	Capscrew M10 x 20	
39	1001174486	9	Clamp	
40	8750014	1	Clamp	
41	1001208874	1	Filter, Charge Pump	
41	70010383	1	Element, Filter	
44	1001183421	1	Foam, Baffle	
45	1001184065	1	Bracket, Hold Down	
46	1001186428	1	Battery Cable Kit (See Separate Breakdown in ELECTRICAL Section)	
47	1001190545	1	Filter, Fuel	
48	1001190609	1	Fuel/Water Separator Assembly - Diesel Engines (See Separate Breakdown in this Section)	
49	1001191146	1	Bracket	
50	1001238774	1	Engine and Pump Sub-Assembly - Kubota Diesel T4F with Generator (See Separate Breakdown in this Section)	
51	1001194836	1	Bracket	

SECTION 3 - ENGINE

ITEM	PART NUMBER	QTY	DESCRIPTION	REV
52	3820020	9	Rivet	
54	3740080	5	Relay	
55	4751500	2	Washer 5/16	
57	4240018	AR	Tie-Strap	
58	88521205	2	Nut 5/16	
59	1001185125	1	Plate	
60	1001236545	1	Engine Harness - Kubota Diesel T4F (Not Shown - See Separate Breakdown in ELECTRICAL Section)	
61	1001185585	2	Clamp	
62	0761010	3	Bolt M10 x 20	
63	4812000	7	Washer M10	
64	1001234069	1	Harness, Fusible Link	
65	0761014	2	Bolt M10 x 30	
66	3291005	2	Locknut M10	

SECTION 3 - ENGINE

FIGURE 3-6. ENGINE AND PUMP SUB-ASSEMBLY - KUBOTA DIESEL E4B WITH GENERATOR



ART_1001238774

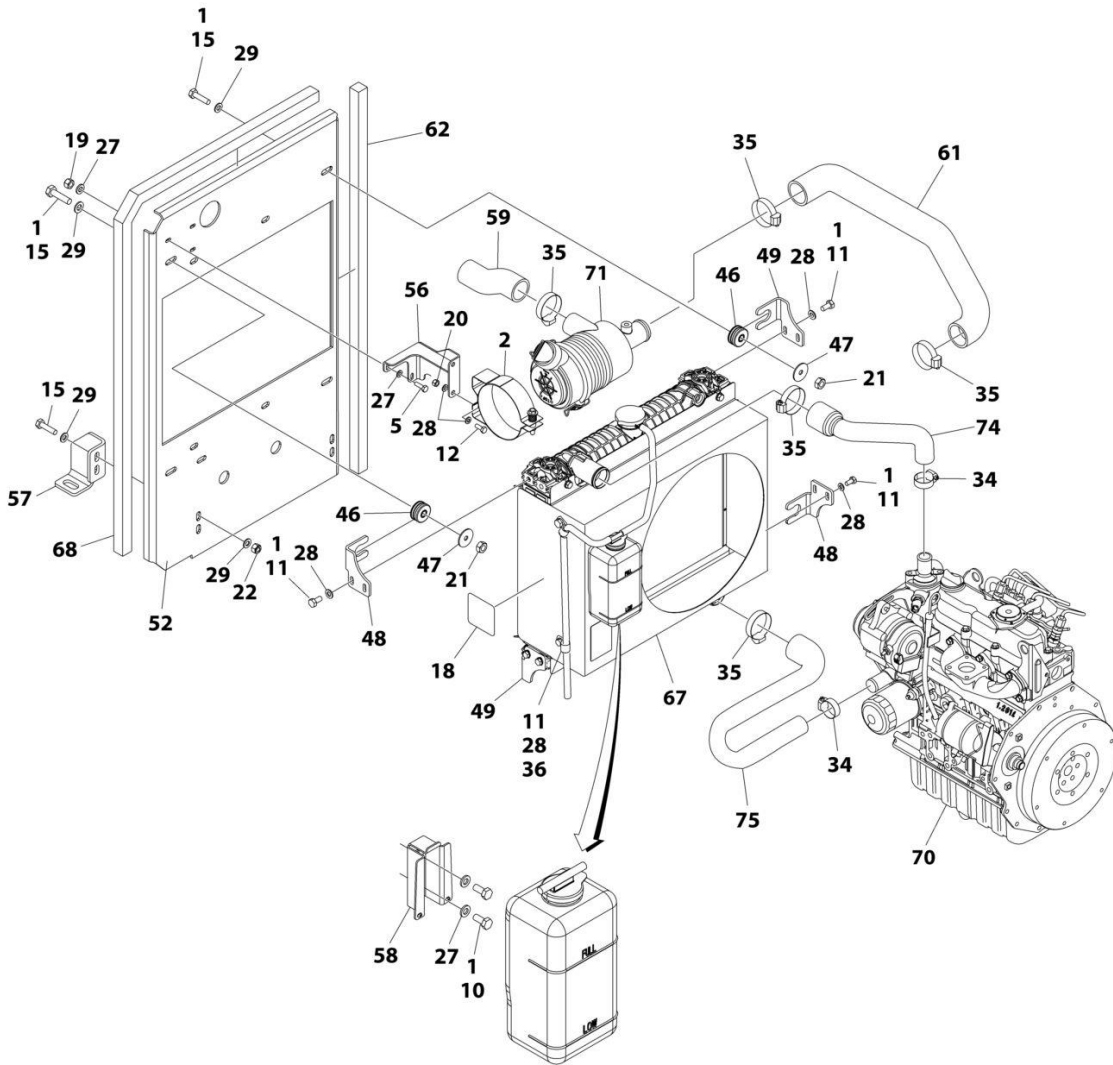
SECTION 3 - ENGINE

FIGURE 3-6. ENGINE AND PUMP SUB-ASSEMBLY - KUBOTA DIESEL E4B WITH GENERATOR

ITEM	PART NUMBER	QTY	DESCRIPTION	REV
	1001238774	Ref	ENGINE AND PUMP SUB-ASSEMBLY - KUBOTA DIESEL E4B WITH GENERATOR	C
1	0100011	AR	Compound, Locking	
2	0641814	2	Bolt 1/2 x 1-3/4	
3	3790152	1	O-Ring	
4	4891600	2	Washer 3/8	
5	4891800	2	Washer 1/2	
6	0761014	2	Capscrew M10 x 30	
7	1001101331	1	Piston Pump Assembly (See Separate Breakdown in this Section)	
8	1001239200	1	Gear Pump Assembly	
8	7023929	1	Seal Kit – 1001239200 Pump (Note: Seal Kit is only service component available)	
9	1001238773	1	Engine Assembly - Kubota Diesel E4B with Generator (See Separate Breakdown in this Section)	

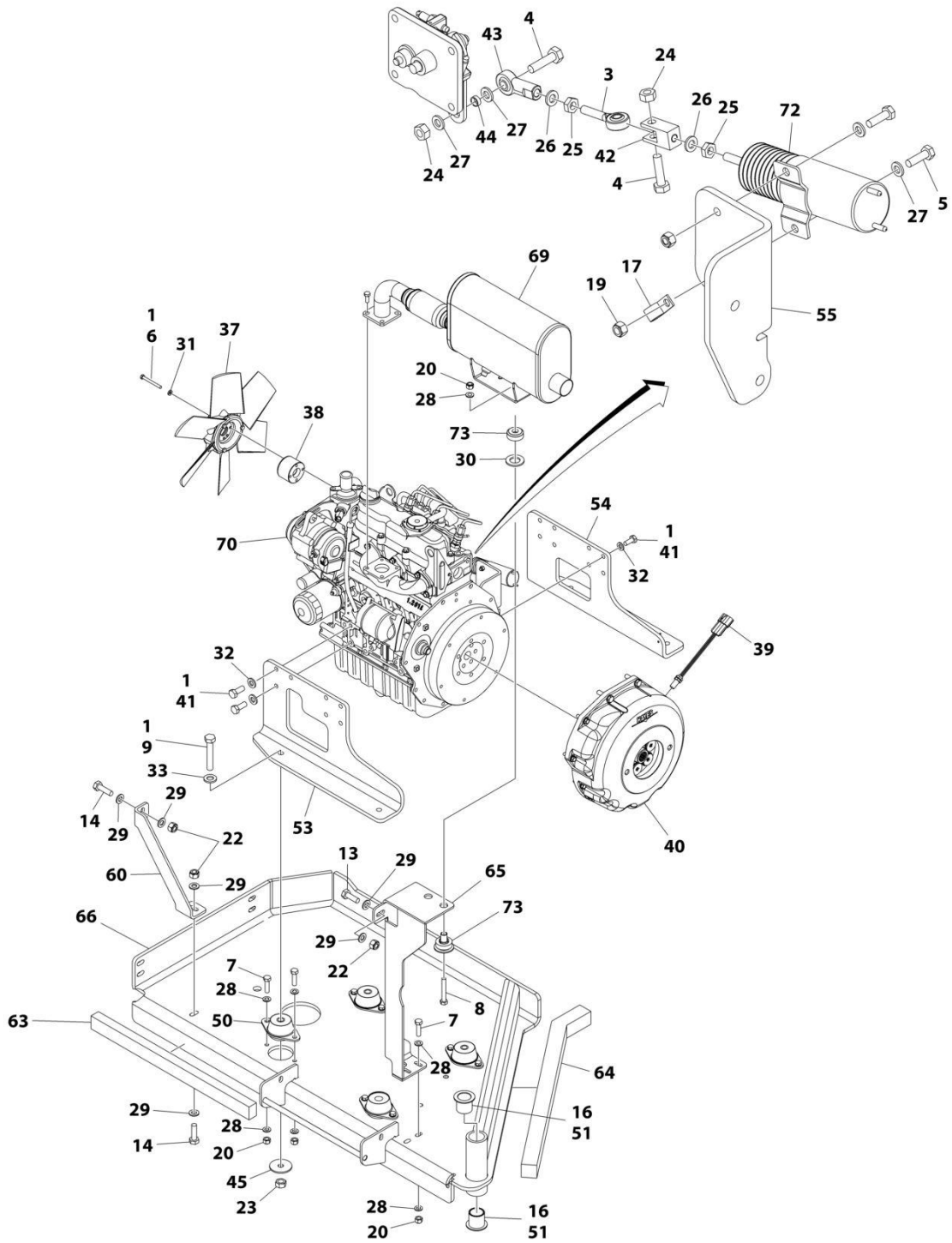
SECTION 3 - ENGINE

FIGURE 3-7. ENGINE ASSEMBLY - KUBOTA DIESEL E4B WITH GENERATOR (Prior to SN M200059266, Including M200059362, M20059843 and M200059846)



ART_1001238773_10F2

SECTION 3 - ENGINE



ART_1001238773_2OF2

SECTION 3 - ENGINE

FIGURE 3-7. ENGINE ASSEMBLY - KUBOTA DIESEL E4B WITH GENERATOR (Prior to SN M200059266, Including M200059362, M20059843 and M200059846)

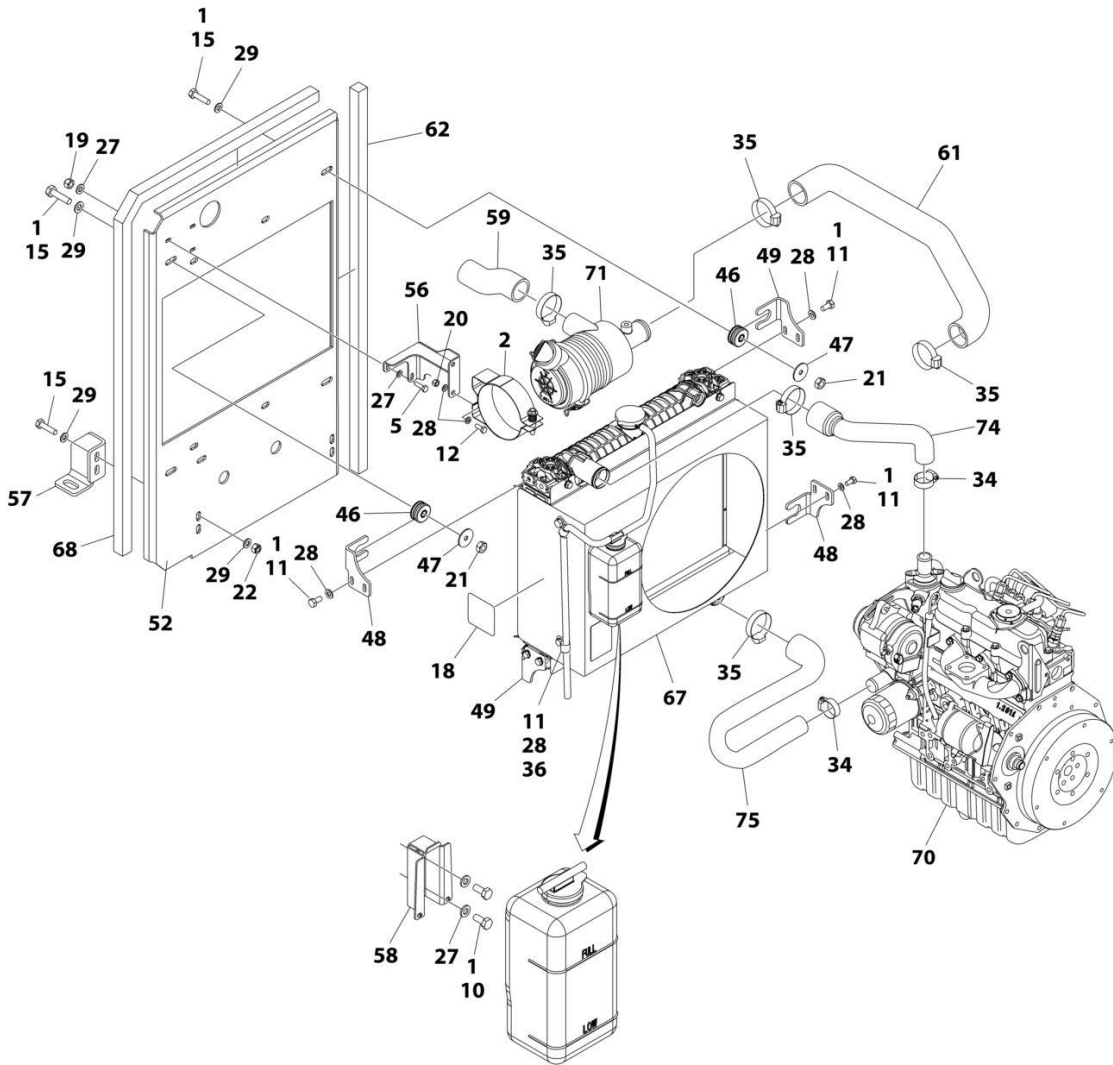
ITEM	PART NUMBER	QTY	DESCRIPTION	REV
	1001238773	Ref	ENGINE ASSEMBLY - KUBOTA DIESEL E4B WITH GENERATOR	A
1	0100011	AR	Compound, Locking	
2	0340045	1	Band, Mounting	
3	0440334	1	End, Rod	
4	0641408	2	Bolt 1/4 x 1	
5	0700610	5	Bolt M6 x 20	
6	0700620	4	Bolt M6 x 60	
7	0700814	10	Bolt M8 x 30	
8	0700819	2	Bolt M8 x 55	
9	0701222	4	Bolt M12 x 70	
10	0760607	2	Bolt M6 x 14	
11	0760808	10	Bolt M8 x 16	
12	0760810	2	Bolt M8 x 20	
13	0761014	1	Bolt M10 x 30	
14	0761015	4	Bolt M10 x 35	
15	0761016	6	Bolt M10 x 40	
16	0961986	2	Bearing	
17	1320043	1	Clamp, Cable	
18	1703162	2	Decal - Fan Blade	
19	3290605	5	Nut M6	
20	3290805	14	Nut M8	
21	3291001	4	Nut M10	
22	3291005	7	Nut M10	
23	3291201	4	Nut M12	
24	3311405	2	Nut 1/4	
25	3321402	2	Nut 1/4	
26	4761400	2	Washer 1/4	
27	4811700	13	Washer M6	
28	4811900	36	Washer M8	
29	4812000	18	Washer M10	
30	4812500	2	Washer M20	
31	5240600	4	Washer M6	
32	5241000	8	Washer M10	
33	5241200	4	Washer M12	
34	8405101	2	Clamp	
35	8405104	5	Clamp	
36	85941016	2	Clamp	
37	1001118538	1	Fan	
38	1001118539	1	Spacer, Fan	
39	1001118580	1	Sensor, Speed	
40	1001118675	1	Coupling Kit - Diesel Engines (See Separate Breakdown in this Section)	
41	1001118746	8	Bolt M10 x 25	
42	1001118881	1	Clevis	
43	1001118925	1	End, Rod	
44	1001128888	1	Washer	
45	1001168018	4	Washer	
46	1001169054	4	Isolator	
47	1001169138	6	Pad	

SECTION 3 - ENGINE

ITEM	PART NUMBER	QTY	DESCRIPTION	REV
48	1001169967	2	Bracket	
49	1001170035	2	Bracket	
50	1001175509	4	Mount, Engine	
51	1001180620	1	Adhesive	
52	1001181658	1	Plate, Radiator	
53	1001182976	1	Mount, Engine (LH)	
54	1001182977	1	Mount, Engine (RH)	
55	1001182979	1	Bracket, Throttle Cylinder	
56	1001182980	1	Bracket, Air Cleaner	
57	1001182981	1	Bracket	
58	1001182982	1	Mount	
59	1001182983	1	Tube, Intake	
60	1001182984	1	Bracket, Support	
61	1001182987	1	Tube, Air Intake	
62	1001183420	1	Foam, Baffle	
63	1001183424	1	Foam, Baffle	
64	1001184066	1	Foam, Baffle	
65	1001195600	1	Bracket, Muffler	
66	1001205968	1	Tray	
67	1001220957	1	Radiator & Shroud Assembly	
67	1001198726	1	Radiator	
67	70007502	1	Valve, Drain	
67	1001220959	1	Shroud	
68	1001227285	1	Seal	
69	1001234950	1	Muffler	
70	1001238770	1	Engine, Kubota T4F (See Separate Breakdown in this Section)	
71	1001118280	1	Air Filter Assembly	
71	7015004	1	Element	
71	7015005	1	Cover Assembly	
71	1340069	1	Valve, Vacuator	
72	1001118582	1	Actuator, Throttle	
73	1001125248	2	Mount, Engine	
74	1001182978	1	Tube, Inlet	
75	1001182985	1	Tube, Outlet	

SECTION 3 - ENGINE

FIGURE 3-8. ENGINE ASSEMBLY - KUBOTA DIESEL E4B WITH GENERATOR (SN M200059266 to Present, Excluding M200059362, M20059843 and M200059846)



ART_1001238773_B_10F2

SECTION 3 - ENGINE

FIGURE 3-8. ENGINE ASSEMBLY - KUBOTA DIESEL E4B WITH GENERATOR (SN M200059266 to Present, Excluding M200059362, M20059843 and M200059846)

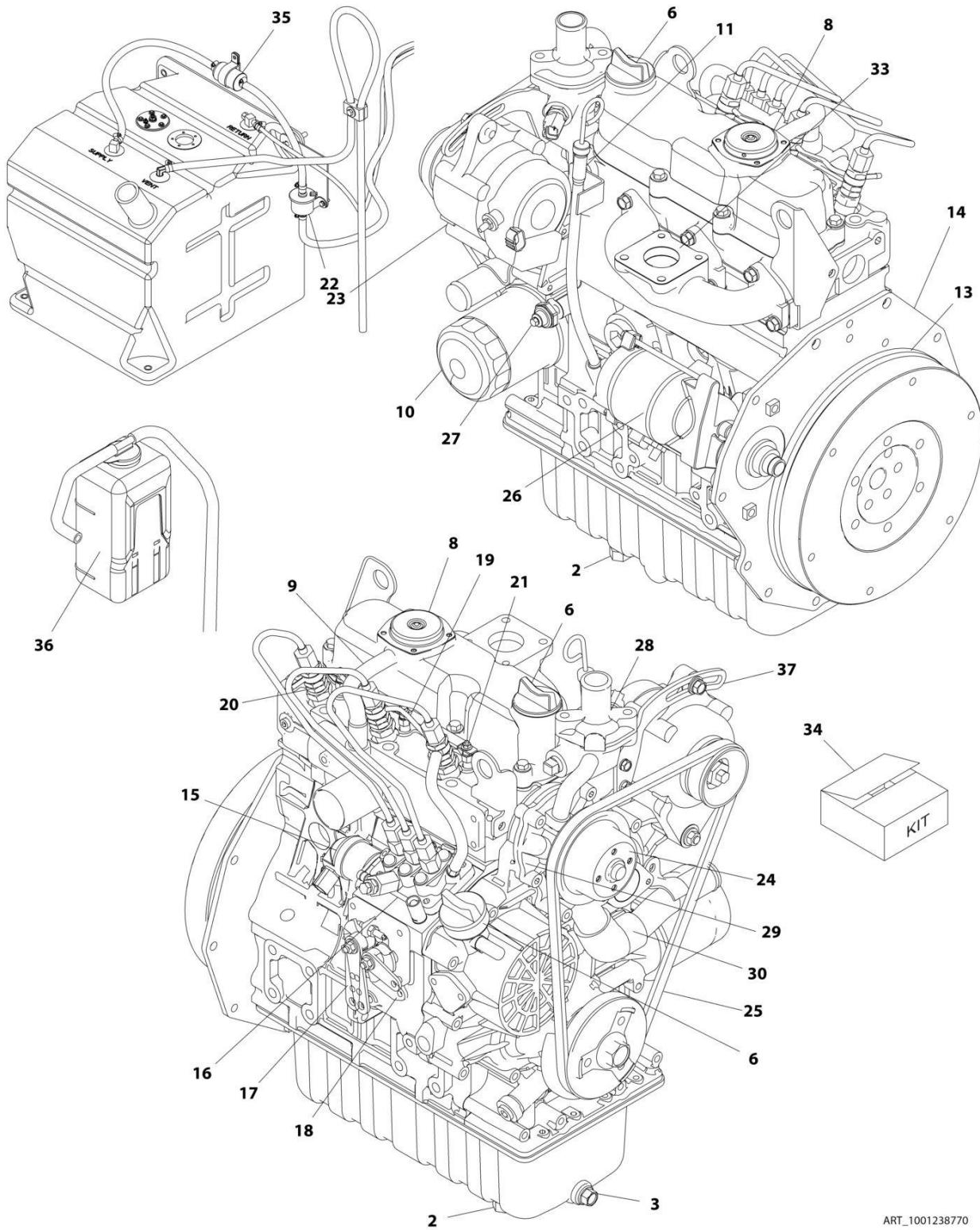
ITEM	PART NUMBER	QTY	DESCRIPTION	REV
	1001238773	Ref	ENGINE ASSEMBLY - KUBOTA DIESEL E4B WITH GENERATOR	B
1	0100011	AR	Compound, Locking	
2	0340045	1	Band, Mounting	
4	0641408	1	Bolt 1/4 x 1	
5	0700610	6	Bolt M6 x 20	
6	0700620	4	Bolt M6 x 60	
7	0700814	10	Bolt M8 x 30	
8	0700819	2	Bolt M8 x 55	
9	0701222	4	Bolt M12 x 70	
10	0760607	2	Bolt M6 x 14	
11	0760808	10	Bolt M8 x 16	
12	0760810	2	Bolt M8 x 20	
13	0761014	1	Bolt M10 x 30	
14	0761015	4	Bolt M10 x 35	
15	0761016	6	Bolt M10 x 40	
16	0961986	2	Bearing	
17	1320043	1	Clamp, Cable	
18	1703162	2	Decal - Fan Blade	
19	3290605	6	Nut M6	
20	3290805	14	Nut M8	
21	3291001	4	Nut M10	
22	3291005	7	Nut M10	
23	3291201	4	Nut M12	
24	3311405	2	Nut 1/4	
25	3321402	1	Nut 1/4	
27	4811700	14	Washer M6	
28	4811900	36	Washer M8	
29	4812000	18	Washer M10	
30	4812500	2	Washer M20	
31	5240600	4	Washer M6	
32	5241000	8	Washer M10	
33	5241200	4	Washer M12	
34	8405101	2	Clamp	
35	8405104	5	Clamp	
36	85941016	2	Clamp	
37	1001118538	1	Fan	
38	1001118539	1	Spacer, Fan	
39	1001118580	1	Sensor, Speed	
40	1001118675	1	Coupling Kit - Diesel Engines (See Separate Breakdown in this Section)	
41	1001118746	8	Bolt M10 x 25	
43	1001118925	2	End, Rod	
44	1001128888	1	Washer	
45	1001168018	4	Washer	
46	1001169054	4	Isolator	
47	1001169138	6	Pad	
48	1001169967	2	Bracket	
49	1001170035	2	Bracket	
50	1001175509	4	Mount, Engine	

SECTION 3 - ENGINE

ITEM	PART NUMBER	QTY	DESCRIPTION	REV
51	1001180620	1	Adhesive	
52	1001181658	1	Plate, Radiator	
53	1001182976	1	Mount, Engine (LH)	
54	1001182977	1	Mount, Engine (RH)	
55	1001272663	1	Bracket, Throttle Cylinder	
56	1001182980	1	Bracket, Air Cleaner	
57	1001182981	1	Bracket	
58	1001182982	1	Mount	
59	1001182983	1	Tube, Intake	
60	1001182984	1	Bracket, Support	
61	1001182987	1	Tube, Air Intake	
62	1001183420	1	Foam, Baffle	
63	1001183424	1	Foam, Baffle	
64	1001184066	1	Foam, Baffle	
65	1001195600	1	Bracket, Muffler	
66	1001205968	1	Tray	
67	1001220957	1	Radiator & Shroud Assembly	
67	1001198726	1	Radiator	
67	70007502	1	Valve, Drain	
67	1001220959	1	Shroud	
68	1001227285	1	Seal	
69	1001234950	1	Muffler	
70	1001238770	1	Engine, Kubota T4F (See Separate Breakdown in this Section)	
71	1001118280	1	Air Filter Assembly	
71	7015004	1	Element	
71	7015005	1	Cover Assembly	
71	1340069	1	Valve, Vacuator	
72	1001274140	1	Actuator, Throttle	
73	1001125248	2	Mount, Engine	
74	1001182978	1	Tube, Inlet	
75	1001182985	1	Tube, Outlet	
84	0641412	1	Bolt 1/4 x 1-1/2	
85	0651414	1	Bolt 1/4 x 1-3/4	
86	3321401	1	Nut 1/4	
87	4711400	2	Washer 1/4	
88	1001272948	1	Spring	
89	1001272950	2	Washer, Wool Felt	
90	1001273101	1	Bracket, Actuator Link	

SECTION 3 - ENGINE

FIGURE 3-9. ENGINE COMPONENTS - KUBOTA DIESEL E4B



ART_1001238770

SECTION 3 - ENGINE

FIGURE 3-9. ENGINE COMPONENTS - KUBOTA DIESEL E4B

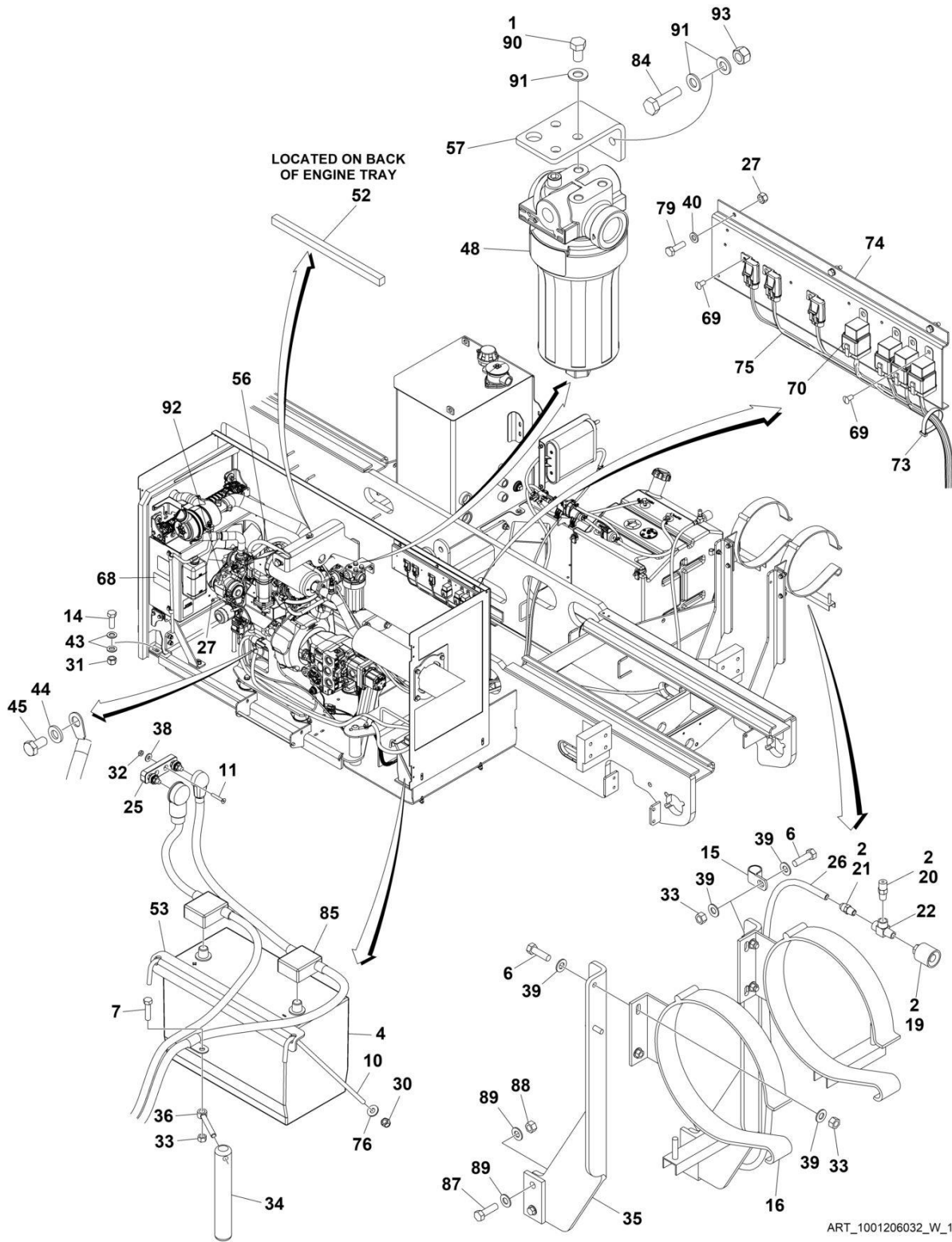
ITEM	PART NUMBER	QTY	DESCRIPTION	REV
	1001238770	Ref	ENGINE COMPONENTS - KUBOTA DIESEL T4F	A
1	70004524	1	Drain (Not Shown)	
2	7023154	1	Plug, Drain	
2	70002315	1	Seal, Plug	
3	70004525	1	Plug, Drain	
3	70004526	1	Gasket	
4	70005220	1	Gasket, Cylinder Head (Not Shown)	
5	7017922	1	Seal, Front Main (Not Shown)	
6	70002318	2	Cap, Oil Fill	
6	70004311	2	O-Ring	
7	70005221	1	Gasket, Valve Cover (Not Shown)	
8	70003060	1	Comp Valve, Breather	
8	70003061	1	Cover, Breather	
8	7017934	4	Screw	
9	70002316	1	Pipe, Water Return	
9	70002317	1	Tube, Breather	
9	70004530	1	Clamp, Hose	
9	70004531	1	Band, Pipe	
10	70004395	1	Filter, Oil	
11	70005222	1	Dipstick	
11	70005223	1	Tube, Dipstick	
12	7017928	1	Seal, Rear Main (Not Shown)	
13	70005224	1	Gear, Ring	
14	70002419	1	Plate, Rear End	
15	7025479	1	Solenoid, Stop	
16	7023164	1	Pump, Injection	
16	70002319	1	Shim, Injection	
16	70002320	1	Shim, Injection	
16	70002321	1	Shim, Injection Pump	
16	70002322	1	Shim, Injection Pump	
16	70002323	1	Shim, Injection Pump	
16	7017945	1	Joint, Eye	
17	70004396	1	Control, Speed	
17	70004397	1	Gasket	
18	7023165	1	Gasket	
19	70004536	1	Pipe, Over Flow	
19	70004537	1	Screw, Air Bleeder	
19	70004538	1	Gasket	
19	70004539	1	Pipe, Over Flow	
20	70004399	3	Holder, Nozzle	
20	70004540	3	Nut	
20	7023167	3	Gasket	
20	7023168	3	Seal, Heat	
21	70004398	3	Plug, Glow	
21	70004544	1	Cord, Glow Plug	
22	70005228	1	Electric Fuel Feed Pump	
23	70006661	1	Alternator - 60Amp	
24	7023140	1	Pulley, Fan	
25	70006665	1	V-Belt	
26	7023144	1	Starter	

SECTION 3 - ENGINE

ITEM	PART NUMBER	QTY	DESCRIPTION	REV
27	7017901	1	Switch, Oil	
28	70004829	1	Pipe, Water Return	
28	7023145	1	Gasket, Flange	
28	7017958	1	Hose, Water Return	
28	7023170	1	Thermostat	
28	70002326	1	Gasket, Thermostat	
28	70003064	1	Sensor, Water Temperature	
28	70003063	1	Washer, Seal	
29	70002327	1	Pump, Water	
29	70002328	1	Gasket, Water Pump	
30	7017963	1	Pipe, Water	
30	70002330	1	Pipe, Water	
31	7023149	1	Gasket, Inlet Manifold (Not Shown)	
32	7023148	1	Gasket, Exhaust Manifold (Not Shown)	
33	7023124	1	Gasket (Muffler)	
33	70004415	4	Bolt, Sems	
34	70005226	1	Upper Gasket Kit	
34	70005227	1	Lower Gasket Kit	
35	7017992	1	Fuel Filter	
36	70005229	1	Tank, Coolant Reserve	
37	70006664	1	Arm, Adjustment	

SECTION 3 - ENGINE

FIGURE 3-10. ENGINE INSTALLATION - KUBOTA GASOLINE



ART_1001206032_W_10F2

SECTION 3 - ENGINE

FIGURE 3-10. ENGINE INSTALLATION - KUBOTA GASOLINE

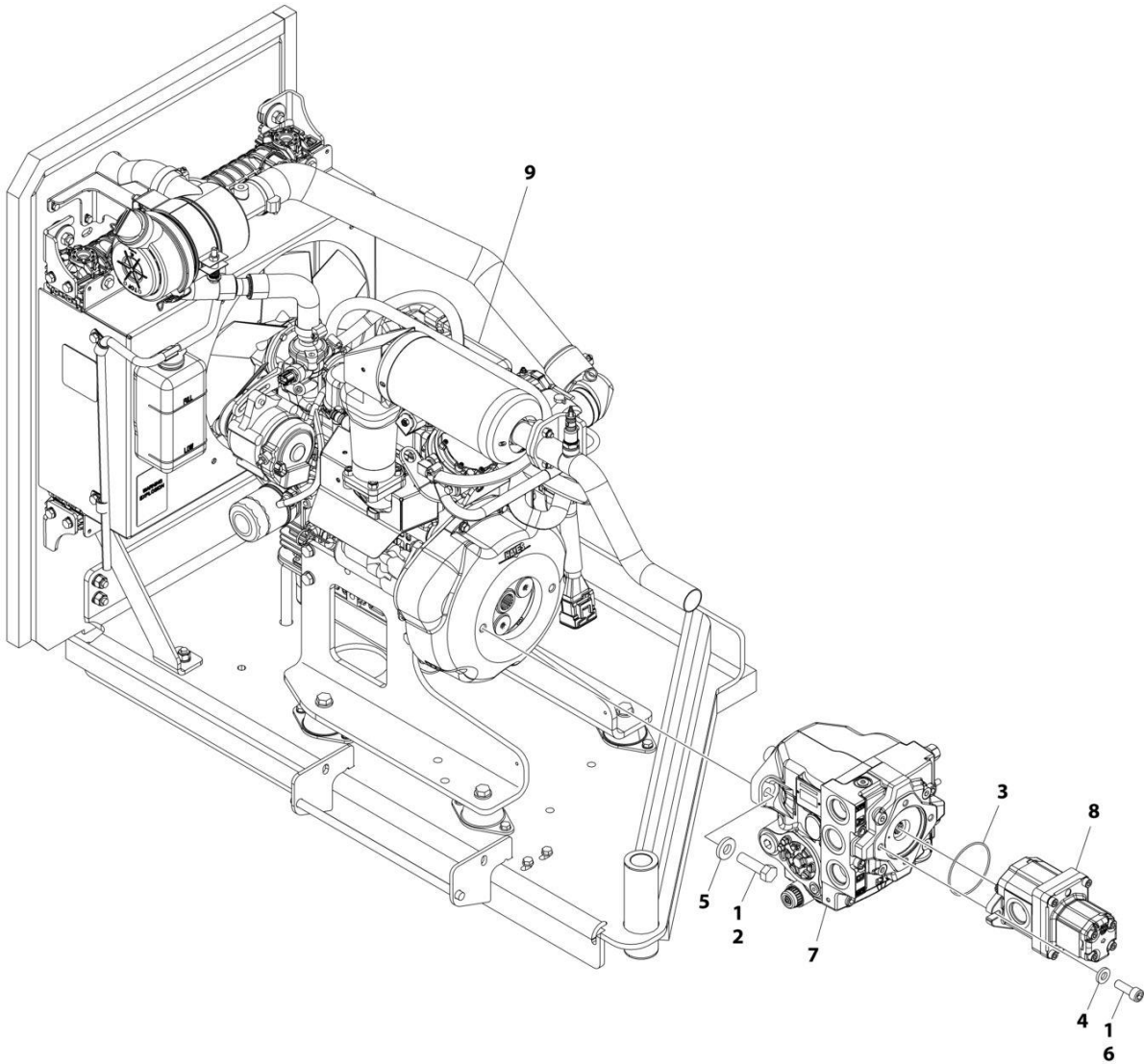
ITEM	PART NUMBER	QTY	DESCRIPTION	REV
	1001206032	Ref	ENGINE INSTALLATION - KUBOTA GASOLINE	W
1	0100011	AR	Compound, Locking	
2	0100020	AR	Sealant	
4	0400075	1	Battery	
6	0641610	5	Bolt 3/8 x 1-1/4	
7	0641612	1	Bolt 3/8 x 1-1/2	
8	0700812	5	Bolt M8 x 25	
10	1001093382	2	J-Bolt	
11	0741010	2	Screw #10 x 1-1/4	
12	0760614	3	Bolt M6 x30	
14	0761617	1	Bolt M16 x 45	
15	1320061	1	Clamp	
16	1320220	1	LP Clamp Kit	
17	1320265	1	Clamp	
18	2180348	2	Fitting, Straight NPT x Barbed	
19	2180387	1	Fitting, Tank Connector	
20	2180389	1	Fitting, Relief Valve	
21	2180418	2	Fitting, Straight	
22	2220290	1	Fitting, Tee	
23	2221176	1	Fitting, 90 NPT x Barbed	
25	2400044	1	Block, Fuse Mounting	
26	2720611	1	Hose	
27	3290605	8	Nut M6	
29	3290805	5	Nut M8	
30	88521205	2	Nut 5/16	
31	3291605	1	Nut M16	
32	3300408	2	Nut	
33	3311605	6	Nut 3/8	
34	3422669	1	Pin	
35	3573440	2	Plate, LP Tank Mount	
36	3841143	1	Keeper, Pin	
38	4711400	2	Washer 1/4	
39	4711600	10	Washer 3/8	
40	4811700	11	Washer M6	
41	4811900	10	Washer M8	
43	4812300	2	Washer M16	
44	5241000	1	Washer M10	
45	8303511	1	Capscrew M10 x 20	
46	1001174486	14	Clamp	
48	1001208874	1	Filter, Charge Pump	
48	70010383	1	Element, Filter	
49	1001300357	14 ft / 5 m	Hose	
51	1001174093	1	Coupling, Quick Connect	
52	1001183421	1	Foam, Baffle	
53	1001184065	1	Bracket, Hold Down	
56	1001206049	1	Engine and Pump Sub-Assembly - Kubota Gasoline (See Separate Breakdown in this Section)	
57	1001194836	1	Bracket	
63	1001185585	2	Clamp	
64	1001225420	1	Filter, Carbon Canister	

SECTION 3 - ENGINE

ITEM	PART NUMBER	QTY	DESCRIPTION	REV
65	1001225421	1	Bracket	
68	1001262941	1	Decal - EPA Evaporation 2020 Standards	
68	1001274101	1	Decal - EPA Evaporation 2021 Standards	
68	1001288395	1	Decal - EPA Evaporation 2022 Standards	
68	1001299769	1	Decal - EPA Evaporation 2023 Standards	
69	3820020	7	Rivet	
70	3740080	4	Relay	
73	4240018	AR	Tie-Strap	
74	1001185125	1	Plate	
75	1001236546	1	Engine Harness - Kubota Gasoline (See Separate Breakdown in ELECTRICAL Section)	
76	4751500	2	Washer 5/16	
77	0700618	1	Bolt M6 x 50	
78	3860111	1	Roller	
79	0760610	3	Bolt M6 x 20	
80	1001131391	1	Fitting, Coupling	
81	1001129256	10 ft / 3 m	Hose	
83	1001146588	1	Tie-Strap (Not Shown)	
84	0760814	2	Bolt M8 x 30	
85	1001186428	1	Battery Cable Kit (See Separate Breakdown in ELECTRICAL Section)	
86	1001129255	5 ft / 2 m	Hose	
87	0641812	4	Bolt 1/2 x 1-1/2	
88	3311801	4	Nut 1/2	
89	4711800	8	Washer 1/2	
90	0761010	3	Bolt M10 x 20	
91	4812000	7	Washer M10	
92	1001234069	1	Harness, Fusible Link	
93	3291005	2	Lock Nut M10	

SECTION 3 - ENGINE

FIGURE 3-11. ENGINE AND PUMP SUB-ASSEMBLY - KUBOTA GASOLINE



ART_1001206049

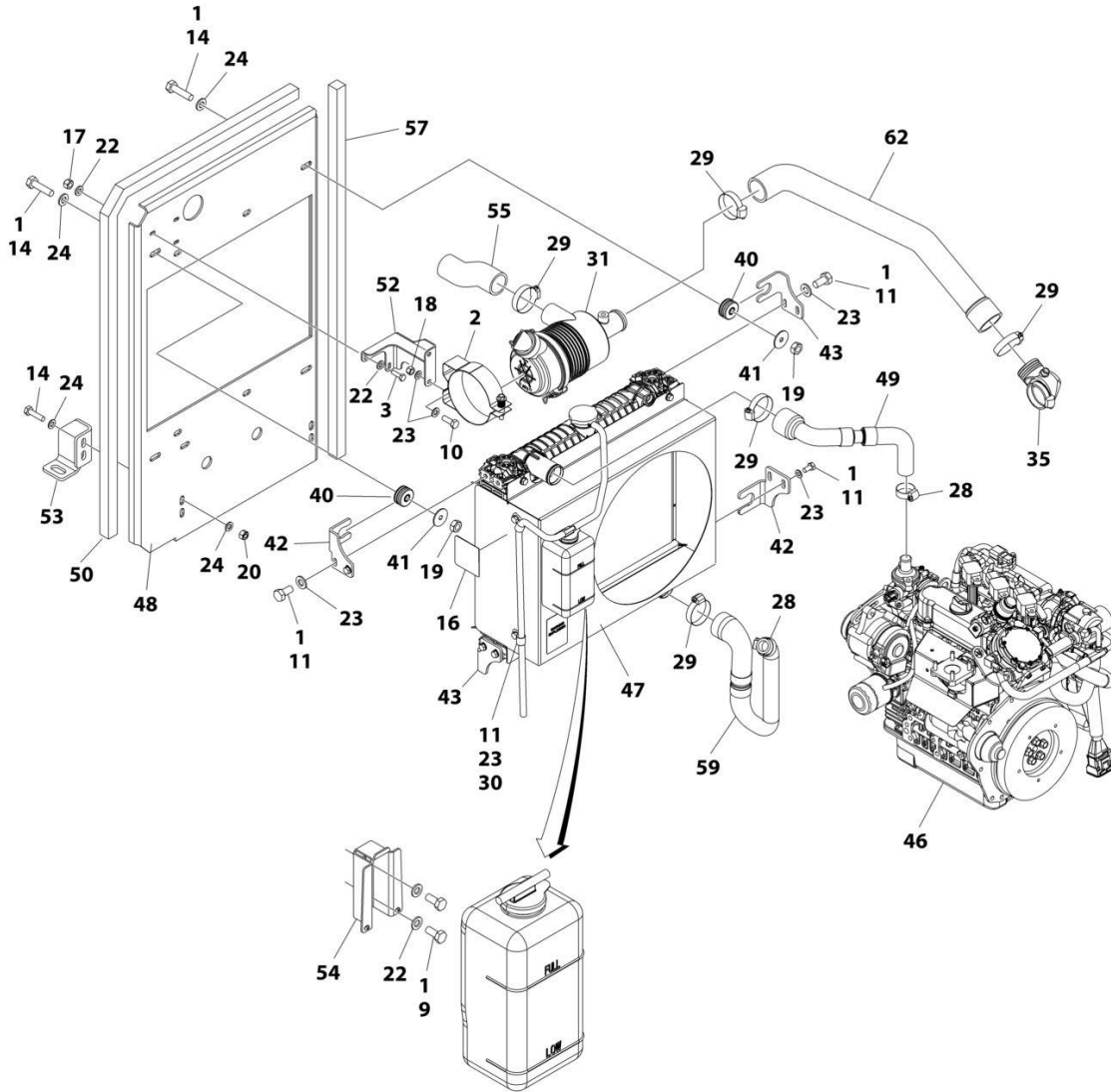
SECTION 3 - ENGINE

FIGURE 3-11. ENGINE AND PUMP SUB-ASSEMBLY - KUBOTA GASOLINE

ITEM	PART NUMBER	QTY	DESCRIPTION	REV
	1001206049	Ref	ENGINE AND PUMP SUB-ASSEMBLY - KUBOTA GASOLINE	F
1	0100011	AR	Compound, Locking	
2	0641814	2	Bolt 1/2 x 1-3/4	
3	3790152	1	O-Ring	
4	4711600	2	Washer 3/8	
5	4891800	2	Washer 1/2	
6	83191040	2	Capscrew M10 x 30	
7	1001101331	1	Piston Pump Assembly (See Separate Breakdown in this Section)	
8	1001217291	1	Gear Pump Assembly	
8	70002861	1	Seal Kit - 1001217291 Pump (Note: Seal Kit is only service component available)	
9	1001205973	1	Engine Assembly - Kubota Gasoline (See Separate Breakdown in this Section)	

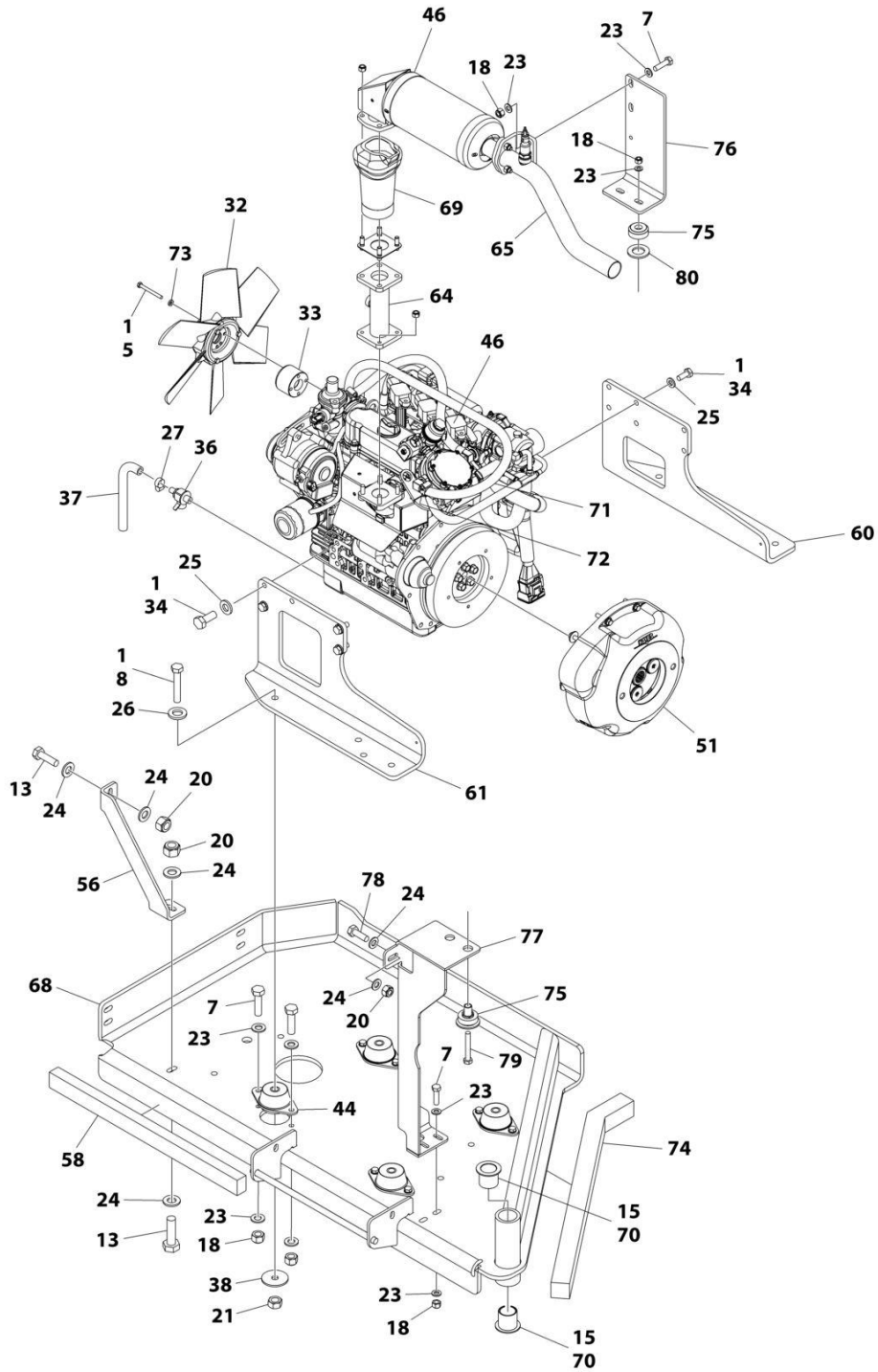
SECTION 3 - ENGINE

FIGURE 3-12. ENGINE ASSEMBLY - KUBOTA GASOLINE



ART_1001205973_10F2

SECTION 3 - ENGINE



ART_1001205973_2OF2

SECTION 3 - ENGINE

FIGURE 3-12. ENGINE ASSEMBLY - KUBOTA GASOLINE

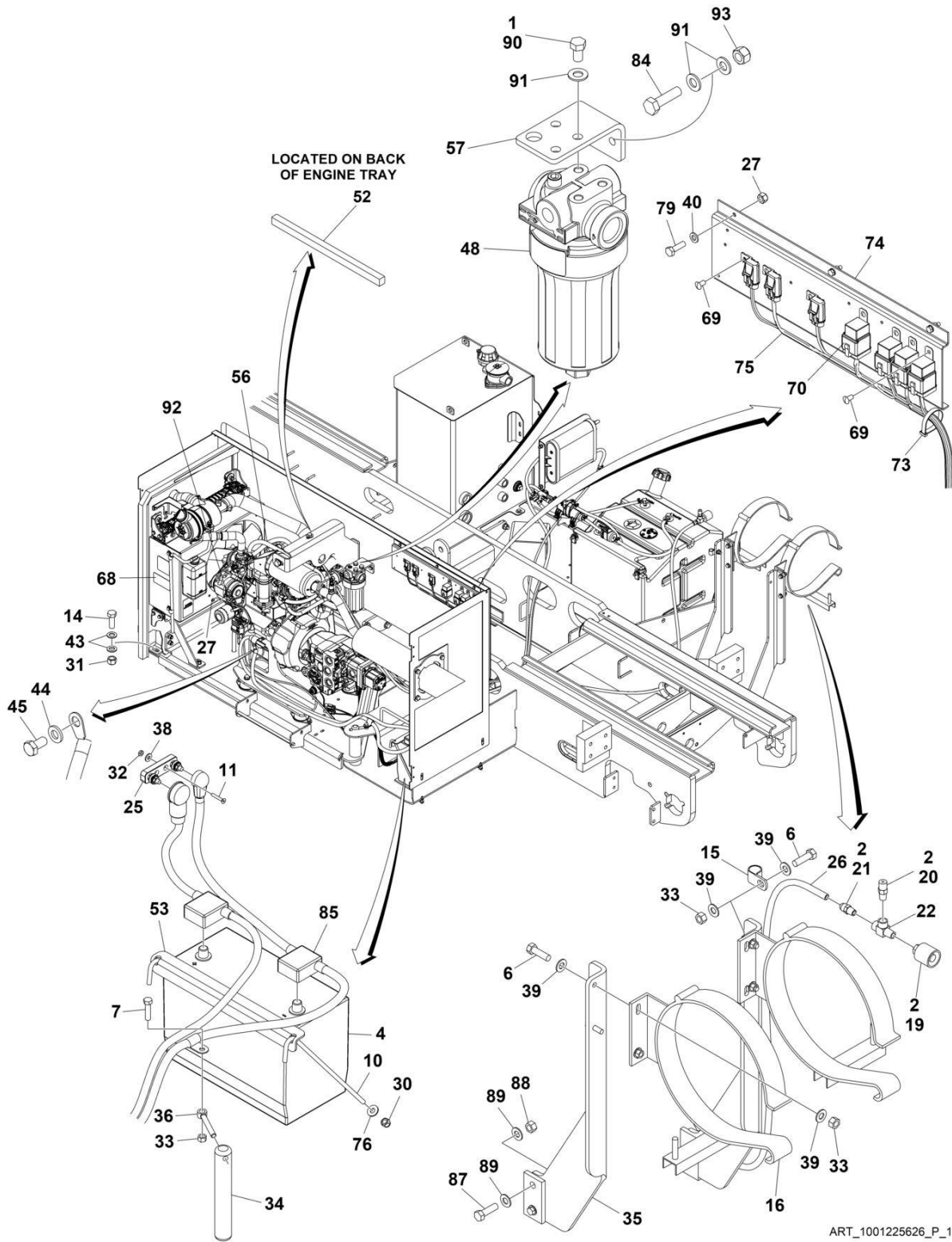
ITEM	PART NUMBER	QTY	DESCRIPTION	REV
	1001205973	Ref	ENGINE ASSEMBLY - KUBOTA GASOLINE	H
1	0100011	AR	Compound, Locking	
2	0340045	1	Band, Mounting	
3	0700610	3	Bolt M6 x 20	
5	0700620	4	Bolt M6 x 60	
7	0700814	12	Bolt M8 x 30	
8	0701222	4	Bolt M12 x 70	
9	0760607	2	Bolt M6 x 14	
10	0760810	2	Bolt M8 x 20	
11	0760808	8	Bolt M8 x 16	
13	0761015	4	Bolt M10 x 35	
14	0761016	6	Bolt M10 x 40	
15	0961986	2	Bearing	
16	1703162	2	Decal - Fan Blade	
17	3290605	3	Nut M6	
18	3290805	16	Nut M8	
19	3291001	4	Nut M10	
20	3291005	7	Nut M10	
21	3291201	4	Nut M12	
22	4811700	8	Washer M6	
23	4811900	40	Washer M8	
24	4812000	18	Washer M10	
25	5241000	8	Washer M10	
26	5241200	4	Washer M12	
27	8405009	1	Clamp	
28	8405101	2	Clamp	
29	8405104	5	Clamp	
30	85941016	2	Clamp	
31	1001118280	1	Air Filter Assembly	
31	7015004	2	Element	
31	7015005	1	Cover Assembly	
31	1340069	1	Valve, Vacuator	
32	1001118538	1	Fan	
33	1001118539	1	Spacer, Fan	
34	1001118746	8	Bolt M10 x 25	
35	1001146043	1	Coupling, 90	
36	1001161497	1	Valve, Oil Drain	
37	1001165035	8 in/ 20cm	Hose	
38	1001168018	4	Washer	
40	1001169054	4	Isolator	
41	1001169138	6	Pad	
42	1001169967	2	Bracket	
43	1001170035	2	Bracket	
44	1001187235	4	Mount, Motor	
46	1001224493	1	Engine, Kubota Gasoline (See Separate Breakdown in this Section)	
47	1001220957	1	Radiator & Shroud Assembly	
47	1001198726	1	Radiator	
47	70007502	1	Valve, Drain	
47	1001220959	1	Shroud	

SECTION 3 - ENGINE

ITEM	PART NUMBER	QTY	DESCRIPTION	REV
48	1001181658	1	Plate, Radiator	
49	1001181659	1	Hose, Radiator (Upper)	
50	1001227285	1	Seal	
51	1001181829	1	Coupling Kit - Gasoline Engines (See Separate Breakdown in this Section)	
52	1001182980	1	Bracket	
53	1001182981	1	Bracket	
54	1001182982	1	Mount	
55	1001182983	1	Tube, Intake	
56	1001182984	1	Support	
57	1001183420	1	Foam, Baffle	
58	1001183424	1	Foam, Baffle	
59	1001183427	1	Tube, Coolant	
60	1001183428	1	Mount, Engine (RH)	
61	1001215543	1	Mount, Engine (LH)	
62	1001184064	1	Tube, Intake	
64	1001213847	1	Tube, Exhaust	
65	1001186833	1	Tube, Exhaust	
68	1001205968	1	Tray	
69	1001210708	1	Insulate, Exhaust	
70	0100062	AR	Adhesive	
71	1001181625	50 in/ 127cm	Hose	
72	8410013	4	Clamp	
73	5240600	4	Washer M6	
74	1001184066	1	Foam, Baffle	
75	1001125248	2	Mount, Engine	
76	1001226420	1	Support	
77	1001195600	1	Bracket, Muffler	
78	0761014	1	Bolt M10 x 30	
79	0700819	2	Bolt M8 x 55	
80	4812500	2	Washer M20	

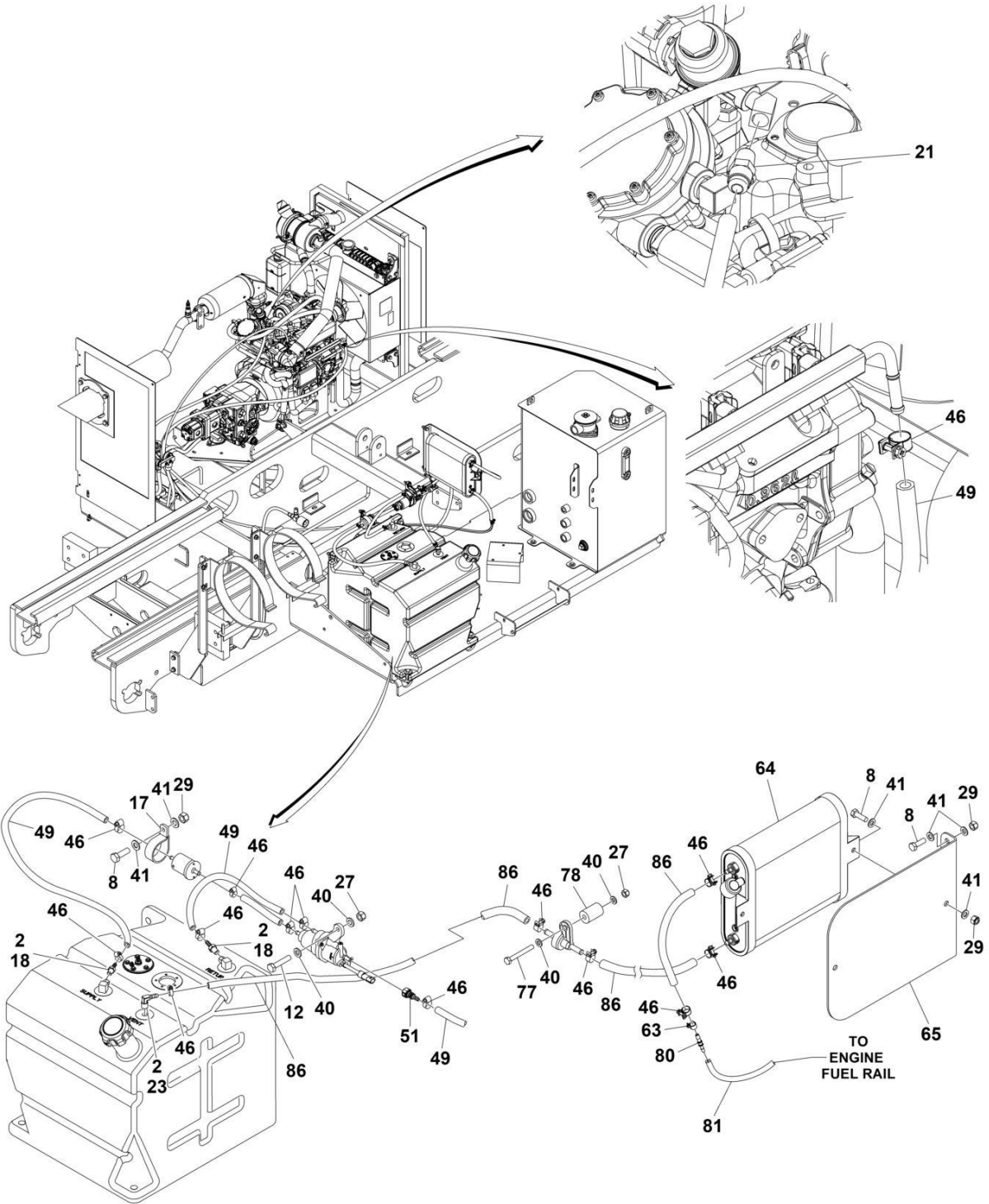
SECTION 3 - ENGINE

FIGURE 3-13. ENGINE INSTALLATION - KUBOTA GASOLINE WITH GENERATOR



ART_1001225626_P_10F2

SECTION 3 - ENGINE



ART_1001225626_P_2OF2

SECTION 3 - ENGINE

FIGURE 3-13. ENGINE INSTALLATION - KUBOTA GASOLINE WITH GENERATOR

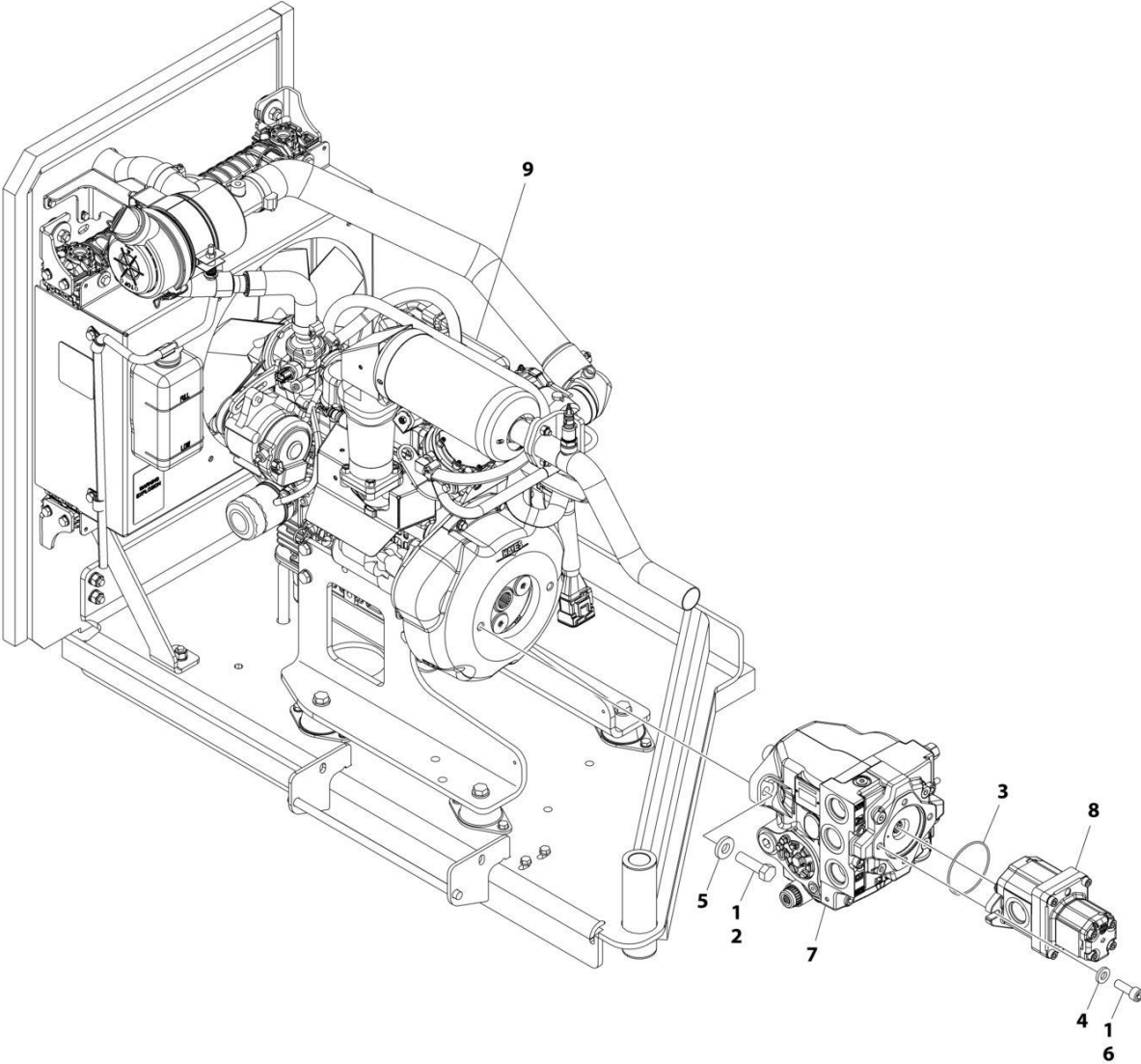
ITEM	PART NUMBER	QTY	DESCRIPTION	REV
	1001225626	Ref	ENGINE INSTALLATION - KUBOTA GASOLINE WITH GENERATOR	P
1	0100011	AR	Compound, Locking	
2	0100020	AR	Sealant	
4	0400075	1	Battery	
6	0641610	5	Bolt 3/8 x 1-1/4	
7	0641612	1	Bolt 3/8 x 1-1/2	
8	0700812	5	Bolt M8 x 25	
10	1001093382	2	J-Bolt	
11	0741010	2	Screw #10 x 1-1/4	
12	0760614	3	Bolt M6 x 30	
14	0761617	1	Bolt M16 x 45	
15	1320061	1	Clamp	
16	1320220	1	LP Clamp Kit	
16	4400420	1	Tank, LP - Steel (Not Shown)	
16	4400275	1	Tank, LP - Aluminum (Not Shown)	
17	1320265	1	Clamp	
18	2180348	2	Fitting, Straight NPT x Barbed	
19	2180387	1	Fitting, Tank Connector	
20	2180389	1	Fitting, Relief Valve	
21	2180418	2	Fitting, Straight	
22	2220290	1	Fitting, Tee	
23	2221176	1	Fitting, 90 NPT x Barbed	
25	2400044	1	Block, Fuse Mounting	
26	2720611	1	Hose	
27	3290605	8	Nut M6	
29	3290805	5	Nut M8	
30	88521205	2	Nut 5/16	
31	3291605	1	Nut M16	
32	3300408	2	Nut	
33	3311605	6	Nut 3/8	
34	3422669	1	Pin	
35	3573440	2	Plate, LP Tank Mount	
36	3841143	1	Keeper, Pin	
38	4711400	2	Washer 1/4	
39	4711600	10	Washer 3/8	
40	4811700	11	Washer M6	
41	4811900	10	Washer M8	
43	4812300	2	Washer M16	
44	5241000	1	Washer M10	
45	8303511	1	Capscrew M10 x 20	
46	1001174486	14	Clamp	
48	1001208874	1	Filter, Charge Pump	
48	70010383	1	Element, Filter	
49	1001300357	14 ft / 5 m	Hose	
51	1001174093	1	Coupling, Quick Connect	
52	1001183421	1	Foam, Baffle	
53	1001184065	1	Bracket, Hold Down	
56	1001225627	1	Engine and Pump Sub-Assembly - Kubota Gasoline with Generator (See Separate Breakdown in this Section)	

SECTION 3 - ENGINE

ITEM	PART NUMBER	QTY	DESCRIPTION	REV
57	1001194836	1	Bracket	
63	1001185585	2	Clamp	
64	1001225420	1	Filter, Carbon Canister	
65	1001225421	1	Bracket	
68	1001262941	1	Decal - EPA Evaporation 2020 Standards	
68	1001274101	1	Decal - EPA Evaporation 2021 Standards	
68	1001288395	1	Decal - EPA Evaporation 2022 Standards	
68	1001299769	1	Decal - EPA Evaporation 2023 Standards	
69	3820020	7	Rivet	
70	3740080	4	Relay	
73	4240018	AR	Tie-Strap	
74	1001185125	1	Plate	
75	1001236546	1	Engine Harness - Kubota Gasoline (See Separate Breakdown in ELECTRICAL Section)	
76	4751500	2	Washer 5/16	
77	0700618	1	Bolt M6 x 50	
78	3860111	1	Roller	
79	0760610	3	Bolt M6 x 20	
80	1001131391	1	Fitting, Coupling	
81	1001129256	10 ft / 3 m	Hose	
83	1001146588	1	Tie-Strap (Not Shown)	
84	0761014	2	Bolt M10 x 30	
85	1001186428	1	Battery Cable Kit (See Separate Breakdown in ELECTRICAL Section)	
86	1001129255	5 ft / 2 m	Hose	
87	0641812	4	Bolt 1/2 x 1-1/2	
88	3311801	4	Nut 1/2	
89	4711800	8	Washer 1/2	
90	0761010	3	Bolt M10 x 20	
91	4812000	7	Washer M10	
92	1001234069	1	Harness, Fusible Link	
93	3291005	2	Locknut M10	

SECTION 3 - ENGINE

FIGURE 3-14. ENGINE AND PUMP SUB-ASSEMBLY - KUBOTA GASOLINE WITH GENERATOR



ART_1001225627

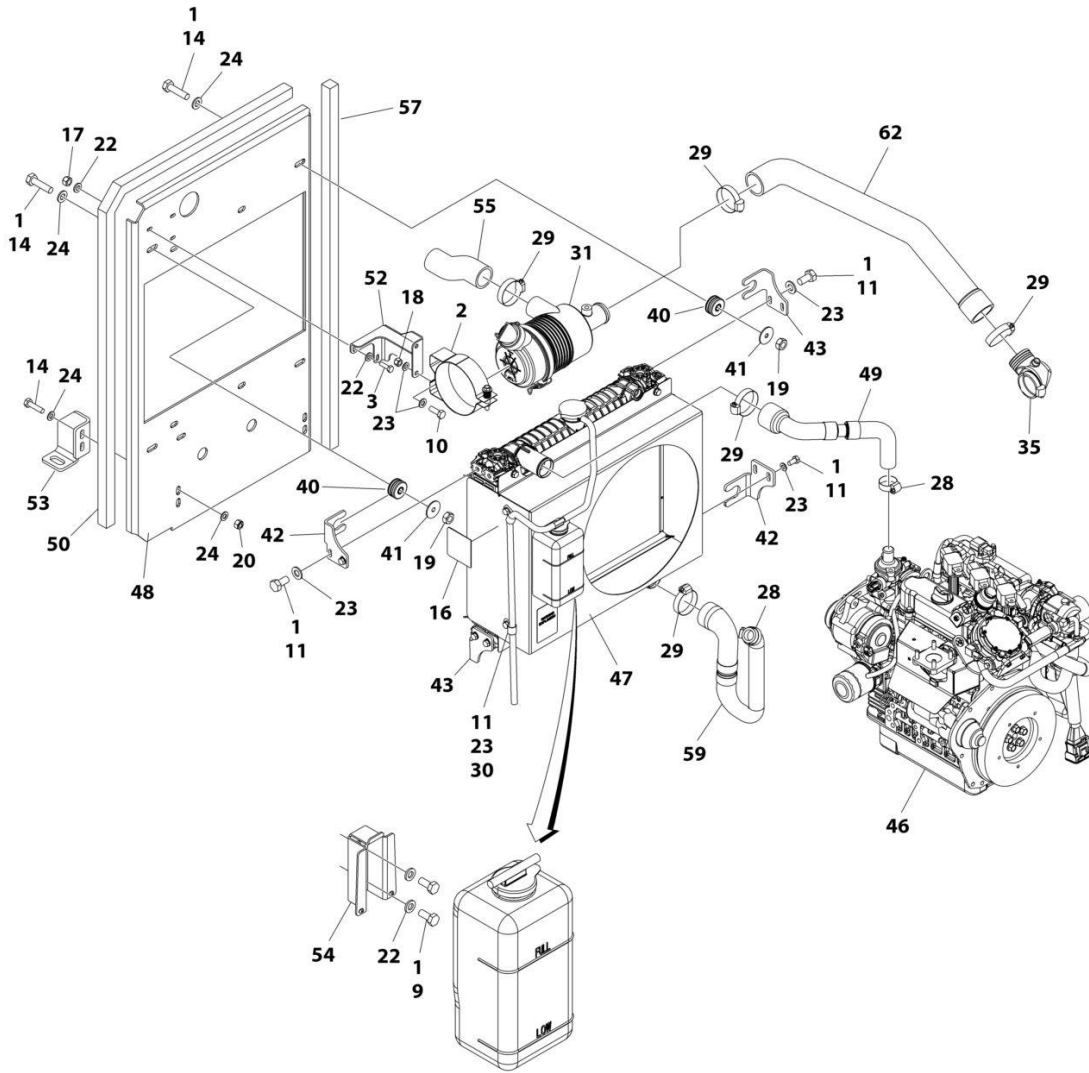
SECTION 3 - ENGINE

FIGURE 3-14. ENGINE AND PUMP SUB-ASSEMBLY - KUBOTA GASOLINE WITH GENERATOR

ITEM	PART NUMBER	QTY	DESCRIPTION	REV
	1001225627	Ref	ENGINE AND PUMP SUB-ASSEMBLY - KUBOTA GASOLINE WITH GENERATOR	C
1	0100011	AR	Compound, Locking	
2	0641814	2	Bolt 1/2 x 1-3/4	
3	3790152	1	O-Ring	
4	4711600	2	Washer 3/8	
5	4891800	2	Washer 1/2	
6	83191040	2	Capscrew M10 x 30	
7	1001101331	1	Piston Pump Assembly (See Separate Breakdown in this Section)	
8	1001217291	1	Gear Pump Assembly	
8	70002861	1	Seal Kit - 1001217291 Pump (Note: Seal Kit is only service component available)	
9	1001225628	1	Engine Assembly - Kubota Gasoline with Generator (See Separate Breakdown in this Section)	

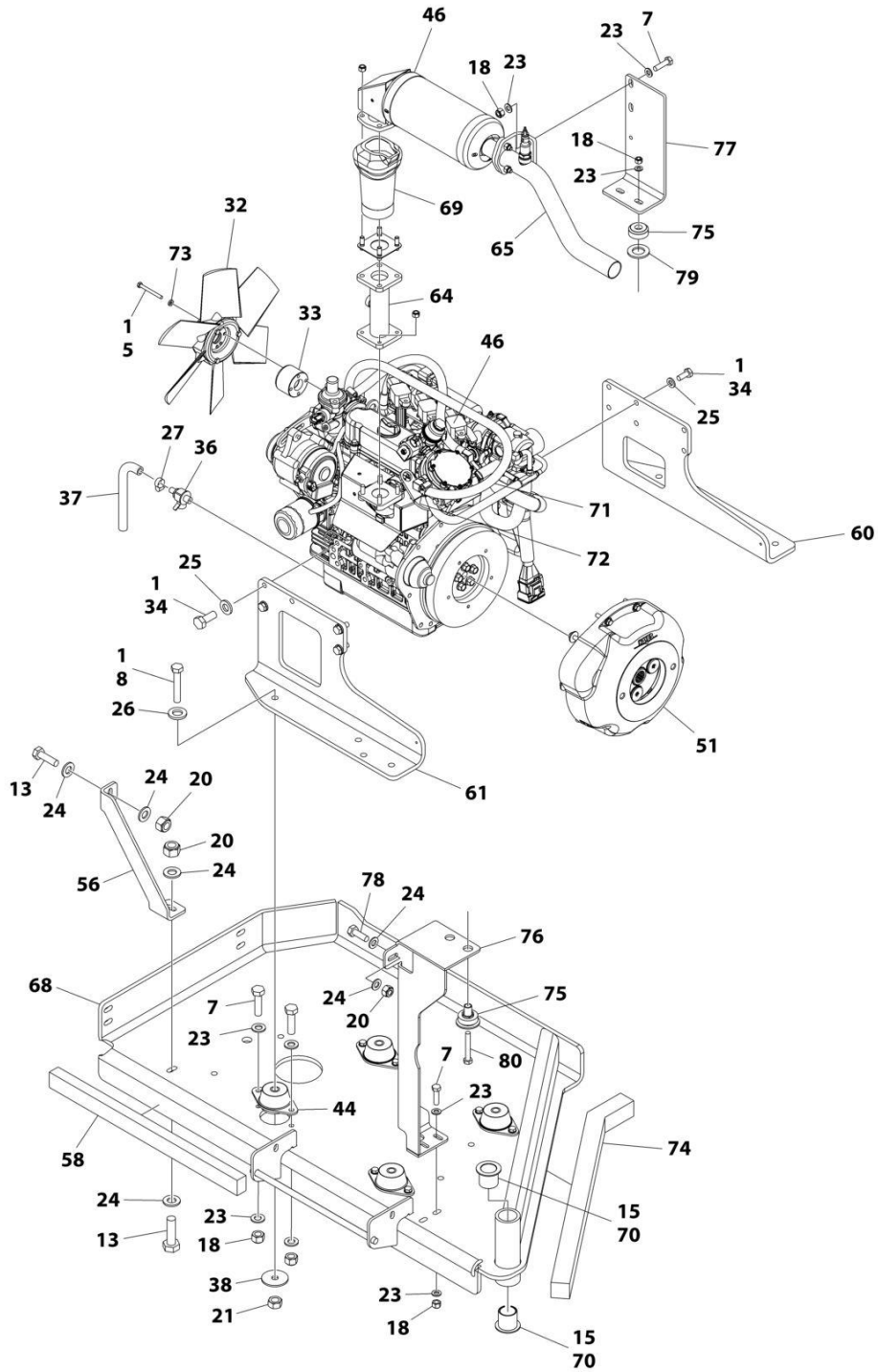
SECTION 3 - ENGINE

FIGURE 3-15. ENGINE ASSEMBLY - KUBOTA GASOLINE WITH GENERATOR



ART_1001225628_10F2

SECTION 3 - ENGINE



ART_1001225628_2OF2

SECTION 3 - ENGINE

FIGURE 3-15. ENGINE ASSEMBLY - KUBOTA GASOLINE WITH GENERATOR

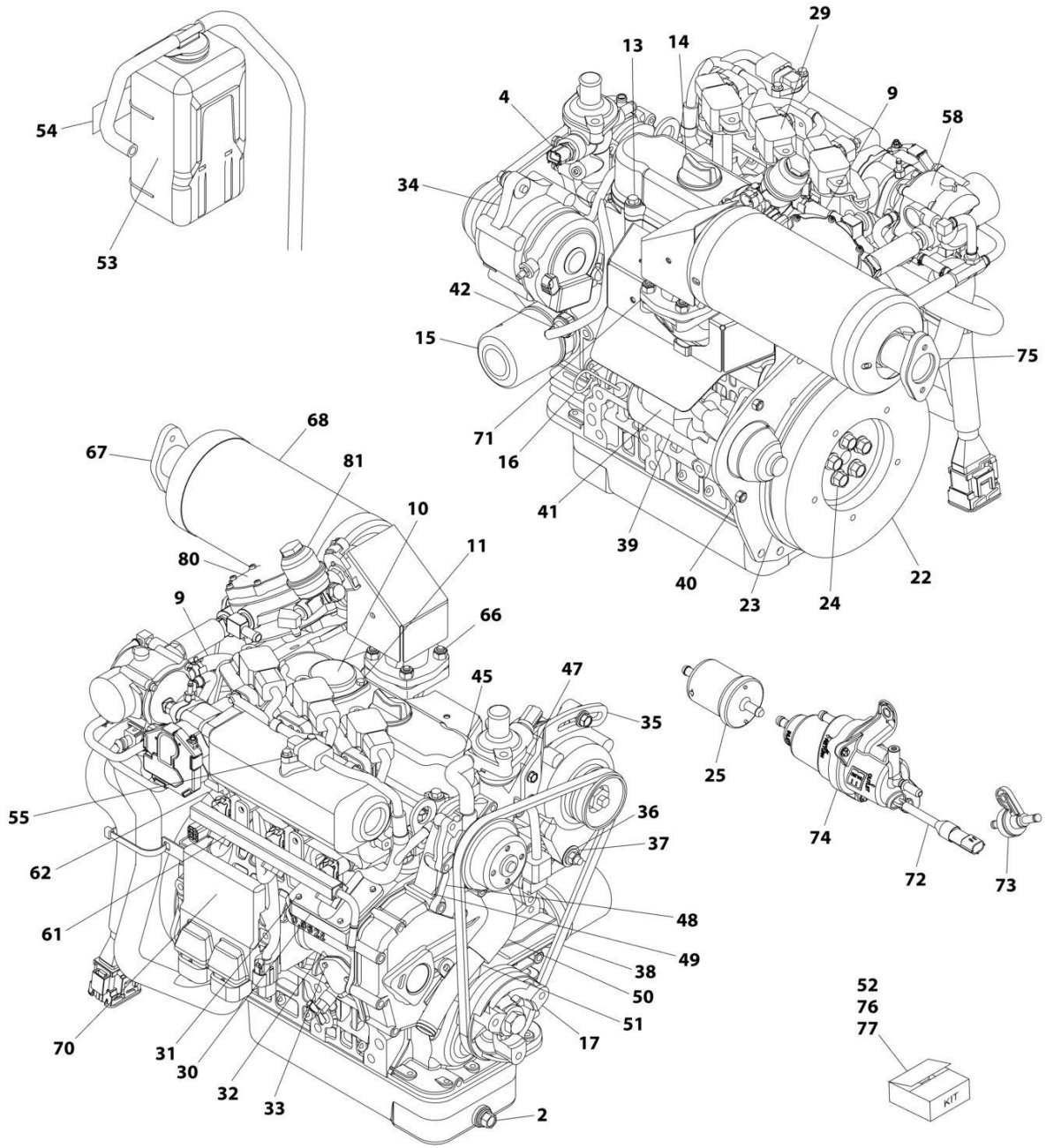
ITEM	PART NUMBER	QTY	DESCRIPTION	REV
	1001225628	Ref	ENGINE ASSEMBLY - KUBOTA GASOLINE WITH GENERATOR	D
1	0100011	AR	Compound, Locking	
2	0340045	1	Band, Mounting	
3	0700610	3	Bolt M6 x 20	
5	0700620	4	Bolt M6 x 60	
7	0700814	12	Bolt M8 x 30	
8	0701222	4	Bolt M12 x 70	
9	0760607	2	Bolt M6 x 14	
10	0760810	2	Bolt M8 x 20	
11	0760808	10	Bolt M8 x 16	
13	0761015	4	Bolt M10 x 35	
14	0761016	6	Bolt M10 x 40	
15	0961986	2	Bearing	
16	1703162	2	Decal - Fan Blade	
17	3290605	3	Nut M6	
18	3290805	16	Nut M8	
19	3291001	4	Nut M10	
20	3291005	7	Nut M10	
21	3291201	4	Nut M12	
22	4811700	8	Washer M6	
23	4811900	40	Washer M8	
24	4812000	18	Washer M10	
25	5241000	8	Washer M10	
26	5241200	4	Washer M12	
27	8405009	1	Clamp	
28	8405101	2	Clamp	
29	8405104	5	Clamp	
30	85941016	2	Clamp	
31	1001118280	1	Air Filter Assembly	
31	7015004	2	Element	
31	7015005	1	Cover Assembly	
31	1340069	1	Valve, Vacuator	
32	1001118538	1	Fan	
33	1001118539	1	Spacer, Fan	
34	1001118746	8	Bolt M10 x 25	
35	1001146043	1	Coupling, 90	
36	1001161497	1	Valve, Oil Drain	
37	1001165035	8 in/ 20cm	Hose	
38	1001168018	4	Washer	
40	1001169054	4	Isolator	
41	1001169138	AR	Pad	
42	1001169967	2	Bracket	
43	1001170035	2	Bracket	
44	1001175509	4	Mount, Motor	
46	1001224493	1	Engine, Kubota Gasoline with Generator (See Separate Breakdown in this Section)	
47	1001220957	1	Radiator & Shroud Assembly	
47	1001198726	1	Radiator	
47	70007502	1	Valve, Drain	
47	1001220959	1	Shroud	

SECTION 3 - ENGINE

ITEM	PART NUMBER	QTY	DESCRIPTION	REV
48	1001181658	1	Plate, Radiator	
49	1001181659	1	Hose, Radiator (Upper)	
50	1001227285	1	Seal	
51	1001181829	1	Coupling Kit - Gasoline Engines (See Separate Breakdown in this Section)	
52	1001182980	1	Bracket	
53	1001182981	1	Bracket	
54	1001182982	1	Mount	
55	1001182983	1	Tube, Intake	
56	1001182984	1	Support	
57	1001183420	1	Foam, Baffle	
58	1001183424	1	Foam, Baffle	
59	1001183427	1	Tube, Coolant	
60	1001183428	1	Mount, Engine (RH)	
61	1001215543	1	Mount, Engine (LH)	
62	1001184064	1	Tube, Intake	
64	1001213847	1	Tube, Exhaust	
65	1001186833	1	Tube, Exhaust	
68	1001205968	1	Tray	
69	1001210708	1	Insulate, Exhaust	
70	0100062	AR	Adhesive	
71	1001181625	50 in/ 127cm	Hose	
72	8410013	4	Clamp	
73	5240600	4	Washer M6	
74	1001184066	1	Foam, Baffle	
75	1001125248	2	Mount, Engine	
76	1001195600	1	Bracket, Muffler	
77	1001226420	1	Support	
78	0761014	1	Bolt M10 x 30	
79	4812500	2	Washer M20	
80	0700819	2	Bolt M8 x 55	

SECTION 3 - ENGINE

FIGURE 3-16. ENGINE COMPONENTS - KUBOTA GASOLINE



ART_1001224493

SECTION 3 - ENGINE

FIGURE 3-16. ENGINE COMPONENTS - KUBOTA GASOLINE

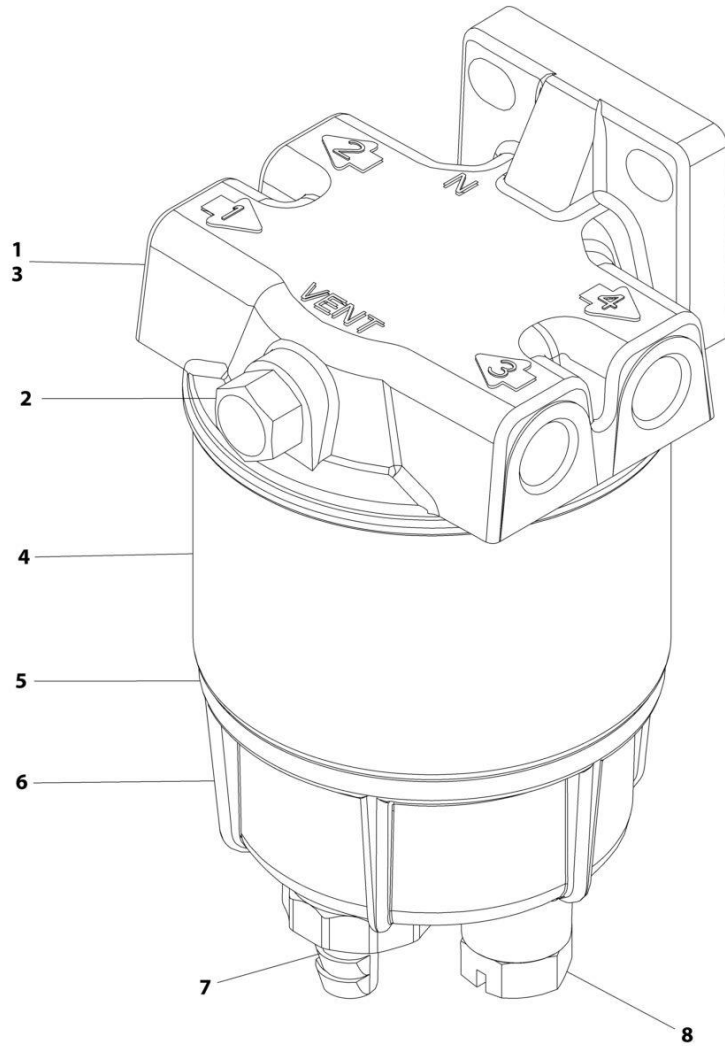
ITEM	PART NUMBER	QTY	DESCRIPTION	REV
	1001224493	Ref	ENGINE COMPONENTS - KUBOTA GASOLINE	C
1	70004524	1	Drain (Not Shown)	
2	70004525	1	Plug, Drain	
2	70004526	1	Gasket	
3	7017906	2	Bolt (Not Shown)	
4	70005726	1	Sensor, Water Temperature	
4	70005727	1	Gasket	
5	70005728	1	Gasket, Head (Not Shown)	
6	7017914	1	Joint, Pipe (Not Shown)	
7	70005729	1	Seal, Oil (Not Shown)	
8	70005730	1	Sensor, Revolution (Not Shown)	
9	7017959	2	Band, Pipe	
10	70005731	1	O-Ring, Breather	
10	70005732	1	Cover, Breather	
11	7017934	4	Screw	
12	70005733	1	Gasket, Head Cover (Not Shown)	
13	70004831	4	Bolt	
14	70002318	1	Plug, Oil Filler	
14	70004311	1	O-Ring	
15	7017980	1	Filter, Oil	
16	70005734	1	Gauge, Oil	
17	70004294	1	Pump, Oil	
17	70004295	1	Gasket, Oil	
18	70004296	1	Key, Feather (Not Shown)	
19	7017982	1	Gasket, Bearing Case (Not Shown)	
20	7017983	1	Seal, Oil (Not Shown)	
21	7017984	1	Gasket, Case Cover (Not Shown)	
22	70005735	1	Gear, Ring	
23	70005736	1	Rotor	
24	70004834	5	Bolt	
25	7017992	1	Fuel, Filter	
26	70005737	1	Sensor, Stick (Not Shown)	
27	70005738	1	Holder, Sensor (Not Shown)	
28	70005739	3	Spark Plug (Not Shown)	
29	70005740	3	Coil, Ignition	
30	7017986	1	Gasket	
31	70004538	2	Packing	
32	7017995	1	Gasket, Fuel Pump	
33	70004848	2	Bolt	
34	70006661	1	Alternator - 60Amp	
35	70006662	1	Bracket, Adjustment	
36	70004557	1	Washer	
37	70004558	1	Washer, Spring Lock	
38	7023107	1	V-Belt	
39	70005743	1	Starter	
40	70005329	5	Nut	
41	70005744	1	Magnetic, Switch	
42	70005745	1	Switch, Oil Pressure	
43	70004829	1	Pipe, Water Return (Not Shown)	
44	70004306	1	Gasket, Water Flange (Not Shown)	

SECTION 3 - ENGINE

ITEM	PART NUMBER	QTY	DESCRIPTION	REV
45	70004851	1	Pipe, Water Return	
46	7023170	1	Thermostat (Not Shown)	
47	70002326	1	Gasket, Thermostat	
48	70004853	1	Pump, Water	
49	70004854	1	Gasket, Water Pump	
50	70004912	1	Hose, Water	
51	70004913	2	Band, Pipe	
52	70005229	1	Coolant Tank Kit	
53	4400498	1	Tank, Coolant	
54	70004401	1	Decal - Instruction	
55	70005746	1	Sensor (TMAP)	
56	70005747	1	O-Ring (Not Shown)	
57	7017994	2	Gasket, Air Cleaner (Not Shown)	
58	70005748	1	Mixer	
59	70004537	1	Screw, Air Bleeder (Not Shown)	
60	70005749	1	Gasket, In-Manifold (Not Shown)	
61	70005750	1	Rail, Fuel Ignition	
62	70005751	3	Injector	
63	70005752	1	Gasket, Exhaust Manifold (Not Shown)	
64	70005753	3	Bolt, Stud (Not Shown)	
65	70005327	6	Nut (Not Shown)	
66	70005754	4	Bolt, Stud	
67	70005755	1	Muffler	
68	70005756	1	Cover, Muffler	
69	70005757	1	Harness, Wire (ECU) (Not Shown)	
70	70005758	1	Module, Engine Control (ECU)	
71	70005759	2	Gasket, Muffler	
72	70005760	2	Sensor, O2	
73	70005762	1	Valve, 2 Way	
74	70005761	1	Pump, Fuel	
75	70005763	1	Gasket, Muffler	
76	70005764	1	Upper Gasket Kit	
77	70005765	1	Lower Gasket Kit	
78	70005766	1	Cable Assembly (ECOM) (Not Shown)	
79	70005767	1	Adapter (ECOM) (Not Shown)	
80	70005768	1	Regulator	
81	70005769	1	Valve, Lockoff	

SECTION 3 - ENGINE

FIGURE 3-17. FUEL/WATER SEPARATOR ASSEMBLY - DIESEL ENGINES



ART_1001190609

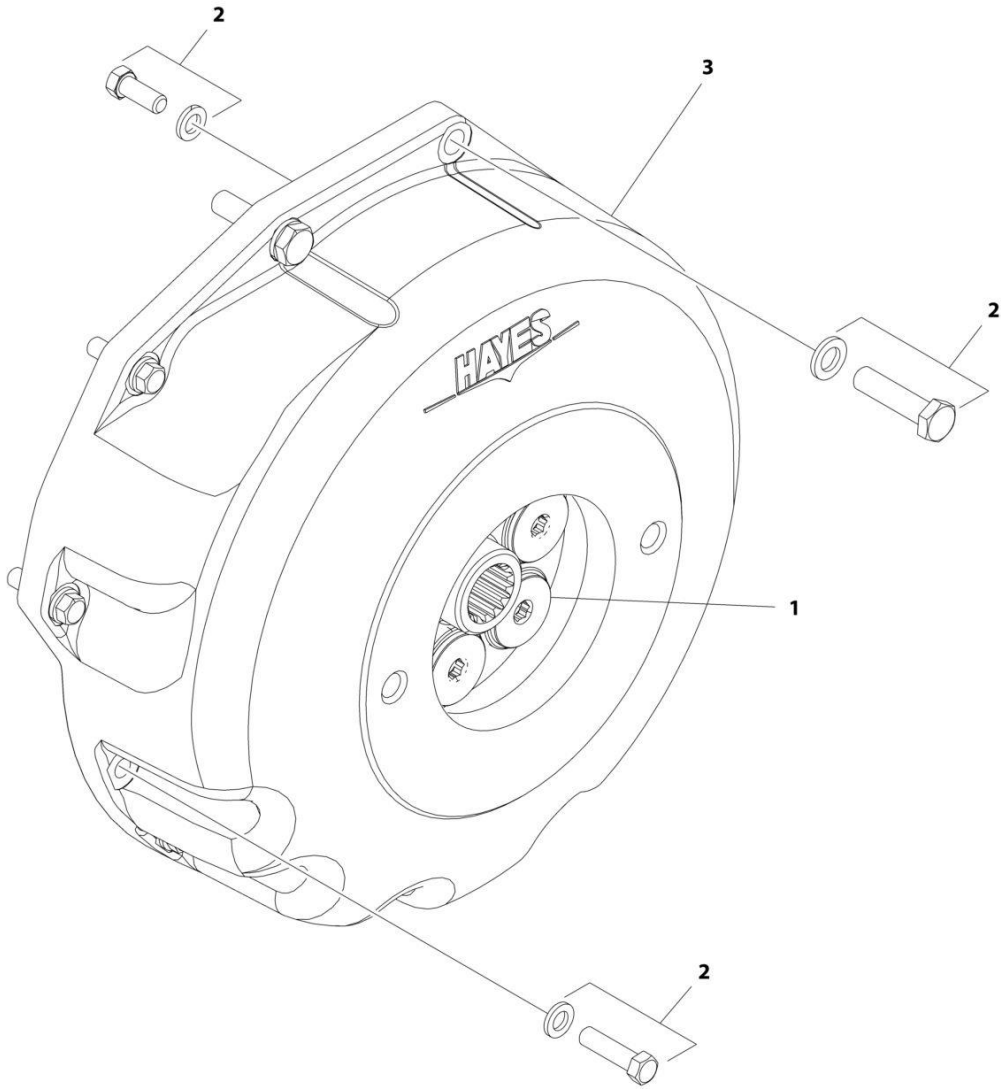
SECTION 3 - ENGINE

FIGURE 3-17. FUEL/WATER SEPARATOR ASSEMBLY - DIESEL ENGINES

ITEM	PART NUMBER	QTY	DESCRIPTION	REV
	1001190609	Ref	FUEL/WATER SEPARATOR ASSEMBLY - DIESEL ENGINES	B
1	70005293	1	Head, Mounting	
2	70005294	1	Plug	
3	70005295	1	Gasket, Head	
4	70005296	1	Element	
5	70005297	1	O-Ring	
6	70002901	1	Bowl	
7	70004070	1	Drain, Self Venting	
8	70004069	1	Plug	

SECTION 3 - ENGINE

FIGURE 3-18. COUPLING KIT - DIESEL ENGINES



ART_1001118675

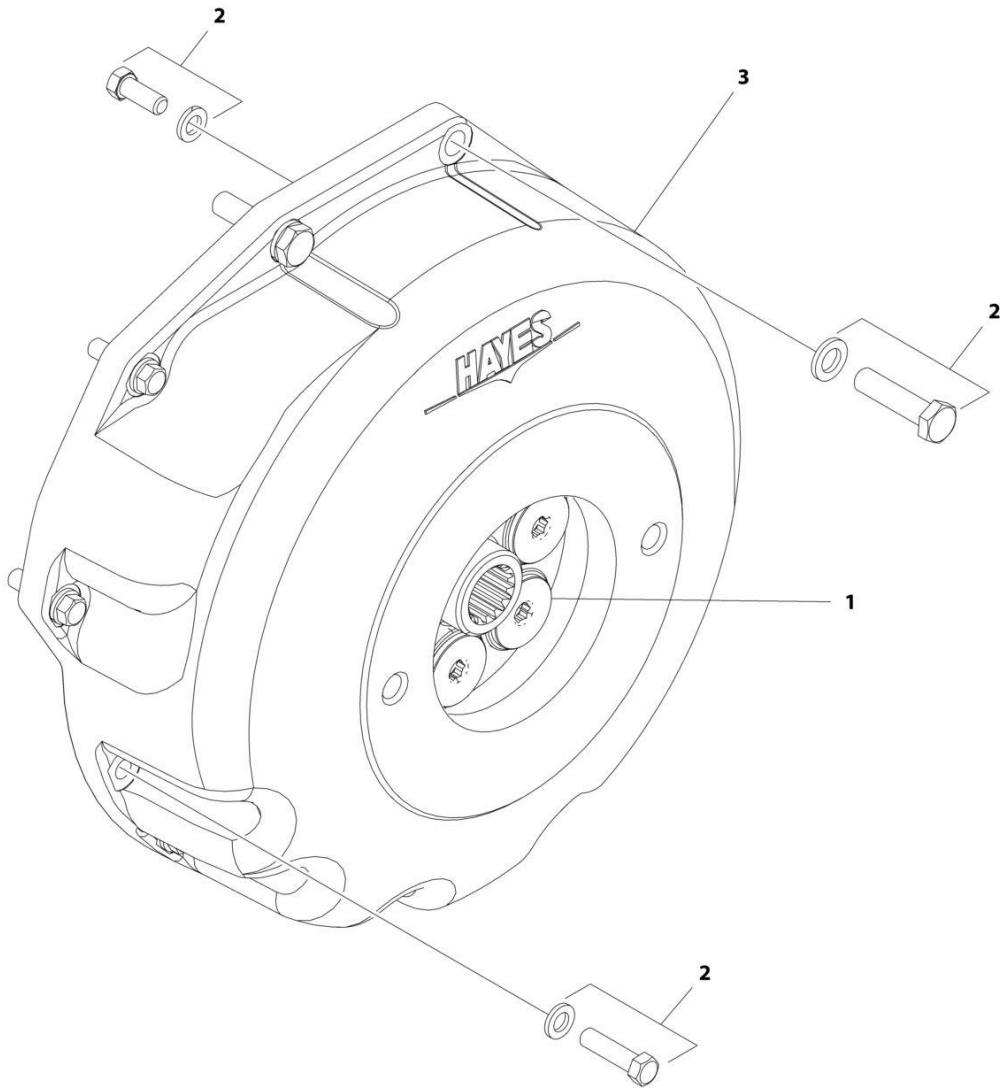
SECTION 3 - ENGINE

FIGURE 3-18. COUPLING KIT - DIESEL ENGINES

ITEM	PART NUMBER	QTY	DESCRIPTION	REV
	1001118675	Ref	COUPLING KIT - DIESEL ENGINES	A
1	70001933	1	Coupling Assembly	
2	70005453	1	Bolt Kit	
3	See Note	NSS	Housing (Note: Use p/n 1001118675)	

SECTION 3 - ENGINE

FIGURE 3-19. COUPLING KIT - GASOLINE ENGINES



ART_1001181829

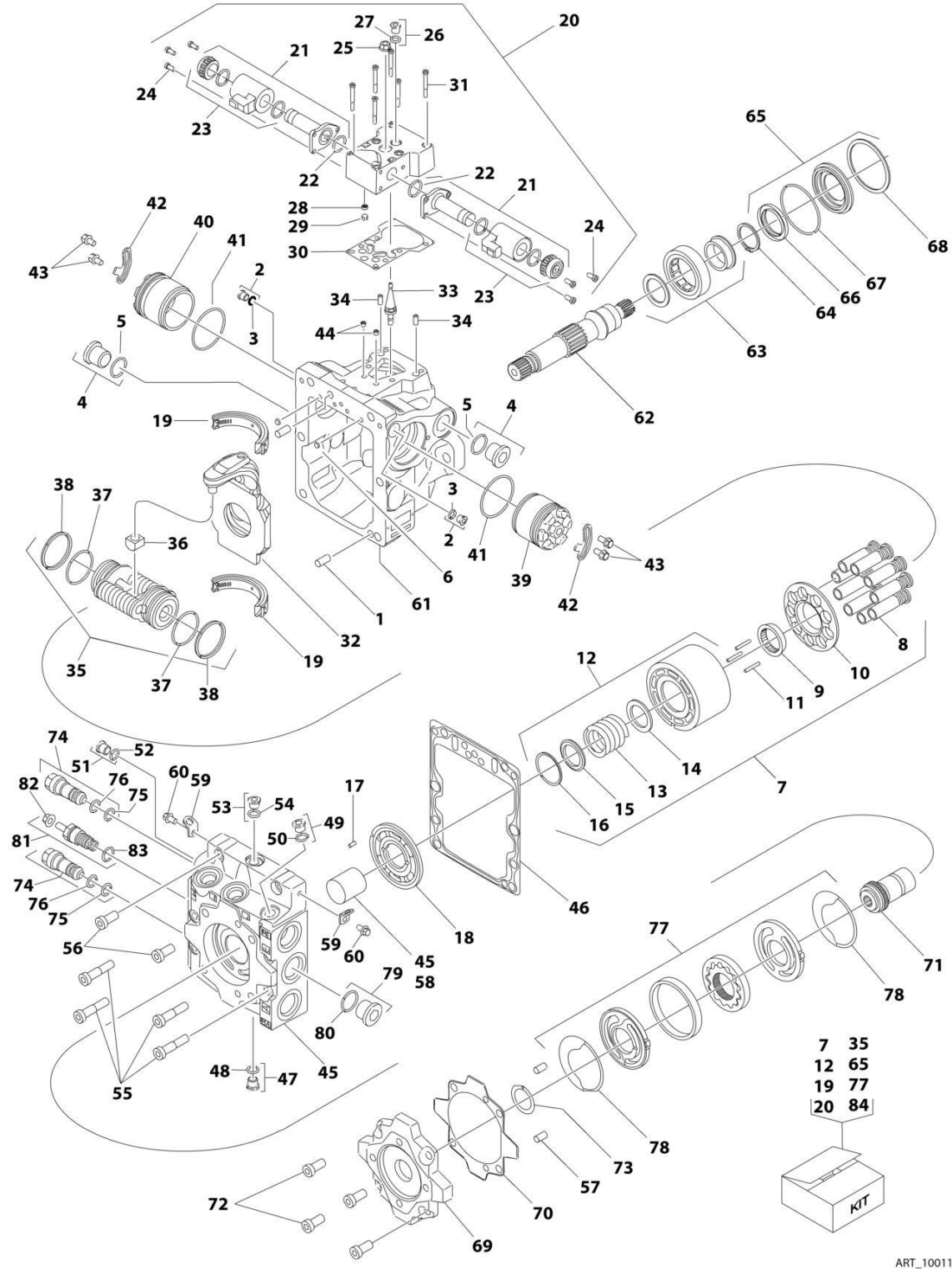
SECTION 3 - ENGINE

FIGURE 3-19. COUPLING KIT - GASOLINE ENGINES

ITEM	PART NUMBER	QTY	DESCRIPTION	REV
	1001181829	Ref	COUPLING KIT - GASOLINE ENGINES	B
1	70005455	1	Coupling Assembly	
2	70005454	1	Bolt Kit	
3	See Note	NSS	Housing (Note: Use p/n 1001181829)	

SECTION 3 - ENGINE

FIGURE 3-20. PISTON PUMP ASSEMBLY



ART_1001101331

SECTION 3 - ENGINE

FIGURE 3-20. PISTON PUMP ASSEMBLY

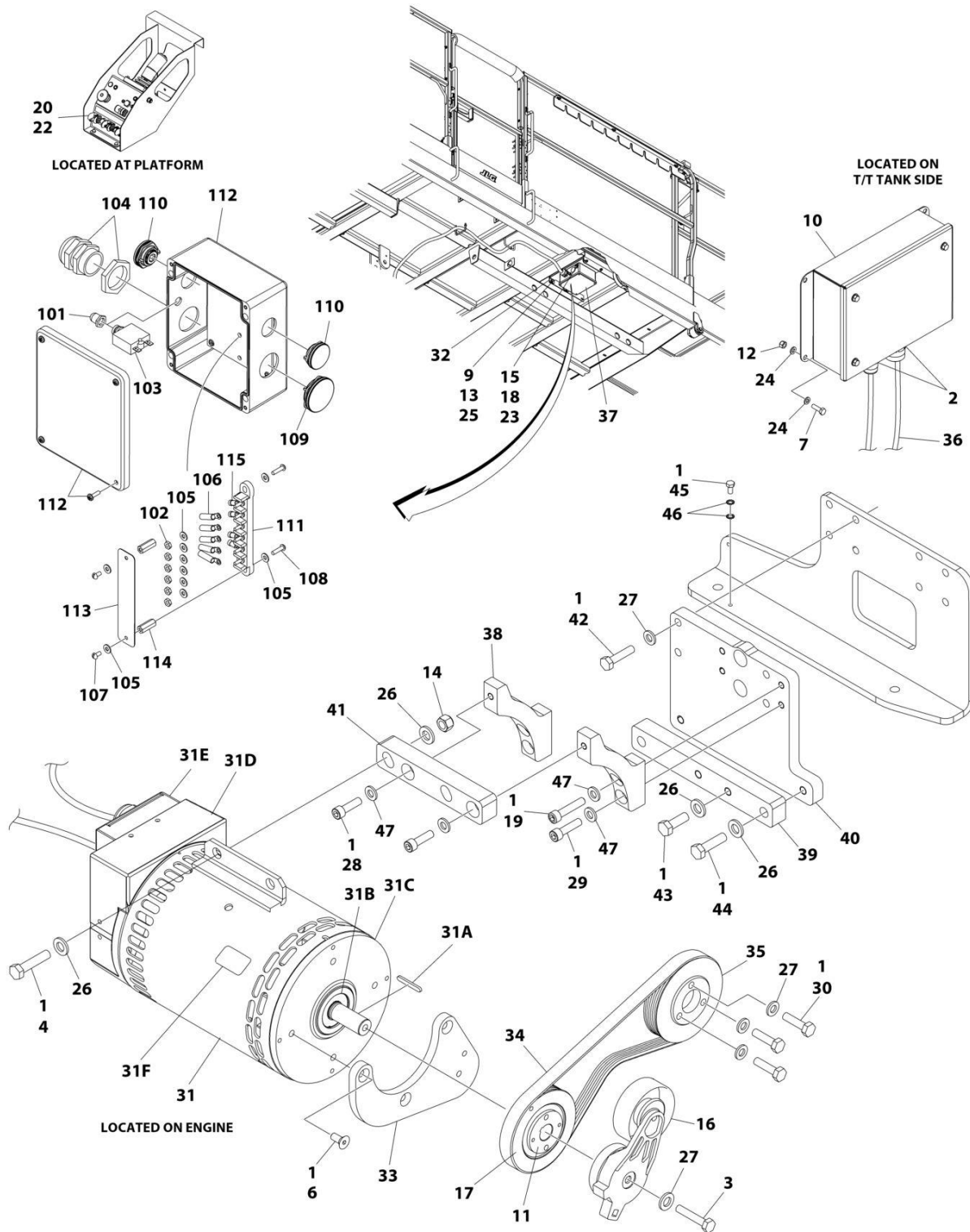
ITEM	PART NUMBER	QTY	DESCRIPTION	REV
	1001101331	Ref	PISTON PUMP ASSEMBLY	E
1	70002132	2	Pin	
2	70002133	2	Plug Assembly (Includes Item 3)	
3	7007207	2	O-Ring (Part of Item 2)	
4	7007419	2	Plug Assembly (Includes Item 5)	
5	7007418	2	O-Ring (Part of Item 4)	
6	70002134	2	Screen	
7	70002135	1	Cylinder Block Kit (Includes Items 8-16)	
8	70002136	1	Piston Assembly Kit (Includes Qty 9 Piston Assemblies) (Part of Item 7)	
9	70002137	1	Guide, Slipper Retainer (Part of Item 7)	
10	70002138	1	Retainer, Slipper (Part of Item 7)	
11	7021275	3	Pin, Slipper Retainer Hold Down (Part of Item 7)	
12	70002143	1	Cylinder Block Assembly (Includes Items 13-16) (Part of Item 7)	
13	70002139	1	Spring (Part of Item 12)	
14	70002140	1	Washer (Part of Item 12)	
15	70002141	1	Washer (Part of Item 12)	
16	70002142	1	Ring, Retaining (Part of Item 12)	
17	7007446	1	Pin	
18	70002144	1	Plate, CW Valve	
19	70002145	1	Swash Plate Bearing Kit (Includes Qty 2 Bearings)	
20	70002146	1	EDC Kit (Includes Items 21-31)	
21	70002147	2	Solenoid Valve Assembly (Includes Item 22 & 23) (Part of Item 20)	
22	70002148	2	O-Ring (1 Per Valve Assembly) (Part of Item 21)	
23	70002149	2	Coil, Nut and Seals Kit (1 Per Valve Assembly) (Part of Item 21)	
24	70002150	6	Screw (Part of Item 20)	
25	7022301	1	Nut, Seal (Part of Item 20)	
26	70002151	1	Plug Assembly (Part of Item 20) (Includes Item 27)	
27	7007207	1	O-Ring (Part of Item 26)	
28	70002134	1	Screen (Part of Item 20)	
29	70002153	1	Ring, Locking (Part of Item 20)	
30	70002154	1	Gasket, Control (Part of Item 20)	
31	70002156	6	Capscrew (Part of Item 20)	
32	70002152	1	Swash Plate	
33	70002155	1	Link, Swash Plate	
34	70002157	2	Pin, Dowel	
35	70002158	1	Servo Piston Assembly (Includes Items 36-38)	
36	70002159	1	Block, Slider (Part of Item 35)	
37	70002160	2	O-Ring (Part of Item 35)	
38	70002161	2	Ring, Piston (Part of Item 35)	
39	70002162	1	Cylinder, Servo	
40	70002162	1	Cylinder, Servo	
41	70002163	2	O-Ring	
42	70002164	2	Plate, Locking	
43	70002165	4	Screw	
44	70002166	2	Orifice	
45	70002167	1	Cap, End (Includes Item 58)	
46	70002168	1	Gasket, End Cap	
47	70002158	1	Plug Assembly (Includes Item 48)	

SECTION 3 - ENGINE

ITEM	PART NUMBER	QTY	DESCRIPTION	REV
48	7021256	1	O-Ring (Part of Item 47)	
49	70001958	1	Plug Assembly (Includes Item 50)	
50	7021256	1	O-Ring (Part of Item 49)	
51	70001958	1	Plug Assembly (Includes Item 52)	
52	7021256	1	O-Ring (Part of Item 51)	
53	70001958	1	Plug Assembly (Includes Item 54)	
54	7021256	1	O-Ring (Part of Item 53)	
55	70002169	4	Capscrew	
56	70002170	2	Capscrew	
57	70002132	2	Pin	
58	70002172	1	Bearing, Journal (Part of Item 45)	
59	7022340	2	Bracket, Lifting	
60	70002165	2	Screw	
61	See Note	1	Housing (Note: Purchase p/n 1001101331)	
62	70002175	1	Shaft	
63	70002176	1	Ball Bearing Kit	
64	70007439	1	Ring, Retaining	
65	70002174	1	Shaft Seal Kit (Includes Items 66-68) (Note: This is a universal kit and will contain extra pieces that are not used on this pump assembly.)	
66	70002177	1	Seal, Lip	
67	70002178	1	O-Ring	
68	70002179	1	Ring, Retaining	
69	70002180	1	Adapter	
70	70002181	1	Seal, Adapter	
71	70002182	1	Coupling	
72	70002185	4	Capscrew	
73	70002186	1	Plate, Thrust	
74	70002188	2	High Pressure Relief Valve Cartridge Assembly (Includes Item 75 & 76)	
75	70002187	2	O-Ring (1 Per Cartridge) (Part of Item 74)	
76	7007415	2	O-Ring (1 Per Cartridge) (Part of Item 74)	
77	70002189	1	Charge Pump Kit (Includes Item 78)	
78	70002190	2	Ring, Seal (Part of Item 77)	
79	7023964	1	Plug Assembly (Includes Item 80)	
80	7007415	1	O-Ring (Part of Item 79)	
81	70002191	1	Charge Relief Valve Cartridge Assembly (Includes Item 82 & 83)	
82	70002187	1	Nut, Seal (Part of Item 81)	
83	7007415	1	O-Ring (Part of Item 81)	
84	70002192	1	Overhaul Seal Kit (Includes Items 3, 5, 22, 27, 30, 37, 38, 41, 48, 50, 52, 54, 66, 67, 70, 75, 76, 78, 82 & 83)	

SECTION 3 - ENGINE

FIGURE 3-21. 7500W GENERATOR INSTALLATION - 50HZ (KUBOTA DIESEL)



ART_1001208752_F

SECTION 3 - ENGINE

FIGURE 3-21. 7500W GENERATOR INSTALLATION - 50HZ (KUBOTA DIESEL)

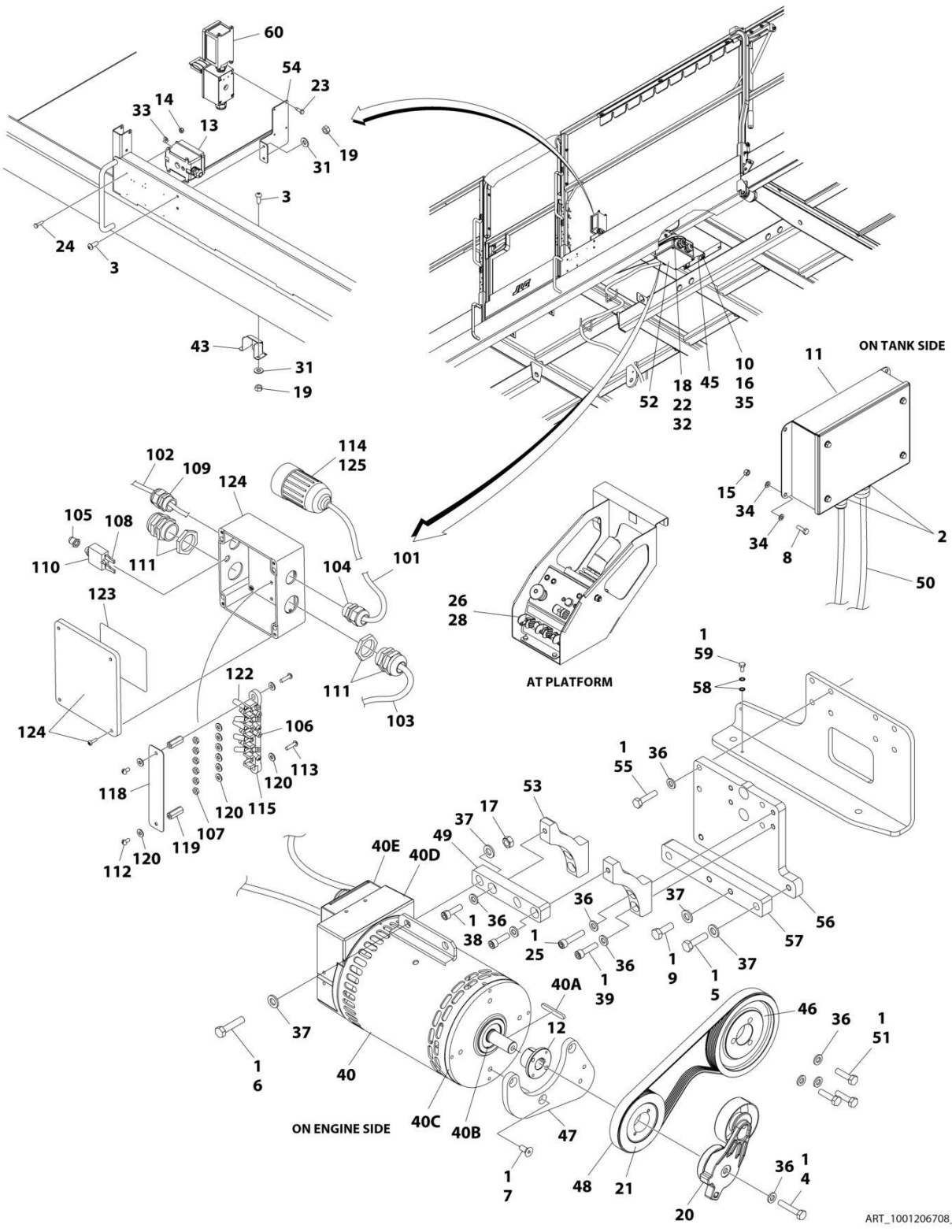
ITEM	PART NUMBER	QTY	DESCRIPTION	REV
	1001208752	Ref	75000W GENERATOR INSTALLATION - KUBOTA DIESEL STAGE III	F
1	0100011	AR	Compound, Locking	
2	0100048	AR	Grease, Silicone	
3	0701019	1	Bolt M10 x 55	
4	0701219	2	Bolt M12 x 55	
6	0741607	3	Screw 3/8 x 7/8	
7	0760610	4	Bolt M6 x 20	
9	0780810	4	Bolt M8 x 20	
10	0861572	1	Box, Generator Control	
10	7024488	1	Card, Circuit - Generator Power (Not Shown)	
10	See Note	1	Fuse (Note: Not Available - Purchase Locally)	
10	7024489	1	Card, Circuit - Control (Not Shown)	
		Ref	Note: When replacing card, rocker switch on card must be set for required application.	
10	70000619	1	Harness, Circuit Card	
11	0962520	1	Bushing, Taper	
12	3290605	4	Nut M6	
13	3290805	4	Nut M8	
14	3291201	2	Nut M12	
15	3311005	4	Nut #10	
16	3580317	1	Tensioner, Belt	
17	3580318	1	Pulley	
18	3931016	4	Capscrew #10 x 1	
19	4032014	2	Capscrew M10 x 50	
20	4060802	1	Guard, Switch	
21	4240017	AR	Tie-Strap (Not Shown)	
22	4360482	1	Switch, Toggle	
23	4751000	4	Washer #10	
24	4811700	8	Washer M6	
25	4811900	4	Washer M8	
26	5241200	8	Washer M12	
27	5241000	8	Washer M10	
28	5272011	2	Capscrew M10 x 35	
29	5272012	2	Capscrew M10 x 40	
30	1001119929	3	Bolt M10 x 35	
31	1001212223	1	Generator Assembly - 7500W	
31	70001100	1	Rotor (Includes p/n 70001384 & 70000863) (Not Shown)	
31	70001384	1	Bearing, Shaft (Rear) (Not Shown)	
31	70000863	1	Fan, Generator (Not Shown)	
31	70006093	1	Stator (Not Shown)	
31	70002297	2	Stud 1/4 x 12-7/8 (Not Shown)	
31	70003631	1	Brushholder Assembly (Not Shown) (was p/n 7024484)	
31A	70004099	1	Key	
31B	70001966	1	Bearing, Ball Radial (Located in Belt Tensioner Endbell)	
31B	70003709	1	Ring, Retaining (Small)	
31B	70003708	1	Ring, Retaining (Large)	
31C	70004092	1	Endbell, Belt Tensioner	
31D	70004094	1	Endbell, Brush Block	
31E	70006094	1	Shroud	

SECTION 3 - ENGINE

ITEM	PART NUMBER	QTY	DESCRIPTION	REV
31E	7027799	1	Block, Connector - 6 Position (Not Shown)	
31E	70002460	1	Nut, Brass (Attaches p/n 7027799 to Cover) (Not Shown)	
31E	70006095	1	Breaker, Circuit 30Amp (Not Shown)	
31E	70006096	1	Boot, Breaker (Not Shown)	
31E	7026597	1	Connector with Leads (Not Shown)	
31E	7026626	1	Connector with Pins (Not Shown)	
31E	70004098	1	Clamp, Cable (Not Shown)	
31E	70006097	1	Plate, End Panel (Not Shown)	
31E	70002291	1	Insulator, Endbell (Not Shown)	
31E	70001974	1	Decal - Terminal Connections (Not Shown)	
31F	70001973	1	Decal - Warning Moving Parts	
32	1001166732	1	Support	
33	1001184162	1	Mount, Tensioner	
34	1001244939	1	Belt	
35	1001244937	1	Pulley	
36	1001236442	1	Generator Harness - 7500W (See Separate Breakdown in ELECTRICAL SECTION)	
37	1001187197	1	Junction Box Assembly (See Items 101-115 for Breakdown)	
38	1001202532	2	Arm	
39	1001208340	1	Bar (Lower)	
40	1001208339	1	Plate, Mounting	
41	1001202536	1	Bar (Upper)	
42	1001207285	4	Bolt M10 x 45 Grade 10.9	
43	0701215	2	Bolt M12 x 35	
44	0701217	2	Bolt M12 x 45	
45	0760606	1	Bolt M6 x 12	
46	4871700	2	Washer M6	
47	4891600	6	Washer M10	
	1001187197	Ref	JUNCTION BOX ASSEMBLY	A
101	3300396	1	Cover, Fuse	
102	3311001	6	Nut #10	
103	4360070	1	Breaker, Circuit - 15Amp	
104	4460426	1	Connector, Strain Relief	
105	4711000	10	Washer #10	
106	8220022	5	Terminal, Ring	
107	10702077	2	Screw #10 x 3/8	
108	10702082	2	Screw #10 x 3/4	
109	1001148648	1	Plug	
110	1001152525	2	Plug	
111	1001157520	1	Block, Terminal - 6 Pole	
112	1001157521	1	Box, Junction	
113	1001158007	1	Cover	
114	1001158008	2	Stand-Off	
115	4460068	4	Terminal, Ring	

SECTION 3 - ENGINE

FIGURE 3-22. 7500W GENERATOR INSTALLATION - 60HZ (KUBOTA DIESEL)



ART_1001206708_G

SECTION 3 - ENGINE

FIGURE 3-22. 7500W GENERATOR INSTALLATION - 60HZ (KUBOTA DIESEL)

ITEM	PART NUMBER	QTY	DESCRIPTION	REV
	1001206708	Ref	7500W GENERATOR INSTALLATION - KUBOTA DIESEL T4F	G
1	0100011	AR	Compound, Locking	
2	0100048	AR	Grease, Silicone	
3	0630407	4	Screw 1/4 x 5/8	
4	0701019	1	Bolt M10 x 55	
5	0701217	2	Bolt M12 x 45	
6	0701219	2	Bolt M12 x 55	
7	0741607	3	Screw 3/8 x 7/8	
8	0760610	4	Bolt M6 x 20	
9	0701215	2	Bolt M12 x 35	
10	0780810	4	Bolt M8 x 20	
11	0861538	1	Box, Generator Control	
11	7024488	1	Card, Circuit - Generator Power (Not Shown)	
11	See Note	1	Fuse (Note: Not Available - Purchase Locally)	
11	7024489	1	Card, Circuit - Control (Not Shown)	
		Ref	Note: When replacing card, rocker switch on card must be set for required application.	
11	70000619	1	Harness, Circuit Card	
12	0962520	1	Bushing, Taper	
13	2902431	1	Receptacle Box Kit - 110V GFI (See Separate Breakdown in ELECTRICAL Section)	
14	3290405	4	Nut M4	
15	3290605	4	Nut M6	
16	3290805	4	Nut M8	
17	3291201	2	Nut M12	
18	3311005	4	Nut #10	
19	3311405	4	Nut 1/4	
20	3580317	1	Tensioner, Belt	
21	3580318	1	Pulley	
22	3931016	4	Capscrew #10 x 1	
23	3940804	4	Screw	
24	4010408	4	Screw M4 x 16	
25	4032014	2	Capscrew M10 x 50	
26	4060802	1	Guard, Switch	
27	4240017	AR	Tie-Strap (Not Shown)	
28	4360482	1	Switch, Toggle	
29	4460315	AR	Terminal (Not Shown)	
31	4711400	4	Washer 1/4	
32	4751000	4	Washer #10	
33	4811400	AR	Washer M4	
34	4811700	8	Washer M6	
35	4811900	4	Washer M8	
36	5241000	AR	Washer M10	
37	5241200	8	Washer M12	
38	5272011	2	Capscrew M10 x 35	
39	5272012	2	Capscrew M10 x 40	
40	1001212223	1	Generator Assembly - 7500W	
40	70001100	1	Rotor (Includes p/n 70001384 & 70000863) (Not Shown)	
40	70001384	1	Bearing, Shaft (Rear) (Not Shown)	
40	70000863	1	Fan, Generator (Not Shown)	

SECTION 3 - ENGINE

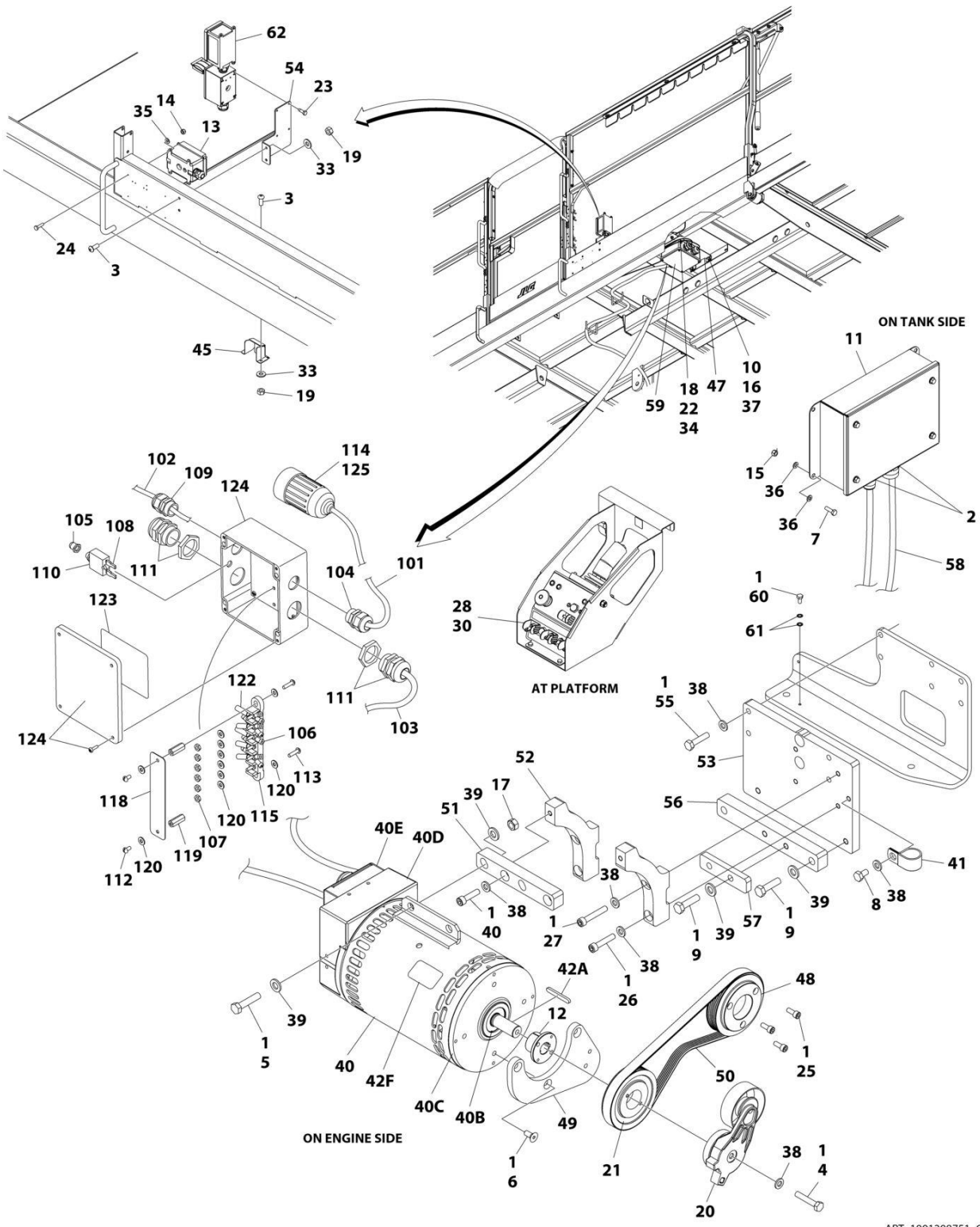
ITEM	PART NUMBER	QTY	DESCRIPTION	REV
40	70006093	1	Stator (Not Shown)	
40	70002297	2	Stud 1/4 x 12-7/8 (Not Shown)	
40	70003631	1	Brushholder Assembly (Not Shown) (was p/n 7024484)	
40A	70004099	1	Key	
40B	70001966	1	Bearing, Ball Radial (Located in Belt Tensioner Endbell)	
40B	70003709	1	Ring, Retaining (Small)	
40B	70003708	1	Ring, Retaining (Large)	
40C	70004092	1	Endbell, Belt Tensioner	
40D	70004094	1	Endbell, Brush Block	
40E	70006094	1	Shroud	
40E	7027799	1	Block, Connector - 6 Position (Not Shown)	
40E	70002460	1	Nut, Brass (Attaches p/n 7027799 to Cover) (Not Shown)	
40E	70006095	1	Breaker, Circuit 30Amp (Not Shown)	
40E	70006096	1	Boot, Breaker (Not Shown)	
40E	7026597	1	Connector with Leads (Not Shown)	
40E	7026626	1	Connector with Pins (Not Shown)	
40E	70004098	1	Clamp, Cable (Not Shown)	
40E	70006097	1	Plate, End Panel (Not Shown)	
40E	70002291	1	Insulator, Endbell (Not Shown)	
40E	70001974	1	Decal - Terminal Connections (Not Shown)	
40F	70001973	1	Decal - Warning Moving Parts	
43	1001148844	1	Support	
45	1001166732	1	Support	
46	1001183726	1	Pulley	
47	1001184162	1	Mount	
48	1001184235	1	Belt	
49	1001202536	1	Bar (Upper)	
50	1001236442	1	Generator Harness - 7500W (See Separate Breakdown in ELECTRICAL Section)	
51	1001186919	3	Bolt M10 x 40	
52	1001187228	1	Junction Box Assembly (See Items 101-125 for Breakdown)	
53	1001202532	2	Arm	
54	1001206707	1	Support	
55	1001207285	4	Bolt M10 x 45 Grade 10.9	
56	1001208339	1	Plate	
57	1001208340	1	Bar (Lower)	
58	4871700	2	Washer M6	
59	0760606	1	Bolt M6 x 12	
60	1001216162	1	Receptacle/Breaker Assembly (See Separate Breakdown in ELECTRICAL Section)	
61	4891600	1	Washer 3/8	
	1001187228	Ref	JUNCTION BOX ASSEMBLY	A
101	1060343	6.8 ft/2m	Cable, Electrical - 10/4	
102	1060494	6.8 ft/2m	Cable, Electrical - 12/3	
103	1060708	6.8 ft/2m	Cable, Electrical - 10/3	
104	1321692	1	Strain Relief, Terminal	
105	3300396	1	Cover, Fuse	
106	4460068	10	Terminal	
107	3311001	6	Nut #10	
108	4460483	2	Terminal	
109	4460425	1	Strain Relief, Terminal	
110	4360070	1	Breaker, Circuit - 15Amp	

SECTION 3 - ENGINE

ITEM	PART NUMBER	QTY	DESCRIPTION	REV
111	4460426	2	Connector, Strain Relief	
112	10702077	2	Screw #10 x 3/8	
113	10702082	2	Screw #10 x 3/4	
114	4460963	1	Connector, Turnlock	
115	1001157520	1	Block, Terminal - 6 Pole	
118	1001158007	1	Cover	
119	1001158008	2	Stand-Off	
120	4711000	10	Washer #10	
122	8220022	5	Terminal, Ring	
123	1001157528	1	Decal - Wiring Schematic	
124	1001187232	1	Box, Junction	
125	1671092	1	Cover, Connector	

SECTION 3 - ENGINE

FIGURE 3-23. 7500W GENERATOR INSTALLATION - 60HZ (KUBOTA GASOLINE)



ART_1001208751_G

SECTION 3 - ENGINE

FIGURE 3-23. 7500W GENERATOR INSTALLATION - 60HZ (KUBOTA GASOLINE)

ITEM	PART NUMBER	QTY	DESCRIPTION	REV
	1001208751	Ref	7500W GENERATOR INSTALLATION - KUBOTA GASOLINE	G
1	0100011	AR	Compound, Locking	
2	0100048	AR	Grease, Silicone	
3	0630407	4	Screw 1/4 x 5/8	
4	0701019	1	Bolt M10 x 55	
5	0701219	2	Bolt M12 x 55	
6	0741607	3	Screw 3/8 x 7/8	
7	0760610	4	Bolt M6 x 20	
8	0761009	1	Bolt M10 x 18	
9	0701217	4	Bolt M12 x 45	
10	0780810	4	Bolt M8 x 20	
11	0861538	1	Box, Generator Control	
11	7024488	1	Card, Circuit - Generator Power (Not Shown)	
11	See Note	1	Fuse (Note: Not Available - Purchase Locally)	
11	7024489	1	Card, Circuit - Control (Not Shown)	
		Ref	Note: When replacing card, rocker switch on card must be set for required application.	
11	70000619	1	Harness, Circuit Card	
12	0962520	1	Bushing, Taper	
13	2902431	1	Receptacle Box Kit - 110V GFI (See Separate Breakdown in ELECTRICAL SECTION)	
14	3290405	4	Nut M4	
15	3290605	4	Nut M6	
16	3290805	4	Nut M8	
17	3291201	2	Nut M12	
18	3311005	4	Nut #10	
19	3311405	4	Nut 1/4	
20	3580317	1	Tensioner, Belt	
21	3580318	1	Pulley	
22	3931016	4	Capscrew #10 x 1	
23	3940804	4	Screw	
24	4010408	4	Screw M4 x 16	
25	4031908	3	Cascrew M8 x 20	
26	4032014	2	Capscrew M10 x 50	
27	4032016	2	Capscrew M10 x 60	
28	4060802	1	Guard, Switch	
29	4240017	AR	Tie-Strap (Not Shown)	
30	4360482	1	Switch, Toggle	
31	4460315	3	Terminal (Not Shown)	
33	4711400	4	Washer 1/4	
34	4751000	4	Washer #10	
35	4811400	8	Washer M4	
36	4811700	8	Washer M6	
37	4811900	4	Washer M8	
38	5241000	6	Washer M10	
39	5241200	8	Washer M12	
40	5272012	2	Capscrew M10 x 40	
41	8406302	1	Clamp	
42	1001212223	1	Generator Assembly - 7500W	
42	70001100	1	Rotor (Includes p/n 70001384 & 70000863) (Not Shown)	

SECTION 3 - ENGINE

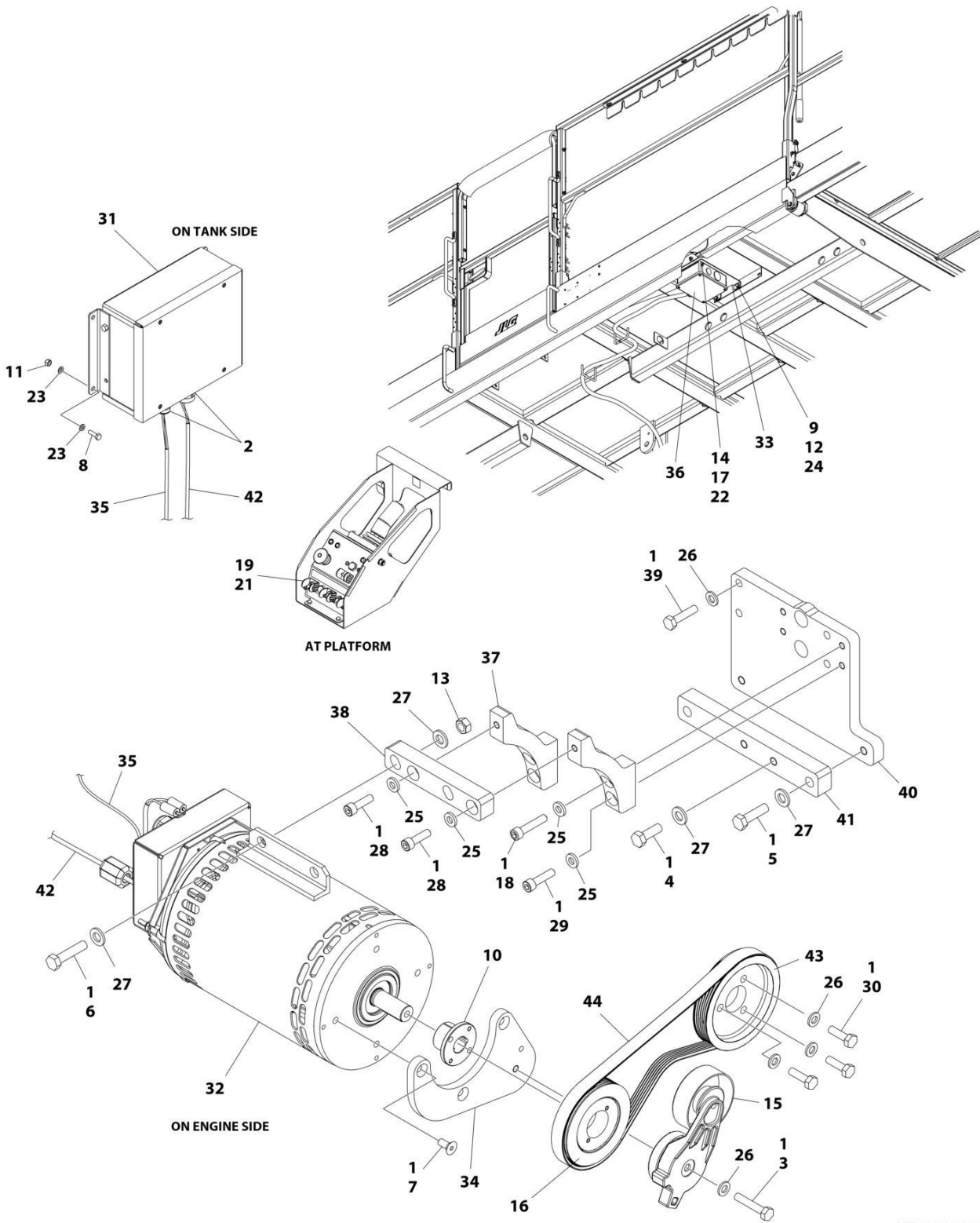
ITEM	PART NUMBER	QTY	DESCRIPTION	REV
42	70001384	1	Bearing, Shaft (Rear) (Not Shown)	
42	70000863	1	Fan, Generator (Not Shown)	
42	70006093	1	Stator (Not Shown)	
42	70002297	2	Stud 1/4 x 12-7/8 (Not Shown)	
42	70003631	1	Brushholder Assembly (Not Shown)	
42A	70004099	1	Key	
42B	70001966	1	Bearing, Ball Radial (Located in Belt Tensioner Endbell)	
42B	70003709	1	Ring, Retaining (Small)	
42B	70003708	1	Ring, Retaining (Large)	
42C	70004092	1	Endbell, Belt Tensioner	
42D	70004094	1	Endbell, Brush Block	
42E	70006094	1	Shroud	
42E	7027799	1	Block, Connector - 6 Position (Not Shown)	
42E	70002460	1	Nut, Brass (Attaches p/n 7027799 to Cover) (Not Shown)	
42E	70006095	1	Breaker, Circuit 30Amp (Not Shown)	
42E	70006096	1	Boot, Breaker (Not Shown)	
42E	7026597	1	Connector with Leads (Not Shown)	
42E	7026626	1	Connector with Pins (Not Shown)	
42E	70004098	1	Clamp, Cable (Not Shown)	
42E	70006097	1	Plate, End Panel (Not Shown)	
42E	70002291	1	Insulator, Endbell (Not Shown)	
42E	70001974	1	Decal - Terminal Connections (Not Shown)	
42F	70001973	1	Decal - Warning Moving Parts	
45	1001148844	1	Support	
47	1001166732	1	Support	
48	1001181211	1	Pulley	
49	1001184162	1	Mount	
50	1001184163	1	Belt	
51	1001202759	1	Bar (Upper)	
52	1001202760	2	Arm	
53	1001202764	1	Plate	
54	1001206707	1	Support	
55	1001207285	4	Bolt M10 x 45 Grade 10.9	
56	1001208340	1	Bar (Lower)	
57	1001210645	1	Bar	
58	1001236442	1	Generator Harness - 7500W (See Separate Breakdown in ELECTRICAL SECTION)	
59	1001187228	1	Junction Box Assembly (See Items 101-125 for Breakdown)	
60	0760606	1	Bolt M6 x 12	
61	4871700	2	Washer M6	
62	1001216162	1	Receptacle/Breaker Assembly (See Separate Breakdown in ELECTRICAL SECTION)	
63	4891600	1	Washer 3/8	
	1001187228	Ref	JUNCTION BOX ASSEMBLY	A
101	1060343	6.8 ft/2m	Cable, Electrical - 10/4	
102	1060494	6.8 ft/2m	Cable, Electrical - 12/3	
103	1060708	6.8 ft/2m	Cable, Electrical - 10/3	
104	1321692	1	Strain Relief, Terminal	
105	3300396	1	Cover, Fuse	
106	4460068	10	Terminal	
107	3311001	6	Nut #10	
108	4460483	2	Terminal	

SECTION 3 - ENGINE

ITEM	PART NUMBER	QTY	DESCRIPTION	REV
109	4460425	1	Strain Relief, Terminal	
110	4360070	1	Breaker, Circuit - 15Amp	
111	4460426	2	Connector, Strain Relief	
112	10702077	2	Screw #10 x 3/8	
113	10702082	2	Screw #10 x 3/4	
114	4460963	1	Connector, Turnlock	
115	1001157520	1	Block, Terminal - 6 Pole	
118	1001158007	1	Cover	
119	1001158008	2	Stand-Off	
120	4711000	10	Washer #10	
122	8220022	5	Terminal, Ring	
123	1001157528	1	Decal - Wiring Schematic	
124	1001187232	1	Box, Junction	
125	1671092	1	Cover, Connector	

SECTION 3 - ENGINE

FIGURE 3-24. 4000W GENERATOR INSTALLATION - 50HZ (KUBOTA DIESEL)



ART_1001283491

SECTION 3 - ENGINE

FIGURE 3-24. 4000W GENERATOR INSTALLATION - 50HZ (KUBOTA DIESEL)

ITEM	PART NUMBER	QTY	DESCRIPTION	REV
	1001283491	Ref	4000W GENERATOR INSTALLATION - 50HZ (KUBOTA DIESEL)	A
1	0100011	AR	Compound, Locking	
2	0100048	AR	Grease, Silicone	
3	0701019	1	Bolt M10 x 55	
4	0701215	2	Bolt M12 x 35	
5	0701217	2	Bolt M12 x 45	
6	0701219	2	Bolt M12 x 55	
7	0741607	3	Screw 3/8 x 7/8	
8	0760610	4	Bolt M6 x 20	
9	0780810	4	Bolt M8 x 20	
10	0962520	1	Bushing, Taper	
11	3290605	4	Nut M6	
12	3290805	4	Nut M8	
13	3291201	2	Nut M12	
14	3311005	4	Nut #10	
15	3580317	1	Tensioner, Belt	
16	3580318	1	Pulley	
17	3931016	4	Capscrew #10 x 1	
18	4032014	2	Capscrew M10 x 50	
19	4060802	1	Guard, Switch	
20	4240017	AR	Tie-Strap (Not Shown)	
21	4360482	1	Switch, Toggle	
22	4751000	4	Washer #10	
23	4811700	8	Washer M6	
24	4811900	4	Washer M8	
25	4891600	6	Washer M10	
26	5241000	8	Washer M10	
27	5241200	8	Washer M12	
28	5272011	2	Capscrew M10 x 35	
29	5272012	2	Capscrew M10 x 40	
30	1001119929	3	Bolt M10 x 35	
31	1001138566	1	Box, Control	
31	70006552	1	Capacitor	
31	70006553	1	Relay	
32	1001140347	1	Generator Assembly - 50Hz	
32	70003709	1	Ring, Retaining (External)	
32	70003708	1	Ring, Retaining (Internal)	
32	70001966	1	Bearing	
32	70004092	1	Endbell (Shaft End)	
32	70004099	1	Key	
32	70004676	1	Rotor	
32	70004686	1	Stator	
32	70004678	1	Endbell (Rear)	
32	70004679	1	Cover, Endbell (Rear)	
32	70004680	1	Enclosure, Wiring	
32	70004681	1	Cover, Enclosure	
32	70004682	1	Switch, Reset (Located on Enclosure Cover)	
32	70004683	1	Connector, Strain Relief (Located on Enclosure Cover)	
32	4460224	1	Connector - 6 Position (Located on Enclosure Cover)	
32	4460294	1	Pin, Male (Located on Enclosure Cover)	

SECTION 3 - ENGINE

ITEM	PART NUMBER	QTY	DESCRIPTION	REV
33	1001166732	1	Support	
34	1001184162	1	Mount, Tensioner	
35	1001186826	1	Harness, 4000W Generator Control - Control Box to Generator Control (See Separate Breakdown in ELECTRICAL Section)	
36	1001187197	1	Junction Box Assembly (See Separate Breakdown in ELECTRICAL Section)	
37	1001202532	2	Arm	
38	1001202536	1	Bar (Upper)	
39	1001207285	4	Bolt M10 x 45 Grade 10.9	
40	1001208339	1	Plate, Mounting	
41	1001208340	1	Bar (Lower)	
42	1001236444	1	Harness, 4000W Generator Control - Generator to Control Box (See Separate Breakdown in ELECTRICAL Section)	
43	1001244937	1	Pulley	
44	1001244939	1	Belt	

SECTION 3 - ENGINE

FIGURE 3-25. 4000W GENERATOR INSTALLATION - 60HZ (KUBOTA DIESEL)

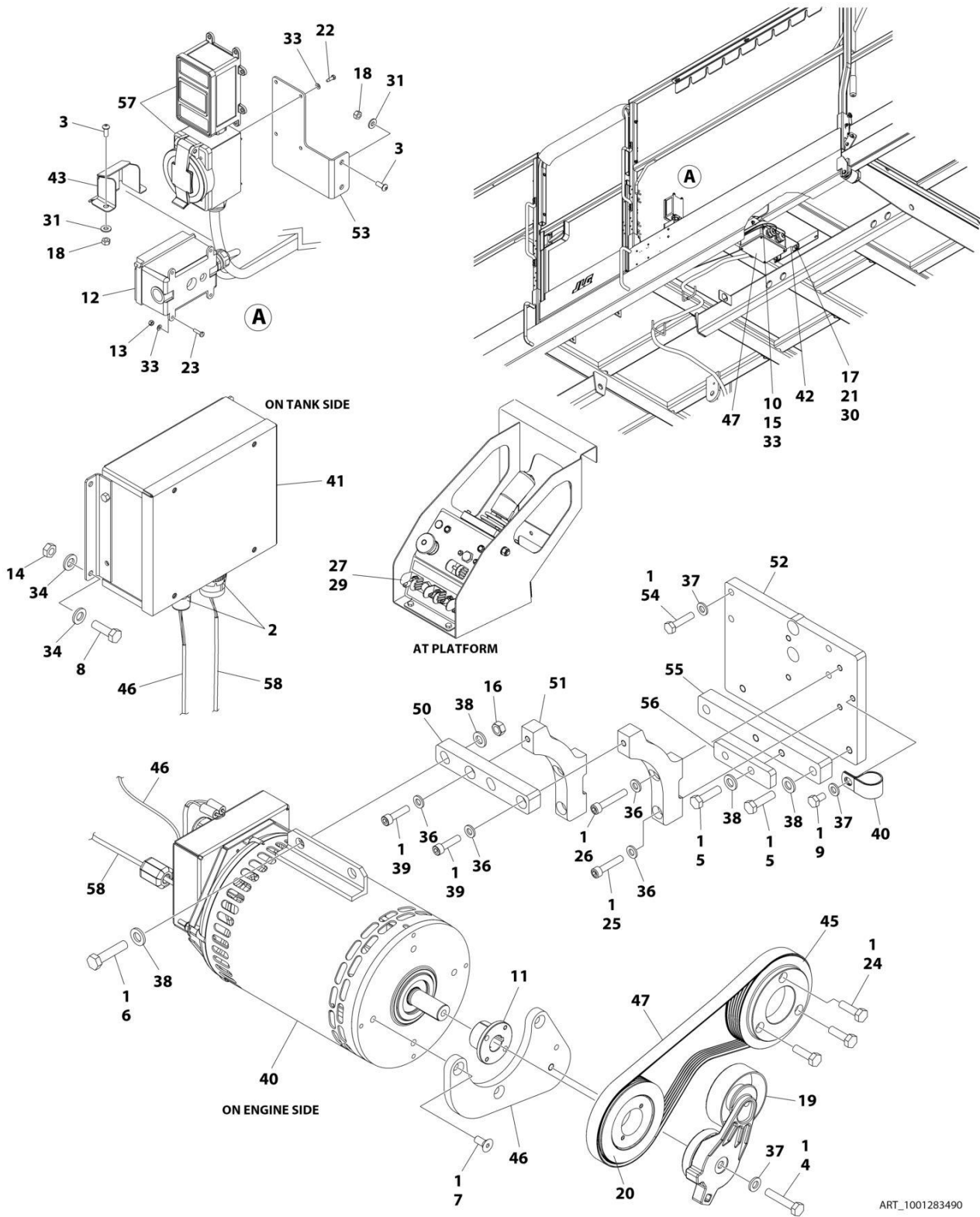
ITEM	PART NUMBER	QTY	DESCRIPTION	REV
	1001282163	Ref	4000W GENERATOR INSTALLATION - 60HZ (KUBOTA DIESEL)	A
1	0100011	AR	Compound, Locking	
2	0100048	AR	Grease, Silicone	
3	0630407	4	Screw 1/4 x 5/8	
4	0701019	1	Bolt M10 x 55	
5	0701215	2	Bolt M12 x 35	
6	0701217	2	Bolt M12 x 45	
7	0701219	2	Bolt M12 x 55	
8	0741607	3	Screw 3/8 x 7/8	
9	0760610	4	Bolt M6 x 20	
10	0780810	4	Bolt M8 x 20	
11	0962520	1	Bushing, Taper	
12	2902431	1	Receptacle Box Kit - 110V GFI (See Separate Breakdown in ELECTRICAL Section)	
13	3290405	4	Nut M4	
14	3290605	4	Nut M6	
15	3290805	4	Nut M8	
16	3291201	2	Nut M12	
17	3311005	4	Nut #10	
18	3311405	4	Nut 1/4	
19	3580317	1	Tensioner, Belt	
20	3580318	1	Pulley	
21	3931016	4	Capscrew #10 x 1	
22	3940804	4	Screw	
23	4010408	4	Screw M4 x 16	
24	4032014	2	Capscrew M10 x 50	
25	4060802	1	Guard, Switch	
26	4240017	AR	Tie-Strap (Not Shown)	
27	4360482	1	Switch, Toggle	
28	4460315	4	Terminal	
29	4711400	4	Washer 1/4	
30	4751000	4	Washer #10	
31	4811400	8	Washer M4	
32	4811700	8	Washer M6	
33	4811900	4	Washer M8	
34	4891600	6	Washer 3/8	
35	5241000	8	Washer M10	
36	5241200	8	Washer M12	
37	5272011	2	Capscrew M10 x 35	
38	5272012	2	Capscrew M10 x 40	
39	1001138566	1	Box, Control	
39	70006552	1	Capacitor	
39	70006553	1	Relay	
40	1001140346	1	Generator Assembly (60Hz)	
40	70003709	1	Ring, Retaining (External)	
40	70003708	1	Ring, Retaining (Internal)	
40	70001966	1	Bearing	
40	70004092	1	Endbell (Shaft End)	
40	70004099	1	Key	
40	70004676	1	Rotor	

SECTION 3 - ENGINE

ITEM	PART NUMBER	QTY	DESCRIPTION	REV
40	70004687	1	Stator	
40	70004678	1	Endbell (Rear)	
40	70004679	1	Cover, Endbell (Rear)	
40	70004680	1	Enclosure, Wiring	
40	70004685	1	Cover, Enclosure	
40	70004682	1	Switch, Reset (Located on Enclosure Cover)	
40	70004098	1	Connector, Strain Relief (Located on Enclosure Cover)	
41	1001148844	1	Support	
42	1001166732	1	Support	
43	1001183726	1	Pulley	
44	1001184162	1	Mount	
45	1001184235	1	Belt	
46	1001186826	1	Harness, 4000W Generator Control - Control Box to Generator Control (See Separate Breakdown in ELECTRICAL Section)	
47	1001186828	1	Junction Box Assembly (See Separate Breakdown in ELECTRICAL Section)	
48	1001186919	3	Bolt M10 x 40	
49	1001202532	2	Arm	
50	1001202536	1	Bar (Upper)	
51	1001206707	1	Support	
52	1001207285	4	Bolt M10 x 45 Grade 10.9	
53	1001208339	1	Plate	
54	1001208340	1	Bar (Lower)	
55	1001216162	1	Receptacle/Breaker Assembly (See Separate Breakdown in ELECTRICAL Section)	
56	1001236444	1	Harness, 4000W Generator Control - Generator to Control Box (See Separate Breakdown in ELECTRICAL Section)	

SECTION 3 - ENGINE

FIGURE 3-26. 4000W GENERATOR INSTALLATION - 60HZ (KUBOTA DUAL FUEL)



SECTION 3 - ENGINE

FIGURE 3-26. 4000W GENERATOR INSTALLATION - 60HZ (KUBOTA DUAL FUEL)

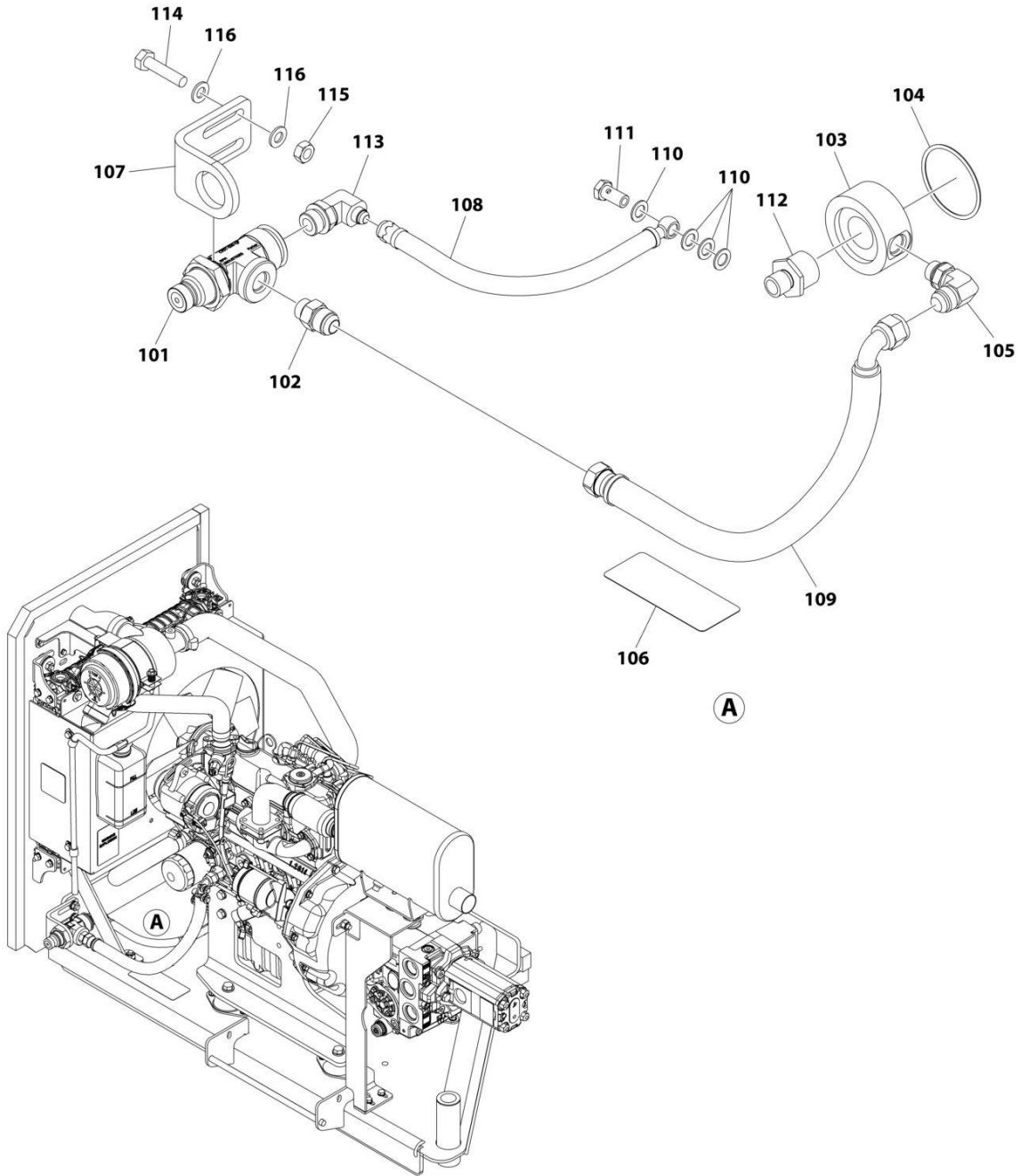
ITEM	PART NUMBER	QTY	DESCRIPTION	REV
	1001283490	Ref	4000W GENERATOR INSTALLATION - 60HZ (KUBOTA DUAL FUEL)	A
1	0100011	AR	Compound, Locking	
2	0100048	AR	Grease, Silicone	
3	0630407	4	Screw 1/4 x 5/8	
4	0701019	1	Bolt M10 x 55	
5	0701217	4	Bolt M12 x 45	
6	0701219	2	Bolt M12 x 55	
7	0741607	3	Screw 3/8 x 7/8	
8	0760610	4	Bolt M6 x 20	
9	0761009	1	Bolt M10 x 18	
10	0780810	4	Bolt M8 x 20	
11	0962520	1	Bushing, Taper	
12	2902431	1	Receptacle Box Kit - 110V GFI (See Separate Breakdown in ELECTRICAL Section)	
13	3290405	4	Nut M4	
14	3290605	4	Nut M6	
15	3290805	4	Nut M8	
16	3291201	2	Nut M12	
17	3311005	4	Nut #10	
18	3311405	4	Nut 1/4	
19	3580317	1	Tensioner, Belt	
20	3580318	1	Pulley	
21	3931016	4	Capscrew #10 x 1	
22	3940804	4	Screw	
23	4010408	4	Screw M4 x 16	
24	4031908	3	Capscrew M8 x 10	
25	4032014	2	Capscrew M10 x 50	
26	4032016	2	Capscrew M10 x 60	
27	4060802	1	Guard, Switch	
28	4240017	AR	Tie-Strap (Not Shown)	
29	4360482	1	Switch, Toggle	
30	4460315	4	Terminal	
31	4711400	4	Washer 1/4	
32	4751000	4	Washer #10	
33	4811400	8	Washer M4	
34	4811700	8	Washer M6	
35	4811900	4	Washer M8	
36	4891600	6	Washer 3/8	
37	5241000	6	Washer M10	
38	5241200	8	Washer M12	
39	5272012	2	Capscrew M10 x 40	
40	8406302	1	Clamp	
41	1001138566	1	Box, Control	
41	70006552	1	Capacitor	
41	70006553	1	Relay	
42	1001140346	1	Generator Assembly (60Hz)	
42	70003709	1	Ring, Retaining (External)	
42	70003708	1	Ring, Retaining (Internal)	
42	70001966	1	Bearing	

SECTION 3 - ENGINE

ITEM	PART NUMBER	QTY	DESCRIPTION	REV
42	70004092	1	Endbell (Shaft End)	
42	70004099	1	Key	
42	70004676	1	Rotor	
42	70004687	1	Stator	
42	70004678	1	Endbell (Rear)	
42	70004679	1	Cover, Endbell (Rear)	
42	70004680	1	Enclosure, Wiring	
42	70004685	1	Cover, Enclosure	
42	70004682	1	Switch, Reset (Located on Enclosure Cover)	
42	70004098	1	Connector, Strain Relief (Located on Enclosure Cover)	
43	1001148844	1	Support	
44	1001166732	1	Support	
45	1001181211	1	Pulley	
46	1001184162	1	Mount, Tensloner	
47	1001184163	1	Belt	
48	1001186826	1	Harness, 4000W Generator Control - Control Box to Generator Control (See Separate Breakdown in ELECTRICAL Section)	
49	1001186828	1	Junction Box Assembly (See Separate Breakdown in ELECTRICAL Section)	
50	1001202759	1	Plate	
51	1001202760	2	Bracket	
52	1001202764	1	Plate	
53	1001206707	1	Bracket, Receptacle Box	
54	1001207285	4	Bolt M10 x 45 Grade 10.9	
55	1001208340	1	Bar (Lower)	
56	1001210645	1	Plate	
57	1001216162	1	Receptacle/Breaker Assembly (See Separate Breakdown in ELECTRICAL Section)	
58	1001236444	1	Harness, 4000W Generator Control - Generator to Control Box (See Separate Breakdown in ELECTRICAL Section)	

SECTION 3 - ENGINE

FIGURE 3-27. QUICKFIT OIL DRAIN INSTALLATION - KUBOTA DIESEL ENGINE



ART_1001291577

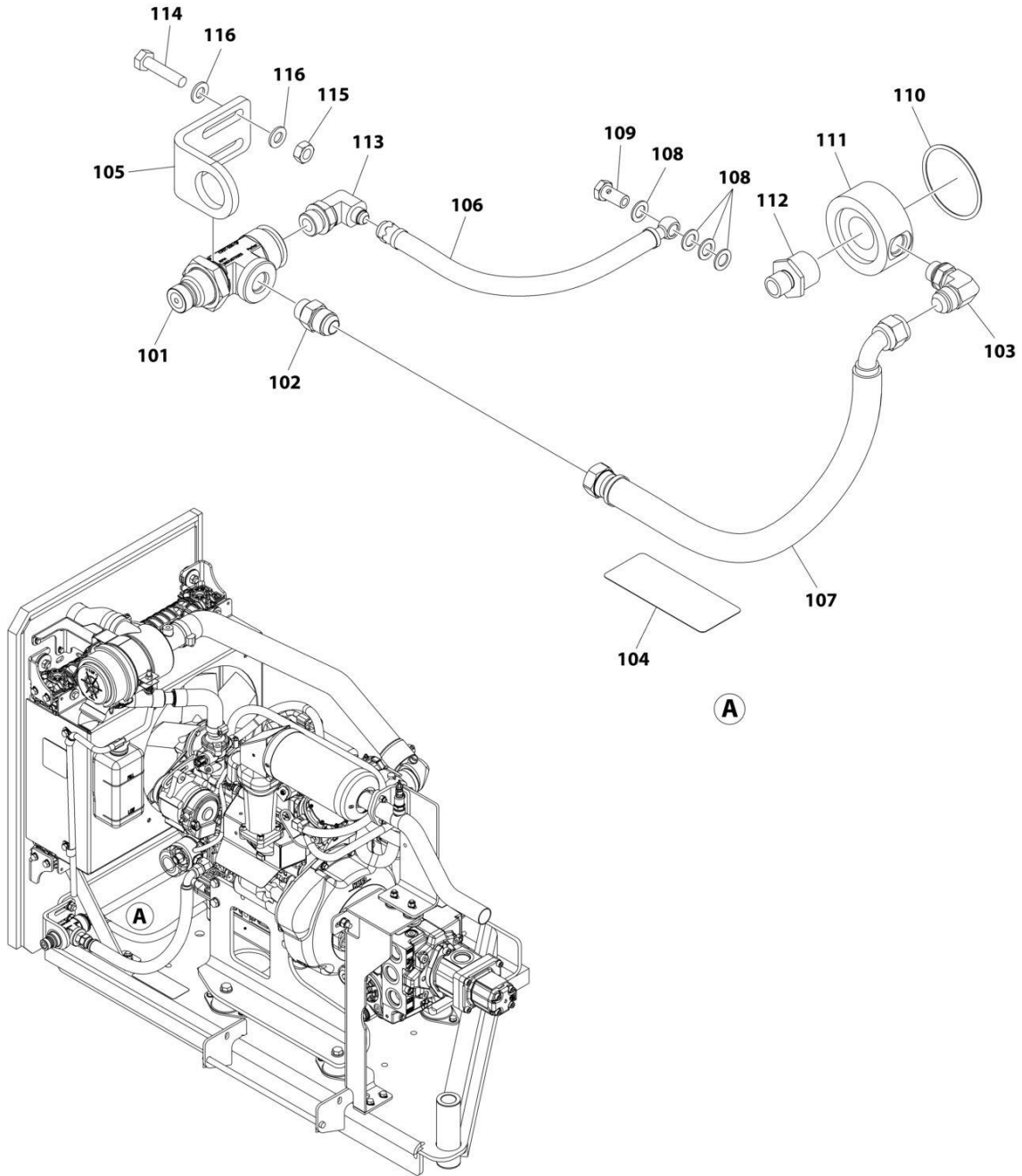
SECTION 3 - ENGINE

FIGURE 3-27. QUICKFIT OIL DRAIN INSTALLATION - KUBOTA DIESEL ENGINE

ITEM	PART NUMBER	QTY	DESCRIPTION	REV
	1001291577	Ref	QUICKFIT OIL DRAIN INSTALLATION	A
100	1001291576	Ref	Valve, Quickfit Kit (Not Shown)	
101	1001281298	1	Valve, Quickfit	
102	1001281302	1	Adapter, Quickfit	
103	1001281309	1	Filter, Ring	
104	1001281311	1	O-Ring	
105	1001281359	1	Valve, Check	
106	1001281360	1	Decal - Quickfit	
107	1001290239	1	Bracket	
108	1001290240	1	Hose, Suction	
109	1001290241	1	Hose, Pressure	
110	1001290244	4	Washer, (Copper)	
111	1001290246	1	Screw	
112	1001290257	1	Fitting, Straight	
113	1001290258	1	Fitting, 90	
114	1001290378	2	Bolt M10 x 45	
115	1001290381	2	Nut M10	
116	1001290384	4	Washer M10	

SECTION 3 - ENGINE

FIGURE 3-28. QUICKFIT OIL DRAIN INSTALLATION - KUBOTA GASOLINE ENGINE



ART_1001291579

SECTION 3 - ENGINE

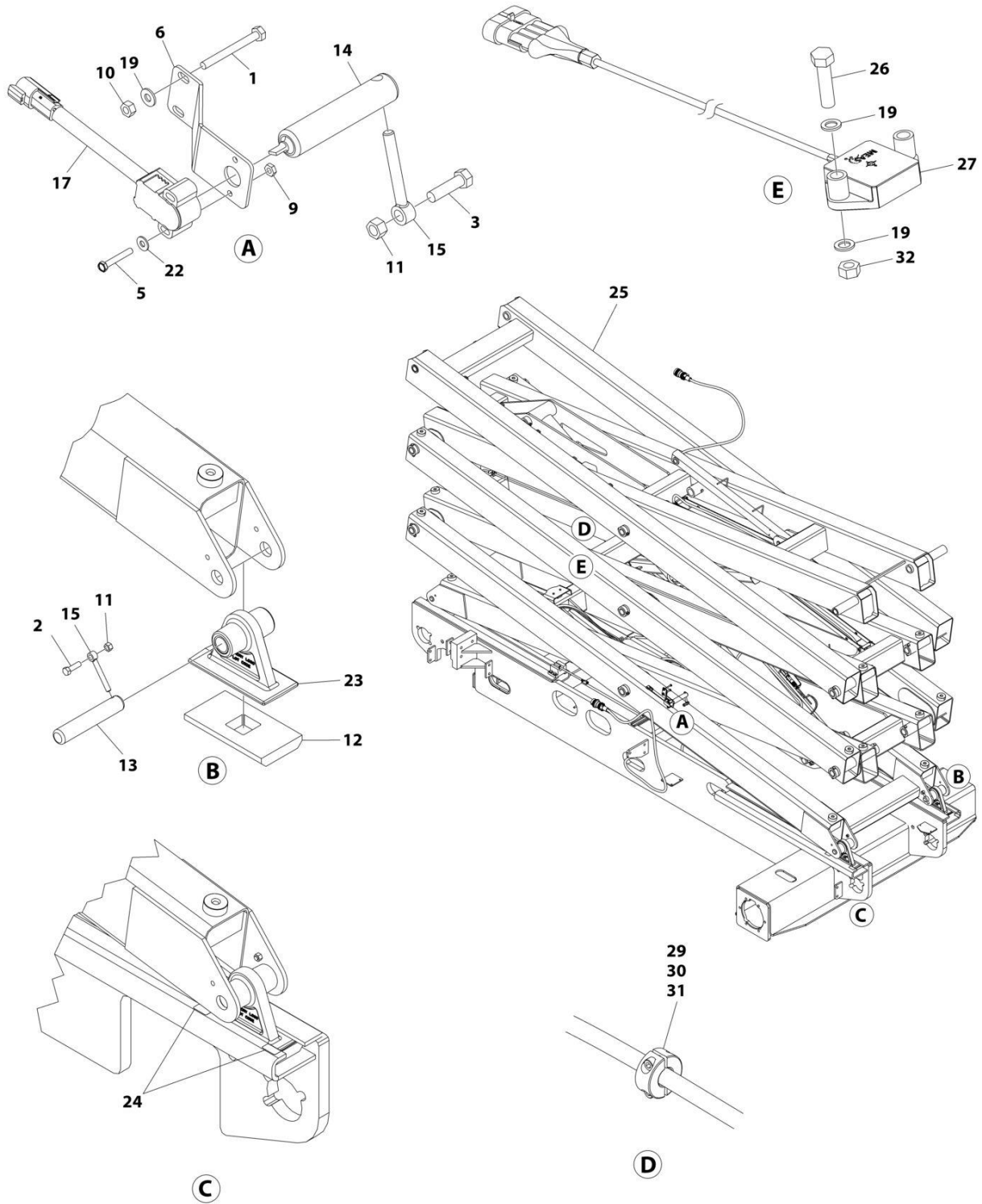
FIGURE 3-28. QUICKFIT OIL DRAIN INSTALLATION - KUBOTA GASOLINE ENGINE

ITEM	PART NUMBER	QTY	DESCRIPTION	REV
	1001291579	Ref	QUICKFIT OIL DRAIN INSTALLATION	A
100	1001291578	Ref	Valve, Quickfit Kit (Not Shown)	
101	1001281298	1	Valve, Quickfit	
102	1001281302	1	Adapter, Quickfit	
103	1001281359	1	Valve, Check	
104	1001281360	1	Decal - Quickfit	
105	1001290239	1	Bracket	
106	1001290240	1	Hose, Suction	
107	1001290241	1	Hose, Pressure	
108	1001290244	4	Washer, (Copper)	
109	1001290246	1	Screw	
110	1001290247	1	O-Ring	
111	1001290249	1	Filter	
112	1001290257	1	Fitting, Straight	
113	1001290258	1	Fitting, 90	
114	1001290378	2	Bolt M10 x 45	
115	1001290381	2	Nut M10	
116	1001290384	4	Washer M10	

SECTION 4 - SCISSORS ARMS

SECTION 4 - SCISSORS ARMS

FIGURE 4-1. SCISSORS ARMS INSTALLATION - RT3394



ART_1001220081_G

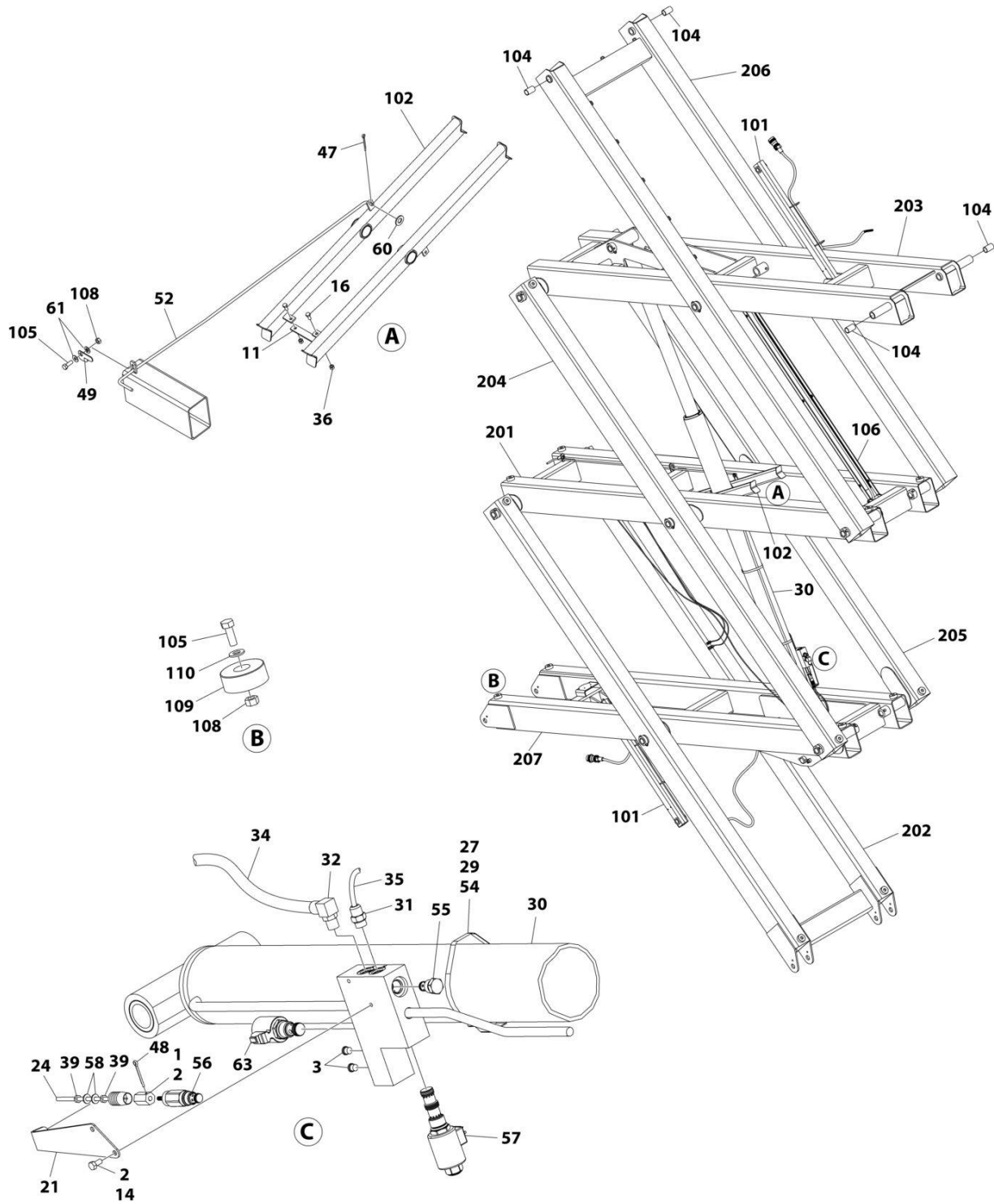
SECTION 4 - SCISSORS ARMS

FIGURE 4-1. SCISSORS ARMS INSTALLATION - RT3394

ITEM	PART NUMBER	QTY	DESCRIPTION	REV
	1001220081	Ref	SCISSORS ARMS INSTALLATION	G
1	0641420	2	Bolt 1/4 x 2-1/2	
2	0641610	4	Bolt 3/8 x 1-1/4	
3	0641611	1	Bolt 3/8 x 1-3/8	
5	0721010	2	Screw #10 x 1-1/4	
6	0902774	1	Bracket	
9	3311005	2	Nut #10	
10	3311405	2	Nut 1/4	
11	3311605	5	Nut 3/8	
12	3340935	4	Pad	
13	3422961	4	Pin	
14	3422963	1	Pin	
15	3841143	5	Keeper, Pin	
17	4360500	1	Switch, Angle Sensor	
19	4711400	4	Washer 1/4	
22	4751000	2	Washer #10	
23	1001099623	4	Support, Slider	
24	1001125243	1	Decal - Calibration	
25	1001220082	1	Scissors Arms Assembly (See Separate Breakdown in this Section)	
26	0641412	2	Bolt 1/4 x 1-1/2	
27	1001187857	1	Sensor	
28	4240018	AR	Tie-Strap (Not Shown)	
29	0100081	AR	Adhesive	
30	1001238626	1	Clamp, Collar (2 pieces)	
31	0100035	AR	Adhesive	
32	8310382	2	Nut, Flange	

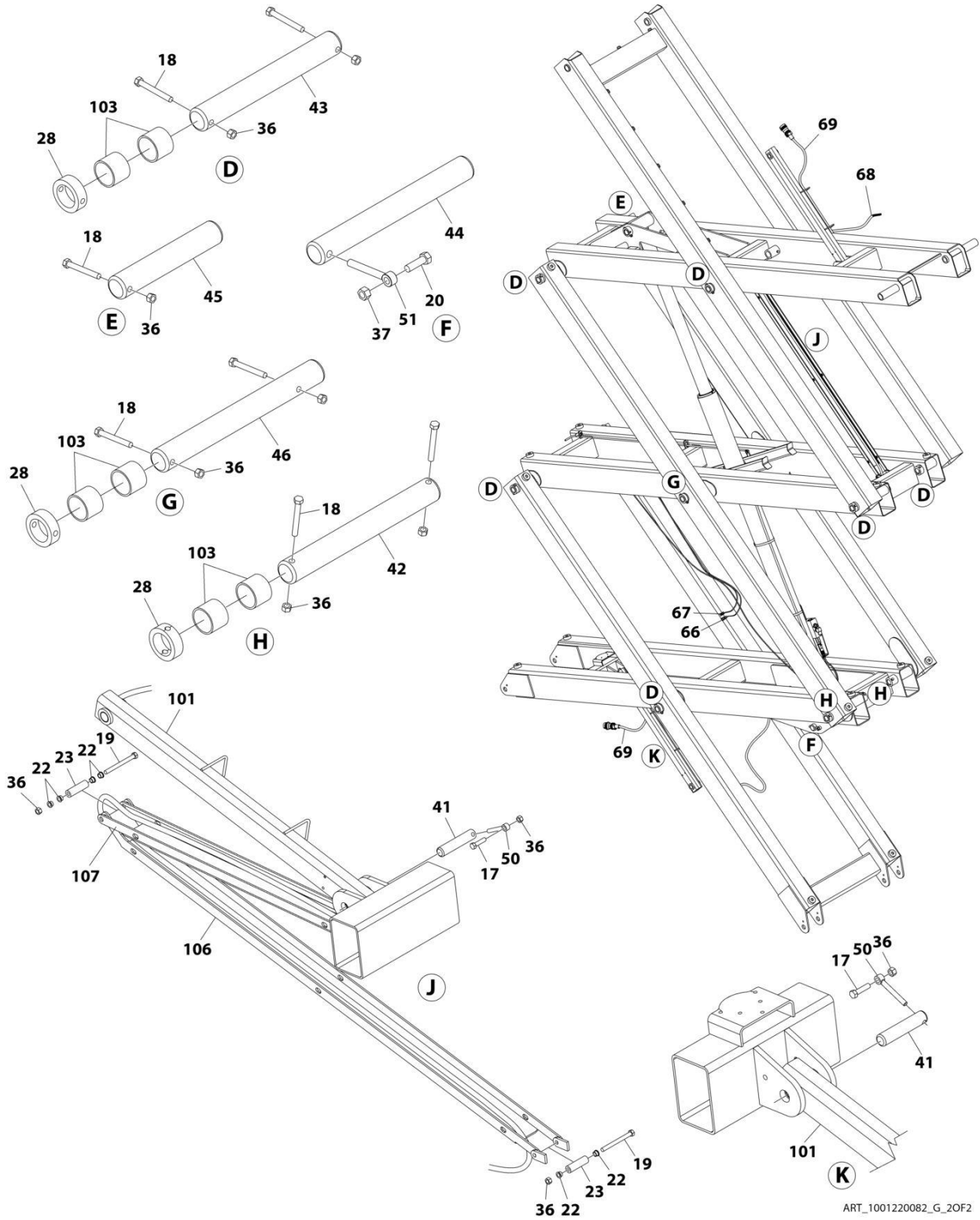
SECTION 4 - SCISSORS ARMS

FIGURE 4-2. SCISSORS ARMS ASSEMBLY - RT3394



ART_1001220082_G_10F2

SECTION 4 - SCISSORS ARMS



ART_1001220082_G_2OF2

SECTION 4 - SCISSORS ARMS

FIGURE 4-2. SCISSORS ARMS ASSEMBLY - RT3394

ITEM	PART NUMBER	QTY	DESCRIPTION	REV
	1001220082	Ref	SCISSORS ARMS ASSEMBLY	G
1	0080190	1	Adapter, Cable	
2	0100011	AR	Compound, Locking	
3	2220883	2	Plug	
11	0363050	1	Bar, Prop	
14	0641505	2	Bolt 5/16 x 5/8	
16	0681607	2	Bolt 3/8 x 7/8	
17	0681612	2	Bolt 3/8 x 1-1/2	
18	0681624	29	Bolt 3/8 x 3	
19	0681632	3	Bolt 3/8 x 4	
20	0681813	1	Bolt 1/2 x 1-5/8	
21	0902773	1	Bracket	
22	0962031	8	Bushing	
23	0962446	3	Spacer	
24	1060929	1	Cable, Manual Descent	
24	7020218	1	Handle	
24	7019602	1	Bellows	
24	7020219	1	Washer	
27	1001216251	3	Clamp	
28	1440331	14	Collar	
29	1670995	3	Cover, Hose/Cable	
30	1001217085	1	Lift Cylinder Assembly (See Separate Breakdown in CYLINDER SECTION):	
31	2220373	1	Fitting, Straight JIC/ORB	
32	2221042	1	Fitting, 90 JIC/ORB	
34	1001216383	1	Hose	
35	1001216384	1	Hose	
36	3271605	36	Nut 3/8	
37	3271805	1	Nut 1/2	
39	3321402	2	Nut 1/4	
41	3422943	2	Pin	
42	3422944	2	Pin	
43	3422945	10	Pin	
44	3422946	1	Pin	
45	3422954	1	Pin	
46	3422965	2	Pin	
47	3450304	1	Pin 3/32 x 1	
48	3450405	1	Pin 1/8 x 1-1/4	
49	3573370	1	Plate	
50	3841143	2	Keeper, Pin	
51	3841203	1	Keeper, Pin	
52	3841556	1	Rod, Prop	
53	4240033	AR	Tie-Strap (Not Shown)	
54	4280295	18 in/ 46cm	Strip, Protector	
55	4641193	1	Cartridge, Check Valve	
55	2900756	1	Seal Kit - 4641193 Valve	
56	4641205	1	Cartridge, Holding Valve	
56	7017496	1	Seal Kit - 4641205 Valve	
57	4641254	1	Cartridge, Proportional Valve	

SECTION 4 - SCISSORS ARMS

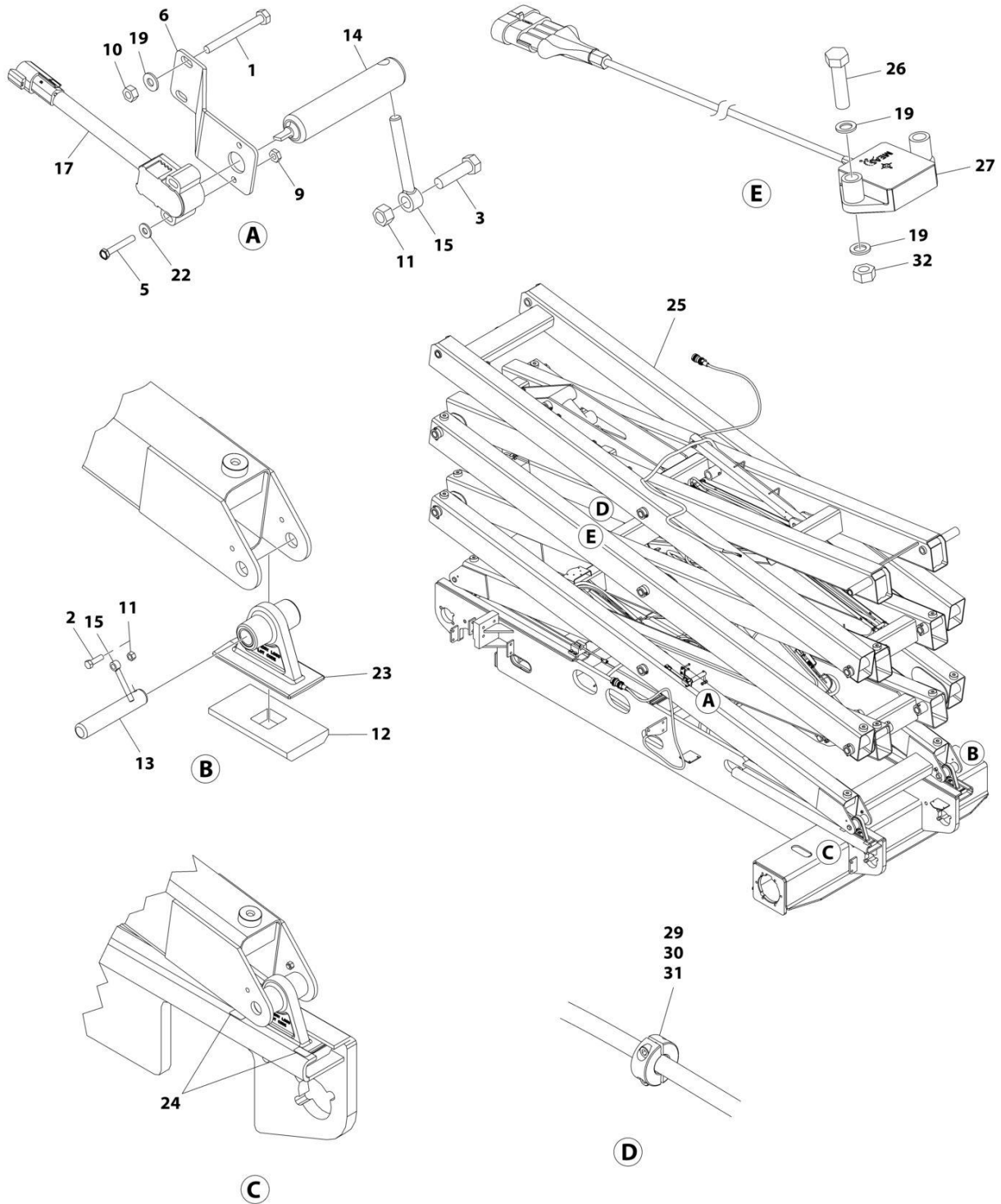
ITEM	PART NUMBER	QTY	DESCRIPTION	REV
57	7024829	1	Cartridge Less Cartridge	
57	7012925	1	Seal Kit - 7024829 & 4641254 Valves	
57	7017451	1	Coil	
58	4711400	2	Washer 1/4	
60	4711600	1	Washer 3/8	
61	4740455	2	Washer	
63	1001103760	1	Cartridge, Solenoid Valve	
63	7023923	1	Cartridge Less Cartridge	
63	7023919	1	Seal Kit - 7023923 & 1001103760 Valves	
63	70001967	1	Coil	
66	1001209182	1	Lift Cylinder Prop Harness	
66	4460499	1	Connector, DIN (HV9 - Proportional Valve)	
66	4460897	1	Receptacle, Female - 2 Position (X14B - Chassis Harness)	
66	4460464	2	Pin, Male	
67	1001209183	1	Lift Cylinder Holding Valve Harness	
67	4460891	2	Plug, Male - 2 Position (X13A - Chassis Harness & HV10 Holding Valve)	
67	4460465	4	Socket, Female	
68	1060866	1	Cable, Ground to AC Box (12/3) (Not Shown)	
69	1001209181	1	Ground to Platform Harness (See Separate Breakdown in ELECTRICAL SECTION)	
100	1001220020	1	Arms and Attach Link Kit (Not Shown)	
101	0272209	2	Link	
101	0962474	4	Bushing	
102	0272211	2	Prop, Safety	
103	0440236	28	Bearing	
104	0440250	4	Bearing	
105	0641507	17	Bolt 5/16 x 7/8	
106	1180371	1	Carrier, Cable	
107	1180372	1	Carrier, Cable	
108	3311505	17	Nut 5/16	
109	3340929	16	Pad	
110	4711500	16	Washer 5/16	
200	1001220010	1	Arms Kit (Not Shown)	
201	0200713	1	Arm, Lower Mid Inboard	
201	1001200412	6	Bushing (Not Shown)	
202	0200716	1	Arm, Lower Outboard	
202	1001200506	4	Bushing (Not Shown)	
203	0200717	1	Arm, Upper Inboard	
203	1001200401	2	Bushing - 8-1/2 Length (Not Shown)	
203	1001200402	1	Bushing - 1-1/8 Length (Not Shown)	
203	1001200412	2	Bushing - 6-1/2 Length (Not Shown)	
203	1001200510	2	Bushing - 11-1/2 Length (Not Shown)	
204	0200718	1	Arm, Lower Mid Outboard (LH)	
204	1001200506	3	Bushing (Not Shown)	
205	0200719	1	Arm, Lower Mid Outboard (RH)	
205	1001200506	3	Bushing (Not Shown)	
206	0200723	1	Arm, Upper Outboard	
206	1001200528	2	Bushing (Not Shown)	
207	1001215305	1	Arm, Lower Inboard	
207	1001200400	2	Bushing - 7-1/2 Length (Not Shown)	
207	1001200401	2	Bushing - 8-1/2 Length (Not Shown)	

SECTION 4 - SCISSORS ARMS

ITEM	PART NUMBER	QTY	DESCRIPTION	REV
207	1001200402	2	Bushing - 1-1/8 Length (Not Shown)	

SECTION 4 - SCISSORS ARMS

FIGURE 4-3. SCISSORS ARMS INSTALLATION - RT3394 WITH GENERATOR



ART_1001220085_G

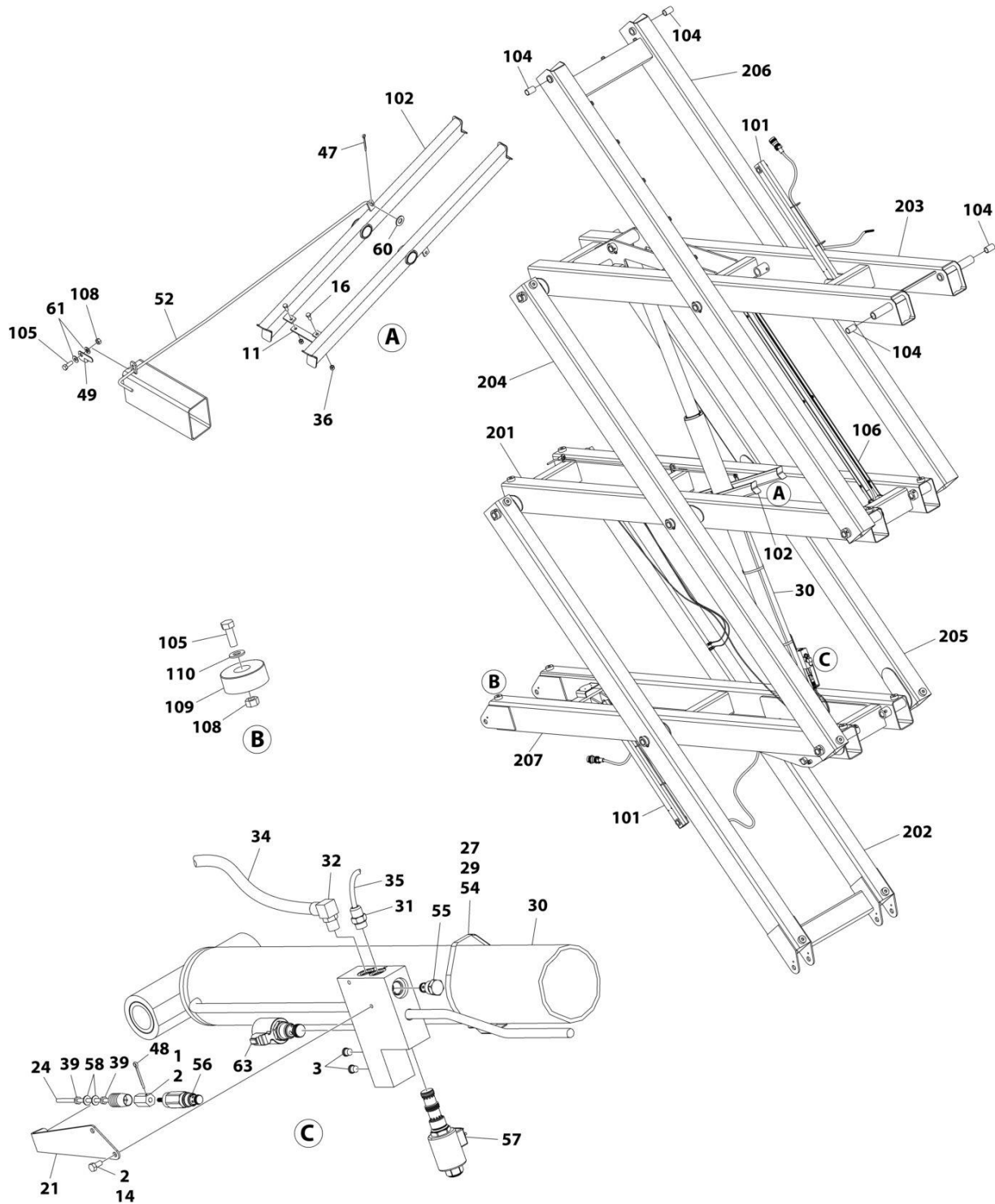
SECTION 4 - SCISSORS ARMS

FIGURE 4-3. SCISSORS ARMS INSTALLATION - RT3394 WITH GENERATOR

ITEM	PART NUMBER	QTY	DESCRIPTION	REV
	1001220085	Ref	SCISSORS ARMS INSTALLATION - WITH GENERATOR	G
1	0641420	2	Bolt 1/4 x 2-1/2	
2	0641610	4	Bolt 3/8 x 1-1/4	
3	0641611	1	Bolt 3/8 x 1-3/8	
5	0721010	2	Screw #10 x 1-1/4	
6	0902774	1	Bracket	
9	3311005	2	Nut #10	
10	3311405	2	Nut 1/4	
11	3311605	5	Nut 3/8	
12	3340935	4	Pad	
13	3422961	4	Pin	
14	3422963	1	Pin	
15	3841143	5	Keeper, Pin	
17	4360500	1	Switch, Angle Sensor	
19	4711400	4	Washer 1/4	
22	4751000	2	Washer #10	
23	1001099623	4	Support, Slider	
24	1001125243	1	Decal - Calibration	
25	1001220087	1	Scissors Arms Assembly - with Generator (See Separate Breakdown in this Section)	
26	0641412	2	Bolt 1/4 x 1-1/2	
27	1001187857	1	Sensor	
28	4240018	AR	Tie-Strap (Not Shown)	
29	0100081	AR	Adhesive	
30	1001238626	1	Clamp, Collar (2 pieces)	
31	0100035	AR	Adhesive	
32	8310382	2	Nut, Flange	

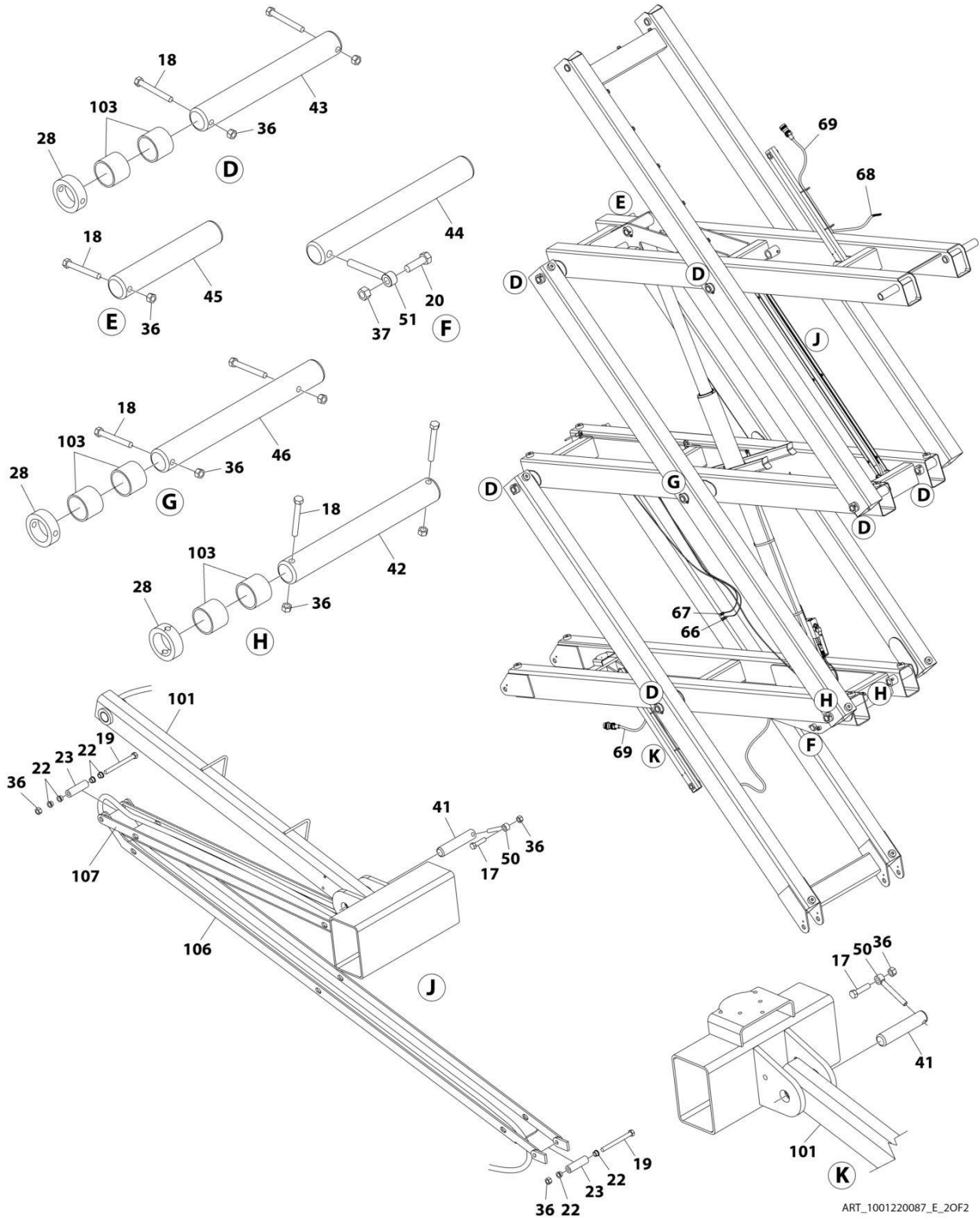
SECTION 4 - SCISSORS ARMS

FIGURE 4-4. SCISSORS ARMS ASSEMBLY - RT3394 WITH GENERATOR



ART_1001220087_E_10F2

SECTION 4 - SCISSORS ARMS



SECTION 4 - SCISSORS ARMS

FIGURE 4-4. SCISSORS ARMS ASSEMBLY - RT3394 WITH GENERATOR

ITEM	PART NUMBER	QTY	DESCRIPTION	REV
	1001220087	Ref	SCISSORS ARMS ASSEMBLY - WITH GENERATOR	I
1	0080190	1	Adapter, Cable	
2	0100011	AR	Compound, Locking	
3	2220883	2	Plug	
11	0363050	1	Bar, Prop	
14	0641505	2	Bolt 5/16 x 5/8	
16	0681607	2	Bolt 3/8 x 7/8	
17	0681612	2	Bolt 3/8 x 1-1/2	
18	0681624	29	Bolt 3/8 x 3	
19	0681632	3	Bolt 3/8 x 4	
20	0681813	1	Bolt 1/2 x 1-5/8	
21	0902773	1	Bracket	
22	0962031	8	Bushing	
23	0962446	3	Spacer	
24	1060929	1	Cable, Manual Descent	
24	7020218	1	Handle	
24	7019602	1	Bellows	
24	7020219	1	Washer	
27	1001216251	3	Clamp	
28	1440331	14	Collar	
29	1670995	3	Cover, Hose/Cable	
30	1001217085	1	Lift Cylinder Assembly (See Separate Breakdown in CYLINDER SECTION):	
31	2220373	1	Fitting, Straight JIC/ORB	
32	2221042	1	Fitting, 90 JIC/ORB	
34	1001216383	1	Hose	
35	1001216384	1	Hose	
36	3271605	36	Nut 3/8	
37	3271805	1	Nut 1/2	
39	3321402	2	Nut 1/4	
41	3422943	2	Pin	
42	3422944	2	Pin	
43	3422945	10	Pin	
44	3422946	1	Pin	
45	3422954	1	Pin	
46	3422965	2	Pin	
47	3450304	1	Pin 3/32 x 1	
48	3450405	1	Pin 1/8 x 1-1/4	
49	3573370	1	Plate	
50	3841143	2	Keeper, Pin	
51	3841203	1	Keeper, Pin	
52	3841556	1	Rod, Prop	
53	4240033	AR	Tie-Strap (Not Shown)	
54	4280295	18 in/ 46cm	Strip, Protector	
55	4641193	1	Cartridge, Check Valve	
55	2900756	1	Seal Kit - 4641193 Valve	
56	4641205	1	Cartridge, Holding Valve	
56	7017496	1	Seal Kit - 4641205 Valve	
57	4641254	1	Cartridge, Proportional Valve	

SECTION 4 - SCISSORS ARMS

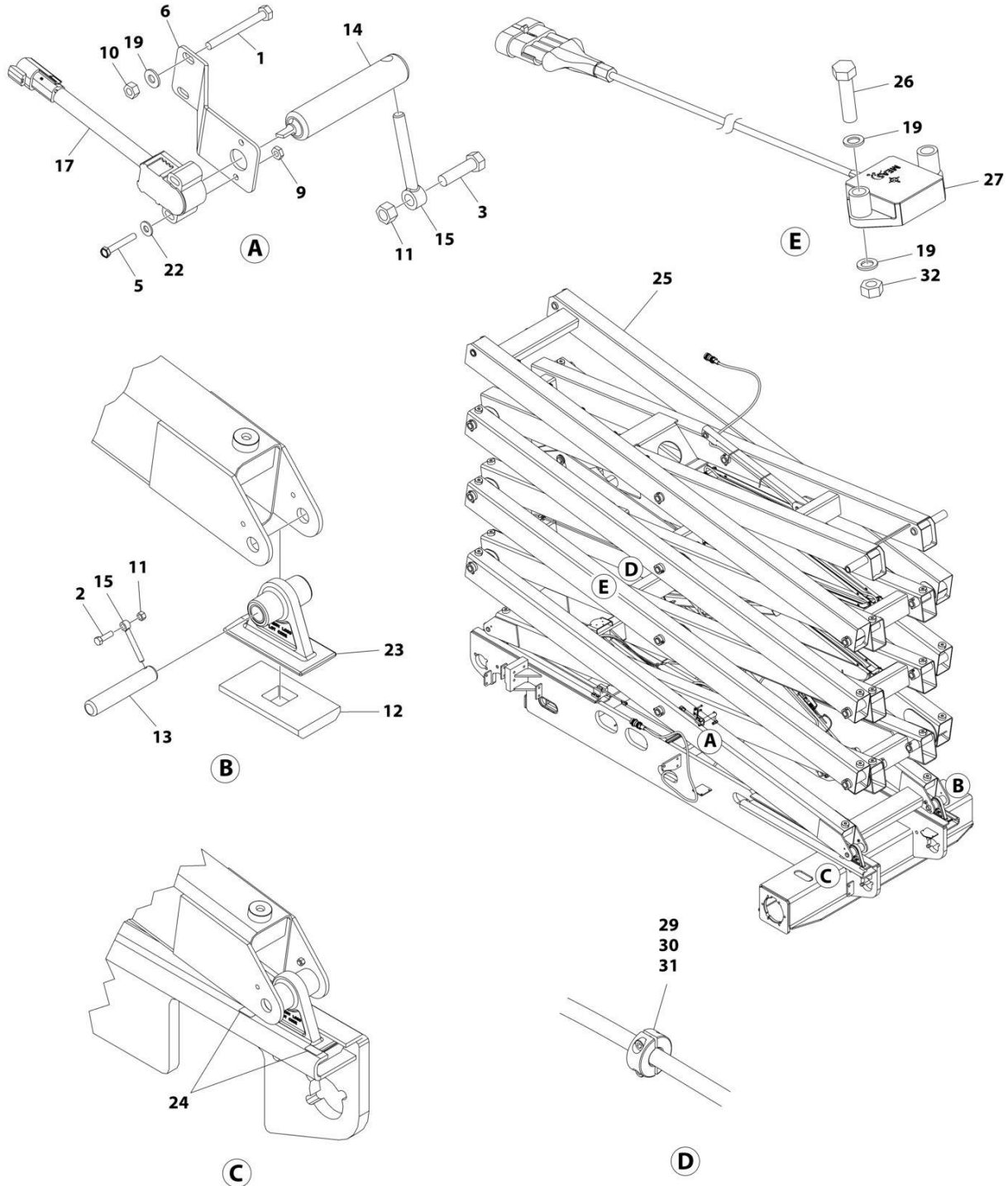
ITEM	PART NUMBER	QTY	DESCRIPTION	REV
57	7024829	1	Cartridge Less Cartridge	
57	7012925	1	Seal Kit - 7024829 & 4641254 Valves	
57	7017451	1	Coil	
58	4711400	2	Washer 1/4	
60	4711600	1	Washer 3/8	
61	4740455	2	Washer	
63	1001103760	1	Cartridge, Solenoid Valve	
63	7023923	1	Cartridge Less Cartridge	
63	7023919	1	Seal Kit - 7023923 & 1001103760 Valves	
63	70001967	1	Coil	
66	1001209182	1	Lift Cylinder Prop Harness	
66	4460499	1	Connector, DIN (HV9 - Proportional Valve)	
66	4460897	1	Receptacle, Female - 2 Position (X14B - Chassis Harness)	
66	4460464	2	Pin, Male	
67	1001209183	1	Lift Cylinder Holding Valve Harness	
67	4460891	2	Plug, Male - 2 Position (X13A - Chassis Harness & HV10 Holding Valve)	
67	4460465	4	Socket, Female	
68	1001237293	1	Cable, Generator to Platform (8/5)	
69	1001209181	1	Ground to Platform Harness - (See Separate Breakdown in ELECTRICAL SECTION)	
100	1001220020	1	Arms and Attach Link Kit (Not Shown)	
101	0272209	2	Link	
101	0962474	4	Bushing	
102	0272211	2	Prop, Safety	
103	0440236	28	Bearing	
104	0440250	4	Bearing	
105	0641507	17	Bolt 5/16 x 7/8	
106	1180371	1	Carrier, Cable	
107	1180372	1	Carrier, Cable	
108	3311505	17	Nut 5/16	
109	3340929	16	Pad	
110	4711500	16	Washer 5/16	
200	1001220010	1	Arms Kit (Not Shown)	
201	0200713	1	Arm, Lower Mid Inboard	
201	1001200412	6	Bushing (Not Shown)	
202	0200716	1	Arm, Lower Outboard	
202	1001200506	4	Bushing (Not Shown)	
203	0200717	1	Arm, Upper Inboard	
203	1001200401	2	Bushing - 8-1/2 Length (Not Shown)	
203	1001200402	1	Bushing - 1-1/8 Length (Not Shown)	
203	1001200412	2	Bushing - 6-1/2 Length (Not Shown)	
203	1001200510	2	Bushing - 11-1/2 Length (Not Shown)	
204	0200718	1	Arm, Lower Mid Outboard (LH)	
204	1001200506	3	Bushing (Not Shown)	
205	0200719	1	Arm, Lower Mid Outboard (RH)	
205	1001200506	3	Bushing (Not Shown)	
206	0200723	1	Arm, Upper Outboard	
206	1001200528	2	Bushing (Not Shown)	
207	1001215305	1	Arm, Lower Inboard	
207	1001200400	2	Bushing - 7-1/2 Length (Not Shown)	
207	1001200401	2	Bushing - 8-1/2 Length (Not Shown)	

SECTION 4 - SCISSORS ARMS

ITEM	PART NUMBER	QTY	DESCRIPTION	REV
207	1001200402	2	Bushing - 1-1/8 Length (Not Shown)	

SECTION 4 - SCISSORS ARMS

FIGURE 4-5. SCISSORS ARMS INSTALLATION - RT4394



ART_1001220083_G

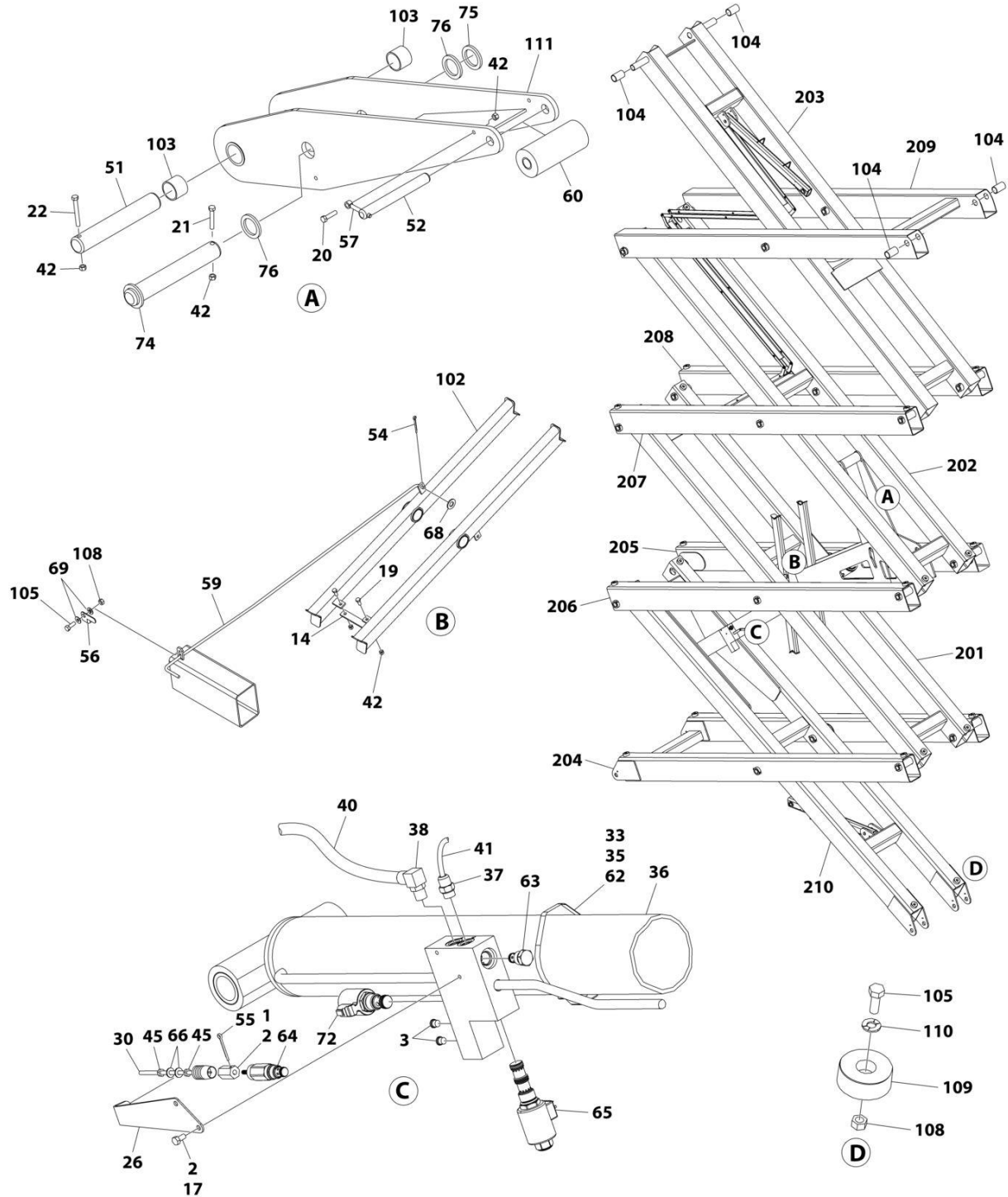
SECTION 4 - SCISSORS ARMS

FIGURE 4-5. SCISSORS ARMS INSTALLATION - RT4394

ITEM	PART NUMBER	QTY	DESCRIPTION	REV
	1001220083	Ref	SCISSORS ARMS INSTALLATION	G
1	0641420	2	Bolt 1/4 x 2-1/2	
2	0641610	4	Bolt 3/8 x 1-1/4	
3	0641611	1	Bolt 3/8 x 1-3/8	
5	0721010	2	Screw #10 x 1-1/4	
6	0902774	1	Bracket	
9	3311005	2	Nut #10	
10	3311405	4	Nut 1/4	
11	3311605	5	Nut 3/8	
12	3340935	4	Pad	
13	3422961	4	Pin	
14	3422963	1	Pin	
15	3841143	5	Keeper, Pin	
17	4360500	1	Switch, Angle Sensor	
19	4711400	4	Washer 1/4	
20	4711600	2	Washer 3/8	
22	4751000	2	Washer #10	
23	1001099623	4	Support, Slider	
24	1001125242	1	Decal - Calibration	
25	1001220084	1	Scissors Arms Assembly (See Separate Breakdown in this Section)	
26	0641412	2	Bolt 1/4 x 1-1/2	
27	1001187857	1	Sensor	
28	4240018	AR	Tie-Strap (Not Shown)	
29	0100081	AR	Adhesive	
30	1001238626	1	Clamp, Collar (2 pieces)	
31	0100035	AR	Adhesive	
32	8310382	2	Nut, Flange	

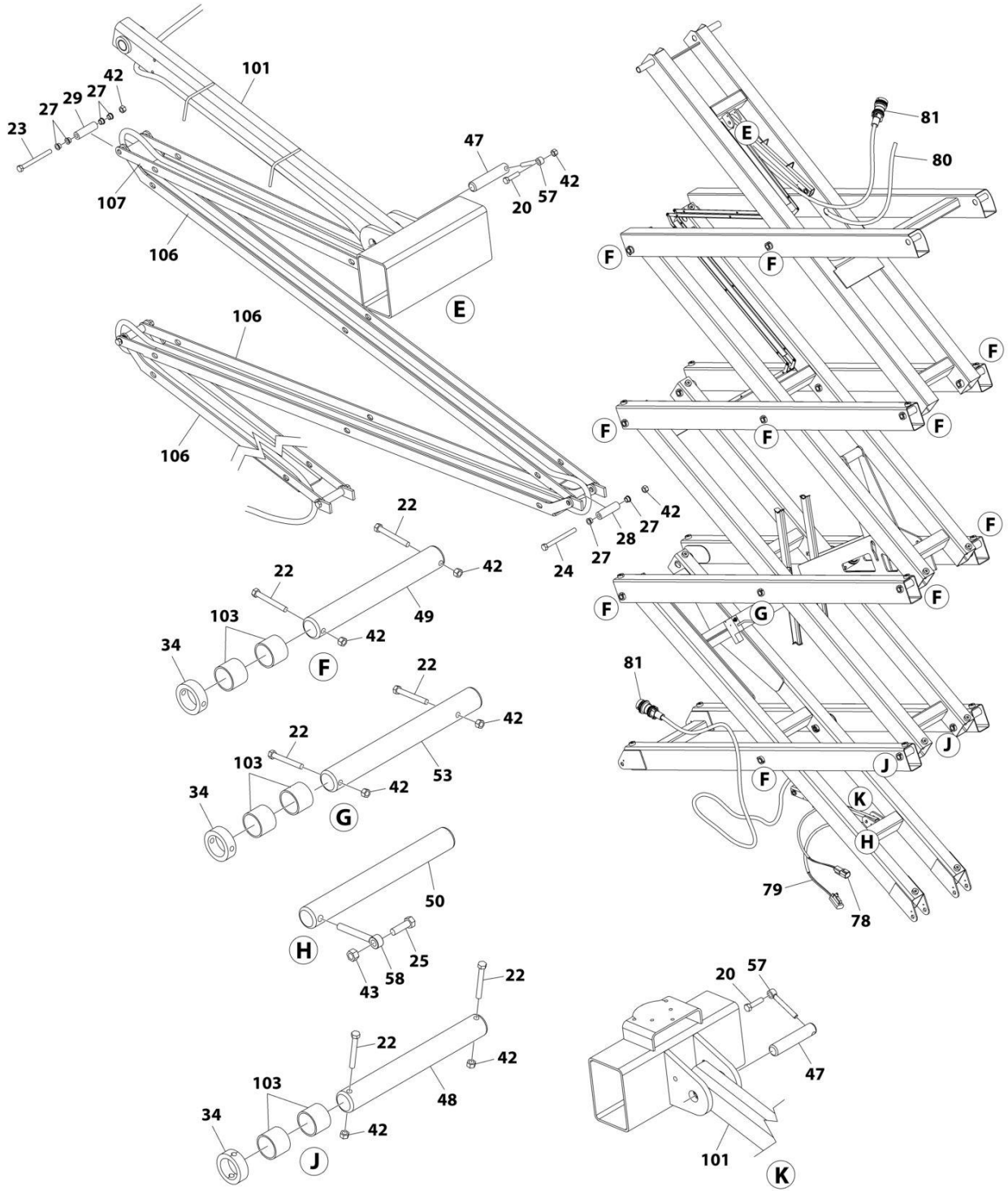
SECTION 4 - SCISSORS ARMS

FIGURE 4-6. SCISSORS ARMS ASSEMBLY - RT4394



ART_1001220084_G_10F2

SECTION 4 - SCISSORS ARMS



ART_1001220084_G_20F2

SECTION 4 - SCISSORS ARMS

FIGURE 4-6. SCISSORS ARMS ASSEMBLY - RT4394

ITEM	PART NUMBER	QTY	DESCRIPTION	REV
	1001220084	Ref	SCISSORS ARMS ASSEMBLY	G
1	0080190	1	Adapter, Cable	
2	0100011	AR	Compound, Locking	
3	2220883	2	Plug	
14	0363050	1	Bar, Prop	
17	0641505	2	Bolt 5/16 x 5/8	
19	0681607	2	Bolt 3/8 x 7/8	
20	0681612	3	Bolt 3/8 x 1-1/2	
21	0681618	1	Bolt 3/8 x 2-1/4	
22	0681624	41	Bolt 3/8 x 3	
23	0681632	4	Bolt 3/8 x 4	
24	0681636	1	Bolt 3/8 x 4-1/2	
25	0681813	1	Bolt 1/2 x 1-5/8	
26	0902773	1	Bracket	
27	0962031	16	Bushing	
28	0962445	1	Spacer	
29	0962446	4	Spacer	
30	1060929	1	Cable, Manual Descent	
30	7020218	1	Handle	
30	7019602	1	Bellows	
30	7020219	1	Washer	
33	1001216251	3	Clamp	
34	1440331	20	Collar	
35	1670995	3	Cover, Hose/Cable	
36	1001217085	1	Lift Cylinder Assembly (See Separate Breakdown in CYLINDER SECTION):	
37	2220373	1	Fitting, Straight JIC/ORB	
38	2221042	1	Fitting, 90 JIC/ORB	
40	1001216383	1	Hose	
41	1001216384	1	Hose	
42	3271605	52	Nut 3/8	
43	3271805	1	Nut 1/2	
45	3321402	2	Nut 1/4	
47	3422943	2	Pin	
48	3422944	2	Pin	
49	3422945	16	Pin	
50	3422946	1	Pin	
51	3422948	1	Pin	
52	3422964	1	Pin	
53	3422965	2	Pin	
54	3450304	1	Pin 3/32 x 1	
55	3450405	1	Pin 1/8 x 1-1/4	
56	3573370	1	Plate	
57	3841143	3	Keeper, Pin	
58	3841203	1	Keeper, Pin	
59	3841556	1	Rod, Prop	
60	3860102	1	Roller	
60	0962356	2	Bearing	
61	4240033	AR	Tie-Strap (Not Shown)	
62	4280295	18 in/	Strip, Protector	

SECTION 4 - SCISSORS ARMS

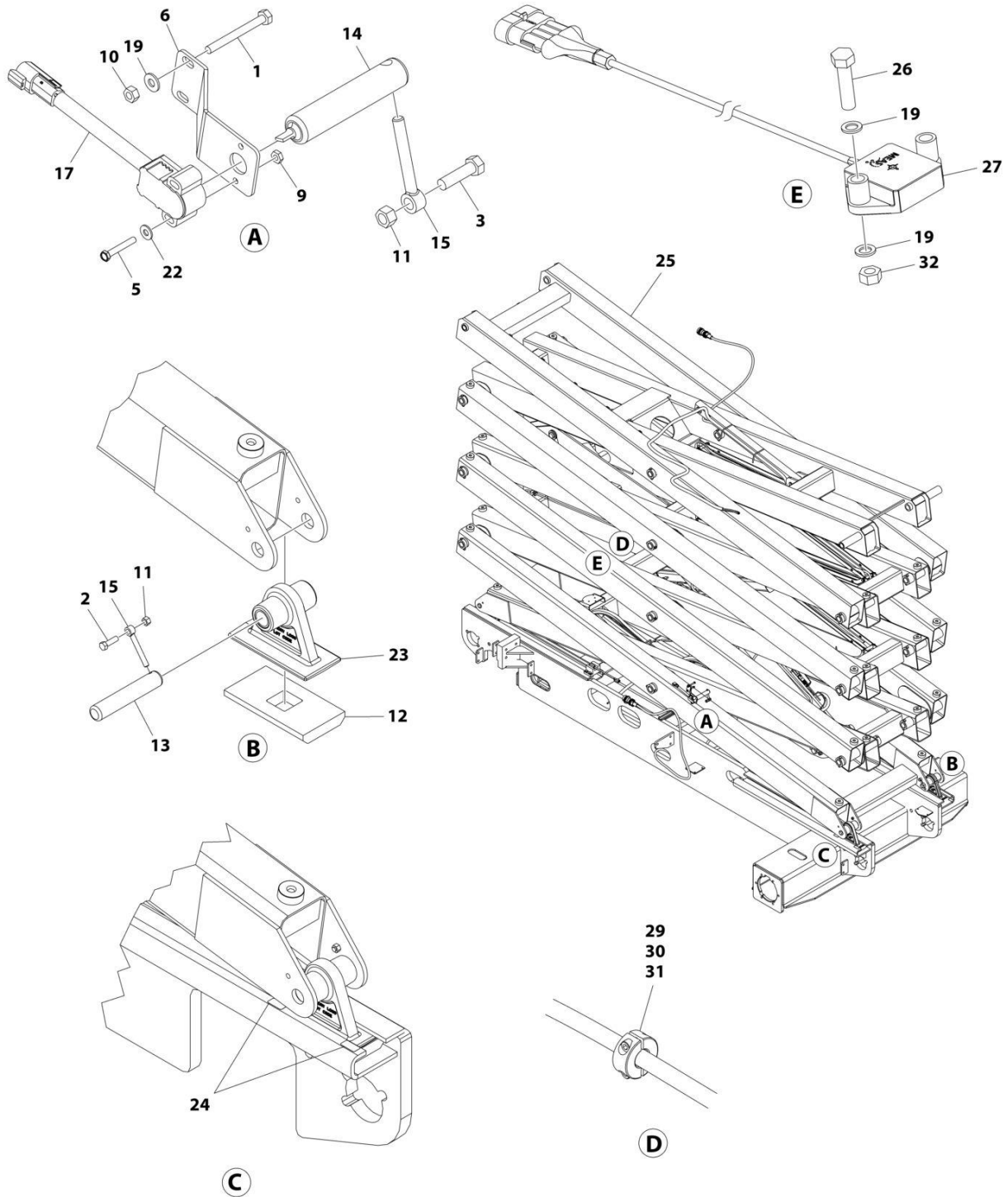
ITEM	PART NUMBER	QTY	DESCRIPTION	REV
		46cm		
63	4641193	1	Cartridge, Check Valve	
63	2900756	1	Seal Kit - 4641193 Valve	
64	4641205	1	Cartridge, Holding Valve	
64	7017496	1	Seal Kit - 4641205 Valve	
65	4641254	1	Cartridge, Proportional Valve	
65	7024829	1	Cartridge Less Cartridge	
65	7012925	1	Seal Kit - 7024829 & 4641254 Valves	
65	7017451	1	Coil	
66	4711400	2	Washer 1/4	
68	4711600	1	Washer 3/8	
69	4740455	2	Washer	
72	1001103760	1	Cartridge, Solenoid Valve	
72	7023923	1	Cartridge Less Cartridge	
72	7023919	1	Seal Kit - 7023923 & 1001103760 Valves	
72	70001967	1	Coil	
74	1001174384	1	Pin	
75	1001174386	1	Plate	
76	1001174387	2	Pad	
78	1001209182	1	Lift Cylinder Prop Harness	
78	4460499	1	Connector, DIN (HV9 - Proportional Valve)	
78	4460897	1	Receptacle, Female - 2 Position (X14B - Chassis Harness)	
78	4460464	2	Pin, Male	
79	1001209183	1	Lift Cylinder Holding Valve Harness	
79	4460891	2	Plug, Male - 2 Position (X13A - Chassis Harness & HV10 Holding Valve)	
79	4460465	4	Socket, Female	
80	1060907	1	Ground to AC Box (12/3) (Not Shown)	
81	1001210080	1	Ground to Platform Harness (See Separate Breakdown in ELECTRICAL SECTION)	
100	1001220040	1	Arms and Attach Link Kit (Not Shown)	
101	0272209	2	Link	
101	0962474	4	Bushing	
102	0272211	2	Prop, Safety	
103	0440236	42	Bearing	
104	0440250	4	Bearing	
105	0641507	25	Bolt 5/16 x 7/8	
106	1180371	3	Carrier, Cable	
107	1180372	1	Carrier, Cable	
108	3311505	25	Nut 5/16	
109	3340929	24	Pad	
110	4711500	24	Washer 5/16	
111	4846460	1	Kicker	
200	1001220030	1	Arms Kit (Not Shown)	
201	0200713	1	Arm, Lower Mid Inboard	
201	1001200412	6	Bushing (Not Shown)	
202	0200714	1	Arm, Upper Mid Inboard	
202	1001200401	2	Bushing - 8-1/2 Length (Not Shown)	
202	1001200402	1	Bushing - 1-1/8 Length (Not Shown)	
202	1001200412	4	Bushing - 6-1/2 Length (Not Shown)	
203	0200715	1	Arm, Upper Inboard	
203	1001200412	4	Bushing - 6-1/2 Length (Not Shown)	

SECTION 4 - SCISSORS ARMS

ITEM	PART NUMBER	QTY	DESCRIPTION	REV
203	1001200510	2	Bushing - 11-1/2 Length (Not Shown)	
204	0200716	1	Arm, Lower Outboard	
204	1001200506	4	Bushing (Not Shown)	
205	0200718	1	Arm, Lower Mid Outboard (LH)	
205	1001200506	3	Bushing (Not Shown)	
206	0200719	1	Arm, Lower Mid Outboard (RH)	
206	1001200506	3	Bushing (Not Shown)	
207	0200720	1	Arm, Upper Mid Outboard (LH)	
207	1001200506	3	Bushing (Not Shown)	
208	0200721	1	Arm, Upper Mid Outboard (RH)	
208	1001200506	3	Bushing (Not Shown)	
209	0200722	1	Arm, Upper Outboard	
209	1001200506	4	Bushing - 2 ID (Not Shown)	
209	1001200528	2	Bushing - 1-5/16 ID (Not Shown)	
210	1001215305	1	Arm, Lower Inboard	
210	1001200400	2	Bushing - 7-1/2 Length (Not Shown)	
210	1001200401	2	Bushing - 8-1/2 Length (Not Shown)	
210	1001200402	2	Bushing - 1-1/8 Length (Not Shown)	

SECTION 4 - SCISSORS ARMS

FIGURE 4-7. SCISSORS ARMS INSTALLATION - RT4394 WITH GENERATOR



ART_1001220088_G

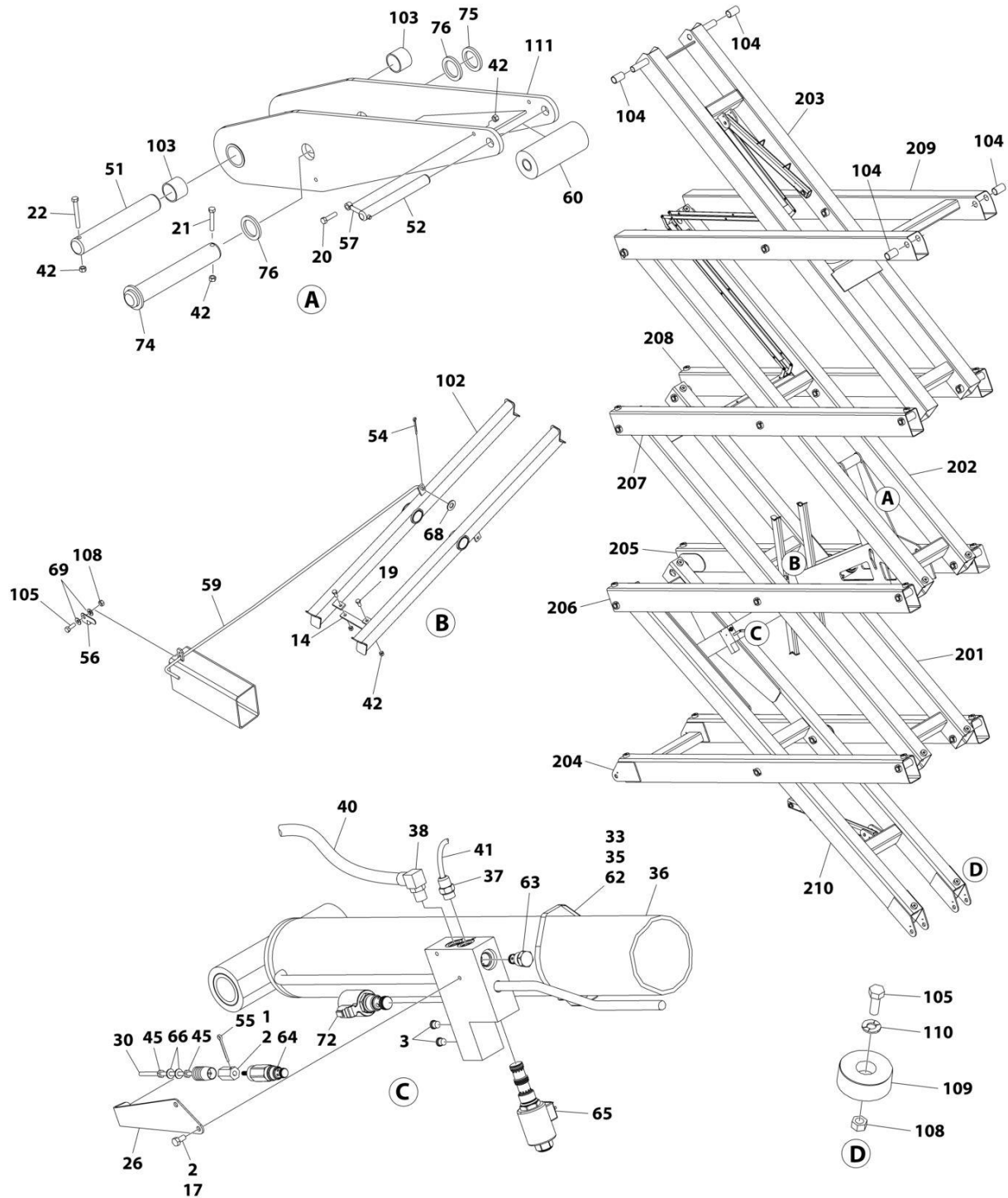
SECTION 4 - SCISSORS ARMS

FIGURE 4-7. SCISSORS ARMS INSTALLATION - RT4394 WITH GENERATOR

ITEM	PART NUMBER	QTY	DESCRIPTION	REV
	1001220088	Ref	SCISSORS ARMS INSTALLATION - WITH GENERATOR	G
1	0641420	2	Bolt 1/4 x 2-1/2	
2	0641610	4	Bolt 3/8 x 1-1/4	
3	0641611	1	Bolt 3/8 x 1-3/8	
5	0721010	2	Screw #10 x 1-1/4	
6	0902774	1	Bracket	
9	3311005	2	Nut #10	
10	3311405	4	Nut 1/4	
11	3311605	5	Nut 3/8	
12	3340935	4	Pad	
13	3422961	4	Pin	
14	3422963	1	Pin	
15	3841143	5	Keeper, Pin	
17	4360500	1	Switch, Angle Sensor	
19	4711400	4	Washer 1/4	
22	4751000	2	Washer #10	
23	1001099623	4	Support, Slider	
24	1001125242	1	Decal - Calibration	
25	1001220089	1	Scissors Arms Assembly - with Generator (See Separate Breakdown in this Section)	
26	0641412	2	Bolt 1/4 x 1-1/2	
27	1001187857	1	Sensor	
28	4240018	AR	Tie-Strap (Not Shown)	
29	0100081	AR	Adhesive	
30	1001238626	1	Clamp, Collar (2 pieces)	
31	0100035	AR	Adhesive	
32	8310382	2	Nut, Flange	

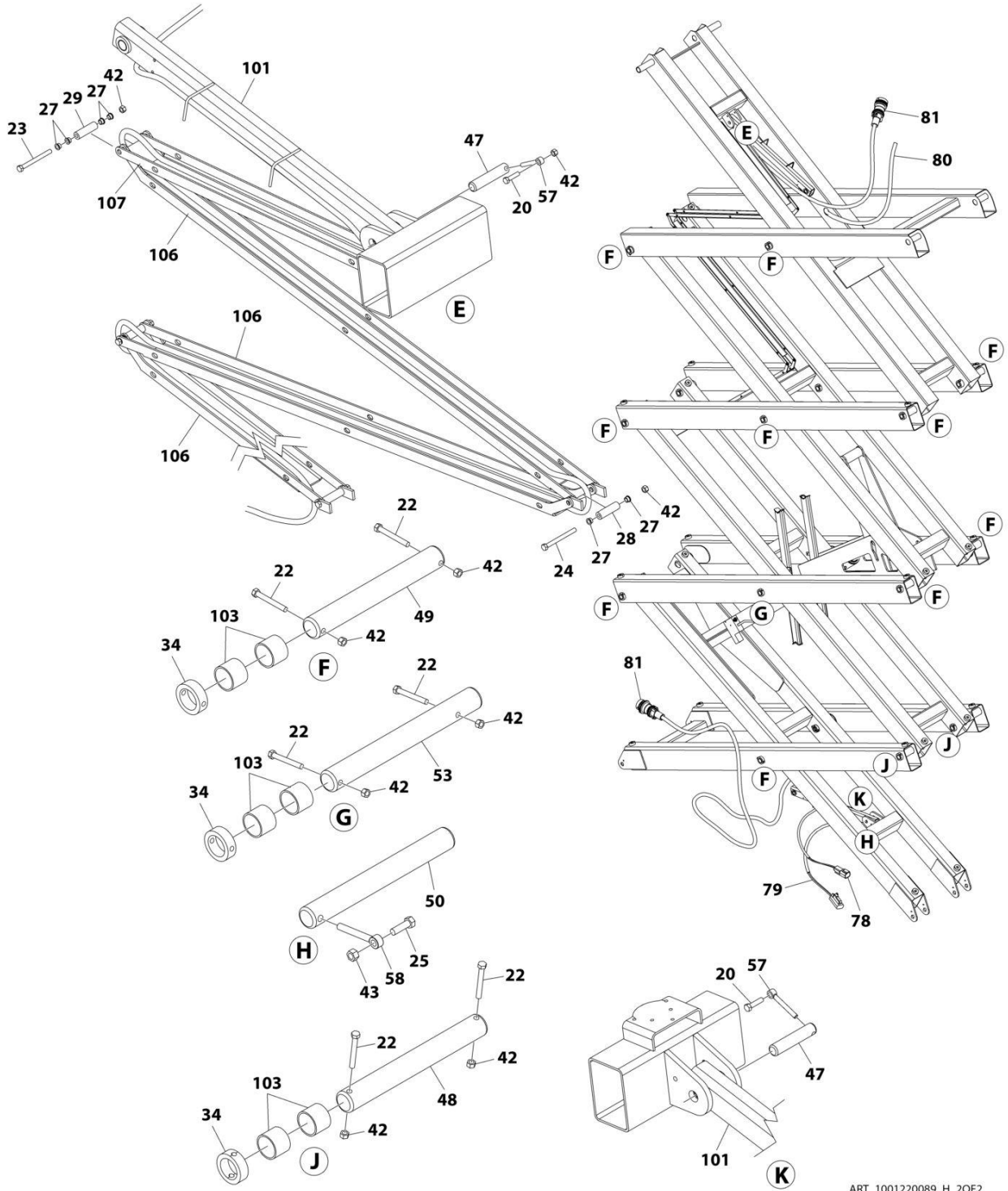
SECTION 4 - SCISSORS ARMS

FIGURE 4-8. SCISSORS ARMS ASSEMBLY - RT4394 WITH GENERATOR



ART_1001220089_H_10F2

SECTION 4 - SCISSORS ARMS



ART_1001220089_H_2OF2

SECTION 4 - SCISSORS ARMS

FIGURE 4-8. SCISSORS ARMS ASSEMBLY - RT4394 WITH GENERATOR

ITEM	PART NUMBER	QTY	DESCRIPTION	REV
	1001220089	Ref	SCISSORS ARMS ASSEMBLY - WITH GENERATOR	H
1	0080190	1	Adapter, Cable	
2	0100011	AR	Compound, Locking	
3	2220883	2	Plug	
14	0363050	1	Bar, Prop	
17	0641505	2	Bolt 5/16 x 5/8	
19	0681607	2	Bolt 3/8 x 7/8	
20	0681612	3	Bolt 3/8 x 1-1/2	
21	0681618	1	Bolt 3/8 x 2-1/4	
22	0681624	41	Bolt 3/8 x 3	
23	0681632	4	Bolt 3/8 x 4	
24	0681636	1	Bolt 3/8 x 4-1/2	
25	0681813	1	Bolt 1/2 x 1-5/8	
26	0902773	1	Bracket	
27	0962031	16	Bushing	
28	0962445	1	Spacer	
29	0962446	4	Spacer	
30	1060929	1	Cable, Manual Descent	
30	7020218	1	Handle	
30	7019602	1	Bellows	
30	7020219	1	Washer	
33	1001216251	3	Clamp	
34	1440331	20	Collar	
35	1670995	3	Cover, Hose/Cable	
36	1001217085	1	Lift Cylinder Assembly Options (See Separate Breakdown in CYLINDER SECTION):	
37	2220373	1	Fitting, Straight JIC/ORB	
38	2221042	1	Fitting, 90 JIC/ORB	
40	1001216383	1	Hose	
41	1001216384	1	Hose	
42	3271605	52	Nut 3/8	
43	3271805	1	Nut 1/2	
45	3321402	2	Nut 1/4	
47	3422943	2	Pin	
48	3422944	2	Pin	
49	3422945	16	Pin	
50	3422946	1	Pin	
51	3422948	1	Pin	
52	3422964	1	Pin	
53	3422965	2	Pin	
54	3450304	1	Pin 3/32 x 1	
55	3450405	1	Pin 1/8 x 1-1/4	
56	3573370	1	Plate	
57	3841143	3	Keeper, Pin	
58	3841203	1	Keeper, Pin	
59	3841556	1	Rod, Prop	
60	3860102	1	Roller	
60	0962356	2	Bearing	
61	4240033	AR	Tie-Strap (Not Shown)	
62	4280295	18 in/	Strip, Protector	

SECTION 4 - SCISSORS ARMS

ITEM	PART NUMBER	QTY	DESCRIPTION	REV
		46cm		
63	4641193	1	Cartridge, Check Valve	
63	2900756	1	Seal Kit - 4641193 Valve	
64	4641205	1	Cartridge, Holding Valve	
64	7017496	1	Seal Kit - 4641205 Valve	
65	4641254	1	Cartridge, Proportional Valve	
65	7024829	1	Cartridge Less Cartridge	
65	7012925	1	Seal Kit - 7024829 & 4641254 Valves	
65	7017451	1	Coil	
66	4711400	2	Washer 1/4	
68	4711600	1	Washer 3/8	
69	4740455	2	Washer	
72	1001103760	1	Cartridge, Solenoid Valve	
72	7023923	1	Cartridge Less Cartridge	
72	7023919	1	Seal Kit - 7023923 & 1001103760 Valves	
72	70001967	1	Coil	
74	1001174384	1	Pin	
75	1001174386	1	Plate	
76	1001174387	2	Pad	
78	1001209182	1	Lift Cylinder Prop Harness	
78	4460499	1	Connector, DIN (HV9 - Proportional Valve)	
78	4460897	1	Receptacle, Female - 2 Position (X14B - Chassis Harness)	
78	4460464	2	Pin, Male	
79	1001209183	1	Lift Cylinder Holding Valve Harness	
79	4460891	2	Plug, Male - 2 Position (X13A - Chassis Harness & HV10 Holding Valve)	
79	4460465	4	Socket, Female	
80	1001237292	1	Cable, Generator to Platform (8/5)	
81	1001210080	1	Ground to Platform Harness (See Separate Breakdown in ELECTRICAL SECTION)	
100	1001220040	1	Arms and Attach Link Kit (Not Shown)	
101	0272209	2	Link	
101	0962474	4	Bushing	
102	0272211	2	Prop, Safety	
103	0440236	42	Bearing	
104	0440250	4	Bearing	
105	0641507	25	Bolt 5/16 x 7/8	
106	1180371	3	Carrier, Cable	
107	1180372	1	Carrier, Cable	
108	3311505	25	Nut 5/16	
109	3340929	24	Pad	
110	4711500	24	Washer 5/16	
111	4846460	1	Kicker	
200	1001220030	1	Arms Kit (Not Shown)	
201	0200713	1	Arm, Lower Mid Inboard	
201	1001200412	6	Bushing (Not Shown)	
202	0200714	1	Arm, Upper Mid Inboard	
202	1001200401	2	Bushing - 8-1/2 Length (Not Shown)	
202	1001200402	1	Bushing - 1-1/8 Length (Not Shown)	
202	1001200412	4	Bushing - 6-1/2 Length (Not Shown)	
203	0200715	1	Arm, Upper Inboard	
203	1001200412	4	Bushing - 6-1/2 Length (Not Shown)	

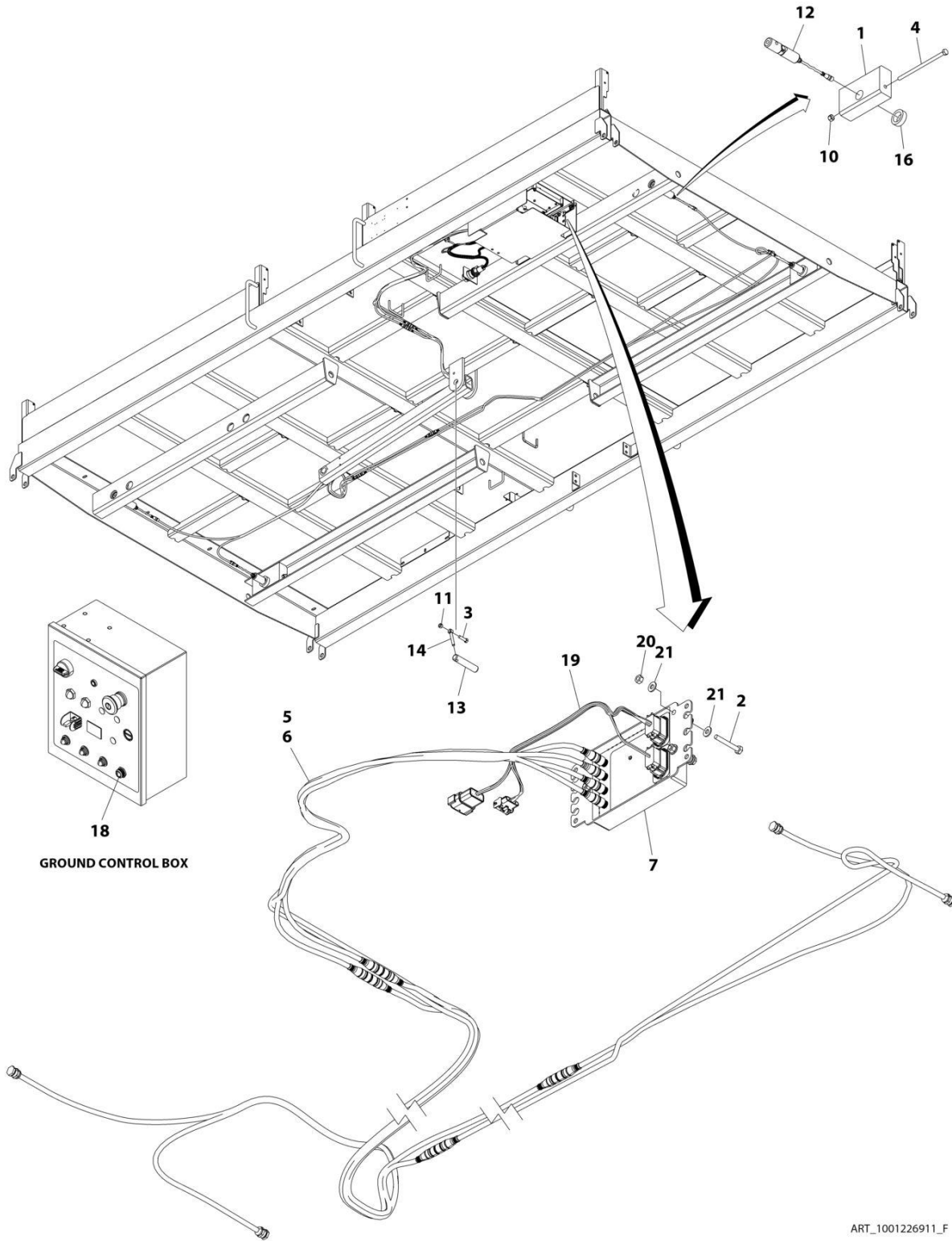
SECTION 4 - SCISSORS ARMS

ITEM	PART NUMBER	QTY	DESCRIPTION	REV
203	1001200510	2	Bushing - 11-1/2 Length (Not Shown)	
204	0200716	1	Arm, Lower Outboard	
204	1001200506	4	Bushing (Not Shown)	
205	0200718	1	Arm, Lower Mid Outboard (LH)	
205	1001200506	3	Bushing (Not Shown)	
206	0200719	1	Arm, Lower Mid Outboard (RH)	
206	1001200506	3	Bushing (Not Shown)	
207	0200720	1	Arm, Upper Mid Outboard (LH)	
207	1001200506	3	Bushing (Not Shown)	
208	0200721	1	Arm, Upper Mid Outboard (RH)	
208	1001200506	3	Bushing (Not Shown)	
209	0200722	1	Arm, Upper Outboard	
209	1001200506	4	Bushing - 2 ID (Not Shown)	
209	1001200528	2	Bushing - 1-5/16 ID (Not Shown)	
210	1001215305	1	Arm, Lower Inboard	
210	1001200400	2	Bushing - 7-1/2 Length (Not Shown)	
210	1001200401	2	Bushing - 8-1/2 Length (Not Shown)	
210	1001200402	2	Bushing - 1-1/8 Length (Not Shown)	

SECTION 5 - PLATFORM

SECTION 5 - PLATFORM

FIGURE 5-1. PLATFORM MOUNT INSTALLATION (LSS)



ART_1001226911_F

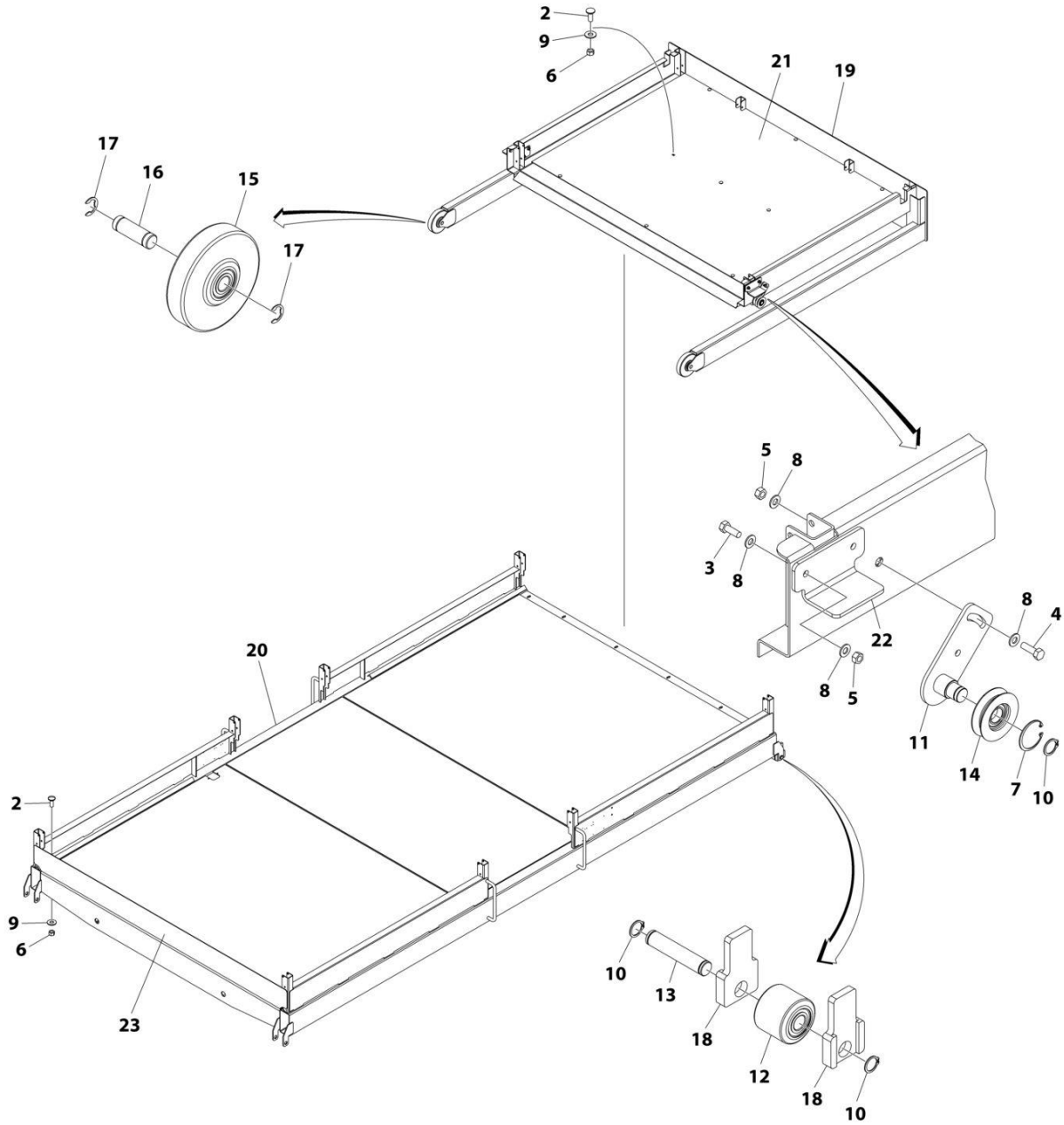
SECTION 5 - PLATFORM

FIGURE 5-1. PLATFORM MOUNT INSTALLATION (LSS)

ITEM	PART NUMBER	QTY	DESCRIPTION	REV
	1001226911	Ref	PLATFORM MOUNT INSTALLATION (LSS)	F
1	0561489	4	Block, Slide	
2	0641415	3	Bolt 1/4 x 1-7/8	
3	0641611	1	Bolt 3/8 x 1-3/8	
4	0701037	4	Bolt M10 x 200	
5	1061020	2	Cable, Sensor (1.5m Length)	
6	1061021	2	Cable, Sensor (3m Length)	
7	1600387	1	Module, LSS (Note: Re-calibration Required when Replaced)	
10	3291005	4	Nut M10	
11	3311605	1	Nut 3/8	
12	3422938	4	Pin	
13	3422943	1	Pin	
14	3841143	1	Keeper, Pin	
15	4240033	AR	Tie-Strap (Not Shown)	
16	4568295	4	Tube, Spacer	
18	1001239350	1	Lamp, LED	
19	1001226830	1	LSS Harness (See Separate Breakdown in ELECTRICAL Section)	
20	3311405	3	Nut 1/4	
21	4711400	6	Washer 1/4	

SECTION 5 - PLATFORM

FIGURE 5-2. PLATFORM WITH SINGLE EXTENSION INSTALLATION



ART_1001205640

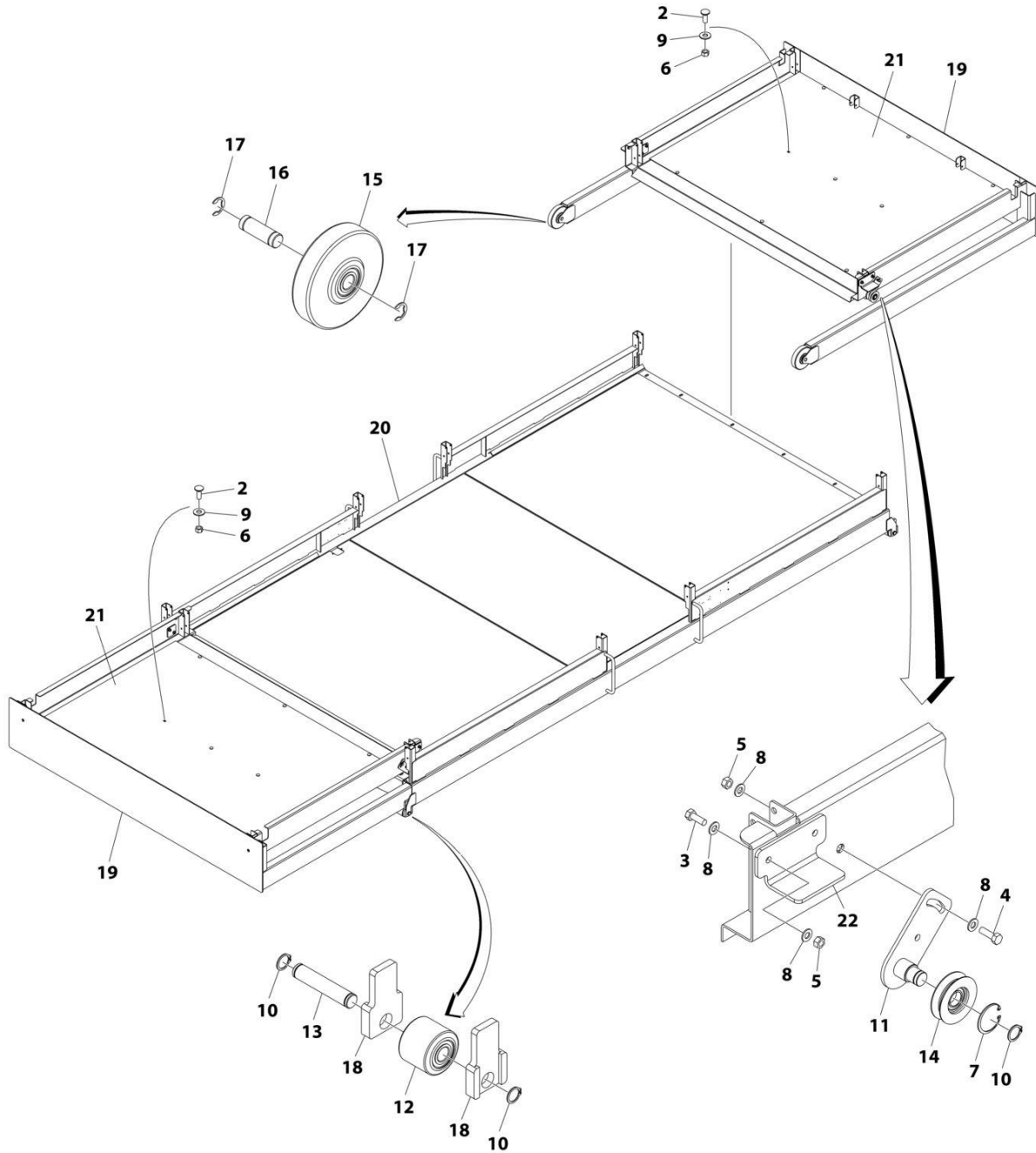
SECTION 5 - PLATFORM

FIGURE 5-2. PLATFORM WITH SINGLE EXTENSION INSTALLATION

ITEM	PART NUMBER	QTY	DESCRIPTION	REV
	1001205640	Ref	PLATFORM WITH SINGLE EXTENSION INSTALLATION	H
2	0630485	15	Bolt	
3	0641507	4	Bolt 5/16 x 7/8	
4	0641508	4	Bolt 5/16 x 1	
5	3311505	8	Nut 5/16	
6	3311601	15	Nut 3/8	
7	3760257	2	Ring, Retaining	
8	4711500	16	Washer 5/16	
9	4751600	15	Washer 3/8	
10	1001149581	6	Ring, Retaining	
11	1001166729	2	Plate, Mounting	
12	1001167269	2	Roller	
13	1001210278	2	Pin	
14	1001167272	2	Roller	
15	1001167274	2	Roller	
16	1001167275	2	Pin	
17	1001167696	4	Clip	
18	1001215224	4	Bumper	
19	1001205642	1	Extension, Platform	
20	1001205643	1	Platform	
21	1001205765	1	Plate, Floor	
22	1001205896	2	Plate, Stop	
23	1001206182	1	Kickplate	

SECTION 5 - PLATFORM

FIGURE 5-3. PLATFORM (12.6FT/3.84M LENGTH) WITH DUAL EXTENSION INSTALLATION



ART_1001205638

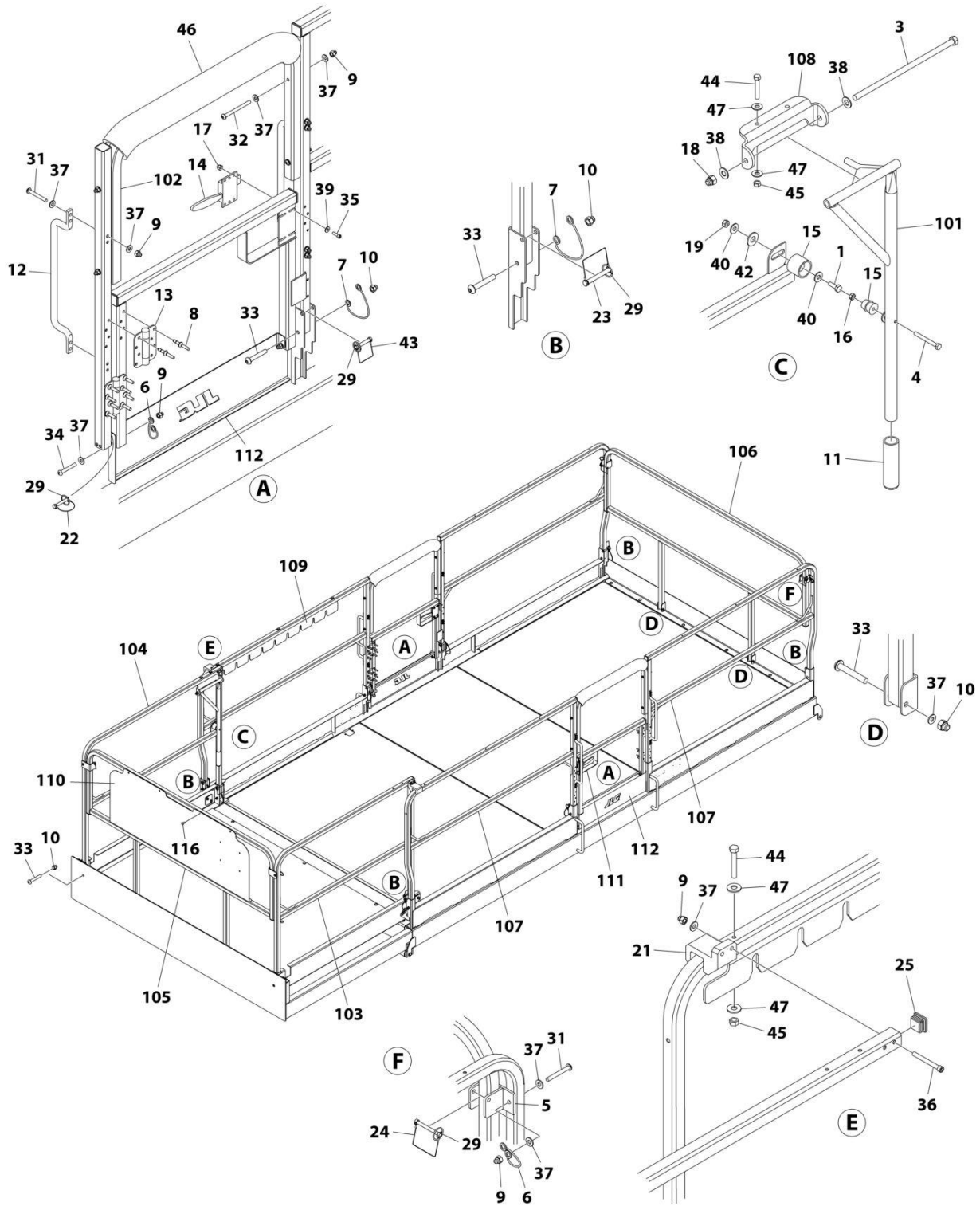
SECTION 5 - PLATFORM

FIGURE 5-3. PLATFORM (12.6FT/3.84M LENGTH) WITH DUAL EXTENSION INSTALLATION

ITEM	PART NUMBER	QTY	DESCRIPTION	REV
	1001205638	Ref	PLATFORM (12.6FT/3.84M LENGTH) WITH DUAL EXTENSION INSTALLATION	H
2	0630485	18	Bolt	
3	0641507	8	Bolt 5/16 x 7/8	
4	0641508	8	Bolt 5/16 x 1	
5	3311505	16	Nut 5/16	
6	3311601	18	Nut 3/8	
7	3760257	4	Ring, Retaining	
8	4711500	32	Washer 5/16	
9	4751600	18	Washer 3/8	
10	1001149581	12	Ring, Retaining	
11	1001166729	4	Plate, Mounting	
12	1001167269	4	Roller	
13	1001210278	4	Pin	
14	1001167272	4	Roller	
15	1001167274	4	Roller	
16	1001167275	4	Pin	
17	1001167696	8	Clip	
18	1001215224	8	Bumper	
19	1001205642	2	Extension, Platform	
20	1001205643	1	Platform	
21	1001205765	2	Plate, Floor	
22	1001205896	4	Plate, Stop	

SECTION 5 - PLATFORM

FIGURE 5-4. RAIL INSTALLATION - PLATFORM WITH SINGLE EXTENSION



ART_1001206190

SECTION 5 - PLATFORM

FIGURE 5-4. RAIL INSTALLATION - PLATFORM WITH SINGLE EXTENSION

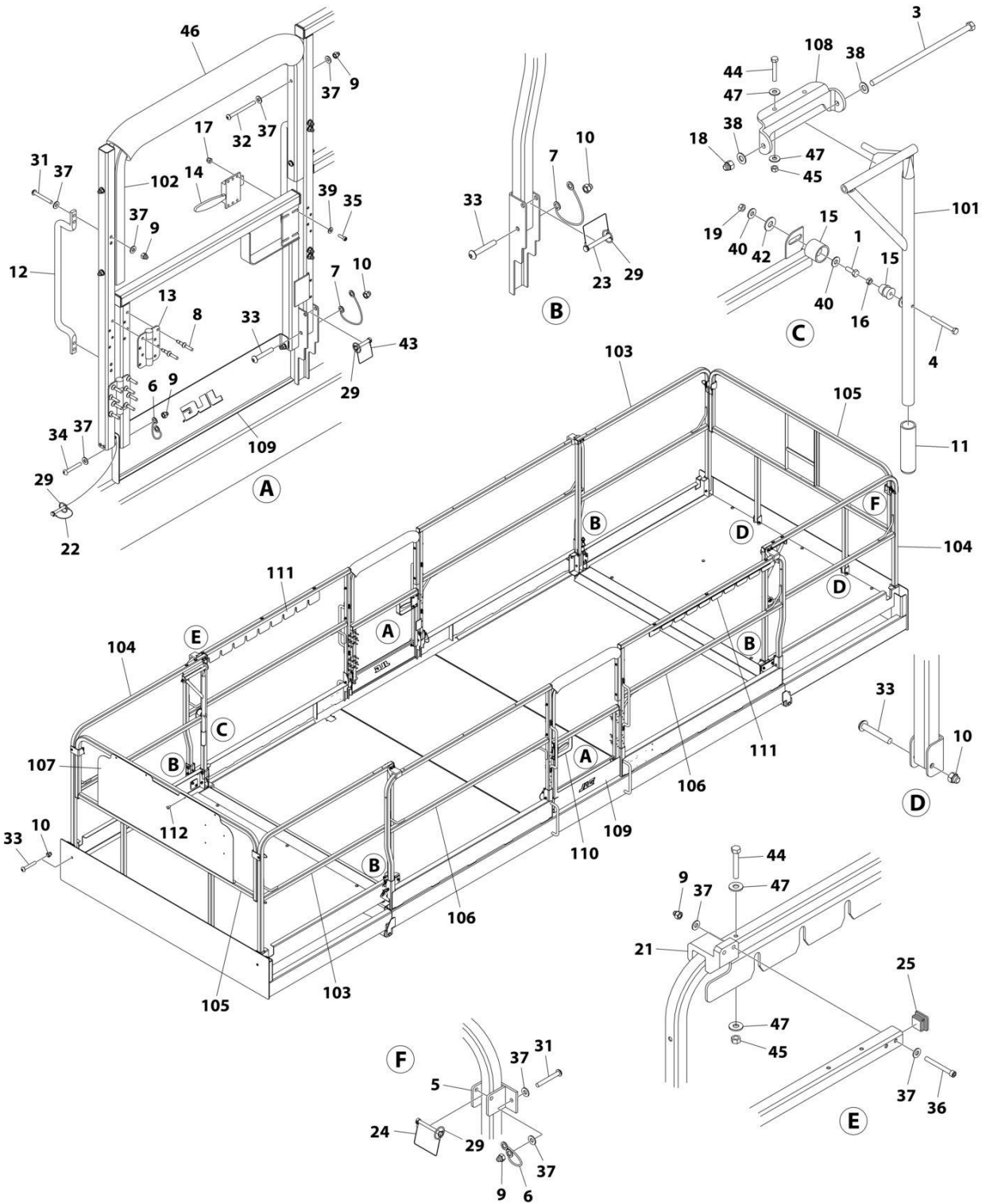
ITEM	PART NUMBER	QTY	DESCRIPTION	REV
	1001206190	Ref	RAIL INSTALLATION - PLATFORM WITH SINGLE EXTENSION	F
1	0641406	1	Bolt 1/4 x 3/4	
3	0641676	1	Bolt 3/8 x 9-1/2	
4	0700619	1	Bolt M6 x 55	
5	0901870	4	Bracket	
6	1060379	6	Lanyard	
7	1060808	10	Lanyard	
8	2080040	32	Fastener	
9	2080063	36	Nut 1/4	
10	2080064	16	Nut 5/16	
11	2560088	1	Grip, Handle	
12	2560176	4	Handle	
13	2600285	4	Hinge	
14	2940074	2	Latch	
15	2940127	1	Latch	
16	3290601	1	Nut M6	
17	3300432	8	Nut #10	
18	3300467	1	Nut 3/8	
19	3311405	1	Nut 1/4	
21	3340937	2	Pad, Rail Slide	
22	3421453	2	Pin, Snap	
23	3421565	6	Pin, Snap	
24	3422219	4	Pin, Snap	
25	3520072	14	Plug	
29	3760170	16	Ring, Split	
31	3900318	20	Screw 1/4 x 2	
32	3900319	8	Screw 1/4 x 3	
33	3900323	16	Screw 5/16 x 2	
34	3911428	4	Screw 1/4 x 1-3/4	
35	3931010	8	Capscrew #10 x 5/8	
36	3931436	4	Capscrew 1/4 x 2-1/4	
37	4711400	70	Washer 1/4	
38	4711600	2	Washer 3/8	
39	4751000	8	Washer #10	
40	4751400	2	Washer 1/4	
42	4751600	1	Washer 3/8	
43	1001145292	4	Pin, Snap	
44	0641516	5	Bolt 5/16 x 2	
45	3311505	5	Nut 5/16	
46	3340612	36 in/ 90cm	Cover	
47	4751500	10	Washer 5/16	
100	1001206065	1	Rail Kit (Not Shown)	
101	2560172	1	Handle (RH)	
102	3641452	2	Rail, Door	
103	4846532	1	Rail, Extension (LH)	
104	4846537	1	Rail, Extension (RH)	
105	1001167055	1	Rail, Extension (Front)	
106	1001167058	1	Rail (Rear)	
107	1001213495	4	Rail	

SECTION 5 - PLATFORM

ITEM	PART NUMBER	QTY	DESCRIPTION	REV
108	3537609	1	Plate, Pivot	
109	1001206025	1	Plate, Latch	
110	3571862	1	Plate, Placard	
111	4846570	2	Gate	
112	3573472	2	Kickplate	
116	3820020	7	Rivet	

SECTION 5 - PLATFORM

FIGURE 5-5. RAIL INSTALLATION - 12.6FT/3.84M LENGTH PLATFORM WITH DUAL EXTENSION



ART_1001206097

SECTION 5 - PLATFORM

FIGURE 5-5. RAIL INSTALLATION - 12.6FT/3.84M LENGTH PLATFORM WITH DUAL EXTENSION

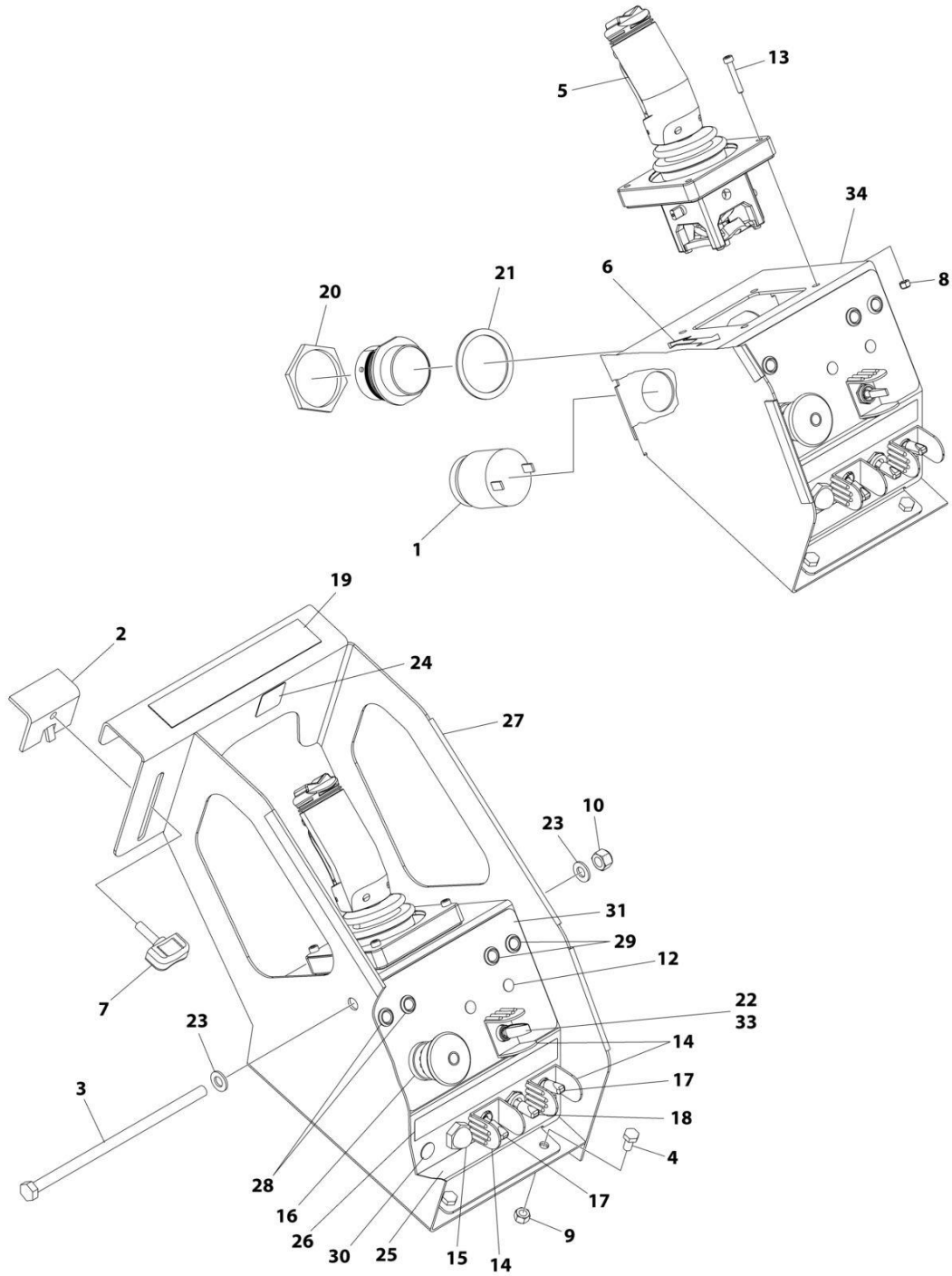
ITEM	PART NUMBER	QTY	DESCRIPTION	REV
	1001206097	Ref	RAIL INSTALLATION - 12.6FT/3.84M LENGTH PLATFORM WITH DUAL EXTENSION	E
1	0641406	2	Bolt 1/4 x 3/4	
3	0641676	2	Bolt 3/8 x 9-1/2	
4	0700619	2	Bolt M6 x 55	
5	0901870	4	Bracket	
6	1060379	6	Lanyard	
7	1060808	12	Lanyard	
8	2080040	32	Fastener	
9	2080063	40	Nut 1/4	
10	2080064	20	Nut 5/16	
11	2560088	2	Grip, Handle	
12	2560176	4	Handle	
13	2600285	4	Hinge	
14	2940074	2	Latch	
15	2940127	2	Latch	
16	3290601	2	Nut M6	
17	3300432	8	Nut #10	
18	3300467	2	Nut 3/8	
19	3311405	2	Nut 1/4	
21	3340937	4	Pad, Rail Slide	
22	3421453	2	Pin, Snap	
23	3421565	8	Pin, Snap	
24	3422219	4	Pin, Snap	
25	3520072	16	Plug	
29	3760170	18	Ring, Split	
31	3900318	20	Screw 1/4 x 2	
32	3900319	8	Screw 1/4 x 3	
33	3900323	20	Screw 5/16 x 2	
34	3911428	4	Screw 1/4 x 1-3/4	
35	3931010	8	Capscrew #10 x 5/8	
36	3931436	8	Capscrew 1/4 x 2-1/4	
37	4711400	78	Washer 1/4	
38	4711600	4	Washer 3/8	
39	4751000	8	Washer #10	
40	4751400	4	Washer 1/4	
42	4751600	2	Washer 3/8	
43	1001145292	4	Pin, Snap	
44	0641516	10	Bolt 5/16 x 2	
45	3311505	10	Nut 5/16	
46	3340612	36 in/ 90cm	Cover	
47	4751500	20	Washer 5/16	
100	1001206009	1	Rail Kit (Not Shown)	
101	2560172	2	Handle (RH)	
102	3641452	2	Rail, Door	
103	4846532	2	Rail, Extension (LH)	
104	4846537	2	Rail, Extension (RH)	
105	1001167055	2	Rail, Extension (Front)	
106	1001213495	4	Rail	

SECTION 5 - PLATFORM

ITEM	PART NUMBER	QTY	DESCRIPTION	REV
107	3571862	1	Plate, Placard	
108	3537609	2	Plate, Pivot	
109	3573472	2	Kickplate	
110	4846570	2	Gate	
111	1001206025	2	Plate, Latch	
112	3820020	7	Rivet	

SECTION 5 - PLATFORM

FIGURE 5-6. PLATFORM CONSOLE BOX INSTALLATION - DIESEL MACHINES (WITHOUT LEVELING JACKS)



ART_1001236266_H

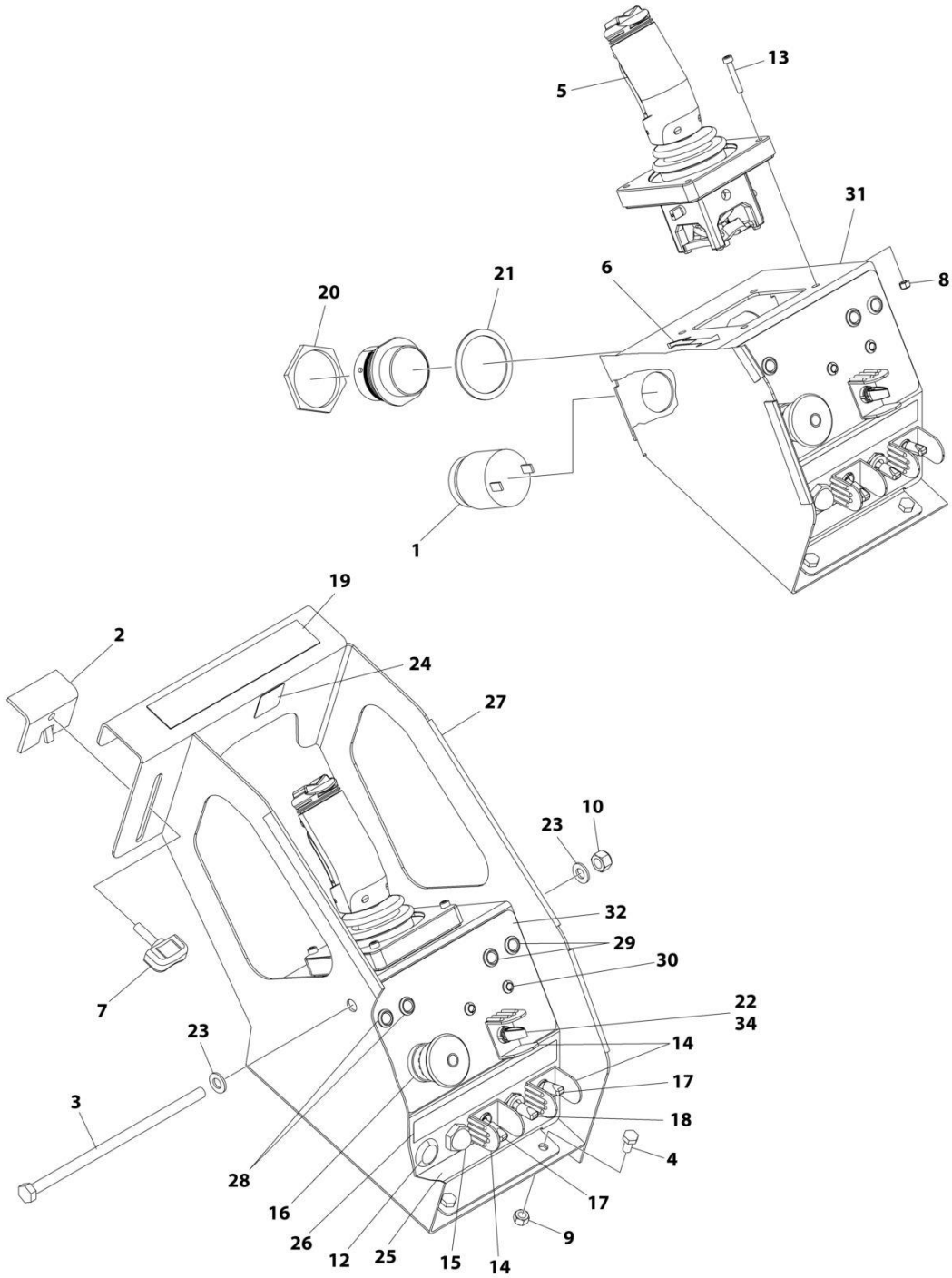
SECTION 5 - PLATFORM

FIGURE 5-6. PLATFORM CONSOLE BOX INSTALLATION - DIESEL MACHINES (WITHOUT LEVELING JACKS)

ITEM	PART NUMBER	QTY	DESCRIPTION	REV
	1001236266	Ref	PLATFORM CONSOLE BOX INSTALLATION - DIESEL MACHINES	H
1	0140030	1	Alarm	
2	0181847	1	Angle, Clamp	
3	0700835	1	Bolt M8 x 180	
4	0760606	3	Bolt M6 x 12	
5	1001247682	1	Drive/Steer Controller Assembly (See Separate Breakdown in this Section)	
6	1703819	1	Decal - Direction Arrow	
7	2560141	1	Thumbscrew	
8	3290405	4	Nut M4	
9	3290605	3	Nut M6	
10	3290805	1	Nut M8	
12	3520034	2	Plug	
13	4031509	4	Capscrew M4 x 25	
14	4060802	3	Guard, Switch	
15	4360387	1	Switch, Push Button	
16	1001274559	1	Switch, Emergency Stop (Plastic)	
16	4360475	1	Switch, Emergency Stop (Metal)	
16	7020175	1	Cap	
16	7020176	1	Block, Contact	
17	4360483	2	Switch, Toggle	
18	4360525	1	Switch, Toggle	
19	4420076	3	Tape	
20	4460470	1	Nut, Terminal	
21	4460471	1	Washer, Terminal	
22	4711700	2	Washer 7/16	
23	4811900	2	Washer M8	
24	1001132358	1	Decal - Steer	
25	1001181622	1	Decal - Platform Diesel	
26	1001181623	1	Decal - Platform Diesel	
27	1001190270	1	Bracket	
28	1001190472	2	Lamp, LED with Harness	
29	1001190473	2	Lamp, LED with Harness	
30	1001226421	1	Plug	
31	1001237754	1	Decal - Platform Function	
32	1001236230	1	Platform Box Harness (Not Shown - See Separate Breakdown in ELECTRICAL Section)	
33	1001258446	1	Switch, Toggle	
34	1001235922	1	Plate	

SECTION 5 - PLATFORM

FIGURE 5-7. PLATFORM CONSOLE BOX INSTALLATION - DIESEL MACHINES (WITH LEVELING JACKS)



ART_1001241363_F

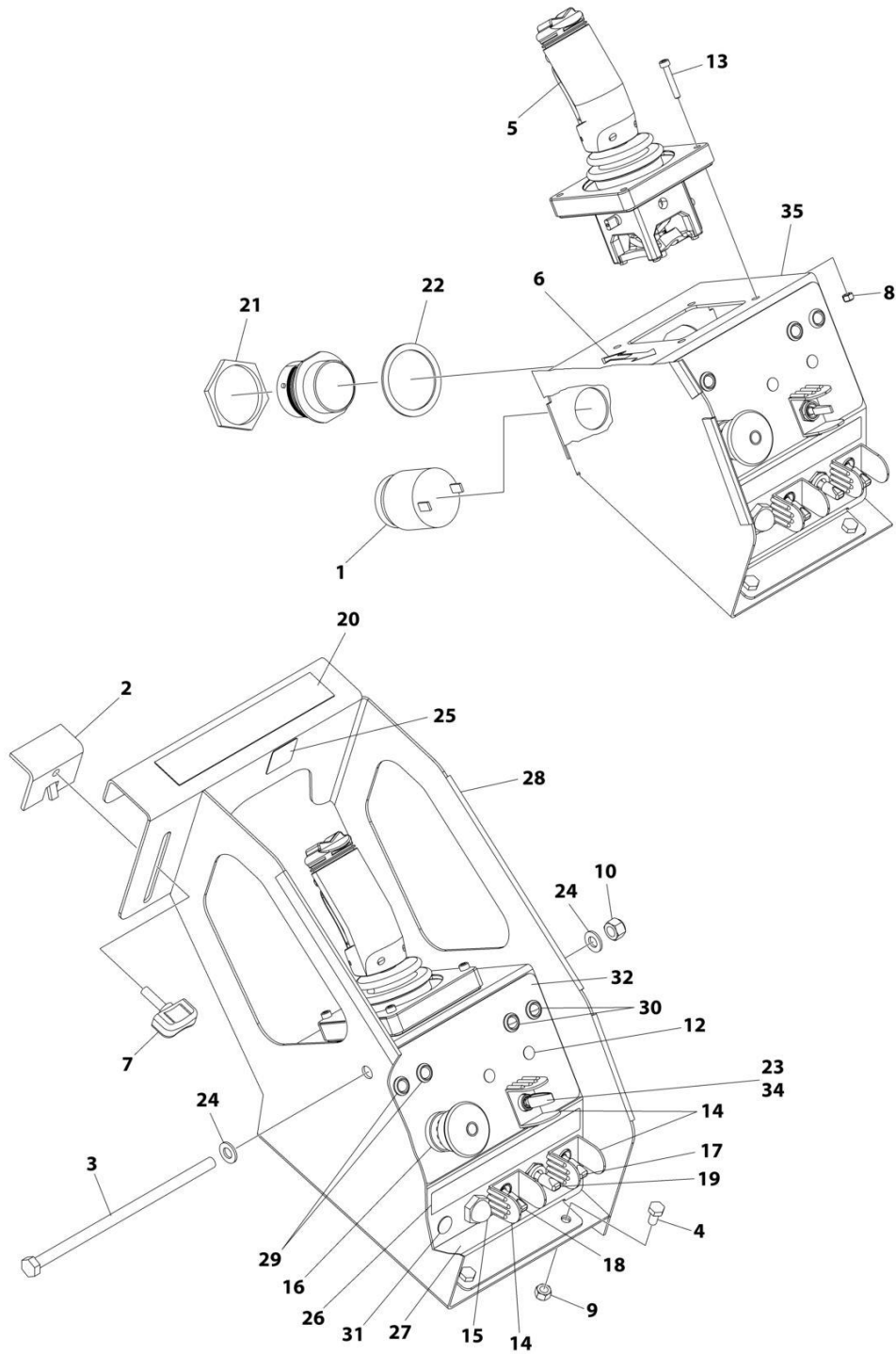
SECTION 5 - PLATFORM

FIGURE 5-7. PLATFORM CONSOLE BOX INSTALLATION - DIESEL MACHINES (WITH LEVELING JACKS)

ITEM	PART NUMBER	QTY	DESCRIPTION	REV
	1001241363	Ref	PLATFORM CONSOLE BOX INSTALLATION - DIESEL MACHINES	F
1	0140030	1	Alarm	
2	0181847	1	Angle, Clamp	
3	0700835	1	Bolt M8 x 180	
4	0760606	3	Bolt M6 x 12	
5	1001247682	1	Drive/Steer Controller Assembly (See Separate Breakdown in this Section)	
6	1703819	1	Decal - Direction Arrow	
7	2560141	1	Thumbscrew	
8	3290405	4	Nut M4	
9	3290605	3	Nut M6	
10	3290805	1	Nut M8	
12	1001226421	1	Plug	
13	4031509	4	Capscrew M4 x 25	
14	4060802	3	Guard, Switch	
15	4360387	1	Switch, Push Button	
16	1001274559	1	Switch, Emergency Stop (Plastic)	
16	4360475	1	Switch, Emergency Stop (Metal)	
16	7020175	1	Cap	
16	7020176	1	Block, Contact	
17	4360483	2	Switch, Toggle	
18	4360525	1	Switch, Toggle	
19	4420076	3	Tape	
20	4460470	1	Nut, Terminal	
21	4460471	1	Washer, Terminal	
22	4711700	2	Washer 7/16	
23	4811900	2	Washer M8	
24	1001132358	1	Decal - Steer	
25	1001181622	1	Decal - Platform Diesel	
26	1001181623	1	Decal - Platform Diesel	
27	1001190270	1	Bracket	
28	1001190472	2	Lamp, LED with Harness	
29	1001190473	2	Lamp, LED with Harness	
30	1001190474	2	Lamp, LED with Harness	
31	1001235922	1	Plate	
32	1001236199	1	Decal - Platform Function	
33	1001236230	1	Platform Box Harness (Not Shown - See Separate Breakdown in ELECTRICAL Section)	
34	1001236560	1	Switch, Toggle	

SECTION 5 - PLATFORM

FIGURE 5-8. PLATFORM CONSOLE BOX INSTALLATION - GASOLINE MACHINES (WITHOUT LEVELING JACKS)



ART_1001236267_H

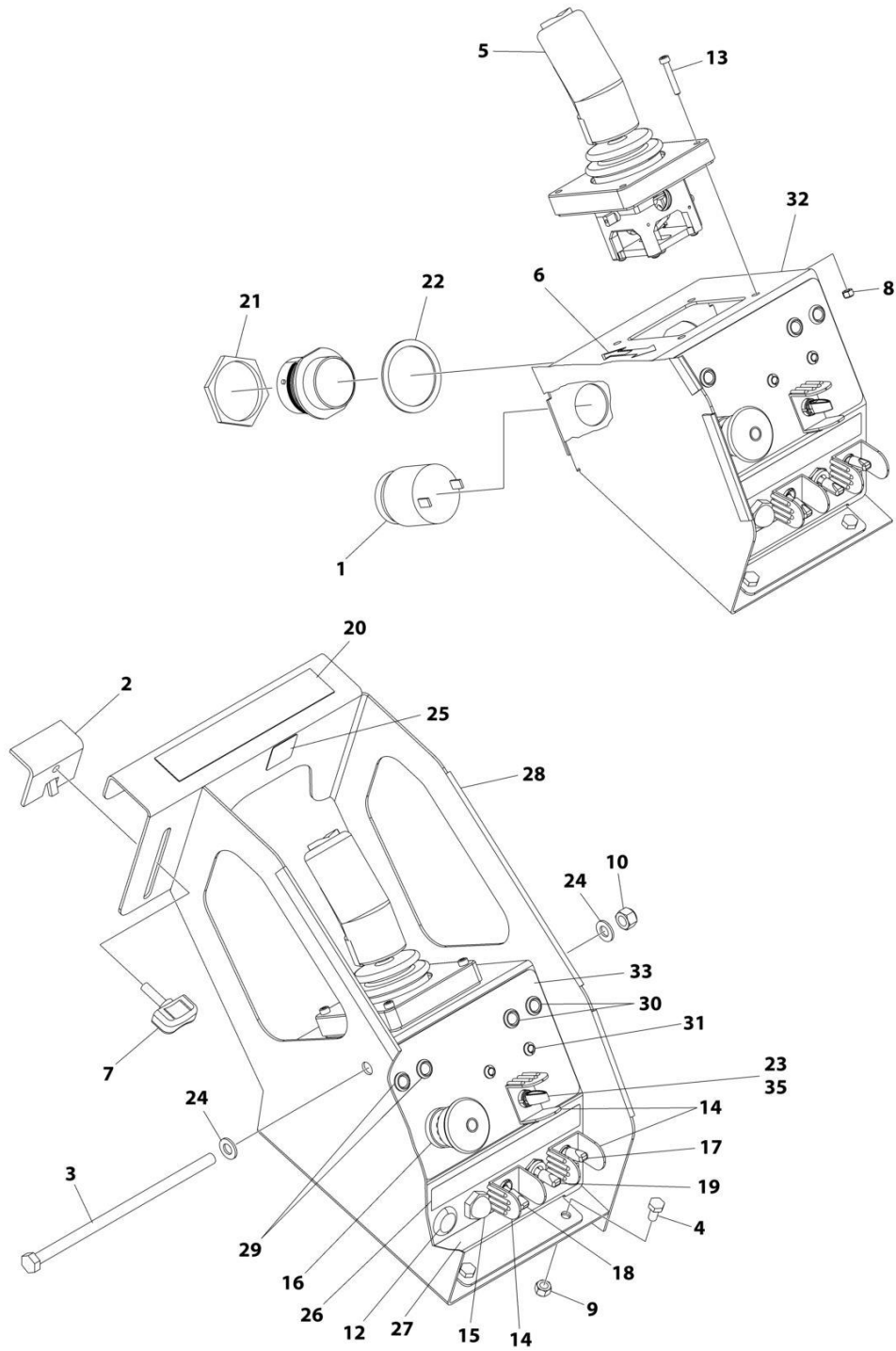
SECTION 5 - PLATFORM

FIGURE 5-8. PLATFORM CONSOLE BOX INSTALLATION - GASOLINE MACHINES (WITHOUT LEVELING JACKS)

ITEM	PART NUMBER	QTY	DESCRIPTION	REV
	1001236267	Ref	PLATFORM CONSOLE BOX INSTALLATION - GASOLINE MACHINES	H
1	0140030	1	Alarm	
2	0181847	1	Angle, Clamp	
3	0700835	1	Bolt M8 x 180	
4	0760606	3	Bolt M6 x 12	
5	1001247682	1	Drive/Steer Controller Assembly (See Separate Breakdown in this Section)	
6	1703819	1	Decal - Direction Arrow	
7	2560141	1	Thumbscrew	
8	3290405	4	Nut M4	
9	3290605	3	Nut M6	
10	3290805	1	Nut M8	
12	3520034	2	Plug	
13	4031509	4	Capscrew M4 x 25	
14	4060802	3	Guard, Switch	
15	4360387	1	Switch, Push Button	
16	1001274559	1	Switch, Emergency Stop (Plastic)	
16	4360475	1	Switch, Emergency Stop (Metal)	
16	7020175	1	Cap	
16	7020176	1	Block, Contact	
17	4360482	1	Switch, Toggle	
18	4360483	1	Switch, Toggle	
19	4360525	1	Switch, Toggle	
20	4420076	3	Tape	
21	4460470	1	Nut, Terminal	
22	4460471	1	Washer, Terminal	
23	4711700	2	Washer 7/16	
24	4811900	2	Washer M8	
25	1001132358	1	Decal - Steer	
26	1001181626	1	Decal - Platform Dual Fuel	
27	1001181627	1	Decal - Platform Dual Fuel	
28	1001190270	1	Bracket	
29	1001190472	2	Lamp, LED with Harness	
30	1001190473	2	Lamp, LED with Harness	
31	1001226421	1	Plug	
32	1001237754	1	Decal - Platform Function	
33	1001236230	1	Platform Box Harness (Not Shown - See Separate Breakdown in ELECTRICAL Section)	
34	1001258446	1	Switch, Toggle	
35	1001235922	1	Plate	

SECTION 5 - PLATFORM

FIGURE 5-9. PLATFORM CONSOLE BOX INSTALLATION - GASOLINE MACHINES (WITH LEVELING JACKS)



ART_1001241364_F

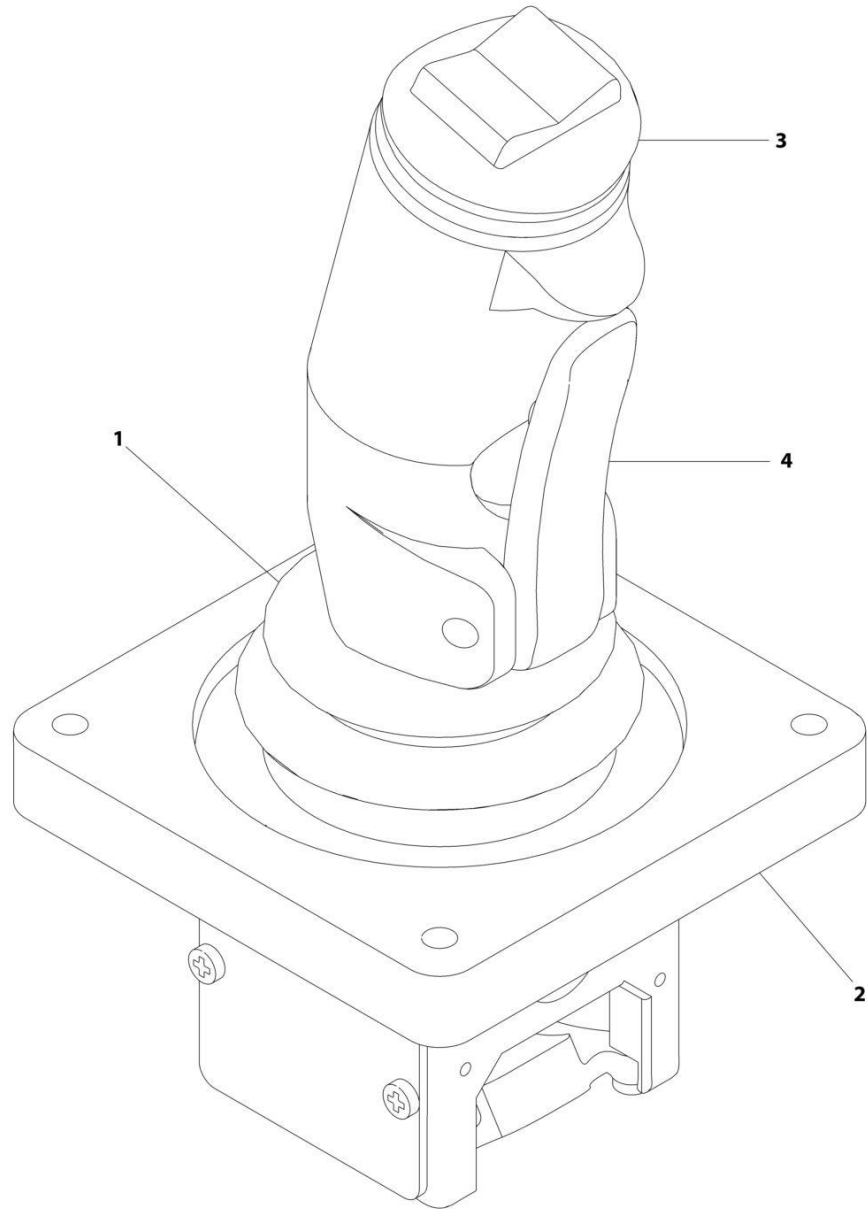
SECTION 5 - PLATFORM

FIGURE 5-9. PLATFORM CONSOLE BOX INSTALLATION - GASOLINE MACHINES (WITH LEVELING JACKS)

ITEM	PART NUMBER	QTY	DESCRIPTION	REV
	1001241364	Ref	PLATFORM CONSOLE BOX INSTALLATION - GASOLINE MACHINES	F
1	0140030	1	Alarm	
2	0181847	1	Angle, Clamp	
3	0700835	1	Bolt M8 x 180	
4	0760606	3	Bolt M6 x 12	
5	1001247682	1	Drive/Steer Controller Assembly (See Separate Breakdown in this Section)	
6	1703819	1	Decal - Direction Arrow	
7	2560141	1	Thumbscrew	
8	3290405	4	Nut M4	
9	3290605	3	Nut M6	
10	3290805	1	Nut M8	
12	1001226421	1	Plug	
13	4031509	4	Capscrew M4 x 25	
14	4060802	3	Guard, Switch	
15	4360387	1	Switch, Push Button	
16	1001274559	1	Switch, Emergency Stop (Plastic)	
16	4360475	1	Switch, Emergency Stop (Metal)	
16	7020175	1	Cap	
16	7020176	1	Block, Contact	
17	4360482	1	Switch, Toggle	
18	4360483	1	Switch, Toggle	
19	4360525	1	Switch, Toggle	
20	4420076	3	Tape	
21	4460470	1	Nut, Terminal	
22	4460471	1	Washer, Terminal	
23	4711700	2	Washer 7/16	
24	4811900	2	Washer M8	
25	1001132358	1	Decal - Steer	
26	1001181626	1	Decal - Platform Dual Fuel	
27	1001181627	1	Decal - Platform Dual Fuel	
28	1001190270	1	Bracket	
29	1001190472	2	Lamp, LED with Harness	
30	1001190473	2	Lamp, LED with Harness	
31	1001190474	2	Lamp, LED with Harness	
32	1001235922	1	Plate	
33	1001236199	1	Decal - Platform Function	
34	1001236230	1	Platform Box Harness (Not Shown - See Separate Breakdown in ELECTRICAL Section)	
35	1001236560	1	Switch, Toggle	

SECTION 5 - PLATFORM

FIGURE 5-10. DRIVE/STEER CONTROLLER ASSEMBLY



ART_1001247682

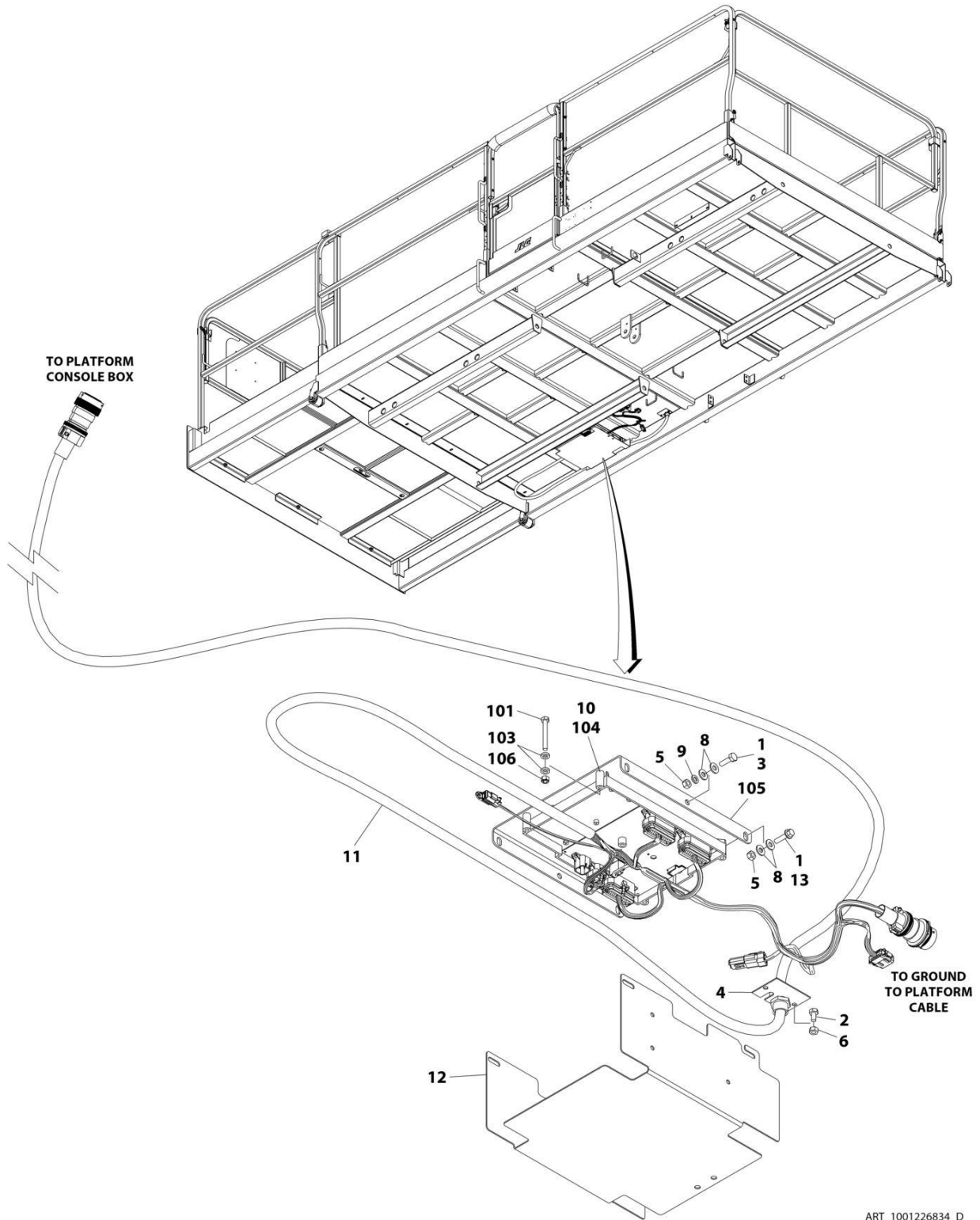
SECTION 5 - PLATFORM

FIGURE 5-10. DRIVE/STEER CONTROLLER ASSEMBLY

ITEM	PART NUMBER	QTY	DESCRIPTION	REV
	1001247682	Ref	DRIVE/STEER CONTROLLER ASSEMBLY (LCD)	B
1	70001250	1	Boot, Panel	
2	70001252	1	Gasket, Mounting	
2	70001251	1	Bezel, Mounting	
3	70007506	1	Handle Repair Kit (Includes handle gasket, item#4 push button and item #4 lever installed in front handle half, back handle half, top actuator, boot and hardware.)	
3	70000084	1	Cap, Rubber	
3	70000082	1	Microswitch	
3	7027766	1	Ring, Retaining	
3	7027365	1	Actuator, Handle	
3	70001253	1	Gasket, Handle	
3	70000683	4	Washer, Neoprene	
3	70000685	2	Spacer, Plastic	
3	70000686	2	Screw (Top)	
3	70000684	2	Screw (Bottom)	
4	7027367	1	Switch, Push Button	
4	7027765	1	Lever, Enable	

SECTION 5 - PLATFORM

FIGURE 5-11. PLATFORM MODULE INSTALLATION (LSS)



ART_1001226834_D

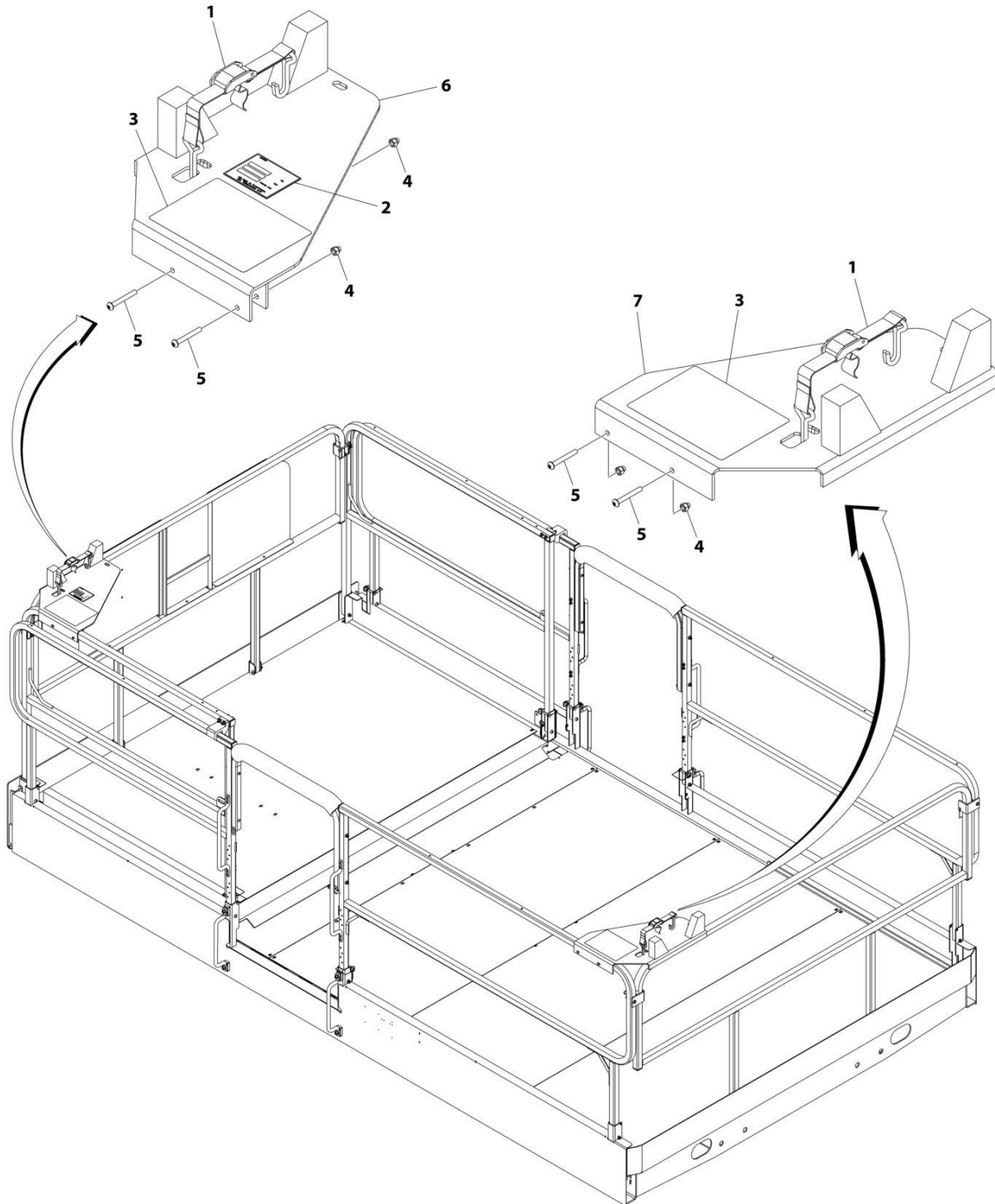
SECTION 5 - PLATFORM

FIGURE 5-11. PLATFORM MODULE INSTALLATION (LSS)

ITEM	PART NUMBER	QTY	DESCRIPTION	REV
	1001226834	Ref	PLATFORM MODULE INSTALLATION (LSS)	D
1	0100011	AR	Compound, Locking	
2	0641404	2	Bolt 1/4 x 1/2	
3	0641407	2	Bolt 1/4 x 7/8	
4	1670988	1	Cover	
5	3311401	AR	Nut 1/4	
6	3311405	AR	Nut 1/4	
7	4240033	AR	Tie-Strap (Not Shown)	
8	4711400	8	Washer 1/4	
9	4761400	AR	Washer 1/4	
10	1001206832	1	Control Module Assembly (See Items 101-106 for Breakdown)	
11	1001236163	1	Platform Module Harness (See Separate Breakdown in ELECTRICAL SECTION)	
12	1001223646	1	Cover	
13	0791408	4	Screw 1/4 x 1	
	1001206832	Ref	CONTROL MODULE ASSEMBLY	C
101	0760618	4	Bolt M6 x 50	
103	5240600	8	Washer M6	
104	1001235098	1	Module, Control - Platform (Note: Re-calibration Required when Replaced)	
105	1001194115	1	Bracket	
106	3290605	4	Nut M6	

SECTION 5 - PLATFORM

FIGURE 5-12. PIPE RACKS INSTALLATION (OPTIONAL)



ART_0272829

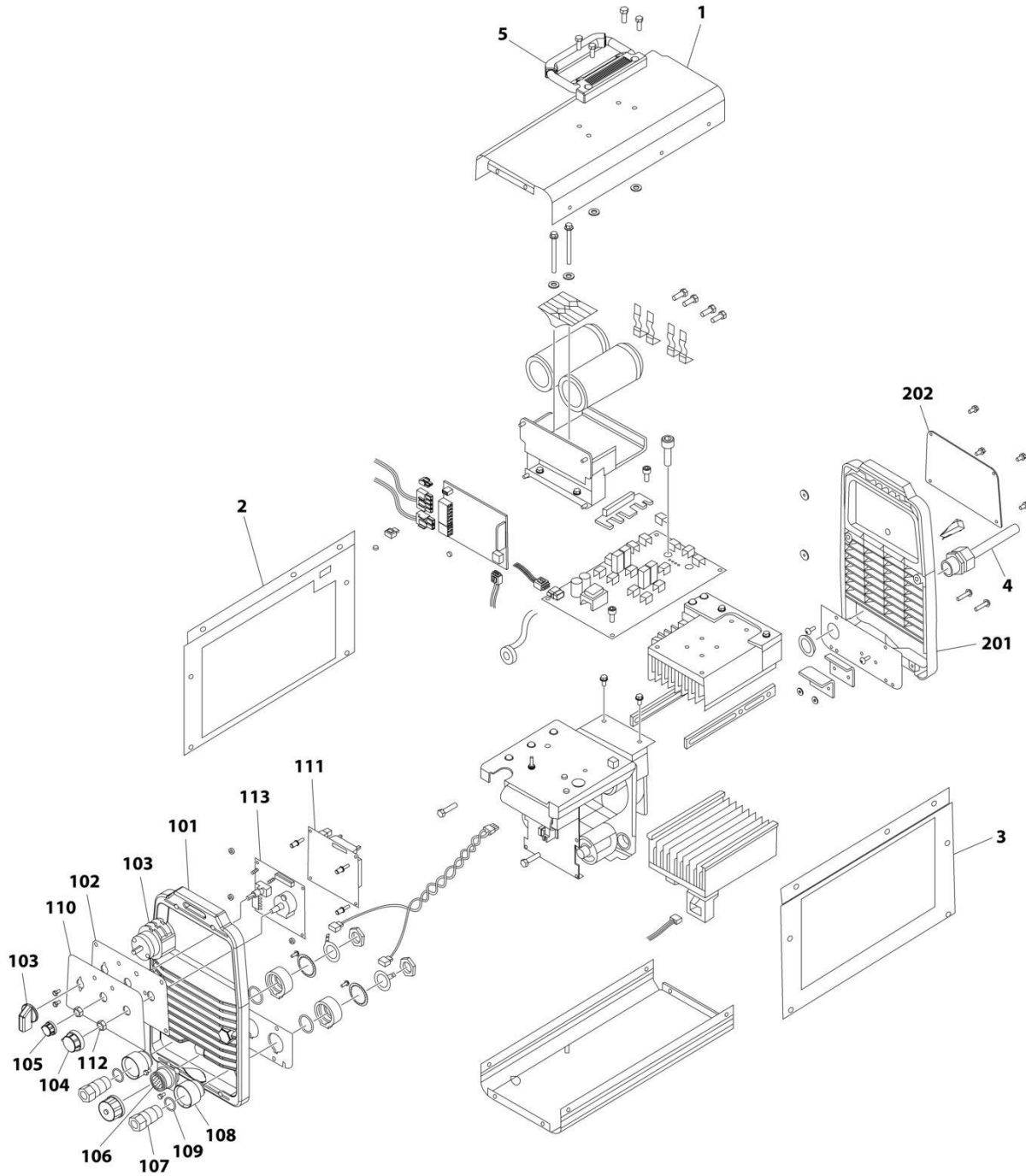
SECTION 5 - PLATFORM

FIGURE 5-12. PIPE RACKS INSTALLATION (OPTIONAL)

ITEM	PART NUMBER	QTY	DESCRIPTION	REV
	0272829	Ref	PIPE RACKS INSTALLATION (OPTIONAL)	C
1	0480100	2	Belt, Tie Down	
2	See Note	NSS	Nameplate (Note: Not Available for Purchase)	
3	1705637	2	Decal - Pipe Rack Capacity	
4	2080063	4	Fastener 1/4	
5	3900318	4	Screw 1/4 x 2	
6	4845441	1	Support, Pipe Rack	
7	4845442	1	Support, Pipe Rack	

SECTION 5 - PLATFORM

FIGURE 5-13. WELDER ASSEMBLY



ART_4530028

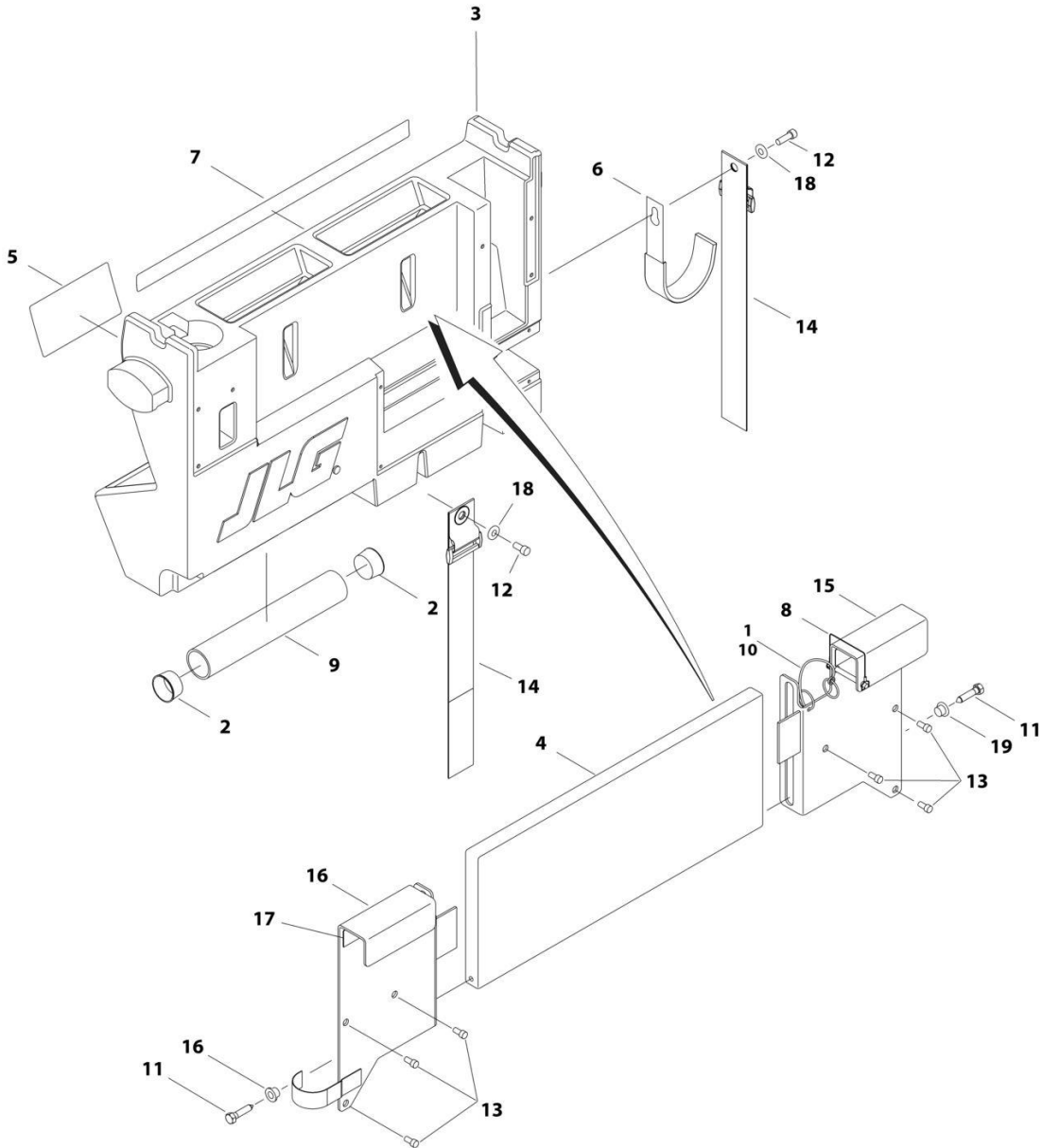
SECTION 5 - PLATFORM

FIGURE 5-13. WELDER ASSEMBLY

ITEM	PART NUMBER	QTY	DESCRIPTION	REV
	4530028	Ref	WELDER ASSEMBLY	B
		Ref	Note: For Other Components, contact your Miller Welder Dealer.	
1	7027773	1	Cover, Top	
1	7027774	1	Decal - Static Precautionary Warning	
2	See Note	NSS	Panel, LH Side (Note: Part of Item 1. Purchase Item 1)	
3	See Note	NSS	Panel, RH Side (Note: Part of Item 1. Purchase Item 1)	
4	7024467	1	Cable, Power	
4	7027775	1	Decal - Electrical Shock Warning (Not Shown)	
5	7027776	1	Handle, Carrying	
101	7024462	1	Panel, Front	
102	7024463	1	Panel, Console	
103	7024469	1	Switch with Lead	
104	7024470	1	Knob	
105	7024471	1	Knob	
106	7024472	1	Receptacle with Leads and Plugs	
107	7024473	2	Receptacle, Twistlock Female	
108	7024474	2	Insulator	
109	7024475	2	O-Ring	
110	7027777	1	Nameplate	
111	7027779	1	Circuit Card Assembly (Process Control)	
112	7024478	2	Nut	
113	7027778	1	Circuit Card Assembly (Operator Interface)	
201	7024462	1	Panel, Rear	
202	7027780	1	Panel, Cover	

SECTION 5 - PLATFORM

FIGURE 5-14. WORKSTATION INSTALLATION (OPTIONAL)



ART_0274260_C

SECTION 5 - PLATFORM

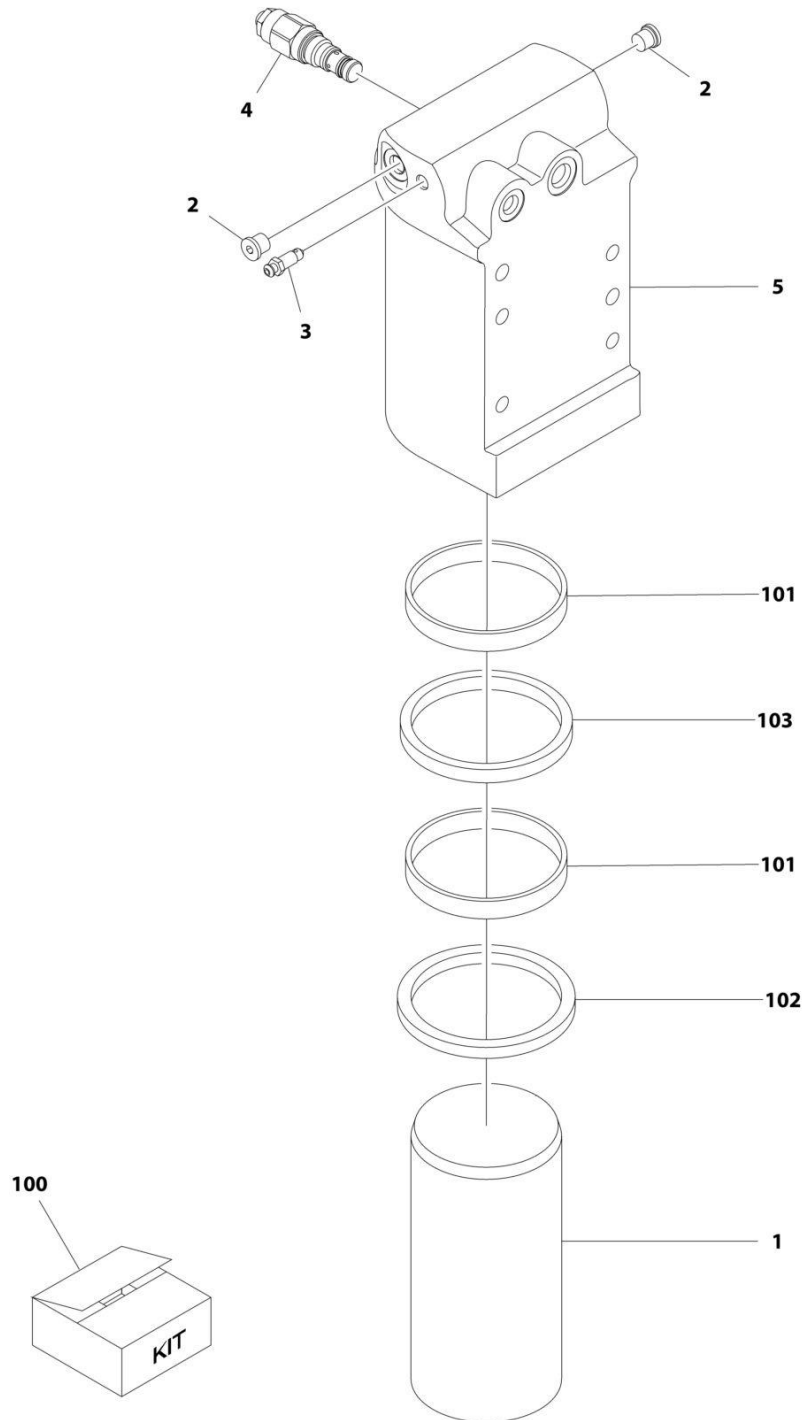
FIGURE 5-14. WORKSTATION INSTALLATION (OPTIONAL)

ITEM	PART NUMBER	QTY	DESCRIPTION	REV
	0274260	Ref	WORKSTATION INSTALLATION - REFERENCE CHART	C
	1001246392	Ref	WORKSTATION INSTALLATION (OPTIONAL)	B
1	1060379	1	Cable, Lanyard	
2	1120555	2	Cap, Manual Storage	
3	1580023	1	Container	
4	1580024	1	Tray	
5	1705997	1	Decal - Workstation	
6	2700100	1	Hook, Hanger	
7	1001246395	1	Decal - Workstation Kit	
8	3422219	1	Pin	
9	3460334	1	PVC Pipe	
10	3760170	2	Ring	
11	3900355	2	Screw 5/16 x 1-1/2	
12	3931412	2	Bolt 1/4 x 3/4	
13	3931508	6	Bolt 5/16 x 1/2	
14	4240003	2	Strap	
15	4340853	1	Mount, RH Channel	
16	4340854	1	Mount, LH Channel	
17	4420062	3 ft/0.9m	Tape	
18	4711400	2	Washer 1/4	
19	4740480	2	Insert, Plastic	

SECTION 6 - CYLINDER

SECTION 6 - CYLINDER

FIGURE 6-1. AXLE LOCKOUT CYLINDER ASSEMBLY



ART_1001163580

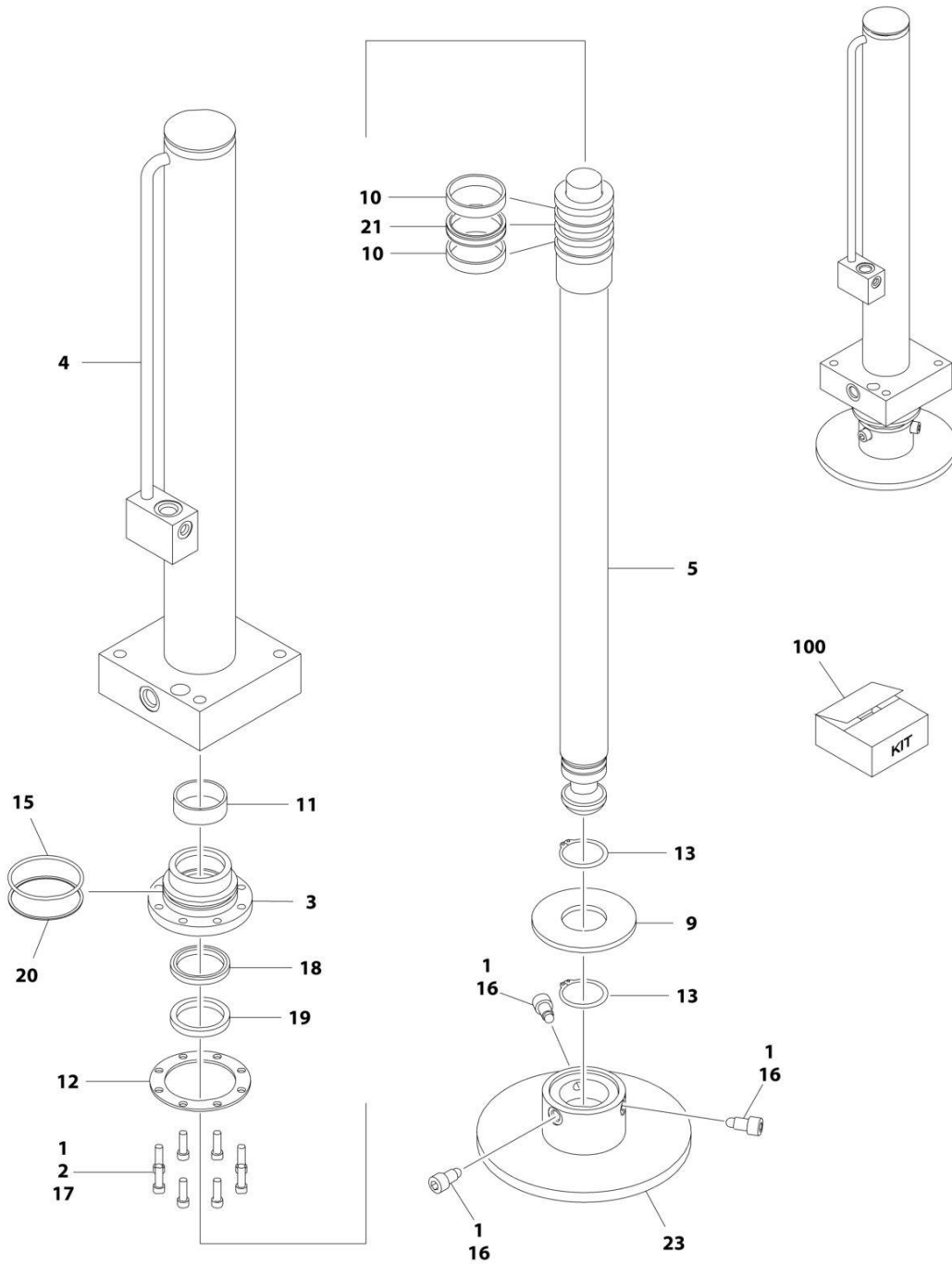
SECTION 6 - CYLINDER

FIGURE 6-1. AXLE LOCKOUT CYLINDER ASSEMBLY

ITEM	PART NUMBER	QTY	DESCRIPTION	REV
	1001163580	Ref	AXLE LOCKOUT CYLINDER ASSEMBLY	1
		Ref	Note: Original Cylinder May Have Been Replaced with Service Replacement. Identify PN Stamped on Cylinder Before Ordering Parts.	
1	1684290	1	Rod	
2	2220883	2	Plug #4	
3	4640858	1	Valve, Bleeder	
4	1001117372	1	Cartridge, Valve	
4	70002842	1	Seal Kit - 1001117372 Valve	
5	1001164817	1	Barrel	
100	2902266	NLA	Seal Kit - 1001163590 Cylinder (Includes Items 101-103)	
101	See Note	NSS	Ring, Wear (Note: Use Item 100)	
102	See Note	NSS	Seal (Note: Use Item 100)	
103	See Note	NSS	Wiper (Note: Use Item 100)	

SECTION 6 - CYLINDER

FIGURE 6-2. LEVELING JACK CYLINDER ASSEMBLY



ART_1684406-D

SECTION 6 - CYLINDER

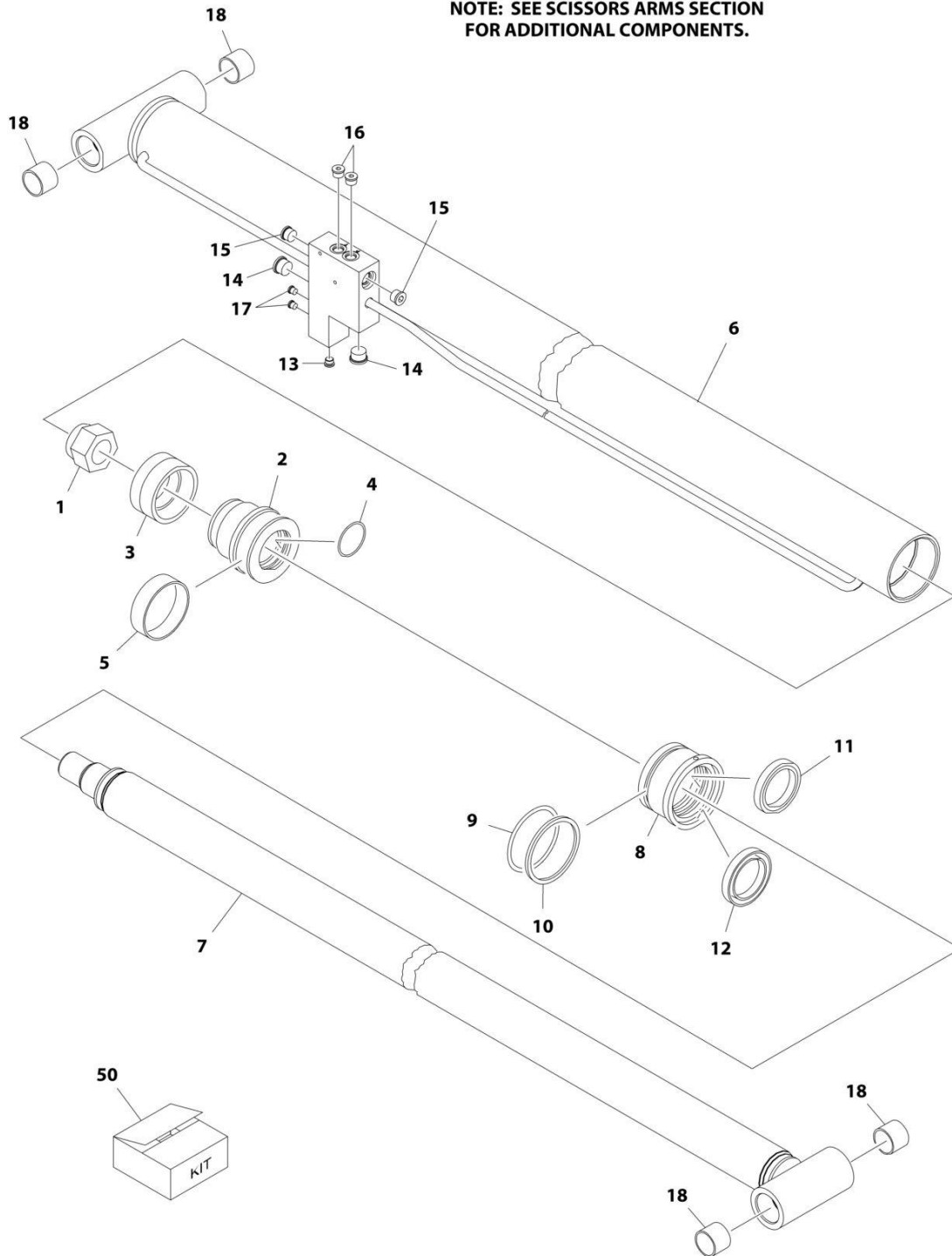
FIGURE 6-2. LEVELING JACK CYLINDER ASSEMBLY

ITEM	PART NUMBER	QTY	DESCRIPTION	REV
	1684406	Ref	LEVELING JACK CYLINDER ASSEMBLY	D
		Ref	Note: Original Cylinder May Have Been Replaced with Service Replacement. Identify PN Stamped on Cylinder Before Ordering Parts.	
1	0100011	AR	Compound, Locking	
2	0100038	AR	Primer, Locking	
3	1683054	1	Head	
4	0370018	1	Barrel	
5	3850013	1	Rod	
9	3573513	1	Plate, Jack	
10	See Note	NSS	Ring, Lock (Note: Use Item 100)	
11	See Note	NSS	Ring, Wear (Note: Use Item 100)	
12	3760368	1	Ring, Washer	
13	3760460	2	Ring, Retaining	
15	See Note	NSS	O-Ring (Note: Use Item 100)	
16	3900321	3	Screw 1/2 x 1-1/4	
17	3931516	8	Capscrew 5/16 x 1	
18	See Note	NSS	Seal (Note: Use Item 100)	
19	See Note	NSS	Wiper (Note: Use Item 100)	
20	See Note	NSS	Ring, Back-up (Note: Use Item 100)	
21	See Note	NSS	T-Seal (Note: Use Item 100)	
23	4846584	1	Pad, Jack	
100	2902182	1	Seal Kit - 1684406 Cylinder (Includes Items 10, 11, 15 & 18-21)	

SECTION 6 - CYLINDER

FIGURE 6-3. LIFT CYLINDER ASSEMBLY

NOTE: SEE SCISSORS ARMS SECTION FOR ADDITIONAL COMPONENTS.



ART_1001217085

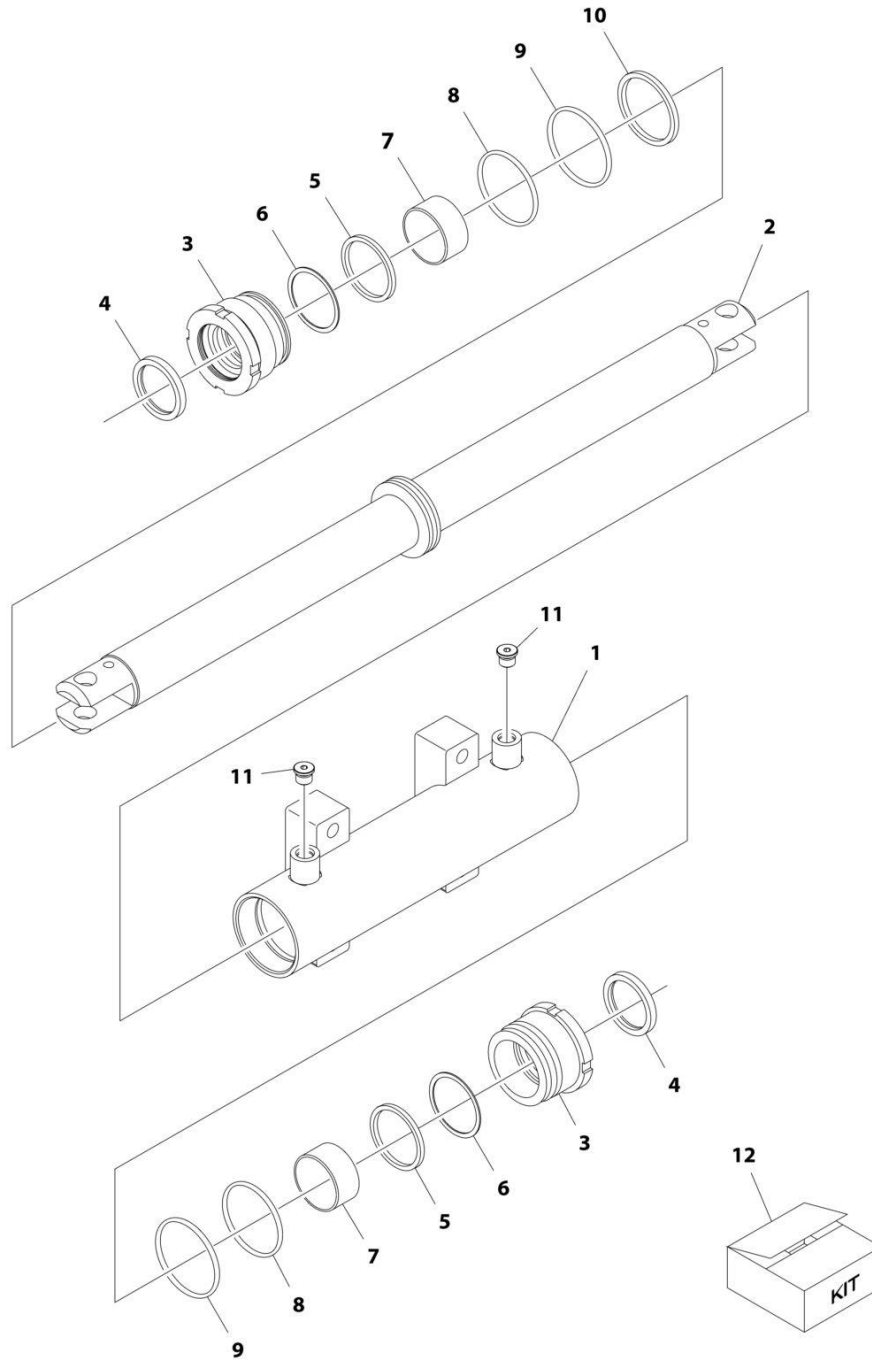
SECTION 6 - CYLINDER

FIGURE 6-3. LIFT CYLINDER ASSEMBLY

ITEM	PART NUMBER	QTY	DESCRIPTION	REV
	1001217085	Ref	LIFT CYLINDER ASSEMBLY	C
		Ref	Note: Machines were built with one of 2 cylinders. Identify cylinder by p/n stamped on valve block before ordering parts.	
1	70006285	1	Nut	
2	70006286	1	Piston	
3	See Note	NSS	Seal (Note: Use Item 50)	
4	See Note	NSS	O-Ring (Note: Use Item 50)	
5	See Note	NSS	Ring, Wear (Note: Use Item 50)	
6	70006287	1	Barrel	
7	70006288	1	Rod	
8	70006289	1	Head	
9	See Note	NSS	O-Ring (Note: Use Item 50)	
10	See Note	NSS	Ring, Back-up (Note: Use Item 50)	
11	See Note	NSS	Seal (Note: Use Item 50)	
12	See Note	NSS	Wiper (Note: Use Item 50)	
13	2220885	1	Plug #6	
14	2220888	2	Plug #12	
15	2220887	2	Plug #10	
16	2220886	2	Plug #8	
17	2220883	2	Plug #4	
18	70006290	4	Bushing	
50	70006284	1	Seal Kit - 1001217085 Cylinder (Includes Items 5-11)	

SECTION 6 - CYLINDER

FIGURE 6-4. STEER CYLINDER ASSEMBLY



ART_1001163178

SECTION 6 - CYLINDER

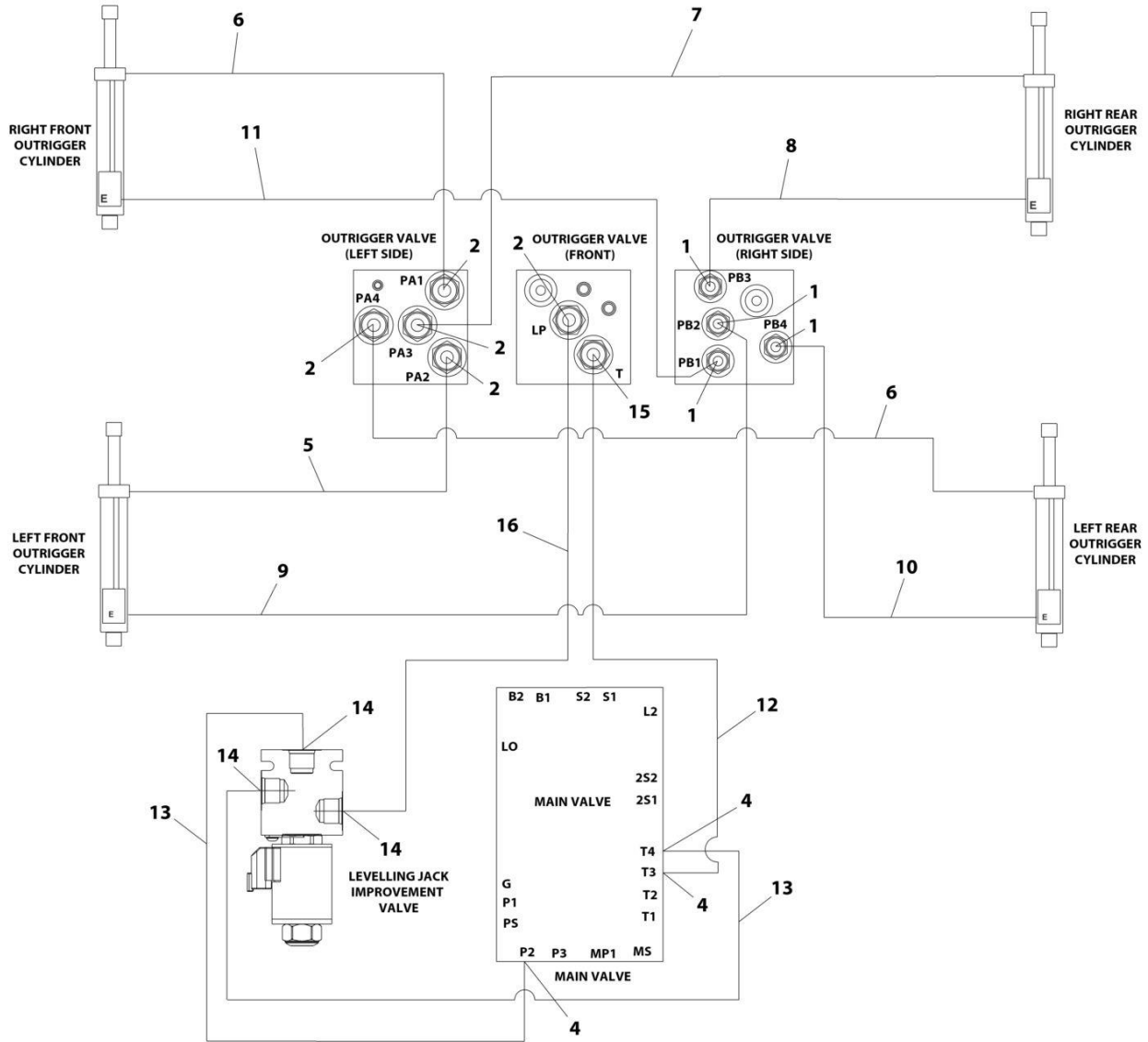
FIGURE 6-4. STEER CYLINDER ASSEMBLY

ITEM	PART NUMBER	QTY	DESCRIPTION	REV
	1001163178	Ref	STEER CYLINDER ASSEMBLY	E
		Ref	Note: Original Cylinder May Have Been Replaced with Service Replacement. Identify PN Stamped on Cylinder Before Ordering Parts.	
1	70005150	1	Barrel	
2	70005151	1	Rod	
3	70005152	2	Head	
4	See Note	NSS	Wiper (Note: Use Item 12)	
5	See Note	NSS	Seal, Rod (Note: Use Item 12)	
6	See Note	NSS	Ring, Back-up (Note: Use Item 12)	
7	70005153	2	Bearing, Dry	
8	See Note	NSS	O-Ring (Note: Use Item 12)	
9	See Note	NSS	O-Ring (Note: Use Item 12)	
10	See Note	NSS	Seal, Piston (Note: Use Item 12)	
11	See Note	2	Plug 9/16 (Note: Not Available for Purchase)	
12	70005154	1	Seal Kit - 1001163178 Cylinder (Includes Items 4-6 & 8-10)	

SECTION 7 - HYDRAULIC

SECTION 7 - HYDRAULIC

FIGURE 7-1. HYDRAULIC DIAGRAM - LEVELING JACKS



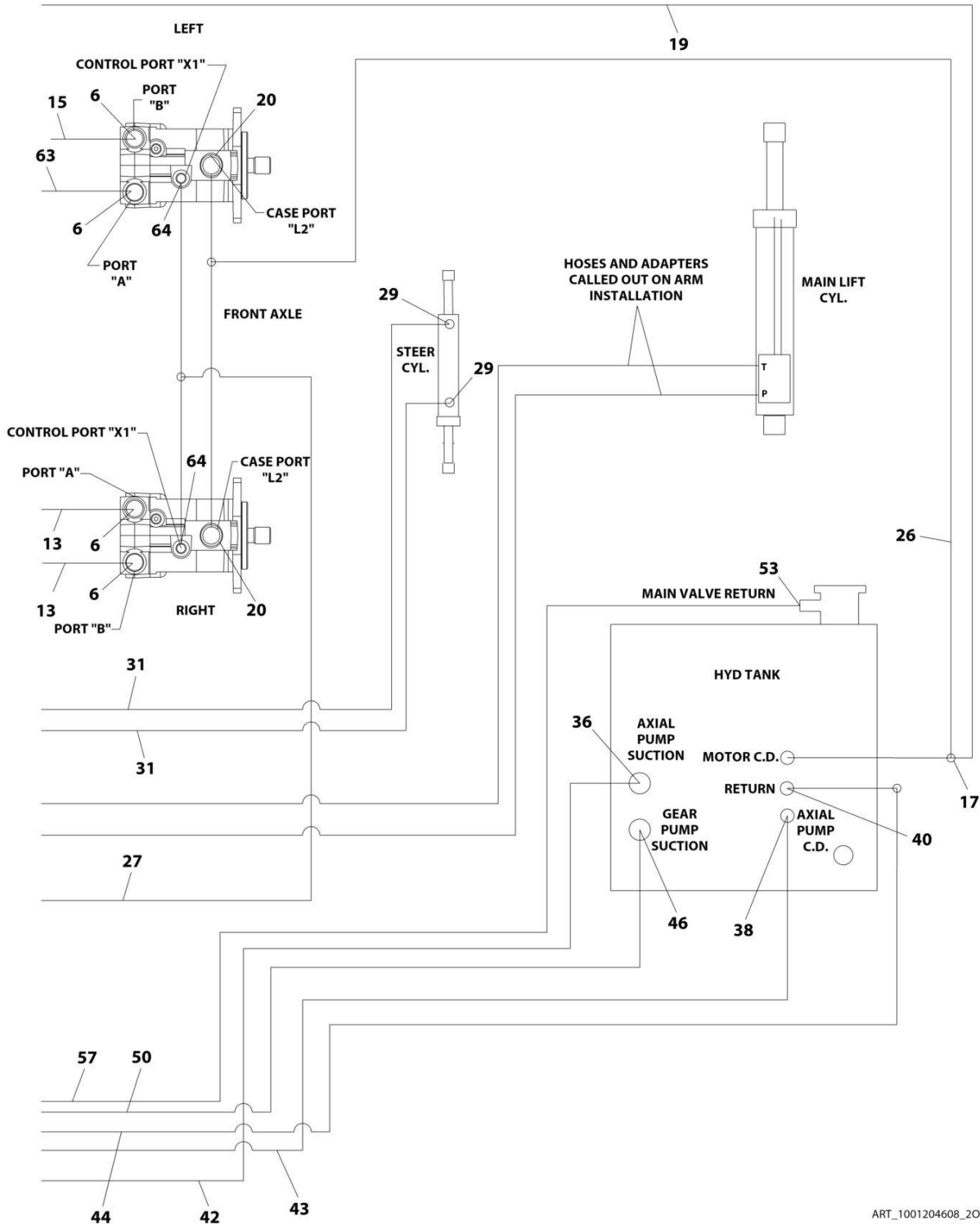
ART_1001237464

SECTION 7 - HYDRAULIC

FIGURE 7-1. HYDRAULIC DIAGRAM - LEVELING JACKS

ITEM	PART NUMBER	QTY	DESCRIPTION	REV
	1001237464	Ref	HYDRAULIC DIAGRAM - LEVELING JACKS	A
1	2220371	4	Fitting, Straight JIC/ORB	
2	2220373	5	Fitting, Straight JIC/ORB	
4	2220600	3	Fitting, Straight JIC/ORB	
5	1001214864	1	Hose	
6	1001194384	2	Hose	
7	1001121396	1	Hose	
8	1001194387	1	Hose	
9	1001194386	1	Hose	
10	1001214865	1	Hose	
11	1001194388	1	Hose	
12	1001237915	1	Hose	
13	1001237916	2	Hose	
14	2220596	3	Fitting, 90 JIC/ORB	
15	2220500	1	Fitting, 45 JIC/ORB	
16	1001239088	1	Hose	

SECTION 7 - HYDRAULIC



ART_1001204608_2OF2

SECTION 7 - HYDRAULIC

FIGURE 7-2. HYDRAULIC DIAGRAM - STANDARD (ALL SPECS EXCEPT CE, JAPANESE & UK CA SPECS)

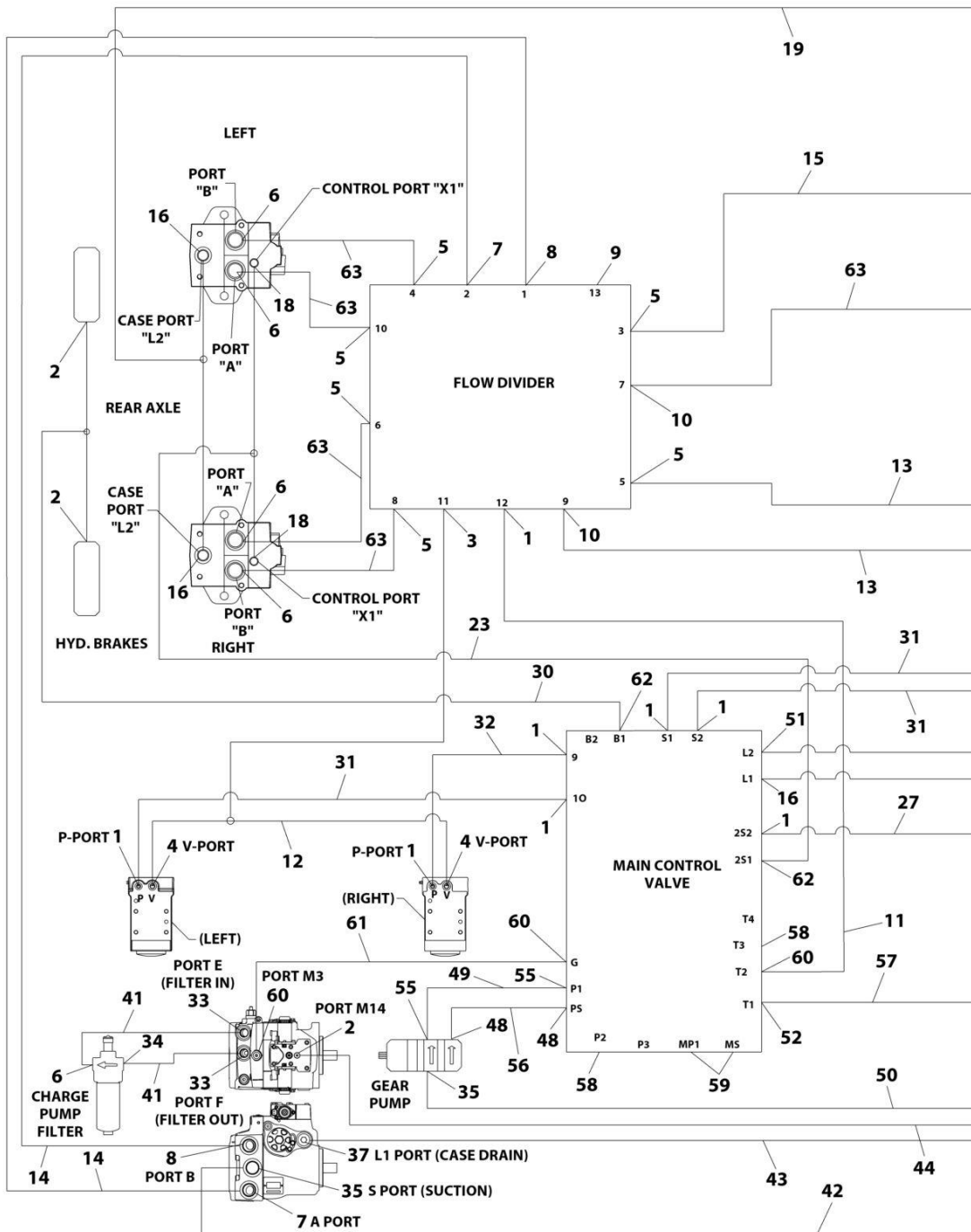
ITEM	PART NUMBER	QTY	DESCRIPTION	REV
	1001204608	Ref	HYDRAULIC DIAGRAM - STANDARD	F
1	2220415	7	Fitting, Straight JIC/ORB	
2	2220466	3	Fitting, 90 JIC/ORB	
3	2220473	1	Fitting, 90 JIC/ORB	
4	2220371	2	Fitting, Straight JIC/ORB	
5	2130808	6	Fitting, 90 ORFS/ORB	
6	2110812	9	Fitting, Straight ORFS/ORB	
7	2111216	2	Fitting, Straight ORFS/ORB	
8	2131216	2	Fitting, 90 ORFS/ORB	
9	2220238	1	Plug	
10	2110808	2	Fitting, Straight ORFS/ORB	
11	1001151351	1	Hose	
12	1001213672	1	Hose	
13	2753791	2	Hose	
14	1001213673	2	Hose	
15	2753970	1	Hose	
16	2220373	3	Fitting, Straight JIC/ORB	
17	2220602	1	Fitting, Tee JIC/ORB/JIC	
18	2220582	2	Fitting, Straight JIC/ORB	
19	1001194383	1	Hose	
20	2220500	2	Fitting, 45 JIC/ORB	
23	1001213674	1	Hose	
26	1001213684	1	Hose	
27	1001213676	1	Hose	
29	2221040	2	Fitting, 45 JIC/ORB	
30	1001213677	1	Hose	
31	1001158199	2	Hose	
32	1001213678	1	Hose	
33	2110810	2	Fitting, Straight ORFS/ORB	
34	2130812	1	Fitting, 90 ORFS/ORB	
35	2220479	2	Fitting, Straight JIC/ORB	
36	2221081	1	Fitting, 45 JIC/ORB	
37	2220451	1	Fitting, Straight JIC/ORB	
38	2220578	1	Fitting, 90 JIC/ORB	
40	2220577	1	Fitting, Straight JIC/ORB	
41	2754244	2	Hose	
42	1001213679	1	Hose	
43	1001194381	1	Hose	
44	1001213680	1	Hose	
46	8760351	1	Fitting, 45 JIC/ORB	
48	2220497	2	Fitting, Straight JIC/ORB	
49	1001146311	1	Hose	
50	1001108128	1	Hose	
52	2220408	1	Fitting, Straight JIC/ORB	
53	2220435	1	Fitting, Straight JIC/ORB	
55	2221036	2	Fitting, 90 JIC/ORB	
56	1001206648	1	Hose	
57	1001194378	1	Hose	
58	2220237	2	Plug	

SECTION 7 - HYDRAULIC

ITEM	PART NUMBER	QTY	DESCRIPTION	REV
59	2221086	2	Fitting, Test Port	
60	2220472	3	Fitting, 90 JIC/ORB	
61	2755023	1	Hose	
62	2220502	2	Fitting, 45 JIC/ORB	
63	1001213681	5	Hose	
64	2221040	2	Fitting, 45 JIC/ORB	
65	2221050	1	Fitting, 45 JIC/ORB	

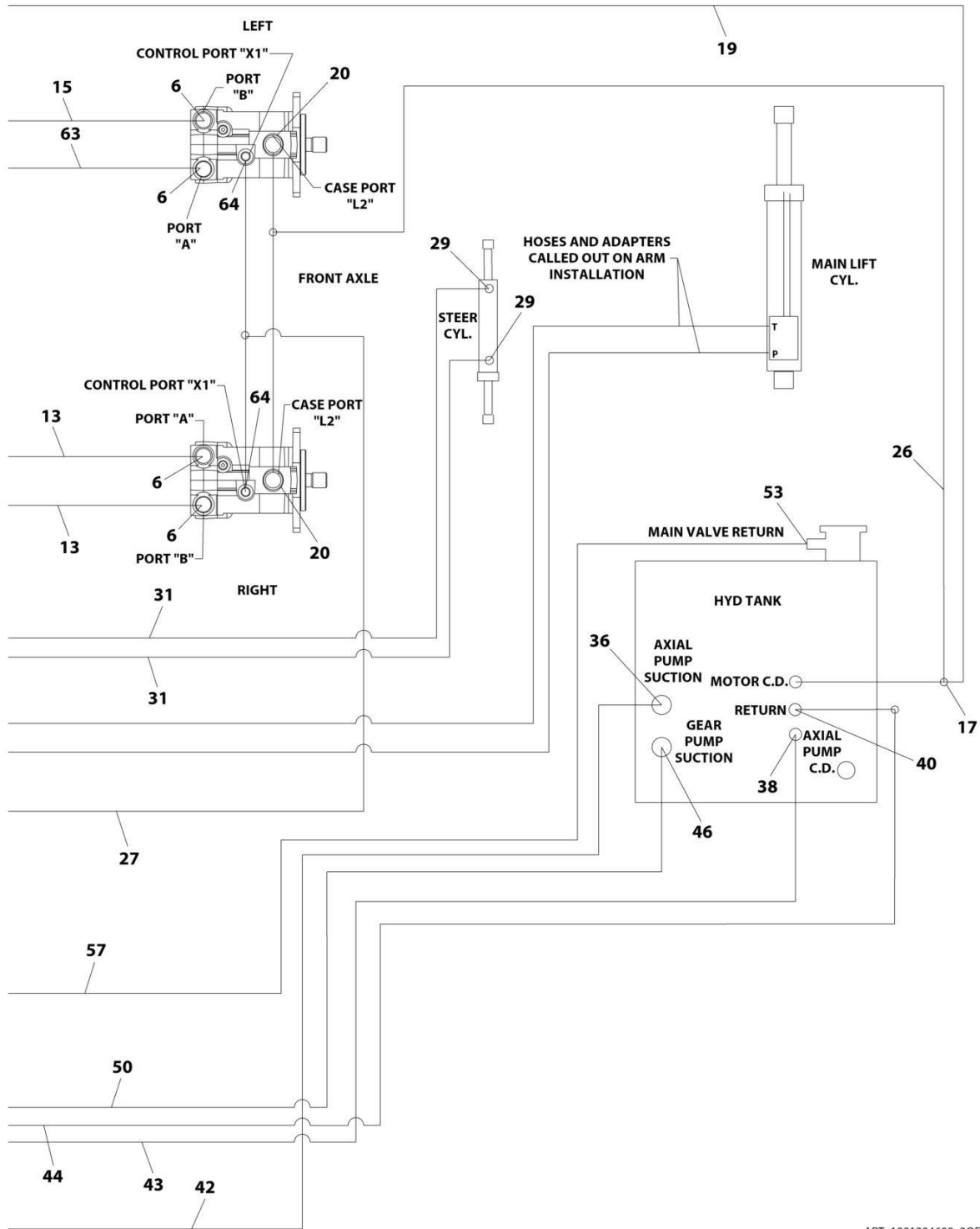
SECTION 7 - HYDRAULIC

FIGURE 7-3. HYDRAULIC DIAGRAM - STANDARD (CE, JAPANESE & UK CA SPECS)



ART_1001204609_10F2

SECTION 7 - HYDRAULIC



ART_1001204609_2OF2

SECTION 7 - HYDRAULIC

FIGURE 7-3. HYDRAULIC DIAGRAM - STANDARD (CE, JAPANESE & UK CA SPECS)

ITEM	PART NUMBER	QTY	DESCRIPTION	REV
	1001204609	Ref	HYDRAULIC DIAGRAM - STANDARD	E
1	2220415	8	Fitting, Straight JIC/ORB	
2	2220466	3	Fitting, 90 JIC/ORB	
3	2220473	1	Fitting, 90 JIC/ORB	
4	2220371	2	Fitting, Straight JIC/ORB	
5	2130808	6	Fitting, 90 ORFS/ORB	
6	2110812	9	Fitting, Straight ORFS/ORB	
7	2111216	2	Fitting, Straight ORFS/ORB	
8	2131216	2	Fitting, 90 ORFS/ORB	
9	2220238	1	Plug	
10	2110808	2	Fitting, Straight ORFS/ORB	
11	1001151351	1	Hose	
12	1001213672	1	Hose	
13	2753791	2	Hose	
14	1001213673	2	Hose	
15	2753970	1	Hose	
16	2220373	3	Fitting, Straight JIC/ORB	
17	2220602	1	Fitting, Tee JIC/ORB/JIC	
18	2220582	2	Fitting, Straight JIC/ORB	
19	1001194383	1	Hose	
20	2220500	2	Fitting, 45 JIC/ORB	
23	1001213674	1	Hose	
26	1001213684	1	Hose	
27	1001213676	1	Hose	
29	2221040	2	Fitting, 45 JIC/ORB	
30	1001213677	1	Hose	
31	1001158199	3	Hose	
32	1001173043	1	Hose	
33	2110810	2	Fitting, Straight ORFS/ORB	
34	2130812	1	Fitting, 90 ORFS/ORB	
35	2220479	2	Fitting, Straight JIC/ORB	
36	2221081	1	Fitting, 45 JIC/ORB	
37	2220451	1	Fitting, Straight JIC/ORB	
38	2220578	1	Fitting, 90 JIC/ORB	
40	2220577	1	Fitting, Straight JIC/ORB	
41	2754244	2	Hose	
42	1001213679	1	Hose	
43	1001194381	1	Hose	
44	1001213680	1	Hose	
46	8760351	1	Fitting, 45 JIC/ORB	
48	2220497	2	Fitting, Straight JIC/ORB	
49	1001146311	1	Hose	
50	1001108128	1	Hose	
51	2221050	1	Fitting, 45 JIC/ORB	
52	2220408	1	Fitting, Straight JIC/ORB	
53	2220435	1	Fitting, Straight JIC/ORB	
55	2221036	2	Fitting, 90 JIC/ORB	
56	1001206648	1	Hose	
57	1001194378	1	Hose	
58	2220237	2	Plug	

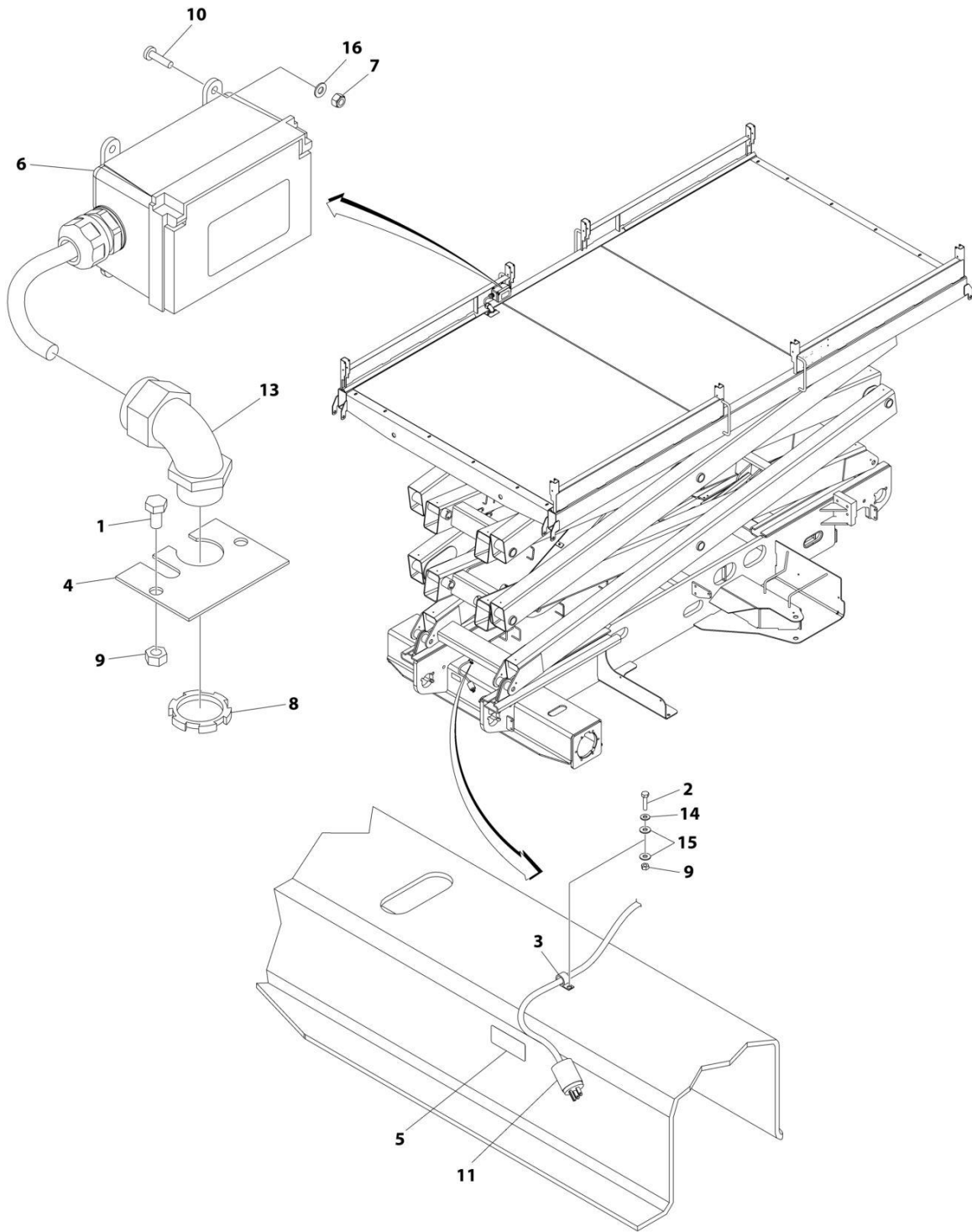
SECTION 7 - HYDRAULIC

ITEM	PART NUMBER	QTY	DESCRIPTION	REV
59	2221086	2	Fitting, Test Port	
60	2220472	3	Fitting, 90 JIC/ORB	
61	2755023	1	Hose	
62	2220502	2	Fitting, 45 JIC/ORB	
63	1001213681	5	Hose	
64	2221040	2	Fitting, 45 JIC/ORB	

SECTION 8 - ELECTRICAL

SECTION 8 - ELECTRICAL

FIGURE 8-1. AC BOX AT PLATFORM INSTALLATION - 110V GFI (ALL SPECS EXCEPT AUSTRALIAN, CE & UK CA SPECS)



ART_1001206776

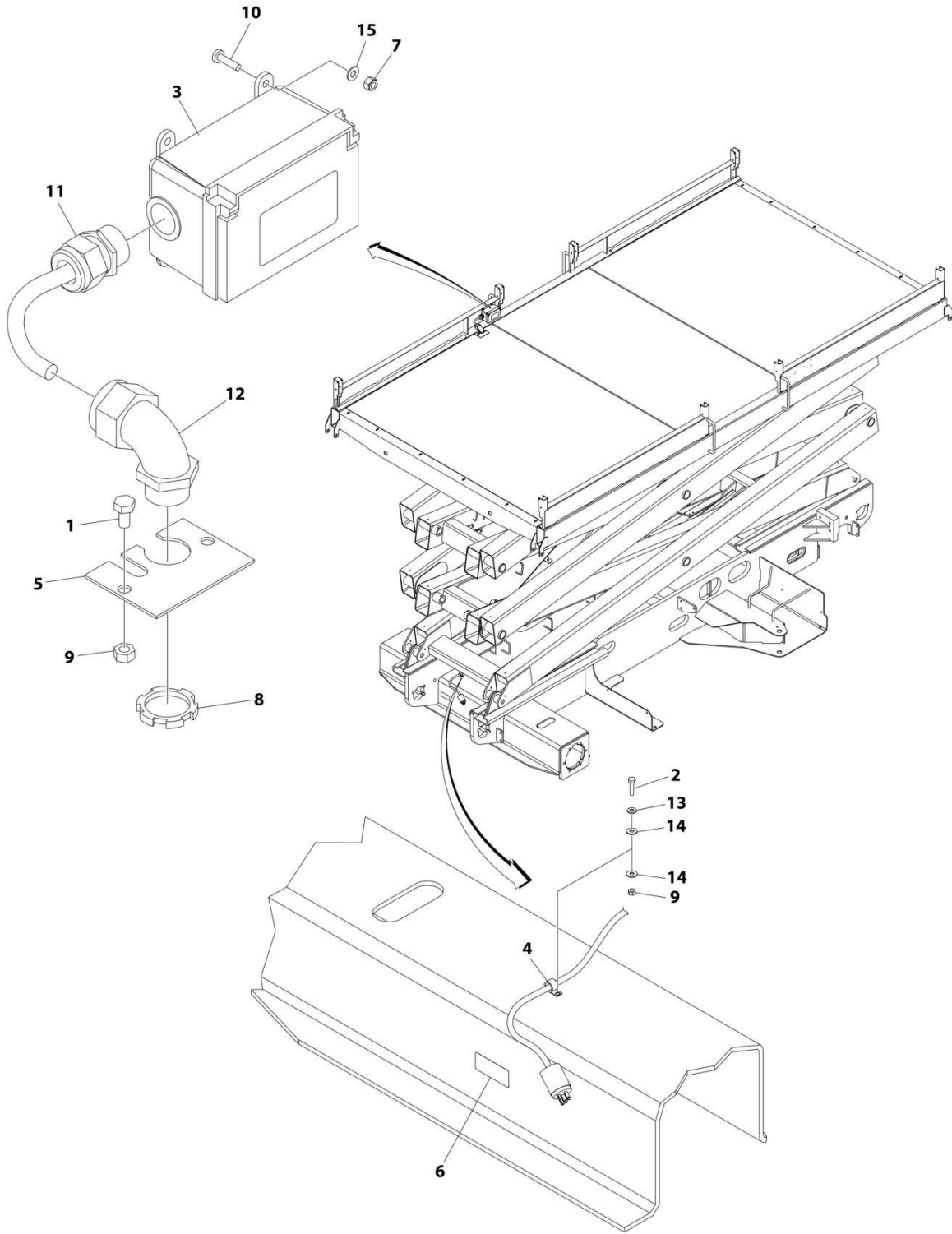
SECTION 8 - ELECTRICAL

FIGURE 8-1. AC BOX AT PLATFORM INSTALLATION - 110V GFI (ALL SPECS EXCEPT AUSTRALIAN, CE & UK CA SPECS)

ITEM	PART NUMBER	QTY	DESCRIPTION	REV
	1001206776	Ref	AC BOX AT PLATFORM INSTALLATION - 110V GFI	B
1	0641404	2	Bolt 1/4 x 1/2	
2	0641409	1	Bolt 1/4 x 1-1/8	
3	1320224	1	Clamp	
4	1670988	1	Cover	
5	1703464	1	Decal - AC Power	
6	2902431	1	Receptacle Box Kit - 110V GFI (See Separate Breakdown in this Section)	
7	3290405	4	Nut M4	
8	3300048	1	Nut 3/4	
9	3311405	3	Nut 1/4	
10	4010408	4	Screw M4 x 16	
11	4460138	1	Plug, Male	
12	4460315	3	Terminal, Spade (Not Shown)	
13	4460422	1	Connector, Strain Relief	
14	4711400	1	Washer 1/4	
15	4751400	2	Washer 1/4	
16	4811400	4	Washer M4	

SECTION 8 - ELECTRICAL

FIGURE 8-2. AC BOX AT PLATFORM INSTALLATION - 220V (PLUG AND RECEPTACLE SUPPLY LOCALLY) (ALL SPECS EXCEPT AUSTRALIAN, CE & UK CA SPECS)



ART_1001206777

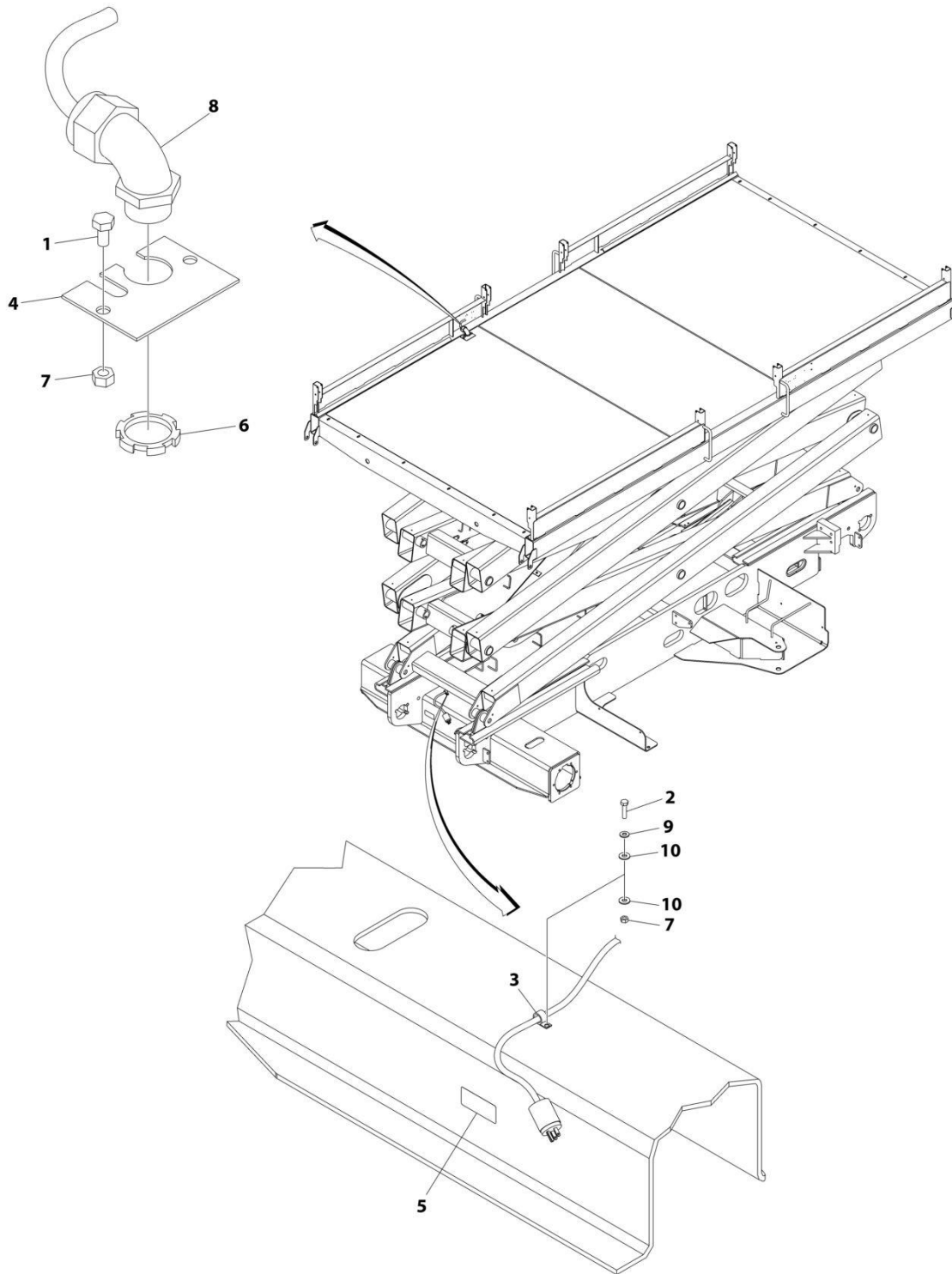
SECTION 8 - ELECTRICAL

FIGURE 8-2. AC BOX AT PLATFORM INSTALLATION - 220V (PLUG AND RECEPTACLE SUPPLY LOCALLY) (ALL SPECS EXCEPT AUSTRALIAN, CE & UK CA SPECS)

ITEM	PART NUMBER	QTY	DESCRIPTION	REV
	1001206777	Ref	AC BOX AT PLATFORM INSTALLATION - 220V	B
1	0641404	2	Bolt 1/4 x 1/2	
2	0641409	1	Bolt 1/4 x 1-1/8	
3	0861731	1	Box	
4	1320224	1	Clamp	
5	1670988	1	Cover	
6	3252507	1	Decal - 220 Volt	
7	3290405	4	Nut M4	
8	3300048	1	Nut 3/4	
9	3311405	3	Nut 1/4	
10	4010408	4	Screw M4 x 16	
11	4460071	1	Connector. Strain Relief	
12	4460422	1	Connector, Strain Relief	
13	4711400	1	Washer 1/4	
14	4751400	2	Washer 1/4	
15	4811400	4	Washer M4	

SECTION 8 - ELECTRICAL

FIGURE 8-3. AC BOX AT PLATFORM INSTALLATION - 220V (PLUG AND RECEPTACLE BOX SUPPLY LOCALLY) (ALL SPECS EXCEPT JAPANESE SPECS)



ART_1001206778

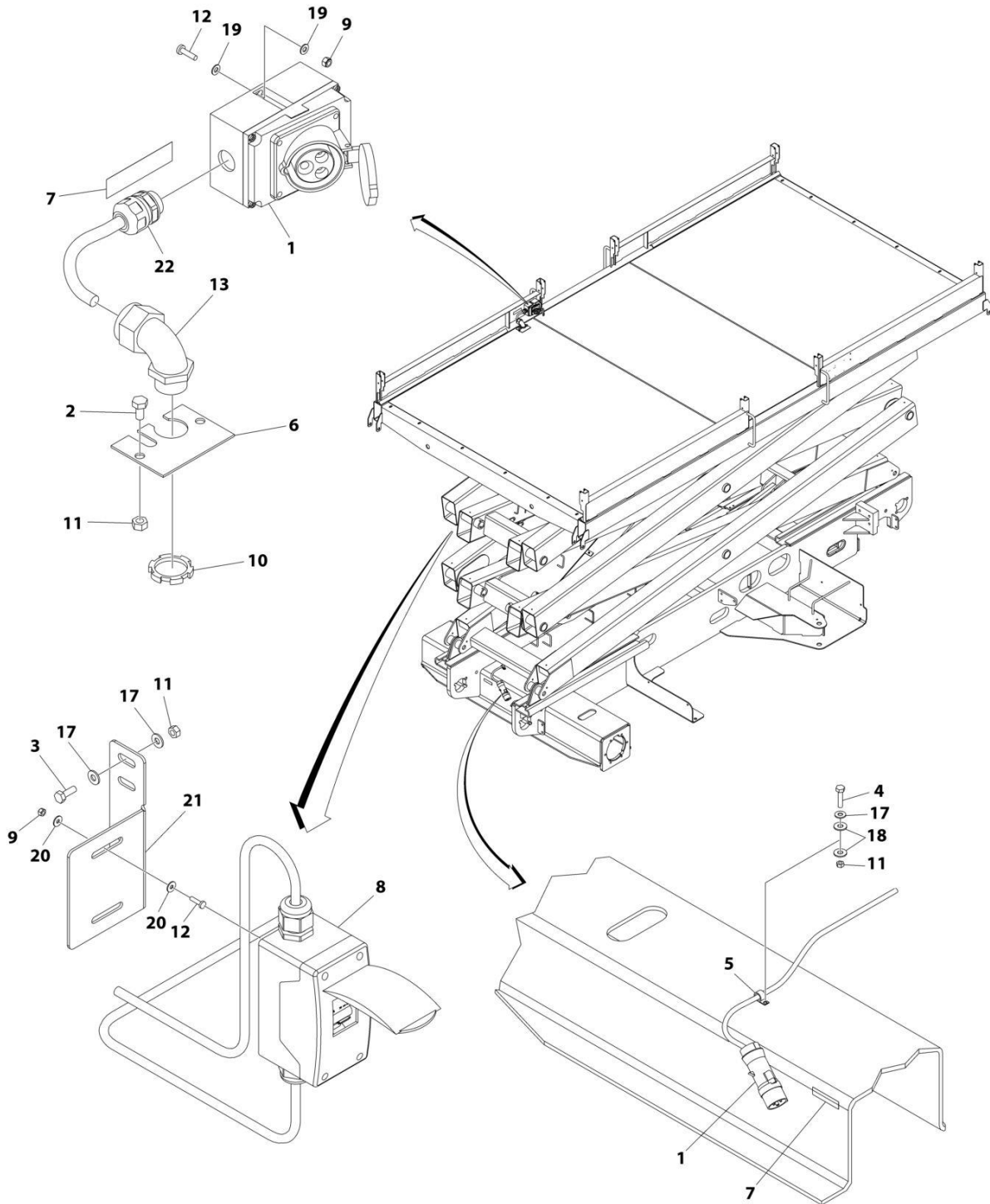
SECTION 8 - ELECTRICAL

**FIGURE 8-3. AC BOX AT PLATFORM INSTALLATION - 220V (PLUG AND RECEPTACLE BOX
SUPPLY LOCALLY) (ALL SPECS EXCEPT JAPANESE SPECS)**

ITEM	PART NUMBER	QTY	DESCRIPTION	REV
	1001206778	Ref	AC BOX AT PLATFORM INSTALLATION - 220V	B
1	0641404	2	Bolt 1/4 x 1/2	
2	0641409	1	Bolt 1/4 x 1-1/8	
3	1320224	1	Clamp	
4	1670988	1	Cover	
5	3252507	1	Decal - 220 Volt	
6	3300048	1	Nut 3/4	
7	3311405	3	Nut 1/4	
8	4460422	1	Connector, Strain Relief	
9	4711400	1	Washer 1/4	
10	4751400	2	Washer 1/4	

SECTION 8 - ELECTRICAL

FIGURE 8-4. AC BOX AT PLATFORM INSTALLATION - 110V IEC YELLOW (CE & UK CA SPECS)



ART_1001206782_F

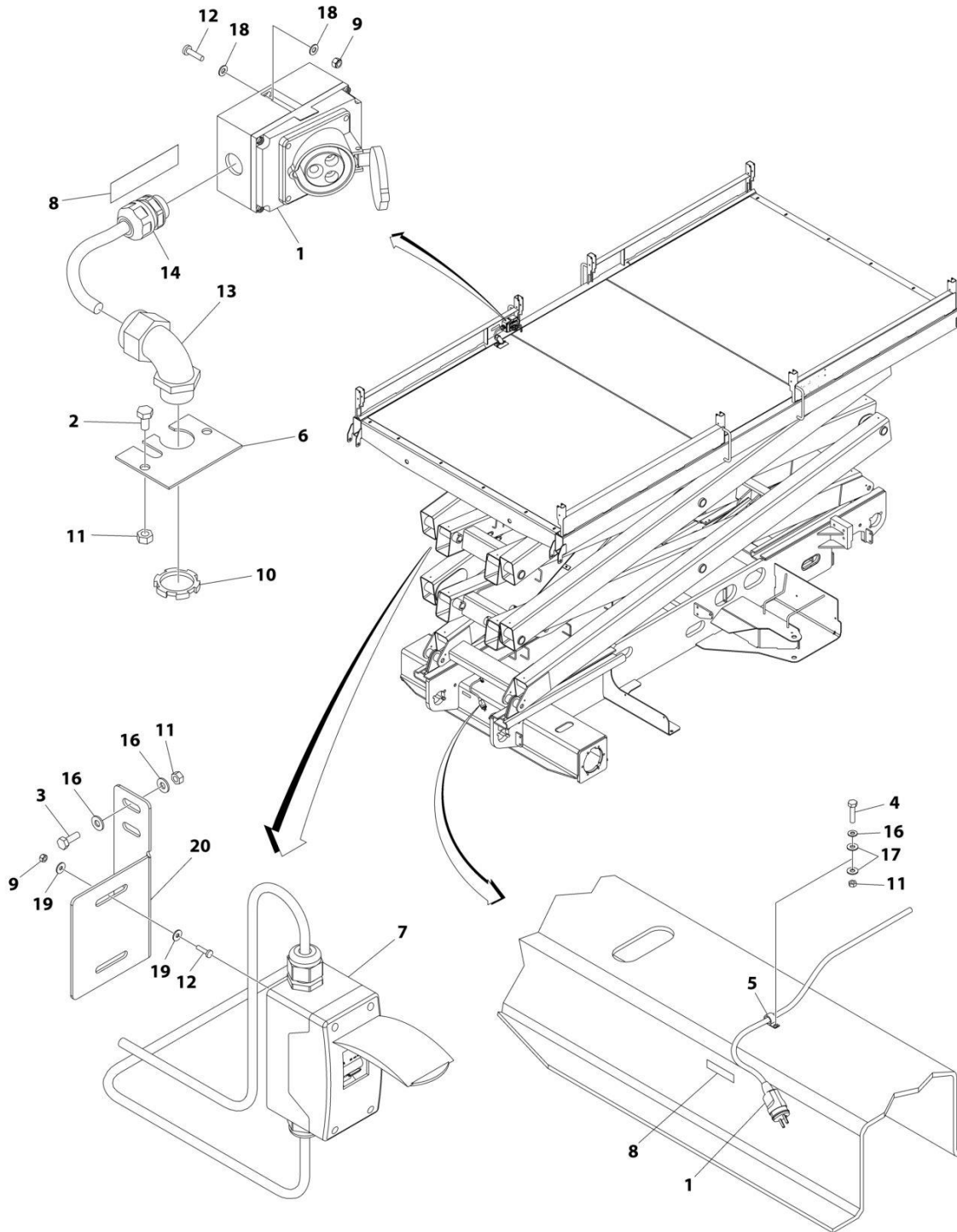
SECTION 8 - ELECTRICAL

FIGURE 8-4. AC BOX AT PLATFORM INSTALLATION - 110V IEC YELLOW (CE & UK CA SPECS)

ITEM	PART NUMBER	QTY	DESCRIPTION	REV
	1001206782	Ref	AC BOX AT PLATFORM INSTALLATION - 110V IEC YELLOW	F
1	0275216	1	Receptacle Box Kit - 110V IEC Yellow (See Separate Breakdown in this Section)	
2	0641404	2	Bolt 1/4 x 1/2	
3	0641406	2	Bolt 1/4 x 3/4	
4	0641409	1	Bolt 1/4 x 1-1/8	
5	1320224	1	Clamp	
6	1670988	1	Cover	
7	1705325	2	Decal - 110 Volt	
8	1001096070	1	Breaker Box Kit (See Separate Breakdown in this Section)	
9	3290405	4	Nut M4	
10	3300048	1	Nut 3/4	
11	3311405	5	Nut 1/4	
12	4010408	4	Screw M4 x 16	
13	4460422	1	Connector, Strain Relief	
17	4711400	5	Washer 1/4	
18	4751400	2	Washer 1/4	
19	4811400	AR	Washer M4	
20	1001091102	4	Washer M4	
21	1001206928	1	Bracket	
22	4460968	1	Connector, Strain Relief	

SECTION 8 - ELECTRICAL

FIGURE 8-5. AC BOX AT PLATFORM INSTALLATION - 220V IEC BLUE (CE & UK CA SPECS)



ART_1001206783_F

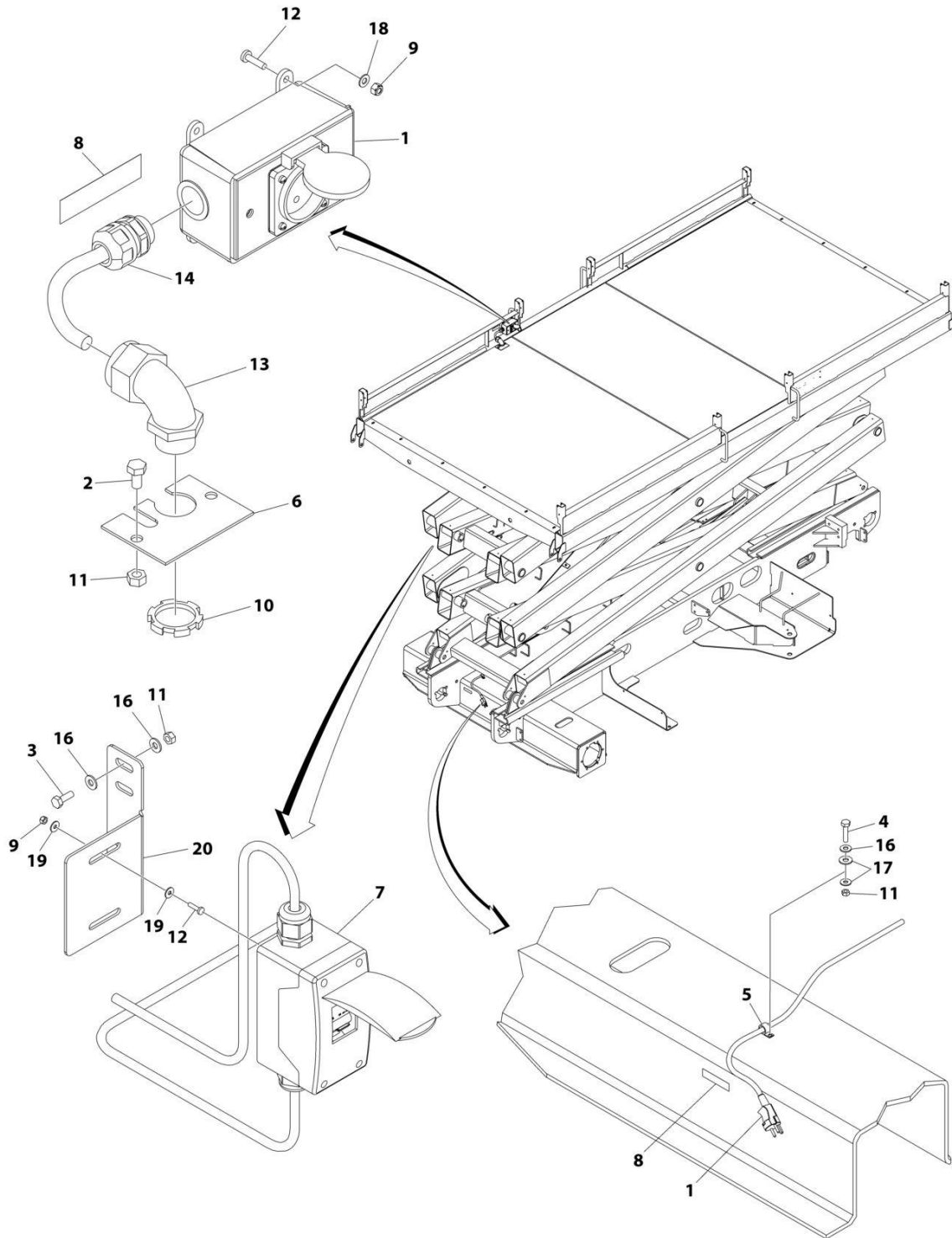
SECTION 8 - ELECTRICAL

FIGURE 8-5. AC BOX AT PLATFORM INSTALLATION - 220V IEC BLUE (CE & UK CA SPECS)

ITEM	PART NUMBER	QTY	DESCRIPTION	REV
	1001206783	Ref	AC BOX AT PLATFORM INSTALLATION - 220V IEC BLUE	F
1	0275217	1	Receptacle Box Kit - 220V IEC Blue (CE Specs) (See Separate Breakdown in this Section)	
2	0641404	2	Bolt 1/4 x 1/2	
3	0641406	2	Bolt 1/4 x 3/4	
4	0641409	1	Bolt 1/4 x 1-1/8	
5	1320224	1	Clamp	
6	1670988	1	Cover	
7	1001096070	1	Breaker Box Kit (See Separate Breakdown in this Section)	
8	3252507	2	Decal - 220 Volt	
9	3290405	4	Nut M4	
10	3300048	1	Nut 3/4	
11	3311405	5	Nut 1/4	
12	4010408	4	Screw M4 x 16	
13	4460422	1	Connector, Strain Relief	
14	4460968	1	Connector, Strain Relief	
16	4711400	5	Washer 1/4	
17	4751400	2	Washer 1/4	
18	4811400	4	Washer M4	
19	1001091102	4	Washer M4	
20	1001206928	1	Bracket	

SECTION 8 - ELECTRICAL

FIGURE 8-6. AC BOX AT PLATFORM INSTALLATION - 220V AFSINT 107 (CE & UK CA SPECS)



ART_1001206781_E

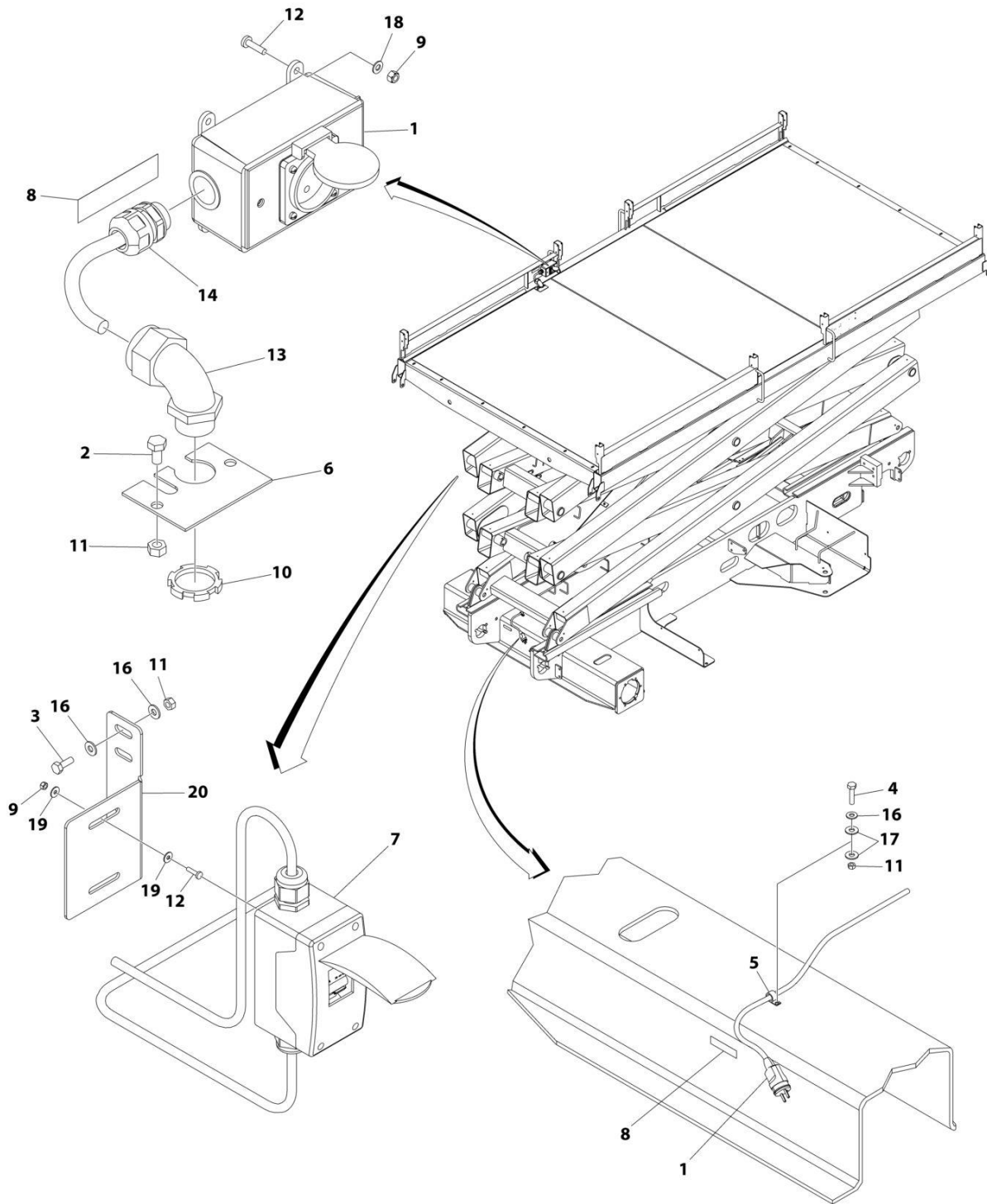
SECTION 8 - ELECTRICAL

FIGURE 8-6. AC BOX AT PLATFORM INSTALLATION - 220V AFSINT 107 (CE & UK CA SPECS)

ITEM	PART NUMBER	QTY	DESCRIPTION	REV
	1001206781	Ref	AC BOX AT PLATFORM INSTALLATION - 220V AFSINT 107	E
1	0275454	1	Receptacle Box Kit - 220V AFSINT 107 (CE Specs) (See Separate Breakdown in this Section)	
2	0641404	2	Bolt 1/4 x 1/2	
3	0641406	2	Bolt 1/4 x 3/4	
4	0641409	1	Bolt 1/4 x 1-1/8	
5	1320224	1	Clamp	
6	1670988	1	Cover	
7	1001096070	1	Breaker Box Kit (See Separate Breakdown in this Section)	
8	3252507	2	Decal - 220 Volt	
9	3290405	6	Nut M4	
10	3300048	1	Nut 3/4	
11	3311405	5	Nut 1/4	
12	4010408	6	Screw M4 x 16	
13	4460422	1	Connector, Strain Relief	
14	4460968	1	Connector, Strain Relief	
16	4711400	5	Washer 1/4	
17	4751400	2	Washer 1/4	
18	4811400	4	Washer M4	
19	1001091102	4	Washer M4	
20	1001206928	1	Bracket	

SECTION 8 - ELECTRICAL

FIGURE 8-7. AC BOX AT PLATFORM INSTALLATION - 220V CEE7 POST GROUND 2X4 BOX (CE & UK CA SPECS)



ART_1001206779_E

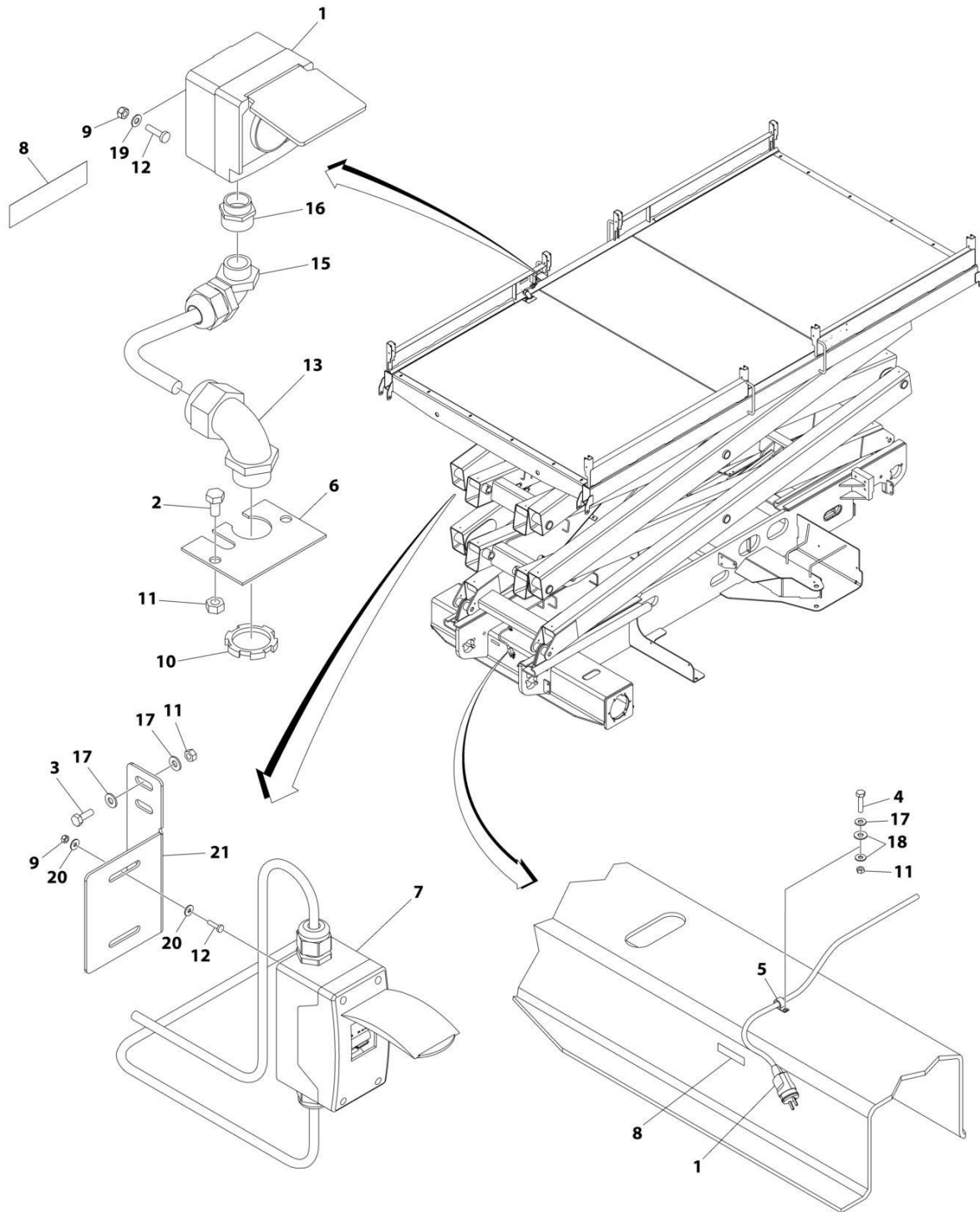
SECTION 8 - ELECTRICAL

FIGURE 8-7. AC BOX AT PLATFORM INSTALLATION - 220V CEE7 POST GROUND 2X4 BOX (CE & UK CA SPECS)

ITEM	PART NUMBER	QTY	DESCRIPTION	REV
	1001206779	Ref	AC BOX AT PLATFORM INSTALLATION - 220V CEE7 POST GROUND 2X4 BOX	E
1	0275452	1	Receptacle Box Kit - 220V CEE7 Post Ground 2X4 Box (See Separate Breakdown in this Section)	
2	0641404	2	Bolt 1/4 x 1/2	
3	0641406	2	Bolt 1/4 x 3/4	
4	0641409	1	Bolt 1/4 x 1-1/8	
5	1320224	1	Clamp	
6	1670988	1	Cover	
7	1001096070	1	Breaker Box Kit (See Separate Breakdown in this Section)	
8	3252507	2	Decal - 220 Volt	
9	3290405	6	Nut M4	
10	3300048	1	Nut 3/4	
11	3311405	5	Nut 1/4	
12	4010408	6	Screw M4 x 16	
13	4460422	1	Connector, Strain Relief	
14	4460968	1	Connector, Strain Relief	
16	4711400	5	Washer 1/4	
17	4751400	2	Washer 1/4	
18	4811400	4	Washer M4	
19	1001091102	4	Washer M4	
20	1001206928	1	Bracket	

SECTION 8 - ELECTRICAL

FIGURE 8-8. AC BOX AT PLATFORM INSTALLATION - 220V CEE7 POST GROUND 70X70 BOX (CE & UK CA SPECS)



ART_1001206784_E

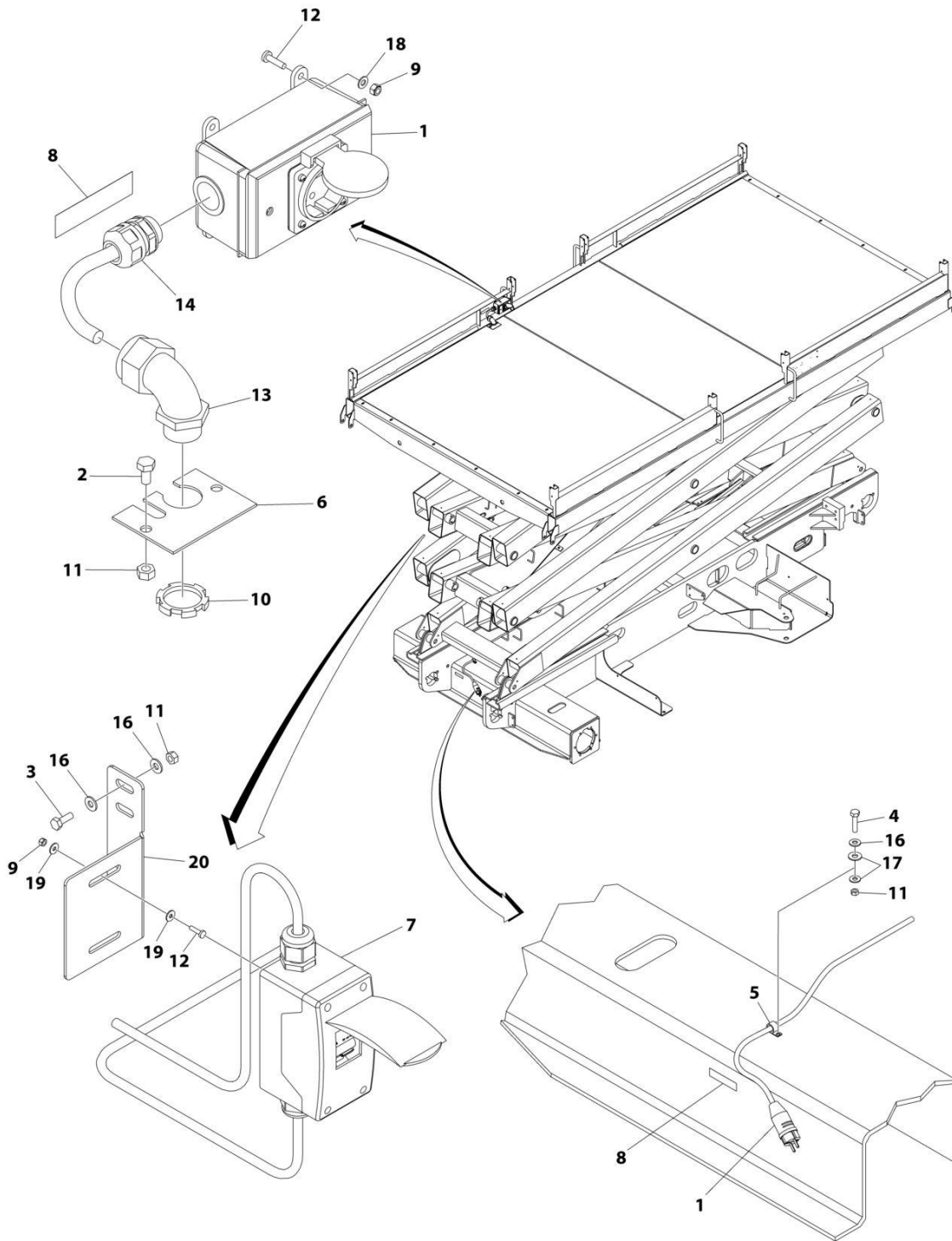
SECTION 8 - ELECTRICAL

FIGURE 8-8. AC BOX AT PLATFORM INSTALLATION - 220V CEE7 POST GROUND 70X70 BOX (CE & UK CA SPECS)

ITEM	PART NUMBER	QTY	DESCRIPTION	REV
	1001206784	Ref	AC BOX AT PLATFORM INSTALLATION - 220V CEE7 POST GROUND 70X70 BOX (CE SPECS)	E
1	0275218	1	Receptacle Box Kit - 220V CEE7 Post Ground 70X70 Box (See Separate Breakdown in this Section)	
2	0641404	2	Bolt 1/4 x 1/2	
3	0641406	2	Bolt 1/4 x 3/4	
4	0641409	1	Bolt 1/4 x 1-1/8	
5	1320224	1	Clamp	
6	1670988	1	Cover	
7	1001096070	1	Breaker Box Kit (See Separate Breakdown in this Section)	
8	3252507	2	Decal - 220 Volt	
9	3290405	4	Nut M4	
10	3300048	1	Nut 3/4	
11	3311405	5	Nut 1/4	
12	4010408	4	Screw M4 x 16	
13	4460422	1	Connector, Strain Relief	
15	4461257	1	Connector, Strain Relief	
16	4461258	1	Adapter	
17	4711400	5	Washer 1/4	
18	4751400	2	Washer 1/4	
19	4811400	2	Washer M4	
20	1001091102	4	Washer M4	
21	1001206928	1	Bracket	

SECTION 8 - ELECTRICAL

FIGURE 8-9. AC BOX AT PLATFORM INSTALLATION - 220V CEE7 SIDE GROUND 2X4 BOX (CE & UK CA SPECS)



ART_1001206780_E

SECTION 8 - ELECTRICAL

FIGURE 8-9. AC BOX AT PLATFORM INSTALLATION - 220V CEE7 SIDE GROUND 2X4 BOX (CE & UK CA SPECS)

ITEM	PART NUMBER	QTY	DESCRIPTION	REV
	1001206780	Ref	AC BOX AT PLATFORM INSTALLATION - 220V CEE7 SIDE GROUND 2X4 BOX	E
1	0275453	1	Receptacle Box Kit - 220V CEE7 Side Ground 2X4 Box (See Separate Breakdown in this Section)	
2	0641404	2	Bolt 1/4 x 1/2	
3	0641406	2	Bolt 1/4 x 3/4	
4	0641409	1	Bolt 1/4 x 1-1/8	
5	1320224	1	Clamp	
6	1670988	1	Cover	
7	1001096070	1	Breaker Box Kit (See Separate Breakdown in this Section)	
8	3252507	2	Decal - 220 Volt	
9	3290405	6	Nut M4	
10	3300048	1	Nut 3/4	
11	3311405	5	Nut 1/4	
12	4010408	6	Screw M4 x 16	
13	4460422	1	Connector, Strain Relief	
14	4460968	1	Connector, Strain Relief	
16	4711400	5	Washer 1/4	
17	4751400	2	Washer 1/4	
18	4811400	4	Washer M4	
19	1001091102	4	Washer M4	
20	1001206928	1	Bracket	

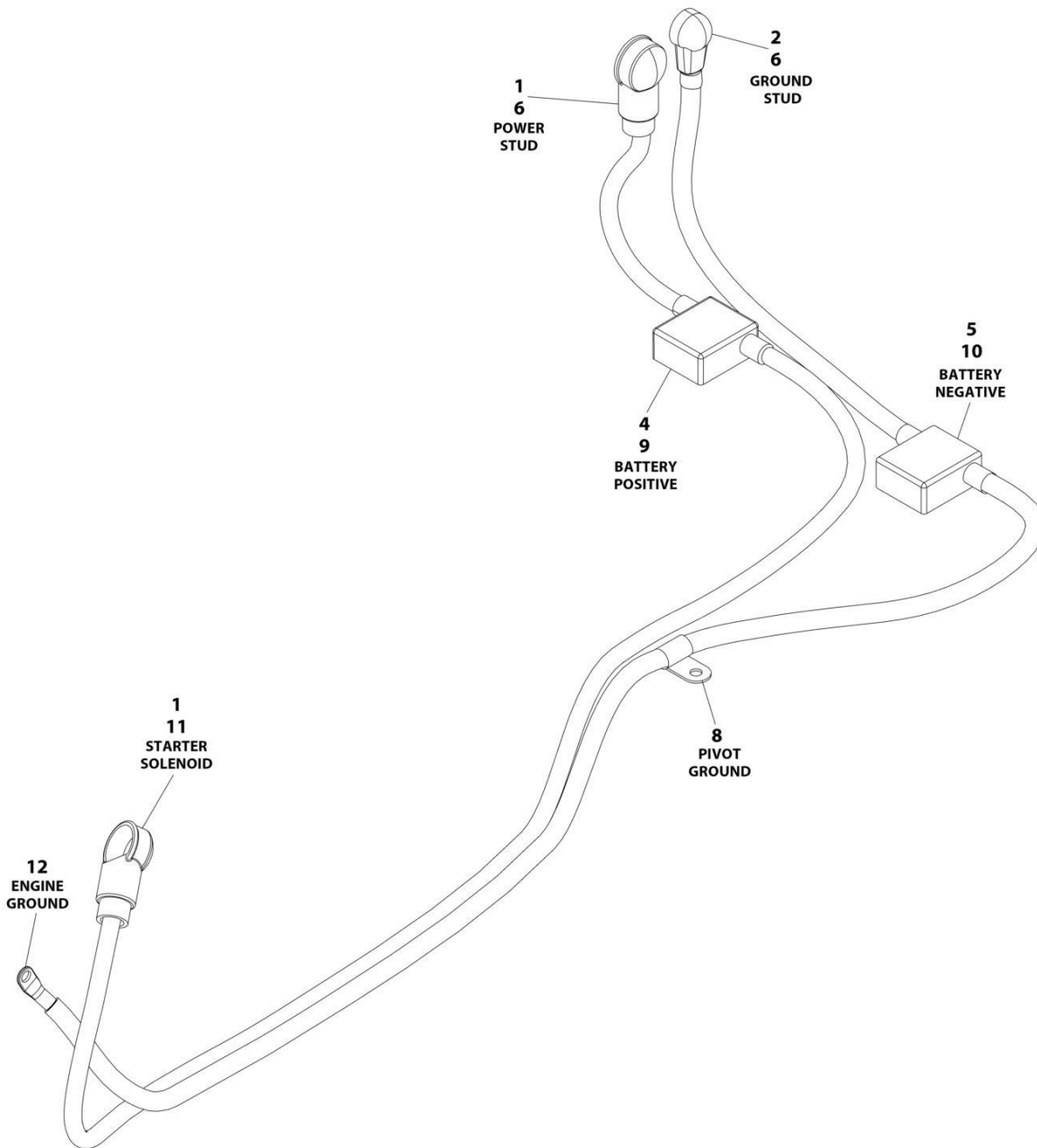
SECTION 8 - ELECTRICAL

FIGURE 8-10. AC BOX AT PLATFORM INSTALLATION - 220V CEE7 SIDE GROUND 70X70 BOX (CE & UK CA SPECS)

ITEM	PART NUMBER	QTY	DESCRIPTION	REV
	1001206785	Ref	AC BOX AT PLATFORM INSTALLATION - 220V CEE7 SIDE GROUND 70X70 BOX	E
1	0275219	1	Receptacle Box Kit - 220V CEE7 Side Ground 70X70 Box (See Separate Breakdown in this Section)	
2	0641404	2	Bolt 1/4 x 1/2	
3	0641406	2	Bolt 1/4 x 3/4	
4	0641409	1	Bolt 1/4 x 1-1/8	
5	1320224	1	Clamp	
6	1670988	1	Cover	
7	1001096070	1	Breaker Box Kit (See Separate Breakdown in this Section)	
8	3252507	2	Decal - 220 Volt	
9	3290405	4	Nut M4	
10	3300048	1	Nut 3/4	
11	3311405	5	Nut 1/4	
12	4010408	4	Screw M4 x 16	
13	4460422	1	Connector, Strain Relief	
15	4461257	1	Connector, Strain Relief	
16	4461258	1	Adapter	
17	4711400	5	Washer 1/4	
18	4751400	2	Washer 1/4	
19	4811400	2	Washer M4	
20	1001091102	4	Washer M4	
21	1001206928	1	Bracket	

SECTION 8 - ELECTRICAL

FIGURE 8-11. BATTERY CABLE KIT



ART_1001186428_E

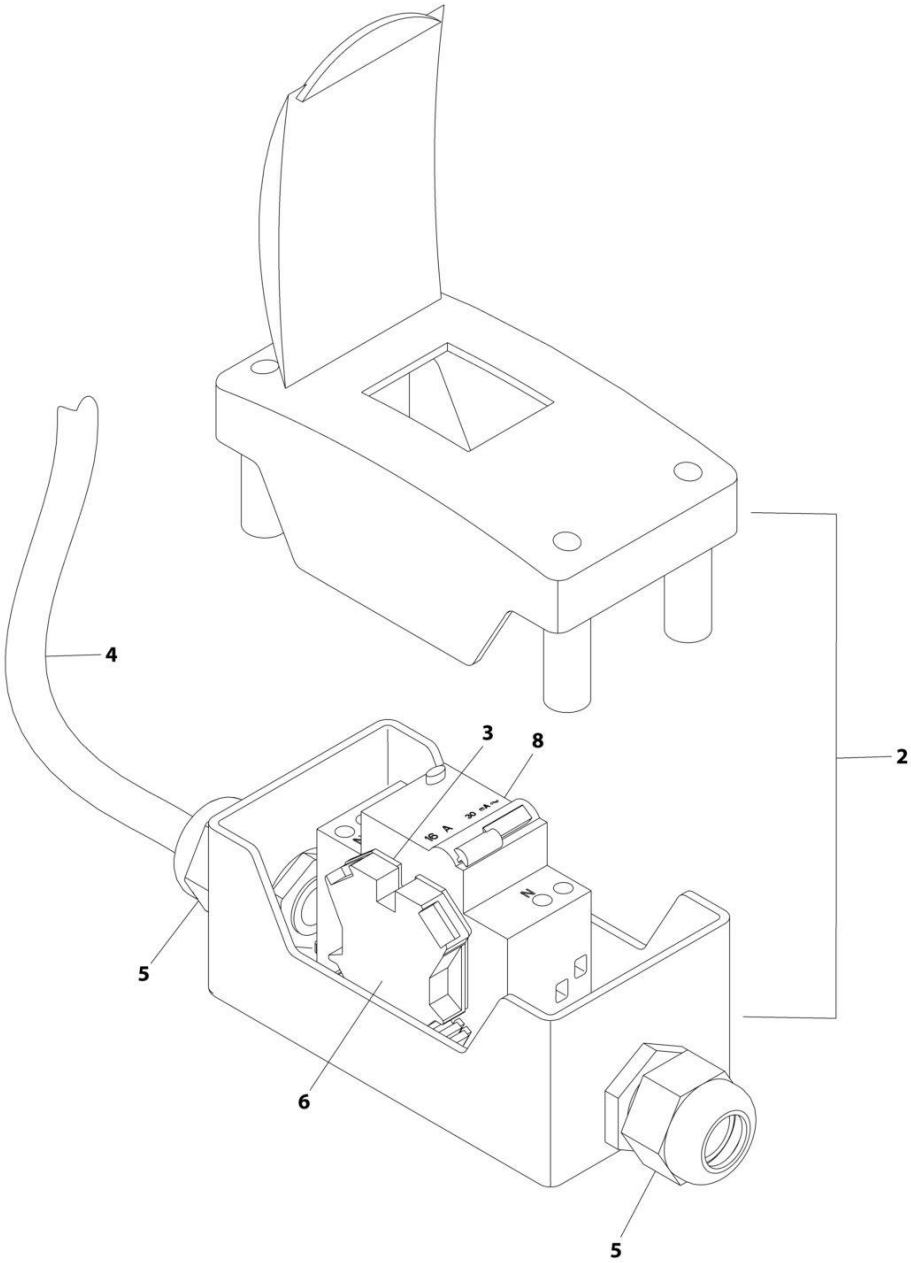
SECTION 8 - ELECTRICAL

FIGURE 8-11. BATTERY CABLE KIT

ITEM	PART NUMBER	QTY	DESCRIPTION	REV
	1001186428	Ref	BATTERY CABLE KIT	E
1	0840052	2	Boot	
2	1001098765	1	Boot	
3	1001137304	AR	Conduit (Red) (Not Shown)	
4	1001186483	1	Boot (Red)	
5	1001186484	1	Boot (Black)	
6	1001181804	2	Terminal, Ring	
8	1001186480	1	Terminal	
9	1001186481	1	Terminal, Battery +	
10	1001186482	1	Terminal, Battery -	
11	1001230006	1	Terminal, Angle 45, 5/16	
12	1001230007	1	Terminal, Angle 45, 3/8	

SECTION 8 - ELECTRICAL

FIGURE 8-12. BREAKER BOX KIT



ART_1001096070_E

SECTION 8 - ELECTRICAL

FIGURE 8-12. BREAKER BOX KIT

ITEM	PART NUMBER	QTY	DESCRIPTION	REV
	1001096070	Ref	BREAKER BOX KIT	E
2	0861880	1	Box	
3	4460956	1	Barrier, Terminal Block End	
4	1060908	12 ft/ 3.6m	Cable, 12/3	
5	1001097150	2	Connector, Strain Relief	
6	4460957	1	Block, Terminal	
8	1001181045	1	Breaker, 16Amp	

SECTION 8 - ELECTRICAL

FIGURE 8-13. CHASSIS HARNESS (Prior to SN M200061197, Excluding M200061101)

ITEM	PART NUMBER	QTY	DESCRIPTION	REV
	1001236271	Ref	CHASSIS HARNESS	E
1	0840056	1	Boot	
2	0840057	1	Boot	
3	0840059	1	Boot	
4	0840061	2	Boot	
5	4460466	3	Plug, Terminal	
6	4460837	1	Bussbar - 12 Position	
7	4460852	2	Bussbar - 8 Position	
8	4460892	1	Bussbar - 6 Position	
10	4460945	1	Receptacle, 3 Way	
11	1001103013	1	Receptacle, Female - 4 Position	
12	1001106736	1	Cap, Dust	
13	1001116698	4	Plug, Terminal	
14	1001154726	1	Connector - 3 Position	
15	1001174455	2	Boot	
16	1001192401	1	Cap, Dust	
17	1001215898	1	Cap, Dust	
18	1001155806	2	Cap, Dust	
101	4460812	1	Connector - 24 Position	
101	4460465	15	Socket, Female	
101	4460944	3	Socket, Female	
101	4460942	2	Socket, Female	
101	4460466	4	Plug, Terminal	
102	4460814	1	Connector - 40 Position	
102	4460465	25	Socket, Female	
102	4460944	3	Socket, Female	
102	4460942	5	Socket, Female	
102	4460466	7	Plug, Terminal	
103	1001112612	1	Connector - 9 Position	
103	4460943	3	Pin, Male	
103	4460464	3	Pin, Male	
103	4460466	3	Plug, Terminal	
104	4460933	3	Plug, Male - 12 Position	
104	4460465	19	Socket, Female	
104	4460944	5	Socket, Female	
104	4460466	12	Plug, Terminal	
105	4460884	1	Plug, Male - 4 Position	
105	4460465	4	Socket, Female	
106	8220007	2	Terminal, Ring	
107	1001117078	2	Fuseholder with 5Amp Fuse	
107	See Note	NSS	Fuse - 5Amp ATO (Note: Purchase Locally)	
107	1001191599	2	Cover	
107	1001117019	2	Bracket	
107	1001116732	1	Terminal	
107	1001116733	1	Terminal	
108	1001117023	1	Fuseholder with 10Amp Fuse	
108	See Note	NSS	Fuse - 10Amp ATO (Note: Purchase Locally)	
108	1001191599	1	Cover	
108	1001117019	1	Bracket	
108	1001116734	2	Terminal	

SECTION 8 - ELECTRICAL

ITEM	PART NUMBER	QTY	DESCRIPTION	REV
109	1001117069	1	Fuseholder with 20Amp Fuse	
109	See Note	NSS	Fuse - 20Amp ATO (Note: Purchase Locally)	
109	1001191599	1	Cover	
109	1001117019	1	Bracket	
109	1001116734	2	Terminal	
110	4460836	1	Plug, Male - 12 Position	
110	4460465	10	Socket, Female	
110	4460466	2	Plug, Terminal	
111	4460851	3	Plug, Male - 8 Position	
111	4460465	20	Socket, Female	
111	4460944	3	Socket, Female	
111	4460466	1	Plug, Terminal	
112	4460894	1	Plug, Male - 6 Position	
112	4460465	6	Socket, Female	
113	1001201642	1	Fuseholder with 10Amp Fuse	
113	See Note	NSS	Fuse - 10Amp ATO (Note: Purchase Locally)	
113	1001191599	1	Cover	
113	See Note	NSS	Bracket (Note: Use p/n 1001201642)	
113	1001116733	2	Terminal	
114	1001117057	4	Plug, Relay	
114	1001116732	8	Terminal	
114	1001116733	8	Terminal	
115	1001116926	1	Connector - 21 Position	
115	4460465	4	Socket, Female	
115	4460944	3	Socket, Female	
115	4460509	4	Socket, Female	
115	4460466	10	Plug, Terminal	
116	4460967	1	Connector - 3 Position	
116	4460465	3	Socket, Female	
117	4460891	14	Plug, Male - 4 Position	
117	4460465	28	Socket, Female	
118	3990010	1	Diode	
119	1001116812	2	Plug, Male - 3 Position	
119	4460944	6	Socket, Female	
120	4460539	2	Plug, Male - 3 Position	
120	4460944	6	Socket, Female	
121	4460260	2	Cover, Terminal	
121	4460259	2	Terminal	
122	1001103012	2	Plug, Male - 4 Position	
122	1001107854	8	Socket, Female	
122	1001104498	4	Seal	
122	1001116763	4	Seal	
123	4460897	2	Receptacle, Female - 2 Position	
123	4460464	4	Pin, Male	
124	4460019	2	Terminal, Ring	
125	1001118938	1	Fuseholder with 40Amp Fuse	
125	See Note	NSS	Fuse - 40Amp ATO (Note: Purchase Locally)	
125	1001191599	1	Cover	
125	See Note	NSS	Bracket (Note: Use p/n 1001118938)	
125	1001116734	2	Terminal	
126	4460256	1	Terminal, Ring	

SECTION 8 - ELECTRICAL

ITEM	PART NUMBER	QTY	DESCRIPTION	REV
127	4460930	1	Plug, Male - 8 Position	
127	4460465	7	Socket, Female	
127	4460466	1	Plug, Terminal	
128	4460761	1	Receptacle, Female - 4 Position	
128	4460267	4	Pin, Male	
129	1001116808	1	Plug, Male - 12 Position	
129	1001126008	4	Terminal	
129	4460518	8	Plug, Terminal	
130	1001116774	1	Plug, Male - 12 Position	
130	1001126008	7	Terminal	
130	1001126009	2	Terminal	
130	4460518	3	Plug, Terminal	
	1001209619	Ref	CHASSIS HARNESS INSTALLATION	H
204	3740080	3	Relay	
212	1001234736	1	Module, Control	
213	1001308688	1	Ground Wire Harness (See Separate Breakdown in this Section)	

SECTION 8 - ELECTRICAL

FIGURE 8-14. CHASSIS HARNESS (SN M200061197 to Present, Including M200061101)

ITEM	PART NUMBER	QTY	DESCRIPTION	REV
	1001283871	Ref	CHASSIS HARNESS	A
1	0840056	1	Boot	
2	0840057	1	Boot	
3	0840059	1	Boot	
4	0840061	2	Boot	
5	4460466	3	Plug, Terminal	
6	4460837	1	Bussbar - 12 Position	
7	4460852	2	Bussbar - 8 Position	
8	4460892	1	Bussbar - 6 Position	
9	4460945	2	Receptacle, 3 Way	
10	1001103013	AR	Receptacle, Female - 4 Position	
11	1001106736	1	Cap, Dust	
12	1001116698	4	Plug, Terminal	
13	1001116816	1	Connector, Diode	
14	1001119020	1	Bussbar	
15	1001152266	1	Connector, Diode	
16	1001154726	1	Connector - 3 Position	
17	1001155806	2	Cap, Dust	
18	1001174455	2	Boot	
19	1001192401	1	Cap, Dust	
20	1001215898	1	Cap, Dust	
101	4460812	1	Connector - 24 Position	
101	4460465	15	Socket, Female	
101	4460944	3	Socket, Female	
101	4460942	2	Socket, Female	
101	4460466	4	Plug, Terminal	
102	4460814	1	Connector - 40 Position	
102	4460465	25	Socket, Female	
102	4460944	3	Socket, Female	
102	4460942	5	Socket, Female	
102	4460466	7	Plug, Terminal	
103	1001112612	1	Connector - 9 Position	
103	4460943	3	Pin, Male	
103	4460464	3	Pin, Male	
103	4460466	3	Plug, Terminal	
104	4460933	4	Plug, Male - 12 Position	
104	4460465	38	Socket, Female	
104	4460944	3	Socket, Female	
104	4460466	7	Plug, Terminal	
105	8220007	2	Terminal, Ring	
106	1001117078	2	Fuseholder with 5Amp Fuse	
106	See Note	NSS	Fuse - 5Amp ATO (Note: Purchase Locally)	
106	1001191599	2	Cover	
106	1001117019	2	Bracket	
106	1001116732	1	Terminal	
106	1001116733	1	Terminal	
107	1001117023	1	Fuseholder with 10Amp Fuse	
107	See Note	NSS	Fuse - 10Amp ATO (Note: Purchase Locally)	
107	1001191599	1	Cover	
107	1001117019	1	Bracket	

SECTION 8 - ELECTRICAL

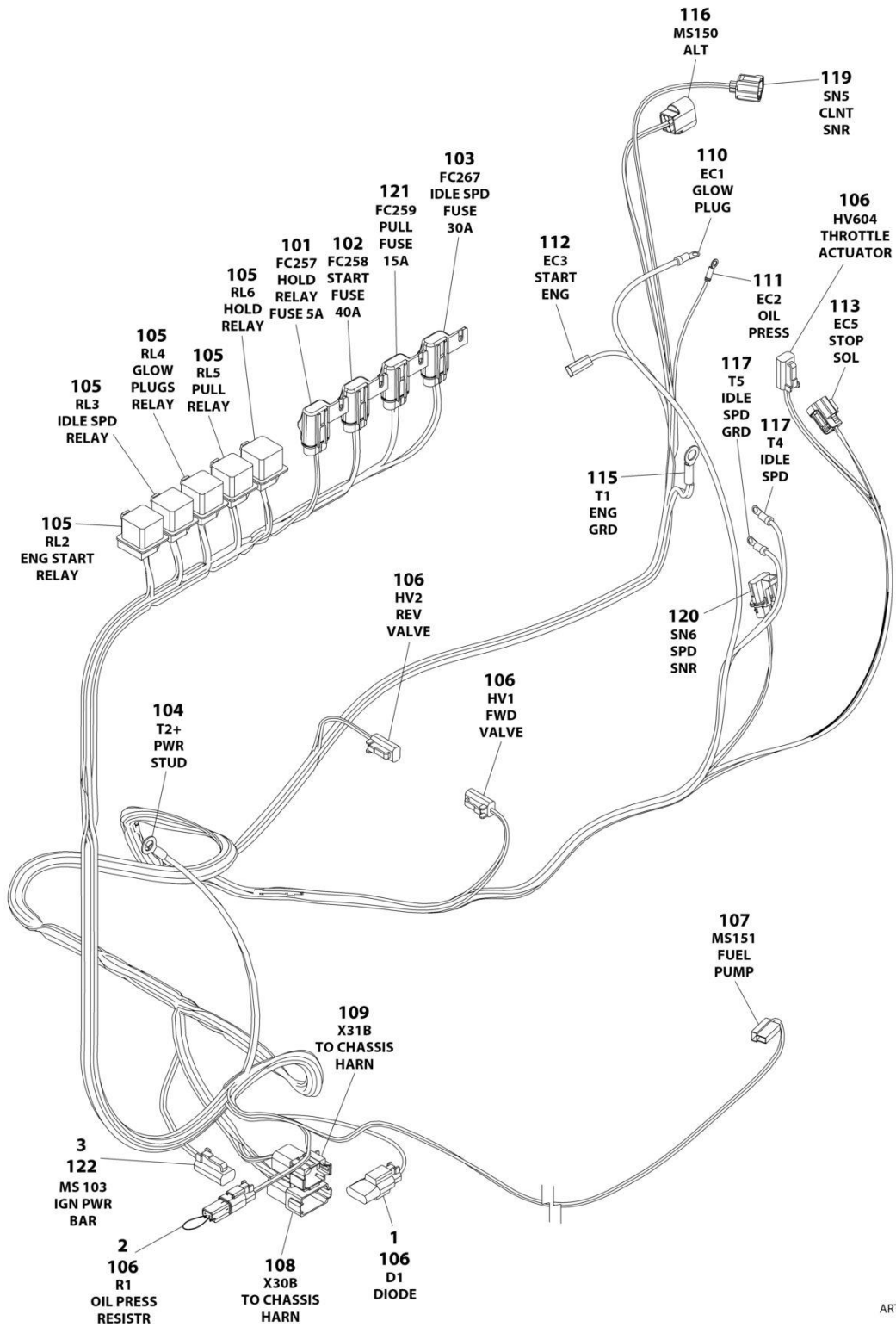
ITEM	PART NUMBER	QTY	DESCRIPTION	REV
107	1001116734	2	Terminal	
108	1001117069	1	Fuseholder with 20Amp Fuse	
108	See Note	NSS	Fuse - 20Amp ATO (Note: Purchase Locally)	
108	1001191599	1	Cover	
108	1001117019	1	Bracket	
108	1001116734	2	Terminal	
110	4460836	1	Plug, Male - 12 Position	
110	4460465	10	Socket, Female	
110	4460466	2	Plug, Terminal	
111	4460851	3	Plug, Male - 8 Position	
111	4460465	21	Socket, Female	
111	4460944	3	Socket, Female	
112	4460894	1	Plug, Male - 6 Position	
112	4460465	6	Socket, Female	
113	1001201642	1	Fuseholder with 10Amp Fuse	
113	See Note	NSS	Fuse - 10Amp ATO (Note: Purchase Locally)	
113	1001191599	1	Cover	
113	See Note	NSS	Bracket (Note: Use p/n 1001201642)	
113	1001116733	2	Terminal	
114	1001117057	4	Plug, Relay	
114	1001116732	8	Terminal	
114	1001116733	8	Terminal	
115	1001116926	1	Connector - 21 Position	
115	4460465	4	Socket, Female	
115	4460944	3	Socket, Female	
115	4460509	4	Socket, Female	
115	4460466	10	Plug, Terminal	
116	4460967	1	Connector - 3 Position	
116	4460465	3	Socket, Female	
117	4460260	2	Cover, Terminal	
117	4460259	2	Terminal	
118	1001103012	2	Plug, Male - 4 Position	
118	1001107854	8	Socket, Female	
118	1001104498	4	Seal	
118	1001106763	4	Seal	
119	4460891	15	Plug, Male - 4 Position	
119	4460465	28	Socket, Female	
120	3990010	1	Diode	
121	4460884	2	Plug, Male - 4 Position	
121	4460465	7	Socket, Female	
121	4460466	1	Plug, Terminal	
122	1001116812	4	Plug, Male - 3 Position	
122	4460944	12	Socket, Female	
123	4460539	3	Plug, Male - 3 Position	
123	4460944	6	Socket, Female	
123	4460465	3	Socket, Female	
124	4460930	2	Plug, Male - 8 Position	
124	4460465	15	Socket, Female	
124	4460466	1	Plug, Terminal	
125	4460897	2	Receptacle, Female - 2 Position	
125	4460464	4	Pin, Male	

SECTION 8 - ELECTRICAL

ITEM	PART NUMBER	QTY	DESCRIPTION	REV
126	4460761	1	Receptacle, Female - 4 Position	
126	4460267	4	Pin, Male	
127	1001116808	1	Plug, Male - 12 Position	
127	1001126008	4	Terminal	
127	4460518	8	Plug, Terminal	
128	1001116774	1	Plug, Male - 12 Position	
128	1001126008	7	Terminal	
128	1001126009	2	Terminal	
128	4460518	3	Plug, Terminal	
129	4460019	2	Terminal, Ring	
130	1001118938	1	Fuesholder with 40Amp Fuse	
130	See Note	NSS	Fuse - 40Amp ATO (Note: Purchase Locally)	
130	1001191599	1	Cover	
130	See Note	NSS	Bracket (Note: Use p/n 1001118938)	
130	1001116734	2	Terminal	
131	4460256	1	Terminal, Ring	
	1001209619	Ref	CHASSIS HARNESS INSTALLATION	H
204	3740080	4	Relay	
212	1001234736	1	Module, Control	
213	1001308688	1	Ground Wire Harness (See Separate Breakdown in this Section)	

SECTION 8 - ELECTRICAL

FIGURE 8-15. ENGINE HARNESS - KUBOTA DIESEL



ART_1001236545

SECTION 8 - ELECTRICAL

FIGURE 8-15. ENGINE HARNESS - KUBOTA DIESEL

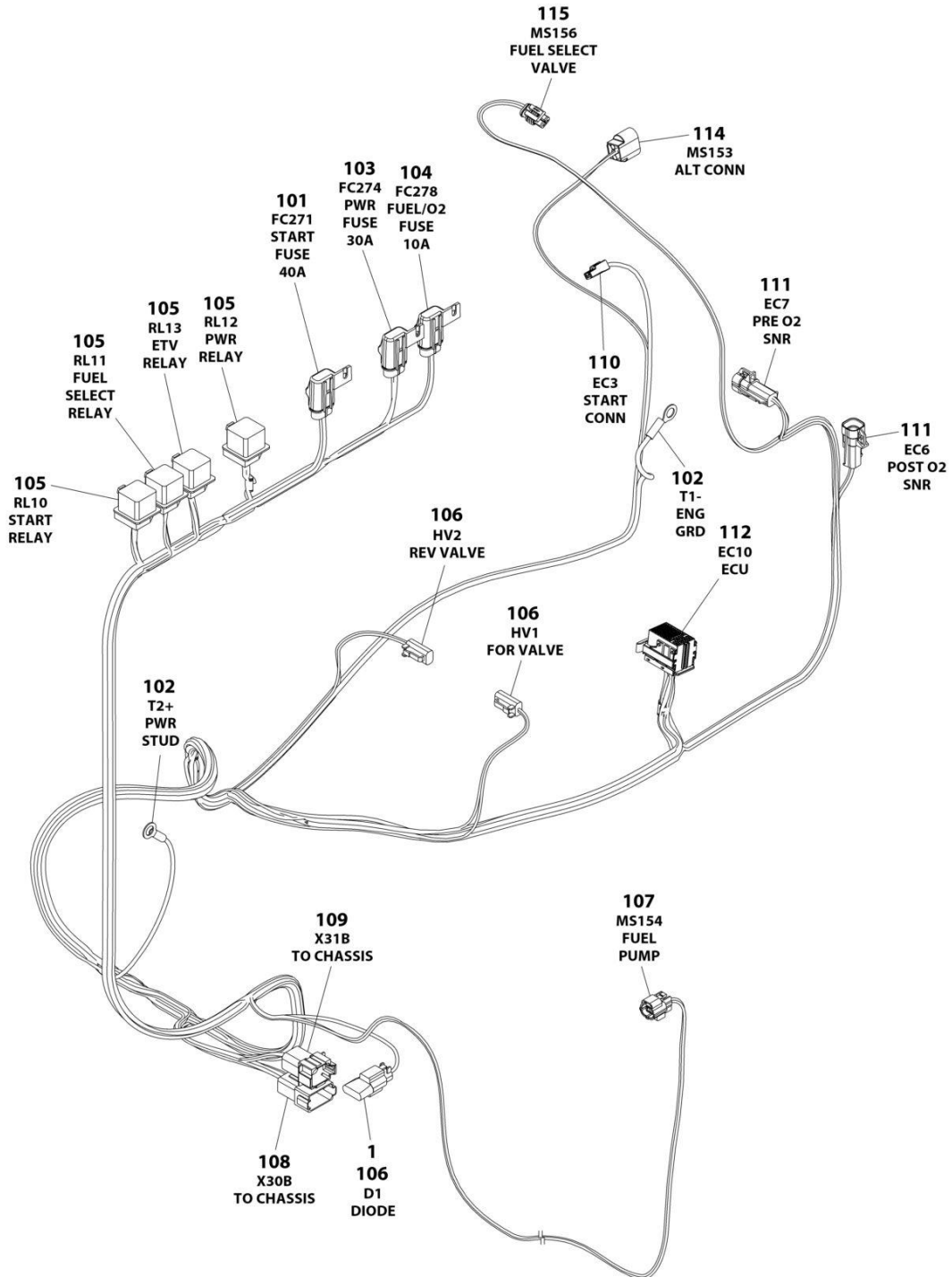
ITEM	PART NUMBER	QTY	DESCRIPTION	REV
	1001236545	Ref	ENGINE HARNESS - KUBOTA DIESEL	C
1	1001116816	3	Receptacle, Female with Diode	
2	1001195684	1	Resistor	
3	4460893	1	Terminal, 4 Position Buss Bar	
101	1001119412	1	Fuseholder with 5Amp Fuse	
101	See Note	NSS	Fuse - 5Amp ATO (Note: Purchase Locally)	
101	1001191599	1	Cover	
101	See Note	NSS	Bracket (Note: Use p/n 1001119412)	
101	1001116732	1	Terminal	
101	1001116733	1	Terminal	
102	1001118938	1	Fuseholder with 40Amp Fuse	
102	See Note	NSS	Fuse - 40Amp ATO (Note: Purchase Locally)	
102	1001191599	1	Cover	
102	See Note	NSS	Bracket (Note: Use p/n 1001118938)	
102	1001116734	2	Terminal	
103	1001117070	1	Fuseholder with 30Amp Fuse	
103	See Note	NSS	Fuse - 30Amp ATO (Note: Purchase Locally)	
103	1001191599	1	Cover	
103	See Note	NSS	Bracket (Note: Use p/n 1001117070)	
103	1001116734	2	Terminal	
104	8220164	2	Terminal, Ring	
105	1001117057	5	Plug, Relay	
105	1001116732	12	Terminal	
105	1001116734	8	Terminal	
106	4460891	6	Plug, Male - 4 Position	
106	4460465	10	Socket, Female	
106	4460942	2	Socket, Female	
107	1001118744	1	Receptacle, Female - 2 Position	
107	1001118745	2	Terminal	
108	4460970	1	Receptacle, Female - 12 Position	
108	4460464	11	Pin, Male	
108	4460941	1	Pin, Male	
109	1001116813	1	Receptacle, Female - 8 Position	
109	4460464	5	Pin, Male	
109	4460466	3	Plug, Terminal	
110	4460142	1	Terminal, Ring	
111	4460247	1	Terminal, Ring	
112	1001118743	1	Cover, Terminal	
112	1001230488	1	Terminal	
113	1001223432	1	Receptacle, Female - 2 Position	
113	1001223795	2	Terminal	
113	1001223796	2	Seal	
115	8220164	1	Terminal, Ring	
116	1001125748	1	Receptacle, Female - 2 Position	
116	1001125773	2	Terminal	
116	1001129772	2	Seal	
117	4460042	2	Terminal, Ring	
119	1001118657	1	Receptacle, Female - 2 Position	
119	1001118658	2	Terminal	
119	1001200250	2	Seal	

SECTION 8 - ELECTRICAL

ITEM	PART NUMBER	QTY	DESCRIPTION	REV
120	1001117055	1	Receptacle, Female - 2 Position	
120	4460746	2	Terminal	
120	1001175265	2	Seal	
121	1001117024	1	Fuseholder with 15Amp Fuse	
121	See Note	NSS	Fuse - 15Amp ATO (Note: Purchase Locally)	
121	1001191599	1	Cover	
121	See Note	NSS	Bracket (Note: Use p/n 1001117024)	
121	1001116734	2	Terminal	
122	4460884	1	Plug, Male - 4 Position	
122	4460465	3	Socket, Female	
122	4460466	1	Plug, Terminal	

SECTION 8 - ELECTRICAL

FIGURE 8-16. ENGINE HARNESS - KUBOTA GASOLINE



ART_1001236546

SECTION 8 - ELECTRICAL

FIGURE 8-16. ENGINE HARNESS - KUBOTA GASOLINE

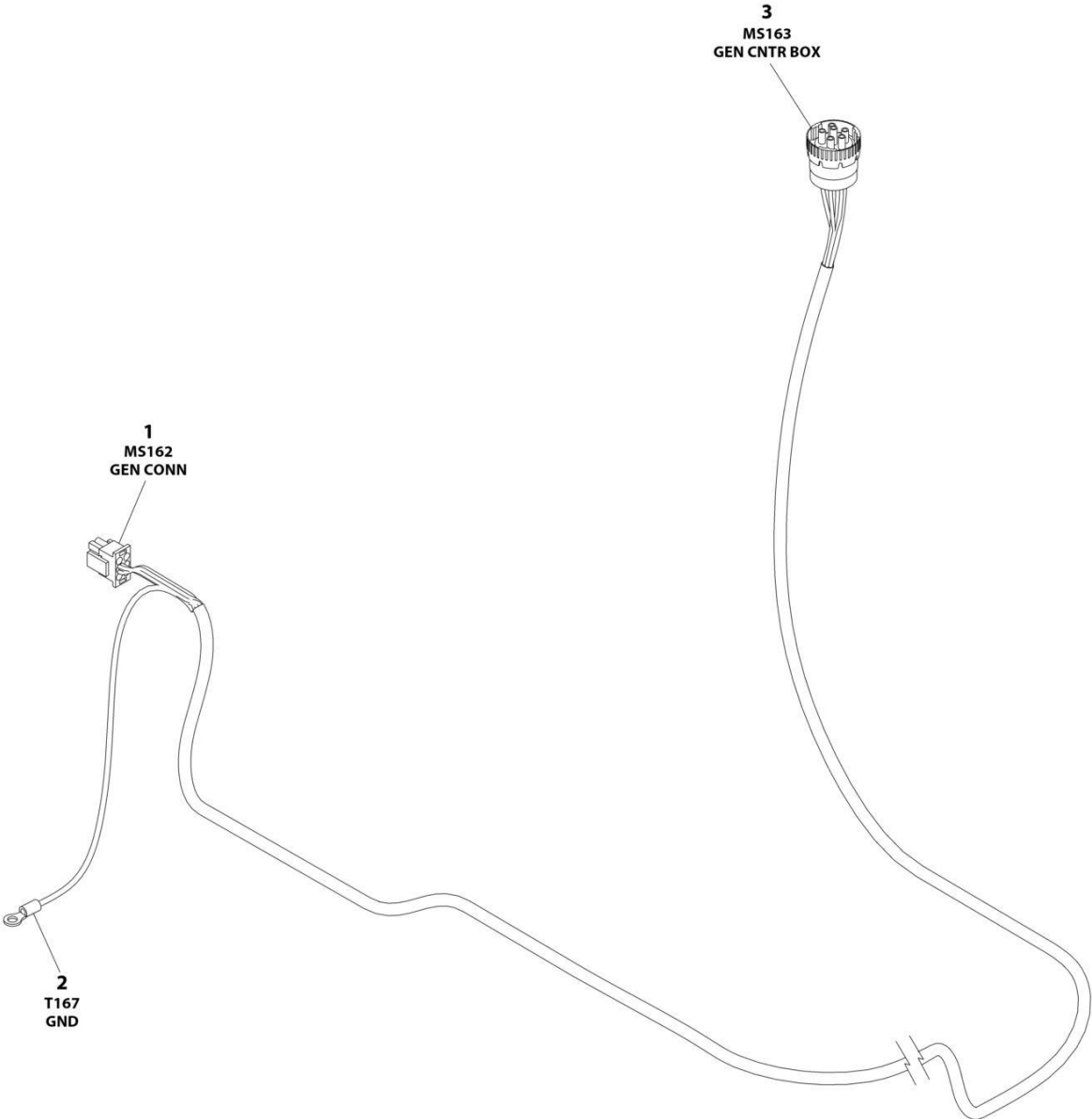
ITEM	PART NUMBER	QTY	DESCRIPTION	REV
	1001236546	Ref	ENGINE HARNESS - KUBOTA GASOLINE	C
1	1001116816	1	Receptacle, Female with Diode	
101	1001118938	1	Fuseholder with 40Amp Fuse	
101	See Note	NSS	Fuse - 40Amp ATO (Note: Purchase Locally)	
101	1001191599	1	Cover	
101	See Note	NSS	Bracket (Note: Use p/n 1001118938)	
101	1001116734	2	Terminal	
102	8220164	2	Terminal, Ring	
103	1001117070	1	Fuseholder with 30Amp Fuse	
103	See Note	NSS	Fuse - 30Amp ATO (Note: Purchase Locally)	
103	1001191599	1	Cover	
103	See Note	NSS	Bracket (Note: Use p/n 1001117070)	
103	1001116734	2	Terminal	
104	1001117023	1	Fuseholder with 10Amp Fuse	
104	See Note	NSS	Fuse - 10Amp ATO (Note: Purchase Locally)	
104	1001191599	1	Cover	
104	See Note	NSS	Bracket (Note: Use p/n 1001201642)	
104	1001116734	2	Terminal	
105	1001117057	4	Plug, Relay	
105	1001116732	6	Terminal	
105	1001116733	2	Terminal	
105	1001116734	7	Terminal	
105	1001116752	1	Terminal	
106	4460891	3	Plug, Male - 4 Position	
106	4460465	6	Socket, Female	
107	1001184832	1	Receptacle, Female - 2 Position	
107	1001118658	2	Terminal	
108	4460970	1	Receptacle, Female - 12 Position	
108	4460464	7	Pin, Male	
108	4460466	5	Plug, Terminal	
109	1001116813	1	Receptacle, Female - 8 Position	
109	4460464	1	Pin, Male	
109	4460943	3	Pin, Male	
109	4460466	4	Plug, Terminal	
110	1001184768	1	Cover, Terminal	
110	1001184769	2	Terminal	
111	4461124	2	Plug, Male - 4 Position	
111	1001116749	8	Terminal	
111	4460608	8	Seal	
112	1001184705	1	Connector - 42 Position	
112	1001187455	5	Terminal	
112	1001184716	10	Terminal	
112	1001184717	2	Terminal	
112	1001184718	4	Terminal	
112	4461054	6	Seal	
112	1001167690	3	Seal	
112	1001126393	10	Seal	
112	1001223459	2	Seal	
112	1001116691	20	Plug, Terminal	
112	1001116696	1	Plug, Terminal	

SECTION 8 - ELECTRICAL

ITEM	PART NUMBER	QTY	DESCRIPTION	REV
114	1001125748	1	Receptacle, Female - 2 Position	
114	1001125773	2	Terminal	
114	1001129772	2	Seal	
115	4461118	1	Plug, Male - 2 Position	
115	1001107854	2	Terminal	
115	1001116763	2	Seal	

SECTION 8 - ELECTRICAL

FIGURE 8-17. GENERATOR HARNESS - 7500W



ART_1001236442

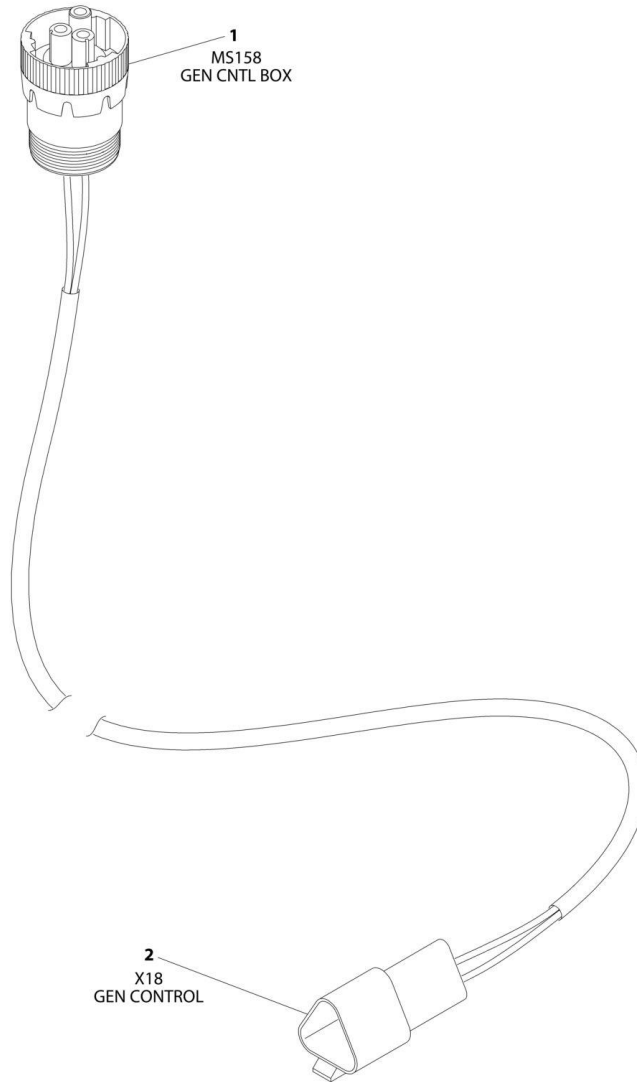
SECTION 8 - ELECTRICAL

FIGURE 8-17. GENERATOR HARNESS - 7500W

ITEM	PART NUMBER	QTY	DESCRIPTION	REV
	1001236442	Ref	GENERATOR CONTROL HARNESS - 7500W	A
1	4460225	1	Plug, Male - 6 Position	
1	4460808	1	Seal, Terminal	
1	4460268	6	Socket, Female	
2	4460043	1	Terminal, Ring	
3	77363233	1	Connector - 6 Position	
3	4460465	6	Socket, Female	

SECTION 8 - ELECTRICAL

FIGURE 8-18. GENERATOR HARNESS - 4000W



ART_1001186826

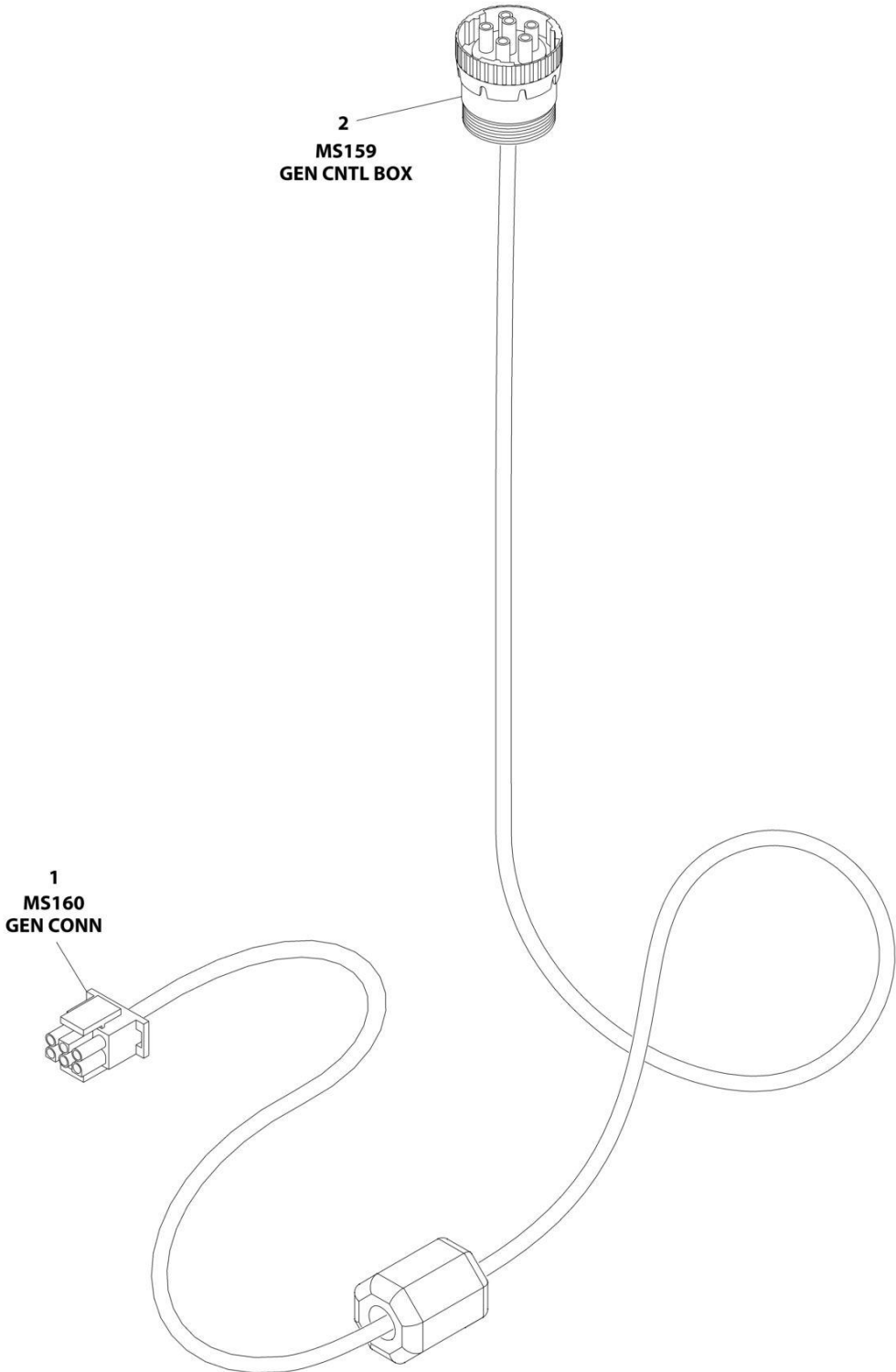
SECTION 8 - ELECTRICAL

FIGURE 8-18. GENERATOR HARNESS - 4000W

ITEM	PART NUMBER	QTY	DESCRIPTION	REV
	1001186826	Ref	GENERATOR CONTROL HARNESS - 4000W GENERATOR (CONTROL BOX TO GENERATOR CONTROL)	C
1	4460967	1	Connector - 3 Position	
1	4460465	2	Socket, Female	
1	4460466	1	Plug, Terminal	
2	4460536	1	Receptacle, Female - 3 Position	
2	4460464	2	Pin, Male	
2	4460466	1	Plug, Terminal	

SECTION 8 - ELECTRICAL

FIGURE 8-19. GENERATOR HARNESS - 4000W



ART_1001236444

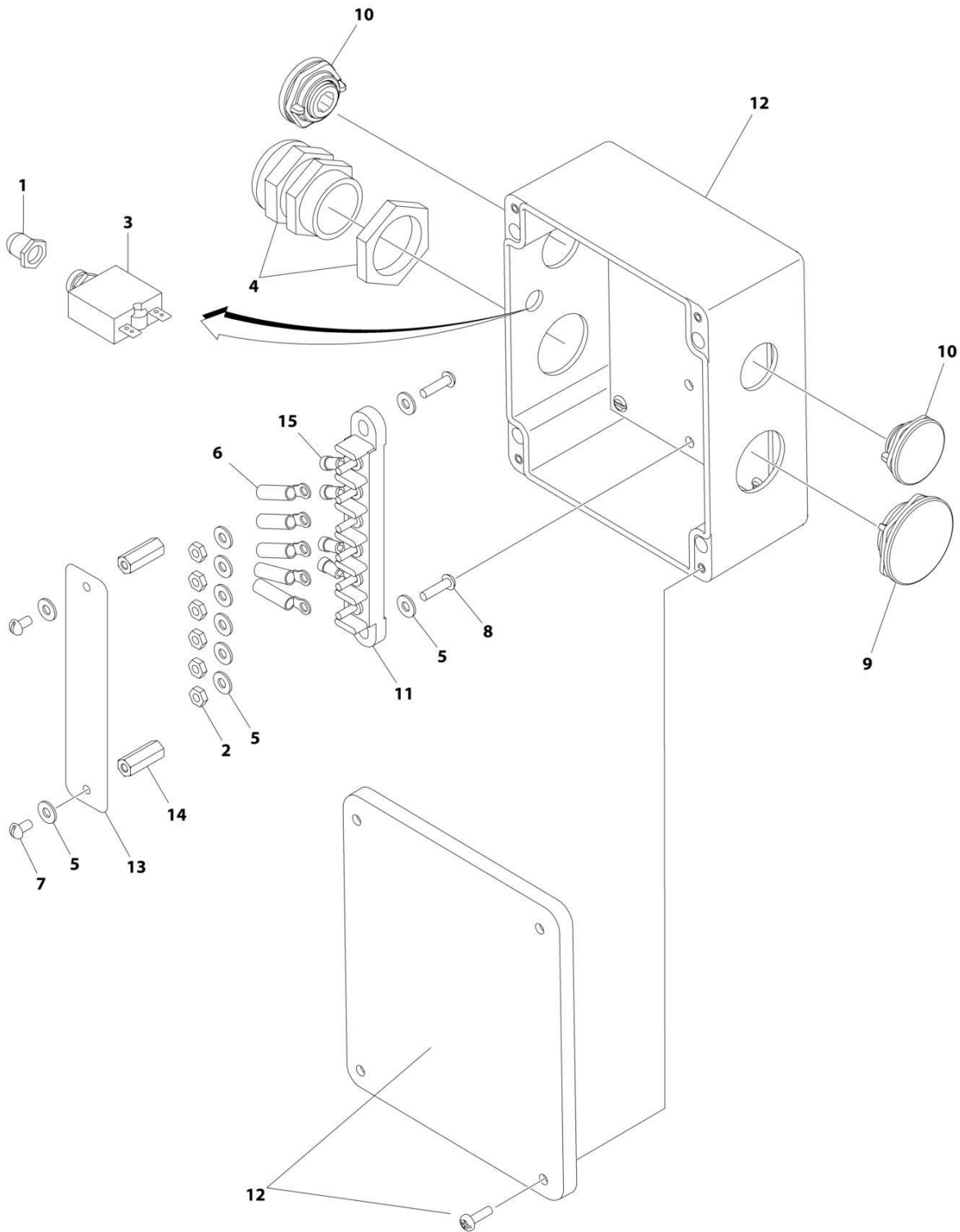
SECTION 8 - ELECTRICAL

FIGURE 8-19. GENERATOR HARNESS - 4000W

ITEM	PART NUMBER	QTY	DESCRIPTION	REV
	1001236444	Ref	GENERATOR CONTROL HARNESS - 4000W GENERATOR (GENERATOR TO CONTROL BOX)	A
1	4460225	1	Plug, Male - 6 Position	
1	4460268	2	Socket, Female	
1	4460808	1	Seal, Connector	
1	4460807	1	Seal, Terminal	
2	77363233	1	Connector - 6 Position	
2	4460465	2	Socket, Female	
2	4460466	4	Plug, Terminal	

SECTION 8 - ELECTRICAL

FIGURE 8-20. GENERATOR JUNCTION BOX



ART_1001187197

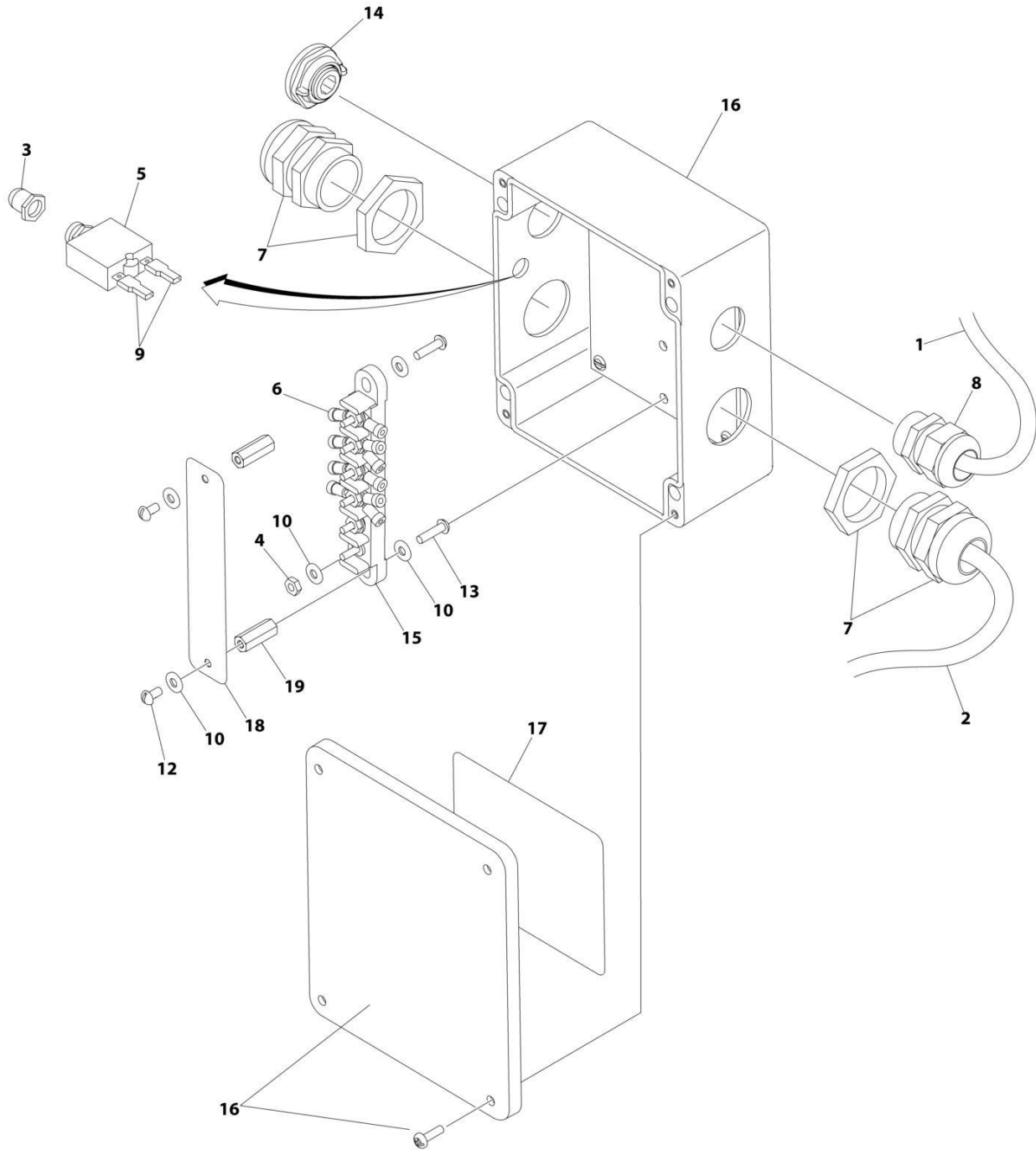
SECTION 8 - ELECTRICAL

FIGURE 8-20. GENERATOR JUNCTION BOX

ITEM	PART NUMBER	QTY	DESCRIPTION	REV
	1001187197	Ref	JUNCTION BOX ASSEMBLY - 4000W/7500W GENERATOR	A
1	3300396	1	Cover, Fuse	
2	3311001	6	Nut, #10-24	
3	4360070	1	Circuit Breaker - 15Amp	
4	4460426	1	Connector, Strain Relief	
5	4711000	10	Washer, #10	
6	8220022	5	Terminal, #10 Stud	
7	10702077	2	Screw, #10-32 X 3/8	
8	10702082	2	Screw, #10-32 X 3/4	
9	1001148648	1	Plug	
10	1001152525	2	Plug	
11	1001157520	1	Block, Terminal - 6 Pole	
12	1001157521	1	Box, Junction	
13	1001158007	1	Cover	
14	1001158008	2	Stand-Off	
15	4460068	4	Terminal	

SECTION 8 - ELECTRICAL

FIGURE 8-21. GENERATOR JUNCTION BOX



ART_1001186828

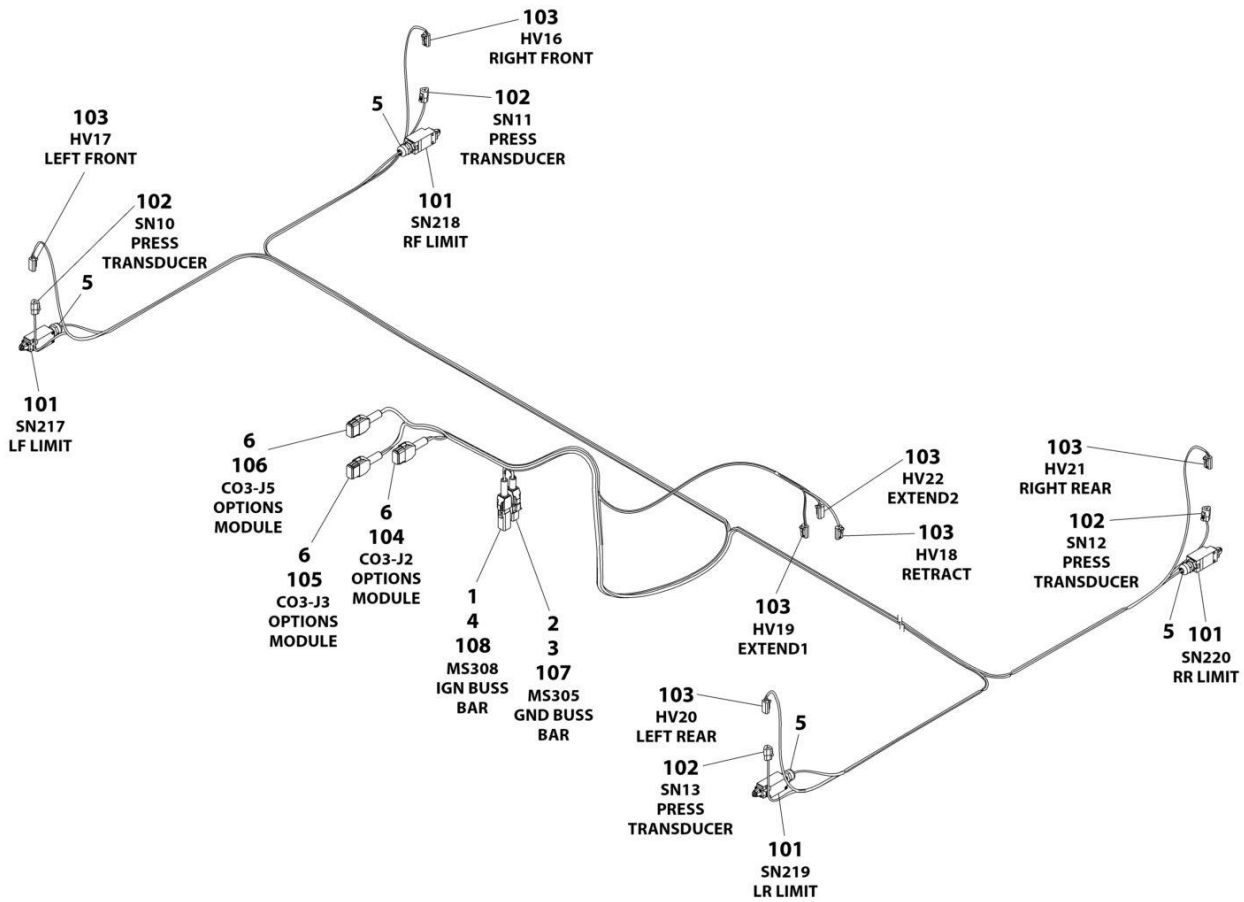
SECTION 8 - ELECTRICAL

FIGURE 8-21. GENERATOR JUNCTION BOX

ITEM	PART NUMBER	QTY	DESCRIPTION	REV
	1001186828	Ref	JUNCTION BOX ASSEMBLY - 4000W GENERATOR	B
1	1060494	6.8 ft/ 2m	Cable, Electrical - 12/3	
2	1060708	6.8 ft/ 2m	Cable, Electrical - 10/3	
3	3300396	1	Cover, Fuse	
4	3311001	6	Nut, #10-24	
5	4360070	1	Circuit Breaker - 15Amp	
6	4460068	10	Terminal	
7	4460426	2	Connector, Strain Relief	
8	4460425	1	Strain Relief, Terminal	
9	4460483	2	Terminal	
10	4711000	10	Washer, #10	
12	10702077	2	Screw, #10-32 X 3/8	
13	10702082	2	Screw, #10-32 X 3/4	
14	1001152525	1	Plug	
15	1001157520	1	Block, Terminal - 6 Pole	
16	1001157521	1	Box, Junction	
17	1001195517	1	Decal - Wiring Schematic	
18	1001158007	1	Cover	
19	1001158008	2	Stand-Off	

SECTION 8 - ELECTRICAL

FIGURE 8-22. LEVELING JACKS HARNESS



ART_1001210619_D

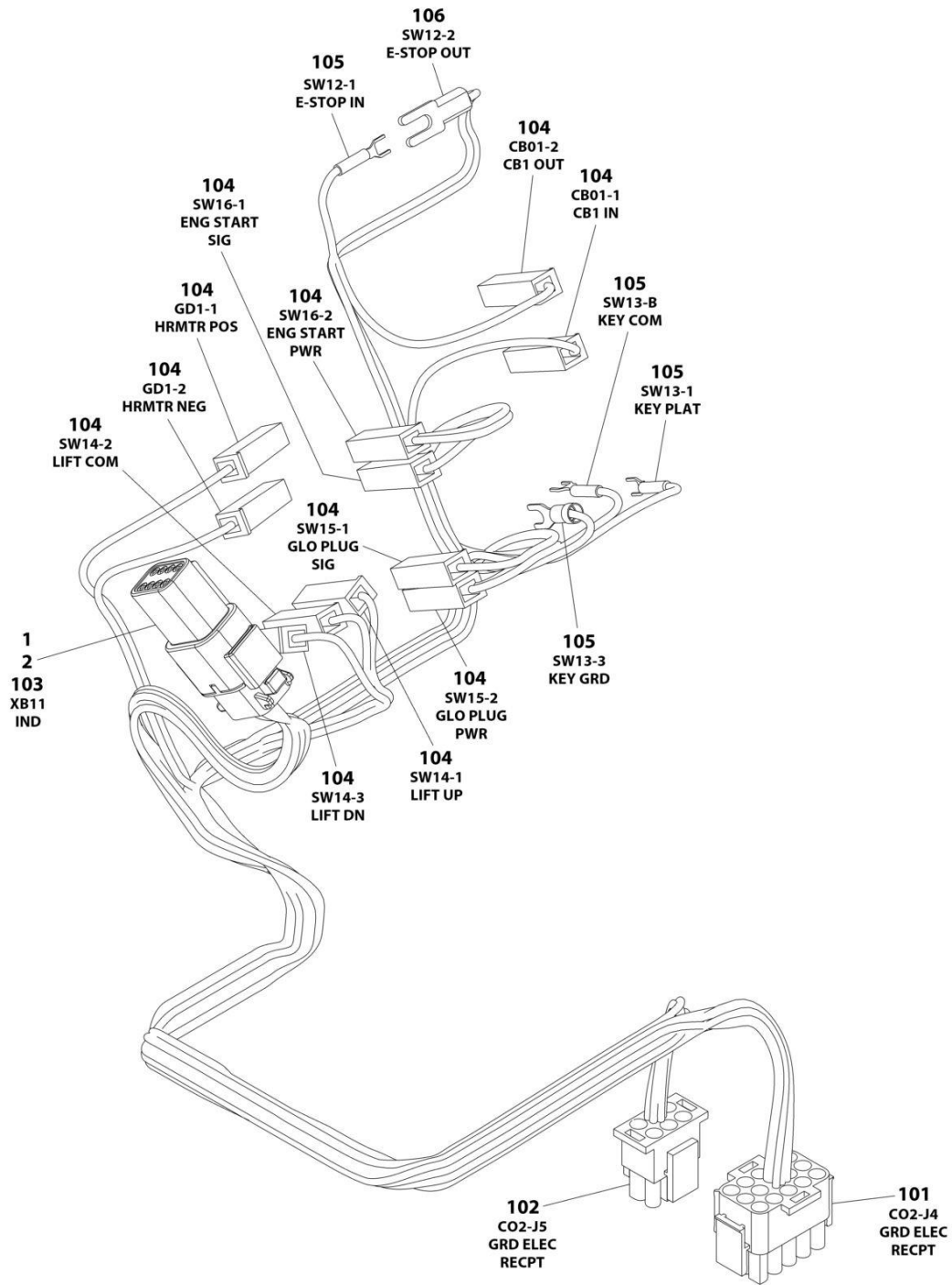
SECTION 8 - ELECTRICAL

FIGURE 8-22. LEVELING JACKS HARNESS

ITEM	PART NUMBER	QTY	DESCRIPTION	REV
	1001210619	Ref	LEVELING JACKS HARNESS	D
1	0840059	1	Boot	
2	0840061	1	Boot	
3	4460852	1	Bussbar - 8 Position	
4	4460892	1	Bussbar - 6 Position	
5	1001243778	4	Connector, Strain Relief	
6	1001174455	3	Boot	
101	4360548	4	Switch, Limit	
102	4460539	4	Plug, Male - 3 Position	
102	4460465	12	Socket, Female	
103	4460891	7	Plug, Male - 4 Position	
103	4460465	14	Socket, Female	
104	4460836	1	Plug, Male - 12 Position	
104	4460465	8	Socket, Female	
104	4460466	4	Plug, Terminal	
105	4460934	1	Plug, Male - 12 Position	
105	4460465	12	Socket, Female	
106	4460935	1	Plug, Male -12 Position	
106	4460465	5	Socket, Female	
106	4460466	7	Plug, Terminal	
107	4460851	1	Plug, Male - 8 Position	
107	4460465	8	Socket, Female	
108	4460894	1	Plug, Male - 6 Position	
108	4460465	6	Socket, Female	

SECTION 8 - ELECTRICAL

FIGURE 8-23. GROUND CONTROL BOX HARNESS (LOWER)



ART_1001236154

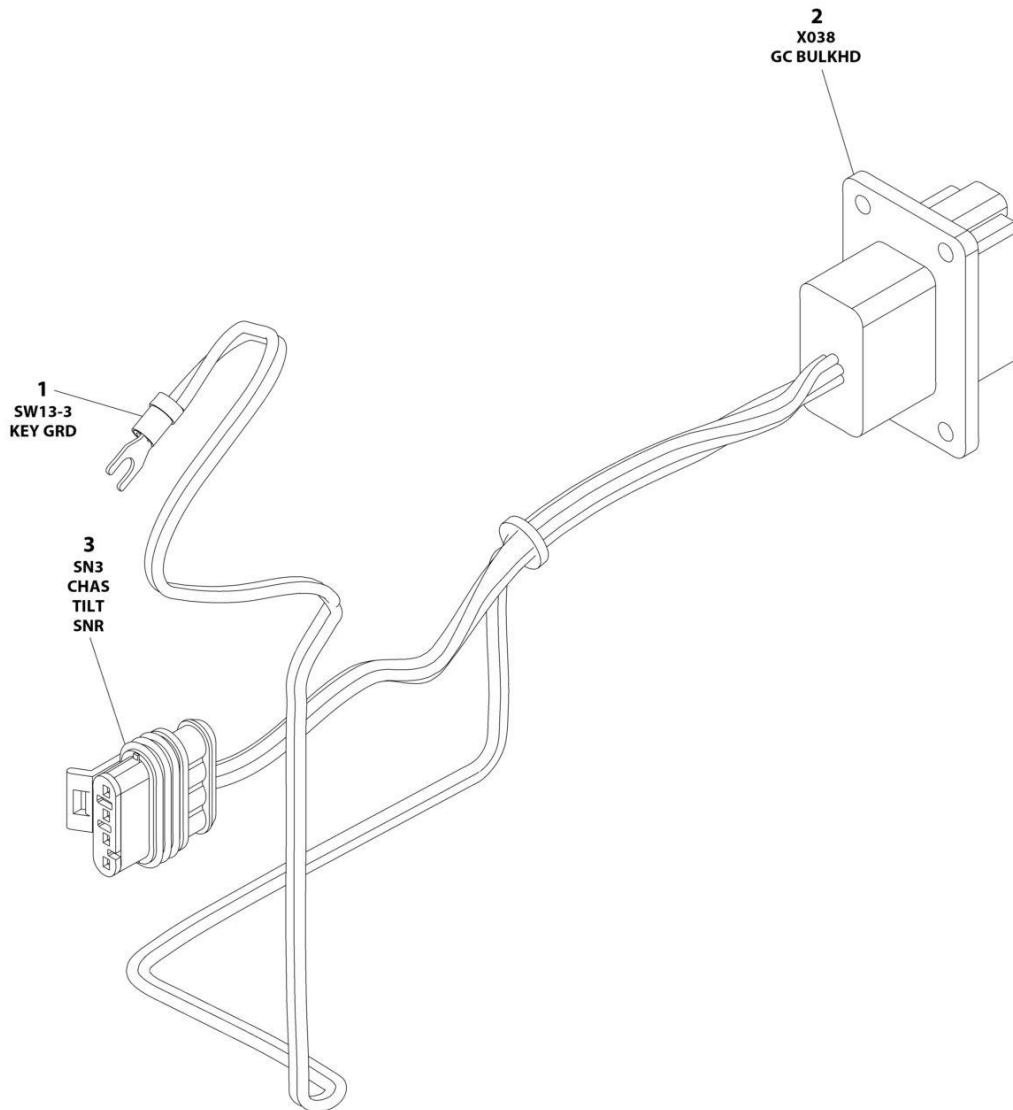
SECTION 8 - ELECTRICAL

FIGURE 8-23. GROUND CONTROL BOX HARNESS (LOWER)

ITEM	PART NUMBER	QTY	DESCRIPTION	REV
	1001236154	Ref	GROUND CONTROL BOX HARNESS (LOWER)	B
1	4460518	8	Plug, Terminal	
2	1001190578	1	Receptacle, Female - 8 Position	
101	4460434	1	Plug, Male -15 Position	
101	4460268	10	Socket, Female	
102	4460225	1	Plug, Male - 6 Position	
102	4460268	6	Socket, Female	
103	1001190577	1	Plug, Male - 8 Position	
103	4460928	8	Socket, Female	
104	4460260	11	Cover, Terminal	
104	4460259	11	Terminal	
105	4460115	4	Terminal, Fork	
106	4460144	1	Terminal, Fork	

SECTION 8 - ELECTRICAL

FIGURE 8-24. GROUND CONTROL BOX HARNESS (UPPER)



ART_1001214989

SECTION 8 - ELECTRICAL

FIGURE 8-24. GROUND CONTROL BOX HARNESS (UPPER)

ITEM	PART NUMBER	QTY	DESCRIPTION	REV
	1001214989	Ref	GROUND CONTROL BOX HARNESS (UPPER)	B
1	4460115	1	Terminal, Fork	
2	4460939	1	Receptacle, Female - 12 Position	
2	4460464	4	Pin, Male	
2	4460943	2	Pin, Male	
2	4460466	6	Plug, Terminal	
3	1001103012	1	Plug, Male - 4 Position	
3	1001107854	4	Socket, Female	
3	1001104498	4	Seal	

SECTION 8 - ELECTRICAL

FIGURE 8-25. GROUND TO PLATFORM HARNESS - RT3394



ART_1001209181

SECTION 8 - ELECTRICAL

FIGURE 8-25. GROUND TO PLATFORM HARNESS - RT3394

ITEM	PART NUMBER	QTY	DESCRIPTION	REV
	1001209181	Ref	GROUND TO PLATFORM HARNESS	C
1	1001116926	1	Connector - 21 Position	
1	4460465	8	Socket, Female	
1	4460509	4	Socket, Female	
1	4460944	2	Socket, Female	
1	4460466	7	Plug, Terminal	
2	1001116930	1	Connector - 21 Position	
2	4460464	8	Pin, Male	
2	4460508	4	Pin, Male	
2	4460943	2	Pin, Male	
2	4460466	7	Plug, Terminal	

SECTION 8 - ELECTRICAL

FIGURE 8-26. GROUND TO PLATFORM HARNESS - RT4394



ART_1001210080

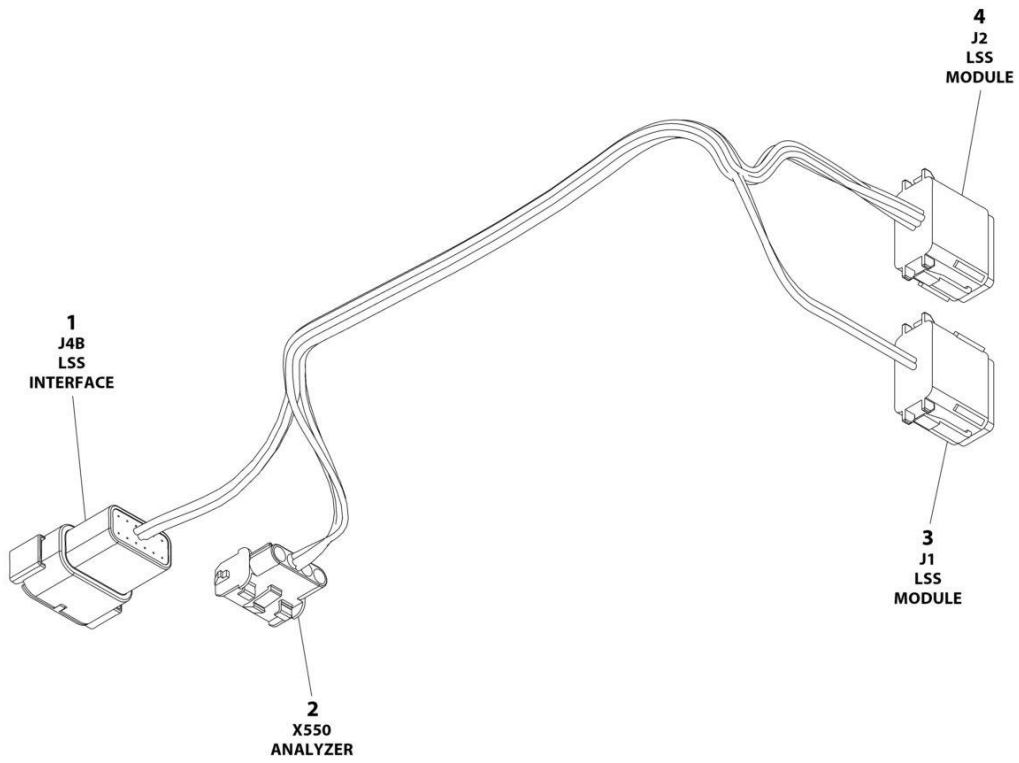
SECTION 8 - ELECTRICAL

FIGURE 8-26. GROUND TO PLATFORM HARNESS - RT4394

ITEM	PART NUMBER	QTY	DESCRIPTION	REV
	1001210080	Ref	GROUND TO PLATFORM HARNESS	C
1	1001116926	1	Connector - 21 Position	
1	4460465	8	Socket, Female	
1	4460509	4	Socket, Female	
1	4460944	2	Socket, Female	
1	4460466	7	Plug, Terminal	
2	1001116930	1	Connector - 21 Position	
2	4460464	8	Pin, Male	
2	4460508	4	Pin, Male	
2	4460943	2	Pin, Male	
2	4460466	7	Plug, Terminal	

SECTION 8 - ELECTRICAL

FIGURE 8-27. LSS HARNESS



ART_1001226830

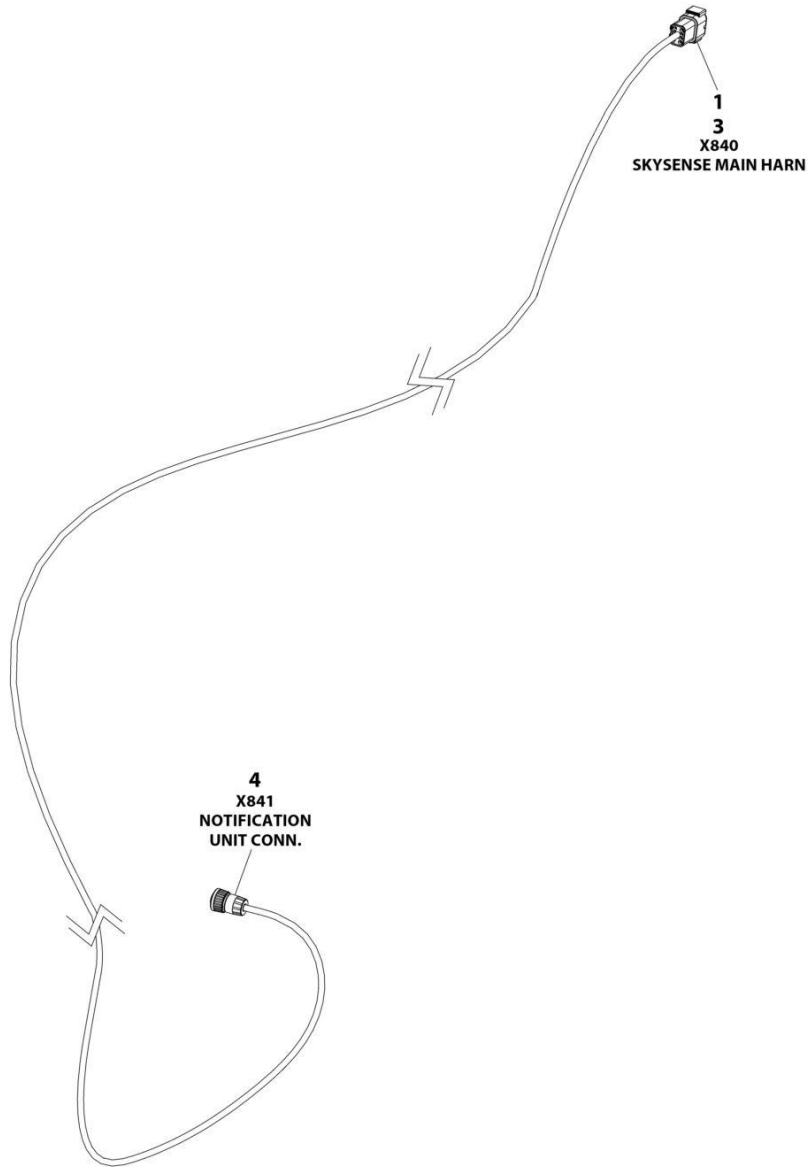
SECTION 8 - ELECTRICAL

FIGURE 8-27. LSS HARNESS

ITEM	PART NUMBER	QTY	DESCRIPTION	REV
	1001226830	Ref	LSS HARNESS	A
1	1001132170	1	Connector - 12 Position	
1	4460929	2	Pin, Male	
1	4460917	2	Pin, Male	
1	4460518	8	Plug, Terminal	
2	4460761	1	Receptacle, Female - 4 Position	
2	4460294	4	Pin, Male	
3	4460933	1	Connector - 12 Position	
3	4460465	2	Socket, Female	
3	4460466	10	Plug, Terminal	
4	4460836	1	Connector - 12 Position	
4	4460465	5	Socket, Female	
4	4460944	2	Socket, Female	
4	4460466	5	Plug, Terminal	

SECTION 8 - ELECTRICAL

FIGURE 8-28. NOTIFICATION UNIT HARNESS



ART_1001274958

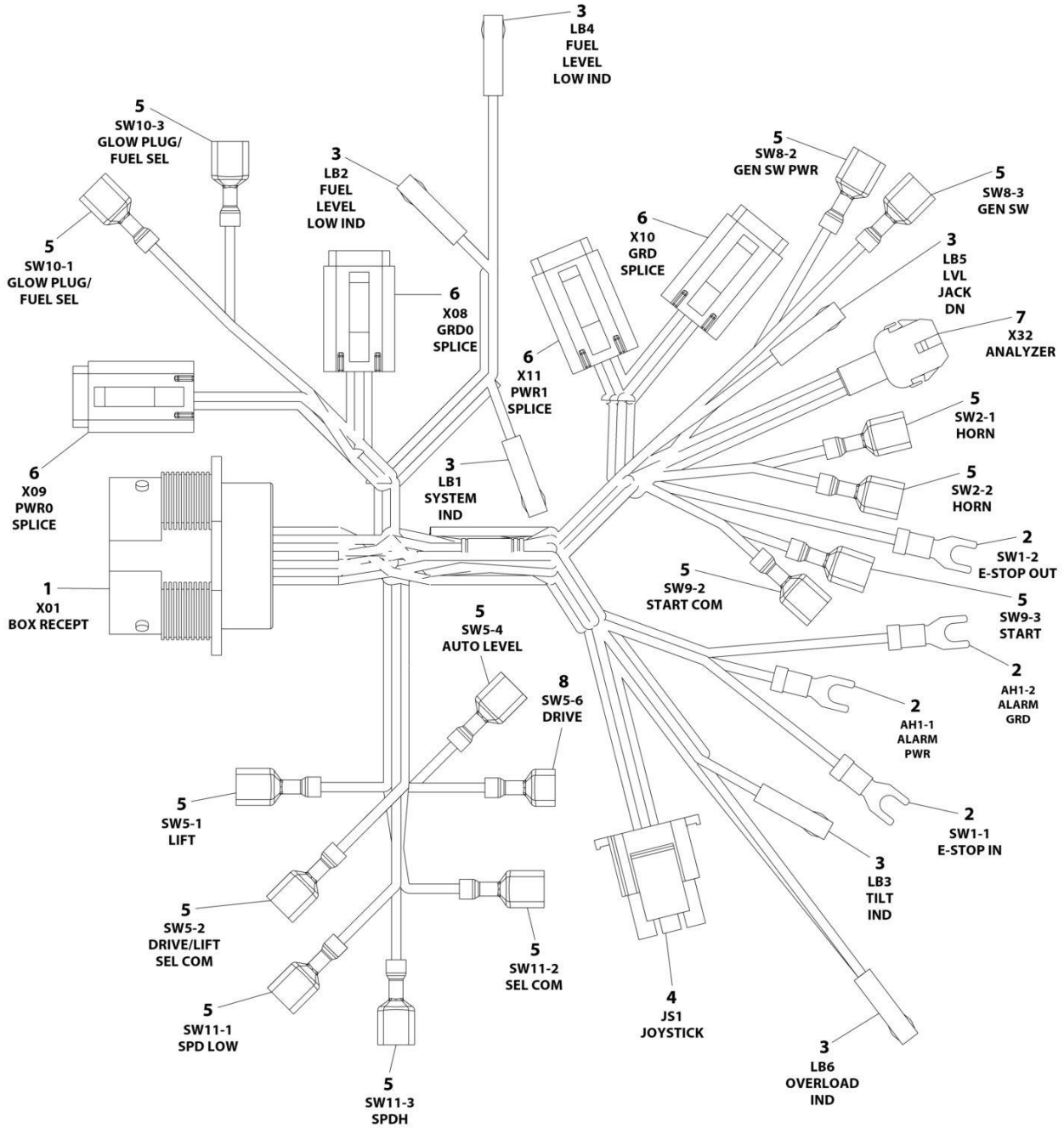
SECTION 8 - ELECTRICAL

FIGURE 8-28. NOTIFICATION UNIT HARNESS

ITEM	PART NUMBER	QTY	DESCRIPTION	REV
	1001274958	Ref	NOTIFICATION UNIT HARNESS	B
1	1001116695	8	Pin	
3	1001190578	1	Connector	
4	1001247648	1	Connector	

SECTION 8 - ELECTRICAL

FIGURE 8-29. PLATFORM CONTROL BOX HARNESS



ART_1001236230

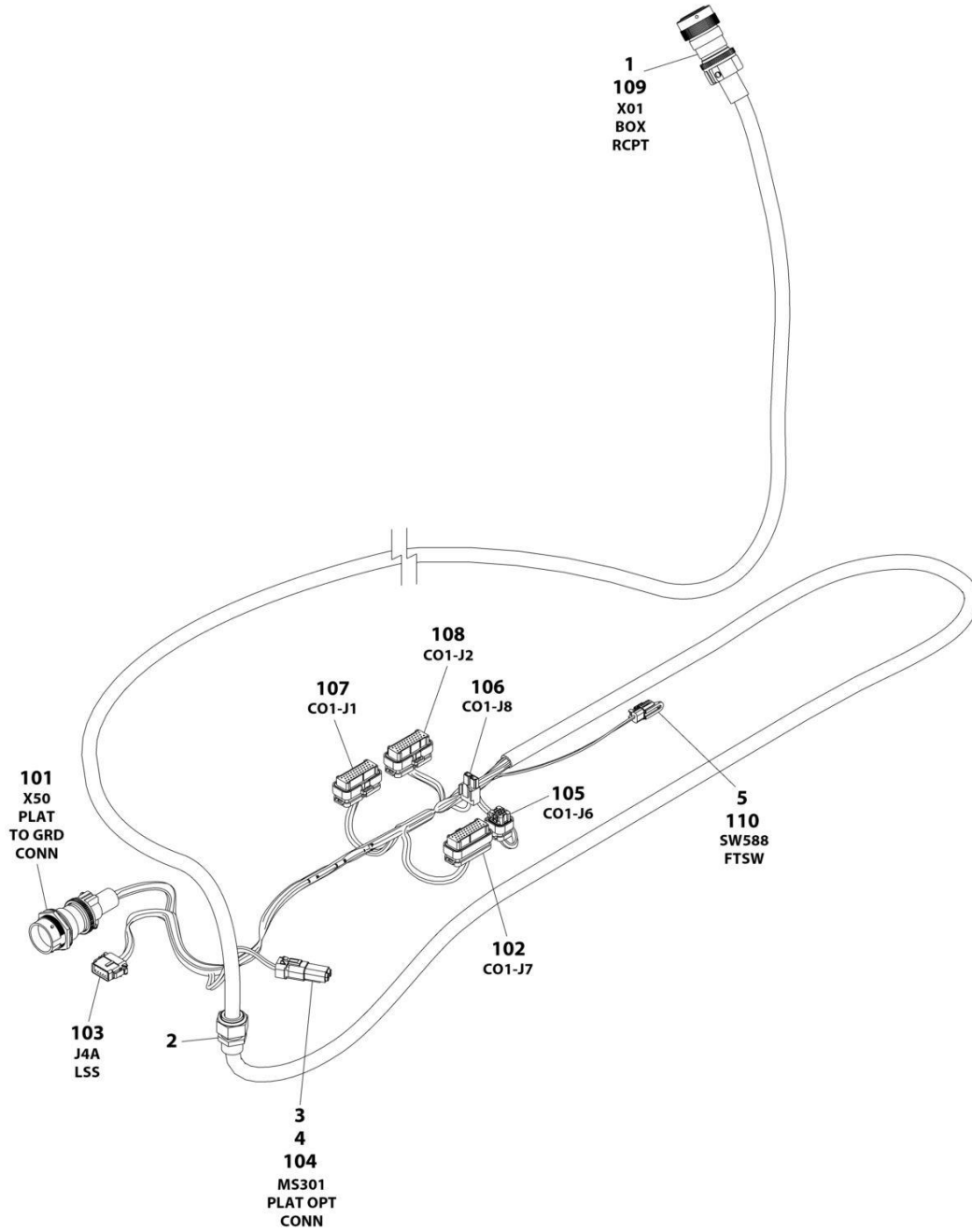
SECTION 8 - ELECTRICAL

FIGURE 8-29. PLATFORM CONTROL BOX HARNESS

ITEM	PART NUMBER	QTY	DESCRIPTION	REV
	1001236230	Ref	PLATFORM CONSOLE BOX HARNESS	C
1	1001116934	1	Connector - 31 Position	
1	4460464	31	Pin, Male	
2	4460183	4	Terminal, Fork	
3	1001190469	6	Connector - 2 Position	
3	1001190471	12	Terminal	
4	4460265	1	Plug, Male - 9 Position	
4	4460267	7	Terminal	
5	1001194421	13	Terminal	
6	4460894	4	Plug, Male - 6 Position	
6	4460465	20	Socket, Female	
6	4460466	4	Plug, Terminal	
6	4460892	4	Bussbar	
7	4460761	1	Plug, Male - 4 Position	
7	4460267	4	Terminal	
8	1001194221	1	Terminal	

SECTION 8 - ELECTRICAL

FIGURE 8-30. PLATFORM MODULE HARNESS



ART_1001236163

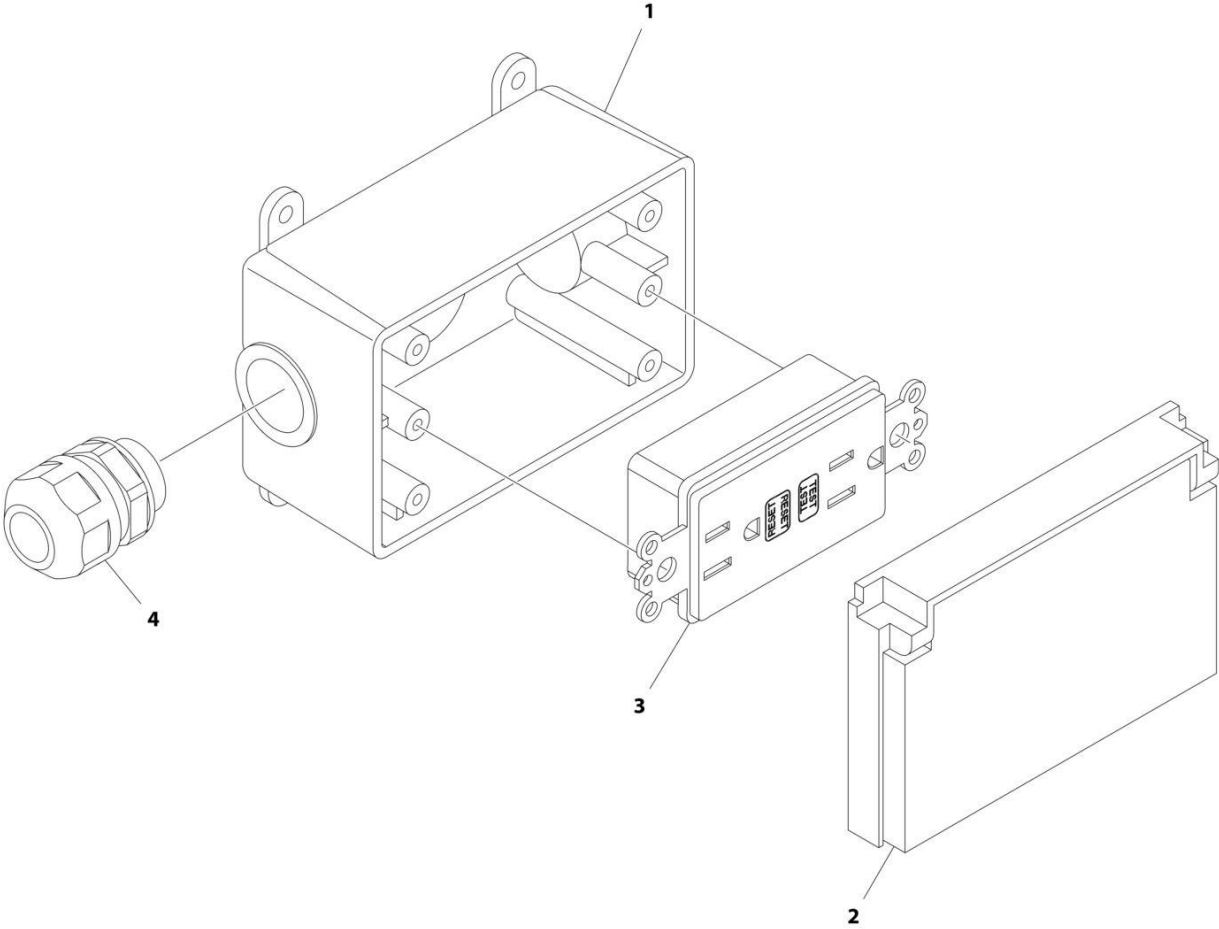
SECTION 8 - ELECTRICAL

FIGURE 8-30. PLATFORM MODULE HARNESS

ITEM	PART NUMBER	QTY	DESCRIPTION	REV
	1001236163	Ref	PLATFORM MODULE HARNESS	B
1	2820031	AR	Heatshrink	
2	4460051	1	Connector, Strain Relief	
3	4460466	4	Plug, Terminal	
4	1001116811	1	Receptacle, Female - 4 Position	
5	1001144295	1	Cap, Female - 2 Position	
101	1001116930	1	Connector - 21 Position	
101	4460508	4	Pin, Male	
101	4460464	6	Pin, Male	
101	4460466	11	Plug, Terminal	
102	4460873	1	Connector - 35 Position	
102	4460871	10	Socket, Female	
102	4460905	25	Plug, Terminal	
103	1001116808	1	Plug, Male - 12 Position	
103	4460928	2	Socket, Female	
103	4460918	2	Socket, Female	
103	4460518	8	Plug, Terminal	
104	1001116810	1	Plug, Male - 4 Position	
104	4460509	2	Socket, Female	
104	4460466	2	Plug, Terminal	
105	1001113961	1	Connector - 8 Position	
105	4460871	2	Socket, Female	
105	4460905	6	Plug, Terminal	
106	4460879	1	Plug, Male - 2 Position	
106	4461271	2	Socket, Female	
107	4460874	1	Connector - 35 Position	
107	4460871	12	Socket, Female	
107	4460905	23	Plug, Terminal	
108	4460876	1	Connector - 35 Position	
108	4460871	15	Socket, Female	
108	4460905	20	Plug, Terminal	
109	1001195123	1	Connector - 31 Position	
109	4460465	31	Socket, Female	
110	4460891	1	Plug, Male - 2 Position	
110	4460465	2	Socket, Female	

SECTION 8 - ELECTRICAL

FIGURE 8-31. RECEPTACLE BOX KIT - 110V GFI



ART_2902431

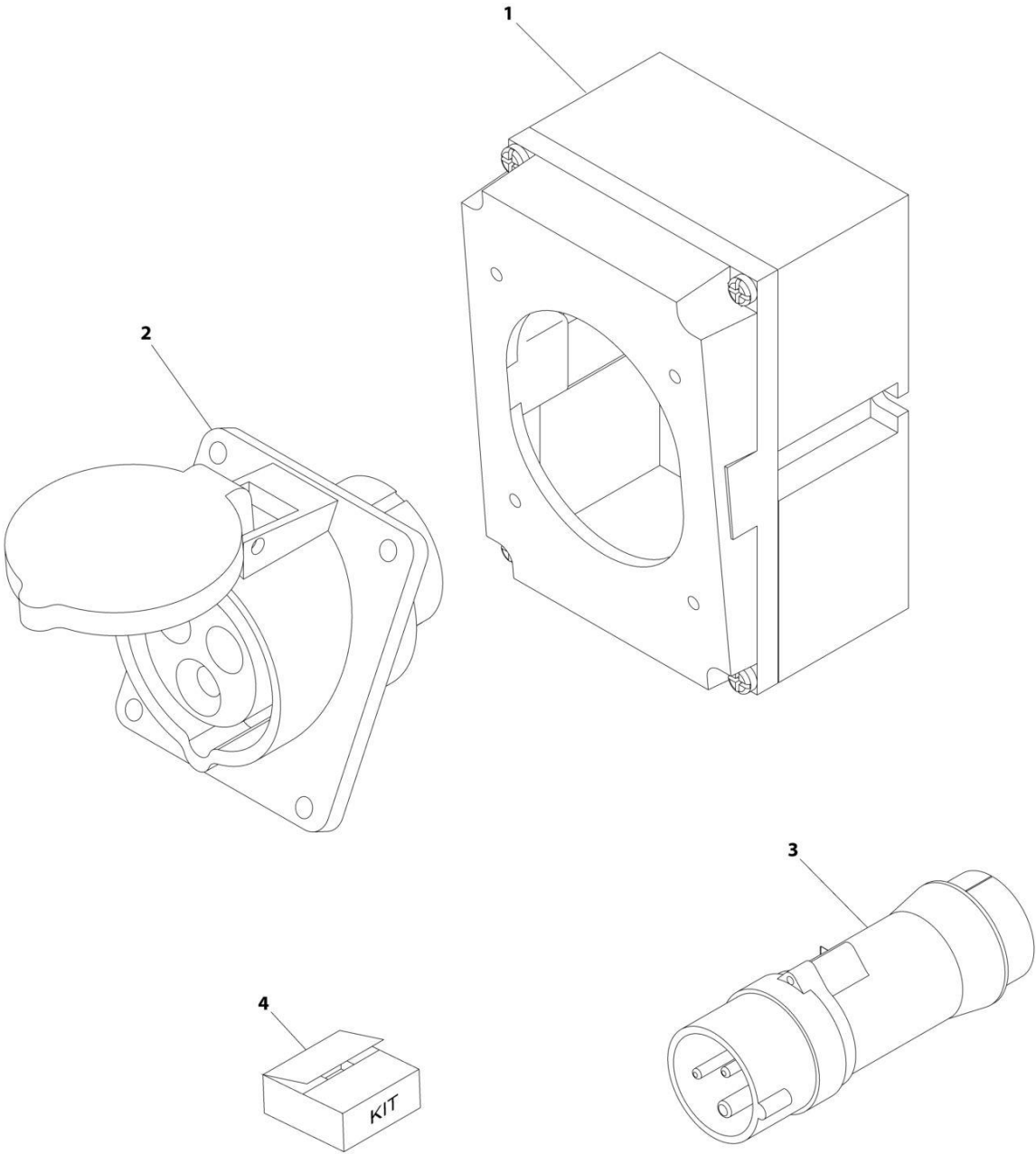
SECTION 8 - ELECTRICAL

FIGURE 8-31. RECEPTACLE BOX KIT - 110V GFI

ITEM	PART NUMBER	QTY	DESCRIPTION	REV
	2902431	Ref	RECEPTACLE BOX KIT - 110V GFI	D
1	0861731	1	Box, Receptacle	
2	1671207	1	Cover, Receptacle	
3	4460346	1	Receptacle	
4	4460662	1	Connector, Strain Relief	

SECTION 8 - ELECTRICAL

FIGURE 8-32. RECEPTACLE BOX KIT - 110V IEC YELLOW (CE & UK CA SPEC)



ART_0275216

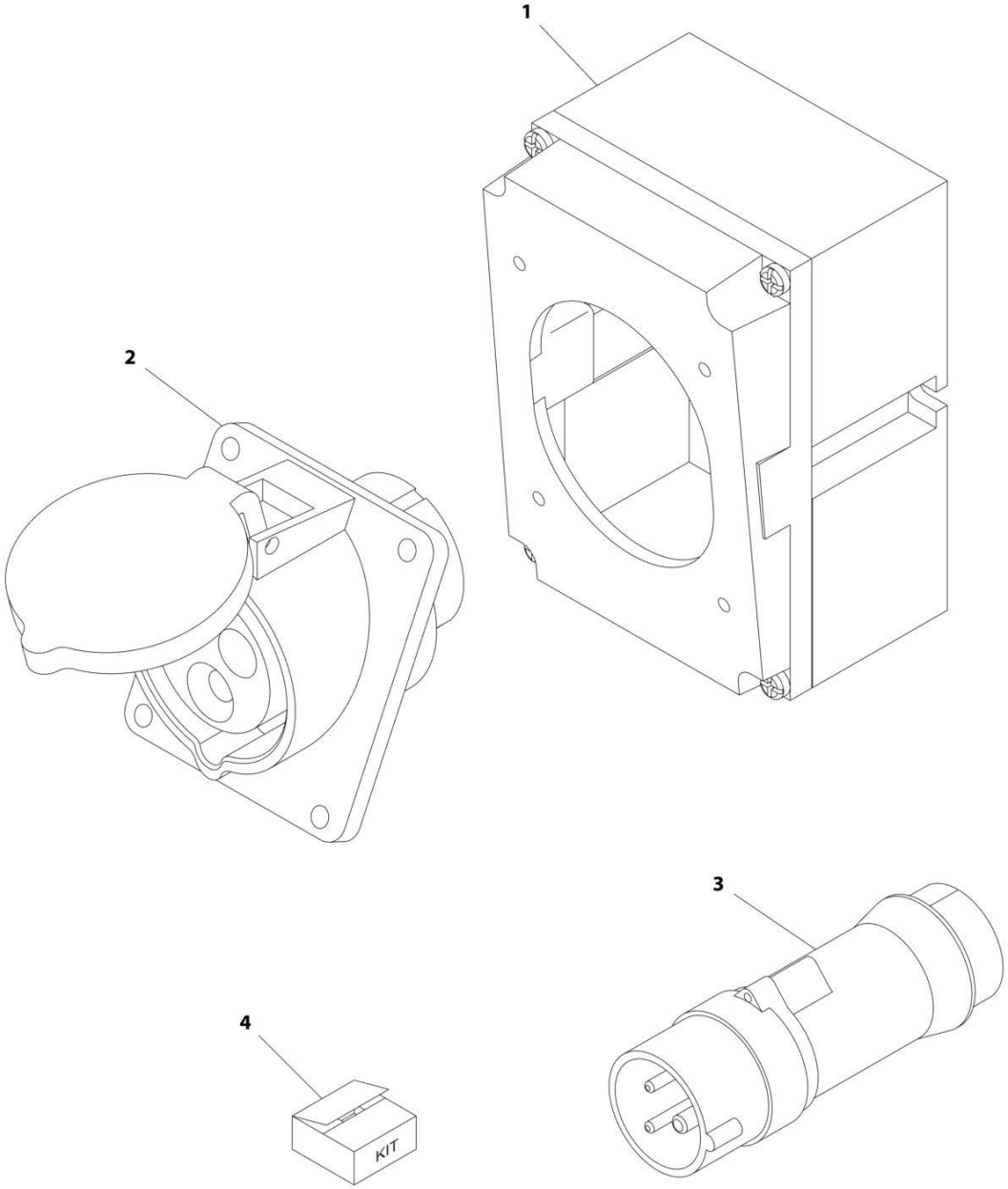
SECTION 8 - ELECTRICAL

FIGURE 8-32. RECEPTACLE BOX KIT - 110V IEC YELLOW (CE & UK CA SPEC)

ITEM	PART NUMBER	QTY	DESCRIPTION	REV
	0275216	Ref	RECEPTACLE BOX KIT - 110V IEC YELLOW	B
1	0861781	1	Box, Switch	
2	4461198	1	Receptacle	
3	4461196	1	Plug, Male	
4	1001100341	1	Plug and Socket Kit (Includes Items 1-3 and Female Plug p/n 4461197)	

SECTION 8 - ELECTRICAL

FIGURE 8-33. RECEPTACLE BOX KIT - 220V IEC BLUE (CE & UK CA SPEC)



ART_0275217

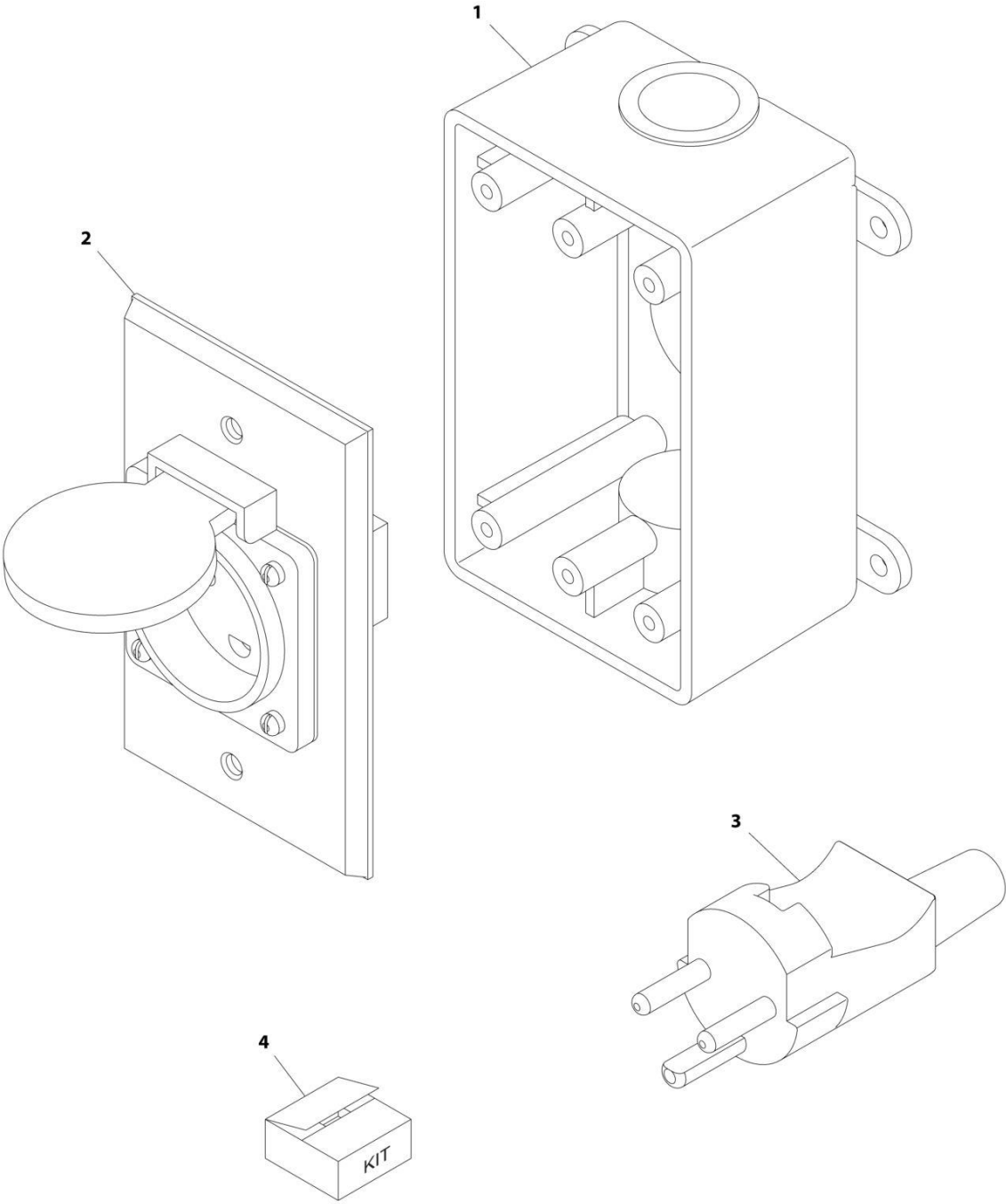
SECTION 8 - ELECTRICAL

FIGURE 8-33. RECEPTACLE BOX KIT - 220V IEC BLUE (CE & UK CA SPEC)

ITEM	PART NUMBER	QTY	DESCRIPTION	REV
	0275217	Ref	RECEPTACLE BOX KIT - 220V IEC BLUE	B
1	0861781	1	Box, Switch	
2	4461201	1	Receptacle	
3	4461199	1	Plug, Male	
4	1001100342	1	Plug and Socket Kit (Includes Items 1-3 and Female Plug p/n 4461200)	

SECTION 8 - ELECTRICAL

FIGURE 8-34. RECEPTACLE BOX KIT - 220V AFSINT 107 (CE & UK CA SPEC)



ART_0275454

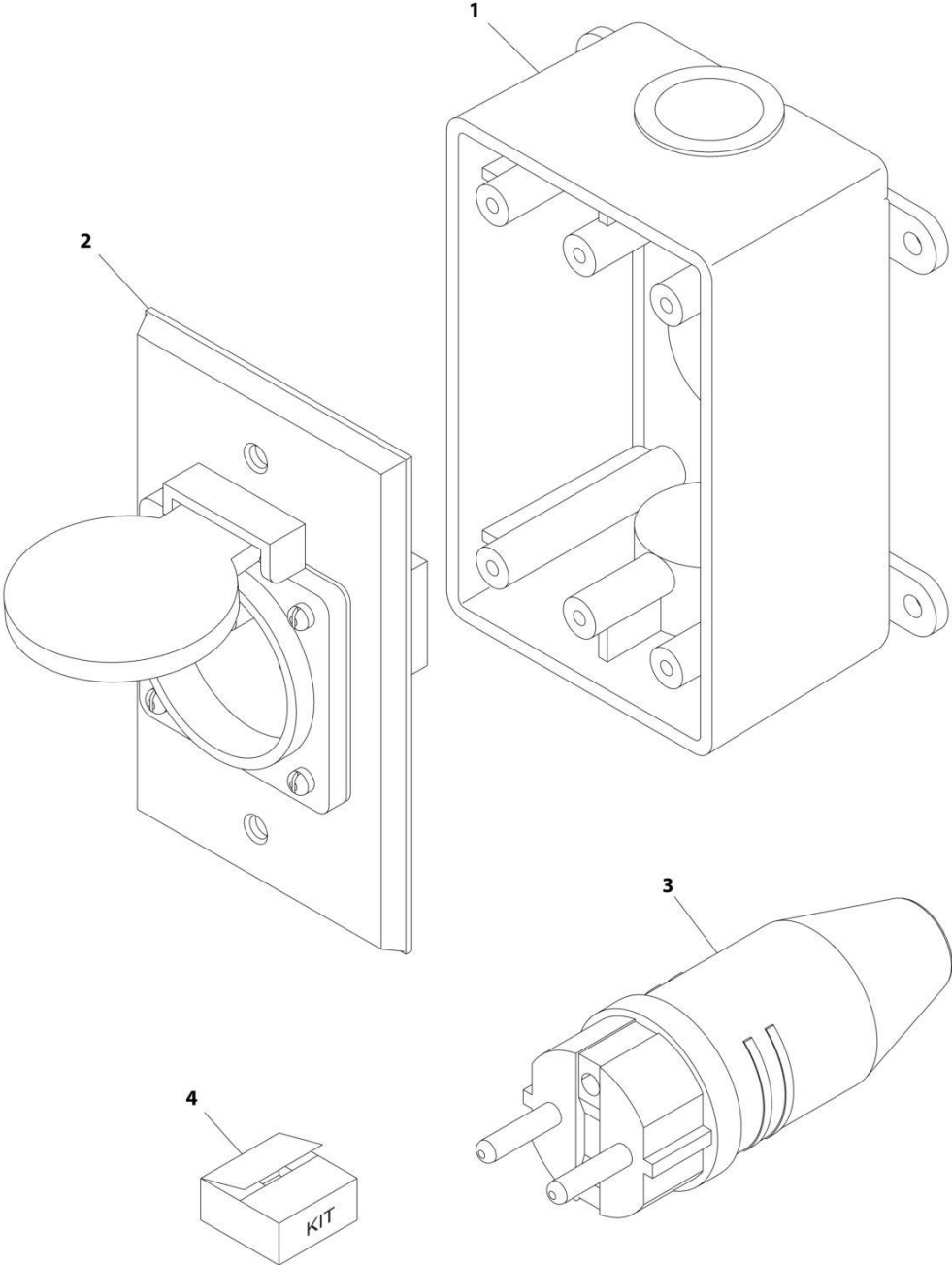
SECTION 8 - ELECTRICAL

FIGURE 8-34. RECEPTACLE BOX KIT - 220V AFSINT 107 (CE & UK CA SPEC)

ITEM	PART NUMBER	QTY	DESCRIPTION	REV
	0275454	Ref	RECEPTACLE BOX KIT - 220V AFSINT 107	B
1	0861731	1	Box, Switch	
2	4461246	1	Receptacle	
3	4461249	1	Plug, Male	
4	1001100346	1	Plug and Socket Kit (Includes Items 1-3 and Female Plug p/n 4461250)	

SECTION 8 - ELECTRICAL

FIGURE 8-35. RECEPTACLE BOX KIT - 220V CEE7 POST GROUND (CE & UK CA SPEC)



ART_0275452-C

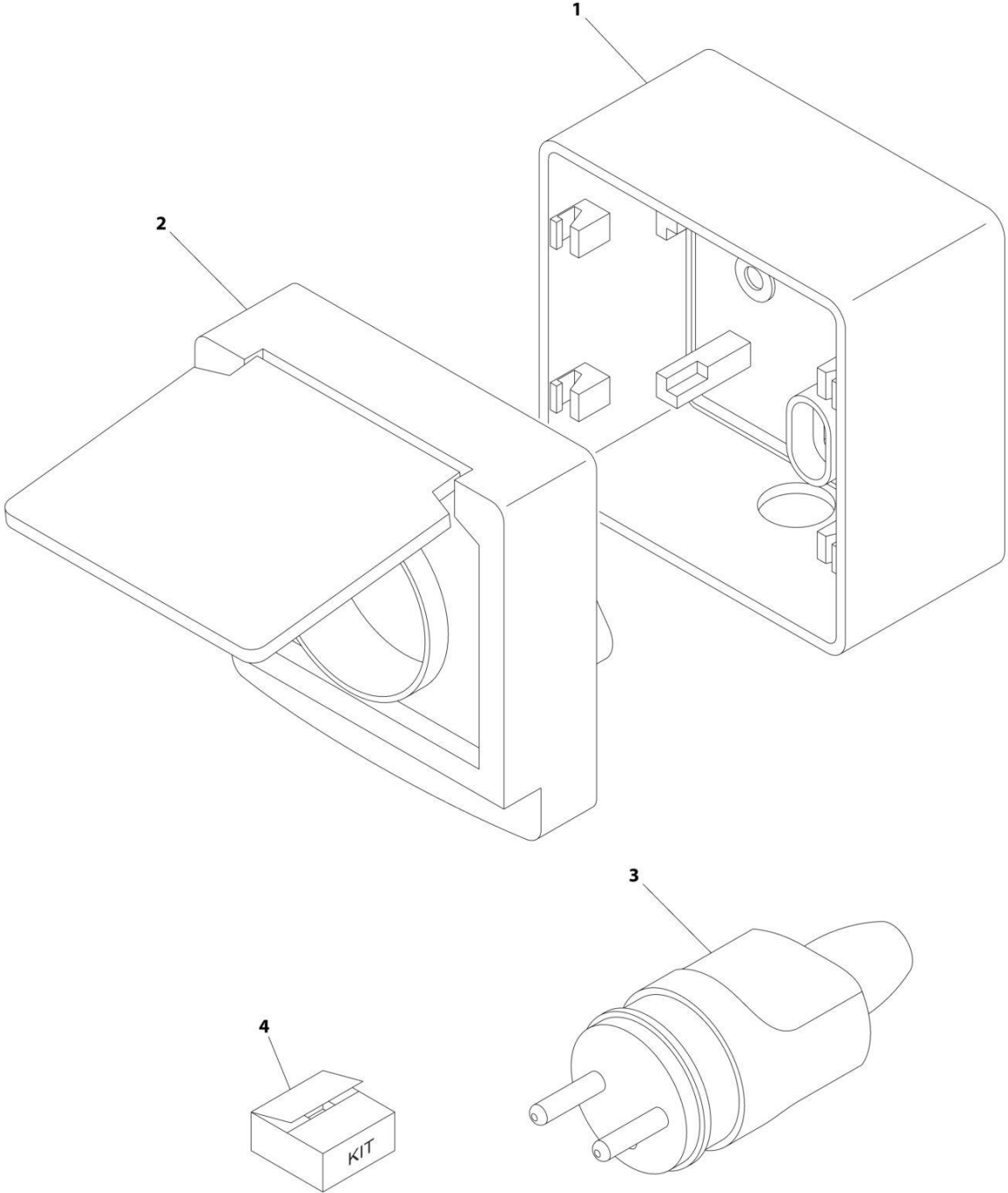
SECTION 8 - ELECTRICAL

FIGURE 8-35. RECEPTACLE BOX KIT - 220V CEE7 POST GROUND (CE & UK CA SPEC)

ITEM	PART NUMBER	QTY	DESCRIPTION	REV
	0275452	Ref	RECEPTACLE BOX KIT - 220V CEE7 POST GROUND 2IN X 4IN BOX	C
1	0861731	1	Box, Switch	
2	4461244	1	Receptacle	
3	4461205	1	Plug, Male	
4	1001100345	1	Plug and Socket Kit (Includes Items 1-3 and Female Plug p/n 4461203)	

SECTION 8 - ELECTRICAL

FIGURE 8-36. RECEPTACLE BOX KIT - 220V CEE7 POST GROUND 70X70 BOX (CE & UK CA SPEC)



ART_0275218

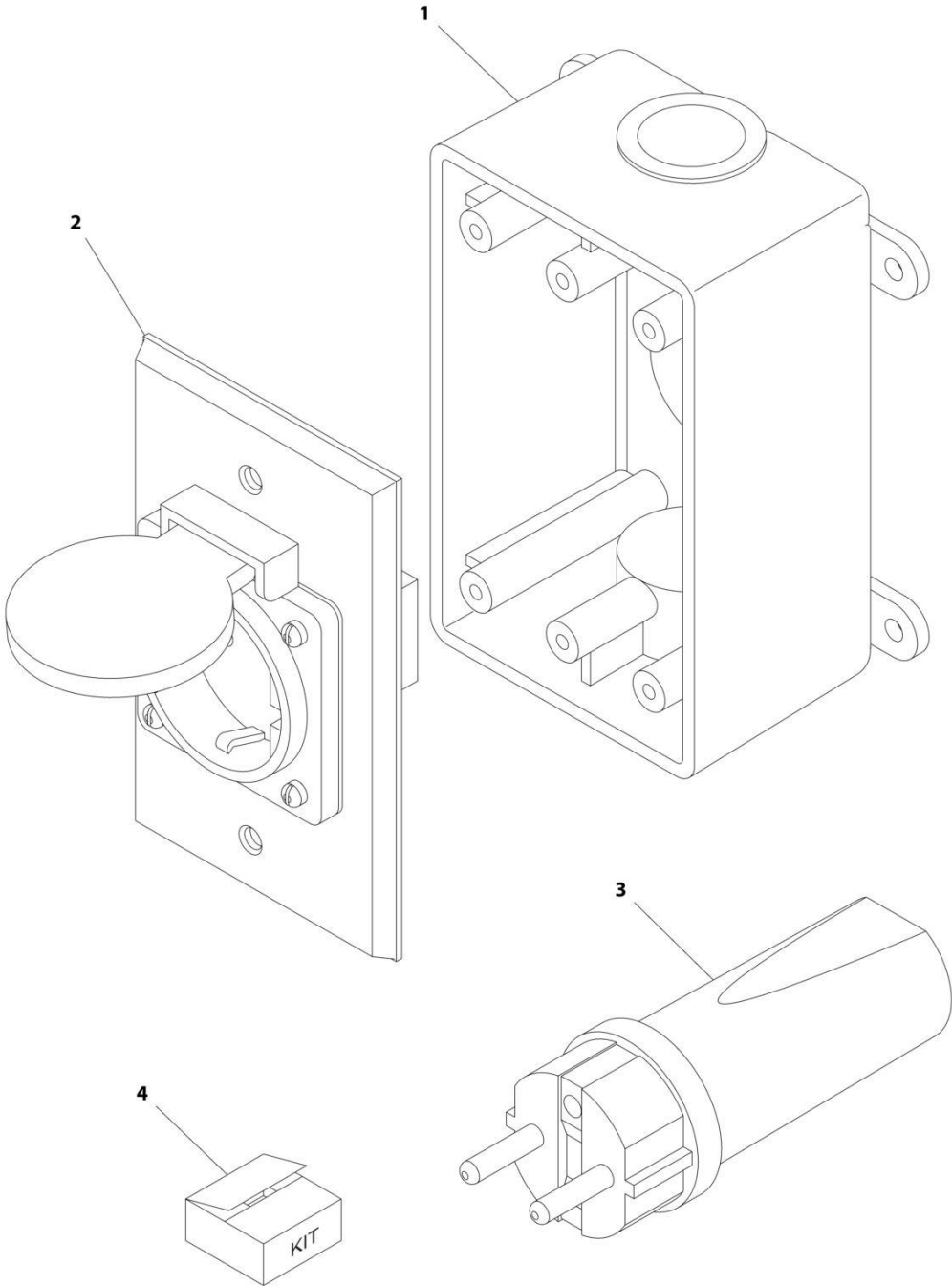
SECTION 8 - ELECTRICAL

FIGURE 8-36. RECEPTACLE BOX KIT - 220V CEE7 POST GROUND 70X70 BOX (CE & UK CA SPEC)

ITEM	PART NUMBER	QTY	DESCRIPTION	REV
	0275218	Ref	RECEPTACLE BOX KIT - 220V CEE7 POST GROUND 70X70 BOX	C
1	1001141967	1	Box, Switch	
2	1001141968	1	Receptacle	
3	4461205	1	Plug, Male	
4	1001141971	1	Plug and Socket Kit (Includes Items 1-3 and Female Plug p/n 4461206)	

SECTION 8 - ELECTRICAL

FIGURE 8-37. RECEPTACLE BOX KIT - 220V CEE7 SIDE GROUND (CE & UK CA SPEC)



ART_0275453

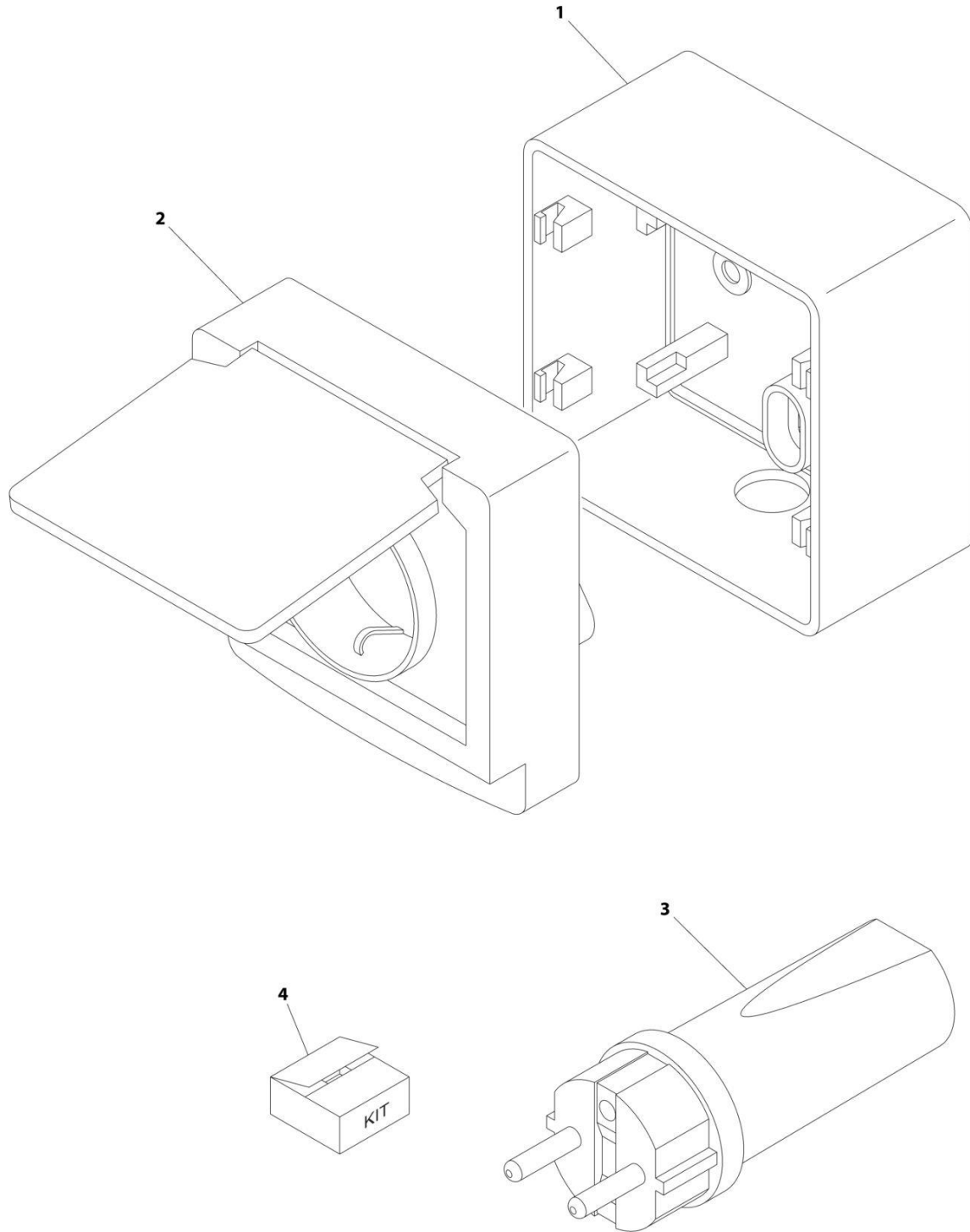
SECTION 8 - ELECTRICAL

FIGURE 8-37. RECEPTACLE BOX KIT - 220V CEE7 SIDE GROUND (CE & UK CA SPEC)

ITEM	PART NUMBER	QTY	DESCRIPTION	REV
	0275453	Ref	RECEPTACLE BOX KIT - 220V CEE7 SIDE GROUND	B
1	0861731	1	Box, Switch	
2	4461245	1	Receptacle	
3	4461205	1	Plug, Male	
4	1001100347	1	Plug and Socket Kit (Includes Items 1-3 and Female Plug p/n 4461206)	

SECTION 8 - ELECTRICAL

FIGURE 8-38. RECEPTACLE BOX KIT - 220V CEE7 SIDE GROUND 70X70 BOX (CE & UK CA SPEC)



ART_0275219

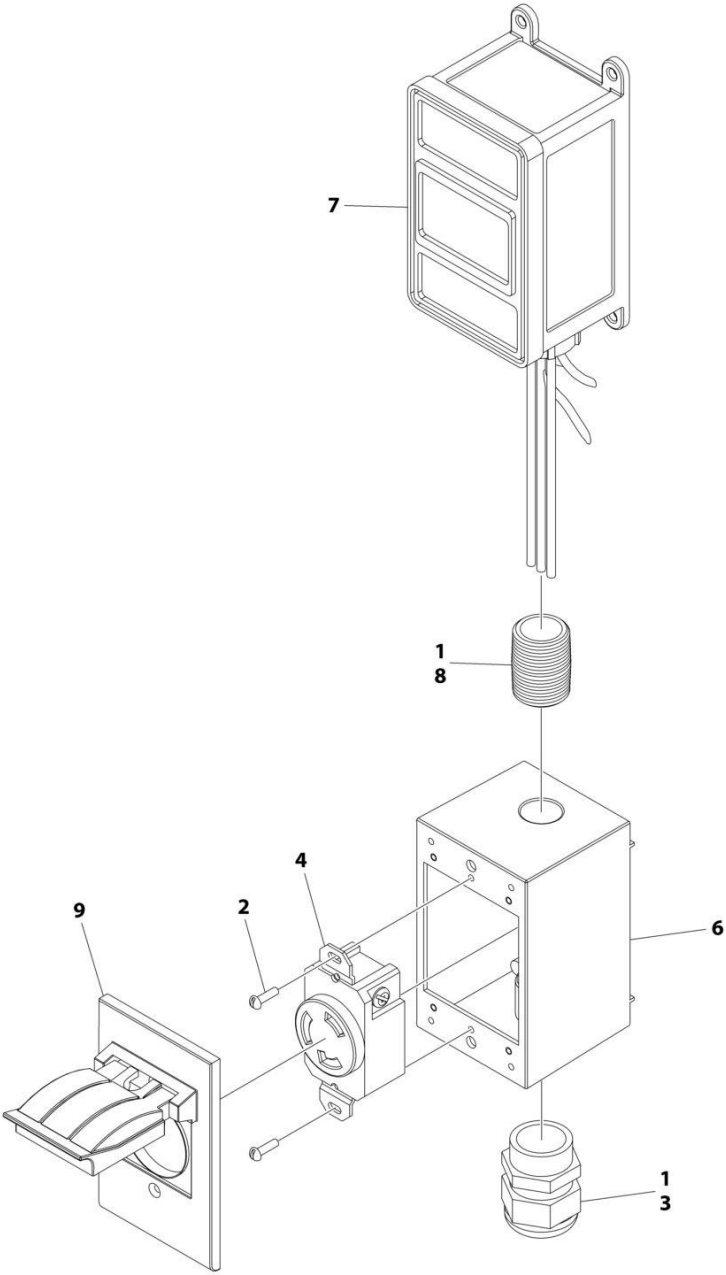
SECTION 8 - ELECTRICAL

FIGURE 8-38. RECEPTACLE BOX KIT - 220V CEE7 SIDE GROUND 70X70 BOX (CE & UK CA SPEC)

ITEM	PART NUMBER	QTY	DESCRIPTION	REV
	0275219	Ref	RECEPTACLE BOX KIT - 220V CEE7 SIDE GROUND 70MM X 70MM BOX	B
1	1001141967	1	Box, Switch	
2	1001141969	1	Receptacle	
3	4461205	1	Plug, Male	
4	1001141970	1	Plug and Socket Kit (Includes Items 1-3 and Female Plug p/n 4461206)	

SECTION 8 - ELECTRICAL

FIGURE 8-39. RECEPTACLE/BREAKER BOX ASSEMBLY - 220V GFI



ART_1001216162

SECTION 8 - ELECTRICAL

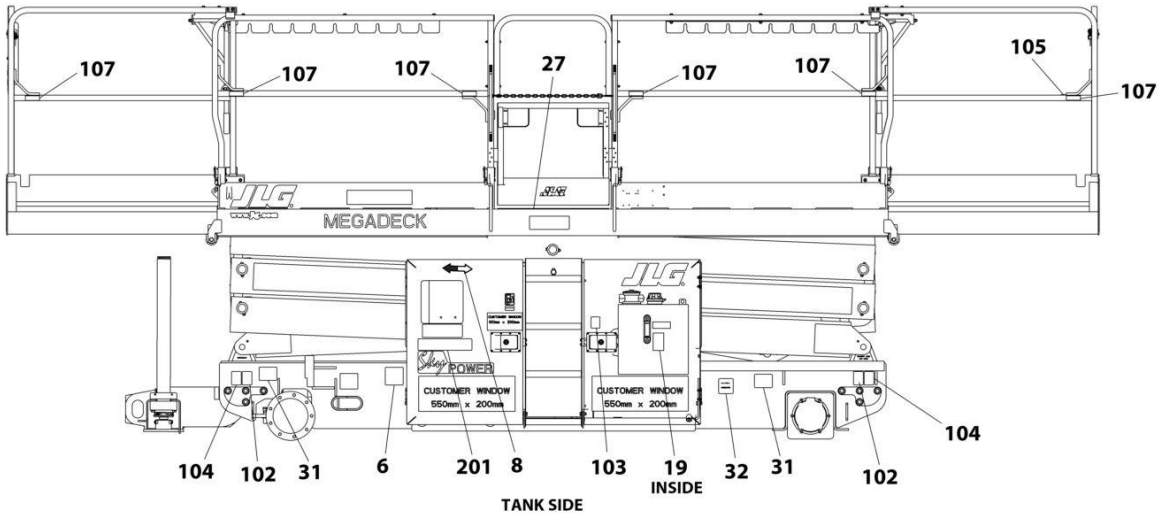
FIGURE 8-39. RECEPTACLE/BREAKER BOX ASSEMBLY - 220V GFI

ITEM	PART NUMBER	QTY	DESCRIPTION	REV
	1001216162	Ref	RECEPTACLE/BREAKER BOX ASSEMBLY - 220V GFI	A
1	0100020	AR	Sealant	
2	3910608	2	Screw #6 x 1/2	
3	4460612	1	Connector, Strain Relief	
4	4460958	1	Receptacle, Turnlok	
5	1001099670	3	Terminal, Splice (Not Shown)	
6	1001148675	1	Box, Receptacle	
7	1001159118	1	Breaker, 30A 240V	
8	1001159119	1	Fitting, Conduit	
9	1001110872	1	Cover	

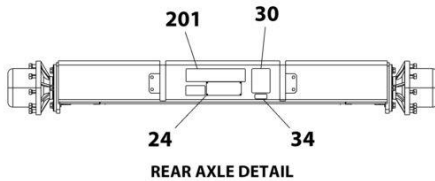
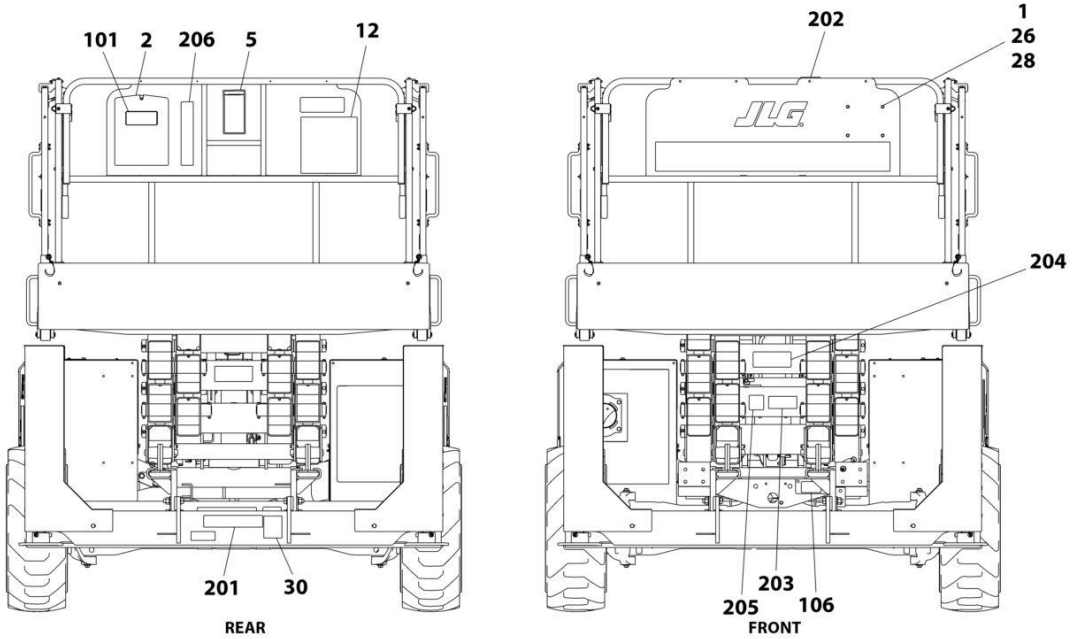
SECTION 9 - DECALS

SECTION 9 - DECALS

FIGURE 9-1. DECAL INSTALLATION - ANSI AND ANSI EXPORT SPECS (ENGLISH)



(NOTE: SOME DECALS TYPICAL BOTH SIDES)



(NOTE: SOME DECALS MOVE TO LEVELING JACKS WHEN EQUIPPED)

(NOTE: ADDITIONAL DECALS CALLED OUT ON DECAL INSTALLATION - OPTIONS)

ART_1001207678_J

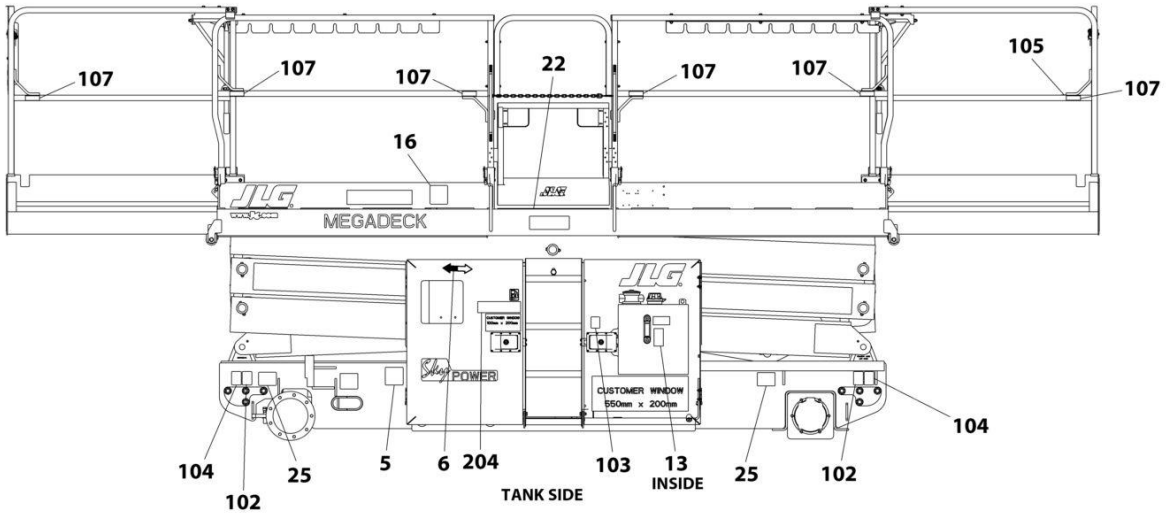
SECTION 9 - DECALS

FIGURE 9-1. DECAL INSTALLATION - ANSI AND ANSI EXPORT SPECS (ENGLISH)

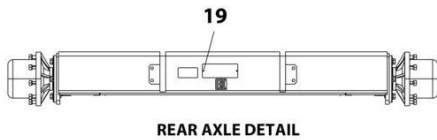
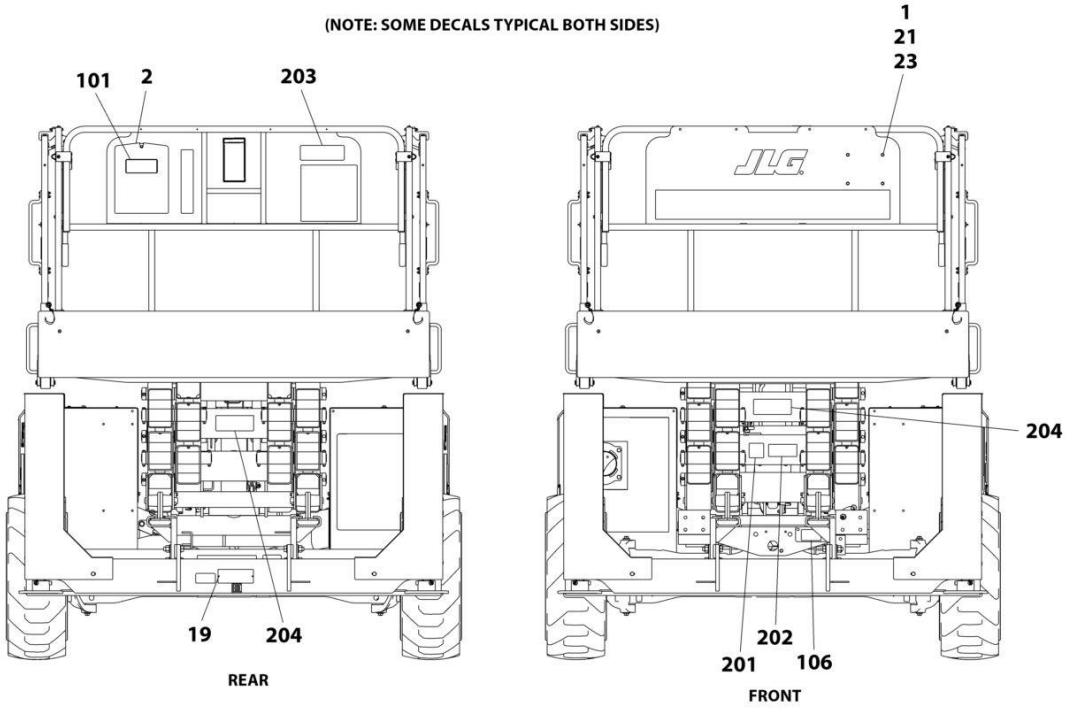
ITEM	PART NUMBER	QTY	DESCRIPTION	REV
	1001207678	Ref	DECAL INSTALLATION	J
1	0641407	4	Bolt 1/4 x 7/8	
2	0860520	1	Box, Manual Storage	
5	1705679	1	Decal - Inspection	
6	See Note	NSS	Decal - Bar Code (Note: Not Available for Purchase)	
8	1703687	2	Decal - Direction Arrow	
12	1703816	1	Decal - Danger/Warning	
19	1704412	1	Decal - Hydraulic Oil	
24	2080057	4	Fastener	
26	3311405	4	Nut 1/4	
27	4420067	48 in/1.2m	Tape, Tread	
28	4711400	8	Washer 1/4	
30	1001131270	1	Decal - Patent	
31	1703493	4	Decal - Maximum Wheel Load	
32	1001223055	1	Decal - Inspection	
34	1001223453	1	Decal - ICES	
100	1001216012	1	Master Decal Kit (Not Shown)	A
101	1701509	1	Decal - Manual	
102	1703811	4	Decal - Lifting Lug	
103	1703812	1	Decal - Hydraulic Oil	
104	1703814	4	Decal - Tie Down	
105	1703819	1	Decal - Direction Arrow	
106	1703822	1	Decal - Manual Descent Instruction	
107	1704277	12	Decal - Lanyard Attach	
200	1001216020	1	Country Specs Decal Kit - ANSI & ANSI Export (English) (Not Shown)	A
201	1703818	3	Decal - Warning	
202	1703821	1	Decal - Control Box Location	
203	1703823	1	Decal - Danger	
204	1704432	1	Decal - Warning/Danger	
205	1705019	1	Decal - Safety Prop	
206	1001192853	1	Decal - Legend	

SECTION 9 - DECALS

FIGURE 9-2. DECAL INSTALLATION - AUSTRALIAN, CE, JAPANESE & UK CA SPEC (ENGLISH)



(NOTE: SOME DECALS TYPICAL BOTH SIDES)



(NOTE: ADDITIONAL DECALS CALLED OUT ON DECAL INSTALLATION - OPTIONS)

(NOTE: SOME DECALS MOVE TO LEVELING JACKS WHEN EQUIPPED)

ART_1001207680_I

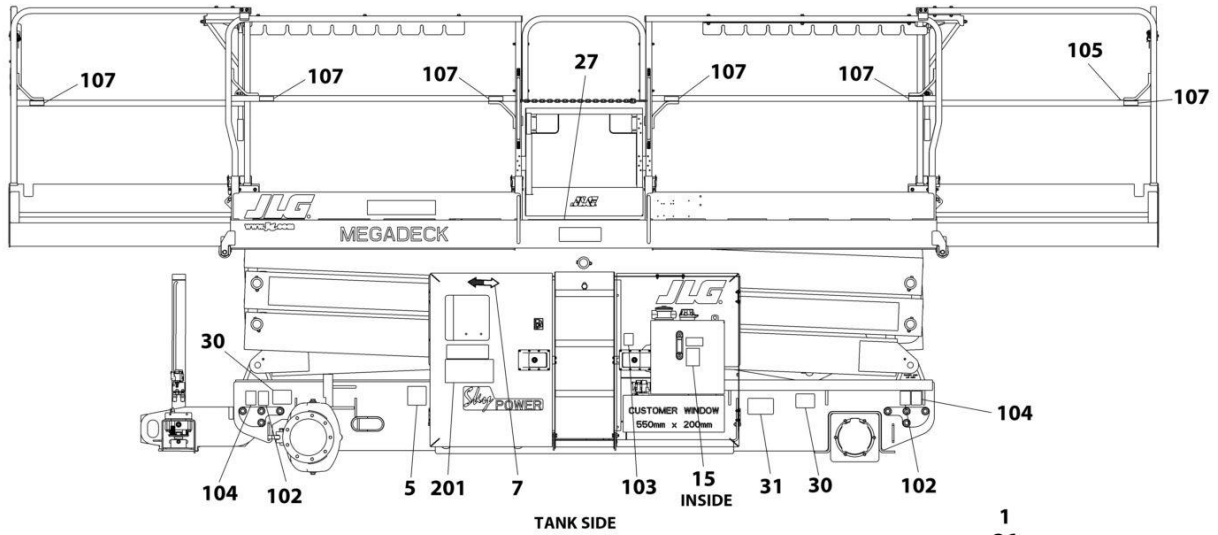
SECTION 9 - DECALS

FIGURE 9-2. DECAL INSTALLATION - AUSTRALIAN, CE, JAPANESE & UK CA SPEC (ENGLISH)

ITEM	PART NUMBER	QTY	DESCRIPTION	REV
	1001207680	Ref	DECAL INSTALLATION	I
1	0641407	4	Bolt 1/4 x 7/8	
2	0860520	1	Box, Manual Storage	
5	See Note	NSS	Decal - Bar Code (Note: Not Available for Purchase)	
6	1703687	2	Decal - Direction Arrow	
13	1704412	1	Decal - Hydraulic Oil	
16	80463053	2	Decal - Sound Power (106dB)	
19	2080057	2	Fastener	
21	3311405	4	Nut 1/4	
22	4420067	48 in/ 1.2m	Tape, Tread	
23	4711400	8	Washer 1/4	
25	1703493	4	Decal - Maximum Wheel Load	
100	1001216012	1	Master Decal Kit (Not Shown)	A
101	1701509	1	Decal - Manual	
102	1703811	4	Decal - Lifting Lug	
103	1703812	1	Decal - Hydraulic Oil	
104	1703814	4	Decal - Tie Down	
105	1703819	1	Decal - Direction Arrow	
106	1703822	1	Decal - Manual Descent Instruction	
107	1704277	12	Decal - Lanyard Attach	
200	2902498	1	Country Specs Decal Kit - Australian, CE & UK CA Specs (English) (Not Shown)	1
201	1705019	1	Decal - Safety Prop	
202	1705372	1	Decal - Warning/Danger	
203	1705671	1	Decal - Electrocutation	
204	1706338	4	Decal - Electrocutation/Crushing	

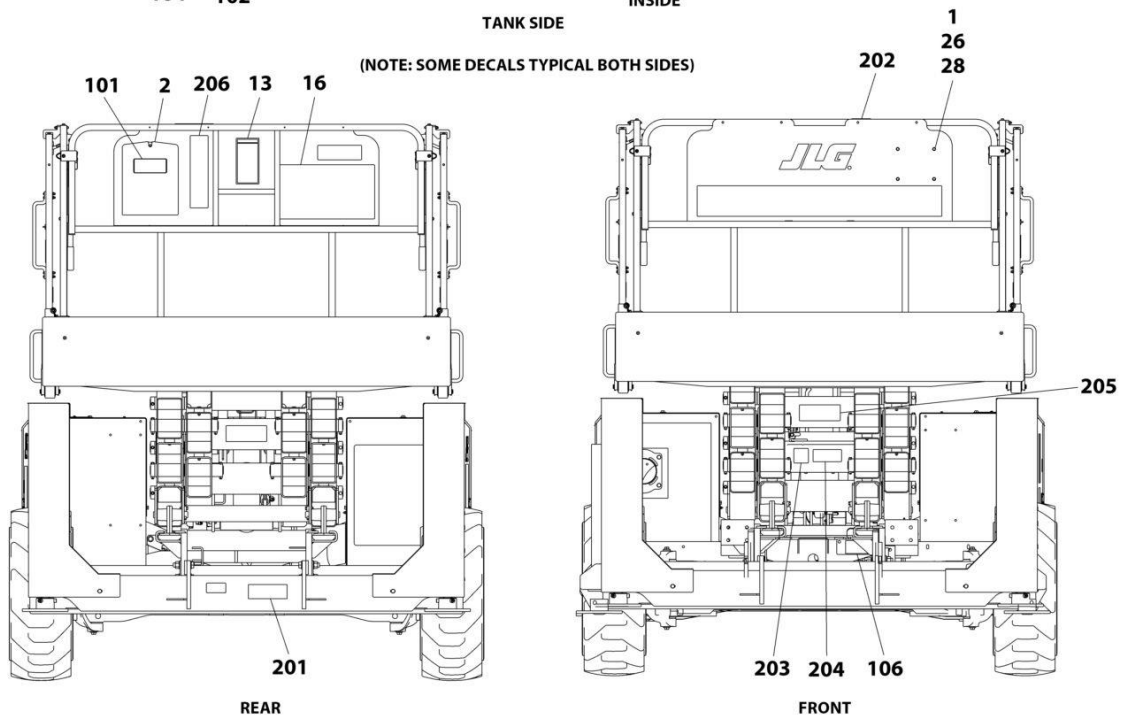
SECTION 9 - DECALS

FIGURE 9-3. DECAL INSTALLATION - BRAZIL SPECS (SPANISH/PORTUGUESE)



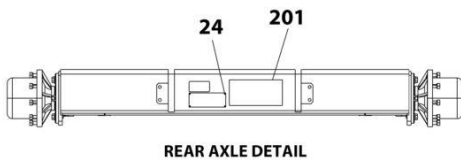
TANK SIDE

(NOTE: SOME DECALS TYPICAL BOTH SIDES)



REAR

FRONT



REAR AXLE DETAIL

(NOTE: ADDITIONAL DECALS CALLED OUT ON DECAL INSTALLATION - OPTIONS)

(NOTE: SOME DECALS MOVE TO LEVELING JACKS WHEN EQUIPPED)

ART_1001207683_G

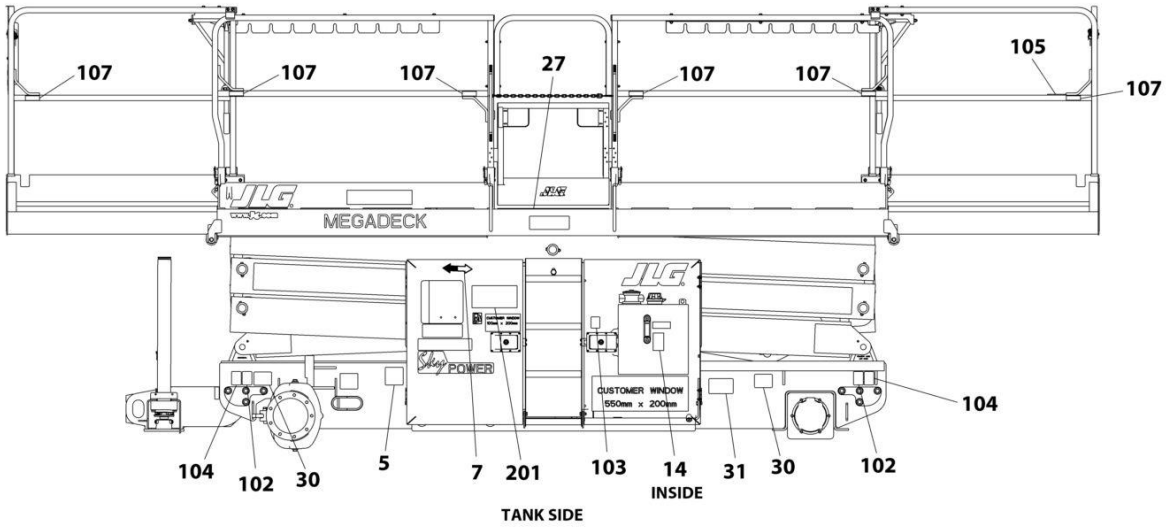
SECTION 9 - DECALS

FIGURE 9-3. DECAL INSTALLATION - BRAZIL SPECS (SPANISH/PORTUGUESE)

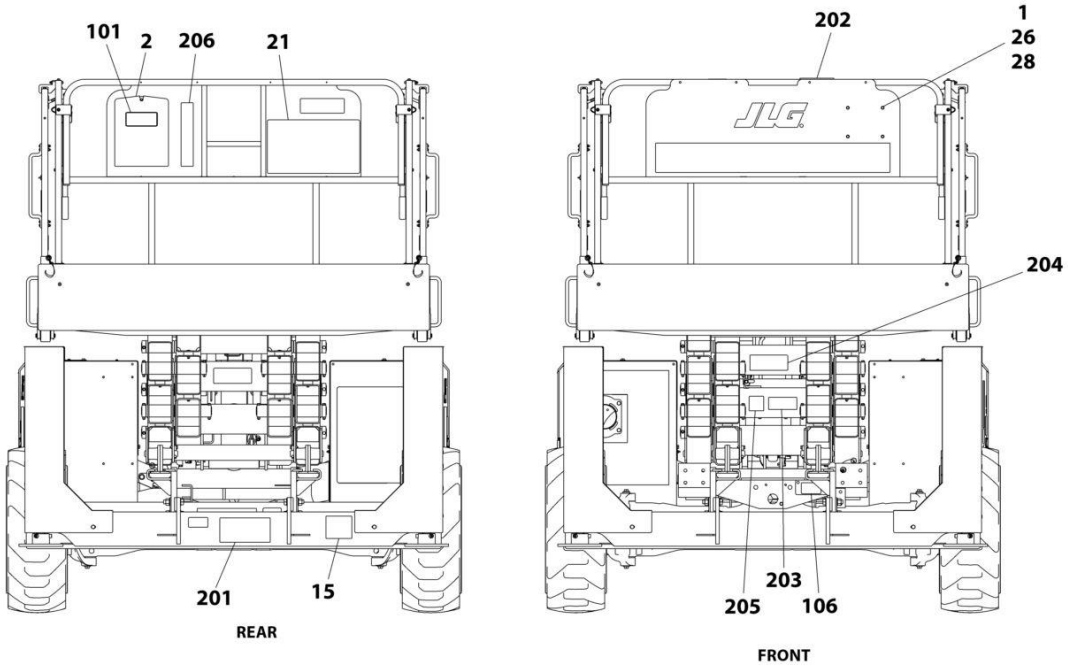
ITEM	PART NUMBER	QTY	DESCRIPTION	REV
	1001207683	Ref	DECAL INSTALLATION	G
1	0641407	4	Bolt 1/4 x 7/8	
2	0860520	1	Box, Manual Storage	
5	See Note	NSS	Decal - Bar Code (Note: Not Available for Purchase)	
7	1703687	2	Decal - Direction Arrow	
13	1705727	1	Decal - Inspection	
15	1704412	1	Decal - Hydraulic Oil	
16	1704699	1	Decal - Danger/Warning	
24	2080057	4	Fastener	
26	3311405	4	Nut 1/4	
27	4420067	48 in/1.2m	Tape, Tread	
28	4711400	8	Washer 1/4	
30	1703493	4	Decal - Maximum Wheel Load	
31	1001224052	1	Decal - Inspection	
100	1001216012	1	Master Decal Kit (Not Shown)	A
101	1701509	1	Decal - Manual	
102	1703811	4	Decal - Lifting Lug	
103	1703812	1	Decal - Hydraulic Oil	
104	1703814	4	Decal - Tie Down	
105	1703819	1	Decal - Direction Arrow	
106	1703822	1	Decal - Manual Descent Instruction	
107	1704277	12	Decal - Lanyard Attach	
200	1001216726	1	Country Specs Decal Kit - Brazil Specs (Spanish/Portuguese) (Not Shown)	A
201	1704701	3	Decal - Electrocution/Crushing	
202	1704702	1	Decal - Control Box Location	
203	1705019	1	Decal - Safety Prop	
204	1705043	1	Decal - Danger Electrical Hazard	
205	1705318	1	Decal - Warning/Crushing	
206	1001203077	1	Decal - Legend	

SECTION 9 - DECALS

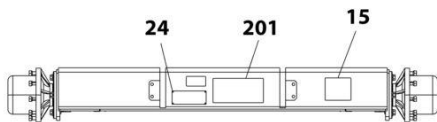
FIGURE 9-4. DECAL INSTALLATION - CHINESE SPECS (ENGLISH/CHINESE)



(NOTE: SOME DECALS TYPICAL BOTH SIDES)



(NOTE: ADDITIONAL DECALS CALLED OUT ON DECAL INSTALLATION - OPTIONS)



REAR AXLE DETAIL

(NOTE: SOME DECALS MOVE TO LEVELING JACKS WHEN EQUIPPED)

ART_1001207681_G

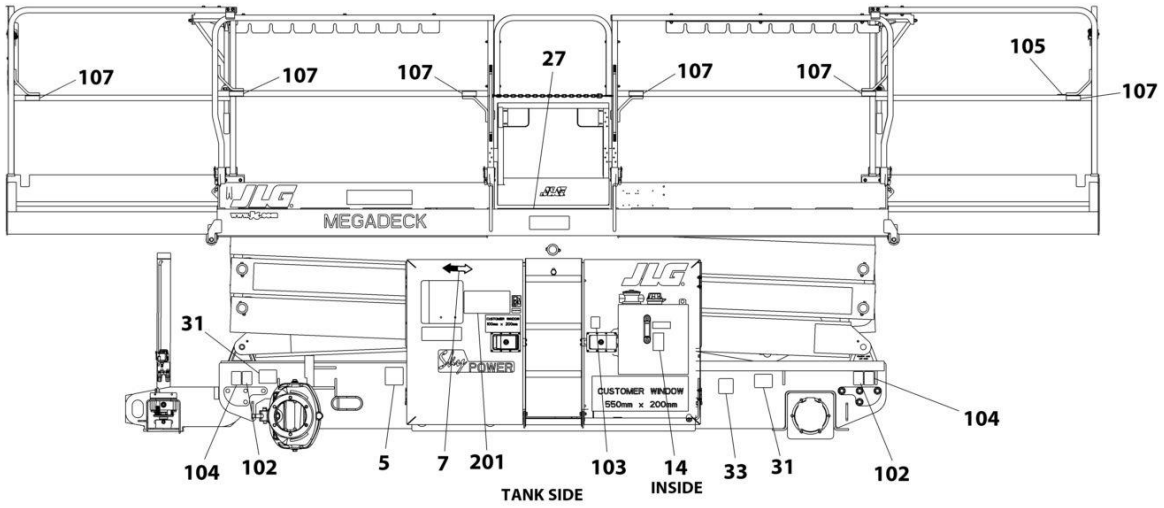
SECTION 9 - DECALS

FIGURE 9-4. DECAL INSTALLATION - CHINESE SPECS (ENGLISH/CHINESE)

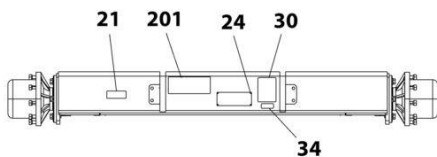
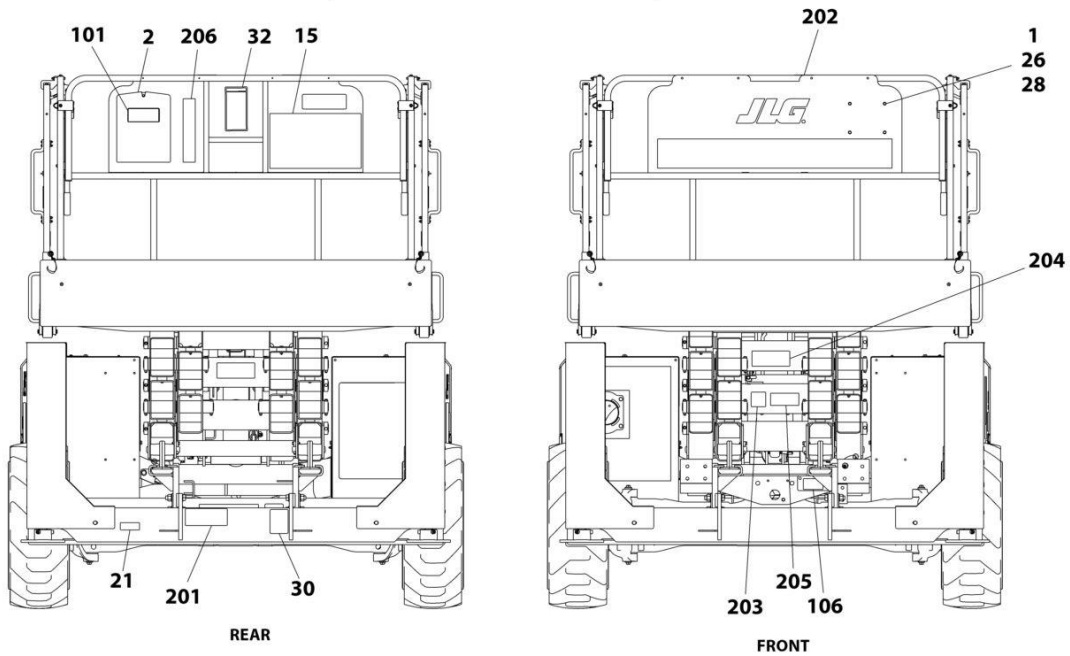
ITEM	PART NUMBER	QTY	DESCRIPTION	REV
	1001207681	Ref	DECAL INSTALLATION	G
1	0641407	4	Bolt 1/4 x 7/8	
2	0860520	1	Box, Manual Storage	
5	See Note	NSS	Decal - Bar Code (Note: Not Available for Purchase)	
7	1703687	2	Decal - Direction Arrow	
14	1704412	1	Decal - Hydraulic Oil	
15	1704607	1	Decal - Inspection	
21	1705195	1	Decal - Danger/Warning	
24	2080057	4	Fastener	
26	3311405	4	Nut 1/4	
27	4420067	48 in/1.2m	Tape, Tread	
28	4711400	8	Washer 1/4	
30	1703493	4	Decal - Maximum Wheel Load	
31	1001224050	1	Decal - Inspection	
100	1001216012	1	Master Decal Kit (Not Shown)	A
101	1701509	1	Decal - Manual	
102	1703811	4	Decal - Lifting Lug	
103	1703812	1	Decal - Hydraulic Oil	
104	1703814	4	Decal - Tie Down	
105	1703819	1	Decal - Direction Arrow	
106	1703822	1	Decal - Manual Descent Instruction	
107	1704277	12	Decal - Lanyard Attach	
200	1001217067	1	Country Specs Decal Kit - Chinese Specs (English/Chinese) (Not Shown)	A
201	1705193	3	Decal - Warning/Crushing/Danger	
202	1705194	1	Decal - Control Box Location	
203	1705944	1	Decal - Danger Electrocution	
204	1705943	1	Decal - Crushing	
205	1705019	1	Decal - Safety Prop	
206	1001192853	1	Decal - Legend	

SECTION 9 - DECALS

FIGURE 9-5. DECAL INSTALLATION - CSA SPECS (ENGLISH/FRENCH)



(NOTE: SOME DECALS TYPICAL BOTH SIDES)



REAR AXLE DETAIL

(NOTE: SOME DECALS MOVE TO LEVELING JACKS WHEN EQUIPPED)

(NOTE: ADDITIONAL DECALS CALLED OUT ON DECAL INSTALLATION - OPTIONS)

ART_1001207679_I

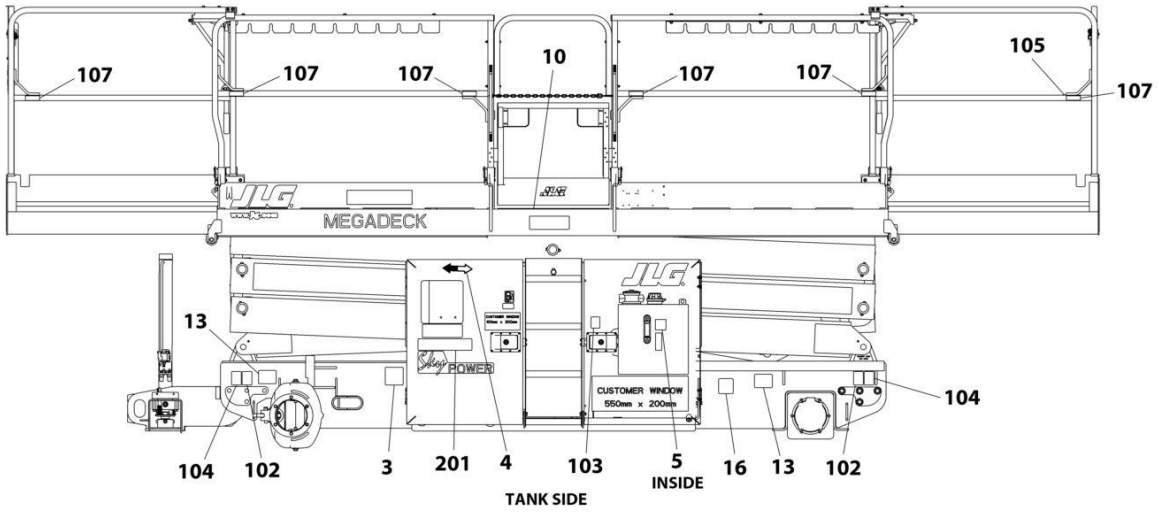
SECTION 9 - DECALS

FIGURE 9-5. DECAL INSTALLATION - CSA SPECS (ENGLISH/FRENCH)

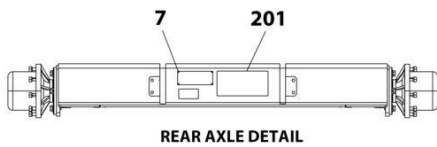
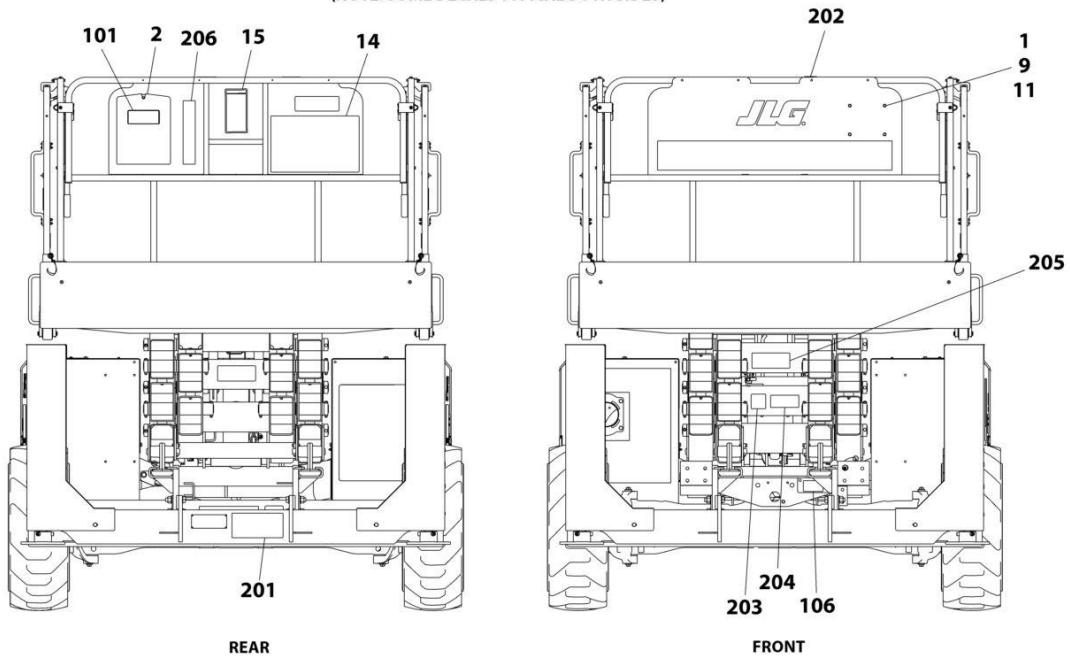
ITEM	PART NUMBER	QTY	DESCRIPTION	REV
	1001207679	Ref	DECAL INSTALLATION	I
1	0641407	1	Bolt 1/4 x 7/8	
2	0860520	1	Box, Manual Storage	
5	See Note	NSS	Decal - Bar Code (Note: Not Available for Purchase)	
7	1703687	2	Decal - Direction Arrow	
14	1704412	1	Decal - Hydraulic Oil	
15	1704684	1	Decal - Danger/Warning	
21	1705303	1	Decal - CSA	
24	2080057	4	Fastener	
26	3311405	4	Nut 1/4	
27	4420067	48 in/1.2m	Tape, Tread	
28	4711400	8	Washer 1/4	
30	1001131270	1	Decal - Patent	
31	1703493	4	Decal - Maximum Wheel Load	
32	1705679	1	Decal - Inspection	
33	1001223971	1	Decal - Inspection	
34	1001223453	1	Decal - ICES	
100	1001216012	1	Master Decal Kit (Not Shown)	A
101	1701509	1	Decal - Manual	
102	1703811	4	Decal - Lifting Lug	
103	1703812	1	Decal - Hydraulic Oil	
104	1703814	4	Decal - Tie Down	
105	1703819	1	Decal - Direction Arrow	
106	1703822	1	Decal - Manual Descent Instruction	
107	1704277	12	Decal - Lanyard Attach	
200	1001216299	1	Country Specs Decal Kit - CSA Specs (English/French) (Not Shown)	A
201	1704686	3	Decal - Warning/Crushing/Danger	
202	1704687	1	Decal - Control Box Location	
203	1705019	1	Decal - Safety Prop	
204	1705040	1	Decal - Danger Electrocution	
205	1705311	1	Decal - Crushing	
206	1001203075	1	Decal - Legend	

SECTION 9 - DECALS

FIGURE 9-6. DECAL INSTALLATION - KOREAN SPECS (ENGLISH/KOREAN)



(NOTE: SOME DECALS TYPICAL BOTH SIDES)



(NOTE: ADDITIONAL DECALS CALLED OUT ON DECAL INSTALLATION - OPTIONS)

(NOTE: SOME DECALS MOVE TO LEVELING JACKS WHEN EQUIPPED)

ART_1001216811_G

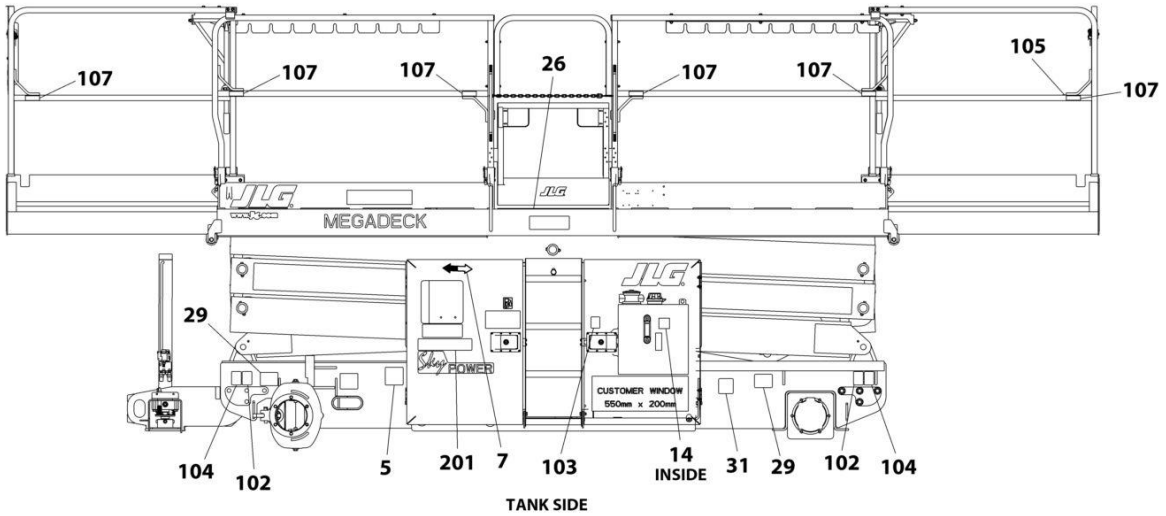
SECTION 9 - DECALS

FIGURE 9-6. DECAL INSTALLATION - KOREAN SPECS (ENGLISH/KOREAN)

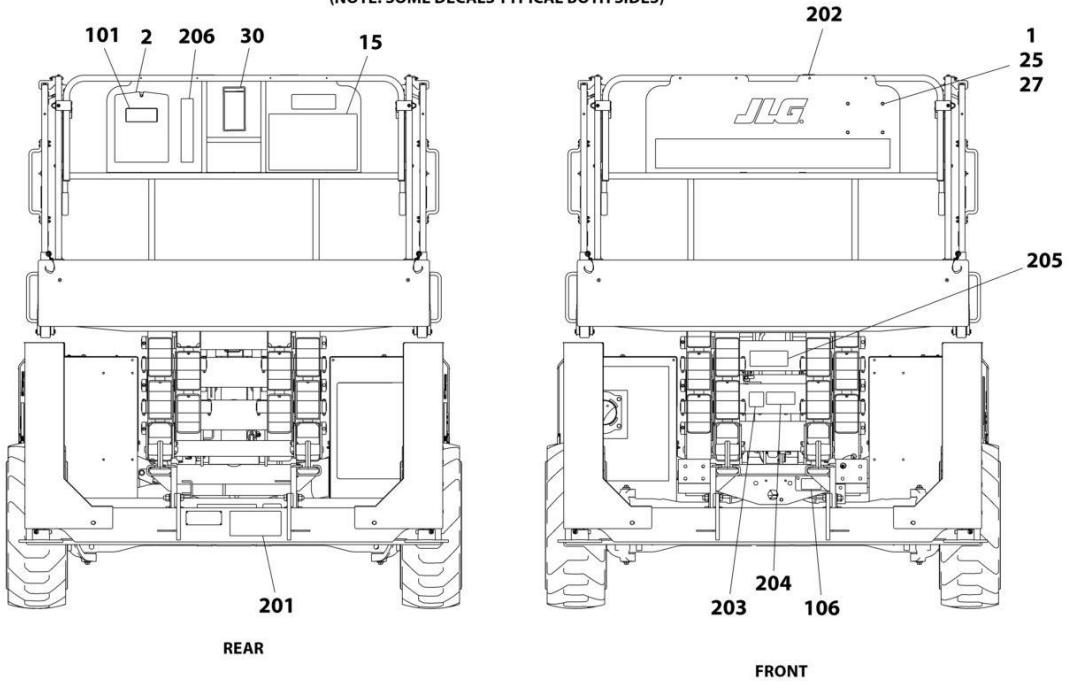
ITEM	PART NUMBER	QTY	DESCRIPTION	REV
	1001216811	Ref	DECAL INSTALLATION	G
1	0641407	4	Bolt 1/4 x 7/8	
2	0860520	1	Box, Manual Storage	
3	See Note	NSS	Decal - Bar Code (Note: Not Available for Purchase)	
4	1703687	2	Decal - Direction Arrow	
5	1704412	1	Decal - Hydraulic Oil	
7	2080057	4	Fastener	
9	3311405	4	Nut 1/4	
10	4420067	48 in/ 2 m	Tape, Tread	
11	4711400	8	Washer 1/4	
13	1703493	4	Decal - Maximum Wheel Load	
14	1001162115	1	Decal - Danger/Warning	
15	1705679	1	Decal - Inspection	
16	1001224048	1	Decal - Inspection	
100	1001216012	1	Master Decal Kit (Not Shown)	A
101	1701509	1	Decal - Manual	
102	1703811	4	Decal - Lifting Lug	
103	1703812	1	Decal - Hydraulic Oil	
104	1703814	4	Decal - Tie Down	
105	1703819	1	Decal - Direction Arrow	
106	1703822	1	Decal - Manual Descent Instruction	
107	1704277	12	Decal - Lanyard Attach	
200	1001217026	1	Country Specs Decal Kit - Korean Specs (English/Korean) (Not Shown)	A
201	1001162111	3	Decal - Warning/Crushing/Danger	
202	1001162112	1	Decal - Control Box Location	
203	1705019	1	Decal - Safety Prop	
204	1001162114	1	Decal - Danger Electrical Hazard	
205	1001162113	1	Decal - Warning/Crushing	
206	1001192853	1	Decal - Legend	

SECTION 9 - DECALS

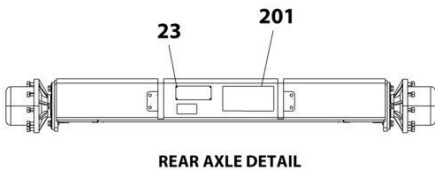
FIGURE 9-7. DECAL INSTALLATION - LATIN AMERICAN SPECS (ENGLISH/SPANISH)



(NOTE: SOME DECALS TYPICAL BOTH SIDES)



(NOTE: ADDITIONAL DECALS CALLED OUT ON DECAL INSTALLATION - OPTIONS)



(NOTE: SOME DECALS MOVE TO LEVELING JACKS WHEN EQUIPPED)

ART_1001207682_G

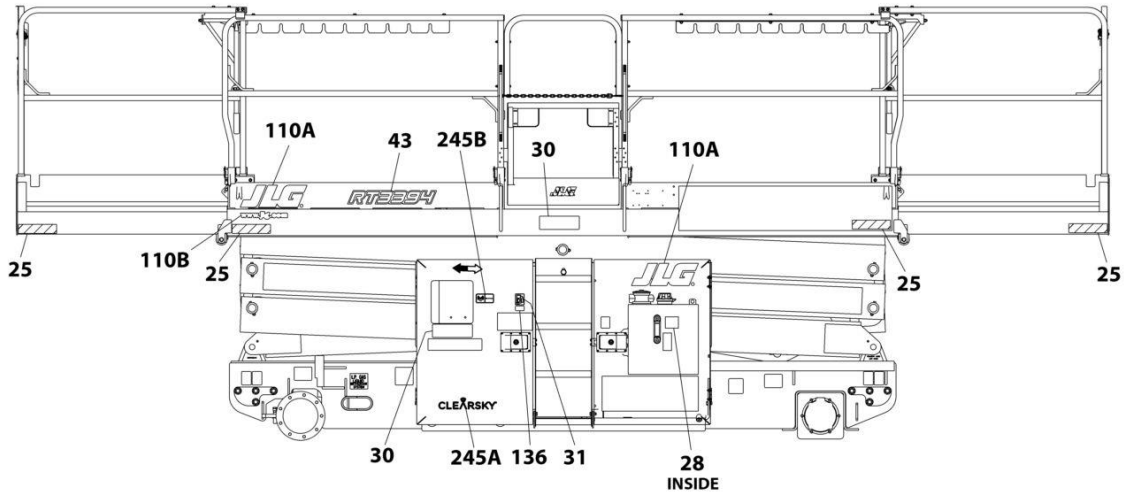
SECTION 9 - DECALS

FIGURE 9-7. DECAL INSTALLATION - LATIN AMERICAN SPECS (ENGLISH/SPANISH)

ITEM	PART NUMBER	QTY	DESCRIPTION	REV
	1001207682	Ref	DECAL INSTALLATION	G
1	0641407	4	Bolt 1/4 x 7/8	
2	0860520	1	Box, Manual Storage	
5	See Note	NSS	Decal - Bar Code (Note: Not Available for Purchase)	
7	1703687	2	Decal - Direction Arrow	
14	1704412	1	Decal - Hydraulic Oil	
15	1704691	1	Decal - Danger/Warning	
23	2080057	4	Fastener	
25	3311405	4	Nut 1/4	
26	4420067	48 in/1.2m	Tape, Tread	
27	4711400	8	Washer 1/4	
29	1703493	4	Decal, Maximum Wheel Load	
30	1705679	1	Decal - Inspection	
31	1001224049	1	Decal - Inspection	
100	1001216012	1	Master Decal Kit (Not Shown)	A
101	1701509	1	Decal - Manual	
102	1703811	4	Decal - Lifting Lug	
103	1703812	1	Decal - Hydraulic Oil	
104	1703814	4	Decal - Tie down	
105	1703819	1	Decal - Direction Arrow	
106	1703822	1	Decal - Manual Descent Instruction	
107	1704277	12	Decal - Lanyard Attach	
200	1001216738	1	Country Specs Decal Kit - Latin American Specs (English/Spanish) (Not Shown)	A
201	1704693	3	Decal - Warning/Crushing/Danger	
202	1704694	1	Decal - Control Box Location	
203	1705019	1	Decal - Safety Prop	
204	1705041	1	Decal - Danger Electrical Hazard	
205	1705316	1	Decal - Warning/Crushing	
206	1001203076	1	Decal - Legend	

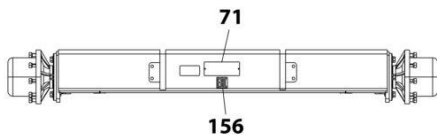
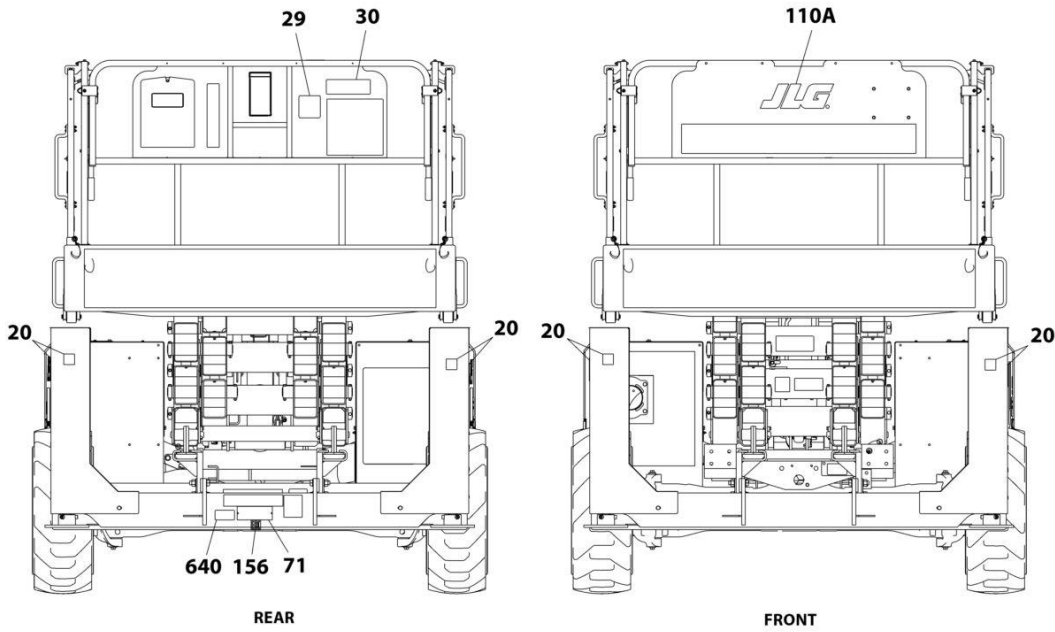
SECTION 9 - DECALS

FIGURE 9-8. DECAL INSTALLATION - OPTIONS



TANK SIDE

(NOTE: SOME DECALS TYPICAL BOTH SIDES)



REAR AXLE DETAIL

(NOTE: SOME DECALS MOVE TO LEVELING JACKS WHEN EQUIPPED)

(NOTE: ADDITIONAL DECALS CALLED OUT ON DECAL INSTALLATION - OPTIONS)

ART_DECAL_OPTIONS

SECTION 9 - DECALS

FIGURE 9-8. DECAL INSTALLATION - OPTIONS

ITEM	PART NUMBER	QTY	DESCRIPTION	REV
		Ref	DECAL INSTALLATION - OPTIONS	
	1001264334	Ref	DECAL INSTALLATION - REFERENCE CHART	D
20	1701214	8	Decal - Outrigger Warning (ANSI & ANSI Export Specs) (English)	
20	1701785	8	Decal - Outrigger Warning (Australian, CE, Japanese & UK CA Specs) (English)	
20	1704698	8	Decal - Outrigger Warning (Brazilian Spec) (Spanish/Portuguese)	
20	1704690	8	Decal - Outrigger Warning (CSA Specs) (English/French)	
20	1001215447	8	Decal - Outrigger Warning (Korean Specs) (English/Korean)	
20	1704697	8	Decal - Outrigger Warning (Latin American Spec) (English/Spanish)	
25	1001216420	Ref	Decal - Warning Stripes Installation (Single Deck Extension)	A
25	1001216421	Ref	Decal - Warning Stripes Installation (Dual Deck Extension)	A
25	4420051	10 ft/3.1m	Tape, Safety (Single Deck Extension)	
25	4420051	12 ft/3.7m	Tape, Safety (Dual Deck Extension)	
29	1001231801	1	Decal - Warning Prop65 (Diesel)	
30	1001269842	1	Decal - Capacity 2250lbs/1020kg (RT3394 with Single Deck Extension) (All Specs Except Australian, CE & UK CA Specs)	
30	1705034	1	Decal - Capacity 1020kg (RT3394 with Single Deck Extension) (Australian, CE & UK CA Specs)	
30	1001269841	1	Decal - Capacity 2000lbs/905kg (RT3394 with Dual Deck Extension) (All Specs Except Australian, CE & UK CA Specs)	
30	1705035	1	Decal - Capacity 905kg (RT3394 with Dual Deck Extension) (Australian, CE & UK CA Specs)	
30	1001269840	1	Decal - Capacity 1500lbs/680kg (RT4394 with Single Deck Extension) (All Specs Except Australian, CE & UK CA Specs)	
30	1705036	1	Decal - Capacity 680kg (RT4394 with Single Deck Extension) (Australian, CE & UK CA Specs)	
30	1001269839	1	Decal - Capacity 1250lbs/568kg (RT4394 with Dual Deck Extension) (All Specs Except Australian, CE & UK CA Specs)	
30	1705037	1	Decal - Capacity 565kg (RT4394 with Dual Deck Extension) (Australian, CE & UK CA Specs)	
31	1701505	1	Decal - Fuel (Diesel)	
31	1701542	1	Decal - Fuel (Dual Fuel)	
41	1700818	1	Decal - LP Gas (ANSI, ANSI Export and CSA Specs) (English)	
41	1702720	1	Decal - LP Gas (ANSI Export Specs) (Spanish)	
41	1704271	1	Decal - LP Gas (CSA Spec) (English/French)	
43	1001264307	1	Decal - Model RT3394	
43	1001264308	1	Decal - Model RT4394	
71	See Note	NSS	Nameplate - Manufacturer Serial Number (Australian, CE & UK CA Specs) (Note: Not Available for Purchase)	
110	1001170869	Ref	JLG Logo Decal Installation (Not Shown)	A
110A	1702773	5	Decal - JLG	
110B	1704885	2	Decal - Website	
130	1704972	1	Decal - Warning Explosion/Fire (English) (ANSI and ANSI Export Specs) (Not Shown - Located on Radiator Shroud)	
130	1706098	1	Decal - Warning Explosion/Fire (Pictogram) (Australian, CE, Japanese & UK CA Specs) (Not Shown - Located on Radiator Shroud)	
130	1706059	1	Decal - Warning Explosion/Fire (English/Portuguese) (Brazil Specs) (Not Shown - Located on Radiator Shroud)	
130	1706060	1	Decal - Warning Explosion/Fire (English/Chinese) (China Specs) (Not Shown - Located on Radiator Shroud)	
130	1706064	1	Decal - Warning Explosion/Fire (English/French) (CSA Specs) (Not	

SECTION 9 - DECALS

ITEM	PART NUMBER	QTY	DESCRIPTION	REV
130	1706061	1	Shown - Located on Radiator Shroud) Decal - Warning Explosion/Fire (English/Korean) (Korean Specs) (Not Shown - Located on Radiator Shroud)	A
130	1706063	1	Decal - Warning Explosion/Fire (English/Spanish) (Latin American Specs) (Not Shown - Located on Radiator Shroud)	
136	1001125387	1	Decal - Ultra Low Sulfur Fuel (ANSI, CSA & Japanese Specs) (Kubota T4F Only)	
136	1001139654	1	Decal - Ultra Low Sulfur Fuel (CE & UK CA Specs)	
156	1001214029	1	EAC Decal Installation (Russian/CIS Specs)	
156	1001173703	1	Decal - EAC	
245	1001236881	Ref	Decal Installation - ClearSky	
245A	1001116208	1	Decal - ClearSky	
245B	1001120989	1	Decal - Radio Frequency	
640	1001143852	1	Decal - Emission Compliance (Diesel Only) (ANSI Export, Australian, CE, Japanese & UK CA Specs)	

SECTION 10 - RECOMMENDED SERVICE PARTS STOCK

SECTION 10 - RECOMMENDED SERVICE PARTS STOCK

SECTION 10 - RECOMMENDED SERVICE PARTS STOCK

FIGURE 10-1. RECOMMENDED SERVICE PARTS STOCK

ITEM	PART NUMBER	QTY	DESCRIPTION	REV
		Ref	Note: The following list will service one machine (built to current production per date on the front cover) with emergency repair parts which can be installed in the field. Parts from the list should be replaced when inventory is depleted to keep service parts stock supplied. For further information, contact your JLG dealer or the JLG Industries Parts Department.	
	1001181045	1	Breaker, 16Amp (CE & UK CA Specs Machines with AC Box at Platform)	
	1001159118	1	Breaker, 30Amp (Machines with SkyPower 7500W Generator)	
	4360070	1	Breaker, Circuit (7500W Generator)	
	70006095	1	Breaker, Circuit - 30Amp (Machines with Generator)	
	70002113	1	Breather, Hydraulic Tank	
	70002963	1	Coil (Main Control Valve)	
	7017451	1	Coil (Lift Cylinder)	
	70050516	1	Coil Coil (Main Control Valve)	
	70001967	1	Coil Coil (Lift Cylinder)	
	70003789	1	Coil (Machines with Leveling Jacks)	
	70001965	1	Coil (Machines with Leveling Jacks)	
	1600402	1	Controller, Drive/Steer (Platform Box)	
	70010383	1 dz	Element, Charge Filter	
	70001960	4	Element, Return Filter	
		Ref	Engine - Diesel Engine	
	70005296	12	Element, Fuel/Water Separator Filter (Diesel Engines)	
	1001190545	12 dz	Filter, Fuel (Diesel Engines)	
	7017992	12 dz	Filter, Fuel (Diesel Engines)	
	70004395	12 dz	Filter, Oil (Diesel Engines)	
	7015004	12	Filter, Air (Diesel Engines)	
		Ref	Engine - Gasoline Engine	
	7017992	12	Filter, Fuel (Gasoline Engines)	
	7017980	12	Filter, Oil (Gasoline Engines)	
	7015004	12 dz	Filter, Air (Gasoline Engines)	
	70005758	1	Module, Engine Control (ECU) (Gasoline Engines)	
	1001225420	1 dz	Filter, Carbon Cannister (Gasoline Engines)	
	2860030	1	Key, Replacement (Ground Controls)	
	2940074	1	Latch	
	1001234736	1	Module, Control - Chassis Module	
	1001234735	1	Module, Control - Ground Control	
	1001182481	1	Module, Control - Leveling Jacks (Machines with Leveling Jacks)	
	1600387	1	Module, Control - LSS (Machines with LSS)	
	1001235098	1	Module, Control - Platform	
	3740080	1	Relay (Engine)	
	1001187857	1	Sensor (Scissors Arms)	
	4360475	1	Switch, Emergency Stop (Ground Controls & Platform Box)	
	4360469	1	Switch, Key (Ground Controls)	
	4360548	1	Switch, Limit (With Leveling Jacks)	
	4360387	1	Switch, Push Button (Platform Box)	
	4360500	1	Switch, Rotary Angle Sensor (Scissors Arms)	
	4360524	1	Switch, Toggle (Ground Controls)	
	1001258446	1	Switch, Toggle (Platform Box)	
	1001236560	1	Switch, Toggle (Platform Box)	

SECTION 10 - RECOMMENDED SERVICE PARTS STOCK

ITEM	PART NUMBER	QTY	DESCRIPTION	REV
	4360525	1	Switch, Toggle (Platform Box)	
	4360483	1	Switch, Toggle (Platform Box)	
	4360482	1	Switch, Toggle (Gas Machines) (Platform Box)	
	4360482	1	Switch, Toggle (Machines with Generator)	

SECTION 11 - SPECIAL OPTIONS/ACCESSORIES/KITS

SECTION 11 - SPECIAL OPTIONS/ACCESSORIES/KITS

SECTION 11 - SPECIAL OPTIONS/ACCESSORIES/KITS

FIGURE 11-1. SPECIAL OPTIONS/ACCESSORIES/KITS

ITEM	PART NUMBER	QTY	DESCRIPTION	REV
		Ref	Note: This list is to accommodate machines ordered with special equipment. Options may not be applicable to all models. For more specific parts information contact JLG Parts Department.	
		Ref	SPECIAL OPTIONS/ACCESSORIES/KITS	
	1001227835	Ref	Airline Add-on Kit (Dealer Installed)	
		Ref	ClearSky (Telematics) Installation (Factory Installed) Options:	
	1001276919	Ref	ClearSky (Telematics) Installation - 3 Wire	
	1001236021	Ref	ClearSky (Telematics) Installation - Canbus (ANSI and CSA Specs)	
	1001236869	Ref	ClearSky (Telematics) Installation - Canbus (ANSI Export, CE & UK CA Specs)	
	1001246528	Ref	ClearSky (Telematics) Installation – Canbus (Australian Specs)	
		Ref	ClearSky Telematic Add-on Kit (Dealer Installed) Options:	
	1001276923	Ref	ClearSky (Telematics) Installation - 3 Wire	
	1001230504	Ref	ClearSky (Telematics) Installation - 3 Wire (ANSI and CSA Specs)	
	1001234102	Ref	ClearSky (Telematics) Installation - 3 Wire (ANSI Export, CE & UK CA Specs)	
	1001265374	Ref	ClearSky (Telematics) Installation - Canbus (ANSI and CSA Specs)	
	1001247539	Ref	ClearSky (Telematics) Installation - Canbus (Australian Specs)	
	1001237255	Ref	ClearSky (Telematics) Installation - Canbus (ANSI Export, CE & UK CA Specs)	
	1001247788	Ref	ClearSky (Telematics) Installation - Canbus (China Specs)	
	1001293729	Ref	ClearSky (Telematics) CS550 Installation	
	1001293776	Ref	ClearSky (Telematics) without Beacon Installation	
	1001243580	Ref	ClearSky Telematics Access Control Kit (Dealer Installed) (ANSI, ANSI Export, CE, CSA & UK CA Specs)	
	1001265379	Ref	ClearSky Telematics Access Control Kit – Single Can (Dealer Installed) (ANSI and CSA Specs)	
	1001243186	Ref	ClearSky Telematics Access Control Kit – Single Can (Dealer Installed) (CE & UK CA Specs)	
	1001177763	Ref	Cold Weather Package - 120V (Diesel Engine)	
	1001215968	Ref	Cold Weather Package Add-on Kit - 120V (Diesel Engine)	
	1001216866	Ref	Cold Weather Package Add-on Kit - 120V (Gas Engine)	
	1001188785	Ref	Cold Weather Package - 240V (Diesel Engine)	
	1001215969	Ref	Cold Weather Package Add-on Kit - 240V (Diesel Engine)	
	1001215977	Ref	Container Shipment Preparation	
	1001241633	Ref	Control Box Cover Kit	
	1001287779	Ref	Decal, RT3394 Kit	
	1001287780	Ref	Decal, RT4394 Kit	
	1001233631	Ref	Door Bumpers Kit	
	1001233817	Ref	Door Retention Kit	
	1001254492	Ref	Drive/Steer Hardware and Software Replacement Kit	
		Ref	Electrical Connector Kits	
	1001148902	Ref	Electrical Connector Kit - Amp/Tyco Electrical Connectors	
	1001148903	Ref	Electrical Connector Kit - Deutsch DT Electrical Connectors	
	1001148904	Ref	Electrical Connector Kit - Deutsch HD Electrical Connectors	
	1001148905	Ref	Electrical Connector Kit - Packard Electrical Connectors	
	1001148906	Ref	Electrical Connector Kit - Various Electrical Connectors	
	1001253708	Ref	Fan and Pulley Guard Kit (Australian Specs)	

SECTION 11 - SPECIAL OPTIONS/ACCESSORIES/KITS

ITEM	PART NUMBER	QTY	DESCRIPTION	REV
	1001175145	Ref	Fire Extinguisher Installation	
	1001233320	Ref	Footswitch Installation (Factory Installed) (Korean Spec Only)	
	1001234574	Ref	Footswitch Add-on Kit (Dealer Installed) (Korean Spec Only)	
		Ref	Fuel Cap Cover Installation Options:	
	1001202749	Ref	Fuel Cap Cover Installation (Black) (All Specs) (Note: Lock p/n 1001102157 must be Purchased Separately)	
	1001191395	Ref	Fuel Cap Cover Installation (Green) (Diesel Machines) (ANSI, ANSI Export & CSA Specs) (Note: Lock p/n 1001102157 must be Purchased Separately)	
		Ref	Generator Add-on Kit (Dealer Installed)	
	1001227833	Ref	Generator Add-on Kit (7500W - 50Hz) (KUBOTA Stage III)	
	1001227831	Ref	Generator Add-on Kit (7500W - 60Hz) (KUBOTA T4F)	
	1001227832	Ref	Generator Add-on Kit (7500W - 60Hz) (KUBOTA Gasoline)	
	1001227836	Ref	Headlights and Taillights Add-on Kit (All Specs except CE & UK CA Specs)	
	1001227838	Ref	Machine Service Kits	S
	1001223282	Ref	Oil Cooler Installation (Factory Installed)	
	1001227837	Ref	Oil Cooler Add-on Kit (Dealer Installed)	
		Ref	Platform Lights Options:	
	1001227834	Ref	Platform Lights Add-on Kit - Flood Lights (Dealer Installed)	
	1001234830	Ref	Platform Lights Installation – Worklights (Factory Installed)	
	1001235702	Ref	Platform Lights Installation - Worklights (Dealer Installed)	
	1001243600	Ref	Platform Portable Lights Installation	
		Ref	Platform Padding Options:	
	1001206575	Ref	Platform Padding Installation - Top Rail Only/No Switches (Single Extension)	
	1001206579	Ref	Platform Padding Installation - Top Rail Only/No Switches (Dual Extension)	
	1001206580	Ref	Platform Padding Installation - Soft Touch Switches (ANSI & ANSI Export Specs)	
	1001262561	Ref	Platform Self Closing Gate (Add-On) (Dealer Installed)	
		Ref	Rack Options:	
	1001229316	Ref	Pipe Rack Installation (Dealer Installed)	
	1001269935	Ref	Heavy Duty Pipe Rack Kit (Dealer Installed)	
	1001238488	Ref	Large Material Tray (Single Extension) (Factory Installed)	
	1001236784	Ref	Large Material Tray (Dual Extension) (Factory Installed)	
	1001231858	Ref	Material Tray Kit (Dual and Mega Deck Extension) (Dealer Installed)	
	1001238484	Ref	Material Tray Kit (Single Deck Extension) (Dealer Installed)	
	1001239226	Ref	Service Kit - Hoods	
	1001274390	Ref	Skysense, Level 3 Installation - (Factory Installed)	
	1001286662	Ref	Skysense, Level 3 Kit - (Dealer Installed)	
		Ref	Tools for Service	
	7002821	Ref	Crimper, Wire	
	7002823	Ref	Pin Extractor - Universal (For Electrical Connectors with Pins and Sockets)	
	4460510	Ref	Pin Extractor - 12-14 Gauge (For Removal of Pin/Sockets from Deutsch Connectors)	
	4460467	Ref	Pin Extractor - 16-18 Gauge (For Removal of Pin/Sockets from Deutsch Connectors)	
	7016654	Ref	Screwdriver, Magnetic	
	7002822	Ref	Screwdriver, Potentiometer	
	7004275	Ref	Tools - Seal Tool 1in (For Cylinders)	
	7004276	Ref	Seal Tool 1-1/2in (For Cylinders)	

SECTION 11 - SPECIAL OPTIONS/ACCESSORIES/KITS

ITEM	PART NUMBER	QTY	DESCRIPTION	REV
	7002828	Ref	Stripper, Wire	

SECTION 11 - SPECIAL OPTIONS/ACCESSORIES/KITS

PART NUMBER INDEX

SECTION 11 - SPECIAL OPTIONS/ACCESSORIES/KITS

0080190....182, 190, 198, 206	0363050 ... 182, 190, 198, 206	0681813 ... 182, 190, 198, 206	0761617.83, 97, 116, 126
0100009.....67, 69	0370018 247	0681814 74, 78	0770812.....71
0100011....13, 15, 17, 19, 41, 43, 74, 78, 83, 87, 90, 94, 97, 101, 104, 108, 116, 119, 122, 126, 129, 132, 149, 153, 157, 161, 165, 169, 182, 190, 198, 206, 235, 247	0400075.83, 97, 116, 126	0682014 19	0780810....149, 153, 157, 161, 165, 169
0100019.....19	0440236... 183, 191, 199, 207	0682230 41, 43	0791408.....235
010002083, 97, 116, 126, 351	0440250 ... 183, 191, 199, 207	0700610 ... 61, 63, 90, 94, 104, 108, 122, 132	0840052.....287
0100035....179, 187, 195, 203	0440271 15, 17	0700618 117, 127	0840056.....291, 295
0100038.....13, 247	0440334 90, 104	0700619 217, 221	0840057.....291, 295
0100048....149, 153, 157, 161, 165, 169	0480100 237	070062090, 94, 104, 108, 122, 132	0840061.....291, 295, 317
0100062.....123, 133	0561489 211	0700812 83, 97, 116, 126	0860520....355, 357, 359, 361, 363, 365, 367
0100081....179, 187, 195, 203	0630407 ... 153, 157, 165, 169	070081490, 94, 104, 108, 122, 132	0861538.....153, 157
0140001.....61, 63	0630485 213, 215	0700817 83, 97	0861572.....149
0140030....225, 227, 229, 231	0641404 ... 235, 267, 269, 271, 273, 275, 277, 279, 281, 283, 285	070081990, 94, 104, 108, 123, 133	0861731....269, 335, 341, 343, 347
0140032.....71	0641406 ... 217, 221, 273, 275, 277, 279, 281, 283, 285	0700835 ... 225, 227, 229, 231	0861781.....337, 339
0181847....225, 227, 229, 231	064140741, 43, 235, 355, 357, 359, 361, 363, 365, 367	0701019 ... 149, 153, 157, 161, 165, 169	0861880.....289
0200713....183, 191, 199, 207	0641408.90, 94, 104, 108	0701020 61, 63	0901870.....217, 221
0200714.....199, 207	0641409 ... 267, 269, 271, 273, 275, 277, 279, 281, 283, 285	0701037 211	0902773....182, 190, 198, 206
0200715.....199, 207	064141217, 95, 109, 179, 187, 195, 203	0701215 ... 150, 153, 161, 165	0902774....179, 187, 195, 203
0200716....183, 191, 200, 208	0641415 211	0701217 ... 150, 153, 157, 161, 165, 169	0903054.....45
0200717.....183, 191	0641420 ... 179, 187, 195, 203	0701219 ... 149, 153, 157, 161, 165, 169	0940049.....74, 78
0200718....183, 191, 200, 208	0641505 ... 182, 190, 198, 206	0701222 .13, 90, 94, 104, 108, 122, 132	0961948.....15, 17
0200719....183, 191, 200, 208	0641507 ... 183, 191, 199, 207, 213, 215	0711221 15, 17	0961950.....13
0200720.....200, 208	0641508.41, 43, 213, 215	0721010 ... 179, 187, 195, 203	096198690, 94, 104, 108, 122, 132
0200721200, 208	0641516 217, 221	0731005 61, 63	0962031....182, 190, 198, 206
0200722.....200, 208	0641560 51, 53	0741010 83, 97, 116, 126	0962356.....198, 206
0200723.....183, 191	0641608 51, 53	0741607 ... 149, 153, 157, 161, 165, 169	0962445.....198, 206
0258011.....35	0641609 78	0760508 39	0962446....182, 190, 198, 206
0258012.....35	0641610 ... 116, 126, 179, 187, 195, 203	0760606 ... 150, 154, 158, 225, 227, 229, 231	0962474....183, 191, 199, 207
0270092.....29	0641611 ... 179, 187, 195, 203, 211	076060790, 94, 104, 108, 122, 132	0962520....149, 153, 157, 161, 165, 169
0270653.....31	0641612.83, 97, 116, 126	0760610 ... 67, 69, 74, 78, 83, 97, 117, 127, 149, 153, 157, 161, 165, 169	1001091102.....273, 275, 277, 279, 281, 283, 285
0271719.....35	0641676 217, 221	0760612 74, 78	1001093382..83, 97, 116, 126
0271785.....33	0641812 117, 127	0760614 116, 126	1001093383.....78
0272209....183, 191, 199, 207	0641814.... 87, 101, 119, 129	0760618 41, 43, 235	1001096070.....273, 275, 277, 279, 281, 283, 285, 289
0272211....183, 191, 199, 207	0641824 45	076080890, 94, 104, 108, 122, 132	1001097150.....289
0272268.....33	0642012 13	0760810 ... 41, 43, 91, 95, 104, 108, 122, 132	1001098765.....287
0272829.....237	0651414 95, 109	0760814 ... 61, 63, 83, 97, 117	1001099125.....74, 78
0274260.....241	0681607 ... 182, 190, 198, 206	0761009 157, 169	1001099623.....179, 187, 195, 203
0275216.....273, 337	0681612 ... 182, 190, 198, 206	0761010 84, 98, 117, 127	1001099670.....351
0275217275, 339	0681618 198, 206	0761011 15, 17	1001100341.....337
0275218.....281, 345	0681624 ... 182, 190, 198, 206	0761014 ... 74, 78, 84, 87, 90, 94, 98, 101, 104, 108, 123, 127, 133	1001100342.....339
0275219.....285, 349	0681632 ... 182, 190, 198, 206	076101590, 94, 104, 108, 122, 132	1001100345.....343
0275452.....279, 343	0681810 19	076101690, 94, 104, 108, 122, 132	1001100346.....341
0275453.....283, 347		0761615 74, 78	1001100347.....347
0275454.....277, 341			100110133187, 101, 119, 129, 145
034004590, 94, 104, 108, 122, 132			1001101511.....37

SECTION 11 - SPECIAL OPTIONS/ACCESSORIES/KITS

1001103012 292, 296, 321	1001118580..90, 94, 104, 108	1001148869.....31	1001170035 .90, 94, 105, 108, 122, 132
1001103013 291, 295	1001118582.....91, 105	1001148870.....31	1001170869 369
1001103760 183, 191, 199, 207	1001118657.....299	1001148902.....376	1001173043 262
1001103761 45	1001118658.....299, 303	1001148903.....376	1001173703 370
1001104498 292, 296, 321	1001118675..90, 94, 104, 108, 141	1001148904.....376	1001174093 116, 126
1001105700 37	1001118743.....299	1001148905.....376	1001174384 199, 207
1001106736 291, 295	1001118744.....299	1001148906.....376	1001174386 199, 207
1001106763 296	1001118745.....299	1001149581213, 215	1001174387 199, 207
1001107854 292, 296, 304, 321	1001118746..90, 94, 104, 108, 122, 132	1001151351258, 262	1001174455 291, 295, 317
1001108128 258, 262	1001118881.....90, 104	1001151393.....67, 69	1001174486 .83, 97, 116, 126
1001110433 74, 78	1001118925..90, 94, 104, 108	1001152266.....295	1001175145 377
1001110872 351	1001118938.....292, 297, 299, 303	1001152525.....150, 313, 315	1001175265 300
1001112612 291, 295	1001118972.....61, 63	1001154726.....291, 295	1001175509 105, 108, 132
1001113961 333	1001119020.....295	1001155806.....291, 295	1001176848 15, 17
1001116208 370	1001119412.....299	1001157520.....150, 155, 159, 313, 315	1001177763 376
1001116691 303	1001119929.....149, 161	1001157521150, 313, 315	1001180620 .91, 95, 105, 109
1001116695 329	1001120989.....370	1001157528.....155, 159	1001181045 289, 372
1001116696 303	1001121396.....255	1001158007150, 155, 159, 313, 315	1001181211 158, 170
1001116698 291, 295	1001125242.....195, 203	1001158008.....150, 155, 159, 313, 315	1001181330 67, 69
1001116732 291, 292, 295, 296, 299, 303	1001125243.....179, 187	1001158199.....258, 262	1001181622 225, 227
1001116733 291, 292, 295, 296, 299, 303	1001125248..91, 95, 105, 109, 123, 133	1001159118.....351, 372	1001181623 225, 227
1001116734 291, 292, 296, 297, 299, 300, 303	1001125387.....370	1001159119.....351	1001181625 123, 133
1001116749 303	1001125748.....299, 304	1001161497122, 132	1001181626 229, 231
1001116752 303	1001125773.....299, 304	1001162111365	1001181627 229, 231
1001116763 292, 304	1001126008.....293, 297	1001162112365	1001181658 .91, 95, 105, 109, 123, 133
1001116774 293, 297	1001126009.....293, 297	1001162113365	1001181659 123, 133
1001116808 293, 297, 333	1001126393.....303	1001162114365	1001181804 287
1001116810 333	1001128888..91, 95, 104, 108	1001162115365	1001181829 123, 133, 143
1001116811 333	1001129255.....117, 127	1001162995.....13	1001182481 41, 372
1001116812 292, 296	1001129256.....117, 127	1001163178...15, 17, 251	1001182976 .91, 95, 105, 109
1001116813 299, 303	1001129772.....299, 304	100116317915, 17	1001182977 .91, 95, 105, 109
1001116816 295, 299, 303	1001131270.....355, 363	100116340515, 17	1001182978 .91, 95, 105, 109
1001116926 292, 296, 323, 325	1001131391.....117, 127	1001163418.....61	1001182979 91, 105
1001116930 323, 325, 333	1001132170.....327	100116358013, 245	1001182980 .91, 95, 105, 109, 123, 133
1001116934 331	1001132358.....225, 227, 229, 231	100116371515, 17	1001182981 .91, 95, 105, 109, 123, 133
1001117019 291, 292, 295, 296	1001137304.....287	100116371615, 17	1001182982 .91, 95, 105, 109, 123, 133
1001117023 291, 295, 303	1001138566.....161, 165, 169	100116420915, 17	1001182983 .91, 95, 105, 109, 123, 133
1001117024 300	1001139654.....370	1001164817245	1001182984 .91, 95, 105, 109, 123, 133
1001117055 300	1001140346.....165, 169	1001165035122, 132	1001182985 .91, 95, 105, 109
1001117057 292, 296, 299, 303	1001140347.....161	100116617645	1001182986 .91, 95, 105, 109, 123, 133
1001117069 292, 296	1001141967.....345, 349	1001166729213, 215	1001182987 .91, 95, 105, 109, 123, 133
1001117070 299, 303	1001141968.....345	1001166732150, 154, 158, 162, 166, 170	1001182988 .91, 95, 105, 109, 123, 133
1001117078 291, 295	1001141969.....349	100116683741, 43	1001182989 .91, 95, 105, 109, 123, 133
1001117372 245	1001141970.....349	1001167055217, 221	1001182990 .91, 95, 105, 109, 123, 133
1001118280 .91, 95, 105, 109, 122, 132	1001141971.....345	1001167058217	1001182991 .91, 95, 105, 109, 123, 133
1001118511 13	1001143852.....370	1001167269213, 215	1001182992 .91, 95, 105, 109
1001118518 13	1001144295.....333	1001167272213, 215	1001182993 .91, 95, 105, 109
1001118519 13	1001145292.....217, 221	1001167274213, 215	1001182994 .91, 95, 105, 109
1001118538 .90, 94, 104, 108, 122, 132	1001146043.....122, 132	1001167275213, 215	1001183328 41, 43
1001118539 .90, 94, 104, 108, 122, 132	1001146311.....258, 262	100116746978	1001183416 74, 78
	1001146588.....117, 127	1001167690303	1001183420 .91, 95, 105, 109, 123, 133
	1001147274.....29, 31	1001167696213, 215	1001183421 .83, 97, 116, 126
	1001148648.....150, 313	1001168018..90, 94, 104, 108, 122, 132	1001183422 .91, 95, 105, 109, 123, 133
	1001148675.....351	1001169054..90, 94, 104, 108, 122, 132	1001183427 123, 133
	1001148844.....154, 158, 166, 170	1001169138..90, 94, 104, 108, 122, 132	1001183428 123, 133
	1001148865.....29	1001169967..90, 94, 105, 108, 122, 132	
	1001148866.....29		

SECTION 11 - SPECIAL OPTIONS/ACCESSORIES/KITS

1001183726.....154, 166	1001191599 291, 292, 295, 296, 297, 299, 300, 303	1001204618 63	1001209183..... 183, 191, 199, 207
1001184064..... 123, 133	1001192401 291, 295	1001204695 74	1001209208..... 74, 78
1001184065..83, 97, 116, 126	1001192853 355, 361, 365	1001205638 215	1001209589..... 51, 55
1001184066..91, 95, 105, 109, 123, 133	1001193336 61	1001205640 213	1001209619..... 293, 297
1001184162.....150, 154, 158, 162, 166, 170	1001194115 235	1001205642 213, 215	1001210080..... 199, 207, 325
1001184163..... 158, 170	1001194221 331	1001205643 213, 215	1001210278..... 213, 215
1001184235..... 154, 166	1001194378 258, 262	1001205896 213, 215	1001210619... 41, 43, 317
1001184705..... 303	1001194381 258, 262	1001205968 .91, 95, 105, 109, 123, 133	1001210645..... 158, 170
1001184716..... 303	1001194383 258, 262	1001205973 119, 122	1001210708..... 123, 133
1001184717..... 303	1001194384 255	1001205979 53, 57	1001210754..... 69
1001184718..... 303	1001194386 255	1001206009 221	1001210755..... 67
1001184730..... 67, 69	1001194387 255	1001206025 218, 222	1001212223..... 149, 153, 157
1001184768..... 303	1001194388 255	1001206032 116	1001213495..... 217, 221
1001184769..... 303	1001194421 331	1001206034 83	1001213672..... 258, 262
1001184832..... 303	1001194836 .83, 97, 116, 127	1001206049 116, 119	1001213673..... 258, 262
1001185125..84, 98, 117, 127	1001195123 333	1001206065 217	1001213674..... 258, 262
1001185585..84, 98, 116, 127	1001195517 315	1001206097 221	1001213676..... 258, 262
1001186428..83, 97, 117, 127, 287	1001195600 .91, 95, 105, 109, 123, 133	1001206182 213	1001213677..... 258, 262
1001186467..... 17	1001195684 299	1001206190 217	1001213678..... 258
1001186480..... 287	1001198726 .91, 94, 105, 109, 122, 132	1001206467 78	1001213679..... 258, 262
1001186481..... 287	1001200250 299	1001206575 377	1001213680..... 258, 262
1001186482..... 287	1001200400 183, 191, 200, 208	1001206579 377	1001213681..... 259, 263
1001186483..... 287	1001200401 183, 191, 199, 200, 207, 208	1001206580 377	1001213684..... 258, 262
1001186484..... 287	1001200402 183, 184, 191, 192, 199, 200, 207, 208	1001206648 258, 262	1001213847..... 123, 133
1001186826..... 162, 166, 170, 309	1001200412 183, 191, 199, 207	1001206689 71	1001214029..... 370
1001186828..... 166, 170, 315	1001200506 183, 191, 200, 208	1001206707 154, 158, 166, 170	1001214550..... 41, 43, 45
1001186833..... 123, 133	1001200510 183, 191, 200, 208	1001206708 153	1001214864..... 255
1001186919..... 154, 166	1001200528 183, 191, 200, 208	1001206776 267	1001214865..... 255
1001187197..... 150, 162, 313	1001201642 292, 296	1001206777 269	1001214989... 67, 69, 321
1001187228..... 154, 158	1001202532 150, 154, 162, 166	1001206778 271	1001215224..... 213, 215
1001187232..... 155, 159	1001202536 150, 154, 162, 166	1001206779 279	1001215255..... 67, 69
1001187235...90, 94, 122	1001202749 377	1001206780 283	1001215305..... 183, 191, 200, 208
1001187455..... 303	1001202759 158, 170	1001206781 277	1001215447..... 369
1001187695..... 17	1001202760 158, 170	1001206782 273	1001215448..... 123, 133
1001187857 179, 187, 195, 203, 372	1001202764 158, 170	1001206783 275	1001215697..... 39
1001188785..... 376	1001203075 363	1001206784 281	1001215898..... 291, 295
1001189773..... 67, 69	1001203076 367	1001206785 285	1001215968..... 376
1001190002..... 67, 69	1001203077 359	1001206832 235	1001215969..... 376
1001190270..... 225, 227, 229, 231	1001204140 74, 78	1001206896 63	1001215977..... 376
1001190368..... 15, 17	1001204236 74, 79	1001206928 273, 275, 277, 279, 281, 283, 285	1001216012..... 355, 357, 359, 361, 363, 365, 367
1001190469..... 331	1001204248 74, 78	1001207109 63	1001216020..... 355
1001190471..... 331	1001204382 74, 78	1001207285 150, 154, 158, 162, 166, 170	1001216162..... 154, 158, 166, 170, 351
1001190472..... 225, 227, 229, 231	1001204606 13	1001207678 355	1001216251..... 182, 190, 198, 206
1001190473..... 225, 227, 229, 231	1001204608 258	1001207679 363	1001216299..... 363
1001190474..... 227, 231	1001204609 262	1001207680 357	1001216383..... 182, 190, 198, 206
1001190545...83, 97, 372	1001204611 15	1001207681 361	1001216384..... 182, 190, 198, 206
1001190577..... 319	1001204612 17	1001207682 367	1001216420..... 369
1001190578..... 319, 329	1001204613 19	1001207683 359	1001216421..... 369
1001190609...83, 97, 139	1001204614 51	1001208339 150, 154, 162, 166	1001216726..... 359
1001191139..... 39	1001204615 53	1001208340 150, 154, 158, 162, 166, 170	1001216738..... 367
1001191146..... 83, 97	1001204617 61	1001208751 157	1001216739..... 367
1001191395..... 377		1001208752 149	1001216811..... 365
		1001208764 83, 97	1001216866..... 376
		1001208874 .83, 97, 116, 126	1001217026..... 365
		1001209181 183, 191, 323	1001217067..... 361
		1001209182 183, 191, 199, 207	1001217085..... 182, 190, 198, 206, 249
			1001217108..... 41, 43, 47
			1001217291..... 119, 129

SECTION 11 - SPECIAL OPTIONS/ACCESSORIES/KITS

1001218727 74, 78	1001230488.....299	1001238774.....97, 101	1001286662 377
1001218729 74, 78	1001230504.....376	1001239088.....255	1001287779 376
1001219802 74, 78	1001231195..... 61, 63	1001239200.....87, 101	1001287780 376
1001219882 74, 78	1001231801.....369	1001239222.....74, 78	1001288395 117, 127
1001220010 183, 191	1001231858.....377	1001239226.....377	1001290239 173, 175
1001220020 183, 191	1001233320.....377	1001239350.....211	1001290240 173, 175
1001220030 199, 207	1001233631.....376	1001241363.....227	1001290241 173, 175
1001220040 199, 207	1001233817.....376	1001241364.....231	1001290244 173, 175
1001220081 179	1001234069..84, 98, 117, 127	1001241633.....376	1001290246 173, 175
1001220082 179, 182	1001234102.....376	1001243186.....376	1001290247 175
1001220083 195	1001234574.....377	1001243580.....376	1001290249 175
1001220084 195, 198	1001234735..67, 69, 372	1001243600.....377	1001290257 173, 175
1001220085 187	1001234736.....293, 297, 372	1001243778.....317	1001290258 173, 175
1001220087 187, 190	1001234830.....377	1001244937.....150, 162	1001290378 173, 175
1001220088 203	1001234950..91, 95, 105, 109	1001244939.....150, 162	1001290381 173, 175
1001220089 203, 206	1001235098.....235, 372	1001246392.....241	1001290384 173, 175
1001220957 .91, 94, 105, 109, 122, 132	1001235702.....377	1001246395.....241	1001291576 173
1001220959 .91, 95, 105, 109, 122, 132	1001235922.....225, 227, 229, 231	1001246528.....376	1001291577 173
1001221687 67, 69	1001236021.....376	1001247539.....376	1001291578 175
1001222169 67, 69	1001236154..67, 69, 319	1001247648.....329	1001291579 175
1001223055 355	1001236163.....235, 333	1001247682.....225, 227, 229, 231, 233	1001293729 376
1001223282 377	1001236199.....227, 231	1001247788.....376	1001293776 376
1001223432 299	1001236230.....225, 227, 229, 231, 331	1001253708.....376	1001299769 117, 127
1001223453 355, 363	1001236266.....225	1001254492.....376	1001300357 116, 126
1001223459 303	1001236267.....229	1001254492.....376	1001308688 293, 297
1001223646 235	1001236271.....291	1001257454.....74	1060343 154, 158
1001223795 299	1001236351.....69	1001258390.....74, 79	1060379 217, 221, 241
1001223796 299	1001236352.....67	1001258391.....74, 79	1060494 154, 158, 315
1001223971 363	1001236442.....150, 154, 158, 307	1001258392.....75, 79	1060708 154, 158, 315
1001224048 365	1001236444.....162, 166, 170, 311	1001258394.....74, 79	1060808 217, 221
1001224049 367	1001236545..84, 98, 299	1001258446.....225, 229, 372	1060866 183
1001224050 361	1001236546.....117, 127, 303	1001262561.....377	1060907 199
1001224052 359	1001236560.....227, 231, 372	1001262941.....117, 127	1060908 289
1001224493 122, 132, 135	1001236784.....377	1001264307 369	1060929 ... 182, 190, 198, 206
1001225257 74, 78	1001236869.....376	1001264308 369	1061020 211
1001225258 74, 78	1001236881.....370	1001264334 369	1061021 211
1001225420 116, 127, 372	1001237255.....376	1001265374.....376	10702077 . 150, 155, 159, 313, 315
1001225421 117, 127	1001237292.....207	1001265379.....376	10702082 . 150, 155, 159, 313, 315
1001225610 97	1001237293.....191	1001269839.....369	1120555 241
1001225626 126	1001237293.....191	1001269840.....369	1180371 ... 183, 191, 199, 207
1001225627 126, 129	1001237453.....41, 43	1001269841.....369	1180372 ... 183, 191, 199, 207
1001225628 129, 132	1001237464...41, 43, 255	1001269842.....369	1320043 .91, 95, 104, 108
1001226221 74, 78	1001237754.....225, 229	1001269935.....377	1320061 116, 126
1001226420 123, 133	1001237756.....41, 43	1001272663.....95, 109	1320220 116, 126
1001226421 . 67, 69, 225, 227, 229, 231	1001237907.....74, 78	1001272948.....95, 109	1320224 ... 267, 269, 271, 273, 275, 277, 279, 281, 283, 285
1001226830 211, 327	1001237908.....74, 78	1001272950.....95, 109	1320265 .83, 97, 116, 126
1001226834 235	1001237915.....255	1001273101.....95, 109	1321692 154, 158
1001226911 211	1001237916.....255	1001274101.....117, 127	134006991, 95, 105, 109, 122, 132
1001227285 .91, 95, 105, 109, 123, 133	1001238471.....74	1001274140.....95, 109	1440331 ... 182, 190, 198, 206
1001227831 377	1001238484.....377	1001274390.....377	1580023 241
1001227832 377	1001238488.....377	1001274559..67, 69, 225, 227, 229, 231	1580024 241
1001227833 377	1001238626.....179, 187, 195, 203	1001274958.....329	1600387 211, 372
1001227834 377	1001238770..91, 94, 105, 109, 111	1001276919.....376	1600402 372
1001227835 376	1001238771....87, 90, 94	1001276923.....376	1670988 ... 235, 267, 269, 271, 273, 275, 277, 279, 281, 283, 285
1001227836 377	1001238772.....83, 87	1001279302.....43	1670995 ... 182, 190, 198, 206
1001227837 377	1001238773.....101, 104, 108	1001281298.....173, 175	
1001227838 377		1001281302.....173, 175	
1001228471 78		1001281309.....173	
1001229316 377		1001281311.....173	
1001230006 287		1001281359.....173, 175	
1001230007 287		1001281360.....173, 175	
		1001282163.....165	
		1001283490.....169	
		1001283491.....161	
		1001283871.....295	

SECTION 11 - SPECIAL OPTIONS/ACCESSORIES/KITS

1671092.....155, 159	1705193 361	2220883 ... 27, 45, 55, 57,	157, 161, 165, 169,
1671165.....41, 43	1705194 361	182, 190, 198, 206,	225, 227, 229, 231, 235
1671207.....335	1705195 361	245, 249	3290805....41, 43, 61, 63,
1683054.....247	1705303 363	2220885 55, 57, 249	71, 83, 90, 94, 97, 104,
1684290.....245	1705311 363	2220886 27, 249	108, 116, 122, 126,
1684406.....45, 247	1705316 367	2220887 249	132, 149, 153, 157,
1700818.....369	1705318 359	2220888 249	161, 165, 169, 225,
1701214.....369	1705325 273	2221036 258, 262	227, 229, 231
1701505.....369	1705372 357	2221040 ... 258, 259, 262,	329100190, 94, 104, 108,
1701509....355, 357, 359,	1705637 237	263	122, 132
361, 363, 365, 367	1705671 357	2221042 ... 182, 190, 198,	3291005....61, 63, 74, 78,
1701542.....369	1705679 ... 355, 363, 365,	206	84, 90, 94, 98, 104,
1701785.....369	367	2221050 259, 262	108, 117, 122, 127,
1702720.....369	1705727 359	2221081 258, 262	132, 211
1702773.....369	1705943 361	2221086 259, 263	329120190, 94, 104, 108,
170316290, 94, 104, 108,	1705944 361	2221176 116, 126	122, 132, 149, 153,
122, 132	1705997 241	2400044 83, 97, 116, 126	157, 161, 165, 169
1703464.....267	1706059 369	2420172 67, 69	3291605....74, 78, 83, 97,
1703493....355, 357, 359,	1706060 369	2560088 217, 221	116, 126
361, 363, 365, 367	1706061 370	2560141 ... 225, 227, 229,	3300048....267, 269, 271,
1703687....355, 357, 359,	1706063 370	231	273, 275, 277, 279,
361, 363, 365, 367	1706064 369	2560172 217, 221	281, 283, 285
1703811....355, 357, 359,	1706098 369	2560176 217, 221	3300106.....19
361, 363, 365, 367	1706338 357	2600216 74, 78	3300353.....41, 43
1703812....355, 357, 359,	2080040 217, 221	2600285 217, 221	3300396....150, 154, 158,
361, 363, 365, 367	2080057 ... 355, 357, 359,	2700100 241	313, 315
1703814....355, 357, 359,	361, 363, 365, 367	2720058 83, 97	3300408.83, 97, 116, 126
361, 363, 365, 367	2080063 217, 221, 237	2720271 83, 97	3300432.....217, 221
1703816.....355	2080064 217, 221	2720611 116, 126	3300467.....217, 221
1703818.....355	2110808 258, 262	2753791 258, 262	3310805.....41, 43
1703819....225, 227, 229,	2110810 258, 262	2753970 258, 262	3311001....150, 154, 158,
231, 355, 357, 359,	2110812 258, 262	2754244 258, 262	313, 315
361, 363, 365, 367	2111216 258, 262	2755023 259, 263	3311005....149, 153, 157,
1703821.....355	2130808 258, 262	2780267 19, 23	161, 165, 169, 179,
1703822....355, 357, 359,	2130812 258, 262	2780268 19, 21	187, 195, 203
361, 363, 365, 367	2131216 258, 262	2820031 333	3311401.....235
1703823.....355	2180348.83, 97, 116, 126	2860030 67, 69, 372	3311405..17, 90, 94, 104,
1704271.....369	2180387 116, 126	2900756 59, 182, 190,	108, 153, 157, 165,
1704277....355, 357, 359,	2180389 116, 126	199, 207	169, 179, 187, 195,
361, 363, 365, 367	2180418 116, 126	2902182 247	203, 211, 217, 221,
1704412....355, 357, 359,	2180666 83, 97	2902266 245	235, 267, 269, 271,
361, 363, 365, 367	2220237 258, 262	2902431 ... 153, 157, 165,	273, 275, 277, 279,
1704432.....355	2220238 258, 262	169, 267, 335	281, 283, 285, 355,
1704607.....361	2220290 116, 126	2902498 357	357, 359, 361, 363,
1704684.....363	2220371 45, 255, 258,	2920029 67, 69	365, 367
1704686.....363	262	2940074 217, 221, 372	3311501....51, 53, 74, 78
1704687.....363	2220373 45, 182, 190,	2940127 217, 221	3311502.....74, 78
1704690.....369	198, 206, 255, 258, 262	3250028 67, 69	3311505....183, 191, 199,
1704691.....367	2220408 258, 262	3252507 ... 269, 271, 275,	207, 213, 215, 217, 221
1704693.....367	2220415 258, 262	277, 279, 281, 283, 285	3311601.....213, 215
1704694.....367	2220435 258, 262	3271605 ... 182, 190, 198,	3311605..78, 83, 97, 116,
1704697.....369	2220451 258, 262	206	126, 179, 187, 195,
1704698.....369	2220466 258, 262	327180574, 78, 182, 190,	203, 211
1704699.....359	2220472 259, 263	198, 206	3311801.....19, 117, 127
1704701.....359	2220473 258, 262	3272205 41, 43	3311805.....45
1704702.....359	2220479 258, 262	329040567, 69, 153, 157,	3321401.....95, 109
1704885.....369	2220497 258, 262	165, 169, 225, 227,	332140290, 94, 104, 108,
1704972.....369	2220500 255, 258, 262	229, 231, 267, 269,	182, 190, 198, 206
1705019....355, 357, 359,	2220502 259, 263	273, 275, 277, 279,	3340612.....217, 221
361, 363, 365, 367	2220577 258, 262	281, 283, 285	3340929....183, 191, 199,
1705034.....369	2220578 258, 262	3290505 39, 74, 78	207
1705035.....369	2220582 258, 262	3290601 41, 43, 217, 221	3340935....179, 187, 195,
1705036.....369	2220596 255	3290605 ... 61, 63, 67, 69,	203
1705037.....369	2220600 255	74, 78, 83, 90, 94, 97,	3340937.....217, 221
1705040.....363	2220602 258, 262	104, 108, 116, 122,	3421453.....217, 221
1705041.....367		126, 132, 149, 153,	3421565.....217, 221
1705043.....359			3422219....217, 221, 241

SECTION 11 - SPECIAL OPTIONS/ACCESSORIES/KITS

3422592 13	3900319 217, 221	4360548..... 317, 372	4460508 323, 325, 333
3422669 83, 97, 116, 126	3900321 247	4400275..... 126	4460509 ... 292, 296, 323, 325, 333
3422938 211	3900323 217, 221	4400420..... 126	4460510 377
3422943 ... 182, 190, 198, 206, 211	3900355 241	4400498..... 136	4460518 ... 293, 297, 319, 327, 333
3422944 ... 182, 190, 198, 206	3910608 351	4420051..... 41, 43, 369	4460536 309
3422945 ... 182, 190, 198, 206	3911428 217, 221	4420062..... 241	4460539 292, 296, 317
3422946 ... 182, 190, 198, 206	3930820 41, 43	4420067.... 355, 357, 359, 361, 363, 365, 367	4460608 303
3422948 198, 206	3931010 217, 221	4420076.... 225, 227, 229, 231	4460612 351
3422954 182, 190	3931412 241	4460019..... 292, 297	4460662 335
3422961 ... 179, 187, 195, 203	3931436 217, 221	4460042..... 299	4460746 300
3422963 ... 179, 187, 195, 203	3931508 241	4460043..... 307	4460761 ... 293, 297, 327, 331
3422964 198, 206	3931516 247	4460051 333	4460807 311
3422965 ... 182, 190, 198, 206	3940804 ... 153, 157, 165, 169	4460068.... 150, 154, 158, 313, 315	4460808 307, 311
3423304 15, 17	3960526 19	4460071 269	4460812 291, 295
3450304 ... 182, 190, 198, 206	3990010 292, 296	4460115..... 319, 321	4460814 291, 295
3450405 ... 182, 190, 198, 206	4010403 67, 69	4460138..... 267	4460836 ... 292, 296, 317, 327
3460334 241	4010405 67, 69	4460142..... 299	4460837 291, 295
3520026 67, 69	4010408 ... 153, 157, 165, 169, 267, 269, 273, 275, 277, 279, 281, 283, 285	4460144..... 319	4460851 292, 296, 317
3520034 225, 229	4010412 67, 69	4460183..... 331	4460852 291, 295, 317
3520072 217, 221	4031507 67, 69	4460224..... 161	4460871 333
3537609 218, 222	4031509 ... 225, 227, 229, 231	4460225.... 307, 311, 319	4460873 333
3571862 218, 222	4031908 157, 169	4460247..... 299	4460874 333
3573370 ... 182, 190, 198, 206	4032014 ... 149, 153, 157, 161, 165, 169	4460256..... 292, 297	4460876 333
3573440 116, 126	4032016 157, 169	4460259.... 292, 296, 319	4460879 333
3573472 218, 222	4060802 67, 69, 149, 153, 157, 161, 165, 169, 225, 227, 229, 231	4460260.... 292, 296, 319	4460884 291, 296, 300
3573513 247	4060803 74, 78	4460265..... 331	4460891 39, 183, 191, 199, 207, 292, 296, 299, 303, 317, 333
3580317 ... 149, 153, 157, 161, 165, 169	4160116 45	4460267.... 293, 297, 331	4460892 ... 291, 295, 317, 331
3580318 ... 149, 153, 157, 161, 165, 169	4240003 241	4460268.... 307, 311, 319	4460893 299
3641452 217, 221	4240017 ... 149, 153, 157, 161, 165, 169	4460294..... 161, 327	4460894 ... 292, 296, 317, 331
3740080 84, 98, 117, 127, 293, 297, 372	4240018 84, 98, 117, 127, 179, 187, 195, 203	4460315.... 153, 157, 165, 169, 267	4460897 71, 183, 191, 199, 207, 292, 296
3760170 217, 221, 241	4240032 39	4460346..... 335	4460905 333
3760257 213, 215	4240033 ... 182, 190, 198, 206, 211, 235	4460422.... 267, 269, 271, 273, 275, 277, 279, 281, 283, 285	4460917 327
3760348 45	4280295 ... 182, 190, 198, 206	4460425.... 154, 159, 315	4460918 333
3760368 247	4340853 241	4460426.... 150, 155, 159, 313, 315	4460928 319, 333
3760460 247	4340854 241	4460434..... 319	4460929 327
3790152 87, 101, 119, 129	4360070 67, 69, 150, 154, 159, 313, 315, 372	4460464..... 71, 183, 191, 199, 207, 291, 292, 295, 296, 299, 303, 309, 321, 323, 325, 331, 333	4460930 293, 296
3820020 83, 98, 117, 127, 218, 222	4360387 67, 69, 225, 227, 229, 231, 372	4460465..... 39, 183, 191, 199, 207, 291, 292, 293, 295, 296, 299, 300, 303, 307, 309, 311, 317, 323, 325, 327, 331, 333	4460933 291, 295, 327
3841143 ... 15, 17, 83, 97, 116, 126, 179, 182, 187, 190, 195, 198, 203, 206, 211	4360469 67, 69, 372	4460470..... 291, 292, 293, 295, 296, 299, 300, 303, 309, 311, 317, 321, 323, 325, 327, 331, 333	4460934 317
3841203 ... 182, 190, 198, 206	4360475 67, 69, 225, 227, 229, 231, 372	4460471.... 225, 227, 229, 231	4460935 317
3841258 13	4360482 ... 149, 153, 157, 161, 165, 169, 229, 231, 373	4460483..... 154, 158, 315	4460939 321
3841556 ... 182, 190, 198, 206	4360483 ... 225, 227, 229, 231, 373	4460488..... 39	4460941 299
3841564 45	4360500 ... 179, 187, 195, 203, 372	4460499.... 183, 191, 199, 207	4460942 291, 295, 299
3850013 247	4360518 45		4460943 ... 291, 295, 303, 321, 323, 325
3860102 198, 206	4360524 67, 69, 372		4460944 ... 291, 292, 295, 296, 323, 325, 327
3860111 117, 127	4360525 ... 225, 227, 229, 231, 373		4460945 291, 295
3900300 67, 69			4460956 289
3900318 217, 221, 237			4460957 289

SECTION 11 - SPECIAL OPTIONS/ACCESSORIES/KITS

4461196.....337	4751600..... 78, 213, 215, 217, 221	70000684 233	70002174.....146
4461198.....337	4751800..... 61, 63	70000685 233	70002175.....146
4461199.....339	4761400..... 90, 104, 235	70000686 233	70002176.....146
4461201.....339	4761500..... 51, 53	70000797 27	70002177.....146
4461205....343, 345, 347, 349	4761600..... 51, 53	70000863 .. 149, 153, 158	70002178.....146
4461244.....343	481140067, 69, 153, 157, 165, 169, 267, 269, 273, 275, 277, 279, 281, 283, 285	70001100 .. 149, 153, 157	70002179.....146
4461245.....347	4811600 67, 69	70001250 233	70002180.....146
4461246.....341	4811700 ... 41, 43, 67, 69, 74, 78, 83, 90, 94, 97, 104, 108, 116, 122, 126, 132, 149, 153, 157, 161, 165, 169	70001251 233	70002181.....146
4461249.....341	4811900 ... 41, 43, 71, 83, 90, 94, 97, 104, 108, 116, 122, 126, 132, 149, 153, 157, 161, 165, 169, 225, 227, 229, 231	70001252 233	70002182.....146
4461257.....281, 285	4811902.... 61, 63, 83, 97	70001253 233	70002185.....146
4461258.....281, 285	4812000 ... 74, 78, 84, 90, 94, 98, 104, 108, 117, 122, 127, 132	70001349 21, 23	70002186.....146
4461271.....333	4812002.... 61, 63, 74, 78	70001384 .. 149, 153, 158	70002187.....146
4520216.....29	4812300 ... 74, 78, 83, 97, 116, 126	70001932 27	70002188.....146
4520217.....35	481250090, 94, 104, 108, 123, 133	70001933 141	70002189.....146
4520240.....31	4845441 237	70001958 146	70002190.....146
4520262.....33	4845442 237	70001959 65	70002191.....146
4520608.....37	4846460 199, 207	70001960 65, 372	70002192.....146
4530028.....239	4846532 217, 221	70001965 45, 47, 372	7000229.....21, 23
4568295.....211	4846537 217, 221	70001966 . 149, 154, 158, 161, 165, 169	70002291... 150, 154, 158
4640858.....245	4846570 218, 222	70001967 . 183, 191, 199, 207, 372	70002297... 149, 154, 158
4641122....29, 31, 33, 37	4846584 247	70001973 .. 150, 154, 158	7000230.....21, 23
4641193....182, 190, 199, 207	4860179 35	70001974 .. 150, 154, 158	70002315.....111
4641205....182, 190, 199, 207	4860237 33	7000206 21, 23	70002316.....111
4641254....182, 190, 199, 207	4871700 150, 154, 158	70002112 65	70002317.....111
4641303.....51, 53, 59	4891600 87, 101, 150, 154, 158, 161, 165, 169	70002113 65, 372	70002318..... 111, 135
4711000....150, 155, 159, 313, 315	4891800 ... 19, 74, 78, 87, 101, 119, 129	70002132 145, 146	70002319.....111
4711400....17, 41, 43, 83, 95, 97, 109, 116, 126, 153, 157, 165, 169, 179, 183, 187, 191, 195, 199, 203, 207, 211, 217, 221, 235, 241, 267, 269, 271, 273, 275, 277, 279, 281, 283, 285, 355, 357, 359, 361, 363, 365, 367	4892000 19	70002133 145	7000232.....21, 23
4711500....41, 43, 74, 78, 183, 191, 199, 207, 213, 215	4892200 41, 43	70002134 145	70002321.....111
4711600....116, 119, 126, 129, 183, 191, 195, 199, 207, 217, 221	5240600 ... 74, 78, 90, 94, 104, 108, 123, 133, 235	70002135 145	70002322.....111
4711700....225, 227, 229, 231	5241000 ... 83, 90, 94, 97, 104, 108, 116, 122, 126, 132, 149, 153, 157, 161, 165, 169	70002136 145	70002323.....111
4711800.....117, 127	5241200 ... 13, 15, 17, 90, 94, 104, 108, 122, 132, 149, 153, 157, 161, 165, 169	70002137 145	70002326..... 112, 136
4740086.....15, 17	5251012 13	70002138 145	70002327.....112
4740158.....13	5272011 ... 149, 153, 161, 165	70002139 145	70002328.....112
4740455....183, 191, 199, 207	5272012 ... 149, 153, 157, 161, 165, 169	70002140 145	70002330.....112
4740480.....241	70000082 233	70002141 145	70002419.....111
4750800.....41, 43	70000084 233	70002142 145	7000246... 150, 154, 158
475100061, 63, 149, 153, 157, 161, 165, 169, 179, 187, 195, 203, 217, 221	70000619 .. 149, 153, 157	70002143 145	7000248.....21, 23
4751400....217, 221, 267, 269, 271, 273, 275, 277, 279, 281, 283, 285	70000683 233	70002144 145	7000253.....21, 23
475150084, 98, 117, 127, 217, 221		70002145 145	7000257.....21, 23
		70002146 145	7000258.....21, 23
		70002147 145	7000261.....21, 23
		70002148 145	7000262.....21, 23
		70002149 145	7000263.....21, 23
		70002150 145	70002768.....65
		70002151 145	70002842.....245
		70002152 145	70002861..... 119, 129
		70002153 145	70002901.....139
		70002154 145	70002963.....55, 57, 372
		70002155 145	70003024.....55, 57
		70002156 145	70003060.....111
		70002157 145	70003061.....111
		70002158 145	70003063.....112
		70002159 145	70003064.....112
		70002160 145	70003631... 149, 154, 158
		70002161 145	70003708..149, 154, 158, 161, 165, 169
		70002162 145	70003709..149, 154, 158, 161, 165, 169
		70002163 145	70003789.....41, 43, 372
		70002164 145	70003935.....59
		70002165 145, 146	70003936.....59
		70002166 145	70003977.....55, 57
		70002167 145	70004069.....139
		70002168 145	70004070.....139
		70002169 146	
		70002170 146	
		70002172 146	

SECTION 11 - SPECIAL OPTIONS/ACCESSORIES/KITS

70004092 .. 149, 154, 158, 161, 165, 170	70005223 111	70006097... 150, 154, 158	7017959..... 135
70004094 .. 149, 154, 158	70005224 111	70006284.....249	7017963..... 112
70004098 .. 150, 154, 158, 166, 170	70005226 112	70006285.....249	7017980..... 135, 372
70004099 .. 149, 154, 158, 161, 165, 170	70005227 112	70006286.....249	7017982..... 135
70004294 135	70005228 111	70006287.....249	7017983..... 135
70004295 135	70005229 112, 136	70006288.....249	7017984..... 135
70004296 135	70005293 139	70006289.....249	7017986..... 135
70004306 135	70005294 139	70006290.....249	7017992.... 112, 135, 372
70004311 111, 135	70005295 139	70006292.....47	7017994..... 136
70004395 111, 372	70005296 139, 372	70006552... 161, 165, 169	7017995..... 135
70004396 111	70005297 139	70006553... 161, 165, 169	7019602... 182, 190, 198, 206
70004397 111	70005327 136	70006661..... 111, 135	702017567, 69, 225, 227, 229, 231
70004398 111	70005329 135	70006662.....135	702017667, 69, 225, 227, 229, 231
70004399 111	70005448 55, 57	70006664.....112	7020218... 182, 190, 198, 206
70004401 136	70005449 55, 57	70006665.....111	7020219... 182, 190, 198, 206
70004415 112	70005453 141	70006737.....41, 43	7021249..... 27
70004524 111, 135	70005454 143	70006738.....41, 43	7021256..... 146
70004525 111, 135	70005455 143	7000731.....24	7021275..... 27, 145
70004526 111, 135	70005723 55, 57	70007439.....146	7021276..... 27
70004530 111	70005724 55, 57	70007502.....91, 95, 105, 109, 122, 132	7021277..... 27
70004531 111	70005726 135	70007506.....233	7021625..... 59
70004536 111	70005727 135	70010383.....83, 97, 116, 126, 372	7021639..... 59
70004537 111, 136	70005729 135	7001998.....21, 23	7022301..... 145
70004538 111, 135	70005730 135	7002821.....377	7022302..... 27
70004539 111	70005731 135	7002822.....377	7022305..... 27
70004540 111	70005732 135	7002823.....377	7022310..... 27
70004544 111	70005733 135	7002828.....378	7022311..... 27
70004557 135	70005734 135	7004275.....377	7022312..... 27
70004558 135	70005735 135	7004276.....377	7022314..... 27
70004580 55, 57	70005736 135	70050516.....55, 57, 372	7022326..... 27
70004676 .. 161, 165, 170	70005737 135	7007207.....145	7022328..... 27
70004678 .. 161, 166, 170	70005738 135	7007415.....146	7022340..... 146
70004679 .. 161, 166, 170	70005739 135	7007418.....145	7022368..... 27
70004680 .. 161, 166, 170	70005740 135	7007419.....145	7022369..... 27
70004681 161	70005743 135	7007437.....27	7022371..... 27
70004682 .. 161, 166, 170	70005744 135	7007438.....27	7022390..... 55, 57
70004683 161	70005745 135	7007439.....27	7022397..... 59
70004685 166, 170	70005746 136	7007446.....27, 145	7022398..... 55, 57
70004686 161	70005747 136	7007601.....21, 23	7022399..... 55, 57, 59
70004687 166, 170	70005748 136	7007640.....21, 23	7023107..... 135
70004794 61, 63	70005749 136	7010429.....21, 23	7023124..... 112
70004829 112, 135	70005750 136	7012518.....41, 43	7023140..... 111
70004831 135	70005751 136	7012925.... 183, 191, 199, 207	7023144..... 111
70004834 135	70005752 136	701500491, 95, 105, 109, 122, 132, 372	7023145..... 112
70004848 135	70005753 136	701500591, 95, 105, 109, 122, 132	7023148..... 112
70004851 136	70005754 136	7016654.....377	7023149..... 112
70004853 136	70005755 136	7017059.....21, 23	7023154..... 111
70004854 136	70005756 136	7017067.....21, 23	7023165..... 111
70004883 55, 57	70005757 136	7017070.....21, 23	7023167..... 111
70004912 136	70005758 136, 372	7017080.....21, 23	7023168..... 111
70004913 136	70005759 136	7017451.... 183, 191, 199, 207, 372	7023170..... 112, 136
70005069 55, 57	70005760 136	7017496.... 182, 190, 199, 207	7023306..... 65
70005073 55, 57	70005761 136	7017901.....112	7023347..... 65
70005100 55, 57	70005762 136	7017906.....135	7023900..... 55, 57
70005150 251	70005763 136	7017914.....135	7023904..... 41, 43
70005151 251	70005764 136	7017922.....111	7023907..... 27
70005152 251	70005765 136	7017928.....111	7023910..... 27
70005153 251	70005766 136	7017934.....111, 135	7023917..... 59
70005154 251	70005767 136	7017945.....111	7023919... 183, 191, 199, 207
70005165 55, 57	70005768 136	7017958.....112	
70005167 55, 57	70005769 136		
70005220 111	70006093 .. 149, 154, 158		
70005221 111	70006094 .. 149, 154, 158		
70005222 111	70006095 .. 150, 154, 158, 372		
	70006096 .. 150, 154, 158		

SECTION 11 - SPECIAL OPTIONS/ACCESSORIES/KITS

7023923....183, 191, 199, 207	7024473 239	7024829 ... 183, 191, 199, 207	80463053.....357
7023929.....87, 101	7024474 239	7024854 27	8220007.....291, 295
7023933.....59	7024475 239	7024862 27	8220022.... 150, 155, 159, 313
7023936.....55, 57	7024478 239	7024868 27	8220164.....299, 303
7023964.....146	7024488 149, 153, 157	7024881 59	8303511.83, 97, 116, 126
7024182.....23, 24	7024489 149, 153, 157	7025479 111	8310382.... 179, 187, 195, 203
7024189.....24	7024497 45, 47	7026597 150, 154, 158	83191040..... 119, 129
7024190.....24	7024498 47	7026626 150, 154, 158	8405009..... 122, 132
7024191.....24	7024500 47	7027365 233	840510190, 94, 104, 108, 122, 132
7024192.....24	7024502 45, 47	7027367 233	840510490, 94, 104, 108, 122, 132
7024193.....24	7024503 47	7027419 27	8406302..... 157, 169
7024194.....24	7024504 47	7027765 233	8410013..... 123, 133
7024196.....24	7024505 47	7027766 233	85941016.....90, 94, 104, 108, 122, 132
7024197.....24	7024506 45, 47	7027773 239	8750014..... 83, 97
7024441.....65	7024507 47	7027774 239	8760351.....258, 262
7024446.....65	7024705 23	7027775 239	8786514..... 35
7024462.....239	7024712 21, 23	7027776 239	88521205..... 84, 98, 116, 126
7024463.....239	7024713 21, 23	7027777 239	
7024467.....239	7024714 21, 23	7027778 239	
7024469.....239	7024715 21, 23	7027779 239	
7024470.....239	7024716 21, 23	7027780 239	
7024471.....239	7024717 23	7027799 150, 154, 158	
7024472.....239	7024718 24	77363233 307, 311	



**Corporate Office
JLG Industries, Inc.
1 JLG Drive
McConnellsburg, PA 17233-9533 USA
☎ (717) 485-5161 (Corporate)
☎ (877) 554-5438 (Customer Support)
📠 (717) 485-6417**

**Visit our website for JLG Worldwide Locations.
www.jlg.com**



OSHKOSH™