



Illustrated Parts Manual

Model
RT2669
RT3369

PVC
2204

P/N
31220314
March 1, 2024 - Rev F

ANSI

CE



UK
CA

AS/NZS



An Oshkosh Corporation Company

REVISION LOG

April 4, 2022 - A - Original Issue of Manual (Edited to 1001260260 Rev I & 1001260330 Rev J)

October 10, 2022 - B - Revised Manual (Edited to 1001260260 Rev K & 1001260330 Rev L)

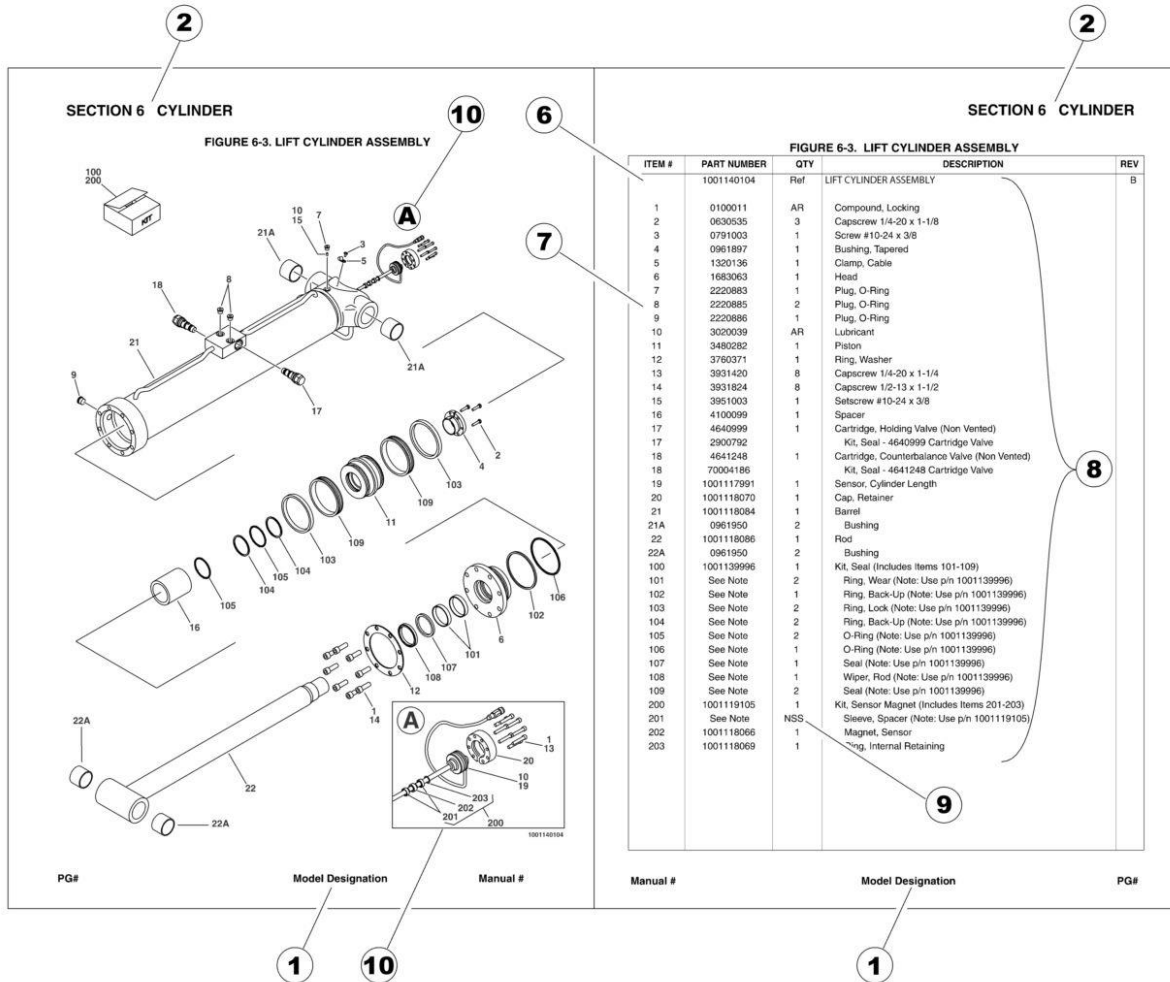
February 1, 2023 - C - Revised Manual (Edited to 1001260260 Rev M & 1001260330 Rev N)

September 7, 2023 - D - Revised Manual (Edited to 1001260260 Rev M & 1001260330 Rev N)

February 5, 2024 - E - Revised Manual (Edited to 1001260260 Rev P & 1001260330 Rev Q)

March 1, 2024 - F - Revised Manual (Edited to 1001260260 Rev P & 1001260330 Rev Q)

GENERAL INFORMATION



1) MACHINE IDENTIFICATION

Machines are identified by model and in some cases a combination of models, serial number (SN) or regional standard (i.e ANSI, CE, CSA). Components may also be identified by SN or manufacturer. Common components that may be identified by these characteristics are engines and hydraulic components.

2) PARTS MANUAL ORGANIZATION

Product information in this manual is organized under section titles. Frame, Cylinder, Hydraulic and Electrical are a few examples. Each section is organized by figure and page number. The information within the Figure is then organized by item number, part number, description and corresponding illustration (s).

3) TABLE OF CONTENTS (NOT SHOWN)

A table of contents is found toward the beginning of the manual. Figure number, description and page number are provided for quick reference to the page containing the related information.

4) RECOMMENDED SPARE PARTS (NOT SHOWN)

The Recommended Spare Parts List, located near the end of the manual, reference most frequently used maintenance parts.

5) PART NUMBER INDEX (NOT SHOWN)

A numerical index listing all part numbers and the corresponding page number(s) appears at the back of the manual.

GENERAL INFORMATION

6) NON-SERVICED PARTS

In some instances, it is necessary to display non-serviced parts, assemblies or installations. In the case of assemblies and installations there will be a Ref in the Qty. column. In case of parts that are not available for service within assemblies or components, there will be a NSS (Not Sold Separately) or NLA (No Longer Available) listed in the Qty. column of the manual.

7) PARTS LIST ITEM NUMBERS

Numbers shown in the item# column correspond to numbers used in the associated illustration (s). Item numbers which are missing from the sequence in the parts list are not used on that page.

8) INDENTED PARTS DESCRIPTION

An indented part description is included in the item under which it is indented.

9) ABBREVIATION AND SYMBOLS

AC.....	Alternating Current	L.....	Liter
ADE.....	Advanced Design Electronics	LB(LBS).....	Pounds
AG.....	Agricultural	LCD.....	Liquid Crystal Display
ANSI.....	American National Standards Institute	LED.....	Light Emitting Diodes
AR.....	As Required	LH.....	Left Hand
ASSY.....	Assembly	LRC.....	Low Rated Countries
AUS.....	Australia	LSS.....	Load Sensing System
AUX.....	Auxiliary	M(m).....	Metric/Meter
AWG.....	American Wire Gauge	MM(mm).....	Milimeter
B/M.....	Bill of Material	mA.....	Miliamps
CAC.....	Charge Air Cooler	NLA.....	No Longer Available
CE.....	European Conformity	NPT.....	National Pipe Threads
CCW.....	Counter Clockwise	NSS.....	Not Sold Separately
CM.....	Centimeter	OD.....	Outside Diameter
CW.....	Clockwise	ORB.....	O-Ring Boss
CSA.....	Canadian Standards Association	ORFS.....	O-Ring Face Seal
CYL.....	Cylinder	OZ (oz).....	Ounces
DIA.....	Diameter	PG.....	Page
DC.....	Direct Current	PN.....	Part Number
DEF.....	Diesel Exhaust Fluid	QT(qt.).....	Quarts
EMS.....	Emergency Stop	QTY.....	Quantity
ENG.....	Engine	REF.....	Reference
FT(ft).....	Feet	REV.....	Revision Level
GA(Ga).....	Gauge	RH.....	Right Hand
HRC.....	High Rated Countries	SAE.....	Society of Automotive Engineers
HVAC.....	Heating, Ventilating, and Air Conditioning	SN.....	Serial Number
HYD.....	Hydraulic	SPEC(S).....	Specifications
Hz.....	Hertz	T/T.....	Turntable
ID.....	Inside Diameter	UGM.....	Universal Ground Module
IN.....	inches	V.....	Volts
ISO.....	International Organization for Standards	W.....	Watts
JIC.....	Joint Industry Council	#.....	Number
KG.....	Kilogram		

10) ILLUSTRATION REFERENCE LETTERS

When necessary, illustrations may contain reference letters that are intended to track information (i. e. hoses, harnesses) from one point to another or to track visual enlargement of components to show details that may be located in another area on the illustration.

Note: Due to continuous product improvements, JLG Industries, Inc. reserves the right to make specification changes without prior notification. Contact JLG Industries, Inc. for updated information.

TABLE OF CONTENTS

SECTION 1 - FRAME.....	11
FIGURE 1-1. AXLE INSTALLATION - SINGLE OSCILLATING (WITHOUT SENSORS).....	12
FIGURE 1-2. AXLE INSTALLATION - SINGLE OSCILLATING (WITH SENSORS).....	14
FIGURE 1-3. AXLE INSTALLATION - DUAL OSCILLATING.....	16
FIGURE 1-4. VALVE ASSEMBLY - DUAL AXLE.....	18
FIGURE 1-5. STEERING INSTALLATION.....	20
FIGURE 1-6. DRIVE INSTALLATION (2WD).....	22
FIGURE 1-7. DRIVE INSTALLATION (4WD).....	24
FIGURE 1-8. DRIVE INSTALLATION HEAVY (4WD).....	26
FIGURE 1-9. DRIVE MOTOR ASSEMBLY (2WD).....	28
FIGURE 1-10. DRIVE HUB AND BRAKE ASSEMBLY (2WD REAR).....	30
FIGURE 1-11. HUB/SPINDLE ASSEMBLY (2WD FRONT).....	34
FIGURE 1-12. VALVE ASSEMBLY - TRACTION (2WD).....	36
FIGURE 1-13. VALVE ASSEMBLY- TRACTION (4WD).....	38
FIGURE 1-14. VALVE ASSEMBLY- TRACTION HEAVY (4WD).....	40
FIGURE 1-15. DRIVE ASSEMBLY (4WD).....	42
FIGURE 1-16. DRIVE HUB AND BRAKE ASSEMBLY (4WD).....	44
FIGURE 1-17. FRAME COVERS INSTALLATION.....	46
FIGURE 1-18. LADDER INSTALLATION (RT2669).....	48
FIGURE 1-19. LADDER INSTALLATION (RT3369).....	50
FIGURE 1-20. LEVELING JACKS INSTALLATION - PARTIAL COVERS.....	52
FIGURE 1-21. LEVELING JACKS INSTALLATION - FULL COVERS.....	54
FIGURE 1-22. LEVELING JACKS VALVE ASSEMBLY.....	56
FIGURE 1-23. OIL COOLER INSTALLATION (Prior to SN M200064803, Including M200064804, M20064993, M20064999, M20065189, M20065198, M20065283, M20066363, M20066820, M20066824, M20066458, M20066910 and M20066548).....	58
FIGURE 1-24. OIL COOLER INSTALLATION (SN M200064803 to Present, Excluding M200064804, M20064993, M20064999, M20065189, M20065198, M20065283, M20066363, M20066820, M20066824, M20066458, M20066910 and M20066548).....	60
FIGURE 1-25. ONBOARD GENERATOR INSTALLATION.....	62
FIGURE 1-26. ONBOARD GENERATOR INSTALLATION.....	64
FIGURE 1-27. ONBOARD GENERATOR ASSEMBLY.....	66
FIGURE 1-28. ONBOARD GENERATOR TRAY INSTALLATION.....	70
FIGURE 1-29. ONBOARD GENERATOR TRAY INSTALLATION.....	72
FIGURE 1-30. TIRE AND WHEEL INSTALLATION - FOAM-FILLIED.....	74
FIGURE 1-31. TIRE AND WHEEL INSTALLATION - FOAM-FILLIED NON-MARKING.....	76
FIGURE 1-32. TIRE AND WHEEL INSTALLATION - FOAM-FILLIED TURF NON-MARKING.....	78
SECTION 2 - GROUND CONTROLS.....	81
FIGURE 2-1. HYDRAULIC COMPONENTS INSTALLATION - DIESEL.....	82
FIGURE 2-2. HYDRAULIC COMPONENTS INSTALLATION - DUAL FUEL.....	84
FIGURE 2-3. VALVE ASSEMBLY - MAIN CONTROL.....	86
FIGURE 2-4. ELECTRICAL COMPONENTS INSTALLATION (Prior to SN M200059938, Except SN M200059349 through M200059352, Except SN M200059437 through M200059448, Except SN M200059849 through M200059852).....	88
FIGURE 2-5. ELECTRICAL COMPONENTS INSTALLATION (SN M200059938 to Present, SN M200059349 through M200059352, SN M200059437 through M200059448, SN M200059849 through M200059852).....	90
FIGURE 2-6. GROUND CONTROL ASSEMBLY.....	92
FIGURE 2-7. ALARM INSTALLATION (HORN).....	94

TABLE OF CONTENTS

FIGURE 2-8. ALARM INSTALLATION (WHITE NOISE).....	96
FIGURE 2-9. HOODS INSTALLATION.....	98
FIGURE 2-10. HYDRAULIC TANK ASSEMBLY.....	102
FIGURE 2-11. STROBE LIGHT INSTALLATION - SINGLE.....	104
FIGURE 2-12. STROBE LIGHT INSTALLATION - DUAL.....	106
FIGURE 2-13. NO BEACON (COVERS).....	108
SECTION 3 - ENGINE.....	111
FIGURE 3-1. ENGINE MOUNTING INSTALLATION (Prior to SN M200063434, Including M200063440, M200063635, M200064609, M200064999, M200065194 and M200065198).....	112
FIGURE 3-2. ENGINE MOUNTING INSTALLATION (SN M200063434 to Present, Excluding M200063440, M200063635, M200064609, M200064999, M200065194 and M200065198).....	114
FIGURE 3-3. ENGINE AND PUMP ASSEMBLY - DIESEL.....	116
FIGURE 3-4. PUMP ASSEMBLY - DIESEL.....	118
FIGURE 3-5. ENGINE COMPONENTS - DIESEL.....	120
FIGURE 3-6. COUPLING ASSEMBLY - ENGINE PUMP (DIESEL).....	122
FIGURE 3-7. ENGINE FUEL LINES INSTALLATION - DIESEL.....	124
FIGURE 3-8. ENGINE ELECTRICAL INSTALLATION - DIESEL.....	126
FIGURE 3-9. ENGINE COOLING SYSTEM INSTALLATION - DIESEL.....	128
FIGURE 3-10. AIR INTAKE INSTALLATION - DIESEL.....	130
FIGURE 3-11. EXHAUST INSTALLATION - DIESEL.....	132
FIGURE 3-12. OIL FILTER INSTALLATION - REMOTE - DIESEL.....	134
FIGURE 3-13. ENGINE AND PUMP ASSEMBLY - DUAL FUEL.....	136
FIGURE 3-14. PUMP ASSEMBLY - DUAL FUEL.....	138
FIGURE 3-15. ENGINE COMPONENTS - DUAL FUEL.....	140
FIGURE 3-16. COUPLING ASSEMBLY - ENGINE PUMP (DUAL FUEL).....	142
FIGURE 3-17. ENGINE FUEL LINES INSTALLATION - DUAL FUEL (Prior to SN M200084788, Prior to SN M200084785).....	144
FIGURE 3-18. ENGINE FUEL LINES INSTALLATION - DUAL FUEL (SN M200085014 to Present, SN M200084866 to Present, Excluding M200085403).....	146
FIGURE 3-19. ENGINE ELECTRICAL INSTALLATION - DUAL FUEL.....	148
FIGURE 3-20. ENGINE COOLING SYSTEM INSTALLATION - DUAL FUEL.....	150
FIGURE 3-21. AIR INTAKE INSTALLATION - DUAL FUEL.....	152
FIGURE 3-22. EXHAUST INSTALLATION - DUAL FUEL.....	154
FIGURE 3-23. OIL FILTER INSTALLATION - REMOTE - DUAL FUEL.....	156
FIGURE 3-24. GENERATOR INSTALLATION - 2500W/50HZ (DIESEL MACHINES).....	158
FIGURE 3-25. GENERATOR INSTALLATION - 2500W/50HZ (DIESEL MACHINES) (SN M200076051 to Present, SN M200076037 to Present).....	160
FIGURE 3-26. GENERATOR INSTALLATION - 2500W/60HZ (DIESEL MACHINES).....	162
FIGURE 3-27. GENERATOR INSTALLATION - 2500W/60HZ (DIESEL MACHINES) (SN M200076051 to Present, SN M200076037 to Present).....	164
FIGURE 3-28. GENERATOR INSTALLATION - 2500W/60HZ (DUAL FUEL MACHINES).....	166
FIGURE 3-29. GENERATOR INSTALLATION - 2500W/60HZ (DUAL FUEL MACHINES) (SN M200076051 to Present, SN M200076037 to Present).....	168
FIGURE 3-30. LP TANK BRACKETS INSTALLATION (SINGLE TANK).....	170
FIGURE 3-31. LP TANK BRACKETS INSTALLATION (DUAL TANKS).....	172
SECTION 4 - SCISSORS ARMS.....	175
FIGURE 4-1. ARMS INSTALLATION (RT2669).....	176

TABLE OF CONTENTS

FIGURE 4-2. ARMS ASSEMBLY (RT2669)	178
FIGURE 4-3. ARMS INSTALLATION (RT3369)	182
FIGURE 4-4. ARMS ASSEMBLY (RT3369)	184
FIGURE 4-5. CYLINDER & LIFT DOWN VALVE ASSEMBLY	188
SECTION 5 - PLATFORM.....	191
FIGURE 5-1. PLATFORM INSTALLATION	192
FIGURE 5-2. PLATFORM EXTENSION INSTALLATION (SINGLE) (Prior to SN M200066912, Including M200067002, M200067005 and M200067983).....	194
FIGURE 5-3. PLATFORM EXTENSION INSTALLATION (SINGLE) (SN M200066912 through M200087546, Including M200087474, Excluding M200067002, M200067005 and M200067983).....	196
FIGURE 5-4. PLATFORM EXTENSION INSTALLATION (SINGLE) (SN M200087624 to Present, SN M200087551 to Present)	198
FIGURE 5-5. PLATFORM RAILS INSTALLATION (SINGLE EXTENSION).....	200
FIGURE 5-6. PLATFORM RAILS INSTALLATION WITH PLUGS (SINGLE EXTENSION)	204
FIGURE 5-7. PLATFORM CONTROL BOX INSTALLATION - SIDE MOUNT	208
FIGURE 5-8. PLATFORM CONTROL BOX INSTALLATION	210
FIGURE 5-9. CONTROLLER ASSEMBLY	212
FIGURE 5-10. WORKSTATION INSTALLATION.....	214
SECTION 6 - CYLINDER.....	217
FIGURE 6-1. AXLE LOCKOUT CYLINDER ASSEMBLY	218
FIGURE 6-2. CYLINDER ASSEMBLY - LEVELING JACKS	220
FIGURE 6-3. LIFT CYLINDER ASSEMBLY	222
FIGURE 6-4. STEER CYLINDER ASSEMBLY.....	224
SECTION 7 - HYDRAULIC	227
FIGURE 7-1. HYDRAULIC DIAGRAM - AXLE (DUAL OSCILLATING).....	228
FIGURE 7-2. HYDRAULIC DIAGRAM - LEVELING JACKS	230
FIGURE 7-3. HYDRAULIC DIAGRAM - STANDARD (2WD)	232
FIGURE 7-4. HYDRAULIC DIAGRAM - STANDARD (4WD)	236
SECTION 8 - ELECTRICAL	241
FIGURE 8-1. RT2669 & RT3369 ELECTRICAL LAYOUT.....	242
FIGURE 8-2. AC BOX AT PLATFORM INSTALLATION - 110V GFI (ALL SPECS EXCEPT AUSTRALIAN, CE & UK CA SPECS)	252
FIGURE 8-3. AC BOX AT PLATFORM INSTALLATION - 110V IEC YELLOW (CE & UK CA SPECS)	254
FIGURE 8-4. AC BOX AT PLATFORM INSTALLATION - 220V IEC BLUE (CE & UK CA SPECS)	256
FIGURE 8-5. AC BOX AT PLATFORM INSTALLATION - 220V CEE7 POST GROUND (CE & UK CA SPECS).....	258
FIGURE 8-6. AC BOX AT PLATFORM INSTALLATION - 220V CEE7 SIDE GROUND (CE & UK CA SPECS)	260
FIGURE 8-7. AC BOX AT PLATFORM INSTALLATION - 220V AFSINT 107 (CE & UK CA SPECS)	262
FIGURE 8-8. AC BOX AT PLATFORM INSTALLATION - 220V CUSTOMER SUPPLIED PLUG & RECEPTACLE (ALL SPECS EXCEPT AUSTRALIAN & CE & UK CA SPECS).....	264
FIGURE 8-9. AC BOX AT PLATFORM INSTALLATION - 220V CUSTOMER SUPPLIED COMPONENTS (ALL SPECS)	266
FIGURE 8-10. AXLE HARNESS - REAR OSCILLATING.....	268
FIGURE 8-11. BREAKER BOX KIT - 1 DOUBLE BREAKER (CE & UK CA SPECS)	270
FIGURE 8-12. BREAKER BOX KIT - 1 DOUBLE & 1 SINGLE BREAKER (CE & UK CA SPECS).....	272
FIGURE 8-13. CHASSIS HARNESS (Prior to SN M200059938, Except SN M200059349 through M200059352, Except SN M200059437 through M200059448, Except SN M200059849 through M200059852)	274

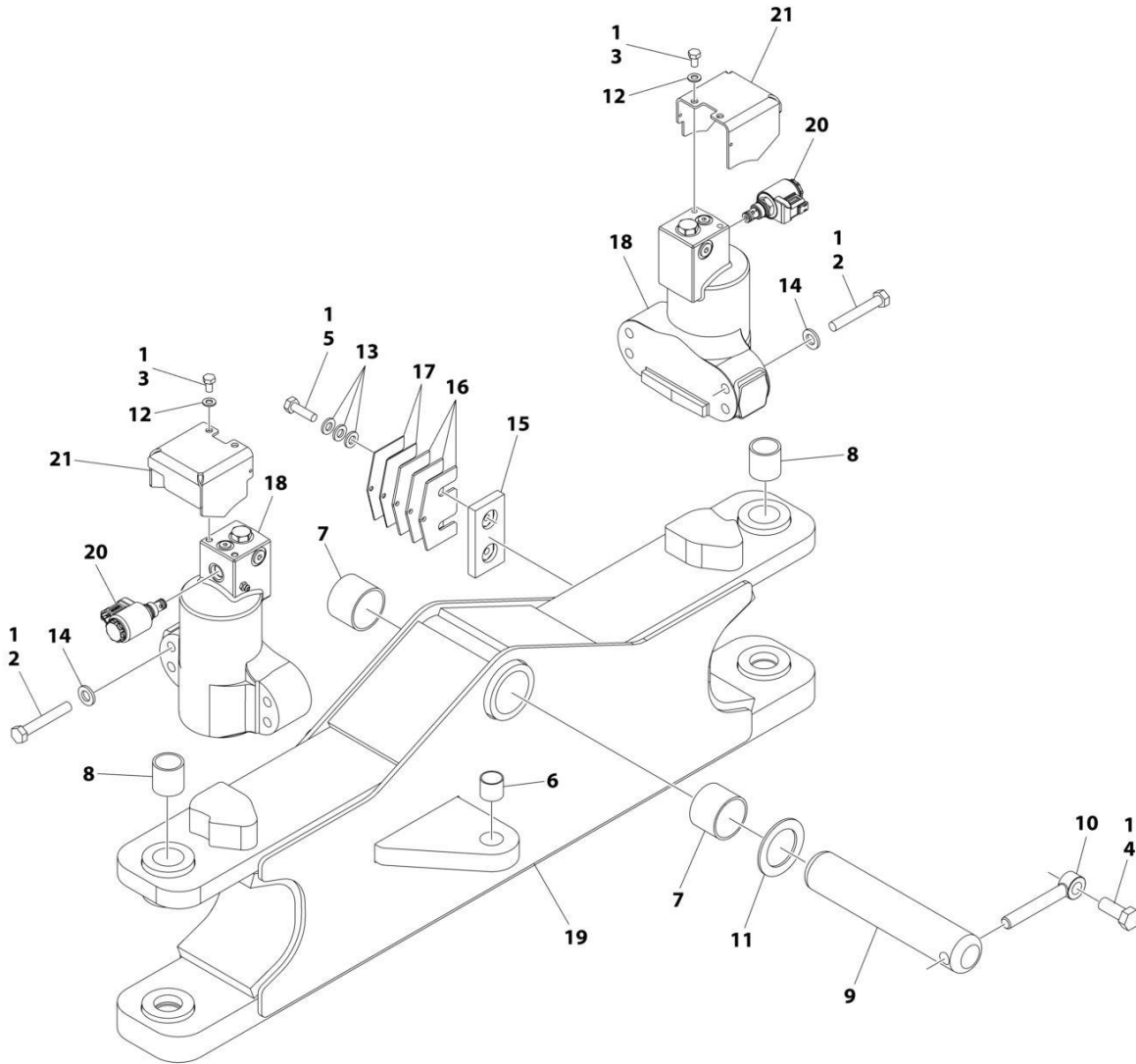
TABLE OF CONTENTS

FIGURE 8-14. CHASSIS HARNESS (SN M200059938 to Present, SN M200059349 through M200059352, SN M200059437 through M200059448, SN M200059849 through M200059852)	278
FIGURE 8-15. ENGINE HARNESS - DIESEL.....	282
FIGURE 8-16. ENGINE HARNESS - DUAL FUEL.....	286
FIGURE 8-17. GENERATOR HARNESS.....	290
FIGURE 8-18. GROUND TO PLATFORM HARNESS (RT2669).....	292
FIGURE 8-19. GROUND TO PLATFORM HARNESS (RT3369).....	294
FIGURE 8-20. LEVELING JACK HARNESS.....	296
FIGURE 8-21. LIFT DOWN HARNESS.....	298
FIGURE 8-22. LSS HARNESS	300
FIGURE 8-23. OIL COOLER HARNESS	302
FIGURE 8-24. ONBOARD GENERATOR CABLE	304
FIGURE 8-25. PLATFORM HARNESS.....	306
FIGURE 8-26. PLATFORM CABLE INSTALLATION – WITHOUT FOOTSWITCH.....	308
FIGURE 8-27. PLATFORM CABLE HARNESS – WITHOUT FOOTSWITCH.....	310
FIGURE 8-28. PLATFORM CABLE INSTALLATION – WITH FOOTSWITCH	312
FIGURE 8-29. PLATFORM CABLE HARNESS – WITH FOOTSWITCH	314
FIGURE 8-30. PLATFORM CONTROL BOX HARNESS	316
FIGURE 8-31. RECEPTACLE BOX KIT - 110V GFI	318
FIGURE 8-32. RECEPTACLE BOX KIT - 110V IEC YELLOW (CE & UK CA SPECS).....	320
FIGURE 8-33. RECEPTACLE BOX KIT - 220V IEC BLUE (CE & UK CA SPECS)	322
FIGURE 8-34. RECEPTACLE BOX KIT - 220V CEE7 POST GROUND (CE & UK CA SPECS)	324
FIGURE 8-35. RECEPTACLE BOX KIT - 220V CEE7 SIDE GROUND (CE & UK CA SPECS).....	326
FIGURE 8-36. RECEPTACLE BOX KIT - 220V AFSINT 107 (CE & UK CA SPECS).....	328
FIGURE 8-37. TILT SENSOR HARNESS.....	330
SECTION 9 - DECALS	333
FIGURE 9-1. DECAL INSTALLATION - ANSI SPECS (ENGLISH LANGUAGE).....	334
FIGURE 9-2. DECAL INSTALLATION - AUSTRALIAN,CE & UK CA SPECS (ENGLISH LANGUAGE)	336
FIGURE 9-3. DECAL INSTALLATION - BRAZIL SPECS (SPANISH/PORTUGUESE LANGUAGES)	338
FIGURE 9-4. DECAL INSTALLATION - CHINA SPECS (ENGLISH/CHINESE LANGUAGES).....	340
FIGURE 9-5. DECAL INSTALLATION - CSA SPECS (ENGLISH/FRENCH LANGUAGES)	342
FIGURE 9-6. DECAL INSTALLATION - KOREAN SPECS (ENGLISH/KOREAN LANGUAGES)	344
FIGURE 9-7. DECAL INSTALLATION - LATIN AMERICAN SPECS (ENGLISH/KSPANISH LANGUAGES).....	346
FIGURE 9-8. DECAL INSTALLATION - OPTIONS.....	348
SECTION 10 - RECOMMENDED SERVICE PARTS STOCK.....	351
FIGURE 10-1. RECOMMENDED SERVICE PARTS STOCK.....	352
SECTION 11 - SPECIAL OPTIONS/ACCESSORIES/KITS.....	353
FIGURE 11-1. SPECIAL OPTIONS/ACCESSORIES/KITS.....	354
PART NUMBER INDEX.....	357

SECTION 1 - FRAME

SECTION 1 - FRAME

FIGURE 1-1. AXLE INSTALLATION - SINGLE OSCILLATING (WITHOUT SENSORS)



ART_1001260485

SECTION 1 - FRAME

FIGURE 1-1. AXLE INSTALLATION - SINGLE OSCILLATING (WITHOUT SENSORS)

ITEM	PART NUMBER	QTY	DESCRIPTION	REV
	1001260485	Ref	AXLE INSTALLATION (WITHOUT SENSOR)	B
1	0100011	AR	Compound, Locking	
2	0711224	8	Bolt M12 x 80	
3	0760807	4	Bolt M8 x 14	
4	0761616	1	Bolt M16 x 40	
5	0771015	4	Bolt M10 x 35	
6	0961890	1	Bushing	
7	0961950	2	Bearing	
8	0962220	4	Bushing	
9	3422592	1	Pin	
10	3841258	1	Keeper, Rod	
11	4740229	1	Thrustwasher	
12	4811900	4	Washer M8	
13	5241000	AR	Washer M10	
14	5241200	8	Washer M12	
15	1001118511	2	Pad, Wear	
16	1001118518	AR	Shim 11Ga	
17	1001118519	AR	Shim 16Ga	
18	1001245046	2	Cylinder Assembly - Axle (See Separate Breakdown in CYLINDER Section)	
19	1001247019	1	Axle	
20	1001248196	2	Cartridge, Valve - Directional	
20	7024502	2	Seal Kit - 7001248196 Valve	
20	7027628	2	Coil	
20	70001365	2	Nut, Coil	
21	1001248834	2	Cover	

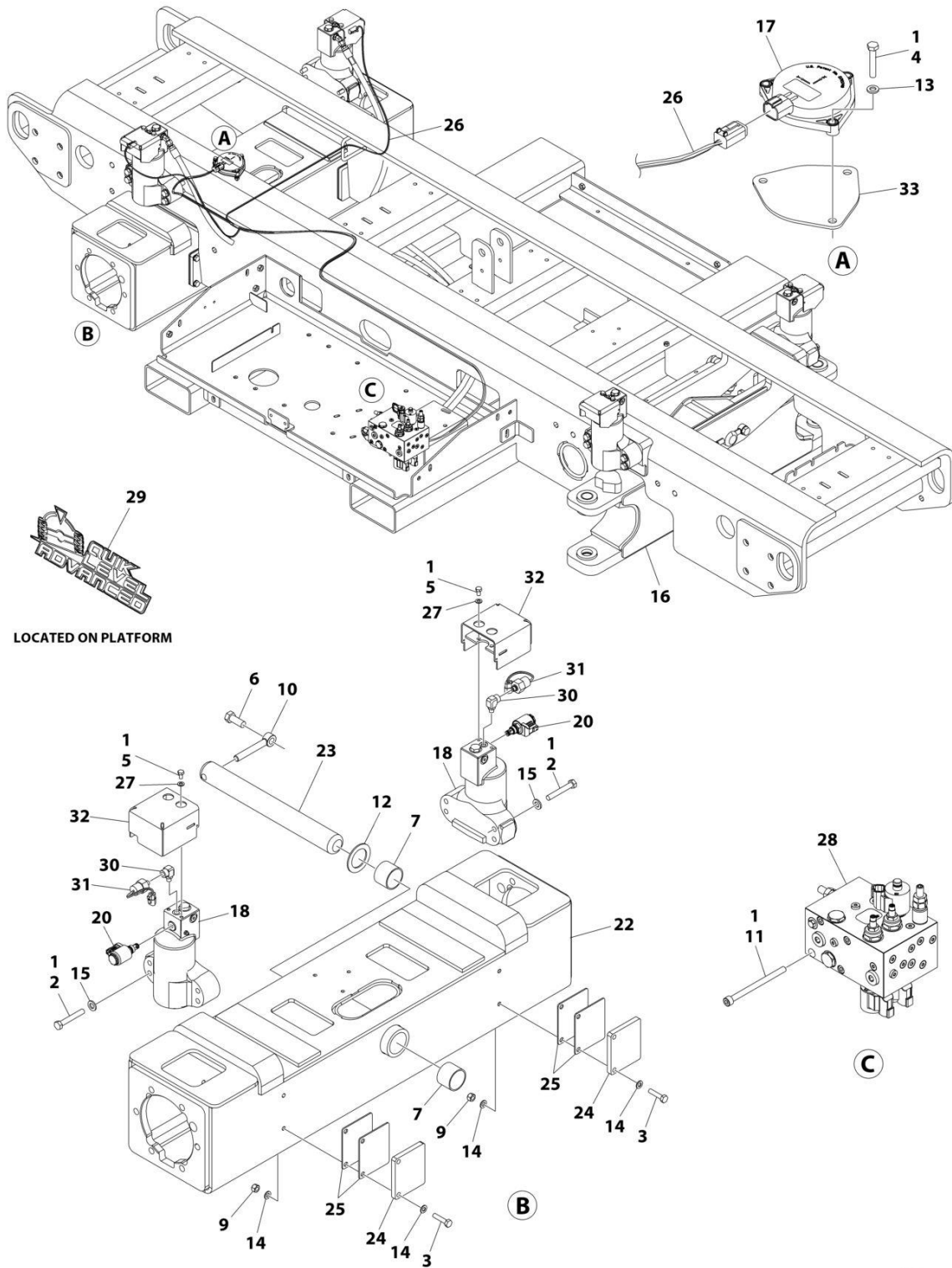
SECTION 1 - FRAME

FIGURE 1-2. AXLE INSTALLATION - SINGLE OSCILLATING (WITH SENSORS)

ITEM	PART NUMBER	QTY	DESCRIPTION	REV
	1001244391	Ref	AXLE INSTALLATION (WITH SENSOR)	D
1	0100011	AR	Compound, Locking	
2	0711224	8	Bolt M12 x 80	
3	0760614	3	Bolt M6 x 30	
3	4010615	3	Bolt M6 x 35	
4	0760807	4	Bolt M8 x 14	
5	0761616	1	Bolt M16 x 40	
6	0961890	1	Bushing	
7	0961950	2	Bearing	
8	0962220	4	Bushing	
10	3422592	1	Pin	
11	3841258	1	Keeper, Rod	
12	4740229	1	Thrustwasher	
13	4811700	3	Washer M6	
14	4811900	4	Washer M8	
15	5241200	8	Washer M12	
16	0771015	4	Bolt M10 x 35	
17	1001118511	2	Pad, Wear	
18	1001118518	AR	Shim 11Ga	
19	1001118519	AR	Shim 16Ga	
20	1001244934	1	Sensor, Tilt	
21	1001245046	2	Cylinder Assembly - Axle (See Separate Breakdown in CYLINDER Section)	
22	1001247019	1	Axle	
23	1001248196	2	Cartridge, Valve - Directional	
23	7024502	2	Seal Kit - 1001248196 Valve	
23	7027628	2	Coil	
23	70001365	2	Nut, Coil	
24	1001248834	2	Cover	
25	5241000	AR	Washer M10	
26	1001272777	1	Gasket	

SECTION 1 - FRAME

FIGURE 1-3. AXLE INSTALLATION - DUAL OSCILLATING



ART_1001247295

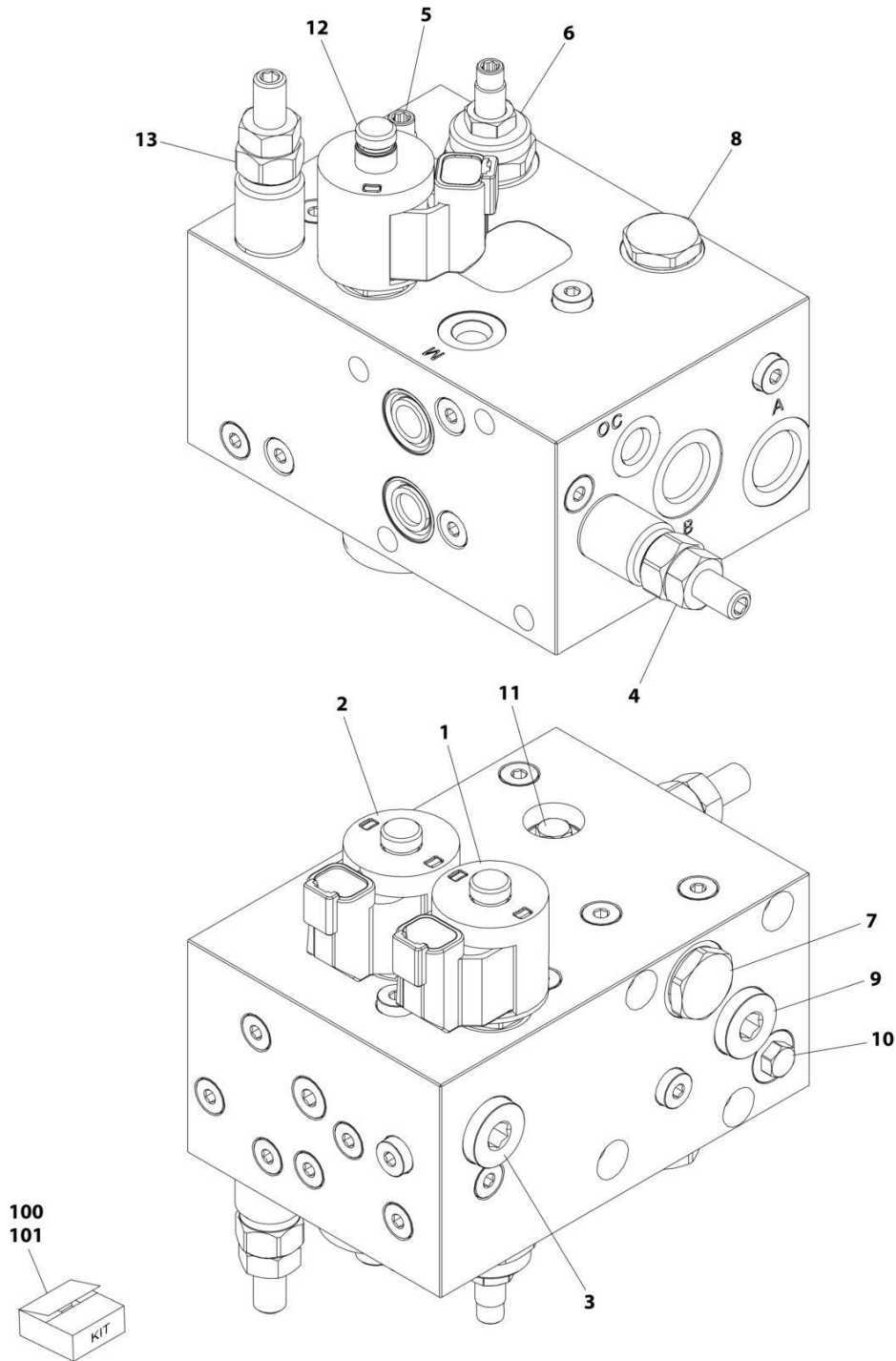
SECTION 1 - FRAME

FIGURE 1-3. AXLE INSTALLATION - DUAL OSCILLATING

ITEM	PART NUMBER	QTY	DESCRIPTION	REV
	1001247295	Ref	AXLE INSTALLATION - DUAL	G
1	0100011	AR	Compound, Locking	
2	0711224	8	Bolt M12 x 80	
3	0711017	4	Bolt M10 x 45	
4	4010615	3	Bolt M6 x 35	
5	0760807	4	Bolt M8 x 14	
6	0761616	1	Bolt M16 x 40	
7	0961950	2	Bearing	
9	3291005	4	Nut M10	
10	3841258	1	Keeper, Rod	
11	4031924	4	Capscrew M8 x 110	
12	4740229	1	Thrustwasher	
13	4811700	3	Washer M6	
14	4812000	8	Washer M10	
15	5241200	8	Washer M12	
16	1001244391	1	Axle Installation - Front (See Separate Breakdown in this Section)	
17	1001244934	1	Sensor, Tilt	
18	1001245046	2	Cylinder Assembly - Axle (See Separate Breakdown in CYLINDER Section)	
19	1001246104	Ref	Hydraulic Diagram - Axle (Not Shown - See Separate Breakdown in HYDRAULIC Section)	
20	1001248196	2	Cartridge, Valve - Directional	
20	7024502	2	Seal Kit - 1001248196 Valve	
20	7027628	2	Coil	
20	70001365	2	Nut, Coil	
22	1001250088	1	Axle (Rear)	
23	1001250089	1	Pin	
24	1001250090	2	Shim 0.5	
25	1001250091	AR	Shim 11Ga	
26	1001249282	1	Harness, Axle (Rear Oscillating) (See Separate Breakdown in ELECTRICAL Section)	
27	4811900	4	Washer M8	
28	1001247382	1	Valve Assembly (Dual Axles) (See Separate Breakdown in this Section)	
29	1001265585	2	Decal - Quick Level Access	
30	2221116	2	Fitting, 90 ORB	
31	1001256875	2	Switch, Pressure	
32	1001271580	2	Cover	
33	1001272777	1	Gasket	

SECTION 1 - FRAME

FIGURE 1-4. VALVE ASSEMBLY - DUAL AXLE



ART_1001247382

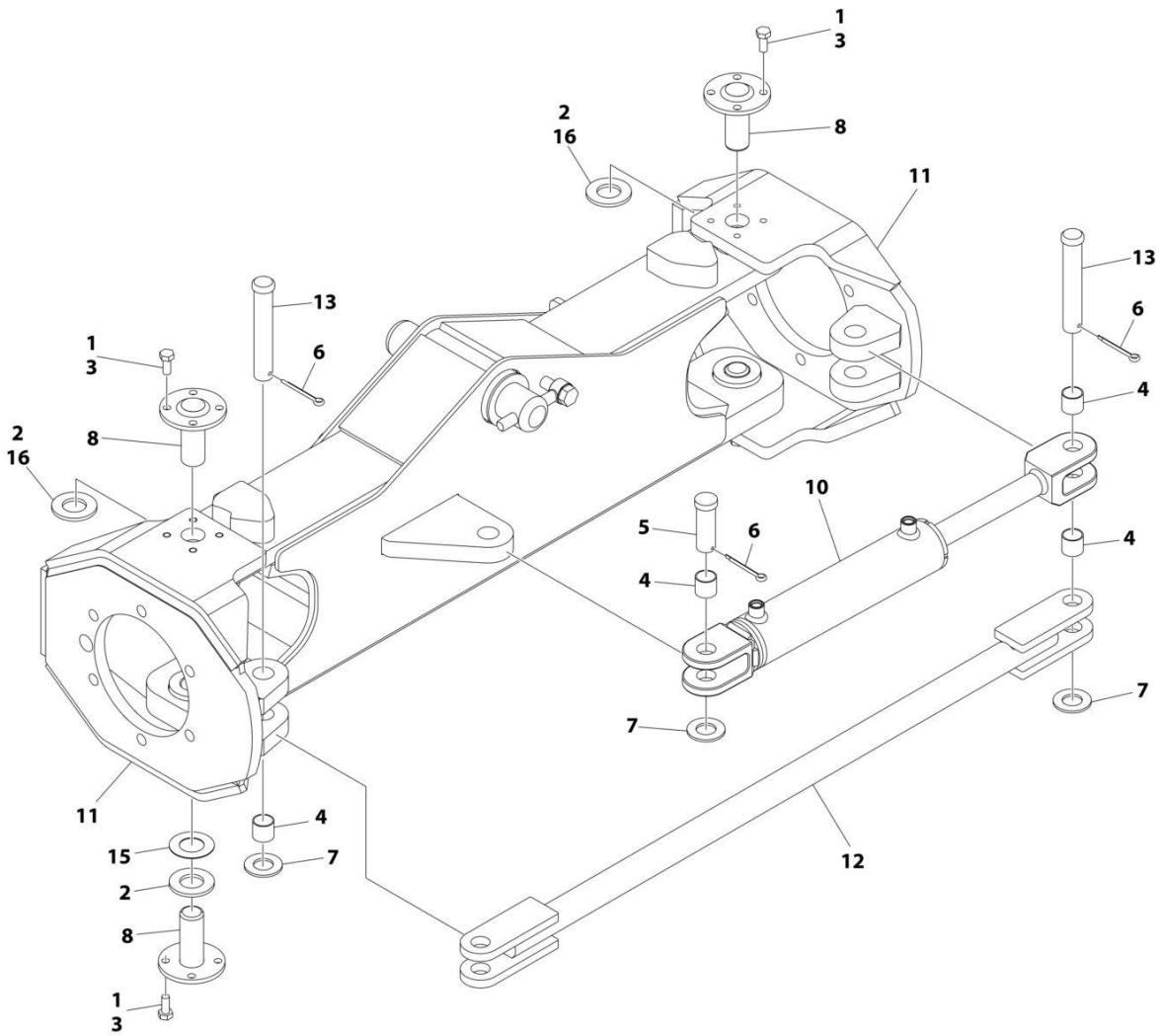
SECTION 1 - FRAME

FIGURE 1-4. VALVE ASSEMBLY - DUAL AXLE

ITEM	PART NUMBER	QTY	DESCRIPTION	REV
	1001247382	Ref	VALVE ASSEMBLY - DUAL AXLE	C
1	H000071	1	Cartridge, Solenoid Valve (Use Seal Kit 7012972)	
1	70002963	1	Coil	
2	H000071	1	Cartridge, Solenoid Valve (Use Seal Kit 7012972)	
2	70002963	1	Coil	
3	70007775	1	Cartridge, Shuttle Valve	
4	70007776	1	Cartridge, Relief Valve	
5	700077799	1	Cartridge, Flow Control Valve (Use Seal Kit 7010545)	
6	700077799	1	Cartridge, Flow Control Valve (Use Seal Kit 7010545)	
7	70030103	1	Cartridge, Check Valve	
8	70030103	1	Cartridge, Check Valve	
9	70007775	1	Cartridge, Shuttle Valve	
10	70007777	1	Cartridge, Check Valve	
11	70007777	1	Cartridge, Check Valve	
12	70007780	1	Cartridge, Solenoid Valve (Use Seal Kit 7012972)	
12	70002963	1	Coil	
13	70007778	1	Cartridge, Relief Valve	
100	7012972	1	Seal Kit (Use with Items 1, 2 & 12 Valves)	
101	7010545	1	Seal Kit (Use with Items 5 & 6 Valves)	

SECTION 1 - FRAME

FIGURE 1-5. STEERING INSTALLATION



ART_1001244392

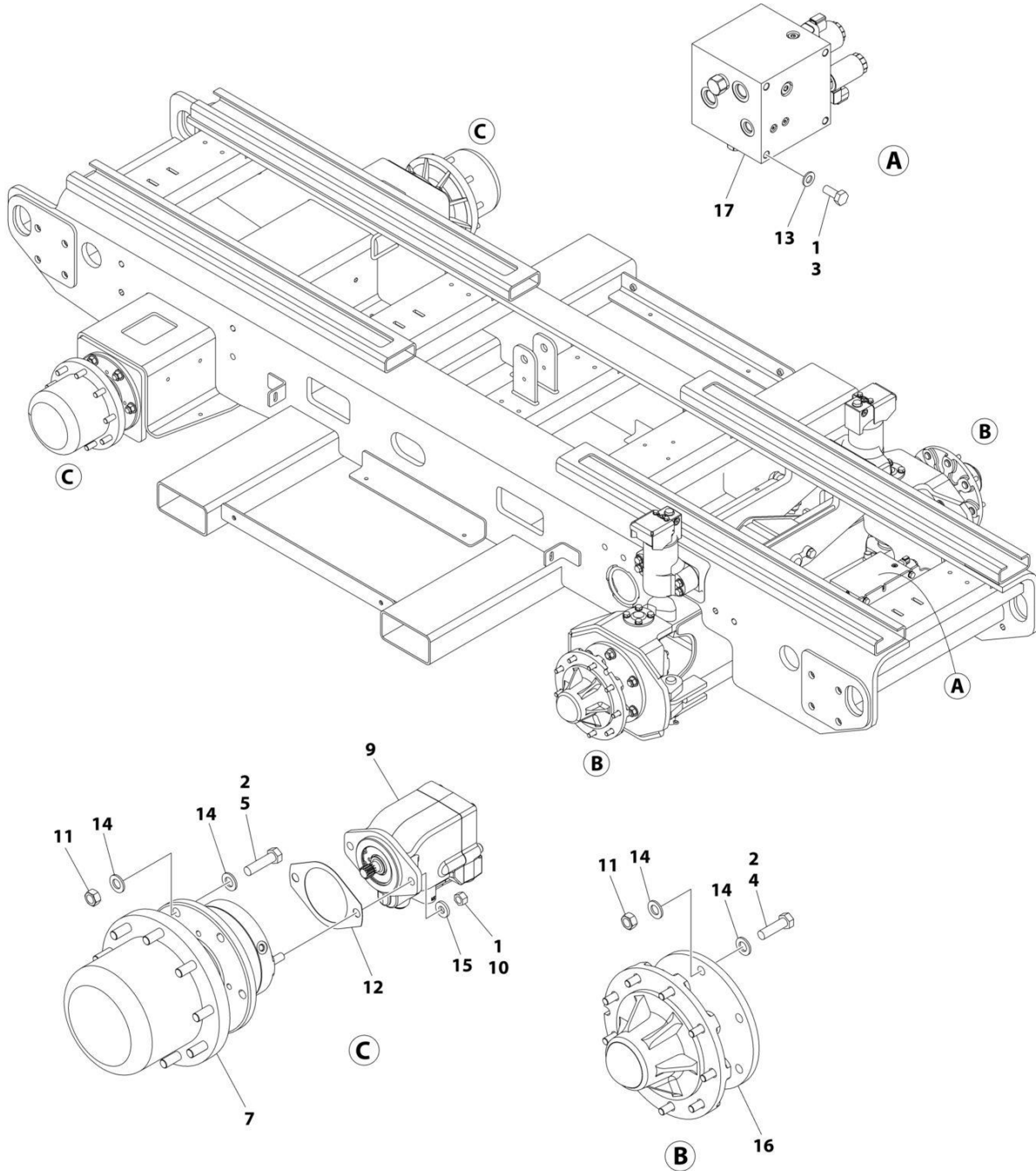
SECTION 1 - FRAME

FIGURE 1-5. STEERING INSTALLATION

ITEM	PART NUMBER	QTY	DESCRIPTION	REV
	1001244392	Ref	STEERING INSTALLATION	D
1	0100011	AR	Compound, Locking	
2	0440237	2	Thrustwasher (3/16 Thickness)	
3	0761012	16	Bolt M10 x 25	
4	0961890	4	Bushing	
5	3431622	1	Pin	
6	3450608	3	Pin, Cotter	
7	4712600	3	Washer 1	
8	1001139141	4	Kingpin	
10	1001246107	1	Cylinder Assembly - Steer (See Separate Breakdown in CYLINDER Section)	
11	1001249297	2	Spindle	
12	1001249323	1	Tie-Rod	
13	1001255526	2	Pin	
15	1001151395	2	Shim	
16	0440162	2	Thrustwasher (1/8 Thickness)	

SECTION 1 - FRAME

FIGURE 1-6. DRIVE INSTALLATION (2WD)



ART_1001248300

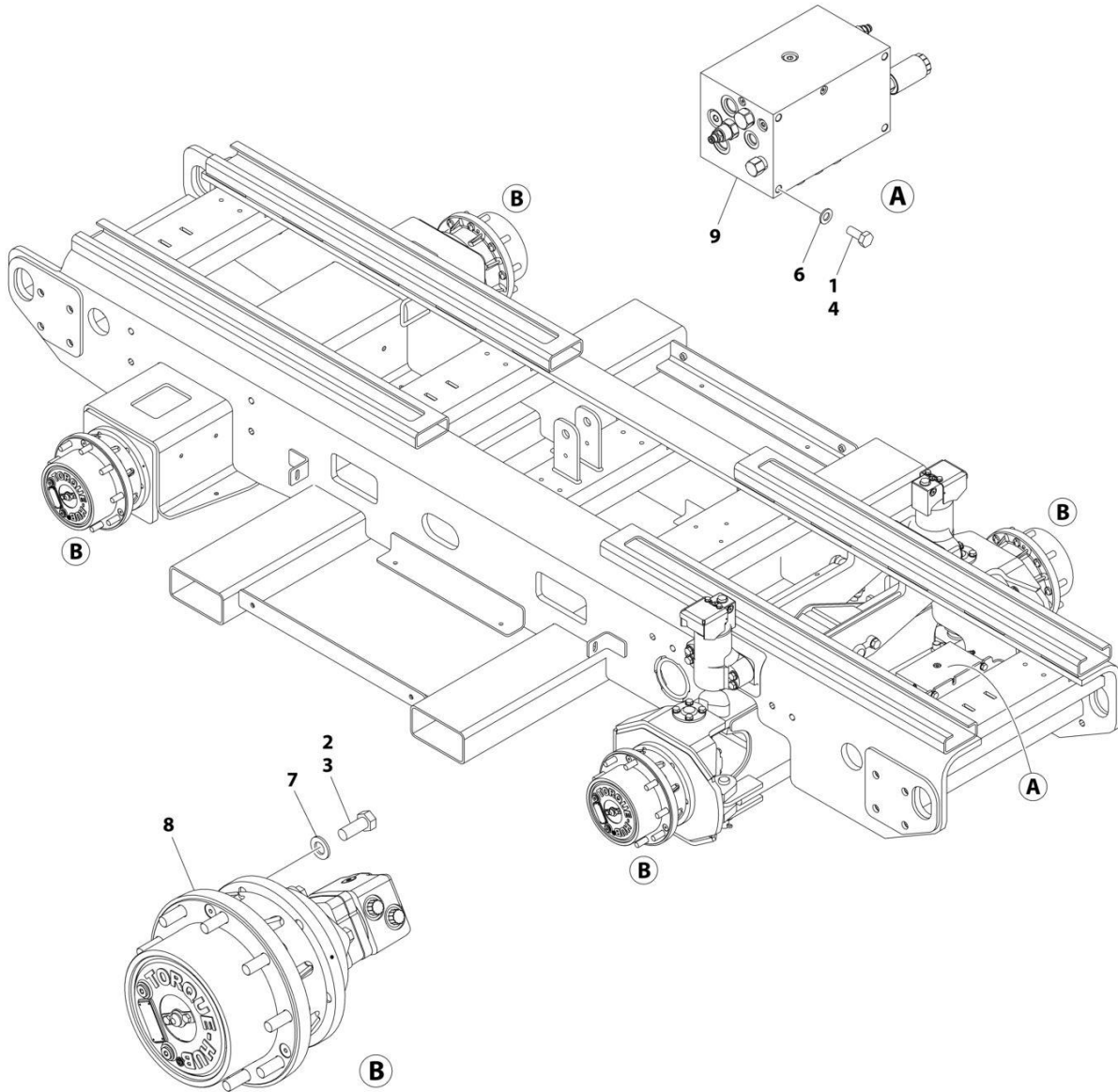
SECTION 1 - FRAME

FIGURE 1-6. DRIVE INSTALLATION (2WD)

ITEM	PART NUMBER	QTY	DESCRIPTION	REV
	1001248300	Ref	DRIVE INSTALLATION - 2WD	C
1	0100011	AR	Compound, Locking	
2	0100019	AR	Compound, Locking	
3	0771012	4	Bolt M10 x 25	
4	0771619	12	Bolt M16 x 55	
5	0771620	12	Bolt M16 x 60	
7	2780267	2	Drive Hub Assembly (See Separate Breakdown in this Section)	
9	3160348	2	Drive Motor Assembly (See Separate Breakdown in this Section)	
10	3311801	4	Nut 1/2	
11	3331611	24	Nut M16	
12	3960526	2	Gasket	
13	4812000	4	Washer M10	
14	5241600	48	Washer M16	
15	4891800	4	Washer 1/2	
16	1001214174	2	Hub Assembly - Front (See Separate Breakdown in this Section)	
17	1001246959	1	Valve Assembly - Drive Traction (See Separate Breakdown in this Section)	

SECTION 1 - FRAME

FIGURE 1-7. DRIVE INSTALLATION (4WD)



ART_1001244393

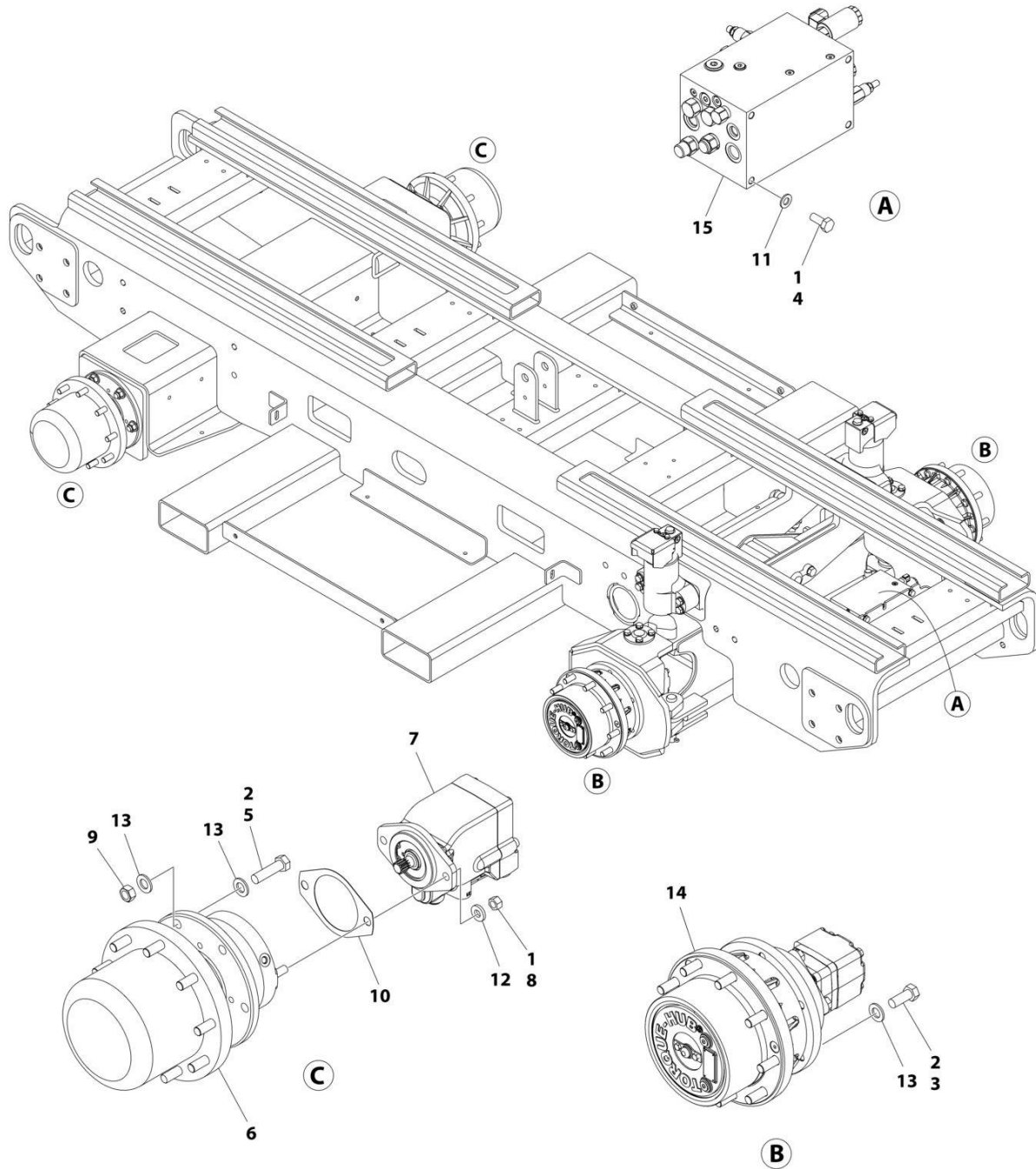
SECTION 1 - FRAME

FIGURE 1-7. DRIVE INSTALLATION (4WD)

ITEM	PART NUMBER	QTY	DESCRIPTION	REV
	1001244393	Ref	DRIVE INSTALLATION - 4WD	C
1	0100011	AR	Compound, Locking	
2	0100019	AR	Compound, Locking	
3	0711616	24	Bolt M16 x 40	
4	0771012	4	Bolt M10 x 25	
6	4812000	4	Washer M10	
7	5241600	24	Washer M16	
8	1001243266	1	Drive Assembly (See Separate Breakdown in this Section)	
9	1001244177	1	Valve Assembly - Drive Traction (See Separate Breakdown in this Section)	

SECTION 1 - FRAME

FIGURE 1-8. DRIVE INSTALLATION HEAVY (4WD)



ART_1001248851

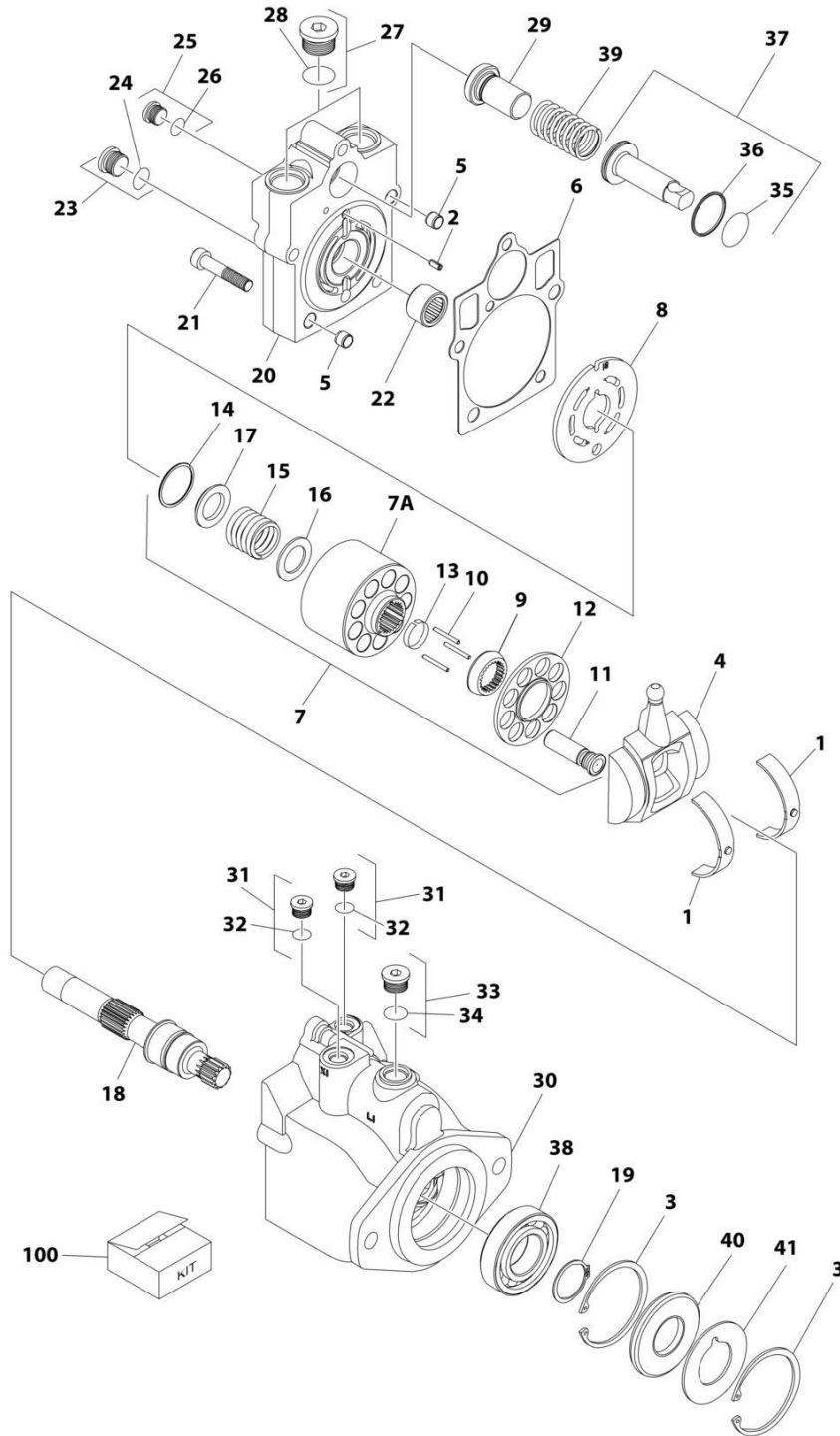
SECTION 1 - FRAME

FIGURE 1-8. DRIVE INSTALLATION HEAVY (4WD)

ITEM	PART NUMBER	QTY	DESCRIPTION	REV
	1001248851	Ref	DRIVE INSTALLATION - 4WD	B
1	0100011	AR	Compound, Locking	
2	0100019	AR	Compound, Locking	
3	0711616	12	Bolt M16 x 40	
4	0771012	4	Bolt M10 x 25	
5	0771620	12	Bolt M16 x 60	
6	2780267	2	Drive Hub Assembly (See Separate Breakdown in this Section)	
7	3160348	2	Drive Motor Assembly - Rear (See Separate Breakdown in this Section)	
8	3311801	4	Nut 1/2	
9	3331611	12	Nut M16	
10	3960526	2	Gasket	
11	4812000	4	Washer M10	
12	4891800	4	Washer 1/2	
13	5241600	36	Washer M16	
14	1001243266	2	Hub Assembly - Front (See Separate Breakdown in this Section)	
15	1001250888	1	Valve Assembly - Drive Traction (See Separate Breakdown in this Section)	

SECTION 1 - FRAME

FIGURE 1-9. DRIVE MOTOR ASSEMBLY (2WD)



ART_3160348

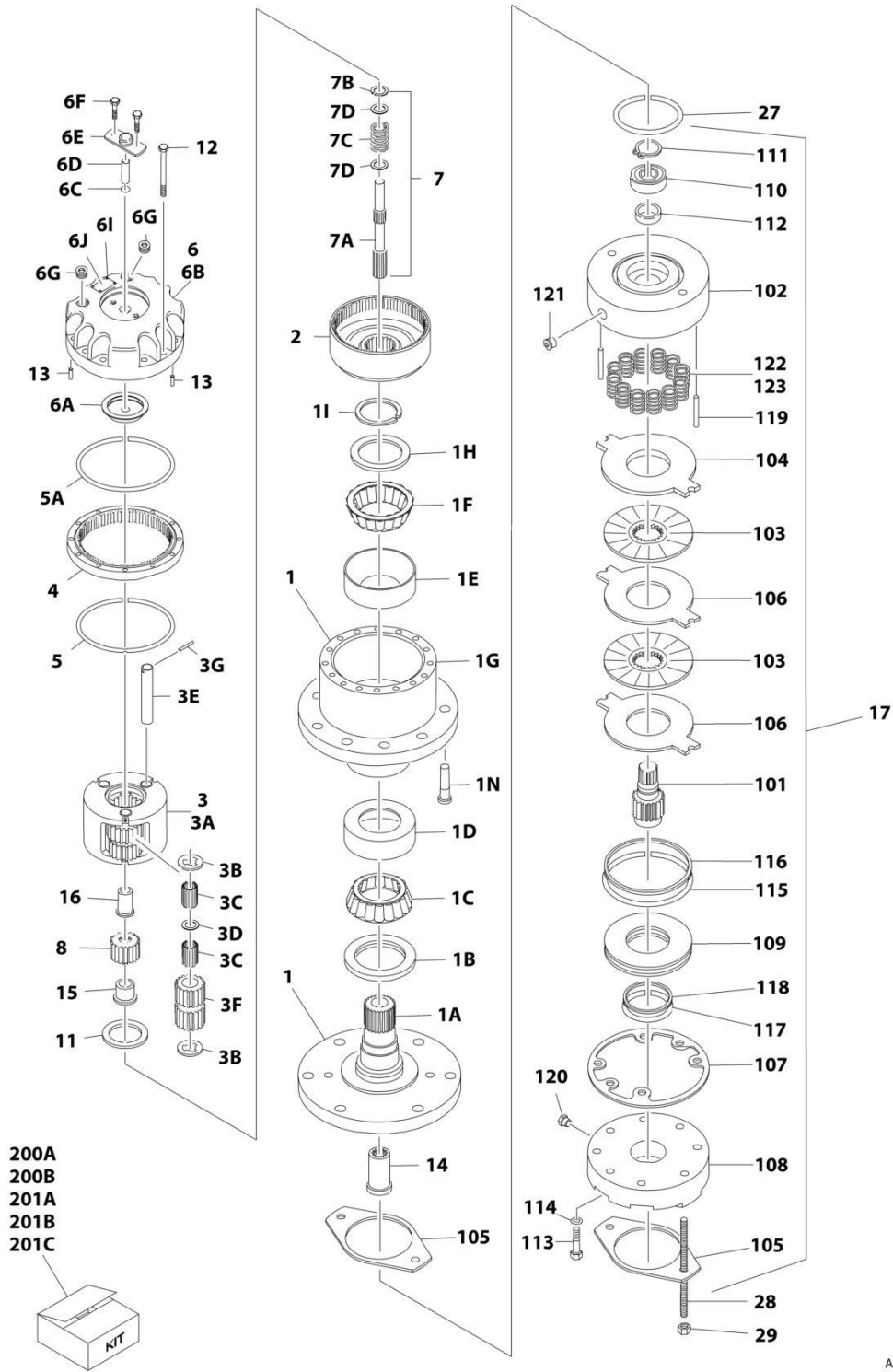
SECTION 1 - FRAME

FIGURE 1-9. DRIVE MOTOR ASSEMBLY (2WD)

ITEM	PART NUMBER	QTY	DESCRIPTION	REV
	3160348	Ref	DRIVE MOTOR ASSEMBLY	D
1	7022302	2	Bearing, Journal	
2	7007446	1	Pin	
3	7007438	2	Ring, Retaining	
4	7022305	1	Swash Plate	
5	See Note	2	Pin (Note: Not Available for Purchase)	
6	See Note	NSS	Gasket (Note: Use Item 100)	
7	7023907	1	Cylinder Block Kit (Includes Items 7A & 9-17)	
7A	See Note	NSS	Block, Cylinder (Note: Use Item 7)	
8	7023908	1	Plate, Valve	
9	7021277	1	Guide, Slipper Retainer	
10	7021275	3	Pin, Slipper Hold Down	
11	See Note	NSS	Piston Assembly (Note: Use Item 7)	
12	7022310	1	Retainer, Slipper	
13	7021276	1	Retainer, Hold Down Pin	
14	7022311	1	Ring, Retaining	
15	7022312	1	Spring	
16	7024868	1	Washer	
17	7022314	1	Retainer, Spring	
18	7023910	1	Shaft	
19	7007439	1	Ring, Retaining	
20	70000797	1	Cap, End - Axial	
21	7022368	5	Screw	
22	7021249	1	Bearing, Needle	
23	2220886	1	Plug (Includes Item 24)	
24	See Note	1	O-Ring (Note: Use Item 23 or 100)	
25	2220883	1	Plug (Includes Item 26)	
26	See Note	NSS	O-Ring (Note: Use Item 25 or 100)	
27	2220888	2	Plug (Includes Item 28)	
28	See Note	NSS	O-Ring (Note: Use Item 27 or 100)	
29	7022372	1	Seat, Spring	
30	See Note	NSS	Housing (Note: Not Available - Purchase Complete Assembly)	
31	2220883	2	Plug (Includes Item 32)	
32	See Note	NSS	O-Ring (Note: Use Item 31 or 100)	
33	2220886	1	Plug (Includes Item 34)	
34	See Note	NSS	O-Ring (Note: Use Item 33 or 100)	
35	See Note	NSS	O-Ring (Note: Use Item 100)	
36	See Note	NSS	Ring, Seal (Note: Use Item 100)	
37	7024854	1	Piston, Servo (Includes Items 35 & 36)	
38	7007437	1	Bearing	
39	7022326	1	Spring	
40	See Note	1	Seal, Lip (Note: Use Item 100)	
41	7022371	1	Washer, Support	
		Ref	KIT OPTIONS:	
100	7022328	1	Seal Kit (Includes Items 6, 24, 26, 28, 32, 34, 35, 36 & 40)	

SECTION 1 - FRAME

FIGURE 1-10. DRIVE HUB AND BRAKE ASSEMBLY (2WD REAR)



ART_2780267

SECTION 1 - FRAME

FIGURE 1-10. DRIVE HUB AND BRAKE ASSEMBLY (2WD REAR)

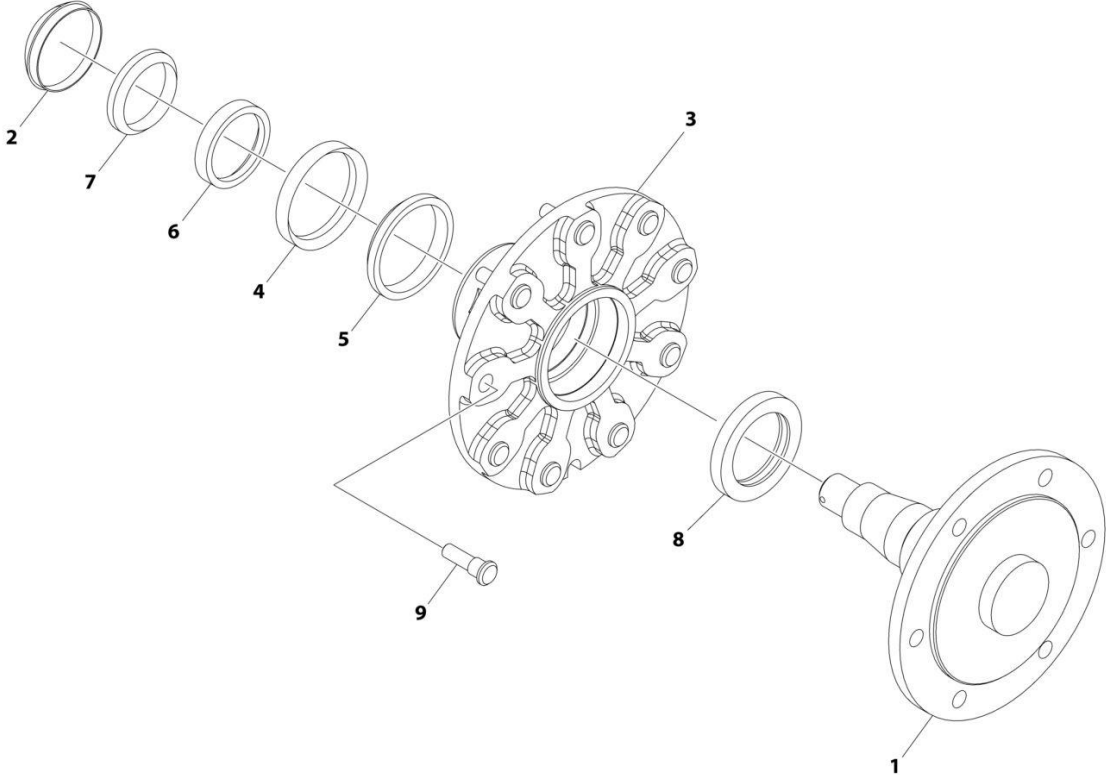
ITEM	PART NUMBER	QTY	DESCRIPTION	REV
	2780267	Ref	DRIVE HUB AND BRAKE ASSEMBLY - REAR	I
1	See Note	1	Spindle/Housing Assembly (Note: Purchase Individual Components)	
1A	7017059	1	Spindle	
1B	7001998	1	Seal	
1C	7010429	1	Cone, Bearing (Includes Item 1D)	
1D	7010429	1	Cup, Bearing (Includes Item 1C)	
1E	7000257	1	Cup, Bearing	
1F	7000258	1	Cone, Bearing	
1G	7007601	1	Housing/Ring Gear	
1H	7000232	1	Washer, Thrust	
1I	7000229	1	Ring, Retaining	
1N	7007640	9	Stud, Wheel	
2	7000246	1	Gear, Internal	
3	7024712	1	Carrier Assembly	
3A	See Note	1	Carrier (Note: Use Item 3)	
3B	See Note	6	Ring, Retaining (Note: Use Item 3)	
3C	See Note	AR	Bearing, Needle (Note: Use Item 3)	
3D	See Note	3	Washer, Thrust (Note: Use Item 3)	
3E	See Note	3	Shaft, Planet (Note: Use Item 3)	
3F	See Note	3	Gear, Planet (Note: Use Item 3)	
3G	See Note	3	Roll Pin (Note: Use Item 3)	
4	7000248	1	Ring Gear	
5	7000230	1	O-Ring	
5A	7017070	1	O-Ring	
6	70001349	1	Cover Assembly Kit	
6A	See Note	1	Spacer, Thrust (Note: Use Item 6)	
6B	See Note	1	Plate, Cover (Note: Use Item 6)	
6C	See Note	1	O-Ring (Note: Use Item 6)	
6D	See Note	1	Rod, Disconnect (Note: Use Item 6)	
6E	See Note	1	Cap, Disengage (Note: Use Item 6)	
6F	See Note	2	Bolt (Note: Use Item 6)	
6G	See Note	1	Plug, Pipe (Note: Use Item 6)	
6I	See Note	4	Rivet (Note: Not Available for Purchase)	
6J	See Note	1	Plate, ID (Note: Not Available for Purchase)	
7		Ref	Input Shaft Assembly	
7A	7024714	1	Shaft	
7B	7000261	1	Ring, Retaining	
7C	7000262	1	Spring	
7D	7000263	2	Spacer, Thrust	
8	7024713	1	Gear, Sun	
11	7000253	1	Washer, Thrust	
12	7017067	12	Bolt	
13	7017080	4	Pin, Dowel	
14	7000206	1	Coupling	
15	7024715	1	Spacer, Input	
16	7024716	1	Spacer, Input	
17	7024182	1	Brake Assembly (See Items 101-123 for Breakdown)	
27	7024705	1	O-Ring	
28	7024717	2	Rod, Threaded	

SECTION 1 - FRAME

ITEM	PART NUMBER	QTY	DESCRIPTION	REV
29	7024718	2	Nut 1/2in-13NC	
	7024182	Ref	BRAKE ASSEMBLY	
101	7024189	1	Shaft	
102	See Note	1	Housing (Note: Use Item 17)	
103	See Note	2	Plate, Friction (Note: Use Item 201B)	
104	See Note	1	Plate, Pressure (Note: Use Item 201B)	
105	7000731	2	Gasket	
106	See Note	2	Plate, Outer (Note: Use Item 201B)	
107	See Note	1	Gasket (Note: Use Item 200A, 201B or 201C)	
108	7024191	1	Cylinder	
109	7024192	1	Piston	
110	See Note	1	Bearing, Ball (Note: Use Item 201C)	
111	See Note	1	Ring, Retaining (Note: Use Item 201C)	
112	See Note	1	Seal, Shaft (Note: Use Item 201C)	
113	See Note	6	Capscrew (Note: Use Item 17)	
114	See Note	6	Lockwasher (Note: Use Item 17)	
115	See Note	1	O-Ring (Note: Use Item 200B)	
116	See Note	1	Ring, Back-up (Note: Use Item 200B)	
117	See Note	1	O-Ring (Note: Use Item 200B)	
118	See Note	1	Ring, Back-up (Note: Use Item 200B)	
119	7024190	2	Pin, Dowel	
120	See Note	1	Plug (Note: Use Item 17)	
121	See Note	2	Plug (Note: Use Item 17)	
122	See Note	12	Spring Kit (Natural) (Note: Use Item 201A)	
123	See Note	2	Spring Kit (Blue) (Note: Use Item 201A)	
		Ref	Kit Options	
200		Ref	Seal Kit Options:	
200A	See Note	1	Hub Seal Kit (Note: Purchase Individual Components)	
200B	7024194	1	Brake Seal Kit (Includes Items 105, 107 & 115-118)	
201		Ref	Repair Kit Options:	
201A	7024196	1	Brake Spring Kit (Includes 12 Natural Colored and 2 Blue Colored Springs Items 122 & 123)	
201B	7024193	1	Brake Friction Disc Kit (Includes Items 103, 104, 106 & 107)	
201C	7024197	1	Brake Bearing Kit (Includes Items 107 & 110-112)	

SECTION 1 - FRAME

FIGURE 1-11. HUB/SPINDLE ASSEMBLY (2WD FRONT)



ART_1001214174

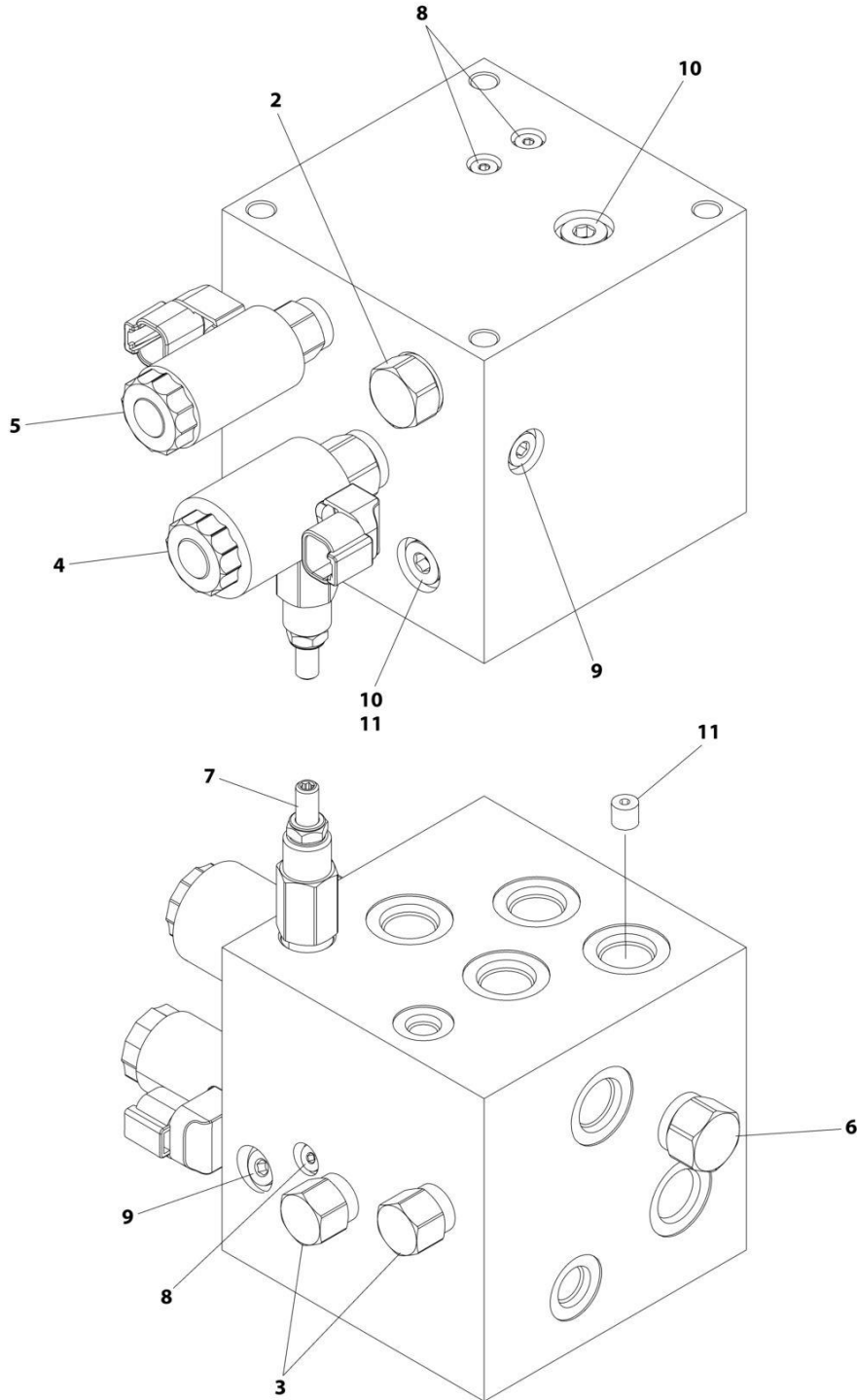
SECTION 1 - FRAME

FIGURE 1-11. HUB/SPINDLE ASSEMBLY (2WD FRONT)

ITEM	PART NUMBER	QTY	DESCRIPTION	REV
	1001214174	Ref	HUB - SPINDLE ASSEMBLY (2WD)	C
1	See Note	NSS	Spindle, Adapter (Note: Not Available for Purchase)	
2	7020033	1	Cap, Dust	
3	7020035	1	Hub, Casting	
4	7020036	1	Cup, Bearing	
5	7020037	1	Cone, Bearing	
6	7020038	1	Cup, Bearing	
7	7020039	1	Cone, Bearing	
8	7020040	1	Seal	
9	7020041	9	Stud	

SECTION 1 - FRAME

FIGURE 1-12. VALVE ASSEMBLY - TRACTION (2WD)



ART_1001246959

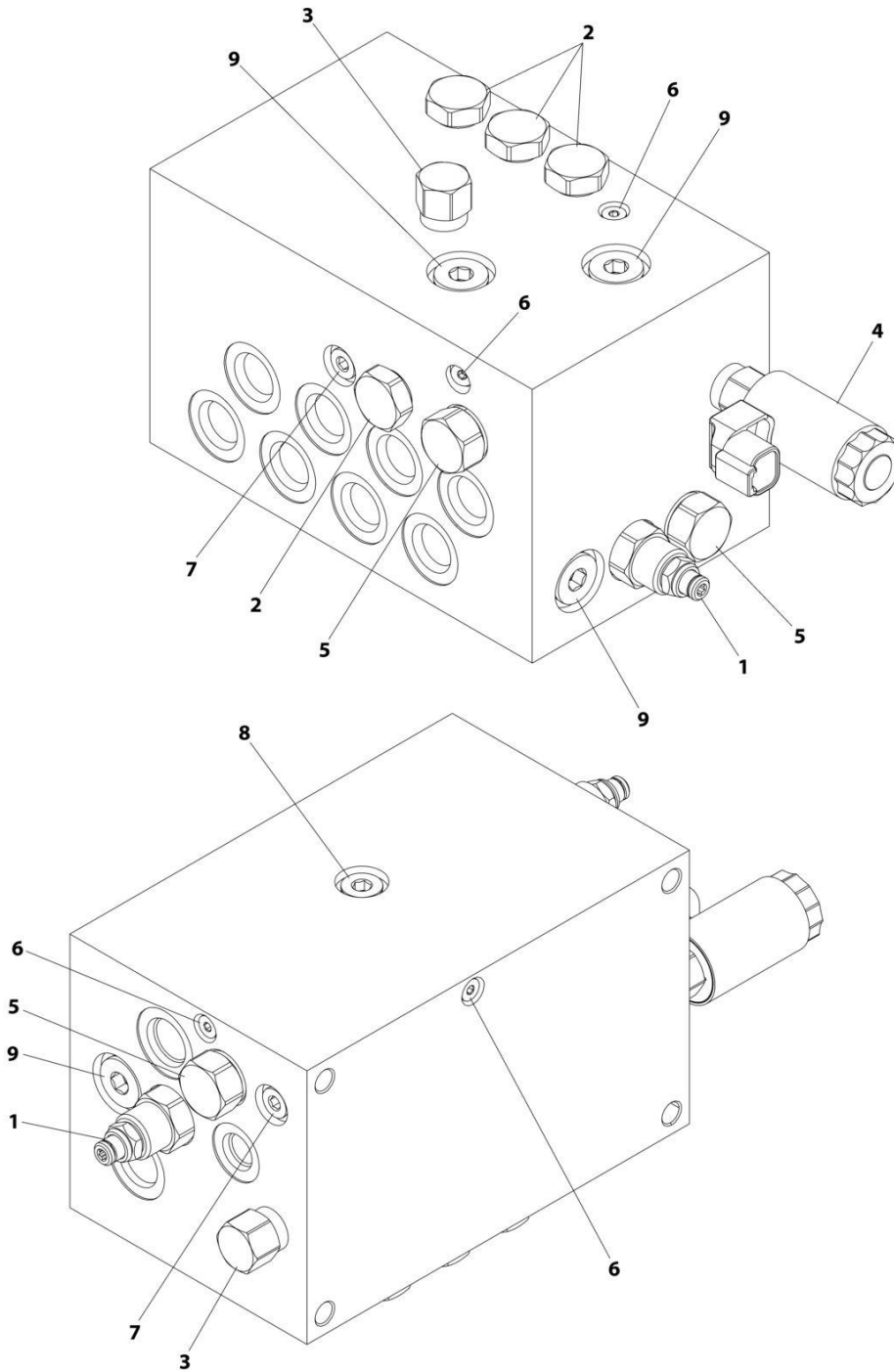
SECTION 1 - FRAME

FIGURE 1-12. VALVE ASSEMBLY - TRACTION (2WD)

ITEM	PART NUMBER	QTY	DESCRIPTION	REV
	1001246959	Ref	VALVE ASSEMBLY - TRACTION (2WD)	D
	See Note	1	Note: No Service Parts Available at Time of Printing.	
2		Ref	Cartridge, Shuttle Valve	
3		Ref	Cartridge, Check Valve	
4		Ref	Cartridge, Solenoid Valve	
5		Ref	Cartridge, Solenoid Valve	
6		Ref	Cartridge, Flow Control Valve	
7		Ref	Cartridge, Relief Valve	
8		Ref	Plug SAE 2	
9		Ref	Plug SAE 4	
10		Ref	Plug SAE 6	
11		Ref	Orifice 1/8	

SECTION 1 - FRAME

FIGURE 1-13. VALVE ASSEMBLY- TRACTION (4WD)



ART_1001244177

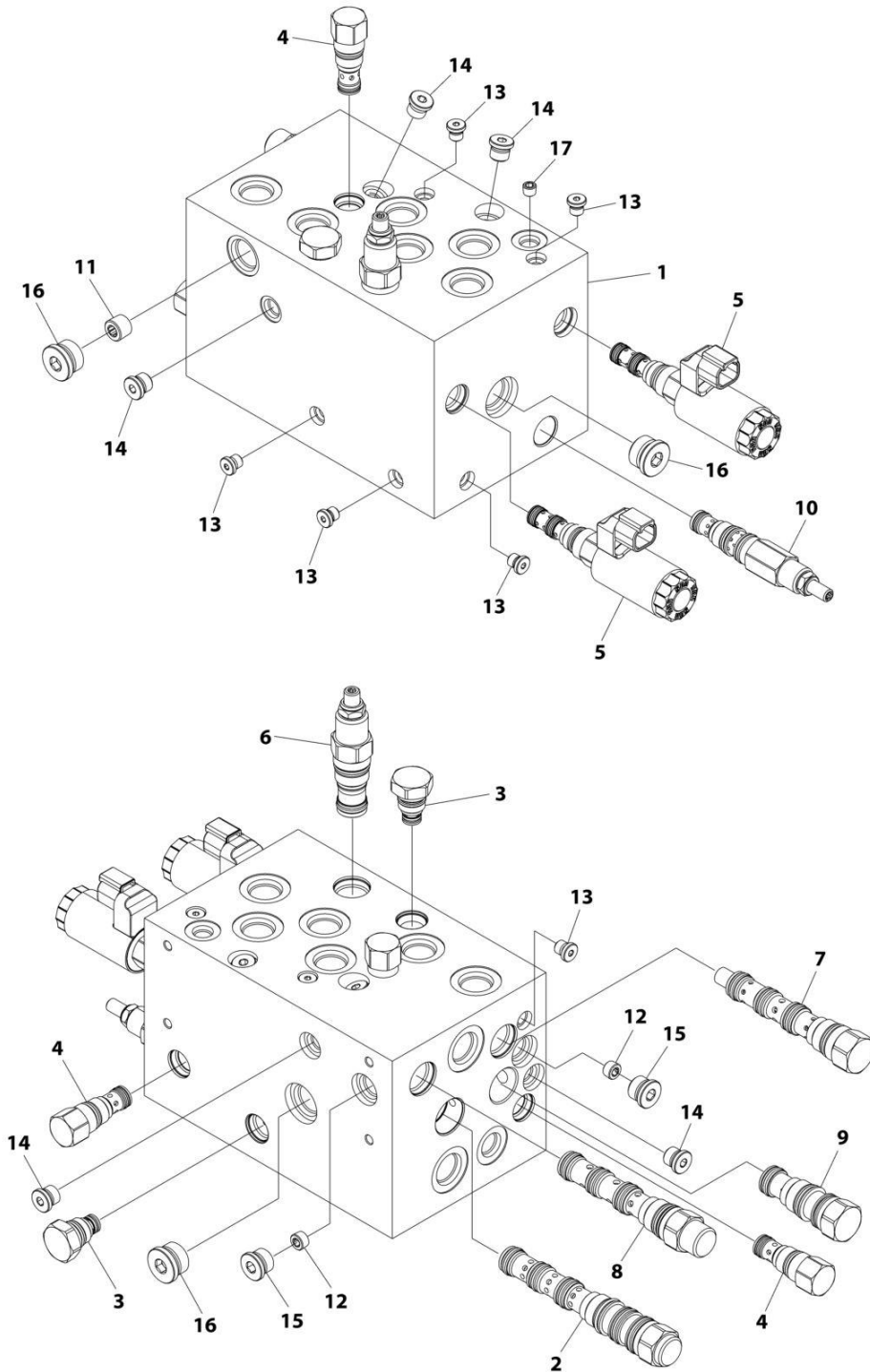
SECTION 1 - FRAME

FIGURE 1-13. VALVE ASSEMBLY- TRACTION (4WD)

ITEM	PART NUMBER	QTY	DESCRIPTION	REV
	1001244177	Ref	VALVE ASSEMBLY- TRACTION (4WD)	D
1	70008619	2	Cartridge, Valve	
1	70006099	2	Kit, Seal	
2	70008347	4	Cartridge, Check Valve	
2	70008348	4	Kit, Seal	
3	7026016	2	Cartridge, Valve	
3	7011346	2	Kit, Seal	
4	70008620	1	Cartridge, Solenoid Valve	
4	70008350	1	Kit, Seal	
4	70008352	1	Coil	
5	70008621	1	Cartridge, Valve	
5	2900770	1	Kit, Seal	
6	2220881	6	Plug, O-Ring	
7	2220883	2	Plug, O-Ring	
8	2220885	1	Plug, O-Ring	
9	2220886	4	Plug, O-Ring	

SECTION 1 - FRAME

FIGURE 1-14. VALVE ASSEMBLY- TRACTION HEAVY (4WD)



ART_1001250888

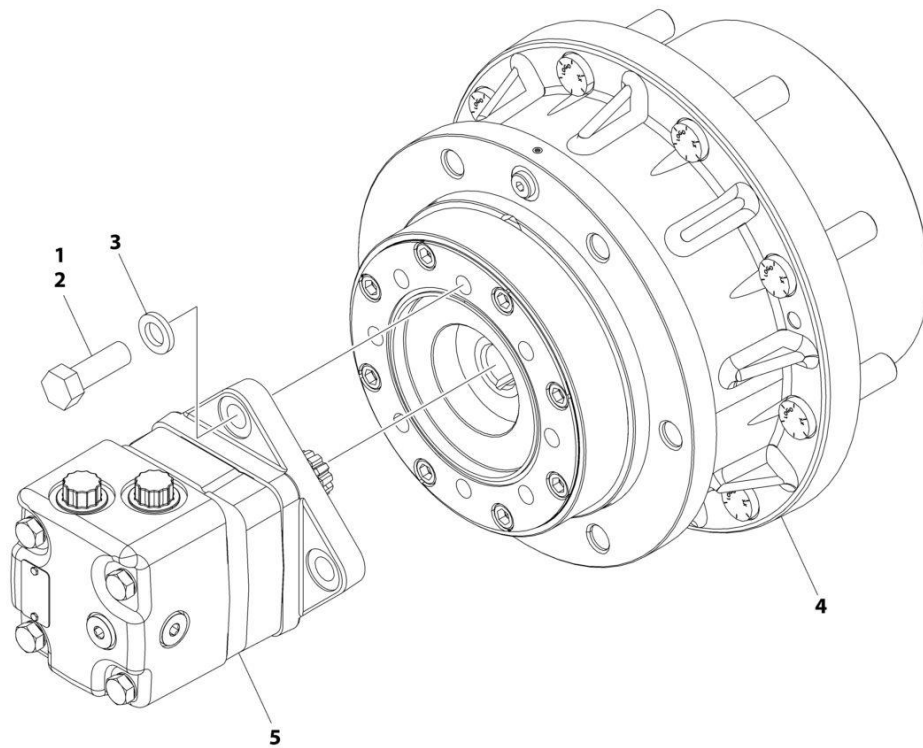
SECTION 1 - FRAME

FIGURE 1-14. VALVE ASSEMBLY- TRACTION HEAVY (4WD)

ITEM	PART NUMBER	QTY	DESCRIPTION	REV
	1001250888	Ref	VALVE ASSEMBLY - TRACTION (4WD)	C
1	See Note	1	Body, Valve (Note: Not Available for Purchase)	
2	70008346	1	Valve, Directional	
3	70008347	2	Cartridge, Check Valve	
3	70008348	2	Seal Kit - 70008347 Check Valve	
4	7026016	3	Cartridge, Check Valve	
4	7011346	3	Seal Kit - 7026016 Check Valve	
5	70008349	2	Cartridge, Solenoid Valve	
5	70008350	2	Seal Kit - 70008349 Solenoid Valve	
5	70008351	2	Nut, Coil	
5	70008352	2	Coil	
6	70008353	1	Cartridge, Flow Control Valve	
6	7011311	1	Seal Kit - 70008353 Flow Control Valve	
7	7023810	1	Divider/Combiner, Flow	
8	70008354	1	Cartridge, Modulating Valve	
8	7011344	1	Seal Kit - 70008354 Modulating Valve	
9	8036246	1	Valve, Logic	
10	70008355	1	Cartridge, Pressure Reducing Valve	
10	7026004	1	Seal Kit - 70008355 Pressure Reducing Valve	
11	70008356	1	Plug, 1/4 Orifice	
12	70008357	2	Plug, 1/8 Orifice	
13	2220881	6	Plug, #2	
14	2220883	5	Plug, #4	
15	2220885	2	Plug, #6	
16	2220886	3	Plug, #8	
17	70005599	1	Plug, 1/16 Orifice	

SECTION 1 - FRAME

FIGURE 1-15. DRIVE ASSEMBLY (4WD)



ART_1001243266

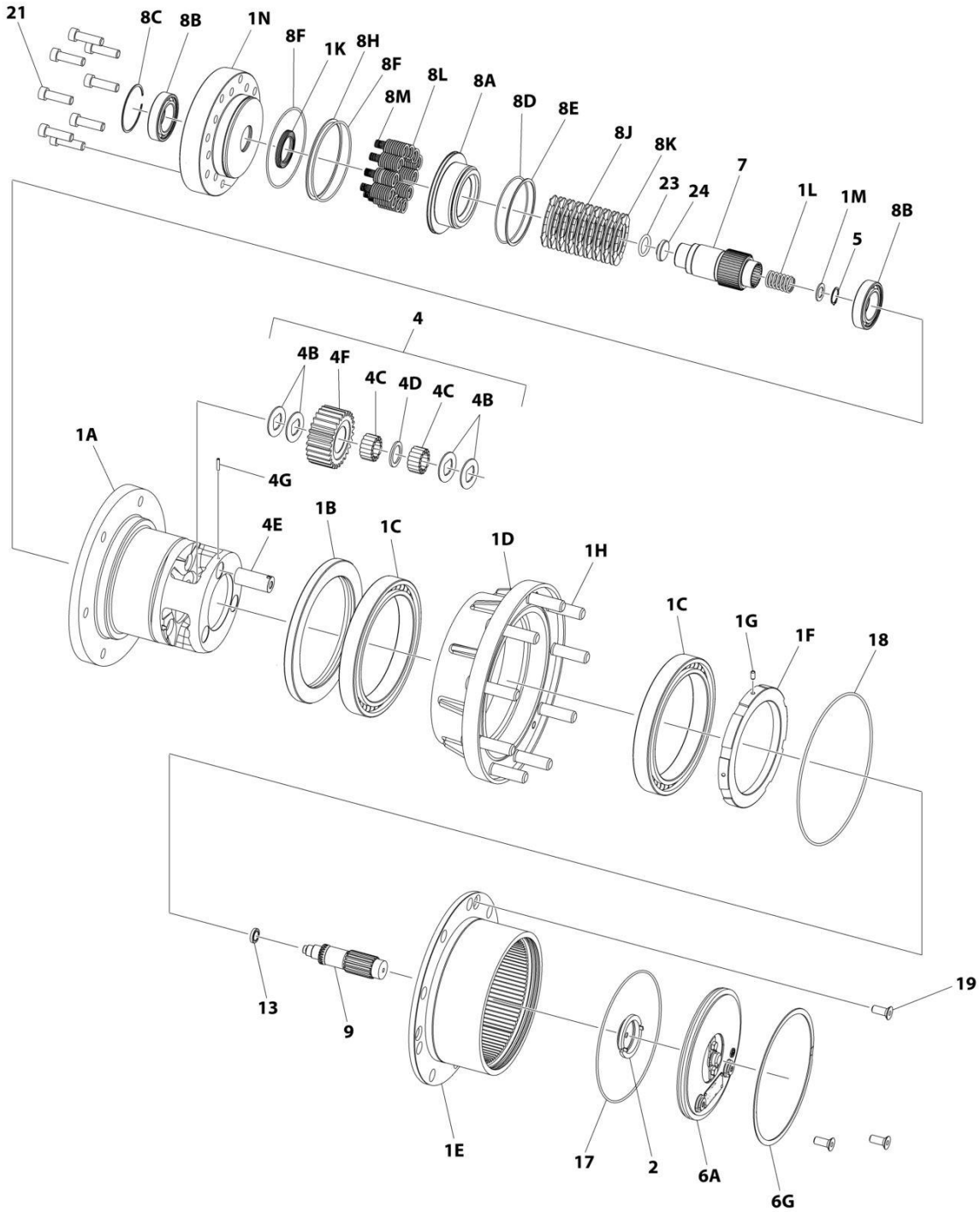
SECTION 1 - FRAME

FIGURE 1-15. DRIVE ASSEMBLY (4WD)

ITEM	PART NUMBER	QTY	DESCRIPTION	REV
	1001243266	Ref	DRIVE ASSEMBLY	E
1	1001095650	1	Adhesive	
2	0681812	4	Bolt 1/2 x 1-1/2	
3	4761800	4	Washer 1/2	
4	1001242816	1	Drive Hub Assembly (See Separate Breakdown in this Section)	
5	1001243268	1	Drive Motor Assembly (Includes O-Ring)	
5	70008114	1	O-Ring (Not Shown, Seals Between Drive Hub & Drive Motor)	

SECTION 1 - FRAME

FIGURE 1-16. DRIVE HUB AND BRAKE ASSEMBLY (4WD)



ART_1001242816

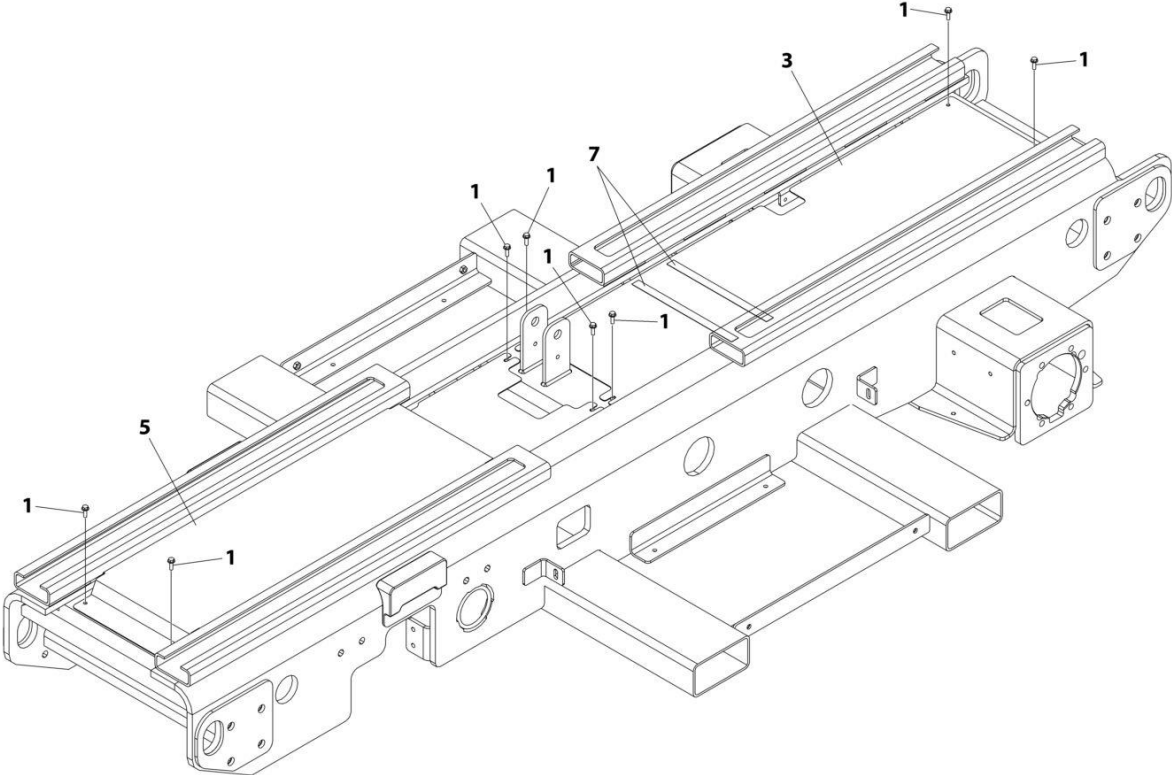
SECTION 1 - FRAME

FIGURE 1-16. DRIVE HUB AND BRAKE ASSEMBLY (4WD)

ITEM	PART NUMBER	QTY	DESCRIPTION	REV
	1001242816	Ref	DRIVE HUB ASSEMBLY	F
1A	SEE NOTE	NSS	Spindle (Not available for Purchase)	
1B	70001119	1	Seal	
1C	70002991	2	Bearing, Ball	
1D	SEE NOTE	NSS	Housing (Not available for Purchase)	
1E	70002989	1	Gear, Ring	
1F	70003000	1	Nut	
1G	70002996	2	Screw, Socket	
1H	7007640	9	Stud	
1K	70008155	1	Seal, Quad	
1L	70002992	1	Spring	
1M	70002999	1	Washer, Thrust	
1N	SEE NOTE	NSS	Adapter, Mounting (Not available for Purchase)	
2	7024741	1	Spacer, Thrust	
4	70008144	1	Planet Gear Assembly	
4B	SEE NOTE	NSS	Washer, Thrust (Not available for Purchase)	
4C	SEE NOTE	NSS	Bearing, Needle (Not available for Purchase)	
4D	SEE NOTE	NSS	Spacer, Thrust (Not available for Purchase)	
4F	SEE NOTE	NSS	Gear, Planet (Not available for Purchase)	
4E	7024726	3	Shaft, Planet	
4G	7001913	2	Pin, Roll	
5	70002995	1	Ring, Retaining	
6A	70001368	1	Cover Plate Assembly	
6G	7024738	1	Ring, Retaining	
7	70008148	1	Coupling	
8A	70002993	1	Brake, Piston	
8B	70002990	2	Bearing, Ball	
8C	70002994	1	Ring, Retaining	
8D	70004042	1	O-Ring	
8E	70008158	1	O-Ring, Back-up	
8F	70008156	2	O-Ring	
8H	70008157	1	O-Ring, Back-up	
8J	70002085	8	Brake, Rotor	
8K	70002085	9	Brake, Stator	
8L	70008152	12	Spring	
8M	70008153	12	Spring	
9	70008147	1	Shaft, Input	
12	70002998	1	Plug (Not Shown)	
13	70008151	1	Bearing, Ball	
17	7024134	1	O-Ring	
18	70002997	1	O-Ring	
19	7017022	3	Bolt	
21	70008154	8	Bolt	
22	7024108	2	Plug (Not Shown)	
23	70008150	1	O-Ring	
24	70008149	1	Space Input	

SECTION 1 - FRAME

FIGURE 1-17. FRAME COVERS INSTALLATION



ART_1001245440

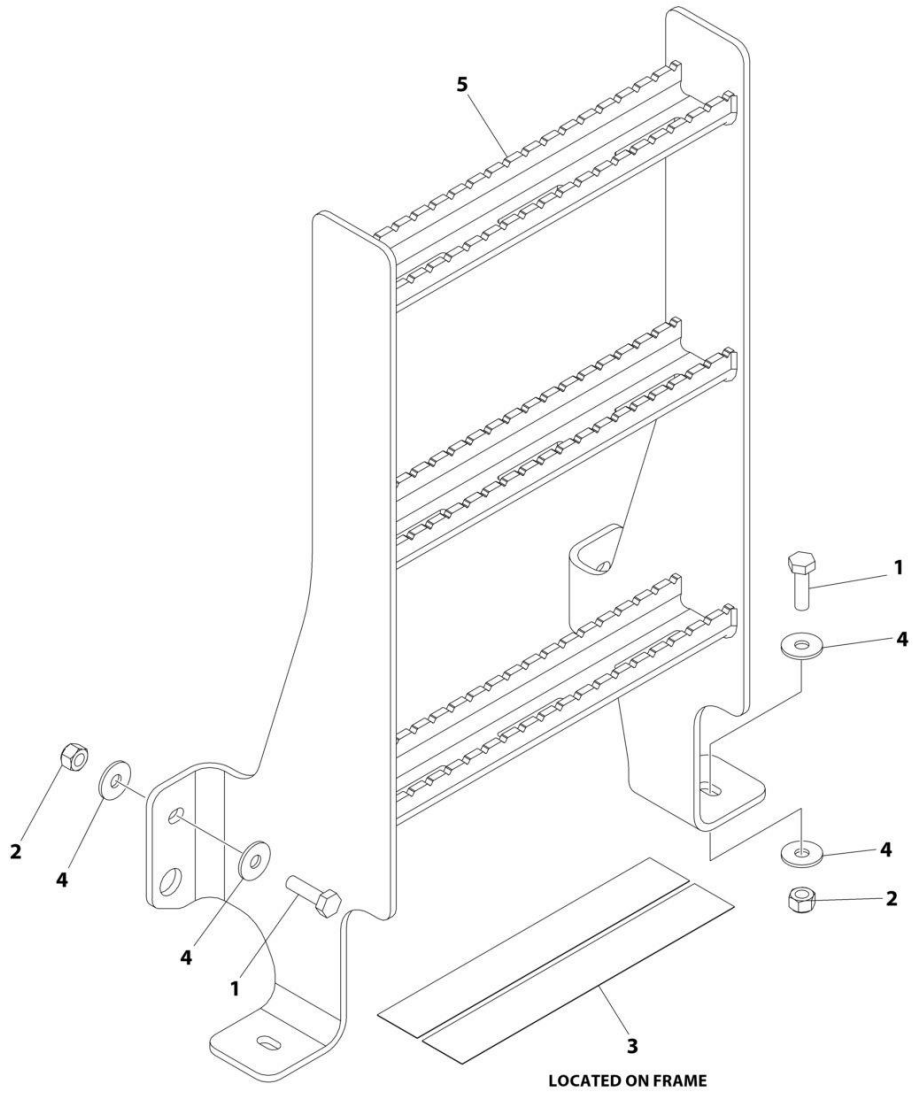
SECTION 1 - FRAME

FIGURE 1-17. FRAME COVERS INSTALLATION

ITEM	PART NUMBER	QTY	DESCRIPTION	REV
	1001245440	Ref	FRAME COVERS INSTALLATION	D
1	5250812	8	Bolt M8 x 25	
3	1001245381	1	Cover (Rear)	
5	1001283427	1	Cover (Front)	
7	1001258188	2 ft	Tape, Foam	

SECTION 1 - FRAME

FIGURE 1-18. LADDER INSTALLATION (RT2669)



ART_1001246884

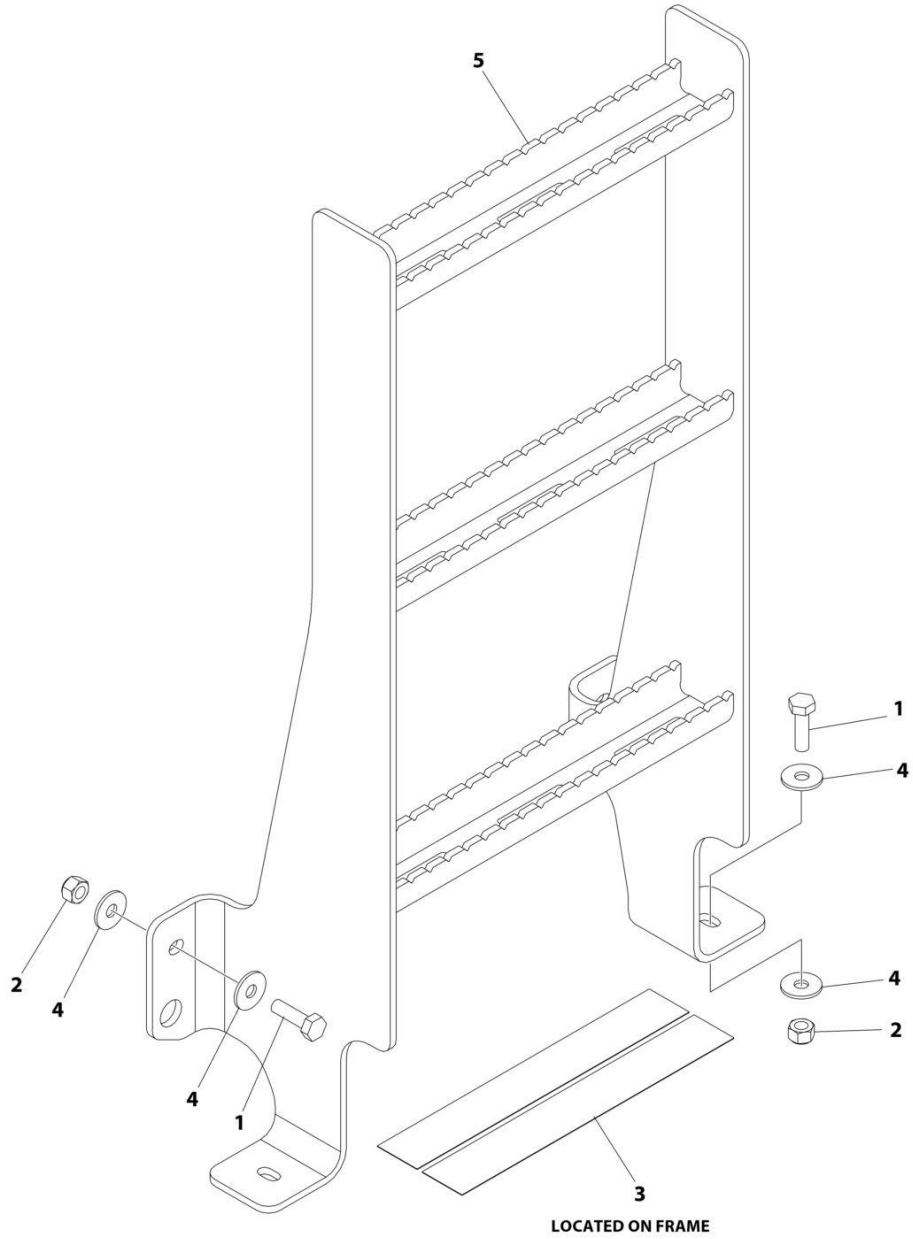
SECTION 1 - FRAME

FIGURE 1-18. LADDER INSTALLATION (RT2669)

ITEM	PART NUMBER	QTY	DESCRIPTION	REV
	1001246884	Ref	LADDER INSTALLATION	B
1	0761015	4	Bolt M10 x 35	
2	3291005	4	Nut M10	
3	4420070	2	Tape, Anti-Skid	
4	4812002	8	Washer M10	
5	1001247352	1	Ladder	

SECTION 1 - FRAME

FIGURE 1-19. LADDER INSTALLATION (RT3369)



ART_1001247425

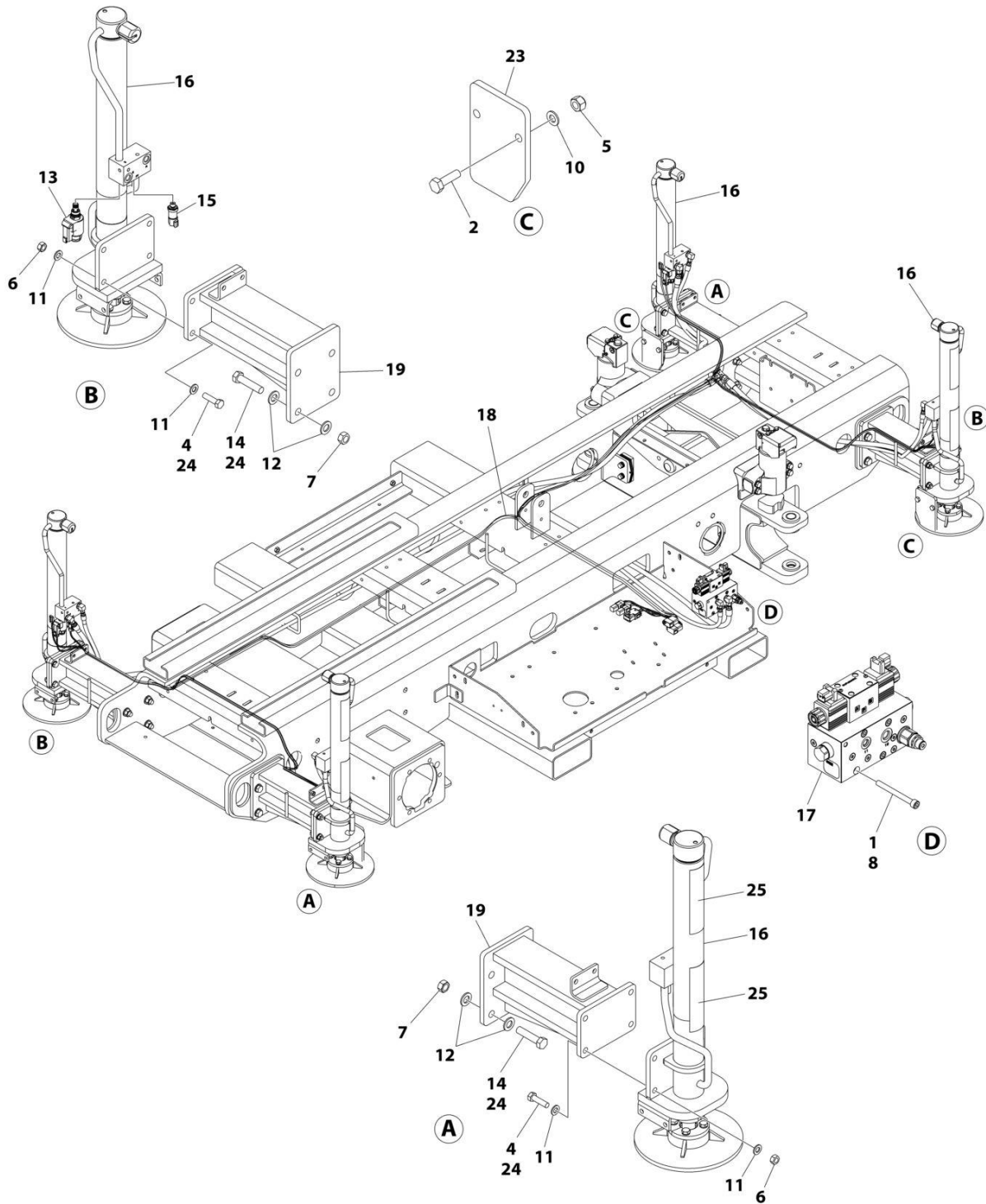
SECTION 1 - FRAME

FIGURE 1-19. LADDER INSTALLATION (RT3369)

ITEM	PART NUMBER	QTY	DESCRIPTION	REV
	1001247425	Ref	LADDER INSTALLATION	B
1	0761015	4	Bolt M10 x 35	
2	3291005	4	Nut M10	
3	4420070	2	Tape, Anti-Skid	
4	4812002	8	Washer M10	
5	1001247353	1	Ladder	

SECTION 1 - FRAME

FIGURE 1-20. LEVELING JACKS INSTALLATION - PARTIAL COVERS



ART_1001246885_E

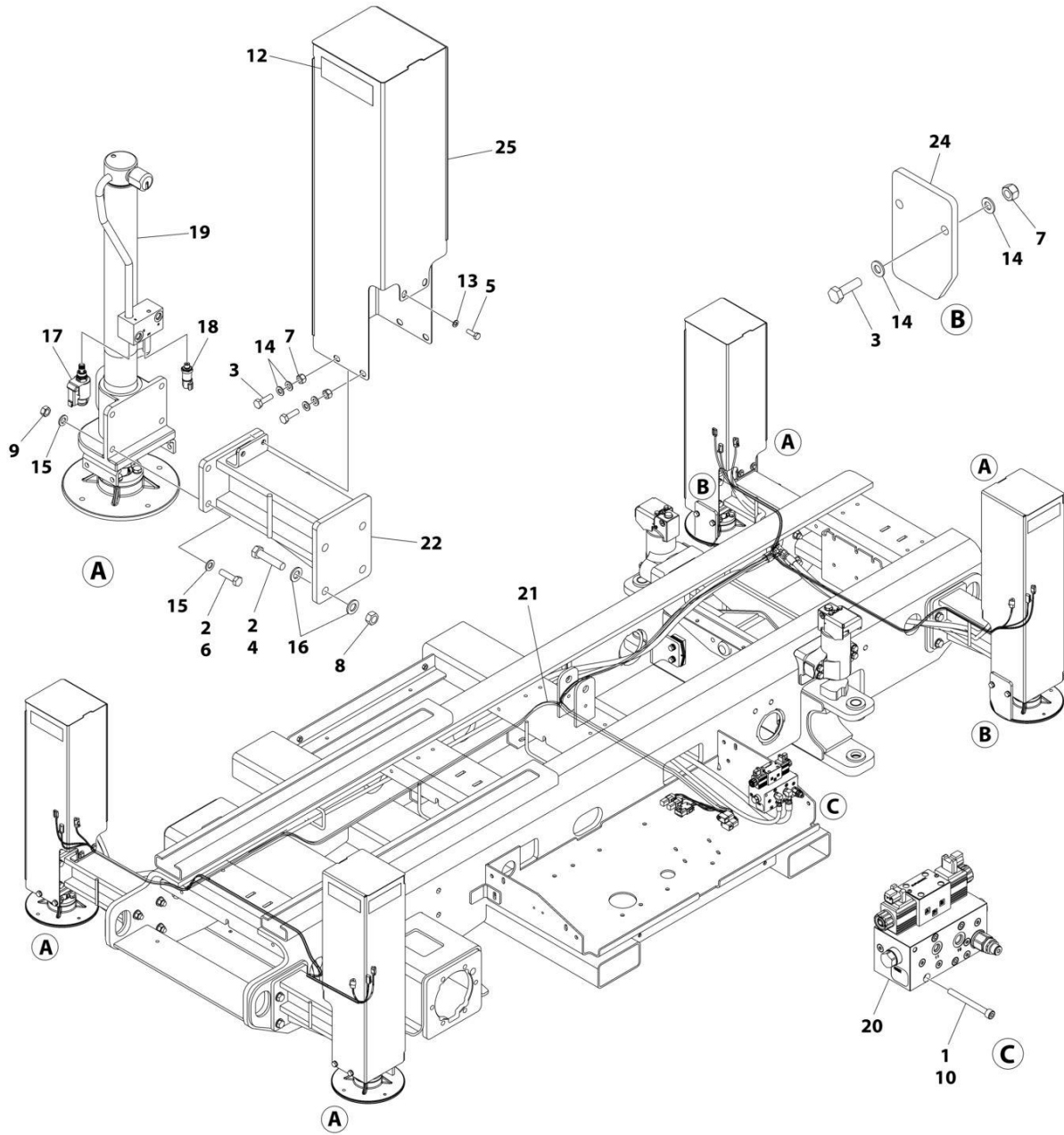
SECTION 1 - FRAME

FIGURE 1-20. LEVELING JACKS INSTALLATION - PARTIAL COVERS

ITEM	PART NUMBER	QTY	DESCRIPTION	REV
	1001246885	Ref	LEVELING JACKS INSTALLATION	E
1	0100011	AR	Compound, Locking	
2	0701015	8	Bolt M10 x 35	
4	0761217	16	Bolt M12 x 45	
5	3291005	8	Nut M10	
6	3331211	16	Nut M12	
7	3291601	16	Nut M16	
8	4031920	4	Capscrew M8 x 80	
10	4812000	8	Washer M10	
11	4812100	32	Washer M12	
12	5241600	32	Washer M16	
13	1001103761	4	Cartridge, Valve	
13	7024497	1	Cartridge Less Coil	
13	7024502	1	Seal Kit	
13	70001965	1	Coil	
13	7024506	1	Nut, Coil	
14	0701622	16	Bolt M16 x 70	
15	1001227516	4	Sensor, Pressure Transducer	
16	1001274074	4	Cylinder Assembly - Leveling Jacks (See Separate Breakdown in CYLINDER Section)	
17	1001247380	1	Valve Assembly - Leveling Jacks (See Separate Breakdown in this Section)	
18	1001248863	1	Harness, Leveling Jack (See Separate Breakdown in ELECTRICAL Section)	
19	1001249407	4	Frame, Leveling Jack	
22	1001250342	1	Hydraulic Diagram - Leveling Jacks (Not Shown - See Separate Breakdown in HYDRAULIC Section)	
23	1001250353	4	Plate	
24	0100019	AR	Compound, Locking	
25	4420051	5 ft/144cm	Tape, Safety	
26	4240017	AR	Tie-Strap (Not Shown)	

SECTION 1 - FRAME

FIGURE 1-21. LEVELING JACKS INSTALLATION - FULL COVERS



ART_1001274495_C

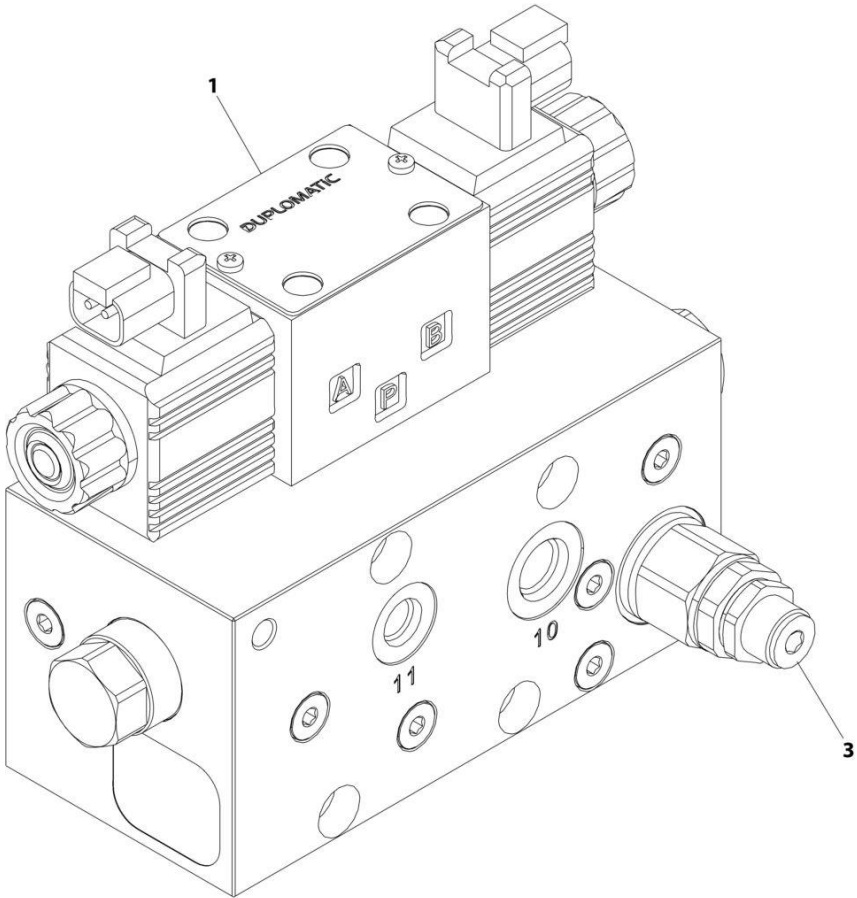
SECTION 1 - FRAME

FIGURE 1-21. LEVELING JACKS INSTALLATION - FULL COVERS

ITEM	PART NUMBER	QTY	DESCRIPTION	REV
	1001274495	Ref	LEVELING JACKS INSTALLATION	C
1	0100011	AR	Compound, Locking	
2	0100019	AR	Compound, Locking	
3	0701015	16	Bolt M10 x 35	
4	0701622	16	Bolt M16 x 70	
5	0760812	8	Bolt M8 x 25	
6	0761217	16	Bolt M12 x 45	
7	3291005	16	Nut M10	
8	3291601	16	Nut M16	
9	3331211	16	Nut M12	
10	4031920	4	Capscrew M8 x 80	
11	4240017	AR	Tie-Strap (Not Shown)	
12	4420051	4 ft/123cm	Tape, Safety	
13	4811902	8	Washer M8	
14	4812000	32	Washer M10	
15	4812100	32	Washer M12	
16	5241600	32	Washer M16	
17	1001103761	4	Cartridge, Valve	
17	7024497	1	Cartridge Less Coil	
17	7024502	1	Seal Kit	
17	70001965	1	Coil	
17	7024506	1	Nut, Coil	
18	1001227516	4	Sensor, Leveling Jacks Pressure	
19	1001274074	4	Cylinder Assembly - Leveling Jacks (See Separate Breakdown in CYLINDER Section)	
20	1001247380	1	Valve Assembly - Leveling Jacks (See Separate Breakdown in this Section)	
21	1001248863	1	Harness, Leveling Jack (See Separate Breakdown in ELECTRICAL Section)	
22	1001249407	4	Frame, Leveling Jack	
23	1001250342	1	Hydraulic Diagram - Leveling Jacks (Not Shown - See Separate Breakdown in HYDRAULIC Section)	
24	1001250353	4	Plate	
25	1001271360	4	Cover, Jack	

SECTION 1 - FRAME

FIGURE 1-22. LEVELING JACKS VAVLE ASSEMBLY



ART_1001247380

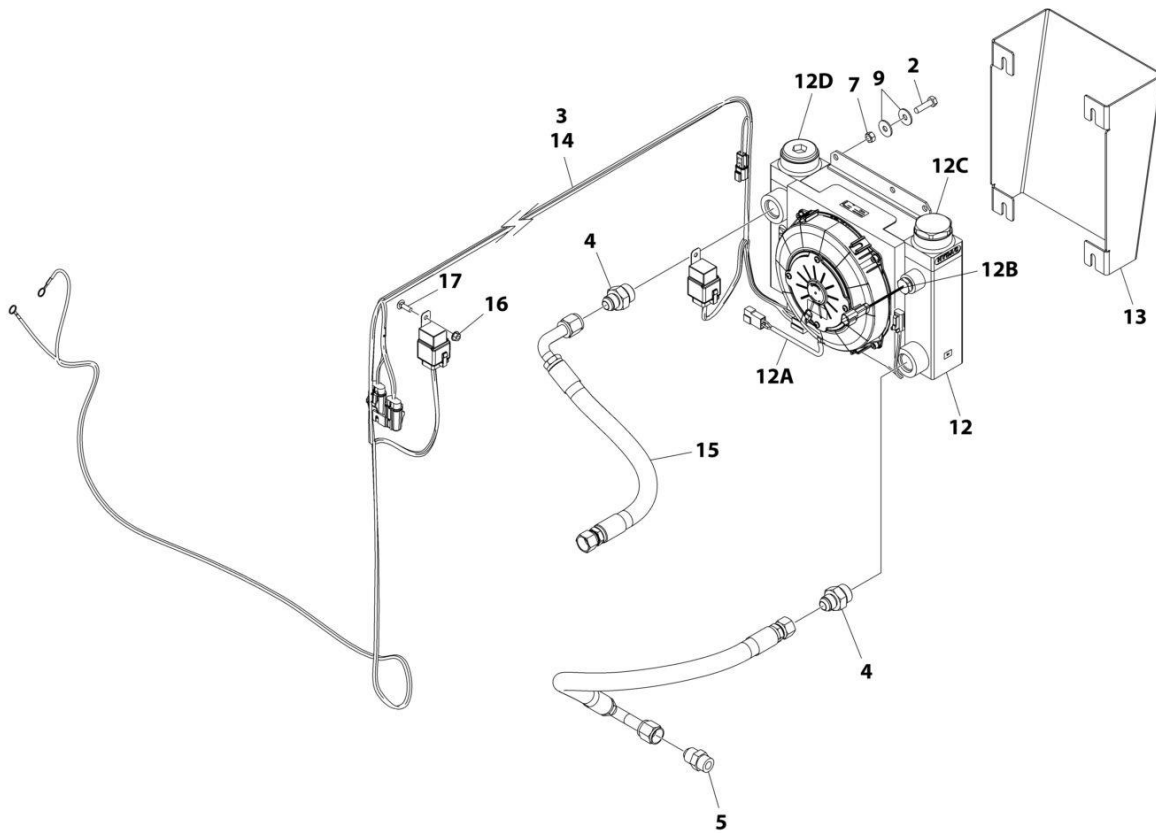
SECTION 1 - FRAME

FIGURE 1-22. LEVELING JACKS VAVLE ASSEMBLY

ITEM	PART NUMBER	QTY	DESCRIPTION	REV
	1001247380	Ref	LEVELING JACK VALVE ASSEMBLY	D
1	70007760	1	Valve, Directional	
3	70007761	1	Cartridge, Relief Valve	
4	70007762	1	Cartridge, Shuttle Valve (Not Shown)	

SECTION 1 - FRAME

FIGURE 1-23. OIL COOLER INSTALLATION (Prior to SN M200064803, Including M200064804, M20064993, M20064999, M20065189, M20065198, M20065283, M20066363, M20066820, M20066824, M20066458, M20066910 and M20066548)



ART_1001246101

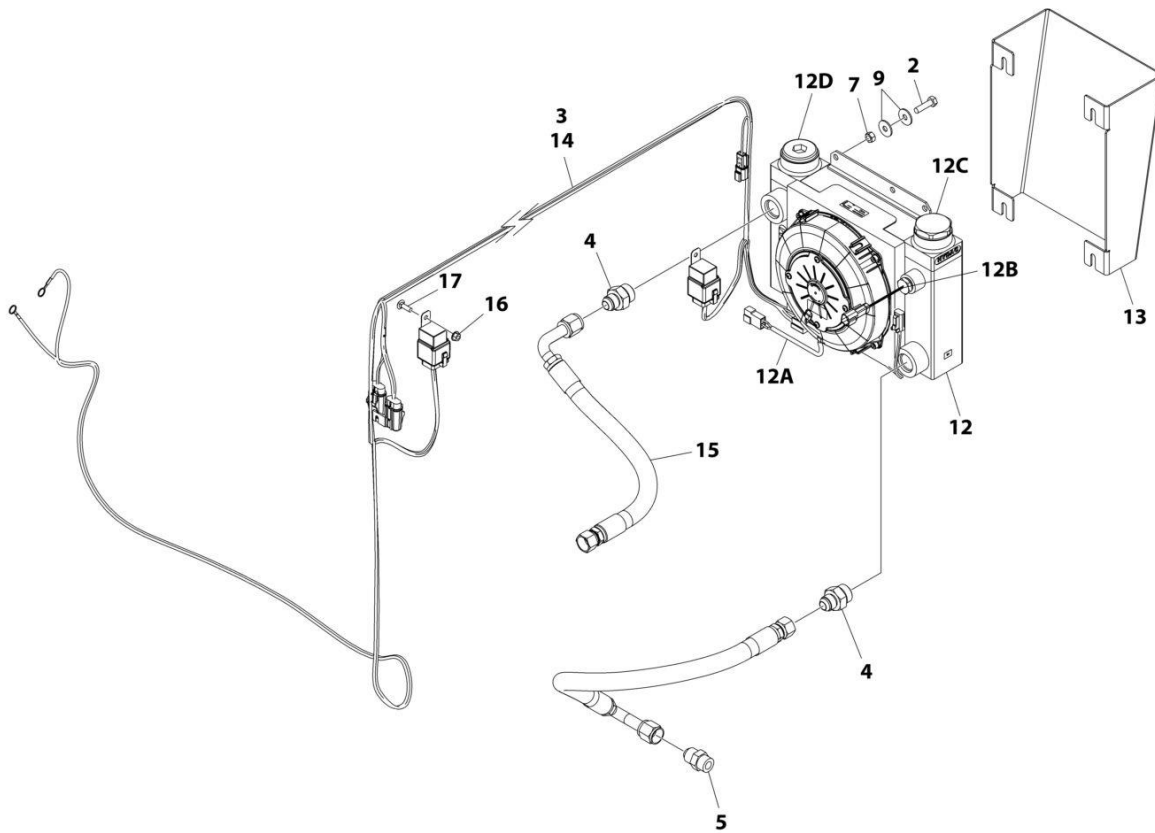
SECTION 1 - FRAME

FIGURE 1-23. OIL COOLER INSTALLATION (Prior to SN M200064803, Including M200064804, M20064993, M20064999, M20065189, M20065198, M20065283, M20066363, M20066820, M20066824, M20066458, M20066910 and M20066548)

ITEM	PART NUMBER	QTY	DESCRIPTION	REV
	1001246101	Ref	OIL COOLER INSTALLATION	D
2	0760814	4	Bolt M8 x 30	
3	1062255	AR	Tie Strap (Not Shown)	
4	2220865	2	Fitting Straight JIC/ORB	
5	2220947	1	Fitting Straight JIC/ORB	
7	3290807	4	Nut, Lock M8	
9	4811902	8	Washer M8	
12	1001225804	1	Cooler Assembly	
12A	70006577	1	Fan/Motor Assembly	
12A	4460994	1	Plug, Male - 2 Position (Fan/Motor)	
12A	4460993	2	Terminal (Fan/Motor)	
12B	70006576	1	Thermostat	
12B	4460891	1	Plug, Male - 2 Position (Thermostat)	
12B	4460465	2	Socket, Female (Thermostat)	
12C	70006578	1	Valve, Bypass	
12D	70006579	1	Plug	
13	1001248160	1	Bracket	
14	1001249802	1	Oil Cooler Harness (See Separate Breakdown in ELECTRICAL Section)	
15	1001254861	1	Hose	
16	5260600	1	Nut M6	
17	1001100451	1	Bolt M6 x 20	

SECTION 1 - FRAME

FIGURE 1-24. OIL COOLER INSTALLATION (SN M200064803 to Present, Excluding M200064804, M20064993, M20064999, M20065189, M20065198, M20065283, M20066363, M20066820, M20066824, M20066458, M20066910 and M20066548)



ART_1001246101_E

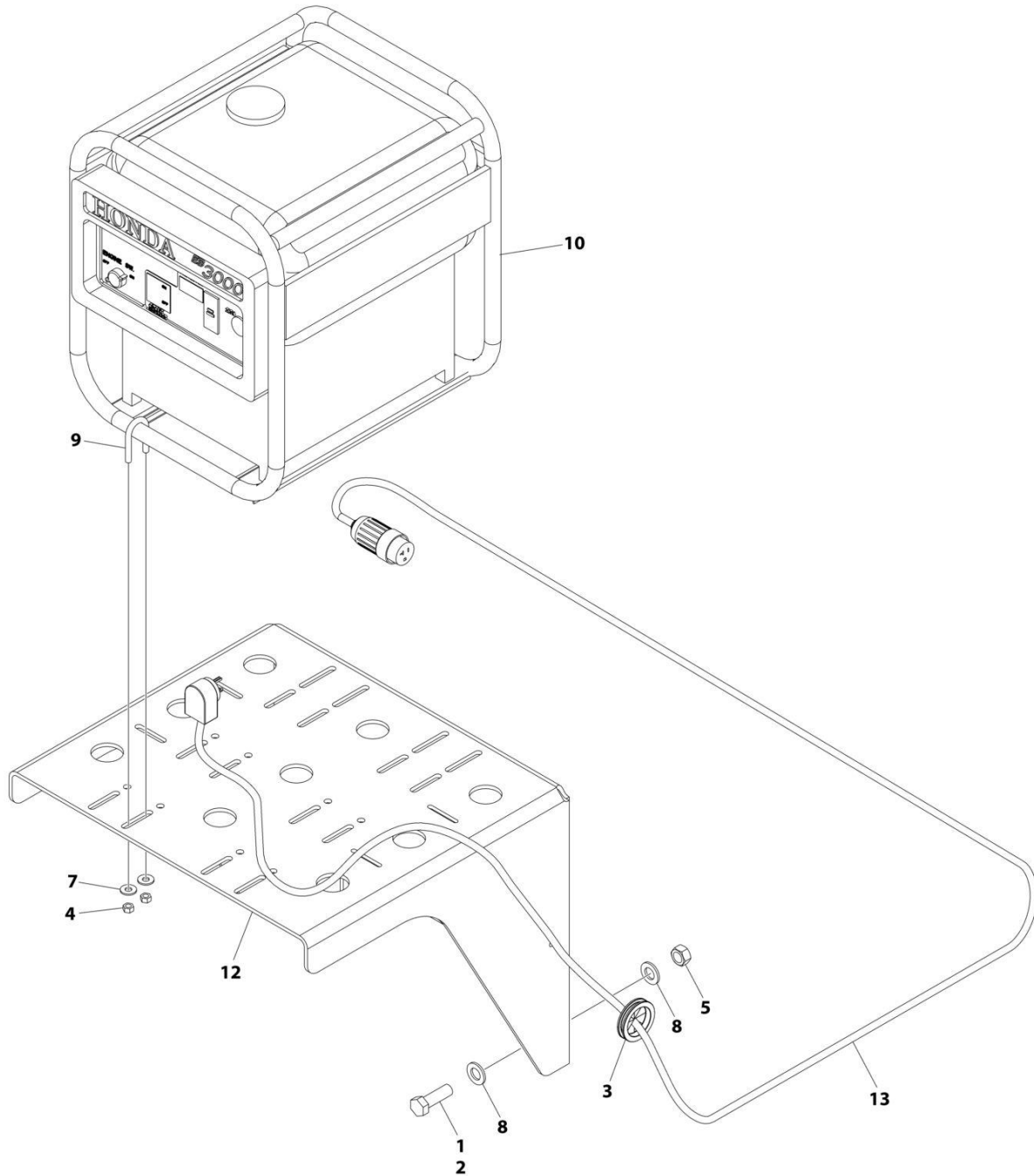
SECTION 1 - FRAME

FIGURE 1-24. OIL COOLER INSTALLATION (SN M200064803 to Present, Excluding M200064804, M20064993, M20064999, M20065189, M20065198, M20065283, M20066363, M20066820, M20066824, M20066458, M20066910 and M20066548)

ITEM	PART NUMBER	QTY	DESCRIPTION	REV
12C	70006578	1	Valve, Bypass	E
12A	70006577	1	Fan/Motor Assembly	
12B		Ref	Thermostat (No Service Parts Available at Time of Printing)	
	1001246101	Ref	OIL COOLER INSTALLATION	
2	0760814	4	Bolt M8 x 30	
3	1062255	AR	Tie Strap (Not Shown)	
4	2220865	2	Fitting Straight JIC/ORB	
5	2220947	1	Fitting Straight JIC/ORB	
7	3290807	4	Nut, Lock M8	
9	4811902	8	Washer M8	
12	1001287809	1	Cooler Assembly	
12A	70008096	1	Fan/Motor Assembly	
12A	4460994	1	Plug, Male - 2 Position (Fan/Motor)	
12A	4460993	2	Terminal (Fan/Motor)	
12B	70008095	1	Thermostat	
12B	4460891	1	Plug, Male - 2 Position (Thermostat)	
12B	4460465	2	Socket, Female (Thermostat)	
12C	70008097	1	Valve, Bypass	
12D	70006579	1	Plug	
13	1001248160	1	Bracket	
14	1001249802	1	Oil Cooler Harness (See Separate Breakdown in ELECTRICAL Section)	
15	1001254861	1	Hose	
16	5260600	1	Nut M6	
17	1001100451	1	Bolt M6 x 20	

SECTION 1 - FRAME

FIGURE 1-25. ONBOARD GENERATOR INSTALLATION



ART_1001265192

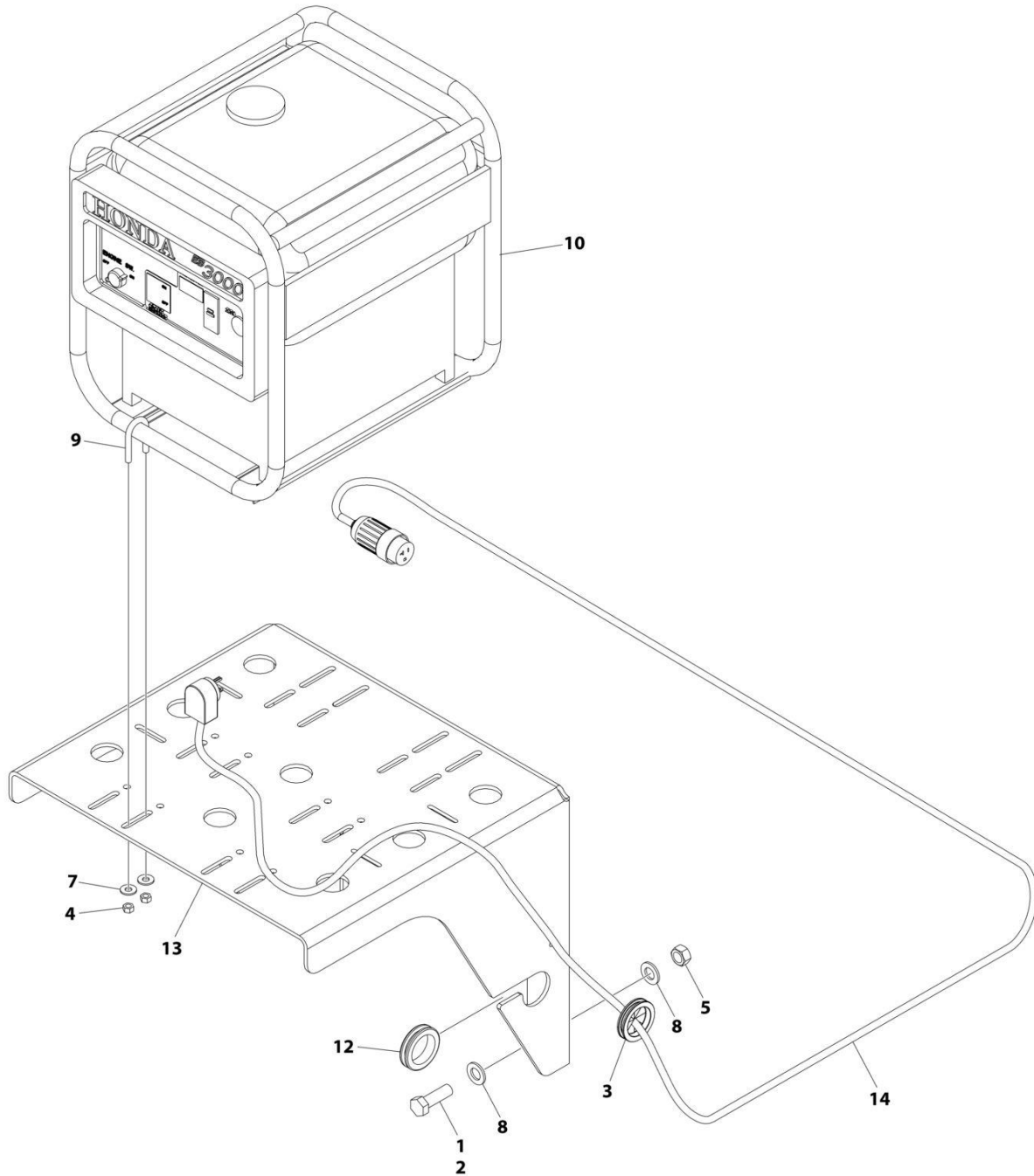
SECTION 1 - FRAME

FIGURE 1-25. ONBOARD GENERATOR INSTALLATION

ITEM	PART NUMBER	QTY	DESCRIPTION	REV
	1001265192	Ref	ONBOARD GENERATOR INSTALLATION	A
1	0100011	AR	Compound, Locking	
2	0771618	4	Bolt M16 x 50 Class 10.9	
3	2540045	1	Grommet	
4	3311505	8	Nut 5/16	
5	3331611	4	Nut M16 Class 10	
7	4751500	8	Washer 5/16	
8	5241600	8	Washer M16	
9	1001120264	4	U-Bolt 5/16 x 1	
10	1001130309	1	Onboard Generator Assembly(See Separate Breakdown in this Section)	
12	1001265082	1	Tray, Mounting	
13	1001266233	1	Generator Cable (See Separate Breakdown in ELECTRICAL Section)	

SECTION 1 - FRAME

FIGURE 1-26. ONBOARD GENERATOR INSTALLATION



ART_1001259429

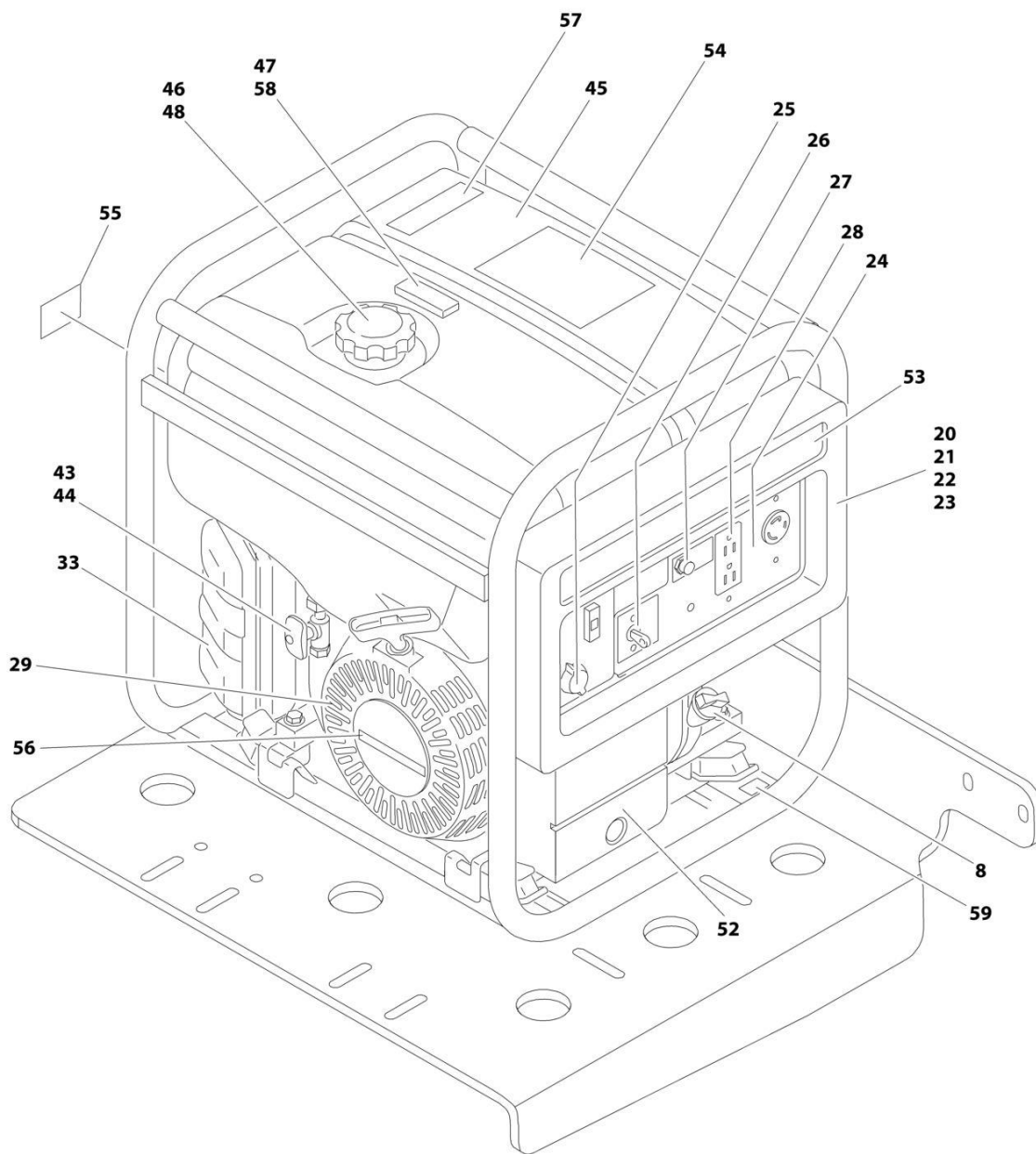
SECTION 1 - FRAME

FIGURE 1-26. ONBOARD GENERATOR INSTALLATION

ITEM	PART NUMBER	QTY	DESCRIPTION	REV
	1001259429	Ref	ONBOARD GENERATOR INSTALLATION	B
1	0100011	AR	Compound, Locking	
2	0771618	4	Bolt M16 x 50 Class 10.9	
3	2540045	1	Grommet	
4	3311505	8	Nut 5/16	
5	3331611	4	Nut M16 Class 10	
7	4751500	8	Washer 5/16	
8	5241600	8	Washer M16	
9	1001120264	4	U-Bolt 5/16 x 1	
10	1001130309	1	Onboard Generator Assembly(See Separate Breakdown in this Section)	
12	1001244865	1	Grommet	
13	1001259284	1	Tray, Mounting	
14	1001266233	1	Generator Cable (See Separate Breakdown in ELECTRICAL Section)	

SECTION 1 - FRAME

FIGURE 1-27. ONBOARD GENERATOR ASSEMBLY



ART_1001130309

SECTION 1 - FRAME

FIGURE 1-27. ONBOARD GENERATOR ASSEMBLY

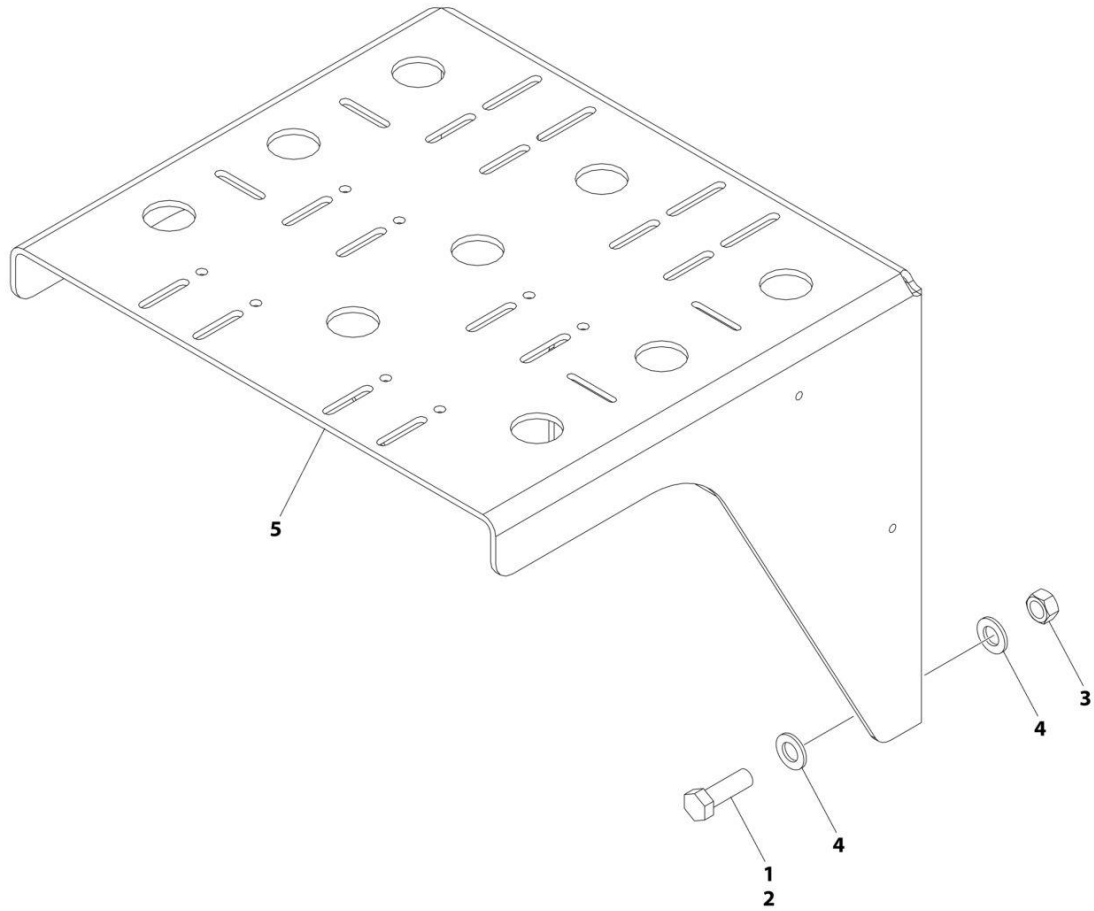
ITEM	PART NUMBER	QTY	DESCRIPTION	REV
	1001130309	Ref	ONBOARD GENERATOR ASSEMBLY	B
1	70003558	1	Gasket, Cylinder Head (Not Shown)	
2	70003559	1	Gasket, Cylinder Head Cover (Not Shown)	
3	70003560	1	Gasket, Exhaust (Exhaust Pipe to Cylinder Head) (Not Shown)	
4	7027391	1	Plug, Spark - Denso Brand (Not Shown)	
5	70002770	1	Plug, Spark - NGK Brand (Not Shown)	
6	70003561	1	Switch Assembly, Oil Level (Not Shown)	
7	70003507	1	O-Ring, Oil Level Switch (Not Shown)	
8	70002771	1	Cap, Oil Filler	
9	7027388	1	Cap, Secondary Oil Filler (Not Shown)	
10	70003565	1	Carburetor Assembly (Not Shown) (Includes Items 11-13)	
11	70003562	1	Gasket Set - Carburetor (Not Shown)	
12	70003563	1	Float Set - Carburetor (Not Shown) (Includes Item 13 and Gaskets)	
13	70003564	1	Drain Screw Set (Not Shown) (Includes Gasket)	
14	70003566	1	Insulator, Carburetor (Not Shown)	
15	70002776	1	Gasket, Insulator to Block (Not Shown)	
16	70003567	1	Spacer, Carburetor (Not Shown)	
17	70002777	1	Gasket, Carburetor to Insulator (Not Shown)	
18	70003568	1	Coil, Charging (Not Shown)	
19	7027398	1	Suppressor, Noise (Not Shown)	
20	70003572	1	Control Box Assembly (Includes Items 21-28)	
21	70003569	1	Module, Ignition	
22	70003570	1	Harness, Wiring	
23	70003571	1	Harness, Secondary Wiring	
24	70003573	1	Decal - Control Panel	
25	70002783	1	Switch, Engine Stop	
26	70003574	1	Breaker, Circuit (20A)	
27	70003575	1	Protector, Circuit (20A)	
28	70003576	1	Receptacle (20A-125V)	
29	70003577	1	Recoil Starter Assembly (Includes Items 30-32)	
30	70003578	1	Spring, Recoil Starter (Not Shown)	
31	70003579	1	Handle, Recoil Starter Rope (Not Shown)	
32	70002774	1	Rope, Recoil Starter (Not Shown)	
33	70003582	1	Cover, Air Cleaner	
34	70003581	4	Spring, Air Cleaner Housing/Cover (Not Shown)	
35	70003583	1	Seal, Air Cleaner Cover (Not Shown)	
36	70003580	1	Element, Air Cleaner (Inner) (Not Shown)	
37	70003584	1	Element, Air Cleaner (Outer) (Not Shown)	
38	70003585	1	Muffler (Not Shown)	
39	70003588	1	Gasket, Exhaust Pipe to Block (Not Shown)	
40	70003589	1	Arrester, Spark (Not Shown)	
41	70003586	1	Shield, Muffler (Outer) (Not Shown)	
42	70003587	1	Shield, Muffler (Inner) (Not Shown)	
43	70003590	1	Petcock Assembly (Includes Item 44)	
44	70003591	1	Screen, Fuel Strainer	
45	70003592	1	Tank, Fuel	
46	70003593	1	Cap, Fuel Filler	
47	70003594	1	Gauge, Fuel	
48	7027395	1	Filter, Fuel Tank	

SECTION 1 - FRAME

ITEM	PART NUMBER	QTY	DESCRIPTION	REV
49	70003595	1	Cable, Ground (Frame) (Not Shown)	
50	70003596	1	Generator Assembly (Not Shown)	
51	70003597	1	Grommet, AC Cord (Not Shown)	
52	70003598	1	Cycloconverter, Unit	
53	70003599	1	Decal - Generator Model	
54	70003600	1	Decal - Operator Warning	
55	70003601	1	Decal - Choke	
56	70003602	1	Decal - Cycloconverter	
57	70003603	1	Decal - Exhaust Caution	
58	70003604	1	Decal - Fuel Indication	
59	70003605	1	Decal - Oil Caution	

SECTION 1 - FRAME

FIGURE 1-28. ONBOARD GENERATOR TRAY INSTALLATION



ART_1001265193

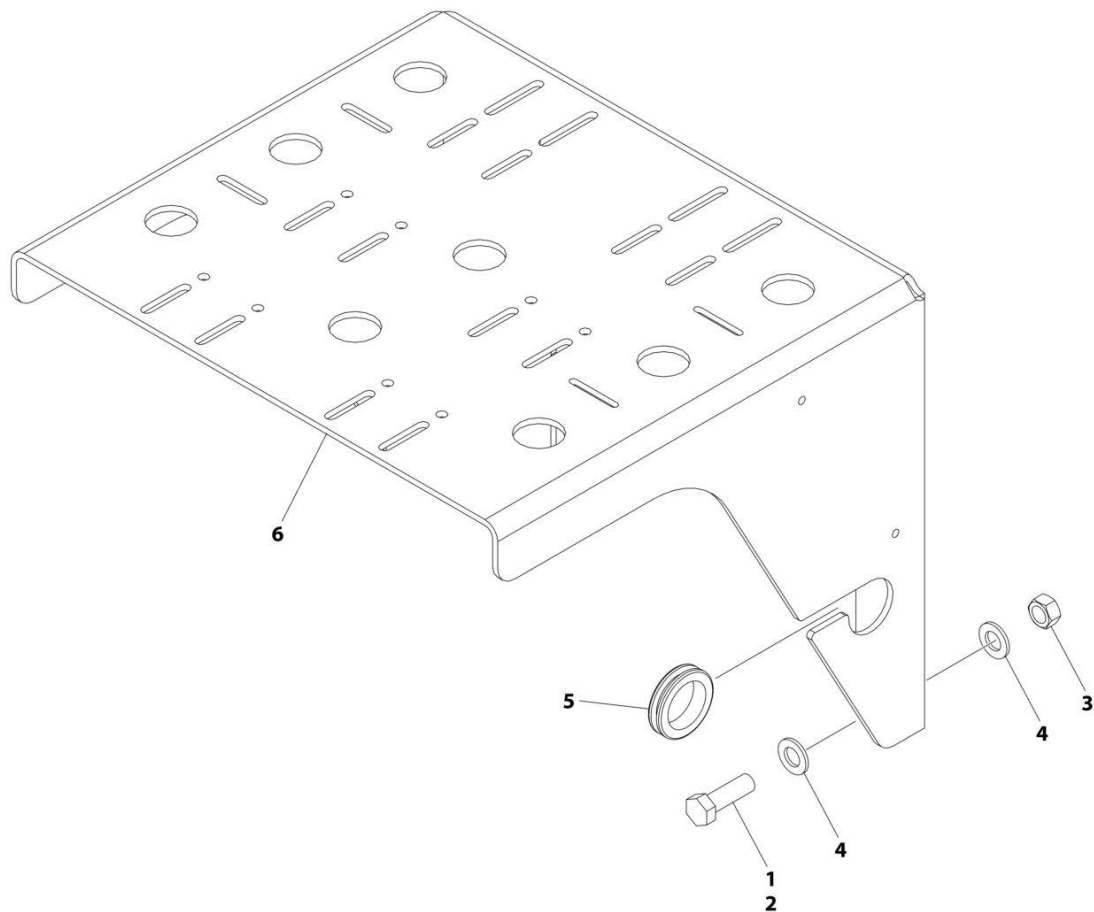
SECTION 1 - FRAME

FIGURE 1-28. ONBOARD GENERATOR TRAY INSTALLATION

ITEM	PART NUMBER	QTY	DESCRIPTION	REV
	1001265193	Ref	GENERATOR TRAY INSTALLATION	A
1	0100011	AR	Compound, Locking	
2	0771618	4	Bolt M16 x 50 Class 10.9	
3	3331611	4	Nut M16 Class 10	
4	5241600	8	Washer M16	
5	1001265082	1	Tray, Mounting	

SECTION 1 - FRAME

FIGURE 1-29. ONBOARD GENERATOR TRAY INSTALLATION



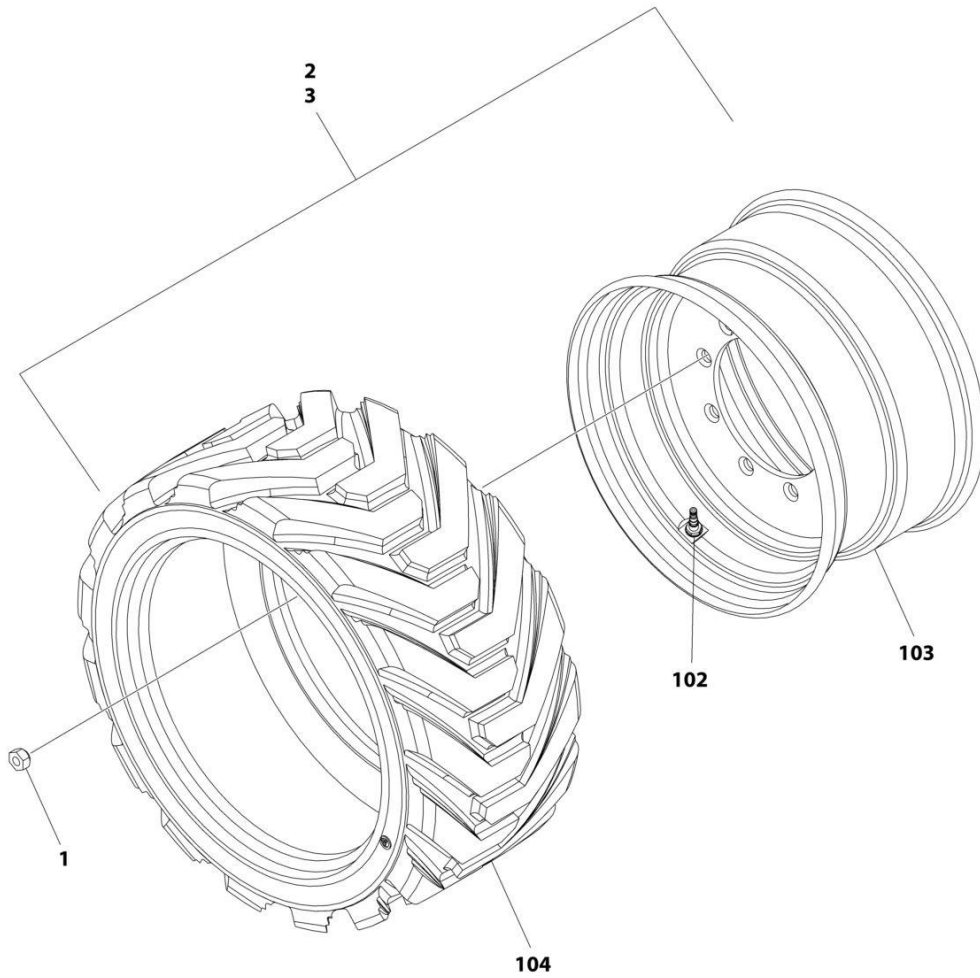
ART_1001265194

FIGURE 1-29. ONBOARD GENERATOR TRAY INSTALLATION

ITEM	PART NUMBER	QTY	DESCRIPTION	REV
	1001265194	Ref	GENERATOR TRAY INSTALLATION	B
1	0100011	AR	Compound, Locking	
2	0771618	4	Bolt M16 x 50 Class 10.9	
3	3331611	4	Nut M16 Class 10	
4	5241600	8	Washer M16	
5	1001244865	1	Grommet	
6	1001259284	1	Tray, Mounting	

SECTION 1 - FRAME

FIGURE 1-30. TIRE AND WHEEL INSTALLATION - FOAM-FILLED



ART_1001244775

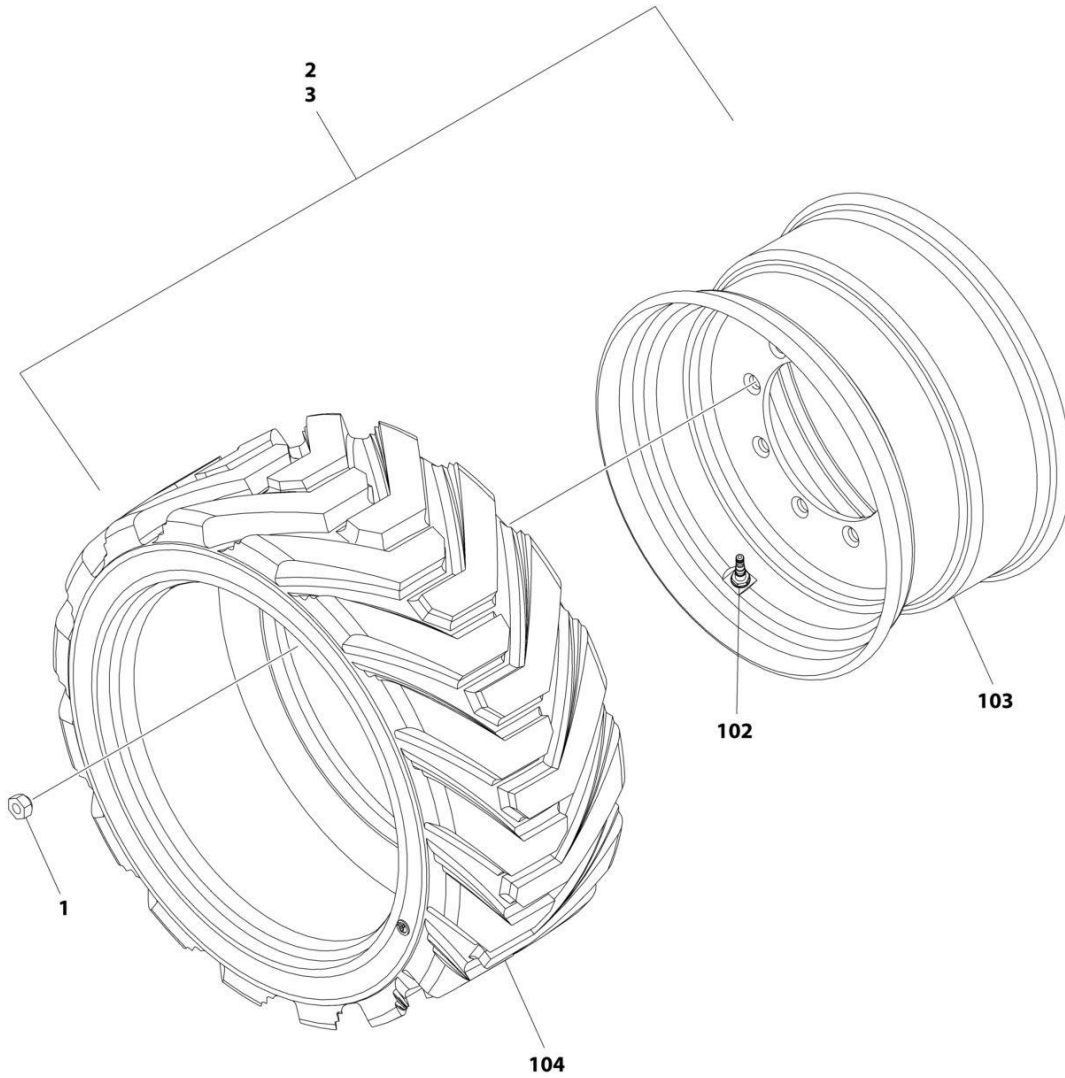
SECTION 1 - FRAME

FIGURE 1-30. TIRE AND WHEEL INSTALLATION - FOAM-FILLIED

ITEM	PART NUMBER	QTY	DESCRIPTION	REV
	1001244775	Ref Ref	TIRE AND WHEEL INSTALLATION - 26 X12D460 FOAM-FILLED Note: Assemblies may require ballast/foam filling to manufacturer's specification prior to installing on a machine. Refer to Operation and Safety or Service and Maintenance Manuals. Purchase individual tire and/or rim only if able to foam fill tire and wheel assembly, otherwise, purchase complete assembly.	A
1	3300106	36	Nut, Wheel	
2	1001249341	2	Tire and Wheel Assembly - Left Side	A
3	1001249342	2	Tire and Wheel Assembly - Right Side	A
102	4641122	1	Valve, Air	
103	1001249352	1	Rim, Wheel - 18 x 10	
104	1001249353	1	Tire, 26 x 12D460, Lug Tire	

SECTION 1 - FRAME

FIGURE 1-31. TIRE AND WHEEL INSTALLATION - FOAM-FILLIED NON-MARKING



ART_1001249340

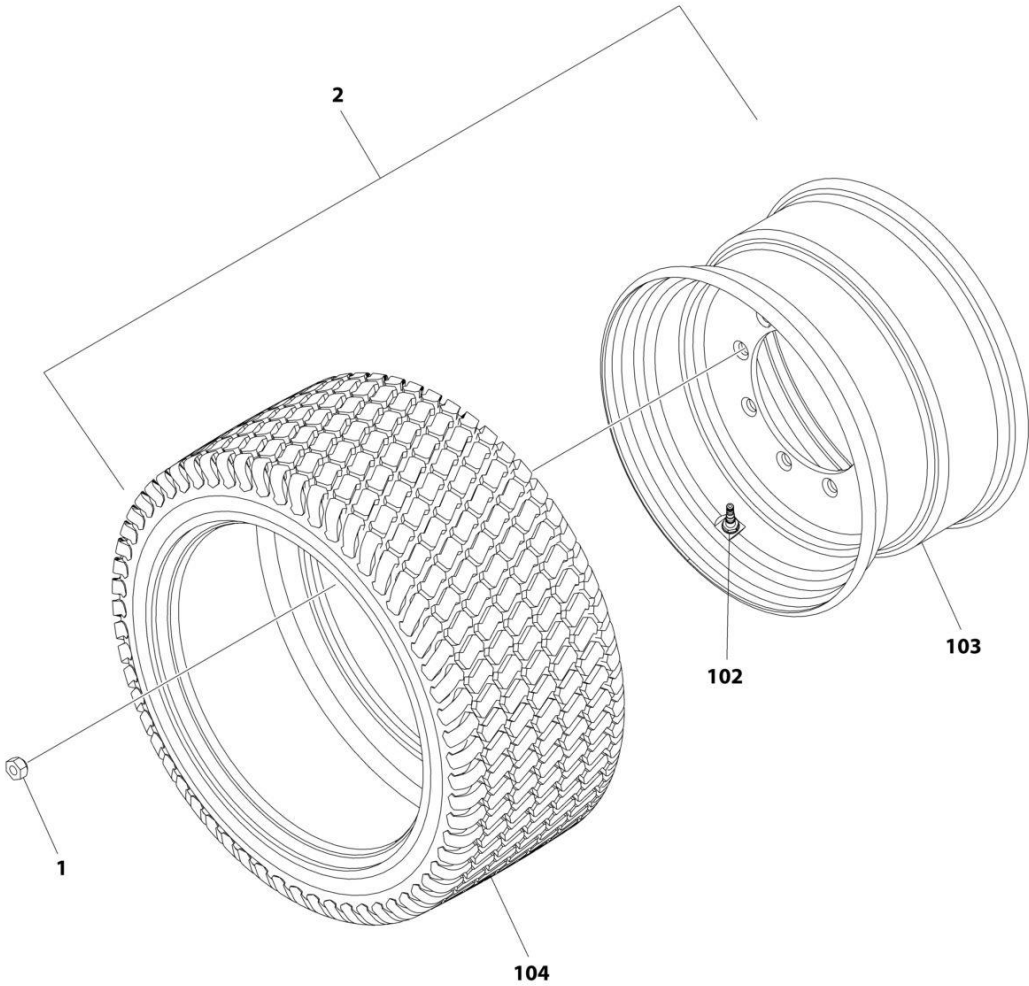
SECTION 1 - FRAME

FIGURE 1-31. TIRE AND WHEEL INSTALLATION - FOAM-FILLIED NON-MARKING

ITEM	PART NUMBER	QTY	DESCRIPTION	REV
	1001249340	Ref	TIRE AND WHEEL INSTALLATION - 26 X 12D460 FOAM-FILLED NON-MARKING	A
		Ref	Note: Assemblies may require ballast/foam filling to manufacturer's specification prior to installing on a machine. Refer to Operation and Safety or Service and Maintenance Manuals. Purchase individual tire and/or rim only if able to foam fill tire and wheel assembly, otherwise, purchase complete assembly.	
1	3300106	36	Nut, Wheel	
2	1001249343	2	Tire and Wheel Assembly - Left Side	A
3	1001249344	2	Tire and Wheel Assembly - Right Side	A
102	4641122	1	Valve, Air	
103	1001249352	1	Rim, Wheel - 18 x 10	
104	1001249354	1	Tire, 26 x 12D460, Lug Tire Non-Marking	

SECTION 1 - FRAME

FIGURE 1-32. TIRE AND WHEEL INSTALLATION - FOAM-FILLED TURF NON-MARKING



ART_1001259386

SECTION 1 - FRAME

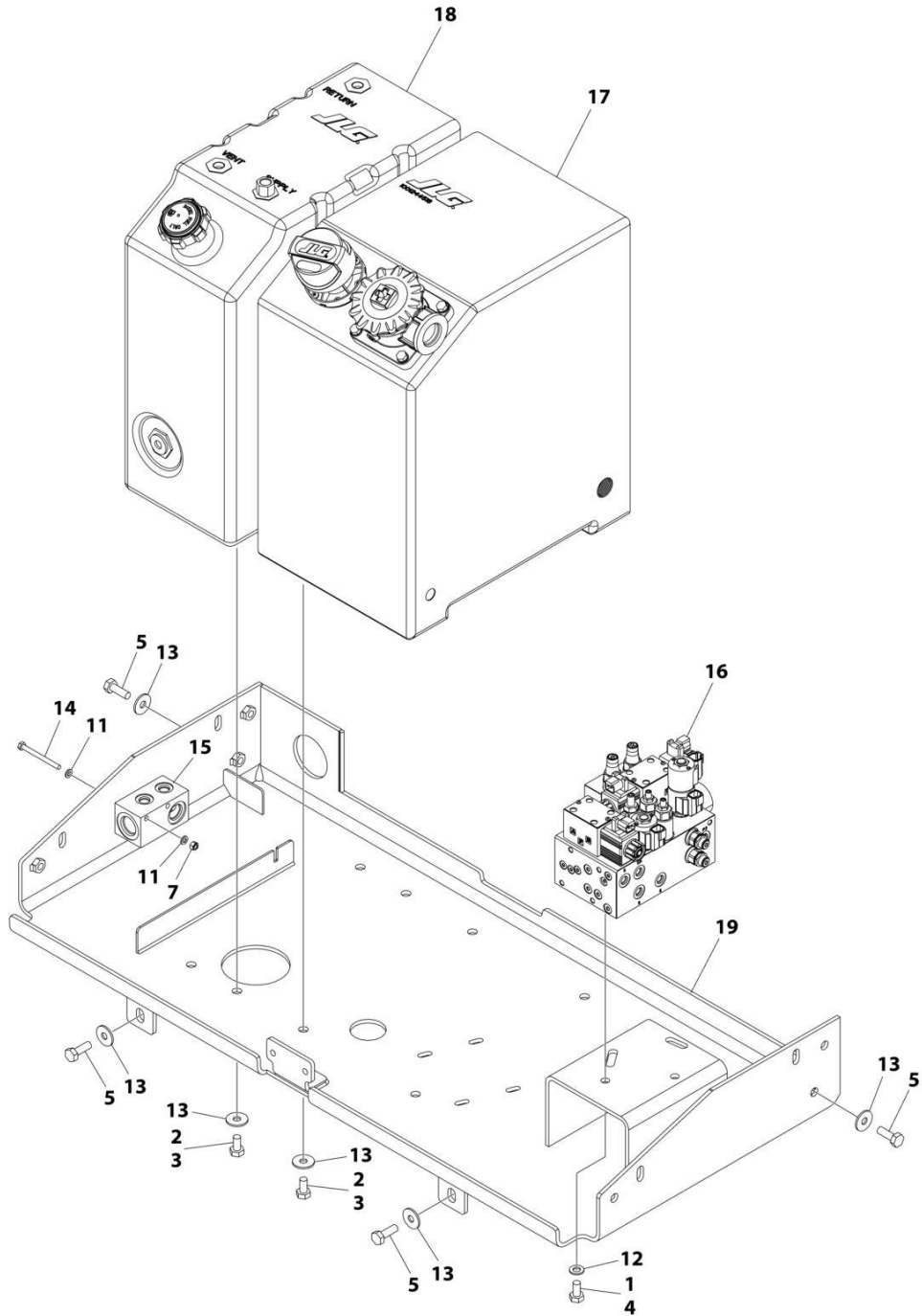
FIGURE 1-32. TIRE AND WHEEL INSTALLATION - FOAM-FILLIED TURF NON-MARKING

ITEM	PART NUMBER	QTY	DESCRIPTION	REV
	1001259386	Ref	TIRE AND WHEEL INSTALLATION - 26 X 12D460 FOAM-FILLED TURF	A
		Ref	Note: Assemblies may require ballast/foam filling to manufacturer's specification prior to installing on a machine. Refer to Operation and Safety or Service and Maintenance Manuals. Purchase individual tire and/or rim only if able to foam fill tire and wheel assembly, otherwise, purchase complete assembly.	
1	3300106	36	Nut, Wheel	
2	1001258287	4	Tire and Wheel Assembly	A
102	4641122	1	Valve, Air	
103	1001249352	1	Rim, Wheel - 18 x 10	
104	1001259202	1	Tire, 26 x 12D460 Turf	

SECTION 2 - GROUND CONTROLS

SECTION 2 - GROUND CONTROLS

FIGURE 2-1. HYDRAULIC COMPONENTS INSTALLATION - DIESEL



ART_1001246090

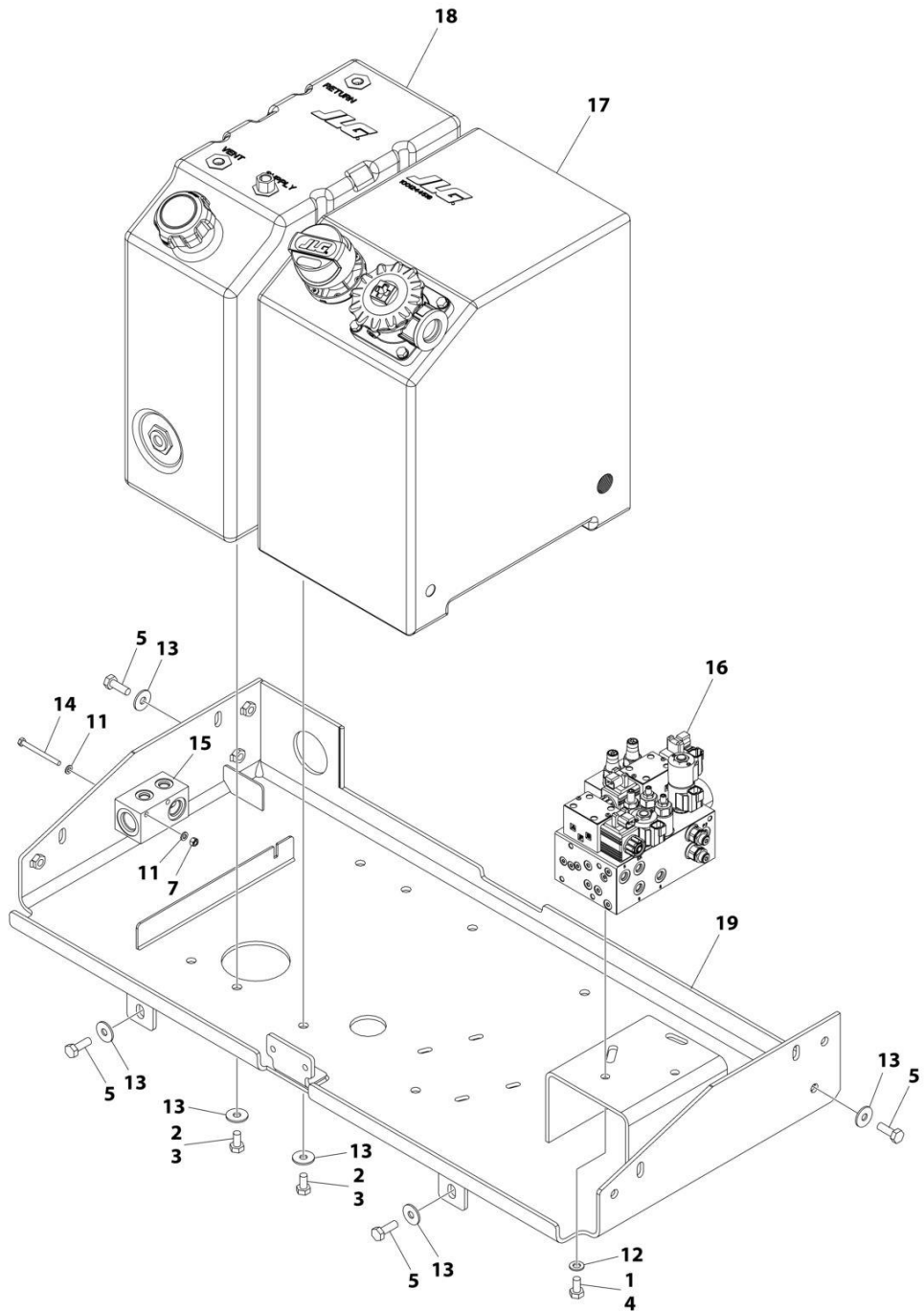
SECTION 2 - GROUND CONTROLS

FIGURE 2-1. HYDRAULIC COMPONENTS INSTALLATION - DIESEL

ITEM	PART NUMBER	QTY	DESCRIPTION	REV
	1001246090	Ref	HYDRAULIC COMPONENTS INSTALLATION	D
1	0100011	AR	Compound, Locking	
2	0100035	AR	Compound, Locking	
3	0761010	8	Bolt M10 x 20	
4	0771010	4	Bolt M10 x 20	
5	0771014	4	Bolt M10 x 30	
7	3290605	2	Nut M6	
11	4811700	4	Washer M6	
12	4812000	4	Washer M10	
13	4812002	12	Washer M10	
14	1001096653	2	Bolt M6 x 70	
15	1001183406	1	Valve, Manifold	
16	1001270103	1	Valve Assembly - Main Control (See Separate Breakdown in this Section)	
17	1001246555	1	Tank Assembly - Hydraulic (See Separate Breakdown in this Section)	
18	1001246856	1	Tank Assembly - Fuel	
18	1001193336	1	Cap, Fuel	
19	1001247630	1	Tray	

SECTION 2 - GROUND CONTROLS

FIGURE 2-2. HYDRAULIC COMPONENTS INSTALLATION - DUAL FUEL



ART_1001248349

SECTION 2 - GROUND CONTROLS

FIGURE 2-2. HYDRAULIC COMPONENTS INSTALLATION - DUAL FUEL

ITEM	PART NUMBER	QTY	DESCRIPTION	REV
	1001248349	Ref	HYDRAULIC COMPONENTS INSTALLATION - DUAL FUEL	D
1	0100011	AR	Compound, Locking	
2	0100035	AR	Compound, Locking	
3	0761010	8	Bolt M10 x 20	
4	0771010	4	Bolt M10 x 20	
5	0771014	4	Bolt M10 x 30	
7	3290605	2	Nut M6	
11	4811700	4	Washer M6	
12	4812000	4	Washer M10	
13	4812002	12	Washer M10	
14	1001096653	2	Bolt M6 x 70	
15	1001183406	1	Valve, Manifold	
16	1001270103	1	Valve Assembly - Main Control (See Separate Breakdown in this Section)	
17	1001246555	1	Tank Assembly - Hydraulic (See Separate Breakdown in this Section)	
18	1001247021	1	Tank Assembly - Fuel	
18	1001207109	1	Cap, Fuel Tank	
19	1001247630	1	Tray	

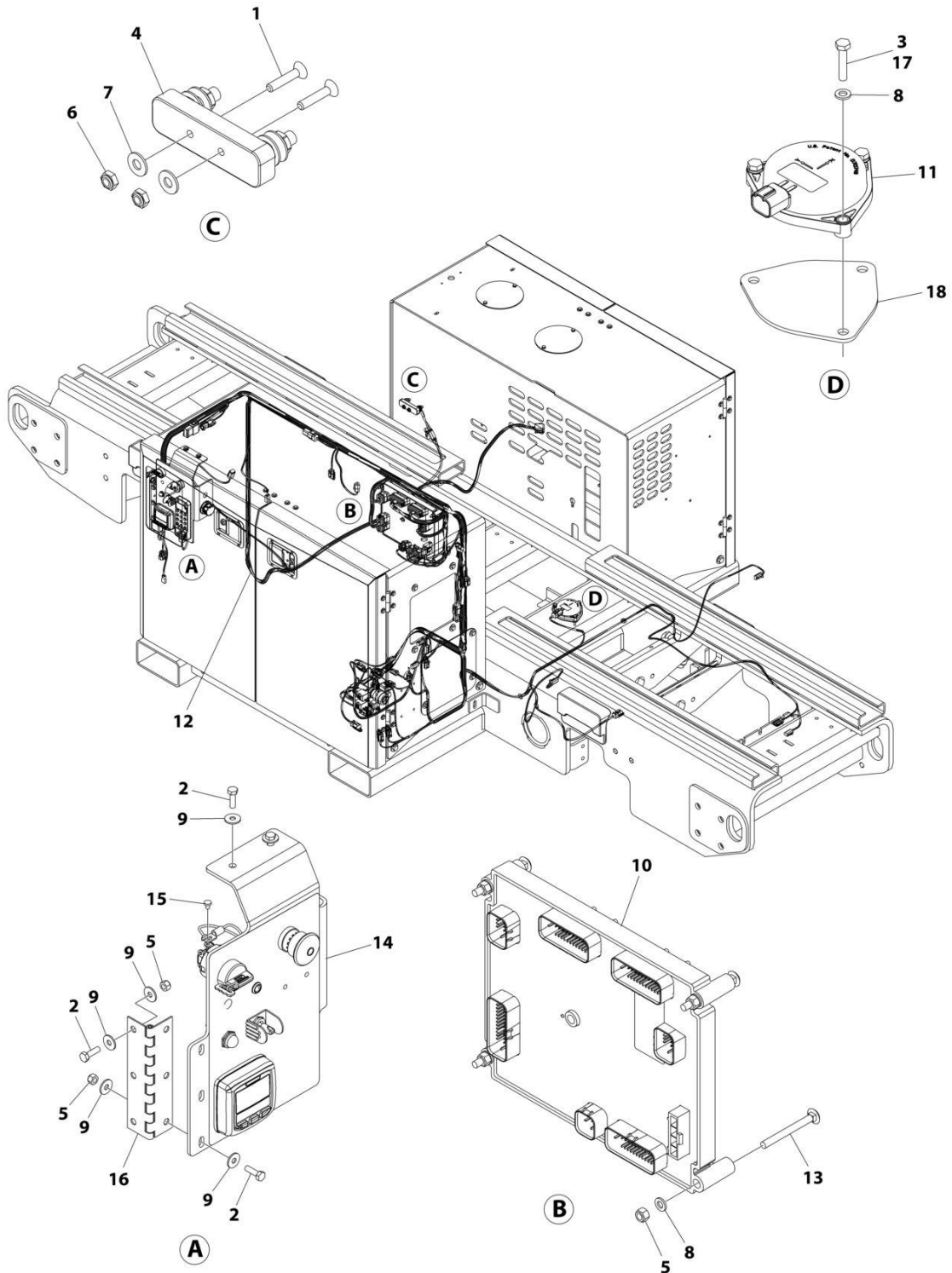
SECTION 2 - GROUND CONTROLS

FIGURE 2-3. VALVE ASSEMBLY - MAIN CONTROL

ITEM	PART NUMBER	QTY	DESCRIPTION	REV
	1001270103	Ref	VALVE ASSEMBLY - MAIN CONTROL	B
1	70007763	1	Cartridge, Relief Valve (Main)	
2	70007764	1	Cartridge, Relief Valve (Steer)	
3	70006786	1	Cartridge, Valve (Flow Control) (Use Seal Kit 7012925)	
4	70007765	1	Valve Assembly (Drive)	
5	70007766	1	Cartridge, Pressure Reducing Valve (Brake)	
6	70007767	1	Cartridge, Relief Valve (Lift)	
7	70007768	1	Cartridge, Valve Relief (Axle Charge)	
8	70007769	1	Cartridge, Relief Valve (Steer)	
9	70007772	1	Valve, Directional (Steer) (Use Seal Kit 7017402)	
10	70007770	1	Valve Assembly	
11	70007771	1	Valve Assembly	
12	7012941	1	Valve, Directional (Use Seal Kit 7010543)	
13	70003789	1	Coil	
14	70002386	2	Coil	
15	1001128478	1	Sensor, Temperature	
16	70007773	1	Lockdown Kit	
100	7012925	1	Seal Kit (Use with Items 3 Valve)	
101	7017402	1	Seal Kit (Use with Item 9 Valve)	
102	7010543	1	Seal Kit (Use with Item 12 Valve)	

SECTION 2 - GROUND CONTROLS

FIGURE 2-4. ELECTRICAL COMPONENTS INSTALLATION (Prior to SN M200059938, Except SN M200059349 through M200059352, Except SN M200059437 through M200059448, Except SN M200059849 through M200059852)



ART_1001247074

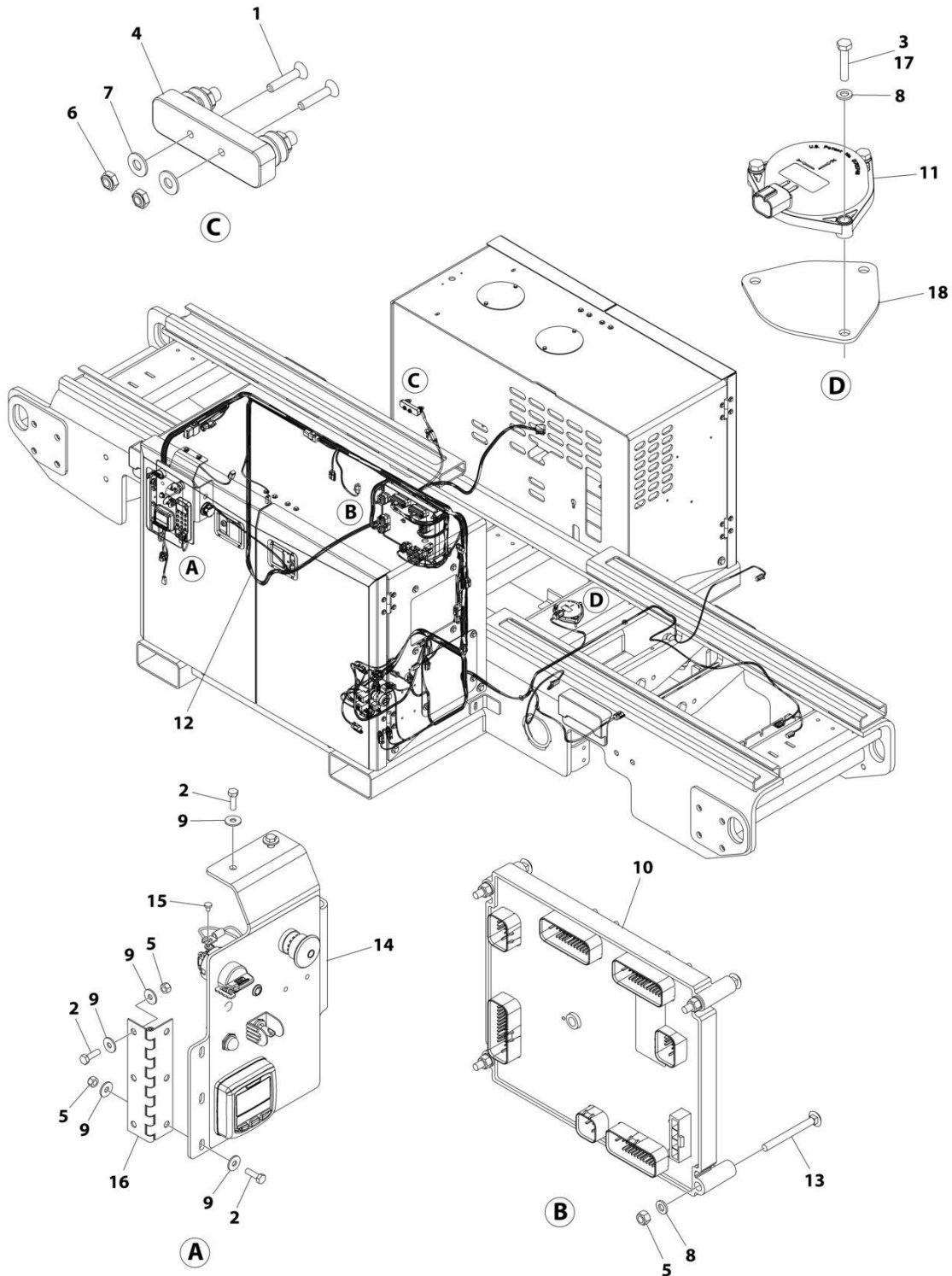
SECTION 2 - GROUND CONTROLS

FIGURE 2-4. ELECTRICAL COMPONENTS INSTALLATION (Prior to SN M200059938, Except SN M200059349 through M200059352, Except SN M200059437 through M200059448, Except SN M200059849 through M200059852)

ITEM	PART NUMBER	QTY	DESCRIPTION	REV
	1001247074	Ref	ELECTRICAL COMPONENTS INSTALLATION	E
1	0741008	2	Capscrew 10 x 1	
2	0760610	8	Bolt M6 x 20	
3	0760614	3	Bolt M6 x 30	
3	4010615	3	Bolt M6 x 35	
4	2400044	1	Fuse, Mounting Block	
5	3290605	10	Nut M6	
6	3300408	2	Nut	
7	4751300	2	Washer 3/16	
8	4811700	7	Washer M6	
9	4811702	14	Washer M6	
10	1001244929	1	Module, Ground Control (Note: Re-calibration Required when Replaced)	
11	1001244934	1	Sensor, Tilt	
12	1001247472	1	Chassis Harness (See Separate Breakdown in ELECTRICAL Section)	
13	1001248039	4	Bolt M6 x 60	
14	1001251231	1	Ground Control Assembly (See Separate Breakdown in this Section)	
15	4010403	3	Screw M4 x 6	
16	1001110188	1	Hinge	
17	0100011	AR	Compound, Locking	
18	1001272777	1	Gasket	

SECTION 2 - GROUND CONTROLS

FIGURE 2-5. ELECTRICAL COMPONENTS INSTALLATION (SN M200059938 to Present, SN M200059349 through M200059352, SN M200059437 through M200059448, SN M200059849 through M200059852)



ART_1001247074_F

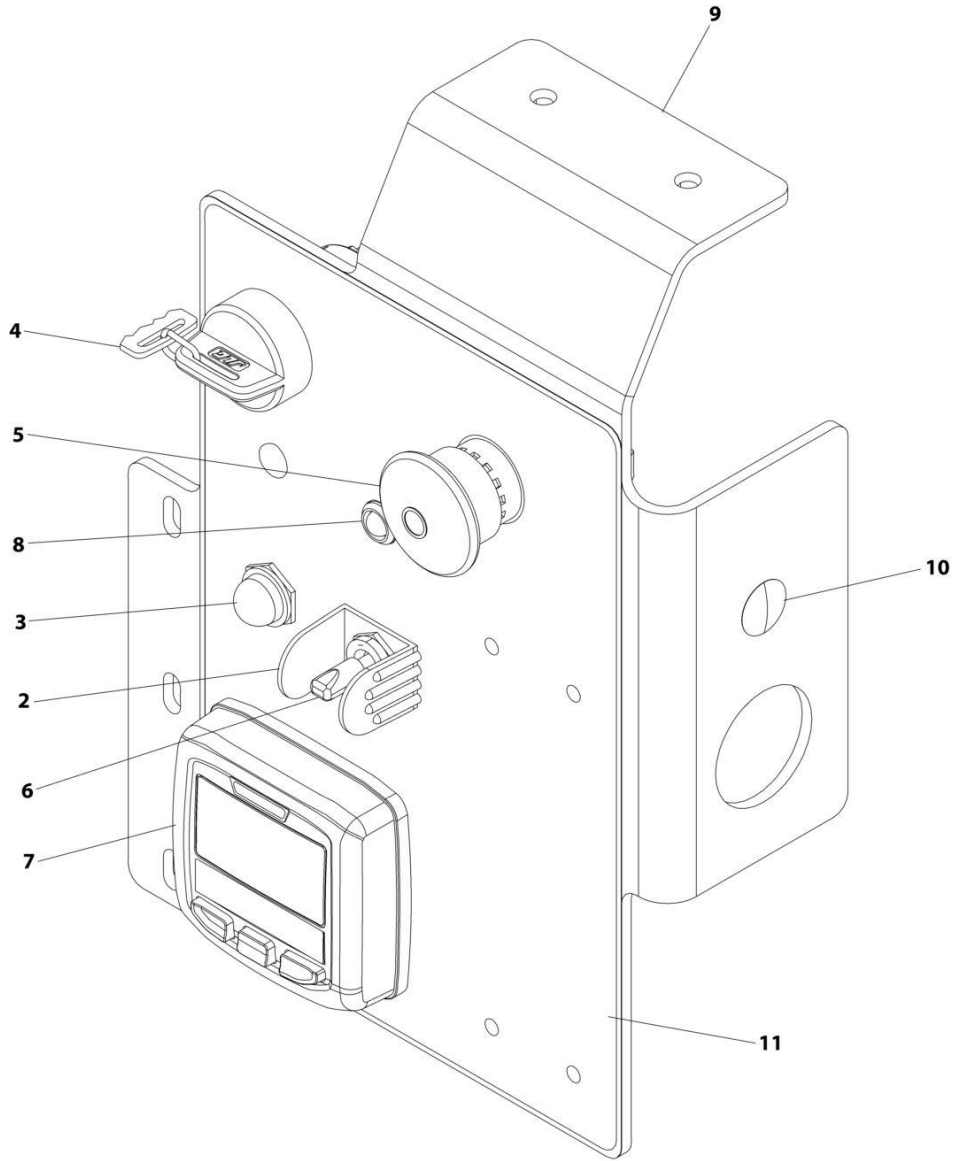
SECTION 2 - GROUND CONTROLS

FIGURE 2-5. ELECTRICAL COMPONENTS INSTALLATION (SN M200059938 to Present, SN M200059349 through M200059352, SN M200059437 through M200059448, SN M200059849 through M200059852)

ITEM	PART NUMBER	QTY	DESCRIPTION	REV
	1001247074	Ref	ELECTRICAL COMPONENTS INSTALLATION	F
1	0741008	2	Capscrew 10 x 1	
2	0760610	8	Bolt M6 x 20	
3	0760614	3	Bolt M6 x 30	
3	4010615	3	Bolt M6 x 35	
4	2400044	1	Fuse, Mounting Block	
5	3290605	10	Nut M6	
6	3300408	2	Nut	
7	4751300	2	Washer 3/16	
8	4811700	7	Washer M6	
9	4811702	14	Washer M6	
10	1001244929	1	Module, Ground Control (Note: Re-calibration Required when Replaced)	
11	1001244934	1	Sensor, Tilt	
12	1001282346	1	Chassis Harness (See Separate Breakdown in ELECTRICAL Section)	
13	1001248039	4	Bolt M6 x 60	
14	1001251231	1	Ground Control Assembly (See Separate Breakdown in this Section)	
15	4010403	3	Screw M4 x 6	
16	1001110188	1	Hinge	
17	0100011	AR	Compound, Locking	
18	1001272777	1	Gasket	

SECTION 2 - GROUND CONTROLS

FIGURE 2-6. GROUND CONTROL ASSEMBLY



ART_1001251231

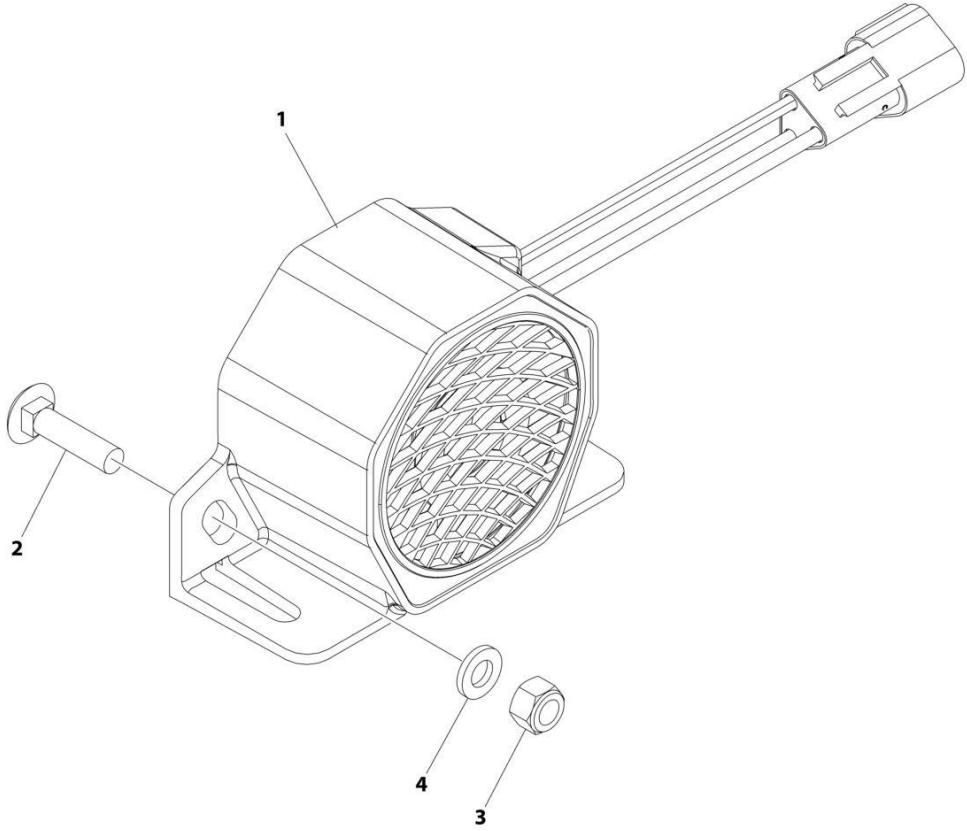
SECTION 2 - GROUND CONTROLS

FIGURE 2-6. GROUND CONTROL ASSEMBLY

ITEM	PART NUMBER	QTY	DESCRIPTION	REV
	1001251231	Ref	GROUND CONTROL ASSEMBLY	E
2	4060802	1	Guard, Switch	
3	4360387	1	Switch, Push Button	
4	4360469	1	Switch, Key	
4	2860030	1Set	Key, Replacement	
5	1001274559	1	Switch, Emergency Stop (Plastic)	
5	4360475	1	Switch, Emergency Stop (Metal)	
5	7020175	1	Cap	
5	7020176	1	Block, Contact	
6	4360524	1	Switch, Toggle	
7	1001171482	1	Gauge, Display	
8	1001182680	1	Light, LED	
9	1001257884	1	Bracket	
10	3520026	1	Plug	
11	1001258921	1	Decal - Ground Control	

SECTION 2 - GROUND CONTROLS

FIGURE 2-7. ALARM INSTALLATION (HORN)



ART_1001250678

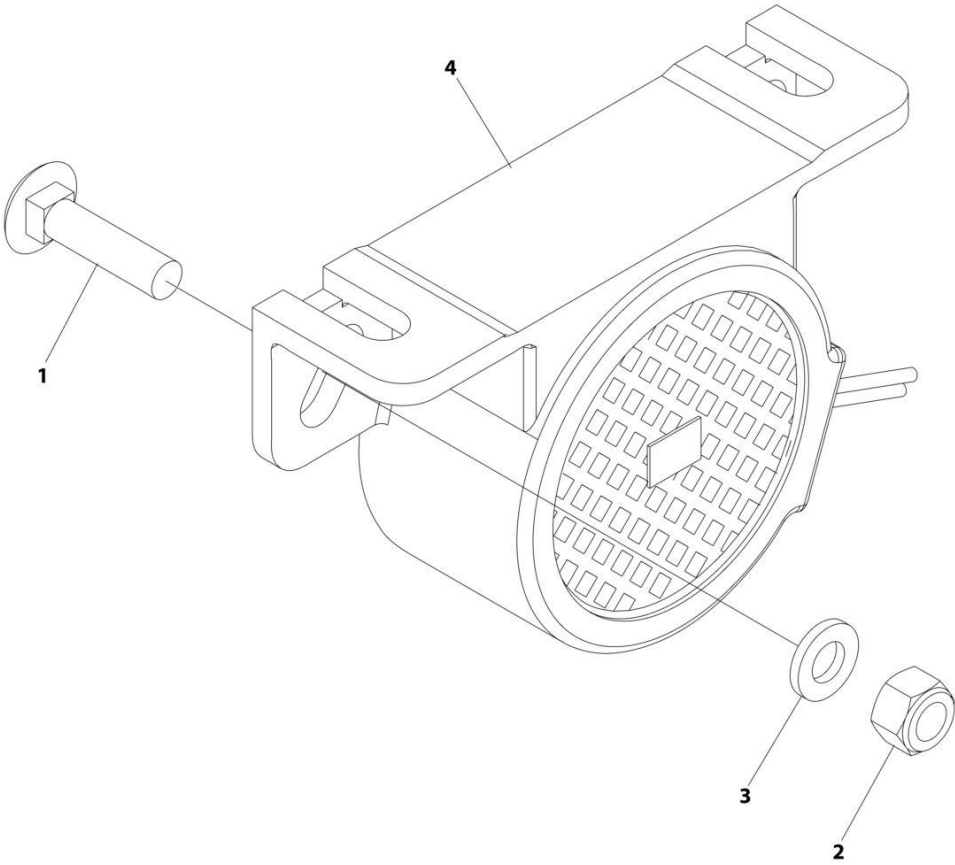
SECTION 2 - GROUND CONTROLS

FIGURE 2-7. ALARM INSTALLATION (HORN)

ITEM	PART NUMBER	QTY	DESCRIPTION	REV
	1001250678	Ref	ALARM INSTALLATION	C
1	0140043	1	Alarm	
2	0630587	2	Bolt M6 x 25	
3	3290605	2	Nut M6	
4	4811700	2	Washer M6	

SECTION 2 - GROUND CONTROLS

FIGURE 2-8. ALARM INSTALLATION (WHITE NOISE)



ART_1001249309

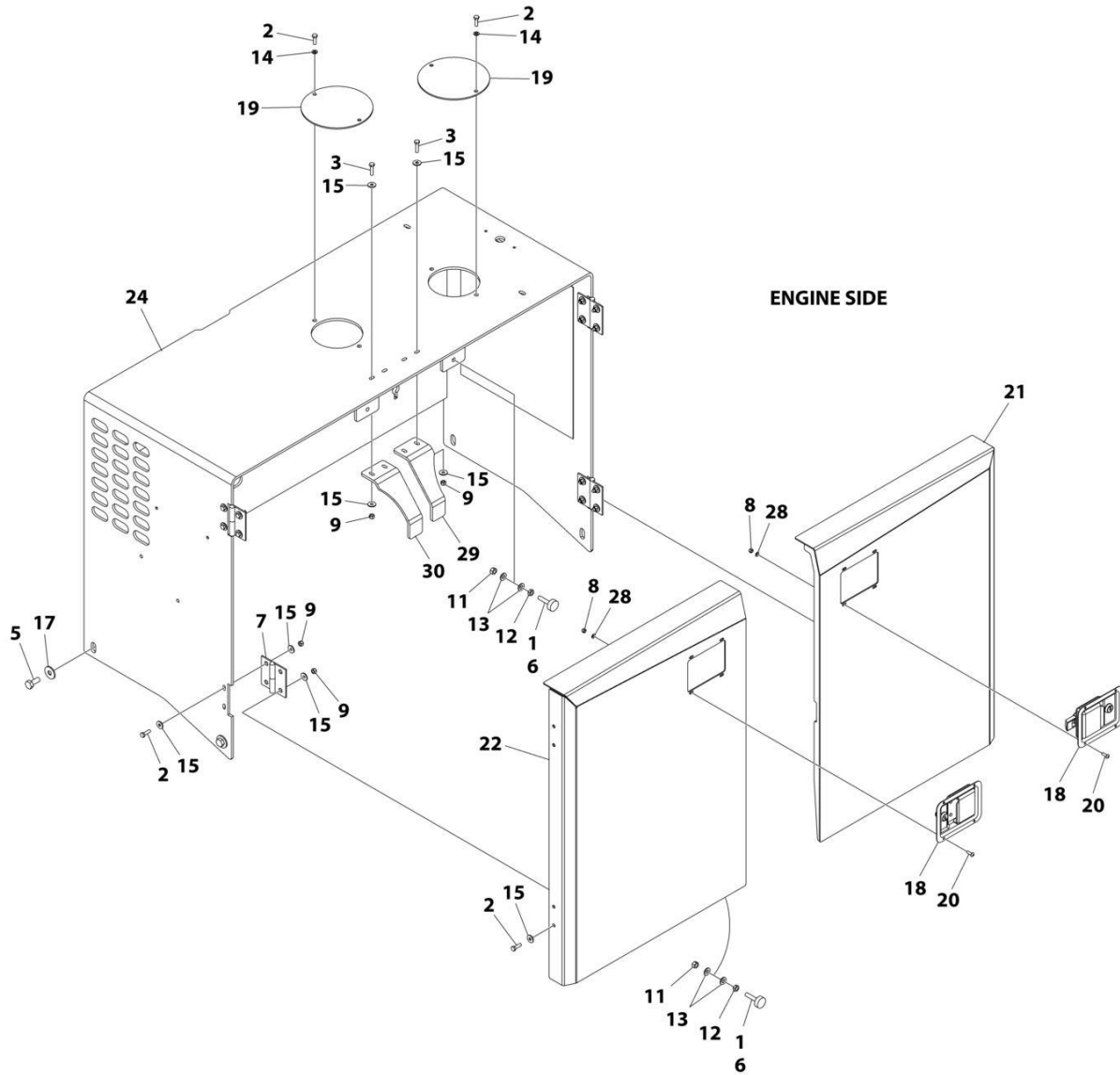
SECTION 2 - GROUND CONTROLS

FIGURE 2-8. ALARM INSTALLATION (WHITE NOISE)

ITEM	PART NUMBER	QTY	DESCRIPTION	REV
	1001249309	Ref	ALARM INSTALLATION	C
1	0630587	2	Bolt M6 x 25	
2	3290605	2	Nut M6	
3	4811700	2	Washer M6	
4	1001184682	1	Alarm	
4	4460897	1	Receptacle, Female - 2 Position	
4	4460464	2	Pin, Male	

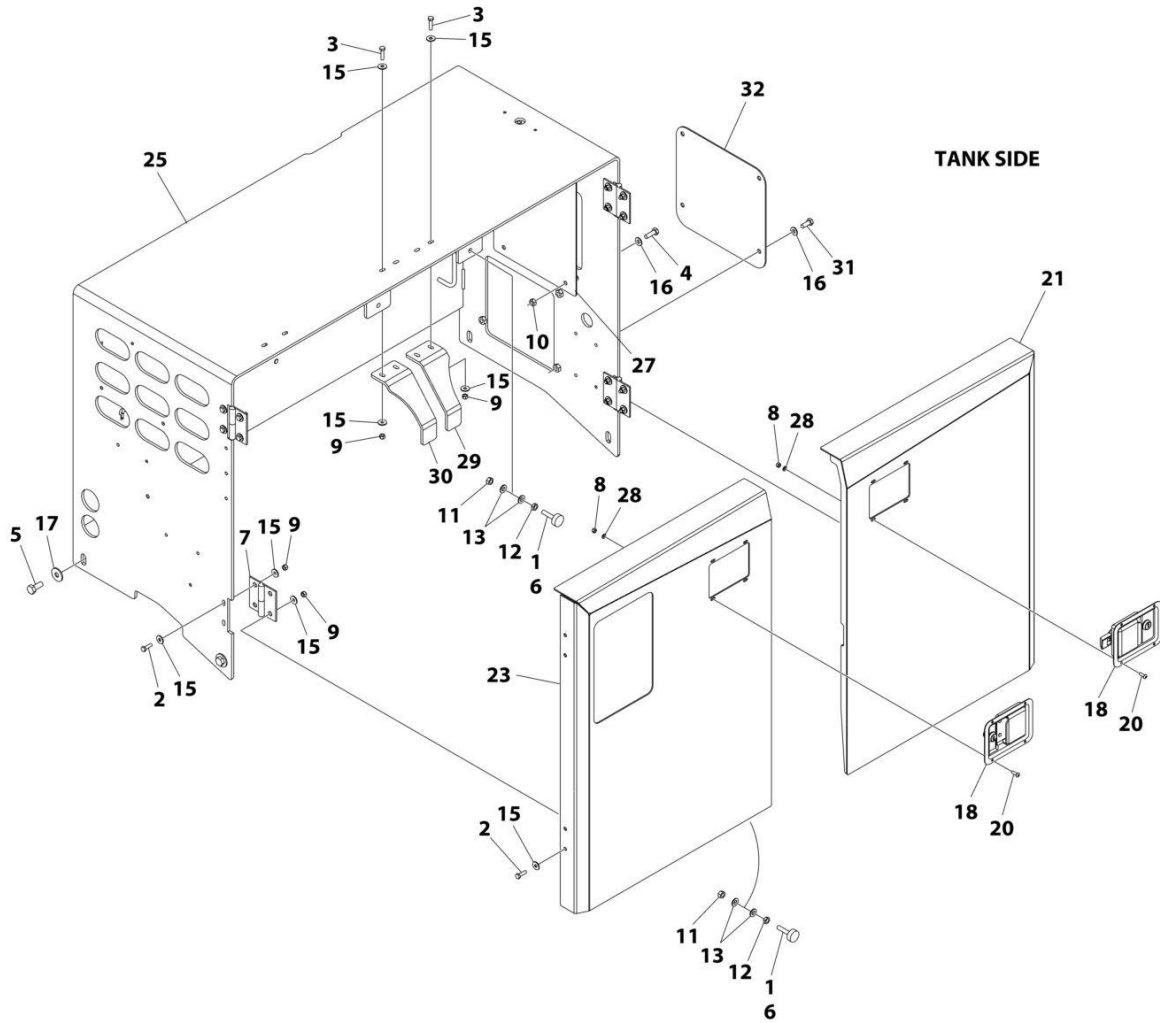
SECTION 2 - GROUND CONTROLS

FIGURE 2-9. HOODS INSTALLATION



ART_1001246883_1OF2

SECTION 2 - GROUND CONTROLS



ART_1001246883_2OF2

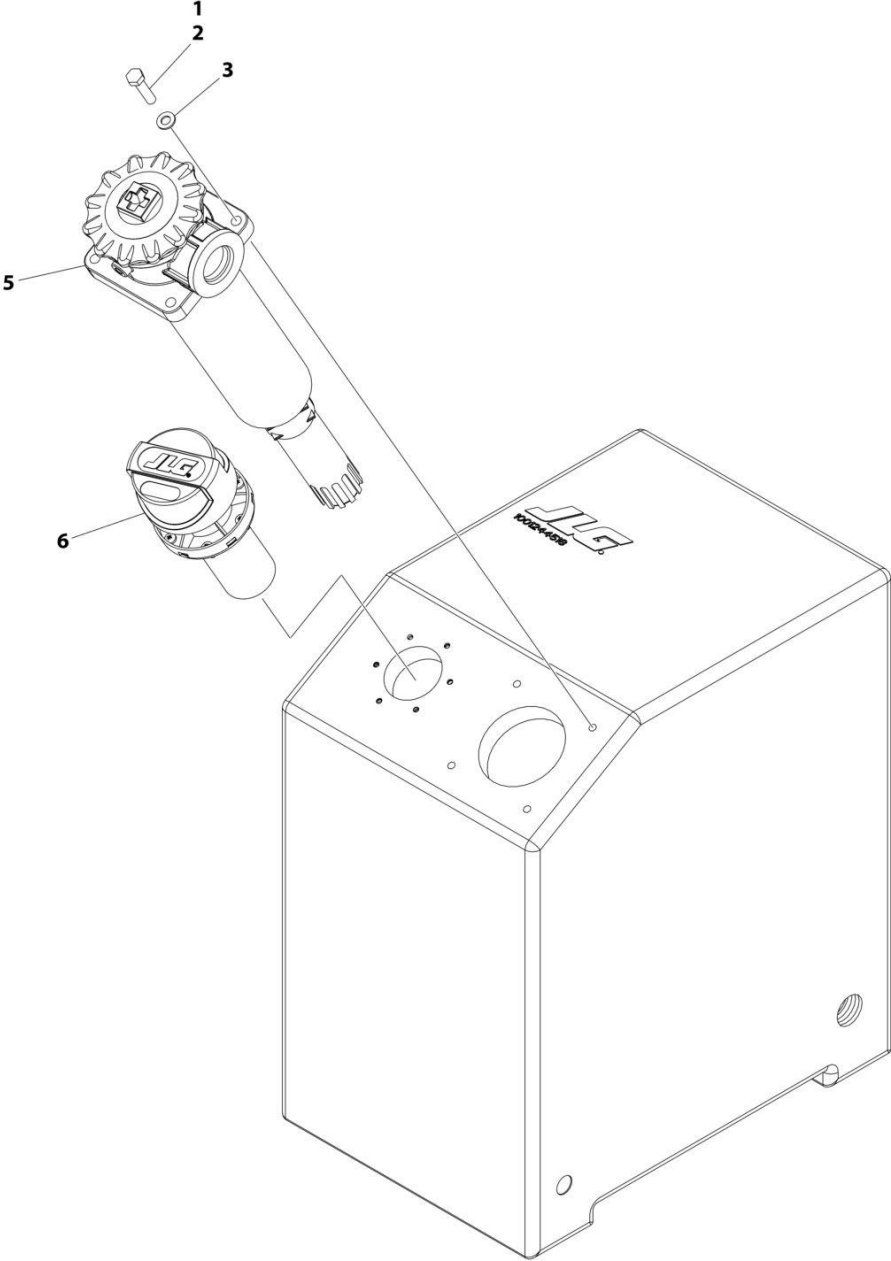
SECTION 2 - GROUND CONTROLS

FIGURE 2-9. HOODS INSTALLATION

ITEM	PART NUMBER	QTY	DESCRIPTION	REV
	1001246883	Ref	HOODS INSTALLATION	E
1	0100011	AR	Compound, Locking	
2	0760610	36	Bolt M6 x 20	
3	0760612	8	Bolt M6 x 25	
4	0770812	4	Bolt M8 x 25	
5	0761012	8	Bolt M10 x 25	
6	1001260334	8	Bumper	
7	2600216	8	Hinge	
8	3290505	16	Nut M5	
9	3290605	40	Nut M6	
10	3290801	4	Nut M8	
11	3311501	8	Nut 5/16	
12	3311502	8	Nut 5/16	
13	4711500	16	Washer 5/16	
14	4811700	4	Washer M6	
15	4811702	80	Washer M6	
16	4811902	12	Washer M8	
17	4812002	8	Washer M10	
18	1001257454	4	Latch, Lock	
19	1001226221	2	Plate, Filter Access	
20	1001234348	16	Screw M5 x 16 Grade 10.9	
21	1001247637	2	Door (Hydraulic Side RH/Engine Side RH)	
22	1001247638	1	Door (Engine Side LH)	
23	1001247639	1	Door (Hydraulic Side LH)	
24	1001247887	1	Shield (Engine Side)	
25	1001248043	1	Shield (Hydraulic Side)	
27	1001248162	1	Cover	
28	4811600	16	Washer M5	
29	1001257688	2	Bracket, Striker	
30	1001257689	2	Bracket, Striker	
31	0760810	4	Bolt M8 x 20	
32	1001263930	1	Cover	

SECTION 2 - GROUND CONTROLS

FIGURE 2-10. HYDRAULIC TANK ASSEMBLY



ART_1001246555

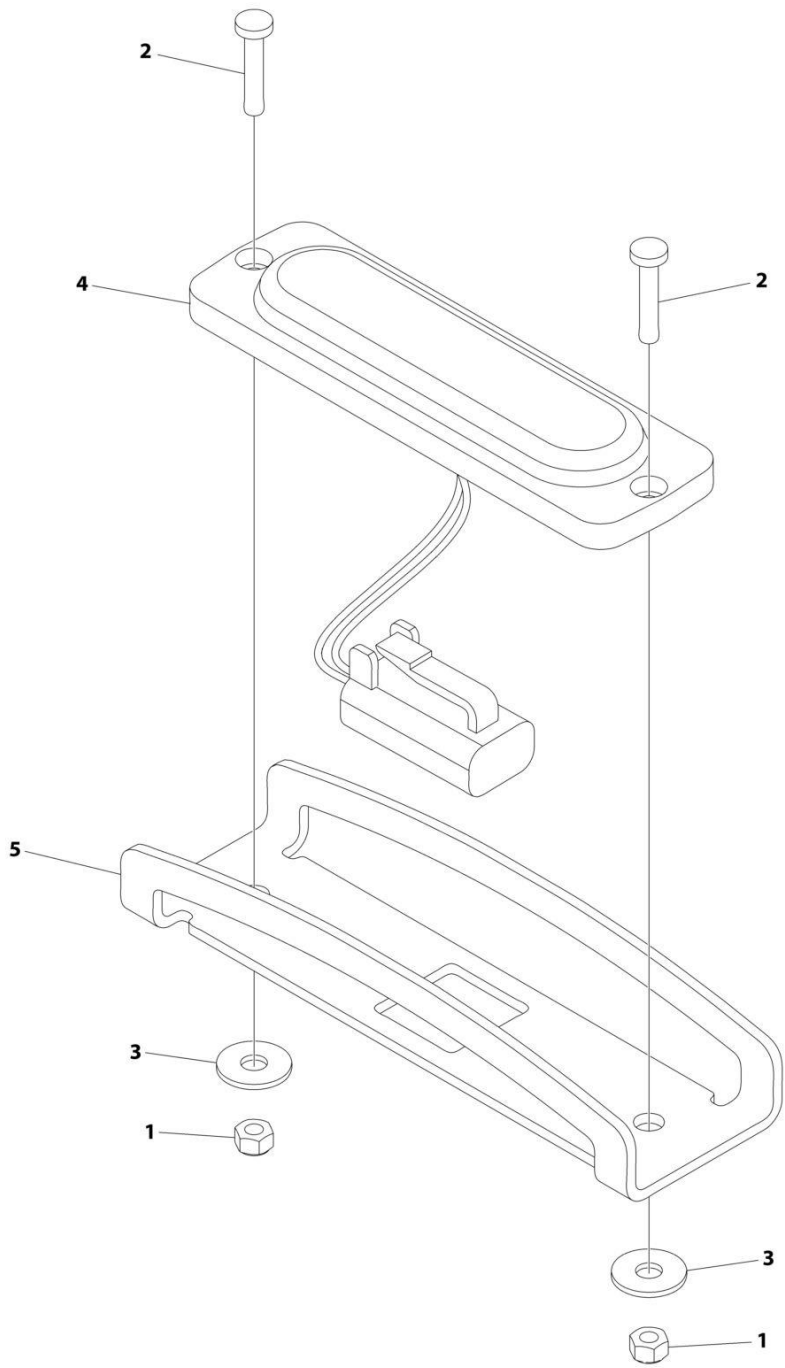
SECTION 2 - GROUND CONTROLS

FIGURE 2-10. HYDRAULIC TANK ASSEMBLY

ITEM	PART NUMBER	QTY	DESCRIPTION	REV
	1001246555	Ref	TANK ASSEMBLY	D
1	0100035	AR	Compound, Locking	
2	0760815	4	Bolt M8 x 35	
3	4811900	4	Washer M8	
5	1001246553	1	Filter, Hydraulic Tank	
5	70007035	1	Element, Filter	
6	1001248371	1	Filter, Filler/Breather	

SECTION 2 - GROUND CONTROLS

FIGURE 2-11. STROBE LIGHT INSTALLATION - SINGLE



ART_1001249306

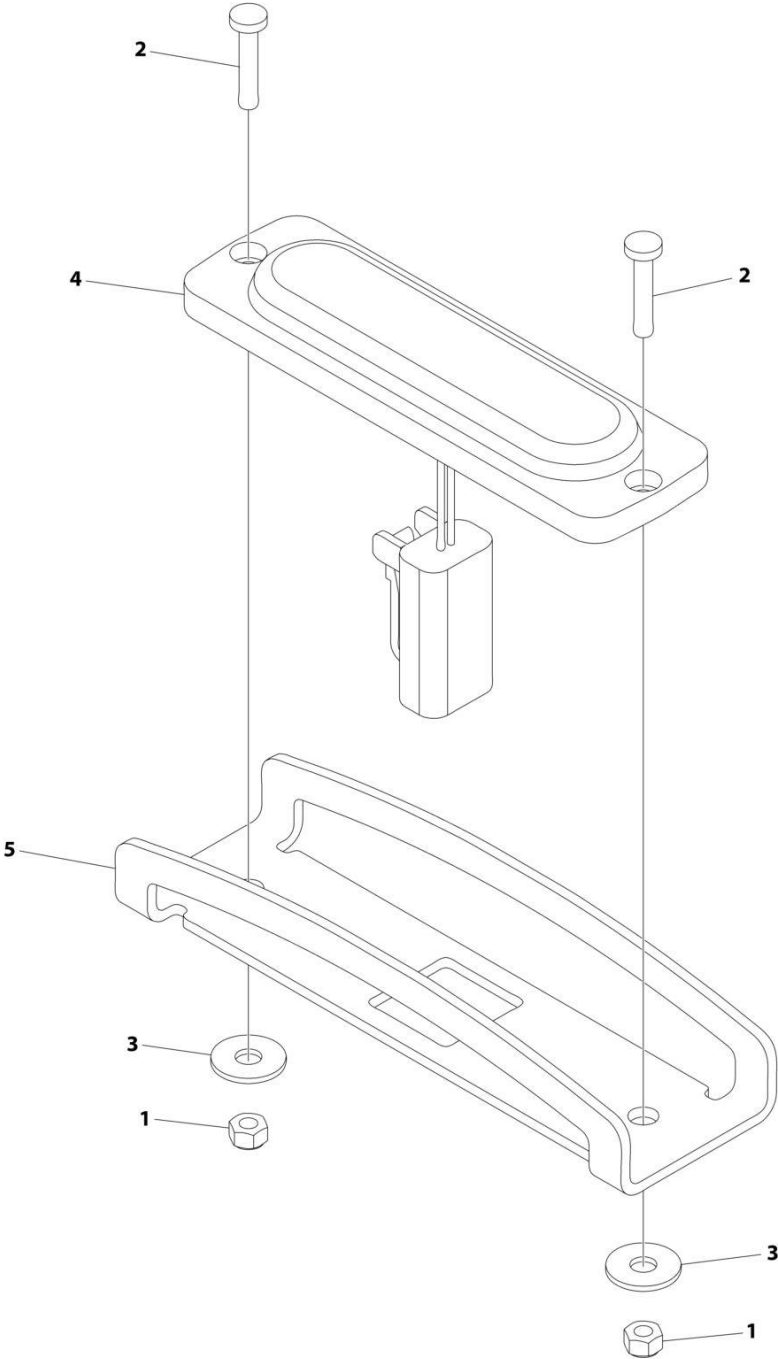
SECTION 2 - GROUND CONTROLS

FIGURE 2-11. STROBE LIGHT INSTALLATION - SINGLE

ITEM	PART NUMBER	QTY	DESCRIPTION	REV
	1001249306	Ref	STROBE LIGHT INSTALLATION - SINGLE	B
1	3290305	4	Nut M3	
2	4010308	4	Screw M3 x16	
3	1001091102	6	Washer M4	
4	1001239224	1	Lamp, Beacon	
4	4460891	1	Plug, Male - 2 Position	
4	4460465	2	Socket, Female	
5	1001242539	1	Guard	
6	1001263345	1	Cover, Hood (Not Shown - Located on Opposite Hood)	

SECTION 2 - GROUND CONTROLS

FIGURE 2-12. STROBE LIGHT INSTALLATION - DUAL



ART_1001249307

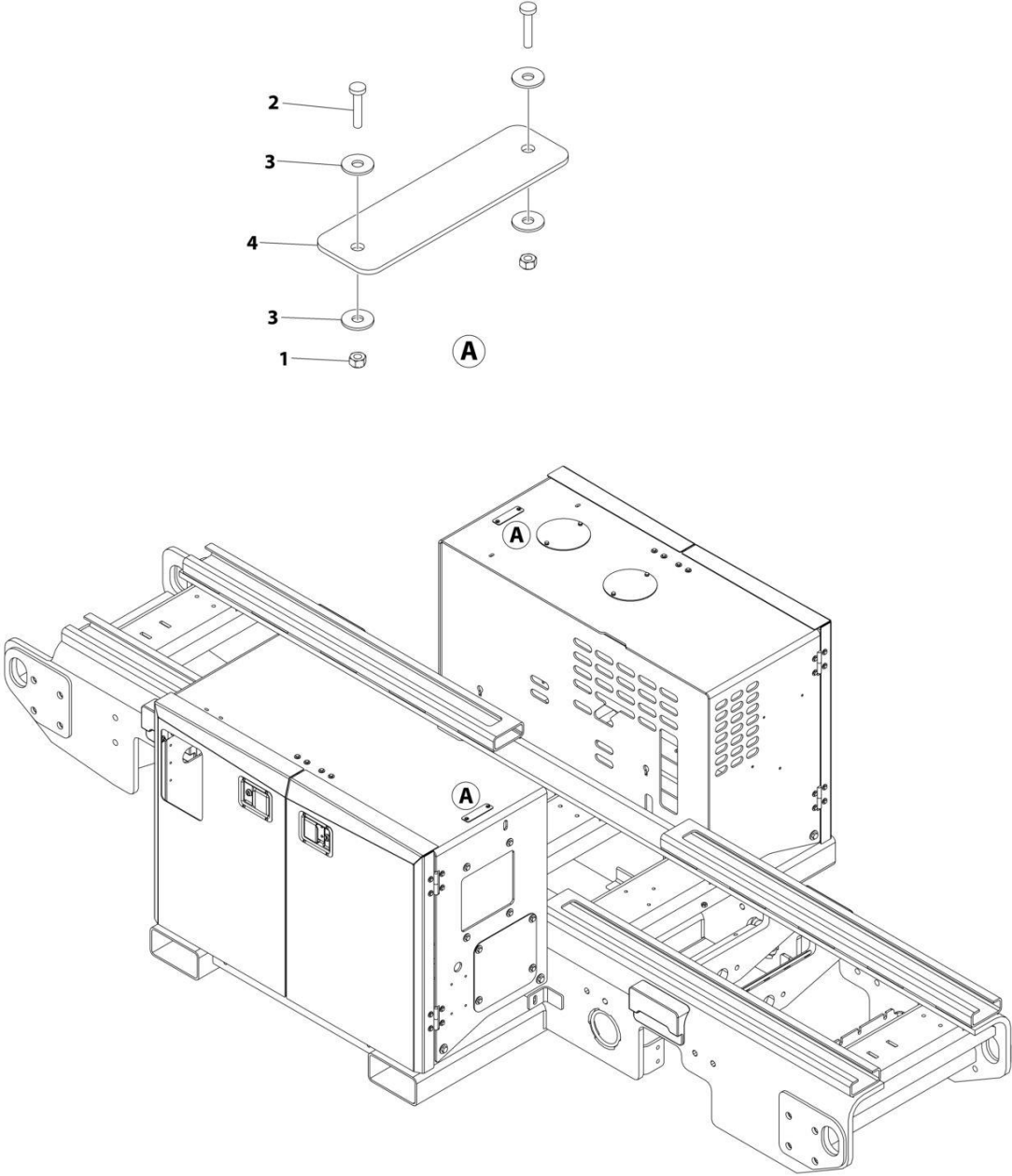
SECTION 2 - GROUND CONTROLS

FIGURE 2-12. STROBE LIGHT INSTALLATION - DUAL

ITEM	PART NUMBER	QTY	DESCRIPTION	REV
	1001249307	Ref	STROBE LIGHT INSTALLATION - DUAL	A
1	3290305	4	Nut M3	
2	4010308	4	Screw M3 x16	
3	1001091102	4	Washer M4	
4	1001239224	2	Lamp, Beacon	
4	4460891	1	Plug, Male - 2 Position	
4	4460465	2	Socket, Female	
5	1001242539	2	Guard	

SECTION 2 - GROUND CONTROLS

FIGURE 2-13. NO BEACON (COVERS)



ART_1001267649

SECTION 2 - GROUND CONTROLS

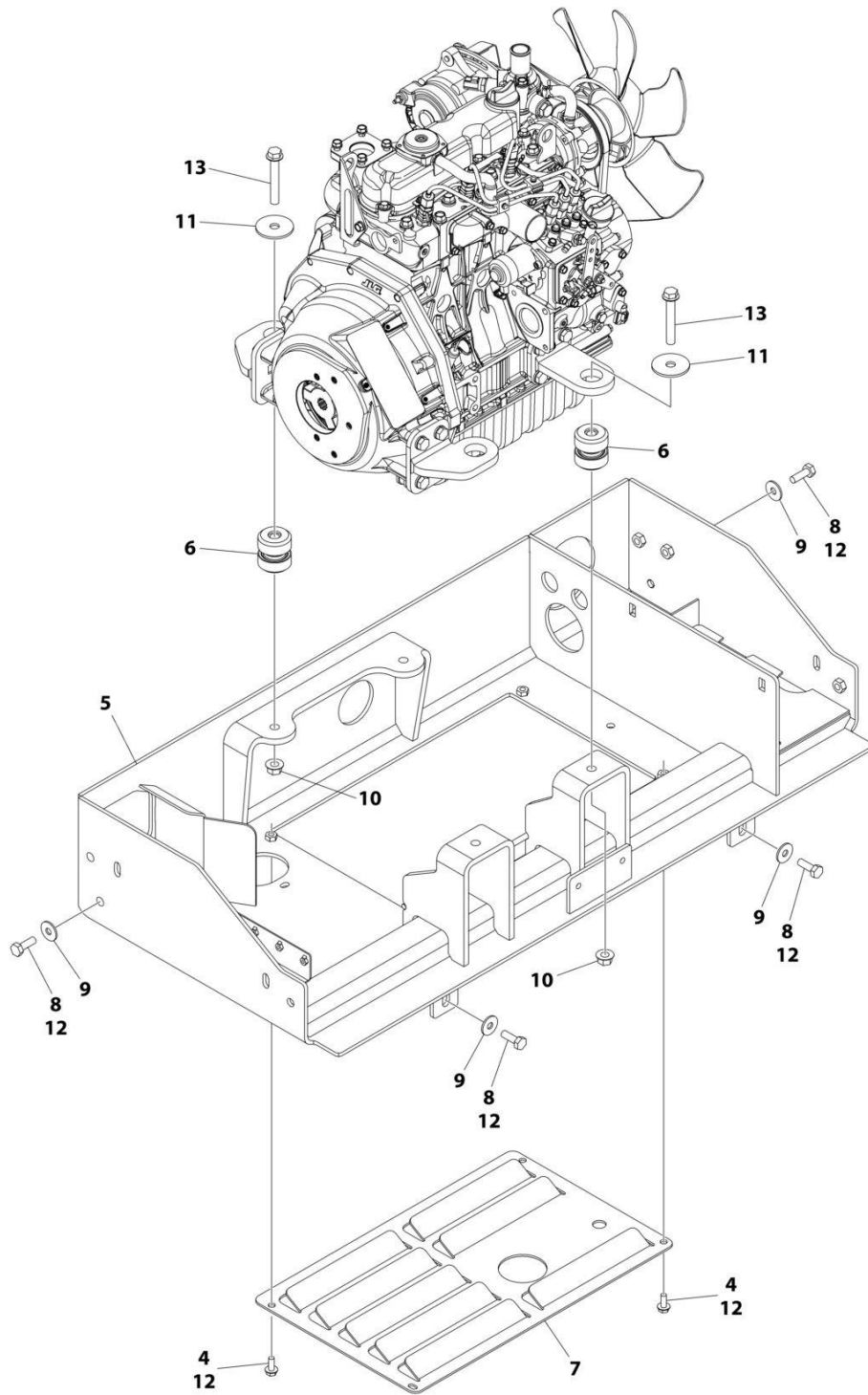
FIGURE 2-13. NO BEACON (COVERS)

ITEM	PART NUMBER	QTY	DESCRIPTION	REV
	1001267649	Ref	NO BEACON (COVERS)	A
1	3290305	4	Nut M3	
2	4010308	4	Screw M3 x16	
3	1001091102	8	Washer M4	
4	1001263345	2	Cover, Hood	

SECTION 3 - ENGINE

SECTION 3 - ENGINE

FIGURE 3-1. ENGINE MOUNTING INSTALLATION (Prior to SN M200063434, Including M200063440, M200063635, M200064609, M200064999, M200065194 and M200065198)



ART_1001255873

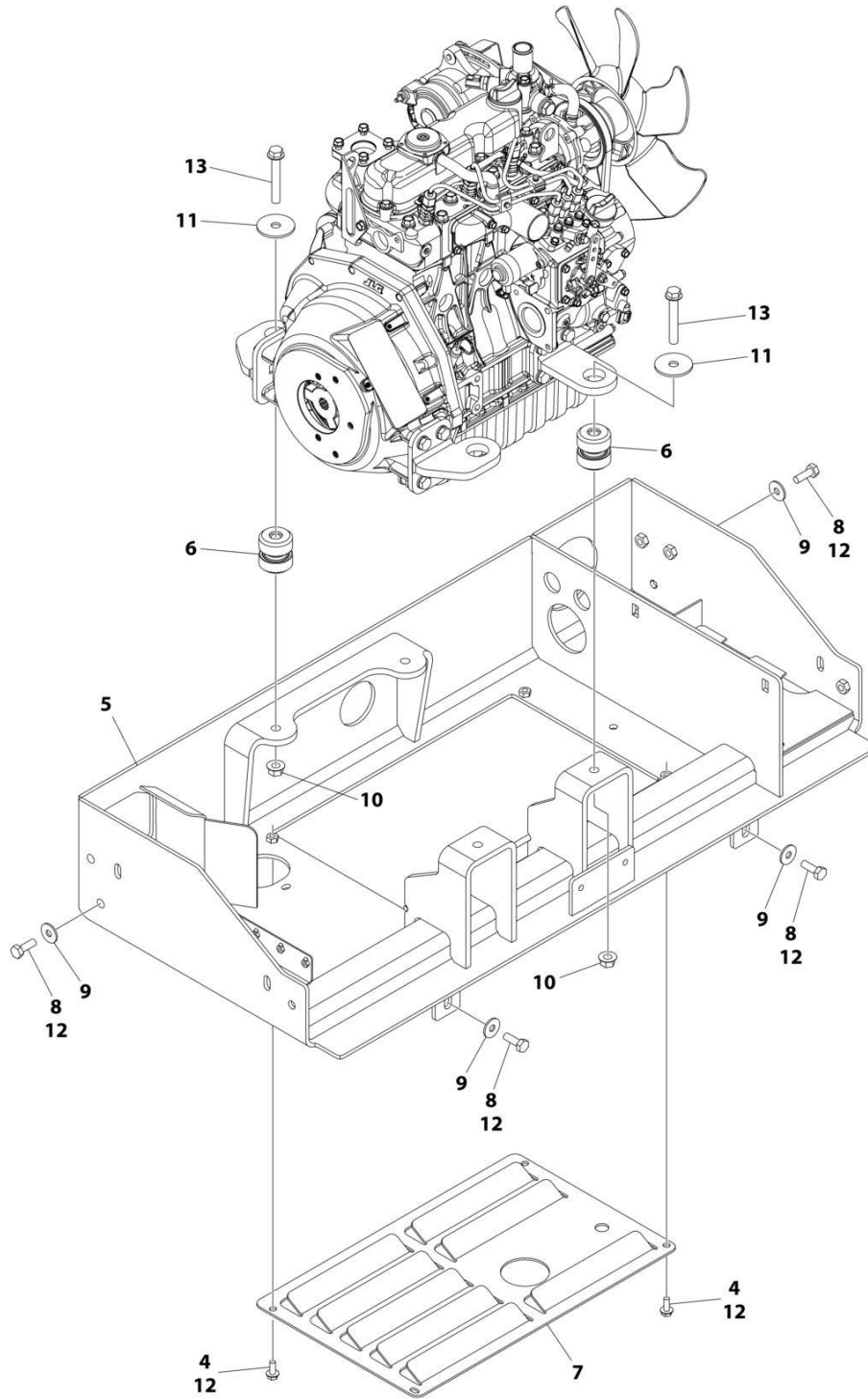
SECTION 3 - ENGINE

FIGURE 3-1. ENGINE MOUNTING INSTALLATION (Prior to SN M200063434, Including M200063440, M200063635, M200064609, M200064999, M200065194 and M200065198)

ITEM	PART NUMBER	QTY	DESCRIPTION	REV
	1001255873	Ref	ENGINE INSTALLATION	C
4	5250810	4	Bolt M8 x 20	
5	1001247612	1	Tray	
6	1001250336	4	Mount, Motor	
7	1001250772	1	Cover	
8	0771014	4	Bolt M10 x 30	
9	4812002	4	Washer M10	
10	5261200	4	Nut M12	
11	1001168018	4	Washer	
12	0100011	AR	Compound, Locking	
13	5251224	4	Bolt M12 x 80	

SECTION 3 - ENGINE

FIGURE 3-2. ENGINE MOUNTING INSTALLATION (SN M200063434 to Present, Excluding M200063440, M200063635, M200064609, M200064999, M200065194 and M200065198)



ART_1001255873_D

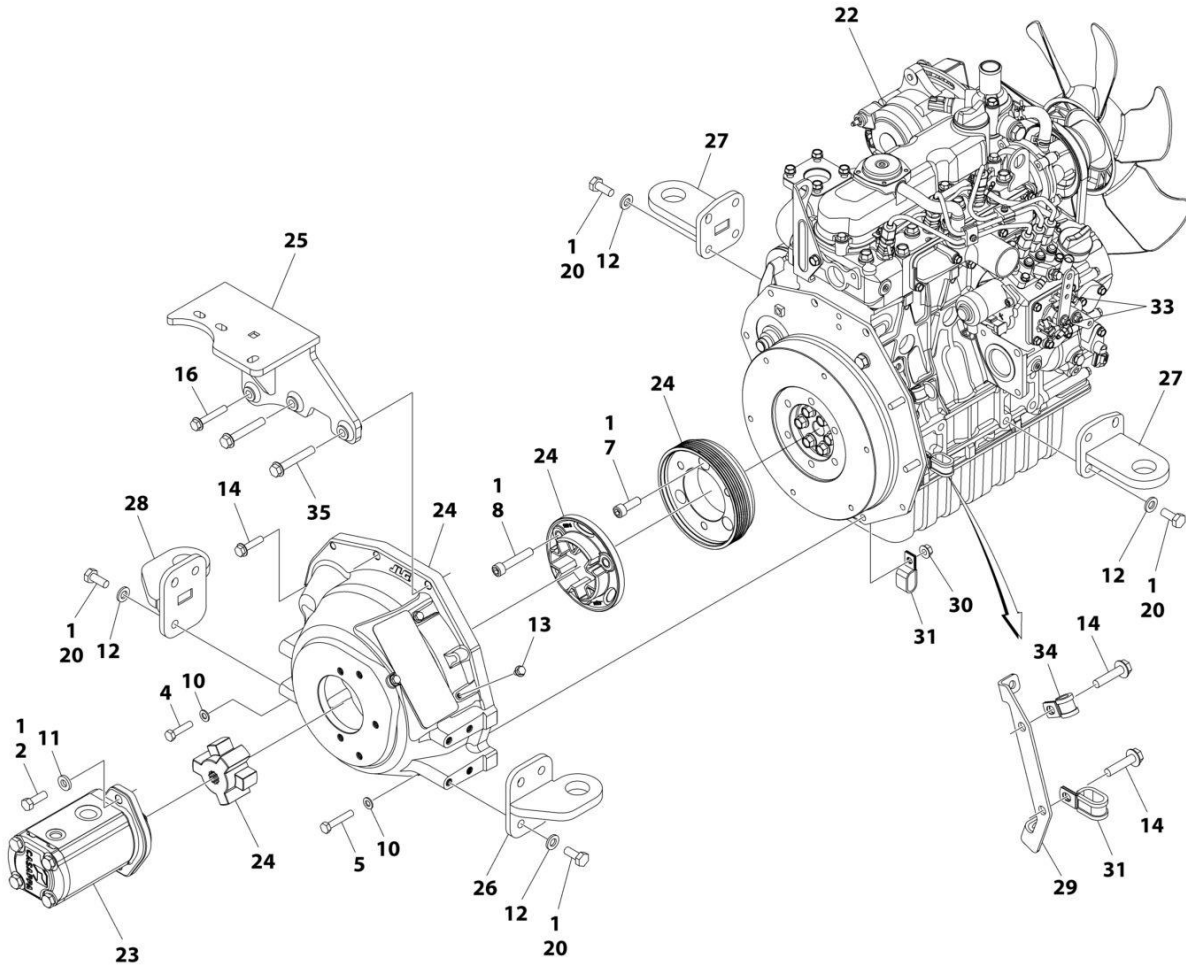
SECTION 3 - ENGINE

FIGURE 3-2. ENGINE MOUNTING INSTALLATION (SN M200063434 to Present, Excluding M200063440, M200063635, M200064609, M200064999, M200065194 and M200065198)

ITEM	PART NUMBER	QTY	DESCRIPTION	REV
	1001255873	Ref	ENGINE INSTALLATION	D
4	5250810	4	Bolt M8 x 20	
5	1001287311	1	Tray	
6	1001250336	4	Mount, Motor	
7	1001250772	1	Cover	
8	0771014	4	Bolt M10 x 30	
9	4812002	4	Washer M10	
10	5261200	4	Nut M12	
11	1001168018	4	Washer	
12	0100011	AR	Compound, Locking	
13	5251224	4	Bolt M12 x 80	

SECTION 3 - ENGINE

FIGURE 3-3. ENGINE AND PUMP ASSEMBLY - DIESEL



ART_1001255872_E

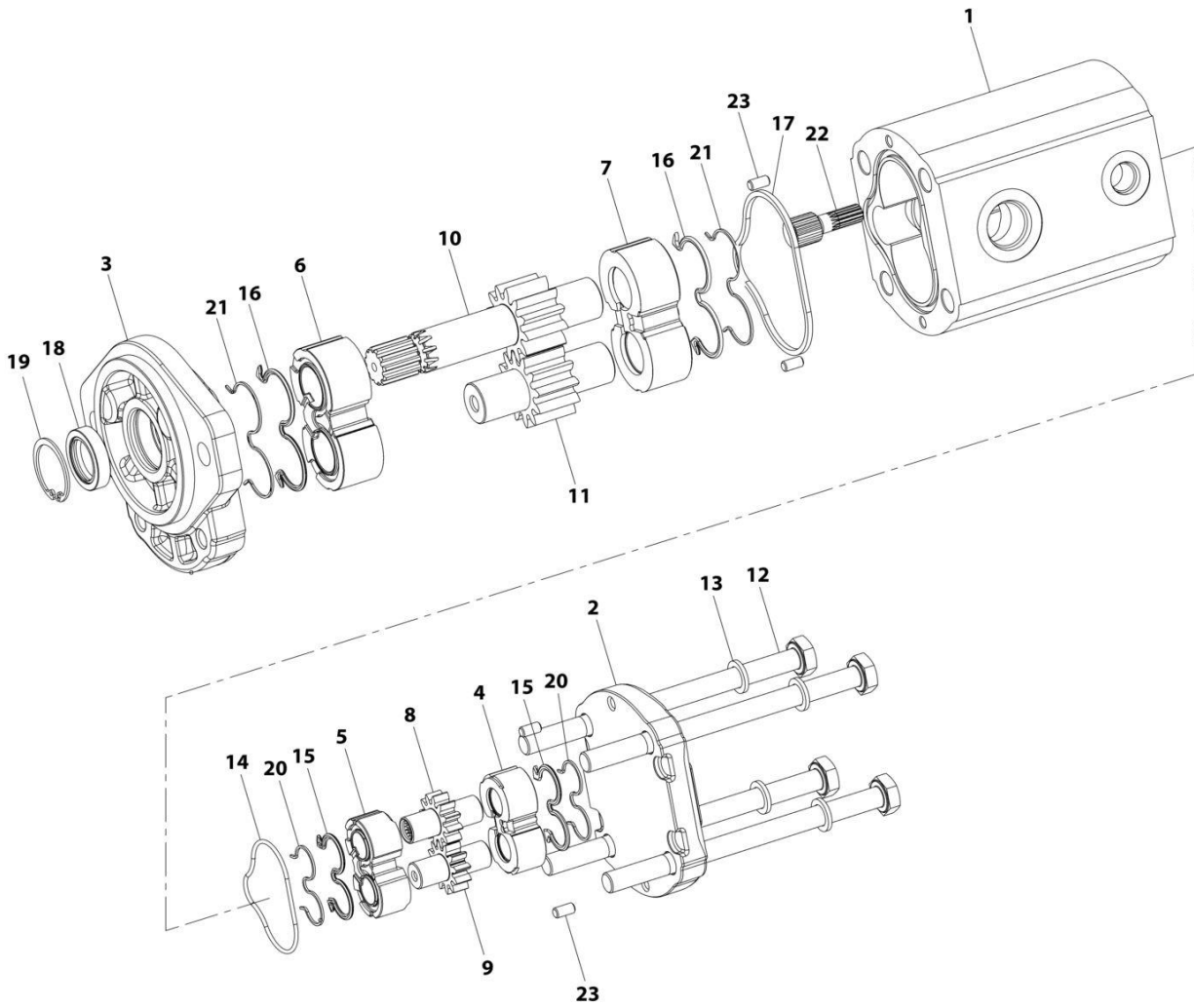
SECTION 3 - ENGINE

FIGURE 3-3. ENGINE AND PUMP ASSEMBLY - DIESEL

ITEM	PART NUMBER	QTY	DESCRIPTION	REV
	1001255872	Ref	ENGINE AND PUMP SUB-ASSEMBLY	E
1	0100011	AR	Compound Locking	
2	0681609	2	Bolt 3/8 x 1-1/8	
4	0760815	2	Bolt M8 x 35	
5	0760817	2	Bolt M8 x 45	
7	1001277831	3	Capscrew M10 x 30	
8	1001277832	3	Capscrew M10 x 55	
10	4811900	4	Washer M8	
11	4891600	2	Washer 3/8	
12	5241000	14	Washer M10	
13	5250605	3	Bolt M6 x 10	
14	5250815	3	Bolt M8 x 35	
16	5250821	1	Bolt M8 x 65	
20	1001118746	14	Bolt M10 x 25	
22	1001243296	1	Engine Components - Kubota Diesel (See Separate Breakdown in this Section)	
23	1001244107	1	Pump Assembly (See Separate Breakdown in this Section)	
24	1001247584	1	Coupling, Assembly (See Separate Breakdown in this Section)	
25	1001274463	1	Bracket, Muffler	
26	1001252477	1	Bracket, Mounting	
27	1001252478	2	Bracket, Mounting	
28	1001253717	1	Bracket, Mounting	
29	1001256097	1	Bracket	
30	5260800	2	Nut M8	
31	1001268776	3	Clamp	
33	1001263804	AR	Adhesive	
34	1001269045	1	Clamp	
35	1001278239	2	Bolt M10 x 65	

SECTION 3 - ENGINE

FIGURE 3-4. PUMP ASSEMBLY - DIESEL



ART_1001244107

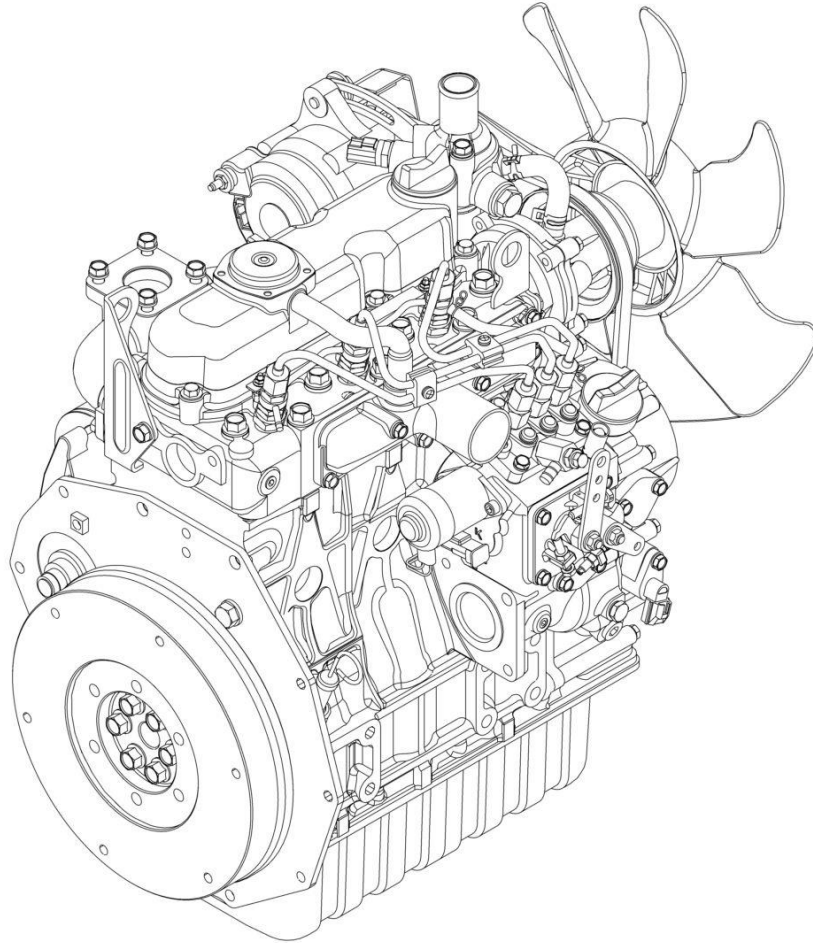
SECTION 3 - ENGINE

FIGURE 3-4. PUMP ASSEMBLY - DIESEL

ITEM	PART NUMBER	QTY	DESCRIPTION	REV
	1001244107	Ref	PUMP ASSEMBLY - DIESEL	E
1	See Note	NSS	Body (Note: Not Available for Purchase)	
2	See Note	NSS	Cover, Rear (Note: Not Available for Purchase)	
3	See Note	NSS	Cover, Front (Note: Not Available for Purchase)	
4	70007659	1	Plate, Thrust	
5	70007658	1	Plate, Thrust	
6	70007310	1	Plate, Thrust	
7	70007665	1	Plate, Thrust	
8	70007664	1	Gear, Drive	
9	70007663	1	Gear, Driven	
10	70007662	1	Shaft, Drive	
11	70007661	1	Gear, Driven	
12	70007660	4	Bolt M10 x 150	
13	70007314	4	Washer M10	
14	70007649	1	O-Ring	
15	70007648	2	Seal	
16	70007647	2	Seal	
17	70007646	1	Seal	
18	70007645	1	Seal, Shaft	
19	70007315	1	Circlip	
20	70007644	2	Seal, Antiextrusion	
21	70007643	2	Seal, Antiextrusion	
22	70007642	1	Hub	
23	70007316	4	Pin, Dowel	

SECTION 3 - ENGINE

FIGURE 3-5. ENGINE COMPONENTS - DIESEL



ART_1001243296

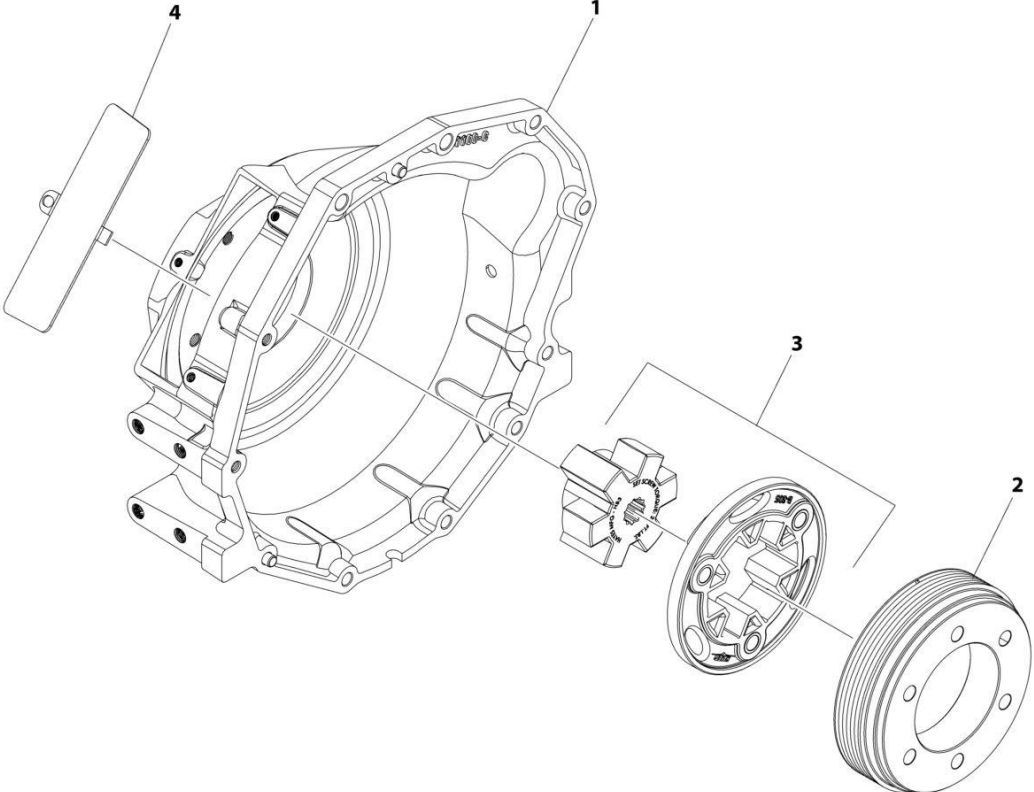
SECTION 3 - ENGINE

FIGURE 3-5. ENGINE COMPONENTS - DIESEL

ITEM	PART NUMBER	QTY	DESCRIPTION	REV
	1001243296	Ref	ENGINE COMPONENTS - DIESEL	C
	See Note	Ref	Note: No Other Service Parts Available at Time of Printing	
		Ref	Lubrication System Components	
	1001248057	1	Filter, Oil	
	1001248056	1	Head, Remote Oil Filter	
	70004524	1	Bleeder Assembly	
	7017922	1	Seal, Oil	
	70002318	1	Plug, Oil Filler	
	70004311	1	O-Ring, Oil Fill Cap	
	70006666	1	Sensor	
	70008394	1	Dipstick	
	7017901	1	Switch, Oil Pressure	
		Ref	Fuel System Components	
	1001254653	1	Pump, Electric Fuel	
	1001254650	1	Decal - Ether Caution	
	70002554	1	Ring, Gear	
	70002419	1	Housing, Coupling	
	70008395	1	Solenoid	
	7023164	1	Injection Pump Assembly	
	70004400	1	Gasket, Fuel Pump	
	7017955	1	Alternator	
	7023141	1	V-Belt	
	7023144	1	Starter	
		Ref	Electrical System Components	
	1001246587	1	Module, ECU	
	70004398	3	Plug, Glow	
		Ref	Cooling System Components	
	1001250636	1	Reservior, Overflow	
	1001254651	1	Decal - Coolant Caution	
	70002316	1	Pipe, Water Return	
	7023170	1	Thermostat	
	70002326	1	Gasket, Thermostat	
	70003064	1	Sensor, Water	
	70002327	1	Water Pump Assembly	
		Ref	Exhaust System Components	
	7023148	1	Gasket, Exhaust (Manifold to Pipe)	
	70005220	1	Gasket, Head	
	70003060	1	Vlave, Breather	
	70002317	1	Tube, Breather	
	7023149	1	Gasket, Manifold	
	7023124	1	Gasket, Muffler	

SECTION 3 - ENGINE

FIGURE 3-6. COUPLING ASSEMBLY - ENGINE PUMP (DIESEL)



ART_1001247584

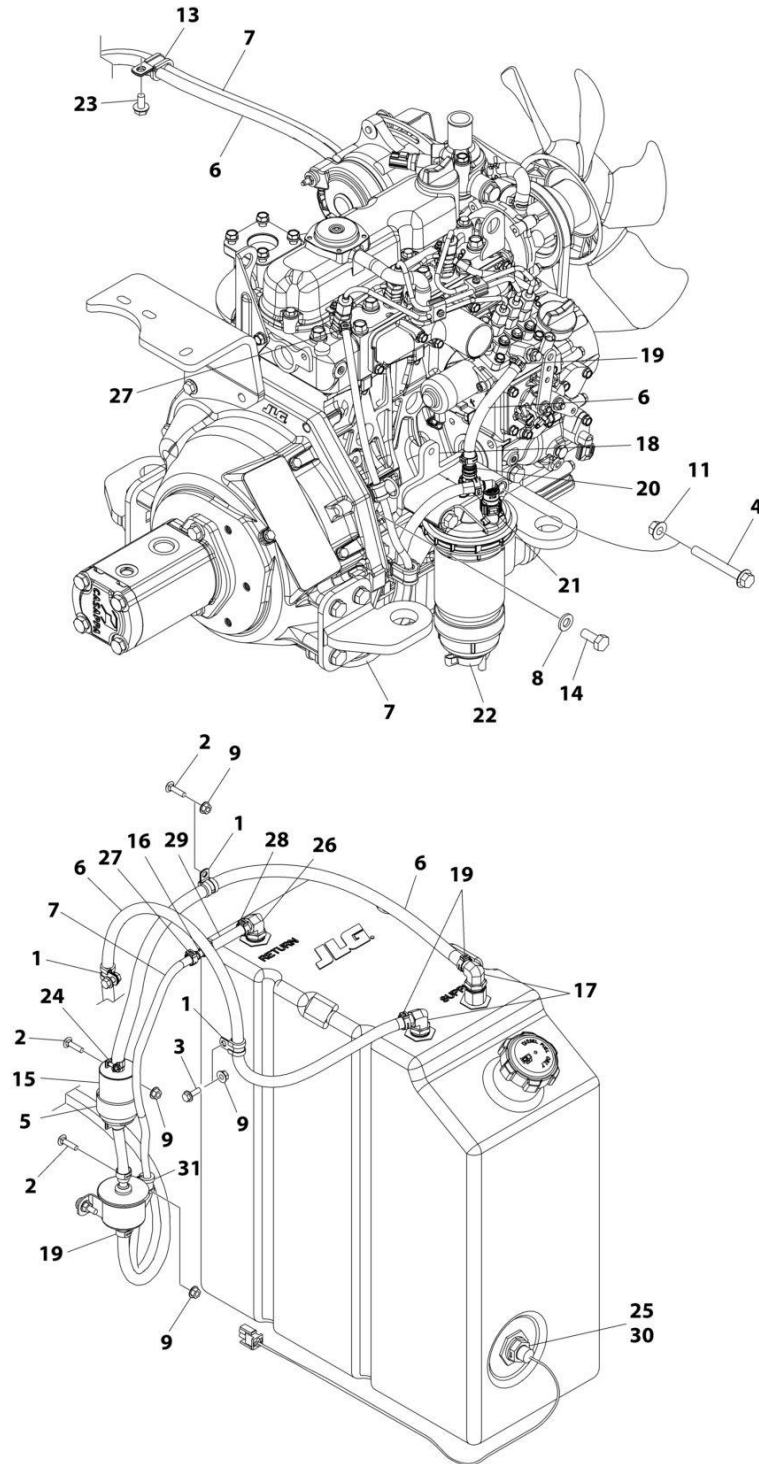
SECTION 3 - ENGINE

FIGURE 3-6. COUPLING ASSEMBLY - ENGINE PUMP (DIESEL)

ITEM	PART NUMBER	QTY	DESCRIPTION	REV
	1001247584	Ref	COUPLING ASSEMBLY - ENGINE PUMP	E
1	1001247454	1	Housing	
2	1001247581	1	Pulley	
3	1001247582	1	Coupling, Flexible	
4	1001247589	1	Cover	

SECTION 3 - ENGINE

FIGURE 3-7. ENGINE FUEL LINES INSTALLATION - DIESEL



ART_1001255874

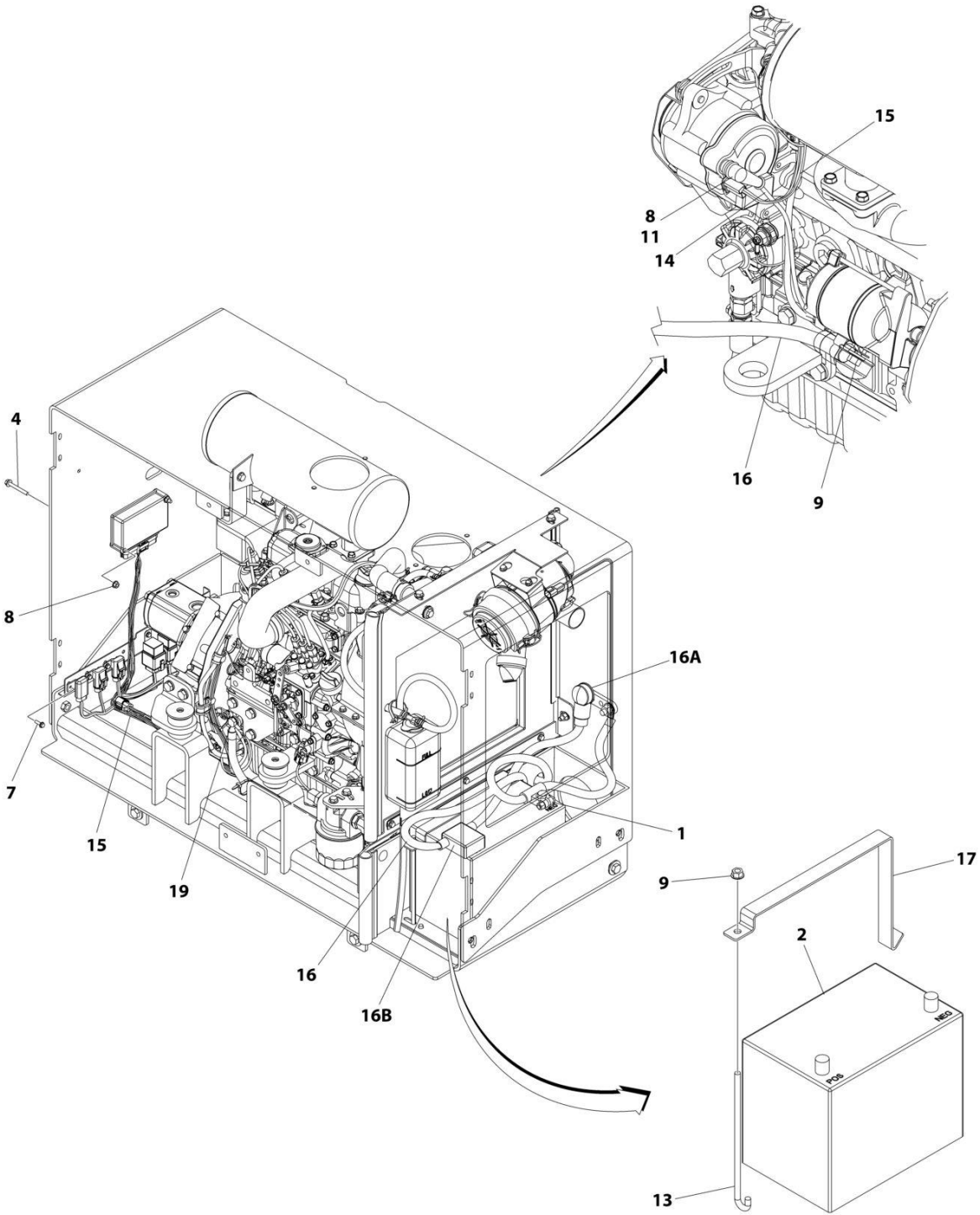
SECTION 3 - ENGINE

FIGURE 3-7. ENGINE FUEL LINES INSTALLATION - DIESEL

ITEM	PART NUMBER	QTY	DESCRIPTION	REV
	1001255874	Ref	FUEL SYSTEM INSTALLATION - DIESEL	C
1	80630	3	Clamp	
2	0630587	4	Bolt M6 x 25	
3	0780608	2	Bolt M6 x 16	
4	0781024	2	Bolt M10 x 80	
5	1320265	1	Clamp	
6	2720058	14 ft/ 4.3m	Hose	
7	2720271	8.5 ft/ 2.6m	Hose	
8	5241000	3	Washer M10	
9	5260600	6	Nut M6	
11	5261000	2	Nut M10	
13	1001268776	2	Clamp	
14	1001118746	3	Bolt M10 x 25	
15	1001190545	1	Filter, Fuel	
16	1001131391	1	Coupling	
17	1001248861	2	Fitting, 90 Barb	
18	1001250450	1	Plate	
19	1001263657	7	Clamp	
20	1001256554	1	Coupling, Quick Disconnect	
21	1001256723	1	Coupling, Quick Disconnect	
22	1008675309	1	Fuel/Water Separator Assembly	
22	70007021	1	Element, Filter	
23	5250808	2	Bolt M8 x 16	
24	1001174486	2	Clamp	
25	1001182997	AR	Adhesive	
26	1001262943	1	Fitting, 90 Barb	
27	1001263658	2	Clamp	
28	1001263659	2	Clamp	
29	2720015	3 in/ 7.5cm	Hose	
30	4360436	1	Switch, Fuel Level	
31	1001269045	1	Clamp	

SECTION 3 - ENGINE

FIGURE 3-8. ENGINE ELECTRICAL INSTALLATION - DIESEL



ART_1001255875

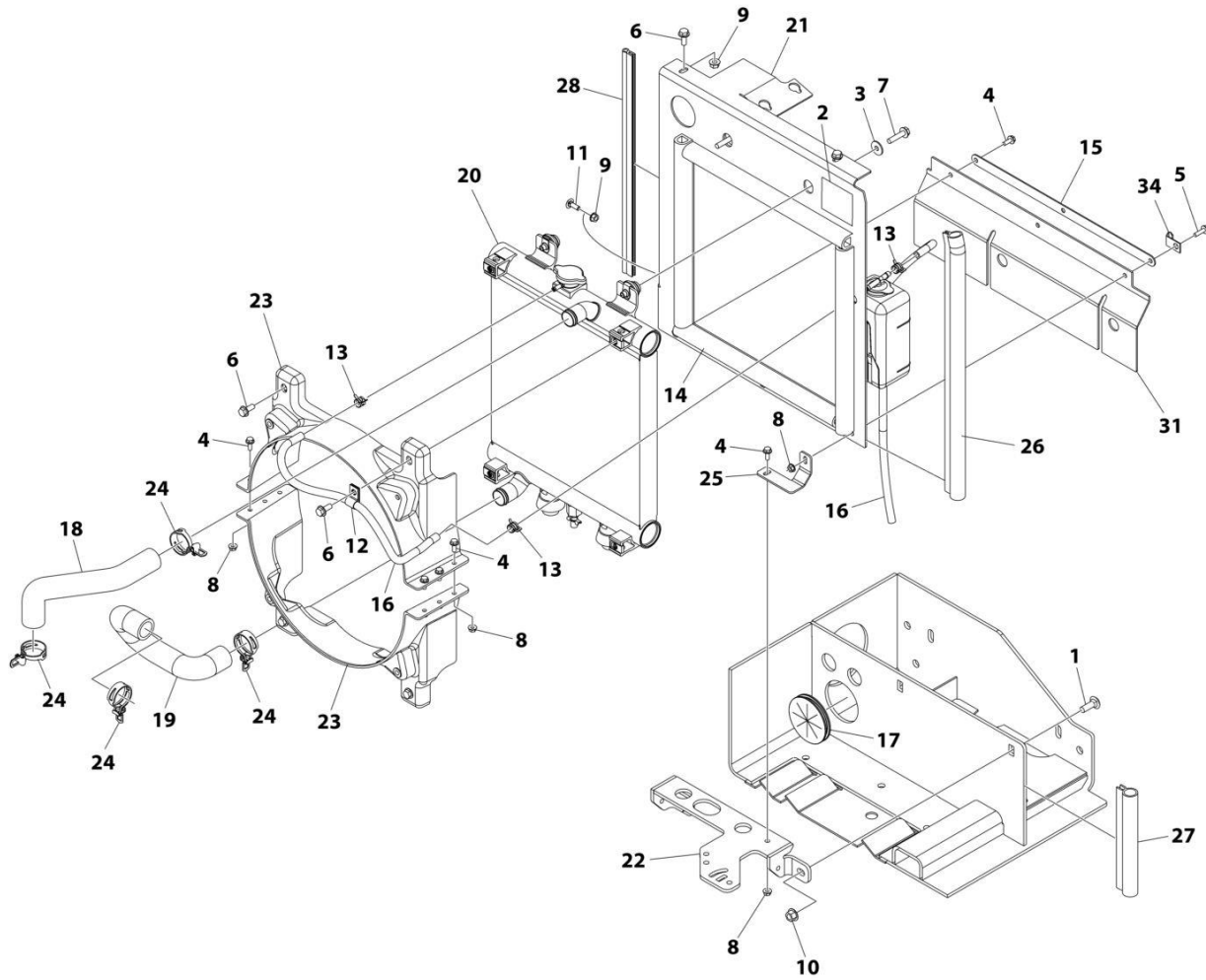
SECTION 3 - ENGINE

FIGURE 3-8. ENGINE ELECTRICAL INSTALLATION - DIESEL

ITEM	PART NUMBER	QTY	DESCRIPTION	REV
	1001255875	Ref	ENGINE ELECTRICAL INSTALLATION - DIESEL	D
1	0100051	AR	Grease, Terminal	
2	0400003	1	Battery	
4	0780618	2	Bolt M6 x 50	
5	1062255	AR	Tie-Strap (Not Shown)	
7	5250508	6	Bolt M5 x 16	
8	5260600	3	Nut M6	
9	5260800	2	Nut M8	
11	1001139219	1	Boot	
12	1001146588	3	Tie-Strap (Not Shown)	
13	1001179586	1	J-Bolt	
14	1001234069	1	Harness, Fusible Link	
15	1001248134	1	Harness, Engine (See Separate Breakdown in ELECTRICAL Section)	
16	1001248347	1	Battery, Cable Kit	
16A	0840052	1	Boot	
16B	1001186483	1	Boot, Battery Terminal	
17	1001254888	1	Bracket, Battery	
19	1001256312	1	Bolt M10 x 16	

SECTION 3 - ENGINE

FIGURE 3-9. ENGINE COOLING SYSTEM INSTALLATION - DIESEL



ART_1001255878

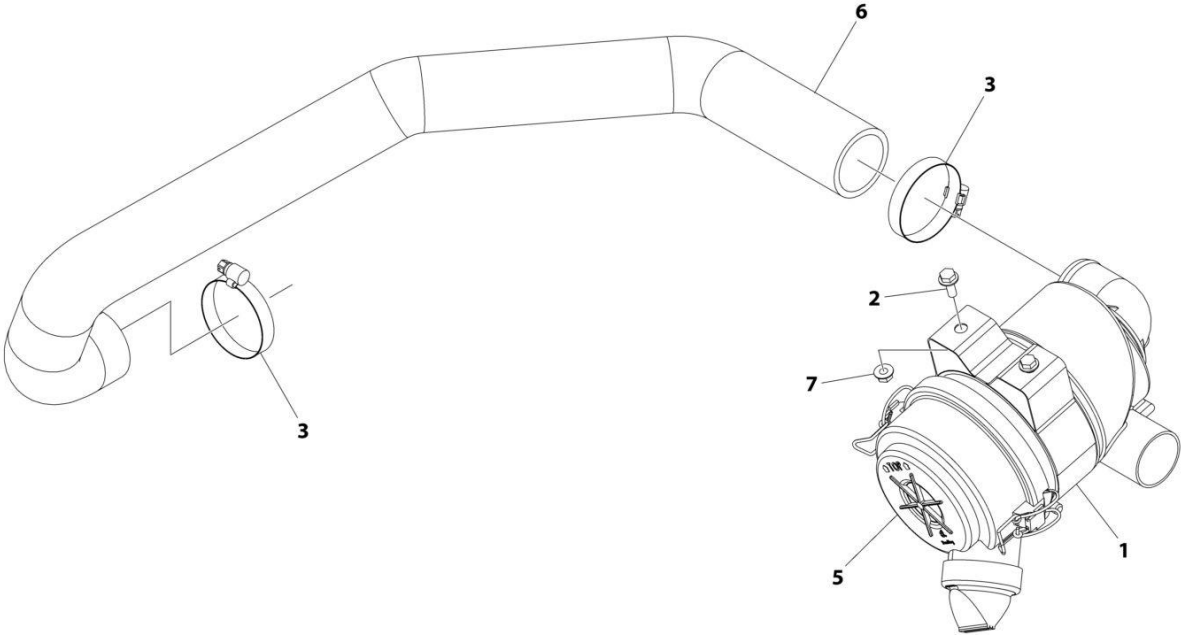
SECTION 3 - ENGINE

FIGURE 3-9. ENGINE COOLING SYSTEM INSTALLATION - DIESEL

ITEM	PART NUMBER	QTY	DESCRIPTION	REV
	1001255878	Ref	COOLING SYSTEM INSTALLATION	C
1	0630613	2	Bolt M10 x 30	
2	1703162	1	Decal - Fan Blade	
3	4811902	2	Washer M8	
4	5250608	9	Bolt M6 x 16	
5	5250611	1	Bolt M8 x 22	
6	5250810	6	Bolt M8 x 20	
7	5250815	2	Bolt M8 x 35	
8	5260600	8	Nut M6	
9	5260800	3	Nut M8	
10	5261000	2	Nut M10	
11	8310623	1	Bolt M8 x 25	
12	8406110	1	Clip	
13	1001213010	3	Clamp	
14	1001262646	5 ft/ 1.5m	Seal	
15	1001252596	1	Support	
16	1001263476	3.8 ft/ 1.1m	Hose	
17	1001218676	1	Grommet	
18	1001246746	1	Tube, Coolant	
19	1001266885	1	Tube, Coolant	
20	1001247267	1	Radiator	
21	1001262636	1	Plate, Radiator	
22	1001262630	1	Bracket	
23	1001254635	2	Shroud	
24	1001263438	4	Clamp	
25	1001255809	1	Bracket	
26	1001255843	21 in/ 53cm	Seal	
27	1001255848	8 in/ 20cm	Seal	
28	1001255851	18 in/ 45cm	Seal	
31	1001255857	1	Dam, Air	
34	1320223	1	J-Clip	

SECTION 3 - ENGINE

FIGURE 3-10. AIR INTAKE INSTALLATION - DIESEL



ART_1001255877

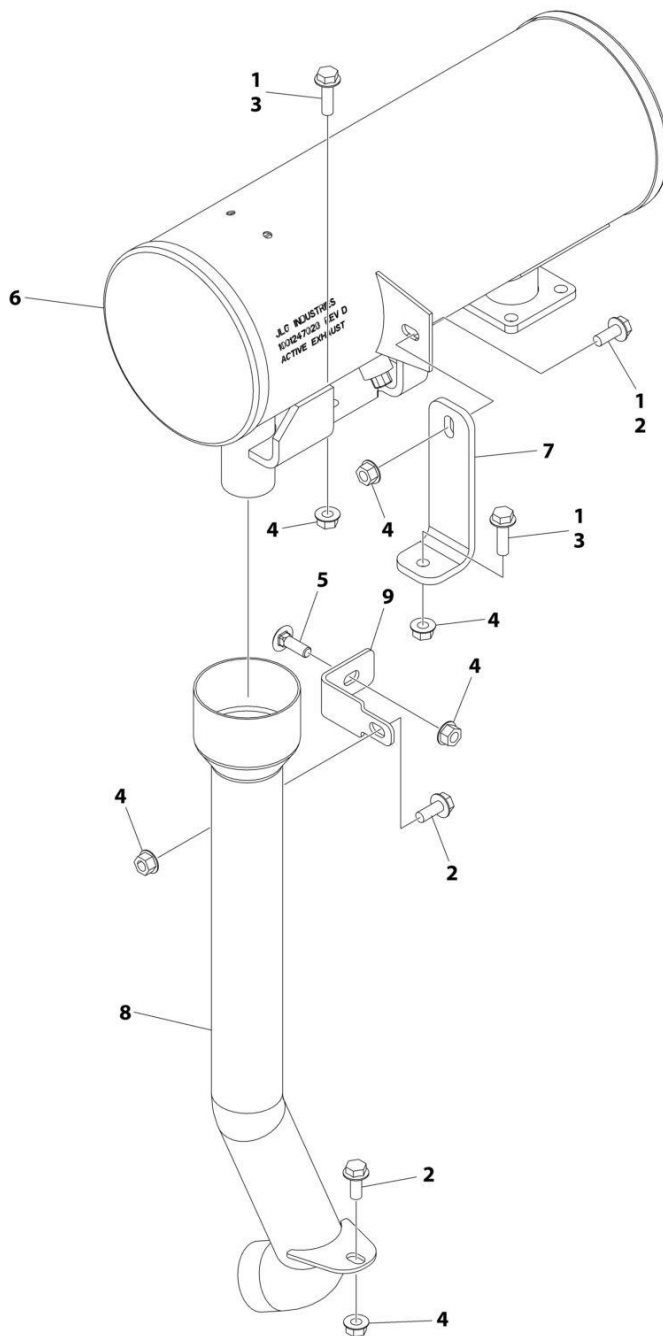
SECTION 3 - ENGINE

FIGURE 3-10. AIR INTAKE INSTALLATION - DIESEL

ITEM	PART NUMBER	QTY	DESCRIPTION	REV
	1001255877	Ref	AIR INTAKE INSTALLATION	C
1	0340045	1	Band, Air Cleaner	
2	5250608	2	Bolt M6 x 16	
3	1321682	2	Clamp	
5	1001247560	1	Air Cleaner Assembly	
5	7015004	1	Element, Air Filter	
6	1001248307	1	Tube, Air Intake	
7	5260600	2	Nut M6	

SECTION 3 - ENGINE

FIGURE 3-11. EXHAUST INSTALLATION - DIESEL



ART_1001255876

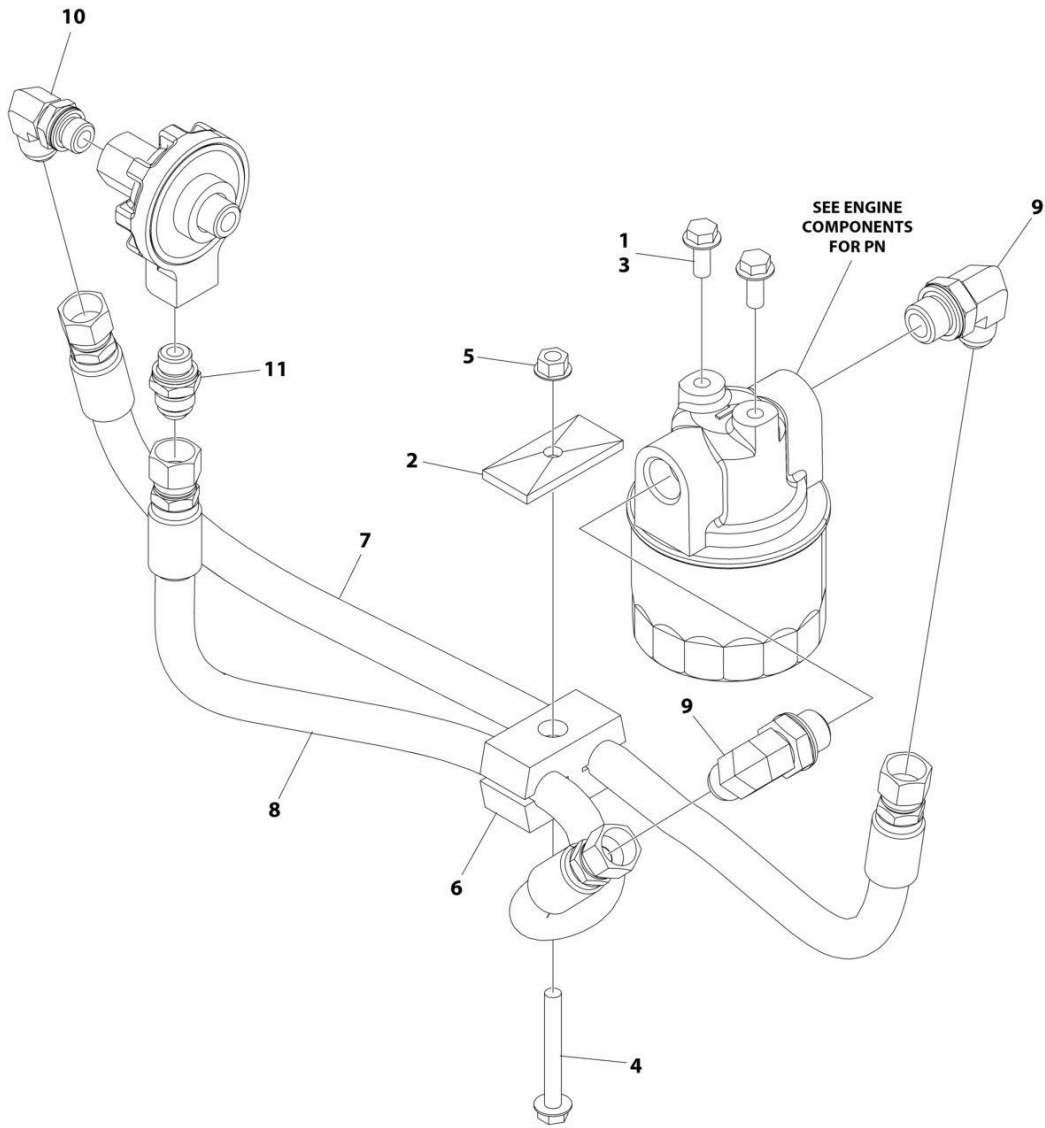
SECTION 3 - ENGINE

FIGURE 3-11. EXHAUST INSTALLATION - DIESEL

ITEM	PART NUMBER	QTY	DESCRIPTION	REV
	1001255876	Ref	EXHAUST SYSTEM INSTALLATION	C
1	0100011	AR	Compound, Locking	
2	5250810	3	Bolt M8 x 20	
3	5250813	3	Bolt M8 x 28	
4	5260800	7	Nut M8	
5	8310623	1	Bolt M8 x 25	
6	1001247028	1	Muffler	
7	1001248099	1	Bracket	
8	1001269872	1	Pipe, Exhaust	
9	1001250934	1	Bracket	

SECTION 3 - ENGINE

FIGURE 3-12. OIL FILTER INSTALLATION - REMOTE - DIESEL



ART_1001255936

SECTION 3 - ENGINE

FIGURE 3-12. OIL FILTER INSTALLATION - REMOTE - DIESEL

ITEM	PART NUMBER	QTY	DESCRIPTION	REV
	1001255936	Ref	OIL FILTER INSTALLATION - REMOTE	A
	See Note	Ref	Note: For Engine Specific Components, See Engines Components.	
1	0100011	AR	Compund, Locking	
2	1309435	1	Plate, Clamp	
3	5250810	2	Bolt M8 x 20	
4	5250821	1	Bolt M8 x 65	
5	5260800	1	Nut M8	
6	8769139	1	Clamp	
7	1001248413	1	Hose	
8	1001248414	1	Hose	
9	1001250519	2	Fitting, 90 JIC/BSPP	
10	1001250521	1	Fitting, 90 JIC/ORB	
11	1001250525	1	Fitting, Straight JIC/ORB	

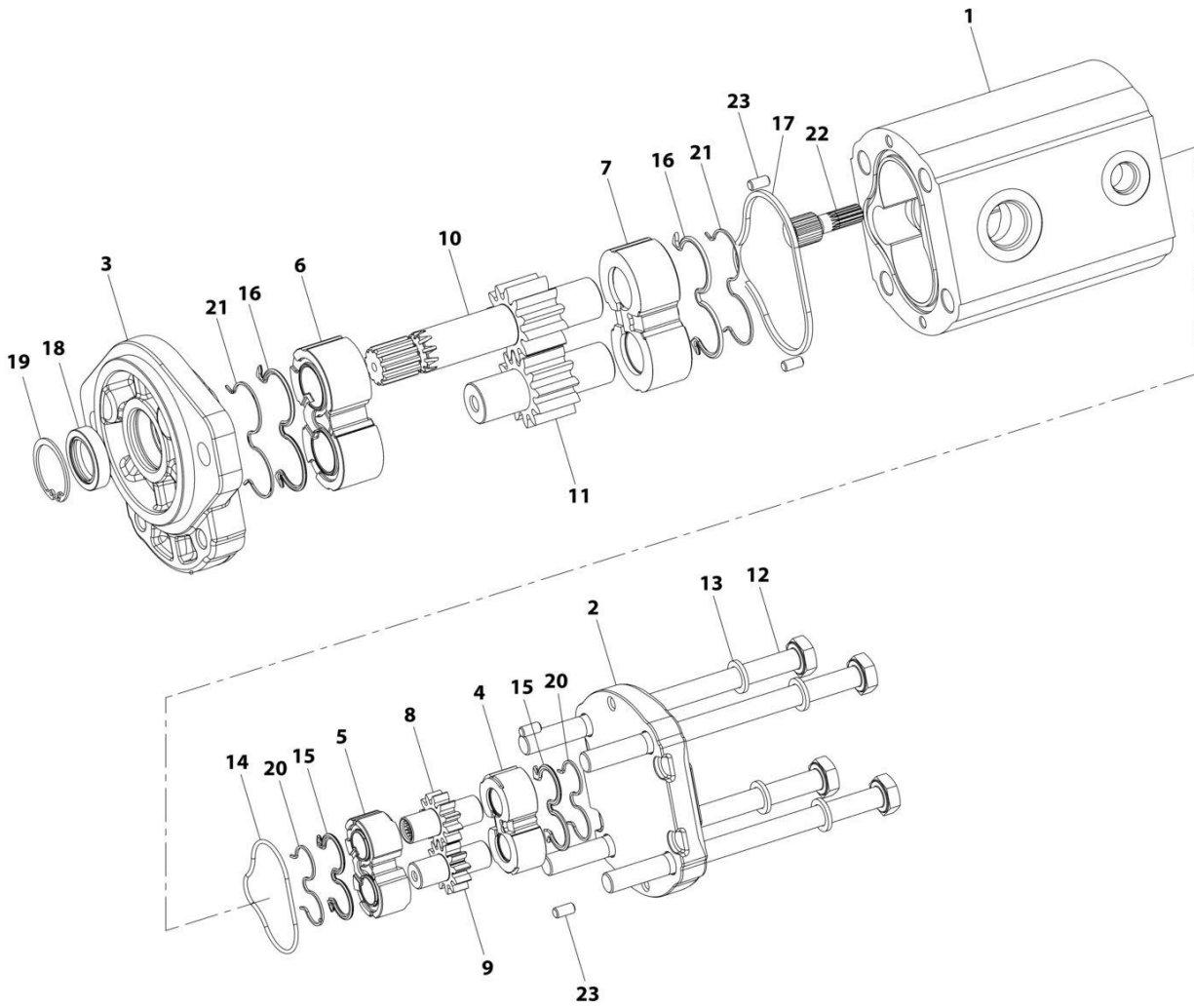
SECTION 3 - ENGINE

FIGURE 3-13. ENGINE AND PUMP ASSEMBLY - DUAL FUEL

ITEM	PART NUMBER	QTY	DESCRIPTION	REV
	1001256031	Ref	ENGINE AND PUMP SUB-ASSEMBLY	F
1	0100011	AR	Compound Locking	
2	0681609	2	Bolt 3/8 x 1-1/8	
3	0710819	2	Bolt M8 x 55	
3	0760820	2	Bolt M8 x 60	
5	0760815	2	Bolt M8 x 35	
6	1001277830	1	Bolt M10 x 50	
7	4031908	5	Bolt M8 x 20	
8	1001277831	3	Capscrew M10 x 30	
9	1001277832	3	Capscrew M10 x 55	
11	4811900	4	Washer M8	
12	4891600	2	Washer 3/8	
13	5241000	14	Washer M10	
14	5250605	3	Bolt M6 x 10	
15	5250812	4	Bolt M8 x 25	
16	5250815	1	Bolt M8 x 35	
17	5250816	2	Bolt M8 x 40	
18	5250818	1	Bolt M8 x 50	
22	1001118746	14	Bolt M10 x 25	
24	1001243300	1	Engine Components - Kubota Gas (See Separate Breakdown in this Section)	
25	1001244106	1	Pump Assembly (See Separate Breakdown in this Section)	
26	1001248047	1	Bracket, Muffler	
27	1001279004	1	Coupling, Assembly (See Separate Breakdown in this Section)	
28	1001251287	1	Bracket, Mounting	
29	1001251288	1	Bracket, Mounting	
30	1001252996	1	Bracket, Mounting	
31	1001254690	1	Bracket, Mounting	
32	5260800	2	Nut M8	
33	8405009	1	Clamp	
34	1001268776	2	Clamp	
35	1001161497	1	Valve, Oil Drain	
36	1001165035	8.5 in/ 21cm	Hose	
37	0760808	2	Bolt M8 x 16	
38	1001266448	1	Bracket	

SECTION 3 - ENGINE

FIGURE 3-14. PUMP ASSEMBLY - DUAL FUEL



ART_1001244106

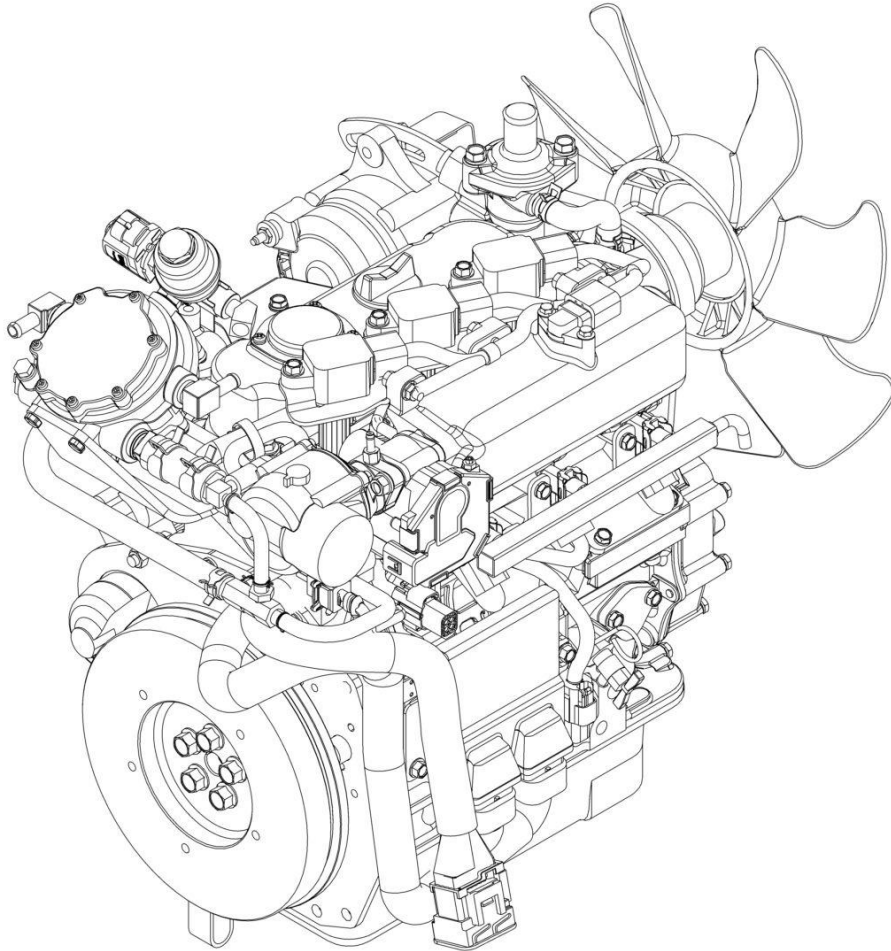
SECTION 3 - ENGINE

FIGURE 3-14. PUMP ASSEMBLY - DUAL FUEL

ITEM	PART NUMBER	QTY	DESCRIPTION	REV
	1001244106	Ref	PUMP ASSEMBLY - DUAL FUEL	F
1	See Note	NSS	Body (Note: Not Available for Purchase)	
2	See Note	NSS	Cover, Rear (Note: Not Available for Purchase)	
3	See Note	NSS	Cover, Front (Note: Not Available for Purchase)	
4	70007659	1	Plate, Thrust	
5	70007658	1	Plate, Thrust	
6	70007657	1	Plate, Thrust	
7	70007656	1	Plate, Thrust	
8	70007655	1	Gear, Drive	
9	70007654	1	Gear, Driven	
10	70007653	1	Shaft, Drive	
11	70007652	1	Gear, Driven	
12	70007651	4	Bolt M10 x 145	
13	70007650	4	Washer M10	
14	70007649	1	O-Ring	
15	70007648	2	Seal	
16	70007647	2	Seal	
17	70007646	1	Seal	
18	70007645	1	Seal, Shaft	
19	70007315	1	Circlip	
20	70007644	2	Seal, Antiextrusion	
21	70007643	2	Seal, Antiextrusion	
22	70007642	1	Hub	
23	70007316	4	Pin, Dowel	

SECTION 3 - ENGINE

FIGURE 3-15. ENGINE COMPONENTS - DUAL FUEL



ART_1001243300

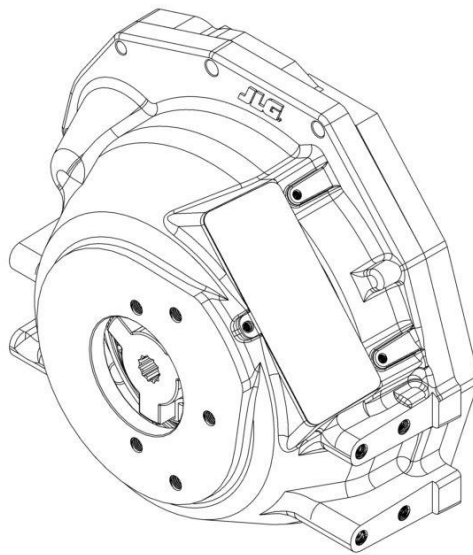
SECTION 3 - ENGINE

FIGURE 3-15. ENGINE COMPONENTS - DUAL FUEL

ITEM	PART NUMBER	QTY	DESCRIPTION	REV
	1001243300	Ref	ENGINE COMPONENTS - DUAL FUEL	C
	See Note	Ref	Note: No Other Service Parts Available at Time of Printing	
		Ref	Lubrication System Components	
	1001248057	1	Filter, Oil	
	1001248056	1	Head, Remote Oil Filter	
	1001255435	1	Adapter, Remote Oil Filter	
	70004524	1	Bleeder Assembly	
	70002318	1	Plug, Oil Filler	
	70004311	1	O-Ring, Oil Fill Cap	
	70005734	1	Dipstick	
	70004294	1	Pump, Oil	
		Ref	Fuel System Components	
	1001255529	1	Dual, Fuel Regulator - Complete	
	1001255416	1	Pump, Electric Fuel	
	1001131324	1	Valve, Fuel Check	
	1001255422	1	Filter/Strainer, Fuel	
	70005735	1	Gear, Ring	
	70005736	1	Rotor	
	7017955	1	Alternator	
	70008088	1	V-Belt	
		Ref	Electrical System Components	
	1001253824	1	Module, ECU	
	70005739	3	Plug, Spark	
	70005740	3	Coil, Ignition	
	70005744	1	Relay, Starter	
		Ref	Cooling System Components	
	1001250636	1	Reservoir, Overflow	
	1001254651	1	Decal - Coolant Caution	
	7023170	1	Thermostat	
	70002326	1	Gasket, Thermostat	
	70008089	1	Water Pump Assembly	
		Ref	Exhaust System Components	
	1001251490	1	Muffler	
	1001255447	1	Gasket, Exhaust (Manifold to Muffler)	
	1001255448	1	Gasket, Exhaust (Manifold to Pipe)	
	1001255341	1	Shield, Muffler	
	1001255342	1	Shield, Muffler - Cylindrical	
	1001255324	1	Sensor, Oxygen	
	70005728	1	Gasket, Head	
	70005733	1	Gasket, Valve Cover	
	70005743	1	Starter	
	1001255431	1	FTG-Pipe, Joint	
	1001264263	1	O-Ring, Kub Remote Oil Filter	
	1001264264	1	O-Ring, Kub Remote Oil Filter	
	1001264269	1	Sleeve, Collar Kub Oil Filter	

SECTION 3 - ENGINE

FIGURE 3-16. COUPLING ASSEMBLY - ENGINE PUMP (DUAL FUEL)



ART_1001279004

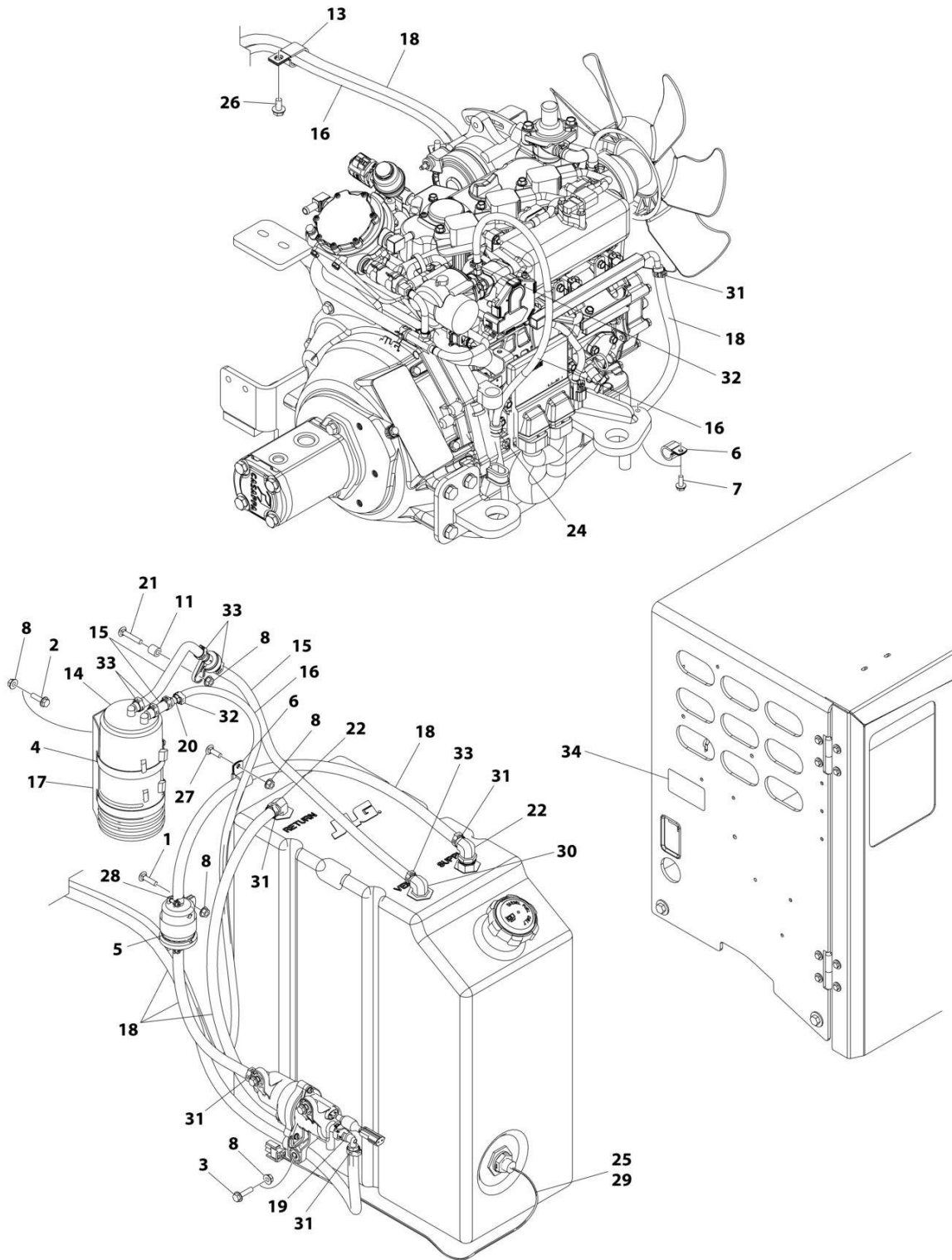
SECTION 3 - ENGINE

FIGURE 3-16. COUPLING ASSEMBLY - ENGINE PUMP (DUAL FUEL)

ITEM	PART NUMBER	QTY	DESCRIPTION	REV
	1001279004	Ref Ref	COUPLING ASSEMBLY Note: No Service Parts Available at Time of Printing	A

SECTION 3 - ENGINE

FIGURE 3-17. ENGINE FUEL LINES INSTALLATION - DUAL FUEL (Prior to SN M200084788, Prior to SN M200084785)



ART_1001256033

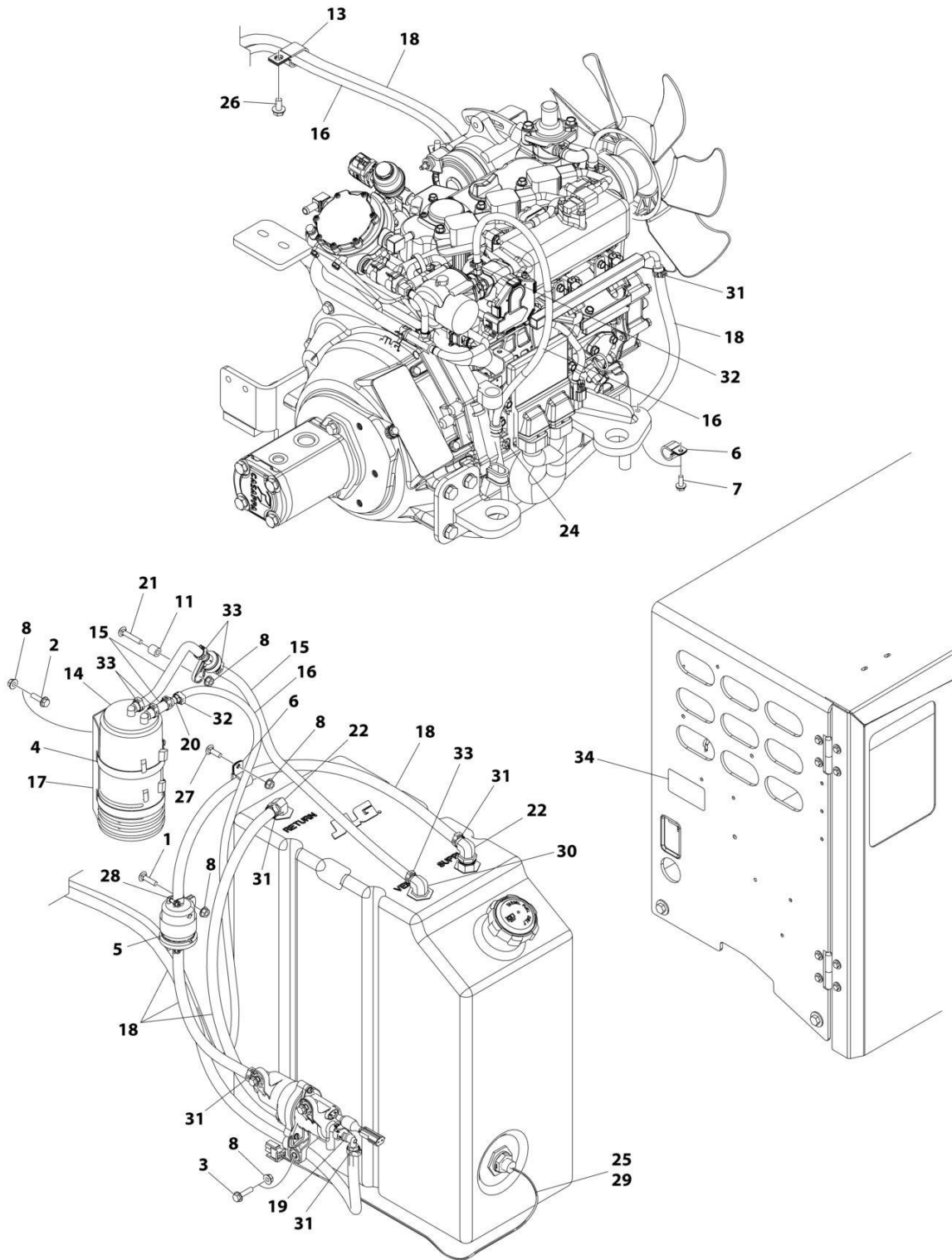
SECTION 3 - ENGINE

FIGURE 3-17. ENGINE FUEL LINES INSTALLATION - DUAL FUEL (Prior to SN M200084788, Prior to SN M200084785)

ITEM	PART NUMBER	QTY	DESCRIPTION	REV
	1001256033	Ref	FUEL SYSTEM INSTALLATION - GAS	E
1	0630587	1	Bolt M6 x 25	
2	5250611	2	Bolt M6 x 22	
3	5250612	3	Bolt M6 x 25	
4	1320058	2	Clamp	
5	1320265	1	Clamp	
6	1321296	3	Clamp	
7	5250608	1	Bolt M6 x 16	
8	5260600	9	Nut M6	
11	8310441	1	Spacer	
13	1001026127	2	Clamp	
14	1001127172	1	Filter, Carbon Canister	
15	1001129255	23 in/ 59cm	Hose	
16	1001129256	10 ft/ 2.9m	Hose	
17	1001142984	1	Bracket, Carbon Canister	
18	1001156819	13.5 ft/ 4m	Hose	
18	1001300357	13.5 ft/ 4m	Hose	
19	1001248500	1	Coupling, Quick Disconnect	
20	1001131391	1	Coupling, Fuel Line	
21	1001248038	1	Bolt M6 x 35	
22	1001248861	2	Fitting, 90 Barb	
24	80630	1	Clamp	
25	4360436	1	Switch, Fuel Level	
26	5250808	2	Bolt M8 x 16	
27	1001100451	2	Bolt M8 x 20	
28	1001174486	2	Clamp	
29	1001182997	AR	Adhesive	
30	1001262943	1	Fitting, 90 Barb	
31	1001263657	6	Clamp	
32	1001263658	2	Clamp	
33	1001263659	6	Clamp	
34	1001288396	1	Decal, Emission Control (Not Shown)	
34	1001299770	1	Decal, Emission Control (Not Shown)	

SECTION 3 - ENGINE

FIGURE 3-18. ENGINE FUEL LINES INSTALLATION - DUAL FUEL (SN M200085014 to Present, SN M200084866 to Present, Excluding M200085403)



ART_1001256033_F

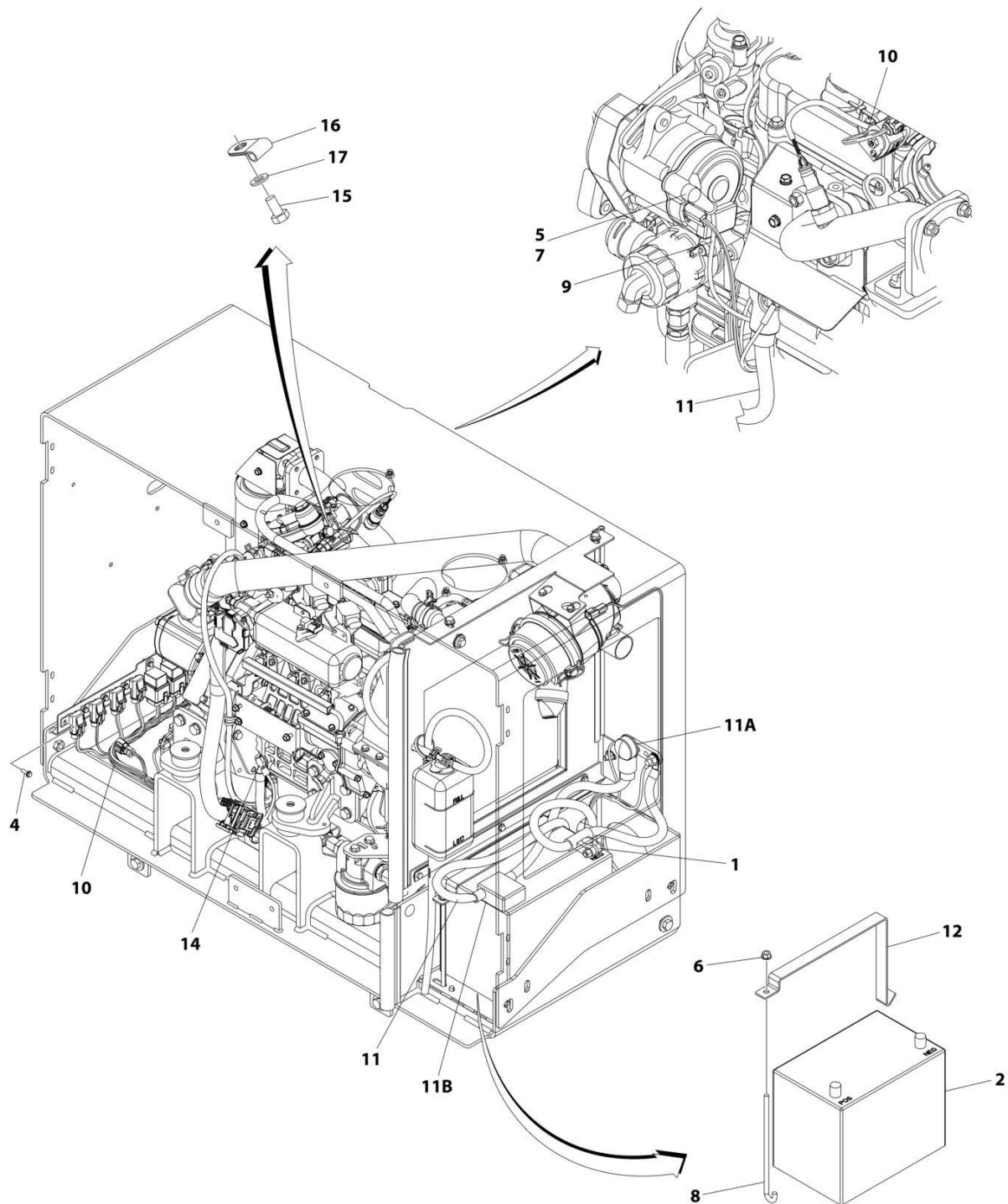
SECTION 3 - ENGINE

FIGURE 3-18. ENGINE FUEL LINES INSTALLATION - DUAL FUEL (SN M200085014 to Present, SN M200084866 to Present, Excluding M200085403)

ITEM	PART NUMBER	QTY	DESCRIPTION	REV
	1001256033	Ref	FUEL SYSTEM INSTALLATION - GAS	F
1	0630587	1	Bolt M6 x 25	
2	5250611	2	Bolt M6 x 22	
3	5250612	3	Bolt M6 x 25	
4	1320058	2	Clamp	
5	1320265	1	Clamp	
6	1321296	3	Clamp	
7	5250608	1	Bolt M6 x 16	
8	5260600	9	Nut M6	
11	8310441	1	Spacer	
13	1001026127	2	Clamp	
14	1001127172	1	Filter, Carbon Canister	
15	1001129255	23 in/ 59cm	Hose	
16	1001129256	10 ft/ 2.9m	Hose	
17	1001142984	1	Bracket, Carbon Canister	
18	1001300357	13.5 ft/ 4m	Hose	
19	1001248500	1	Coupling, Quick Disconnect	
20	1001131391	1	Coupling, Fuel Line	
21	1001248038	1	Bolt M6 x 35	
22	1001248861	2	Fitting, 90 Barb	
24	80630	1	Clamp	
25	4360436	1	Switch, Fuel Level	
26	5250808	2	Bolt M8 x 16	
27	1001100451	2	Bolt M8 x 20	
28	1001174486	2	Clamp	
29	1001182997	AR	Adhesive	
30	1001262943	1	Fitting, 90 Barb	
31	1001263657	6	Clamp	
32	1001263658	2	Clamp	
33	1001263659	6	Clamp	
34	1001299770	1	Decal, Emission Control (Not Shown)	

SECTION 3 - ENGINE

FIGURE 3-19. ENGINE ELECTRICAL INSTALLATION - DUAL FUEL



ART_1001256034

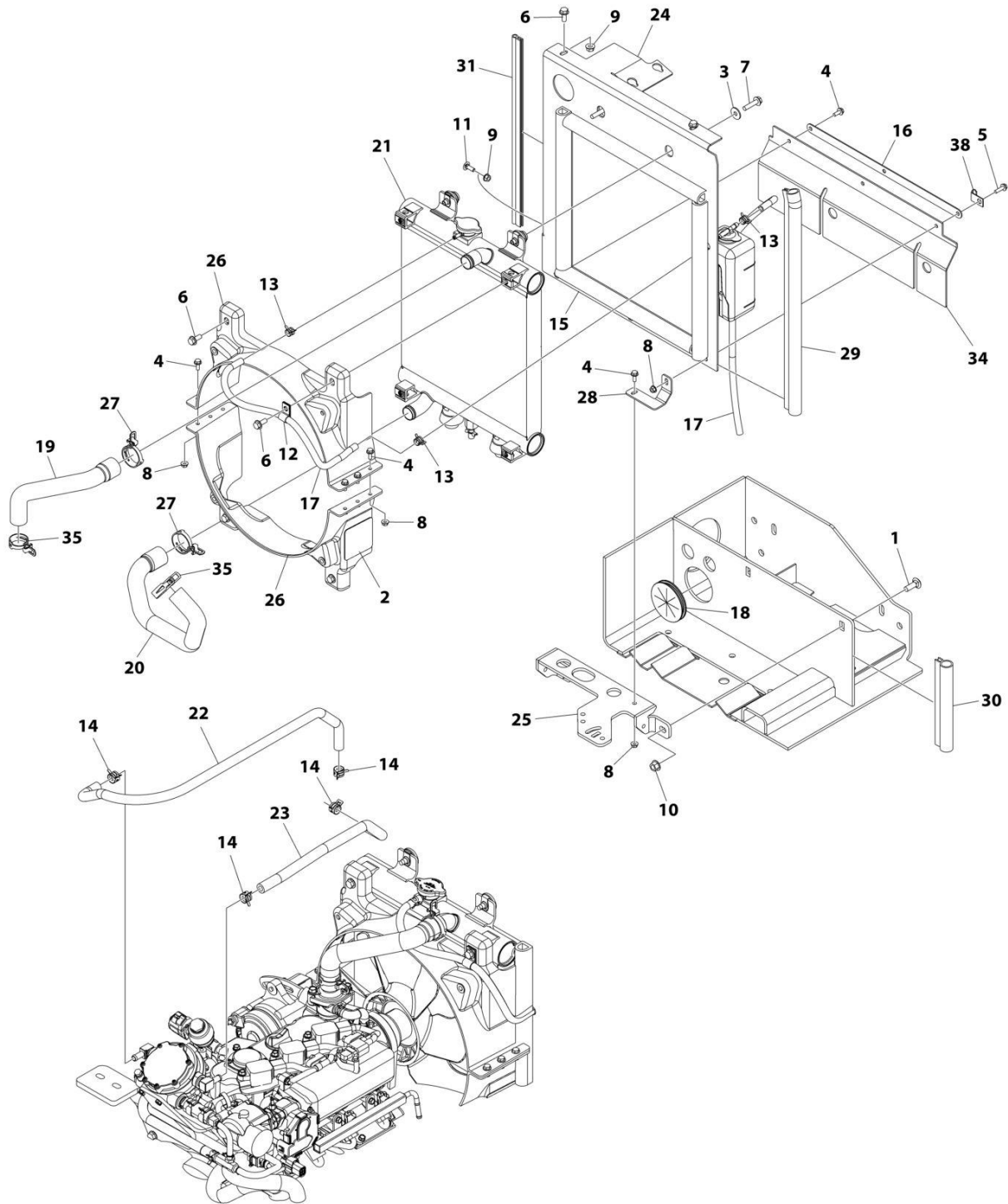
SECTION 3 - ENGINE

FIGURE 3-19. ENGINE ELECTRICAL INSTALLATION - DUAL FUEL

ITEM	PART NUMBER	QTY	DESCRIPTION	REV
	1001256034	Ref	ENGINE ELECTRICAL INSTALLATION - GAS	D
1	0100051	AR	Grease, Terminal	
2	0400003	1	Battery	
3	1062255	AR	Tie-Strap (Not Shown)	
4	5250508	9	Bolt M5 x 16	
5	5260600	1	Nut M6	
6	5260800	1	Nut M8	
7	1001139219	1	Boot	
8	1001179586	1	J-Bolt	
9	1001234069	1	Link, Fusible	
10	1001248289	1	Harness, Engine (See Separate Breakdown in ELECTRICAL Section)	
11	1001248347	1	Battery, Cable Kit	
12	1001254888	1	Bracket, Battery	
14	1001256312	1	Bolt M10 x 16	
15	0760505	1	Bolt M5 x 10	
16	1320244	1	Clamp	
17	4811600	1	Washer M5	
18	1001187781	1	Tie-Strap (Not Shown)	

SECTION 3 - ENGINE

FIGURE 3-20. ENGINE COOLING SYSTEM INSTALLATION - DUAL FUEL



ART_1001256029

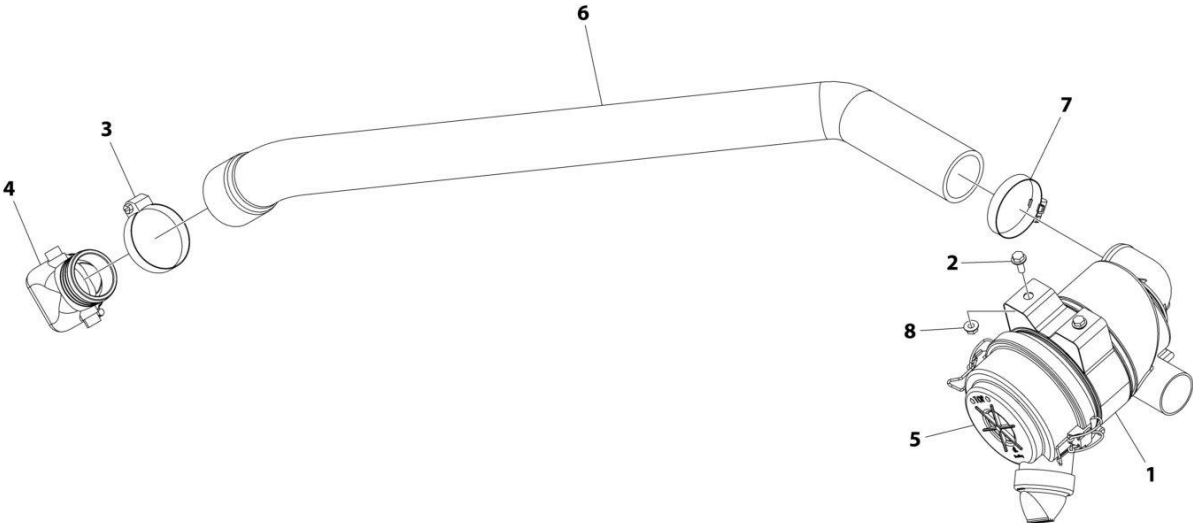
SECTION 3 - ENGINE

FIGURE 3-20. ENGINE COOLING SYSTEM INSTALLATION - DUAL FUEL

ITEM	PART NUMBER	QTY	DESCRIPTION	REV
	1001256029	Ref	COOLING SYSTEM INSTALLATION	C
1	0630613	2	Bolt M10 x 30	
2	1703162	1	Decal - Fan Blade	
3	4811902	2	Washer M8	
4	5250608	9	Bolt M6 x 16	
5	5250611	1	Bolt M6 x 22	
6	5250810	6	Bolt M6 x 20	
7	5250815	2	Bolt M6 x 35	
8	5260600	8	Nut M6	
9	5260800	3	Nut M8	
10	5261000	2	Nut M10	
11	8310623	1	Bolt M6 x 25	
12	8406110	1	Clip	
13	1001213010	3	Clamp	
14	1001152729	4	Clamp	
15	1001262646	5 ft/ 1.5m	Seal	
16	1001252596	1	Support	
17	1001263476	3.8 ft/ 1.1m	Hose	
18	1001218676	1	Grommet	
19	1001246778	1	Tube, Coolant	
20	1001246779	1	Tube, Coolant	
21	1001247267	1	Radiator	
22	1001249122	1	Tube, Coolant	
23	1001249123	1	Tube, Coolant	
24	1001262636	1	Plate, Radiator	
25	1001262630	1	Bracket	
26	1001254635	2	Shroud	
27	1001255606	2	Clamp	
28	1001255809	1	Bracket	
29	1001255843	21 in/ 53cm	Seal	
30	1001255848	8 in/ 20cm	Seal	
31	1001255851	18 in/ 45cm	Seal	
34	1001255857	1	Dam, Air	
35	1001256209	2	Clamp	
38	1320223	1	J-Clip	

SECTION 3 - ENGINE

FIGURE 3-21. AIR INTAKE INSTALLATION - DUAL FUEL



ART_1001256030

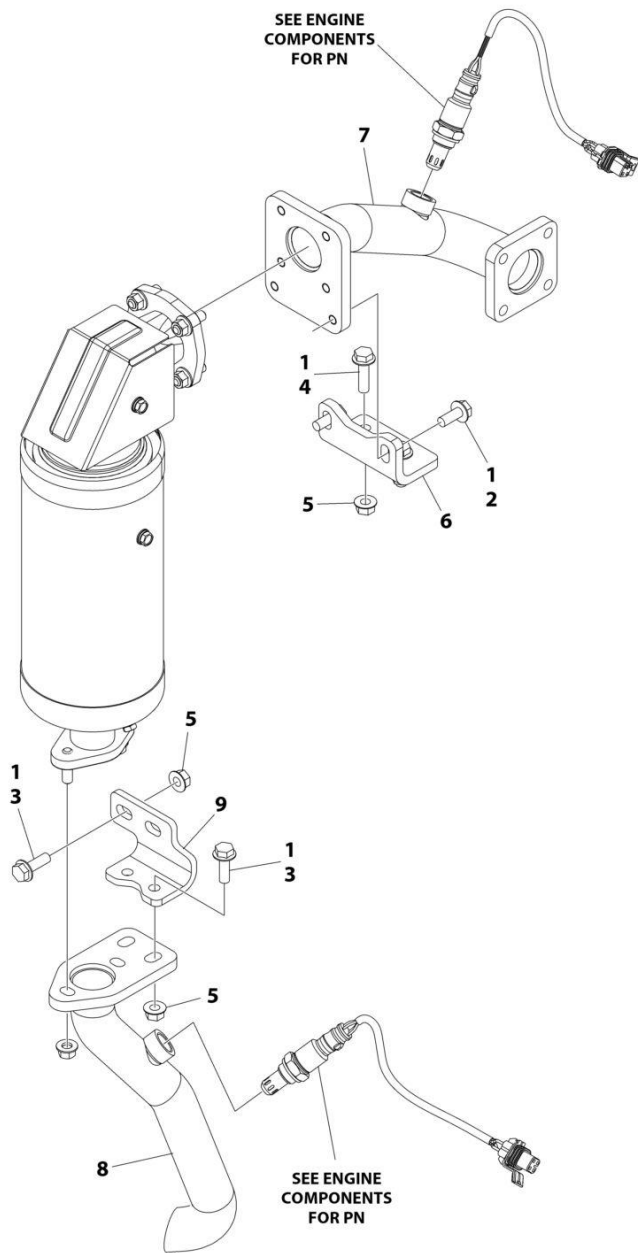
SECTION 3 - ENGINE

FIGURE 3-21. AIR INTAKE INSTALLATION - DUAL FUEL

ITEM	PART NUMBER	QTY	DESCRIPTION	REV
	1001256030	Ref	AIR INTAKE INSTALLATION	B
1	0340045	1	Band, Air Cleaner	
2	5250608	2	Bolt M6 x 16	
3	8405201	1	Clamp	
4	1001146043	1	Coupling	
5	1001247560	1	Air Cleaner Assembly	
5	7015004	1	Element, Air Cleaner	
6	1001248313	1	Tube, Air Intake	
7	1321682	1	Clamp	
8	5260600	2	Nut M6	

SECTION 3 - ENGINE

FIGURE 3-22. EXHAUST INSTALLATION - DUAL FUEL



ART_1001256035

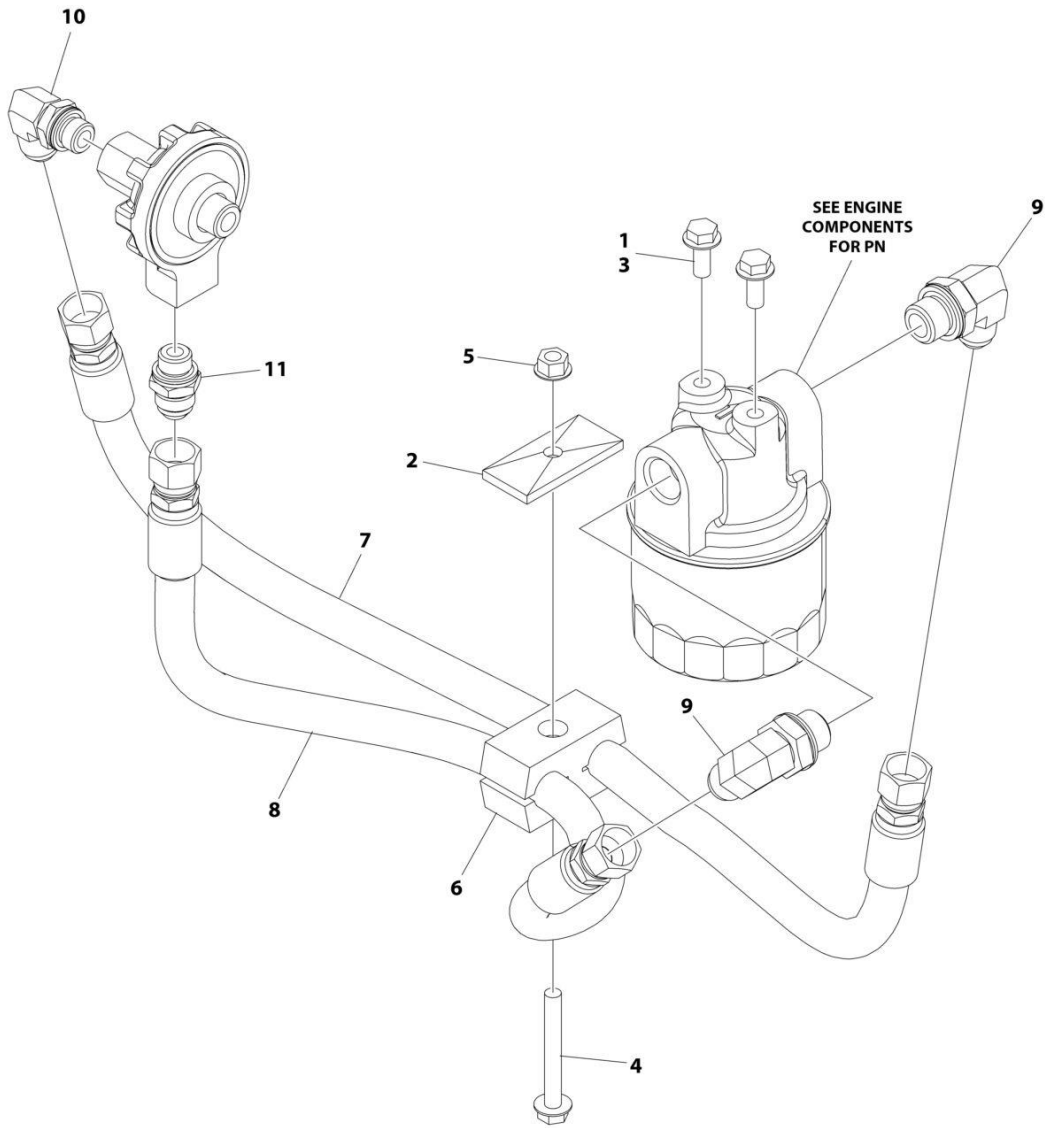
SECTION 3 - ENGINE

FIGURE 3-22. EXHAUST INSTALLATION - DUAL FUEL

ITEM	PART NUMBER	QTY	DESCRIPTION	REV
	1001256035	Ref	EXHAUST SYSTEM INSTALLATION	C
1	0100011	AR	Compond, Locking	
2	5250810	2	Bolt M8 x 20	
3	5250812	4	Bolt M8 x 25	
4	5250814	2	Bolt M8 x 30	
5	5260800	6	Nut M8	
6	1001214556	1	Bracket	
7	1001247804	1	Pipe, Exhaust	
8	1001247810	1	Pipe, Exhaust	
9	1001254691	1	Bracket, Muffler Exhaust	

SECTION 3 - ENGINE

FIGURE 3-23. OIL FILTER INSTALLATION - REMOTE - DUAL FUEL



ART_1001256032

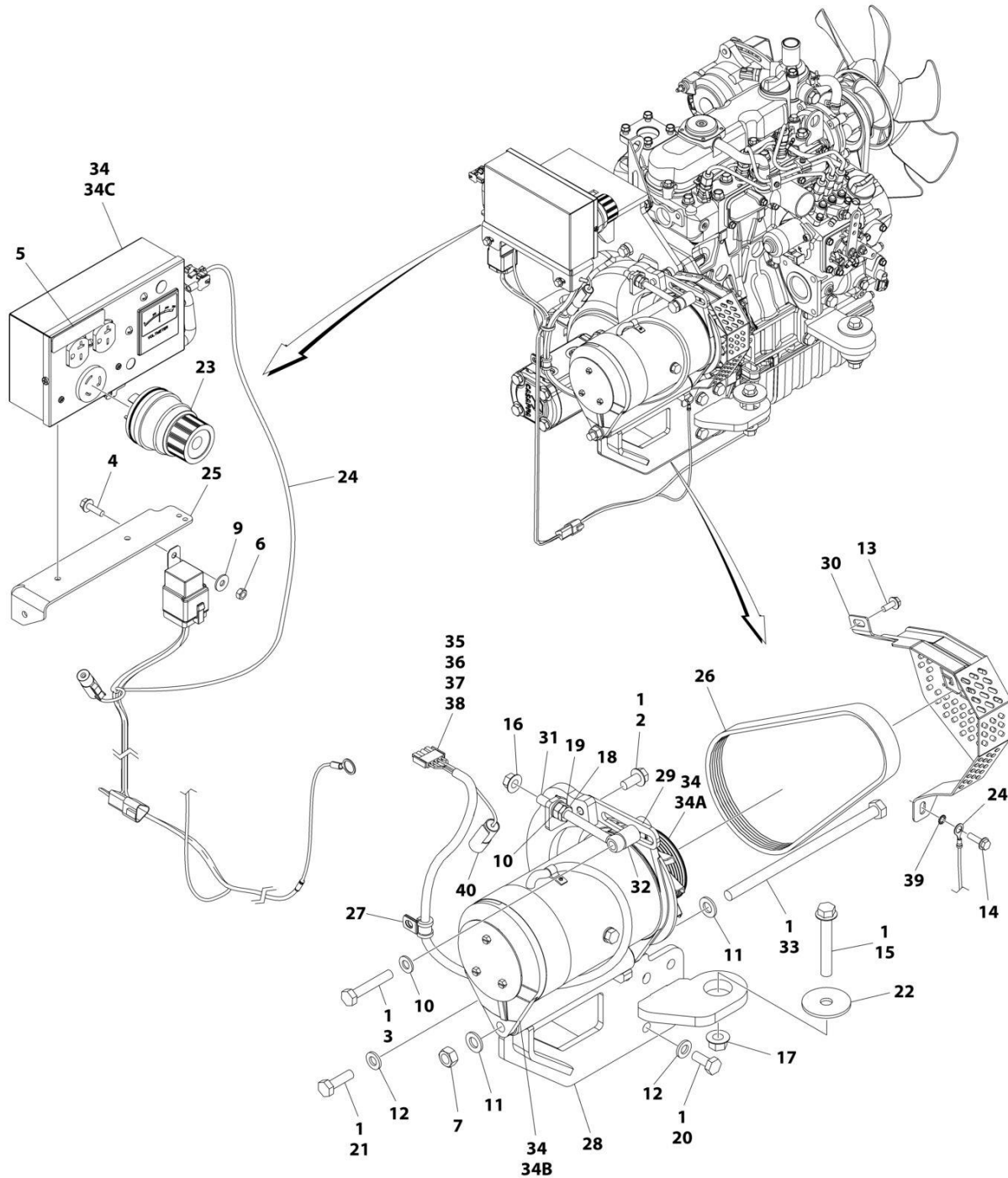
SECTION 3 - ENGINE

FIGURE 3-23. OIL FILTER INSTALLATION - REMOTE - DUAL FUEL

ITEM	PART NUMBER	QTY	DESCRIPTION	REV
	1001256032	Ref	OIL FILTER INSTALLATION - REMOTE	B
	See Note	Ref	Note: For Engine Specific Components, See Engines Components.	
1	0100011	AR	Compund, Locking	
2	1309435	1	Plate, Clamp	
3	5250810	2	Bolt M8 x 20	
4	5250821	1	Bolt M8 x 65	
5	5260800	1	Nut M8	
6	8769139	1	Clamp	
7	1001248413	1	Hose	
8	1001248414	1	Hose	
9	1001250519	2	Fitting, 90 JIC/BSPP	
10	1001250521	1	Fitting, 90 JIC/ORB	
11	1001250525	1	Fitting, Straight JIC/ORB	

SECTION 3 - ENGINE

FIGURE 3-24. GENERATOR INSTALLATION - 2500W/50HZ (DIESEL MACHINES)



ART_1001246135

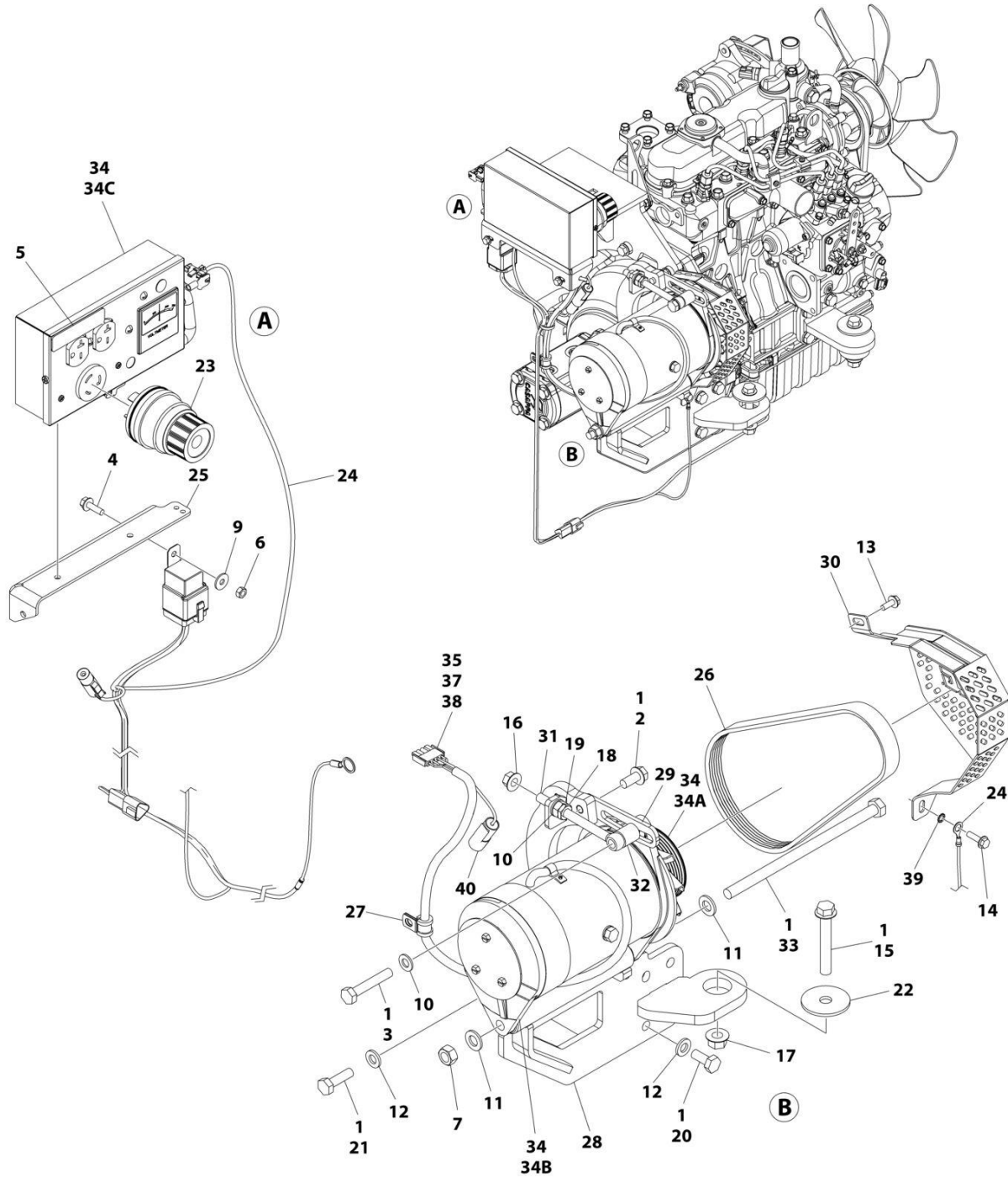
SECTION 3 - ENGINE

FIGURE 3-24. GENERATOR INSTALLATION - 2500W/50HZ (DIESEL MACHINES)

ITEM	PART NUMBER	QTY	DESCRIPTION	REV
	1001246135	Ref	GENERATOR INSTALLATION	B
1	0100011	AR	Compound, Locking	
2	5251011	1	Bolt M10 x 22	
3	0701020	1	Bolt M10 x 60	
4	0780610	2	Bolt M6 x 20	
5	3251242	1	Decal - 240V/50Hz	
6	3290601	2	Nut M6	
7	3331211	1	Nut M12	
8	4240033	AR	Tie-Strap (Not Shown)	
9	4811702	2	Washer M6	
10	4812000	2	Washer M10	
11	4812100	2	Washer M12	
12	5241000	6	Washer M10	
13	5250608	1	Bolt M6 x 16	
14	5250611	1	Bolt M8 x 22	
15	5251224	1	Bolt M12 x 80	
16	5261000	1	Nut M10	
17	5261200	1	Nut M12	
18	3291002	1	Nut M10	
19	3291001	1	Nut M10	
20	1001118746	3	Bolt M10 x 25	
21	1001119929	3	Bolt M10 x 35	
22	1001168018	1	Washer	
23	1001213584	1	Terminal	
24	1001249464	1	Harnesss, Generator (See Separate Breakdown in ELECTRICAL Section)	
25	1001253839	1	Bracket, Control Box Mount	
26	1001263050	1	V-Belt	
27	1001269045	1	Bolt M10 x 65	
28	1001269792	1	Mount, Generator	
29	1001269794	1	Bracket	
30	1001269797	1	Bracket	
31	1001269799	1	Eye Bolt M10	
32	1001269800	1	Spacer	
33	1001271971	1	Bolt M12 x 230	
34	1001269937	1	Generator Assembly	
34A	1001263077	1	Sheave	
34B	1001263246	1	Generator, 2300W	
34C	1001269936	1	Generator Outlet Box	
35	0100048	AR	Grease, Dielectric	
36	4460268	3	Terminal	
37	4460321	1	Terminal	
38	4460906	1	Terminal	
39	4871700	1	Washer M6	
40	1001275530	1	Wire, Jumper	

SECTION 3 - ENGINE

FIGURE 3-25. GENERATOR INSTALLATION - 2500W/50HZ (DIESEL MACHINES) (SN M200076051 to Present, SN M200076037 to Present)



ART_1001246135_D

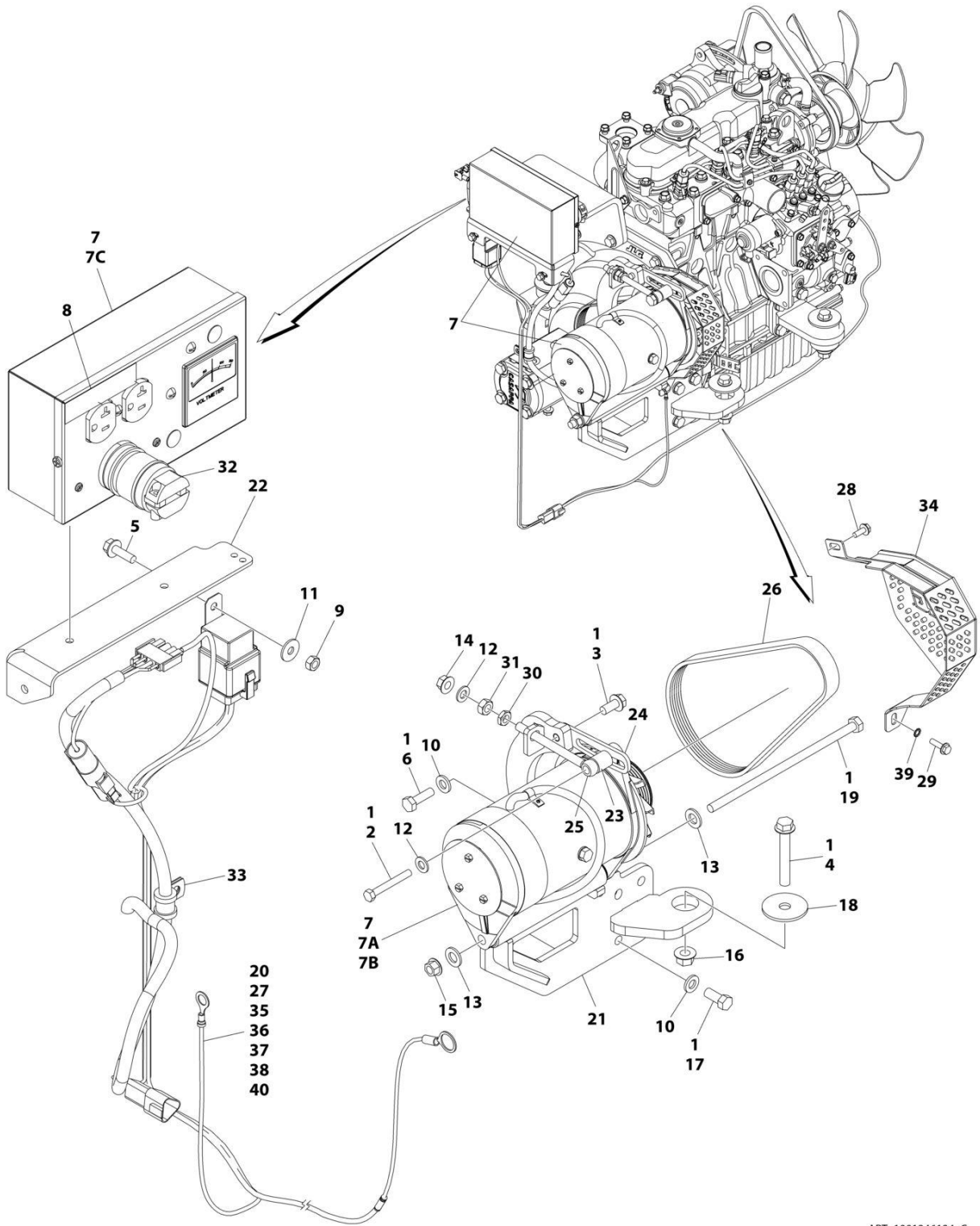
SECTION 3 - ENGINE

FIGURE 3-25. GENERATOR INSTALLATION - 2500W/50HZ (DIESEL MACHINES) (SN M200076051 to Present, SN M200076037 to Present)

ITEM	PART NUMBER	QTY	DESCRIPTION	REV
	1001246135	Ref	GENERATOR INSTALLATION - 2500W/50HZ	D
1	0100011	AR	Compound, Locking	
2	5251011	1	Bolt M10 x 22	
3	0701020	1	Bolt M10 x 60	
4	0780610	2	Bolt M6 x 20	
5	3251242	1	Decal - 240V/50Hz	
6	3290601	2	Nut M6	
7	3331211	1	Nut M12	
8	4240033	AR	Tie-Strap (Not Shown)	
9	4811702	2	Washer M6	
10	4812000	2	Washer M10	
11	4812100	2	Washer M12	
12	5241000	6	Washer M10	
13	5250608	1	Bolt M6 x 16	
14	5250611	1	Bolt M8 x 22	
15	5251224	1	Bolt M12 x 80	
16	5261000	1	Nut M10	
17	5261200	1	Nut M12	
18	3291002	1	Nut M10	
19	3291001	1	Nut M10	
20	1001118746	3	Bolt M10 x 25	
21	1001119929	3	Bolt M10 x 35	
22	1001168018	1	Washer	
23	1001213584	1	Terminal	
24	1001249464	1	Harnesss, Generator (See Separate Breakdown in ELECTRICAL Section)	
25	1001290824	1	Bracket, Control Box Mount	
26	1001263050	1	V-Belt	
27	1001269045	1	Bolt M10 x 65	
28	1001296921	1	Mount, Generator	
29	1001269794	1	Bracket	
30	1001269797	1	Bracket	
31	1001269799	1	Eye Bolt M10	
32	1001269800	1	Spacer	
33	1001271971	1	Bolt M12 x 230	
34	1001269937	1	Generator Assembly	
34A	1001263077	1	Sheave	
34B	1001263246	1	Generator, 2300W	
34C	1001269936	1	Generator Outlet Box	
35	0100048	AR	Grease, Dielectric	
37	4460321	1	Terminal	
38	4460906	4	Terminal	
39	4871700	1	Washer M6	
40	1001275530	1	Wire, Jumper	

SECTION 3 - ENGINE

FIGURE 3-26. GENERATOR INSTALLATION - 2500W/60HZ (DIESEL MACHINES)



ART_1001246134_C

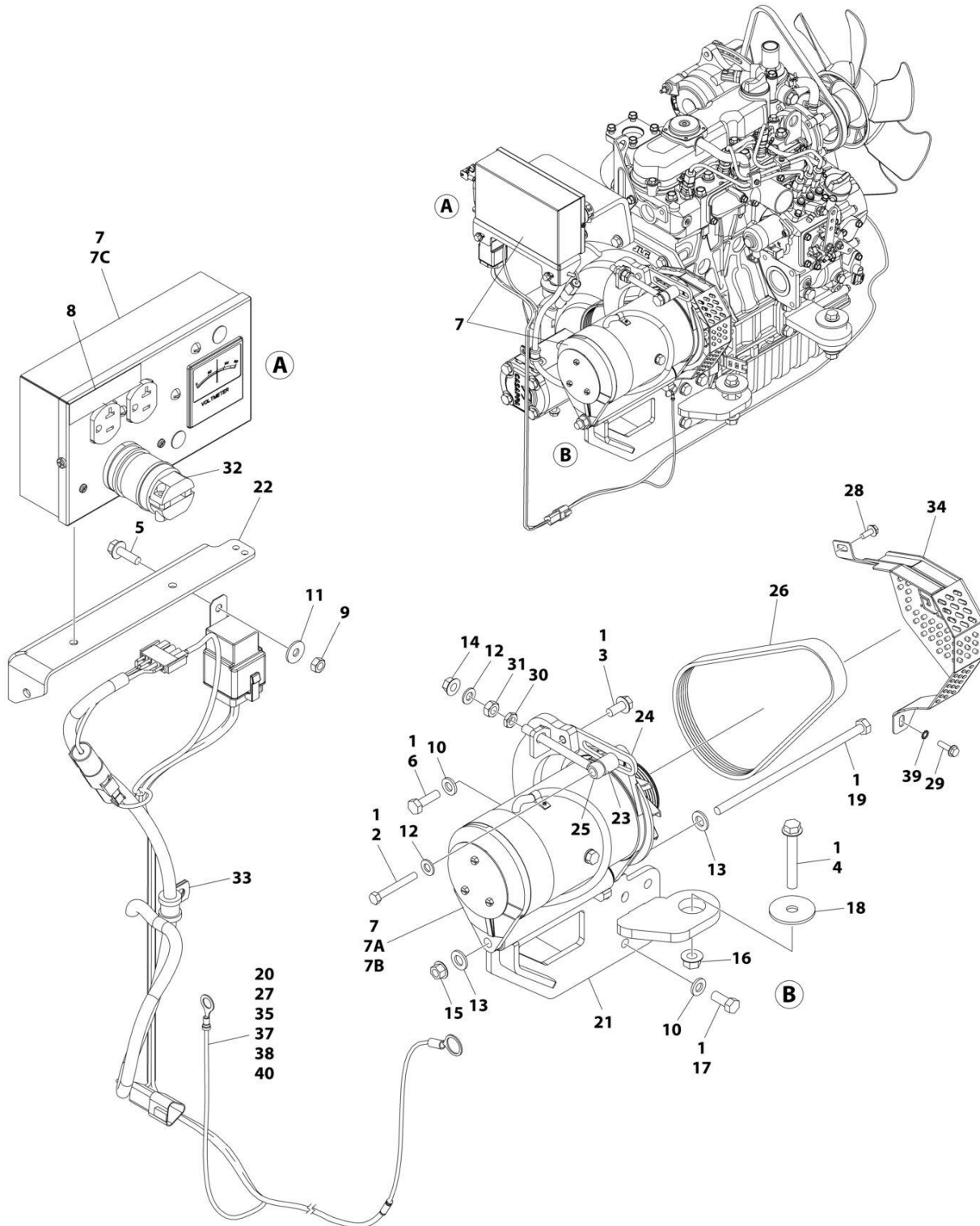
SECTION 3 - ENGINE

FIGURE 3-26. GENERATOR INSTALLATION - 2500W/60HZ (DIESEL MACHINES)

ITEM	PART NUMBER	QTY	DESCRIPTION	REV
	1001246134	Ref	GENERATOR INSTALLATION - 2500W / 60HZ	C
1	0100011	AR	Compound, Locking	
2	0701020	1	Bolt M10 x 60	
3	5251011	1	Bolt M10 x 22	
4	5251224	1	Bolt M12 x 80	
5	0780610	2	Bolt M6 x 20	
6	1001119929	3	Bolt M10 x 35	
7	1001269865	1	Generator Assembly	
7A	3580324	1	Pulley	
7B	1001264839	1	Generator, Replacement	
7C	1001269894	1	Control Box Assembly	
8	3251243	1	Nameplate - 120V - 60HZ	
9	3290601	2	Nut M6	
10	5241000	6	Washer M10	
11	4811702	2	Washer M6	
12	4812000	2	Washer M10	
13	4812100	2	Washer M12	
14	5261000	1	Nut M10	
15	3331211	1	Nut M12	
16	5261200	1	Nut M12	
17	1001118746	3	Bolt M10 x 25	
18	1001168018	1	Washer	
19	1001271971	1	Bolt M12 x 230	
20	1001249464	1	Harnesss, Generator (See Separate Breakdown in ELECTRICAL Section)	
21	1001269792	1	Bracket, Mounting	
22	1001253839	1	Bracket, Mounting	
23	1001269800	1	Spacer	
24	1001269794	1	Bracket, Adjustment	
25	1001269799	1	Eye Bolt M10	
26	1001263049	1	V-Belt	
27	4240033	AR	Tie Strap (Not Shown)	
28	5250608	1	Bolt M6 x 16	
29	5250611	1	Bolt M6 x 22	
30	3291002	1	Nut M10	
31	3291001	1	Nut M10	
32	1001131740	1	Plug	
33	1001269045	1	Clamp	
34	1001269797	1	Bracket	
35	0100048	AR	Grease, Dielectric	
36	4460268	3	Socket	
37	4460321	1	Terminal	
38	4460906	1	Terminal	
39	4871700	1	Washer, Lock M6	
40	1001275530	1	Jumper	

SECTION 3 - ENGINE

FIGURE 3-27. GENERATOR INSTALLATION - 2500W/60HZ (DIESEL MACHINES) (SN M200076051 to Present, SN M200076037 to Present)



ART_1001246134_E

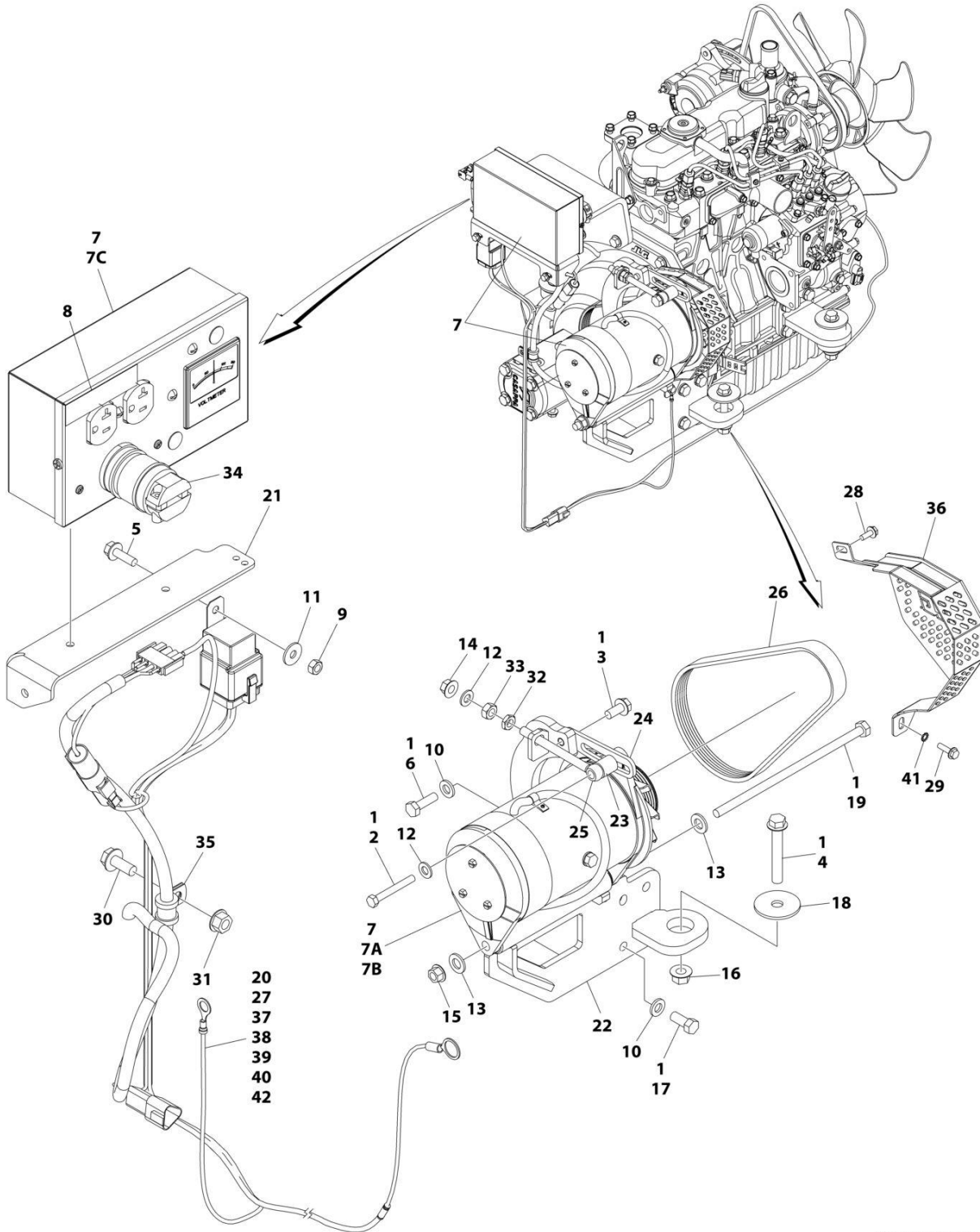
SECTION 3 - ENGINE

FIGURE 3-27. GENERATOR INSTALLATION - 2500W/60HZ (DIESEL MACHINES) (SN M200076051 to Present, SN M200076037 to Present)

ITEM	PART NUMBER	QTY	DESCRIPTION	REV
	1001246134	Ref	GENERATOR INSTALLATION - 2500W/60HZ	E
1	0100011	AR	Compound, Locking	
2	0701020	1	Bolt M10 x 60	
3	5251011	1	Bolt M10 x 22	
4	5251224	1	Bolt M12 x 80	
5	0780610	2	Bolt M6 x 20	
6	1001119929	3	Bolt M10 x 35	
7	1001269865	1	Generator Assembly	
7A	3580324	1	Pulley	
7B	1001264839	1	Generator, Replacement	
7C	1001269894	1	Control Box Assembly	
8	3251243	1	Nameplate - 120V - 60HZ	
9	3290601	2	Nut M6	
10	5241000	6	Washer M10	
11	4811702	2	Washer M6	
12	4812000	2	Washer M10	
13	4812100	2	Washer M12	
14	5261000	1	Nut M10	
15	3331211	1	Nut M12	
16	5261200	1	Nut M12	
17	1001118746	3	Bolt M10 x 25	
18	1001168018	1	Washer	
19	1001271971	1	Bolt M12 x 230	
20	1001249464	1	Harnesss, Generator (See Separate Breakdown in ELECTRICAL Section)	
21	1001296921	1	Bracket, Mounting	
22	1001290824	1	Bracket, Mounting	
23	1001269800	1	Spacer	
24	1001269794	1	Bracket, Adjustment	
25	1001269799	1	Eye Bolt M10	
26	1001263049	1	V-Belt	
27	4240033	AR	Tie Strap (Not Shown)	
28	5250608	1	Bolt M6 x 16	
29	5250611	1	Bolt M6 x 22	
30	3291002	1	Nut M10	
31	3291001	1	Nut M10	
32	1001286275	1	Plug	
33	1001269045	1	Clamp	
34	1001269797	1	Bracket	
35	0100048	AR	Grease, Dielectric	
37	4460321	1	Terminal	
38	4460906	4	Terminal	
39	4871700	1	Washer, Lock M6	
40	1001275530	1	Jumper	

SECTION 3 - ENGINE

FIGURE 3-28. GENERATOR INSTALLATION - 2500W/60HZ (DUAL FUEL MACHINES)



ART_1001256713_C

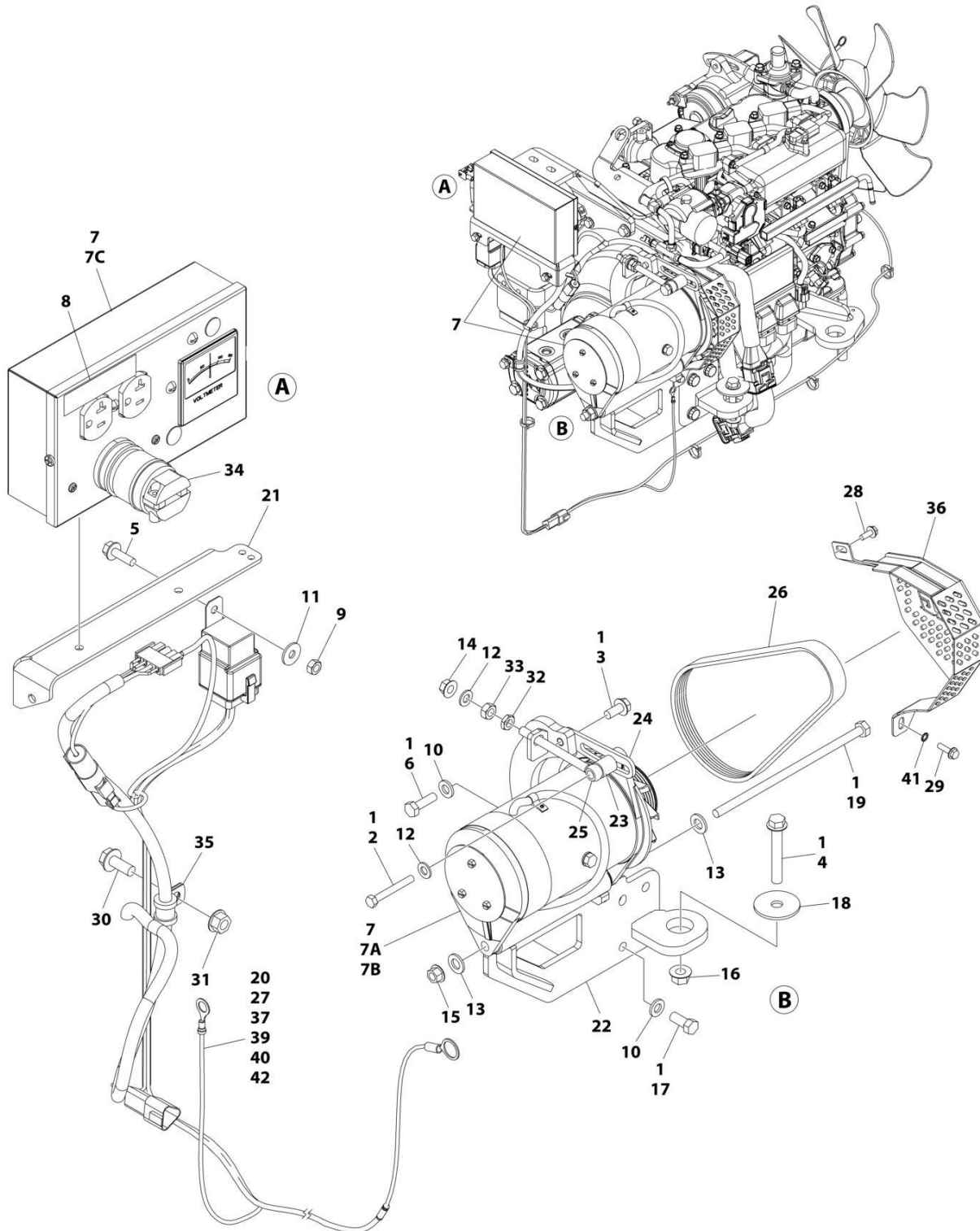
SECTION 3 - ENGINE

FIGURE 3-28. GENERATOR INSTALLATION - 2500W/60HZ (DUAL FUEL MACHINES)

ITEM	PART NUMBER	QTY	DESCRIPTION	REV
	1001256713	Ref	GENERATOR INSTALLATION - 2500W / 60HZ	C
1	0100011	AR	Compound, Locking	
2	0701020	1	Bolt M10 x 60	
3	5251011	1	Bolt M10 x 22	
4	5251224	1	Bolt M12 x 80	
5	0780610	2	Bolt M6 x 20	
6	1001119929	3	Bolt M10 x 35	
7	1001269865	1	Generator Assembly	
7A	3580324	1	Pulley	
7B	1001264839	1	Generator, Replacement	
7C	1001269894	1	Control Box Assembly	
8	3251243	1	Nameplate - 120V - 60HZ	
9	3290601	2	Nut M6	
10	5241000	6	Washer M10	
11	4811702	2	Washer M6	
12	4812000	2	Washer M10	
13	4812100	2	Washer M12	
14	5261000	1	Nut M10	
15	3331211	1	Nut M12	
16	5261200	1	Nut M12	
17	1001118746	3	Bolt M10 x 25	
18	1001168018	1	Washer	
19	1001271971	1	Bolt M12 x 230	
20	1001249464	1	Harnesss, Generator (See Separate Breakdown in ELECTRICAL Section)	
21	1001253839	1	Bracket, Mounting	
22	1001269793	1	Bracket, Mounting	
23	1001269800	1	Spacer	
24	1001269794	1	Bracket, Adjustment	
25	1001269799	1	Eye Bolt M10	
26	1001263049	1	V-Belt	
27	4240033	AR	Tie Strap (Not Shown)	
28	5250608	1	Bolt M6 x 16	
29	5250611	1	Bolt M6 x 22	
30	5250810	1	Bolt M8 x 20	
31	5260800	1	Nut M8	
32	3291002	1	Nut M10	
33	3291001	1	Nut M10	
34	1001131740	1	Plug	
35	1001269045	1	Clamp	
36	1001269797	1	Bracket	
37	0100048	AR	Grease, Dielectric	
38	4460268	3	Socket	
39	4460321	1	Terminal	
40	4460906	1	Terminal	
41	4871700	1	Washer, Lock M6	
42	1001275530	1	Jumper	

SECTION 3 - ENGINE

FIGURE 3-29. GENERATOR INSTALLATION - 2500W/60HZ (DUAL FUEL MACHINES) (SN M200076051 to Present, SN M200076037 to Present)



ART_1001256713_E

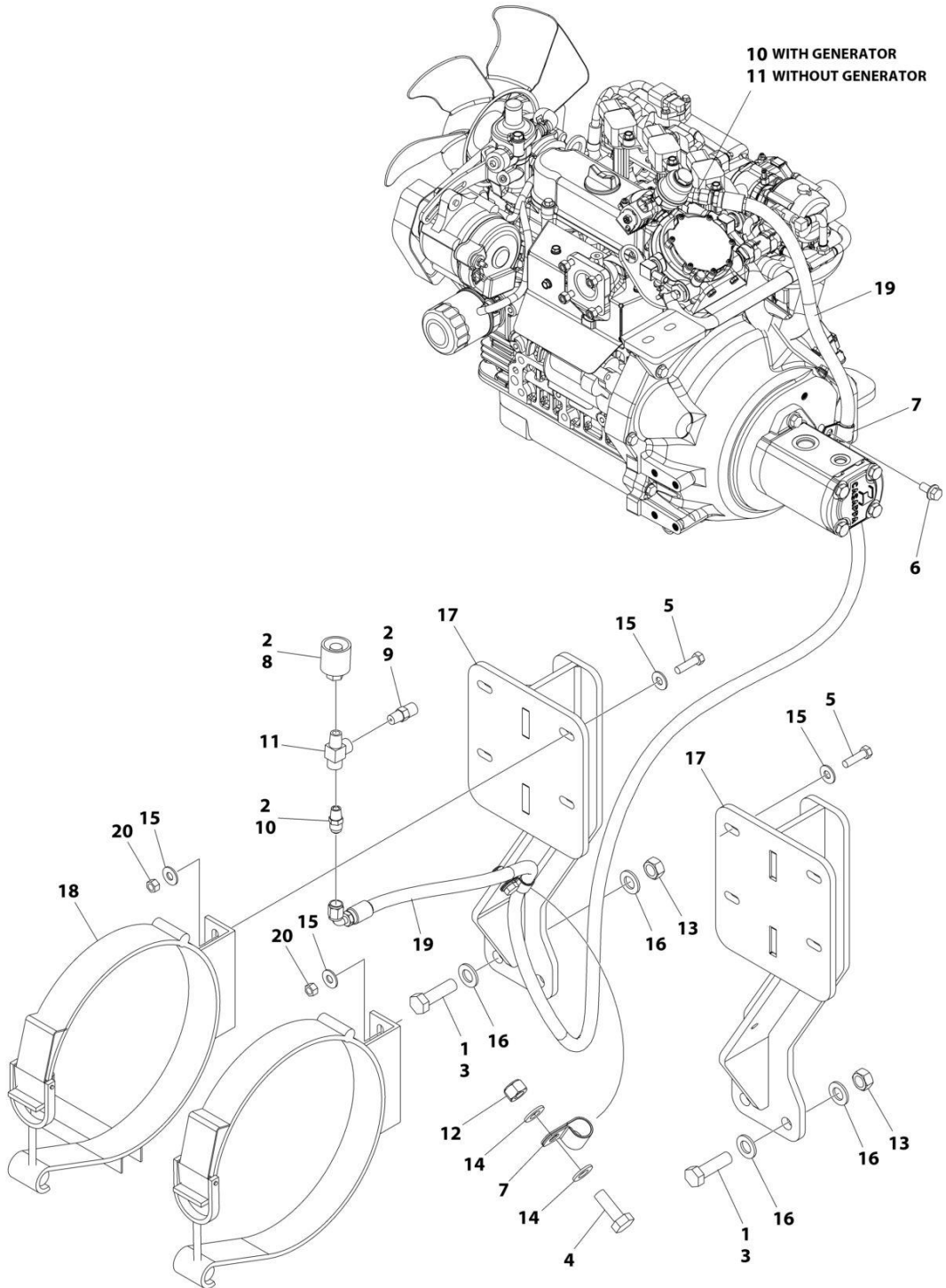
SECTION 3 - ENGINE

FIGURE 3-29. GENERATOR INSTALLATION - 2500W/60HZ (DUAL FUEL MACHINES) (SN M200076051 to Present, SN M200076037 to Present)

ITEM	PART NUMBER	QTY	DESCRIPTION	REV
	1001256713	Ref	GENERATOR INSTALLATION - 2500W/60HZ	E
1	0100011	AR	Compound, Locking	
2	0701020	1	Bolt M10 x 60	
3	5251011	1	Bolt M10 x 22	
4	5251224	1	Bolt M12 x 80	
5	0780610	2	Bolt M6 x 20	
6	1001119929	3	Bolt M10 x 35	
7	1001269865	1	Generator Assembly	
7A	3580324	1	Pulley	
7B	1001264839	1	Generator, Replacement	
7C	1001269894	1	Control Box Assembly	
8	3251243	1	Nameplate - 120V - 60HZ	
9	3290601	2	Nut M6	
10	5241000	6	Washer M10	
11	4811702	2	Washer M6	
12	4812000	2	Washer M10	
13	4812100	2	Washer M12	
14	5261000	1	Nut M10	
15	3331211	1	Nut M12	
16	5261200	1	Nut M12	
17	1001118746	3	Bolt M10 x 25	
18	1001168018	1	Washer	
19	1001271971	1	Bolt M12 x 230	
20	1001249464	1	Harnesss, Generator (See Separate Breakdown in ELECTRICAL Section)	
21	1001290824	1	Bracket, Mounting	
22	1001296922	1	Bracket, Mounting	
23	1001269800	1	Spacer	
24	1001269794	1	Bracket, Adjustment	
25	1001269799	1	Eye Bolt M10	
26	1001263049	1	V-Belt	
27	4240033	AR	Tie Strap (Not Shown)	
28	5250608	1	Bolt M6 x 16	
29	5250611	1	Bolt M6 x 22	
30	5250810	1	Bolt M8 x 20	
31	5260800	1	Nut M8	
32	3291002	1	Nut M10	
33	3291001	1	Nut M10	
34	1001286275	1	Plug	
35	1001269045	1	Clamp	
36	1001269797	1	Bracket	
37	0100048	AR	Grease, Dielectric	
39	4460321	1	Terminal	
40	4460906	4	Terminal	
41	4871700	1	Washer, Lock M6	
42	1001275530	1	Jumper	

SECTION 3 - ENGINE

FIGURE 3-30. LP TANK BRACKETS INSTALLATION (SINGLE TANK)



ART_1001254550

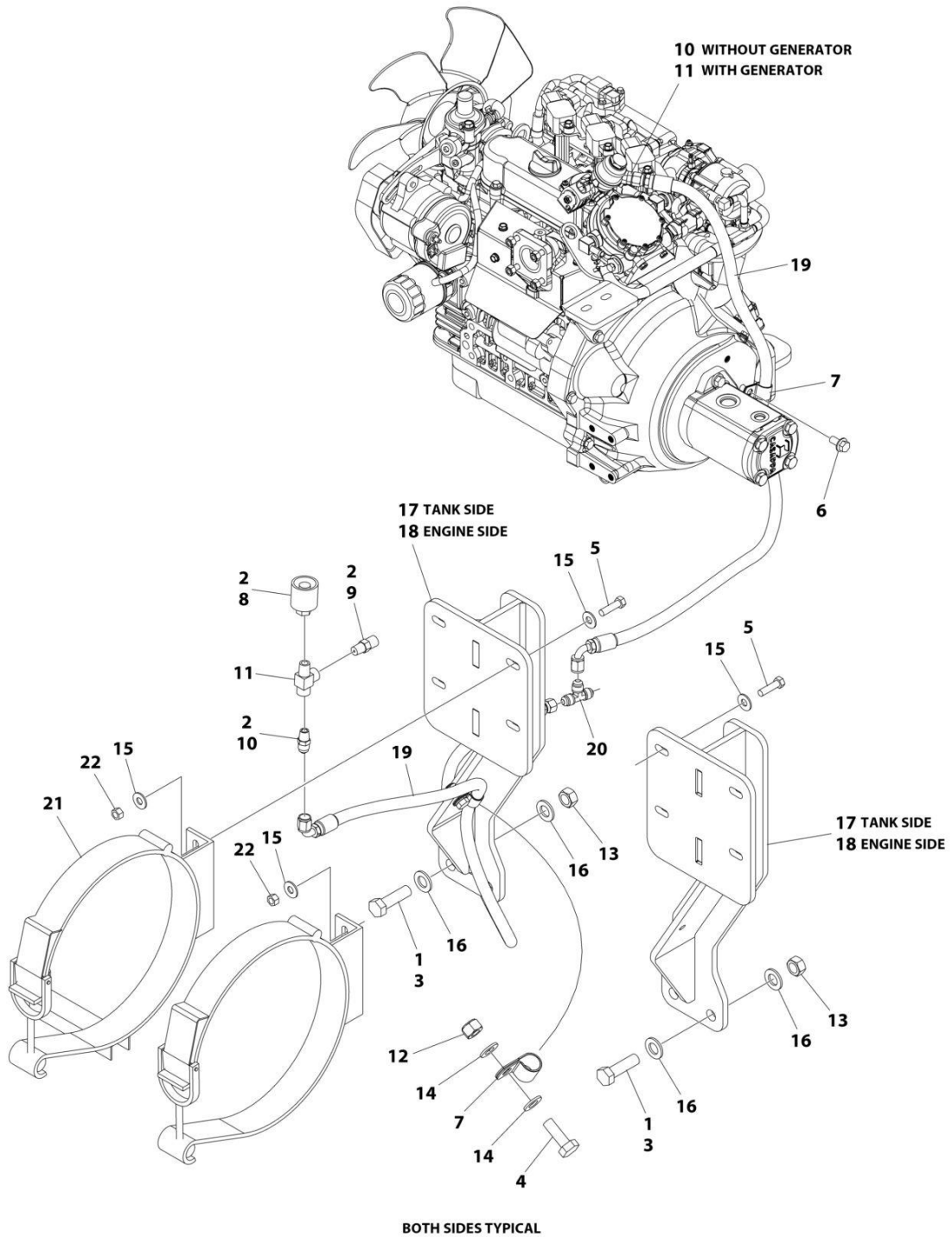
SECTION 3 - ENGINE

FIGURE 3-30. LP TANK BRACKETS INSTALLATION (SINGLE TANK)

ITEM	PART NUMBER	QTY	DESCRIPTION	REV
	1001254550	Ref	LP TANK BRACKETS INSTALLATION (SINGLE)	D
1	0100011	AR	Compound, Locking	
2	0100020	AR	Sealant	
3	0771619	4	Bolt M16 x 55	
4	0771014	1	Bolt M10 x 30	
5	0641611	4	Bolt 3/8 x 1-3/8	
6	0811606	1	Screw 3/8 x 3/4	
7	1320061	2	Clamp	
8	2180387	1	Fitting, Tank Connector	
9	2180389	1	Fitting, Relief Valve - LP	
10	2180418	2	Fitting	
11	2220290	1	Fitting, Tee	
12	3291005	1	Nut M10	
13	3331611	4	Nut M16	
14	4812000	2	Washer M10	
15	4751600	8	Washer 3/8	
16	5241600	8	Washer M16	
17	1001259024	2	Mount	
18	1320220	1	Clamp Kit - LP	
19	1001258006	1	Hose	
20	3311605	4	Nut 3/8	
100	4400281	1	Tank, LP (Not Shown)	

SECTION 3 - ENGINE

FIGURE 3-31. LP TANK BRACKETS INSTALLATION (DUAL TANKS)



ART_1001254551

SECTION 3 - ENGINE

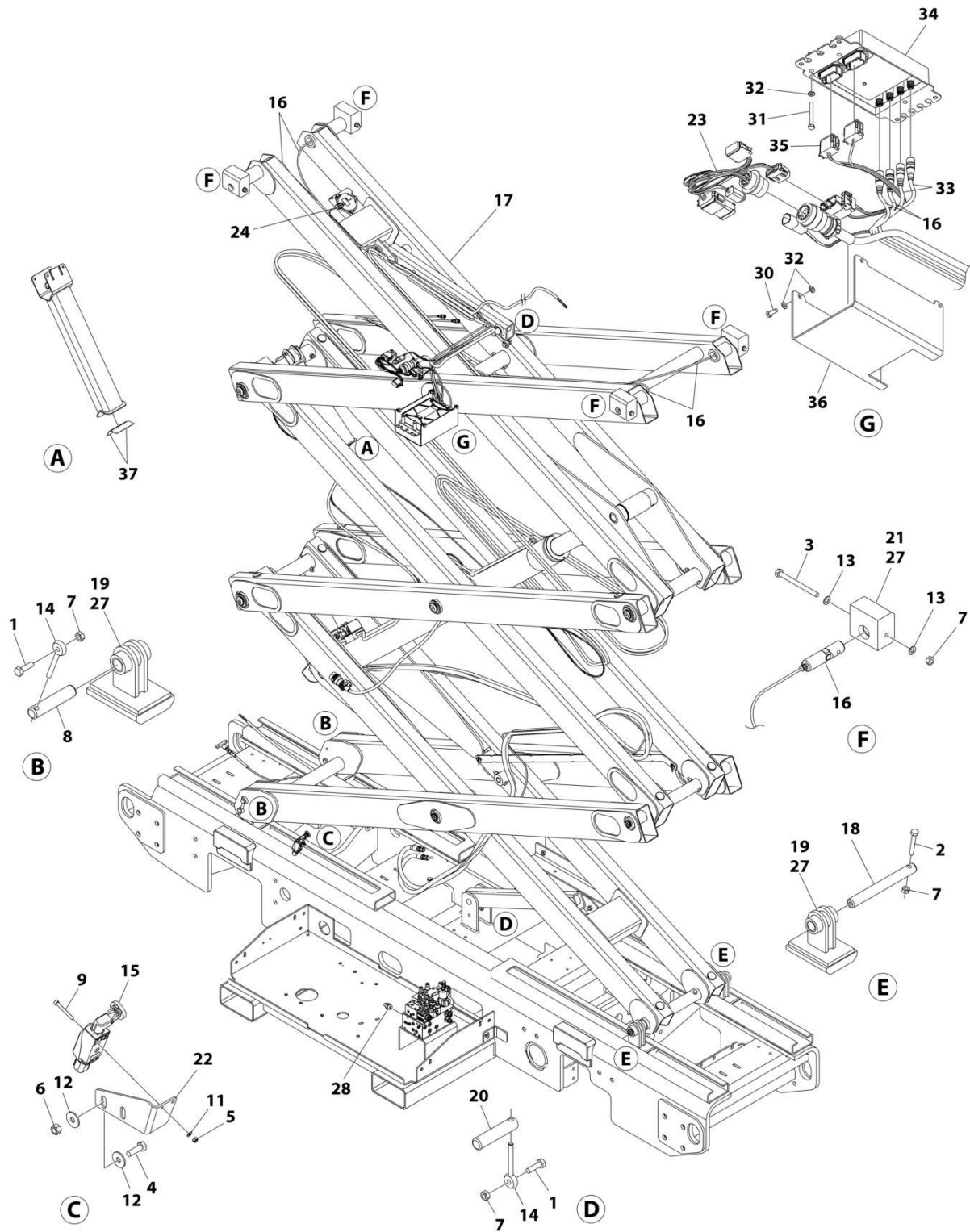
FIGURE 3-31. LP TANK BRACKETS INSTALLATION (DUAL TANKS)

ITEM	PART NUMBER	QTY	DESCRIPTION	REV
	1001254551	Ref	LP TANK BRACKETS INSTALLATION (DUAL)	E
1	0100011	AR	Compound, Locking	
2	0100020	AR	Sealant	
3	0771619	8	Bolt M16 x 55	
4	0771014	2	Bolt M10 x 30	
5	0641611	8	Bolt 3/8 x 1-3/8	
6	0811606	1	Screw 3/8 x 3/4	
7	1320061	3	Clamp	
8	2180387	2	Fitting, Tank Connector	
9	2180389	2	Fitting, Relief Valve - LP	
10	2180418	3	Fitting	
11	2220290	2	Fitting, Tee	
12	3291005	2	Nut M10	
13	3331611	8	Nut M16	
14	4812000	4	Washer M10	
15	4751600	16	Washer 3/8	
16	5241600	16	Washer M16	
17	1001259024	2	Mount	
18	1001259047	2	Mount	
19	1001258004	3	Hose	
20	1001258113	1	Fitting, Tee	
21	1320220	2	Clamp Kit - LP	
22	3311605	8	Nut 3/8	
100	4400281	2	Tank, LP (Not Shown)	

SECTION 4 - SCISSORS ARMS

SECTION 4 - SCISSORS ARMS

FIGURE 4-1. ARMS INSTALLATION (RT2669)



ART_1001248820

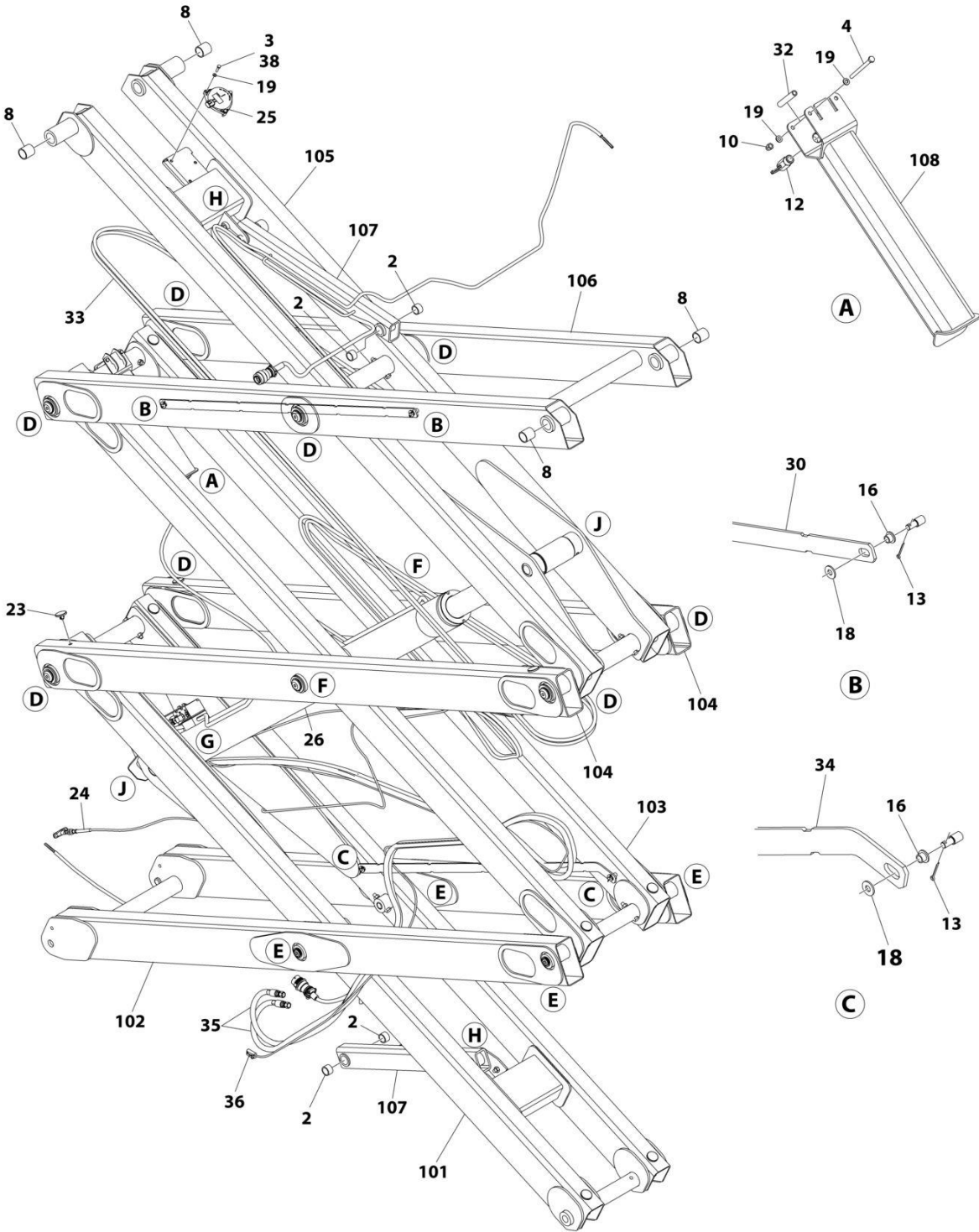
SECTION 4 - SCISSORS ARMS

FIGURE 4-1. ARMS INSTALLATION (RT2669)

ITEM	PART NUMBER	QTY	DESCRIPTION	REV
	1001248820	Ref	ARMS INSTALLATION	C
1	0701015	4	Bolt 10 x 35	
2	0701022	2	Bolt 10 x 70	
3	0701029	4	Bolt 10 x 120	
4	0760812	2	Bolt M8 x 25	
5	3290405	2	Nut M4	
6	3290805	2	Nut M8	
7	3291007	10	Nut M10	
8	3422943	2	Pin	
9	4031511	2	Capscrew M4 x 35	
11	4811400	2	Washer M4	
12	4811902	4	Washer M8	
13	4812000	8	Washer M10	
14	1001270098	4	Pin, Keeper	
15	1001145548	1	Switch, Limit	
16	3422938	4	Pin	
17	1001247367	1	Arm Assembly (See Separate Breakdown in this Section)	
18	1001247521	2	Pin	
19	1001247667	4	Support, Slider	
20	1001247669	2	Pin	
21	1001247671	4	Block, Slide	
22	1001257587	1	Bracket	
23	1001264939	1	Harness, Platform (See Separate Breakdown in ELECTRICAL Section)	
24	1001249091	1	Harness, Tilt Sensor (See Separate Breakdown in ELECTRICAL Section)	
27	3020022	AR	Lubricant	
28	2220372	1	Fitting, Straight JIC/ORB	
29	4240018	AR	Tie - Strap (Not Shown)	
30	0760608	4	Bolt M6 x 16	
31	0700618	3	Bolt M6 x 50	
32	4811700	11	Washer M6	
33	1061020	2	Cable, Extension (1.5 Meter)	
34	1600387	1	Module, Load Sense (Note: Recalibration Required When Replaced)	
35	1001226830	1	Harness Load Sense (See Separate Breakdown in ELECTRICAL Section)	
36	1001263662	1	Cover	
37	1001189762	2	Tape	

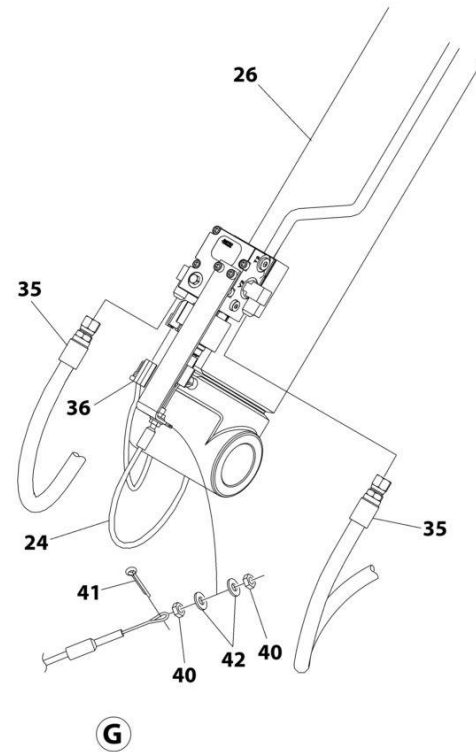
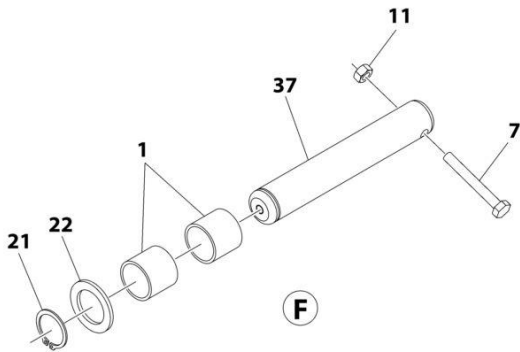
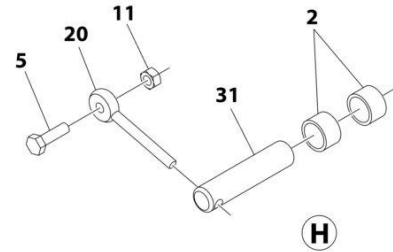
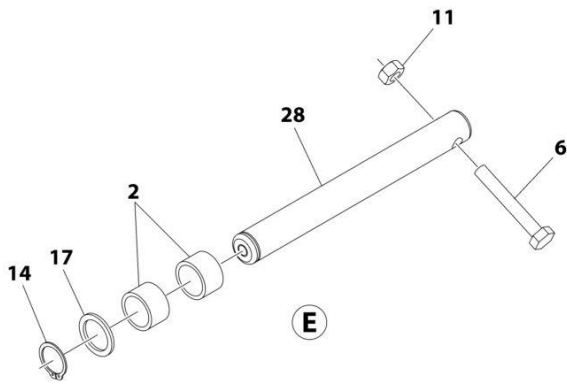
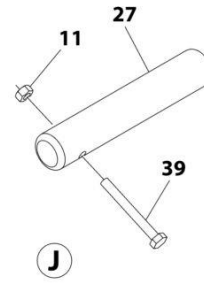
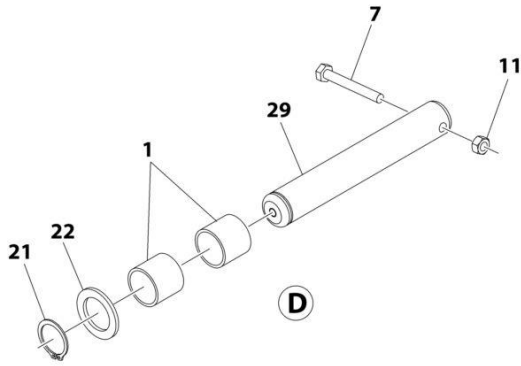
SECTION 4 - SCISSORS ARMS

FIGURE 4-2. ARMS ASSEMBLY (RT2669)



ART_1001247367_1OF2

SECTION 4 - SCISSORS ARMS



ART_1001247367_20F2

SECTION 4 - SCISSORS ARMS

FIGURE 4-2. ARMS ASSEMBLY (RT2669)

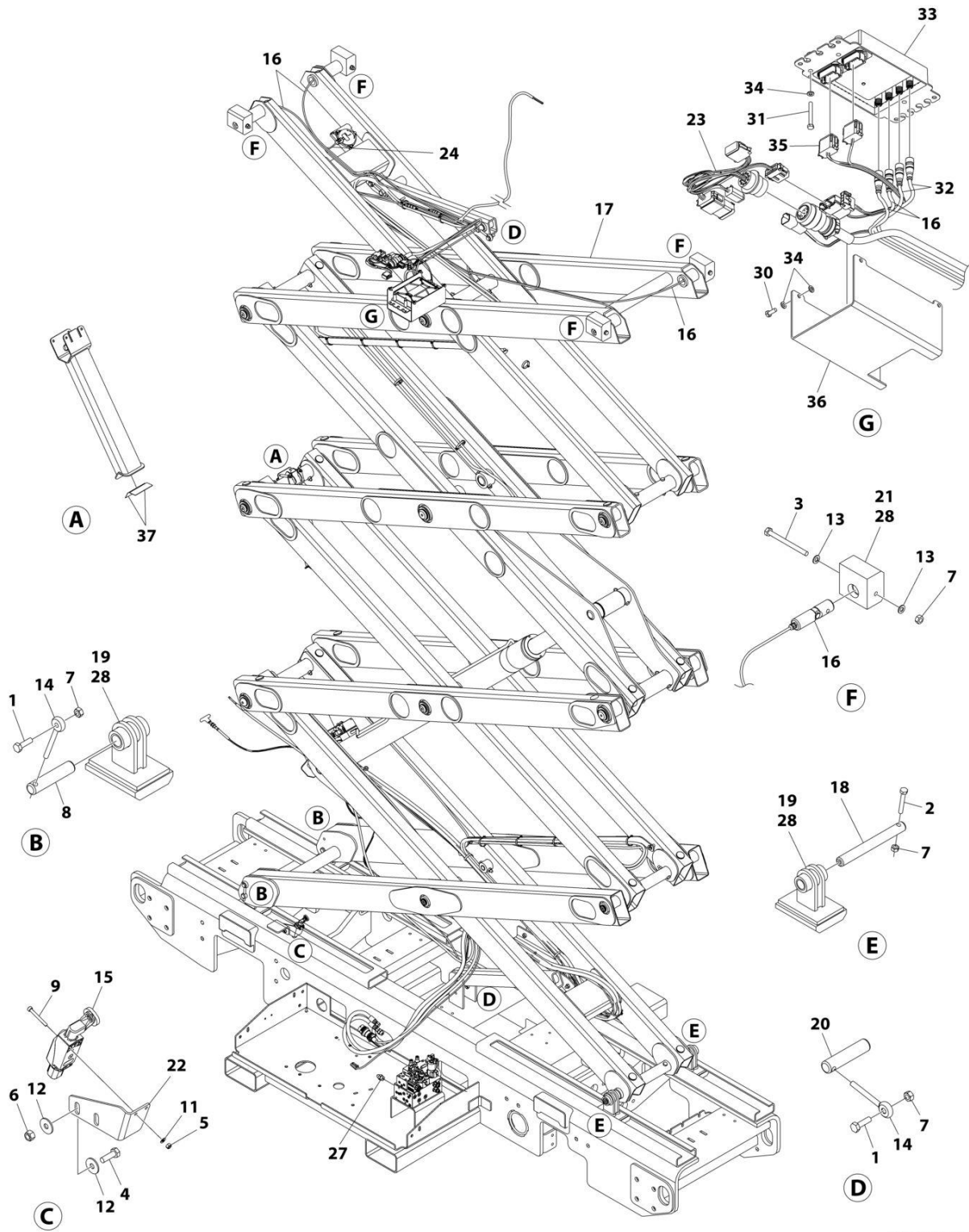
ITEM	PART NUMBER	QTY	DESCRIPTION	REV
	1001247367	Ref	ARMS ASSEMBLY	D
1	0440241	20	Bearing	
2	0440264	16	Bearing	
3	0700612	3	Bolt M6 x 25	
4	0700624	2	Bolt M6 x 80	
5	0701015	2	Bolt M10 x 35	
6	0701022	4	Bolt M10 x 70	
7	0701024	10	Bolt M10 x 80	
8	0962220	4	Bushing	
10	3290606	2	Nut M6	
11	3291007	18	Nut M10	
12	3423151	1	Pin	
13	3450304	4	Pin, Cotter 3/32 x 1	
14	3760509	4	Ring, Retaining	
15	4240018	AR	Tie - Strap (Not Shown)	
16	4740480	4	Washer (Plastic Insert)	
17	4740531	4	Washer	
18	4751500	4	Washer 5/16	
19	4811700	7	Washer M6	
20	1001270098	2	Pin, Keeper	
21	1001099560	10	Ring, Retaining	
22	1001217457	10	Washer	
23	1001228533	16	Bumper	
24	1001265848	1	Cable, Manual Descent	
25	1001244934	1	Sensor, Tilt	
26	1001245923	1	Cylinder Lift Down Valve Assembly (See Separate Breakdown in this Section)	
27	1001247522	2	Pin	
28	1001247523	4	Pin	
29	1001247524	8	Pin	
30	1001247668	1	Bar, Cable	
31	1001247669	2	Pin	
32	1001247670	2	Sleeve	
33	1001248279	1	Harness, Ground To Platform (See Separate Breakdown in ELECTRICAL Section)	
34	1001248865	1	Bar, Cable	
35	1001248890	2	Hose	
36	1001248895	1	Harness Lift Down (See Separate Breakdown in ELECTRICAL Section)	
37	1001249637	2	Pin	
38	0100011	AR	Compound, Locking	
39	0701026	2	Bolt M10 x 90	
40	3321402	2	Nut 1/4	
41	3450405	1	Pin, Cotter 1/8 x 1-1/4	
42	4711400	2	Washer 1/4	
100	1001247375	Ref	Arm Kit (Not Shown)	
101	1001247482	1	Arm, Inboard (Lower)	
102	1001247490	1	Arm, Outboard (Lower)	
103	1001247497	1	Arm, Inboard (Mid)	
104	1001247500	2	Arm, Outboard (Mid)	

SECTION 4 - SCISSORS ARMS

ITEM	PART NUMBER	QTY	DESCRIPTION	REV
105	1001247506	1	Arm, Inboard (Upper)	
105	1001247503	2	Bushing (Not Shown)	
106	1001258812	1	Arm, Outboard (Upper)	
107	1001247520	2	Link, Center	
108	1001247672	1	Prop, Arm	

SECTION 4 - SCISSORS ARMS

FIGURE 4-3. ARMS INSTALLATION (RT3369)



ART_1001248821

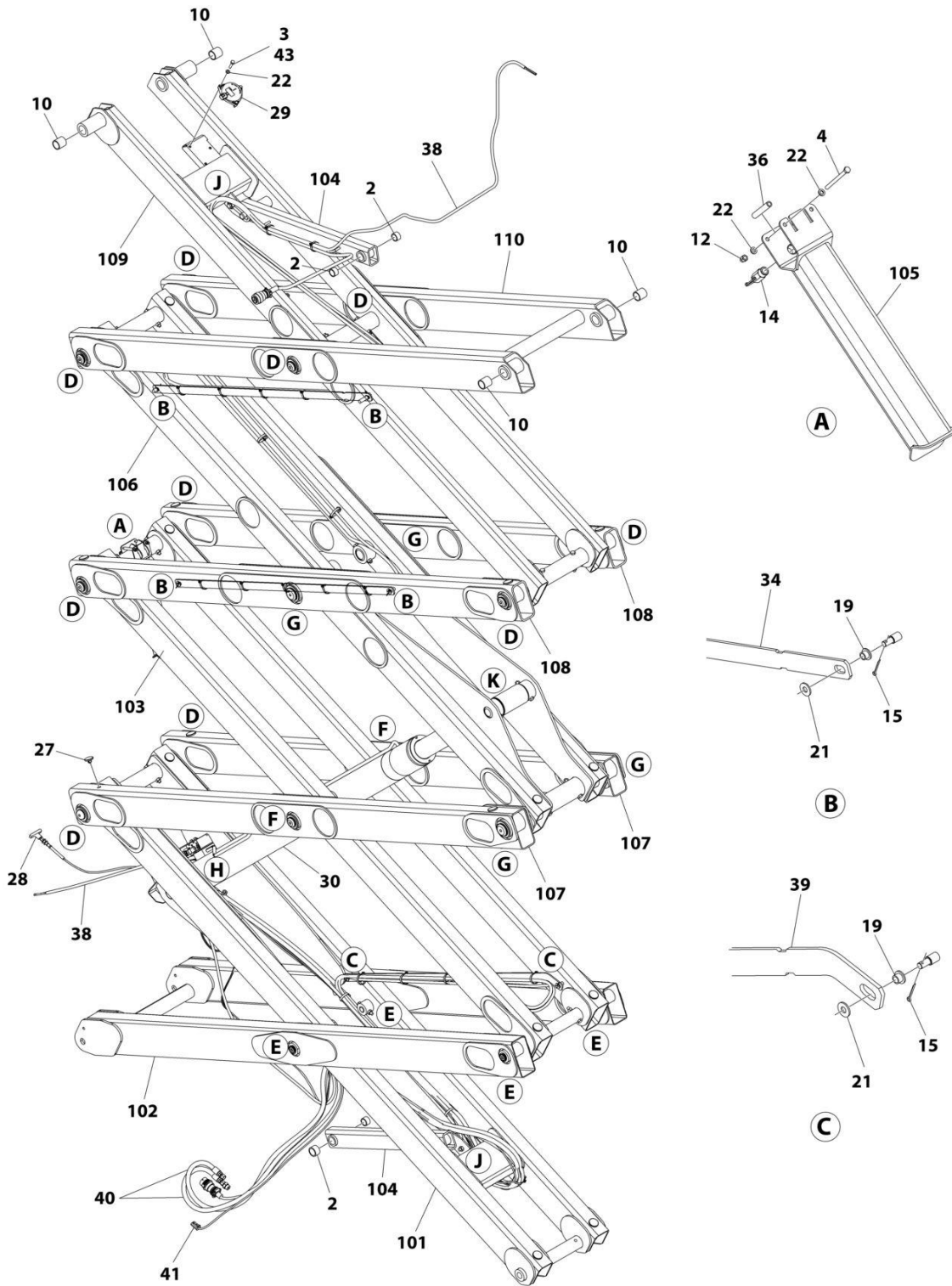
SECTION 4 - SCISSORS ARMS

FIGURE 4-3. ARMS INSTALLATION (RT3369)

ITEM	PART NUMBER	QTY	DESCRIPTION	REV
	1001248821	Ref	ARMS INSTALLATION	E
1	0701015	4	Bolt 10 x 35	
2	0701022	2	Bolt 10 x 70	
3	0701029	4	Bolt 10 x 120	
4	0760812	2	Bolt M8 x 25	
5	3290405	2	Nut M4	
6	3290805	2	Nut M8	
7	3291007	10	Nut M10	
8	3422943	2	Assembly, Load Sense Pin/Cable	
9	4031511	2	Capscrew M4 x 35	
11	4811400	2	Washer M4	
12	4811902	4	Washer M8	
13	4812000	8	Washer M10	
14	1001270098	4	Pin, Keeper	
15	1001145548	1	Switch, LSS Limit	
15	1001284972	1	Switch, LSS Limit	
16	3422938	4	Assembly, Load Sense Pin/Cable	
17	1001247368	1	Arm Assembly (See Separate Breakdown in this Section)	
18	1001247521	2	Pin	
19	1001247667	4	Support, Slider	
20	1001247669	2	Pin	
21	1001247671	4	Block, Slide	
22	1001257587	1	Bracket	
23	1001264939	1	Harness, Platform (See Separate Breakdown in ELECTRICAL Section)	
24	1001249091	1	Harness, Tilt Sensor (See Separate Breakdown in ELECTRICAL Section)	
27	2220372	1	Fitting, Straight JIC/ORB	
28	3020022	AR	Lubricant	
28	3020029	AR	Lubricant	
29	4240018	AR	Tie - Strap (Not Shown)	
30	0760608	4	Bolt M6 x 16	
31	0700618	3	Bolt M6 x 50	
32	1061020	2	Cable, Load Sense Extension	
33	1600387	1	Module, Load Sense (Note: Recalibration Required When Replaced)	
34	4811700	11	Washer M6	
35	1001226830	1	Harness Load Sense (See Separate Breakdown in ELECTRICAL Section)	
36	1001263662	1	Cover	
37	1001189762	2	Tape	

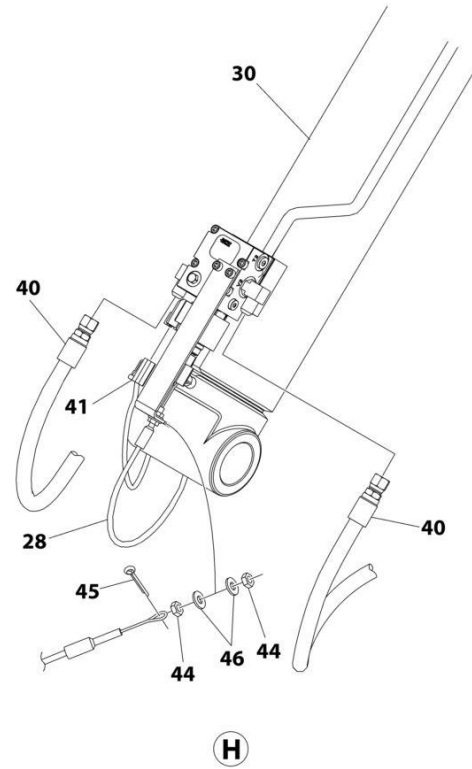
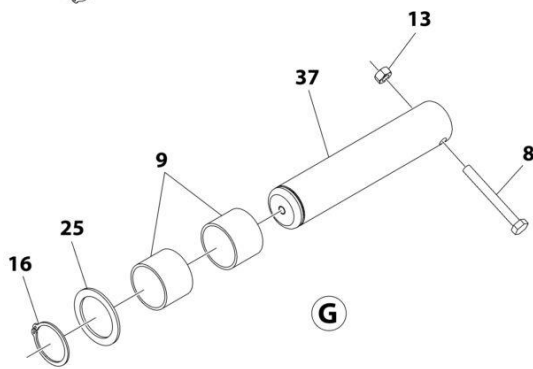
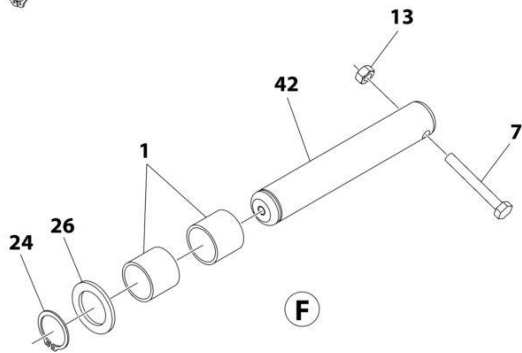
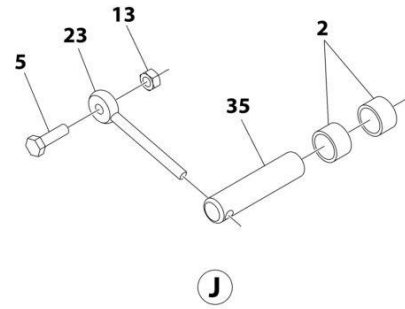
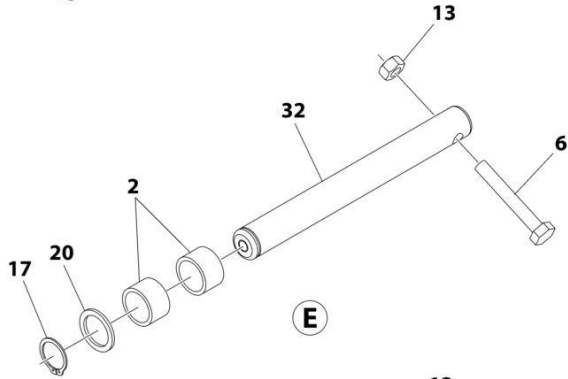
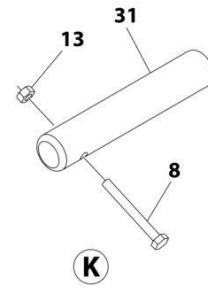
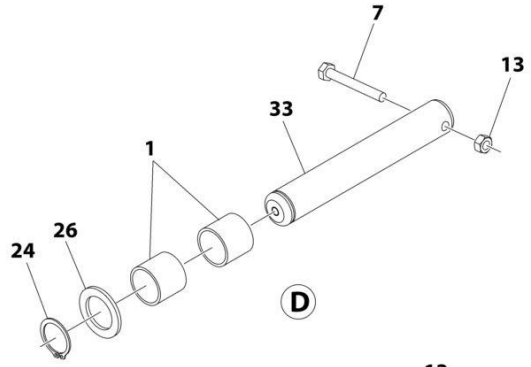
SECTION 4 - SCISSORS ARMS

FIGURE 4-4. ARMS ASSEMBLY (RT3369)



ART_1001247368_1OF2

SECTION 4 - SCISSORS ARMS



ART_1001247368_2OF2

SECTION 4 - SCISSORS ARMS

FIGURE 4-4. ARMS ASSEMBLY (RT3369)

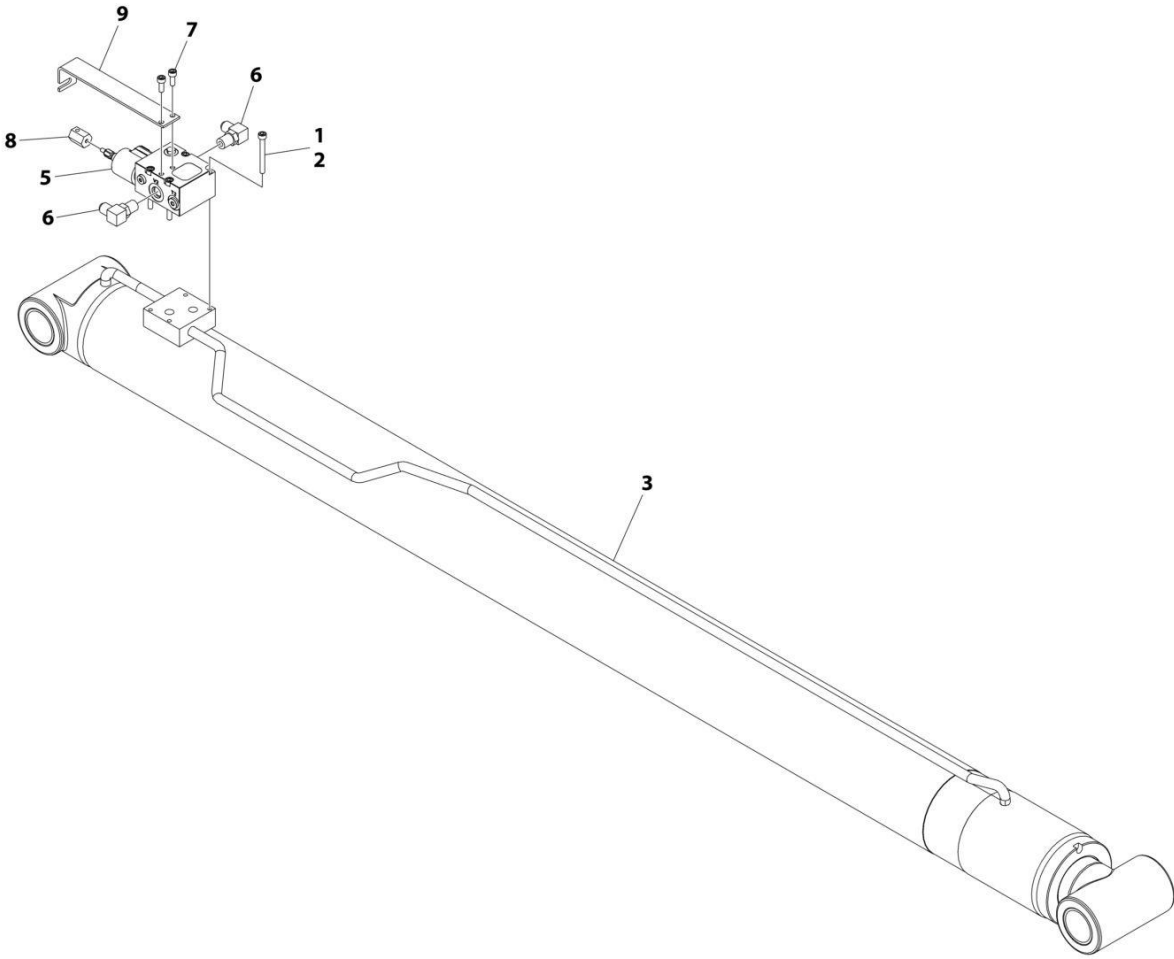
ITEM	PART NUMBER	QTY	DESCRIPTION	REV
	1001247368	Ref	ARMS ASSEMBLY	E
1	0440241	24	Bearing	
2	0440264	16	Bearing	
3	0700612	3	Bolt M6 x 25	
4	0700624	2	Bolt M6 x 80	
5	0701015	2	Bolt M10 x 35	
6	0701022	4	Bolt M10 x 70	
7	0701024	12	Bolt M10 x 80	
8	0701026	6	Bolt M10 x 90	
9	0961950	8	Bushing	
10	0962220	4	Bushing	
12	3290606	2	Nut M6	
13	3291007	24	Nut M10	
14	3423151	1	Pin	
15	3450304	6	Pin, Cotter 3/32 x 1	
16	3760493	4	Ring, Retaining	
17	3760509	4	Ring, Retaining	
18	4240018	AR	Tie - Strap (Not Shown)	
19	4740480	6	Washer (Plastic Insert)	
20	4740531	4	Washer	
21	4751500	6	Washer 5/16	
22	4811700	7	Washer M6	
23	1001270098	2	Pin, Keeper	
24	1001099560	12	Ring, Retaining	
25	1001197405	4	Washer	
26	1001217457	12	Washer	
27	1001228533	24	Bumper	
28	1001265848	1	Cable, Manual Descent	
29	1001244934	1	Sensor, Tilt	
30	1001245923	1	Cylinder Lift Down Valve Assembly (See Separate Breakdown in this Section)	
31	1001247522	2	Pin	
32	1001247523	4	Pin	
33	1001247524	10	Pin	
34	1001247668	2	Bar, Cable	
35	1001247669	2	Pin	
36	1001247670	2	Sleeve	
37	1001247835	4	Pin	
38	1001248280	1	Harness, Ground To Platform (See Separate Breakdown in ELECTRICAL Section)	
39	1001248865	1	Bar, Cable	
40	1001248890	2	Hose	
41	1001248895	1	Harness Lift Down (See Separate Breakdown in ELECTRICAL Section)	
42	1001249637	2	Pin	
43	0100011	AR	Compound, Locking	
44	3321402	2	Nut 1/4	
45	3450405	1	Pin, Cotter 1/8 x 1-1/4	
46	4711400	2	Washer 1/4	
100	1001247376	1	Arm Kit (Not Shown)	

SECTION 4 - SCISSORS ARMS

ITEM	PART NUMBER	QTY	DESCRIPTION	REV
101	1001247482	1	Arm, Inboard (Lower)	
102	1001247490	1	Arm, Outboard (Lower)	
103	1001247497	1	Arm, Inboard (Lower Mid)	
104	1001247520	2	Link, Center	
105	1001247672	1	Prop, Arm	
106	1001247816	1	Arm, Inboard (Upper Mid)	
107	1001247817	2	Arm, Outboard (Lower Mid)	
108	1001247819	2	Arm, Outboard (Upper Mid)	
109	1001247820	1	Arm, Inboard (Upper)	
110	1001258813	1	Arm, Outboard (Upper)	

SECTION 4 - SCISSORS ARMS

FIGURE 4-5. CYLINDER & LIFT DOWN VALVE ASSEMBLY



ART_1001245923

SECTION 4 - SCISSORS ARMS

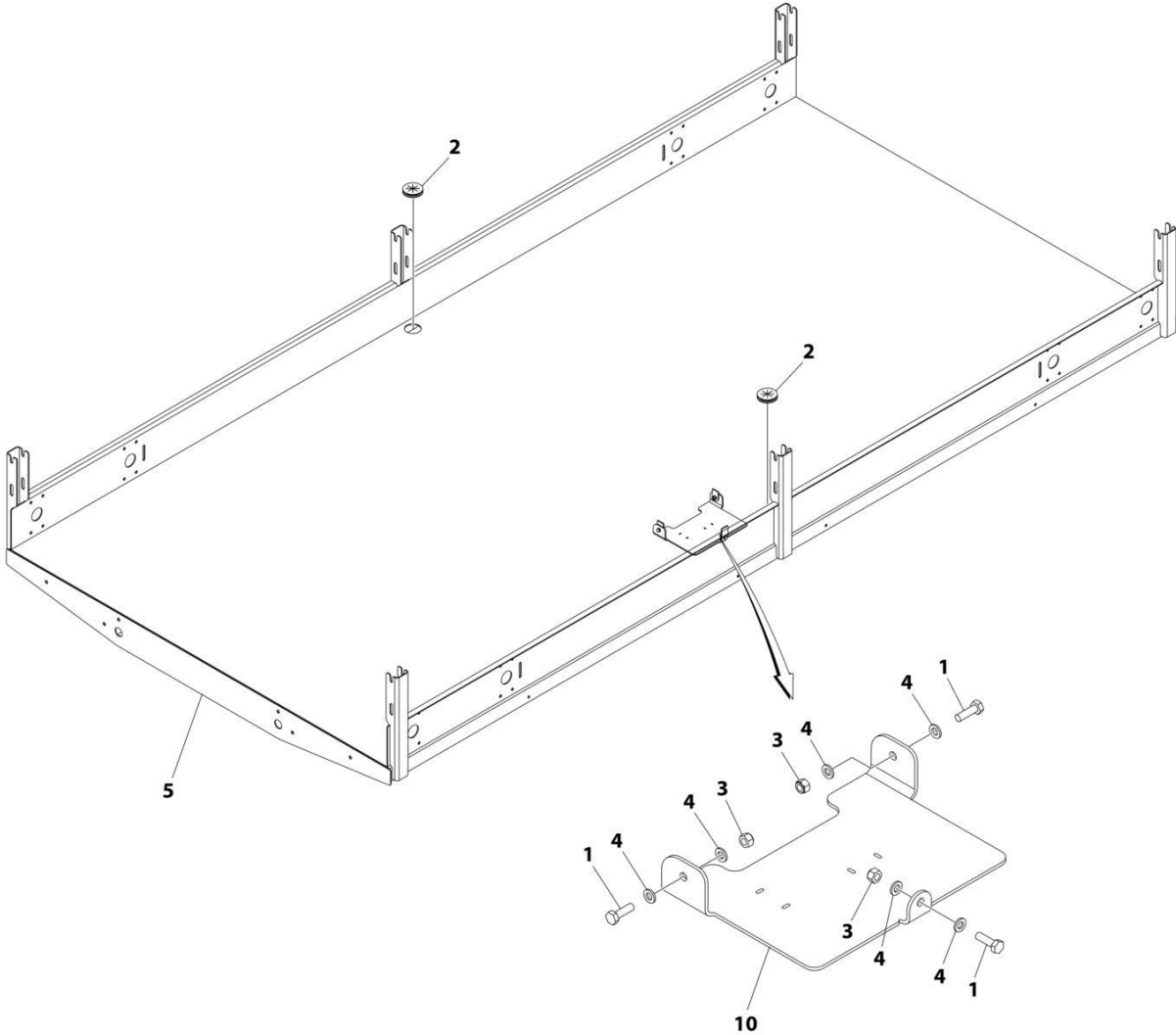
FIGURE 4-5. CYLINDER & LIFT DOWN VALVE ASSEMBLY

ITEM	PART NUMBER	QTY	DESCRIPTION	REV
	1001245923	Ref	CYLINDER AND LIFT DOWN VALVE ASSEMBLY	E
1	0100011	AR	Compound, Locking	
2	1001118878	4	Capscrew M6 x 55	
3	1001244210	1	Lift Cylinder Assembly (See Separate Breakdown in CYLINDER Section)	
5	1001244904	1	Valve, Lift Down (No Service Parts Available)	
5	70007448	2	O-Ring (Between Valve and Cylinder)	
5	70002386	1	Coil	
6	2220473	2	Fitting, 90 JIC/ORB	
7	4031707	2	Capscrew M6 x 16	
8	1001265744	1	Adapter	
9	1001265761	1	Bracket	

SECTION 5 - PLATFORM

SECTION 5 - PLATFORM

FIGURE 5-1. PLATFORM INSTALLATION



ART_1001244381

SECTION 5 - PLATFORM

FIGURE 5-1. PLATFORM INSTALLATION

ITEM	PART NUMBER	QTY	DESCRIPTION	REV
	1001244381	Ref	PLATFORM MOUNT INSTALLATION	B
1	0760610	3	Bolt M6 x 20	
2	2540045	2	Grommet	
3	3290605	3	Nut M6	
4	4811700	6	Washer M6	
5	1001245250	1	Platform	
10	1001251328	1	Cover	

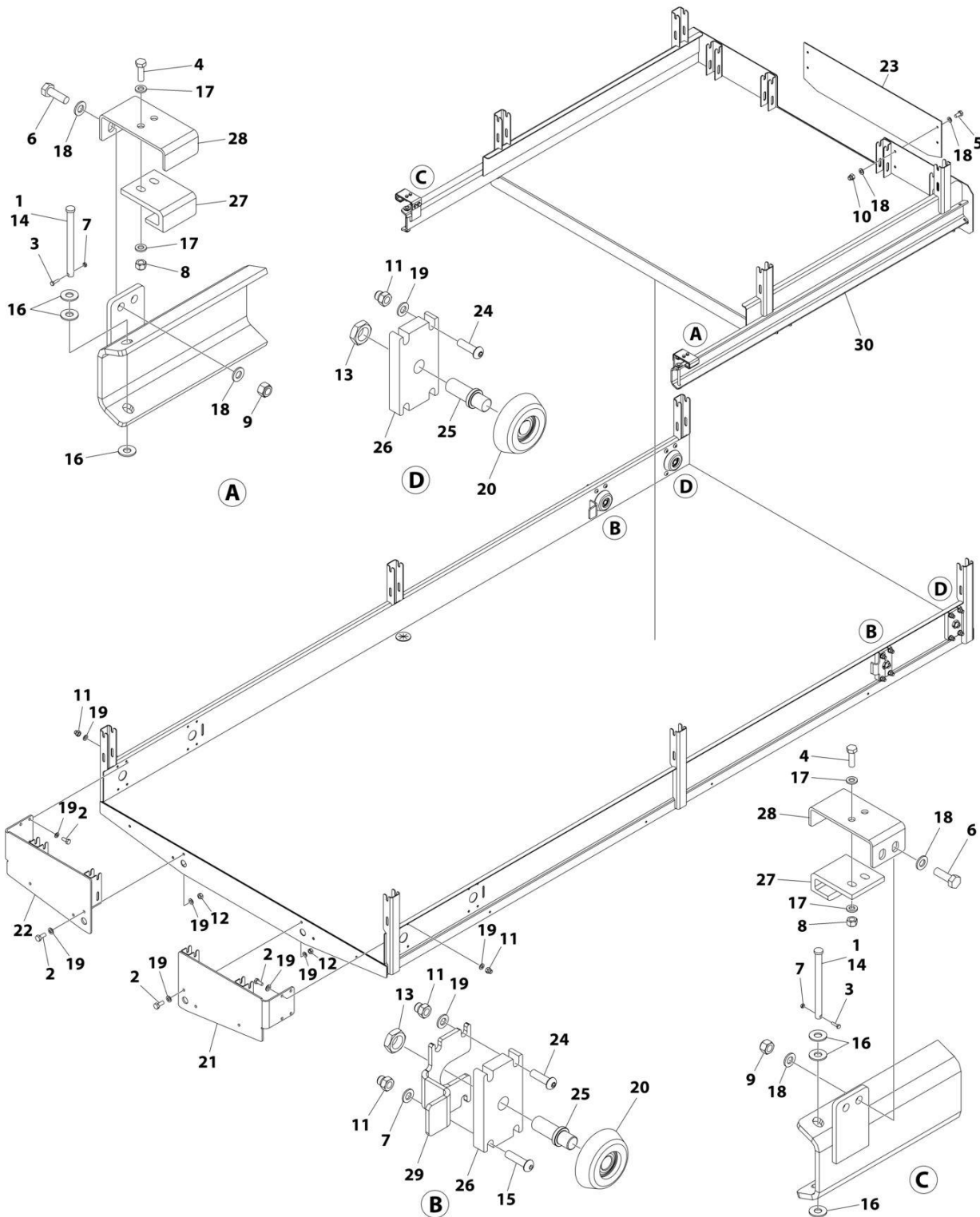
SECTION 5 - PLATFORM

FIGURE 5-2. PLATFORM EXTENSION INSTALLATION (SINGLE) (Prior to SN M200066912, Including M200067002, M200067005 and M200067983)

ITEM	PART NUMBER	QTY	DESCRIPTION	REV
	1001244382	Ref	PLATFORM WITH SINGLE EXTENSION INSTALLATION	F
2	0760808	4	Bolt M8 x 16	
3	0761008	2	Bolt M10 x 16	
4	3290806	4	Nut M8 x 1-1/4	
5	3291007	6	Nut M10 x 1-1/2	
6	4811900	16	Washer M8	
7	4812000	46	Washer M10	
8	1001261123	12	Screw M10 x 35	
9	3900394	4	Capscrew M10 x 1-1/2	
10	1001245479	1	Extension, Platform	
11	1001248933	4	Roller	
12	1001248990	2	Plate	
13	1001248991	1	Plate	
14	1001262640	4	Bracket	
15	1001250355	1	Plate	
16	1001250356	1	Plate	
17	1001250627	1	Plate	
18	1001250640	1	Plate	
19	0701012	14	Capscrew M10 x 25	
20	3291006	24	Nut M10	
21	3292002	4	Nut M20	
22	1001262639	4	Pin	
23	0760610	4	Bolt M6 x 20	
24	0760812	4	Bolt M6 x 25	
25	3290605	4	Nut M6	
26	3290805	4	Nut M8	
27	4811700	8	Washer M6	
28	1001265684	2	Brace, Extension leg Strap	
29	1001265821	2	Bracket, Extension Back Strap	
30	4420062	AR	Tape (Not Shown)	

SECTION 5 - PLATFORM

FIGURE 5-3. PLATFORM EXTENSION INSTALLATION (SINGLE) (SN M200066912 through M200087546, Including M200087474, Excluding M200067002, M200067005 and M200067983)



ART_1001292993

SECTION 5 - PLATFORM

FIGURE 5-3. PLATFORM EXTENSION INSTALLATION (SINGLE) (SN M200066912 through M200087546, Including M200087474, Excluding M200067002, M200067005 and M200067983)

ITEM	PART NUMBER	QTY	DESCRIPTION	REV
	1001292993	Ref	PLATFORM EXTENSION INSTALLATION (SINGLE)	B
1	100011	AR	Compound, Locking	
2	0701012	14	Capscrew M10 x 25	
3	0760306	2	Bolt M3 x 12	
4	0760610	4	Bolt M6 x 20	
5	0760808	4	Bolt M8 x 16	
6	0760812	4	Bolt M6 x 25	
7	3290301	2	Nut M3	
8	3290605	4	Nut M6	
9	3290805	4	Nut M8	
10	3290806	4	Nut M8 x 1-1/4	
11	3291006	24	Nut M10	
12	3291007	6	Nut M10 x 1-1/2	
13	3292002	4	Nut M20	
14	3430636	2	Pin	
15	3900394	8	Capscrew M10 x 1-1/2	
16	4751600	6	Washer 3/8	
17	4811700	8	Washer M6	
18	4811900	16	Washer M8	
19	4812000	44	Washer M10	
20	1001248933	4	Roller	
21	1001250355	1	Plate	
22	1001250356	1	Plate	
23	1001250627	1	Plate	
24	1001261123	8	Screw M10 x 35	
25	1001262639	4	Pin	
26	1001262640	4	Bracket	
27	1001265684	2	Brace, Extension leg Strap	
28	1001265821	2	Bracket, Extension Back Strap	
29	1001292989	2	Plate	
30	1001292991	1	Extension, Platform	
31	4420062	AR	Tape (Not Shown)	

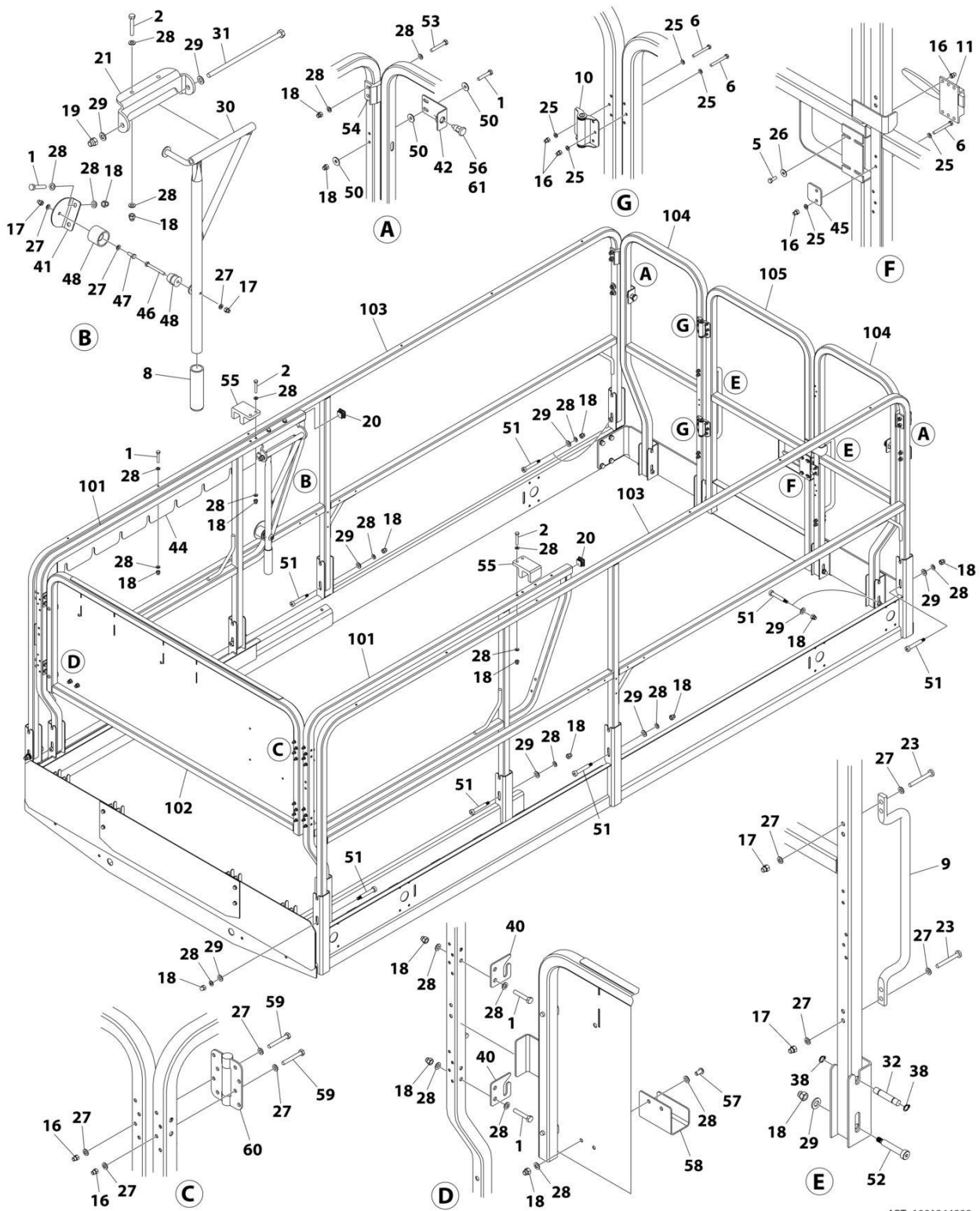
SECTION 5 - PLATFORM

FIGURE 5-4. PLATFORM EXTENSION INSTALLATION (SINGLE) (SN M200087624 to Present, SN M200087551 to Present)

ITEM	PART NUMBER	QTY	DESCRIPTION	REV
	1001298938	Ref	PLATFORM EXTENSION INSTALLATION (SINGLE)	A
1	0100011	AR	Compound, Locking	
2	0701012	14	Bolt M10 x 25	
3	0760306	2	Bolt M3 x 12	
4	0760610	4	Bolt M6 x 20	
5	0760812	4	Bolt M8 x 25	
6	3290301	2	Nut M3	
7	3290605	4	Nut M6	
8	3290805	4	Nut M8	
9	3291006	24	Nut M10	
10	3291007	6	Nut M10	
11	3292002	4	Nut M20	
12	3430636	2	Pin	
13	3900394	8	Capscrew M10 x 1-1/2	
14	4420062	AR	Tape (Not Shown)	
15	4751600	6	Washer 3/8	
16	4811700	8	Washer M6	
17	4811900	8	Washer M8	
18	4812000	44	Washer M10	
19	1001248933	4	Roller	
20	1001250355	1	Plate	
21	1001250356	1	Plate	
22	1001261123	8	Screw M10 x 35	
23	1001262639	4	Pin	
24	1001262640	4	Bracket	
25	1001265684	2	Brace, Extension leg Strap	
26	1001265821	2	Bracket, Extension Back Strap	
27	1001292989	2	Plate	
28	1001298937	1	Extension, Platform	

SECTION 5 - PLATFORM

FIGURE 5-5. PLATFORM RAILS INSTALLATION (SINGLE EXTENSION)



ART_1001244888

SECTION 5 - PLATFORM

FIGURE 5-5. PLATFORM RAILS INSTALLATION (SINGLE EXTENSION)

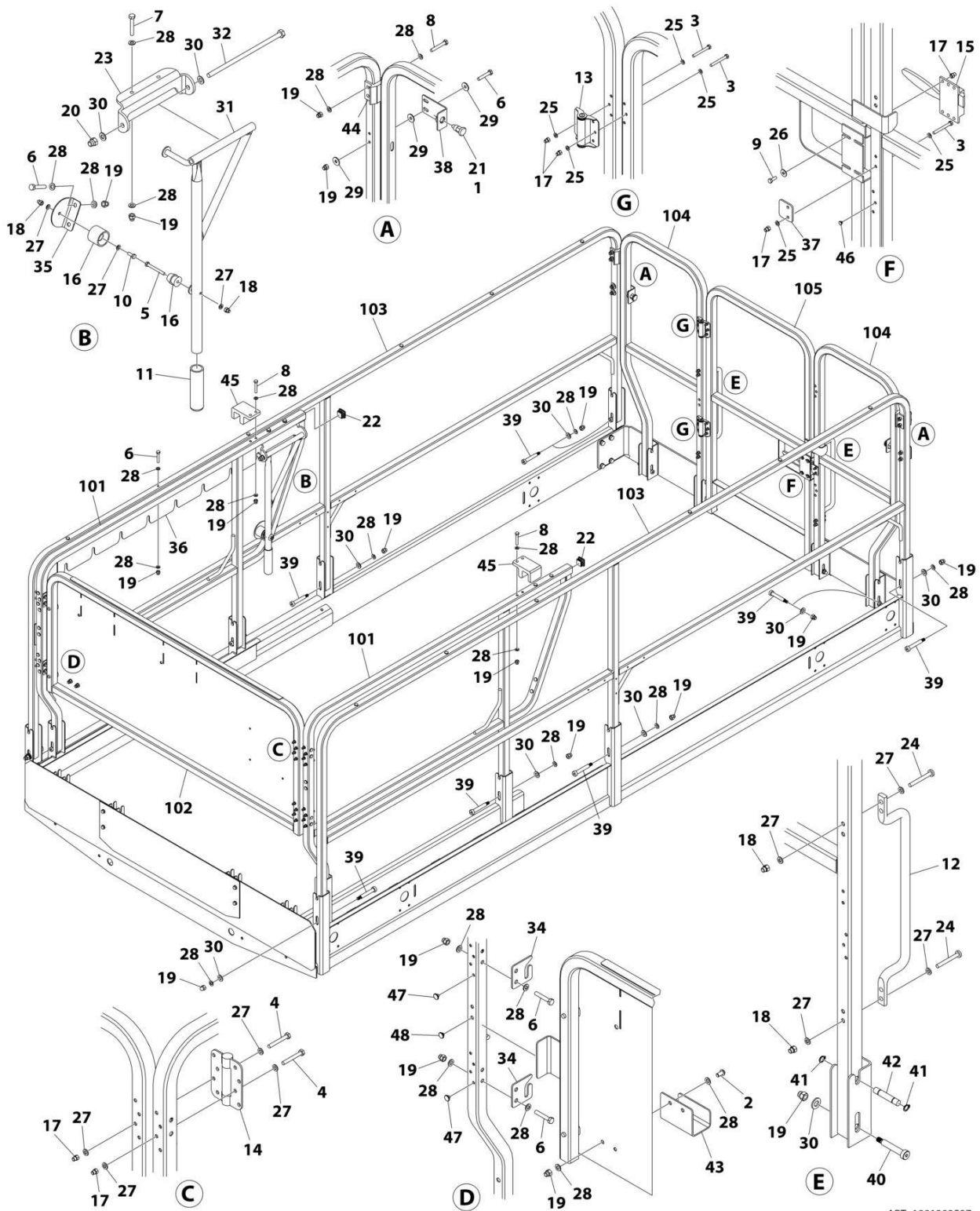
ITEM	PART NUMBER	QTY	DESCRIPTION	REV
	1001244888	Ref	RAIL INSTALLATION - PLATFORM WITH SINGLE EXTENSION	F
1	0700817	13	Bolt M8 x 45	
2	0700818	6	Bolt M8 x 50	
5	0760507	4	Bolt M8 x 14	
6	0700517	14	Bolt M5 x 45	
8	2560088	1	Grip, Handle	
9	2560176	2	Handle	
10	2600253	2	Hinge	
11	2940074	1	Latch	
16	3290506	34	Nut M5 x 3/4	
17	3290606	10	Nut M6 x 1	
18	3290806	39	Nut M8 x 1-1/4	
19	3291006	1	Nut M10	
20	3520072	2	Plug	
21	3537609	1	Plate, Pivot	
23	4010618	8	Screw M6 x 50	
25	4811600	40	Washer M5	
26	4811602	4	Washer M5	
27	4811700	51	Washer M6	
28	4811900	54	Washer M8	
29	4812000	16	Washer M10	
30	4846181	1	Handle (LH)	
31	1001195137	1	Bolt M10 x 240	
32	1001262495	2	Rod	
38	1001262454	4	Ring	
40	1001250829	2	Plate, Rotary Latch	
41	1001250830	1	Plate, Handle Latch	
42	1001258936	2	Plate, Rail	
44	1001294421	1	Plate, Extension	
45	1001253149	1	Plate, Gate Latch	
46	0700619	1	Bolt M6 x 55	
47	0760608	1	Bolt M6 x 16	
48	2940127	1	Latch	
50	4811902	12	Washer M8	
51	1001262399	12	Bolt M8 x 55	
52	1001262400	2	Bolt M8 x 50	
53	0700819	4	Bolt M8 x 55	
54	1001263628	2	Pad	
55	1001263629	2	Pad	
56	3422744	2	Pin, Plunger	
57	0630615	2	Bolt M8 x 16	
58	1001263269	1	Plate	
59	0700617	16	Bolt M6 x 45	
60	2600285	2	Hinge	
61	0100011	AR	Compound, Locking	
100	1001265846	1	Rail, Single Extension Kit	
101	1001248840	2	Rail, Extension Side	
102	1001248986	1	Rail, Extension Front	
103	1001249882	2	Rail, Platform Side	
104	1001249883	2	Rail, Platform Rear	

SECTION 5 - PLATFORM

ITEM	PART NUMBER	QTY	DESCRIPTION	REV
105	1001249884	1	Rail, Platform Gate	

SECTION 5 - PLATFORM

FIGURE 5-6. PLATFORM RAILS INSTALLATION WITH PLUGS (SINGLE EXTENSION)



ART_1001293537

SECTION 5 - PLATFORM

FIGURE 5-6. PLATFORM RAILS INSTALLATION WITH PLUGS (SINGLE EXTENSION)

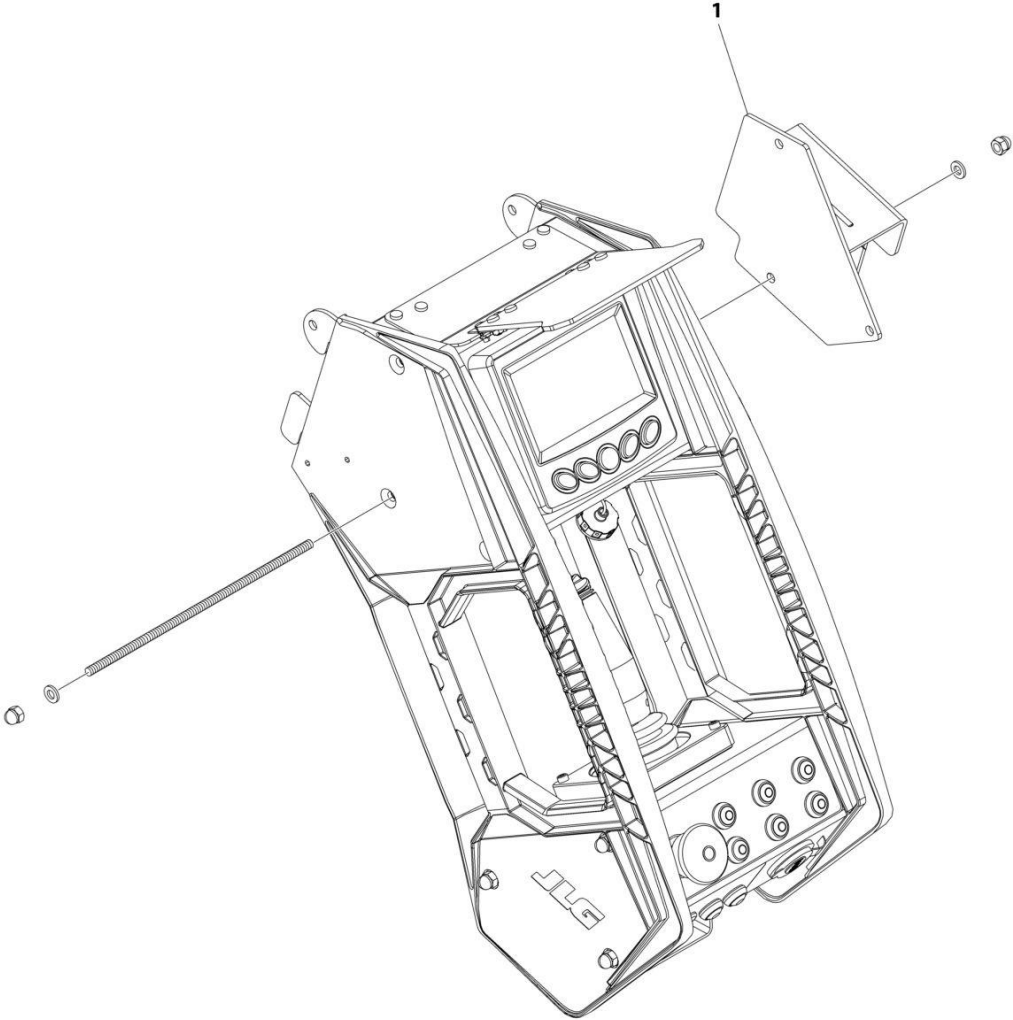
ITEM	PART NUMBER	QTY	DESCRIPTION	REV
	1001293537	Ref	PLATFORM RAILS INSTALLATION WITH PLUGS (SINGLE EXTENSION)	B
1	0100011	AR	Compound, Locking	
2	0630615	2	Bolt M8 x 16	
3	0700517	14	Bolt M5 x 45	
4	0700617	16	Bolt M6 x 45	
5	0700619	1	Bolt M6 x 55	
6	0700817	13	Bolt M8 x 45	
7	0700818	2	Bolt M8 x 50	
8	0700819	8	Bolt M8 x 55	
9	0760507	4	Bolt M8 x 14	
10	0760608	1	Bolt M6 x 16	
11	2560088	1	Grip, Handle	
12	2560176	2	Handle	
13	2600253	2	Hinge	
14	2600285	2	Hinge	
15	2940074	1	Latch	
16	2940127	1	Latch	
17	3290506	34	Nut M5 x 3/4	
18	3290606	10	Nut M6 x 1	
19	3290806	39	Nut M8 x 1-1/4	
20	3291006	1	Nut M10	
21	3422744	2	Pin, Plunger	
22	3520072	2	Plug	
23	3537609	1	Plate, Pivot	
24	4010618	8	Screw M6 x 50	
25	4811600	40	Washer M5	
26	4811602	4	Washer M5	
27	4811700	51	Washer M6	
28	4811900	54	Washer M8	
29	4811902	12	Washer M8	
30	4812000	16	Washer M10	
31	4846181	1	Handle (LH)	
32	1001195137	1	Bolt M10 x 240	
34	1001250829	2	Plate, Rotary Latch	
35	1001250830	1	Plate, Handle Latch	
36	1001294421	1	Plate, Extension	
37	1001253149	1	Plate, Gate Latch	
38	1001258936	2	Plate, Rail	
39	1001262399	12	Bolt M8 x 55	
40	1001262400	2	Bolt M8 x 50	
41	1001262454	4	Ring	
42	1001262495	2	Rod	
43	1001263269	1	Plate	
44	1001263628	2	Pad	
45	1001263629	2	Pad	
46	1001293198	32	Plug	
47	1001293199	16	Plug	
48	1001293200	42	Plug	
100	1001265846	1	Rail, Single Extension Kit	

SECTION 5 - PLATFORM

ITEM	PART NUMBER	QTY	DESCRIPTION	REV
101	1001248840	2	Rail, Extension Side	
102	1001248986	1	Rail, Extension Front	
103	1001249882	2	Rail, Platform Side	
104	1001249883	2	Rail, Platform Rear	
105	1001249884	1	Rail, Platform Gate	

SECTION 5 - PLATFORM

FIGURE 5-7. PLATFORM CONTROL BOX INSTALLATION - SIDE MOUNT



ART_1001265916

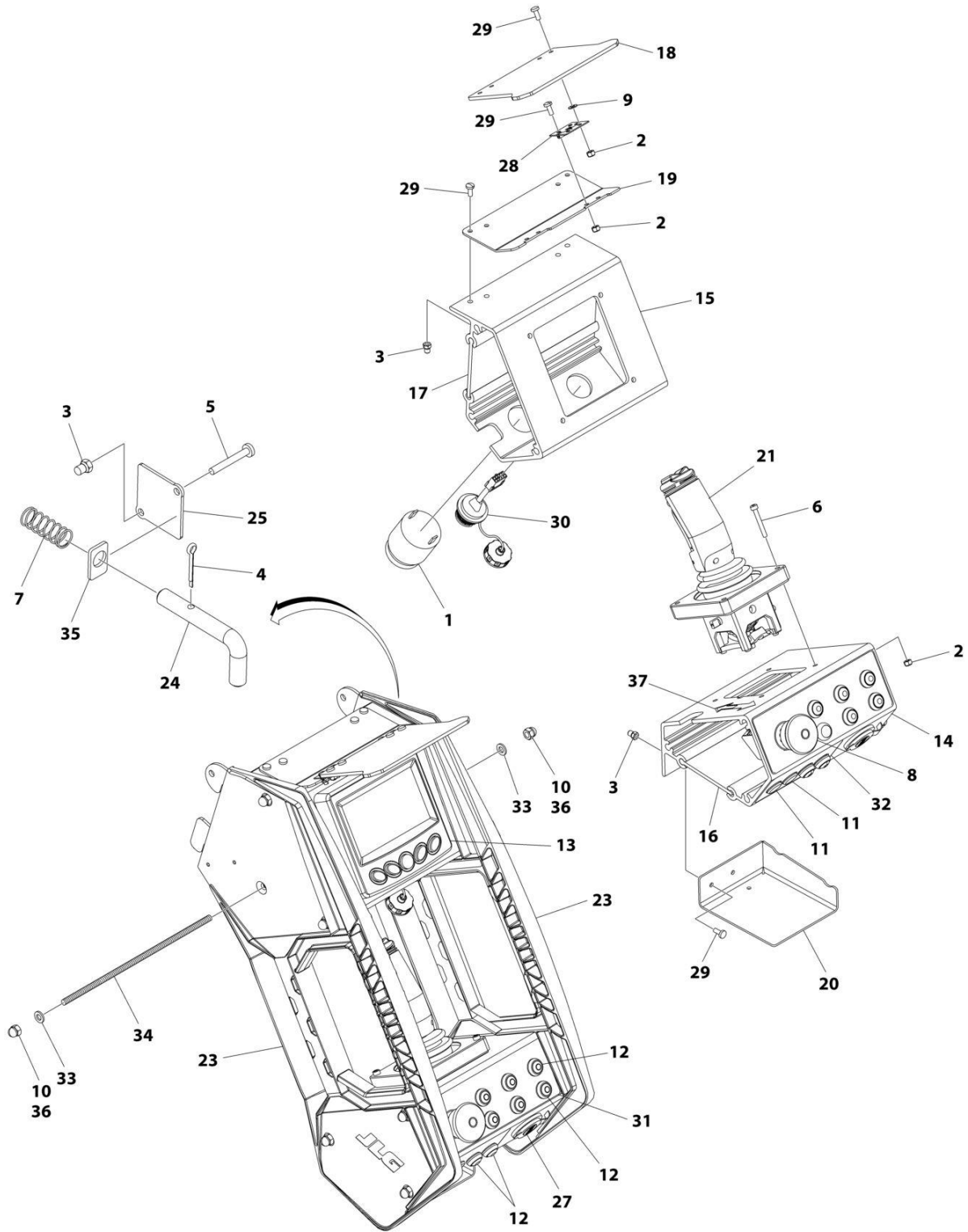
SECTION 5 - PLATFORM

FIGURE 5-7. PLATFORM CONTROL BOX INSTALLATION - SIDE MOUNT

ITEM	PART NUMBER	QTY	DESCRIPTION	REV
	1001265916	Ref	PLATFORM CONSOLE BOX INSTALLATION	B
1	1001265532	1	Bracket, Control Box Sidemount	
2	0100011	1	Compound, Locking (Not Shown - Use on Mounting Hardware)	

SECTION 5 - PLATFORM

FIGURE 5-8. PLATFORM CONTROL BOX INSTALLATION



ART_1001247383

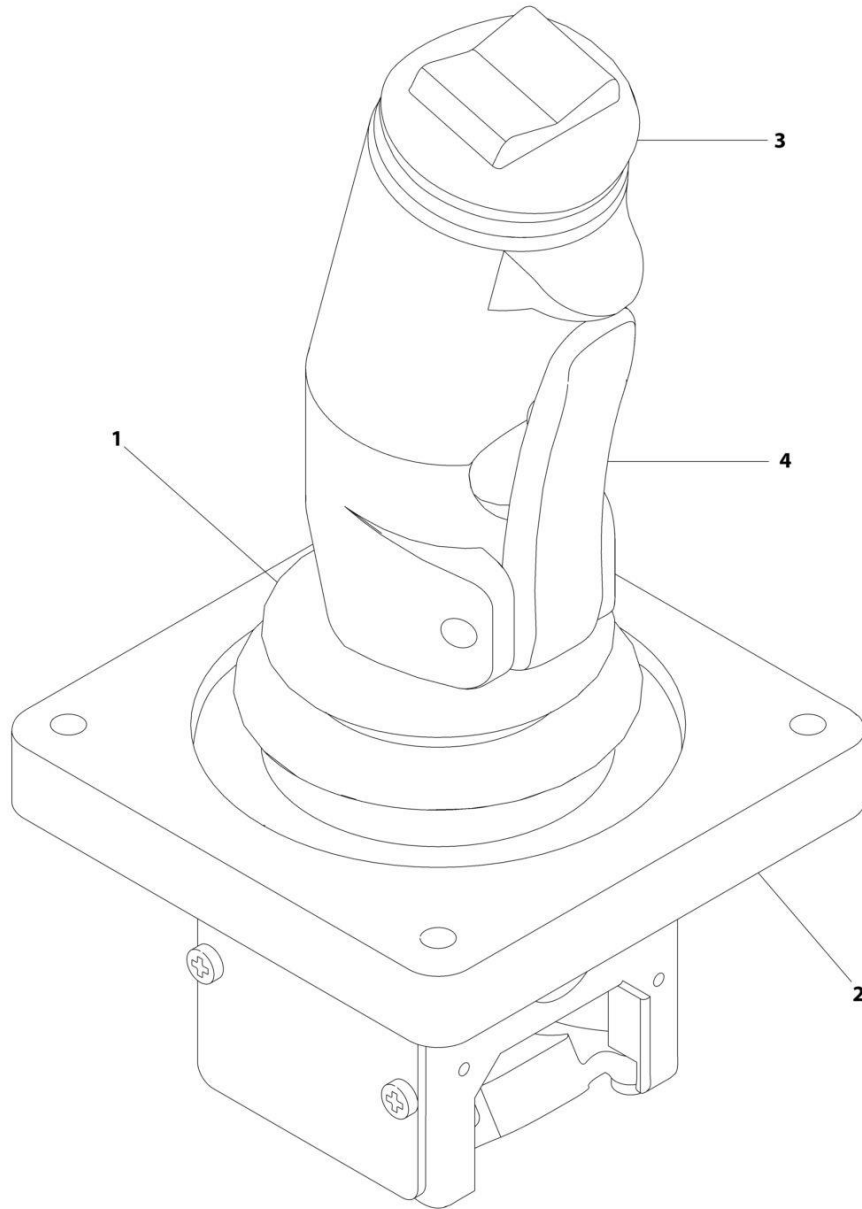
SECTION 5 - PLATFORM

FIGURE 5-8. PLATFORM CONTROL BOX INSTALLATION

ITEM	PART NUMBER	QTY	DESCRIPTION	REV
	1001247383	Ref	PLATFORM CONSOLE BOX INSTALLATION	H
1	0140030	1	Alarm	
2	3290405	12	Nut M4	
3	3290406	8	Nut M4	
4	3450303	1	Cotter Pin	
5	4010414	2	Bolt M4 x 30	
6	4031510	4	Bolt M4 x 30	
7	4160214	1	Spring, Door Latch	
8	1001274559	1	Switch, Emergency Stop (Plastic)	
8	4360475	1	Switch, Emergency Stop (Metal)	
8	7020175	1	Cap	
8	7020176	1	Block, Contact	
9	4811400	4	Washer M4	
10	1001108603	12	Nut M6 x 1	
11	1001176626	2	Cap	
12	1001226749	8	Switch	
13	1001244932	1	Control, Scissor Display	
14	1001246583	1	Housing, Lower Extrusion	
15	1001246584	1	Housing, Upper Extrusion	
16	1001246863	1	Cover, Lower Extrusion	
17	1001246864	1	Cover, Upper Extrusion	
18	1001246979	1	Shield, Display	
19	1001247313	1	Mount, Display Shield	
20	1001247443	1	Plate, Phone Holder	
21	1001247682	1	Controller Assembly (See Separate Breakdown in this Section)	
22	1001249049	1	Harness, Platform Control Box (See Separate Breakdown in this Section)	
23	1001249259	2	Panel, Control Box Side	
24	1001250682	1	Pin	
25	1001250692	1	Panel, Latch Cover	
27	1001253800	1	USB Port	
28	1001254119	2	Hinge	
29	4010405002	14	Bolt M4 x 10	
30	1001246823	1	USB Port	
31	1001257076	1	Decal, Platform Function	
32	1001257077	1	Decal, Platform Function	
33	4811700	12	Washer M6	
34	1001255461	6	Stud M6	
35	1001262098	1	Plate, Control Box Latch	
36	0100011	AR	Compound, Locking	
37	1703819	1	Decal - Direction Arrow	

SECTION 5 - PLATFORM

FIGURE 5-9. CONTROLLER ASSEMBLY



ART_1001247682

SECTION 5 - PLATFORM

FIGURE 5-9. CONTROLLER ASSEMBLY

ITEM	PART NUMBER	QTY	DESCRIPTION	REV
	1001247682	Ref	DRIVE/STEER CONTROLLER ASSEMBLY (LCD)	B
1	70001250	1	Boot, Panel	
2	70001252	1	Gasket, Mounting	
2	70001251	1	Bezel, Mounting	
3	70007506	1	Handle Repair Kit (Includes handle gasket, item#4 push button and item #4 lever installed in front handle half, back handle half, top actuator, boot and hardware.)	
3	70000084	1	Cap, Rubber	
3	70000082	1	Microswitch	
3	7027766	1	Ring, Retaining	
3	7027365	1	Actuator, Handle	
3	70001253	1	Gasket, Handle	
3	70000683	4	Washer, Neoprene	
3	70000685	2	Spacer, Plastic	
3	70000686	2	Screw (Top)	
3	70000684	2	Screw (Bottom)	
4	7027367	1	Switch, Push Button	
4	7027765	1	Lever, Enable	

SECTION 5 - PLATFORM

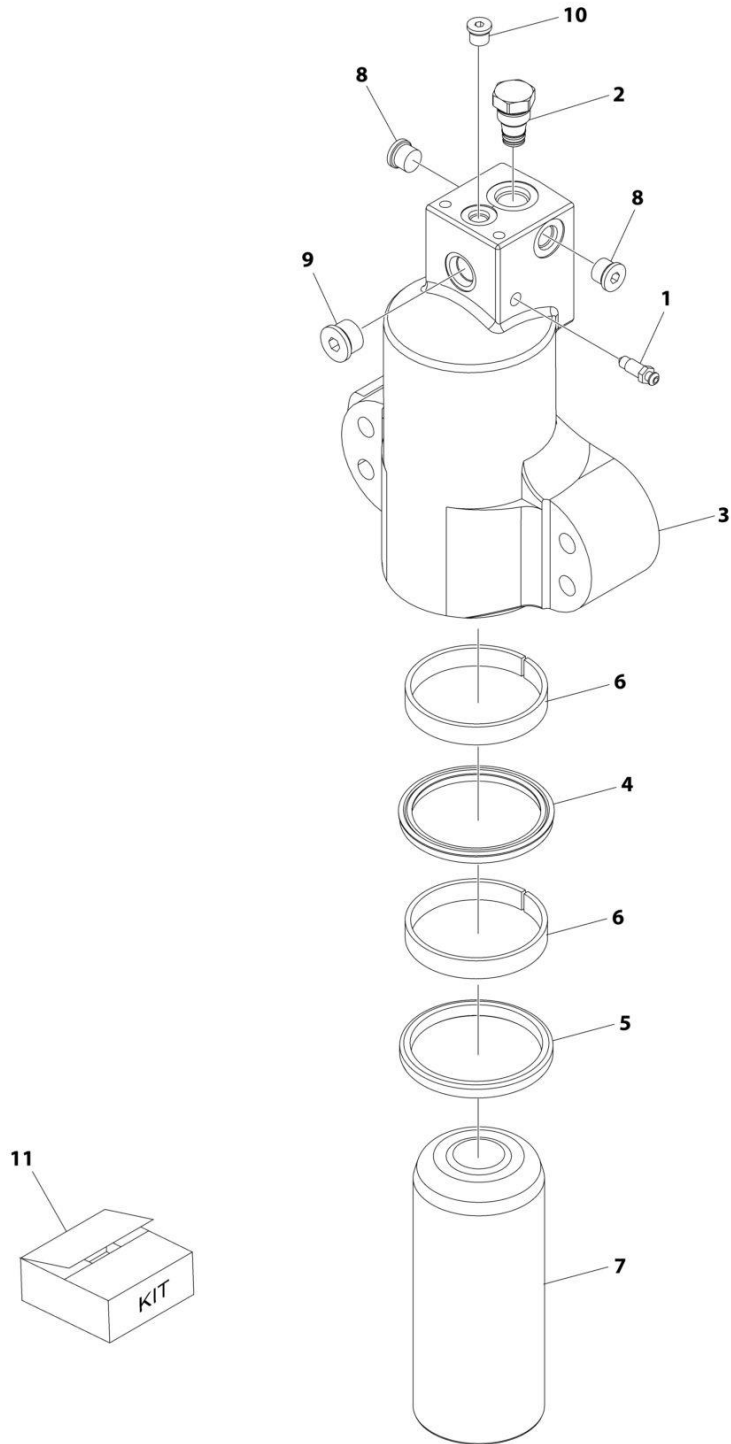
FIGURE 5-10. WORKSTATION INSTALLATION

ITEM	PART NUMBER	QTY	DESCRIPTION	REV
	1001255082	Ref	WORKSTATION INSTALLATION	B
1	1001246392	1	Workstation Assembly (Includes Items 101-118)	B
2	1001269132	1	Decal - Accessory Weight	
101	1060379	1	Lanyard	
102	1120555	2	Cap	
103	1580023	1	Container, Work Bench	
104	1580024	1	Tray	
105	1705997	1	Decal - Workstation	
106	2700100	1	Hook	
107	1001246395	1	Decal - Workstation Capacity	
108	3422219	1	Pin, Snap	
109	3460334	1	Tube	
110	3760170	2	Ring	
111	3900355	2	Screw 5/16	
112	3931412	2	Capscrew 1/4 x 3/4	
113	3931508	6	Capscrew 5/16 x 1/2	
114	4240003	2	Strap, Cinch	
115	4340853	1	Mount (RH)	
116	4340854	1	Mount (LH)	
117	4711400	2	Washer 1/4	
118	4740480	2	Insert	

SECTION 6 - CYLINDER

SECTION 6 - CYLINDER

FIGURE 6-1. AXLE LOCKOUT CYLINDER ASSEMBLY



ART_1001245046

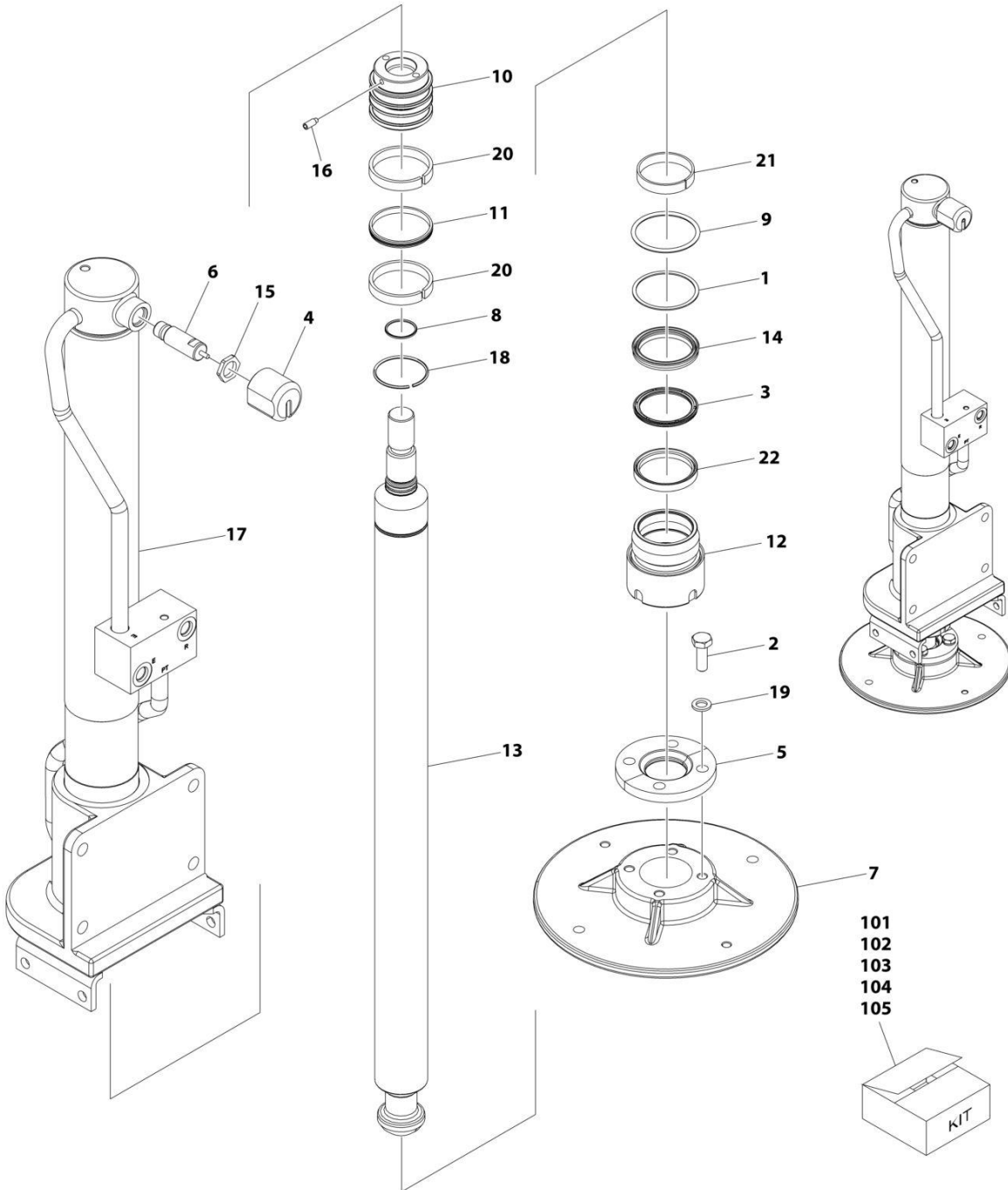
SECTION 6 - CYLINDER

FIGURE 6-1. AXLE LOCKOUT CYLINDER ASSEMBLY

ITEM	PART NUMBER	QTY	DESCRIPTION	REV
	1001245046	Ref	AXLE LOCKOUT CYLINDER ASSEMBLY	D
		Ref	Note: Original Cylinder May Have Been Replaced with Service Replacement. Identify PN Stamped on Cylinder Before Ordering Parts.	
1	4640858	1	Valve, Bleeder	
2	1001248671	1	Cartridge, Valve	
3	1001245653	1	Barrel	
4	See Note	NSS	Seal, Rod (Note: use p/n 70007678)	
5	See Note	NSS	Wiper (Note: use p/n 70007678)	
6	See Note	NSS	Ring, Wear (Note: use p/n 70007678)	
7	70007679	1	Rod	
8	2220885	2	Plug #6	
9	2220886	1	Plug #8	
10	2220883	1	Plug #4	
11	70007678	1	Kit, Seal (Includes Items 4-6)	

SECTION 6 - CYLINDER

FIGURE 6-2. CYLINDER ASSEMBLY - LEVELING JACKS



ART_1001274074

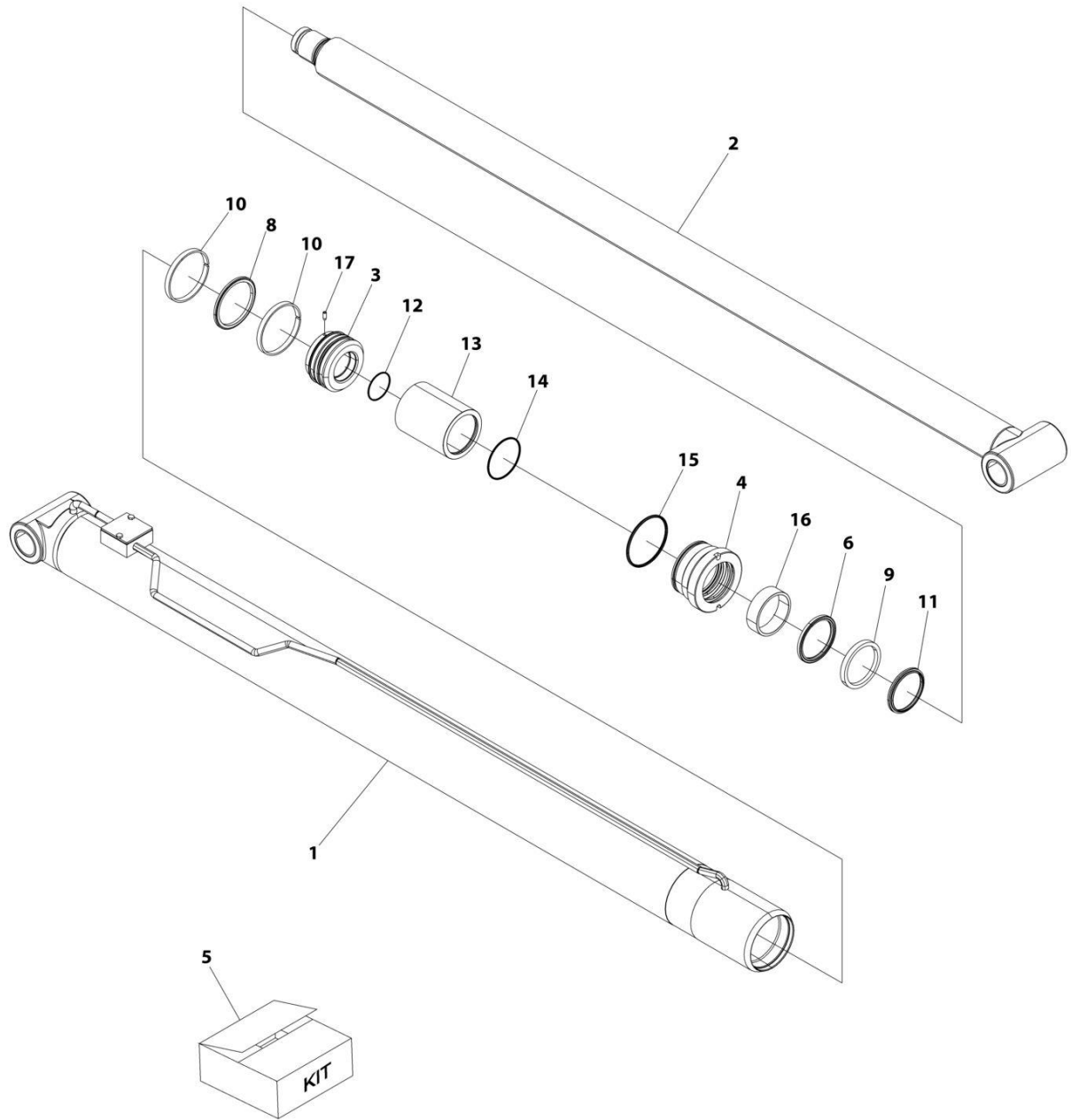
SECTION 6 - CYLINDER

FIGURE 6-2. CYLINDER ASSEMBLY - LEVELING JACKS

ITEM	PART NUMBER	QTY	DESCRIPTION	REV
	1001274074	Ref	CYLINDER ASSEMBLY - LEVELING JACKS Note: Original Cylinder May Have Been Replaced with Service Replacement. Identify PN Stamped on Cylinder Before Ordering Parts.	A
		Ref		
1	See Note	NSS	Ring, Back-up (Note: Use Kit PN 70007709 or 70007710)	
2	See Note	NSS	Bolt (Note: Use Kit PN 70008614)	
3	See Note	NSS	Ring, Buffer (Note: Use Kit PN 70007709 or 70007710)	
4	See Note	NSS	Cap (Note: Use Kit PN 70008614)	
5	See Note	NSS	Collar (Note: Use Kit PN 70008614)	
6	See Note	NSS	Nut (Note: Purchase Locally)	
7	See Note	NSS	Foot, Leveling (Note: Use Kit PN 70008614)	
8	See Note	NSS	O-Ring (Note: Use Kit PN 70007709 or 70007711)	
9	See Note	NSS	O-Ring (Note: Use Kit PN 70007709 or 70007710)	
10	See Note	NSS	Piston (Note: Use Kit PN 70007711)	
11	See Note	NSS	Seal, Piston (Note: Use Kit PN 70007709 or 70007711)	
12	See Note	NSS	Head (Note: Use Kit PN 70007709)	
13	See Note	NSS	Rod (Note: Use Kit PN 70007712)	
14	See Note	NSS	Seal, Rod (Note: Use Kit PN 70007709 or 70007710)	
15	70008573	NSS	Sensor	
16	See Note	NSS	Setscrew (Note: Use Kit PN 70007711)	
17	See Note	NSS	Barrel (Note: Purchase Complete Assembly)	
18	See Note	NSS	Ring, Stop (Note: Use Kit PN 70007712)	
19	See Note	NSS	Washer (Note: Use Kit PN 70008614)	
20	See Note	NSS	Ring, Wear (Note: Use Kit PN 70007709 or 70007711)	
21	See Note	NSS	Ring, Wear (Note: Use Kit PN 70007709 or 70007710)	
22	See Note	NSS	Wiper (Note: Use Kit PN 70007709 or 70007710)	
101	70007709	1	Kit, Service (Includes Items 1,3,8,9,11,14,20,21,22)	
102	70007710	1	Kit, Head Retainer (Includes Items 1,3,9,14,21,22)	
103	70007711	1	Kit, Piston (Includes Items 10,11,16,20)	
104	70007712	1	Kit, Rod (Includes Items 8,13,18)	
105	70008614	1	Kit, Pad (Includes Items 2,4,5,7,19)	

SECTION 6 - CYLINDER

FIGURE 6-3. LIFT CYLINDER ASSEMBLY



ART_1001244210

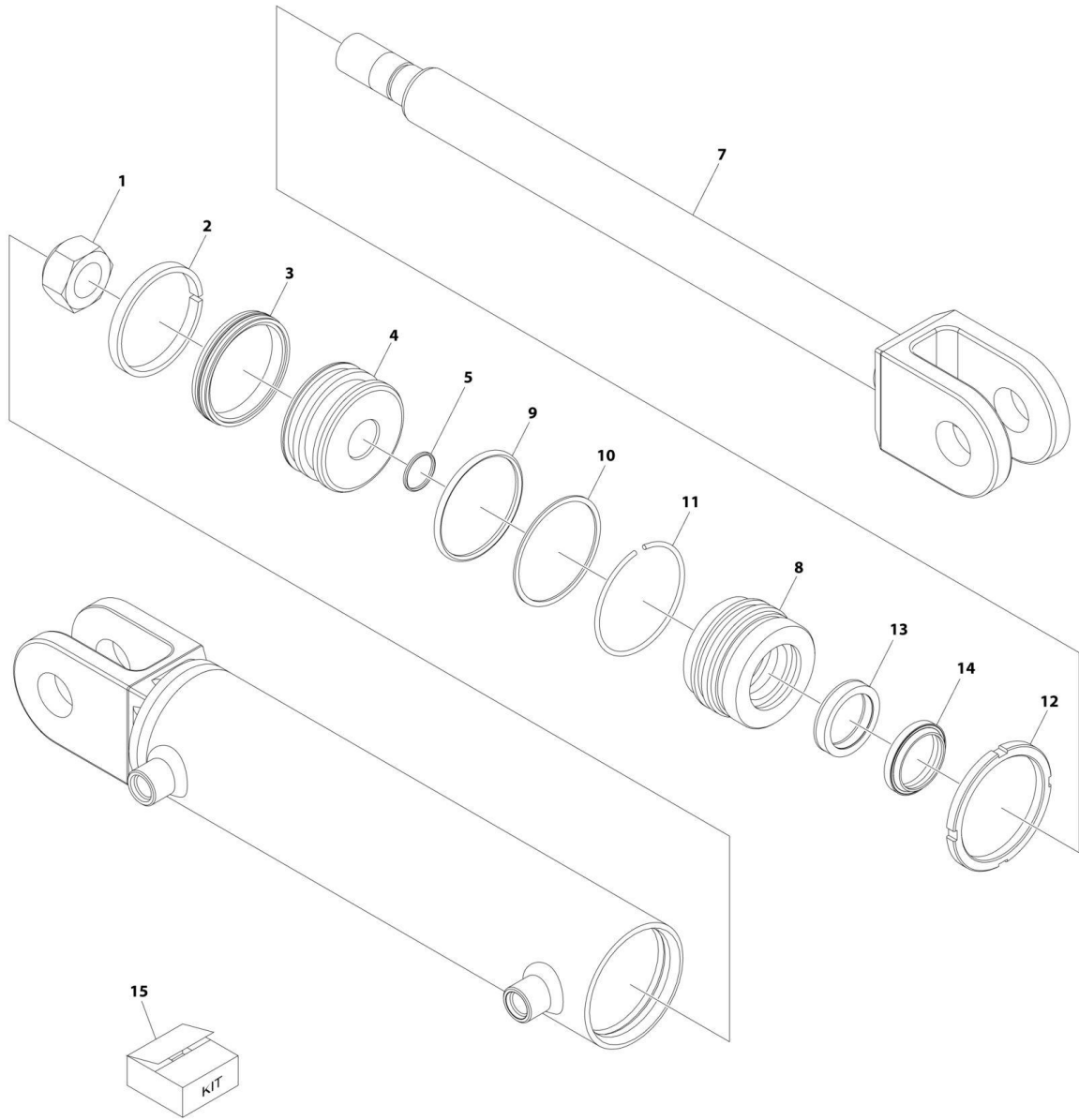
SECTION 6 - CYLINDER

FIGURE 6-3. LIFT CYLINDER ASSEMBLY

ITEM	PART NUMBER	QTY	DESCRIPTION	REV
	1001244210	Ref	LIFT CYLINDER ASSEMBLY	D
		Ref	Note: Original Cylinder May Have Been Replaced with Service Replacement. Identify PN Stamped on Cylinder Before Ordering Parts.	
1	See Note	1	Barrel (Note: Not Available for Purchase, Use p/n 1001244210)	
2	70007716	1	Rod	
3	70007715	1	Piston	
4	70007714	1	Retainer	
5	70007713	1	Kit, Seal (Includes Items 6-11)	
6	See Note	NSS	Ring, Buffer (Note: Use p/n 70007713)	
7	See Note	NSS	Seal, Head (Note: Not Shown, Use p/n 70007713)	
8	See Note	NSS	Seal, Piston (Note: Use p/n 70007713)	
9	See Note	NSS	Seal, Rod (Note: Use p/n 70007713)	
10	See Note	NSS	Ring, Wear (Note: Use p/n 70007713)	
11	See Note	NSS	Wiper (Note: Use p/n 70007713)	
12	See Note	1	O-Ring (Note: Use p/n 1001244210)	
13	See Note	1	Spacer (Note: Use p/n 1001244210)	
14	See Note	1	O-Ring (Note: Use p/n 1001244210)	
15	See Note	1	Ring, Back Up (Note: Use p/n 1001244210)	
16	See Note	1	Bushing (Note: Use p/n 1001244210)	
17	See Note	1	Screw, Set (Note: Use p/n 1001244210)	

SECTION 6 - CYLINDER

FIGURE 6-4. STEER CYLINDER ASSEMBLY



ART_1001246107

SECTION 6 - CYLINDER

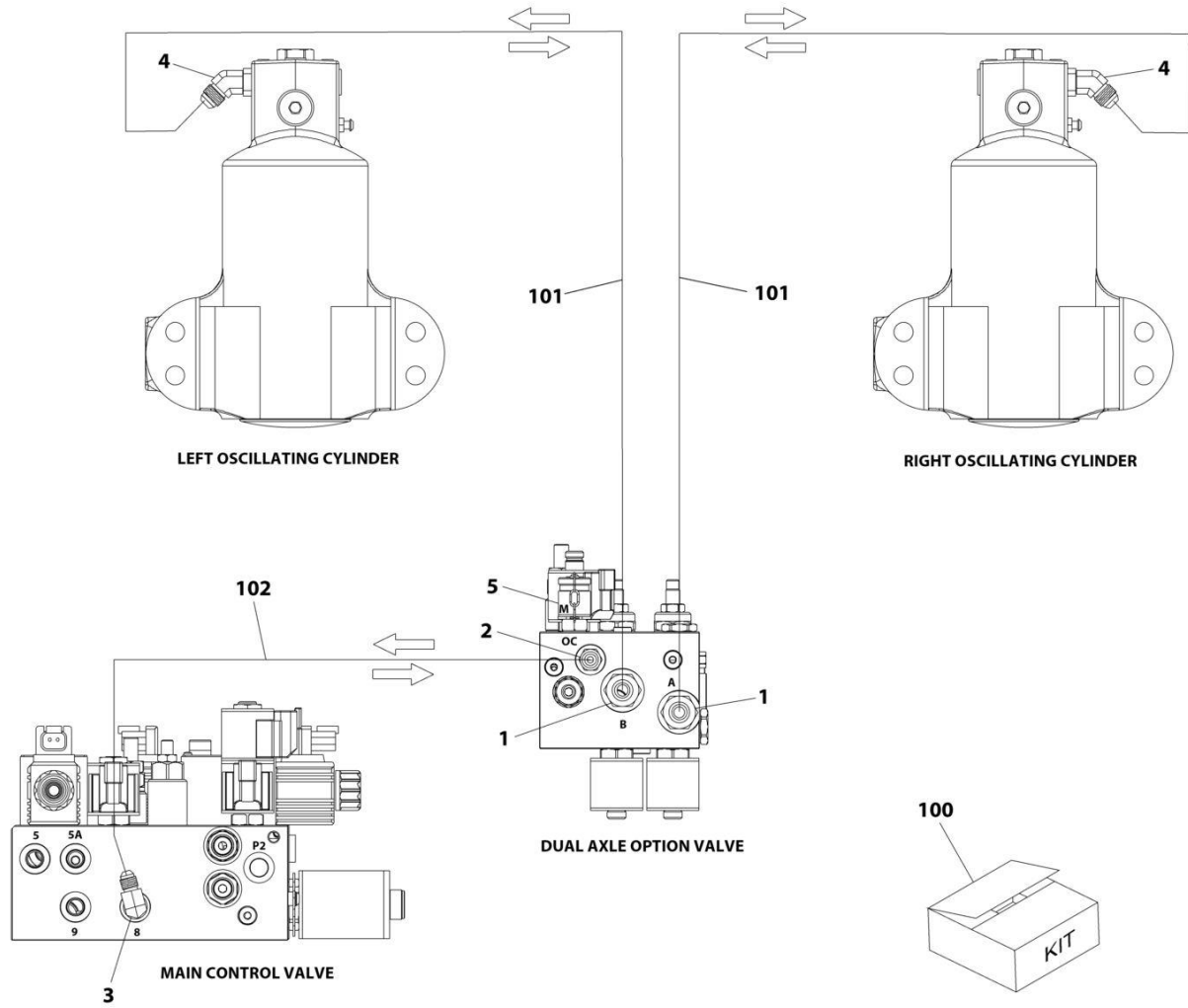
FIGURE 6-4. STEER CYLINDER ASSEMBLY

ITEM	PART NUMBER	QTY	DESCRIPTION	REV
	1001246107	Ref	STEER CYLINDER ASSEMBLY	B
		Ref	Note: Original Cylinder May Have Been Replaced with Service Replacement. Identify PN Stamped on Cylinder Before Ordering Parts.	
1	7001626	1	Nut	
2	See Note	NSS	Ring, Wear (Note: use p/n 70007610)	
3	See Note	NSS	Seal, Piston (Note: use p/n 70007610)	
4	70007607	1	Piston	
5	See Note	NSS	O-Ring (Note: use p/n 70007610)	
7	70007608	1	Rod	
8	70007609	1	Guide	
9	See Note	NSS	O-Ring (Note: use p/n 70007610)	
10	See Note	NSS	Ring, Backup (Note: use p/n 70007610)	
11	See Note	NSS	Ring, Retaining (Note: use p/n 70007610)	
12	7001630	1	Nut	
13	See Note	NSS	Ring (Note: use p/n 70007610)	
14	See Note	NSS	Ring, Wiper (Note: use p/n 70007610)	
15	70007610	1	Kit, Seal (Includes Items 2, 3, 5, 8-10, 12, & 13)	

SECTION 7 - HYDRAULIC

SECTION 7 - HYDRAULIC

FIGURE 7-1. HYDRAULIC DIAGRAM - AXLE (DUAL OSCILLATING)



ART_1001246104

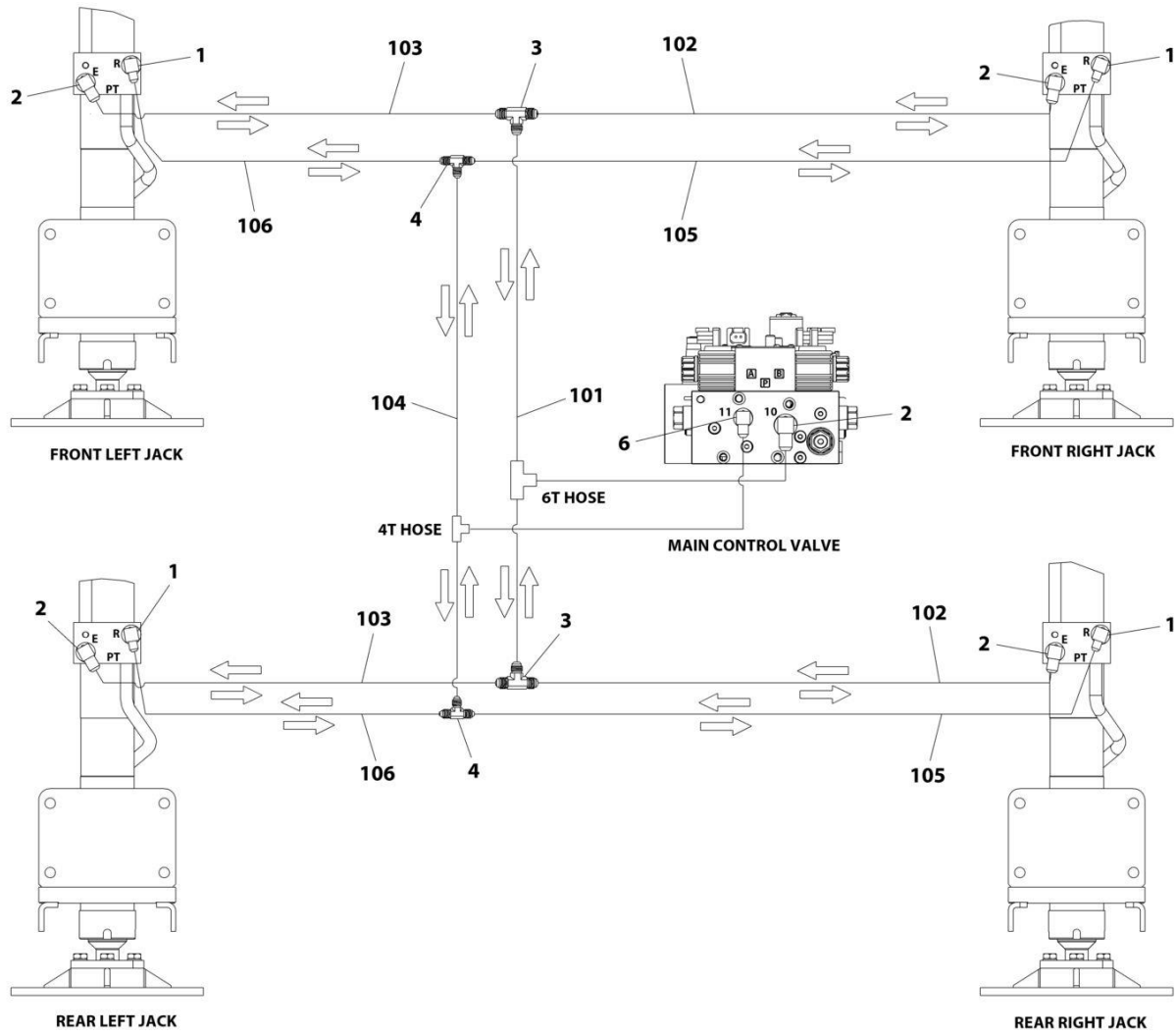
SECTION 7 - HYDRAULIC

FIGURE 7-1. HYDRAULIC DIAGRAM - AXLE (DUAL OSCILLATING)

ITEM	PART NUMBER	QTY	DESCRIPTION	REV
	1001246104	Ref	HYDRAULIC DIAGRAM - AXLE (DUAL OSCILLATING)	F
1	2220371	Ref	Fitting, Straight JIC/ORB	
2	2220415	1	Fitting, Straight JIC/ORB	
3	2220466	1	Fitting, 90 JIC/ORB	
4	2220501	2	Fitting, 45 JIC/ORB	
5	2221086	1	Fitting, Test	
100	1001260253	1	Kit, Hose (Includes Items 101 & 102)	
101	1001250418	2	Hose	
102	1001250419	1	Hose	

SECTION 7 - HYDRAULIC

FIGURE 7-2. HYDRAULIC DIAGRAM - LEVELING JACKS



ART_1001250342

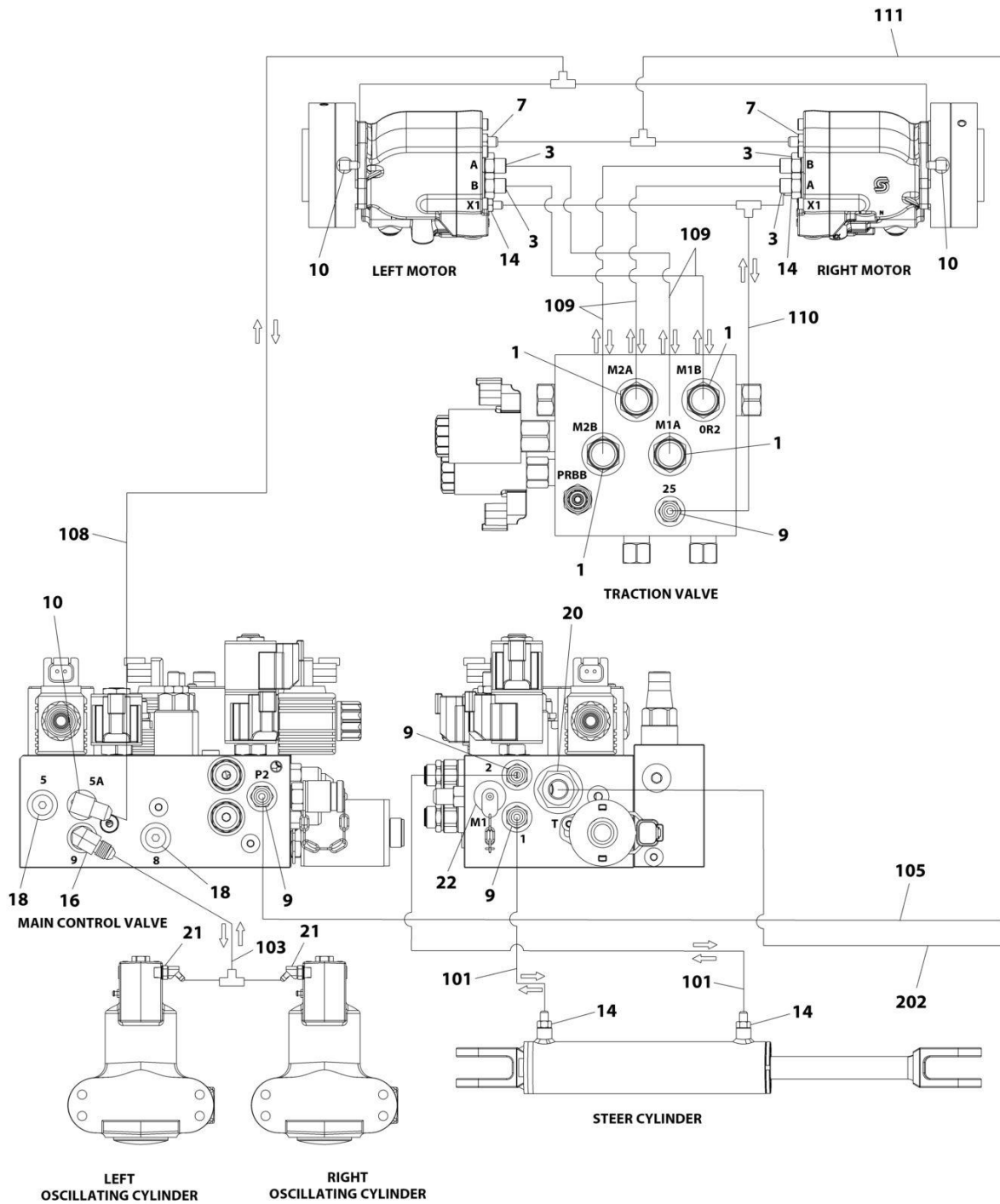
SECTION 7 - HYDRAULIC

FIGURE 7-2. HYDRAULIC DIAGRAM - LEVELING JACKS

ITEM	PART NUMBER	QTY	DESCRIPTION	REV
	1001250342	Ref	HYDRAULIC DIAGRAM - LEVELING JACKS	B
1	2220472	4	Fitting, 90 JIC/ORB	
2	2220473	5	Fitting, 90 JIC/ORB	
3	2220490	2	Fitting, Tee JIC/JIC/JIC	
4	2220504	2	Fitting, Tee JIC/JIC/JIC	
6	2220466	1	Fitting, 90 JIC/ORB	
100	1001260252	Ref	Hose Kit (Not Shown)	A
101	1001250307	1	Hose	
102	1001250308	2	Hose	
103	1001250309	2	Hose	
104	1001250310	1	Hose	
105	1001250311	2	Hose	
106	1001250312	2	Hose	

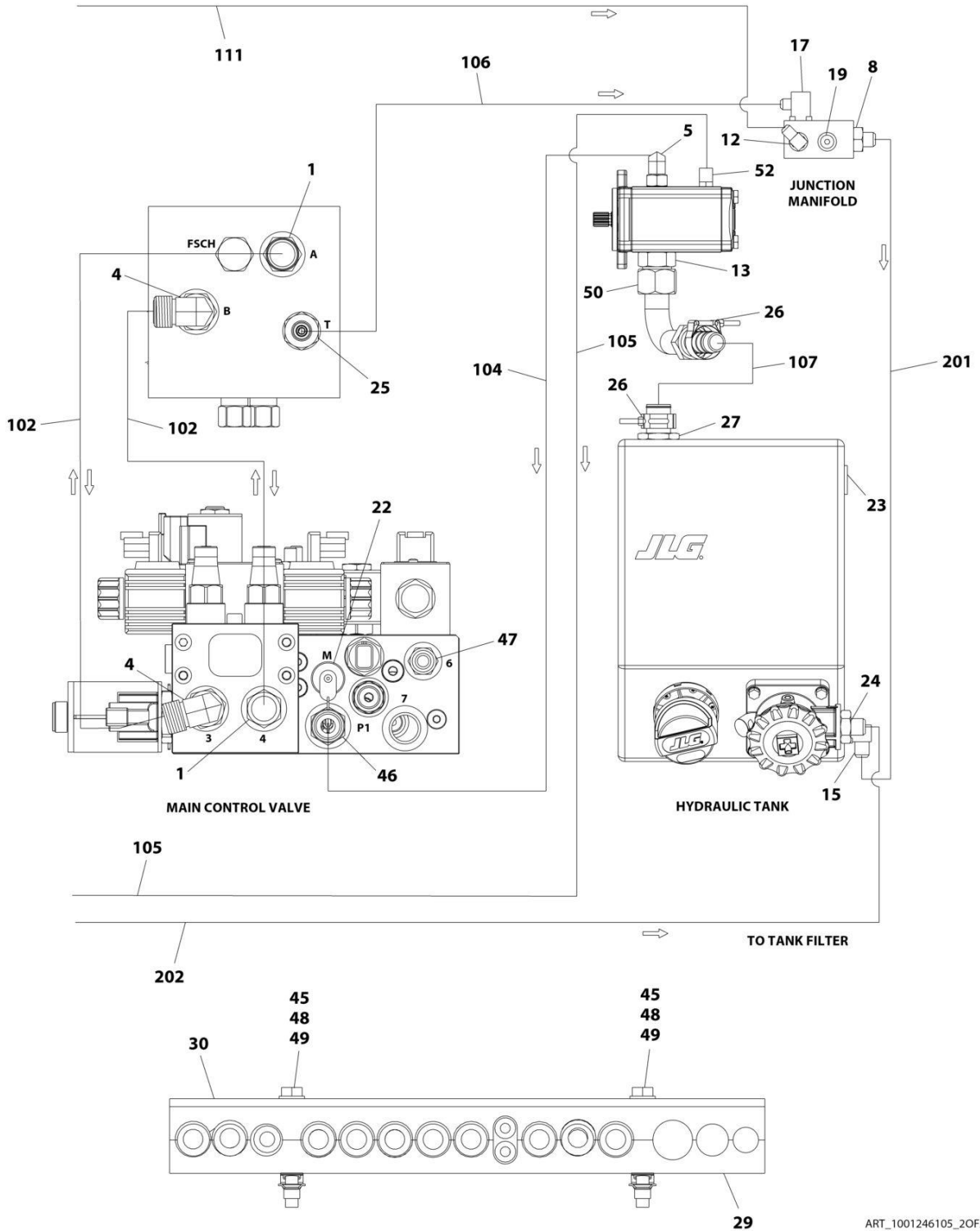
SECTION 7 - HYDRAULIC

FIGURE 7-3. HYDRAULIC DIAGRAM - STANDARD (2WD)



ART_1001246105_10F2

SECTION 7 - HYDRAULIC



ART_1001246105_2OF2

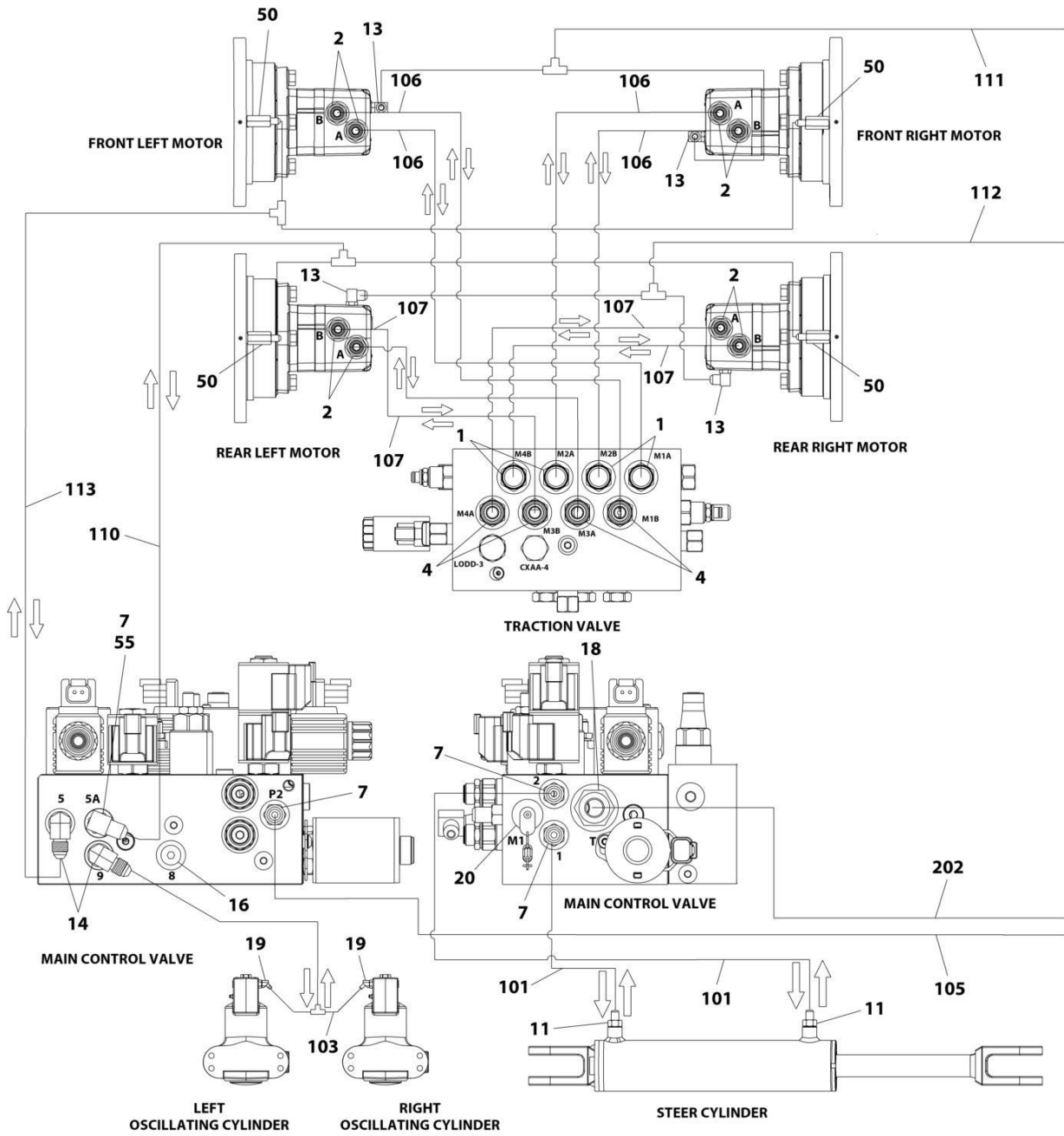
SECTION 7 - HYDRAULIC

FIGURE 7-3. HYDRAULIC DIAGRAM - STANDARD (2WD)

ITEM	PART NUMBER	QTY	DESCRIPTION	REV
	1001246105	Ref	HYDRAULIC DIAGRAM – STANDARD (2WD)	D
1	2110808	6	Fitting, Straight ORFS/ORB	
3	2110812	4	Fitting, Straight ORFS/ORB	
4	2130808	2	Fitting, 90 ORFS/ORB	
5	2130810	1	Fitting, 90 ORFS/ORB	
7	2220372	2	Fitting, Straight JIC/ORB	
8	2220375	1	Fitting, Straight JIC/ORB	
9	2220415	4	Fitting, Straight JIC/ORB	
10	2220466	3	Fitting, 90 JIC/ORB	
12	2220473	1	Fitting, 90 JIC/ORB	
13	2220479	1	Fitting, Straight JIC/ORB	
14	2220582	4	Fitting, Straight JIC/ORB	
15	2220596	1	Fitting, 90 JIC/ORB	
16	2220940	1	Fitting, Elbow	
17	2220828	1	Fitting, Straight JIC/ORB	
18	2220883	2	Plug	
19	2220885	1	Plug	
20	2220947	1	Fitting	
21	2221040	2	Fitting, 45 JIC/ORB	
22	2221086	2	Fitting, Test Port	
23	8770223	1	Fitting	
24	83451104	1	Fitting, Straight JIC/ORB	
25	2220998	1	Fitting, Straight JIC/ORB	
26	80633030	2	Clamp, Heavy Duty Band	
27	1001202910	1	Fitting	
29	1001247462	1	Clamp	
30	1001248339	1	Plate	
45	0700822	2	Bolt M8 x 70	
46	2170108	1	Connector	
47	2220371	1	Fitting, Straight JIC/ORB	
48	4811900	2	Washer M8	
49	1001118274	2	Nut	
50	1001205824	1	Fitting	
51	4240018	1	Tie-Strap	
52	2220472	1	Fitting, 90 JIC/ORB	
100	1001260250	1	Hose Kit (Not Shown)	B
101	1001248868	2	Hose	
102	1001248869	2	Hose	
103	1001248871	1	Hose	
104	1001248872	1	Hose	
105	1001248873	1	Hose	
106	1001249181	1	Hose	
107	1001249231	1	Hose	
108	1001249701	1	Hose	
109	1001250468	4	Hose	
110	1001254083	1	Hose	
111	1001254298	1	Hose	
200	1001260255	1	Hose Kit (Not Shown)	A
201	1001249178	1	Hose	
202	1001249850	1	Hose	

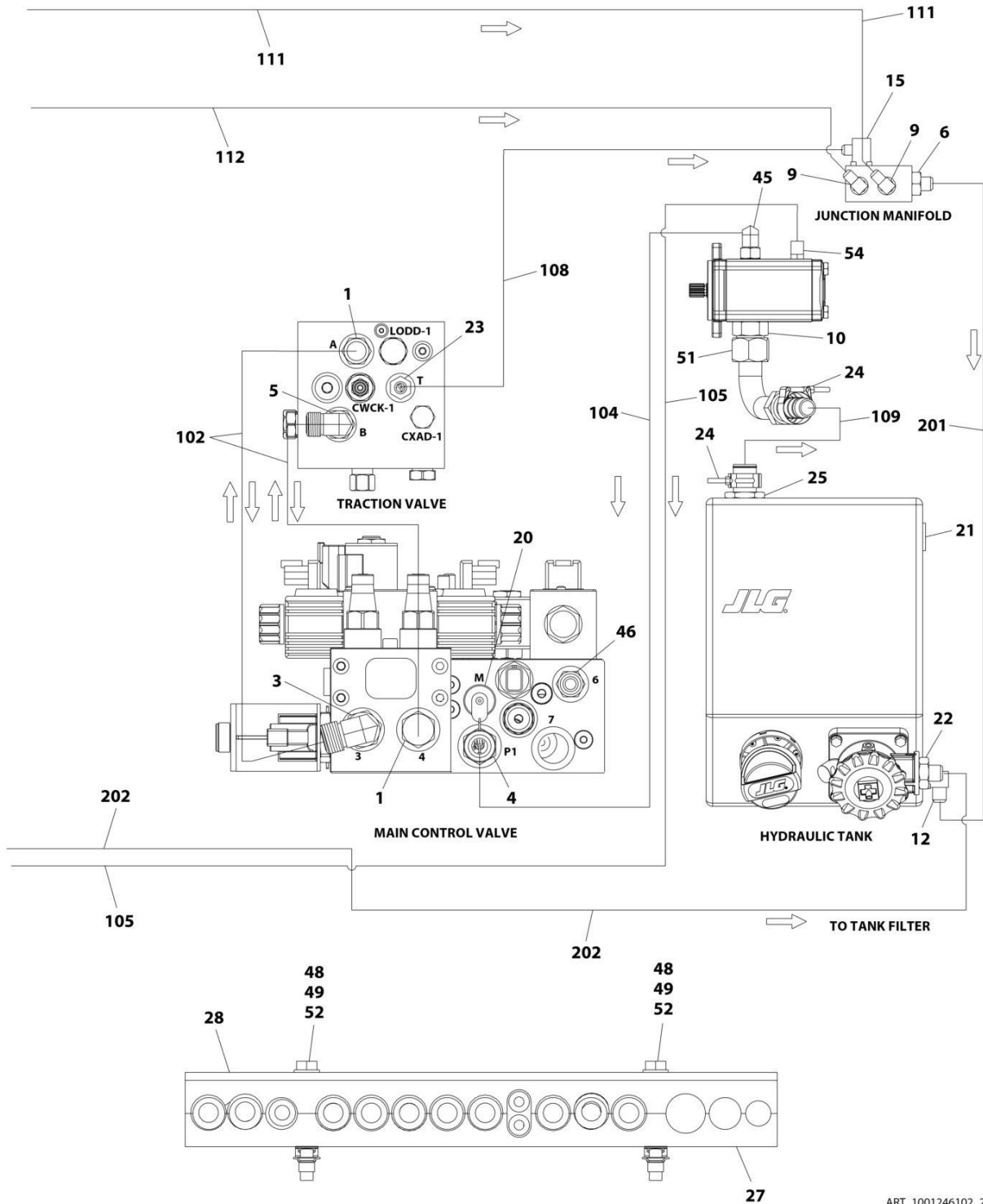
SECTION 7 - HYDRAULIC

FIGURE 7-4. HYDRAULIC DIAGRAM - STANDARD (4WD)



ART_1001246102_10F2

SECTION 7 - HYDRAULIC



ART_1001246102_20F2

SECTION 7 - HYDRAULIC

FIGURE 7-4. HYDRAULIC DIAGRAM - STANDARD (4WD)

ITEM	PART NUMBER	QTY	DESCRIPTION	REV
	1001246102	Ref	HYDRAULIC DIAGRAM – STANDARD (4WD)	E
1	2110808	6	Fitting, Straight ORFS/ORB	
2	2110810	8	Fitting, Straight ORFS/ORB	
3	2130808	1	Fitting, 90 ORFS/ORB	
4	2170108	5	Connector	
5	2170208	1	Fitting, 90 ORFS/ORB	
6	2220375	1	Fitting, Straight JIC/ORB	
7	2220415	4	Fitting, Straight JIC/ORB	
9	2220473	2	Fitting, 90 JIC/ORB	
10	2220479	1	Fitting, Straight JIC/ORB	
11	2220582	2	Fitting, Straight JIC/ORB	
12	2220596	1	Fitting, 90 JIC/ORB	
13	2220775	4	Fitting, 90 JIC/ORB	
14	2220940	2	Fitting, Elbow	
15	2220828	1	Fitting, 90 JIC/ORB	
16	2220883	1	Plug	
18	2220947	1	Fitting	
19	2221040	2	Fitting, 45 JIC/ORB	
20	2221086	2	Fitting, Test Port	
21	8770223	1	Fitting	
22	83451104	1	Fitting, Straight JIC/ORB	
23	2220998	1	Fitting, Straight JIC/ORB	
24	80633030	2	Clamp, Heavy Duty Band	
25	1001202910	1	Fitting	
27	1001247462	1	Clamp	
28	1001248339	1	Plate	
45	2130810	1	Fitting, 90 ORFS/ORB	
46	2220371	1	Fitting, Straight JIC/ORB	
48	4811900	2	Washer M8	
49	1001118274	2	Nut	
50	1001119630	4	Fitting	
51	1001205824	1	Fitting	
52	0700822	2	Bolt M8 x 70	
53	4240018	3	Tie-Strap	
54	2220472	1	Fitting, 90 JIC/ORB	
55	2220654	1	Fitting, 90 JIC/ORB	
100	1001260064	1	Hose Kit (Not Shown)	B
101	1001248868	2	Hose	
102	1001248869	2	Hose	
103	1001248871	1	Hose	
104	1001248872	1	Hose	
105	1001248873	1	Hose	
106	1001248874	4	Hose	
107	1001248876	4	Hose	
108	1001249181	1	Hose	
109	1001249231	1	Hose	
110	1001249701	1	Hose	
111	1001249703	1	Hose	
112	1001249704	1	Hose	
113	1001260540	1	Hose	

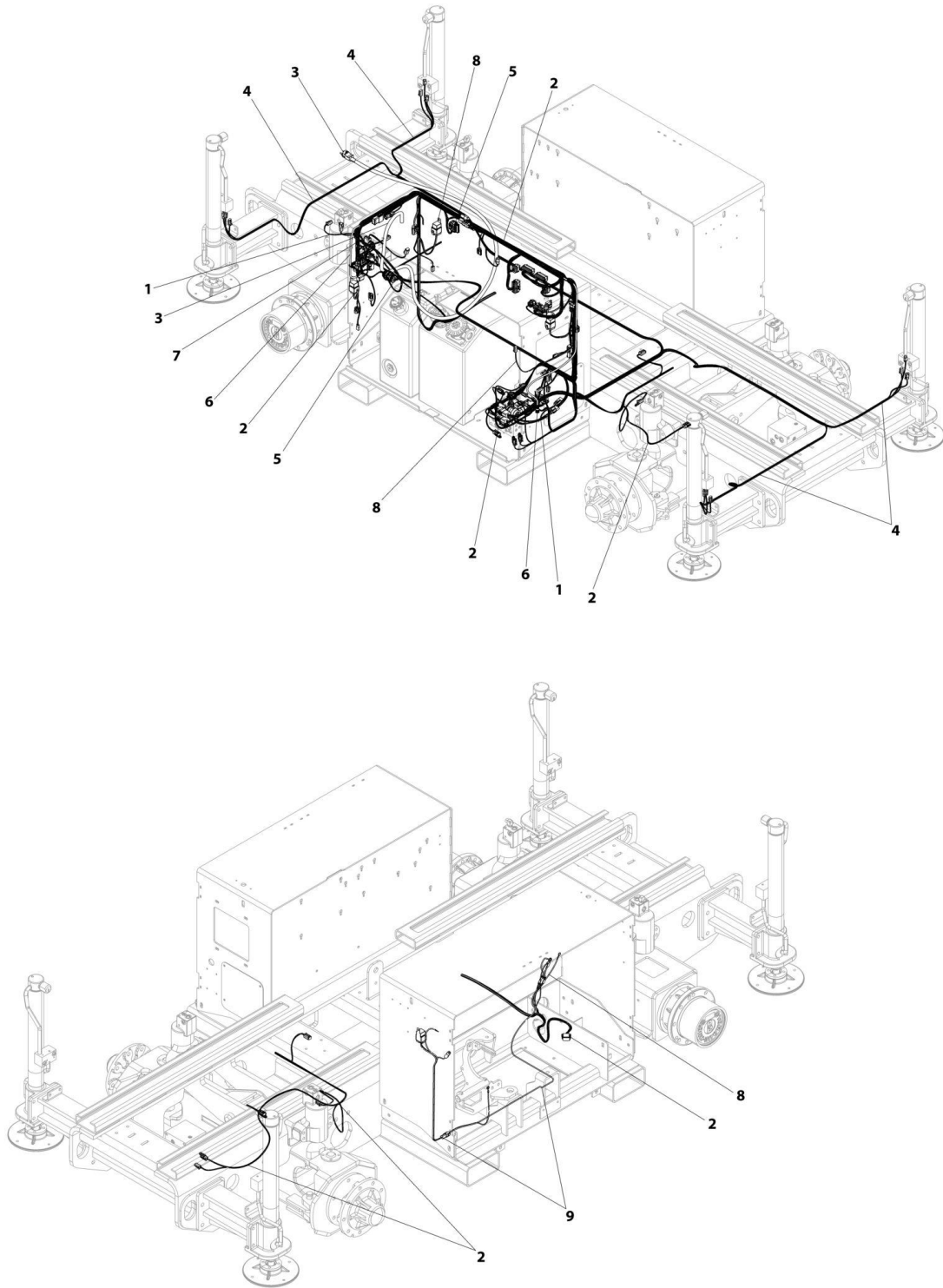
SECTION 7 - HYDRAULIC

ITEM	PART NUMBER	QTY	DESCRIPTION	REV
200	1001260255	1	Hose Kit (Not Shown)	A
201	1001249178	1	Hose	
202	1001249850	1	Hose	

SECTION 8 - ELECTRICAL

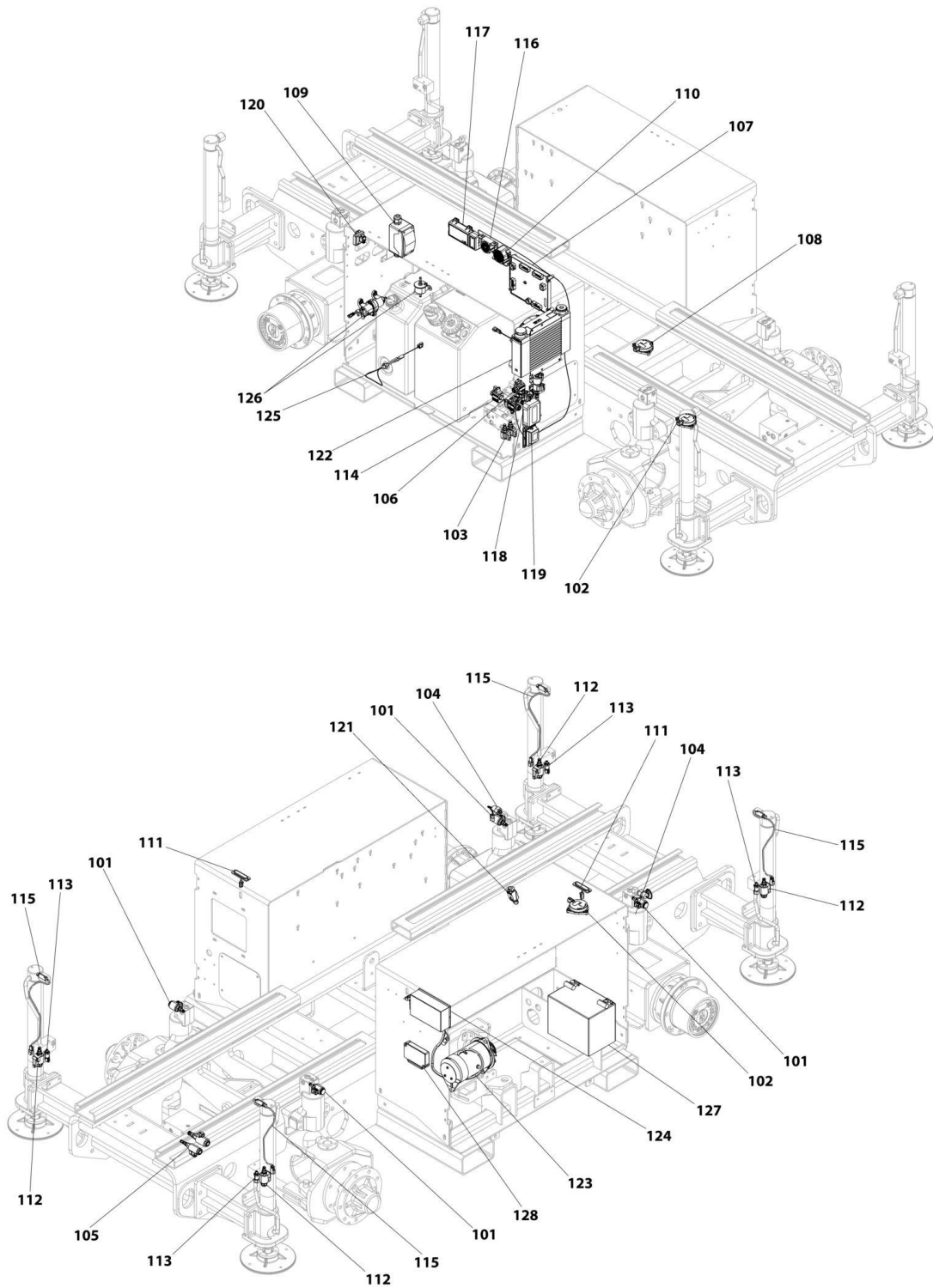
SECTION 8 - ELECTRICAL

FIGURE 8-1. RT2669 & RT3369 ELECTRICAL LAYOUT



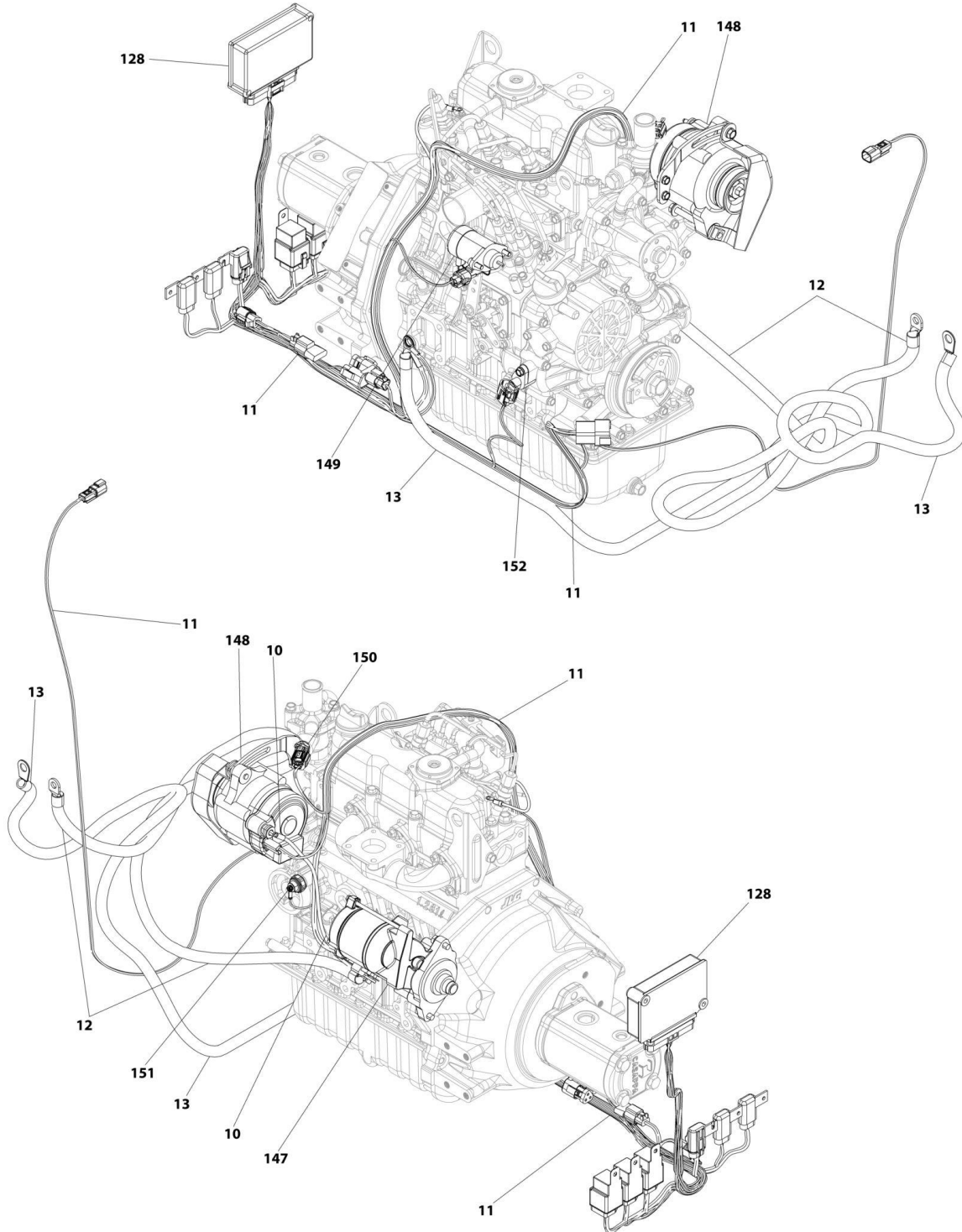
ART_RT3369-ELECTRICAL_FRAME-HARNESS

SECTION 8 - ELECTRICAL



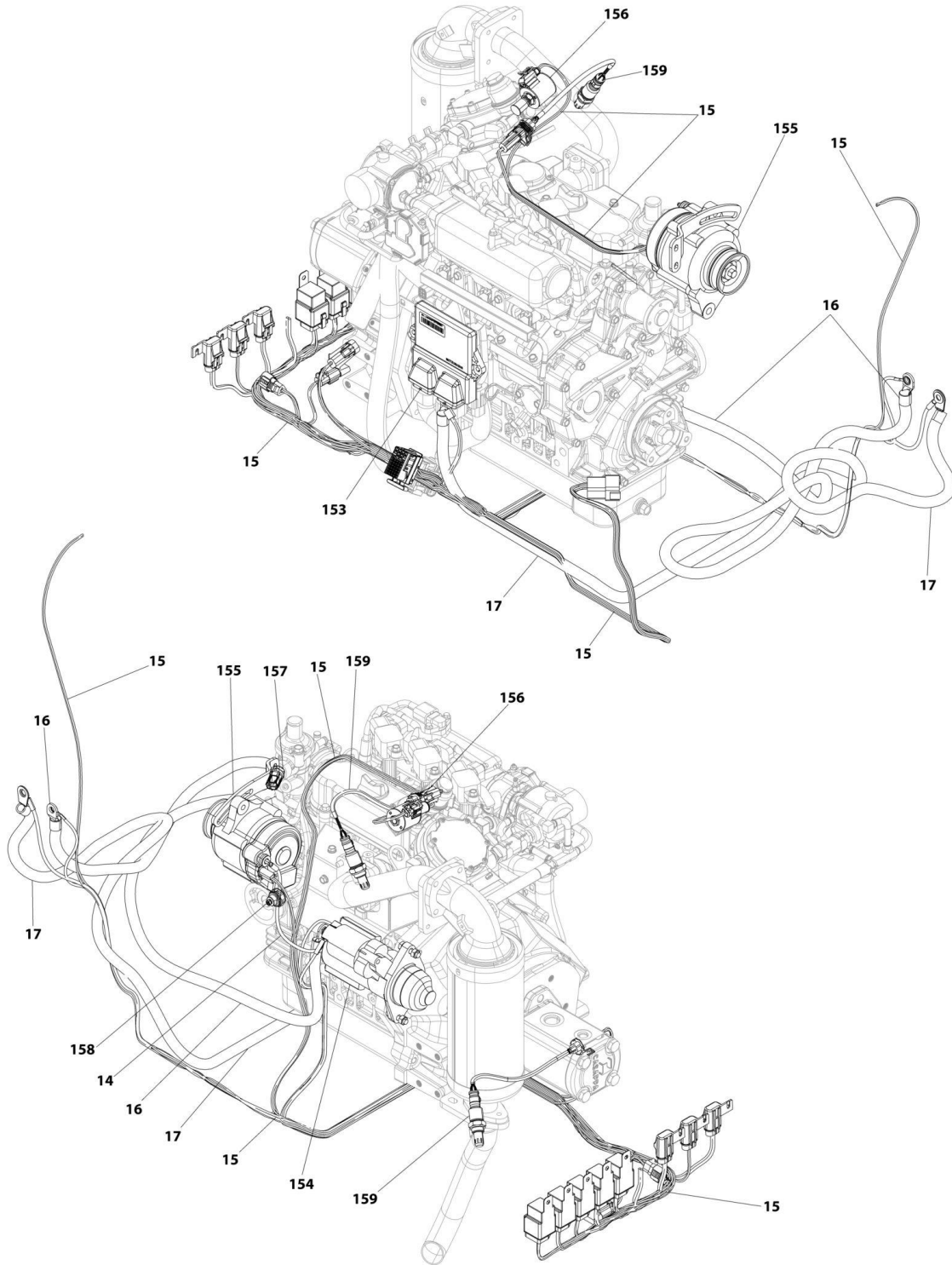
ART_RT3369-ELECTRICAL_FRAME-COMPONENT

SECTION 8 - ELECTRICAL



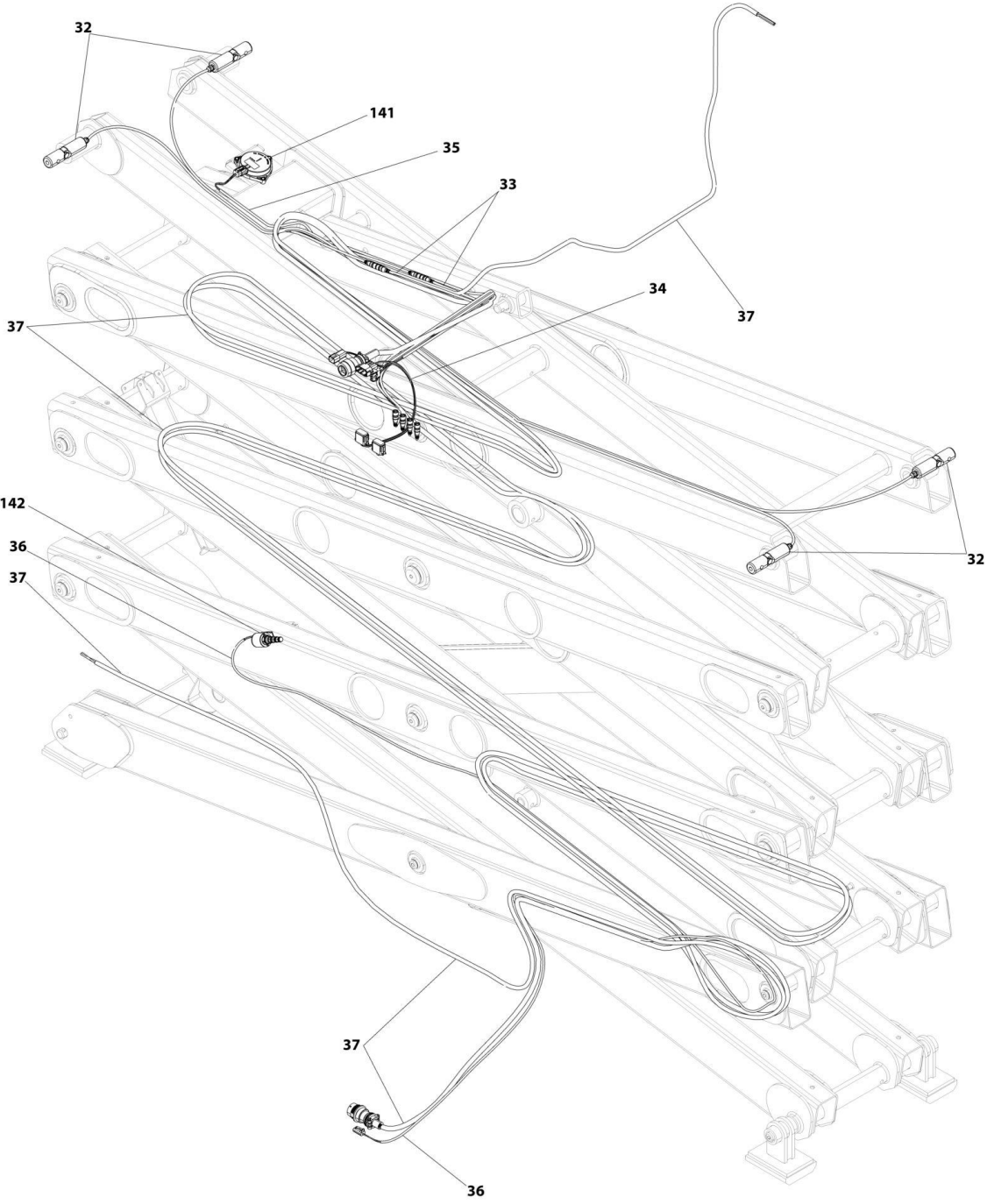
ART_RT3369-ELECTRICAL_ENGINE-KUBOTAT126D

SECTION 8 - ELECTRICAL



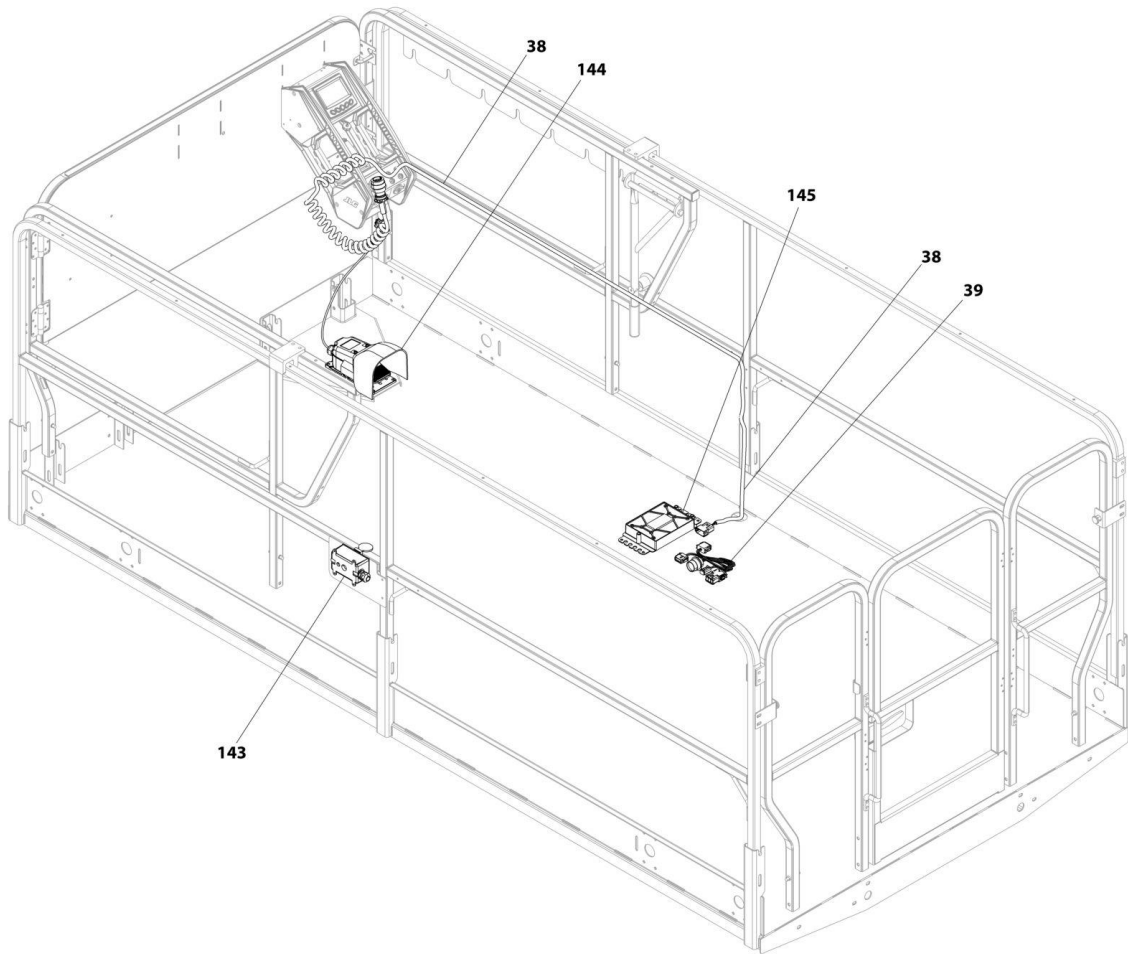
ART_RT3369-ELECTRICAL_ENGINE_KUBOTA096DF

SECTION 8 - ELECTRICAL



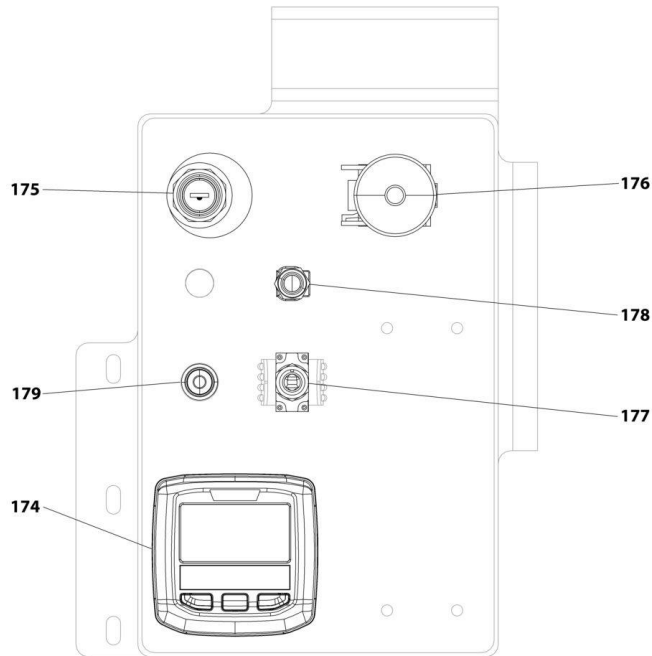
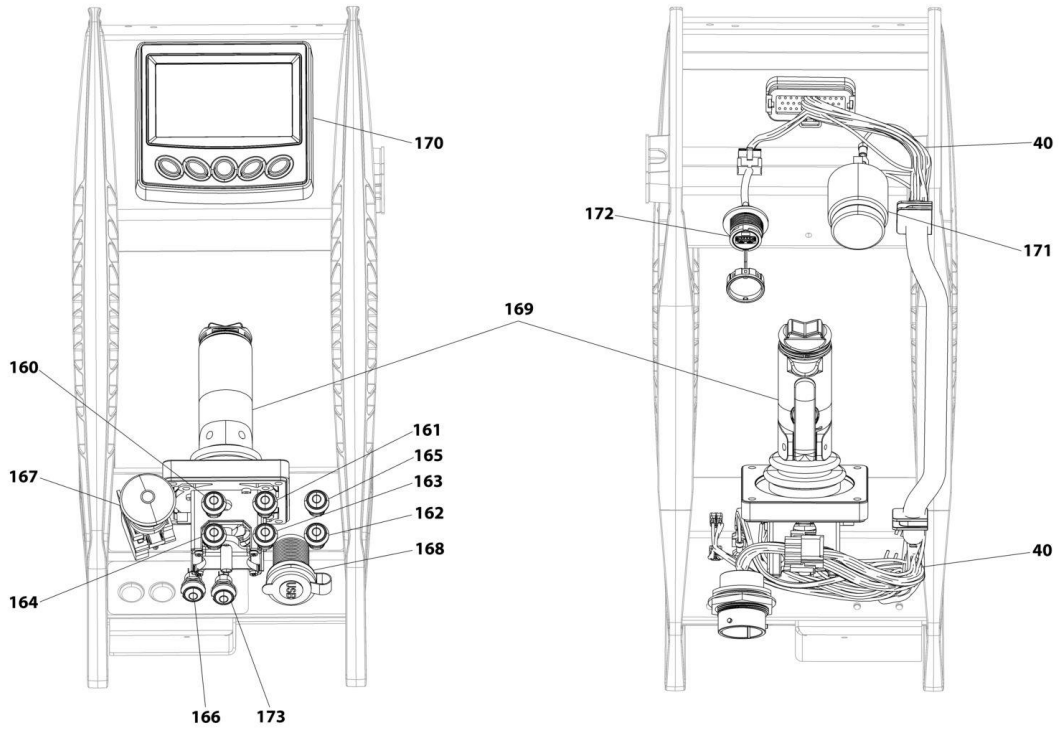
ART_ERT3369-ELECTRICAL_ARMS

SECTION 8 - ELECTRICAL



ART_ERT3369-ELECTRICAL_PLATFORM

SECTION 8 - ELECTRICAL



ART_RT3369-ELECTRICAL_CONTROLS

SECTION 8 - ELECTRICAL

FIGURE 8-1. RT2669 & RT3369 ELECTRICAL LAYOUT

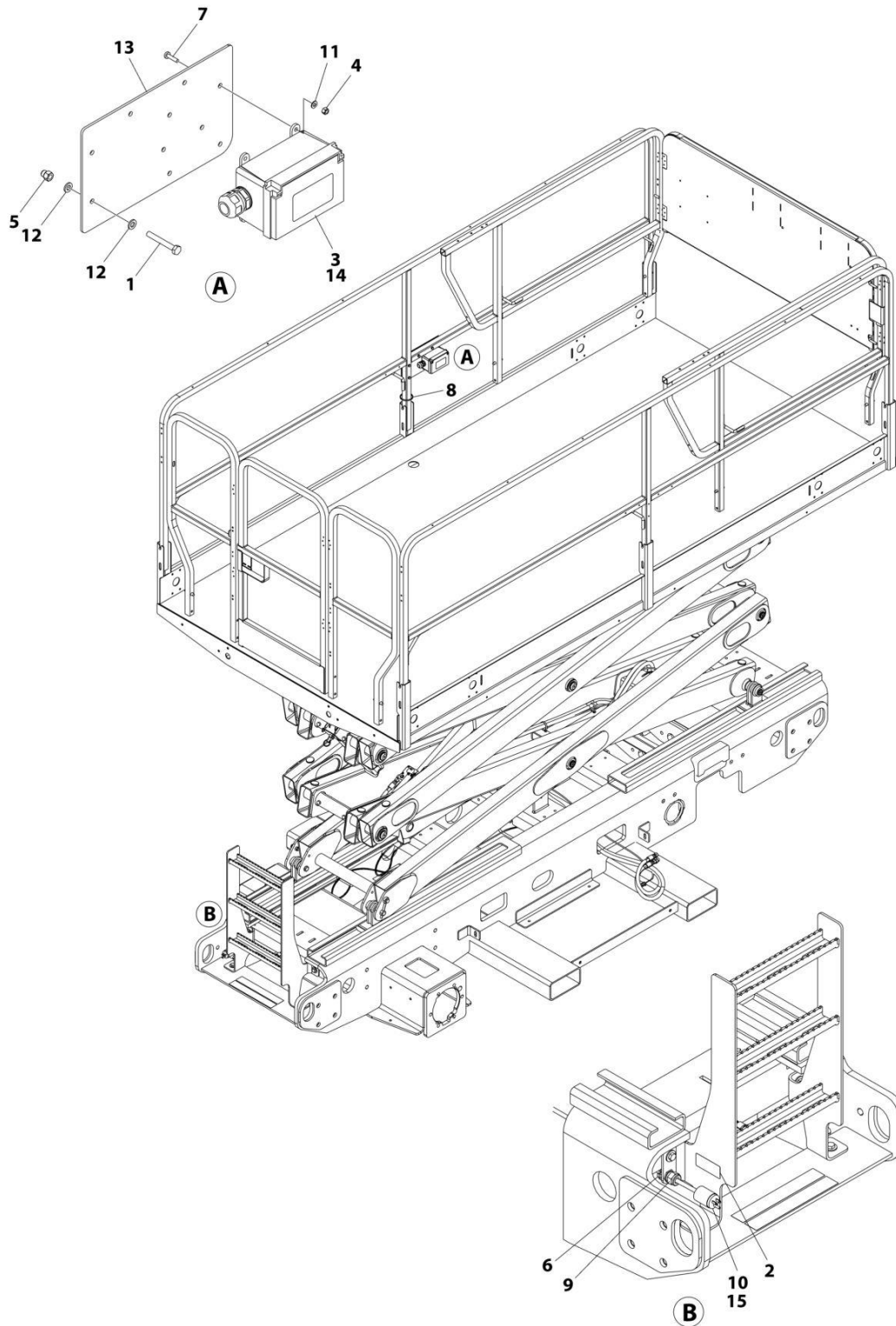
ITEM	PART NUMBER	QTY	DESCRIPTION	REV
		Ref	Note: This figure is for part identification only.	
		Ref	HARNESS LIST	
1		Ref	Harness, Rear Axle	
2		Ref	Harness, Chassis	
3		Ref	Cable, 12/3	
4		Ref	Harness, Leveling Jacks	
5		Ref	Harness, Clearsky	
6		Ref	Harness, Telematics	
7		Ref	Harness, Xirgo Jumper	
8		Ref	Harness, Hydraulic Oil Cooler	
9		Ref	Harness, Generator	
10		Ref	Harness, Fusible Link	
11		Ref	Harness, Engine	
12		Ref	Cable, Engine to Battery (+)	
13		Ref	Cable, Engine to Battery (-)	
14		Ref	Harness, Fusible Link	
15		Ref	Harness, Engine	
16		Ref	Cable, Engine to Battery (+)	
17		Ref	Cable, Engine to Battery (-)	
32		Ref	Assembly, Load Sense Pin/Cable	
33		Ref	Cable, Load Sense Extension	
34		Ref	Harness, Load Sense	
35		Ref	Harness, Tilt Sensor	
36		Ref	Harness, Lift Down	
37		Ref	Cable, AC Ground to Platform	
38		Ref	Harness, Platform Control Box	
39		Ref	Harness, Platform	
40		Ref	Harness, Platform Control Box	
		Ref	COMPONENT LIST	
101		Ref	Solenoid, Axle Lock	
102		Ref	Sensor, Tilt	
103		Ref	Solenoids, Dual Axle Valve	
104		Ref	Switch, Pressure	
105		Ref	Solenoids, Traction Valve	
106		Ref	Solenoids, Main Control Valve	
107		Ref	Module, Ground Control	
108		Ref	Sensor, Tilt	
109		Ref	AC Breaker Box	
110		Ref	Alarm	
111		Ref	Beacon	
112		Ref	Solenoid, Leveling Jack Cylinder	
113		Ref	Sensor, Leveling Jacks Pressure	
114		Ref	Solenoid, Leveling Jacks Valve	
115		Ref	Sensor, Leveling Jacks Proximity	
116		Ref	Alarm, White Noise	
117		Ref	Module, ClearSky Telematics CANBUS	
118		Ref	Antennae, ClearSky Telematics	
119		Ref	Module, ClearSky Telematics 3-Wire	
120		Ref	Voltage Regulator, ClearSky Telematics	
121		Ref	Switch, LSS Limit	

SECTION 8 - ELECTRICAL

ITEM	PART NUMBER	QTY	DESCRIPTION	REV
122		Ref	Hydraulic Oil Cooler	
123		Ref	Generator	
124		Ref	Box, Generator AC Receptacle	
125		Ref	Sensor, Fuel Level	
126		Ref	Fuel Pump	
127		Ref	Battery	
128		Ref	Module, Engine Control	
141		Ref	Sensor, Tilt	
142		Ref	Solenoid, Lift Down	
143		Ref	AC Receptacle	
144		Ref	Footswitch	
145		Ref	Module, Load Sense	
147		Ref	Starter	
148		Ref	Alternator	
149		Ref	Governor	
150		Ref	Sensor, Engine Coolant Temperature	
151		Ref	Sensor, Oil Pressure	
152		Ref	Sensor, Speed	
153		Ref	Module, Engine Control	
154		Ref	Starter	
155		Ref	Alternator	
156		Ref	LP Regulator	
157		Ref	Sensor, Engine Coolant Temperature	
158		Ref	Sensor, Oil Pressure	
159		Ref	Sensor, Oxygen	
160		Ref	Switch, Lift Select	
161		Ref	Switch, Drive Select	
162		Ref	Switch, Horn	
163		Ref	Switch, Speed Select	
164		Ref	Switch, Leveling Jacks	
165		Ref	Switch, Engine Start	
166		Ref	Switch, Fuel Select	
167		Ref	Switch, Emergency Stop	
168		Ref	USB Port	
169		Ref	Joystick	
170		Ref	Display, Platform	
171		Ref	Alarm	
172		Ref	USB Port	
173		Ref	Switch, Generator	
174		Ref	Display, Ground	
175		Ref	Switch, Key	
176		Ref	Switch, Emergency Stop	
177		Ref	Switch, Platform Lift/Lower	
178		Ref	Light, Load Sense Overload Indicator	
179		Ref	Switch, Engine Start	

SECTION 8 - ELECTRICAL

FIGURE 8-2. AC BOX AT PLATFORM INSTALLATION - 110V GFI (ALL SPECS EXCEPT AUSTRALIAN, CE & UK CA SPECS)



ART_1001255001

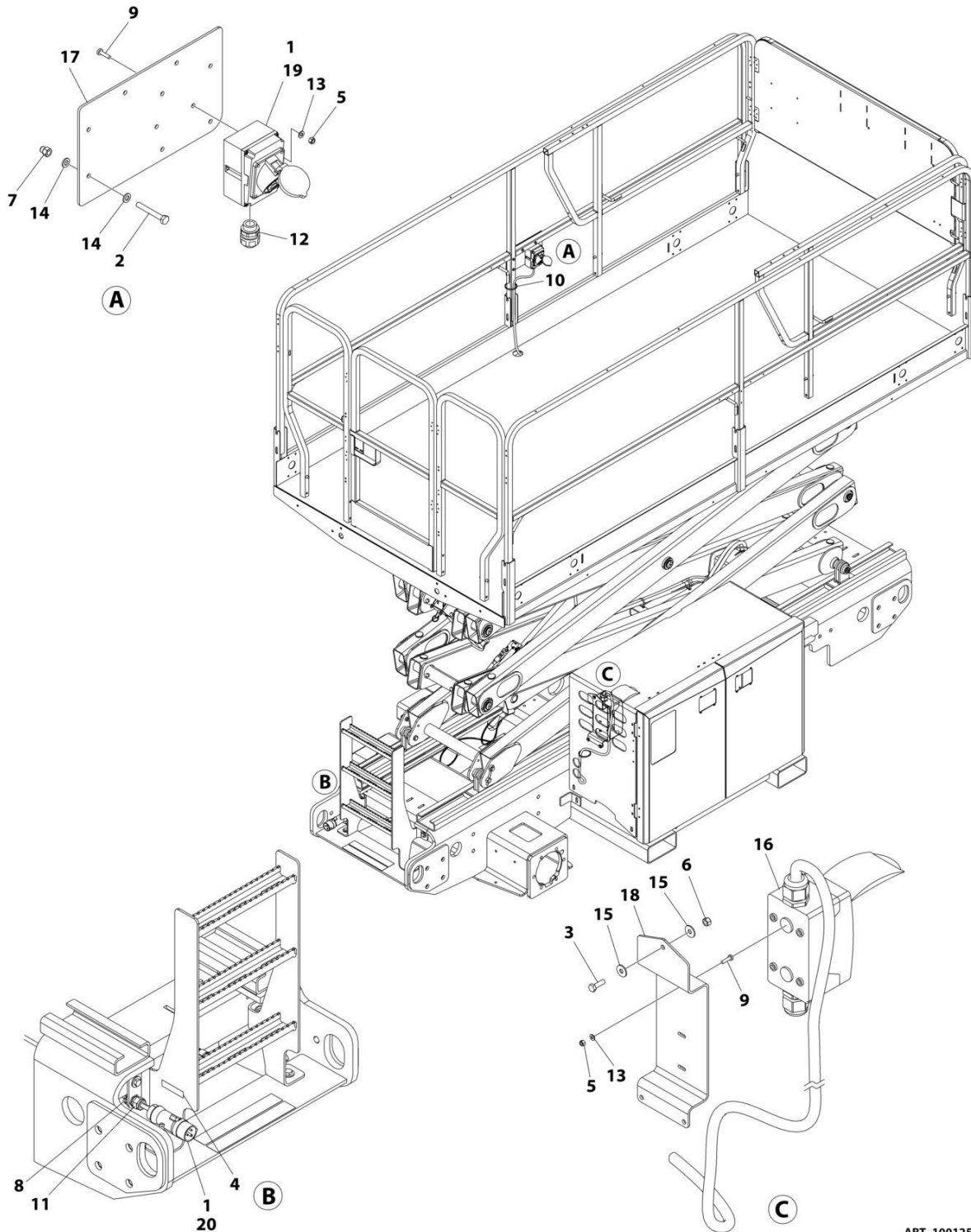
SECTION 8 - ELECTRICAL

FIGURE 8-2. AC BOX AT PLATFORM INSTALLATION - 110V GFI (ALL SPECS EXCEPT AUSTRALIAN, CE & UK CA SPECS)

ITEM	PART NUMBER	QTY	DESCRIPTION	REV
	1001255001	Ref	AC BOX AT PLATFORM INSTALLATION - 110V	B
1	0700617	4	Bolt M6 x 45	
2	1703464	1	Decal - AC Power	
3	2902431	1	Receptacle Box Kit - 110V GFI (See Separate Breakdown in this Section)	
4	3290405	4	Nut M4	
5	3290606	4	Nut M6 x 1	
6	3300048	1	Nut 3/4	
7	4010408	4	Screw M4 x 16	
8	4240017	AR	Tie-Strap	
9	4460071	1	Connector	
10	4460138	1	Plug, Male	
11	4811400	4	Washer M4	
12	4811700	8	Washer M6	
13	1001254613	1	Plate, Platform Plug Mount	
14	4460315	3	Terminal, Spade	
15	1001212268	3	Terminal	

SECTION 8 - ELECTRICAL

FIGURE 8-3. AC BOX AT PLATFORM INSTALLATION - 110V IEC YELLOW (CE & UK CA SPECS)



ART_1001255006

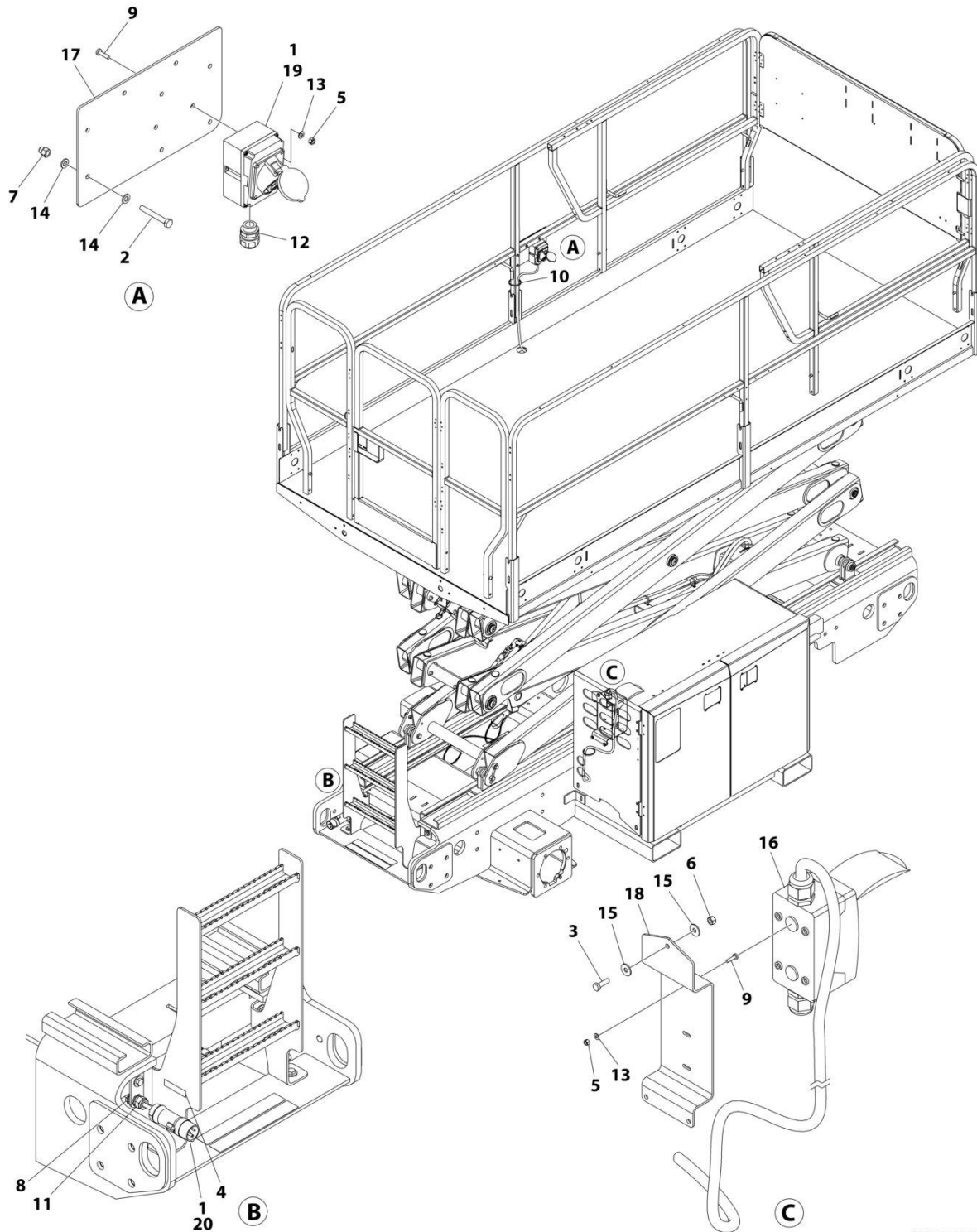
SECTION 8 - ELECTRICAL

FIGURE 8-3. AC BOX AT PLATFORM INSTALLATION - 110V IEC YELLOW (CE & UK CA SPECS)

ITEM	PART NUMBER	QTY	DESCRIPTION	REV
	1001255006	Ref	AC BOX AT PLATFORM INSTALLATION - 110V IEC YELLOW	B
1	0275216	1	Receptacle Box Kit - 110V IEC Yellow (See Separate Breakdown in this Section)	
2	0700617	4	Bolt M6 x 45	
3	0760610	3	Bolt M6 x 20	
4	1705325	1	Decal - 110 Volt	
5	3290405	4	Nut M4	
6	3290605	3	Nut M6	
7	3290606	4	Nut M6 x 1	
8	3300048	1	Nut 3/4	
9	4010408	4	Screw M4 x 16	
10	4240017	AR	Tie-Strap	
11	4460071	1	Connector, Water Tight	
12	4460968	1	Connector, Strain Relief	
13	4811400	4	Washer M4	
14	4811700	8	Washer M6	
15	4811702	6	Washer M6	
16	1001096070	1	Breaker Box Kit (See Separate Breakdown in this Section)	
17	1001254613	1	Plate, Platform Plug Mount	
18	1001261118	1	Bracket, Electric Box Mount	
19	4460315	3	Terminal, Spade	
20	1001212268	3	Terminal	

SECTION 8 - ELECTRICAL

FIGURE 8-4. AC BOX AT PLATFORM INSTALLATION - 220V IEC BLUE (CE & UK CA SPECS)



ART_1001255007

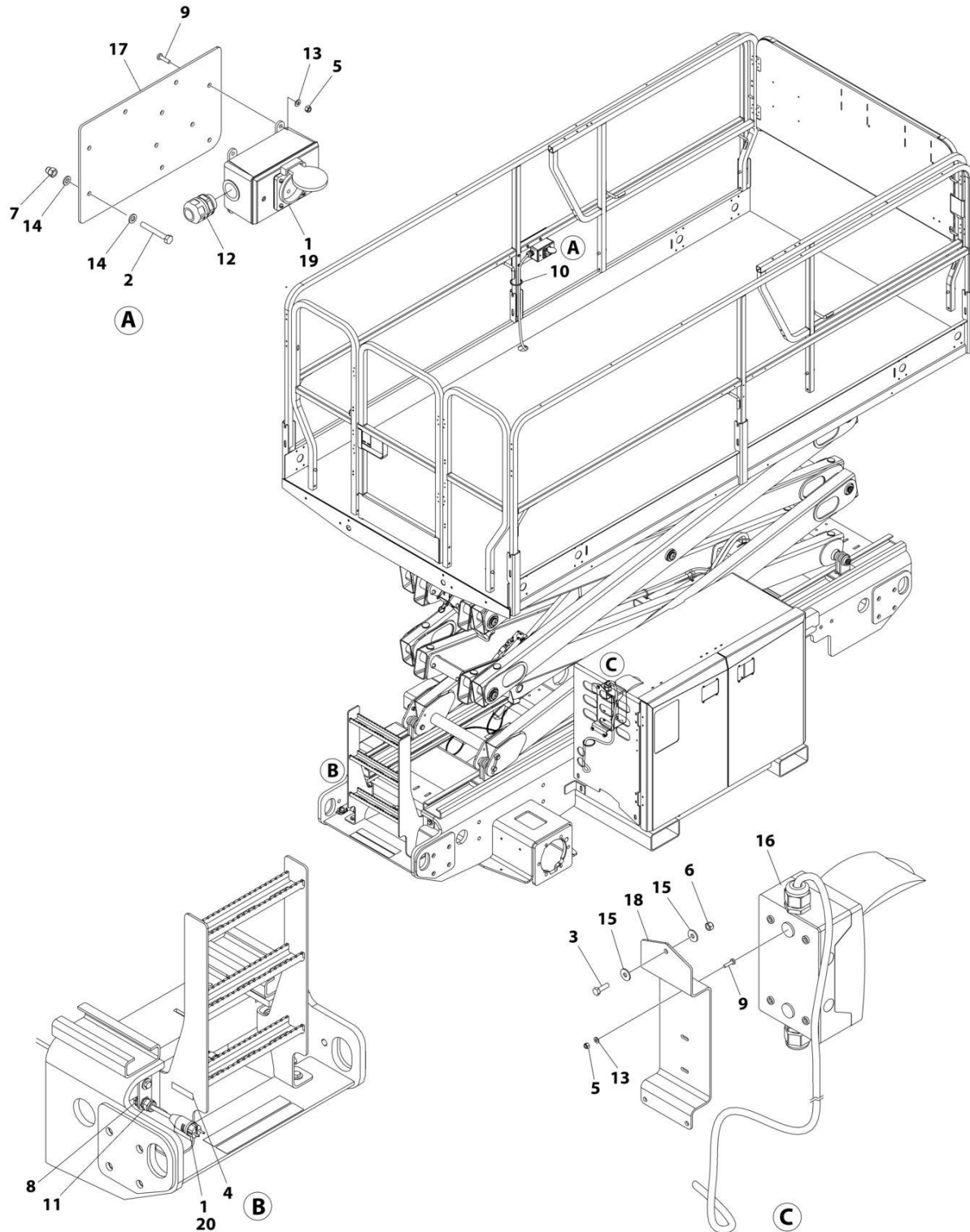
SECTION 8 - ELECTRICAL

FIGURE 8-4. AC BOX AT PLATFORM INSTALLATION - 220V IEC BLUE (CE & UK CA SPECS)

ITEM	PART NUMBER	QTY	DESCRIPTION	REV
	1001255007	Ref	AC BOX AT PLATFORM INSTALLATION - 220V IEC BLUE	B
1	0275217	1	Receptacle Box Kit - 220V IEC Blue (See Separate Breakdown in this Section)	
2	0700617	4	Bolt M6 x 45	
3	0760610	3	Bolt M6 x 20	
4	3252507	1	Decal - 220 Volt	
5	3290405	4	Nut M4	
6	3290605	3	Nut M6	
7	3290606	4	Nut M6 x 1	
8	3300048	1	Nut 3/4	
9	4010408	4	Screw M4 x 16	
10	4240017	AR	Tie-Strap	
11	4460071	1	Connector, Water Tight	
12	4460968	1	Connector, Strain Relief	
13	4811400	4	Washer M4	
14	4811700	8	Washer M6	
15	4811702	6	Washer M6	
16	1001096070	1	Breaker Box Kit (See Separate Breakdown in this Section)	
17	1001254613	1	Plate, Platform Plug Mount	
18	1001261118	1	Bracket, Electric Box Mount	
19	4460315	3	Terminal, Spade	
20	1001212268	3	Terminal	

SECTION 8 - ELECTRICAL

FIGURE 8-5. AC BOX AT PLATFORM INSTALLATION - 220V CEE7 POST GROUND (CE & UK CA SPECS)



ART_1001255004

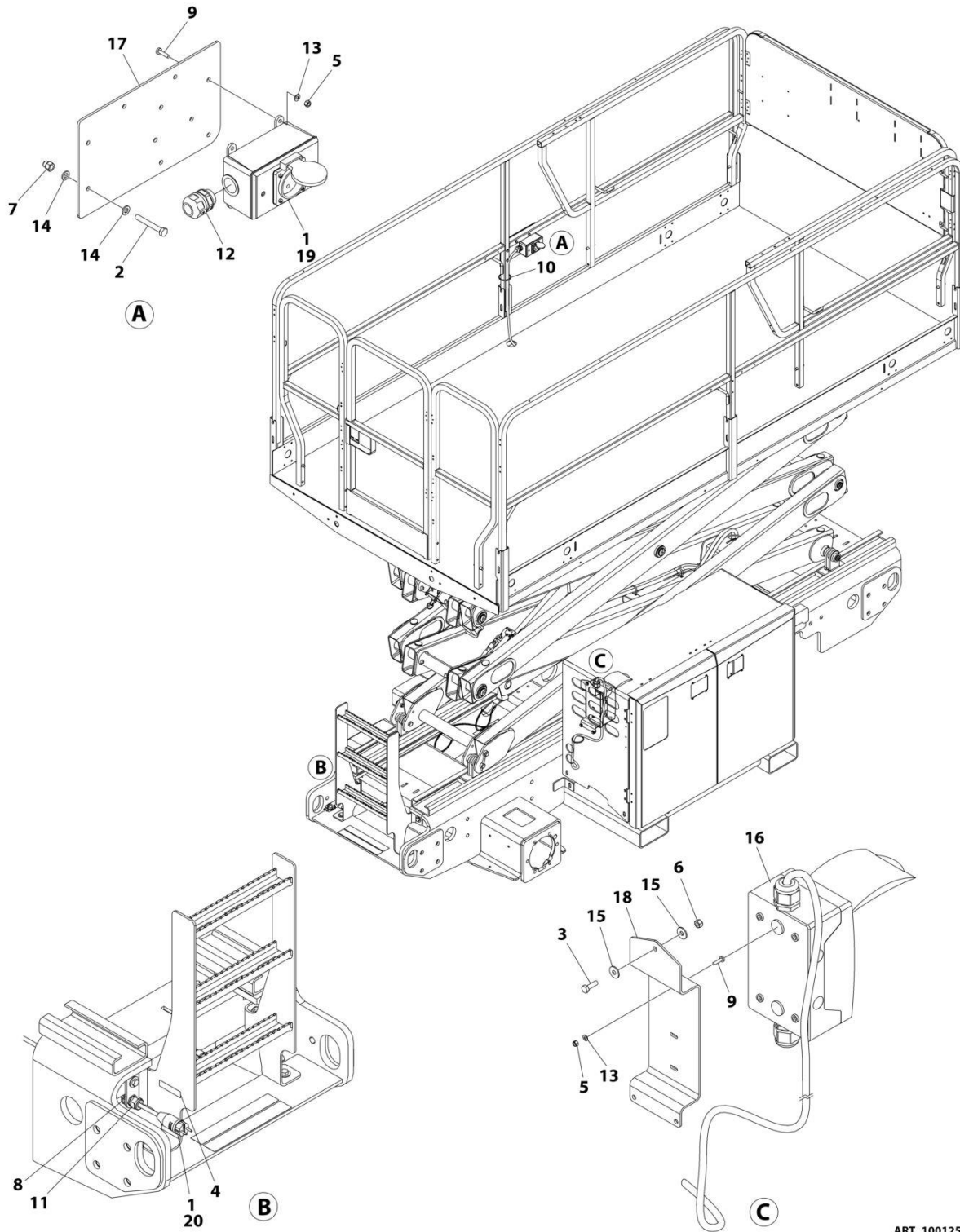
SECTION 8 - ELECTRICAL

FIGURE 8-5. AC BOX AT PLATFORM INSTALLATION - 220V CEE7 POST GROUND (CE & UK CA SPECS)

ITEM	PART NUMBER	QTY	DESCRIPTION	REV
	1001255004	Ref	AC BOX AT PLATFORM INSTALLATION - 220V CEE7 POST GROUND	B
1	0275452	1	Receptacle Box Kit - 220V CEE7 Post Ground 2X4 Box (See Separate Breakdown in this Section)	
2	0700617	4	Bolt M6 x 45	
3	0760610	3	Bolt M6 x 20	
4	3252507	1	Decal - 220 Volt	
5	3290405	6	Nut M4	
6	3290605	3	Nut M6	
7	3290606	4	Nut M6 x 1	
8	3300048	1	Nut 3/4	
9	4010408	6	Screw M4 x 16	
10	4240017	AR	Tie-Strap	
11	4460071	1	Connector, Water Tight	
12	4460662	1	Connector, Strain Relief	
13	4811400	6	Washer M4	
14	4811700	8	Washer M6	
15	4811702	6	Washer M6	
16	1001152486	1	Electric Assembly, Box and Breaker (See Separate Breakdown in this Section)	
17	1001254613	1	Plate, Platform Plug Mount	
18	1001261118	1	Bracket, Electric Box Mount	
19	4460315	3	Terminal, Spade	
20	1001212268	3	Terminal	

SECTION 8 - ELECTRICAL

FIGURE 8-6. AC BOX AT PLATFORM INSTALLATION - 220V CEE7 SIDE GROUND (CE & UK CA SPECS)



ART_1001255005

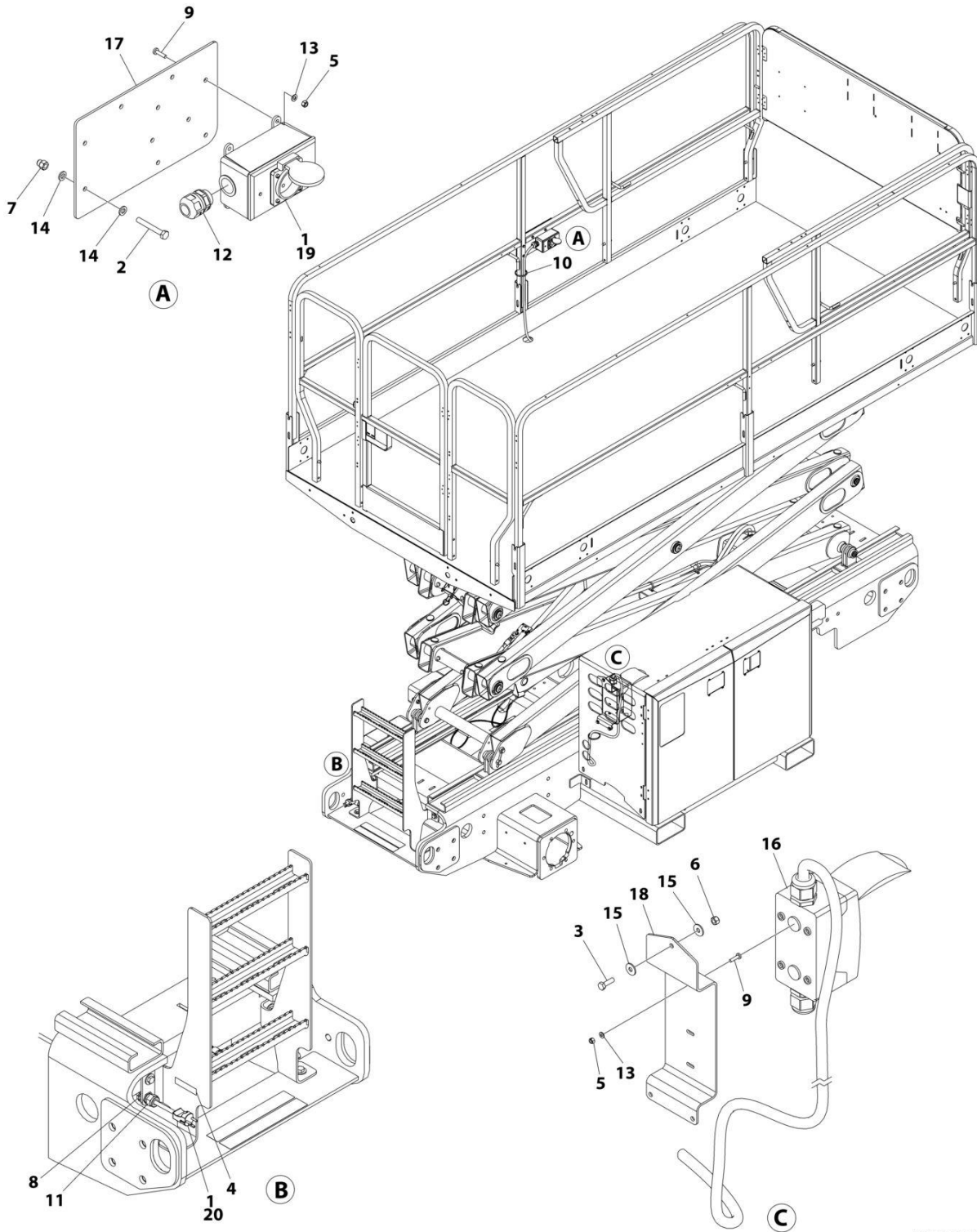
SECTION 8 - ELECTRICAL

FIGURE 8-6. AC BOX AT PLATFORM INSTALLATION - 220V CEE7 SIDE GROUND (CE & UK CA SPECS)

ITEM	PART NUMBER	QTY	DESCRIPTION	REV
	1001255005	Ref	AC BOX AT PLATFORM INSTALLATION - 220V CEE7 SIDE GROUND	B
1	0275453	1	Receptacle Box Kit - 220V CEE7 Side Ground 2X4 Box (See Separate Breakdown in this Section)	
2	0700617	4	Bolt M6 x 45	
3	0760610	3	Bolt M6 x 20	
4	3252507	1	Decal - 220 Volt	
5	3290405	6	Nut M4	
6	3290605	3	Nut M6	
7	3290606	4	Nut M6 x 1	
8	3300048	1	Nut 3/4	
9	4010408	6	Screw M4 x 16	
10	4240017	AR	Tie-Strap	
11	4460071	1	Connector, Water Tight	
12	4460662	1	Connector, Strain Relief	
13	4811400	6	Washer M4	
14	4811700	8	Washer M6	
15	4811702	6	Washer M6	
16	1001152486	1	Electric Assembly, Box and Breaker (See Separate Breakdown in this Section)	
17	1001254613	1	Plate, Platform Plug Mount	
18	1001261118	1	Bracket, Electric Box Mount	
19	4460315	3	Terminal, Spade	
20	1001212268	3	Terminal	

SECTION 8 - ELECTRICAL

FIGURE 8-7. AC BOX AT PLATFORM INSTALLATION - 220V AFSINT 107 (CE & UK CA SPECS)



ART_1001255008

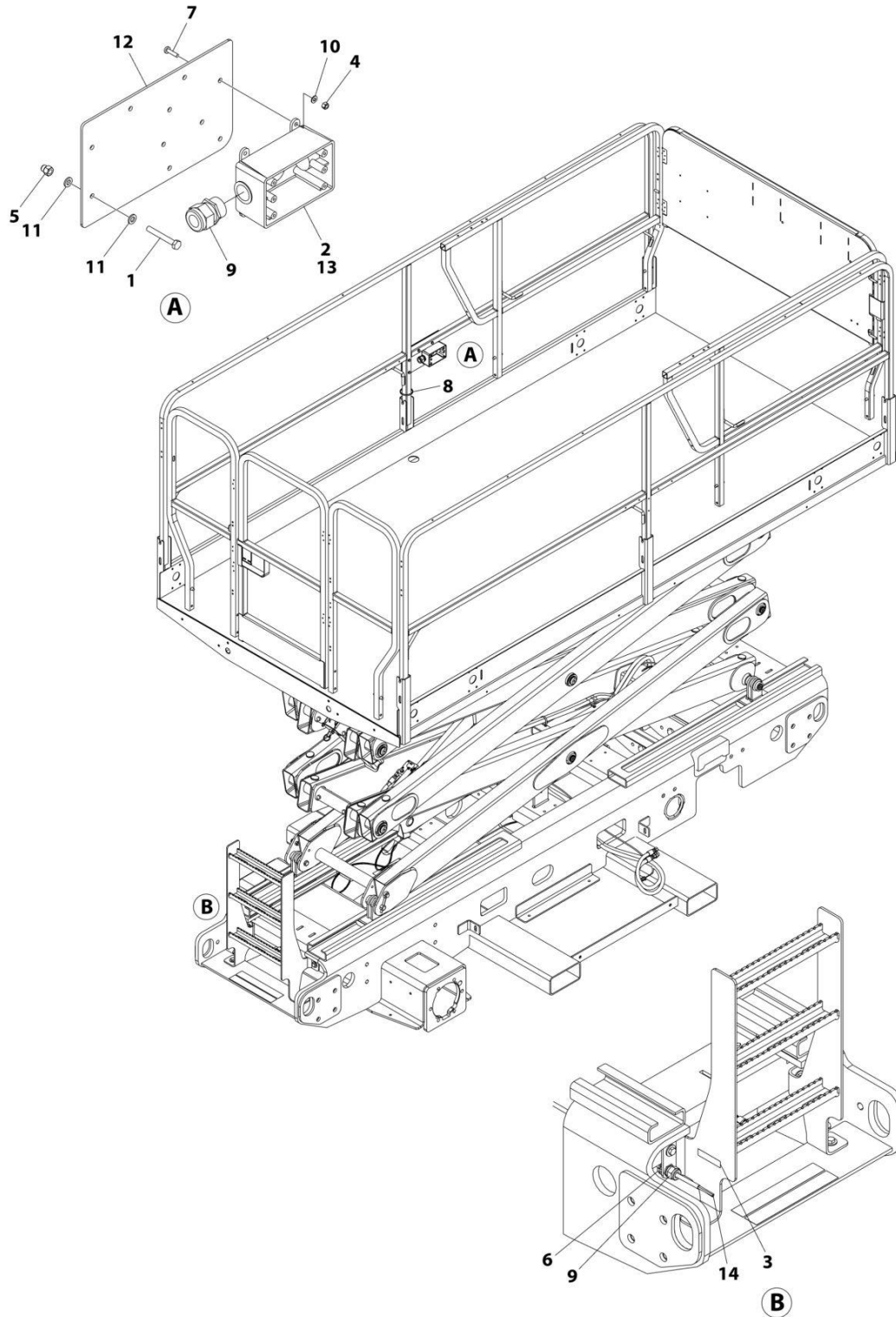
SECTION 8 - ELECTRICAL

FIGURE 8-7. AC BOX AT PLATFORM INSTALLATION - 220V AFSINT 107 (CE & UK CA SPECS)

ITEM	PART NUMBER	QTY	DESCRIPTION	REV
	1001255008	Ref	AC BOX AT PLATFORM INSTALLATION - 220V AFSINT 107	B
1	0275454	1	Receptacle Box Kit - 220V AFSINT 107 (See Separate Breakdown in this Section)	
2	0700617	4	Bolt M6 x 45	
3	0760610	3	Bolt M6 x 20	
4	3252507	1	Decal - 220 Volt	
5	3290405	6	Nut M4	
6	3290605	3	Nut M6	
7	3290606	4	Nut M6 x 1	
8	3300048	1	Nut 3/4	
9	4010408	6	Screw M4 x 16	
10	4240017	AR	Tie-Strap	
11	4460071	1	Connector, Water Tight	
12	4460662	1	Connector, Strain Relief	
13	4811400	6	Washer M4	
14	4811700	8	Washer M6	
15	4811702	6	Washer M6	
16	1001096070	1	Breaker Box Kit (See Separate Breakdown in this Section)	
17	1001254613	1	Plate, Platform Plug Mount	
18	1001261118	1	Bracket, Electric Box Mount	
19	4460315	3	Terminal, Spade	
20	1001212268	3	Terminal	

SECTION 8 - ELECTRICAL

FIGURE 8-8. AC BOX AT PLATFORM INSTALLATION - 220V CUSTOMER SUPPLIED PLUG & RECEPTACLE (ALL SPECS EXCEPT AUSTRALIAN & CE & UK CA SPECS)



ART_1001255002

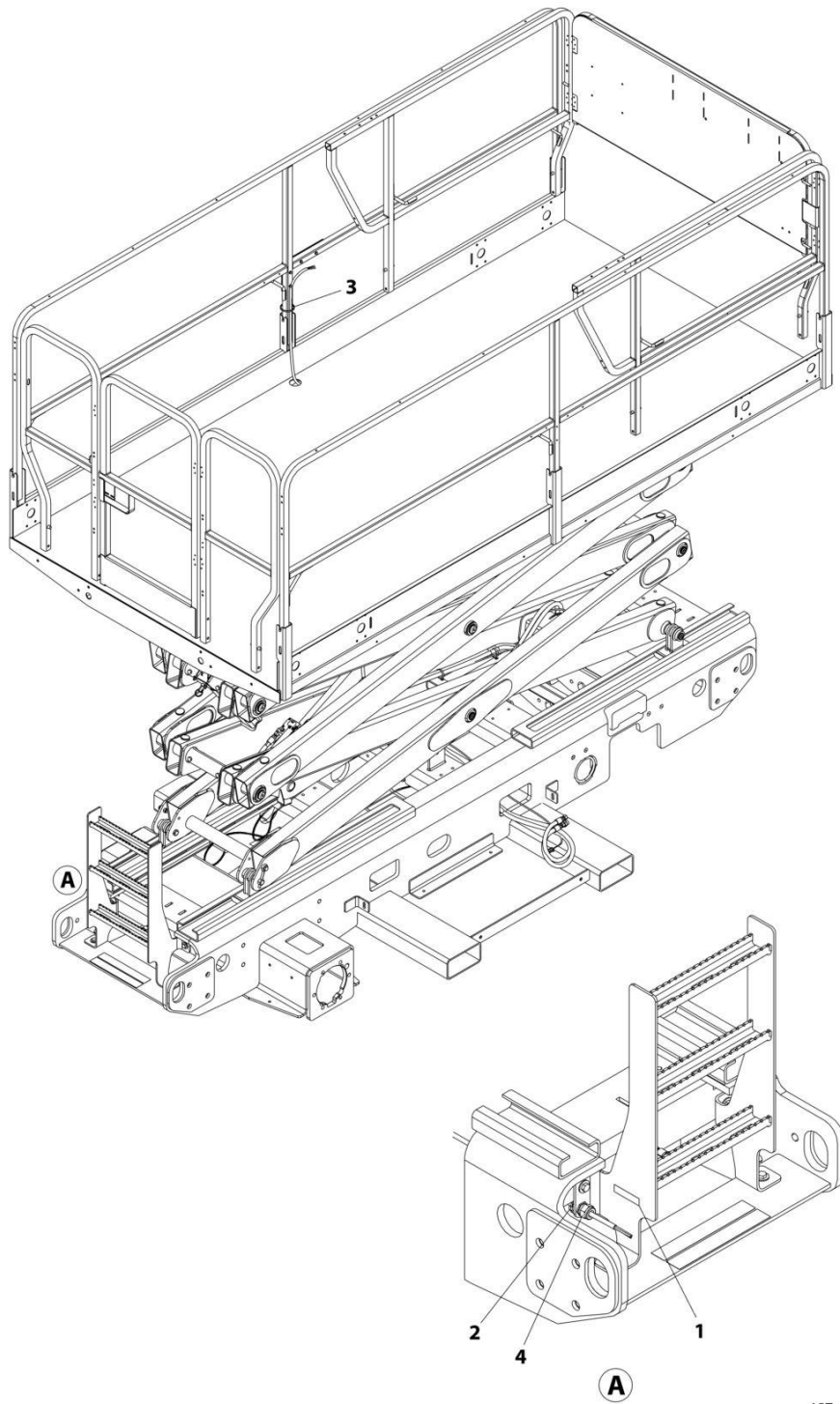
SECTION 8 - ELECTRICAL

FIGURE 8-8. AC BOX AT PLATFORM INSTALLATION - 220V CUSTOMER SUPPLIED PLUG & RECEPTACLE (ALL SPECS EXCEPT AUSTRALIAN & CE & UK CA SPECS)

ITEM	PART NUMBER	QTY	DESCRIPTION	REV
	1001255002	Ref	AC BOX AT PLATFORM INSTALLATION - 220V RECEPTACLE	B
1	0700617	4	Bolt M6 x 45	
2	0861731	1	Box, Receptacle	
3	3252507	1	Decal - 220 Volt	
4	3290405	4	Nut M4	
5	3290606	4	Nut M6 x 1	
6	3300048	1	Nut 3/4	
7	4010408	4	Screw M4 x 16	
8	4240017	AR	Tie-Strap	
9	4460071	2	Connector, Water Tight	
10	4811400	4	Washer M4	
11	4811700	8	Washer M6	
12	1001254613	1	Plate, Platform Plug Mount	
13	4460315	3	Terminal, Spade	
14	1001212268	3	Terminal	

SECTION 8 - ELECTRICAL

FIGURE 8-9. AC BOX AT PLATFORM INSTALLATION - 220V CUSTOMER SUPPLIED COMPONENTS
(ALL SPECS)



ART_1001255003

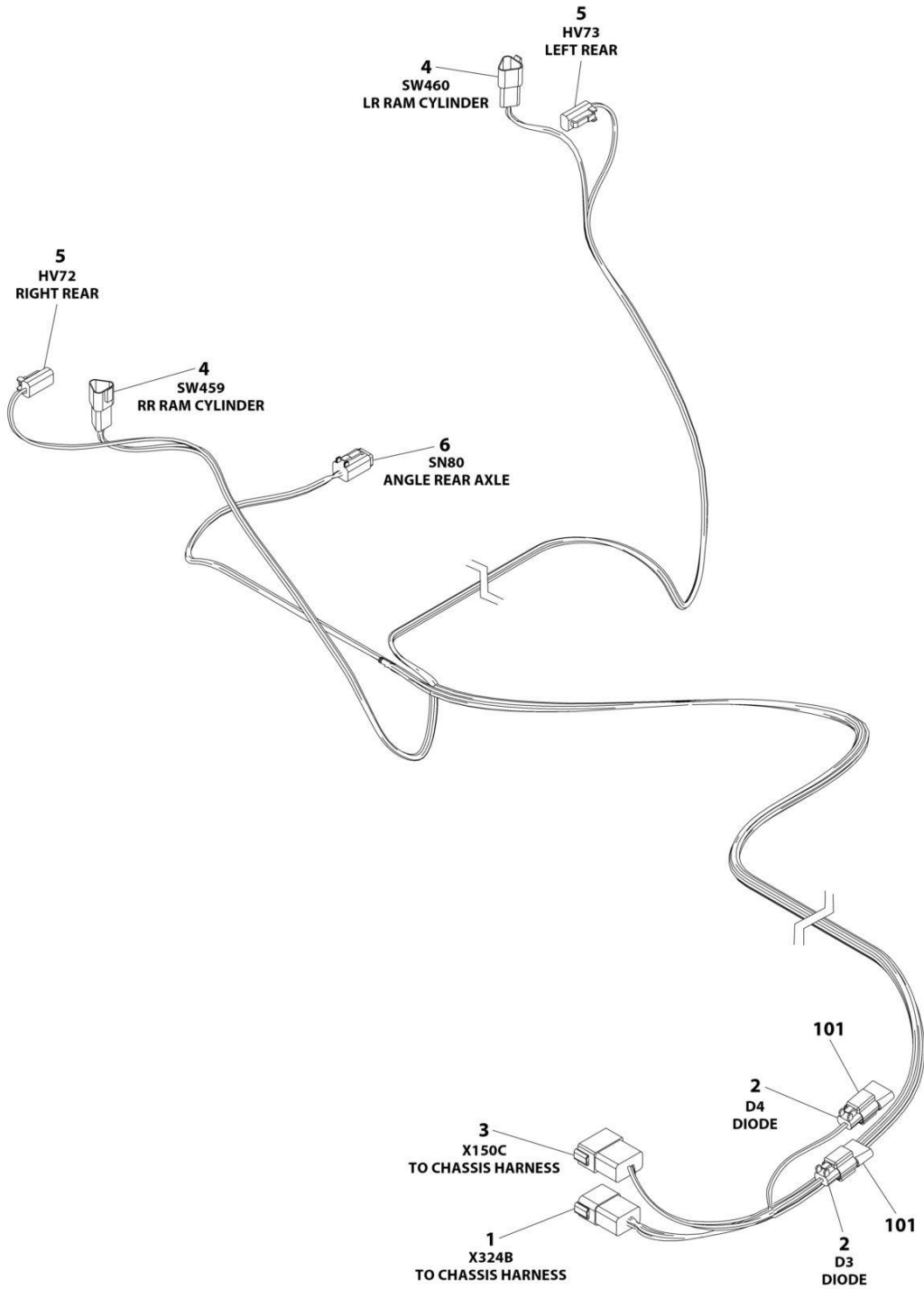
SECTION 8 - ELECTRICAL

**FIGURE 8-9. AC BOX AT PLATFORM INSTALLATION - 220V CUSTOMER SUPPLIED COMPONENTS
(ALL SPECS)**

ITEM	PART NUMBER	QTY	DESCRIPTION	REV
	1001255003	Ref	AC BOX AT PLATFORM INSTALLATION - 220V CUSTOMER SUPPLIED COMPONENTS	A
1	3252507	1	Decal - 220 Volt	
2	3300048	1	Nut 3/4	
3	4240017	AR	Tie-Strap	
4	4460071	1	Connector, Water Tight	

SECTION 8 - ELECTRICAL

FIGURE 8-10. AXLE HARNESS - REAR OSCILLATING



ART_1001249282_G

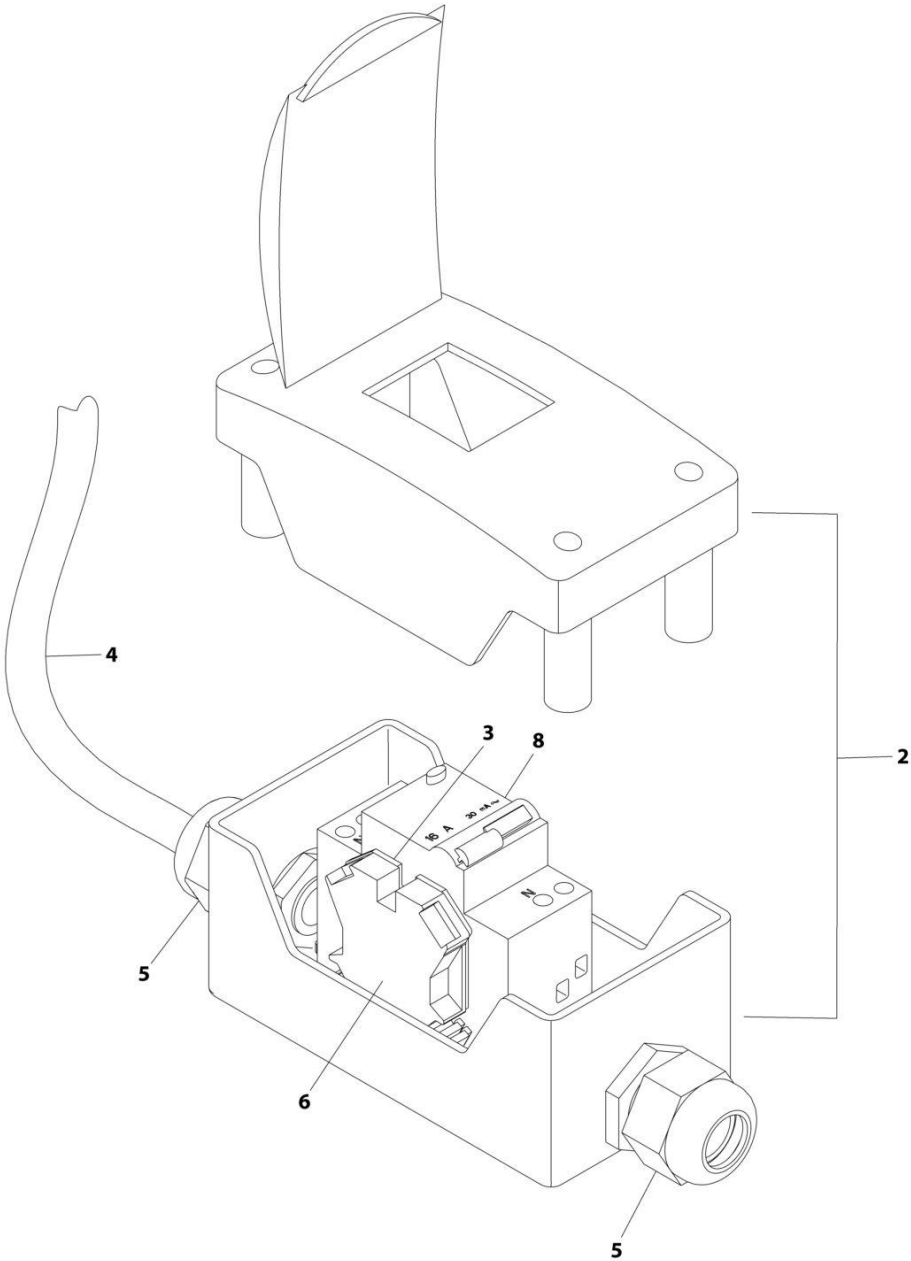
SECTION 8 - ELECTRICAL

FIGURE 8-10. AXLE HARNESS - REAR OSCILLATING

ITEM	PART NUMBER	QTY	DESCRIPTION	REV
	1001249282	Ref	AXLE HARNESS - REAR OSCILLATING	G
1	4460931	1	Receptacle, Female - 8 Position	
1	4460464	6	Pin, Male	
1	4460493	2	Pin, Male	
2	4460891	2	Plug, Male - 2 Position	
2	4460465	4	Socket, Female	
3	4460970	1	Receptacle - 12 Position	
3	4460466	8	Plug, Terminal	
3	4460464	4	Pin, Male	
4	4460536	2	Receptacle, Female - 3 Position	
4	4460464	6	Pin, Male	
5	4460891	2	Plug, Male - 2 Position	
5	4460465	4	Socket, Female	
6	4460884	1	Plug, Male - 4 Position	
6	4460465	2	Socket, Female	
6	4460944	2	Socket, Female	
101	1001116816	2	Connector, W/Diode	

SECTION 8 - ELECTRICAL

FIGURE 8-11. BREAKER BOX KIT - 1 DOUBLE BREAKER (CE & UK CA SPECS)



ART_1001096070_E

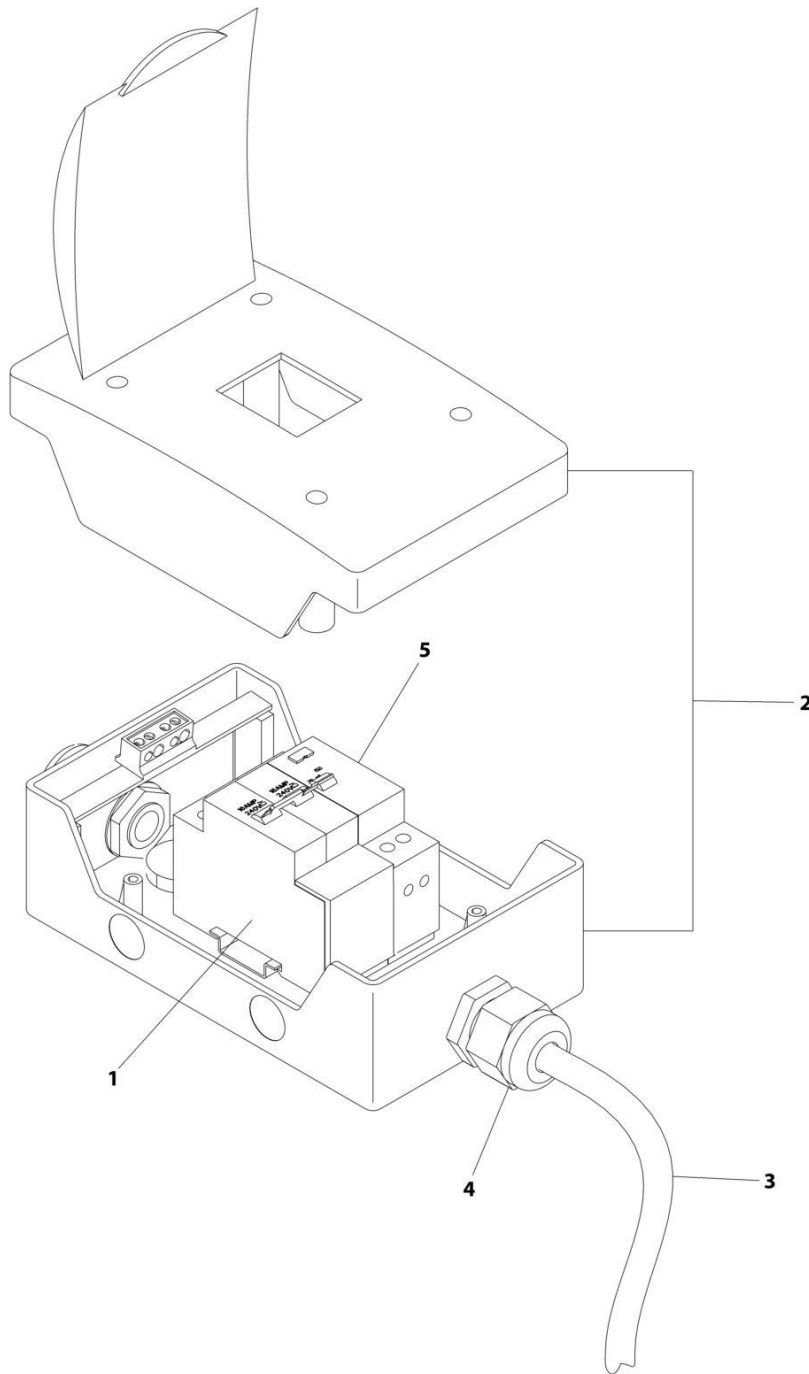
SECTION 8 - ELECTRICAL

FIGURE 8-11. BREAKER BOX KIT - 1 DOUBLE BREAKER (CE & UK CA SPECS)

ITEM	PART NUMBER	QTY	DESCRIPTION	REV
	1001096070	Ref	BREAKER BOX KIT	E
2	0861880	1	Box	
3	4460956	1	Barrier, Terminal Block End	
4	1060908	12 ft/ 3.6m	Cable, 12/3	
5	1001097150	2	Connector, Strain Relief	
6	4460957	1	Block, Terminal	
8	1001181045	1	Breaker, 16Amp	

SECTION 8 - ELECTRICAL

FIGURE 8-12. BREAKER BOX KIT - 1 DOUBLE & 1 SINGLE BREAKER (CE & UK CA SPECS)



ART_1001152486_C

SECTION 8 - ELECTRICAL

FIGURE 8-12. BREAKER BOX KIT - 1 DOUBLE & 1 SINGLE BREAKER (CE & UK CA SPECS)

ITEM	PART NUMBER	QTY	DESCRIPTION	REV
	1001152486	Ref	BREAKER BOX KIT	C
1	1001189172	1	Breaker, 16 Amp (Double)	
2	1001152483	1	Box	
3	1060908	12 ft/ 3.66m	Cable, 12/3	
4	1001097150	1	Connector, Strain Relief	
5	1001189171	1	Breaker, 30mA	

SECTION 8 - ELECTRICAL

FIGURE 8-13. CHASSIS HARNESS (Prior to SN M200059938, Except SN M200059349 through M200059352, Except SN M200059437 through M200059448, Except SN M200059849 through M200059852)

ITEM	PART NUMBER	QTY	DESCRIPTION	REV
	1001247472	Ref	CHASSIS HARNESS	H
1	1001249244	1	Bussbar - 12 Position	
2	4460892	2	Bussbar - 6 Position	
3	1001106736	1	Cap, Dust	
4	1001125677	2	Bussbar - 12 Position	
5	1001144295	9	Cap, Thermoplastic	
6	1001152266	1	Connector - 4 Position	
8	1001192401	4	Cap, Dust	
9	1001215898	2	Cap, Dust	
10	1001244462	1	Cap, Dust	
12	4461070	1	Connector - 3 Position	
13	1001125784	1	Washer	
14	1001125785	1	Nut	
101	4460897	2	Receptacle, Female - 2 Position	
101	4460464	4	Pin, Male	
102	4460891	20	Plug, Male - 2 Position	
102	4460465	40	Socket, Female	
103	4460930	1	Plug, Male - 8 Position	
103	4460465	6	Socket, Female	
103	4460944	2	Socket, Female	
104	4460754	1	Plug, Male - 14 Position	
104	4460465	10	Socket, Female	
104	4460944	2	Socket, Female	
104	4460466	2	Plug, Terminal	
105	4460933	3	Plug, Male - 12 Position	
105	4460465	12	Socket, Female	
105	4460944	22	Socket, Female	
105	4460466	2	Plug, Terminal	
106	4460933	3	Plug, Male - 12 Position	
106	4460465	32	Socket, Female	
106	4460466	4	Plug, Terminal	
107	4460894	3	Plug, Male - 6 Position	
107	4460465	22	Socket, Female	
107	4460466	2	Plug, Terminal	
108	4460761	1	Plug, Male - 4 Position	
108	4460227	4	Terminal	
109	4460884	7	Plug, Male - 4 Position	
109	4460465	12	Socket, Female	
109	4460944	16	Socket, Female	
110	1001116950	1	Plug, Male - 2 Position	
110	4460465	2	Socket, Female	
111	4460874	1	Connector - 35 Position	
111	4460871	14	Terminal	
111	4460905	21	Plug, Terminal	
112	4460872	1	Connector - 35 Position	
112	4460871	8	Terminal	
112	4460905	6	Plug, Terminal	
113	4460875	1	Connector - 35 Position	

SECTION 8 - ELECTRICAL

ITEM	PART NUMBER	QTY	DESCRIPTION	REV
113	4460871	27	Terminal	
113	4460905	8	Plug, Terminal	
114	4460878	1	Connector - 4 Position	
114	4461271	1	Terminal	
114	4460887	1	Terminal	
115	4460873	1	Connector - 35 Position	
115	4460871	29	Terminal	
115	4460905	6	Plug, Terminal	
116	4460876	1	Connector - 35 Position	
116	4460871	18	Terminal	
116	4460905	17	Plug, Terminal	
117	4460539	1	Plug, Male - 3 Position	
117	4460465	3	Socket, Female	
118	1001113961	1	Connector - 8 Position	
118	4460871	4	Terminal	
118	4460905	4	Plug, Terminal	
119	1001246859	1	Connector - 14 Position	
119	4460871	10	Terminal	
119	4460905	4	Plug, Terminal	
120	4460144	2	Terminal, Fork	
121	4460183	3	Terminal, Fork	
122	4461290	1	Connector - 2 Position	
122	4460928	2	Terminal	
123	4460260	2	Cover, Terminal	
123	4460259	2	Terminal	
124	4460418	1	Connector, Switch	
124	4460419	2	Terminal	
124	1001159186	2	Terminal	
125	1001184832	1	Connector - 2 Position	
125	1001118658	2	Terminal	
125	1001205250	2	Seal	
126	4461095	1	Plug, Male - 3 Position	
126	4460944	2	Socket, Female	
126	4460466	1	Plug, Terminal	
127	1001118282	1	Connector, Relay	
127	1001116734	2	Terminal	
127	1001116732	2	Terminal	
127	1001128128	1	Plug, Terminal	
128	1001249095	1	Connector - 9 Position	
128	4460464	3	Pin, Male	
128	4460943	2	Pin, Male	
128	4460466	4	Plug, Terminal	
129	4460424	1	Connector - 2 Position	
129	4460268	2	Terminal	
130	1001118744	1	Connector - 2 Position	
130	1001118745	2	Terminal	
131	8220164	1	Terminal, Ring	
132	2400066	2	Fuseholder with Cover	
132	8229242	1	Fuse 5Amp	
132	8229244	1	Fuse 15Amp	

SECTION 8 - ELECTRICAL

FIGURE 8-14. CHASSIS HARNESS (SN M200059938 to Present, SN M200059349 through M200059352, SN M200059437 through M200059448, SN M200059849 through M200059852)

ITEM	PART NUMBER	QTY	DESCRIPTION	REV
	1001282346	Ref	CHASSIS HARNESS	A
1	1001249244	1	Connector	
2	4460892	2	Connector	
3	1001106732	1	Cap, Dust	
4	1001125677	2	Connector	
5	1001144295	9	Cap, Thermoplastic	
6	1001152266	2	Connector	
7	4460466	2	Plug, Terminal	
8	1001192401	4	Cap, Dust	
9	1001215898	2	Cap, Dust	
10	1001244462	1	Cap, Dust	
11	4460994	2	Plug	
12	4461070	1	Connector	
13	1001125784	1	Washer	
14	1001125785	1	Nut	
15	1001116816	1	Connector	
16	4460891	1	Connector	
101	4460897	2	Connector	
101	4460464	4	Pin	
102	4460891	20	Connector	
102	4460465	40	Socket	
103	4460930	1	Connector	
103	4460465	6	Socket	
103	4460944	2	Socket	
104	4460754	1	Connector	
104	4460465	10	Socket	
104	4460944	2	Socket	
104	4460466	2	Plug, Terminal	
105	4460933	3	Connector	
105	4460465	12	Socket	
105	4460944	22	Socket	
105	4460466	2	Plug, Terminal	
106	4460836	3	Connector	
106	4460465	32	Socket	
106	4460466	4	Plug, Terminal	
107	4460894	3	Connector	
107	4460465	22	Socket	
107	4460466	4	Plug, Terminal	
108	4460761	1	Connector	
108	4460227	4	Pin	
109	4460884	7	Connector	
109	4460465	12	Socket	
109	4460944	16	Socket	
110	1001116950	1	Connector	
110	4460465	2	Socket	
111	4460874	1	Connector	
111	4460871	14	Socket	
111	4460905	21	Plug, Terminal	
112	4460872	1	Connector	

SECTION 8 - ELECTRICAL

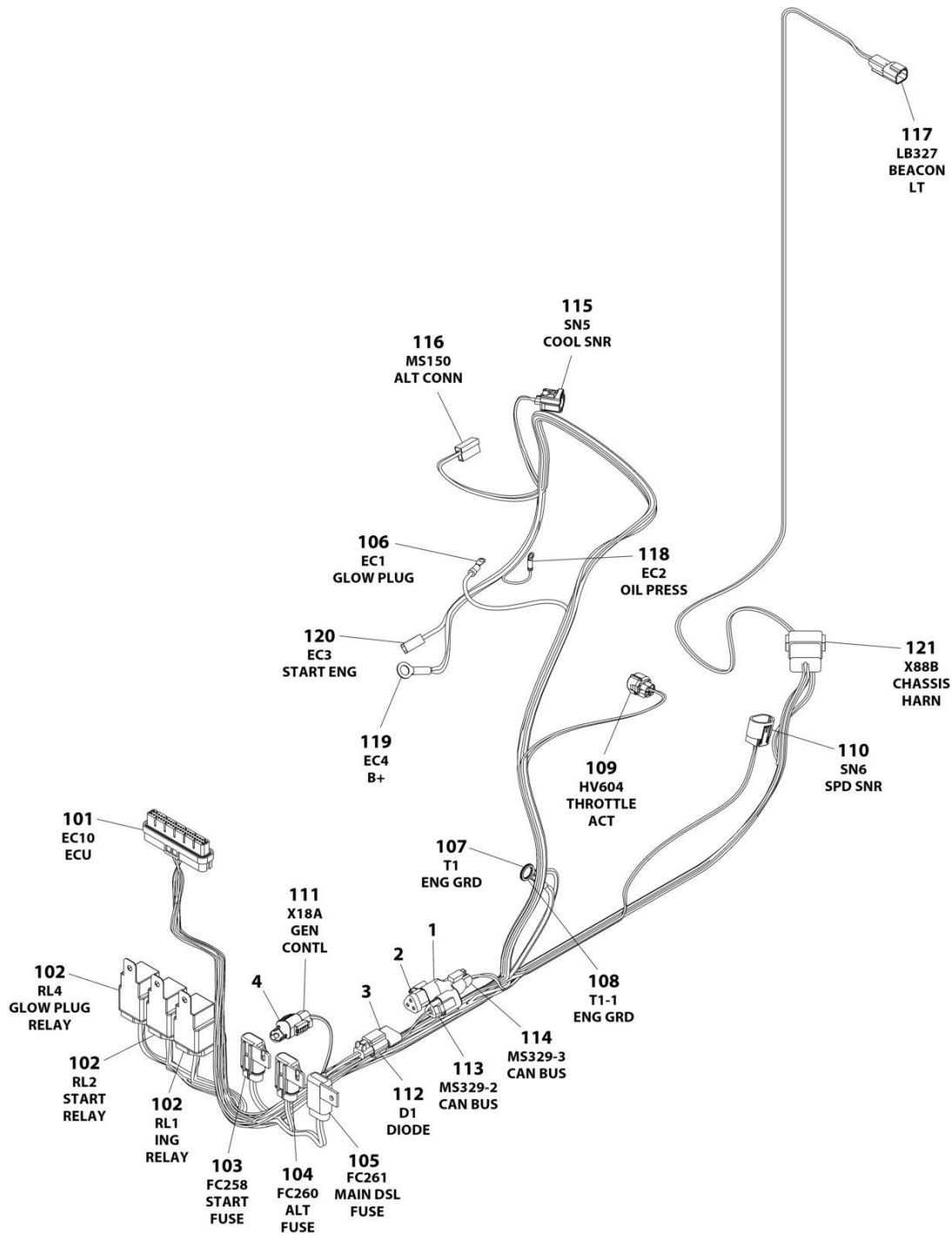
ITEM	PART NUMBER	QTY	DESCRIPTION	REV
112	4460871	8	Socket	
112	4460905	6	Plug, Terminal	
113	4460875	1	Connector	
113	4460871	27	Socket	
113	4460905	8	Plug, Terminal	
114	4460878	1	Connector	
114	4461271	1	Socket	
114	4460887	1	Socket	
115	4460873	1	Connector	
115	4460871	29	Socket	
115	4460905	6	Plug, Terminal	
116	4460876	1	Connector	
116	4460871	18	Socket	
116	4460905	17	Plug, Terminal	
117	4460539	1	Connector	
117	4460465	3	Socket	
118	1001113961	1	Plug, Terminal	
118	4460871	4	Connector	
118	4460905	4	Plug, Terminal	
119	1001246859	1	Connector	
119	4460871	10	Socket	
119	4460905	4	Plug, Terminal	
120	4460144	3	Terminal, Fork	
121	4460183	2	Terminal, Fork	
122	4461290	1	Connector	
122	4460928	2	Socket	
123	4460260	2	Cover, Terminal	
123	4460259	2	Socket	
124	4460418	1	Connector, Switch	
124	4460419	2	Socket	
124	1001159186	2	Socket	
125	1001184832	1	Connector	
125	1001118658	2	Socket	
125	1001205250	2	Seal	
126	4461095	1	Connector	
126	4460944	2	Socket	
126	4460466	1	Plug, Terminal	
127	1001118282	1	Connector, Relay	
127	1001116734	2	Socket	
127	1001116732	2	Socket	
127	1001128128	1	Plug, Terminal	
128	1001249095	1	Connector	
128	4460464	3	Pin	
128	4460943	2	Pin	
128	4460466	4	Plug, Terminal	
129	4460424	1	Connector	
129	4460268	2	Socket	
130	1001118744	1	Connector	
130	1001118745	2	Socket	
131	8220164	1	Terminal, Ring	
132	2400066	3	Fuseholder with Cover	

SECTION 8 - ELECTRICAL

ITEM	PART NUMBER	QTY	DESCRIPTION	REV
132	8229242	2	Fuse 5Amp	
132	8229244	1	Fuse 15Amp	
133	4460930	1	Connector	
133	4460465	4	Socket	
133	4460944	4	Connector	
134	4460260	2	Cover, Terminal	
135	4460884	1	Connector	
135	4460466	1	Plug, Terminal	
135	4460465	3	Socket	
136	4460891	1	Connector	
136	4460942	2	Socket	
137	4460930	2	Connector	
137	4460944	12	Socket	
137	4460466	4	Plug, Terminal	

SECTION 8 - ELECTRICAL

FIGURE 8-15. ENGINE HARNESS - DIESEL



ART_1001248134

SECTION 8 - ELECTRICAL

FIGURE 8-15. ENGINE HARNESS - DIESEL

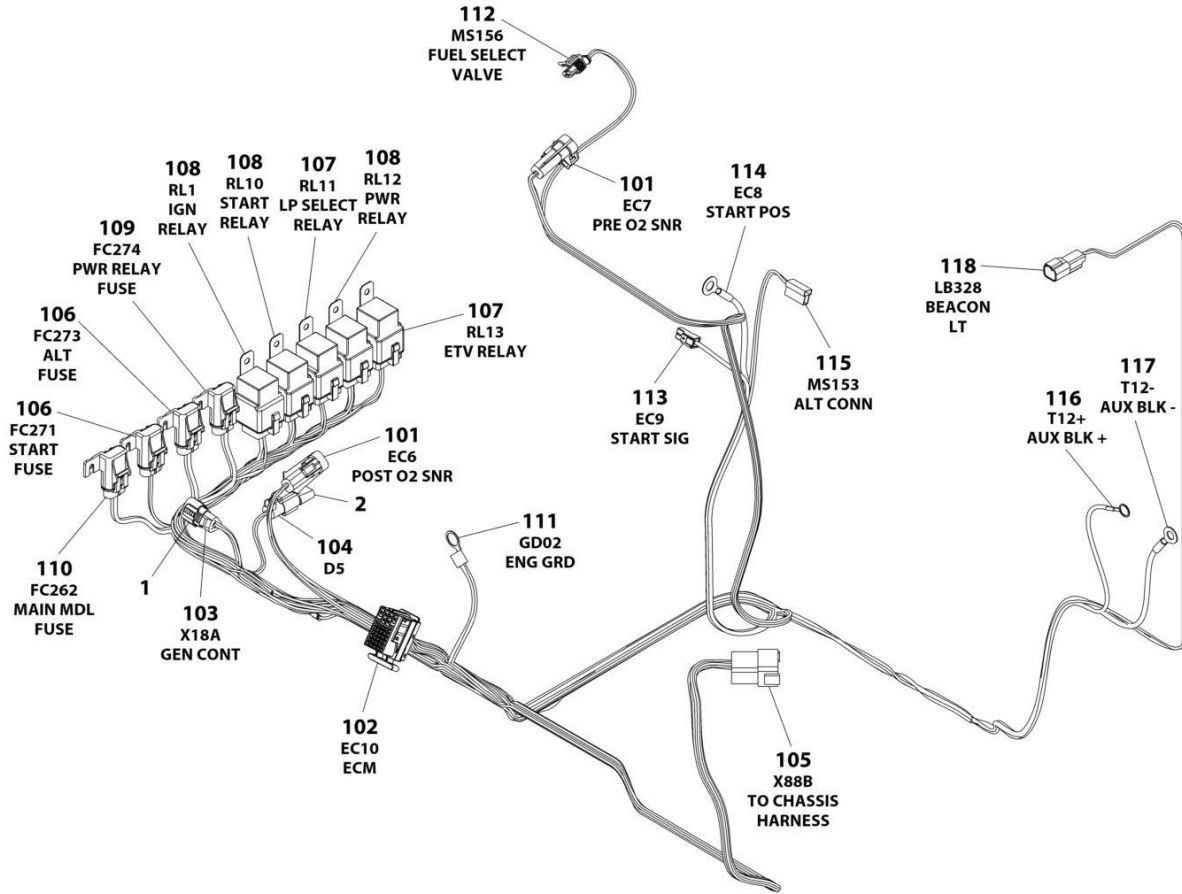
ITEM	PART NUMBER	QTY	DESCRIPTION	REV
	1001248134	Ref	ENGINE HARNESS - DIESEL	E
1	4460945	1	Connector - 3 Way	
2	1001116815	1	Connector - 3 Position Plug	
3	1001116816	1	Connector, Bussbar	
4	1001144296	1	Cap	
101	1001248222	1	Connector - 44 Position	
101	1001248223	21	Terminal	
101	1001248224	23	Plug, Terminal	
102	1001118282	3	Connector, Relay	
102	1001116734	6	Terminal	
102	1001116732	6	Terminal	
102	1001128128	3	Plug, Terminal	
103	1001118938	1	Fuseholder with 40Amp Fuse	
103	1001116752	2	Terminal	
104	1001117022	1	Fuseholder with 7.5Amp Fuse	
104	1001117069	1	Fuseholder with 20Amp Fuse	
104	1001116733	2	Terminal	
105	1001117023	1	Fuseholder with 10Amp Fuse	
105	1001116752	2	Terminal	
107	4460142	1	Terminal, Ring	
108	1001130900	1	Terminal, Ring	
109	8220111	1	Terminal, Ring	
109	1001248227	1	Receptacle, Female - 2 Position	
109	1001248228	2	Terminal	
109	1001248229	2	Seal	
110	1001223431	1	Receptacle, Female - 3 Position	
110	1001223794	3	Terminal	
110	1001223797	3	Seal	
111	4460539	1	Plug, Male - 3 Position	
111	4460465	3	Socket, Female	
112	4460891	1	Plug, Male - 2 Position	
112	4460942	2	Socket, Female	
113	4460539	1	Plug, Male - 3 Position	
113	4460944	2	Socket, Female	
113	4460466	1	Plug, Terminal	
114	1001116812	1	Plug, Male - 3 Position	
114	4460944	2	Socket, Female	
114	4460466	1	Plug, Terminal	
115	1001118657	1	Receptacle, Female - 3 Position	
115	1001118658	2	Terminal	
115	1001118659	2	Seal	
116	1001118744	1	Connector - 2 Position	
116	1001118745	2	Terminal	
117	4460897	1	Receptacle, Female - 2 Position	
117	4460464	2	Pin, Male	
118	4460247	1	Terminal, Ring	
119	8220164	1	Terminal, Ring	
120	1001118743	1	Connector	
120	1001230488	1	Terminal	
121	4460950	1	Receptacle, Female - 12 Position	

SECTION 8 - ELECTRICAL

ITEM	PART NUMBER	QTY	DESCRIPTION	REV
121	4460464	4	Pin, Male	
121	4460943	2	Pin, Male	
121	4460941	1	Pin, Male	
121	4460466	5	Plug, Terminal	

SECTION 8 - ELECTRICAL

FIGURE 8-16. ENGINE HARNESS - DUAL FUEL



ART_1001248289

SECTION 8 - ELECTRICAL

FIGURE 8-16. ENGINE HARNESS - DUAL FUEL

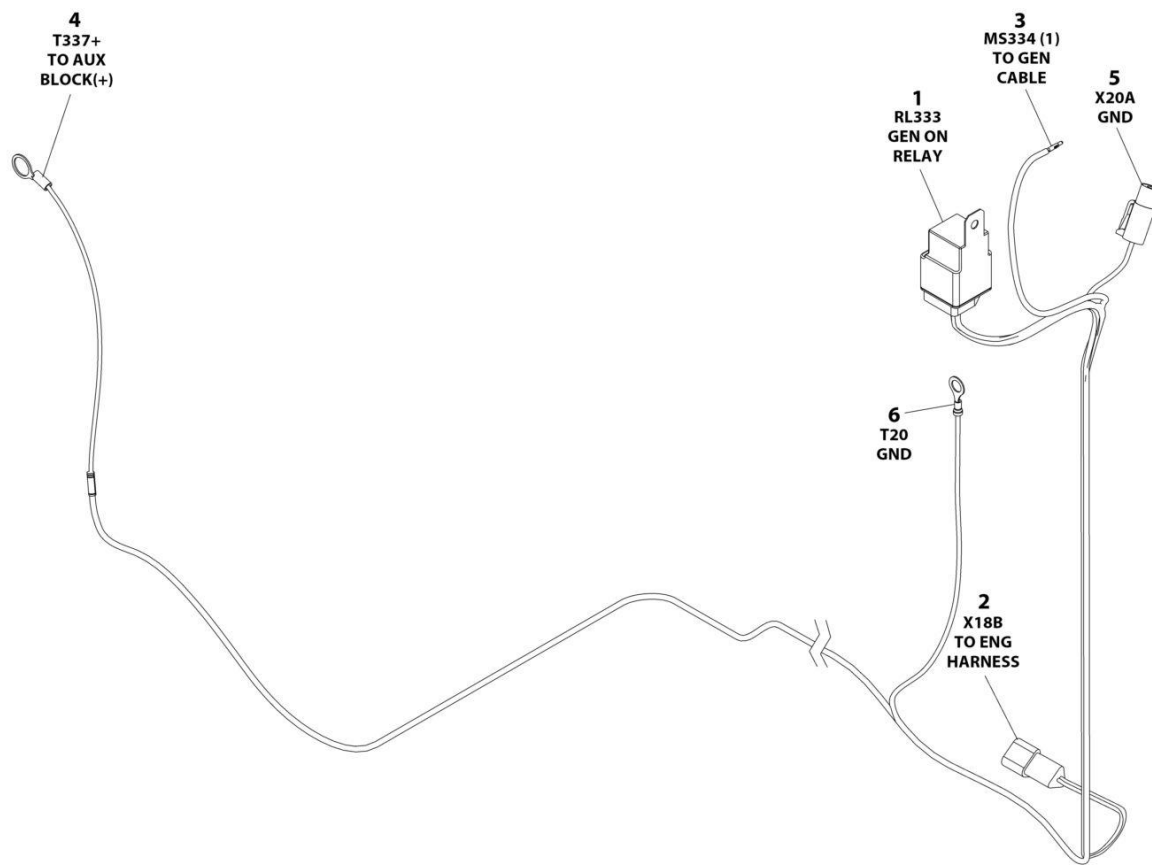
ITEM	PART NUMBER	QTY	DESCRIPTION	REV
	1001248289	Ref	ENGINE HARNESS - GAS	I
1	1001144296	1	Cap	
2	1001116816	1	Connector, Diode	
101	1001184722	2	Connector - 4 Position	
101	1001270481	8	Terminal (Gold)	
101	1001116749	8	Terminal (Tin)	
101	1001237778	4	Seal	
101	4460608	4	Seal	
102	1001184705	1	Connector - 42 Position	
102	1001187455	4	Terminal	
102	1001184718	5	Terminal	
102	1001184717	2	Terminal	
102	1001184716	10	Terminal	
102	1001126391	20	Plug, Terminal	
102	4461008	1	Plug, Terminal	
102	4461054	9	Seal	
102	1001126393	12	Seal	
103	4460539	1	Plug, Male - 3 Position	
103	4460465	3	Socket, Female	
104	4460891	1	Plug, Male - 2 Position	
104	4460942	2	Socket, Female	
105	4460950	1	Receptacle, Female - 12 Position	
105	4460464	4	Pin, Male	
105	4460943	2	Pin, Male	
105	4460941	1	Pin, Male	
105	4460466	1	Plug, Terminal	
106	1001118938	1	Fuseholder with 40Amp Fuse	
106	1001116752	2	Terminal (11-13 AWG)	
106	1001116732	2	Terminal (18-20 AWG)	
107	1001117025	2	Connector, Relay	
107	1001116733	2	Terminal	
107	1001116732	6	Terminal	
108	1001118282	3	Connector, Relay	
108	1001116734	6	Terminal	
108	1001116732	6	Terminal	
108	1001128128	3	Plug, Terminal	
109	1001117070	1	Fuseholder with 30Amp Fuse	
109	1001116752	2	Terminal	
110	1001117069	1	Fuseholder with 20Amp Fuse	
110	1001116752	2	Terminal	
111	8220029	1	Terminal, Ring	
112	4461118	1	Plug, Male - 2 Position	
112	1001107854	2	Terminal	
112	1001104498	1	Seal	
112	1001116763	1	Seal	
113	1001184768	1	Connector	
113	1001184769	1	Terminal	
114	1001117110	1	Terminal, Ring	
115	1001118744	1	Connector - 2 Position	
115	1001118745	2	Terminal	

SECTION 8 - ELECTRICAL

ITEM	PART NUMBER	QTY	DESCRIPTION	REV
116	4460019	1	Terminal, Ring	
117	8220045	1	Terminal, Ring	
118	4460897	1	Receptacle, Female - 2 Position	
118	4460464	2	Pin, Male	

SECTION 8 - ELECTRICAL

FIGURE 8-17. GENERATOR HARNESS



ART_1001249464_D

SECTION 8 - ELECTRICAL

FIGURE 8-17. GENERATOR HARNESS

ITEM	PART NUMBER	QTY	DESCRIPTION	REV
	1001249464	Ref	GENERATOR HARNESS	D
1	1001117025	1	Connector & Relay	
1	3740080	1	Relay	
1	1001116734	2	Terminal	
1	1001116732	2	Terminal	
2	4460536	1	Receptacle, Female - 3 Position	
2	4460464	2	Pin, Male	
2	4460466	1	Plug, Terminal	
3	4460705	1	Terminal	
4	8220111	1	Terminal, Ring	
5	4461261	1	Plug	
5	4460509	1	Socket	
6	4460670	1	Terminal, Ring	

SECTION 8 - ELECTRICAL

FIGURE 8-18. GROUND TO PLATFORM HARNESS (RT2669)



ART_1001248279

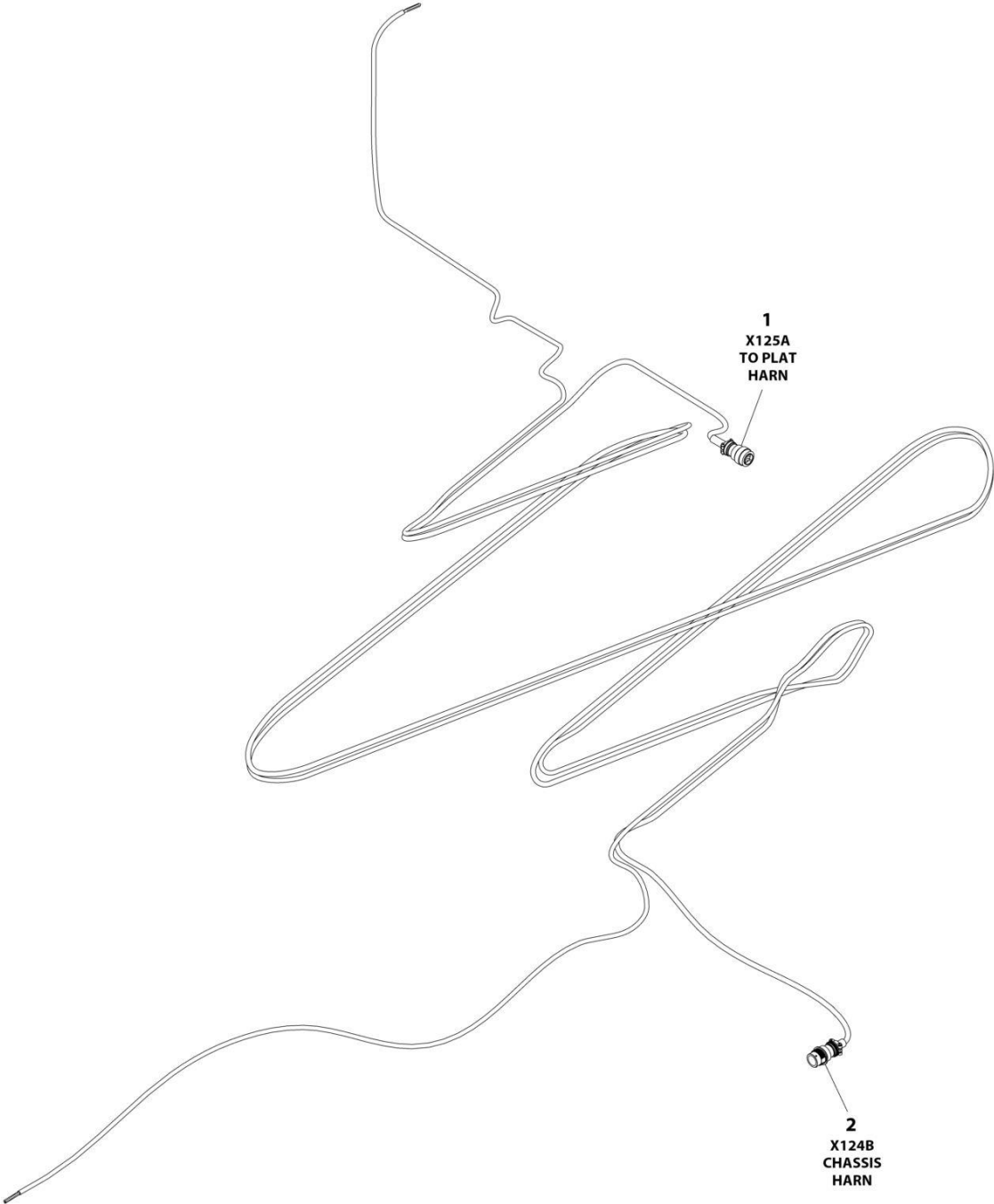
SECTION 8 - ELECTRICAL

FIGURE 8-18. GROUND TO PLATFORM HARNESS (RT2669)

ITEM	PART NUMBER	QTY	DESCRIPTION	REV
	1001248279	Ref	GROUND TO PLATFORM HARNESS	D
1	4460754	1	Connector - 14 Position	
1	4460465	14	Socket, Female	
2	1001156541	1	Connector - 14 Position	
2	4460464	14	Pin, Male	

SECTION 8 - ELECTRICAL

FIGURE 8-19. GROUND TO PLATFORM HARNESS (RT3369)



ART_1001248280

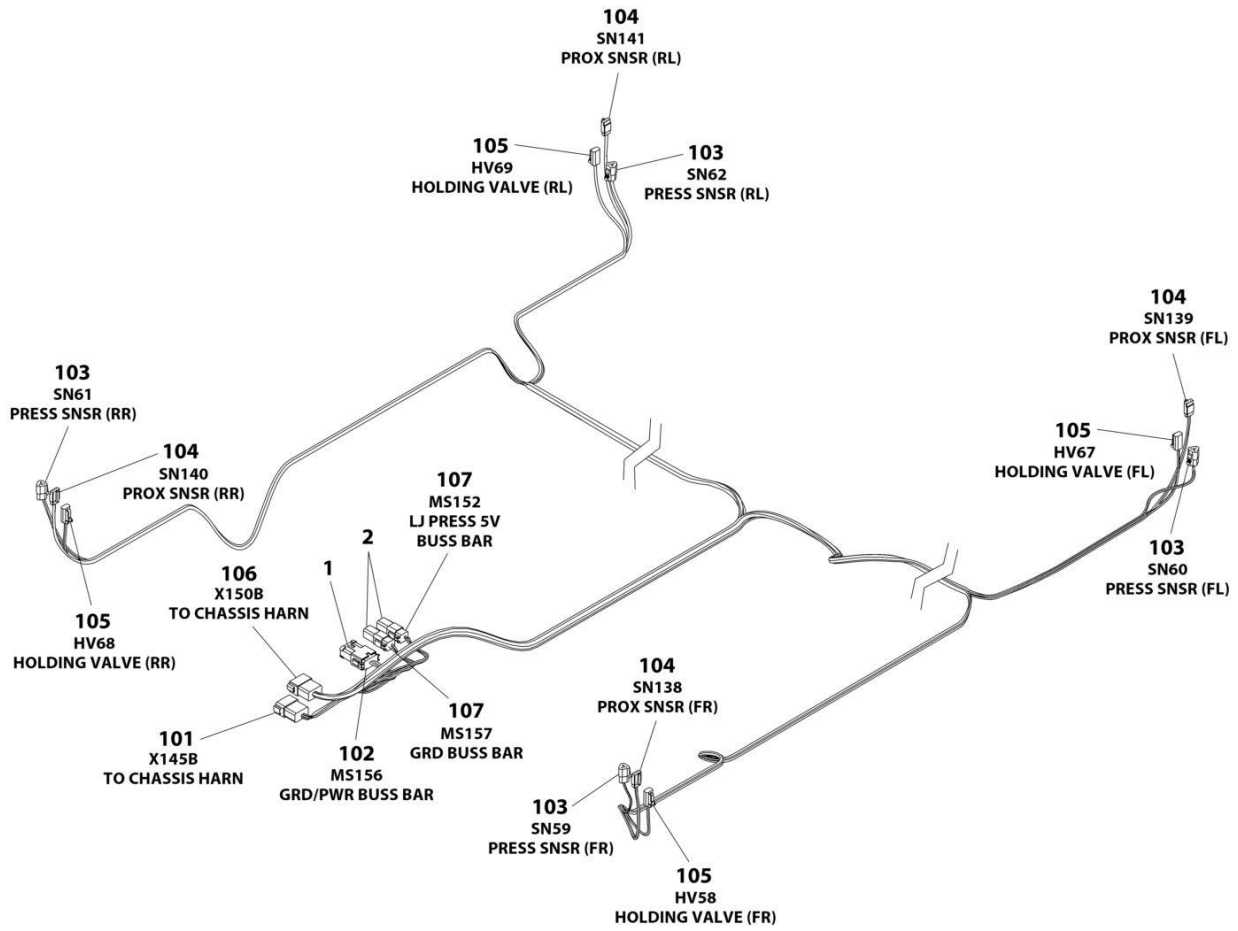
SECTION 8 - ELECTRICAL

FIGURE 8-19. GROUND TO PLATFORM HARNESS (RT3369)

ITEM	PART NUMBER	QTY	DESCRIPTION	REV
	1001248280	Ref	GROUND TO PLATFORM HARNESS	D
1	4460754	1	Connector - 14 Position	
1	4460465	14	Socket, Female	
2	1001156541	1	Connector - 14 Position	
2	4460464	14	Pin, Male	

SECTION 8 - ELECTRICAL

FIGURE 8-20. LEVELING JACK HARNESS



ART_1001248863

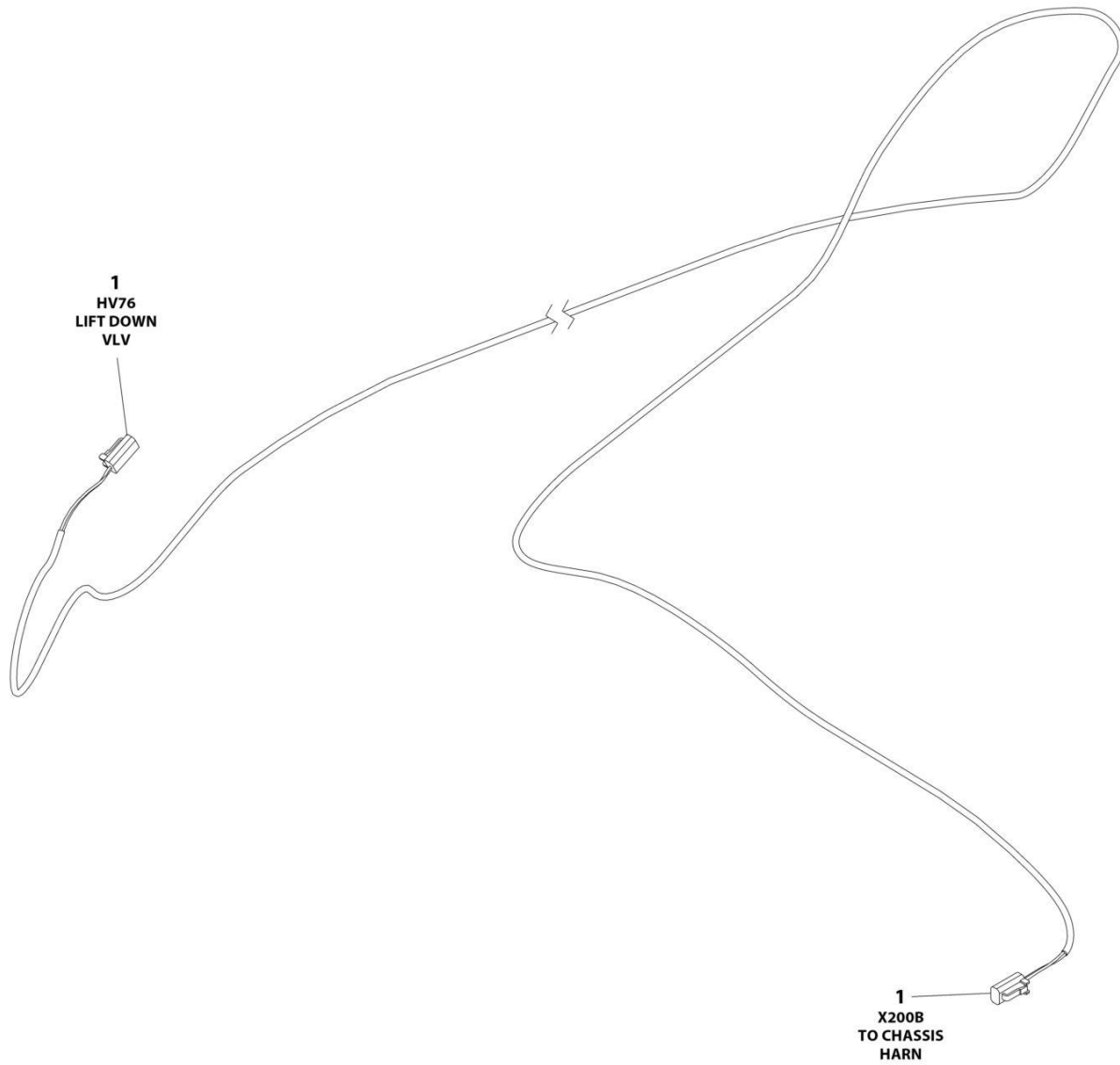
SECTION 8 - ELECTRICAL

FIGURE 8-20. LEVELING JACK HARNESS

ITEM	PART NUMBER	QTY	DESCRIPTION	REV
	1001248863	Ref	LEVELING JACK HARNESS	C
1	1001125677	1	Connector, 2 x 6 Bussbar (DT)	
2	4460892	2	Terminal, 6 Position Bussbar (DT)	
101	4460950	1	Receptacle, Female - 12 Position	
101	4460464	8	Pin, Male	
101	4460466	4	Plug, Terminal	
102	4460933	1	Plug, Male - 12 Position	
102	4460465	10	Socket, Female	
102	4460466	2	Plug, Terminal	
103	4460539	4	Plug, Male - 3 Position	
103	4460465	12	Socket, Female	
104	4460911	4	Connector - 3 Position	
104	1001116694	12	Terminal	
105	4460891	4	Plug, Male - 2 Position	
105	4460465	8	Socket, Female	
106	4460970	1	Receptacle - 12 Position	
106	4460464	12	Pin, Male	
107	4460894	2	Plug, Male - 6 Position	
107	4460465	10	Socket, Female	
107	4460466	2	Plug, Terminal	

SECTION 8 - ELECTRICAL

FIGURE 8-21. LIFT DOWN HARNESS



ART_1001248895

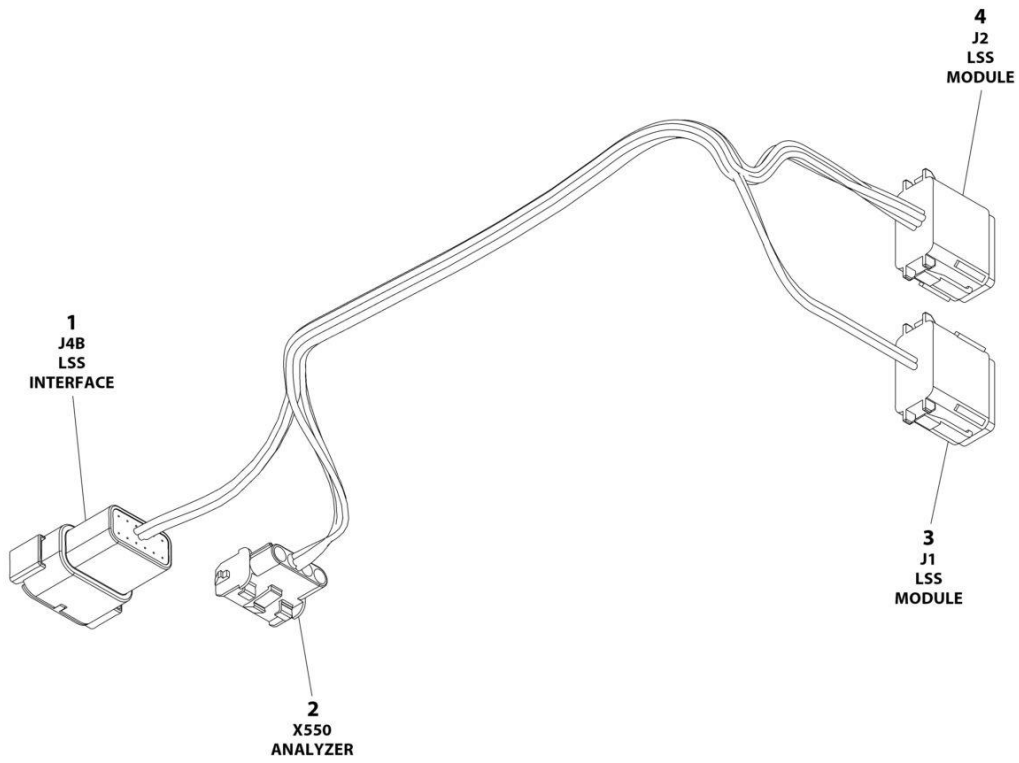
SECTION 8 - ELECTRICAL

FIGURE 8-21. LIFT DOWN HARNESS

ITEM	PART NUMBER	QTY	DESCRIPTION	REV
	1001248895	Ref	LIFT DOWN HARNESS	A
1	4460891	2	Plug, Male - 2 Position	
1	4460465	4	Socket, Female	

SECTION 8 - ELECTRICAL

FIGURE 8-22. LSS HARNESS



ART_1001226830

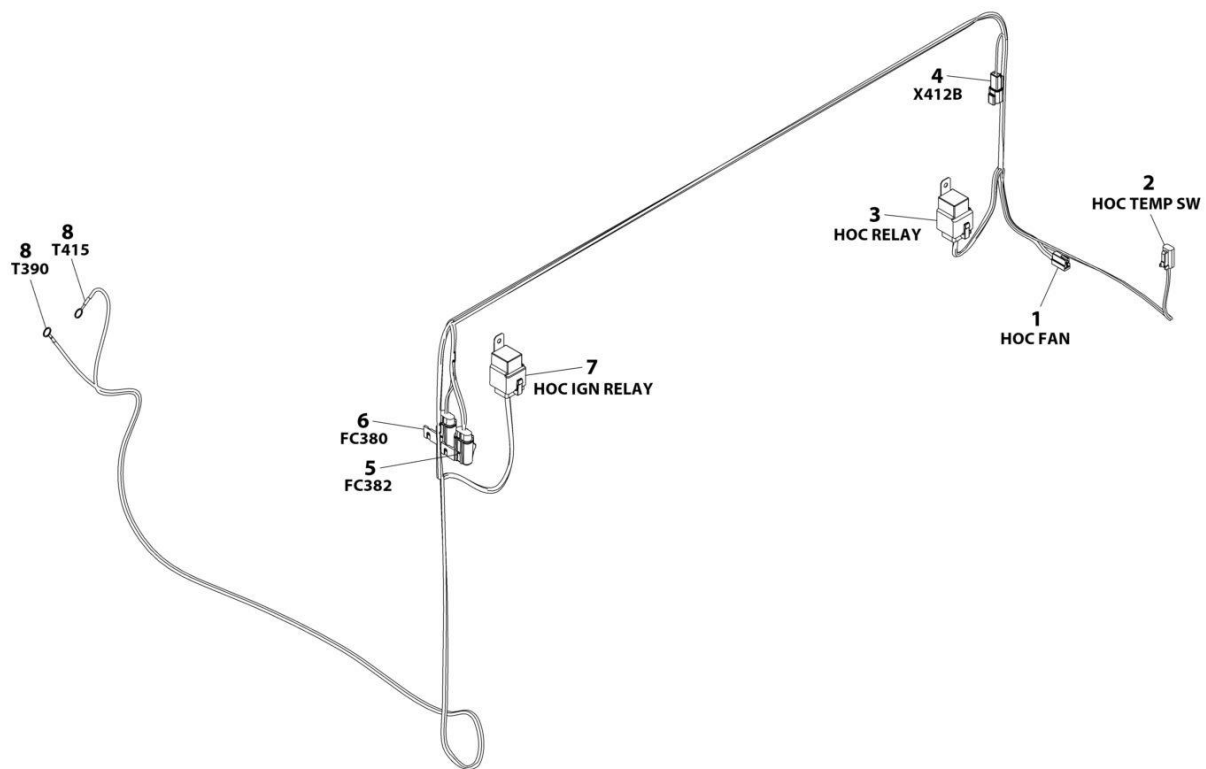
SECTION 8 - ELECTRICAL

FIGURE 8-22. LSS HARNESS

ITEM	PART NUMBER	QTY	DESCRIPTION	REV
	1001226830	Ref	LSS HARNESS	A
1	1001132170	1	Connector - 12 Position	
1	4460929	2	Pin, Male	
1	4460917	2	Pin, Male	
1	4460518	8	Plug, Terminal	
2	4460761	1	Receptacle, Female - 4 Position	
2	4460294	4	Pin, Male	
3	4460933	1	Connector - 12 Position	
3	4460465	2	Socket, Female	
3	4460466	10	Plug, Terminal	
4	4460836	1	Connector - 12 Position	
4	4460465	5	Socket, Female	
4	4460944	2	Socket, Female	
4	4460466	5	Plug, Terminal	

SECTION 8 - ELECTRICAL

FIGURE 8-23. OIL COOLER HARNESS



ART_1001249802

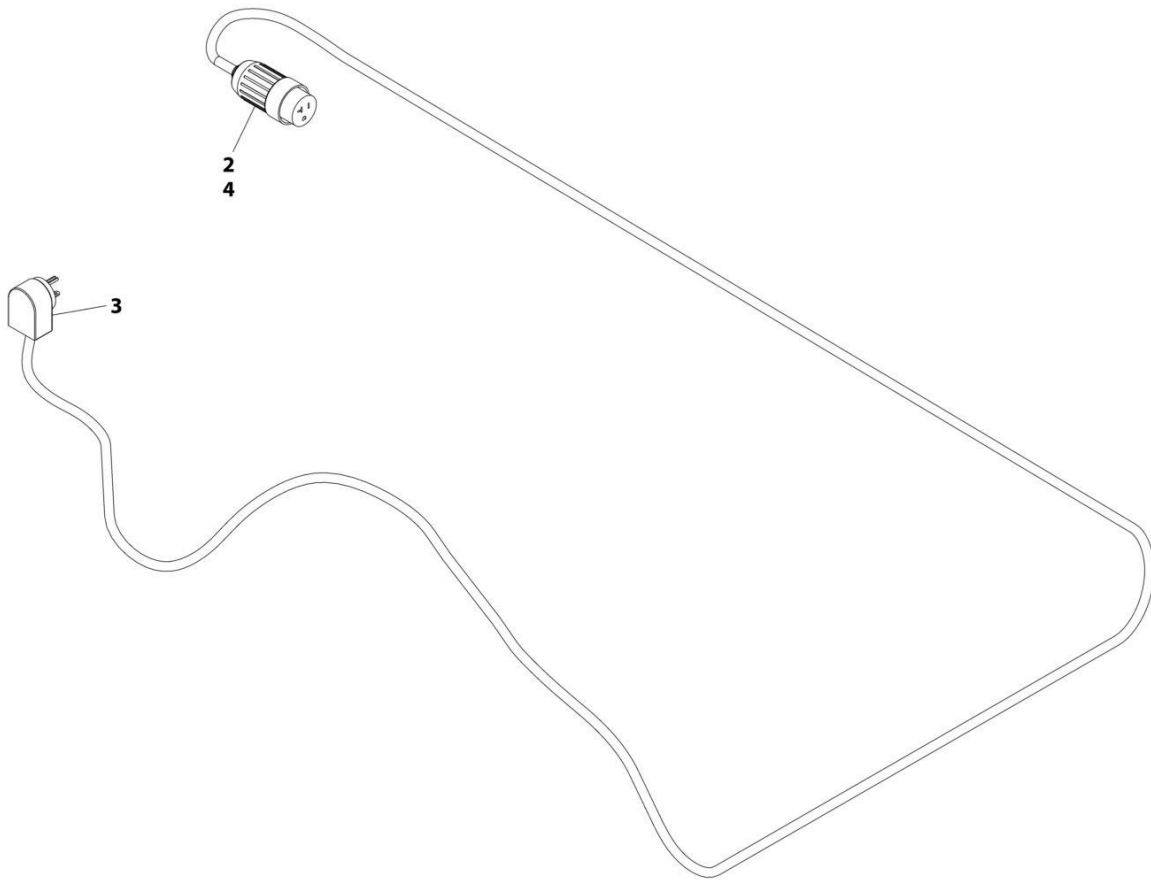
SECTION 8 - ELECTRICAL

FIGURE 8-23. OIL COOLER HARNESS

ITEM	PART NUMBER	QTY	DESCRIPTION	REV
	1001249802	Ref	OIL COOLER HARNESS	D
1	4460994	1	Connector	
1	1001116716	3	Socket, Female	
2	4460891	1	Connector	
2	4460465	2	Socket, Female	
3	1001118282	1	Connector	
3	1001116732	2	Socket, Female	
3	1001116734	2	Socket, Female	
3	1001128128	1	Plug	
4	4460897	1	Connector	
4	4460464	1	Pin, Male	
4	4460466	1	Plug	
5	1001119412	1	Connector	
5	1001116733	2	Socket, Female	
6	1001117024	1	Connector	
6	1001116734	2	Socket, Female	
7	1001118282	1	Connector	
7	1001116732	2	Socket, Female	
7	1001116734	2	Socket, Female	
7	1001128128	1	Plug	
8	4460019	2	Terminal, Ring	

SECTION 8 - ELECTRICAL

FIGURE 8-24. ONBOARD GENERATOR CABLE



ART_1001266233

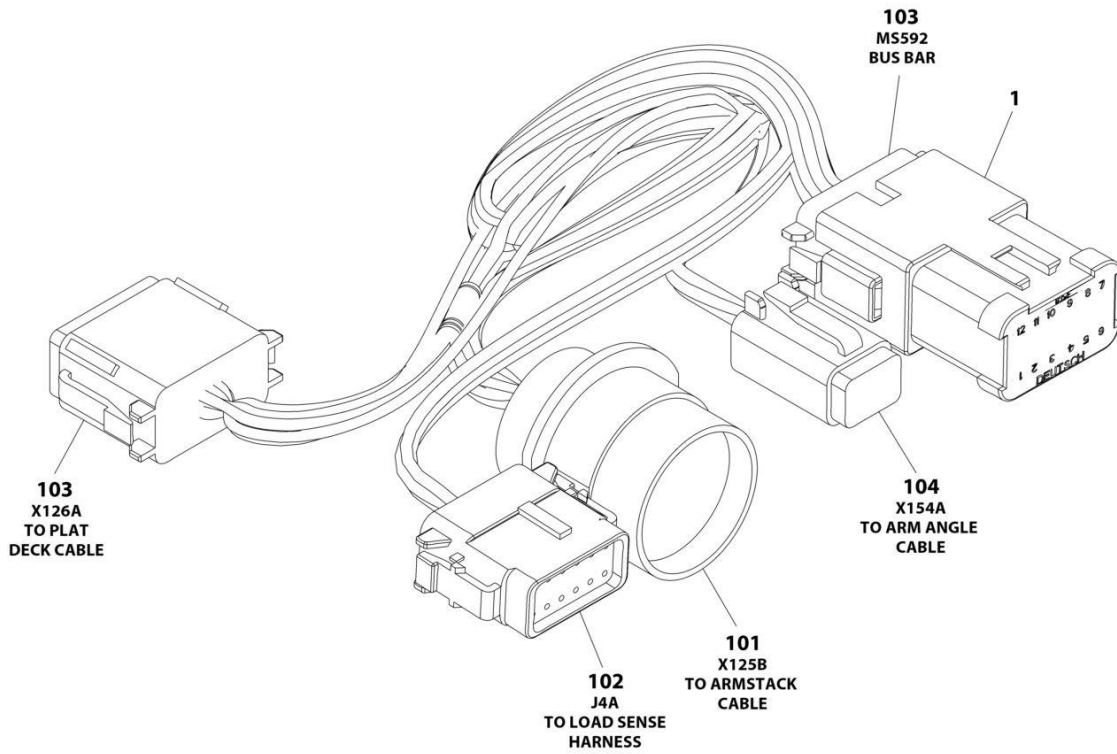
SECTION 8 - ELECTRICAL

FIGURE 8-24. ONBOARD GENERATOR CABLE

ITEM	PART NUMBER	QTY	DESCRIPTION	REV
	1001266233	Ref	ONBOARD GENERATOR CABLE	A
2	1001156351	1	Cover, Connector	
3	1001265225	1	Plug	
4	1001265226	1	Connector	

SECTION 8 - ELECTRICAL

FIGURE 8-25. PLATFORM HARNESS



ART_1001264939

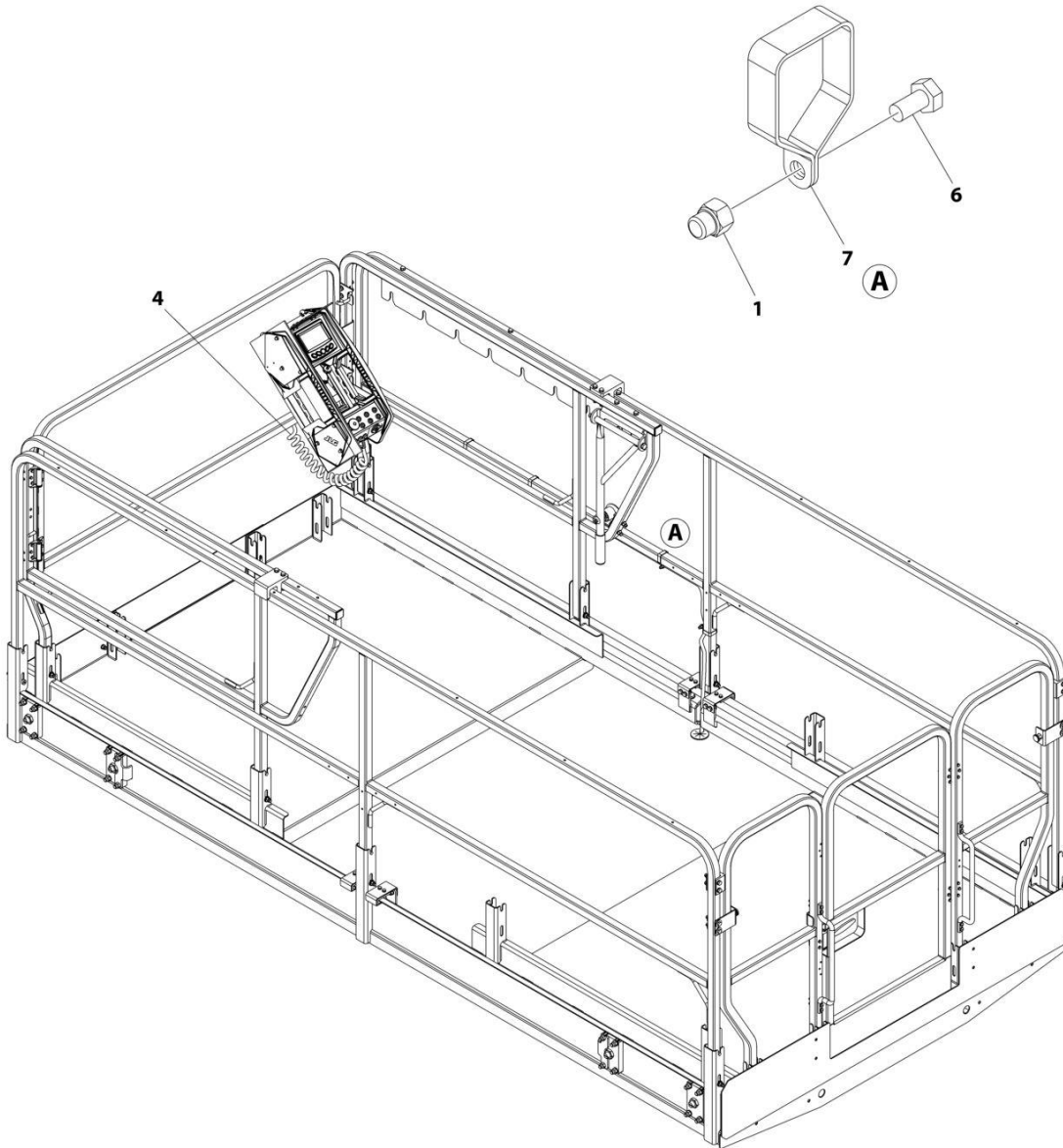
SECTION 8 - ELECTRICAL

FIGURE 8-25. PLATFORM HARNESS

ITEM	PART NUMBER	QTY	DESCRIPTION	REV
	1001264939	Ref	PLATFORM HARNESS	C
1	1001119020	1	Connector, Bussbar	
101	4460752	1	Connector - 14 Position	
101	4460464	8	Pin, Male	
101	4460943	2	Pin, Male	
101	4460466	4	Plug, Terminal	
102	1001116808	1	Connector - 12 Position	
102	4460928	2	Terminal	
102	4460918	2	Terminal	
102	4460518	8	Plug, Terminal	
103	4460933	2	Plug, Male - 12 Position	
103	4460465	21	Socket, Female	
103	4460466	3	Plug, Terminal	
104	4460884	1	Plug, Male - 4 Position	
104	4460465	4	Socket, Female	

SECTION 8 - ELECTRICAL

FIGURE 8-26. PLATFORM CABLE INSTALLATION – WITHOUT FOOTSWITCH



ART_1001254820

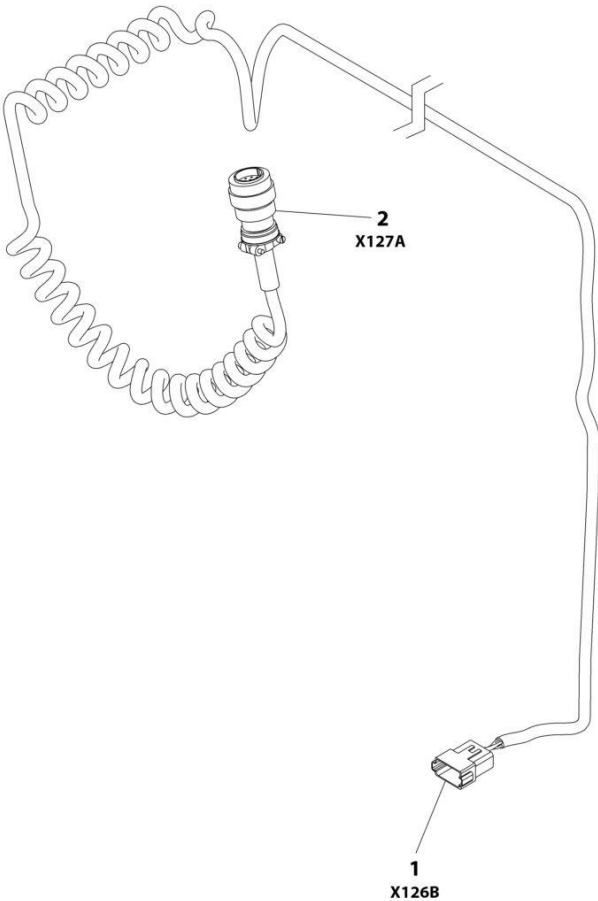
SECTION 8 - ELECTRICAL

FIGURE 8-26. PLATFORM CABLE INSTALLATION – WITHOUT FOOTSWITCH

ITEM	PART NUMBER	QTY	DESCRIPTION	REV
	1001254820	Ref	PLATFORM CABLE INSTALLATION – WITHOUT FOOTSWITCH	D
1	3290606	5	Nut M6 x 1	
4	1001249048	1	Cable, Platform Deck (See Separate Breakdown in this Section)	
6	0760606	5	Bolt M6 x 12	
7	1001220668	5	Clamp, Platform Cable Post	
8	4240018	1	Tie Strap (Not Shown)	

SECTION 8 - ELECTRICAL

FIGURE 8-27. PLATFORM CABLE HARNESS – WITHOUT FOOTSWITCH



ART_1001249048

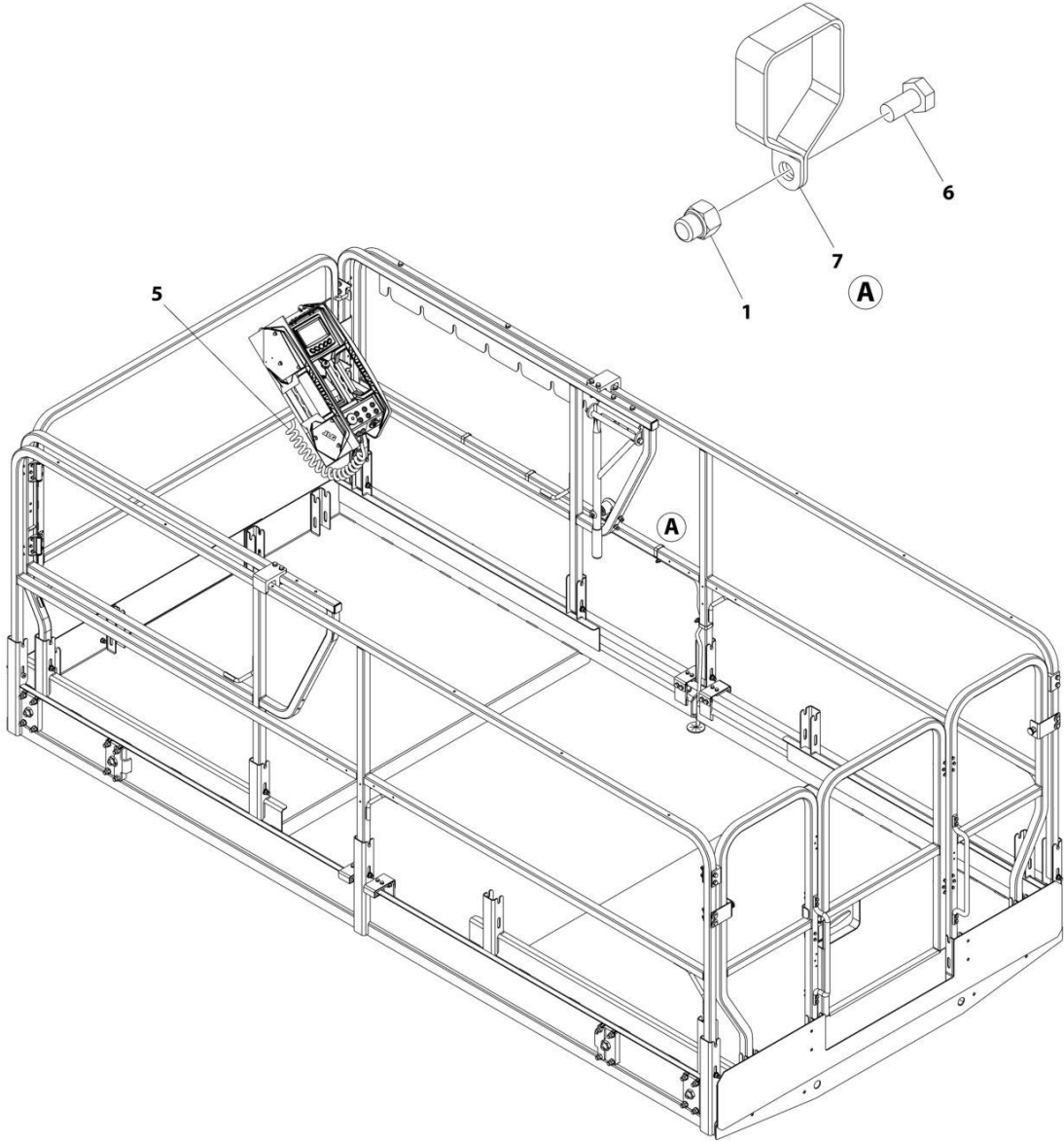
SECTION 8 - ELECTRICAL

FIGURE 8-27. PLATFORM CABLE HARNESS – WITHOUT FOOTSWITCH

ITEM	PART NUMBER	QTY	DESCRIPTION	REV
	1001249048	Ref	PLATFORM MODULE HARNESS – WITHOUT FOOTSWITCH	D
1	4460970	1	Plug, Male - 12 Position	
1	4460464	8	Pin, Male	
1	4460943	2	Pin, Male	
1	4460466	2	Plug, Terminal	
1	1001249190	1	Boot	
2	4460754	1	Receptacle, Female - 14 Position	
2	4460465	8	Socket, Femaile	
2	4460944	2	Socket, Femaile	
2	4460466	4	Plug, Terminal	

SECTION 8 - ELECTRICAL

FIGURE 8-28. PLATFORM CABLE INSTALLATION – WITH FOOTSWITCH



ART_1001258923

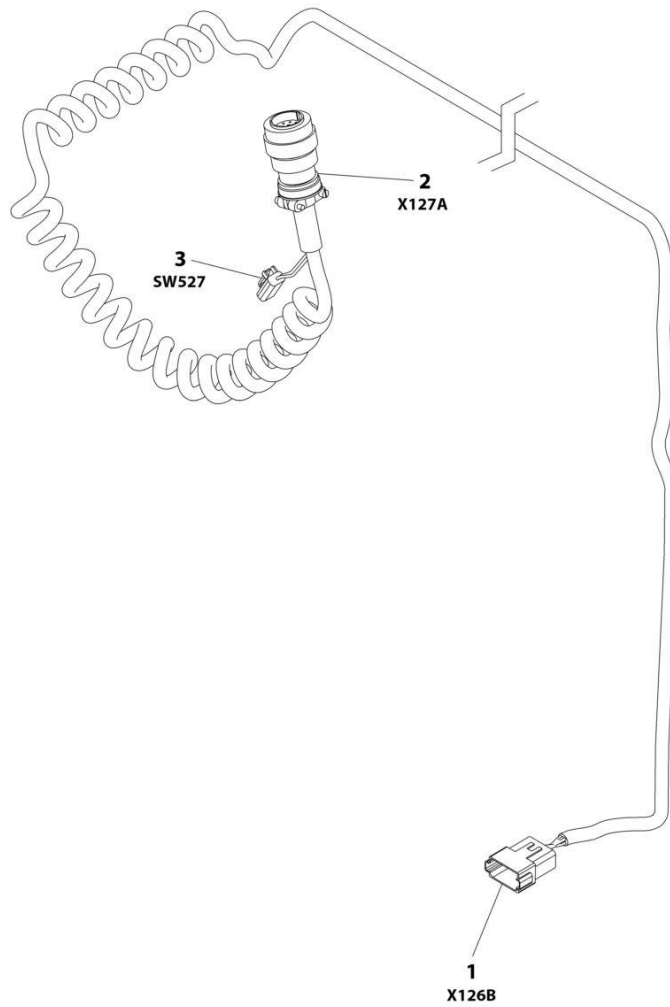
SECTION 8 - ELECTRICAL

FIGURE 8-28. PLATFORM CABLE INSTALLATION – WITH FOOTSWITCH

ITEM	PART NUMBER	QTY	DESCRIPTION	REV
	1001258923	Ref	PLATFORM CABLE INSTALLATION – WITH FOOTSWITCH	C
1	3290606	5	Nut M6 x 1	
5	1001258223	1	Harness, Platform Deck (See Separate Breakdown in this Section)	
6	0760606	5	Bolt M6 x 12	
7	1001220668	5	Clamp, Platform Cable Post	
8	4240018	1	Tie Strap (Not Shown)	

SECTION 8 - ELECTRICAL

FIGURE 8-29. PLATFORM CABLE HARNESS – WITH FOOTSWITCH



ART_1001258223

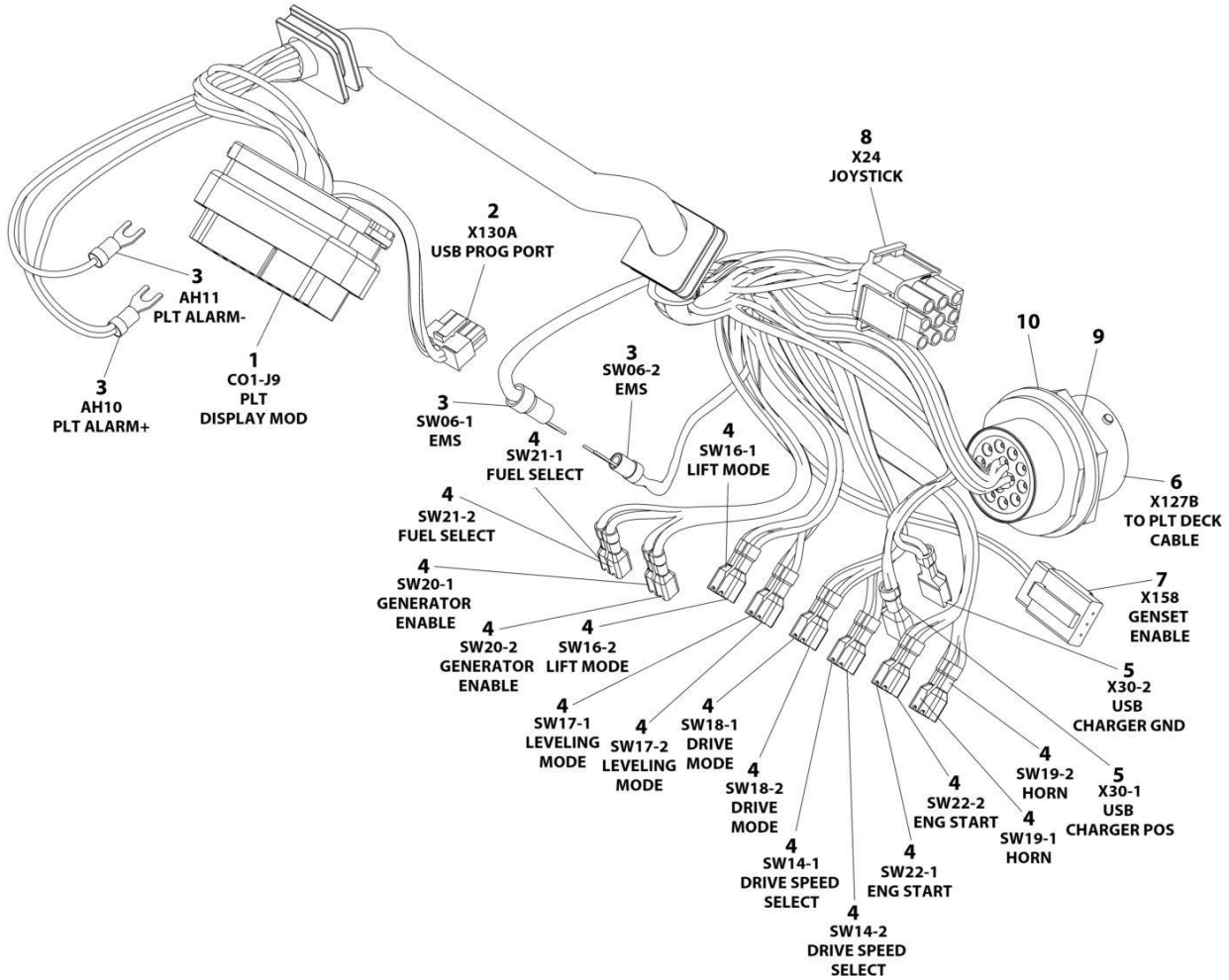
SECTION 8 - ELECTRICAL

FIGURE 8-29. PLATFORM CABLE HARNESS – WITH FOOTSWITCH

ITEM	PART NUMBER	QTY	DESCRIPTION	REV
	1001258223	Ref	PLATFORM MODULE HARNESS – WITH FOOTSWITCH	B
1	4460970	1	Plug, Male - 12 Position	
1	4460464	7	Pin, Male	
1	4460943	2	Pin, Male	
1	4460466	3	Plug, Terminal	
1	1001249190	1	Boot	
2	4460754	1	Receptacle, Female - 14 Position	
2	4460465	9	Socket, Female	
2	4460944	2	Socket, Female	
2	4460466	3	Plug, Terminal	
3	4460891	1	Plug, Male - 4 Position	
3	4460465	2	Socket, Female	

SECTION 8 - ELECTRICAL

FIGURE 8-30. PLATFORM CONTROL BOX HARNESS



ART_1001249049

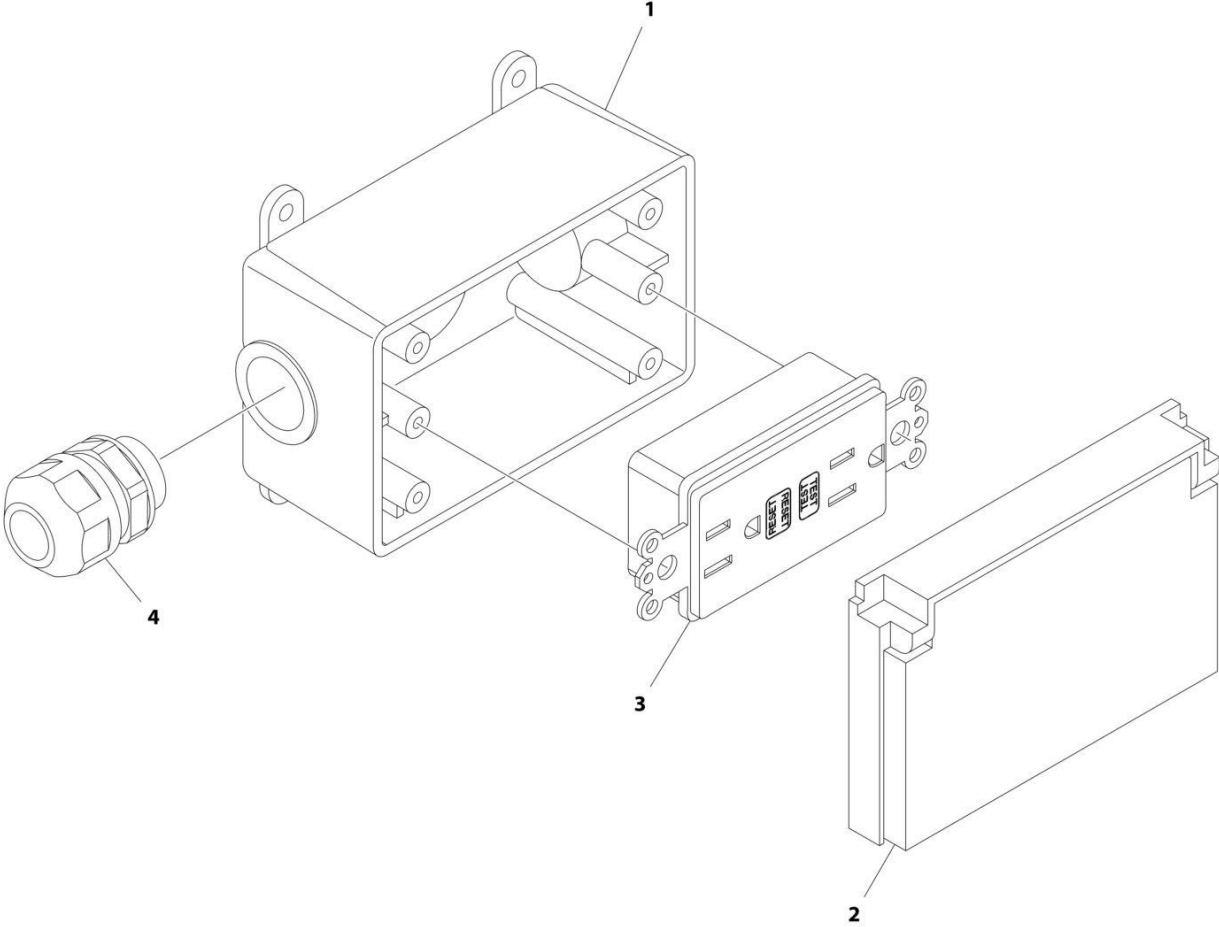
SECTION 8 - ELECTRICAL

FIGURE 8-30. PLATFORM CONTROL BOX HARNESS

ITEM	PART NUMBER	QTY	DESCRIPTION	REV
	1001249049	Ref	PLATFORM CONSOLE BOX HARNESS	G
1	4460873	1	Connector - 35 Position	
1	4460871	28	Pin, Male	
1	4460905	7	Plug, Terminal	
2	1001150735	1	Connector - 10 Position	
2	1001150889	5	Terminal	
3	4460183	4	Terminal, Fork	
4	1001201885	16	Receptacle, Female - 2 Position	
5	8220051	2	Terminal	
6	4461016	1	Connector - 14 Position	
6	4460464	11	Socket, Female	
6	4460466	1	Plug, Terminal	
6	4460943	2	Bussbar	
7	4460911	1	Plug, Male - 3 Position	
7	4460918	3	Terminal	
8	4460265	1	Plug, Male - 9 Position	
8	4460267	7	Terminal	
9	1001125784	1	Washer	
10	4460497	1	Terminal, Nut	

SECTION 8 - ELECTRICAL

FIGURE 8-31. RECEPTACLE BOX KIT - 110V GFI



ART_2902431

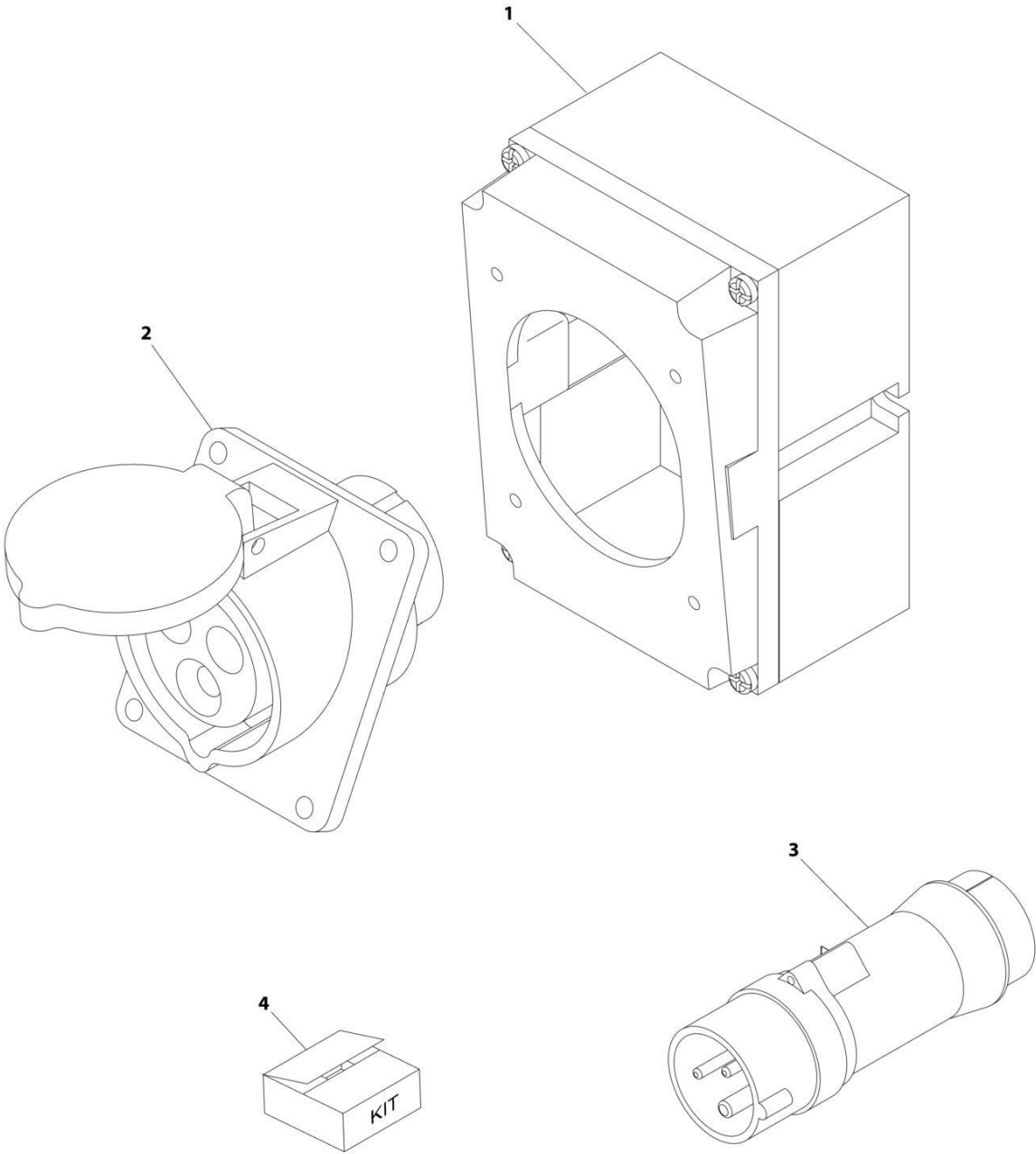
SECTION 8 - ELECTRICAL

FIGURE 8-31. RECEPTACLE BOX KIT - 110V GFI

ITEM	PART NUMBER	QTY	DESCRIPTION	REV
	2902431	Ref	RECEPTACLE BOX KIT - 110V GFI	D
1	0861731	1	Box, Receptacle	
2	1671207	1	Cover, Receptacle	
3	4460346	1	Receptacle	
4	4460662	1	Connector, Strain Relief	

SECTION 8 - ELECTRICAL

FIGURE 8-32. RECEPTACLE BOX KIT - 110V IEC YELLOW (CE & UK CA SPECS)



ART_0275216

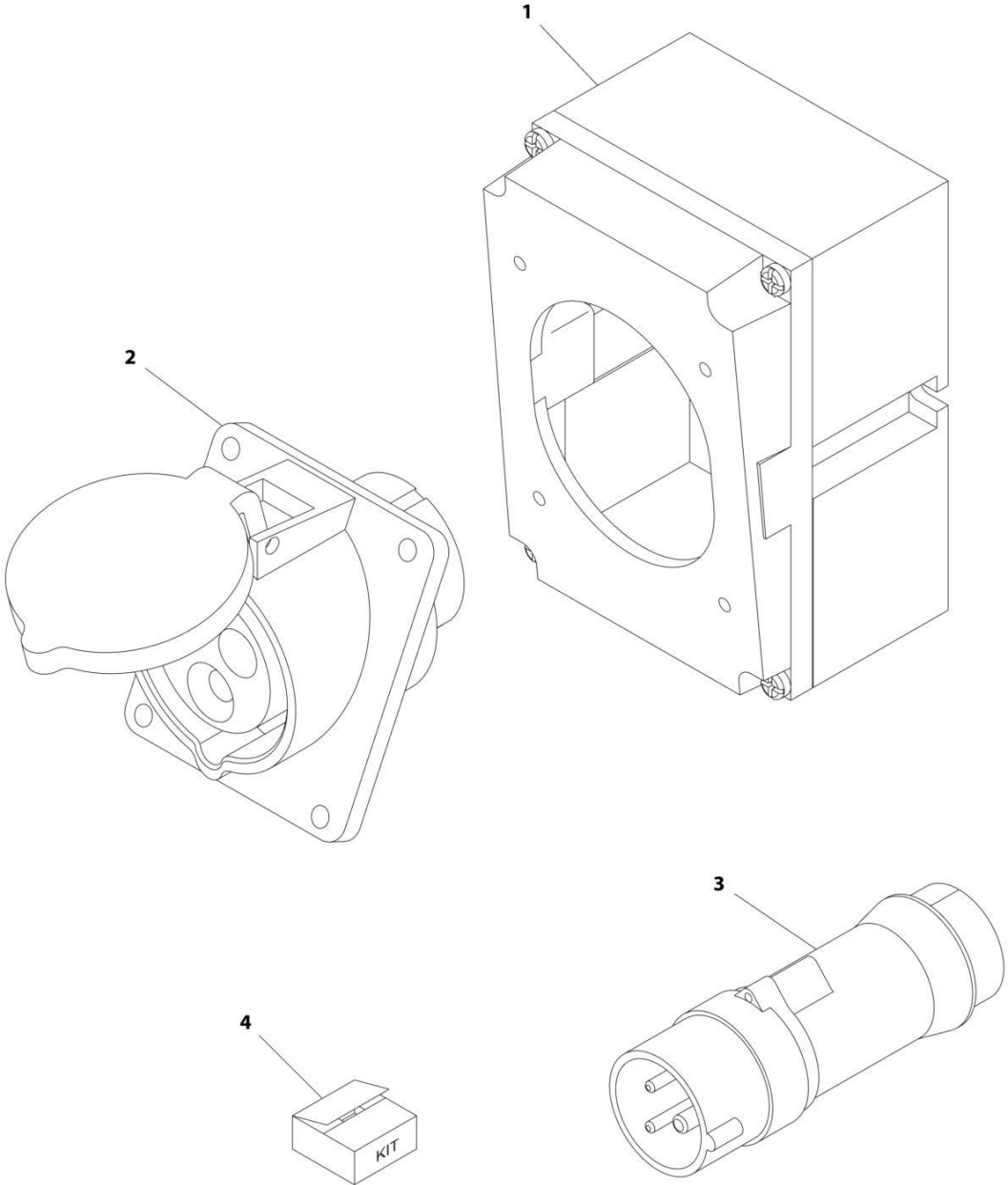
SECTION 8 - ELECTRICAL

FIGURE 8-32. RECEPTACLE BOX KIT - 110V IEC YELLOW (CE & UK CA SPECS)

ITEM	PART NUMBER	QTY	DESCRIPTION	REV
	0275216	Ref	RECEPTACLE BOX KIT - 110V IEC YELLOW	B
1	0861781	1	Box, Switch	
2	4461198	1	Receptacle	
3	4461196	1	Plug, Male	
4	1001100341	1	Plug and Socket Kit (Includes Items 1-3 and Female Plug p/n 4461197)	

SECTION 8 - ELECTRICAL

FIGURE 8-33. RECEPTACLE BOX KIT - 220V IEC BLUE (CE & UK CA SPECS)



ART_0275217

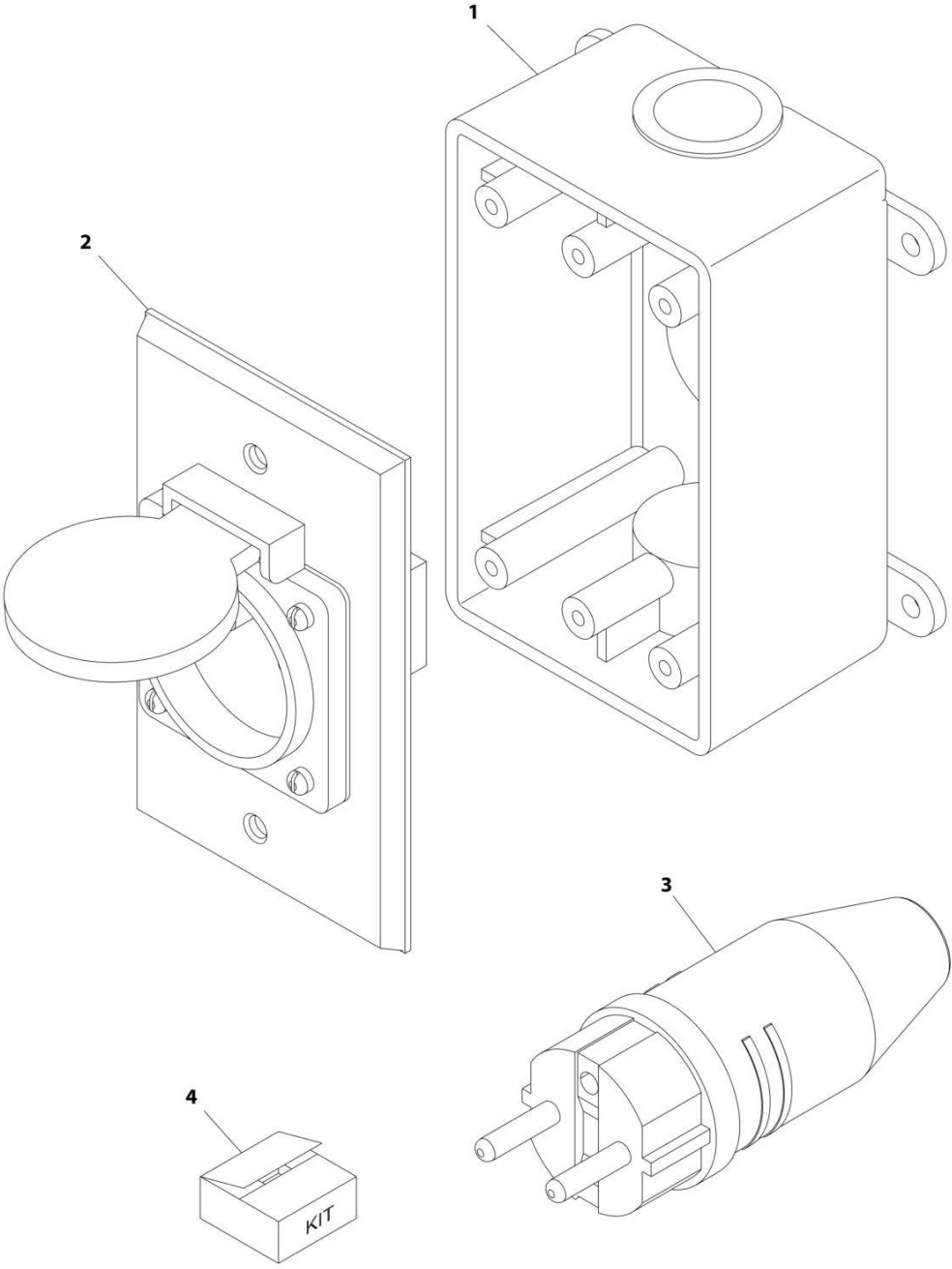
SECTION 8 - ELECTRICAL

FIGURE 8-33. RECEPTACLE BOX KIT - 220V IEC BLUE (CE & UK CA SPECS)

ITEM	PART NUMBER	QTY	DESCRIPTION	REV
	0275217	Ref	RECEPTACLE BOX KIT - 220V IEC BLUE	B
1	0861781	1	Box, Switch	
2	4461201	1	Receptacle	
3	4461199	1	Plug, Male	
4	1001100342	1	Plug and Socket Kit (Includes Items 1-3 and Female Plug p/n 4461200)	

SECTION 8 - ELECTRICAL

FIGURE 8-34. RECEPTACLE BOX KIT - 220V CEE7 POST GROUND (CE & UK CA SPECS)



ART_0275452-C

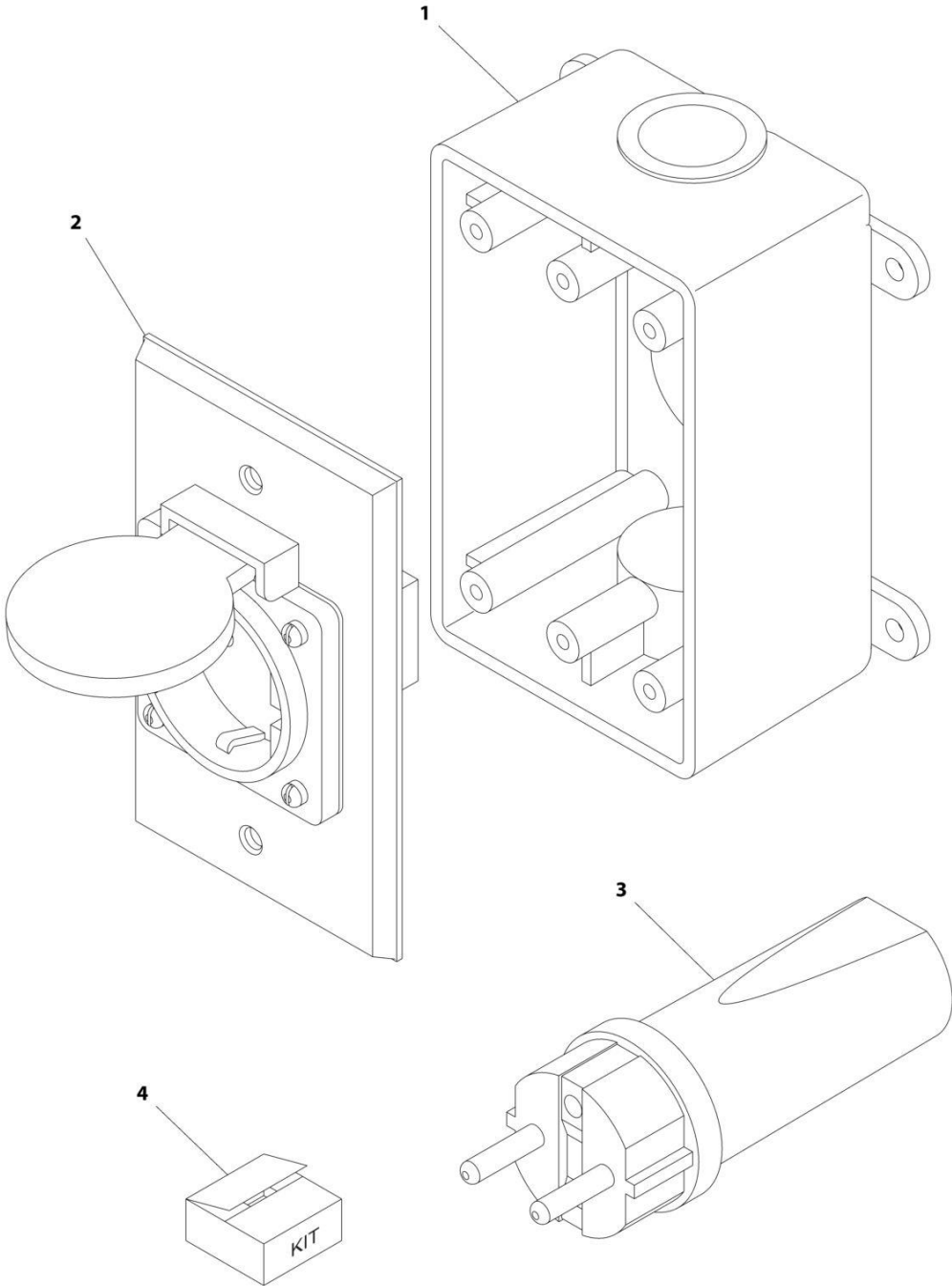
SECTION 8 - ELECTRICAL

FIGURE 8-34. RECEPTACLE BOX KIT - 220V CEE7 POST GROUND (CE & UK CA SPECS)

ITEM	PART NUMBER	QTY	DESCRIPTION	REV
	0275452	Ref	RECEPTACLE BOX KIT - 220V CEE7 POST GROUND 2IN X 4IN BOX	C
1	0861731	1	Box, Switch	
2	4461244	1	Receptacle	
3	4461205	1	Plug, Male	
4	1001100345	1	Plug and Socket Kit (Includes Items 1-3 and Female Plug p/n 4461203)	

SECTION 8 - ELECTRICAL

FIGURE 8-35. RECEPTACLE BOX KIT - 220V CEE7 SIDE GROUND (CE & UK CA SPECS)



ART_0275453

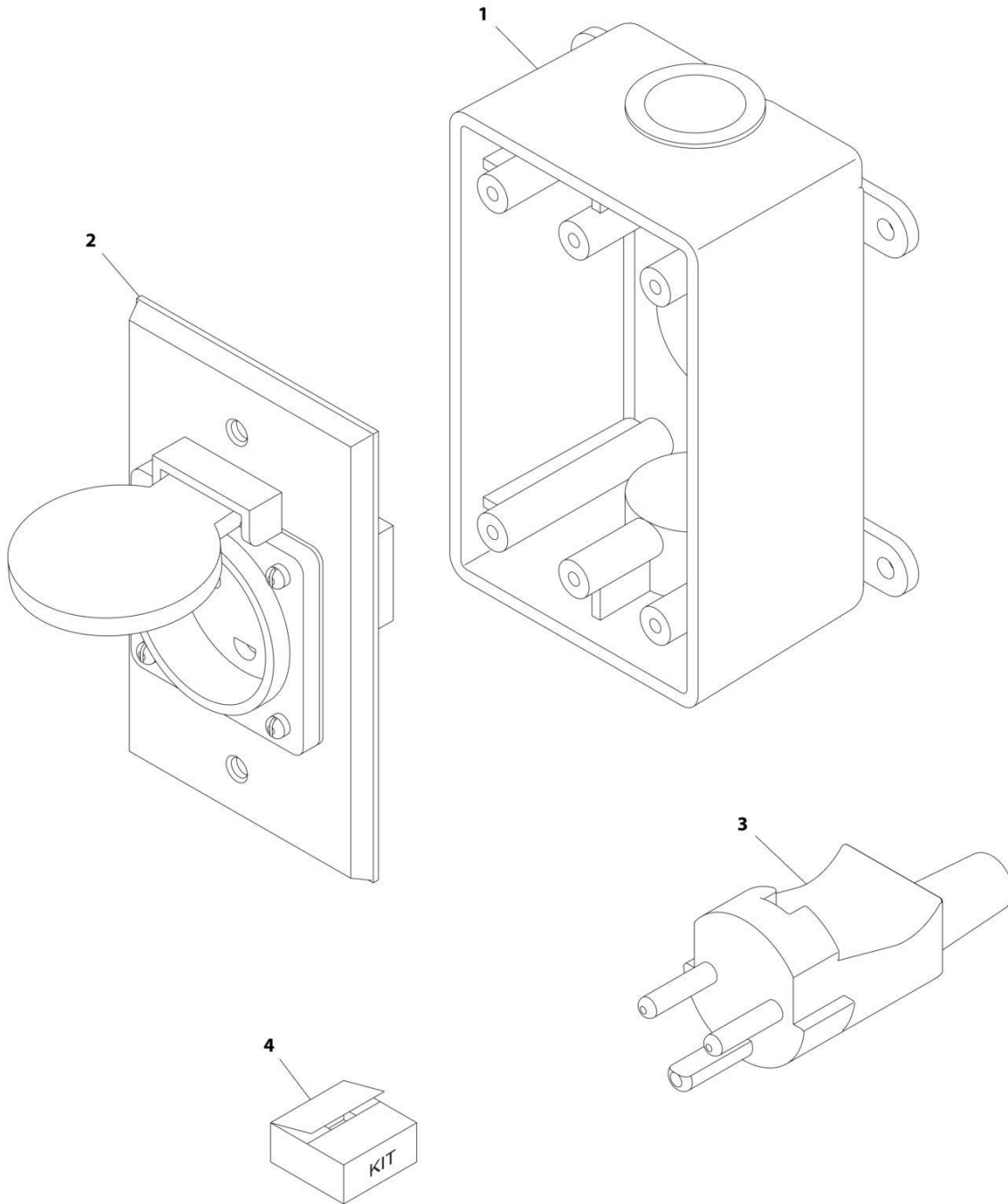
SECTION 8 - ELECTRICAL

FIGURE 8-35. RECEPTACLE BOX KIT - 220V CEE7 SIDE GROUND (CE & UK CA SPECS)

ITEM	PART NUMBER	QTY	DESCRIPTION	REV
	0275453	Ref	RECEPTACLE BOX KIT - 220V CEE7 SIDE GROUND	B
1	0861731	1	Box, Switch	
2	4461245	1	Receptacle	
3	4461205	1	Plug, Male	
4	1001100347	1	Plug and Socket Kit (Includes Items 1-3 and Female Plug p/n 4461206)	

SECTION 8 - ELECTRICAL

FIGURE 8-36. RECEPTACLE BOX KIT - 220V AFSINT 107 (CE & UK CA SPECS)



ART_0275454

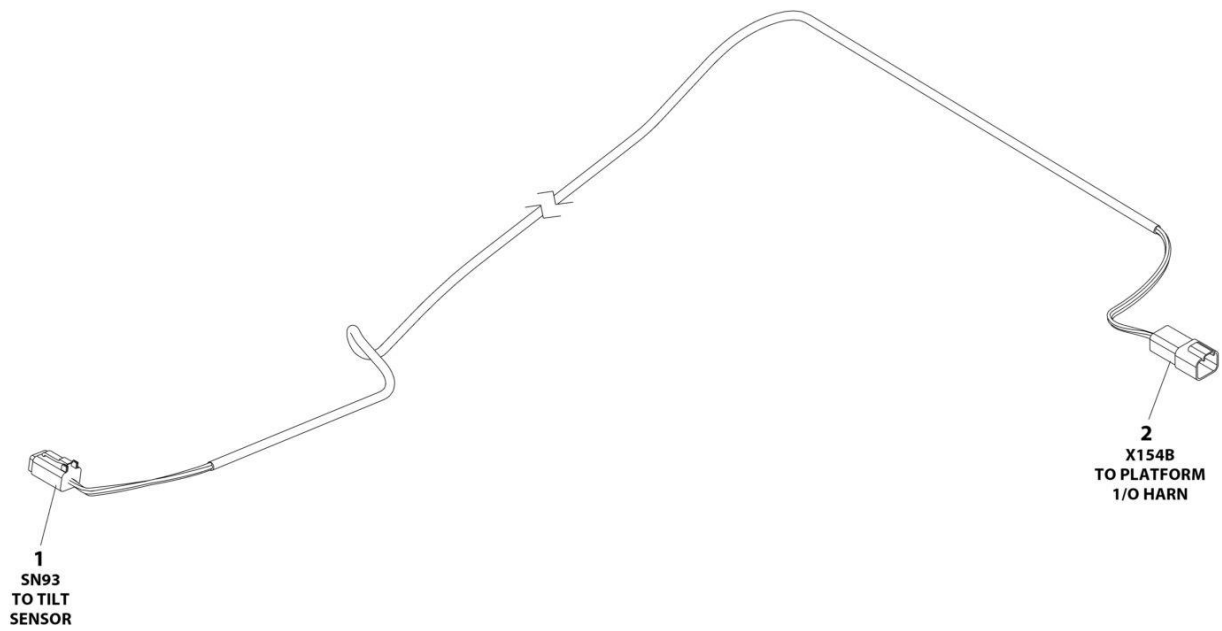
SECTION 8 - ELECTRICAL

FIGURE 8-36. RECEPTACLE BOX KIT - 220V AFSINT 107 (CE & UK CA SPECS)

ITEM	PART NUMBER	QTY	DESCRIPTION	REV
	0275454	Ref	RECEPTACLE BOX KIT - 220V AFSINT 107	B
1	0861731	1	Box, Switch	
2	4461246	1	Receptacle	
3	4461249	1	Plug, Male	
4	1001100346	1	Plug and Socket Kit (Includes Items 1-3 and Female Plug p/n 4461250)	

SECTION 8 - ELECTRICAL

FIGURE 8-37. TILT SENSOR HARNESS



ART_1001249091

SECTION 8 - ELECTRICAL

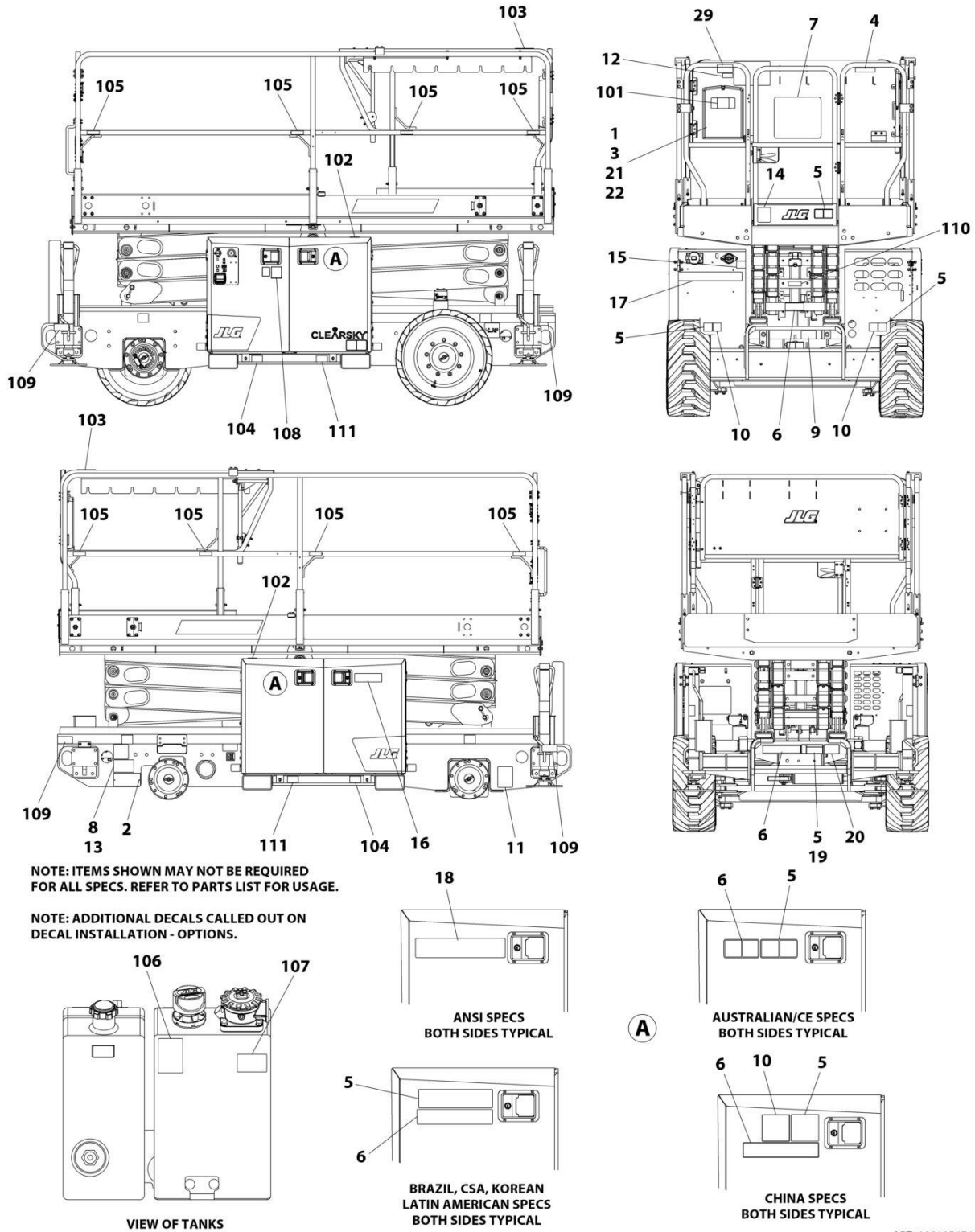
FIGURE 8-37. TILT SENSOR HARNESS

ITEM	PART NUMBER	QTY	DESCRIPTION	REV
	1001249091	Ref	TILT SENSOR HARNESS	C
1	4460884	1	Plug, Male - 4 Position	
1	4460944	4	Socket, Female	
2	4460932	1	Receptacle, Female - 4 Position	
2	4460464	4	Pin, Male	

SECTION 9 - DECALS

SECTION 9 - DECALS

FIGURE 9-1. DECAL INSTALLATION - ANSI SPECS (ENGLISH LANGUAGE)



ART_1001256764

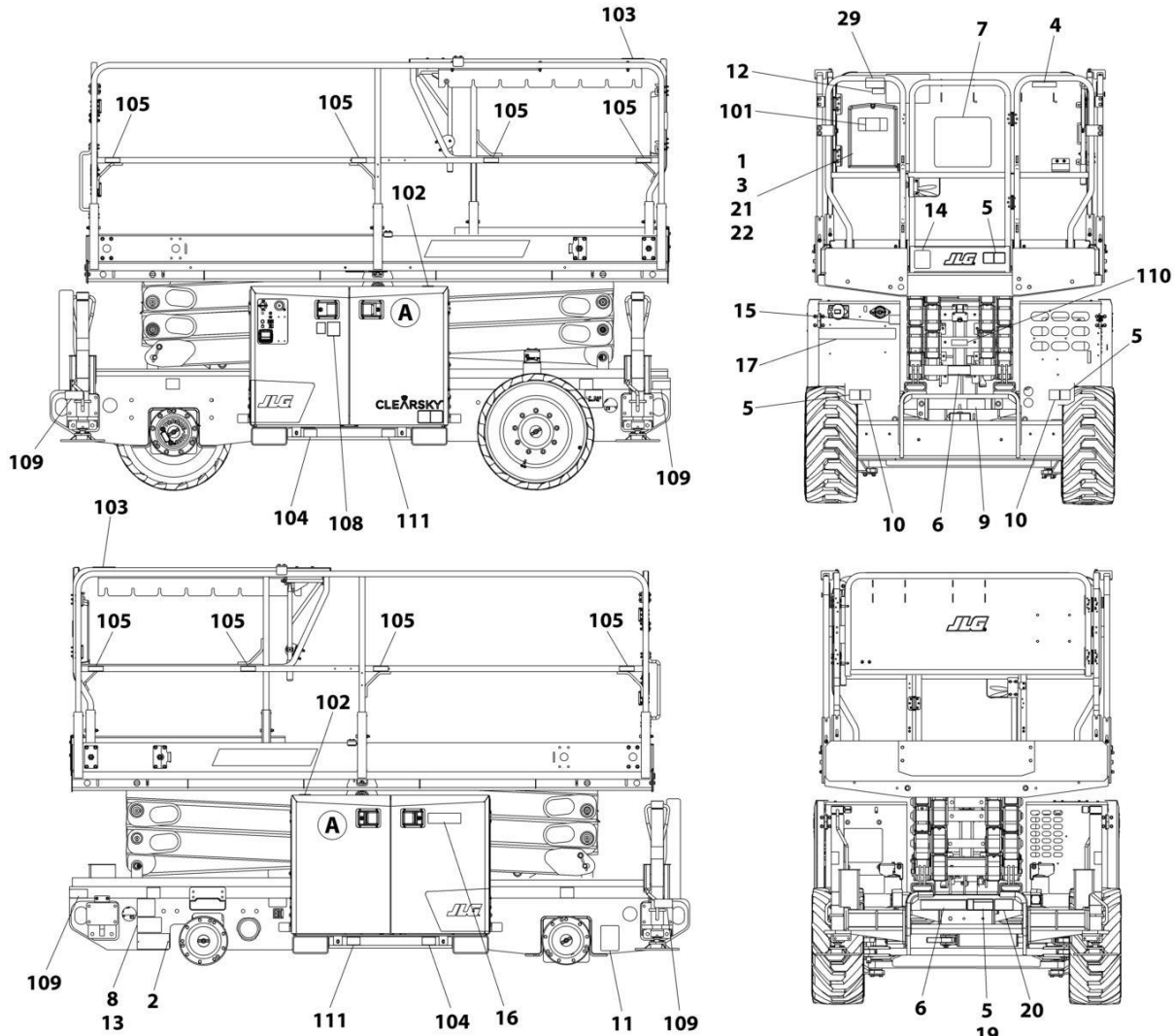
SECTION 9 - DECALS

FIGURE 9-1. DECAL INSTALLATION - ANSI SPECS (ENGLISH LANGUAGE)

ITEM	PART NUMBER	QTY	DESCRIPTION	REV
	1001256764	Ref	DECAL INSTALLATION	C
	1001256945	Ref	DECAL CHART DRAWING (RT2669)	G
	1001262071	Ref	DECAL CHART DRAWING (RT3369)	E
1	0760610	4	Bolt M6 x 20	
2	2080057	2	Fastener	
3	0860520	1	Box, Manual Storage	
4	1703821	1	Decal - Control Box Location	
5	1001211779	2	Decal - Electrocutation	
6	1001211777	2	Decal - Crushing Hazard	
7	1703816	1	Decal - Danger/Warning	
8	1001223055	1	Decal - Yearly Inspection	
9	1703822	1	Decal - Manual Descent Instruction	
11	1001131270	1	Decal - Patent	
12	1001223453	1	Decal - ICES	
18	1703818	2	Decal - Warning Crushing Hazard/Danger Electrocutation	
19	1705695	1	Decal - Danger Electrocutation	
21	3290605	4	Nut M6	
22	4811700	8	Washer M6	
100	1001256763	1	Decal Master Kit (Not Shown)	
101	1701640	1	Decal - Manual	
102	1703687	2	Decal - Direction Arrow	
103	1703819	2	Decal - Direction Arrow	
104	1001265579	2	Decal - Fork Lift	
105	1704277	8	Decal - Lanyard Attach	
106	1704412	1	Decal - Hydraulic Oil Chart	
107	70046028	1	Decal - Hydraulic Oil Level	
108	1001094708	1	Decal - Hydraulic Oil	
109	1001162864	4	Decal - Lift Point/Tie Down	
110	1001256865	1	Decal - Arm Prop	
111	1001265580	2	Decal - Fork Lift	

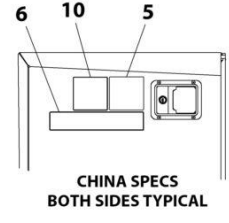
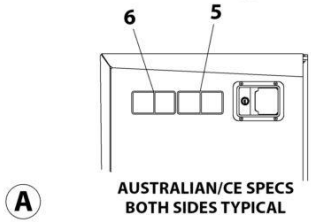
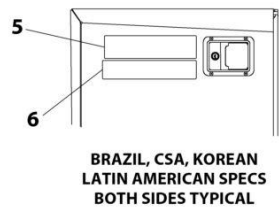
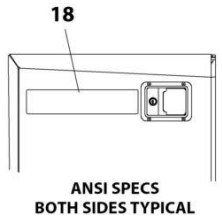
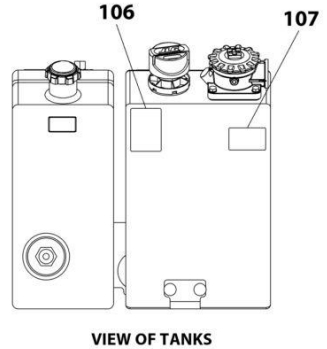
SECTION 9 - DECALS

FIGURE 9-2. DECAL INSTALLATION - AUSTRALIAN, CE & UK CA SPECS (ENGLISH LANGUAGE)



NOTE: ITEMS SHOWN MAY NOT BE REQUIRED FOR ALL SPECS. REFER TO PARTS LIST FOR USAGE.

NOTE: ADDITIONAL DECALS CALLED OUT ON DECAL INSTALLATION - OPTIONS.



ART_1001256770

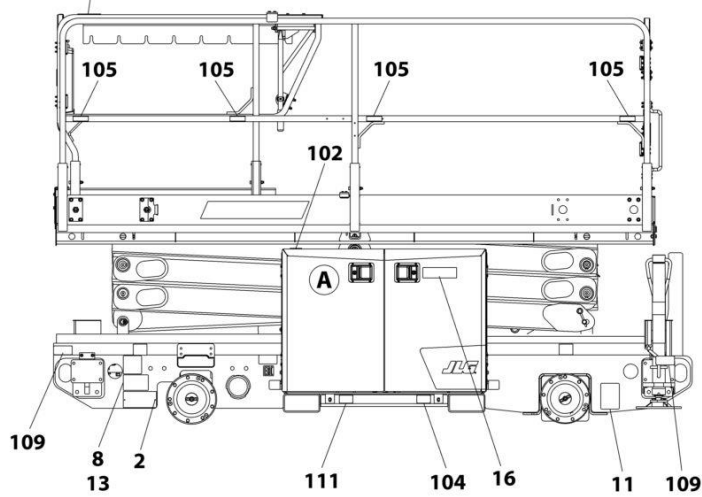
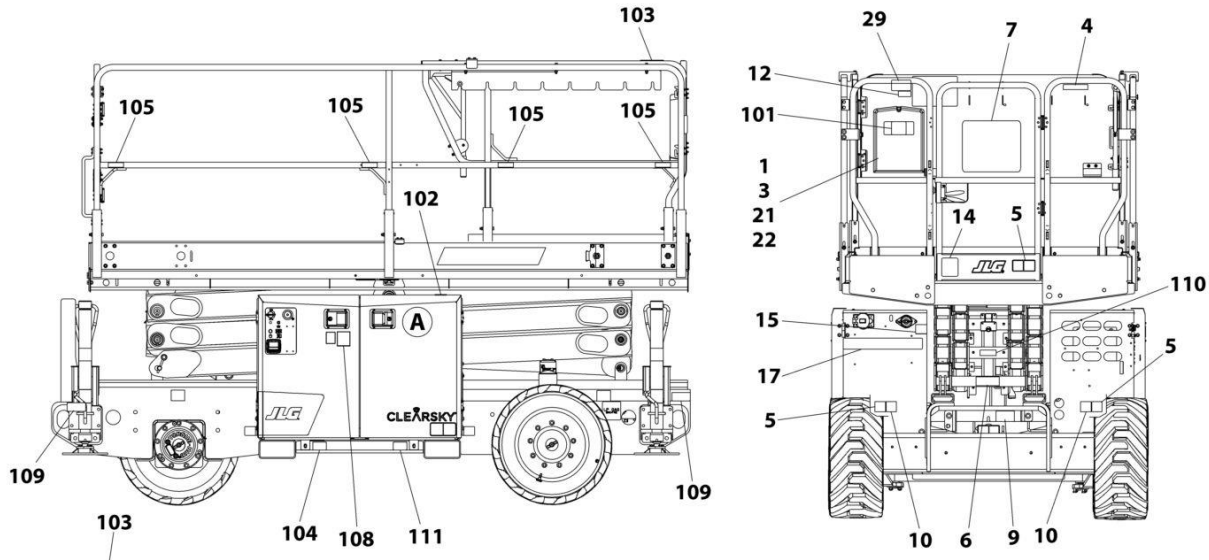
SECTION 9 - DECALS

FIGURE 9-2. DECAL INSTALLATION - AUSTRALIAN,CE & UK CA SPECS (ENGLISH LANGUAGE)

ITEM	PART NUMBER	QTY	DESCRIPTION	REV
	1001256770	Ref	DECAL INSTALLATION	D
	1001256945	Ref	DECAL CHART DRAWING (RT2669)	G
	1001262071	Ref	DECAL CHART DRAWING (RT3369)	E
1	0760610	4	Bolt M6 x 20	
2	2080057	4	Fastener	
3	0860520	1	Box, Manual Storage	
5	1705671	6	Decal - Electrocution	
6	1705673	4	Decal - Crushing	
9	1703822	1	Decal - Manual Descent Instruction	
13	1705670	2	Decal - Fire Hazard	
14	1001292287	1	Decal - Sound	
21	3290605	4	Nut M6	
22	4811700	8	Washer M6	
100	1001256763	1	Decal Master Kit (Not Shown)	
101	1701640	1	Decal - Manual	
102	1703687	2	Decal - Direction Arrow	
103	1703819	2	Decal - Direction Arrow	
104	1001265579	2	Decal - Fork Lift	
105	1704277	8	Decal - Lanyard Attach	
106	1704412	1	Decal - Hydraulic Oil Chart	
107	70046028	1	Decal - Hydraulic Oil Level	
108	1001094708	1	Decal - Hydraulic Oil	
109	1001162864	4	Decal - Lift Point/Tie Down	
110	1001256865	1	Decal - Arm Prop	
111	1001265580	2	Decal - Fork Lift	

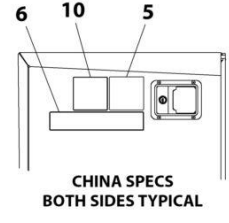
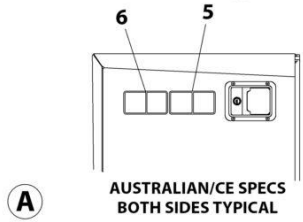
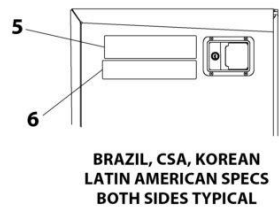
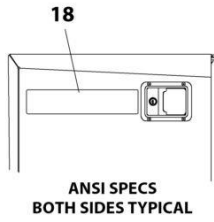
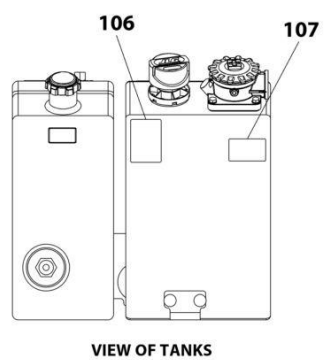
SECTION 9 - DECALS

FIGURE 9-3. DECAL INSTALLATION - BRAZIL SPECS (SPANISH/PORTUGUESE LANGUAGES)



NOTE: ITEMS SHOWN MAY NOT BE REQUIRED FOR ALL SPECS. REFER TO PARTS LIST FOR USAGE.

NOTE: ADDITIONAL DECALS CALLED OUT ON DECAL INSTALLATION - OPTIONS.



ART_1001256767

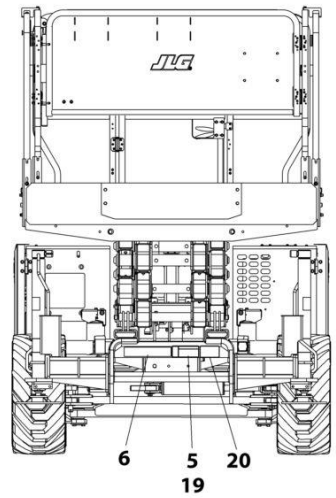
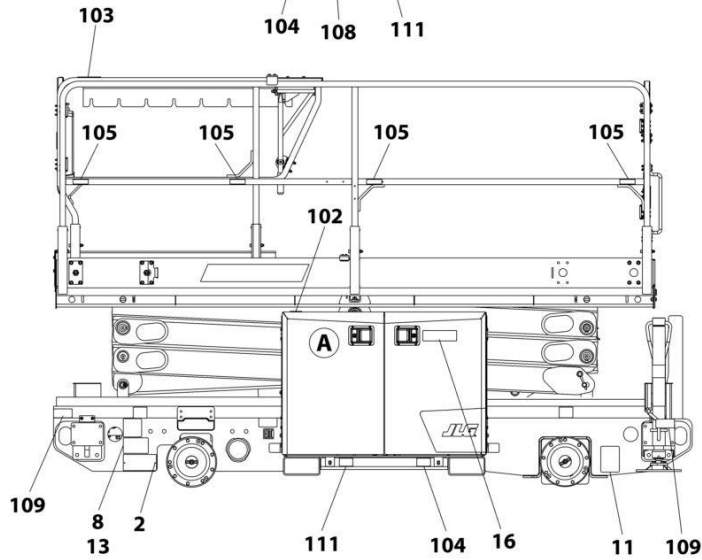
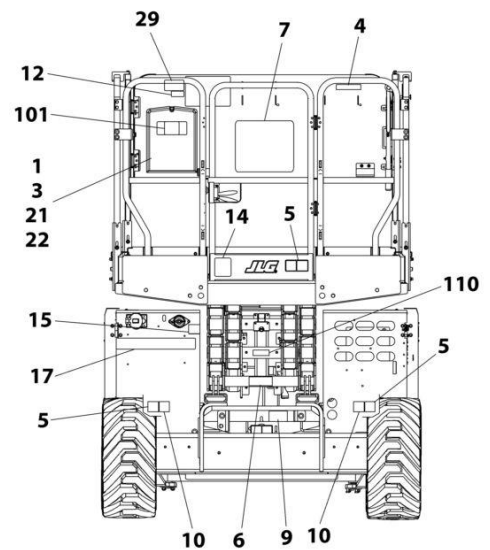
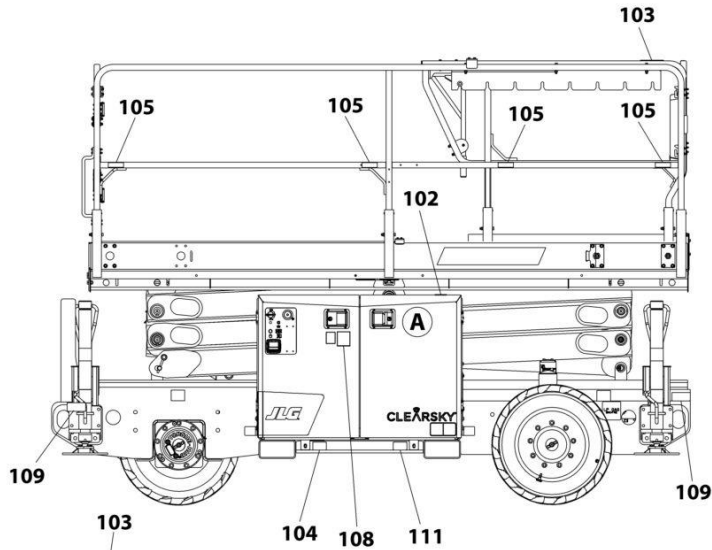
SECTION 9 - DECALS

FIGURE 9-3. DECAL INSTALLATION - BRAZIL SPECS (SPANISH/PORTUGUESE LANGUAGES)

ITEM	PART NUMBER	QTY	DESCRIPTION	REV
	1001256767	Ref	DECAL INSTALLATION	C
	1001256945	Ref	DECAL CHART DRAWING (RT2669)	G
	1001262071	Ref	DECAL CHART DRAWING (RT3369)	E
1	0760610	4	Bolt M6 x 20	
2	2080057	2	Fastener	
3	0860520	1	Box, Manual Storage	
4	1704702	1	Decal - Control Box Location	
5	1705043	5	Decal - Danger Electrical Hazard	
6	1001216650	4	Decal - Crushing	
7	1704699	1	Decal - Danger/Warning	
8	1001224052	1	Decal - Yearly Inspection	
9	1703822	1	Decal - Manual Descent Instruction	
21	3290605	4	Nut M6	
22	4811700	8	Washer M6	
100	1001256763	1	Decal Master Kit (Not Shown)	
101	1701640	1	Decal - Manual	
102	1703687	2	Decal - Direction Arrow	
103	1703819	2	Decal - Direction Arrow	
104	1001265579	2	Decal - Fork Lift	
105	1704277	8	Decal - Lanyard Attach	
106	1704412	1	Decal - Hydraulic Oil Chart	
107	70046028	1	Decal - Hydraulic Oil Level	
108	1001094708	1	Decal - Hydraulic Oil	
109	1001162864	4	Decal - Lift Point/Tie Down	
110	1001256865	1	Decal - Arm Prop	
111	1001265580	2	Decal - Fork Lift	

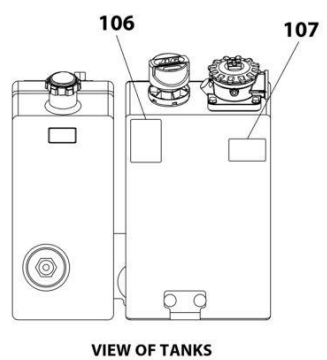
SECTION 9 - DECALS

FIGURE 9-4. DECAL INSTALLATION - CHINA SPECS (ENGLISH/CHINESE LANGUAGES)

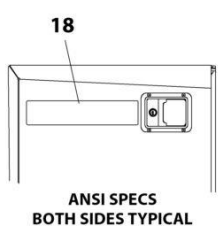


NOTE: ITEMS SHOWN MAY NOT BE REQUIRED FOR ALL SPECS. REFER TO PARTS LIST FOR USAGE.

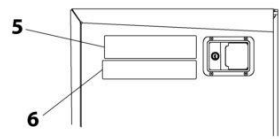
NOTE: ADDITIONAL DECALS CALLED OUT ON DECAL INSTALLATION - OPTIONS.



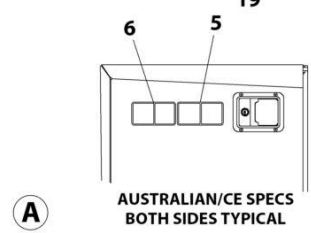
VIEW OF TANKS



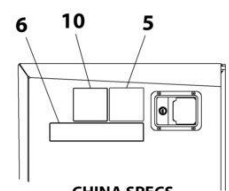
ANSI SPECS BOTH SIDES TYPICAL



BRAZIL, CSA, KOREAN LATIN AMERICAN SPECS BOTH SIDES TYPICAL



AUSTRALIAN/CE SPECS BOTH SIDES TYPICAL



CHINA SPECS BOTH SIDES TYPICAL

ART_1001256766

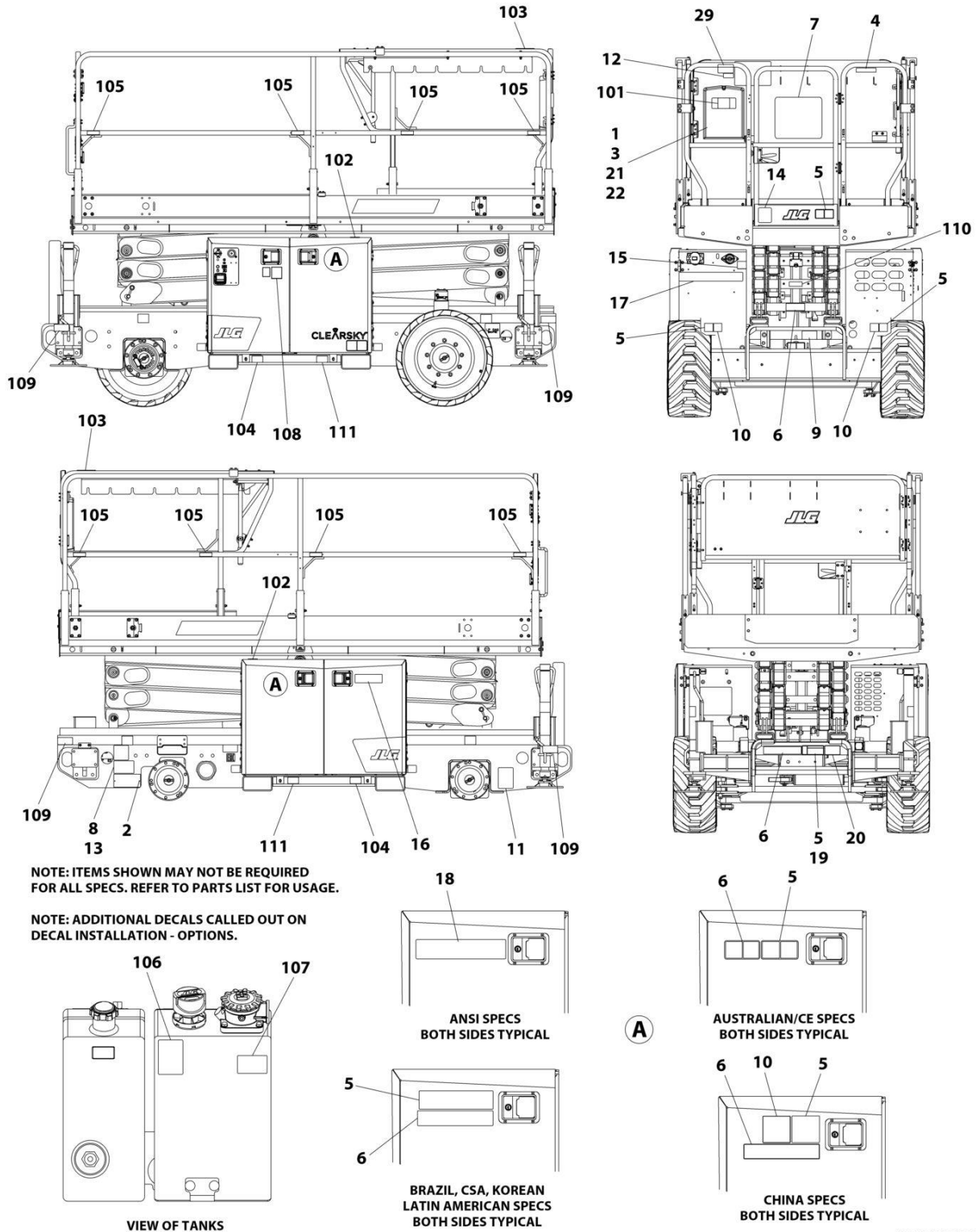
SECTION 9 - DECALS

FIGURE 9-4. DECAL INSTALLATION - CHINA SPECS (ENGLISH/CHINESE LANGUAGES)

ITEM	PART NUMBER	QTY	DESCRIPTION	REV
	1001256766	Ref	DECAL INSTALLATION	C
	1001256945	Ref	DECAL CHART DRAWING (RT2669)	G
	1001262071	Ref	DECAL CHART DRAWING (RT3369)	E
1	0760610	4	Bolt M6 x 20	
2	2080057	2	Fastener	
3	0860520	1	Box, Manual Storage	
4	1705194	1	Decal - Control Box Location	
5	1001211779	4	Decal - Electrocution	
6	1001215752	4	Decal - Crushing	
7	1705195	1	Decal - Danger/Warning	
8	1001224051	1	Decal - Yearly Inspection	
9	1703822	1	Decal - Manual Descent Instruction	
10	1001215747	4	Decal - Electrocution	
19	1705695	1	Decal - Danger Electrocution	
20	1705944	1	Decal - Danger Electrocution	
21	3290605	4	Nut M6	
22	4811700	8	Washer M6	
100	1001256763	1	Decal Master Kit (Not Shown)	
101	1701640	1	Decal - Manual	
102	1703687	2	Decal - Direction Arrow	
103	1703819	2	Decal - Direction Arrow	
104	1001265579	2	Decal - Fork Lift	
105	1704277	8	Decal - Lanyard Attach	
106	1704412	1	Decal - Hydraulic Oil Chart	
107	70046028	1	Decal - Hydraulic Oil Level	
108	1001094708	1	Decal - Hydraulic Oil	
109	1001162864	4	Decal - Lift Point/Tie Down	
110	1001256865	1	Decal - Arm Prop	
111	1001265580	2	Decal - Fork Lift	

SECTION 9 - DECALS

FIGURE 9-5. DECAL INSTALLATION - CSA SPECS (ENGLISH/FRENCH LANGUAGES)



ART_1001256769

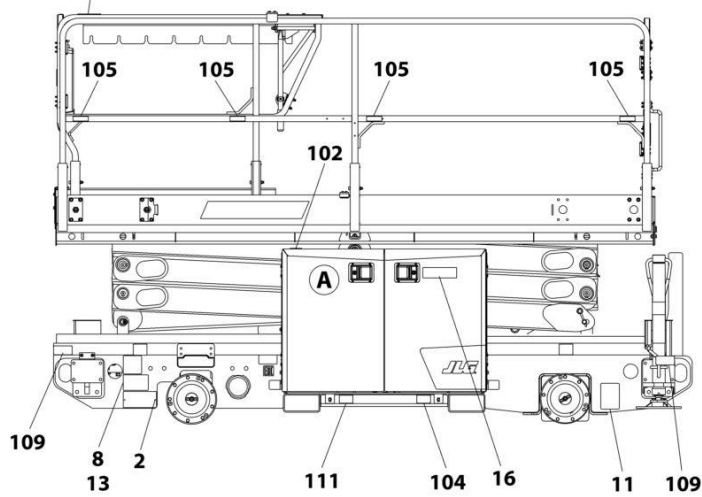
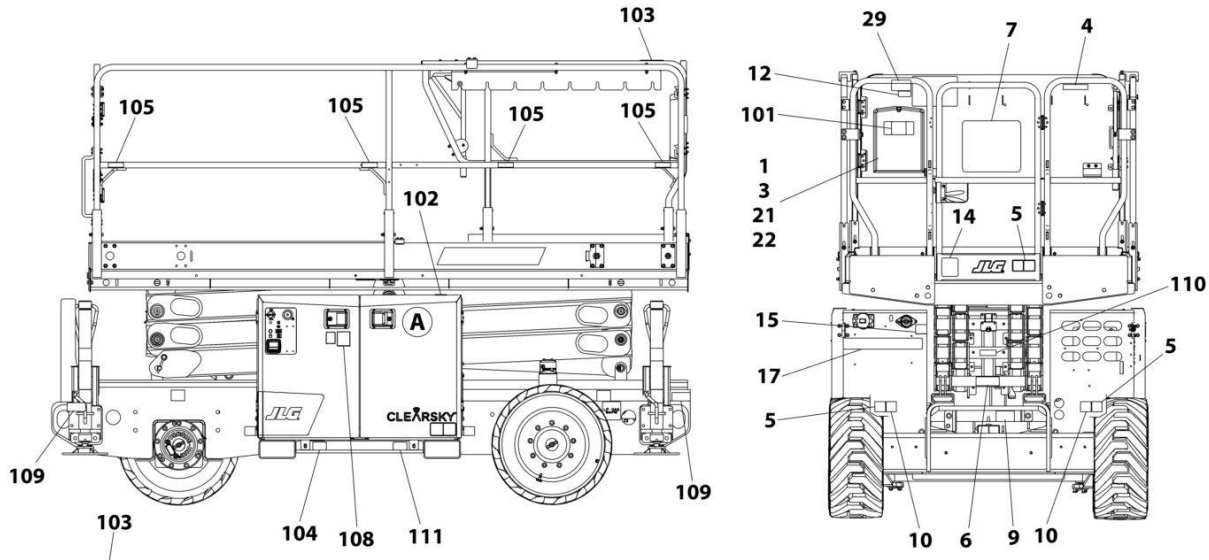
SECTION 9 - DECALS

FIGURE 9-5. DECAL INSTALLATION - CSA SPECS (ENGLISH/FRENCH LANGUAGES)

ITEM	PART NUMBER	QTY	DESCRIPTION	REV
	1001256769	Ref	DECAL INSTALLATION	C
	1001256945	Ref	DECAL CHART DRAWING (RT2669)	G
	1001262071	Ref	DECAL CHART DRAWING (RT3369)	E
1	0760610	4	Bolt M6 x 20	
2	2080057	2	Fastener	
3	0860520	1	Box, Manual Storage	
4	1704687	1	Decal - Control Box Location	
5	1705040	5	Decal - Danger Electrocutation	
6	1001215755	4	Decal - Crushing	
7	1704684	1	Decal - Danger/Warning	
8	1001223971	1	Decal - Yearly Inspection	
9	1703822	1	Decal - Manual Descent Instruction	
11	1001131270	1	Decal - Patent	
12	1001228370	1	Decal - ICES	
21	3290605	4	Nut M6	
22	4811700	8	Washer M6	
100	1001256763	1	Decal Master Kit (Not Shown)	
101	1701640	1	Decal - Manual	
102	1703687	2	Decal - Direction Arrow	
103	1703819	2	Decal - Direction Arrow	
104	1001265579	2	Decal - Fork Lift	
105	1704277	8	Decal - Lanyard Attach	
106	1704412	1	Decal - Hydraulic Oil Chart	
107	70046028	1	Decal - Hydraulic Oil Level	
108	1001094708	1	Decal - Hydraulic Oil	
109	1001162864	4	Decal - Lift Point/Tie Down	
110	1001256865	1	Decal - Arm Prop	
111	1001265580	2	Decal - Fork Lift	

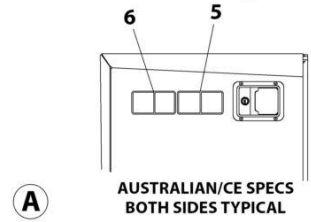
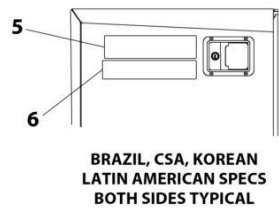
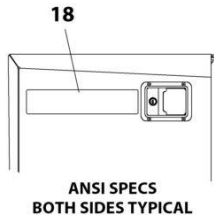
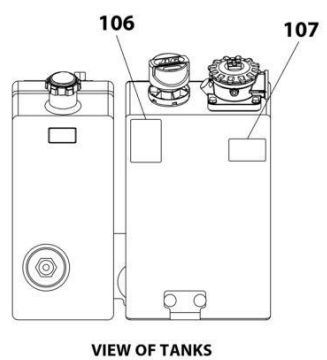
SECTION 9 - DECALS

FIGURE 9-6. DECAL INSTALLATION - KOREAN SPECS (ENGLISH/KOREAN LANGUAGES)

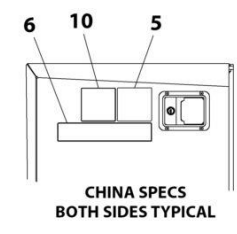


NOTE: ITEMS SHOWN MAY NOT BE REQUIRED FOR ALL SPECS. REFER TO PARTS LIST FOR USAGE.

NOTE: ADDITIONAL DECALS CALLED OUT ON DECAL INSTALLATION - OPTIONS.



(A)



ART_1001256765

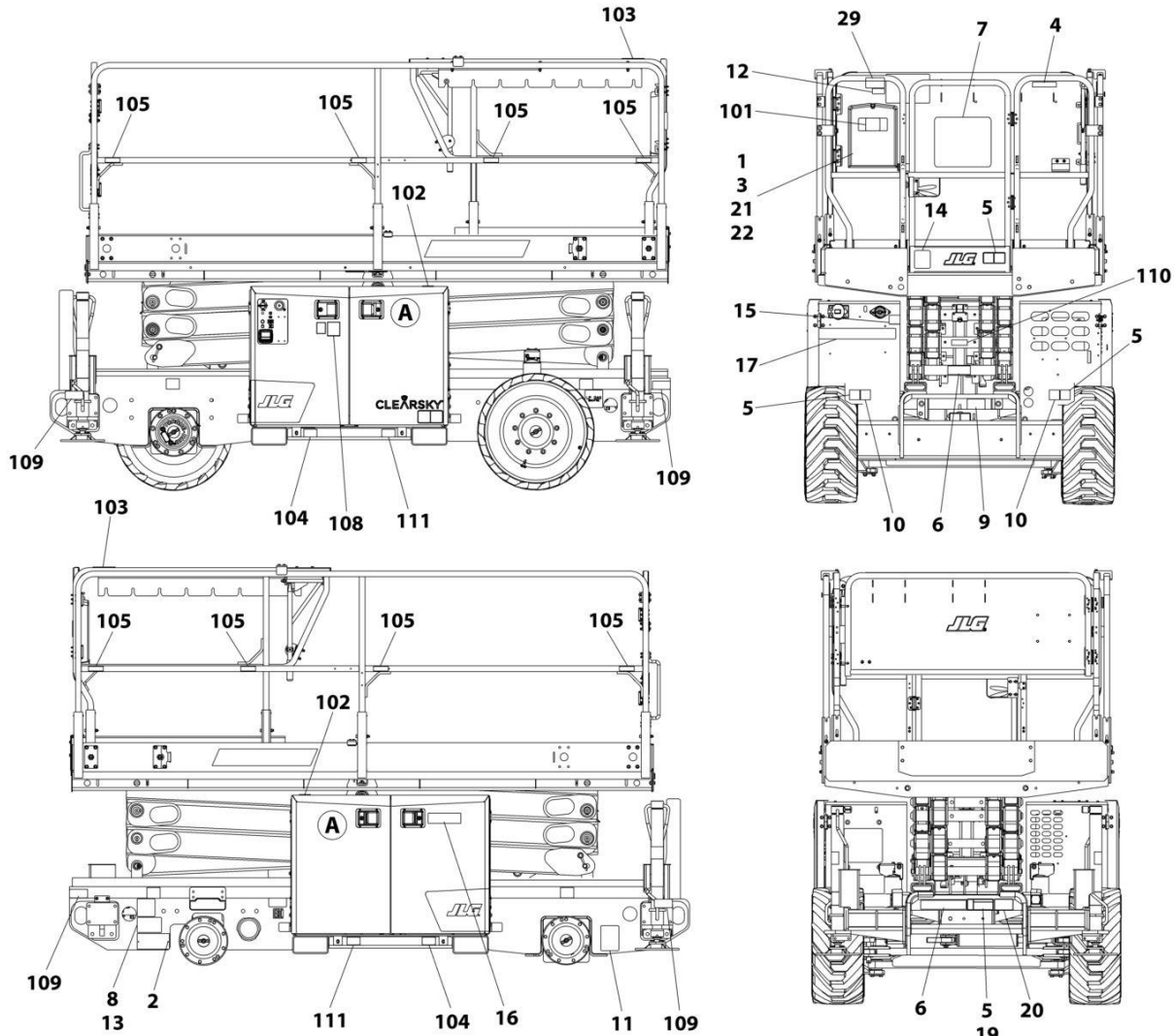
SECTION 9 - DECALS

FIGURE 9-6. DECAL INSTALLATION - KOREAN SPECS (ENGLISH/KOREAN LANGUAGES)

ITEM	PART NUMBER	QTY	DESCRIPTION	REV
	1001256765	Ref	DECAL INSTALLATION	C
	1001256945	Ref	DECAL CHART DRAWING (RT2669)	G
	1001262071	Ref	DECAL CHART DRAWING (RT3369)	E
1	0760610	4	Bolt M6 x 20	
2	2080057	2	Fastener	
3	0860520	1	Box, Manual Storage	
4	1001162112	1	Decal - Control Box Location	
5	1001162114	5	Decal - Danger Electrical Hazard	
6	1001215751	4	Decal - Crushing	
7	1001162115	1	Decal - Danger Warning	
8	1001224048	1	Decal - Yearly Inspection	
9	1703822	1	Decal - Manual Descent Instruction	
21	3290605	4	Nut M6	
22	4811700	8	Washer M6	
100	1001256763	1	Decal Master Kit (Not Shown)	
101	1701640	1	Decal - Manual	
102	1703687	2	Decal - Direction Arrow	
103	1703819	2	Decal - Direction Arrow	
104	1001265579	2	Decal - Fork Lift	
105	1704277	8	Decal - Lanyard Attach	
106	1704412	1	Decal - Hydraulic Oil Chart	
107	70046028	1	Decal - Hydraulic Oil Level	
108	1001094708	1	Decal - Hydraulic Oil	
109	1001162864	4	Decal - Lift Point/Tie Down	
110	1001256865	1	Decal - Arm Prop	
111	1001265580	2	Decal - Fork Lift	

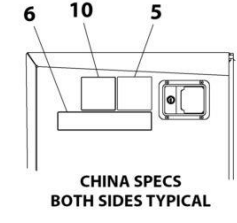
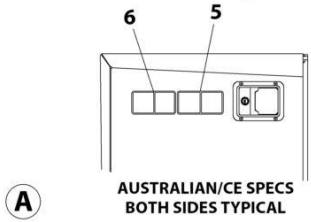
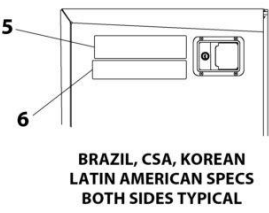
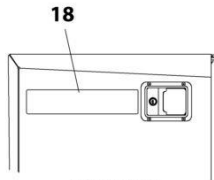
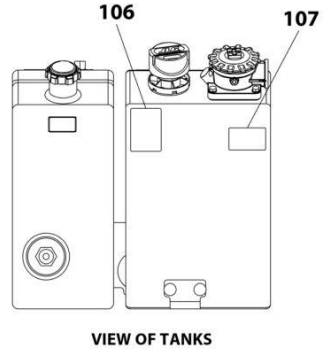
SECTION 9 - DECALS

FIGURE 9-7. DECAL INSTALLATION - LATIN AMERICAN SPECS (ENGLISH/KSPANISH LANGUAGES)



NOTE: ITEMS SHOWN MAY NOT BE REQUIRED FOR ALL SPECS. REFER TO PARTS LIST FOR USAGE.

NOTE: ADDITIONAL DECALS CALLED OUT ON DECAL INSTALLATION - OPTIONS.



ART_1001256768

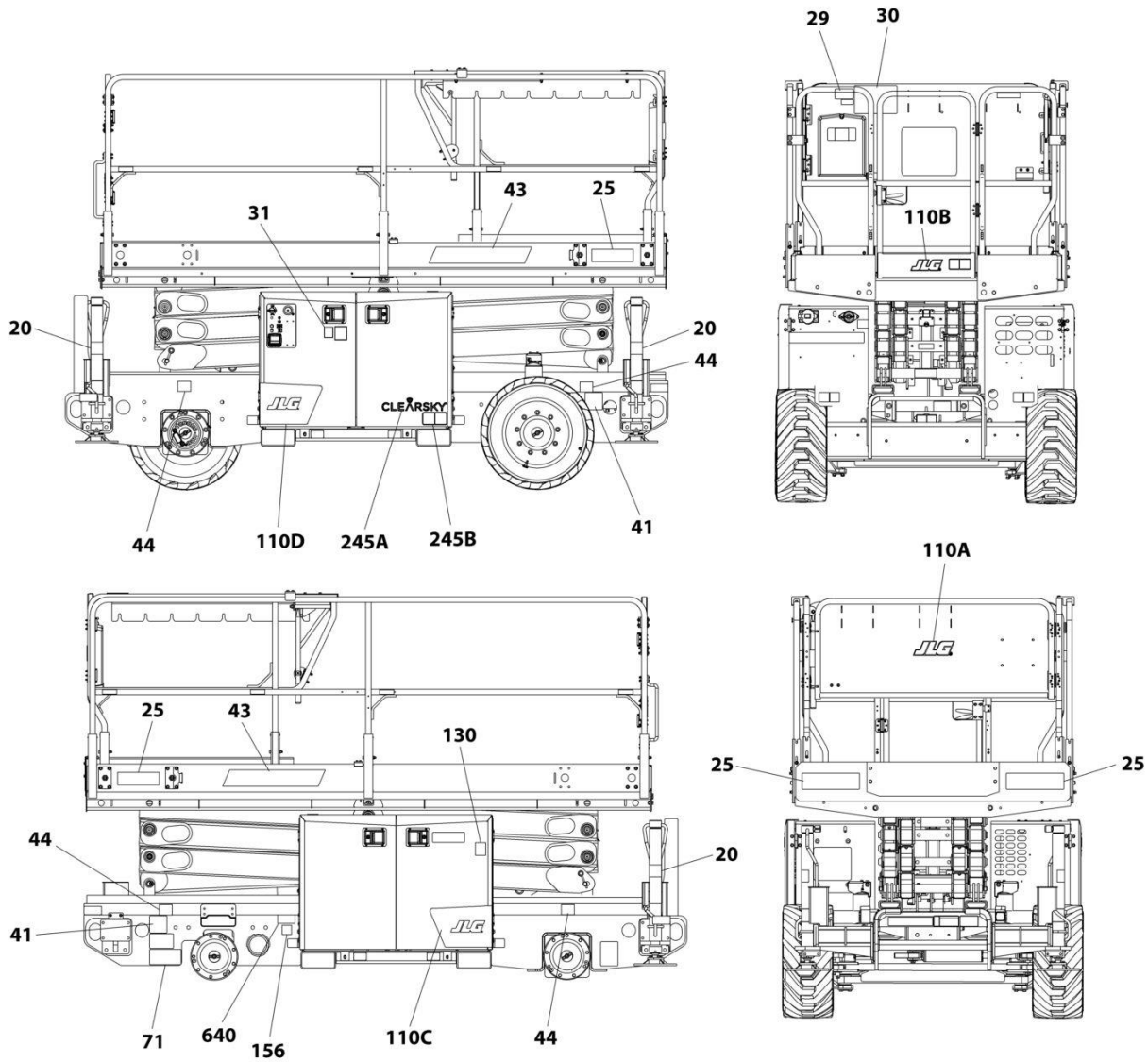
SECTION 9 - DECALS

FIGURE 9-7. DECAL INSTALLATION - LATIN AMERICAN SPECS (ENGLISH/KSPANISH LANGUAGES)

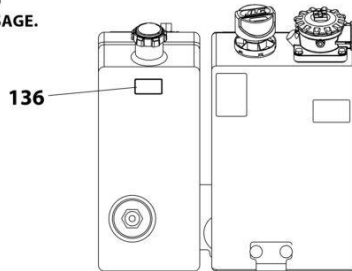
ITEM	PART NUMBER	QTY	DESCRIPTION	REV
	1001256768	Ref	DECAL INSTALLATION	C
	1001256945	Ref	DECAL CHART DRAWING (RT2669)	G
	1001262071	Ref	DECAL CHART DRAWING (RT3369)	E
1	0760610	4	Bolt M6 x 20	
2	2080057	2	Fastener	
3	0860520	1	Box, Manual Storage	
4	1704694	1	Decal - Control Box Location	
5	1705041	5	Decal - Danger Electrical Hazard	
6	1001215754	4	Decal - Crushing	
7	1704691	1	Decal - Danger/Warning	
8	1001224049	1	Decal - Yearly Inspection	
9	1703822	1	Decal - Manual Descent Instruction	
21	3290605	4	Nut M6	
22	4811700	8	Washer M6	
100	1001256763	1	Decal Master Kit (Not Shown)	
101	1701640	1	Decal - Manual	
102	1703687	2	Decal - Direction Arrow	
103	1703819	2	Decal - Direction Arrow	
104	1001265579	2	Decal - Fork Lift	
105	1704277	8	Decal - Lanyard Attach	
106	1704412	1	Decal - Hydraulic Oil Chart	
107	70046028	1	Decal - Hydraulic Oil Level	
108	1001094708	1	Decal - Hydraulic Oil	
109	1001162864	4	Decal - Lift Point/Tie Down	
110	1001256865	1	Decal - Arm Prop	
111	1001265580	2	Decal - Fork Lift	

SECTION 9 - DECALS

FIGURE 9-8. DECAL INSTALLATION - OPTIONS



NOTE: ITEMS SHOWN MAY NOT BE REQUIRED FOR ALL SPECS. REFER TO PARTS LIST FOR USAGE.



VIEW OF TANKS

ART_DECAL_OPTIONS

SECTION 9 - DECALS

FIGURE 9-8. DECAL INSTALLATION - OPTIONS

ITEM	PART NUMBER	QTY	DESCRIPTION	REV
		Ref	DECAL INSTALLATION - OPTIONS	
	1001256945	Ref	DECAL CHART DRAWING (RT2669)	G
	1001262071	Ref	DECAL CHART DRAWING (RT3369)	E
20		Ref	Decal - Leveling Jack Warning Options:	
20	1701214	4	Decal - Leveling Jack Warning (ANSI Specs)	
20	1701785	4	Decal - Leveling Jack Warning (Australian, CE & UK CA Specs)	
20	1704698	4	Decal - Leveling Jack Warning (Brazil Specs)	
20	1704690	4	Decal - Leveling Jack Warning (CSA Specs)	
20	1001215447	4	Decal - Leveling Jack Warning (Korean Specs)	
20	1704697	4	Decal - Leveling Jack Warning (Latin American Specs)	
25	1001254363	Ref	Corner Stripes Installation	C
25	4420051	4 ft /1.2m	Tape, Safety	
29	1001231801	1	Decal - Warning Prop 65	
30	1001256793	1	Decal - Capacity (RT2669)	
30	1001256795	1	Decal - Capacity (RT3369)	
31	1701505	1	Decal - Fuel (Diesel)	
31	1701542	1	Decal - Fuel (Gas)	
41		Ref	Decal - LP Gas Options:	
41	1700818	2	Decal - LP Gas (English Language)	
41	1702720	2	Decal - LP Gas (English/French Language)	
41	1704271	2	Decal - LP Gas (Spanish Language)	
43	1001256779	2	Decal - Model (RT2669)	
43	1001256780	2	Decal - Model (RT3369)	
44	1001256791	4	Decal - Max Tire Load	
71	See Note	NSS	Decal - Manufacturers Serial Number (Note: Not Available for Purchase)	
110	1001263163	Ref	JLG Decals Installation	B
110A	1001256675	1	Decal - JLG	
110B	1001256676	1	Decal - JLG	
110C	1001265581	1	Decal - JLG	
110D	1001265582	1	Decal - JLG	
130		Ref	Decal - Warning Explosion/Fire Options:	
130	1704972	1	Decal - Warning Explosion/Fire (ANSI Specs)	
130	1706098	1	Decal - Warning Explosion/Fire (Australian, CE & UK CA Specs)	
130	1706059	1	Decal - Warning Explosion/Fire (Brazil Specs)	
130	1706060	1	Decal - Warning Explosion/Fire (China Specs)	
130	1706064	1	Decal - Warning Explosion/Fire (CSA Specs)	
130	1706061	1	Decal - Warning Explosion/Fire (Korean Specs)	
130	1706063	1	Decal - Warning Explosion/Fire (Latin American Specs)	
136	1001125387	1	Decal - Ultra Low Sulfur Fuel (ANSI & CSA Specs)	
136	1001139654	1	Decal - Ultra Low Sulfur Fuel (CE & UK CA Specs)	
156	1001214029	Ref	EAC Decal Installation (Russian/CIS Specs)	
156	1001173703	1	Decal - EAC (Russian/CIS Specs)	
245	1001296482	Ref	Clearsky Decals Installation	A
245A	1001120989	1	Decal - Radio Frequency	
245A	1001294815	1	Decal - Clearsky	
245B	1001236984	Ref	Clearsky Decals Installation	A
245B	1001116208	1	Decal - Clearsky	
245B	1001120989	1	Decal - Radio Frequency	

SECTION 9 - DECALS

ITEM	PART NUMBER	QTY	DESCRIPTION	REV
640	1001143852	1	Decal - Emissions Compliance (Diesel Machines) (Not Shown - Located near SN Nameplate) (ANSI Export, Australian, CE, China & Korean Specs)	

SECTION 10 - RECOMMENDED SERVICE PARTS STOCK

SECTION 10 - RECOMMENDED SERVICE PARTS STOCK

SECTION 10 - RECOMMENDED SERVICE PARTS STOCK

FIGURE 10-1. RECOMMENDED SERVICE PARTS STOCK

ITEM	PART NUMBER	QTY	DESCRIPTION	REV
		Ref	Note: The following list will service one machine (built to current production per date on the front cover) with emergency repair parts which can be installed in the field. Parts from the list should be replaced when inventory is depleted to keep service parts stock supplied. For further information, contact your JLG dealer or the JLG Industries Parts Department.	
	1001189172	1	Breaker, 16Amp Double (CE & UK CA Specs Machines with AC Box at Platform)	
	1001181045	1	Breaker, 16Amp Double (CE & UK CA Specs Machines with AC Box at Platform)	
	1001189171	1	Breaker, 30MaAmp (CE & UK CA Specs Machines with AC Box at Platform)	
	70001965	1	Coil (Machines with Leveling Jacks)	
	70002963	1	Coil (Dual Axle Valve)	
	1001247682	1	Controller, Joystick (Platform Control Box)	
	1001244932	1	Display, Platform Box	
		Ref	Engine - Kubota Diesel Engine	
	7015004	12	Filter, Air Cleaner	
	1001248057	12	Filter, Engine Oil	
	1001190545	12	Filter, Fuel	
	70007021	12	Filter, Fuel/Water	
	1001246587	1	Module, Engine ECU	
		Ref	Engine - Kubota Dual Fuel Engine	
	70007141	12	Filter, Air Cleaner	
	1001248057	12	Filter, Engine Oil	
	1001255422	12	Filter, Fuel	
	1001253824	1	Module, Engine ECU	
	1001248371	12	Filter, Filler/Breather (Hydraulic Tank)	
	70007035	12	Filter, Element (Hydraulic Tank)	
	8229242	2	Fuse 5Amp (Chassis Harness)	
	8229244	2	Fuse 15Amp (Chassis Harness)	
	2860030	1	Key, Replacement (Ground Control)	
	1600387	1	Module, Control (Arms Installations)	
	1001244929	1	Module, Ground Control	
	3740080	1	Relay (Generator Harness)	
	1001145548	1	Sensor, Limit (Arms Installations)	
	1001227516	1	Sensor, Pressure (Leveling Jacks)	
	1001128478	1	Sensor, Temperature (Main Control Valve)	
	1001244934	1	Sensor, Tilt (Single & Dual Oscillating Axles)	
	4360475	1	Switch, Emergency Stop (Ground & Platform Controls)	
	4360469	1	Switch, Key (Ground Controls)	
	4360387	1	Switch, Push Button (Ground Controls)	
	1001226749	1	Switch, Push Button (Platform Control Box)	
	4360524	1	Switch, Toggle (Ground Controls)	

SECTION 11 - SPECIAL OPTIONS/ACCESSORIES/KITS

SECTION 11 - SPECIAL OPTIONS/ACCESSORIES/KITS

SECTION 11 - SPECIAL OPTIONS/ACCESSORIES/KITS

FIGURE 11-1. SPECIAL OPTIONS/ACCESSORIES/KITS

ITEM	PART NUMBER	QTY	DESCRIPTION	REV
		Ref	Note: This list is to accommodate machines ordered with special equipment. Options may not be applicable to all models. For more specific parts information contact JLG Parts Department.	
		Ref	MISCELLANEOUS SPECIAL OPTIONS/ACCESSORIES/KITS	
		Ref	ClearSky (Telematics) Installation (Factory Installed) Options:	
	1001251506	Ref	ClearSky (Telematics) Installation - 3 Wire (Factory Installed) (ANSI and CSA Specs)	
	1001251522	Ref	ClearSky (Telematics) Installation - 3 Wire (Factory Installed) (ANSI Export, Korean, CE & UK CA Specs)	
	1001249646	Ref	ClearSky (Telematics) Installation - Canbus (Factory Installed) (ANSI and CSA Specs)	
	1001249647	Ref	ClearSky (Telematics) Installation - Canbus (Factory Installed) (ANSI Export, Korean, CE & UK CA Specs)	
	1001249648	Ref	ClearSky (Telematics) Installation - Canbus (Factory Installed) (Australian Specs)	
	1001285717	Ref	ClearSky (Telematics) CS550 Installation	
	1001293716	Ref	ClearSky (Telematics) without Beacon Installation)	
	1001256890	Ref	Cold Weather Package - Diesel	
	1001256892	Ref	Cold Weather Package - Dual Fuel	
	1001274173	Ref	Decal Kit (RT2669)	
	1001274174	Ref	Decal Kit (RT3369)	
	1001285686	Ref	Dual Extension Handles Installation	
	1001274431	Ref	Dual Beacon Kit	
		Ref	Electrical Connector Kits	
	1001148902	Ref	Electrical Connector Kit - Amp/Tyco Electrical Connectors	
	1001148903	Ref	Electrical Connector Kit - Deutsch DT Electrical Connectors	
	1001148904	Ref	Electrical Connector Kit - Deutsch HD Electrical Connectors	
	1001148905	Ref	Electrical Connector Kit - Packard Electrical Connectors	
	1001148906	Ref	Electrical Connector Kit - Various Electrical Connectors	
	1001246132	Ref	Engine Sub-FAPL (Diesel)	
	1001274354	Ref	Kubota Diesel filter Kit	
	1001246133	Ref	Engine Sub-FAPL (Dual Fuel)	
	1001274353	Ref	Kubota Dual Fuel filter Kit	
	1001249053	Ref	Fan Guard Installation	
	1001252988	Ref	Fire Extinguisher Kit	
	1001255164	Ref	Footswitch Installation (Korean Specs)	
	1001292227	Ref	Ground Control Panel Kit	
	1001291288	Ref	Heavy Duty Pipe Rack Kit	
	1001265874	Ref	Low Height Restrict Installation	
	1001249310	Ref	Mobile Control Installation (Factory Installed)	
	1001281162	Ref	Mobile Control Kit	
	1001255080	Ref	Panel Carrier Installation	
	1001267646	Ref	Platform Divider (SkyShield - Social Distancing) Shield Installation (Factory Installed)	
	1001269100	Ref	Platform Divider (SkyShield - Social Distancing) Shield Add-on Kit (Dealer Installed)	
	1001253723	Ref	Platform Worklights Installation (Factory Installed) (RT2669)	
	1001274185	Ref	Platform Work Lights Kit (RT2669)	
	1001268570	Ref	Platform Worklights Installation (Factory Installed) (RT3369)	
	1001274346	Ref	Platform Work Lights Kit (RT3369)	

SECTION 11 - SPECIAL OPTIONS/ACCESSORIES/KITS

ITEM	PART NUMBER	QTY	DESCRIPTION	REV
	1001253150	Ref	Rail Mounted Pipe Rack Installation (Factory Installed)	A
	1001255478	Ref	Rail Padding Kit	
	1001265875	Ref	SkySense Level 2 Installation	
	1001291912	Ref	SkySense Level 2 Electrical Box Assembly	
	1001291911	Ref	SkySense Level 2 Module Box Assembly	
	1001274430	Ref	Single Beacon Kit	
	1001287887	Ref	Telematics Installation (Dealer Installed)	
	1001274432	Ref	White Noise Alarm Kit	
	1001281164	Ref	Workstation Kit	
	1001266156	Ref	Service Kits & Tools	
		Ref	Tools for Service	
	7002821	Ref	Crimper, Wire	
	7002823	Ref	Pin Extractor - Universal (For Electrical Connectors with Pins and Sockets)	
	4460510	Ref	Pin Extractor - 12-14 Gauge (For Removal of Pin/Sockets from Deutsch Connectors)	
	4460467	Ref	Pin Extractor - 16-18 Gauge (For Removal of Pin/Sockets from Deutsch Connectors)	
	7016654	Ref	Screwdriver, Magnetic	
	7002822	Ref	Screwdriver, Potentiometer	
	7004275	Ref	Tools - Seal Tool 1in (For Cylinders)	
	7004276	Ref	Seal Tool 1-1/2in (For Cylinders)	
	7002828	Ref	Stripper, Wire	

SECTION 11 - SPECIAL OPTIONS/ACCESSORIES/KITS

PART NUMBER INDEX

SECTION 11 - SPECIAL OPTIONS/ACCESSORIES/KITS

0100011 ..13, 15, 17, 21, 23, 25, 27, 53, 55, 63, 65, 71, 73, 83, 85, 89, 91, 100, 113, 115, 117, 133, 135, 137, 155, 157, 159, 161, 163, 165, 167, 169, 171, 173, 180, 186, 189, 199, 201, 205, 209, 211	259, 261, 263, 335, 337, 339, 341, 343, 345, 347 0760612..... 100 0760614..... 15, 89, 91 0760807..... 13, 15, 17 0760808..... 137, 195, 197 0760810..... 100 0760812.. 55, 177, 183, 195, 197, 199 0760814..... 59, 61 0760815..... 103, 117, 137 0760817..... 117 0760820..... 137 0761008..... 195 0761010..... 83, 85 0761012..... 21, 100 0761015..... 49, 51 0761217..... 53, 55 0761616..... 13, 15, 17 0770812..... 100 0771010..... 83, 85 0771012..... 23, 25, 27 0771014.... 83, 85, 113, 115, 171, 173 0771015..... 13, 15 0771618..... 63, 65, 71, 73 0771619..... 23, 171, 173 0771620..... 23, 27 0780608..... 125 0780610 159, 161, 163, 165, 167, 169 0780618..... 127 0781024..... 125 0811606..... 171, 173 0840052..... 127 0860520 335, 337, 339, 341, 343, 345, 347 0861731 265, 319, 325, 327, 329 0861781..... 321, 323 0861880..... 271 0961890..... 13, 15, 21 0961950..... 13, 15, 17, 186 0962220..... 13, 15, 180, 186 100011..... 197 1001026127..... 145, 147 1001091102... 105, 107, 109 1001094708.. 335, 337, 339, 341, 343, 345, 347 1001095650..... 43 1001096070.. 255, 257, 263, 271 1001096653..... 83, 85 1001097150..... 271, 273 1001099560..... 180, 186 1001100341..... 321 1001100342..... 323 1001100345..... 325 1001100346..... 329 1001100347..... 327 100110045159, 61, 145, 147 1001103761..... 53, 55 1001104498..... 287 1001106732..... 279 1001106736..... 275 1001107854..... 287 1001108603..... 211	100111018889, 91 1001113961276, 280 1001116208349 1001116694297 1001116716303 1001116732 ..276, 280, 283, 287, 291, 303 1001116733 ...283, 287, 303 1001116734 ..276, 280, 283, 287, 291, 303 1001116749287 1001116752283, 287 1001116763287 1001116808307 1001116812283 1001116815283 1001116816 ..269, 279, 283, 287 1001116950275, 279 1001117022283 1001117023283 1001117024303 1001117025287, 291 1001117069283, 287 1001117070287 1001117110287 1001118274234, 238 1001118282 ..276, 280, 283, 287, 303 100111851113, 15 100111851813, 15 100111851913, 15 1001118657283 1001118658 ..276, 280, 283 1001118659283 1001118743283 1001118744 ..276, 280, 283, 287 1001118745 ..276, 280, 283, 287 1001118746 ..117, 125, 137, 159, 161, 163, 165, 167, 169 1001118878189 1001118938283, 287 1001119020307 1001119412303 1001119630238 1001119929 ..159, 161, 163, 165, 167, 169 100112026463, 65 1001120989349 1001125387349 1001125677 ...275, 279, 297 1001125784 ...275, 279, 317 1001125785275, 279 1001126391287 1001126393287 1001127172145, 147 1001128128 ..276, 280, 283, 287, 303 100112847887, 352 1001129255145, 147 1001129256145, 147 100113030963, 65, 67 1001130900283 1001131270335, 343	1001131324..... 141 1001131391... 125, 145, 147 1001131740..... 163, 167 1001132170..... 301 1001139141..... 21 1001139219..... 127, 149 1001139654..... 349 1001142984..... 145, 147 1001143852..... 350 1001144295..... 275, 279 1001144296..... 283, 287 1001145548... 177, 183, 352 1001146043..... 153 1001146588..... 127 1001148902..... 354 1001148903..... 354 1001148904..... 354 1001148905..... 354 1001148906..... 354 1001150735..... 317 1001150889..... 317 1001151395..... 21 1001152266..... 275, 279 1001152483..... 273 1001152486... 259, 261, 273 1001152729..... 151 1001156351..... 305 1001156541..... 293, 295 1001156819..... 145 1001159186..... 276, 280 1001161497..... 137 1001162112..... 345 1001162114..... 345 1001162115..... 345 1001162864.. 335, 337, 339, 341, 343, 345, 347 1001165035..... 137 1001168018.. 113, 115, 159, 161, 163, 165, 167, 169 1001171482..... 93 1001173703..... 349 1001174486... 125, 145, 147 1001176626..... 211 1001179586..... 127, 149 1001181045..... 271, 352 1001182680..... 93 1001182997... 125, 145, 147 1001183406..... 83, 85 1001184682..... 97 1001184705..... 287 1001184716..... 287 1001184717..... 287 1001184718..... 287 1001184722..... 287 1001184768..... 287 1001184769..... 287 1001184832..... 276, 280 1001186483..... 127 1001187455..... 287 1001187781..... 149 1001189171..... 273, 352 1001189172..... 273, 352 1001189762..... 177, 183 1001190545..... 125, 352 1001192401..... 275, 279 1001193336..... 83 1001195137..... 201, 205
--	---	---	--

SECTION 11 - SPECIAL OPTIONS/ACCESSORIES/KITS

1001197405.....	186	1001244865.....	65, 73	1001247497.....	180, 187	1001248821.....	183
1001201885.....	317	1001244888.....	201	1001247500.....	180	1001248834.....	13, 15
1001202910.....	234, 238	1001244904.....	189	1001247503.....	181	1001248840.....	201, 206
1001205250.....	276, 280	1001244929.....	89, 91, 352	1001247506.....	181	1001248851.....	27
1001205824.....	234, 238	1001244932.....	211, 352	1001247520.....	181, 187	1001248861.....	125, 145, 147
1001207109.....	85	1001244934.....	15, 17, 89, 91, 180, 186, 352	1001247521.....	177, 183	1001248863.....	53, 55, 297
1001211777.....	335	1001245046.....	13, 15, 17, 219	1001247522.....	180, 186	1001248865.....	180, 186
1001211779.....	335, 341	1001245250.....	193	1001247523.....	180, 186	1001248868.....	234, 238
1001212268.....	253, 255, 257, 259, 261, 263, 265	1001245381.....	47	1001247524.....	180, 186	1001248869.....	234, 238
1001213010.....	129, 151	1001245440.....	47	1001247560.....	131, 153	1001248871.....	234, 238
1001213584.....	159, 161	1001245479.....	195	1001247581.....	123	1001248872.....	234, 238
1001214029.....	349	1001245479.....	195	1001247582.....	123	1001248873.....	234, 238
1001214174.....	23, 35	1001245653.....	219	1001247584.....	117, 123	1001248874.....	238
1001214556.....	155	1001245923.....	180, 186, 189	1001247589.....	123	1001248876.....	238
1001215447.....	349	1001246090.....	83	1001247612.....	113	1001248890.....	180, 186
1001215747.....	341	1001246101.....	59, 61	1001247630.....	83, 85	1001248895.....	180, 186, 299
1001215751.....	345	1001246102.....	238	1001247637.....	100	1001248933.....	195, 197, 199
1001215752.....	341	1001246104.....	17, 229	1001247638.....	100	1001248986.....	201, 206
1001215754.....	347	1001246105.....	234	1001247639.....	100	1001248990.....	195
1001215755.....	343	1001246107.....	21, 225	1001247667.....	177, 183	1001248991.....	195
1001215898.....	275, 279	1001246132.....	354	1001247668.....	180, 186	1001249048.....	309, 311
1001216650.....	339	1001246133.....	354	1001247669.....	177, 180, 183, 186	1001249049.....	211, 317
1001217457.....	180, 186	1001246134.....	163, 165	1001247670.....	180, 186	1001249053.....	354
1001218676.....	129, 151	1001246135.....	159, 161	1001247671.....	177, 183	1001249091.....	177, 183, 331
1001220668.....	309, 313	1001246392.....	215	1001247672.....	181, 187	1001249095.....	276, 280
1001223055.....	335	1001246395.....	215	1001247677.....	181, 187	1001249122.....	151
1001223431.....	283	1001246553.....	103	1001247682.....	211, 213, 352	1001249123.....	151
1001223453.....	335	1001246555.....	83, 85, 103	1001247804.....	155	1001249178.....	234, 239
1001223794.....	283	1001246583.....	211	1001247810.....	155	1001249181.....	234, 238
1001223797.....	283	1001246584.....	211	1001247816.....	187	1001249190.....	311, 315
1001223971.....	343	1001246587.....	121, 352	1001247817.....	187	1001249231.....	234, 238
1001224048.....	345	1001246746.....	129	1001247819.....	187	1001249244.....	275, 279
1001224049.....	347	1001246778.....	151	1001247820.....	187	1001249259.....	211
1001224051.....	341	1001246779.....	151	1001247835.....	186	1001249282.....	17, 269
1001224052.....	339	1001246823.....	211	1001247887.....	100	1001249297.....	21
1001225804.....	59	1001246856.....	83	1001248038.....	145, 147	1001249306.....	105
1001226221.....	100	1001246859.....	276, 280	1001248039.....	89, 91	1001249307.....	107
1001226749.....	211, 352	1001246863.....	211	1001248043.....	100	1001249309.....	97
1001226830.....	177, 183, 301	1001246864.....	211	1001248047.....	137	1001249310.....	354
1001227516.....	53, 55, 352	1001246883.....	100	1001248056.....	121, 141	1001249323.....	21
1001228370.....	343	1001246884.....	49	1001248057.....	121, 141, 352	1001249340.....	77
1001228533.....	180, 186	1001246885.....	53	1001248099.....	133	1001249341.....	75
1001230488.....	283	1001246959.....	23, 37	1001248134.....	127, 283	1001249342.....	75
1001231801.....	349	1001246979.....	211	1001248160.....	59, 61	1001249343.....	77
1001234069.....	127, 149	1001247019.....	13, 15	1001248162.....	100	1001249344.....	77
1001234348.....	100	1001247021.....	85	1001248196.....	13, 15, 17	1001249352.....	75, 77, 79
1001236984.....	349	1001247028.....	133	1001248222.....	283	1001249353.....	75
1001237778.....	287	1001247074.....	89, 91	1001248223.....	283	1001249354.....	77
1001239224.....	105, 107	1001247267.....	129, 151	1001248224.....	283	1001249407.....	53, 55
1001242539.....	105, 107	1001247295.....	17	1001248227.....	283	1001249464.....	159, 161, 163, 165, 167, 169, 291
1001242816.....	43, 45	1001247313.....	211	1001248228.....	283	1001249637.....	180, 186
1001243266.....	25, 27, 43	1001247352.....	49	1001248229.....	283	1001249646.....	354
1001243268.....	43	1001247353.....	51	1001248279.....	180, 293	1001249647.....	354
1001243296.....	117, 121	1001247367.....	177, 180	1001248280.....	186, 295	1001249648.....	354
1001243300.....	137, 141	1001247368.....	183, 186	1001248289.....	149, 287	1001249701.....	234, 238
1001244106.....	137, 139	1001247375.....	180	1001248300.....	23	1001249703.....	238
1001244107.....	117, 119	1001247376.....	186	1001248307.....	131	1001249704.....	238
1001244177.....	25, 39	1001247380.....	53, 55, 57	1001248313.....	153	1001249802.....	59, 61, 303
1001244210.....	189, 223	1001247382.....	17, 19	1001248339.....	234, 238	1001249850.....	234, 239
1001244381.....	193	1001247383.....	211	1001248347.....	127, 149	1001249882.....	201, 206
1001244382.....	195	1001247425.....	51	1001248349.....	85	1001249883.....	201, 206
1001244391.....	15, 17	1001247443.....	211	1001248371.....	103, 352	1001249884.....	202, 206
1001244392.....	21	1001247454.....	123	1001248413.....	135, 157	1001250088.....	17
1001244393.....	25	1001247462.....	234, 238	1001248414.....	135, 157	1001250089.....	17
1001244462.....	275, 279	1001247472.....	89, 275	1001248500.....	145, 147	1001250090.....	17
1001244775.....	75	1001247482.....	180, 187	1001248671.....	219	1001250091.....	17
		1001247490.....	180, 187	1001248820.....	177		

SECTION 11 - SPECIAL OPTIONS/ACCESSORIES/KITS

1001250307.....	231	1001255003.....	267	1001256875.....	17	1001263659... ..	125, 145, 147
1001250308.....	231	1001255004.....	259	1001256890.....	354	1001263662.....	177, 183
1001250309.....	231	1001255005.....	261	1001256892.....	354	1001263804.....	117
1001250310.....	231	1001255006.....	255	1001256945 ..	335, 337, 339, 341, 343, 345, 347, 349	1001263930.....	100
1001250311.....	231	1001255007.....	257	1001257076.....	211	1001264263.....	141
1001250312.....	231	1001255008.....	263	1001257077.....	211	1001264264.....	141
1001250336.....	113, 115	1001255080.....	354	1001257454.....	100	1001264269.....	141
1001250342.....	53, 55, 231	1001255082.....	215	1001257587.....	177, 183	1001264839..	163, 165, 167, 169
1001250353.....	53, 55	1001255164.....	354	1001257688.....	100	1001264939... ..	177, 183, 307
1001250355.....	195, 197, 199	1001255324.....	141	1001257689.....	100	1001265082.....	63, 71
1001250356.....	195, 197, 199	1001255341.....	141	1001257884.....	93	1001265192.....	63
1001250418.....	229	1001255342.....	141	1001258004.....	173	1001265193.....	71
1001250419.....	229	1001255416.....	141	1001258006.....	171	1001265194.....	73
1001250450.....	125	1001255422.....	141, 352	1001258113.....	173	1001265225.....	305
1001250468.....	234	1001255431.....	141	1001258188.....	47	1001265226.....	305
1001250519.....	135, 157	1001255435.....	141	1001258223.....	313, 315	1001265532.....	209
1001250521.....	135, 157	1001255447.....	141	1001258287.....	79	1001265579..	335, 337, 339, 341, 343, 345, 347
1001250525.....	135, 157	1001255448.....	141	1001258812.....	181	1001265580..	335, 337, 339, 341, 343, 345, 347
1001250627.....	195, 197	1001255461.....	211	1001258813.....	187	1001265581.....	349
1001250636.....	121, 141	1001255478.....	355	1001258921.....	93	1001265582.....	349
1001250640.....	195	1001255526.....	21	1001258923.....	313	1001265585.....	17
1001250678.....	95	1001255529.....	141	1001258936.....	201, 205	1001265684... ..	195, 197, 199
1001250682.....	211	1001255606.....	151	1001259024.....	171, 173	1001265744.....	189
1001250692.....	211	1001255809.....	129, 151	1001259047.....	173	1001265761.....	189
1001250772.....	113, 115	1001255843.....	129, 151	1001259202.....	79	1001265821... ..	195, 197, 199
1001250829.....	201, 205	1001255848.....	129, 151	1001259284.....	65, 73	1001265846.....	201, 205
1001250830.....	201, 205	1001255851.....	129, 151	1001259386.....	79	1001265848.....	180, 186
1001250888.....	27, 41	1001255857.....	129, 151	1001259429.....	65	1001265874.....	354
1001250934.....	133	1001255872.....	117	1001260064.....	238	1001265875.....	355
1001251231.....	89, 91, 93	1001255873.....	113, 115	1001260250.....	234	1001265916.....	209
1001251287.....	137	1001255874.....	125	1001260252.....	231	1001266156.....	355
1001251288.....	137	1001255875.....	127	1001260253.....	229	1001266233.....	63, 65, 305
1001251328.....	193	1001255876.....	133	1001260255.....	234, 239	1001266448.....	137
1001251490.....	141	1001255877.....	131	1001260334.....	100	1001266885.....	129
1001251506.....	354	1001255878.....	129	1001260485.....	13	1001267646.....	354
1001251522.....	354	1001255936.....	135	1001260540.....	238	1001267649.....	109
1001252477.....	117	1001256029.....	151	1001261118 ..	255, 257, 259, 261, 263	1001268570.....	354
1001252478.....	117	1001256030.....	153	1001261123 ...	195, 197, 199	1001268776... ..	117, 125, 137
1001252596.....	129, 151	1001256031.....	137	1001262071 ..	335, 337, 339, 341, 343, 345, 347, 349	1001269045..	117, 125, 159, 161, 163, 165, 167, 169
1001252988.....	354	1001256032.....	157	1001262098.....	211	1001269100.....	354
1001252996.....	137	1001256033.....	145, 147	1001262399.....	201, 205	1001269132.....	215
1001253149.....	201, 205	1001256034.....	149	1001262400.....	201, 205	1001269792.....	159, 163
1001253150.....	355	1001256035.....	155	1001262454.....	201, 205	1001269793.....	167
1001253717.....	117	1001256097.....	117	1001262495.....	201, 205	1001269794..	159, 161, 163, 165, 167, 169
1001253723.....	354	1001256209.....	151	1001262630.....	129, 151	1001269797..	159, 161, 163, 165, 167, 169
1001253800.....	211	1001256209.....	151	1001262636.....	129, 151	1001269799..	159, 161, 163, 165, 167, 169
1001253824.....	141, 352	1001256312.....	127, 149	1001262639 ...	195, 197, 199	1001269800..	159, 161, 163, 165, 167, 169
1001253839.....	159, 163, 167	1001256312.....	127, 149	1001262640 ...	195, 197, 199	1001269865..	163, 165, 167, 169
1001254083.....	234	1001256554.....	125	1001262646.....	129, 151	1001269872.....	133
1001254119.....	211	1001256675.....	349	1001262649 ...	195, 197, 199	1001269894..	163, 165, 167, 169
1001254298.....	234	1001256676.....	349	1001262943 ...	125, 145, 147	1001269936.....	159, 161
1001254363.....	349	1001256713.....	167, 169	1001263049 ..	163, 165, 167, 169	1001269937.....	159, 161
1001254550.....	171	1001256723.....	125	1001263050.....	159, 161	1001270098..	177, 180, 183, 186
1001254551.....	173	1001256763 ..	335, 337, 339, 341, 343, 345, 347	1001263077.....	159, 161	1001270103.....	83, 85, 87
1001254613... ..	253, 255, 257, 259, 261, 263, 265	1001256764.....	335	1001263163.....	349	1001270481.....	287
1001254635.....	129, 151	1001256765.....	345	1001263246.....	159, 161	1001271360.....	55
1001254650.....	121	1001256766.....	341	1001263269.....	201, 205		
1001254651.....	121, 141	1001256767.....	339	1001263345.....	105, 109		
1001254653.....	121	1001256768.....	347	1001263438.....	129		
1001254690.....	137	1001256769.....	343	1001263476.....	129, 151		
1001254691.....	155	1001256770.....	337	1001263628.....	201, 205		
1001254820.....	309	1001256779.....	349	1001263629.....	201, 205		
1001254861.....	59, 61	1001256780.....	349	1001263657 ...	125, 145, 147		
1001254888.....	127, 149	1001256791.....	349	1001263658 ...	125, 145, 147		
1001255001.....	253	1001256793.....	349				
1001255002.....	265	1001256795.....	349				
		1001256865 ..	335, 337, 339, 341, 343, 345, 347				

SECTION 11 - SPECIAL OPTIONS/ACCESSORIES/KITS

1001271580.....17	1320061171, 173	2110812.....234	3290405 177, 183, 211, 253,
1001271971 .. 159, 161, 163,	1320220171, 173	2130808.....234, 238	255, 257, 259, 261, 263,
165, 167, 169	1320223129, 151	2130810.....234, 238	265
1001272777 ... 15, 17, 89, 91	1320244149	2170108.....234, 238	3290406211
1001274074 53, 55, 221	1320265125, 145, 147	2170208.....238	3290505100
1001274173354	1321296145, 147	2180387.....171, 173	3290506201, 205
1001274174354	1321682131, 153	2180389.....171, 173	3290601 159, 161, 163, 165,
1001274185354	1580023215	2180418.....171, 173	167, 169
1001274346354	1580024215	2220290.....171, 173	3290605 ..83, 85, 89, 91, 95,
1001274353354	1600387177, 183, 352	2220371.....229, 234, 238	97, 100, 193, 195, 197,
1001274354354	1671207319	2220372.....177, 183, 234	199, 255, 257, 259, 261,
1001274430355	1700818349	2220375.....234, 238	263, 335, 337, 339, 341,
1001274431354	1701214349	2220415.....229, 234, 238	343, 345, 347
1001274432355	1701505349	2220466.....229, 231, 234	3290606 180, 186, 201, 205,
1001274463117	1701542349	2220472.....231, 234, 238	253, 255, 257, 259, 261,
100127449555	1701640 335, 337, 339, 341,	2220473. 189, 231, 234, 238	263, 265, 309, 313
100127455993, 211	343, 345, 347	2220479.....234, 238	3290801100
1001275530.. 159, 161, 163,	1701785349	2220490.....231	3290805 177, 183, 195, 197,
165, 167, 169	1702720349	2220501.....229	199
1001277830137	1703162129, 151	2220504.....231	3290806 .195, 197, 201, 205
1001277831117, 137	1703464253	2220582.....234, 238	329080759, 61
1001277832117, 137	1703687 335, 337, 339, 341,	2220596.....234, 238	3291001 159, 161, 163, 165,
1001278239117	343, 345, 347	2220654.....238	167, 169
1001279004137, 143	1703816335	2220775.....238	3291002 159, 161, 163, 165,
1001281162354	1703818335	2220828.....234, 238	167, 169
1001281164355	1703819 211, 335, 337, 339,	2220865.....59, 61	3291005 ..17, 49, 51, 53, 55,
100128234691, 279	341, 343, 345, 347	2220881.....39, 41	171, 173
100128342747	1703821335	2220883.....29, 39, 41, 219,	3291006 195, 197, 199, 201,
1001284972183	1703822 335, 337, 339, 341,	234, 238	205
1001285686354	343, 345, 347	2220885.....39, 41, 219, 234	3291007 177, 180, 183, 186,
1001285717354	1704271349	2220886.....29, 39, 41, 219	195, 197, 199
1001286275165, 169	1704277 335, 337, 339, 341,	2220888.....29	329160153, 55
1001287311115	343, 345, 347	2220940.....234, 238	3292002195, 197, 199
100128780961	1704412 335, 337, 339, 341,	2220947.....59, 61, 234, 238	3300048 253, 255, 257, 259,
1001287887355	343, 345, 347	2220998.....234, 238	261, 263, 265, 267
1001288396145	1704684343	2221040.....234, 238	330010675, 77, 79
1001290824 ... 161, 165, 169	1704687343	2221086.....229, 234, 238	330040889, 91
1001291288354	1704690349	2221116.....17	3311501100
1001291911355	1704691347	2400044.....89, 91	3311502100
1001291912355	1704694347	2400066.....276, 280	331150563, 65
1001292227354	1704697349	2540045.....63, 65, 193	3311605171, 173
1001292287337	1704698349	2560088.....201, 205	331180123, 27
1001292989197, 199	1704699339	2560176.....201, 205	3321402180, 186
1001292991197	1704702339	2600216.....100	333121153, 55, 159, 161,
1001292993197	1704972349	2600253.....201, 205	163, 165, 167, 169
1001293198205	1705040343	2600285.....201, 205	3331611 ..23, 27, 63, 65, 71,
1001293199205	1705041347	2700100.....215	73, 171, 173
1001293200205	1705043339	2720015.....125	3422219215
1001293537205	1705194341	2720058.....125	342259213, 15
1001293716354	1705195341	2720271.....125	3422744201, 205
1001294421201, 205	1705325255	2780267.....23, 27, 31	3422938177, 183
1001294815349	1705670337	2860030.....93, 352	3422943177, 183
1001296482349	1705671337	2900770.....39	3423151180, 186
1001296921161, 165	1705673337	2902431.....253, 319	3430636197, 199
1001296922169	1705695335, 341	2940074.....201, 205	343162221
1001298937199	1705944341	2940127.....201, 205	3450303211
1001298938199	1705997215	3020022.....177, 183	3450304180, 186
1001299770145, 147	1706059349	3020029.....183	3450405180, 186
1001300357145, 147	1706060349	3160348.....23, 27, 29	345060821
1008675309125	1706061349	3251242.....159, 161	3460334215
1060379215	1706063349	3251243. 163, 165, 167, 169	352002693
1060908271, 273	1706064349	3252507 257, 259, 261, 263,	3520072201, 205
1061020177, 183	1706098349	265, 267	3537609201, 205
106225559, 61, 127, 149	2080057 335, 337, 339, 341,	3290301197, 199	3580324. 163, 165, 167, 169
1120555215	343, 345, 347	3290305.....105, 107, 109	3740080291, 352
1309435135, 157	2110808234, 238		3760170215
1320058145, 147	2110810238		3760493186

SECTION 11 - SPECIAL OPTIONS/ACCESSORIES/KITS

3760509	180, 186	4460464	97, 269, 275, 276, 279, 280, 283, 284, 287, 288, 291, 293, 295, 297, 303, 307, 311, 315, 317, 331	4460943	276, 280, 284, 287, 307, 311, 315, 317	177, 183, 195, 197, 199, 201, 205	
3841258	13, 15, 17	4460465	59, 61, 105, 107, 269, 275, 276, 279, 280, 281, 283, 287, 293, 295, 297, 299, 301, 303, 307, 311, 315	4460944	269, 275, 276, 279, 280, 281, 283, 301, 311, 315, 331	4812002	49, 51, 83, 85, 100, 113, 115
3900355	215	4460466	269, 275, 276, 279, 280, 280, 281, 283, 284, 287, 291, 297, 301, 303, 307, 311, 315, 317	4460945	283	4812100	53, 55, 159, 161, 163, 165, 167, 169
3900394	195, 197, 199	4460467	355	4460950	283, 287, 297	4846181	201, 205
3931412	215	4460493	269	4460956	271	4871700	159, 161, 163, 165, 167, 169
3931508	215	4460497	317	4460968	255, 257	4891600	117, 137
3960526	23, 27	4460509	291	4460970	269, 297, 311, 315	4891800	23, 27
4010308	105, 107, 109	4460510	355	4460993	59, 61	5241000	13, 15, 117, 125, 137, 159, 161, 163, 165, 167, 169
4010403	89, 91	4460518	301, 307	4460994	59, 61, 279, 303	5241200	13, 15, 17
4010405002	211	4460536	269, 291	4461008	287	5241600	23, 25, 27, 53, 55, 63, 65, 71, 73, 171, 173
4010408	253, 255, 257, 259, 261, 263, 265	4460539	276, 280, 283, 287, 297	4461016	317	5250508	127, 149
4010414	211	4460608	287	4461054	287	5250605	117, 137
4010615	15, 17, 89, 91	4460662	259, 261, 263, 319	4461070	275, 279	5250608	129, 131, 145, 147, 151, 153, 159, 161, 163, 165, 167, 169
4010618	201, 205	4460670	291	4461095	276, 280	5250611	129, 145, 147, 151, 159, 161, 163, 165, 167, 169
4031510	211	4460705	291	4461118	287	5250612	145, 147
4031511	177, 183	4460752	307	4461196	321	5250808	125, 145, 147
4031707	189	4460754	275, 279, 293, 295, 311, 315	4461198	321	5250810	113, 115, 129, 133, 135, 151, 155, 157, 167, 169
4031908	137	4460761	275, 279, 301	4461199	323	5250812	47, 137, 155
4031920	53, 55	4460836	279, 301	4461201	323	5250813	133
4031924	17	4460871	275, 276, 279, 280, 317	4461205	325, 327	5250814	155
4060802	93	4460872	275, 279	4461244	325	5250815	117, 129, 137, 151
4160214	211	4460873	276, 280, 317	4461245	327	5250816	137
4240003	215	4460874	275, 279	4461246	329	5250818	137
4240017	53, 55, 253, 255, 257, 259, 261, 263, 265, 267	4460875	275, 280	4461249	329	5250821	117, 135, 157
4240018	177, 180, 183, 186, 234, 238, 309, 313	4460876	276, 280	4461261	291	5251011	159, 161, 163, 165, 167, 169
4240033	159, 161, 163, 165, 167, 169	4460878	276, 280	4461271	276, 280	5251224	113, 115, 159, 161, 163, 165, 167, 169
4340853	215	4460884	269, 275, 279, 281, 307, 331	4461290	276, 280	5260600	59, 61, 125, 127, 129, 131, 145, 147, 149, 151, 153
4340854	215	4460887	276, 280	4461299	219	5260800	117, 127, 129, 133, 135, 137, 149, 151, 155, 157, 167, 169
4360387	93, 352	4460891	59, 61, 105, 107, 269, 275, 279, 281, 283, 287, 297, 299, 303, 315	4640858	219	5261000	125, 129, 151, 159, 161, 163, 165, 167, 169
4360436	125, 145, 147	4460892	275, 279, 297	4641122	75, 77, 79	5261200	113, 115, 159, 161, 163, 165, 167, 169
4360469	93, 352	4460894	275, 279, 297	4711400	180, 186, 215	70000082	213
4360475	93, 211, 352	4460897	97, 275, 279, 283, 288, 303	4711500	100	70000084	213
4360524	93, 352	4460905	275, 276, 279, 280, 317	4712600	21	70000683	213
4400281	171, 173	4460906	159, 161, 163, 165, 167, 169	4740229	13, 15, 17	70000684	213
4420051	53, 55, 349	4460911	297, 317	4740480	180, 186, 215	70000685	213
4420062	195, 197, 199	4460917	301	4740531	180, 186	70000686	213
4420070	49, 51	4460918	307, 317	4751300	89, 91	70000797	29
4460019	288, 303	4460928	276, 280, 307	4751500	63, 65, 180, 186	70001119	45
4460071	253, 255, 257, 259, 261, 263, 265, 267	4460929	301	4751600	171, 173, 197, 199	70001250	213
4460138	253	4460930	275, 279, 281	4761800	43	70001251	213
4460142	283	4460931	269	4811400	177, 183, 211, 253, 255, 257, 259, 261, 263, 265	70001252	213
4460144	276, 280	4460932	331	4811600	100, 149, 201, 205	70001253	213
4460183	276, 280, 317	4460933	275, 279, 297, 301, 307	4811602	201, 205	70001349	31
4460227	275, 279	4460941	284, 287	4811700	15, 17, 83, 85, 89, 91, 95, 97, 100, 177, 180, 183, 186, 193, 195, 197, 199, 201, 205, 211, 253, 255, 257, 259, 261, 263, 265, 335, 337, 339, 341, 343, 345, 347	70001365	13, 15, 17
4460247	283	4460942	281, 283, 287	4811702	89, 91, 100, 159, 161, 163, 165, 167, 169, 255, 257, 259, 261, 263	70001368	45
4460259	276, 280			4811900	13, 15, 17, 103, 117, 137, 195, 197, 199, 201, 205, 234, 238	70001965	53, 55, 352
4460260	276, 280, 281			4811902	55, 59, 61, 100, 129, 151, 177, 183, 201, 205		
4460265	317			4812000	17, 23, 25, 27, 53, 55, 83, 85, 159, 161, 163, 165, 167, 169, 171, 173,		
4460267	317						
4460268	159, 163, 167, 276, 280						
4460294	301						
4460315	253, 255, 257, 259, 261, 263, 265						
4460321	159, 161, 163, 165, 167, 169						
4460346	319						
4460418	276, 280						
4460419	276, 280						
4460424	276, 280						

SECTION 11 - SPECIAL OPTIONS/ACCESSORIES/KITS

7000206.....	31	70003582.....	67	70007646.....	119, 139	70008157.....	45
70002085.....	45	70003583.....	67	70007647.....	119, 139	70008158.....	45
7000229.....	31	70003584.....	67	70007648.....	119, 139	70008346.....	41
7000230.....	31	70003585.....	67	70007649.....	119, 139	70008347.....	39, 41
70002316.....	121	70003586.....	67	70007650.....	139	70008348.....	39, 41
70002317.....	121	70003587.....	67	70007651.....	139	70008349.....	41
70002318.....	121, 141	70003588.....	67	70007652.....	139	70008350.....	39, 41
7000232.....	31	70003589.....	67	70007653.....	139	70008351.....	41
70002326.....	121, 141	70003590.....	67	70007654.....	139	70008352.....	39, 41
70002327.....	121	70003591.....	67	70007655.....	139	70008353.....	41
70002386.....	87, 189	70003592.....	67	70007656.....	139	70008354.....	41
70002419.....	121	70003593.....	67	70007657.....	139	70008355.....	41
7000246.....	31	70003594.....	67	70007658.....	119, 139	70008356.....	41
7000248.....	31	70003595.....	68	70007659.....	119, 139	70008357.....	41
7000253.....	31	70003596.....	68	70007660.....	119	70008394.....	121
70002554.....	121	70003597.....	68	70007661.....	119	70008395.....	121
7000257.....	31	70003598.....	68	70007662.....	119	70008573.....	221
7000258.....	31	70003599.....	68	70007663.....	119	70008614.....	221
7000261.....	31	70003600.....	68	70007664.....	119	70008619.....	39
7000262.....	31	70003601.....	68	70007665.....	119	70008620.....	39
7000263.....	31	70003602.....	68	70007678.....	219	70008621.....	39
70002770.....	67	70003603.....	68	70007679.....	219	7001626.....	225
70002771.....	67	70003604.....	68	70007709.....	221	7001630.....	225
70002774.....	67	70003605.....	68	70007710.....	221	7001913.....	45
70002776.....	67	70003789.....	87	70007711.....	221	7001998.....	31
70002777.....	67	70004042.....	45	70007712.....	221	7002821.....	355
70002783.....	67	70004294.....	141	70007713.....	223	7002822.....	355
70002963.....	19, 352	70004311.....	121, 141	70007714.....	223	7002823.....	355
70002989.....	45	70004398.....	121	70007715.....	223	7002828.....	355
70002990.....	45	70004400.....	121	70007716.....	223	70030103.....	19
70002991.....	45	70004524.....	121, 141	70007760.....	57	7004275.....	355
70002992.....	45	70005220.....	121	70007761.....	57	7004276.....	355
70002993.....	45	70005599.....	41	70007762.....	57	70046028.....	335, 337, 339, 341, 343, 345, 347
70002994.....	45	70005728.....	141	70007763.....	87	7007437.....	29
70002995.....	45	70005733.....	141	70007764.....	87	7007438.....	29
70002996.....	45	70005734.....	141	70007765.....	87	7007439.....	29
70002997.....	45	70005735.....	141	70007766.....	87	7007446.....	29
70002998.....	45	70005736.....	141	70007767.....	87	7007601.....	31
70002999.....	45	70005739.....	141	70007768.....	87	7007640.....	31, 45
70003000.....	45	70005740.....	141	70007769.....	87	7010429.....	31
70003060.....	121	70005743.....	141	70007770.....	87	7010543.....	87
70003064.....	121	70005744.....	141	70007771.....	87	7010545.....	19
70003507.....	67	70006099.....	39	70007772.....	87	7011311.....	41
70003558.....	67	70006576.....	59	70007773.....	87	7011344.....	41
70003559.....	67	70006577.....	59, 61	70007775.....	19	7011346.....	39, 41
70003560.....	67	70006578.....	59, 61	70007776.....	19	7012925.....	87
70003561.....	67	70006579.....	59, 61	70007777.....	19	7012941.....	87
70003562.....	67	70006666.....	121	70007778.....	19	7012972.....	19
70003563.....	67	70006786.....	87	70007779.....	19	7015004.....	131, 153, 352
70003564.....	67	70007021.....	125, 352	70007780.....	19	7016654.....	355
70003565.....	67	70007035.....	103, 352	70008088.....	141	7017022.....	45
70003566.....	67	70007141.....	352	70008089.....	141	7017059.....	31
70003567.....	67	7000731.....	32	70008095.....	61	7017067.....	31
70003568.....	67	70007310.....	119	70008096.....	61	7017070.....	31
70003569.....	67	70007314.....	119	70008097.....	61	7017080.....	31
70003570.....	67	70007315.....	119, 139	70008114.....	43	7017402.....	87
70003571.....	67	70007316.....	119, 139	70008144.....	45	7017901.....	121
70003572.....	67	70007448.....	189	70008147.....	45	7017922.....	121
70003573.....	67	70007506.....	213	70008148.....	45	7017955.....	121, 141
70003574.....	67	70007607.....	225	70008149.....	45	7020033.....	35
70003575.....	67	70007608.....	225	70008150.....	45	7020035.....	35
70003576.....	67	70007609.....	225	70008151.....	45	7020036.....	35
70003577.....	67	70007610.....	225	70008152.....	45	7020037.....	35
70003578.....	67	70007642.....	119, 139	70008153.....	45	7020038.....	35
70003579.....	67	70007643.....	119, 139	70008154.....	45	7020039.....	35
70003580.....	67	70007644.....	119, 139	70008155.....	45	7020040.....	35
70003581.....	67	70007645.....	119, 139	70008156.....	45		

SECTION 11 - SPECIAL OPTIONS/ACCESSORIES/KITS

7020041	35	7023149	121	7024712	31	7027766	213
7020175	93, 211	7023164	121	7024713	31	8036246	41
7020176	93, 211	7023170	121, 141	7024714	31	80630	125, 145, 147
7021249	29	7023810	41	7024715	31	80633030	234, 238
7021275	29	7023907	29	7024716	31	8220029	287
7021276	29	7023908	29	7024717	31	8220045	288
7021277	29	7023910	29	7024718	32	8220051	317
7022302	29	7024108	45	7024726	45	8220111	283, 291
7022305	29	7024134	45	7024738	45	8220164	276, 280, 283
7022310	29	7024182	31, 32	7024741	45	8229242	276, 281, 352
7022311	29	7024189	32	7024854	29	8229244	276, 281, 352
7022312	29	7024190	32	7024868	29	8310441	145, 147
7022314	29	7024191	32	7026004	41	8310623	129, 133, 151
7022326	29	7024192	32	7026016	39, 41	83451104	234, 238
7022328	29	7024193	32	7027365	213	8405009	137
7022368	29	7024194	32	7027367	213	8405201	153
7022371	29	7024196	32	7027388	67	8406110	129, 151
7022372	29	7024197	32	7027391	67	8769139	135, 157
7023124	121	7024497	53, 55	7027395	67	8770223	234, 238
7023141	121	7024502	13, 15, 17, 53, 55	7027398	67	H000071	19
7023144	121	7024506	53, 55	7027628	13, 15, 17		
7023148	121	7024705	31	7027765	213		



**Corporate Office
JLG Industries, Inc.
1 JLG Drive
McConnellsburg, PA 17233-9533 USA**
☎ **(717) 485-5161 (Corporate)**
☎ **(877) 554-5438 (Customer Support)**
📠 **(717) 485-6417**

**Visit our website for JLG Worldwide Locations.
www.jlg.com**



OSHKOSH™