



Illustrated Parts Manual

*Model
1043*

PVC
2205

P/N
31211864

November 1, 2023 - Rev C



EFFECTIVITY PAGE

May 1, 2022 - A - Original Issue of Manual (Manual Edited to B/M 1001162008 Revision BJ)

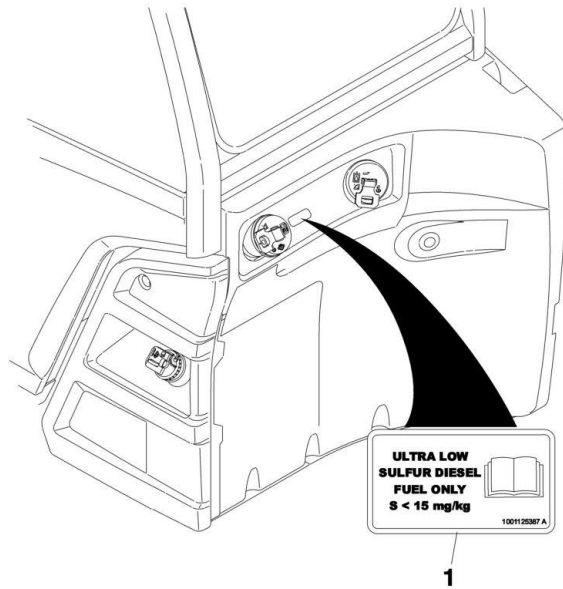
November 1, 2022 - B - Revised Manual (Manual Edited to B/M 1001162008 Revision BJ)

November 1, 2023 - C - Revised Manual (Manual Edited to B/M 1001162008 Revision BJ)

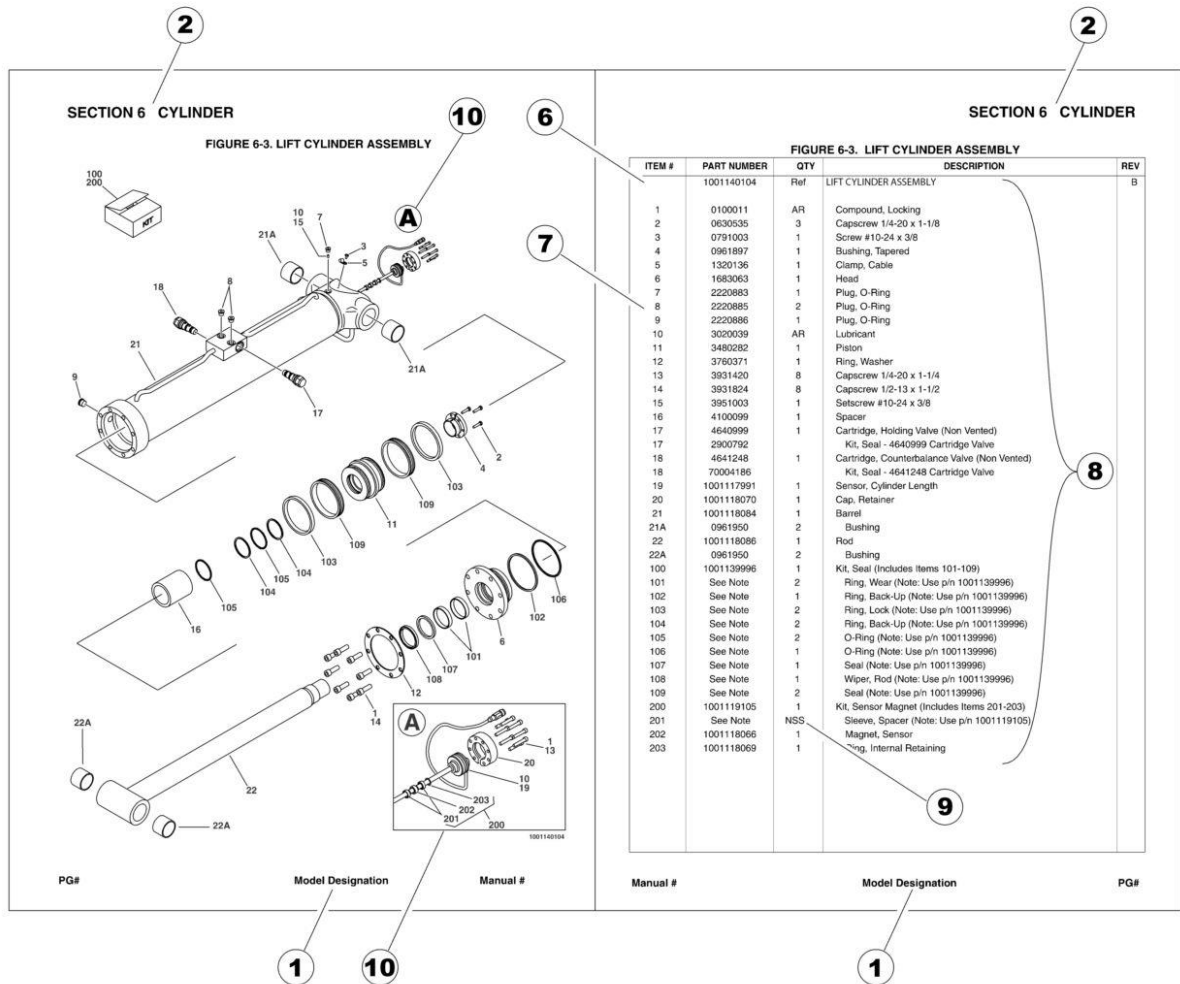
Machine Configuration

Two configurations of each machine are included in this manual. Determine if machine is equipped with Ultra Sulfur Fuel Decal (1) as indicated below.

- If equipped with the Ultra Low Sulfur decal, all specific references to this machine configuration will be referred to as Ultra Low Sulfur (ULS) from this point forward.
- If not equipped with the Ultra Low Sulfur decal, all specific references to this machine configuration will be referred to as Low Sulfur (LS) from this point forward.



GENERAL INFORMATION



1) MACHINE IDENTIFICATION

Machines are identified by model and in some cases a combination of models, serial number (SN) or regional standard (i.e ANSI, CE, CSA). Components may also be identified by SN or manufacturer. Common components that may be identified by these characteristics are engines and hydraulic components.

2) PARTS MANUAL ORGANIZATION

Product information in this manual is organized under section titles. Frame, Cylinder, Hydraulic and Electrical are a few examples. Each section is organized by figure and page number. The information within the Figure is then organized by item number, part number, description and corresponding illustration (s).

3) TABLE OF CONTENTS (NOT SHOWN)

A table of contents is found toward the beginning of the manual. Figure number, description and page number are provided for quick reference to the page containing the related information.

4) RECOMMENDED SPARE PARTS (NOT SHOWN)

The Recommended Spare Parts List, located near the end of the manual, reference most frequently used maintenance parts.

5) PART NUMBER INDEX (NOT SHOWN)

A numerical index listing all part numbers and the corresponding page number(s) appears at the back of the manual.

GENERAL INFORMATION

6) NON-SERVICED PARTS

In some instances, it is necessary to display non-serviced parts, assemblies or installations. In the case of assemblies and installations there will be a Ref in the Qty. column. In case of parts that are not available for service within assemblies or components, there will be a NSS (Not Sold Separately) or NLA (No Longer Available) listed in the Qty. column of the manual.

7) PARTS LIST ITEM NUMBERS

Numbers shown in the item# column correspond to numbers used in the associated illustration (s). Item numbers which are missing from the sequence in the parts list are not used on that page.

8) INDENTED PARTS DESCRIPTION

An indented part description is included in the item under which it is indented.

9) ABBREVIATION AND SYMBOLS

AC.....	Alternating Current	L.....	Liter
ADE.....	Advanced Design Electronics	LB(LBS).....	Pounds
AG.....	Agricultural	LCD.....	Liquid Crystal Display
ANSI.....	American National Standards Institute	LED.....	Light Emitting Diodes
AR.....	As Required	LH.....	Left Hand
ASSY.....	Assembly	LRC.....	Low Rated Countries
AUS.....	Australia	LSS.....	Load Sensing System
AUX.....	Auxiliary	M(m).....	Metric/Meter
AWG.....	American Wire Gauge	MM(mm).....	Milimeter
B/M.....	Bill of Material	mA.....	Miliamps
CAC.....	Charge Air Cooler	NLA.....	No Longer Available
CE.....	European Conformity	NPT.....	National Pipe Threads
CCW.....	Counter Clockwise	NSS.....	Not Sold Separately
CM.....	Centimeter	OD.....	Outside Diameter
CW.....	Clockwise	ORB.....	O-Ring Boss
CSA.....	Canadian Standards Association	ORFS.....	O-Ring Face Seal
CYL.....	Cylinder	OZ (oz).....	Ounces
DIA.....	Diameter	PG.....	Page
DC.....	Direct Current	PN.....	Part Number
DEF.....	Diesel Exhaust Fluid	QT(qt.).....	Quarts
EMS.....	Emergency Stop	QTY.....	Quantity
ENG.....	Engine	REF.....	Reference
FT(ft).....	Feet	REV.....	Revision Level
GA(Ga).....	Gauge	RH.....	Right Hand
HRC.....	High Rated Countries	SAE.....	Society of Automotive Engineers
HVAC.....	Heating, Ventilating, and Air Conditioning	SN.....	Serial Number
HYD.....	Hydraulic	SPEC(S).....	Specifications
Hz.....	Hertz	T/T.....	Turntable
ID.....	Inside Diameter	UGM.....	Universal Ground Module
IN.....	inches	V.....	Volts
ISO.....	International Organization for Standards	W.....	Watts
JIC.....	Joint Industry Council	#.....	Number
KG.....	Kilogram		

10) ILLUSTRATION REFERENCE LETTERS

When necessary, illustrations may contain reference letters that are intended to track information (i. e. hoses, harnesses) from one point to another or to track visual enlargement of components to show details that may be located in another area on the illustration.

Note: Due to continuous product improvements, JLG Industries, Inc. reserves the right to make specification changes without prior notification. Contact JLG Industries, Inc. for updated information.

TABLE OF CONTENTS

SECTION 1 - FRAME AND ATTACHING PARTS.....	19
FIGURE 1-1. ENGINE ENCLOSURE INSTALLATION.....	20
FIGURE 1-2. ENGINE ENCLOSURE COVER INSTALLATION.....	22
FIGURE 1-3. HOOD ASSEMBLY.....	24
FIGURE 1-4. COVER INSTALLATION (OUTRIGGERS) (ULS).....	26
FIGURE 1-5. COVER INSTALLATION (OUTRIGGERS) (LS).....	28
FIGURE 1-6. TANK INSTALLATION.....	30
FIGURE 1-7. FUEL TANK INSTALLATION.....	32
FIGURE 1-8. HYDRAULIC TANK INSTALLATION.....	34
FIGURE 1-9. FUEL CAP ASSEMBLY.....	36
FIGURE 1-10. OUTRIGGERS INSTALLATION.....	38
FIGURE 1-11. MIRROR INSTALLATION.....	40
FIGURE 1-12. BOOM PROP INSTALLATION (ANSI).....	42
FIGURE 1-13. BOOM PROP INSTALLATION (CANADA).....	44
FIGURE 1-14. BOOM PROP BRACKET.....	46
FIGURE 1-15. COUNTERWEIGHT INSTALLATION.....	48
SECTION 2 - BOOM.....	51
FIGURE 2-1. BOOM ASSEMBLY.....	52
FIGURE 2-2. FIRST BOOM SECTION ASSEMBLY.....	54
FIGURE 2-3. SECOND BOOM SECTION ASSEMBLY.....	56
FIGURE 2-4. THIRD BOOM SECTION ASSEMBLY.....	58
FIGURE 2-5. RETRACT CHAIN INSTALLATION.....	60
FIGURE 2-6. EXTEND CHAIN INSTALLATION.....	62
FIGURE 2-7. PINS INSTALLATION.....	64
FIGURE 2-8. RETRACT CHAIN SHEAVE.....	66
FIGURE 2-9. EXTEND CHAIN ROLLER.....	68
FIGURE 2-10. HOSE BRACKET INSTALLATION.....	70
FIGURE 2-11. BOOM PINNING INSTALLATION.....	72
FIGURE 2-12. LIFT CYLINDER PINS INSTALLATION.....	74
FIGURE 2-13. COMPENSATION CYLINDER PINS INSTALLATION.....	76
FIGURE 2-14. BOOM PIVOT PIN INSTALLATION.....	78
FIGURE 2-15. MANUAL QUICK COUPLER INSTALLATION.....	80
FIGURE 2-16. HYDRAULIC QUICK COUPLER INSTALLATION.....	82
FIGURE 2-17. BOOM PIN INSTALLATION.....	84
FIGURE 2-18. TILT CYLINDER PIN INSTALLATION.....	86
FIGURE 2-19. BOOM ANGLE INDICATOR INSTALLATION.....	88
FIGURE 2-20. BOOM BRUSHES INSTALLATION.....	90
FIGURE 2-21. QUICK COUPLER ASSEMBLY.....	92
SECTION 3 - ATTACHMENTS.....	95
FIGURE 3-1. BASKET, PERSONNEL - 4FT X 8FT (ASME).....	96
FIGURE 3-2. BASKET, PERSONNEL - 4FT X 8FT (DOMESTIC).....	98
FIGURE 3-3. BASKET, PERSONNEL - 4FT X 8FT (ISO).....	100
FIGURE 3-4. BASKET, FORK MOUNTED.....	102

TABLE OF CONTENTS

FIGURE 3-5. BOOM - ADJUSTABLE (CARRIAGE MOUNTED)	104
FIGURE 3-6. BOOM - ADJUSTABLE (FORK MOUNTED)	106
FIGURE 3-7. BOOM - 3FT WITH WINCH.....	108
FIGURE 3-8. BOOM - 12FT WITH WINCH.....	110
FIGURE 3-9. BOOM - 12FT WITHOUT WINCH (Prior to SN 0160116733).....	112
FIGURE 3-10. BOOM - 15FT WITHOUT WINCH (Prior to SN 0160116733).....	114
FIGURE 3-11. BOOM - 12FT WITHOUT WINCH (SN 0160116733 to Present).....	116
FIGURE 3-12. BOOM - 15FT WITHOUT WINCH (SN 0160116733 to Present).....	118
FIGURE 3-13. BUCKET - 60IN (1.3 CU YD) (FORK MOUNTED)	120
FIGURE 3-14. BUCKET - 72IN (1.0 CU YD).....	122
FIGURE 3-15. BUCKET - 96IN (1.5 CU YD).....	124
FIGURE 3-16. BUCKET - 96IN GRAPPLE	126
FIGURE 3-17. BUCKET - 102IN (2.0 CU YD).....	128
FIGURE 3-18. CARRIAGE ASSEMBLY - 48IN/12000# CAPACITY SIDE SHIFT	130
FIGURE 3-19. CARRIAGE ASSEMBLY - 50IN/1270MM	132
FIGURE 3-20. CARRIAGE ASSEMBLY - FORK POSITIONING WITH FORKS (4.5 TON).....	134
FIGURE 3-21. CARRIAGE ASSEMBLY - 50IN/12000# CAPACITY SIDE TILT (Prior to SN 0160116733).....	136
FIGURE 3-22. CARRIAGE ASSEMBLY - 50IN/12000# CAPACITY SIDE TILT (SN 0160116733 to Present).....	138
FIGURE 3-23. CARRIAGE ASSEMBLY - 60IN/1524MM	140
FIGURE 3-24. CARRIAGE ASSEMBLY - 60IN/12000# CAPACITY SIDE TILT (Prior to SN 0160116733).....	142
FIGURE 3-25. CARRIAGE ASSEMBLY - 60IN/12000# CAPACITY SIDE TILT (SN 0160116733 to Present).....	144
FIGURE 3-26. CARRIAGE ASSEMBLY - 72IN/1829MM	146
FIGURE 3-27. CARRIAGE ASSEMBLY - 72IN 90 DEGREE SWING (Prior to SN 0160115999).....	148
FIGURE 3-28. CARRIAGE ASSEMBLY - 72IN 90 DEGREE SWING (SN 0160115999 to Present)	150
FIGURE 3-29. CARRIAGE ASSEMBLY - 72IN/12000# CAPACITY SIDE TILT (Prior to SN 0160116733).....	152
FIGURE 3-30. CARRIAGE ASSEMBLY - 72IN/12000# CAPACITY SIDE TILT (SN 0160116733 to Present).....	154
FIGURE 3-31. CARRIAGE ASSEMBLY - DRYWALL (SWING).....	156
FIGURE 3-32. CARRIAGE ASSEMBLY - DRYWALL SWING CARRIAGE	158
FIGURE 3-33. CARRIAGE ASSEMBLY - DRYWALL BOARD HANDLER	160
FIGURE 3-34. CARRIAGE ASSEMBLY - DRYWALL PIVOT FRAME.....	162
FIGURE 3-35. CARRIAGE ASSEMBLY - DRYWALL CYLINDER	164
FIGURE 3-36. CARRIAGE ASSEMBLY - DRYWALL HYDRAULICS	166
FIGURE 3-37. CARRIAGE ASSEMBLY - DRYWALL VALVE ASSEMBLY	168
FIGURE 3-38. CARRIAGE ASSEMBLY - DRYWALL CYLINDER.....	170
FIGURE 3-39. CARRIAGE ASSEMBLY - DRYWALL FORKS.....	172
FIGURE 3-40. FORK 2X2X48 / 1940# CAPACITY	174
FIGURE 3-41. FORK 2.36X4X48 / 5000# CAPACITY	176
FIGURE 3-42. FORK 2.36X4X48 / 5475# CAPACITY	178
FIGURE 3-43. FORK 2.00X6X48 / 6005# CAPACITY	180
FIGURE 3-44. FORK 2.36X5X48 / 6850# CAPACITY	182
FIGURE 3-45. FORK 2.36X4X60 / 5000# CAPACITY	184
FIGURE 3-46. FORK 2.36X5X60 / 6850# CAPACITY	186
FIGURE 3-47. FORK 2.36X6X60 / 8150# CAPACITY	188
FIGURE 3-48. FORK 2.00X6X72 / 6610# CAPACITY	190
FIGURE 3-49. FORK 2.36X5X72 / 6850# CAPACITY	192

TABLE OF CONTENTS

FIGURE 3-50. FORK 40X150X1540	194
FIGURE 3-51. FORK 50X180X1540	196
FIGURE 3-52. FORK EXTENSION - 90IN.....	198
FIGURE 3-53. FORK CLAMPS INSTALLATION	200
FIGURE 3-54. HOOK, COUPLING.....	202
FIGURE 3-55. HOOK, CRANE	204
FIGURE 3-56. MAST, VERTICAL - 8FT (STANDARD)	206
FIGURE 3-57. MAST, VERTICAL - 8FT (SIDE TILT ELECTRIC MAST)	210
FIGURE 3-58. MAST, VERTICAL - DECAL KIT	216
FIGURE 3-59. MAST, VERTICAL - CYLINDER	218
FIGURE 3-60. SWEEPER ASSEMBLY.....	220
FIGURE 3-61. SWEEPER ASSEMBLY - HOPPER.....	222
FIGURE 3-62. SWEEPER ASSEMBLY - BODY	224
FIGURE 3-63. SWEEPER ASSEMBLY - MOTOR	226
FIGURE 3-64. SWEEPER ASSEMBLY - IDLER	228
FIGURE 3-65. SWEEPER ASSEMBLY - CORE	230
FIGURE 3-66. SWEEPER ASSEMBLY - HYDRAULIC SINGLE MOTOR ASSEMBLY	232
FIGURE 3-67. TRASH HOPPER.....	234
SECTION 4 - ENGINE AND ATTACHING PARTS	237
FIGURE 4-1. ENGINE INSTALLATION, 110HP (ULS).....	238
FIGURE 4-2. ENGINE COMPONENTS, 110HP (ULS)	240
FIGURE 4-3. ENGINE INSTALLATION, 110HP (LS)	242
FIGURE 4-4. ENGINE COMPONENTS, 110HP (LS).....	244
FIGURE 4-5. ENGINE MOUNTING INSTALLATION	246
FIGURE 4-6. ENGINE PARTS INSTALLATION (NO HEATER).....	248
FIGURE 4-7. ENGINE PARTS INSTALLATION (HEATER)	250
FIGURE 4-8. A/C PUMP INSTALLATION (LS)	252
FIGURE 4-9. A/C PUMP INSTALLATION (ULS).....	254
FIGURE 4-10. A/C LINES INSTALLATION	256
FIGURE 4-11. AIR CLEANER INSTALLATION (LS).....	258
FIGURE 4-12. AIR CLEANER INSTALLATION (ULS)	260
FIGURE 4-13. AIR CLEANER FILTER ASSEMBLY (ULS)	262
FIGURE 4-14. AIR CLEANER ASSEMBLY, 110HP	264
FIGURE 4-15. AIR INTAKE DUCT INSTALLATION.....	266
FIGURE 4-16. AIR CLEANER LINES INSTALLATION (LS).....	268
FIGURE 4-17. AIR CLEANER LINES INSTALLATION (ULS)	270
FIGURE 4-18. AIR INTAKE SHUT OFF VALVE INSTALLATION	272
FIGURE 4-19. COOLING PACKAGE INSTALLATION (LS)	274
FIGURE 4-20. COOLING PACKAGE INSTALLATION (ULS)	276
FIGURE 4-21. CAC LINES INSTALLATION (LS).....	278
FIGURE 4-22. CAC LINES INSTALLATION (ULS)	280
FIGURE 4-23. COOLANT LINES INSTALLATION (LS)	282
FIGURE 4-24. COOLANT LINES INSTALLATION (ULS).....	284
FIGURE 4-25. HOC LINES INSTALLATION	286
FIGURE 4-26. RADIATOR COOLING PACKAGE.....	288

TABLE OF CONTENTS

FIGURE 4-27. SURGE TANK INSTALLATION.....	290
FIGURE 4-28. TOC LINES INSTALLATION	292
FIGURE 4-29. EXHAUST INSTALLATION, 110HP (LS).....	294
FIGURE 4-30. MUFFLER INSTALLATION (LS)	296
FIGURE 4-31. DEF LINES INSTALLATION.....	298
FIGURE 4-32. EXHAUST INSTALLATION, 110HP (ULS).....	300
FIGURE 4-33. DEF TANK INSTALLATION	302
FIGURE 4-34. DEF TANK ASSEMBLY.....	304
FIGURE 4-35. DEF BREATHER VALVE	306
FIGURE 4-36. DEF PUMP AND CONTROL INSTALLATION.....	308
FIGURE 4-37. UREA PUMP	310
FIGURE 4-38. DEF PUMP LINES INSTALLATION	312
FIGURE 4-39. FUEL LINES INSTALLATION (LS).....	314
FIGURE 4-40. FUEL LINES INSTALLATION (ULS)	318
FIGURE 4-41. FAN INSTALLATION, 110HP	322
FIGURE 4-42. FAN GUARD INSTALLATION.....	324
FIGURE 4-43. FUEL TANK ASSEMBLY.....	326
FIGURE 4-44. PRIMARY FUEL FILTER INSTALLATION (LS).....	328
FIGURE 4-45. PRIMARY FUEL FILTER INSTALLATION (ULS).....	330
FIGURE 4-46. ENGINE OIL QUICK DRAIN INSTALLATION	332
SECTION 5 - DRIVE TRAIN	335
FIGURE 5-1. TRANSMISSION INSTALLATION.....	336
FIGURE 5-2. POWERSHIFT TRANSMISSION	338
FIGURE 5-3. TRANSMISSION, ENGINE CONNECTION.....	342
FIGURE 5-4. TRANSMISSION, CONVERTER.....	344
FIGURE 5-5. TRANSMISSION, INPUT.....	346
FIGURE 5-6. TRANSMISSION, HOUSING GROUP 1.....	348
FIGURE 5-7. TRANSMISSION, HOUSING GROUP 2.....	350
FIGURE 5-8. TRANSMISSION, CLUTCH GROUP 1.....	352
FIGURE 5-9. TRANSMISSION, CLUTCH GROUP 2.....	354
FIGURE 5-10. TRANSMISSION, COUPLING GROUP 1.....	356
FIGURE 5-11. TRANSMISSION, COUPLING GROUP 2.....	358
FIGURE 5-12. TRANSMISSION, COUPLING GROUP 3.....	360
FIGURE 5-13. TRANSMISSION, COUPLING GROUP 4.....	362
FIGURE 5-14. TRANSMISSION, OUTPUT.....	364
FIGURE 5-15. TRANSMISSION, POWER TAKE-OFF	366
FIGURE 5-16. TRANSMISSION, CONTROL UNIT.....	368
FIGURE 5-17. TRANSMISSION, SHIFT SYSTEM	370
FIGURE 5-18. TRANSMISSION, PRESSURE REGULATOR	372
FIGURE 5-19. TRANSMISSION, PRESSURE OIL PUMP.....	374
FIGURE 5-20. TRANSMISSION, INDUCTIVE TRANSMITTER.....	376
FIGURE 5-21. TRANSMISSION, FILTER.....	378
FIGURE 5-22. TRANSMISSION, ACCESSORIES GROUP 1	380
FIGURE 5-23. TRANSMISSION, PERIPHERALS GROUP 1	382
FIGURE 5-24. TRANSMISSION, PERIPHERALS GROUP 2	384

TABLE OF CONTENTS

FIGURE 5-25. TRANSMISSION, ACCESSORIES GROUP 2.....	386
FIGURE 5-26. TRANSMISSION, TRANSFER BOX.....	388
FIGURE 5-27. TRANSMISSION, TRANSFER BOX HOUSING 1	390
FIGURE 5-28. TRANSMISSION, TRANSFER BOX HOUSING 2	392
FIGURE 5-29. TRANSMISSION, TRANSFER BOX HOUSING INPUT.....	394
FIGURE 5-30. TRANSMISSION, TRANSFER BOX HOUSING OUTPUT 1.....	396
FIGURE 5-31. TRANSMISSION, TRANSFER BOX HOUSING OUTPUT 2	398
FIGURE 5-32. DRIVE SHAFTS INSTALLATION.....	400
FIGURE 5-33. FRONT DRIVE SHAFT INSTALLATION.....	402
FIGURE 5-34. FRONT DRIVE SHAFT ASSEMBLY	404
FIGURE 5-35. REAR DRIVE SHAFT INSTALLATION	406
FIGURE 5-36. DRIVETRAIN INSTALLATION.....	408
FIGURE 5-37. FRONT AXLE INSTALLATION	410
FIGURE 5-38. FRONT AXLE LINES INSTALLATION.....	412
FIGURE 5-39. FRONT AXLE MOUNTING INSTALLATION.....	414
FIGURE 5-40. FRONT AXLE	416
FIGURE 5-41. FRONT AXLE, BRAKES	418
FIGURE 5-42. FRONT AXLE, CENTRAL HOUSING	420
FIGURE 5-43. FRONT AXLE, DIFFERENTIAL	422
FIGURE 5-44. FRONT AXLE, HUB REDUCTION.....	424
FIGURE 5-45. FRONT AXLE, STEERING	426
FIGURE 5-46. FRONT AXLE, TRUNION	428
FIGURE 5-47. FRONT AXLE, DIFFERENTIAL KIT.....	430
FIGURE 5-48. FRONT AXLE, PLANET GEAR CARRIER	432
FIGURE 5-49. FRONT AXLE, RING GEAR SUPPORT	434
FIGURE 5-50. FRONT AXLE, PLANET GEAR CARRIER	436
FIGURE 5-51. FRONT AXLE, SUPPORT	438
FIGURE 5-52. REAR AXLE INSTALLATION	440
FIGURE 5-53. REAR AXLE LINES INSTALLATION	442
FIGURE 5-54. REAR AXLE MOUNTING INSTALLATION.....	444
FIGURE 5-55. REAR AXLE.....	446
FIGURE 5-56. LSI AXLE SENSOR INSTALLATION.....	456
FIGURE 5-57. LSI REAR AXLE SENSOR INSTALLATION	458
FIGURE 5-58. TIRE/WHEEL SET 360/85-28 - SOLID	460
FIGURE 5-59. TIRE/WHEEL SET 400/75-28 PNEUMATIC	462
FIGURE 5-60. TIRE/WHEEL SET 400/75-28 PNEUMATIC NON-MARKING	464
FIGURE 5-61. TIRE/WHEEL SET 400/75-28 - FOAM-FILLED	466
FIGURE 5-62. TIRE/WHEEL SET 400/75-28 NON-MARKING - FOAM-FILLED	468
FIGURE 5-63. TIRE/WHEEL SET 14-24 16PR PNEUMATIC	470
FIGURE 5-64. TIRE/WHEEL SET 14-24 12PR - FOAM-FILLED	472
FIGURE 5-65. TIRE/WHEEL SET 14-24 12PR - FOAM-FILLED (E-3) (SUNSHINE).....	474
FIGURE 5-66. TIRE/WHEEL SET 14-24 - FOAM-FILLED (E-3) (NON-MARKING) (SUNSHINE)	476
FIGURE 5-67. TIRE/WHEEL SET 14-24 SOLIDBOSS (DIRECTIONAL).....	478
FIGURE 5-68. TIRE/WHEEL SET 14-24 SOLIDEAL (DIRECTIONAL)	480
FIGURE 5-69. TIRE/WHEEL SET 14-28 SOLIDBOSS (DIRECTIONAL).....	482

TABLE OF CONTENTS

FIGURE 5-70. TIRE/WHEEL SET 14-28 SOLIDBOSS (NON-DIRECTIONAL)	484
FIGURE 5-71. TIRE/WHEEL SET 18 X 625 (PNEUMATIC TURF).....	486
FIGURE 5-72. FENDER INSTALLATION	488
FIGURE 5-73. WHEEL CHOCK INSTALLATION.....	490
FIGURE 5-74. TOOLBOX INSTALLATION.....	492
SECTION 6 - CAB	495
FIGURE 6-1. CAB MOUNTING.....	496
FIGURE 6-2. CAB MOUNTS INSTALLATION	498
FIGURE 6-3. FRONT CAB OUTRIGGER INSTALLATION.....	500
FIGURE 6-4. CAB FENDER INSTALLATION	502
FIGURE 6-5. CAB FENDER INSTALLATION REAR (LH)	504
FIGURE 6-6. OROPS CAB INSTALLATION.....	506
FIGURE 6-7. EROPS CAB INSTALLATION	508
FIGURE 6-8. CAB, TRIM KIT	510
FIGURE 6-9. CAB, TRIM KIT.....	512
FIGURE 6-10. OPEN CAB ASSEMBLY.....	514
FIGURE 6-11. LSI OPEN CAB INSTALLATION	516
FIGURE 6-12. OPEN CAB PLUG GROUP	518
FIGURE 6-13. CAB, EPD CAULK.....	520
FIGURE 6-14. ENCLOSED CAB ASSEMBLY	522
FIGURE 6-15. LSI ENCLOSED CAB INSTALLATION	524
FIGURE 6-16. REAR WINDOW INSTALLATION	526
FIGURE 6-17. REAR WINDOW INSTALLATION (WO/WIPER) (ANSI).....	528
FIGURE 6-18. REAR WINDOW INSTALLATION (WO/WIPER) (ISO).....	530
FIGURE 6-19. REAR WINDOW INSTALLATION (WO/WIPER) (ENG/SPAN)	532
FIGURE 6-20. REAR WINDOW ASSEMBLY.....	534
FIGURE 6-21. DOOR INSTALLATION	536
FIGURE 6-22. DOOR UPPER GLASS ASSEMBLY	538
FIGURE 6-23. CAB LATCH ASSEMBLY	540
FIGURE 6-24. CAB DOOR TRIGGER ASSEMBLY	542
FIGURE 6-25. DOOR ASSEMBLY.....	544
FIGURE 6-26. CAB DOOR	546
FIGURE 6-27. DOOR STRAP INSTALLATION	548
FIGURE 6-28. ENCLOSED CAB PLUG GROUP.....	550
FIGURE 6-29. LSI DISPLAY INSTALLATION (OPEN CAB).....	552
FIGURE 6-30. LSI DISPLAY INSTALLATION (ENCLOSED CAB)	554
FIGURE 6-31. BASIC MIRROR INSTALLATION.....	556
FIGURE 6-32. FRONT COVER INSTALLATION.....	558
FIGURE 6-33. FIRE EXTINGUISHER INSTALLATION	560
FIGURE 6-34. FILTER TRAY PANEL.....	562
FIGURE 6-35. FRONT DUCT COVER.....	564
FIGURE 6-36. LEVEL INDICATOR INSTALLATION	566
FIGURE 6-37. SEAT INSTALLATION - CLOTH (BLACK SEAT BELT)	568
FIGURE 6-38. SEAT INSTALLATION - CLOTH (ORANGE SEAT BELT)	570
FIGURE 6-39. SEAT INSTALLATION - VINYL	572

TABLE OF CONTENTS

FIGURE 6-40. SEAT ASSEMBLY - CLOTH (BLACK SEAT BELT).....	574
FIGURE 6-41. SEAT ASSEMBLY - CLOTH (ORANGE SEAT BELT).....	576
FIGURE 6-42. SEAT ASSEMBLY - VINYL.....	578
FIGURE 6-43. SEAT BELT INSTALLATION (3 INCH).....	580
FIGURE 6-44. HEATER INSTALLATION.....	582
FIGURE 6-45. HEATER AND A/C INSTALLATION (CAB PARTS).....	584
FIGURE 6-46. HEATER ASSEMBLY.....	588
FIGURE 6-47. HEATER ASSEMBLY.....	590
FIGURE 6-48. HEATER AND A/C ASSEMBLY.....	592
FIGURE 6-49. HEATER AND A/C ASSEMBLY.....	594
FIGURE 6-50. CAB CONDENSER ASSEMBLY.....	596
FIGURE 6-51. A/C RECEIVER DRIER.....	598
FIGURE 6-52. CONDENSER.....	600
FIGURE 6-53. FRONT WIPER INSTALLATION.....	602
FIGURE 6-54. REAR WIPER INSTALLATION.....	604
FIGURE 6-55. ROOF WIPER INSTALLATION.....	606
FIGURE 6-56. HEADLINER INSTALLATION.....	608
FIGURE 6-57. TRIM INSTALLATION - OPEN CAB.....	610
FIGURE 6-58. TRIM INSTALLATION - ENCLOSED CAB.....	614
FIGURE 6-59. ARMREST.....	618
FIGURE 6-60. OPEN CAB FRONT COVER INSTALLATION.....	620
FIGURE 6-61. ENCLOSED CAB FRONT COVER INSTALLATION.....	622
FIGURE 6-62. ROOF CAP INSTALLATION (A/C).....	624
FIGURE 6-63. ROOF CAP INSTALLATION (NO A/C).....	626
FIGURE 6-64. NON SKID TAPE INSTALLATION.....	628
FIGURE 6-65. EXTERNAL WINDOW RELEASE INSTALLATION (CAN & ISO).....	630
FIGURE 6-66. WASHER TANK INSTALLATION.....	632
FIGURE 6-67. WASHER BOTTLE.....	634
FIGURE 6-68. CAB GUARD INSTALLATION (TOP AND FRONT).....	636
FIGURE 6-69. CAB GUARD INSTALLATION (TOP).....	638
FIGURE 6-70. CAB GUARD INSTALLATION (FRONT).....	640
FIGURE 6-71. ROOF PIGTAIL CAP INSTALLATION.....	642
FIGURE 6-72. ROOF PIGTAIL INSTALLATION.....	644
FIGURE 6-73. NO SUNSCREEN INSTALLATION.....	646
FIGURE 6-74. RETRACTABLE SUNSCREEN INSTALLATION.....	648
SECTION 7 - CONTROLS.....	651
FIGURE 7-1. ACCELERATOR PEDAL INSTALLATION.....	652
FIGURE 7-2. ACCELERATOR PEDAL.....	654
FIGURE 7-3. BRAKE PEDAL INSTALLATION.....	656
FIGURE 7-4. BRAKE PEDAL.....	658
FIGURE 7-5. BRAKE PEDAL PLATE.....	660
FIGURE 7-6. COLUMN CLAMP INSTALLATION.....	662
FIGURE 7-7. HORN BUTTON INSTALLATION.....	664
FIGURE 7-8. JOYSTICK INSTALLATION (2 ROLLER, 0 BUTTON).....	666
FIGURE 7-9. JOYSTICK.....	668

TABLE OF CONTENTS

FIGURE 7-10. OUTRIGGER SWITCHES INSTALLATION.....	670
FIGURE 7-11. STEERING COLUMN INSTALLATION	672
FIGURE 7-12. EMERGENCY STEERING COLUMN INSTALLATION	674
FIGURE 7-13. STEERING WHEEL INSTALLATION	676
FIGURE 7-14. STEERING WHEEL.....	678
FIGURE 7-15. WIPER-TURN SWITCH.....	680
SECTION 8 - HYDRAULIC CIRCUITS	683
FIGURE 8-1. MAIN HYDRAULIC INSTALLATION (OUTRIGGERS)	684
FIGURE 8-2. MAIN HYDRAULIC INSTALLATION, EMERGENCY STEERING (OUTRIGGERS).....	686
FIGURE 8-3. BOOM HYDRAULIC INSTALLATION.....	688
FIGURE 8-4. BOOM AUXILIARY HYDRAULICS INSTALLATION	690
FIGURE 8-5. BOOM AUXILIARY HYDRAULICS (HYDRAULIC COUPLER).....	692
FIGURE 8-6. QUICK COUPLER VALVE ASSEMBLY	694
FIGURE 8-7. BOOM HYDRAULIC TUBES INSTALLATION.....	696
FIGURE 8-8. CAB HYDRAULIC INSTALLATION	698
FIGURE 8-9. CAB HYDRAULIC INSTALLATION, EMERGENCY STEERING	700
FIGURE 8-10. COUNTERBALANCE VALVE INSTALLATION (LIFT - GLS NO RIDE CONTROL).....	702
FIGURE 8-11. COUNTERBALANCE VALVE HYDRAULIC LINES (LIFT - RIDE CONTROL).....	704
FIGURE 8-12. COUNTERBALANCE VALVE HYDRAULIC LINES (LIFT - RIDE CONTROL).....	706
FIGURE 8-13. EMERGENCY STEERING MANIFOLD & FITTINGS ASSEMBLY	708
FIGURE 8-14. FRAME HYDRAULICS INSTALLATION.....	710
FIGURE 8-15. FRAME LEVEL INSTALLATION	714
FIGURE 8-16. FRAME LEVEL HYDRAULICS INSTALLATION (OUTRIGGERS)	716
FIGURE 8-17. PISTON PUMP INSTALLATION	718
FIGURE 8-18. PISTON PUMP ASSEMBLY.....	720
FIGURE 8-19. REAR AXLE STABILIZER INSTALLATION.....	722
FIGURE 8-20. VALVE INSTALLATION (OUTRIGGERS)	724
FIGURE 8-21. VALVE INSTALLATION - FRAME LEVEL AND OUTRIGGER.....	726
FIGURE 8-22. VALVE ASSEMBLY - FRAME LEVEL AND OUTRIGGER.....	728
FIGURE 8-23. VALVES INSTALLATION - MAIN & PRIORITY	730
FIGURE 8-24. VALVE INSTALLATION - MAIN	732
FIGURE 8-25. VALVE AND FITTINGS ASSEMBLY- MAIN.....	734
FIGURE 8-26. VALVE INSTALLATION – PRIORITY.....	736
FIGURE 8-27. VALVE ASSEMBLY - PRIORITY FUNCTION MANIFOLD.....	738
FIGURE 8-28. VALVE INSTALLATION - SAHR BRAKE	740
FIGURE 8-29. VALVE ASSEMBLY - SAHR BRAKE.....	742
FIGURE 8-30. VALVES MOUNTING INSTALLATION - STEER SELECT	744
FIGURE 8-31. VALVE INSTALLATION - STEER SELECT.....	746
FIGURE 8-32. VALVE AND FITTINGS ASSEMBLY- STEER SELECT	748
FIGURE 8-33. VALVE ASSEMBLY - GLS (NO RIDE CONTROL).....	750
SECTION 9 - HYDRAULIC COMPONENTS	753
FIGURE 9-1. COUPLER - HYDRAULIC COUPLER	754
FIGURE 9-2. CYLINDER GROUP INSTALLATION.....	756
FIGURE 9-3. CYLINDER ASSEMBLY - CARRIAGE SIDE SHIFT.....	758

TABLE OF CONTENTS

FIGURE 9-4. CYLINDER ASSEMBLY - CARRIAGE SIDE TILT	760
FIGURE 9-5. CYLINDER ASSEMBLY - CARRIAGE SWING (Prior to SN 0160115999)	762
FIGURE 9-6. CYLINDER ASSEMBLY - CARRIAGE SWING (SN 0160115999 to Present)	764
FIGURE 9-7. CYLINDER ASSEMBLY - COMPENSATION	766
FIGURE 9-8. CYLINDER SUB-ASSEMBLY - EXTEND/RETRACT	768
FIGURE 9-9. CYLINDER ASSEMBLY - EXTEND/RETRACT	770
FIGURE 9-10. CYLINDER ASSEMBLY - FORK POSITIONING	772
FIGURE 9-11. CYLINDER INSTALLATION - FRAME LEVEL.....	774
FIGURE 9-12. CYLINDER ASSEMBLY - FRAME LEVEL.....	776
FIGURE 9-13. CYLINDER ASSEMBLY - GRAPPLE BUCKET	778
FIGURE 9-14. LIFT CYLINDER ASSEMBLY, INSTALLATION.....	780
FIGURE 9-15. CYLINDER ASSEMBLY - LIFT	782
FIGURE 9-16. CYLINDER SUB-ASSEMBLY - QUICK COUPLER	784
FIGURE 9-17. CYLINDER ASSEMBLY - QUICK COUPLER.....	786
FIGURE 9-18. CYLINDER INSTALLATION - REAR AXLE STABILIZER.....	788
FIGURE 9-19. CYLINDER ASSEMBLY - STABILIZER (REAR AXLE).....	790
FIGURE 9-20. CYLINDER SUB-ASSEMBLY - TILT.....	792
FIGURE 9-21. CYLINDER ASSEMBLY - TILT	794
FIGURE 9-22. CYLINDER ASSEMBLY - OUTRIGGER.....	796
FIGURE 9-23. PUMP ASSEMBLY - PISTON.....	798
FIGURE 9-24. HYDRAULIC TANK.....	800
FIGURE 9-25. HYDRAULIC TANK FILTER ASSEMBLY	802
FIGURE 9-26. VALVE, AIR SHUT OFF.....	804
FIGURE 9-27. VALVE AND FITTINGS - CARRIAGE (DUAL FORK)	806
FIGURE 9-28. VALVE - CARRIAGE DUAL FORK FLOW DIVIDER	808
FIGURE 9-29. VALVE ASSEMBLY - FRAME LEVEL AND OUTRIGGER	810
FIGURE 9-30. VALVE ASSEMBLY - MAIN CONTROL.....	812
FIGURE 9-31. VALVE ASSEMBLY - PRIORITY	814
FIGURE 9-32. VALVE ASSEMBLY - QUICK COUPLER	816
FIGURE 9-33. VALVE ASSEMBLY - SAHR BRAKE	818
FIGURE 9-34. VALVE ASSEMBLY - STABILIZER (REAR AXLE)	820
FIGURE 9-35. VALVE ASSEMBLY - STEERING.....	822
FIGURE 9-36. VALVE ASSEMBLY - STEERING ORBITAL	824
FIGURE 9-37. VALVE ASSEMBLY - STEERING SELECT.....	826
SECTION 10 - ELECTRICAL.....	829
FIGURE 10-1. MAIN ELECTRICAL INSTALLATION (ULS)	830
FIGURE 10-2. MAIN ELECTRICAL INSTALLATION (LS).....	832
FIGURE 10-3. A/C OPTION HARNESS	834
FIGURE 10-4. AIR SHUT OFF VALVE HARNESS - CAB.....	836
FIGURE 10-5. AIR SHUT OFF VALVE HARNESS - ENGINE	838
FIGURE 10-6. ALARM INSTALLATION - BACK UP (97DB).....	842
FIGURE 10-7. ALARM INSTALLATION - BACK UP (120DB).....	844
FIGURE 10-8. ALARM INSTALLATION - BACK UP (WHITE NOISE)	846
FIGURE 10-9. ARCTIC COLD WEATHER PACKAGE INSTALLATION (ULS).....	848
FIGURE 10-10. ARCTIC COLD WEATHER PACKAGE INSTALLATION (LS)	850

TABLE OF CONTENTS

FIGURE 10-11. BATTERY INSTALLATION.....	852
FIGURE 10-12. BATTERY INSTALLATION - ARCTIC PACKAGE	854
FIGURE 10-13. BOOM ANGLE SENSOR INSTALLATION (STANDARD)	856
FIGURE 10-14. BOOM ANGLE SENSOR INSTALLATION (LSI)	858
FIGURE 10-15. BOOM ELECTRICAL HARNESS INSTALLATION.....	860
FIGURE 10-16. BOOM ELECTRIC HARNESS.....	862
FIGURE 10-17. BOOM AUXILIARY ELECTRIC INSTALLATION.....	864
FIGURE 10-18. BOOM AUXILIARY ELECTRIC HARNESS INSTALLATION.....	866
FIGURE 10-19. CAB DASH ELECTRICAL (ULS).....	868
FIGURE 10-20. CAB DASH ELECTRICAL (LS)	870
FIGURE 10-21. CAB ELECTRICAL INSTALLATION.....	872
FIGURE 10-22. CAB ELECTRICAL BOARD ASSEMBLY	874
FIGURE 10-23. CAB ELECTRICAL COMMUNICATION CABLE	876
FIGURE 10-24. CAB HARNESS.....	878
FIGURE 10-25. CAB ELECTRICAL INSTALLATION - ENCLOSED.....	882
FIGURE 10-26. CAB ELECTRICAL INSTALLATION - OPEN	884
FIGURE 10-27. CAB OPTION 1 ELECTRICAL BOARD.....	886
FIGURE 10-28. CAB OPTION 2 ELECTRICAL BOARD.....	888
FIGURE 10-29. CAB OPTION HARNESS	890
FIGURE 10-30. CAB OPTION 1 HARNESS	892
FIGURE 10-31. CAB OPTION 2 HARNESS	896
FIGURE 10-32. CAB - KEY HARNESS.....	898
FIGURE 10-33. CAB MULTIFUNCTION DISPLAY INSTALLATION.....	900
FIGURE 10-34. CAB SEAT BELT ALARM HARNESS	902
FIGURE 10-35. CLEARSKY TELEMATICS CANBUS INSTALLATION (CLEARSKY 2) (ANSI).....	904
FIGURE 10-36. CLEARSKY TELEMATICS CANBUS INSTALLATION (CLEARSKY 2) (CE).....	906
FIGURE 10-37. CLEARSKY TELEMATICS CANBUS HARNESS (CLEARSKY 2)	908
FIGURE 10-38. TELEMATICS ADAPTER HARNESS.....	910
FIGURE 10-39. CLEARSKY TELEMATICS 3-WIRE INSTALLATION	912
FIGURE 10-40. CLEARSKY TELEMATICS 3-WIRE HARNESS	914
FIGURE 10-41. CLEARSKY TELEMATICS READY INSTALLATION	916
FIGURE 10-42. CLEARSKY TELEMATICS READY HARNESS	918
FIGURE 10-43. DEF PURGE LIGHT HARNESS (ULS).....	920
FIGURE 10-44. ENGINE - WIRING INSTALLATION (ULS).....	922
FIGURE 10-45. ENGINE - WIRING INSTALLATION (LS)	926
FIGURE 10-46. ENGINE HARNESS (ULS)	930
FIGURE 10-47. ENGINE HARNESS (LS).....	934
FIGURE 10-48. ENGINE BAY - ELECTRICAL INSTALLATION (ULS).....	938
FIGURE 10-49. ENGINE BAY - ELECTRICAL INSTALLATION (LS)	940
FIGURE 10-50. ENGINE BAY - WIRING INSTALLATION (ULS)	942
FIGURE 10-51. ENGINE BAY - WIRING INSTALLATION (LS)	944
FIGURE 10-52. ENGINE/CHASSIS HARNESS (ULS).....	946
FIGURE 10-53. ENGINE - ECU INSTALLATION (ULS)	950
FIGURE 10-54. ENGINE - ECU INSTALLATION (LS).....	952
FIGURE 10-55. ENGINE TBAP HARNESS	954

TABLE OF CONTENTS

FIGURE 10-56. FRAME - ELECTRICAL INSTALLATION.....	956
FIGURE 10-57. FRAME - POWER DISTRIBUTION BOX.....	958
FIGURE 10-58. FRAME - WIRING INSTALLATION (ULS).....	960
FIGURE 10-59. FRAME - WIRING INSTALLATION (LS).....	962
FIGURE 10-60. FRAME HARNESS – FRONT.....	964
FIGURE 10-61. FRAME HARNESS - REAR.....	970
FIGURE 10-62. HEATER HARNESS - CUMMINS BREATHER (ULS).....	974
FIGURE 10-63. HEATER HARNESS - FUEL FILTER.....	976
FIGURE 10-64. HEATER HARNESS - HYDRAULIC TANK.....	978
FIGURE 10-65. HVAC ACTUATOR HARNESS.....	980
FIGURE 10-66. LIGHTS - BEACON INSTALLATION (LED).....	982
FIGURE 10-67. LIGHTS - BOOM WORK LIGHTS SWITCH/HARNESS INSTALLATION (LED).....	984
FIGURE 10-68. LIGHTS - BOOM WORK LIGHTS HARNESS INSTALLATION (LED).....	986
FIGURE 10-69. LIGHTS - BOOM WORK LIGHTS HARNESS.....	988
FIGURE 10-70. LIGHTS - CAB WORK LIGHTS INSTALLATION (NO A/C) (LED).....	990
FIGURE 10-71. LIGHTS - CAB WORK LIGHTS INSTALLATION (A/C) (LED).....	992
FIGURE 10-72. LIGHTS - ROADLIGHTS INSTALLATION.....	994
FIGURE 10-73. LIGHTS - ROADLIGHTS HEADLIGHT HARNESS.....	996
FIGURE 10-74. LIGHTS - ROADLIGHTS TAILLIGHTS HARNESS.....	998
FIGURE 10-75. LIGHTS - SWITCH INSTALLATION.....	1000
FIGURE 10-76. LSI HARNESS - BOOM RETRACT.....	1002
FIGURE 10-77. OUTRIGGER HARNESS.....	1004
FIGURE 10-78. PLATFORM HARNESS.....	1006
FIGURE 10-79. REVERSE CAMERA INSTALLATION.....	1008
FIGURE 10-80. REVERSE SENSOR INSTALLATION.....	1010
FIGURE 10-81. REVERSE SENSOR HARNESS.....	1012
FIGURE 10-82. RIDE CONTROL VALVE HARNESS INSTALLATION.....	1014
FIGURE 10-83. RIDE CONTROL VALVE HARNESS.....	1016
FIGURE 10-84. ROOF PIGTAIL HARNESS.....	1018
FIGURE 10-85. USB CHARGER INSTALLATION.....	1020
SECTION 11 - DECALS.....	1023
FIGURE 11-1. DECAL INSTALLATION (ANSI).....	1024
FIGURE 11-2. DECAL INSTALLATION (CSA ENGLISH/FRENCH).....	1028
FIGURE 11-3. DECAL INSTALLATION (ISO).....	1032
FIGURE 11-4. DECAL INSTALLATION (LATIN AMERICAN ENGLISH/SPANISH).....	1036
FIGURE 11-5. BRAND AND MODEL DECAL INSTALLATION.....	1040
FIGURE 11-6. CAPACITY CHART BOOKLET (ANSI) (OUTRIGGERS).....	1042
FIGURE 11-7. CAPACITY CHART BOOKLET (ISO) (OUTRIGGERS).....	1044
FIGURE 11-8. CAPACITY CHART HOLDER INSTALLATION.....	1046
FIGURE 11-9. CLEARSKY DECAL INSTALLATION.....	1048
FIGURE 11-10. REVERSE SENSOR SYSTEM DECAL (ENGLISH).....	1050
FIGURE 11-11. REVERSE SENSOR SYSTEM DECAL (ENGLISH/SPANISH).....	1052
SECTION 12 - RECOMMENDED SERVICE PARTS STOCK.....	1055
FIGURE 12-1. RECOMMENDED SERVICE PARTS STOCK.....	1056

TABLE OF CONTENTS

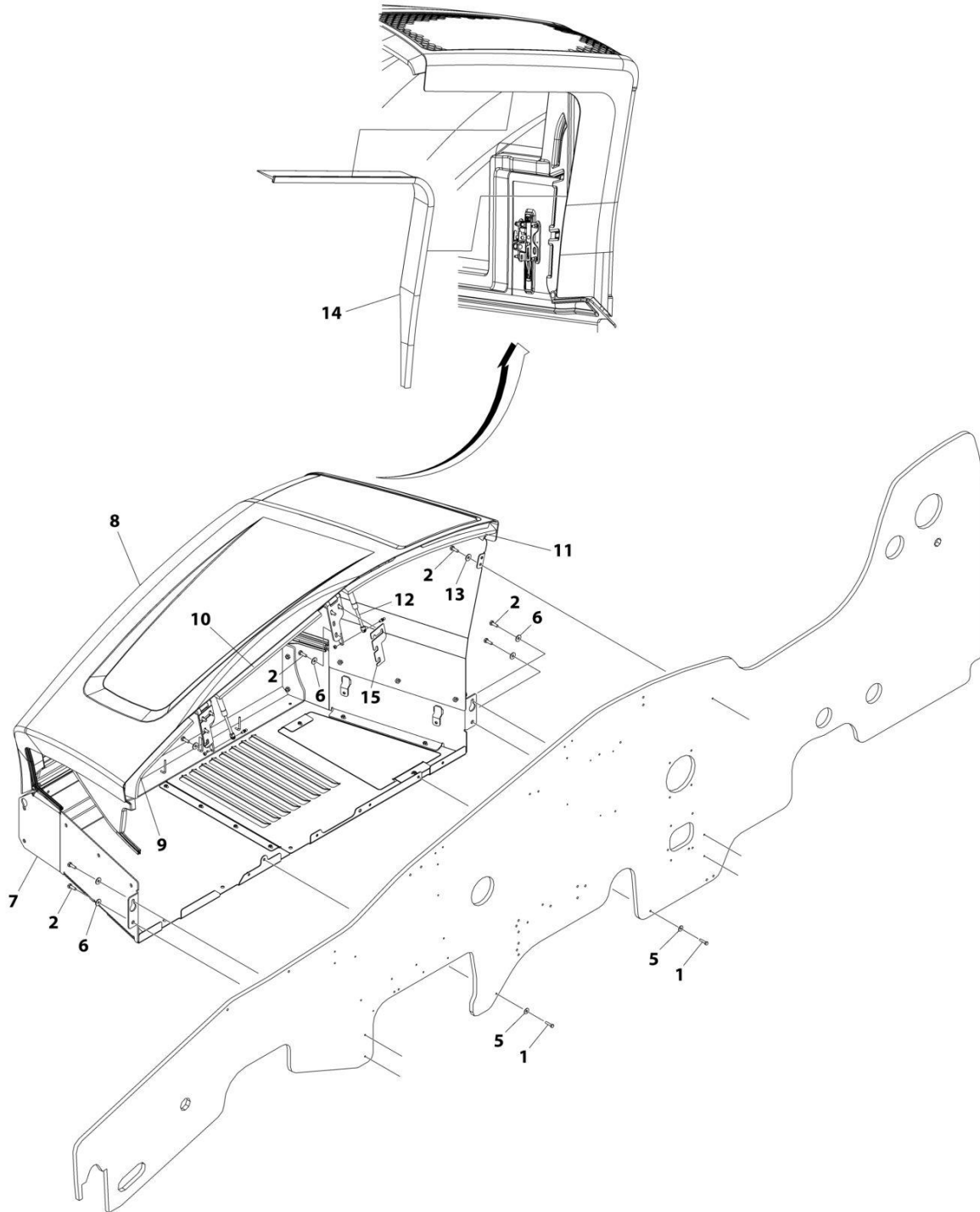
SECTION 13 - SPECIAL OPTIONS/ACCESSORIES/KITS.....	1059
FIGURE 13-1. SPECIAL OPTIONS/ACCESSORIES/KITS.....	1060
PART NUMBER INDEX.....	1063

SECTION 1 - FRAME AND ATTACHING PARTS

SECTION 1 - FRAME AND ATTACHING PARTS

SECTION 1 - FRAME AND ATTACHING PARTS

FIGURE 1-1. ENGINE ENCLOSURE INSTALLATION



ART_1001160253-J

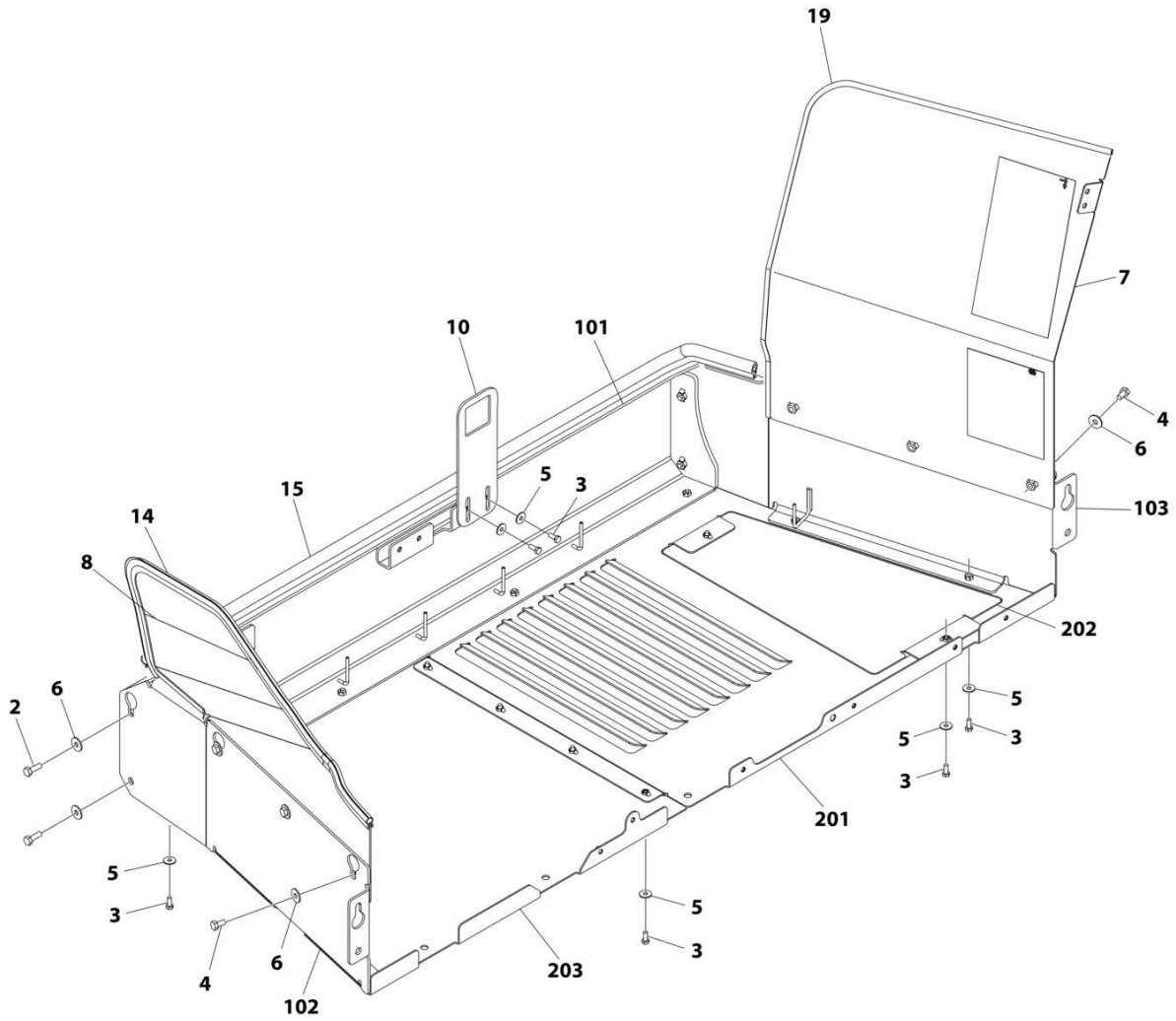
SECTION 1 - FRAME AND ATTACHING PARTS

FIGURE 1-1. ENGINE ENCLOSURE INSTALLATION

ITEM	PART NUMBER	QTY	DESCRIPTION	REV
	1001160253	Ref	Engine Enclosure Installation	J
1	0760815	2	Bolt, M8X35	
2	0701014	11	Bolt, M10X30	
5	4811902	2	Washer, M8	
6	4812002	10	Washer, M10	
7	1001162239	Ref	Installation, Engine Enclosure Cover (See Separate Breakdown in this Section)	
8	1001235963	Ref	Assembly, Hood (See Separate Breakdown in this Section)	
9	1001203932	1	Seal	
10	1001203933	1	Seal	
11	1001203934	1	Seal	
12	1001171885	2	Spring, Gas	
13	4812000	1	Washer, M10	
14	1001197339	1	Trim, Lock Seal	
15	1001241836	AR	Shim	

SECTION 1 - FRAME AND ATTACHING PARTS

FIGURE 1-2. ENGINE ENCLOSURE COVER INSTALLATION



ART_1001162239-N

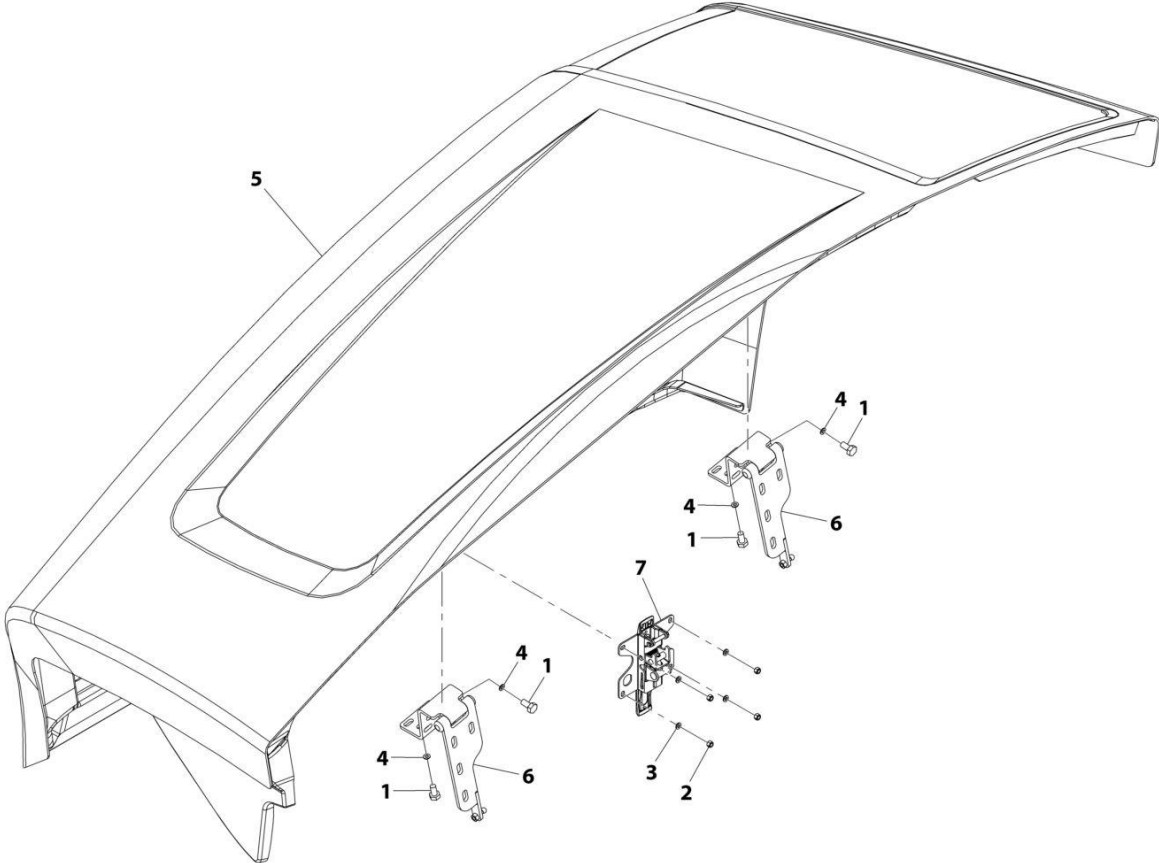
SECTION 1 - FRAME AND ATTACHING PARTS

FIGURE 1-2. ENGINE ENCLOSURE COVER INSTALLATION

ITEM	PART NUMBER	QTY	DESCRIPTION	REV
	1001162239	Ref	Engine Enclosure Cover Installation	N
2	0701014	4	Bolt, M10X30	
3	0760810	16	Bolt, M8X20	
4	0761010	6	Bolt, M10X20	
5	4811902	16	Washer, M8	
6	4812002	10	Washer, M10	
7	1001204086	1	Plate, Rear Cover	
8	1001184076	1	Panel, Front Cover	
10	1001209388	1	Latch, Hood	
14	1001003227	1375 mm	Seal	
15	1001204486	1795 mm	Seal	
19	90206198	1345 mm	Trim, Edge	
101	1001162240J	1	Panel, Side Skirt	
102	1001213126J	1	Panel, Front Skirt	
103	1001196426J	1	Panel, Rear Skirt	
201	1001196422	1	Panel, Bottom Cover	
202	1001169265	1	Panel, Access	
203	1001196404	1	Panel, Engine Pod	

SECTION 1 - FRAME AND ATTACHING PARTS

FIGURE 1-3. HOOD ASSEMBLY



ART_1001235963-B

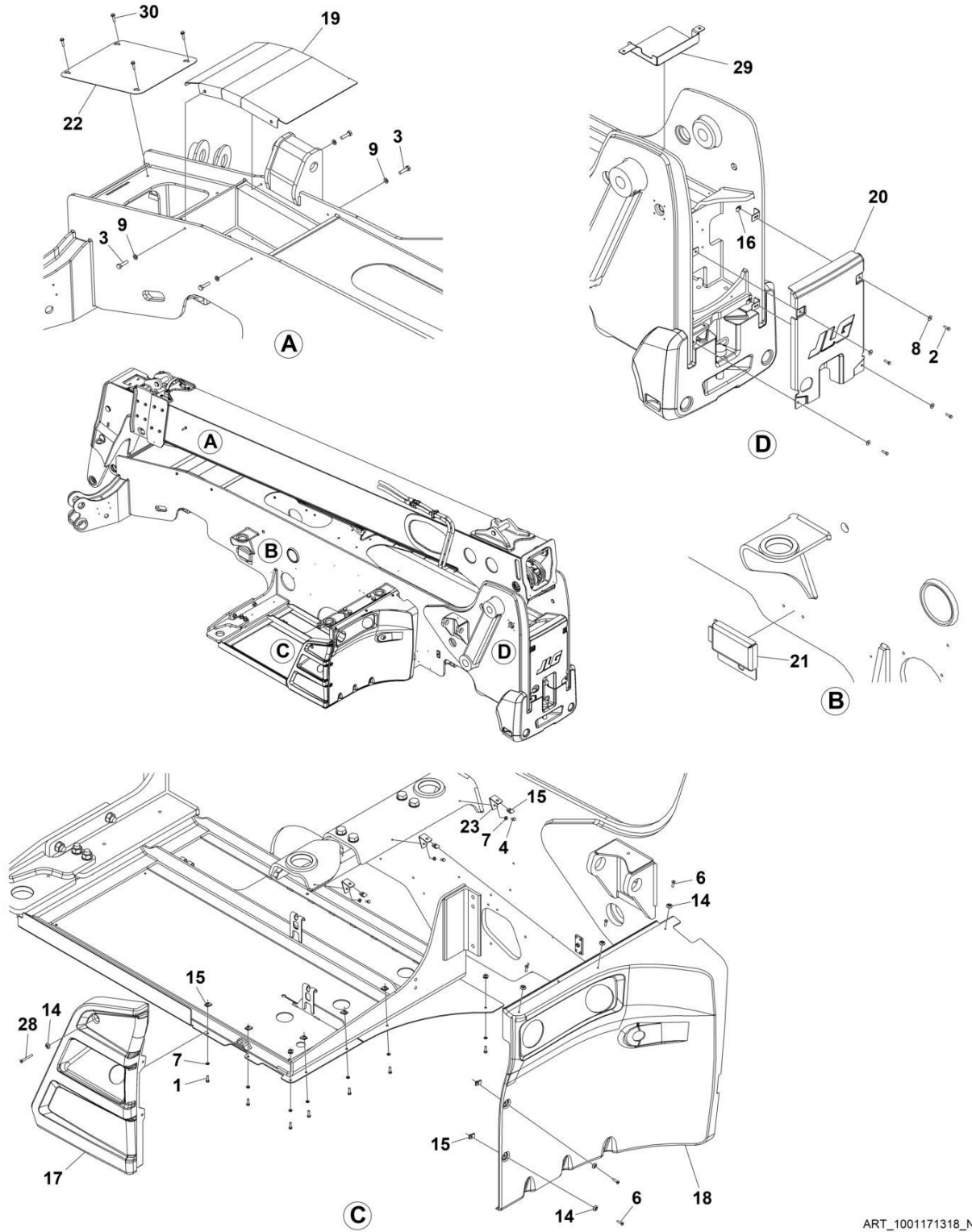
SECTION 1 - FRAME AND ATTACHING PARTS

FIGURE 1-3. HOOD ASSEMBLY

ITEM	PART NUMBER	QTY	DESCRIPTION	REV
	1001235963	Ref	Hood Assembly	B
1	0761010	8	Bolt, M10X20	
2	3290605	4	Nut, Lock M6X1	
3	4811700	4	Washer, M6	
4	4812000	8	Washer, M10	
5	1001234455	1	Hood	
6	1001209387	2	Hinge, Hood	
7	1001132168	1	Latch, Hood	

SECTION 1 - FRAME AND ATTACHING PARTS

FIGURE 1-4. COVER INSTALLATION (OUTRIGGERS) (ULS)



ART_1001171318_N

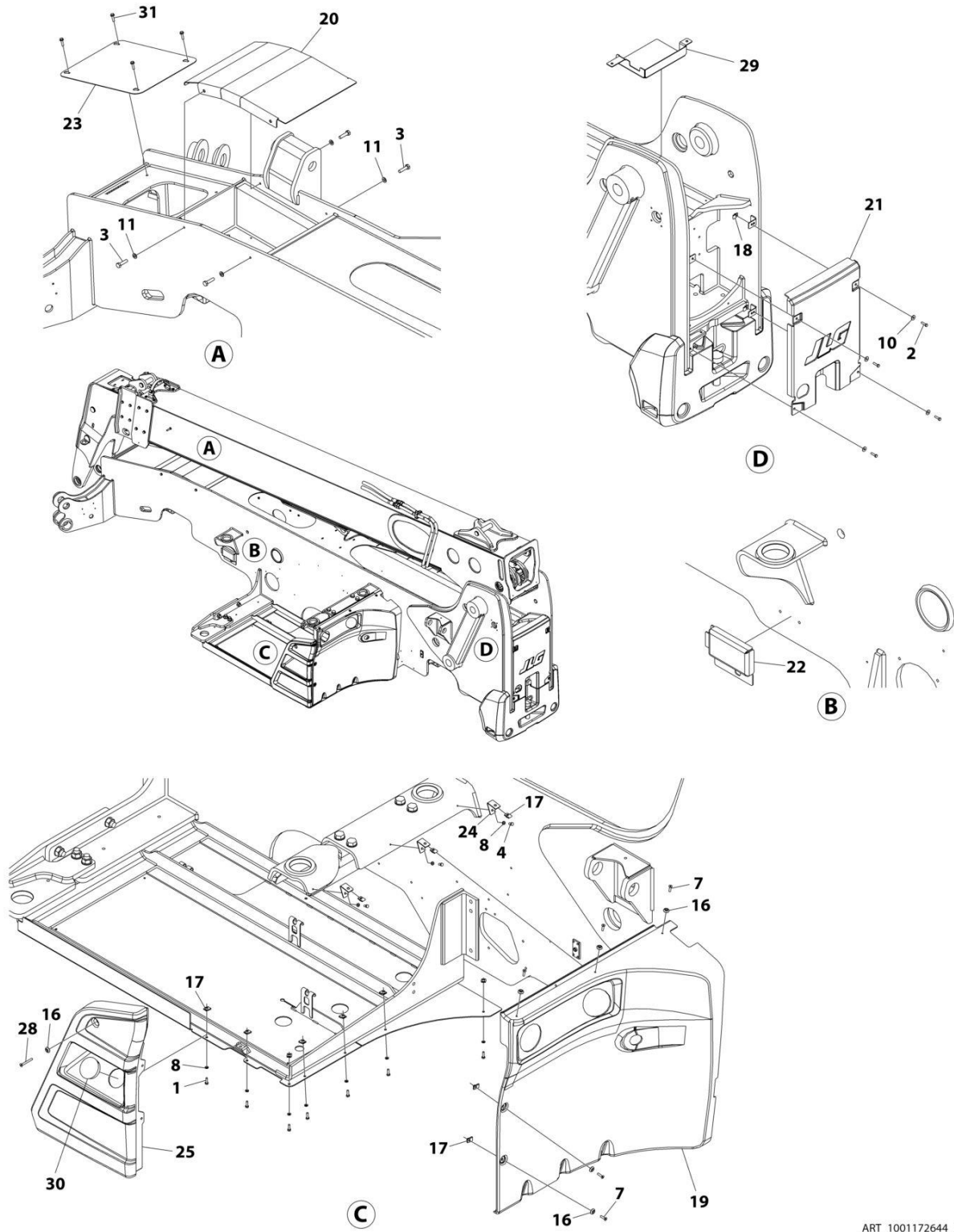
SECTION 1 - FRAME AND ATTACHING PARTS

FIGURE 1-4. COVER INSTALLATION (OUTRIGGERS) (ULS)

ITEM	PART NUMBER	QTY	DESCRIPTION	REV
	1001171318	Ref	Cover Installation (Outriggers) (ULS)	N
1	0700610	7	Bolt, M6X20	
2	0700814	4	Bolt, M8X30	
3	0701016	4	Bolt, M10X40	
4	0760606	3	Bolt, M6X12	
6	3900379	5	Screw, M6-1X25	
7	4811700	10	Washer, M6	
8	4811902	4	Washer, M8	
9	4812000	4	Washer, M10	
14	1001097540	6	Washer, M6	
15	1001130220	12	Nut, M6	
16	1001149160	4	Nut, M8	
17	1001168760	1	Cover, Side Tank	
18	1001179548	1	Cover, Rear Tank	
19	1001207343	1	Shield, Battery	
20	1001170645	1	Cover	
21	1001201646	1	Shield, Inspection Port	
22	1001170665	1	Plate, Valve Cover	
23	1001171772	3	Plate, Angle Bracket	
28	1001112902	1	Screw, M6	
29	1001173468	1	Cover, Rear Frame Module	
30	5250814	4	Bolt, M8X30	

SECTION 1 - FRAME AND ATTACHING PARTS

FIGURE 1-5. COVER INSTALLATION (OUTRIGGERS) (LS)



ART_1001172644_M

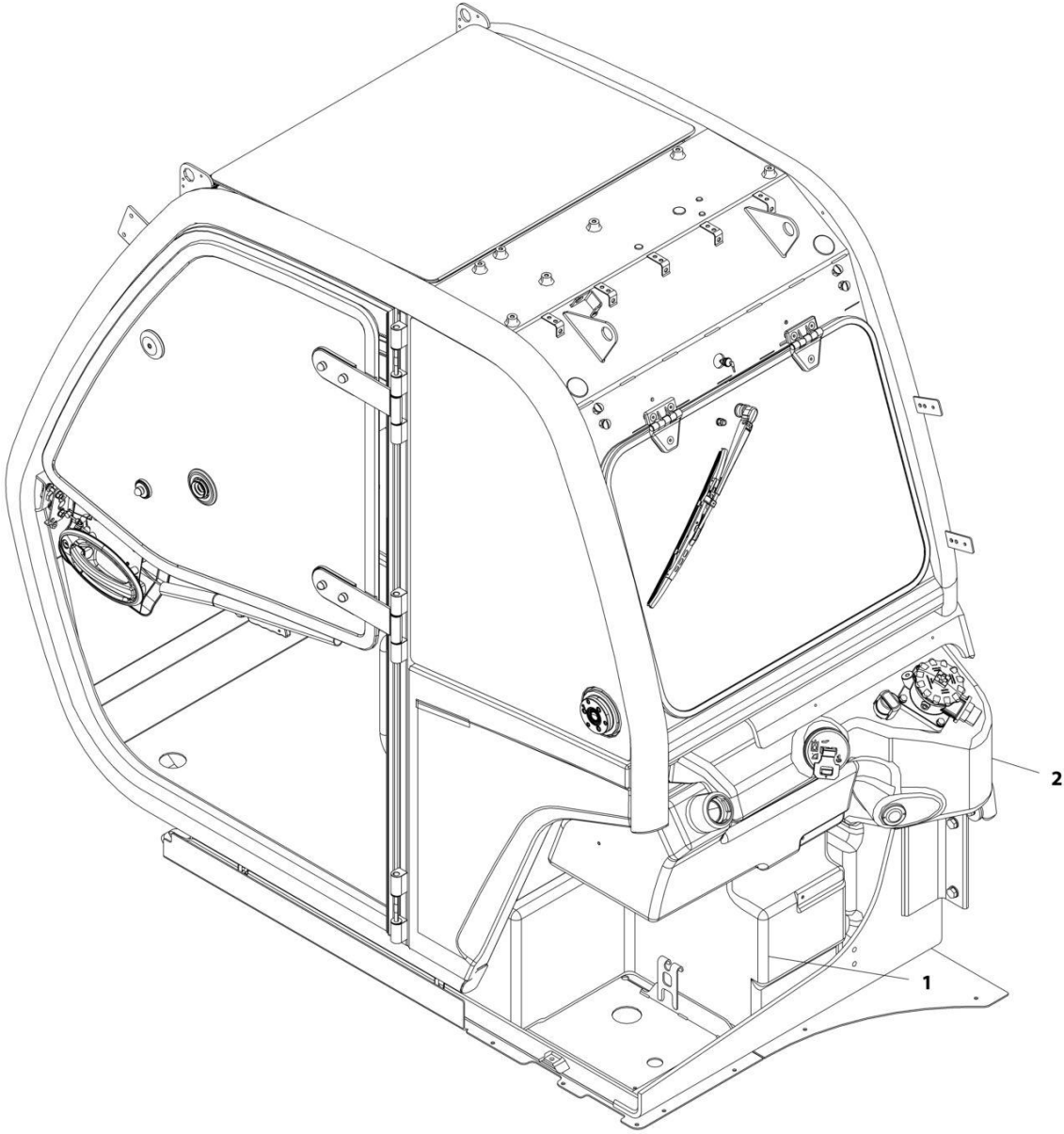
SECTION 1 - FRAME AND ATTACHING PARTS

FIGURE 1-5. COVER INSTALLATION (OUTRIGGERS) (LS)

ITEM	PART NUMBER	QTY	DESCRIPTION	REV
	1001172644	Ref	Cover Installation (Outriggers) (LS)	M
1	0700610	7	Bolt, M6X20	
2	0700814	4	Bolt, M8X30	
3	0701016	4	Bolt, M10X40	
4	0760606	3	Bolt, M6X12	
7	3900379	5	Screw, M6-1X25	
8	4811700	10	Washer, M6	
10	4811902	4	Washer, M8	
11	4812000	4	Washer, M10	
16	1001097540	6	Washer, M6	
17	1001130220	12	Nut, M6	
18	1001149160	4	Nut, M8	
19	1001168761	1	Cover, Rear Tank	
20	1001207343	1	Shield, Battery	
21	1001170645	1	Cover	
22	1001201646	1	Shield, Inspection Port	
23	1001170665	1	Plate, Valve Cover	
24	1001171772	3	Plate, Angle Bracket	
25	1001168760	1	Cover, Side Tank	
28	1001112902	1	Screw, M6	
29	1001173468	1	Cover, Rear Frame Module	
30	1001206746	1	Cap, Side Tank Cover	
31	5250814	4	Bolt, M8X30	

SECTION 1 - FRAME AND ATTACHING PARTS

FIGURE 1-6. TANK INSTALLATION



ART_1001160735-A

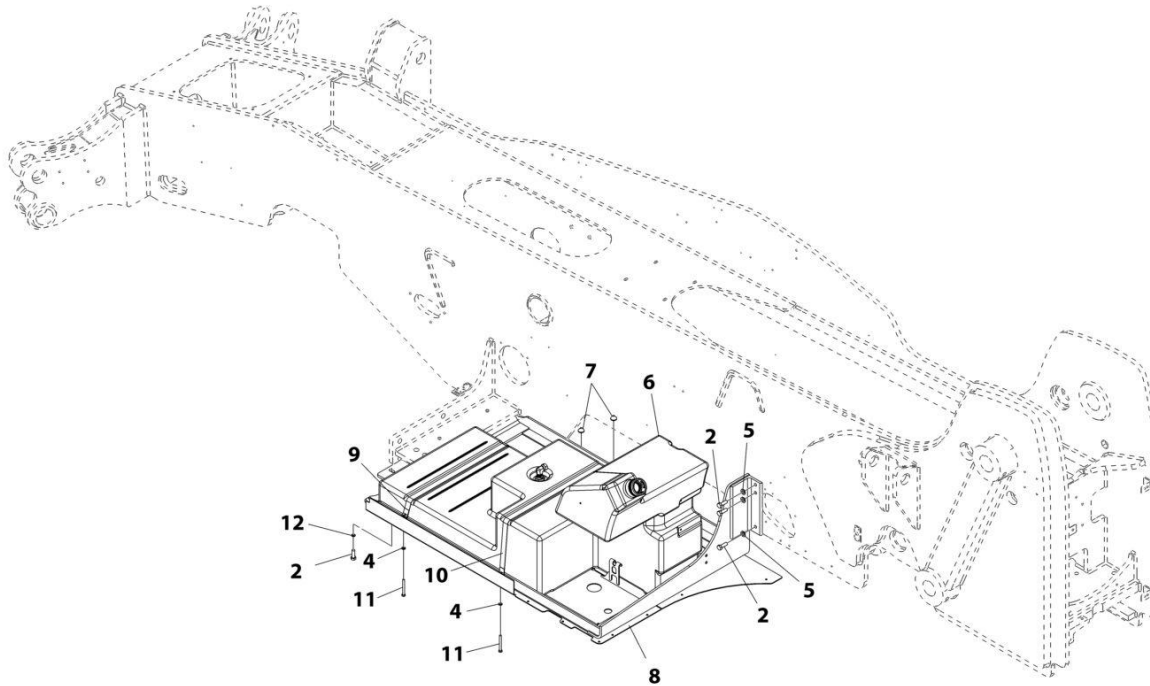
SECTION 1 - FRAME AND ATTACHING PARTS

FIGURE 1-6. TANK INSTALLATION

ITEM	PART NUMBER	QTY	DESCRIPTION	REV
	1001160735	Ref	Tank Installation	A
1	1001171153	1	Installation, Fuel Tank (See Separate Breakdown in this Section)	
2	1001171154	1	Installation, Hydraulic Tank (See Separate Breakdown in this Section)	

SECTION 1 - FRAME AND ATTACHING PARTS

FIGURE 1-7. FUEL TANK INSTALLATION



ART_1001171153-H

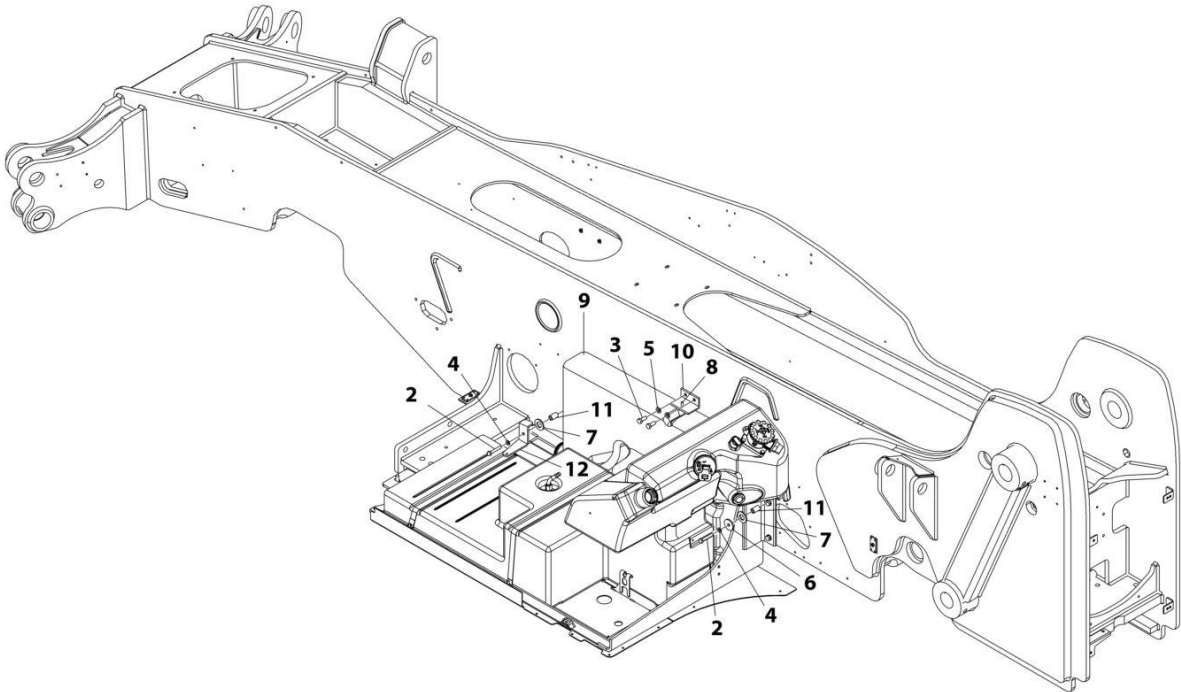
SECTION 1 - FRAME AND ATTACHING PARTS

FIGURE 1-7. FUEL TANK INSTALLATION

ITEM	PART NUMBER	QTY	DESCRIPTION	REV
	1001171153	Ref	Fuel Tank Installation	H
2	0761215	6	Bolt, M12X35	
4	4811900	2	Washer, M8	
5	4812100	3	Washer, M12	
6	1001211432	1	Tank, Fuel (See Separate Breakdown in ENGINE AND ATTACHING PARTS Section)	
7	1001169454	4	Mount, Buffer	
8	1001169602	1	Support, Tank Plate	
9	1001170071	1	Strap, Tank	
10	1001170072	1	Strap, Tank	
11	0760823	2	Bolt, M8X75	
12	4812102	3	Washer, M12	

SECTION 1 - FRAME AND ATTACHING PARTS

FIGURE 1-8. HYDRAULIC TANK INSTALLATION



ART_1001171154-E

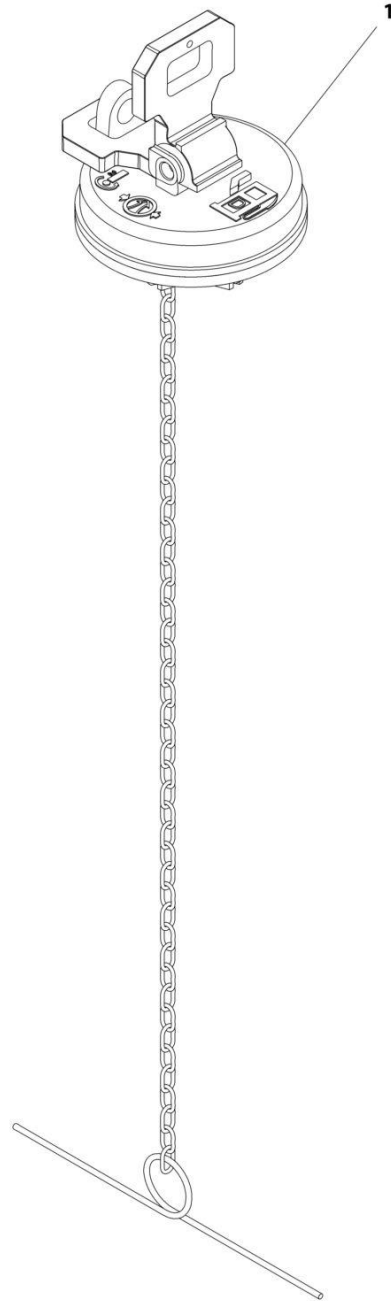
SECTION 1 - FRAME AND ATTACHING PARTS

FIGURE 1-8. HYDRAULIC TANK INSTALLATION

ITEM	PART NUMBER	QTY	DESCRIPTION	REV
	1001171154	Ref	Hydraulic Tank Installation	E
2	0701020	2	Bolt, M10X60	
3	0761214	2	Bolt, M12X30	
4	4812000	2	Washer, M10	
5	4812100	2	Washer, M12	
6	1001172147	1	Washer, M10	
7	1001172146	2	Washer, Rubber	
8	1001008575	1	Bumper, Conical	
9	1001163067	1	Tank, Hydraulic (See Separate Breakdown in HYDRAULIC COMPONENTS Section)	
10	1001169461	1	Bracket	
11	1001171179	2	Spacer	
12	1001210707	1	Bracket	

SECTION 1 - FRAME AND ATTACHING PARTS

FIGURE 1-9. FUEL CAP ASSEMBLY



ART_1001194978-A

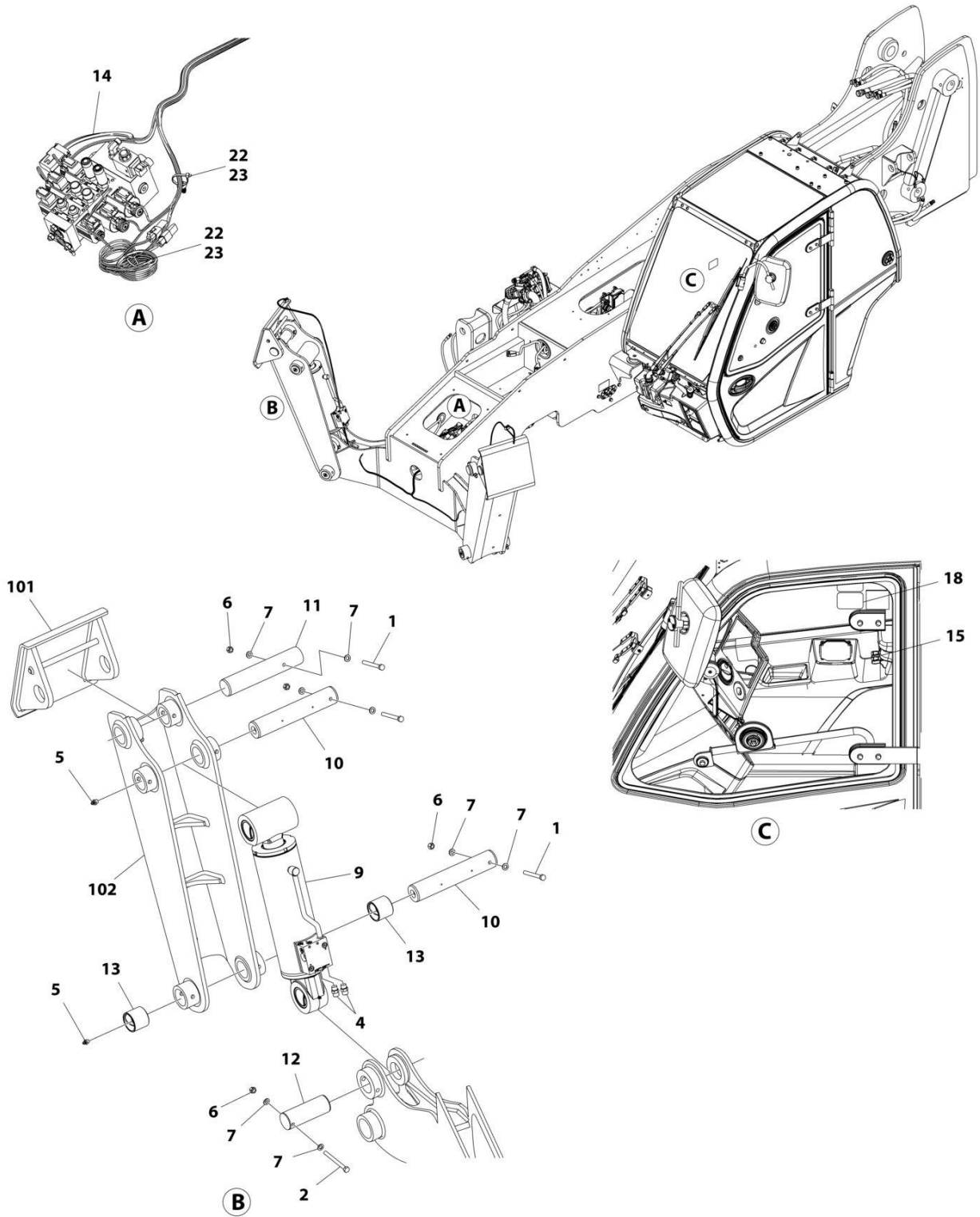
SECTION 1 - FRAME AND ATTACHING PARTS

FIGURE 1-9. FUEL CAP ASSEMBLY

ITEM	PART NUMBER	QTY	DESCRIPTION	REV
1	1001194978	1	Fuel Cap Assembly	A

SECTION 1 - FRAME AND ATTACHING PARTS

FIGURE 1-10. OUTRIGGERS INSTALLATION



ART_1001168644_K

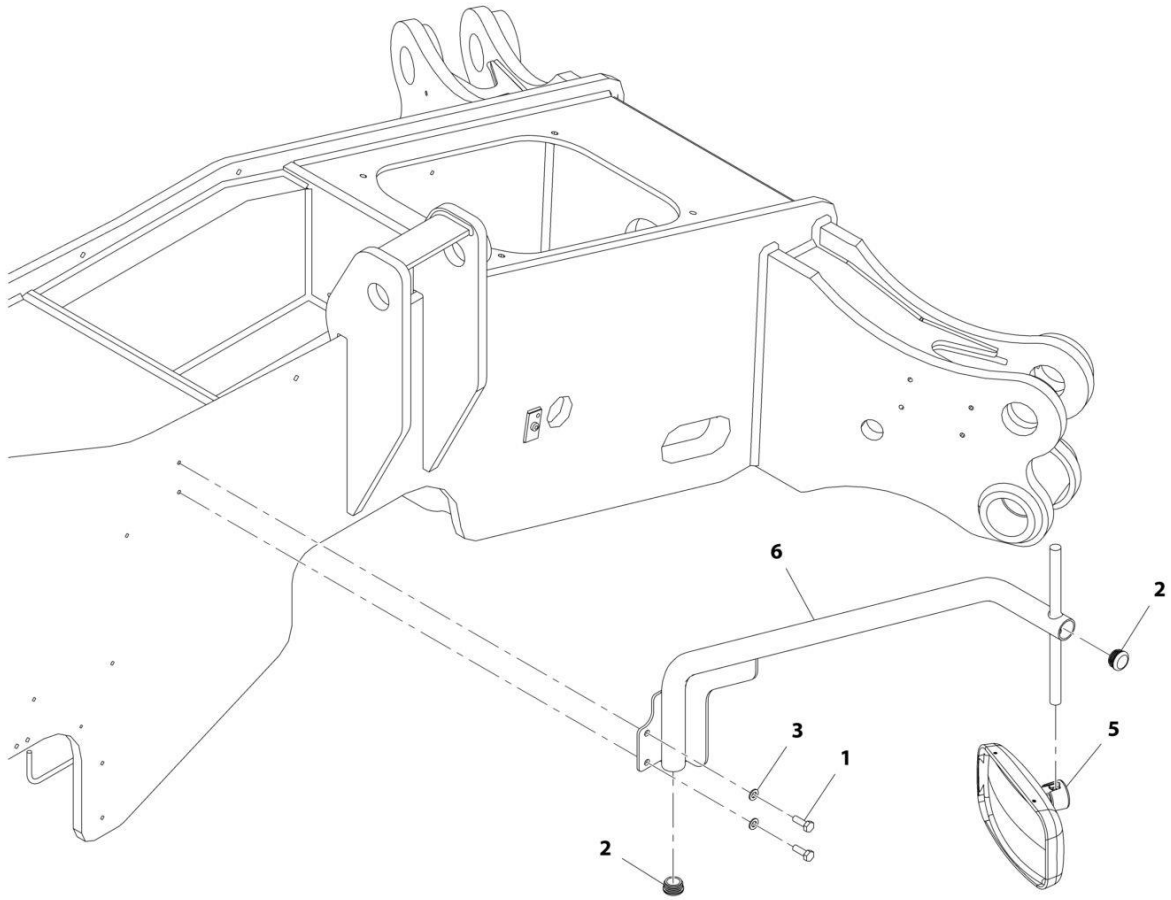
SECTION 1 - FRAME AND ATTACHING PARTS

FIGURE 1-10. OUTRIGGERS INSTALLATION

ITEM	PART NUMBER	QTY	DESCRIPTION	REV
	1001168644	Ref	Outriggers Installation	K
1	0701229	6	Bolt, M12X120	
2	0701230	2	Bolt, M12X130	
4	2110808	4	Fitting, Straight ORFS	
5	2160016	4	Fitting, Grease	
6	3291205	8	Nut, M12 Grade 8	
7	4812100	16	Washer, M12	
9	1001213065	2	Outrigger Cylinder (See Separate Breakdown in HYDRAULIC COMPONENTS Section)	
10	1001164436	4	Pin, Outrigger	
11	1001207292	2	Pin, Outrigger	
12	1001164454	2	Pin, Cylinder Base	
13	1001168281	4	Bearing, Outrigger	
14	1001172822	1	Harness, Outrigger (See Separate Breakdown in ELECTRICAL Section)	
15	1001174478	1	Installation, Outrigger Switches (See Separate Breakdown in CONTROLS Section)	
18	1001181537	1	Decal, Outrigger Switched	
22	1001202986	2	Strap, Cable Tie	
23	1001008559	2	Strap	
100	1001246533	1	Outrigger Plate Kit (Includes Items 101 & 102)	
101	1001161564	2	Weldment, Outrigger Pad	
102	1001207291J	2	Bracket, Outrigger Leg Weldment	

SECTION 1 - FRAME AND ATTACHING PARTS

FIGURE 1-11. MIRROR INSTALLATION



ART_1001160255-D

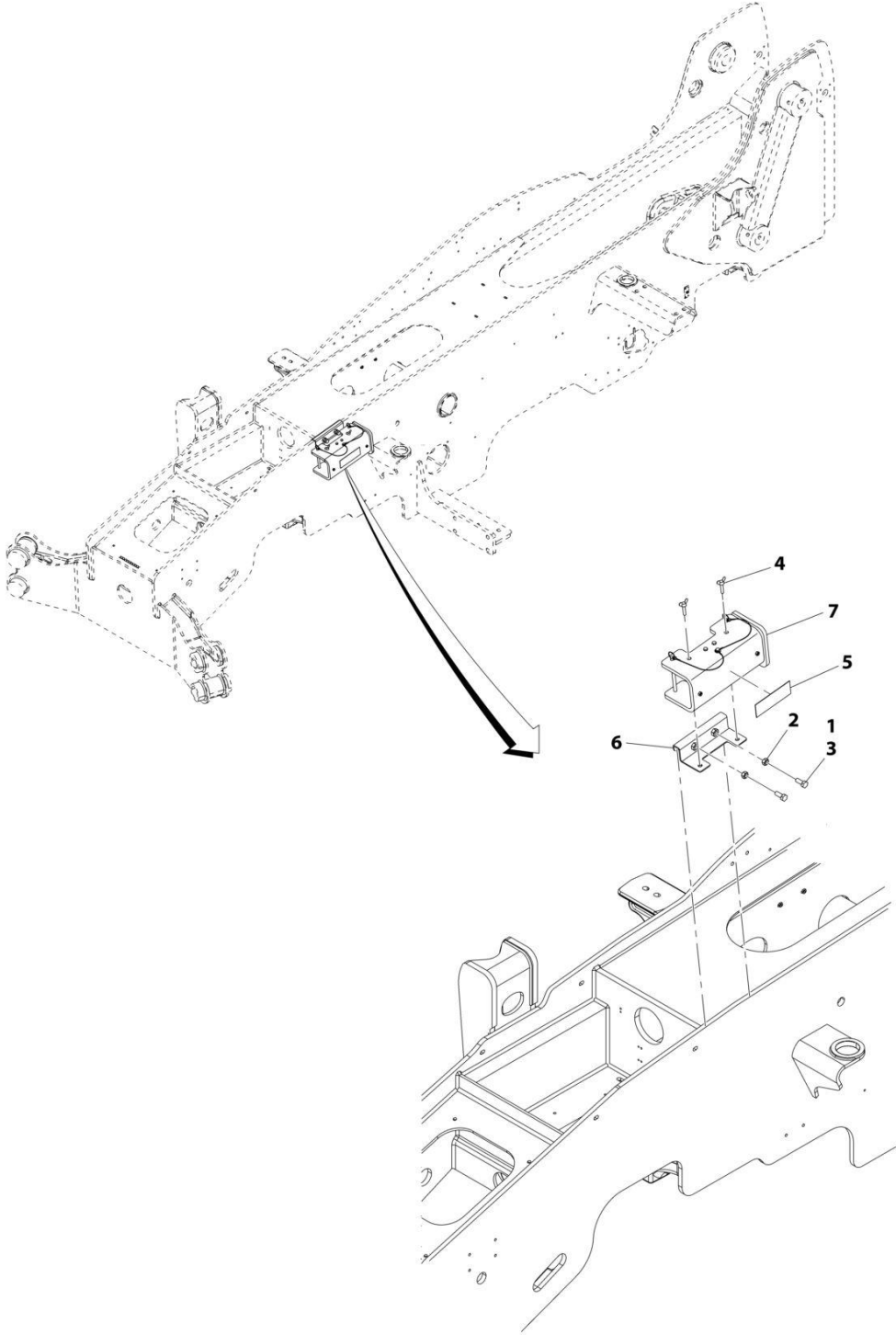
SECTION 1 - FRAME AND ATTACHING PARTS

FIGURE 1-11. MIRROR INSTALLATION

ITEM	PART NUMBER	QTY	DESCRIPTION	REV
	1001160255	Ref	Mirror Installation	D
1	0701014	2	Bolt, M10X30 Grade 8	
2	3520186	2	Plug	
3	4812000	2	Washer, M10	
5	1001191635	1	Mirror, Convex	
6	1001191603	1	Bracket	

SECTION 1 - FRAME AND ATTACHING PARTS

FIGURE 1-12. BOOM PROP INSTALLATION (ANSI)



ART_1001232338-A

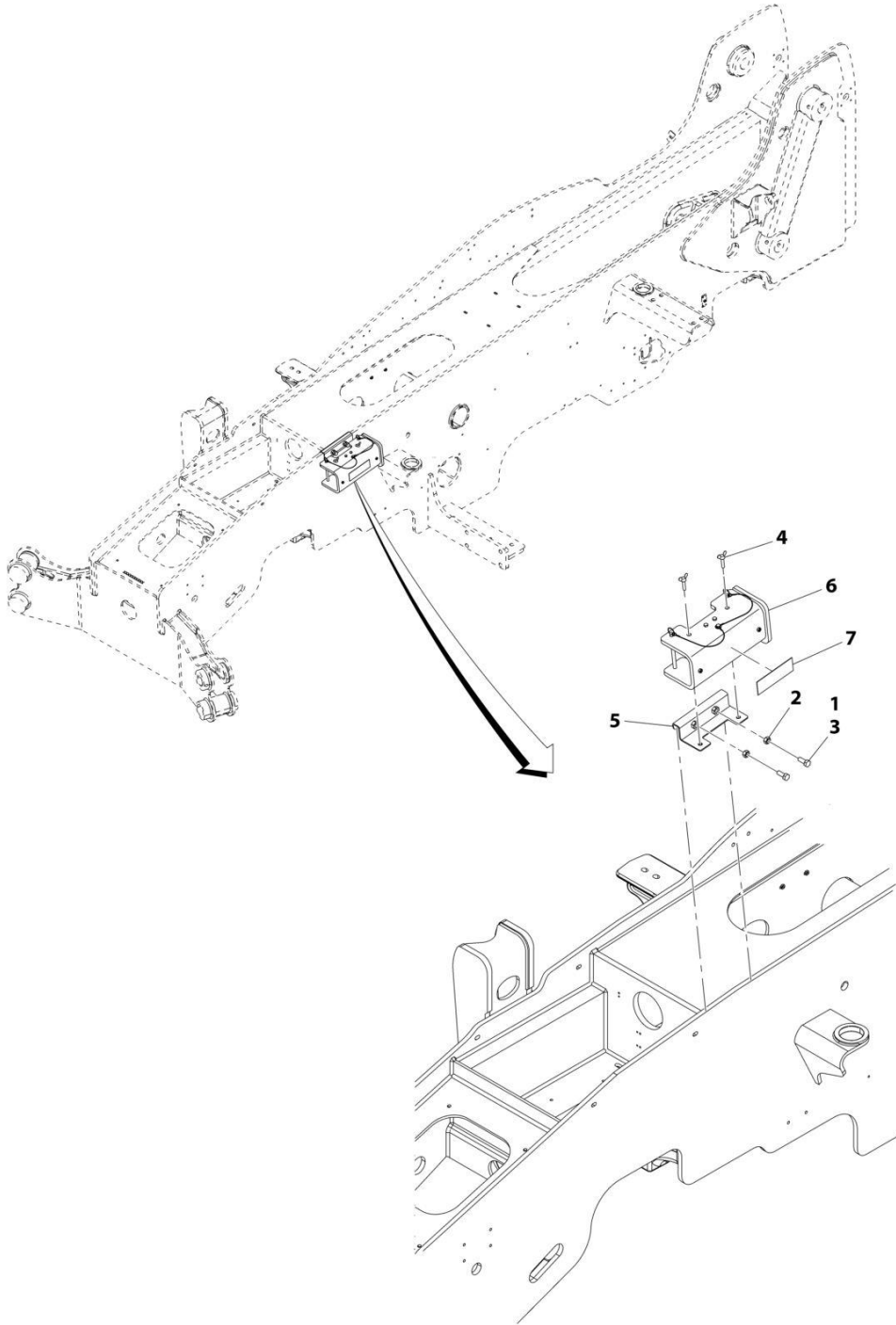
SECTION 1 - FRAME AND ATTACHING PARTS

FIGURE 1-12. BOOM PROP INSTALLATION (ANSI)

ITEM	PART NUMBER	QTY	DESCRIPTION	REV
	1001232338	Ref	Boom Prop Installation (ANSI)	A
1	0761214	2	Bolt, M12X30	
2	3291201	2	Nut, M12X1.75	
3	1001095650	AR	Compound, Locking	
4	1001101458	2	Wing Bolt, M8X40	
5	1001232147	1	Decal, Warning	
6	1001232299	1	Bracket, Mount	
7	1001232336	Ref	Bracket, Boom Prop (See Separate Breakdown in this Section)	

SECTION 1 - FRAME AND ATTACHING PARTS

FIGURE 1-13. BOOM PROP INSTALLATION (CANADA)



ART_1001234139-A

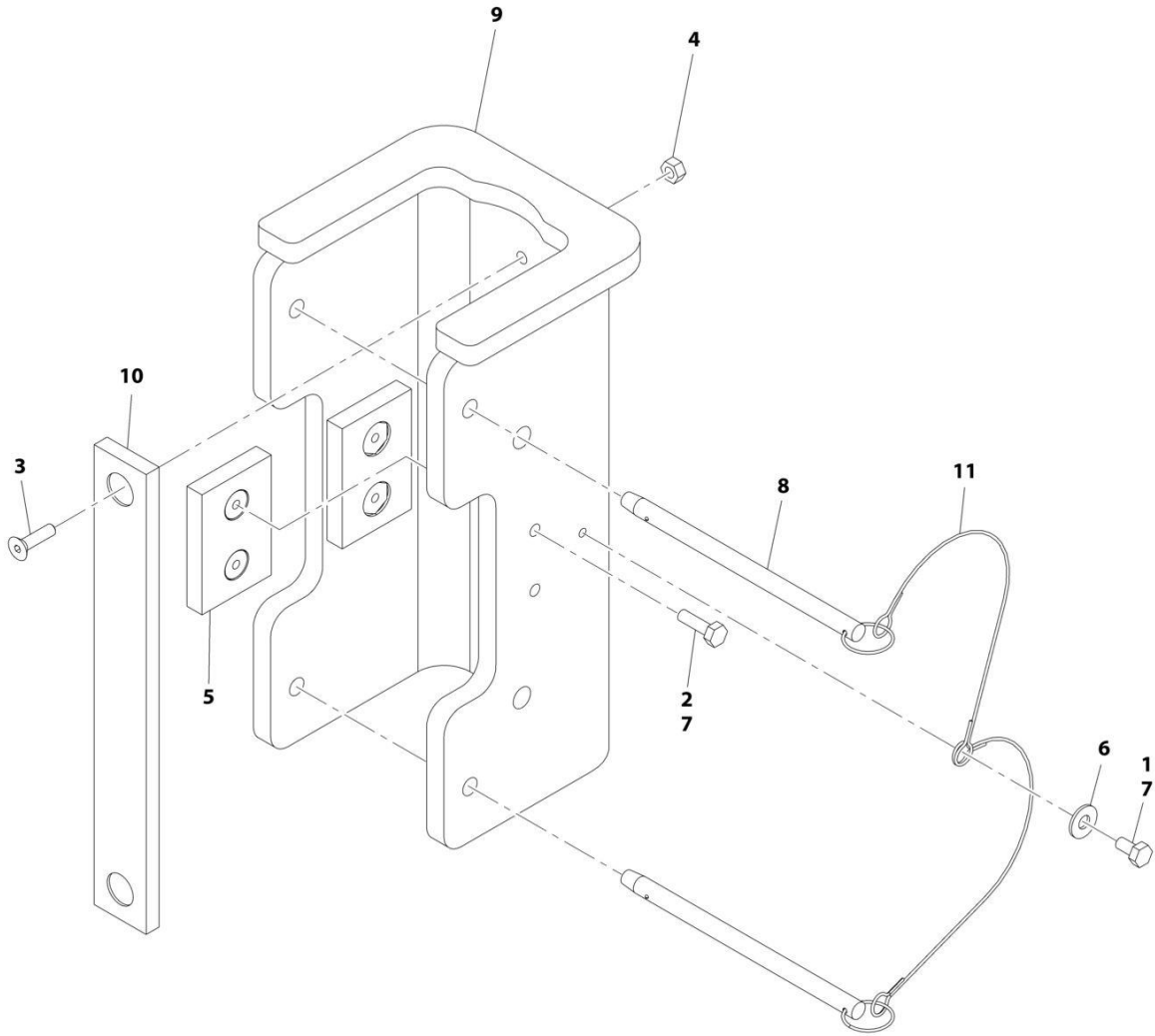
SECTION 1 - FRAME AND ATTACHING PARTS

FIGURE 1-13. BOOM PROP INSTALLATION (CANADA)

ITEM	PART NUMBER	QTY	DESCRIPTION	REV
	1001234139	Ref	Boom Prop Installation (Canada)	A
1	0761214	2	Bolt, M12X30	
2	3291201	2	Nut, M12X1.75	
3	1001095650	AR	Compound, Locking	
4	1001101458	2	Wing Bolt, M8X40	
5	1001232299	1	Bracket, Mount	
6	1001232336	Ref	Bracket, Boom Prop (See Separate Breakdown in this Section)	
7	1001234253	1	Decal, Warning	

SECTION 1 - FRAME AND ATTACHING PARTS

FIGURE 1-14. BOOM PROP BRACKET



ART_1001232336-A

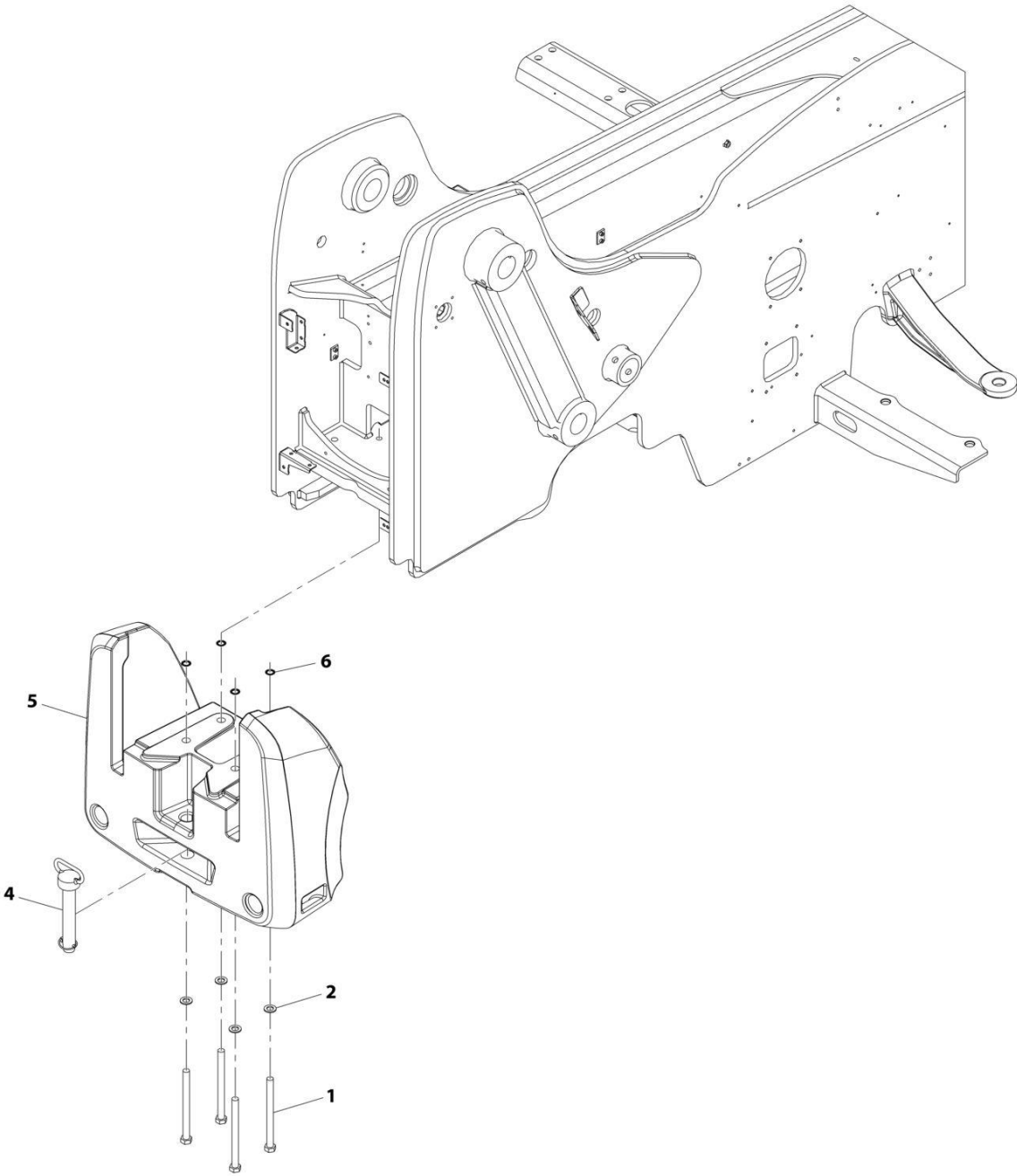
SECTION 1 - FRAME AND ATTACHING PARTS

FIGURE 1-14. BOOM PROP BRACKET

ITEM	PART NUMBER	QTY	DESCRIPTION	REV
	1001232336	Ref	Boom Prop Bracket	A
1	0641404	1	Bolt, 1/4-20X1/2	
2	0641407	4	Bolt, 1/4-20X7/8	
3	0741408	2	Bolt, 1/4-20	
4	3311405	2	Nut, Lock 1/4-20	
5	3340829	2	Pad, Wear	
6	4751400	1	Washer	
7	1001095650	AR	Compound, Locking	
8	1001164019	2	Pin, Ball Locking	
9	1001232588	1	Bracket	
10	4679000268	1	Pad, Wear	
11	1001164183	2	Lanyard, Boom Prop	

SECTION 1 - FRAME AND ATTACHING PARTS

FIGURE 1-15. COUNTERWEIGHT INSTALLATION



ART_1001175368-E

SECTION 1 - FRAME AND ATTACHING PARTS

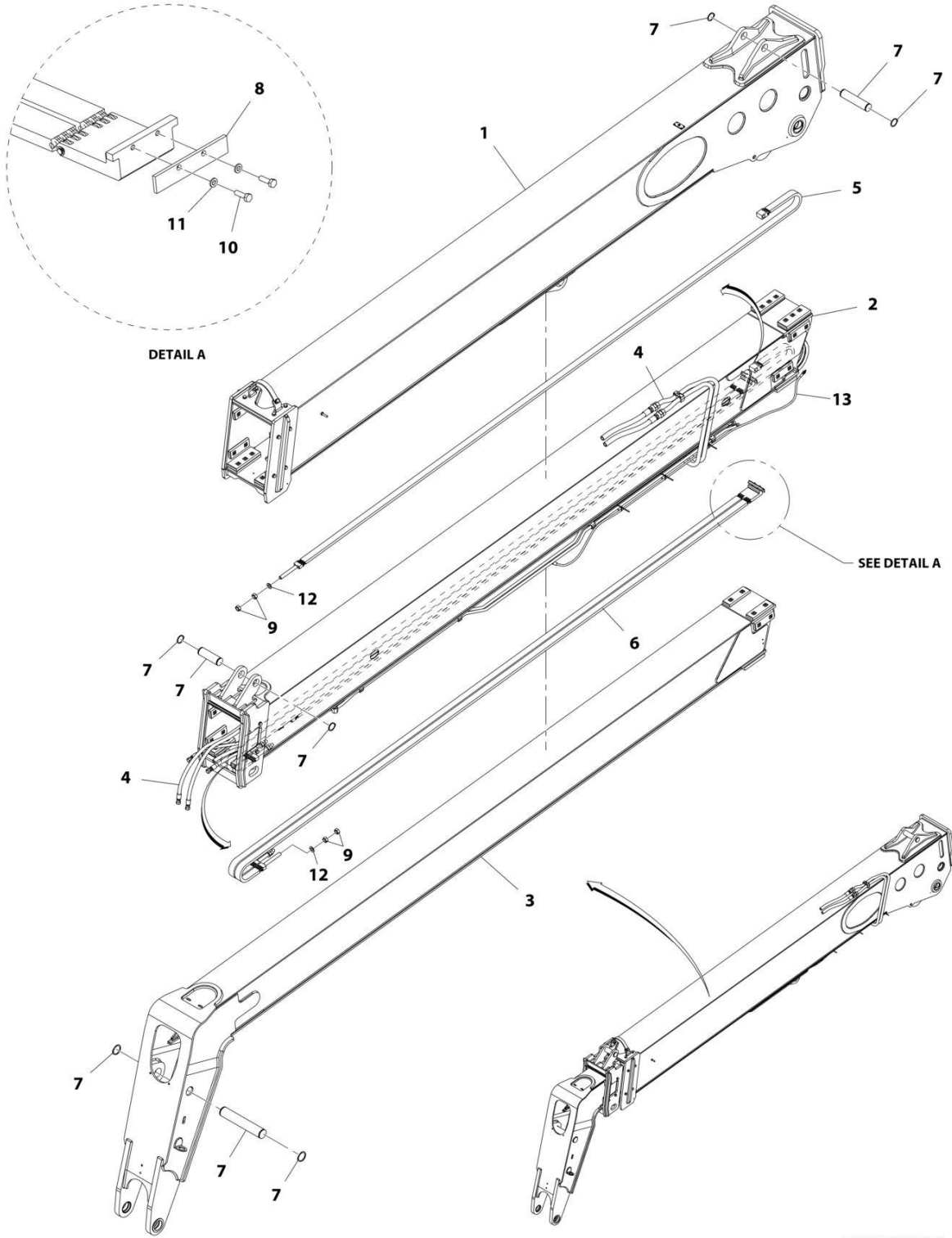
FIGURE 1-15. COUNTERWEIGHT INSTALLATION

ITEM	PART NUMBER	QTY	DESCRIPTION	REV
	1001175368	Ref	Counterweight Installation	F
1	0712042	4	Bolt, M20X250 Grade 10.9	
2	8310620	4	Washer, M20	
4	1001160250	1	Pin, Hitch	
5	1001177654J	1	Counterweight	
6	1001218341	4	Washer	

SECTION 2 - BOOM

SECTION 2 - BOOM

FIGURE 2-1. BOOM ASSEMBLY



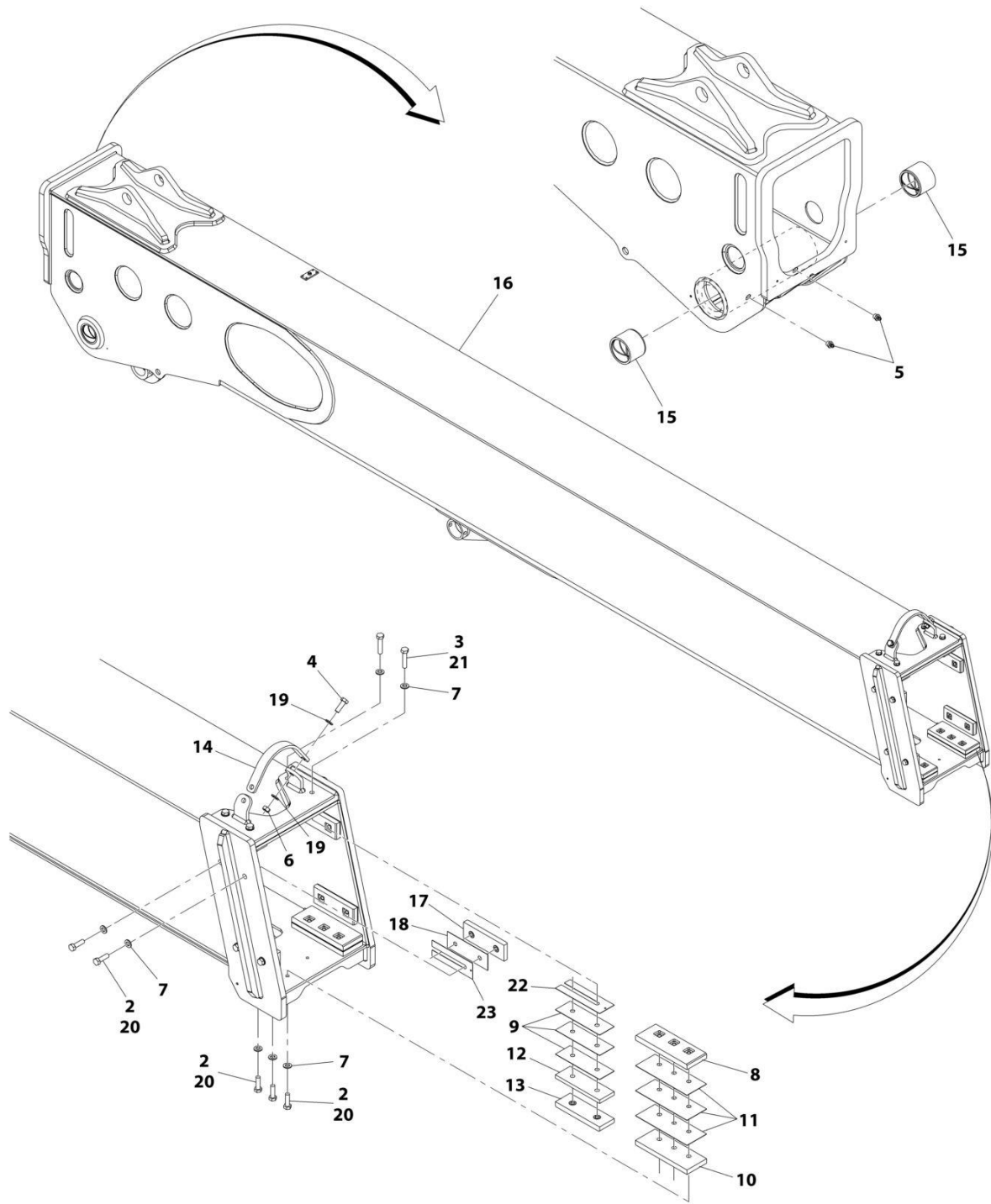
ART_1001168658-D

FIGURE 2-1. BOOM ASSEMBLY

ITEM	PART NUMBER	QTY	DESCRIPTION	REV
	1001168658	Ref	Boom Assembly	D
1	1001168341	Ref	Assembly, First Boom Section (See Separate Breakdown in this Section)	
2	1001168546	Ref	Assembly, Second Boom Section (See Separate Breakdown in this Section)	
3	1001168602	Ref	Assembly, Third Boom Section (See Separate Breakdown in this Section)	
4	1001173471	Ref	Installation, Boom Hydraulic Tubes (See Separate Breakdown in HYDRAULIC CIRCUITS Section)	
5	1001169278	Ref	Installation, Retract Chain (See Separate Breakdown in this Section)	
6	1001169281	Ref	Installation, Extend Chain (See Separate Breakdown in this Section)	
7	1001173541	Ref	Installation, Pins (See Separate Breakdown in this Section)	
8	1001171450	1	Plate, Clevis	
9	3332011	6	Nut, M20X2.5	
10	0700610	2	Bolt, M6X20	
11	4811700	2	Washer, M6	
12	4812500	3	Washer, M20	
13	1001206432	1	Hose	

SECTION 2 - BOOM

FIGURE 2-2. FIRST BOOM SECTION ASSEMBLY



ART_1001168341-F

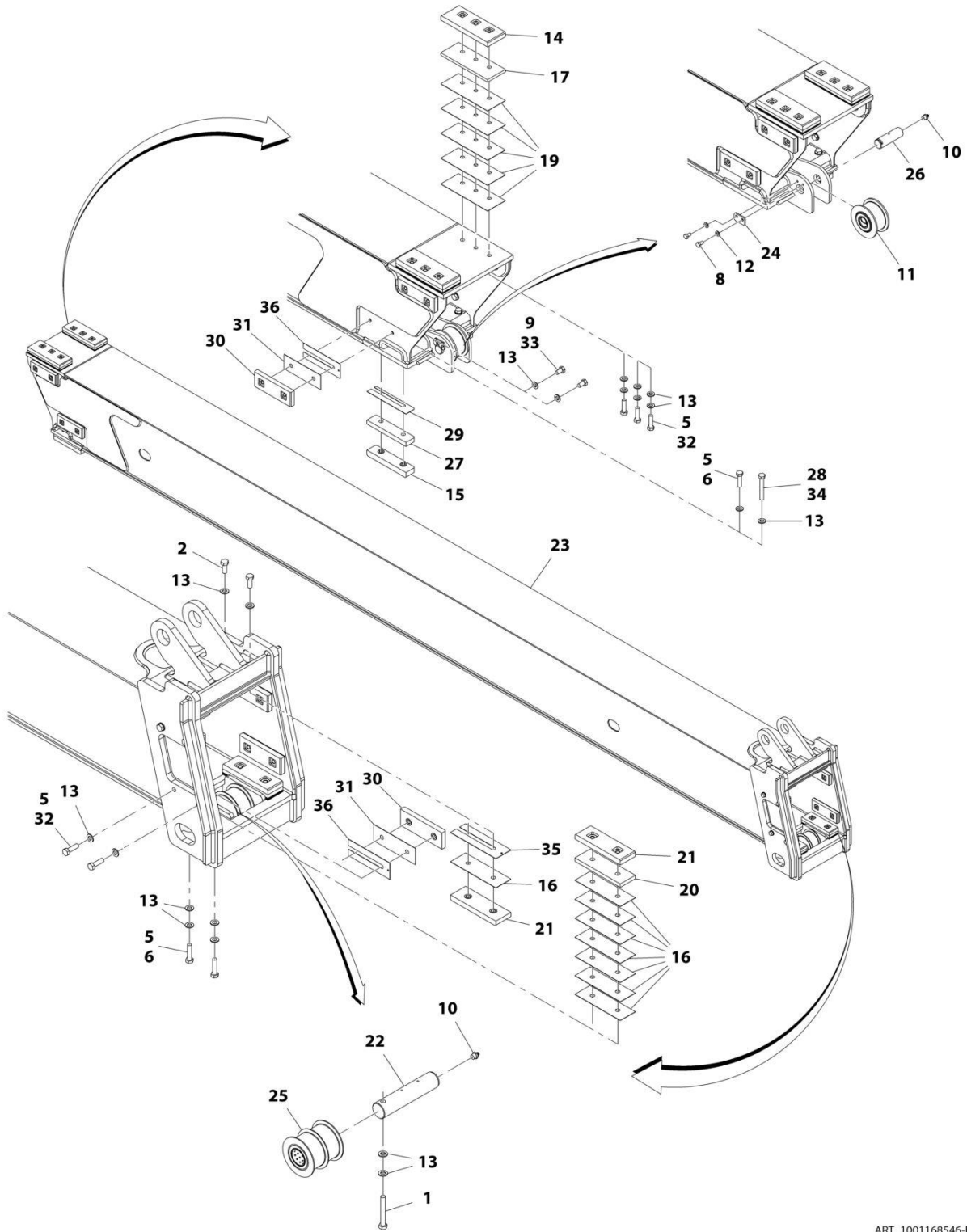
SECTION 2 - BOOM

FIGURE 2-2. FIRST BOOM SECTION ASSEMBLY

ITEM	PART NUMBER	QTY	DESCRIPTION	REV
	1001168341	Ref	First Boom Section Assembly	F
2	0711216	14	Bolt, M12X40 Grade 10.9	
3	0711219	4	Bolt, M12X55 Grade 10.9	
4	0711215	2	Bolt, M12X35	
5	2160016	2	Fitting, Grease	
6	3291201	2	Nut, M12X1.75 Grade 8	
7	1001125117	AR	Washer, M12	
8	1001162469	2	Pad	
9	1001163034	AR	Plate, Spacer	
10	1001189714	2	Plate, Stop	
11	1001163112	AR	Plate, Spacer	
12	1001163136	2	Plate, Stop	
13	1001165171	2	Pad	
14	1001168368	1	Strap	
15	1001188244	2	Bearing, Boom Pivot	
16	1001168342J	1	Boom, First	
17	1001165172	4	Pad	
18	1001165367	AR	Plate, Spacer	
19	4812100	4	Washer, M12	
20	0711217	AR	Bolt, M12X45	
21	0711220	AR	Bolt, M12-1.75X60 Grade 10.9	
22	1001163103	AR	Plate, Shim	
23	1001200989	AR	Plate, Shim	

SECTION 2 - BOOM

FIGURE 2-3. SECOND BOOM SECTION ASSEMBLY



ART_1001168546-F

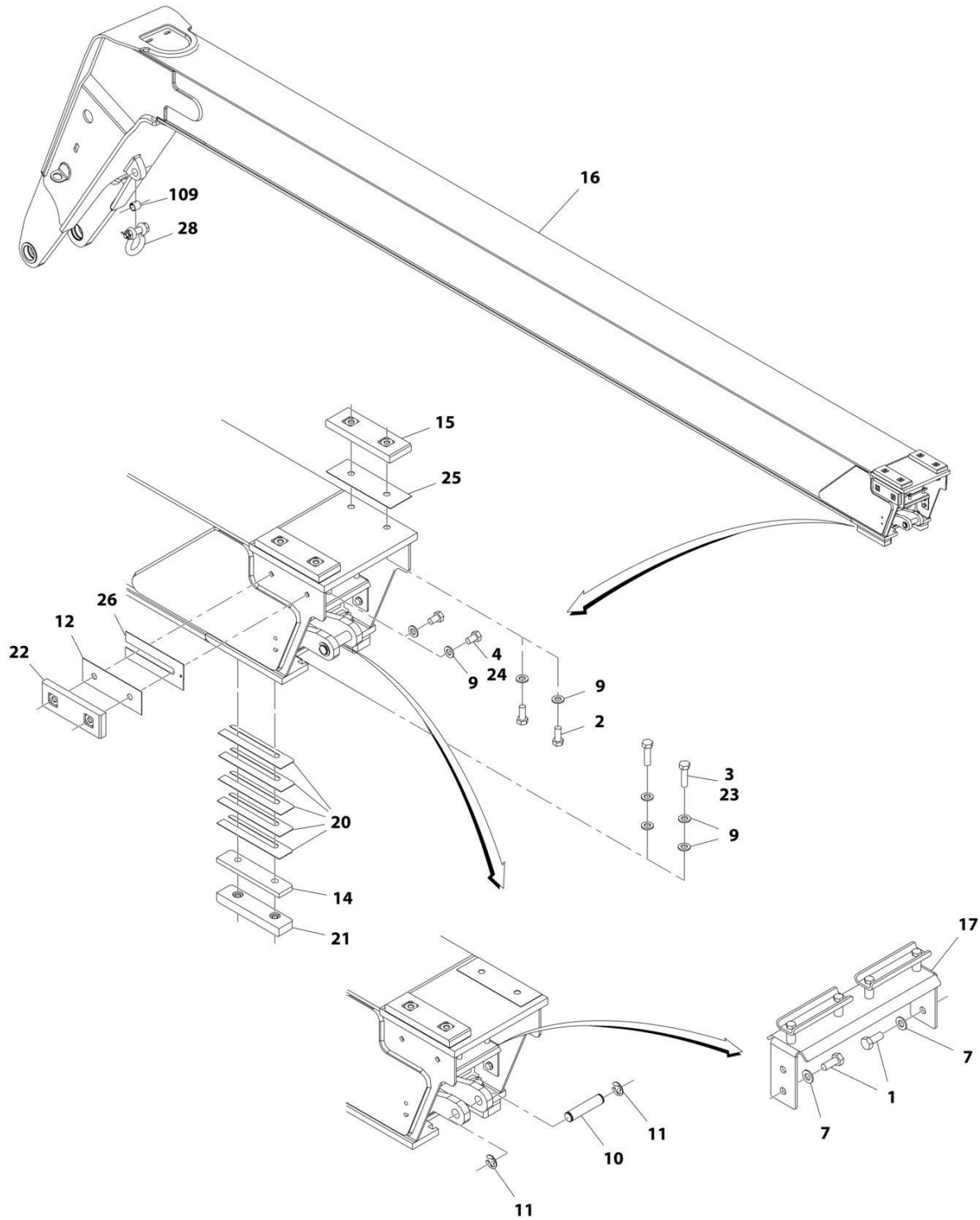
SECTION 2 - BOOM

FIGURE 2-3. SECOND BOOM SECTION ASSEMBLY

ITEM	PART NUMBER	QTY	DESCRIPTION	REV
	1001168546	Ref	Second Boom Section Assembly	F
1	0701226	1	Bolt, M12X90 Grade 10.9	
2	0711214	4	Bolt, M12X30 Grade 10.9	
5	0711217	8	Bolt, M12X45	
6	0711218	4	Bolt, M12X50 Grade 10.9	
8	0770807	2	Bolt, M8X14 Grade 10.9	
9	0771210	8	Bolt, M12X20 Grade 10.9	
10	2160016	2	Fitting, Grease	
11	7138986	1	Sheave, Retract Chain (See Separate Breakdown in this Section)	
12	4811900	2	Washer, M8	
13	1001125117	AR	Washer, M12	
14	1001162469	2	Pad	
15	1001163029	2	Pad	
16	1001163034	AR	Plate, Spacer	
17	1001163035	2	Plate, Stop	
19	1001163112	AR	Plate, Spacer	
20	1001163136	2	Plate, Stop	
21	1001165171	4	Pad	
22	1001167493	1	Pin	
23	1001168547	1	Boom, Second	
24	1001168561	1	Bracket	
25	1001168567	1	Roller, Extend Chain (See Separate Breakdown in this Section)	
26	1001168587	1	Pin, Boom Chain Pulley	
27	1001189492	2	Plate, Stop	
28	0711225	2	Bolt, M12X85 Grade 10.9	
29	1001189793	AR	Shim	
30	1001165172	8	Pad	
31	1001165367	AR	Plate, Spacer	
32	0711216	8	Bolt, M12X40 Grade 10.9	
33	0771212	AR	Bolt, M12X25 Grade 10.9	
34	0711226	AR	Bolt, M12X90 Grade 10.9	
35	1001163103	AR	Plate, Shim	
36	1001200989	AR	Plate, Shim	

SECTION 2 - BOOM

FIGURE 2-4. THIRD BOOM SECTION ASSEMBLY



ART_1001168602-H

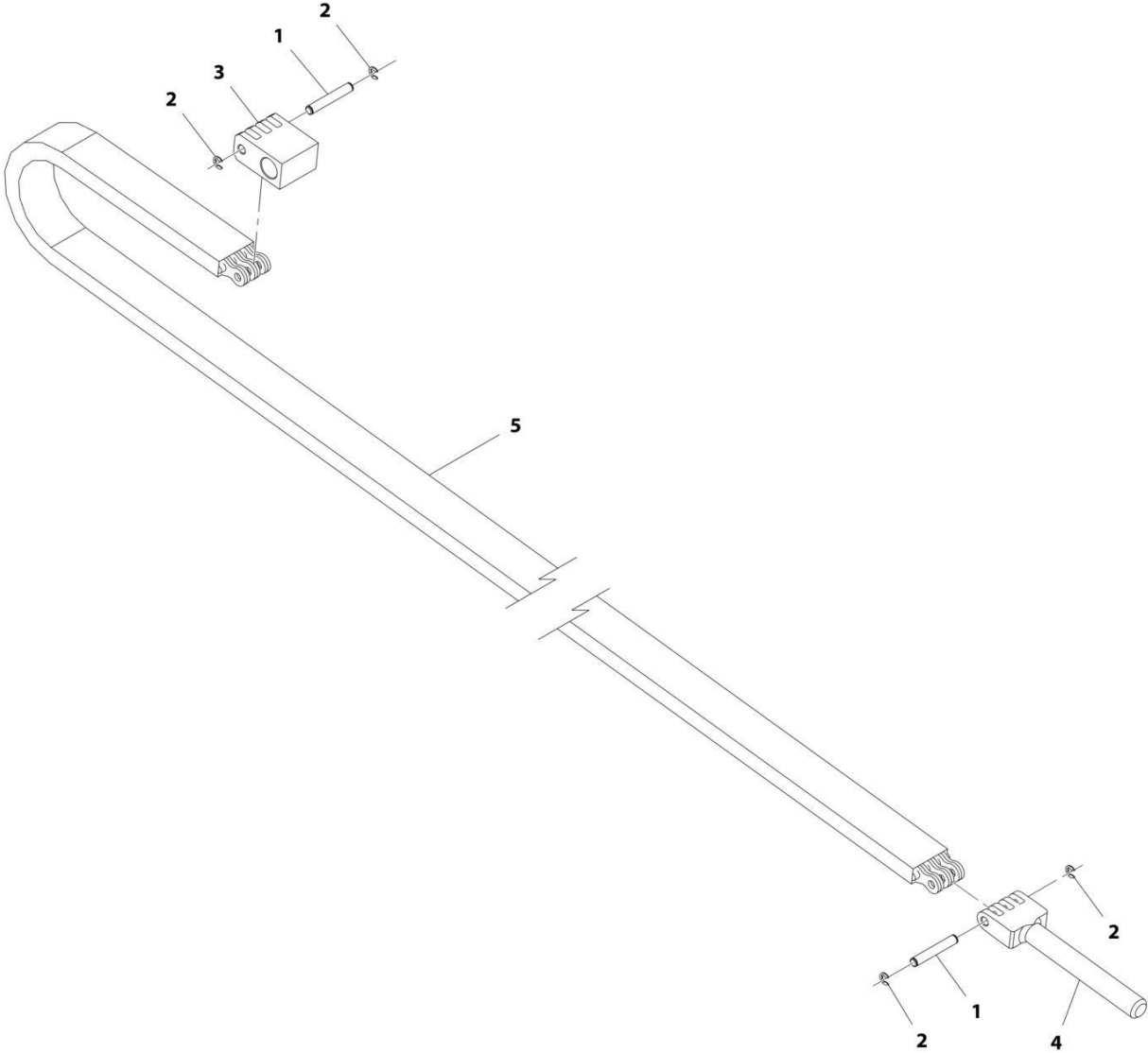
SECTION 2 - BOOM

FIGURE 2-4. THIRD BOOM SECTION ASSEMBLY

ITEM	PART NUMBER	QTY	DESCRIPTION	REV
	1001168602	Ref	Third Boom Section Assembly	H
1	0760810	4	Bolt, M8X20	
2	0711214	4	Bolt, M12X30 Grade 10.9	
3	0711217	4	Bolt, M12X45	
4	0771210	4	Bolt, M12X20 Grade 10.9	
7	4811900	4	Washer, M8	
9	1001125117	AR	Washer, M12	
10	1001163712	1	Pin	
11	1001163704	2	Ring, M15	
12	1001165367	AR	Plate, Spacer	
14	1001168589	2	Plate, Stop	
15	1001165171	2	Pad	
16	1001168603	1	Boom, Third	
17	1001168630	Ref	Installation, Hose Bracket (See Separate Breakdown in this Section)	
20	1001189793	AR	Shim	
21	1001163029	2	Pad	
22	1001165172	2	Pad	
23	0711216	AR	Bolt, M12X40 Grade 10.9	
24	0771212	AR	Bolt, M12X25 Grade 10.9	
25	1001163034	AR	Plate, Spacer	
26	1001200989	AR	Plate, Shim	
28	1001204045	1	Clevis	
109	1001204047	1	Sleeve	

SECTION 2 - BOOM

FIGURE 2-5. RETRACT CHAIN INSTALLATION



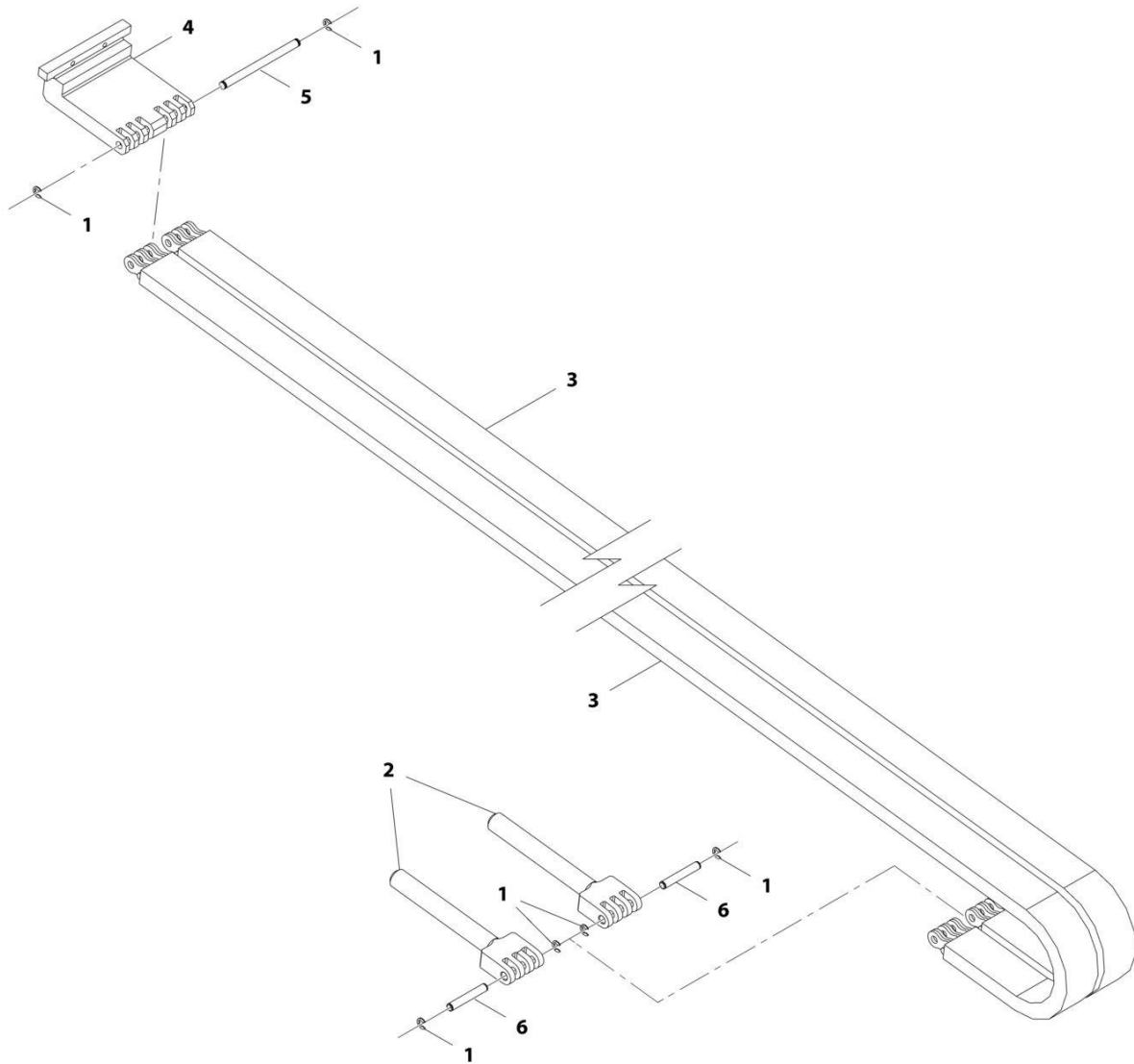
ART_1001169278-B

FIGURE 2-5. RETRACT CHAIN INSTALLATION

ITEM	PART NUMBER	QTY	DESCRIPTION	REV
	1001169278	Ref	Retract Chain Installation	B
1	1001187785	2	Pin, Clevis	
2	1001166163	4	Ring, External M6	
3	1001166233	1	Clevis, Chain	
4	1001166235	1	Clevis, Chain	
5	1001169279	1	Chain, Retract	

SECTION 2 - BOOM

FIGURE 2-6. EXTEND CHAIN INSTALLATION



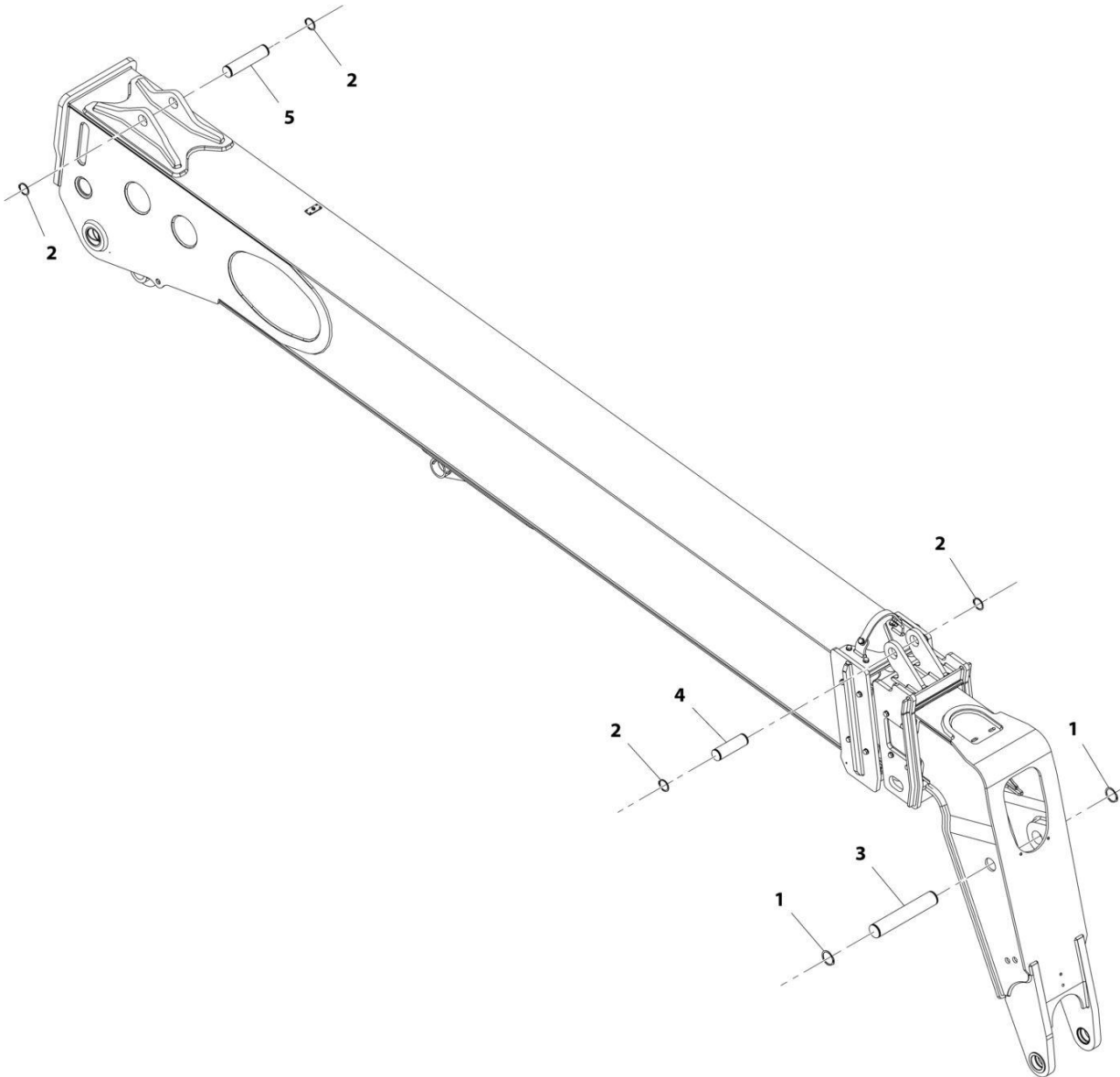
ART_1001169281-B

FIGURE 2-6. EXTEND CHAIN INSTALLATION

ITEM	PART NUMBER	QTY	DESCRIPTION	REV
	1001169281	Ref	Extend Chain Installation	B
1	1001166163	6	Ring, External M6	
2	1001166235	2	Clevis, Chain	
3	1001169279	2	Chain, Retract	
4	1001169373	1	Clevis, Dual	
5	1001169379	1	Pin, Clevis	
6	1001187785	2	Pin, Clevis	

SECTION 2 - BOOM

FIGURE 2-7. PINS INSTALLATION



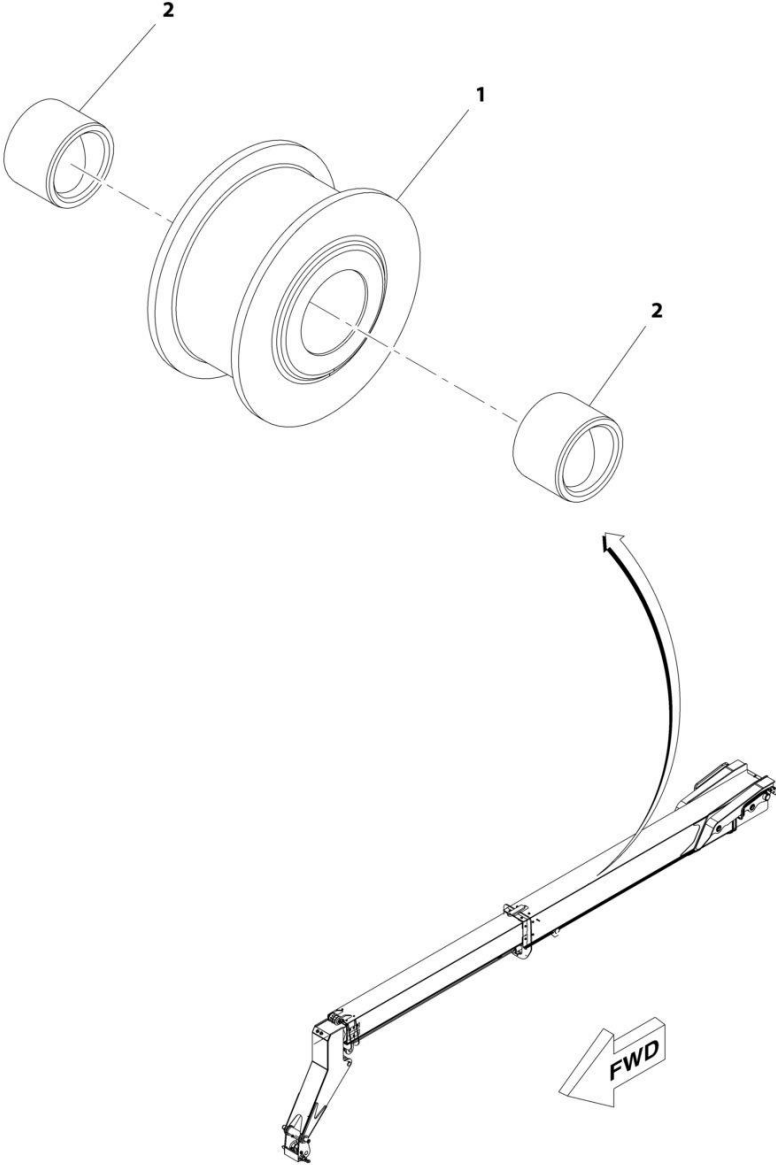
ART_1001173541-B

FIGURE 2-7. PINS INSTALLATION

ITEM	PART NUMBER	QTY	DESCRIPTION	REV
	1001173541	Ref	Pins Installation	B
1	3760463	2	Ring, Retaining M60	
2	3760493	4	Ring, Retaining M50	
3	1001173538	1	Pin, Tilt Cylinder	
4	1001173539	1	Pin	
5	1001173540	1	Pin	

SECTION 2 - BOOM

FIGURE 2-8. RETRACT CHAIN SHEAVE



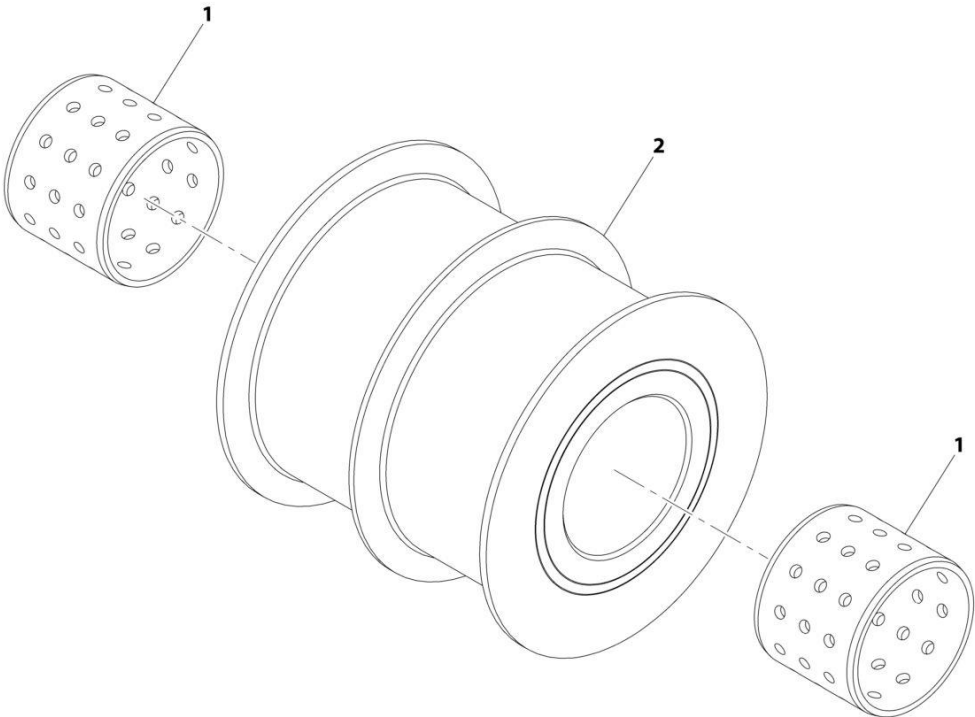
ART_7138986-C

FIGURE 2-8. RETRACT CHAIN SHEAVE

ITEM	PART NUMBER	QTY	DESCRIPTION	REV
	7138986	Ref	Retract Chain Sheave	C
1	7138978	NSS	Sheave, Retract Chain (Use PN 713898)	
2	7138979	2	Bushing, Sheave Retract Chain	

SECTION 2 - BOOM

FIGURE 2-9. EXTEND CHAIN ROLLER



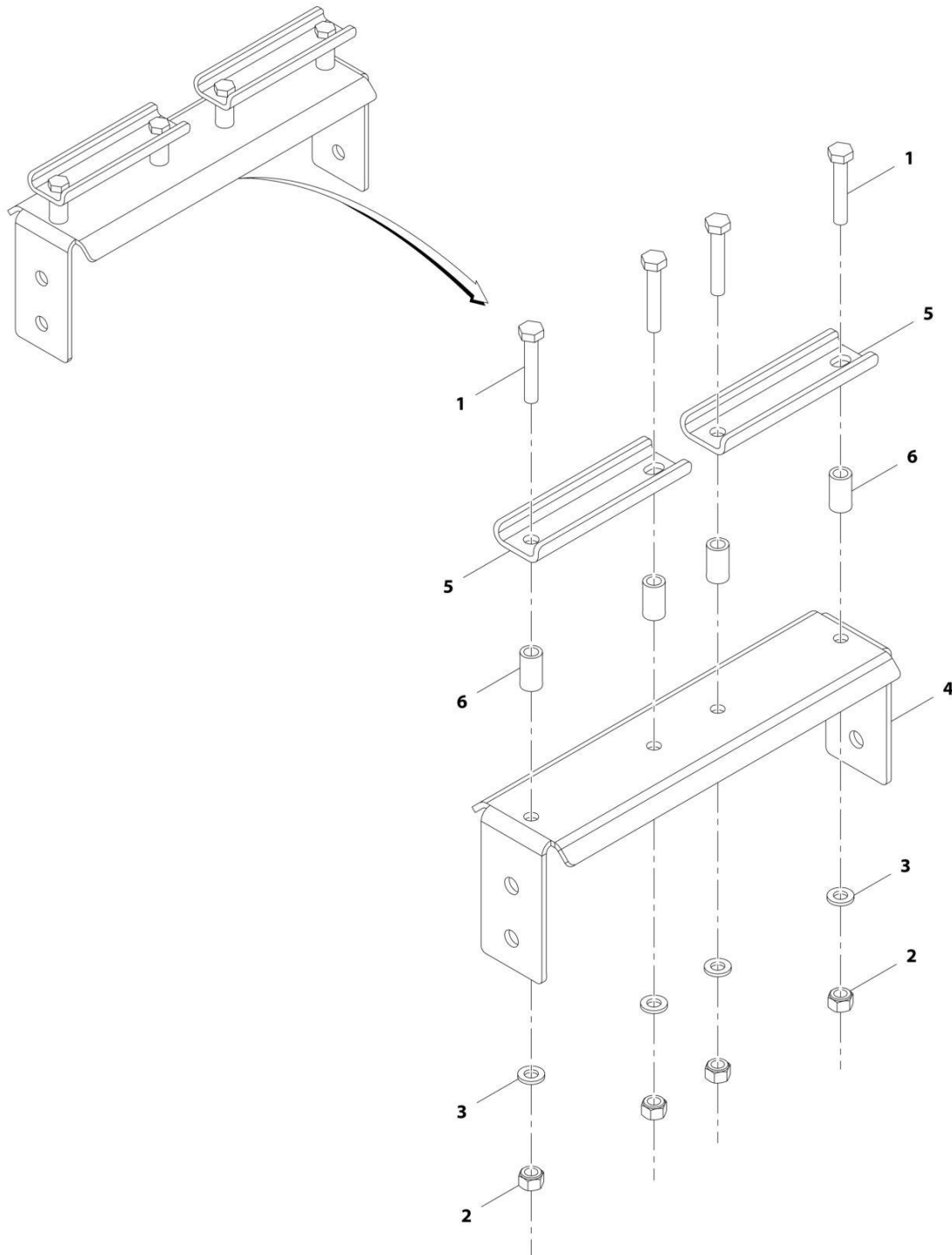
ART_1001168567-D

FIGURE 2-9. EXTEND CHAIN ROLLER

ITEM	PART NUMBER	QTY	DESCRIPTION	REV
	1001168567	Ref	Extend Chain Roller	D
1	0440296	2	Bearing	
2	1001168831	1	Roller, Extend Chain	

SECTION 2 - BOOM

FIGURE 2-10. HOSE BRACKET INSTALLATION



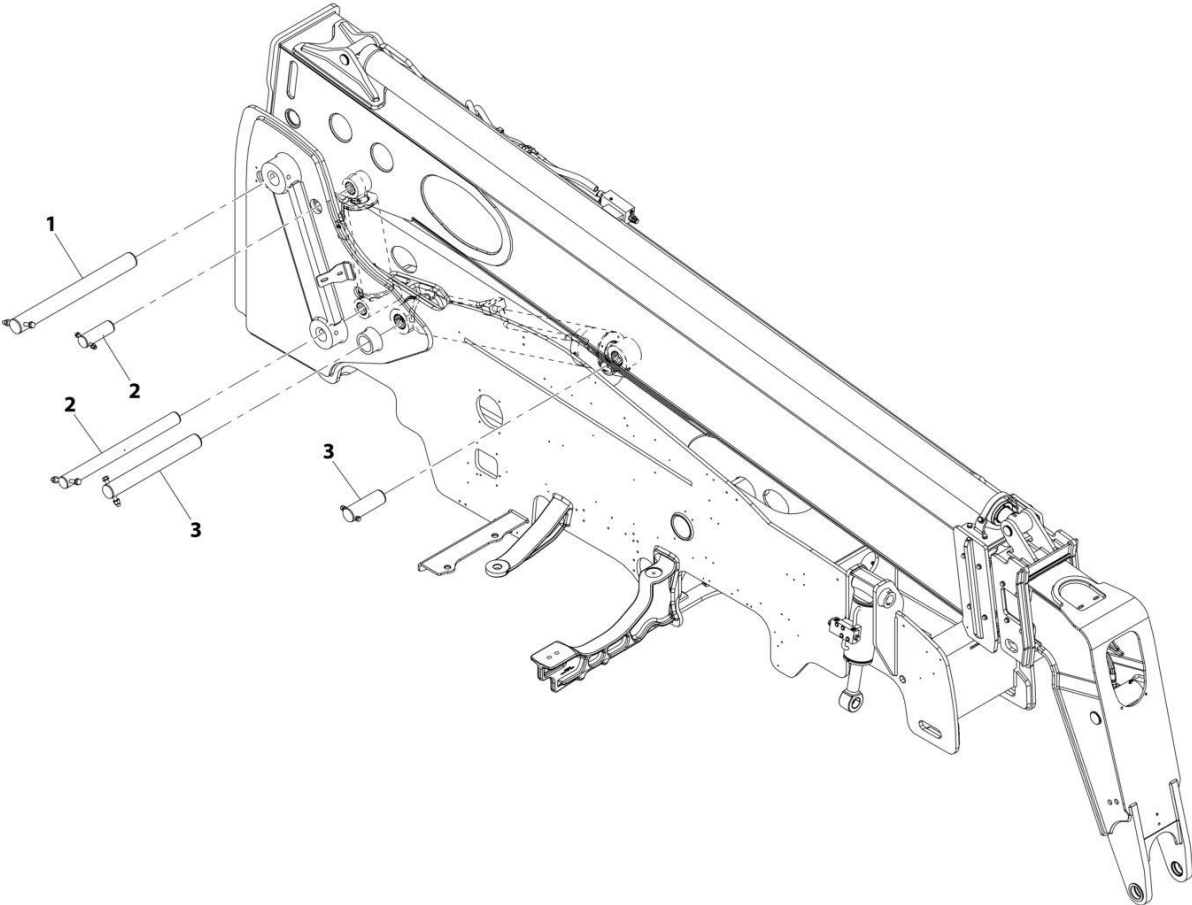
ART_1001168630-B

FIGURE 2-10. HOSE BRACKET INSTALLATION

ITEM	PART NUMBER	QTY	DESCRIPTION	REV
	1001168630	Ref	Hose Bracket Installation	B
1	0760615	4	Bolt, M6X35	
2	3290605	4	Nut, Lock M6X1 Grade 8	
3	4811700	4	Washer, M6	
4	1001168632	1	Bracket	
5	1001169209	2	Plate	
6	1001169214	4	Spacer	

SECTION 2 - BOOM

FIGURE 2-11. BOOM PINNING INSTALLATION



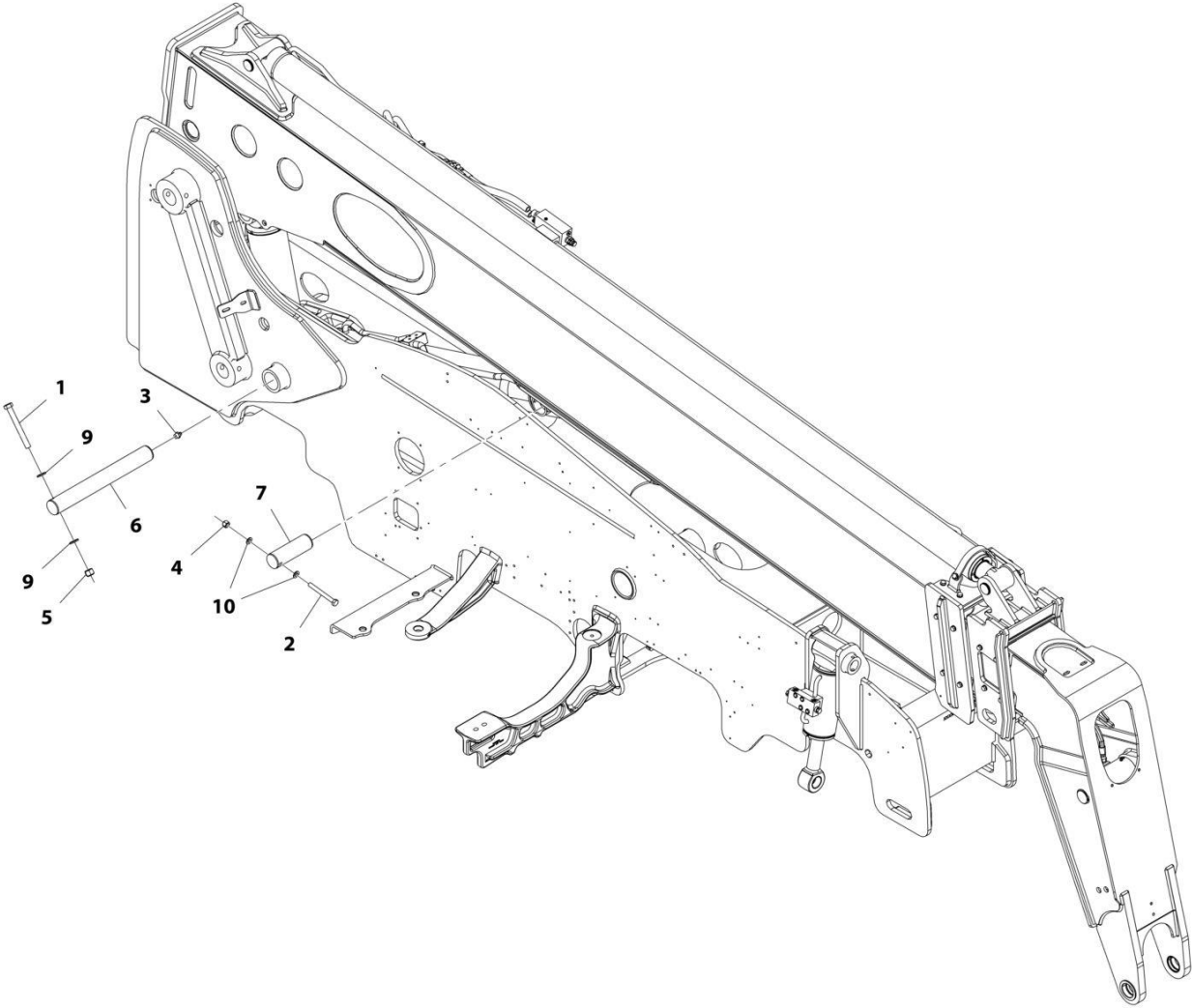
ART_1001168486-C

FIGURE 2-11. BOOM PINNING INSTALLATION

ITEM	PART NUMBER	QTY	DESCRIPTION	REV
	1001168486	Ref	Boom Pinning Installation	C
1	1001172344	Ref	Installation, Boom Pivot Pin (See Separate Breakdown in this Section)	
2	1001172345	Ref	Installation, Compensation Cylinder Pins (See Separate Breakdown in this Section)	
3	1001172346	Ref	Installation, Lift Cylinder Pins (See Separate Breakdown in this Section)	

SECTION 2 - BOOM

FIGURE 2-12. LIFT CYLINDER PINS INSTALLATION



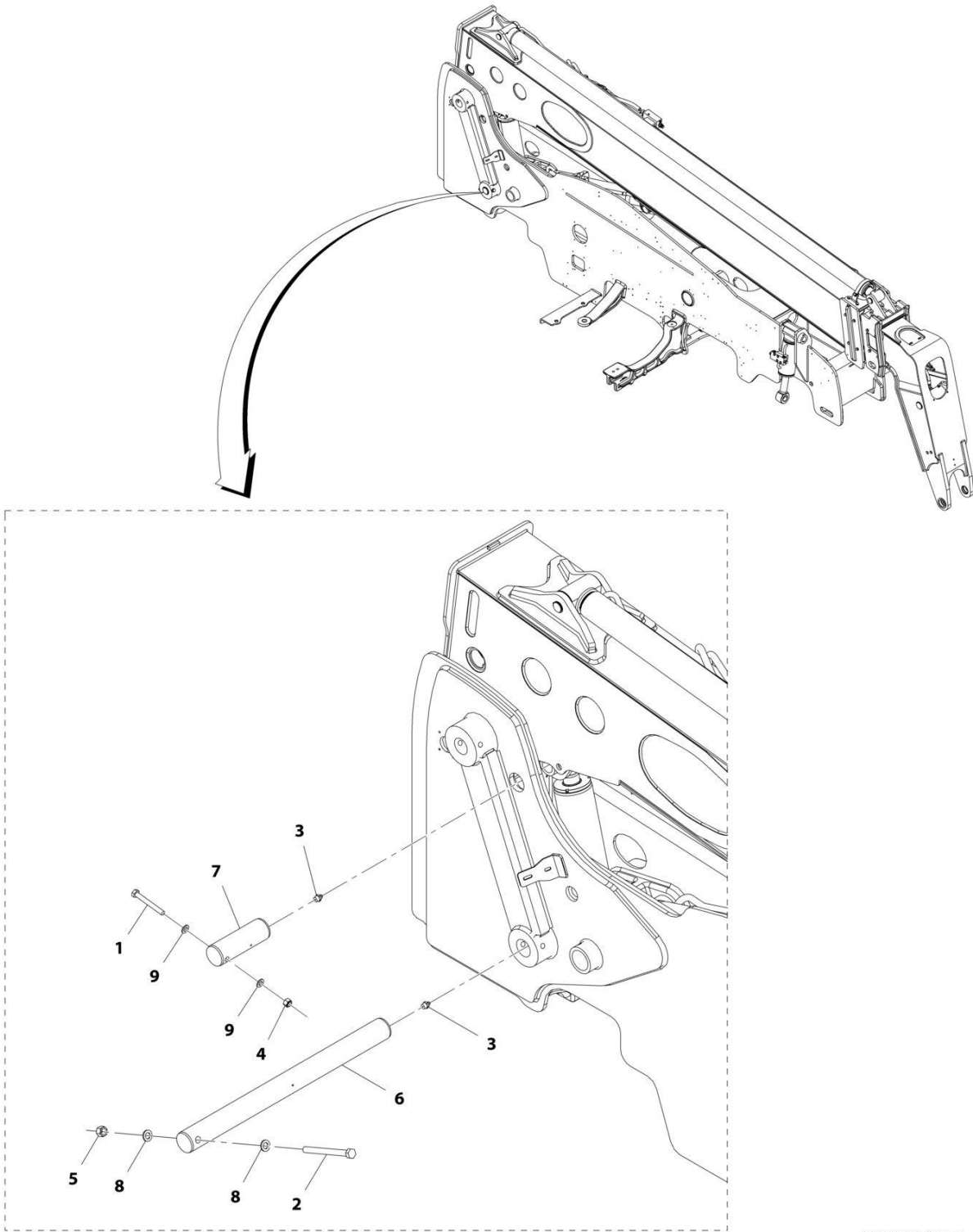
ART_1001172346-G

FIGURE 2-12. LIFT CYLINDER PINS INSTALLATION

ITEM	PART NUMBER	QTY	DESCRIPTION	REV
	1001172346	Ref	Lift Cylinder Pins Installation	G
1	0711631	1	Bolt, M16X140	
2	0711228	1	Bolt, M12X110	
3	2160016	1	Fitting, Grease	
4	3291205	1	Nut, Lock M12X1.75 Grade 8	
5	3291605	1	Nut, Lock M16X2 Grade 8	
6	1001172350	1	Pin, Cylinder	
7	1001205335	1	Pin, Cylinder	
9	4812300	2	Washer, M16	
10	4812100	2	Washer, M12	

SECTION 2 - BOOM

FIGURE 2-13. COMPENSATION CYLINDER PINS INSTALLATION



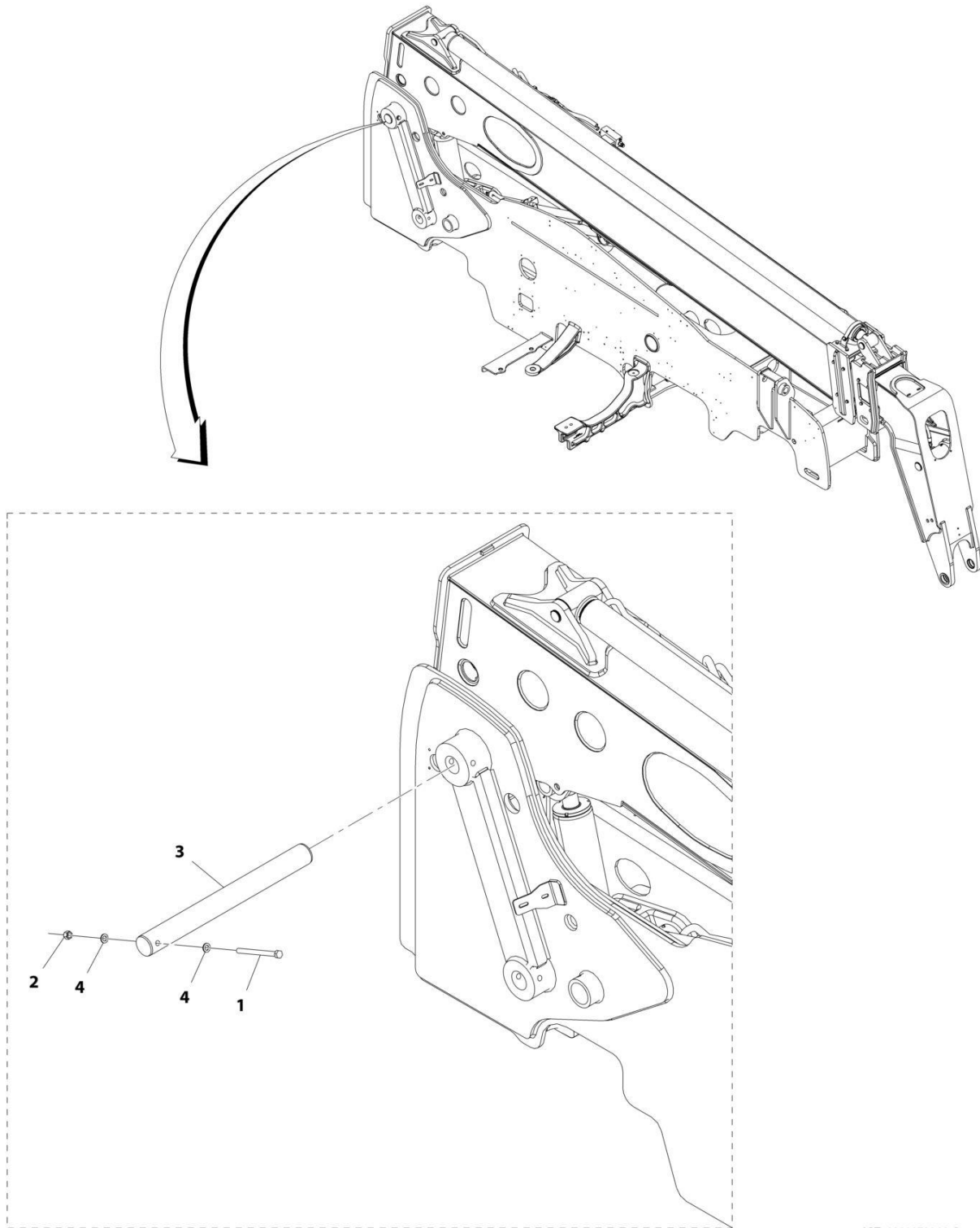
ART_1001172345-D

FIGURE 2-13. COMPENSATION CYLINDER PINS INSTALLATION

ITEM	PART NUMBER	QTY	DESCRIPTION	REV
	1001172345	Ref	Compensation Cylinder Pins Installation	D
1	0711229	1	Bolt, M12X120 Grade 10.9	
2	0711635	1	Bolt, M16X180 Grade 10.9	
3	2160016	2	Fitting, Grease	
4	3291205	1	Nut, Lock M12X1.75 Grade 8	
5	3291605	1	Nut, Lock M16X2 Grade 8	
6	1001172352	1	Pin, Cylinder Base	
7	1001172353	1	Pin, Cylinder End	
8	4812300	2	Washer, M16	
9	4812100	2	Washer, M12	

SECTION 2 - BOOM

FIGURE 2-14. BOOM PIVOT PIN INSTALLATION



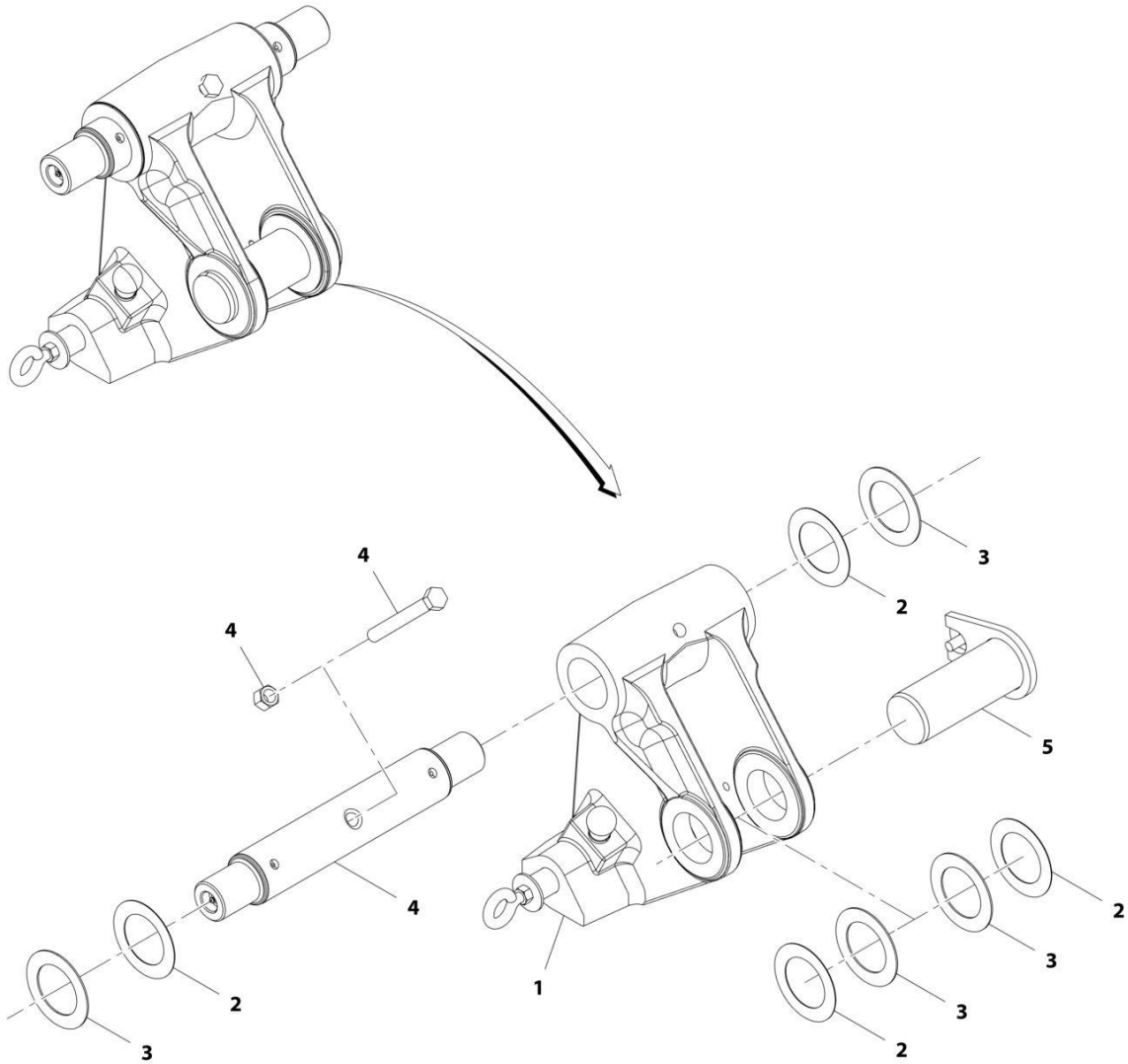
ART_1001172344-C

FIGURE 2-14. BOOM PIVOT PIN INSTALLATION

ITEM	PART NUMBER	QTY	DESCRIPTION	REV
	1001172344	Ref	Boom Pivot Pin Installation	C
1	1001091951	1	Bolt, M16X200	
2	3291605	1	Nut, Lock M16X2 Grade 8	
3	1001166975	1	Pin	
4	4812300	2	Washer, M16	

SECTION 2 - BOOM

FIGURE 2-15. MANUAL QUICK COUPLER INSTALLATION



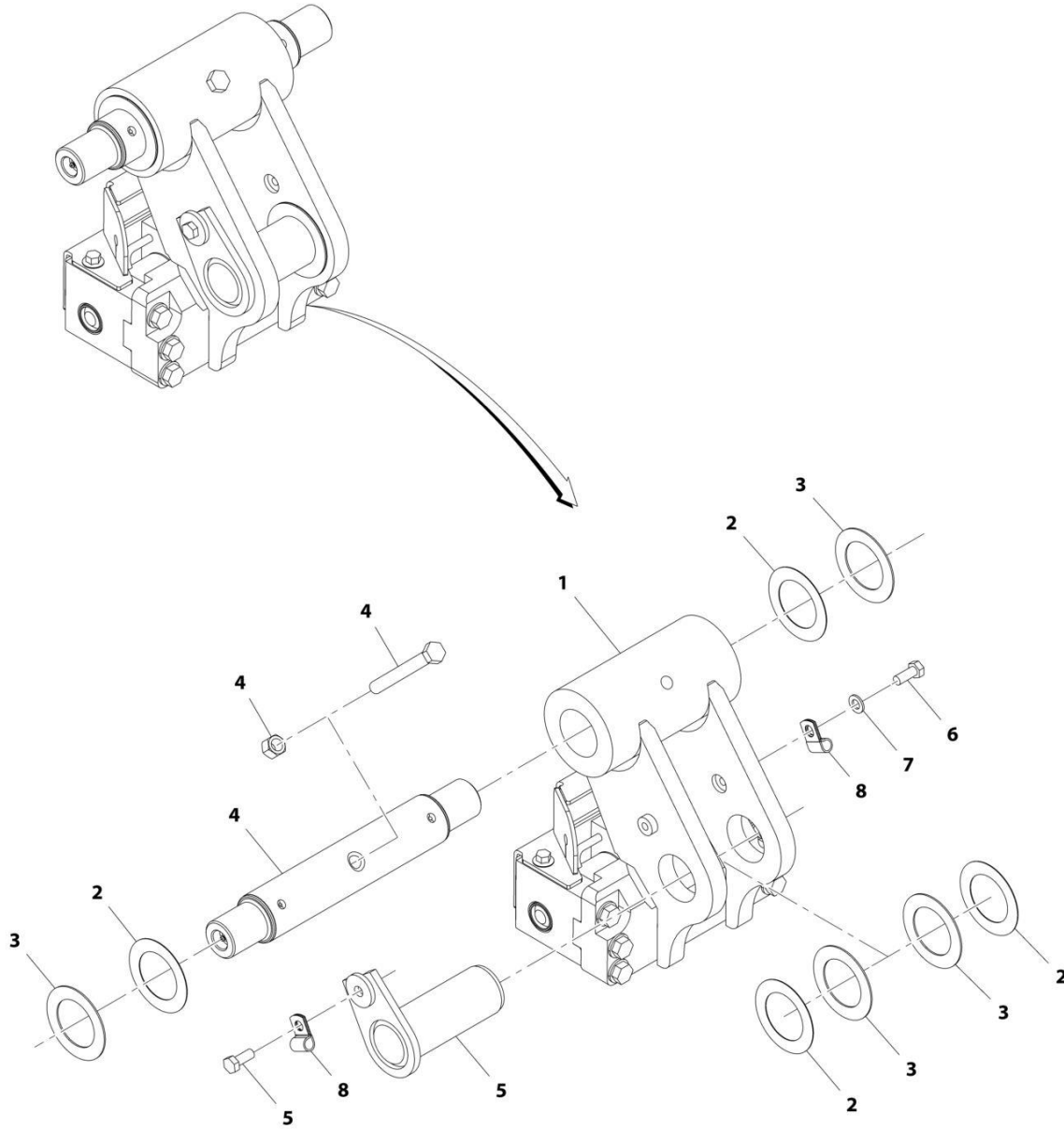
ART_1001170628-A

FIGURE 2-15. MANUAL QUICK COUPLER INSTALLATION

ITEM	PART NUMBER	QTY	DESCRIPTION	REV
	1001170628	Ref	Manual Quick Coupler Installation	A
1	1001171764	1	Coupling, Quick Connect (See Separate Breakdown in this Section)	
2	1001164884	AR	Shim	
3	1001164885	AR	Shim	
4	1001167761	Ref	Installation, Boom Pin (See Separate Breakdown in this Section)	
5	1001167762	Ref	Installation, Tilt Cylinder Pin (See Separate Breakdown in this Section)	

SECTION 2 - BOOM

FIGURE 2-16. HYDRAULIC QUICK COUPLER INSTALLATION



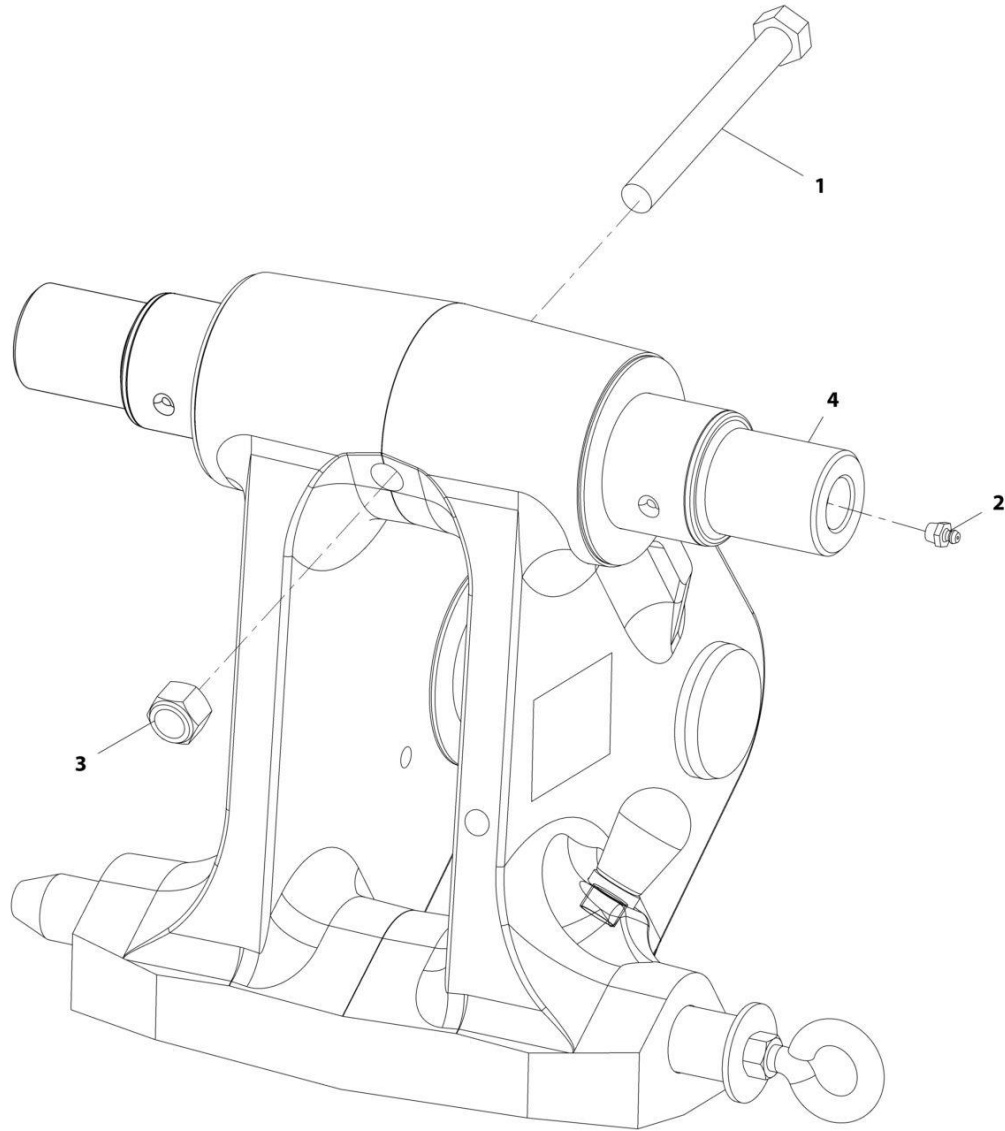
ART_1001170631-B

FIGURE 2-16. HYDRAULIC QUICK COUPLER INSTALLATION

ITEM	PART NUMBER	QTY	DESCRIPTION	REV
	1001170631	Ref	Hydraulic Quick Coupler Installation	B
1	1001172134	1	Assembly, Hydraulic Quick Coupler (See Separate Breakdown in HYDRAULIC COMPONENTS Section)	
2	1001164884	AR	Shim	
3	1001164885	AR	Shim	
4	1001167761	Ref	Installation, Boom Pin (See Separate Breakdown in this Section)	
5	1001167762	Ref	Installation, Tilt Cylinder Pin (See Separate Breakdown in this Section)	
6	0761214	1	Capscrew, M12X30	
7	4812100	1	Washer, M12	
8	1001080996	2	Clamp	

SECTION 2 - BOOM

FIGURE 2-17. BOOM PIN INSTALLATION



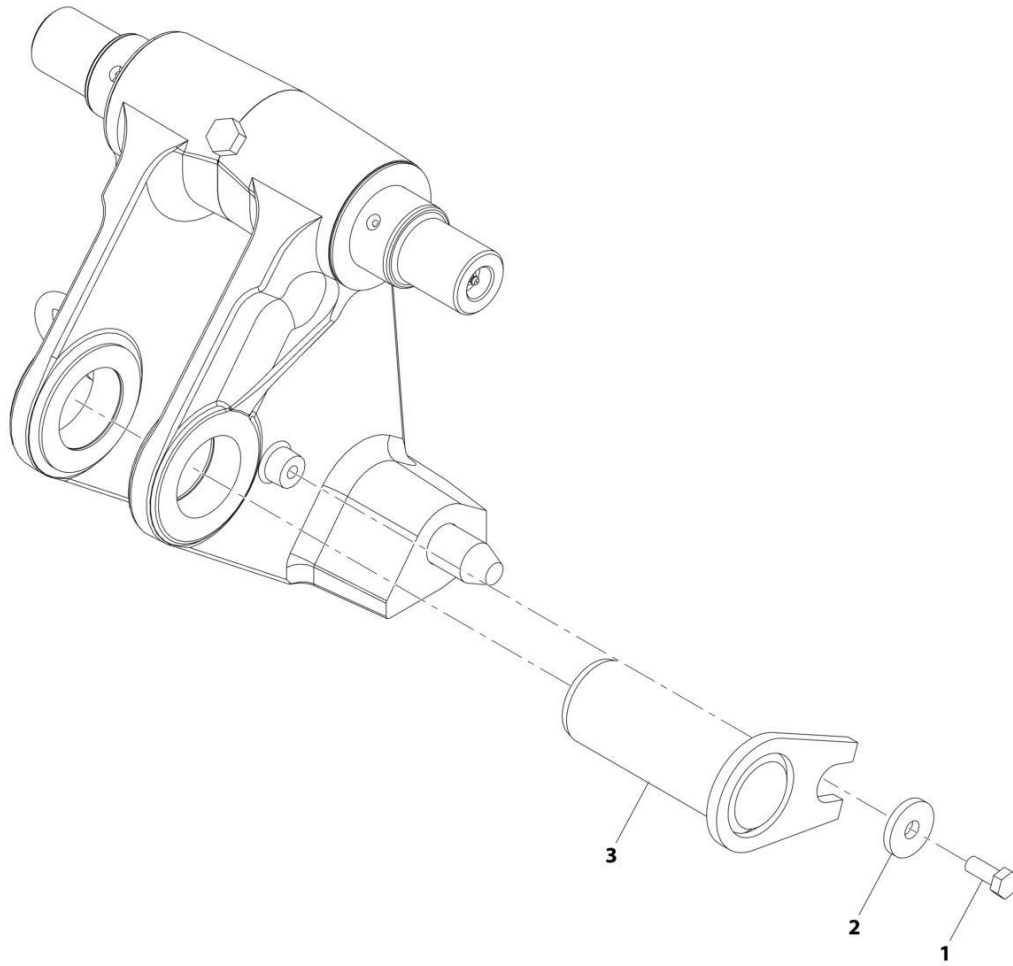
ART_1001167761-B

FIGURE 2-17. BOOM PIN INSTALLATION

ITEM	PART NUMBER	QTY	DESCRIPTION	REV
	1001167761	Ref	Boom Pin Installation	B
1	0711631	1	Bolt, M16X140	
2	2160016	2	Fitting, Straight	
3	3291605	1	Nut, Lock M16X2	
4	1001164871	1	Pin	

SECTION 2 - BOOM

FIGURE 2-18. TILT CYLINDER PIN INSTALLATION



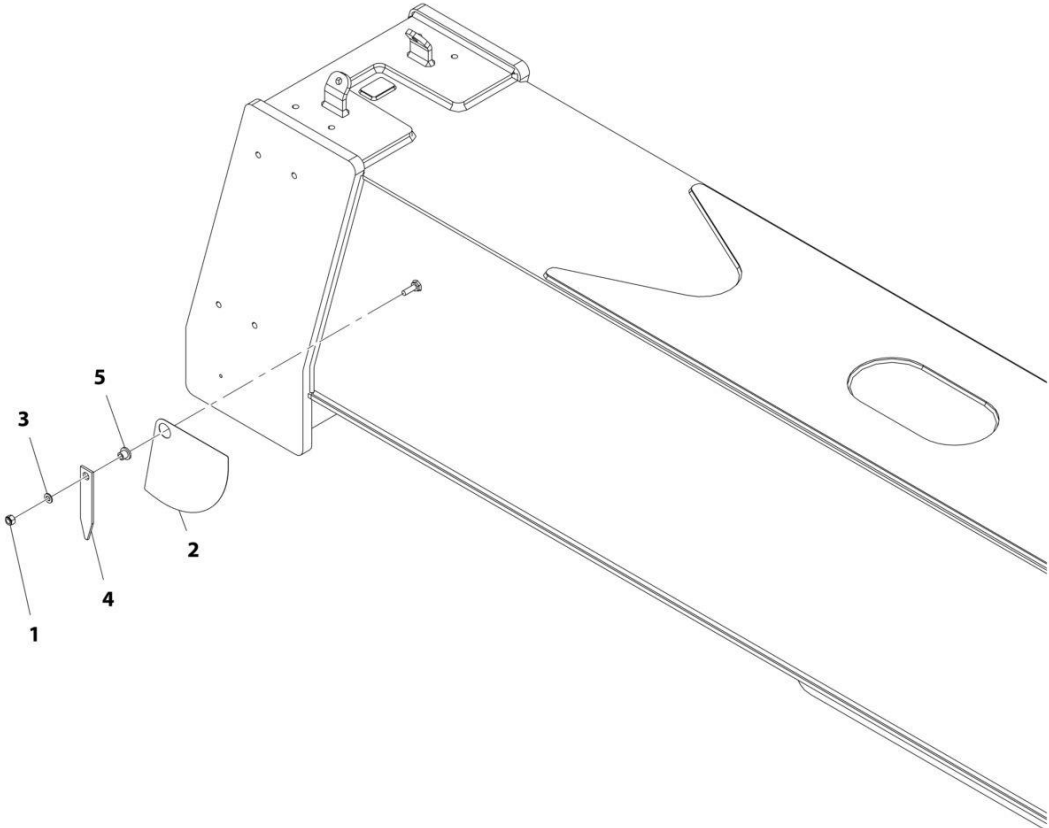
ART_1001167762-A

FIGURE 2-18. TILT CYLINDER PIN INSTALLATION

ITEM	PART NUMBER	QTY	DESCRIPTION	REV
	1001167762	Ref	Tilt Cylinder Pin Installation	A
1	0761214	1	Bolt, M12X30	
2	4740003	1	Washer	
3	1001164881	1	Pin	

SECTION 2 - BOOM

FIGURE 2-19. BOOM ANGLE INDICATOR INSTALLATION



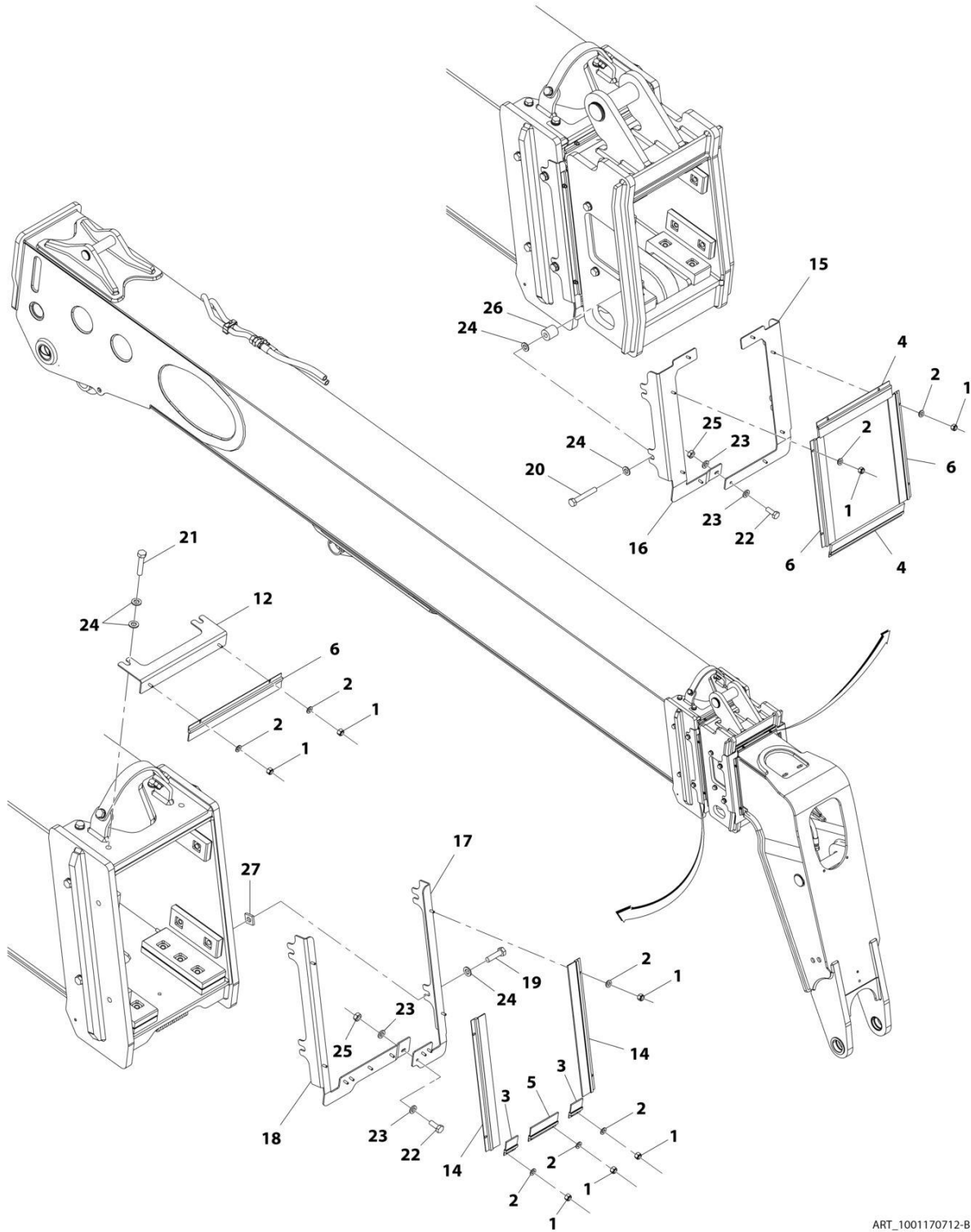
ART_1001167806-B

FIGURE 2-19. BOOM ANGLE INDICATOR INSTALLATION

ITEM	PART NUMBER	QTY	DESCRIPTION	REV
	1001167806	Ref	Boom Angle Indicator Installation	B
1	3291005	1	Nut, Lock M10X1.5 Grade 8	
2	4105262	1	Decal, Boom Angle Indicator	
3	4812000	1	Washer, M10	
4	1001098769	1	Plate	
5	1001171808	1	Spacer	

SECTION 2 - BOOM

FIGURE 2-20. BOOM BRUSHES INSTALLATION



ART_1001170712-B

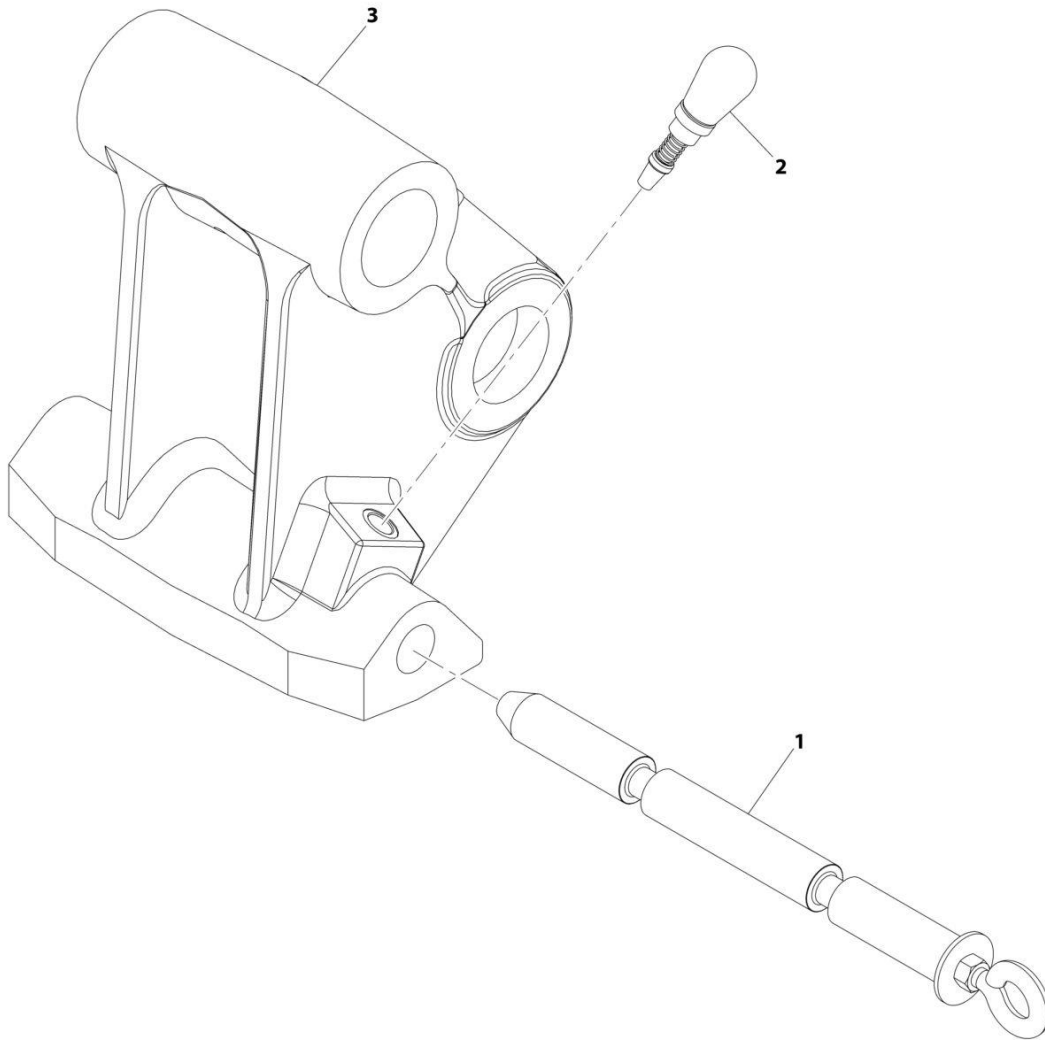
SECTION 2 - BOOM

FIGURE 2-20. BOOM BRUSHES INSTALLATION

ITEM	PART NUMBER	QTY	DESCRIPTION	REV
	1001170712	Ref	Boom Brushes Installation	B
1	3290505	20	Nut, Lock M5X0.8 Grade 8	
2	4811600	20	Washer, M5	
3	1001172994	2	Brush, Boom	
4	1001172995	2	Brush, Boom	
5	1001172996	1	Brush, Boom	
6	1001172997	3	Brush, Boom	
12	1001175683	1	Bracket, Boom Brush	
14	1001173739	2	Brush, Boom	
15	1001193578	1	Bracket, Boom Brush	
16	1001193579	1	Bracket, Boom Brush	
17	1001194785	1	Bracket, Boom Brush	
18	1001194787	1	Bracket, Boom Brush	
19	0701217	4	Bolt, M12X45	
20	0701224	4	Bolt, M12X80	
21	0711220	2	Bolt, M12-1.75X60 Grade 10.9	
22	0760608	2	Bolt, M6X16	
23	4811700	4	Washer, M6	
24	1001125117	16	Washer, M12	
25	3290601	2	Nut, M6X1	
26	1001193577	4	Spacer	
27	1001194789	4	Plate	

SECTION 2 - BOOM

FIGURE 2-21. QUICK COUPLER ASSEMBLY



ART_1001171764-A

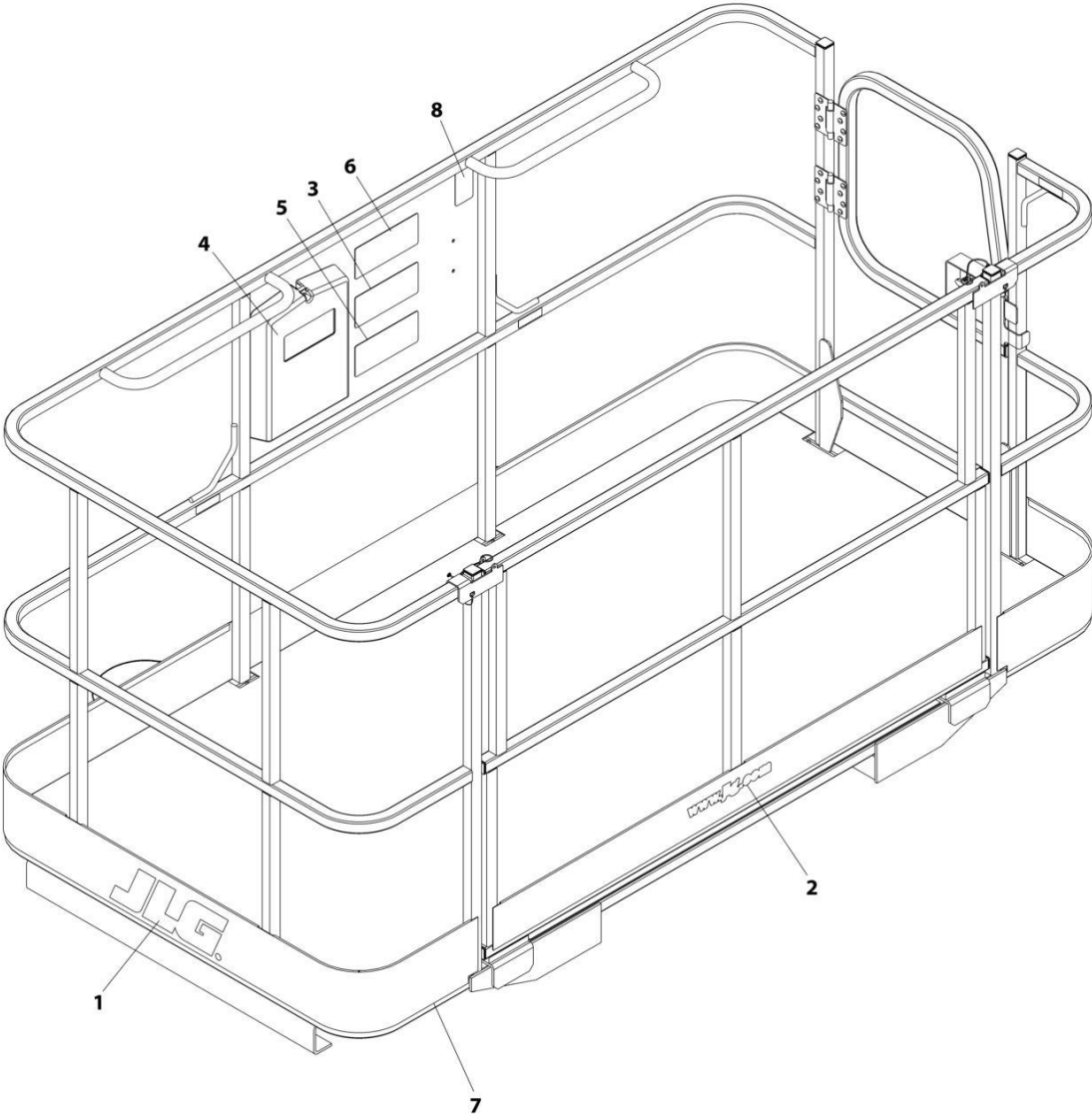
FIGURE 2-21. QUICK COUPLER ASSEMBLY

ITEM	PART NUMBER	QTY	DESCRIPTION	REV
	1001171764	Ref	Quick Coupler Assembly	A
1	1001105441	1	Pin	
2	1001143692	1	Pin, Poppin	
3	1001164567	1	Coupling, Quick Connect	

SECTION 3 - ATTACHMENTS

SECTION 3 - ATTACHMENTS

FIGURE 3-1. BASKET, PERSONNEL - 4FT X 8FT (ASME)



ART_1001238653-A

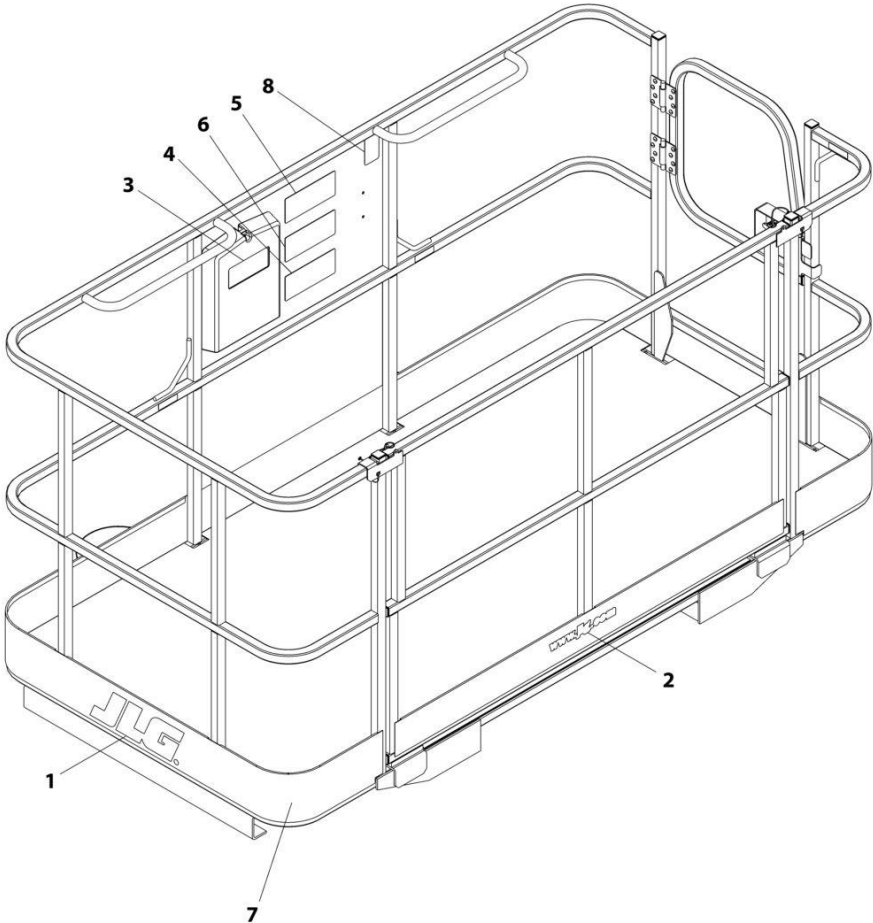
SECTION 3 - ATTACHMENTS

FIGURE 3-1. BASKET, PERSONNEL - 4FT X 8FT (ASME)

ITEM	PART NUMBER	QTY	DESCRIPTION	REV
	1001238653	Ref	FORK MOUNTED PLATFORM	B
1	1702773	2	Decal, JLG	
2	1704885	1	Decal, Website	
3	1706892	1	Decal, Platform Warning	
4	31200160	1	Manual, Personnel Work Platform Operation and Safety	
5	1001092481	1	Decal, Warning Attachment	
6	1001092482	1	Decal, Platform Capacity	
7	1001238565	1	Platform, Fork Mounted (See Separate Breakdown in this Section)	
8	See Note	NSS	SN Plate (Note: Stamped Part - Not Available for Purchase)	

SECTION 3 - ATTACHMENTS

FIGURE 3-2. BASKET, PERSONNEL - 4FT X 8FT (DOMESTIC)



ART_1001238655-A

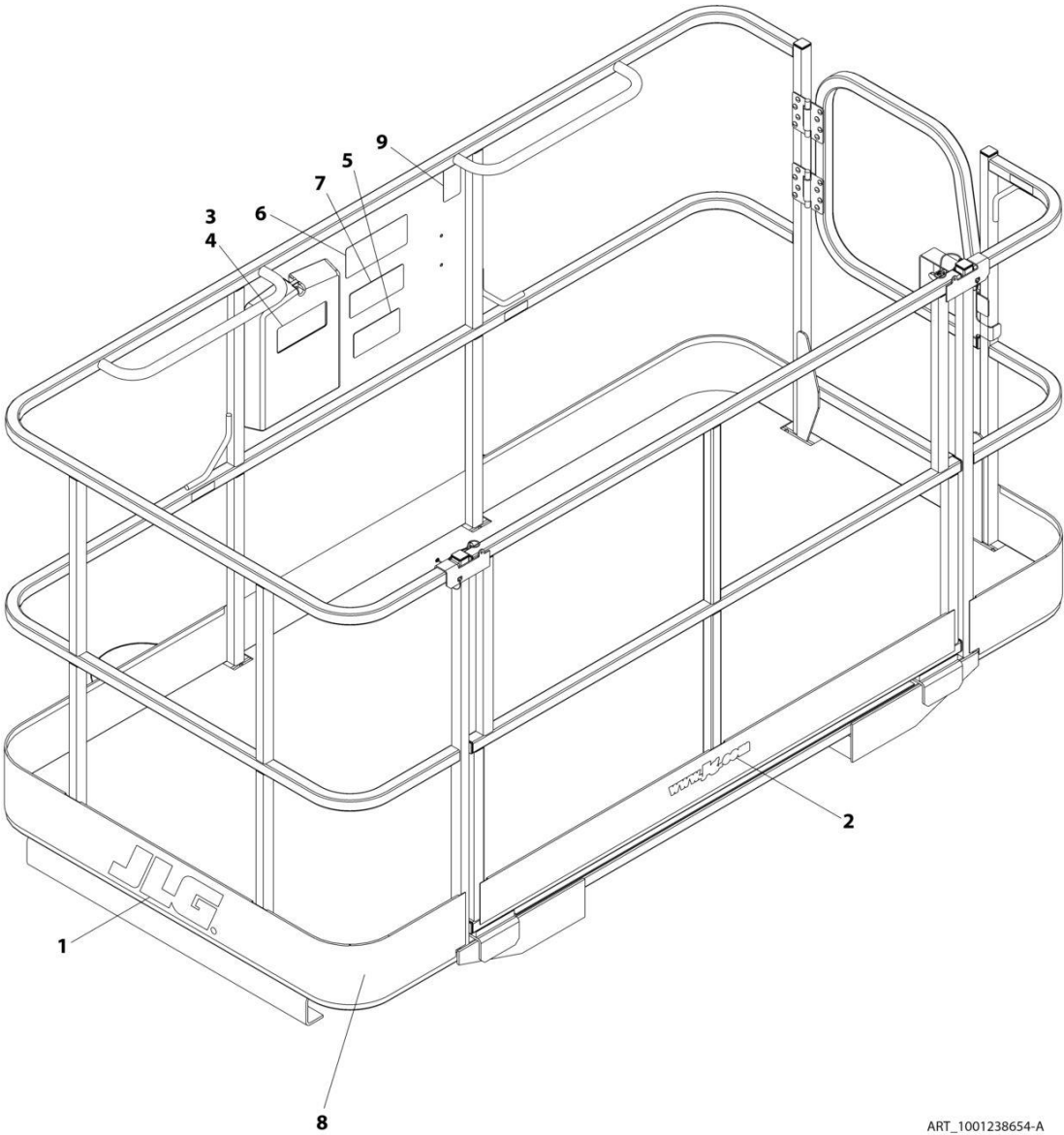
SECTION 3 - ATTACHMENTS

FIGURE 3-2. BASKET, PERSONNEL - 4FT X 8FT (DOMESTIC)

ITEM	PART NUMBER	QTY	DESCRIPTION	REV
	1001238655	Ref	BASKET, PERSONNEL	B
1	1702773	2	Decal, JLG	
2	1704885	1	Decal, Website	
3	31200386	1	Manual, Operation and Safety (French)	
4	1001096019	1	Decal, Warning Attachment (French)	
5	1001096020	1	Decal, Platform Capacity (French)	
6	1001096024	1	Decal, Platform Warning (French)	
7	1001238565	1	Platform, Fork Mounted (ANSI) (See Separate Breakdown in this Section)	
8	See Note	NSS	SN Plate (Note: Stamped Part - Not Available for Purchase)	

SECTION 3 - ATTACHMENTS

FIGURE 3-3. BASKET, PERSONNEL - 4FT X 8FT (ISO)



ART_1001238654-A

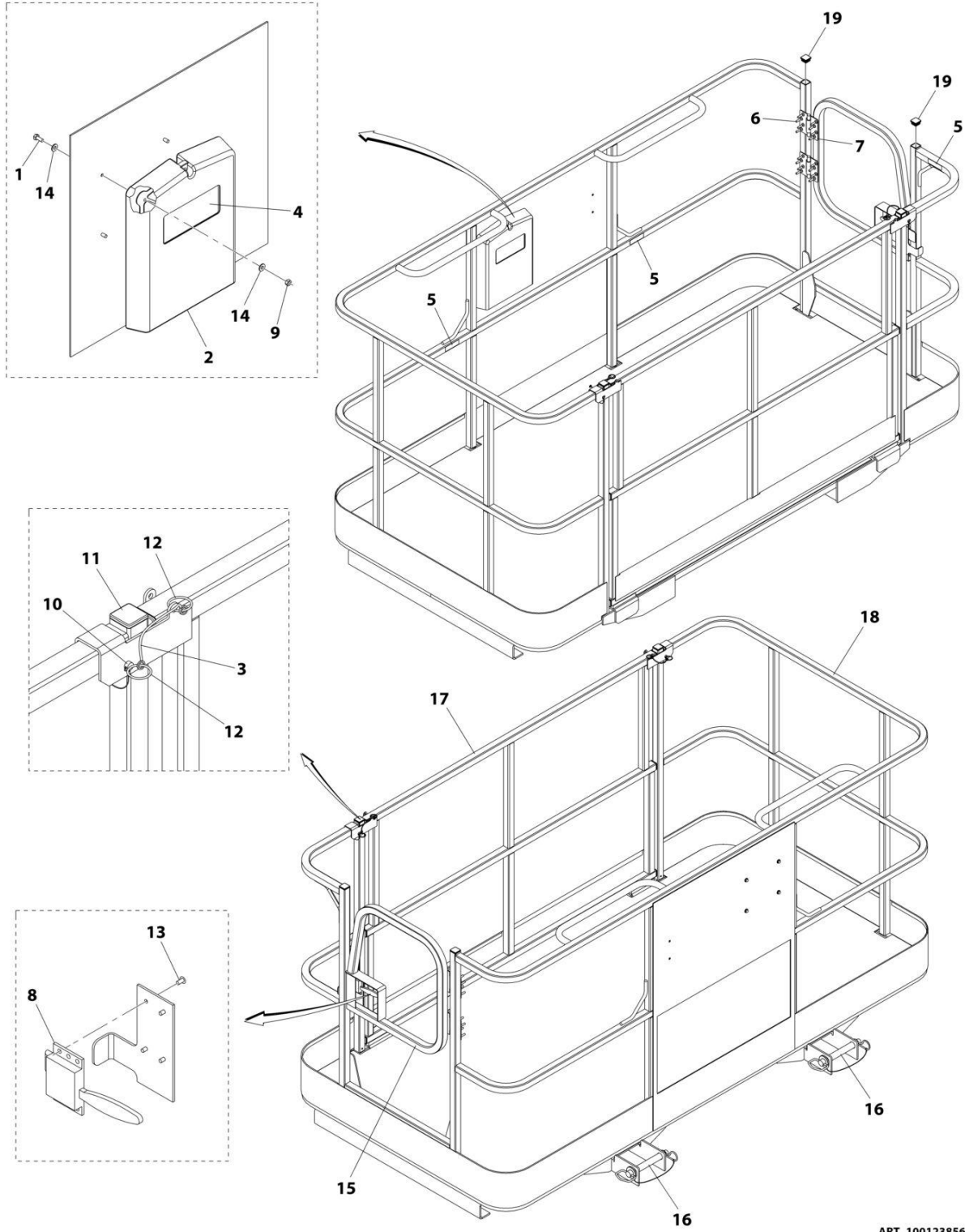
SECTION 3 - ATTACHMENTS

FIGURE 3-3. BASKET, PERSONNEL - 4FT X 8FT (ISO)

ITEM	PART NUMBER	QTY	DESCRIPTION	REV
	1001238654	Ref	BASKET, PERSONNEL	B
1	1702773	2	Decal, JLG	
2	1704885	1	Decal, Website	
3	31200387	1	Manual, Operation and Safety, Spanish	
4	31200388	1	Manual, Operation and Safety, Portuguese	
5	1001096021	1	Decal, Warning Attachment	
6	1001096023	1	Decal, Platform Capacity	
7	1001096025	1	Decal, Platform Warning	
8	1001238565	1	Platform, Fork Mounted (ANSI) (See Separate Breakdown in this Section)	
9	See Note	NSS	SN Plate (Note: Stamped Part - Not Available for Purchase)	

SECTION 3 - ATTACHMENTS

FIGURE 3-4. BASKET, FORK MOUNTED



ART_1001238565

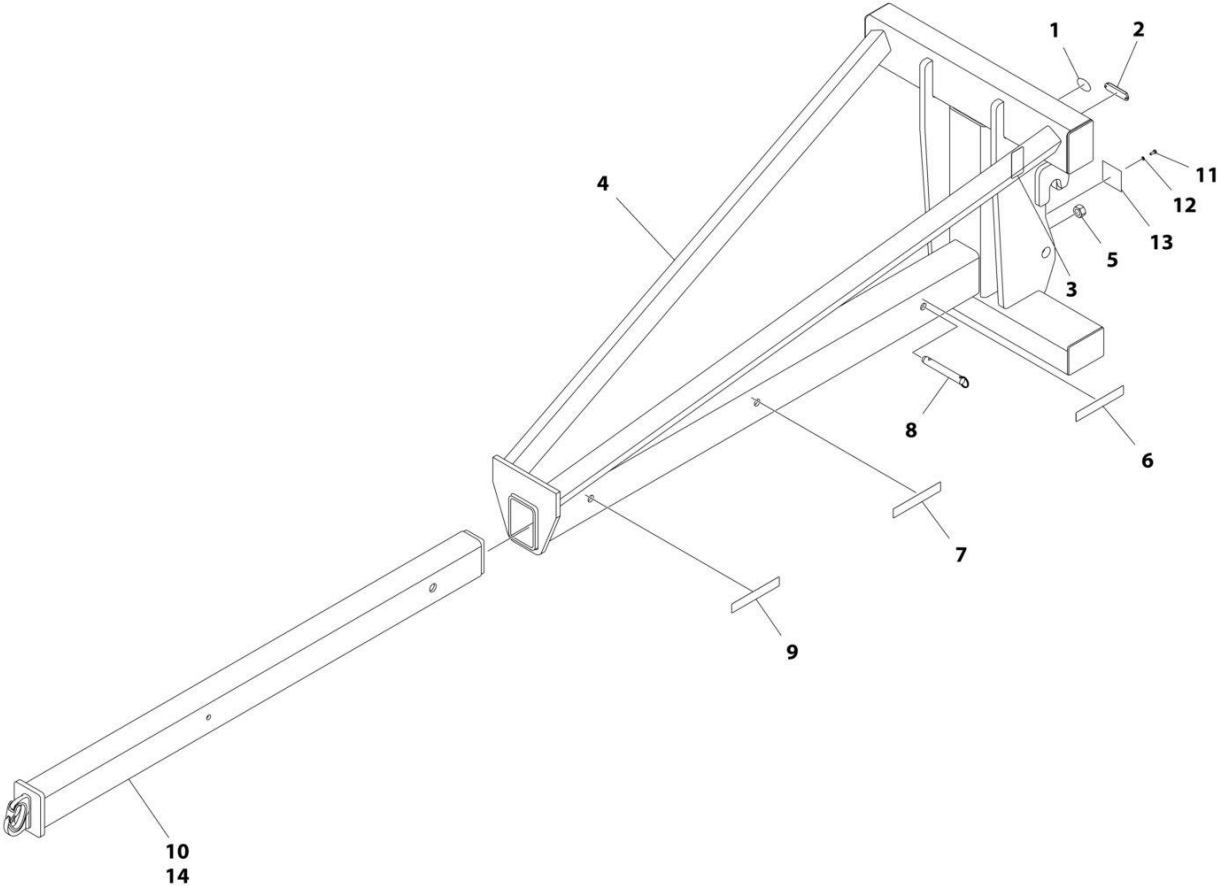
SECTION 3 - ATTACHMENTS

FIGURE 3-4. BASKET, FORK MOUNTED

ITEM	PART NUMBER	QTY	DESCRIPTION	REV
	1001238565	Ref	FORK MOUNTED PLATFORM ASSEMBLY	F
1	0641405	4	Bolt 1/4 x 5/8	
2	0860520	1	Box, Manual Storage	
3	1060379	2	Cable, Lanyard	
4	1701509	1	Decal, Manual	
5	1704277	3	Decal, Lanyard Attach	
6	2080040	16	Fastener	
7	2600281	2	Hinge	
8	2940074	1	Latch	
9	3311405	4	Nut 1/4	
10	3421453	2	Pin	
11	3520072	7	Plug	
12	3760170	4	Ring	
13	3820020	4	Rivet	
14	4711400	8	Washer 1/4	
15	1001144629J	1	Gate	
16	1001238560	2	Pin, Hitch	
17	1001095810	1	Gate	
18	See Note	NSS	Platform, Fork Mounted	
19	3520198	4	Plug	

SECTION 3 - ATTACHMENTS

FIGURE 3-5. BOOM - ADJUSTABLE (CARRIAGE MOUNTED)



ART_1001176515_D

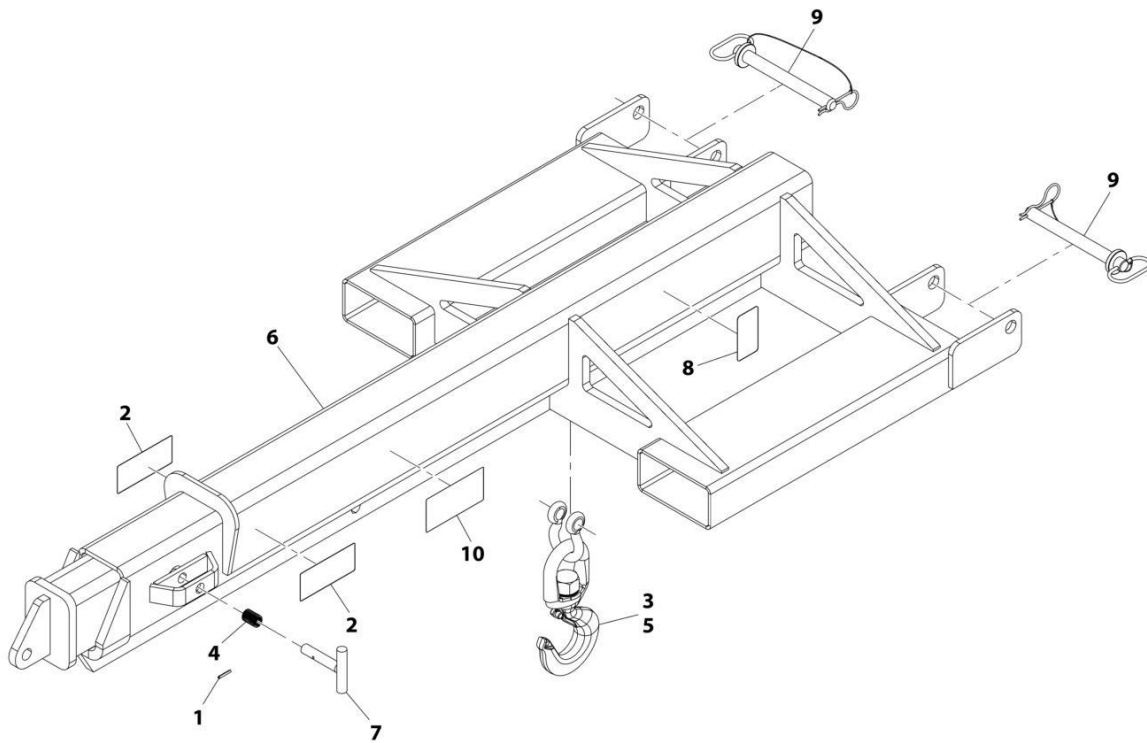
SECTION 3 - ATTACHMENTS

FIGURE 3-5. BOOM - ADJUSTABLE (CARRIAGE MOUNTED)

ITEM	PART NUMBER	QTY	DESCRIPTION	REV
	1001176515	Ref	ADJUSTABLE TRUSS BOOM	E
1	90554016	1	Decal, Made in USA	
2	1001227670	1	Tag, RFID	
3	See Note	NSS	SN Plate (Note: Stamped Part - Not Available for Purchase)	
4	See Note	NSS	Truss Boom, Adjustable (Note: Purchase Complete Assembly)	
5	70021440	1	Nut, Lock	
6	70024062	2	Decal, 4000 lbs cap	
7	70026944	2	Decal, 3000 lbs cap	
8	70026946	1	Pin	
9	70026699	2	Decal, 2000 lbs cap	
10	70026747	1	Seal	
11	90554033	1	Bolt 3/4 x 1/4	
12	90554034	1	Washer 1/4	
13	70026948	1	Plate, Stop	
14	70026949	1	Boom, Telescopic	

SECTION 3 - ATTACHMENTS

FIGURE 3-6. BOOM - ADJUSTABLE (FORK MOUNTED)



ART_1001230241-H

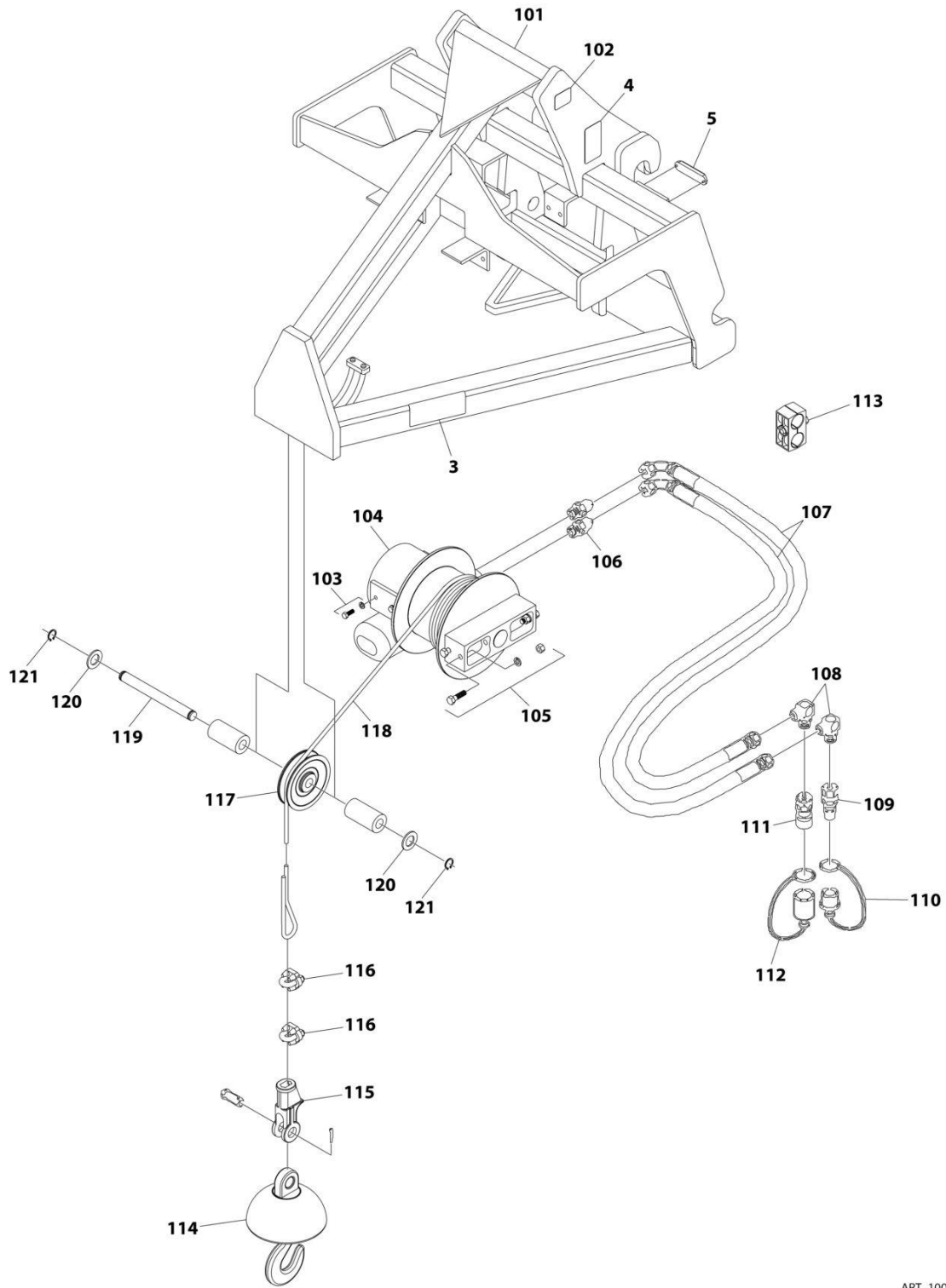
SECTION 3 - ATTACHMENTS

FIGURE 3-6. BOOM - ADJUSTABLE (FORK MOUNTED)

ITEM	PART NUMBER	QTY	DESCRIPTION	REV
	1001230241	Ref	Adjustable Truss Boom Installation (Fork Mounted)	J
1	3440620	1	Pin	
2	4110422	2	Decal, Danger Swinging Loads	
3	91403448	1	Hook, Swivel	
4	1001128890	1	Spring	
5	1001146160	1	Shackle	
6	See Note	NSS	Boom, Truss - Adjustable (Note: Purchase Complete Assembly)	
7	1001230239	1	Pin	
8	See Note	NSS	SN Plate (Note: Stamped Part - Not Available for Purchase)	
9	1001231692	2	Pin	
10	1001232500	1	Decal, Load Capacities	

SECTION 3 - ATTACHMENTS

FIGURE 3-7. BOOM - 3FT WITH WINCH



ART_1001100967_H

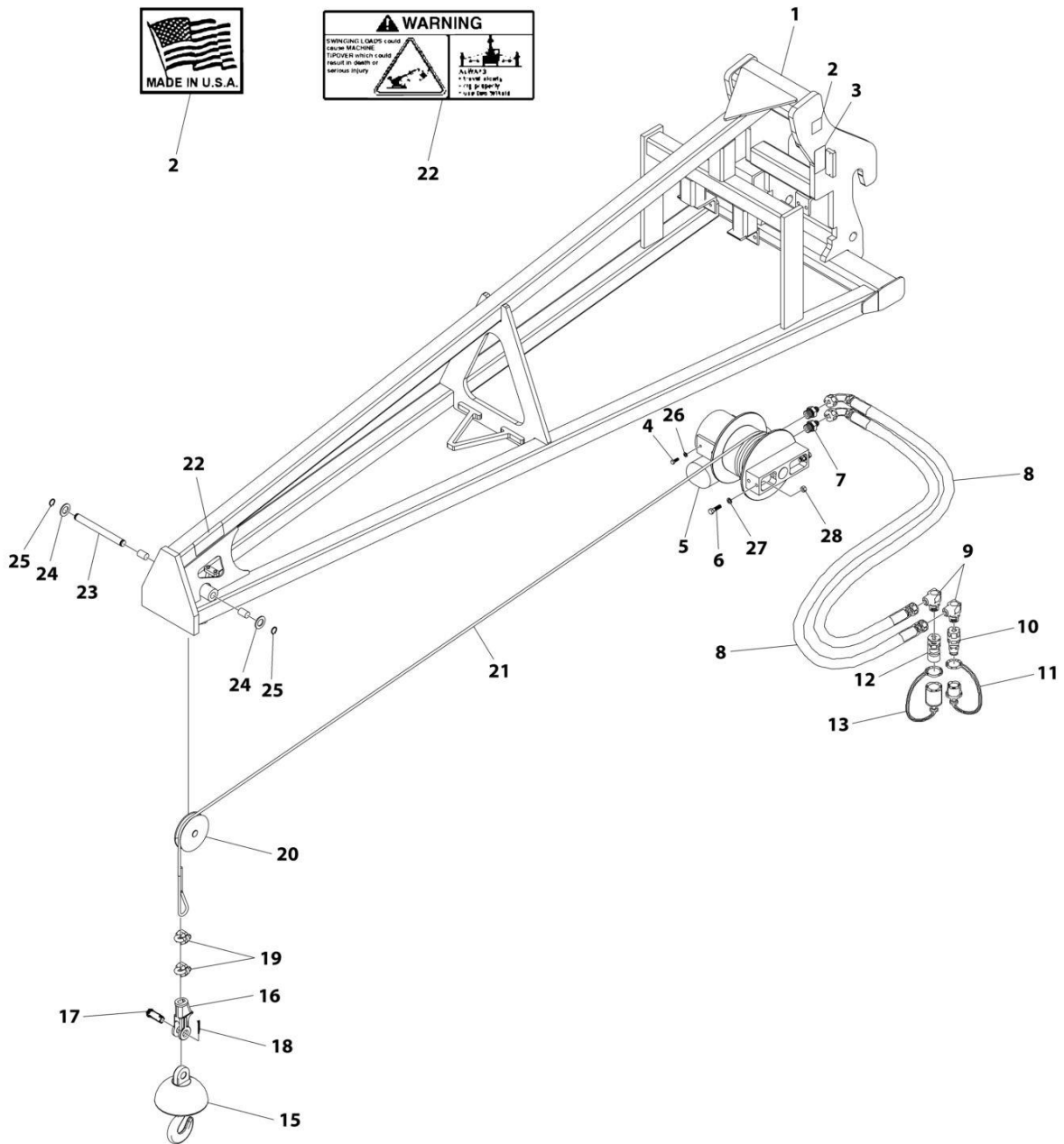
SECTION 3 - ATTACHMENTS

FIGURE 3-7. BOOM - 3FT WITH WINCH

ITEM	PART NUMBER	QTY	DESCRIPTION	REV
	1001100967	Ref	TRUSS BOOM ASSEMBLY (3 FOOT WITH WINCH) (INCLUDES ITEMS 3, 4, 5 & 101 THRU 121)	H
3	4110422	2	Decal, Danger, Swinging Loads	
4	See Note	NSS	S/N Plate (Note: Stamped Part - Not Available for Purchase)	
5	1001227670	1	Tag, RFID	
101	See Note	NSS	Truss Boom Frame (Note: Purchase Complete Assembly)	
102	90554016	1	Decal	
103	70021349	4	Bolt	
103	90554042	4	Washer	
104	70021921	1	Winch, Truss Boom	
105	70024059	4	Bolt	
105	90554054	4	Nut	
105	90554020	4	Washer	
106	70021415	2	Fitting	
107	70021977	2	Hose 32in (Boom Front Disconnect)	
107	70031445	2	Hose 48in (Boom Side Disconnect)	
108	70022527	2	Fitting, 90	
109	91403414	1	Fitting, Straight	
110	8420053	1	Cap	
111	91403413	1	Fitting, Straight	
112	8420055	1	Plug	
113	70021387	1	Clamp	
114	70021978	1	Ball Swivel Safety Hook	
115	70021979	1	Assembly, Socket	
116	70022528	2	Clamp	
117	70021935	1	Pulley	
118	70022028	1	Cable	
119	70022529	1	Pin	
120	70027009	2	Washer	
121	70026698	2	Ring, Snap	

SECTION 3 - ATTACHMENTS

FIGURE 3-8. BOOM - 12FT WITH WINCH



ART_1001099351

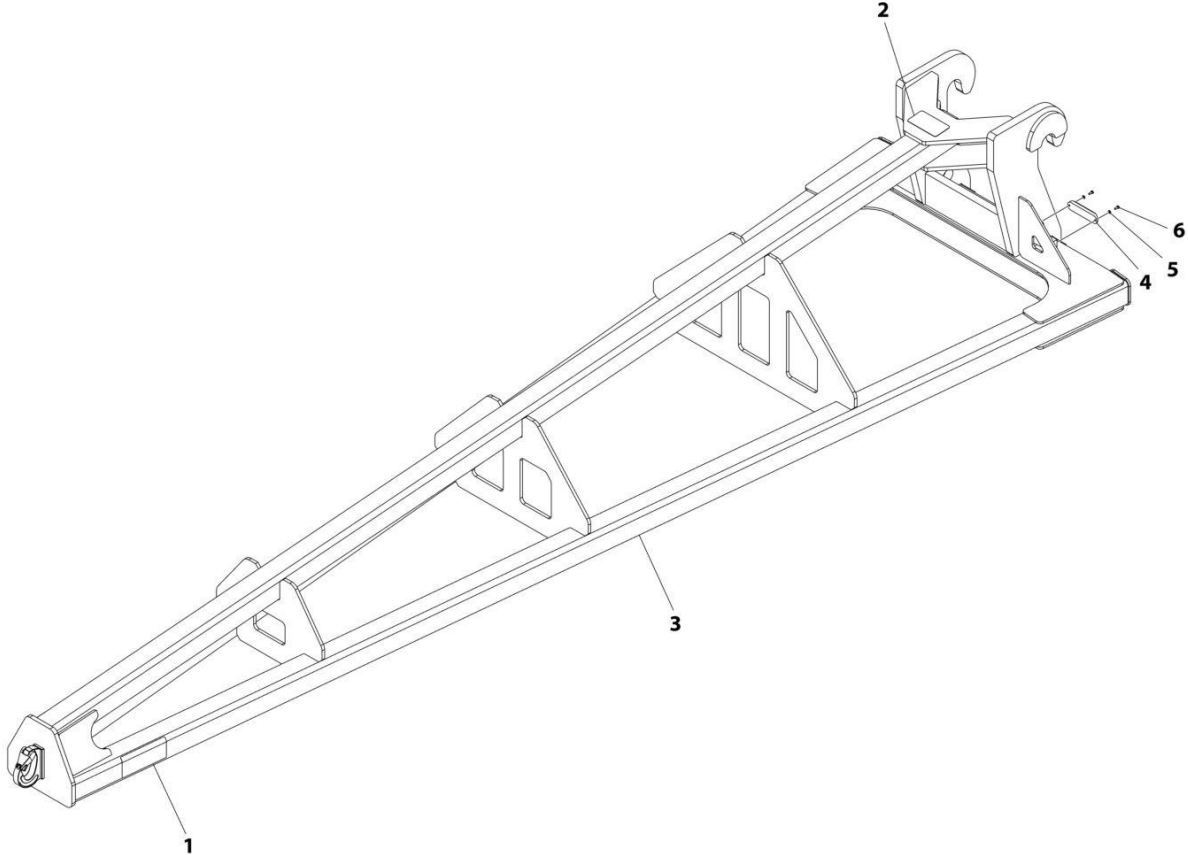
SECTION 3 - ATTACHMENTS

FIGURE 3-8. BOOM - 12FT WITH WINCH

ITEM	PART NUMBER	QTY	DESCRIPTION	REV
	1001099351	Ref	TRUSS BOOM (0.9 TON - 3.7M WITH WINCH)	L
1	See Note	NSS	Frame, Truss Boom (Note: Purchase Complete Assembly)	
2	90554016	1	Decal, Made in USA	
	See Note	NSS	S/N Plate (Note: Stamped Part - Not Available for Purchase)	
4	70021349	4	Bolt 3/8 x 1	
5	70021921	1	Motor, Truss Boom Winch	
6	70024059	2	Bolt 1/2 x 1-3/4	
7	70021415	2	Connector	
8	70021977	2	Hose 32in (Boom Front Disconnect)	
8	70031445	2	Hose 48in (Boom Side Disconnect)	
9	70022527	2	Fitting, 90	
10	7029692	1	Fitting, Straight	
11	90554062	1	Cap, Dust	
12	70021342	1	Fitting, Straight	
13	90554076	1	Cap, Dust	
15	70021978	1	Ball Swivel with Safety Hook	
16	70021979	1	Assembly, Socket (includes items 17 thru 18)	
17	See Note	NSS	Pin (Note: Use Item 16)	
18	See Note	NSS	Pin, Cotter (Note: Use Item 16)	
19	70022528	2	Clamp	
20	70021935	1	Pulley	
21	70022028	1	Cable	
22	4110422	2	Decal, Warning Swinging Loads	
23	70022529	1	Pin	
24	70024060	2	Washer	
25	70026698	2	Ring, Snap	
26	90554042	4	Washer 3/8	
27	90554020	2	Washer 1/2	
28	90554054	2	Nut 1/2	

SECTION 3 - ATTACHMENTS

FIGURE 3-9. BOOM - 12FT WITHOUT WINCH (Prior to SN 0160116733)



ART_1001099902_H

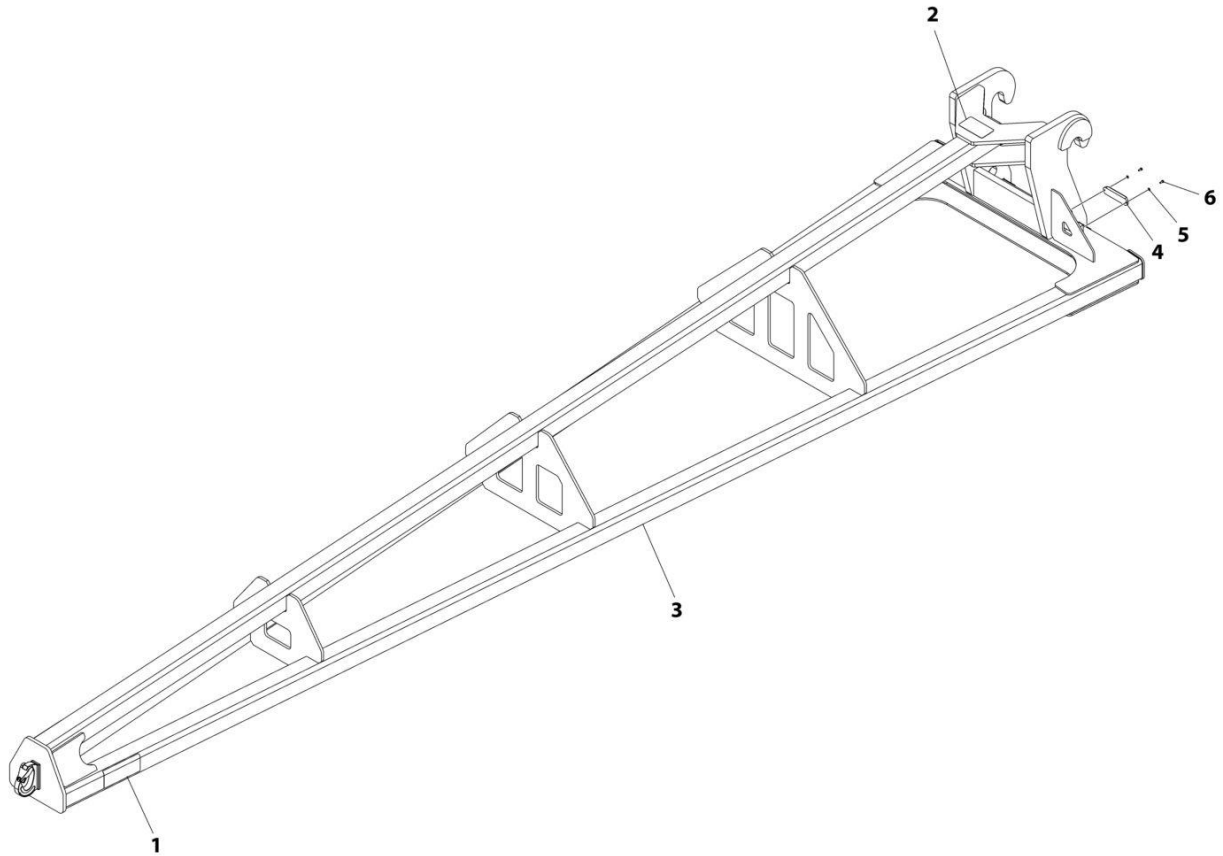
SECTION 3 - ATTACHMENTS

FIGURE 3-9. BOOM - 12FT WITHOUT WINCH (Prior to SN 0160116733)

ITEM	PART NUMBER	QTY	DESCRIPTION	REV
	1001099902	Ref	TRUSS BOOM (0.9 TON - 3.7M)	H
1	4110422	2	Decal, Danger Swinging Loads	
2	See Note	NSS	SN Plate (Note:Stamped Part - Not Available for Purchase)	
3	See Note	NSS	Boom, Truss (Note: Purchase Complete Assembly)	
4	1001227670	1	Tag, RFID	
5	4811400	2	Washer M4	
6	0760405	2	Bolt M4 x 10	

SECTION 3 - ATTACHMENTS

FIGURE 3-10. BOOM - 15FT WITHOUT WINCH (Prior to SN 0160116733)



ART_1001099901_H

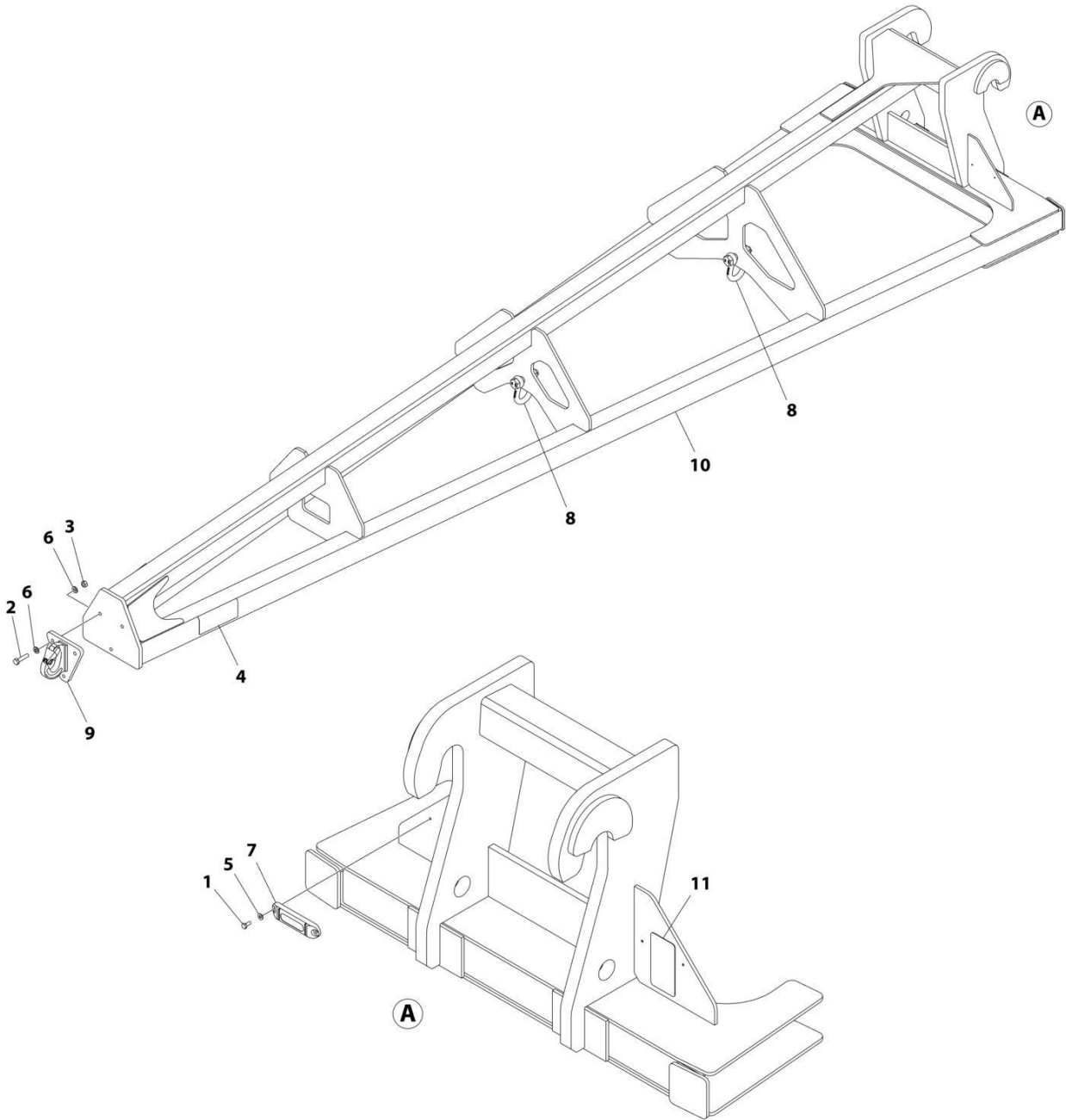
SECTION 3 - ATTACHMENTS

FIGURE 3-10. BOOM - 15FT WITHOUT WINCH (Prior to SN 0160116733)

ITEM	PART NUMBER	QTY	DESCRIPTION	REV
	1001099901	Ref	TRUSS BOOM (15 FOOT)	H
1	4110422	2	Decal, Danger Swinging Loads	
2	See Note	NSS	SN Plate (Note:Stamped Part - Not Available for Purchase)	
3	See Note	NSS	Boom, Truss (Note: Purchase Complete Assembly)	
4	1001227670	1	Tag, RFID	
5	4811400	2	Washer M4	
6	0760405	2	Bolt M4 x 10	

SECTION 3 - ATTACHMENTS

FIGURE 3-11. BOOM - 12FT WITHOUT WINCH (SN 0160116733 to Present)



ART_1001275853

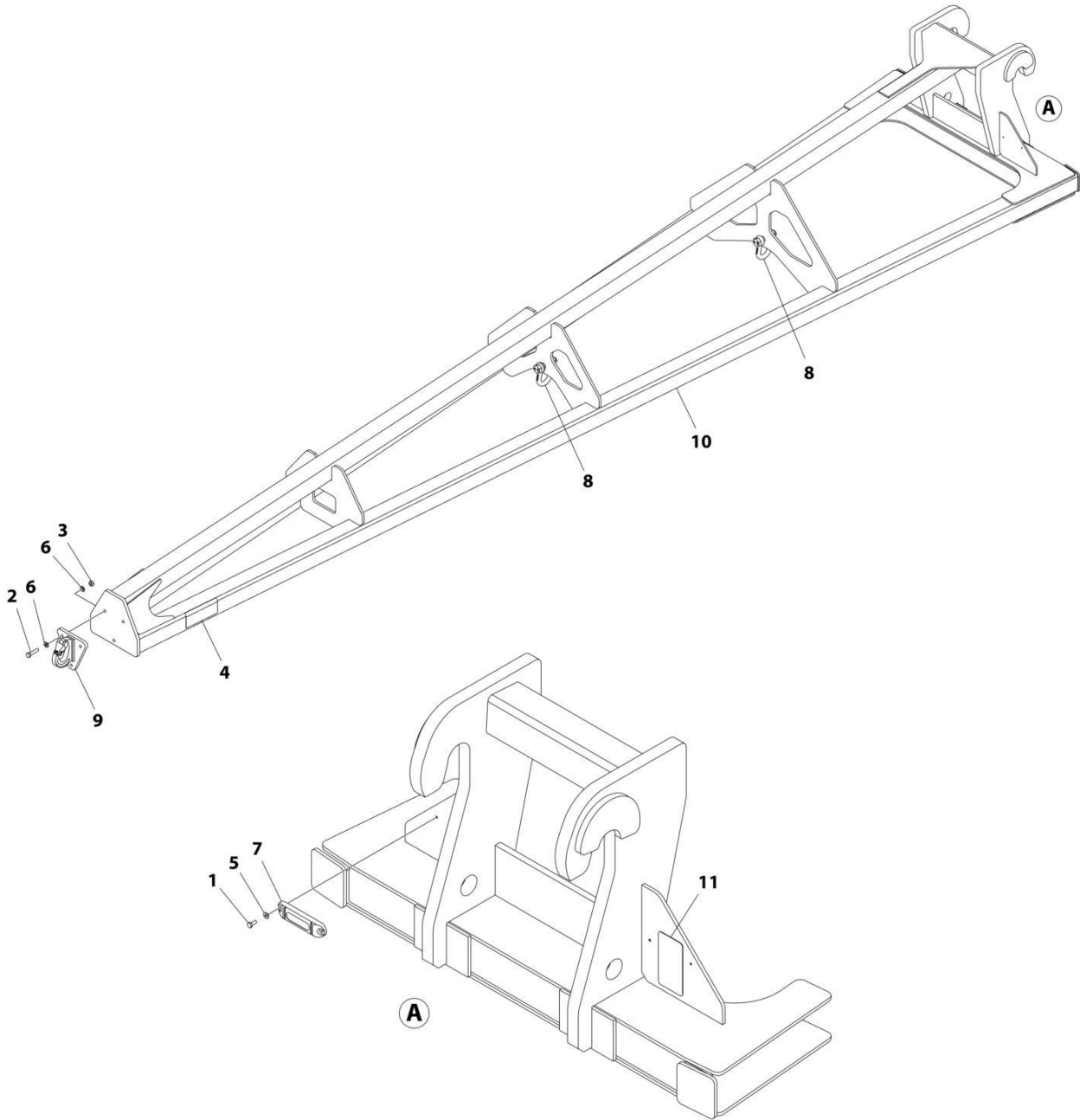
SECTION 3 - ATTACHMENTS

FIGURE 3-11. BOOM - 12FT WITHOUT WINCH (SN 0160116733 to Present)

ITEM	PART NUMBER	QTY	DESCRIPTION	REV
	1001275853	Ref	BOOM - 12FT WITHOUT WINCH	D
1	0760405	2	Bolt M4 x 10	
2	0761017	3	Bolt M10 x 45	
3	3291007	3	Nut M10	
4	4110422	2	Decal, Danger Swinging Loads	
5	4811400	2	Washer M4	
6	5241000	6	Washer M10	
7	1001227670	1	Tag, RFID	
8	1001287742	2	Clevis	
9	1001275841	1	Hook	
10	See Note	NSS	Boom, Truss (Note: Purchase Complete Assembly)	
11	See Note	NSS	SN Plate (Note: Stamped Part - Not Available for Purchase)	

SECTION 3 - ATTACHMENTS

FIGURE 3-12. BOOM - 15FT WITHOUT WINCH (SN 0160116733 to Present)



ART_1001275852

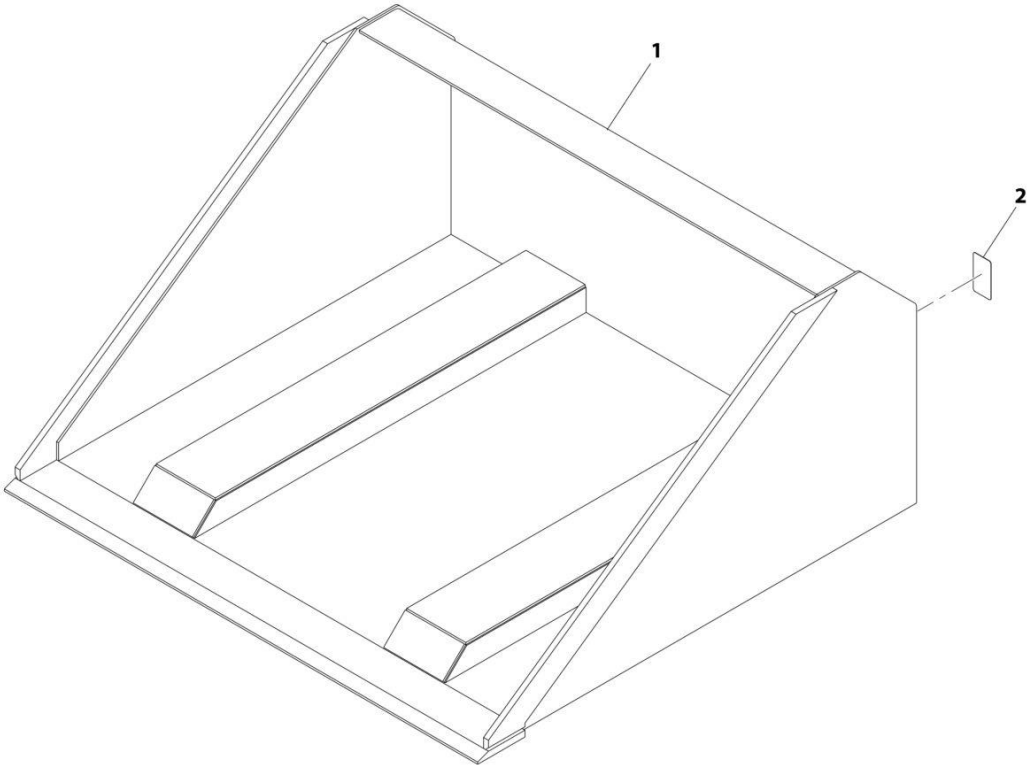
SECTION 3 - ATTACHMENTS

FIGURE 3-12. BOOM - 15FT WITHOUT WINCH (SN 0160116733 to Present)

ITEM	PART NUMBER	QTY	DESCRIPTION	REV
	1001275852	Ref	BOOM - 15FT WITHOUT WINCH	D
1	0760405	2	Bolt M4 x 10	
2	0761017	3	Bolt M10 x 45	
3	3291007	3	Nut M10	
4	4110422	2	Decal, Danger Swinging Loads	
5	4811400	2	Washer M4	
6	5241000	6	Washer M10	
7	1001227670	1	Tag, RFID	
8	1001287742	2	Clevis	
9	1001275841	1	Hook	
10	See Note	NSS	Boom, Truss (Note: Purchase Complete Assembly)	
11	See Note	NSS	SN Plate (Note: Stamped Part - Not Available for Purchase)	

SECTION 3 - ATTACHMENTS

FIGURE 3-13. BUCKET - 60IN (1.3 CU YD) (FORK MOUNTED)



ART_1001195970-D

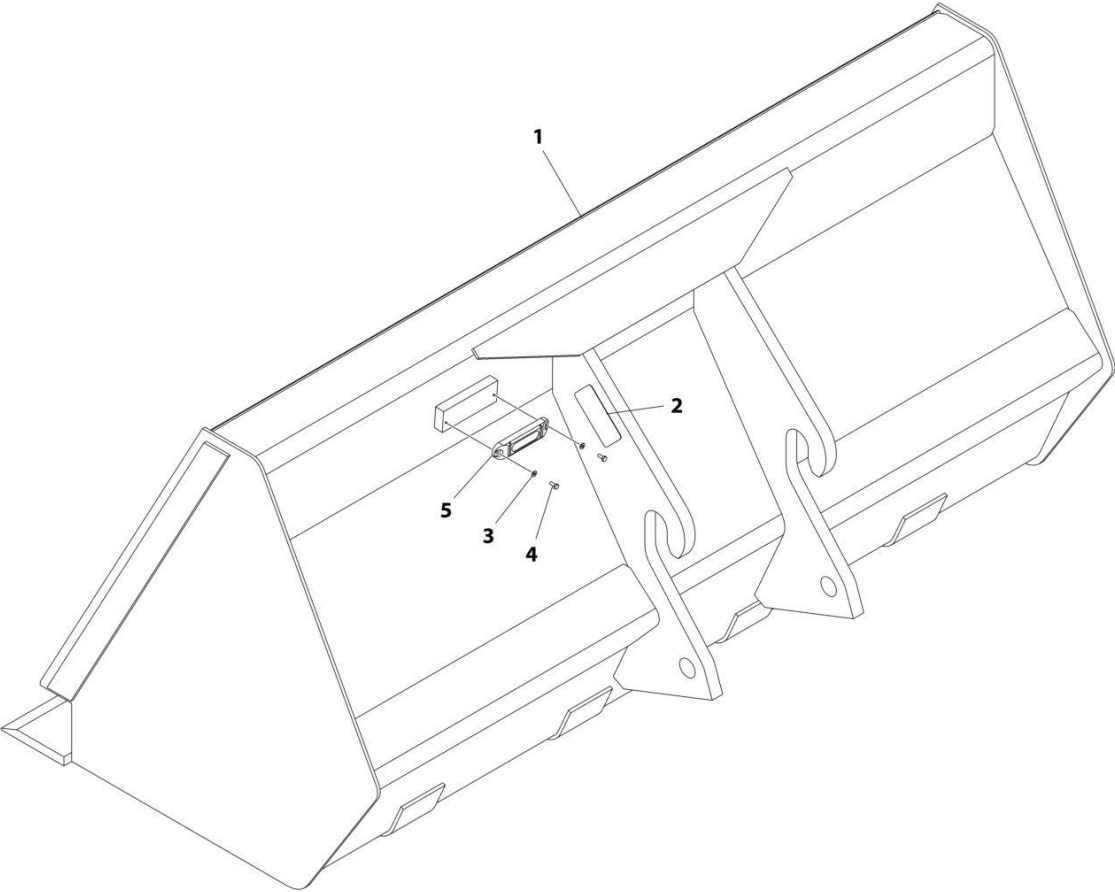
SECTION 3 - ATTACHMENTS

FIGURE 3-13. BUCKET - 60IN (1.3 CU YD) (FORK MOUNTED)

ITEM	PART NUMBER	QTY	DESCRIPTION	REV
1	1001195970	Ref	Bucket 1.0 m ³ (Fork Mounted)	E
2	See Note	NSS	S/N Plate (Note: Stamped Part - Not Available for Purchase)	

SECTION 3 - ATTACHMENTS

FIGURE 3-14. BUCKET - 72IN (1.0 CU YD)



ART_1001100822_I

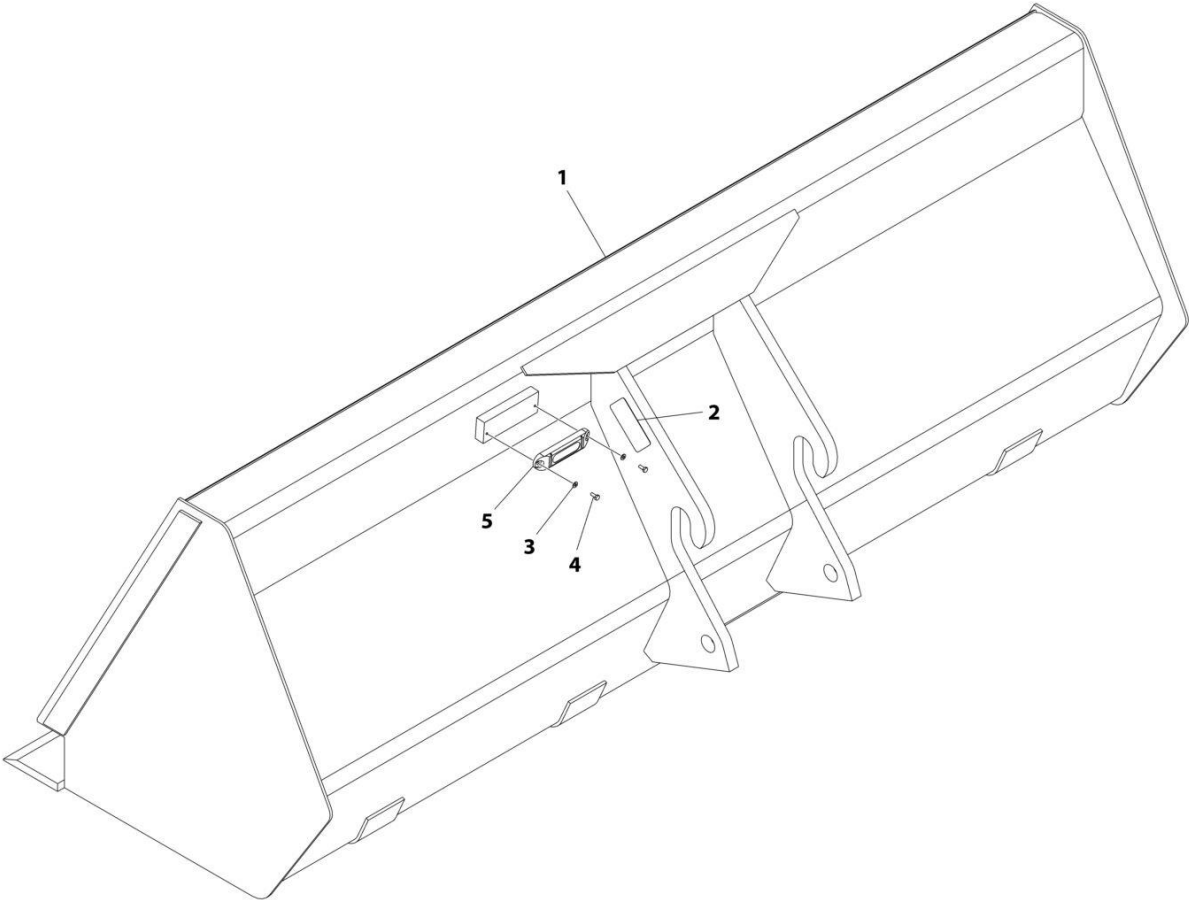
SECTION 3 - ATTACHMENTS

FIGURE 3-14. BUCKET - 72IN (1.0 CU YD)

ITEM	PART NUMBER	QTY	DESCRIPTION	REV
	1001100822	Ref	BUCKET 1.0 YD ³ (ANSI - JLG)	I
1	1001100265	1	Bucket Weldment	
2	See Note	NSS	SN Plate (Note:Stamped Part - Not Available for Purchase)	
3	4811400	2	Washer M4	
4	0760405	2	Bolt M4 x 10	
5	1001227670	1	Tag, RFID	

SECTION 3 - ATTACHMENTS

FIGURE 3-15. BUCKET - 96IN (1.5 CU YD)



ART_1001100823_I

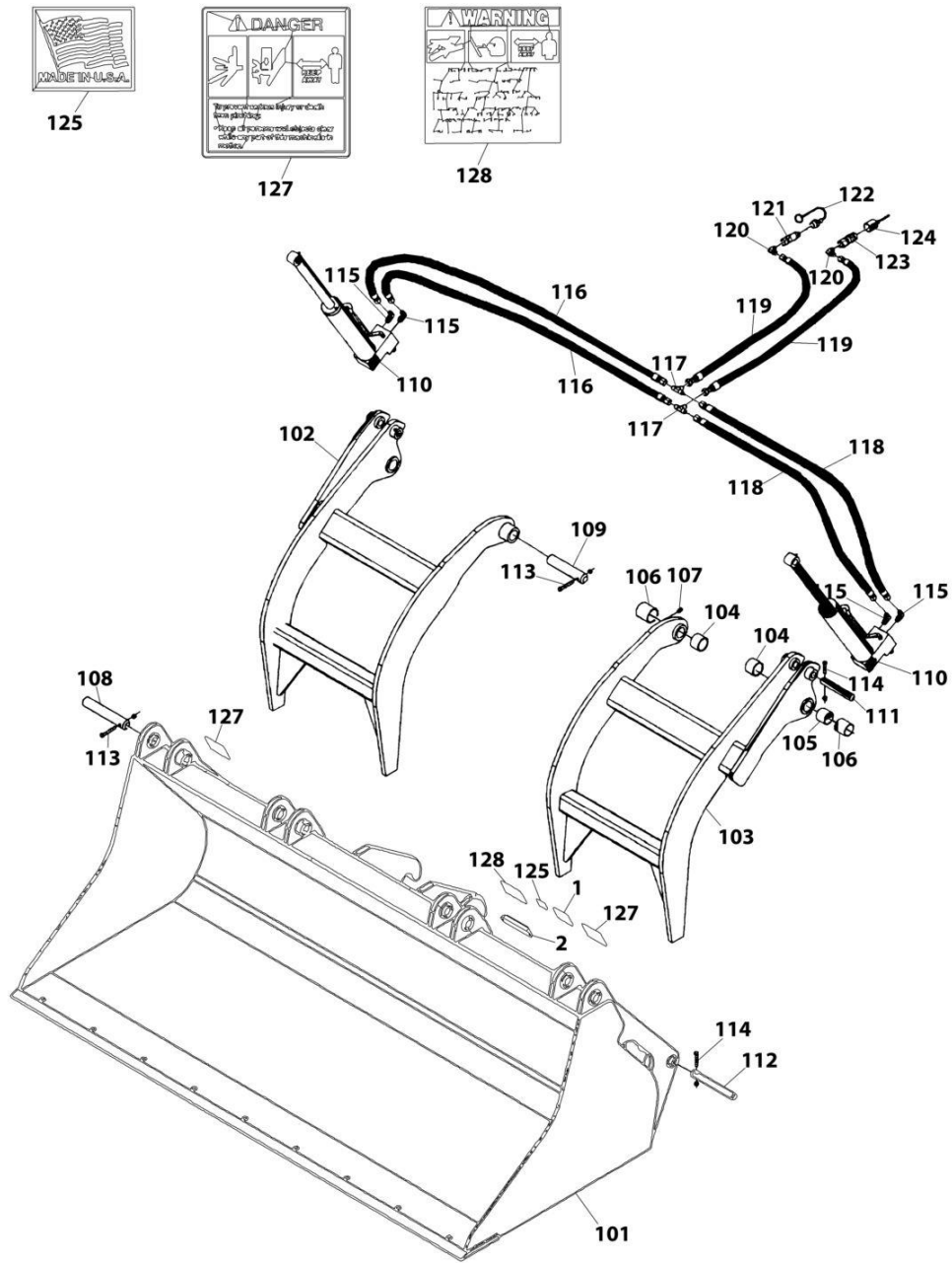
SECTION 3 - ATTACHMENTS

FIGURE 3-15. BUCKET - 96IN (1.5 CU YD)

ITEM	PART NUMBER	QTY	DESCRIPTION	REV
	1001100823	Ref	BUCKET (1.15 M ³)	I
1	1001100266	1	Bucket	
2	See Note	NSS	SN Plate (Note:Stamped Part - Not Available for Purchase)	
3	4811400	2	Washer M4	
4	0760405	2	Bolt M4 x 10	
5	1001227670	1	Tag, RFID	

SECTION 3 - ATTACHMENTS

FIGURE 3-16. BUCKET - 96IN GRAPPLE



ART_0930020

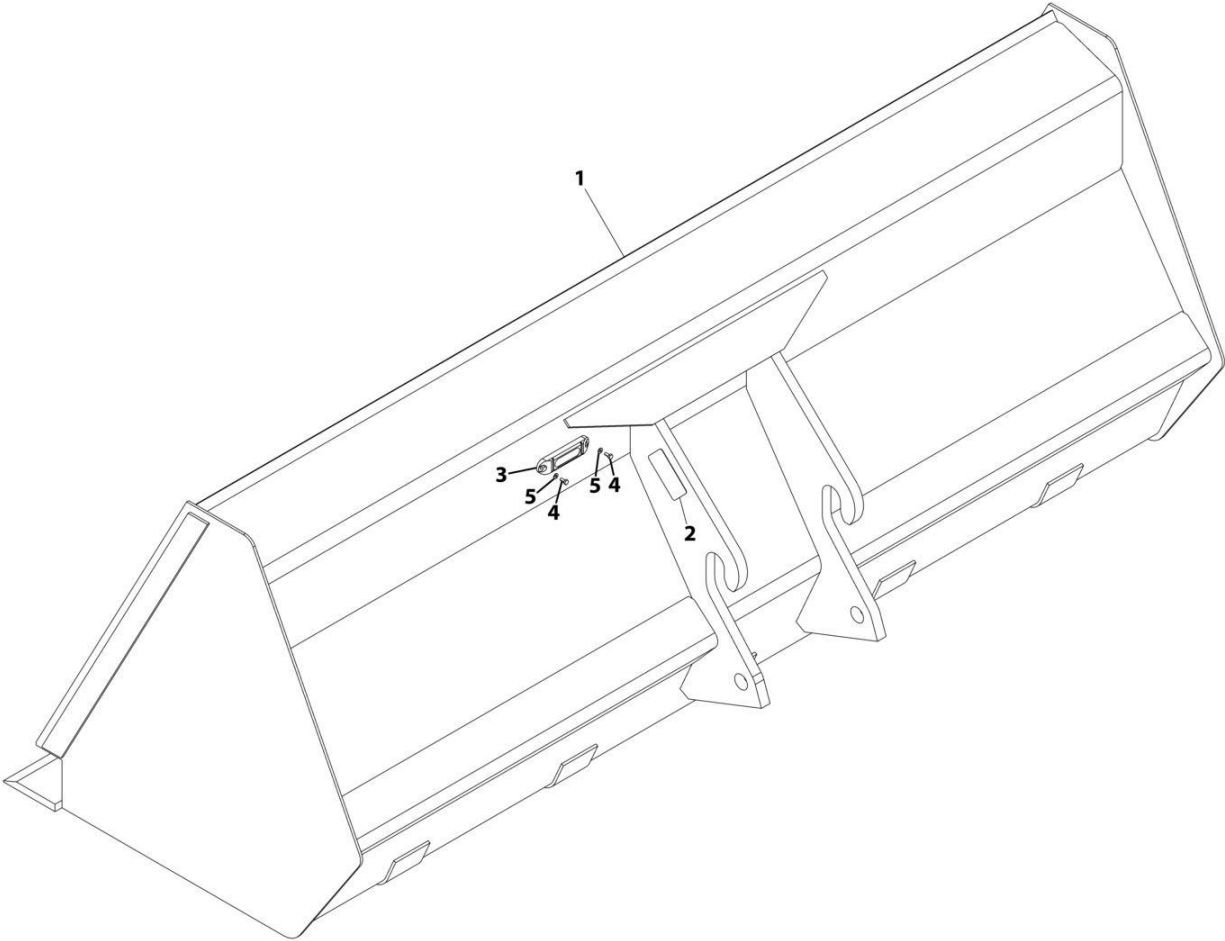
SECTION 3 - ATTACHMENTS

FIGURE 3-16. BUCKET - 96IN GRAPPLE

ITEM	PART NUMBER	QTY	DESCRIPTION	REV
	0930020	Ref	Multi-Purpose Grapple Bucket (2450 MM)	L
1	See Note	NSS	S/N Plate (Note: Stamped Part - Not Available for Purchase)	
2	1001227670	1	Tag, RFID	
101	N.S.S.	1	Bucket	
101	70021387	4	Clamp, Hose	
102	70021391	1	Hook, RH Grapple	
103	70021392	1	Hook, LH Grapple	
104	70021358	4	Bushing	
105	70021359	2	Spacer	
106	70021360	4	Bushing	
107	7029714	4	Fitting, Grease	
108	70021361	2	Pin	
109	70021362	2	Pin	
110	70021393	2	Cylinder, Grapple Bucket (See Separate Breakdown in HYDRAULIC COMPONENTS Section)	
111	70021364	2	Pin	
112	70021365	2	Pin	
113	70021366	4	Bolt, 3/8X2-3/4	
113	70021367	4	Nut 3/8	
114	70021399	4	Bolt, 3/8X2-1/4	
114	70021367	4	Nut, Lock 3/8	
115	90554065	4	Fitting, 90	
116	70021980	2	Hose	
117	70020562	2	Fitting, Tee	
118	70021981	2	Hose	
119	70021982	2	Hose 34in (Boom Front Disconnect)	
119	70031446	2	Hose 45in (Boom Side Disconnect)	
120	70022527	2	Fitting, 90	
121	7029692	1	Coupler	
122	90554062	1	Cover	
123	70021342	1	Coupler	
124	90554076	1	Cover	
125	90554016	1	Decal, Made in USA	
127	90554017	2	Decal, Danger Pinch Point	
128	90554018	1	Decal, Warning High Pressure	

SECTION 3 - ATTACHMENTS

FIGURE 3-17. BUCKET - 102IN (2.0 CU YD)



ART_1001100824

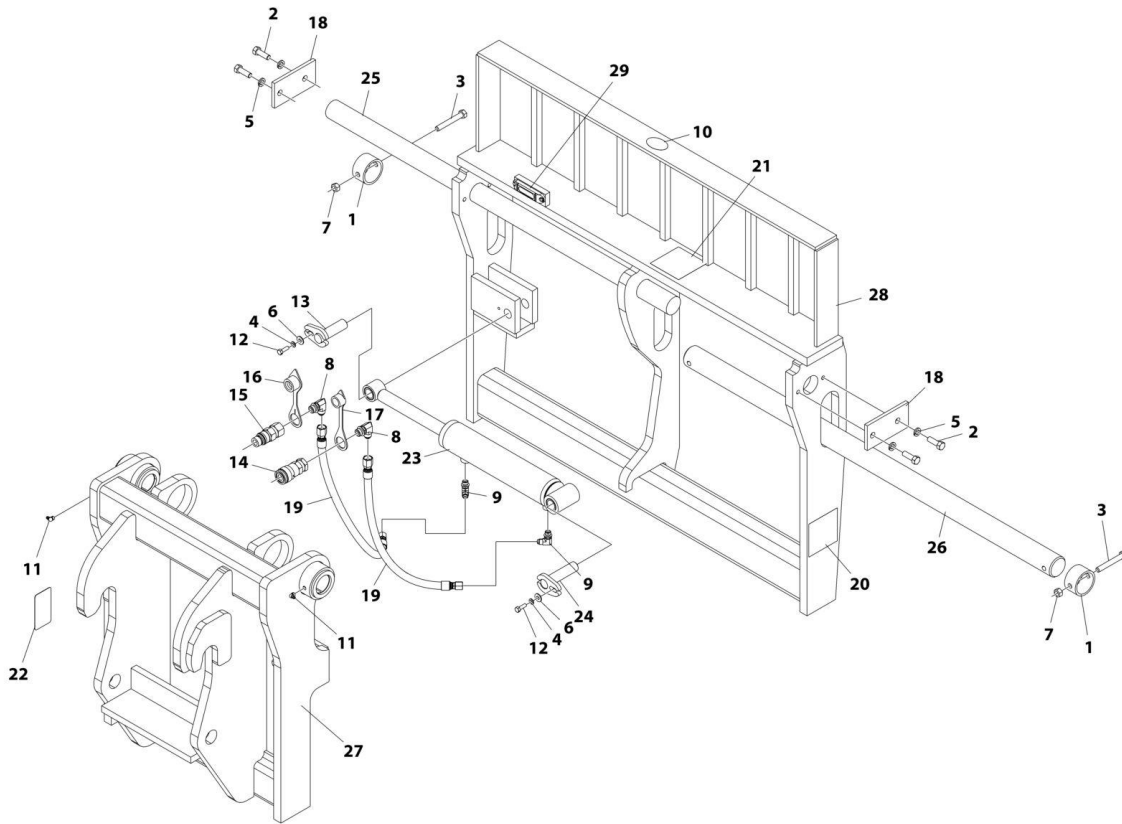
SECTION 3 - ATTACHMENTS

FIGURE 3-17. BUCKET - 102IN (2.0 CU YD)

ITEM	PART NUMBER	QTY	DESCRIPTION	REV
	1001100824	Ref	Bucket (102 Inch)	H
1	1001100267	NLA	Bucket (Note: Purchase PN 1001100824)	
2	See Note	NSS	S/N Plate (Note: Stamped Part - Not Available for Purchase)	
3	1001227670	1	Tag, RFID	
4	0760405	2	Bolt M4 x 10	
5	4811400	2	Washer M4	

SECTION 3 - ATTACHMENTS

FIGURE 3-18. CARRIAGE ASSEMBLY - 48IN/12000# CAPACITY SIDE SHIFT



ART_1001242644_C

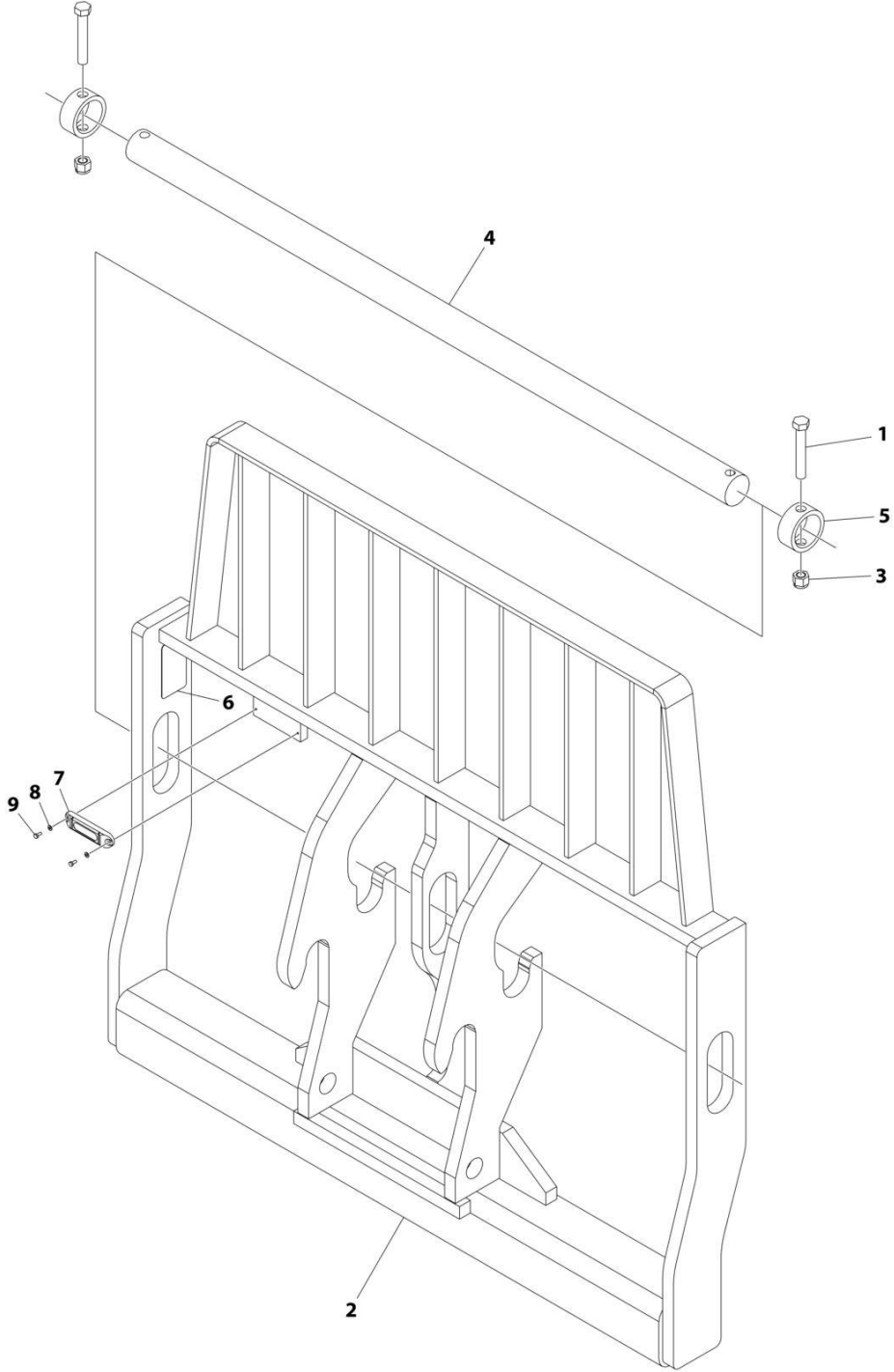
SECTION 3 - ATTACHMENTS

FIGURE 3-18. CARRIAGE ASSEMBLY - 48IN/12000# CAPACITY SIDE SHIFT

ITEM	PART NUMBER	QTY	DESCRIPTION	REV
	1001242644	Ref	SIDE SHIFT CARRIAGE ASSEMBLY (48 INCH)	C
1	70020028	2	Bushing	
2	70021382	4	Bolt 1/2 x 1-1/2	
3	70020002	2	Bolt 1/2 x 4	
4	90554067	2	Washer 5/16	
5	90554020	4	Washer 1/2	
6	70021379	2	Washer	
7	70027642	2	Washer	
8	70030141	2	Elbow	
9	90554065	2	Elbow 90	
10	90554016	1	Decal - Made in USA	
11	70021389	2	Fitting 90	
12	70021378	2	Capscrew	
13	70021351	1	Pin	
14	91403413	1	Adapter	
15	91403414	1	Adapter	
16	8420053	1	Cap, Dust	
17	8420055	1	Plug, Dust	
18	70030142	2	Plate	
19	70030143	2	Hose 30in (Boom Front Disconnect)	
19	70031444	2	Hose 55in (Boom Side Disconnect)	
20	90554017	2	Decal - Danger Pinch Point	
21	7029711	1	Decal - High Pressure	
22	See Note	NSS	SN Plate (Note: Stamped Part - Not Available for Purchase)	
23	70021376	1	Cylinder Assembly (See Separate Breakdown in HYDRAULIC COMPONENTS Section)	
24	70021377	1	Pin	
25	70030144	1	Pin	
26	70030145	1	Pin	
27	See Note	NSS	Frame - Rear (Note: Purchase Complete Assembly)	
28	See Note	NSS	Frame - Front (Note: Purchase Complete Assembly)	
29	1001227670	1	Tag, RFID	

SECTION 3 - ATTACHMENTS

FIGURE 3-19. CARRIAGE ASSEMBLY - 50IN/1270MM



ART_1170021_I

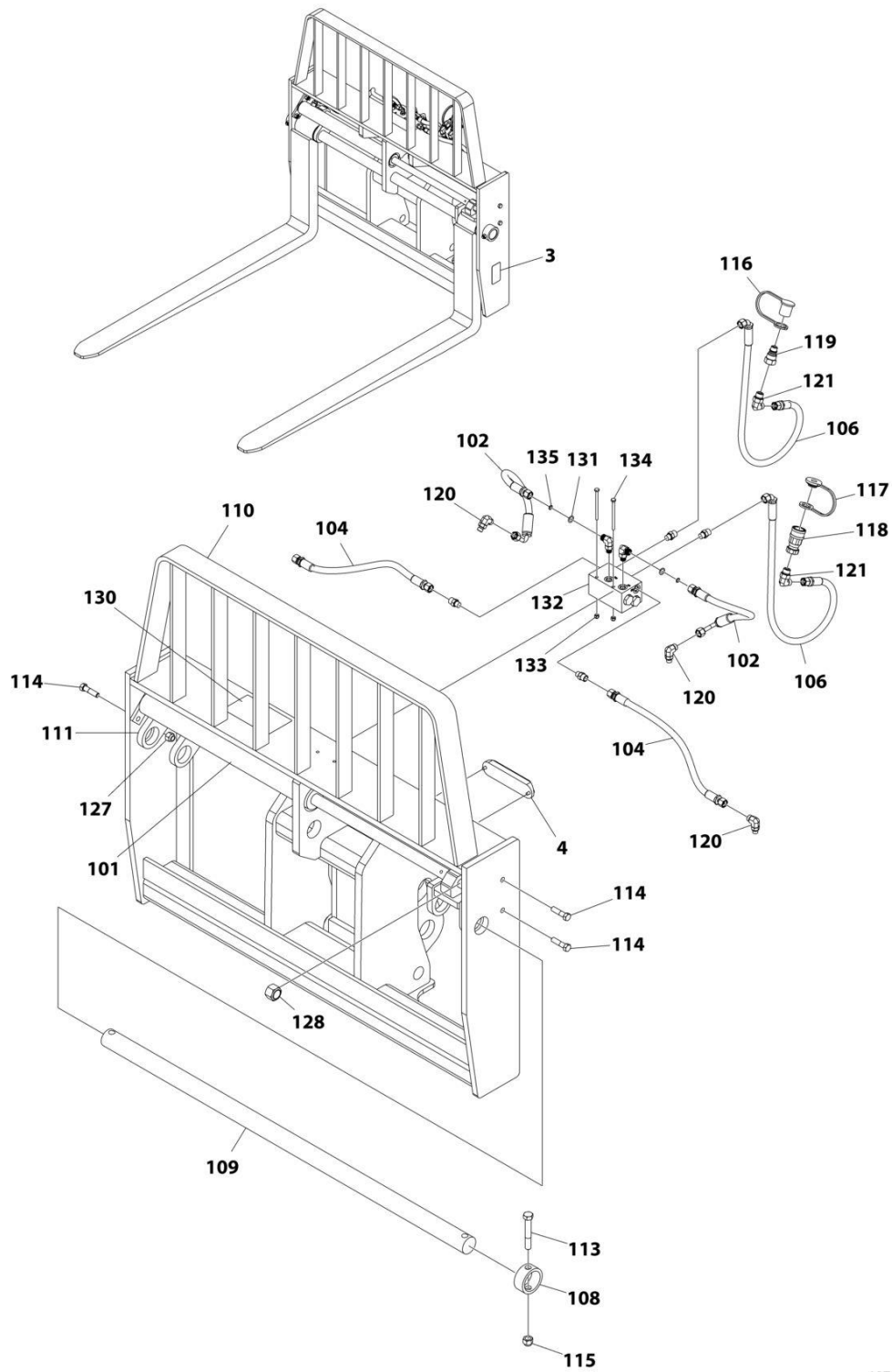
SECTION 3 - ATTACHMENTS

FIGURE 3-19. CARRIAGE ASSEMBLY - 50IN/1270MM

ITEM	PART NUMBER	QTY	DESCRIPTION	REV
	1170021	Ref	CARRIAGE ASSEMBLY (50 INCH)	1
1	0642032	2	Bolt 5/8-11 x 4	
2	See Note	NSS	Carriage (Note: Purchase Complete Assembly)	
3	3300240	2	Nut 5/8-11	
4	3423275	1	Pin, Fork	
5	90200003	2	Collar, Fork Pin	
6	See Note	NSS	SN Plate (Note: Stamped Part - Not Available for Purchase)	
7	1001227670	1	Tag, RFID	
8	4811400	2	Washer M4	
9	0760405	2	Bolt M4 x 10	

SECTION 3 - ATTACHMENTS

FIGURE 3-20. CARRIAGE ASSEMBLY - FORK POSITIONING WITH FORKS (4.5 TON)



ART_7301295_L

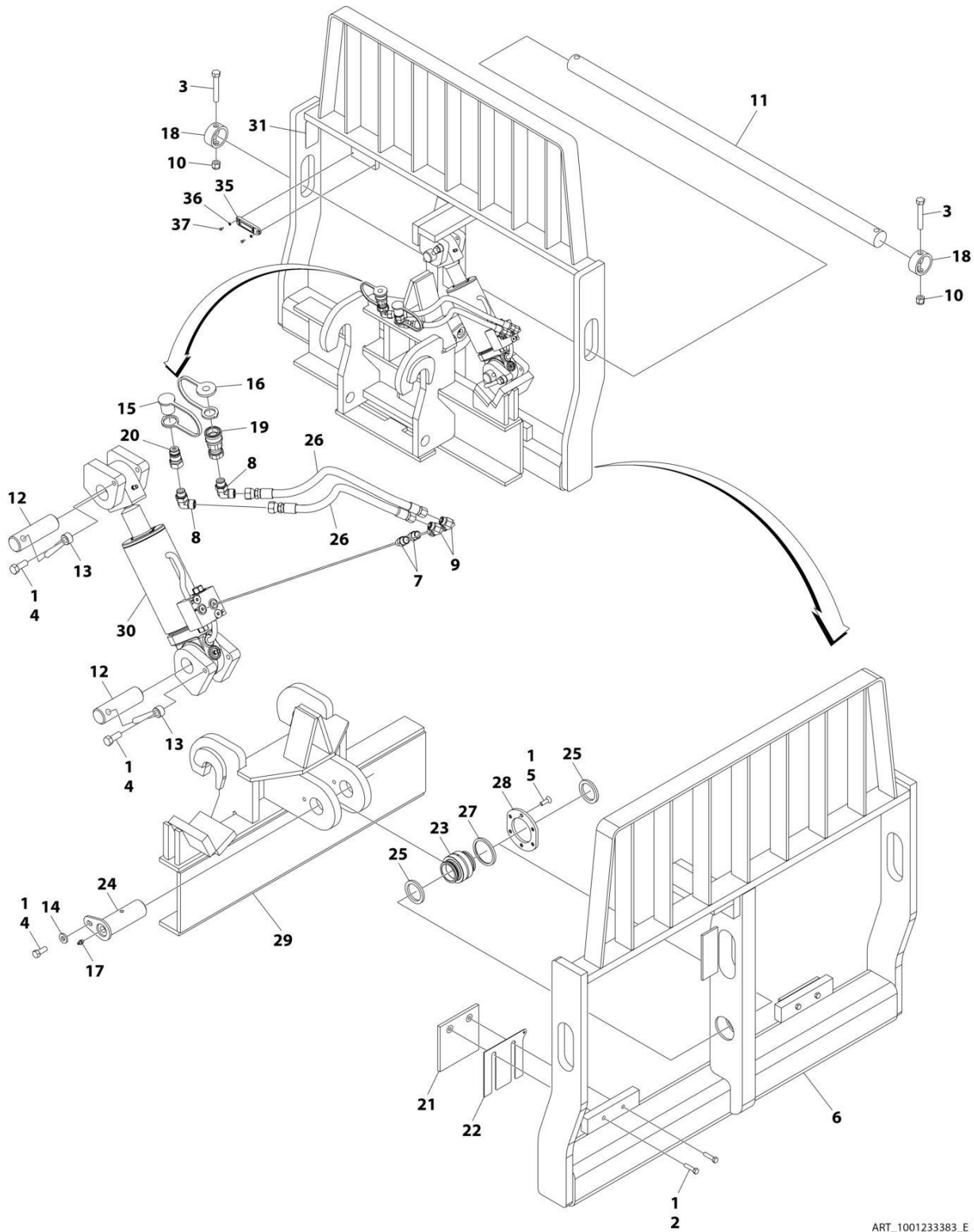
SECTION 3 - ATTACHMENTS

FIGURE 3-20. CARRIAGE ASSEMBLY - FORK POSITIONING WITH FORKS (4.5 TON)

ITEM	PART NUMBER	QTY	DESCRIPTION	REV
	7301295	Ref	FORK POSITIONING CARRIAGE WITH FORKS (4.5 TON)	L
3	N.S.S.	1	S/N Plate	
4	1001227670	1	Tag, RFID	
101	2717283	2	Cylinder, Fork Positioning (See Separate Breakdown in HYDRAULIC COMPONENTS Section)	
102	2717160	2	Hose	
104	2717161	2	Hose	
106	2717162	2	Hose 36in (Boom Front Disconnect)	
106	70031443	2	Hose 44in (Boom Side Disconnect)	
108	90200003	2	Collar, Fork Pin	
109	90451058	1	Shaft, Fork	
110	N.S.S.	1	Weldment, Carriage	
111	N.S.S.	1	Weldment, Fork Adapter	
113	8303634	2	Bolt 5/8 x 4	
114	8303658	4	Bolt 1/2 x 2	
115	8305643	2	Nut 5/8	
116	8420053	1	Cap, Dust	
117	8420055	1	Plug, Dust	
118	91403413	1	Adapter, Quick Disconnect	
119	91403414	1	Adapter, Quick Disconnect	
120	2130606	4	Adapter, 90 Straight	
121	2130608	2	Adapter, 90 Straight	
127	8310302	4	Nut 1/2	
128	10705034	2	Nut 1	
130	4110473	1	Decal, Warning Route Hoses	
131	7139918	2	Disk, Orifice	
132	4641502	1	Assembly, Dual Fork Carriage Valve (See Separate Breakdown in HYDRAULIC COMPONENTS Section)	
133	8305624	2	Nut 1/4	
134	8310435	2	Bolt 1/4 x 3-3/4	
135	8630003	2	O-Ring	

SECTION 3 - ATTACHMENTS

FIGURE 3-21. CARRIAGE ASSEMBLY - 50IN/12000# CAPACITY SIDE TILT (Prior to SN 0160116733)



ART_1001233383_E

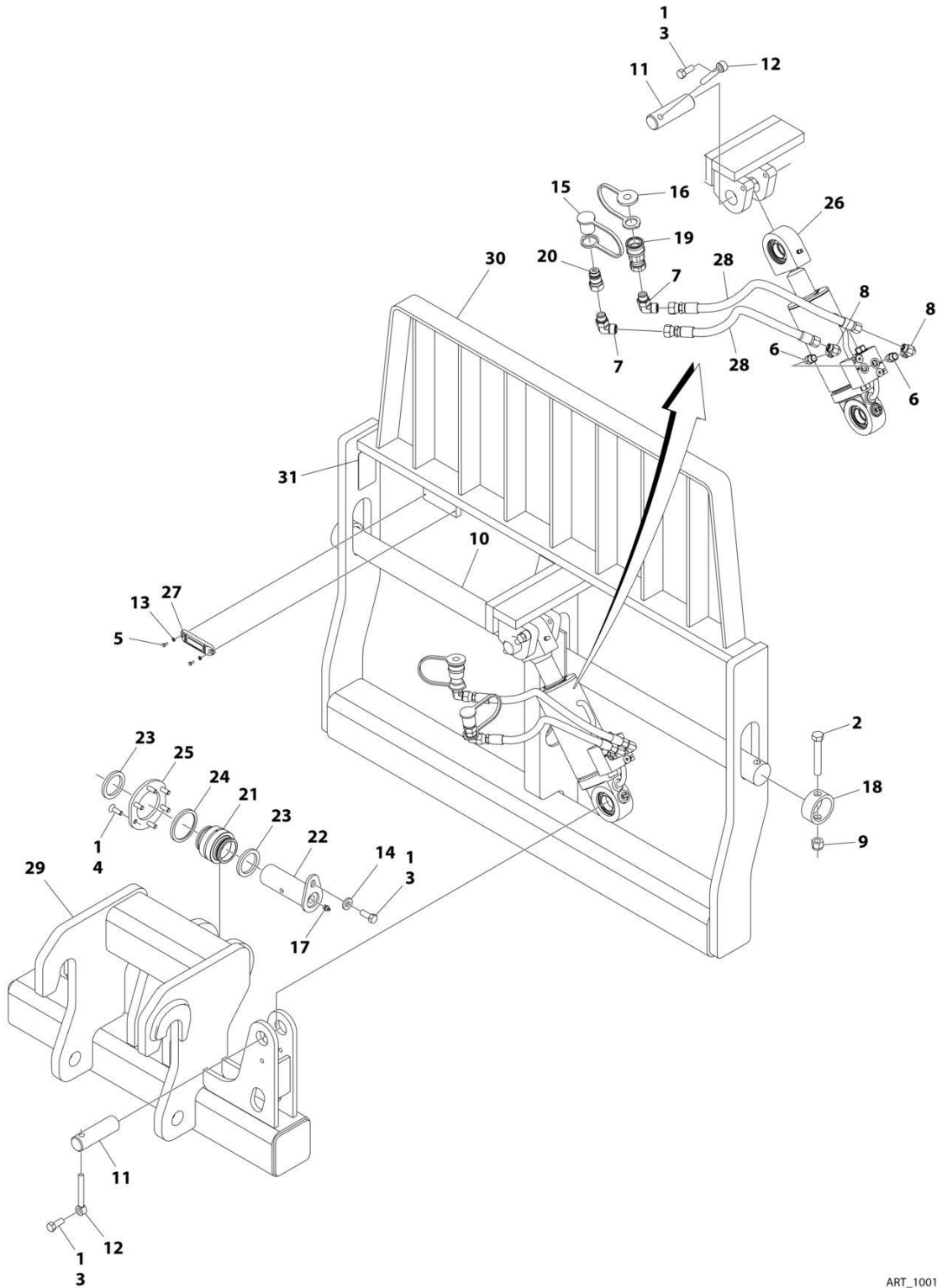
SECTION 3 - ATTACHMENTS

FIGURE 3-21. CARRIAGE ASSEMBLY - 50IN/12000# CAPACITY SIDE TILT (Prior to SN 0160116733)

ITEM	PART NUMBER	QTY	DESCRIPTION	REV
	1001233383	NLA	SIDE TILT CARRIAGE ASSEMBLY (50 INCH) (No longer available, use item 1 to 37 for service or 1001277290 for replacement)	E
1	0100011	AR	Compound, Locking	
2	0641612	4	Bolt 3/8 x 1-1/2	
3	0642032	2	Bolt 5/8 x 4	
4	0681810	3	Bolt 1/2 x 1-1/4	
5	0741610	6	Screw 3/8 x 1.25	
6	See Note	NSS	Carriage (Note: Purchase Complete Assembly)	
7	2110606	2	Fitting, Straight ORFS	
8	2130808	2	Adapter, 90	
9	2172106	2	Fitting, 90 ORFS	
10	3300240	2	Nut 5/8	
11	3423275	1	Pin	
12	3423307	2	Pin	
13	3841203	2	Keeper	
14	4891800	1	Flatwasher	
15	8420053	1	Cap	
16	8420055	1	Plug	
17	88671001	1	Fitting, Grease	
18	90200003	2	Collar	
19	91403413	1	Fitting, Straight	
20	91403414	1	Fitting, Straight	
21	1001090063	2	Pad	
22	1001090064	AR	Shim	
23	1001090140	1	Bearing	
24	1001099113	1	Pin	
25	1001099115	2	Sleeve	
26	1001239734	2	Hose	
27	1001120914	1	Shim	
28	1001120915	1	Plate	
29	See Note	NSS	Carriage, Base Plate (Note: Purchase Complete Assembly)	
30	1001163414	1	Cylinder, Side Tilt (See Separate Breakdown in HYDRAULIC COMPONENTS Section)	
31	See Note	NSS	SN Plate (Note: Stamped Part - Not Available for Purchase)	
35	1001227670	1	Tag, RFID	
36	4811400	2	Washer M4	
37	0760405	2	Bolt M4 x 10	

SECTION 3 - ATTACHMENTS

FIGURE 3-22. CARRIAGE ASSEMBLY - 50IN/12000# CAPACITY SIDE TILT (SN 0160116733 to Present)



ART_1001277290

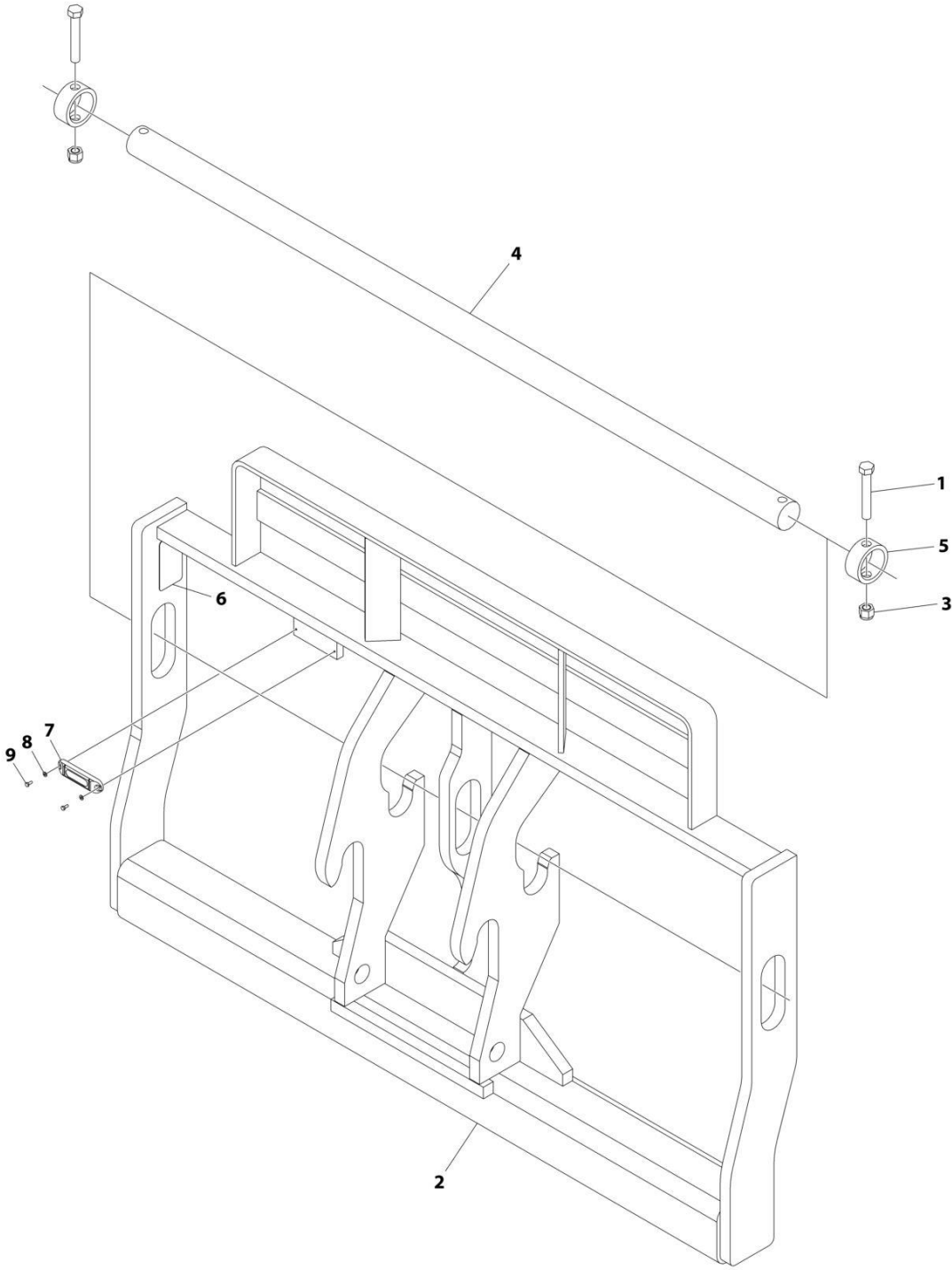
SECTION 3 - ATTACHMENTS

FIGURE 3-22. CARRIAGE ASSEMBLY - 50IN/12000# CAPACITY SIDE TILT (SN 0160116733 to Present)

ITEM	PART NUMBER	QTY	DESCRIPTION	REV
	1001277290	Ref	SIDE TILT CARRIAGE ASSEMBLY (50 INCH)	A
1	0100011	AR	Compound, Locking	
2	0642032	2	Bolt 5/8 x 4	
3	0681810	3	Bolt 1/2 x 1-1/4	
4	0741610	6	Screw 3/8 x 1-1/4	
5	0760405	2	Bolt M4 x 10	
6	2110606	2	Fitting, Straight ORFS	
7	2130808	2	Fitting, 90 ORFS	
8	2172106	2	Fitting, 90 ORFS	
9	3300240	2	Nut 5/8	
10	3423275	1	Pin	
11	3423307	2	Pin	
12	3841203	2	Keeper	
13	4811400	2	Washer M4	
14	4891800	1	Washer	
15	8420053	1	Cap	
16	8420055	1	Plug	
17	88671001	1	Fitting, Grease	
18	90200003	2	Collar	
19	91403413	1	Fitting, Straight	
20	91403414	1	Fitting, Straight	
21	1001090140	1	Bearing	
22	1001099113	1	Pin	
23	1001099115	2	Sleeve	
24	1001120914	1	Shim	
25	1001120915	1	Plate	
26	1001163414	1	Cylinder, Side Tilt (See Separate Breakdown in HYDRAULIC COMPONENTS Section)	
27	1001227670	1	Tag, RFID	
28	1001239734	2	Hose	
29	See Note	NSS	Carriage, Base Plate (Note: Purchase Complete Assembly)	
30	See Note	NSS	Carriage (Note: Purchase Complete Assembly)	
31	See Note	NSS	SN Plate (Note: Stamped Part - Not Available for Purchase)	

SECTION 3 - ATTACHMENTS

FIGURE 3-23. CARRIAGE ASSEMBLY - 60IN/1524MM



ART_1170024_I

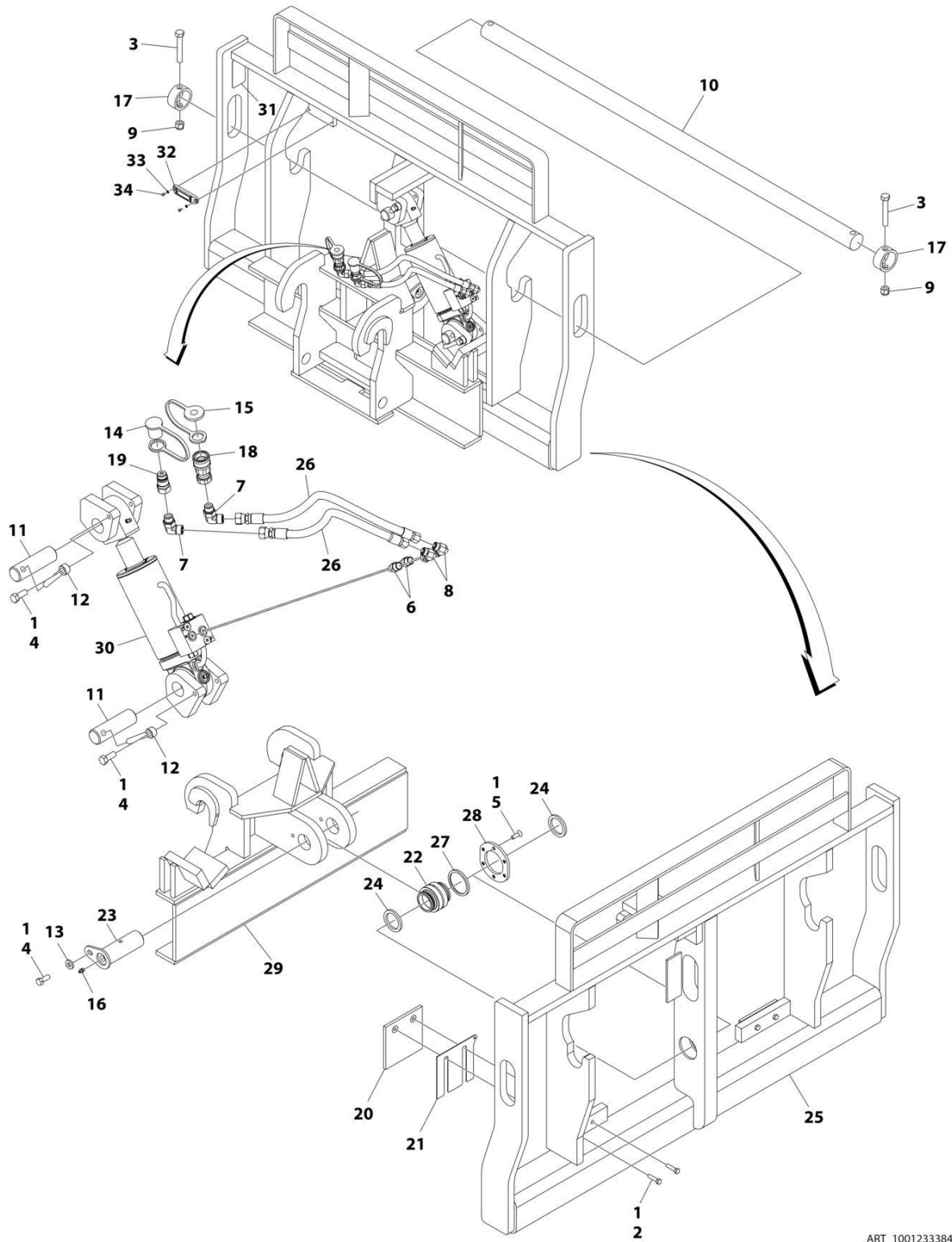
SECTION 3 - ATTACHMENTS

FIGURE 3-23. CARRIAGE ASSEMBLY - 60IN/1524MM

ITEM	PART NUMBER	QTY	DESCRIPTION	REV
	1170024	Ref	CARRIAGE ASSEMBLY (1524 MM)	1
1	0642032	2	Bolt 5/8 x 4	
2	See Note	NSS	Carriage (Note: Purchase Complete Assembly)	
3	3300240	2	Nut 5/8	
4	3423242	1	Pin	
5	90200003	2	Sleeve	
6	See Note	NSS	SN Plate (Note:Stamped Part - Not Available for Purchase)	
7	1001227670	1	Tag, RFID	
8	4811400	2	Washer M4	
9	0760405	2	Bolt M4 x 10	

SECTION 3 - ATTACHMENTS

FIGURE 3-24. CARRIAGE ASSEMBLY - 60IN/12000# CAPACITY SIDE TILT (Prior to SN 0160116733)



ART_1001233384_F

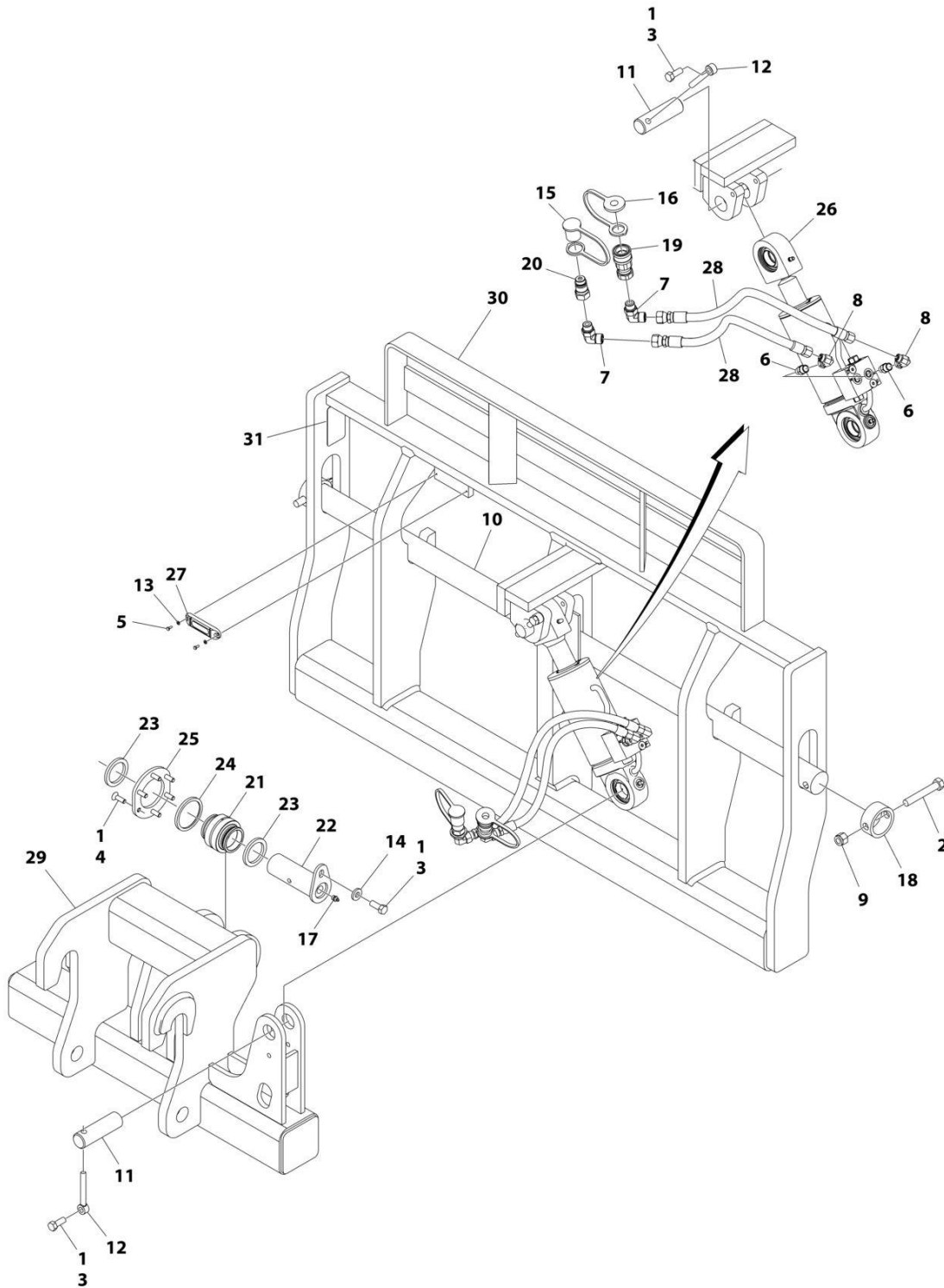
SECTION 3 - ATTACHMENTS

FIGURE 3-24. CARRIAGE ASSEMBLY - 60IN/12000# CAPACITY SIDE TILT (Prior to SN 0160116733)

ITEM	PART NUMBER	QTY	DESCRIPTION	REV
	1001233384	Ref	SIDE TILT CARRIAGE ASSEMBLY (60 INCH)	F
1	0100011	AR	Compound, Locking	
2	0641612	4	Bolt 3/8 x 1-1/2	
3	0642032	2	Bolt 5/8 x 4	
4	0681810	3	Bolt 1/2 x 1-1/4	
5	0741610	6	Screw 3/8 x 1-1/4	
6	2110606	2	Fitting, Straight	
7	2130808	2	Adapter, 90	
8	2172106	2	Fitting, 90	
9	3300240	2	Nut 5/8	
10	3423242	1	Pin	
11	3423307	2	Pin	
12	3841203	2	Keeper	
13	4891800	1	Washer	
14	8420053	1	Cap	
15	8420055	1	Plug	
16	88671001	1	Fitting, Grease	
17	90200003	2	Collar	
18	91403413	1	Fitting, Straight	
19	91403414	1	Fitting, Straight	
20	1001090063	2	Pad	
21	1001090064	AR	Shim	
22	1001090140	1	Bearing	
23	1001099113	1	Pin	
24	1001099115	2	Sleeve	
25	See Note	NSS	Carriage, Side Tilt (Note: Purchase Complete Assembly)	
26	1001239734	2	Hose	
27	1001120914	1	Shim	
28	1001120915	1	Plate	
29	1001133072	1	Carriage, Base Pivot	
30	1001163414	1	Cylinder, Side Tilt (See Separate Breakdown in HYDRAULIC COMPONENTS Section)	
31	See Note	NSS	SN Plate (Note: Stamped Part - Not Available for Purchase)	
32	1001227670	1	Tag, RFID	
33	4811400	2	Washer M4	
34	0760405	2	Bolt M4 x 10	

SECTION 3 - ATTACHMENTS

FIGURE 3-25. CARRIAGE ASSEMBLY - 60IN/12000# CAPACITY SIDE TILT (SN 0160116733 to Present)



ART_1001277338

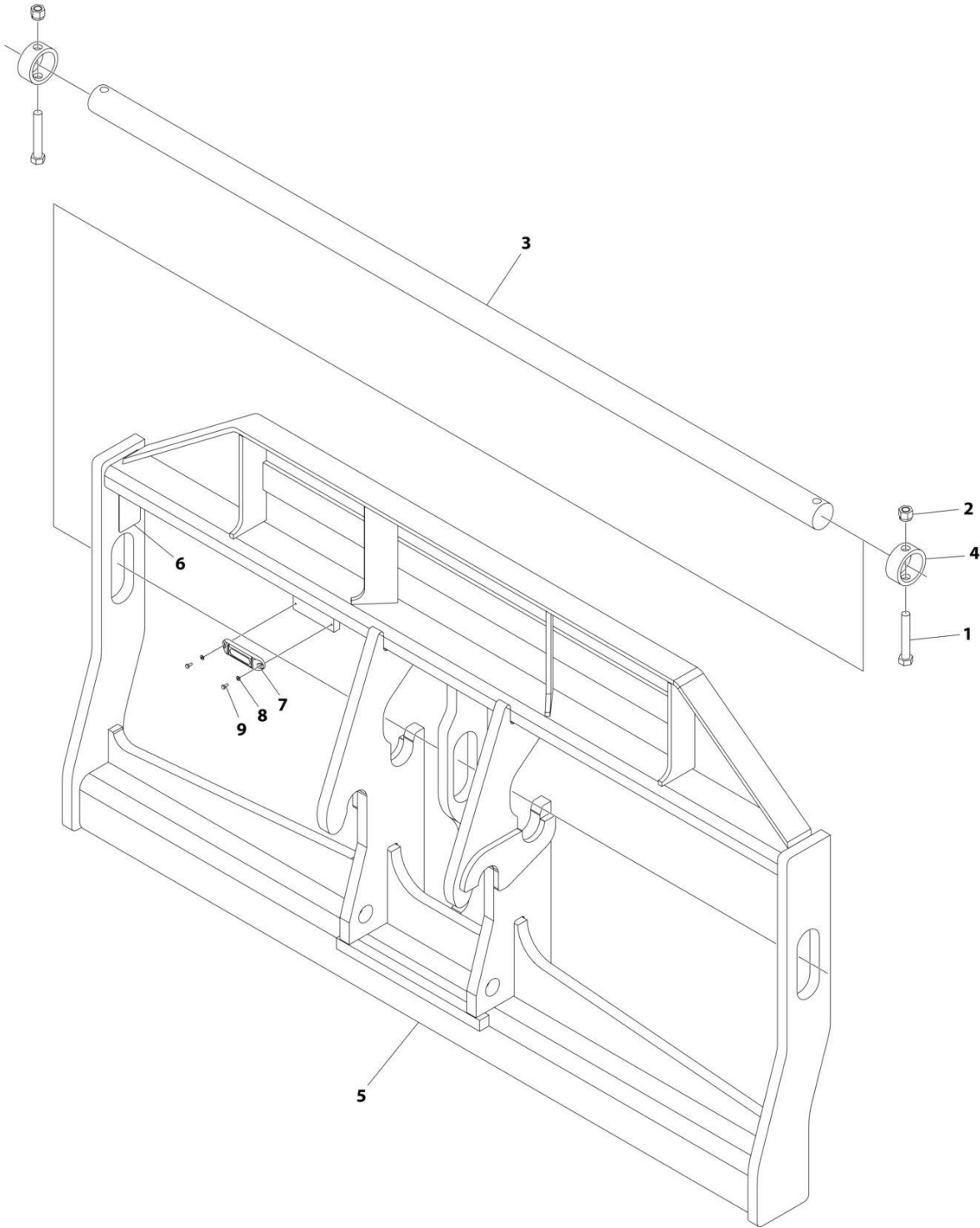
SECTION 3 - ATTACHMENTS

FIGURE 3-25. CARRIAGE ASSEMBLY - 60IN/12000# CAPACITY SIDE TILT (SN 0160116733 to Present)

ITEM	PART NUMBER	QTY	DESCRIPTION	REV
	1001277338	Ref	SIDE TILT CARRIAGE ASSEMBLY (60 INCH)	A
1	0100011	AR	Compound, Locking	
2	0642032	2	Bolt 5/8 x 4	
3	0681810	3	Bolt 1/2 x 1-1/4	
4	0741610	6	Screw 3/8 x 1-1/4	
5	0760405	2	Bolt M4 x 10	
6	2110606	2	Fitting, Straight	
7	2130808	2	Fitting, 90 ORFS	
8	2172106	2	Fitting, 90 ORFS	
9	3300240	2	Nut 5/8	
10	3423242	1	Pin	
11	3423307	2	Pin	
12	3841203	2	Keeper	
13	4811400	2	Washer M4	
14	4891800	1	Washer	
15	8420053	1	Cap	
16	8420055	1	Plug	
17	88671001	1	Fitting, Grease	
18	90200003	2	Collar	
19	91403413	1	Fitting, Straight	
20	91403414	1	Fitting, Straight	
21	1001090140	1	Bearing	
22	1001099113	1	Pin	
23	1001099115	2	Sleeve	
24	1001120914	1	Shim	
25	1001120915	1	Plate	
26	1001163414	1	Cylinder, Side Tilt (See Separate Breakdown in HYDRAULIC COMPONENTS Section)	
27	1001227670	1	Tag, RFID	
28	1001239734	2	Hose	
29	See Note	NSS	Carriage, Base Plate (Note: Purchase Complete Assembly)	
30	See Note	NSS	Carriage, Side Tilt (Note: Purchase Complete Assembly)	
31	See Note	NSS	SN Plate (Note: Stamped Part - Not Available for Purchase)	

SECTION 3 - ATTACHMENTS

FIGURE 3-26. CARRIAGE ASSEMBLY - 72IN/1829MM



ART_1001211516_E

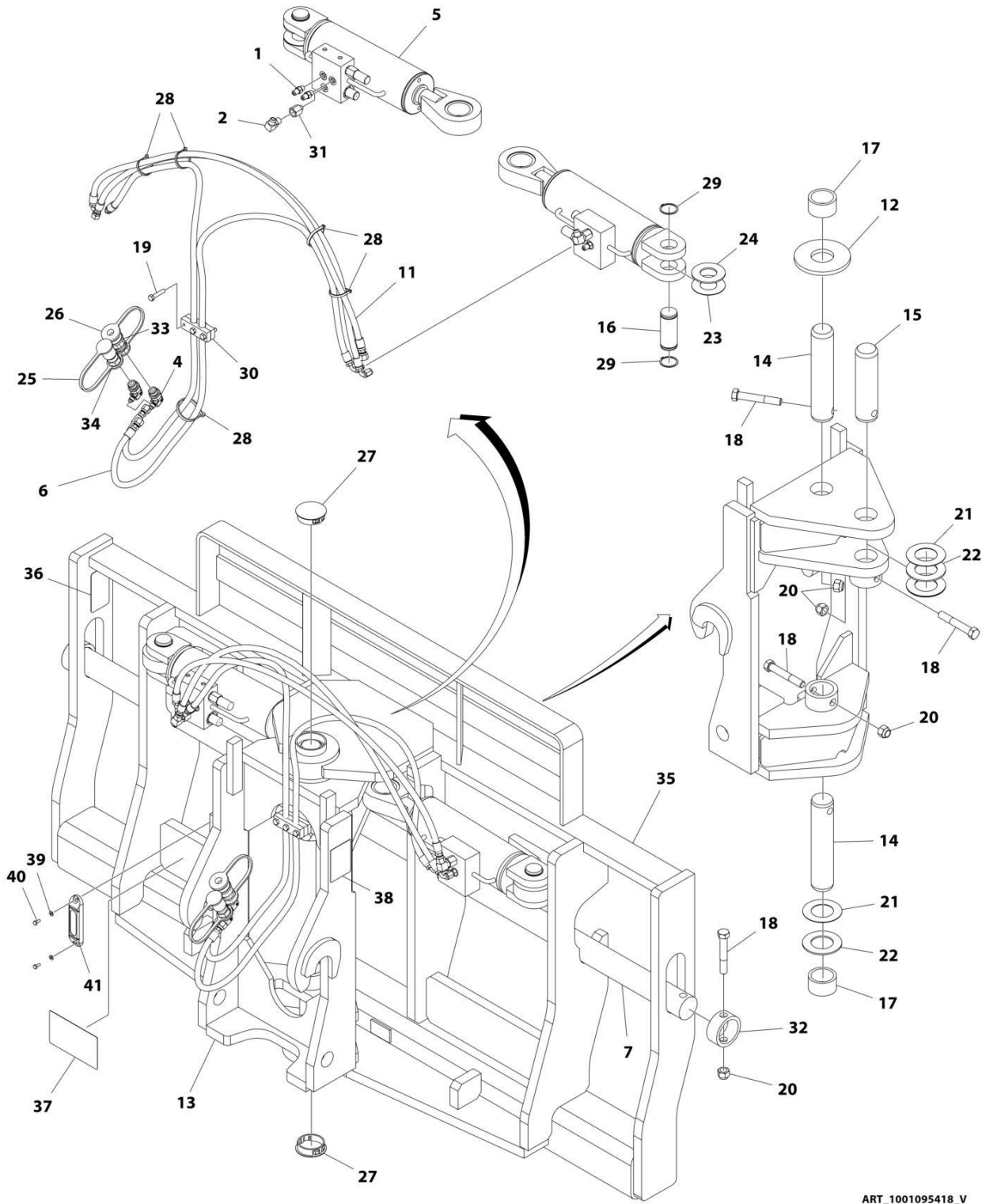
SECTION 3 - ATTACHMENTS

FIGURE 3-26. CARRIAGE ASSEMBLY - 72IN/1829MM

ITEM	PART NUMBER	QTY	DESCRIPTION	REV
	1001211516	Ref	CARRIAGE ASSEMBLY (72 INCH)	F
1	0642032	2	Bolt 5/8 x 4	
2	3300240	2	Nut 5/8	
3	3423276	1	Pin	
4	90200003	2	Sleeve	
5	See Note	NSS	Carriage (Note: Purchase Complete Assembly)	
6	See Note	NSS	SN Plate (Note:Stamped Part - Not Available for Purchase)	
7	1001227670	1	Tag, RFID	
8	4811400	2	Washer M4	
9	0760405	2	Bolt M4 x 10	

SECTION 3 - ATTACHMENTS

FIGURE 3-27. CARRIAGE ASSEMBLY - 72IN 90 DEGREE SWING (Prior to SN 0160115999)



ART_1001095418_V

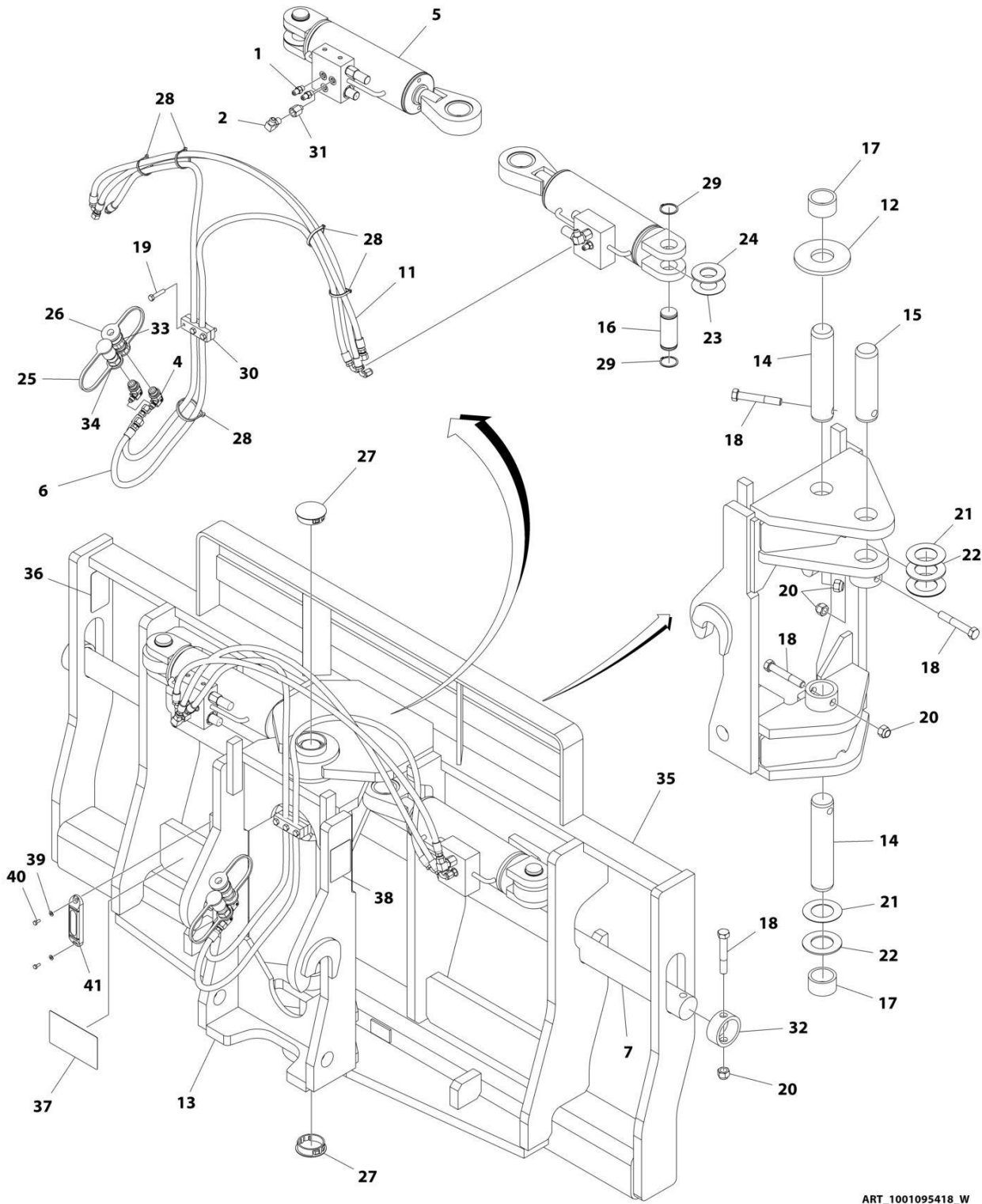
SECTION 3 - ATTACHMENTS

FIGURE 3-27. CARRIAGE ASSEMBLY - 72IN 90 DEGREE SWING (Prior to SN 0160115999)

ITEM	PART NUMBER	QTY	DESCRIPTION	REV
	1001095418	Ref	CARRIAGE ASSEMBLY - SWING (72 INCH)	V
1	2220415	4	Fitting, Straight ORFS	
2	2220473	2	Fitting, 90 ORFS	
4	1001211139	2	Adapter, 90	
5	1001103182	1	Swing Carriage Cylinder (See Separate Breakdown in HYDRAULIC COMPONENTS Section)	
6	2717287	2	Hose 58IN (Boom Front Disconnect)	
6	1001301599	1	Hose 66IN (Boom Side Disconnect)	
6	1001301600	1	Hose 46IN (Boom Side Disconnect)	
7	3423276	1	Pin	
11	6604662	2	Hose	
12	7062922	1	Washer	
13	See Note	NSS	Pivot (Note: Purchase Complete Assembly)	
14	7110702	2	Pin	
15	7110712	1	Pin	
16	7110722	2	Pin	
17	8065062	2	Bushing	
18	8303634	5	Bolt 5/8 x 4	
19	8303715	3	Bolt 5/16 x 1-1/2	
20	8305643	5	Nut 5/8	
21	8307904	AR	Washer	
22	8307918	AR	Washer	
23	8310160	AR	Washer	
24	8310161	AR	Washer	
25	8420053	1	Cap	
26	8420055	1	Plug	
27	8580315	2	Plug	
28	8584001	5	Tie Wrap	
29	8642207	4	Ring, Retaining	
30	8769132	2	Clamp	
31	8770016	2	Fitting, Straight ORFS	
32	90200003	2	Collar	
33	91403413	1	Fitting, Straight ORFS	
34	91403414	1	Fitting, Straight	
35	See Note	NSS	Carriage (Note: Purchase Complete Assembly)	
36	See Note	NSS	SN Plate (Note: Stamped Part - Not Available for Purchase)	
37	1001110704	1	Decal, Warning Crushing Hazard	
38	1001111190	2	Decal, Warning	
39	4811400	2	Washer M4	
40	0760405	2	Bolt M4 x 10	
41	1001227670	1	Tag - RFID	

SECTION 3 - ATTACHMENTS

FIGURE 3-28. CARRIAGE ASSEMBLY - 72IN 90 DEGREE SWING (SN 0160115999 to Present)



ART_1001095418_W

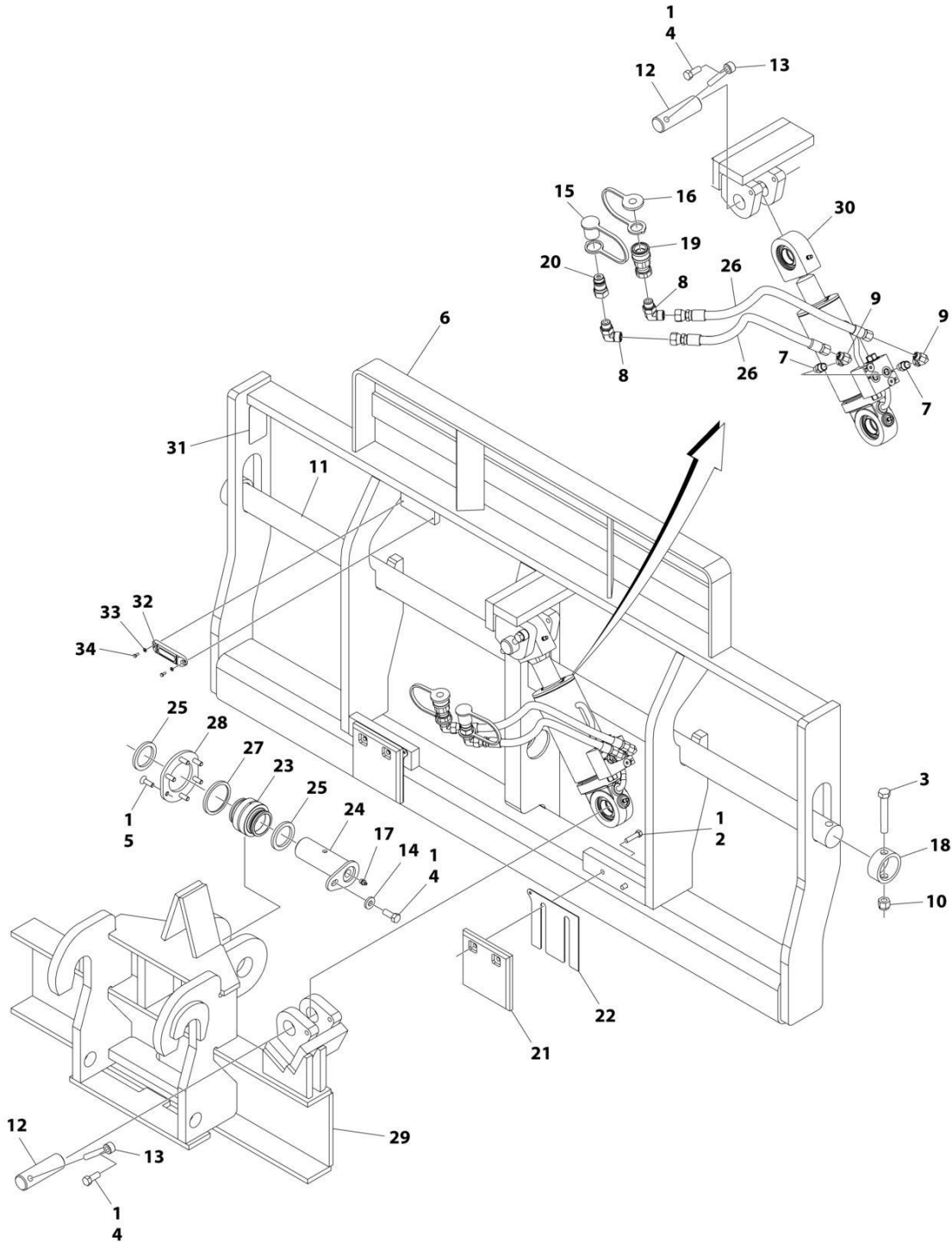
SECTION 3 - ATTACHMENTS

FIGURE 3-28. CARRIAGE ASSEMBLY - 72IN 90 DEGREE SWING (SN 0160115999 to Present)

ITEM	PART NUMBER	QTY	DESCRIPTION	REV
	1001095418	Ref	CARRIAGE ASSEMBLY - SWING (72 INCH)	W
1	2220415	4	Fitting, Straight ORFS	
2	2220473	2	Fitting, 90 ORFS	
4	1001211139	2	Adapter, 90	
5	1001293182	1	Swing Carriage Cylinder (See Separate Breakdown in HYDRAULIC COMPONENTS Section)	
6	2717287	2	Hose 58in (Boom Front Disconnect)	
6	1001301599	1	Hose 66in (Boom Side Disconnect)	
6	1001301600	1	Hose 46in (Boom Side Disconnect)	
7	3423276	1	Pin	
11	6604662	2	Hose	
12	7062922	1	Washer	
13	See Note	NSS	Pivot (Note: Purchase Complete Assembly)	
14	7110702	2	Pin	
15	7110712	1	Pin	
16	7110722	2	Pin	
17	8065062	2	Bushing	
18	8303634	5	Bolt 5/8 x 4	
19	8303715	3	Bolt 5/16 x 1-1/2	
20	8305643	5	Nut 5/8	
21	8307904	AR	Washer	
22	8307918	AR	Washer	
23	8310160	AR	Washer	
24	8310161	AR	Washer	
25	8420053	1	Cap	
26	8420055	1	Plug	
27	8580315	2	Plug	
28	8584001	5	Tie Wrap	
29	8642207	4	Ring, Retaining	
30	8769132	2	Clamp	
31	8770016	2	Fitting, Straight ORFS	
32	90200003	2	Collar	
33	91403413	1	Fitting, Straight ORFS	
34	91403414	1	Fitting, Straight	
35	See Note	NSS	Carriage (Note: Purchase Complete Assembly)	
36	See Note	NSS	SN Plate (Note: Stamped Part - Not Available for Purchase)	
37	1001110704	1	Decal, Warning Crushing Hazard	
38	1001111190	2	Decal, Warning	
39	4811400	2	Washer M4	
40	0760405	2	Bolt M4 x 10	
41	1001227670	1	Tag - RFID	

SECTION 3 - ATTACHMENTS

FIGURE 3-29. CARRIAGE ASSEMBLY - 72IN/12000# CAPACITY SIDE TILT (Prior to SN 0160116733)



ART_1001233385_E

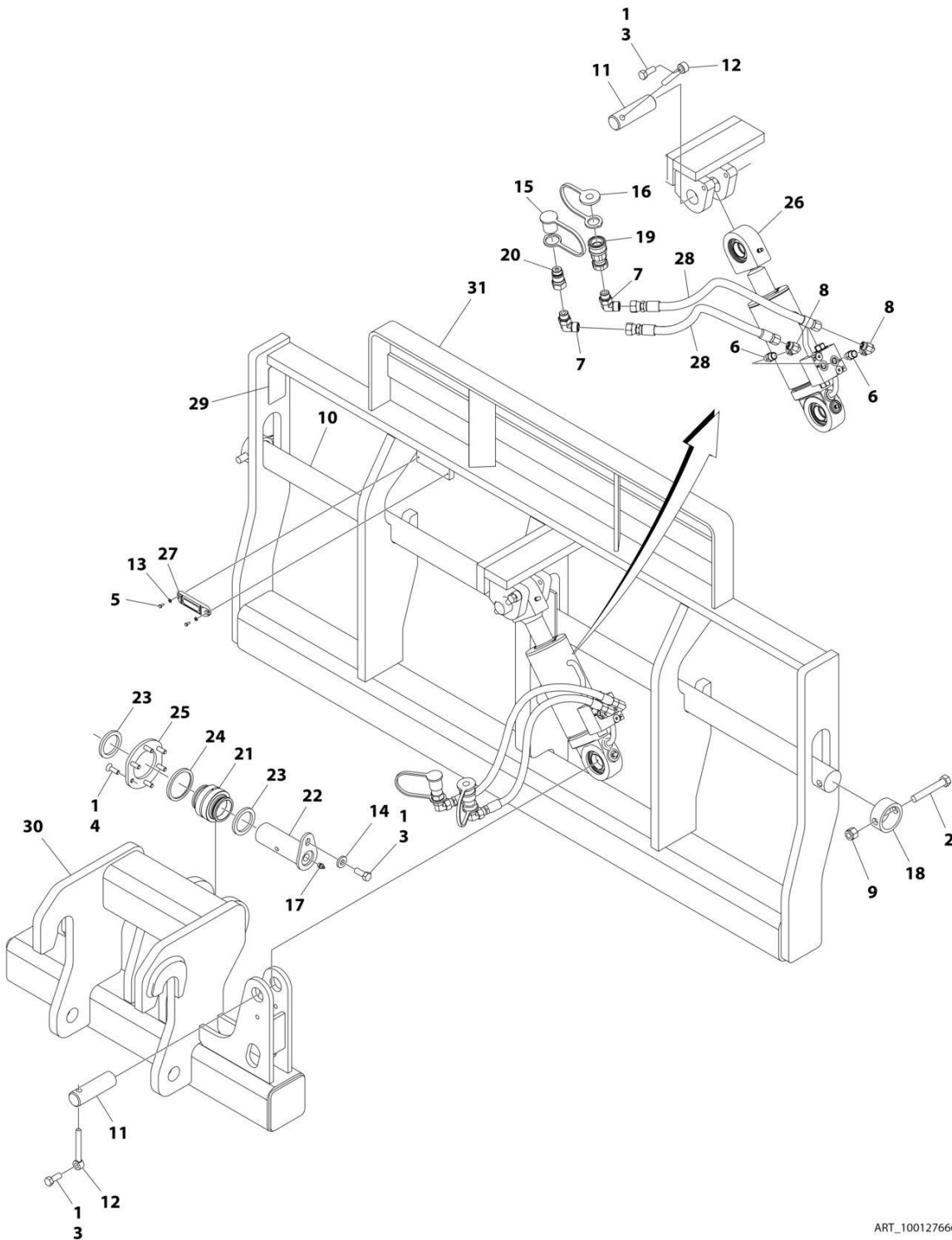
SECTION 3 - ATTACHMENTS

FIGURE 3-29. CARRIAGE ASSEMBLY - 72IN/12000# CAPACITY SIDE TILT (Prior to SN 0160116733)

ITEM	PART NUMBER	QTY	DESCRIPTION	REV
	1001233385	NLA	SIDE TILT CARRIAGE ASSEMBLY (72 INCH) (No longer available, use item 1 to 34 for service or 1001276666 for replacement)	E
1	0100011	AR	Compound, Locking	
2	0641612	4	Bolt 3/8 x 1-1/2	
3	0642032	2	Bolt 5/8 x 4	
4	0681810	3	Bolt 1/2 x 1-1/4	
5	0741610	6	Screw 3/8 x 1-1/4	
5	See Note	NSS	Carriage, Side Tilt (Note: Purchase Complete Assembly)	
7	2110606	2	Adapter, Straight	
8	2130808	2	Adapter, 90	
9	2172106	2	Adapter, 90	
10	3300240	2	Nut 5/8	
11	3423276	1	Pin, Fork	
12	3423307	2	Pin, Side Tilt Cylinder	
13	3841203	2	Keeper, Rod	
14	4891800	1	Washer 1/2	
15	8420053	1	Cap, Dust	
16	8420055	1	Plug, Dust	
17	88671001	1	Fitting, Grease	
18	90200003	2	Collar, Fork Pin	
19	91403413	1	Adapter	
20	91403414	1	Adapter	
21	1001090063	2	Pad, Wear	
22	1001090064	AR	Shim, Wear Pad	
23	1001090140	1	Bearing, Side Tilt Spherical	
24	1001099113	1	Pin, Side Tilt Frame Pivot	
25	1001099115	2	Sleeve, Tilt Bearing Spacer	
26	1001239734	2	Hose	
27	1001120914	1	Shim, Bearing Retainer	
28	1001120915	1	Plate, Bearing Retainer	
29	1001133072	1	Carriage, Base Pivot	
30	1001163414	1	Cylinder, Side Tilt (See Separate Breakdown in HYDRAULIC COMPONENTS Section)	
31	See Note	NSS	SN Plate (Note: Stamped Part - Not Available for Purchase)	
32	1001227670	1	Tag, RFID	
33	4811400	2	Washer M4	
34	0760405	2	Bolt M4 x 10	

SECTION 3 - ATTACHMENTS

FIGURE 3-30. CARRIAGE ASSEMBLY - 72IN/12000# CAPACITY SIDE TILT (SN 0160116733 to Present)



ART_1001276666

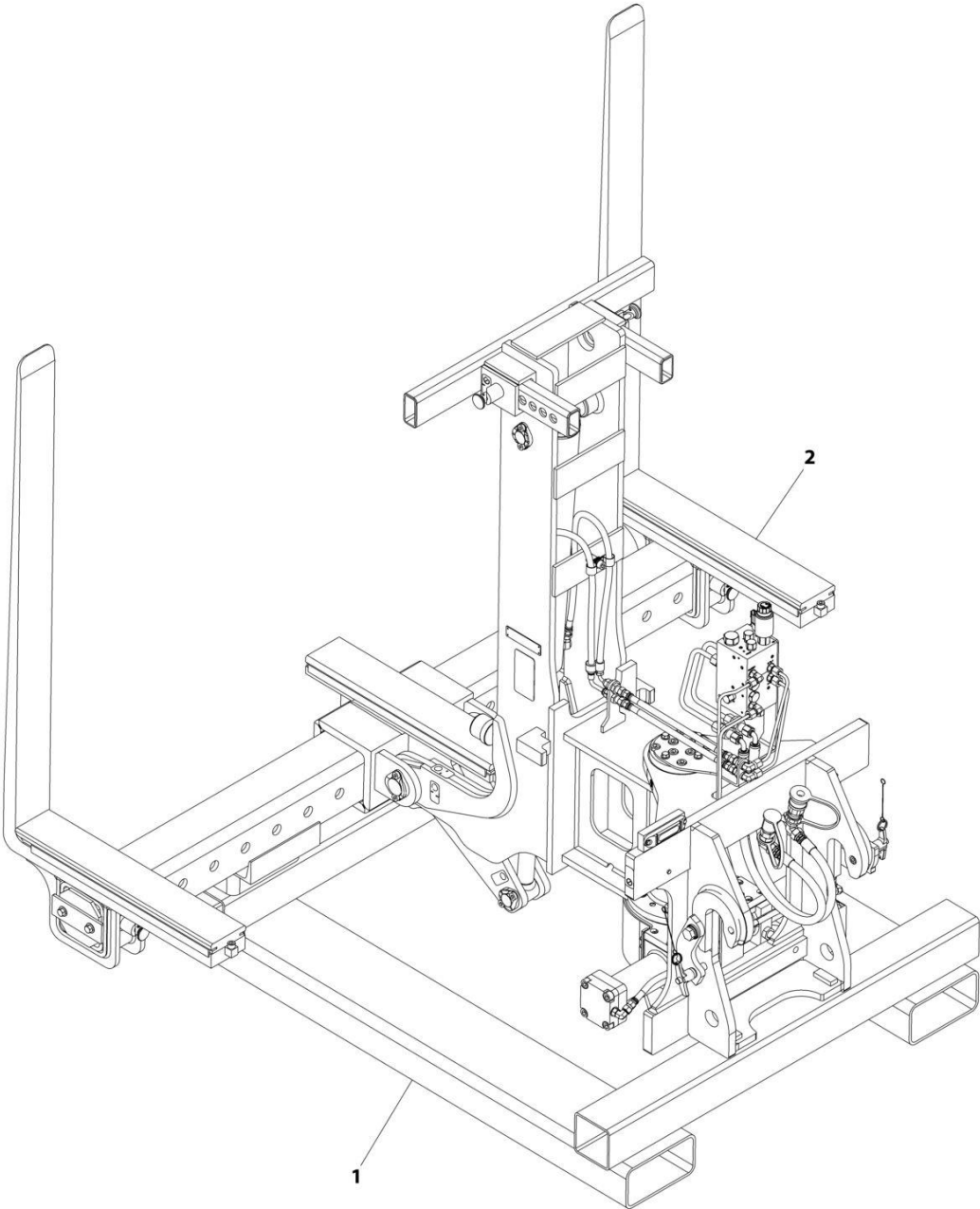
SECTION 3 - ATTACHMENTS

FIGURE 3-30. CARRIAGE ASSEMBLY - 72IN/12000# CAPACITY SIDE TILT (SN 0160116733 to Present)

ITEM	PART NUMBER	QTY	DESCRIPTION	REV
	1001276666	Ref	SIDE TILT CARRIAGE ASSEMBLY (72 INCH)	A
1	0100011	AR	Compound, Locking	
2	0642032	2	Bolt 5/8 x 4	
3	0681810	3	Bolt 1/2 x 1-1/4	
4	0741610	6	Screw 3/8 x 1-1/4	
5	0760405	2	Bolt M4 x 10	
6	2110606	2	Fitting, Straight	
7	2130808	2	Fitting, 90 ORFS	
8	2172106	2	Fitting, 90 ORFS	
9	3300240	2	Nut 5/8	
10	3423276	1	Pin, Fork	
11	3423307	2	Pin, Side Tilt Cylinder	
12	3841203	2	Keeper, Rod	
13	4811400	2	Washer M4	
14	4891800	1	Washer 1/2	
15	8420053	1	Cap, Dust	
16	8420055	1	Plug, Dust	
17	88671001	1	Fitting, Grease	
18	90200003	2	Collar, Fork Pin	
19	91403413	1	Fitting, Straight	
20	91403414	1	Fitting, Straight	
21	1001090140	1	Bearing, Side Tilt Spherical	
22	1001099113	1	Pin, Side Tilt Frame Pivot	
23	1001099115	2	Sleeve, Tilt Bearing Spacer	
24	1001120914	1	Shim, Bearing Retainer	
25	1001120915	1	Plate, Bearing Retainer	
26	1001163414	1	Cylinder, Side Tilt (See Separate Breakdown in HYDRAULIC COMPONENTS Section)	
27	1001227670	1	Tag, RFID	
28	1001239734	2	Hose	
29	See Note	NSS	SN Plate (Note: Stamped Part - Not Available for Purchase)	
30	See Note	NSS	Carriage, Base Plate (Note: Purchase Complete Assembly)	
31	See Note	NSS	Carriage, Side Tilt (Note: Purchase Complete Assembly)	

SECTION 3 - ATTACHMENTS

FIGURE 3-31. CARRIAGE ASSEMBLY - DRYWALL (SWING)



ART_1001246022_B

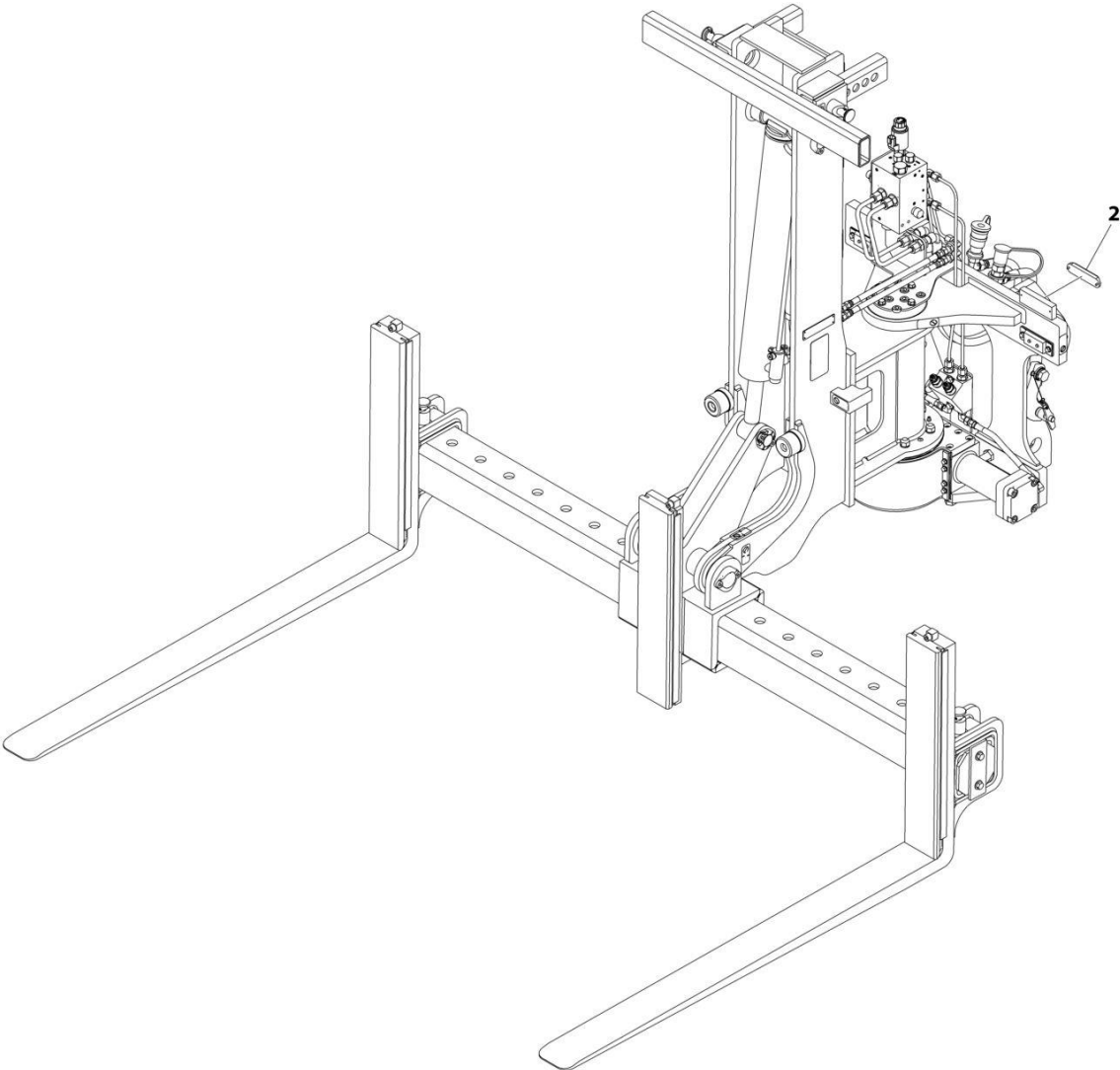
SECTION 3 - ATTACHMENTS

FIGURE 3-31. CARRIAGE ASSEMBLY - DRYWALL (SWING)

ITEM	PART NUMBER	QTY	DESCRIPTION	REV
	1001246022	Ref	DRYWALL SWING CARRIAGE INSTALLATION	B
1	1001243214	1	Drywall Cradle	
2	1001230765	1	Rotating Drywall Carriage (See Separate Breakdown in this Section)	

SECTION 3 - ATTACHMENTS

FIGURE 3-32. CARRIAGE ASSEMBLY - DRYWALL SWING CARRIAGE



ART_1001230765_D

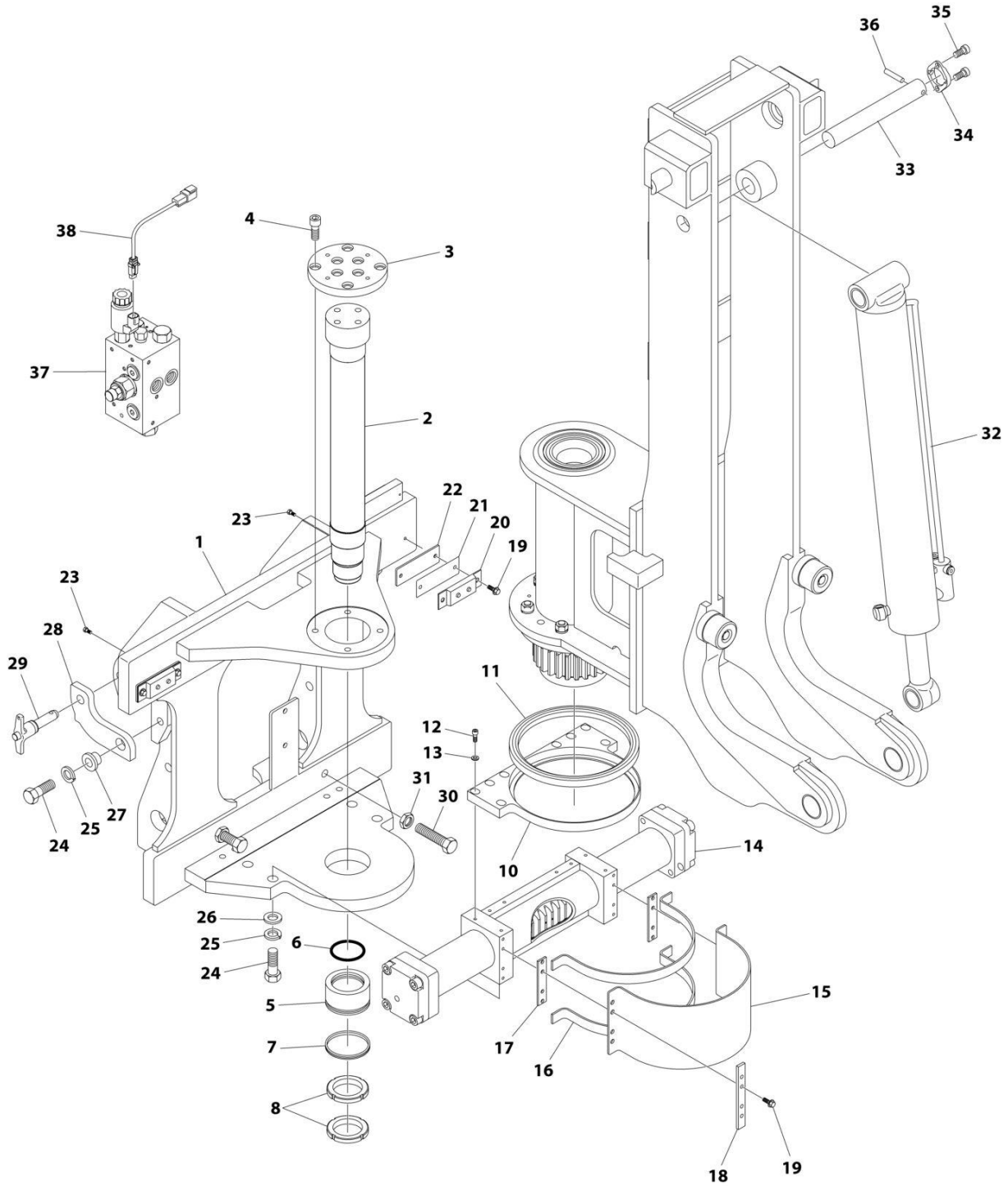
SECTION 3 - ATTACHMENTS

FIGURE 3-32. CARRIAGE ASSEMBLY - DRYWALL SWING CARRIAGE

ITEM	PART NUMBER	QTY	DESCRIPTION	REV
	1001230765	Ref	ROTATING DRYWALL CARRIAGE	D
		Ref	Drywall Board Handler (See Separate Breakdown in this Section)	
		Ref	Drywall Pivot Frame Group (See Separate Breakdown in this Section)	
		Ref	Drywall Cylinder (See Separate Breakdown in this Section)	
		Ref	Drywall Hydraulic Group (See Separate Breakdown in this Section)	
		Ref	Drywall Valve Assembly (See Separate Breakdown in this Section)	
		Ref	Drywall Cylinder (See Separate Breakdown in this Section)	
		Ref	Drywall Fork Group (See Separate Breakdown in this Section)	
2	1001227670	1	Tag, RFID	

SECTION 3 - ATTACHMENTS

FIGURE 3-33. CARRIAGE ASSEMBLY - DRYWALL BOARD HANDLER



ART_1001230765_1

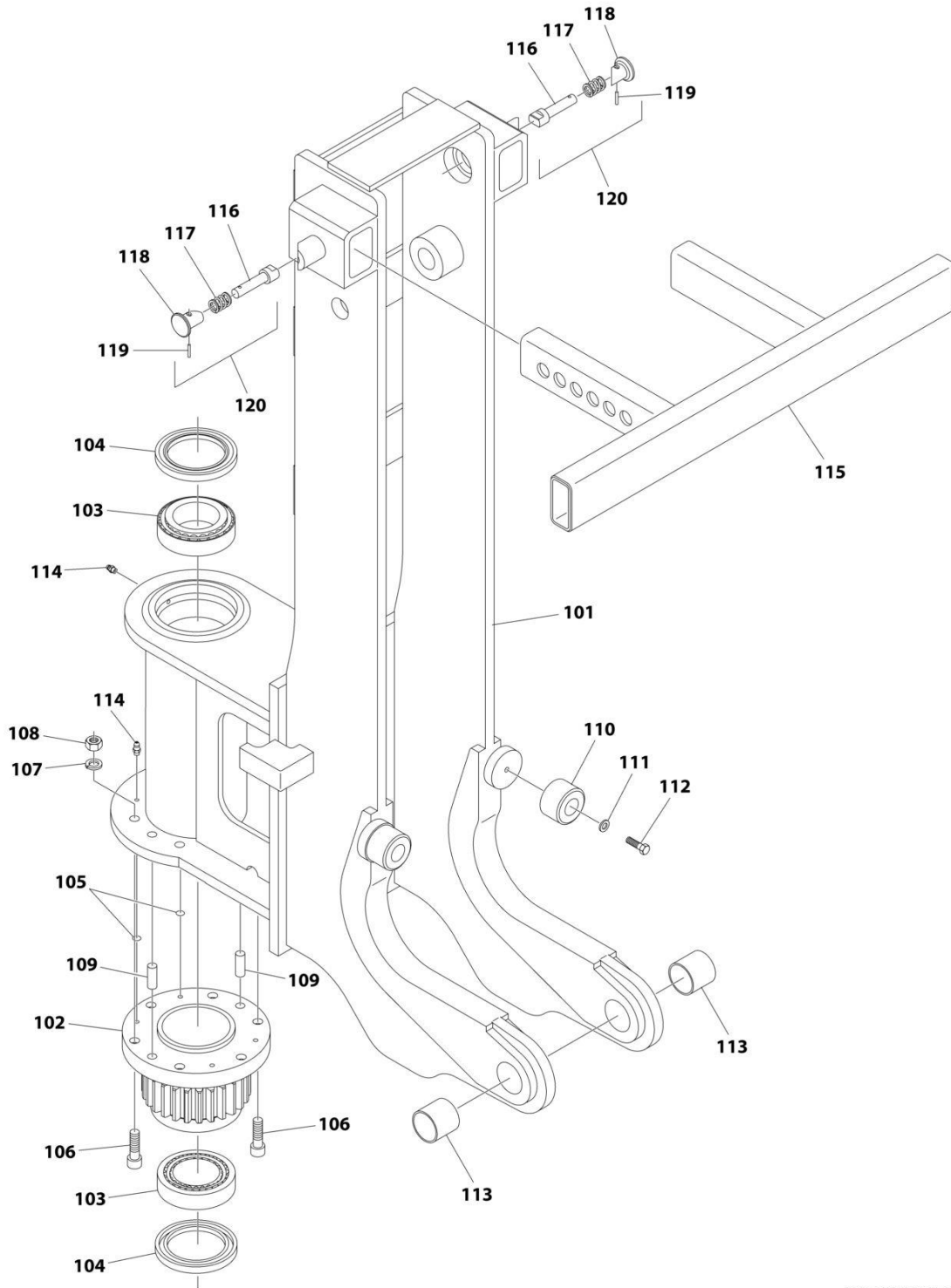
SECTION 3 - ATTACHMENTS

FIGURE 3-33. CARRIAGE ASSEMBLY - DRYWALL BOARD HANDLER

ITEM	PART NUMBER	QTY	DESCRIPTION	REV
	1001230765	Ref	Drywall - Board Handler	
1	70029608	1	Carriage, Hook Mount	
2	70029609	1	Pivot Shaft	
3	70029610	1	Cap	
4	70029611	8	Screw	
5	70029612	1	Spacer	
6	70029613	1	O-Ring	
7	70029614	1	Dual Seal	
8	70029615	2	Locknut	
10	70029616	1	Upper Housing Assembly	
11	70029648	1	Shaft Seal	
12	70029617	8	Screw	
13	70026480	8	Washer	
14	70029586	1	Cylinder Assembly	
15	70029618	1	Cover Assembly (includes Items 16 & 17)	
16	N.S.S.	2	Gasket	
17	N.S.S.	2	Gasket	
18	70029619	2	Plate	
19	70029620	12	Screw	
20	70029621	2	Cushion	
21	70029622	AR	Shim	
22	70029623	AR	Shim	
23	70029624	2	Screw	
24	70024552	6	Screw	
25	70024551	6	Lockwasher	
26	70029625	4	Washer	
27	70029626	2	Shoulder Boss	
28	70029627	2	Lock Plate	
29	70029628	2	Ball Lock Pin	
30	70029629	2	Screw	
31	70029630	2	Jam Nut	
32	70029587	1	Cylinder Assembly	
33	70029631	1	Pin	
34	70028702	1	Pin Retainer	
35	70028701	2	Screw	
36	70028703	1	Grooved Pin	
37	70029595	1	Valve Assembly	
38	70029588	1	Cable Assembly	

SECTION 3 - ATTACHMENTS

FIGURE 3-34. CARRIAGE ASSEMBLY - DRYWALL PIVOT FRAME



ART_1001230765_2

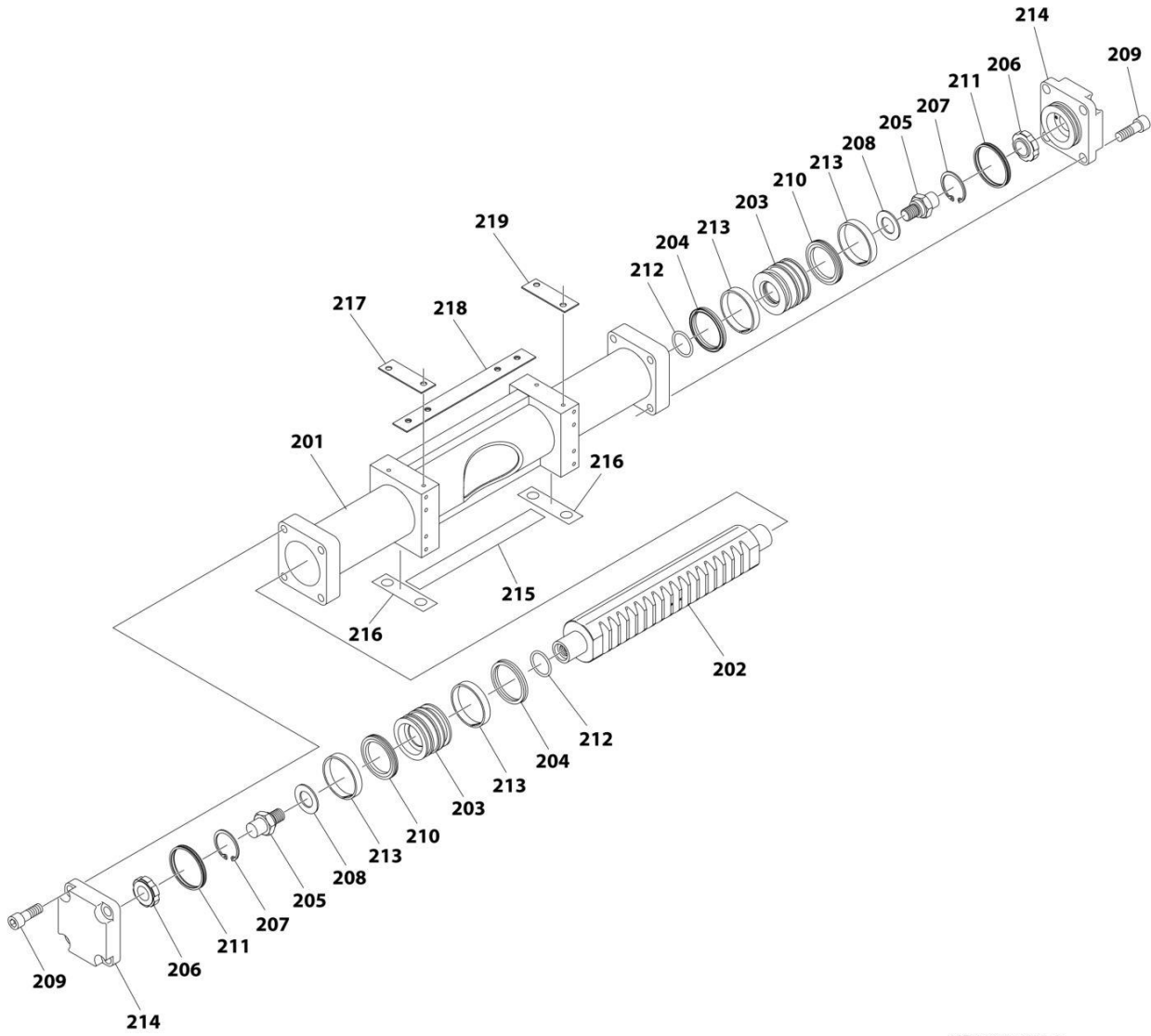
SECTION 3 - ATTACHMENTS

FIGURE 3-34. CARRIAGE ASSEMBLY - DRYWALL PIVOT FRAME

ITEM	PART NUMBER	QTY	DESCRIPTION	REV
	1001230765	Ref	Drywall - Pivot Frame Group	
101	70029632	1	Pivot Frame	
102	70029633	1	Pinion Gear	
103	70029634	2	Bearing	
104	70029635	2	Shaft Seal	
105	70029636	2	O-Ring	
106	70024684	6	Screw	
107	70029637	6	Lockwasher	
108	70029638	6	Nut	
109	70029639	2	Dowel Pin	
110	70029640	2	Bumper	
111	70024721	2	Washer, M8	
112	70029641	2	Screw	
113	70029642	2	Bearing	
114	70024679	3	Grease Fitting	
115	70029643	1	Load Support	
116	70028154	1	Pin	
117	70028155	1	Spring	
118	70024759	1	Knob	
119	70024761	1	Spring Pin	
120	70028153	2	Pin Kit (includes Items 116 thru 119)	

SECTION 3 - ATTACHMENTS

FIGURE 3-35. CARRIAGE ASSEMBLY - DRYWALL CYLINDER



ART_1001230765_3

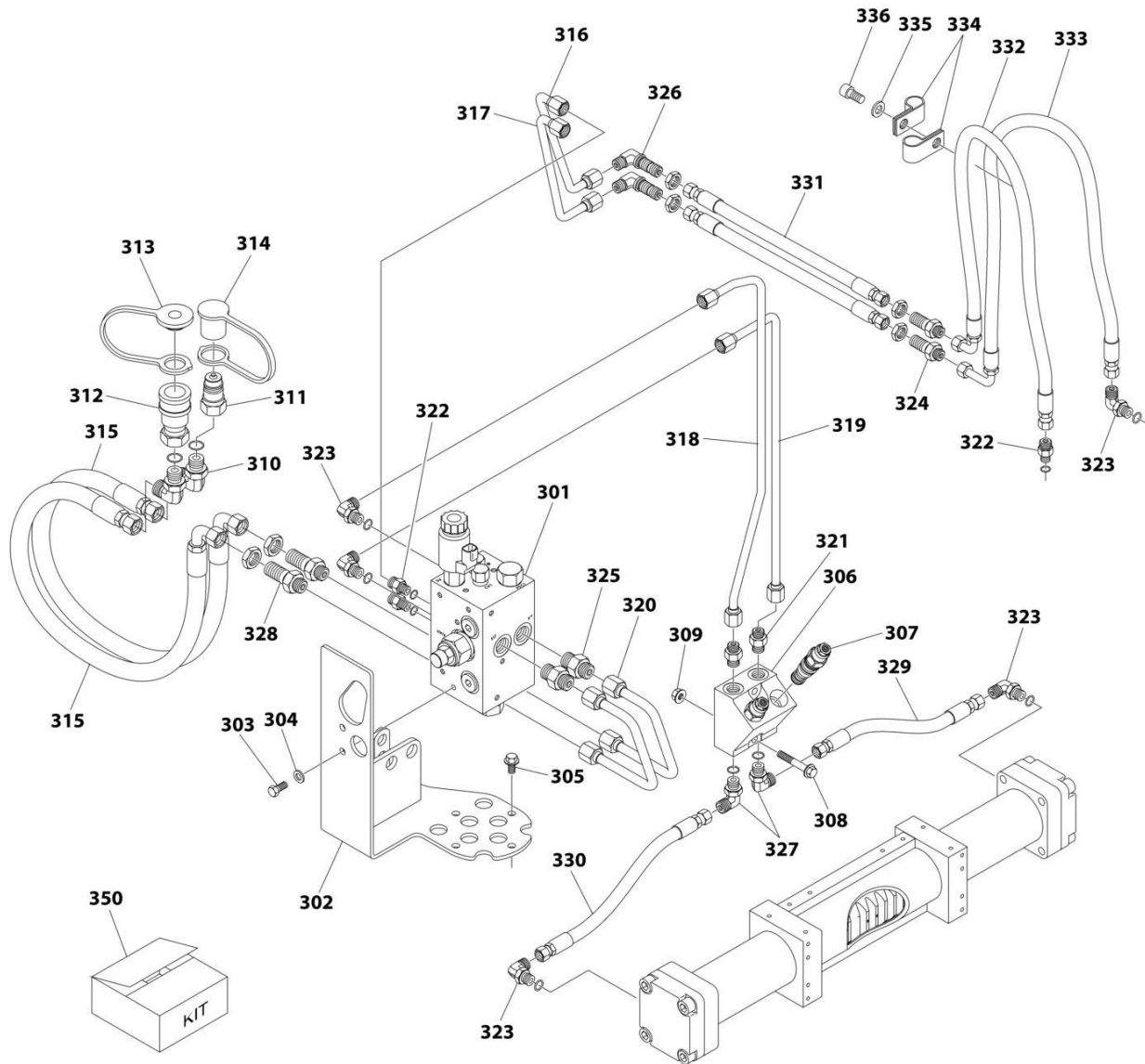
SECTION 3 - ATTACHMENTS

FIGURE 3-35. CARRIAGE ASSEMBLY - DRYWALL CYLINDER

ITEM	PART NUMBER	QTY	DESCRIPTION	REV
201	1001230765	Ref	Drywall - Cylinder	
	N.S.S.	1	Barrel	
			Ref	
202	70029644	1	Rod	
203	70029645	3	Piston	
204	70029646	2	Wiper	
205	70029681	2	Cushion Spear	
206	70029682	2	Cushion	
207	70029683	2	Retaining Ring	
208	70029684	2	Washer	
209	70029685	8	Screw	
210	70029686	2	Piston Seal	
211	70029687	2	Dual Seal	
212	70029688	2	O-Ring	
213	70029689	4	Wear Ring	
214	70029690	2	End Cap	
215	70029691	1	Gasket Tape	
216	70029692	2	Gasket Tape	
217	70029693	1	Gasket, RH	
218	70029694	1	Gasket, Rear	
219	70029695	1	Gasket, LH	

SECTION 3 - ATTACHMENTS

FIGURE 3-36. CARRIAGE ASSEMBLY - DRYWALL HYDRAULICS



ART_1001230765_4

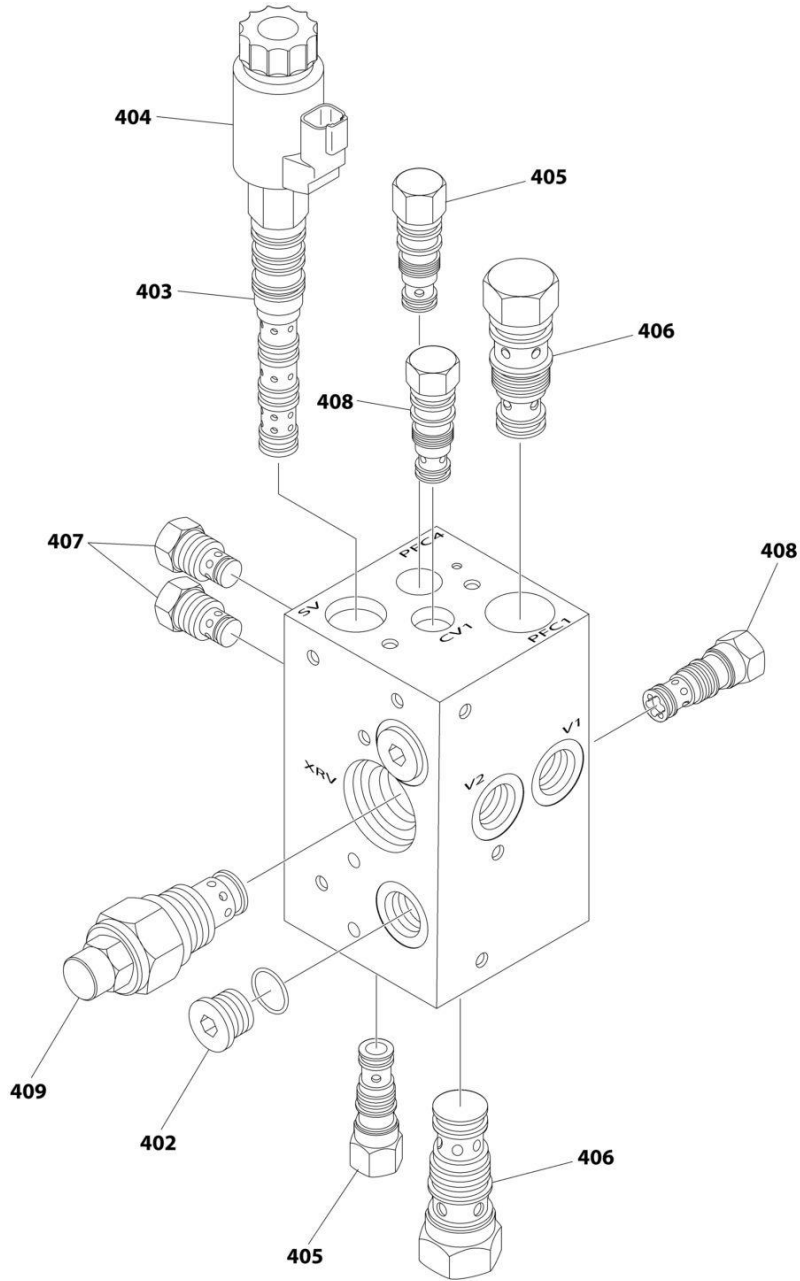
SECTION 3 - ATTACHMENTS

FIGURE 3-36. CARRIAGE ASSEMBLY - DRYWALL HYDRAULICS

ITEM	PART NUMBER	QTY	DESCRIPTION	REV
	1001230765	Ref	Drywall - Hydraulic Group	
301	70029595	1	Valve Assembly	
302	70029659	1	Valve Mounting Bracket	
303	70028130	2	Screw	
304	70024721	2	Washer	
305	70029660	4	Bolt	
306	70029661	1	Inline Valve Body	
307	70029662	2	Cartridge, Counterbalance	
308	70029663	2	Screw	
309	70029664	2	Nut	
310	70024127	2	Adapter	
311	91403414	1	Quick Disconnect, Male	
312	91403413	1	Quick Disconnect, Female	
313	8420055	1	Dust Cap	
314	8420053	1	Dust Plug	
315	70029665	2	Hose 30in (Boom Front Disconnect)	
315	70031447	2	Hose 42in (Boom Side Disconnect)	
316	70029666	1	Tube	
317	70029667	1	Tube	
318	70029668	1	Tube	
319	70029669	1	Tube	
320	70029670	2	Tube	
321	70029671	2	Fitting	
322	70029672	3	Fitting	
323	70029673	5	Fitting	
324	70028768	2	Fitting	
325	70029674	2	Fitting	
326	70029675	2	Fitting	
327	70028661	2	Fitting	
328	70023000	2	Bulkhead Union Elbow	
329	70029676	1	Hose, 310 mm	
330	70029677	1	Hose, 255 mm	
331	70029678	2	Hose, 340 mm	
332	70029679	1	Hose, 800 mm	
333	70029680	1	Hose, 805 mm	
334	70026481	2	Hose Clamp	
335	70026482	1	Washer	
336	70028672	1	Screw	
350	70031440	1	Disconnect Hose Kit (Boom Front Disconnect) (Includes Items 310-315)	
350	70031441	1	Disconnect Hose Kit (Boom Side Disconnect) (Includes Items 310-315)	

SECTION 3 - ATTACHMENTS

FIGURE 3-37. CARRIAGE ASSEMBLY - DRYWALL VALVE ASSEMBLY



ART_1001230765_5

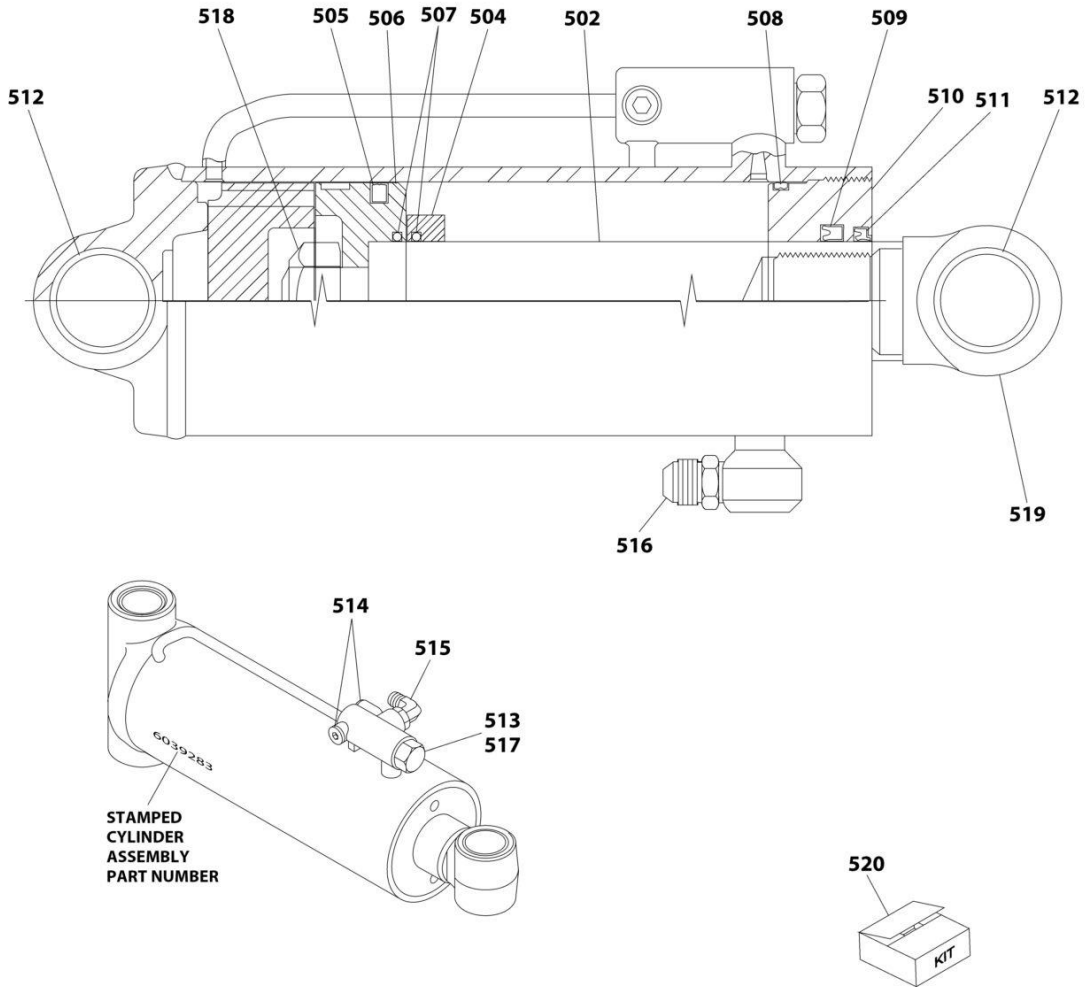
SECTION 3 - ATTACHMENTS

FIGURE 3-37. CARRIAGE ASSEMBLY - DRYWALL VALVE ASSEMBLY

ITEM	PART NUMBER	QTY	DESCRIPTION	REV
	1001230765	Ref	Drywall - Valve Assembly	
402	70028119	2	Plug	
403	70029596	1	Cartridge, Directional Control	
404	70029597	1	Coil, 12V	
405	70029598	2	Cartridge, Flow Control	
406	70029599	2	Cartridge, Flow Control	
407	70029600	2	Cartridge, Check	
408	70029601	2	Cartridge, Check	
409	70029602	1	Cartridge, Pressure Control	

SECTION 3 - ATTACHMENTS

FIGURE 3-38. CARRIAGE ASSEMBLY - DRYWALL CYLINDER



ART_1001230765_6

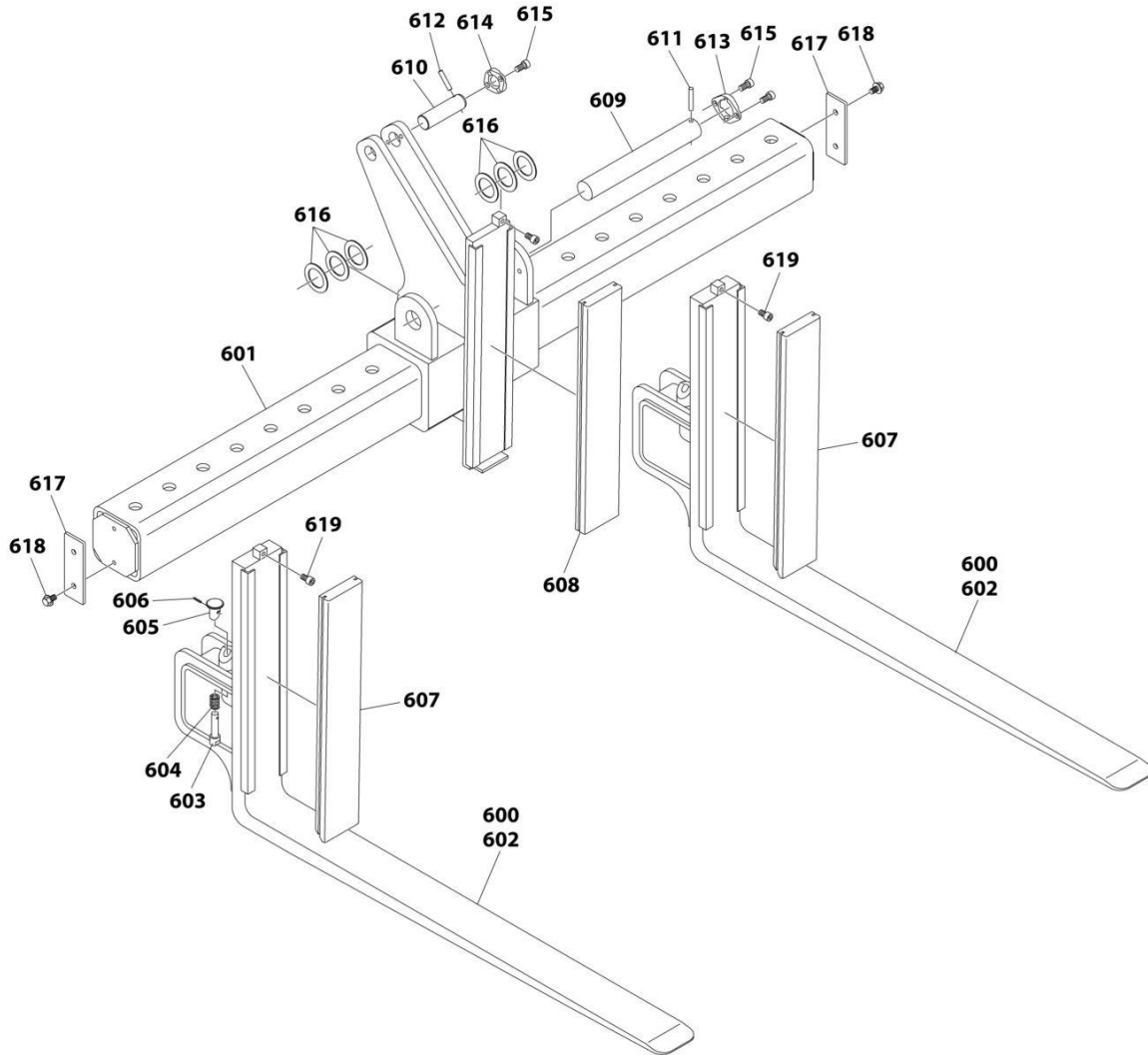
SECTION 3 - ATTACHMENTS

FIGURE 3-38. CARRIAGE ASSEMBLY - DRYWALL CYLINDER

ITEM	PART NUMBER	QTY	DESCRIPTION	REV
502	1001230765	Ref	Drywall - Cylinder	
	70029593	1	Rod Assembly (Includes Item 512 & 519)	
		Ref	Note: Original Cylinder May Have Been Replaced with Service Replacement. Identify PN Stamped on Cylinder Before Ordering Parts.	
504	70029603	1	Spacer, Piston	
505	N.S.S.	1	Piston Seal	
506	70029594	1	Piston	
507	N.S.S.	2	O-Ring	
508	N.S.S.	1	Dual Seal	
509	N.S.S.	1	Rod Seal	
510	70029604	1	Retainer	
511	N.S.S.	1	Rod Wiper	
512	70029605	2	Bushing	
513	70024733	1	Valve, Check	
514	70024129	2	Fitting	
515	70029606	1	Fitting	
516	70029607	1	Fitting	
517	70024734	1	Check Valve Service Kit	
518	70026503	1	Nut	
519	70029647	1	Rod End	
520	70029592	1	Service Kit, Cylinder (Includes Items 505, 507 thru 511)	

SECTION 3 - ATTACHMENTS

FIGURE 3-39. CARRIAGE ASSEMBLY - DRYWALL FORKS



ART_1001230765_7

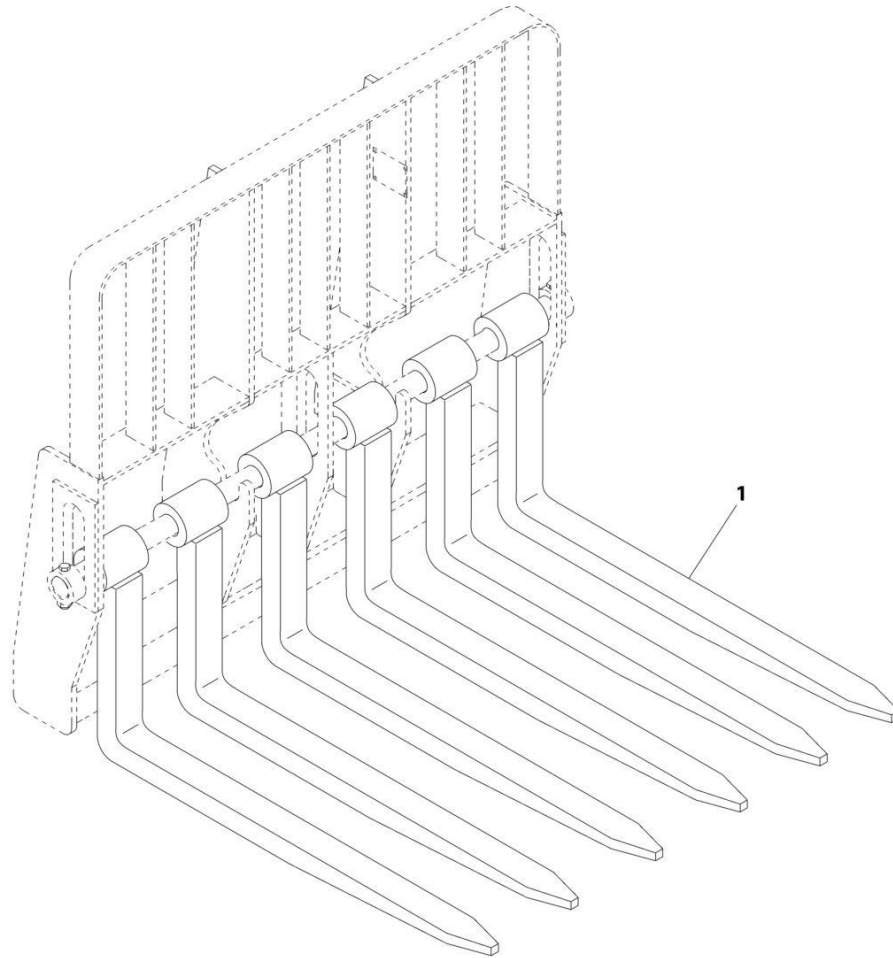
SECTION 3 - ATTACHMENTS

FIGURE 3-39. CARRIAGE ASSEMBLY - DRYWALL FORKS

ITEM	PART NUMBER	QTY	DESCRIPTION	REV
	1001230765	Ref	Drywall - Fork Group	
600	70029649	2	Fork Assembly	
601	70029650	1	Fork Mount Assembly	
602	70029651	1	Fork	
	70028153	1	Pin Kit (includes Items 603 thru 606)	
603	70028154	1	Pin	
604	70028155	1	Spring	
605	70024759	1	Knob	
606	70024761	1	Spring Pin	
607	70029652	2	Bumper	
608	70029653	1	Bumper	
609	70029654	1	Pin	
610	70029655	1	Pin	
611	70028706	1	Pin	
612	70028703	1	Pin	
613	70028707	1	Retainer	
614	70028702	1	Retainer	
615	70028701	4	Bolt	
616	70028708	6	Shim	
617	70029656	2	Retainer	
618	70029657	4	Screw	
619	70029658	3	Screw	

SECTION 3 - ATTACHMENTS

FIGURE 3-40. FORK 2X2X48 / 1940# CAPACITY



ART_2340037

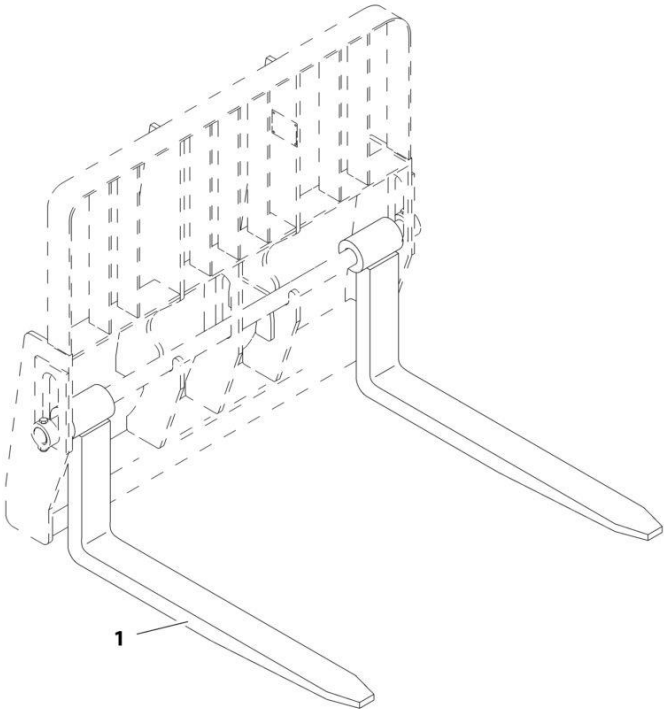
SECTION 3 - ATTACHMENTS

FIGURE 3-40. FORK 2X2X48 / 1940# CAPACITY

ITEM	PART NUMBER	QTY	DESCRIPTION	REV
1	2340037	1	Cubing Fork (2.00X2X48)	A
	Note	Ref	FORKS RATED LESS THAN THE ATTACHMENT OR MACHINE'S CAPACITY DECREASES CAPACITY OF THE ATTACHMENT OR MACHINE TO THAT OF THE FORKS. FORKS RATED MORE THAN THE ATTACHMENT OR MACHINE'S CAPACITY DO NOT INCREASE ATTACHMENT OR MACHINE'S CAPACITY.	
	Note	Ref	PLEASE CONSULT JLG PARTS DEPARTMENT TO DETERMINE THE CORRECT FORKS APPLICABLE TO YOUR SPECIFIC CARRIAGE ASSEMBLY AND APPLICATION.	

SECTION 3 - ATTACHMENTS

FIGURE 3-41. FORK 2.36X4X48 / 5000# CAPACITY



ART_2340045

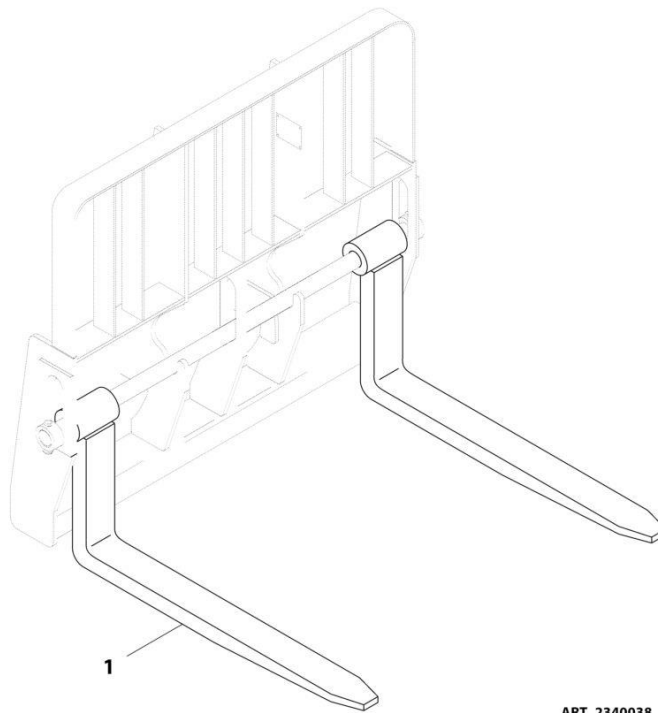
SECTION 3 - ATTACHMENTS

FIGURE 3-41. FORK 2.36X4X48 / 5000# CAPACITY

ITEM	PART NUMBER	QTY	DESCRIPTION	REV
1	2340045	2	Pallet Fork (2.36X4X48)	
	Note	Ref	FORKS RATED LESS THAN THE ATTACHMENT OR MACHINE'S CAPACITY DECREASES CAPACITY OF THE ATTACHMENT OR MACHINE TO THAT OF THE FORKS. FORKS RATED MORE THAN THE ATTACHMENT OR MACHINE'S CAPACITY DO NOT INCREASE ATTACHMENT OR MACHINE'S CAPACITY.	
	Note	Ref	PLEASE CONSULT JLG PARTS DEPARTMENT TO DETERMINE THE CORRECT FORKS APPLICABLE TO YOUR SPECIFIC CARRIAGE ASSEMBLY AND APPLICATION.	

SECTION 3 - ATTACHMENTS

FIGURE 3-42. FORK 2.36X4X48 / 5475# CAPACITY



ART_2340038

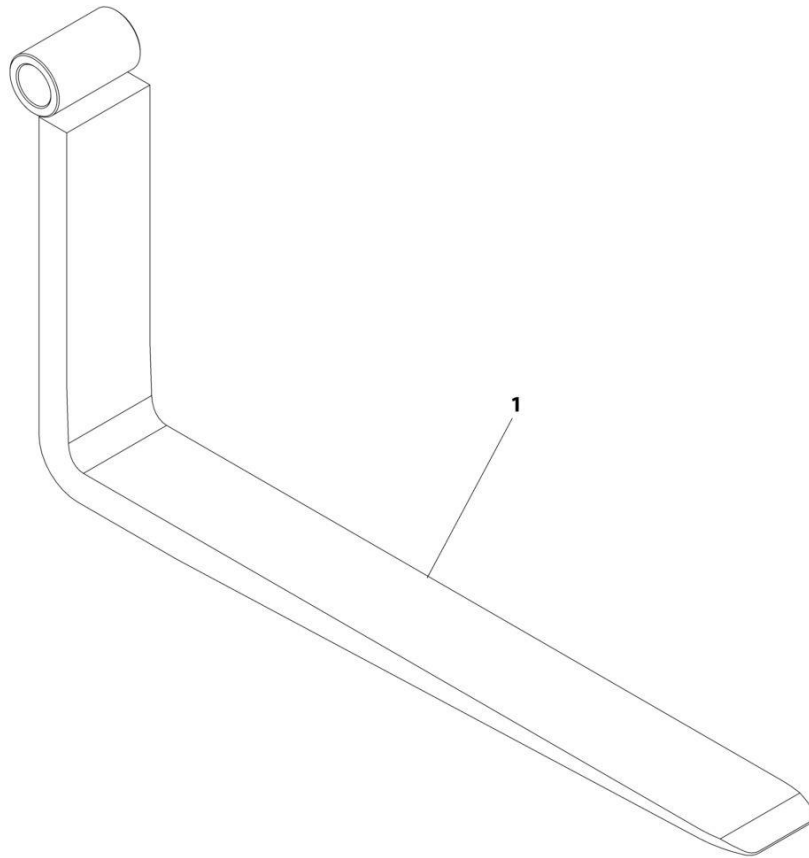
SECTION 3 - ATTACHMENTS

FIGURE 3-42. FORK 2.36X4X48 / 5475# CAPACITY

ITEM	PART NUMBER	QTY	DESCRIPTION	REV
1	2340038	2	Pallet Fork (2.36X5X48)	B
	Note	Ref	FORKS RATED LESS THAN THE ATTACHMENT OR MACHINE'S CAPACITY DECREASES CAPACITY OF THE ATTACHMENT OR MACHINE TO THAT OF THE FORKS. FORKS RATED MORE THAN THE ATTACHMENT OR MACHINE'S CAPACITY DO NOT INCREASE ATTACHMENT OR MACHINE'S CAPACITY.	
	Note	Ref	PLEASE CONSULT JLG PARTS DEPARTMENT TO DETERMINE THE CORRECT FORKS APPLICABLE TO YOUR SPECIFIC CARRIAGE ASSEMBLY AND APPLICATION.	

SECTION 3 - ATTACHMENTS

FIGURE 3-43. FORK 2.00X6X48 / 6005# CAPACITY



ART_1001258605

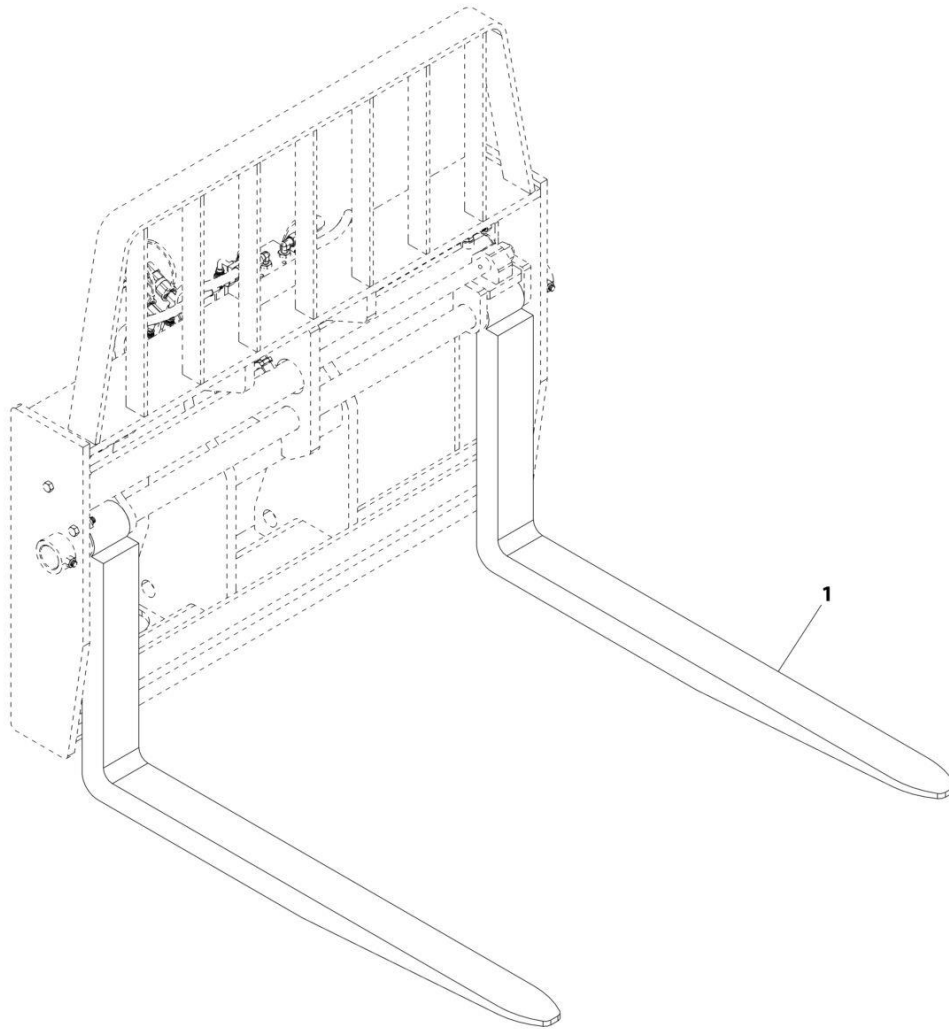
SECTION 3 - ATTACHMENTS

FIGURE 3-43. FORK 2.00X6X48 / 6005# CAPACITY

ITEM	PART NUMBER	QTY	DESCRIPTION	REV
1	1001258605	2	Fork - Pallet (2.00X6X48)	A
N1	Note	Ref	FORKS RATED LESS THAN THE ATTACHMENT OR MACHINE'S CAPACITY DECREASES CAPACITY OF THE ATTACHMENT OR MACHINE TO THAT OF THE FORKS. FORKS RATED MORE THAN THE ATTACHMENT OR MACHINE'S CAPACITY DO NOT INCREASE ATTACHMENT OR MACHINE'S CAPACITY.	
N2	Note	Ref	PLEASE CONSULT JLG PARTS DEPARTMENT TO DETERMINE THE CORRECT FORKS APPLICABLE TO YOUR SPECIFIC CARRIAGE ASSEMBLY AND APPLICATION.	

SECTION 3 - ATTACHMENTS

FIGURE 3-44. FORK 2.36X5X48 / 6850# CAPACITY



ART_7301408

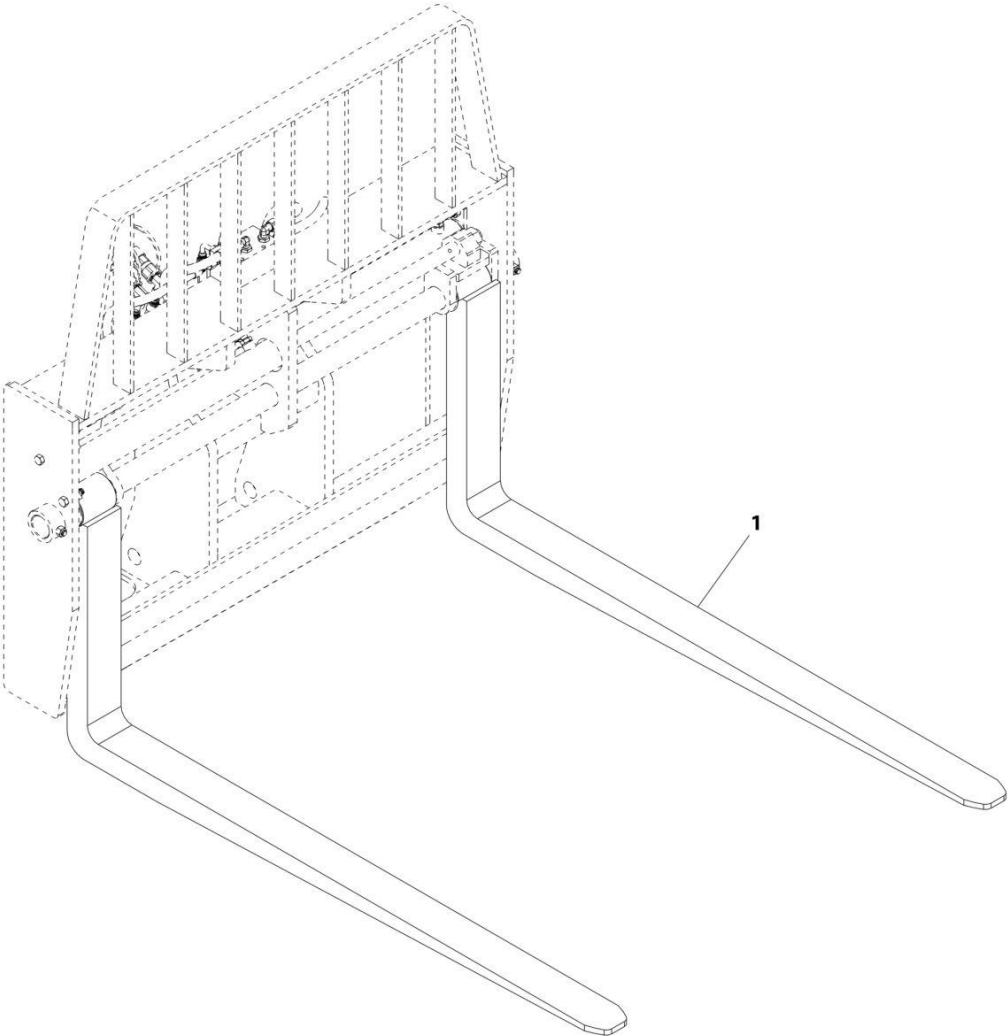
SECTION 3 - ATTACHMENTS

FIGURE 3-44. FORK 2.36X5X48 / 6850# CAPACITY

ITEM	PART NUMBER	QTY	DESCRIPTION	REV
1	7301408	2	Pallet Fork (2.36X4X48)	D
N1	Note	Ref	FORKS RATED LESS THAN THE ATTACHMENT OR MACHINE'S CAPACITY DECREASES CAPACITY OF THE ATTACHMENT OR MACHINE TO THAT OF THE FORKS. FORKS RATED MORE THAN THE ATTACHMENT OR MACHINE'S CAPACITY DO NOT INCREASE ATTACHMENT OR MACHINE'S CAPACITY.	
N2	Note	Ref	PLEASE CONSULT JLG PARTS DEPARTMENT TO DETERMINE THE CORRECT FORKS APPLICABLE TO YOUR SPECIFIC CARRIAGE ASSEMBLY AND APPLICATION.	

SECTION 3 - ATTACHMENTS

FIGURE 3-45. FORK 2.36X4X60 / 5000# CAPACITY



ART_1001227379

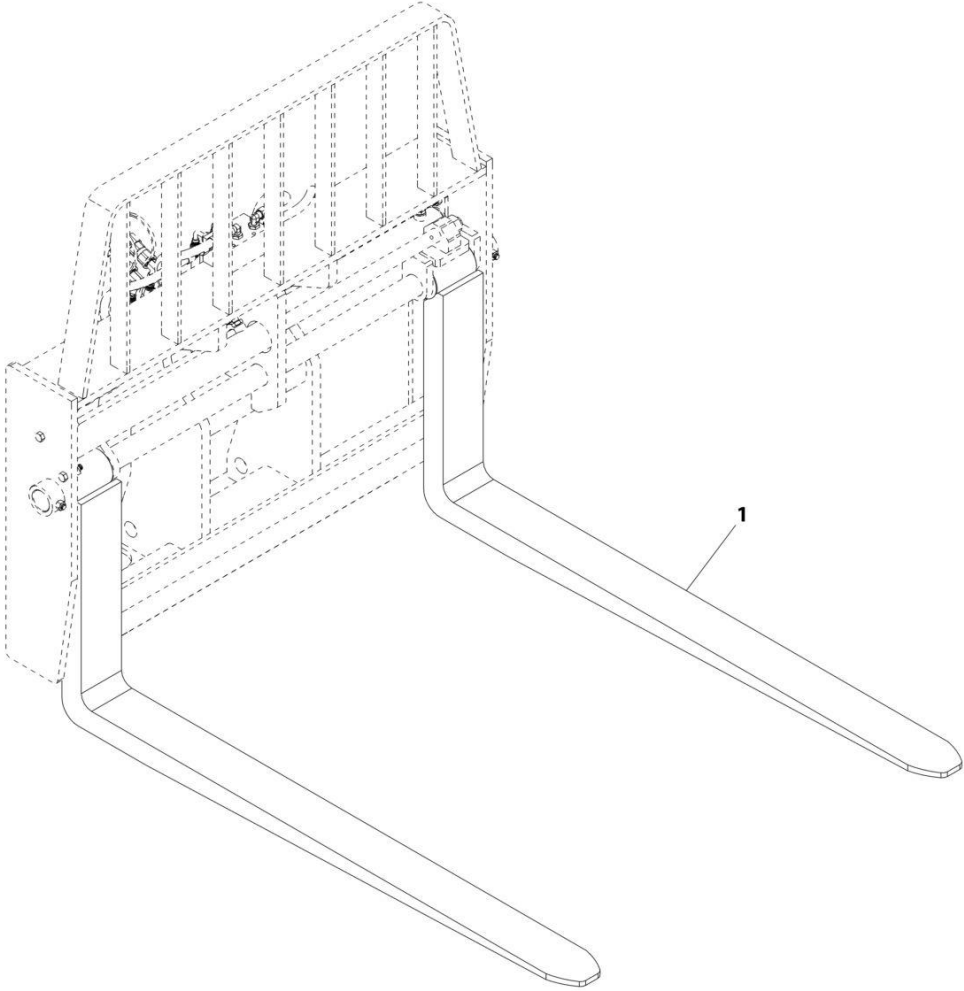
SECTION 3 - ATTACHMENTS

FIGURE 3-45. FORK 2.36X4X60 / 5000# CAPACITY

ITEM	PART NUMBER	QTY	DESCRIPTION	REV
1	1001227379	2	Pallet Fork (2.36X4X60)	A
N1	Note	Ref	FORKS RATED LESS THAN THE ATTACHMENT OR MACHINE'S CAPACITY DECREASES CAPACITY OF THE ATTACHMENT OR MACHINE TO THAT OF THE FORKS. FORKS RATED MORE THAN THE ATTACHMENT OR MACHINE'S CAPACITY DO NOT INCREASE ATTACHMENT OR MACHINE'S CAPACITY.	
N2	Note	Ref	PLEASE CONSULT JLG PARTS DEPARTMENT TO DETERMINE THE CORRECT FORKS APPLICABLE TO YOUR SPECIFIC CARRIAGE ASSEMBLY AND APPLICATION.	

SECTION 3 - ATTACHMENTS

FIGURE 3-46. FORK 2.36X5X60 / 6850# CAPACITY



ART_1001227382

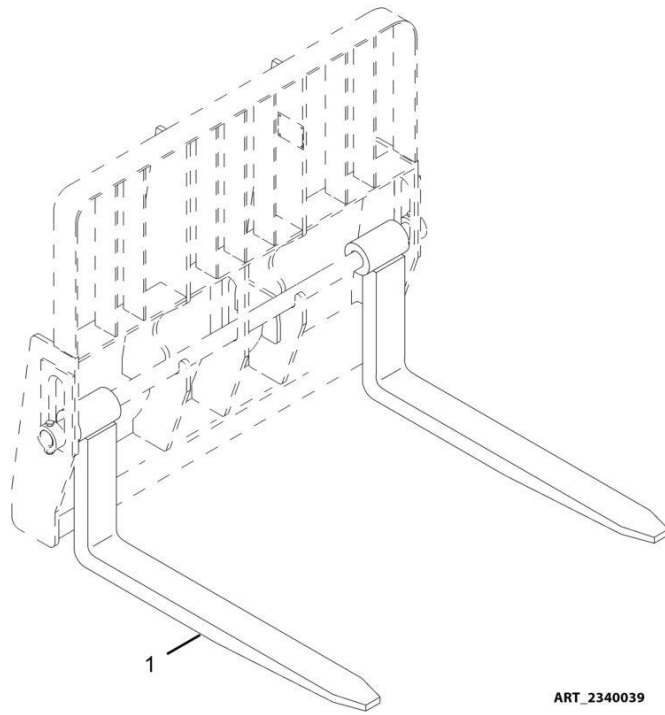
SECTION 3 - ATTACHMENTS

FIGURE 3-46. FORK 2.36X5X60 / 6850# CAPACITY

ITEM	PART NUMBER	QTY	DESCRIPTION	REV
1	1001227382	1	Pallet Fork (2.36X5X60)	A
N1	Note	Ref	FORKS RATED LESS THAN THE ATTACHMENT OR MACHINE'S CAPACITY DECREASES CAPACITY OF THE ATTACHMENT OR MACHINE TO THAT OF THE FORKS. FORKS RATED MORE THAN THE ATTACHMENT OR MACHINE'S CAPACITY DO NOT INCREASE ATTACHMENT OR MACHINE'S CAPACITY.	
N2	Note	Ref	PLEASE CONSULT JLG PARTS DEPARTMENT TO DETERMINE THE CORRECT FORKS APPLICABLE TO YOUR SPECIFIC CARRIAGE ASSEMBLY AND APPLICATION.	

SECTION 3 - ATTACHMENTS

FIGURE 3-47. FORK 2.36X6X60 / 8150# CAPACITY



ART_2340039

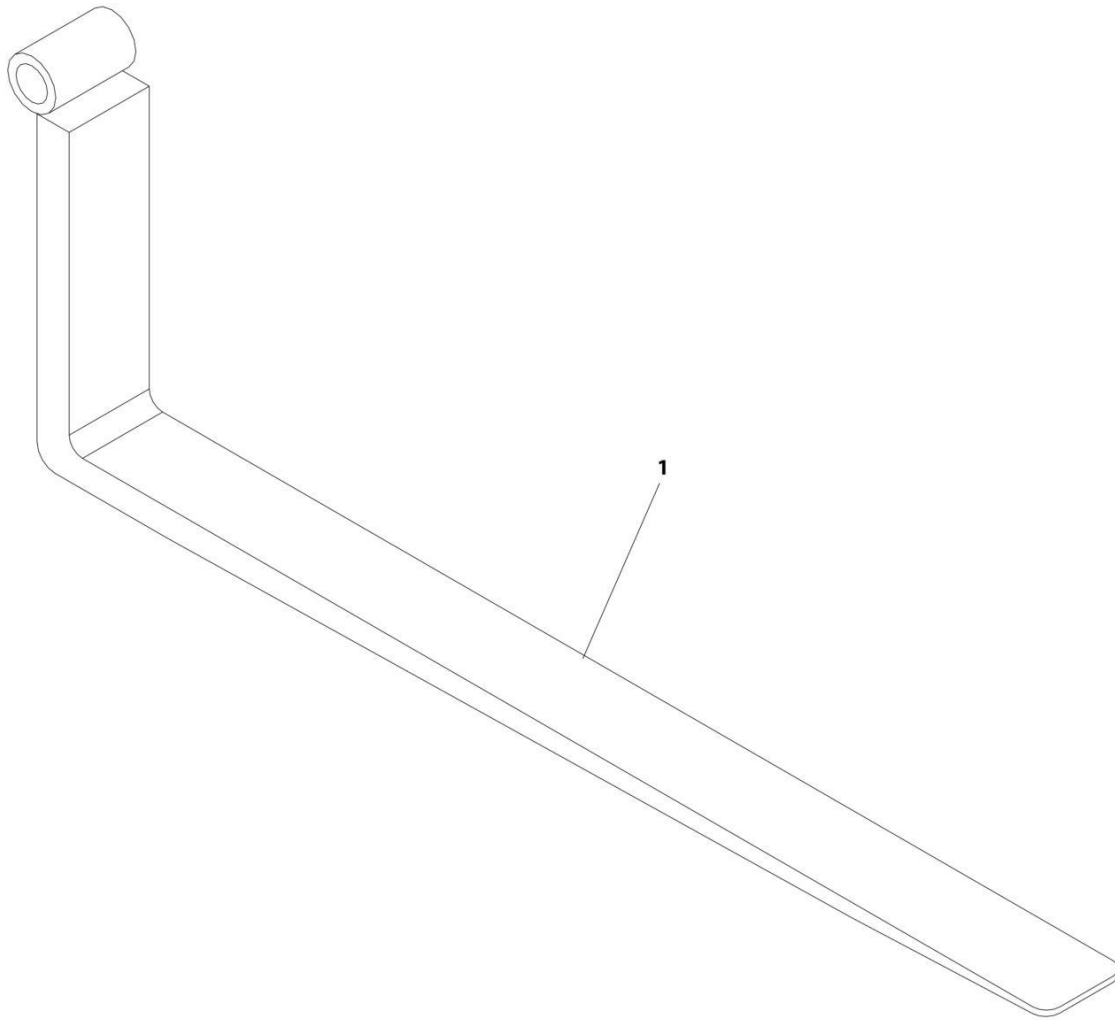
SECTION 3 - ATTACHMENTS

FIGURE 3-47. FORK 2.36X6X60 / 8150# CAPACITY

ITEM	PART NUMBER	QTY	DESCRIPTION	REV
1	2340039	2	Lumber Fork (60X150X1524)	
	Note	Ref	FORKS RATED LESS THAN THE ATTACHMENT OR MACHINE'S CAPACITY DECREASES CAPACITY OF THE ATTACHMENT OR MACHINE TO THAT OF THE FORKS. FORKS RATED MORE THAN THE ATTACHMENT OR MACHINE'S CAPACITY DO NOT INCREASE ATTACHMENT OR MACHINE'S CAPACITY.	
	Note	Ref	PLEASE CONSULT JLG PARTS DEPARTMENT TO DETERMINE THE CORRECT FORKS APPLICABLE TO YOUR SPECIFIC CARRIAGE ASSEMBLY AND APPLICATION.	

SECTION 3 - ATTACHMENTS

FIGURE 3-48. FORK 2.00X6X72 / 6610# CAPACITY



ART_1001259206

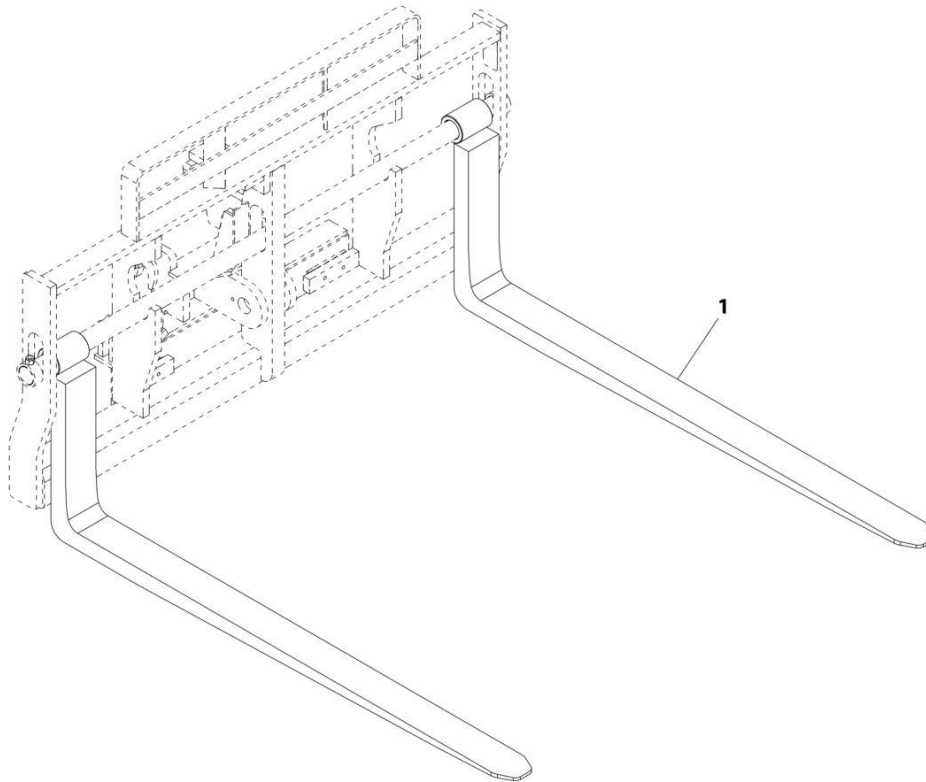
SECTION 3 - ATTACHMENTS

FIGURE 3-48. FORK 2.00X6X72 / 6610# CAPACITY

ITEM	PART NUMBER	QTY	DESCRIPTION	REV
1	1001259206	2	Dual Taper Fork (2.00X6X72)	A
	Note	Ref	FORKS RATED LESS THAN THE ATTACHMENT OR MACHINE'S CAPACITY DECREASES CAPACITY OF THE ATTACHMENT OR MACHINE TO THAT OF THE FORKS. FORKS RATED MORE THAN THE ATTACHMENT OR MACHINE'S CAPACITY DO NOT INCREASE ATTACHMENT OR MACHINE'S CAPACITY.	
	Note	Ref	PLEASE CONSULT JLG PARTS DEPARTMENT TO DETERMINE THE CORRECT FORKS APPLICABLE TO YOUR SPECIFIC CARRIAGE ASSEMBLY AND APPLICATION.	

SECTION 3 - ATTACHMENTS

FIGURE 3-49. FORK 2.36X5X72 / 6850# CAPACITY



ART_1001232355

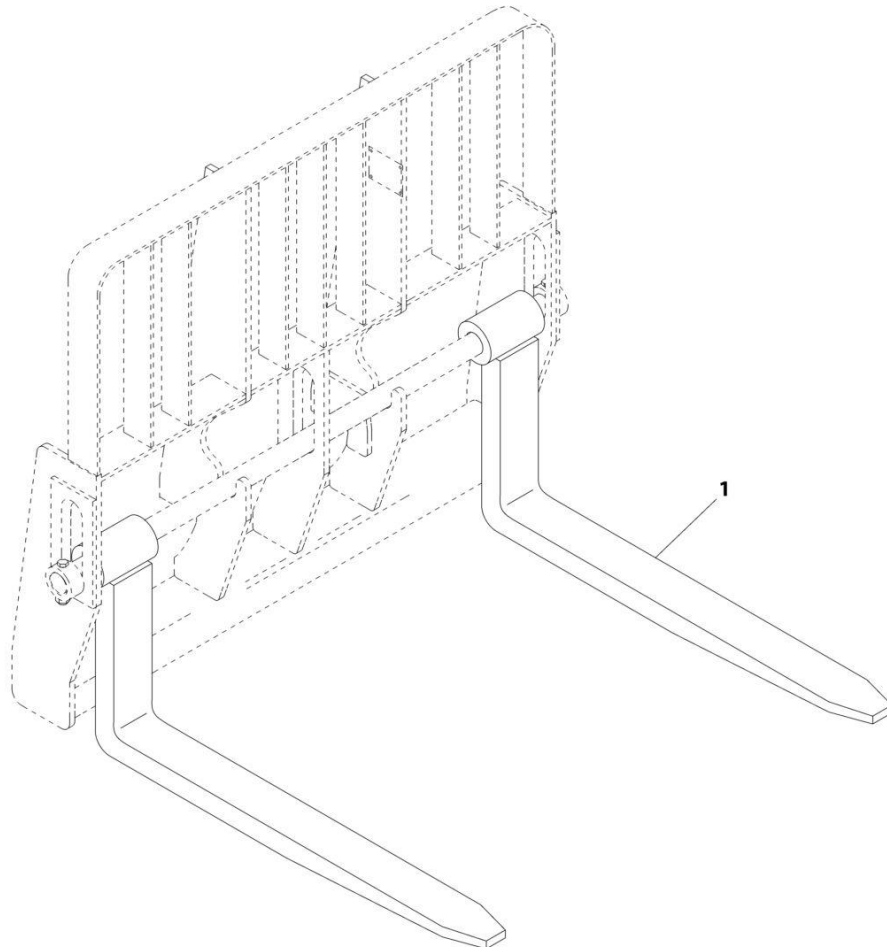
SECTION 3 - ATTACHMENTS

FIGURE 3-49. FORK 2.36X5X72 / 6850# CAPACITY

ITEM	PART NUMBER	QTY	DESCRIPTION	REV
	1001232355	1 pr	Pallet Fork (2.36X5X72)	A
	Note	Ref	FORKS RATED LESS THAN THE ATTACHMENT OR MACHINE'S CAPACITY DECREASES CAPACITY OF THE ATTACHMENT OR MACHINE TO THAT OF THE FORKS. FORKS RATED MORE THAN THE ATTACHMENT OR MACHINE'S CAPACITY DO NOT INCREASE ATTACHMENT OR MACHINE'S CAPACITY.	
	Note	Ref	PLEASE CONSULT JLG PARTS DEPARTMENT TO DETERMINE THE CORRECT FORKS APPLICABLE TO YOUR SPECIFIC CARRIAGE ASSEMBLY AND APPLICATION.	

SECTION 3 - ATTACHMENTS

FIGURE 3-50. FORK 40X150X1540



ART_1001099457-C

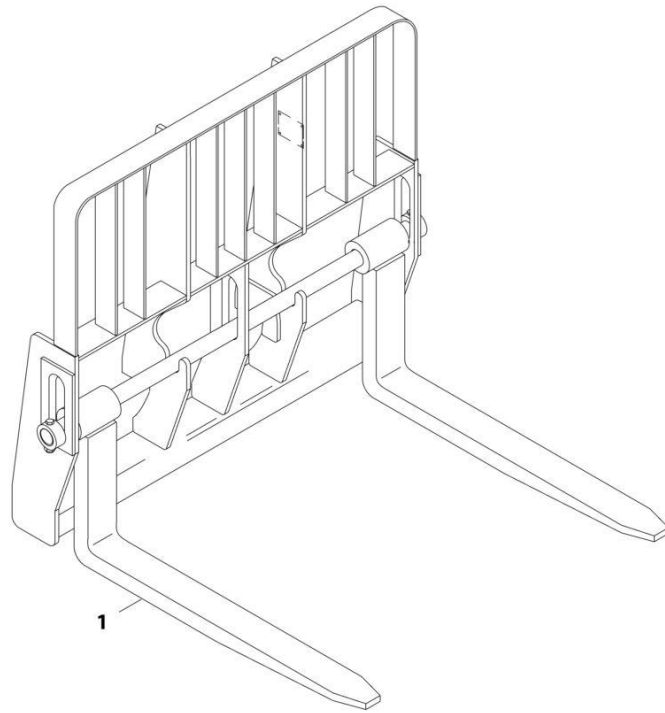
SECTION 3 - ATTACHMENTS

FIGURE 3-50. FORK 40X150X1540

ITEM	PART NUMBER	QTY	DESCRIPTION	REV
1	1001099457	2	Lumber Fork (1.5X6X60)	C
	Note	Ref	FORKS RATED LESS THAN THE ATTACHMENT OR MACHINE'S CAPACITY DECREASES CAPACITY OF THE ATTACHMENT OR MACHINE TO THAT OF THE FORKS. FORKS RATED MORE THAN THE ATTACHMENT OR MACHINE'S CAPACITY DO NOT INCREASE ATTACHMENT OR MACHINE'S CAPACITY.	
	Note	Ref	PLEASE CONSULT JLG PARTS DEPARTMENT TO DETERMINE THE CORRECT FORKS APPLICABLE TO YOUR SPECIFIC CARRIAGE ASSEMBLY AND APPLICATION.	

SECTION 3 - ATTACHMENTS

FIGURE 3-51. FORK 50X180X1540



ART_1001097110-A

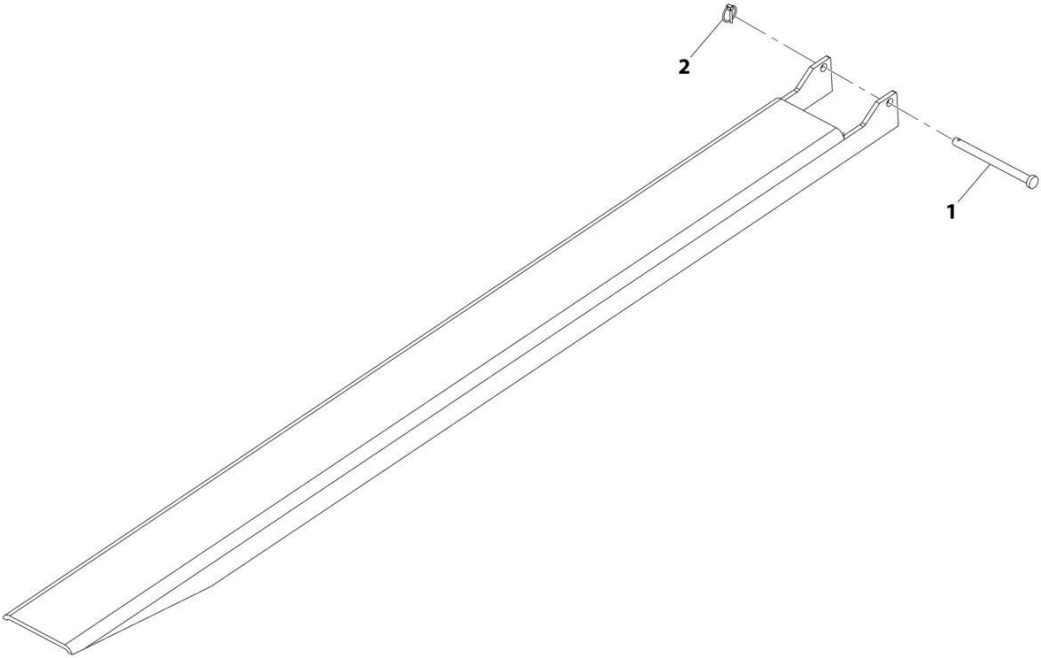
SECTION 3 - ATTACHMENTS

FIGURE 3-51. FORK 50X180X1540

ITEM	PART NUMBER	QTY	DESCRIPTION	REV
1	1001097110	2	Lumber Fork (2.00X7X60)	A
	Note	Ref	FORKS RATED LESS THAN THE ATTACHMENT OR MACHINE'S CAPACITY DECREASES CAPACITY OF THE ATTACHMENT OR MACHINE TO THAT OF THE FORKS. FORKS RATED MORE THAN THE ATTACHMENT OR MACHINE'S CAPACITY DO NOT INCREASE ATTACHMENT OR MACHINE'S CAPACITY.	
	Note	Ref	PLEASE CONSULT JLG PARTS DEPARTMENT TO DETERMINE THE CORRECT FORKS APPLICABLE TO YOUR SPECIFIC CARRIAGE ASSEMBLY AND APPLICATION.	

SECTION 3 - ATTACHMENTS

FIGURE 3-52. FORK EXTENSION - 90IN



ART_1001137512-D

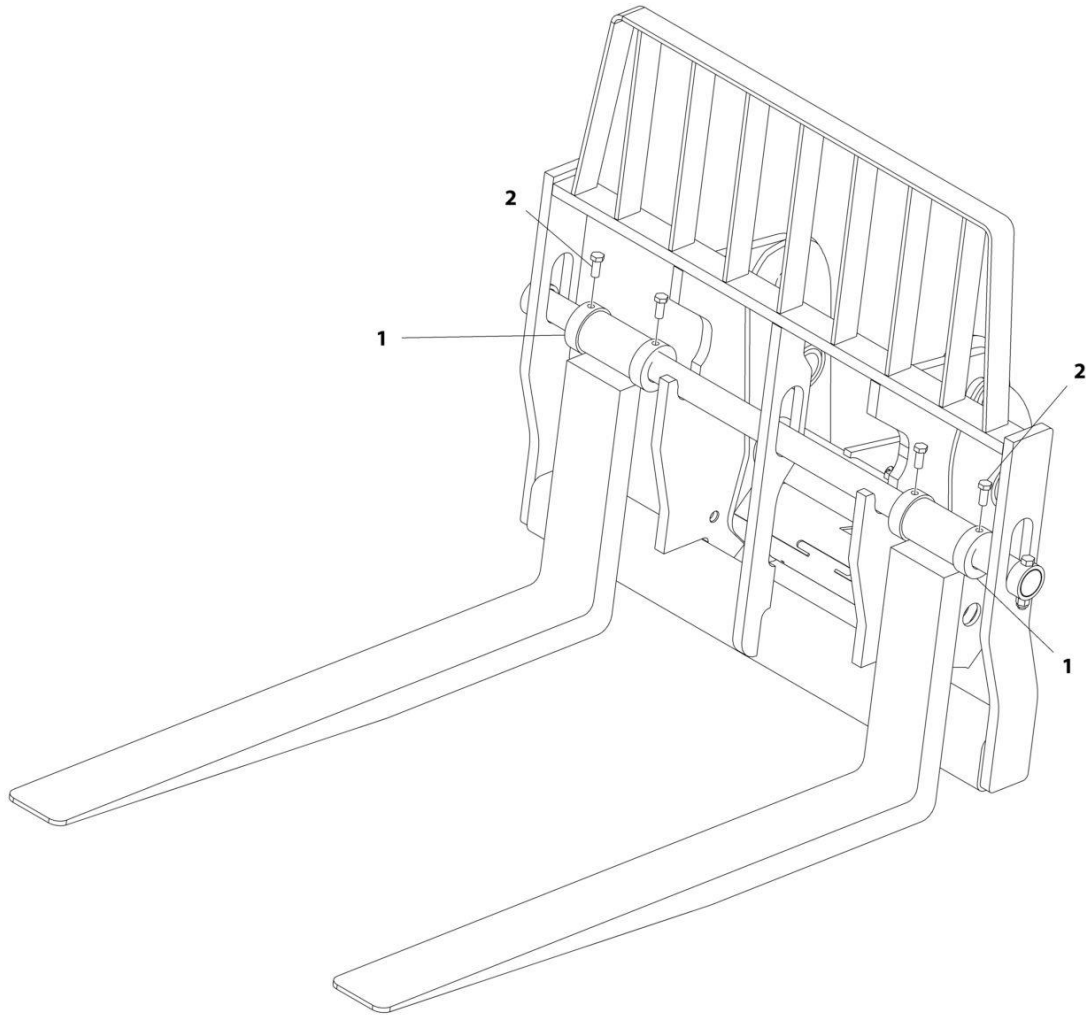
SECTION 3 - ATTACHMENTS

FIGURE 3-52. FORK EXTENSION - 90IN

ITEM	PART NUMBER	QTY	DESCRIPTION	REV
	1001137512	2 pr	Fork Extensions (62X163X2286)	D
1	70024306	1	Pin	
2	70024307	1	Clip	

SECTION 3 - ATTACHMENTS

FIGURE 3-53. FORK CLAMPS INSTALLATION



ART_1001094134-A

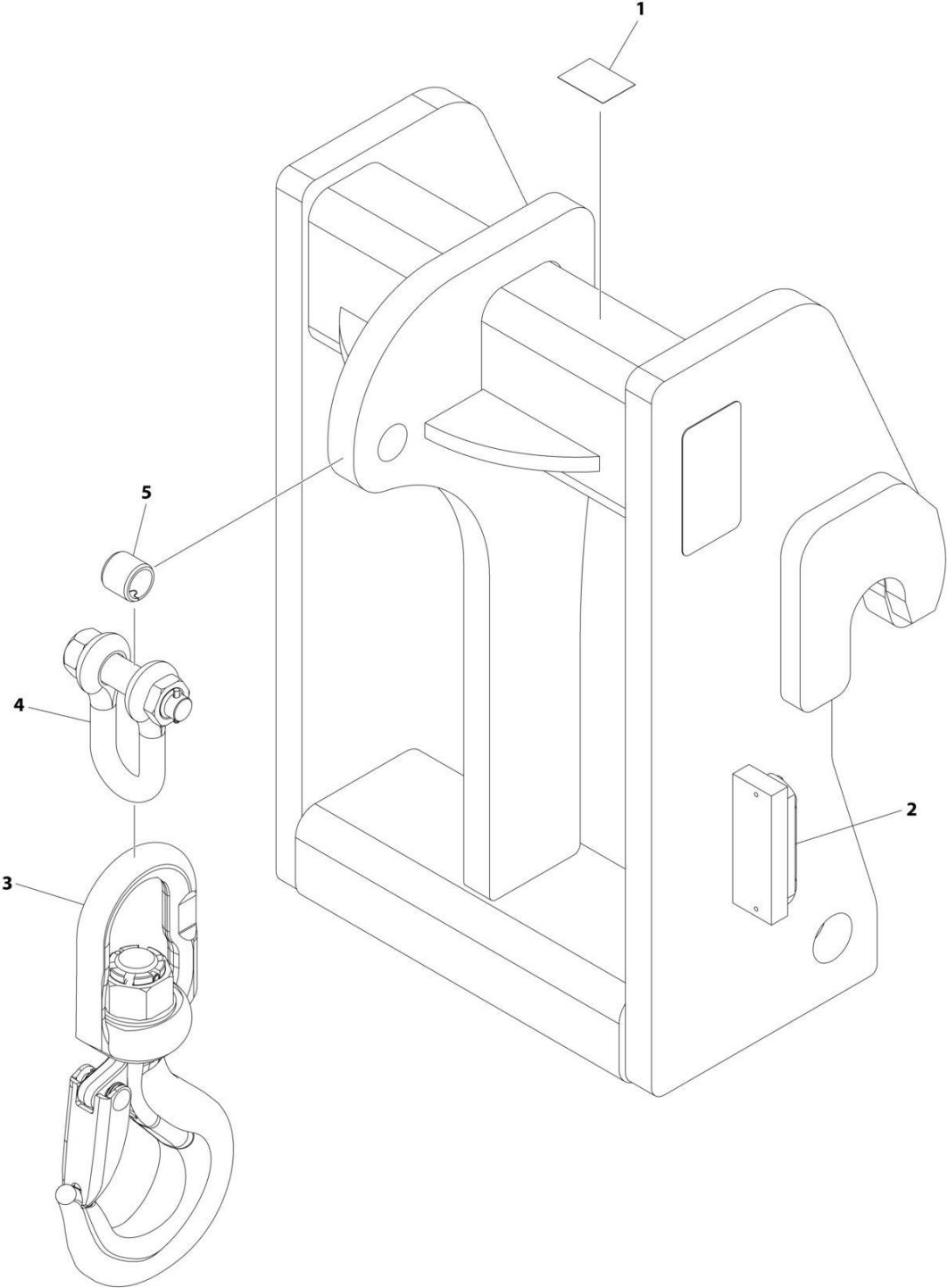
SECTION 3 - ATTACHMENTS

FIGURE 3-53. FORK CLAMPS INSTALLATION

ITEM	PART NUMBER	QTY	DESCRIPTION	REV
	1001094134	Ref	Fork Clamps Installation	A
1	1001094136	4	Clamp, Fork	
2	10700681	4	Bolt, 0.625-18X1.5	

SECTION 3 - ATTACHMENTS

FIGURE 3-54. HOOK, COUPLING



ART_1001207606_D

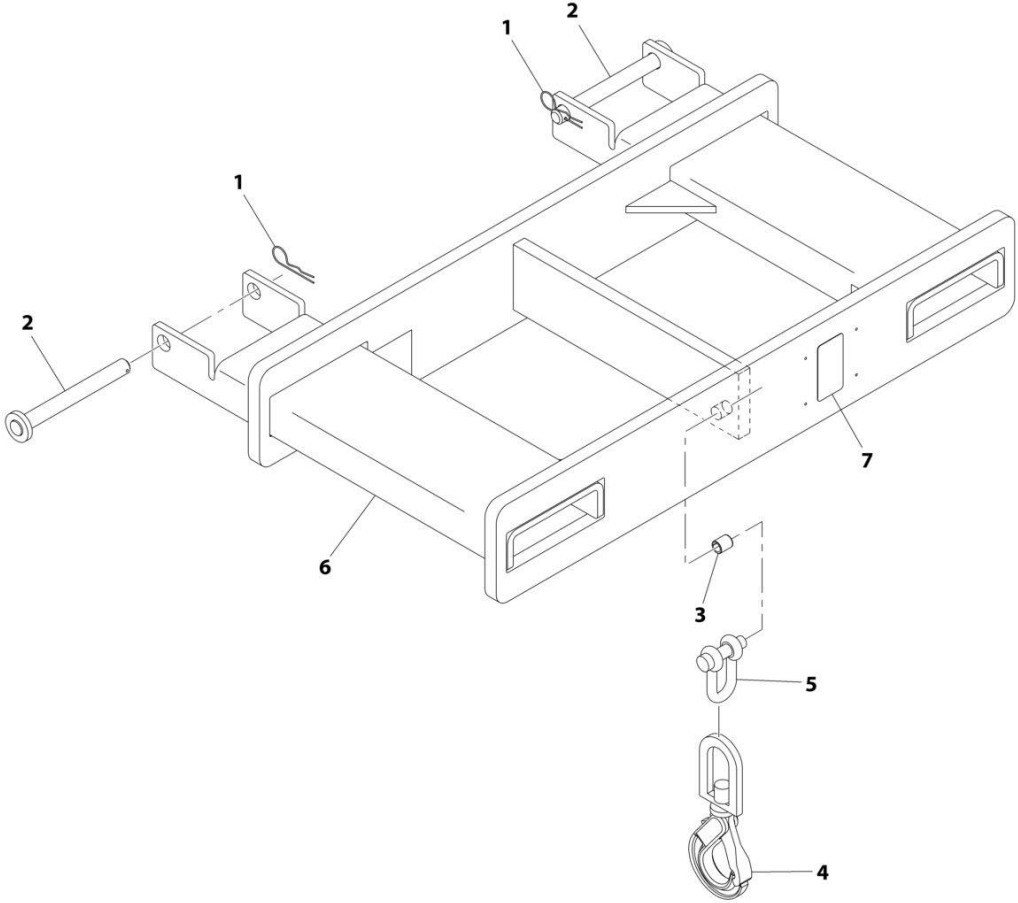
SECTION 3 - ATTACHMENTS

FIGURE 3-54. HOOK, COUPLING

ITEM	PART NUMBER	QTY	DESCRIPTION	REV
	1001207606	Ref	COUPLER MOUNTED HOOK	E
1	90554016	1	Decal	
2	1001227670	1	Tag, RFID	
3	70026745	1	Hook Swivel	
4	70026746	1	Shackle Chain	
5	70020555	1	Bushing	

SECTION 3 - ATTACHMENTS

FIGURE 3-55. HOOK, CRANE



ART_1001097205-I

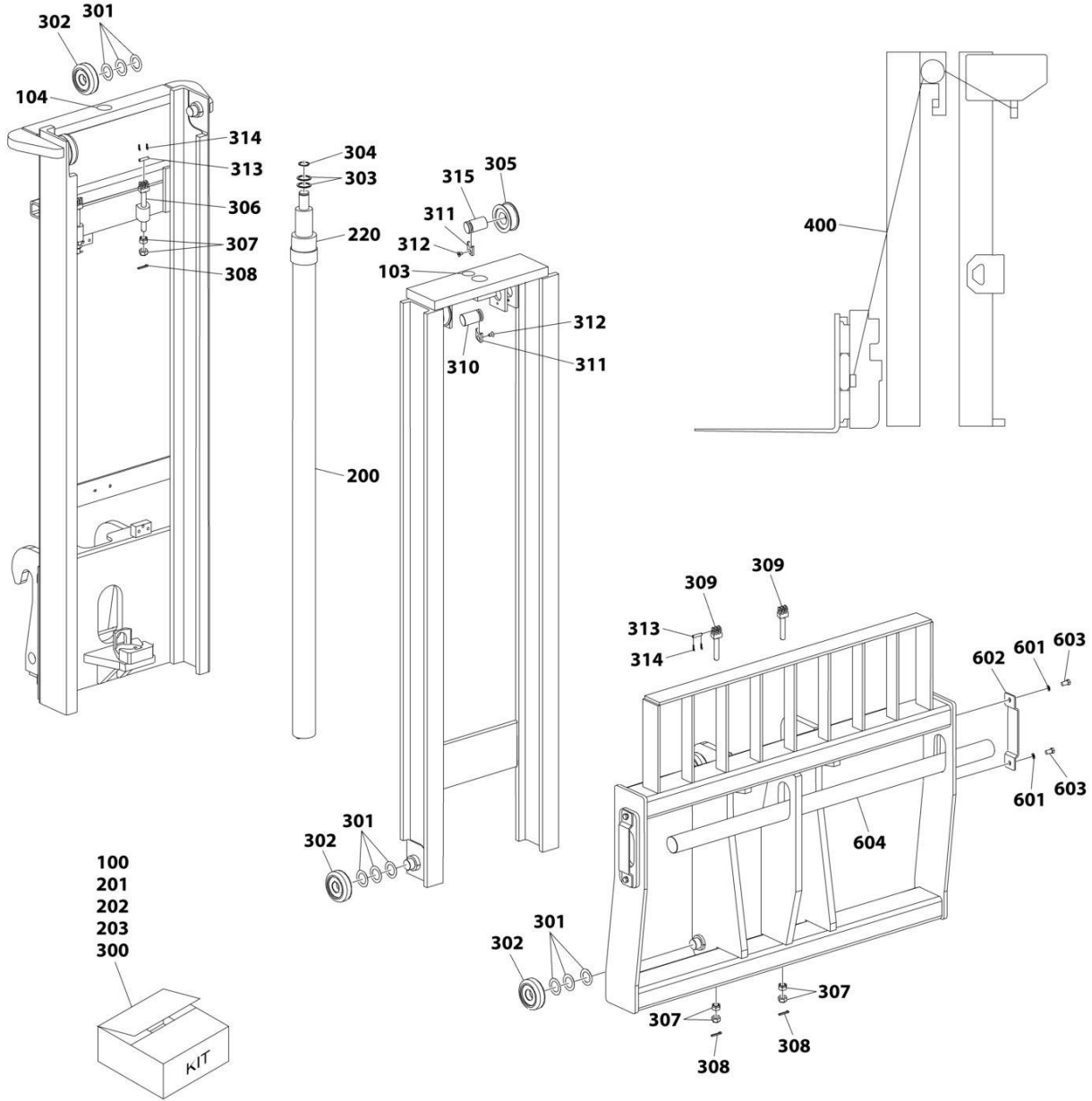
SECTION 3 - ATTACHMENTS

FIGURE 3-55. HOOK, CRANE

ITEM	PART NUMBER	QTY	DESCRIPTION	REV
	1001097205	Ref	Fork Mounted Hook (4 Ton)	J
1	7029520	2	Pin, Cotter	
2	1001093171	2	Pin	
3	70020555	1	Bushing	
4	90554080	1	Hook	
5	7029521	1	Shackle	
6	See Note	NSS	Frame, Hook (Note: Purchase Complete Assembly)	
7	See Note	NSS	S/N Plate (Note: Stamped Part - Not Available for Purchase)	

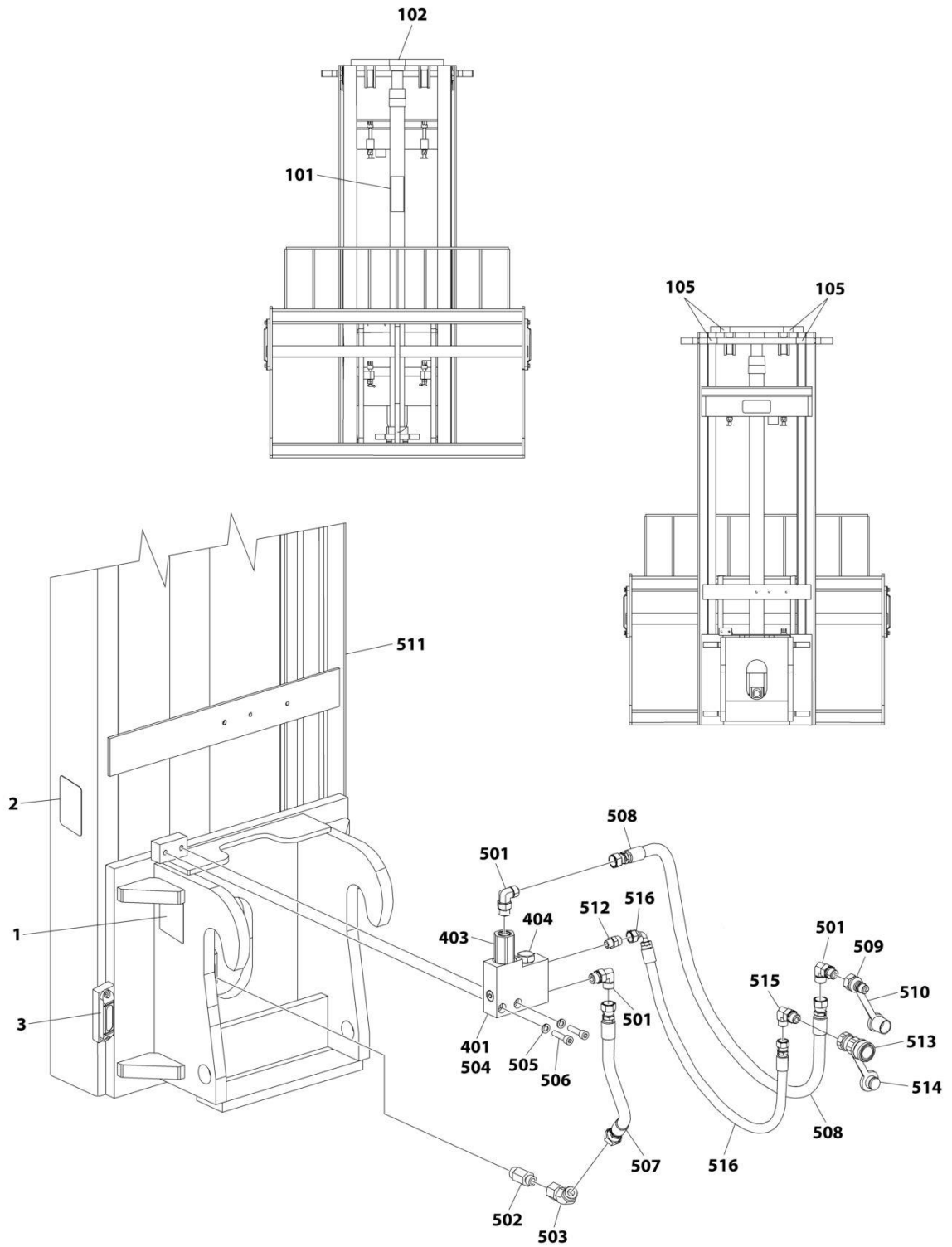
SECTION 3 - ATTACHMENTS

FIGURE 3-56. MAST, VERTICAL - 8FT (STANDARD)



ART_1001108668_1OF2

SECTION 3 - ATTACHMENTS



ART_1001108668_20F2

SECTION 3 - ATTACHMENTS

FIGURE 3-56. MAST, VERTICAL - 8FT (STANDARD)

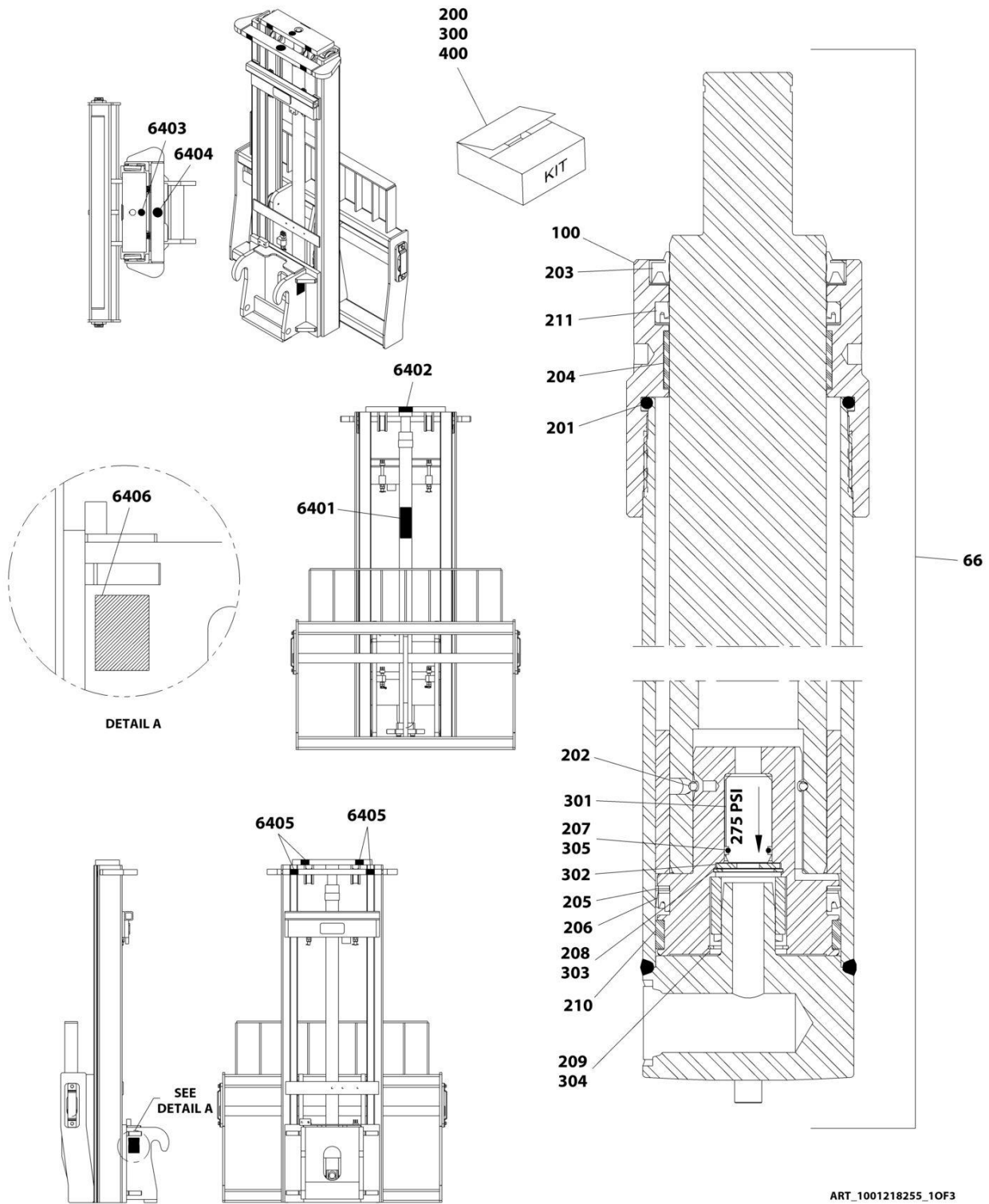
ITEM	PART NUMBER	QTY	DESCRIPTION	REV
	1001108668	Ref	MAST ASSEMBLY - 8FT	G
1	See Note	NSS	Nameplate, Serial Number (Note: Not Available for Purchase)	
2	1001111190	2	Decal - Warning	
3	1001227670	1	RFID Tag	
100	70023925	1	Decal Kit (includes items 1, Warning, No Step & Hose Routing Decals)	
101	See Note	NSS	Decal, Warning (Use Item 100)	
102	See Note	NSS	Decal, Warning (Use Item 100)	
103	See Note	NSS	Decal, No Step (Use Item 100)	
104	See Note	NSS	Decal, No Step (Use Item 100)	
105	See Note	NSS	Decal, Hands Off (Use Item 100)	
200	70023008	1	Cylinder Assembly - Lift (includes items 201-203 & 220. No Other Service Parts Available)	
201	70023005	1	Seal Kit - 70023008 Cylinder (includes Seals & Seal Retaining Hardware)	
202	70023006	1	Check Valve Kit (includes Mounting O-Rings & Hardware)	
203	70023007	1	Shim Kit (Includes items 303)	
220	70023004	1	Head/Retainer	
300	70023015	1	Mast Kit (includes items 100 & 301-315)	
301	70023014	24	Shim	
302	70022987	8	Bearing, Ball	
303	See Note	NLA	Shim (Note: Use item 203)	
304	70023016	1	Ring, Retaining	
305	70022969	2	Sheave	
306	70022960	2	Anchor, Chain	
307	70022957	8	Nut 5/8	
308	70022993	4	Pin, Cotter	
309	70022995	2	Anchor, Chain	
310	70022984	1	Shaft, Sheave	
311	70022970	2	Bar	
312	70023003	2	Screw	
313	70022994	4	Pin	
314	70022992	8	Pin, Cotter	
315	70022985	1	Shaft, Sheave	
400	70023009	2	Chain, Hoist	
401	70022932	1	Valve Assembly - Lowering Control	
403	70022931	1	Cartridge, Valve	
404	70023010	1	Cartridge, Valve	
501	70022934	3	Fitting, 90	
502	70022936	1	Fitting, Flow Limiter	
503	70022937	1	Fitting, 45	
504	70022932	1	Valve Assembly - Lowering Control (Note: Duplicate of Item 401 - Only Qty 1 Used)	
505	70022949	2	Washer, M10	
506	70022950	2	Bolt M10	
507	70022942	1	Hose	
508	70022952	1	Hose	
509	91403414	1	Fitting, Quick Disconnect Coupling (Male)	
510	91043126	1	Cap, Dust	
511	70023015	1	Mast Kit (Note: Duplicate of Item 300 - Only Qty 1 Used)	

SECTION 3 - ATTACHMENTS

ITEM	PART NUMBER	QTY	DESCRIPTION	REV
512	70022939	1	Fitting, Straight	
513	91403413	1	Fitting, Quick Disconnect Coupling (Female)	
514	91043125	1	Cap, Dust	
515	70022935	1	Fitting, 90	
516	70022946	1	Hose	
601	70022949	4	Washer M10	
602	70022980	2	Keeper, Pin	
603	70022998	4	Bolt M10 x 20	
604	70022990	1	Pin, Fork	

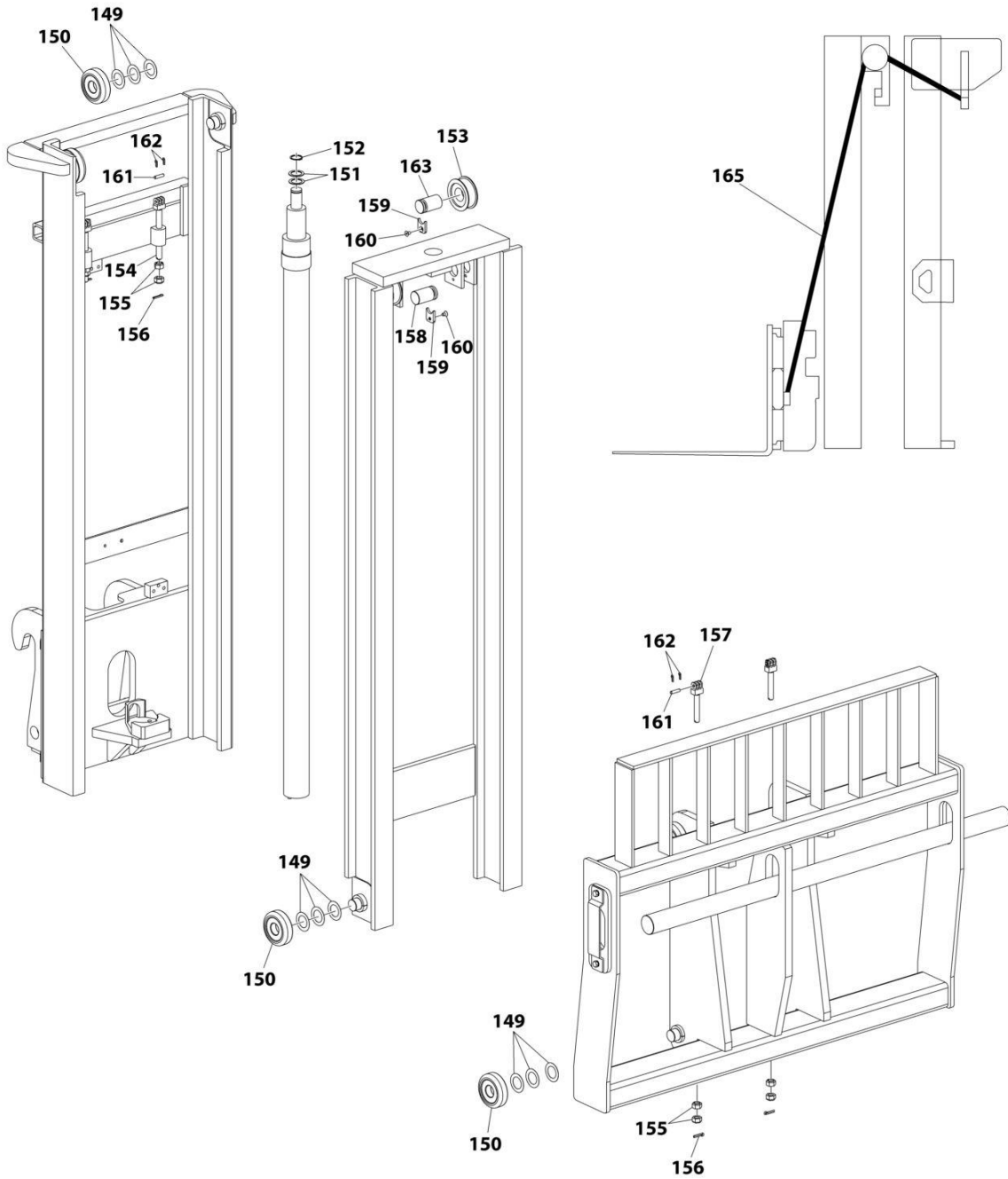
SECTION 3 - ATTACHMENTS

FIGURE 3-57. MAST, VERTICAL - 8FT (SIDE TILT ELECTRIC MAST)



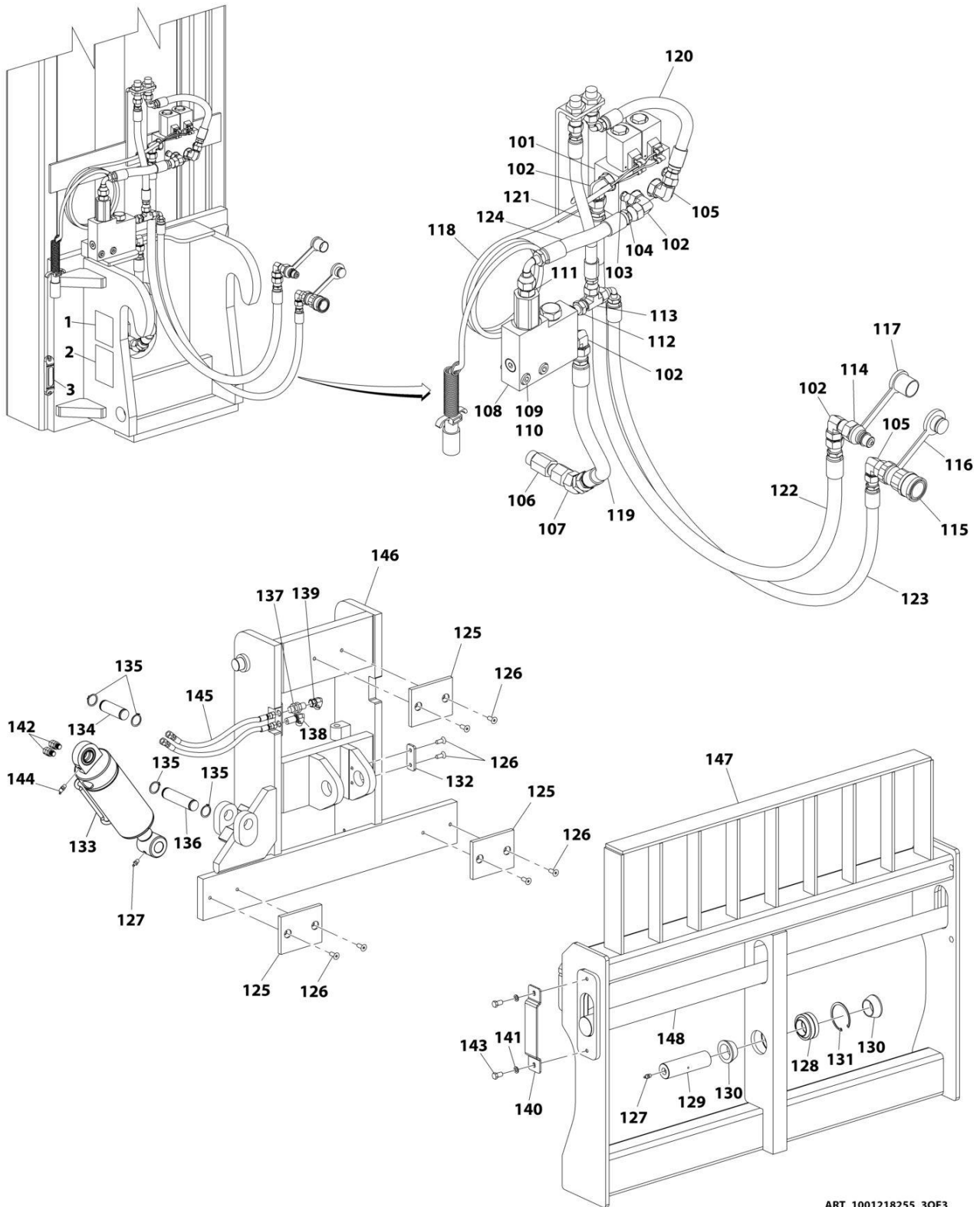
ART_1001218255_10F3

SECTION 3 - ATTACHMENTS



ART_1001218255_20F3

SECTION 3 - ATTACHMENTS



ART_1001218255_30F3

SECTION 3 - ATTACHMENTS

FIGURE 3-57. MAST, VERTICAL - 8FT (SIDE TILT ELECTRIC MAST)

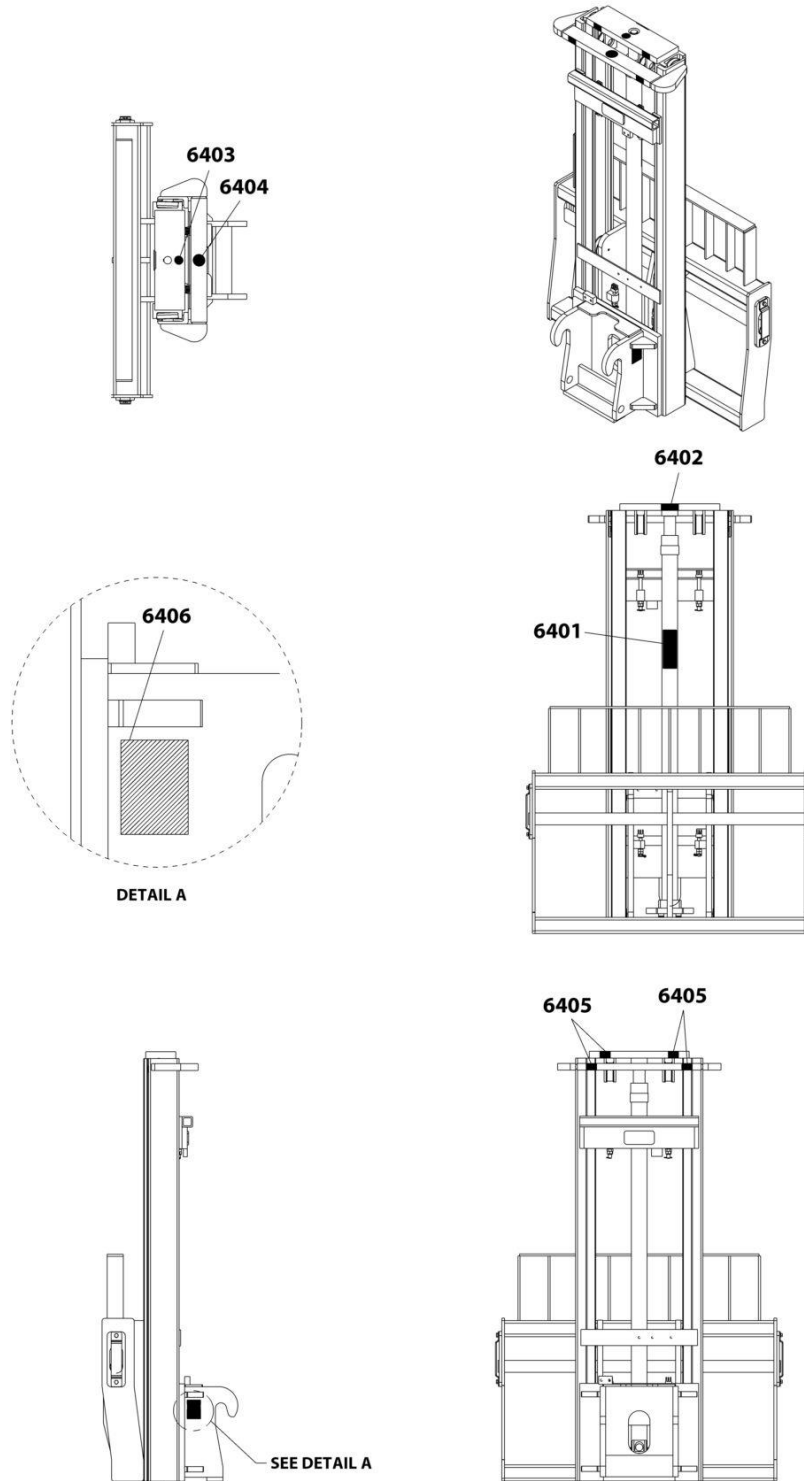
ITEM	PART NUMBER	QTY	DESCRIPTION	REV
	1001218255	Ref	Side Tilt Electric Mast (8 Foot)	F
1	1001111190	2	Decal, Hose Routing	
2	See Note	NSS	S/N Plate (Note: Stamped Part - Not Available for Purchase)	
3	1001227670	1	Tag, RFID	
101	70022933	1	Solenoid Valve Bank	
102	70022934	4	Fitting, 90	
103	70022948	2	Washer, Lock M8	
104	70022951	2	Screw, M8X60	
105	70022935	2	Elbow, Straight Thread	
106	70022936	1	Limitter, Flow	
107	70022937	1	Fitting, 45	
108	70022932	1	Assembly, PO Check Valve	
108	N.S.S.	1	Manifold	
108	70022931	1	Cartridge, PO Check Valve	
108	70023010	1	Check, PO	
109	70022949	2	Washer, Lock M10	
110	70022950	2	Bolt	
111	70022938	1	Fitting, Straight	
112	70022939	1	Fitting, Straight	
113	70022940	1	Tee Fitting	
114	91403414	1	Adapter, Male Quick Disconnect	
115	91403413	1	Adapter, Female Quick Disconnect	
116	8420055	1	Cover, Dust	
117	8420053	1	Cover, Dust	
118	70022941	1	Harness	
119	70022942	1	Hose	
120	70022943	1	Hose	
121	70022944	1	Hose	
122	70022945	1	Hose	
123	70022946	1	Hose	
124	70022947	1	Hose	
125	70022972	3	Wear Pad	
126	70022971	8	Capscrew, Flat Head	
127	70023001	2	Grease Fitting	
128	70022975	1	Spherical Bearing	
129	70022973	1	Pivot Shaft	
130	70022974	2	Beveled Spacer	
131	70022988	1	Ring, Retaining	
132	70022976	1	Retainer Plate	
133	2716143	1	Tilt Cylinder	
134	70022977	1	Pin	
135	70023016	4	Ring, Snap	
136	70022978	1	Pin	
137	70023000	1	Fitting	
138	70022999	1	Elbow	
139	70022982	1	Elbow, Straight Thread	
140	70022980	2	Keeper, Fork Pin	
141	70022949	4	Washer, Lock M10	
142	70022939	2	Fitting, Straight	
143	70022998	4	Screw, M10X20	

SECTION 3 - ATTACHMENTS

ITEM	PART NUMBER	QTY	DESCRIPTION	REV
144	70022966	1	Grease Fitting 30	
145	70022979	2	Hose	
146	70025353	1	Spine Weldment	
147	N.S.S.	1	Front Frame Weldment	
148	70022990	1	Pin, Fork	
149	70023014	24	Shim	
150	70022987	8	Bearing, Ball	
151	70027951	2	Washer, Shim	
152	70023016	1	Ring, Snap	
153	70022969	2	Assembly, Sheave	
154	70022960	2	Anchor, Chain	
155	70022957	8	Nut, 5/8-18	
156	70022993	4	Pin, Cotter	
157	70022995	2	Anchor, Chain	
158	70022984	1	Shaft, Sheave	
159	70022970	2	Bar, Retainer	
160	70023003	2	Capscrew	
161	70022994	4	Pin, Chain Anchor	
162	70022992	8	Pin, Cotter	
163	70022985	1	Shaft, Sheave	
164	70023925	1	Kit, Decal (Not Shown) (See Separate Breakdown in this Section)	
165	70023009	2	Chain, Lift	
166	70023008	1	Cylinder, Main Lift (Not Shown) (See Separate Breakdown in this Section)	

SECTION 3 - ATTACHMENTS

FIGURE 3-58. MAST, VERTICAL - DECAL KIT



ART_70023925-A

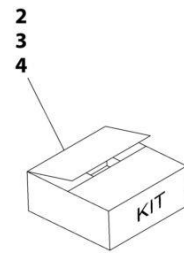
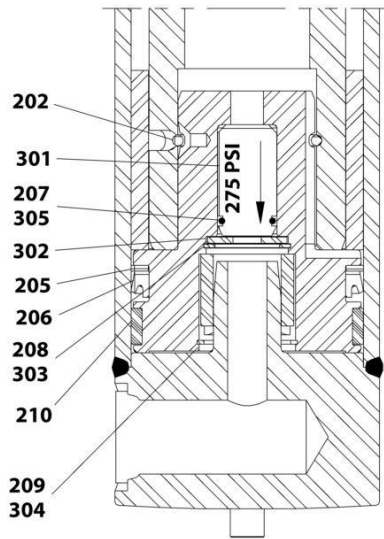
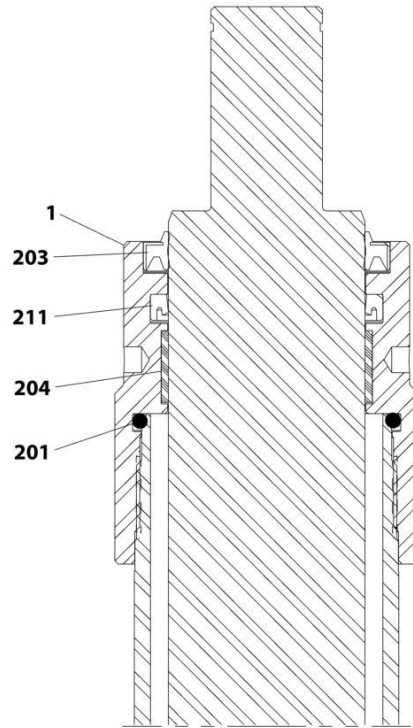
SECTION 3 - ATTACHMENTS

FIGURE 3-58. MAST, VERTICAL - DECAL KIT

ITEM	PART NUMBER	QTY	DESCRIPTION	REV
	70023925	Ref	Kit, Decal	A
6401	Kit	1	Decal, Warning	
6402	Kit	1	Decal, Warning	
6403	Kit	1	Decal, No Step	
6404	Kit	1	Decal, No Step	
6405	Kit	4	Decal, Hands Off	
6406	Kit	2	Decal, Hose Routing	

SECTION 3 - ATTACHMENTS

FIGURE 3-59. MAST, VERTICAL - CYLINDER



ART_70023008-A

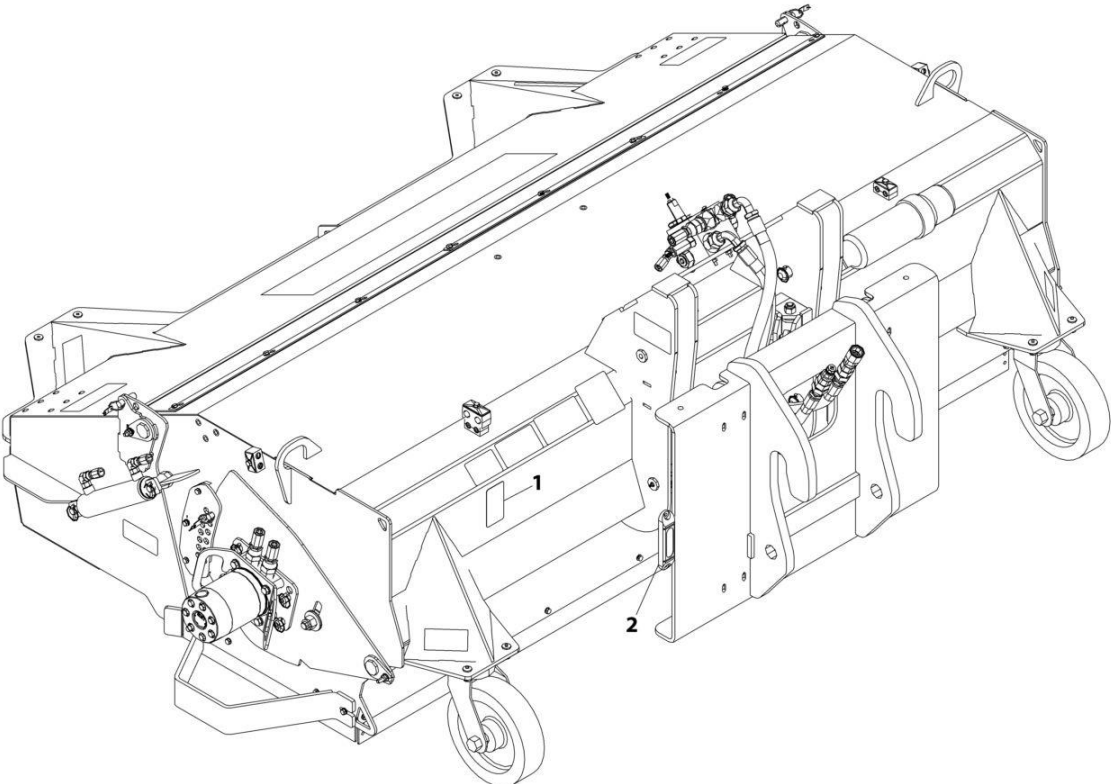
SECTION 3 - ATTACHMENTS

FIGURE 3-59. MAST, VERTICAL - CYLINDER

ITEM	PART NUMBER	QTY	DESCRIPTION	REV
	70023008	Ref	Main Lift Cylinder	A
1	70023004	1	Retainer/Gland	
2	70023005	1	Seal Kit, Main Lift Cylinder	
201	Kit	1	O-Ring	
202	Kit	1	Wire, Pull	
203	Kit	1	Wiper	
204	Kit	1	Bushing	
205	Kit	1	Ring, Nylon	
206	Kit	1	Seal, Piston	
207	Kit	1	O-Ring	
208	Kit	1	Circlip	
209	Kit	1	Ring, Retaining	
210	Kit	1	Ring, Wear	
211	Kit	1	Seal, Rod	
3	70023006	1	Kit, Check Valve	
301	Kit	1	Valve, Check	
302	Kit	1	Washer	
303	Kit	1	Circlip	
304	Kit	1	Ring, Retaining	
304	Kit	1	O-Ring	
4	70023007	1	Kit, Shim	

SECTION 3 - ATTACHMENTS

FIGURE 3-60. SWEEPER ASSEMBLY



ART_1001202904

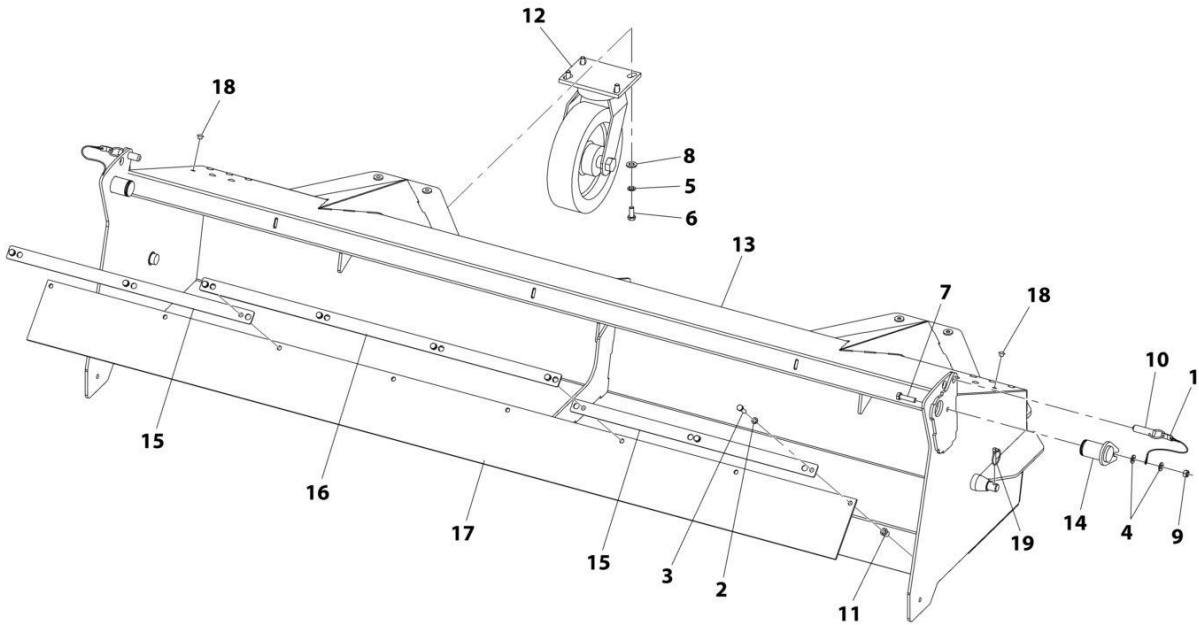
SECTION 3 - ATTACHMENTS

FIGURE 3-60. SWEEPER ASSEMBLY

ITEM	PART NUMBER	QTY	DESCRIPTION	REV
	1001202904	Ref	Sweeper Assembly	D
1	See Note	NSS	S/N Plate (Note: Stamped Part - Not Available for Purchase)	
2	1001227670	1	Tag, RFID	
		Ref	Sweeper Assembly- Hopper (See Separate Breakdown in this Section)	
		Ref	Sweeper Assembly - Body (See Separate Breakdown in this Section)	
		Ref	Sweeper Assembly - Motor (See Separate Breakdown in this Section)	
		Ref	Sweeper Assembly - Idler (See Separate Breakdown in this Section)	
		Ref	Sweeper Assembly - Core (See Separate Breakdown in this Section)	
		Ref	Sweeper Assembly - Hydraulic Single Motor (See Separate Breakdown in this Section)	

SECTION 3 - ATTACHMENTS

FIGURE 3-61. SWEEPER ASSEMBLY - HOPPER



ART_1001202904_1-B

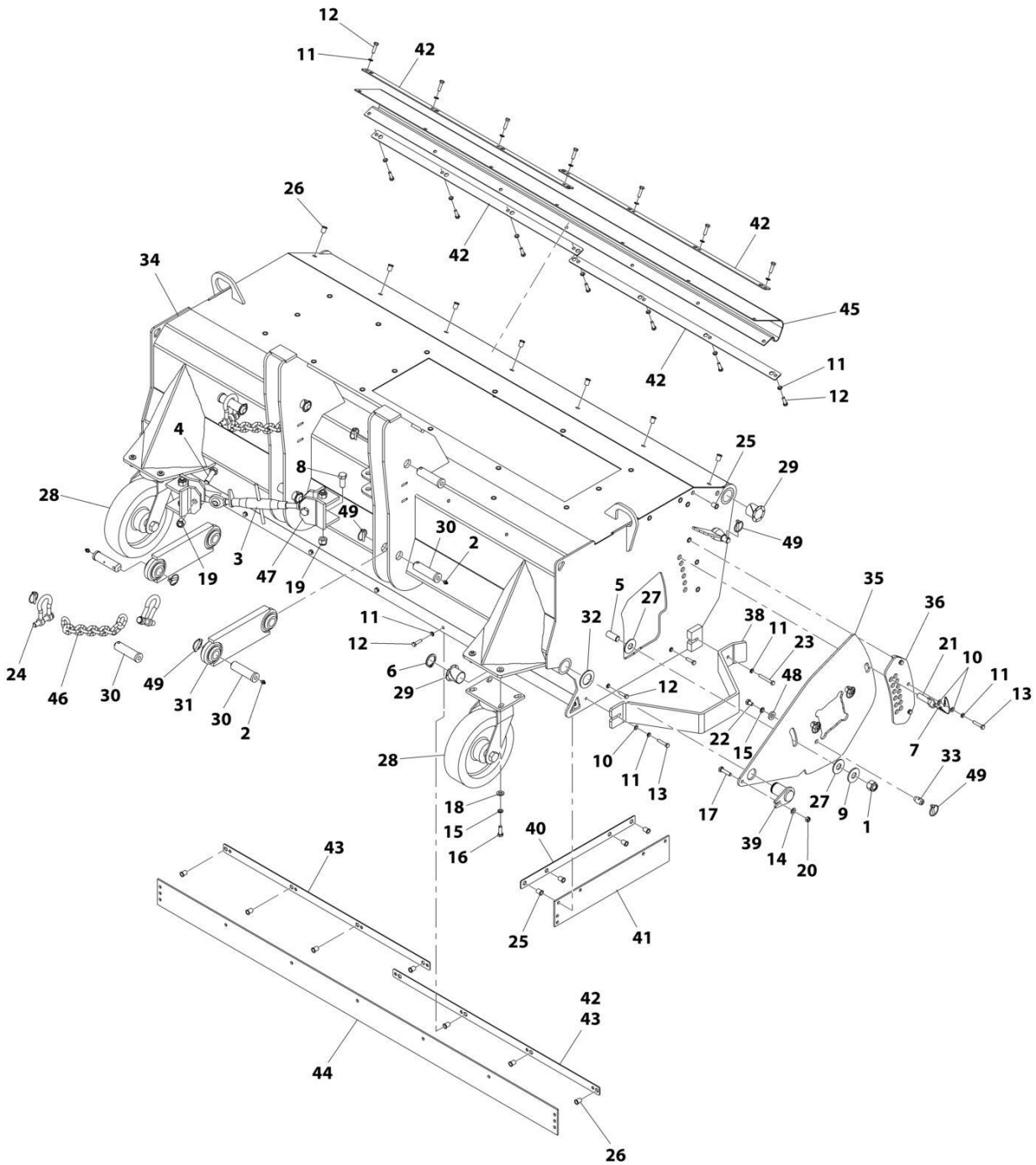
SECTION 3 - ATTACHMENTS

FIGURE 3-61. SWEEPER ASSEMBLY - HOPPER

ITEM	PART NUMBER	QTY	DESCRIPTION	REV
	1001202904	Ref	SWEEPER ASSEMBLY - HOPPER	
1	70029725	2	Lanyard	
2	70029734	8	Washer	
3	70029735	8	Screw	
4	70029738	4	Washer	
5	70029739	8	Washer	
6	70029740	8	Screw	
7	70029742	2	Screw	
8	70029743	8	Washer	
9	70029747	2	Nut	
10	70029750	2	Pin	
11	70029756	8	Nut	
12	70029762	2	Assembly, Caster	
13	See Note	NSS	Hopper (Note: Purchase Complete Assembly)	
14	70029777	2	Pin	
15	70029780	2	Plate	
16	70029781	1	Plate	
17	70029785	1	Flap	
18	70029792	12	Plug	
19	70029794	2	Pin, Lynch	

SECTION 3 - ATTACHMENTS

FIGURE 3-62. SWEEPER ASSEMBLY - BODY



ART_1001202904_2-B

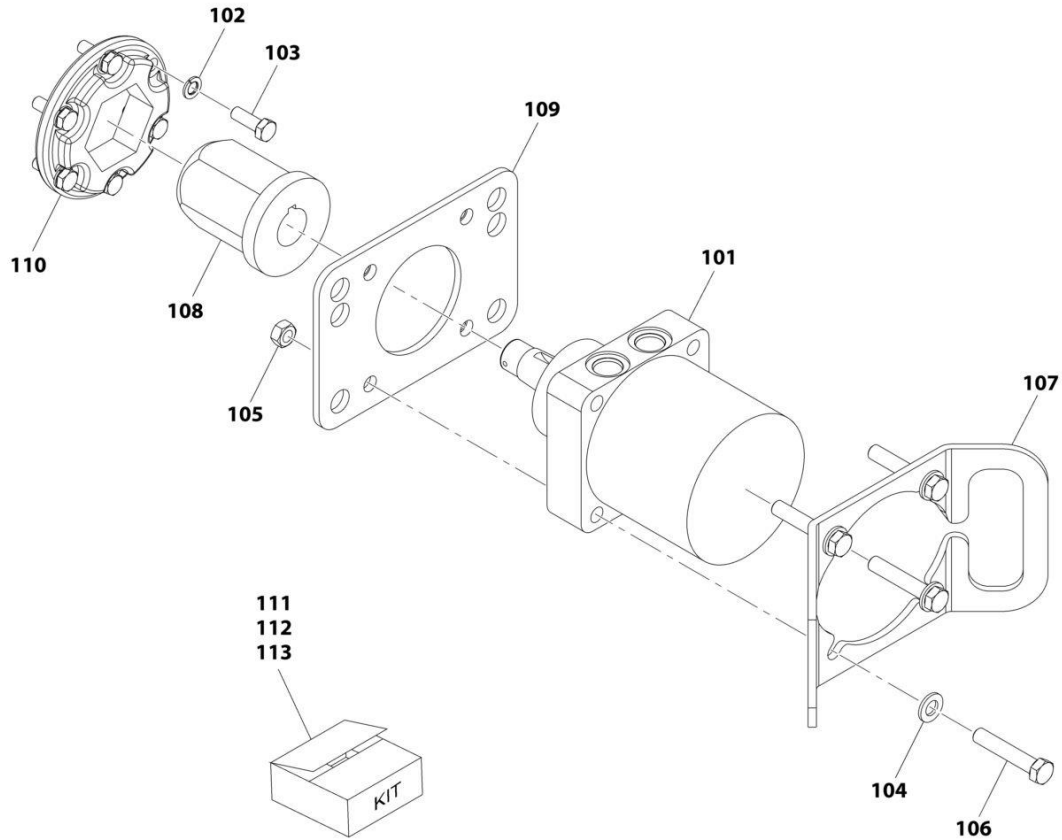
SECTION 3 - ATTACHMENTS

FIGURE 3-62. SWEEPER ASSEMBLY - BODY

ITEM	PART NUMBER	QTY	DESCRIPTION	REV
	1001202904	Ref	SWEEPER ASSEMBLY - BODY	
1	70029720	2	Nut	
2	70029721	4	Fitting, Grease	
3	70029722	1	Toplink	
4	70029723	2	Screw	
5	70020004	2	Screw	
6	70029724	2	Ring, Snap	
7	70029725	2	Lanyard	
8	70029726	4	Screw	
9	70029728	2	Washer	
10	70029732	6	Washer	
11	70029734	38	Washer	
12	70029735	32	Screw	
13	70029736	4	Screw	
14	70029738	2	Washer	
15	70029739	14	Washer	
16	70029741	8	Screw	
17	70029742	2	Screw	
18	70029743	8	Washer	
19	70029745	6	Nut	
20	70029747	2	Nut	
21	70029729	2	Pin	
22	70029751	6	Screw	
23	70029752	2	Screw	
24	70029755	4	Shackle	
25	70029756	45	Nut	
26	70029757	25	Nut	
27	70029760	4	Washer	
28	70029762	2	Assembly, Caster	
29	70029764	4	Bearing	
30	70029765	8	Pin	
31	70029766	2	Link	
32	70029767	2	Washer	
33	70029768	6	Stud	
34	See Note	NSS	Body, Sweeper (Note: Purchase Complete Assembly)	
35	70029773	2	Plate	
36	70029774	2	Plate	
37	70029775	2	Plate	
38	70029776	2	Plate	
39	70029777	2	Pin	
40	70029778	2	Plate	
41	70029779	2	Flap	
42	70029780	6	Plate	
43	70029781	3	Plate	
44	70029784	1	Flap	
45	70029786	1	Flap	
46	70029788	2	Chain	
47	70029790	2	Toplink	
48	70029793	6	Washer	
49	70029794	16	Pin, Lynch	

SECTION 3 - ATTACHMENTS

FIGURE 3-63. SWEEPER ASSEMBLY - MOTOR



ART_1001202904_3-B

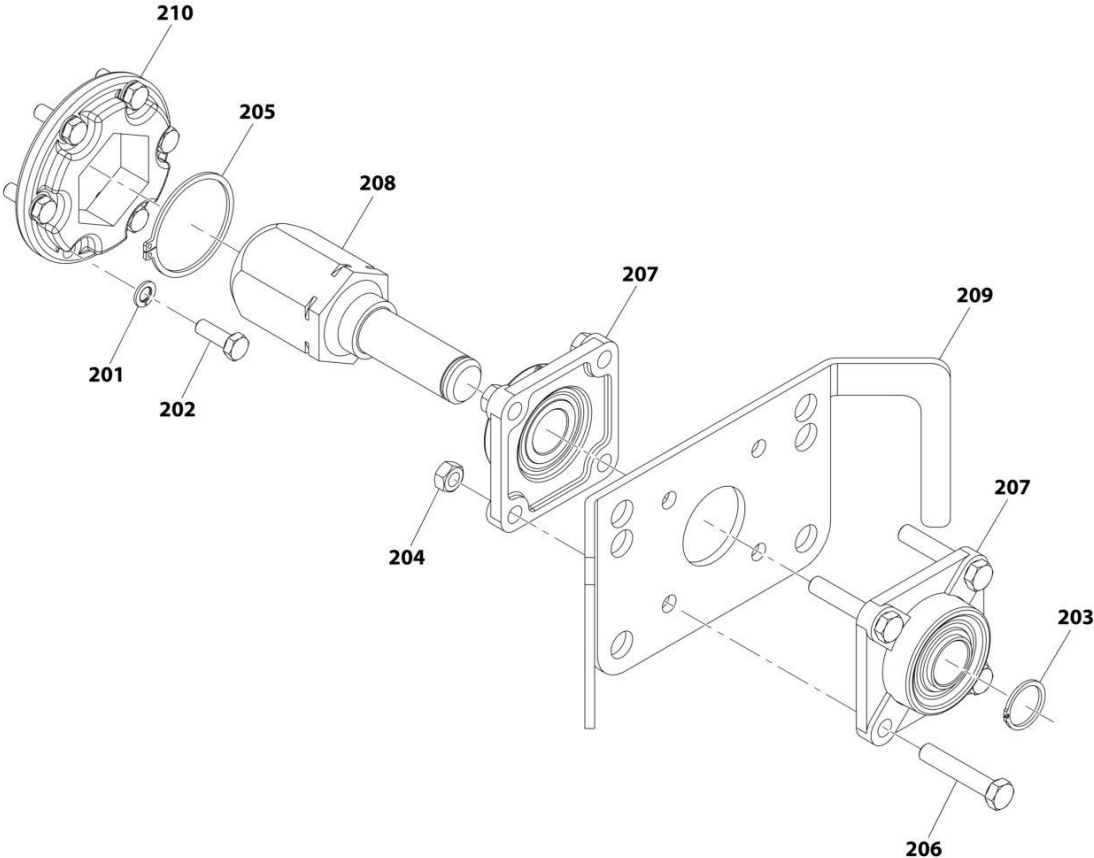
SECTION 3 - ATTACHMENTS

FIGURE 3-63. SWEEPER ASSEMBLY - MOTOR

ITEM	PART NUMBER	QTY	DESCRIPTION	REV
	1001202904	Ref	SWEEPER ASSEMBLY - MOTOR	
101	70029717	1	Motor	
102	70029739	6	Washer	
103	70029741	6	Screw	
104	70029743	4	Washer	
105	70029746	4	Nut	
106	70029749	4	Screw	
107	70029769	1	Plate	
108	70029771	1	Hub	
109	70029772	1	Plate	
110	70029789	1	Plate	
111	70029719	1	Nut, Motor Shaft Lock	
112	70029718	1	Kit, Seal	
113	70029761	1	Key	

SECTION 3 - ATTACHMENTS

FIGURE 3-64. SWEEPER ASSEMBLY - IDLER



ART_1001202904_4-B

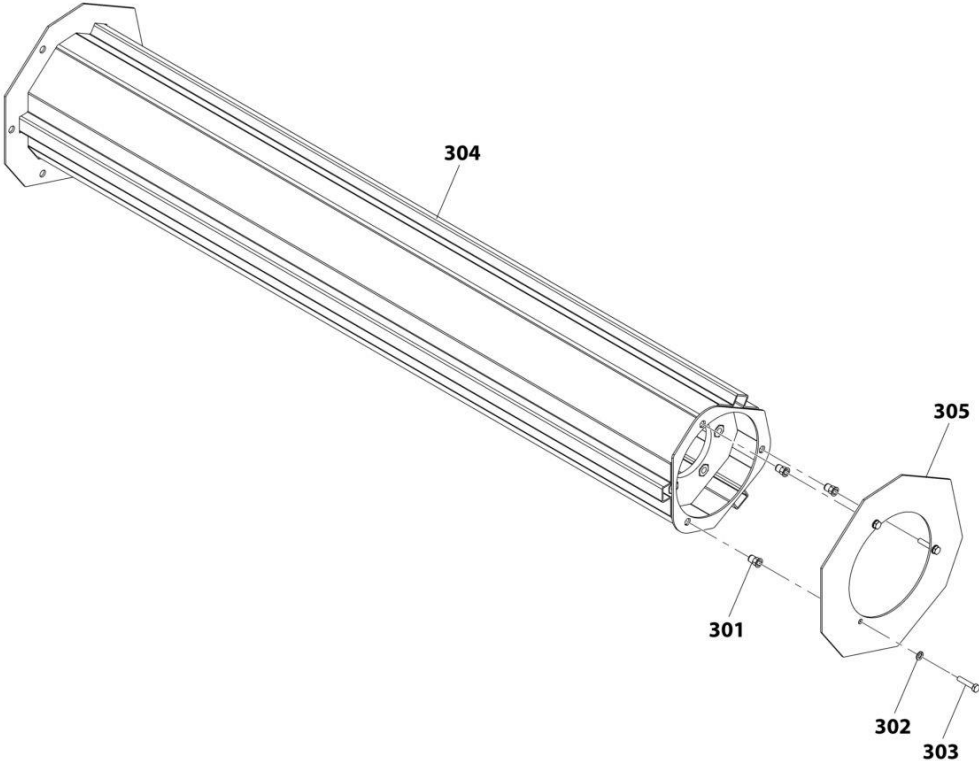
SECTION 3 - ATTACHMENTS

FIGURE 3-64. SWEEPER ASSEMBLY - IDLER

ITEM	PART NUMBER	QTY	DESCRIPTION	REV
	1001202904	Ref	SWEEPER ASSEMBLY - IDLER	
201	70029739	6	Washer	
202	70029741	6	Screw	
203	70029744	1	Ring, Snap	
204	70029746	4	Nut	
205	70029748	1	Ring, Snap	
206	70029749	4	Screw	
207	70029763	2	Bearing	
208	70029770	1	Hub	
209	70029787	1	Plate	
210	70029789	1	Plate	

SECTION 3 - ATTACHMENTS

FIGURE 3-65. SWEEPER ASSEMBLY - CORE



ART_1001202904_5-B

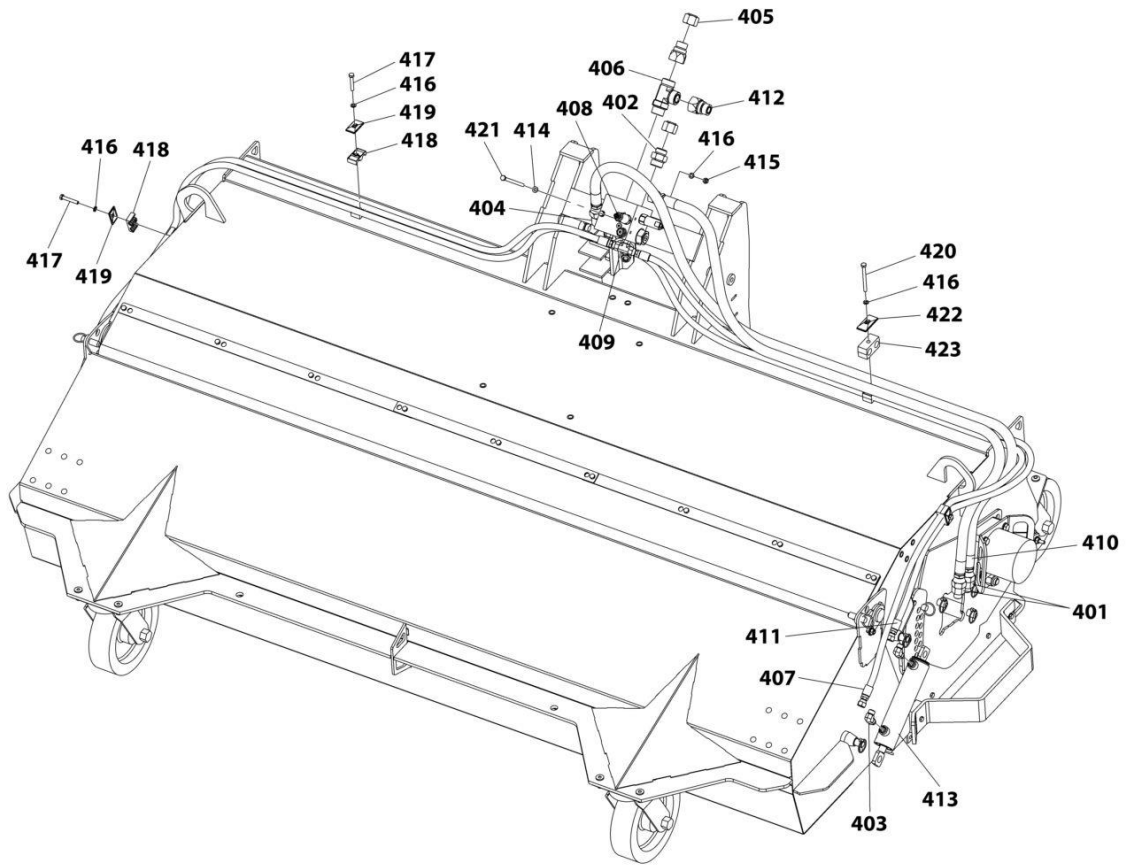
SECTION 3 - ATTACHMENTS

FIGURE 3-65. SWEEPER ASSEMBLY - CORE

ITEM	PART NUMBER	QTY	DESCRIPTION	REV
	1001202904	1	SWEEPER ASSEMBLY - CORE	
301	70029727	3	Nut	
302	70029730	3	Washer	
303	70029731	3	Screw	
304	70029782	1	Core	
305	70029783	1	Plate	

SECTION 3 - ATTACHMENTS

FIGURE 3-66. SWEEPER ASSEMBLY - HYDRAULIC SINGLE MOTOR ASSEMBLY



ART_1001202904_6-B

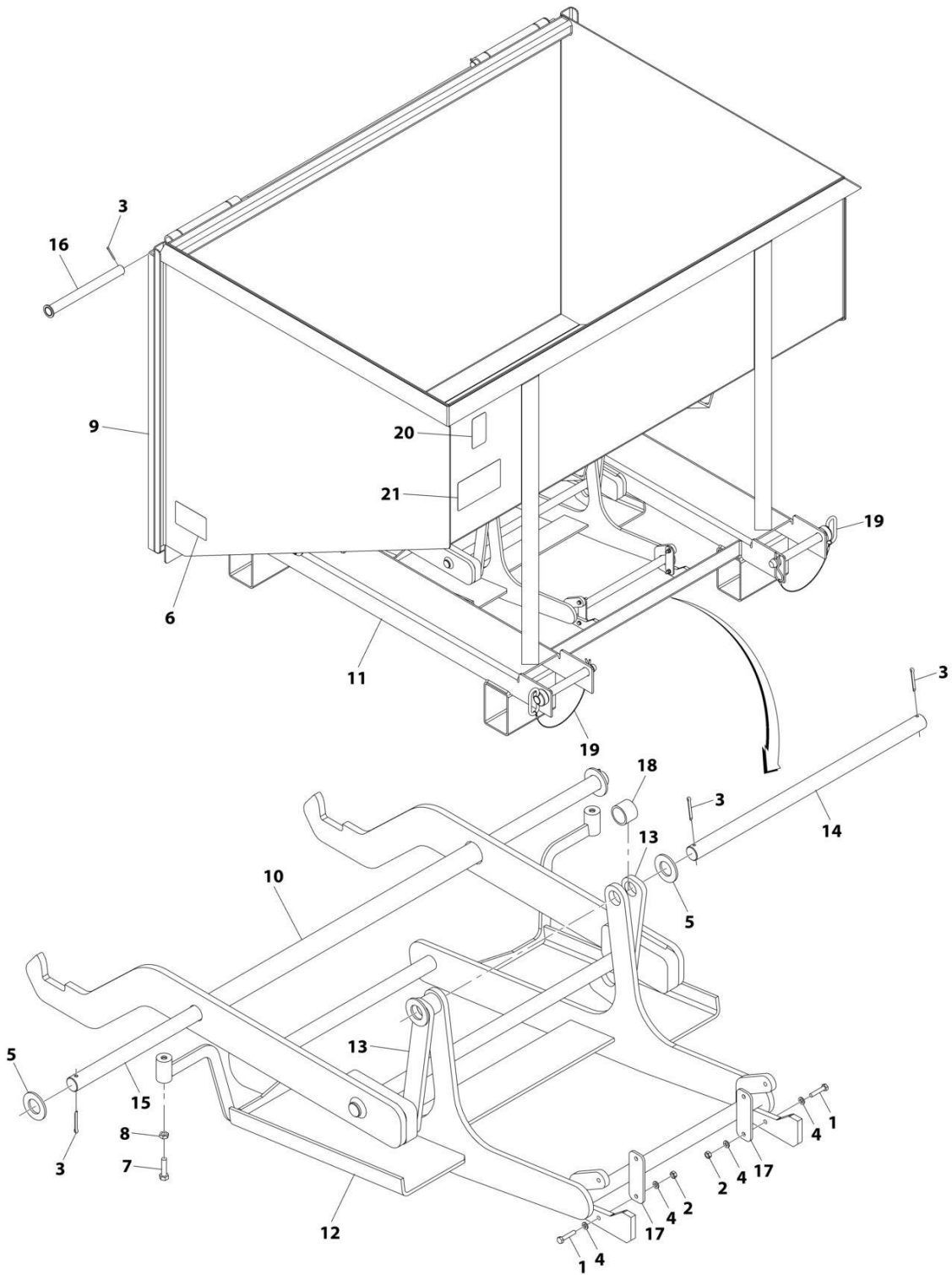
SECTION 3 - ATTACHMENTS

FIGURE 3-66. SWEEPER ASSEMBLY - HYDRAULIC SINGLE MOTOR ASSEMBLY

ITEM	PART NUMBER	QTY	DESCRIPTION	REV
	1001202904	Ref	SWEEPER ASSEMBLY - HYDRAULICS	
401	70029704	2	Fitting	
402	70029705	1	Fitting	
403	70029706	4	Fitting, 90	
404	70029707	1	Fitting, 90	
405	70029708	2	Cap	
406	70029709	1	Fitting, Tee	
407	70029710	2	Hose	
408	70029711	1	Manifold	
409	70029712	2	Fitting, Tee	
410	70029713	2	Hose	
411	70029714	2	Hose	
412	70029715	2	Fitting	
413	70029716	2	Cylinder	
413	70029791	1	Kit, Seal	
414	70029732	2	Washer	
415	70029733	2	Nut	
416	70029734	6	Washer	
417	70029737	3	Screw	
418	70029753	8	Hose	
419	70029754	3	Cover	
420	70029758	1	Screw	
421	70029759	2	Screw	
422	70029795	1	Cover	
423	70029796	1	Cradle, Hose	

SECTION 3 - ATTACHMENTS

FIGURE 3-67. TRASH HOPPER



ART_1001238566-B

SECTION 3 - ATTACHMENTS

FIGURE 3-67. TRASH HOPPER

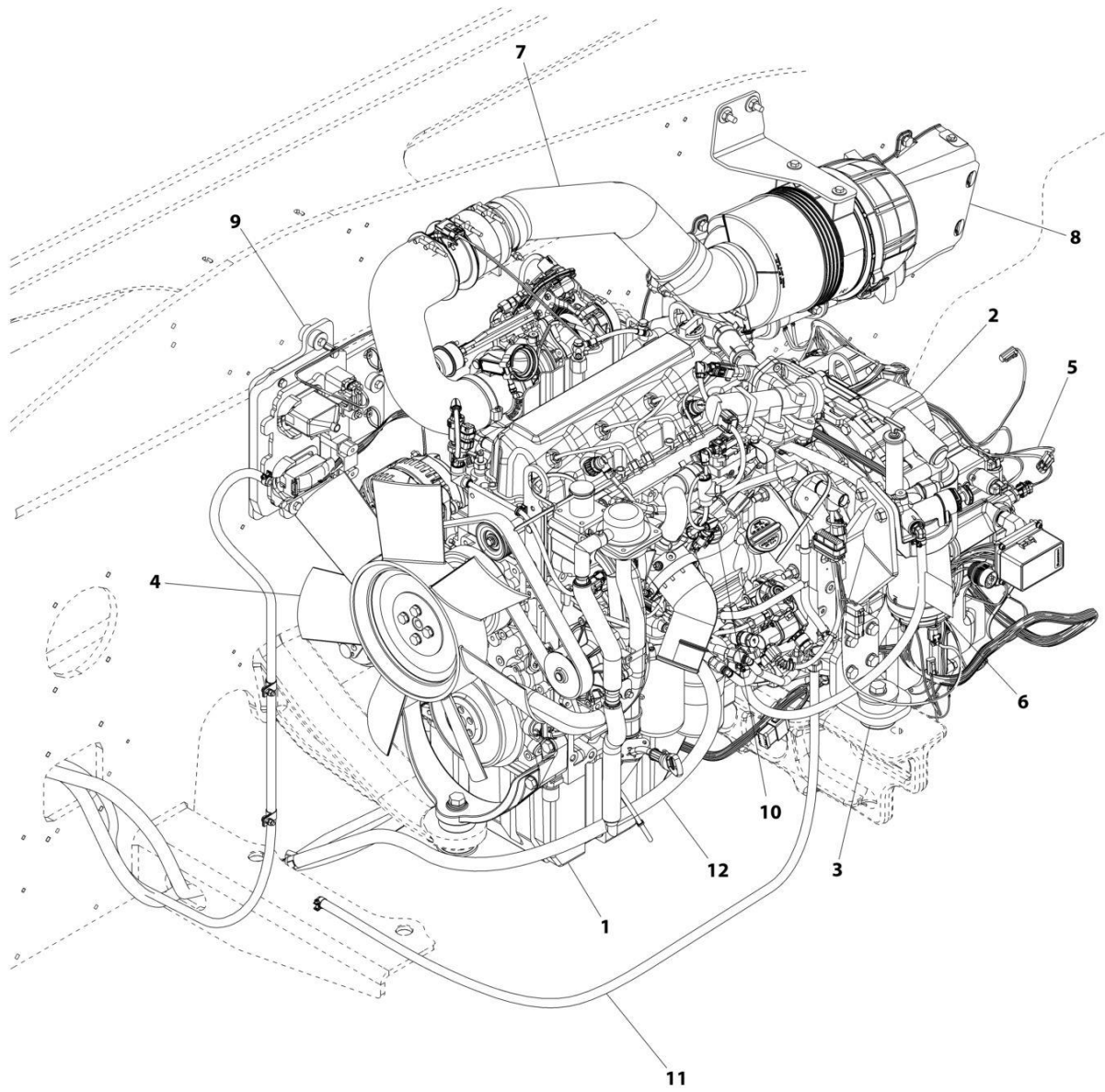
ITEM	PART NUMBER	QTY	DESCRIPTION	REV
	1001238566	Ref	FORK MOUNTED TRASH HOPPER	C
1	0700614	4	Bolt M6 x 30	
2	3290601	4	Nut M6 x 1	
3	3391410	6	Pin	
4	4811700	8	Washer M6	
5	5242400	4	Washer M24	
6	1706302	2	Decal, Pinch Point	
7	0641510	2	Bolt 5/16 x 1-1/4	
8	3311502	2	Nut 5/16	
9	1001192711	1	Door Assembly	
10	1001192720	1	Hook Assembly	
11	See Note	NSS	Hopper, Trash (Note: Purchase Complete Assembly)	
12	1001192875	1	Tray Assembly	
13	1001192876	2	Arm, Swing	
14	1001192877	1	Rod, Swing	
15	1001238570	1	Bar	
16	1001193540	2	Pin	
17	1001193729	2	Plate	
18	1001198355	2	Spacer	
19	1001238560	2	Pin	
20	See Note	NSS	SN Plate (Note: Stamped Part - Not Available for Purchase)	
21	1001203503	1	Decal, Trash Hopper Operation	

SECTION 4 - ENGINE AND ATTACHING PARTS

SECTION 4 - ENGINE AND ATTACHING PARTS

SECTION 4 - ENGINE AND ATTACHING PARTS

FIGURE 4-1. ENGINE INSTALLATION, 110HP (ULS)



ART_1001169009-H

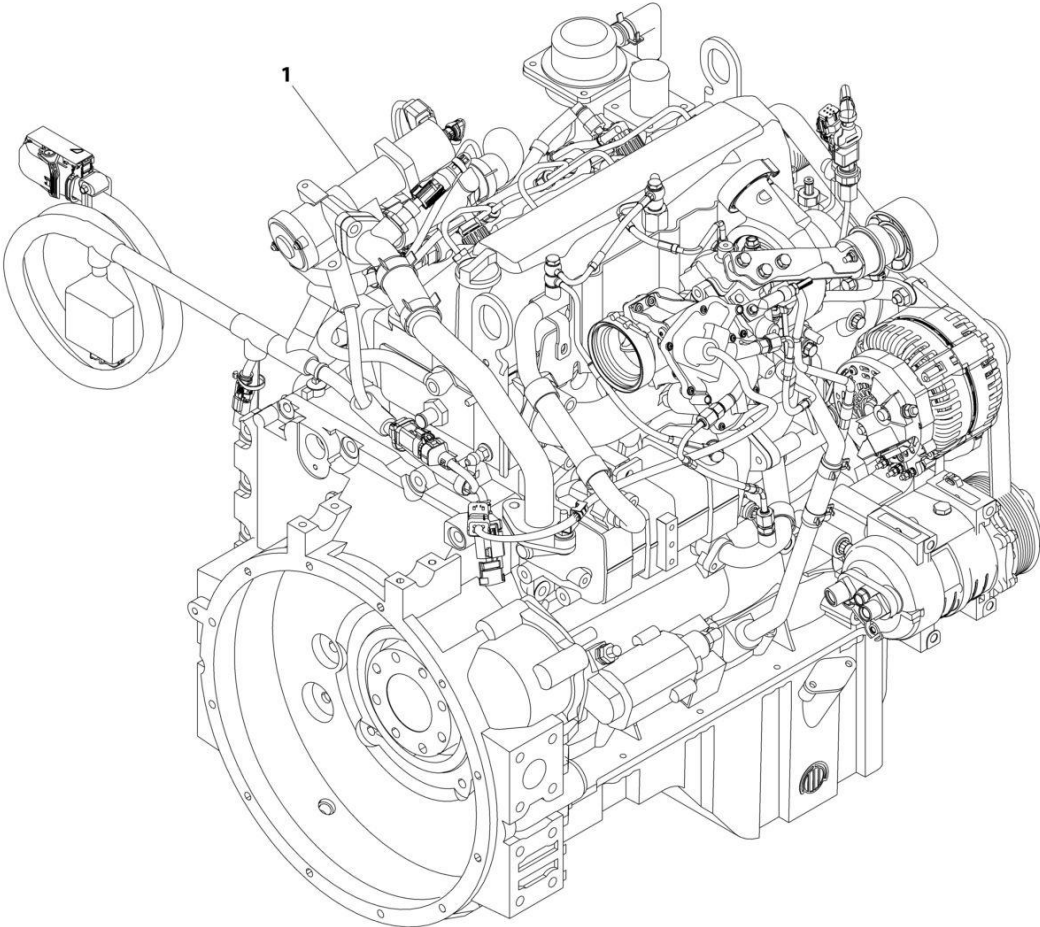
SECTION 4 - ENGINE AND ATTACHING PARTS

FIGURE 4-1. ENGINE INSTALLATION, 110HP (ULS)

ITEM	PART NUMBER	QTY	DESCRIPTION	REV
	1001169009	Ref	Engine Installation, 110HP (ULS)	H
1	1001154511	Ref	Engine, 110HP (ULS) (See Separate Breakdown in this Section)	
2	1001161664	Ref	Installation, Transmission (See Separate Breakdown in DRIVETRAIN Section)	
3	1001163227	Ref	Installation, Engine Mounting (See Separate Breakdown in this Section)	
4	1001163230	Ref	Installation, Fan (See Separate Breakdown in this Section)	
5	1001163233	Ref	Installation, Engine Wiring (ULS) (See Separate Breakdown in ELECTRICAL Section)	
6	1001163235	Ref	Installation, Primary Fuel Filter (See Separate Breakdown in this Section)	
7	1001169011	Ref	Installation, Air Cleaner Lines (See Separate Breakdown in this Section)	
8	1001169012	Ref	Installation, Air Cleaner (See Separate Breakdown in this Section)	
9	1001194286	Ref	Installation, Engine ECU (See Separate Breakdown in ELECTRICAL Section)	
10	1062255	1	Strap, Tie	
11	1001163231	Ref	Installation, Fuel Lines (See Separate Breakdown in this Section)	
12	1001163232	Ref	Installation, DEF Lines (See Separate Breakdown in this Section)	

SECTION 4 - ENGINE AND ATTACHING PARTS

FIGURE 4-2. ENGINE COMPONENTS, 110HP (ULS)



ART_1001154511

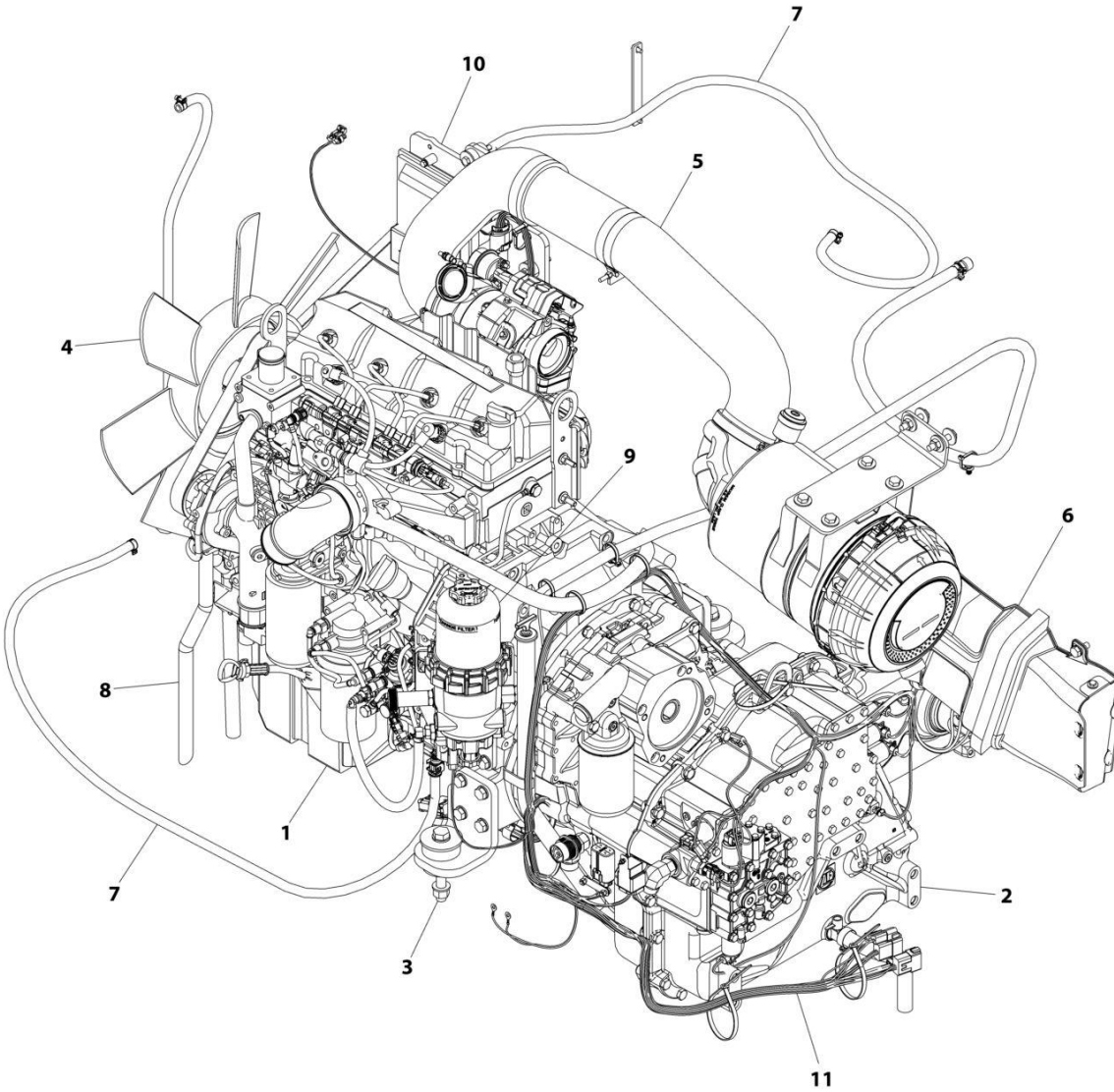
SECTION 4 - ENGINE AND ATTACHING PARTS

FIGURE 4-2. ENGINE COMPONENTS, 110HP (ULS)

ITEM	PART NUMBER	QTY	DESCRIPTION	REV
1	1001154511	Ref	Engine, QSF 3.8L (if equipped for ULS)	W
	70026220	1	Assembly, Secondary Fuel Filter (includes shell, seal and cartridge)	
	70026453	1	Cartridge, Fuel Filter	
	70031350	1	Rail, Fuel	
	70031351	1	Sensor, Fuel Pressure	
	70031352	1	Valve, Fuel Pressure Relief Valve	
	70026223	1	Pan, Oil	
	70026224	1	Seal, Oil Pan	
	70026225	1	Plug, Oil Pan	
	70026226	1	Seal, Oil Pan Plug	
	1001128594	1	Starter	
	70026228	1	Filler Cap, Valve Cover	
	70026229	1	Fan Belt, V-Ribbed	
	70026230	1	Support, Fan	
	70026231	1	Pulley, Fan	
	70026232	1	Alternator	
	70028450	1	Assembly, Primary Fuel Filter, (includes filter head, seal and element)	
	70026235	1	Assembly, Dipstick Oil Level	
	70026236	1	Assembly, Block Heater	
	70026241	1	Assembly, Fuel Filter Plug	
	70026237	1	Filter, Oil	
	70023933	1	O-Ring, Oil Pressure Switch	
	70041620	2	Ring, Retaining	
	70041616	1	Bolt, Fan Drive	
	70041617	1	Bearing, Ball	
	70041619	1	Retainer, Fan Hub	
	1322039	1	Spacer, Fan Pilot	
	1321094	16	Bolt, Oil Pan	
	70024016	1	Cap, Side Oil Fill	
	70022634	1	Flywheel w/Ring Gear	
	70023736	1	Ring Gear, Flywheel	
	1322040	1	Plug, Flywheel	
	70030317	1	Connection, Fuel Actuator	
	70030347	1	Valve, Exhaust Throttle	
	70031380	1	Harness, ECM	

SECTION 4 - ENGINE AND ATTACHING PARTS

FIGURE 4-3. ENGINE INSTALLATION, 110HP (LS)



ART_1001160396-D

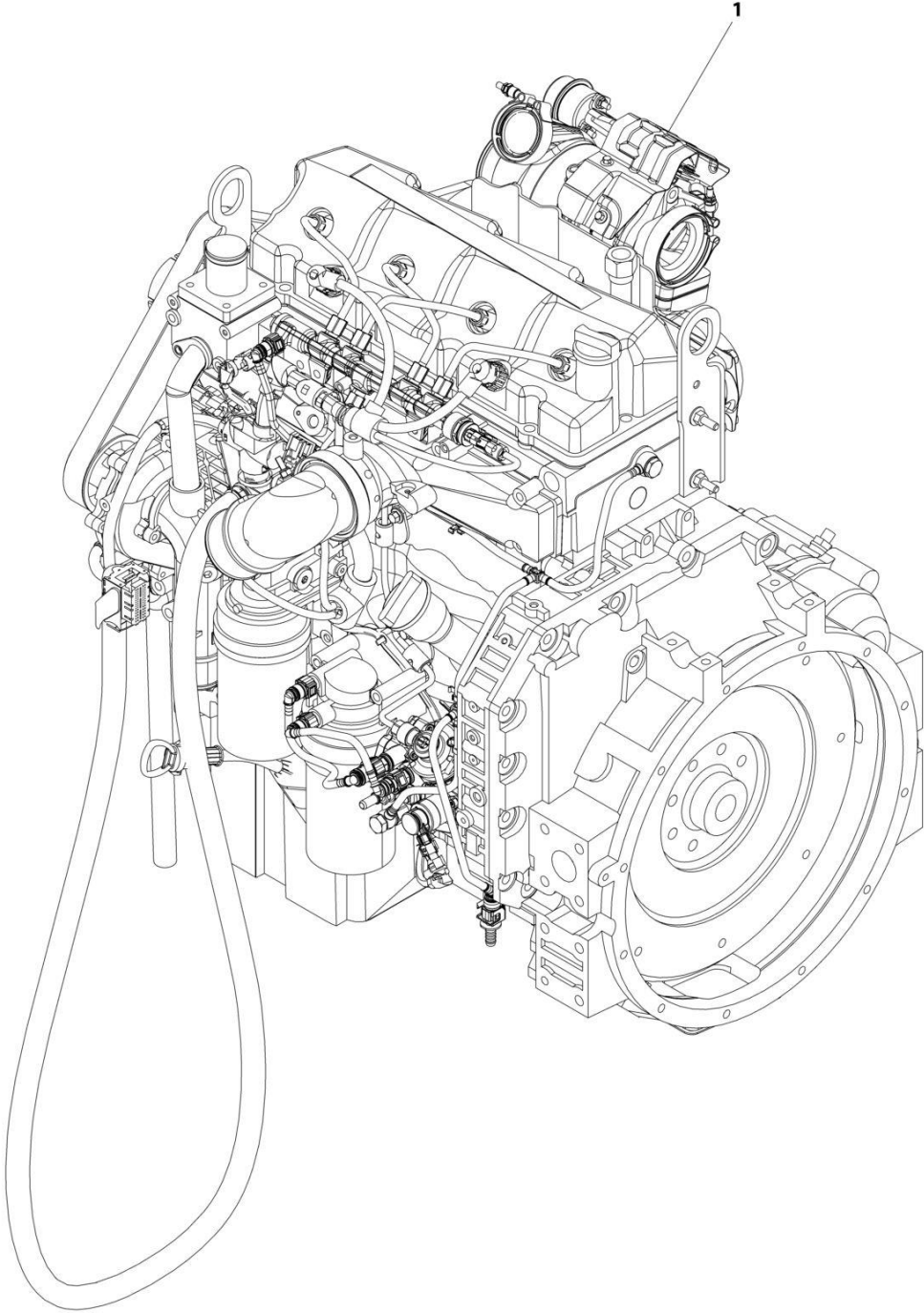
SECTION 4 - ENGINE AND ATTACHING PARTS

FIGURE 4-3. ENGINE INSTALLATION, 110HP (LS)

ITEM	PART NUMBER	QTY	DESCRIPTION	REV
	1001160396	Ref	Engine Installation, 110HP (LS)	D
1	1001154790	Ref	Engine, 110HP (LS) (See Separate Breakdown in this Section)	
2	1001161664	Ref	Installation, Transmission (See Separate Breakdown in DRIVETRAIN Section)	
3	1001163227	Ref	Installation, Engine Mounting (See Separate Breakdown in this Section)	
4	1001163230	Ref	Installation, Fan (See Separate Breakdown in this Section)	
5	1001163238	Ref	Installation, Air Intake Lines (LS) (See Separate Breakdown in this Section)	
6	1001163239	Ref	Installation, Air Cleaner (LS) (See Separate Breakdown in this Section)	
7	1001163241	Ref	Installation, Fuel Lines (LS) (See Separate Breakdown in this Section)	
8	1001176228	1	Hose, 3.8L	
9	1001180076	Ref	Installation, Primary Fuel Filter (LS) (See Separate Breakdown in this Section)	
10	1001180242	Ref	Installation, Engine ECM (LS) (See Separate Breakdown in ELECTRICAL Section)	
11	1001163242	Ref	Installation, Engine Wiring (LS) (See Separate Breakdown in ELECTRICAL Section)	

SECTION 4 - ENGINE AND ATTACHING PARTS

FIGURE 4-4. ENGINE COMPONENTS, 110HP (LS)



ART_1001154790

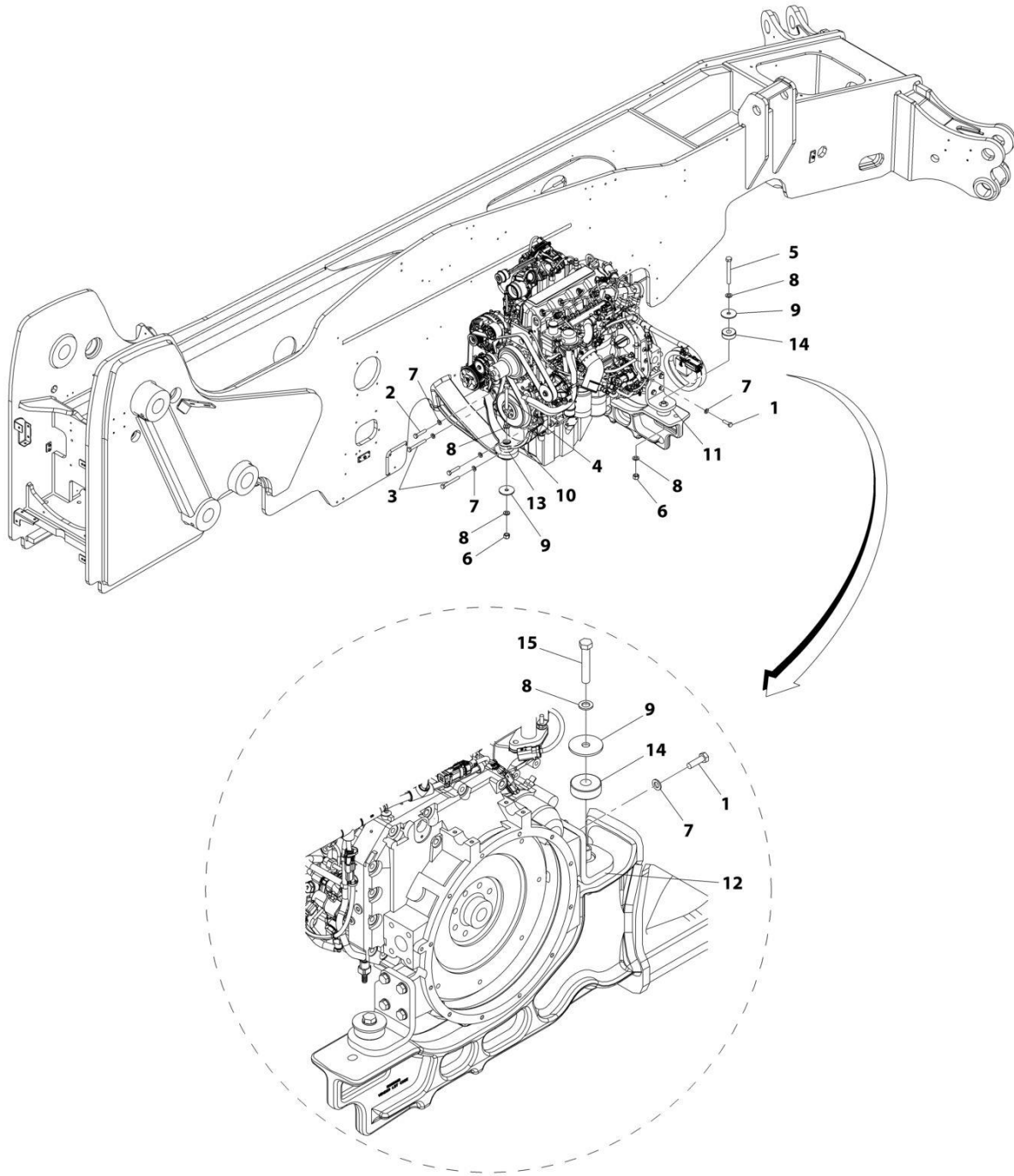
SECTION 4 - ENGINE AND ATTACHING PARTS

FIGURE 4-4. ENGINE COMPONENTS, 110HP (LS)

ITEM	PART NUMBER	QTY	DESCRIPTION	REV
1	1001154790	Ref	3.8L Engine (LS)	L
	70026800	1	Fuel Filter Assembly	
	70026801	1	Fuel Filter Element	
	70026222	1	Assembly, Flywheel Housing	
	70027281	1	Pan, Oil	
	70026224	1	Seal, Oil Pan	
	70026225	1	Plug, Oil Pan	
	70026226	1	Seal, Oil Pan Plug	
	1001128594	1	Starter	
	70026228	1	Filler Cap, Valve Cover	
	70026229	1	Fan Belt, V-Ribbed	
	70026230	1	Support, Fan	
	70026231	1	Pulley, Fan	
	70026232	1	Alternator	
	70026233	1	Assembly, Primary Fuel Filter	
	70026234	1	Element, Fuel Filter	
	70026235	1	Assembly, Dipstick Oil Level	
	70026241	1	Assembly, Fuel Filter Plug	
	70026237	1	Filter, Oil	
	70041620	2	Ring, Retaining	
	70041616	1	Bolt	
	70041617	1	Bearing, Ball	
	70041619	1	Retainer, Fan Hub	
	1322039	1	Spacer, Fan Pilot	
	1321094	17	Screw	
	70024016	1	Cap, Side Oil Fill	
	70022634	1	Flywheel w/Ring Gear	
	70023736	1	Ring Gear, Flywheel	
	1322040	1	Plug, Flywheel	

SECTION 4 - ENGINE AND ATTACHING PARTS

FIGURE 4-5. ENGINE MOUNTING INSTALLATION



ART_1001163227-H

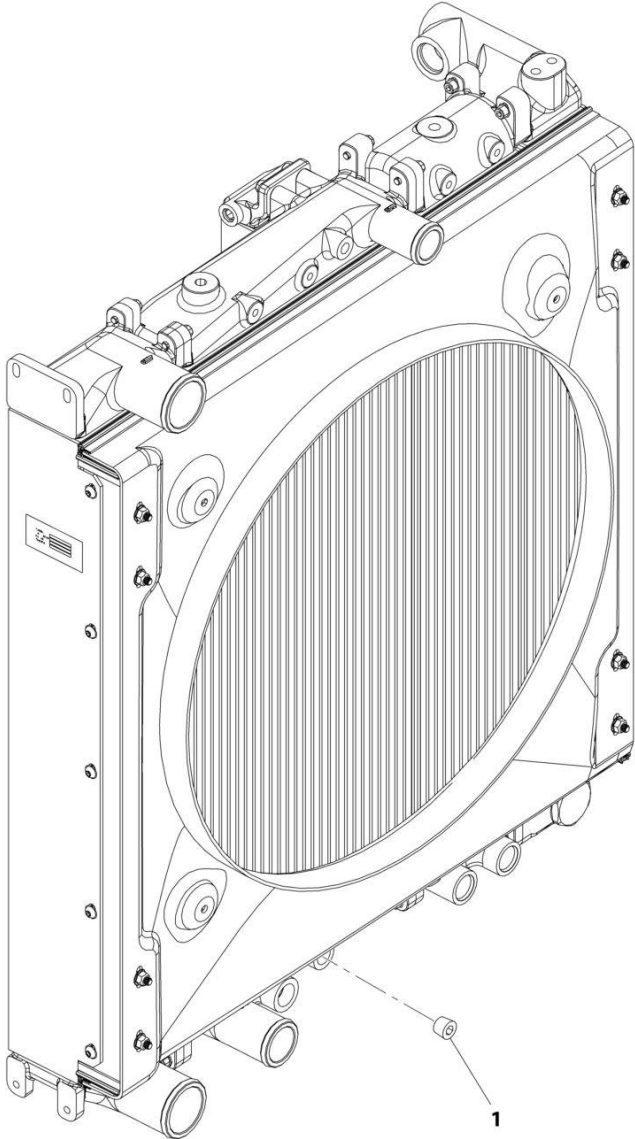
SECTION 4 - ENGINE AND ATTACHING PARTS

FIGURE 4-5. ENGINE MOUNTING INSTALLATION

ITEM	PART NUMBER	QTY	DESCRIPTION	REV
	1001163227	Ref	Engine Mounting Installation	H
1	0701216	8	Bolt, M12X40	
2	0701220	2	Bolt, M12X60	
3	0701227	2	Bolt, M12X100	
4	0711629	1	Bolt, M16x120	
5	0711630	1	Bolt, M16X130	
6	3331615	2	Nut, M16	
7	4812100	12	Washer, M12	
8	4812300	5	Washer, M16	
9	7300435	3	Washer	
10	1001160116	1	Bracket, Engine	
11	1001168795	1	Plate, Engine Mount	
12	1001168797	1	Plate, Engine Mount	
13	1001160888	1	Mount, Isolator Engine	
14	1001195518	2	Mount, Isolator Engine	
15	0711626	1	Bolt, M16X90	

SECTION 4 - ENGINE AND ATTACHING PARTS

FIGURE 4-6. ENGINE PARTS INSTALLATION (NO HEATER)



ART_1001163133-D

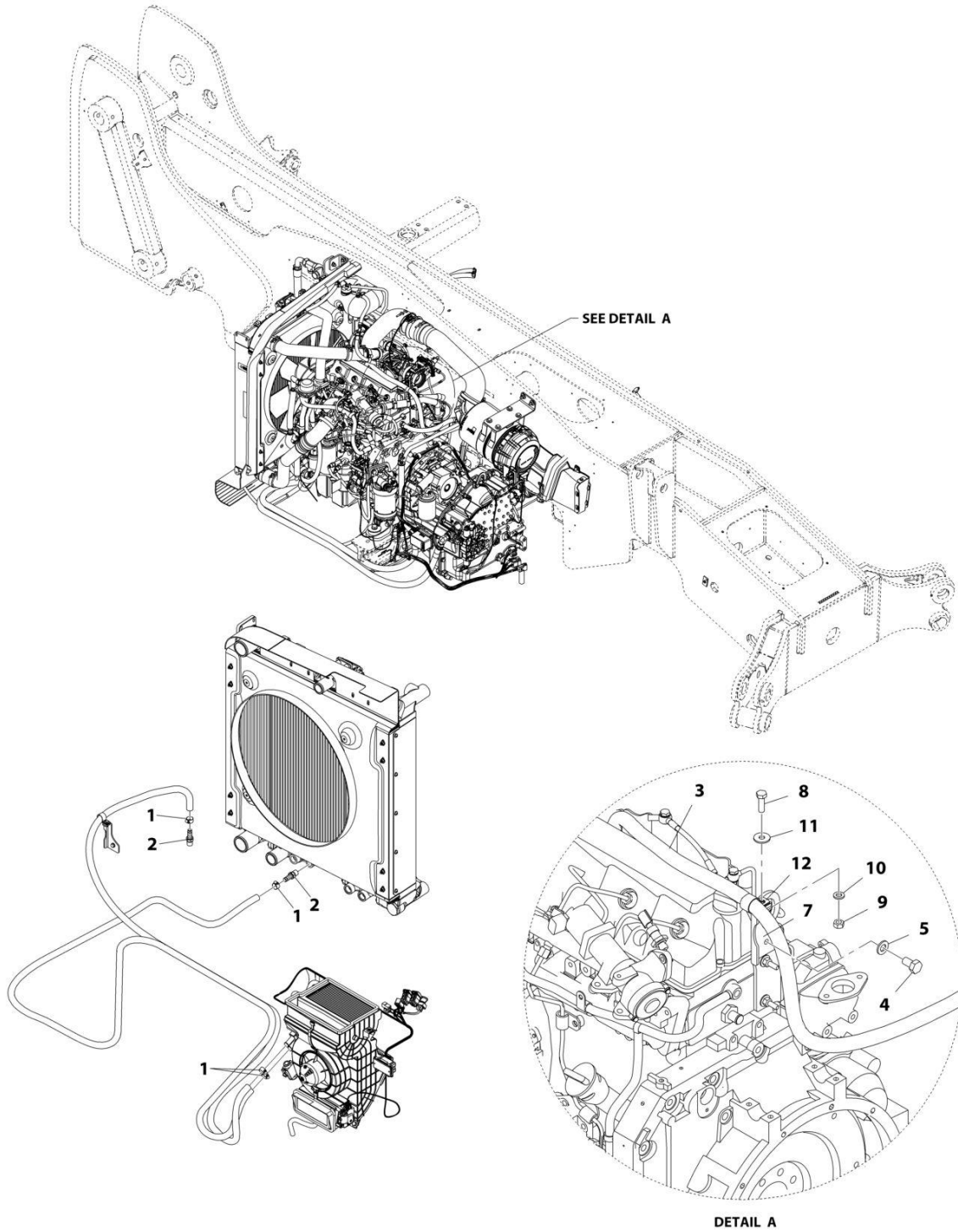
SECTION 4 - ENGINE AND ATTACHING PARTS

FIGURE 4-6. ENGINE PARTS INSTALLATION (NO HEATER)

ITEM	PART NUMBER	QTY	DESCRIPTION	REV
1	1001163133 2200223	Ref 1	Engine Parts Installation (No Heater) Plug	D

SECTION 4 - ENGINE AND ATTACHING PARTS

FIGURE 4-7. ENGINE PARTS INSTALLATION (HEATER)



ART_1001163134-J

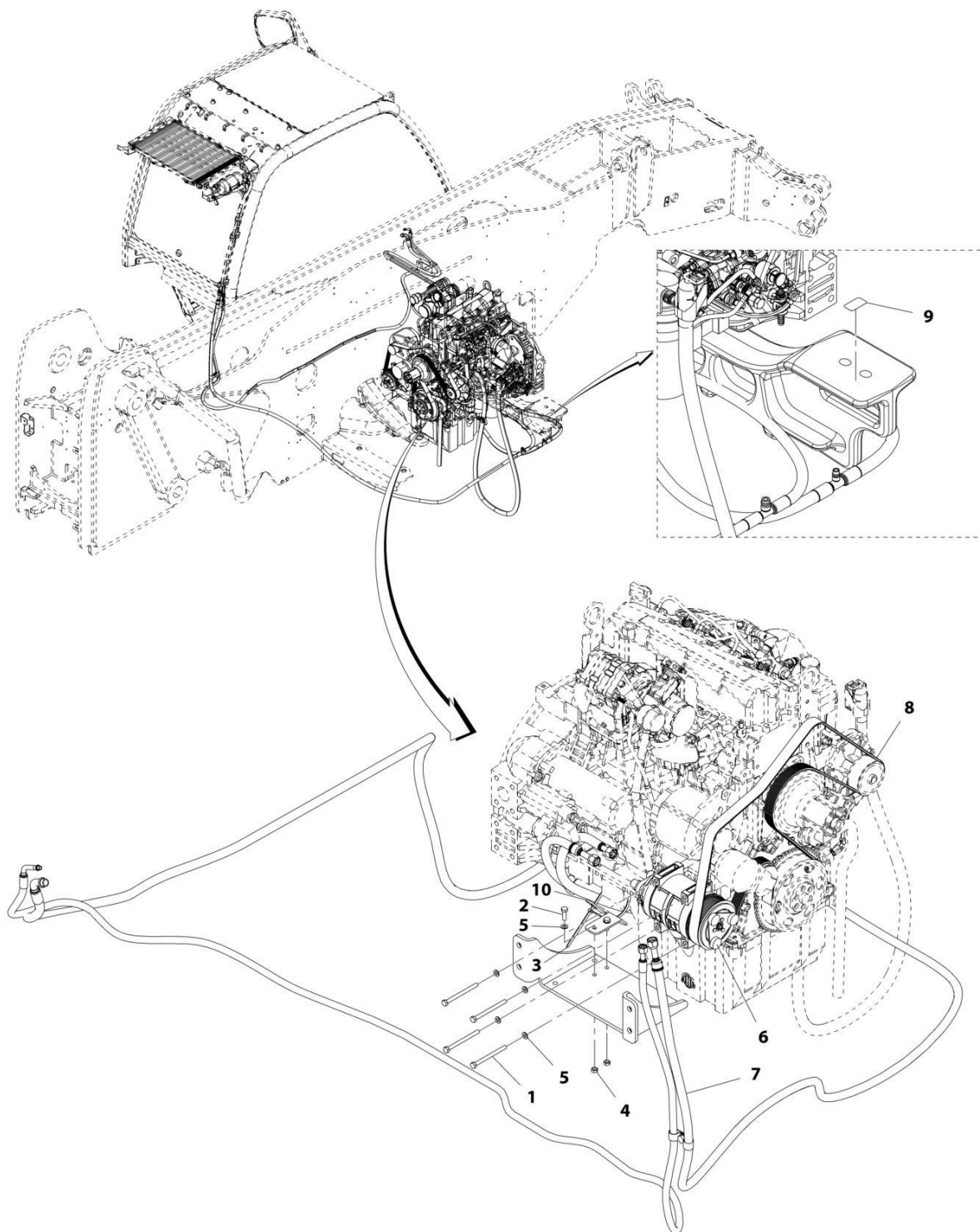
SECTION 4 - ENGINE AND ATTACHING PARTS

FIGURE 4-7. ENGINE PARTS INSTALLATION (HEATER)

ITEM	PART NUMBER	QTY	DESCRIPTION	REV
	1001163134	Ref	Engine Parts Installation (Heater)	J
1	8410009	4	Clamp, Gear	
2	1001104685	2	Pipe	
3	82033995	7 m	Hose	
4	0760807	1	Bolt, M8X14	
5	4811900	1	Washer, M8	
7	1001200555	1	Bracket	
8	0700610	1	Bolt, M6X20	
9	3290601	1	Nut, M6X1	
10	4811700	1	Washer, M6	
11	4811702	1	Washer, M6	
12	8406201	1	Clip	

SECTION 4 - ENGINE AND ATTACHING PARTS

FIGURE 4-8. A/C PUMP INSTALLATION (LS)



ART_1001206448-A

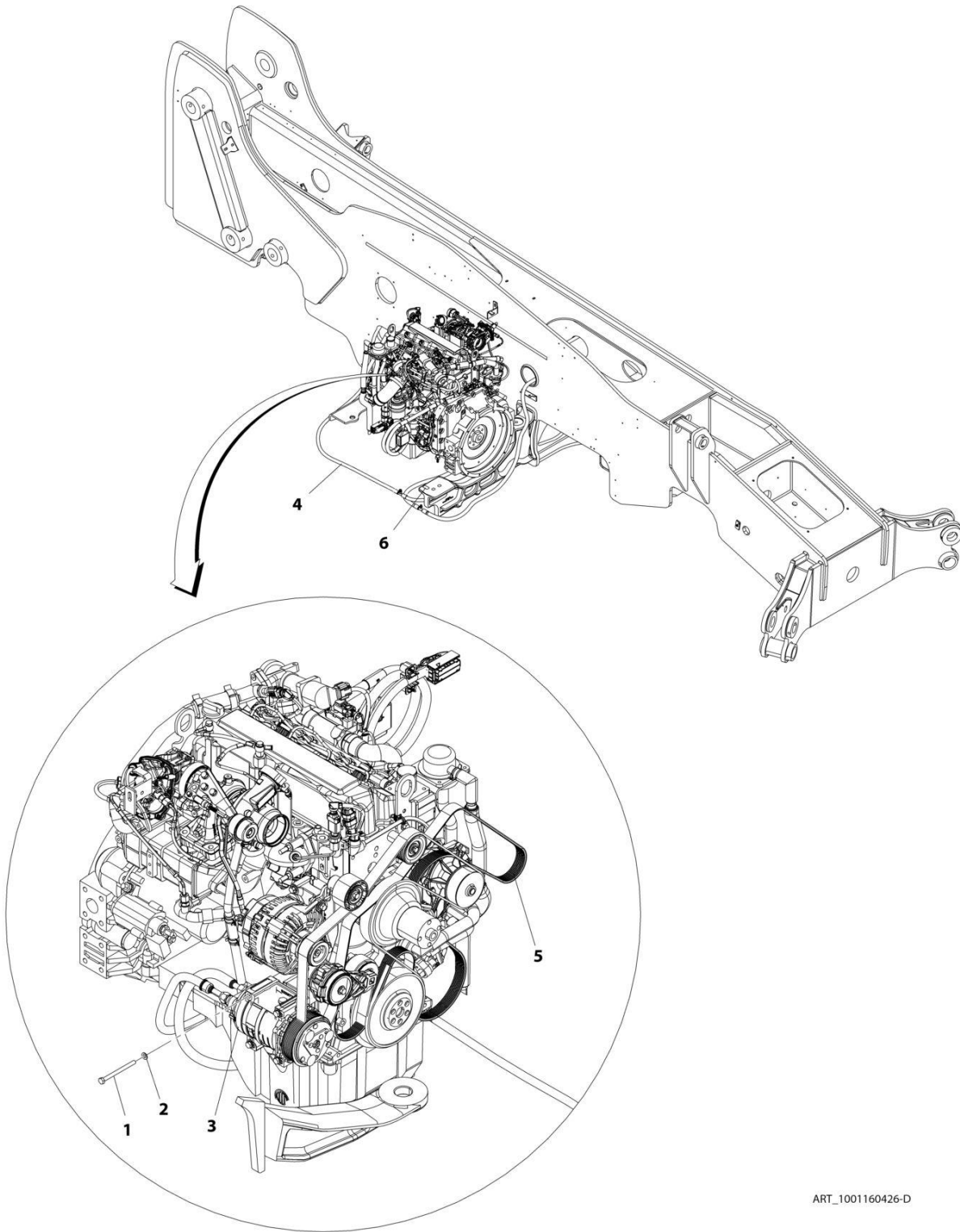
SECTION 4 - ENGINE AND ATTACHING PARTS

FIGURE 4-8. A/C PUMP INSTALLATION (LS)

ITEM	PART NUMBER	QTY	DESCRIPTION	REV
	1001206448	Ref	A/C Pump Installation (LS)	A
1	0700827	4	Bolt, M8X100	
2	0760812	2	Bolt, M8X25	
3	1062255	1	Strap, Tie	
4	3290801	2	Nut, M8X1.25 Grade 8	
5	4811900	6	Washer, M8	
6	1001157663	1	Compressor, A/C	
7	1001163254	1	Installation, A/C Lines (See Separate Breakdown in this Section)	
8	1001167357	1	Belt	
9	1001193026	1	Decal, A/C Refrigerant	
10	1001206332	1	Bracket	

SECTION 4 - ENGINE AND ATTACHING PARTS

FIGURE 4-9. A/C PUMP INSTALLATION (ULS)



ART_1001160426-D

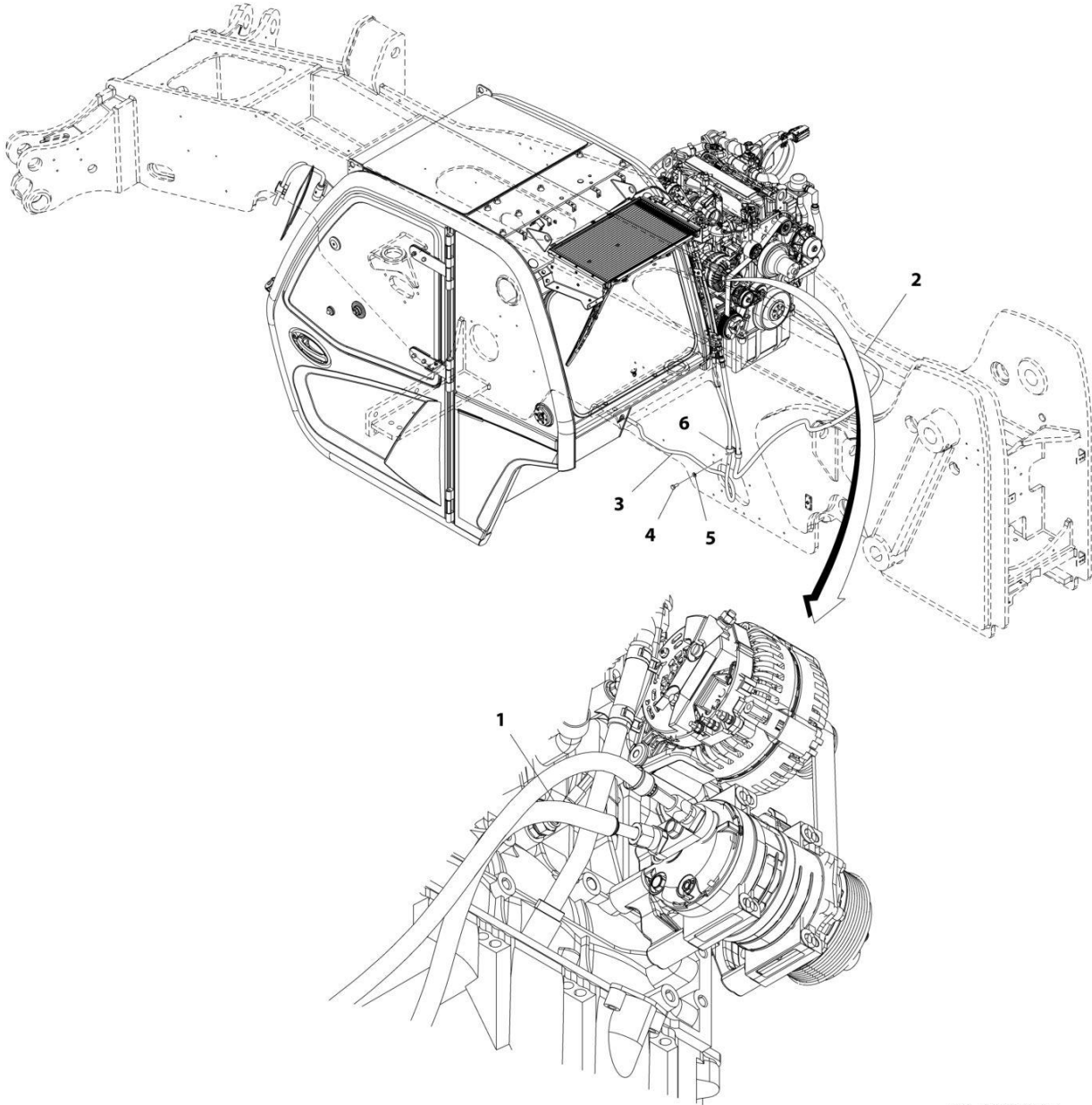
SECTION 4 - ENGINE AND ATTACHING PARTS

FIGURE 4-9. A/C PUMP INSTALLATION (ULS)

ITEM	PART NUMBER	QTY	DESCRIPTION	REV
	1001160426	Ref	A/C Pump Installation (ULS)	D
1	0700827	4	Bolt, M8X100	
2	4811900	4	Washer, M8	
3	1001157663	1	Compressor, A/C	
4	1001163254	1	Installation, A/C Lines (See Separate Breakdown in this Section)	
5	1001167357	1	Belt	
6	1001193026	1	Decal, A/C Refrigerant	

SECTION 4 - ENGINE AND ATTACHING PARTS

FIGURE 4-10. A/C LINES INSTALLATION



ART_1001163254-H

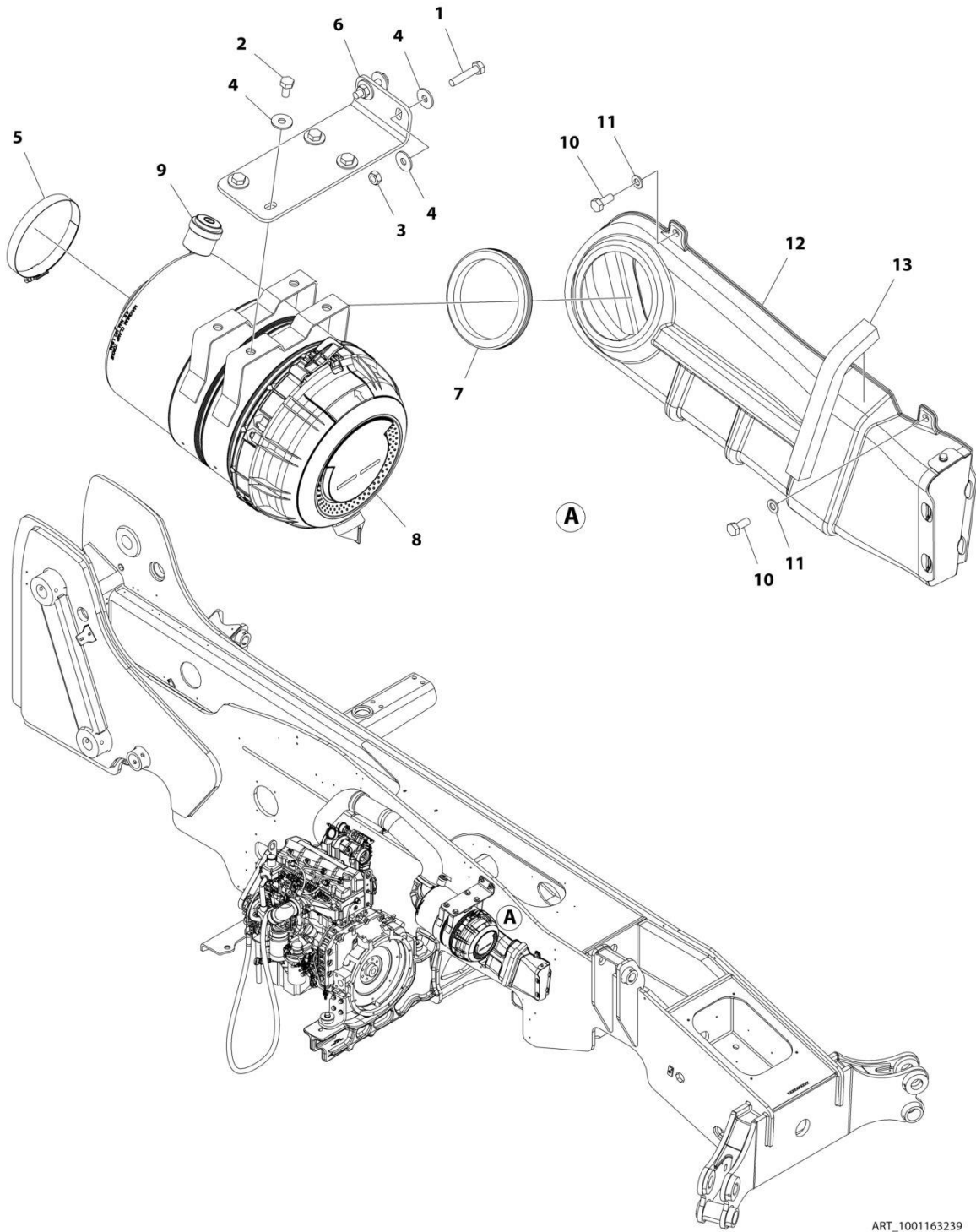
SECTION 4 - ENGINE AND ATTACHING PARTS

FIGURE 4-10. A/C LINES INSTALLATION

ITEM	PART NUMBER	QTY	DESCRIPTION	REV
	1001163254	Ref	A/C Lines Installation	H
1	1001196491	1	Hose	
2	1001184017	1	Hose	
3	1001186705	1	Hose	
4	0761012	1	Bolt, M10X25	
5	4812000	1	Washer, M10	
6	8406102	2	Clip	

SECTION 4 - ENGINE AND ATTACHING PARTS

FIGURE 4-11. AIR CLEANER INSTALLATION (LS)



ART_1001163239

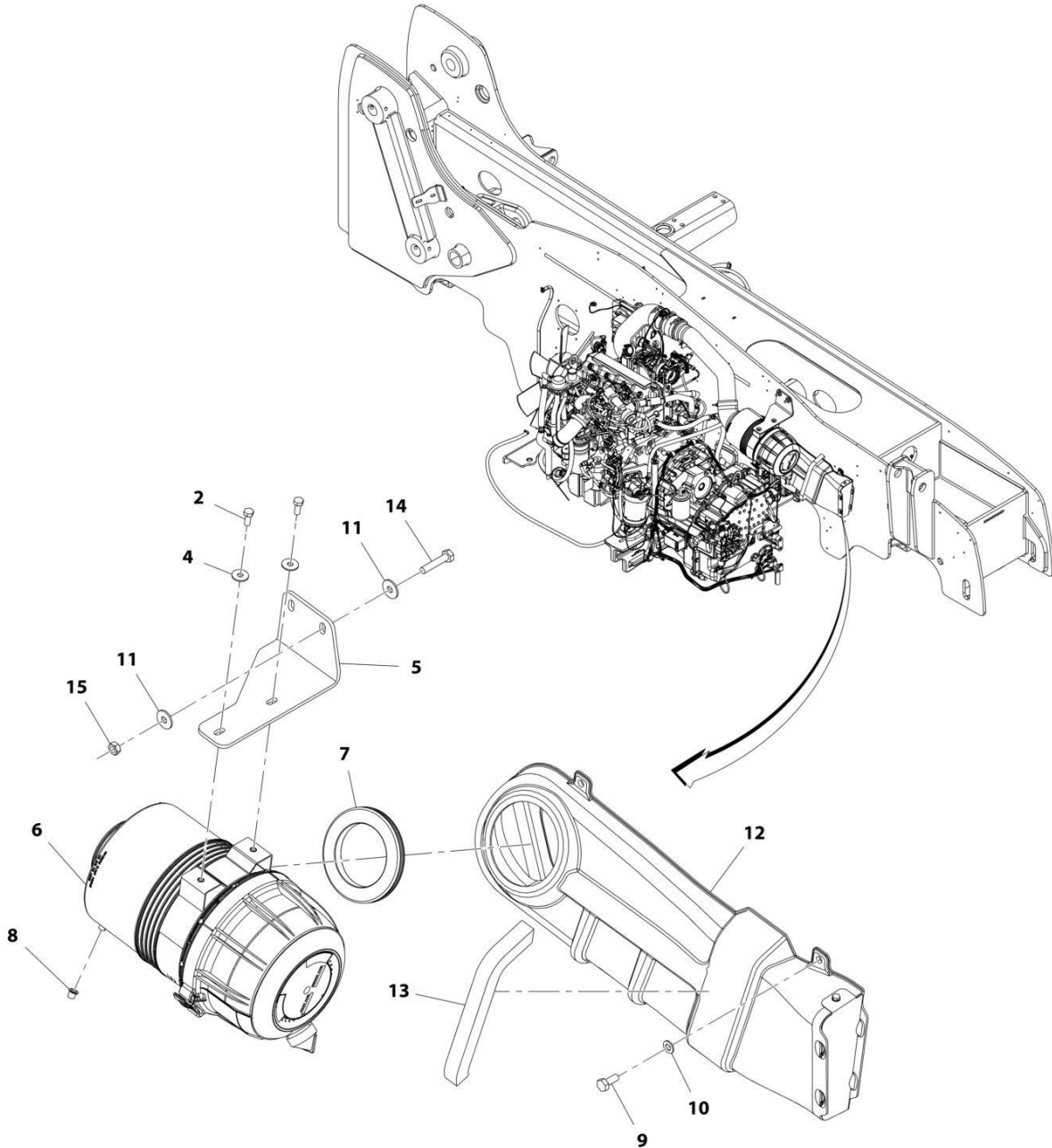
SECTION 4 - ENGINE AND ATTACHING PARTS

FIGURE 4-11. AIR CLEANER INSTALLATION (LS)

ITEM	PART NUMBER	QTY	DESCRIPTION	REV
	1001163239	Ref	AIR CLEANER INSTALLATION (LS)	F
1	0701018	2	Bolt M10 x 50	
2	0761010	4	Bolt M10 x 20	
3	3291001	2	Nut M10 x 1.5 Grade 8	
4	4812002	8	Washer M10	
5	8405402	1	Clamp	
6	1001194534	1	Bracket, Air Cleaner Mount	
7	1001183831	1	Grommet	
8	1001166565	1	Filter, Air Cleaner (See Separate Breakdown in this Section)	
9	1001166716	1	Indicator	
10	0761012	4	Bolt M10 x 25	
11	4812000	4	Washer M10	
12	1001183835	1	Installation, Duct Air Intake (See Separate Breakdown in this Section)	
13	1001186898	1	Seal	

SECTION 4 - ENGINE AND ATTACHING PARTS

FIGURE 4-12. AIR CLEANER INSTALLATION (ULS)



ART_1001169012-F

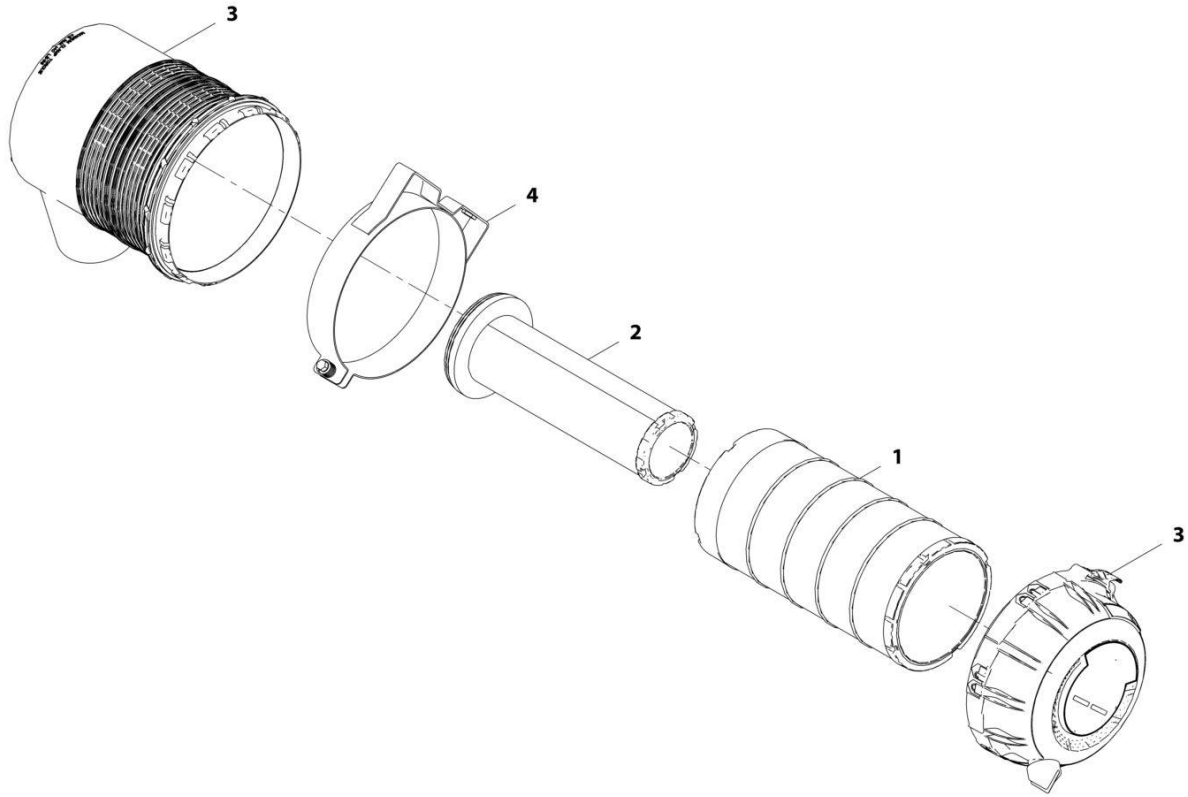
SECTION 4 - ENGINE AND ATTACHING PARTS

FIGURE 4-12. AIR CLEANER INSTALLATION (ULS)

ITEM	PART NUMBER	QTY	DESCRIPTION	REV
	1001169012	Ref	Air Cleaner Installation	F
2	0760810	2	Bolt, M8X20	
4	4811902	2	Washer, M8	
5	1001185278	1	Bracket	
6	1001166566	1	Filter, Air Cleaner (See Separate Breakdown in this Section)	
7	1001183830	1	Grommet, Intake	
8	1001183177	1	Cap, Air Cleaner	
9	0761012	4	Bolt, M10X25	
10	4812000	4	Washer, M10	
11	4812002	4	Washer, M10	
12	1001183835	1	Installation, Air Intake Duct (See Separate Breakdown in this Section)	
13	1001186898	1	Seal	
14	0701018	2	Bolt, M8X50	
15	3291001	1	Nut, M10X1.5 Grade 8	

SECTION 4 - ENGINE AND ATTACHING PARTS

FIGURE 4-13. AIR CLEANER FILTER ASSEMBLY (ULS)



ART_1001166566-G

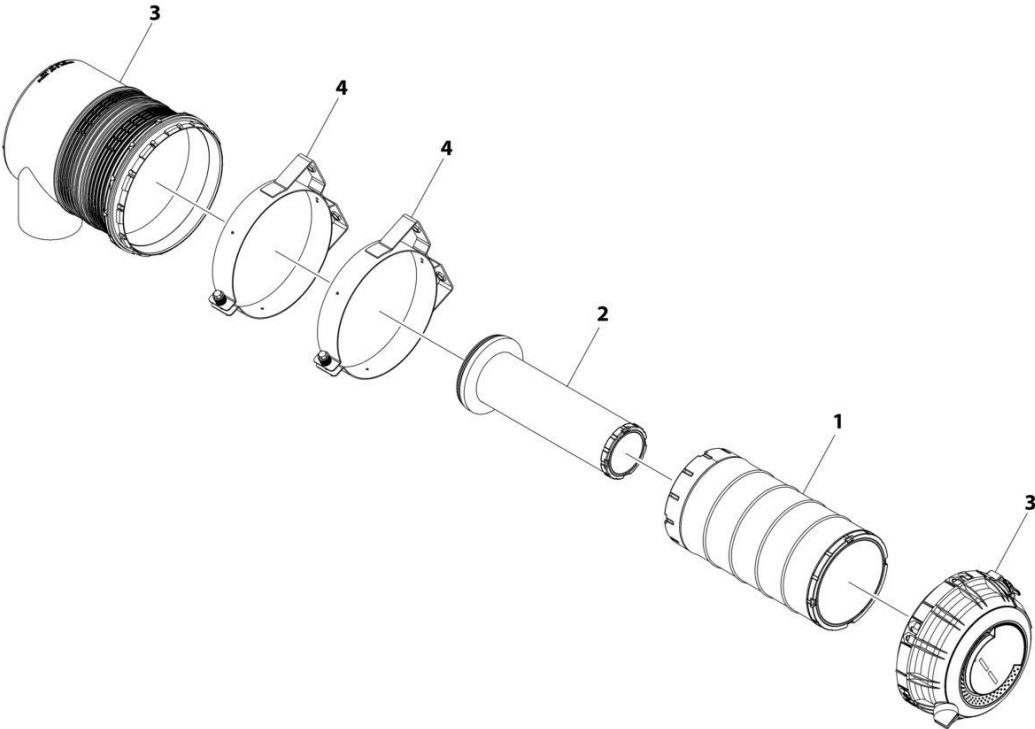
SECTION 4 - ENGINE AND ATTACHING PARTS

FIGURE 4-13. AIR CLEANER FILTER ASSEMBLY (ULS)

ITEM	PART NUMBER	QTY	DESCRIPTION	REV
	1001166566	Ref	Air Cleaner Assembly (74.4KW)	G
1	70025852	1	Filter, Air Cylindrical Primary	
2	70025853	1	Filter, Air Cylindrical Secondary	
3	70026393	1	Cover, Air Cleaner	
4	70026394	1	Bracket, Mounting Band	

SECTION 4 - ENGINE AND ATTACHING PARTS

FIGURE 4-14. AIR CLEANER ASSEMBLY, 110HP



ART_1001166565

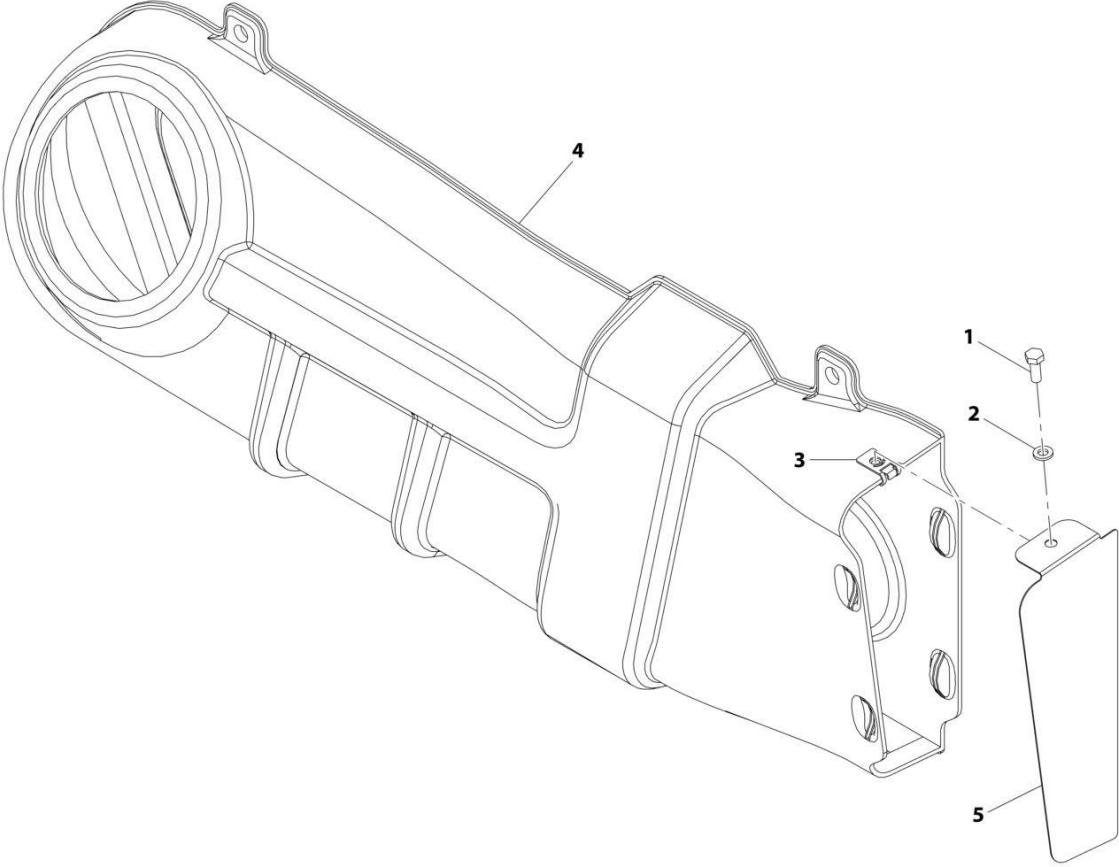
SECTION 4 - ENGINE AND ATTACHING PARTS

FIGURE 4-14. AIR CLEANER ASSEMBLY, 110HP

ITEM	PART NUMBER	QTY	DESCRIPTION	REV
	1001166565	Ref	AIR FILTER ASSEMBLY (90/100KW)	F
1	70025850	1	Filter, Cylindrical Air Primary	
2	70025851	1	Filter, Cylindrical Air Secondary	
3	70026395	1	Cover	
4	70026396	2	Bracket	

SECTION 4 - ENGINE AND ATTACHING PARTS

FIGURE 4-15. AIR INTAKE DUCT INSTALLATION



ART_1001183835-C

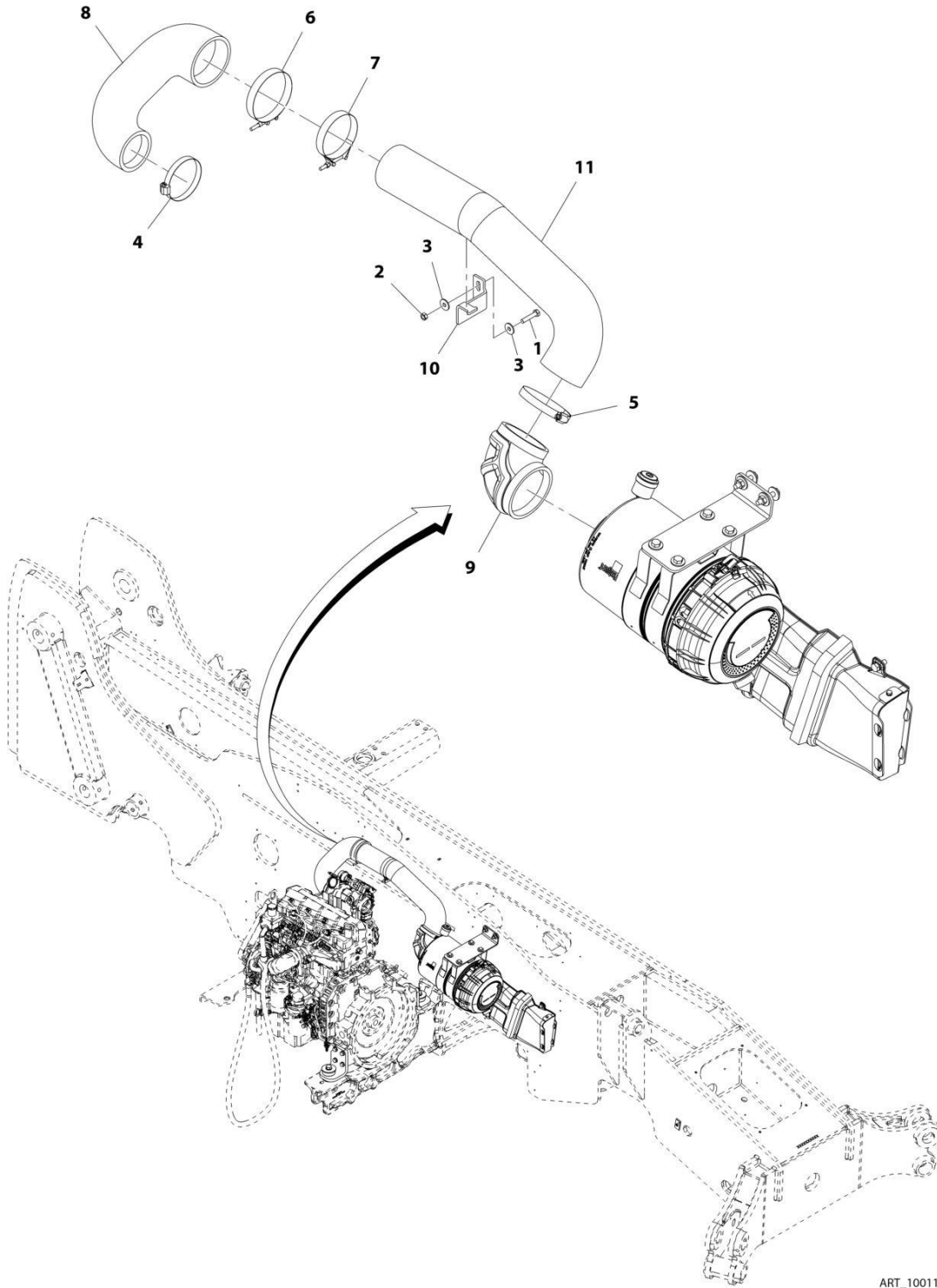
SECTION 4 - ENGINE AND ATTACHING PARTS

FIGURE 4-15. AIR INTAKE DUCT INSTALLATION

ITEM	PART NUMBER	QTY	DESCRIPTION	REV
	1001183835	Ref	Air Intake Duct Installation	C
1	0760608	1	Bolt, M6X16	
2	4811702	1	Washer, M6	
3	8305919	1	Nut	
4	1001183827	1	Duct	
5	1001183829	1	Plate	

SECTION 4 - ENGINE AND ATTACHING PARTS

FIGURE 4-16. AIR CLEANER LINES INSTALLATION (LS)



ART_1001163238-C

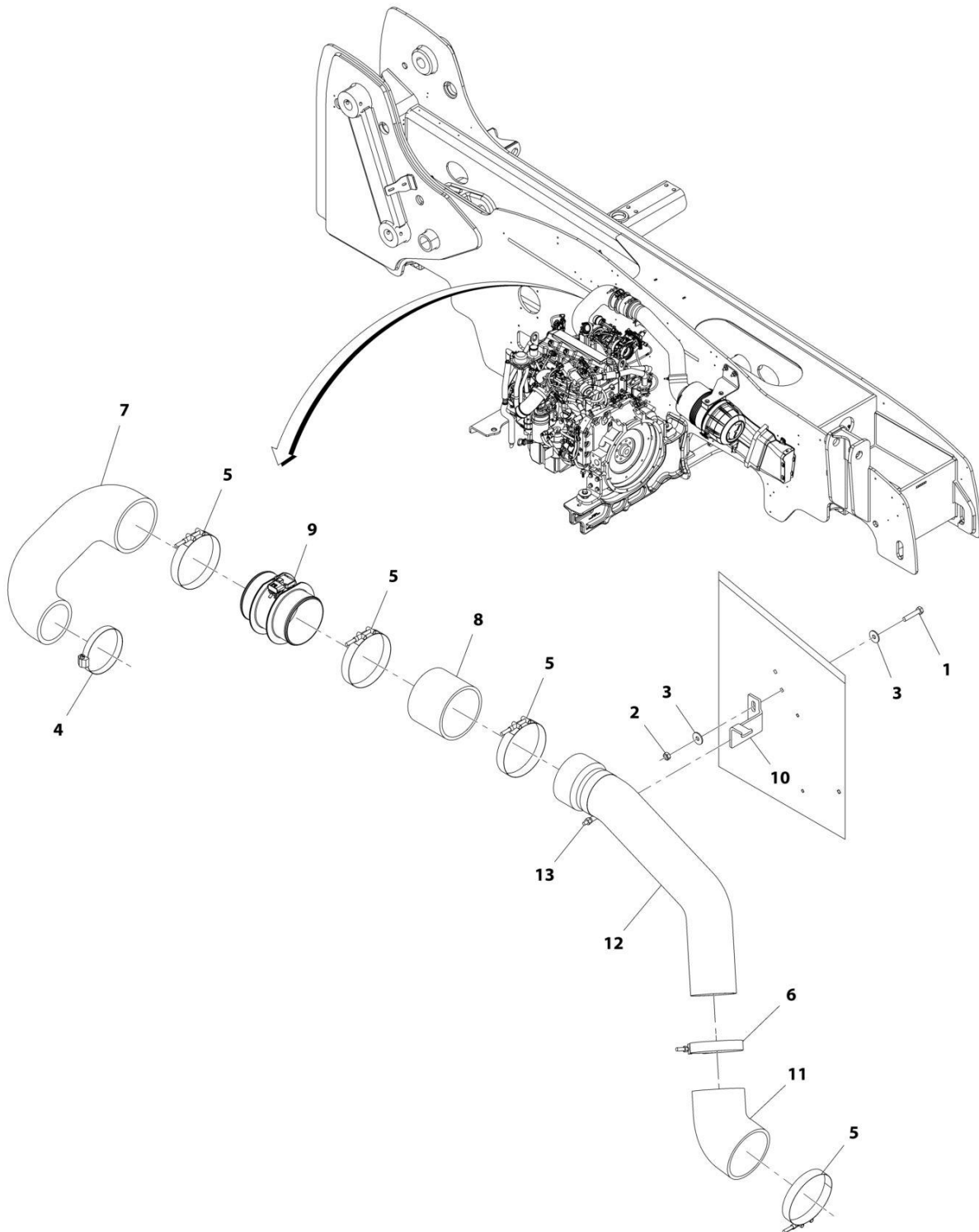
SECTION 4 - ENGINE AND ATTACHING PARTS

FIGURE 4-16. AIR CLEANER LINES INSTALLATION (LS)

ITEM	PART NUMBER	QTY	DESCRIPTION	REV
	1001163238	Ref	Air Intake Lines Installation (LS)	C
1	0700816	1	Bolt, M8X40	
2	3290801	1	Nut, M8X1.25 Grade 8	
3	4811902	2	Washer, M8	
4	8410011	1	Clamp	
5	10719267	1	Clamp	
6	80933367	1	Clamp	
7	91413025	1	Clamp	
8	1001166449	1	Hose	
9	1001166451	1	Elbow	
10	1001169155	1	Bracket	
11	1001185498	1	Tube	

SECTION 4 - ENGINE AND ATTACHING PARTS

FIGURE 4-17. AIR CLEANER LINES INSTALLATION (ULS)



ART_1001169011-C

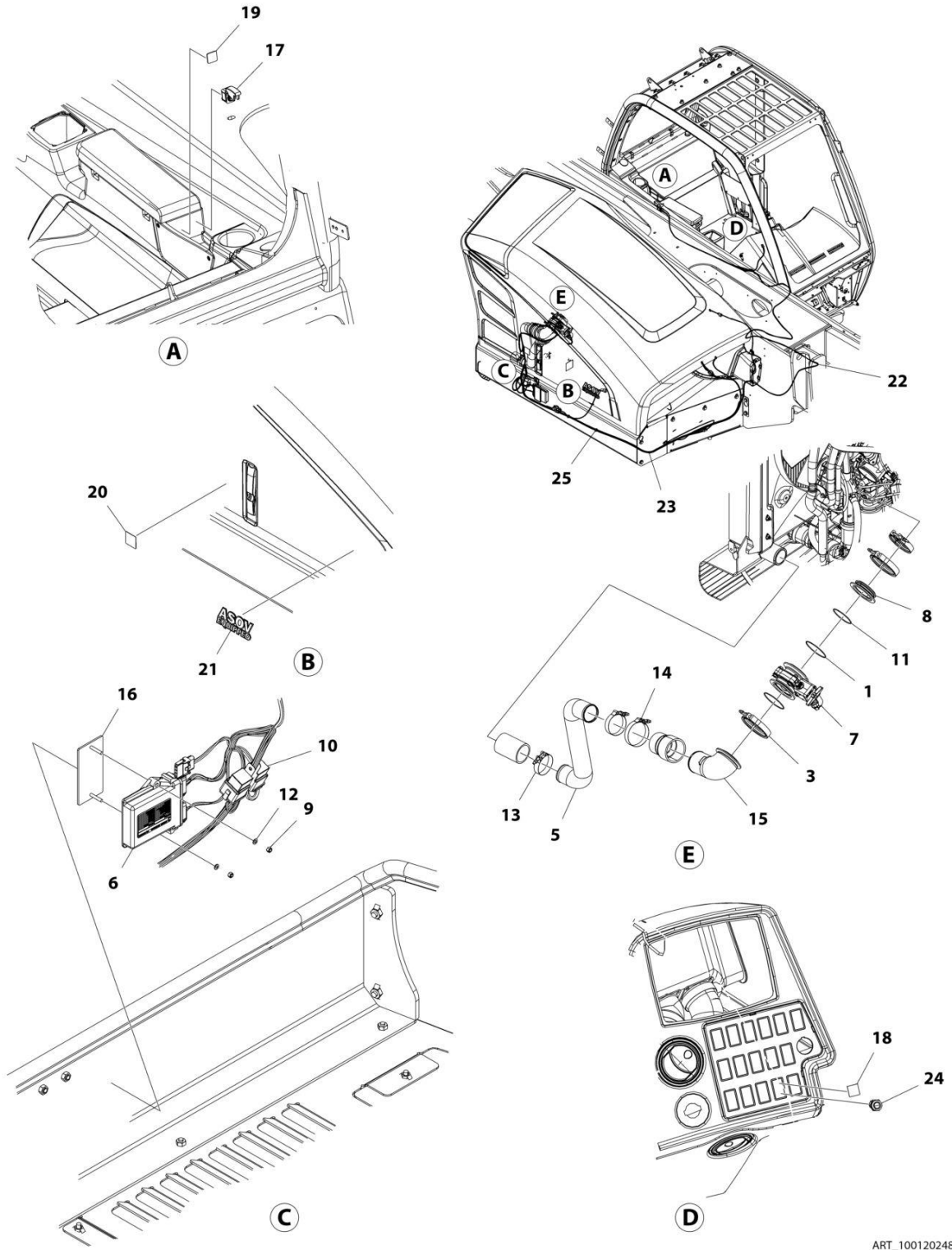
SECTION 4 - ENGINE AND ATTACHING PARTS

FIGURE 4-17. AIR CLEANER LINES INSTALLATION (ULS)

ITEM	PART NUMBER	QTY	DESCRIPTION	REV
	1001169011	Ref	Air Cleaner Lines Installation	C
1	0700816	1	Bolt, M8X40	
2	3290801	1	Nut, M8X1.25 Grade 8	
3	4811902	2	Washer, M8	
4	8410011	1	Clamp	
5	80933367	4	Clamp	
6	91413025	1	Clamp	
7	1001166449	1	Hose	
8	1001166450	1	Hose	
9	1001168771	1	Tube	
10	1001169155	1	Bracket	
11	1001185505	1	Elbow	
12	1001185497	1	Tube	
13	8410007	1	Clamp, T-Bolt	

SECTION 4 - ENGINE AND ATTACHING PARTS

FIGURE 4-18. AIR INTAKE SHUT OFF VALVE INSTALLATION



ART_1001202487_D

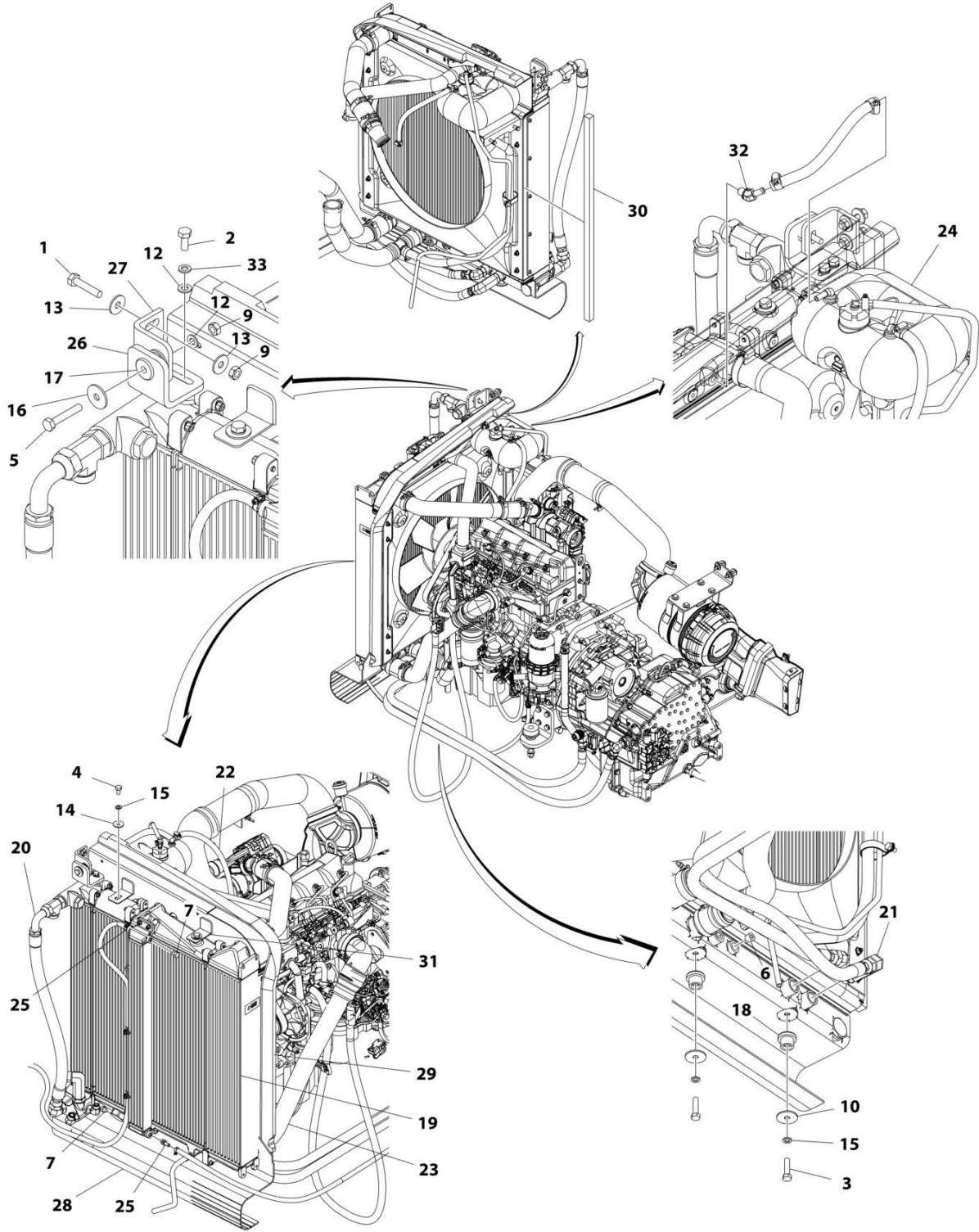
SECTION 4 - ENGINE AND ATTACHING PARTS

FIGURE 4-18. AIR INTAKE SHUT OFF VALVE INSTALLATION

ITEM	PART NUMBER	QTY	DESCRIPTION	REV
	1001202487	Ref	Air Intake Shut Off Valve Installation	D
1	3790152	2	Ring	
3	1001202247	2	Clamp	
5	1001202491	1	Pipe	
6	1001203181	1	Accessory, Control	
7	1001204032	1	Valve, Air Shut Off (See Separate Breakdown in HYDRAULIC COMPONENTS Section)	
8	1001206980	1	Plate	
9	3290505	2	Nut, Lock M5X0.8 Grade 8	
10	3740080	2	Relay	
11	3790151	1	O-Ring	
12	4811600	2	Washer, M5	
13	8405212	2	Clamp	
14	8405305	1	Clamp	
15	1001215476	1	Pipe	
16	1001219082	1	Bracket	
17	1001215941	1	Switch	
18	1001227077	1	Decal, Air Shut Off	
19	1001227964	1	Decal, ASOV Test	
20	1001228273	1	Decal, Air Shut Off	
21	1001228643	1	Decal, ASOV Equipped	
22	1001231407	1	Harness, Cab Air Shut Off Valve (See Separate Breakdown in ELECTRICAL Section)	
23	1001231483	1	Harness, Engine Air Shut Off Valve (See Separate Breakdown in ELECTRICAL Section)	
24	1001239539	1	Lamp	
25	91053419	AR	Strap, Cable	

SECTION 4 - ENGINE AND ATTACHING PARTS

FIGURE 4-19. COOLING PACKAGE INSTALLATION (LS)



ART_1001160402_F

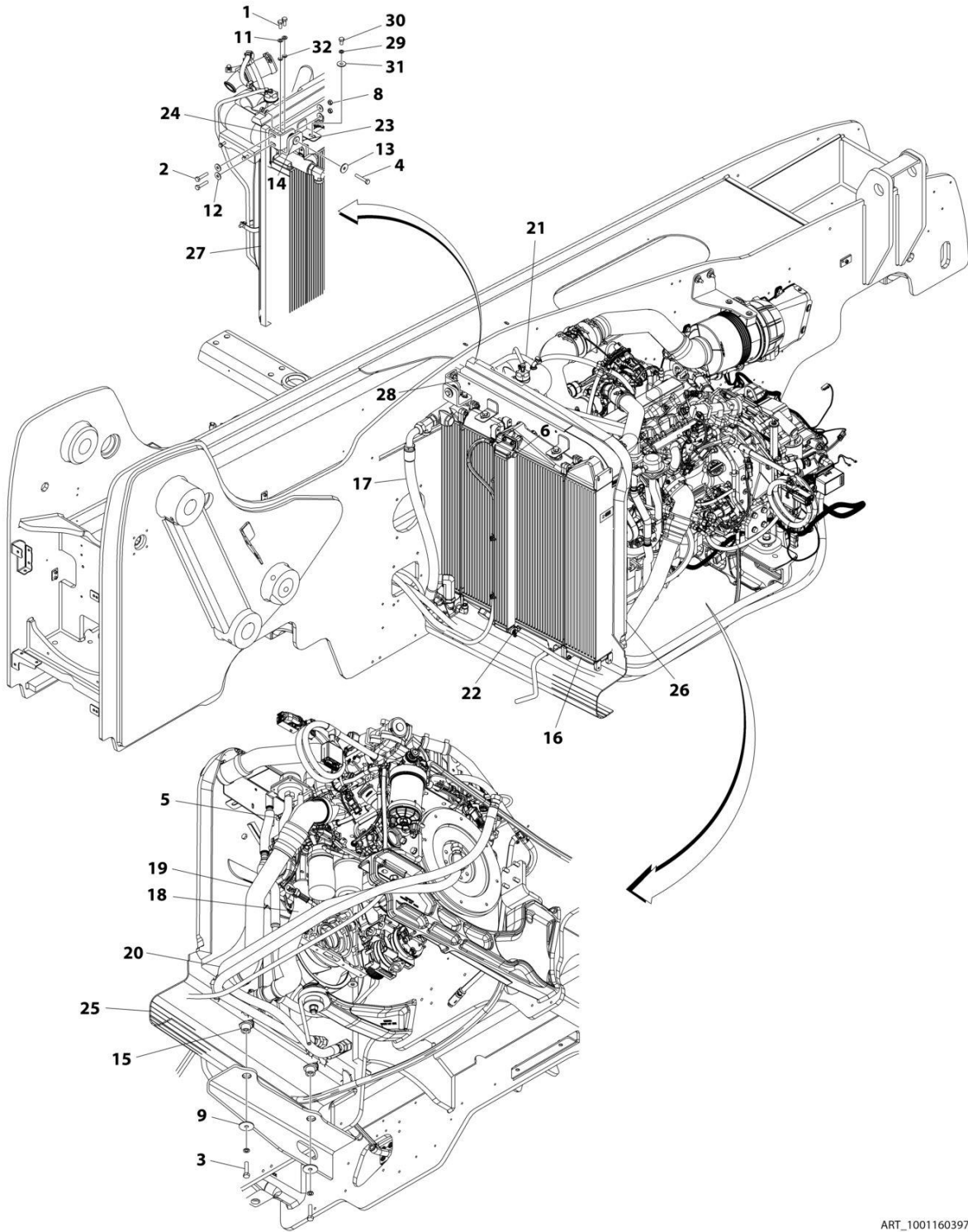
SECTION 4 - ENGINE AND ATTACHING PARTS

FIGURE 4-19. COOLING PACKAGE INSTALLATION (LS)

ITEM	PART NUMBER	QTY	DESCRIPTION	REV
	1001160402	Ref	Cooling Package Installation (LS)	F
1	0701018	2	Bolt, M10X50	
2	0761012	2	Bolt, M10X25	
3	0761218	2	Bolt, M12X50	
4	0771210	2	Bolt, M12X20 Grade 10.9	
5	0701020	1	Bolt, M10X60	
6	2200223	1	Plug	
7	2220237	2	Plug	
9	3291001	3	Nut, M10X1.5 Grade 8	
10	4740274	4	Washer	
12	4812000	3	Washer, M10	
13	4812002	4	Washer, M10	
14	4812102	2	Washer, M12	
15	4832100	4	Washer, Lock M12	
16	1001155540	2	Washer	
17	8278020	1	Mount	
18	1001114803	2	Mount	
19	1001159347	1	Radiator Cooling Package (See Separate Breakdown in this Section)	
20	1001163082	1	Installation, HOC Lines (See Separate Breakdown in this Section)	
21	1001163247	1	Installation, TOC Lines (See Separate Breakdown in this Section)	
22	1001163248	1	Installation, Coolant Lines (LS) (See Separate Breakdown in this Section)	
23	1001163249	1	Installation, CAC Lines (LS) (See Separate Breakdown in this Section)	
24	1001167078	1	Installation, Surge Tank (See Separate Breakdown in this Section)	
25	1001168030	2	Barb, Hose	
26	1001169173	1	Bracket	
27	1001169174	1	Bracket	
28	1001169965	1	Panel, Air Dam	
29	1001173452	1	Gasket	
30	1001173457	1	Gasket	
31	1001173546	1	Bracket, Air Baffle	
32	1001174356	1	Barb, Hose	
33	4832000	2	Washer, Lock M10	

SECTION 4 - ENGINE AND ATTACHING PARTS

FIGURE 4-20. COOLING PACKAGE INSTALLATION (ULS)



ART_1001160397_I

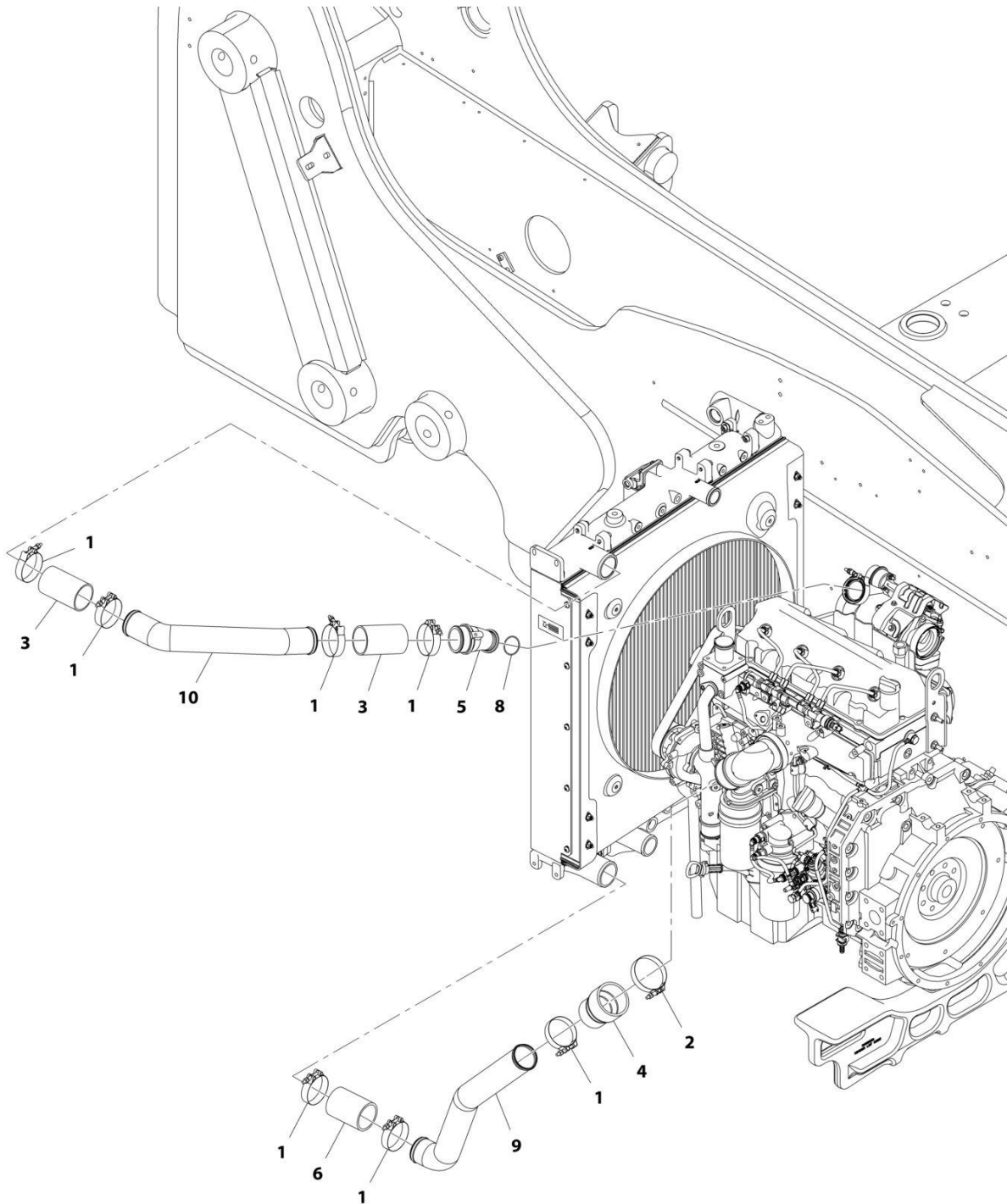
SECTION 4 - ENGINE AND ATTACHING PARTS

FIGURE 4-20. COOLING PACKAGE INSTALLATION (ULS)

ITEM	PART NUMBER	QTY	DESCRIPTION	REV
	1001160397	Ref	Cooling Package Installation (ULS)	I
1	0761012	2	Bolt, M10X25	
2	0701018	2	Bolt, M10X50	
3	0761218	2	Bolt, M12X50	
4	0701020	1	Bolt, M10X60	
5	1001174356	1	Barb, Hose	
6	2220237	2	Plug	
8	3291001	3	Nut, M10X1.5 Grade 8	
9	4740274	4	Washer	
11	4812000	3	Washer, M10	
12	4812002	4	Washer, M10	
13	1001155540	2	Washer	
14	8278020	1	Mount	
15	1001114803	2	Mount	
16	1001159347	1	Radiator Cooling Package (See Separate Breakdown in this Section)	
17	1001163082	1	Installation, HOC Lines (See Separate Breakdown in this Section)	
18	1001163245	1	Installation, Coolant Lines (ULS) (See Separate Breakdown in this Section)	
19	1001163246	1	Installation, CAC Lines (ULS) (See Separate Breakdown in this Section)	
20	1001163247	1	Installation, TOC Lines (See Separate Breakdown in this Section)	
21	1001167078	1	Installation, Surge Tank (See Separate Breakdown in this Section)	
22	1001168030	2	Barb, Hose	
23	1001169173	1	Bracket	
24	1001169174	1	Bracket	
25	1001169965	1	Panel	
26	1001173452	1	Seal, Foam Gasket	
27	1001173457	1	Seal, Foam Gasket	
28	1001173546	1	Bracket	
29	4832100	4	Washer, Lock M12	
30	0761210	2	Bolt, M12X20	
31	4812102	2	Washer, M12	
32	4832000	2	Washer, Lock M10	

SECTION 4 - ENGINE AND ATTACHING PARTS

FIGURE 4-21. CAC LINES INSTALLATION (LS)



ART_1001163249-C

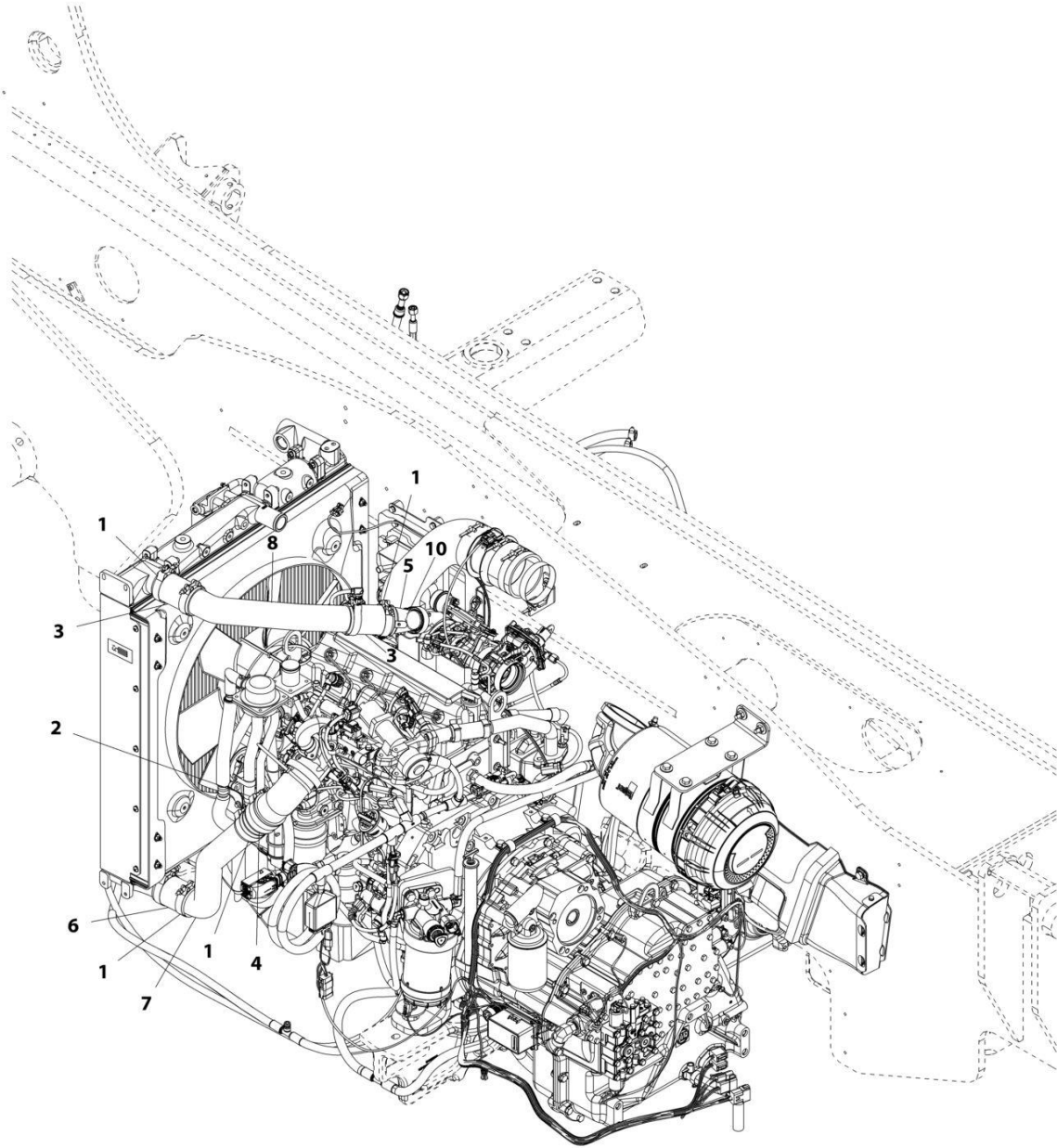
SECTION 4 - ENGINE AND ATTACHING PARTS

FIGURE 4-21. CAC LINES INSTALLATION (LS)

ITEM	PART NUMBER	QTY	DESCRIPTION	REV
	1001163249	Ref	CAC Lines Installation (LS)	C
1	8405212	7	Clamp, T-Bolt	
2	8405305	1	Clamp, T-Bolt	
3	1001114495	2	Hose	
4	1001138348	1	Hose	
5	1001161920	1	Adapter Mech	
6	1001166416	1	Hose	
8	1001172591	1	O-Ring	
9	1001174832	1	Pipe	
10	1001179376	1	Pipe	

SECTION 4 - ENGINE AND ATTACHING PARTS

FIGURE 4-22. CAC LINES INSTALLATION (ULS)



ART_1001163246-F

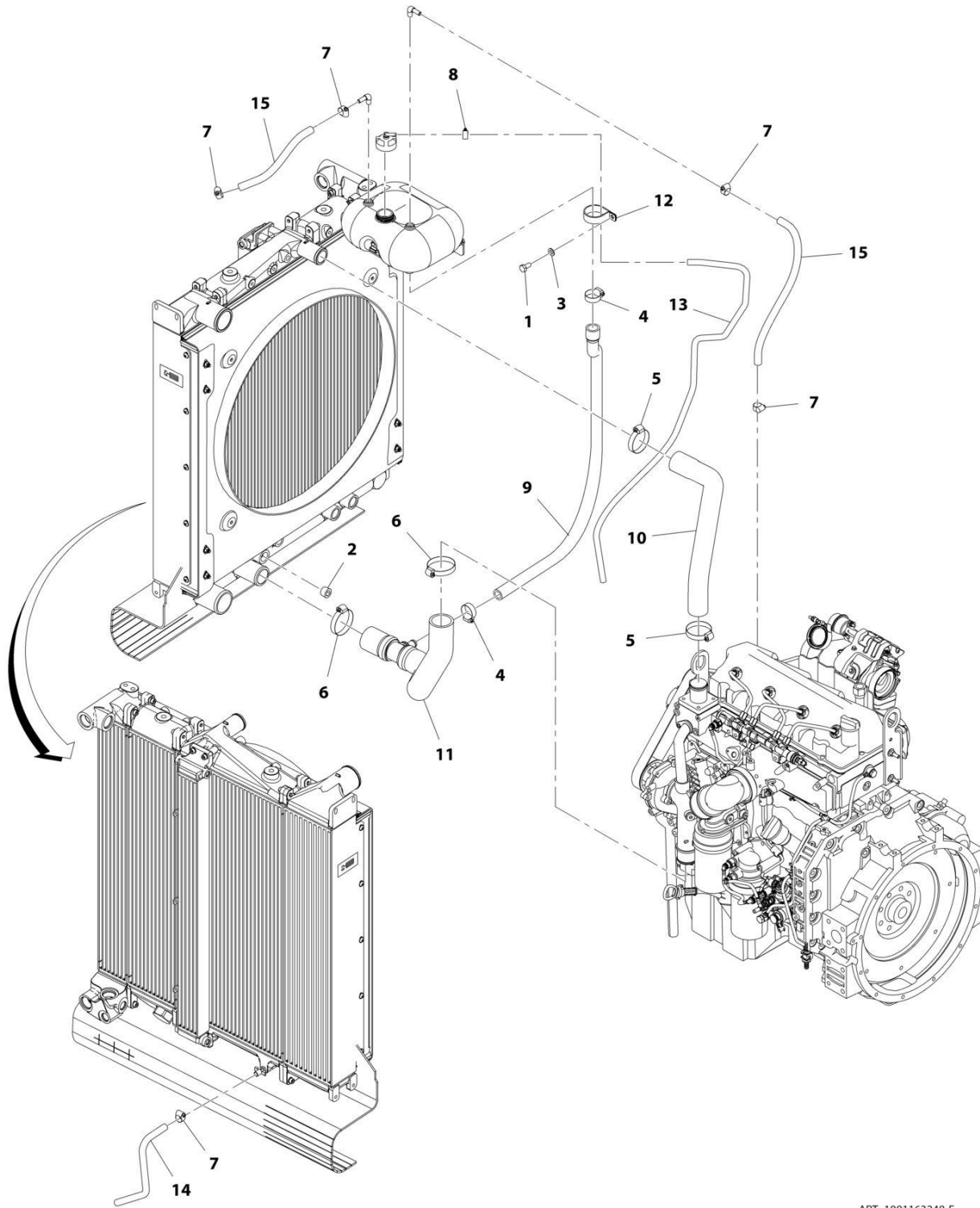
SECTION 4 - ENGINE AND ATTACHING PARTS

FIGURE 4-22. CAC LINES INSTALLATION (ULS)

ITEM	PART NUMBER	QTY	DESCRIPTION	REV
	1001163246	Ref	CAC Lines Installation (ULS)	F
1	8405212	7	Clamp, T-Bolt	
2	8405305	1	Clamp, T-Bolt	
3	1001114495	2	Hose	
4	1001138348	1	Hose	
5	1001161920	1	Adapter Mech	
6	1001166416	1	Hose	
7	1001166925	1	Pipe	
8	1001166993	1	Pipe	
10	1001172591	1	O-Ring	

SECTION 4 - ENGINE AND ATTACHING PARTS

FIGURE 4-23. COOLANT LINES INSTALLATION (LS)



ART_1001163248-F

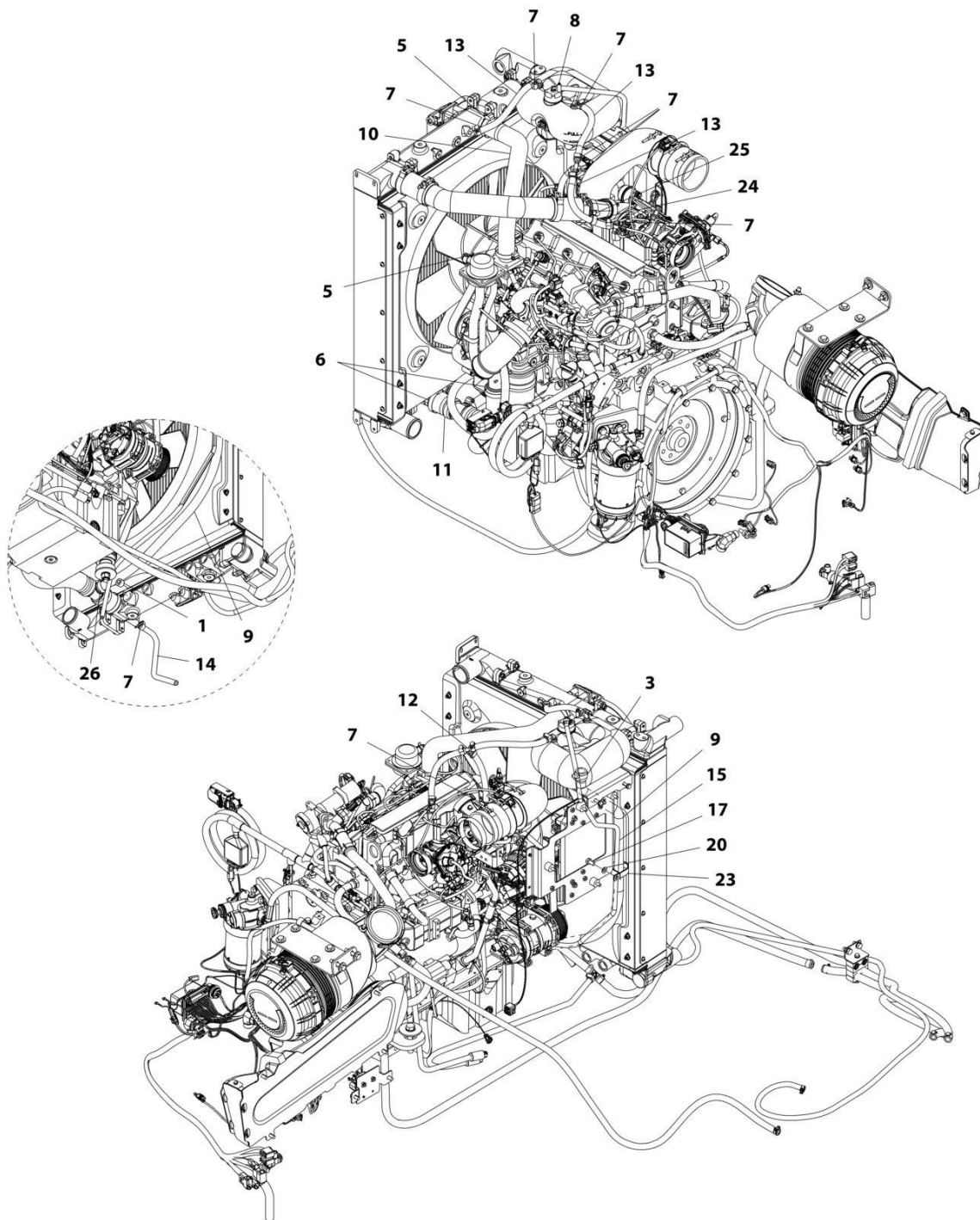
SECTION 4 - ENGINE AND ATTACHING PARTS

FIGURE 4-23. COOLANT LINES INSTALLATION (LS)

ITEM	PART NUMBER	QTY	DESCRIPTION	REV
	1001163248	Ref	Coolant Lines Installation (LS)	F
1	0761010	1	Bolt, M10X20	
2	2200224	1	Plug	
3	4812000	1	Washer, M10	
4	8405101	2	Clamp, Gear	
5	8405201	2	Clamp, Gear	
6	8405202	2	Clamp, Gear	
7	8410013	5	Clamp, Gear	
8	8405009	1	Clamp, Gear	
9	1001182011	1	Hose	
10	1001166430	1	Pipe	
11	1001182012	1	Hose	
12	1001097588	1	Clamp	
13	1001180542	1680 mm	Hose	
14	1001180553	369 mm	Hose	
15	1001181625	711 mm	Hose	

SECTION 4 - ENGINE AND ATTACHING PARTS

FIGURE 4-24. COOLANT LINES INSTALLATION (ULS)



ART_1001163245-1

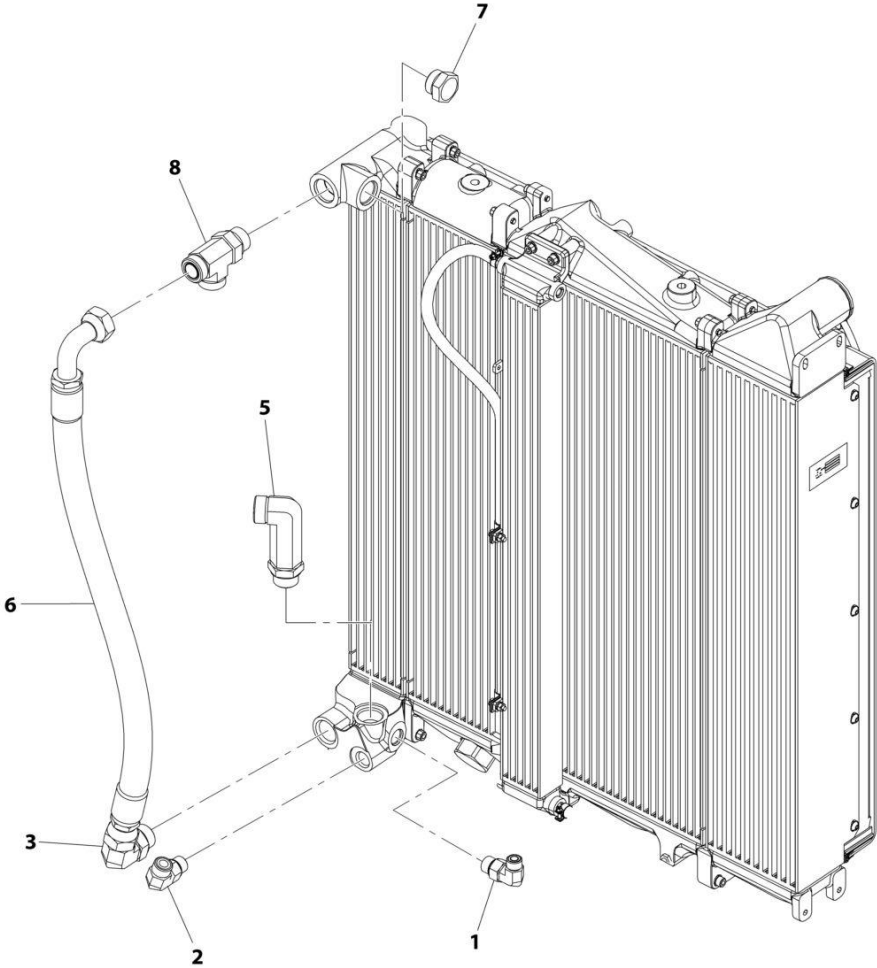
SECTION 4 - ENGINE AND ATTACHING PARTS

FIGURE 4-24. COOLANT LINES INSTALLATION (ULS)

ITEM	PART NUMBER	QTY	DESCRIPTION	REV
	1001163245	Ref	Coolant Lines Installation (ULS)	I
1	2200224	1	Plug	
3	8405101	AR	Clamp, Gear	
5	8405201	2	Clamp, Gear	
6	8405202	2	Clamp, Gear	
7	8410013	9	Clamp, Gear	
8	8405009	1	Clamp, Gear	
9	1001182011	1	Hose	
10	1001166430	1	Pipe	
11	1001182012	1	Hose	
12	1001172953	1	Pipe, Tee	
13	1001181625	1042 mm	Hose	
14	1001180553	370 mm	Hose	
15	1001180542	1680 mm	Hose	
17	0761010	1	Bolt, M10X20	
20	4812000	1	Washer, M10	
23	1001097588	1	Clamp	
24	8410019	1	Clamp, 7/8	
25	0760605	1	Bolt, 6X10	
26	8405007	1	Clamp	

SECTION 4 - ENGINE AND ATTACHING PARTS

FIGURE 4-25. HOC LINES INSTALLATION



ART_1001163082-D

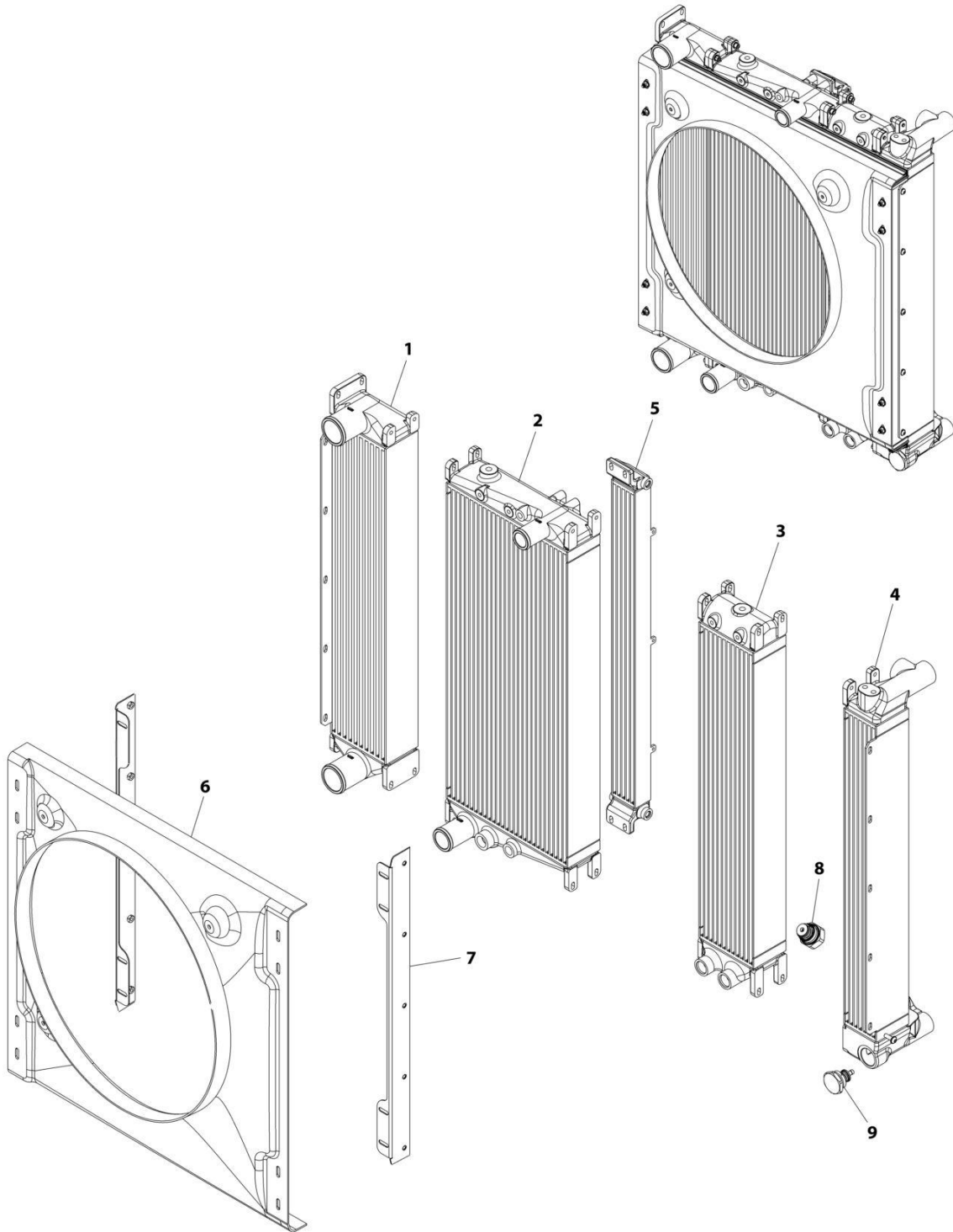
SECTION 4 - ENGINE AND ATTACHING PARTS

FIGURE 4-25. HOC LINES INSTALLATION

ITEM	PART NUMBER	QTY	DESCRIPTION	REV
	1001163082	Ref	HOC Lines Installation	D
1	2130810	1	Fitting, ORFS	
2	2131010	1	Fitting, ORFS	
3	2131616	1	Fitting, ORFS	
5	2170216	1	Fitting, ORFS	
6	1001163723	1	Hose	
7	2220242	1	Fitting	
8	2170316	1	Fitting, Tee ORFS	

SECTION 4 - ENGINE AND ATTACHING PARTS

FIGURE 4-26. RADIATOR COOLING PACKAGE



ART_1001159347_H

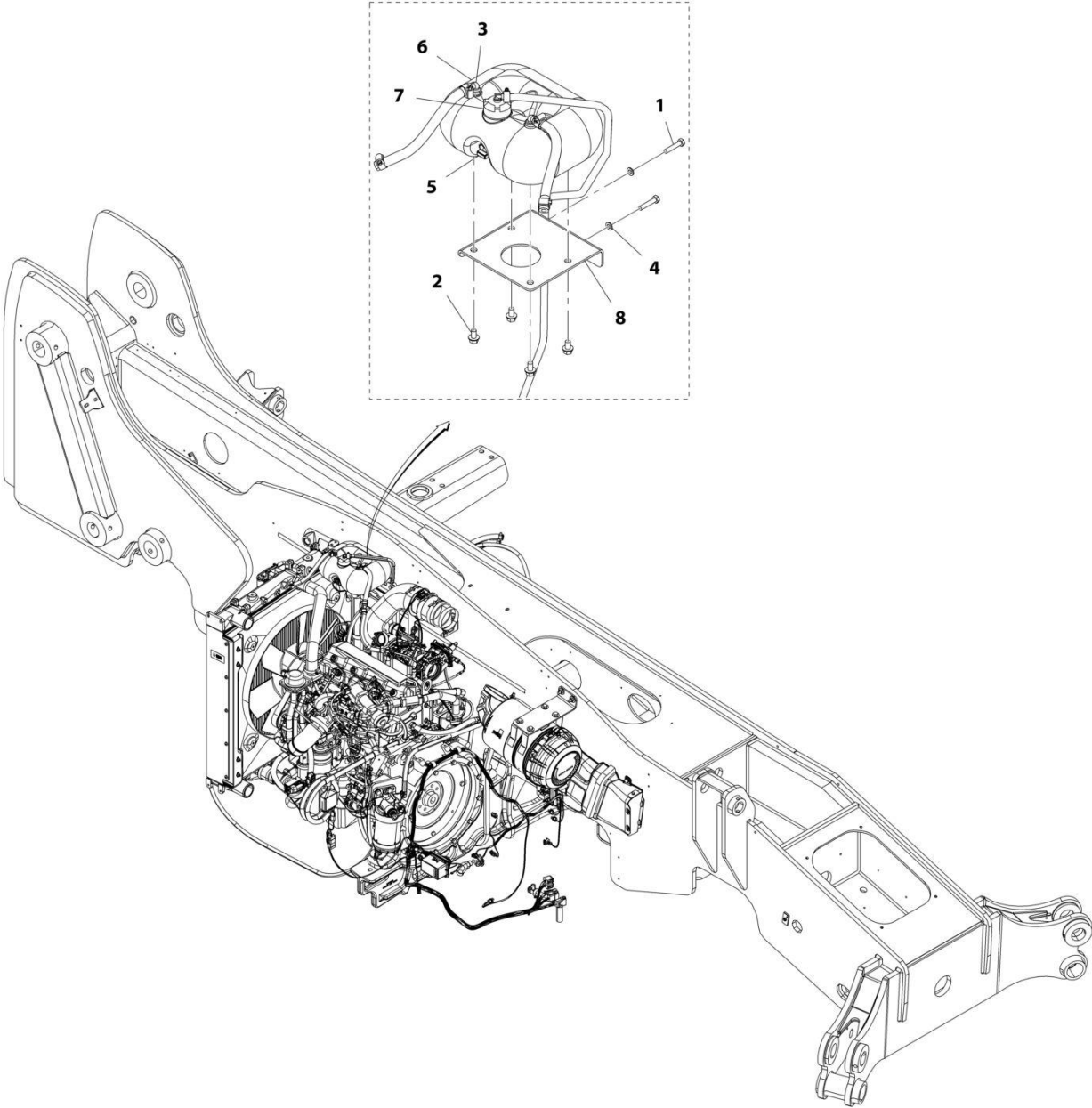
SECTION 4 - ENGINE AND ATTACHING PARTS

FIGURE 4-26. RADIATOR COOLING PACKAGE

ITEM	PART NUMBER	QTY	DESCRIPTION	REV
	1001159347	Ref	RADIATOR COOLING PACKAGE	H
1	70026353	1	Cooler, Air Charge	
2	70026354	1	Radiator	
3	70026355	1	Cooler, Transmission Oil	
4	70026356	1	Cooler, Hydraulic Oil	
5	70026357	1	Cooler, Fuel	
6	70026358	1	Shroud	
7	70026359	2	Bracket, Shroud Mounting	
8	70026082	1	Valve, Bypass	
9	70026360	1	Valve, Bypass	
10	70026081	1	Petcock	

SECTION 4 - ENGINE AND ATTACHING PARTS

FIGURE 4-27. SURGE TANK INSTALLATION



ART_1001167078-E

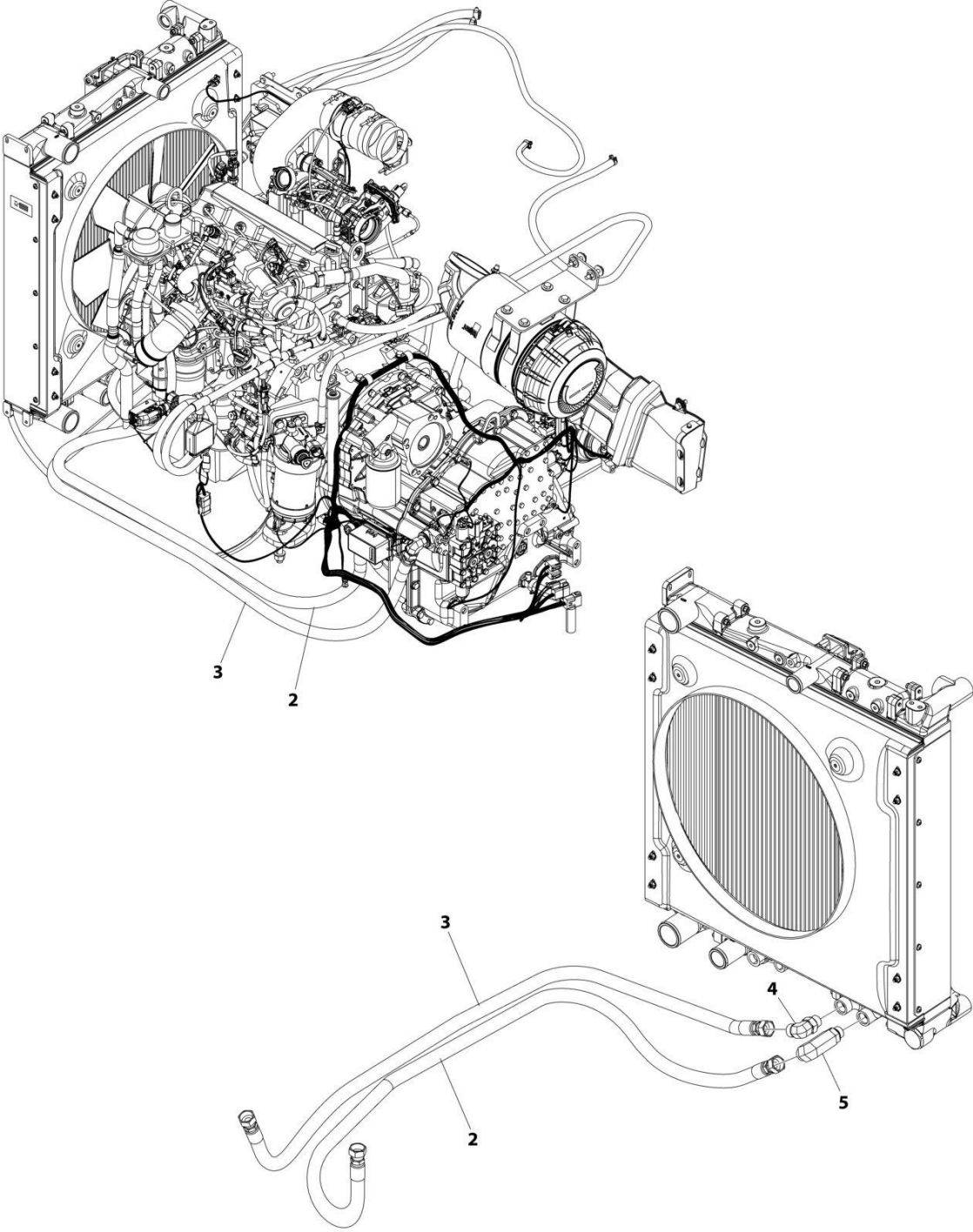
SECTION 4 - ENGINE AND ATTACHING PARTS

FIGURE 4-27. SURGE TANK INSTALLATION

ITEM	PART NUMBER	QTY	DESCRIPTION	REV
	1001167078	Ref	Surge Tank Installation	E
1	0700816	2	Bolt, M8X40	
2	0791605	4	Bolt, M3/8-16X5/8	
3	2180467	2	Fitting	
4	4811900	2	Washer, M8	
5	1001121955	1	Sensor, Coolant Level	
6	1001128144	1	Tank, Coolant	
7	1001128341	1	Cap	
8	1001163637	1	Bracket, Coolant Tank	

SECTION 4 - ENGINE AND ATTACHING PARTS

FIGURE 4-28. TOC LINES INSTALLATION



ART_1001163247-D

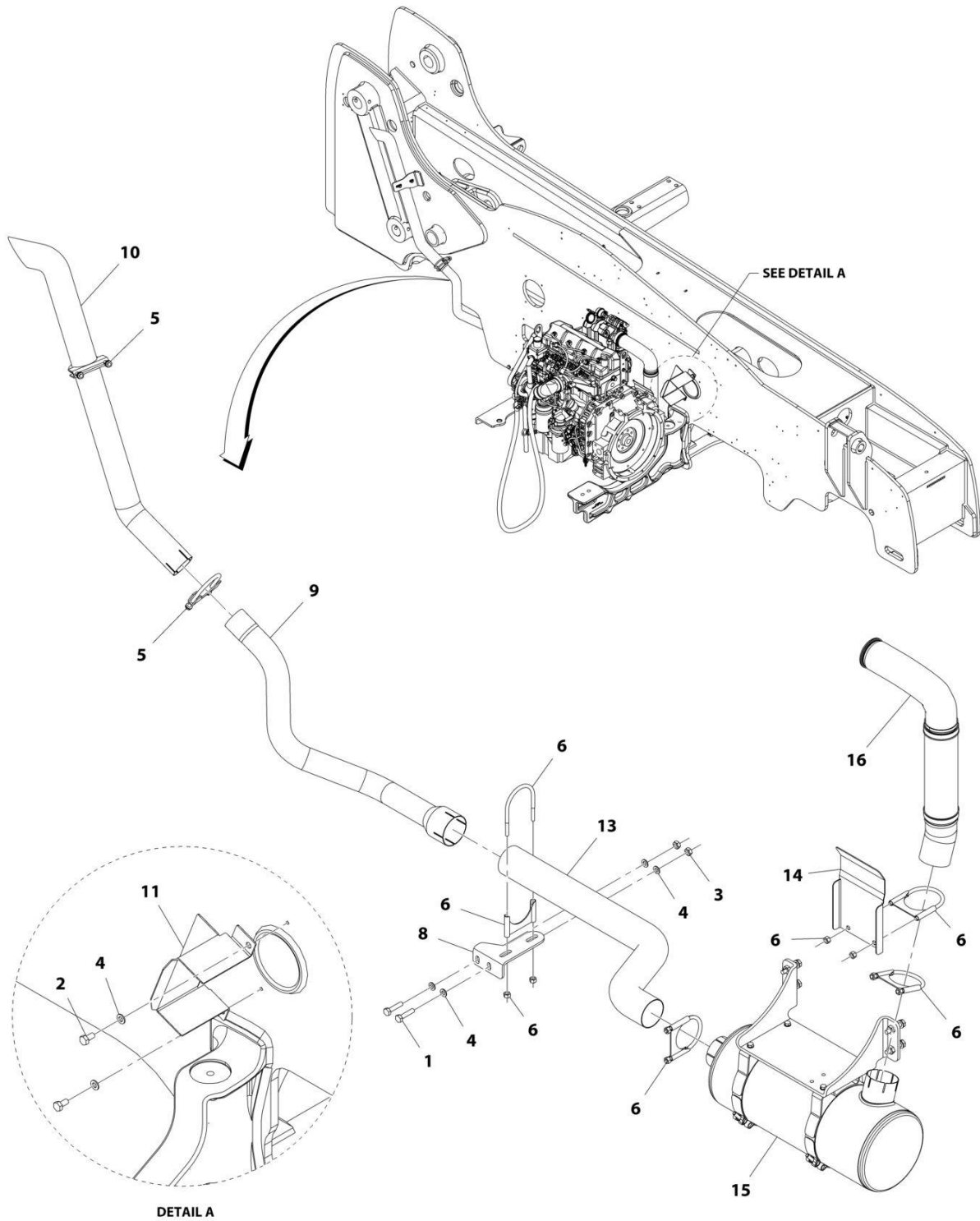
SECTION 4 - ENGINE AND ATTACHING PARTS

FIGURE 4-28. TOC LINES INSTALLATION

ITEM	PART NUMBER	QTY	DESCRIPTION	REV
	1001163247	Ref	TOC Lines Installation	D
2	1001169207	1	Hose	
3	1001169393	1	Hose	
4	2131212	1	Fitting, 90 ORFS	
5	2170212	1	Fitting, 90 ORFS	

SECTION 4 - ENGINE AND ATTACHING PARTS

FIGURE 4-29. EXHAUST INSTALLATION, 110HP (LS)



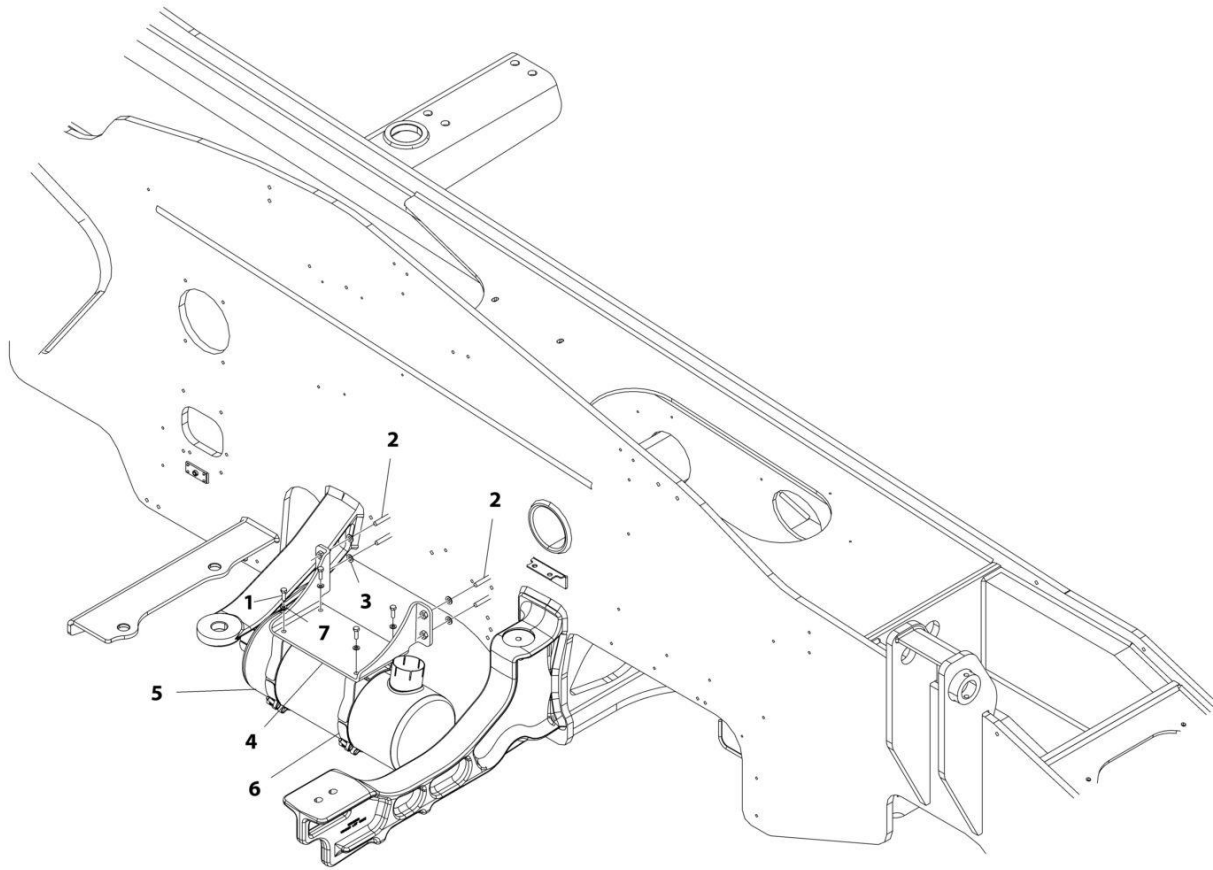
SECTION 4 - ENGINE AND ATTACHING PARTS

FIGURE 4-29. EXHAUST INSTALLATION, 110HP (LS)

ITEM	PART NUMBER	QTY	DESCRIPTION	REV
	1001169850	Ref	Exhaust Installation (LS)	E
1	0701017	2	Bolt, M10X45	
2	0761010	2	Bolt, M10X20	
3	3291001	2	Nut, M10X1.5	
4	4812000	6	Washer, M10	
5	8275212	2	Clamp, Exhaust	
6	24921332	4	Clamp, Exhaust	
8	1001162281	1	Bracket, Exhaust	
9	1001208186	1	Pipe, Exhaust	
10	1001173626	1	Pipe, Exhaust	
11	1001179206	1	Bracket, Heat Shield	
13	1001179972	1	Pipe, Exhaust	
14	1001181815	1	Plate, Heat Shield	
15	1001179968	1	Installation, Muffler (LS) (See Separate Breakdown in this Section)	
16	1001191348	1	Pipe, Exhaust Flex	

SECTION 4 - ENGINE AND ATTACHING PARTS

FIGURE 4-30. MUFFLER INSTALLATION (LS)



ART_1001179968-D

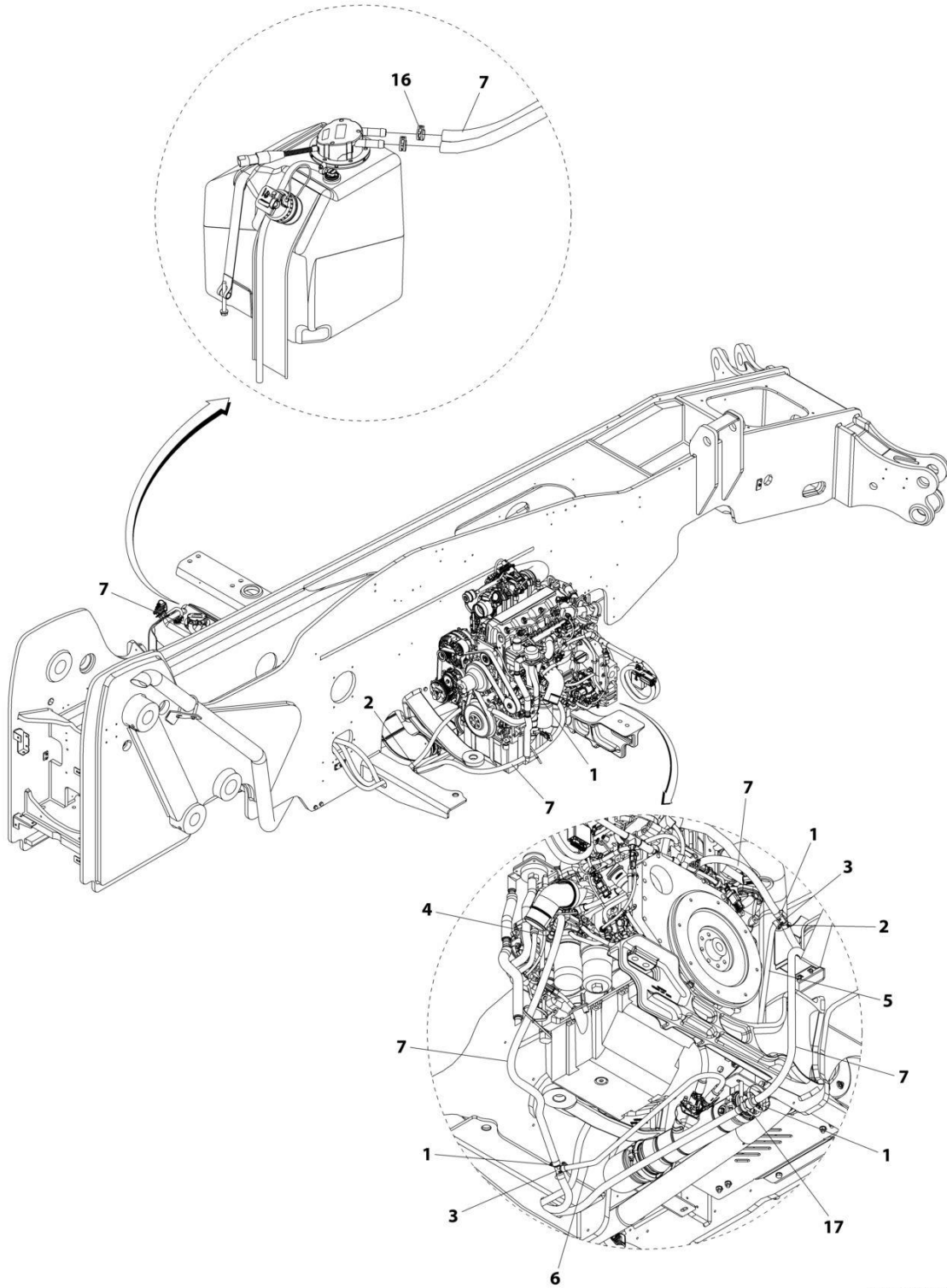
SECTION 4 - ENGINE AND ATTACHING PARTS

FIGURE 4-30. MUFFLER INSTALLATION (LS)

ITEM	PART NUMBER	QTY	DESCRIPTION	REV
	1001179968	Ref	Muffler Installation (LS)	D
1	0760812	4	Bolt, M8X25	
2	0701017	4	Bolt, M10X45	
3	4812000	4	Washer, M10	
4	1001179973	1	Bracket	
5	1001180226	1	Muffler	
6	1001180227	2	Clamp, Muffler	
7	4811900	4	Washer, M8	

SECTION 4 - ENGINE AND ATTACHING PARTS

FIGURE 4-31. DEF LINES INSTALLATION



ART_1001163232-1

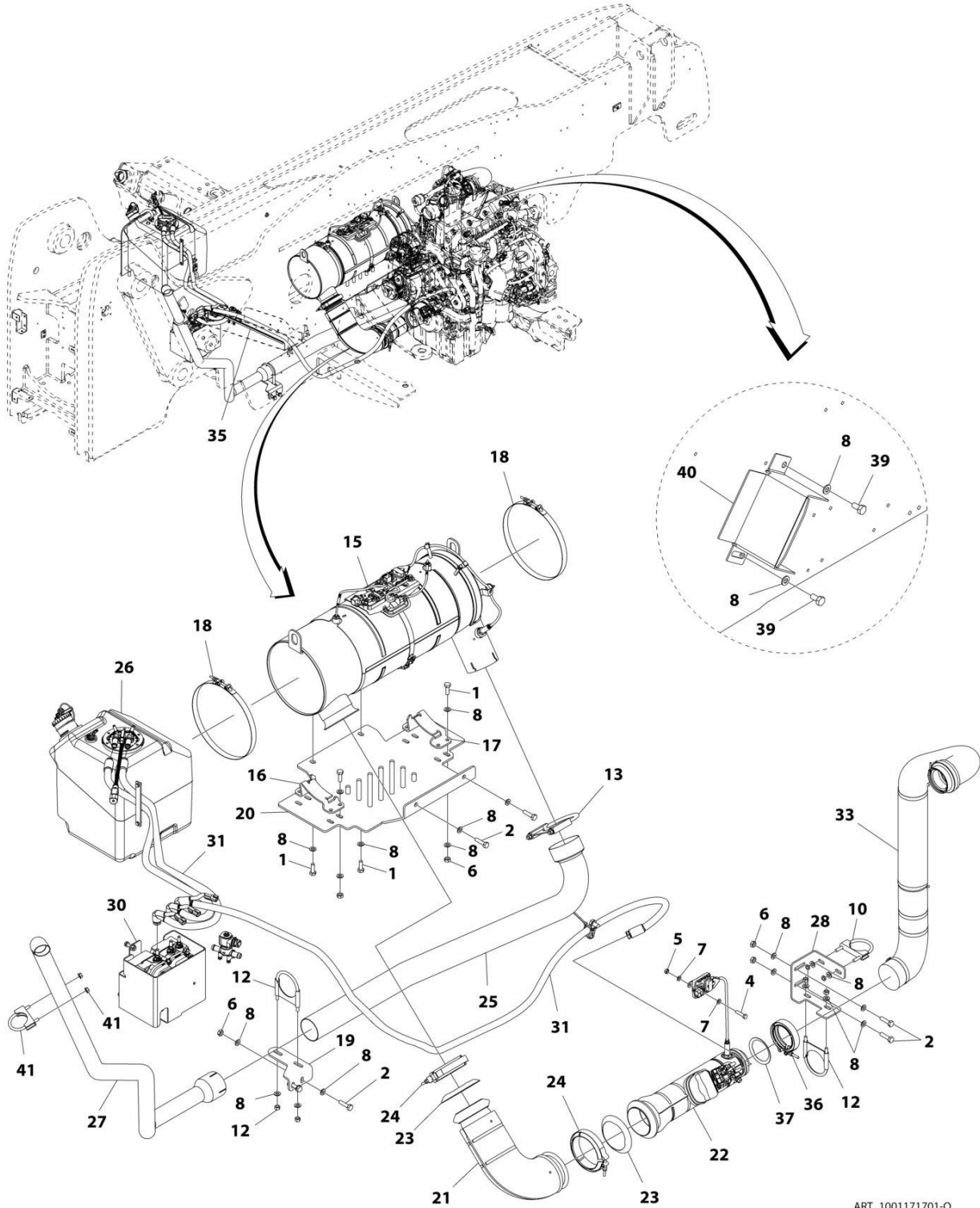
SECTION 4 - ENGINE AND ATTACHING PARTS

FIGURE 4-31. DEF LINES INSTALLATION

ITEM	PART NUMBER	QTY	DESCRIPTION	REV
	1001163232	Ref	DEF Lines Installation	I
1	8410009	10	Gear Clamp	
2	8410013	2	Gear Clamp	
3	1001162212	2	Pipe	
4	1001168822	1	Pipe	
5	1001169409	1	Hose	
6	1001169410	1	Hose	
7	82033995	6.9 m	Hose	
16	1001202526	2	Clamp	
17	1001228872	1	Filter	

SECTION 4 - ENGINE AND ATTACHING PARTS

FIGURE 4-32. EXHAUST INSTALLATION, 110HP (ULS)



ART_1001171701-O

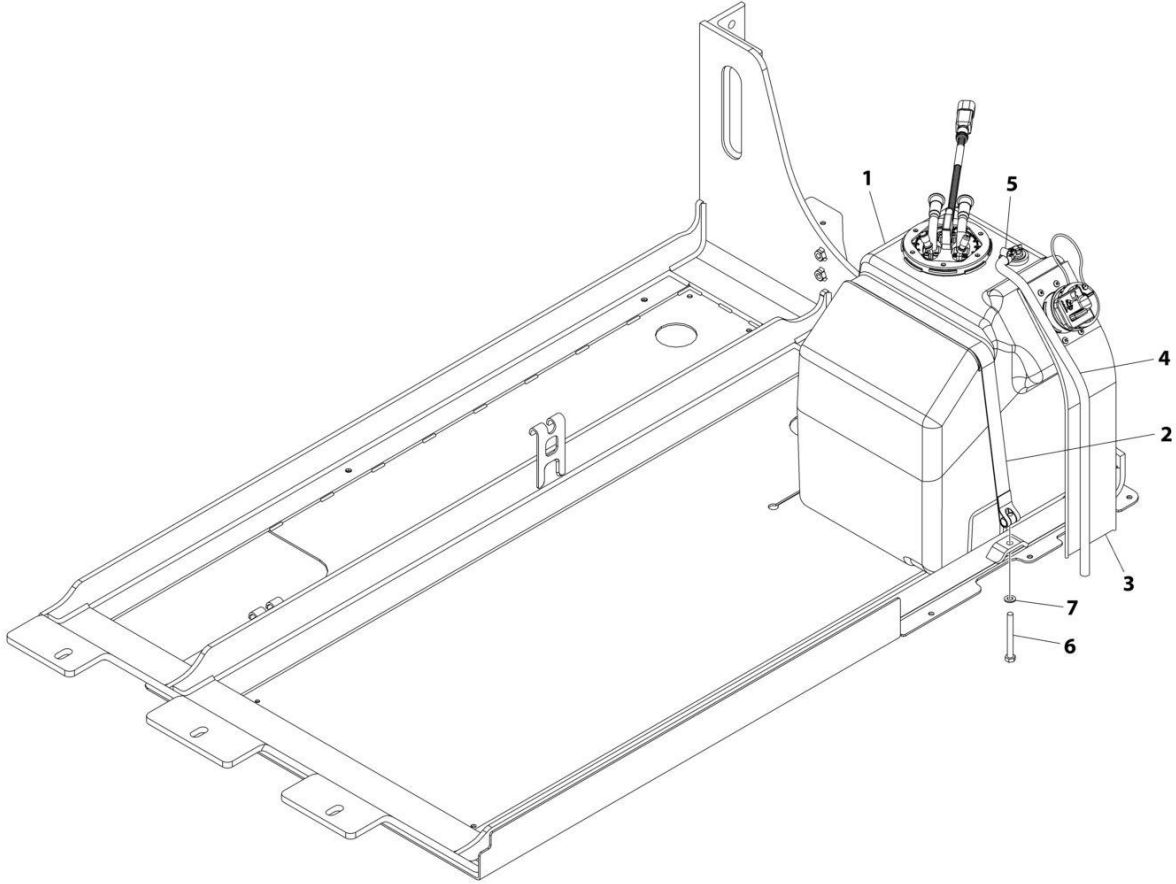
SECTION 4 - ENGINE AND ATTACHING PARTS

FIGURE 4-32. EXHAUST INSTALLATION, 110HP (ULS)

ITEM	PART NUMBER	QTY	DESCRIPTION	REV
	1001171701	1	Exhaust Installation (ULS)	O
1	0701014	10	Bolt, M10X30	
2	0701016	6	Bolt, M10X40	
4	0760815	2	Bolt, M8X35	
5	3290801	2	Nut, M8X1.25	
6	3291001	12	Nut, M10X1.5	
7	4811900	4	Washer, M8	
8	4812000	36	Washer, M10	
10	8275212	1	Clamp	
12	24921332	2	Clamp	
13	86883127	1	Clamp	
15	1001155261	1	Muffler	
16	1001159881	1	Bracket	
17	1001159882	1	Bracket	
18	1001176945	2	Strap	
19	1001162281	1	Support	
20	1001162597	1	Bracket	
21	1001163546	1	Pipe	
22	1001164404	1	Tube, Decomposition Reactor	
23	1001164837	2	Gasket	
24	1001164838	2	Clamp	
25	1001168560	1	Pipe	
26	1001168638	Ref	Installation, DEF Tank (See Separate Breakdown in this Section)	
27	1001204144	1	Pipe	
28	1001183836	1	Bracket	
30	1001174271	Ref	Installation, DEF Pump and Control (See Separate Breakdown in this Section)	
31	1001163253	Ref	Installation, DEF Pump Lines (See Separate Breakdown in this Section)	
33	1001183759	1	Pipe	
35	90206195	490 mm	Trim-Lock	
36	1001167167	1	Clamp	
37	1001167168	1	Seal	
39	0761010	2	Bolt, M10X20	
40	1001179206	1	Bracket	
41	86683211	1	Clamp	

SECTION 4 - ENGINE AND ATTACHING PARTS

FIGURE 4-33. DEF TANK INSTALLATION



ART_1001168638_K

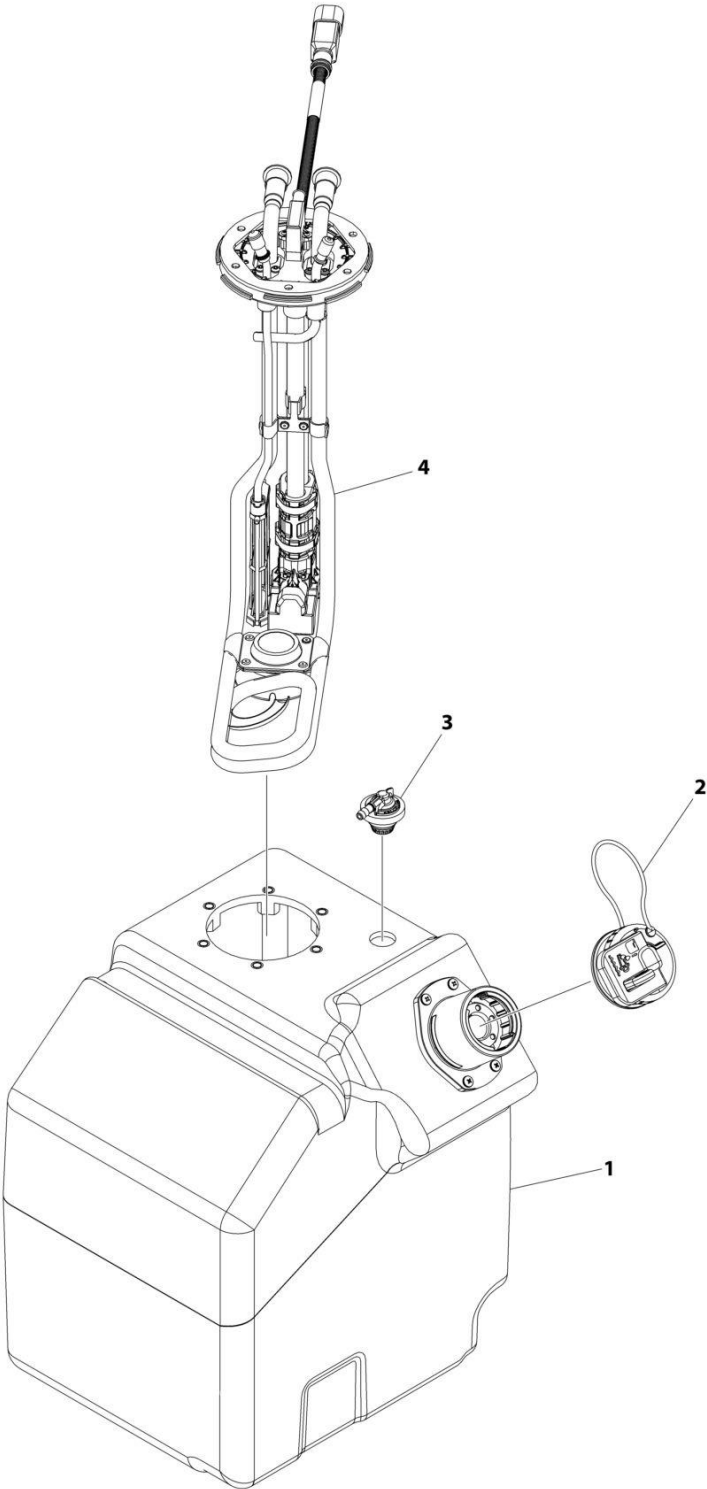
SECTION 4 - ENGINE AND ATTACHING PARTS

FIGURE 4-33. DEF TANK INSTALLATION

ITEM	PART NUMBER	QTY	DESCRIPTION	REV
	1001168638	Ref	DEF TANK INSTALLATION	K
1	1001279210	1	Tank, DEF (See Separate Breakdown in this Section)	
2	1001178791	1	Strap, Tank	
3	1001168272	1	Sleeve	
4	1001175201	0.6 m	Hose	
5	8405009	1	Clamp, Gear	
6	0760823	1	Bolt M8 x 75	
7	4811900	1	Washer M8	

SECTION 4 - ENGINE AND ATTACHING PARTS

FIGURE 4-34. DEF TANK ASSEMBLY



ART_1001279210

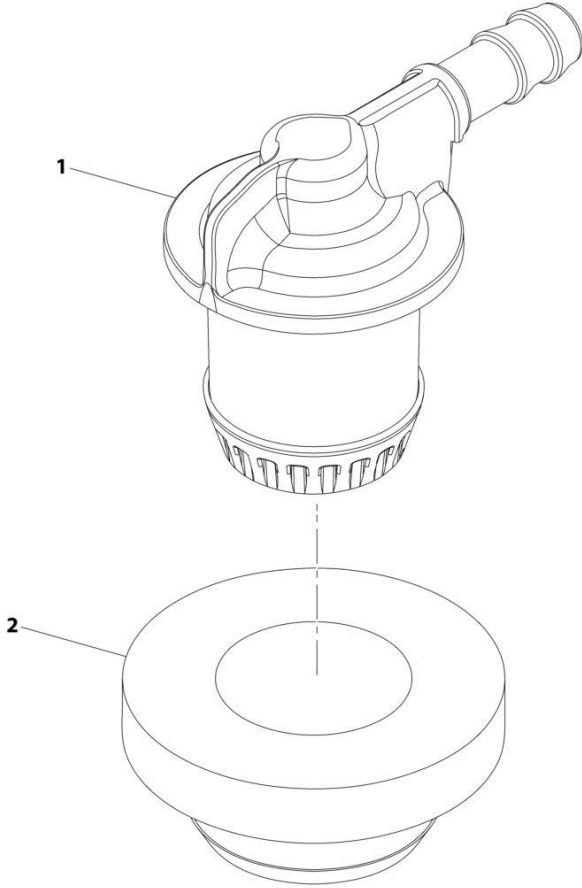
SECTION 4 - ENGINE AND ATTACHING PARTS

FIGURE 4-34. DEF TANK ASSEMBLY

ITEM	PART NUMBER	QTY	DESCRIPTION	REV
	1001279210	Ref	DEF TANK ASSEMBLY	A
1	1001164967	1	Tank	
2	1001174795	1	Cap	
3	1001215319	1	Valve (See Separate Breakdown in this Section)	
4	1001278919	1	Assembly, DEF Electrical	

SECTION 4 - ENGINE AND ATTACHING PARTS

FIGURE 4-35. DEF BREATHER VALVE



ART_1001215319-B

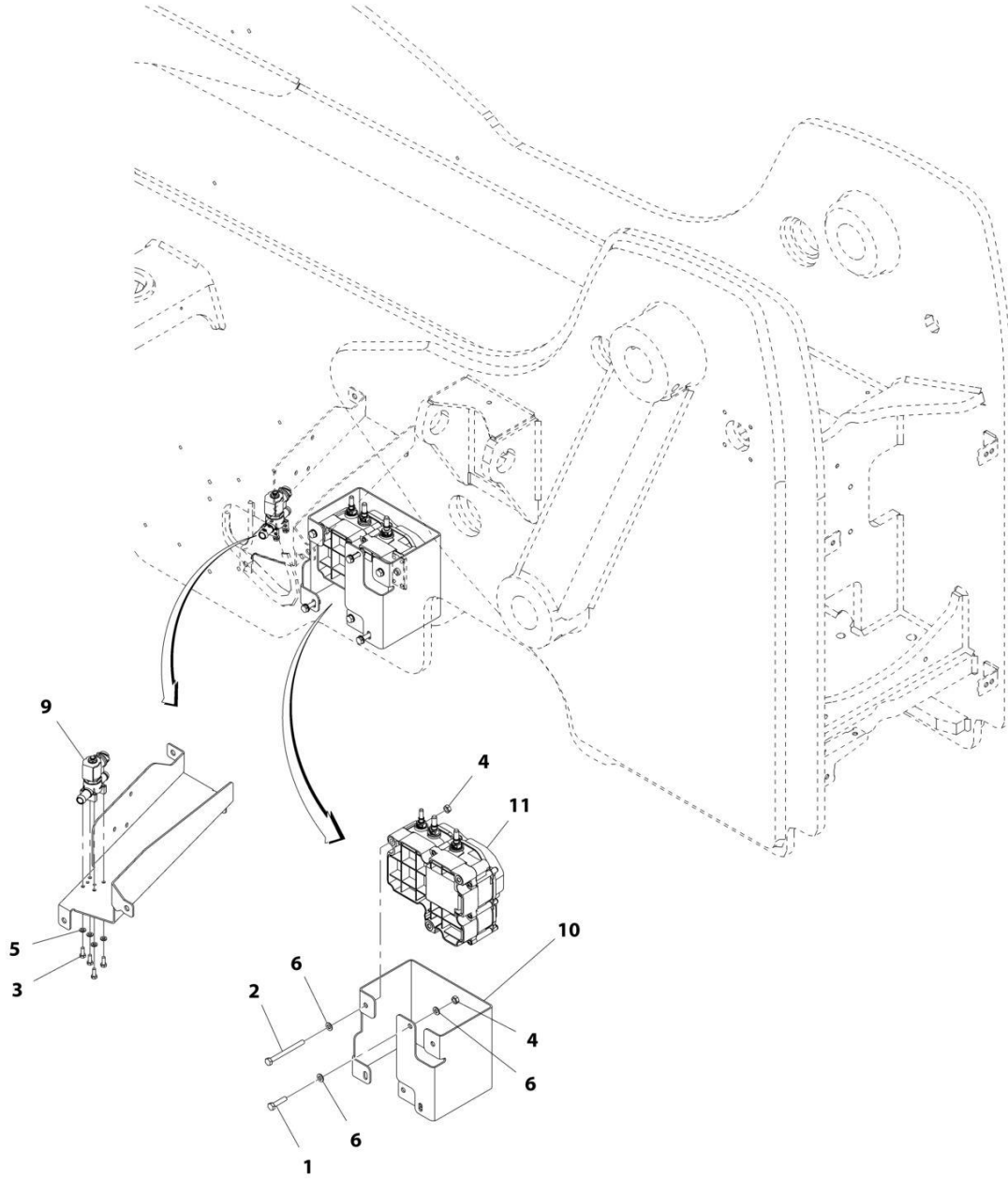
SECTION 4 - ENGINE AND ATTACHING PARTS

FIGURE 4-35. DEF BREATHER VALVE

ITEM	PART NUMBER	QTY	DESCRIPTION	REV
	1001215319	Ref	DEF Breather Valve	B
1	1001239510	1	Valve, DEF Breather	
2	1001239511	1	Grommet, DEF Breather	

SECTION 4 - ENGINE AND ATTACHING PARTS

FIGURE 4-36. DEF PUMP AND CONTROL INSTALLATION



ART_1001174271-H

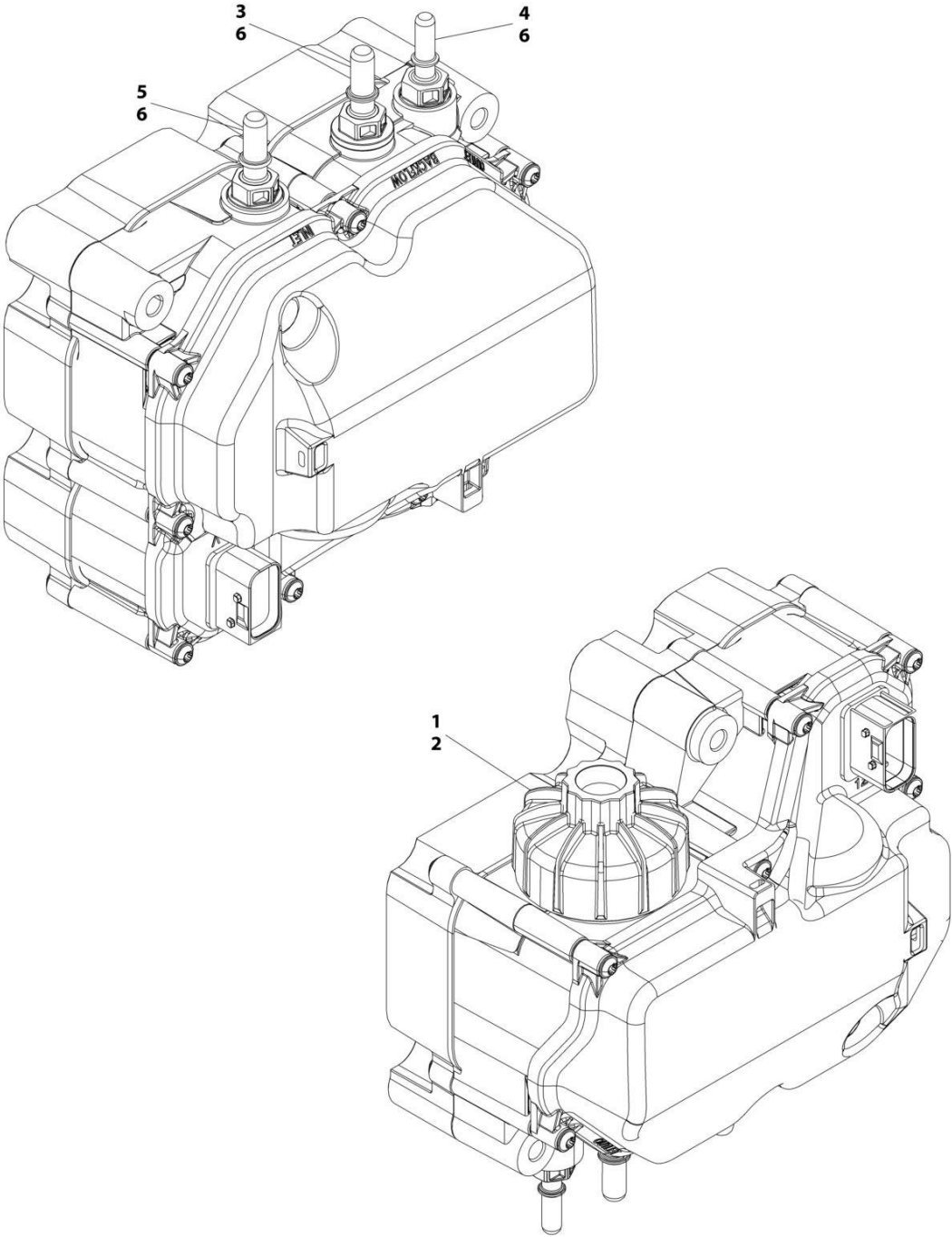
SECTION 4 - ENGINE AND ATTACHING PARTS

FIGURE 4-36. DEF PUMP AND CONTROL INSTALLATION

ITEM	PART NUMBER	QTY	DESCRIPTION	REV
	1001174271	Ref	DEF Pump and Control Installation	H
1	0700815	3	Bolt, M8X35	
2	0700826	3	Bolt, M8X90	
3	0760608	4	Bolt, M6X16	
4	3290801	5	Nut, M8X1.25	
5	4811700	4	Washer, M6	
6	4811900	8	Washer, M8	
9	1001199670	1	Valve, DEF Tank Coolant Flow	
10	1001191168	1	Bracket	
11	1001213210	1	Pump, Urea (See Separate Breakdown in this Section)	

SECTION 4 - ENGINE AND ATTACHING PARTS

FIGURE 4-37. UREA PUMP



ART_1001213210-A

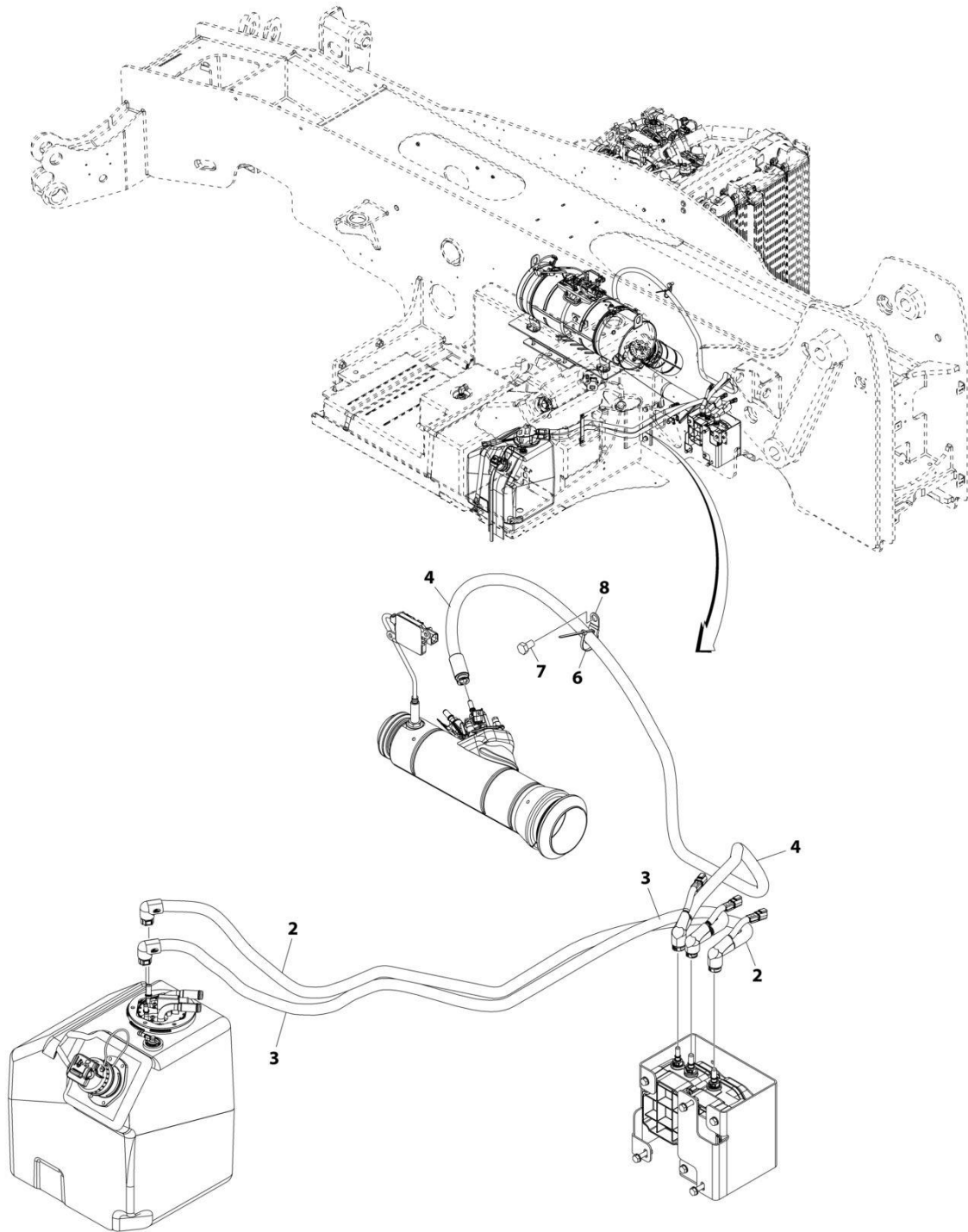
SECTION 4 - ENGINE AND ATTACHING PARTS

FIGURE 4-37. UREA PUMP

ITEM	PART NUMBER	QTY	DESCRIPTION	REV
	1001213210	Ref	DEF Module Pump	A
1	70026248	1	Kit, Filter	
2	70026247	1	Cap, Filter	
3	70027705	1	Connector, Male (Backflow)	
4	70026245	1	Connector, Male (Outlet)	
5	70026244	1	Connector, Male (Inlet)	
6	70027706	3	Gasket, Circular (O-Ring)	

SECTION 4 - ENGINE AND ATTACHING PARTS

FIGURE 4-38. DEF PUMP LINES INSTALLATION



ART_1001163253-I

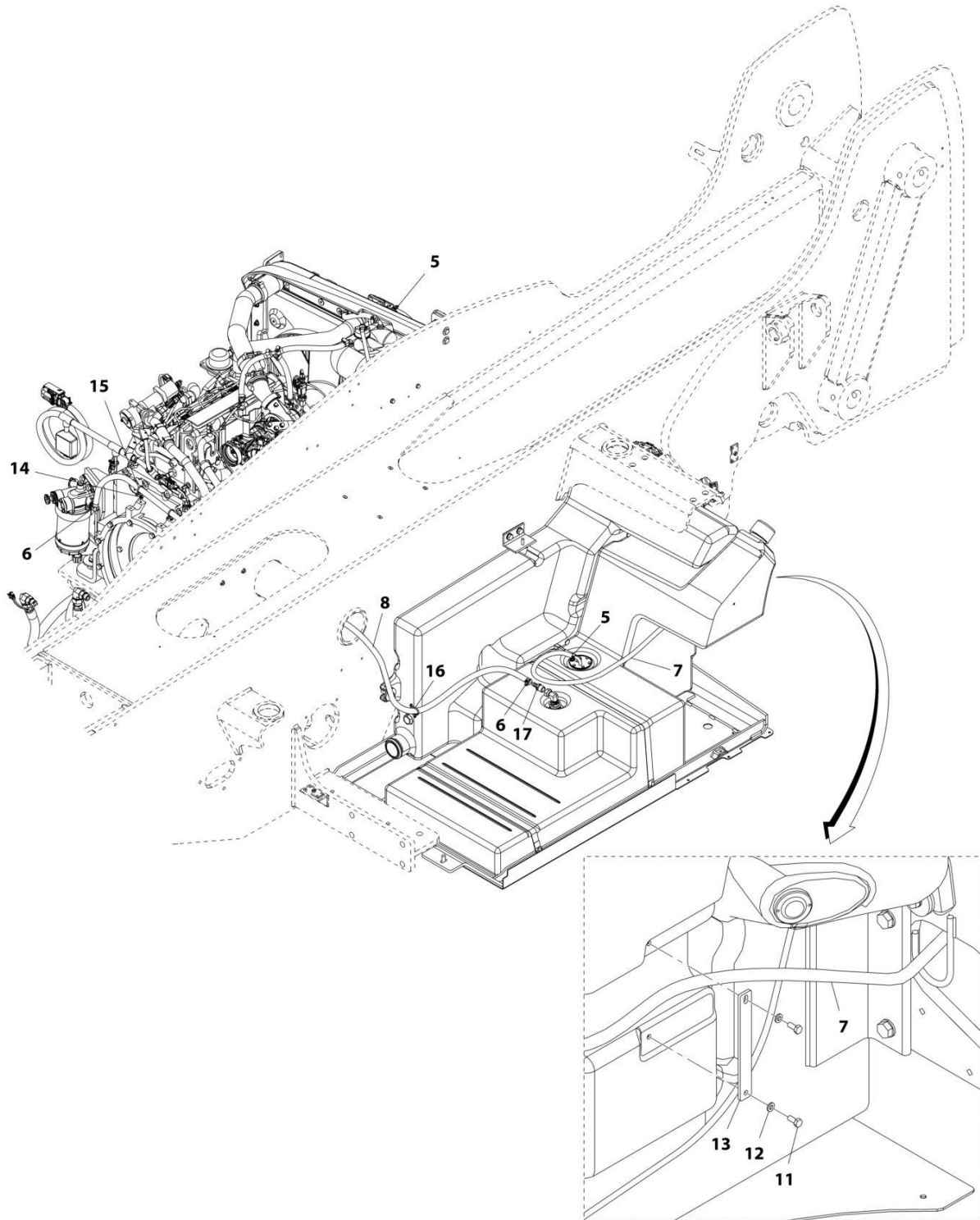
SECTION 4 - ENGINE AND ATTACHING PARTS

FIGURE 4-38. DEF PUMP LINES INSTALLATION

ITEM	PART NUMBER	QTY	DESCRIPTION	REV
	1001163253	Ref	DEF Pump Lines Installation	I
1	0760607	AR	Bolt, M6X14	
2	1001231002	1	Hose	
3	1001231003	1	Hose	
4	1001167971	1	Hose	
5	1001196440	AR	Plate, Retainer	
6	8881802	1	Strap, Tie	
7	0761210	1	Bolt, M12X20	
8	1001025750	1	Clip	
9	4831700	AR	Washer, Lock M6	

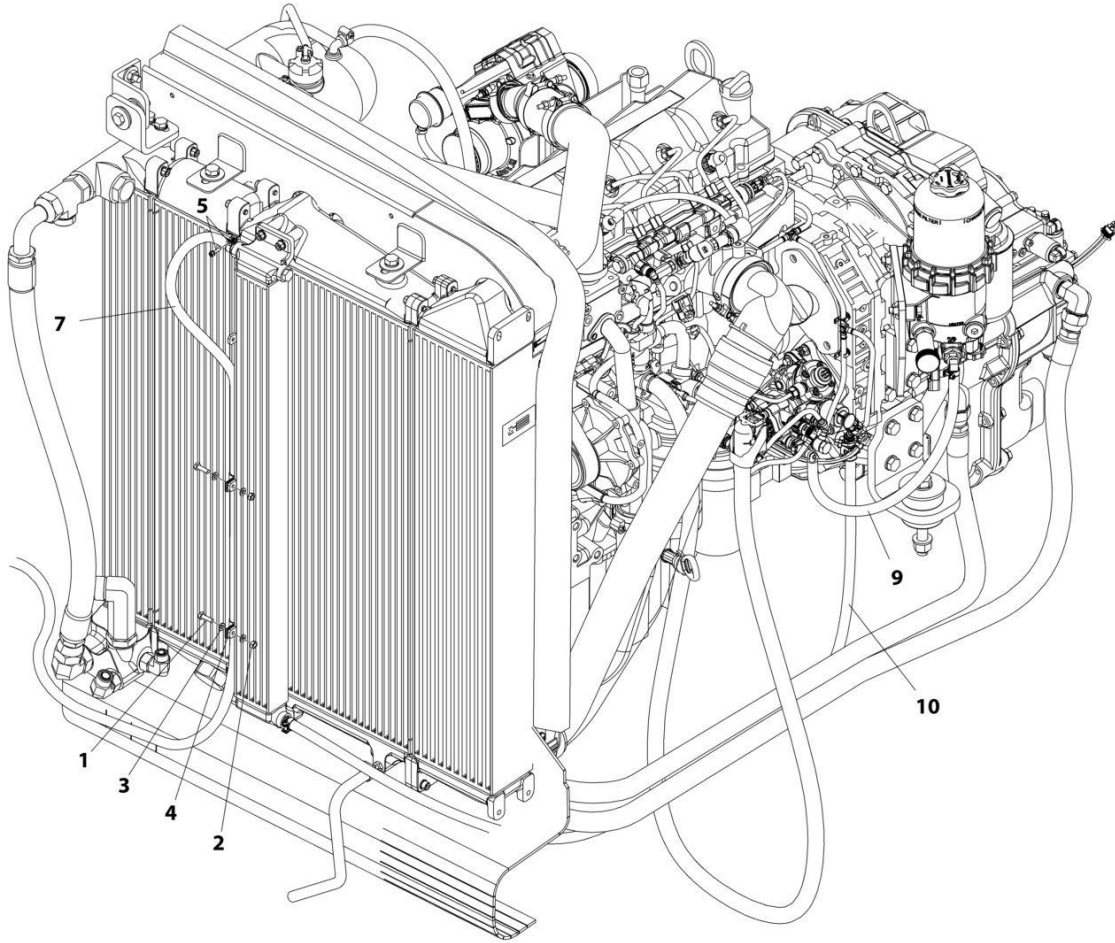
SECTION 4 - ENGINE AND ATTACHING PARTS

FIGURE 4-39. FUEL LINES INSTALLATION (LS)



ART_1001163241_1-G

SECTION 4 - ENGINE AND ATTACHING PARTS



ART_1001163241_2-G

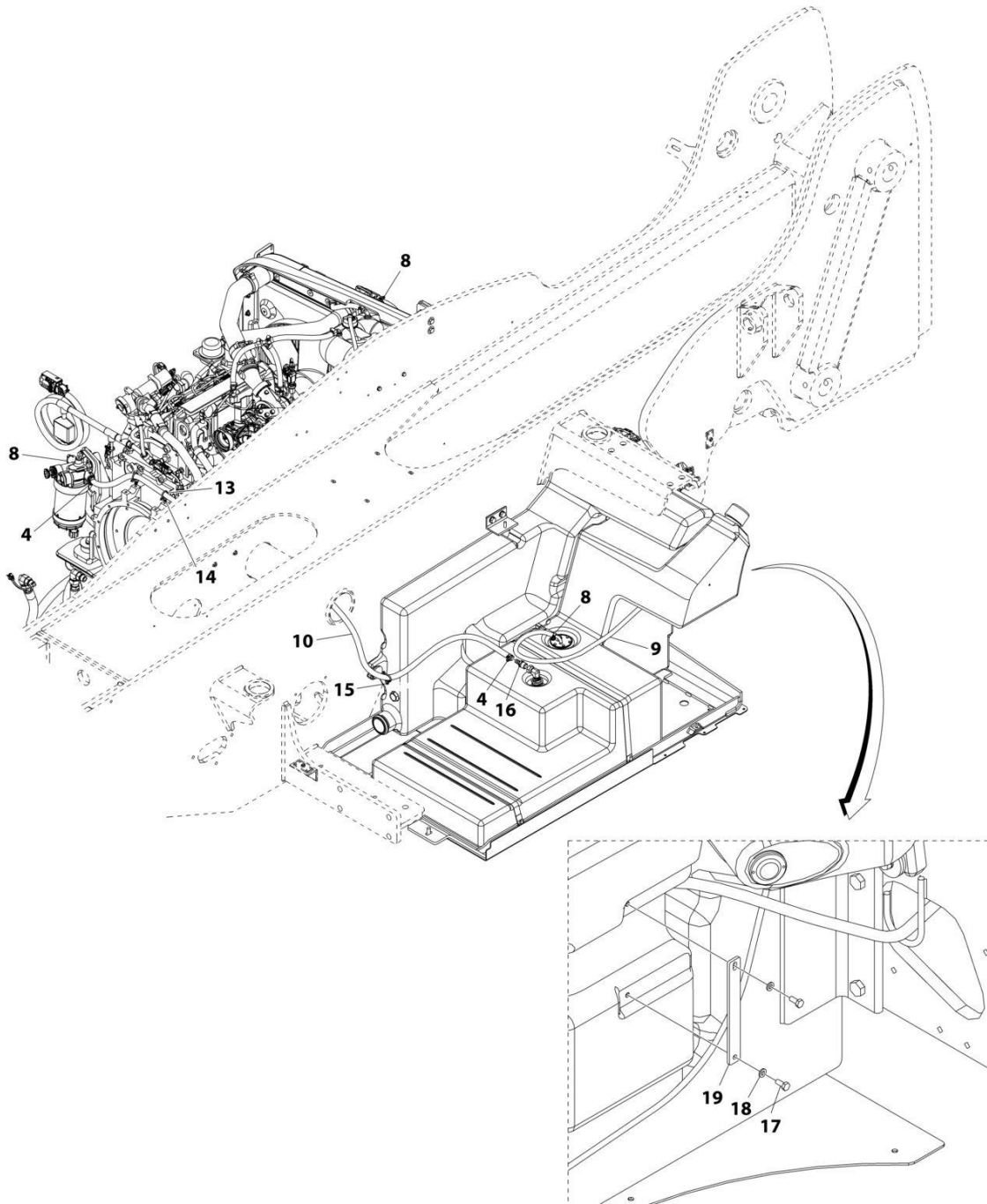
SECTION 4 - ENGINE AND ATTACHING PARTS

FIGURE 4-39. FUEL LINES INSTALLATION (LS)

ITEM	PART NUMBER	QTY	DESCRIPTION	REV
	1001163241	Ref	Fuel Lines Installation (LS)	G
1	0700610	2	Bolt, M6X20	
2	3290601	2	Nut, M6X1 Grade 8	
3	4811700	4	Washer, M6	
4	8406112	2	Clip	
5	1001136975	4	Clamp	
6	1001186342	2	Clip	
7	1001141400	3.7 m	Hose	
8	1001172755	2.4 m	Hose	
9	1001190980	1	Hose	
10	1001197299	1	Hose	
11	0760607	2	Bolt, M6X14	
12	4831700	2	Washer, Lock M6	
13	1001196440	1	Plate, Retainer	
14	1001202986	2	Strap, Fir Tree Push Mount	
15	1001008559	2	Strap	
16	1001146588	1	Strap	
17	1001206588	1	Fitting	

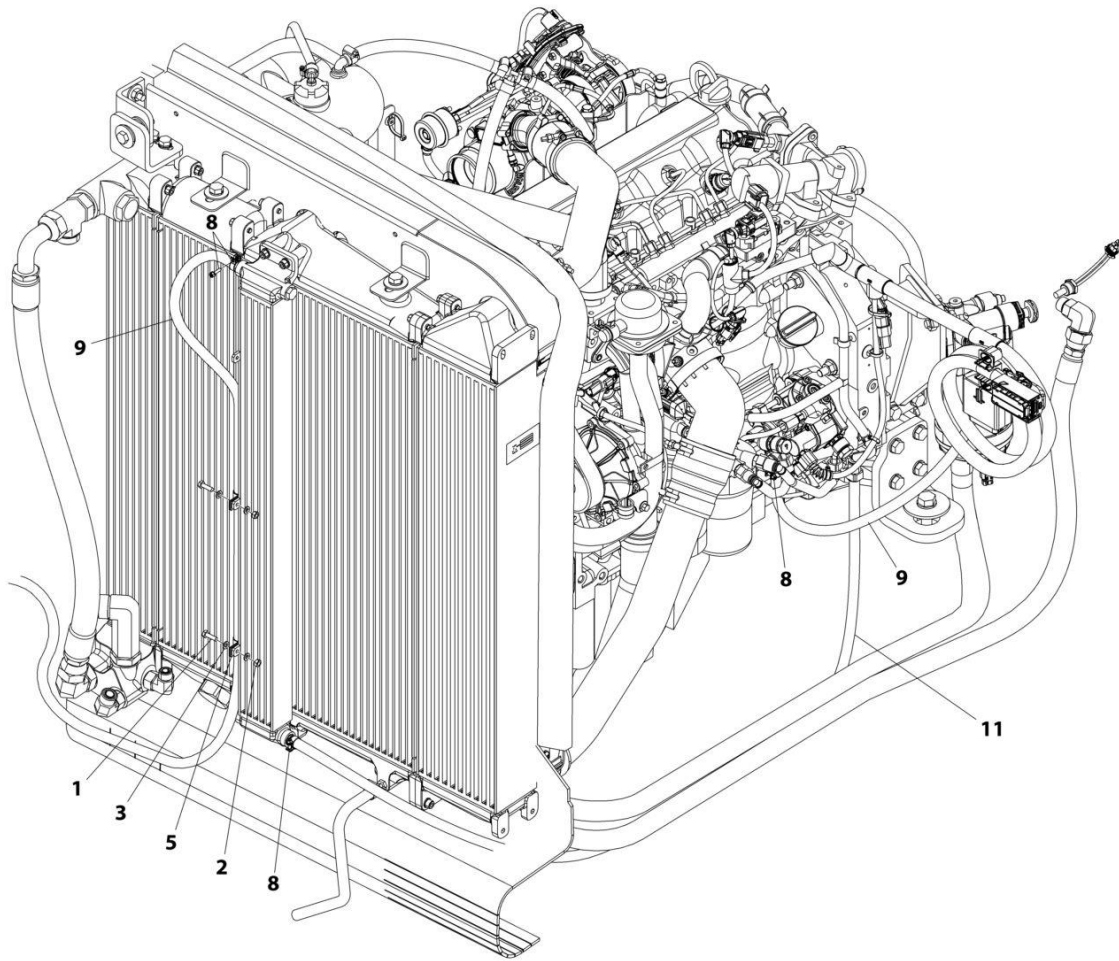
SECTION 4 - ENGINE AND ATTACHING PARTS

FIGURE 4-40. FUEL LINES INSTALLATION (ULS)



ART_1001163231-1-J

SECTION 4 - ENGINE AND ATTACHING PARTS



ART_1001163231_2-J

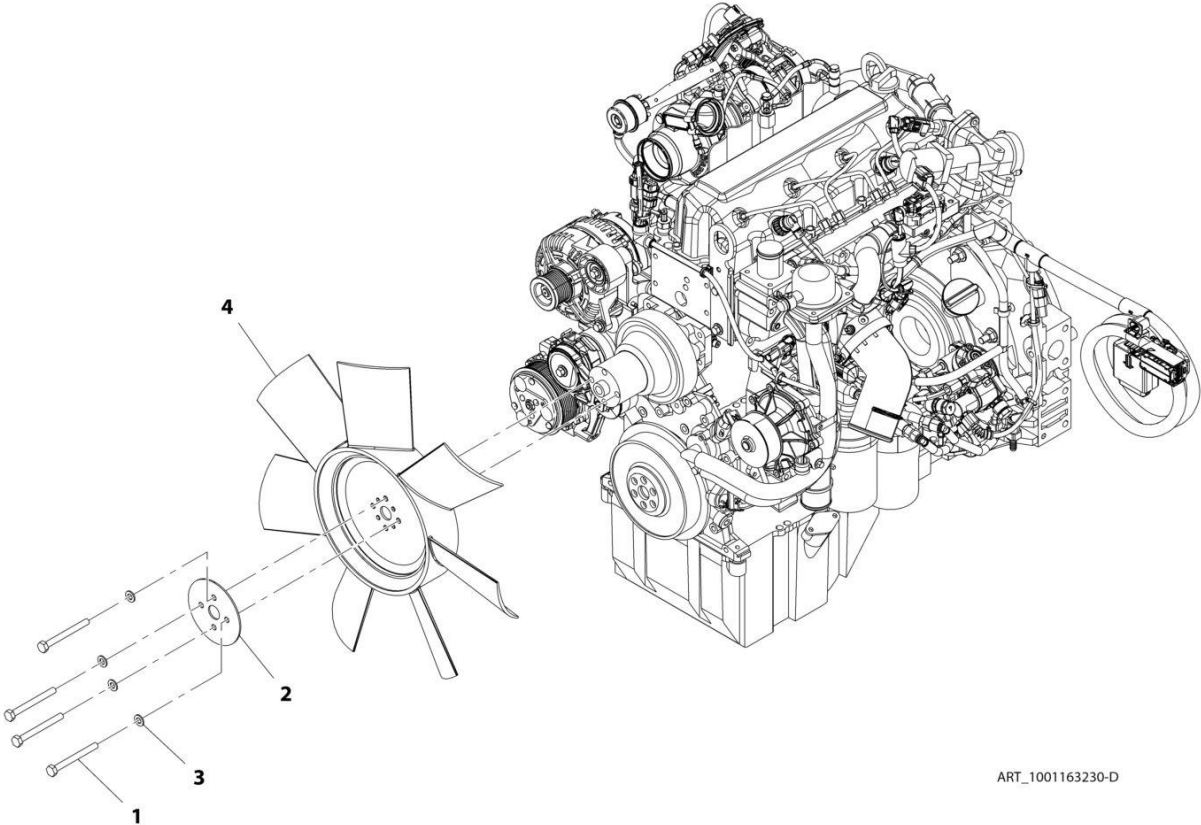
SECTION 4 - ENGINE AND ATTACHING PARTS

FIGURE 4-40. FUEL LINES INSTALLATION (ULS)

ITEM	PART NUMBER	QTY	DESCRIPTION	REV
	1001163231	Ref	Fuel Lines Installation	J
1	0700610	2	Bolt, M6X20	
2	3290601	2	Nut, M6X1 Grade 8	
3	4811700	4	Washer, M6	
4	1001186342	2	Clip, Hose	
5	8406112	2	Clip, Tube	
8	1001136975	5	Clamp	
9	1001141400	4.3 m	Hose	
10	1001172755	2.4 m	Hose	
11	1001197299	1	Hose	
13	1001008559	2	Strap	
14	1001202986	2	Strap, Fir Tree Push Mount	
15	1001146588	1	Strap	
16	1001206588	1	Fitting	
17	0760607	2	Nut, M6X14	
18	4831700	2	Washer, Lock M6	
19	1001196440	1	Plate, Retainer	

SECTION 4 - ENGINE AND ATTACHING PARTS

FIGURE 4-41. FAN INSTALLATION, 110HP



ART_1001163230-D

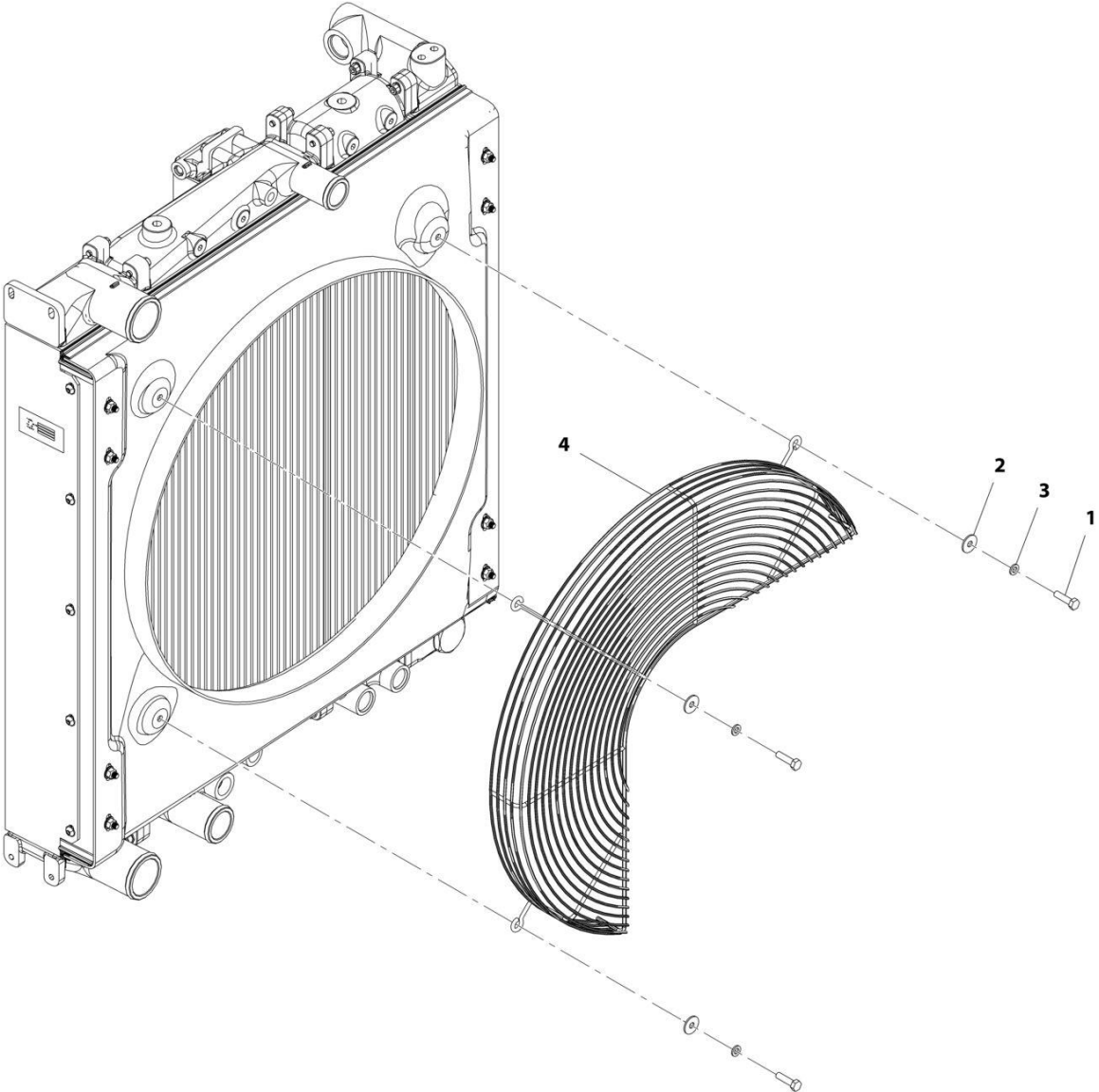
SECTION 4 - ENGINE AND ATTACHING PARTS

FIGURE 4-41. FAN INSTALLATION, 110HP

ITEM	PART NUMBER	QTY	DESCRIPTION	REV
	1001163230	Ref	Fan Installation	D
1	0701027	4	Bolt, M10X100	
2	3575947	1	Plate	
3	4812000	4	Washer, M10	
4	1001175269	1	Fan, Cooling	

SECTION 4 - ENGINE AND ATTACHING PARTS

FIGURE 4-42. FAN GUARD INSTALLATION



ART_1001160420-D

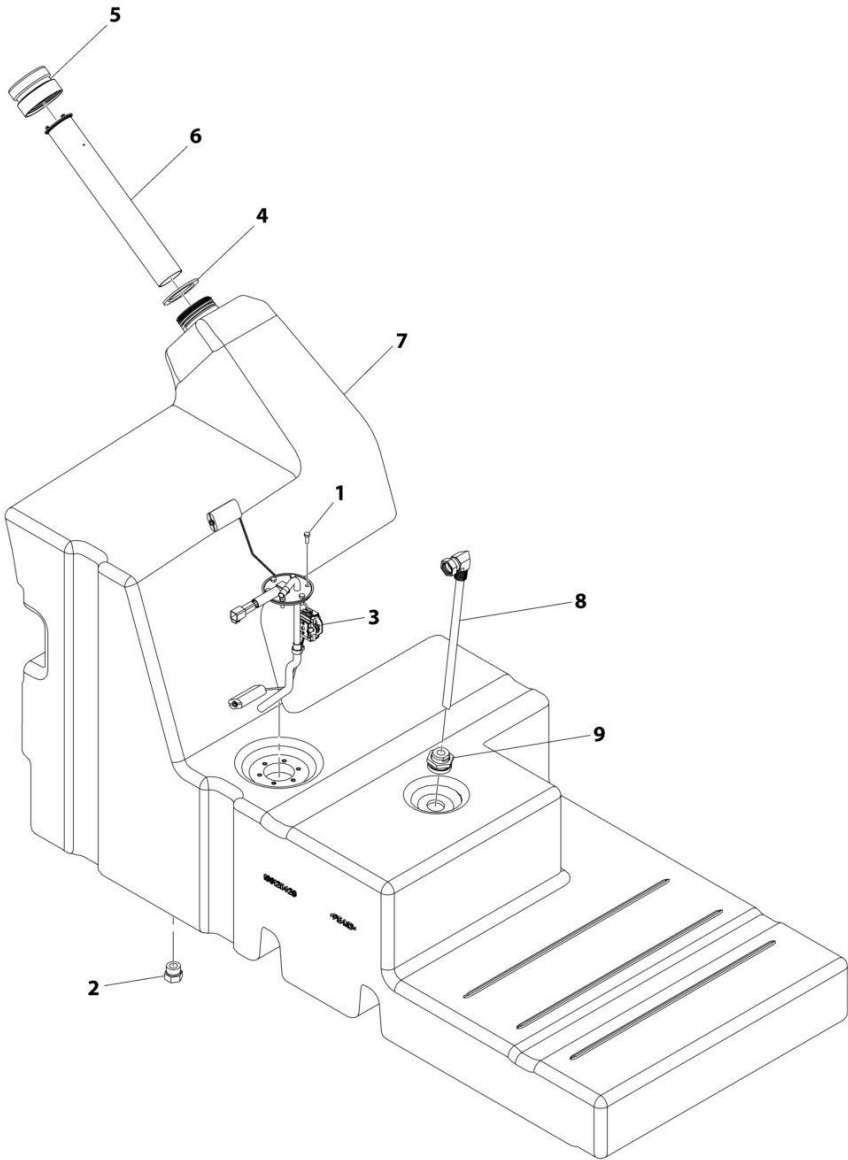
SECTION 4 - ENGINE AND ATTACHING PARTS

FIGURE 4-42. FAN GUARD INSTALLATION

ITEM	PART NUMBER	QTY	DESCRIPTION	REV
	1001160420	Ref	Fan Guard Installation	D
1	0700814	3	Bolt, M8X30	
2	4811902	3	Washer, M8	
3	4831900	3	Washer, Lock M8	
4	1001167186	1	Grill	

SECTION 4 - ENGINE AND ATTACHING PARTS

FIGURE 4-43. FUEL TANK ASSEMBLY



ART_1001211432-F

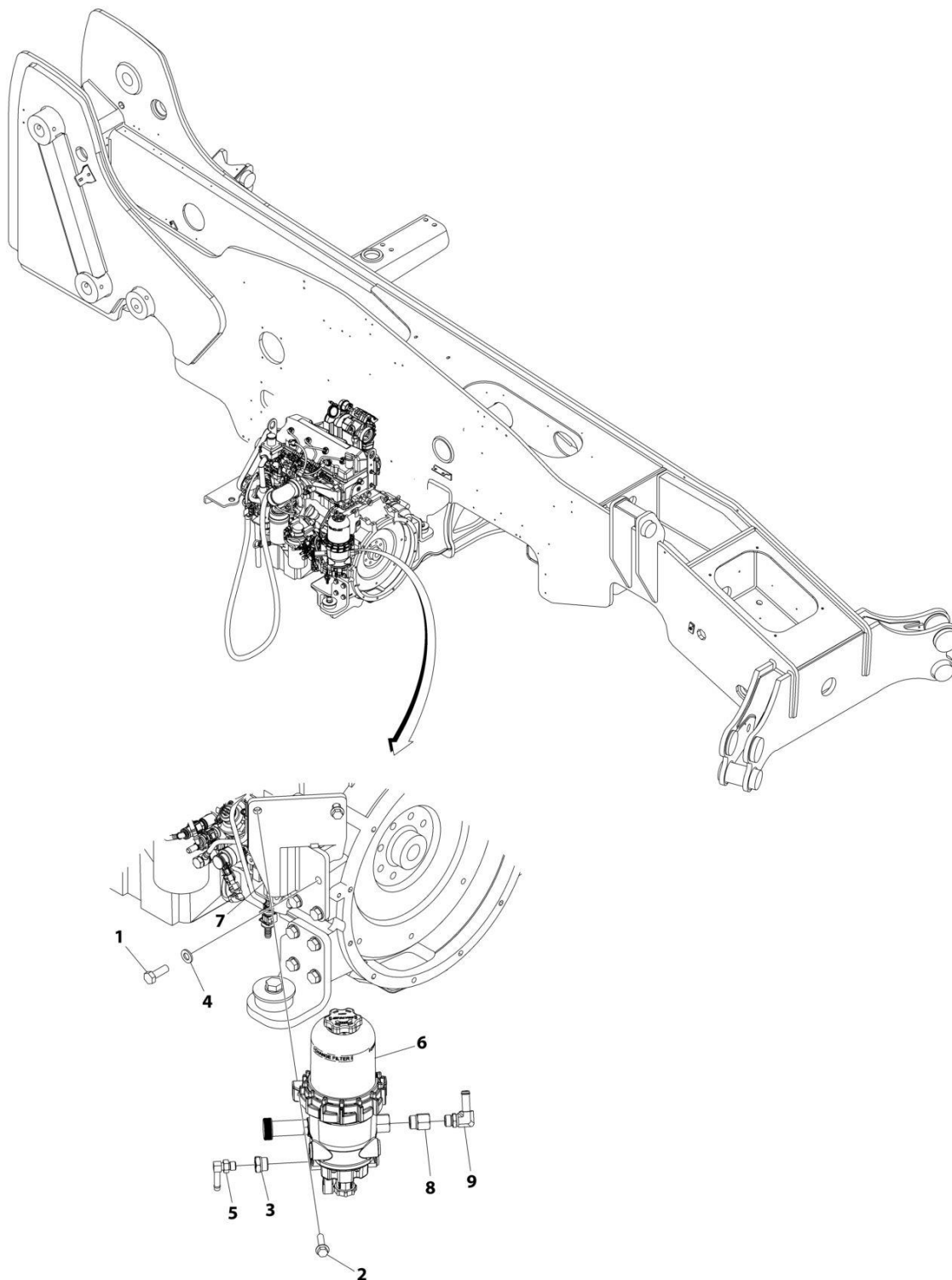
SECTION 4 - ENGINE AND ATTACHING PARTS

FIGURE 4-43. FUEL TANK ASSEMBLY

ITEM	PART NUMBER	QTY	DESCRIPTION	REV
	1001211432	Ref	Fuel Tank Assembly	F
1	0760507	6	Bolt, M5X14	
2	1001003427	1	Plug	
3	1001235100	1	Gauge, Fuel Level	
4	1001172178	1	Gasket	
5	1001207282	1	Adapter, Tank Cap	
6	1001207557	1	Pipe, Fuel Tank Drop	
7	1001211428	1	Tank, Fuel	
8	1001211429	1	Coupling, ORFS	
9	1001211747	1	Pipe, Fuel Supply	

SECTION 4 - ENGINE AND ATTACHING PARTS

FIGURE 4-44. PRIMARY FUEL FILTER INSTALLATION (LS)



ART_1001180076_E

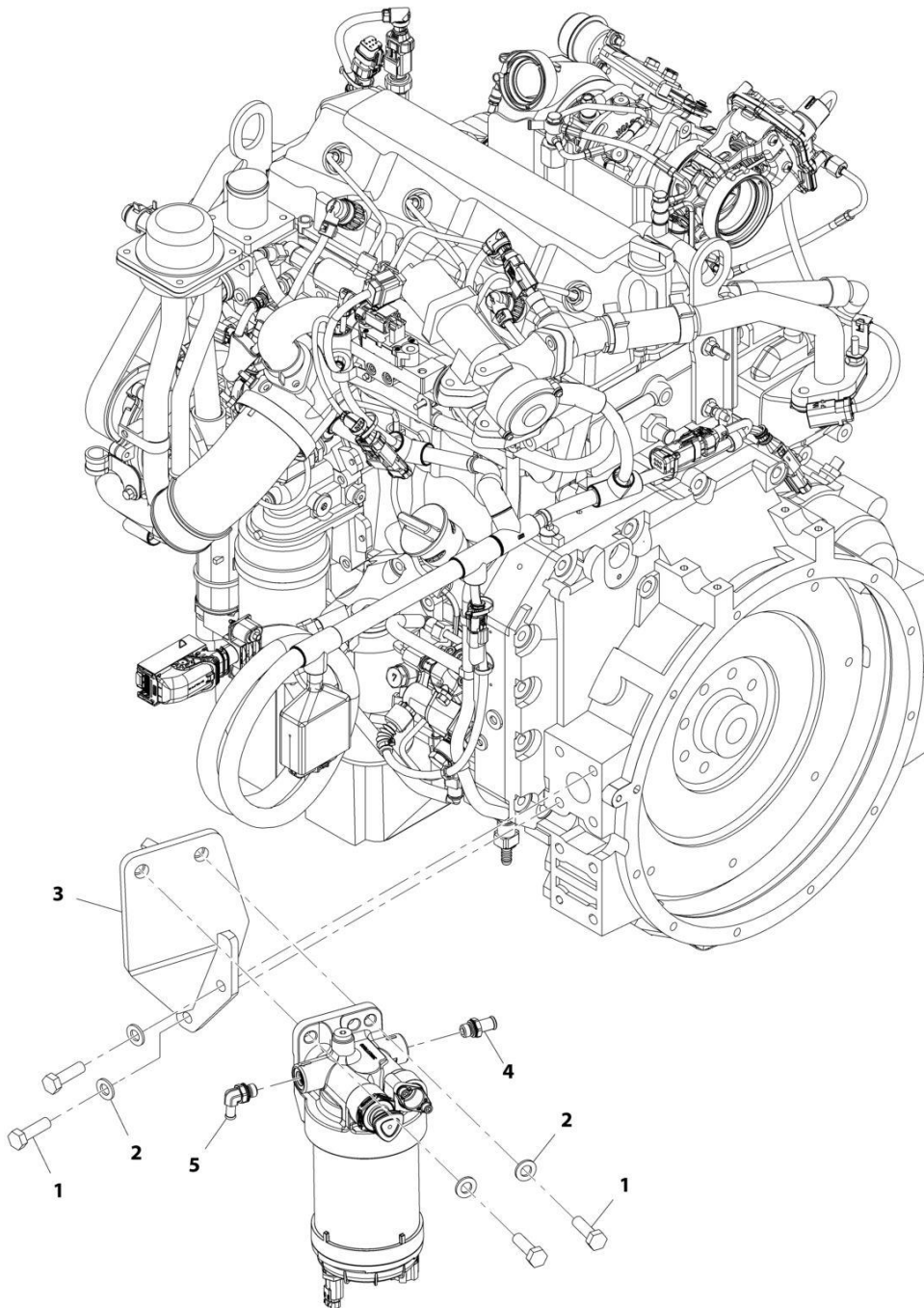
SECTION 4 - ENGINE AND ATTACHING PARTS

FIGURE 4-44. PRIMARY FUEL FILTER INSTALLATION (LS)

ITEM	PART NUMBER	QTY	DESCRIPTION	REV
	1001180076	Ref	Primary Fuel Filter Installation (LS)	E
1	0701215	3	Bolt, M12X35	
2	0781016	2	Bolt, M10X40	
3	2220218	1	Fitting, Straight ORFS	
4	4812100	3	Washer, M12	
5	8430034	1	Elbow, 90	
6	1001133534	1	Filter, Fuel	
7	1001180078	1	Bracket, Fuel Filter Mount	
8	2220810	1	Fitting, Straight	
9	1001200239	1	Fitting, 90 ORFS	

SECTION 4 - ENGINE AND ATTACHING PARTS

FIGURE 4-45. PRIMARY FUEL FILTER INSTALLATION (ULS)



ART_1001163235-F

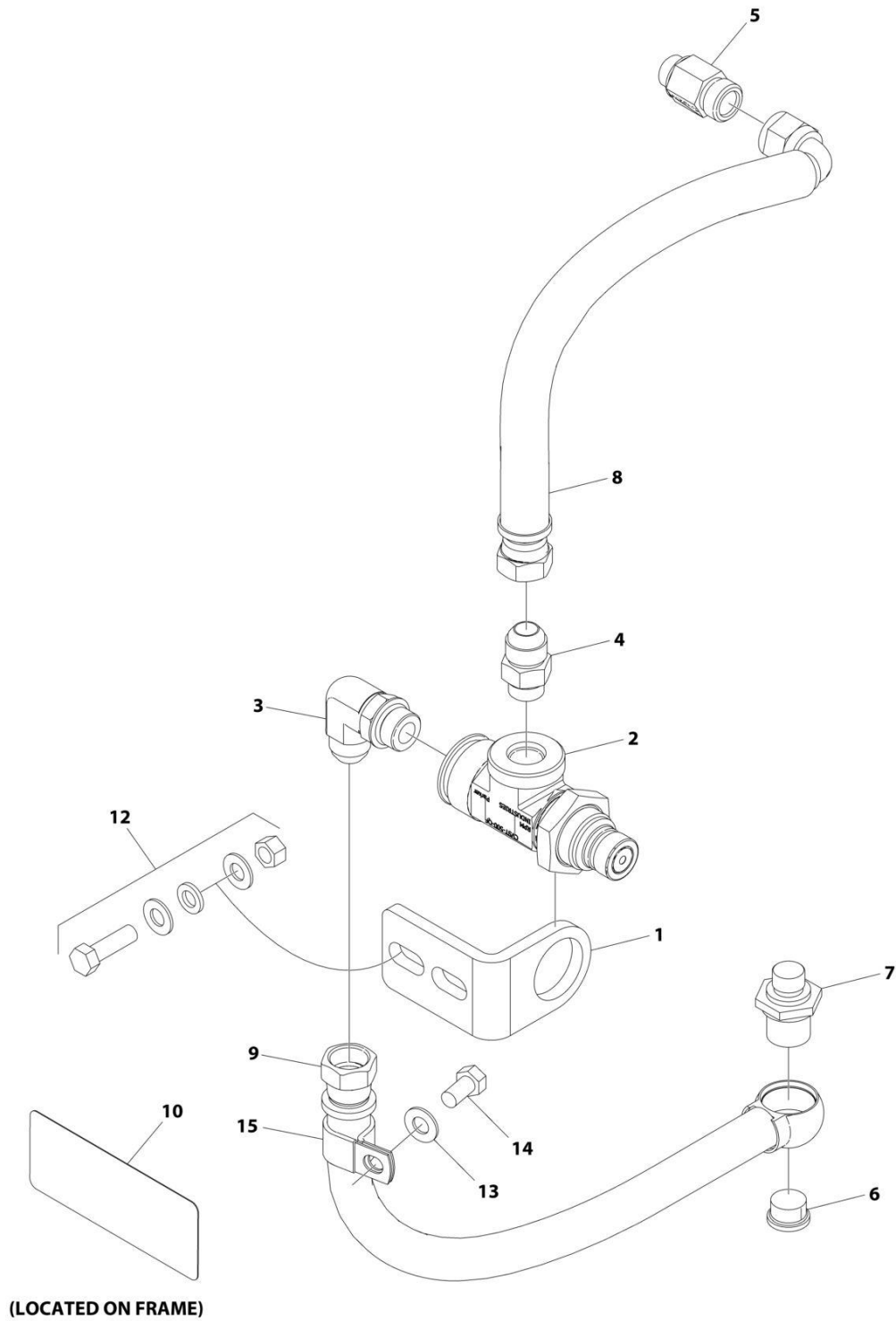
SECTION 4 - ENGINE AND ATTACHING PARTS

FIGURE 4-45. PRIMARY FUEL FILTER INSTALLATION (ULS)

ITEM	PART NUMBER	QTY	DESCRIPTION	REV
	1001163235	Ref	Primary Fuel Filter Installation	F
1	0701216	4	Bolt, M12X40	
2	4812100	4	Washer, M12	
3	1001206019	1	Bracket, Fuel Filter Mount	
4	1001217467	1	Barb, Hose	
5	1001182094	1	Hose	

SECTION 4 - ENGINE AND ATTACHING PARTS

FIGURE 4-46. ENGINE OIL QUICK DRAIN INSTALLATION



ART_1001281468

SECTION 4 - ENGINE AND ATTACHING PARTS

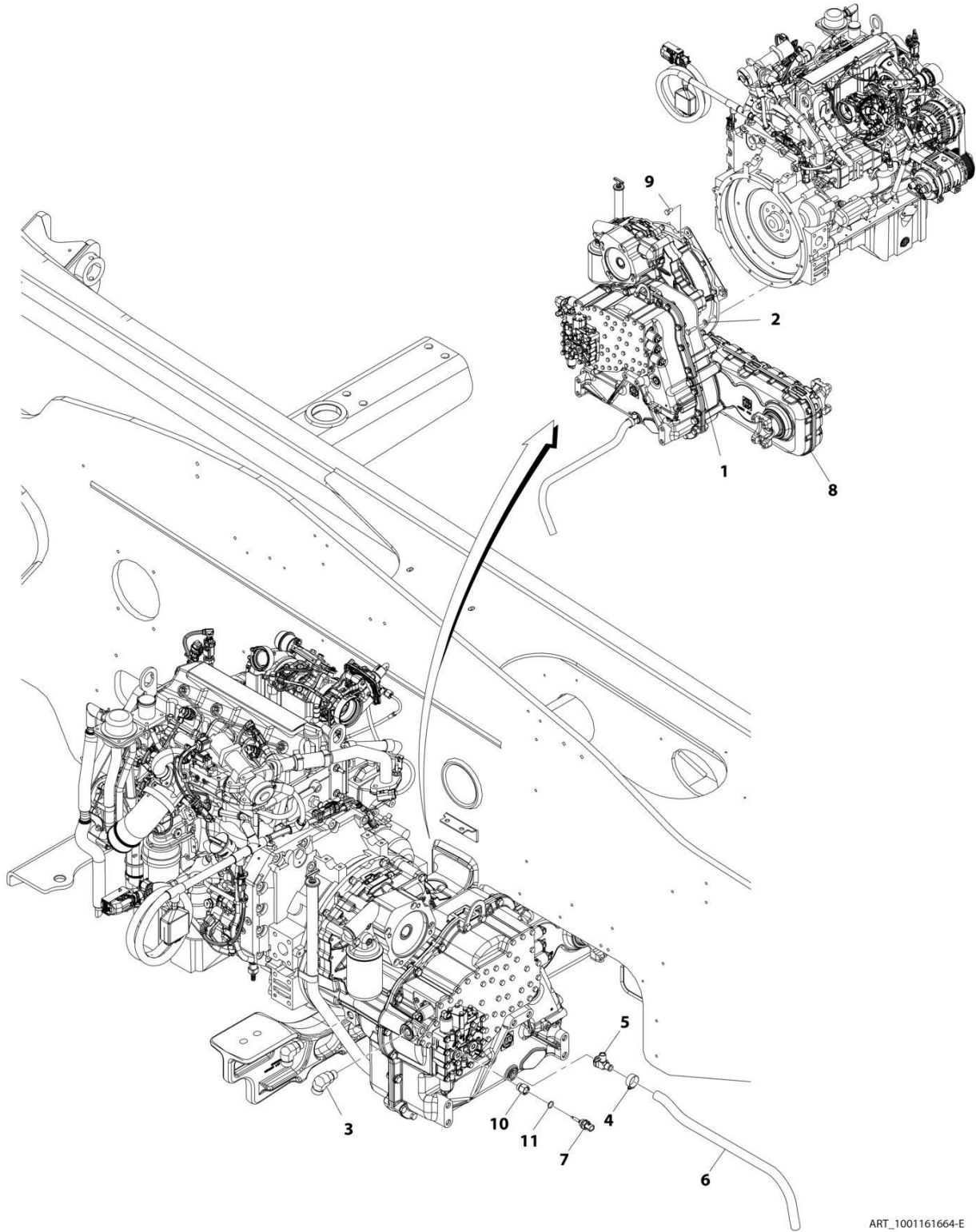
FIGURE 4-46. ENGINE OIL QUICK DRAIN INSTALLATION

ITEM	PART NUMBER	QTY	DESCRIPTION	REV
	1001281468	Ref	QUICK DRAIN OIL VALVE INSTALLATION	A
1	1001281297	1	Bracket	
2	1001281298	1	Valve, Small Quickfit	
3	1001281301	1	Fitting, 90	
4	1001281302	1	Fitting, Straight	
5	1001281303	1	Valve, Check Quickfit	
6	1001281304	1	Plug, Quickfit	
7	1001281305	1	Fitting, Straight Quickfit	
8	1001283990	1	Hose	
9	1001281354	1	Hose	
10	1001281360	1	Decal - RPM Quickfit	
11	1001281656	AR	Tie-Strap (Not Shown)	
12	1001281888	2	Bolt 3/8 x 1-1/4	
13	1001282009	1	Washer M8	
14	1001282010	1	Bolt M8 x 18	
15	1001282011	1	Clip	

SECTION 5 - DRIVE TRAIN

SECTION 5 - DRIVE TRAIN

FIGURE 5-1. TRANSMISSION INSTALLATION



ART_1001161664-E

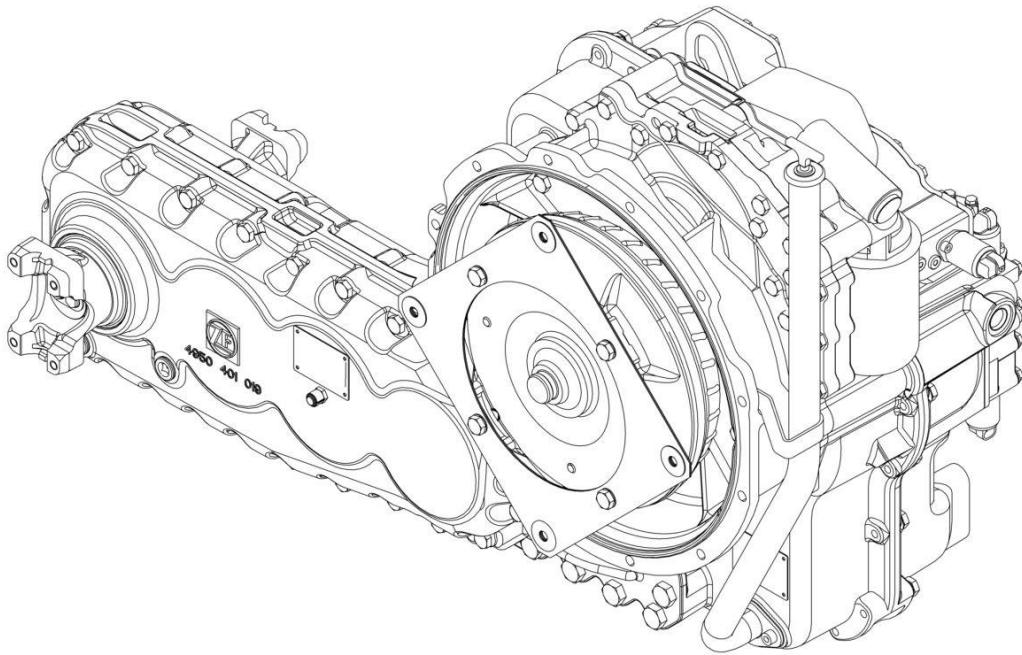
SECTION 5 - DRIVE TRAIN

FIGURE 5-1. TRANSMISSION INSTALLATION

ITEM	PART NUMBER	QTY	DESCRIPTION	REV
	1001161664	Ref	Transmission Installation	E
1	0711015	12	Screw, M10X35	
2	4812000	12	Washer, M10	
3	2131210	2	Fitting, 90 ORFS	
4	8405007	1	Clamp, Hose	
5	1001097053	1	Valve, Oil Drain	
6	1001186225	1	Hose, Drain	
7	1001128478	1	Switch, Oil Temperature	
8	1001170171	1	Transmission, Powershift (See Separate Breakdown in this Section)	
9	0761010	4	Screw, M10X20	
10	1001220760	1	Adapter	
11	1001009163	1	Seal	

SECTION 5 - DRIVE TRAIN

FIGURE 5-2. POWERSHIFT TRANSMISSION



ART_1001170171_1-C

SECTION 5 - DRIVE TRAIN

FIGURE 5-2. POWERSHIFT TRANSMISSION

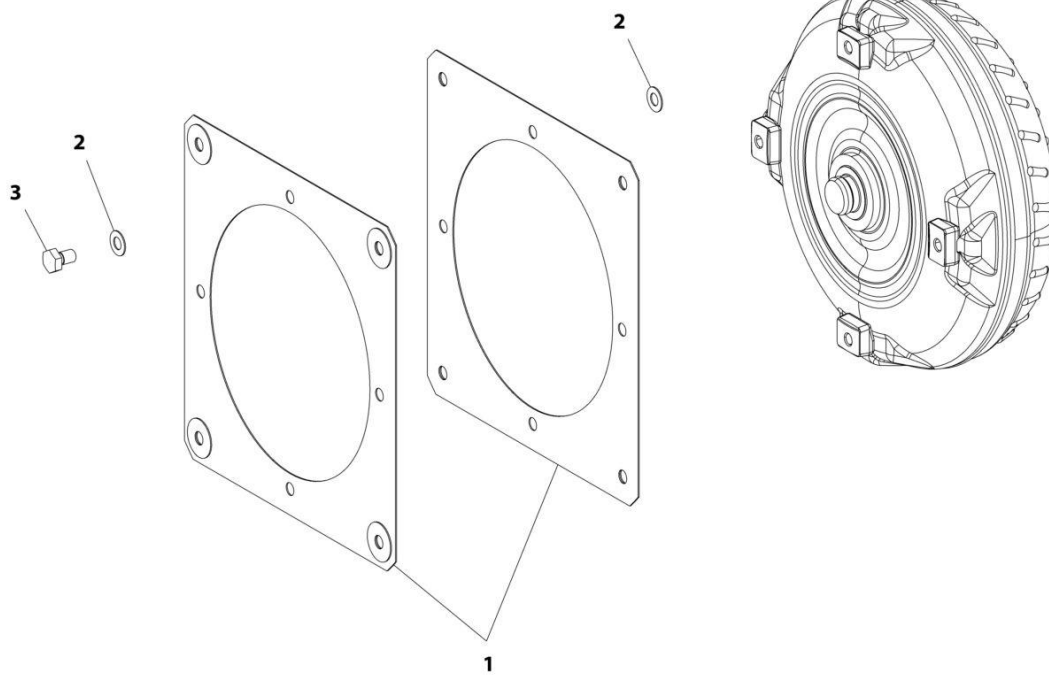
ITEM	PART NUMBER	QTY	DESCRIPTION	REV
	1001170171	Ref	Powershift Transmission	C
		Ref	Transmission, Engine Connection (See Separate Breakdown in this Section)	
		Ref	Transmission, Converter (See Separate Breakdown in this Section)	
		Ref	Transmission, Input (See Separate Breakdown in this Section)	
		Ref	Transmission, Housing Group 1 (See Separate Breakdown in this Section)	
		Ref	Transmission, Housing Group 2 (See Separate Breakdown in this Section)	
		Ref	Transmission, Clutch Group 1 (See Separate Breakdown in this Section)	
		Ref	Transmission, Clutch Group 2 (See Separate Breakdown in this Section)	
		Ref	Transmission, Coupling Group 1 (See Separate Breakdown in this Section)	
		Ref	Transmission, Coupling Group 2 (See Separate Breakdown in this Section)	
		Ref	Transmission, Coupling Group 3 (See Separate Breakdown in this Section)	
		Ref	Transmission, Coupling Group 4 (See Separate Breakdown in this Section)	
		Ref	Transmission, Output (See Separate Breakdown in this Section)	
		Ref	Transmission, Power Take-Off (See Separate Breakdown in this Section)	
		Ref	Transmission, Control Unit (See Separate Breakdown in this Section)	
		Ref	Transmission, Shift System (See Separate Breakdown in this Section)	
		Ref	Transmission, Pressure Regulator (See Separate Breakdown in this Section)	
		Ref	Transmission, Pressure Oil Pump (See Separate Breakdown in this Section)	
		Ref	Transmission, Inductive Transmitter (See Separate Breakdown in this Section)	
		Ref	Transmission, Filter (See Separate Breakdown in this Section)	
		Ref	Transmission, Accessories Group 1 (See Separate Breakdown in this Section)	
		Ref	Transmission, Peripherals Group 1 (See Separate Breakdown in this Section)	
		Ref	Transmission, Peripherals Group 2 (See Separate Breakdown in this Section)	
		Ref	Transmission, Accessories Group 2 (See Separate Breakdown in this Section)	
		Ref	Transmission, Housing Group (See Separate Breakdown in this Section)	
		Ref	Transmission, Housing 1 (See Separate Breakdown in this Section)	
		Ref	Transmission, Housing 2 (See Separate Breakdown in this Section)	
		Ref	Transmission, Housing Input (See Separate Breakdown in this Section)	
		Ref	Transmission, Housing Output 1 (See Separate Breakdown in this Section)	

SECTION 5 - DRIVE TRAIN

ITEM	PART NUMBER	QTY	DESCRIPTION	REV
		Ref	Transmission, Housing Output 2 (See Separate Breakdown in this Section)	

SECTION 5 - DRIVE TRAIN

FIGURE 5-3. TRANSMISSION, ENGINE CONNECTION



ART_1001170171_2-C

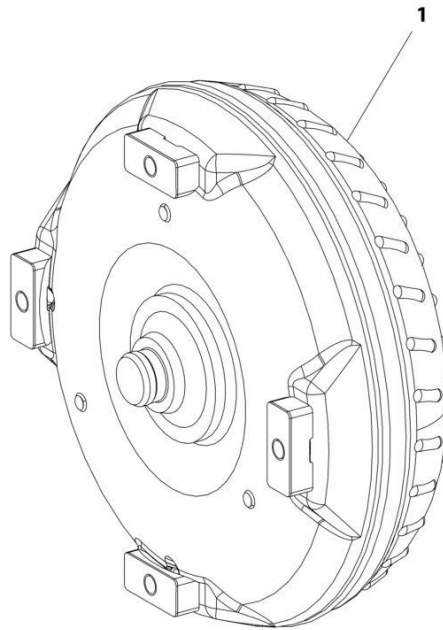
SECTION 5 - DRIVE TRAIN

FIGURE 5-3. TRANSMISSION, ENGINE CONNECTION

ITEM	PART NUMBER	QTY	DESCRIPTION	REV
	1001170171	Ref	TRANSMISSION, ENGINE CONNECTION	C
1	1319229	2	Diaphragm	
2	7026745	8	Washer, Thrust M10	
3	7026744	4	Bolt, M10X16	

SECTION 5 - DRIVE TRAIN

FIGURE 5-4. TRANSMISSION, CONVERTER



ART_1001170171_3-C

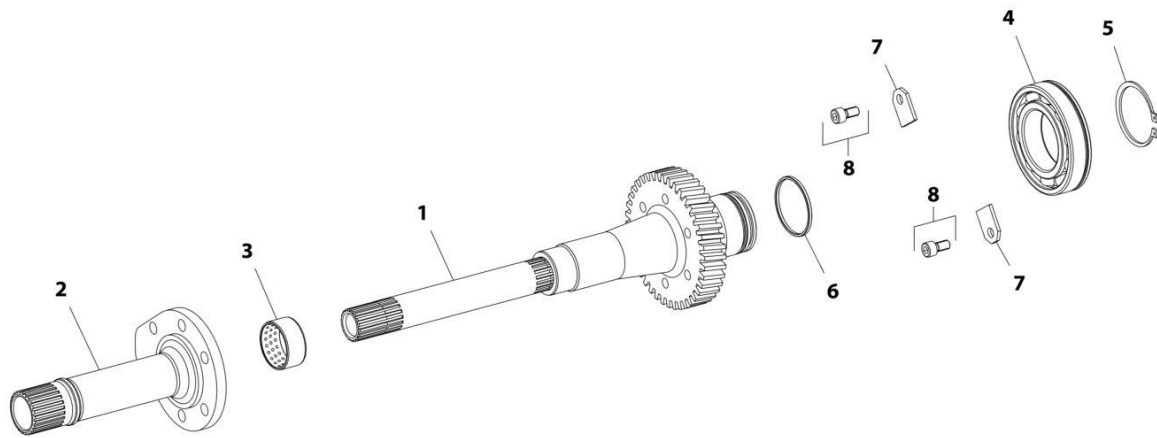
SECTION 5 - DRIVE TRAIN

FIGURE 5-4. TRANSMISSION, CONVERTER

ITEM	PART NUMBER	QTY	DESCRIPTION	REV
1	1001170171 7026746	Ref 1	TRANSMISSION, CONVERTER Converter, Torque	C

SECTION 5 - DRIVE TRAIN

FIGURE 5-5. TRANSMISSION, INPUT



ART_1001170171_4-C

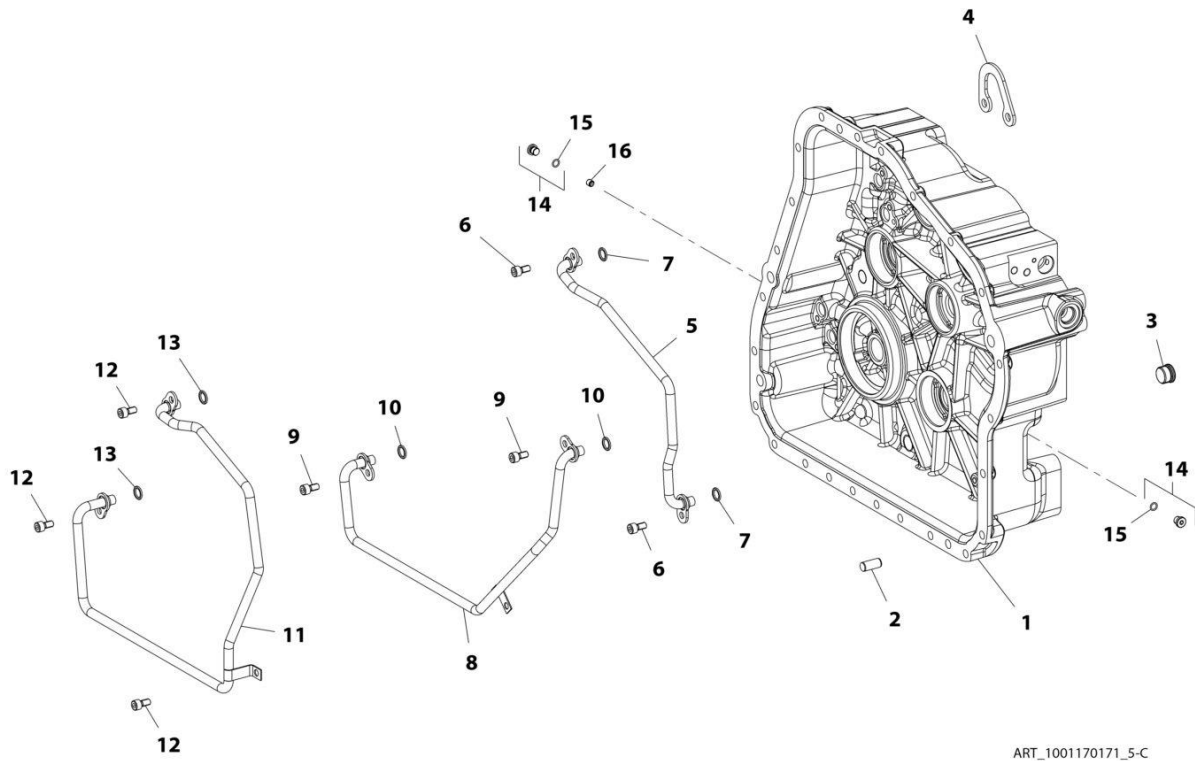
SECTION 5 - DRIVE TRAIN

FIGURE 5-5. TRANSMISSION, INPUT

ITEM	PART NUMBER	QTY	DESCRIPTION	REV
	1001170171	Ref	TRANSMISSION, INPUT	C
1	7026747	1	Shaft, Turbine	
2	7026748	1	Shaft, Stator	
3	1319558	1	Bushing, Bearing	
4	1319563	1	Bearing, Ball	
5	80304405	1	Ring, Retaining	
6	7026749	1	Ring, Piston	
7	70026515	2	Strap	
8	70026516	2	Bolt, M8X16	

SECTION 5 - DRIVE TRAIN

FIGURE 5-6. TRANSMISSION, HOUSING GROUP 1



ART_1001170171_5-C

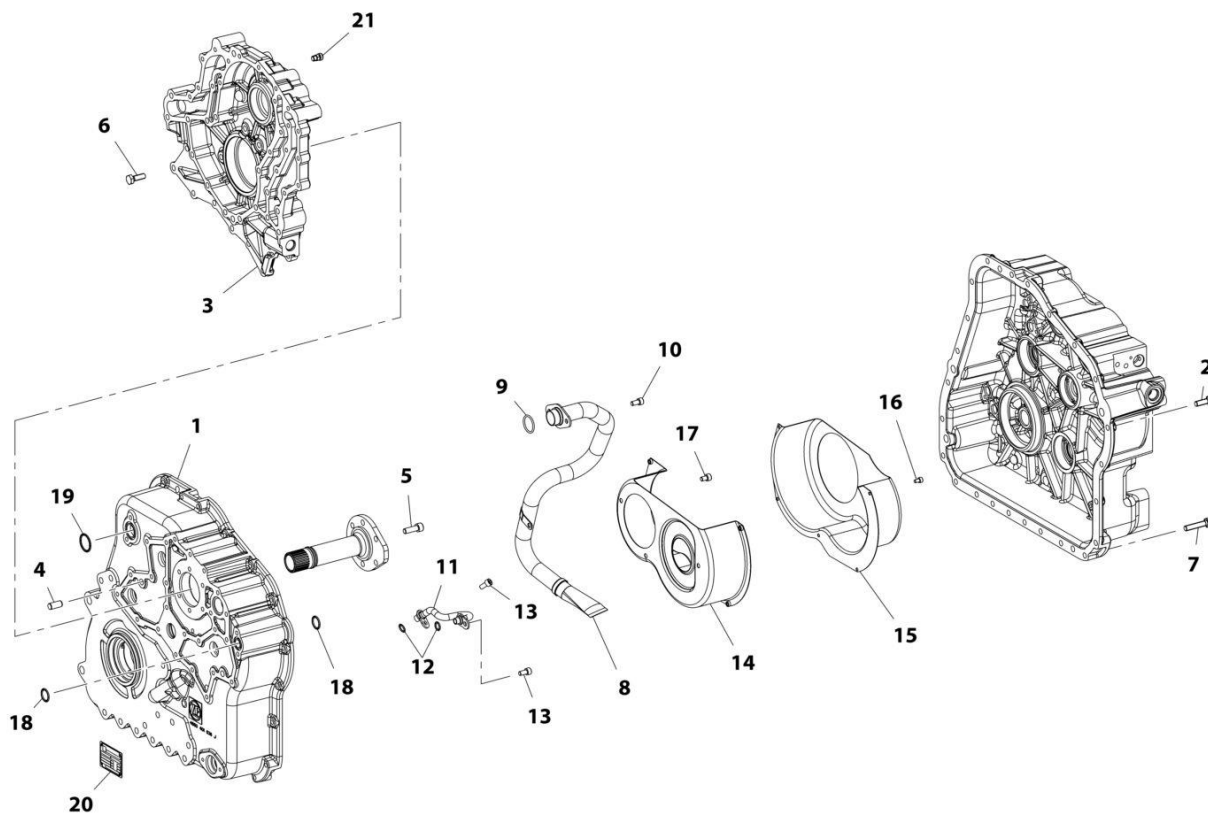
SECTION 5 - DRIVE TRAIN

FIGURE 5-6. TRANSMISSION, HOUSING GROUP 1

ITEM	PART NUMBER	QTY	DESCRIPTION	REV
	1001170171	Ref	TRANSMISSION, HOUSING GROUP 1	C
1	7029973	1	Housing	
2	1319571	2	Pin, Dowel	
3	70023404	1	Plug	
4	1319590	1	Bracket, Lift	
5	7026750	1	Pipe	
6	70026516	2	Bolt, M8X16	
7	8036847	2	O-Ring	
8	7026751	1	Pipe	
9	70026516	2	Bolt, M8X16	
10	8036847	2	O-Ring	
11	7026752	1	Pipe	
12	70026516	3	Bolt, M8X16	
13	8036847	2	O-Ring	
14	70026517	7	Plug, Screw	
15	10731709	7	O-Ring	
16	70026518	1	Nozzle	

SECTION 5 - DRIVE TRAIN

FIGURE 5-7. TRANSMISSION, HOUSING GROUP 2



ART_1001170171_6-C

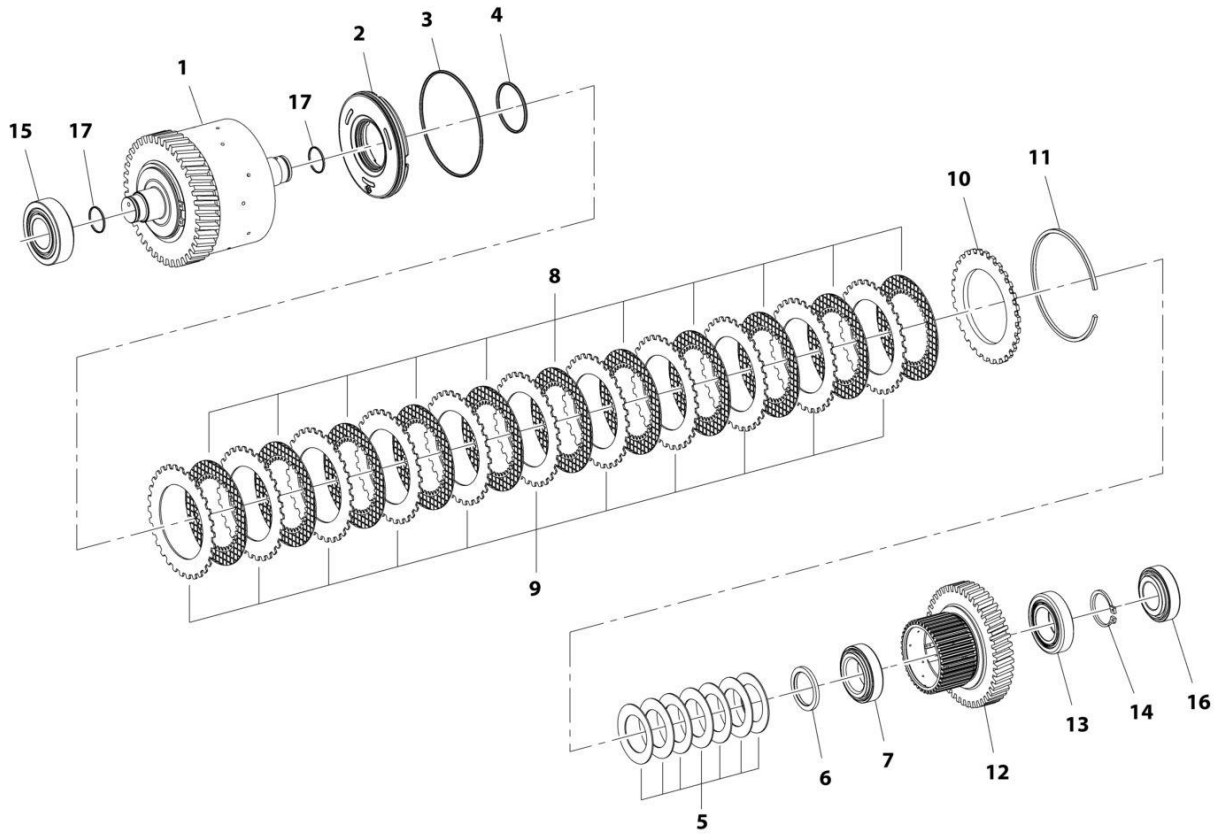
SECTION 5 - DRIVE TRAIN

FIGURE 5-7. TRANSMISSION, HOUSING GROUP 2

ITEM	PART NUMBER	QTY	DESCRIPTION	REV
	1001170171	Ref	TRANSMISSION, HOUSING GROUP 2	C
1	7029972	1	Housing	
2	80304394	18	Bolt, M10X30	
3	70021920	1	Housing, PTO	
4	1319571	2	Pin, Dowel	
5	70026519	6	Bolt, M10X30	
6	80304394	13	Bolt, M10X30	
7	7026794	6	Bolt, M10X50	
8	7026753	1	Tube, Suction	
9	70023885	1	O-Ring	
10	70026516	2	Bolt, M8X16	
11	7026754	1	Pipe	
12	8036847	2	O-Ring	
13	70026516	2	Bolt, M8X16	
14	7026755	1	Sheet, Screen	
15	7026756	1	Sheet, Screen	
16	70026520	5	Bolt, M6X10	
17	70026521	3	Bolt, M8X12	
18	7026792	2	O-Ring	
19	70023885	1	O-Ring	
20	N.S.S.	1	Plate, Serial Number	
21	10731744	1	Breather	

SECTION 5 - DRIVE TRAIN

FIGURE 5-8. TRANSMISSION, CLUTCH GROUP 1



ART_1001170171_7-C

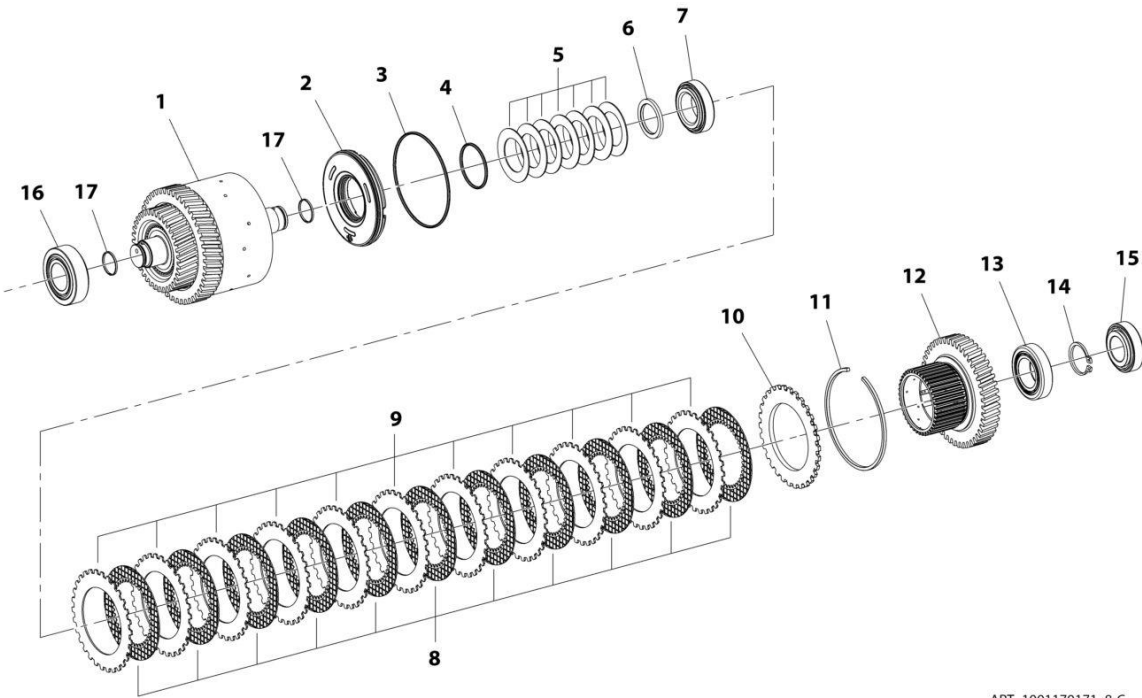
SECTION 5 - DRIVE TRAIN

FIGURE 5-8. TRANSMISSION, CLUTCH GROUP 1

ITEM	PART NUMBER	QTY	DESCRIPTION	REV
	1001170171	Ref	TRANSMISSION, CLUTCH GROUP 1	C
1	7026757	1	Coupling	
2	70022075	1	Piston	
3	1319594	1	O-Ring	
4	1319593	1	O-Ring	
5	1319595	7	Spring, Cup	
6	1319617	1	Shim	
7	1319618	AR	Bearing, Roller	
8	7026758	11	Disc, Friction	
9	7026759	11	Disc, Clutch	
10	7026760	1	Shim	
11	70026527	AR	Ring, Snap 2.00	
11	70026528	AR	Ring, Snap 2.25	
11	70026529	AR	Ring, Snap 2.50	
11	7029852	AR	Ring	
11	1319602	AR	Ring	
11	7029849	AR	Ring	
11	1319601	AR	Ring	
11	7029850	AR	Ring	
11	1319600	AR	Ring	
12	1319638	1	Carrier, Inner Disc	
13	1319620	AR	Bearing, Roller	
14	1319632	AR	Ring	
14	1319631	AR	Ring	
14	1319630	AR	Ring	
14	1319629	AR	Ring	
14	1319628	AR	Ring	
14	1319627	AR	Ring	
14	1319626	AR	Ring	
14	1319625	AR	Ring	
14	1319624	AR	Ring	
14	1319623	AR	Ring	
14	1319622	AR	Ring	
14	1319621	AR	Ring	
15	1319615	1	Bearing, Roller	
16	1319636	1	Bearing, Roller	
17	7026761	2	Ring, Piston	

SECTION 5 - DRIVE TRAIN

FIGURE 5-9. TRANSMISSION, CLUTCH GROUP 2



ART_1001170171_8-C

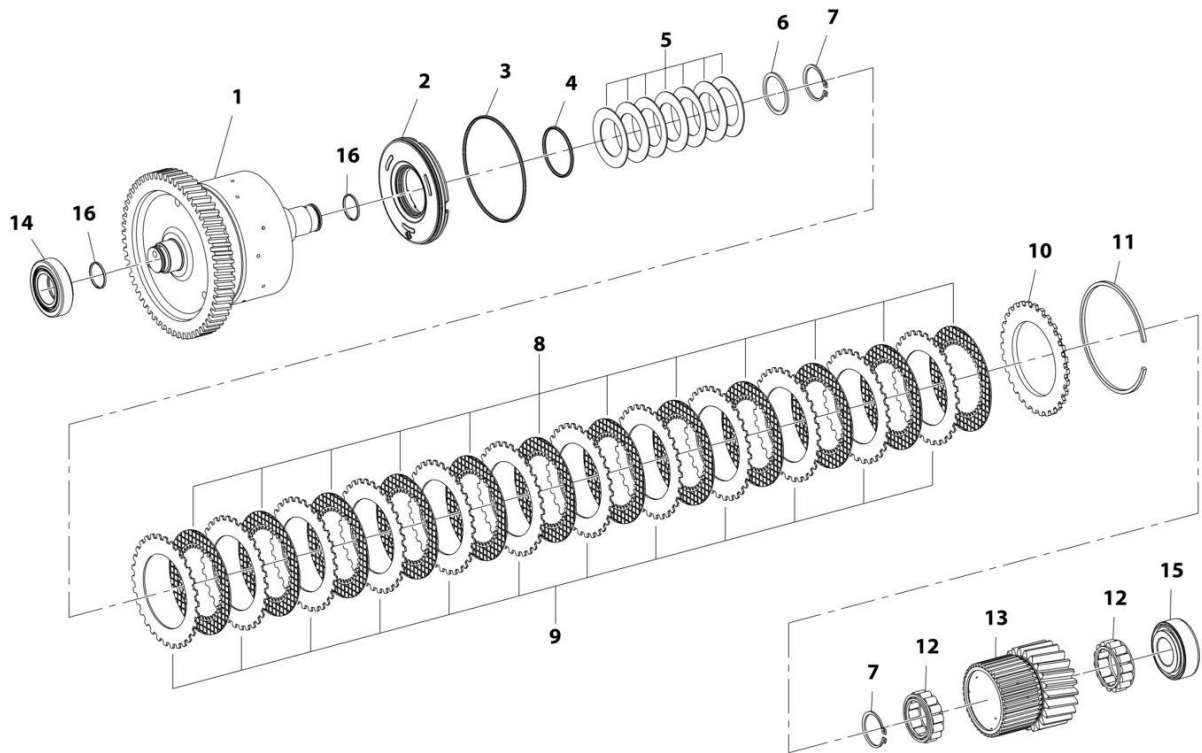
SECTION 5 - DRIVE TRAIN

FIGURE 5-9. TRANSMISSION, CLUTCH GROUP 2

ITEM	PART NUMBER	QTY	DESCRIPTION	REV
	1001170171	Ref	TRANSMISSION, CLUTCH GROUP 2	C
1	7026762	1	Coupling	
2	70022075	1	Piston	
3	1319594	1	O-Ring	
4	1319593	1	O-Ring	
5	1319595	7	Spring, Cup	
6	1319617	1	Shim	
7	1319618	AR	Bearing, Roller	
8	7026758	11	Disc, Friction	
9	7026759	11	Disc, Static	
10	7026760	1	Shim	
11	70026527	AR	Ring, Snap 2.00	
11	70026528	AR	Ring, Snap 2.25	
11	70026529	AR	Ring, Snap 2.50	
11	7029852	AR	Ring	
11	1319602	AR	Ring	
11	7029849	AR	Ring	
11	1319601	AR	Ring	
11	7029850	AR	Ring	
11	1319600	AR	Ring	
12	1319638	1	Carrier, Disc	
13	1319620	1	Bearing, Roller	
14	1319632	AR	Ring	
14	1319631	AR	Ring	
14	1319630	AR	Ring	
14	1319629	AR	Ring	
14	1319628	AR	Ring	
14	1319627	AR	Ring	
14	1319626	AR	Ring	
14	1319625	AR	Ring	
14	1319624	AR	Ring	
14	1319623	AR	Ring	
14	1319622	AR	Ring	
14	1319621	AR	Ring	
15	1319615	1	Bearing, Roller	
16	1319636	1	Bearing, Roller	
17	7026761	2	Ring, Piston	

SECTION 5 - DRIVE TRAIN

FIGURE 5-10. TRANSMISSION, COUPLING GROUP 1



ART_1001170171_9-C

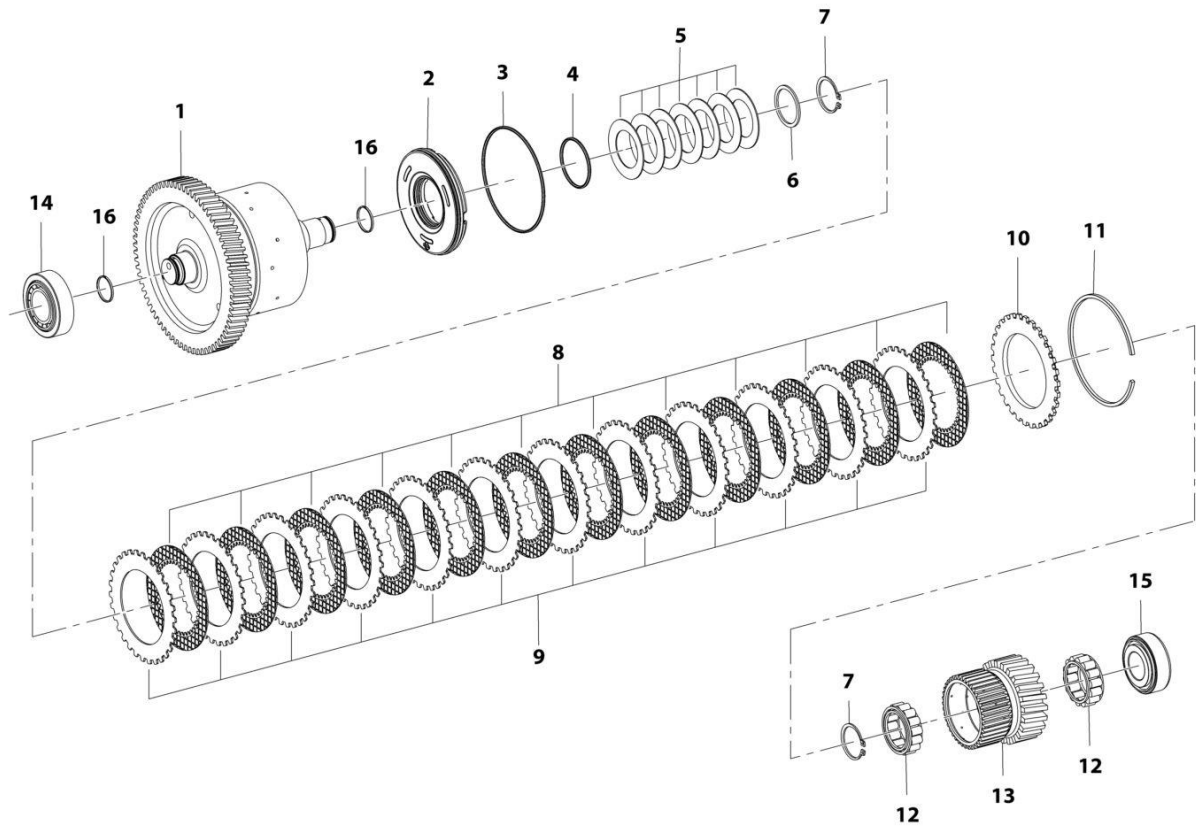
SECTION 5 - DRIVE TRAIN

FIGURE 5-10. TRANSMISSION, COUPLING GROUP 1

ITEM	PART NUMBER	QTY	DESCRIPTION	REV
	1001170171	Ref	TRANSMISSION, COUPLING GROUP 1	C
1	70026530	1	Coupling	
2	70022075	1	Piston	
3	1319594	1	O-Ring	
4	1319593	1	O-Ring	
5	1319595	7	Spring, Cup	
6	1319596	1	Shim	
7	10731845	2	Ring, Retaining	
8	7026758	12	Disc, Friction	
9	7026759	12	Disc, Clutch	
10	7026760	1	Shim	
11	70026527	AR	Ring, Snap 2.00	
11	70026528	AR	Ring, Snap 2.25	
11	70026529	AR	Ring, Snap 2.50	
11	7029852	AR	Ring	
11	1319602	AR	Ring	
11	7029849	AR	Ring	
11	1319601	AR	Ring	
11	7029850	AR	Ring	
11	1319600	AR	Ring	
12	1319605	AR	Cage, Roller	
13	1319607	1	Carrier, Disc	
14	1319608	1	Bearing, Roller	
15	8036190	1	Bearing, Roller	
16	7026761	2	Piston Ring	

SECTION 5 - DRIVE TRAIN

FIGURE 5-11. TRANSMISSION, COUPLING GROUP 2



ART_1001170171_10-C

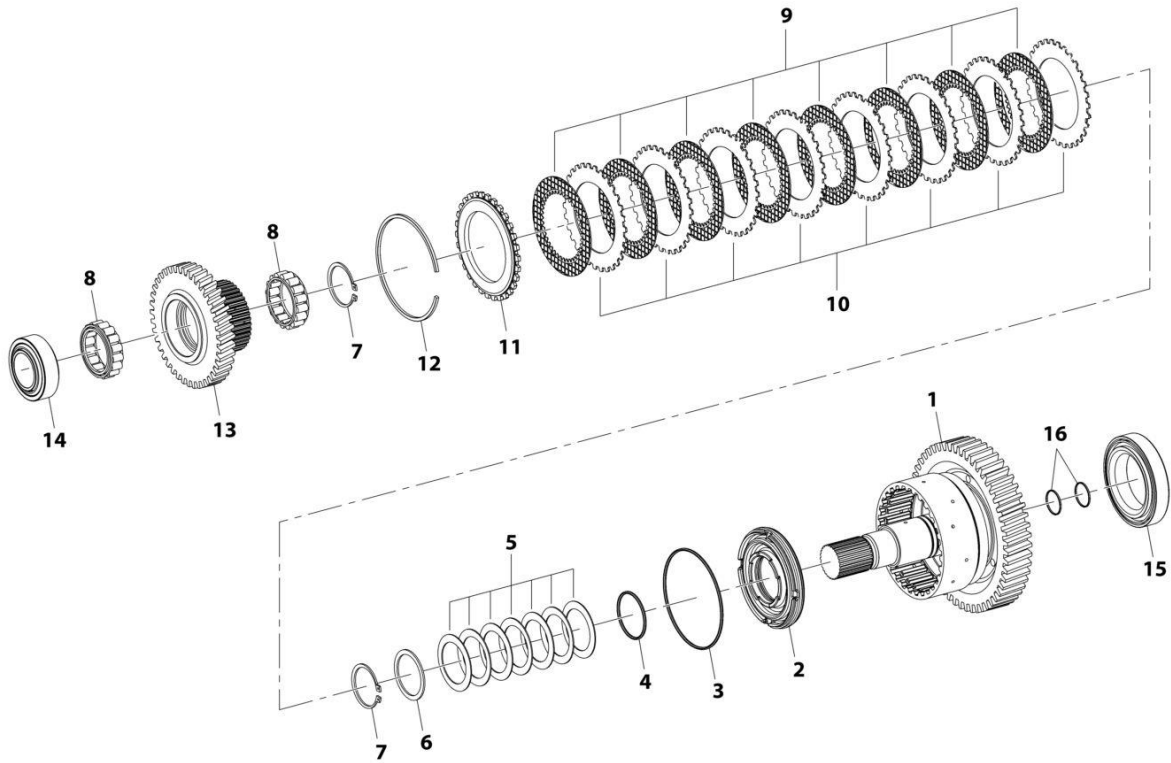
SECTION 5 - DRIVE TRAIN

FIGURE 5-11. TRANSMISSION, COUPLING GROUP 2

ITEM	PART NUMBER	QTY	DESCRIPTION	REV
	1001170171	Ref	TRANSMISSION, COUPLING GROUP 2	C
1	70026531	1	Coupling	
2	70022075	1	Piston	
3	1319594	1	O-Ring	
4	1319593	1	O-Ring	
5	1319595	7	Spring, Cup	
6	1319596	1	Shim	
7	10731845	2	Ring, Retaining	
8	7026758	12	Disc, Friction	
9	7026759	12	Disc, Clutch	
10	7026760	1	Shim	
11	70026527	AR	Ring, Snap 2.00	
11	70026528	AR	Ring, Snap 2.25	
11	70026529	AR	Ring, Snap 2.50	
11	7029852	AR	Ring	
11	1319602	AR	Ring	
11	7029849	AR	Ring	
11	1319601	AR	Ring	
11	7029850	AR	Ring	
11	1319600	AR	Ring	
12	1319605	AR	Bearing, Roller	
13	1319614	1	Carrier, Disc	
14	1319615	1	Bearing, Roller	
15	8036190	1	Bearing, Roller	
16	7026761	2	Ring, Piston	

SECTION 5 - DRIVE TRAIN

FIGURE 5-12. TRANSMISSION, COUPLING GROUP 3



ART_1001170171_11-C

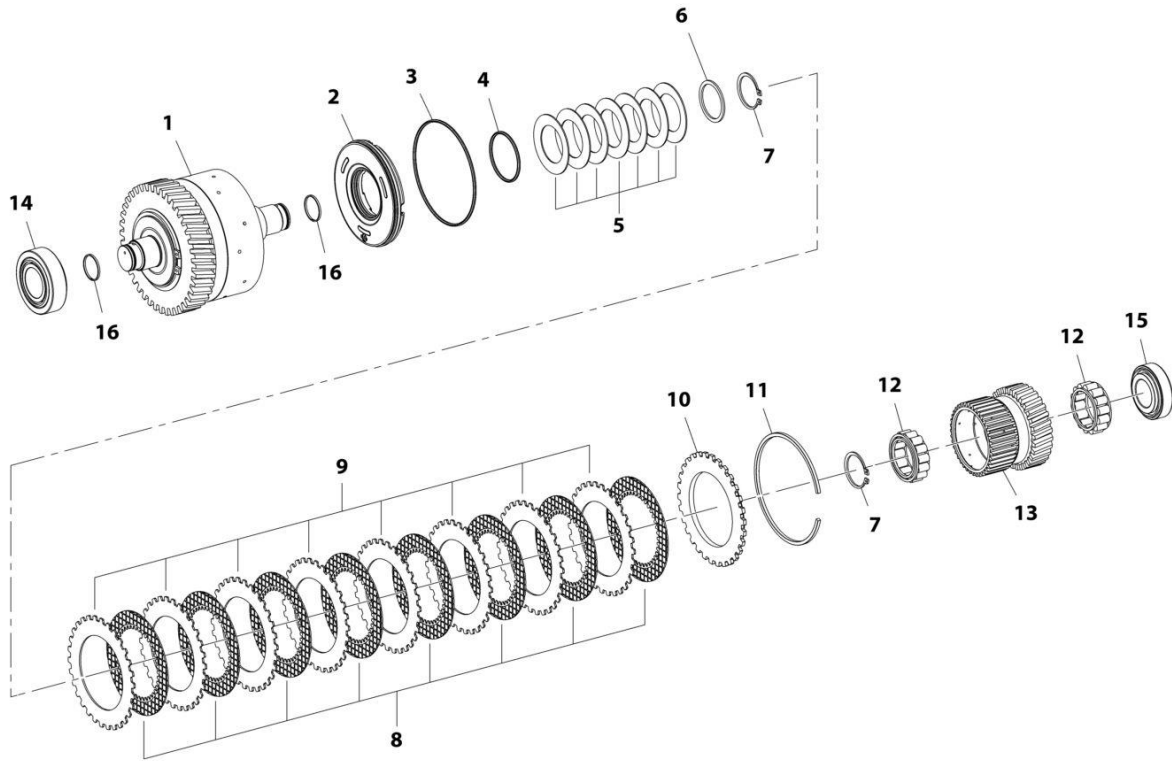
SECTION 5 - DRIVE TRAIN

FIGURE 5-12. TRANSMISSION, COUPLING GROUP 3

ITEM	PART NUMBER	QTY	DESCRIPTION	REV
	1001170171	Ref	TRANSMISSION, COUPLING GROUP 3	C
1	70026532	1	Coupling	
2	70022075	1	Piston	
3	1319594	1	O-Ring	
4	1319593	1	O-Ring	
5	7026765	7	Spring, Cup	
6	7026766	1	Washer	
7	80304227	AR	Ring, Retaining	
8	70021227	AR	Ring	
8	70021228	AR	Cage, Roller	
9	7026758	AR	Disc, Friction	
10	7026759	AR	Disc, Clutch	
11	7026760	AR	Shim	
12	70026527	AR	Ring	
12	70026528	AR	Ring	
12	70026529	AR	Ring	
12	7029852	AR	Ring	
12	1319602	AR	Ring	
12	7029849	AR	Ring	
12	1319601	AR	Ring	
12	7029850	AR	Ring	
12	1319600	AR	Ring	
13	7027267	1	Carrier, Disc	
14	70021268	1	Bearing, Outer Ring	
14	70021269	1	Bearing, Inner Ring	
15	7026769	AR	Bearing, Roller	
16	7026761	2	Ring, Piston	

SECTION 5 - DRIVE TRAIN

FIGURE 5-13. TRANSMISSION, COUPLING GROUP 4



ART_1001170171_12-C

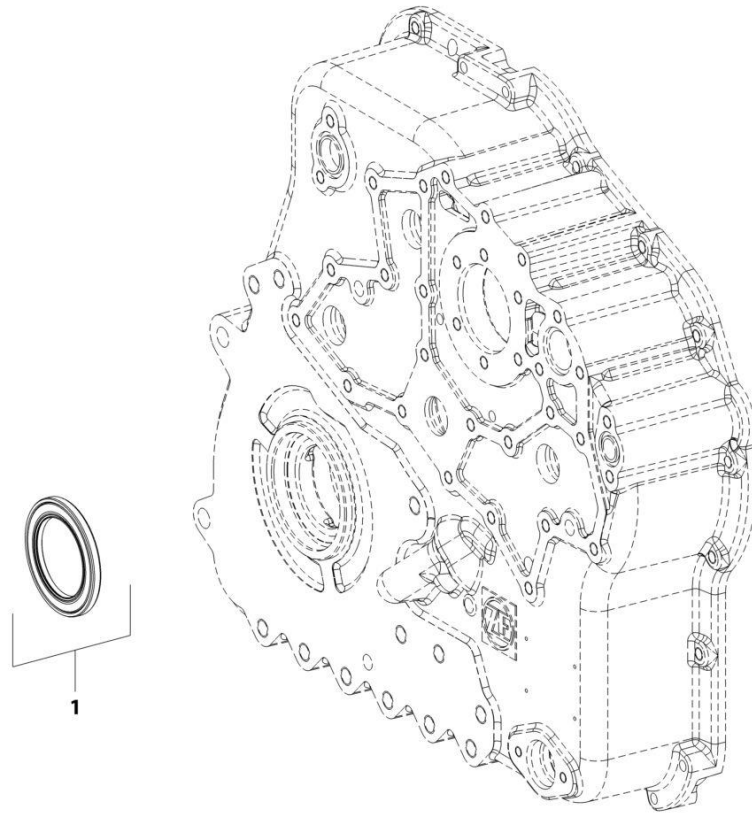
SECTION 5 - DRIVE TRAIN

FIGURE 5-13. TRANSMISSION, COUPLING GROUP 4

ITEM	PART NUMBER	QTY	DESCRIPTION	REV
	1001170171	Ref	TRANSMISSION, COUPLING GROUP 4	C
1	70026535	1	Coupling	
2	70022075	1	Piston	
3	1319594	1	O-Ring	
4	1319593	1	O-Ring	
5	1319595	7	Spring, Cup	
6	1319596	1	Shim	
7	10731845	2	Ring, Retaining	
8	7026758	8	Disc, Friction	
9	7026759	8	Disc, Clutch	
10	7026760	1	Shim	
11	70026527	AR	Ring, Snap 2.00	
11	70026528	AR	Ring, Snap 2.25	
11	70026529	AR	Ring, Snap 2.50	
11	7029852	AR	Ring	
11	1319602	AR	Ring	
11	7029849	AR	Ring	
11	1319601	AR	Ring	
11	7029850	AR	Ring	
11	1319600	AR	Ring	
12	1319605	AR	Bearing, Roller	
13	1319635	1	Carrier, Disc	
14	1319615	1	Bearing, Roller	
15	1319636	1	Bearing, Roller	
16	7026761	2	Ring, Piston	

SECTION 5 - DRIVE TRAIN

FIGURE 5-14. TRANSMISSION, OUTPUT



ART_1001170171_13-C

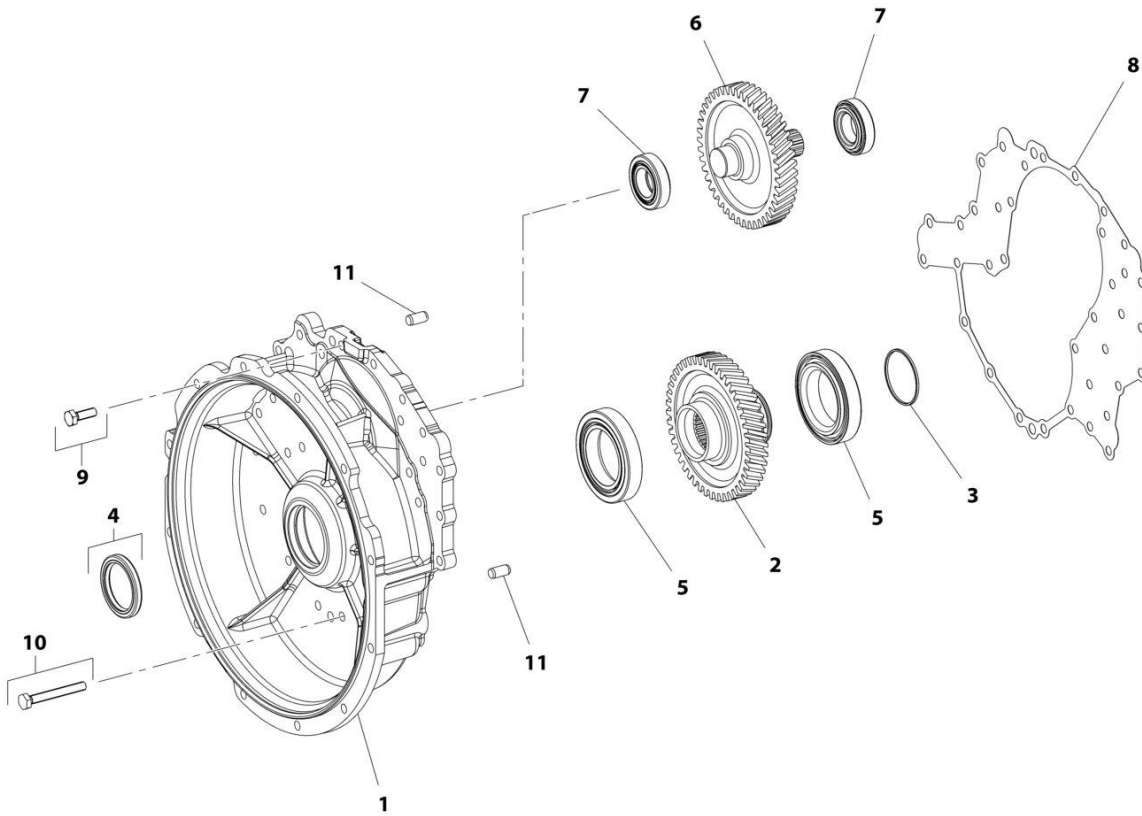
SECTION 5 - DRIVE TRAIN

FIGURE 5-14. TRANSMISSION, OUTPUT

ITEM	PART NUMBER	QTY	DESCRIPTION	REV
1	1001170171 70026536	Ref 1	TRANSMISSION, OUTPUT Seal, Shaft	C

SECTION 5 - DRIVE TRAIN

FIGURE 5-15. TRANSMISSION, POWER TAKE-OFF



ART_1001170171_14-C

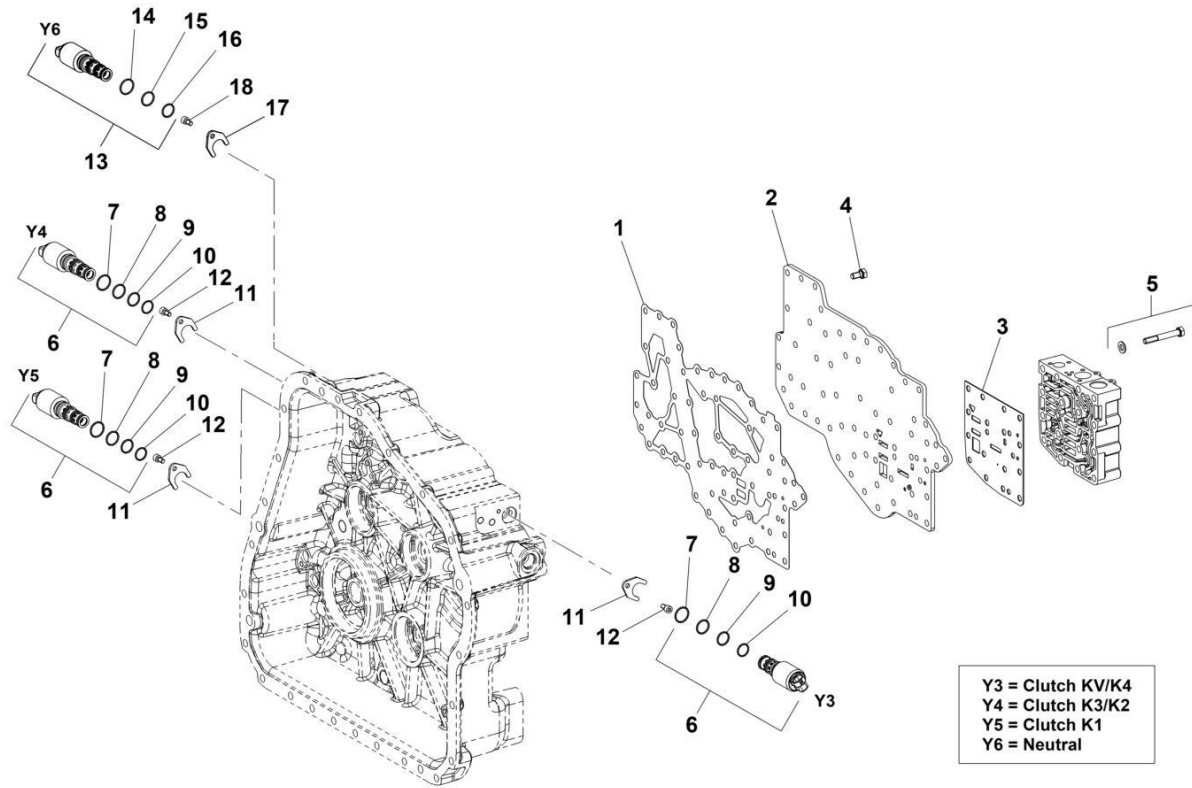
SECTION 5 - DRIVE TRAIN

FIGURE 5-15. TRANSMISSION, POWER TAKE-OFF

ITEM	PART NUMBER	QTY	DESCRIPTION	REV
	1001170171	Ref	TRANSMISSION, POWER TAKE-OFF	C
1	70021526	1	Housing	
2	7026771	1	Shaft	
3	7026772	1	Ring, Piston	
4	1319576	1	Seal, Shaft	
5	7026769	AR	Bearing, Roller	
6	7026773	1	Shaft	
7	1319608	AR	Bearing, Roller	
8	7026774	1	Gasket	
9	80304394	21	Bolt, M10X30	
10	7026775	15	Bolt, M10X80	
11	1319571	2	Pin	

SECTION 5 - DRIVE TRAIN

FIGURE 5-16. TRANSMISSION, CONTROL UNIT



ART_1001170171_15-C

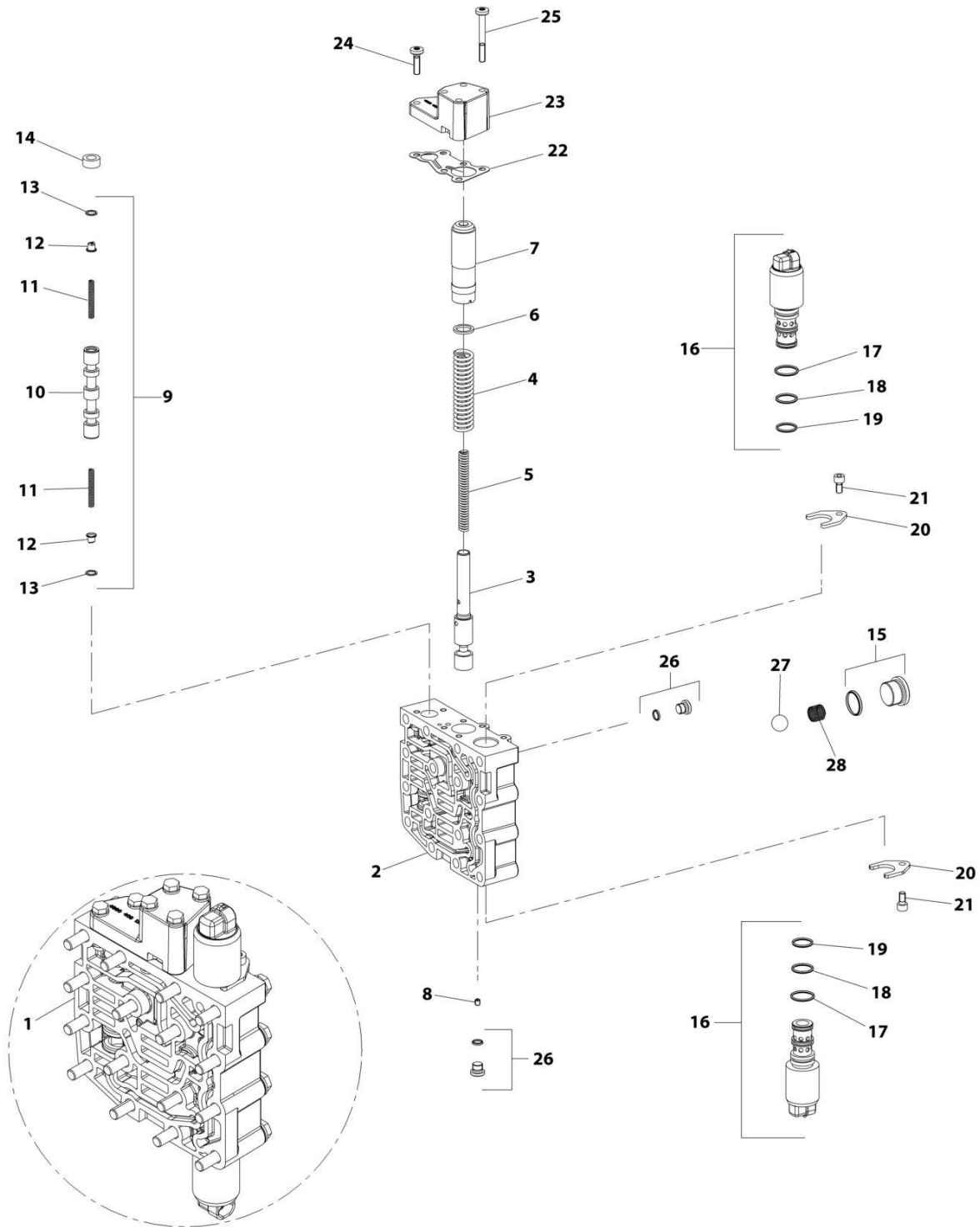
SECTION 5 - DRIVE TRAIN

FIGURE 5-16. TRANSMISSION, CONTROL UNIT

ITEM	PART NUMBER	QTY	DESCRIPTION	REV
	1001170171	Ref	TRANSMISSION, CONTROL UNIT	C
1	7026776	1	Gasket	
2	70026538	1	Plate	
3	70026539	1	Sheet, Intermediate	
4	7026780	46	Bolt, M8X16	
5	7026781	16	Bolt, M8X60 (includes washer)	
5	10732095	16	Washer	
6	8036529	3	Valve, Solenoid (includes items 7 thru 10)	
7	N.S.S.	3	O-Ring	
8	N.S.S.	3	O-Ring	
9	N.S.S.	3	O-Ring	
10	N.S.S.	3	O-Ring	
11	7029267	3	Bracket	
12	70026544	3	Bolt, M6X12	
13	8036528	1	Valve, Solenoid (includes items 14 thru 16)	
14	N.S.S.	1	O-Ring	
15	N.S.S.	1	O-Ring	
16	N.S.S.	1	O-Ring	
17	7029267	1	Bracket	
18	70026544	1	Bolt, M6X12	

SECTION 5 - DRIVE TRAIN

FIGURE 5-17. TRANSMISSION, SHIFT SYSTEM



ART_1001170171_16-C

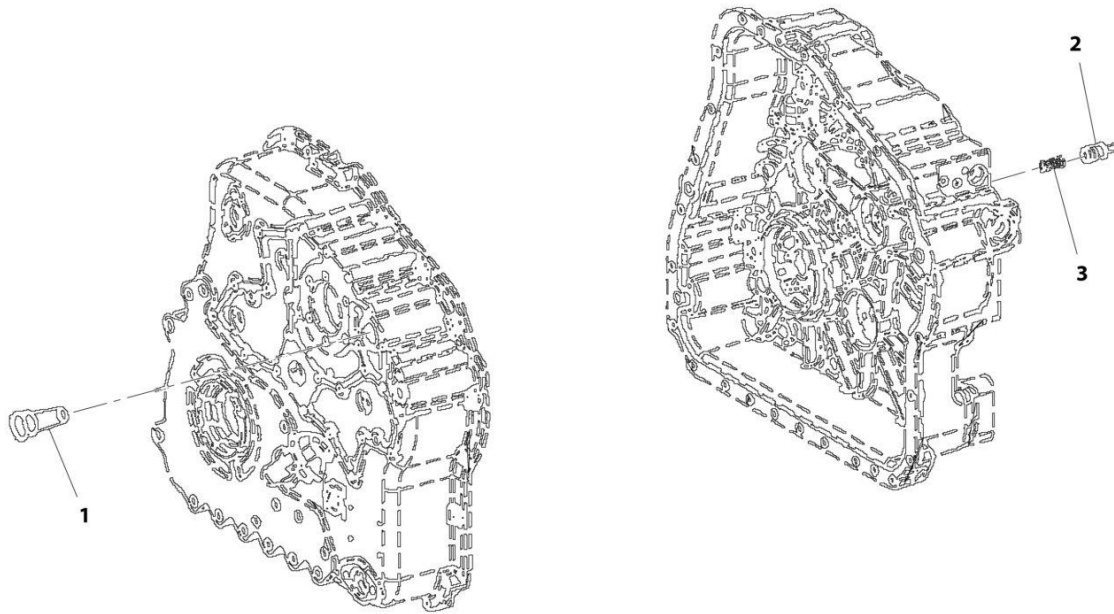
SECTION 5 - DRIVE TRAIN

FIGURE 5-17. TRANSMISSION, SHIFT SYSTEM

ITEM	PART NUMBER	QTY	DESCRIPTION	REV
	1001170171	Ref	TRANSMISSION, SHIFT SYSTEM	C
1	70026561	1	Assembly, Shift System (includes all items)	
2	70026546	1	Housing, Valve	
3	70026547	1	Piston, Control	
4	1319683	1	Spring	
5	1319684	1	Spring	
6	1319689	AR	Washer	
6	1319688	AR	Washer	
6	1319687	AR	Washer	
6	1319686	AR	Washer	
6	1319685	AR	Washer	
7	70026548	1	Piston	
8	70026549	1	Nozzle	
9	1319694	1	Assembly, Valve (includes items 10 thru 13)	
10	N.S.S.	1	Piston	
11	N.S.S.	2	Spring, Compression	
12	N.S.S.	2	Sleeve, Spring	
13	N.S.S.	2	Ring, Snap	
14	7026787	1	Spacer	
15	70026554	1	Plug, Screw (includes o-ring)	
15	70000656	1	O-Ring	
16	8036528	2	Valve, Solenoid (includes items 17 thru 19)	
17	N.S.S.	2	O-Ring	
18	N.S.S.	2	O-Ring	
19	N.S.S.	2	O-Ring	
20	7029267	2	Bracket	
21	70026544	2	Bolt, M6X12	
22	7026788	1	Gasket	
23	7026789	1	Cover	
24	70026555	2	Screw, Torx M6X23	
25	70026556	4	Screw, Torx M6X52	
26	70026517	2	Plug, Screw (includes o-ring)	
26	10731709	2	O-Ring	
27	10732071	1	Ball	
28	10732072	1	Spring	

SECTION 5 - DRIVE TRAIN

FIGURE 5-18. TRANSMISSION, PRESSURE REGULATOR



ART_1001170171_17-C

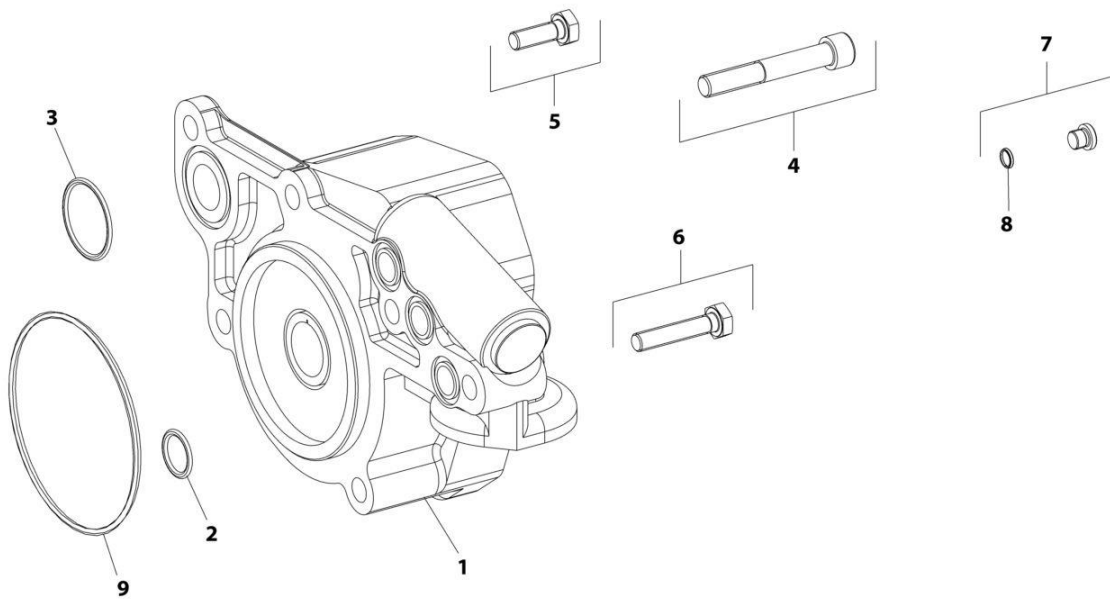
SECTION 5 - DRIVE TRAIN

FIGURE 5-18. TRANSMISSION, PRESSURE REGULATOR

ITEM	PART NUMBER	QTY	DESCRIPTION	REV
	1001170171	Ref	TRANSMISSION, PRESSURE REGULATOR	C
1	7026782	1	Valve	
2	7026783	1	Piston	
3	7026784	1	Spring	

SECTION 5 - DRIVE TRAIN

FIGURE 5-19. TRANSMISSION, PRESSURE OIL PUMP



ART_1001170171_18-C

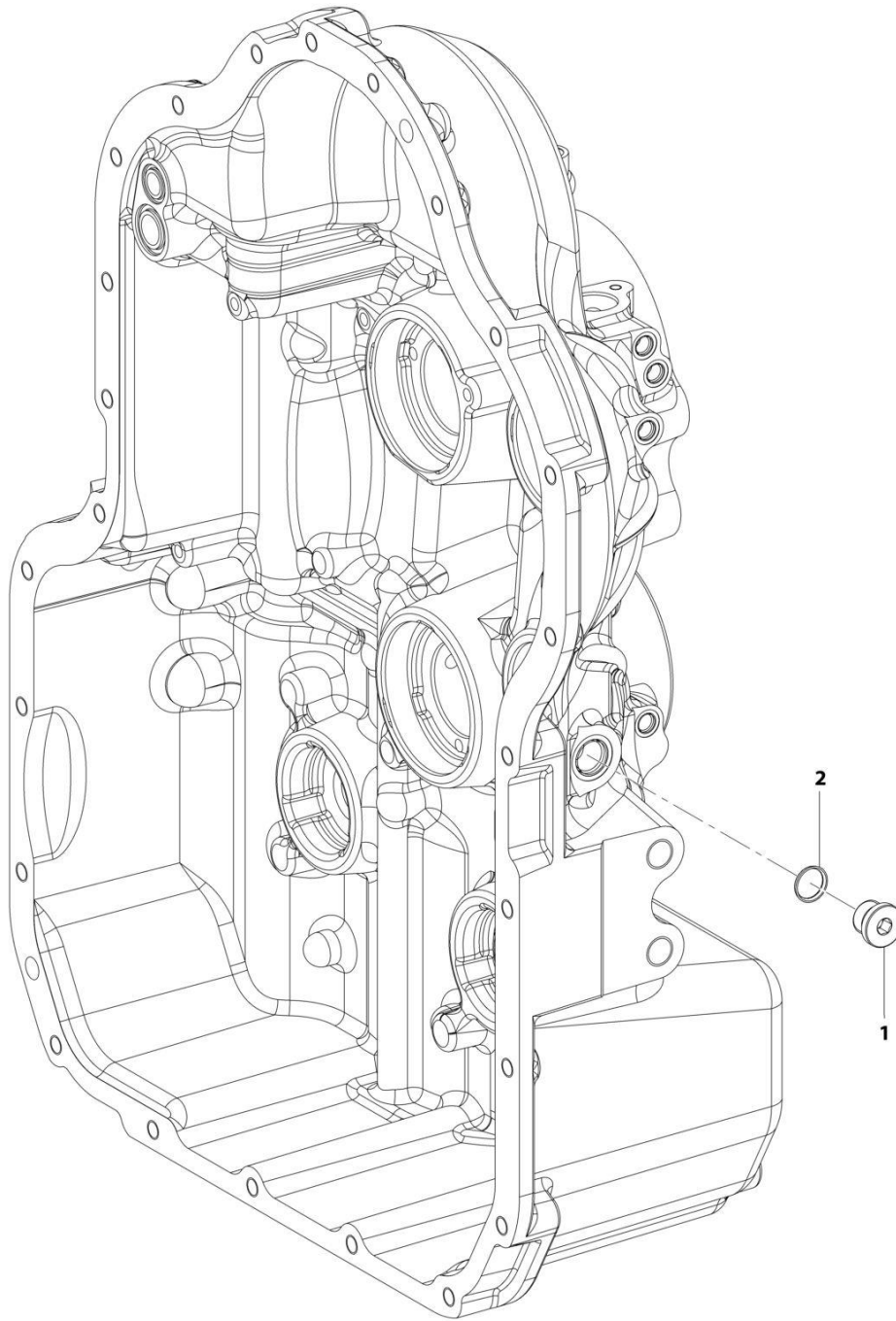
SECTION 5 - DRIVE TRAIN

FIGURE 5-19. TRANSMISSION, PRESSURE OIL PUMP

ITEM	PART NUMBER	QTY	DESCRIPTION	REV
	1001170171	Ref	TRANSMISSION, PRESSURE OIL PUMP	C
1	7026791	1	Pump	
2	7026792	3	O-Ring	
3	1319719	1	O-Ring	
4	7026793	4	Bolt, M12X80	
5	80304394	1	Bolt, M10X30	
6	7026794	1	Bolt, M10X50	
7	70026517	2	Plug, Screw	
8	10731709	2	O-Ring	
9	8036250	1	O-RING (located between oil pump and transmission)	

SECTION 5 - DRIVE TRAIN

FIGURE 5-20. TRANSMISSION, INDUCTIVE TRANSMITTER



ART_1001170171_19-C

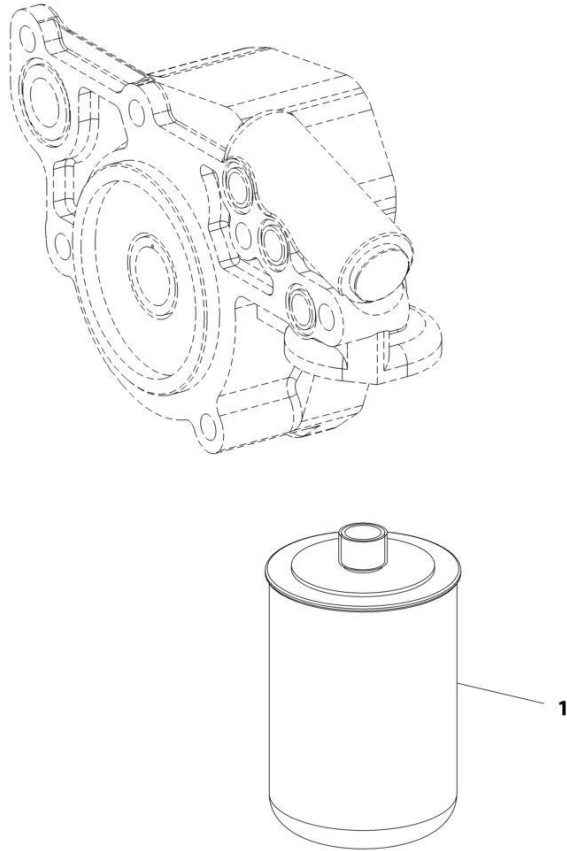
SECTION 5 - DRIVE TRAIN

FIGURE 5-20. TRANSMISSION, INDUCTIVE TRANSMITTER

ITEM	PART NUMBER	QTY	DESCRIPTION	REV
	1001170171	Ref	TRANSMISSION, INDUCTIVE TRANSMITTER	C
1	70024895	1	Plug, Screw (includes o-ring)	
2	N.S.S.	1	O-Ring	

SECTION 5 - DRIVE TRAIN

FIGURE 5-21. TRANSMISSION, FILTER



ART_1001170171_20-C

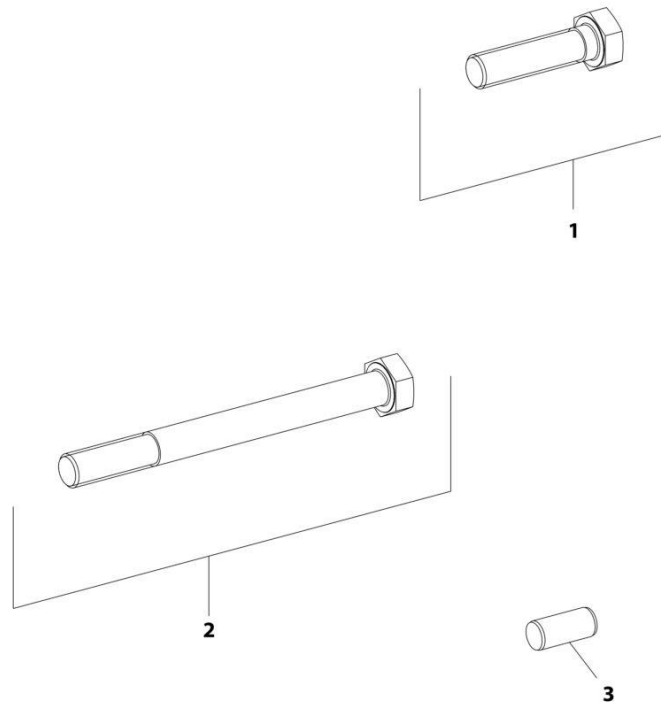
SECTION 5 - DRIVE TRAIN

FIGURE 5-21. TRANSMISSION, FILTER

ITEM	PART NUMBER	QTY	DESCRIPTION	REV
1	1001170171 1319726	Ref 1	TRANSMISSION, FILTER Filter	C

SECTION 5 - DRIVE TRAIN

FIGURE 5-22. TRANSMISSION, ACCESSORIES GROUP 1



ART_1001170171_21-C

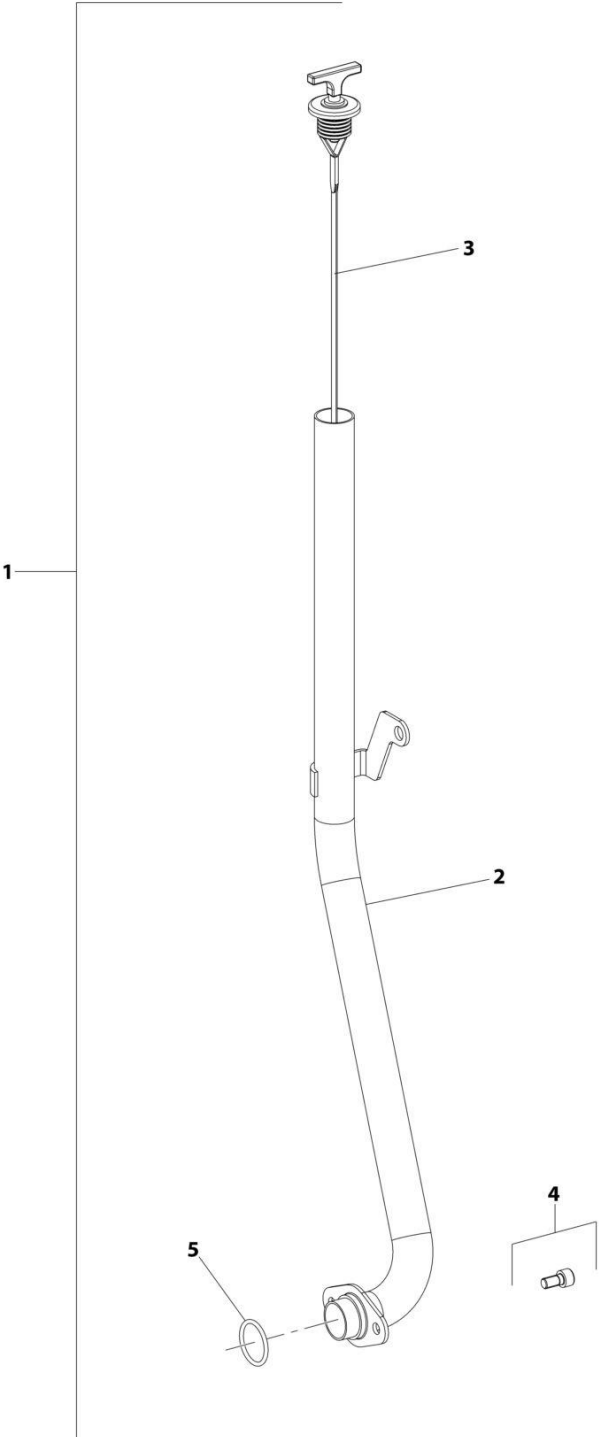
SECTION 5 - DRIVE TRAIN

FIGURE 5-22. TRANSMISSION, ACCESSORIES GROUP 1

ITEM	PART NUMBER	QTY	DESCRIPTION	REV
	1001170171	Ref	TRANSMISSION, ACCESSORIES GROUP 1	C
1	7027254	12	Bolt, M14X55	
2	7027255	2	Bolt, M14X150	
3	1319571	1	Pin	

SECTION 5 - DRIVE TRAIN

FIGURE 5-23. TRANSMISSION, PERIPHERALS GROUP 1



ART_1001170171_22-C

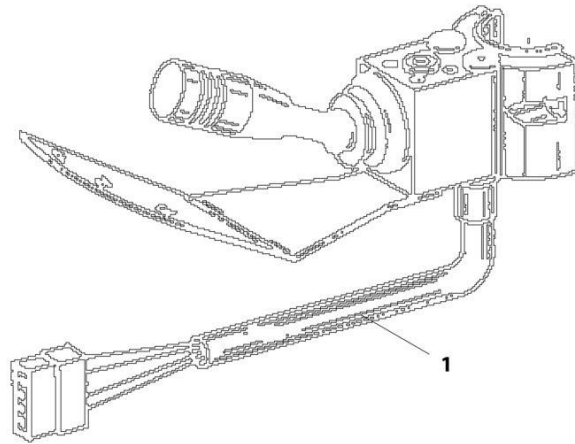
SECTION 5 - DRIVE TRAIN

FIGURE 5-23. TRANSMISSION, PERIPHERALS GROUP 1

ITEM	PART NUMBER	QTY	DESCRIPTION	REV
	1001170171	Ref	TRANSMISSION, PERIPHERALS GROUP 1	C
1	1001095738	1	Kit, Oil Level Dipstick (includes items 2 & 3)	
2	1001095744	1	Tube, Oil Level	
3	8841322	1	Dipstick, Oil Level	
4	70026516	2	Bolt, M8X16	
5	70023885	1	O-Ring	

SECTION 5 - DRIVE TRAIN

FIGURE 5-24. TRANSMISSION, PERIPHERALS GROUP 2



ART_1001170171_23

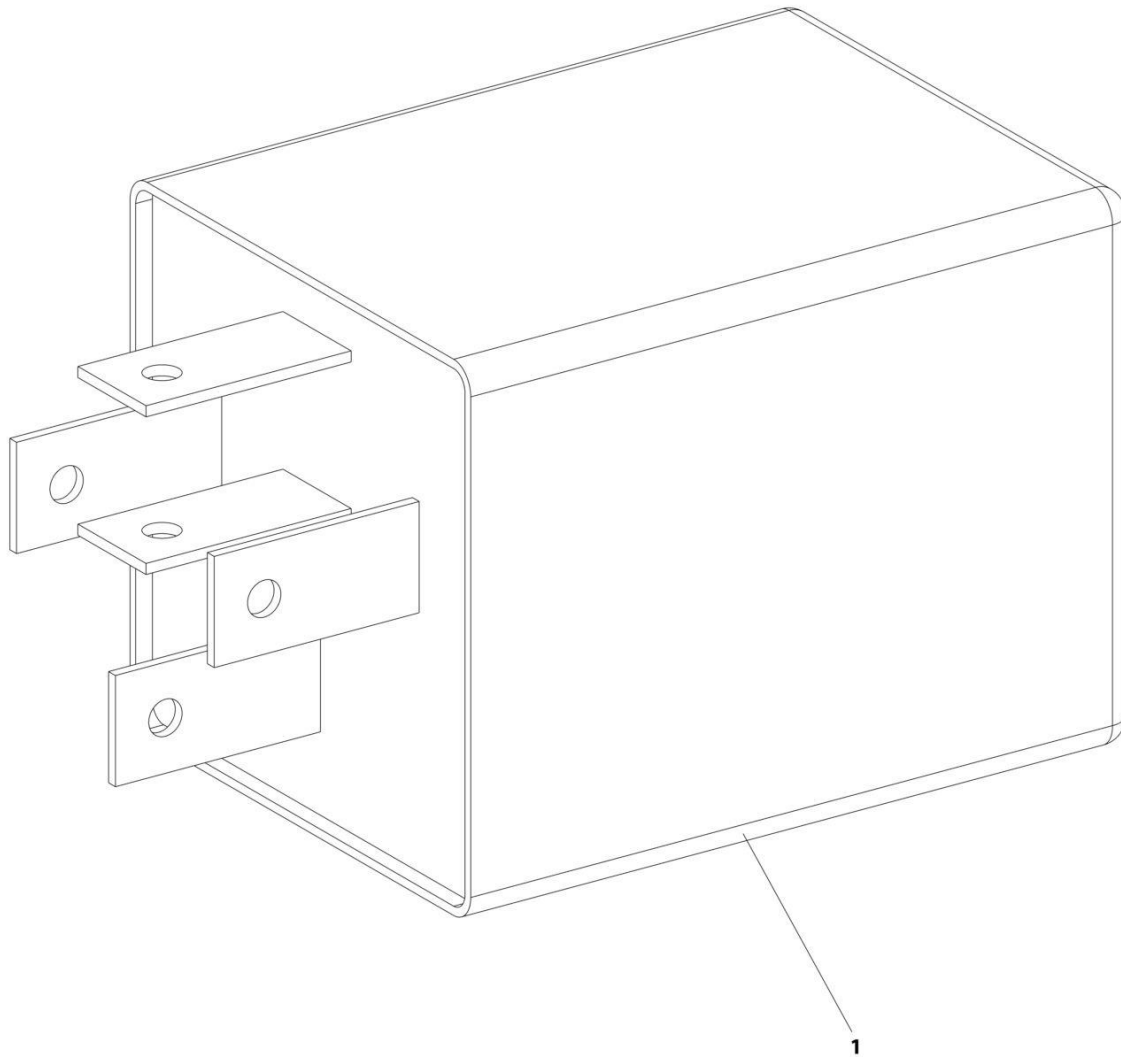
SECTION 5 - DRIVE TRAIN

FIGURE 5-24. TRANSMISSION, PERIPHERALS GROUP 2

ITEM	PART NUMBER	QTY	DESCRIPTION	REV
1	1001170171 70026558	Ref 1	TRANSMISSION, PERIPHERALS GROUP 2 Selector, Range	C

SECTION 5 - DRIVE TRAIN

FIGURE 5-25. TRANSMISSION, ACCESSORIES GROUP 2



ART_1001170171_24-C

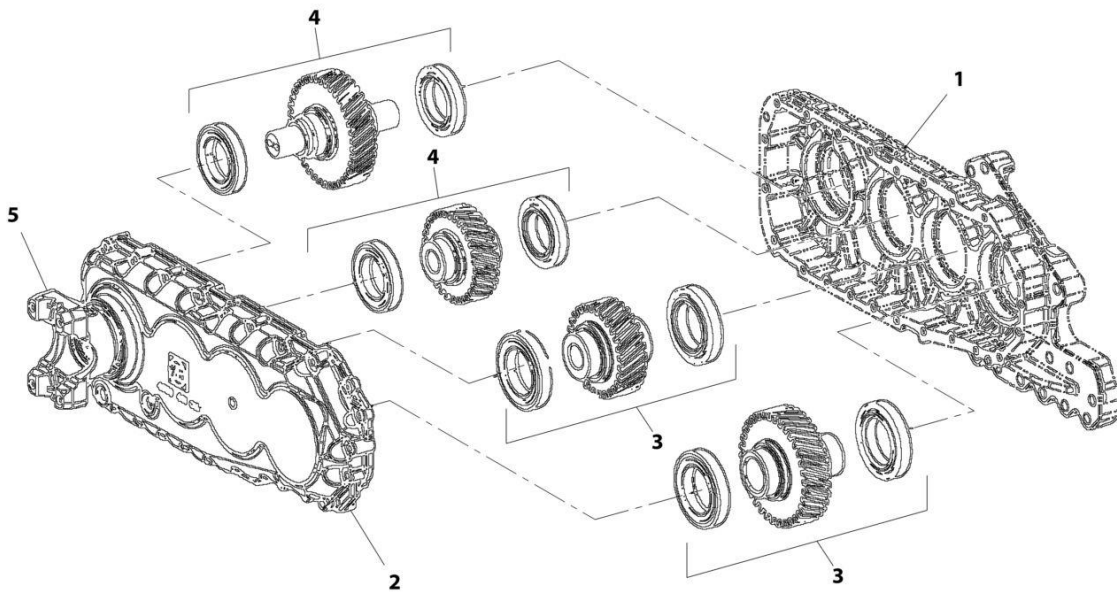
SECTION 5 - DRIVE TRAIN

FIGURE 5-25. TRANSMISSION, ACCESSORIES GROUP 2

ITEM	PART NUMBER	QTY	DESCRIPTION	REV
1	1001170171 70026559	Ref 1	TRANSMISSION, ACCESSORIES GROUP 2 Relay	C

SECTION 5 - DRIVE TRAIN

FIGURE 5-26. TRANSMISSION, TRANSFER BOX



ART_1001170171_25-C

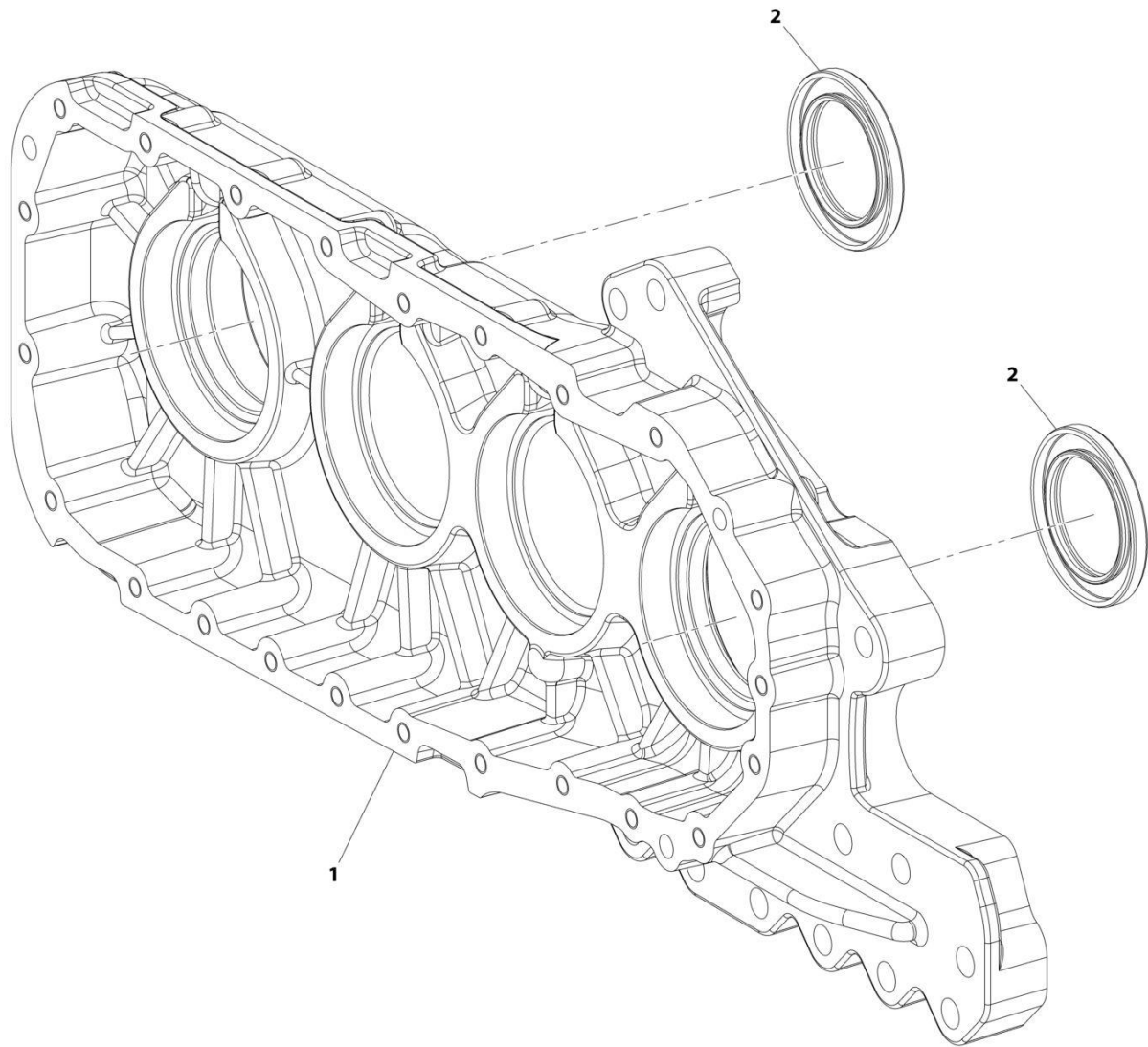
SECTION 5 - DRIVE TRAIN

FIGURE 5-26. TRANSMISSION, TRANSFER BOX

ITEM	PART NUMBER	QTY	DESCRIPTION	REV
	1001170171	Ref	TRANSMISSION, TRANSFER BOX	C
	70023502	1	Box Transfer (includes all items)	
1	N.S.S.	Ref	Housing 1, Transfer Box (See Separate Breakdown in this Section)	
2	N.S.S.	Ref	Housing 2, Transfer Box (See Separate Breakdown in this Section)	
3	N.S.S.	Ref	Input, Transfer Box (See Separate Breakdown in this Section)	
4	N.S.S.	Ref	Output 1, Transfer Box (See Separate Breakdown in this Section)	
5	N.S.S.	Ref	Output 2, Transfer Box (See Separate Breakdown in this Section)	

SECTION 5 - DRIVE TRAIN

FIGURE 5-27. TRANSMISSION, TRANSFER BOX HOUSING 1



ART_1001170171_26-C

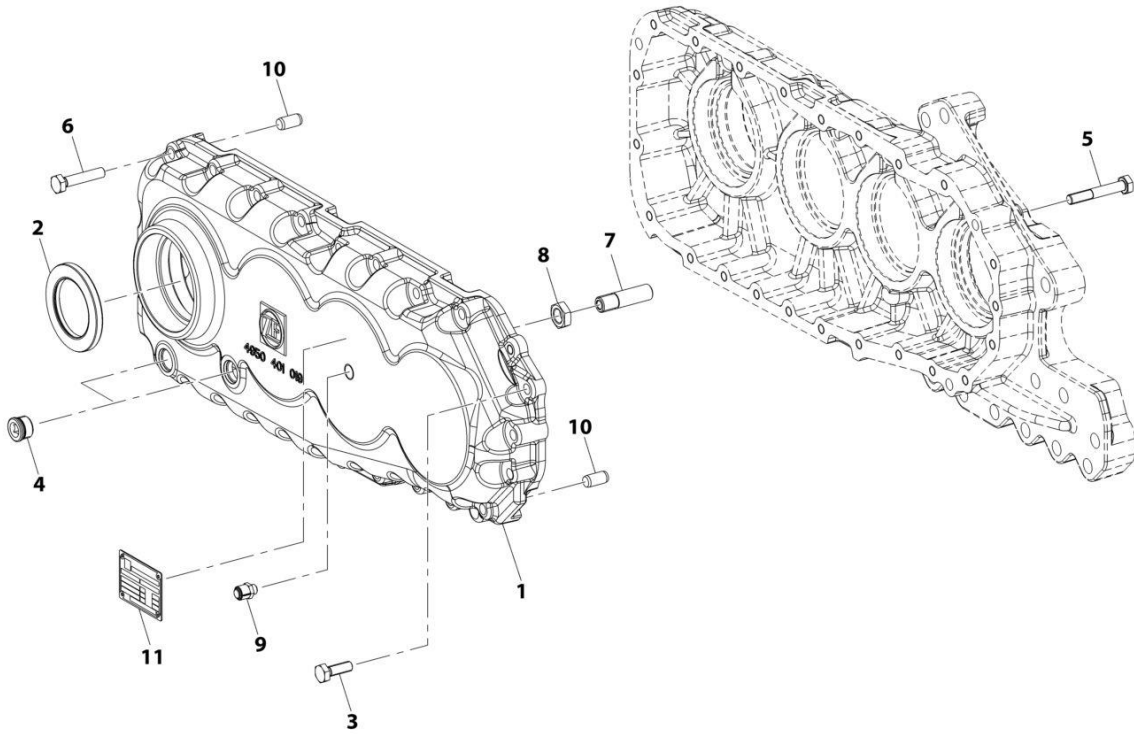
SECTION 5 - DRIVE TRAIN

FIGURE 5-27. TRANSMISSION, TRANSFER BOX HOUSING 1

ITEM	PART NUMBER	QTY	DESCRIPTION	REV
	1001170171	Ref	TRANSMISSION, TRANSFER BOX HOUSING 1	C
1	70023474	1	Housing, Transfer Box	
2	70026536	2	Seal, Shaft	

SECTION 5 - DRIVE TRAIN

FIGURE 5-28. TRANSMISSION, TRANSFER BOX HOUSING 2



ART_1001170171_27-C

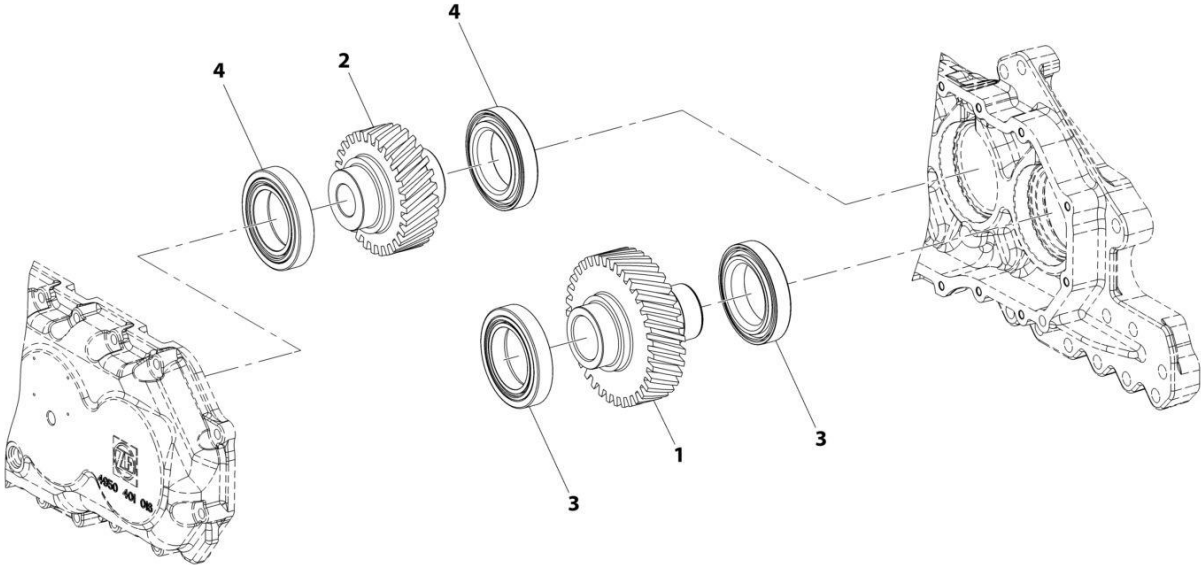
SECTION 5 - DRIVE TRAIN

FIGURE 5-28. TRANSMISSION, TRANSFER BOX HOUSING 2

ITEM	PART NUMBER	QTY	DESCRIPTION	REV
	1001170171	Ref	TRANSMISSION, TRANSFER BOX HOUSING 2	C
1	70023475	1	Housing	
2	70026536	1	Seal, Shaft	
3	70023800	1	Bolt, M10X30	
4	70023404	2	Plug	
5	70023476	1	Bolt, M10X65	
6	70023801	22	Bolt, M10X50	
7	7026577	1	Sleeve	
8	7026578	1	Nut, M16	
9	1319436	1	Breather	
10	1319571	2	Pin	
11	N.S.S.	1	Plate, Serial Number	

SECTION 5 - DRIVE TRAIN

FIGURE 5-29. TRANSMISSION, TRANSFER BOX HOUSING INPUT



ART_1001170171_28-C

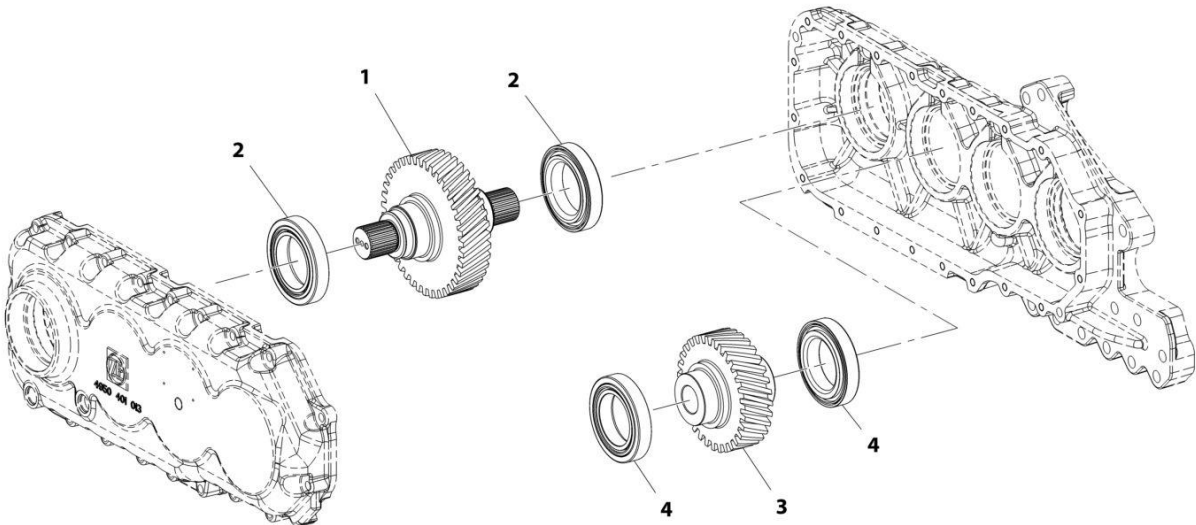
SECTION 5 - DRIVE TRAIN

FIGURE 5-29. TRANSMISSION, TRANSFER BOX HOUSING INPUT

ITEM	PART NUMBER	QTY	DESCRIPTION	REV
	1001170171	Ref	TRANSMISSION, TRANSFER BOX HOUSING INPUT	C
1	7027269	1	Shaft	
2	7027270	1	Gear, Idler	
3	7026769	2	Bearing, Roller	
4	1320748	2	Cup, Tapered Roller	
4	1320754	2	Cone, Tapered Roller	

SECTION 5 - DRIVE TRAIN

FIGURE 5-30. TRANSMISSION, TRANSFER BOX HOUSING OUTPUT 1



ART_1001170171_29-C

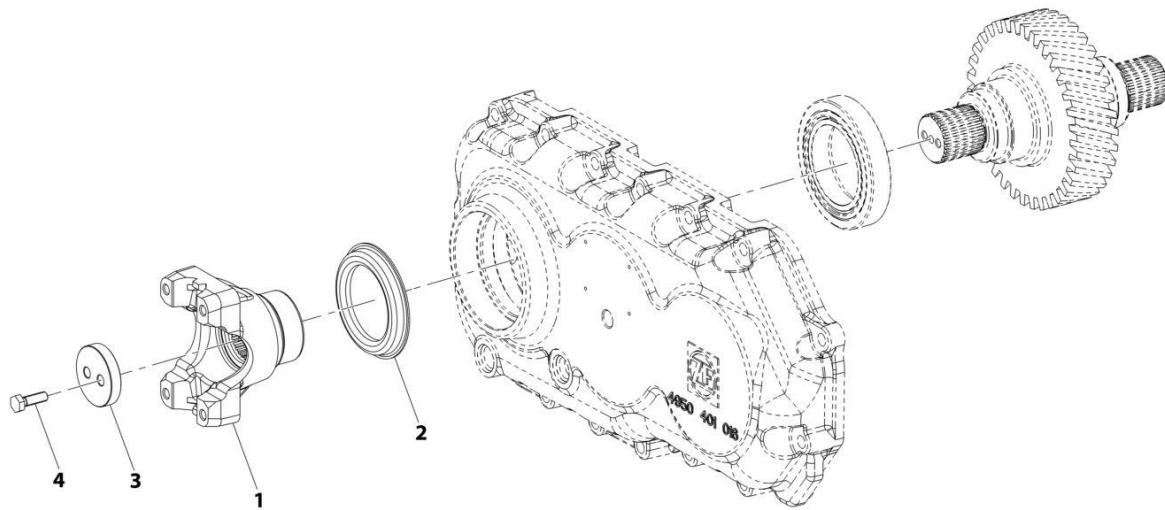
SECTION 5 - DRIVE TRAIN

FIGURE 5-30. TRANSMISSION, TRANSFER BOX HOUSING OUTPUT 1

ITEM	PART NUMBER	QTY	DESCRIPTION	REV
	1001170171	Ref	TRANSMISSION, TRANSFER BOX HOUSING OUTPUT 1	C
1	7027271	1	Gear, Output	
2	7026769	2	Bearing, Roller	
3	7027272	1	Gear, Idler	
4	1320748	2	Cup, Tapered Roller	
4	1320754	2	Cone, Tapered Roller	

SECTION 5 - DRIVE TRAIN

FIGURE 5-31. TRANSMISSION, TRANSFER BOX HOUSING OUTPUT 2



ART_1001170171_30-C

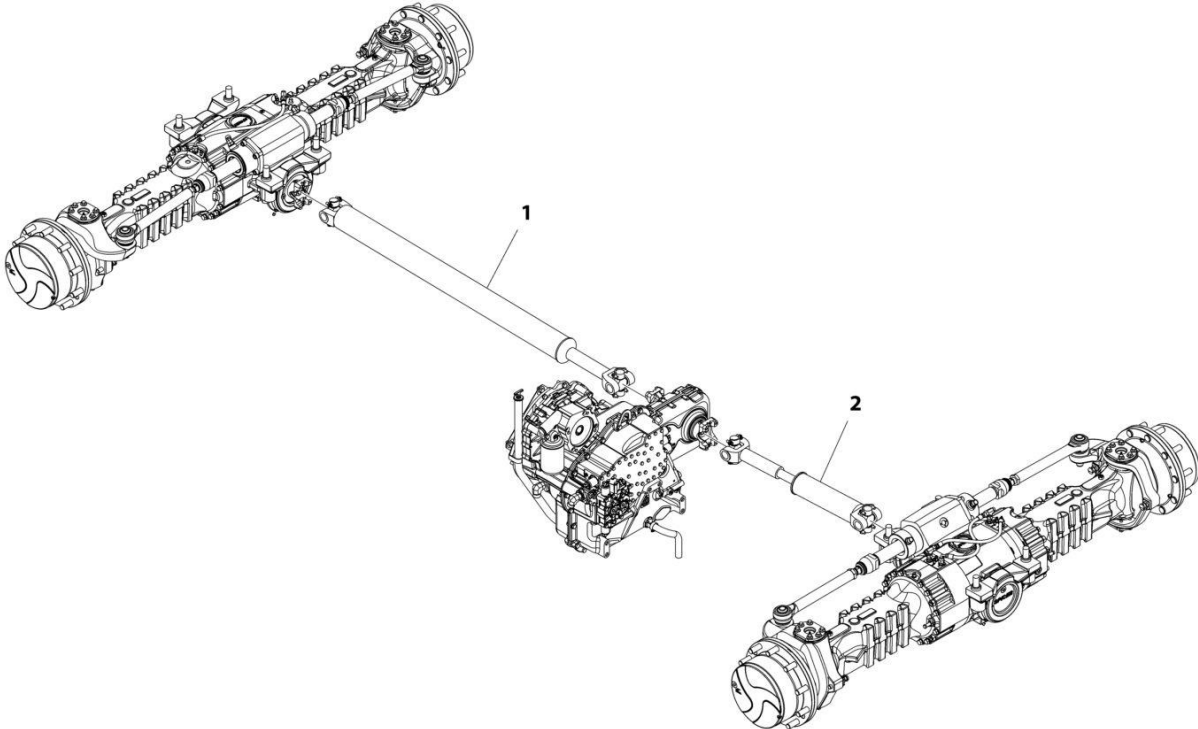
SECTION 5 - DRIVE TRAIN

FIGURE 5-31. TRANSMISSION, TRANSFER BOX HOUSING OUTPUT 2

ITEM	PART NUMBER	QTY	DESCRIPTION	REV
	1001170171	Ref	TRANSMISSION, TRANSFER BOX HOUSING OUTPUT 2	C
1	7027273	2	Flange (one per side)	
2	1319647	2	Sheet, Screen (one per side)	
3	1319648	2	Washer, (one per side)	
4	10731959	4	Bolt, M8X25 (two per side)	

SECTION 5 - DRIVE TRAIN

FIGURE 5-32. DRIVE SHAFTS INSTALLATION



ART_1001169350-A

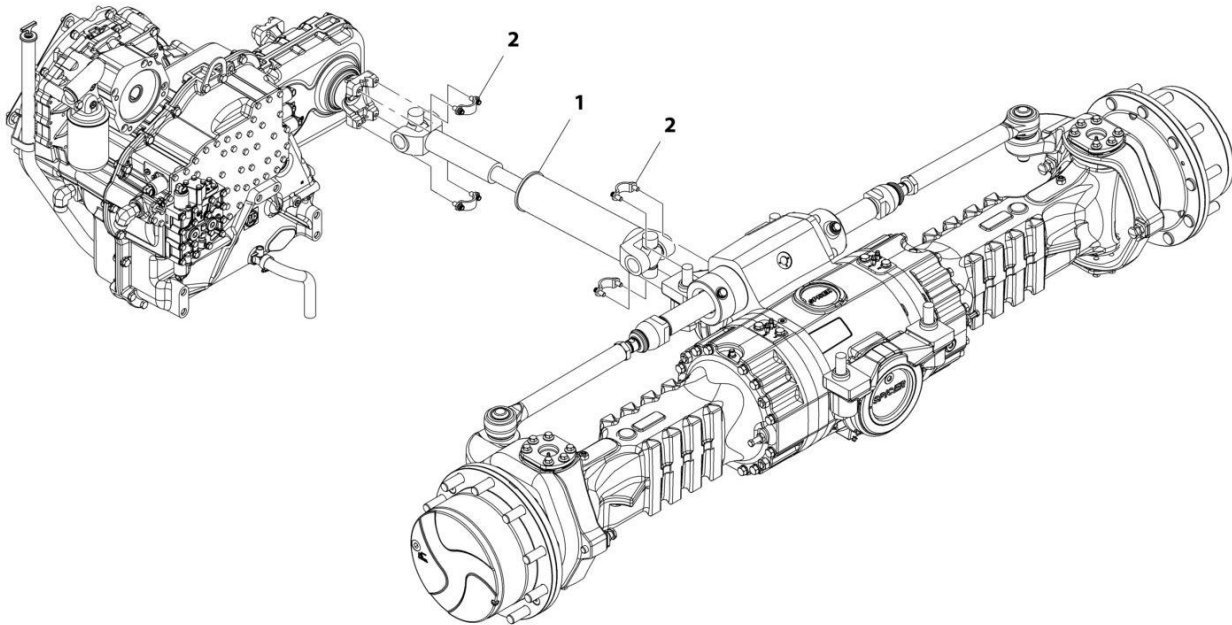
SECTION 5 - DRIVE TRAIN

FIGURE 5-32. DRIVE SHAFTS INSTALLATION

ITEM	PART NUMBER	QTY	DESCRIPTION	REV
1	1001169350	Ref	Drive Shafts Installation	A
	1001169351	Ref	Installation, Rear Drive Shaft (See Separate Breakdown in this Section)	
2	1001172954	Ref	Installation, Front Drive Shaft (See Separate Breakdown in this Section)	

SECTION 5 - DRIVE TRAIN

FIGURE 5-33. FRONT DRIVE SHAFT INSTALLATION



ART_1001172954-A

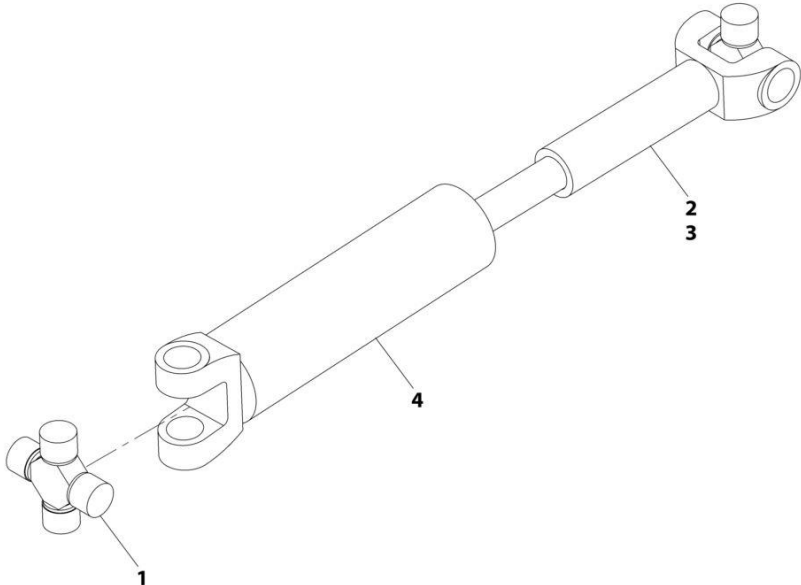
SECTION 5 - DRIVE TRAIN

FIGURE 5-33. FRONT DRIVE SHAFT INSTALLATION

ITEM	PART NUMBER	QTY	DESCRIPTION	REV
	1001172954	Ref	Front Drive Shaft Installation	A
1	7150580	1	Drive Shaft, Front (See Separate Breakdown in this Section)	
2	8880218-OM	2	Kit, Strap	

SECTION 5 - DRIVE TRAIN

FIGURE 5-34. FRONT DRIVE SHAFT ASSEMBLY



ART_7150580-D

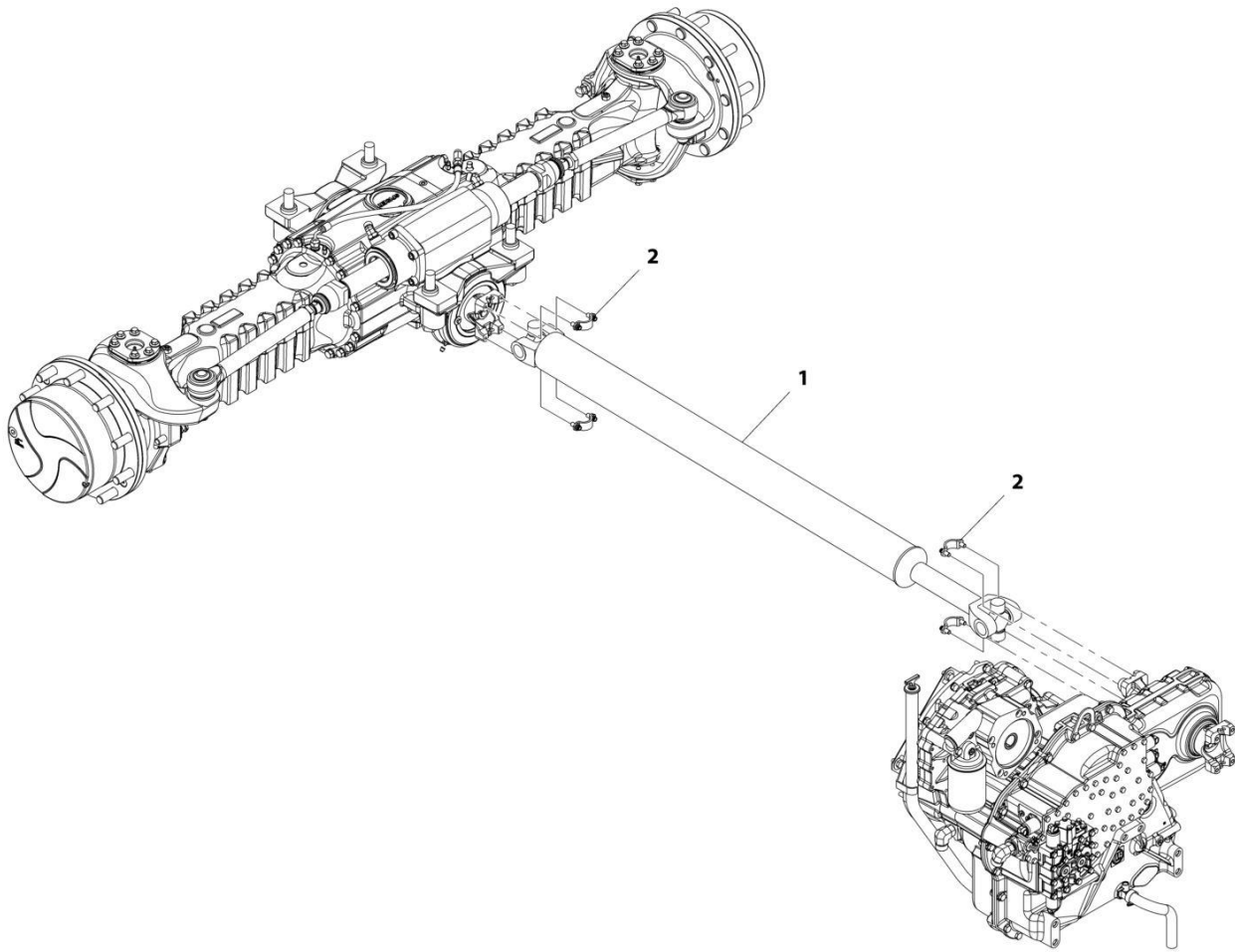
SECTION 5 - DRIVE TRAIN

FIGURE 5-34. FRONT DRIVE SHAFT ASSEMBLY

ITEM	PART NUMBER	QTY	DESCRIPTION	REV
	7150580	Ref	Front Drive Shaft Assembly	D
1	8036433	4	Kit, Cross and Bearing	
2	8035779	2	Kit, Dust Cap	
3	N.S.S.	1	Joint, Slip	
4	N.S.S.	1	Shaft, Yoke	

SECTION 5 - DRIVE TRAIN

FIGURE 5-35. REAR DRIVE SHAFT INSTALLATION



ART_1001169351-A

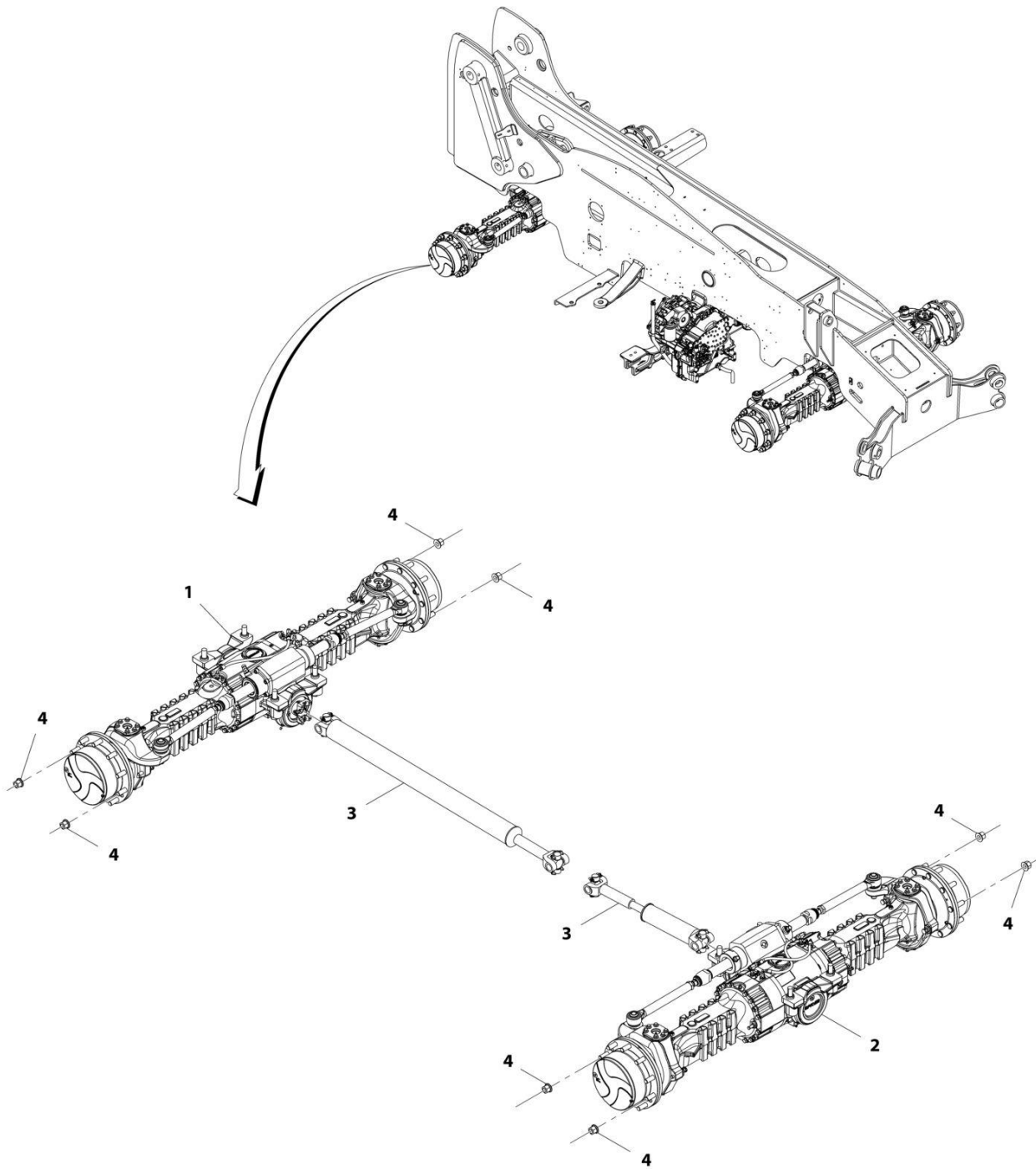
SECTION 5 - DRIVE TRAIN

FIGURE 5-35. REAR DRIVE SHAFT INSTALLATION

ITEM	PART NUMBER	QTY	DESCRIPTION	REV
	1001169351	Ref	Rear Drive Shaft Installation	A
1	1001170616	1	Drive Shaft, Rear	
2	8880218-OM	2	Kit, Strap	

SECTION 5 - DRIVE TRAIN

FIGURE 5-36. DRIVETRAIN INSTALLATION



ART_1001168786-B

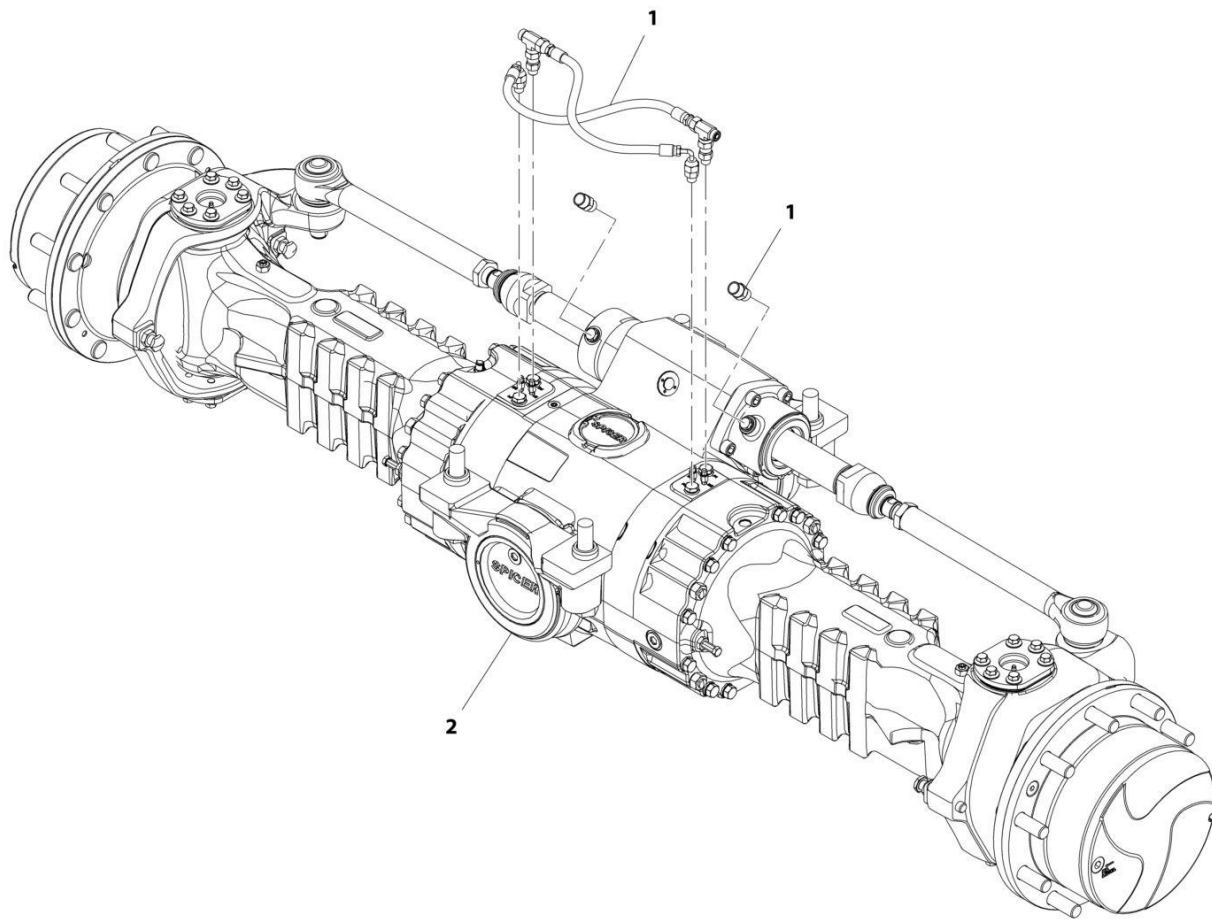
SECTION 5 - DRIVE TRAIN

FIGURE 5-36. DRIVETRAIN INSTALLATION

ITEM	PART NUMBER	QTY	DESCRIPTION	REV
	1001168786	Ref	Drivetrain Installation	B
1	1001168783	Ref	Installation, Rear Axle (See Separate Breakdown in this Section)	
2	1001168785	Ref	Installation, Front Axle (See Separate Breakdown in this Section)	
3	1001169350	Ref	Installation, Drive Shafts (See Separate Breakdown in this Section)	
4	91403193	40	Nut, Lug M22X1.5	

SECTION 5 - DRIVE TRAIN

FIGURE 5-37. FRONT AXLE INSTALLATION



ART_1001168785-A

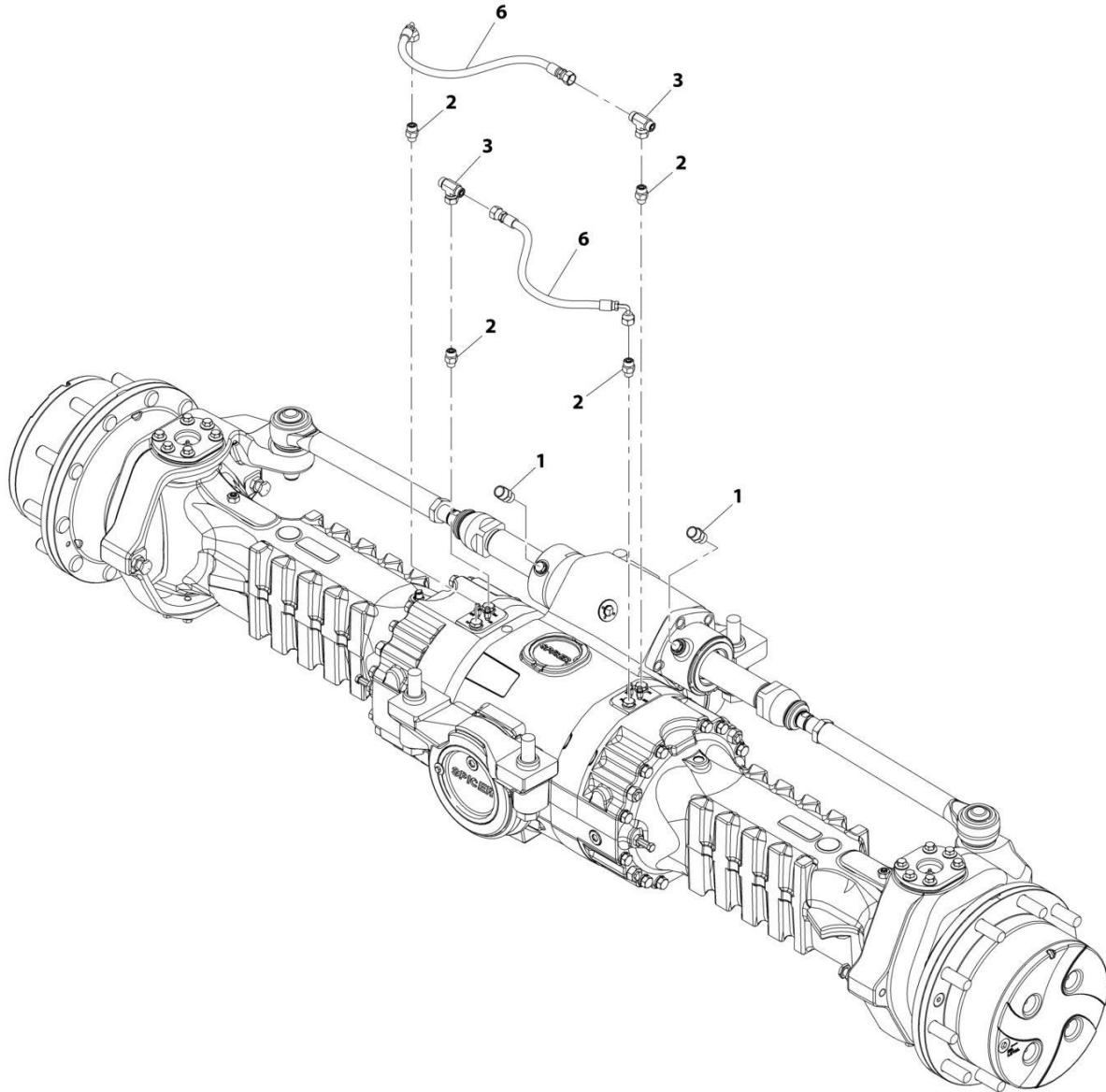
SECTION 5 - DRIVE TRAIN

FIGURE 5-37. FRONT AXLE INSTALLATION

ITEM	PART NUMBER	QTY	DESCRIPTION	REV
1	1001168785	Ref	Front Axle Installation	A
	1001161421	Ref	Installation, Front Axle Lines (See Separate Breakdown in this Section)	
2	1001168784	Ref	Installation, Front Axle Mounting (See Separate Breakdown in this Section)	

SECTION 5 - DRIVE TRAIN

FIGURE 5-38. FRONT AXLE LINES INSTALLATION



ART_1001161421-D

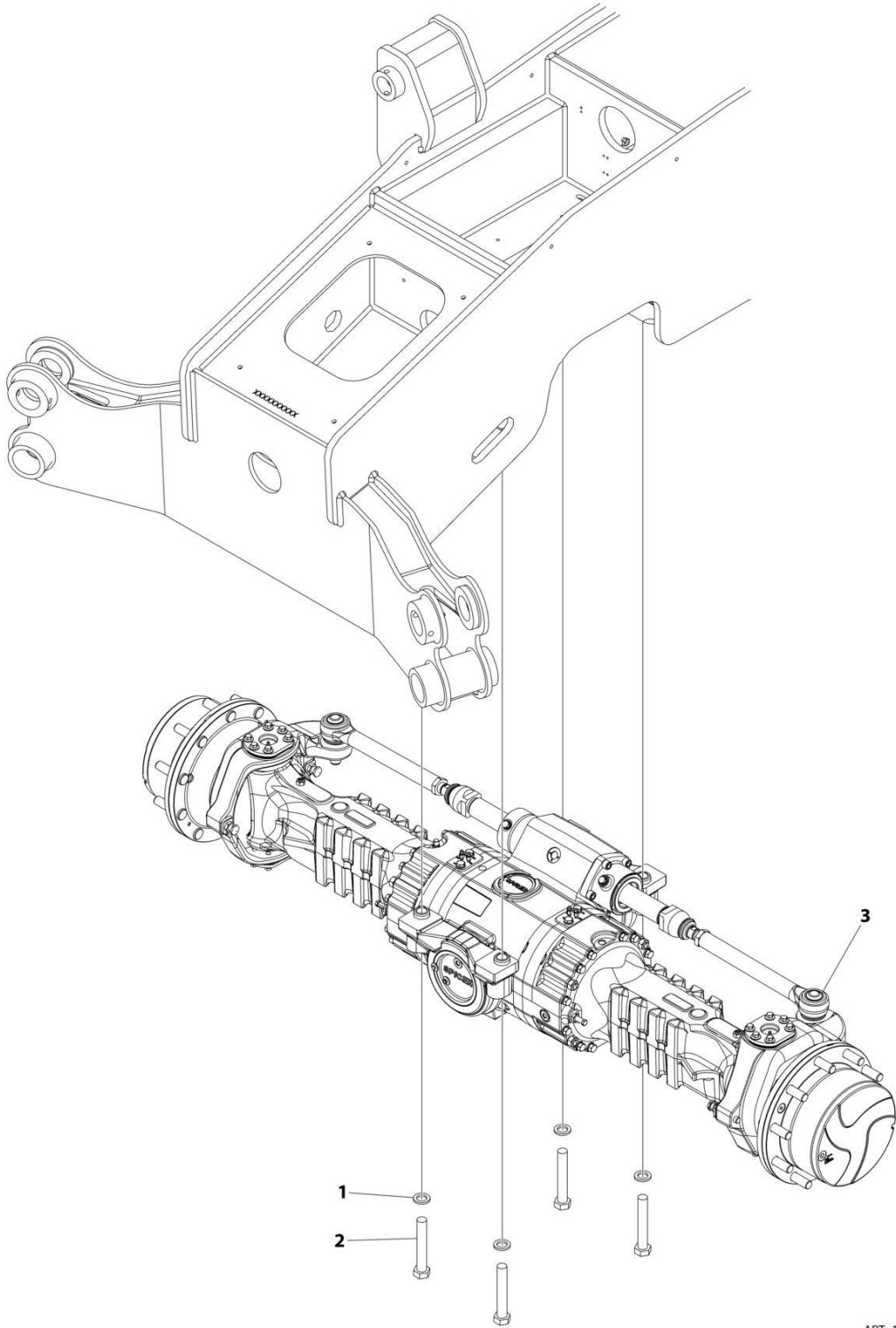
SECTION 5 - DRIVE TRAIN

FIGURE 5-38. FRONT AXLE LINES INSTALLATION

ITEM	PART NUMBER	QTY	DESCRIPTION	REV
	1001161421	Ref	Front Axle Lines Installation	D
1	2110808	2	Fitting, Straight ORFS	
2	2144605	4	Fitting, Straight ORFS	
3	2170806	2	Fitting, Tee ORFS	
6	1001097810	2	Hose	

SECTION 5 - DRIVE TRAIN

FIGURE 5-39. FRONT AXLE MOUNTING INSTALLATION



ART_1001168784_D

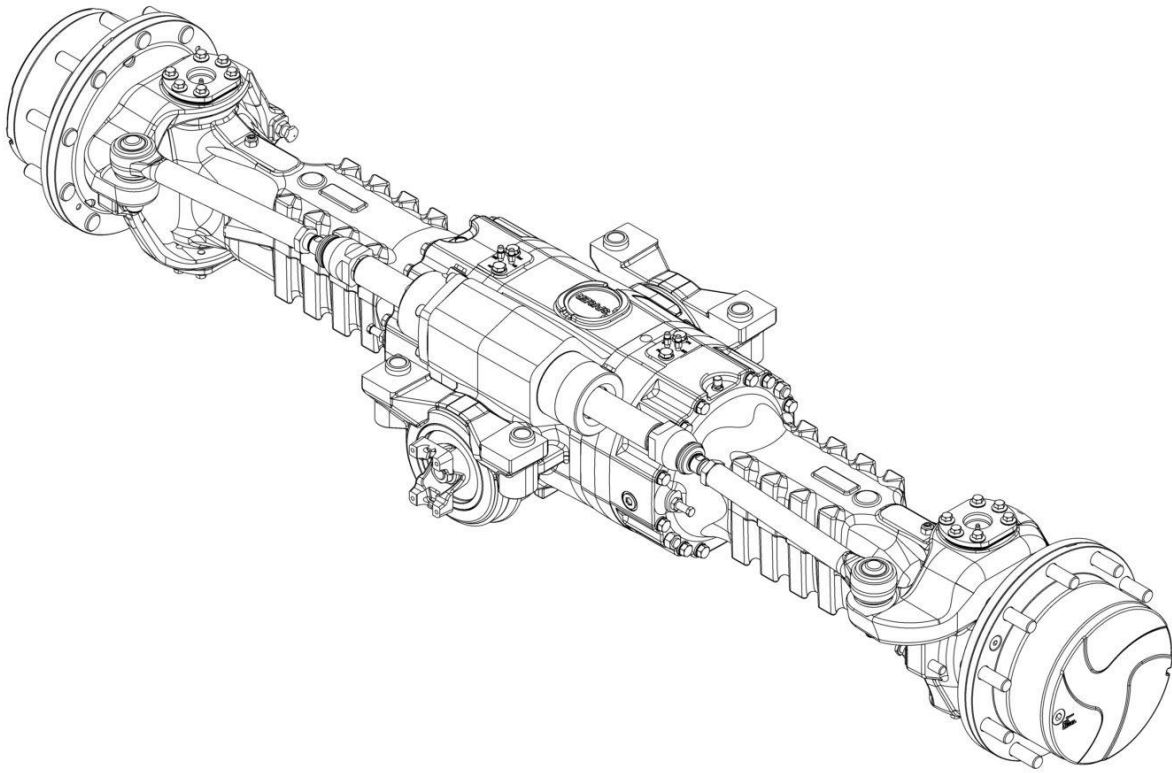
SECTION 5 - DRIVE TRAIN

FIGURE 5-39. FRONT AXLE MOUNTING INSTALLATION

ITEM	PART NUMBER	QTY	DESCRIPTION	REV
	1001168784	Ref	Front Axle Mounting Installation	D
1	4892600	4	Washer	
2	1001097587	4	Bolt, M24-3X150	
3	1001165831	1	Axle, Front (See Separate Breakdown in this Section)	

SECTION 5 - DRIVE TRAIN

FIGURE 5-40. FRONT AXLE



ART_1001165831_I

SECTION 5 - DRIVE TRAIN

FIGURE 5-40. FRONT AXLE

ITEM	PART NUMBER	QTY	DESCRIPTION	REV
	1001165831	Ref	Front Axle	1
		Ref	Front Axle, Brakes (See Separate Breakdown in this Section)	
		Ref	Front Axle, Central Housing (See Separate Breakdown in this Section)	
		Ref	Front Axle, Differential (See Separate Breakdown in this Section)	
		Ref	Front Axle, Hub Reduction (See Separate Breakdown in this Section)	
		Ref	Front Axle, Steering (See Separate Breakdown in this Section)	
		Ref	Front Axle, Trunion (See Separate Breakdown in this Section)	
		Ref	Front Axle, Differential Kit (See Separate Breakdown in this Section)	
		Ref	Front Axle, Planet Gear Carrier (See Separate Breakdown in this Section)	
		Ref	Front Axle, Ring Gear Support (See Separate Breakdown in this Section)	
		Ref	Front Axle, Planet Gear Carrier (See Separate Breakdown in this Section)	
		Ref	Front Axle, Support (See Separate Breakdown in this Section)	

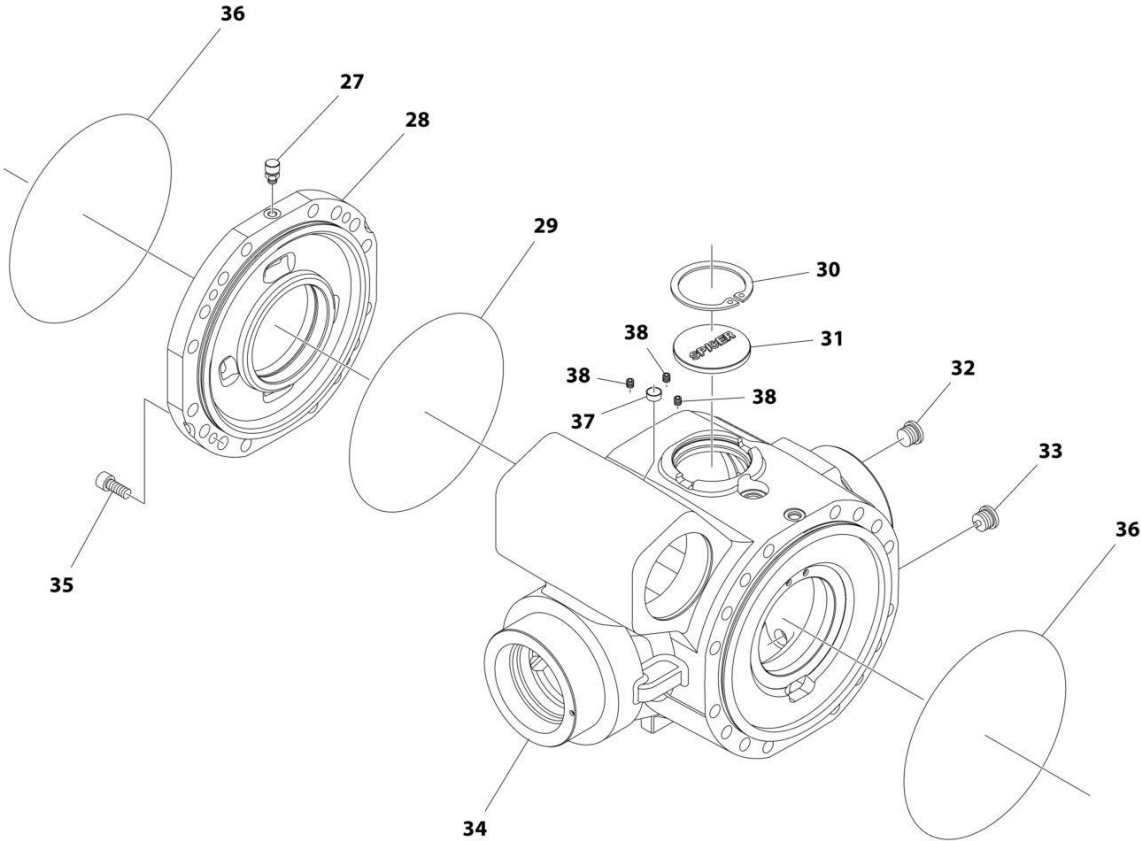
SECTION 5 - DRIVE TRAIN

FIGURE 5-41. FRONT AXLE, BRAKES

ITEM	PART NUMBER	QTY	DESCRIPTION	REV
	1001165831	Ref	FRONT AXLE, BRAKES	1
1	91514151	2	Washer	
2	91514089	2	O-Ring	
3	91514152	2	Piston	
4	91514153	4	Ring, Backup	
5	80204281	4	Bolt	
6	80204117	4	Plug	
7	91514154	4	Plug	
8	91514156	2	O-Ring	
9	91514157	2	Ring, Backup	
10	91514158	1	Piston	
11	91514159	6	Spring	
12	70024210	6	Adjusting	
13	91514161	6	Disc, Intermediate Brake	
14	7029735	6	Disc, Brake	
15	7029734	2	Bushing, Reduction	
16	7029789	6	Bolt	
17	91514165	6	Spring	
18	70024849	2	Disc, Intermediate Brake	
19	70024848	2	Cover	
20	91514167	4	O-Ring	
21	7029298	2	Spacer	
22	70025970	1	Shim	
23	80204108	4	Washer, Lock	
24	80204060	4	Nut	
25	70024213	4	Bolt, M12X122.5	
26	70024215	4	Dowel	

SECTION 5 - DRIVE TRAIN

FIGURE 5-42. FRONT AXLE, CENTRAL HOUSING



ART_1001165831_L_2

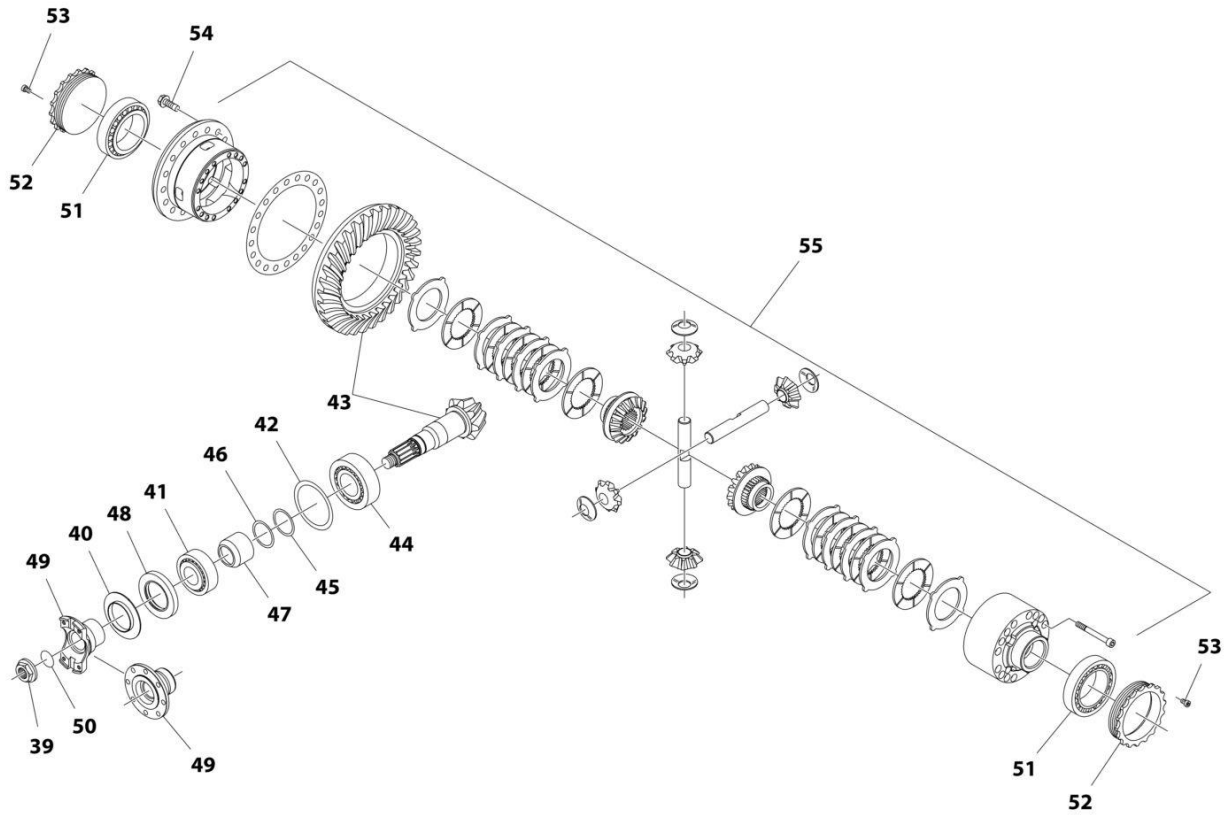
SECTION 5 - DRIVE TRAIN

FIGURE 5-42. FRONT AXLE, CENTRAL HOUSING

ITEM	PART NUMBER	QTY	DESCRIPTION	REV
	1001165831	Ref	FRONT AXLE, CENTRAL HOUSING	I
27	91474512	1	Vent	
28	7029288	1	Cover, Intermediate	
29	80204002	1	O-Ring	
30	80204005	1	Circlip	
31	91514098	1	Plug	
32	91514087	1	Plug	
33	70021177	1	Plug	
34	70025335	1	Housing	
35	91514101	4	Bolt	
36	91514089	2	O-Ring	
37	7029307	1	Plug	
38	8008175	3	Bolt	

SECTION 5 - DRIVE TRAIN

FIGURE 5-43. FRONT AXLE, DIFFERENTIAL



ART_1001165831_I_3

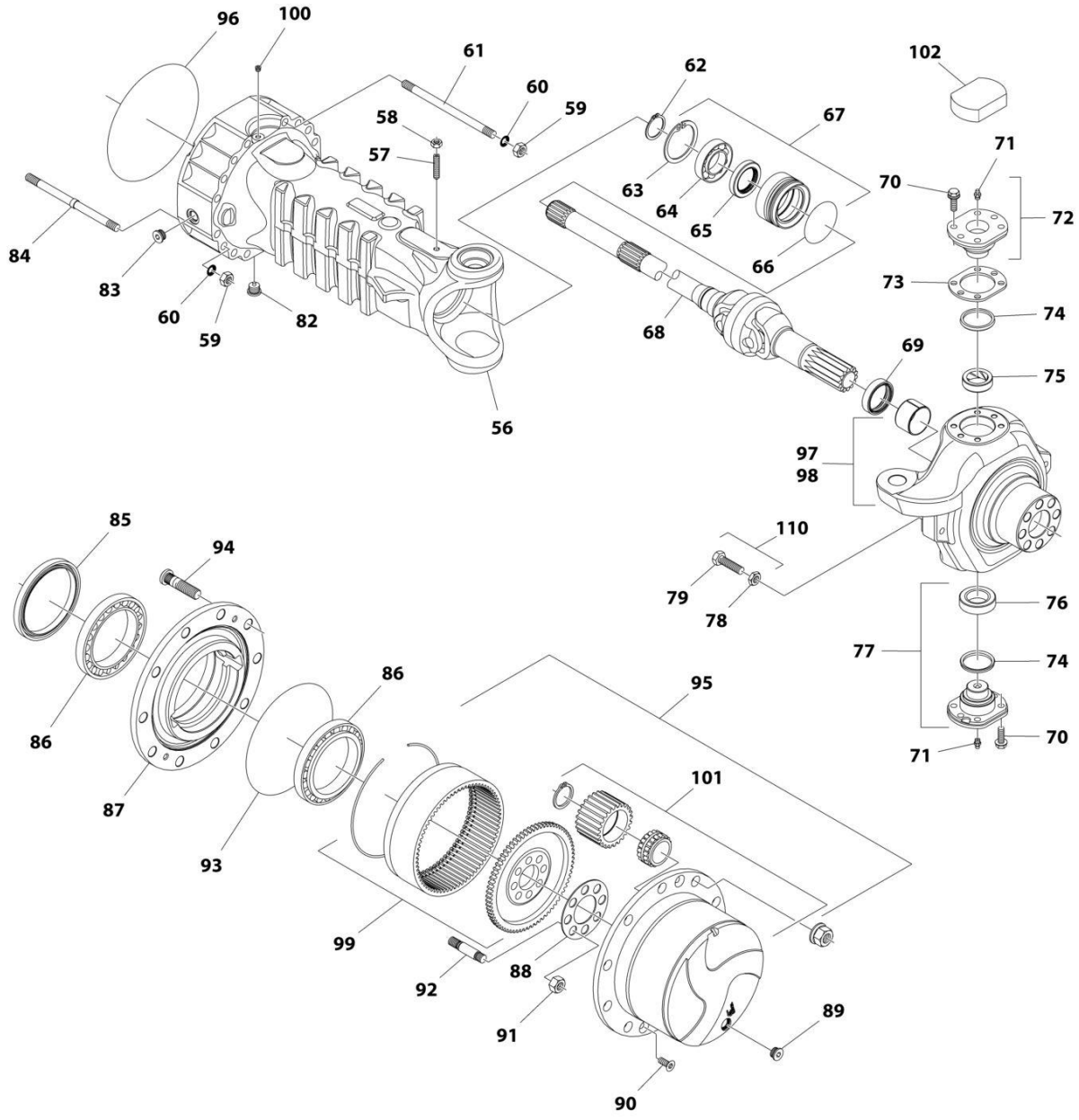
SECTION 5 - DRIVE TRAIN

FIGURE 5-43. FRONT AXLE, DIFFERENTIAL

ITEM	PART NUMBER	QTY	DESCRIPTION	REV
	1001165831	Ref	FRONT AXLE, DIFFERENTIAL	1
39	80204043	1	Nut	
40	91514130	1	Plate, Cover	
41	80204048	1	Bearing, Tape Roller	
42	70023469	1	Shim	
43	70026633	1	Gear, Bevel Set	
44	80204035	1	Bearing, Tape Roller	
45	70026438	1	Kit, Shim	
46	70026439	1	Kit, Shim	
47	70022140	1	Spacer	
48	70025887	1	Seal	
49	91514131	1	Flange	
50	10725554	1	O-Ring	
51	80204033	2	Bearing, Tape Roller	
52	91514133	2	Nut, Ring	
53	91514134	2	Bolt	
54	91514123	16	Bolt	
55	70024005	1	Kit, Differential (See Separate Breakdown in this Section)	

SECTION 5 - DRIVE TRAIN

FIGURE 5-44. FRONT AXLE, HUB REDUCTION



ART_1001165831_I_4

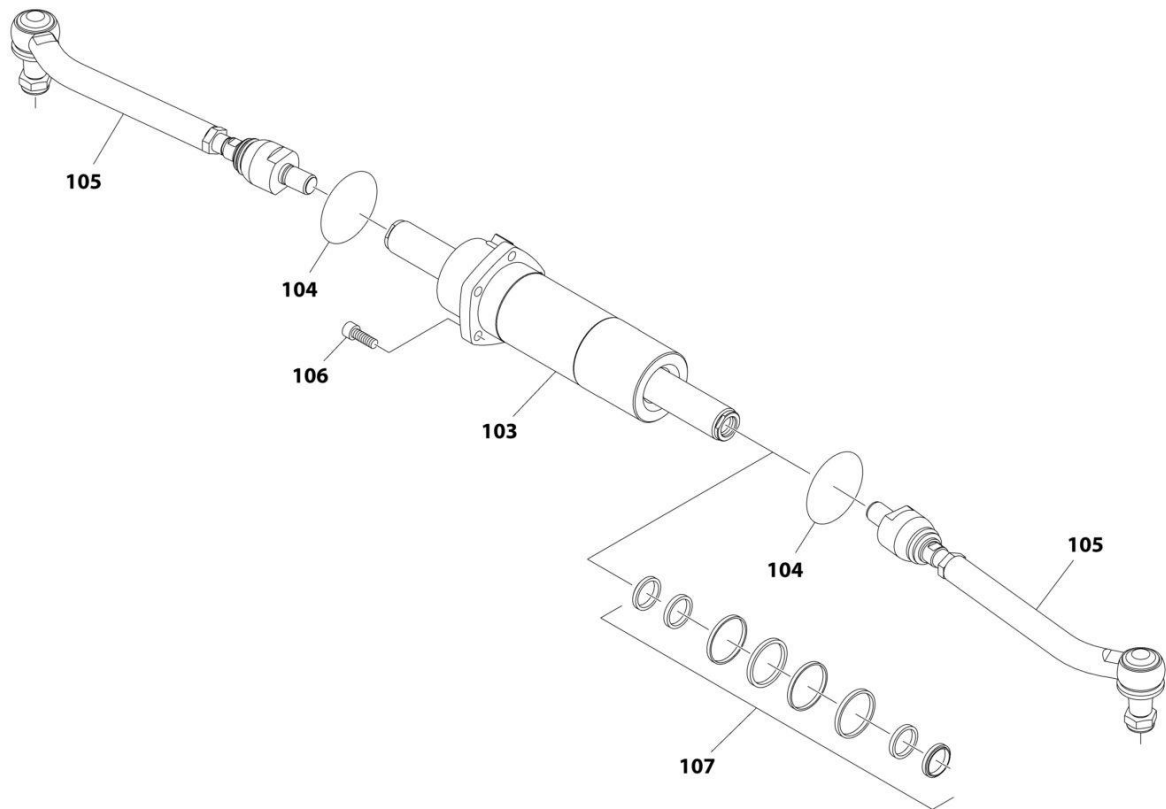
SECTION 5 - DRIVE TRAIN

FIGURE 5-44. FRONT AXLE, HUB REDUCTION

ITEM	PART NUMBER	QTY	DESCRIPTION	REV
	1001165831	Ref	FRONT AXLE, HUB REDUCTION	1
57	91514081	2	Bolt	
58	91514082	2	Nut	
59	91514083	8	Nut	
56	70024850	2	Case, Axle	
60	91514084	8	Washer	
61	7029309	24	Bolt	
62	80204071	2	Circlip	
63	80204005	2	Circlip	
64	91514146	2	Ball Bearing	
65	91514147	2	Seal	
66	91514148	2	O-Ring	
67	91514149	2	Bushing, Reduction	
68	70025855	2	Joint, Double Universal	
69	70026238	2	Seal	
70	91514123	24	Bolt	
71	91514099	4	Fitting, Grease	
72	91514112	2	Pin, Pivot	
73	70025561	1	Kit, Shim	
74	7028716	4	Seal, Dust	
75	7028714	2	Bushing	
76	91514095	2	Bearing	
77	7028715	2	Pin, Pivot	
78	80204065	4	Nut	
79	91514117	4	Bolt	
82	70021177	2	Plug	
83	91514087	2	Plug	
84	70024851	8	Stud	
85	7029300	2	Seal	
86	80204076	4	Bearing, Taper Roller	
87	91514174	2	Hub, Wheel	
88	91514178	1	Plate, Locking	
89	91514188	2	Plug	
90	91514189	4	Bolt	
91	91514179	16	Nut	
92	91514180	16	Stud	
93	91514181	2	O-Ring	
94	91514183	20	Stud	
95	70025972	2	Kit, Planet Gear Carrier (See Separate Breakdown in this Section)	
96	91514089	2	O-Ring	
97	70026239	1	Case, Steering	
98	70026240	NLA	Case, Steering (No Longer Available, Use Item 70030026)	
98	70030026	1	Case, Steering	
99	70024146	2	Kit, Ring Gear Support (See Separate Breakdown in this Section)	
110	7028733	1	Bolt, Steering Adjust (includes items 78 & 79)	
100	80204012	2	Plug	
101	7029733	2	Kit, Planet Gear Carrier (See Separate Breakdown in this Section)	
102	91474524	2	Cover	

SECTION 5 - DRIVE TRAIN

FIGURE 5-45. FRONT AXLE, STEERING



ART_1001165831_L_5

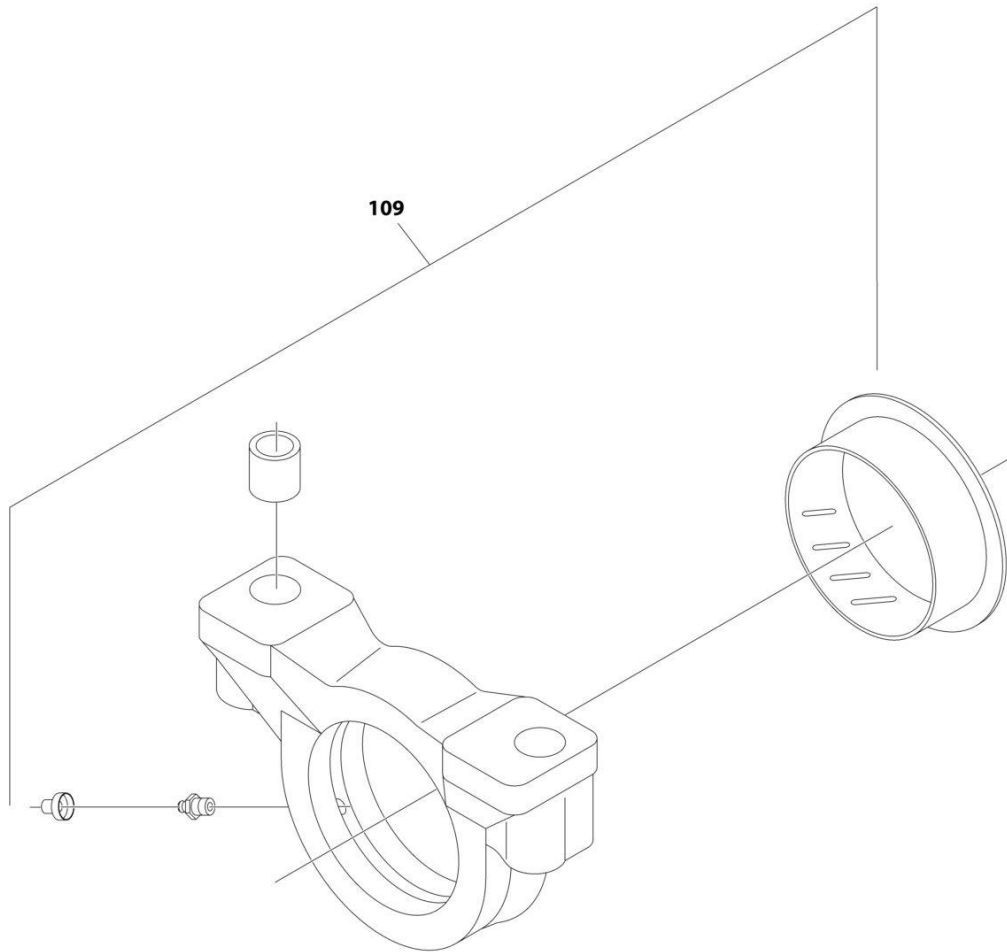
SECTION 5 - DRIVE TRAIN

FIGURE 5-45. FRONT AXLE, STEERING

ITEM	PART NUMBER	QTY	DESCRIPTION	REV
	1001165831	Ref	FRONT AXLE, STEERING	I
103	7026490	1	Cylinder	
104	80204143	2	O-Ring	
105	70021614	2	Rod, Articulated Tie	
106	80204144	5	Bolt	
107	7029127	1	Kit, Seal	

SECTION 5 - DRIVE TRAIN

FIGURE 5-46. FRONT AXLE, TRUNION



ART_1001165831_L_6

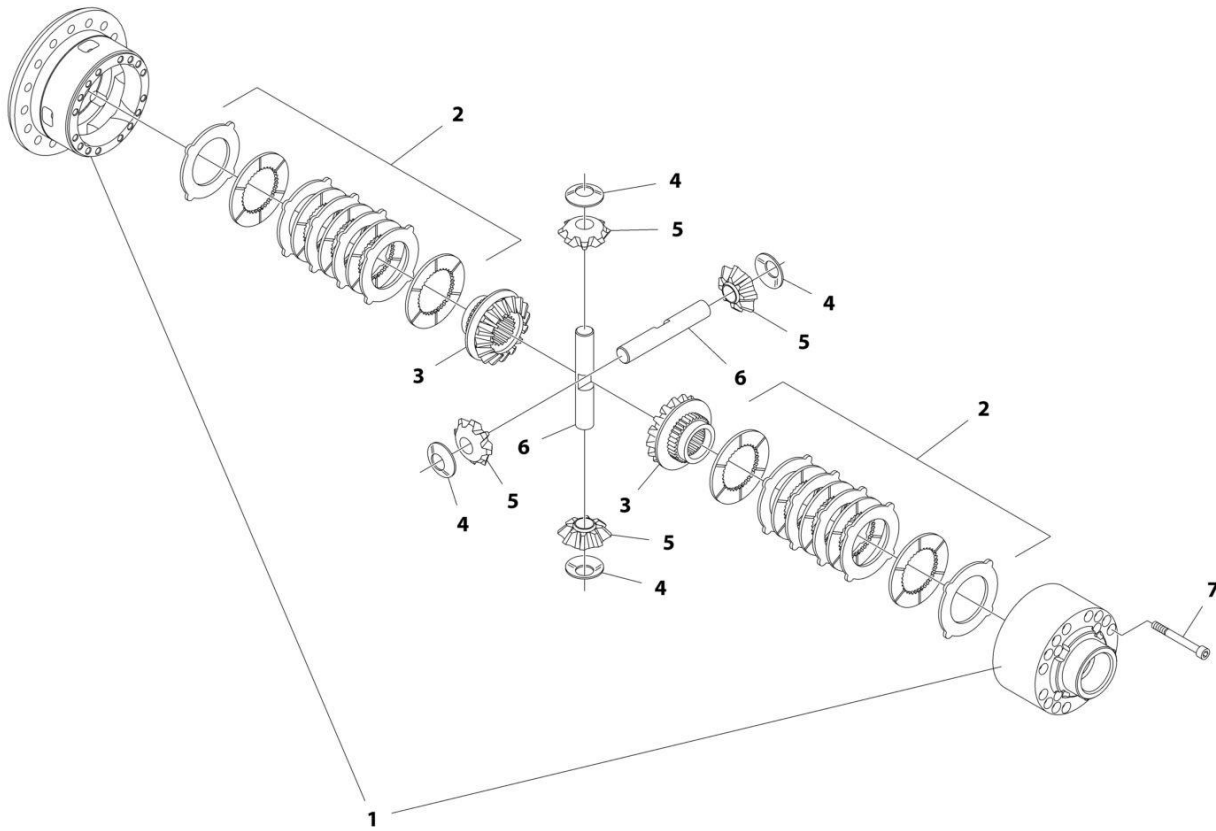
SECTION 5 - DRIVE TRAIN

FIGURE 5-46. FRONT AXLE, TRUNION

ITEM	PART NUMBER	QTY	DESCRIPTION	REV
109	1001165831 70026266	Ref 2	FRONT AXLE, TRUNION Trunion (See Separate Breakdown in this Section)	1

SECTION 5 - DRIVE TRAIN

FIGURE 5-47. FRONT AXLE, DIFFERENTIAL KIT



ART_1001165831_L7

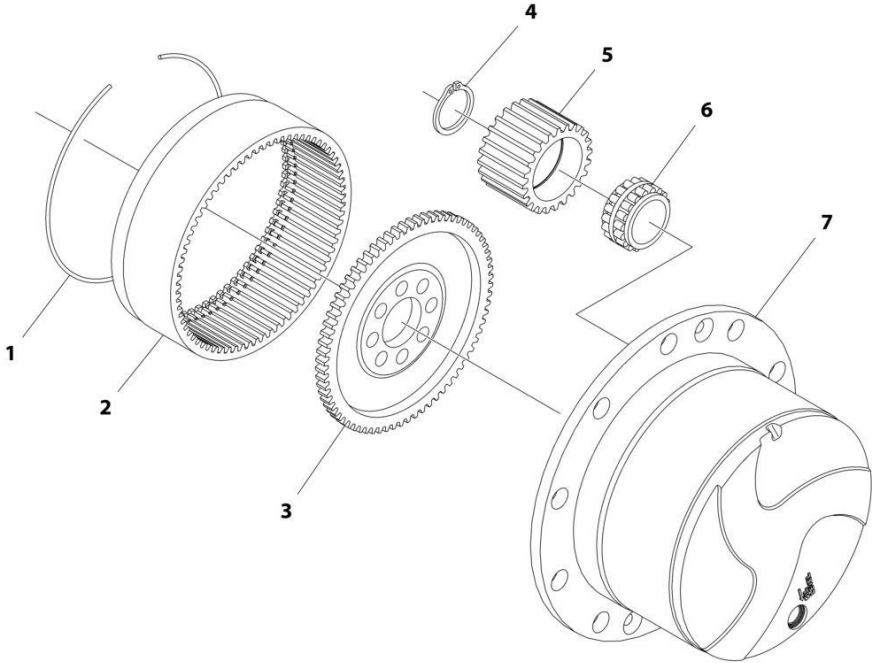
SECTION 5 - DRIVE TRAIN

FIGURE 5-47. FRONT AXLE, DIFFERENTIAL KIT

ITEM	PART NUMBER	QTY	DESCRIPTION	REV
	1001165831	Ref	FRONT AXLE, DIFFERENTIAL KIT	I
	70024005	Ref	Differential Kit	
1	70024004	1	Carrier, Differential	
2	70023496	2	Disc, Clutch	
3	70025856	2	Gear, Differential Side	
4	70023491	4	Washer	
5	70025339	4	Pinion, Differential	
6	70023490	2	Shaft, Differential	
7	91514143	1	Bolt	

SECTION 5 - DRIVE TRAIN

FIGURE 5-48. FRONT AXLE, PLANET GEAR CARRIER



ART_1001165831_I_8

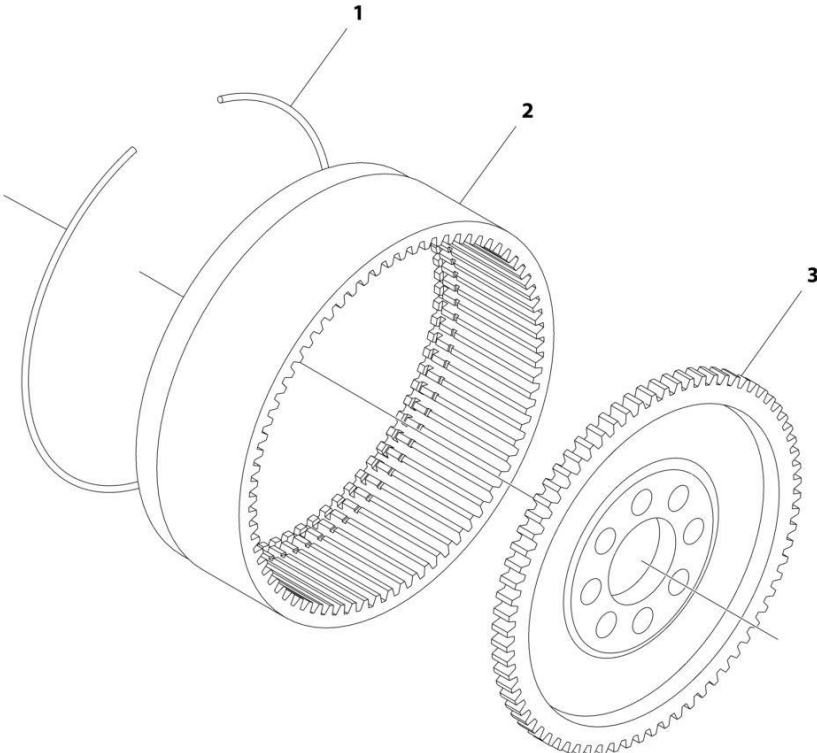
SECTION 5 - DRIVE TRAIN

FIGURE 5-48. FRONT AXLE, PLANET GEAR CARRIER

ITEM	PART NUMBER	QTY	DESCRIPTION	REV
	1001165831	Ref	FRONT AXLE, PLANET GEAR CARRIER	I
	70025972	Ref	Planet Gear Carrier	
1	91514175	1	Circlip	
2	70024147	1	Gear, Ring	
3	91514177	1	Gear, Ring Support	
4	91514184	3	Ring, Snap	
5	91514185	3	Gear, Planet	
6	91514186	3	Bearing	
7	7026731	1	Carrier, Planet Gear	

SECTION 5 - DRIVE TRAIN

FIGURE 5-49. FRONT AXLE, RING GEAR SUPPORT



ART_1001165831_L9

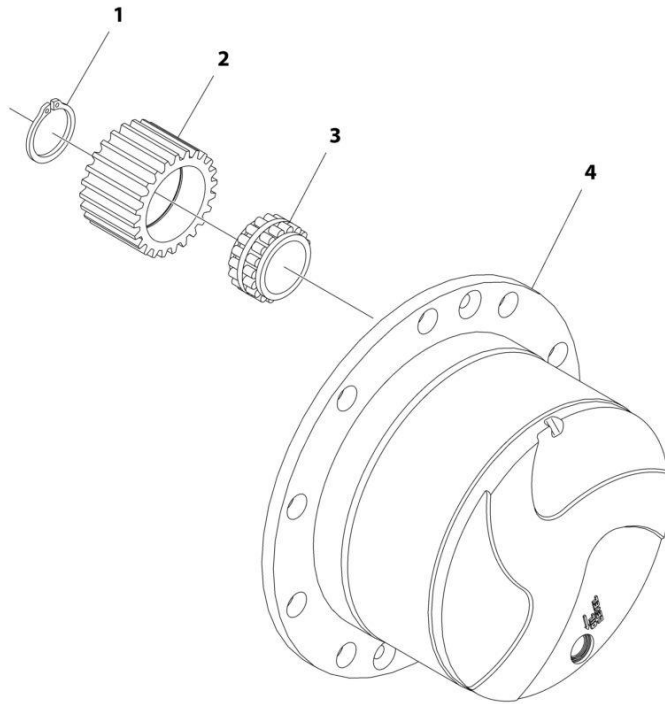
SECTION 5 - DRIVE TRAIN

FIGURE 5-49. FRONT AXLE, RING GEAR SUPPORT

ITEM	PART NUMBER	QTY	DESCRIPTION	REV
	1001165831	Ref	FRONT AXLE, RIGHT GEAR SUPPORT	I
	70024146	Ref	Ring Gear Support	
1	91514175	1	Circlip	
2	70024147	1	Gear, Ring	
3	91514177	1	Gear, Ring Support	

SECTION 5 - DRIVE TRAIN

FIGURE 5-50. FRONT AXLE, PLANET GEAR CARRIER



ART_1001165831_I_10

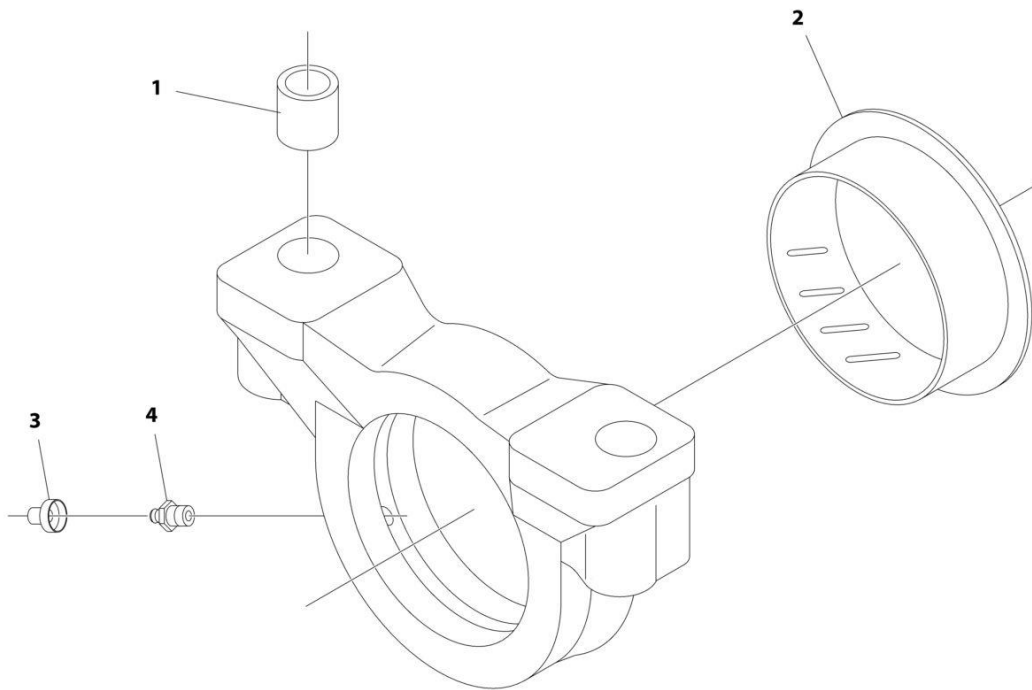
SECTION 5 - DRIVE TRAIN

FIGURE 5-50. FRONT AXLE, PLANET GEAR CARRIER

ITEM	PART NUMBER	QTY	DESCRIPTION	REV
	1001165831	Ref	FRONT AXLE, PLANET GEAR CARRIER	I
	7029733	Ref	Planet Gear Carrier	
1	91514184	3	Ring, Snap	
2	91514185	3	Gear, Planet	
3	91514186	3	Bearing	
4	7026731	1	Carrier, Planet Gear	

SECTION 5 - DRIVE TRAIN

FIGURE 5-51. FRONT AXLE, SUPPORT



ART_1001165831_I_11

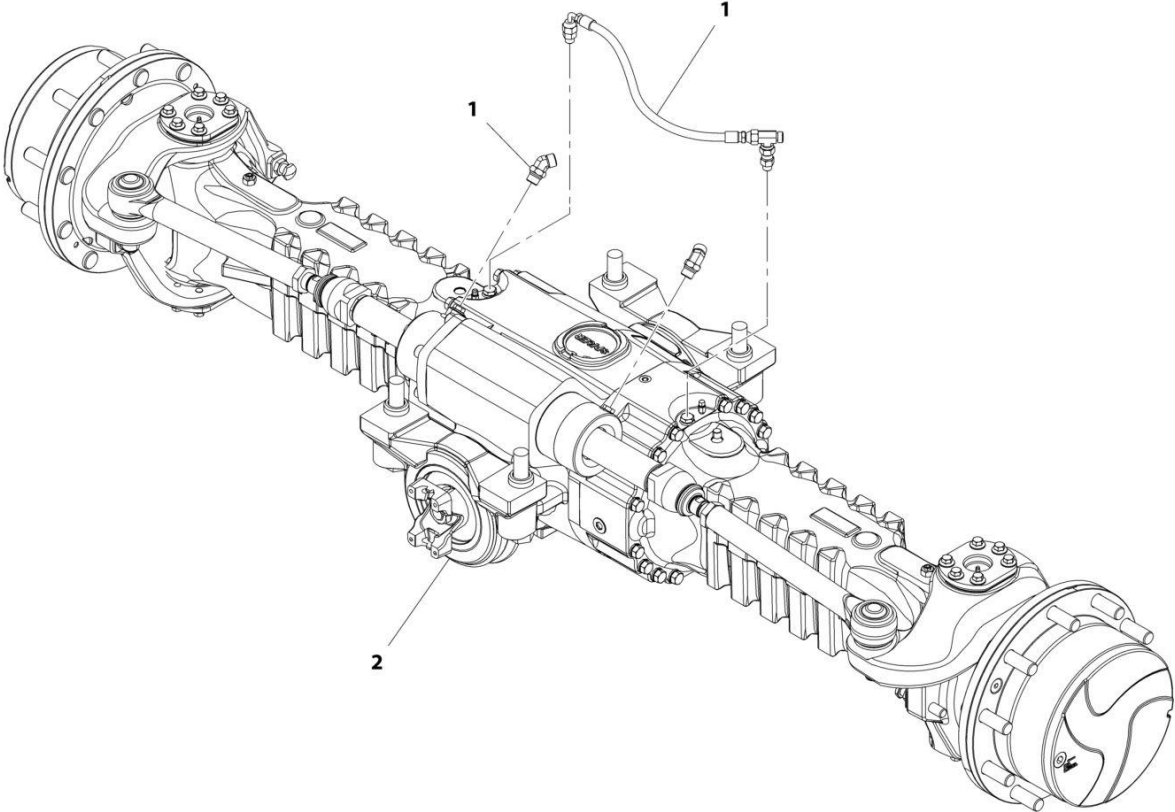
SECTION 5 - DRIVE TRAIN

FIGURE 5-51. FRONT AXLE, SUPPORT

ITEM	PART NUMBER	QTY	DESCRIPTION	REV
	1001165831	Ref	FRONT AXLE, SUPPORT	I
	70026266	Ref	Support	
1	7029290	2	Bushing, Reduction	
2	91514090	1	Bushing, Thrust	
3	80204117	1	Plug	
4	91514099	1	Fitting, Grease	

SECTION 5 - DRIVE TRAIN

FIGURE 5-52. REAR AXLE INSTALLATION



ART_1001168783-A

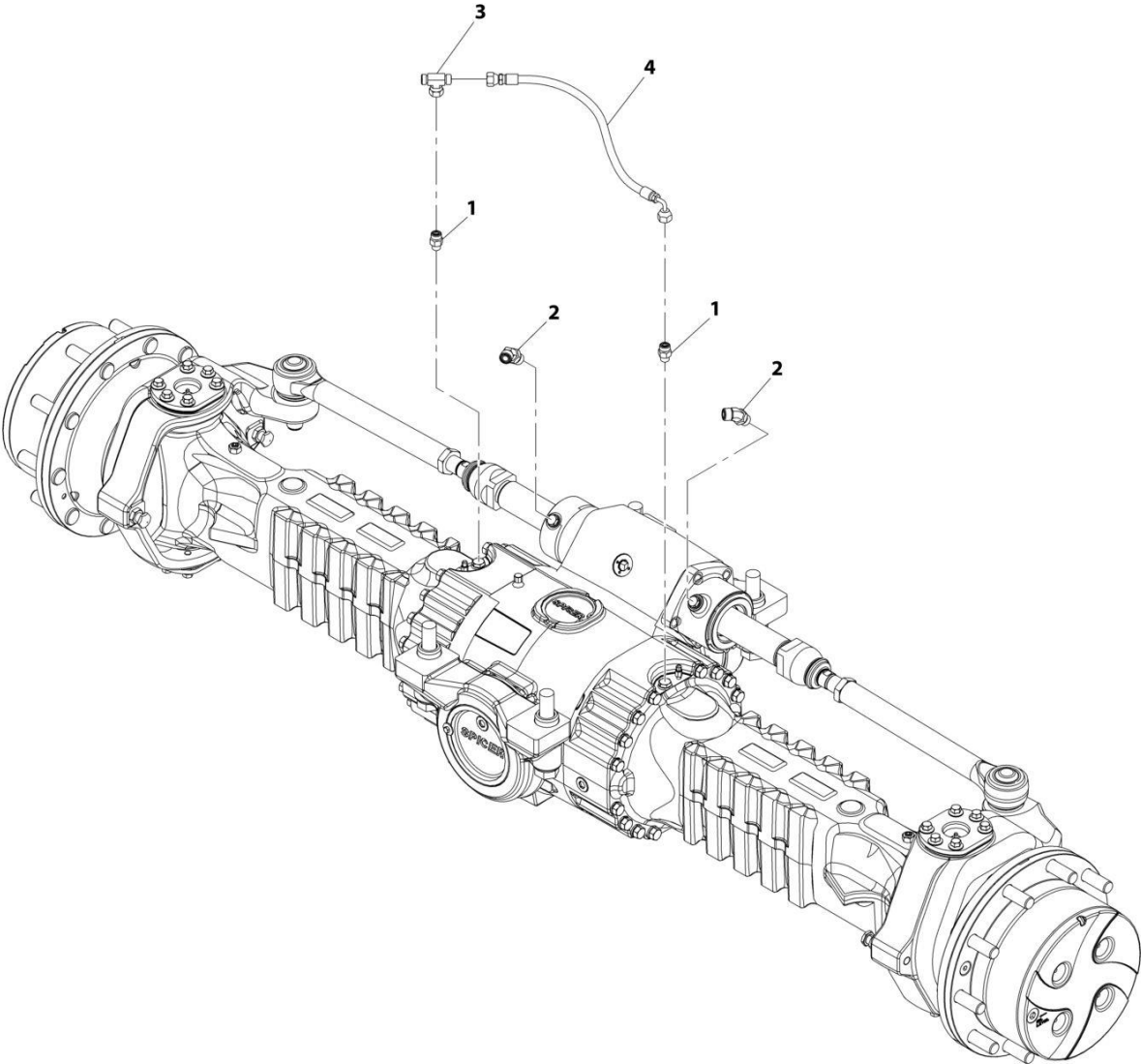
SECTION 5 - DRIVE TRAIN

FIGURE 5-52. REAR AXLE INSTALLATION

ITEM	PART NUMBER	QTY	DESCRIPTION	REV
1	1001168783	Ref	Rear Axle Installation	A
	1001161424	Ref	Installation, Rear Axle Lines (See Separate Breakdown in this Section)	
2	1001168782	Ref	Installation, Rear Axle Mounting (See Separate Breakdown in this Section)	

SECTION 5 - DRIVE TRAIN

FIGURE 5-53. REAR AXLE LINES INSTALLATION



ART_1001161424-D

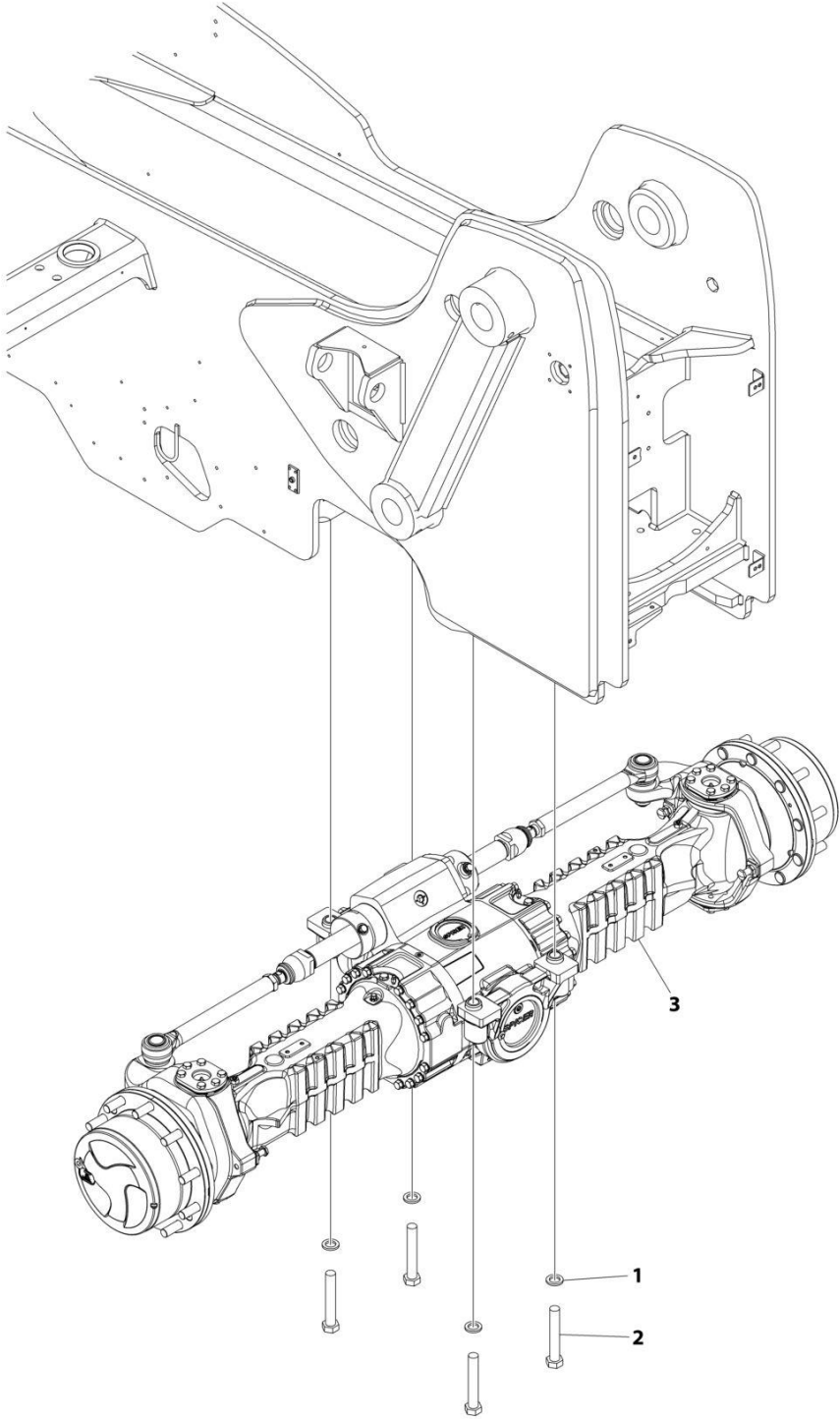
SECTION 5 - DRIVE TRAIN

FIGURE 5-53. REAR AXLE LINES INSTALLATION

ITEM	PART NUMBER	QTY	DESCRIPTION	REV
	1001161424	Ref	Rear Axle Lines Installation	D
1	2144605	2	Fitting, Straight ORFS	
2	2150808	2	Fitting, 45 ORFS	
3	2170806	1	Fitting, Tee ORFS	
4	1001102509	1	Hose	

SECTION 5 - DRIVE TRAIN

FIGURE 5-54. REAR AXLE MOUNTING INSTALLATION



ART_1001168782_D

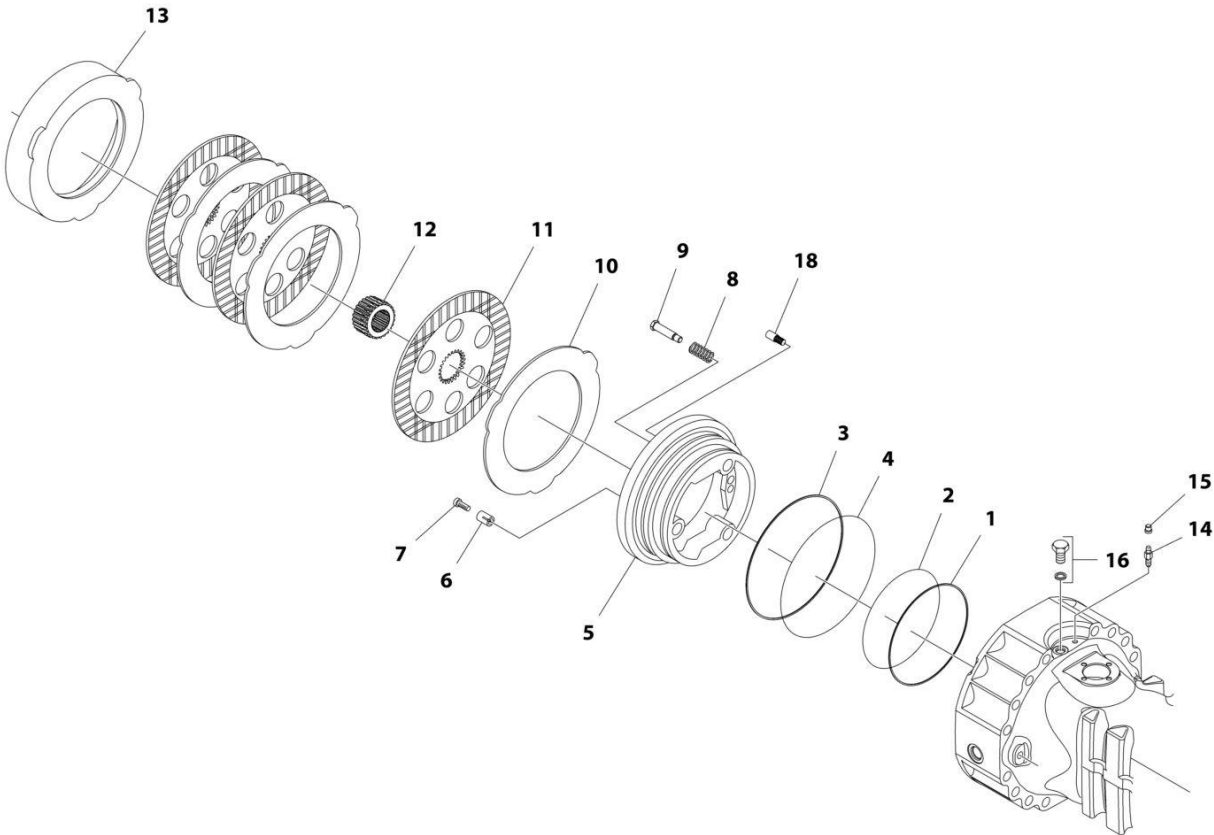
SECTION 5 - DRIVE TRAIN

FIGURE 5-54. REAR AXLE MOUNTING INSTALLATION

ITEM	PART NUMBER	QTY	DESCRIPTION	REV
	1001168782	Ref	Rear Axle Mounting Installation	D
1	4892600	4	Washer	
2	1001097587	4	Bolt, M24X150	
3	1001262336	1	Axle, Rear (See Separate Breakdown in this Section)	

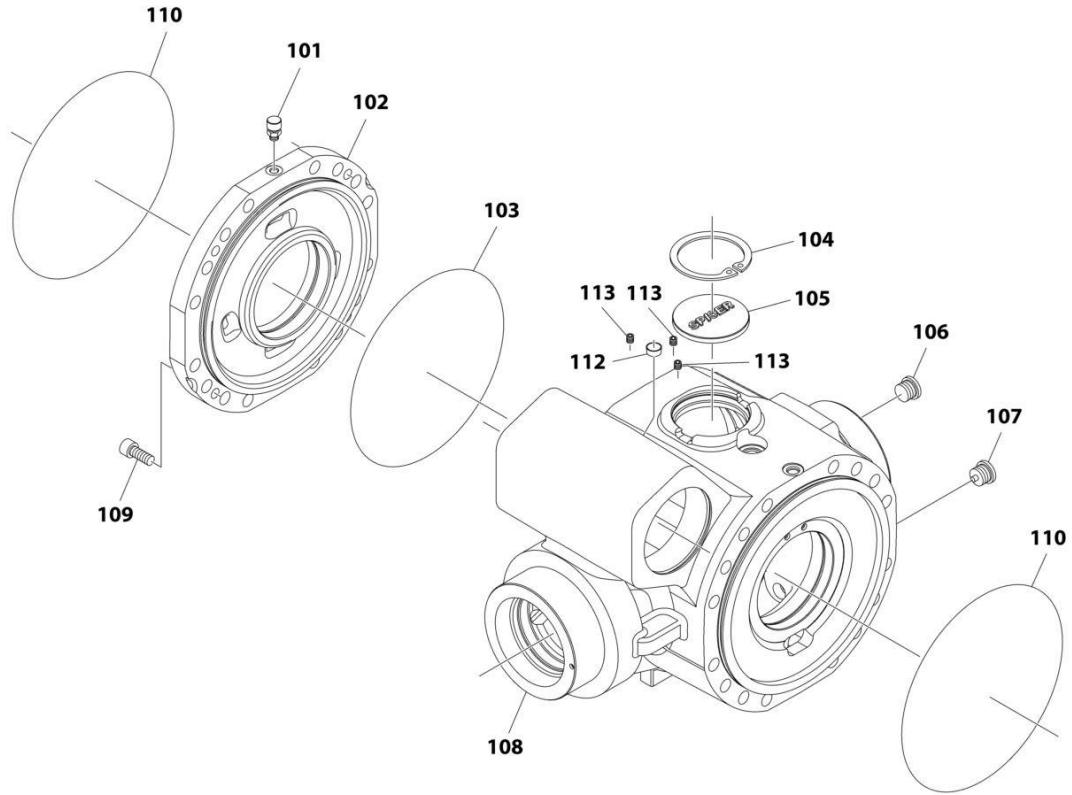
SECTION 5 - DRIVE TRAIN

FIGURE 5-55. REAR AXLE



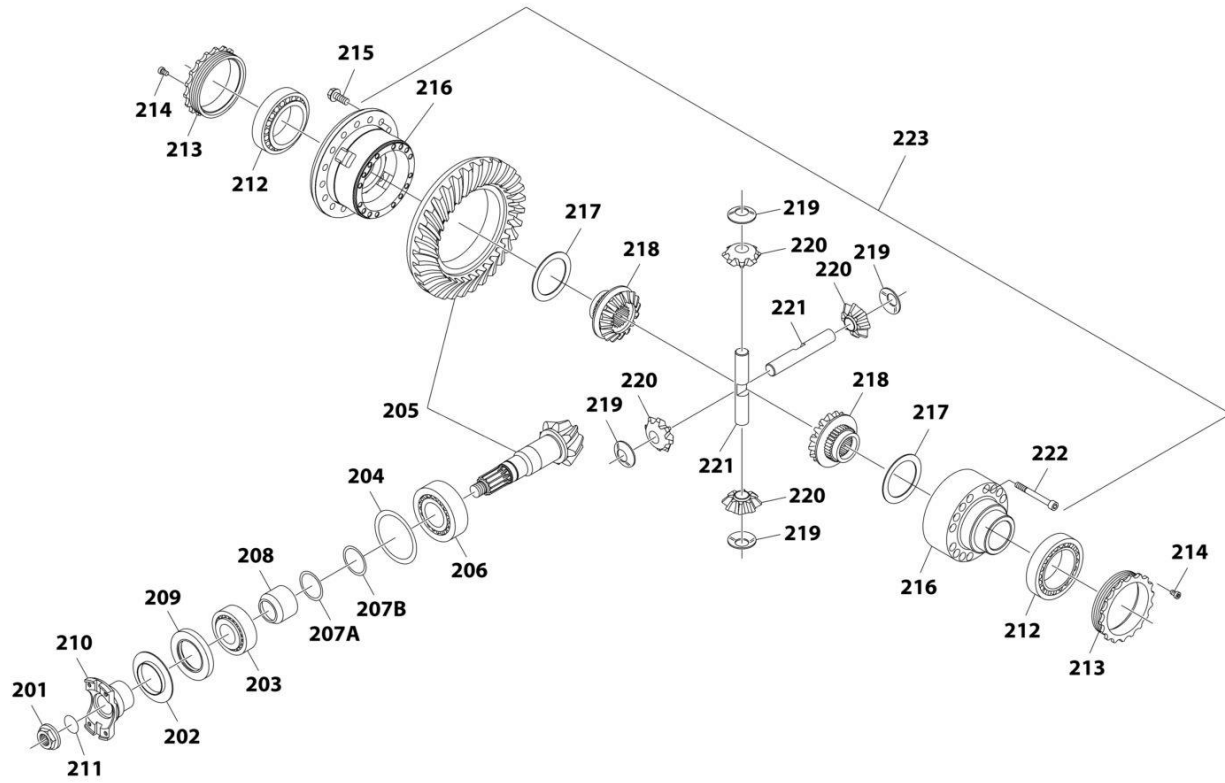
ART_1001262336_10F6

SECTION 5 - DRIVE TRAIN



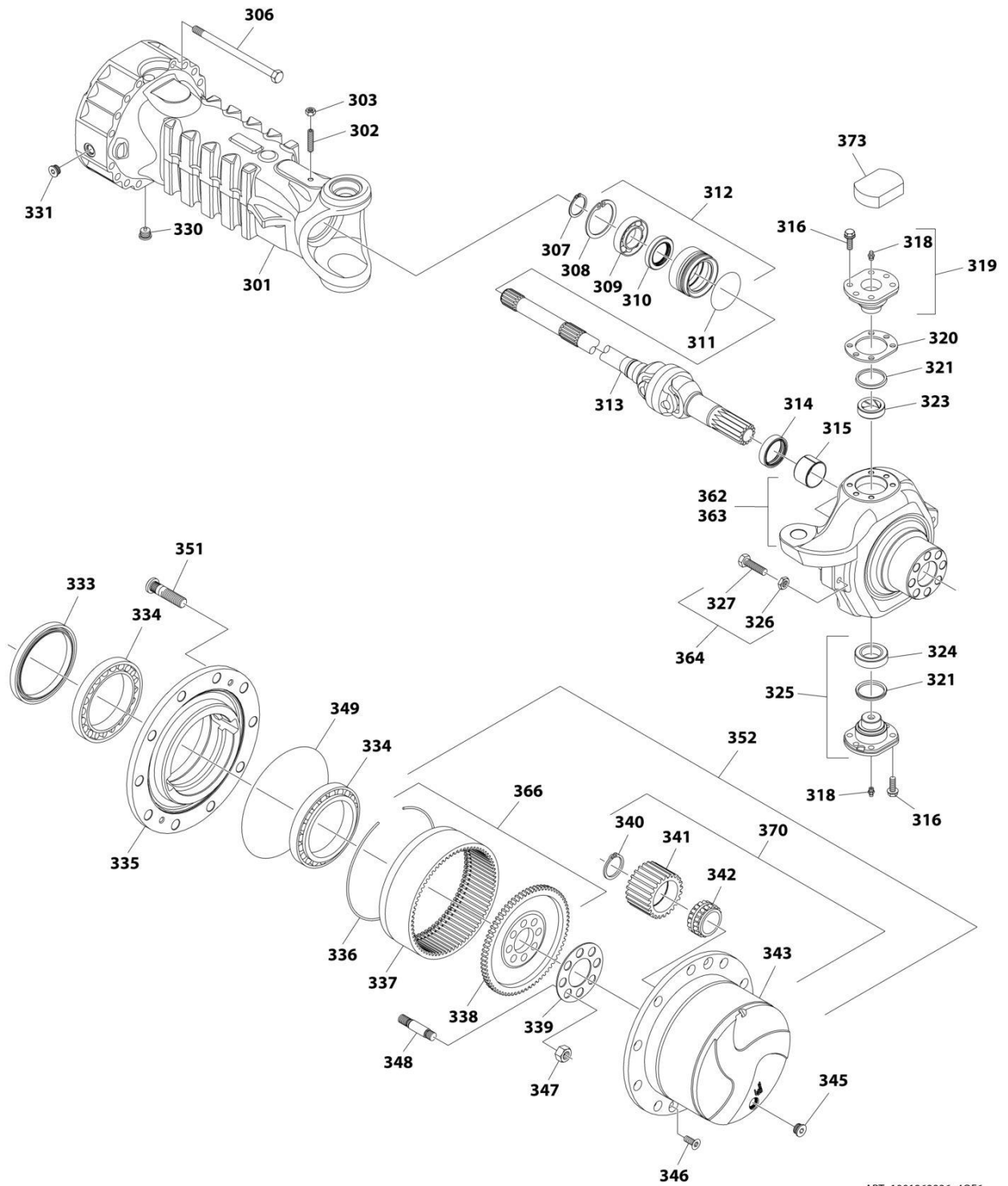
ART_1001262336_20F6

SECTION 5 - DRIVE TRAIN



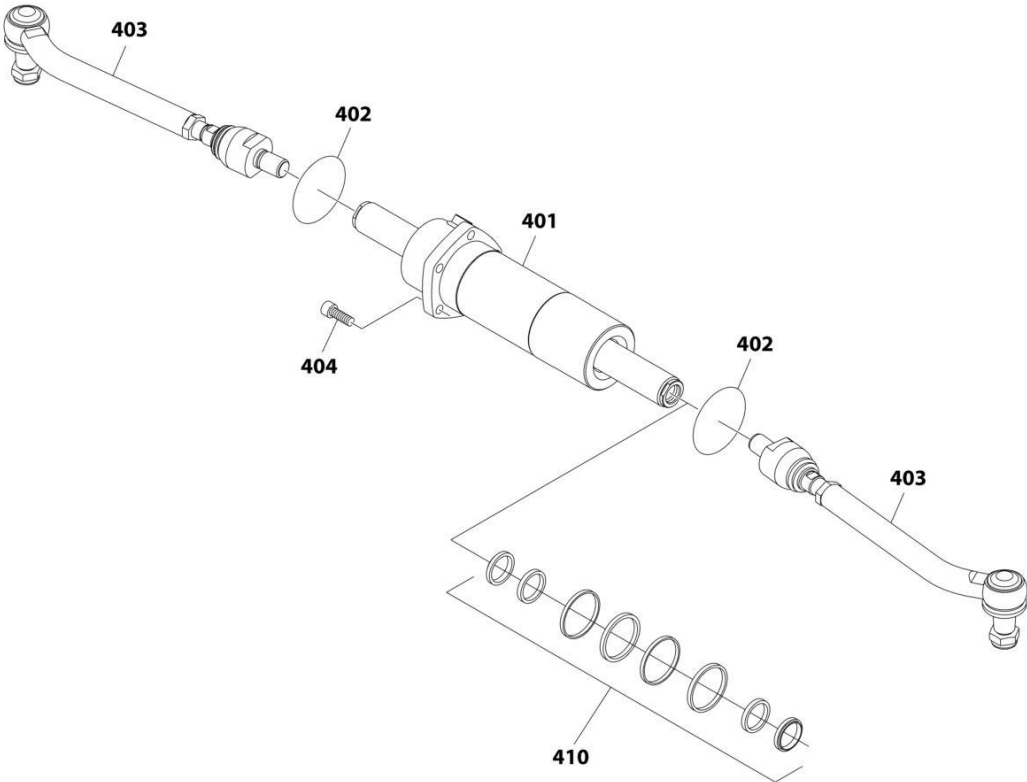
ART_1001262336_3OF6

SECTION 5 - DRIVE TRAIN



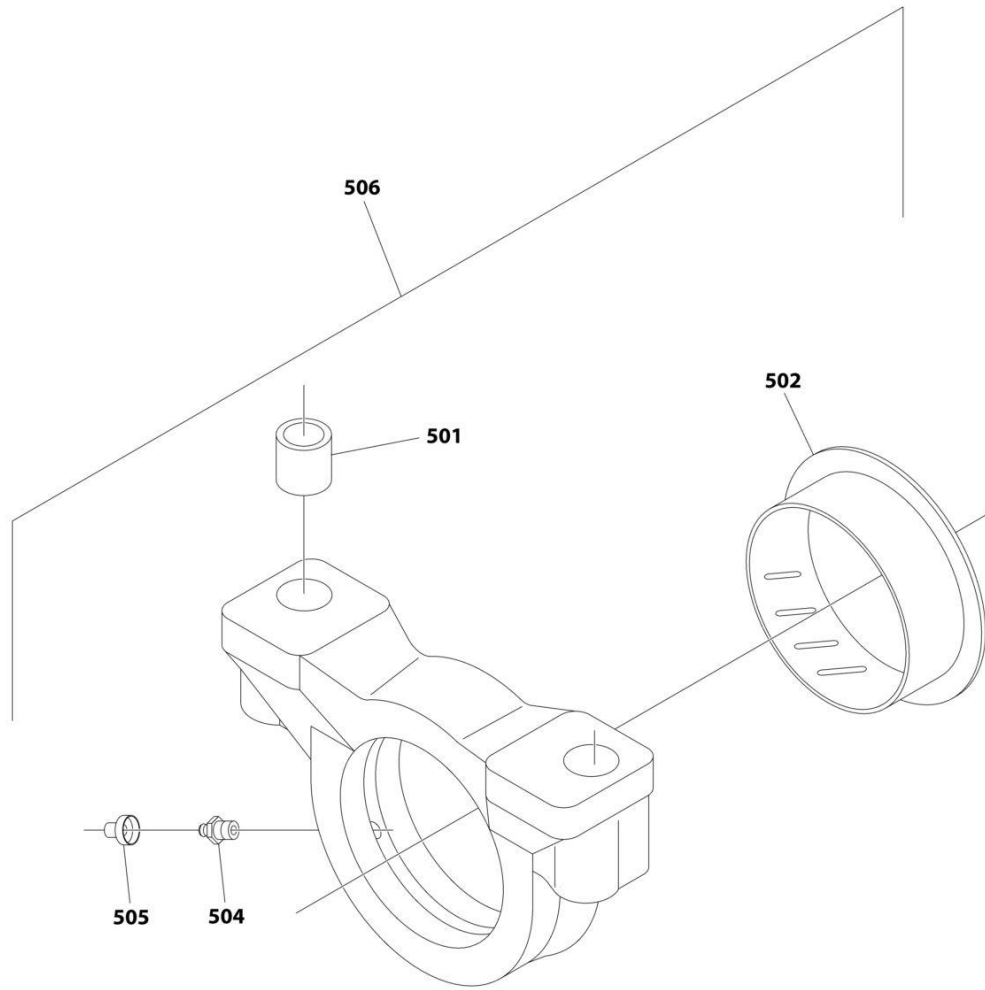
ART_1001262336_40F6

SECTION 5 - DRIVE TRAIN



ART_1001262336_50F6

SECTION 5 - DRIVE TRAIN



ART_1001262336_6OF6

SECTION 5 - DRIVE TRAIN

FIGURE 5-55. REAR AXLE

ITEM	PART NUMBER	QTY	DESCRIPTION	REV
	1001262336	Ref	REAR AXLE ASSEMBLY	A
		Ref	BRAKE ASSEMBLY	
1	70021609	2	Ring, Back-Up	
2	70021610	2	O-Ring	
3	70021612	2	Ring, Back-Up	
4	70021611	2	O-Ring	
5	70024216	2	Piston	
6	91514165	6	Spring	
7	70021607	6	Bolt, Adjusting	
8	91514159	6	Spring	
9	70024210	6	Bolt, Adjusting	
10	91514161	6	Disc, Intermediate Brake	
11	7029735	6	Disk, Brake	
12	7029734	2	Bushing, Reduction	
13	70021606	2	Spacer	
14	80204281	2	Bolt, Bleeding	
15	80204117	2	Plug	
16	91514154	2	Bolt	
18	70021613	2	Bolt, Pilot	
		Ref	CENTRAL HOUSING ASSEMBLY	
101	91474512	1	Vent	
102	7029288	1	Cover, Intermediate	
103	80204002	1	O-Ring	
104	80204005	1	Circlip	
105	91514098	1	Plug	
106	91514087	1	Plug	
107	70021177	1	Plug	
108	70025335	1	Housing	
109	91514101	4	Bolt	
110	91514089	2	O-Ring	
112	7029307	1	Plug	
113	8008175	3	Bolt	
		Ref	DIFFERENTIAL ASSEMBLY	
201	80204043	1	Nut	
202	91514130	1	Plate, Cover	
203	70030024	1	Bearing, Taper Roller	
204	70023469	1	Shim	
205	70026632	1	Gear, Bevel Set	
206	80204035	1	Bearing, Taper Roller	
207A	70026438	1	Kit, Shim	
207B	70026439	1	Kit, Shim	
208	70022140	1	Spacer	
209	70025887	1	Seal	
210	91514131	1	Flange	
211	10725554	1	O-Ring	
212	80204033	2	Bearing, Taper Roller	
213	91514133	2	Nut, Ring	
214	91514134	2	Bolt	
215	91514123	16	Bolt	
216	70025337	1	Carrier, Differential	

SECTION 5 - DRIVE TRAIN

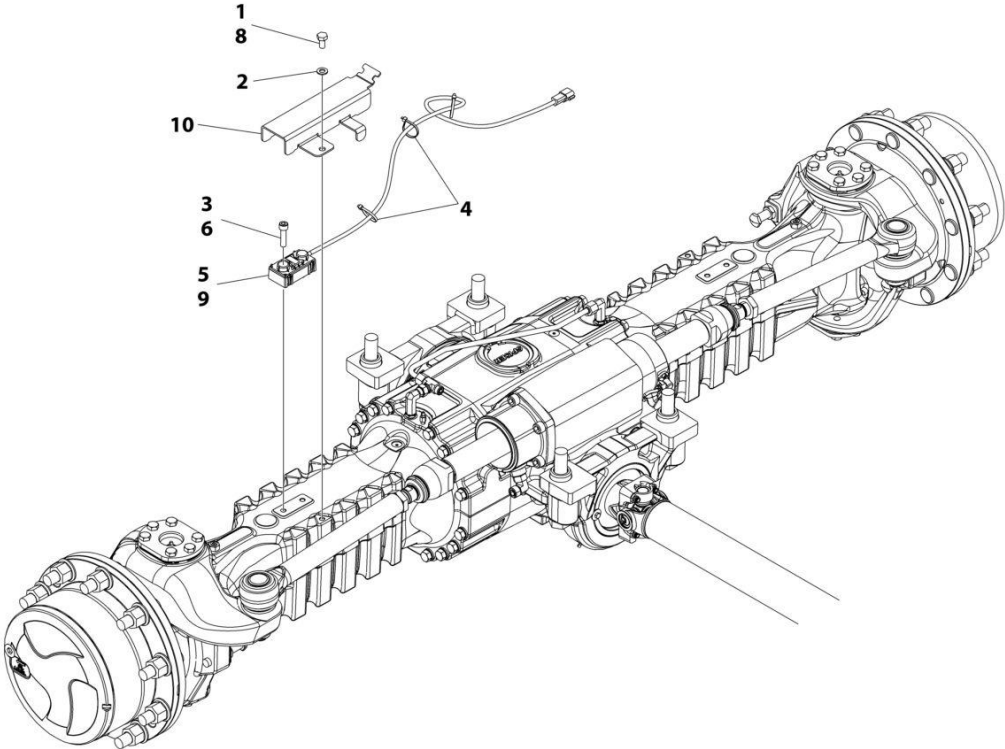
ITEM	PART NUMBER	QTY	DESCRIPTION	REV
217	70023493	2	Washer, Friction	
218	70025338	2	Gear, Differential Side	
219	70027105	4	Washer, Friction	
220	70025339	4	Pinion, Differential	
221	70023490	2	Shaft, Differential	
222	70023489	15	Bolt	
223	70026030	1	Kit, Differential (Includes Items 216-222)	
		Ref	HUB REDUCTION ASSEMBLY	
301	70025980	2	Case, Axle	
302	91514081	2	Bolt	
303	91514082	2	Nut	
306	70022814	32	Bolt	
307	80204071	2	Circlip	
308	80204005	2	Circlip	
309	91514146	2	Ball Bearing	
310	91514147	2	Seal	
311	91514148	2	O-Ring	
312	91514149	2	Bushing, Reduction	
313	70025855	2	Joint, Double Universal	
314	70026238	2	Seal	
315	91514111	2	Bushing, Thrust	
316	70025562	24	Bolt	
318	70024881	4	Fitting, Grease	
319	91514112	2	Pin, Pivot	
320	70025561	1	Kit, Shim	
321	7028716	4	Seal, Dust	
323	7028714	2	Bushing	
324	91514095	2	Bearing	
325	7028715	2	Pin, Pivot	
326	80204065	4	Nut	
327	7028733	4	Bolt	
330	70028388	2	Plug	
331	70028329	2	Bolt	
333	70026002	2	Seal	
334	80204076	4	Bearing, Taper Roller	
335	91514174	2	Hub, Wheel	
336	91514175	2	Circlip	
337	70024147	2	Gear, Ring	
338	91514177	2	Support, Ring Gear	
339	91514178	2	Plate, Locking	
340	91514184	6	Circlip	
341	91514185	6	Gear, Planet	
342	91514186	6	Bearing	
343	7026731	2	Carrier, Planetary Gear	
345	91514188	2	Plug	
346	91514189	4	Bolt, Countersunk	
347	91514179	16	Nut	
348	91514180	16	Stud	
349	91514181	2	O-Ring	
351	91514183	20	Stud, Wheel	
352	70025972	2	Carrier, Planet Gear (Includes Items 501, 502, 504 & 505)	

SECTION 5 - DRIVE TRAIN

ITEM	PART NUMBER	QTY	DESCRIPTION	REV
362	70026239	1	Carrier, Steering (Includes Items 315)	
363	70030026	1	Carrier, Steering (Includes Items 315)	
364	7028733	4	Bolt, Steering Adjust (Includes Items 326-327)	
366	70024146	4	Support, Ring Gear (Includes Items 336-338)	
370	70028882	2	Carrier, Planet Gear (Includes Items 340-343)	
373	70028392	2	Cover	
		Ref	STEERING ASSEMBLY	
401	7026490	1	Cylinder	
402	80204143	2	O-Ring	
403	70021614	2	Bar	
404	80204144	5	Bolt	
410	7029127	1	Kit, Seal	
		Ref	TRUNION ASSEMBLY	
501	7029290	2	Bushing	
502	91514090	1	Bushing, Thrust	
504	70024881	1	Fitting, Grease	
505	80204117	1	Plug	
506	70026266	Ref	Kit, Support (Includes Items 501, 502, 504 & 505)	

SECTION 5 - DRIVE TRAIN

FIGURE 5-56. LSI AXLE SENSOR INSTALLATION



ART_1001258644

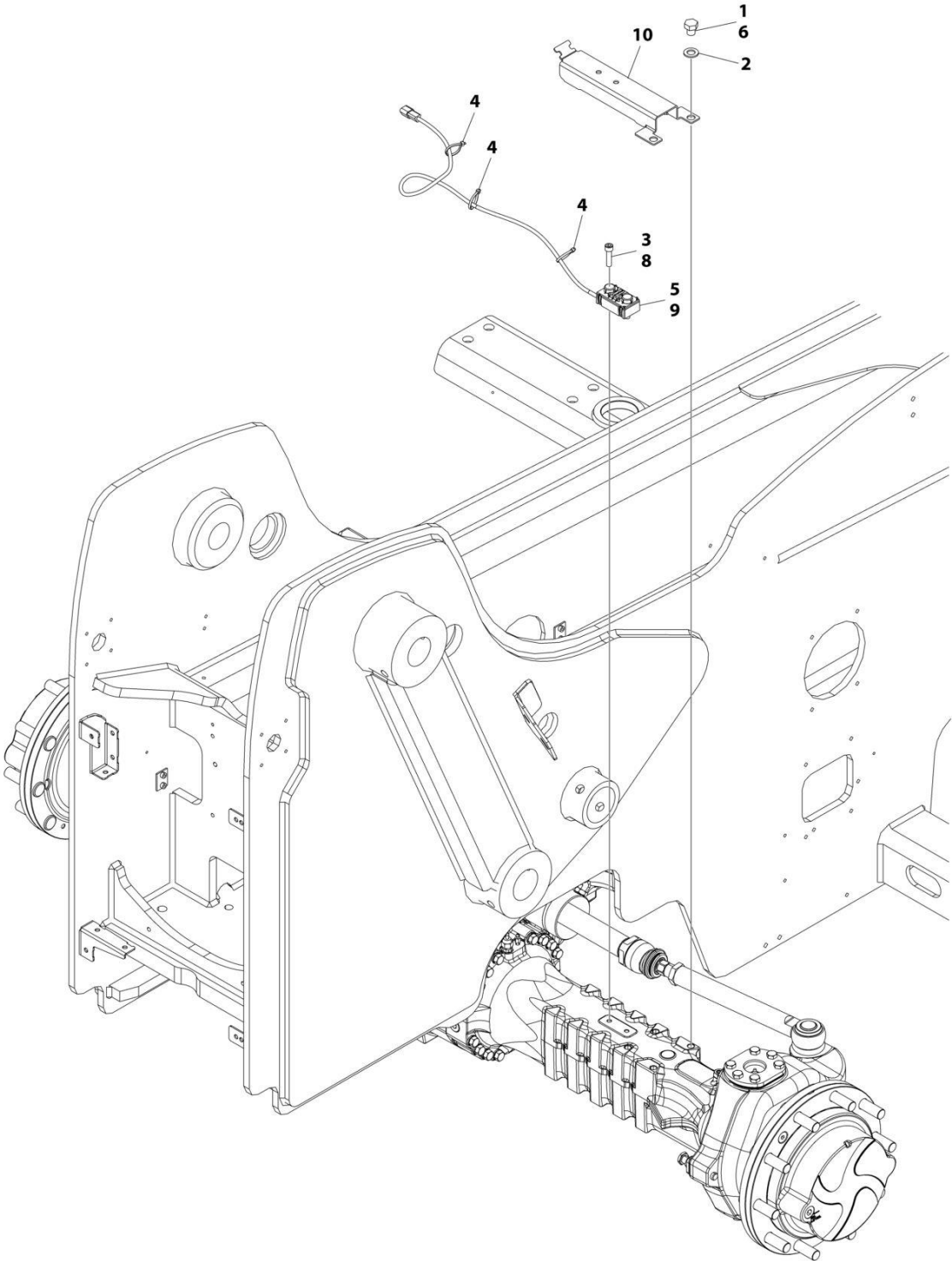
SECTION 5 - DRIVE TRAIN

FIGURE 5-56. LSI AXLE SENSOR INSTALLATION

ITEM	PART NUMBER	QTY	DESCRIPTION	REV
	1001258644	Ref	LSI Sensor Installation	B
1	0761010	1	Bolt, M10X20	
2	4812000	1	Washer, M10	
3	5272012	2	Bolt, M10X40	
4	1001008559	3	Strap, Cable	
5	1001116128	AR	Seal	
6	1001125465	AR	Locking, Compound	
8	1001289296	AR	Adhesive	
9	1001289105	1	Sensor, Rear Axle	
10	1001290669	1	Bracket	

SECTION 5 - DRIVE TRAIN

FIGURE 5-57. LSI REAR AXLE SENSOR INSTALLATION



ART_1001258798

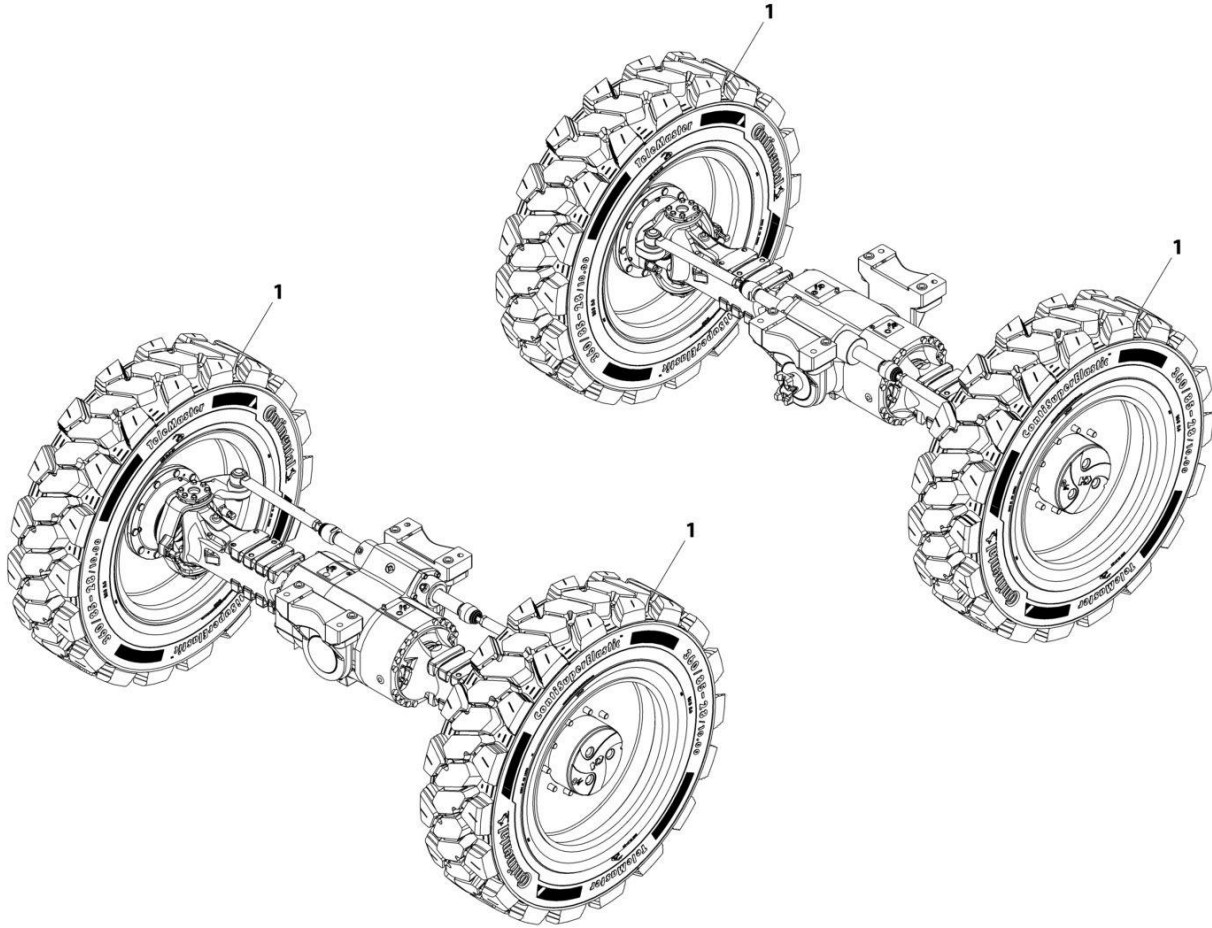
SECTION 5 - DRIVE TRAIN

FIGURE 5-57. LSI REAR AXLE SENSOR INSTALLATION

ITEM	PART NUMBER	QTY	DESCRIPTION	REV
	1001258798	Ref	LSI AXLE SENSOR INSTALLATION	B
1	0761608	2	Bolt M16 x 16	
2	4812300	2	Washer M16	
3	5272012	2	Bolt M10 x 40	
4	1001008559	3	Strap, Cable	
5	1001116128	AR	Seal	
6	1001125465	AR	Locking, Compound	
8	1001289296	AR	Adhesive	
9	1001289105	1	Sensor, Rear Axle	
10	1001290670	1	Bracket	

SECTION 5 - DRIVE TRAIN

FIGURE 5-58. TIRE/WHEEL SET 360/85-28 - SOLID



ART_1001221504-A

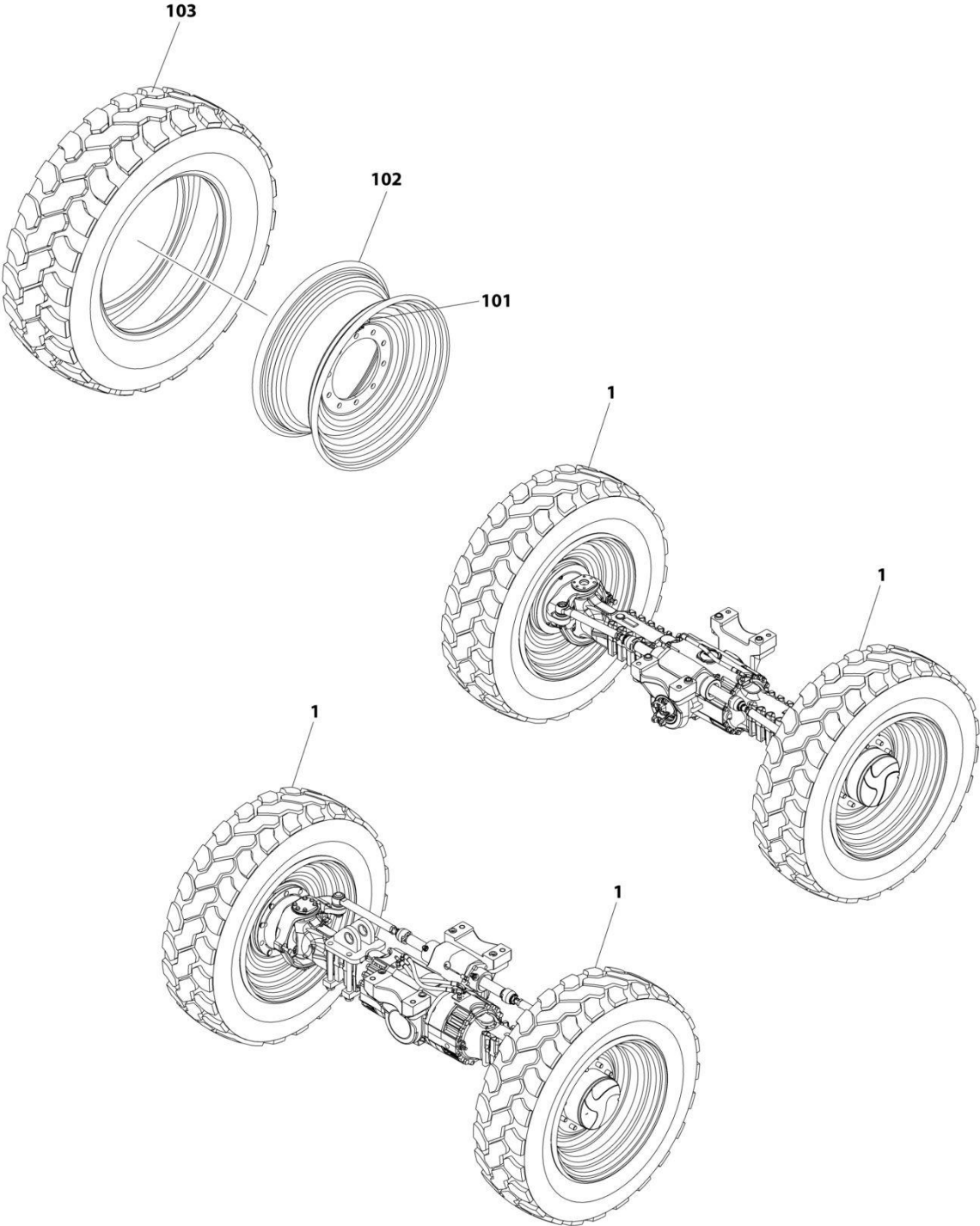
SECTION 5 - DRIVE TRAIN

FIGURE 5-58. TIRE/WHEEL SET 360/85-28 - SOLID

ITEM	PART NUMBER	QTY	DESCRIPTION	REV
1	1001221504	Ref	Tire/Wheel Set 360/85-28 - Solid	A
	1001213200J	4	Tire/Wheel Solid 360/85-28/10 - 1M Offset	

SECTION 5 - DRIVE TRAIN

FIGURE 5-59. TIRE/WHEEL SET 400/75-28 PNEUMATIC



ART_1001121109

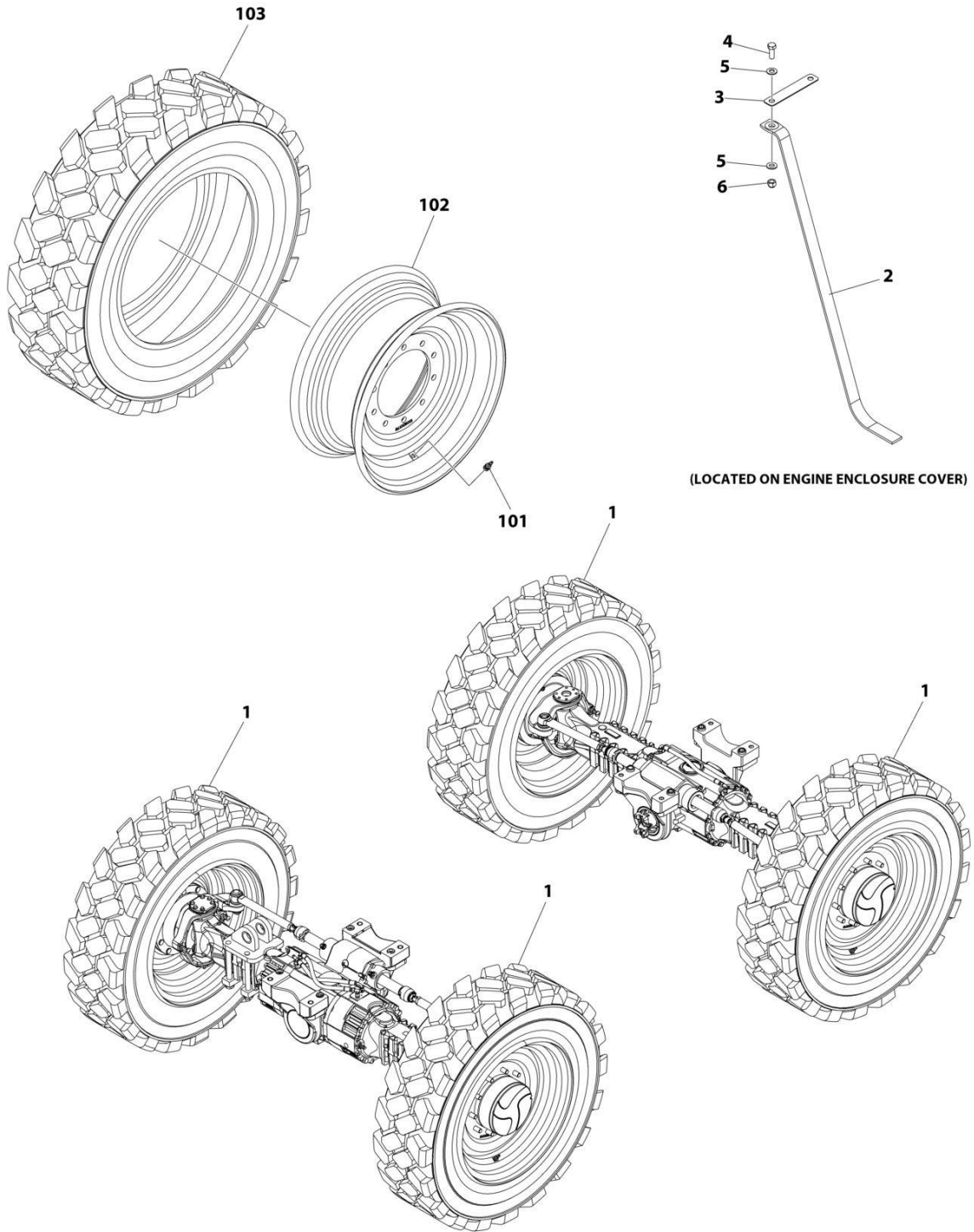
SECTION 5 - DRIVE TRAIN

FIGURE 5-59. TIRE/WHEEL SET 400/75-28 PNEUMATIC

ITEM	PART NUMBER	QTY	DESCRIPTION	REV
	1001121109	Ref	TIRE/WHEEL SET 400/75-28 - AIR	B
1	1001121103	4	Assembly, Tire/Wheel 400/75-28 - Air	
101	8786514	4	Valve, Stem (1 per assembly)	
102	1001120178	4	Wheel, 28.00 x 12W/0.75 Offset (1 per assembly)	
103	1001120179	4	Tire, 400/75D-28 (1 per assembly)	

SECTION 5 - DRIVE TRAIN

FIGURE 5-60. TIRE/WHEEL SET 400/75-28 PNEUMATIC NON-MARKING



ART_1001241848

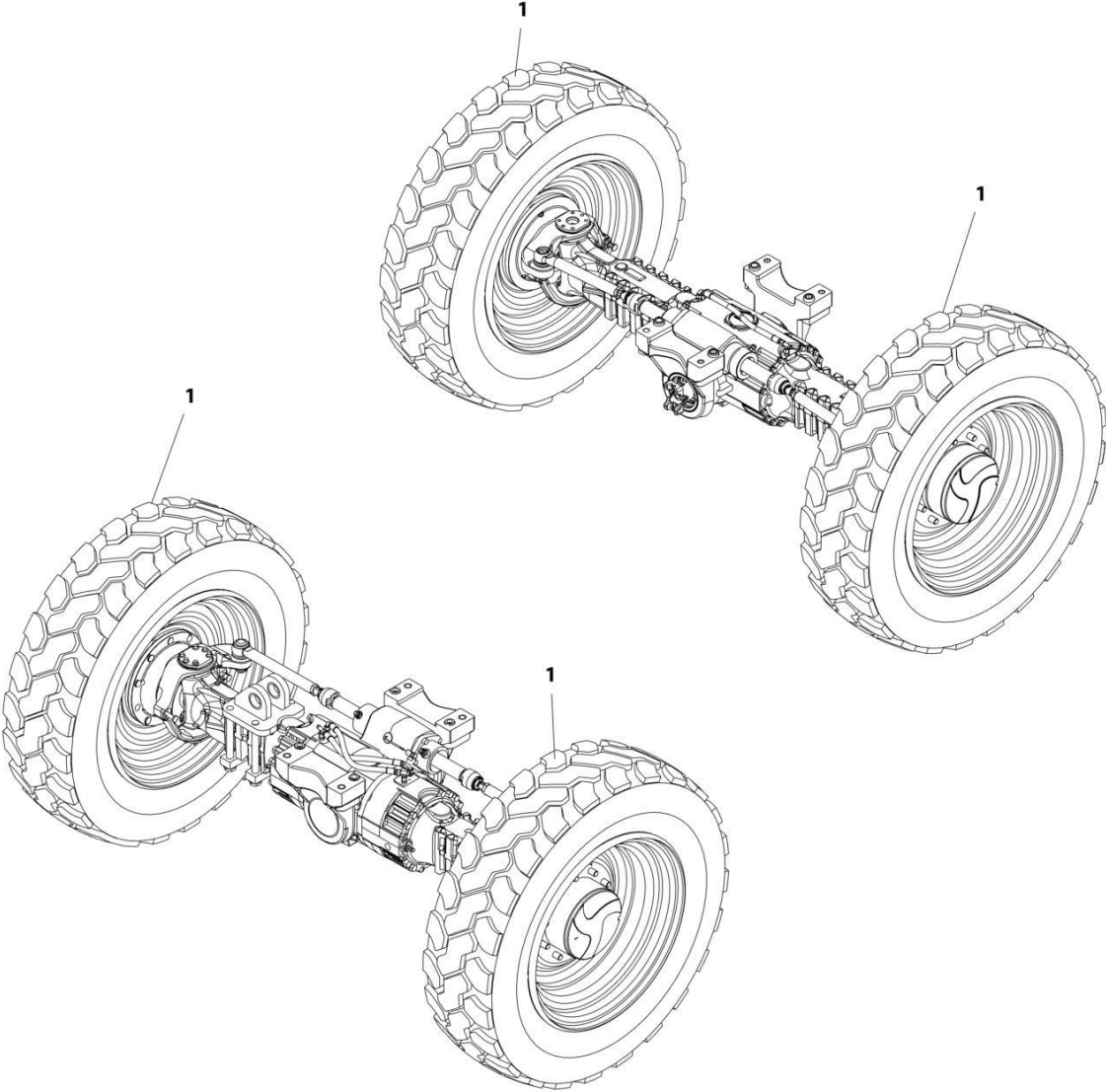
SECTION 5 - DRIVE TRAIN

FIGURE 5-60. TIRE/WHEEL SET 400/75-28 PNEUMATIC NON-MARKING

ITEM	PART NUMBER	QTY	DESCRIPTION	REV
	1001241848	Ref	TIRE/WHEEL SET - 400/75-28 - PNEUMATIC NON MARKING	B
1	1001241841	4	Assembly, Tire and Wheel - 400/75-28 - Pneumatic Non-Marking (See Items 101-103)	
2	1001275637	1	Strap, Anti-Static	
3	1001275638	1	Bracket	
4	8303620	1	Bolt 3/8 x 1	
5	8307110	2	Washer 3/8	
6	8305645	1	Nut 3/8	
	1001241841	Ref	ASSEMBLY, TIRE AND WHEEL - 400/75-28 - PNEUMATIC NON-MARKING	A
101	8786514	4	Valve, Air (1 per assembly)	
102	1001120178	4	Wheel (1 per assembly)	
103	1001241837	4	Tire 400/75-28 Non-Marking (1 per assembly)	

SECTION 5 - DRIVE TRAIN

FIGURE 5-61. TIRE/WHEEL SET 400/75-28 - FOAM-FILLED



ART_1001125410_D

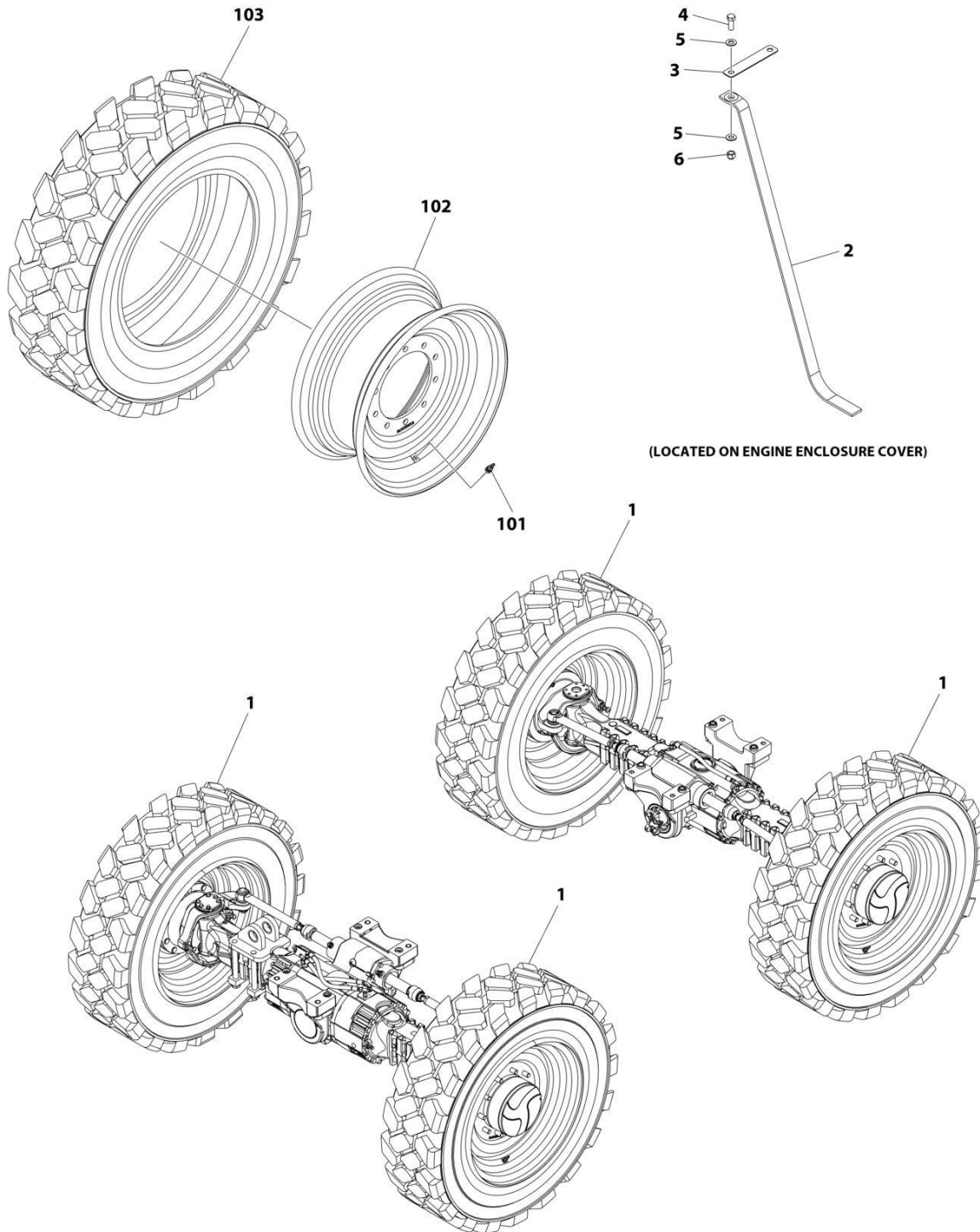
SECTION 5 - DRIVE TRAIN

FIGURE 5-61. TIRE/WHEEL SET 400/75-28 - FOAM-FILLED

ITEM	PART NUMBER	QTY	DESCRIPTION	REV
	1001125410	1	Tire/Wheel Set 400/75-28 - Foam	D
		Ref	Note: Assemblies require ballast/foam filling to manufacture's specifications prior to installing on machine. Refer to Operation & Safety or Service & Maintenance Manuals.	
		Ref	Purchase individual tire and/or wheel only if able to foam fill tire & wheel assembly, otherwise purchase complete assembly.	
1	1001121105	4	Tire/Wheel 400/75-28 Foam	
1	8786514	4	Vavle, Air (1 per assembly)	
1	1001120178	4	Wheel (1 per assembly)	
1	1001120179	4	Tire 400/75-28 Non-Marking (1 per assembly)	

SECTION 5 - DRIVE TRAIN

FIGURE 5-62. TIRE/WHEEL SET 400/75-28 NON-MARKING - FOAM-FILLED



ART_1001241849

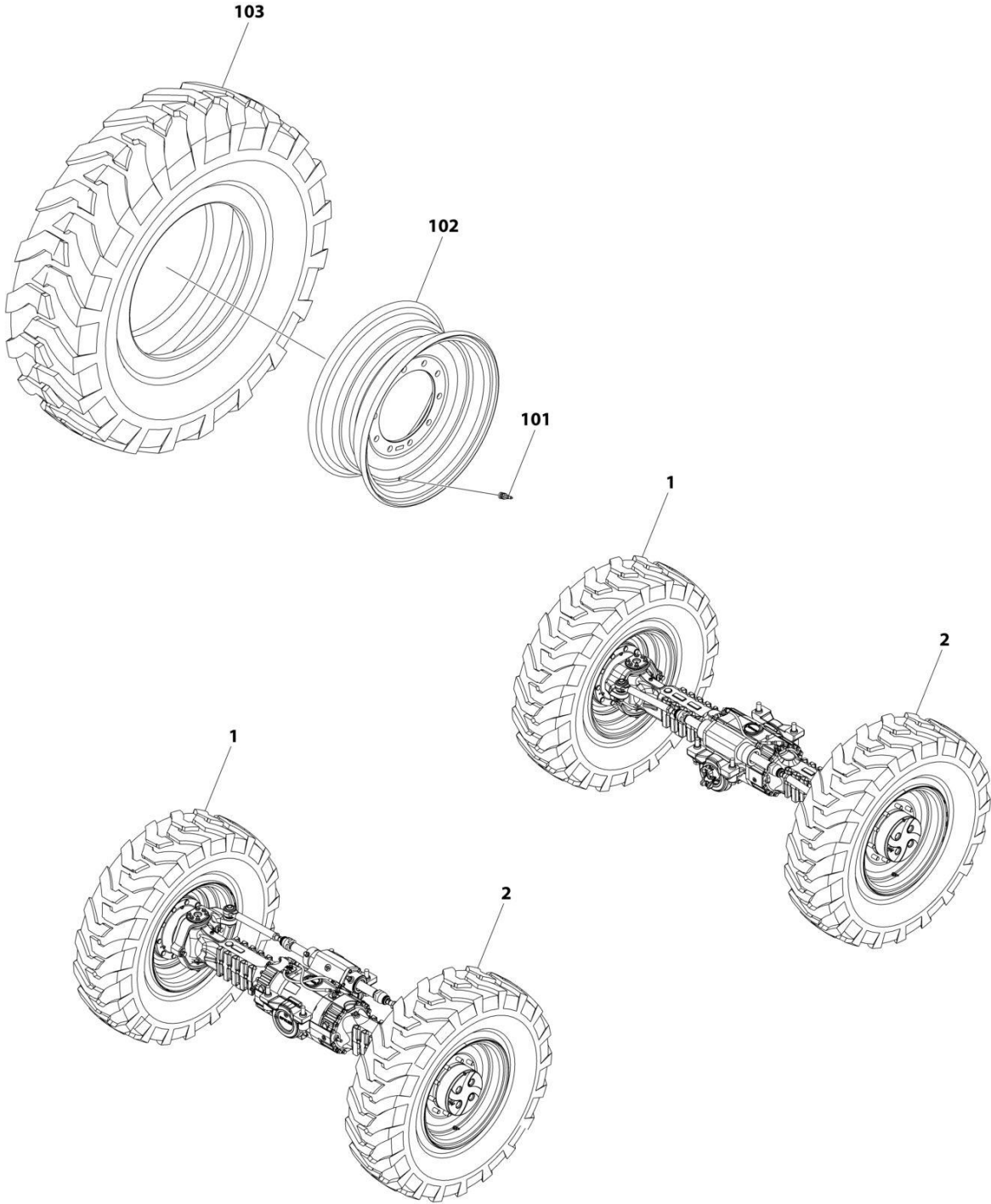
SECTION 5 - DRIVE TRAIN

FIGURE 5-62. TIRE/WHEEL SET 400/75-28 NON-MARKING - FOAM-FILLED

ITEM	PART NUMBER	QTY	DESCRIPTION	REV
	1001241849	Ref	TIRE/WHEEL SET 400/75-28 - FOAM FILLED NON MARKING	B
		Ref	Note: Assemblies require ballast/foam filling to manufacture's specifications prior to installing on machine. Refer to Operation & Safety or Service & Maintenance Manuals.	
		Ref	Purchase individual tire and/or wheel only if able to foam fill tire & wheel assembly, otherwise purchase complete assembly.	
1	1001241842	4	Tire and Wheel Assembly (See Items 101-103)	
2	1001275637	1	Strap, Anti-Static	
3	1001275638	1	Bracket	
4	8303620	1	Bolt 3/8 x 1	
5	8307110	2	Washer 3/8	
6	8305645	1	Nut 3/8	
	1001241842	Ref	TIRE AND WHEEL ASSEMBLY	A
101	8786514	4	Valve, Air (1 per assembly)	
102	1001120178	4	Wheel (1 per assembly)	
103	1001241837	4	Tire 400/75-28 Non-Marking (1 per assembly)	

SECTION 5 - DRIVE TRAIN

FIGURE 5-63. TIRE/WHEEL SET 14-24 16PR PNEUMATIC



ART_1001198291

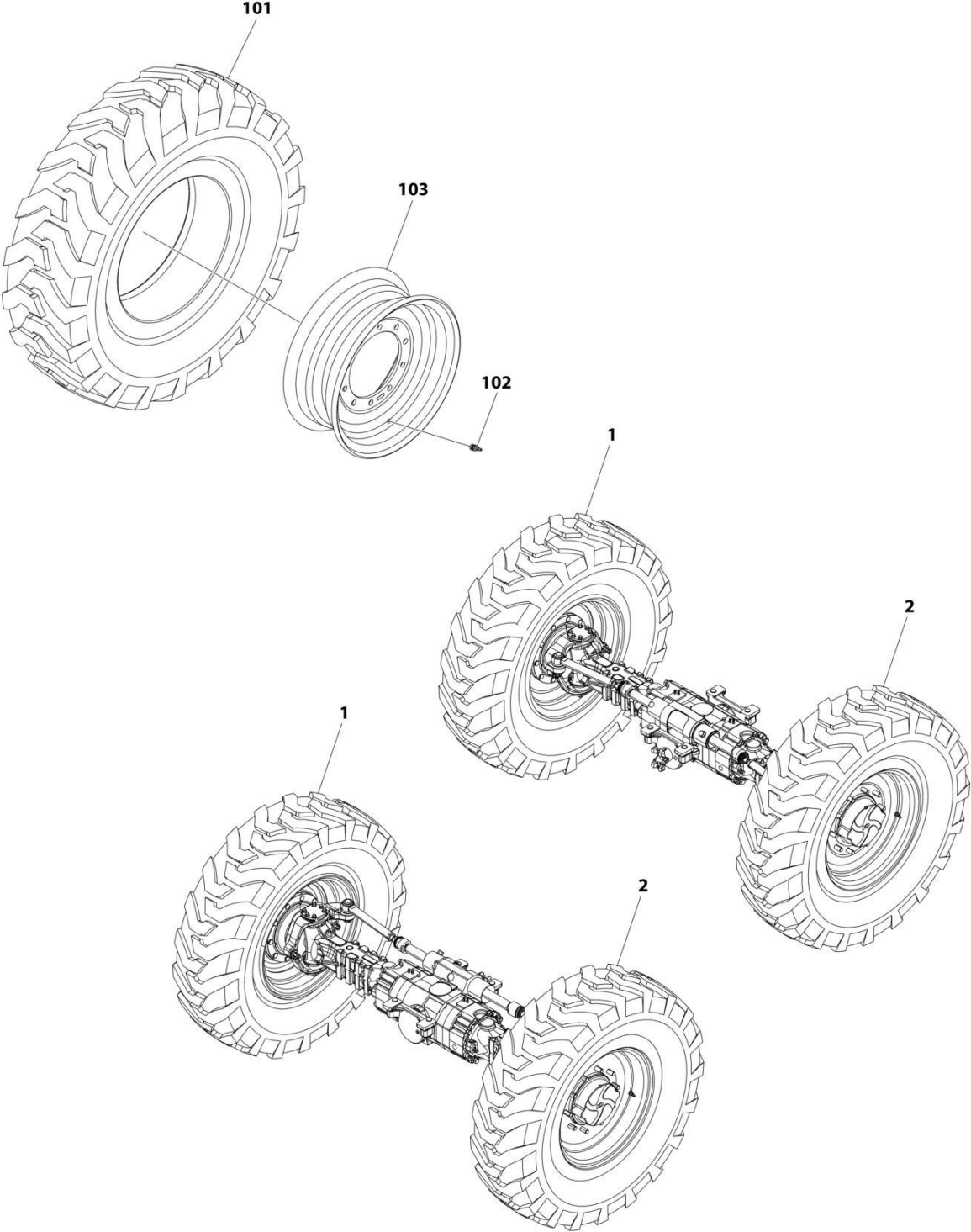
SECTION 5 - DRIVE TRAIN

FIGURE 5-63. TIRE/WHEEL SET 14-24 16PR PNEUMATIC

ITEM	PART NUMBER	QTY	DESCRIPTION	REV
	1001198291	Ref	TIRE/WHEEL SET 14-24 16PR - AIR	A
1	1001197715	2	Assembly, Tire/Wheel Right 14-24 16PR - Air (Includes Item 101-103)	
2	1001197716	2	Assembly, Tire/Wheel Left 14-24 16PR - Air (Includes Item 101-103)	
101	8786514	4	Valve, Stem (1 per assembly)	
102	91473206	4	Wheel, 24 x 9.00 GR (1 per assembly)	
103	1001197709	4	Tire, 14.00 x 24 TG 16 PLY BIAS G2 (1 per assembly)	

SECTION 5 - DRIVE TRAIN

FIGURE 5-64. TIRE/WHEEL SET 14-24 12PR - FOAM-FILLED



ART_4520482

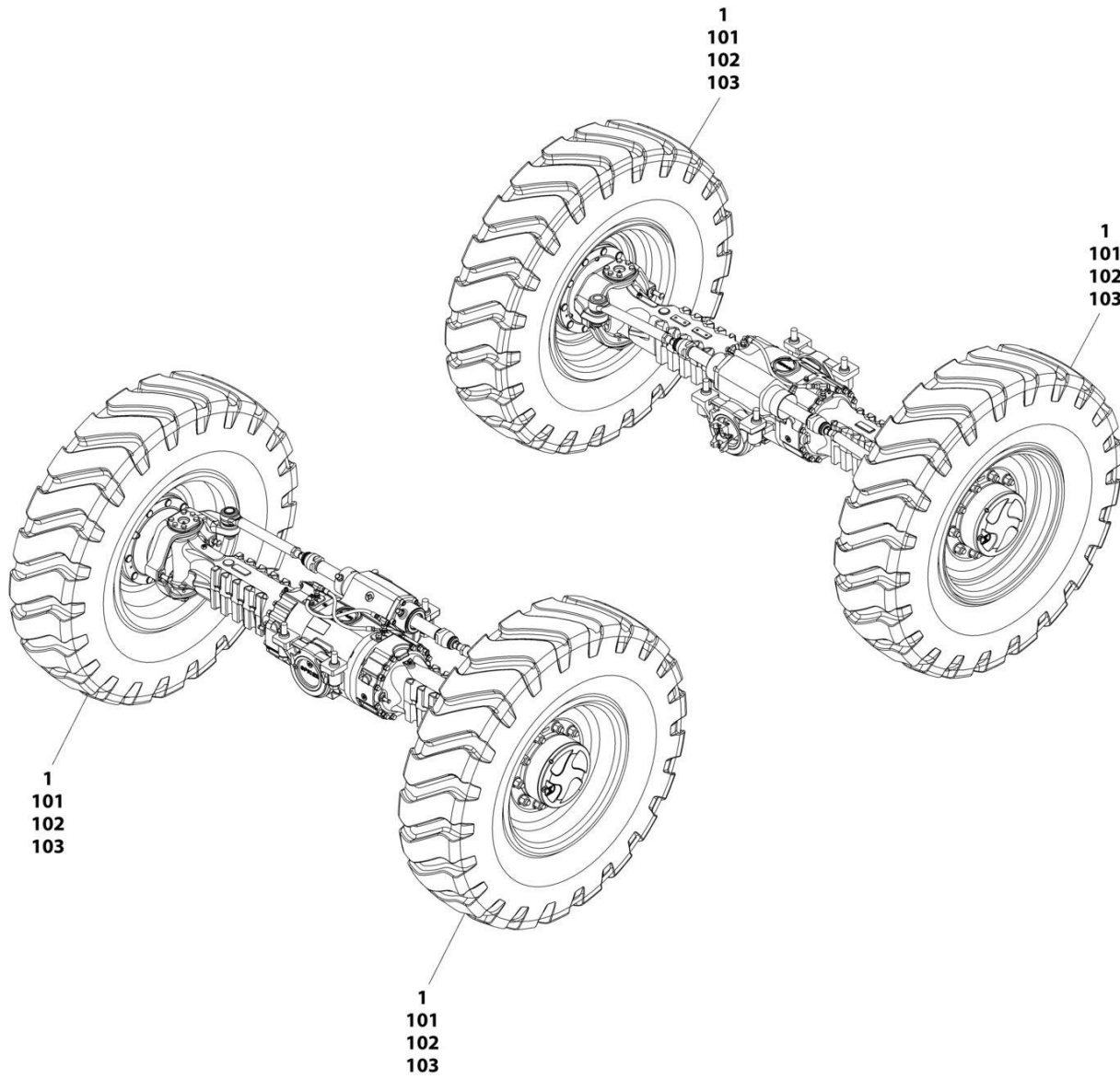
SECTION 5 - DRIVE TRAIN

FIGURE 5-64. TIRE/WHEEL SET 14-24 12PR - FOAM-FILLED

ITEM	PART NUMBER	QTY	DESCRIPTION	REV
	4520482	Ref	TIRE/WHEEL SET - 14.00-24 FOAM FILLED	C
		Ref	Note: Assemblies require ballast/foam filling to manufacture's specifications prior to installing on machine. Refer to Operation & Safety or Service & Maintenance Manuals.	
		Ref	Purchase individual tire and/or wheel only if able to foam fill tire & wheel assembly, otherwise purchase complete assembly.	
1	91355037	2	Tire/Wheel Right 14-24 G-2 - Foam (Includes Item 101-103)	
2	91355038	2	Tire/Wheel Left 14-24 G-2 - Foam (Includes Item 101-103)	
101	91043084	4	Tire, 13.00 x 24 TG 16 PLY G2, BIAS (1 per assembly)	
102	8786514	4	Valve, Stem (1 per assembly)	
103	91473206	4	Wheel, 24 x 9.00 GR (1 per assembly)	

SECTION 5 - DRIVE TRAIN

FIGURE 5-65. TIRE/WHEEL SET 14-24 12PR - FOAM-FILLED (E-3) (SUNSHINE)



ART_1001264713

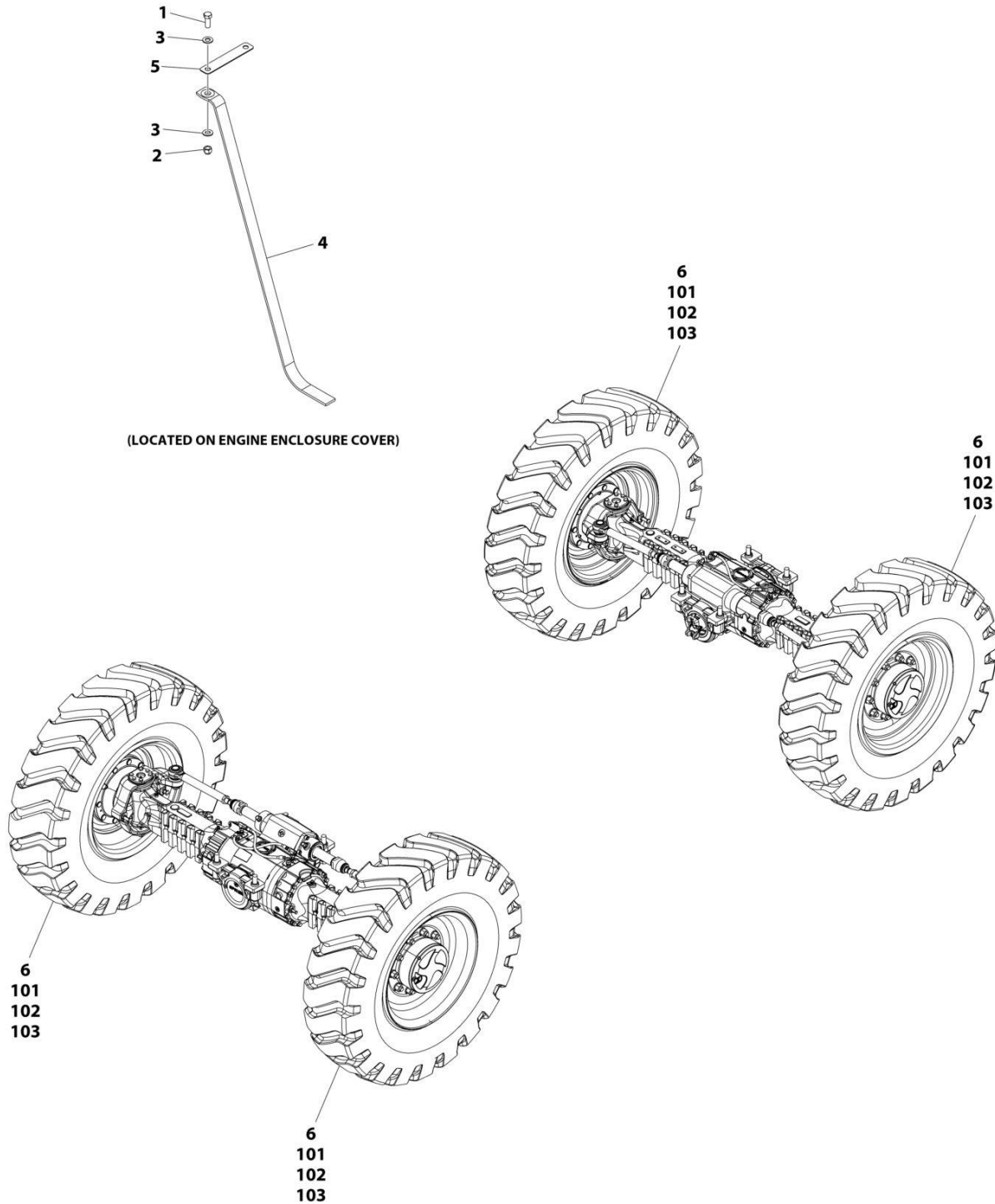
SECTION 5 - DRIVE TRAIN

FIGURE 5-65. TIRE/WHEEL SET 14-24 12PR - FOAM-FILLED (E-3) (SUNSHINE)

ITEM	PART NUMBER	QTY	DESCRIPTION	REV
	1001264713	Ref	TIRE WHEEL SET - 14.00-24 - FOAM-FILLED	A
		Ref	Note: Assemblies require ballast/foam filling to manufacture's specifications prior to installing on machine. Refer to Operation & Safety or Service & Maintenance Manuals.	
		Ref	Purchase individual tire and/or wheel only if able to foam fill tire & wheel assembly, otherwise purchase complete assembly.	
1	1001264700	4	Tire and Wheel Assembly	
101	8786514	4	Valve, Air (1 per assembly)	
102	91473206	4	Wheel (1 per assembly)	
103	1001263011	4	Tire 14.00-24 (1 per assembly)	

SECTION 5 - DRIVE TRAIN

FIGURE 5-66. TIRE/WHEEL SET 14-24 - FOAM-FILLED (E-3) (NON-MARKING) (SUNSHINE)



ART_1001281186

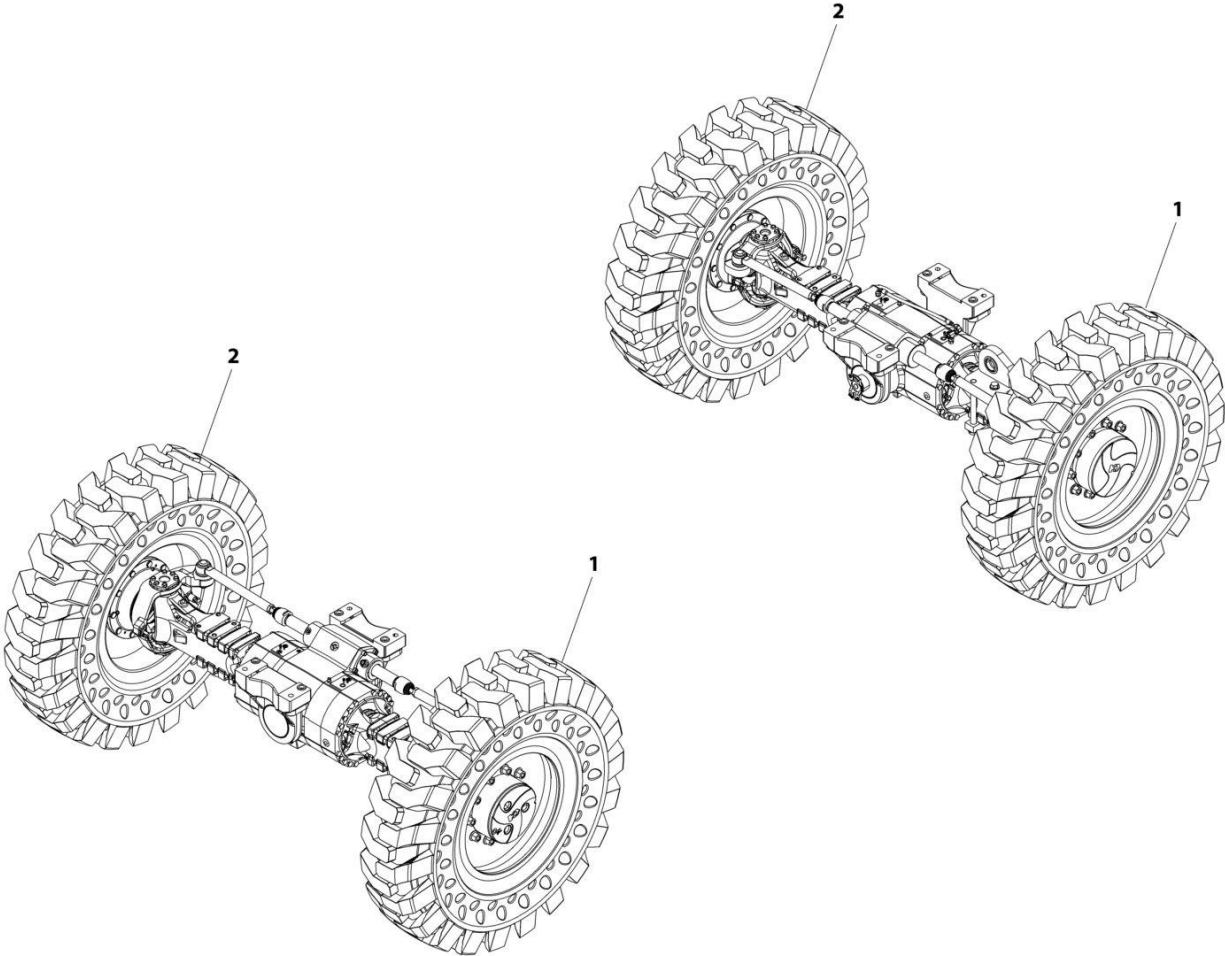
SECTION 5 - DRIVE TRAIN

FIGURE 5-66. TIRE/WHEEL SET 14-24 - FOAM-FILLED (E-3) (NON-MARKING) (SUNSHINE)

ITEM	PART NUMBER	QTY	DESCRIPTION	REV
	1001281186	Ref	TIRE/WHEEL SET 14-24 - FOAM-FILLED (E-3) (NON-MARKING) (SUNSHINE)	A
		Ref	Note: Assemblies require ballast/foam filling to manufacture's specifications prior to installing on machine. Refer to Operation & Safety or Service & Maintenance Manuals.	
		Ref	Purchase individual tire and/or wheel only if able to foam fill tire & wheel assembly, otherwise purchase complete assembly.	
1	8303620	1	Screw 3/8 x 1	
2	8305645	1	Nut 3/8	
3	8307110	2	Washer 3/8	
4	1001275637	1	Strap, Anti-Static	
5	1001275638	1	Bracket	
6	1001281184	4	Tire and Wheel Assembly	
101	8786514	4	Valve, Air (1 per assembly)	
102	91473206	4	Wheel (1 per assembly)	
103	1001281182	4	Tire 14.00-24 (1 per assembly)	

SECTION 5 - DRIVE TRAIN

FIGURE 5-67. TIRE/WHEEL SET 14-24 SOLIDBOSS (DIRECTIONAL)



ART_1001274721

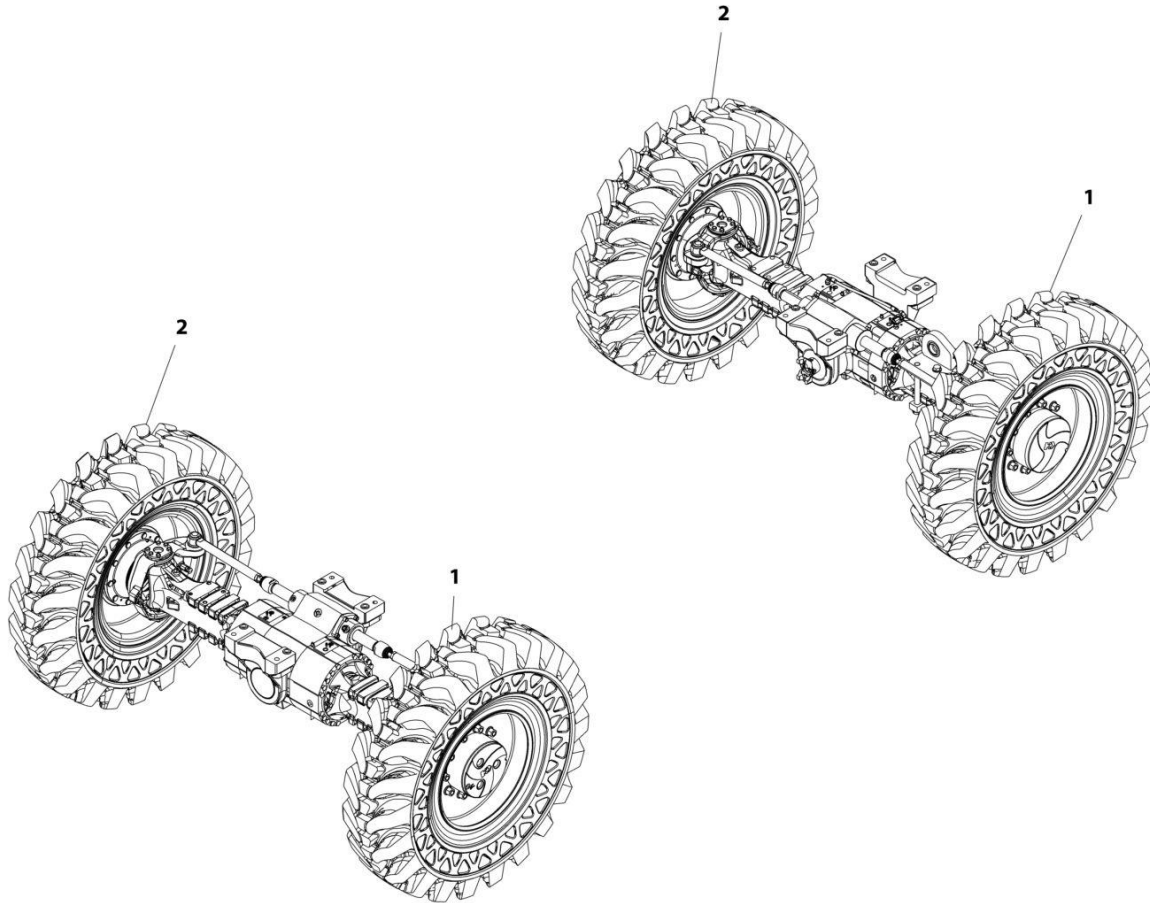
SECTION 5 - DRIVE TRAIN

FIGURE 5-67. TIRE/WHEEL SET 14-24 SOLIDBOSS (DIRECTIONAL)

ITEM	PART NUMBER	QTY	DESCRIPTION	REV
	1001274721	Ref	TIRE/WHEEL SET 14-24 SOLIDBOSS (DIRECTIONAL)	A
1	1001274719	2	Tire/Wheel Left 14X24 - Solid	
2	1001274720	2	Tire/Wheel Right 14X24 - Solid	

SECTION 5 - DRIVE TRAIN

FIGURE 5-68. TIRE/WHEEL SET 14-24 SOLIDEAL (DIRECTIONAL)



ART_1001151108-A

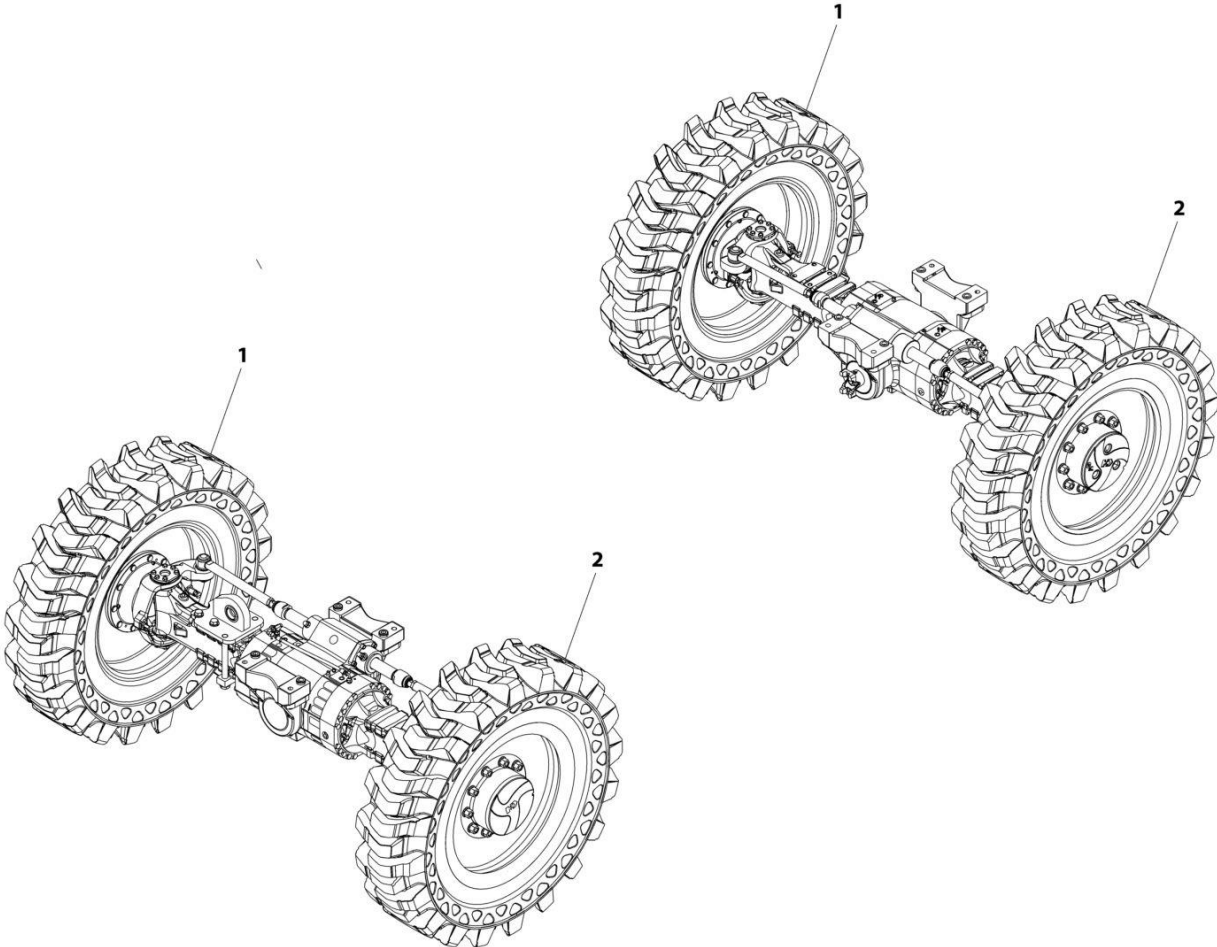
SECTION 5 - DRIVE TRAIN

FIGURE 5-68. TIRE/WHEEL SET 14-24 SOLIDEAL (DIRECTIONAL)

ITEM	PART NUMBER	QTY	DESCRIPTION	REV
	1001151108	1	Tire/Wheel Set 14-24 - Solid	A
1	1001151101	2	Tire/Wheel Left 14-24 .219 - Offset	
2	1001151102	2	Tire/Wheel Right 14-24 .219 - Offset	

SECTION 5 - DRIVE TRAIN

FIGURE 5-69. TIRE/WHEEL SET 14-28 SOLIDBOSS (DIRECTIONAL)



ART_1001274305

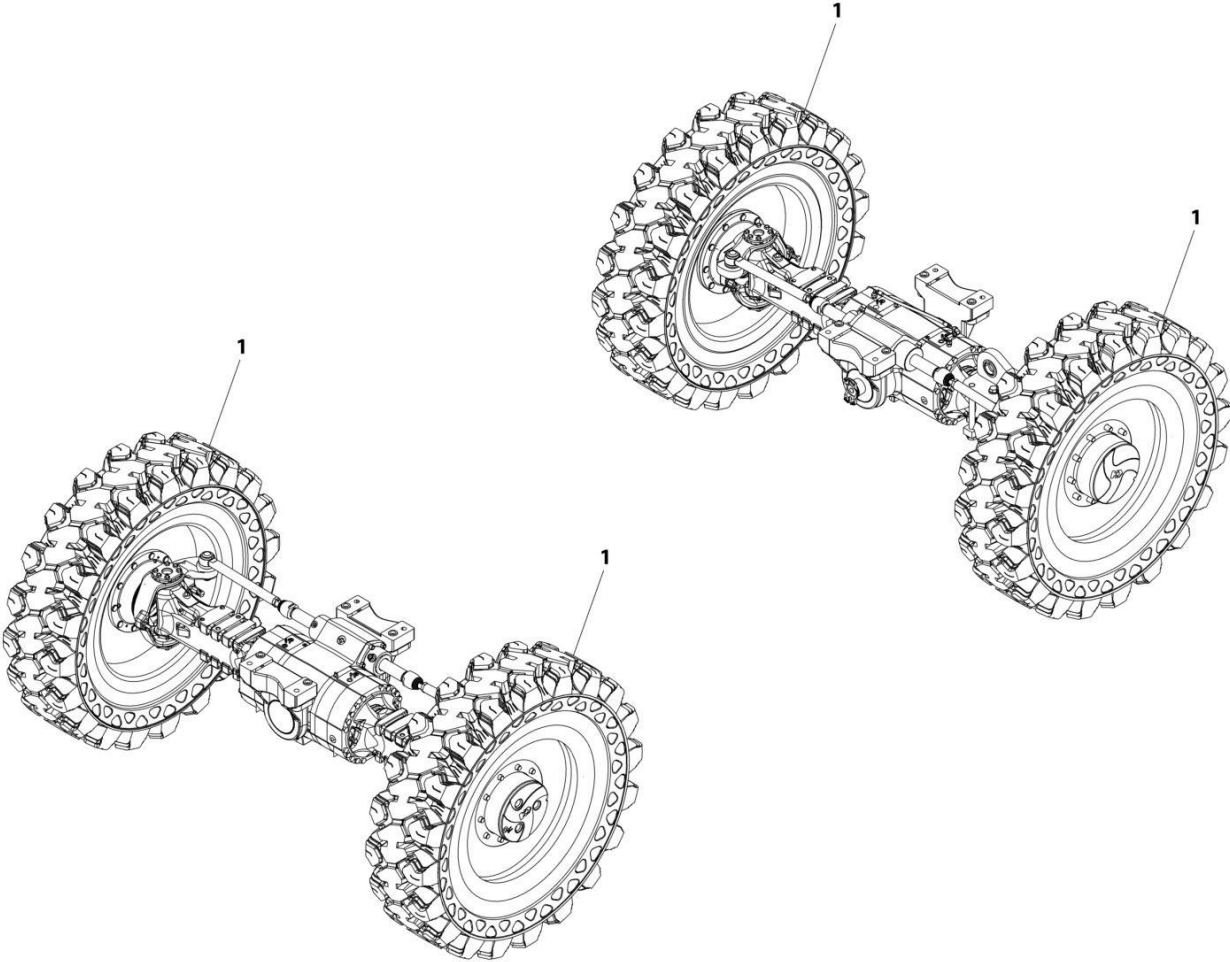
SECTION 5 - DRIVE TRAIN

FIGURE 5-69. TIRE/WHEEL SET 14-28 SOLIDBOSS (DIRECTIONAL)

ITEM	PART NUMBER	QTY	DESCRIPTION	REV
	1001274305	Ref	TIRE/WHEEL SET 14-28 SOLIDBOSS (DIRECTIONAL)	A
1	1001274303	2	Tire/Wheel Left 14X28 - Solid	
2	1001274304	2	Tire/Wheel Right 14X28 - Solid	

SECTION 5 - DRIVE TRAIN

FIGURE 5-70. TIRE/WHEEL SET 14-28 SOLIDBOSS (NON-DIRECTIONAL)



ART_1001274307

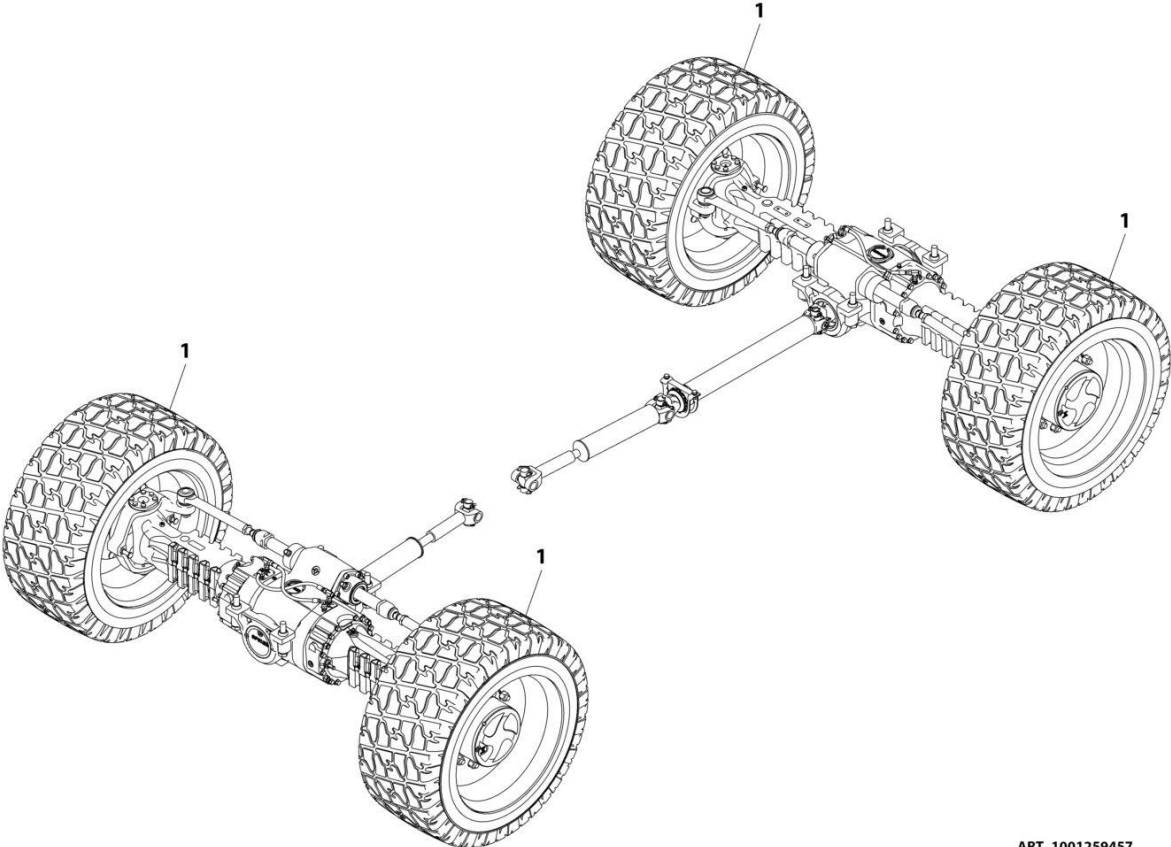
SECTION 5 - DRIVE TRAIN

FIGURE 5-70. TIRE/WHEEL SET 14-28 SOLIDBOSS (NON-DIRECTIONAL)

ITEM	PART NUMBER	QTY	DESCRIPTION	REV
1	1001274307	Ref	TIRE/WHEEL SET 14-28 SOLIDBOSS (NON-DIRECTIONAL)	A
	1001274306	4	Tire/Wheel 14X28 - Solid	

SECTION 5 - DRIVE TRAIN

FIGURE 5-71. TIRE/WHEEL SET 18 X 625 (PNEUMATIC TURF)



ART_1001259457

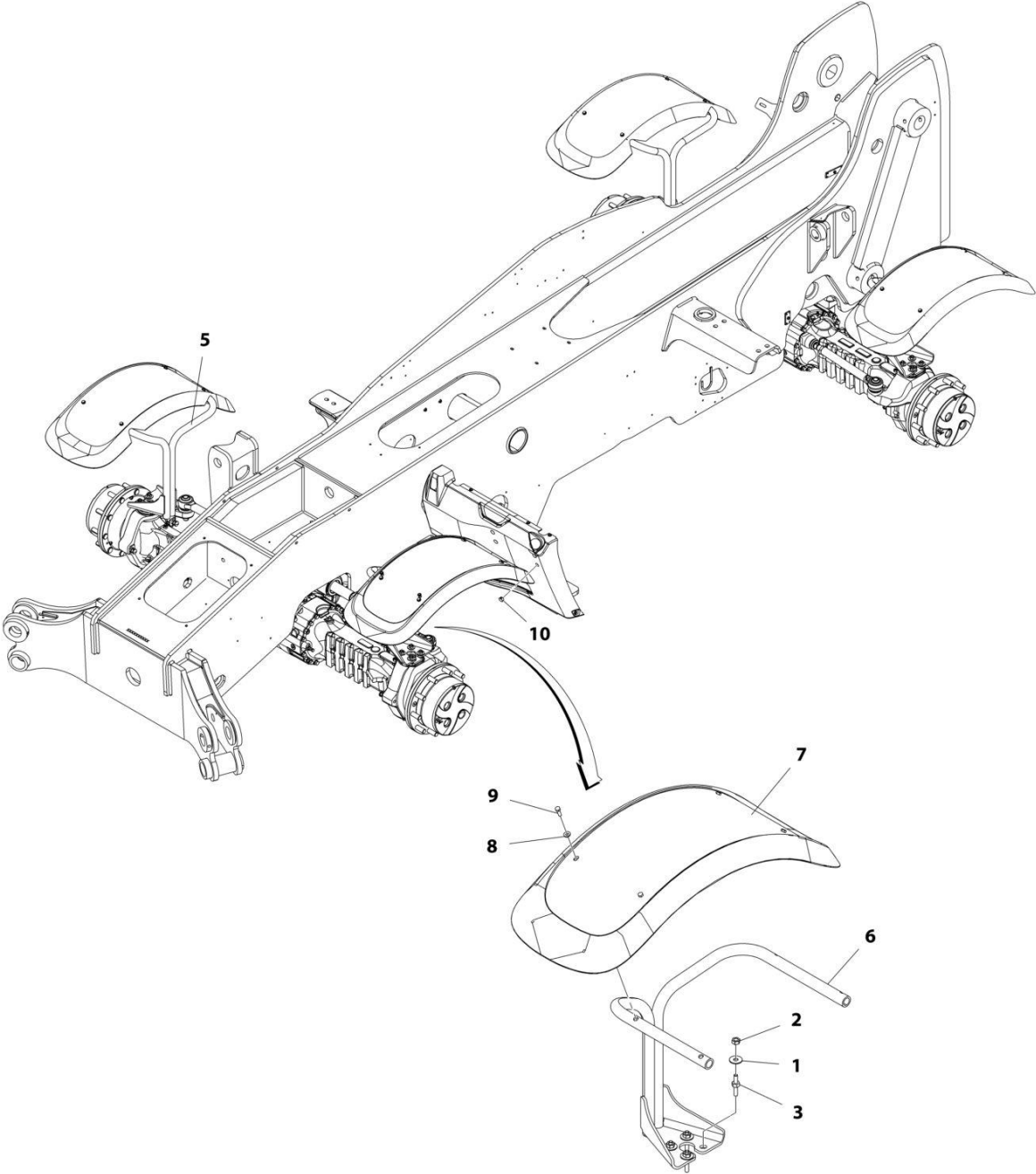
SECTION 5 - DRIVE TRAIN

FIGURE 5-71. TIRE/WHEEL SET 18 X 625 (PNEUMATIC TURF)

ITEM	PART NUMBER	QTY	DESCRIPTION	REV
	1001259457	Ref	TIRE SET - 18 X 625 (TURF PNEUMATIC)	A
1	1001259635	4	Tire and Wheel Assembly	
1	4520356	4	Tire - 18 x 625 Turf/Sand (1 Per Assembly)	
1	4641122	4	Valve, Air (1 Per Assembly)	
1	1001246001	4	Wheel (1 Per Assembly)	

SECTION 5 - DRIVE TRAIN

FIGURE 5-72. FENDER INSTALLATION



ART_1001171242-E

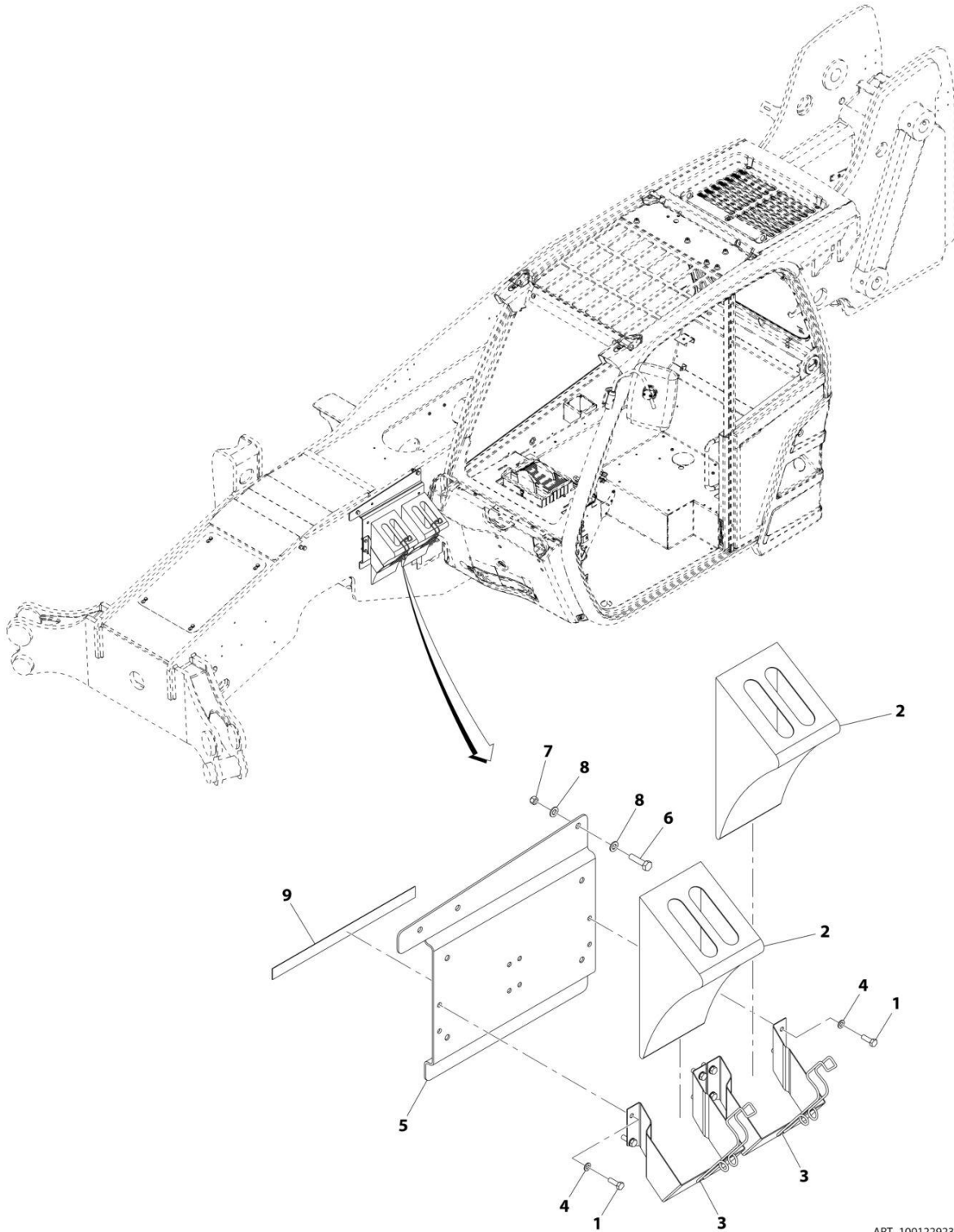
SECTION 5 - DRIVE TRAIN

FIGURE 5-72. FENDER INSTALLATION

ITEM	PART NUMBER	QTY	DESCRIPTION	REV
	1001171242	Ref	Fender Installation	E
1	4812102	16	Washer, M12	
2	91513266	16	Nut, M12X1.25	
3	91514118	16	Stud, Fender	
5	1001202513	2	RH Bracket	
6	1001202512	2	LH Bracket	
7	1001168264	4	Fender	
8	1001202786	16	Washer	
9	0760812	16	Screw, M8X25	
10	1001208338	4	Plug	

SECTION 5 - DRIVE TRAIN

FIGURE 5-73. WHEEL CHOCK INSTALLATION



ART_1001229235-B

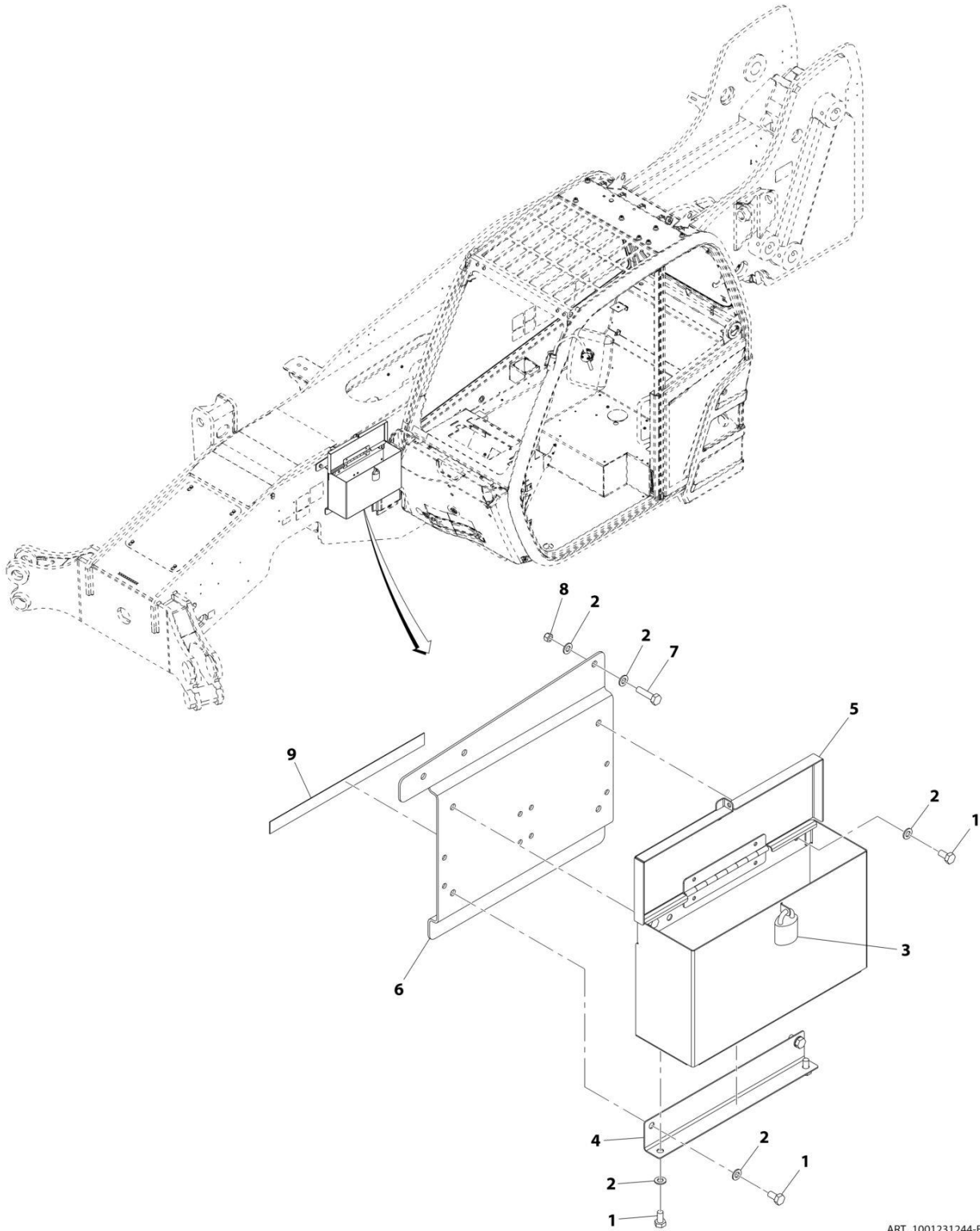
SECTION 5 - DRIVE TRAIN

FIGURE 5-73. WHEEL CHOCK INSTALLATION

ITEM	PART NUMBER	QTY	DESCRIPTION	REV
	1001229235	Ref	Wheel Chock Installation (If equipped)	B
1	0700812	8	Screw, 8X25 LG	
2	806253	2	Wedge	
3	806264	2	Holder	
4	4811900	8	Washer, 8mm	
5	1001230713J	1	Bracket	
6	0701016	1	Bolt, M10X40	
7	3290805	1	Nut, Lock M8X1.25	
8	4812000	2	Washer, M10	
9	1001165978	380 mm	Adhesive	

SECTION 5 - DRIVE TRAIN

FIGURE 5-74. TOOLBOX INSTALLATION



ART_1001231244-B

SECTION 5 - DRIVE TRAIN

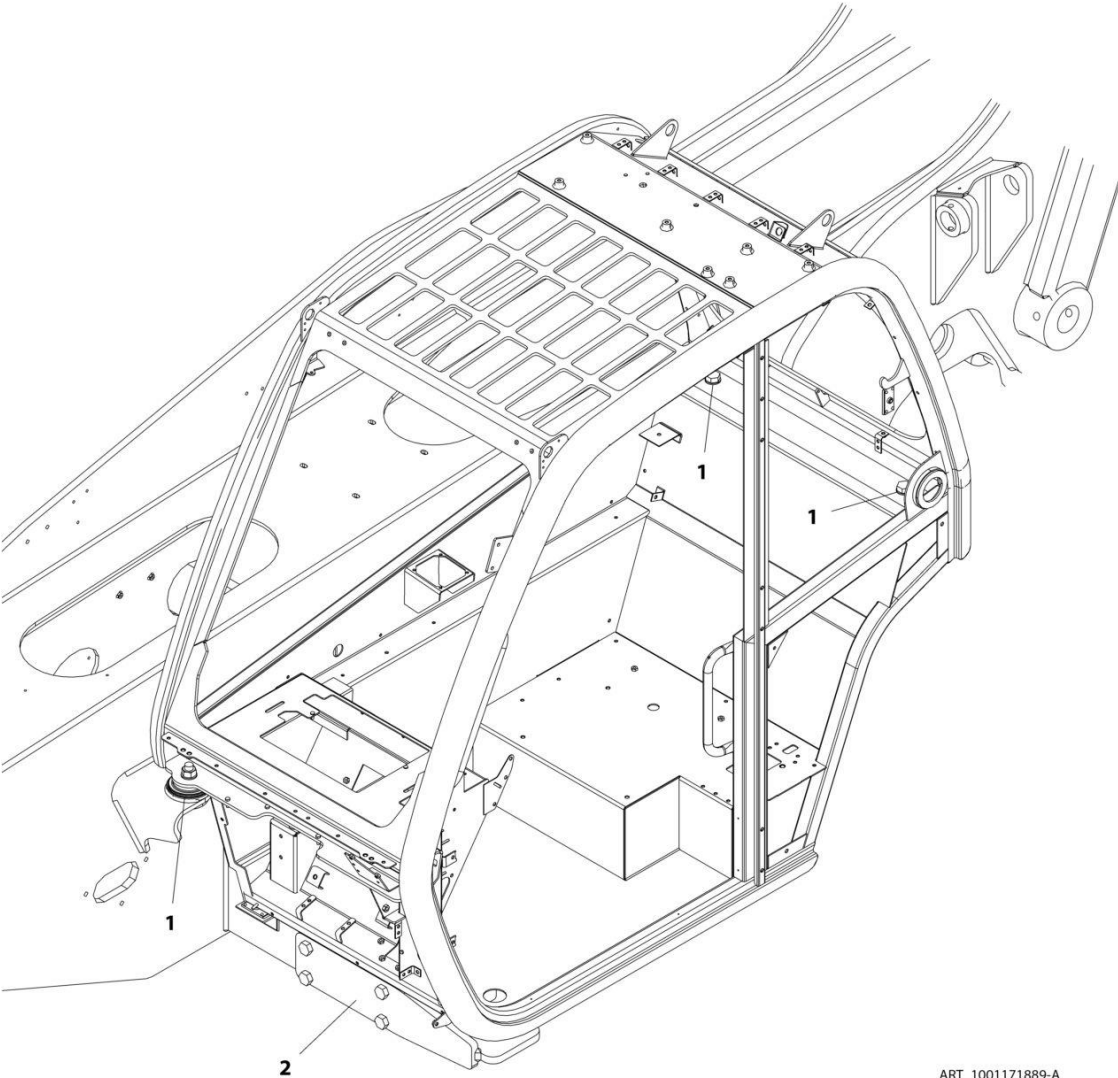
FIGURE 5-74. TOOLBOX INSTALLATION

ITEM	PART NUMBER	QTY	DESCRIPTION	REV
	1001231244	Ref	ToolBox Installation (If equipped)	B
1	0761010	6	Bolt, M10X20	
2	4812000	8	Washer, M10	
3	1001008687	1	Padlock	
4	1001178729	1	Bracket	
5	1001192836	1	Box	
6	1001230713J	1	Bracket	
7	0701016	1	Bolt, M10X40	
8	3290805	1	Nut, Lock M8X1.25	
9	1001165978	380 mm	Adhesive	

SECTION 6 - CAB

SECTION 6 - CAB

FIGURE 6-1. CAB MOUNTING



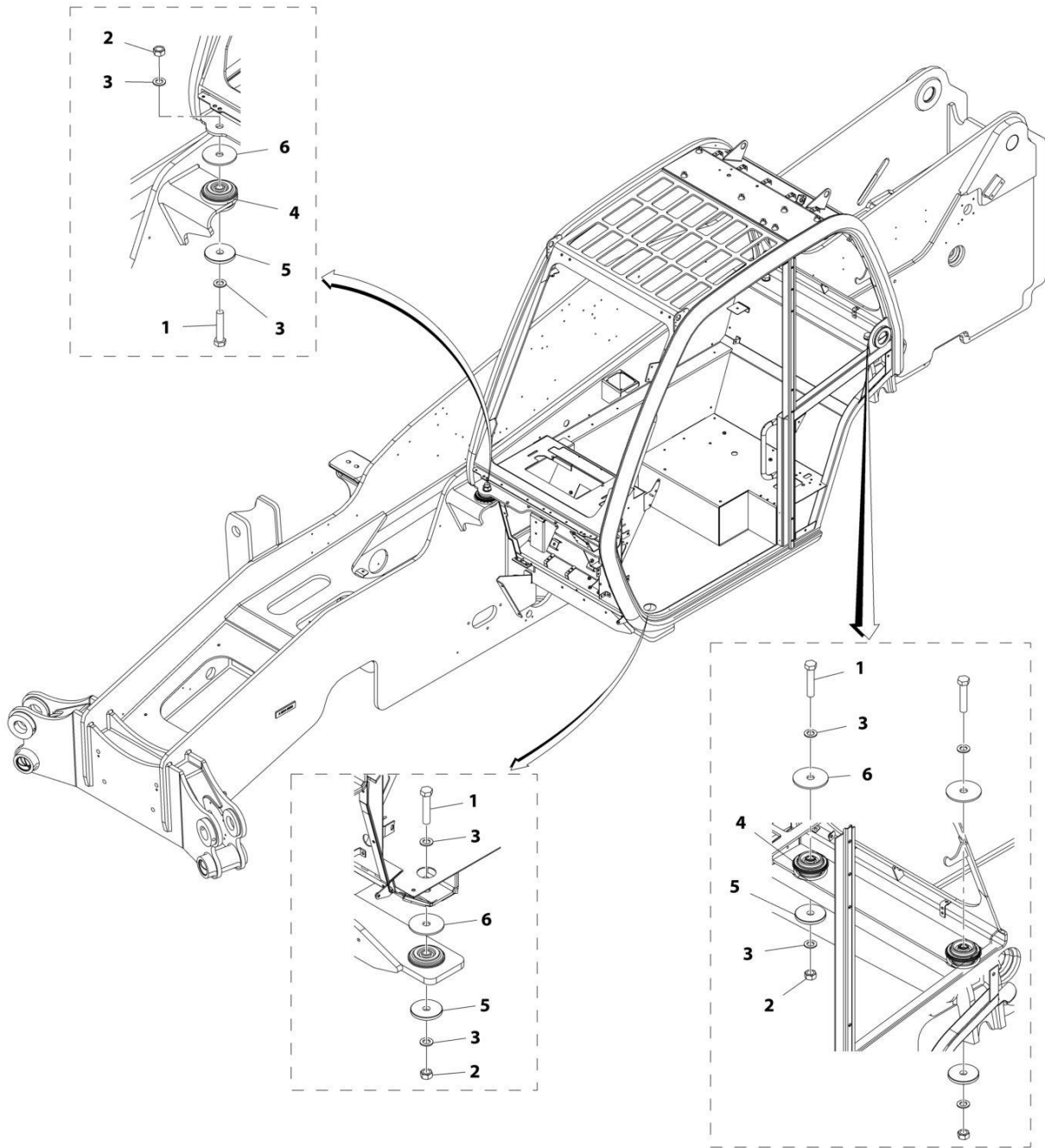
ART_1001171889-A

FIGURE 6-1. CAB MOUNTING

ITEM	PART NUMBER	QTY	DESCRIPTION	REV
	1001171889	Ref	Cab Mounting	A
1	1001155446	1	Installation, Cab Mounts (See Separate Breakdown in this Section)	
2	1001171890	1	Installation, Front Cab Outrigger (See Separate Breakdown in this Section)	

SECTION 6 - CAB

FIGURE 6-2. CAB MOUNTS INSTALLATION



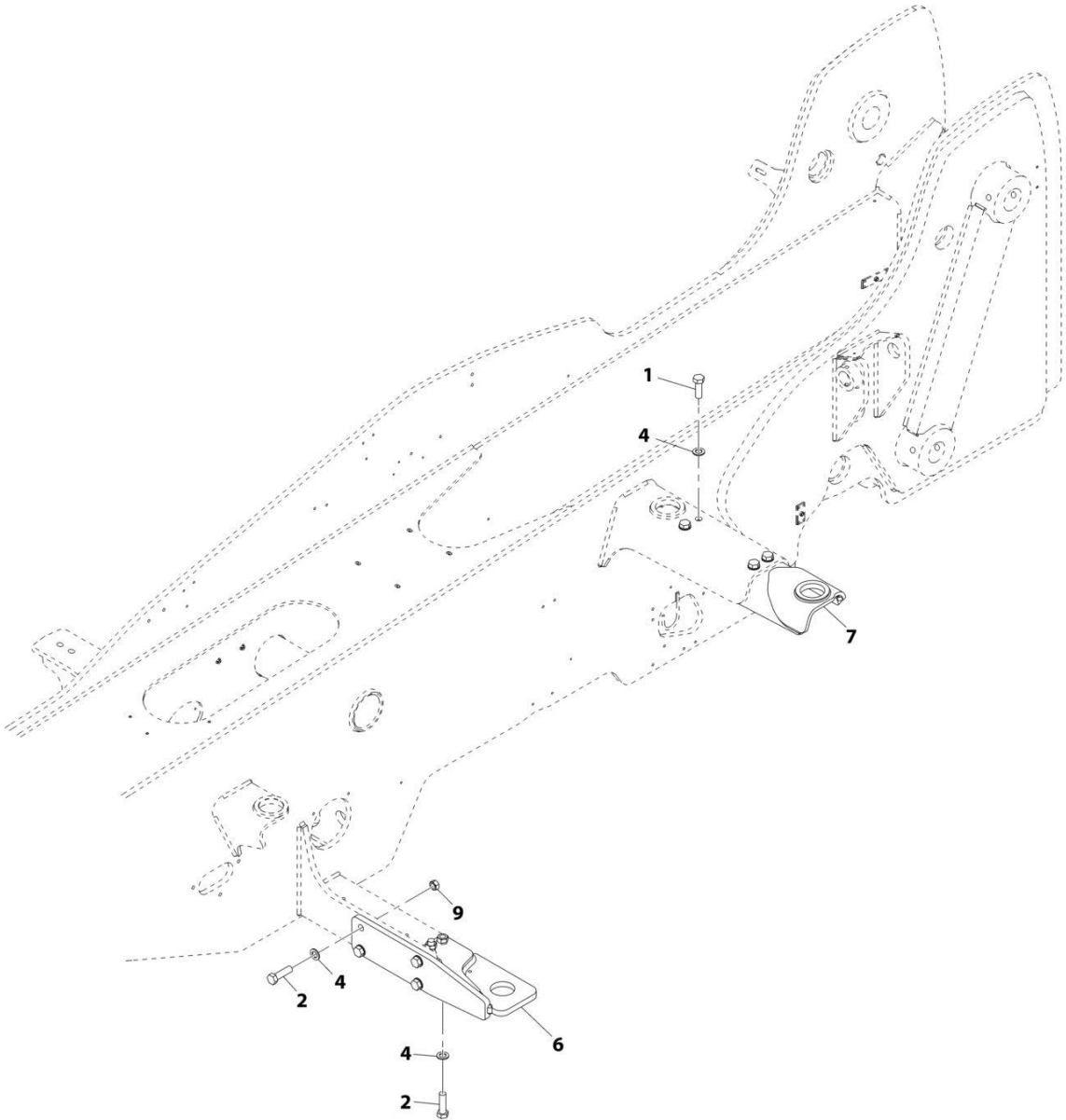
ART_1001155446-E

FIGURE 6-2. CAB MOUNTS INSTALLATION

ITEM	PART NUMBER	QTY	DESCRIPTION	REV
	1001155446	Ref	Cab Mounts Installation	E
1	0712027	4	Bolt, M20X100	
2	3332011	4	Nut, M20X2.5	
3	4812500	8	Washer, M20	
4	1001166754	4	Mount, Cab Isolation	
5	1001166755	4	Washer, Cab Rebound	
6	1001220540	4	Washer, Cab Mount	

SECTION 6 - CAB

FIGURE 6-3. FRONT CAB OUTRIGGER INSTALLATION



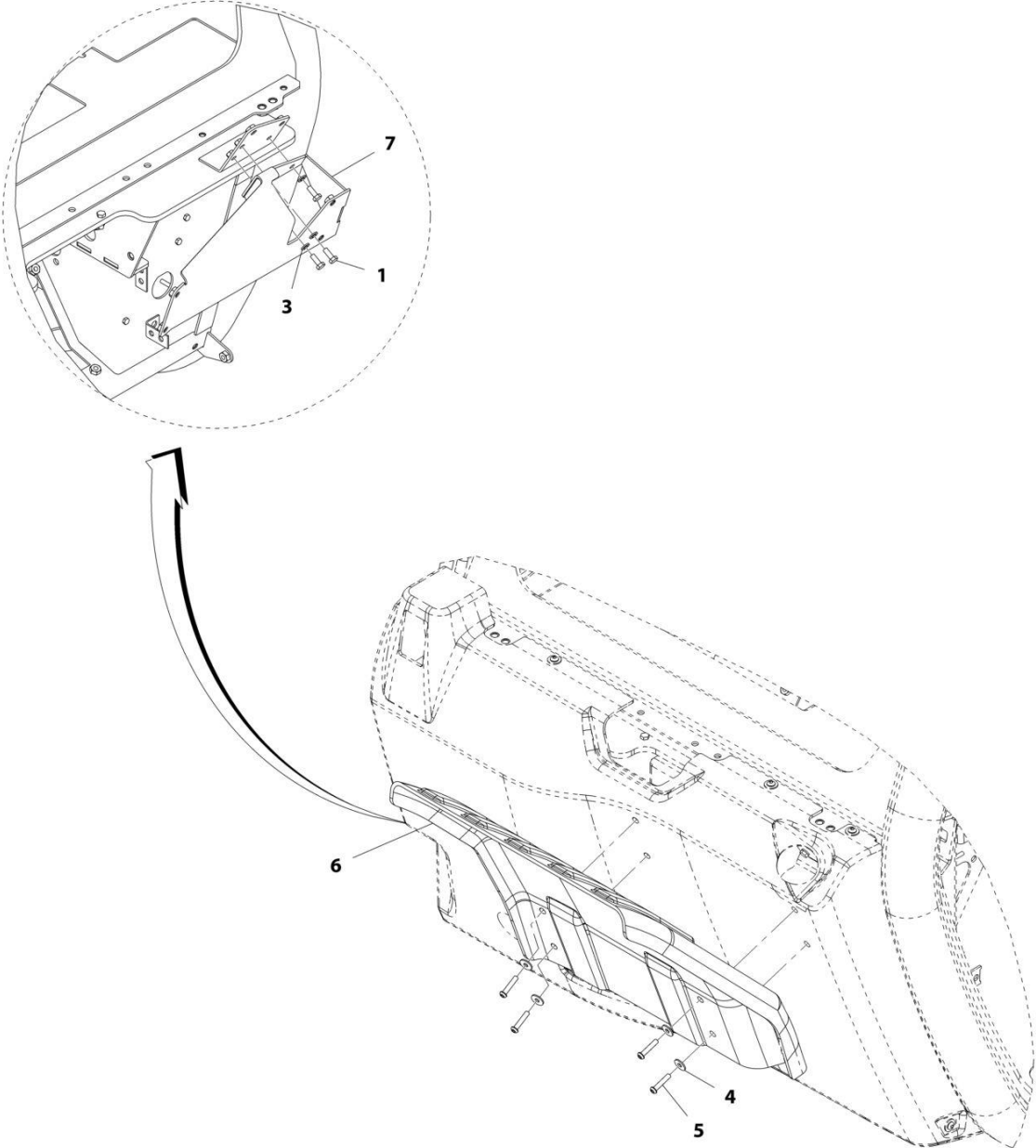
ART_1001171890-E

FIGURE 6-3. FRONT CAB OUTRIGGER INSTALLATION

ITEM	PART NUMBER	QTY	DESCRIPTION	REV
	1001171890	Ref	Front Cab Outrigger Installation	E
1	0712020	4	Bolt, M20X60	
2	0712022	6	Bolt, M20X70	
4	4812500	10	Washer, M20	
6	1001208106	1	Bracket, Front Lower Cab	
7	1001210782	1	Bracket, Rear Cab Mount	
9	3292001	4	Hex Nut, M20X2.5	

SECTION 6 - CAB

FIGURE 6-4. CAB FENDER INSTALLATION



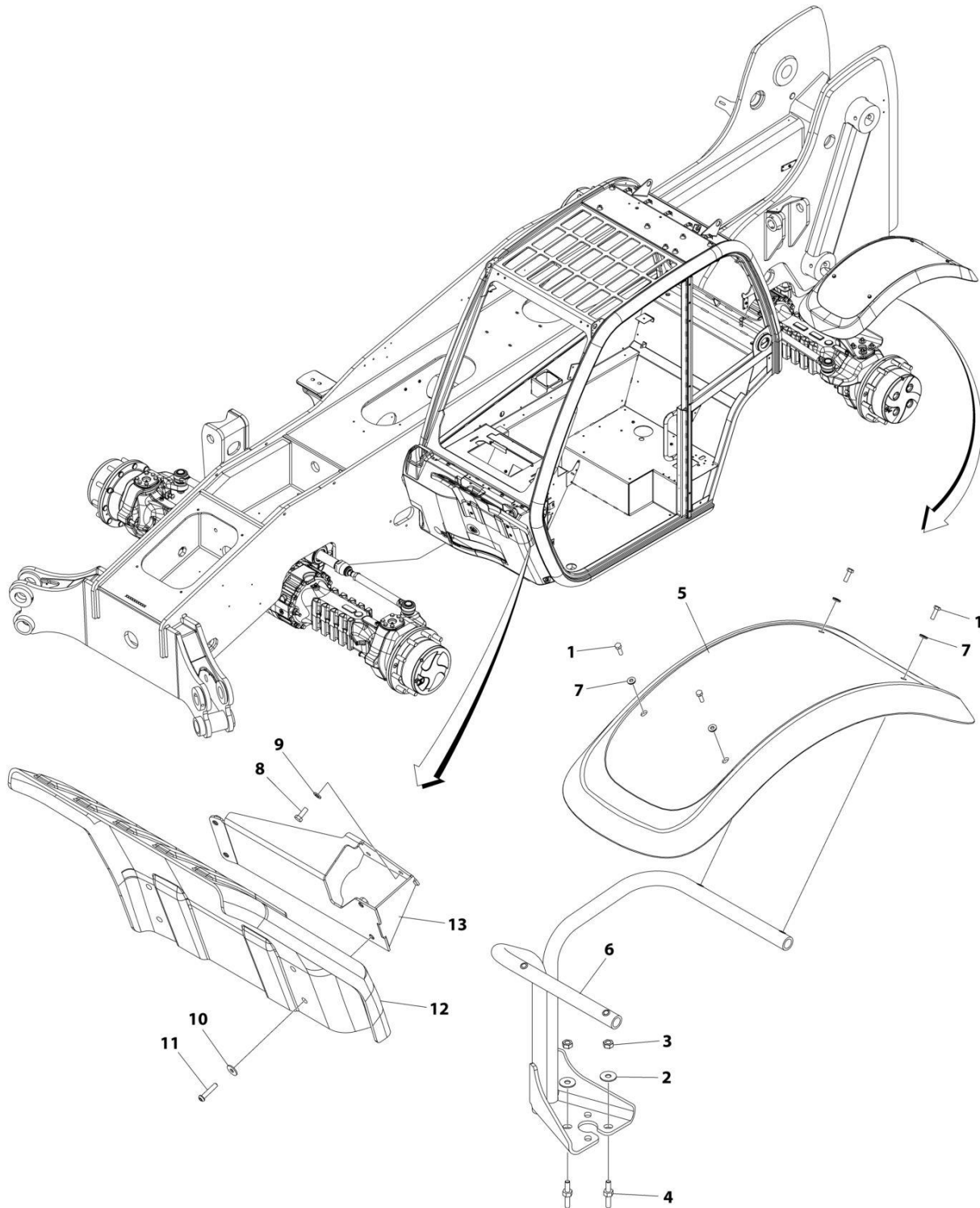
ART_1001195972-C

FIGURE 6-4. CAB FENDER INSTALLATION

ITEM	PART NUMBER	QTY	DESCRIPTION	REV
	1001195972	Ref	Cab Fender Installation	C
1	0760608	3	Bolt, M6X16	
3	4811700	3	Washer, M6	
4	4811702	4	Washer, M6	
5	1001097202	4	Screw, M6X30	
6	1001187335	1	Fender, Front	
7	1001188048	1	Plate	

SECTION 6 - CAB

FIGURE 6-5. CAB FENDER INSTALLATION REAR (LH)



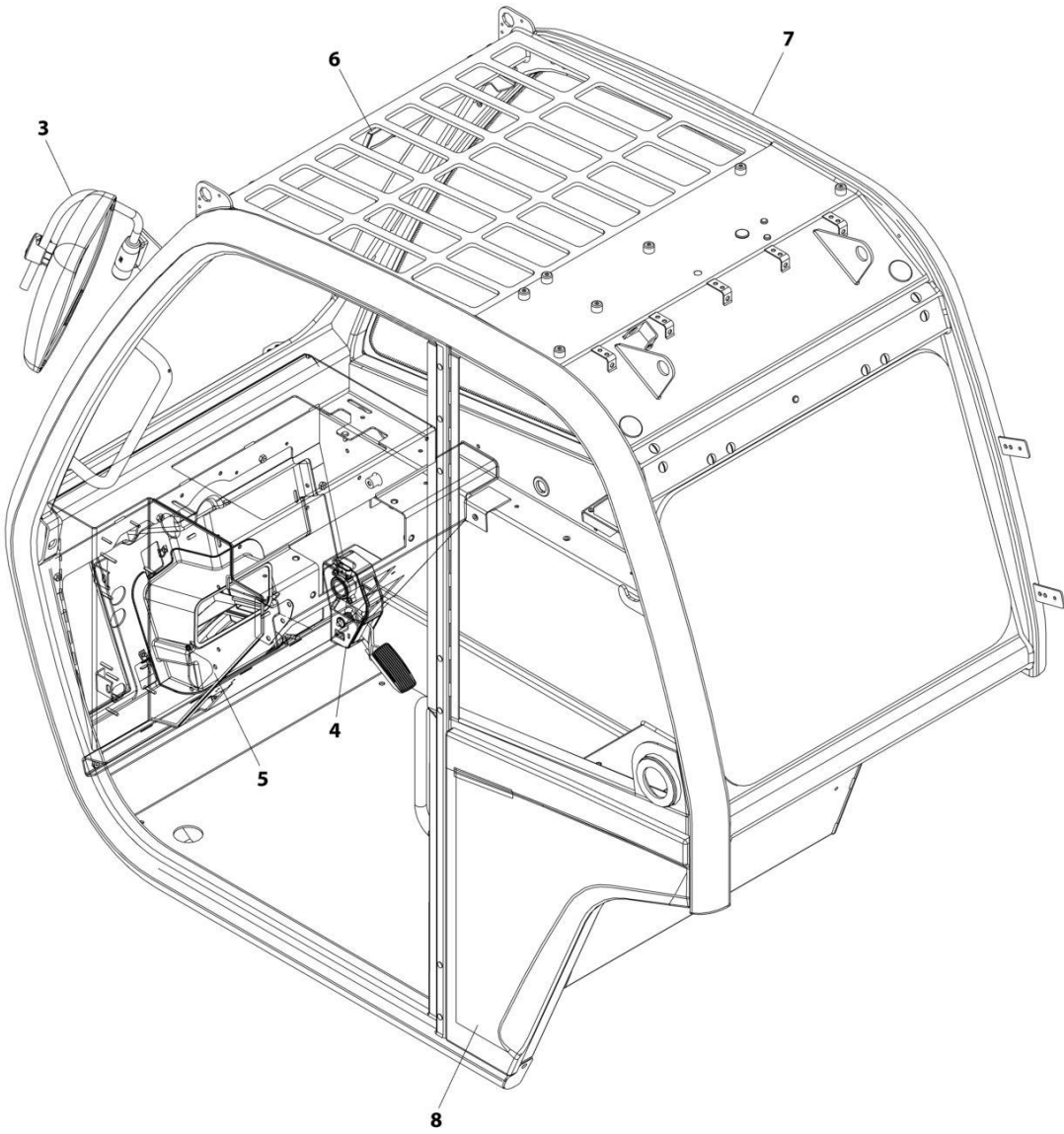
ART_1001236542_B

FIGURE 6-5. CAB FENDER INSTALLATION REAR (LH)

ITEM	PART NUMBER	QTY	DESCRIPTION	REV
	1001236542	Ref	Cab Fender Installation Rear (LH)	B
1	0760812	4	Bolt, M8X25	
2	4812102	4	Washer, M12	
3	91513266	4	Nut, M12X1.25	
4	91514118	4	Stud	
5	1001168264	1	Fender	
6	1001202512	1	Bracket	
7	1001202786	4	Washer	
8	0760608	3	Bolt M6 x 16	
9	4811700	3	Washer M6	
10	4811702	4	Washer M6	
11	1001097202	4	Bolt M6 x 30	
12	1001187335	1	Fender, Front	
13	1001188048	1	Plate	

SECTION 6 - CAB

FIGURE 6-6. OROPS CAB INSTALLATION



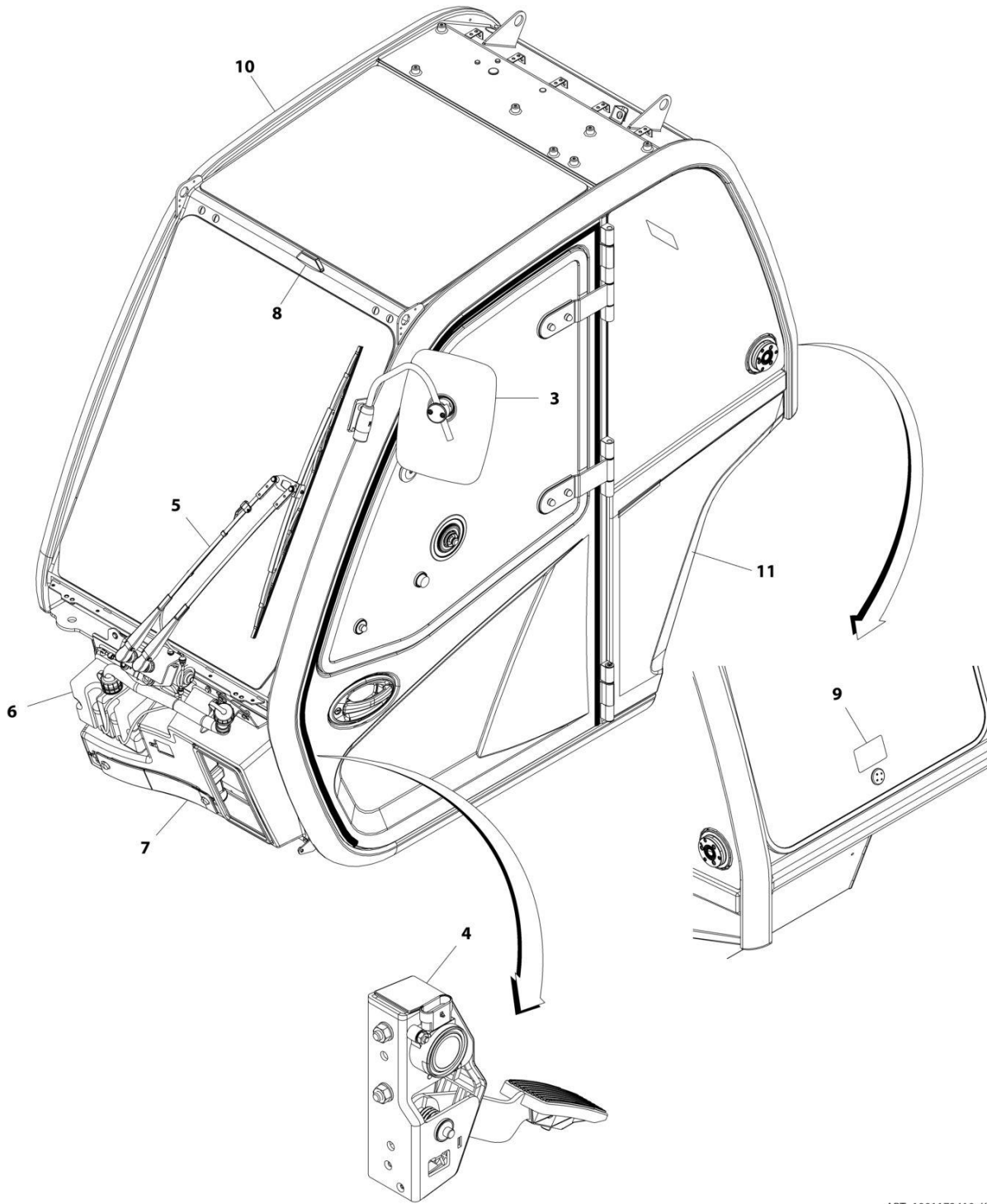
ART_1001154984_I

FIGURE 6-6. OROPS CAB INSTALLATION

ITEM	PART NUMBER	QTY	DESCRIPTION	REV
	1001154984	Ref	OROPS Cab Installation	J
3	1001160508	Ref	Installation, Mirror (See Separate Breakdown in this Section)	
4	1001161499	Ref	Installation, Accelerator Pedal (See Separate Breakdown in Controls Section)	
5	1001293104	Ref	Installation, Front Cover (See Separate Breakdown in this Section)	
6	1001172401	Ref	Installation, Level Indicator (See Separate Breakdown in this Section)	
7	1001214326	Ref	Cab (See Separate Breakdown in this Section)	
8	1001214331	Ref	Installation, Open Cab (See Separate Breakdown in this Section)	

SECTION 6 - CAB

FIGURE 6-7. EROPS CAB INSTALLATION



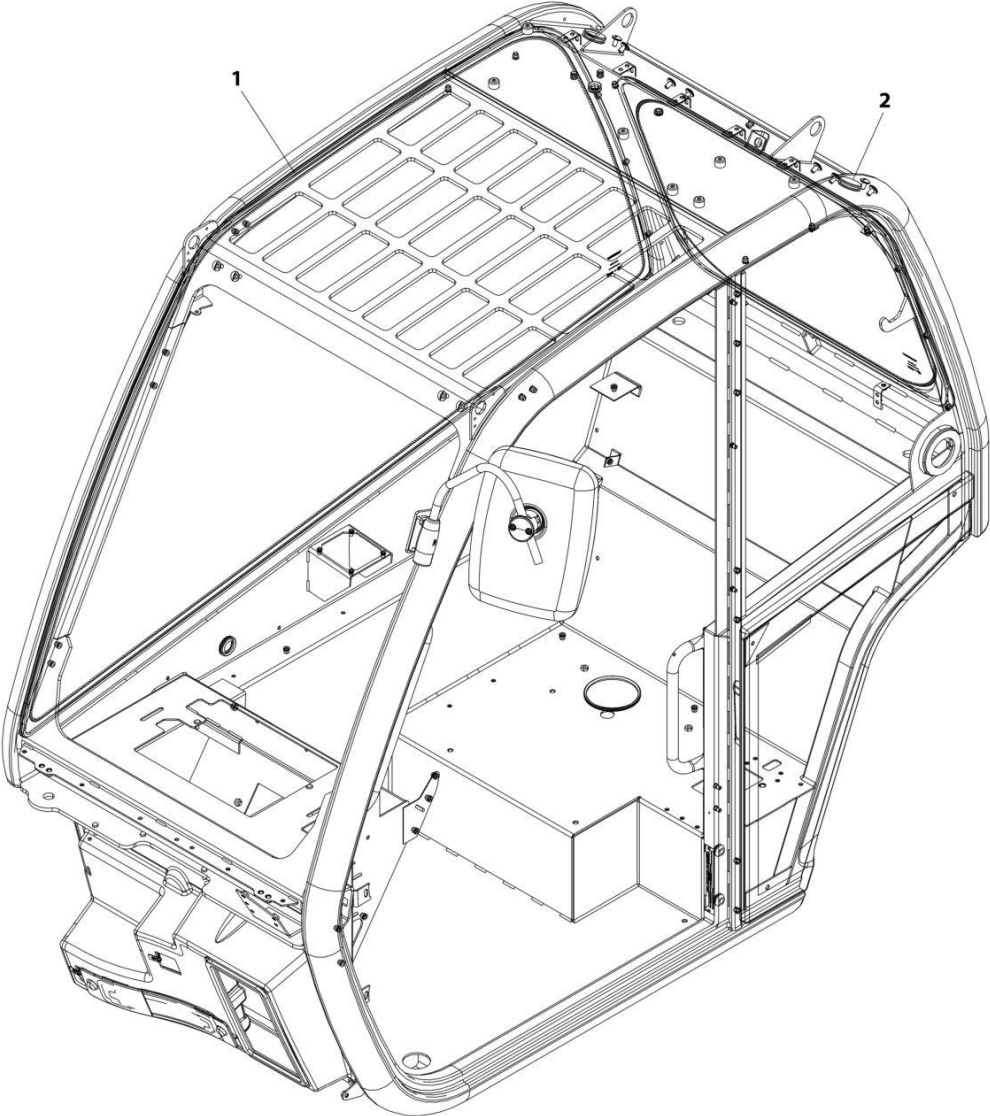
ART_1001173419_K

FIGURE 6-7. EROPS CAB INSTALLATION

ITEM	PART NUMBER	QTY	DESCRIPTION	REV
	1001173419	Ref	EROPS CAB INSTALLATION	K
3	1001160508	Ref	Installation, Mirror (See Separate Breakdown in this Section)	
4	1001161499	Ref	Installation, Accelerator Pedal (See Separate Breakdown in Controls Section)	
5	1001155447	Ref	Installation, Front Wiper (See Separate Breakdown in this Section)	
6	1001162789	Ref	Installation, Washer Tank (See Separate Breakdown in this Section)	
7	1001170366	Ref	Installation, Front Cover (See Separate Breakdown in this Section)	
8	1001172401	Ref	Installation, Level Indicator (See Separate Breakdown in this Section)	
9	1001204598	1	Decal, Emergency Exit	
10	1001214326	Ref	Cab (See Separate Breakdown in this Section)	
11	1001214332	Ref	Installation, Enclosed Cab (See Separate Breakdown in this Section)	

SECTION 6 - CAB

FIGURE 6-8. CAB, TRIM KIT



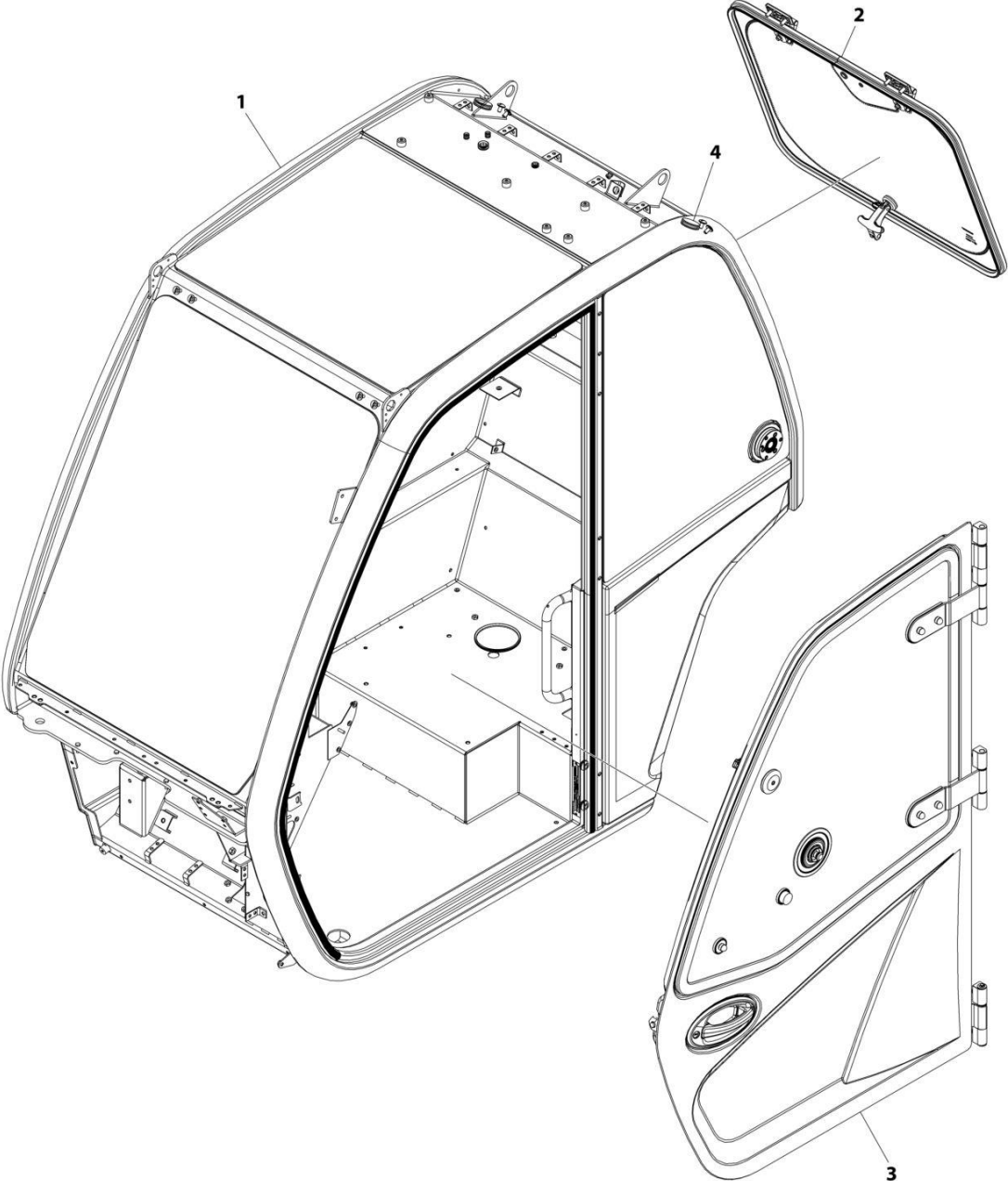
ART_1001214331_E

FIGURE 6-8. CAB, TRIM KIT

ITEM	PART NUMBER	QTY	DESCRIPTION	REV
	1001214331	Ref	Open Cab Installation	E
1	1001154721	1	Assembly, Open Cab (See Separate Breakdown in this Section)	
2	1001170495	1	Group, Open Cab Plug (See Separate Breakdown in this Section)	

SECTION 6 - CAB

FIGURE 6-9. CAB, TRIM KIT



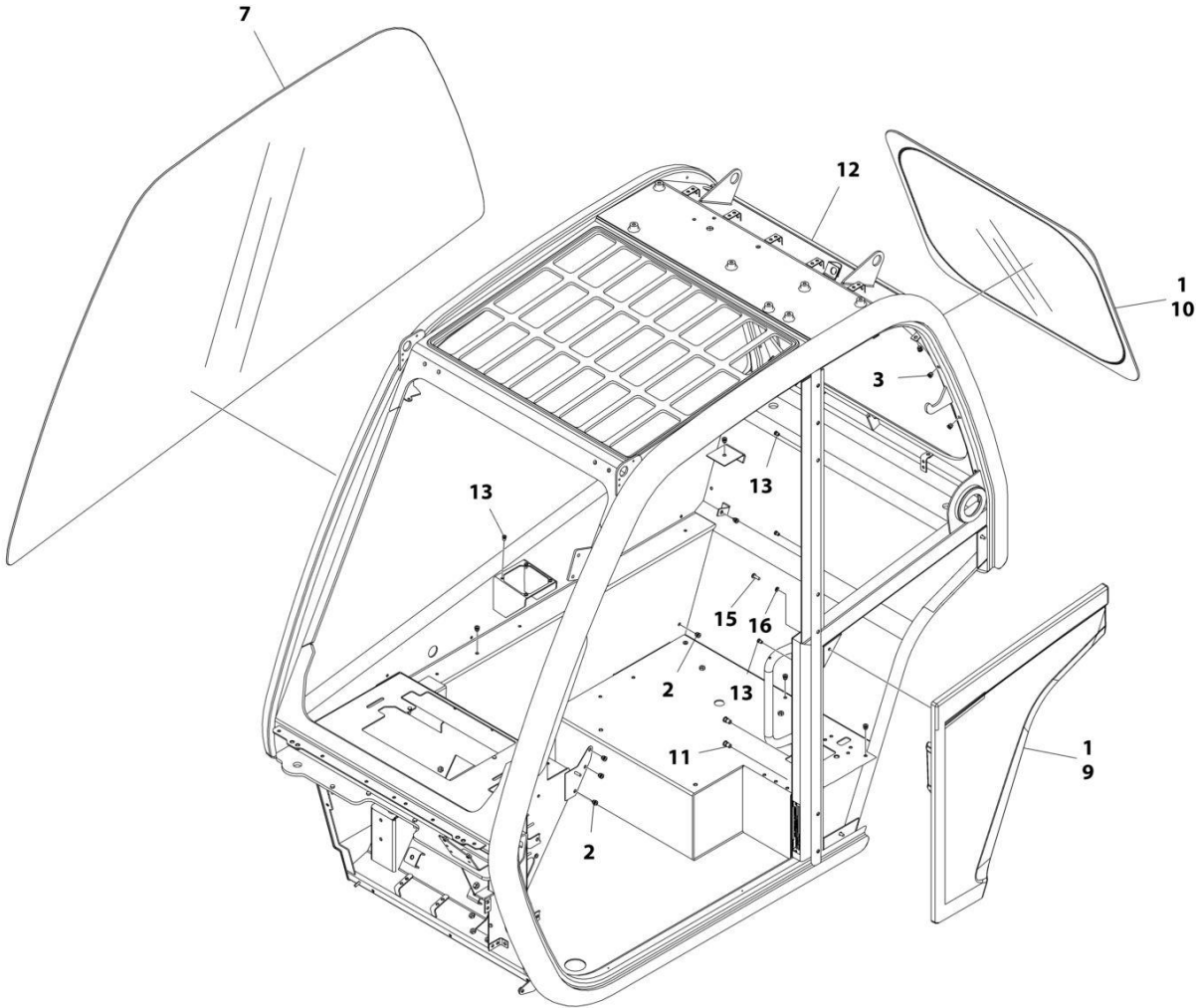
ART_1001214332

FIGURE 6-9. CAB, TRIM KIT

ITEM	PART NUMBER	QTY	DESCRIPTION	REV
	1001214332	Ref	Enclosed Cab Installation	1
1	1001154365	1	Assembly, Enclosed Cab (See Separate Breakdown in this Section)	
2	1001170500	1	Installation, Rear Window (See Separate Breakdown in this Section)	
3	1001165080	1	Installation, Door (See Separate Breakdown in this Section)	
4	1001170603	1	Group, Enclosed Cab Plug (See Separate Breakdown in this Section)	

SECTION 6 - CAB

FIGURE 6-10. OPEN CAB ASSEMBLY



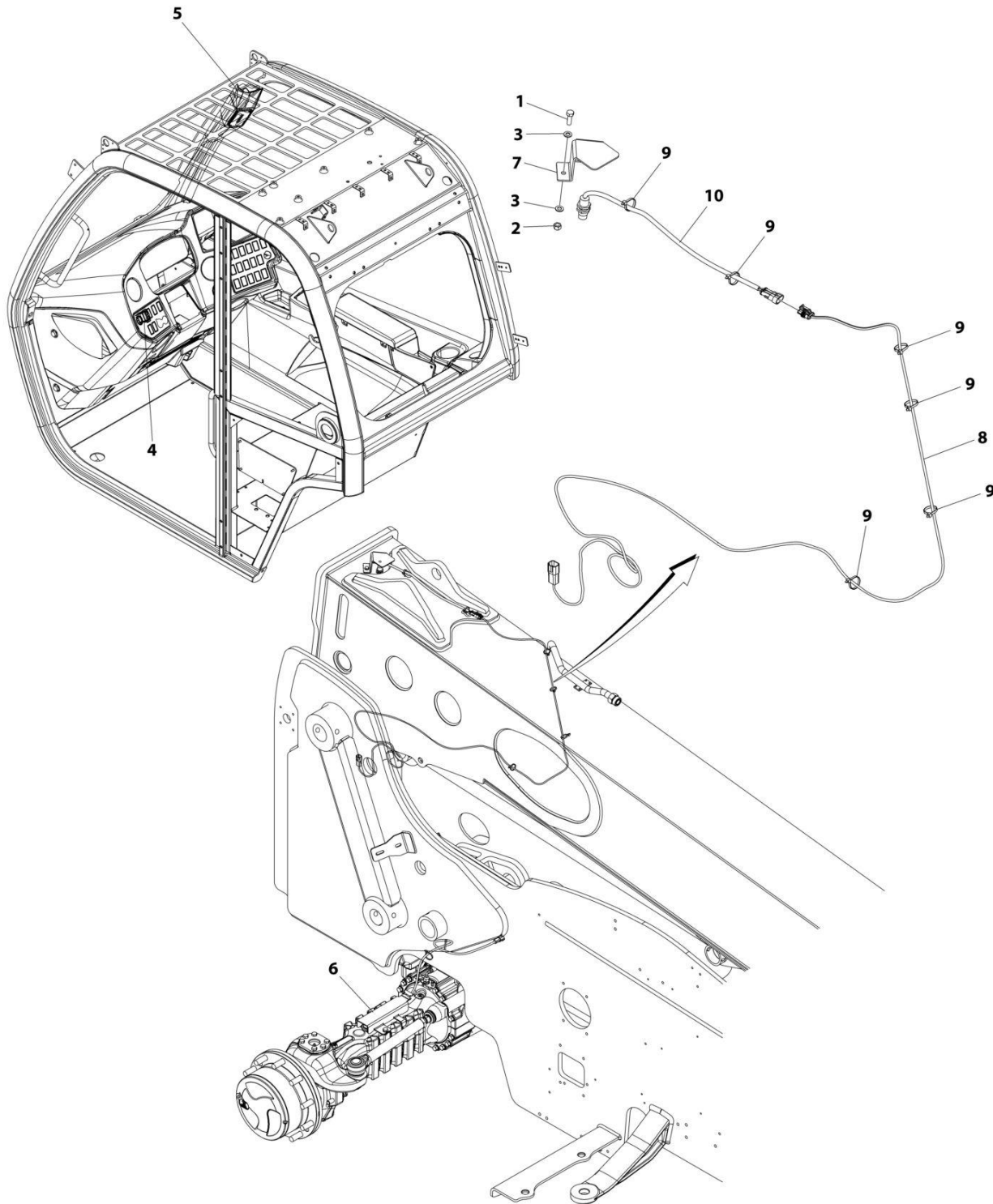
ART_1001154721_J

FIGURE 6-10. OPEN CAB ASSEMBLY

ITEM	PART NUMBER	QTY	DESCRIPTION	REV
	1001154721	Ref	Open Cab Assembly	J
1	1001111317	AR	Compound, Locking	
2	2080086	17	Rivnut, M6X1	
3	2080087	16	Rivnut, M8X1.25	
7	1001152947	1	Glass, RH Screen	
9	1001256073	1	Panel, Cab Quarter	
10	1001161538	1	Glass, Rear Window	
11	1001172193	2	Rivnut, M5X0.8	
12	See Note	NSS	Weldment, Cab (Note: Not available for purchase)	
13	1001195878	7	Rivnut, M5X0.8	
15	N.S.S.	3	Screw	
16	4811700	3	Washer, M6	

SECTION 6 - CAB

FIGURE 6-11. LSI OPEN CAB INSTALLATION



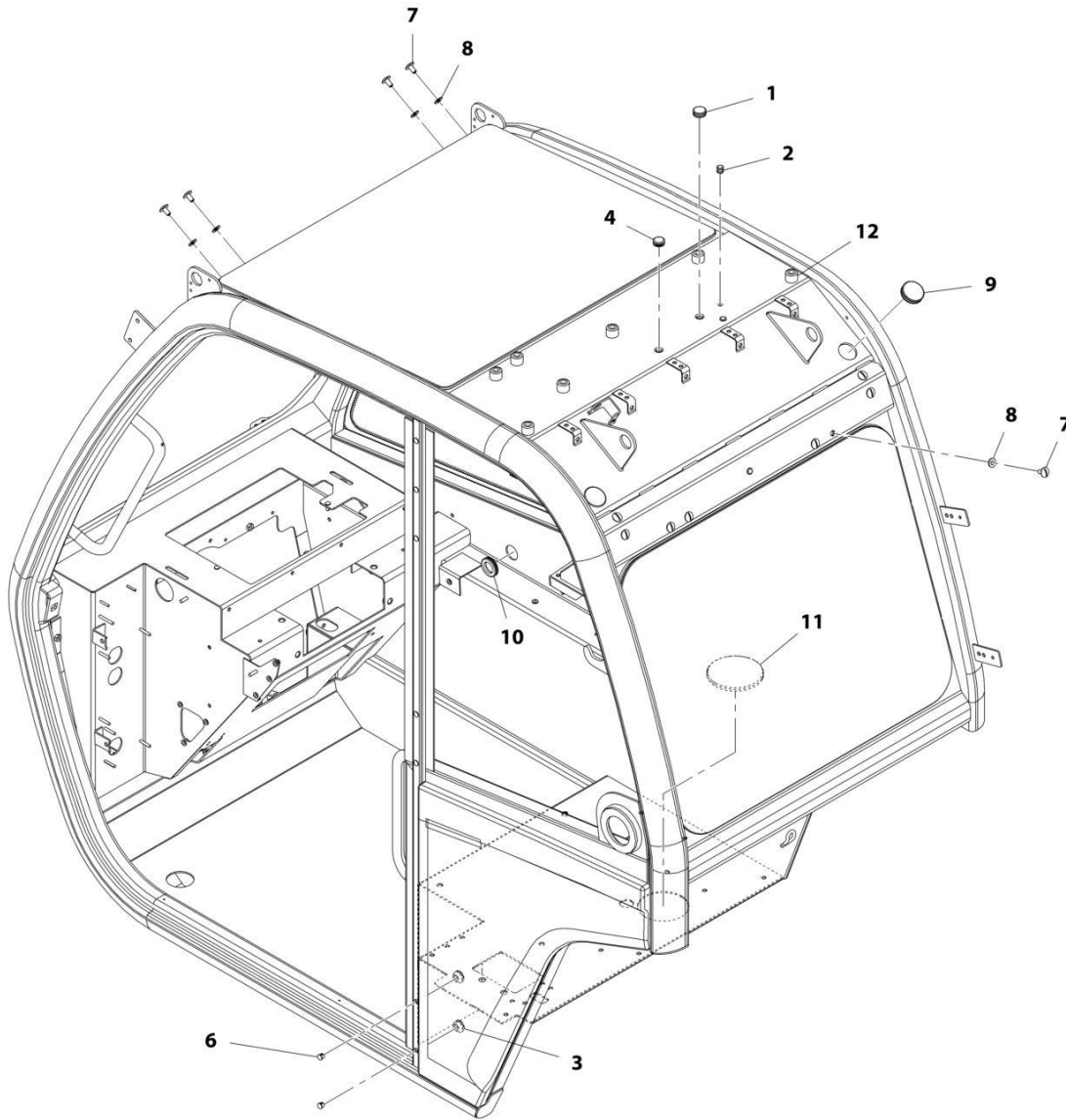
ART_1001258808

FIGURE 6-11. LSI OPEN CAB INSTALLATION

ITEM	PART NUMBER	QTY	DESCRIPTION	REV
	1001258808	Ref	LSI Open Cab Installation	A
1	0760812	2	Bolt M8X25	
2	3290805	2	Nut M8	
3	4811900	4	Washer M8	
4	1001159742	1	Switch, LSI Override	
5	1001258563	1	LSI Display Installation (See Separate Breakdown in this Section)	
6	1001258644	1	LSI Axle Sensor Installation (See Separate Breakdown in DRIVETRAIN Section)	
7	1001258862	1	Plate	
8	1001259062	1	Harness, Boom Retract (See Separate Breakdown in ELECTRICAL Section)	
9	1001008559	AR	Strap, Cable	
10	1001183024	1	Sensor, Proximity	

SECTION 6 - CAB

FIGURE 6-12. OPEN CAB PLUG GROUP



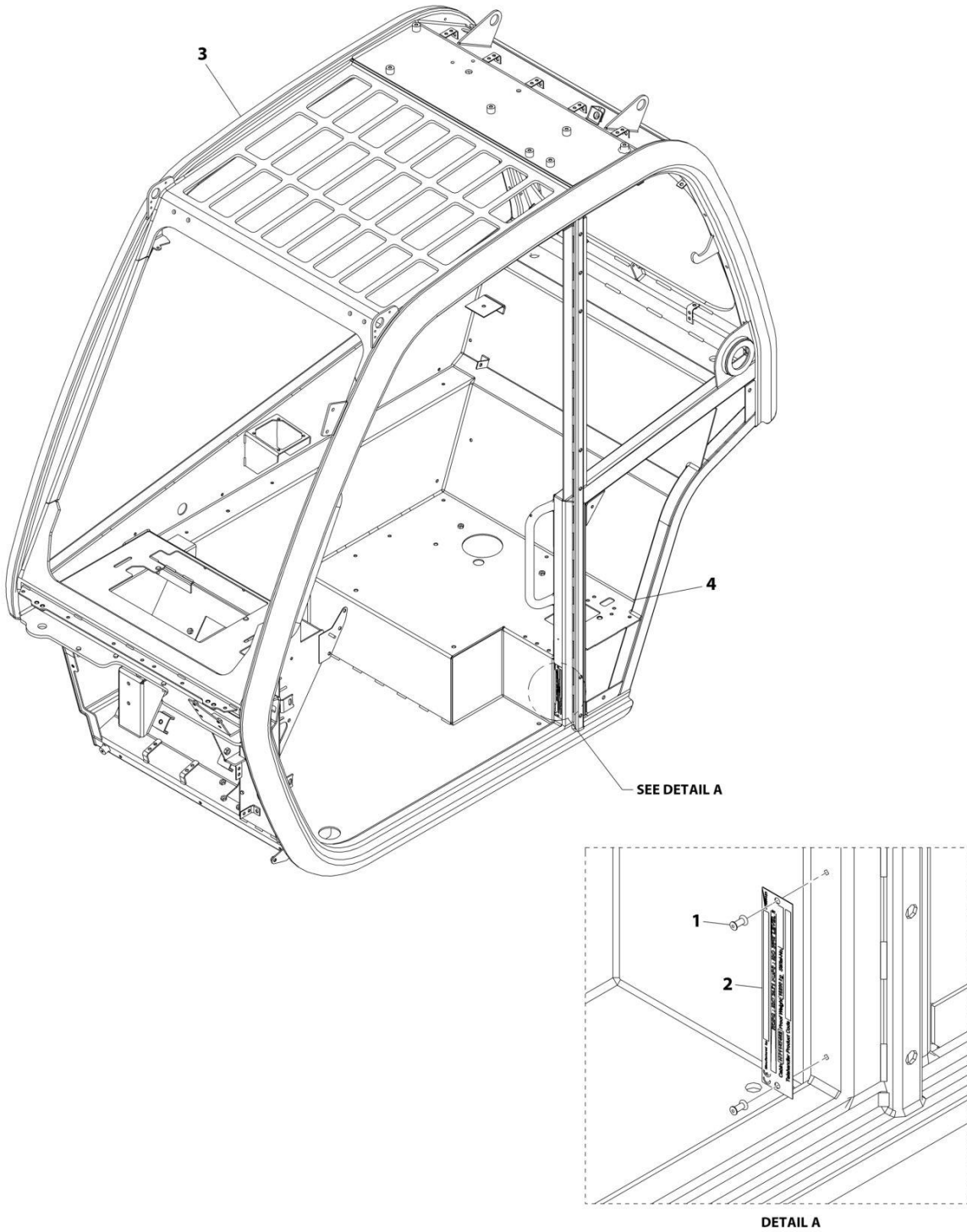
ART_1001170495-E

FIGURE 6-12. OPEN CAB PLUG GROUP

ITEM	PART NUMBER	QTY	DESCRIPTION	REV
	1001170495	Ref	Open Cab Plug Group	E
1	1001176273	1	Plug	
2	1001176272	3	Plug	
3	1001143200	2	Plug	
4	1001176626	1	Plug	
6	1001170374	7	Plug	
7	1001181920	12	Screw, M8X16	
8	1001181921	12	Washer, M8 Rubber	
9	1001182123	2	Plug	
10	1001182139	1	Plug	
11	1001209899	1	Plug	
12	1001219220	1	Cap, Vinyl Round	

SECTION 6 - CAB

FIGURE 6-13. CAB, EPD CAULK



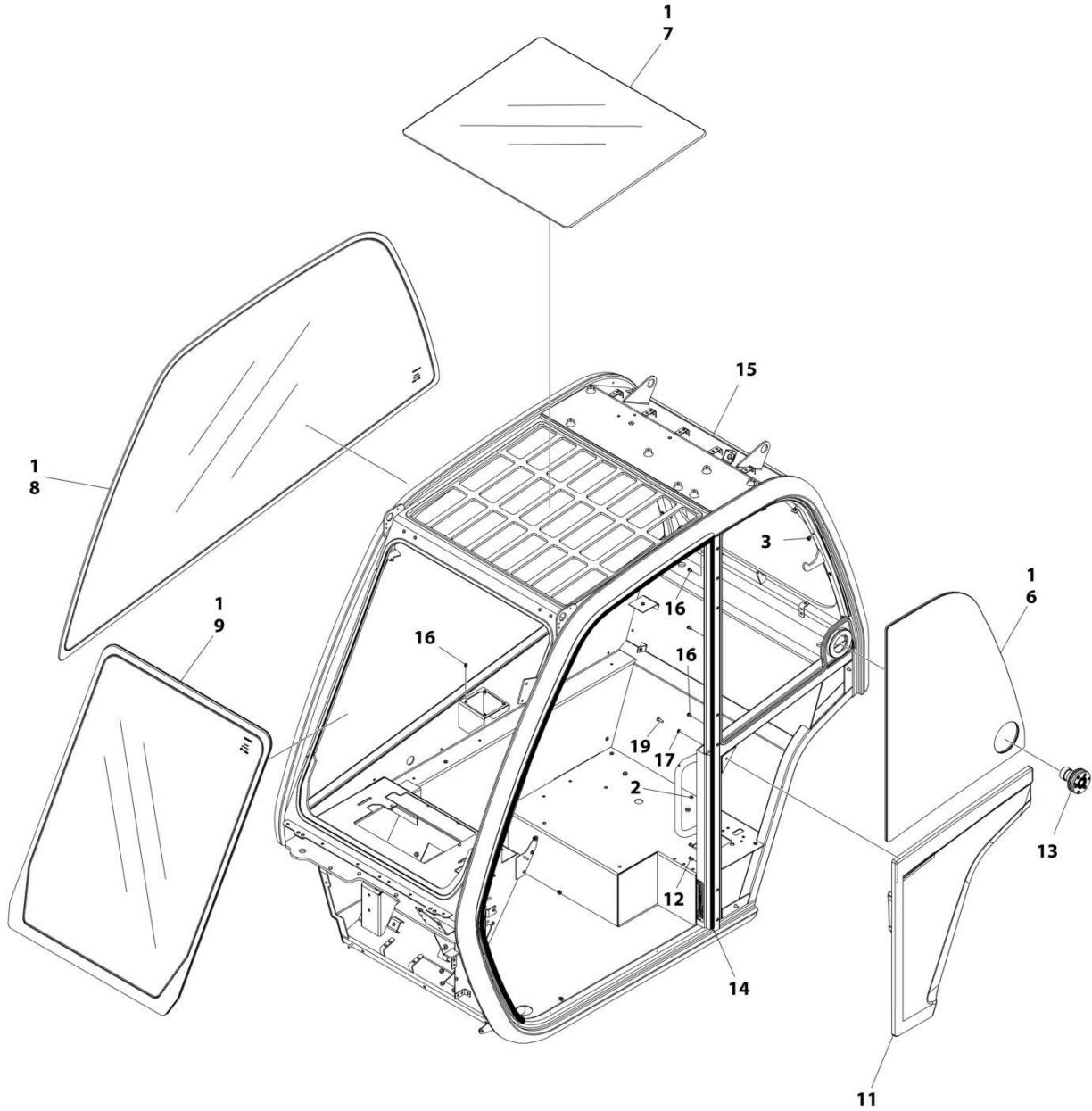
ART_1001214326-E

FIGURE 6-13. CAB, EPD CAULK

ITEM	PART NUMBER	QTY	DESCRIPTION	REV
	1001214326	Ref	Cab	E
1	1001099170	2	Rivet, 4	
2	N.S.S.	1	Plate, Serial Number	
3	N.S.S.	1	Weldment	
4	1001205402	AR	Sealant	

SECTION 6 - CAB

FIGURE 6-14. ENCLOSED CAB ASSEMBLY



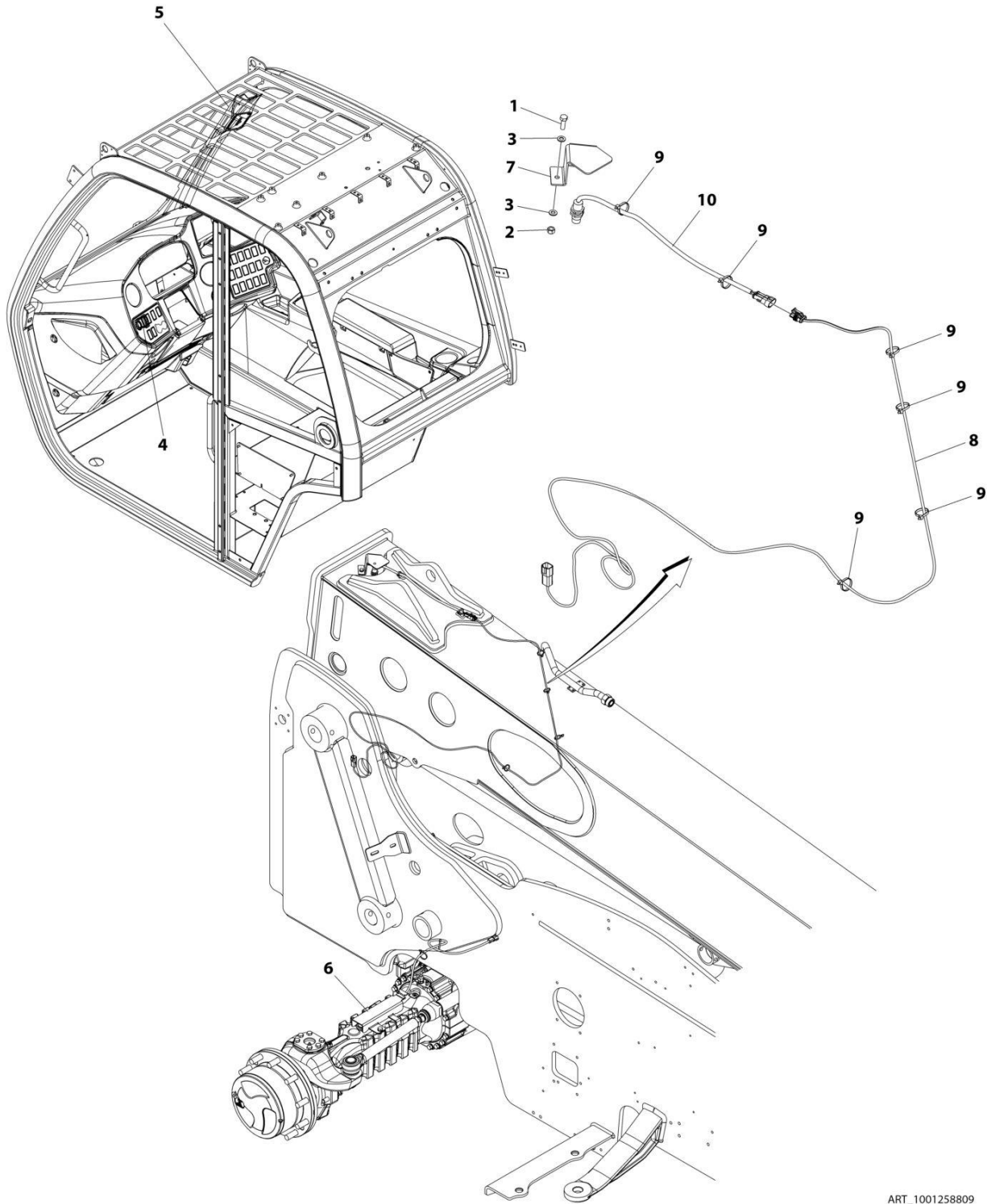
ART_1001154365_K

FIGURE 6-14. ENCLOSED CAB ASSEMBLY

ITEM	PART NUMBER	QTY	DESCRIPTION	REV
	1001154365	Ref	Enclosed Cab Assembly	K
1	1001111317	AR	Compound, Locking	
2	2080086	17	Rivnut, M6X1	
3	2080087	16	Rivnut, M8X1.25	
6	1001152915	1	Glass, LH Screen	
7	1001152934	1	Glass, Roof	
8	1001152947	1	Glass, RH Screen	
9	1001154419	1	Glass, Front	
11	1001256073	1	Panel, Cab Quarter	
12	1001172193	2	Rivnut, M5X0.8	
13	1001174320	1	Latch, Top Window	
14	1001227186	1	Seal, Cab Door	
15	See Note	NSS	Weldment, Cab (Note: Not available for purchase)	
16	1001195878	7	Rivnut, M5X0.8	
17	4811700	3	Washer, M6	
19	N.S.S.	3	Screw	

SECTION 6 - CAB

FIGURE 6-15. LSI EMCLOSED CAB INSTALLATION



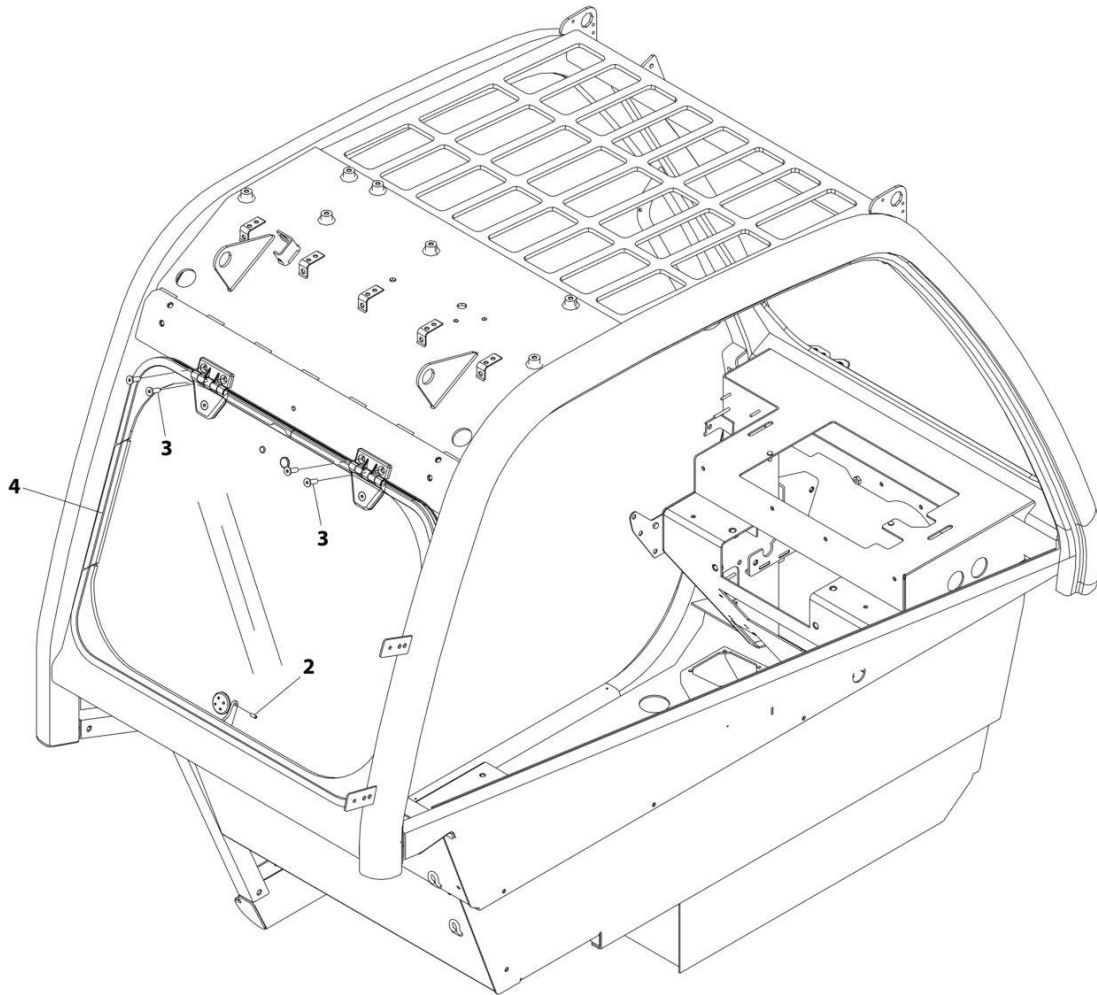
ART_1001258809

FIGURE 6-15. LSI EMCLOSED CAB INSTALLATION

ITEM	PART NUMBER	QTY	DESCRIPTION	REV
	1001258809	Ref	LSI Enclosed Cab Installation	A
1	0760812	2	Bolt M8X25	
2	3290805	2	Nut M8	
3	4811900	4	Washer M8	
4	1001159742	1	Switch, LSI Override	
5	1001207594	1	LSI Display Installation (See Separate Breakdown in this Section)	
6	1001258644	1	LSI Axle Sensor Installation (See Separate Breakdown in DRIVETRAIN Section)	
7	1001258862	1	Plate	
8	1001259062	1	Harness, Boom Retract (See Separate Breakdown in ELECTRICAL Section)	
9	1001008559	AR	Strap, Cable	
10	1001183024	1	Sensor, Proximity	

SECTION 6 - CAB

FIGURE 6-16. REAR WINDOW INSTALLATION



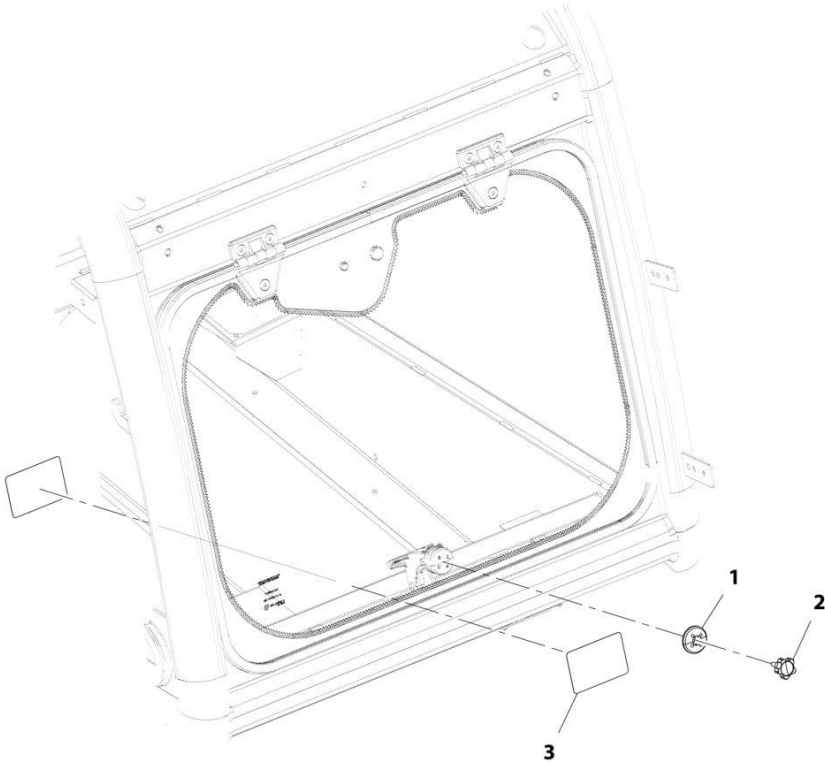
ART_1001170500-D

FIGURE 6-16. REAR WINDOW INSTALLATION

ITEM	PART NUMBER	QTY	DESCRIPTION	REV
	1001170500	Ref	Rear Window Installation	D
2	1001003043	1	Pin, Spring	
3	1001097586	4	Bolt, M8-1.25X25	
4	1001170502	1	Window, Rear (See Separate Breakdown in this Section)	

SECTION 6 - CAB

FIGURE 6-17. REAR WINDOW INSTALLATION (WOWIPER) (ANSI)



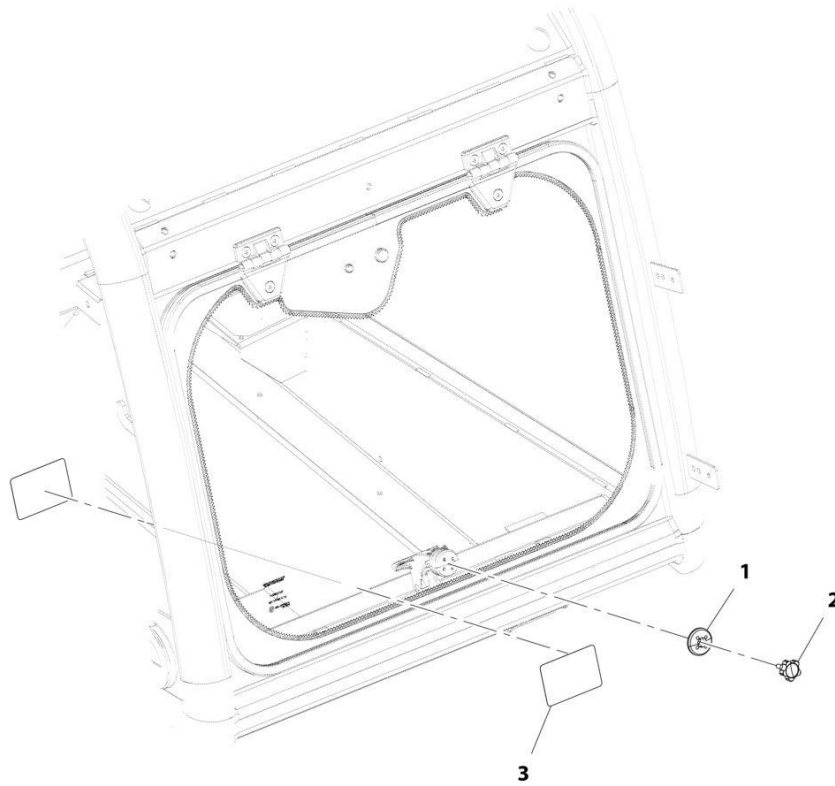
ART_1001212047-A

FIGURE 6-17. REAR WINDOW INSTALLATION (WO/WIPER) (ANSI)

ITEM	PART NUMBER	QTY	DESCRIPTION	REV
	1001212047	Ref	External Window Release Installation (ANSI)	A
1	1001179008	1	Cap, Latch Window	
2	1001179009	1	Cap, Knob M6	
3	1001212049	2	Decal, Emergency Exit	

SECTION 6 - CAB

FIGURE 6-18. REAR WINDOW INSTALLATION (WO/WIPER) (ISO)



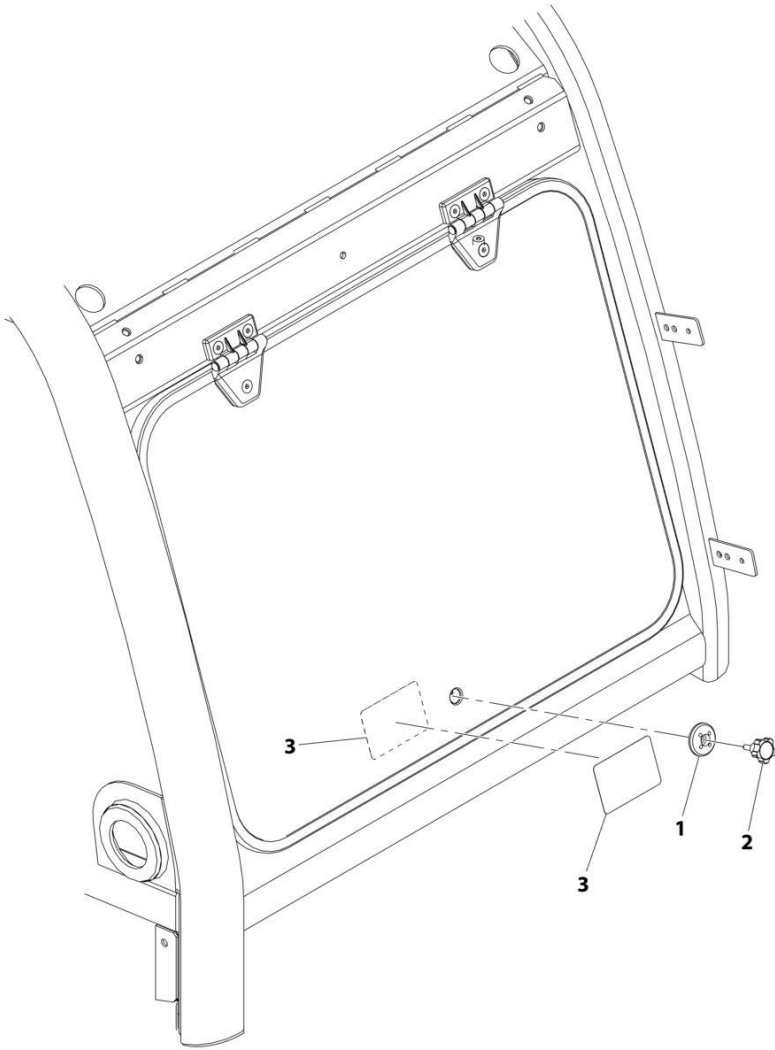
ART_1001212048-A

FIGURE 6-18. REAR WINDOW INSTALLATION (WO/WIPER) (ISO)

ITEM	PART NUMBER	QTY	DESCRIPTION	REV
	1001212048	Ref	Rear Window Installation (WO/Wiper) (ISO)	A
1	1001179008	1	Cap, Latch Window	
2	1001179009	1	Cap, Knob M6	
3	1001212050	2	Decal, Emergency Exit	

SECTION 6 - CAB

FIGURE 6-19. REAR WINDOW INSTALLATION (WO/WIPER) (ENG/SPAN)



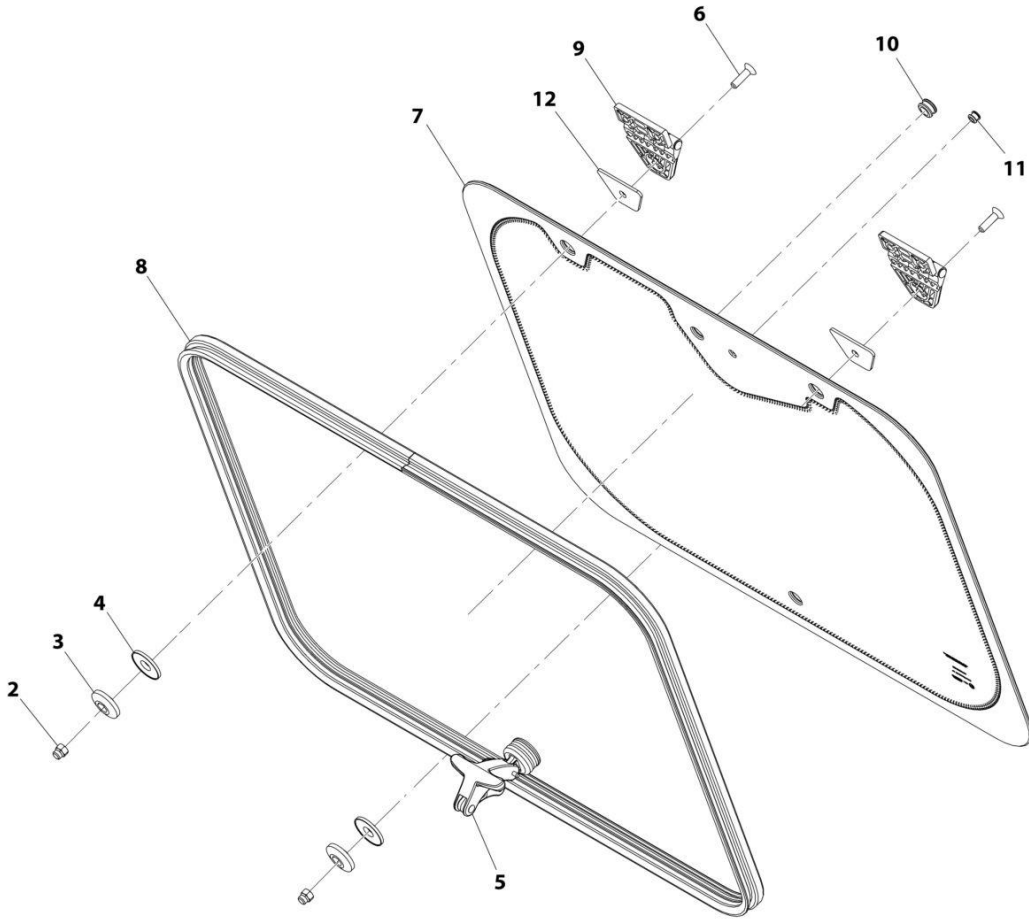
ART_1001237852-A

FIGURE 6-19. REAR WINDOW INSTALLATION (WO/WIPER) (ENG/SPAN)

ITEM	PART NUMBER	QTY	DESCRIPTION	REV
	1001237852	Ref	Rear Window Installation (WO/Wiper) (ENG/SPAN)	A
1	1001179008	1	Cap, Latch Window	
2	1001179009	1	Cap, Knob M6	
3	1001237845	2	Decal, Emergency Exit	

SECTION 6 - CAB

FIGURE 6-20. REAR WINDOW ASSEMBLY



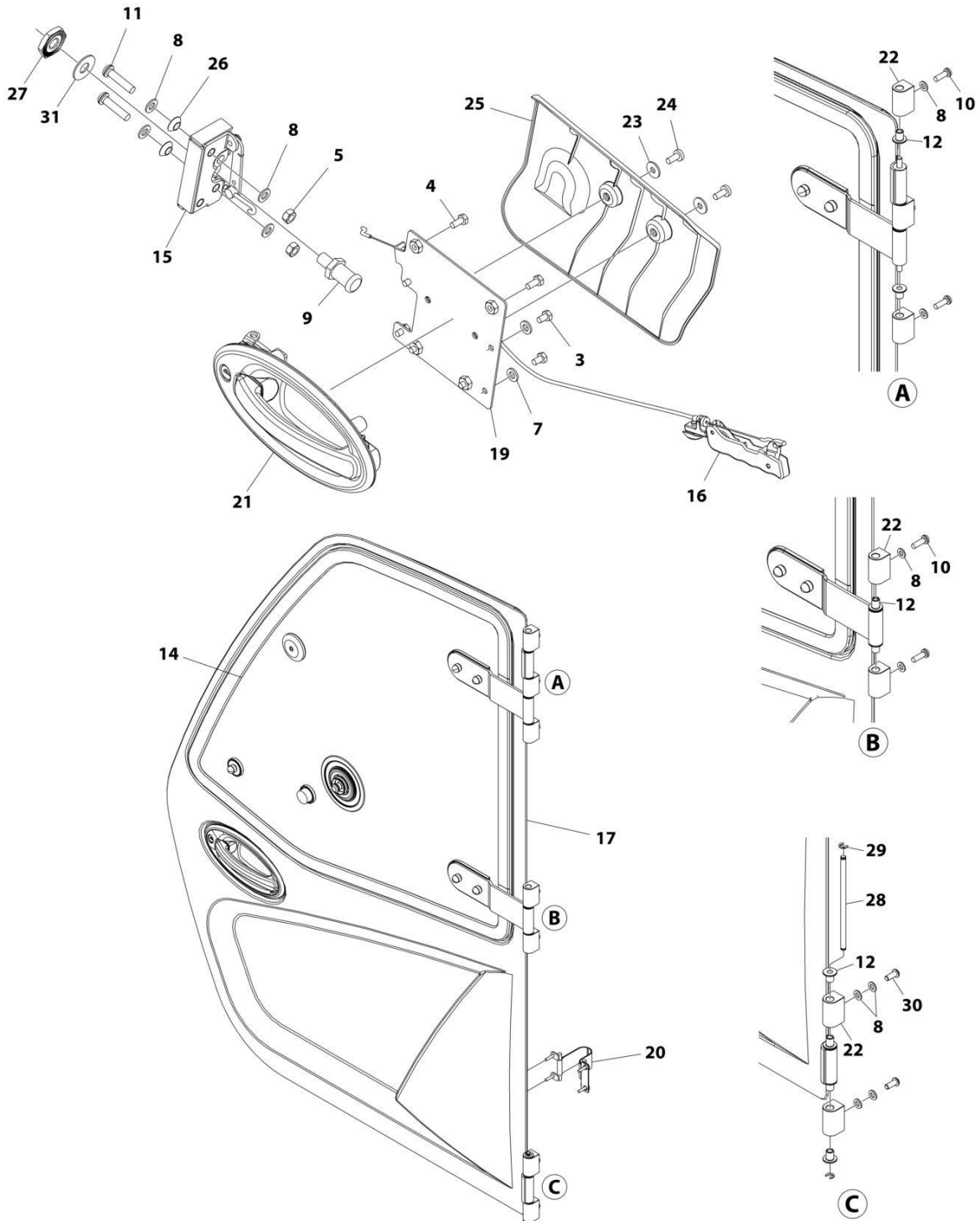
ART_1001170502-D

FIGURE 6-20. REAR WINDOW ASSEMBLY

ITEM	PART NUMBER	QTY	DESCRIPTION	REV
	1001170502	Ref	Rear Window Assembly	D
2	3290806	2	Nut, M8X1.25 Grade 8	
3	8000759	2	Spacer	
4	8004398	2	Washer	
5	1001005368	1	Latch, Window	
6	2080078	2	Fastener, M8X30	
7	1001157481	1	Glass, Rear Window	
8	1001157487	1	Seal	
9	1001139568	2	Hinge	
10	1001171182	1	Grommet	
11	1001171183	1	Grommet	
12	1001181411	2	Gasket, Rear Window Hinge	

SECTION 6 - CAB

FIGURE 6-21. DOOR INSTALLATION



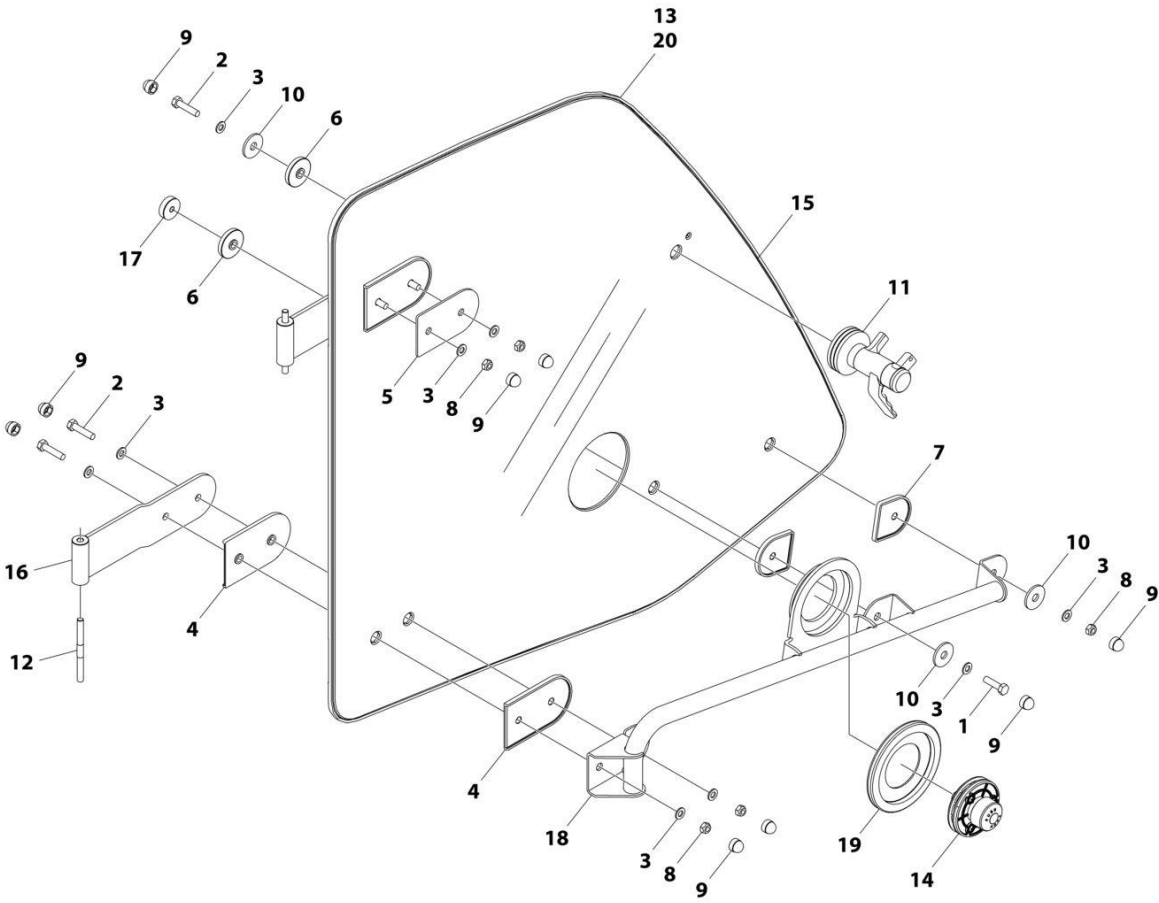
ART_1001165080

FIGURE 6-21. DOOR INSTALLATION

ITEM	PART NUMBER	QTY	DESCRIPTION	REV
	1001165080	Ref	Door Installation	P
3	0760605	4	Bolt, M6X10	
4	0760607	4	Bolt, M6X14	
5	3290801	2	Nut, M8X1.25 Grade 8	
7	4811700	4	Washer, M6	
8	4811900	13	Washer, M8	
9	8000803	1	Pin, Door Striker	
10	1001008988	5	Screw M8X25	
11	1001047062	2	Screw, M8X35	
12	1001107192	10	Sleeve, Hinge	
14	1001205532	1	Assembly, Door Upper Glass (See Separate Breakdown in this Section)	
15	1001192766	1	Assembly, Cab Latch (See Separate Breakdown in this Section)	
16	1001167958	1	Assembly, Cab Door Trigger (See Separate Breakdown in this Section)	
17	1001169881	1	Assembly, Door (See Separate Breakdown in this Section)	
19	1001173298	1	Bracket	
20	1001174295	1	Installation, Door Strap (See Separate Breakdown in this Section)	
21	1001192646	1	Handle, Exterior Door	
22	1001170601J	7	Lug, Hinge	
23	4811702001	2	Washer, M6	
24	4010608002	2	Screw, M6X16	
25	1001175477	1	Cover, Cab Door Interior	
26	1001184439	2	Bushing	
27	1001192309	1	Nut, M12X1	
28	1001213791	1	Pin, Hinge	
29	0498748	2	Clip, Snap Ring	
30	1001164726	2	Bolt, M8X20	
31	1001227802	1	Washer	

SECTION 6 - CAB

FIGURE 6-22. DOOR UPPER GLASS ASSEMBLY



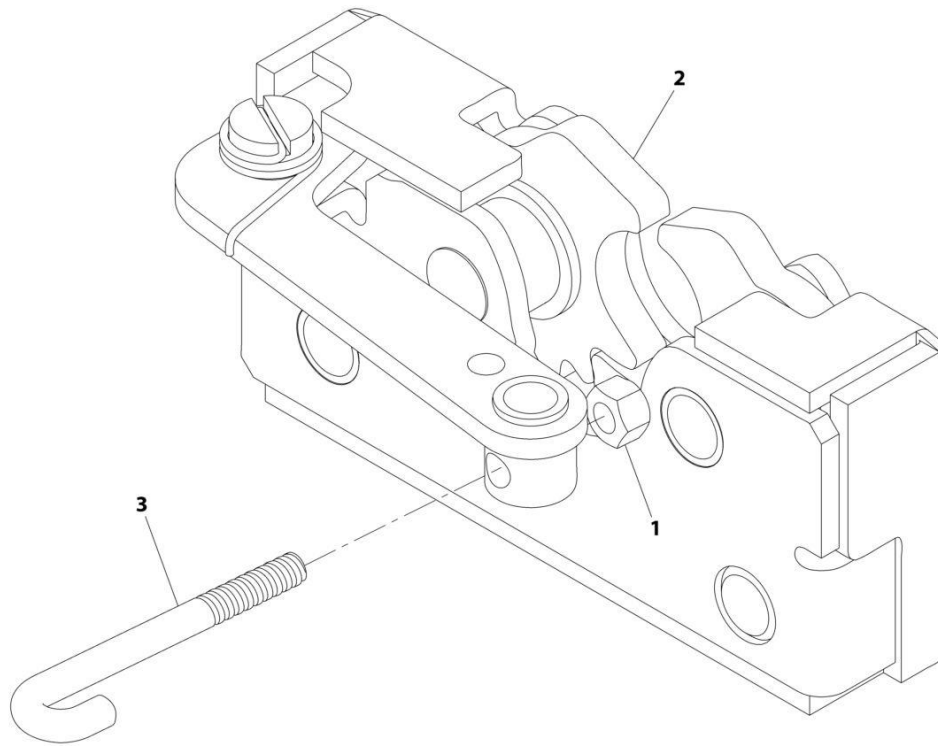
ART_1001205532

FIGURE 6-22. DOOR UPPER GLASS ASSEMBLY

ITEM	PART NUMBER	QTY	DESCRIPTION	REV
	1001205532	Ref	Door Upper Glass Assembly	G
1	0760812	1	Bolt, M8X25	
2	0760815	5	Bolt, M8X35	
3	4811900	11	Washer, 8MM	
4	1001002946	4	Mount, Hinge	
5	1001002947	1	Mount, Hinge	
6	1001002953	2	Mount, Rubber	
7	1001002957	2	Mount, Latch	
8	1001008857	5	Nut, Lock	
9	1001096365	11	Cap, M8	
10	1001141246	3	Mount, Rubber	
11	1001165275	1	Latch, Window	
12	1001166634	2	Pin, Hinge	
13	1001170944	1	Panel, Window Surround	
14	1001174321	1	Striker, Top Window	
15	1001204066	1	Glass, Window	
16	1001204115	2	Hinge	
17	1001222741	1	Buffer, Cab	
18	1001204120	1	Handle	
19	1001213331	1	Gasket	
20	1001215531	AR	Adhesive	

SECTION 6 - CAB

FIGURE 6-23. CAB LATCH ASSEMBLY



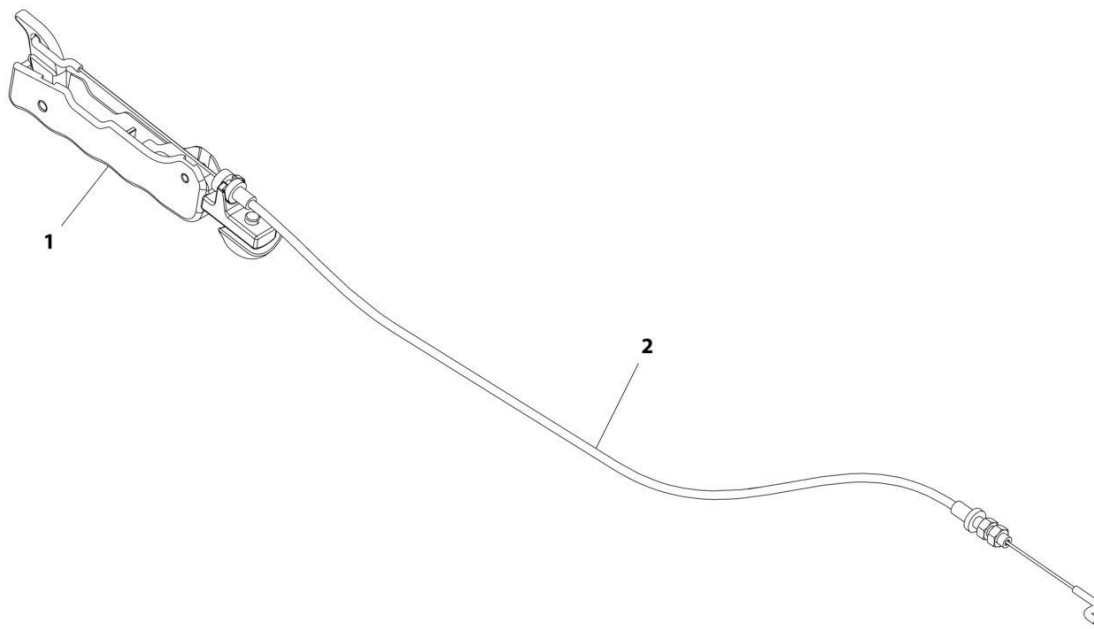
ART_1001192766_C

FIGURE 6-23. CAB LATCH ASSEMBLY

ITEM	PART NUMBER	QTY	DESCRIPTION	REV
	1001192766	Ref	Cab Latch Assembly	C
1	3290405	1	Nut, M4X0.7 Grade 8	
2	1001192643	1	Latch	
3	1001241308	1	Link, Door Handle	

SECTION 6 - CAB

FIGURE 6-24. CAB DOOR TRIGGER ASSEMBLY



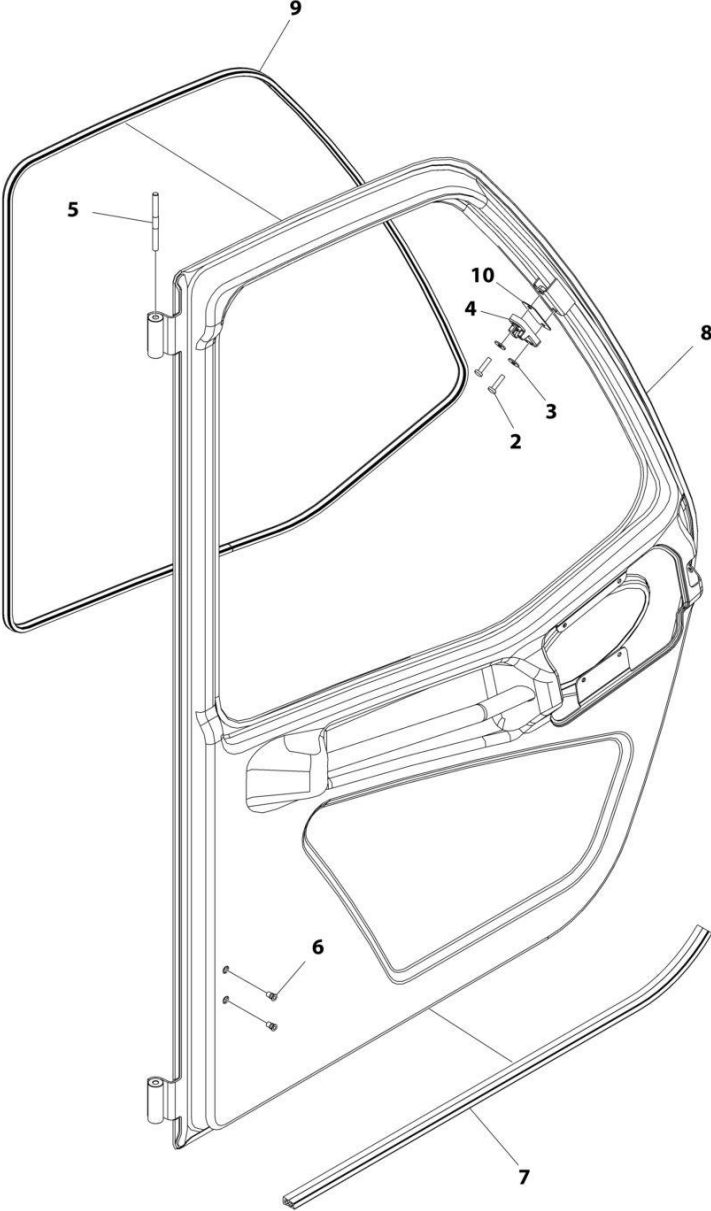
ART_1001167958-E

FIGURE 6-24. CAB DOOR TRIGGER ASSEMBLY

ITEM	PART NUMBER	QTY	DESCRIPTION	REV
	1001167958	Ref	Cab Door Trigger Assembly	E
1	1001167937	1	Trigger, Cab Interior Release	
2	1001192644	1	Cable, Cab Latch Release	

SECTION 6 - CAB

FIGURE 6-25. DOOR ASSEMBLY



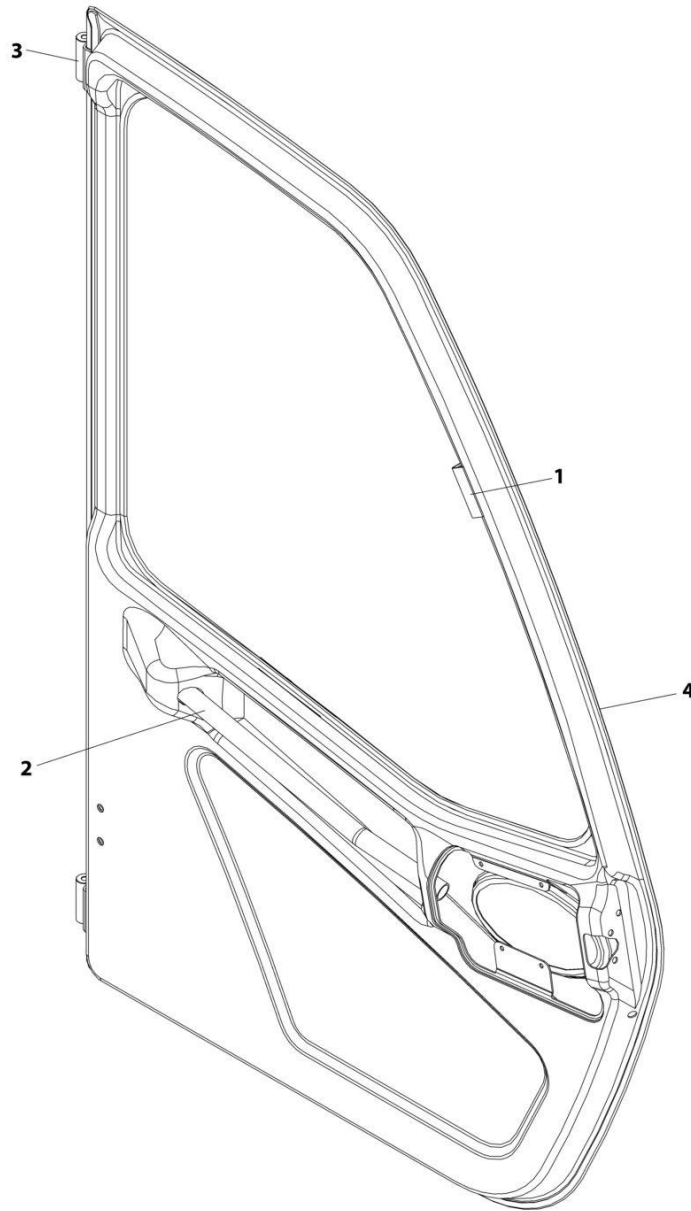
ART_1001169881_K

FIGURE 6-25. DOOR ASSEMBLY

ITEM	PART NUMBER	QTY	DESCRIPTION	REV
	1001169881	Ref	Door Assembly	K
2	4010612002	2	Screw, Posi-Drive, M6X25	
3	4811702001	2	Washer, M6	
4	1001165276	1	Plate, Window Latch Striker	
5	1001166634	1	Pin, Hinge	
6	1001172193	2	Rivnut, M5X0.8	
7	1001227188	1	Seal, Cab Door	
8	1001165022J	1	Door, Cab (See Separate Breakdown in this Section)	
9	1001227187	1	Seal, Cab Door Window	
10	1001193210	AR	Shim, Window Latch	

SECTION 6 - CAB

FIGURE 6-26. CAB DOOR



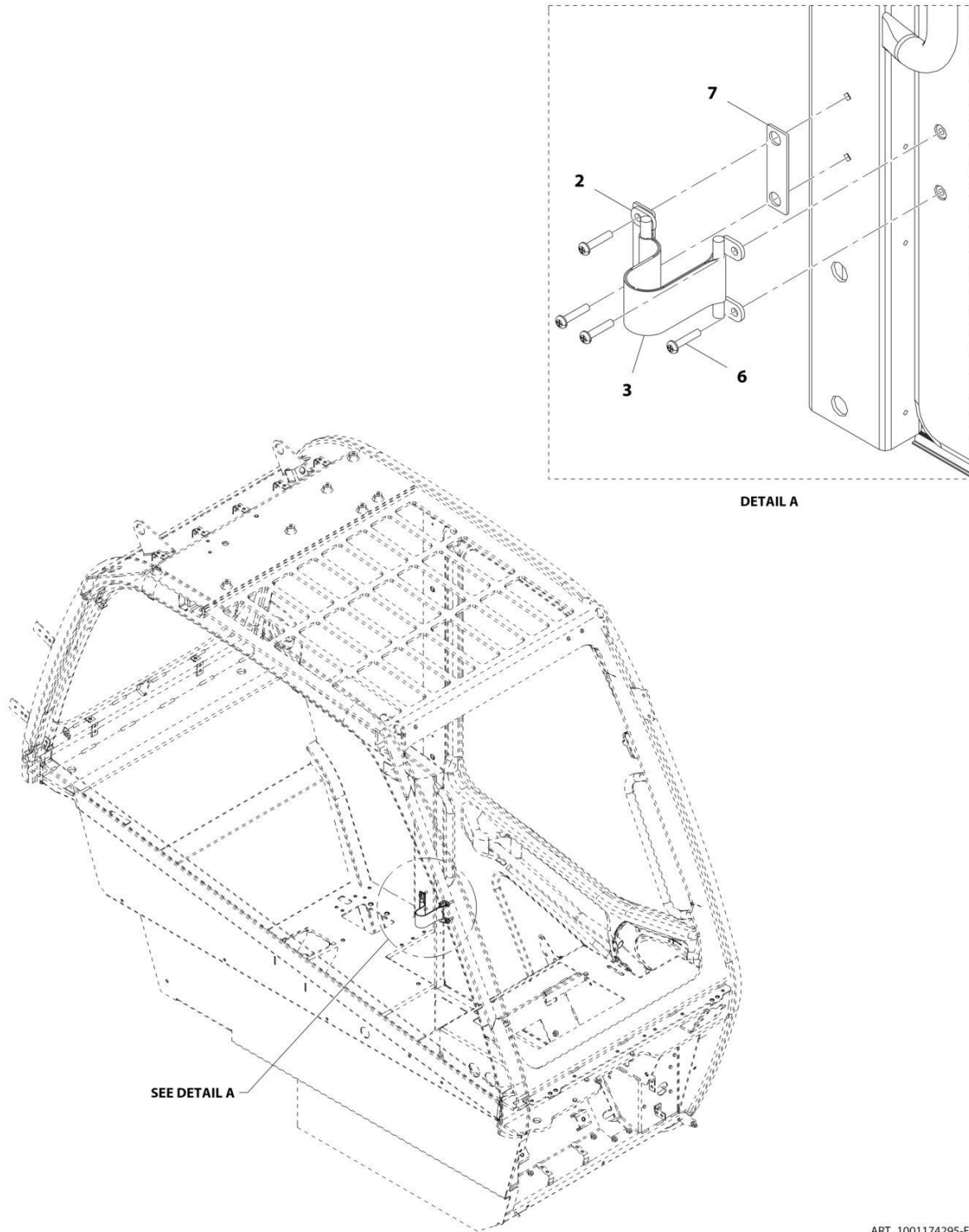
ART_1001165022-E

FIGURE 6-26. CAB DOOR

ITEM	PART NUMBER	QTY	DESCRIPTION	REV
	1001165022	Ref	Cab Door	E
1	1001169883	1	Bracket, Window Latch	
2	1001169885	1	Handle, Interior Door	
3	1001171037	1	Plate, Hinge	
4	1001171634	1	Frame, Door	

SECTION 6 - CAB

FIGURE 6-27. DOOR STRAP INSTALLATION



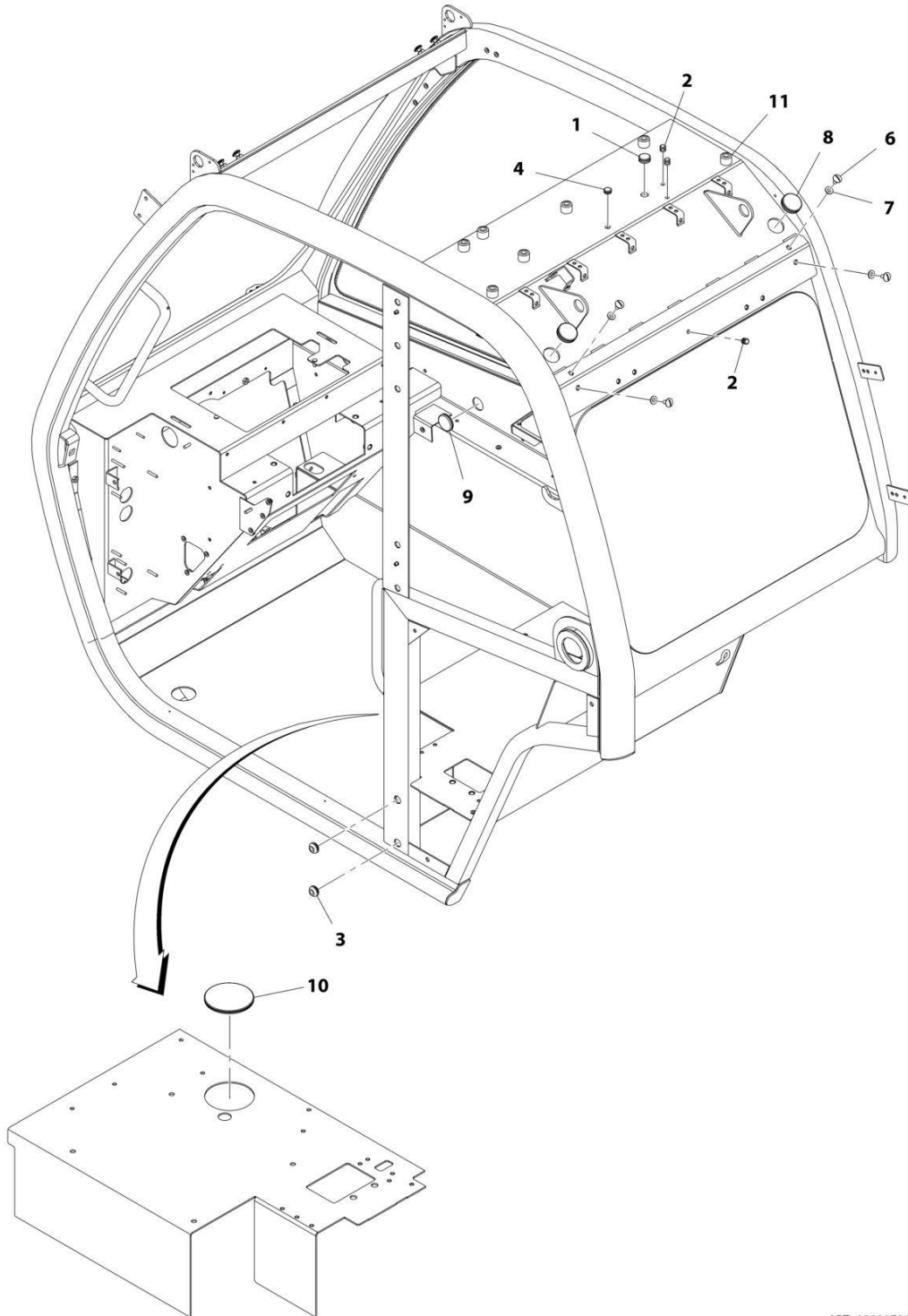
ART_1001174295-F

FIGURE 6-27. DOOR STRAP INSTALLATION

ITEM	PART NUMBER	QTY	DESCRIPTION	REV
	1001174295	Ref	Door Strap Installation	F
2	1001230163	2	Bracket, Strap Holder	
3	1001212011	1	Strap, Door Hold Open	
6	8310559	4	Screw	
7	1001191091	1	Plate, Cab Door Strap	

SECTION 6 - CAB

FIGURE 6-28. ENCLOSED CAB PLUG GROUP



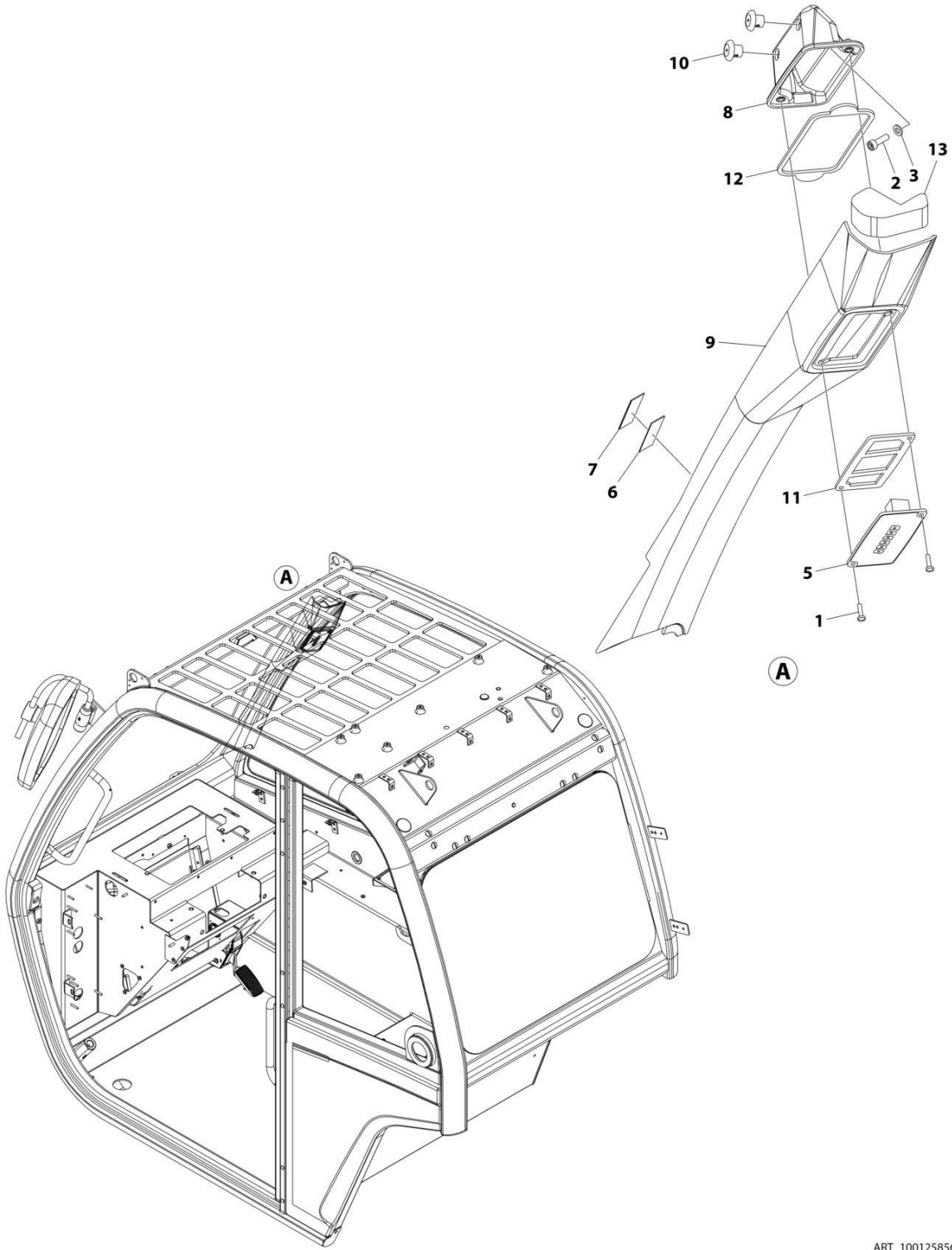
ART_1001170603-E

FIGURE 6-28. ENCLOSED CAB PLUG GROUP

ITEM	PART NUMBER	QTY	DESCRIPTION	REV
	1001170603	Ref	Enclosed Cab Plug Group	E
1	1001176273	1	Plug	
2	1001176272	3	Plug	
3	1001143200	2	Plug	
4	1001176626	1	Plug	
6	1001181920	8	Screw, M8X16	
7	1001181921	8	Washer, Rubber M8	
8	1001182123	2	Plug	
9	1001182139	1	Plug	
10	1001209899	1	Plug	
11	1001219220	7	Cap, Vinyl Round	

SECTION 6 - CAB

FIGURE 6-29. LSI DISPLAY INSTALLATION (OPEN CAB)



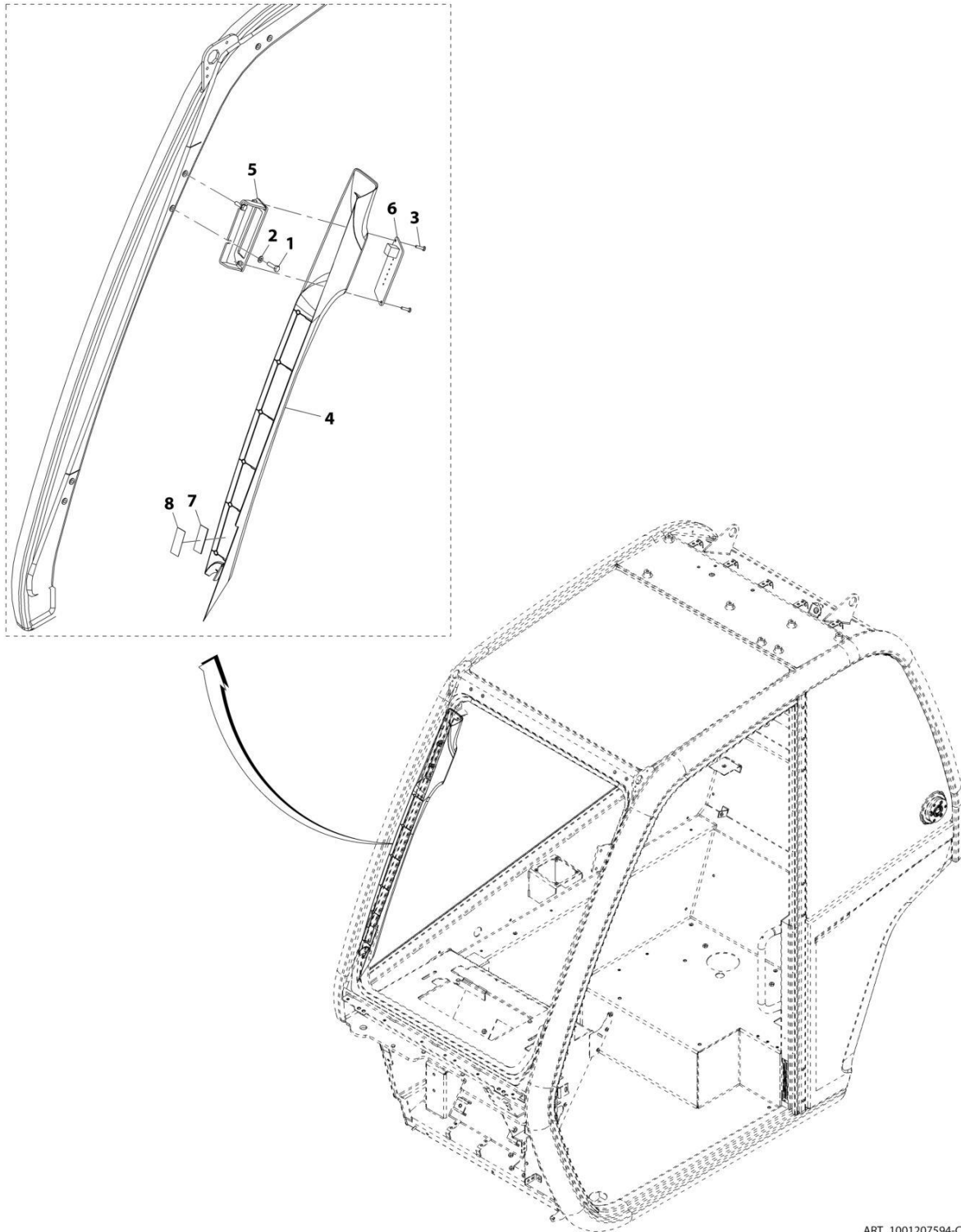
ART_1001258563_B

FIGURE 6-29. LSI DISPLAY INSTALLATION (OPEN CAB)

ITEM	PART NUMBER	QTY	DESCRIPTION	REV
	1001258563	Ref	LSI DISPLAY INSTALLATION	B
1	1001126837	2	Screw M4 x 16	
2	4031708	2	Bolt M6 x 20	
3	4811700	2	Washer M6	
5	1001213752	1	LSI Display Electrical Assembly	
5	1001205976	1	Decal - LSI Display	
5	1001209028	1	Gauge	
6	1001221318	1	Tape, Hook Fastener	
7	1001221319	1	Tape, Loop Fastener	
8	1001257058	1	Box	
9	1001257059	1	Panel	
10	1001257067	2	Grommet	
11	1001257069	1	Seal	
12	1001257087	1	Seal	
13	1001264415	1	Seal	

SECTION 6 - CAB

FIGURE 6-30. LSI DISPLAY INSTALLATION (ENCLOSED CAB)



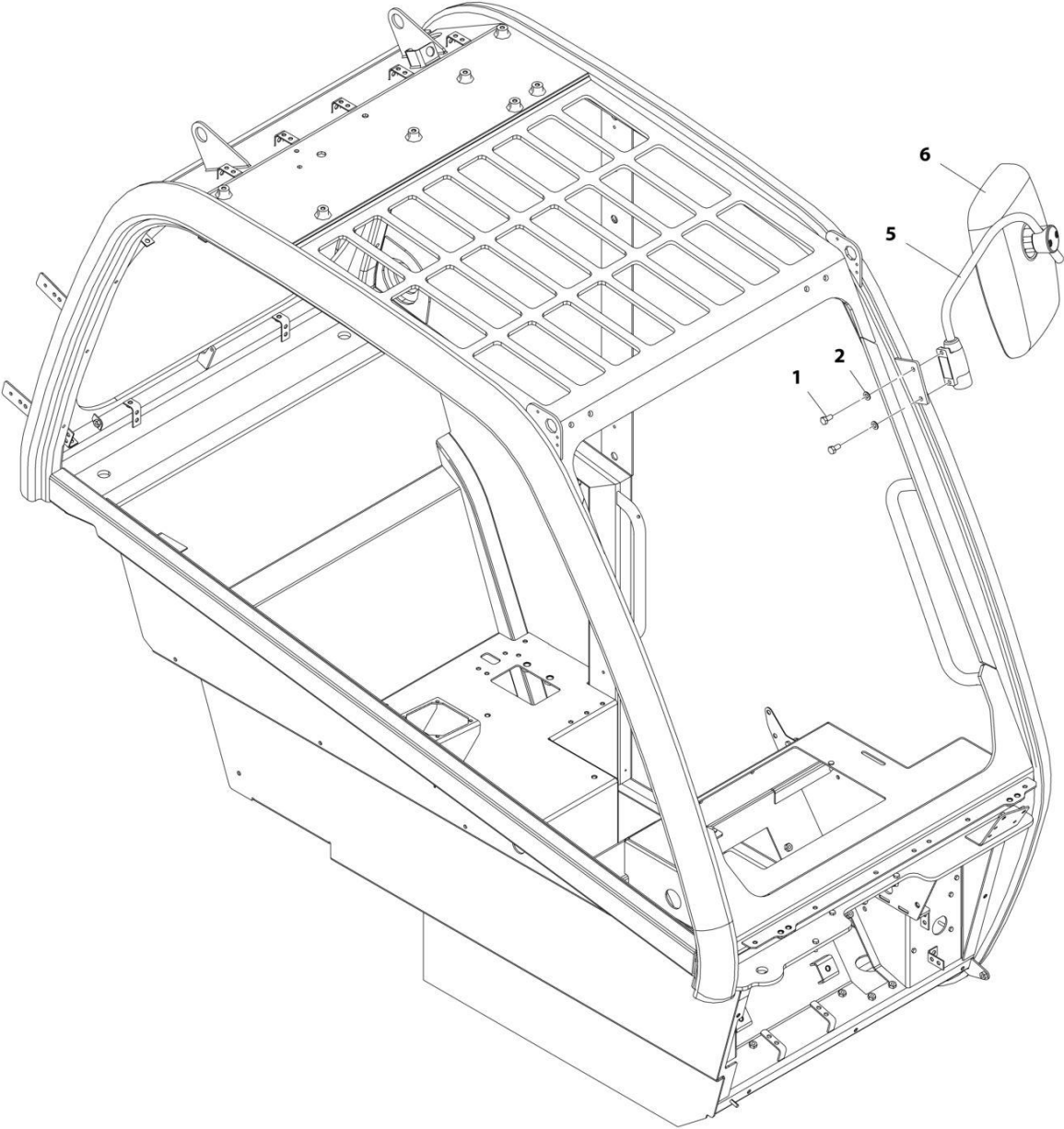
ART_1001207594-C

FIGURE 6-30. LSI DISPLAY INSTALLATION (ENCLOSED CAB)

ITEM	PART NUMBER	QTY	DESCRIPTION	REV
	1001207594	Ref	LSI Display Installation	C
1	0760610	2	Bolt, M6X20	
2	4811700	2	Washer, M6	
3	1001126837	2	Screw, M4X16	
4	1001182839	1	Cover	
5	1001214401	1	Bracket	
6	1001213752	1	Display, LSI	
7	1001221318	1	Tape, Hook Fastener	
8	1001221319	1	Tape, Hook Fastener	

SECTION 6 - CAB

FIGURE 6-31. BASIC MIRROR INSTALLATION



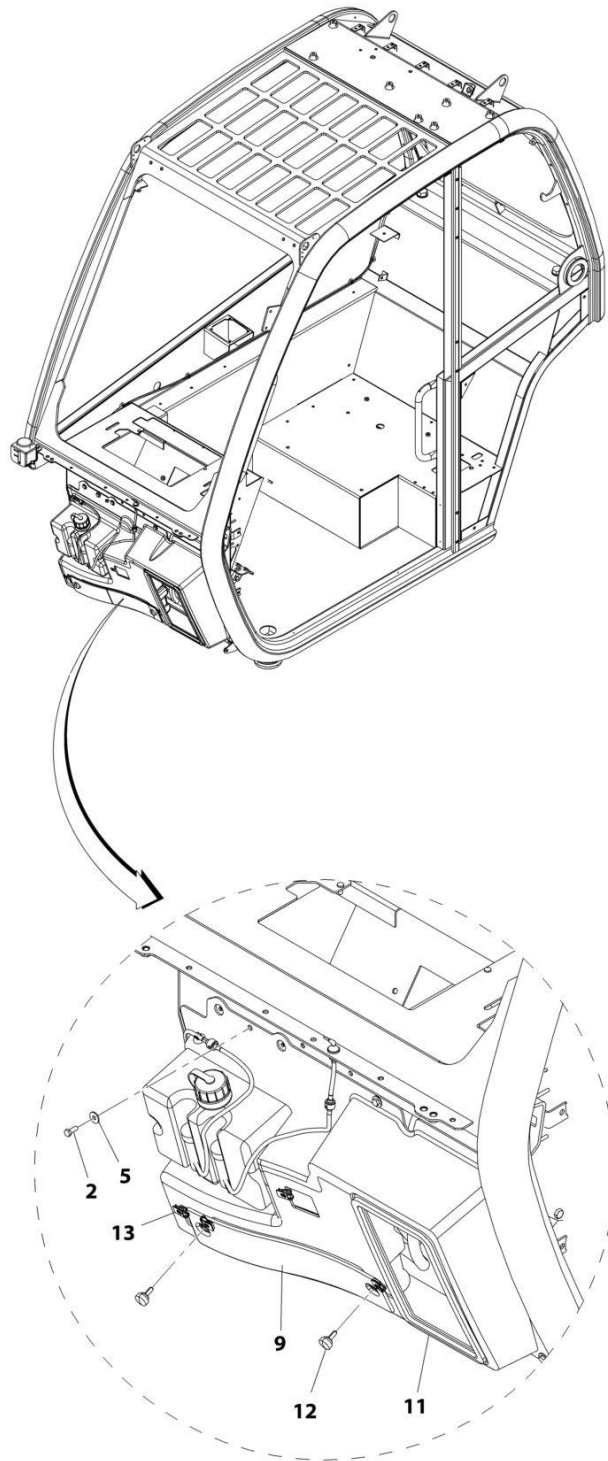
ART_1001160508-E

FIGURE 6-31. BASIC MIRROR INSTALLATION

ITEM	PART NUMBER	QTY	DESCRIPTION	REV
	1001160508	Ref	Basic Mirror Installation	E
1	0760808	2	Bolt, M8X16	
2	4811900	2	Washer, M8	
5	1001164655	1	Bracket	
6	80363195	1	Mirror	

SECTION 6 - CAB

FIGURE 6-32. FRONT COVER INSTALLATION



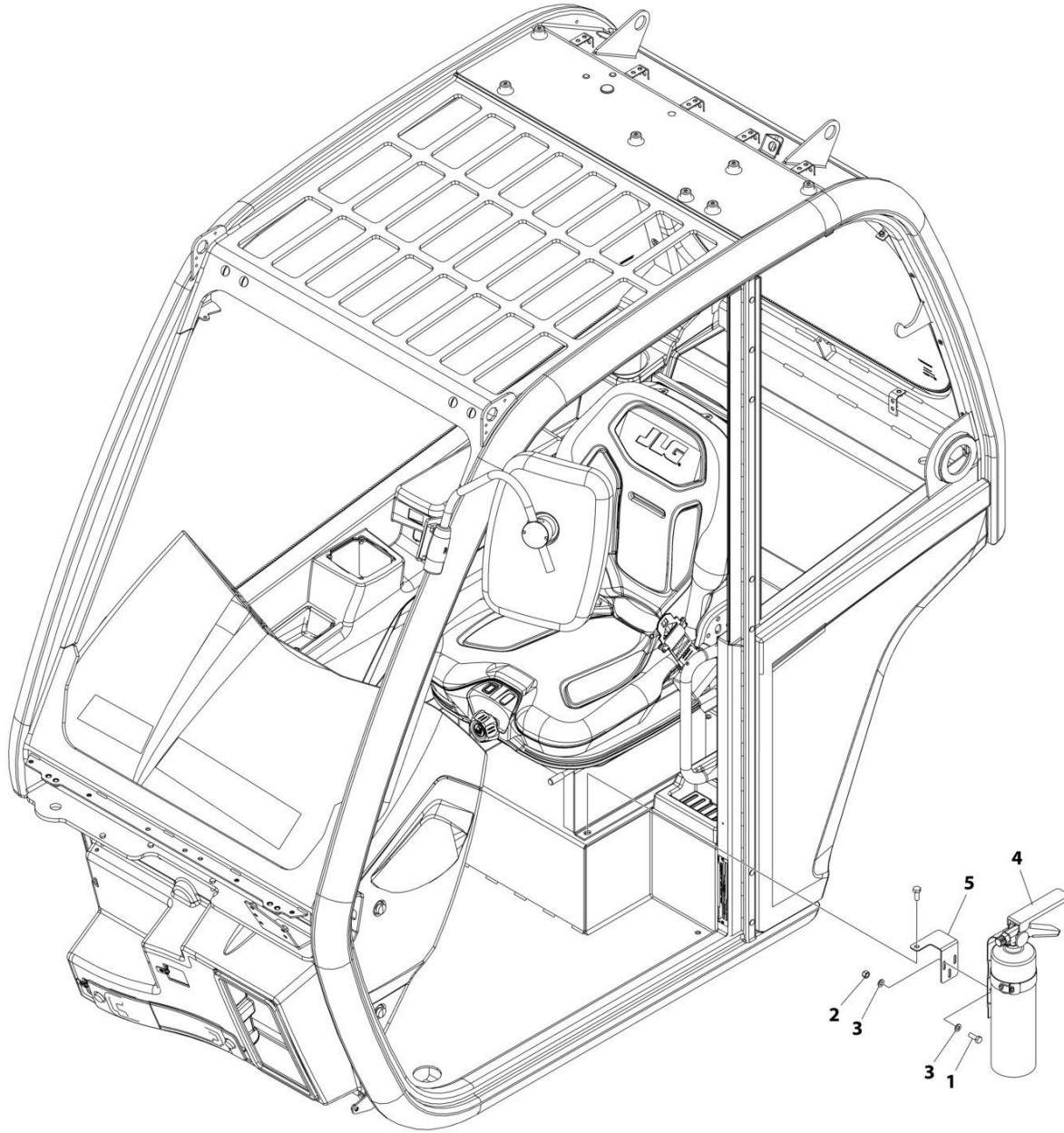
ART_1001170366-G

FIGURE 6-32. FRONT COVER INSTALLATION

ITEM	PART NUMBER	QTY	DESCRIPTION	REV
	1001170366	Ref	Front Cover Installation	G
2	0760608	7	Bolt, M6X16	
5	4811702	7	Washer, M6	
9	1001175471	1	Panel, Filter Tray (See Separate Breakdown in this Section)	
11	1001176121	1	Cover, Front Duct (See Separate Breakdown in this Section)	
12	2080092	2	Thumb Screw, M6X16	
13	8305919	4	Nut, M6	

SECTION 6 - CAB

FIGURE 6-33. FIRE EXTINGUISHER INSTALLATION



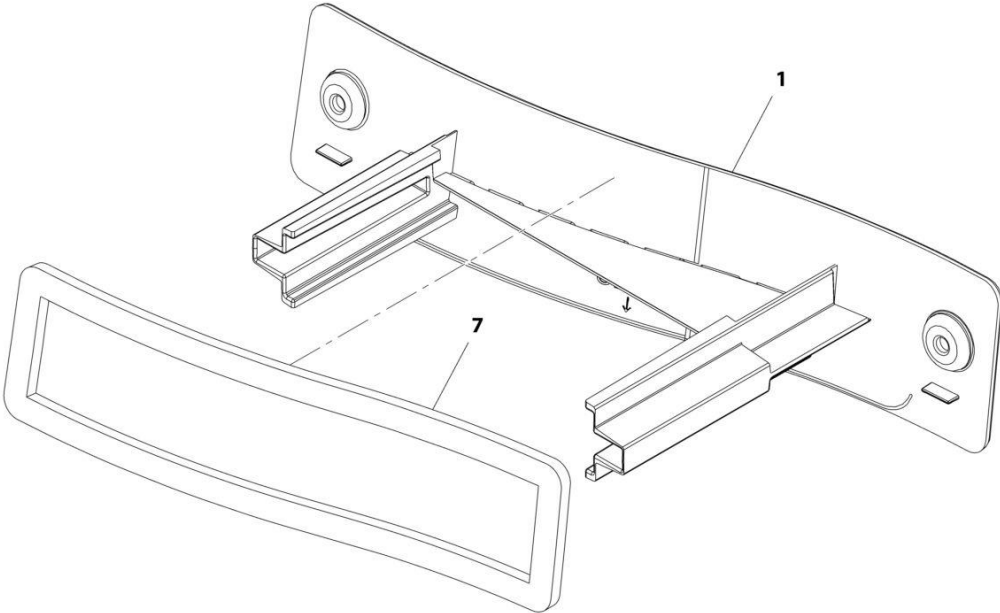
ART_1001258099

FIGURE 6-33. FIRE EXTINGUISHER INSTALLATION

ITEM	PART NUMBER	QTY	DESCRIPTION	REV
	1001258099	Ref	FIRE EXTINGUISHER INSTALLATION	A
1	0760507	3	Bolt M5X14	
2	3290505	3	Nut M5	
3	4811600	6	Washer M5	
4	1001099699	1	Fire Extinguisher Assy	
5	1001241337	1	Bracket	

SECTION 6 - CAB

FIGURE 6-34. FILTER TRAY PANEL



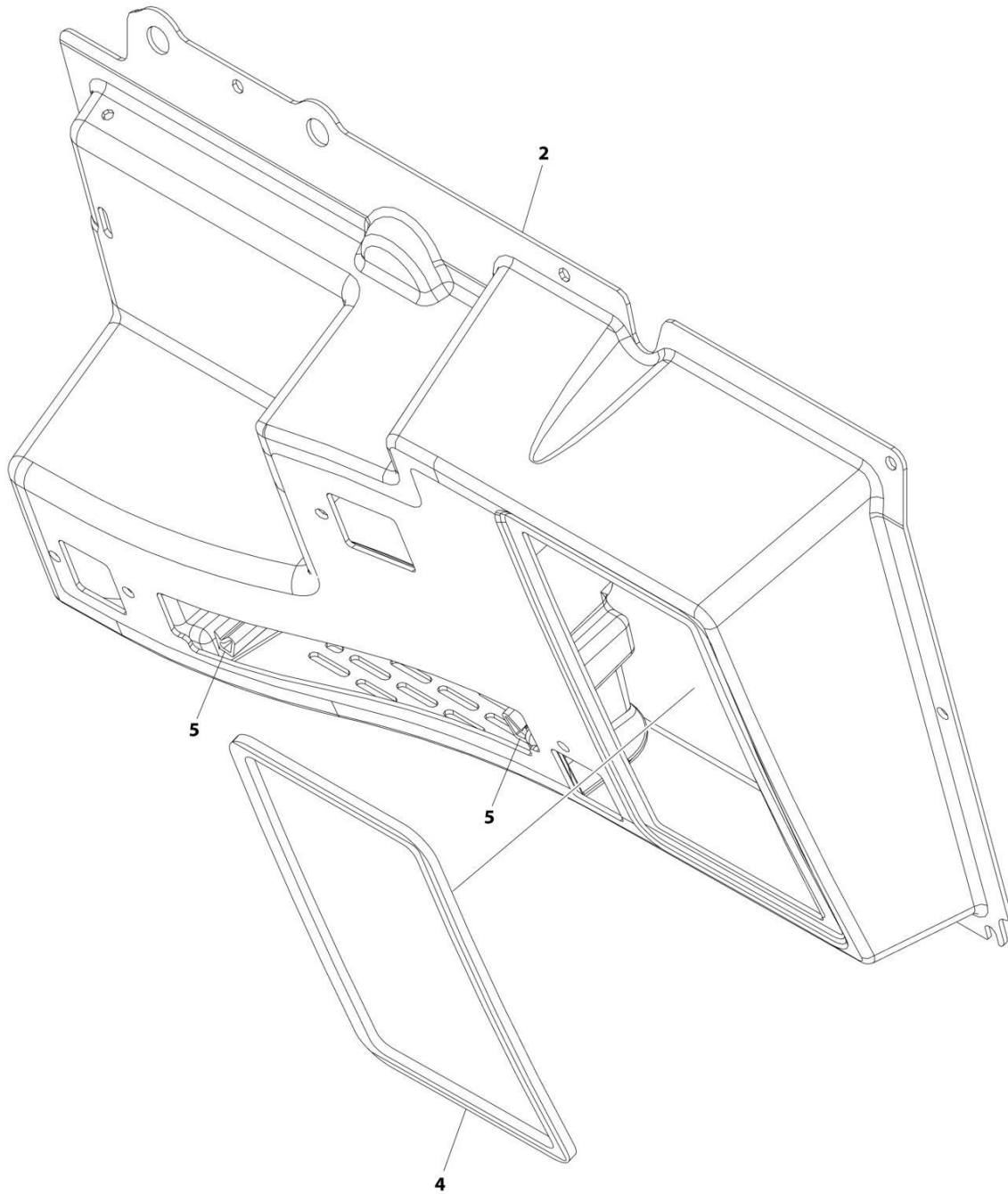
ART_1001175471-D

FIGURE 6-34. FILTER TRAY PANEL

ITEM	PART NUMBER	QTY	DESCRIPTION	REV
	1001175471	Ref	Filter Tray Panel	D
1	1001170993	1	Panel, Front Inlet	
7	1001171767	1	Cab, Front Panel Seal	

SECTION 6 - CAB

FIGURE 6-35. FRONT DUCT COVER



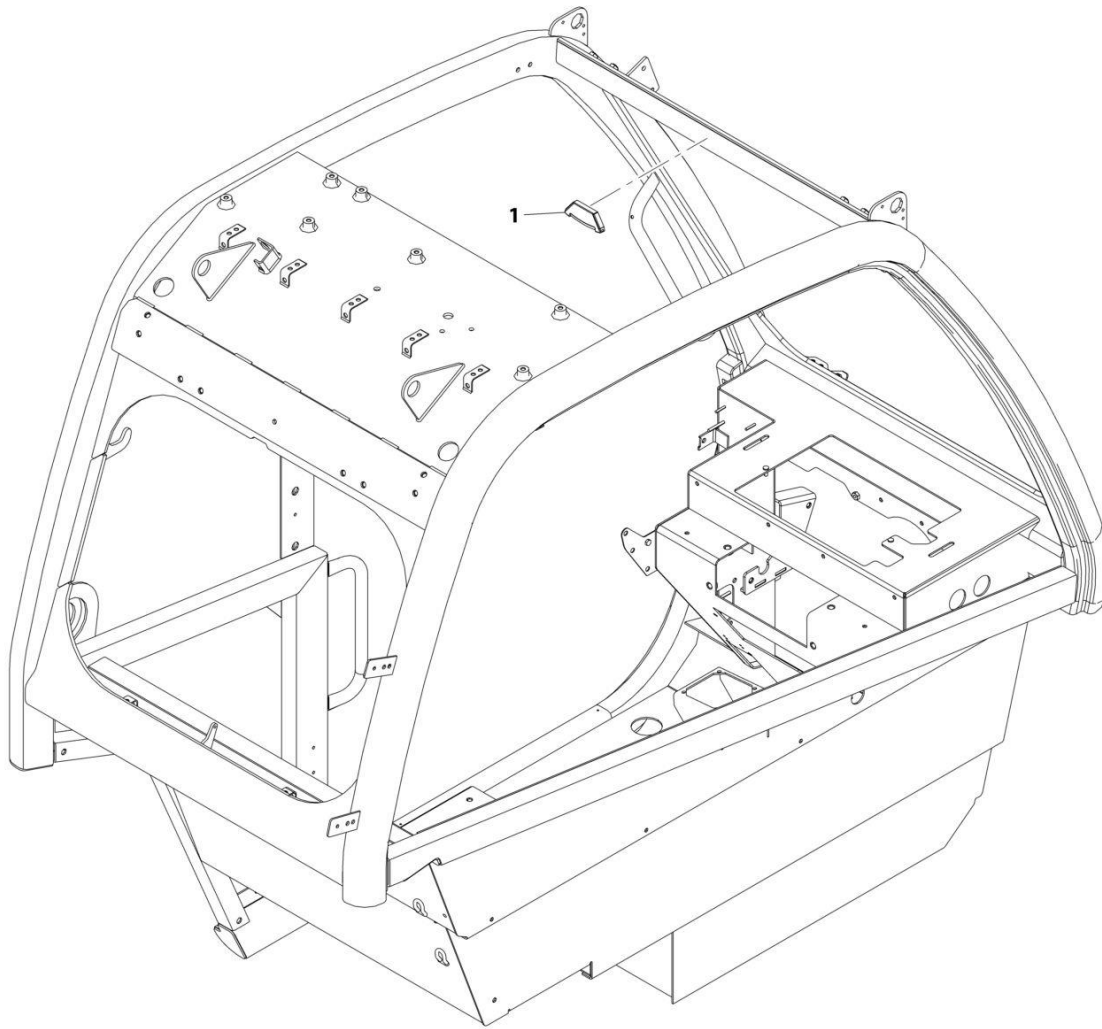
ART_1001176121

FIGURE 6-35. FRONT DUCT COVER

ITEM	PART NUMBER	QTY	DESCRIPTION	REV
	1001176121	Ref	FRONT DUCT COVER	H
2	1001170326	1	Cover, Front	
4	1001175470	1	Seal, Front Cab Panel	
5	1001270117	AR	Seal, Bulb	

SECTION 6 - CAB

FIGURE 6-36. LEVEL INDICATOR INSTALLATION



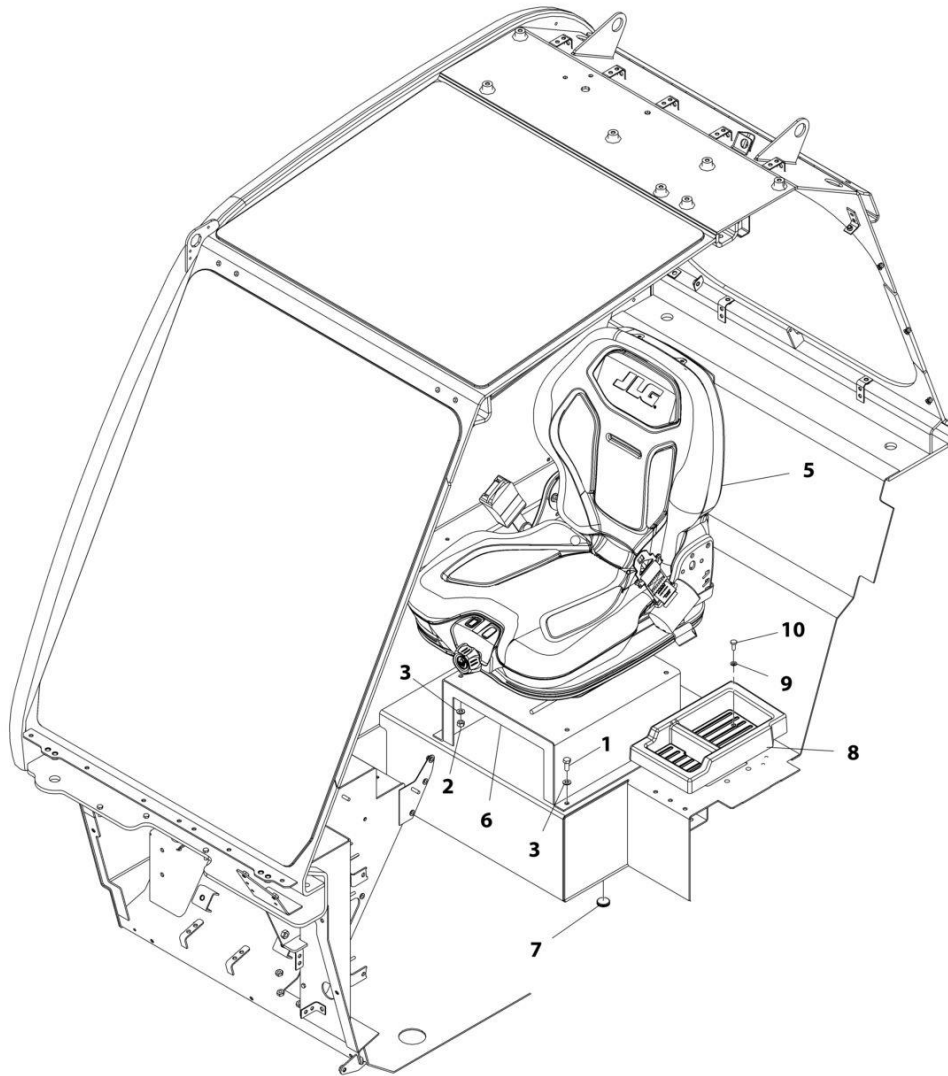
ART_1001172401-C

FIGURE 6-36. LEVEL INDICATOR INSTALLATION

ITEM	PART NUMBER	QTY	DESCRIPTION	REV
1	1001172401 8466306	Ref 1	Level Indicator Installation Gauge, Tilt Angle	C

SECTION 6 - CAB

FIGURE 6-37. SEAT INSTALLATION - CLOTH (BLACK SEAT BELT)



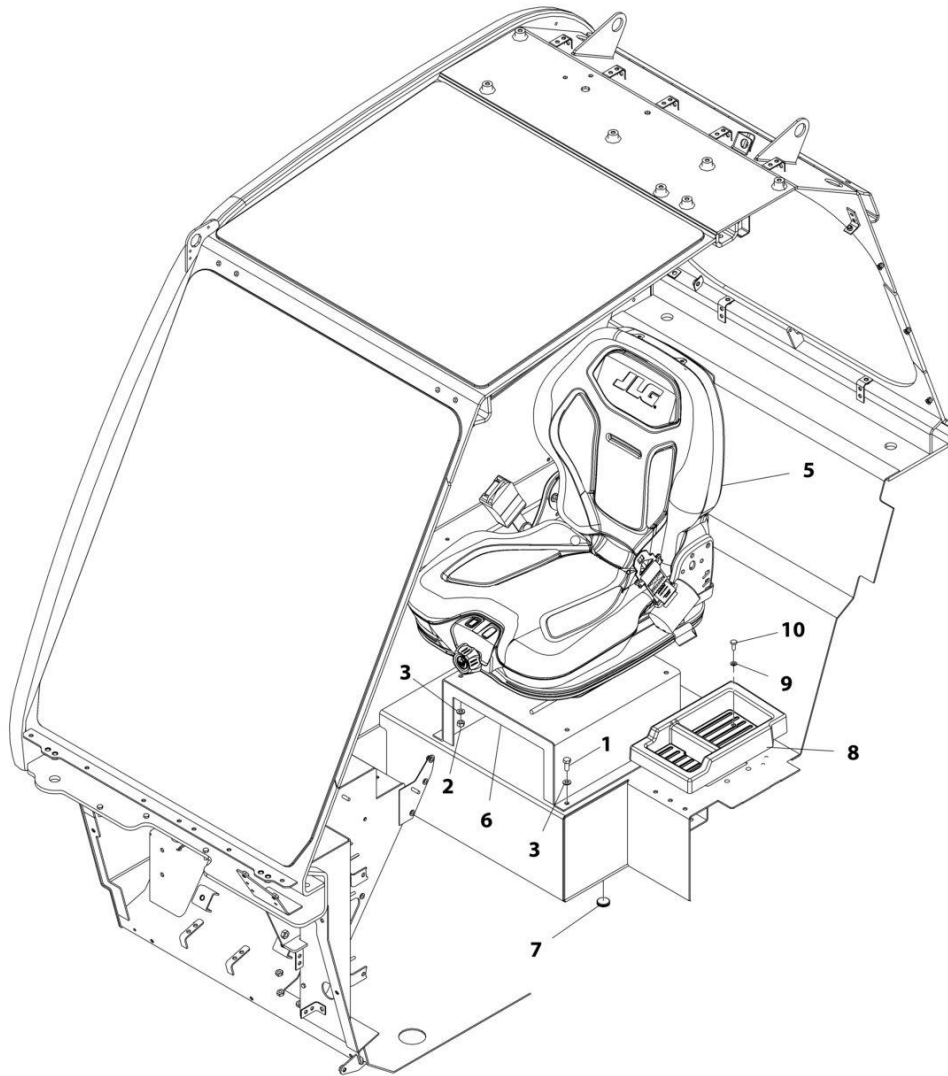
ART_1001164615-G

FIGURE 6-37. SEAT INSTALLATION - CLOTH (BLACK SEAT BELT)

ITEM	PART NUMBER	QTY	DESCRIPTION	REV
	1001164615	Ref	Seat Installation	H
1	0760810	4	Bolt, M8X20	
2	3311505	4	Nut, Lock 5/16-18	
3	4811900	8	Washer, M8	
5	1001197027	1	Seat (See Separate Breakdown in this Section)	
6	1001164498	1	Plinth, Seat	
7	1001196076	1	Plug	
8	1001170515	1	Insert, Storage Tray	
9	4811700	1	Washer, M6	
10	4010608002	1	Screw, Posi-Drive, M6X16	

SECTION 6 - CAB

FIGURE 6-38. SEAT INSTALLATION - CLOTH (ORANGE SEAT BELT)



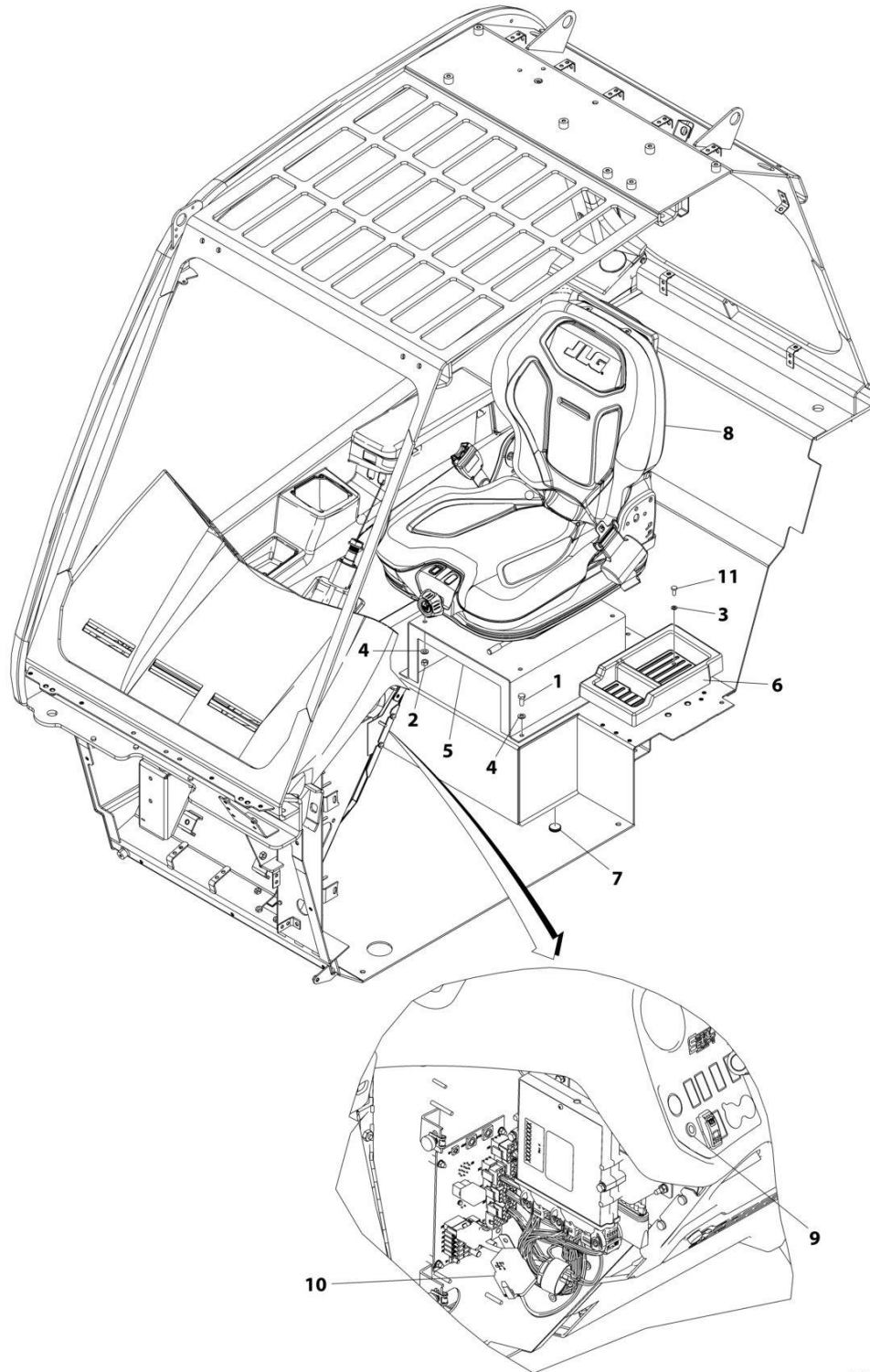
ART_1001164615-G

FIGURE 6-38. SEAT INSTALLATION - CLOTH (ORANGE SEAT BELT)

ITEM	PART NUMBER	QTY	DESCRIPTION	REV
	1001164615	Ref	Seat Installation	I
1	0760810	4	Bolt, M8X20	
2	3311505	4	Nut, Lock 5/16-18	
3	4811900	8	Washer, M8	
5	1001275929	1	Seat (See Separate Breakdown in this Section)	
6	1001164498	1	Plinth, Seat	
7	1001196076	1	Plug	
8	1001170515	1	Insert, Storage Tray	
9	4811700	1	Washer, M6	
10	4010608002	1	Screw, Posi-Drive, M6X16	

SECTION 6 - CAB

FIGURE 6-39. SEAT INSTALLATION - VINYL



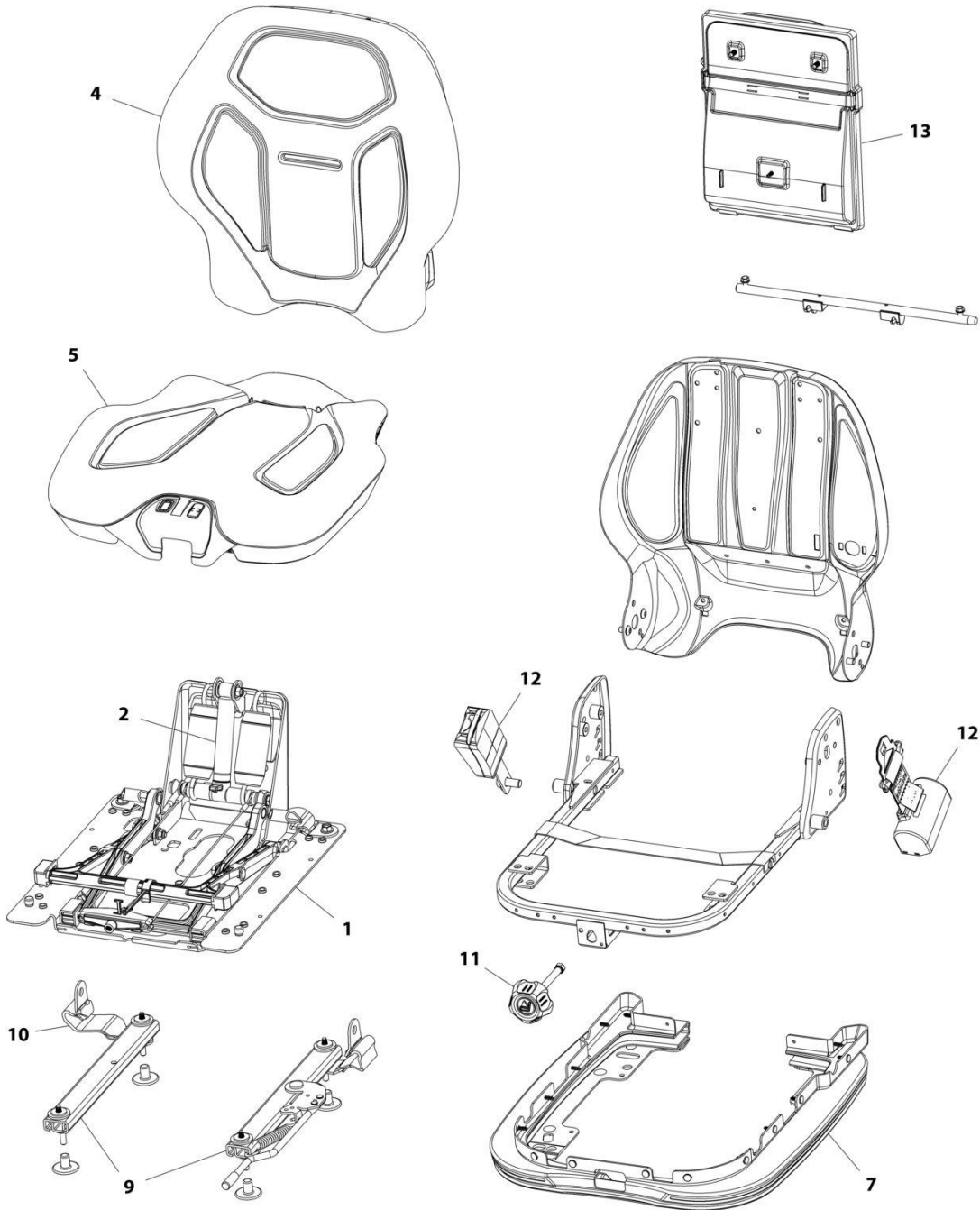
ART_1001268804_B

FIGURE 6-39. SEAT INSTALLATION - VINYL

ITEM	PART NUMBER	QTY	DESCRIPTION	REV
	1001268804	Ref	SEAT INSTALLATION - VINYL	B
1	0760810	1	Bolt M8 x 20	
2	3311505	1	Nut 5/16	
3	4811700	1	Washer M6	
4	4811900	1	Washer M8	
5	1001164498	1	Plinth, Seat	
6	1001170515	1	Insert, Storage Tray	
7	1001196076	1	Plug	
8	1001275931	1	Seat Assembly (See Separate Breakdown in this Section)	
9	1001266488	1	Light, Indicator - Red	
10	1001268744	1	Harness, Seat Belt Alarm (See Separate Breakdown in ELECTRICAL Section)	
11	4010608002	1	Screw M6 x 16	

SECTION 6 - CAB

FIGURE 6-40. SEAT ASSEMBLY - CLOTH (BLACK SEAT BELT)



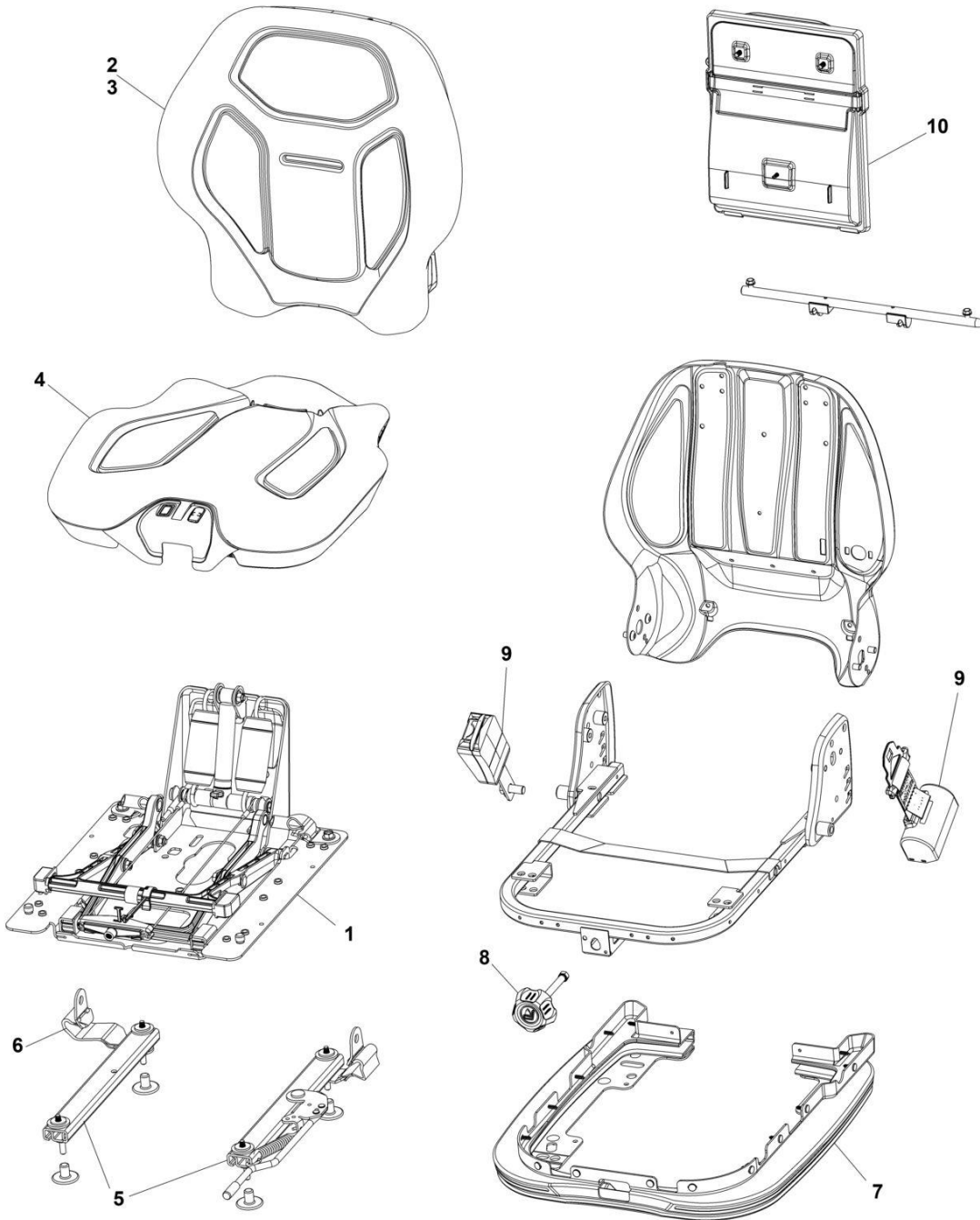
ART_1001197027-D

FIGURE 6-40. SEAT ASSEMBLY - CLOTH (BLACK SEAT BELT)

ITEM	PART NUMBER	QTY	DESCRIPTION	REV
	1001197027	Ref	Seat	E
1	70027024	1	Suspension Assembly Kit	
2	70027025	1	Spring Saddle Assembly Kit	
4	70027026	1	Back Cushion Kit	
5	70027028	1	Seat Cushion Assembly Kit	
7	70027030	1	Boot Kit	
9	7026798	1	Adjuster Kit	
10	70027032	1	Tether Strap	
11	70027033	1	Weight Adjust Knob Kit	
12	70027034	2	Seat Belt Kit	
13	70027035	1	Document Box Kit	

SECTION 6 - CAB

FIGURE 6-41. SEAT ASSEMBLY - CLOTH (ORANGE SEAT BELT)



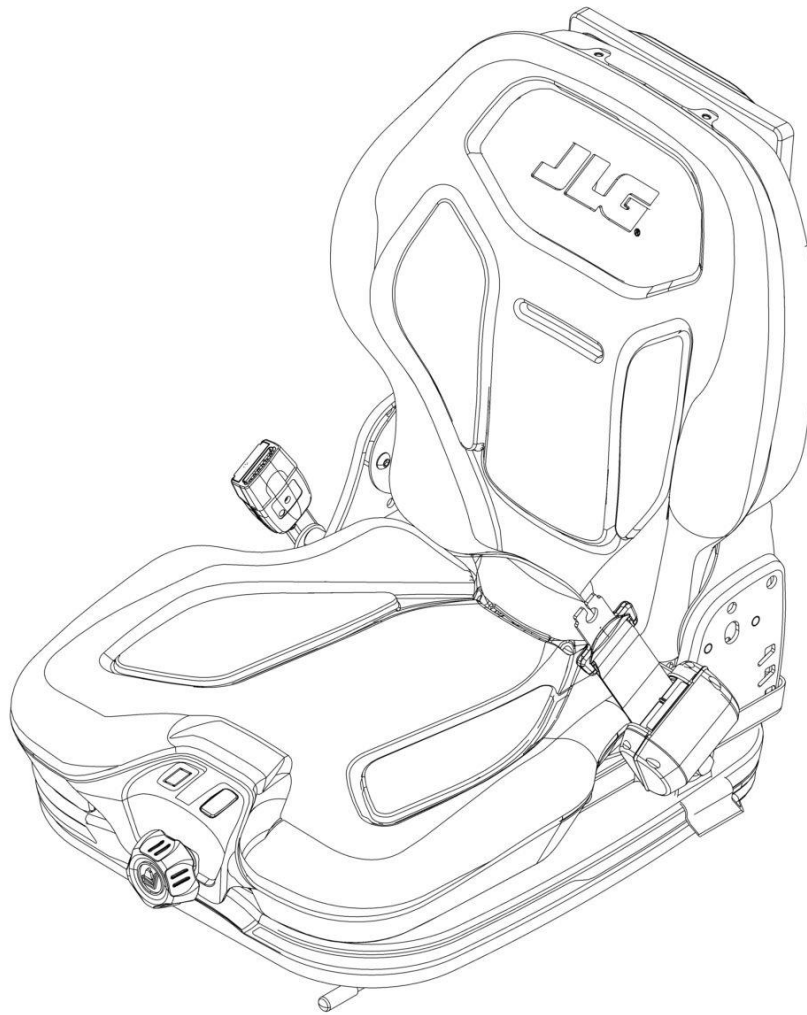
ART_1001275929

FIGURE 6-41. SEAT ASSEMBLY - CLOTH (ORANGE SEAT BELT)

ITEM	PART NUMBER	QTY	DESCRIPTION	REV
	1001275929	Ref	Seat Assembly	A
1	70027024	1	Suspension Kit	
2	70027026	1	Back Cushion Kit (JLG)	
3	70027027	1	Back Cushion Kit (CAT)	
4	70027028	1	Seat Cushion Kit	
5	7026798	1	Adjuster Kit	
6	70027032	1	Tether strap	
7	70027030	1	Boot Kit	
8	70027033	1	Weight Adjust Knob Kit	
9	1001275933	1	Seat Belt	
10	70027035	1	Document box Kit	

SECTION 6 - CAB

FIGURE 6-42. SEAT ASSEMBLY - VINYL



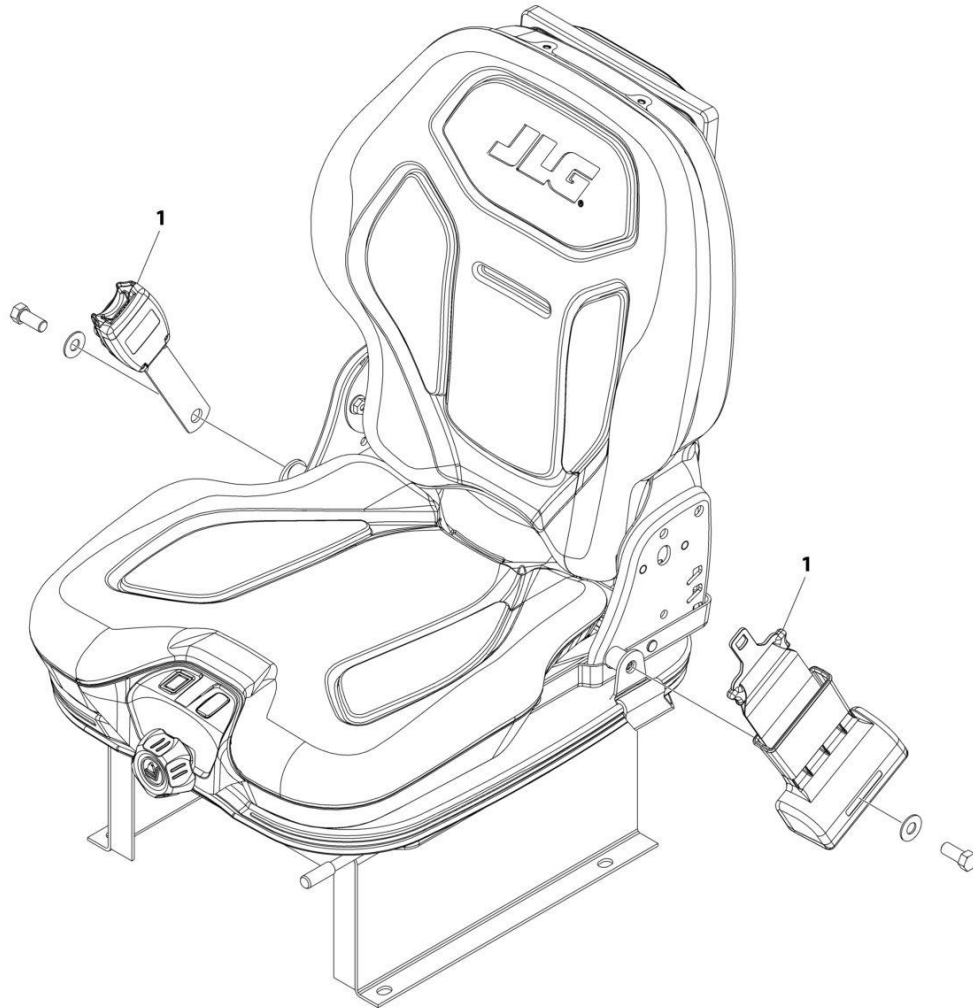
ART_1001275931

FIGURE 6-42. SEAT ASSEMBLY - VINYL

ITEM	PART NUMBER	QTY	DESCRIPTION	REV
	1001275931	Ref Ref	SEAT ASSEMBLY - VINYL Note: No Service Parts Available at Time of Printing	A

SECTION 6 - CAB

FIGURE 6-43. SEAT BELT INSTALLATION (3 INCH)



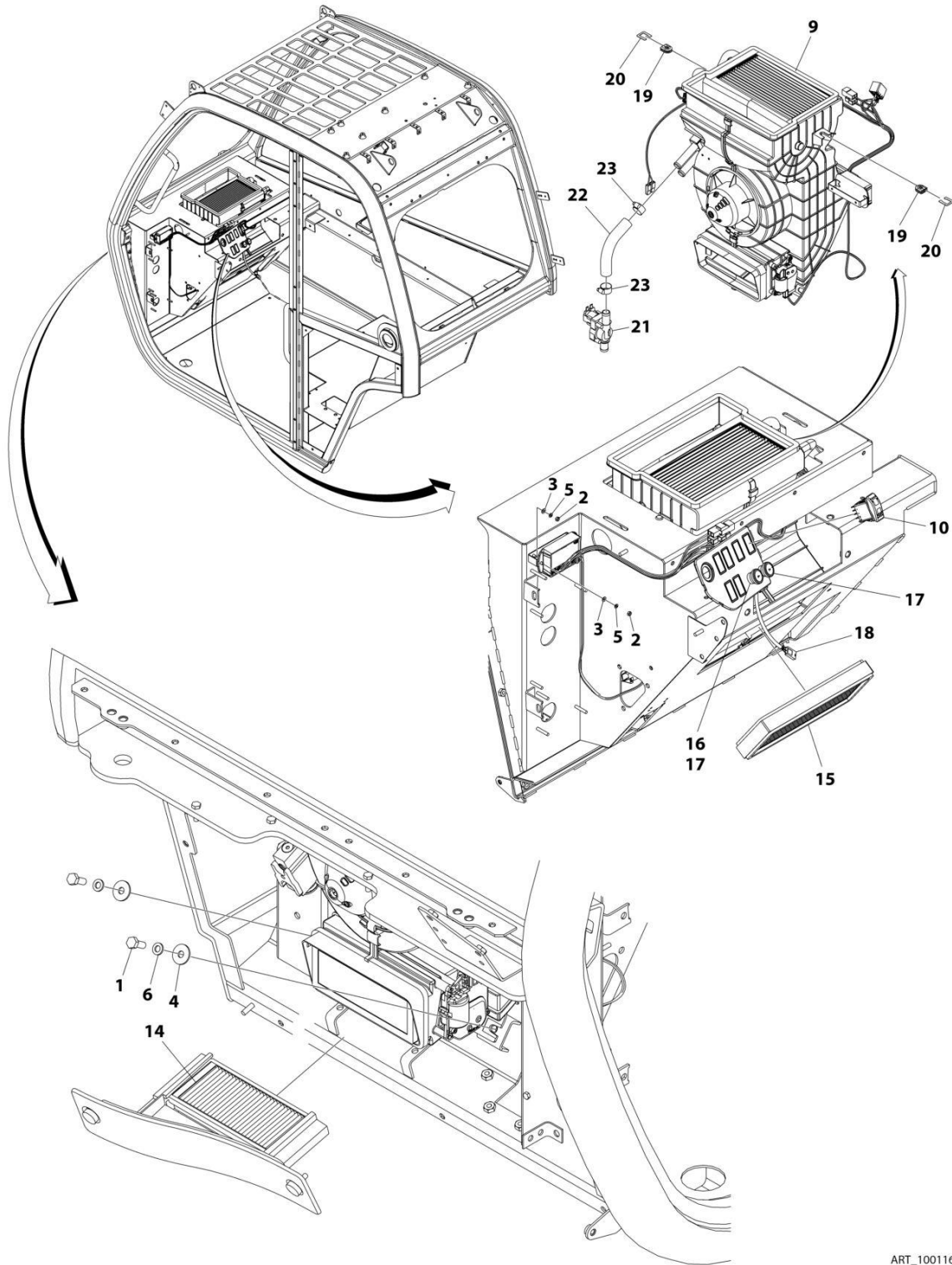
ART_1001258245

FIGURE 6-43. SEAT BELT INSTALLATION (3 INCH)

ITEM	PART NUMBER	QTY	DESCRIPTION	REV
	1001258245	Ref	Seat Belt Installation (3in Width)	B
1	1001258244	1	Seat Belt (3in) (Black Strap)	
1	1001275933	1	Seat Belt (3in) (Orange Strap)	

SECTION 6 - CAB

FIGURE 6-44. HEATER INSTALLATION



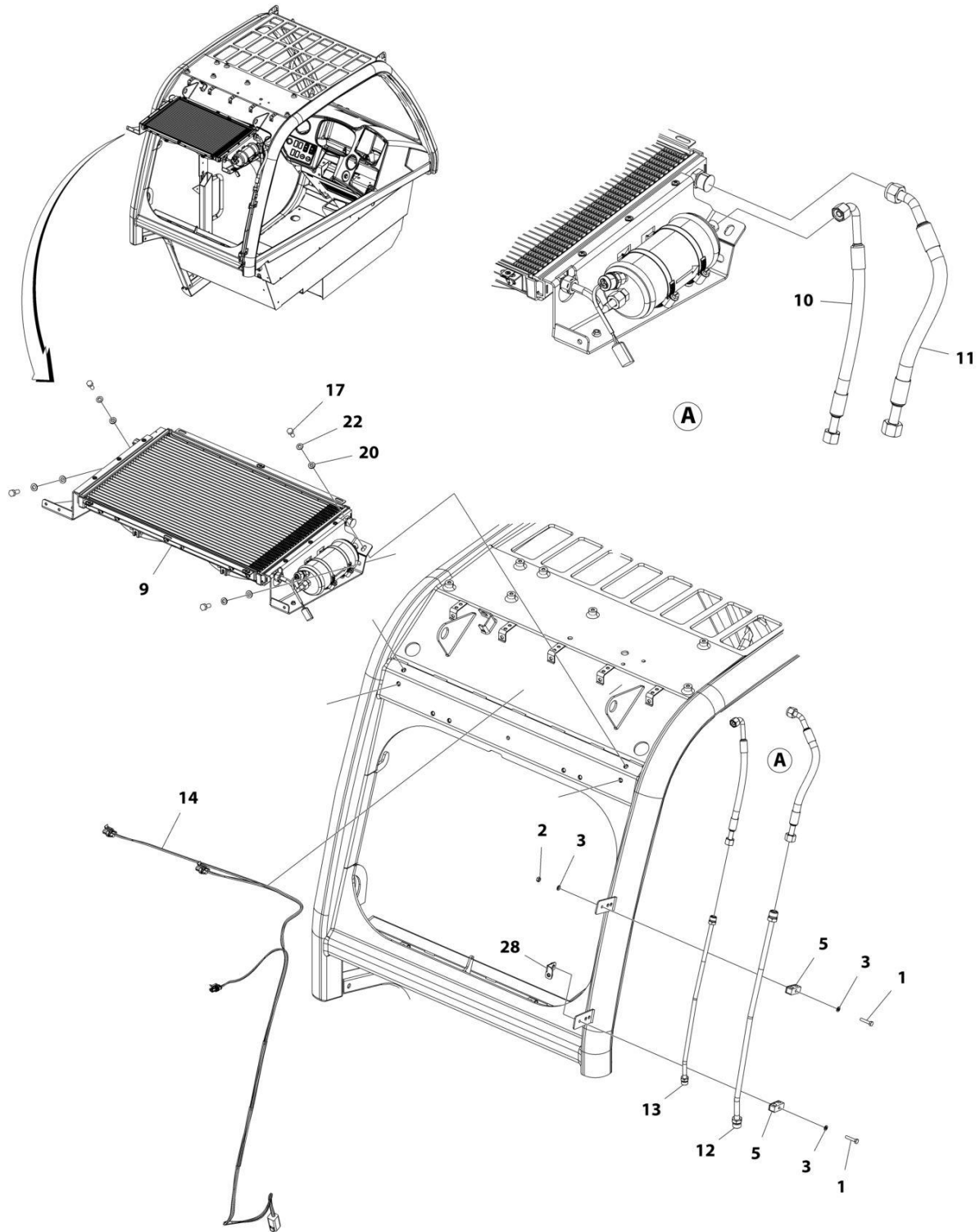
ART_1001160043-L

FIGURE 6-44. HEATER INSTALLATION

ITEM	PART NUMBER	QTY	DESCRIPTION	REV
	1001160043	Ref	HEATER INSTALLATION	L
1	0760810	2	Bolt M8 x 20	
2	3290401	4	Nut M4	
3	4811400	4	Washer M4	
4	4811902	2	Washer M8	
5	4831400	4	Washer M4	
6	4831900	2	Washer M8	
9	1001268827	1	Assembly, Heater (See Separate Breakdown in this Section)	
10	1001159925	1	Switch, HVAC Recycle	
14	1001218996	1	Filter, HVAC Air	
15	1001172553	1	Filter, HVAC Recirculation Air	
16	1001172547	1	Switch, HVAC Rotary 3 Speed	
17	1001172550	2	Knob, HVAC Control	
18	1001270976	1	Cable, HVAC	
19	1001188590	2	Grommet	
20	1001218542	2	Shim	
21	1001221059	1	Valve, Water	
22	1001221295	1	House	
23	8410009	2	Clamp	

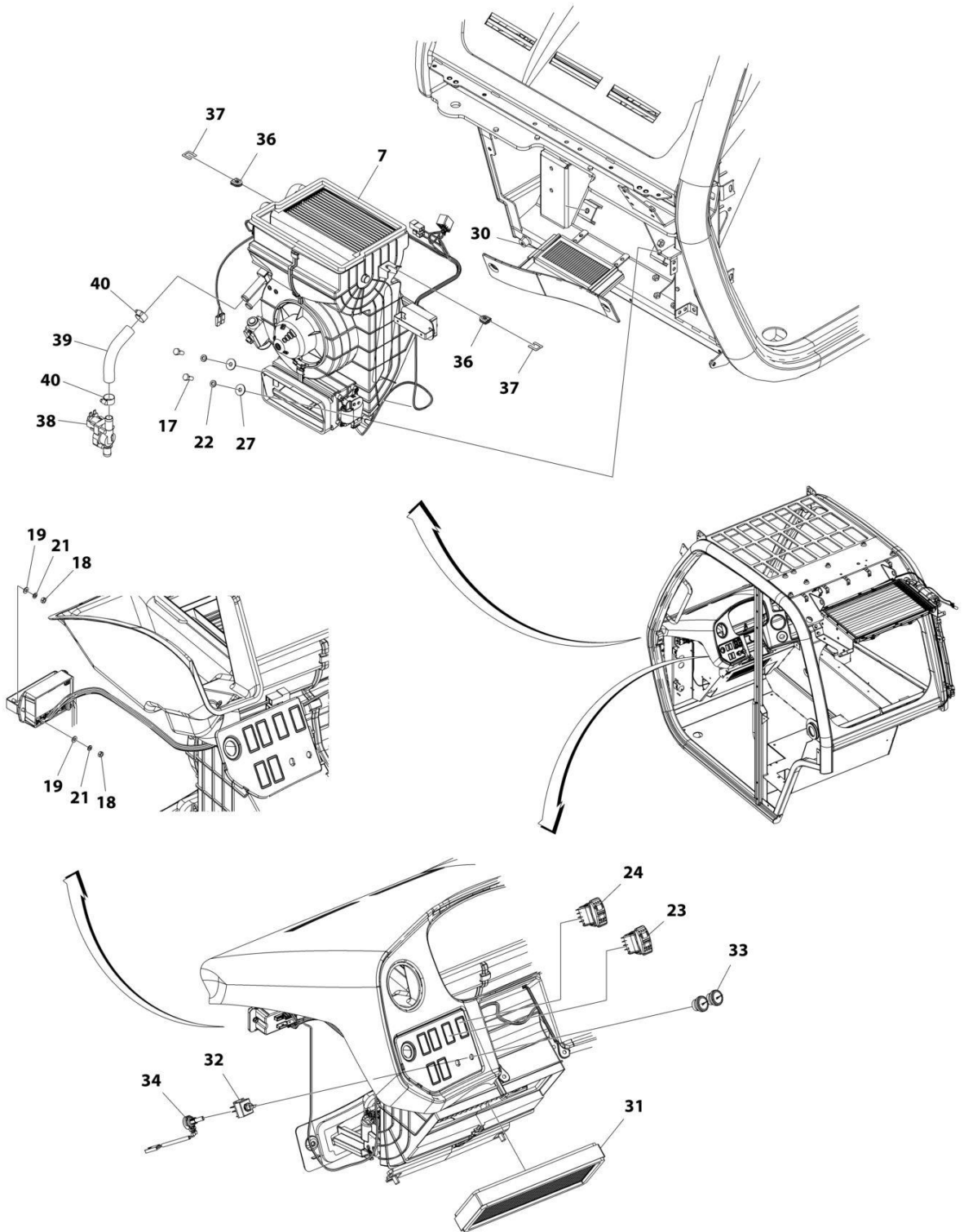
SECTION 6 - CAB

FIGURE 6-45. HEATER AND A/C INSTALLATION (CAB PARTS)



ART_1001160042_O_10F2

SECTION 6 - CAB



ART_1001160042_O_20F2

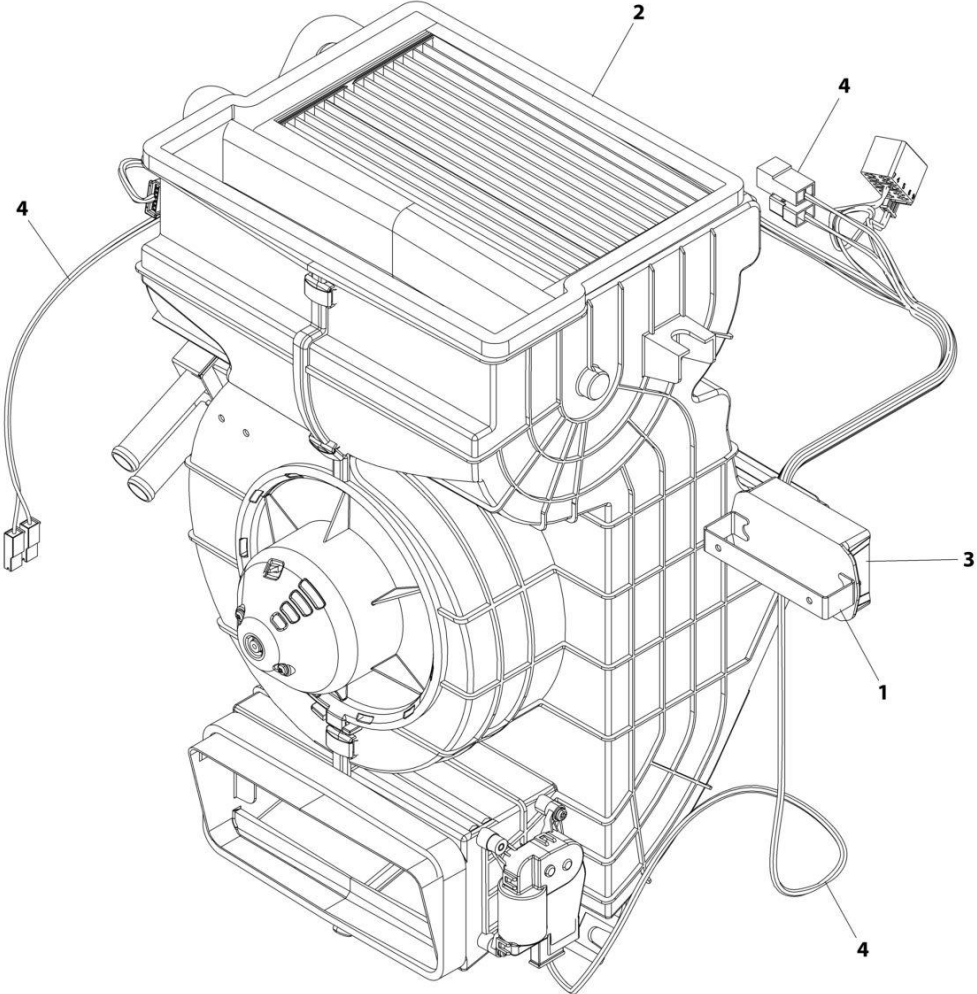
SECTION 6 - CAB

FIGURE 6-45. HEATER AND A/C INSTALLATION (CAB PARTS)

ITEM	PART NUMBER	QTY	DESCRIPTION	REV
	1001160042	Ref	HEATER AND A/C INSTALLATION (CAB PARTS)	O
1	0700614	2	Bolt M6 x 30	
2	3290601	1	Nut M6	
3	4811700	3	Washer M6	
5	1001145539	2	Support, Pipe	
7	1001268831	1	Assembly, Heater and A/C (See Separate Breakdown in this Section)	
9	1001162953	1	Assembly, Cab Condenser (See Separate Breakdown in this Section)	
10	1001168327	1	Hose	
11	1001168330	1	Hose	
12	1001168331	1	Tube	
13	1001168456	1	Tube	
14	1001169151	1	Harness, A/C Option (See Separate Breakdown in ELECTRICAL Section)	
17	0760810	6	Bolt M8 x 20 GR8.8	
18	3290401	4	Nut M4	
19	4811400	4	Washer M4	
20	4811900	4	Washer M8	
21	4831400	4	Washer M4	
22	4831900	6	Washer M8	
23	1001159925	1	Switch, HVAC Recycle	
24	1001160326	1	Switch, HVAC On/Off	
27	4811902	2	Washer M8	
28	1001178170	1	Bracket	
30	1001218996	1	Filter, HVAC Fresh Air	
31	1001172553	1	Filter, HVAC Air Recirculation	
32	1001172547	1	Switch, HVAC Rotary 3 Speed	
33	1001172550	2	Knob, HVAC Control	
34	1001270976	1	Cable, HVAC	
35	1320022	1	Clamp	
36	1001188590	2	Grommet	
37	1001218542	2	Shim	
38	1001221059	1	Valve, Water	
39	1001221295	1	Hose	
40	8410009	2	Clamp	

SECTION 6 - CAB

FIGURE 6-46. HEATER ASSEMBLY



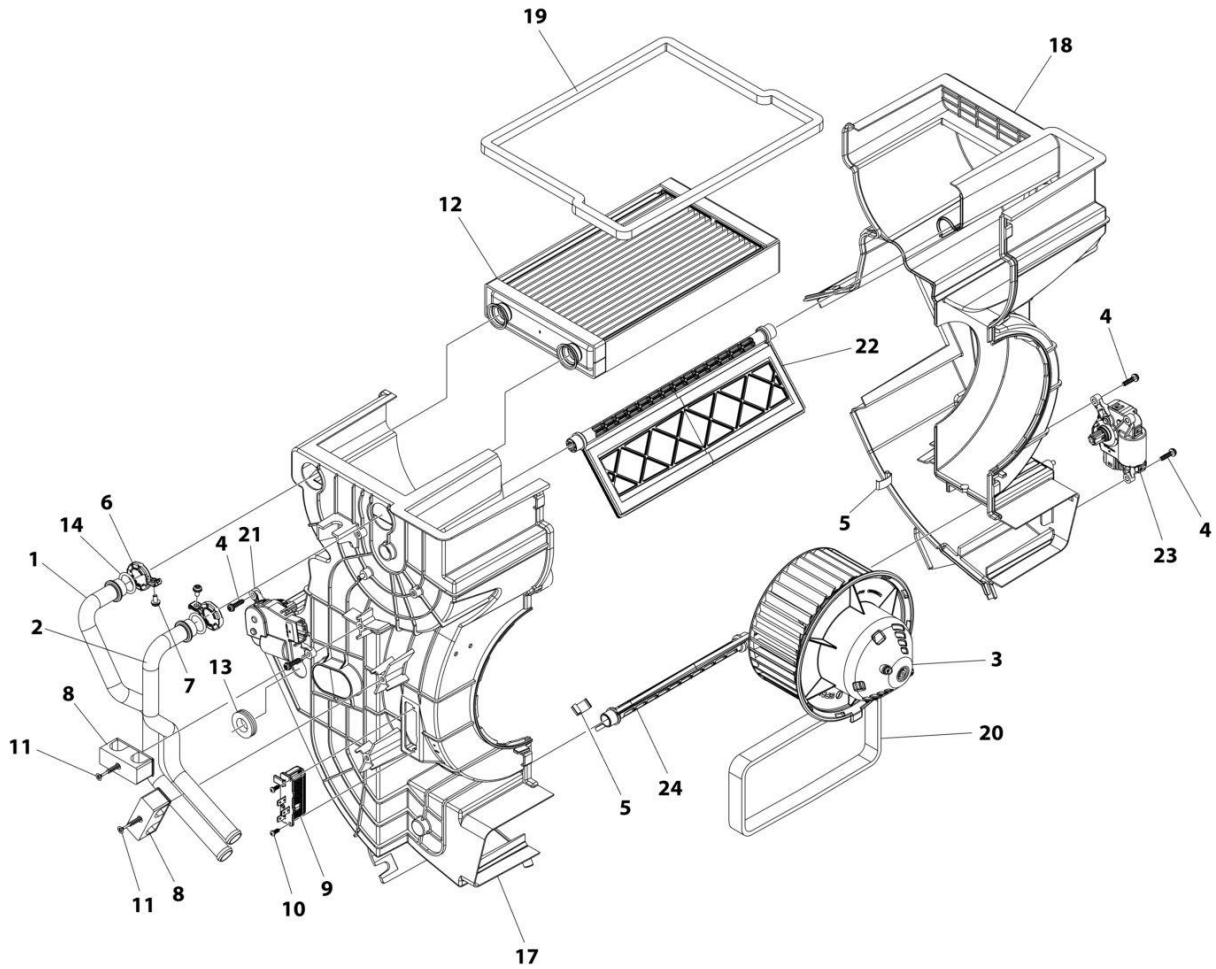
ART_1001268827

FIGURE 6-46. HEATER ASSEMBLY

ITEM	PART NUMBER	QTY	DESCRIPTION	REV
	1001268827	Ref	HEATER ASSEMBLY	B
1	1001264976	1	Bracket	
2	1001268828	1	Heater, Cab (See Separate Breakdown in this Section)	
3	1001268829	1	Actuator, HVAC Cab	
4	1001268830	1	Harness, HVAC Actuator (See Separate Breakdown in ELECTRICAL Section)	

SECTION 6 - CAB

FIGURE 6-47. HEATER ASSEMBLY



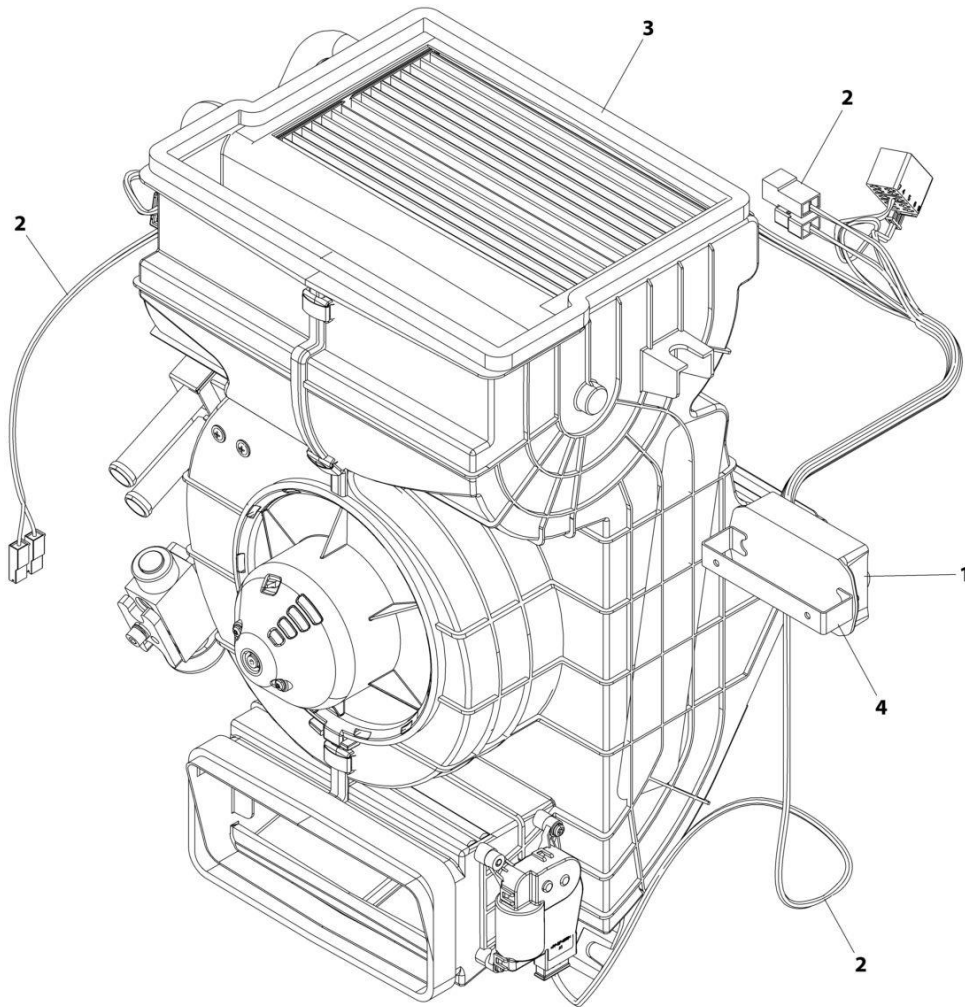
ART_1001268828

FIGURE 6-47. HEATER ASSEMBLY

ITEM	PART NUMBER	QTY	DESCRIPTION	REV
	1001268828	Ref	HEATER	B
1	1001184296	1	Pipe, Water	
2	1001184297	1	Pipe, Water	
3	1001188594	1	Fan, 12V	
4	1001188602	4	Screw	
5	1001188603	9	Clamp	
6	1001188604	2	Clamp	
7	1001188610	2	Screw	
8	1001188612	2	Clamp	
9	1001188614	1	Resistor	
10	1001188720	2	Screw	
11	1001188725	2	Screw	
12	1001188729	1	Radiator, Heater Core	
13	1001188733	1	Grommet	
14	1001189025	2	O-Ring	
17	1001269555	1	Housing, RH	
18	1001269556	1	Housing, LH	
19	1001269558	1	Foam, Air Outlet	
20	1001269559	1	Foam, Air Inlet	
21	1001269560	1	Actuator, Fresh/Recirculation Air	
22	1001269561	1	Flap, Mixing	
23	1001269563	1	Actuator, Fresh/Recirculation Air	
24	1001269564	1	Flap, HVAC Fresh	

SECTION 6 - CAB

FIGURE 6-48. HEATER AND A/C ASSEMBLY



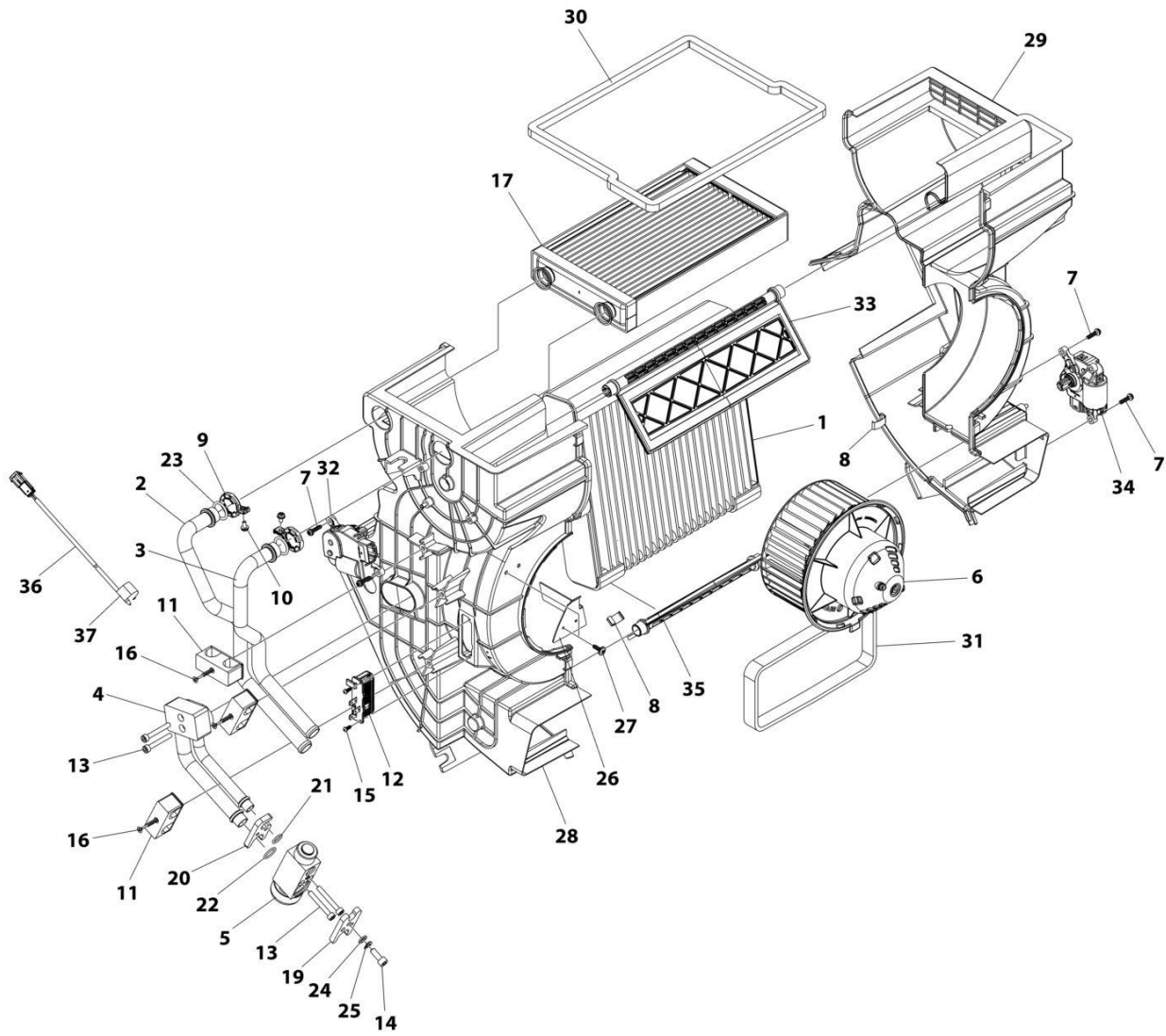
ART_1001268831

FIGURE 6-48. HEATER AND A/C ASSEMBLY

ITEM	PART NUMBER	QTY	DESCRIPTION	REV
	1001268831	Ref	HEATER AND A/C ASSEMBLY	B
1	1001268829	1	Actuator, HVAC Cab	
2	1001268830	1	Harness, HVAC Actuator (See Separate Breakdown in this Section)	
3	1001268832	1	Heater and A/C (See Separate Breakdown in this Section)	
4	1001264976	1	Bracket	

SECTION 6 - CAB

FIGURE 6-49. HEATER AND A/C ASSEMBLY



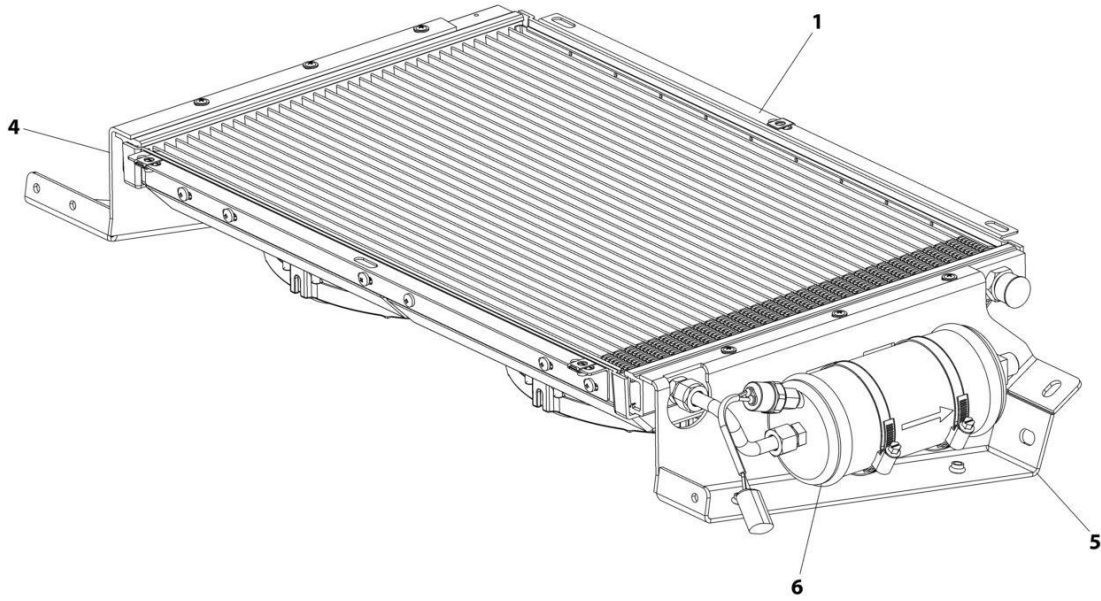
ART_1001268832

FIGURE 6-49. HEATER AND A/C ASSEMBLY

ITEM	PART NUMBER	QTY	DESCRIPTION	REV
	1001268832	Ref	HEATER AND A/C	B
1	1001184280	1	Evaporator, Heater	
2	1001184296	1	Pipe, Heater Water	
3	1001184297	1	Pipe, Heater Water	
4	1001184427	1	Pipe, Heater	
5	1001188592	1	Valve, HVAC Expansion	
6	1001188594	1	Fan, HVAC Centrifugal 12V	
7	1001188602	4	Screw M4	
8	1001188603	9	Clamp, HVAC Case	
9	1001188604	2	Clamp, HVAC Pipe	
10	1001188610	2	Screw M4	
11	1001188612	3	Clamp, Pipe	
12	1001188614	1	Resistor	
13	1001188618	4	Screw M5	
14	1001188619	1	Screw M6	
15	1001188720	2	Screw M2.9 x 9.5	
16	1001188725	3	Screw M4 x 35	
17	1001188729	1	Radiator, Heater Core	
19	1001188817	1	Clamp, Hose	
20	1001188818	1	Clamp, HVAC EVAP/Valve	
21	1001189023	1	O-Ring	
22	1001189024	1	O-Ring	
23	1001189025	2	O-Ring	
24	1001189048	1	Washer	
25	1001189054	1	Washer, Spring	
26	1001221057	1	Plate	
27	1001221058	2	Screw	
28	1001269555	1	Housing, HVAC RH	
29	1001269556	1	Housing, HVAC LH	
30	1001269558	1	Seal, Heater Outlet Foam	
31	1001269559	1	Seal, Air Inlet Foam	
32	1001269560	1	Actuator, Hot/Cold Mixing	
33	1001269561	1	Foam, Heater Mixing Flap	
34	1001269563	1	Actuator, Fresh/Recirculation Air	
35	1001269564	1	Foam, Heater Mixing Flap	
36	1001269578	1	Temperature Sensor	
37	1001269579	1	Clamp, Temperature Sensor	

SECTION 6 - CAB

FIGURE 6-50. CAB CONDENSER ASSEMBLY



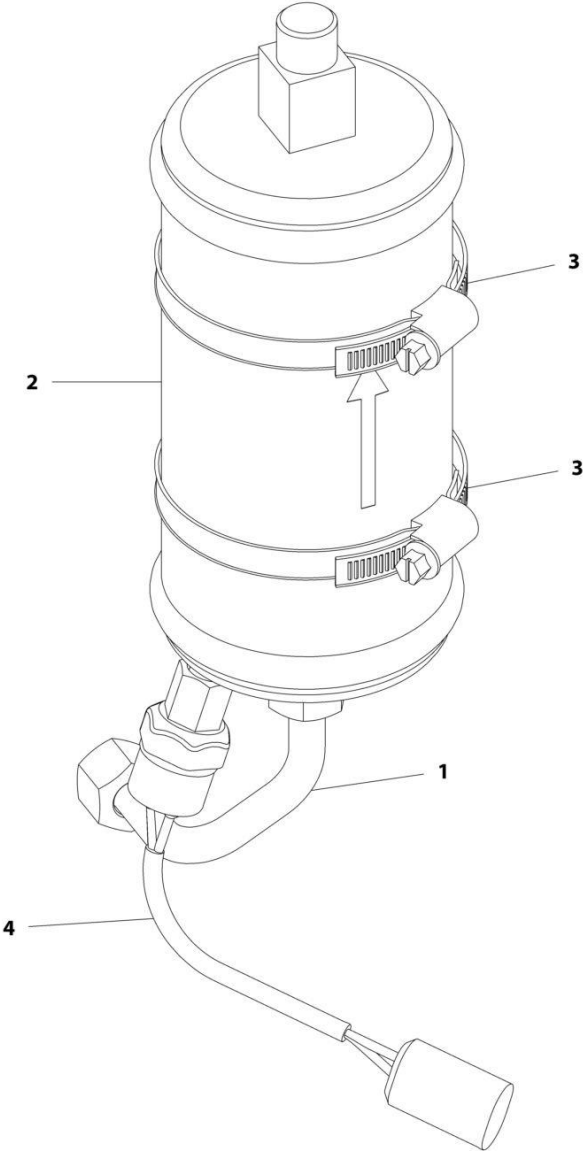
ART_1001162953

FIGURE 6-50. CAB CONDENSER ASSEMBLY

ITEM	PART NUMBER	QTY	DESCRIPTION	REV
	1001162953	Ref	Cab Condenser Assembly	G
1	1001167266	1	Condenser (See Separate Breakdown in this Section)	
4	1001179080	1	Bracket	
5	1001179081	1	Bracket	
6	1001179130	1	Drier, A/C Receiver (See Separate Breakdown in this Section)	

SECTION 6 - CAB

FIGURE 6-51. A/C RECEIVER DRIER



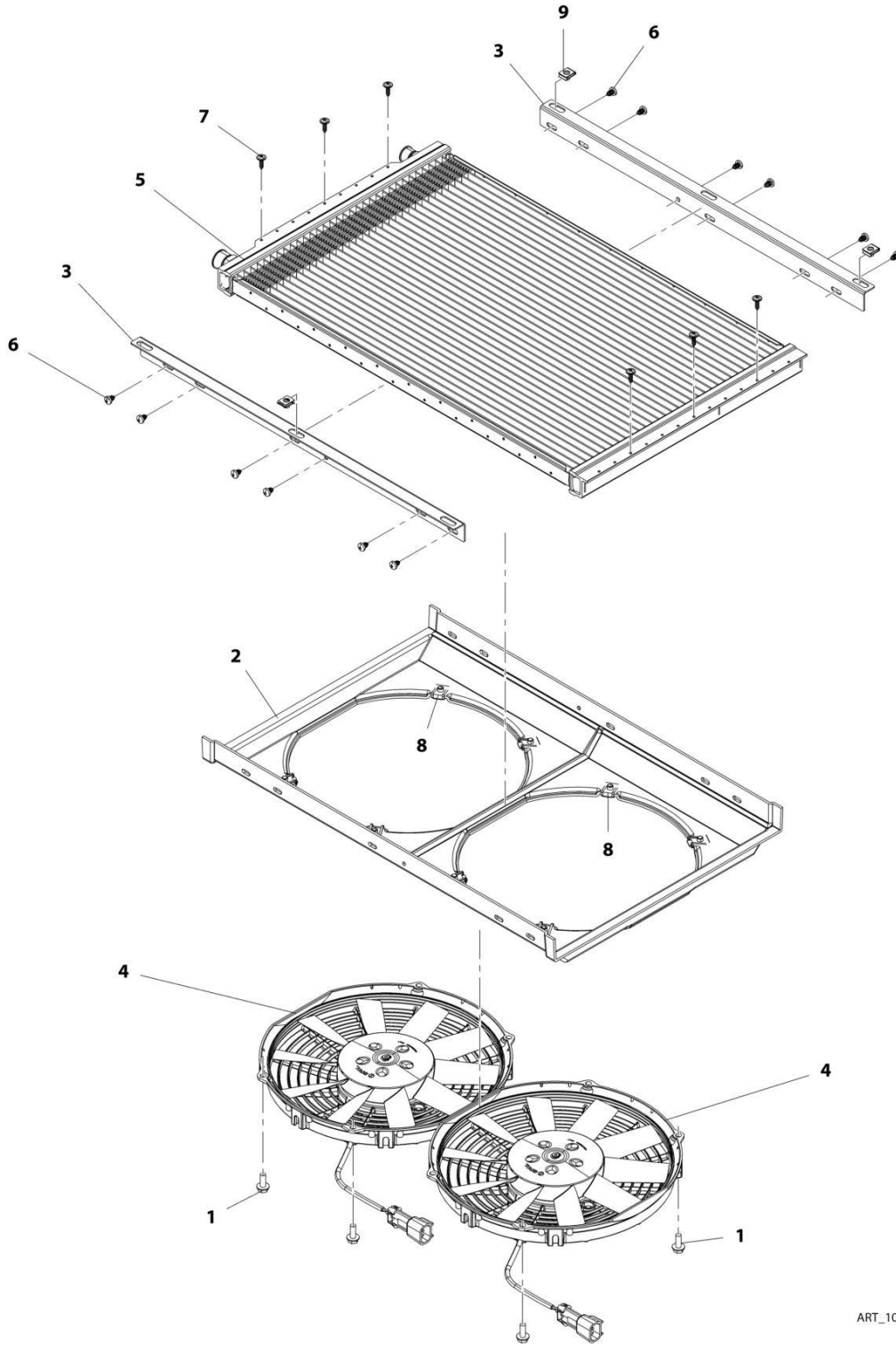
ART_1001179130-B

FIGURE 6-51. A/C RECEIVER DRIER

ITEM	PART NUMBER	QTY	DESCRIPTION	REV
	1001179130	Ref	A/C Receiver Drier	B
1	1001184403	1	Tube, Heater	
2	1001184404	1	Receiver, Heater Drier	
3	1001184405	2	Clamp	
4	1001184406	1	Connector, Heater	

SECTION 6 - CAB

FIGURE 6-52. CONDENSER



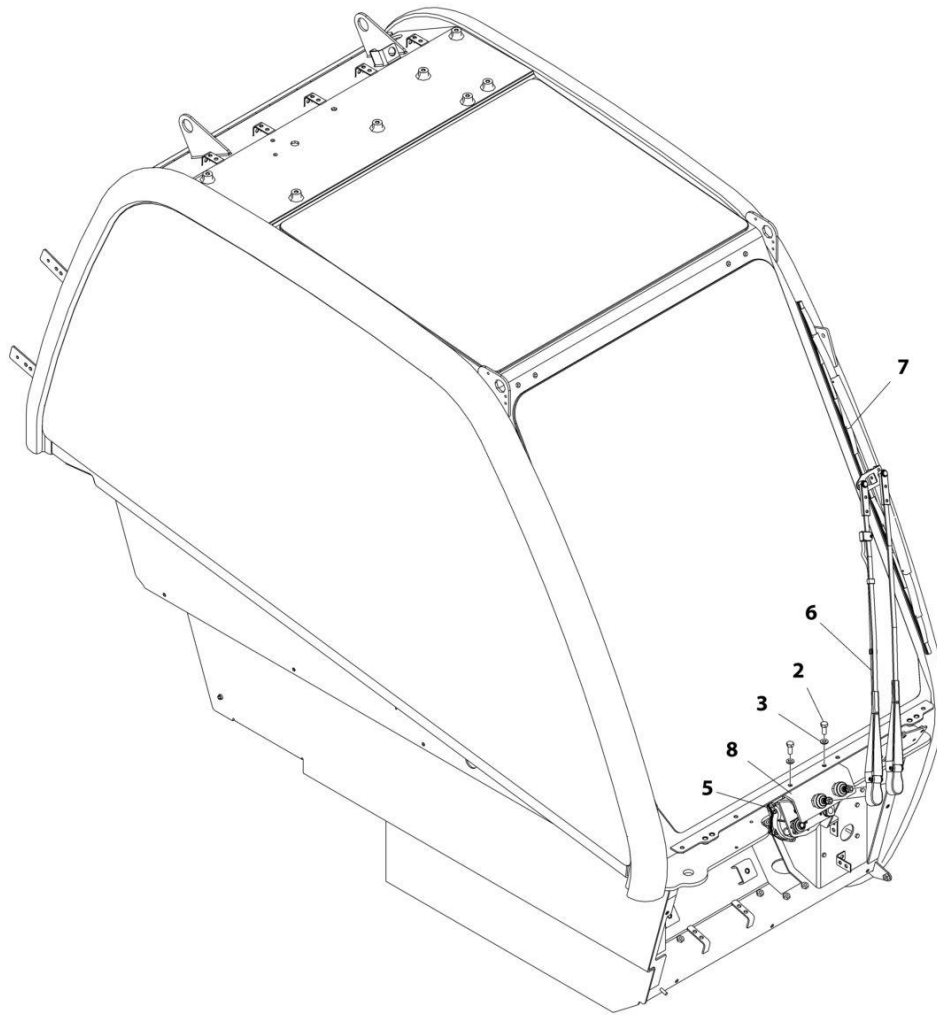
ART_1001167266-C

FIGURE 6-52. CONDENSER

ITEM	PART NUMBER	QTY	DESCRIPTION	REV
	1001167266	Ref	Condenser	C
1	5250608	8	Bolt, M6X16	
2	1001195342	1	Bracket, Condenser Fan Mount	
3	1001195343	2	Support, Condenser	
4	1001195345	2	Fan, Condenser	
5	1001195346	1	Condenser	
6	1001195385	12	Screw, M3.9X9.5	
7	1001195386	6	Screw, M4.2X16	
8	1001195437	8	Clip, M6X1	
9	1001195438	3	Clip, M6X1	

SECTION 6 - CAB

FIGURE 6-53. FRONT WIPER INSTALLATION



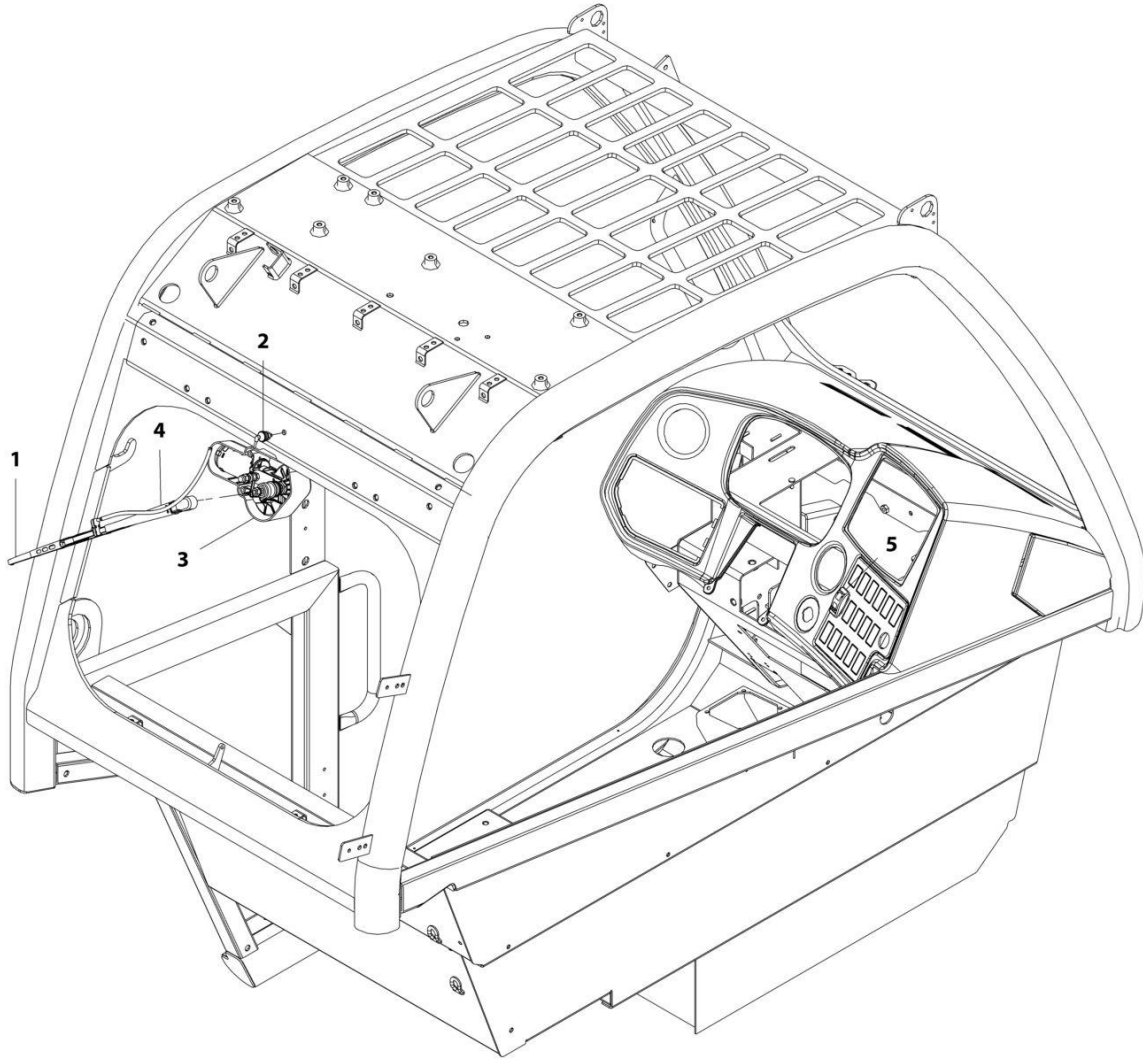
ART_1001155447-G

FIGURE 6-53. FRONT WIPER INSTALLATION

ITEM	PART NUMBER	QTY	DESCRIPTION	REV
	1001155447	Ref	Front Wiper Installation	G
2	0760810	2	Bolt, M8X20	
3	4811900	2	Washer, M8	
5	1001214092	1	Motor, Front Wiper	
6	1001212369	1	Arm, Front Wiper	
7	1001141281	1	Blade, Wiper	
8	1001165637	1	Bracket	

SECTION 6 - CAB

FIGURE 6-54. REAR WIPER INSTALLATION



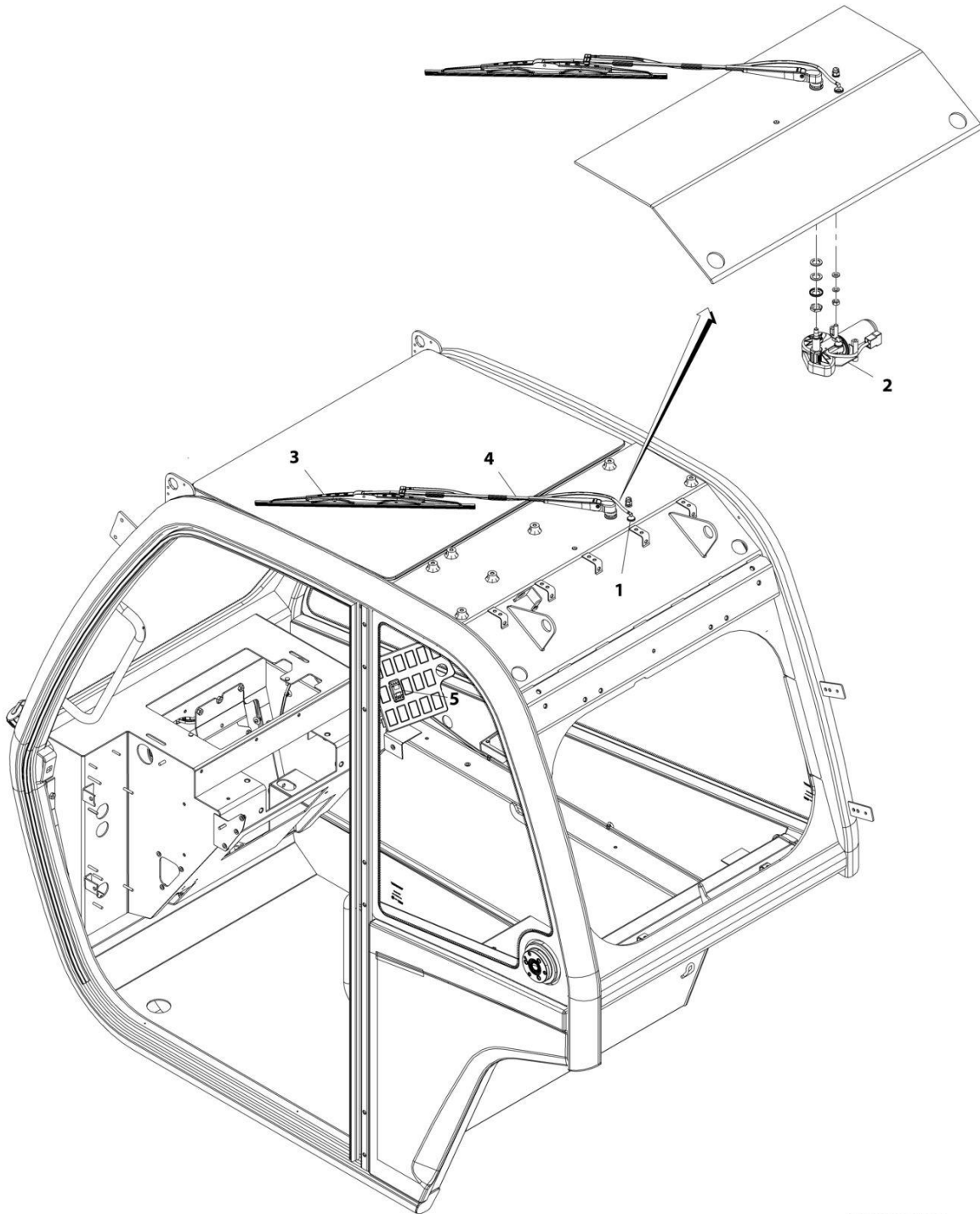
ART_1001176164-B

FIGURE 6-54. REAR WIPER INSTALLATION

ITEM	PART NUMBER	QTY	DESCRIPTION	REV
	1001176164	Ref	Rear Wiper Installation	B
1	4807718	1	Blade, Wiper	
2	1001090343	1	Connector	
3	1001139552	1	Motor, Rear Wiper Window	
4	1001141312	1	Arm, Rear Window Wiper Blade	
5	1001159735	1	Switch, Rear Wiper	

SECTION 6 - CAB

FIGURE 6-55. ROOF WIPER INSTALLATION



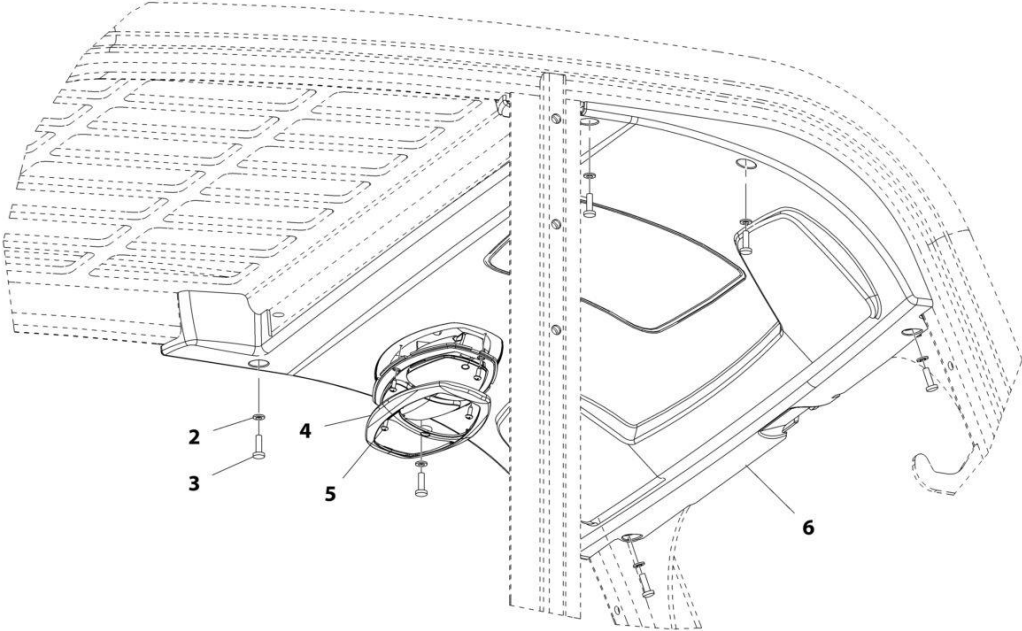
ART_1001155486-B

FIGURE 6-55. ROOF WIPER INSTALLATION

ITEM	PART NUMBER	QTY	DESCRIPTION	REV
	1001155486	Ref	Roof Wiper Installation	B
1	1001090343	1	Connector	
2	1001139551	1	Motor, Roof Wiper	
3	1001141313	1	Blade, Roof Wiper	
4	1001141311	1	Arm, Roof Wiper Blade	
5	1001159736	1	Switch, Roof Wiper	

SECTION 6 - CAB

FIGURE 6-56. HEADLINER INSTALLATION

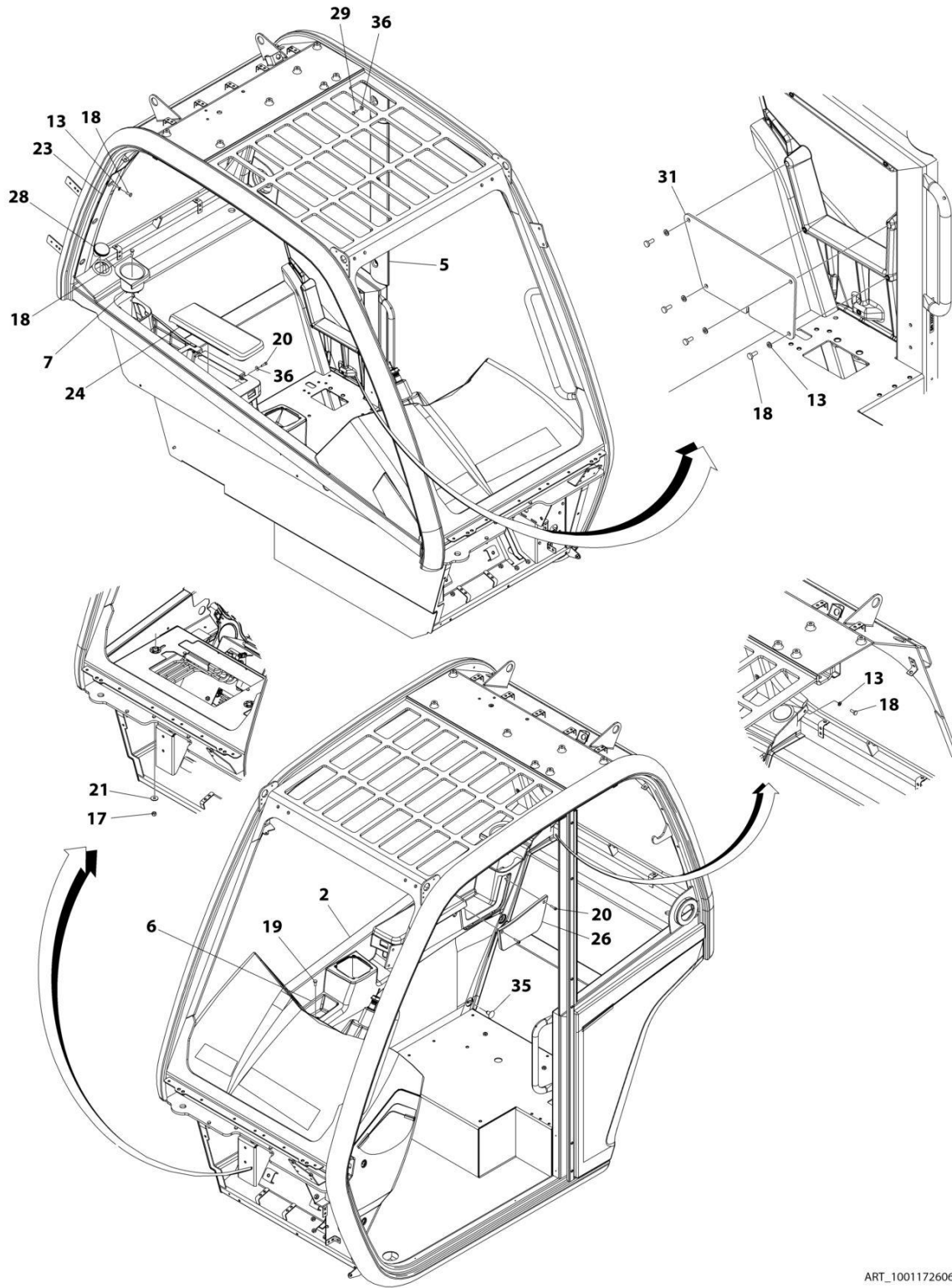


ART_1001170717-D

FIGURE 6-56. HEADLINER INSTALLATION

ITEM	PART NUMBER	QTY	DESCRIPTION	REV
	1001170717	Ref	Headliner Installation	E
2	4811700	6	Washer, M6	
3	4031708001	6	Screw, M6X20	
4	1001167015	1	Lamp	
5	7029486	4	Screw	
6	1001161069	1	Panel, Headliner	

SECTION 6 - CAB



ART_1001172606_20F2

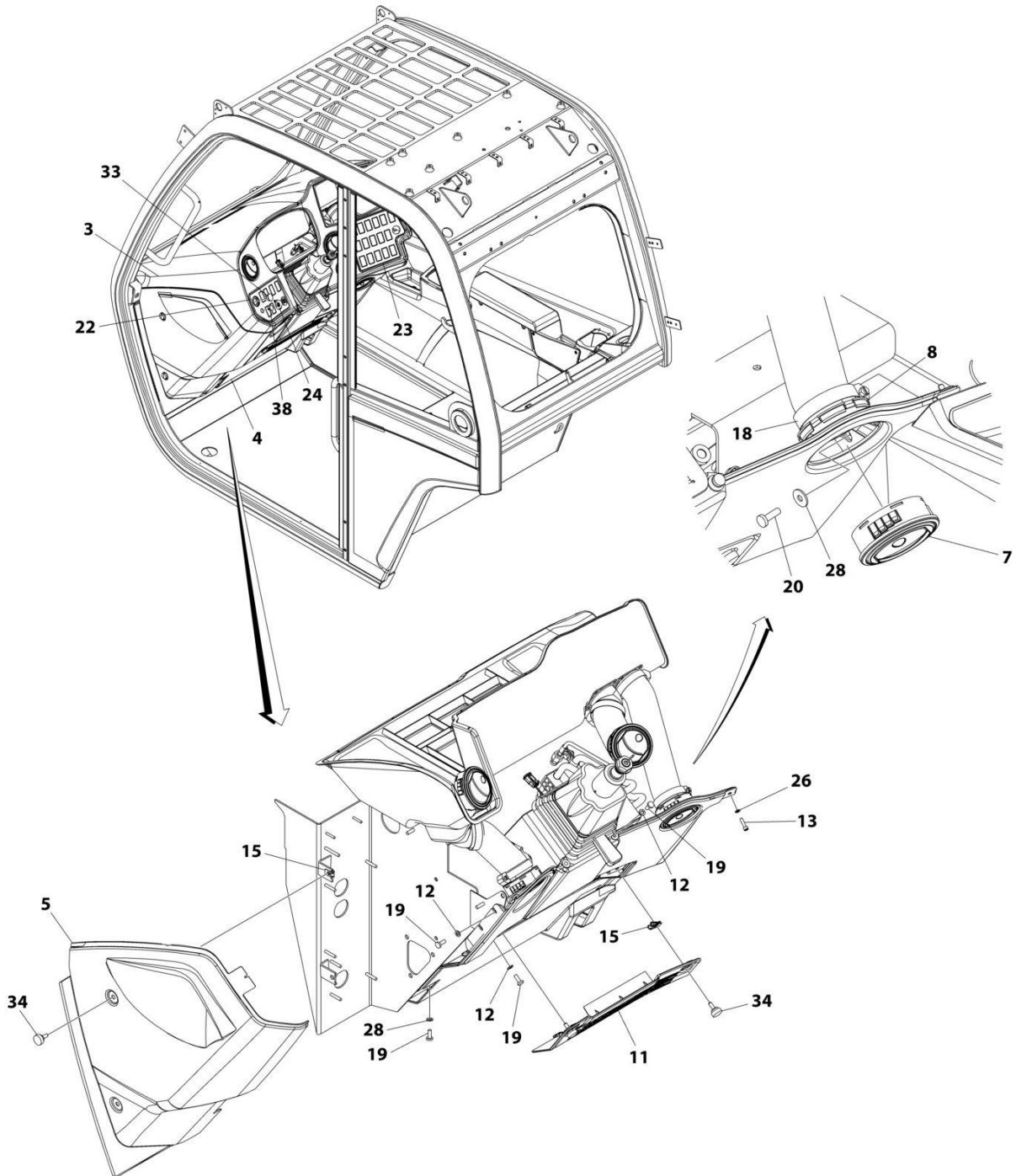
SECTION 6 - CAB

FIGURE 6-57. TRIM INSTALLATION - OPEN CAB

ITEM	PART NUMBER	QTY	DESCRIPTION	REV
	1001172606	Ref	Open Cab Trim Installation	K
2	1001169605	1	Cover, Side	
3	1001175904	1	Panel, Lower Dash	
5	1001219076	1	Panel, Cover	
6	1001169603	1	Panel, Trinket Tray	
7	1001170518	1	Holder, Cup	
8	1001170504	1	Panel, Recirculation Grille Cover	
10	1001172608	1	Panel, Dash	
11	1001268846	1	Plate, LH Switch	
12	1001219865	1	Plate, RH Switch	
13	4811700001	14	Washer, M6	
17	3290605	2	Nut, Lock M6X1 Grade 8	
18	4010608002	18	Screw, Posi-Drive M6X16 GR4.8	
19	4010610002	2	Screw, Posi-Drive M6X20 GR4.8	
20	4031608001	5	Screw, M5X20	
21	4811702001	6	Washer, M6	
22	8305919	4	Nut, M6	
23	1001191617	1	Panel, Cover	
24	1001161854	1	Armrest (See Separate Breakdown in this Section)	
25	1001161855	1	Panel, LH Dash	
26	1001173965	1	Bezel, RH	
27	1001190347	1	Decal, No HVAC	
28	1001223265	1	Plug	
29	4010508002	3	Screw, Posi-Drive M5X16	
30	4811600	1	Washer, M5	
31	1001185179	1	Cover, LH Rear Panel	
32	1001190589	1	Blanking Plug	
33	1001208308	4	Screw, M6X15	
35	1001211907	1	Screw	
36	4811602001	5	Washer, M5	
37	1001207963	1	PLUG,5/8 PUSH IN	

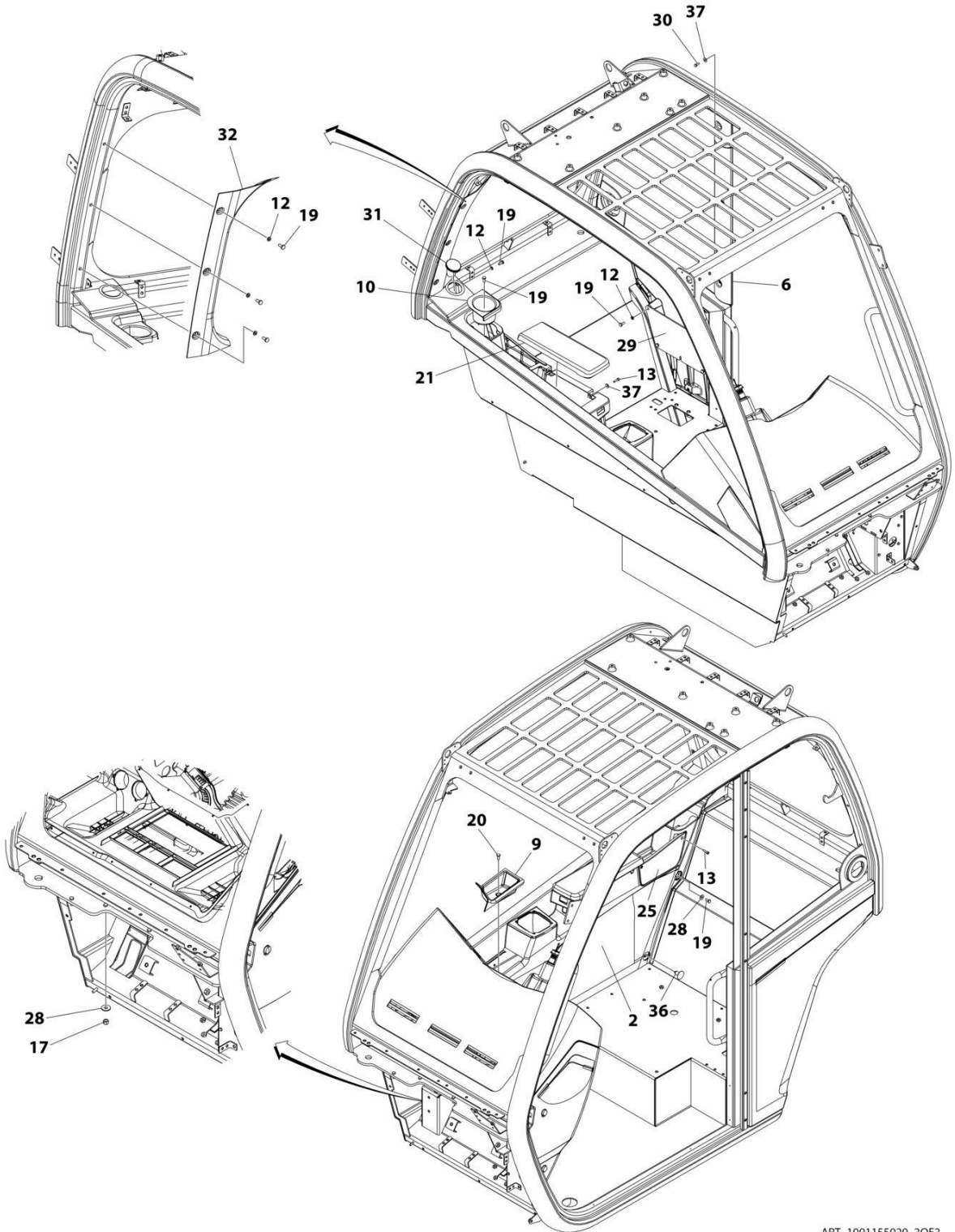
SECTION 6 - CAB

FIGURE 6-58. TRIM INSTALLATION - ENCLOSED CAB



ART_1001155020_10F2

SECTION 6 - CAB



ART_1001155020_20F2

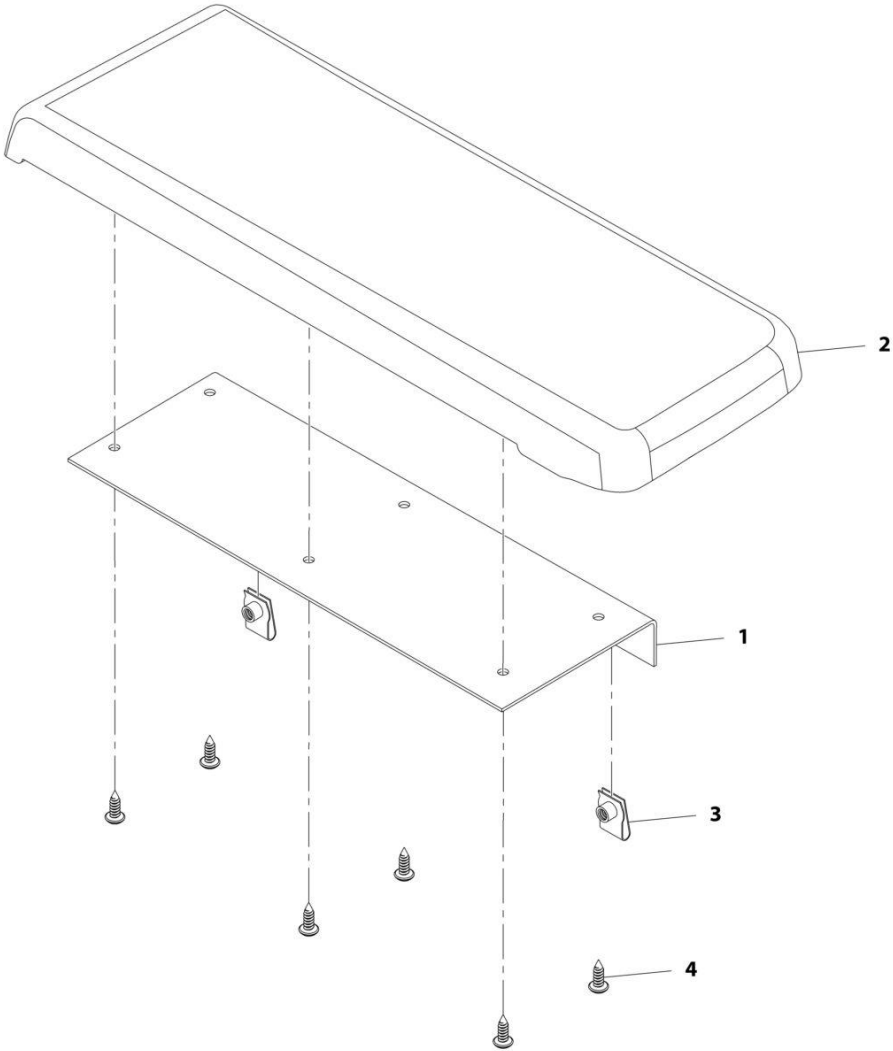
SECTION 6 - CAB

FIGURE 6-58. TRIM INSTALLATION - ENCLOSED CAB

ITEM	PART NUMBER	QTY	DESCRIPTION	REV
	1001155020	Ref	Enclosed Cab Trim Installation	N
2	1001169605	1	Cover, Side	
3	1001169604	1	Cover, Dash	
4	1001175903	1	Panel, Lower Dash	
5	1001161855	1	Panel, Cover	
6	1001219076	1	Panel, Cover	
7	1001147449	2	Vent, Air	
8	1001149278	2	Vent, Connector	
9	1001169603	1	Panel, Trinket Tray	
10	1001170518	1	Holder, Cup	
11	1001170504	1	Panel, Recirculation Grille Cover	
12	4811700001	14	Washer, M6	
13	4031608001	5	Bolt, M5X20	
15	8305919	4	Nut, M6	
17	3290605	2	Nut, Lock M6X1 Grade 8	
18	8405201	2	Clamp, Gear	
19	4010608002	18	Screw, Posi-Drive, M6X16	
20	4010610002	1	Screw, M6X20	
21	1001161854	1	Armrest (See Separate Breakdown in this Section)	
22	1001268846	1	Plate, LH Switch	
23	1001219865	1	Plate, RH Switch	
24	1001184975	1	Decal, HVAC	
25	1001173965	1	Bezel, RH	
26	4811600	1	Washer, M5	
28	4811702001	6	Washer, M6	
29	1001185179	1	Panel, LH Rear Cover	
30	4010508002	3	Screw, Posi-Drive M5X16	
31	1001223265	1	Plug	
32	1001191617	1	Panel, RH C Post	
33	1001190589	1	Blanking Plug	
34	1001208308	4	Thumb Screw, M6X15	
36	1001211907	1	Screw	
37	4811602001	5	Washer, Flat	
38	1001207963	1	Plug	

SECTION 6 - CAB

FIGURE 6-59. ARMREST



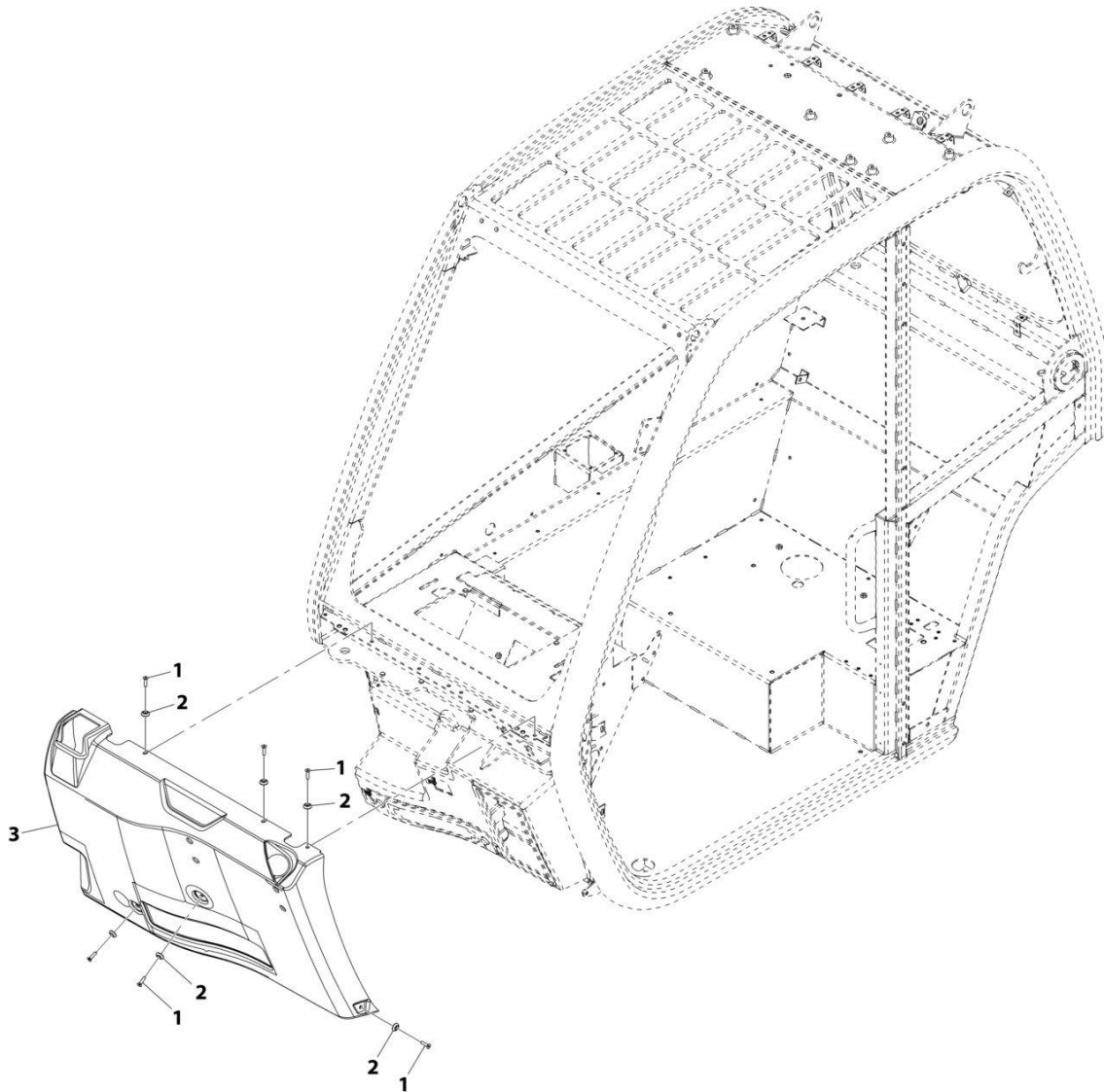
ART_1001161854-E

FIGURE 6-59. ARMREST

ITEM	PART NUMBER	QTY	DESCRIPTION	REV
	1001161854	Ref	Armrest Assembly	E
1	1001174581	1	Bracket	
2	1001179484	1	Arm Rest	
3	1001183550	2	Nut, Cage M5	
4	1001192240	6	Screw	

SECTION 6 - CAB

FIGURE 6-60. OPEN CAB FRONT COVER INSTALLATION



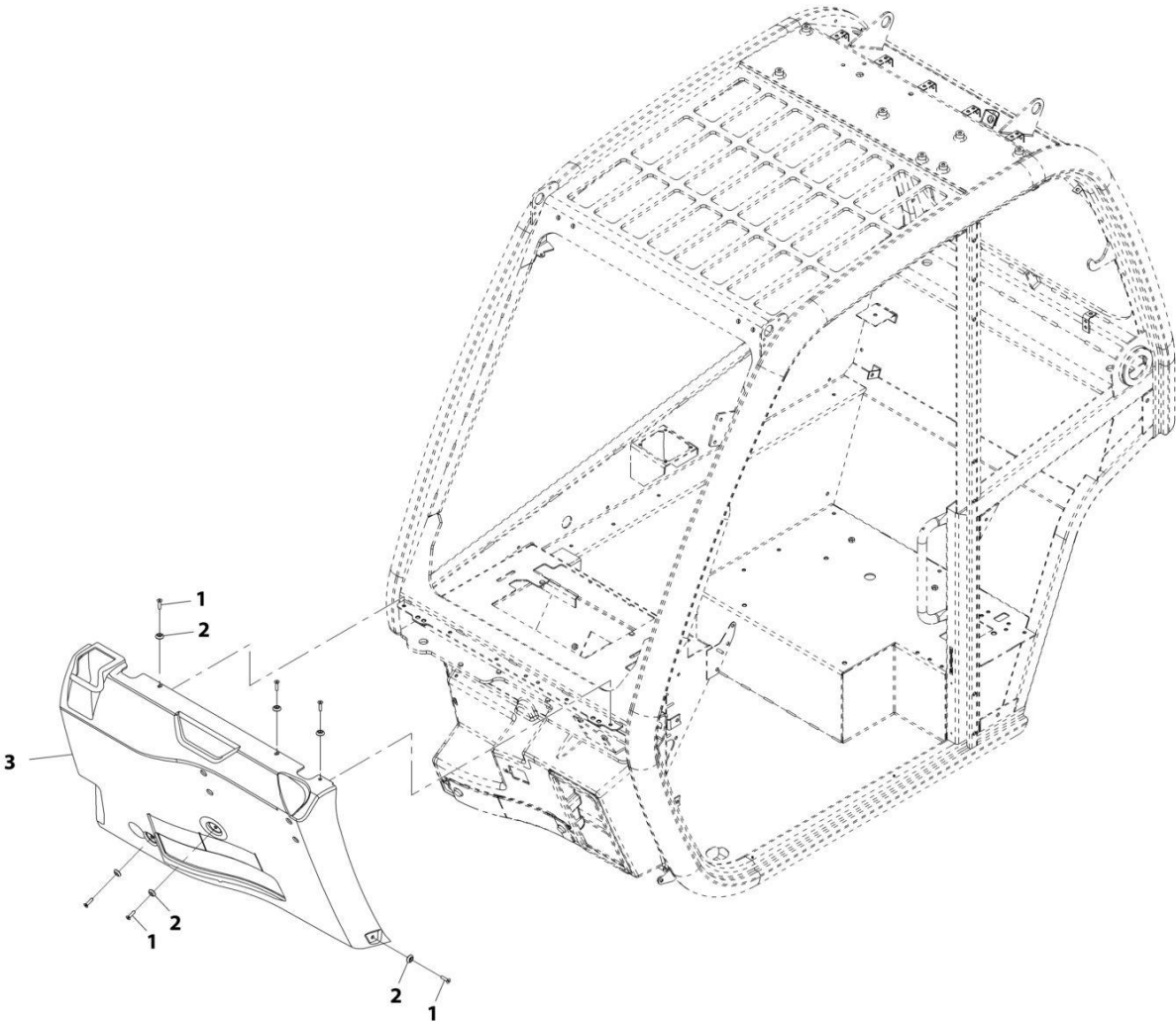
ART_1001229550-A

FIGURE 6-60. OPEN CAB FRONT COVER INSTALLATION

ITEM	PART NUMBER	QTY	DESCRIPTION	REV
	1001229550	Ref	Open Cab Front Cover Installation	A
1	3900379	6	Screw, Socket HD M6-1X25	
2	1001097540	6	Washer, M6	
3	1001229540	1	Cover, Front	

SECTION 6 - CAB

FIGURE 6-61. ENCLOSED CAB FRONT COVER INSTALLATION



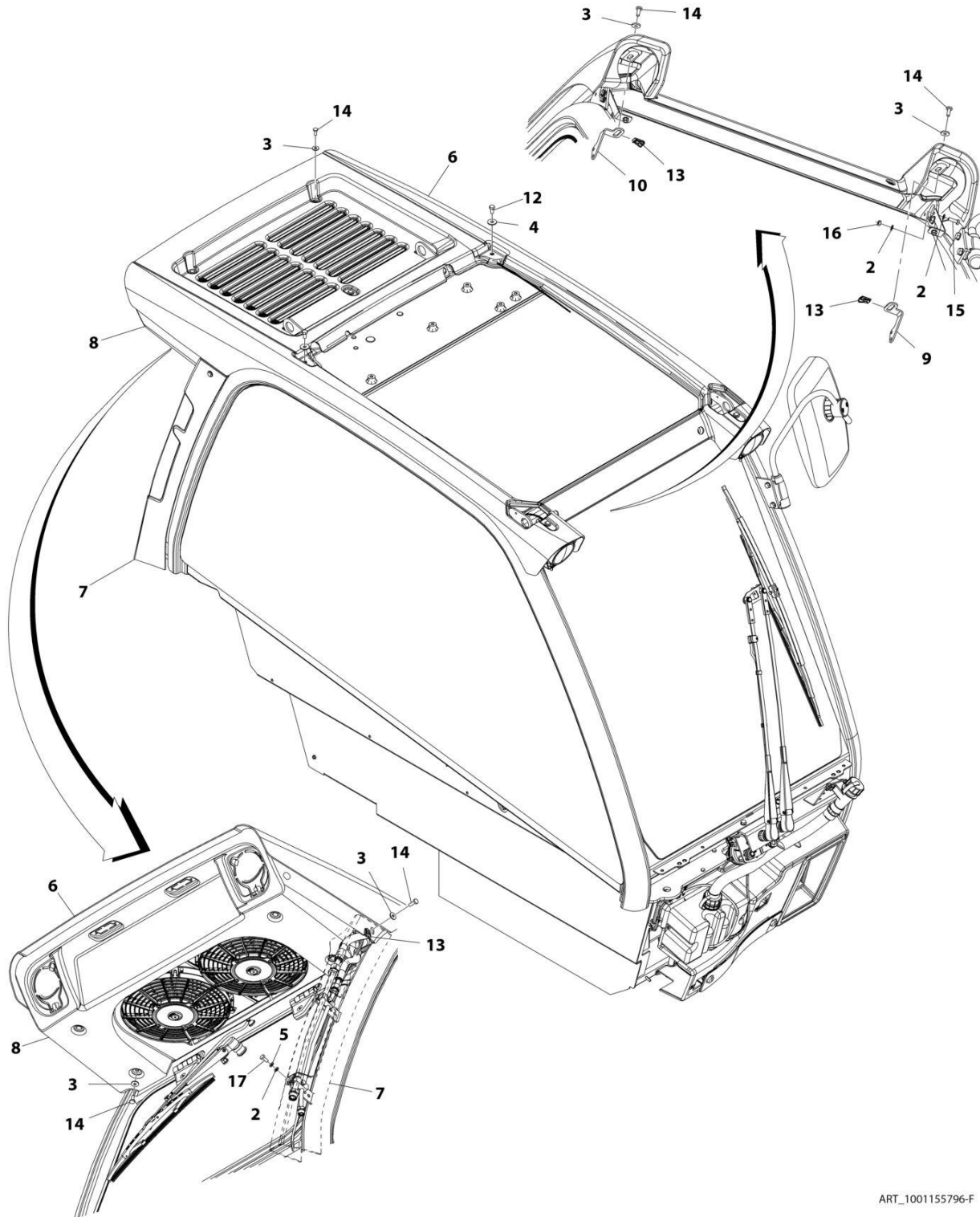
ART_1001229551-A

FIGURE 6-61. ENCLOSED CAB FRONT COVER INSTALLATION

ITEM	PART NUMBER	QTY	DESCRIPTION	REV
	1001229551	Ref	Enclosed Cab Front Cover Installation	A
1	3900379	6	Screw, Socket Hd M6-1x100	
2	1001097540	6	Washer, M6	
3	1001229541	1	Cover, Front Cab	

SECTION 6 - CAB

FIGURE 6-62. ROOF CAP INSTALLATION (A/C)



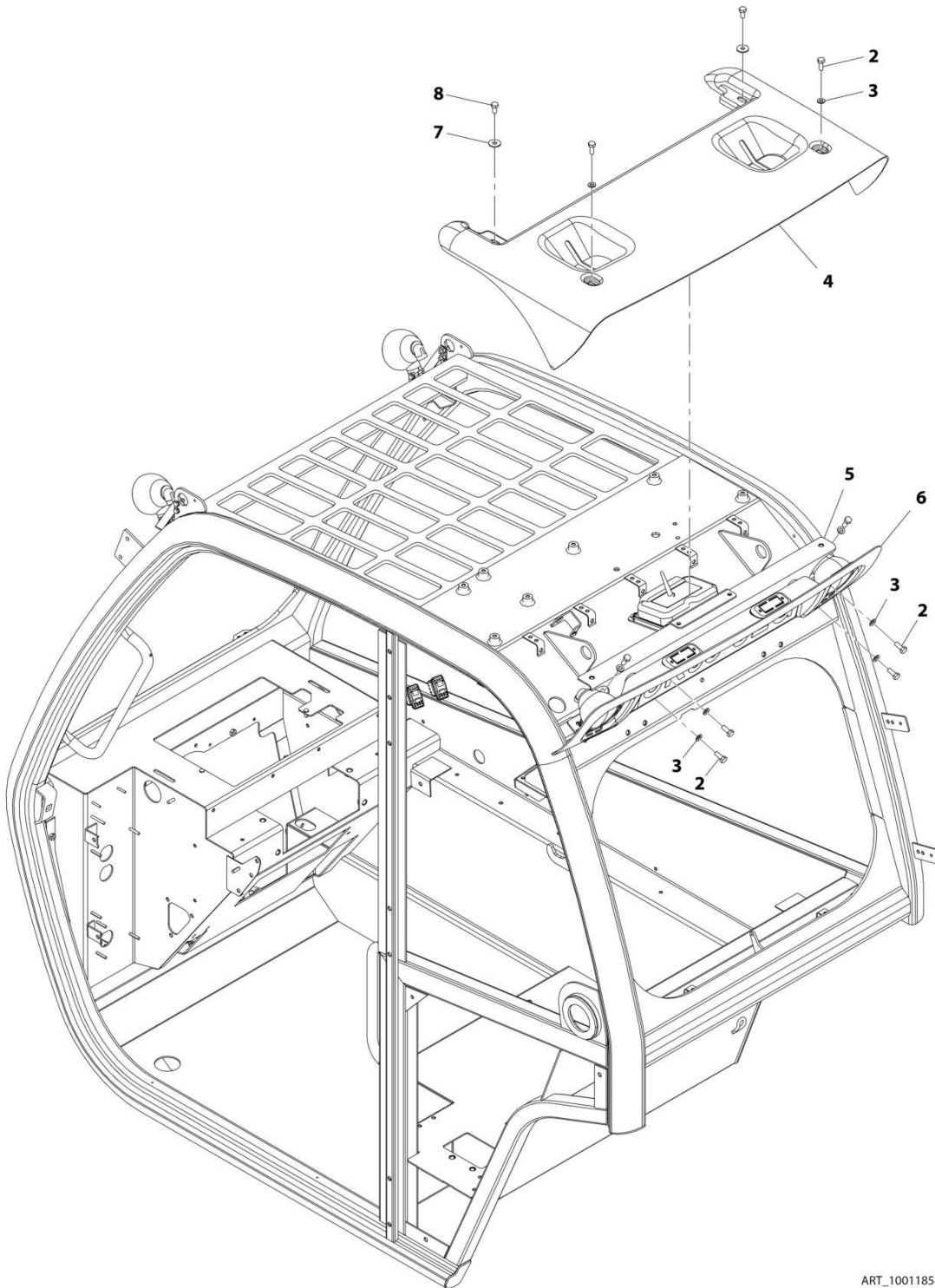
ART_1001155796-F

FIGURE 6-62. ROOF CAP INSTALLATION (A/C)

ITEM	PART NUMBER	QTY	DESCRIPTION	REV
	1001155796	Ref	Roof Cap Installation (A/C) (Construction)	F
2	4811700	9	Washer, M6	
3	4811702	10	Washer, M6	
4	4811902	2	Washer, M8	
5	4831700	1	Washer, Lock M6	
6	1001155800	1	Cover, Upper Roof Cap	
7	1001174741	1	Cover	
8	1001214156	1	Cover, Lower Roof Cap	
9	1001174800	1	Bracket, Roof Cap	
10	1001174801	1	Bracket, Roof Cap	
12	0760808	2	Bolt, M8X16	
13	8305919	3	Nut, M6	
14	4010610002	10	Screw, Posi-Drive M6X20	
15	0700610	4	Bolt, M6X20	
16	3290601	4	Nut, M6X1	
17	4010608002	1	Screw, Posi-Drive, M6X16	

SECTION 6 - CAB

FIGURE 6-63. ROOF CAP INSTALLATION (NO A/C)



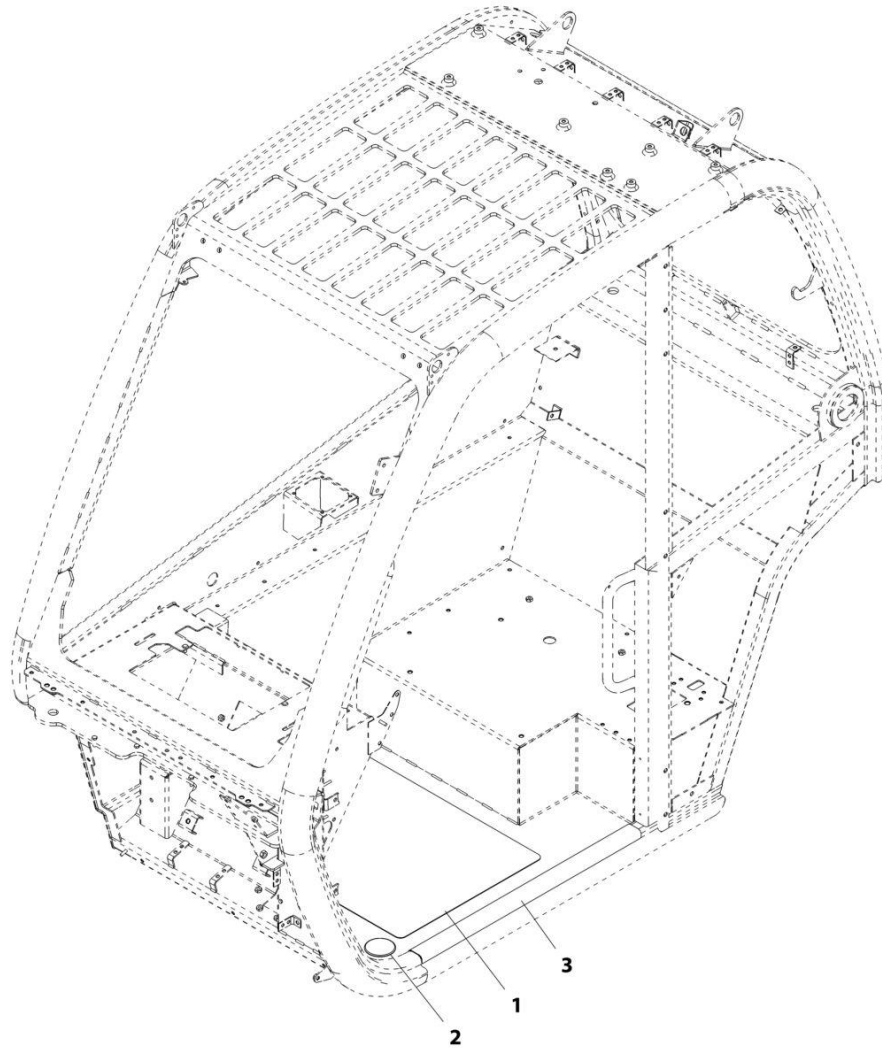
ART_1001185846-D

FIGURE 6-63. ROOF CAP INSTALLATION (NO A/C)

ITEM	PART NUMBER	QTY	DESCRIPTION	REV
	1001185846	Ref	Roof Cap Installation (No A/C)	D
2	0760810	8	Bolt, M8X20	
3	4811900	8	Washer, M8	
4	1001182328	1	Cover, Short Upper Roof Cap	
5	1001185633	1	Bracket	
6	1001214535	2	Cover, Short Lower Roof Cap	
7	4811902	2	Washer, M8	
8	0760808	2	Bolt, M8X16	

SECTION 6 - CAB

FIGURE 6-64. NON SKID TAPE INSTALLATION



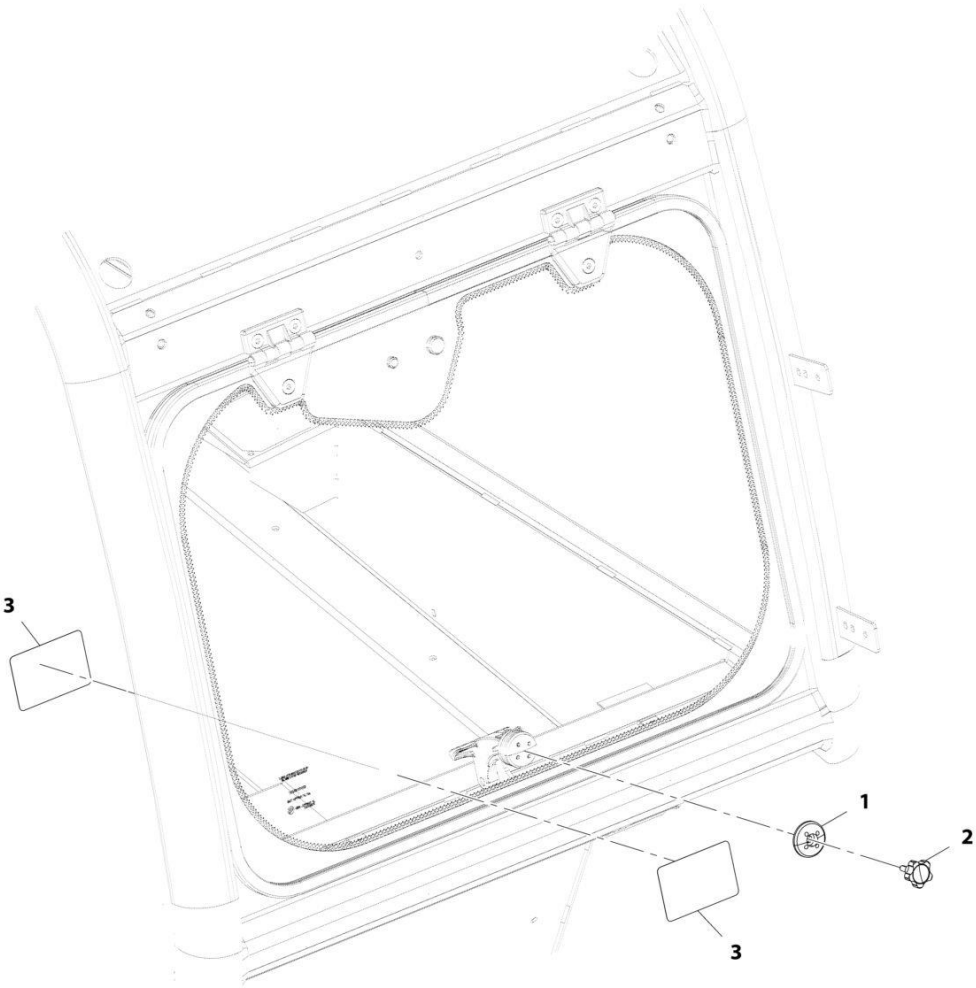
ART_1001197219-B

FIGURE 6-64. NON SKID TAPE INSTALLATION

ITEM	PART NUMBER	QTY	DESCRIPTION	REV
	1001197219	Ref	Non Skid Tape Installation	B
1	1001197217	1	Tape, Non Skid Floor	
2	1001197218	1	Grommet	
3	1001197259	1	Tape, Non Skid Frame	

SECTION 6 - CAB

FIGURE 6-65. EXTERNAL WINDOW RELEASE INSTALLATION (CAN & ISO)



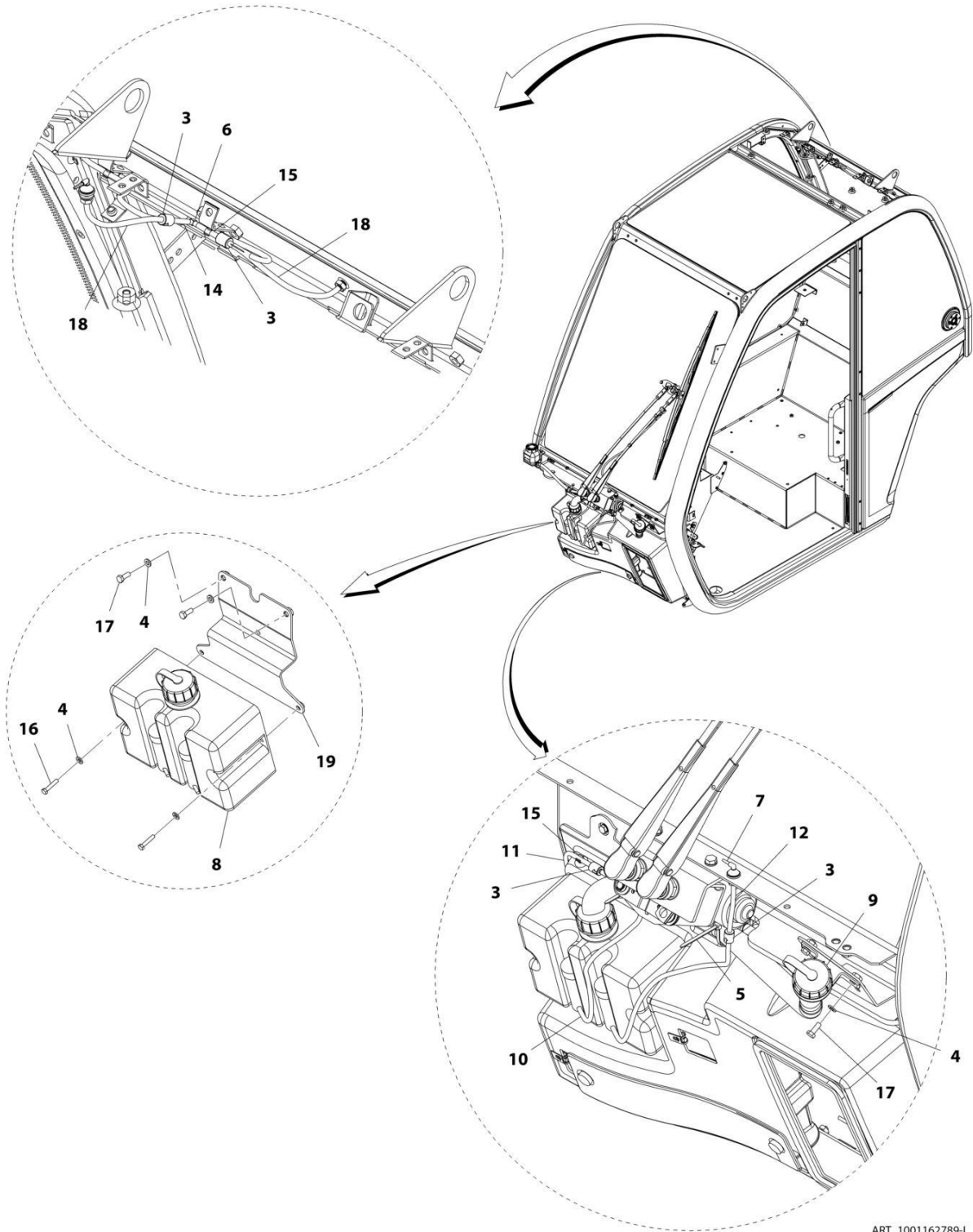
ART_1001178826-C

FIGURE 6-65. EXTERNAL WINDOW RELEASE INSTALLATION (CAN & ISO)

ITEM	PART NUMBER	QTY	DESCRIPTION	REV
	1001178826	Ref	External Window Release Installation (English/French)	C
1	1001179008	1	Cap, Latch Window	
2	1001179009	1	Knob	
3	1001204709	2	Decal, Emergency Exit (English/French)	

SECTION 6 - CAB

FIGURE 6-66. WASHER TANK INSTALLATION



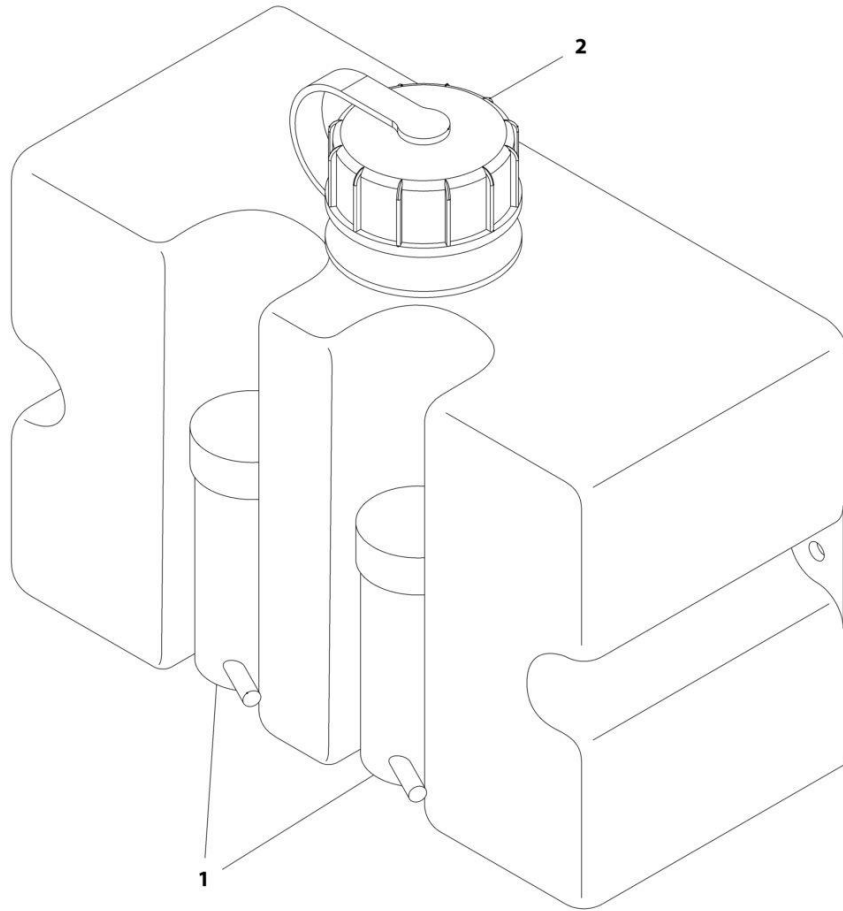
ART_1001162789-L

FIGURE 6-66. WASHER TANK INSTALLATION

ITEM	PART NUMBER	QTY	DESCRIPTION	REV
	1001162789	Ref	Washer Tank Installation	L
3	1001201331	4	Valve, Check	
4	4811700	6	Washer, M6	
5	471678	2	Strap, Tie	
6	1001008742	1	Coupling, Tee	
7	1001090343	1	Connector	
8	1001165269	1	Bottle, Washer (See Separate Breakdown in this Section)	
9	1001165270	1	Hose, Washer Filler	
10	1001165351	2	Hose	
11	1001165407	1	Hose	
12	1001165416	1	Hose	
14	1001165455	2	Hose	
15	1001165458	16	Hose	
16	0760512	2	Bolt M5X25	
17	0760608	4	Bolt, M6X16	
18	1001178123	2	Hose	
19	1001171756	1	Bracket	

SECTION 6 - CAB

FIGURE 6-67. WASHER BOTTLE



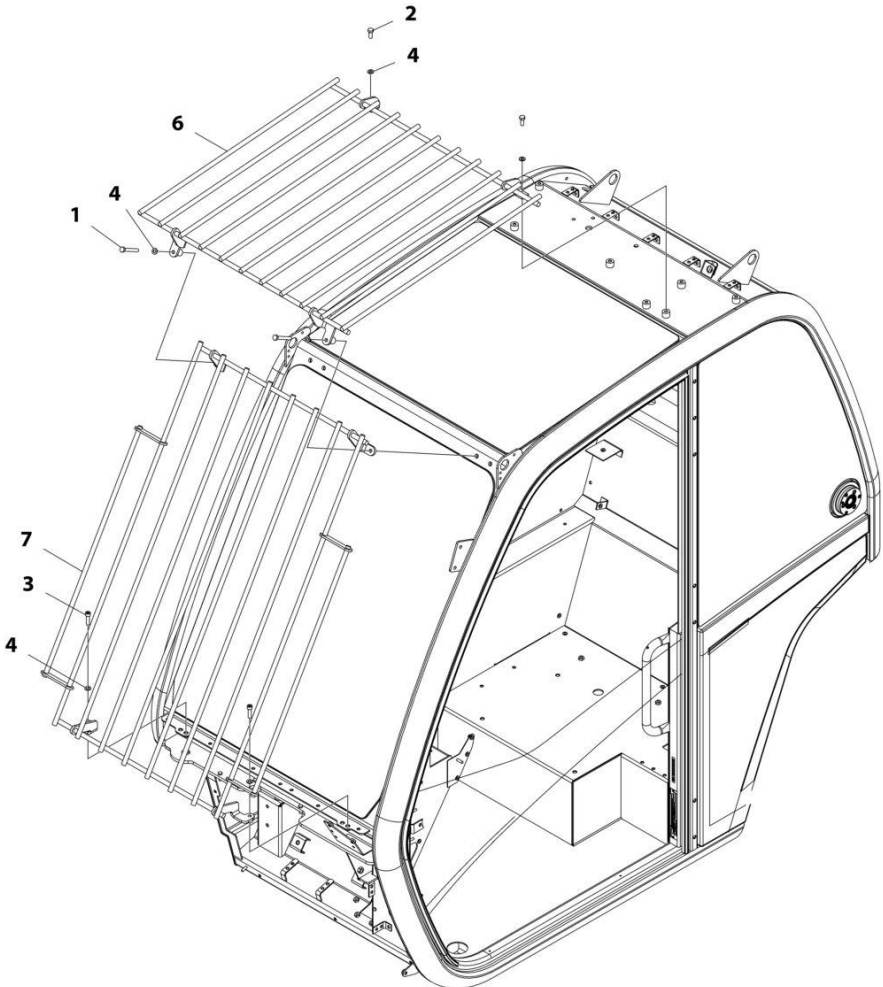
ART_1001165269-B

FIGURE 6-67. WASHER BOTTLE

ITEM	PART NUMBER	QTY	DESCRIPTION	REV
	1001165269	Ref	Washer Bottle	B
1	1001165327	2	Pump, Washer	
2	1001165273	1	Cap, Washer	

SECTION 6 - CAB

FIGURE 6-68. CAB GUARD INSTALLATION (TOP AND FRONT)



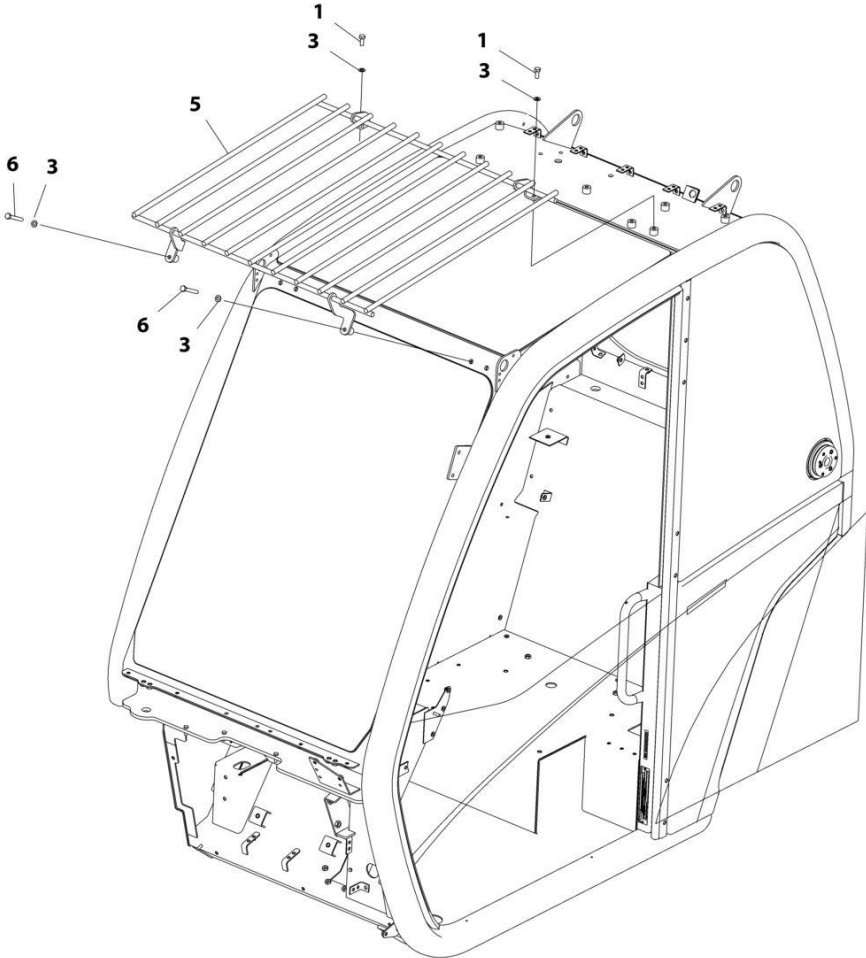
ART_1001172774

FIGURE 6-68. CAB GUARD INSTALLATION (TOP AND FRONT)

ITEM	PART NUMBER	QTY	DESCRIPTION	REV
	1001172774	Ref	CAB GUARD INSTALLATION (TOP AND FRONT)	G
1	0700820	2	Bolt M8 x 60	
2	0760810	2	Bolt M8 x 20	
3	4031910	2	Bolt M8 x 30	
4	4811900	6	Washer M8	
6	1001160503	1	Guard, Top Screen	
7	1001180263	1	Guard, Front Screen	

SECTION 6 - CAB

FIGURE 6-69. CAB GUARD INSTALLATION (TOP)



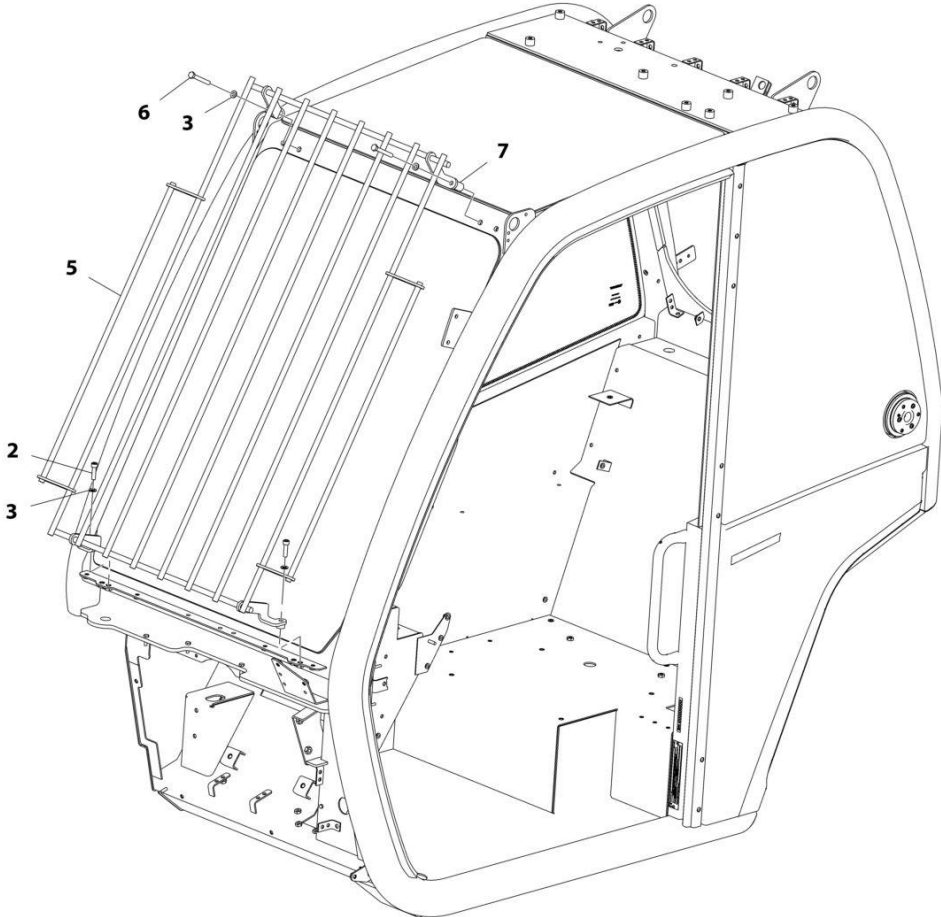
ART_1001160496

FIGURE 6-69. CAB GUARD INSTALLATION (TOP)

ITEM	PART NUMBER	QTY	DESCRIPTION	REV
	1001160496	Ref	Cab Guard Installation (Top)	G
1	0760810	2	Bolt, M8X20	
3	4811900	4	Washer, M8	
5	1001160503	1	Guard, Top Screen	
6	0700820	2	Bolt, M8X60	

SECTION 6 - CAB

FIGURE 6-70. CAB GUARD INSTALLATION (FRONT)



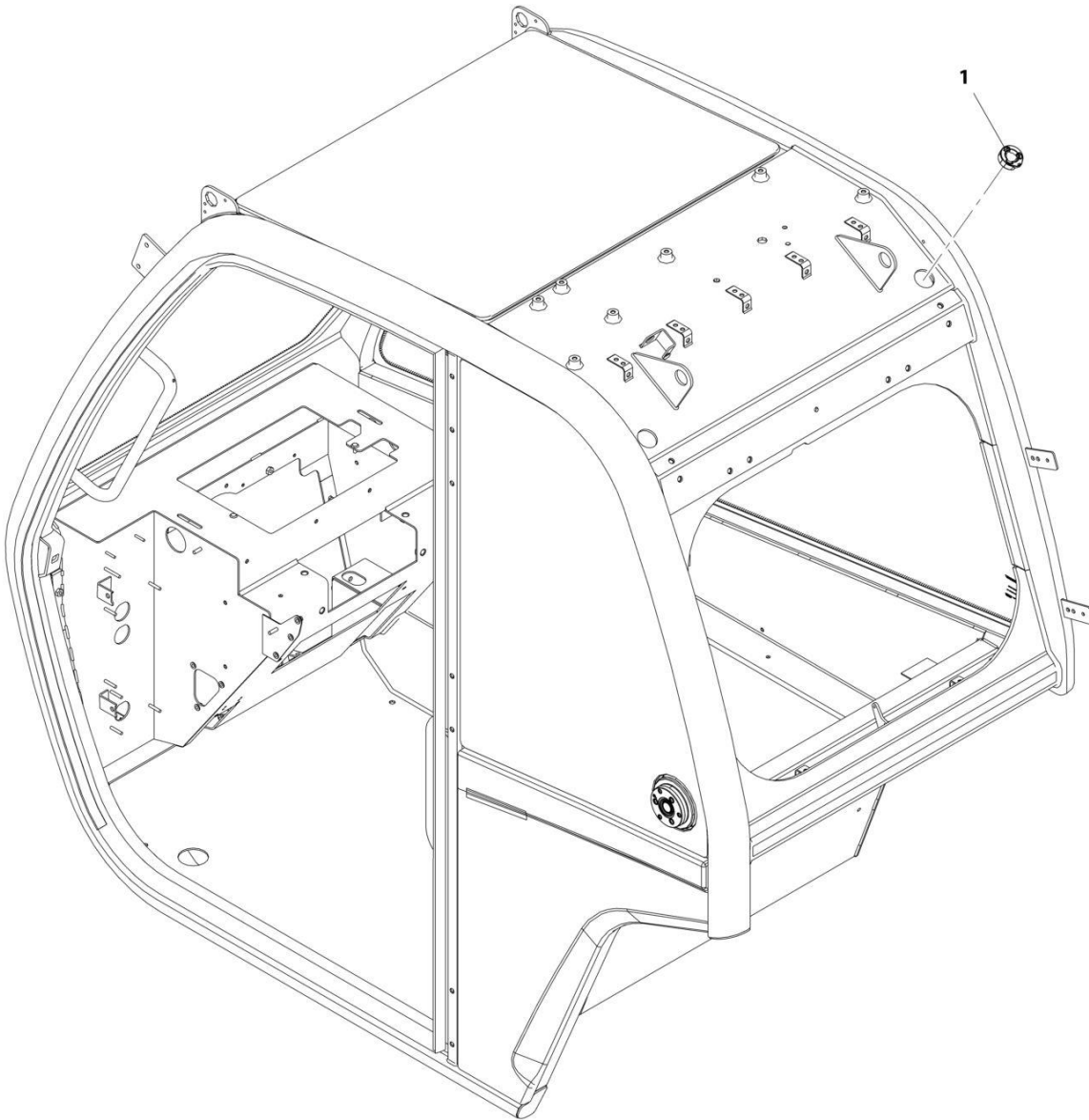
ART_1001160506-G

FIGURE 6-70. CAB GUARD INSTALLATION (FRONT)

ITEM	PART NUMBER	QTY	DESCRIPTION	REV
	1001160506	Ref	Cab Guard Installation (Front)	G
2	4031910	2	Bolt, M8X30	
3	4811900	4	Washer, M8	
5	1001180263	1	Guard, Front Screen	
6	0700820	2	Bolt, M8X60	
7	1001173257	2	Spacer	

SECTION 6 - CAB

FIGURE 6-71. ROOF PIGTAIL CAP INSTALLATION



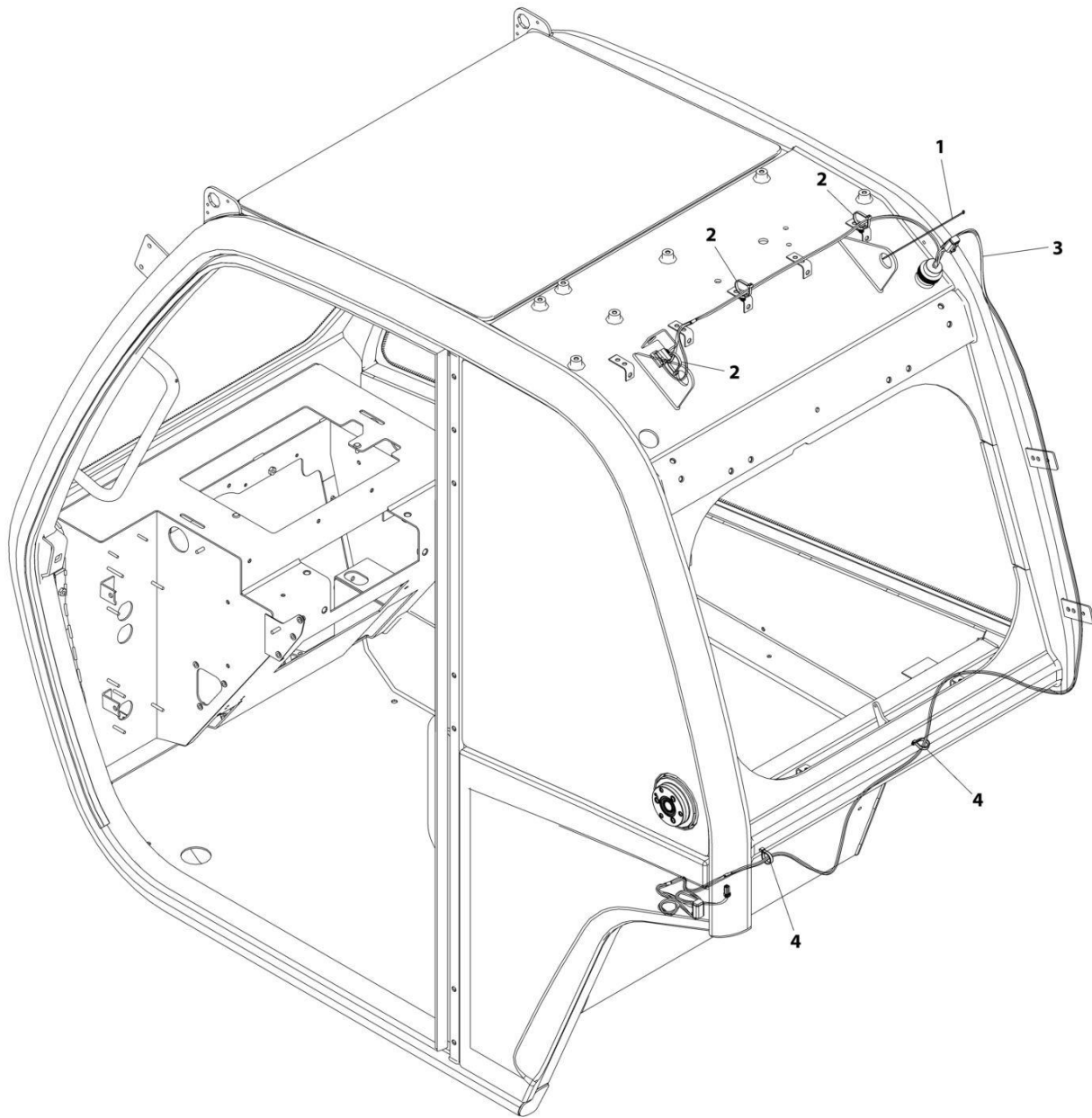
ART_1001202138-A

FIGURE 6-71. ROOF PIGTAIL CAP INSTALLATION

ITEM	PART NUMBER	QTY	DESCRIPTION	REV
1	1001202138 1001202134	Ref 1	Roof Pigtail Cap Installation Cap, Deutsch Dust	A

SECTION 6 - CAB

FIGURE 6-72. ROOF PIGTAIL INSTALLATION



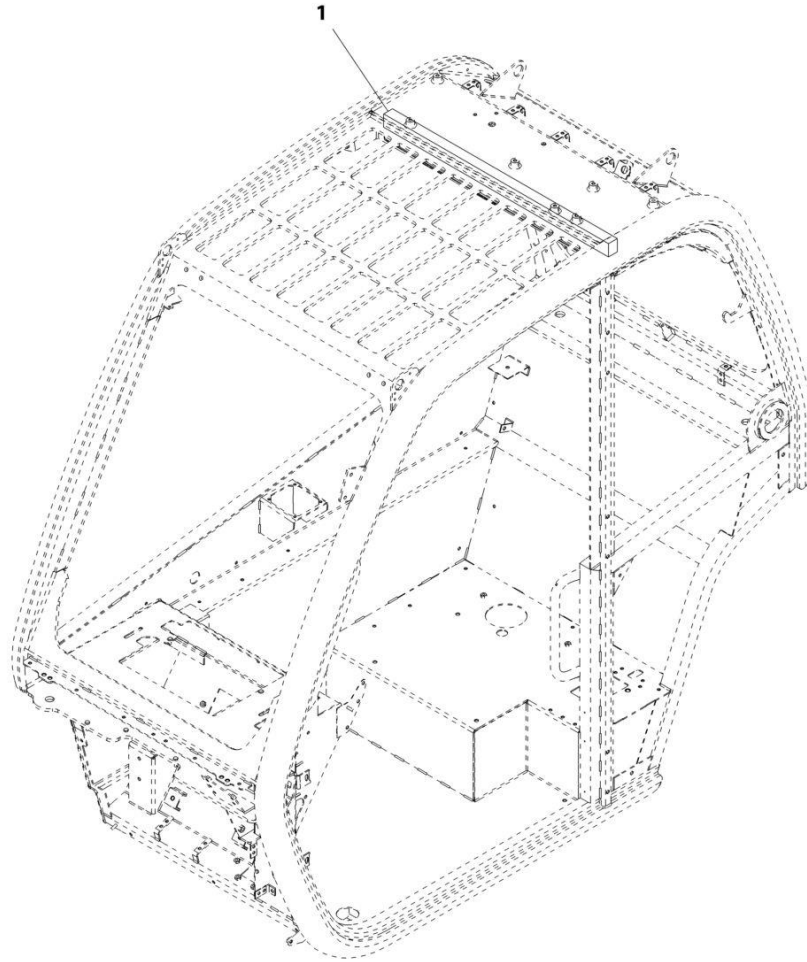
ART_1001202133_B

FIGURE 6-72. ROOF PIGTAIL INSTALLATION

ITEM	PART NUMBER	QTY	DESCRIPTION	REV
	1001202133	Ref	Roof Pigtail Installation	B
1	4240033	1	Cable Tie	
2	1001146588	3	Strap	
3	1001265200	1	Harness, Roof Pigtail (See Separate Breakdown in ELECTRICAL Section)	
4	1001008559	2	Strap	

SECTION 6 - CAB

FIGURE 6-73. NO SUNSCREEN INSTALLATION



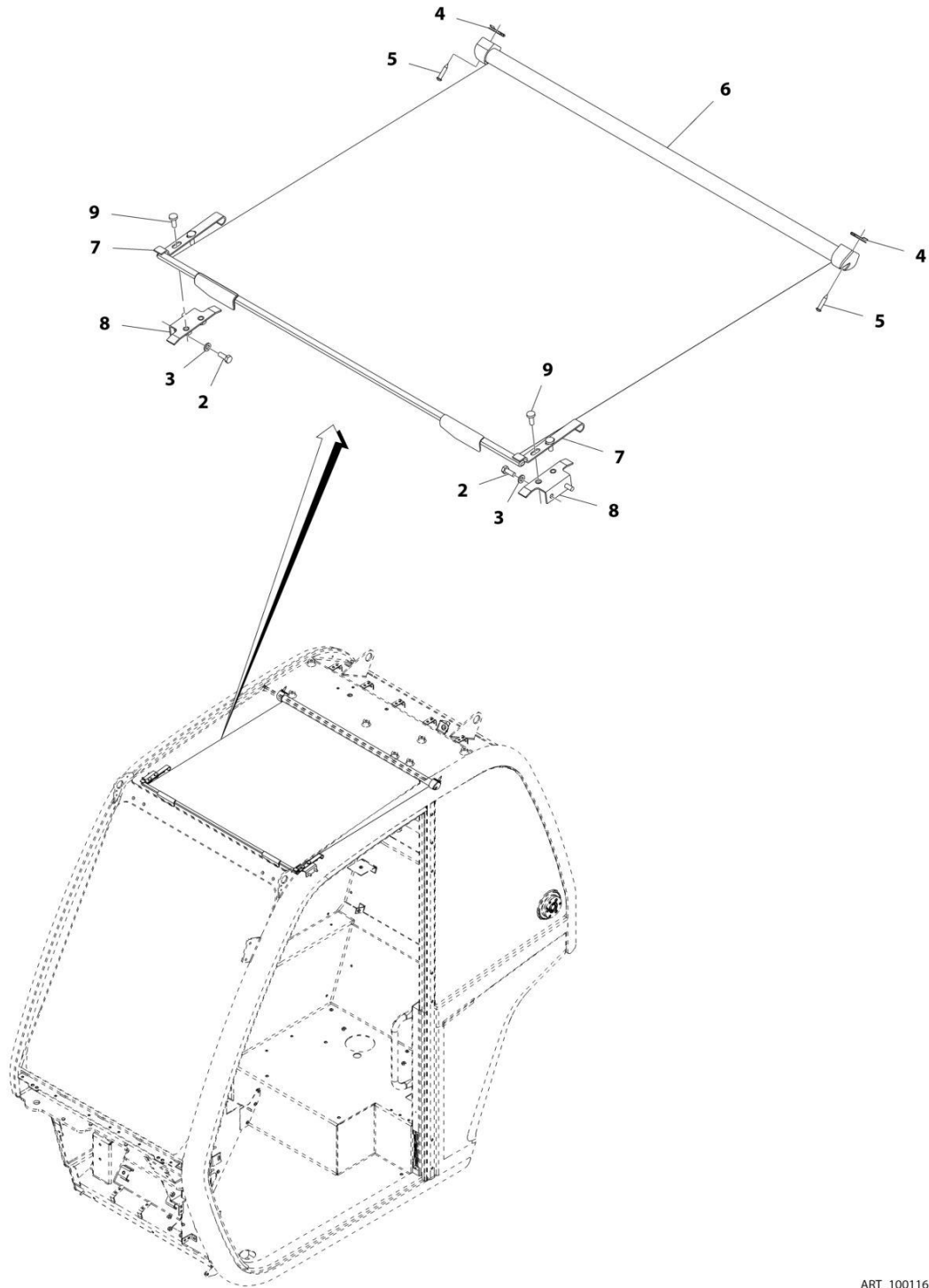
ART_1001211041-A

FIGURE 6-73. NO SUNSCREEN INSTALLATION

ITEM	PART NUMBER	QTY	DESCRIPTION	REV
1	1001211041 1001208192	Ref 1	No Sunscreen Installation Seal, Foam	A

SECTION 6 - CAB

FIGURE 6-74. RETRACTABLE SUNSCREEN INSTALLATION



ART_1001163151-G

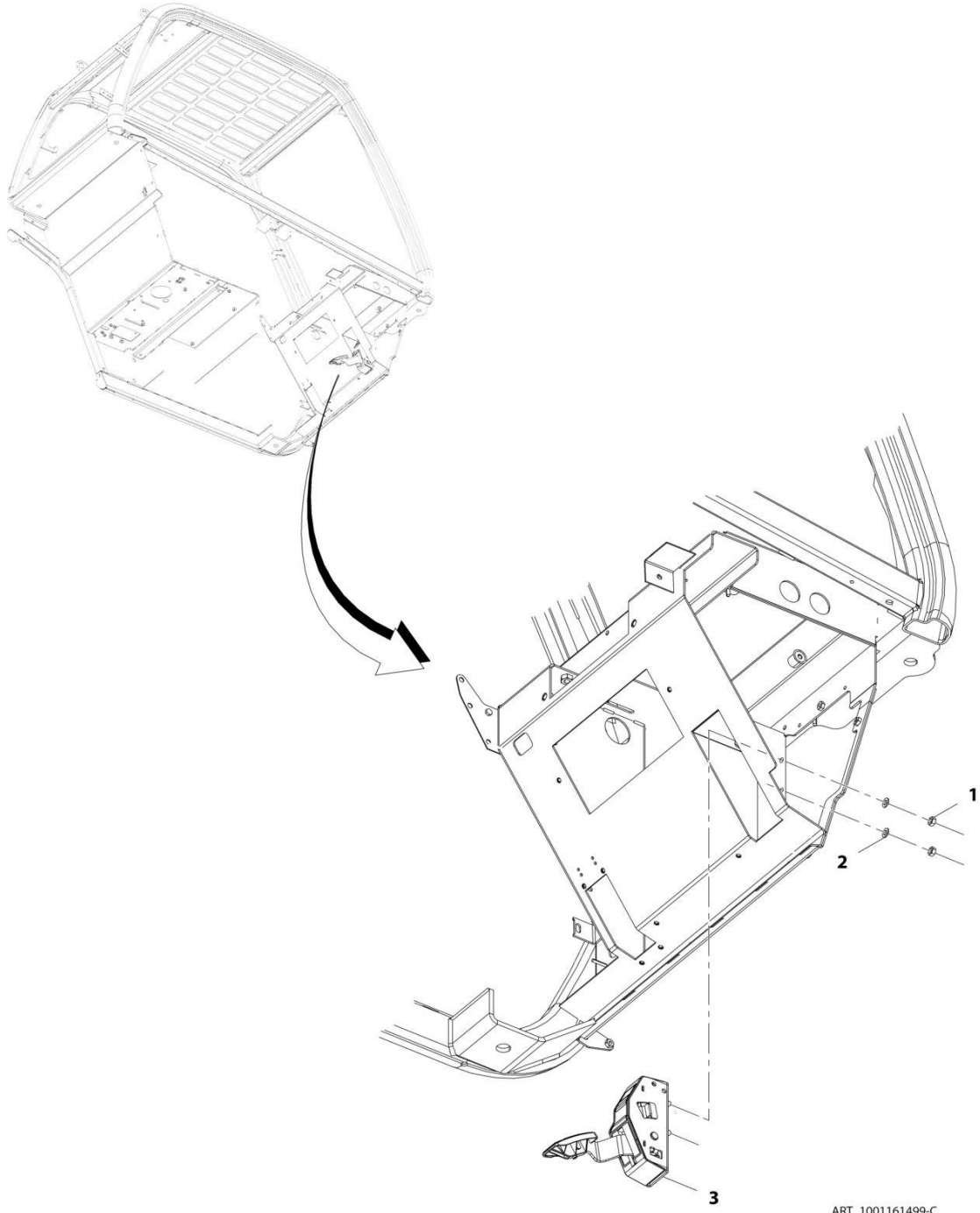
FIGURE 6-74. RETRACTABLE SUNSCREEN INSTALLATION

ITEM	PART NUMBER	QTY	DESCRIPTION	REV
	1001163151	Ref	Retractable Sunscreen Installation	G
2	0760608	4	Bolt, M6X16	
3	4811700	4	Washer, M6	
4	1001111076	2	Nut	
5	1001111147	2	Screw	
6	1001163170	1	Cab, Screen Blind	
7	1001209463	2	Bracket, Sunscreen Mount	
8	1001166385	2	Bracket	
9	4010608002	4	Screw, M6X16	

SECTION 7 - CONTROLS

SECTION 7 - CONTROLS

FIGURE 7-1. ACCELERATOR PEDAL INSTALLATION



ART_1001161499-C

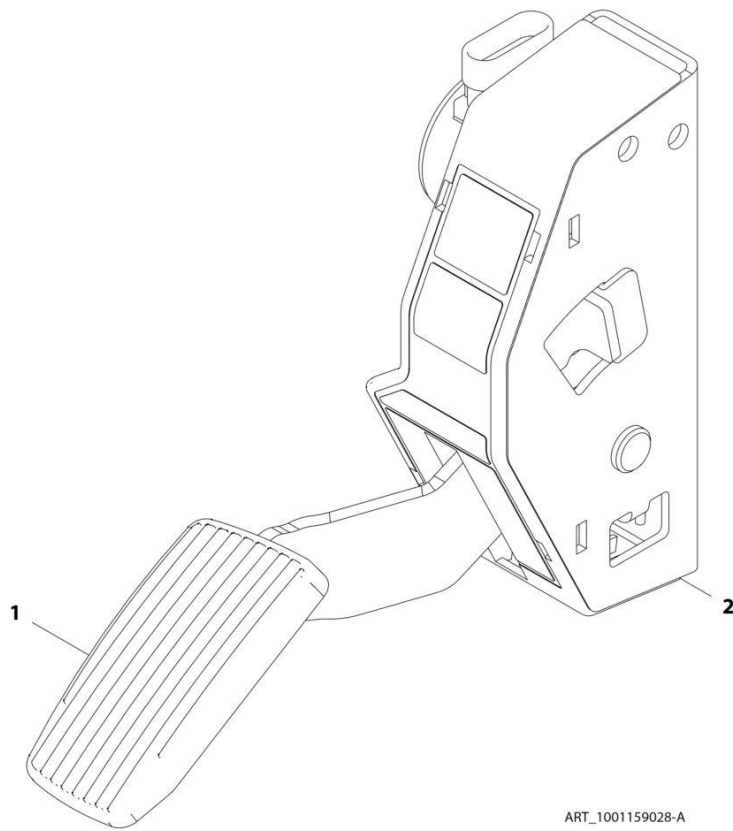
SECTION 7 - CONTROLS

FIGURE 7-1. ACCELERATOR PEDAL INSTALLATION

ITEM	PART NUMBER	QTY	DESCRIPTION	REV
	1001161499	Ref	Accelerator Pedal Installation	C
1	3290801	2	Nut, M8X1.25	
2	4811900	2	Washer, M8	
3	1001159028	1	Pedal, Accelerator (See Separate Breakdown in this Section)	

SECTION 7 - CONTROLS

FIGURE 7-2. ACCELERATOR PEDAL



ART_1001159028-A

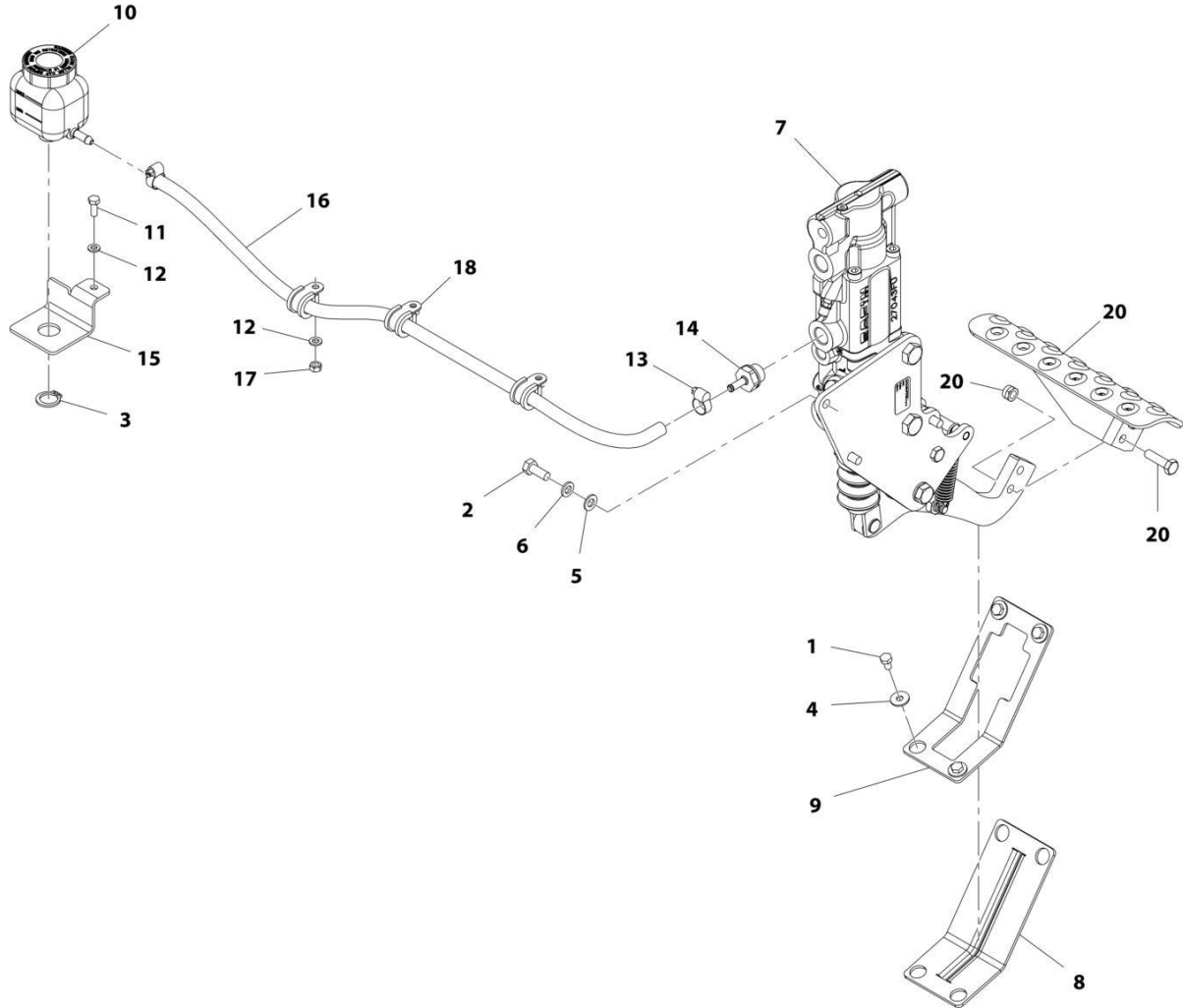
SECTION 7 - CONTROLS

FIGURE 7-2. ACCELERATOR PEDAL

ITEM	PART NUMBER	QTY	DESCRIPTION	REV
	1001159028	Ref	Accelerator Pedal	A
1	70025816	1	Pad, Rubber	
2	70025817	1	Cover, Rubber	

SECTION 7 - CONTROLS

FIGURE 7-3. BRAKE PEDAL INSTALLATION



ART_1001204225-C

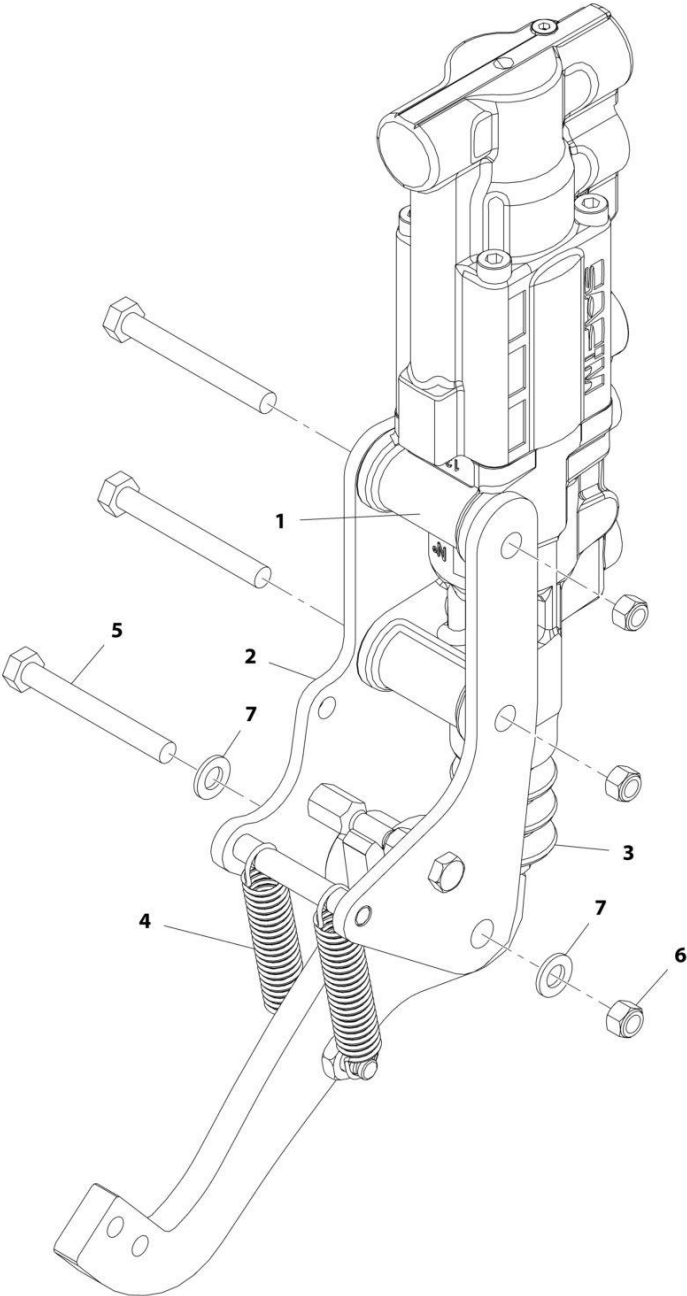
SECTION 7 - CONTROLS

FIGURE 7-3. BRAKE PEDAL INSTALLATION

ITEM	PART NUMBER	QTY	DESCRIPTION	REV
	1001204225	Ref	Brake Pedal Installation	C
1	0760605	4	Bolt, M6X10	
2	0760810	3	Bolt, M8X20	
3	3760348	1	Ring, Retaining	
4	4811702	4	Washer, M6	
5	4811900	3	Washer, M8	
6	4831900	3	Washer, Lock M8	
7	1001197138	1	Pedal, Brake (See Separate Breakdown in this Section)	
8	1001162920	1	Gasket, Brake Pedal	
9	1001162922	1	Plate	
10	1001214220	1	Reservoir, Brake	
11	0760608	1	Bolt, M6X16	
12	4811700	4	Washer, M6	
13	8405009	2	Clamp, Gear	
14	1001171874	1	Fitting, Hose Barb	
15	1001172088	1	Bracket, Brake Reservoir	
16	1001172094	1	Hose, Brake Reservoir	
17	3290601	3	Nut, M6X1	
18	1001170231	3	Clip, M6X15	
20	1001197139	1	Plate, Brake Pedal (See Separate Breakdown in this Section)	

SECTION 7 - CONTROLS

FIGURE 7-4. BRAKE PEDAL



ART_1001197138-D

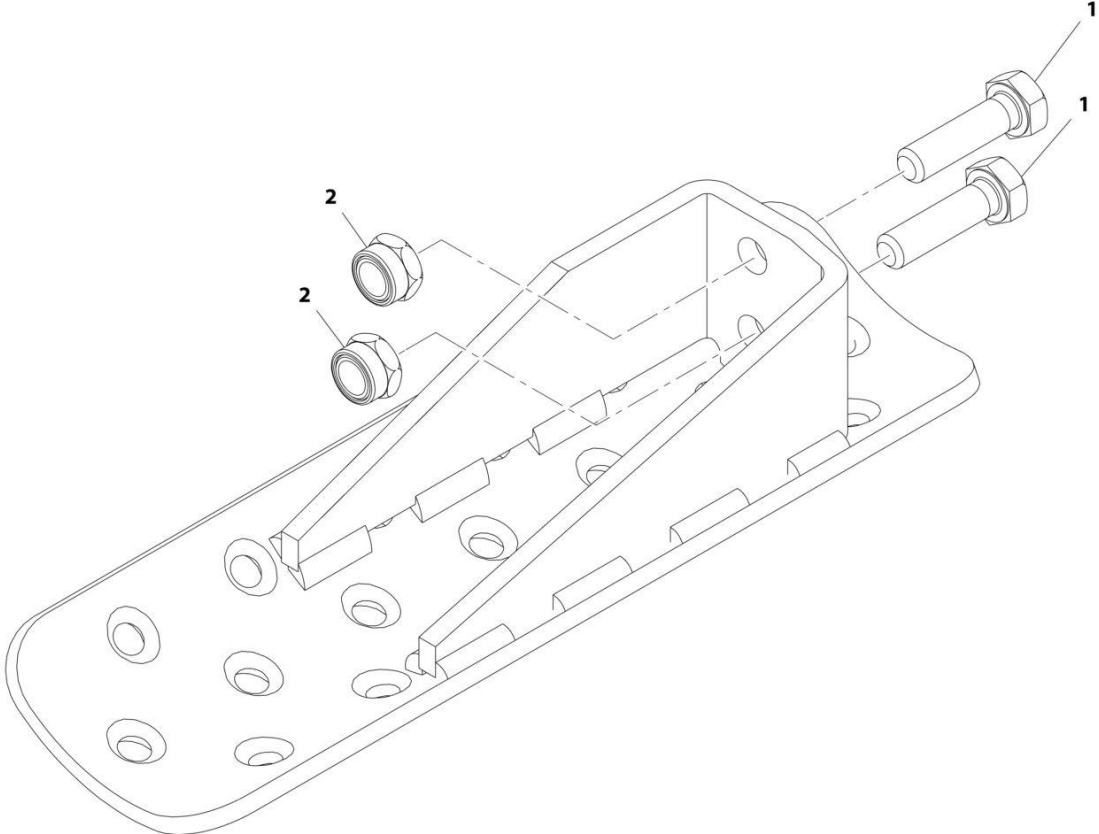
SECTION 7 - CONTROLS

FIGURE 7-4. BRAKE PEDAL

ITEM	PART NUMBER	QTY	DESCRIPTION	REV
	1001197138	Ref	Brake Pedal	D
1	70026432	1	Cylinder, Master	
2	70026433	1	Support	
3	70025859	1	Cover, Dust	
4	70025860	2	Spring, Return	
5	0701226	3	Bolt, M12X90	
6	3291205	3	Nut, Lock M12X1.75	
7	4812100	2	Washer, M12	

SECTION 7 - CONTROLS

FIGURE 7-5. BRAKE PEDAL PLATE



ART_1001197139-A

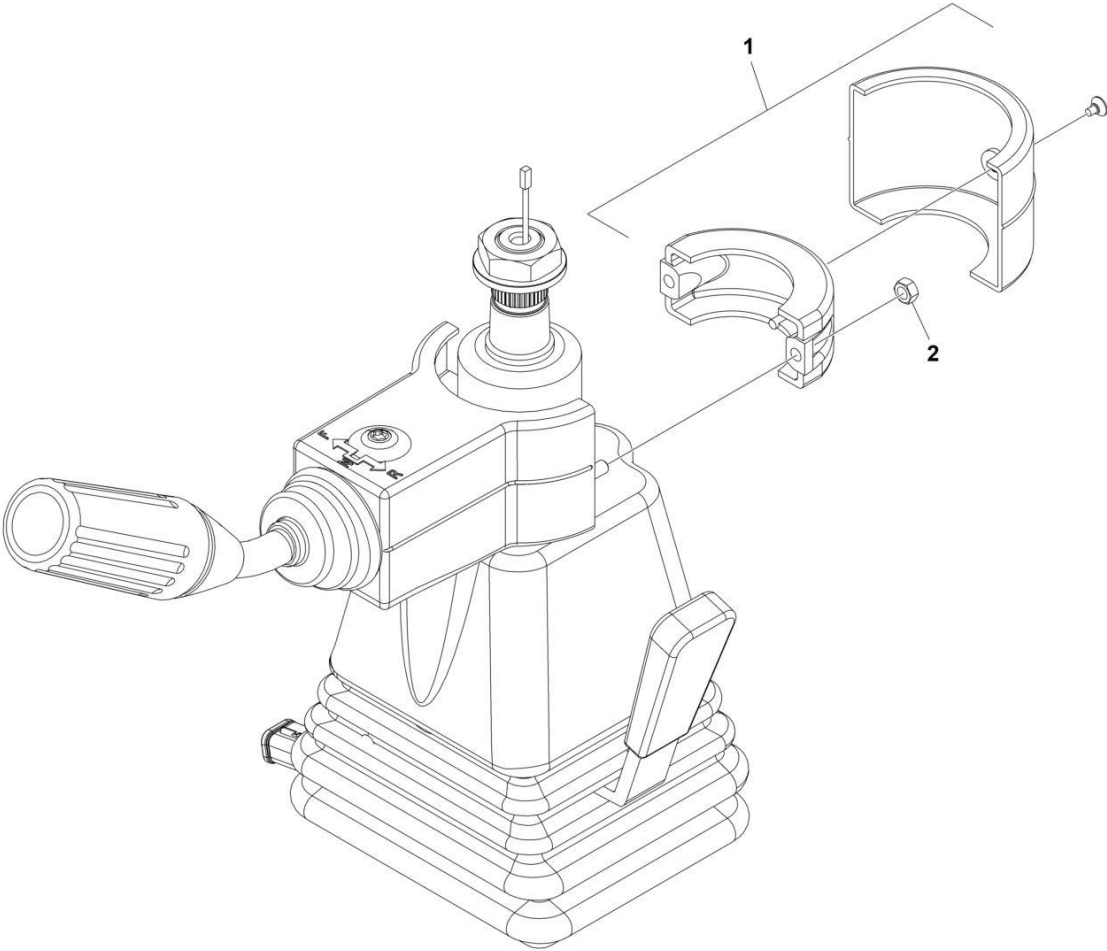
SECTION 7 - CONTROLS

FIGURE 7-5. BRAKE PEDAL PLATE

ITEM	PART NUMBER	QTY	DESCRIPTION	REV
	1001197139	Ref	Brake Pedal Plate	A
1	0770814	1	Bolt, M8X30 Grade 10.9	
2	3290805	1	Nut, Lock M8X1.25 Grade 8	

SECTION 7 - CONTROLS

FIGURE 7-6. COLUMN CLAMP INSTALLATION



ART_1001182671_E

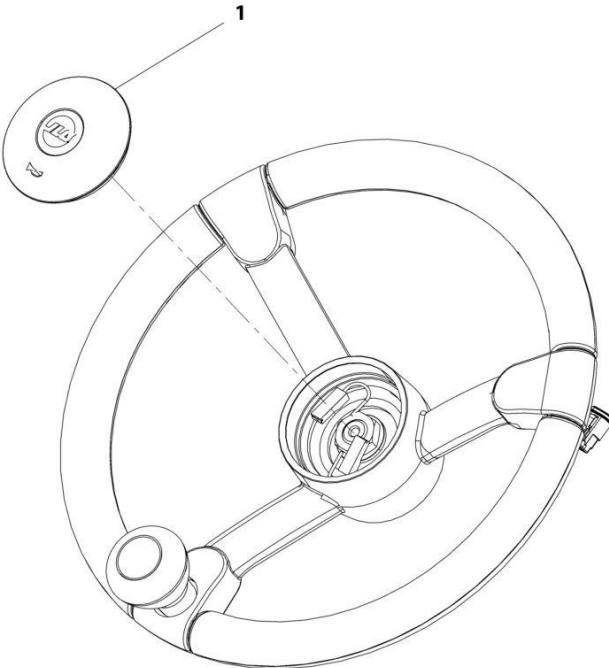
SECTION 7 - CONTROLS

FIGURE 7-6. COLUMN CLAMP INSTALLATION

ITEM	PART NUMBER	QTY	DESCRIPTION	REV
	1001182671	Ref	Column Clamp Installation	E
1	1001146949	1	Clamp	
2	3290505	2	Nut, Lock M5	

SECTION 7 - CONTROLS

FIGURE 7-7. HORN BUTTON INSTALLATION



ART_1001169763-A

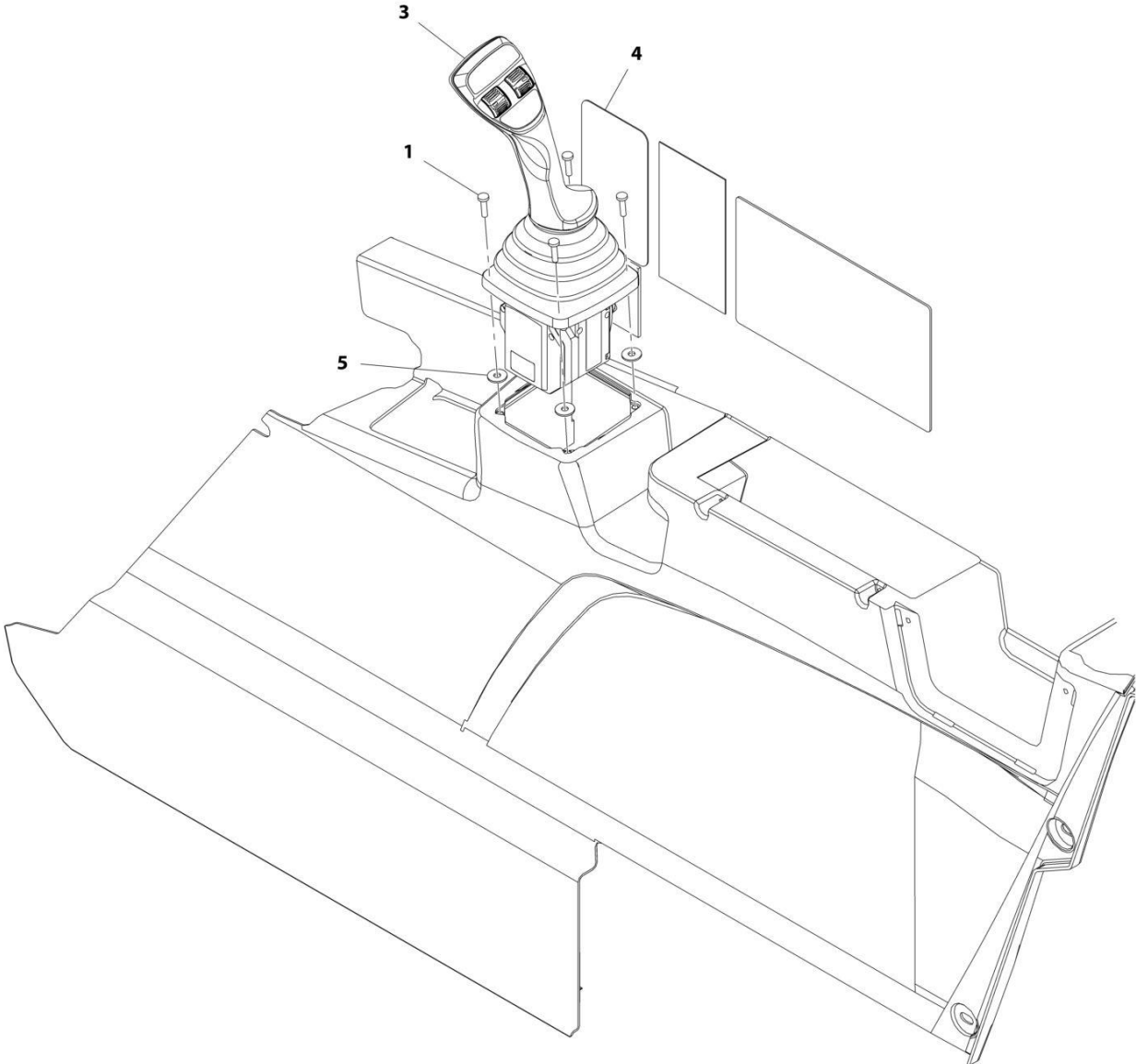
SECTION 7 - CONTROLS

FIGURE 7-7. HORN BUTTON INSTALLATION

ITEM	PART NUMBER	QTY	DESCRIPTION	REV
1	1001169763 1001169268	Ref 1	Horn Button Installation Button, Horn	A

SECTION 7 - CONTROLS

FIGURE 7-8. JOYSTICK INSTALLATION (2 ROLLER, 0 BUTTON)



ART_1001167001-E

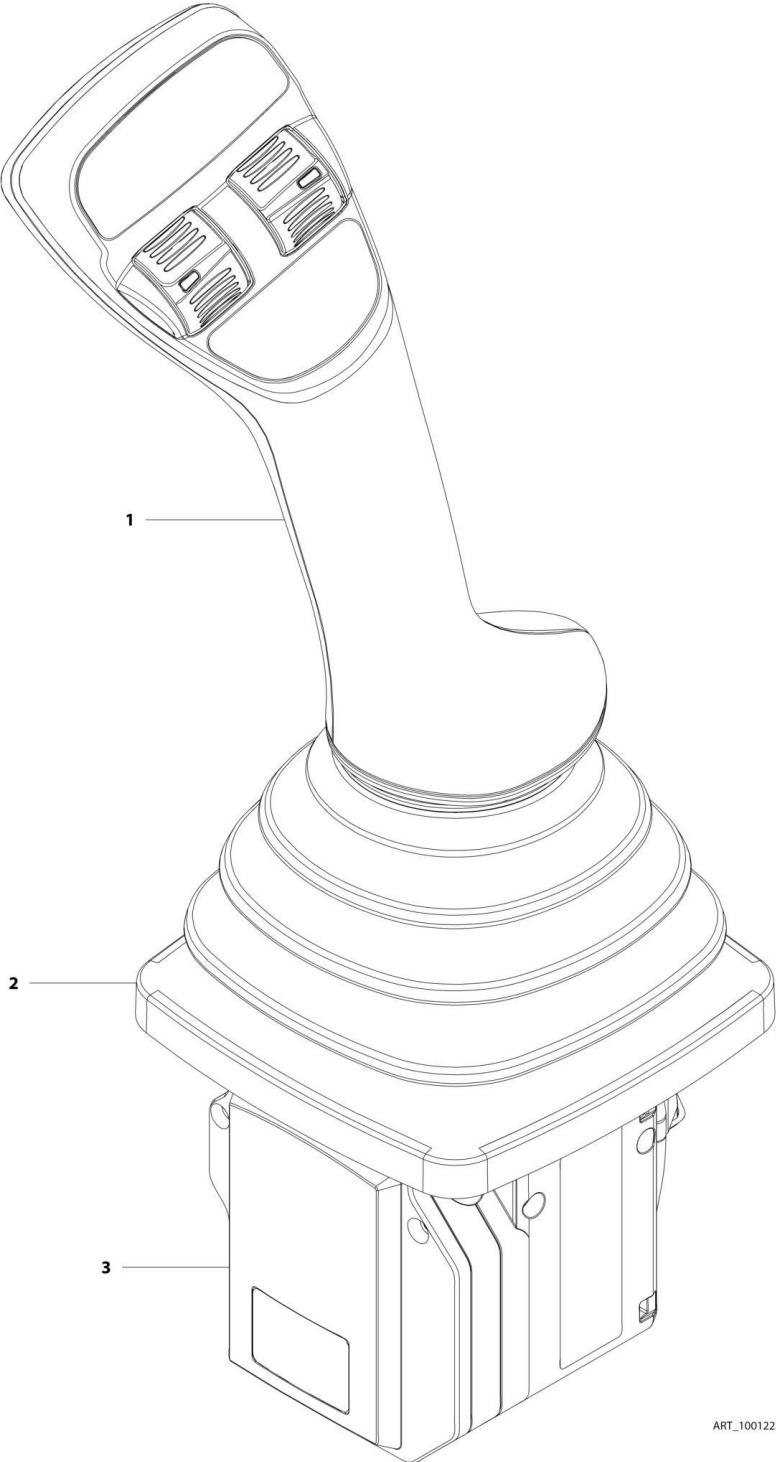
SECTION 7 - CONTROLS

FIGURE 7-8. JOYSTICK INSTALLATION (2 ROLLER, 0 BUTTON)

ITEM	PART NUMBER	QTY	DESCRIPTION	REV
	1001167001	Ref	Joystick Installation (2 Roller, 0 Button)	E
1	4010510	4	Screw, M5X20	
3	1001222609	1	Joystick (See Separate Breakdown in this Section)	
4	1001181543	1	Decal, Joystick	
5	4811702001	AR	Washer	

SECTION 7 - CONTROLS

FIGURE 7-9. JOYSTICK



ART_1001222609-A

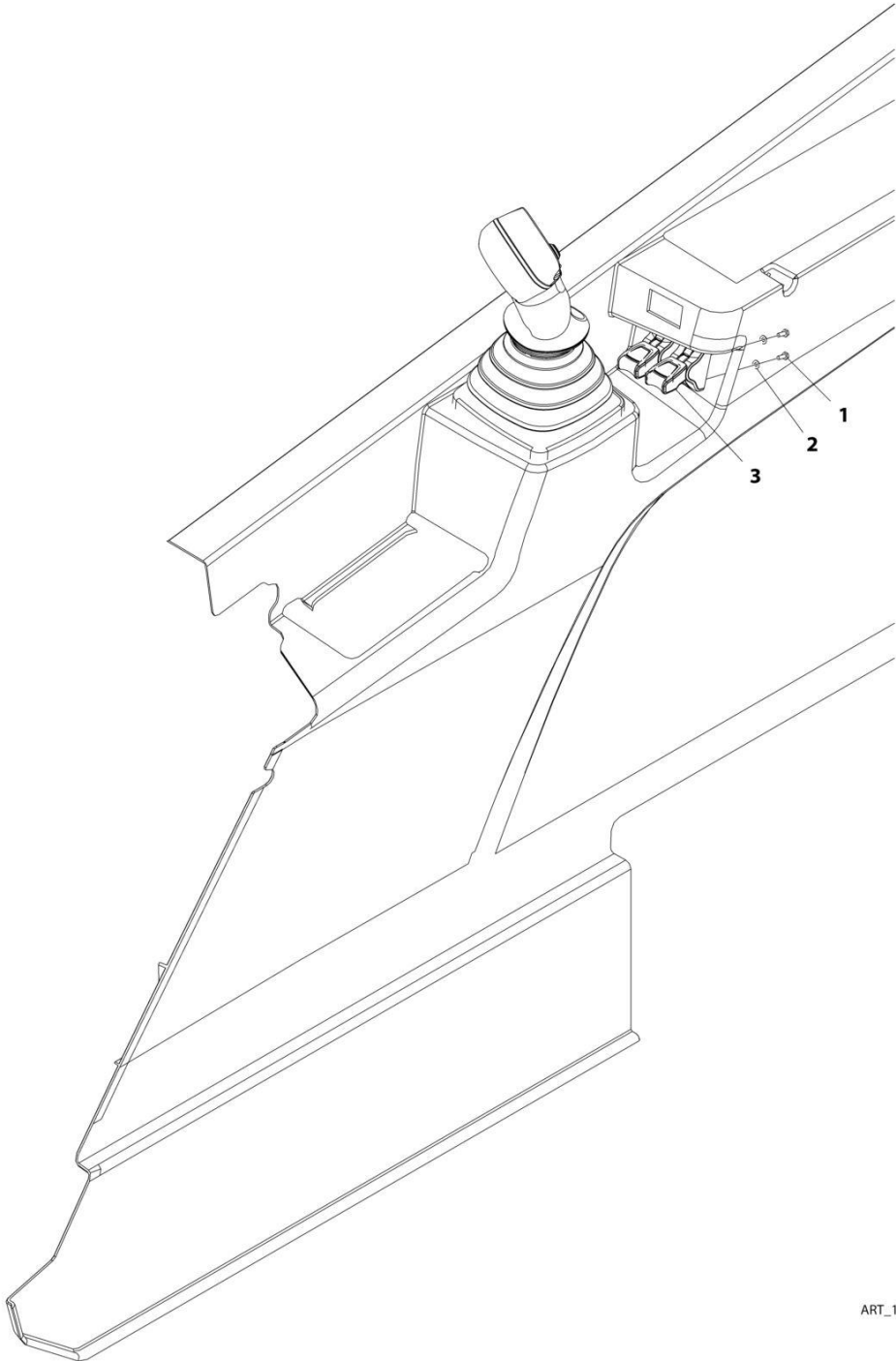
SECTION 7 - CONTROLS

FIGURE 7-9. JOYSTICK

ITEM	PART NUMBER	QTY	DESCRIPTION	REV
	1001222609	Ref	Joystick	A
1	70026257	1	Handle, Joystick	
2	70025844	1	Gaiter	
3	70026258	1	Base, Joystick	

SECTION 7 - CONTROLS

FIGURE 7-10. OUTRIGGER SWITCHES INSTALLATION



ART_1001174478-C

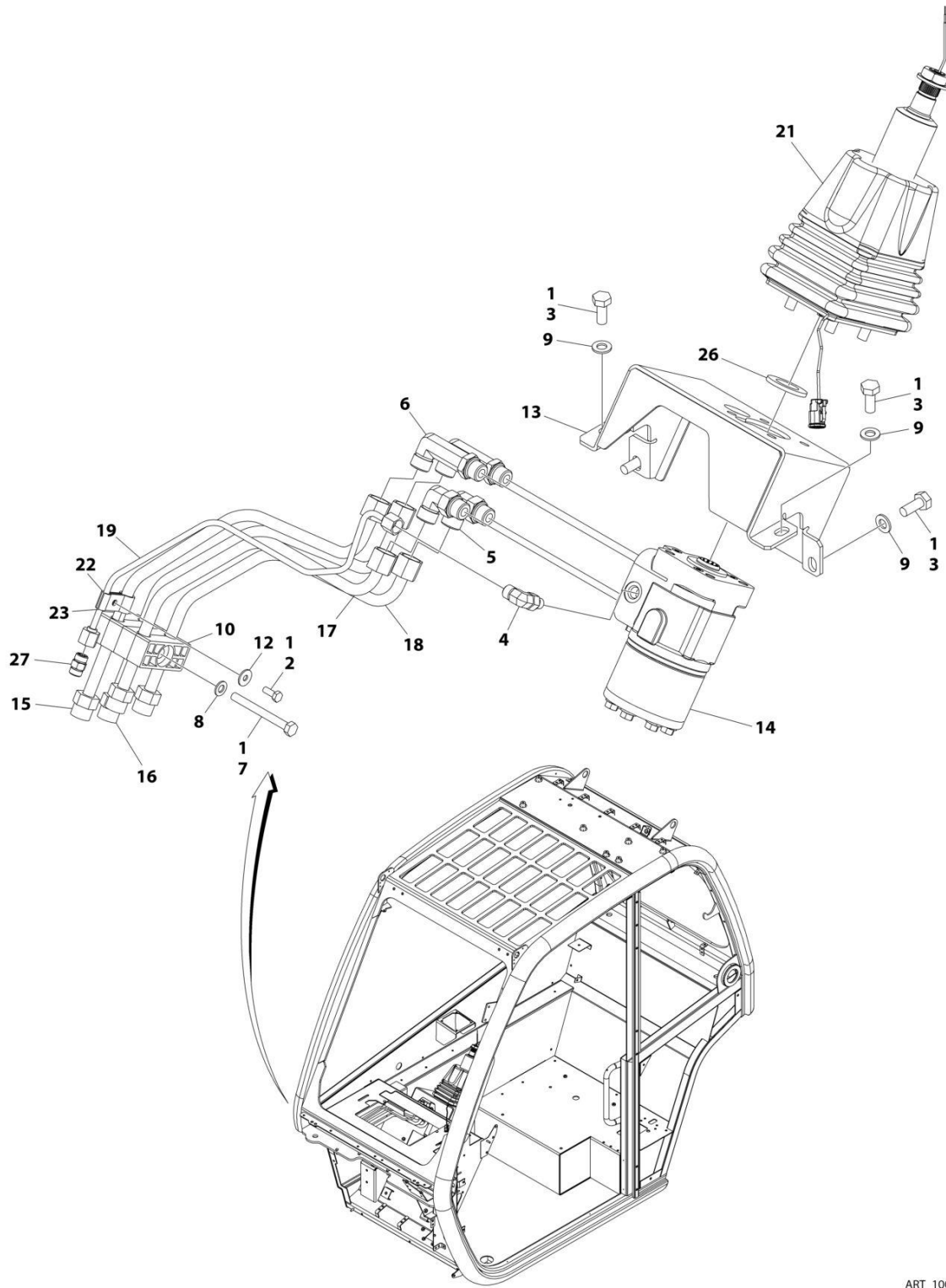
SECTION 7 - CONTROLS

FIGURE 7-10. OUTRIGGER SWITCHES INSTALLATION

ITEM	PART NUMBER	QTY	DESCRIPTION	REV
	1001174478	Ref	Outrigger Switches Installation	C
1	0760304	4	Bolt, M3X8 GR8.8	
2	1001110544	4	Washer, M3	
3	1001242098	2	Control, Fingertip Joystick	

SECTION 7 - CONTROLS

FIGURE 7-11. STEERING COLUMN INSTALLATION



ART_1001155307_G

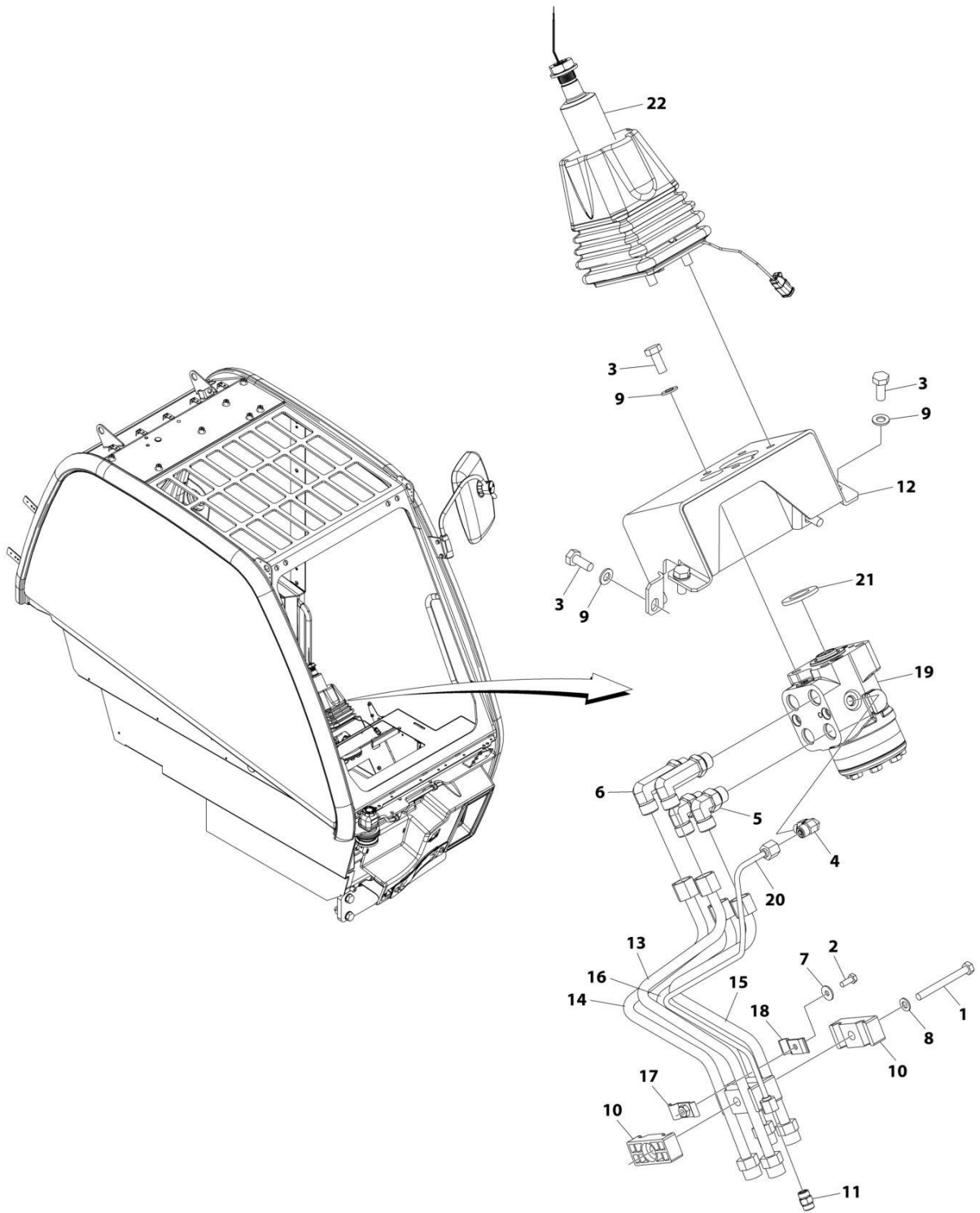
SECTION 7 - CONTROLS

FIGURE 7-11. STEERING COLUMN INSTALLATION

ITEM	PART NUMBER	QTY	DESCRIPTION	REV
	1001155307	Ref	Steering Column Installation	G
1	1001095650	AR	Compound, Locking	
2	0760608	1	Bolt, M6X16	
3	0761012	8	Bolt, M10X25	
4	2130404	1	Fitting, 90 ORFS	
5	2130808	2	Fitting, 90 ORFS	
6	2170208	2	Fitting, 90 ORFS	
7	0700824	1	Bolt, M8X80	
8	4811900	1	Washer, M8	
9	4812000	8	Washer, M10	
10	1001004640	4	Clamp	
12	4811702	1	Washer, M6	
13	1001156265	1	Cab, Steering Column Support	
14	1001158527	1	Valve, Steering (See Separate Breakdown in HYDRAULIC COMPONENTS Section)	
15	1001161672	1	Pipe	
16	1001161896	1	Pipe	
17	1001161897	1	Pipe	
18	1001161898	1	Pipe	
19	1001162979	1	Pipe	
21	1001256952	1	Column, Steering	
22	1001168142	1	Bracket	
23	1001168151	1	Bracket	
26	1001214480	1	Washer	
27	1001143857	1	Adaptor	

SECTION 7 - CONTROLS

FIGURE 7-12. EMERGENCY STEERING COLUMN INSTALLATION



ART_1001221749_B

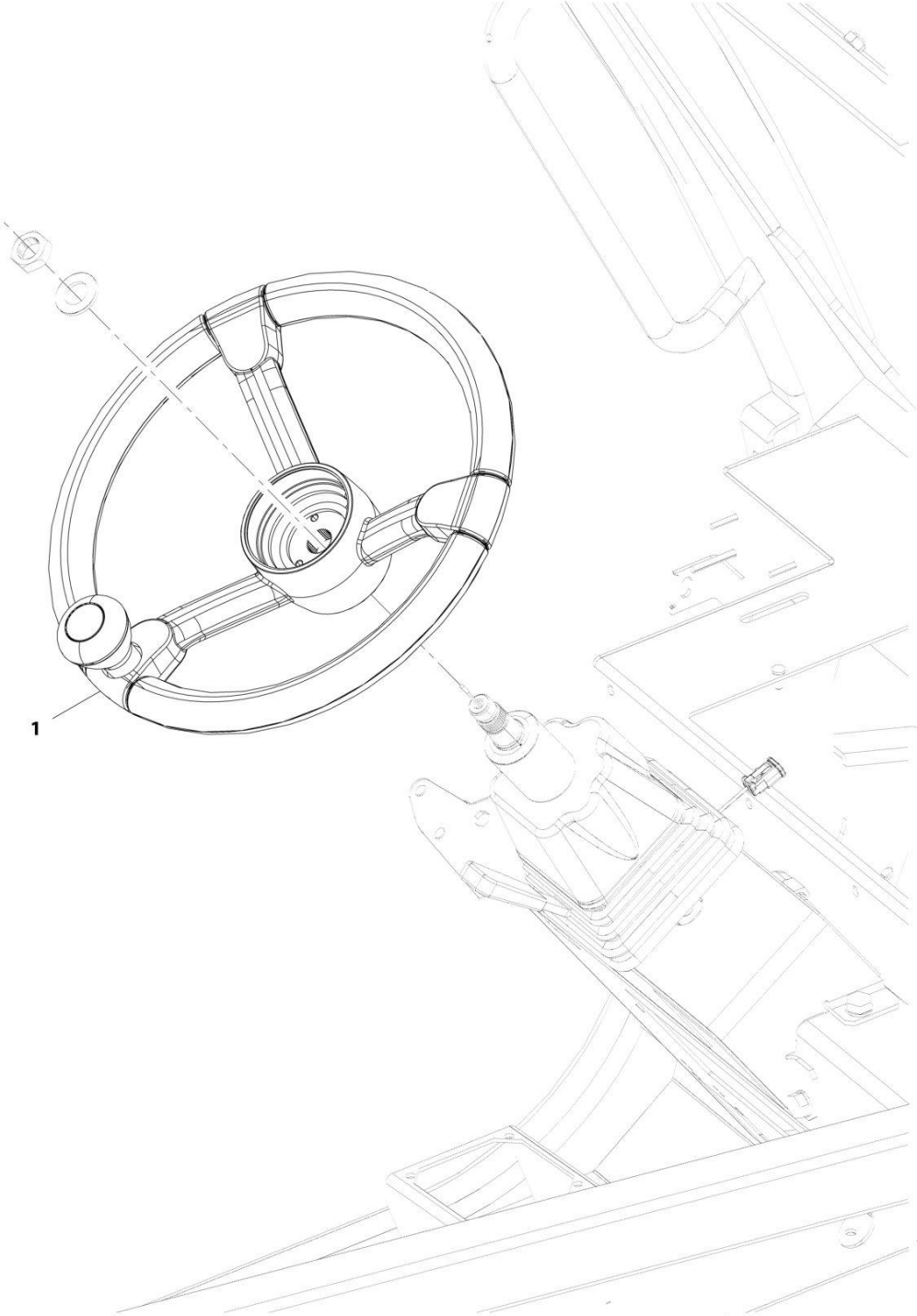
SECTION 7 - CONTROLS

FIGURE 7-12. EMERGENCY STEERING COLUMN INSTALLATION

ITEM	PART NUMBER	QTY	DESCRIPTION	REV
	1001221749	Ref	Emergency Steering Column Installation	B
1	0700824	1	Bolt, M8X80	
2	0760608	1	Bolt, M6X16	
3	0761012	8	Bolt, M10X25	
4	2130404	1	Fitting, 90 ORFS	
5	2130808	2	Fitting, 90 ORFS	
6	2170208	2	Fitting, 90 ORFS	
7	4811702	1	Washer, M6	
8	4811900	1	Washer, M8	
9	4812000	8	Washer, M10	
10	1001004640	4	Clamp	
11	1001143857	1	Adapter	
12	1001156265	1	Cab, Steering Column Support	
13	1001161672	1	Pipe	
14	1001161896	1	Pipe	
15	1001161897	1	Pipe	
16	1001161898	1	Pipe	
17	1001168142	1	Bracket	
18	1001168151	1	Bracket	
19	1001178670	1	Valve, Steering (See Separate Breakdown in HYDRAULIC COMPONENTS Section)	
20	1001194282	1	Pipe	
21	1001214480	1	Washer	
22	1001256952	1	Column, Steering	

SECTION 7 - CONTROLS

FIGURE 7-13. STEERING WHEEL INSTALLATION



ART_1001169751-C

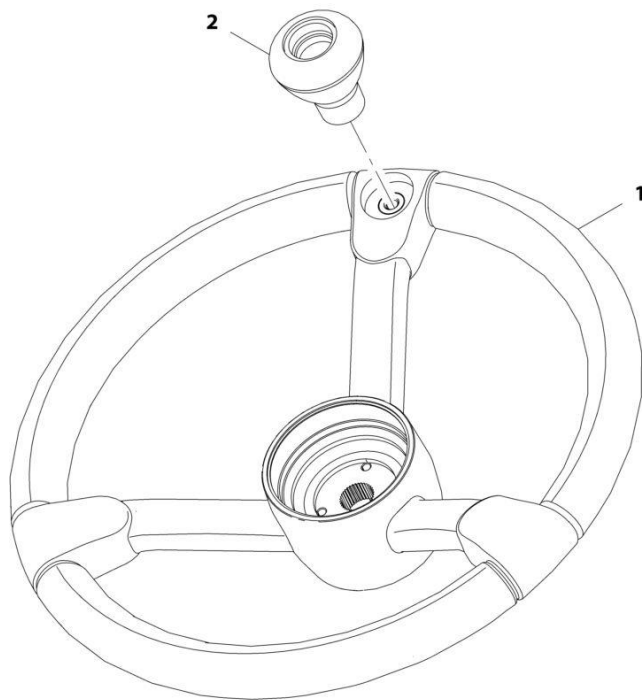
SECTION 7 - CONTROLS

FIGURE 7-13. STEERING WHEEL INSTALLATION

ITEM	PART NUMBER	QTY	DESCRIPTION	REV
1	1001169751 1001169354	Ref 1	Steering Wheel Installation Wheel, Steering (See Separate Breakdown in this Section)	C

SECTION 7 - CONTROLS

FIGURE 7-14. STEERING WHEEL



ART_1001169354-D

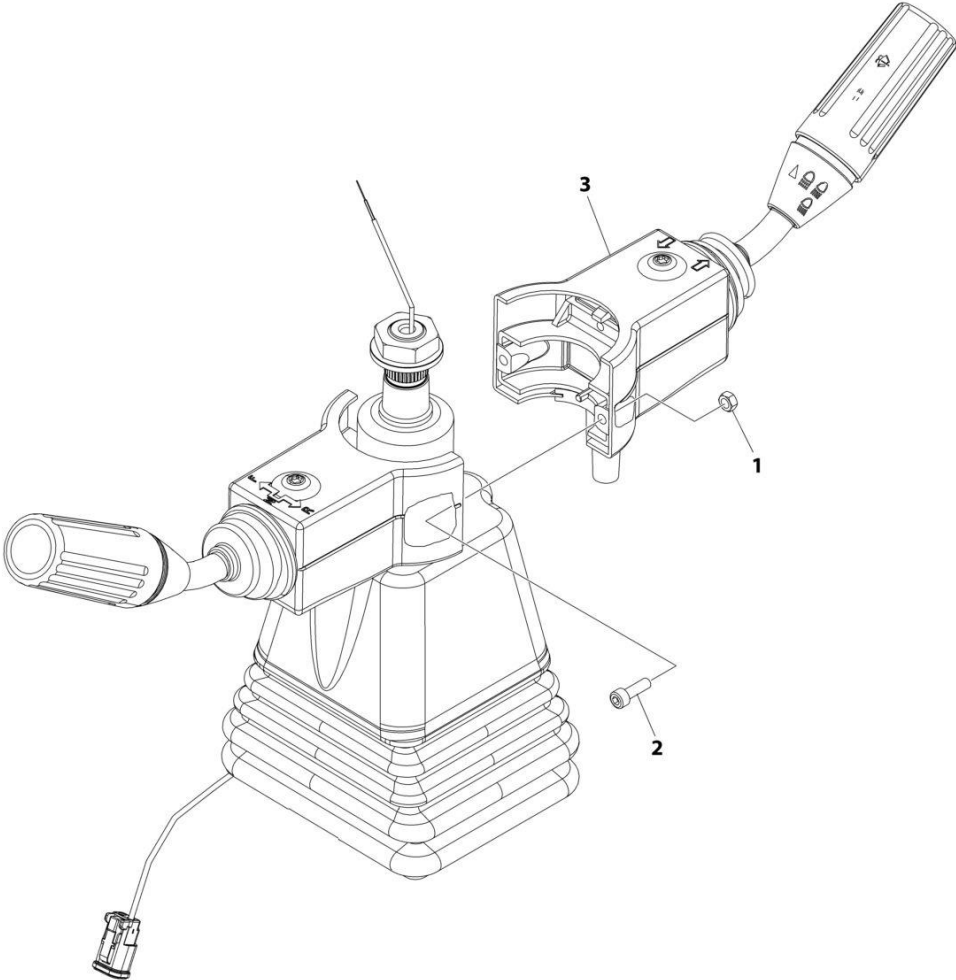
SECTION 7 - CONTROLS

FIGURE 7-14. STEERING WHEEL

ITEM	PART NUMBER	QTY	DESCRIPTION	REV
	1001169354	Ref	Steering Wheel	D
1	1001169367	1	Wheel, Steering	
2	1001169355	1	Handle, Steer Spinner	

SECTION 7 - CONTROLS

FIGURE 7-15. WIPER-TURN SWITCH



ART_1001257071

SECTION 7 - CONTROLS

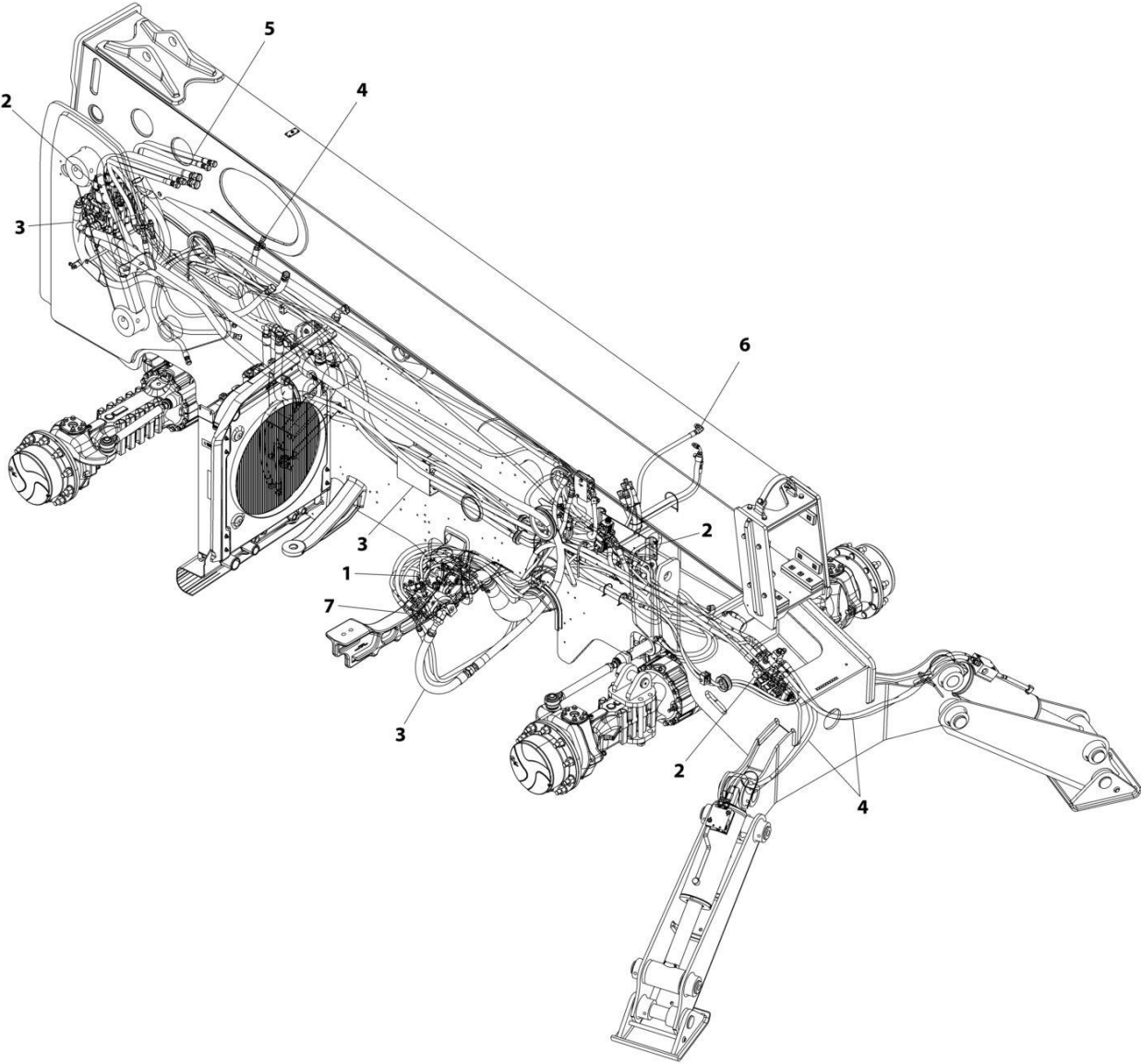
FIGURE 7-15. WIPER-TURN SWITCH

ITEM	PART NUMBER	QTY	DESCRIPTION	REV
	1001257071	Ref	Wiper-Turn Switch Installation	B
1	3290505	2	Nut, Lock M5	
2	4031607	2	Capscrew M5 x 16	
3	1001256974	1	Switch, Turn-Wiper	

SECTION 8 - HYDRAULIC CIRCUITS

SECTION 8 - HYDRAULIC CIRCUITS

FIGURE 8-1. MAIN HYDRAULIC INSTALLATION (OUTRIGGERS)



ART_1001227386_B

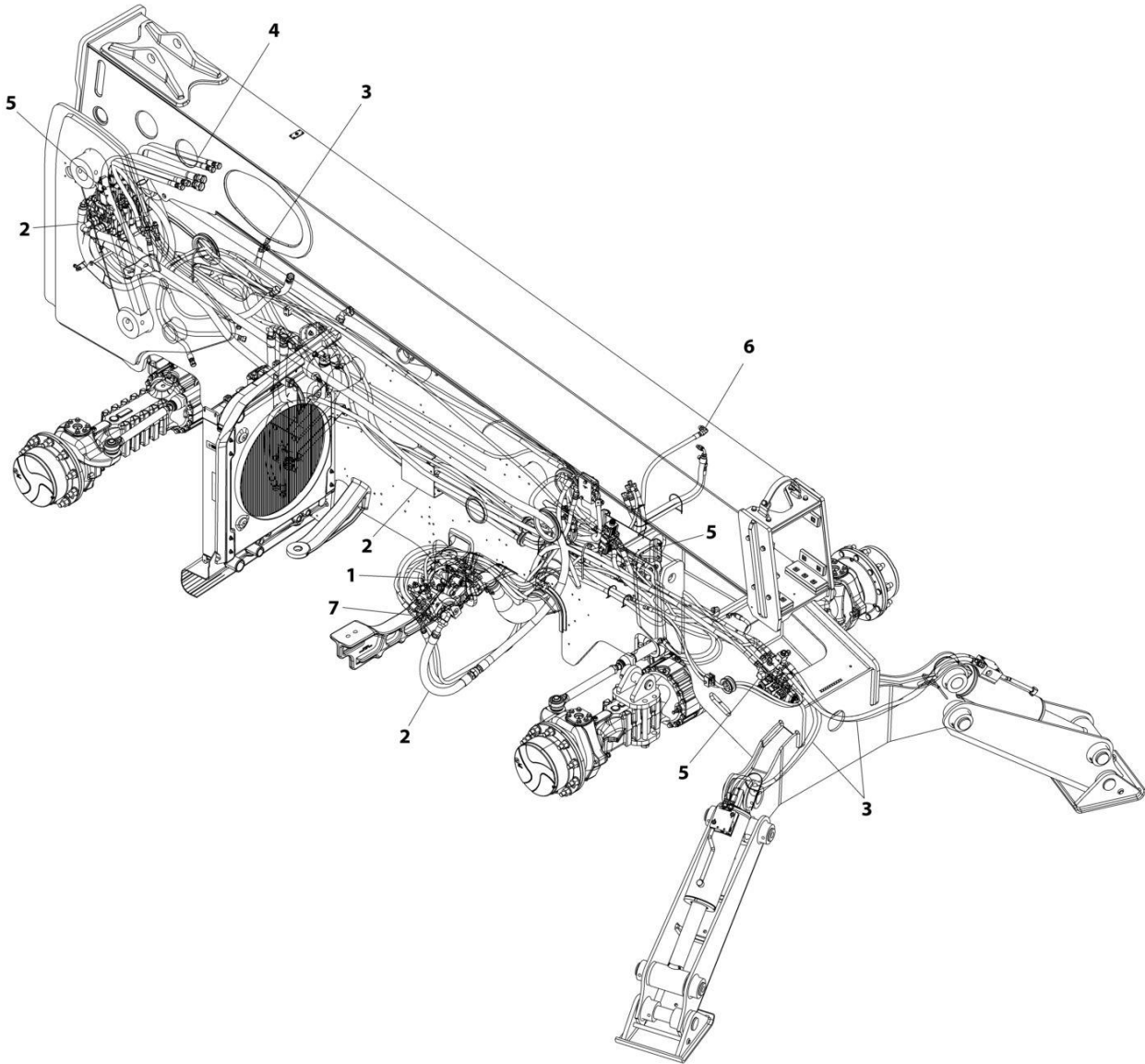
SECTION 8 - HYDRAULIC CIRCUITS

FIGURE 8-1. MAIN HYDRAULIC INSTALLATION (OUTRIGGERS)

ITEM	PART NUMBER	QTY	DESCRIPTION	REV
1	1001227386	Ref	Main Hydraulic Installation (Outriggers)	B
	1001162670	Ref	Installation, Piston Pump (See Separate Breakdown in this Section)	
2	1001225749	Ref	Installation, Valve (See Separate Breakdown in this Section)	
3	1001227497	Ref	Installation, Main Hydraulics (See Separate Breakdown in this Section)	
4	1001168469	Ref	Installation, Frame Level Hydraulics (See Separate Breakdown in this Section)	
5	1001170100	Ref	Installation, Boom Hydraulic (See Separate Breakdown in this Section)	
6	1001175789	Ref	Installation, Cab Hydraulics (See Separate Breakdown in this Section)	
7	1001161308	Ref	Installation, Priority Manifold Valve (See Separate Breakdown in this Section)	

SECTION 8 - HYDRAULIC CIRCUITS

FIGURE 8-2. MAIN HYDRAULIC INSTALLATION, EMERGENCY STEERING (OUTRIGGERS)



ART_1001227388_B

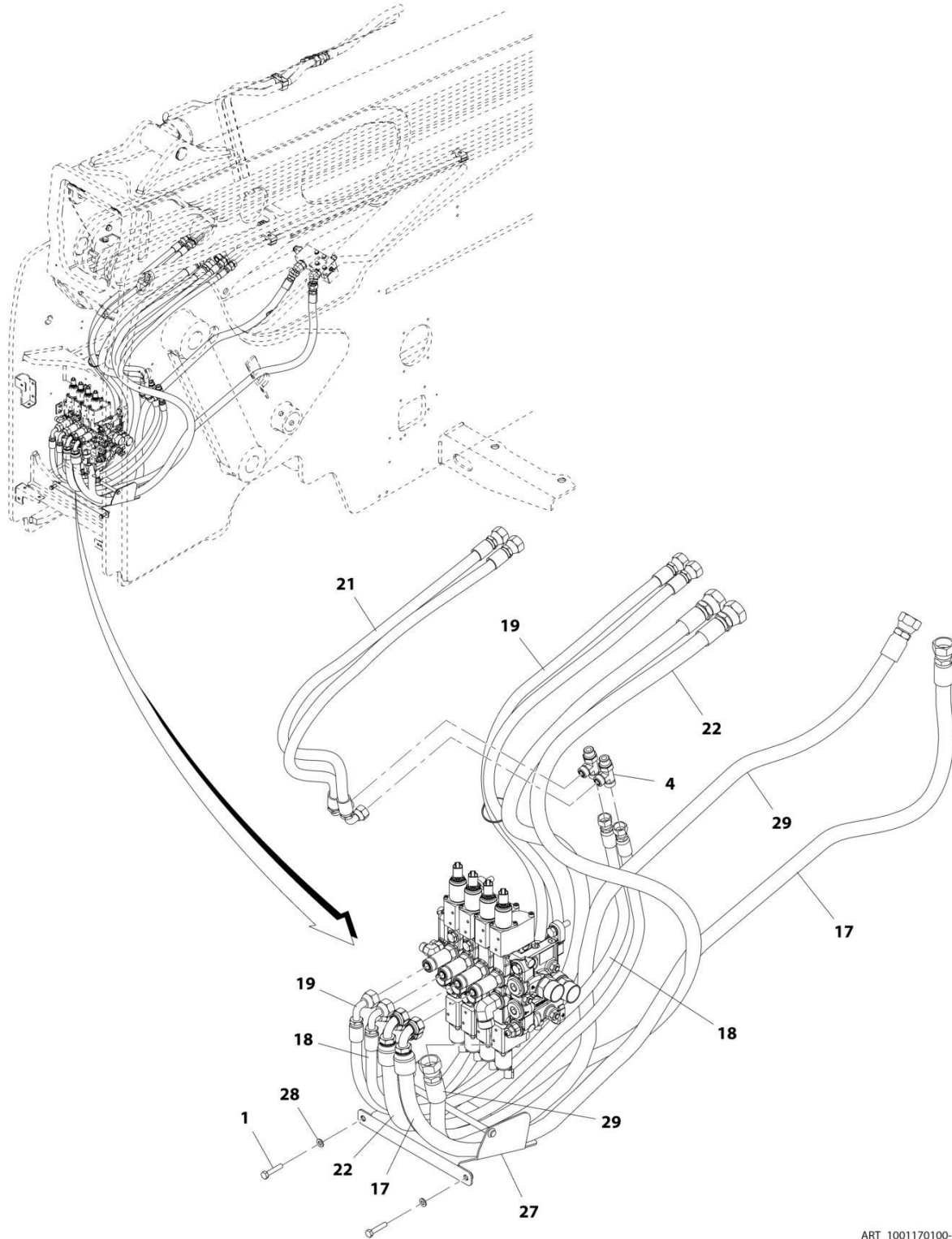
SECTION 8 - HYDRAULIC CIRCUITS

FIGURE 8-2. MAIN HYDRAULIC INSTALLATION, EMERGENCY STEERING (OUTRIGGERS)

ITEM	PART NUMBER	QTY	DESCRIPTION	REV
1	1001227388	Ref	Main Hydraulic Installation, Emergency Steering (Outriggers)	B
	1001162670	Ref	Installation, Piston Pump (See Separate Breakdown in this Section)	
2	1001227497	Ref	Installation, Hydraulic Lines (74HP) (See Separate Breakdown in this Section)	
3	1001168469	Ref	Installation, Frame Level Hydraulics (Outriggers) (See Separate Breakdown in this Section)	
4	1001170100	Ref	Installation, Boom Hydraulic (See Separate Breakdown in this Section)	
5	1001225749	Ref	Installation, Valve (See Separate Breakdown in this Section)	
6	1001226575	Ref	Installation, Cab Hydraulic, Emergency Steering (See Separate Breakdown in this Section)	
7	1001161308	Ref	Installation, Priority Manifold Valve (See Separate Breakdown in this Section)	

SECTION 8 - HYDRAULIC CIRCUITS

FIGURE 8-3. BOOM HYDRAULIC INSTALLATION



ART_1001170100-I

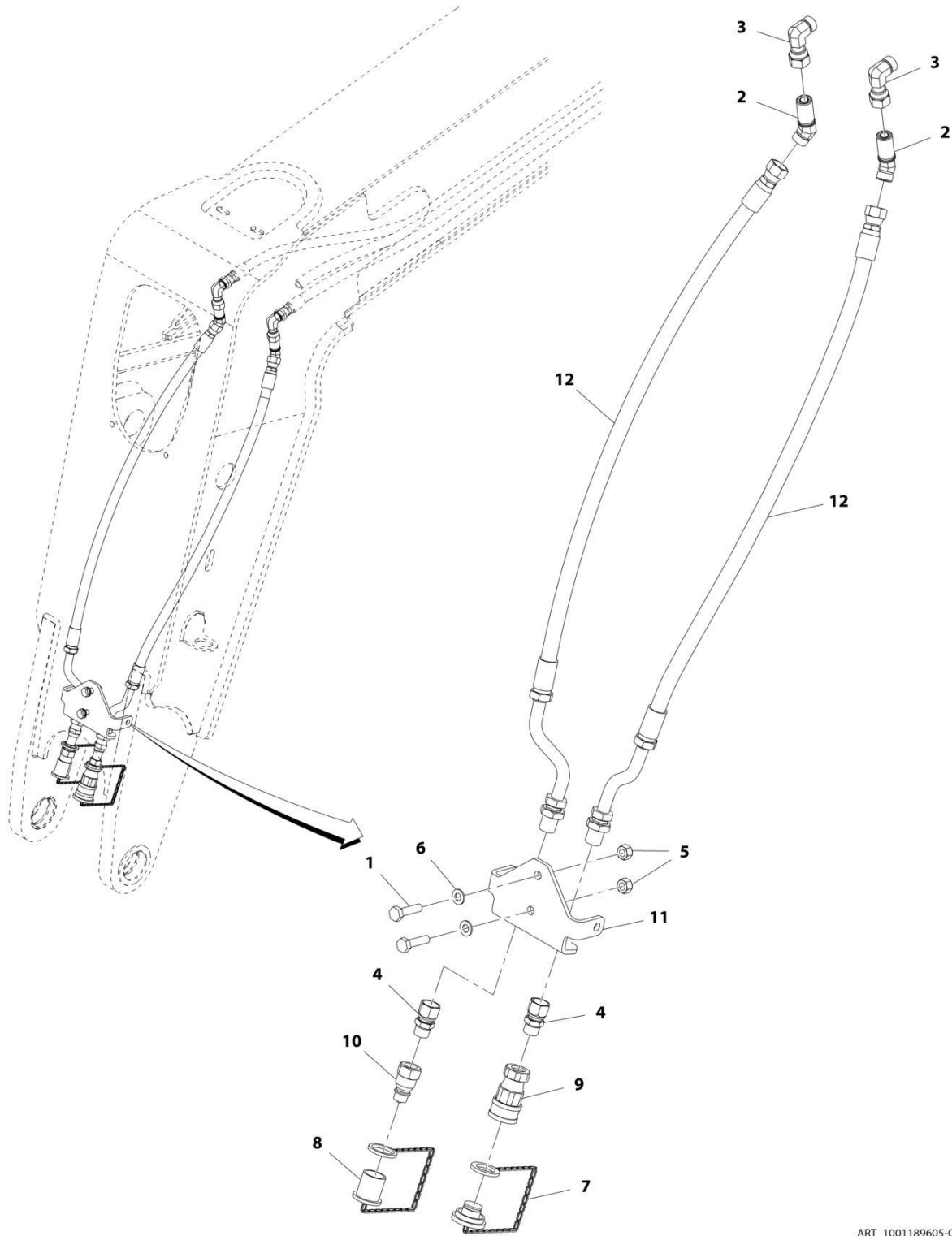
SECTION 8 - HYDRAULIC CIRCUITS

FIGURE 8-3. BOOM HYDRAULIC INSTALLATION

ITEM	PART NUMBER	QTY	DESCRIPTION	REV
	1001170100	Ref	Boom Hydraulic Installation, Emergency Steering	I
1	0700816	2	Bolt, M8X40	
4	2170308	2	Fitting, Tee ORFS	
17	1001169375	1	Hose	
18	1001188637	2	Hose	
19	1001169378	2	Hose	
21	1001175718	1	Hose	
22	1001169376	2	Hose	
27	1001193771	1	Channel, Boom Hose	
28	4811900	2	Washer, M8	
29	1001195217	1	Hose	

SECTION 8 - HYDRAULIC CIRCUITS

FIGURE 8-4. BOOM AUXILIARY HYDRAULICS INSTALLATION



ART_1001189605-C

SECTION 8 - HYDRAULIC CIRCUITS

FIGURE 8-4. BOOM AUXILIARY HYDRAULICS INSTALLATION

ITEM	PART NUMBER	QTY	DESCRIPTION	REV
	1001189605	Ref	Boom Auxiliary Hydraulics Installation	C
1	0701016	2	Bolt, M10X40	
2	2171308	2	Fitting, 45 ORFS	
3	2172108	2	Fitting, 90 ORFS	
4	1001210775	2	Fitting, Straight	
5	3291005	2	Nut, Lock M10X1.5	
6	4812000	2	Washer, M10	
7	91043125	1	Plug	
8	91043126	1	Cap	
9	91403413	1	Fitting, Straight	
10	91403414	1	Fitting, Straight	
11	1001164948	1	Bracket	
12	1001189224	2	Hose	

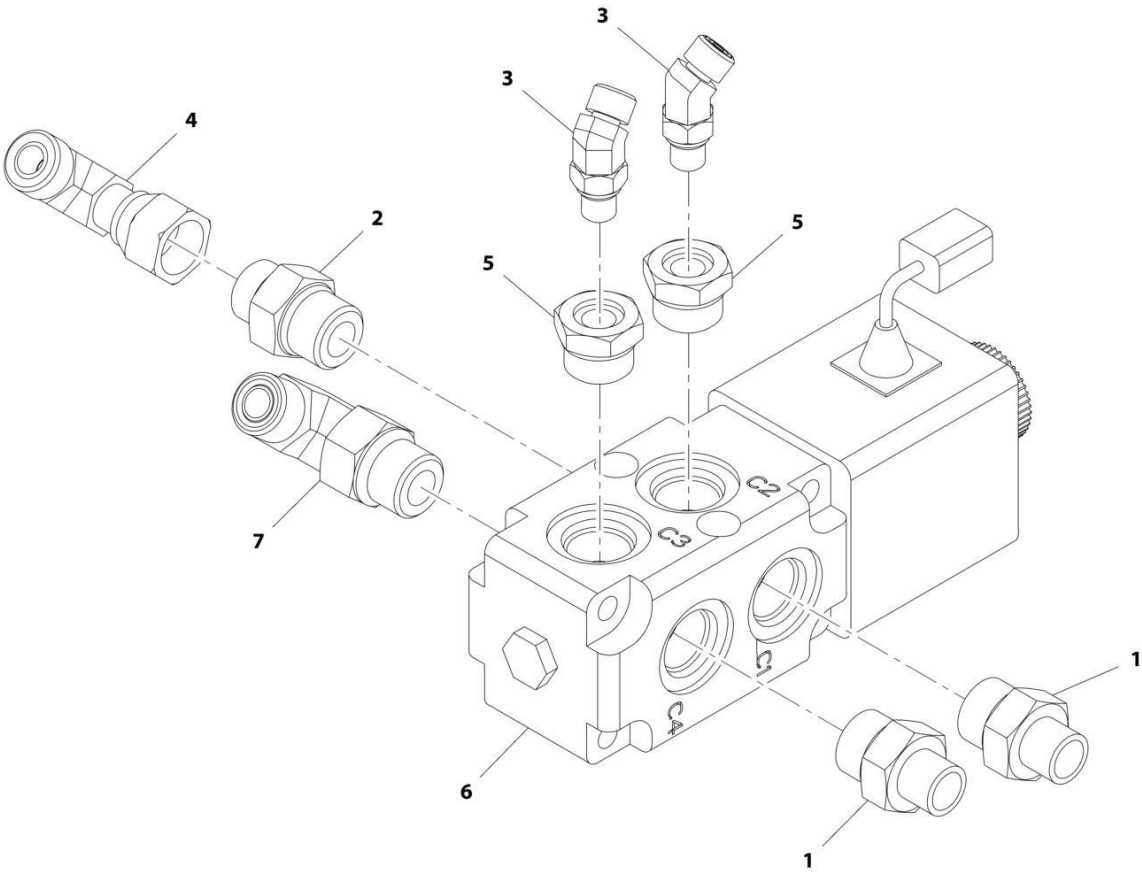
SECTION 8 - HYDRAULIC CIRCUITS

FIGURE 8-5. BOOM AUXILIARY HYDRAULICS (HYDRAULIC COUPLER)

ITEM	PART NUMBER	QTY	DESCRIPTION	REV
	1001189606	Ref	Boom Auxiliary Hydraulics (Hydraulic Coupler)	F
1	0701016	2	Bolt, M10X40	
2	0761012	2	Bolt, M10X25	
3	0761212	2	Bolt, M12X25	
4	2171308	2	Fitting, 45 ORFS	
5	1001210775	2	Fitting, Straight	
6	3291005	4	Nut, Lock M10X1.5	
7	4031918	2	Bolt, M8X70	
8	4812000	4	Washer, M10	
9	91043125	1	Plug	
10	91043126	1	Cap	
11	91403413	1	Fitting, Straight	
12	91403414	1	Fitting, Straight	
13	1001080375	1	Switch	
14	1001080996	2	Clamp	
15	1001125117	2	Washer, M12	
16	1001210340	2	Hose	
17	1001164870	1	Plate	
18	1001164948	1	Bracket	
19	1001189224	2	Hose	
20	1001189299	1	Hose	
21	1001189308	1	Hose	
22	1001189663	1	Assembly, Valve Quick Coupler (See Separate Breakdown in this Section)	
23	4240099	6	Strap, Tie	

SECTION 8 - HYDRAULIC CIRCUITS

FIGURE 8-6. QUICK COUPLER VALVE ASSEMBLY



ART_1001189663-C

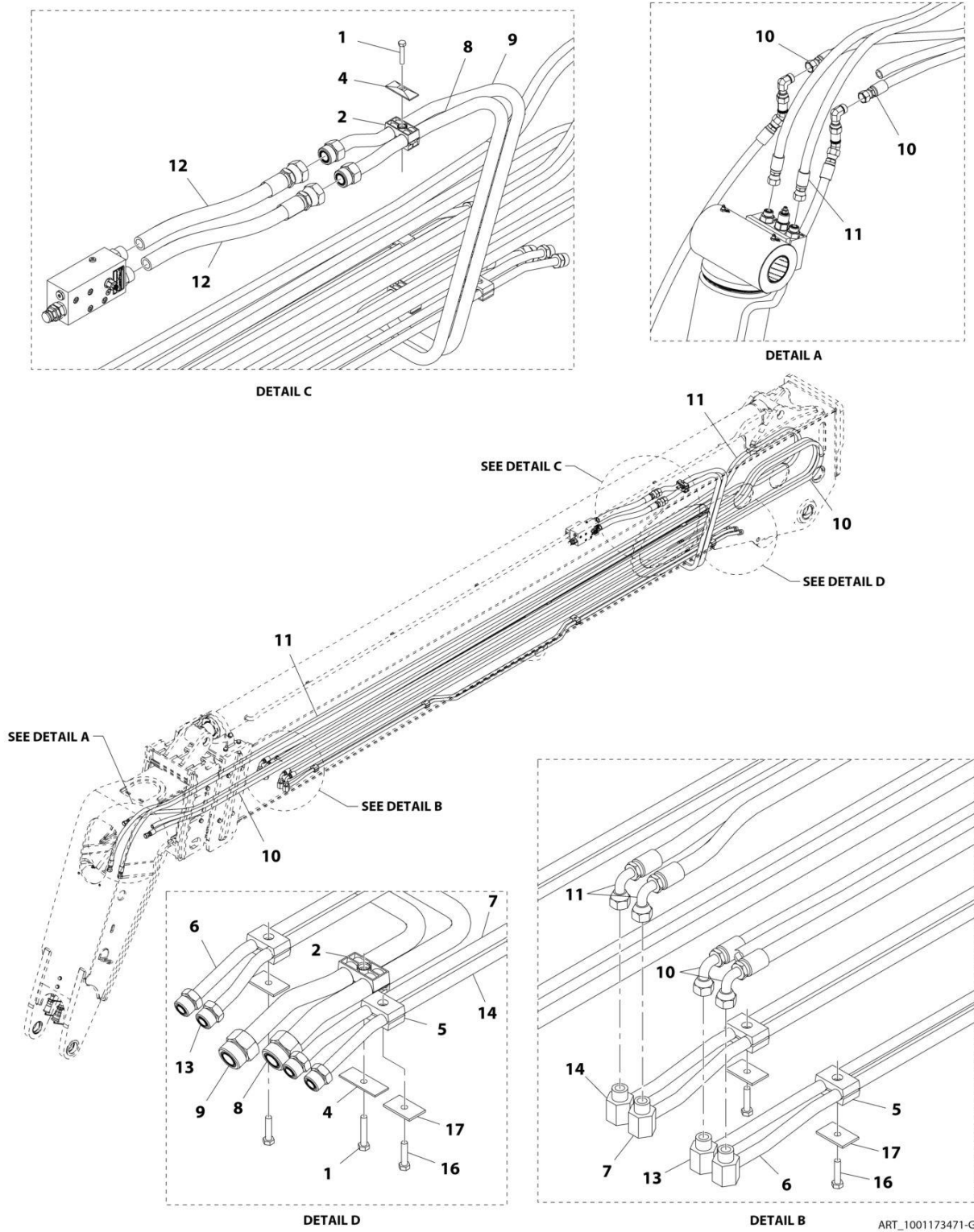
SECTION 8 - HYDRAULIC CIRCUITS

FIGURE 8-6. QUICK COUPLER VALVE ASSEMBLY

ITEM	PART NUMBER	QTY	DESCRIPTION	REV
	1001189663	Ref	Quick Coupler Valve Assembly	C
1	2110610	2	Fitting, Straight ORFS	
2	2110810	1	Fitting, Straight ORFS	
3	2150404	2	Fitting, 45 ORFS	
4	2172108	1	Fitting, 90 ORFS	
5	1001001568	2	Reducer	
6	1001104477	1	Valve, Quick Coupler (See Separate Breakdown in HYDRAULIC COMPONENTS Section)	
7	2130810	1	Fitting, 90 ORFS	

SECTION 8 - HYDRAULIC CIRCUITS

FIGURE 8-7. BOOM HYDRAULIC TUBES INSTALLATION



ART_1001173471-G

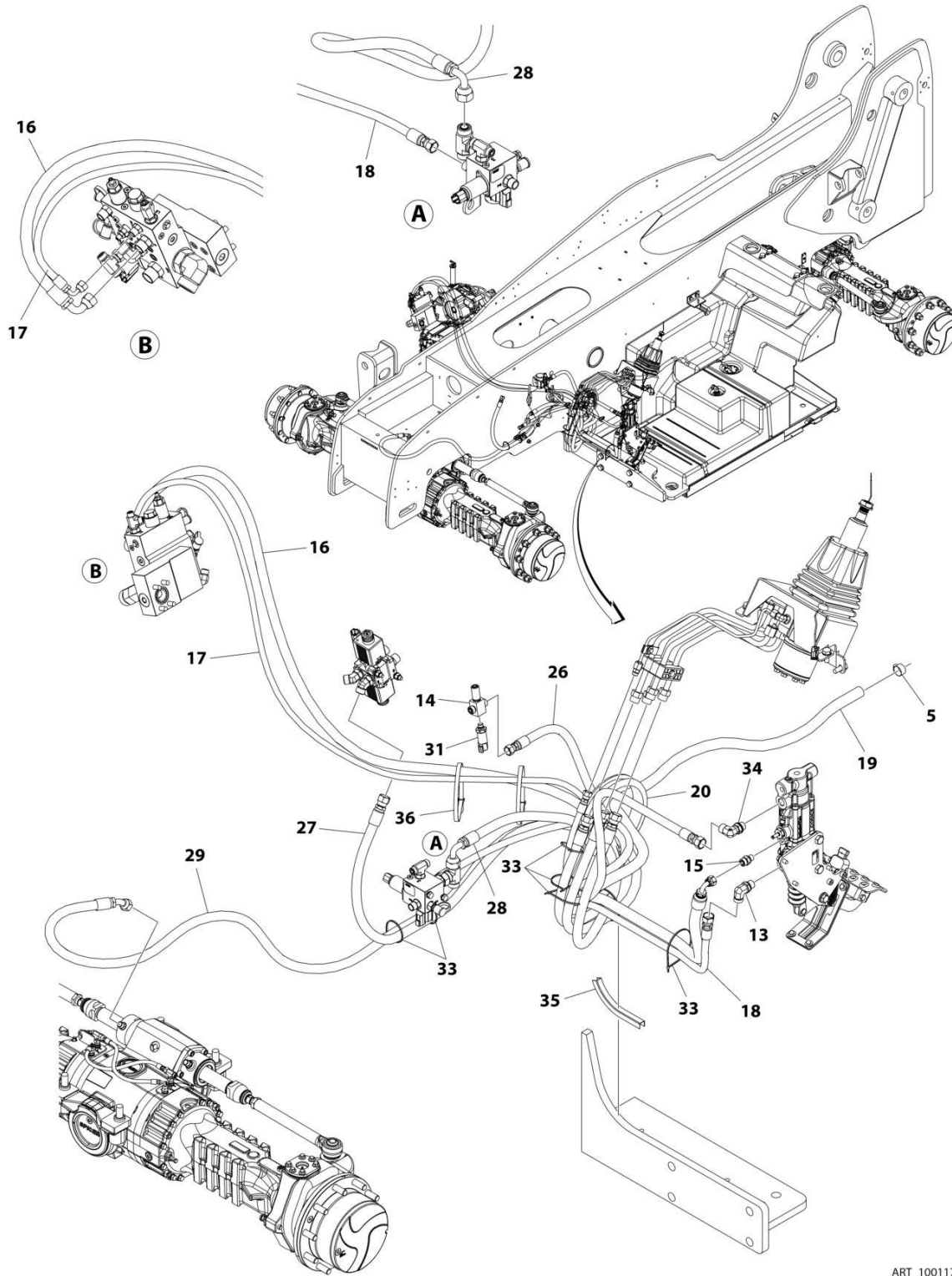
SECTION 8 - HYDRAULIC CIRCUITS

FIGURE 8-7. BOOM HYDRAULIC TUBES INSTALLATION

ITEM	PART NUMBER	QTY	DESCRIPTION	REV
	1001173471	Ref	Boom Hydraulic Tubes Installation	G
1	0700817	2	Bolt, M8X45	
2	1321329	2	Clamp	
4	77133137	2	Plate, Cover	
5	77133139	8	Clamp	
6	1001162339	1	Tube	
7	1001162346	1	Tube	
8	1001162365	1	Tube	
9	1001162366	1	Tube	
10	1001163072	1	Hose	
11	1001163073	1	Hose	
12	1001170549	2	Hose	
13	1001173956	1	Tube	
14	1001173957	1	Tube	
16	0760815	8	Bolt, M8X35	
17	77133140	8	Plate, Cover	

SECTION 8 - HYDRAULIC CIRCUITS

FIGURE 8-8. CAB HYDRAULIC INSTALLATION



ART_1001175789_I

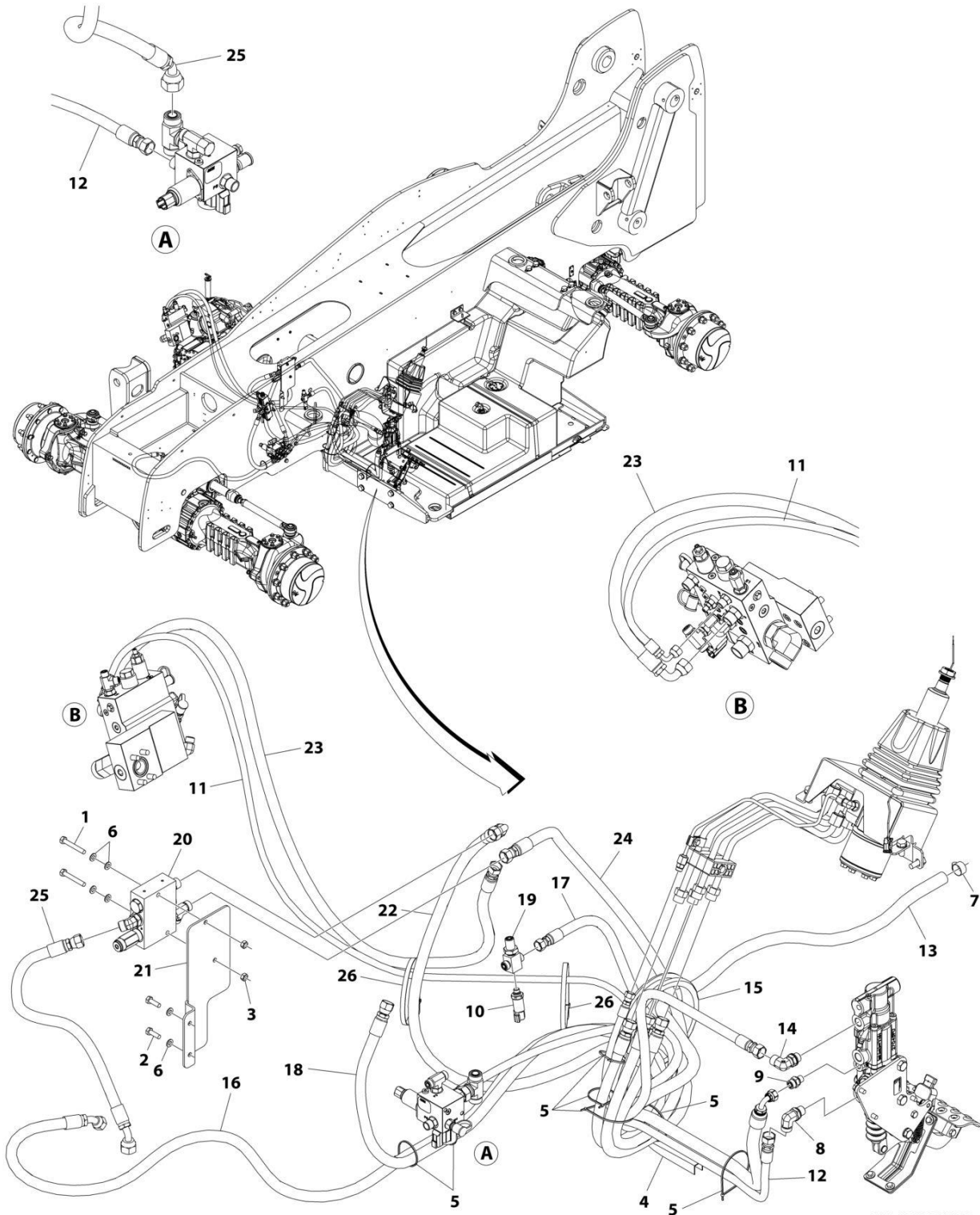
SECTION 8 - HYDRAULIC CIRCUITS

FIGURE 8-8. CAB HYDRAULIC INSTALLATION

ITEM	PART NUMBER	QTY	DESCRIPTION	REV
	1001175789	Ref	Cab Hydraulic Installation	1
5	8405006	1	Clamp, Gear	
13	8770120	1	Fitting, 90 ORFS	
14	1001205756	1	Adapter	
15	80233218	1	Fitting, Straight ORFS	
16	1001253154	1	Hose	
17	1001253097	1	Hose	
18	1001253103	1	Hose	
19	1001161528	1	Hose	
20	1001169830	1	Grommet	
26	1001203067	1	Hose	
27	1001204152	1	Hose	
28	1001253156	1	Hose	
29	1001175713	1	Hose	
31	1001147340	1	Sensor, Pressure Transducer	
33	4240099	AR	Tie, Wire	
34	1001168054	1	Fitting, 90 ORFS	
35	4060919	230 mm	Trim, Hose Protection	
36	1001158298	2	Strap, Tie	

SECTION 8 - HYDRAULIC CIRCUITS

FIGURE 8-9. CAB HYDRAULIC INSTALLATION, EMERGENCY STEERING



ART_1001226575_B

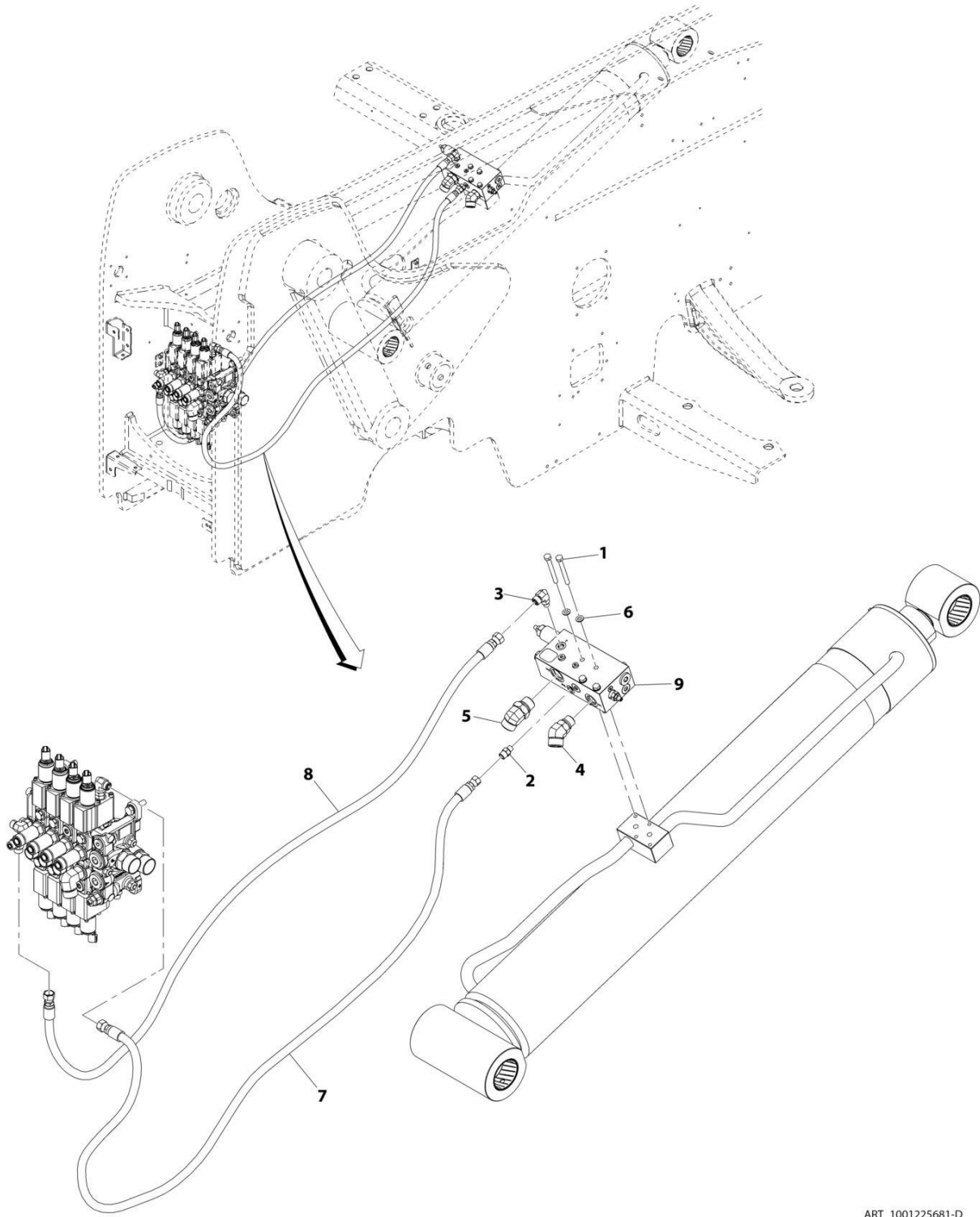
SECTION 8 - HYDRAULIC CIRCUITS

FIGURE 8-9. CAB HYDRAULIC INSTALLATION, EMERGENCY STEERING

ITEM	PART NUMBER	QTY	DESCRIPTION	REV
	1001226575	Ref	Cab Hydraulic Installation, Emergency Steering (Outriggers)	B
1	0700819	2	Bolt, M8X55	
2	0760812	2	Bolt, M8X25	
3	3290801	2	Nut, M8X1.25	
4	4060919	230 mm	Trim, Hose Protection	
5	4240099	AR	Tie, Wire	
6	4811900	6	Washer, M8	
7	8405006	1	Clamp, Gear	
8	8770120	1	Fitting, 90 ORFS	
9	80233218	1	Fitting, Straight ORFS	
10	1001147340	1	Sensor, Pressure Transducer	
11	1001253097	1	Hose	
12	1001253103	1	Hose	
13	1001161528	1	Hose	
14	1001168054	1	Fitting, 90 ORFS	
15	1001169830	1	Grommet	
16	1001175713	1	Hose	
17	1001203067	1	Hose	
18	1001204152	1	Hose	
19	1001205756	1	Adapter	
20	1001219191	1	Emergency Steering Manifold Installation (See Separate Breakdown in this Section)	
21	1001221520	1	Bracket, Emergency Steer Manifold	
22	1001221527	1	Hose	
23	1001253158	1	Hose	
24	1001221742	1	Hose	
25	1001253155	1	Hose	
26	1001158298	2	Strap, Tie	

SECTION 8 - HYDRAULIC CIRCUITS

FIGURE 8-10. COUNTERBALANCE VALVE INSTALLATION (LIFT - GLS NO RIDE CONTROL)



ART_1001225681-D

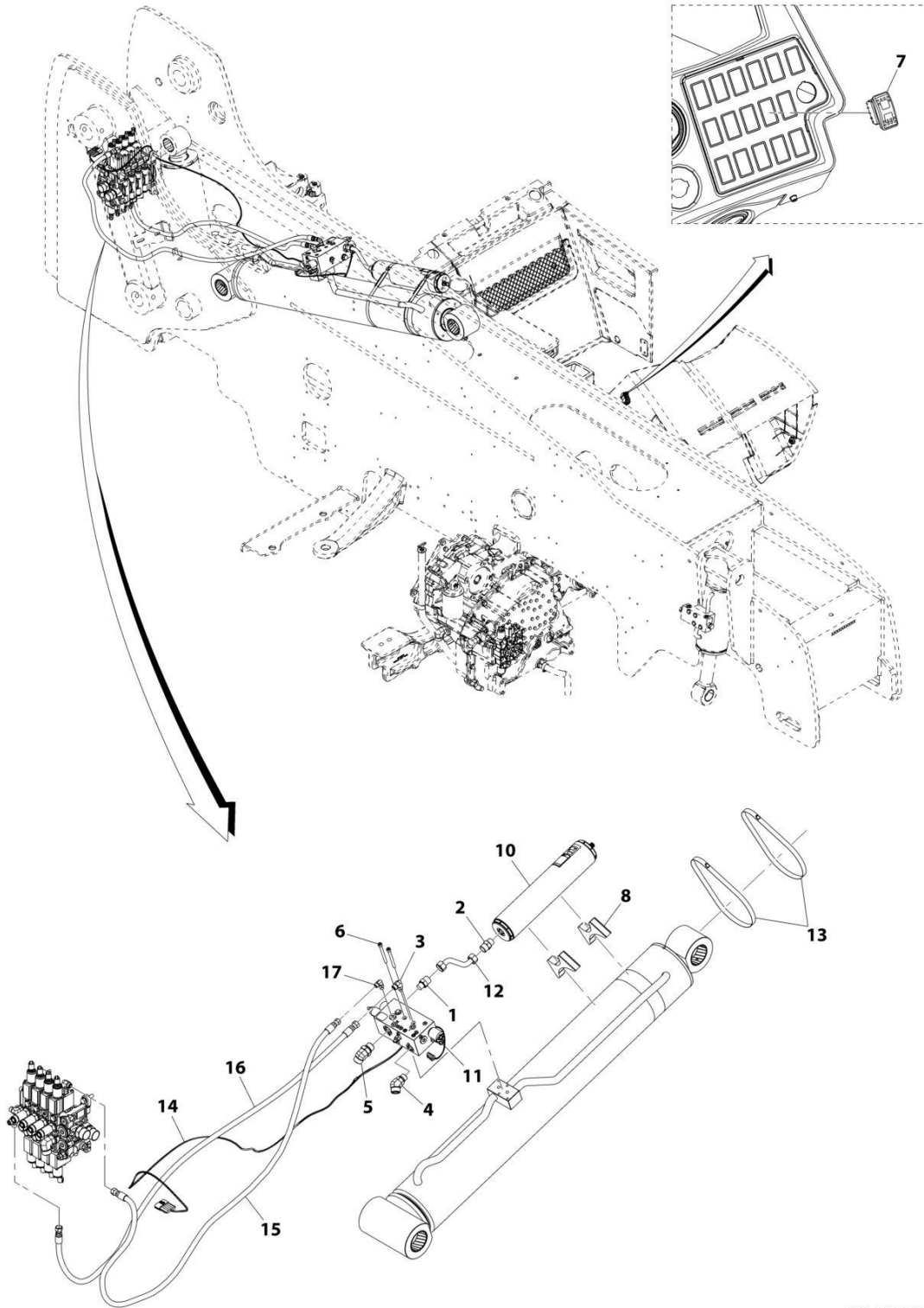
SECTION 8 - HYDRAULIC CIRCUITS

FIGURE 8-10. COUNTERBALANCE VALVE INSTALLATION (LIFT - GLS NO RIDE CONTROL)

ITEM	PART NUMBER	QTY	DESCRIPTION	REV
	1001225681	Ref	Counterbalance Valve Installation (Lift - PGLS No Ride Control)	D
1	0700823	4	Bolt, M8X75	
2	2110404	1	Fitting, Straight ORFS	
3	2130604	1	Fitting, 90 ORFS	
4	2151210	1	Fitting, 45 ORFS	
5	2151212	1	Fitting, 45 ORFS	
6	4811900	4	Washer, M8	
7	1001225462	1	Hose	
8	1001225464	1	Hose	
9	1001226035	1	Valve, Counterbalance (Note: Sold as Complete Assembly Only)	
9A	70028453	2	O-Ring (Between Valve & Cylinder) (Not Shown)	

SECTION 8 - HYDRAULIC CIRCUITS

FIGURE 8-11. COUNTERBALANCE VALVE HYDRAULIC LINES (LIFT - RIDE CONTROL)



ART_1001225682-F

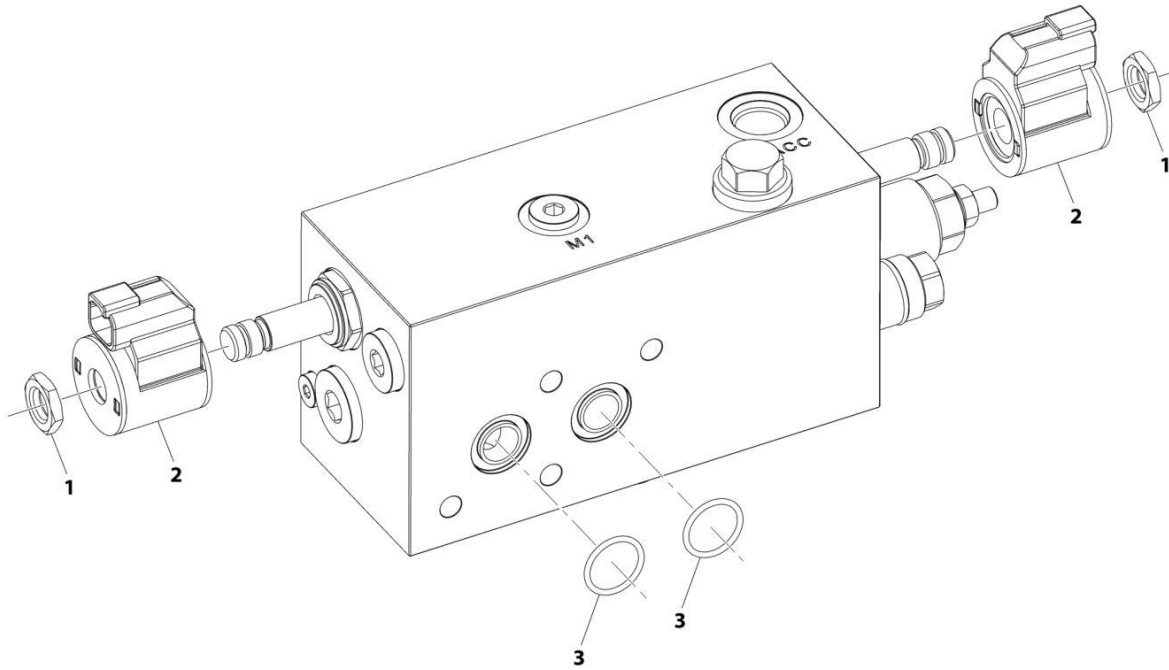
SECTION 8 - HYDRAULIC CIRCUITS

FIGURE 8-11. COUNTERBALANCE VALVE HYDRAULIC LINES (LIFT - RIDE CONTROL)

ITEM	PART NUMBER	QTY	DESCRIPTION	REV
	1001225682	Ref	Counterbalance Valve Installation (Lift - Ride Control)	F
1	2111008	1	Fitting, Straight ORFS	
2	2111010	1	Fitting, Straight ORFS	
3	2130604	1	Fitting, 90 ORFS	
4	2151210	1	Fitting, 45 ORFS	
5	2151212	1	Fitting, 45 ORFS	
6	4031921	4	Bolt, M8X85	
7	1001159745	1	Switch, Boom Ride	
8	1001175741	2	Bumper, Cylinder Saddle	
10	1001192435	1	Cylinder, Piston	
11	1001227056	1	Line, Counterbalance Valve (Lift - Ride Control) (See Separate Breakdown in this Section)	
12	1001227137	1	Pipe, Ride Control	
13	1001095396	2	Clamp	
14	1001175677	1	Installation, Ride Control CB Valve Harness (Lift) (See Separate Breakdown in Electrical Section)	
15	1001225462	1	Hose	
16	1001225464	1	Hose	
17	2130404	1	Fitting, 90 ORFS	

SECTION 8 - HYDRAULIC CIRCUITS

FIGURE 8-12. COUNTERBALANCE VALVE HYDRAULIC LINES (LIFT - RIDE CONTROL)



ART_1001227056-D

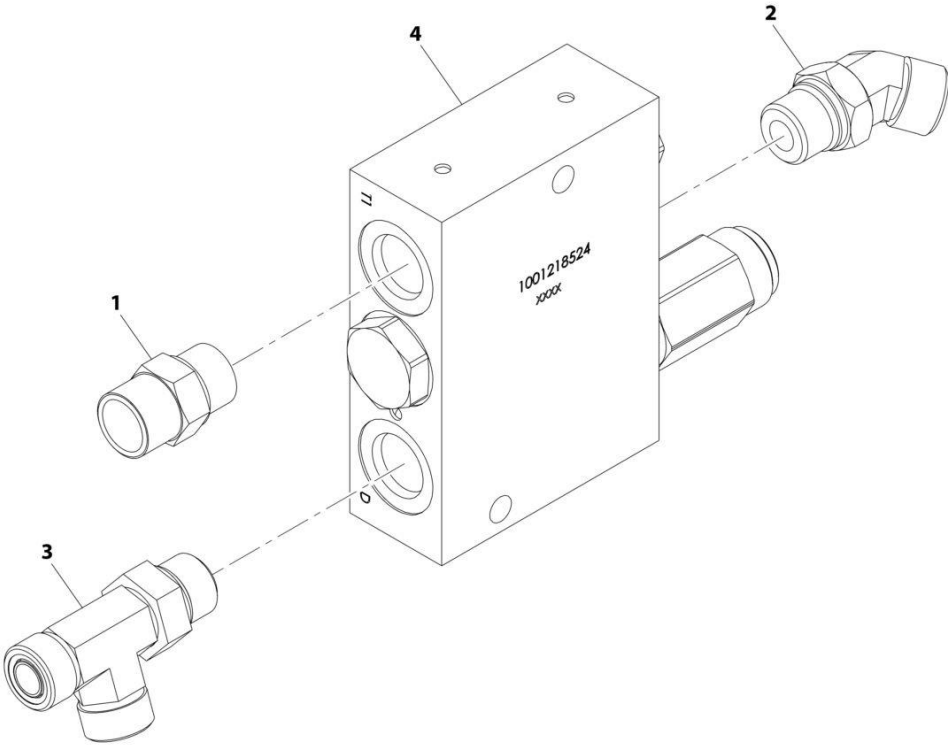
SECTION 8 - HYDRAULIC CIRCUITS

FIGURE 8-12. COUNTERBALANCE VALVE HYDRAULIC LINES (LIFT - RIDE CONTROL)

ITEM	PART NUMBER	QTY	DESCRIPTION	REV
	1001227056	Ref	Counterbalance Valve Hydraulic Lines (Lift - Ride Control)	D
1	7022390	2	Nut	
2	70028281	2	Coil	
3	70028453	2	O-Ring	

SECTION 8 - HYDRAULIC CIRCUITS

FIGURE 8-13. EMERGENCY STEERING MANIFOLD & FITTINGS ASSEMBLY



ART_1001219191-A

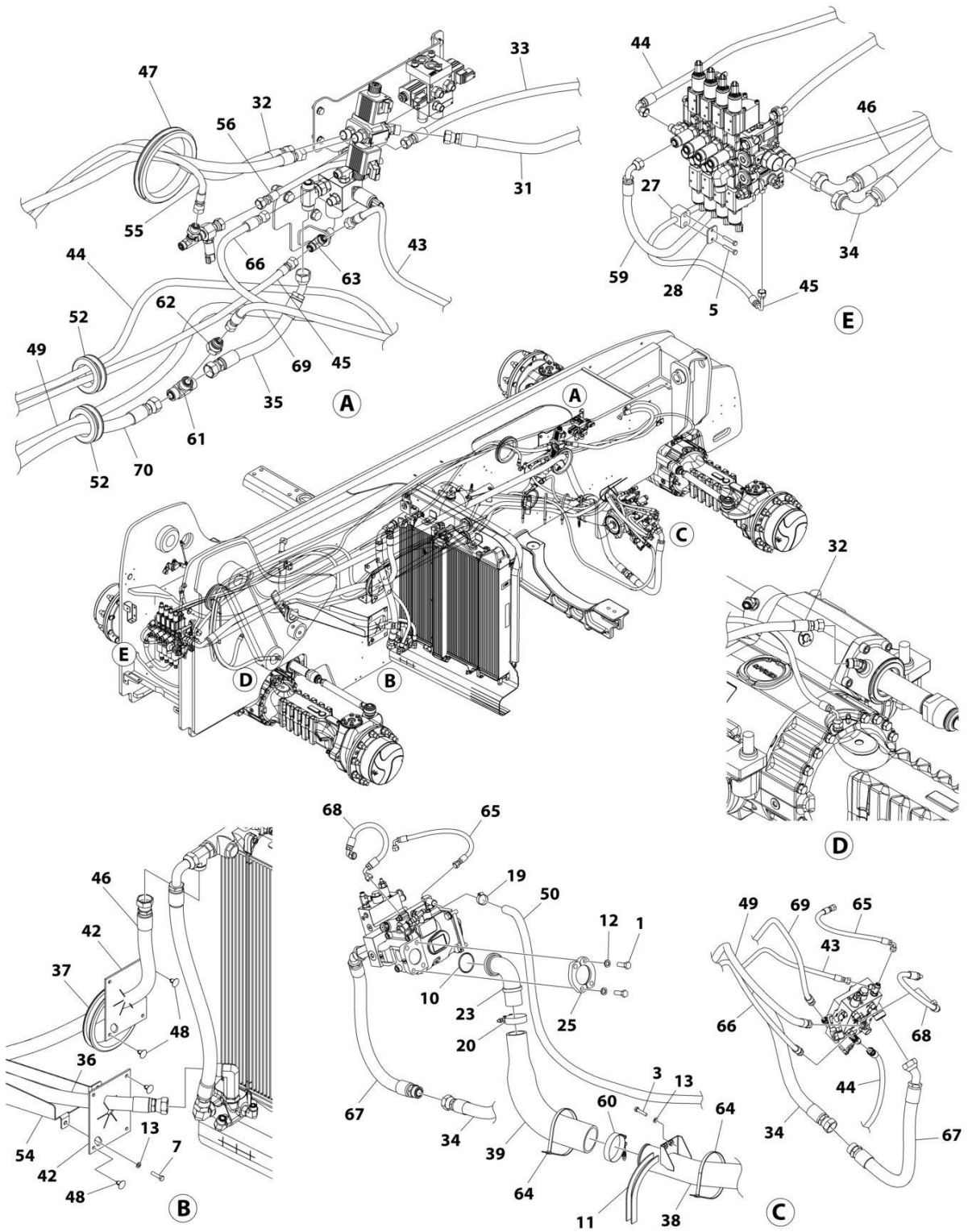
SECTION 8 - HYDRAULIC CIRCUITS

FIGURE 8-13. EMERGENCY STEERING MANIFOLD & FITTINGS ASSEMBLY

ITEM	PART NUMBER	QTY	DESCRIPTION	REV
	1001219191	Ref	Emergency Steering Manifold	A
1	2110808	1	Fitting, Straight ORFS	
2	2150808	1	Fitting, 45 ORFS	
3	2170308	1	Fitting, Tee ORFS	
4	1001218524	1	Manifold	

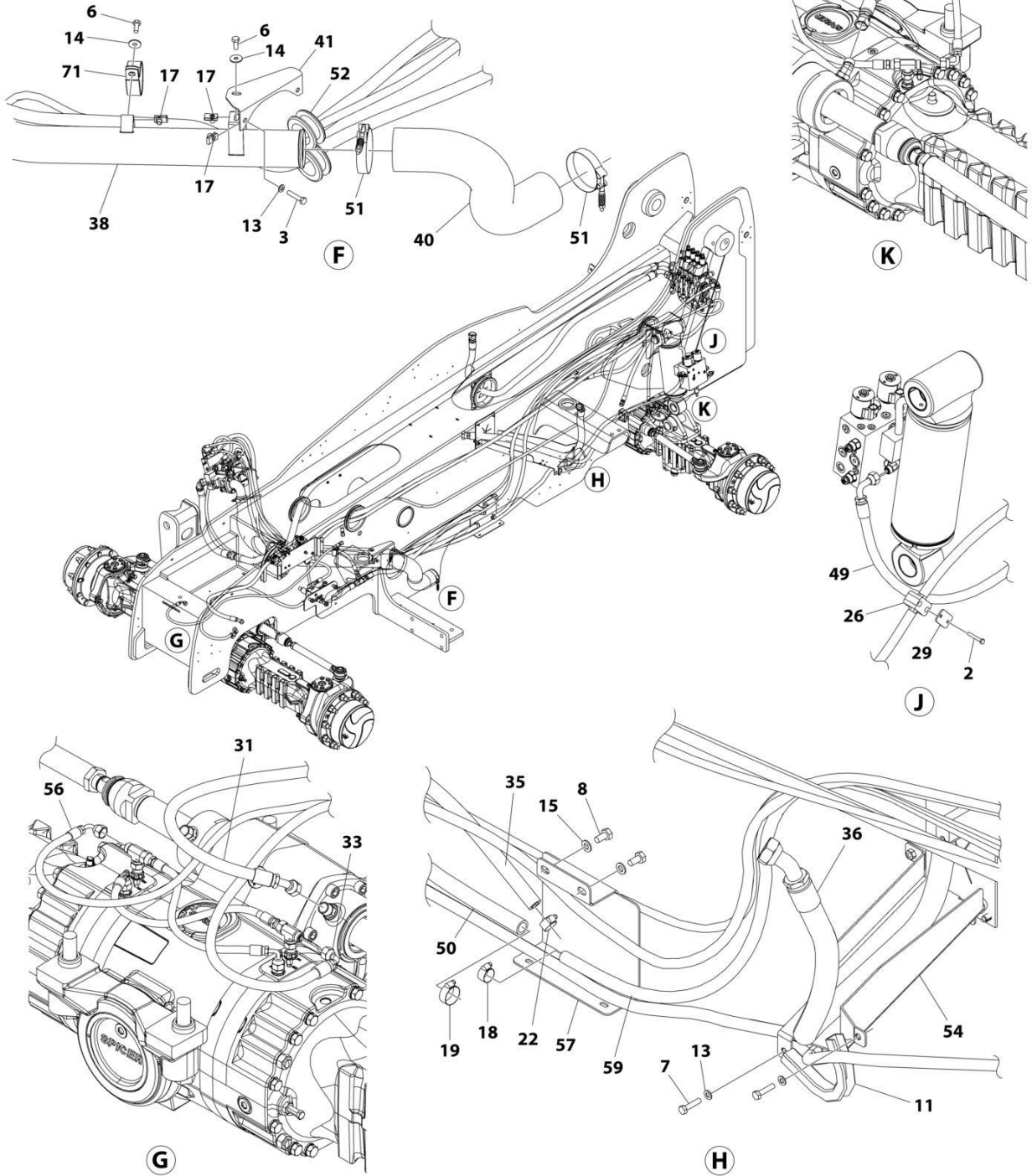
SECTION 8 - HYDRAULIC CIRCUITS

FIGURE 8-14. FRAME HYDRAULICS INSTALLATION



ART_1001227497_F_10F2

SECTION 8 - HYDRAULIC CIRCUITS



ART_1001227497_F_2OF2

SECTION 8 - HYDRAULIC CIRCUITS

FIGURE 8-14. FRAME HYDRAULICS INSTALLATION

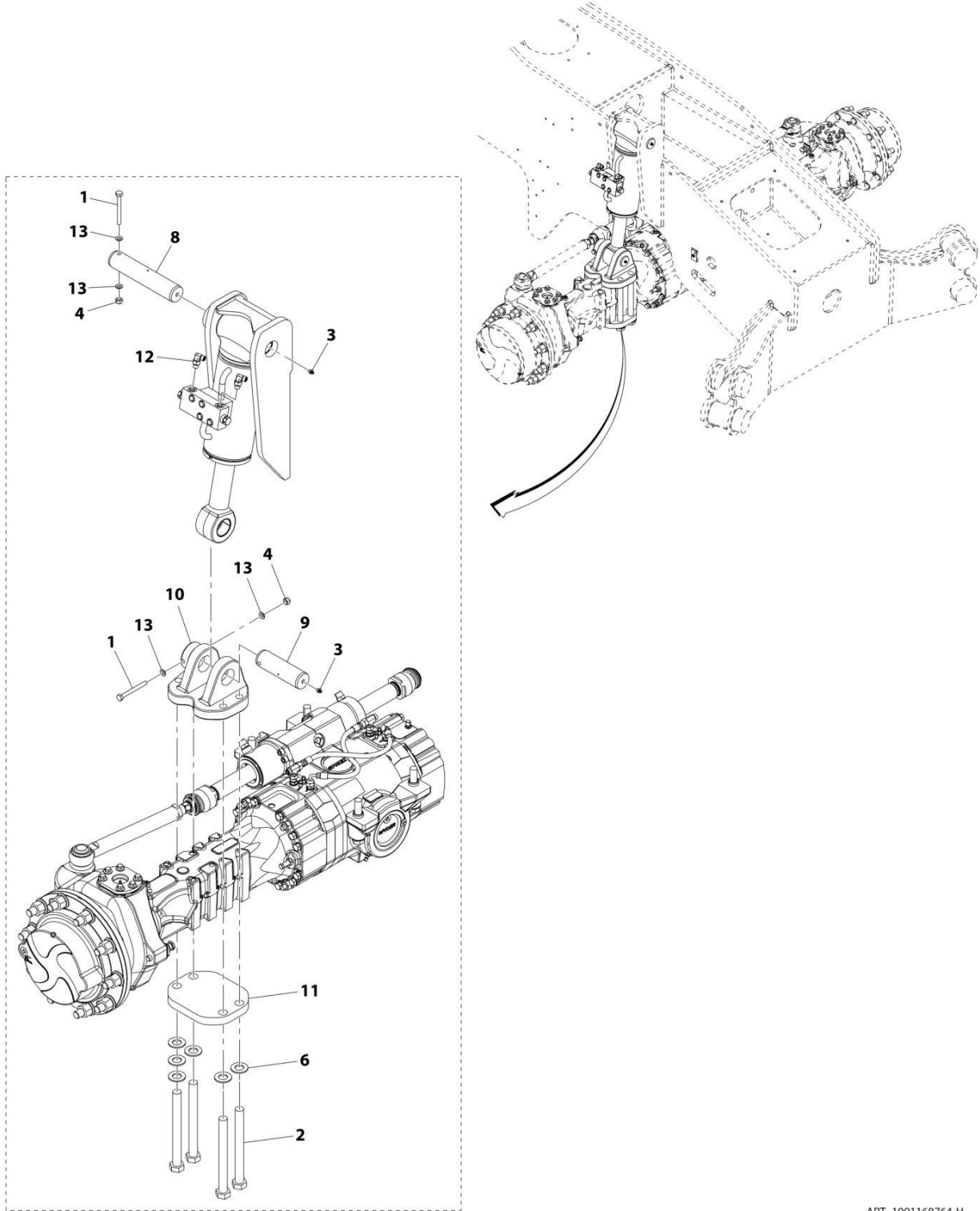
ITEM	PART NUMBER	QTY	DESCRIPTION	REV
	1001227497	Ref	Hydraulic Lines Installation	F
1	0641812	4	Bolt 1/2 x 1	
2	0700616	2	Bolt M6 x 40	
3	0700816	4	Bolt M8 x 40	
5	0760615	4	Bolt M6 x 35	
6	0760810	2	Bolt M8 x 20	
7	0760815	4	Bolt M8 x 35	
8	0761010	2	Bolt M10 x 20	
10	3790228	1	O-Ring	
11	4060919	467 mm	Trim	
12	4761800	4	Washer 1/2	
13	4811900	8	Washer M8	
14	4811902	2	Washer M8	
15	4812000	2	Washer M10	
17	8310686	4	Nut, Retainer M8 x 12-1/2	
18	8405006	1	Clamp, Gear	
19	8405007	2	Clamp, Hose	
20	8405209	1	Clamp, T-Bolt	
22	8410009	1	Clamp, Gear	
23	8424233	1	Elbow, 90	
25	8546407	2	Flange, Half	
26	8750029	1	Clamp, Hose	
27	8750030	2	Clamp, Hose	
28	8769146	2	Plate, Cover	
29	8769153	1	Plate, Cover	
31	1001161340	1	Hose	
32	1001161343	2	Hose	
33	1001253102	1	Hose	
34	1001253079	1	Hose	
35	1001253078	1	Hose	
36	1001161978	1	Hose	
37	1001169830	1	Grommet	
38	1001173446	1	Pipe	
39	1001173450	1	Hose	
40	1001173451	1	Hose	
41	1001174338	1	Bracket	
42	1001175347	2	Grommet	
43	1001253089	1	Hose	
44	1001253112	1	Hose	
45	1001253099	1	Hose	
46	1001175699	1	Hose	
47	1001177704	2	Grommet	
48	1001180306	8	Screw	
49	1001253160	1	Hose	
50	1001186418	1	Hose	
51	1001186843	2	Clamp, T-Bolt	
52	1001188971	2	Grommet	
54	1001257763	1	Channel	
55	1001202847	1	Hose	
56	1001203502	1	Hose	

SECTION 8 - HYDRAULIC CIRCUITS

ITEM	PART NUMBER	QTY	DESCRIPTION	REV
57	1001208881	1	Bracket	
59	1001225467	1	Hose	
60	1001232377	1	Clamp	
61	2170510	1	Fitting, Tee ORFS/ORFS/ORFS	
62	2221244	1	Fitting, Straight ORFS/FSORFS	
63	88662434	1	Fitting, Tee ORFS/ORFS/ORFS	
64	1001158298	4	Strap, Tie	
65	1001253086	1	Hose	
66	1001253107	1	Hose	
67	1001259141	1	Hose	
68	1001260572	1	Hose	
69	1001260573	1	Hose	
70	1001260599	1	Hose	
71	1320219	1	Clamp	
72	4060807	1	FLEX TRIM (Not Shown)	

SECTION 8 - HYDRAULIC CIRCUITS

FIGURE 8-15. FRAME LEVEL INSTALLATION



ART_1001168764-H

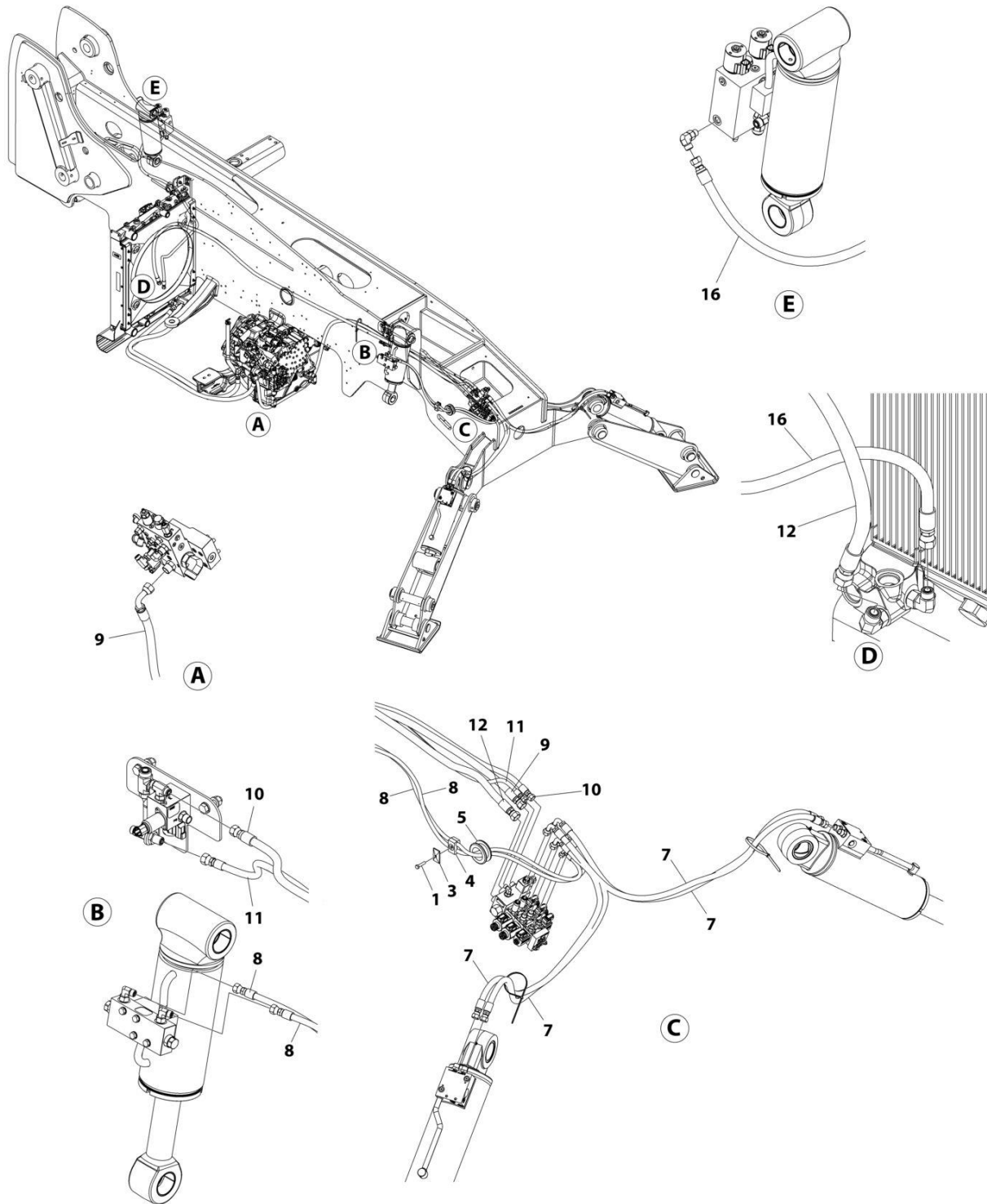
SECTION 8 - HYDRAULIC CIRCUITS

FIGURE 8-15. FRAME LEVEL INSTALLATION

ITEM	PART NUMBER	QTY	DESCRIPTION	REV
	1001168764	Ref	Frame Level Installation	H
1	0711027	2	Bolt, M10X100	
2	0712442	4	Bolt, M24X250	
3	2160016	2	Fitting, Grease	
4	3291005	2	Nut, Lock M10X1.5	
6	5242400	6	Washer, M24	
8	1001164971	1	Pin	
9	1001164972	1	Pin	
10	1001250331	1	Bracket	
11	1001168629	1	Plate	
12	2130406	2	Fitting, 90 ORFS	
13	4812000	4	Washer, M10	

SECTION 8 - HYDRAULIC CIRCUITS

FIGURE 8-16. FRAME LEVEL HYDRAULICS INSTALLATION (OUTRIGGERS)



ART_1001168469_M

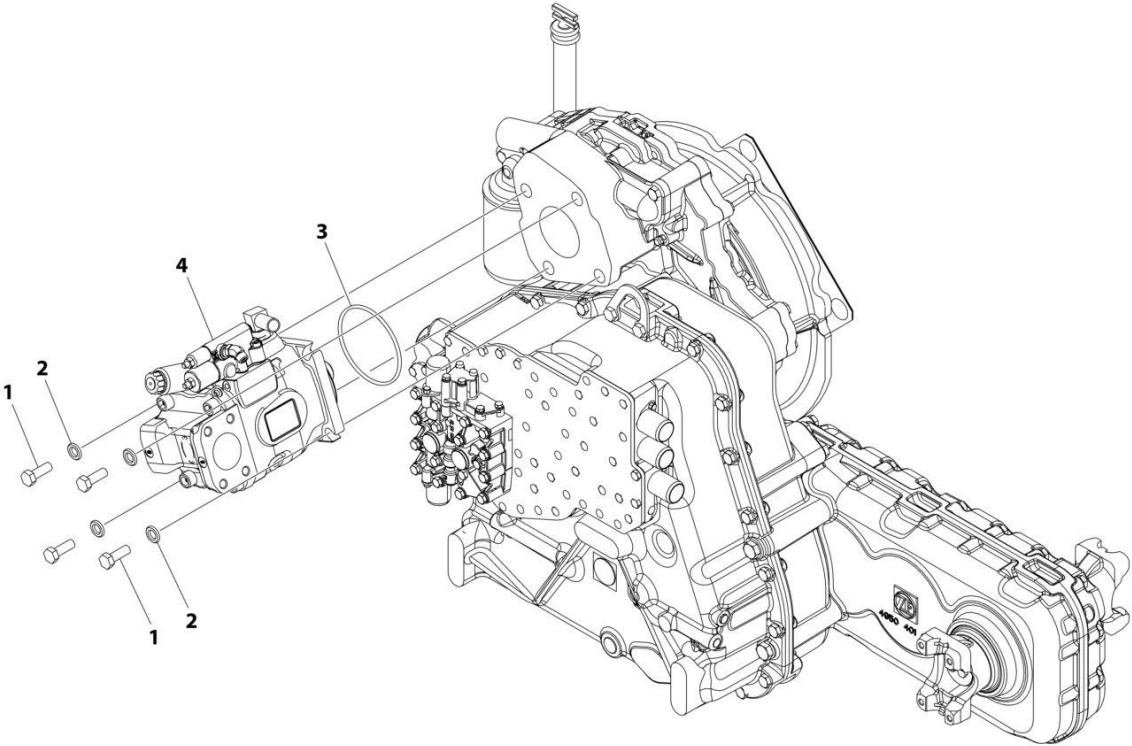
SECTION 8 - HYDRAULIC CIRCUITS

FIGURE 8-16. FRAME LEVEL HYDRAULICS INSTALLATION (OUTRIGGERS)

ITEM	PART NUMBER	QTY	DESCRIPTION	REV
	1001168469	Ref	Frame Level Hydraulics Installation (Outriggers)	M
1	0760815	1	Bolt, M8X35	
3	1321752	1	Clamp	
4	77133168	1	Clamp	
5	1001028308	1	Grommet	
7	1001214468	4	Hose	
8	1001175570	2	Hose	
9	1001253083	1	Hose	
10	1001253159	1	Hose	
11	1001253088	1	Hose	
12	1001175814	1	Hose	
16	1001192042	1	Hose	
17	1001097810	AR	Hose	

SECTION 8 - HYDRAULIC CIRCUITS

FIGURE 8-17. PISTON PUMP INSTALLATION



ART_1001162670_D

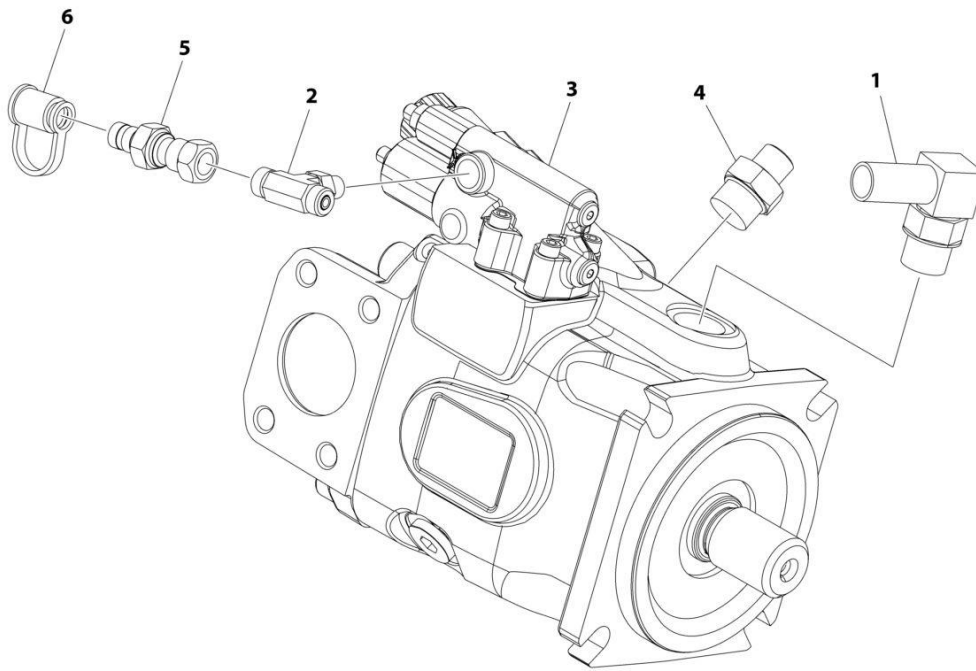
SECTION 8 - HYDRAULIC CIRCUITS

FIGURE 8-17. PISTON PUMP INSTALLATION

ITEM	PART NUMBER	QTY	DESCRIPTION	REV
	1001162670	Ref	Piston Pump Installation	D
1	0761215	4	Bolt, M12X35	
2	4740532	4	Washer	
3	80933113	1	O-Ring	
4	1001162674	1	Assembly, Piston Pump (See Separate Breakdown in this Section)	

SECTION 8 - HYDRAULIC CIRCUITS

FIGURE 8-18. PISTON PUMP ASSEMBLY



ART_1001162674_E

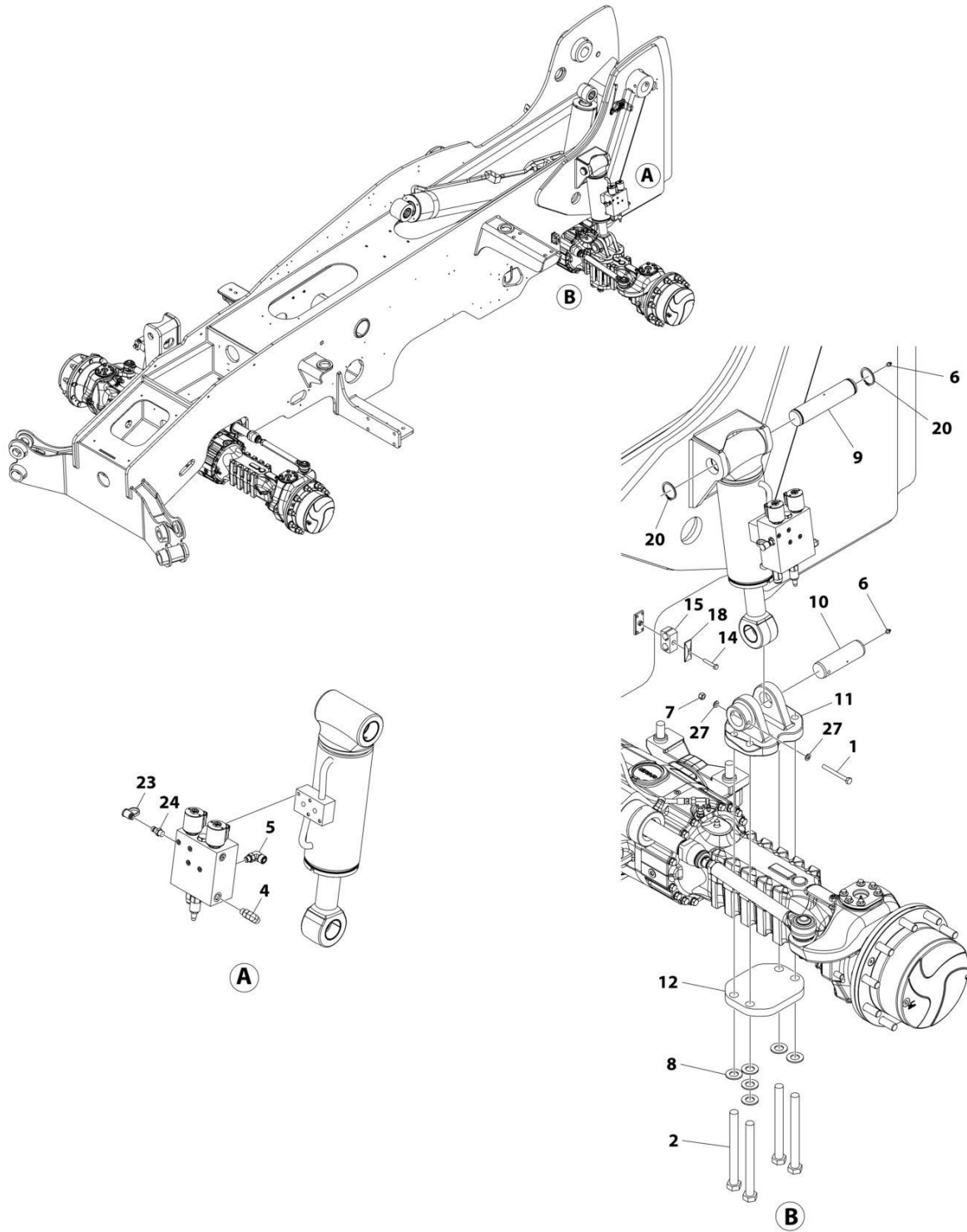
SECTION 8 - HYDRAULIC CIRCUITS

FIGURE 8-18. PISTON PUMP ASSEMBLY

ITEM	PART NUMBER	QTY	DESCRIPTION	REV
	1001162674	Ref	PISTON PUMP ASSEMBLY	E
1	8424217	1	Fitting, 90	
2	2170404	1	Fitting, Tee ORFS/ORB/ORFS	
3	1001182279	1	Piston Pump (See Separate Breakdown in HYDRAULIC COMPONENTS Section)	
4	2110610	1	Fitting, Straight ORFS/ORB	
5	2221229	1	Fitting, Straight ORFS	
6	8430032	1	Plug	

SECTION 8 - HYDRAULIC CIRCUITS

FIGURE 8-19. REAR AXLE STABILIZER INSTALLATION



ART_1001182911_K

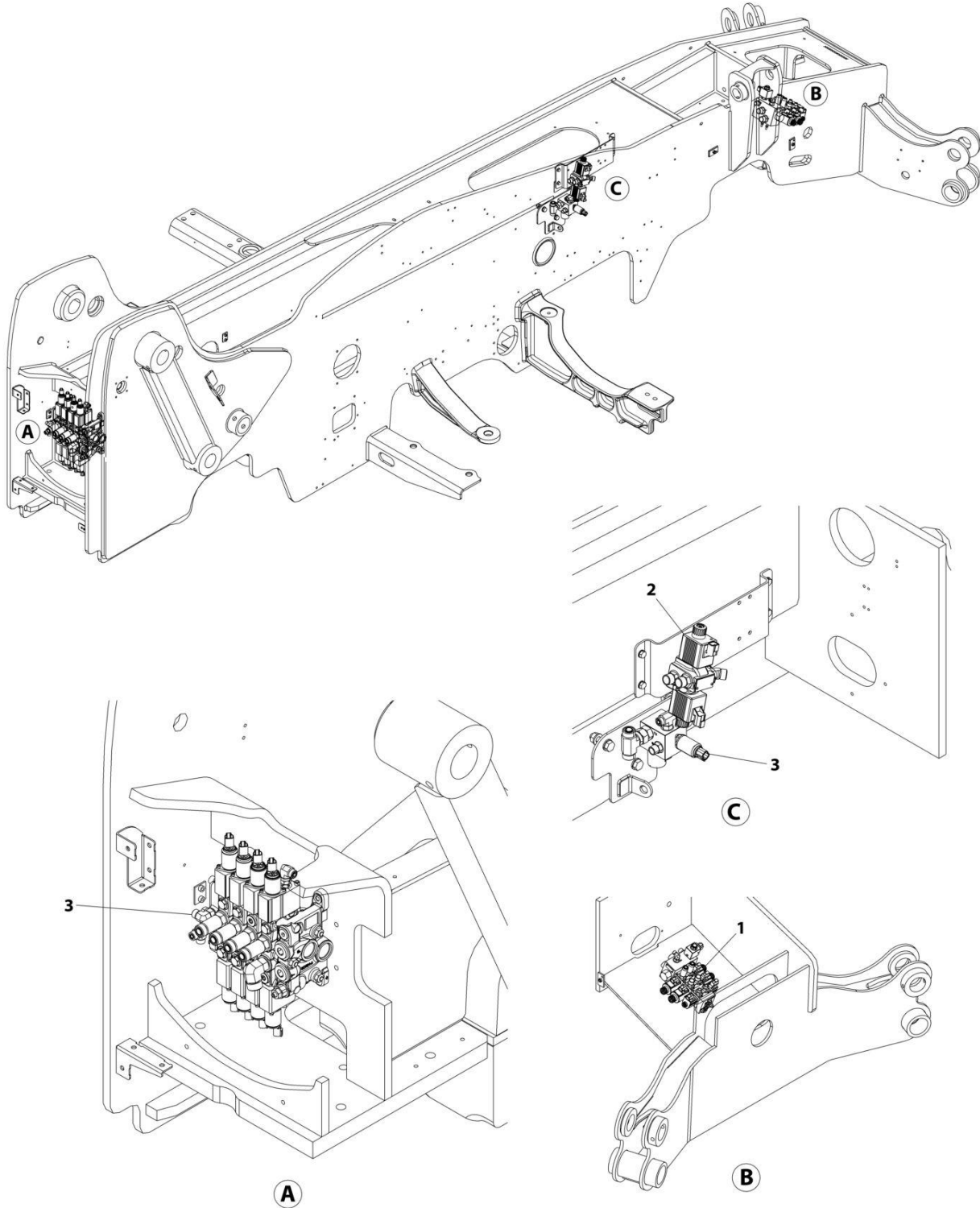
SECTION 8 - HYDRAULIC CIRCUITS

FIGURE 8-19. REAR AXLE STABILIZER INSTALLATION

ITEM	PART NUMBER	QTY	DESCRIPTION	REV
	1001182911	Ref	Rear Axle Stabilizer Installation	K
1	0711027	1	Bolt, M10X100	
2	0712442	4	Bolt, M24X250	
4	2130606	1	Fitting, 90 ORFS	
5	2130806	1	Fitting, 90 ORFS	
6	2160016	2	Fitting, Grease	
7	3291005	1	Nut, Lock M10X1.5	
8	5242400	6	Washer, M24	
9	1001192341	1	Pin	
10	1001164972	1	Pin	
11	1001250331	1	Bracket	
12	1001168629	1	Plate	
14	0760817	1	Bolt, M8X45	
15	8750016	1	Clamp	
18	77133137	1	Plate	
20	3760493	2	Ring, Retaining	
23	8430032	1	Plug	
24	1001003590	1	Fitting, Straight	
25	2220885	AR	Plug	
26	2170306	AR	Fitting, Tee ORFS	
27	4812000	2	Washer, M10	

SECTION 8 - HYDRAULIC CIRCUITS

FIGURE 8-20. VALVE INSTALLATION (OUTRIGGERS)



ART_1001225749_B

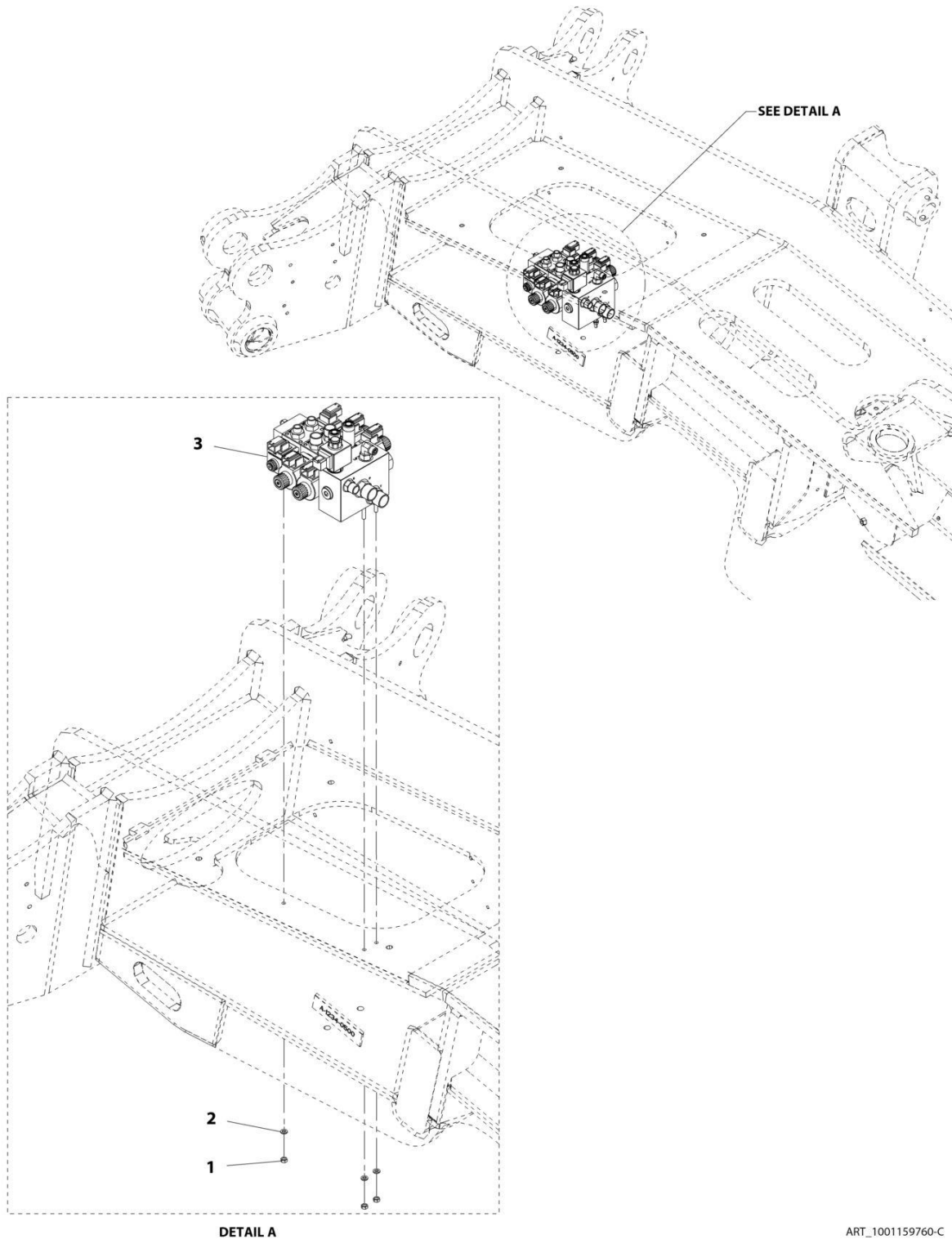
SECTION 8 - HYDRAULIC CIRCUITS

FIGURE 8-20. VALVE INSTALLATION (OUTRIGGERS)

ITEM	PART NUMBER	QTY	DESCRIPTION	REV
1	1001225749	Ref	Valve Installation (Outriggers)	B
	1001159760	Ref	Installation, Frame Level and Outrigger Valve (See Separate Breakdown in this Section)	
2	1001168464	Ref	Installation, Steering Select Valve Mounting (See Separate Breakdown in this Section)	
3	1001225750	Ref	Installation, Main Control Valve (See Separate Breakdown in this Section)	

SECTION 8 - HYDRAULIC CIRCUITS

FIGURE 8-21. VALVE INSTALLATION - FRAME LEVEL AND OUTRIGGER



ART_1001159760-C

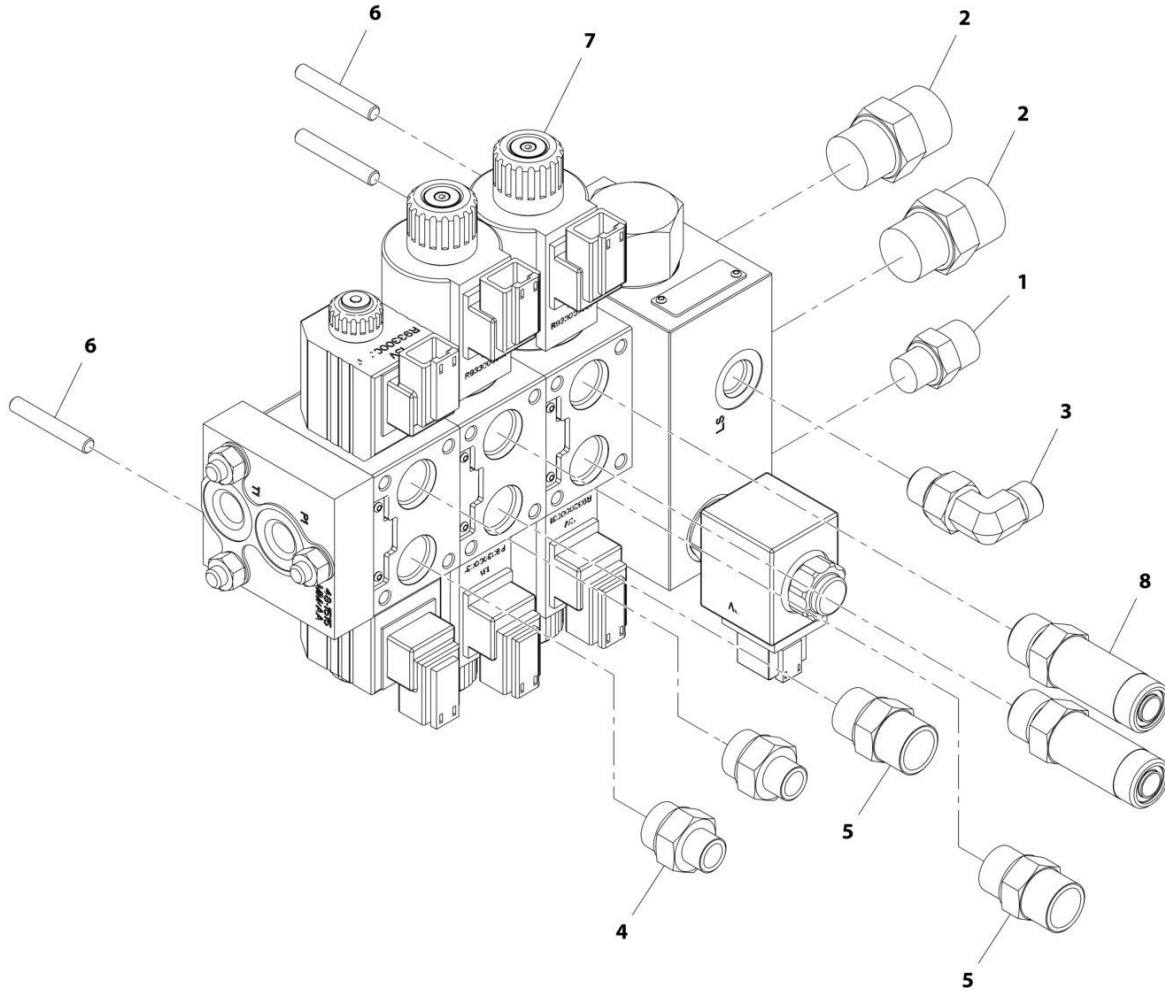
SECTION 8 - HYDRAULIC CIRCUITS

FIGURE 8-21. VALVE INSTALLATION - FRAME LEVEL AND OUTRIGGER

ITEM	PART NUMBER	QTY	DESCRIPTION	REV
	1001159760	Ref	Frame Level and Outrigger Valve Installation	C
1	3290601	3	Nut, M6X1	
2	4811700	3	Washer, M6	
3	1001159847	1	Assembly, Frame Level and Outrigger Valve (See Separate Breakdown in this Section)	

SECTION 8 - HYDRAULIC CIRCUITS

FIGURE 8-22. VALVE ASSEMBLY - FRAME LEVEL AND OUTRIGGER



ART_1001159847-E

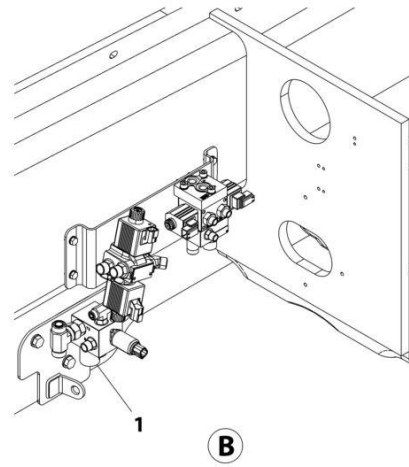
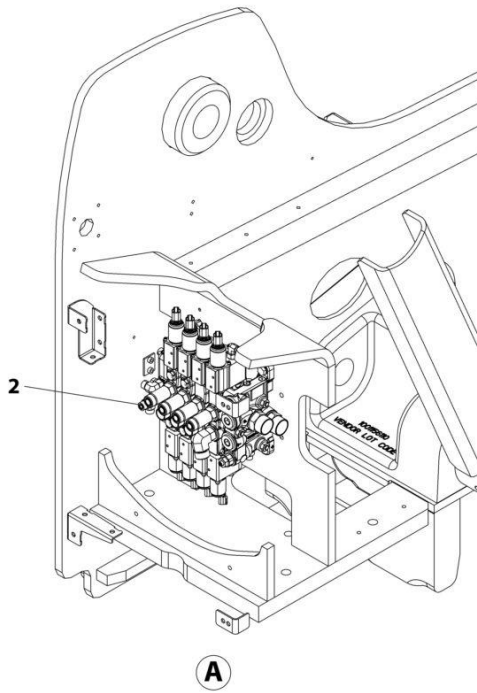
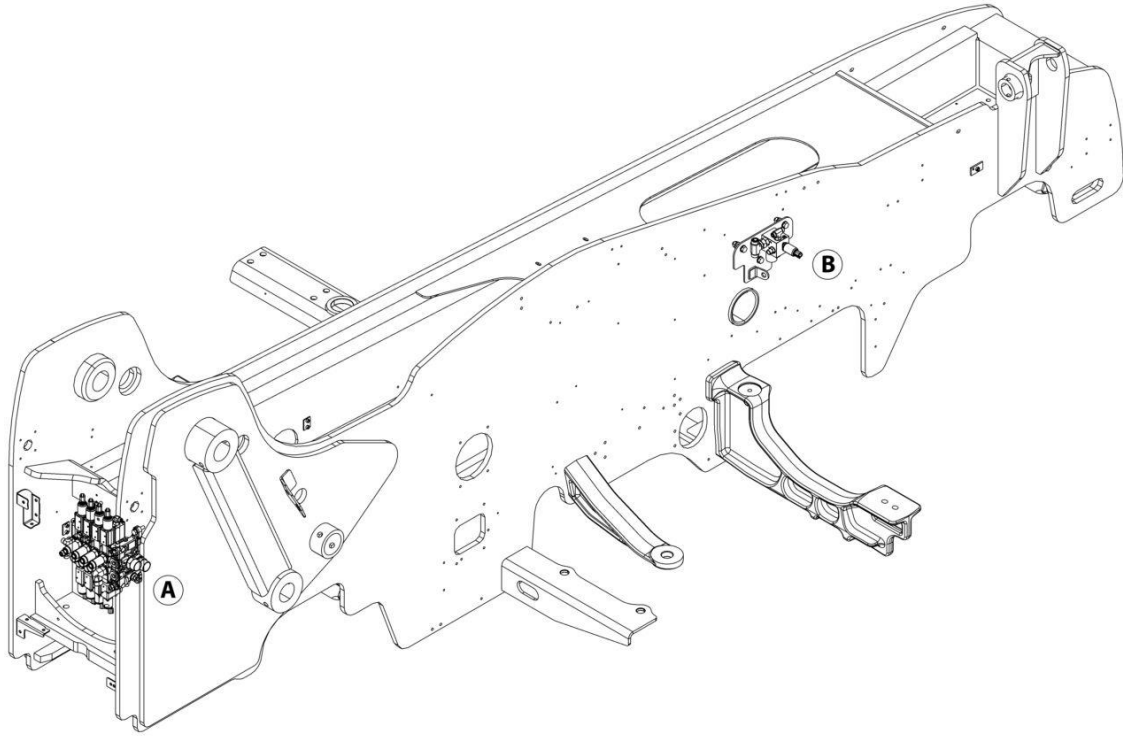
SECTION 8 - HYDRAULIC CIRCUITS

FIGURE 8-22. VALVE ASSEMBLY - FRAME LEVEL AND OUTRIGGER

ITEM	PART NUMBER	QTY	DESCRIPTION	REV
	1001159847	Ref	Frame Level and Outrigger Valve Assembly	E
1	2110606	1	Fitting, Straight	
2	2111010	2	Fitting, Straight ORFS	
3	2130406	1	Fitting, 90 ORFS	
4	2110408	2	Fitting, Straight ORFS	
5	2110808	2	Fitting, Straight ORFS	
6	1001177702	3	Stud, M6X40	
7	1001157972	1	Valve, Frame Level and Outrigger (See Separate Breakdown in HYDRAULIC COMPONENTS Section)	
8	2170108	2	Fitting	

SECTION 8 - HYDRAULIC CIRCUITS

FIGURE 8-23. VALVES INSTALLATION - MAIN & PRIORITY



ART_1001225750_B

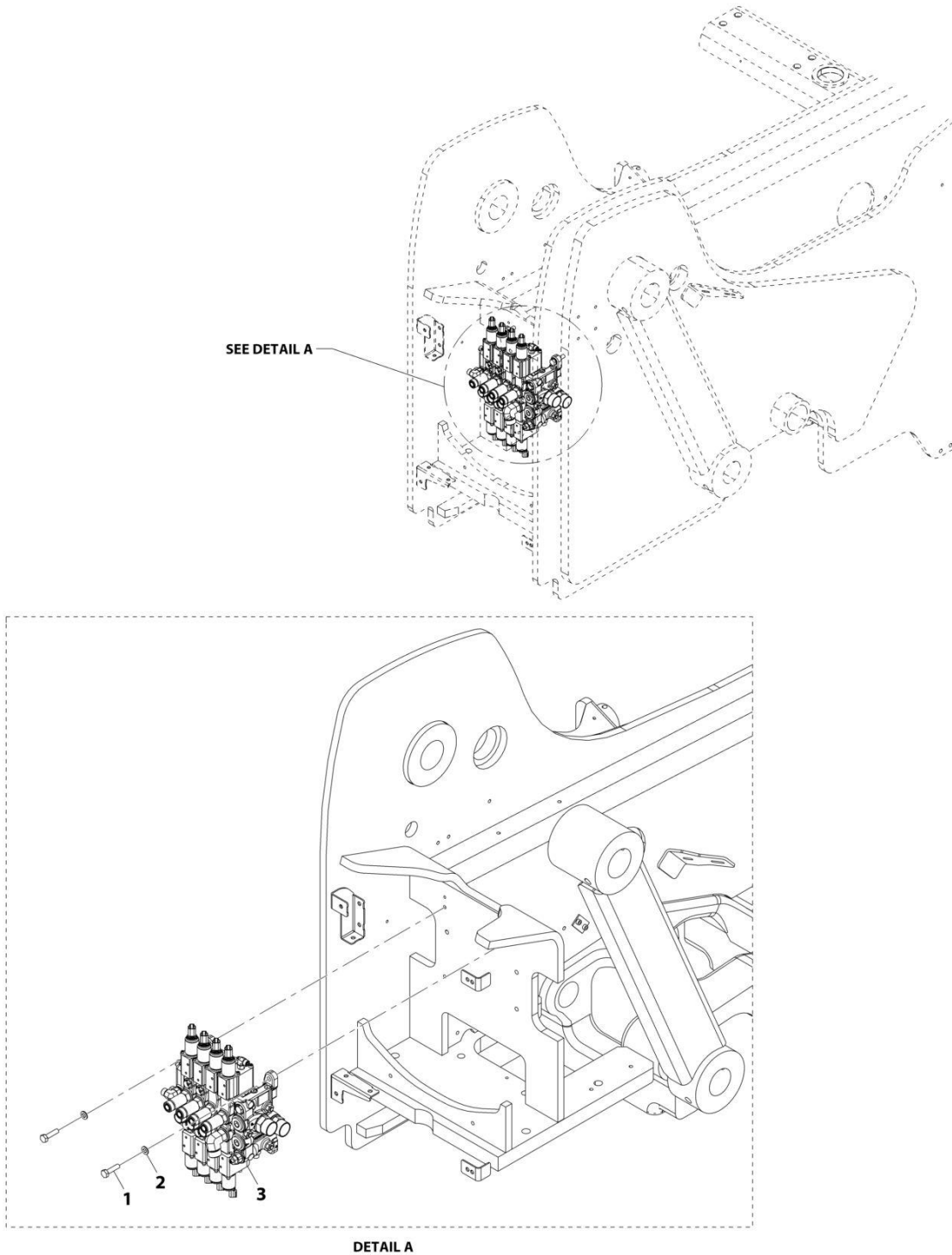
SECTION 8 - HYDRAULIC CIRCUITS

FIGURE 8-23. VALVES INSTALLATION - MAIN & PRIORITY

ITEM	PART NUMBER	QTY	DESCRIPTION	REV
1	1001225750	Ref	Main Hydraulic Valves Installation	B
	1001253371	Ref	Installation, Sahr Brake Valve (See Separate Breakdown in this Section)	
2	1001225751	Ref	Installation, Main Control Valve (See Separate Breakdown in this Section)	

SECTION 8 - HYDRAULIC CIRCUITS

FIGURE 8-24. VALVE INSTALLATION - MAIN



ART_1001225751-A

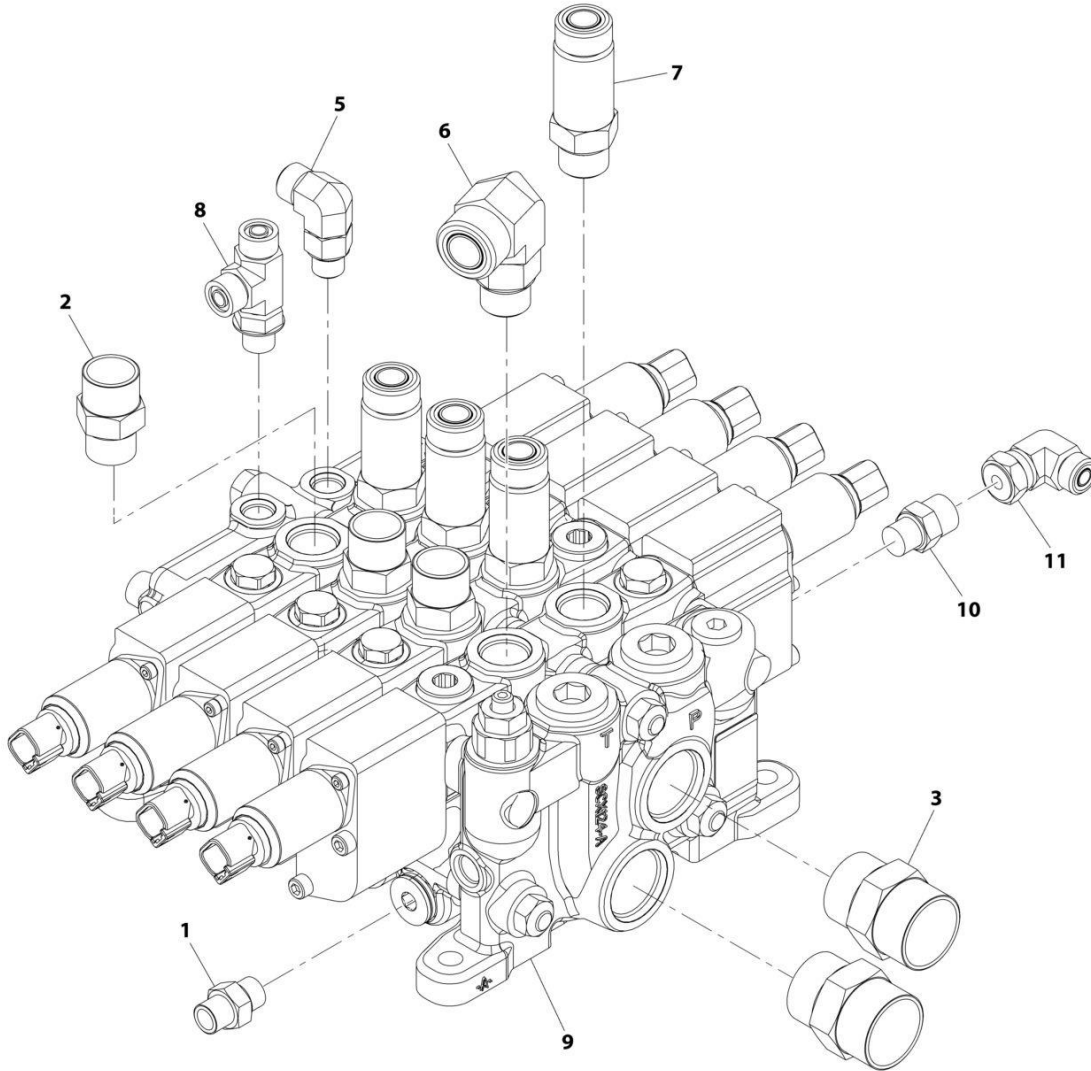
SECTION 8 - HYDRAULIC CIRCUITS

FIGURE 8-24. VALVE INSTALLATION - MAIN

ITEM	PART NUMBER	QTY	DESCRIPTION	REV
	1001225751	Ref	Main Control Valve Installation	A
1	0701016	3	Bolt, M10X40	
2	4812000	3	Washer, M10	
3	1001225752	1	Assembly, Main Control Valve Assembly (See Separate Breakdown in this Section)	

SECTION 8 - HYDRAULIC CIRCUITS

FIGURE 8-25. VALVE AND FITTINGS ASSEMBLY- MAIN



ART_1001225752-D

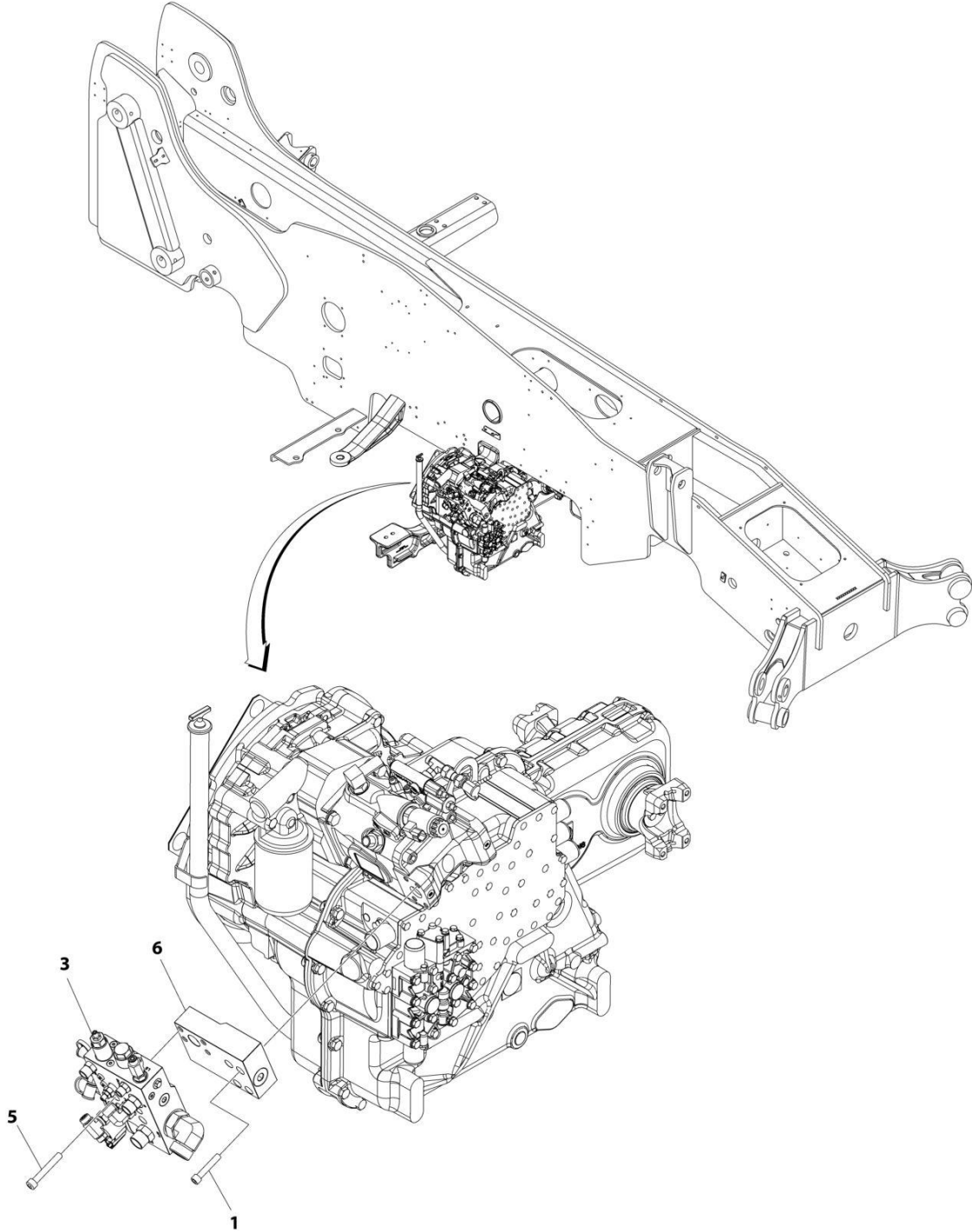
SECTION 8 - HYDRAULIC CIRCUITS

FIGURE 8-25. VALVE AND FITTINGS ASSEMBLY- MAIN

ITEM	PART NUMBER	QTY	DESCRIPTION	REV
	1001225752	Ref	Main Control Valve Assembly	D
1	2110406	1	Fitting, Straight ORFS	
2	2111010	3	Fitting, Straight ORFS	
3	2111616	2	Fitting, Straight ORFS	
5	2130606	1	Fitting, 90 ORFS	
6	2131210	1	Fitting, 90 ORFS	
7	2170110	4	Fitting, Straight ORFS	
8	2170306	1	Fitting, Tee ORFS	
9	1001241879	Ref	Valve, Main Control (See Separate Breakdown in HYDRAULIC COMPONENTS Section)	
10	2110606	1	Fitting, Straight ORFS	
11	2172106	1	Adapter, 90	

SECTION 8 - HYDRAULIC CIRCUITS

FIGURE 8-26. VALVE INSTALLATION – PRIORITY



ART_1001161308_D

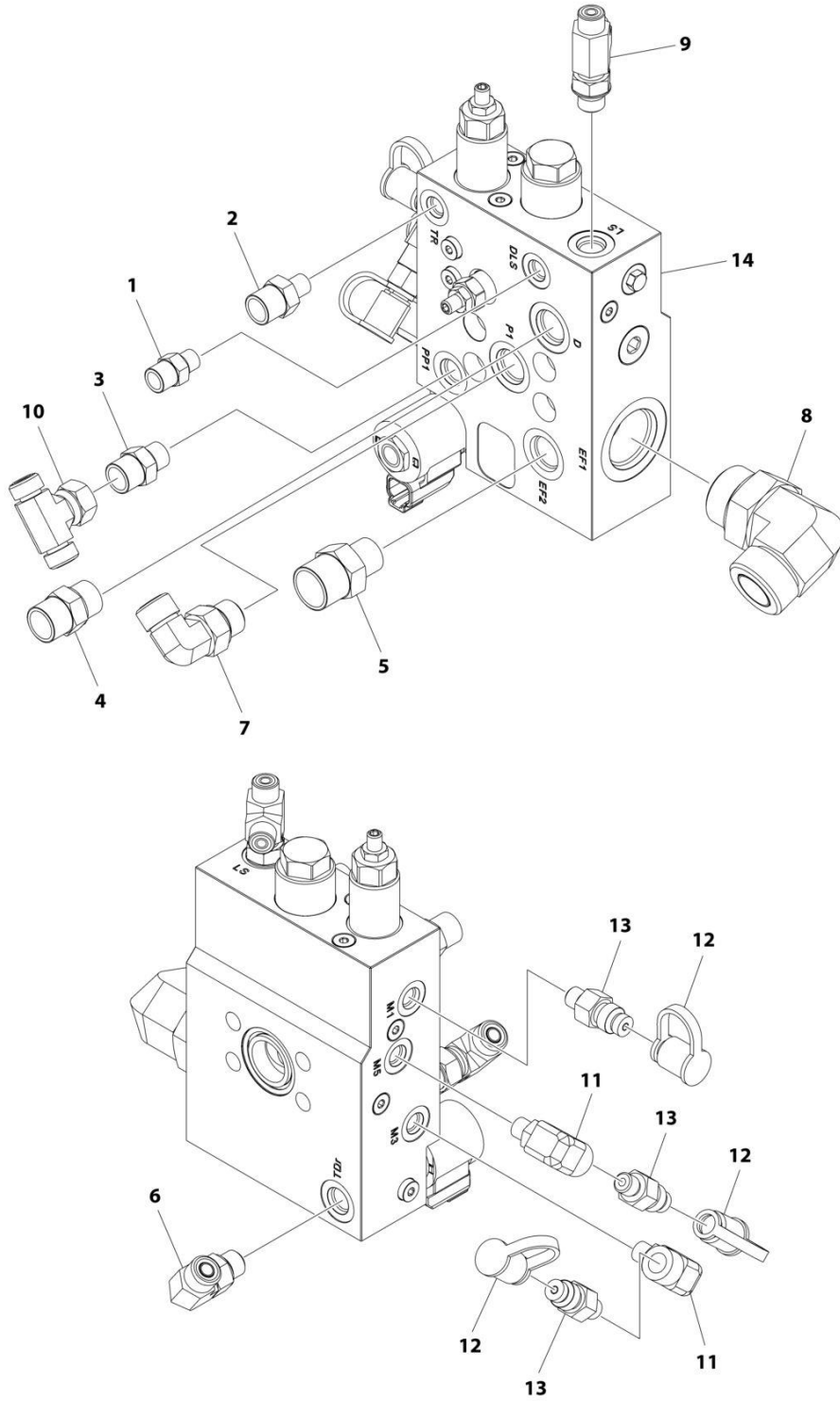
SECTION 8 - HYDRAULIC CIRCUITS

FIGURE 8-26. VALVE INSTALLATION – PRIORITY

ITEM	PART NUMBER	QTY	DESCRIPTION	REV
	1001161308	Ref	Priority Function Manifold Installation	D
1	3931632	4	Bolt 3/8X2	
3	1001253252	1	Assembly, Priority Manifold Valve (See Separate Breakdown in this Section)	
5	4032017	4	Bolt M10X65	
6	1001252571	1	Valve, Spacer	

SECTION 8 - HYDRAULIC CIRCUITS

FIGURE 8-27. VALVE ASSEMBLY - PRIORITY FUNCTION MANIFOLD



ART_1001253252

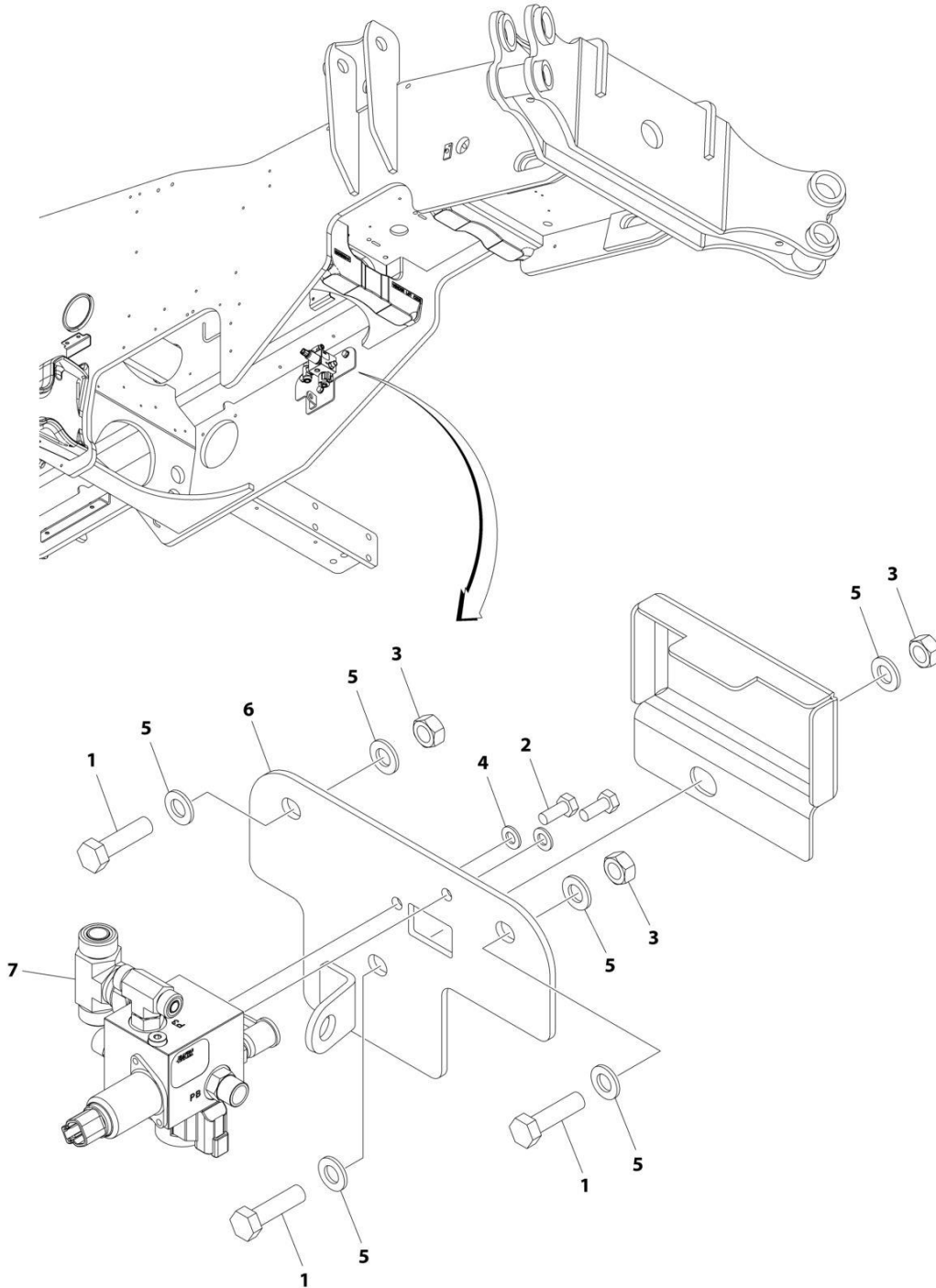
SECTION 8 - HYDRAULIC CIRCUITS

FIGURE 8-27. VALVE ASSEMBLY - PRIORITY FUNCTION MANIFOLD

ITEM	PART NUMBER	QTY	DESCRIPTION	REV
	1001253252	Ref	Priority Function Manifold Valve Assembly	B
1	2110406	1	Fitting, Straight ORFS	
2	2110604	1	Fitting, Straight ORFS	
3	2110606	1	Fitting, Straight ORFS	
4	2110808	1	Fitting, Straight ORFS	
5	2111008	1	Fitting, Straight ORFS	
6	2130606	1	Fitting, 90 ORFS	
7	2130808	1	Fitting, 90 ORFS	
8	2131616	1	Fitting, 90 ORFS	
9	2170350	1	Fitting, Tee ORFS/ORB/ORFS	
10	2170806	1	Fitting, Tee ORFS	
11	2221116	2	Fitting, 90 ORB	
12	8430032	3	Plug	
13	8430033	3	Fitting, Straight	
14	1001252567	1	Valve, Priority Manifold (See Separate Breakdown in HYDRAULIC COMPONENTS Section)	

SECTION 8 - HYDRAULIC CIRCUITS

FIGURE 8-28. VALVE INSTALLATION - SAHR BRAKE



ART_1001253371

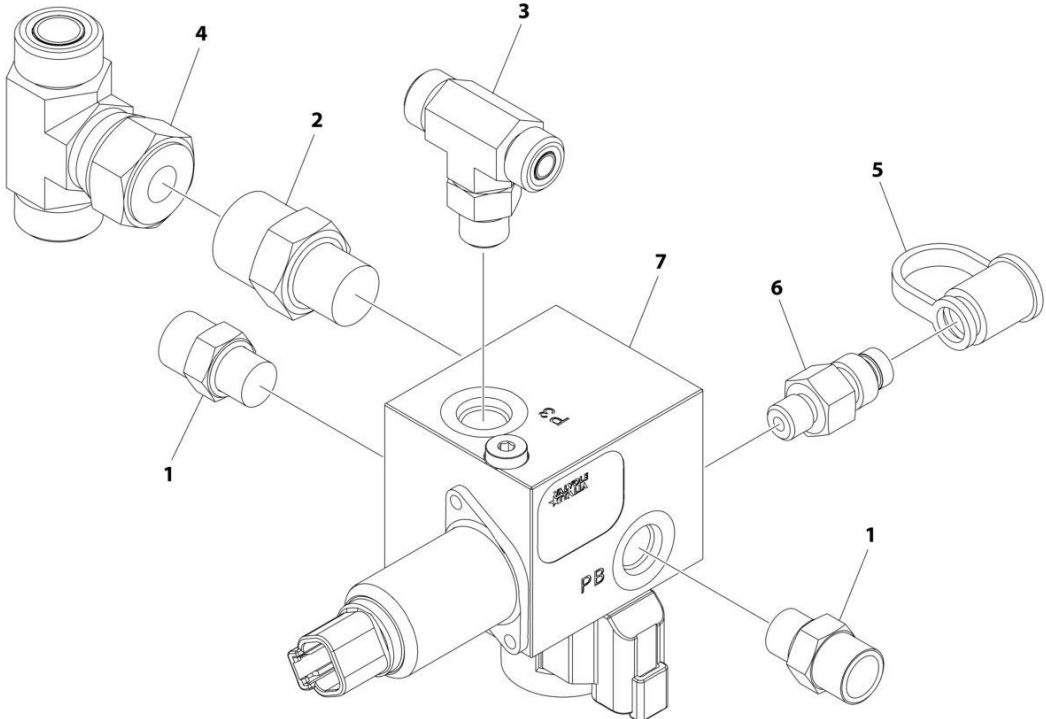
SECTION 8 - HYDRAULIC CIRCUITS

FIGURE 8-28. VALVE INSTALLATION - SAHR BRAKE

ITEM	PART NUMBER	QTY	DESCRIPTION	REV
	1001253371	Ref	Valve Installation - Sahr Brake	A
1	0701217	3	Bolt, M12X45	
2	0760810	2	Bolt M8X20	
3	3291201	3	Nut M12	
4	4811900	2	Washer M8	
5	4812100	6	Washer M12	
6	1001234277	1	Plate, Mounting	
7	1001253253	1	Valve, Sahr Brake (See Separate Breakdown in this Section)	

SECTION 8 - HYDRAULIC CIRCUITS

FIGURE 8-29. VALVE ASSEMBLY - SAHR BRAKE



ART_1001253253

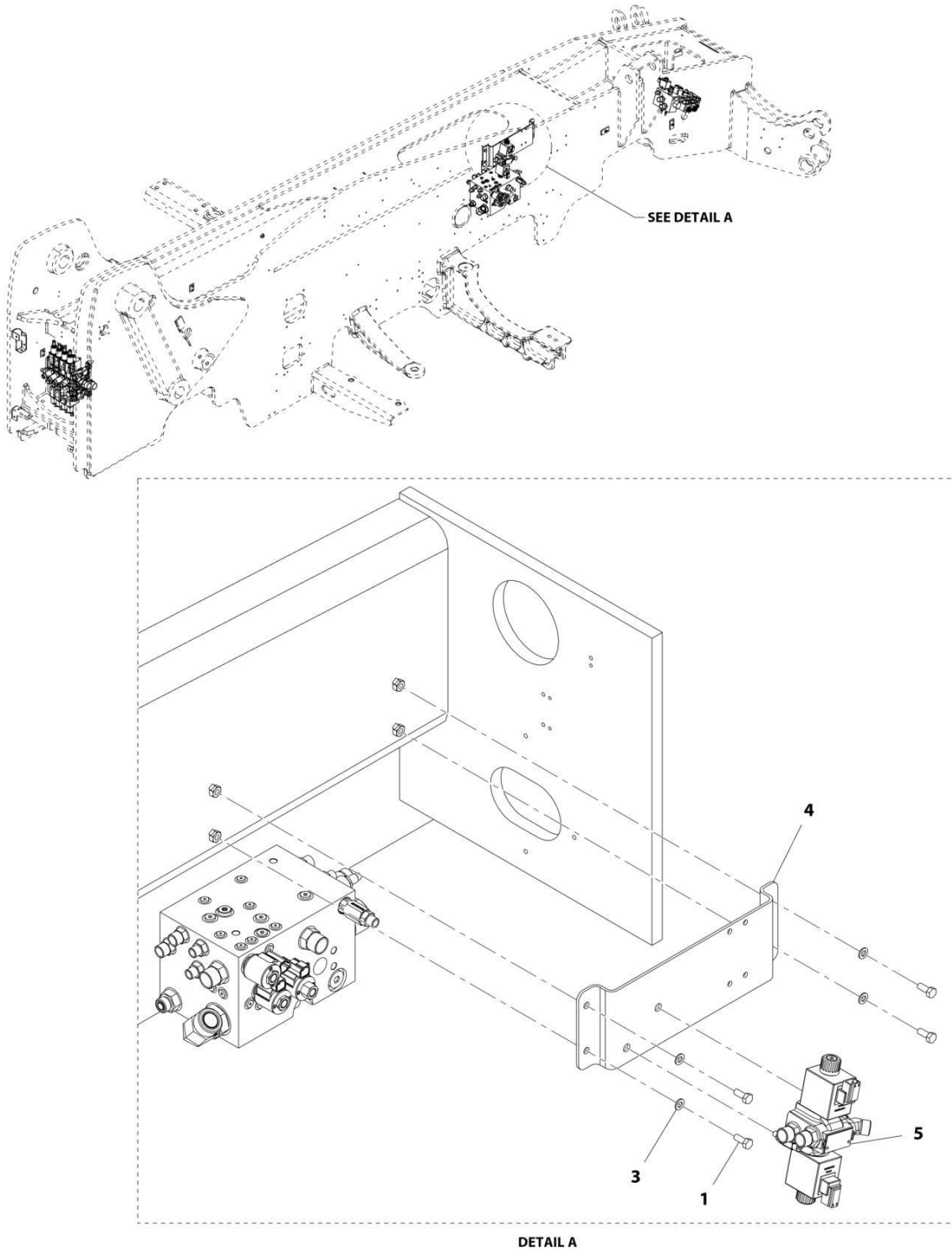
SECTION 8 - HYDRAULIC CIRCUITS

FIGURE 8-29. VALVE ASSEMBLY - SAHR BRAKE

ITEM	PART NUMBER	QTY	DESCRIPTION	REV
	1001253253	Ref	Valve Assembly - Sahr Brake	B
1	2110606	2	Fitting, Straight ORFS/ORB	
2	2111008	1	Fitting, Straight ORFS/ORB	
3	2170406	1	Fitting, Tee ORFS/ORB/ORFS	
4	2170810	1	Fitting, Tee ORFS/FSORFS/ORFS	
5	8430032	1	Plug	
6	8430033	1	Fitting, Straight ORB	
7	1001234127	1	Valve, Sahr Brake (See Separate Breakdown in HYDRAULIC COMPONENTS Section)	

SECTION 8 - HYDRAULIC CIRCUITS

FIGURE 8-30. VALVES MOUNTING INSTALLATION - STEER SELECT



ART_1001168464-E

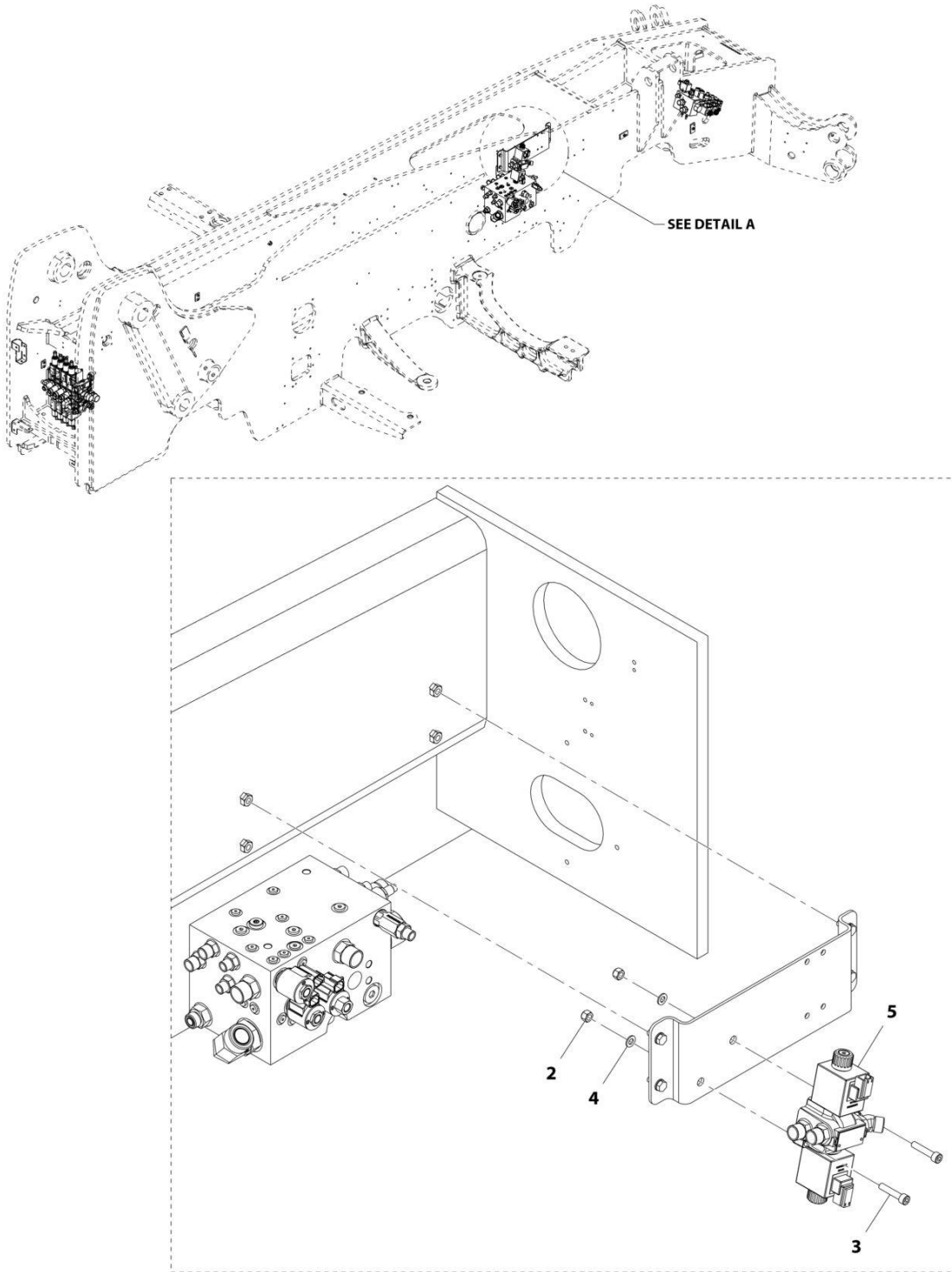
SECTION 8 - HYDRAULIC CIRCUITS

FIGURE 8-30. VALVES MOUNTING INSTALLATION - STEER SELECT

ITEM	PART NUMBER	QTY	DESCRIPTION	REV
	1001168464	Ref	Steering Select Valve Mounting Installation	E
1	0760810	4	Bolt, M8X20	
3	4811900	4	Washer, M8	
4	1001167437	1	Bracket	
5	1001173702	Ref	Installation, Steering Select Valve (See Separate Breakdown in this Section)	

SECTION 8 - HYDRAULIC CIRCUITS

FIGURE 8-31. VALVE INSTALLATION - STEER SELECT



DETAIL A

ART_1001173702-D

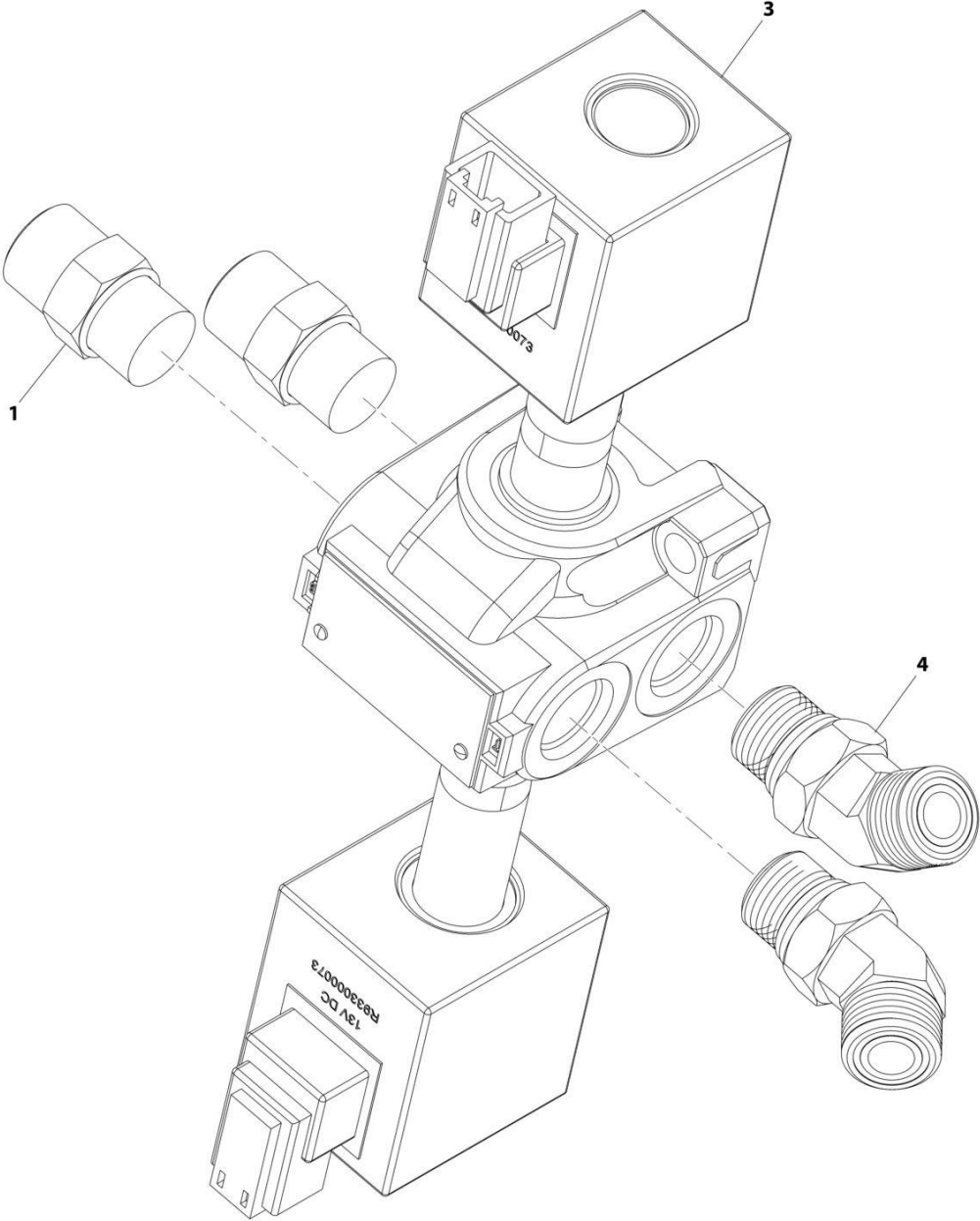
SECTION 8 - HYDRAULIC CIRCUITS

FIGURE 8-31. VALVE INSTALLATION - STEER SELECT

ITEM	PART NUMBER	QTY	DESCRIPTION	REV
	1001173702	Ref	Steering Select Valve Installation	D
2	3290805	2	Nut, Lock M8X1.25	
3	4031912	2	Bolt, M8X40	
4	4811900	2	Washer, M8	
5	1001161304	1	Assembly, Valve (See Separate Breakdown in this Section)	

SECTION 8 - HYDRAULIC CIRCUITS

FIGURE 8-32. VALVE AND FITTINGS ASSEMBLY- STEER SELECT



ART_1001161304-B

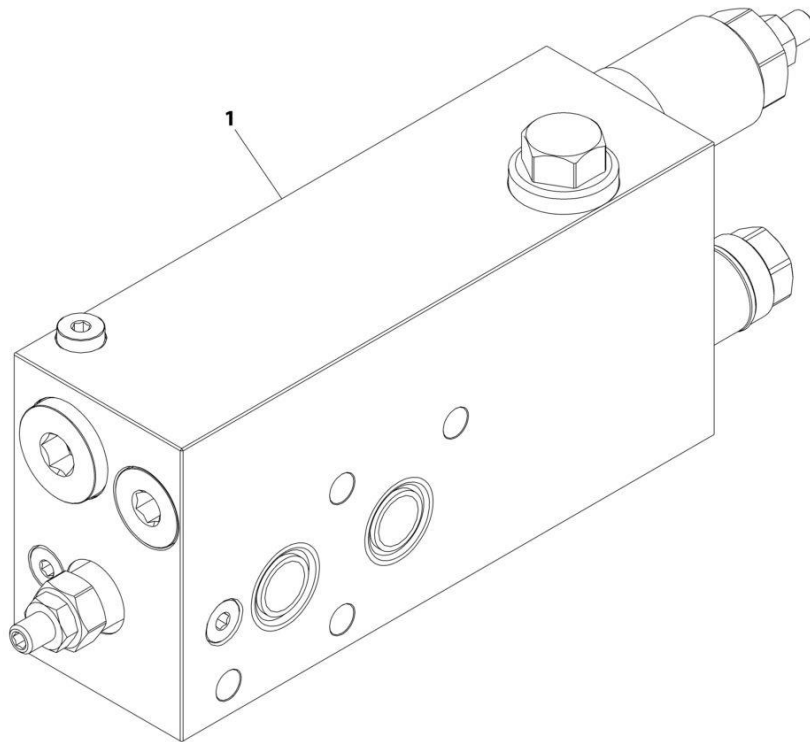
SECTION 8 - HYDRAULIC CIRCUITS

FIGURE 8-32. VALVE AND FITTINGS ASSEMBLY- STEER SELECT

ITEM	PART NUMBER	QTY	DESCRIPTION	REV
	1001161304	Ref	Steering Select Valve Assembly	B
1	2110808	2	Fitting, Straight ORFS	
3	1001153748	1	Assembly, Valve (See Separate Breakdown in HYDRAULIC COMPONENTS Section)	
4	2150808	2	Fitting, 45 ORFS	

SECTION 8 - HYDRAULIC CIRCUITS

FIGURE 8-33. VALVE ASSEMBLY - GLS (NO RIDE CONTROL)



ART_1001226035-B

SECTION 8 - HYDRAULIC CIRCUITS

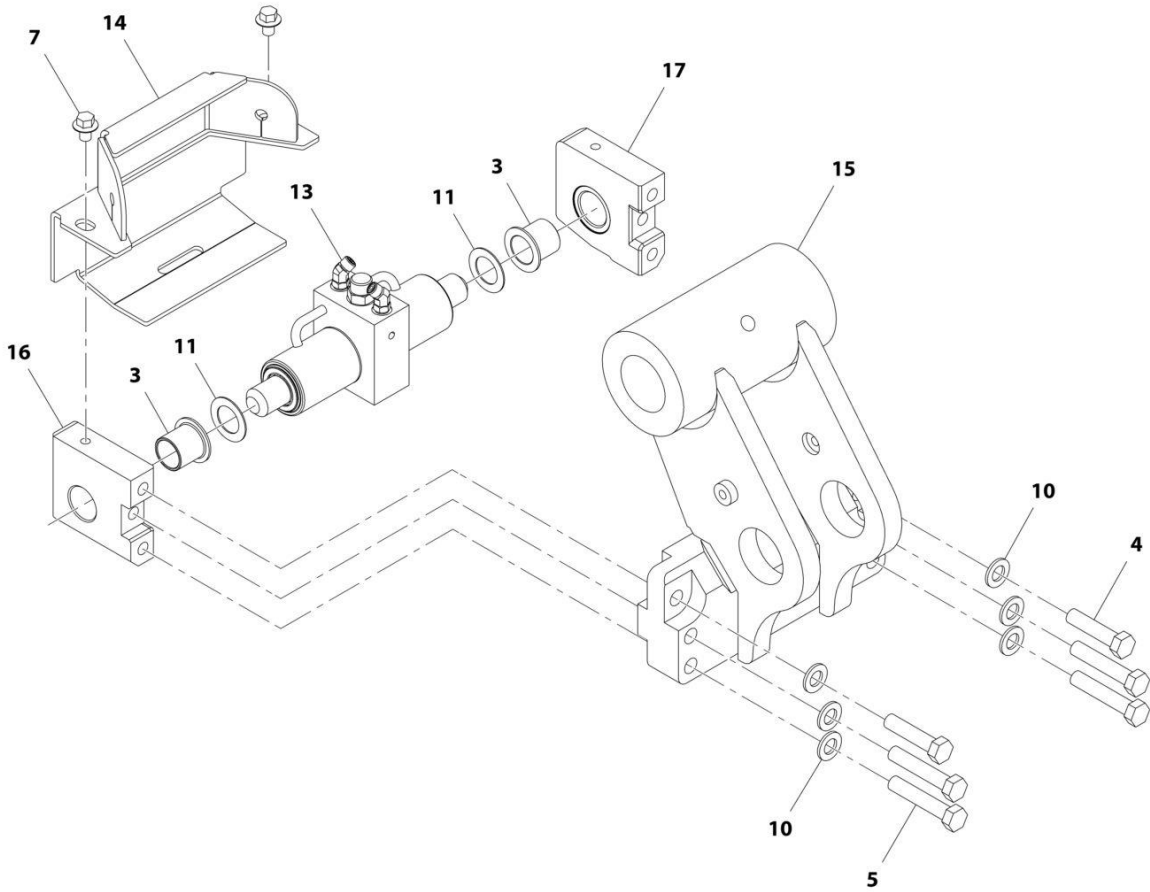
FIGURE 8-33. VALVE ASSEMBLY - GLS (NO RIDE CONTROL)

ITEM	PART NUMBER	QTY	DESCRIPTION	REV
	1001226035	Ref	Valve, Counterbalance (PGLS)	B

SECTION 9 - HYDRAULIC COMPONENTS

SECTION 9 - HYDRAULIC COMPONENTS

FIGURE 9-1. COUPLER - HYDRAULIC COUPLER



ART_1001172134

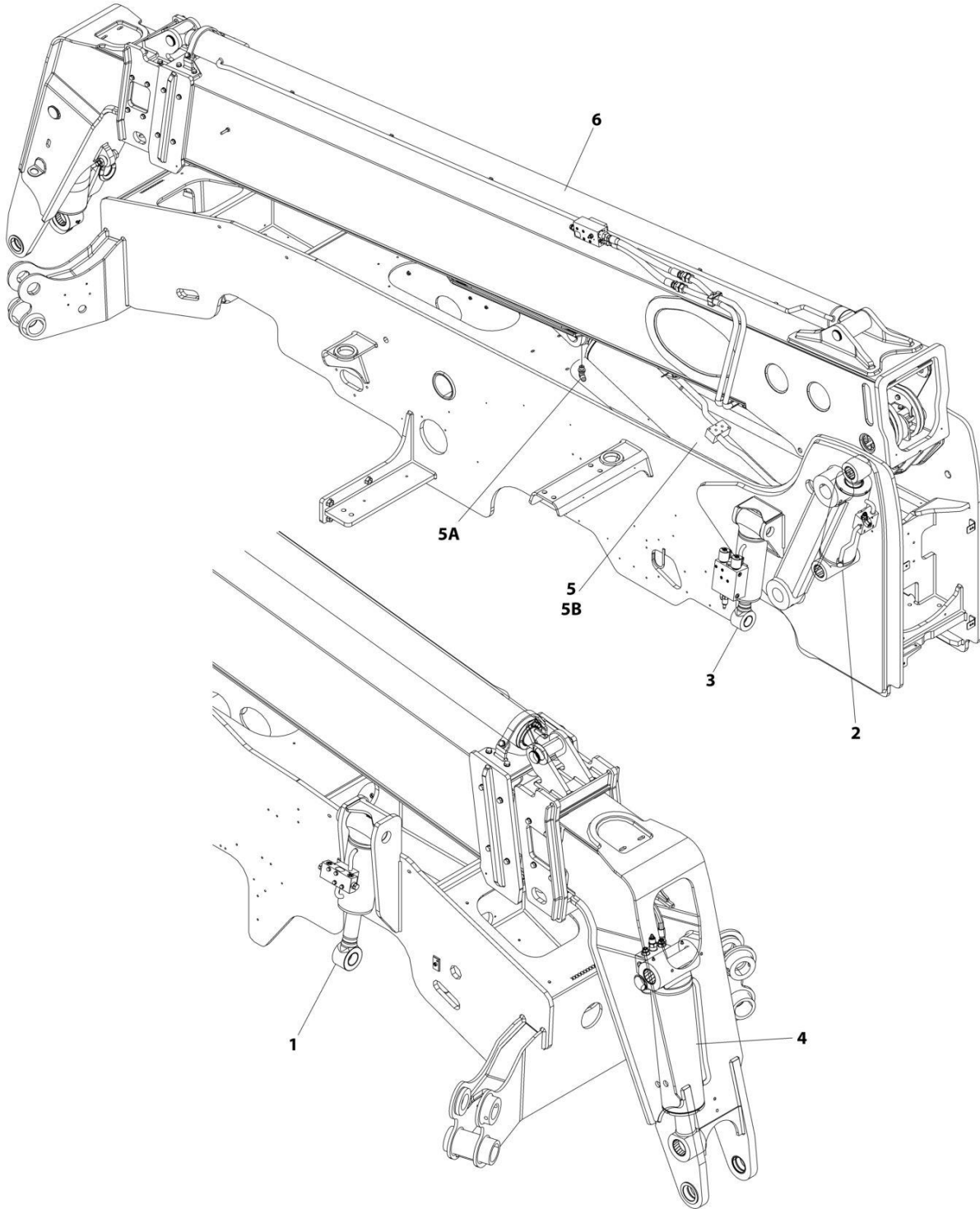
SECTION 9 - HYDRAULIC COMPONENTS

FIGURE 9-1. COUPLER - HYDRAULIC COUPLER

ITEM	PART NUMBER	QTY	DESCRIPTION	REV
	1001172134	Ref	Hydraulic Quick Coupler Assembly	E
3	0440321	2	Bearing, Flange 1.5 Length	
3	1001263046	2	Bearing, Flange 1.375 Length	
4	1001191503	2	Bolt, M16X1.5X17 GR10.9	
5	1001191505	4	Bolt, M16X1.5X85 GR10.9	
7	0781208	2	Bolt, M12X16	
10	5241600	6	Washer, M16	
11	91561240	AR	Shim	
13	1001210390	1	Assembly, Quick Coupler Cylinder (See Separate Breakdown in HYDRAULIC COMPONENTS Section)	
14	1001164860	1	Cover	
15	1001172075	1	Fitting, Straight	
16	1001172077	1	Plate	
17	1001172078	1	Plate	

SECTION 9 - HYDRAULIC COMPONENTS

FIGURE 9-2. CYLINDER GROUP INSTALLATION



ART_1001227676_G

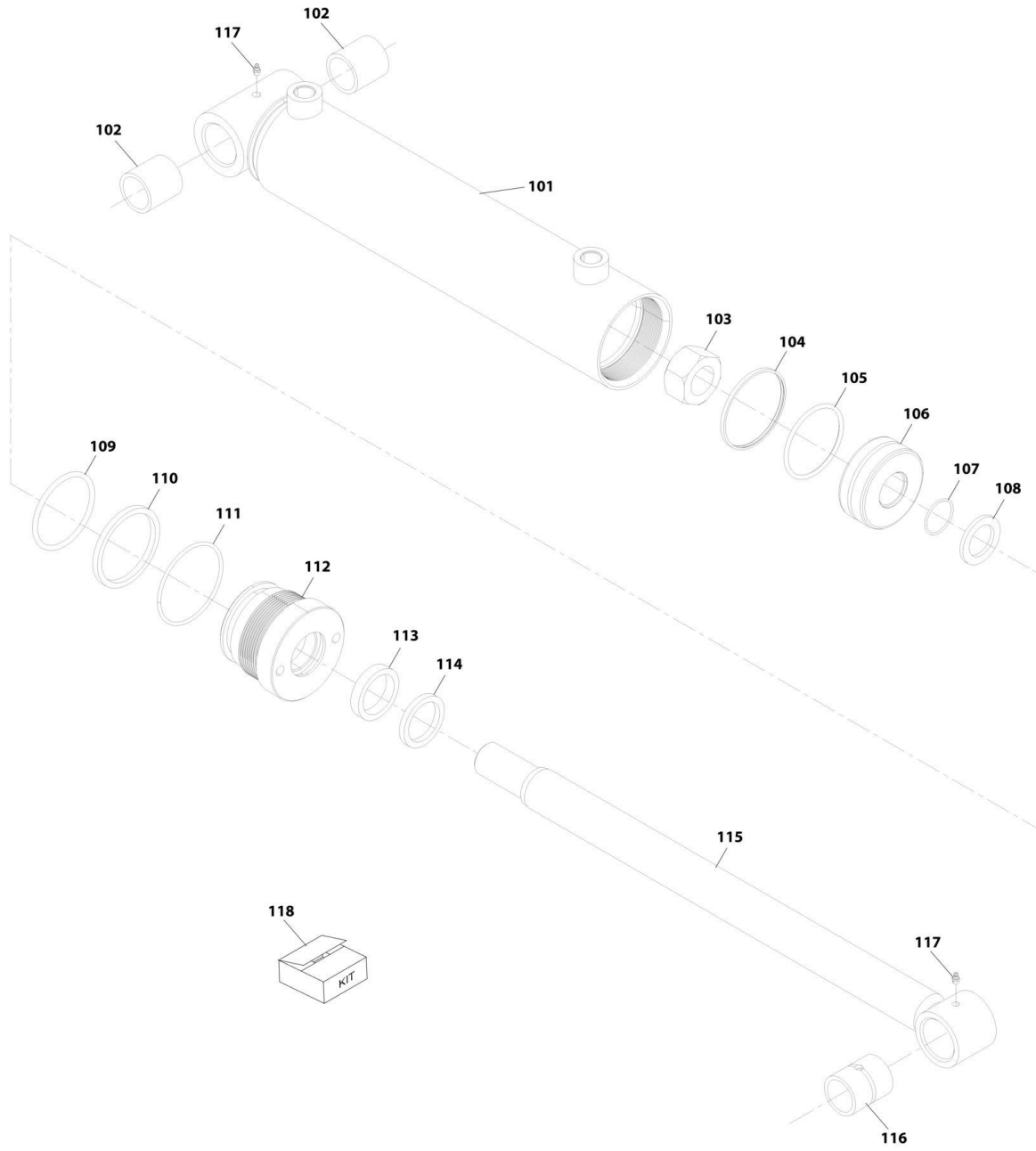
SECTION 9 - HYDRAULIC COMPONENTS

FIGURE 9-2. CYLINDER GROUP INSTALLATION

ITEM	PART NUMBER	QTY	DESCRIPTION	REV
	1001227676	Ref	CYLINDER GROUP INSTALLATION	G
1	1001162076	Ref	Cylinder, Frame Level (See Separate Breakdown in this Section)	
2	1001162600	Ref	Cylinder, Compensation (See Separate Breakdown in this Section)	
3	1001164036	Ref	Cylinder, Rear Axle Stabilizer (See Separate Breakdown in this Section)	
4	1001184640	Ref	Cylinder, Tilt (See Separate Breakdown in this Section)	
5	1001264884	Ref	Installation, Lift Cylinder Assembly	A
5A	8770215	1	Elbow	
5B	1001251095	1	Cylinder, Lift (See Separate Breakdown in this Section)	
6	1001227677	Ref	Cylinder, Extend/Retract (See Separate Breakdown in this Section)	

SECTION 9 - HYDRAULIC COMPONENTS

FIGURE 9-3. CYLINDER ASSEMBLY - CARRIAGE SIDE SHIFT



ART_70021376

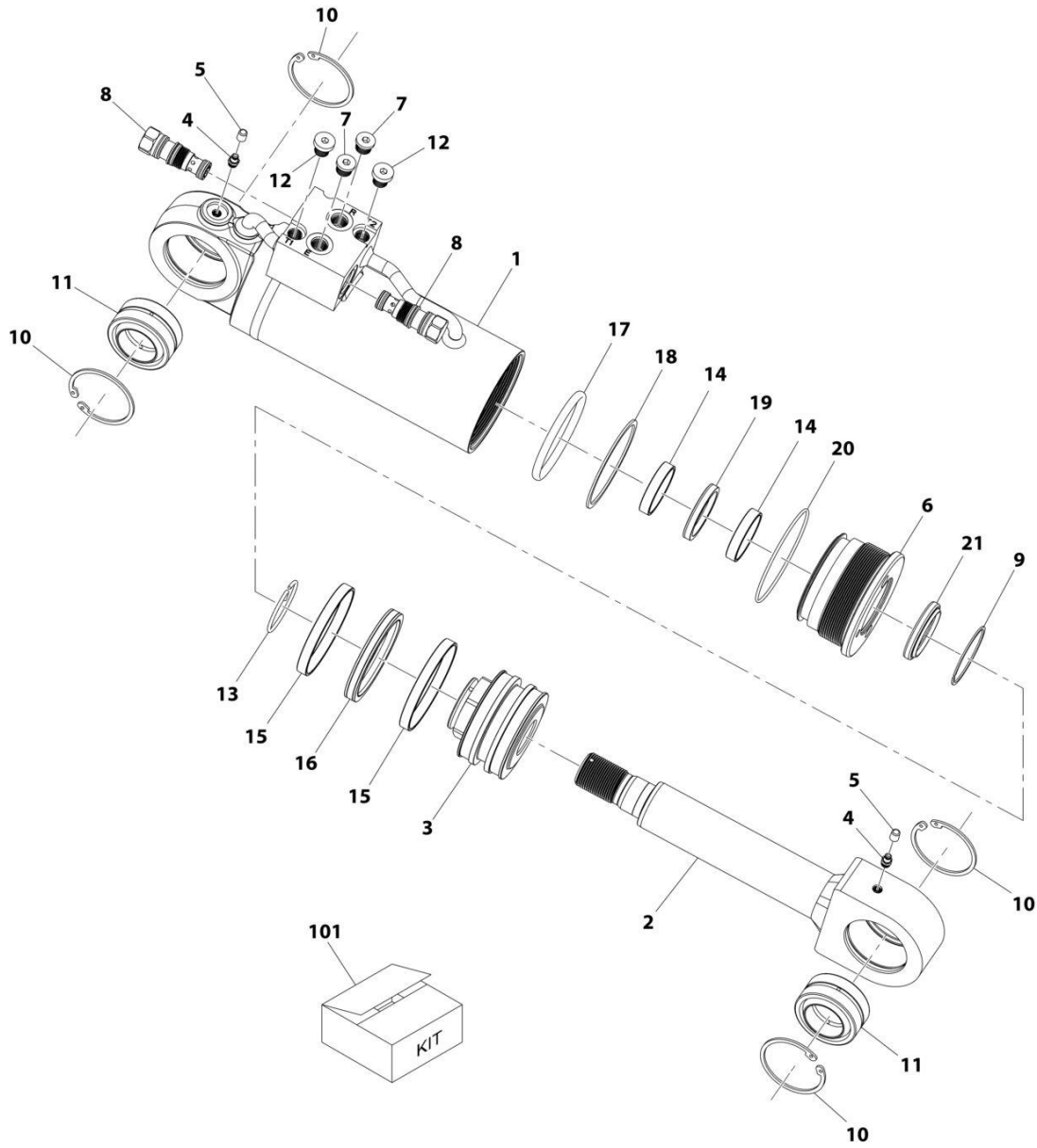
SECTION 9 - HYDRAULIC COMPONENTS

FIGURE 9-3. CYLINDER ASSEMBLY - CARRIAGE SIDE SHIFT

ITEM	PART NUMBER	QTY	DESCRIPTION	REV
	70021376	1	Cylinder Assembly, Side Shift Carriage 12K	
		Ref	Note: Original Cylinder May Have Been Replaced with Service Replacement. Identify PN Stamped on Cylinder Before Ordering Parts.	
101	See Note	NSS	Barrel (Note: Use PN 70021376)	
102	70021448	2	Bushing	
103	70021440	1	Nut	
104	See Note	NSS	Ring, Piston (Note Use Item 118)	
105	See Note	NSS	O-Ring (Note: Use Item 118)	
106	70021451	1	Piston	
107	See Note	NSS	O-Ring (Note: Use Item 118)	
108	70021444	1	Spacer, Sheave	
109	See Note	NSS	O-Ring (Note: Use Item 118)	
110	See Note	NSS	Washer, Back-Up (Note: Use Item 118)	
111	See Note	NSS	O-Ring (Note: Use Item 118)	
112	70021446	1	Head	
113	See Note	NSS	Seal (Note: Use Item 118)	
114	See Note	NSS	Wiper, Rod (Note: Use Item 118)	
115	70021445	1	Rod	
116	70021447	1	Bushing	
117	90554045	2	Grease Fitting	
118	70021452	1	Seal Kit, (includes items 104, 105, 107, 109, 110, 111, 113 & 114)	

SECTION 9 - HYDRAULIC COMPONENTS

FIGURE 9-4. CYLINDER ASSEMBLY - CARRIAGE SIDE TILT



ART_1001163414-A

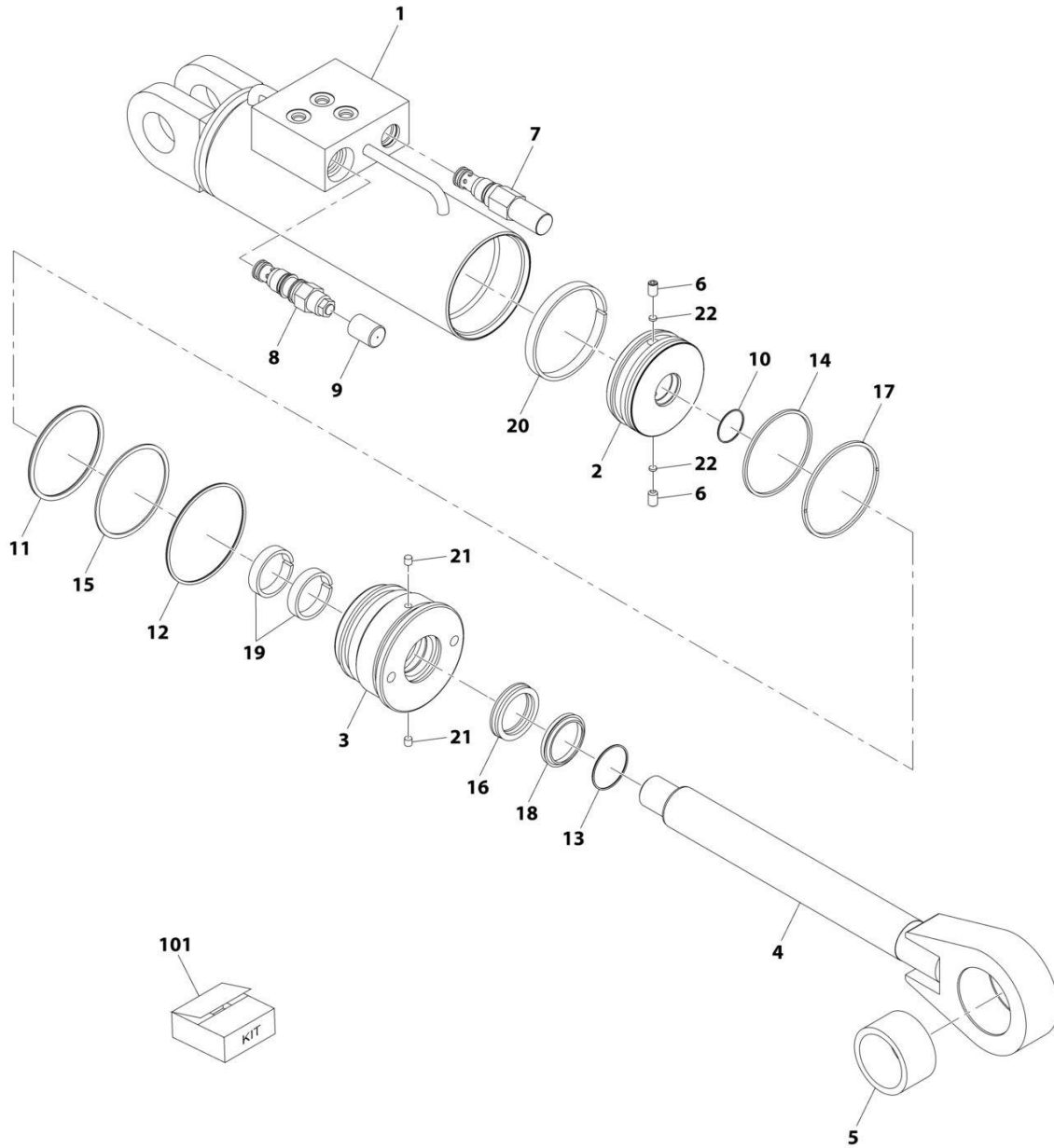
SECTION 9 - HYDRAULIC COMPONENTS

FIGURE 9-4. CYLINDER ASSEMBLY - CARRIAGE SIDE TILT

ITEM	PART NUMBER	QTY	DESCRIPTION	REV
	1001163414	Ref	Side Tilt Cylinder	A
		Ref	Note: Original Cylinder May Have Been Replaced with Service Replacement. Identify PN Stamped on Cylinder Before Ordering Parts.	
1	70026056	1	Barrel	
2	70026057	1	Rod	
3	70026058	1	Piston	
4	70025606	2	Nipple, Grease	
5	70024020	2	Fitting, Grease	
6	70003849	1	Head	
7	70025959	2	Plug	
8	70026059	2	Valve, Check	
9	70002219	1	Ring, Retaining	
10	70026060	4	Ring, Retaining	
11	70026061	2	Bearing	
12	70024262	2	Plug	
13	70002224	1	Ring, Lock	
14	Kit	NSS	Ring, Rod Bearing (Note: Use Item 101)	
15	Kit	NSS	Ring, Piston Bearing (Note: Use Item 101)	
16	Kit	NSS	Seal, Piston (Note: Use Item 101)	
17	Kit	NSS	O-Ring (Note: Use Item 101)	
18	Kit	NSS	Ring, Back-Up (Note: Use Item 101)	
19	Kit	NSS	Seal, Rod (Note: Use Item 101)	
20	Kit	NSS	O-Ring (Note: Use Item 101)	
21	Kit	NSS	Seal, Wiper (Note: Use Item 101)	
101	70026062	1	Kit, Seal (includes items 14 thru 21)	

SECTION 9 - HYDRAULIC COMPONENTS

FIGURE 9-5. CYLINDER ASSEMBLY - CARRIAGE SWING (Prior to SN 0160115999)



ART_1001103182-B

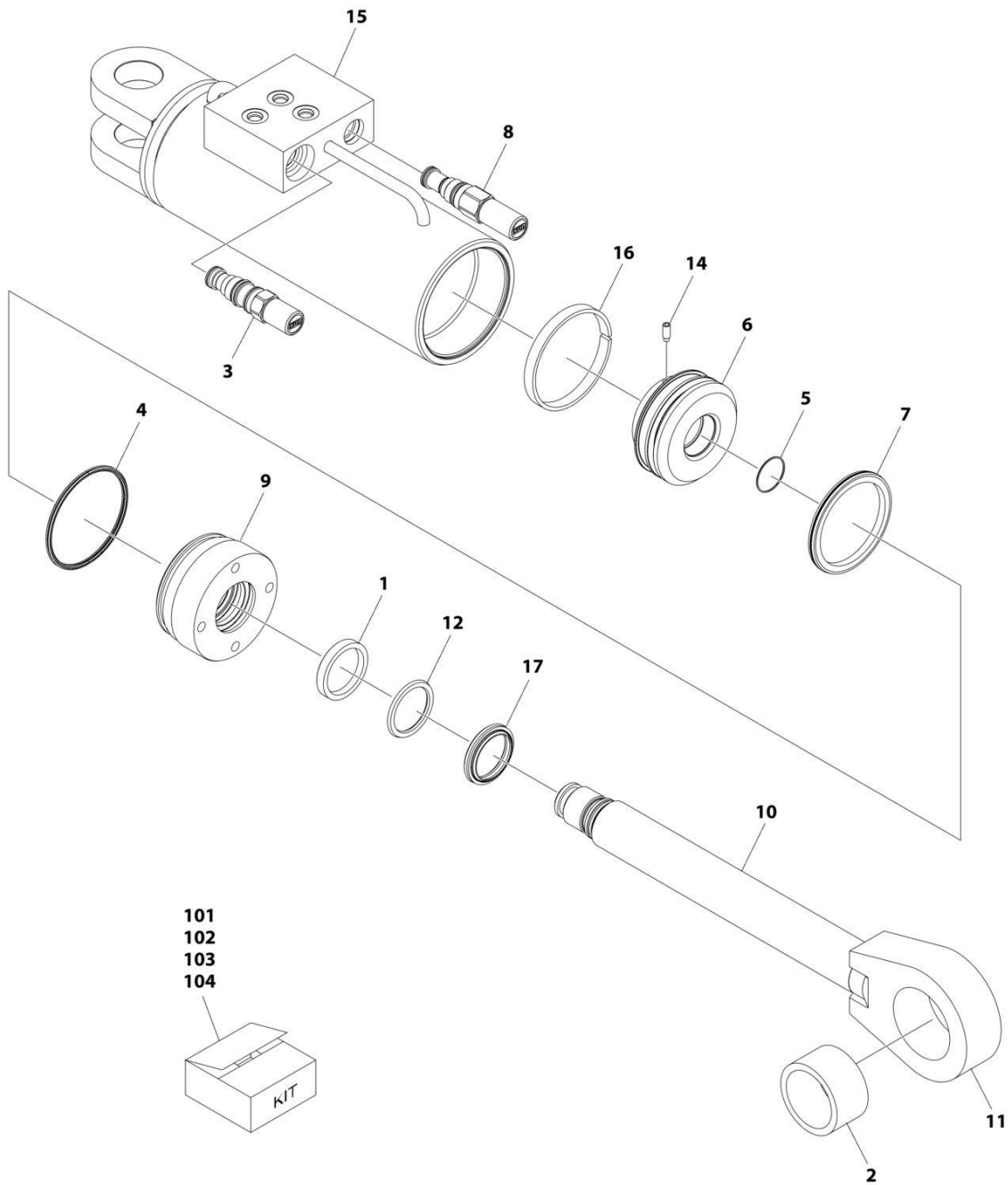
SECTION 9 - HYDRAULIC COMPONENTS

FIGURE 9-5. CYLINDER ASSEMBLY - CARRIAGE SWING (Prior to SN 0160115999)

ITEM	PART NUMBER	QTY	DESCRIPTION	REV
	1001103182	Ref	Swing Carriage Cylinder	B
1	70022044	1	Barrel	
2	8035863	1	Piston	
3	8035862	1	Head	
4	70022045	1	Rod	
5	70022046	1	Bearing	
6	8035536	2	Setscrew 5/16X1/2	
7	70020428	1	Valve, Relief	
7	7024574	1	Kit, Seal	
8	8033786	1	Valve, Counterbalance	
8	8205655	1	Kit, Seal	
9	70021812	1	Tamper-proof Cap	
10	See Note	NSS	O-Ring (Note: Use Item 101)	
11	See Note	NSS	O-Ring (Note: Use Item 101)	
12	See Note	NSS	O-Ring (Note: Use Item 101)	
13	See Note	NSS	O-Ring (Note: Use Item 101)	
14	See Note	NSS	Ring, Square (Note: Use Item 101)	
15	See Note	NSS	Ring, Backup (Note: Use Item 101)	
16	See Note	NSS	Seal (Note: Use Item 101)	
17	See Note	NSS	Seal, Piston (Note: Use Item 101)	
18	See Note	NSS	Wiper, Rod (Note: Use Item 101)	
19	See Note	NSS	Ring, Wear (Note: Use Item 101)	
20	See Note	NSS	Ring, Wear (Note: Use Item 101)	
21	See Note	NSS	Insert (Note: Use Item 101)	
22	See Note	NSS	Insert (Note: Use Item 101)	
101	2915023	1	Kit, Seal (includes items 11 thru 22)	

SECTION 9 - HYDRAULIC COMPONENTS

FIGURE 9-6. CYLINDER ASSEMBLY - CARRIAGE SWING (SN 0160115999 to Present)



ART_1001293182

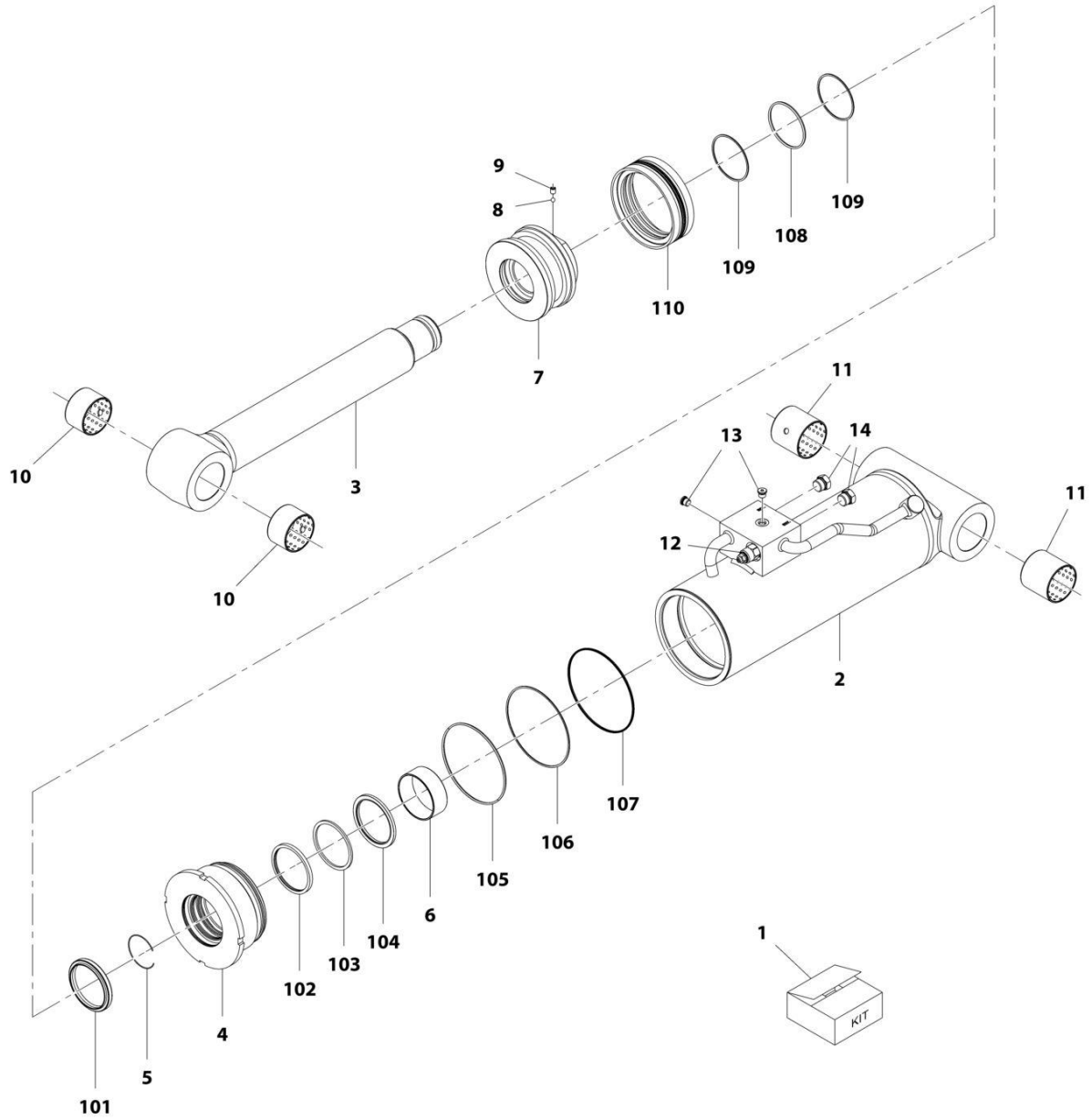
SECTION 9 - HYDRAULIC COMPONENTS

FIGURE 9-6. CYLINDER ASSEMBLY - CARRIAGE SWING (SN 0160115999 to Present)

ITEM	PART NUMBER	QTY	DESCRIPTION	REV
	1001293182	Ref	SWING CARRIAGR CYLINDER	A
		Ref	Note: Original Cylinder May Have Been Replaced with Service Replacement. Identify PN Stamped on Cylinder Before Ordering Parts.	
1	See Note	NSS	Ring, Buffer (Note: Use Item 101 or 102)	
2	70031329	1	Bushing (Note: Use Item 104)	
3	8033786	1	Valve, Counterbalance	
4	See Note	NSS	Seal, Head (Note: Use Item 101 or 102)	
5	See Note	NSS	O-Ring (Note: Use Item 101)	
6	See Note	NSS	Piston (Note: Use Item 103)	
7	See Note	NSS	Seal, Piston (Note: Use Item 101 or 103)	
8	8902842	1	Valve, Relief	
9	See Note	NSS	Retainer (Note: Use Item 102)	
10	See Note	NSS	Rod (Note: Use Item 104)	
11	See Note	NSS	Rod End (Note: Use Item 104)	
12	See Note	NSS	Seal, Rod (Note: Use Item 101 or 102)	
14	See Note	NSS	Setscrew (Note: Use Item 103)	
15	See Note	NSS	Shell Assembly (Note: No Service Parts Available)	
16	See Note	NSS	Ring, Wear (Note: Use Items 101 or 103)	
17	See Note	NSS	Wiper (Note: Use Items 101 or 102)	
101	70031325	1	Seal Kit (Includes Items # 1, 4-5, 7, 12, 16 & 17)	
102	70031326	1	Retainer Kit (Includes Items # 1, 4, 9, 12 & 17)	
103	70031327	1	Piston Kit (Includes Items # 6-7, 14 & 16)	
104	70031328	1	Rod Service Kit (Includes Items # 2 & 10-11)	

SECTION 9 - HYDRAULIC COMPONENTS

FIGURE 9-7. CYLINDER ASSEMBLY - COMPENSATION



ART_1001162600-F

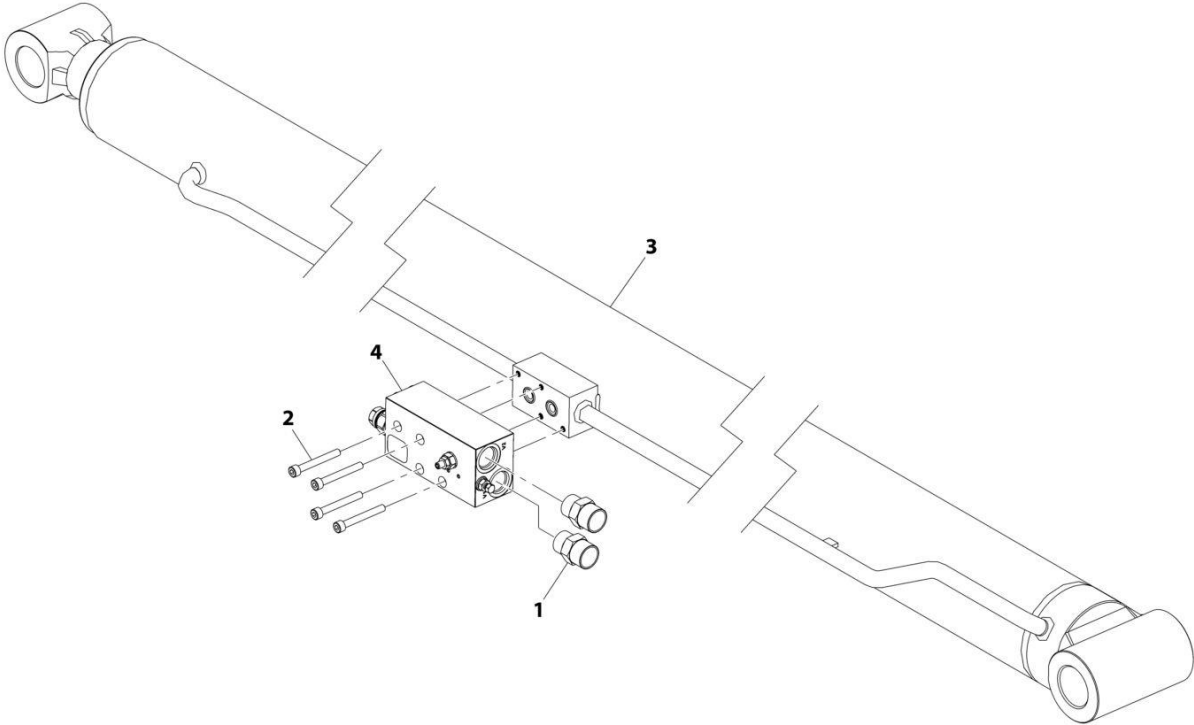
SECTION 9 - HYDRAULIC COMPONENTS

FIGURE 9-7. CYLINDER ASSEMBLY - COMPENSATION

ITEM	PART NUMBER	QTY	DESCRIPTION	REV
	1001162600	Ref	Compensation Cylinder	F
		Ref	Note: Original Cylinder May Have Been Replaced with Service Replacement. Identify PN Stamped on Cylinder Before Ordering Parts.	
1	70026550	1	Kit, Seal (includes items 101 thru 110)	
2	70026540	1	Barrel	
3	70026541	1	Gland	
4	70026542	1	Ring, Retaining	
5	70023379	1	Ring, Retaining	
6	70026302	1	Bearing, Dry	
7	70026303	1	Piston	
8	70022564	1	Ball, Steel	
9	70023369	1	Screw, Set	
10	70026543	2	Bearing, Dry	
11	70026545	2	Bearing, Dry	
12	70026336	1	Valve, Counterbalance	
13	70023370	2	Plug, Socket	
14	70023372	2	Plug, Hex	
101	Kit	1	Wiper, Dust	
102	Kit	1	Seal, Rod	
103	Kit	1	Ring, Backup	
104	Kit	1	Ring, Buffer	
105	Kit	1	O-Ring	
106	Kit	1	Ring, Backup	
107	Kit	1	O-Ring	
108	Kit	1	O-Ring	
109	Kit	2	Ring, Backup	
110	Kit	1	Seal, Piston	

SECTION 9 - HYDRAULIC COMPONENTS

FIGURE 9-8. CYLINDER SUB-ASSEMBLY - EXTEND/RETRACT



ART_1001227677-A

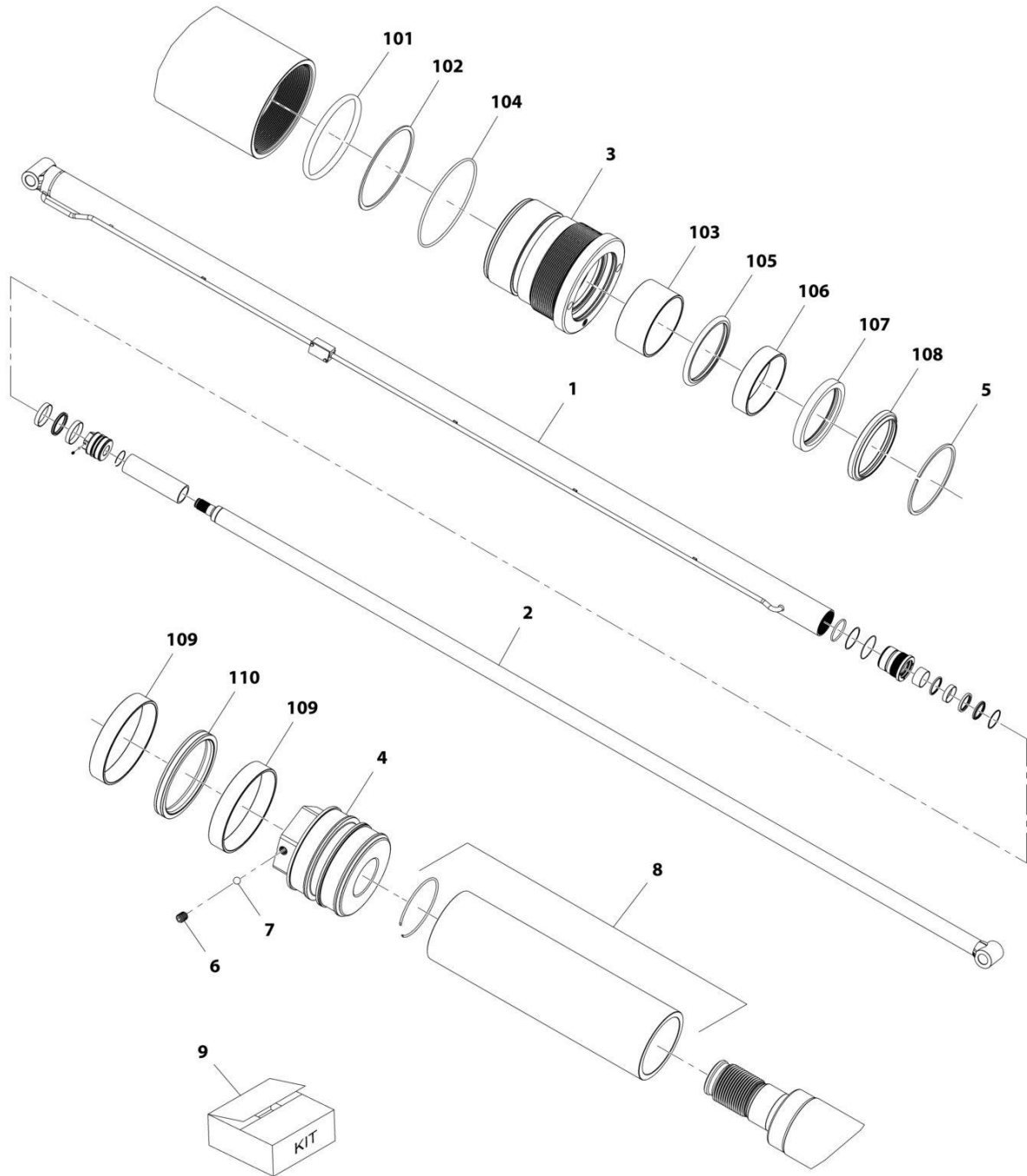
SECTION 9 - HYDRAULIC COMPONENTS

FIGURE 9-8. CYLINDER SUB-ASSEMBLY - EXTEND/RETRACT

ITEM	PART NUMBER	QTY	DESCRIPTION	REV
	1001227677	Ref	Extend/Retract Cylinder Assembly	A
1	2111212	2	Fitting, Straight ORFS	
2	4031917	4	Bolt, M8X65	
3	1001162685	1	Extend/Retract Cylinder (See Separate Breakdown in this Section)	
4	1001226876	1	Valve, Counterbalance (includes 2 O-Ring)	

SECTION 9 - HYDRAULIC COMPONENTS

FIGURE 9-9. CYLINDER ASSEMBLY - EXTEND/RETRACT



ART_1001162685-E

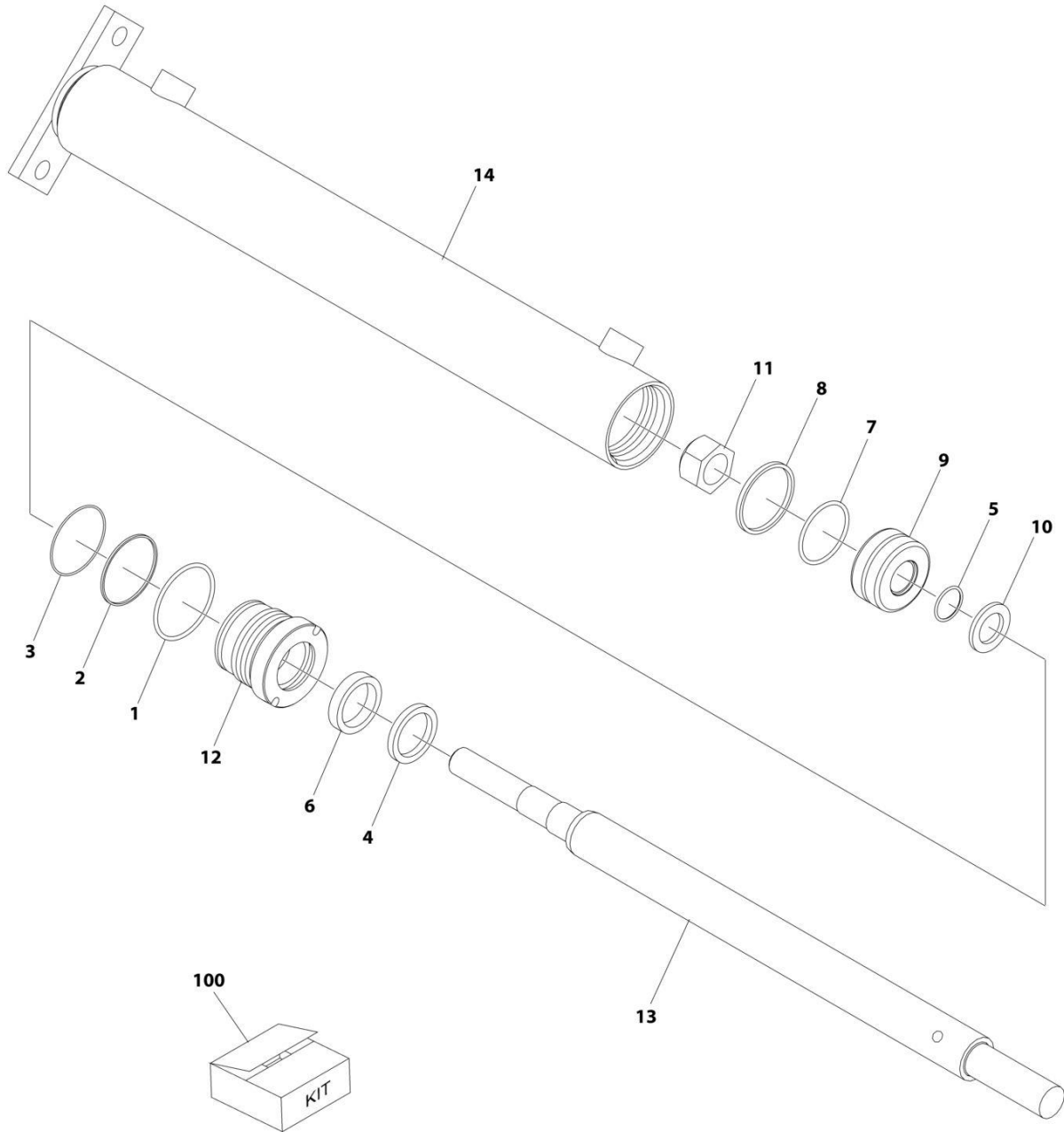
SECTION 9 - HYDRAULIC COMPONENTS

FIGURE 9-9. CYLINDER ASSEMBLY - EXTEND/RETRACT

ITEM	PART NUMBER	QTY	DESCRIPTION	REV
	1001162685	Ref	Extend/Retract Cylinder	E
		Ref	Note: Original Cylinder May Have Been Replaced with Service Replacement. Identify PN Stamped on Cylinder Before Ordering Parts.	
1	70026456	1	Barrel	
2	70026457	1	Rod	
3	70026459	1	Gland	
4	70026460	1	Head, Piston	
5	70023086	1	Ring, Snap	
6	70026461	1	Screw, Set	
7	70025614	1	Ball, Steel	
8	70026458	1	Spacer	
9	70026462	1	Kit, Seal (includes items 101 thru 110)	
101	Kit	1	O-Ring	
102	Kit	1	Ring, Backup	
103	Kit	1	Ring, Bearing	
104	Kit	1	O-Ring	
105	Kit	1	Seal, Rod	
106	Kit	1	Ring, Bearing	
107	Kit	1	Seal, Rod	
108	Kit	1	Seal, Wiper	
109	Kit	2	Ring, Bearing	
110	Kit	1	Seal, Piston	

SECTION 9 - HYDRAULIC COMPONENTS

FIGURE 9-10. CYLINDER ASSEMBLY - FORK POSITIONING



ART_2717283

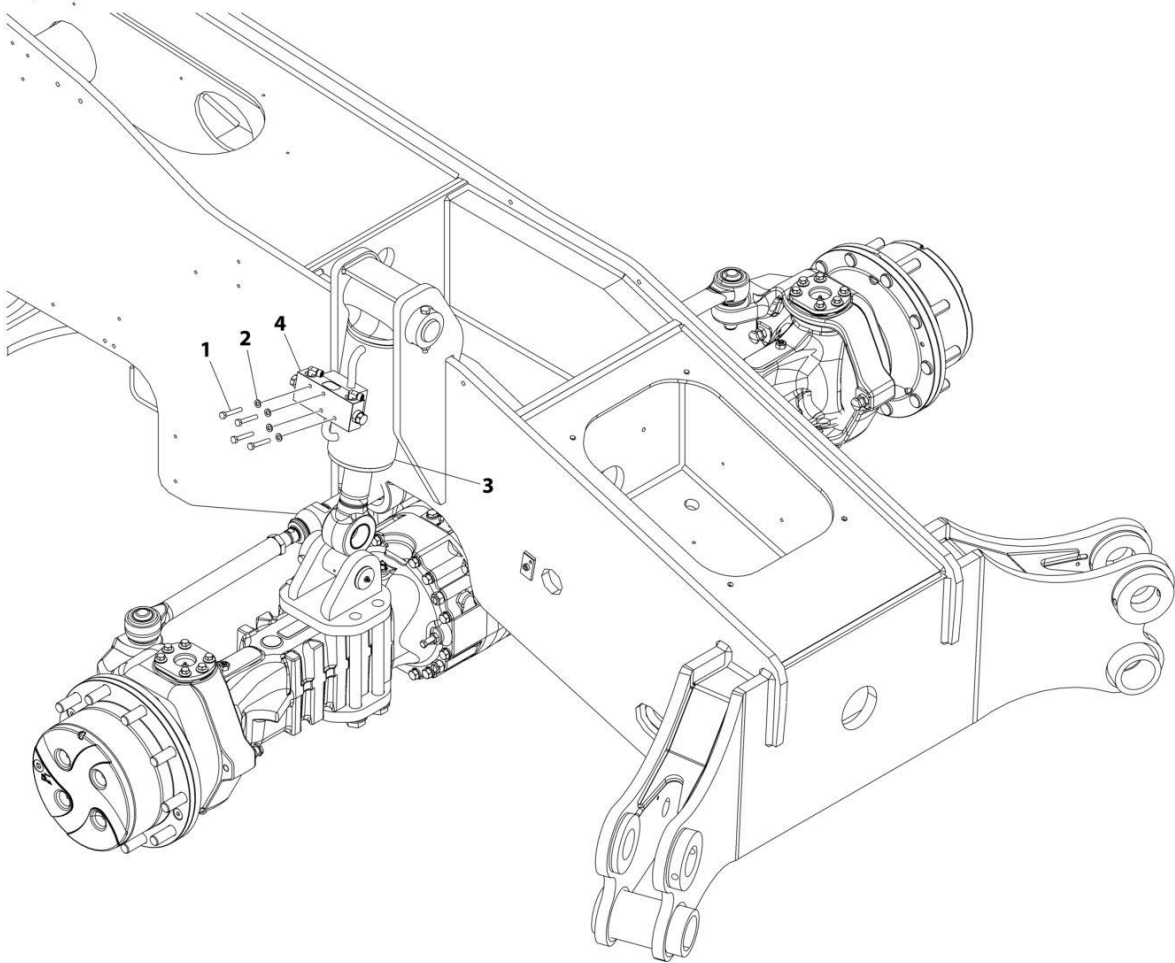
SECTION 9 - HYDRAULIC COMPONENTS

FIGURE 9-10. CYLINDER ASSEMBLY - FORK POSITIONING

ITEM	PART NUMBER	QTY	DESCRIPTION	REV
	2717283	Ref	FORK POSITIONING CYLINDER	B
		Ref	Note: Original Cylinder May Have Been Replaced with Service Replacement. Identify PN Stamped on Cylinder Before Ordering Parts.	
1	See Note	NSS	O-Ring (Use Item 100)	
2	See Note	NSS	Ring, Back-up (Use Item 100)	
3	See Note	NSS	O-Ring (Use Item 100)	
4	See Note	NSS	Seal (Use Item 100)	
5	See Note	NSS	O-Ring (Use Item 100)	
6	See Note	NSS	Seal (Use Item 100)	
7	See Note	NSS	O-Ring (Use Item 100)	
8	See Note	NSS	Seal (Use Item 100)	
9	70026771	1	Piston	
10	70026775	1	Washer	
11	70026770	1	Nut	
12	70026774	1	Head	
13	70026773	1	Rod	
14	See Note	NSS	Barrel (Note: Use PN 2717283)	
100	8036733	1	Seal Kit (includes items 1 thru 8)	

SECTION 9 - HYDRAULIC COMPONENTS

FIGURE 9-11. CYLINDER INSTALLATION - FRAME LEVEL



ART_1001162076_E

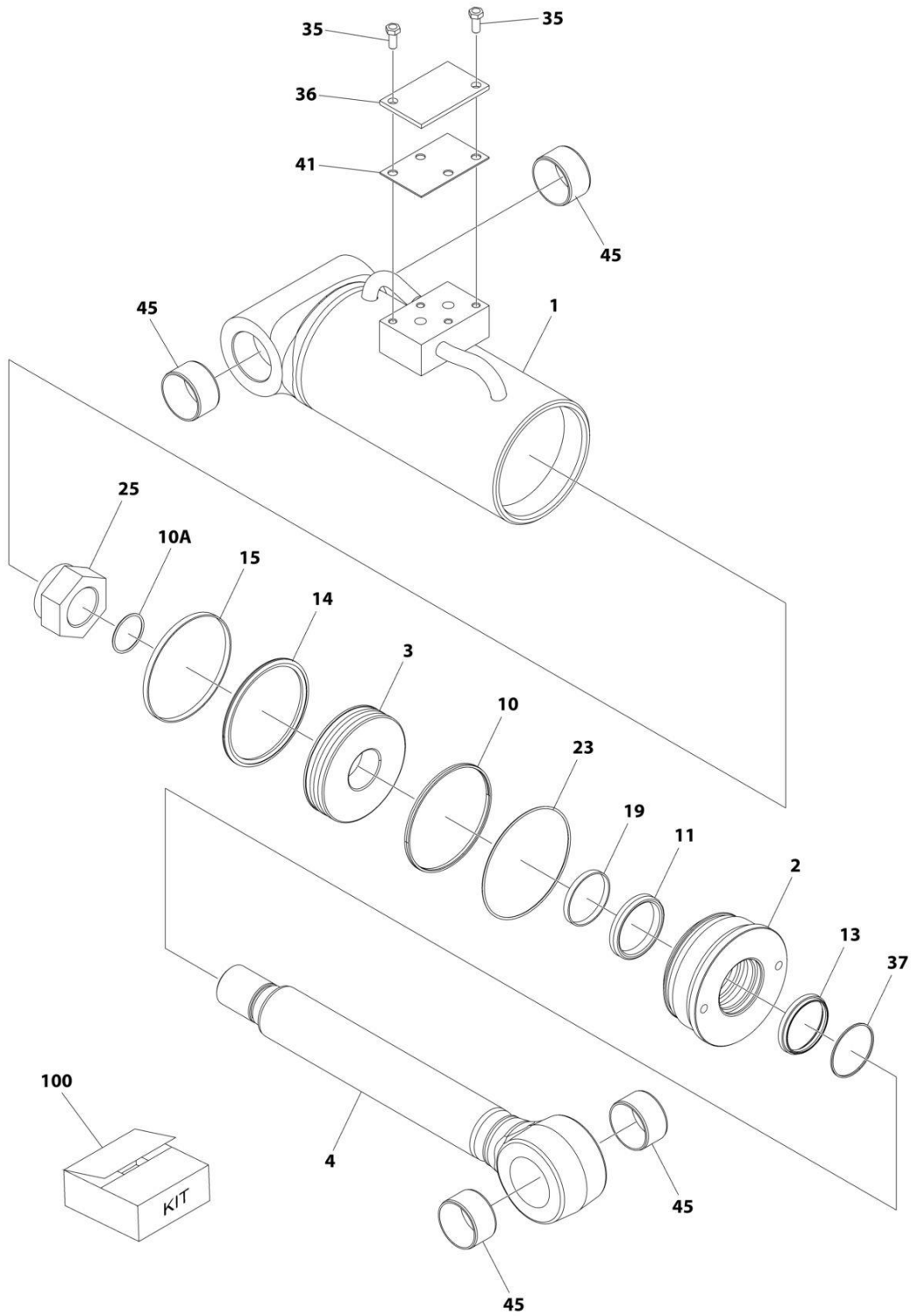
SECTION 9 - HYDRAULIC COMPONENTS

FIGURE 9-11. CYLINDER INSTALLATION - FRAME LEVEL

ITEM	PART NUMBER	QTY	DESCRIPTION	REV
	1001162076	Ref	FRAME LEVEL CYLINDER INSTALLATION	E
1	0700818	4	Bolt M8 x 50	
2	4811900	4	Washer M8	
3	1001267970	1	Cylinder, Frame Stability (See Separate Breakdown in this Section)	
4	1001252522	1	Valve, Counterbalance	

SECTION 9 - HYDRAULIC COMPONENTS

FIGURE 9-12. CYLINDER ASSEMBLY - FRAME LEVEL



ART_1001267970

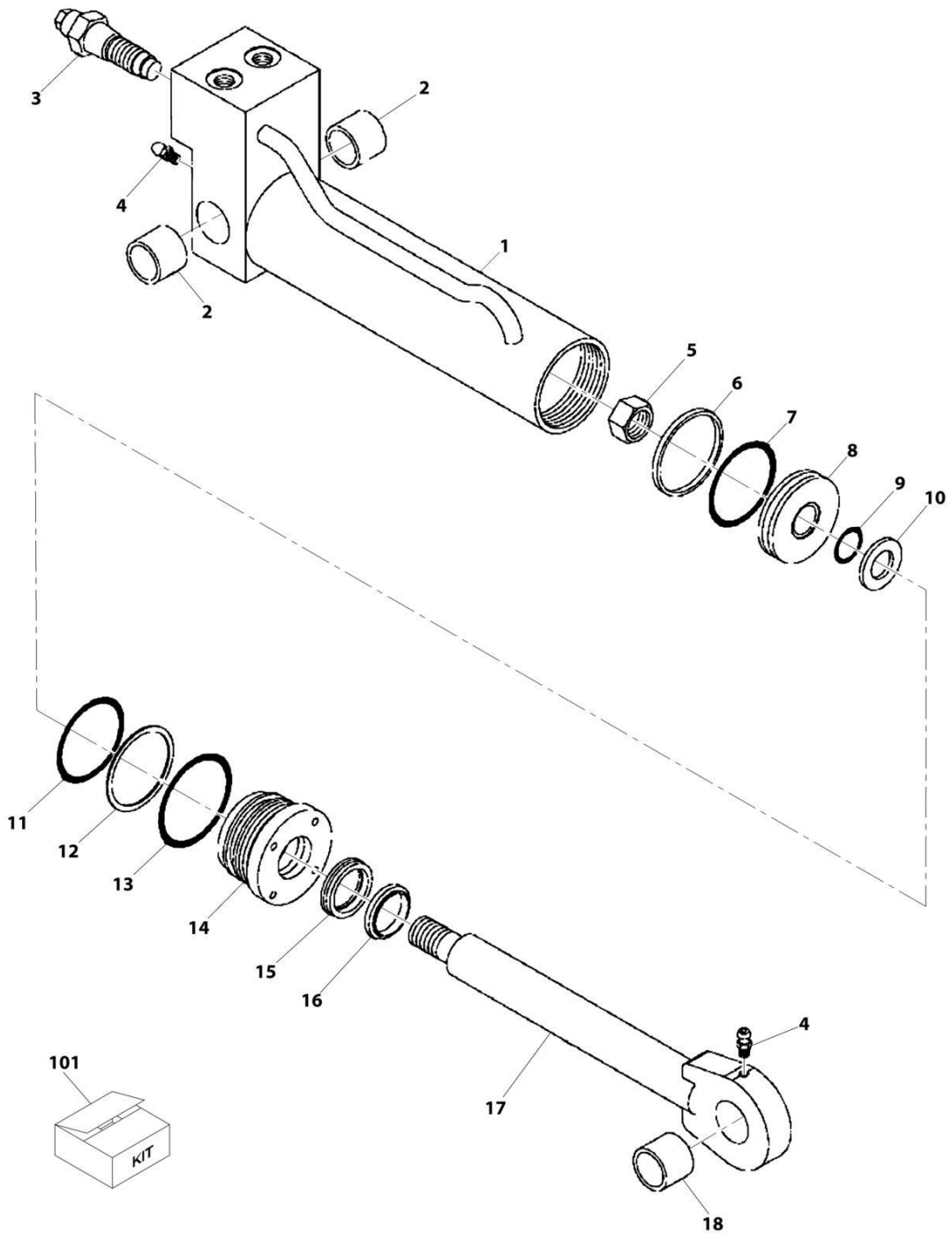
SECTION 9 - HYDRAULIC COMPONENTS

FIGURE 9-12. CYLINDER ASSEMBLY - FRAME LEVEL

ITEM	PART NUMBER	QTY	DESCRIPTION	REV
	1001267970	Ref	CYLINDER ASSEMBLY	B
		Ref	Note: Original Cylinder May Have Been Replaced with Service Replacement. Identify PN Stamped on Cylinder Before Ordering Parts.	
1	See Note	NSS	Barrel (Note: Use PN 1001267970)	
2	70030388	1	Head	
3	70030389	1	Piston	
4	70030395	1	Rod	
10	See Note	NSS	Seal, Dual (Note: Use Item 100)	
10A	See Note	NSS	O-Ring (Note: Use Item 100)	
11	See Note	NSS	Seal, Rod (Note: Use Item 100)	
13	See Note	NSS	Wiper (Note: Use Item 100)	
14	See Note	NSS	Seal, Piston (Note: Use Item 100)	
15	See Note	NSS	Ring, Wear (Note: Use Item 100)	
19	See Note	NSS	Ring, Wear (Note: Use Item 100)	
23	See Note	NSS	Seal, Environmental (Note: Use Item 100)	
25	70030391	1	Nut 1-3/4	
35		Ref	Bolt M8 x 1-1/4	
36		Ref	Plate, Shipping	
37	70030392	1	Mask, Wiper	
41		Ref	Gasket, Shipping	
45	70030393	4	Bushing	
100	70030394	1	Seal Kit (Includes Items 10, 10A, 11, 13, 14, 15, 19 & 23)	

SECTION 9 - HYDRAULIC COMPONENTS

FIGURE 9-13. CYLINDER ASSEMBLY - GRAPPLE BUCKET



ART_70021393-A

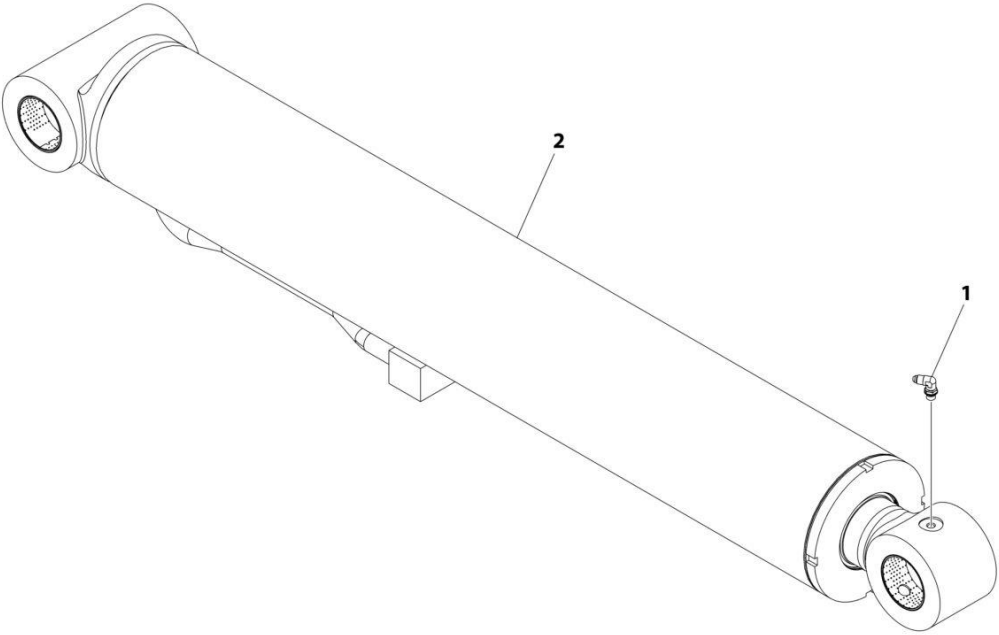
SECTION 9 - HYDRAULIC COMPONENTS

FIGURE 9-13. CYLINDER ASSEMBLY - GRAPPLE BUCKET

ITEM	PART NUMBER	QTY	DESCRIPTION	REV
	70021393	Ref	Grapple Bucket Cylinder	A
		Ref	Note: Original Cylinder May Have Been Replaced with Service Replacement. Identify PN Stamped on Cylinder Before Ordering Parts.	
1	70021465	1	Barrel	
2	70021448	2	Bushing	
3	70021464	2	Cartridge, Valve	
4	90554045	2	Fitting, Grease	
5	70021440	1	Nut	
6	Kit	NSS	Ring, Piston (Note: Use Item 101)	
7	Kit	NSS	O-Ring (Note: Use Item 101)	
8	70021451	1	Piston	
9	Kit	NSS	O-Ring (Note: Use Item 101)	
10	70021444	1	Washer	
11	Kit	NSS	O-Ring (Note: Use Item 101)	
12	Kit	NSS	Washer, Back-Up (Note: Use Item 101)	
13	Kit	NSS	O-Ring (Note: Use Item 101)	
14	70021446	1	Head	
15	Kit	NSS	Seal, Poly-Pak (Note: Use Item 101)	
16	Kit	NSS	Wiper, Rod (Note: Use Item 101)	
17	70021466	1	Rod	
18	70021447	1	Bushing	
101	70021452	1	Kit, Seal (includes items 6, 7, 9, 11 thru 13, 15 & 16)	

SECTION 9 - HYDRAULIC COMPONENTS

FIGURE 9-14. LIFT CYLINDER ASSEMBLY, INSTALLATION



ART_1001264884

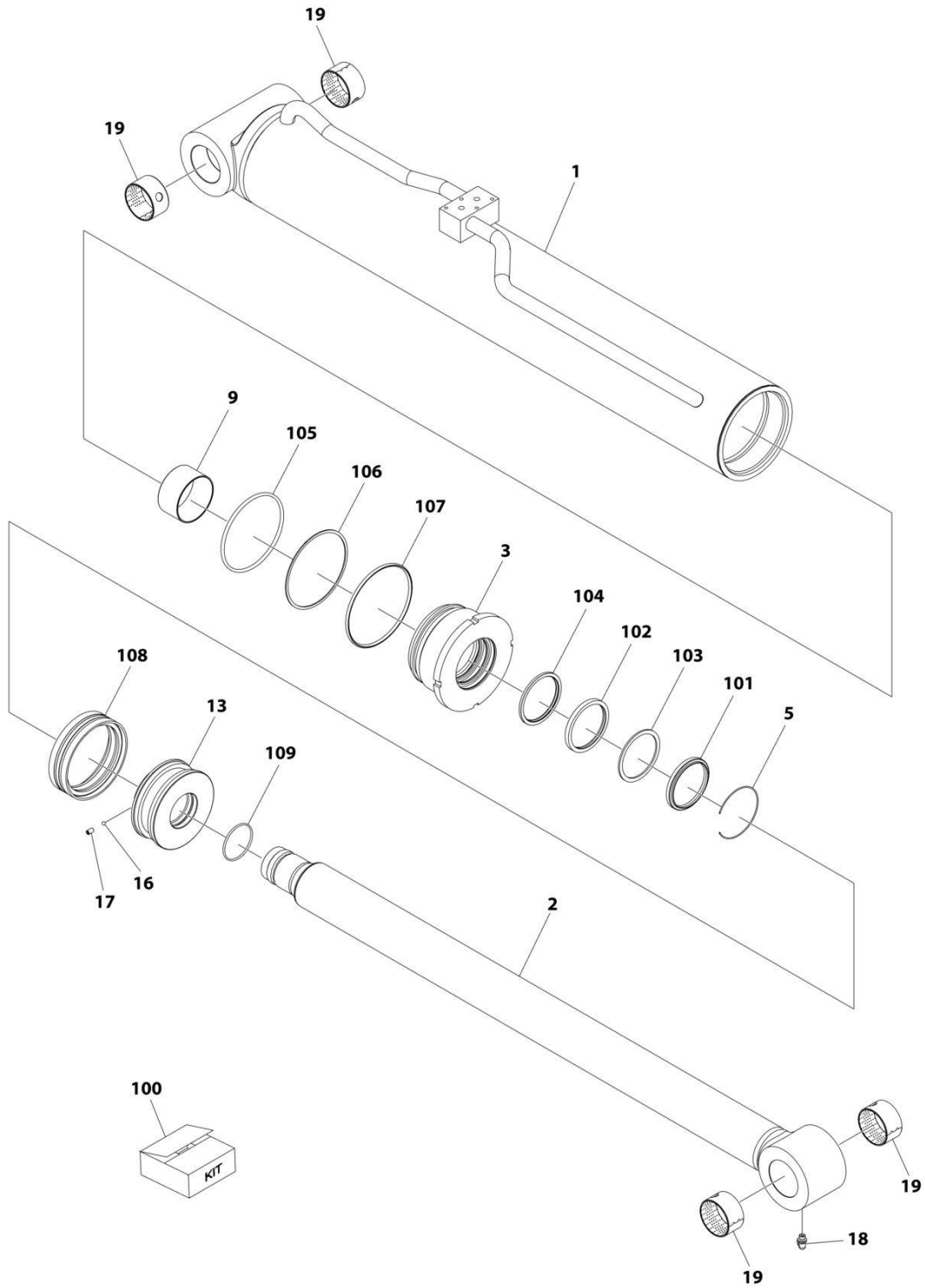
SECTION 9 - HYDRAULIC COMPONENTS

FIGURE 9-14. LIFT CYLINDER ASSEMBLY, INSTALLATION

ITEM	PART NUMBER	QTY	DESCRIPTION	REV
	1001264884	Ref	LIFT CYLINDER ASSEMBLY INSTALLATION	A
1	8770215	1	Elbow	
2	1001251095	1	Cylinder, Lift (See Separate Breakdown in this Section)	

SECTION 9 - HYDRAULIC COMPONENTS

FIGURE 9-15. CYLINDER ASSEMBLY - LIFT



ART_1001251095

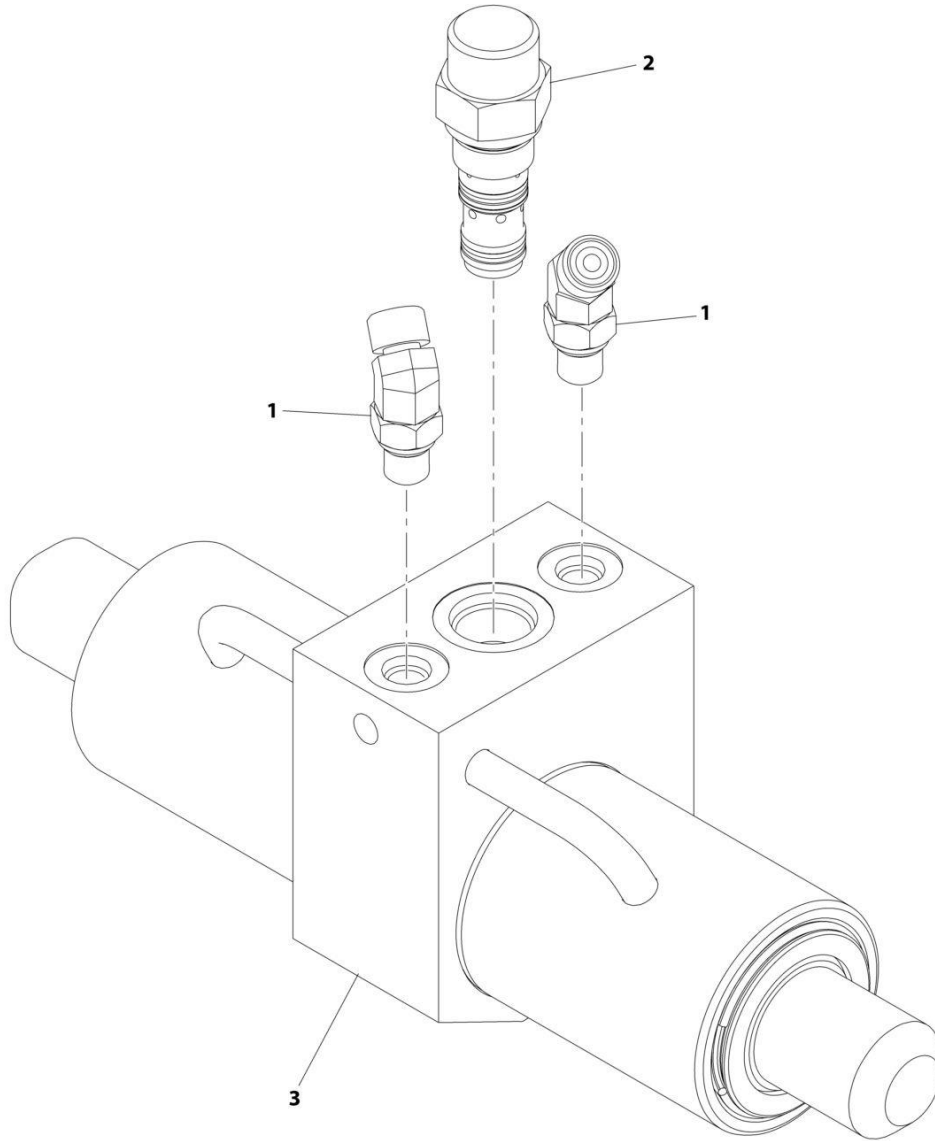
SECTION 9 - HYDRAULIC COMPONENTS

FIGURE 9-15. CYLINDER ASSEMBLY - LIFT

ITEM	PART NUMBER	QTY	DESCRIPTION	REV
	1001251095	Ref	Lift Cylinder	C
		Ref	Note: Original Cylinder May Have Been Replaced with Service Replacement. Identify PN Stamped on Cylinder Before Ordering Parts.	
1	N.S.S.	1	Barrel	
2	70029800	1	Rod	
3	70029801	1	Gland	
5	70023380	1	Ring, Retaining	
9	70029802	1	Bearing	
13	70029803	1	Piston	
16	70022564	1	Steel Ball	
17	70029468	1	Setscrew	
18	70023376	1	Fitting, Grease	
19	70029804	4	Bearing	
100	70029805	1	Kit, Seal (includes items 101 thru 109)	
101	Kit	1	Wiper	
102	Kit	1	Seal, Rod	
103	Kit	1	Ring, Backup	
104	Kit	1	Seal, Buffer	
105	Kit	1	O-Ring	
106	Kit	1	Ring, Backup	
107	Kit	1	O-Ring	
108	Kit	1	Piston Seal	
109	Kit	1	O-Ring	

SECTION 9 - HYDRAULIC COMPONENTS

FIGURE 9-16. CYLINDER SUB-ASSEMBLY - QUICK COUPLER



ART_1001210390-A

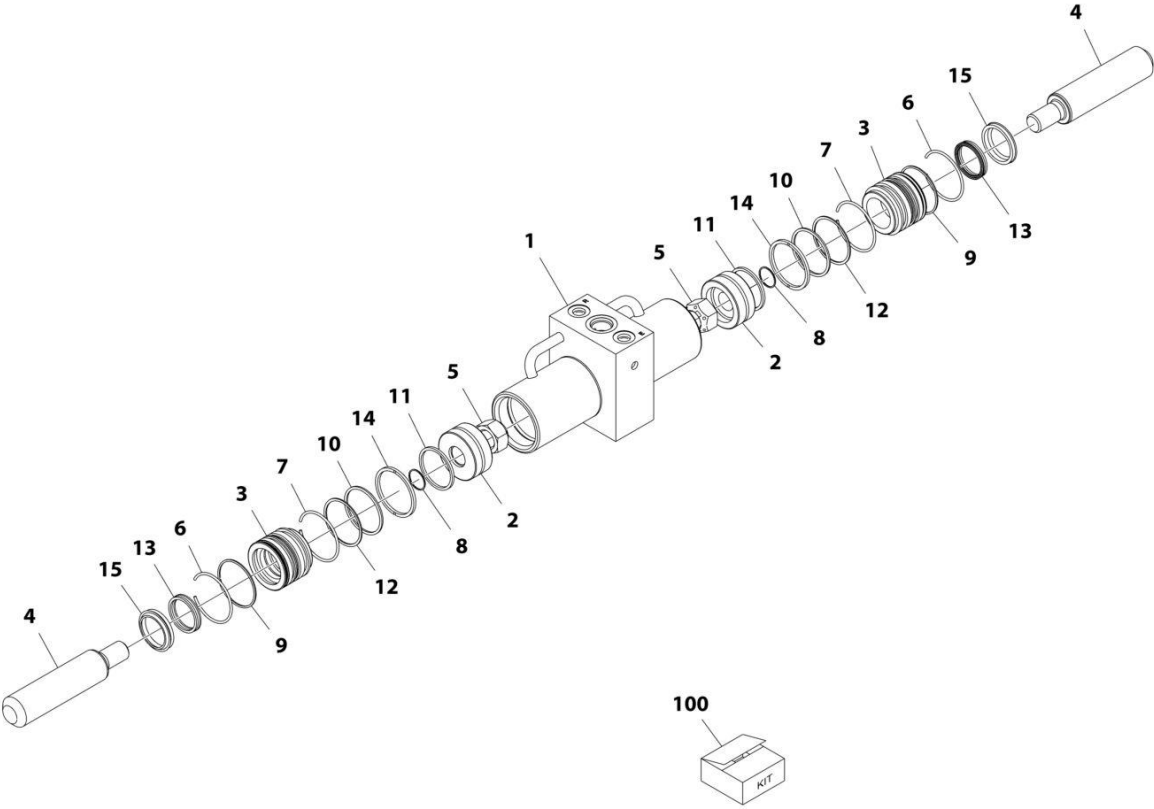
SECTION 9 - HYDRAULIC COMPONENTS

FIGURE 9-16. CYLINDER SUB-ASSEMBLY - QUICK COUPLER

ITEM	PART NUMBER	QTY	DESCRIPTION	REV
	1001210390	Ref	Quick Coupler Cylinder Assembly	A
1	2150404	2	Fitting, 45 ORFS	
2	1001007056	1	Valve, Check	
3	1001120163	1	Cylinder, Quick Coupler (See Separate Breakdown in this Section)	

SECTION 9 - HYDRAULIC COMPONENTS

FIGURE 9-17. CYLINDER ASSEMBLY - QUICK COUPLER



ART_1001120163-D

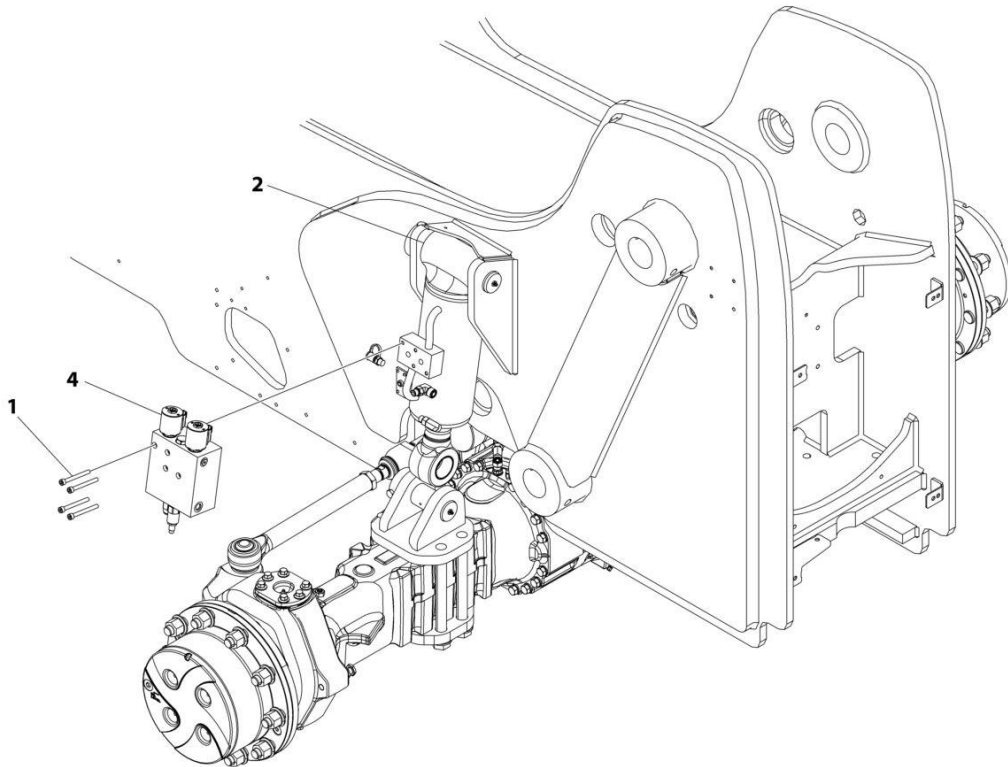
SECTION 9 - HYDRAULIC COMPONENTS

FIGURE 9-17. CYLINDER ASSEMBLY - QUICK COUPLER

ITEM	PART NUMBER	QTY	DESCRIPTION	REV
	1001120163	Ref	Quick Coupler Cylinder	D
		Ref	Note: Original Cylinder May Have Been Replaced with Service Replacement. Identify PN Stamped on Cylinder Before Ordering Parts.	
1	70026211	1	Barrel	
2	70026212	2	Piston	
3	70026213	2	Head Gland	
4	70026214	2	Cylinder Rod	
5	8037140	2	Locknut	
6	Kit	2	Round Retaining Ring	
7	Kit	2	Round Retaining Ring	
8	Kit	2	O-Ring	
9	Kit	2	O-Ring	
10	Kit	2	O-Ring	
11	Kit	2	Square Ring	
12	Kit	2	Backup Ring	
13	Kit	2	Rod Seal	
14	Kit	2	Piston Seal	
15	Kit	2	Rod Wiper	
100	70026215	1	Seal Kit (includes items 6 thru 15)	

SECTION 9 - HYDRAULIC COMPONENTS

FIGURE 9-18. CYLINDER INSTALLATION - REAR AXLE STABILIZER



ART_1001164036_F

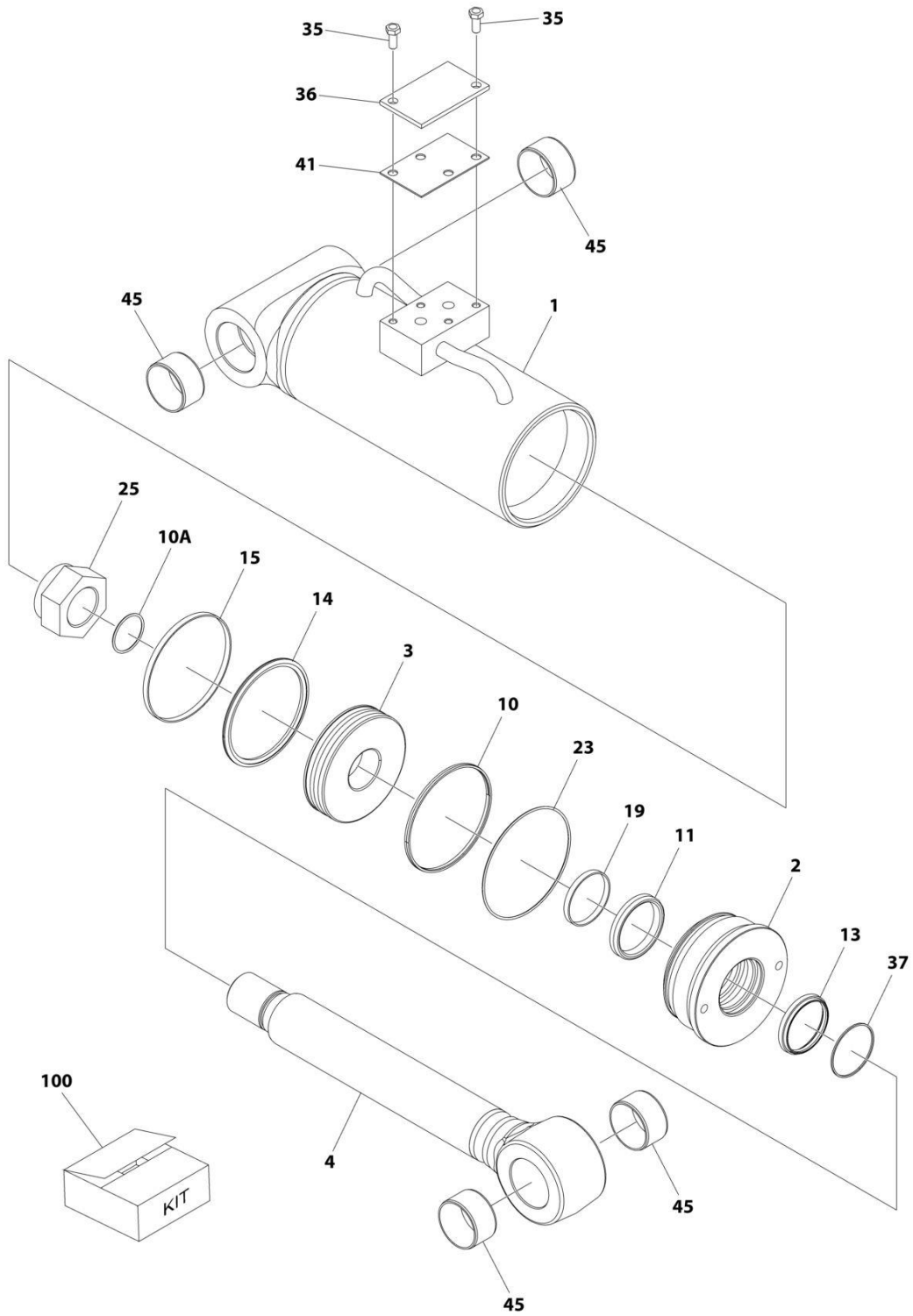
SECTION 9 - HYDRAULIC COMPONENTS

FIGURE 9-18. CYLINDER INSTALLATION - REAR AXLE STABILIZER

ITEM	PART NUMBER	QTY	DESCRIPTION	REV
	1001164036	Ref	REAR AXLE STABILIZER CYLINDER INSTALLATION	F
1	4031920	4	Screw M8 x 1-1/4	
2	1001267969	1	Cylinder, Frame Stability (See Separate Breakdown in this Section)	
4	1001197600	Ref	Valve (See Separate Breakdown in HYDRAULIC COMPONENTS Section)	

SECTION 9 - HYDRAULIC COMPONENTS

FIGURE 9-19. CYLINDER ASSEMBLY - STABILIZER (REAR AXLE)



ART_1001267969

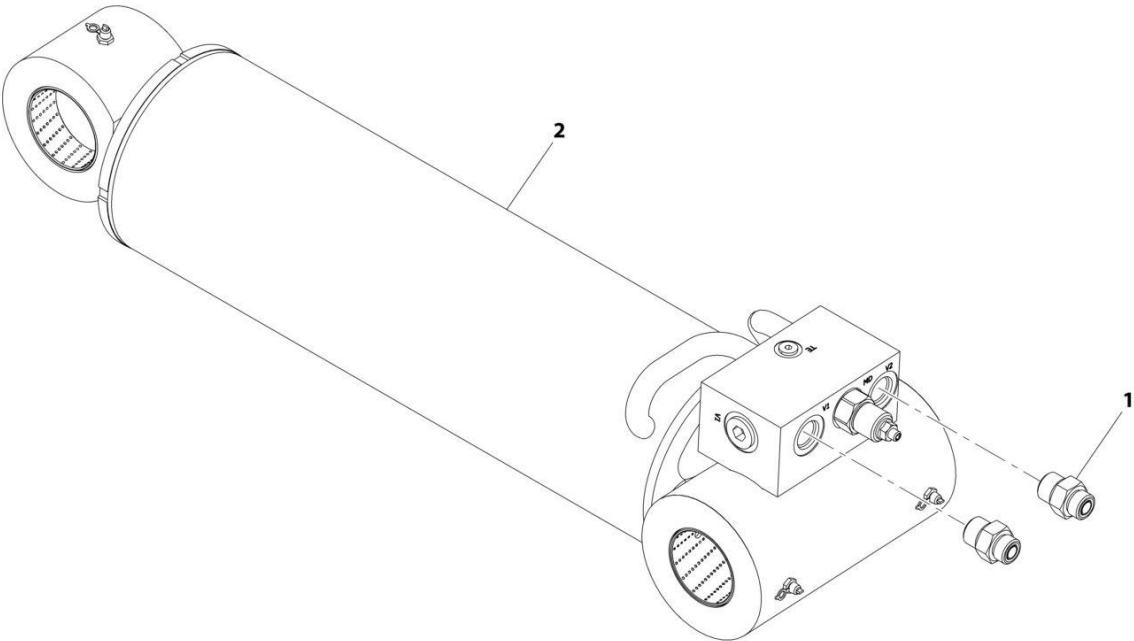
SECTION 9 - HYDRAULIC COMPONENTS

FIGURE 9-19. CYLINDER ASSEMBLY - STABILIZER (REAR AXLE)

ITEM	PART NUMBER	QTY	DESCRIPTION	REV
	1001267969	Ref	CYLINDER ASSEMBLY	B
		Ref	Note: Original Cylinder May Have Been Replaced with Service Replacement. Identify PN Stamped on Cylinder Before Ordering Parts.	
1	See Note	NSS	Barrel (Note: Use PN 1001267969)	
2	70030388	1	Head	
3	70030389	1	Piston	
4	70030390	1	Rod	
10	See Note	NSS	Seal, Dual (Note: Use Item 100)	
10A	See Note	NSS	O-Ring (Note: Use Item 100)	
11	See Note	NSS	Seal, Rod (Note: Use Item 100)	
13	See Note	NSS	Wiper (Note: Use Item 100)	
14	See Note	NSS	Seal, Piston (Note: Use Item 100)	
15	See Note	NSS	Ring, Wear (Note: Use Item 100)	
19	See Note	NSS	Ring, Wear (Note: Use Item 100)	
23	See Note	NSS	Seal, Environmental (Note: Use Item 100)	
25	70030391	1	Nut 1-3/4	
35		Ref	Bolt M8 x 1-1/4	
36		Ref	Plate, Shipping	
37	70030392	1	Mask, Wiper	
41		Ref	Gasket, Shipping	
45	70030393	4	Bushing	
100	70030394	1	Seal Kit (Includes Items 10, 10A, 11, 13, 14, 15, 19 & 23)	

SECTION 9 - HYDRAULIC COMPONENTS

FIGURE 9-20. CYLINDER SUB-ASSEMBLY - TILT



ART_1001184640_D

SECTION 9 - HYDRAULIC COMPONENTS

FIGURE 9-20. CYLINDER SUB-ASSEMBLY - TILT

ITEM	PART NUMBER	QTY	DESCRIPTION	REV
1	1001184640	Ref	Tilt Cylinder Assembly	D
2	2110810	2	Fitting, Straight ORFS	
2	1001251073	Ref	Tilt Cylinder (See Separate Breakdown in this Section)	

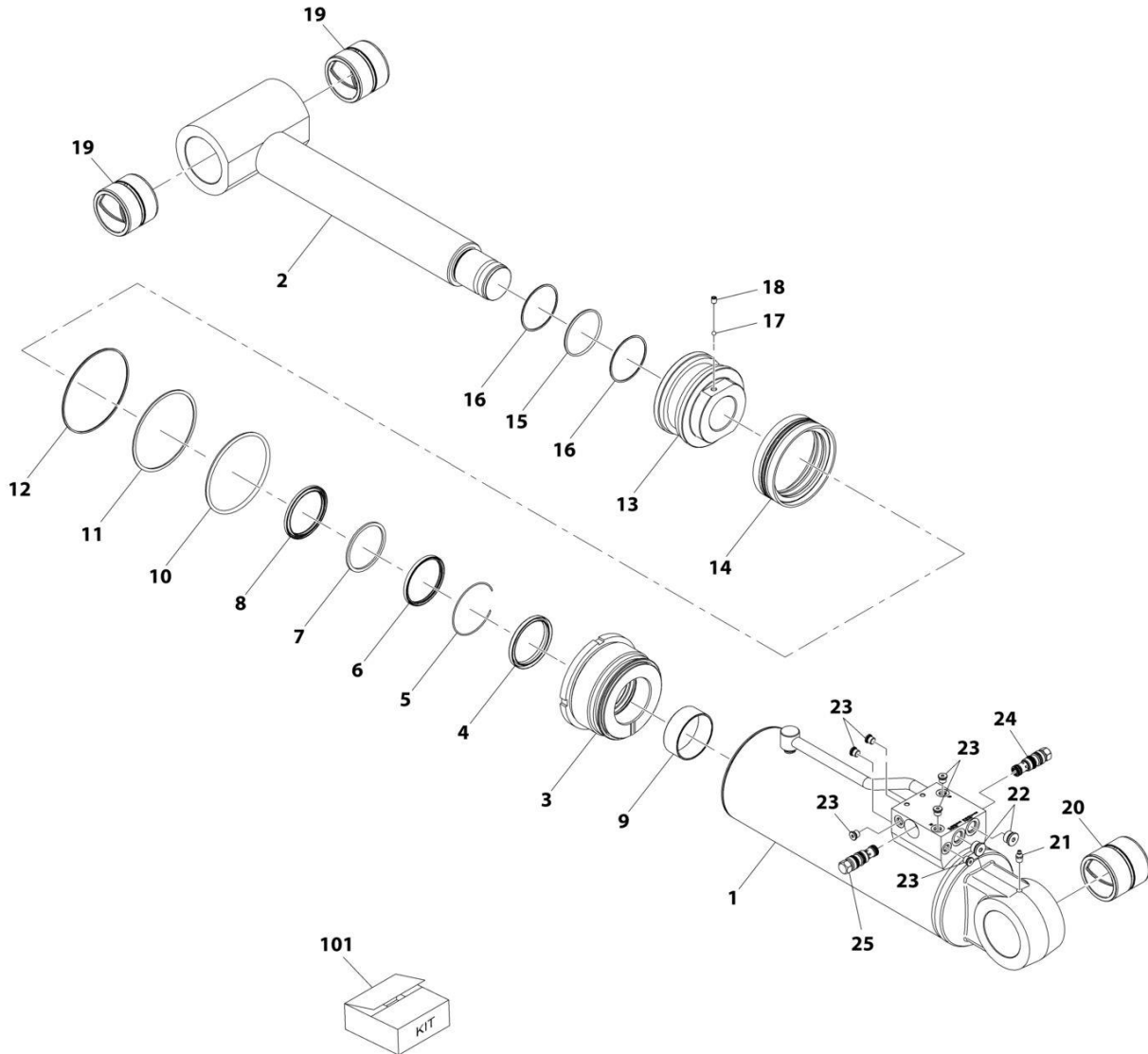
SECTION 9 - HYDRAULIC COMPONENTS

FIGURE 9-21. CYLINDER ASSEMBLY - TILT

ITEM	PART NUMBER	QTY	DESCRIPTION	REV
	1001251073	Ref	CYLINDER ASSEMBLY - TILT	A
		Ref	Note: Original Cylinder May Have Been Replaced with Service Replacement. Identify PN Stamped on Cylinder Before Ordering Parts.	
1	1001168038	2	Bushing	
2	1001168041	2	Bushing	
3	1001189888	1	Valve, Counterbalance	
101	SEE NOTE	NSS	Barrel (Note: Use PN 1001251073)	
102	70031339	1	Rod	
103	70031340	1	Head	
104	SEE NOTE	NSS	Wiper, Dust (Note: Use Item 201)	
105	70023379	1	Ring, Retaining	
106	See Note	NSS	Seal, Rod (Note: Use Item 201)	
107	See Note	NSS	Ring, Backup (Note: Use Item 201)	
108	See Note	NSS	Ring, Buffer (Note: Use Item 201)	
109	70026302	1	Bushing	
110	See Note	NSS	O-Ring (Note: Use Item 201)	
111	See Note	NSS	Ring, Backup (Note: Use Item 201)	
112	70031341	1	O-Ring	
113	70031342	1	Piston	
114	See Note	NSS	Seal, Piston (Note: Use Item 201)	
115	See Note	NSS	O-Ring (Note: Use Item 201)	
116	See Note	NSS	Ring, Backup (Note: Use Item 201)	
117	70022564	1	Bearing, Ball	
118	70023369	1	Set-Screw	
120	70005433	3	Plug	
121	2220883	1	Plug	
124	70029469	3	Nipple, Grease	
201	70031343	1	Seal Kit - 1001251073 Cylinder (Includes Items 104, 106-108, 110, 111 & 114-116)	

SECTION 9 - HYDRAULIC COMPONENTS

FIGURE 9-22. CYLINDER ASSEMBLY - OUTRIGGER



ART_1001213065-C

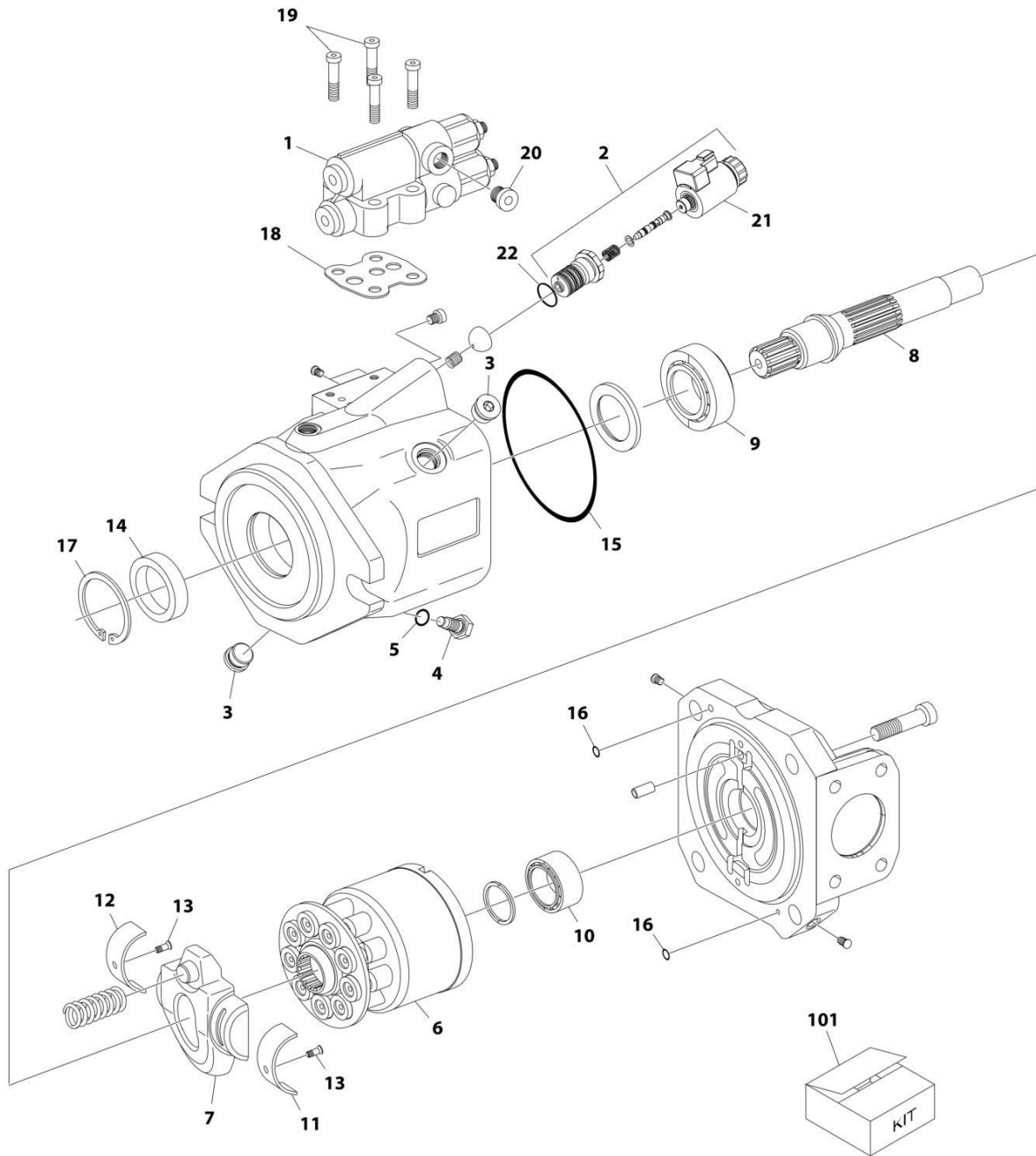
SECTION 9 - HYDRAULIC COMPONENTS

FIGURE 9-22. CYLINDER ASSEMBLY - OUTRIGGER

ITEM	PART NUMBER	QTY	DESCRIPTION	REV
	1001213065	Ref	Outrigger Cylinder	C
		Ref	Note: Original Cylinder May Have Been Replaced with Service Replacement. Identify PN Stamped on Cylinder Before Ordering Parts.	
1	70027758	1	Tube Assembly	
2	70026300	1	Rod Assembly	
3	70026301	1	Gland	
4	Kit	1	Dust Wiper	
5	70023379	1	Retain Ring	
6	Kit	1	Rod Seal	
7	Kit	1	Back-up Ring	
8	Kit	1	Buffer Ring	
9	70026302	1	Dry Bearing	
10	Kit	1	O-ring	
11	Kit	1	Back-up Ring	
12	Kit	1	O-ring	
13	70026303	1	Piston	
14	Kit	1	Piston Seal	
15	Kit	1	O-ring	
16	Kit	2	Back-up Ring	
17	70022564	1	Steel Ball	
18	70023369	1	Set Screw	
19	70026304	2	Pin Bush	
20	70026305	1	Pin Bush	
21	70026308	1	Grease Nipple	
22	2220886	2	Hex Soc. Plug	
23	2220883	6	Hex Soc. Plug	
24	1001214653	1	Counter Balance Valve	
25	1001214654	1	Counter Balance Valve	
101	70026309	1	Kit, Seal (includes items 4, 6, 7, 8, 10, 11, 12 & 14 thru 16)	

SECTION 9 - HYDRAULIC COMPONENTS

FIGURE 9-23. PUMP ASSEMBLY - PISTON



ART_1001182279

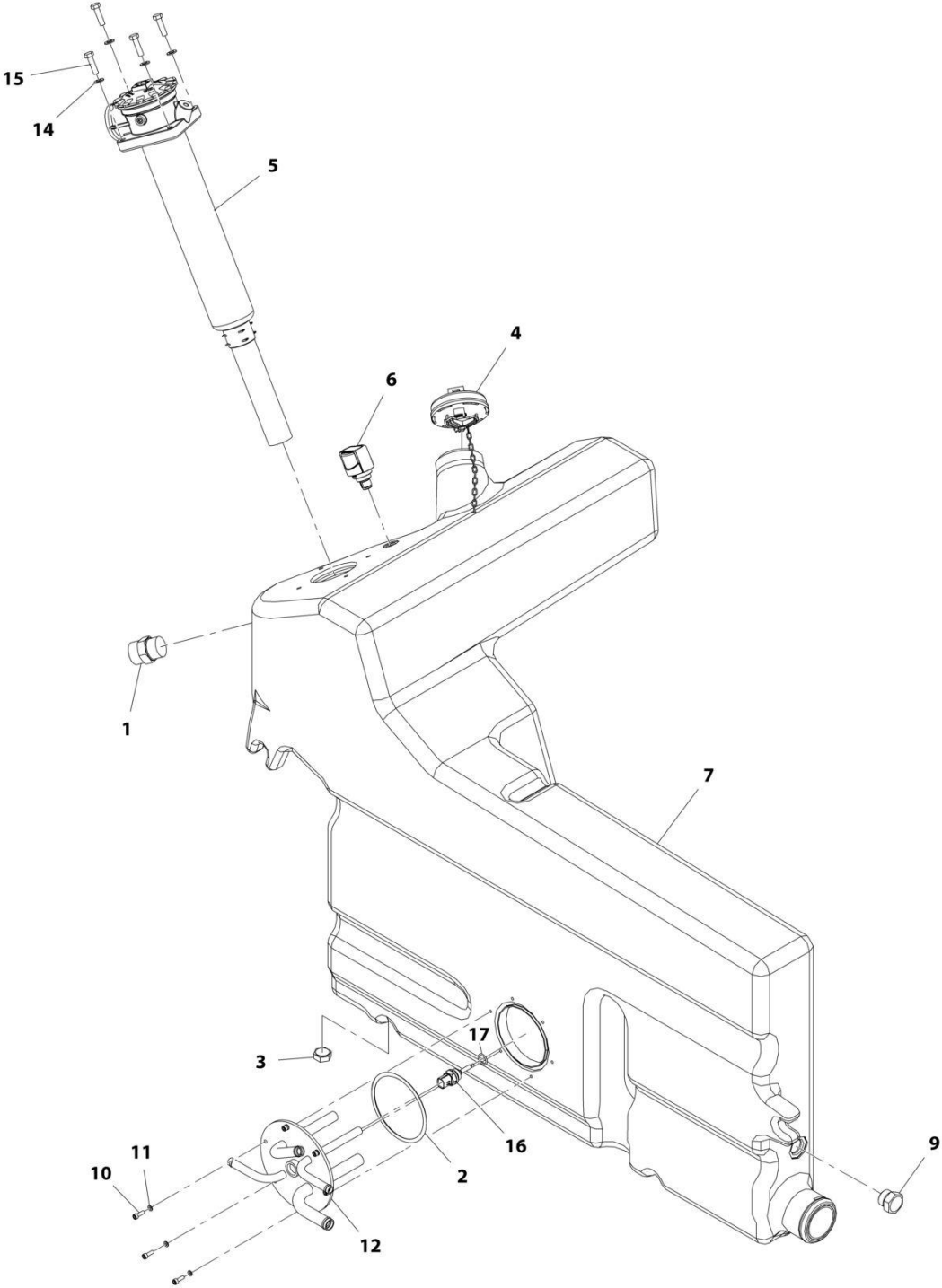
SECTION 9 - HYDRAULIC COMPONENTS

FIGURE 9-23. PUMP ASSEMBLY - PISTON

ITEM	PART NUMBER	QTY	DESCRIPTION	REV
	1001182279	Ref	Piston Pump Assembly	B
1	70026572	1	Valve, Control	
2	70024186	1	Valve, Control (Includes Item 21)	
3	70024407	2	Plug	
4	70024408	1	Screw, Stop	
5	Kit	1	O-Ring	
6	70024188	1	Group, Rotary	
7	70026583	1	Plate, Swash	
8	7024939	1	Shaft, Drive	
9	7024943	1	Bearing, Front	
10	7024944	1	Bearing, Rear	
11	70024414	1	Liner, Bearing	
12	70024415	1	Liner, Bearing	
13	7024953	2	Screw, M5X16	
14	80634004	1	Seal, Shaft	
15	Kit	1	O-Ring	
16	Kit	2	Sing, Seal	
17	80334277	1	Ring, Safety	
18	70021867	1	Gasket	
19	7024954	4	Screw, M6X30	
20	70024416	1	Plug	
21	70025897	1	Coil (Part of Item 2)	
22	Kit	1	O-Ring	
101	70024189	1	Kit, Seal (includes items 5, 15 thru 16 & 22)	

SECTION 9 - HYDRAULIC COMPONENTS

FIGURE 9-24. HYDRAULIC TANK



ART_1001163067-O

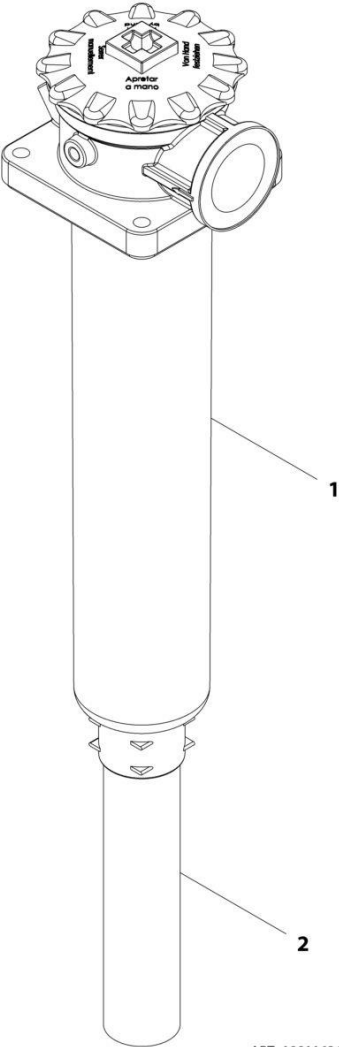
SECTION 9 - HYDRAULIC COMPONENTS

FIGURE 9-24. HYDRAULIC TANK

ITEM	PART NUMBER	QTY	DESCRIPTION	REV
	1001163067	Ref	Hydraulic Tank	O
1	2111616	1	Fitting, Straight ORFS	
2	1001003301	1	Seal O-Ring	
3	2220239	1	Plug	
4	1001194981	1	Cap	
5	1001162660	1	Filter Assembly (See Separate Breakdown in this Section)	
6	1001162662	1	Filter, Breather	
7	1001162765	1	Tank	
9	2220240	1	Adapter	
10	4031607	6	Screw, M5-0.8X16	
11	4831600	6	Washer, Lock M5	
12	1001167281	1	Manifold, Hydraulic Return	
14	4811900	4	Washer, M8	
15	0700814	4	Bolt, M8X30	
16	1001128478	1	Sensor	
17	1001009163	1	Seal	

SECTION 9 - HYDRAULIC COMPONENTS

FIGURE 9-25. HYDRAULIC TANK FILTER ASSEMBLY



ART_1001162660-C

SECTION 9 - HYDRAULIC COMPONENTS

FIGURE 9-25. HYDRAULIC TANK FILTER ASSEMBLY

ITEM	PART NUMBER	QTY	DESCRIPTION	REV
1	1001162660	Ref	Hydraulic Filter	C
	1001162661	1	Filter	
	1001162663	1	Element, Filter	
2	1001162667	1	Pipe, Filter Return	

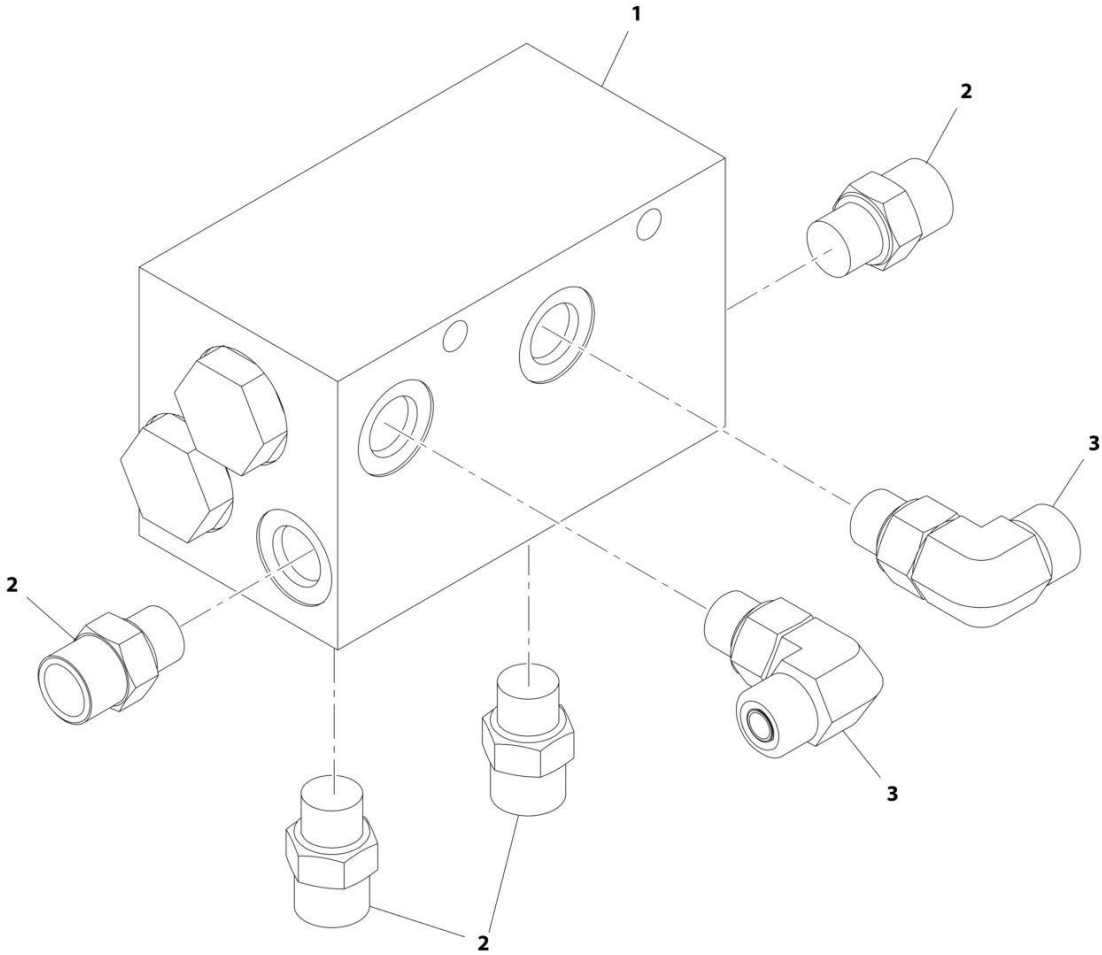
SECTION 9 - HYDRAULIC COMPONENTS

FIGURE 9-26. VALVE, AIR SHUT OFF

ITEM	PART NUMBER	QTY	DESCRIPTION	REV
	1001204032	Ref	Air Shut Off Valve	C
1	70028514	1	Kit, Solenoid 12V (Includes Solenoid, Coil, O-Ring)	
2	70028515	1	Kit, Switch (Includes Ball Switch & O-Ring)	
3	70028516	1	Kit, Flange and Hardware (Includes Flanges (Male & Female) & Mounting Hardware)	
4	70028517	1	Kit, Handle (Includes Handle & Pin)	

SECTION 9 - HYDRAULIC COMPONENTS

FIGURE 9-27. VALVE AND FITTINGS - CARRIAGE (DUAL FORK)



ART_4641502-B

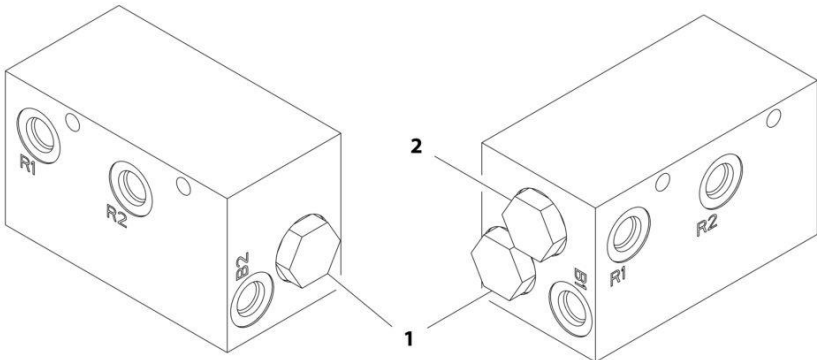
SECTION 9 - HYDRAULIC COMPONENTS

FIGURE 9-27. VALVE AND FITTINGS - CARRIAGE (DUAL FORK)

ITEM	PART NUMBER	QTY	DESCRIPTION	REV
	4641502	Ref	Dual Fork Carriage Valve Assembly	B
1	4641501	1	Valve, Flow Divider (See Separate Breakdown in this Section)	
2	2110606	4	Fitting, Straight ORFS	
3	2130606	2	Fitting, 90	

SECTION 9 - HYDRAULIC COMPONENTS

FIGURE 9-28. VALVE - CARRIAGE DUAL FORK FLOW DIVIDER



ART_4641501-A

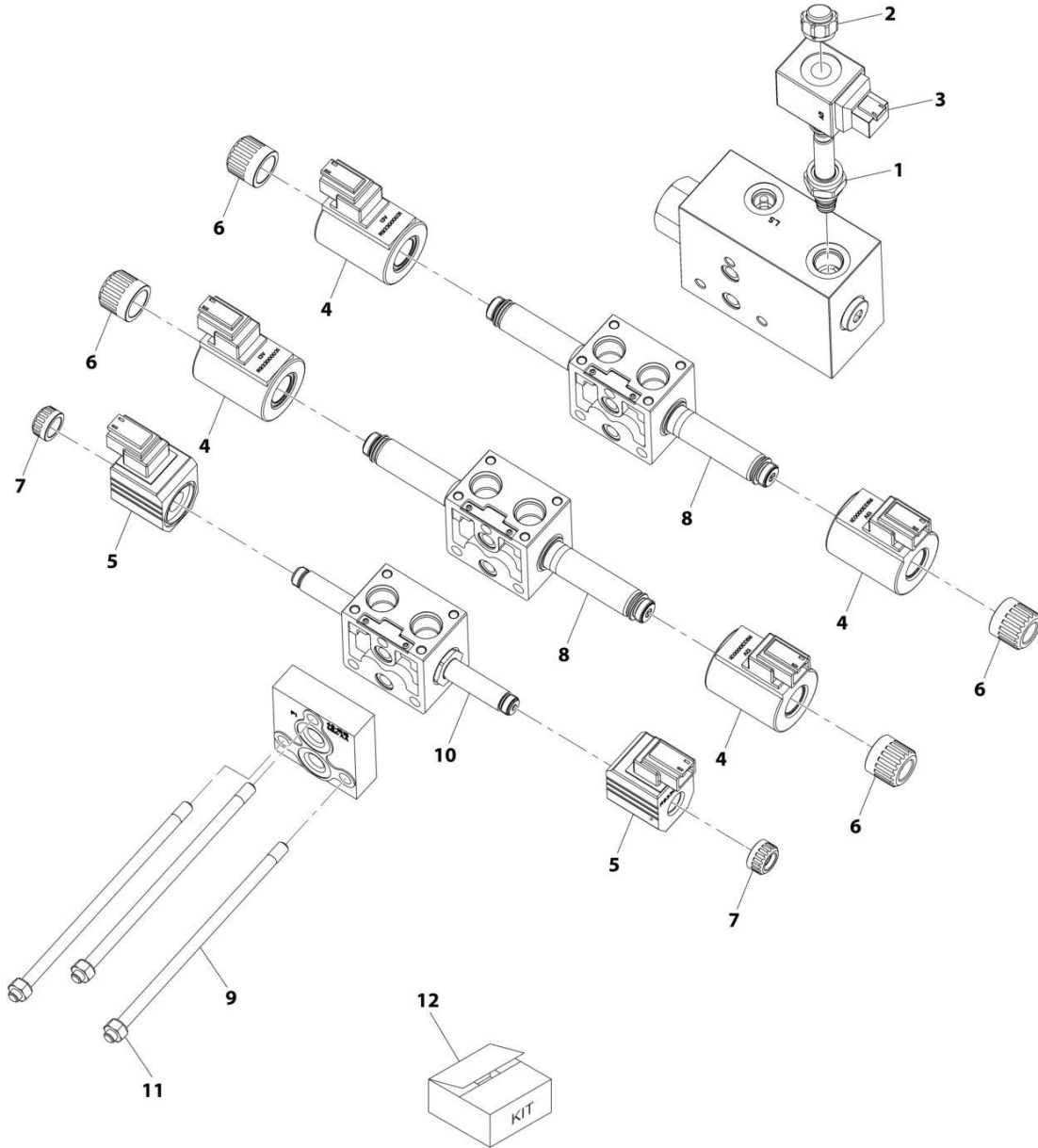
SECTION 9 - HYDRAULIC COMPONENTS

FIGURE 9-28. VALVE - CARRIAGE DUAL FORK FLOW DIVIDER

ITEM	PART NUMBER	QTY	DESCRIPTION	REV
	4641501	Ref	Flow Divider Valve	A
1	70023928	2	Valve, Check	
2	70023929	1	Valve, Cartridge	

SECTION 9 - HYDRAULIC COMPONENTS

FIGURE 9-29. VALVE ASSEMBLY - FRAME LEVEL AND OUTRIGGER



ART_1001157972-F

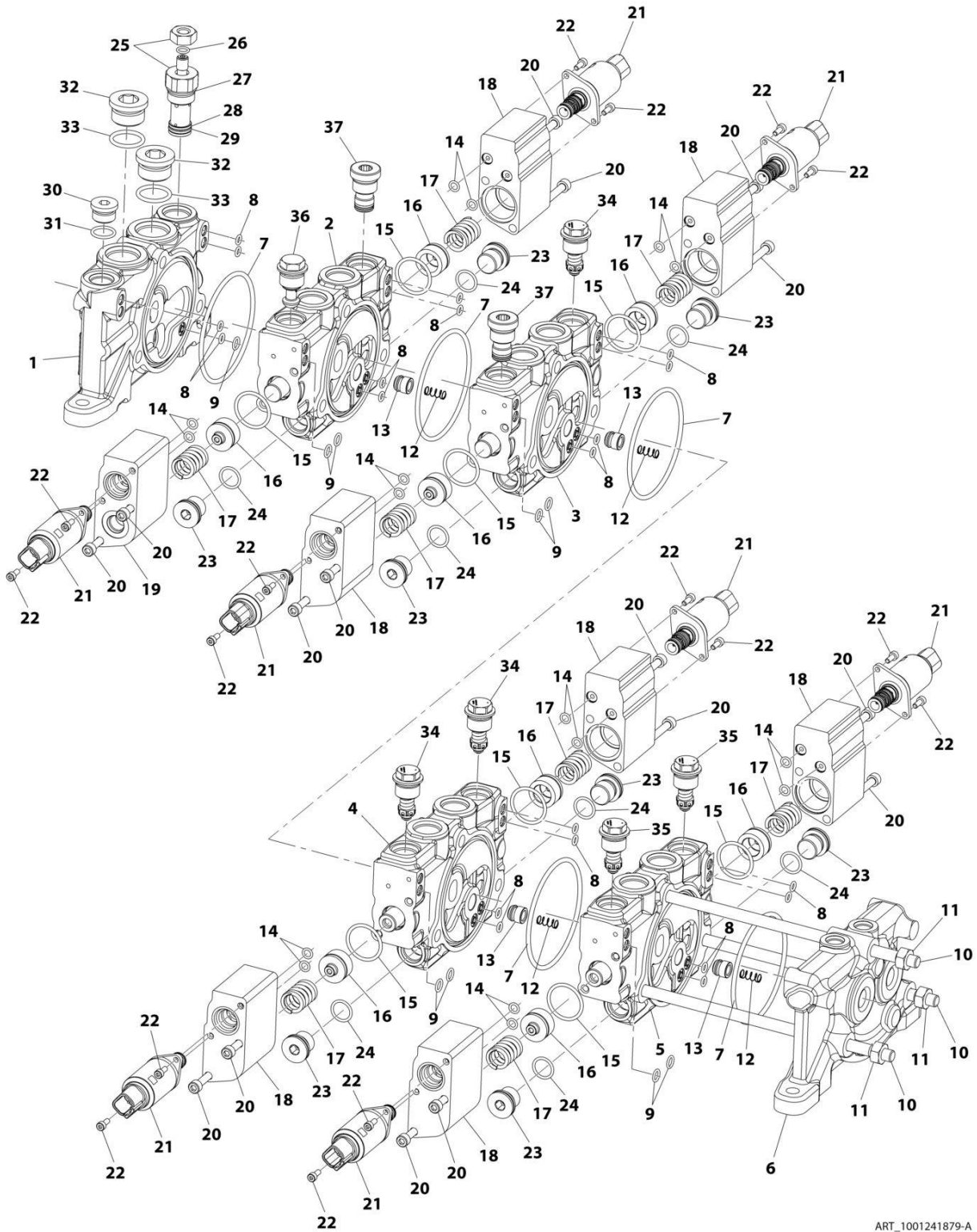
SECTION 9 - HYDRAULIC COMPONENTS

FIGURE 9-29. VALVE ASSEMBLY - FRAME LEVEL AND OUTRIGGER

ITEM	PART NUMBER	QTY	DESCRIPTION	REV
	1001157972	Ref	Valve, Frame Level and Outrigger	F
1	70023327	1	Solenoid	
2	70004654	1	Nut, Coil	
3	70022147	1	Coil	
4	70020868	4	Coil	
5	70021208	2	Coil	
6	70020867	4	Kit, Retainer, W/Seals	
7	70021209	2	Kit, Retainer, W/Seals	
8	70026568	2	Section, Outrigger Valve	
9	70026569	3	Rod, Tie	
10	70021213	1	Section, Frame Level	
11	70026570	3	Nut	
12	70026571	1	Kit, Seal	
	Kit	1	O-Ring	
	Kit	1	O-Ring	
	Kit	1	O-Ring	
	Kit	1	O-Ring	
	Kit	1	O-Ring	
	Kit	1	O-Ring	
	Kit	4	O-Ring	
	Kit	4	O-Ring	
	Kit	2	O-Ring	
	Kit	2	O-Ring	

SECTION 9 - HYDRAULIC COMPONENTS

FIGURE 9-30. VALVE ASSEMBLY - MAIN CONTROL



ART_1001241879-A

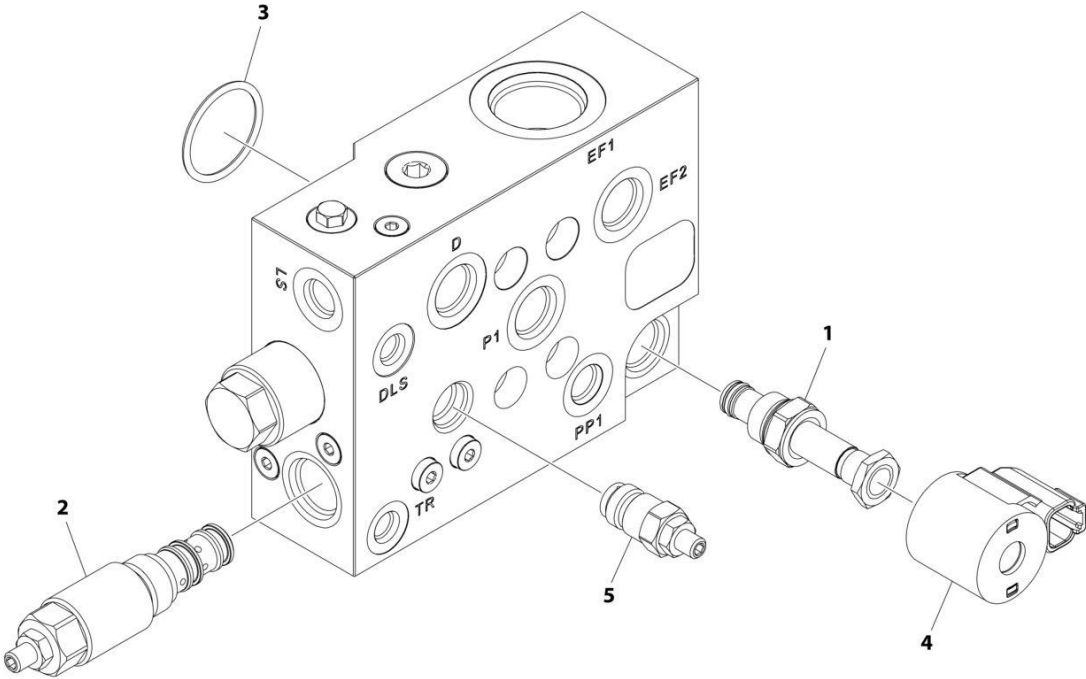
SECTION 9 - HYDRAULIC COMPONENTS

FIGURE 9-30. VALVE ASSEMBLY - MAIN CONTROL

ITEM	PART NUMBER	QTY	DESCRIPTION	REV
	1001241879	Ref	Main Control Valve	A
1	70028478	1	Inlet Section Assembly	
2	70029816	1	Lift Section Assembly	
3	70029817	1	Extend/Retract Section Assembly	
4	70029818	1	Tilt Section Assembly	
5	70029819	1	Aux Section Assembly	
6	70026389	1	Outlet Section Assembly	
7	8034697	5	O-Ring	
8	70050508	20	O-Ring	
9	70050507	9	O-Ring	
10	70026375	3	Tie Rod	
11	70050481	6	Nut-Metric	
12	10837937	4	Spring	
13	10837929	4	Poppet	
14	70026369	16	O-Ring	
15	70026380	8	O-Ring	
16	70026378	8	Spring Seat	
17	70026377	8	Spring	
18	70026381	7	Solenoid, End Cap	
19	70028482	1	Solenoid, End Cap	
20	70026383	16	Screw	
21	70029820	8	Solenoid, Cartridge Valve	
22	70022014	16	Screw	
23	70050504	8	Plug Assembly	
24	70027130	8	O-Ring	
25	70022012	1	Drain Regulator Assembly	
26	70026373	1	O-Ring	
27	10837928	1	O-Ring	
28	70026376	1	Back-Up Ring	
29	70026370	1	O-Ring	
30	8035382	1	Plug Assembly	
31	70024202	1	O-Ring	
32	70050472	2	Plug Assembly (With O-Ring)	
33	70026374	2	O-Ring	
34	70022010	3	Relief Valve Assembly, 280 Bar	
35	70027098	2	Relief Valve Assembly, 205 Bar	
36	70028484	1	Anti-Void Assembly	
37	70022008	2	Shut-Off Plug Assembly	

SECTION 9 - HYDRAULIC COMPONENTS

FIGURE 9-31. VALVE ASSEMBLY – PRIORITY



ART_1001252567

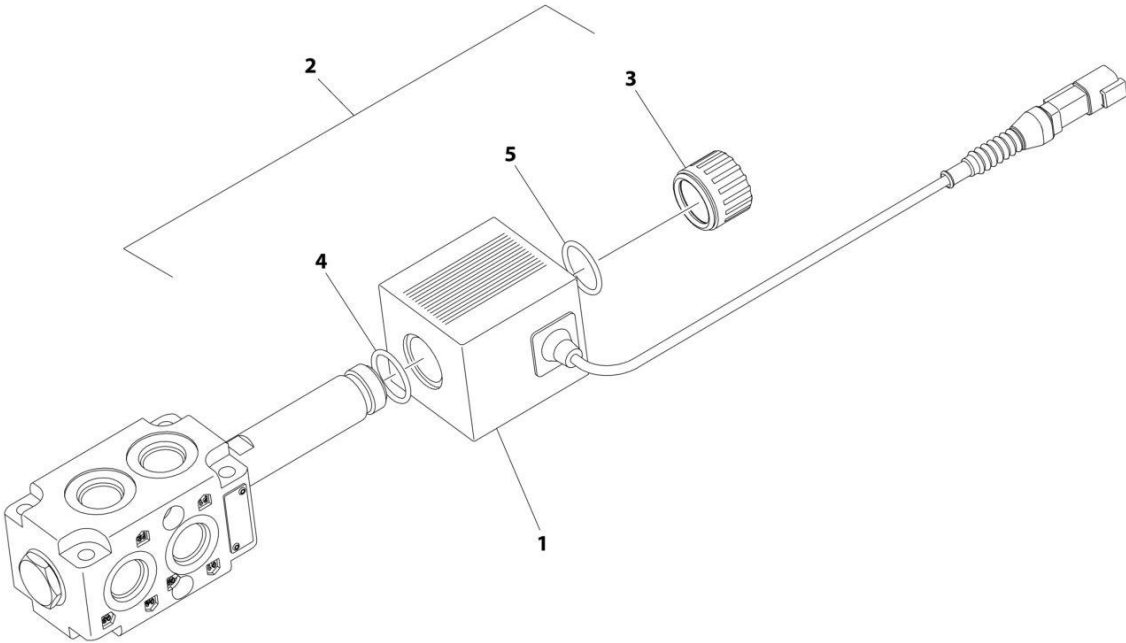
SECTION 9 - HYDRAULIC COMPONENTS

FIGURE 9-31. VALVE ASSEMBLY – PRIORITY

ITEM	PART NUMBER	QTY	DESCRIPTION	REV
	1001252567	Ref	PRIORITY MANIFOLD VALVE	D
1	70029976	1	Cartridge	
2	70029977	1	Valve, Check	
3	70030100	1	O-Ring	
4	70002963	1	Coil	
5	70030101	1	Valve, Check	

SECTION 9 - HYDRAULIC COMPONENTS

FIGURE 9-32. VALVE ASSEMBLY - QUICK COUPLER



ART_1001104477

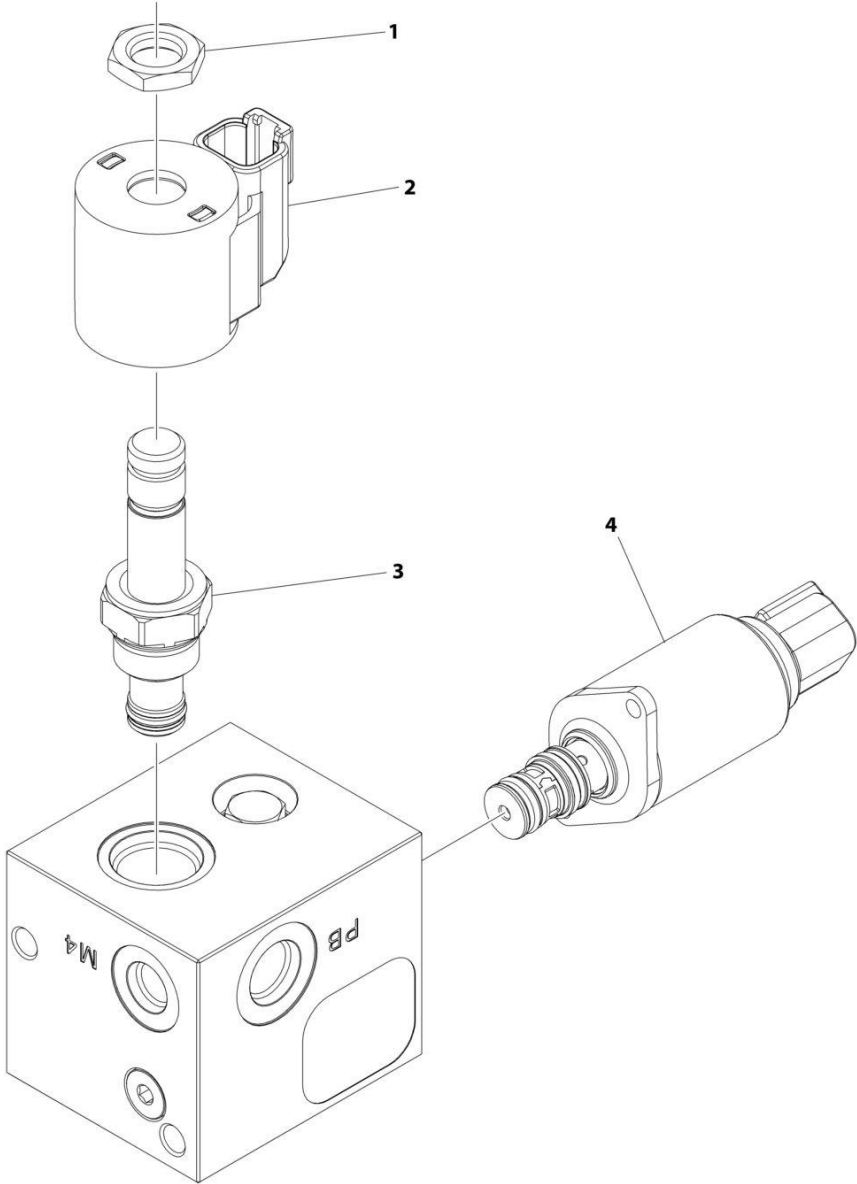
SECTION 9 - HYDRAULIC COMPONENTS

FIGURE 9-32. VALVE ASSEMBLY - QUICK COUPLER

ITEM	PART NUMBER	QTY	DESCRIPTION	REV
	1001104477	Ref	DIVERTOR VALVE	D
1	70020764	1	Coil	
2	70021531	1	Retainer Kit (Includes Items 3-5)	
3	Kit	1	Nut	
4	Kit	1	O-Ring	
5	Kit	1	O-Ring	

SECTION 9 - HYDRAULIC COMPONENTS

FIGURE 9-33. VALVE ASSEMBLY - SAHR BRAKE



ART_1001234127

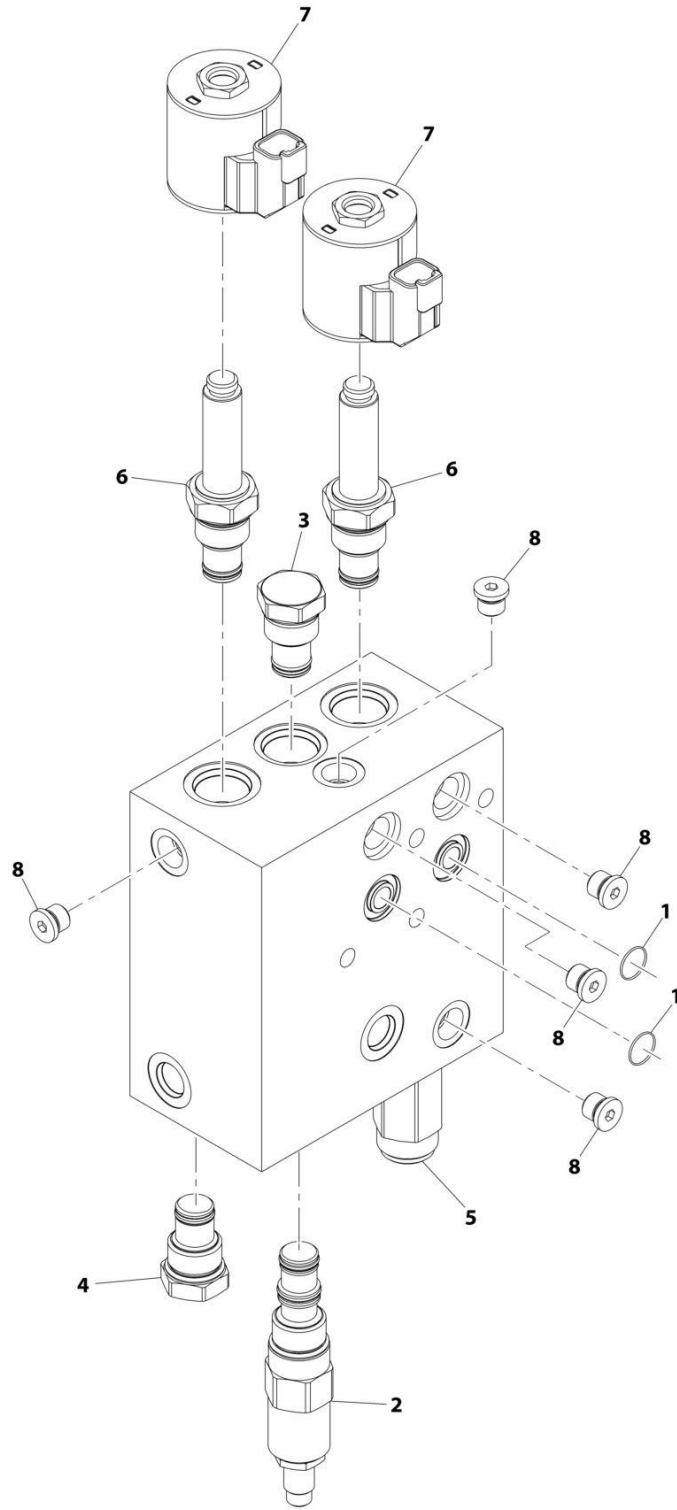
SECTION 9 - HYDRAULIC COMPONENTS

FIGURE 9-33. VALVE ASSEMBLY - SAHR BRAKE

ITEM	PART NUMBER	QTY	DESCRIPTION	REV
	1001234127	Ref	Sahr Brake Valve	C
1	7022390	1	Nut	
2	70002963	1	Coil	
3	70002955	1	Cartridge	
4	70030036	1	Solenoid Valve	

SECTION 9 - HYDRAULIC COMPONENTS

FIGURE 9-34. VALVE ASSEMBLY - STABILIZER (REAR AXLE)



ART_1001197600-A

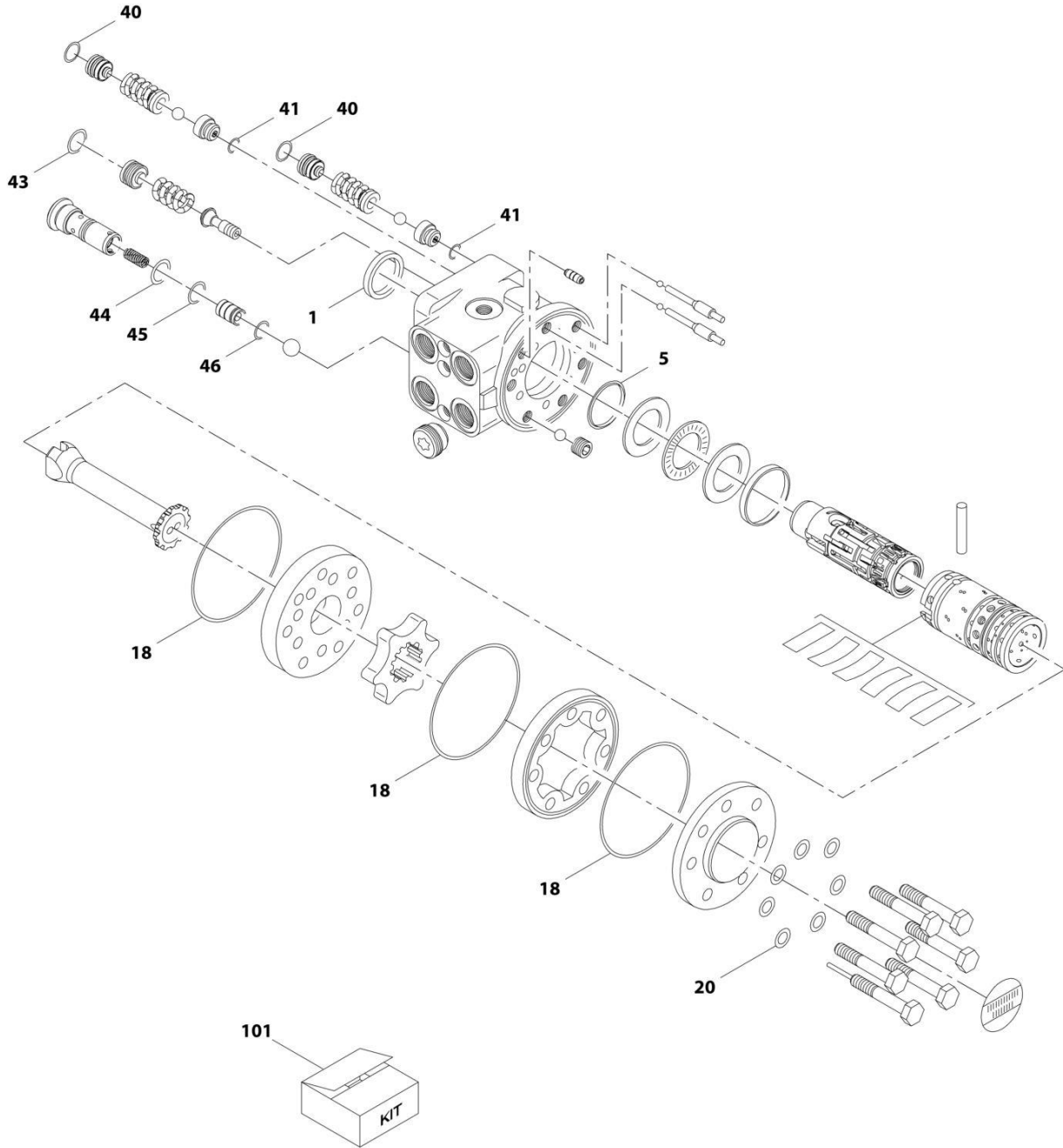
SECTION 9 - HYDRAULIC COMPONENTS

FIGURE 9-34. VALVE ASSEMBLY - STABILIZER (REAR AXLE)

ITEM	PART NUMBER	QTY	DESCRIPTION	REV
	1001197600	Ref	Rear Axle Stabilizer Valve	A
1	70026440	2	O-Ring	
2	70026442	1	Cartridge Valve	
2	7012510	1	Seal Kit	
2	Kit	1	O-Ring	
2	Kit	1	O-Ring	
2	Kit	1	O-Ring	
3	70026443	1	Cartridge Valve	
3	7024808	1	Seal Kit	
3	Kit	1	O-Ring	
3	Kit	1	O-Ring	
4	70026444	1	Cartridge Valve	
4	7022399	1	Seal Kit	
4	Kit	1	O-Ring	
4	Kit	1	O-Ring	
5	70028451	1	Cartridge Valve	
5	7024808	1	Seal Kit	
5	Kit	1	O-Ring	
5	Kit	1	O-Ring	
6	70026445	2	Cartridge Valve	
6	70026446	1	Seal Kit	
6	Kit	1	O-Ring	
7	70003788	2	Coil	
8	2220883	5	Plug	

SECTION 9 - HYDRAULIC COMPONENTS

FIGURE 9-35. VALVE ASSEMBLY - STEERING



ART_1001178670-B

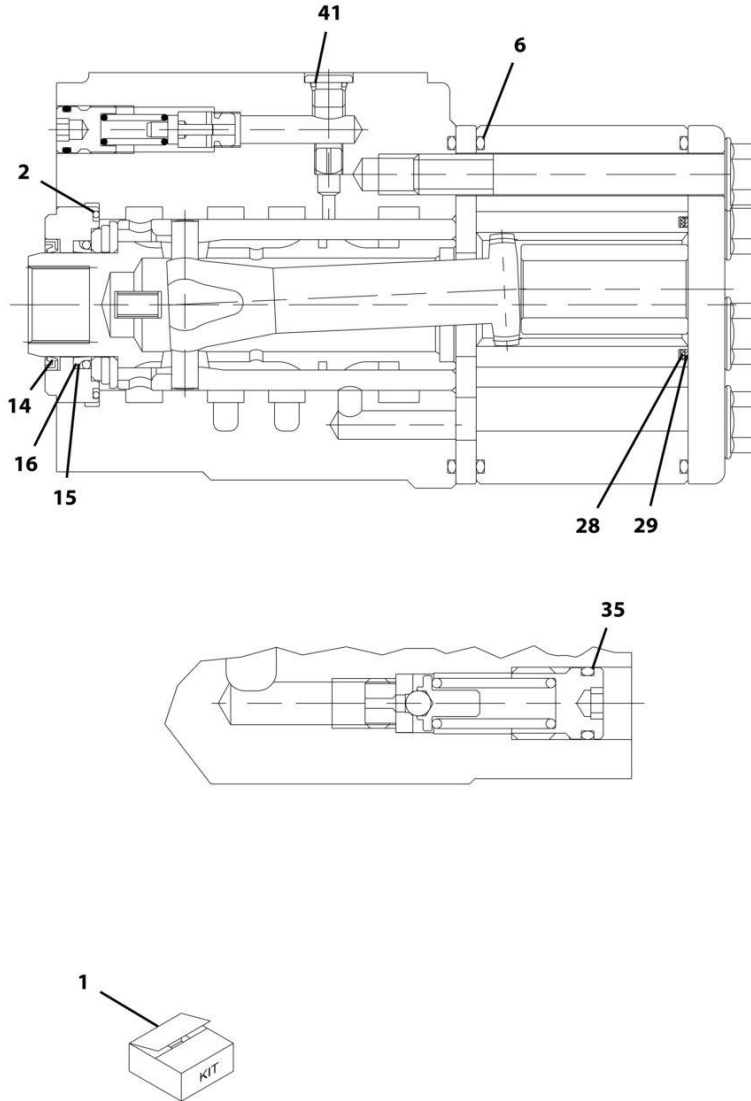
SECTION 9 - HYDRAULIC COMPONENTS

FIGURE 9-35. VALVE ASSEMBLY - STEERING

ITEM	PART NUMBER	QTY	DESCRIPTION	REV
	1001178670	Ref	Steer Unit Valve	B
1	Kit	2	Ring, Dust Seal	
5	Kit	2	Seal, Shaft	
18	Kit	2	O-Ring	
20	Kit	2	Washer	
40	Kit	2	O-Ring	
41	Kit	2	O-Ring	
43	Kit	2	O-Ring	
44	Kit	2	O-Ring	
45	Kit	2	O-Ring	
46	Kit	2	O-Ring	
101	70028285	1	Kit, Seal (includes items 1, 5, 18, 20, 40, 41 and 43 thru 46)	

SECTION 9 - HYDRAULIC COMPONENTS

FIGURE 9-36. VALVE ASSEMBLY - STEERING ORBITAL



ART_1001158527-E

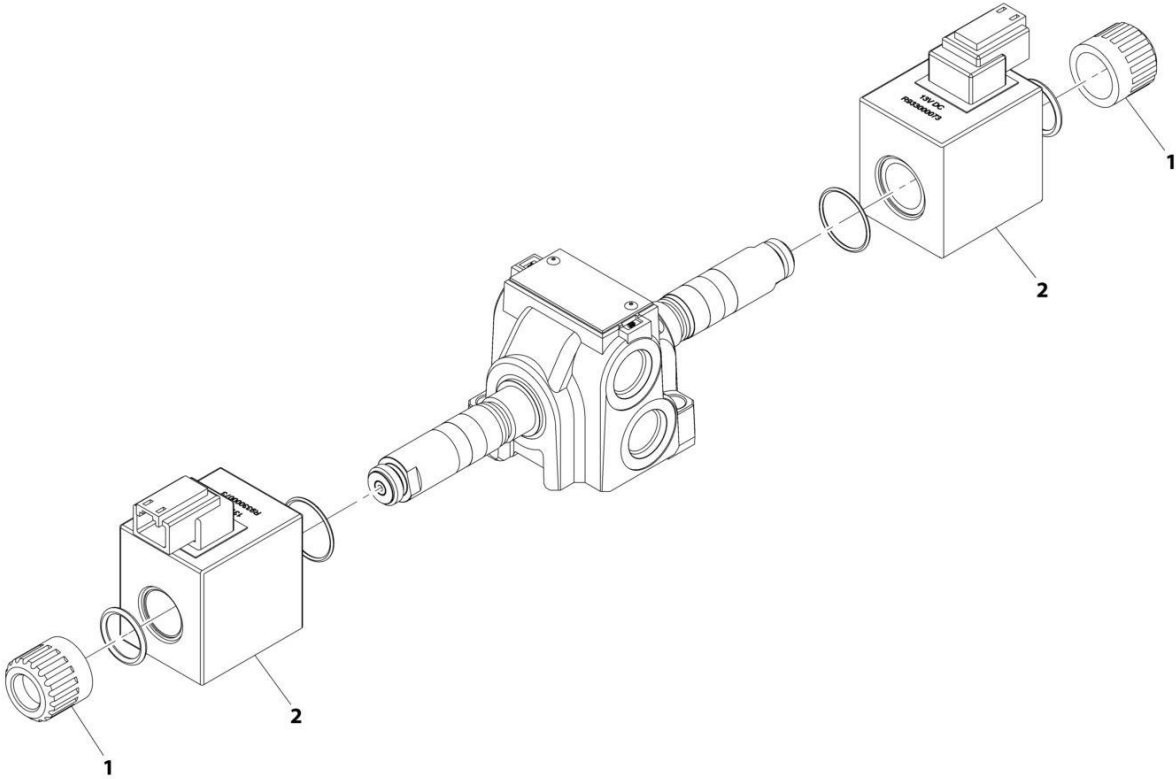
SECTION 9 - HYDRAULIC COMPONENTS

FIGURE 9-36. VALVE ASSEMBLY - STEERING ORBITAL

ITEM	PART NUMBER	QTY	DESCRIPTION	REV
	1001158527	1	Steering Orbital Valve	E
1	70026401	1	Kit, Seal (includes items 2 thru 41)	
2	Kit	1	O-Ring	
6	Kit	3	O-Ring	
14	Kit	1	Seal, Dust	
15	Kit	1	O-Ring	
16	Kit	1	Seal, Shaft	
28	Kit	1	Washer, Back-Up	
29	Kit	1	Seal, Ring	
35	Kit	3	O-Ring	
41	Kit	2	O-Ring	

SECTION 9 - HYDRAULIC COMPONENTS

FIGURE 9-37. VALVE ASSEMBLY - STEERING SELECT



ART_1001153748-C

SECTION 9 - HYDRAULIC COMPONENTS

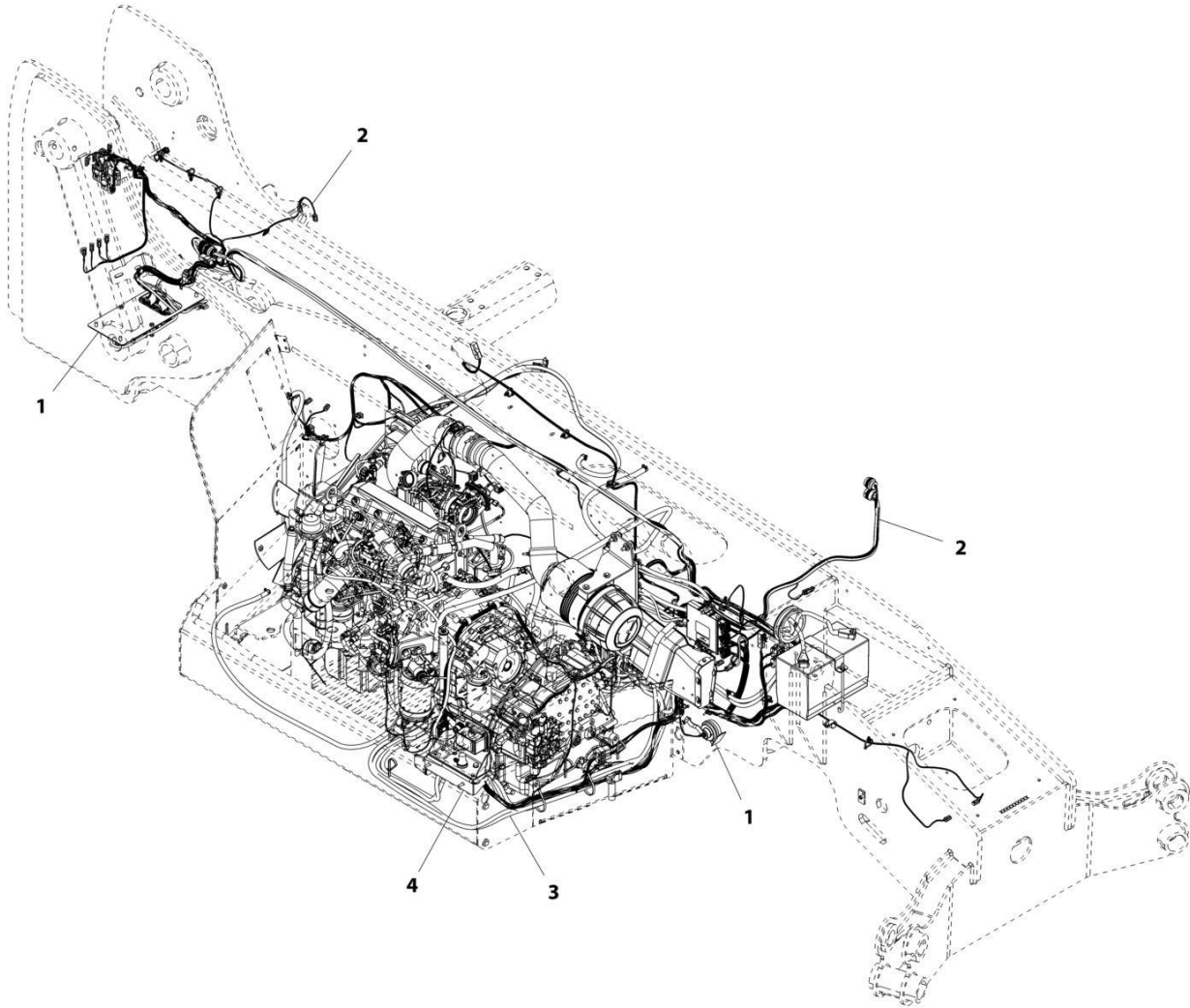
FIGURE 9-37. VALVE ASSEMBLY - STEERING SELECT

ITEM	PART NUMBER	QTY	DESCRIPTION	REV
	1001153748	Ref	Steering Select Valve	C
1	70020867	2	Nut, Coil	
2	70026582	2	Coil	

SECTION 10 - ELECTRICAL

SECTION 10 - ELECTRICAL

FIGURE 10-1. MAIN ELECTRICAL INSTALLATION (ULS)



ART_1001167050-C

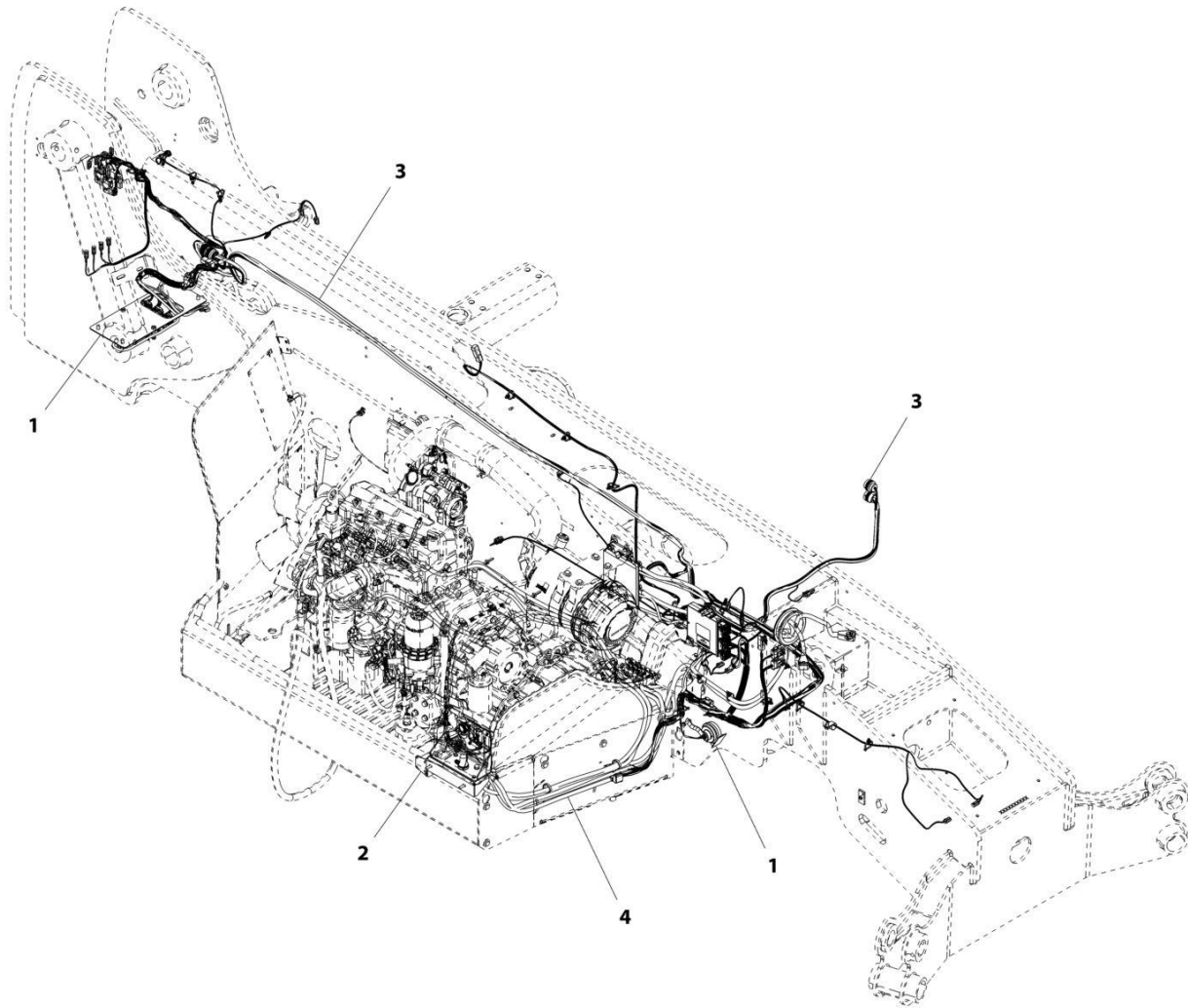
SECTION 10 - ELECTRICAL

FIGURE 10-1. MAIN ELECTRICAL INSTALLATION (ULS)

ITEM	PART NUMBER	QTY	DESCRIPTION	REV
1	1001167050	Ref	Main Electrical Installation (ULS)	C
	1001167051	Ref	Installation, Electrical Frame (See Separate Breakdown in this Section)	
2	1001173530	Ref	Installation, Frame Wiring (ULS) (See Separate Breakdown in this Section)	
3	1001173531	Ref	Installation, Engine Bay Wiring (ULS) (See Separate Breakdown in this Section)	
4	1001163127	Ref	Installation, Engine Bay Electrical (See Separate Breakdown in this Section)	

SECTION 10 - ELECTRICAL

FIGURE 10-2. MAIN ELECTRICAL INSTALLATION (LS)



ART_1001192303-A

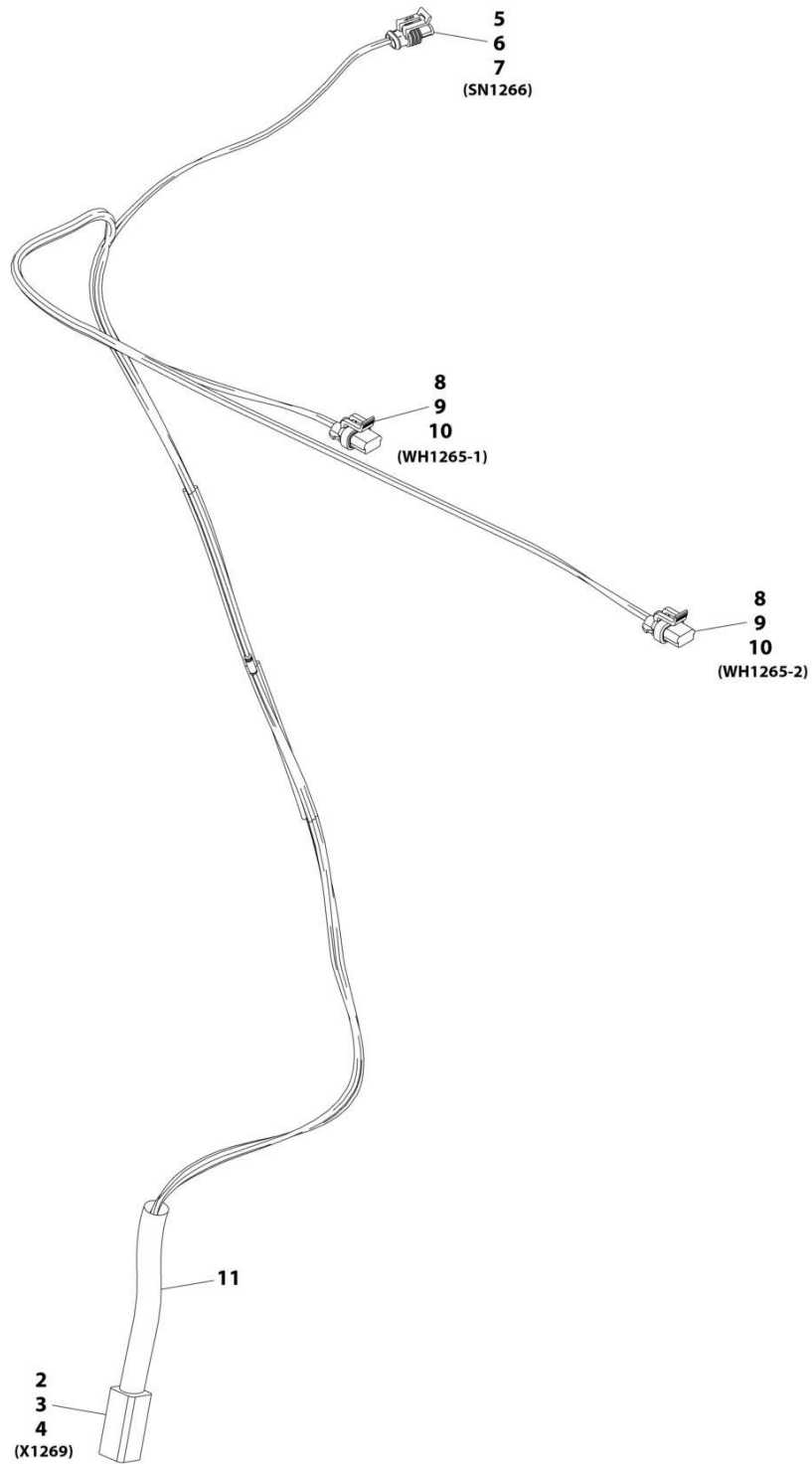
SECTION 10 - ELECTRICAL

FIGURE 10-2. MAIN ELECTRICAL INSTALLATION (LS)

ITEM	PART NUMBER	QTY	DESCRIPTION	REV
1	1001192303	Ref	Main Electrical Installation (LS)	A
	1001167051	Ref	Installation, Electrical Frame (See Separate Breakdown in this Section)	
2	1001173765	Ref	Installation, Engine Bay Electrical (See Separate Breakdown in this Section)	
3	1001192305	Ref	Installation, Frame Wiring (LS) (See Separate Breakdown in this Section)	
4	1001193171	Ref	Installation, Engine Bay Wiring (See Separate Breakdown in this Section)	

SECTION 10 - ELECTRICAL

FIGURE 10-3. A/C OPTION HARNESS



ART_1001169151-E

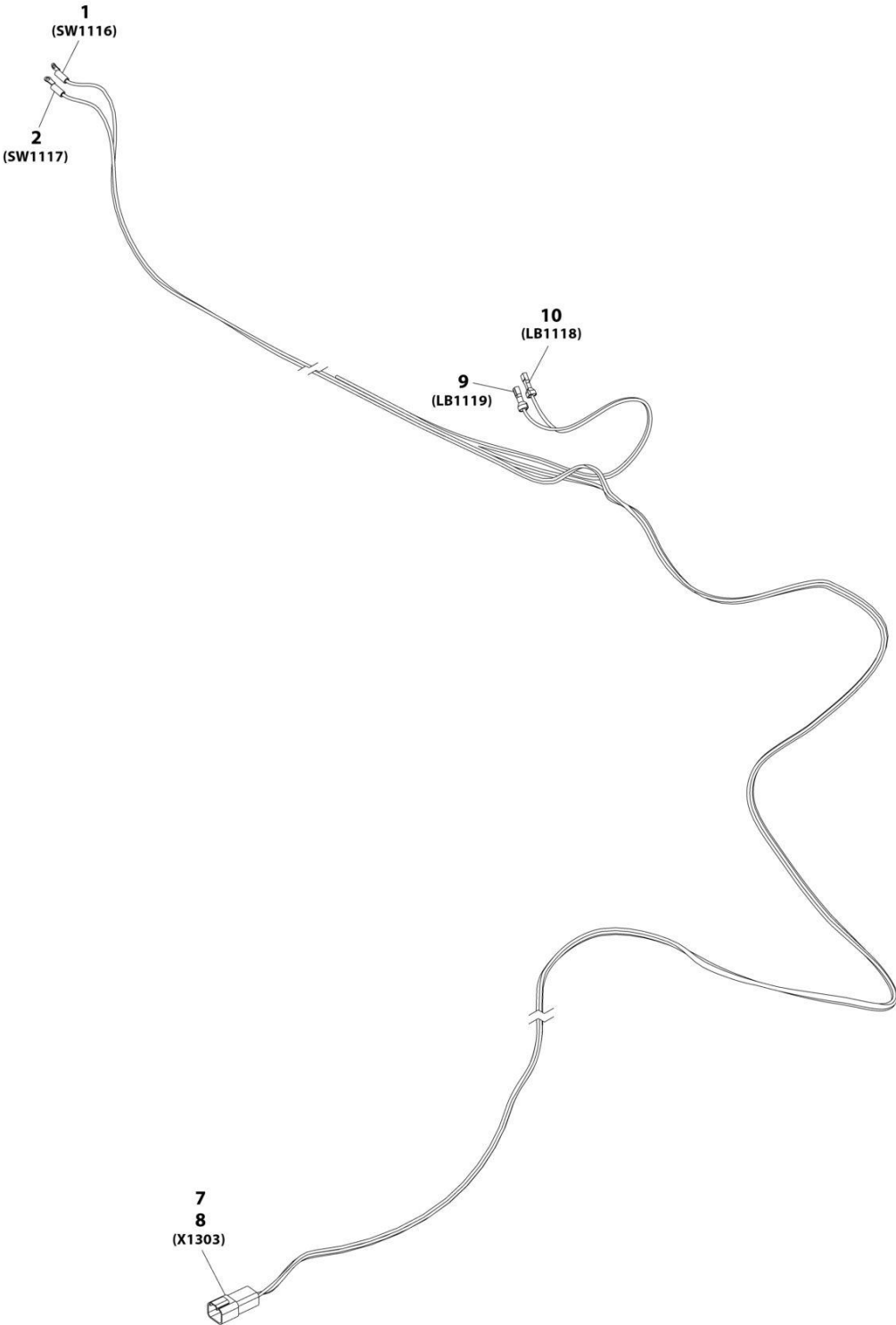
SECTION 10 - ELECTRICAL

FIGURE 10-3. A/C OPTION HARNESS

ITEM	PART NUMBER	QTY	DESCRIPTION	REV
	1001169151	Ref	A/C Option Harness	F
2	4460899	1	Connector	
3	4460941	4	Terminal	
4	4460464	2	Terminal	
5	4461118	1	Connector	
6	1001107854	2	Terminal	
7	1001116763	2	Seal	
8	1001117021	2	Connector	
9	1001116747	4	Terminal	
10	4460789	4	Seal	
11	70028546	1	Backshell	

SECTION 10 - ELECTRICAL

FIGURE 10-4. AIR SHUT OFF VALVE HARNESS - CAB



ART_1001231407-C

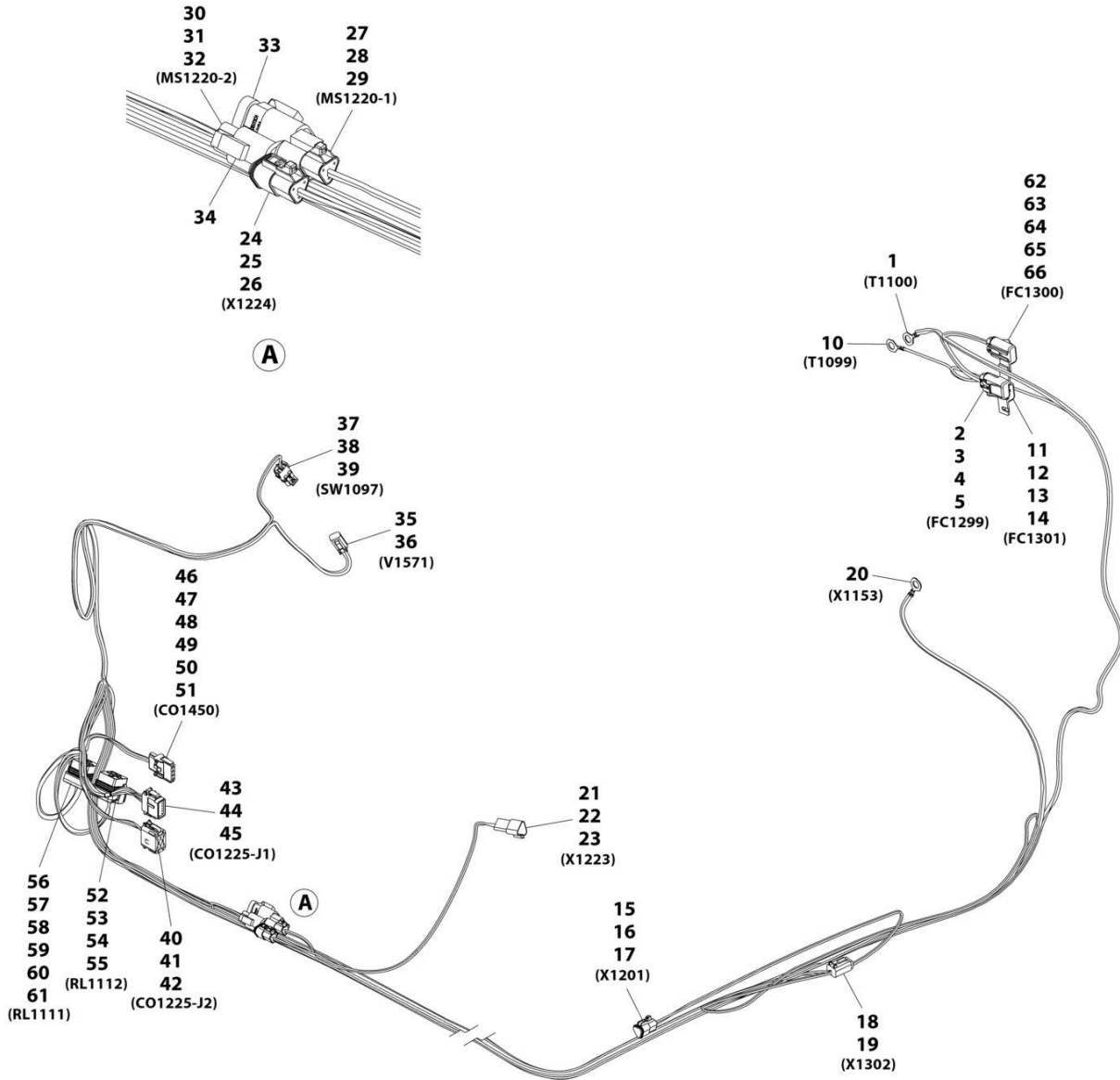
SECTION 10 - ELECTRICAL

FIGURE 10-4. AIR SHUT OFF VALVE HARNESS - CAB

ITEM	PART NUMBER	QTY	DESCRIPTION	REV
	1001231407	1	Air Shutoff Valve Harness	C
1	8220035	1	Terminal, Ring	
2	8220035	1	Terminal, Ring	
7	4460932	1	Connector	
8	4460464	4	Pin	
9	8220108	1	Connector, Female	
10	8220108	1	Connector, Female	

SECTION 10 - ELECTRICAL

FIGURE 10-5. AIR SHUT OFF VALVE HARNESS - ENGINE



ART_1001231483_D

SECTION 10 - ELECTRICAL

FIGURE 10-5. AIR SHUT OFF VALVE HARNESS - ENGINE

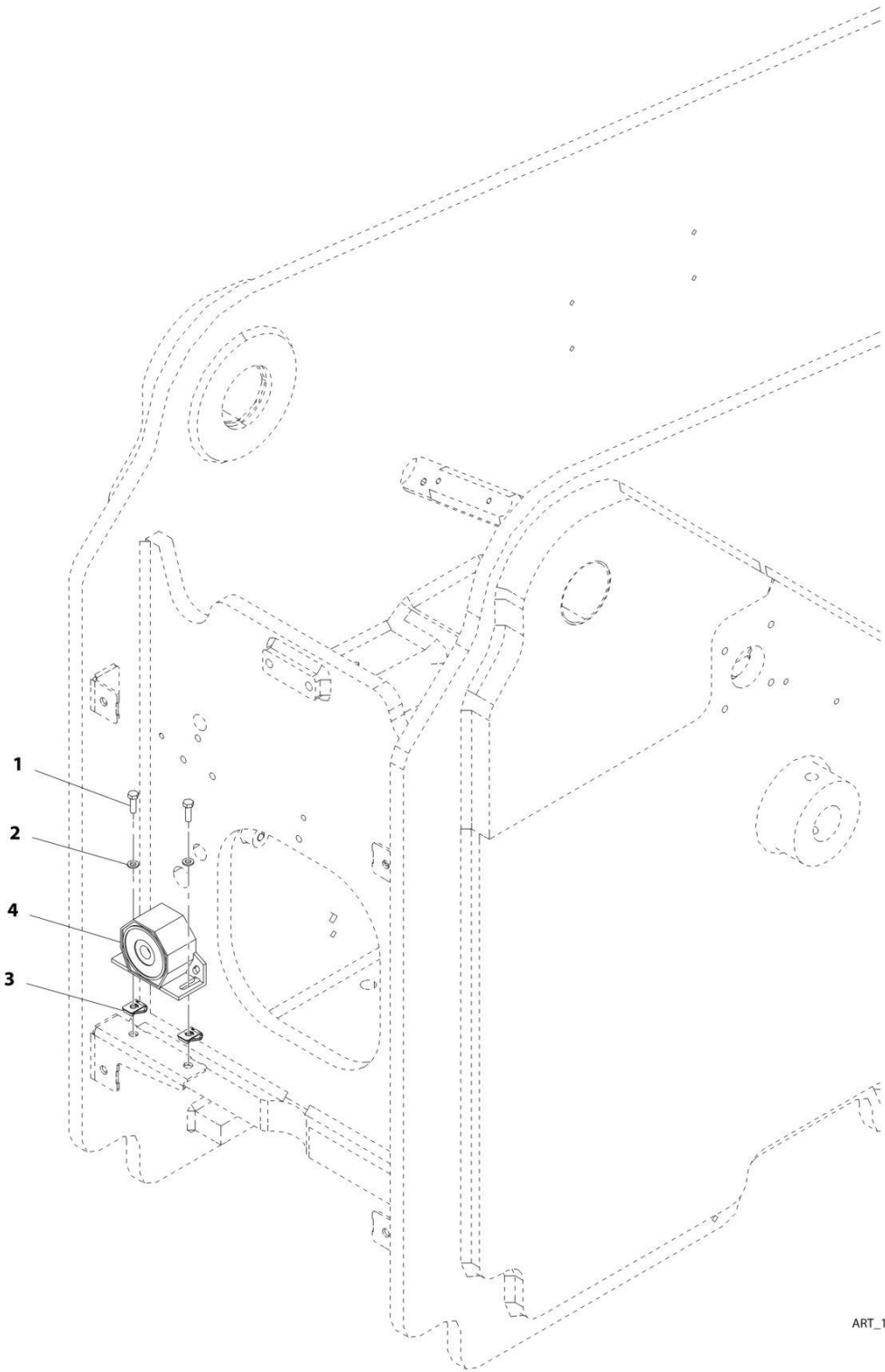
ITEM	PART NUMBER	QTY	DESCRIPTION	REV
	1001231483	Ref	Air Shut Off Valve Harness (Engine)	D
1	1001187079	1	Terminal, Ring	
2	1001231397	1	Connector	
3	8229235	1	Fuse, 20amp	
4	1001231401	2	Terminal	
5	1001230402	2	Seal	
10	1001187078	1	Terminal, Ring	
11	1001231397	1	Connector	
12	8229261	1	Fuse, 5amp	
13	1001231400	2	Terminal	
14	1001230403	2	Seal	
15	1001116812	1	Connector	
16	4460465	2	Terminal	
17	4460466	1	Plug	
18	4460884	1	Connector	
19	4460465	4	Terminal	
20	1001187079	1	Terminal, Ring	
21	1001144147	1	Connector	
22	4460464	2	Terminal	
23	4460466	1	Plug	
24	1001116812	1	Connector	
25	4460465	2	Terminal	
26	4460466	1	Plug	
27	1001116812	1	Connector	
28	4460465	2	Terminal	
29	4460466	1	Plug	
30	4460539	1	Connector	
31	4460465	2	Terminal	
32	4460466	1	Plug	
33	1001116815	1	Connector, 3 Pin	
34	4460945	1	Terminal, 3 Way "T" Receptacle	
35	4460891	1	Connector	
36	1001157890	2	Terminal	
37	4460742	1	Connector	
38	4460475	2	Terminal	
39	4460458	2	Plug	
40	1001116774	1	Connector	
41	4460518	8	Plug	
42	1001126008	4	Terminal	
43	1001116808	1	Connector	
44	1001126008	9	Terminal	
45	4460518	3	Plug	
46	4460761	1	Connector	
47	4460321	1	Terminal	
48	1001118378	4	Terminal	
49	4460809	4	Plug	
50	1001143551	1	Seal	
51	1001218358	1	Lanyard Rope	
52	1001231398	1	Connector	
53	1001231400	4	Terminal	

SECTION 10 - ELECTRICAL

ITEM	PART NUMBER	QTY	DESCRIPTION	REV
54	1001231404	4	Seal	
55	1001231406	1	Plug	
56	1001231398	1	Connector	
57	1001231401	2	Terminal	
58	1001231402	2	Seal	
59	1001231400	2	Terminal	
60	1001231404	2	Seal	
61	1001231406	1	Plug	
62	1001231397	1	Connector	
63	8229234	1	Fuse, 10amp	
64	1001231400	2	Terminal	
65	1001230403	1	Seal	
66	1001230404	1	Seal	

SECTION 10 - ELECTRICAL

FIGURE 10-6. ALARM INSTALLATION - BACK UP (97DB)



ART_1001192393-D

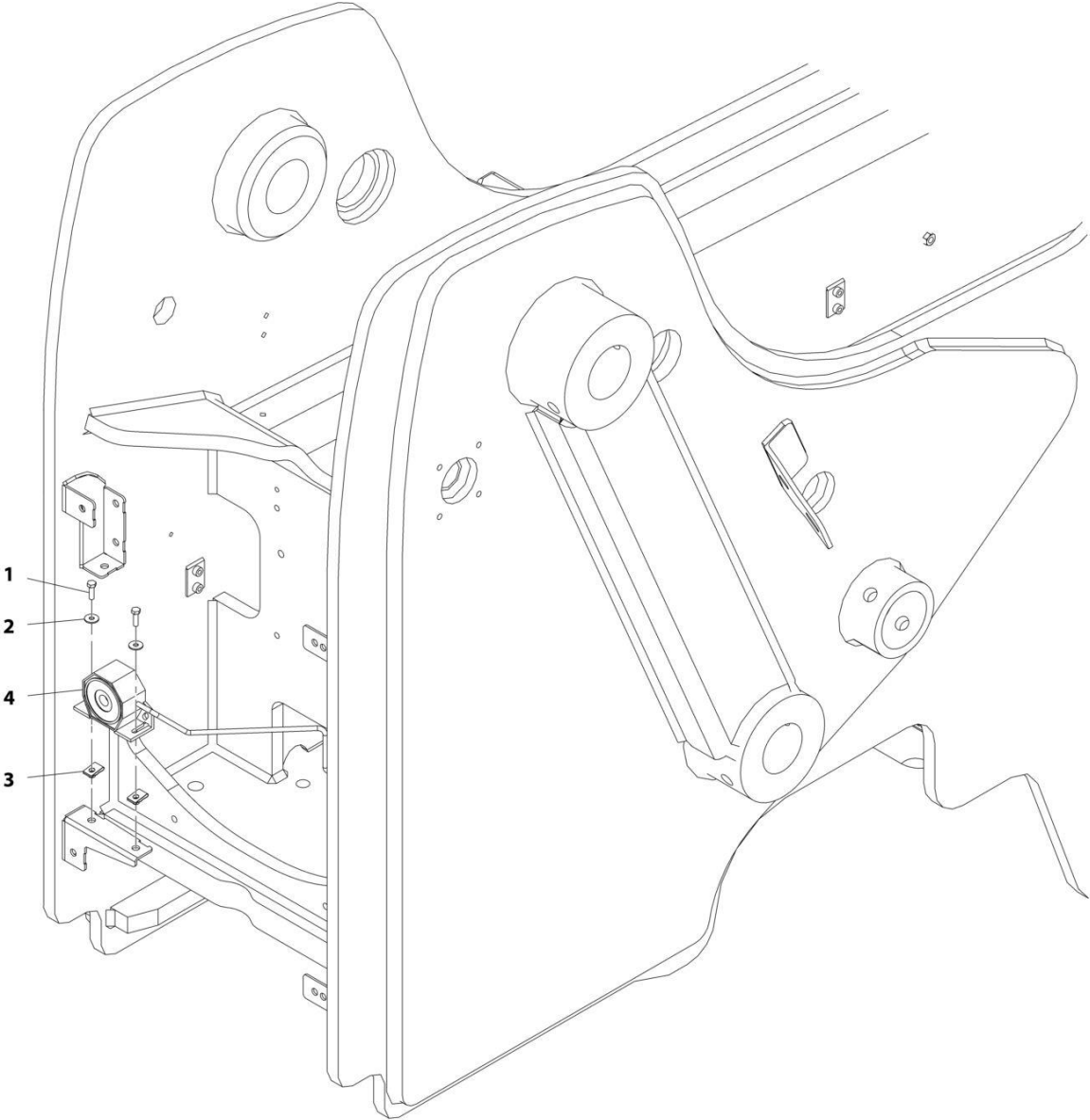
SECTION 10 - ELECTRICAL

FIGURE 10-6. ALARM INSTALLATION - BACK UP (97DB)

ITEM	PART NUMBER	QTY	DESCRIPTION	REV
	1001192393	Ref	Backup Alarm Installation (97 dB)	D
1	0700610	2	Bolt, M6X20	
2	4811702	2	Washer, M6	
3	8305919	2	Nut, M6	
4	1001101808	1	Alarm, Backup	

SECTION 10 - ELECTRICAL

FIGURE 10-7. ALARM INSTALLATION - BACK UP (120DB)



ART_1001199183-B

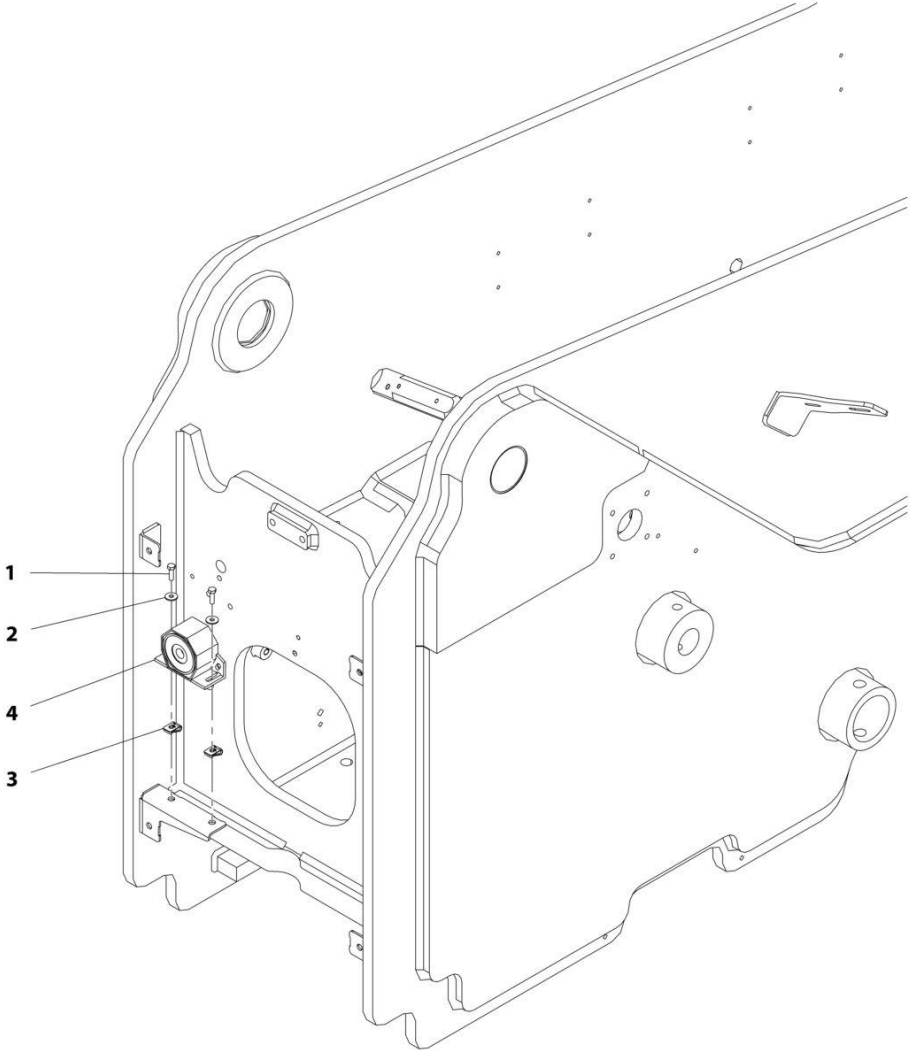
SECTION 10 - ELECTRICAL

FIGURE 10-7. ALARM INSTALLATION - BACK UP (120DB)

ITEM	PART NUMBER	QTY	DESCRIPTION	REV
	1001199183	Ref	Backup Alarm Installation (120 dB)	B
1	0700610	2	Bolt, M6X20	
2	4811702	2	Washer, M6	
3	1001130220	2	Nut, M6	
4	1001147060	1	Alarm, Backup	

SECTION 10 - ELECTRICAL

FIGURE 10-8. ALARM INSTALLATION - BACK UP (WHITE NOISE)



ART_1001192394-D

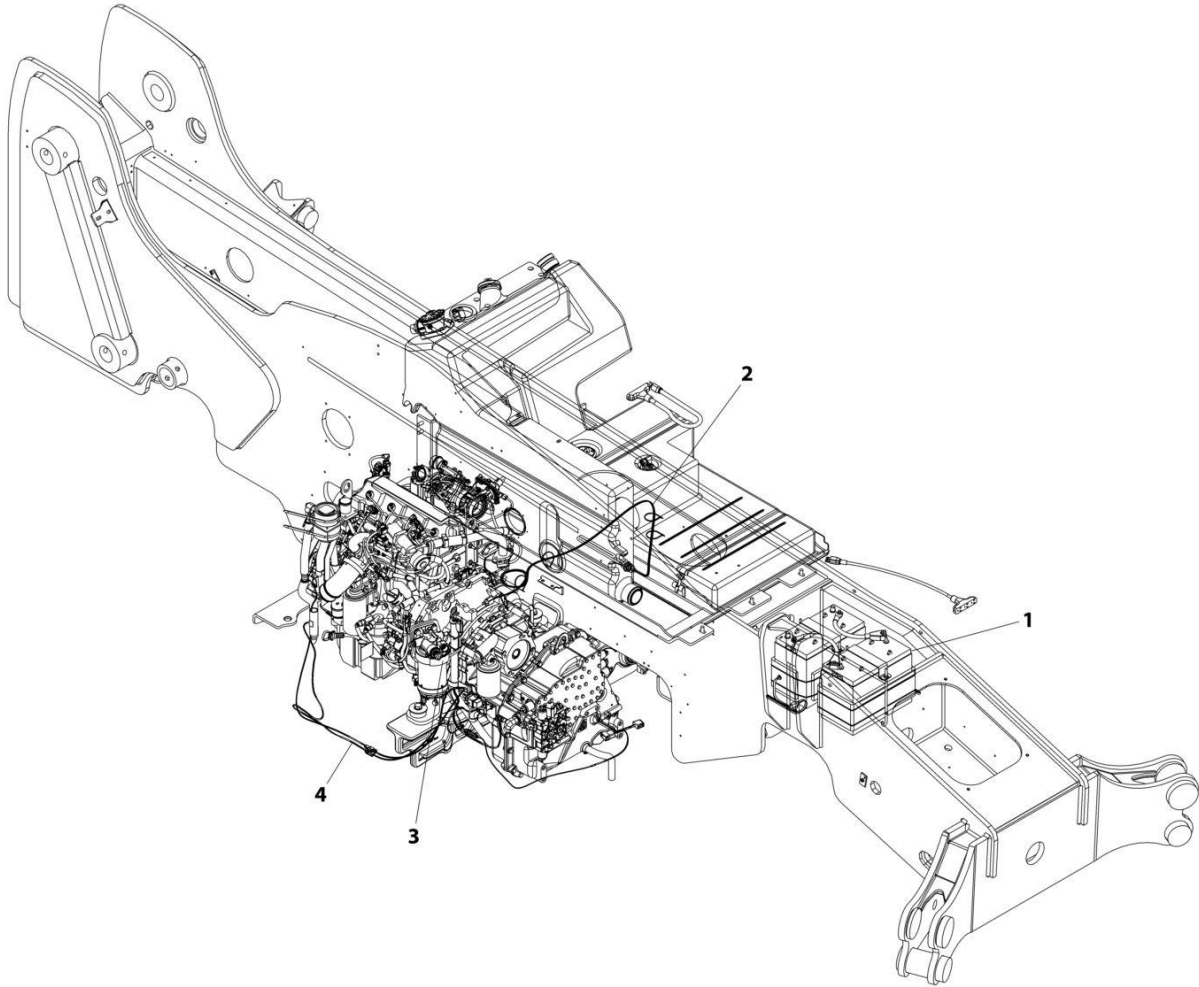
SECTION 10 - ELECTRICAL

FIGURE 10-8. ALARM INSTALLATION - BACK UP (WHITE NOISE)

ITEM	PART NUMBER	QTY	DESCRIPTION	REV
	1001192394	Ref	White Noise Backup Alarm Installation	D
1	0700610	2	Bolt, M6X20	
2	4811702	2	Washer, M6	
3	8305919	2	Nut, M6	
4	1001165827	1	Alarm, White Noise Backup	

SECTION 10 - ELECTRICAL

FIGURE 10-9. ARCTIC COLD WEATHER PACKAGE INSTALLATION (ULS)



ART_1001190179_E

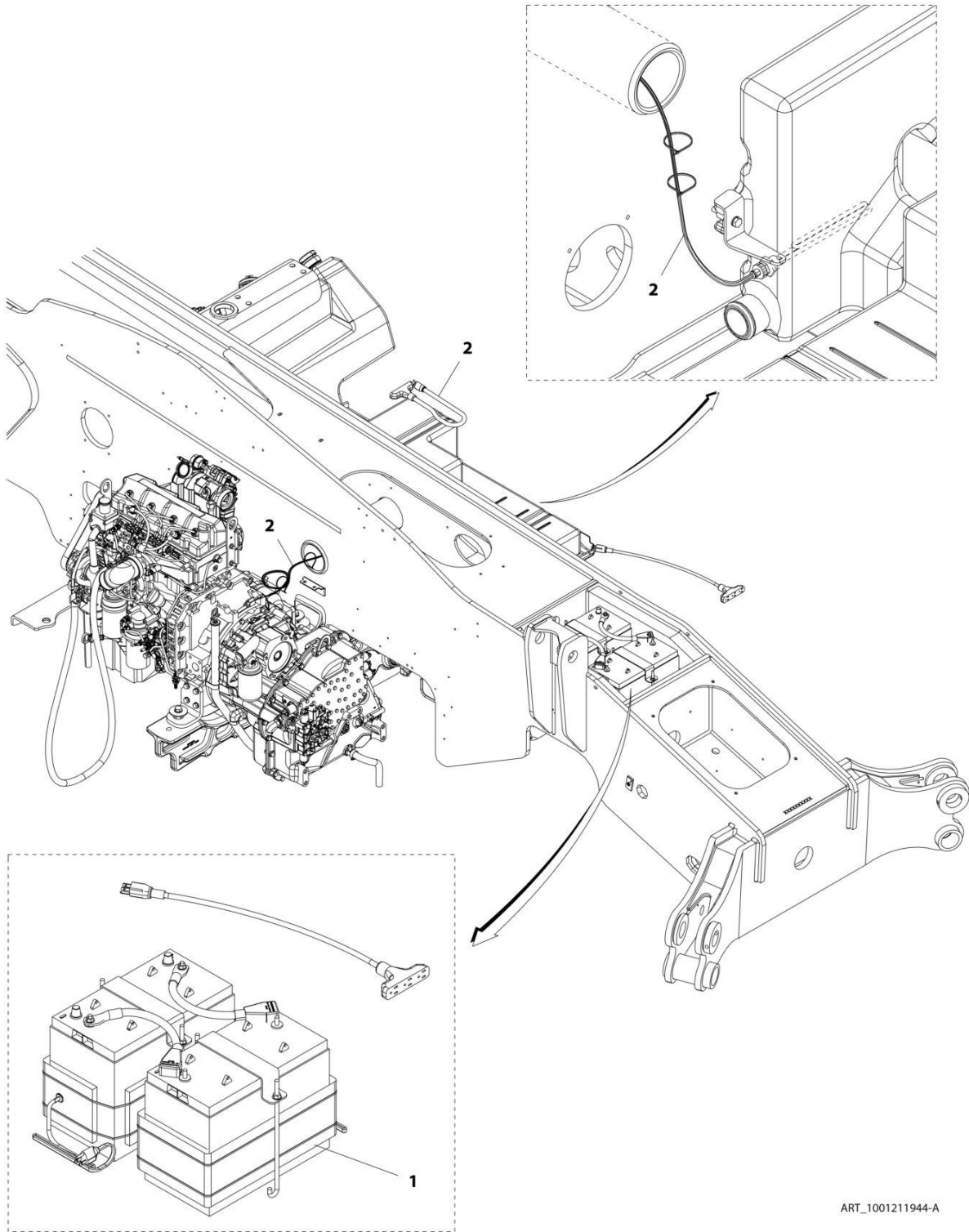
SECTION 10 - ELECTRICAL

FIGURE 10-9. ARCTIC COLD WEATHER PACKAGE INSTALLATION (ULS)

ITEM	PART NUMBER	QTY	DESCRIPTION	REV
1	1001190179	Ref	Arctic Weather Package Installation - 110 HP (ULS)	E
	1001190670	Ref	Installation, Arctic Batteries (See Separate Breakdown in this Section)	
2	1001190671	Ref	Installation, Tank Heater (See Separate Breakdown in this Section)	
3	1001204095	Ref	Installation, Fuel Filter Heater (See Separate Breakdown in this Section)	
4	1001232751	Ref	Heater, Breather - 110 HP (See Separate Breakdown in this Section)	

SECTION 10 - ELECTRICAL

FIGURE 10-10. ARCTIC COLD WEATHER PACKAGE INSTALLATION (LS)



ART_1001211944-A

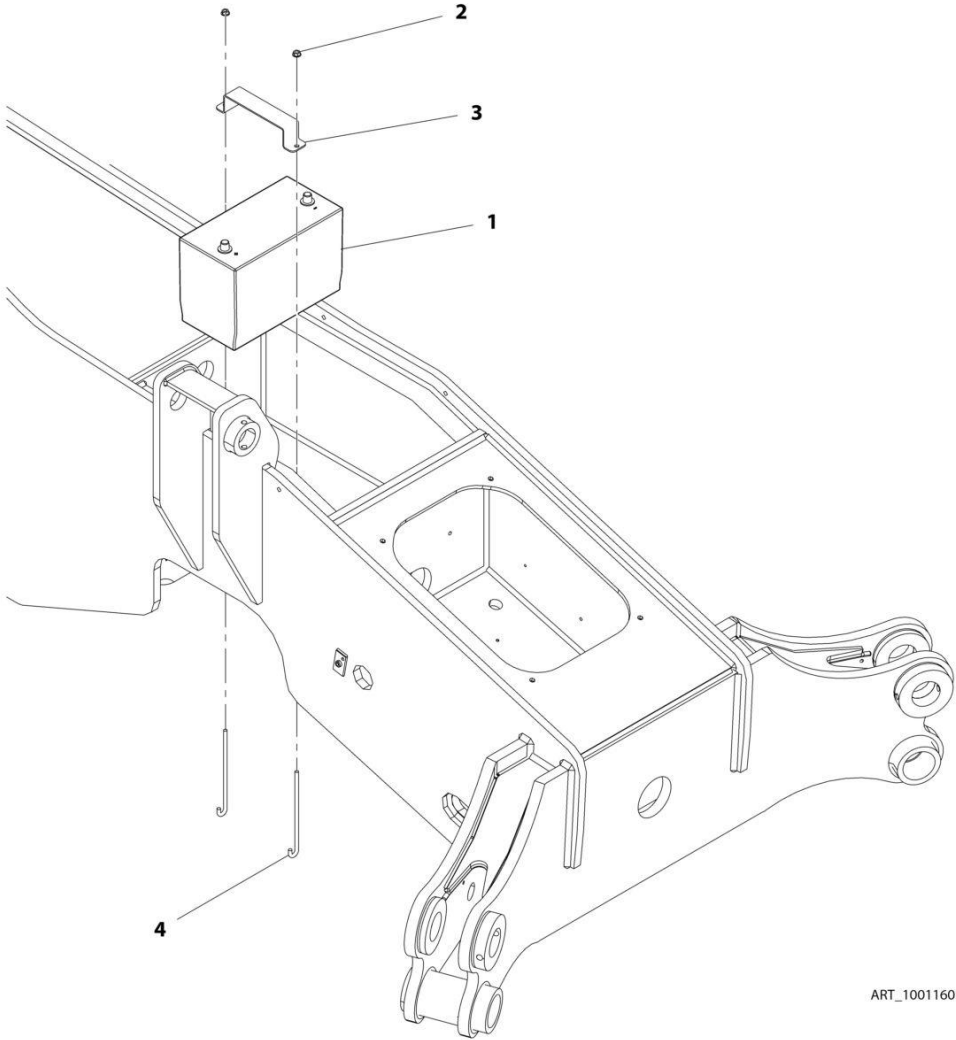
SECTION 10 - ELECTRICAL

FIGURE 10-10. ARCTIC COLD WEATHER PACKAGE INSTALLATION (LS)

ITEM	PART NUMBER	QTY	DESCRIPTION	REV
1	1001211944	Ref	Arctic Weather Package Installation (LS)	A
	1001190670	Ref	Installation, Arctic Batteries (See Separate Breakdown in this Section)	
2	1001190671	Ref	Installation, Tank Heater (See Separate Breakdown in this Section)	

SECTION 10 - ELECTRICAL

FIGURE 10-11. BATTERY INSTALLATION



ART_1001160711-C

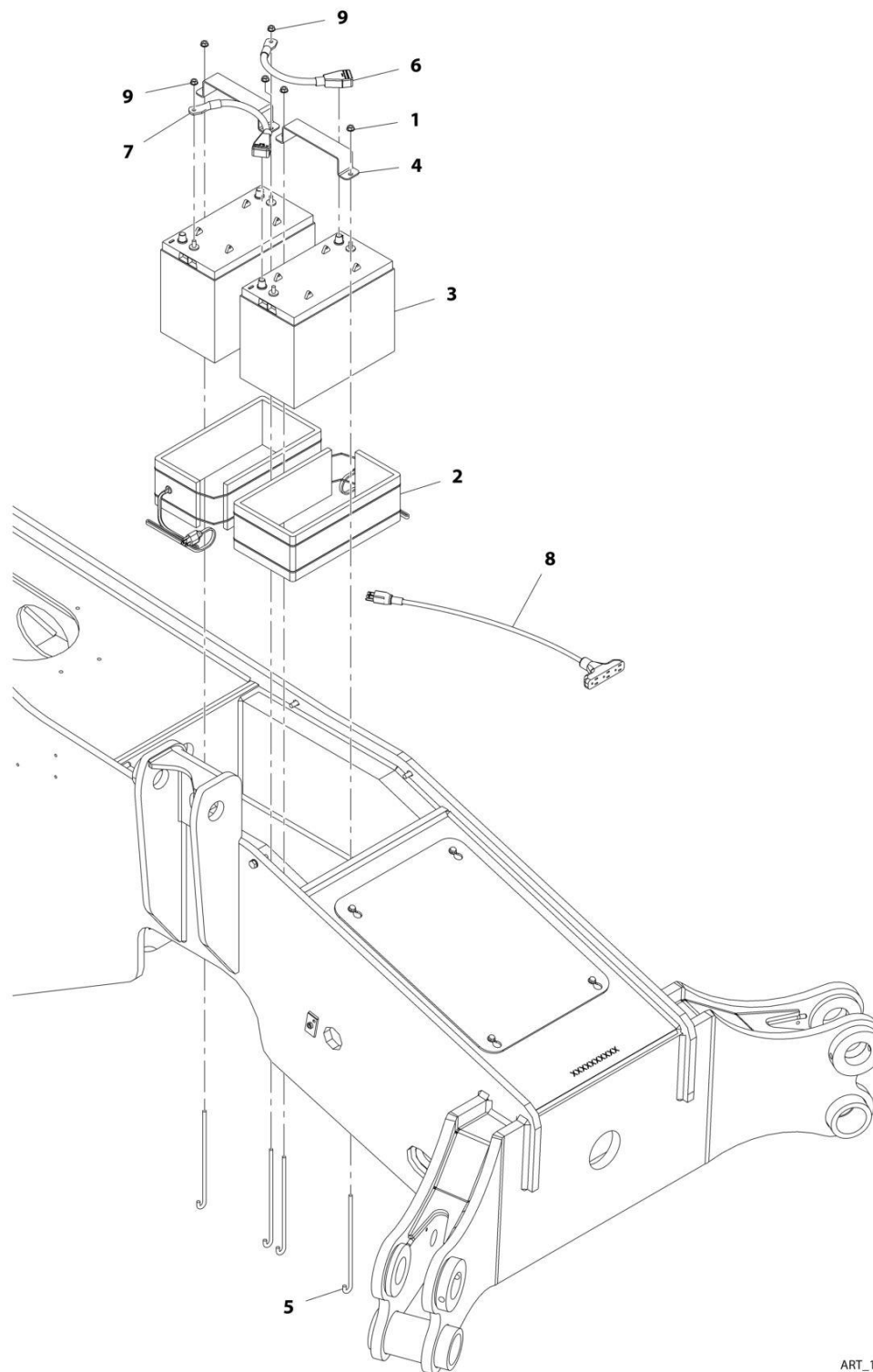
SECTION 10 - ELECTRICAL

FIGURE 10-11. BATTERY INSTALLATION

ITEM	PART NUMBER	QTY	DESCRIPTION	REV
	1001160711	Ref	Battery Installation	C
1	0400075	1	Battery, 12V	
2	5220800	2	Nut, M8	
3	1001160927	1	Plate	
4	1001181961	2	J-Bolt	

SECTION 10 - ELECTRICAL

FIGURE 10-12. BATTERY INSTALLATION - ARCTIC PACKAGE



ART_1001190670-C

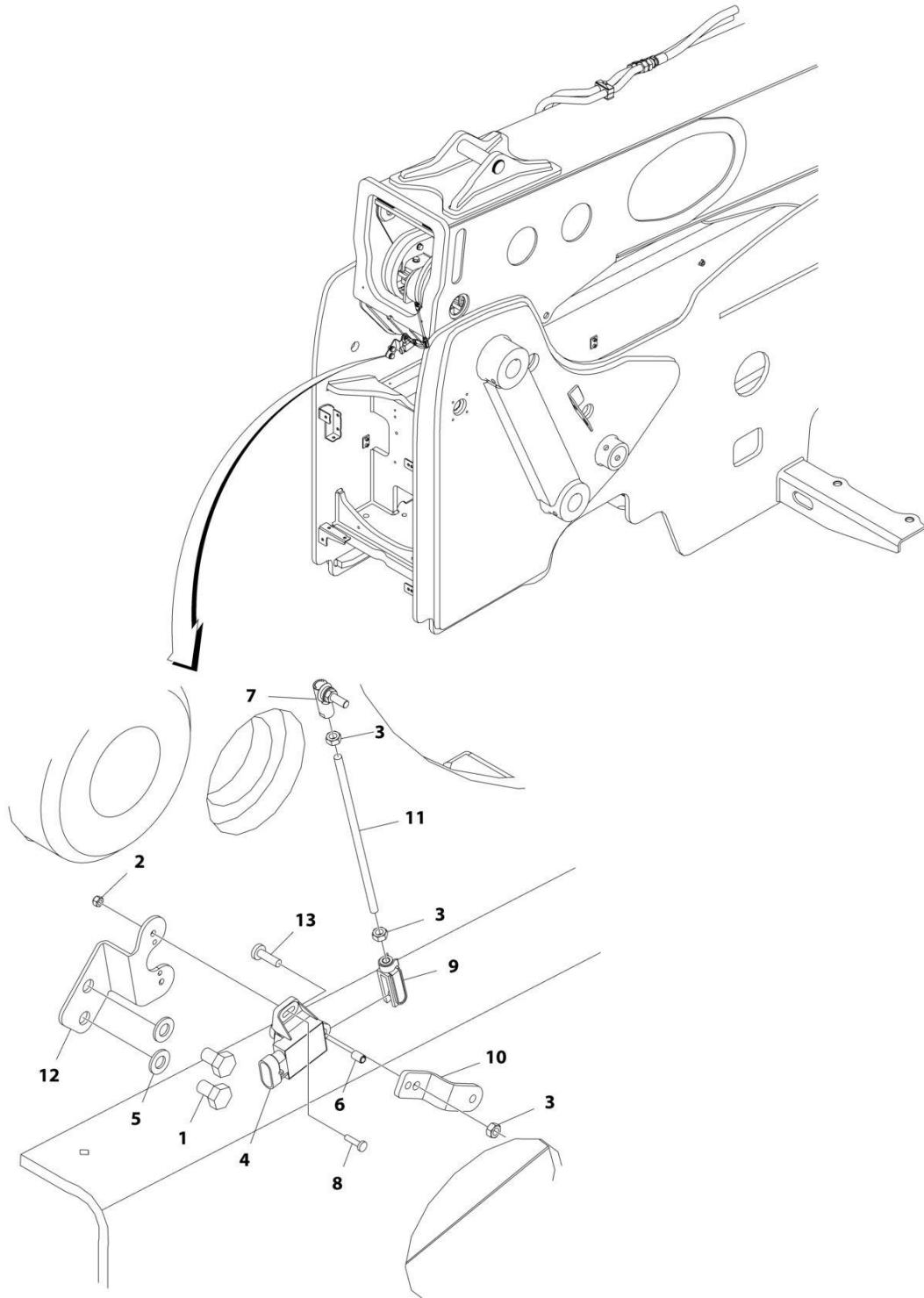
SECTION 10 - ELECTRICAL

FIGURE 10-12. BATTERY INSTALLATION - ARCTIC PACKAGE

ITEM	PART NUMBER	QTY	DESCRIPTION	REV
	1001190670	Ref	Artic Batteries Installation	C
1	5220800	4	Nut, M8	
2	1001093564	2	Heater, Battery	
3	1001098762	2	Battery, 12V	
4	1001160927	2	Plate	
5	1001160928	4	J-Bolt	
6	1001172495	1	Cable	
7	1001172496	1	Cable	
8	1060626	1	Cord, 3-Way Extension	
9	3311508	2	Nut	

SECTION 10 - ELECTRICAL

FIGURE 10-13. BOOM ANGLE SENSOR INSTALLATION (STANDARD)



ART_1001184056_D

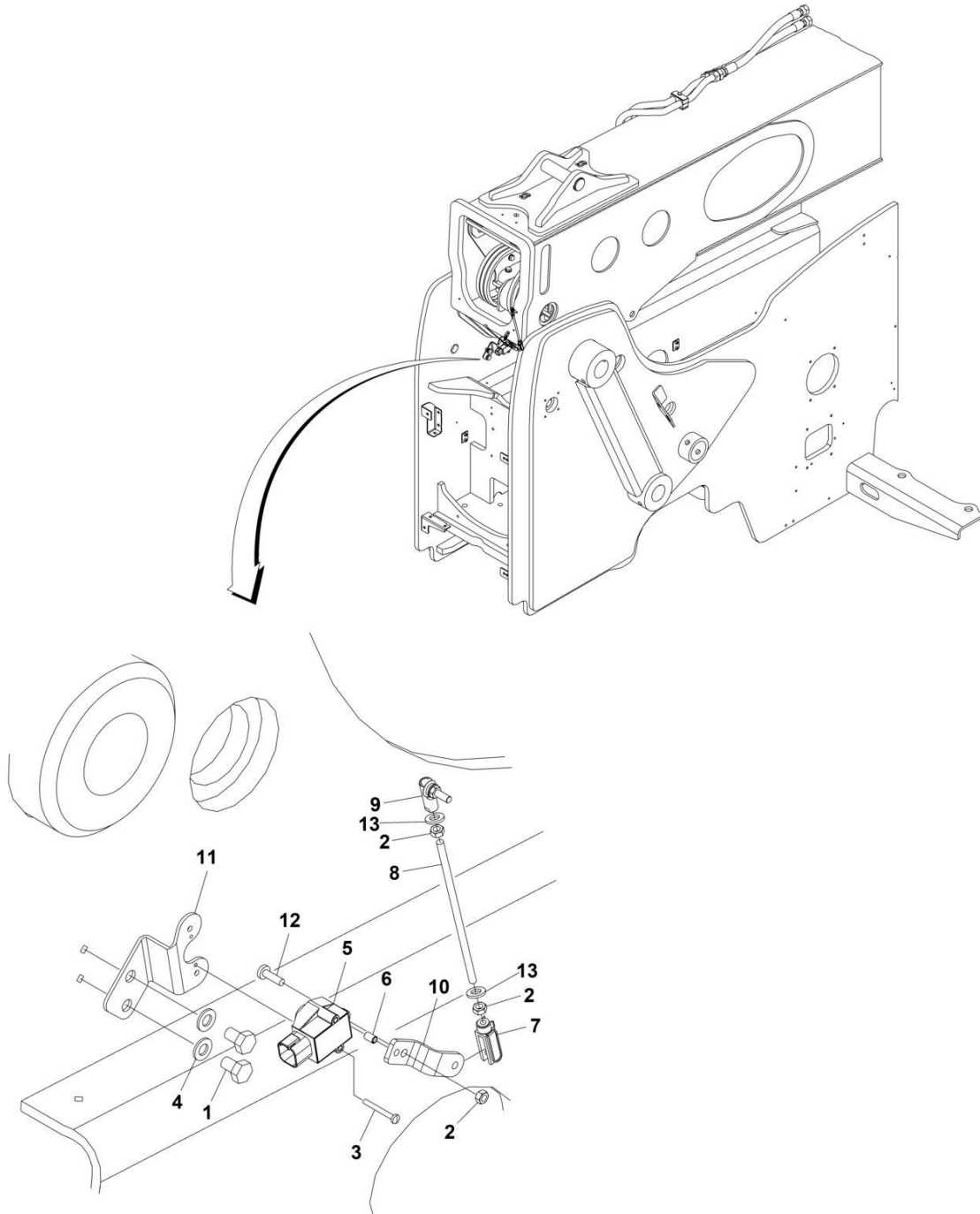
SECTION 10 - ELECTRICAL

FIGURE 10-13. BOOM ANGLE SENSOR INSTALLATION (STANDARD)

ITEM	PART NUMBER	QTY	DESCRIPTION	REV
	1001184056	Ref	BOOM ANGLE SENSOR INSTALLATION (STANDARD)	D
1	0761008	2	Bolt M10 x 16	
2	3290405	2	Nut M4 x 0.7	
3	3290601	3	Nut M6 x 1	
4	1001278028	1	Sensor, Angle	
5	4812000	2	Washer M10	
6	1001103156	1	Pin	
7	1001184484	1	Joint, Ball	
8	1001126837	2	Screw M4 x 16	
9	1001134274	1	Clevis	
10	1001188787	1	Link, Boom Angle Sensor	
11	1001168482	1	Rod	
12	1001211059	1	Bracket, Boom Angle Sensor	
13	4010610002	1	Screw M6 x 20	

SECTION 10 - ELECTRICAL

FIGURE 10-14. BOOM ANGLE SENSOR INSTALLATION (LSI)



ART_1001259082

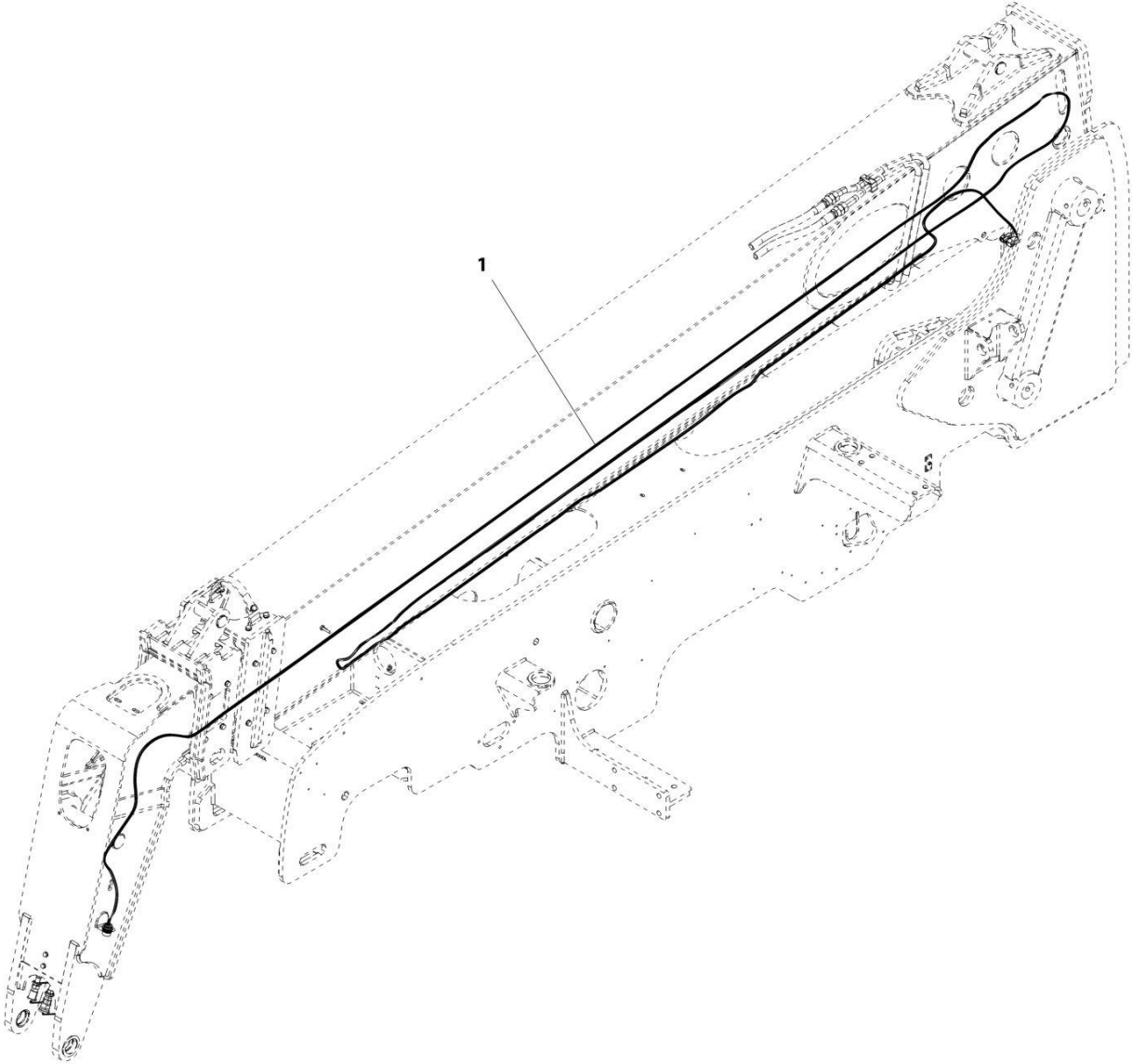
SECTION 10 - ELECTRICAL

FIGURE 10-14. BOOM ANGLE SENSOR INSTALLATION (LSI)

ITEM	PART NUMBER	QTY	DESCRIPTION	REV
	1001259082	Ref	BOOM ANGLE SENSOR INSTALLATION	B
1	0761008	2	Bolt M10 X 16	
2	3290601	3	Nut M6	
3	4010415	2	Screw M4 x 35	
4	4812000	2	Washer M10	
5	1001099717	1	Sensor, Angle	
6	1001103156	1	Pin	
7	1001134274	1	Clevis	
8	1001168482	1	Rod	
9	1001184484	1	Joint, Ball	
10	1001188787	1	Link, Boom Angle Sensor	
11	1001211059	1	Bracket, Boom Angle Sensor	
12	4010610002	1	Screw M6 X 20	
13	4761400	1	Washer 1/4	

SECTION 10 - ELECTRICAL

FIGURE 10-15. BOOM ELECTRICAL HARNESS INSTALLATION



ART_1001174426-E

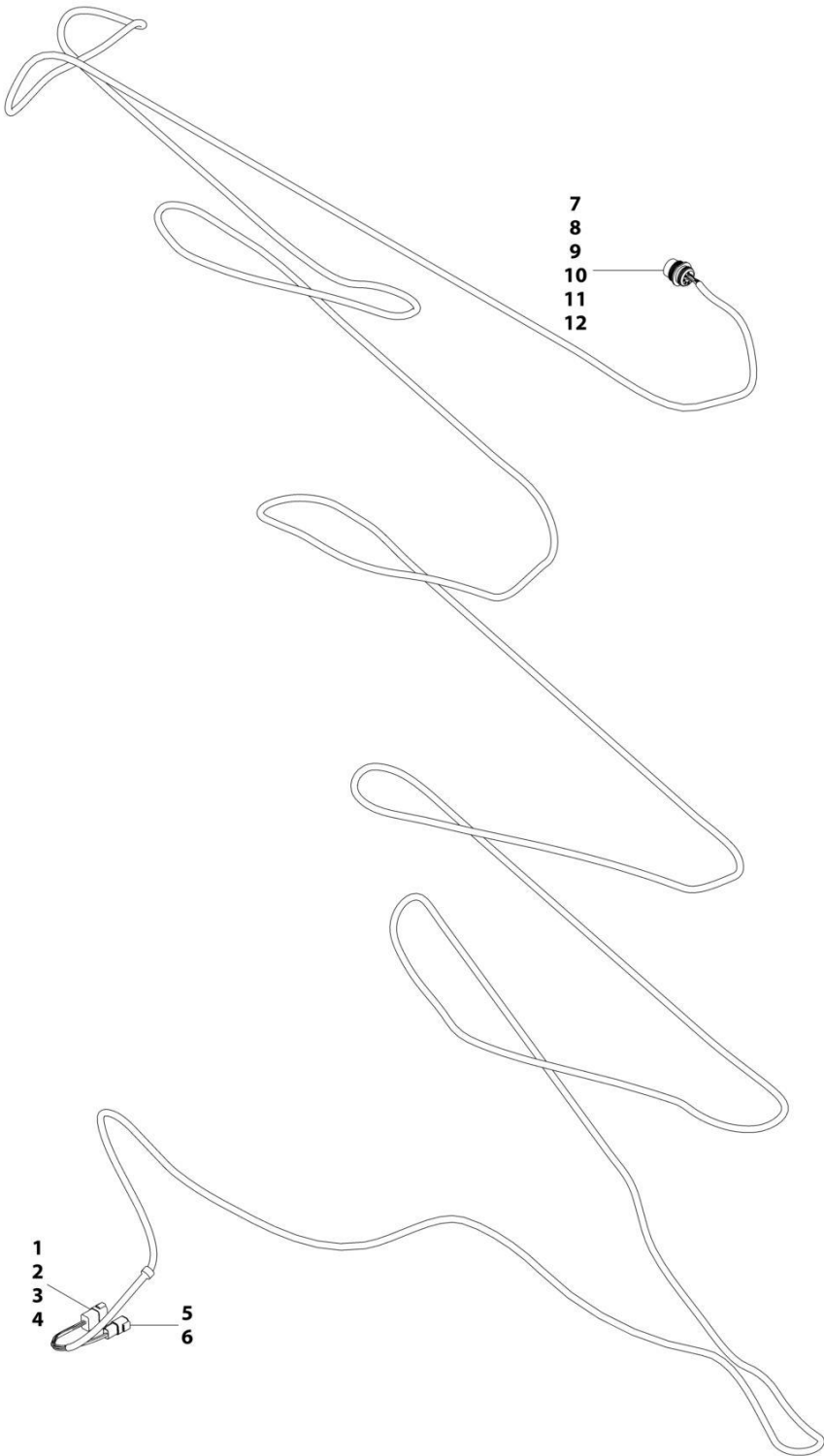
SECTION 10 - ELECTRICAL

FIGURE 10-15. BOOM ELECTRICAL HARNESS INSTALLATION

ITEM	PART NUMBER	QTY	DESCRIPTION	REV
1	1001174426 1001172728	Ref 1	Boom Electrical Harness Installation Harness, Boom (See Separate Breakdown in this Section)	E

SECTION 10 - ELECTRICAL

FIGURE 10-16. BOOM ELECTRIC HARNESS



ART_1001172728-D

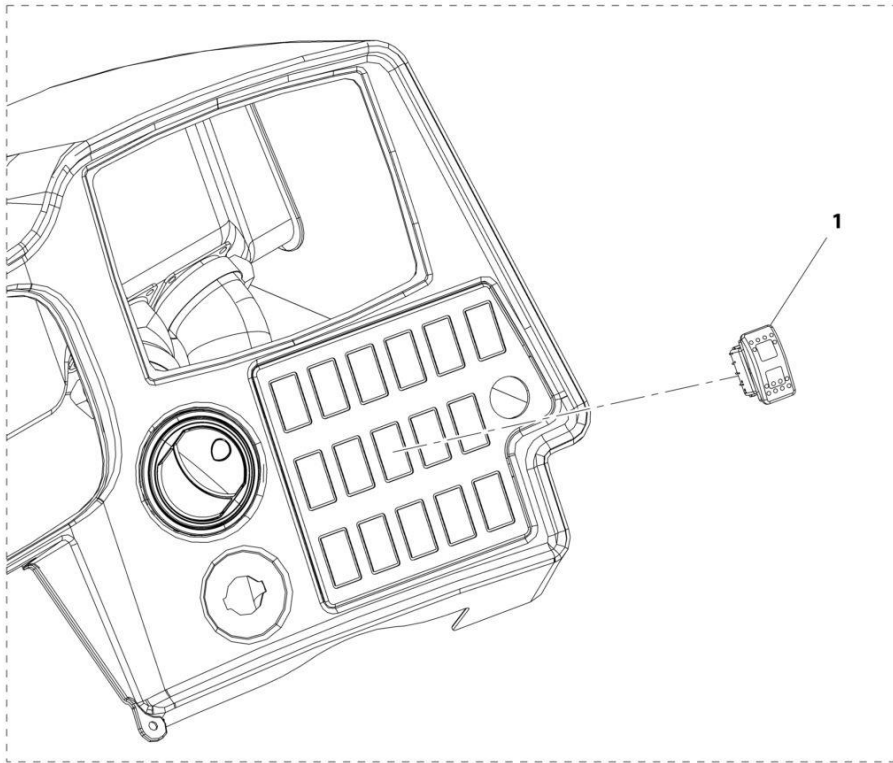
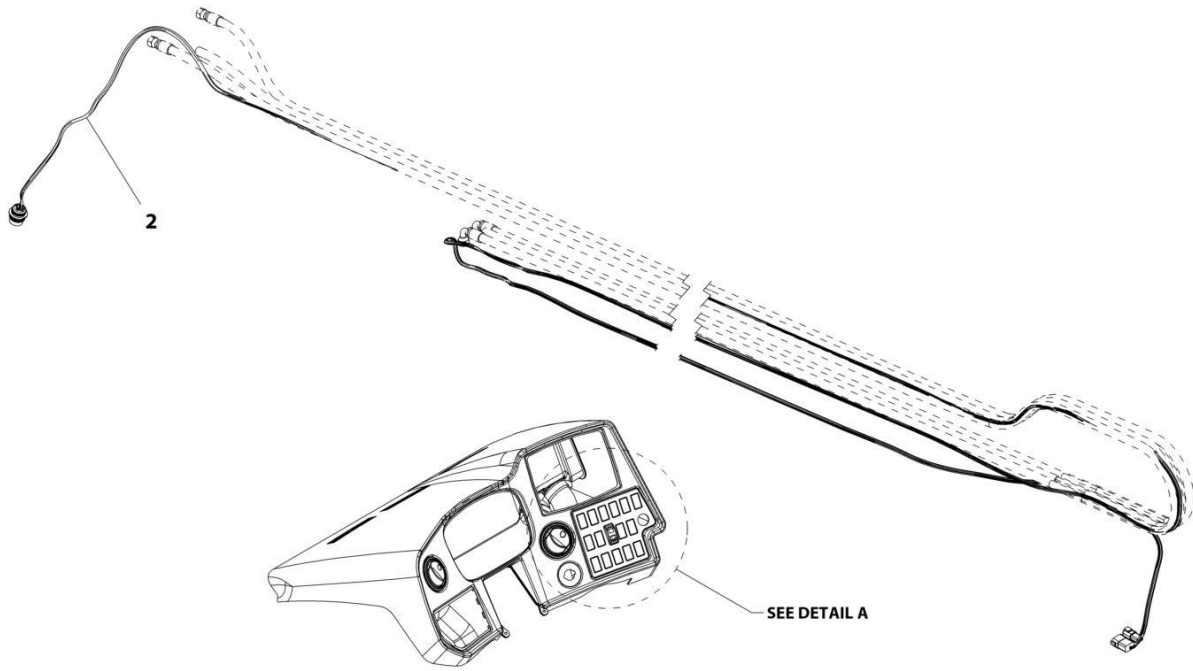
SECTION 10 - ELECTRICAL

FIGURE 10-16. BOOM ELECTRIC HARNESS

ITEM	PART NUMBER	QTY	DESCRIPTION	REV
	1001172728	Ref	Boom Harness	D
1	4460931	1	Connector	
2	4460943	2	Terminal	
3	4460464	4	Terminal	
4	4460466	2	Plug	
5	4461017	1	Connector	
6	4460508	2	Terminal	
7	1001112612	1	Connector	
8	1001183221	1	Boot	
9	1001157891	1	Terminal	
10	4460464	4	Terminal	
11	4460943	2	Terminal	
12	4460466	1	Plug	

SECTION 10 - ELECTRICAL

FIGURE 10-17. BOOM AUXILIARY ELECTRIC INSTALLATION



DETAIL A

ART_1001187532-A

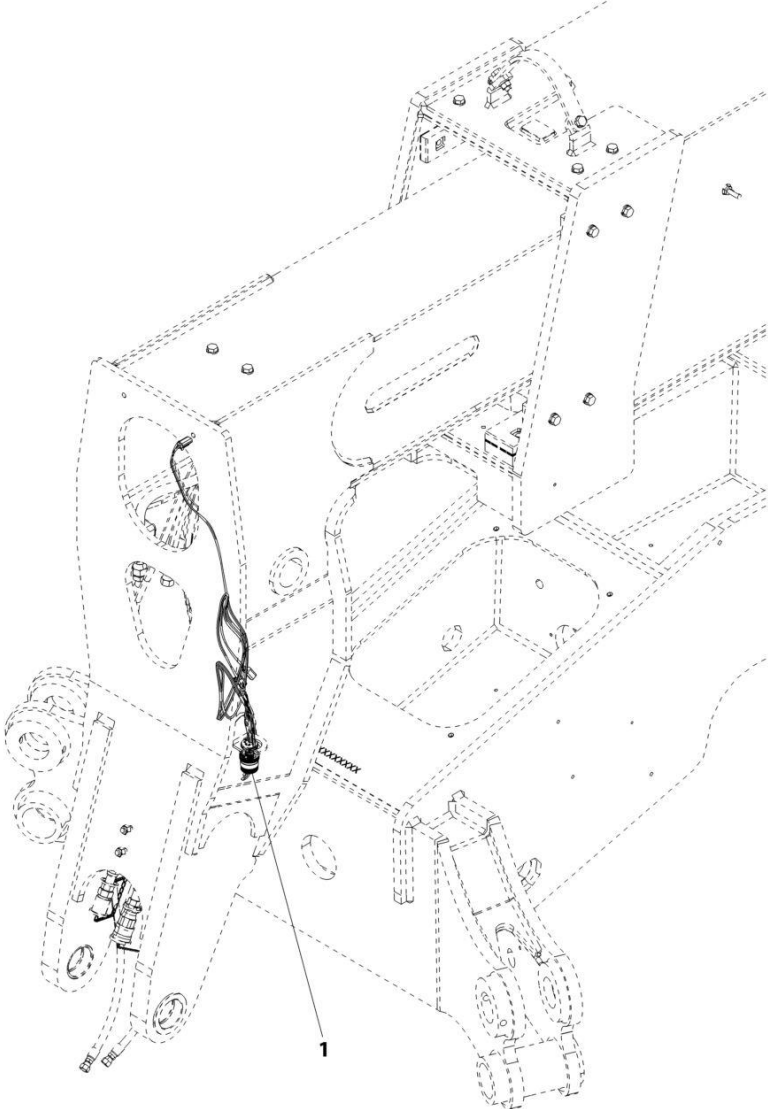
SECTION 10 - ELECTRICAL

FIGURE 10-17. BOOM AUXILIARY ELECTRIC INSTALLATION

ITEM	PART NUMBER	QTY	DESCRIPTION	REV
	1001187532	Ref	Boom Auxiliary Electric Installation	A
1	1001159746	1	Switch, Auxiliary Electric	
2	1001174426	1	Installation, Boom Electrical Harness (See Separate Breakdown in this Section)	

SECTION 10 - ELECTRICAL

FIGURE 10-18. BOOM AUXILIARY ELECTRIC HARNESS INSTALLATION



ART_1001167799-B

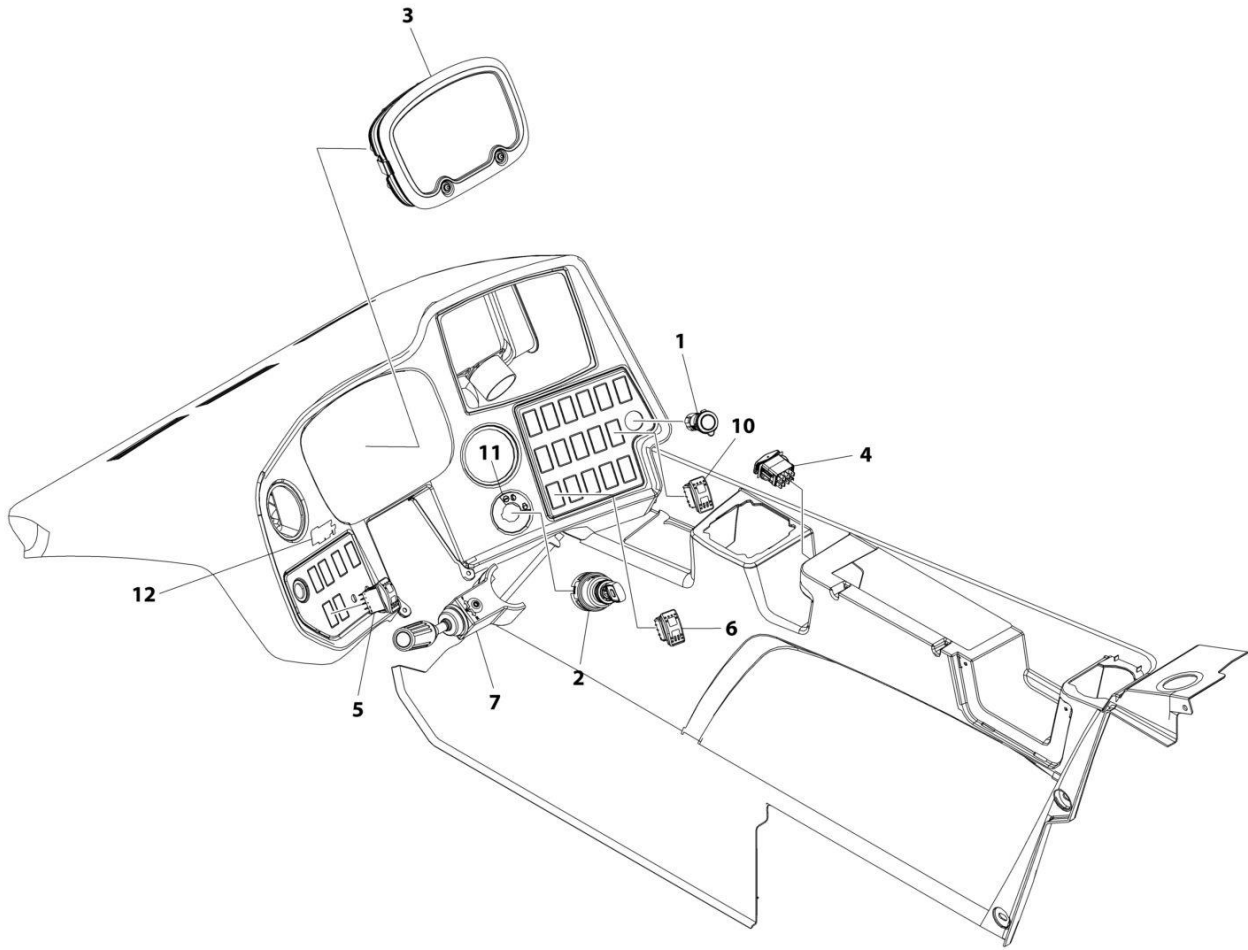
SECTION 10 - ELECTRICAL

FIGURE 10-18. BOOM AUXILIARY ELECTRIC HARNESS INSTALLATION

ITEM	PART NUMBER	QTY	DESCRIPTION	REV
1	1001167799 1001167695	Ref 1	Boom Auxiliary Electric Harness Installation Harness, Platform (See Separate Breakdown in this Section)	B

SECTION 10 - ELECTRICAL

FIGURE 10-19. CAB DASH ELECTRICAL (ULS)



ART_1001173849_I

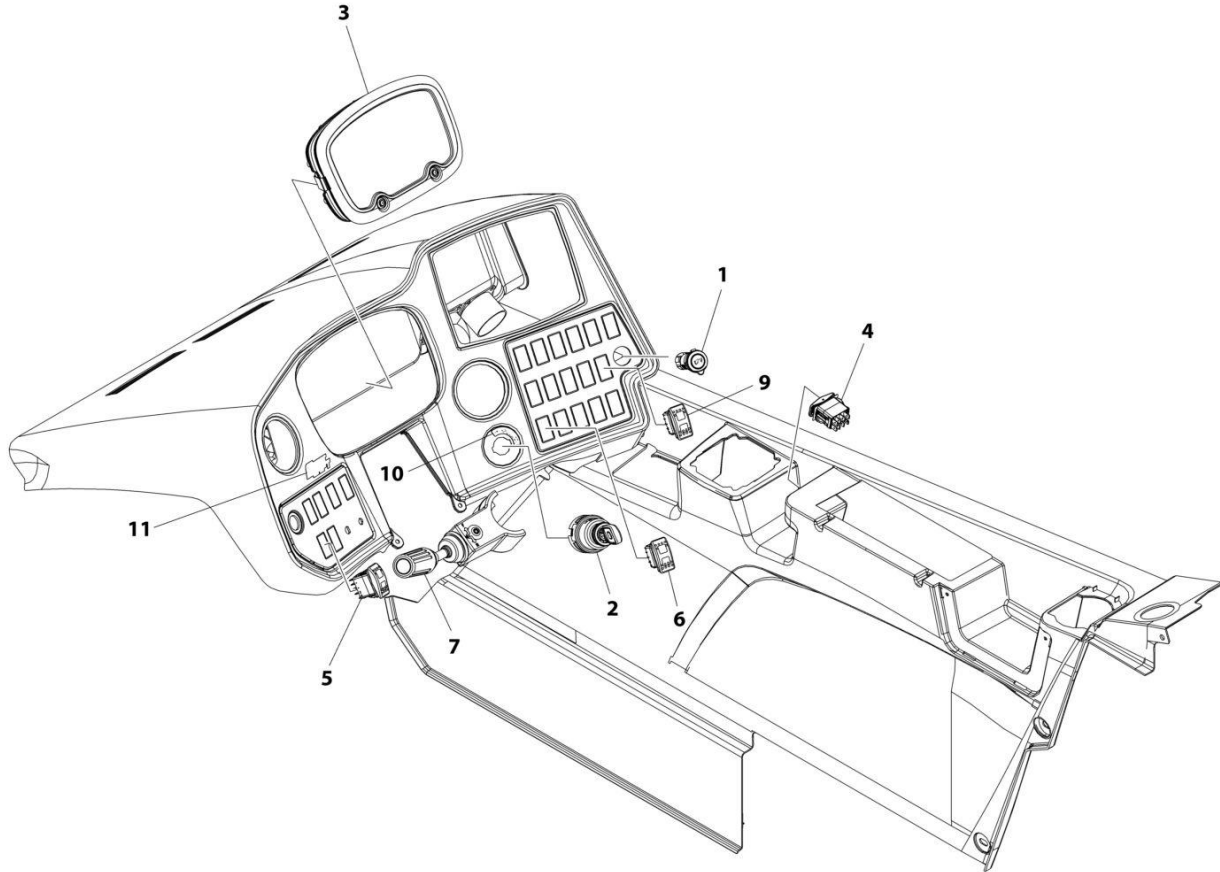
SECTION 10 - ELECTRICAL

FIGURE 10-19. CAB DASH ELECTRICAL (ULS)

ITEM	PART NUMBER	QTY	DESCRIPTION	REV
	1001173849	Ref	Dash Electrical Installation (if equipped for ULS)	I
1	1001095804	1	Connector, 12V Power Socket	
2	1001102502	1	Switch, 4 Position Key	
2	70022765	1	Key, Ignition	
3	1001158146	1	Cluster, Electrical Gauge	
4	1001212470	1	Switch, Frame Level	
5	1001159753	1	Switch, Park Brake	
6	1001159849	1	Switch, Steer Mode	
7	1001239793	1	Switch, FNR 4 Speed	
10	1001104654	1	Switch, AUX	
11	1001181531	1	Decal, Ignition Switch	
12	1001262072	1	Decal, Smart Shift Logo	

SECTION 10 - ELECTRICAL

FIGURE 10-20. CAB DASH ELECTRICAL (LS)



ART_1001203225_E

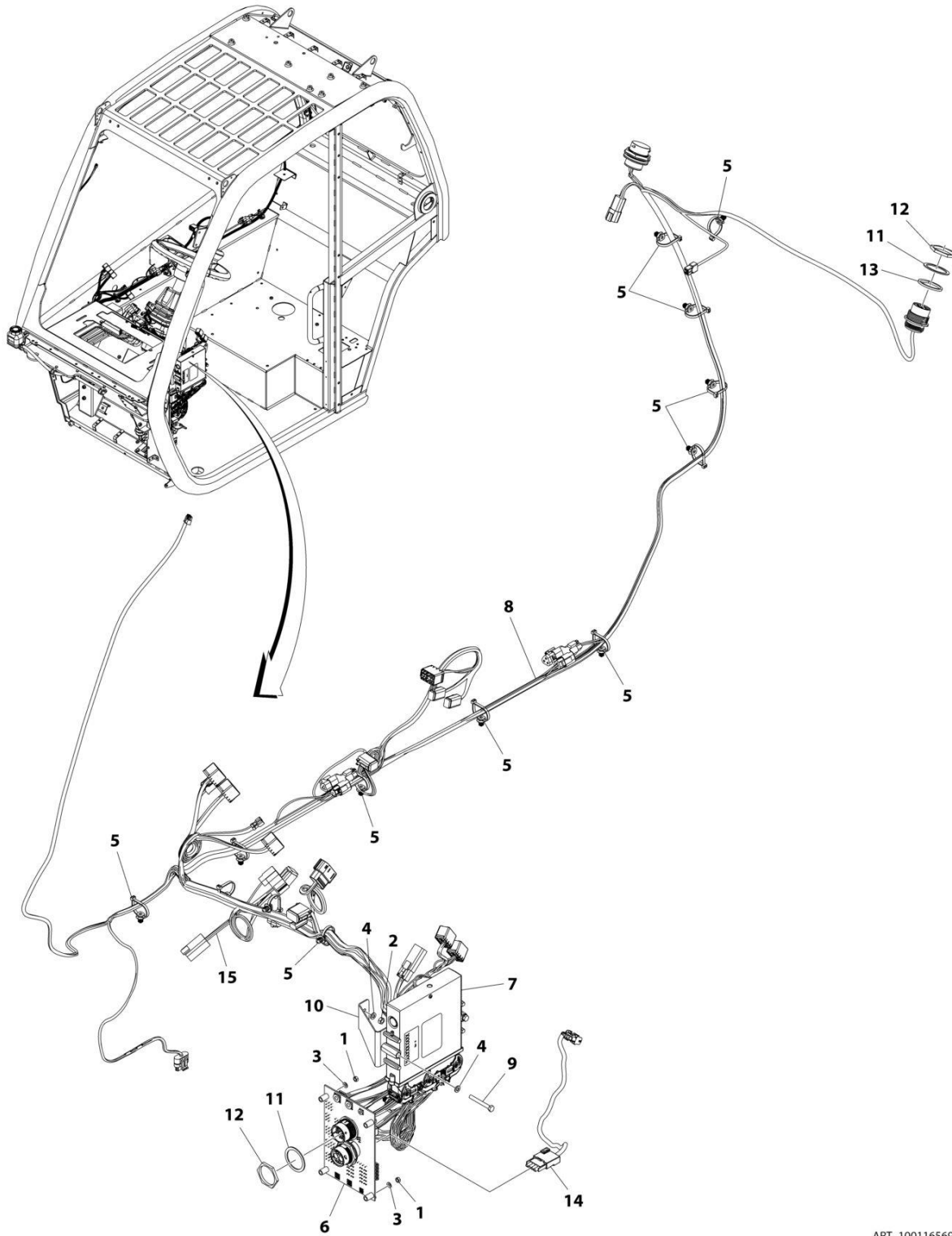
SECTION 10 - ELECTRICAL

FIGURE 10-20. CAB DASH ELECTRICAL (LS)

ITEM	PART NUMBER	QTY	DESCRIPTION	REV
	1001203225	Ref	Dash Electrical Installation (LS)	E
1	1001095804	1	Connector, 12V Power Socket	
2	1001102502	1	Switch, 4 Position Key	
2	70022765	1	Key, Ignition	
3	1001202454	1	Cluster, Electrical Gauge	
4	1001212470	1	Switch, Frame Level	
5	1001159753	1	Switch, Park Brake	
6	1001159849	1	Switch, Steer Mode	
7	1001239793	1	Switch, FNR 4 Speed	
9	1001104654	1	Switch, AUX	
10	1001181531	1	Decal, Ignition Switch	
11	1001262072	1	Decal, Smart Shift Logo	

SECTION 10 - ELECTRICAL

FIGURE 10-21. CAB ELECTRICAL INSTALLATION



ART_1001165699_M

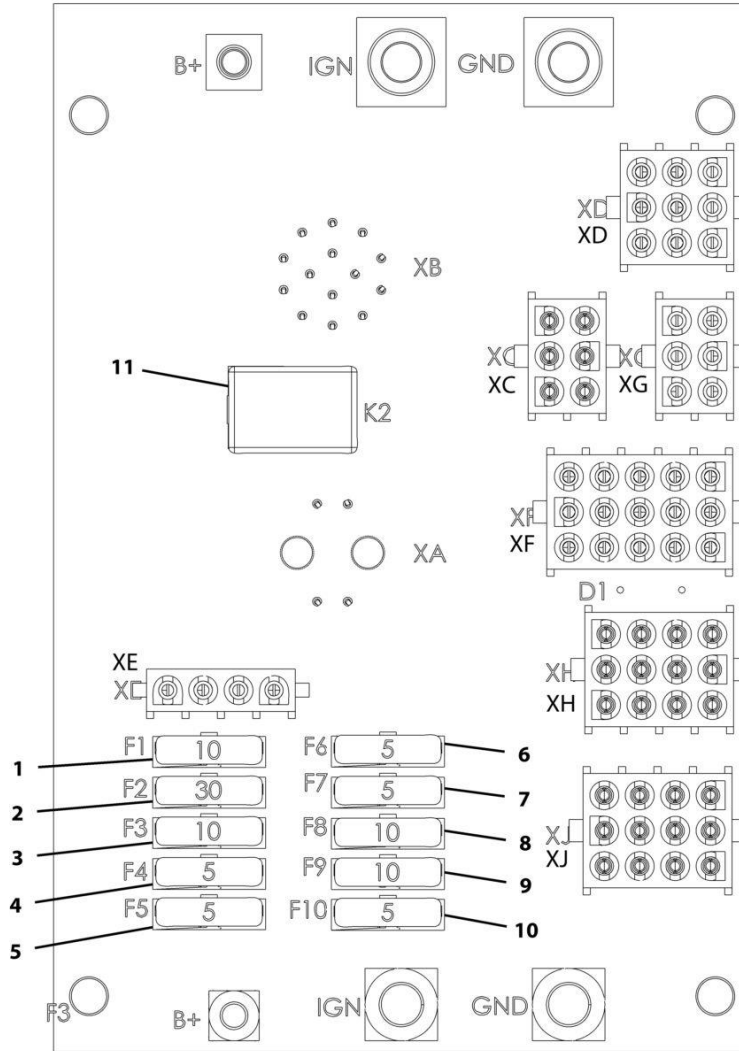
SECTION 10 - ELECTRICAL

FIGURE 10-21. CAB ELECTRICAL INSTALLATION

ITEM	PART NUMBER	QTY	DESCRIPTION	REV
	1001165699	Ref	CAB ELECTRICAL INSTALLATION	M
1	3290501	3	Nut M5 x 0.8	
2	3290601	2	Nut M6 x 1	
3	120034	3	Washer, Plastic	
4	4811700	4	Washer M6	
5	1001146588	16	Tie Strap	
6	1001161769	1	Assembly, Standard Electrical Board (See Separate Breakdown in this Section)	
7	1001270466	1	Module	
8	1001282322	1	Harness, Cab (See Separate Breakdown in this Section)	
9	0700618	2	Bolt M6 x 50	
10	1001178933	1	Bracket	
11	4460496	4	Washer, Terminal Lock	
12	4460497	4	Nut, Terminal	
13	1001211693	2	Seal	
14	1001213988	1	Cable (See Separate Breakdown in this Section)	
15	1001241610	1	Key Harness (See Separate Breakdown in this Section)	

SECTION 10 - ELECTRICAL

FIGURE 10-22. CAB ELECTRICAL BOARD ASSEMBLY



ART_1001161769-C

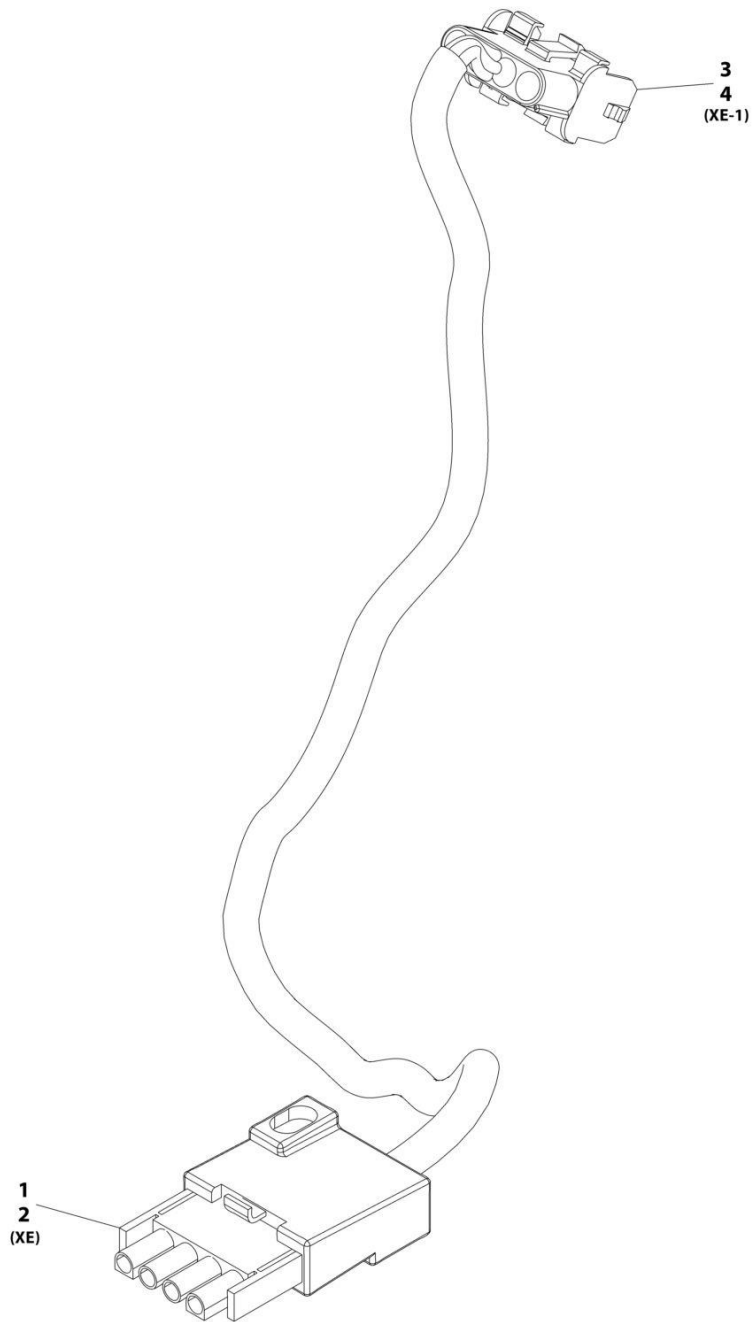
SECTION 10 - ELECTRICAL

FIGURE 10-22. CAB ELECTRICAL BOARD ASSEMBLY

ITEM	PART NUMBER	QTY	DESCRIPTION	REV
	1001161769	Ref	Standard Electrical Board Assembly	C
1	80983191	1	Fuse, 10AMP	
2	8229245	1	Fuse, 30AMP	
3	80983191	1	Fuse, 10AMP	
4	8229242	1	Fuse, 5AMP	
5	8229242	1	Fuse, 5AMP	
6	8229242	1	Fuse, 5AMP	
7	8229242	1	Fuse, 5AMP	
8	80983191	1	Fuse, 10AMP	
9	80983191	1	Fuse, 10AMP	
10	8229242	1	Fuse, 5AMP	
11	70026292	1	Fuse, 35AMP	

SECTION 10 - ELECTRICAL

FIGURE 10-23. CAB ELECTRICAL COMMUNICATION CABLE



ART_1001213988-A

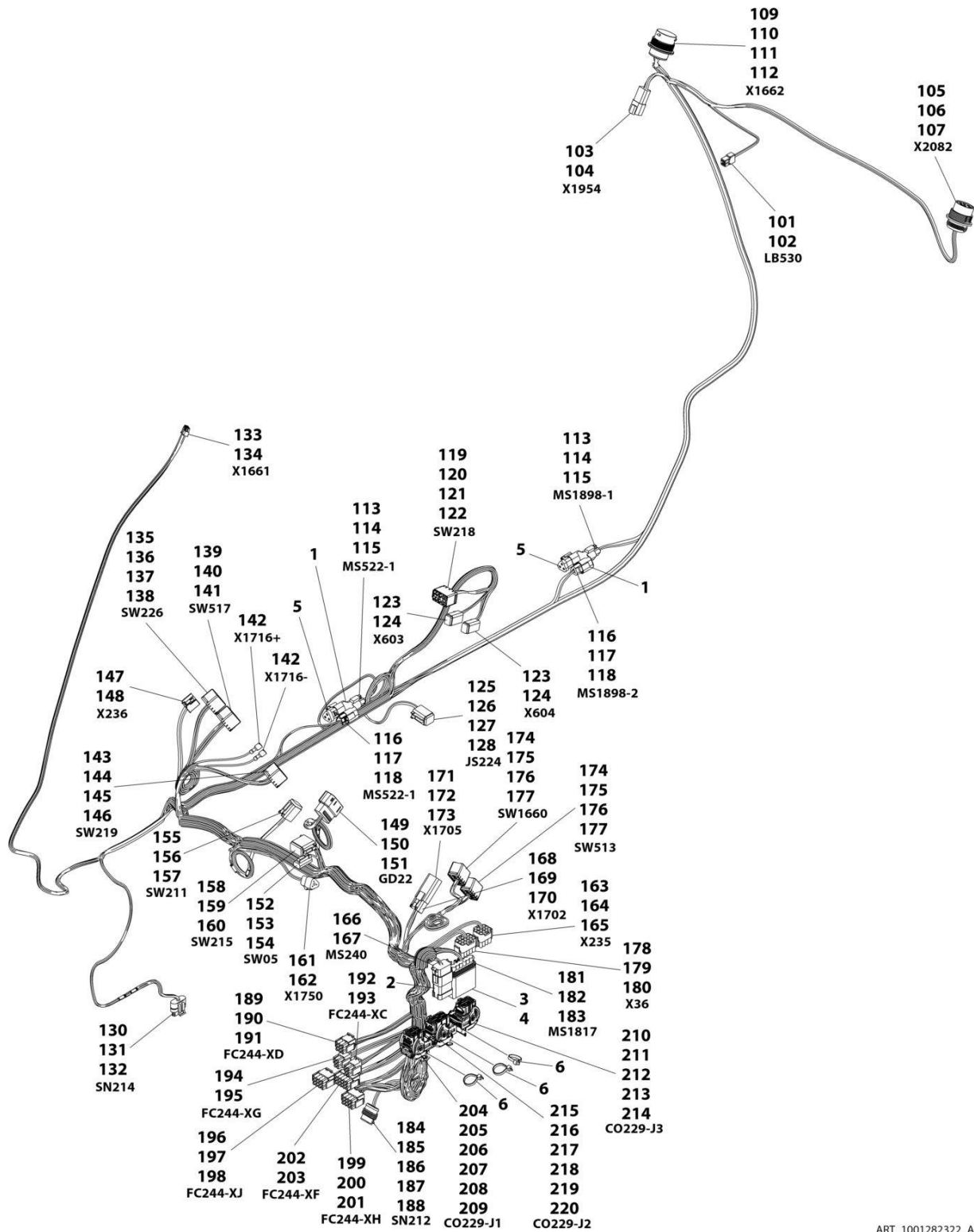
SECTION 10 - ELECTRICAL

FIGURE 10-23. CAB ELECTRICAL COMMUNICATION CABLE

ITEM	PART NUMBER	QTY	DESCRIPTION	REV
	1001213988	Ref	Communication Analyzer Cable	A
1	4460321	1	Connector	
2	4460268	4	Terminal	
3	4460761	1	Connector	
4	4460267	4	Terminal	

SECTION 10 - ELECTRICAL

FIGURE 10-24. CAB HARNESS



ART_1001282322_A

SECTION 10 - ELECTRICAL

FIGURE 10-24. CAB HARNESS

ITEM	PART NUMBER	QTY	DESCRIPTION	REV
	1001282322	Ref	CAB HARNESS	A
1	4460945	2	Terminal, 3 Way "T" Receptacle	
2	4460984	1	Plug, 8 Pin	
3	8220375	1	Cap	
4	1001177597	2	Diode, 6amp	
5	1001116815	1	Connector, 3 Pin	
6	1001008559	3	Tie-Strap	
101	1001116991	1	Connector	
102	1001118384	2	Terminal	
103	4460932	1	Connector	
104	4460941	4	Terminal	
105	1001112612	1	Connector	
106	4460464	5	Terminal	
107	4460943	4	Terminal	
109	4461016	1	Connector	
110	4460941	6	Terminal	
111	4460464	5	Terminal	
112	4460466	3	Plug	
113	1001116812	2	Connector	
114	4460944	4	Terminal	
115	4460466	2	Plug	
116	4460539	2	Connector	
117	4460944	4	Terminal	
118	4460466	2	Plug	
119	1001117081	1	Connector	
120	1001223455	2	Terminal	
121	1001118384	2	Terminal	
122	1001116723	2	Terminal	
123	4460884	2	Connector	
124	4460465	8	Terminal	
125	4460894	1	Connector	
126	4460465	3	Terminal	
127	4460944	2	Terminal	
128	4460466	1	Plug	
130	1001230931	1	Connector	
131	1001116748	4	Terminal	
132	1001273991	2	Terminal	
133	1001150735	1	Connector	
134	1001150737	7	Terminal	
135	1001117081	1	Connector	
136	1001118384	3	Terminal	
137	1001223455	1	Terminal	
138	1001116723	4	Terminal	
139	1001117081	1	Connector	
140	1001116723	6	Terminal	
141	1001223455	1	Terminal	
142	1001194421	1	Connector	
143	1001117081	1	Connector	
144	1001223455	3	Terminal	
145	1001118384	2	Terminal	

SECTION 10 - ELECTRICAL

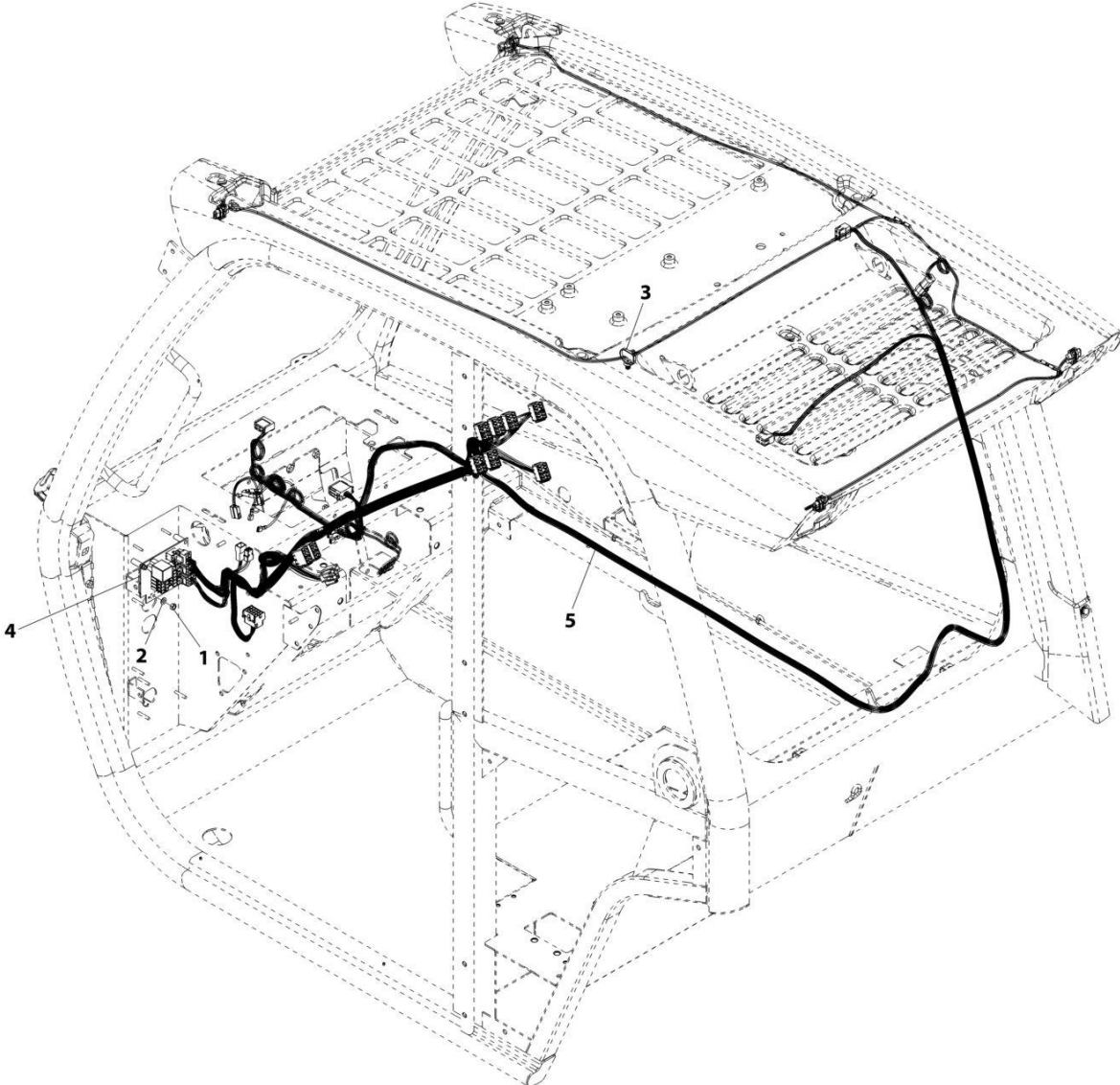
ITEM	PART NUMBER	QTY	DESCRIPTION	REV
146	1001116723	6	Terminal	
147	1001118684	1	Connector	
148	1001116754	2	Terminal	
149	1001162886	1	Connector	
150	1001162887	7	Terminal	
151	1001163340	13	Plug	
152	4460897	1	Connector	
153	4460464	1	Terminal	
154	4460466	1	Plug	
155	4460894	1	Connector	
156	4460465	4	Terminal	
157	4460466	2	Plug	
158	4460933	1	Connector	
159	4460465	9	Terminal	
160	4460466	3	Plug	
161	4460539	1	Connector	
162	4460465	3	Terminal	
163	4460343	1	Connector	
164	4460268	6	Terminal	
165	1001223457	15	Terminal	
166	4460930	1	Connector	
167	4460465	8	Terminal	
168	4460894	1	Connector	
169	4460465	5	Terminal	
170	4460466	1	Plug	
171	4460899	1	Connector	
172	4460464	1	Terminal	
173	4460466	5	Plug	
174	1001117081	2	Connector	
175	1001118384	2	Terminal	
176	1001223455	2	Terminal	
177	1001116723	8	Terminal	
178	4460434	1	Connector	
179	4460268	6	Terminal	
180	1001223457	7	Terminal	
181	4460744	1	Connector	
182	4460746	6	Terminal	
183	1001175265	6	Seal	
184	1001103012	1	Connector	
185	1001116698	2	Plug	
186	1001116697	1	Terminal	
187	1001237212	1	Terminal	
188	1001116763	2	Seal	
189	4460265	1	Connector	
190	4460268	7	Terminal	
191	1001223457	2	Terminal	
192	4460225	1	Connector	
193	4460267	6	Terminal	
194	4460225	1	Connector	
195	4460268	5	Terminal	
196	4460343	1	Connector	

SECTION 10 - ELECTRICAL

ITEM	PART NUMBER	QTY	DESCRIPTION	REV
197	4460267	11	Terminal	
198	1001223456	1	Terminal	
199	4460343	1	Connector	
200	4460268	8	Terminal	
201	1001223457	1	Terminal	
202	4460434	1	Connector	
203	4460268	12	Terminal	
204	1001160498	1	Connector	
205	1001161097	22	Terminal	
206	1001161098	6	Terminal	
207	1001161099	1	Terminal	
208	1001161100	2	Plug	
209	1001161101	1	Plug	
210	1001161959	1	Connector	
211	1001161097	12	Terminal	
212	1001161098	1	Terminal	
213	1001161100	10	Plug	
214	1001161101	7	Plug	
215	1001160502	1	Connector	
216	1001161097	21	Terminal	
217	1001161098	5	Terminal	
218	1001161099	1	Terminal	
219	1001161100	19	Plug	
220	1001161101	2	Plug	

SECTION 10 - ELECTRICAL

FIGURE 10-25. CAB ELECTRICAL INSTALLATION - ENCLOSED



ART_1001166763-E

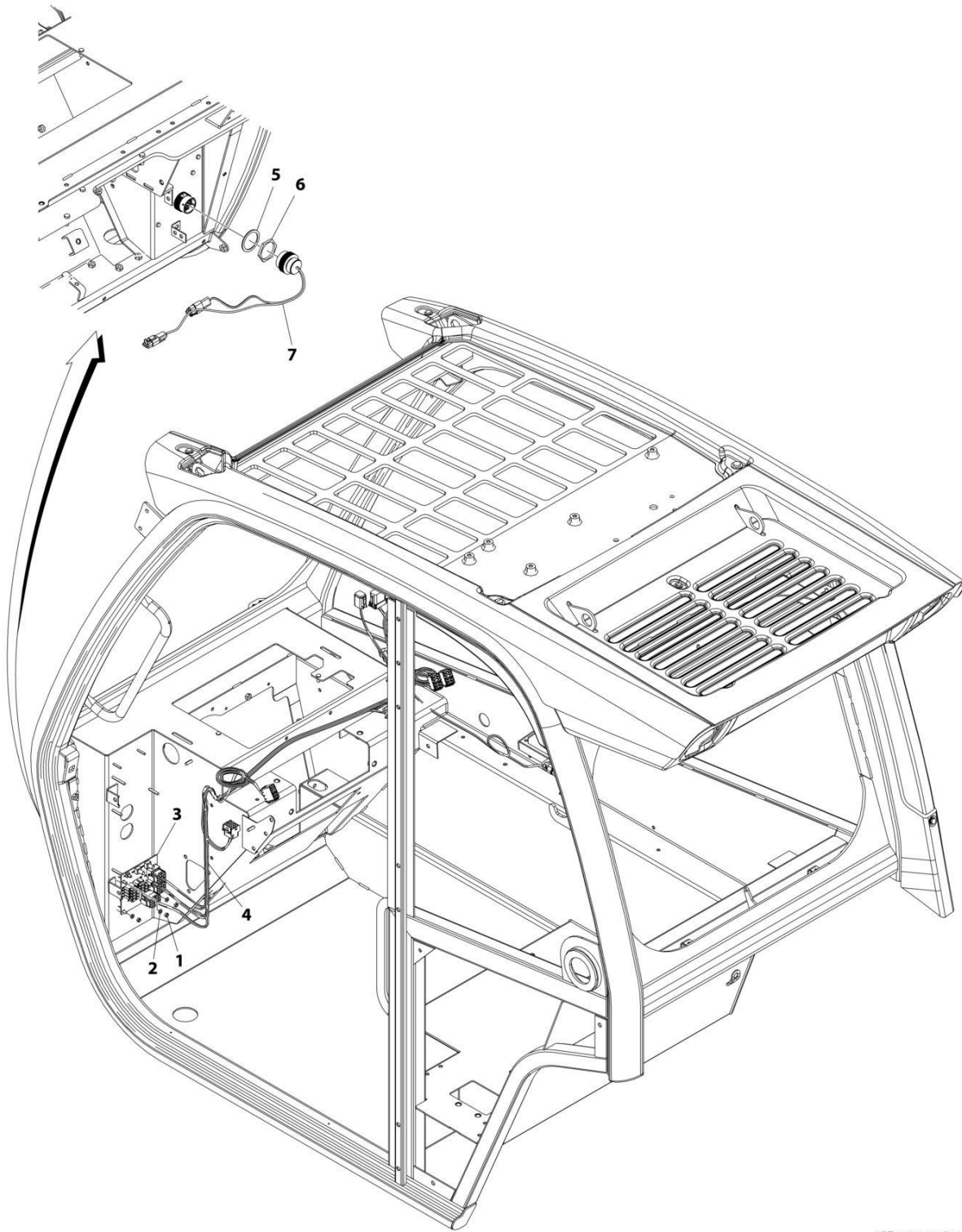
SECTION 10 - ELECTRICAL

FIGURE 10-25. CAB ELECTRICAL INSTALLATION - ENCLOSED

ITEM	PART NUMBER	QTY	DESCRIPTION	REV
	1001166763	Ref	Enclosed Cab Electrical Installation with Options	E
1	3290501	1	Nut, M5X0.8	
2	120034	1	Washer, Plastic	
3	1001146588	1	Strap, Tie	
4	1001161770	1	Assembly, Option 1 Electrical Board (See Separate Breakdown in this Section)	
5	1001163371	1	Harness, Option 1 Cab (See Separate Breakdown in this Section)	

SECTION 10 - ELECTRICAL

FIGURE 10-26. CAB ELECTRICAL INSTALLATION - OPEN



ART_1001166764_G

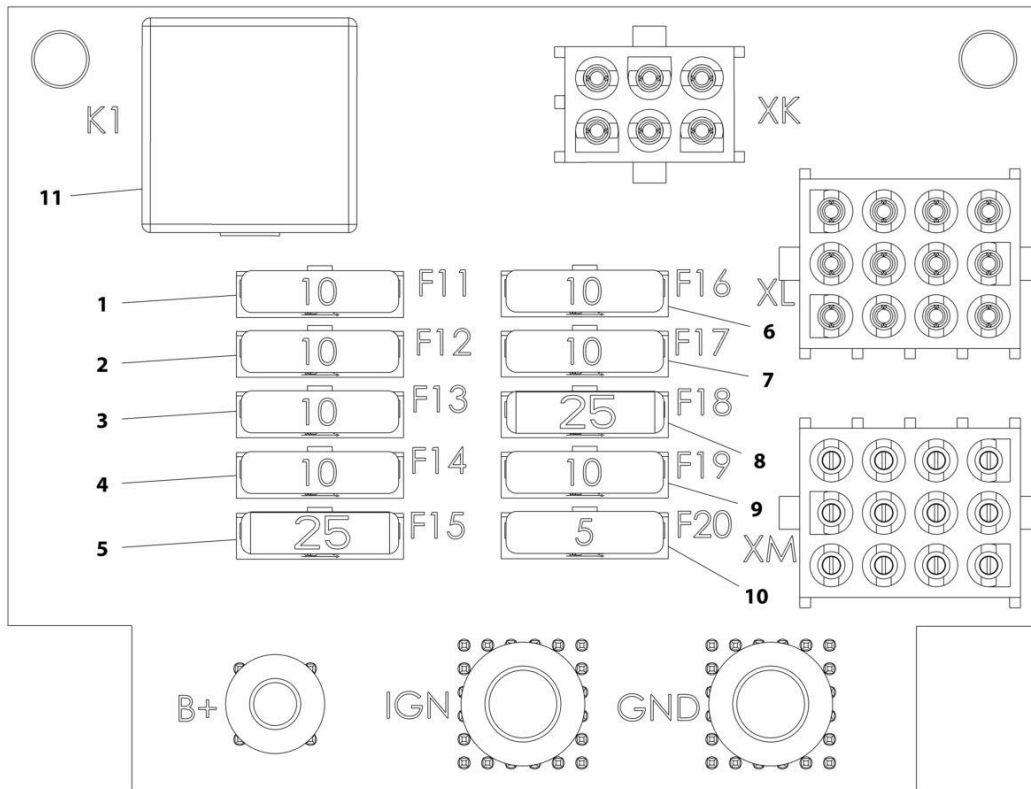
SECTION 10 - ELECTRICAL

FIGURE 10-26. CAB ELECTRICAL INSTALLATION - OPEN

ITEM	PART NUMBER	QTY	DESCRIPTION	REV
	1001166764	Ref	CAB ELECTRICAL INSTALLATION - OPEN	G
1	3290501	3	Nut M5 x 5/16	
2	120034	3	Washer, Plastic	
3	1001161771	1	Assembly, Option 2 Electrical Board (See Separate Breakdown in this Section)	
4	1001283420	1	Harness, Option 2 Cab (See Separate Breakdown in this Section)	
5	4460496	1	Washer, Terminal Lock	
6	4460497	1	Nut, Terminal	
7	1001271436	1	Harness, Cab Option (See Separate Breakdown in this Section)	

SECTION 10 - ELECTRICAL

FIGURE 10-27. CAB OPTION 1 ELECTRICAL BOARD



ART_1001161770-C

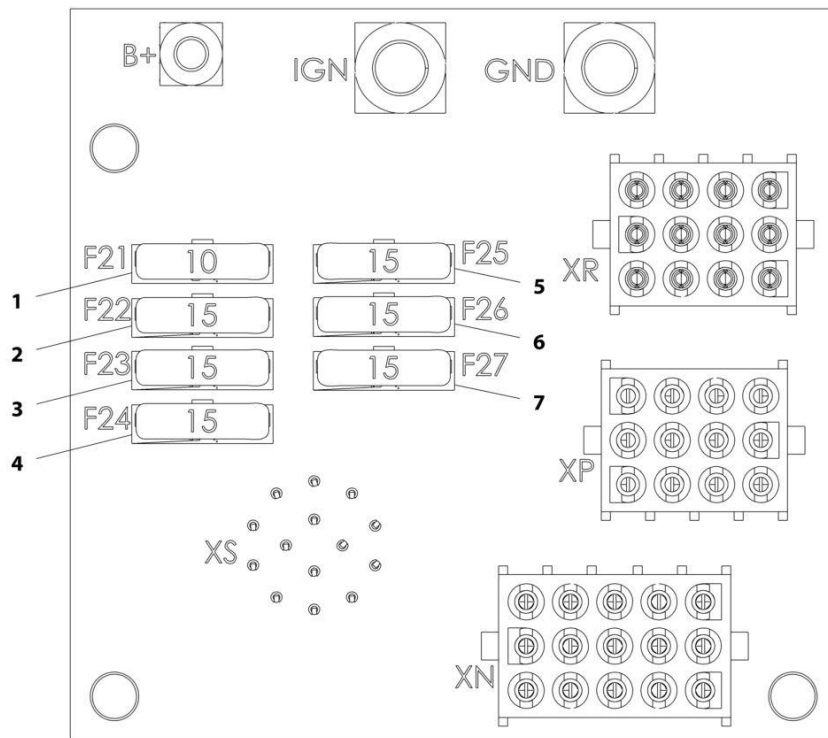
SECTION 10 - ELECTRICAL

FIGURE 10-27. CAB OPTION 1 ELECTRICAL BOARD

ITEM	PART NUMBER	QTY	DESCRIPTION	REV
	1001161770	Ref	Option 1 Electrical Board Assembly	C
1	80983191	1	Fuse, 10AMP	
2	80983191	1	Fuse, 10AMP	
3	80983191	1	Fuse, 10AMP	
4	80983191	1	Fuse, 10AMP	
5	8229247	1	Fuse, 25AMP	
6	80983191	1	Fuse, 10AMP	
7	80983191	1	Fuse, 10AMP	
8	8229247	1	Fuse, 25AMP	
9	80983191	1	Fuse, 10AMP	
10	8229242	1	Fuse, 5AMP	
11	70026293	1	Fuse, 50AMP	

SECTION 10 - ELECTRICAL

FIGURE 10-28. CAB OPTION 2 ELECTRICAL BOARD



ART_1001161771-B

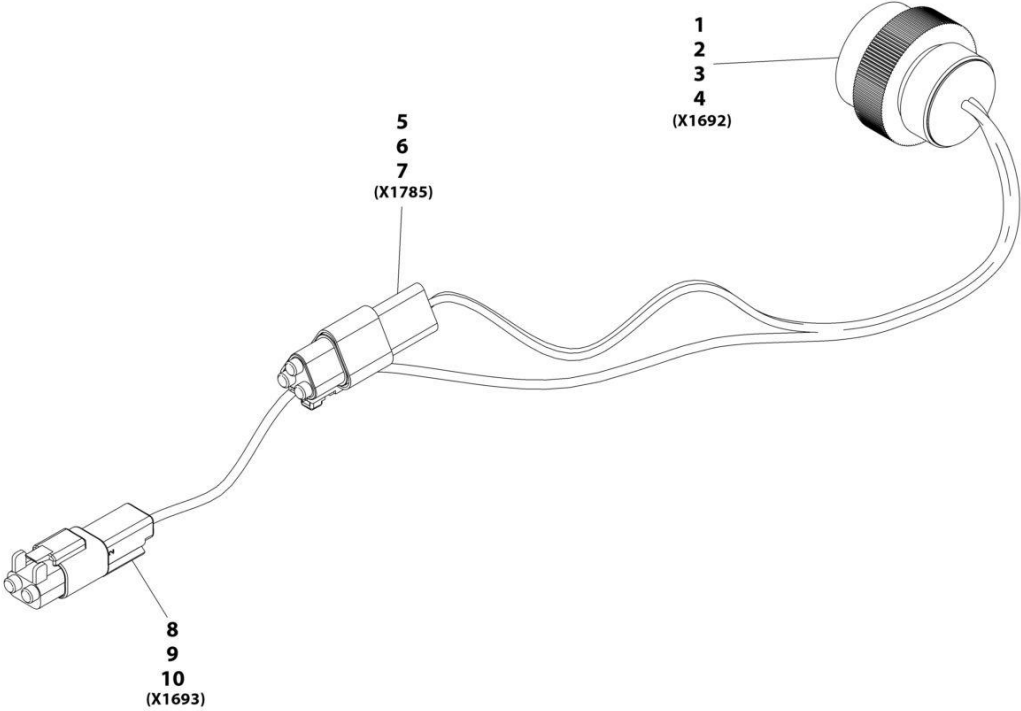
SECTION 10 - ELECTRICAL

FIGURE 10-28. CAB OPTION 2 ELECTRICAL BOARD

ITEM	PART NUMBER	QTY	DESCRIPTION	REV
	1001161771	Ref	Option 2 Electrical Board Assembly	B
1	80983191	1	Fuse, 10AMP	
2	8229244	1	Fuse, 15AMP	
3	8229244	1	Fuse, 15AMP	
4	8229244	1	Fuse, 15AMP	
5	8229244	1	Fuse, 15AMP	
6	8229244	1	Fuse, 15AMP	
7	8229244	1	Fuse, 15AMP	

SECTION 10 - ELECTRICAL

FIGURE 10-29. CAB OPTION HARNESS



ART_1001271436-A

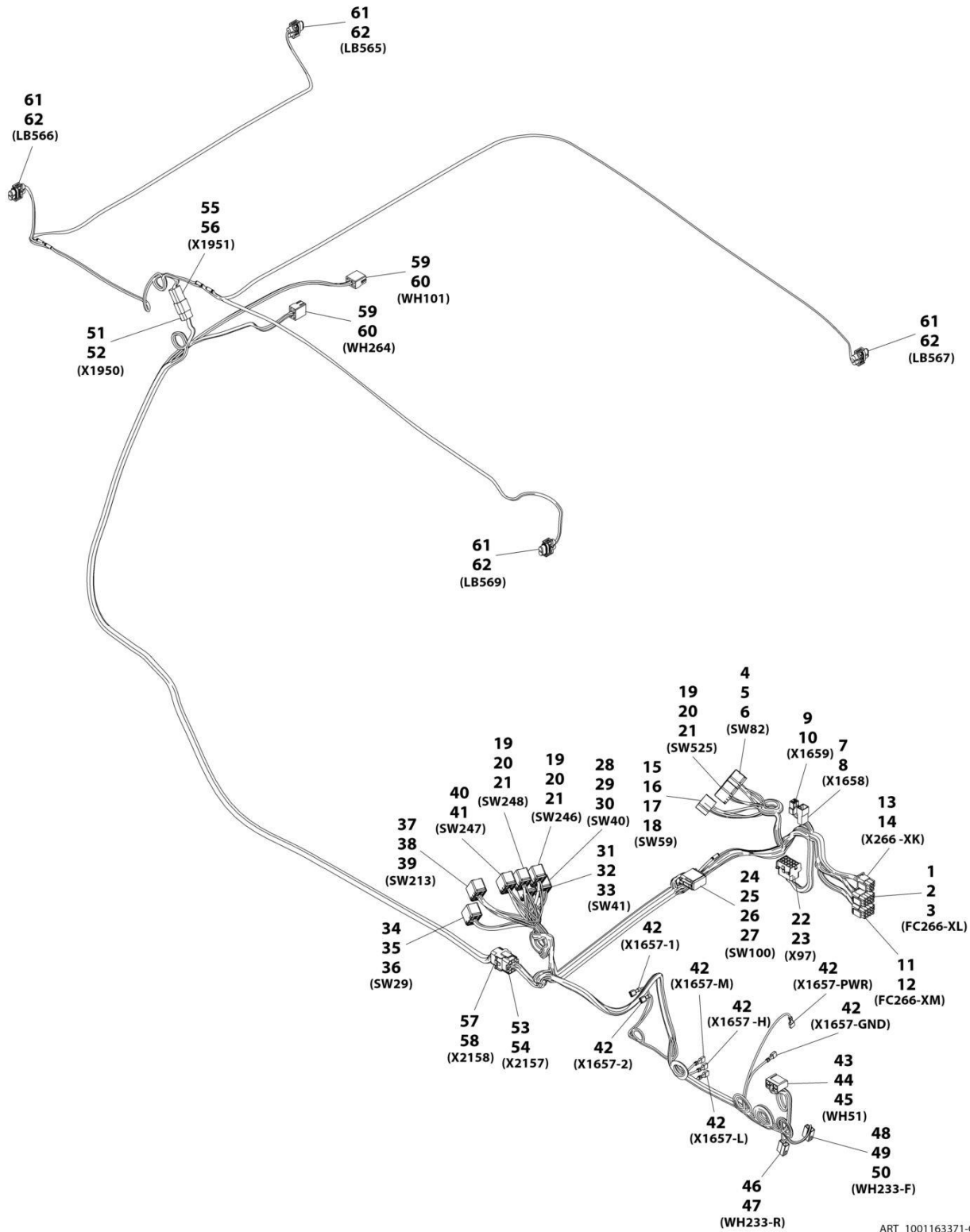
SECTION 10 - ELECTRICAL

FIGURE 10-29. CAB OPTION HARNESS

ITEM	PART NUMBER	QTY	DESCRIPTION	REV
	1001271436	Ref	CAB OPTION HARNESS	A
1	4461015	1	Connector	
2	4460465	2	Terminal	
3	4460942	1	Terminal	
4	4460466	11	Plug	
5	1001144147	1	Connector	
6	4460943	2	Terminal	
7	4460466	1	Plug	
8	4460897	1	Connector	
9	4460941	1	Terminal	
10	4460466	1	Plug	

SECTION 10 - ELECTRICAL

FIGURE 10-30. CAB OPTION 1 HARNESS



ART_1001163371-G

SECTION 10 - ELECTRICAL

FIGURE 10-30. CAB OPTION 1 HARNESS

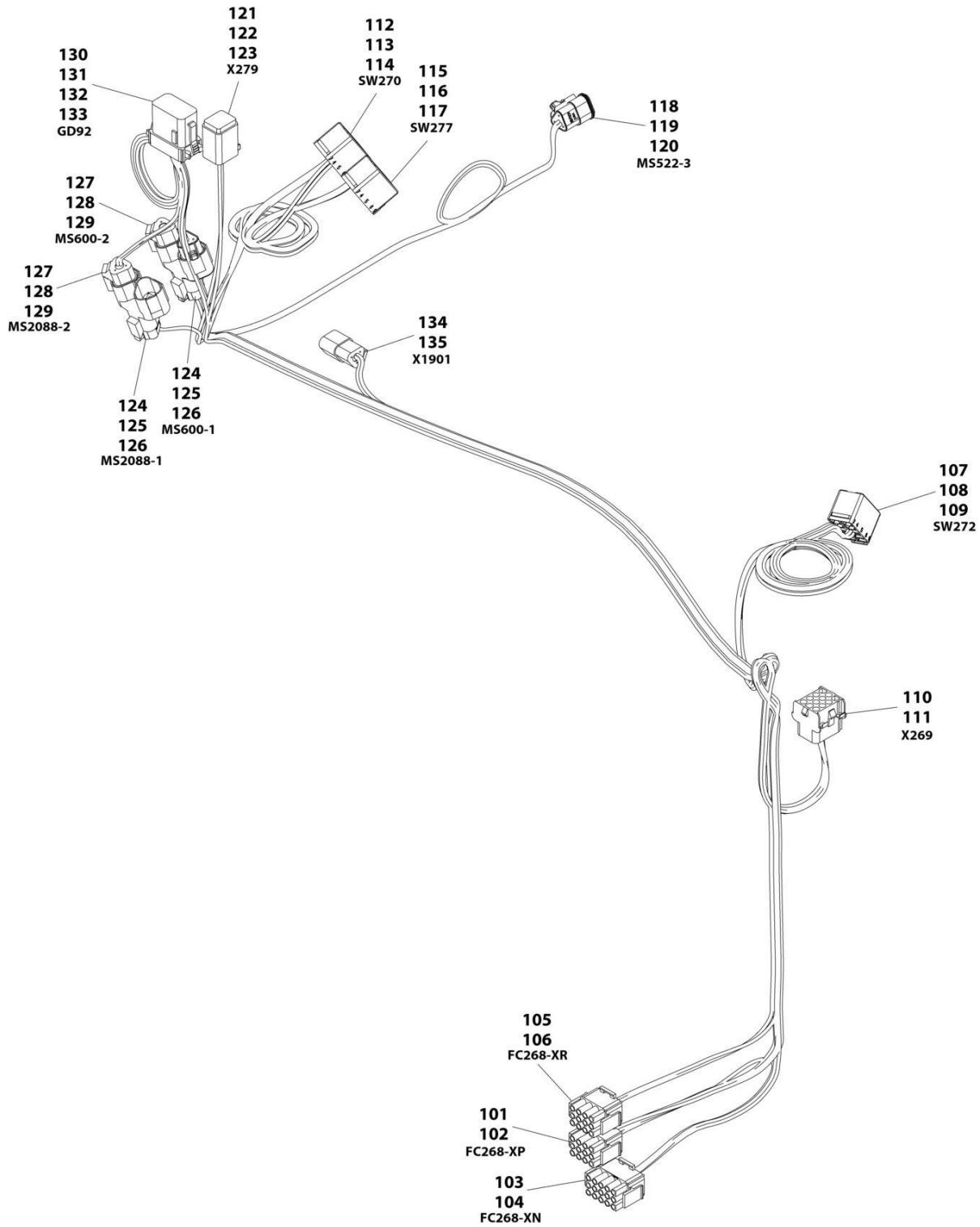
ITEM	PART NUMBER	QTY	DESCRIPTION	REV
	1001163371	Ref	Option 1 Cab Harness	G
1	4460343	1	Connector	
2	4460268	10	Terminal	
3	4460906	1	Terminal	
4	1001117081	1	Connector	
5	1001116723	6	Terminal	
6	1001118384	1	Terminal	
7	1001116999	1	Connector	
8	1001116700	4	Terminal	
9	1001116991	1	Connector	
10	1001118384	2	Terminal	
11	4460343	1	Connector	
12	4460267	6	Terminal	
13	4460225	1	Connector	
14	4460267	5	Terminal	
15	4460705	1	Terminal	
16	1001173411	1	Connector	
17	1001265008	4	Terminal	
18	1001104519	3	Terminal	
19	1001117081	1	Connector	
20	1001118384	2	Terminal	
21	1001116723	4	Terminal	
22	4460708	1	Connector	
23	4460267	14	Terminal	
24	4460836	1	Connector	
25	4460942	3	Terminal	
26	4460465	8	Terminal	
27	1001157890	1	Terminal	
28	80604016	1	Lock, Connector	
29	1001117081	1	Connector	
30	1001118384	4	Terminal	
31	1001116723	6	Terminal	
32	1001117081	1	Connector	
33	1001118384	3	Terminal	
34	1001116723	4	Terminal	
35	1001117081	1	Connector	
36	1001118384	2	Terminal	
37	1001116723	4	Terminal	
38	1001117081	1	Connector	
39	1001118384	2	Terminal	
40	1001116723	4	Terminal	
41	1001117081	1	Connector	
42	1001116723	8	Terminal	
43	1001118384	2	Terminal	
44	1001117079	1	Connector	
45	1001116723	6	Terminal	
46	1001118384	2	Terminal	
47	1001117081	1	Connector	
48	1001118384	4	Terminal	
49	8220051	1	Female Blade Coupler	

SECTION 10 - ELECTRICAL

ITEM	PART NUMBER	QTY	DESCRIPTION	REV
50	8220051	1	Female Blade Coupler	
51	8220051	1	Female Blade Coupler	
52	8220051	1	Female Blade Coupler	
53	8220051	1	Female Blade Coupler	
54	8220051	1	Female Blade Coupler	
55	8220051	1	Female Blade Coupler	
56	1001116997	1	Connector	
57	1001118384	4	Terminal	
58	1001116723	1	Terminal	
59	4460994	1	Connector	
60	1001118384	2	Terminal	
61	4460994	1	Connector	
62	1001118384	1	Terminal	
63	1001116723	2	Terminal	
64	4460884	1	Connector	
65	4460942	4	Terminal	
66	80604021	1	Lock, Connector	
67	4460932	1	Connector	
68	4460941	4	Terminal	
69	80604021	1	Lock, Connector	
70	1001116986	1	Connector	
71	1001118384	4	Terminal	
72	1001116986	1	Connector	
73	1001118384	4	Terminal	
74	4461115	1	Connector	
75	1001116747	2	Terminal	
76	4461115	1	Connector	
77	1001116747	2	Terminal	
78	4461115	1	Connector	
79	1001116747	2	Terminal	
80	4461115	1	Connector	
81	1001116747	2	Terminal	
82	4460343	1	Connector	
83	4460268	12	Terminal	
84	4460367	1	Connector	
85	4460267	12	Terminal	

SECTION 10 - ELECTRICAL

FIGURE 10-31. CAB OPTION 2 HARNESS



ART_1001283420_A

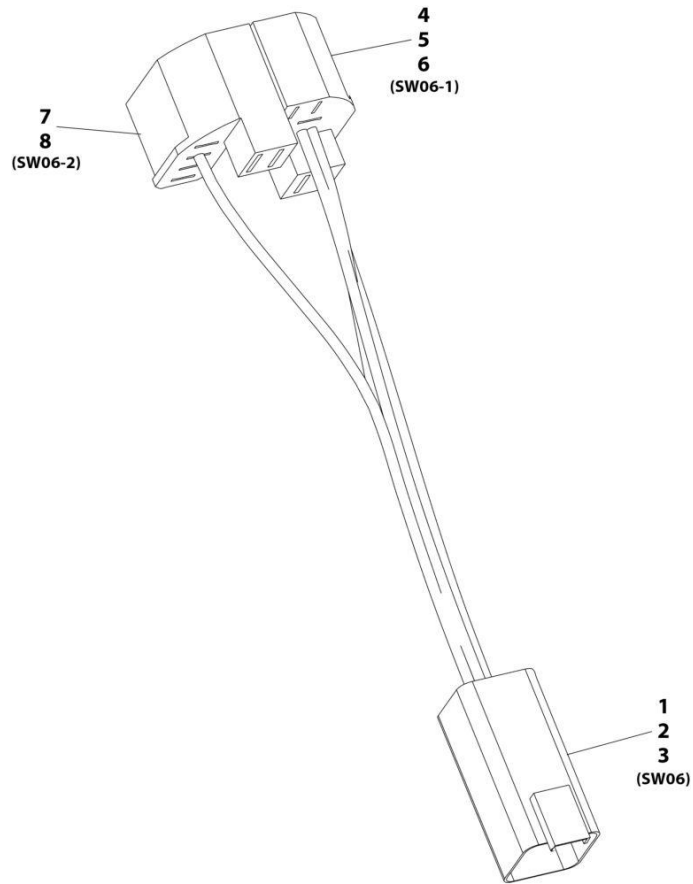
SECTION 10 - ELECTRICAL

FIGURE 10-31. CAB OPTION 2 HARNESS

ITEM	PART NUMBER	QTY	DESCRIPTION	REV
	1001283420	Ref	CAB OPTION 2 HARNESS	A
101	4460343	1	Connector	
102	4460268	6	Terminal	
103	4460434	1	Connector	
104	4460268	8	Terminal	
105	4460343	1	Connector	
106	4460267	3	Terminal	
107	1001117081	1	Connector	
108	1001118384	1	Terminal	
109	1001116723	6	Terminal	
110	4460367	1	Connector	
111	4460267	7	Terminal	
112	1001117081	1	Connector	
113	1001118384	2	Terminal	
114	1001116723	4	Terminal	
115	1001117081	1	Connector	
116	1001118384	3	Terminal	
117	1001116723	2	Terminal	
118	1001116812	1	Connector	
119	4460944	2	Terminal	
120	4460466	1	Plug	
121	4460930	1	Connector	
122	4460466	6	Plug	
123	4460465	2	Terminal	
124	1001116812	2	Connector	
125	4460944	4	Terminal	
126	4460466	2	Plug	
127	4460539	2	Connector	
128	4460944	4	Terminal	
129	4460466	2	Plug	
130	1001176333	1	Connector	
131	4460466	11	Plug	
132	4460465	3	Terminal	
133	4460944	4	Terminal	
134	4460539	1	Connector	
135	4460465	3	Terminal	

SECTION 10 - ELECTRICAL

FIGURE 10-32. CAB - KEY HARNESS



ART_1001241610-A

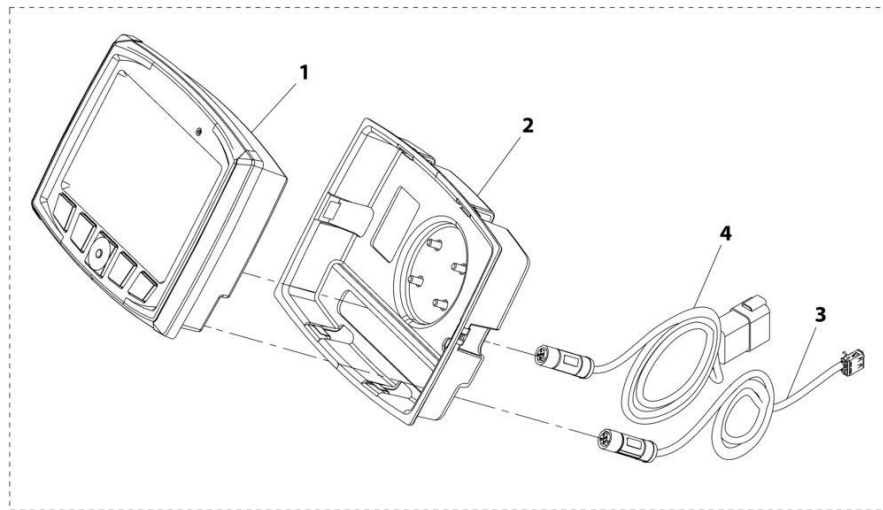
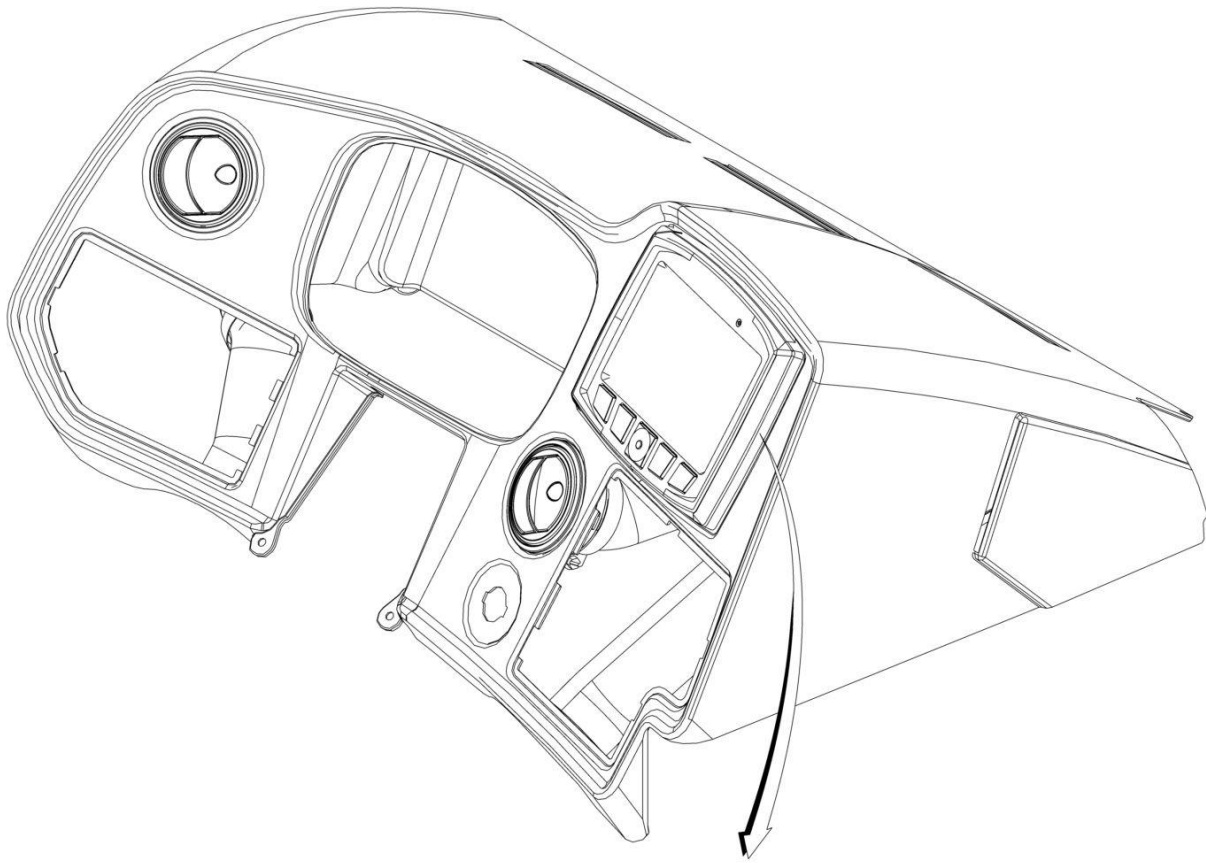
SECTION 10 - ELECTRICAL

FIGURE 10-32. CAB - KEY HARNESS

ITEM	PART NUMBER	QTY	DESCRIPTION	REV
	1001241610	Ref	Key Harness	A
1	4460899	1	Connector	
2	4460464	4	Terminal	
3	4460466	2	Plug	
4	1001118685	1	Connector	
5	1001104519	2	Terminal	
6	1001118383	1	Terminal	
7	1001117121	1	Connector	
8	1001104519	1	Terminal	

SECTION 10 - ELECTRICAL

FIGURE 10-33. CAB MULTIFUNCTION DISPLAY INSTALLATION



ART_1001176338-C

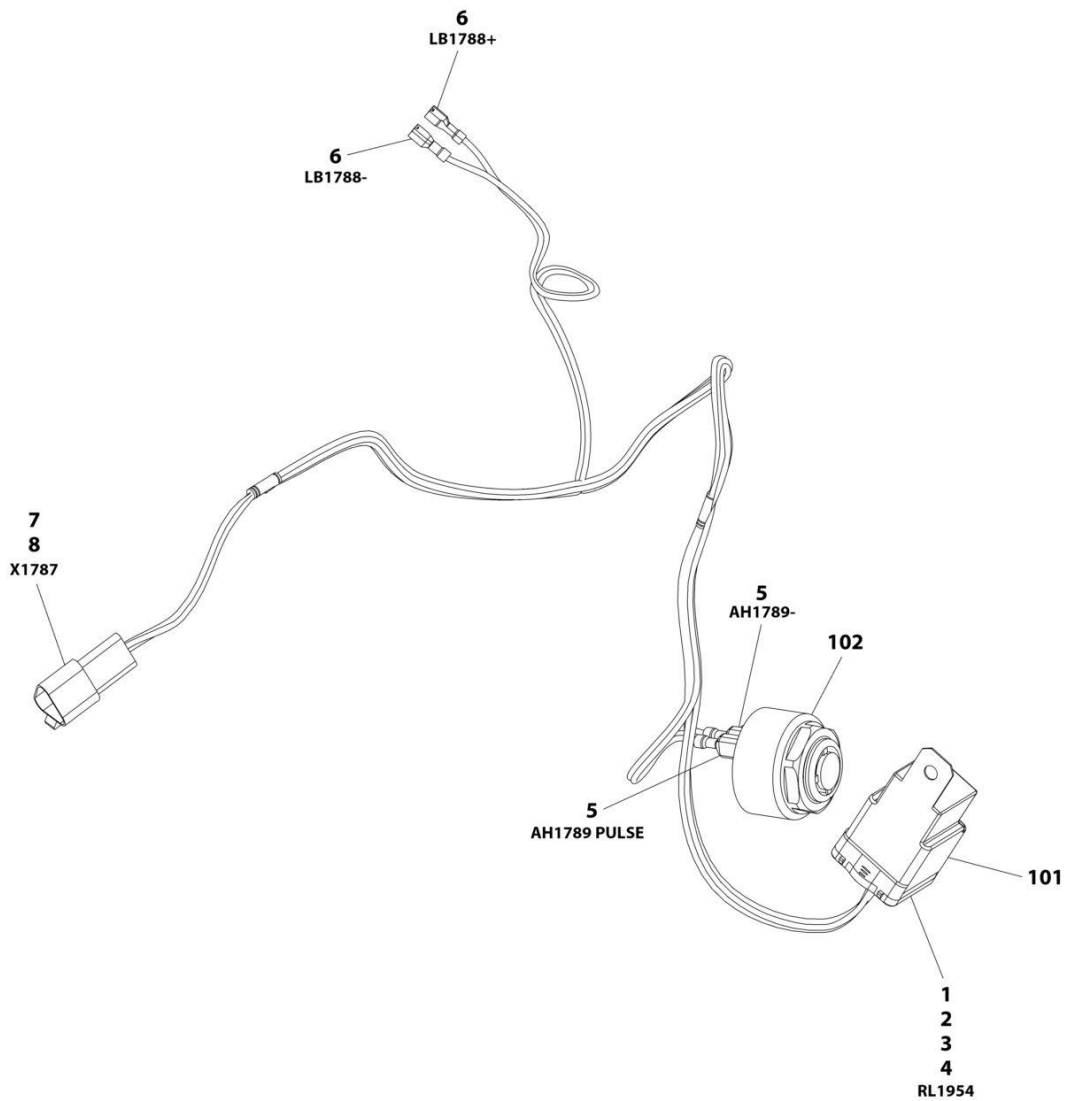
SECTION 10 - ELECTRICAL

FIGURE 10-33. CAB MULTIFUNCTION DISPLAY INSTALLATION

ITEM	PART NUMBER	QTY	DESCRIPTION	REV
	1001176338	Ref	Multifunction Display Installation	C
1	1001250161	1	Display	
2	1001178783	1	Bezel	
3	1001180682	1	Cable	
4	1001180683	1	Cable, Video	

SECTION 10 - ELECTRICAL

FIGURE 10-34. CAB SEAT BELT ALARM HARNESS



ART_1001268744

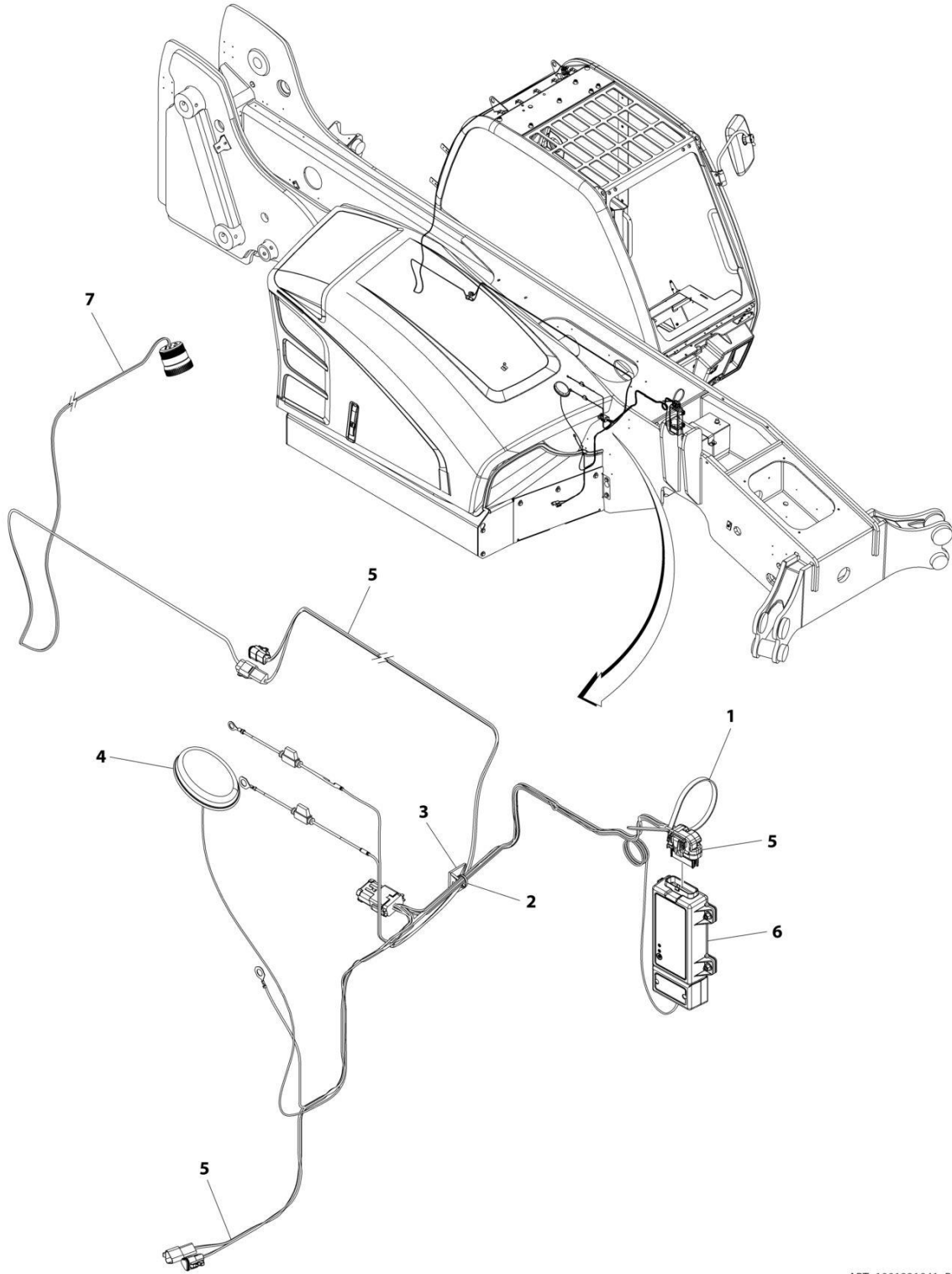
SECTION 10 - ELECTRICAL

FIGURE 10-34. CAB SEAT BELT ALARM HARNESS

ITEM	PART NUMBER	QTY	DESCRIPTION	REV
	1001268744	Ref	SEAT BELT ALARAM HARNESS	A
1	1001231398	1	Connector	
2	1001231400	4	Terminal	
3	1001231406	1	Terminal	
4	1001231404	4	Plug	
5	1001194421	2	Terminal	
6	1001201885	2	Terminal	
7	4460536	1	Connector	
8	4460464	3	Terminal	
101	3740080	1	Relay, Weather Proof	
102	1001091751	1	Buzzer Alarm	

SECTION 10 - ELECTRICAL

FIGURE 10-35. CLEARSKY TELEMATICS CANBUS INSTALLATION (CLEARSKY 2) (ANSI)



ART_1001221941_B

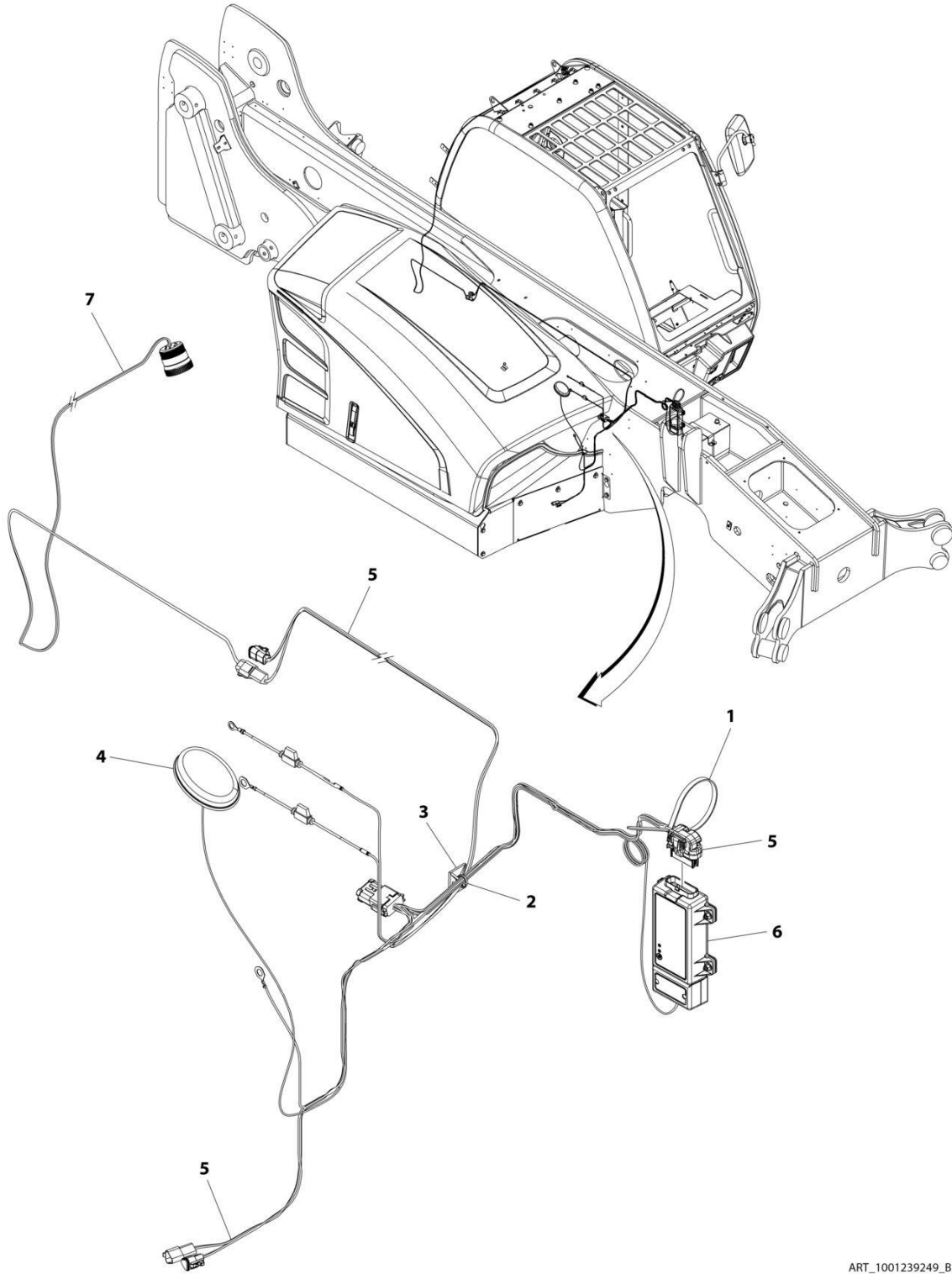
SECTION 10 - ELECTRICAL

FIGURE 10-35. CLEARSKY TELEMATICS CANBUS INSTALLATION (CLEARSKY 2) (ANSI)

ITEM	PART NUMBER	QTY	DESCRIPTION	REV
	1001221941	Ref	Telematics Canbus Installation (Clearsky 2)	B
1	1062255	AR	Tie, Strap	
2	4240032	AR	Tie, Strap	
3	4460234	AR	Tie, Strap	
4	1001226799	1	Antenna	
5	1001227297	1	Harness, 4ward Telematics (Clearsky 2) (See Separate Breakdown in this section)	
6	1001229955	1	Module	
7	1001254185	1	Harness, Adapter (See Separate Breakdown in this section)	

SECTION 10 - ELECTRICAL

FIGURE 10-36. CLEARSKY TELEMATICS CANBUS INSTALLATION (CLEARSKY 2) (CE)



ART_1001239249_B

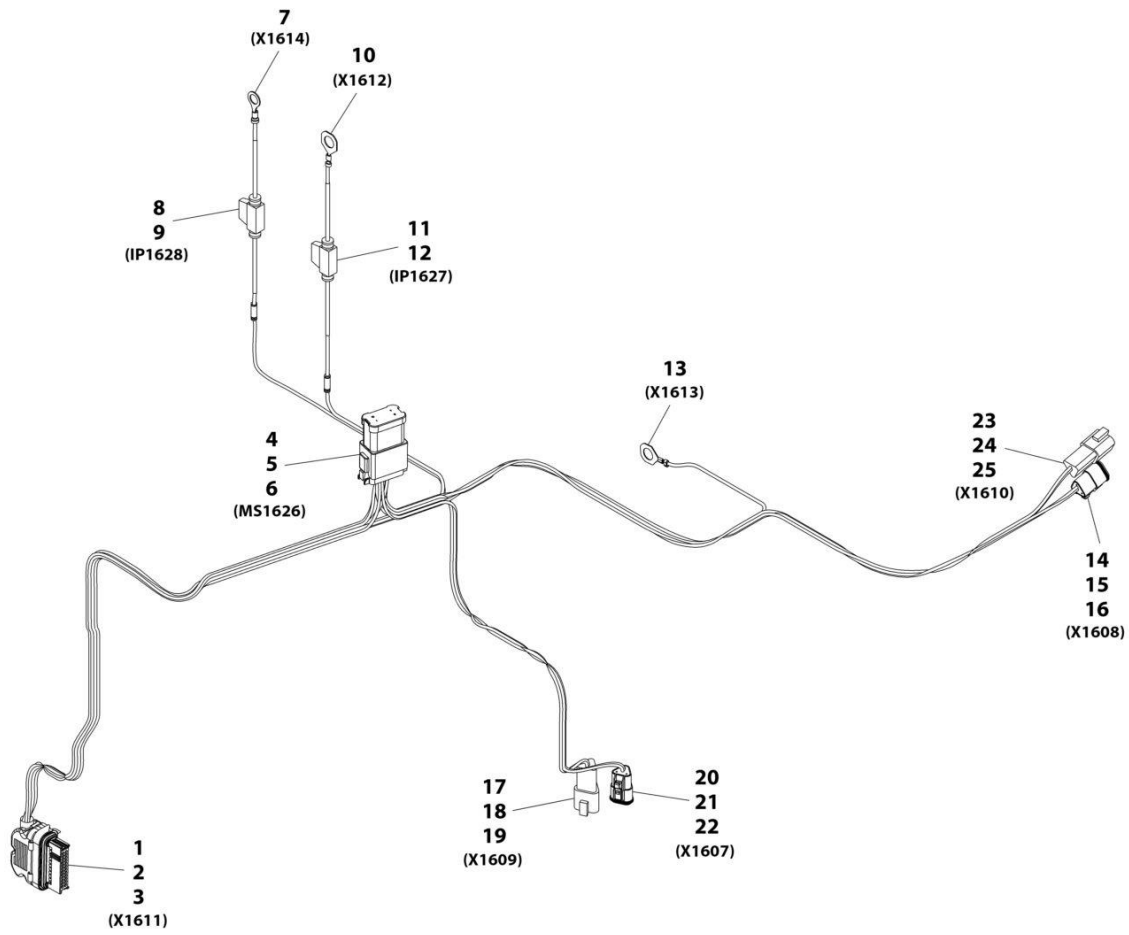
SECTION 10 - ELECTRICAL

FIGURE 10-36. CLEARSKY TELEMATICS CANBUS INSTALLATION (CLEARSKY 2) (CE)

ITEM	PART NUMBER	QTY	DESCRIPTION	REV
	1001239249	Ref	Telematics Canbus Installation (Clearsky 2) (CE)	B
1	1062255	AR	Tie, Strap	
2	4240032	AR	Tie, Strap	
3	4460234	AR	Tie, Strap	
4	1001226799	1	Antenna	
5	1001227297	1	Harness, 4ward Telematics (Clearsky 2) (See Separate Breakdown in this section)	
6	1001239194	1	Module	
7	1001254185	1	Harness, Adapter (See Separate Breakdown in this section)	

SECTION 10 - ELECTRICAL

FIGURE 10-37. CLEARSKY TELEMATICS CANBUS HARNESS (CLEARSKY 2)



ART_1001227297

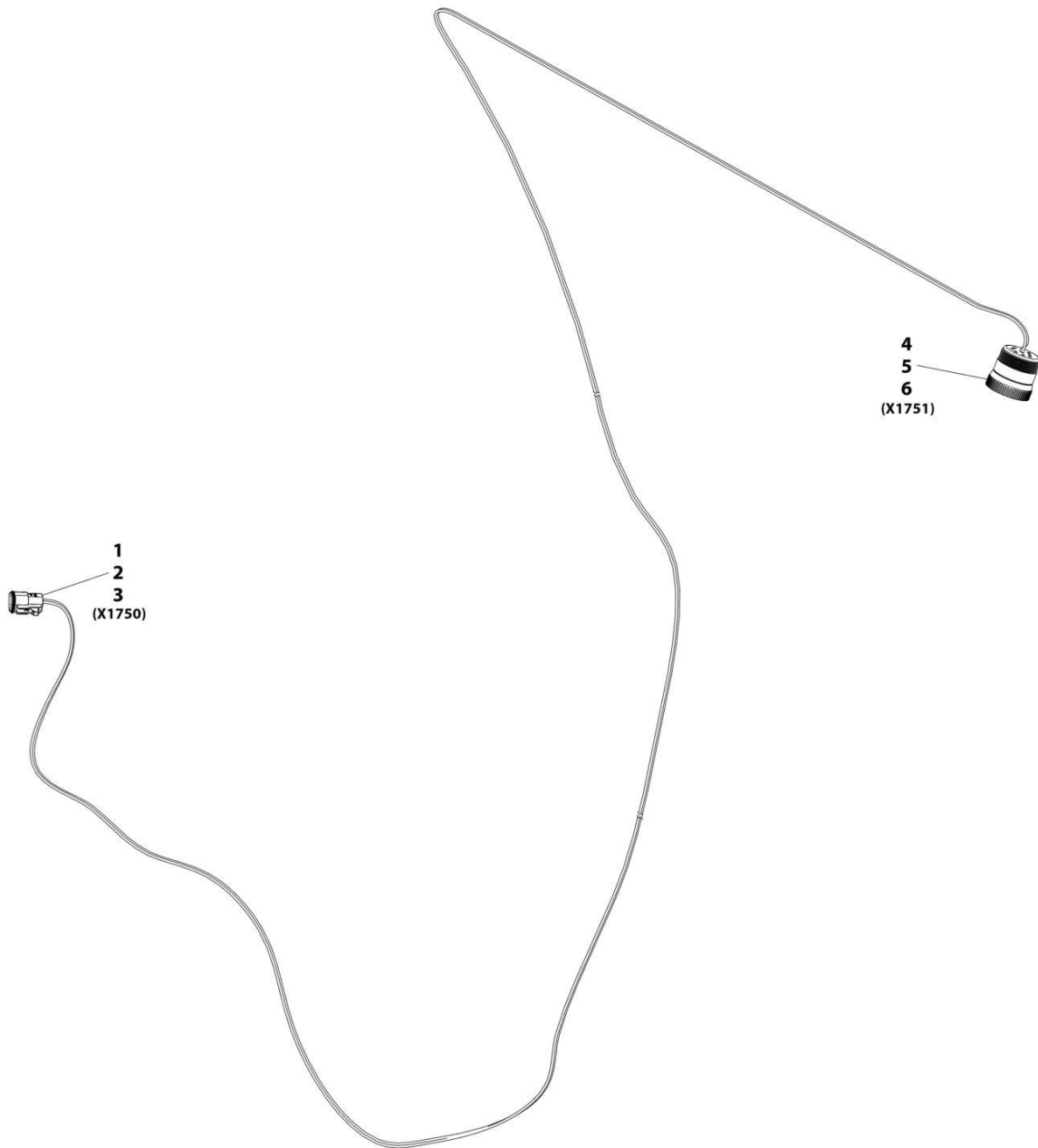
SECTION 10 - ELECTRICAL

FIGURE 10-37. CLEARSKY TELEMATICS CANBUS HARNESS (CLEARSKY 2)

ITEM	PART NUMBER	QTY	DESCRIPTION	REV
	1001227297	Ref	TELEMATIC 4WARD HARNESS (CLEARSKY 2)	C
1	1001226636	1	Connector	
2	1001226637	7	Terminal	
3	1001116731	17	Plug	
4	4460933	1	Connector	
5	4460465	12	Terminal	
6	1001200206	1	Connector, DT 12 Pin 4X3 Buss	
7	4460670	1	Connector	
8	2400060	1	Connector	
9	8229242	1	Fuse, 5amp	
10	1001187078	1	Connector	
11	2400060	1	Connector	
12	8229242	1	Fuse, 5amp	
13	1001187077	1	Connector	
14	1001116812	1	Connector	
15	4460465	2	Terminal	
16	4460466	1	Plug	
17	1001144147	1	Connector	
18	4460464	2	Terminal	
19	4460466	1	Plug	
20	1001116812	1	Connector	
21	4460465	2	Terminal	
22	4460466	1	Plug	
23	1001144147	1	Connector	
24	4460464	2	Terminal	
25	4460466	1	Plug	

SECTION 10 - ELECTRICAL

FIGURE 10-38. TELEMATICS ADAPTER HARNESS



ART_1001254185-A

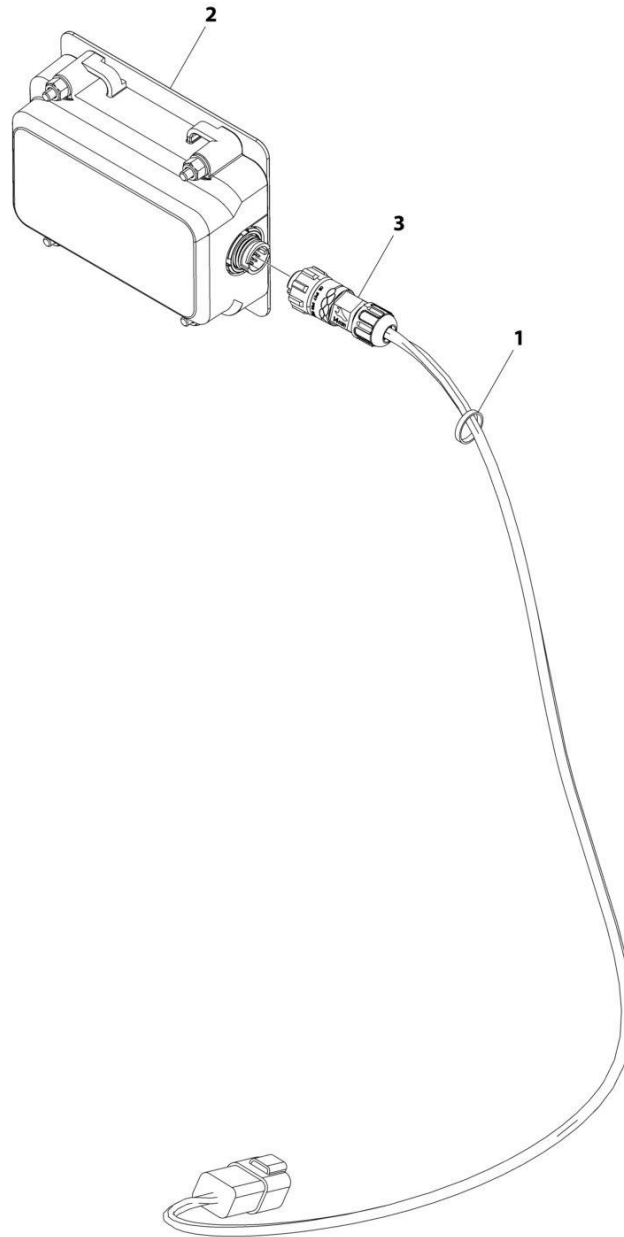
SECTION 10 - ELECTRICAL

FIGURE 10-38. TELEMATICS ADAPTER HARNESS

ITEM	PART NUMBER	QTY	DESCRIPTION	REV
	1001254185	Ref	TELEMATICS ADAPTER HARNESS	A
1	1001116812	1	Connector	
2	4460465	2	Terminal	
3	4460466	1	Plug	
4	1001112796	1	Connector	
5	4460944	2	Terminal	
6	4460466	7	Plug	

SECTION 10 - ELECTRICAL

FIGURE 10-39. CLEARSKY TELEMATICS 3-WIRE INSTALLATION



ART_1001276920

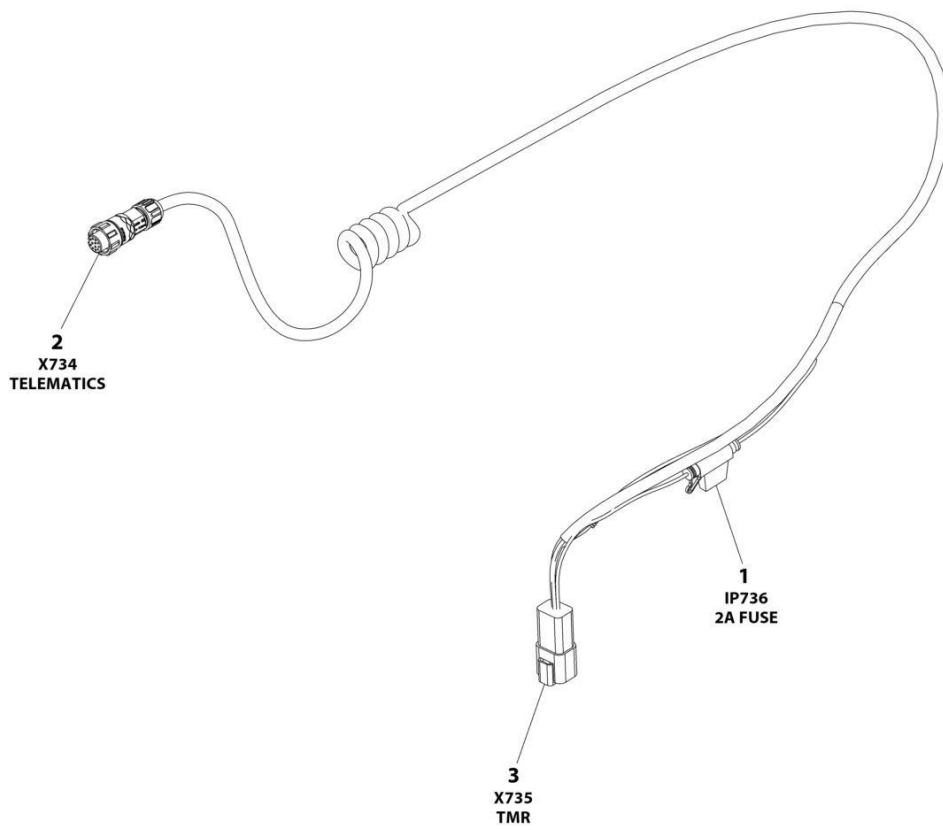
SECTION 10 - ELECTRICAL

FIGURE 10-39. CLEARSKY TELEMATICS 3-WIRE INSTALLATION

ITEM	PART NUMBER	QTY	DESCRIPTION	REV
	1001276920	Ref	CLEARSKY TELEMATICS 3-WIRE INSTALLATION	A
1	4240032	AR	Tie, Strap	
2	1001272659	1	Module - GT1030	
3	1001273012	1	ClearSky Telematics 3-Wire Harness (See Separate Breakdown in this Section)	

SECTION 10 - ELECTRICAL

FIGURE 10-40. CLEARSKY TELEMATICS 3-WIRE HARNESS



ART_1001273012

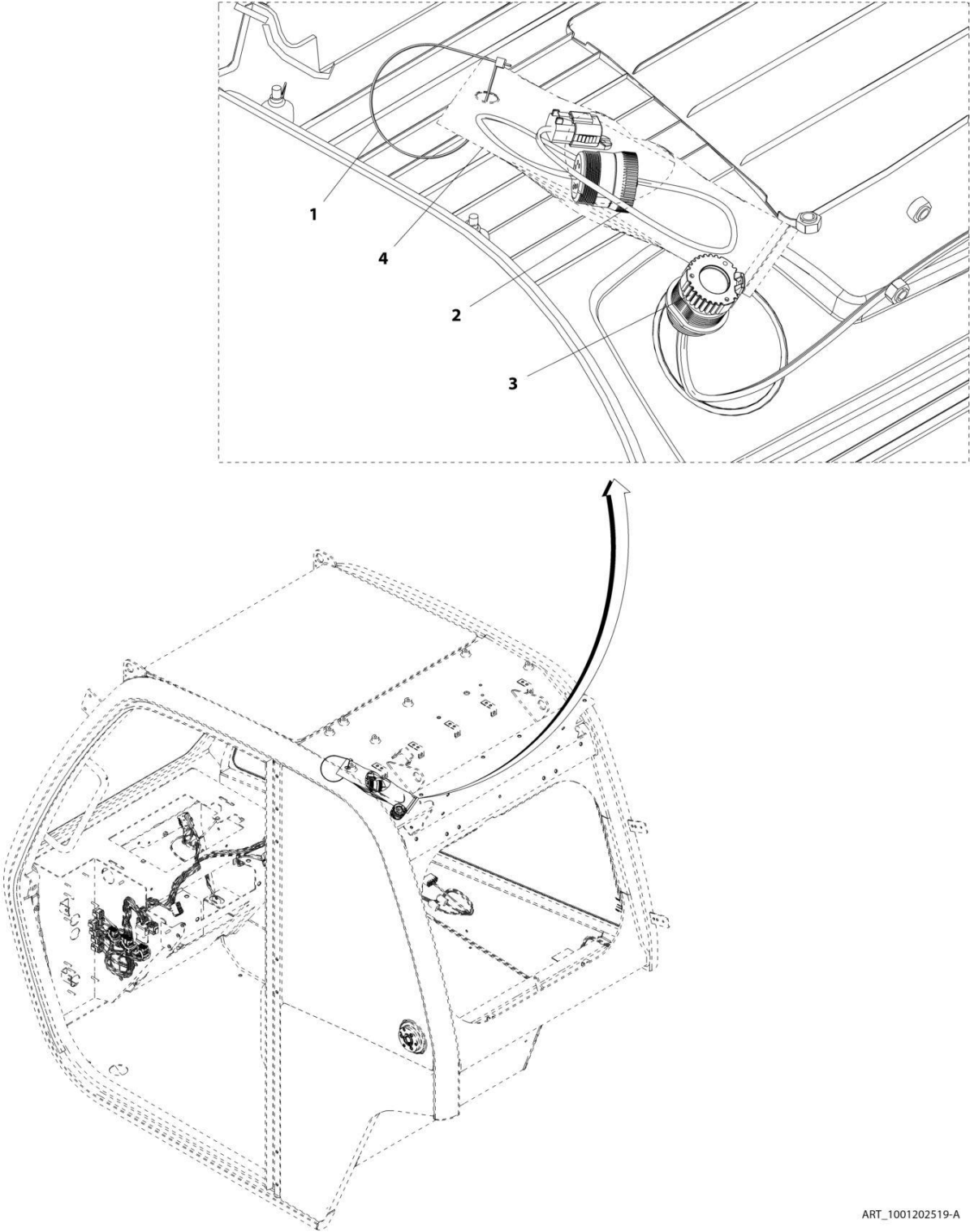
SECTION 10 - ELECTRICAL

FIGURE 10-40. CLEARSKY TELEMATICS 3-WIRE HARNESS

ITEM	PART NUMBER	QTY	DESCRIPTION	REV
	1001273012	Ref	CLEARSKY TELEMATICS HARNESS - GT1030	D
1	1001255901	1	Fuseholder	
1	1001196634	1	Fuse - 2Amp	
2	1001272997	1	Connector - 12 Position	
2		Ref	Terminal	
3	4460932	1	Receptacle, Female - 4 Position	
3	4460464	4	Pin, Male	

SECTION 10 - ELECTRICAL

FIGURE 10-41. CLEARSKY TELEMATICS READY INSTALLATION



ART_1001202519-A

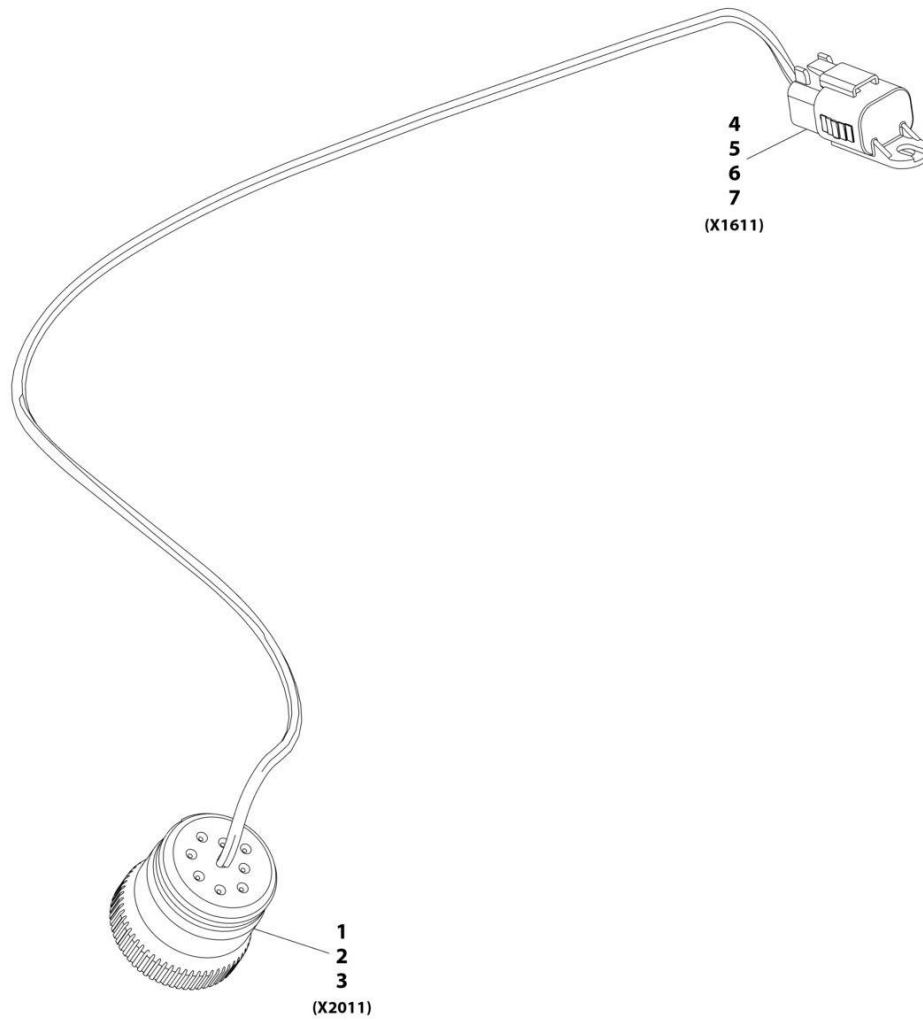
SECTION 10 - ELECTRICAL

FIGURE 10-41. CLEARSKY TELEMATICS READY INSTALLATION

ITEM	PART NUMBER	QTY	DESCRIPTION	REV
	1001202519	Ref	Telematics Ready Installation	A
1	8584003	1	Strap, Tie	
2	1001196289	1	Harness, Telematics Ready (See Separate Breakdown in ELECTRICAL Section)	
3	1001201162	1	Cap	
4	1001202617	1	Bag	

SECTION 10 - ELECTRICAL

FIGURE 10-42. CLEARSKY TELEMATICS READY HARNESS



ART_1001196289-A

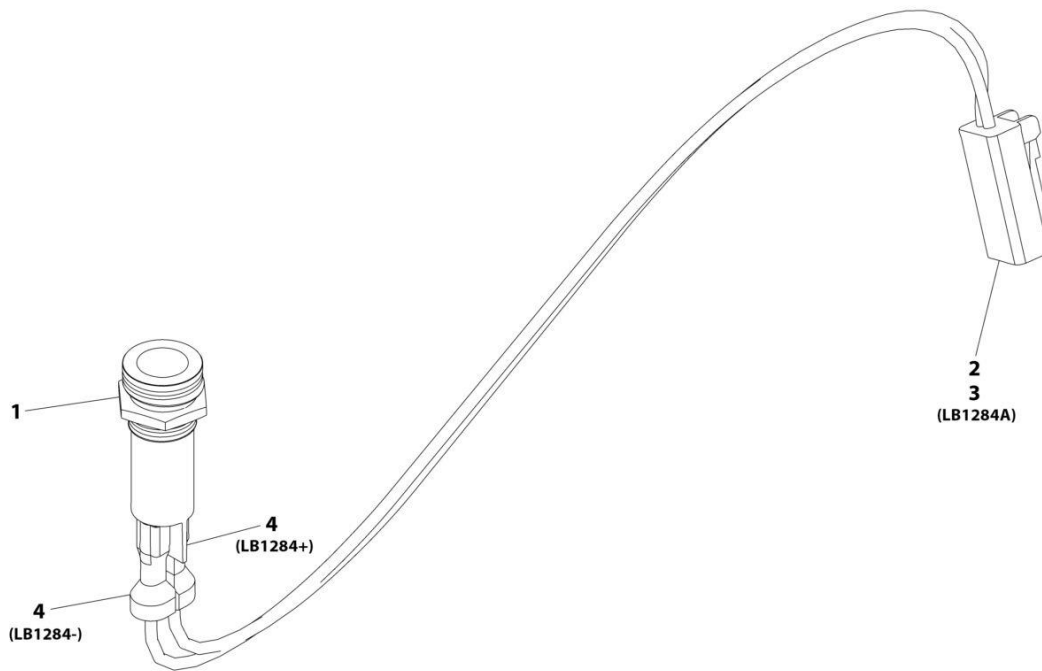
SECTION 10 - ELECTRICAL

FIGURE 10-42. CLEARSKY TELEMATICS READY HARNESS

ITEM	PART NUMBER	QTY	DESCRIPTION	REV
	1001196289	Ref	Telematics Ready Harness	A
1	1001112796	1	Connector	
2	4460465	3	Terminal	
3	4460466	6	Plug	
4	4460884	1	Connector	
5	80604021	1	Lock, Connector	
6	4460465	3	Terminal	
7	4460466	1	Terminal	

SECTION 10 - ELECTRICAL

FIGURE 10-43. DEF PURGE LIGHT HARNESS (ULS)



ART_1001232288-A

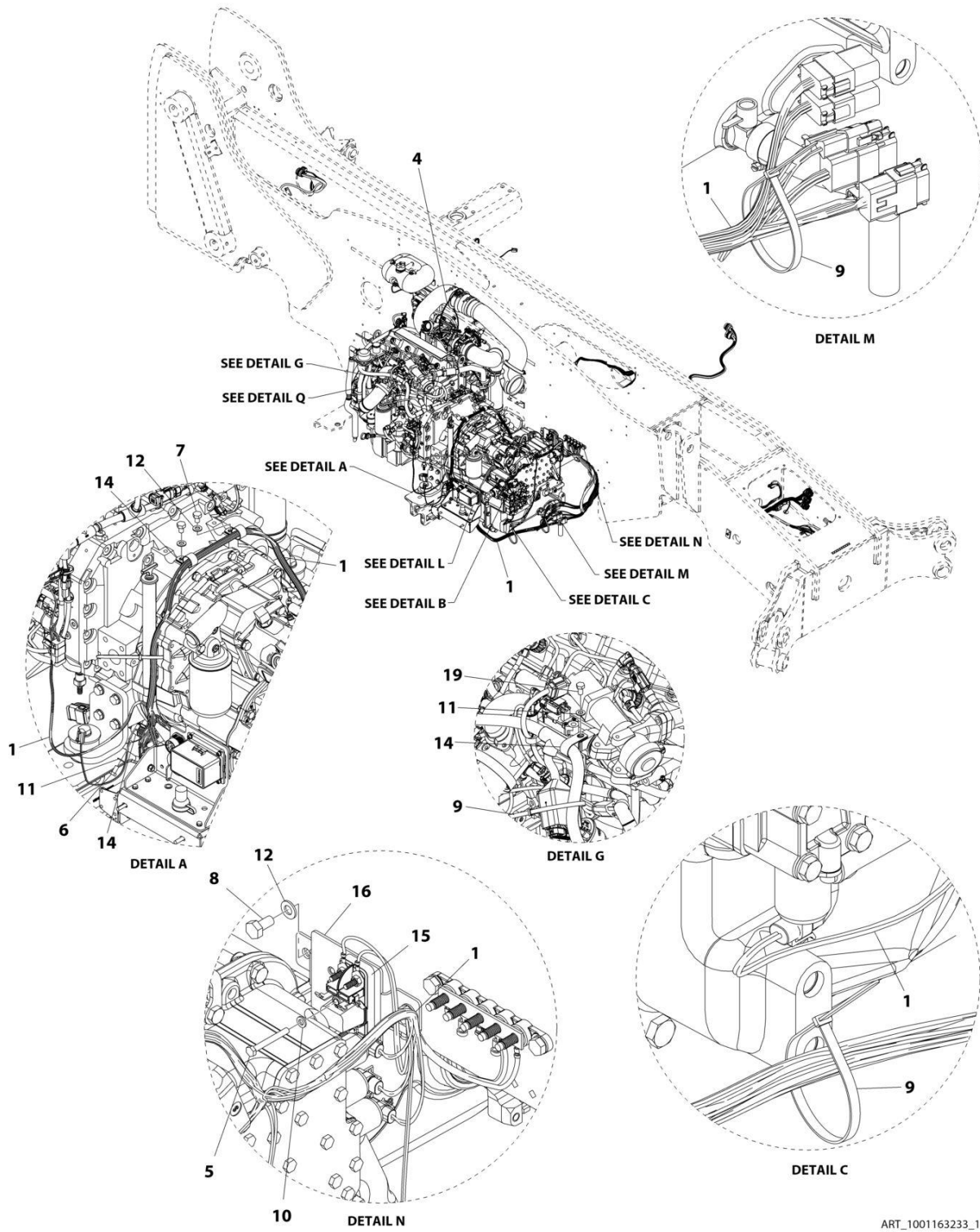
SECTION 10 - ELECTRICAL

FIGURE 10-43. DEF PURGE LIGHT HARNESS (ULS)

ITEM	PART NUMBER	QTY	DESCRIPTION	REV
	1001232288	Ref	DEF Purge Light Harness	A
1	1001169825	1	LED Lamp 12V	
2	4461290	1	Connector	
3	1001126008	2	Terminal	
4	8220108	2	Connector	

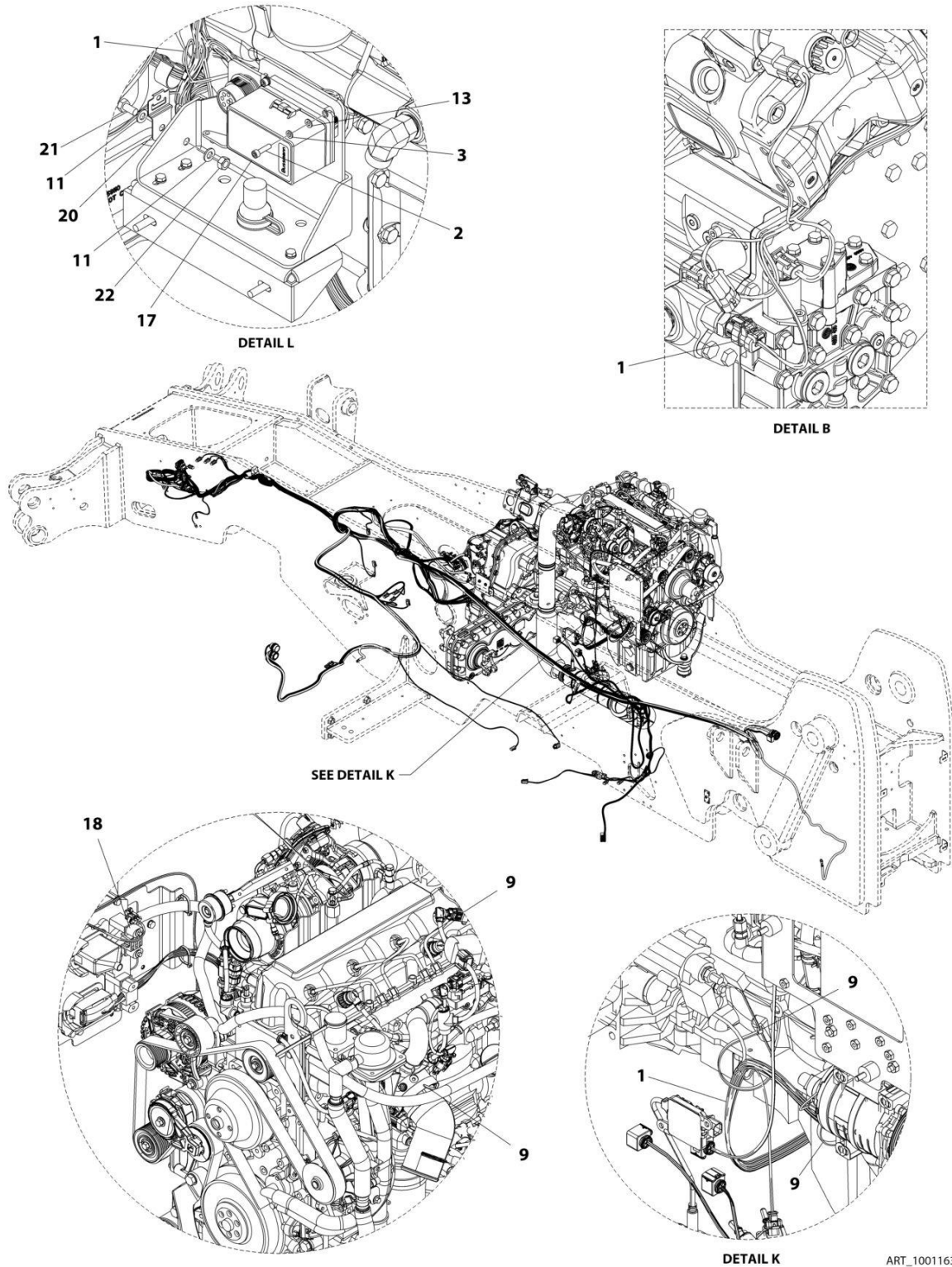
SECTION 10 - ELECTRICAL

FIGURE 10-44. ENGINE - WIRING INSTALLATION (ULS)

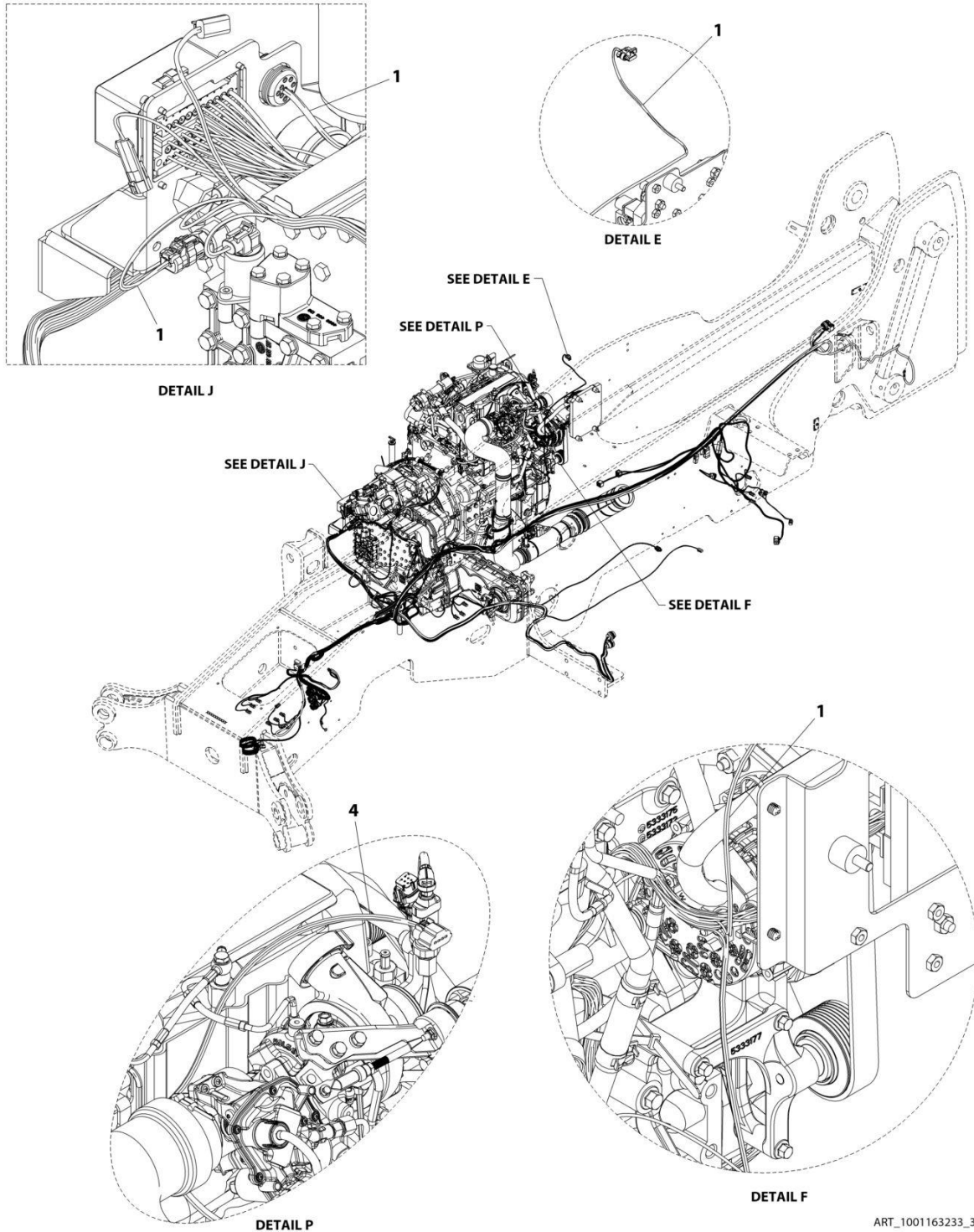


ART_1001163233_1-L

SECTION 10 - ELECTRICAL



SECTION 10 - ELECTRICAL



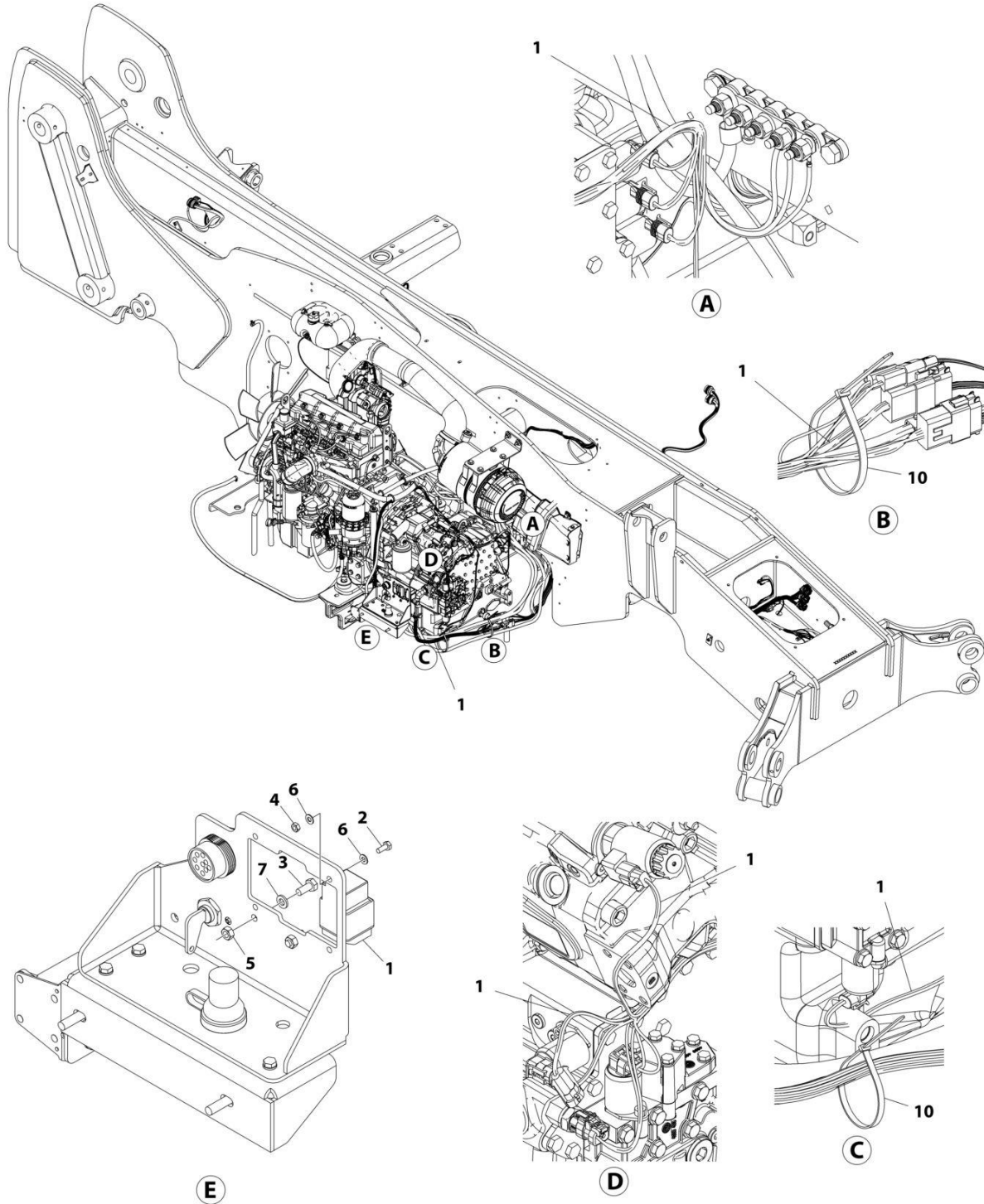
SECTION 10 - ELECTRICAL

FIGURE 10-44. ENGINE - WIRING INSTALLATION (ULS)

ITEM	PART NUMBER	QTY	DESCRIPTION	REV
	1001163233	Ref	Engine Wiring Installation (ULS)	M
1	1001235696	1	Harness, Engine (ULS) (See Separate Breakdown in this Section)	
2	4031608	4	Screw, M5X20	
3	4811600	4	Washer, M5	
4	1001184835	1	Harness, TBAP (See Separate Breakdown in this Section)	
5	0700618	1	Bolt, M6X50	
6	0760808	1	Bolt, M8X16	
7	0761007	2	Bolt, M10X14	
8	0761010	2	Bolt, M10X20	
9	1062255	8	Strap, Tie	
10	4811700	1	Washer, M6	
11	4811900	4	Washer, M8	
12	4812000	4	Washer, M10	
13	4831600	4	Washer, Lock M5	
14	8406201	4	Clip, Tube	
15	1001131177	1	Fuse, Power Module	
16	1001189046	1	Bracket	
17	1001191486	1	Decal	
18	1001167646	1	Connector, Strain Relief	
19	0760807	1	Bolt, M8X14	
20	1001153749	1	Clip	
21	0700808	1	Bolt, M8X16	
22	3290801	1	Hex Nut, M8X1.25	

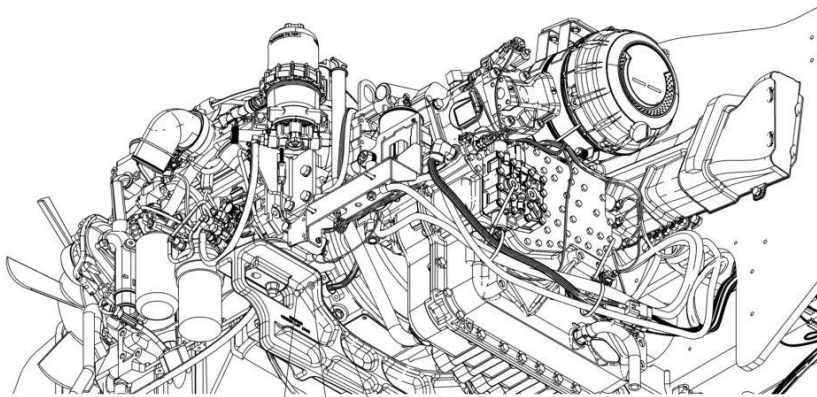
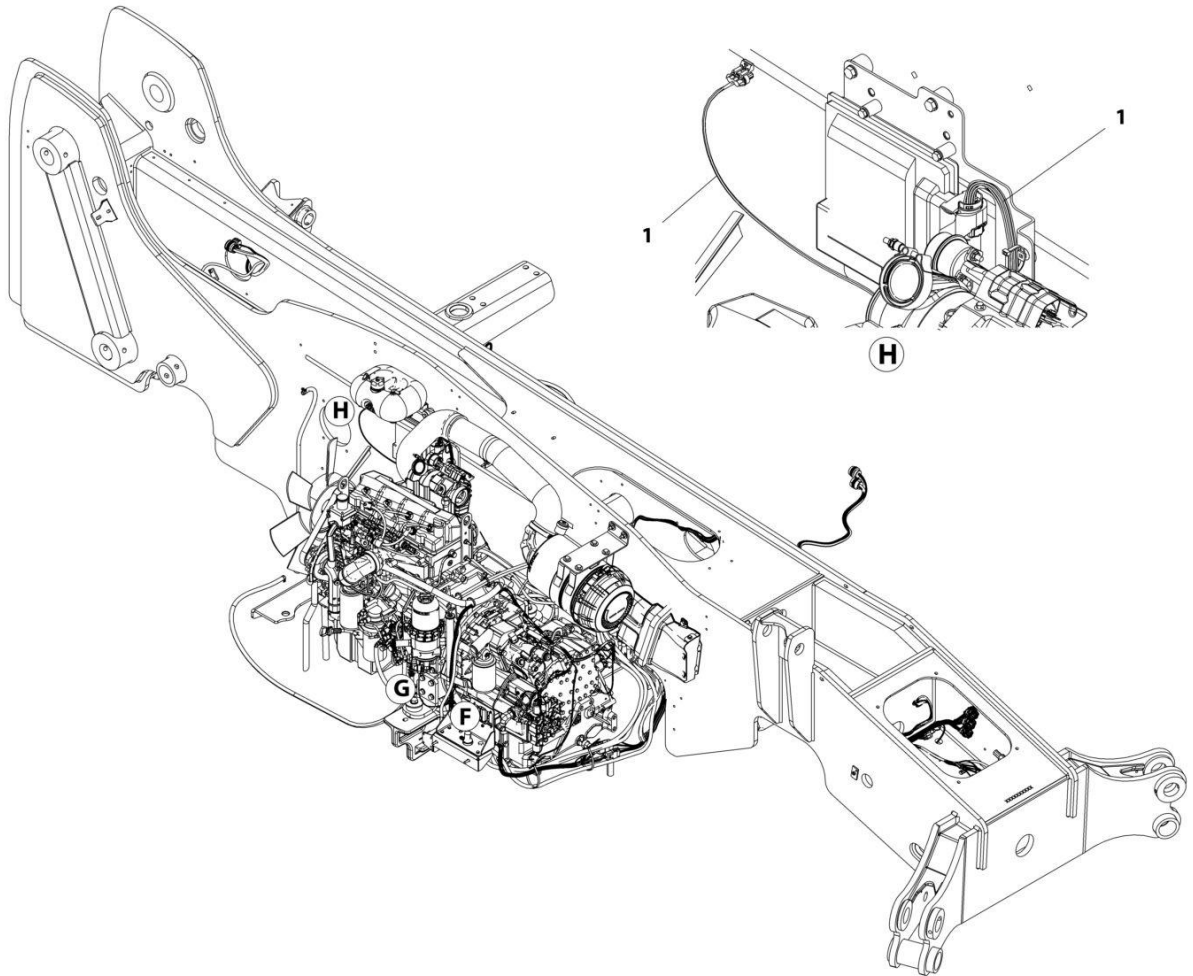
SECTION 10 - ELECTRICAL

FIGURE 10-45. ENGINE - WIRING INSTALLATION (LS)



ART_1001163242_J_10F3

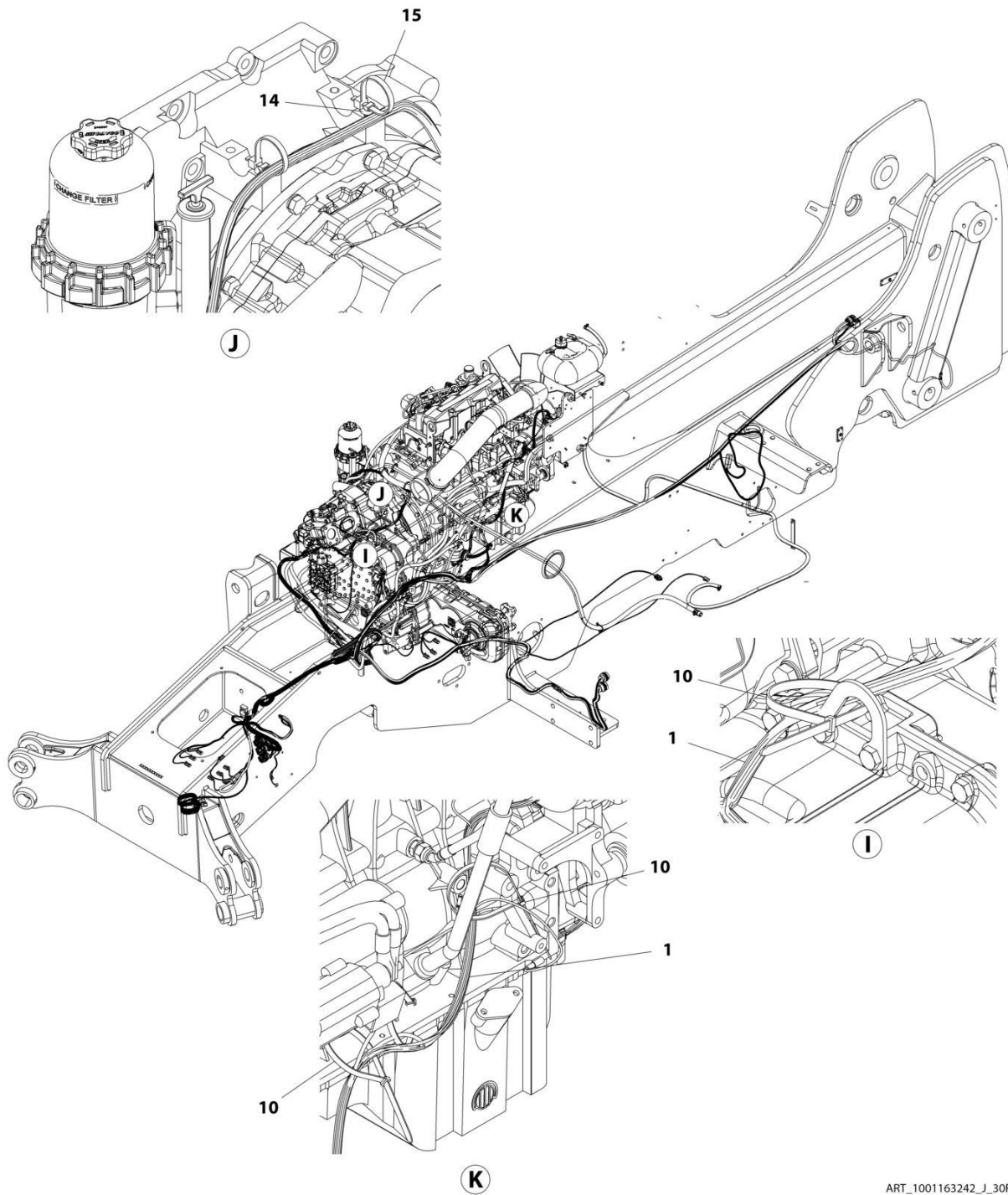
SECTION 10 - ELECTRICAL



8 11 13 (F)

ART_1001163242_J_20F3

SECTION 10 - ELECTRICAL



ART_1001163242_J_30F3

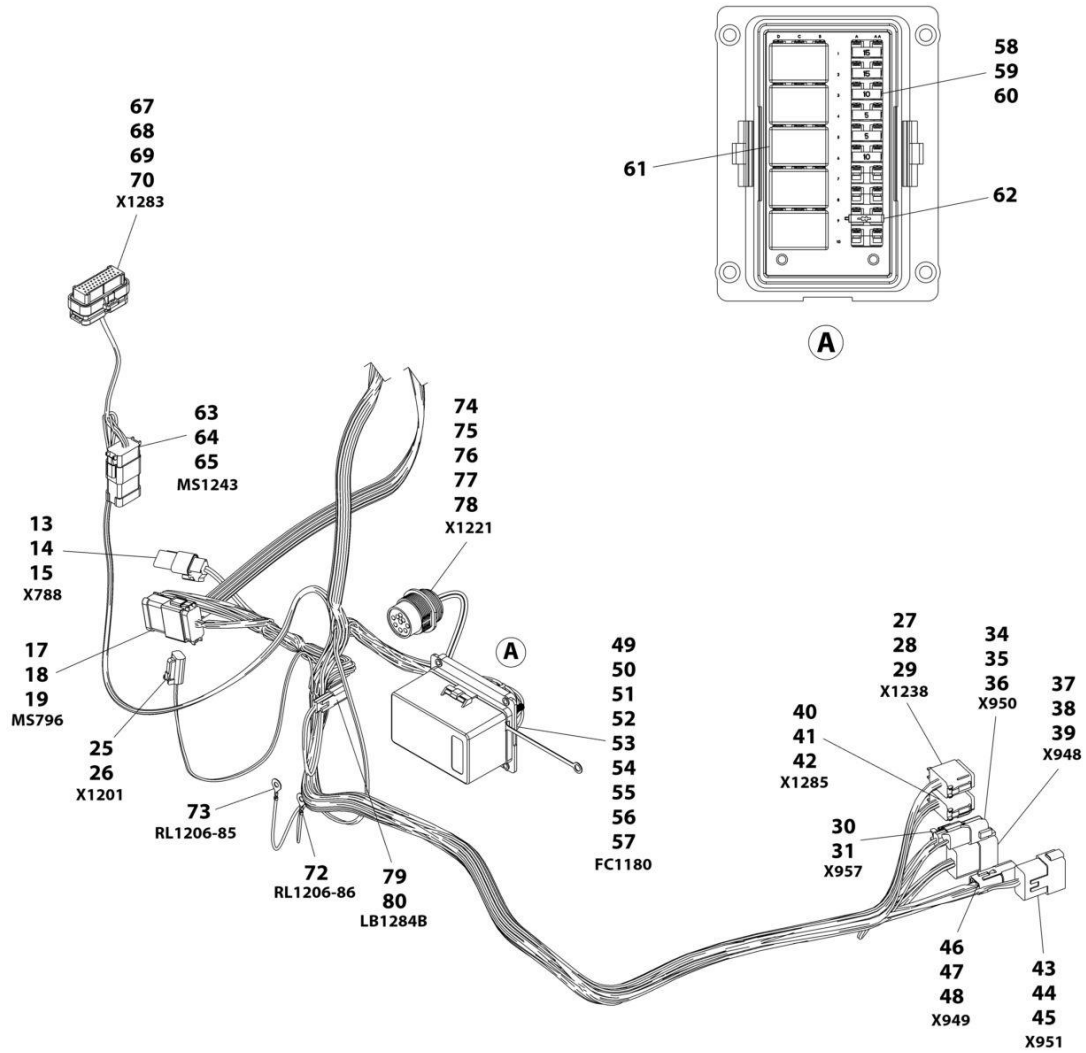
SECTION 10 - ELECTRICAL

FIGURE 10-45. ENGINE - WIRING INSTALLATION (LS)

ITEM	PART NUMBER	QTY	DESCRIPTION	REV
	1001163242	Ref	Engine Wiring Installation (LS)	J
1	1001222715	1	Harness, Engine (LS) (See Separate Breakdown in this Section)	
2	0760405	1	Bolt, M4X10	
3	0760607	2	Bolt, M6X14	
4	3290401	1	Nut, M4X0.7	
5	3290601	2	Nut, M6X1 Grade 8	
6	4811400	2	Washer, M4	
7	4811700	2	Washer, M6	
8	0760808	1	Bolt, M8X16	
10	1062255	5	Strap, Tie	
11	4811900	1	Washer, M8	
13	8406201	1	Clip	
14	1001202986	2	Strap, Tie	
15	1001008559	2	Strap, Tie	

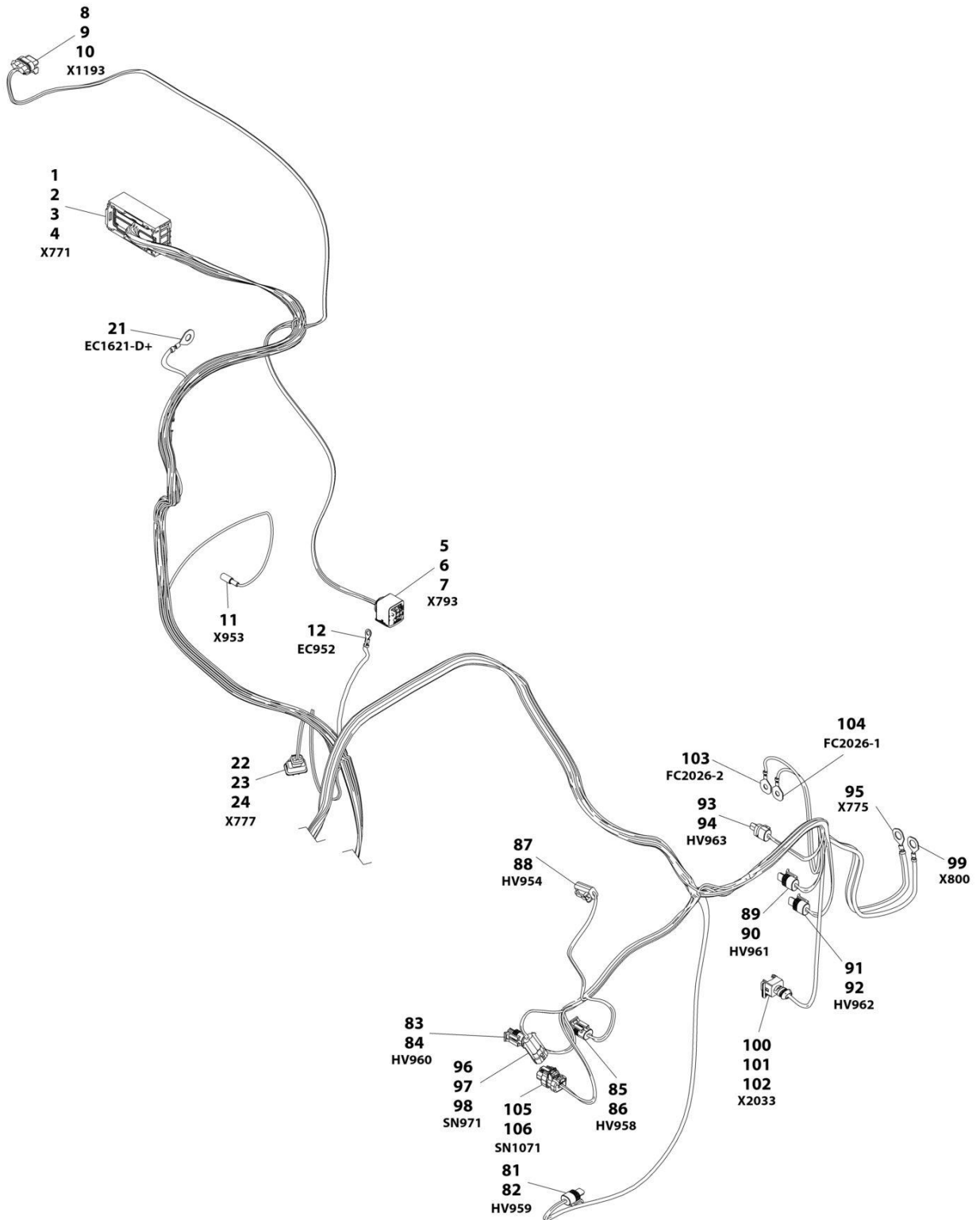
SECTION 10 - ELECTRICAL

FIGURE 10-46. ENGINE HARNESS (ULS)



ART_1001235696_C_1OF2

SECTION 10 - ELECTRICAL



ART_1001235696_C_20F2

SECTION 10 - ELECTRICAL

FIGURE 10-46. ENGINE HARNESS (ULS)

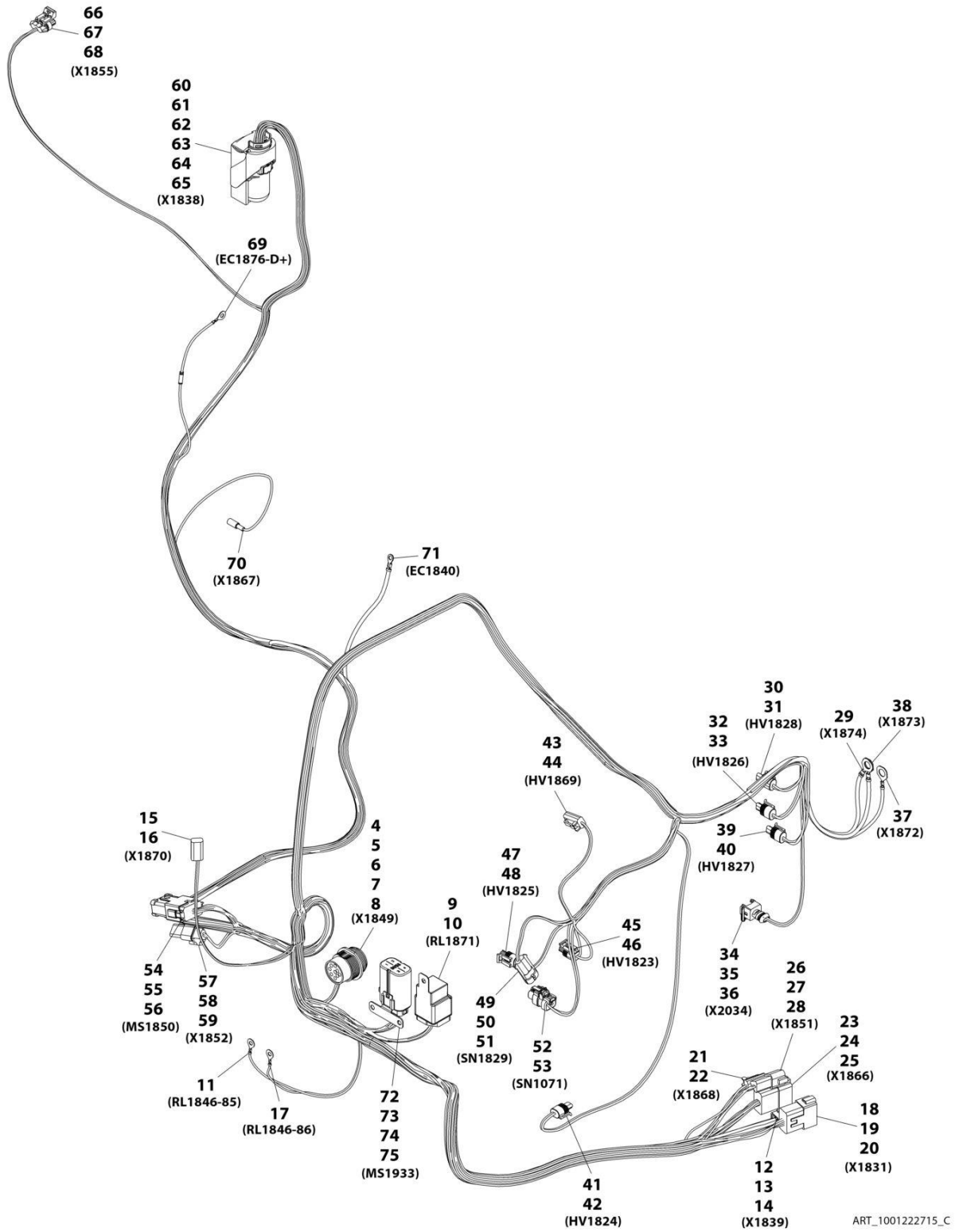
ITEM	PART NUMBER	QTY	DESCRIPTION	REV
	1001235696	Ref	Engine Harness (if equipped for ULS)	D
1	1001167641	1	Connector	
2	1001167648	10	Terminal	
3	1001167649	27	Terminal	
4	1001167650	59	Plug	
5	1001176935	1	Connector	
6	1001166704	4	Terminal	
7	4461006	4	Seal	
8	1001125027	1	Connector	
9	8220124	3	Terminal	
10	4460608	3	Seal	
11	1001246391	1	Terminal, Snap Plug	
12	1001197407	1	Ring, Terminal	
13	4461095	1	Connector	
14	4460944	2	Terminal	
15	4460466	1	Plug	
17	4460933	1	Connector	
18	4460465	8	Terminal	
19	4460466	4	Plug	
21	1001187070	1	Ring, Terminal	
22	1001126487	1	Connector	
23	1001167656	2	Terminal	
24	1001167657	2	Seal	
25	4460891	1	Connector	
26	4460465	2	Terminal	
27	4460934	1	Connector	
28	4460465	10	Terminal	
29	4460466	2	Plug	
30	4460891	1	Connector	
31	4460465	2	Terminal	
34	1001144147	1	Connector	
35	4460464	2	Terminal	
36	4460466	1	Plug	
37	4460950	1	Connector	
38	4460464	9	Terminal	
39	4460466	3	Plug	
40	4460935	1	Connector	
41	4460465	11	Terminal	
42	4460466	1	Plug	
43	4460970	1	Connector	
44	4460464	8	Terminal	
45	4460466	4	Plug	
46	1001116811	1	Connector	
47	4460508	3	Terminal	
48	1001150610	1	Terminal	
49	1001167616	1	Connector	
50	1001190921	1	Seal, Foam Fuse Box	
51	8220098	3	Terminal	
52	4460789	9	Seal	
53	8220097	29	Terminal	

SECTION 10 - ELECTRICAL

ITEM	PART NUMBER	QTY	DESCRIPTION	REV
54	4460458	23	Seal	
55	4460748	11	Plug	
56	1001116725	2	Terminal	
57	80963067	2	Plug	
58	8229244	2	Fuse, 15amp	
59	80983191	2	Fuse, 10amp	
60	8229242	2	Fuse, 5amp	
61	1001205172	5	Relay, 35amp	
62	1001177597	1	Diode, 6amp	
63	4460930	1	Connector	
64	4460465	6	Terminal	
65	4460466	2	Plug	
67	1001125083	1	Connector	
68	1001195782	7	Plug	
69	1001195781	14	Plug	
70	1001125085	3	Terminal	
72	1001187070	1	Ring, Terminal	
73	1001187070	1	Ring, Terminal	
74	1001112612	1	Connector	
75	4469464	4	Terminal	
76	4460466	5	Plug	
77	4460497	1	Nut	
78	4460496	1	Lockwasher	
79	1001153612	1	Connector	
80	1001126011	1	Terminal	
81	4460955	1	Connector	
82	1001116748	2	Terminal	
83	4460955	1	Connector	
84	1001116748	2	Terminal	
85	4460955	1	Connector	
86	1001116748	2	Terminal	
87	4460891	1	Connector	
88	4460465	2	Terminal	
89	4460955	1	Connector	
90	1001116748	2	Terminal	
91	4460955	1	Connector	
92	1001116748	2	Terminal	
93	4460955	1	Connector	
94	1001116748	2	Terminal	
95	1001187080	1	Ring, Terminal	
96	1001117073	1	Connector	
97	1001116749	2	Terminal	
98	4460608	2	Seal	
99	1001187079	1	Ring, Terminal	
100	1001190322	1	Connector	
101	4461005	2	Terminal	
102	4461054	2	Seal	
103	1001207171	1	Ring, Terminal	
104	1001207171	1	Ring, Terminal	
105	1001116950	1	Connector	
106	4460465	2	Terminal	

SECTION 10 - ELECTRICAL

FIGURE 10-47. ENGINE HARNESS (LS)



SECTION 10 - ELECTRICAL

FIGURE 10-47. ENGINE HARNESS (LS)

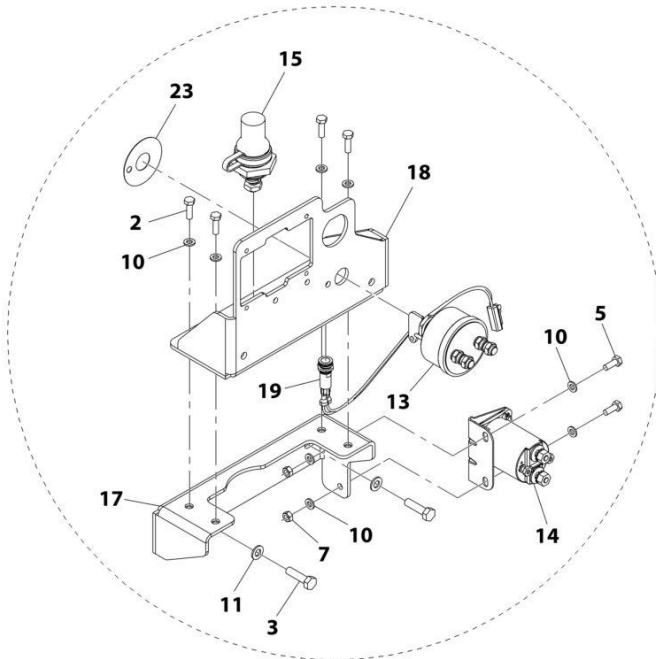
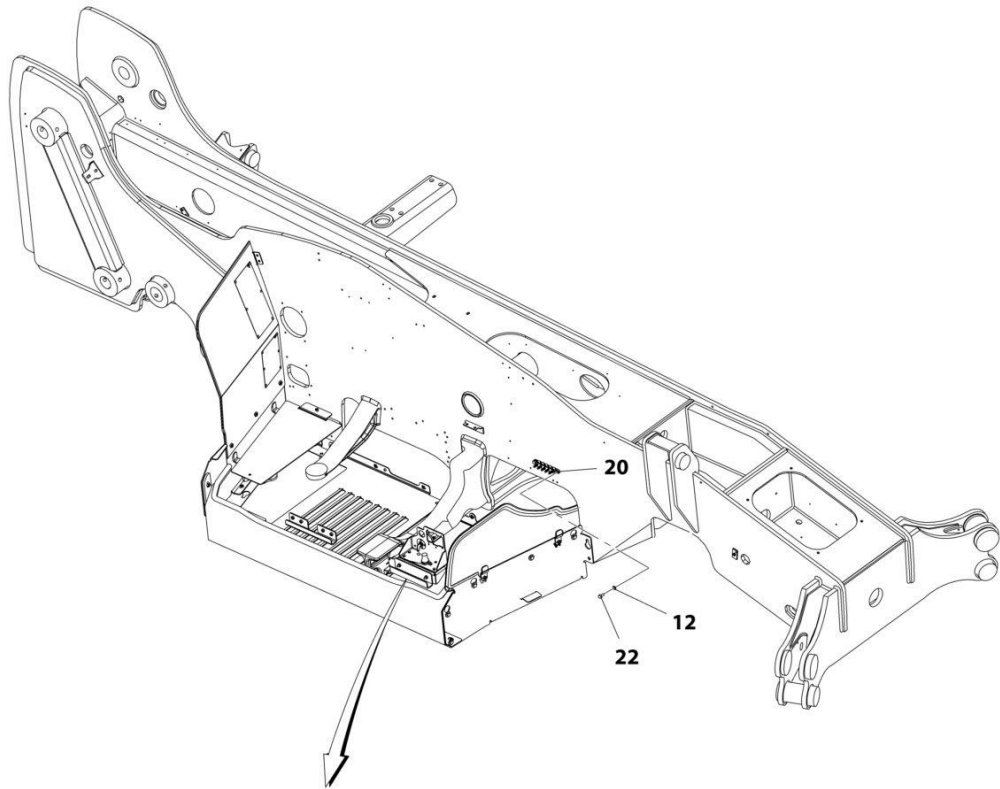
ITEM	PART NUMBER	QTY	DESCRIPTION	REV
	1001222715	Ref	Engine Harness (LS)	C
4	1001112612	1	Connector	
5	4460464	4	Terminal	
6	4460466	5	Plug	
7	4460497	1	Nut	
8	4460496	1	Washer	
9	1001145707	1	Connector	
10	1001116732	4	Terminal	
11	1001187070	1	Ring, Terminal	
12	1001116811	1	Connector	
13	4460508	3	Terminal	
14	1001150610	1	Terminal	
15	4460891	1	Connector	
16	4460465	2	Terminal	
17	1001187070	1	Ring, Terminal	
18	4460970	1	Connector	
19	4460464	8	Terminal	
20	4460466	4	Plug	
21	4460891	1	Connector	
22	4460465	2	Terminal	
23	4460950	1	Connector	
24	4460464	9	Terminal	
25	4460466	3	Plug	
26	1001144147	1	Connector	
27	4460464	2	Terminal	
28	4460466	1	Plug	
29	1001187079	1	Ring, Terminal	
30	4460955	1	Connector	
31	1001116748	2	Terminal	
32	4460955	1	Connector	
33	1001116748	2	Terminal	
34	1001190322	1	Connector	
35	4461005	2	Terminal	
36	4461006	2	Seal	
37	1001187078	1	Ring, Terminal	
38	1001187079	1	Ring, Terminal	
39	4460955	1	Connector	
40	1001116748	2	Terminal	
41	4460955	1	Connector	
42	1001116748	2	Terminal	
43	4460891	1	Connector	
44	4460465	2	Terminal	
45	4460955	1	Connector	
46	1001116748	2	Terminal	
47	4460955	1	Connector	
48	1001116748	2	Terminal	
49	1001117073	1	Connector	
50	1001116749	2	Terminal	
51	4460608	2	Seal	
52	1001116950	1	Connector	

SECTION 10 - ELECTRICAL

ITEM	PART NUMBER	QTY	DESCRIPTION	REV
53	4460465	2	Terminal	
54	4460933	1	Connector	
55	4460465	8	Terminal	
56	4460466	4	Plug	
57	4461095	1	Connector	
58	4460943	2	Terminal	
59	4460466	1	Plug	
60	1001126349	1	Connector	
61	1001185824	6	Terminal	
62	1001185823	11	Terminal	
63	1001126353	6	Seal	
64	1001126357	4	Plug	
65	1001126356	73	Plug	
66	1001125027	1	Connector	
67	8220124	3	Terminal	
68	4460608	3	Seal	
69	1001187070	1	Ring, Terminal	
70	1001246391	1	Terminal, Snap Plug	
71	1001197407	1	Ring, Terminal	
72	1001184551	1	Connector	
73	1001234800	1	Terminal	
74	4460746	7	Terminal	
75	4460458	8	Seal	

SECTION 10 - ELECTRICAL

FIGURE 10-48. ENGINE BAY - ELECTRICAL INSTALLATION (ULS)



ART_1001163127-J

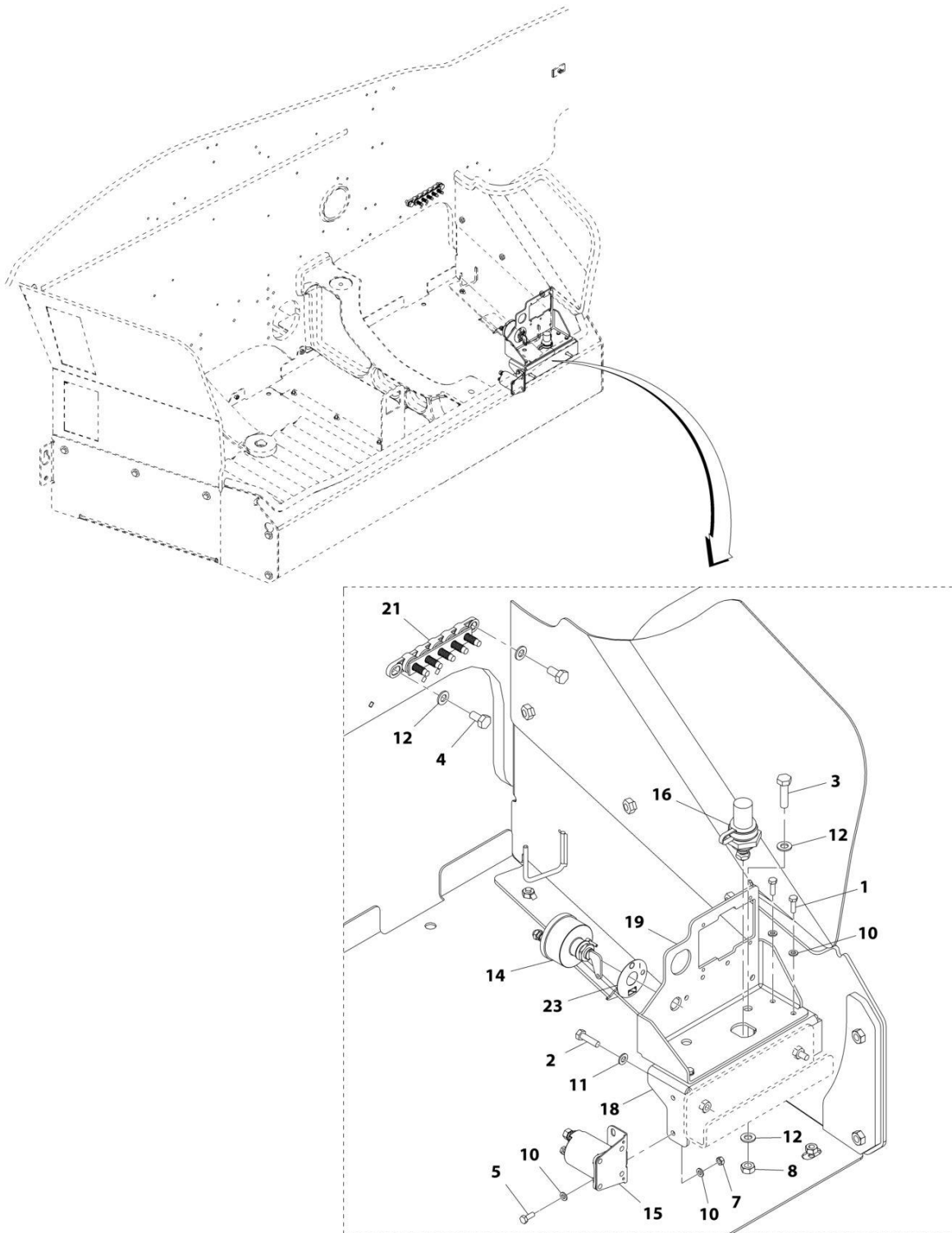
SECTION 10 - ELECTRICAL

FIGURE 10-48. ENGINE BAY - ELECTRICAL INSTALLATION (ULS)

ITEM	PART NUMBER	QTY	DESCRIPTION	REV
	1001163127	Ref	Engine Bay Electrical Installation (if equipped for ULS)	J
2	0700610	4	Bolt, M6X20	
3	0700814	2	Bolt, M8X30	
5	0760608	2	Bolt, M6X16	
7	3290601	2	Nut, M6X1 Grade 8	
10	4811700	8	Washer, M6	
11	4811900	2	Washer, M8	
12	4812000	2	Washer, M10	
13	1001192142	1	Switch, Disconnect	
14	1001117308	1	Relay	
15	1001193993	1	Terminal	
17	1001199099	1	Bracket	
18	1001198321	1	Bracket	
19	1001232288	Ref	Harness, DEF Purge Light, (See Separate Breakdown in this Section)	
20	1001181128	1	Bussbar	
22	0761010	2	Bolt, M10X20	
23	1001008540	1	Plate	

SECTION 10 - ELECTRICAL

FIGURE 10-49. ENGINE BAY - ELECTRICAL INSTALLATION (LS)



ART_1001173765-J

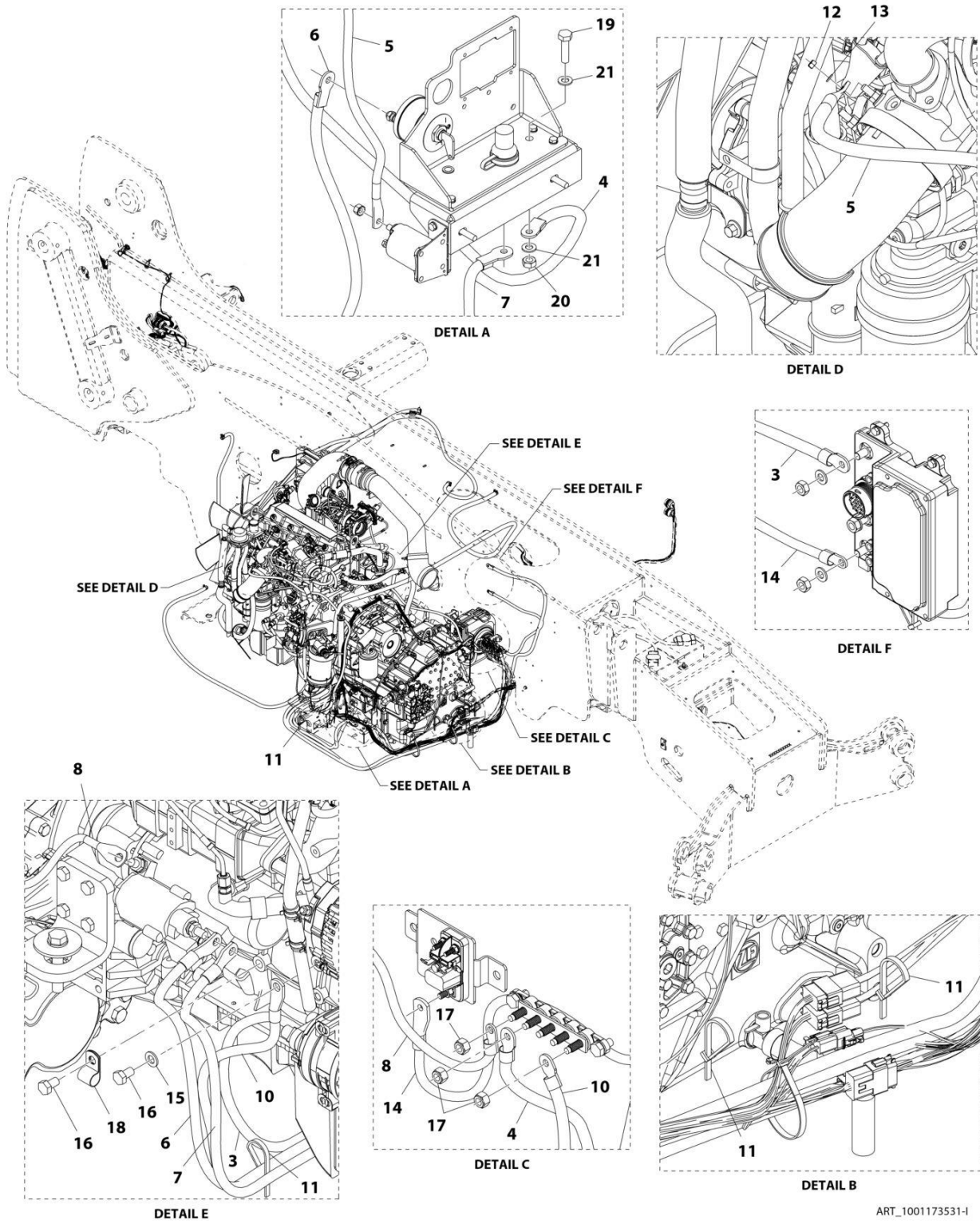
SECTION 10 - ELECTRICAL

FIGURE 10-49. ENGINE BAY - ELECTRICAL INSTALLATION (LS)

ITEM	PART NUMBER	QTY	DESCRIPTION	REV
	1001173765	Ref	Engine Bay Electrical Installation	J
1	0700610	4	Bolt, M6X20	
2	0700814	2	Bolt, M8X30	
3	0701016	1	Bolt, M10X40	
4	0761010	2	Bolt, M10X20	
5	0760608	2	Bolt, M6X16	
7	3290601	2	Nut, M6X1	
8	3291001	1	Nut, M10X1.5	
10	4811700	8	Washer, M6	
11	4811900	2	Washer, M8	
12	4812000	4	Washer, M10	
14	1001192142	1	Switch, Disconnect	
15	1001117308	1	Relay	
16	1001193993	1	Terminal	
18	1001199099	1	Bracket	
19	1001198321	1	Bracket	
21	1001181128	1	Bussbar	
23	1001008540	1	Plate	

SECTION 10 - ELECTRICAL

FIGURE 10-50. ENGINE BAY - WIRING INSTALLATION (ULS)



ART_1001173531-I

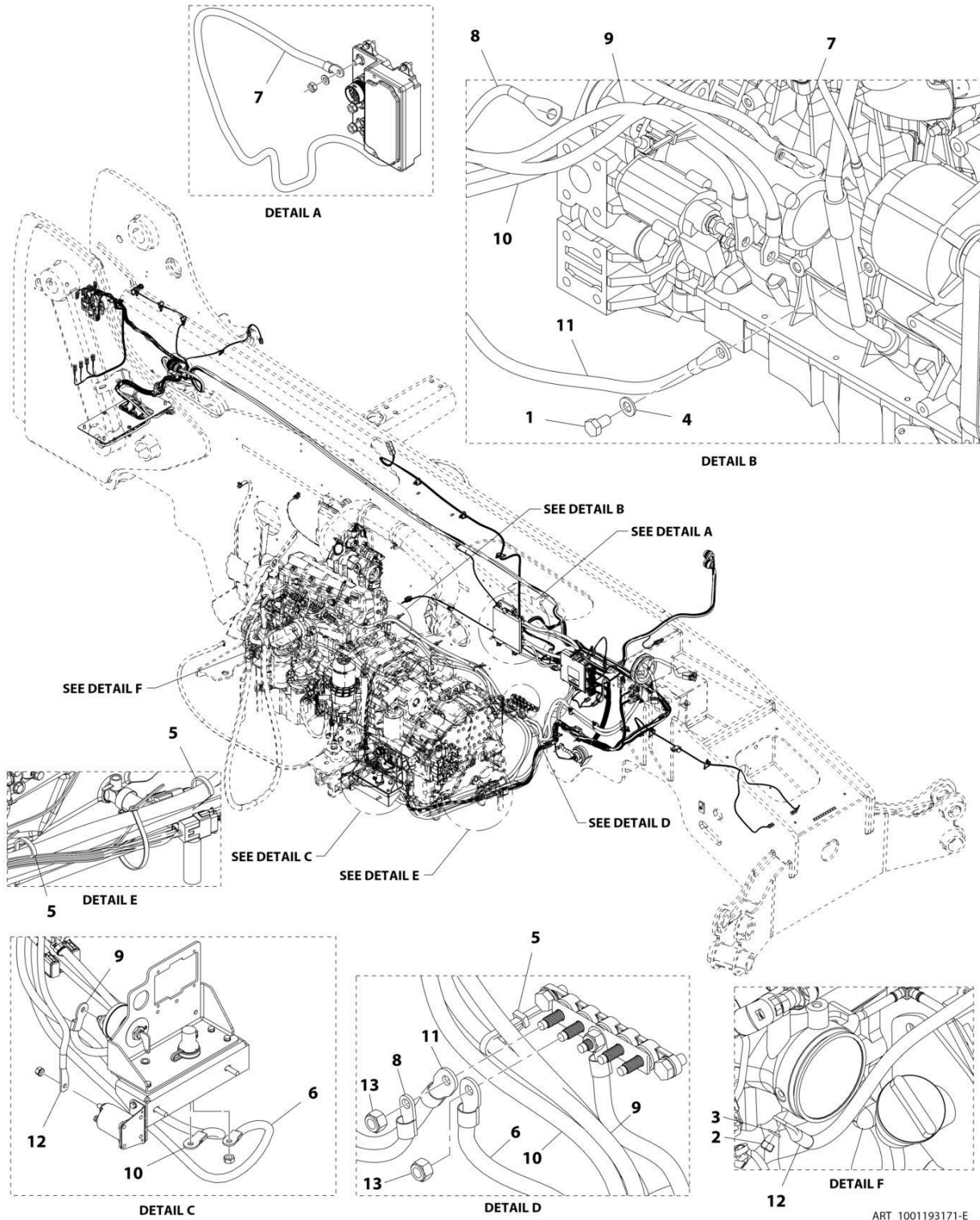
SECTION 10 - ELECTRICAL

FIGURE 10-50. ENGINE BAY - WIRING INSTALLATION (ULS)

ITEM	PART NUMBER	QTY	DESCRIPTION	REV
	1001173531	Ref	Engine Bay Wiring Installation (ULS)	1
3	1001170215	1	Cable, PDM to ALT+	
4	1001200102	1	Cable, Ground Buss to Remote Ground	
5	1001170816	1	Cable, Grid Heater	
6	1001170740	1	Cable, Starter to Battery Disconnect	
7	1001170741	1	Cable, Starter to Remote B+	
8	1001170320	1	Cable, Starter Ground	
10	1001170749	1	Cable, Engine Ground	
11	1001008559	5	Strap, Cable	
12	3290605	1	Nut, Lock M6X1	
13	4811700	1	Washer, M6	
14	1001190585	1	Cable, Glow Plug	
15	4812100	1	Washer, M12	
16	0761210	2	Bolt, M12X20	
17	3291005	3	Nut, Lock M10X1.5	
18	8406105	1	Clip, Tube	
19	0701016	1	Bolt, M10X40	
20	3291001	1	Nut, M10X1.5	
21	4812000	2	Washer, M10	

SECTION 10 - ELECTRICAL

FIGURE 10-51. ENGINE BAY - WIRING INSTALLATION (LS)



ART_1001193171-E

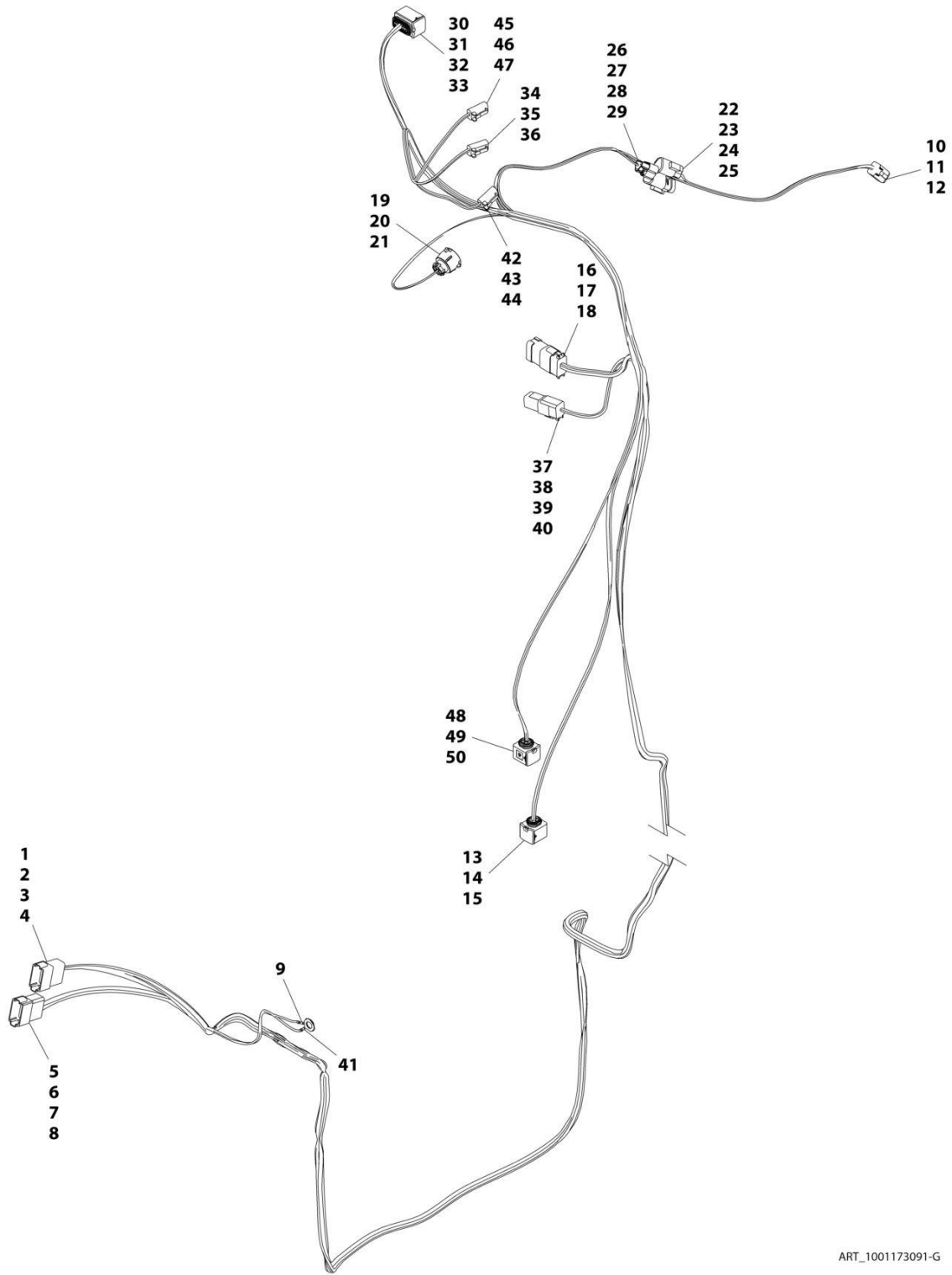
SECTION 10 - ELECTRICAL

FIGURE 10-51. ENGINE BAY - WIRING INSTALLATION (LS)

ITEM	PART NUMBER	QTY	DESCRIPTION	REV
	1001193171	Ref	Engine Bay Wiring Installation (LS)	E
1	0761210	1	Bolt, M12X20	
2	3290605	1	Nut, Lock M6X1	
3	4811700	1	Washer, M6	
4	4812100	1	Washer, M12	
5	1001008559	6	Strap, Cable	
6	1001200102	1	Cable, Ground Buss to Remote Ground	
7	1001205254	1	Cable, PDM to Alt+	
8	1001170320	1	Cable, Starter Ground	
9	1001187623	1	Cable, Starter to Battery Disconnect	
10	1001187624	1	Cable, Starter to Remote B+	
11	1001205255	1	Cable, Engine Ground	
12	1001170816	1	Cable, Grid Heater	
13	3291005	2	Nut, Lock M10X1.5	

SECTION 10 - ELECTRICAL

FIGURE 10-52. ENGINE/CHASSIS HARNESS (ULS)



ART_1001173091-G

SECTION 10 - ELECTRICAL

FIGURE 10-52. ENGINE/CHASSIS HARNESS (ULS)

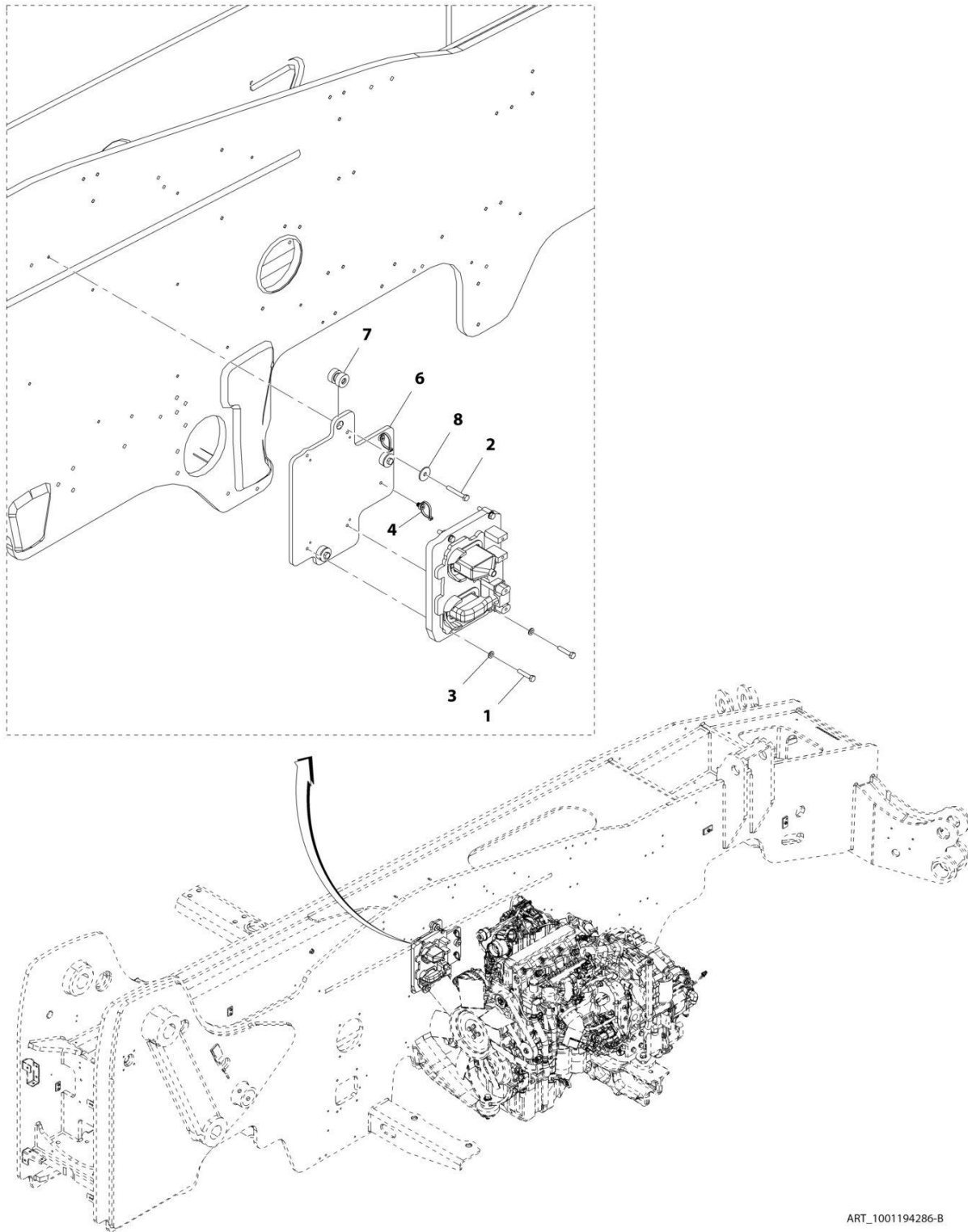
ITEM	PART NUMBER	QTY	DESCRIPTION	REV
	1001173091	Ref	Engine Chassis Harness (ULS)	G
1	4460982	1	Connector	
2	80363179	1	Lock, Connector	
3	4460464	11	Terminal	
4	4460466	1	Plug	
5	1001152742	1	Connector	
6	80363179	1	Lock, Connector	
7	4460464	10	Terminal	
8	4460466	2	Plug	
9	1001187077	1	Terminal, Ring	
10	4460884	1	Connector	
11	80604021	1	Lock, Connector	
12	4460465	4	Terminal	
13	1001167528	1	Connector	
14	1001166704	4	Terminal	
15	1001137578	4	Seal, Terminal	
16	4460930	1	Connector	
17	80604025	1	Lock, Connector	
18	4460465	8	Terminal	
19	1001167620	1	Connector	
20	1001176004	2	Terminal	
21	1001167624	2	Plug	
22	4460539	1	Connector	
23	77363244	1	Lock, Connector	
24	4460944	2	Terminal	
25	4460466	1	Plug	
26	1001116812	1	Connector	
27	91554019	1	Lock, Connector	
28	4460944	2	Terminal	
29	4460466	1	Plug	
30	1001165194	1	Connector	
31	1001166703	10	Terminal	
32	1001126393	10	Seal, Terminal	
33	1001126391	2	Plug	
34	4460891	1	Connector	
35	80604018	1	Lock, Connector	
36	4460465	2	Terminal	
37	4460894	1	Connector	
38	91504107	1	Lock, Connector	
39	4460465	4	Terminal	
40	4460466	2	Plug	
41	1001187077	1	Terminal, Ring	
42	4460891	1	Connector	
43	80604018	1	Lock, Connector	
44	4460465	2	Terminal	
45	4460891	1	Connector	
46	80604018	1	Lock, Connector	
47	4460465	2	Terminal	
48	1001176935	1	Connector	
49	1001166704	4	Terminal	

SECTION 10 - ELECTRICAL

ITEM	PART NUMBER	QTY	DESCRIPTION	REV
50	1001137578	4	Seal, Terminal	

SECTION 10 - ELECTRICAL

FIGURE 10-53. ENGINE - ECU INSTALLATION (ULS)



ART_1001194286-B

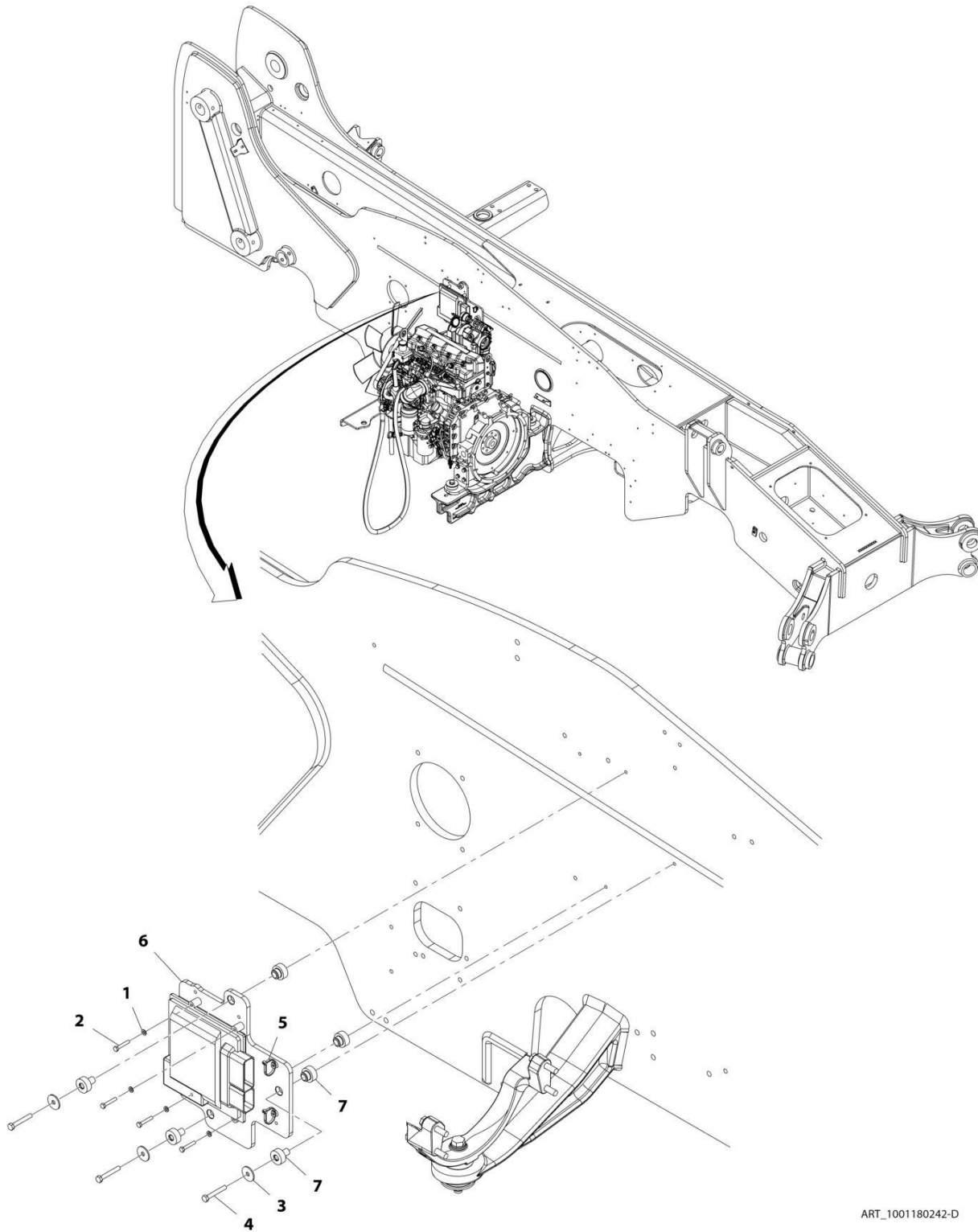
SECTION 10 - ELECTRICAL

FIGURE 10-53. ENGINE - ECU INSTALLATION (ULS)

ITEM	PART NUMBER	QTY	DESCRIPTION	REV
	1001194286	Ref	Engine ECU Installation	B
1	0700816	4	Bolt, M8X40	
2	0700819	3	Bolt, M8X55	
3	4811900	4	Washer, M8	
4	1001146588	2	Strap, Tie	
6	1001192468	1	Bracket	
7	1001192471	3	Mount	
8	1001195089	3	Washer	

SECTION 10 - ELECTRICAL

FIGURE 10-54. ENGINE - ECU INSTALLATION (LS)



ART_1001180242-D

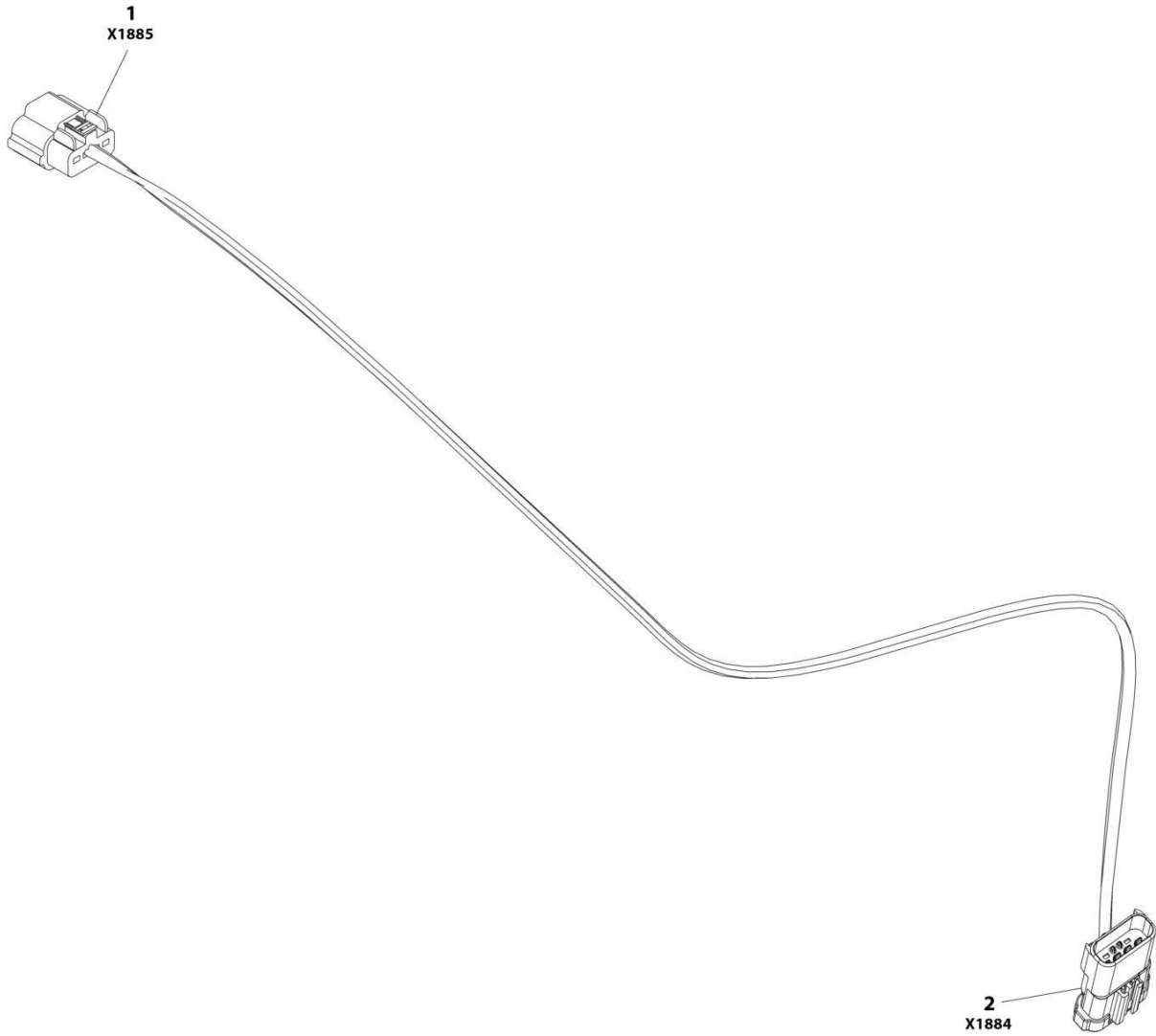
SECTION 10 - ELECTRICAL

FIGURE 10-54. ENGINE - ECU INSTALLATION (LS)

ITEM	PART NUMBER	QTY	DESCRIPTION	REV
	1001180242	Ref	Engine ECM Installation (LS)	D
1	4811700	4	Washer, M6	
2	0760615	4	Bolt, M6X35	
3	1001195089	3	Washer	
4	0700819	3	Bolt, Grade 8	
5	1001146588	2	Strap, Tie	
6	1001192468	1	Bracket	
7	1001192471	3	Mount, Isolator	

SECTION 10 - ELECTRICAL

FIGURE 10-55. ENGINE TBAP HARNESS



ART_1001184835

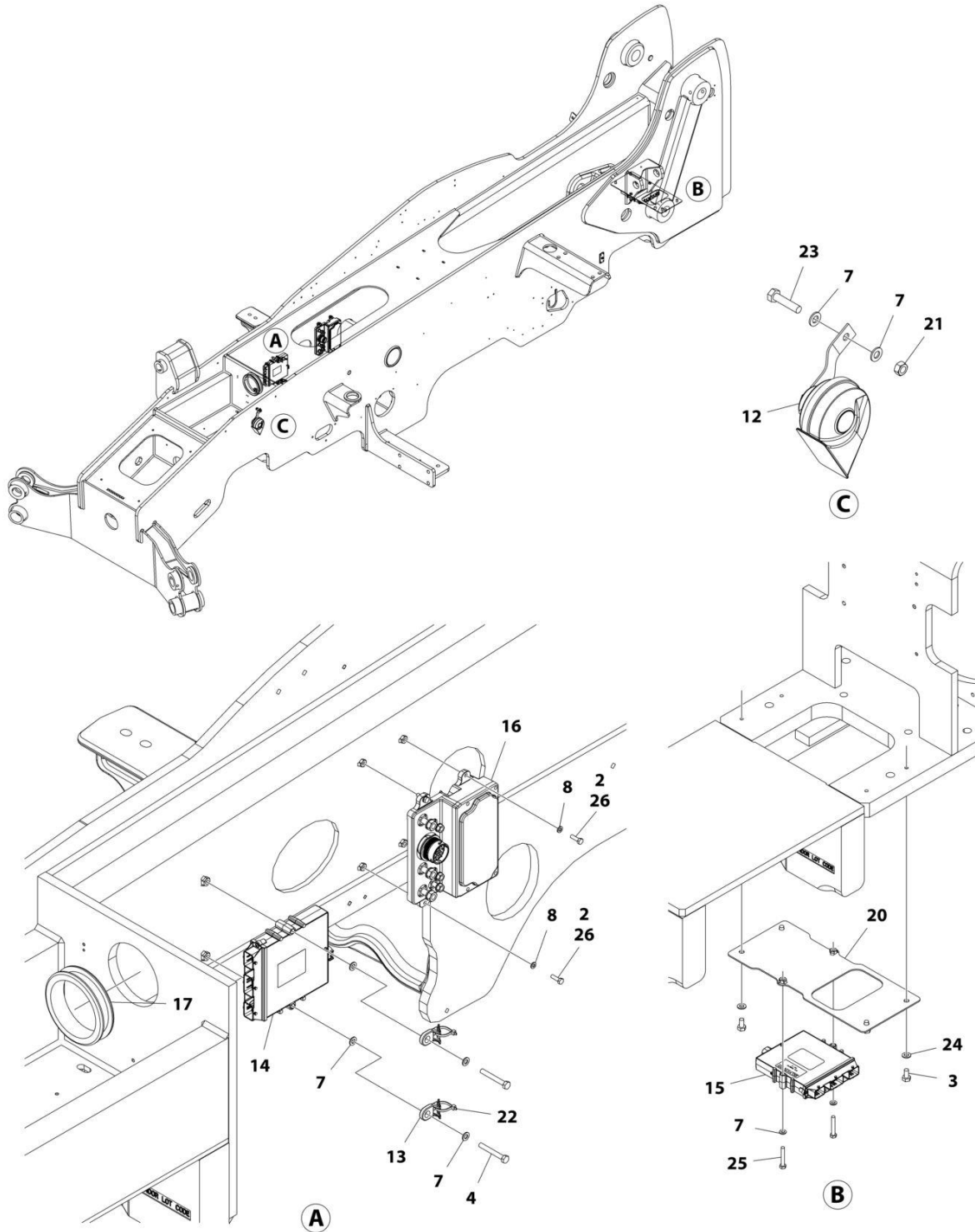
SECTION 10 - ELECTRICAL

FIGURE 10-55. ENGINE TBAP HARNESS

ITEM	PART NUMBER	QTY	DESCRIPTION	REV
1	1001184835	Ref	TBAP Harness	C
	10011184495	1	Connector	
	1001260509	4	Terminal	
	1001184496	4	Seal	
2	1001184491	1	Connector	
	1001184493	4	Terminal	

SECTION 10 - ELECTRICAL

FIGURE 10-56. FRAME - ELECTRICAL INSTALLATION



ART_1001167051_K

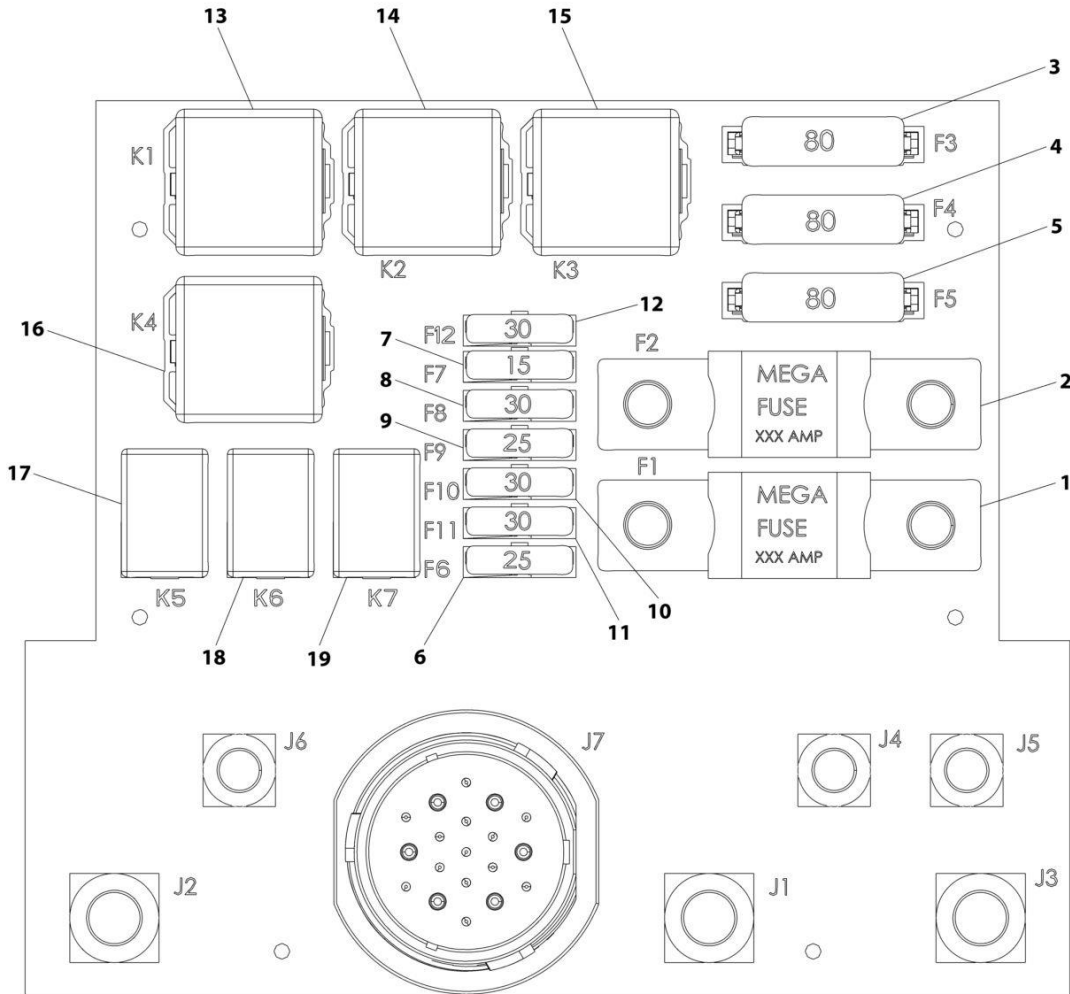
SECTION 10 - ELECTRICAL

FIGURE 10-56. FRAME - ELECTRICAL INSTALLATION

ITEM	PART NUMBER	QTY	DESCRIPTION	REV
	1001167051	Ref	ELECTRICAL FRAME INSTALLATION	K
2	0700610	4	Bolt M6 x 20	
3	0761010	4	Bolt M10 x 20	
4	0700820	2	Bolt M8 x 60	
7	4811900	8	Washer M8	
8	4811700	4	Washer M6	
12	10713707	1	Horn	
13	1001169146	2	Mount	
14	1001270467	1	Module, Front Frame Control	
15	1001270468	1	Module, Rear Frame Control	
16	1001164402	1	Box, Power Distribution Electrical (See Separate Breakdown in this Section)	
17	1001166397	1	Grommet	
20	1001210450	1	Plate, Mounting	
21	3290801	1	Nut M8 x 1-1/4	
22	1001008559	2	Strap, Cable	
23	0760815	1	Bolt M8 x 35	
24	4812000	4	Washer M10	
25	0700818	2	Bolt M8 x 50	
26	1001180620	AR	Locking, Compound	

SECTION 10 - ELECTRICAL

FIGURE 10-57. FRAME - POWER DISTRIBUTION BOX



ART_1001164402-G

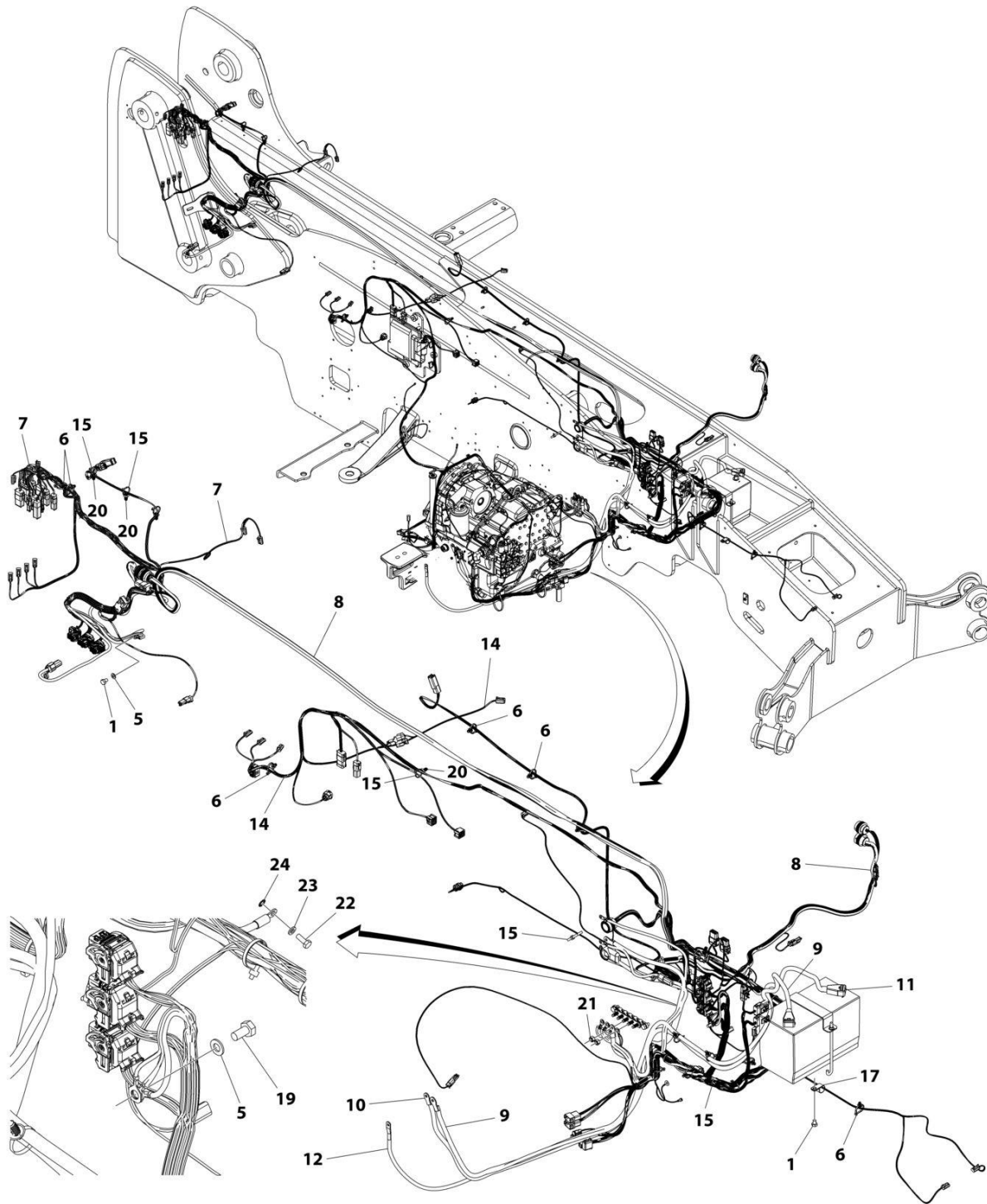
SECTION 10 - ELECTRICAL

FIGURE 10-57. FRAME - POWER DISTRIBUTION BOX

ITEM	PART NUMBER	QTY	DESCRIPTION	REV
	1001164402	Ref	Power Distribution Electrical Box	G
1	1001095336	1	Fuse, 150AMP	
2	70026296	1	Fuse, 200AMP	
3	70026297	1	Fuse, 80AMP	
4	70026297	1	Fuse, 80AMP	
5	70026297	1	Fuse, 80AMP	
6	8229247	1	Fuse, 25AMP	
7	8229244	1	Fuse, 15AMP	
8	8229245	1	Fuse, 30AMP	
9	8229247	1	Fuse, 25AMP	
10	8229245	1	Fuse, 30AMP	
11	8229245	1	Fuse, 30AMP	
12	8229245	1	Fuse, 30AMP	
13	70026294	1	Fuse, 70AMP	
14	70026294	1	Fuse, 70AMP	
15	70026294	1	Fuse, 70AMP	
16	70026294	1	Fuse, 70AMP	
17	70026295	1	Fuse, 35AMP	
18	70026295	1	Fuse, 35AMP	
19	70026295	1	Fuse, 35AMP	

SECTION 10 - ELECTRICAL

FIGURE 10-58. FRAME - WIRING INSTALLATION (ULS)



ART_1001173530_Q

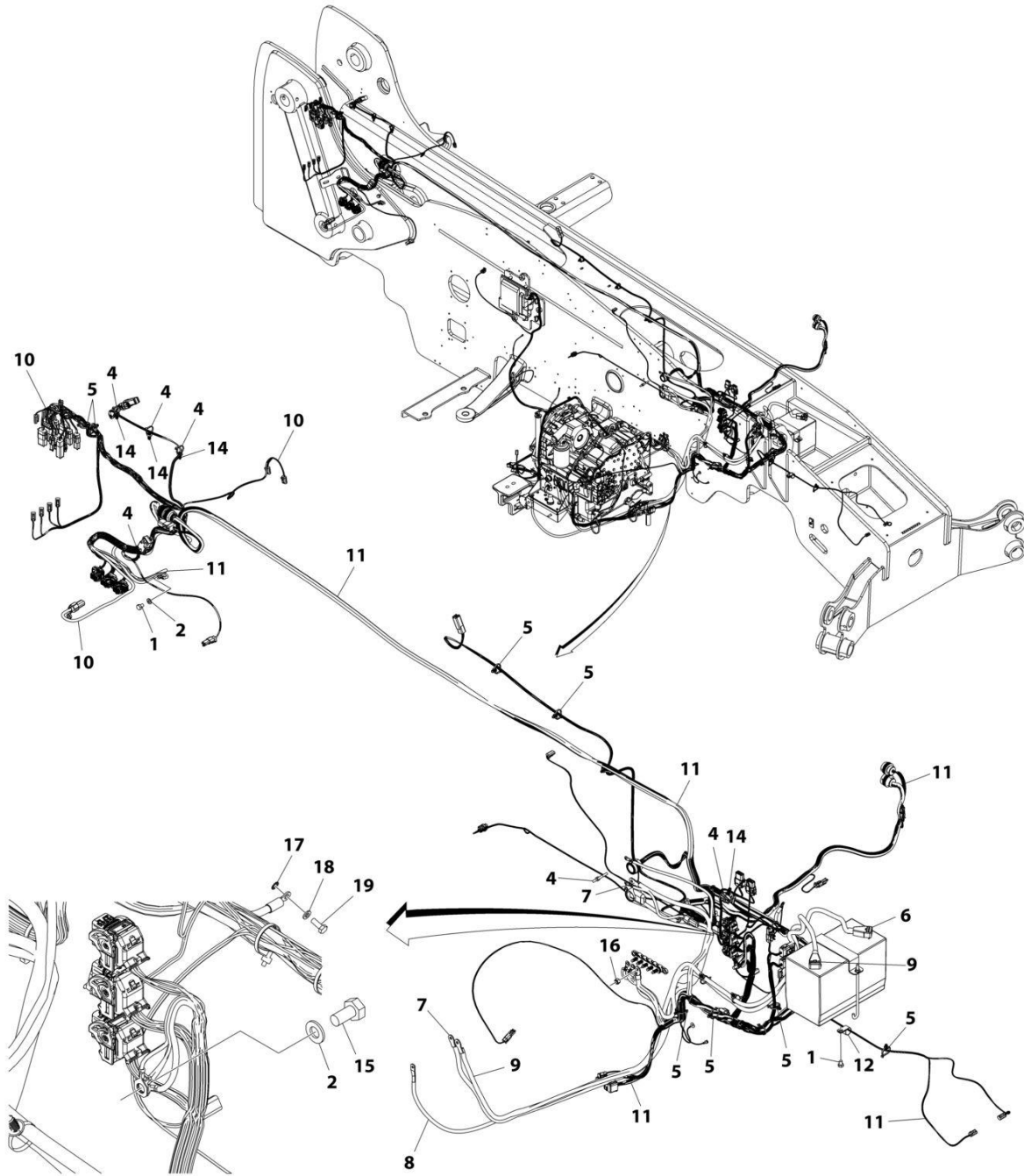
SECTION 10 - ELECTRICAL

FIGURE 10-58. FRAME - WIRING INSTALLATION (ULS)

ITEM	PART NUMBER	QTY	DESCRIPTION	REV
	1001173530	Ref	FRAME - WIRING INSTALLATION (110HP) (ULS)	Q
1	0761007	2	Bolt M10 x 14	
5	4812000	2	Washer M10	
6	1001146588	14	Strap, Fir Tree Cable Tie	
7	1001266971	1	Harness, Rear Frame (See Separate Breakdown in this Section)	
8	1001281268	1	Harness, Front Frame (See Separate Breakdown in this Section)	
9	1001170624	1	Cable, Battery + to Battery Disconnect	
10	1001170566	1	Cable, Battery Disconnect to PDM	
11	1001169365	1	Cable, Battery Negative	
12	1001200082	1	Cable, PDM to Grid Heater	
14	1001173091	1	Harness, Engine Chassis Harness (See Separate Breakdown in this Section)	
15	1001008559	20	Strap, Cable	
17	8406201	1	Clip, Wire and Tube	
19	0761010	1	Bolt M10 x 20	
20	1001202986	9	Strap, Fir Tree Push Mount	
21	3291005	2	Nut M10 x 1-1/2	
22	0760608	1	Bolt M6 x 16	
23	4811700	1	Washer M6	
24	4871700	1	Washer M6	

SECTION 10 - ELECTRICAL

FIGURE 10-59. FRAME - WIRING INSTALLATION (LS)



ART_1001192305_O

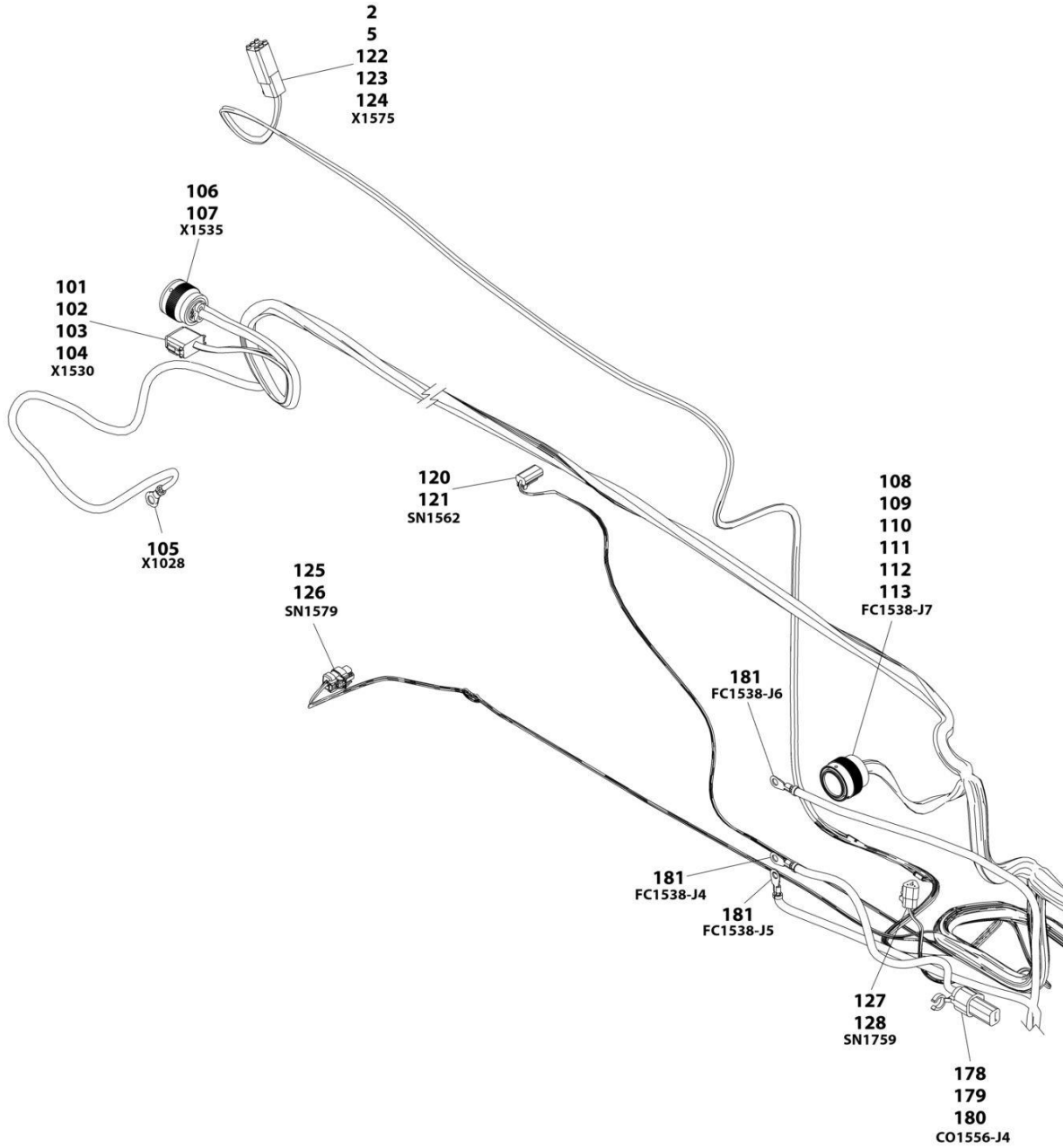
SECTION 10 - ELECTRICAL

FIGURE 10-59. FRAME - WIRING INSTALLATION (LS)

ITEM	PART NUMBER	QTY	DESCRIPTION	REV
	1001192305	Ref	FRAME - WIRING INSTALLATION (110HP) (LS)	O
1	0761007	2	Bolt M10 x 14	
2	4812000	2	Washer M10	
4	1001008559	19	Strap, Cable	
5	1001146588	13	Strap, Fir Tree Cable Tie	
6	1001169365	1	Cable, Battery Negative	
7	1001170566	1	Cable, Battery Disconnect to PDM	
8	1001200082	1	Cable, PDM to Grid Heater	
9	1001170624	1	Cable, Battery + to Battery Disconnect	
10	1001266971	1	Harness, Rear Frame (See Separate Breakdown in this Section)	
11	1001281268	1	Harness, Front Frame (See Separate Breakdown in this Section)	
12	8406201	1	Clip, Wire and Tube	
14	1001202986	8	Strap, Fir Tree Push Mount	
15	0761010	1	Bolt M10 x 20	
16	3291005	1	Nut M10 x 1-1/2	
17	4871700	1	Washer M6	
18	4811700	1	Washer M6	
19	0760608	1	Bolt M6 x 16	

SECTION 10 - ELECTRICAL

FIGURE 10-60. FRAME HARNESS – FRONT



ART_1001281268_A_10F2

SECTION 10 - ELECTRICAL

FIGURE 10-60. FRAME HARNESS – FRONT

ITEM	PART NUMBER	QTY	DESCRIPTION	REV
	1001281268	Ref	FRONT FRAME HARNESS	A
1	3740080	1	Relay	
2	4460466	38	Plug	
3	4460518	34	Terminal	
4	4460897	2	Connector	
5	4460899	1	Connector	
6	4460932	1	Connector	
7	4460945	1	Receptacle, 3 - Way	
8	4460950	1	Connector	
9	4460970	1	Connector	
10	1001008559	3	Tie-Strap	
11	1001121172	3	Bracket, Mounting	
12	1001125677	1	Bus Bar	
13	1001132169	1	Connector	
14	1001132170	1	Connector	
15	1001144296	1	Cap	
101	4460933	1	Connector	
102	4460465	4	Terminal	
103	4460942	2	Terminal	
104	4460466	6	Plug	
105	1001187076	1	Connector	
106	1001165310	1	Connector	
107	91013192	2	Terminal	
108	1001165309	1	Connector	
109	4460466	2	Plug	
110	4460465	8	Terminal	
111	4460942	3	Terminal	
112	4460509	3	Terminal	
113	1001150611	3	Terminal	
114	4461015	1	Connector	
115	4460465	14	Terminal	
117	1001118323	1	Connector	
118	4460942	4	Terminal	
119	91013192	2	Terminal	
120	4460891	8	Connector	
121	4460465	16	Terminal	
122	4460894	1	Connector	
123	4460465	2	Terminal	
124	4460942	4	Terminal	
125	1001116950	1	Connector	
126	4460465	2	Terminal	
127	4460539	2	Connector	
128	4460465	6	Plug	
129	4460897	1	Connector	
130	4460464	2	Terminal	
131	4460891	1	Connector	
132	4460942	1	Terminal	
133	4460465	1	Terminal	
134	1001207173	1	Connector	
135	8220116	1	Connector	

SECTION 10 - ELECTRICAL

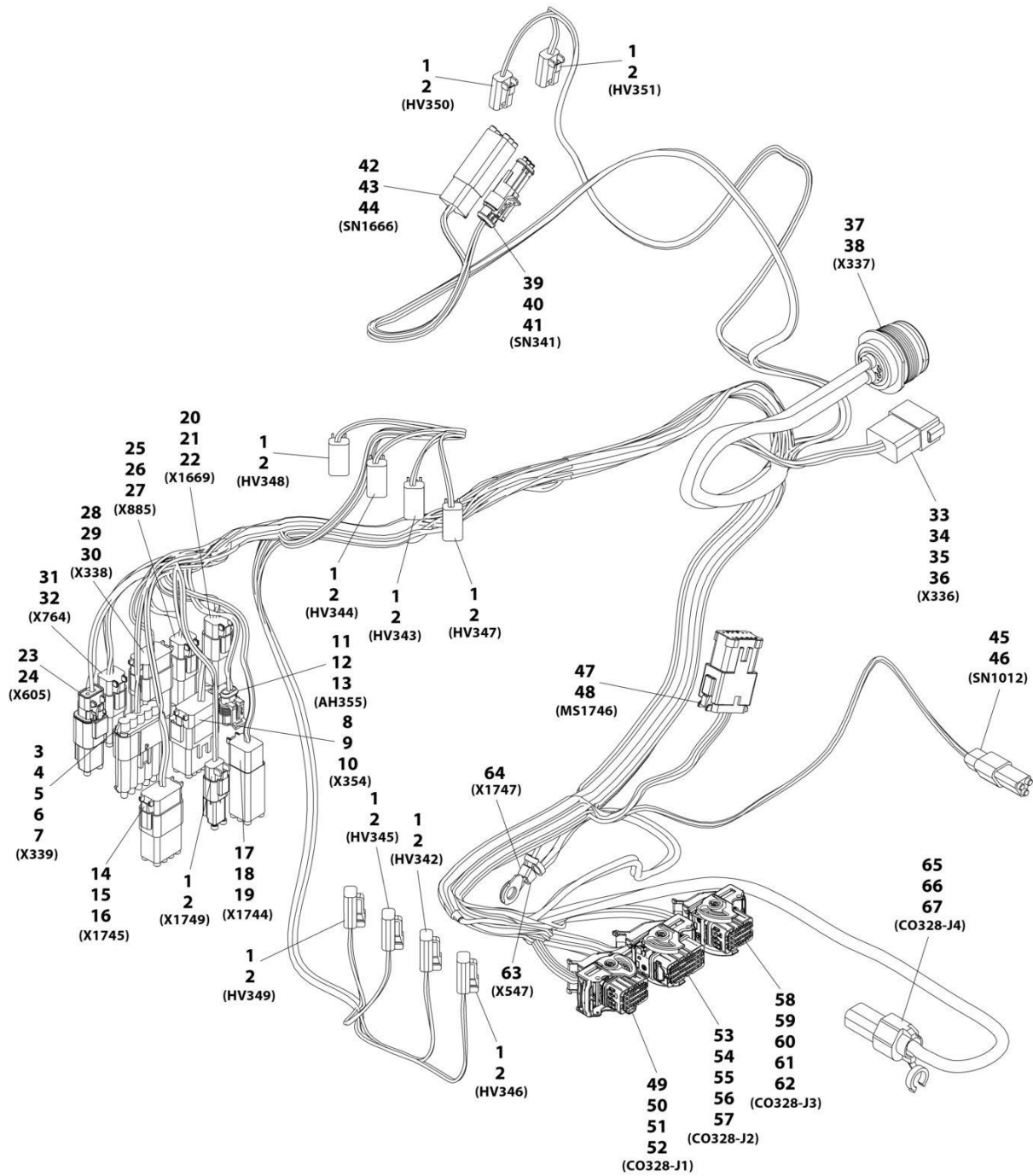
ITEM	PART NUMBER	QTY	DESCRIPTION	REV
136	1001116774	1	Connector	
137	4460518	10	Plug	
138	1001126008	2	Terminal	
139	1001231398	1	Connector	
140	1001231400	4	Terminal	
141	1001231406	1	Plug	
142	1001231404	4	Seal	
143	1001116808	1	Connector	
144	4460518	9	Plug	
145	1001126008	3	Terminal	
146	4460933	1	Connector	
147	4460465	10	Terminal	
148	4460466	2	Terminal	
149	4460884	1	Connector	
150	4460465	4	Terminal	
151	4460836	1	Connector	
152	4460465	7	Terminal	
153	4460466	5	Plug	
154	4460933	1	Connector	
155	4460942	10	Terminal	
156	4460466	2	Terminal	
157	1001116812	4	Connector	
158	4460944	8	Terminal	
159	4460466	4	Terminal	
160	1001161957	1	Connector	
161	1001161097	19	Terminal	
162	1001161100	5	Plug	
163	1001161101	7	Plug	
164	1001161098	1	Terminal	
165	1001161963	1	Connector	
166	1001161097	17	Terminal	
167	1001161100	23	Plug	
168	1001161098	1	Terminal	
169	1001161099	5	Terminal	
170	1001161101	2	Plug	
171	1001160500	1	Connector	
172	1001161100	15	Plug	
173	1001161097	9	Terminal	
174	1001161099	7	Terminal	
175	1001161101	1	Plug	
176	1001187080	3	Connector	
177	1001187079	2	Connector	
178	1001160509	1	Connector	
179	1001160510	1	Terminal	
180	1001175267	1	Seal	
181	1001187075	3	Connector	
182	8220051	1	Connector	
183	1001211775	1	Connector	
184	4460933	1	Connector	
185	4460465	8	Terminal	
186	4460466	4	Plug	

SECTION 10 - ELECTRICAL

ITEM	PART NUMBER	QTY	DESCRIPTION	REV
187	1001116810	1	Connector	
188	4460509	1	Terminal	
189	1001150611	3	Terminal	
193	4460836	1	Connector	
194	4460942	1	Terminal	
195	4460465	10	Terminal	
196	4460466	1	Terminal	
197	1001128127	2	Connector	

SECTION 10 - ELECTRICAL

FIGURE 10-61. FRAME HARNESS - REAR



ART_1001266971-C

SECTION 10 - ELECTRICAL

FIGURE 10-61. FRAME HARNESS - REAR

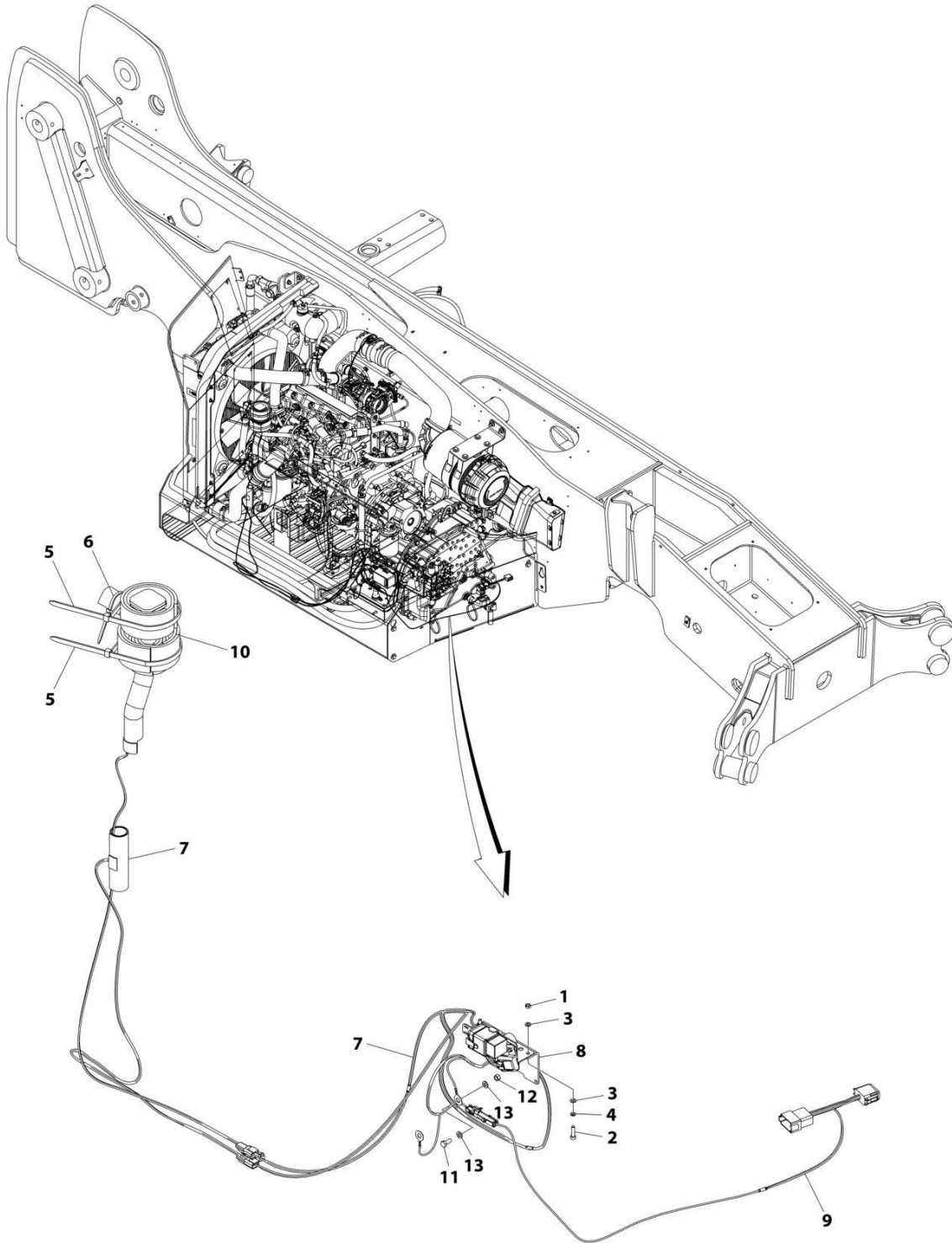
ITEM	PART NUMBER	QTY	DESCRIPTION	REV
	1001266971	Ref	REAR FRAME HARNESS (9/10)	C
1	4460891	1	Connector	
2	4460465	2	Terminal	
3	1001121726	1	Connector	
4	1001116728	3	Terminal	
5	1001116727	2	Plug	
6	1001175265	2	Seal	
7	4460458	1	Seal	
8	4460933	1	Connector	
9	4460942	10	Terminal	
10	4460466	2	Plug	
11	4461118	1	Connector	
12	1001107854	2	Terminal	
13	1001116763	2	Seal	
14	4460930	1	Connector	
15	4460465	6	Terminal	
16	4460466	2	Plug	
17	4460894	1	Connector	
18	4460465	3	Terminal	
19	4460466	3	Plug	
20	4460884	1	Connector	
21	4460465	3	Terminal	
22	4460466	1	Plug	
23	4461018	1	Connector	
24	4460509	2	Terminal	
25	4460884	1	Connector	
26	4460465	2	Terminal	
27	4460466	2	Plug	
28	4460930	1	Connector	
29	4460466	6	Plug	
30	4460465	2	Terminal	
31	4460884	1	Connector	
32	4460465	4	Terminal	
33	4460970	1	Connector	
34	4460464	5	Terminal	
35	4460941	1	Terminal	
36	4460466	6	Plug	
37	1001165311	1	Connector	
38	91013191	2	Terminal	
39	4461262	1	Connector	
40	1001107854	3	Terminal	
41	1001114498	3	Seal	
42	4460894	1	Connector	
43	4460465	4	Terminal	
44	4460466	2	Plug	
45	4460539	1	Connector	
46	4460465	3	Terminal	
47	4460933	1	Connector	
48	4460465	12	Terminal	
49	1001161957	1	Connector	

SECTION 10 - ELECTRICAL

ITEM	PART NUMBER	QTY	DESCRIPTION	REV
50	1001161097	7	Terminal	
51	1001161100	17	Plug	
52	1001161101	8	Plug	
53	1001161963	1	Connector	
54	1001161097	27	Terminal	
55	1001161100	13	Plug	
56	1001161099	5	Terminal	
57	1001161101	3	Plug	
58	1001160500	1	Connector	
59	1001161100	20	Plug	
60	1001161097	4	Terminal	
61	1001161099	7	Terminal	
62	1001161101	1	Plug	
63	1001187076	1	Connector	
64	1001187078	1	Terminal Ring	
65	1001160509	1	Connector	
66	1001160510	1	Terminal	
67	1001175267	1	Seal	

SECTION 10 - ELECTRICAL

FIGURE 10-62. HEATER HARNESS - CUMMINS BREATHER (ULS)



ART_1001232751_C

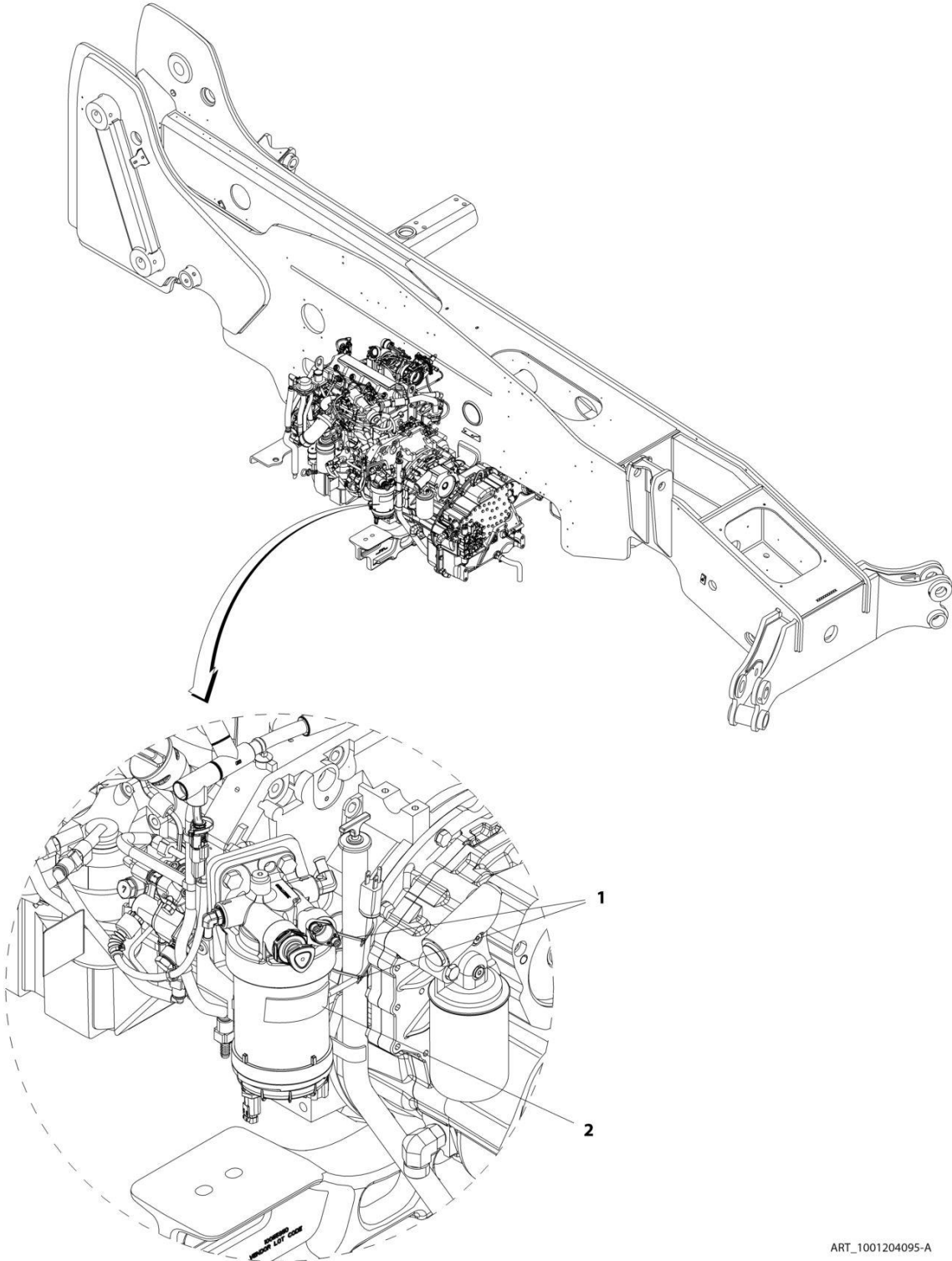
SECTION 10 - ELECTRICAL

FIGURE 10-62. HEATER HARNESS - CUMMINS BREATHER (ULS)

ITEM	PART NUMBER	QTY	DESCRIPTION	REV
	1001232751	Ref	Heater Breather - 110 HP	C
1	3290501	2	Nut, M5X0.8	
2	4031608	2	Screw, M5X20	
3	4811600	4	Washer, M5	
4	4831600	2	Washer, Lock M5	
5	01043892	2	Strap, Tie	
6	86683122	1	Strap, Tie	
7	1001232439	1	Engine, Cummins Breather Kit	
8	1001253331	1	Bracket	
9	1001232556	1	Harness, Cummins Heater Jump	
10	1001232624	1	Insulate, Cummins Insulation	
11	0760607	1	Bolt, M6X1	
12	3290601	1	Nut, M6X1	
13	4811700	2	Washer, M6	

SECTION 10 - ELECTRICAL

FIGURE 10-63. HEATER HARNESS - FUEL FILTER



ART_1001204095-A

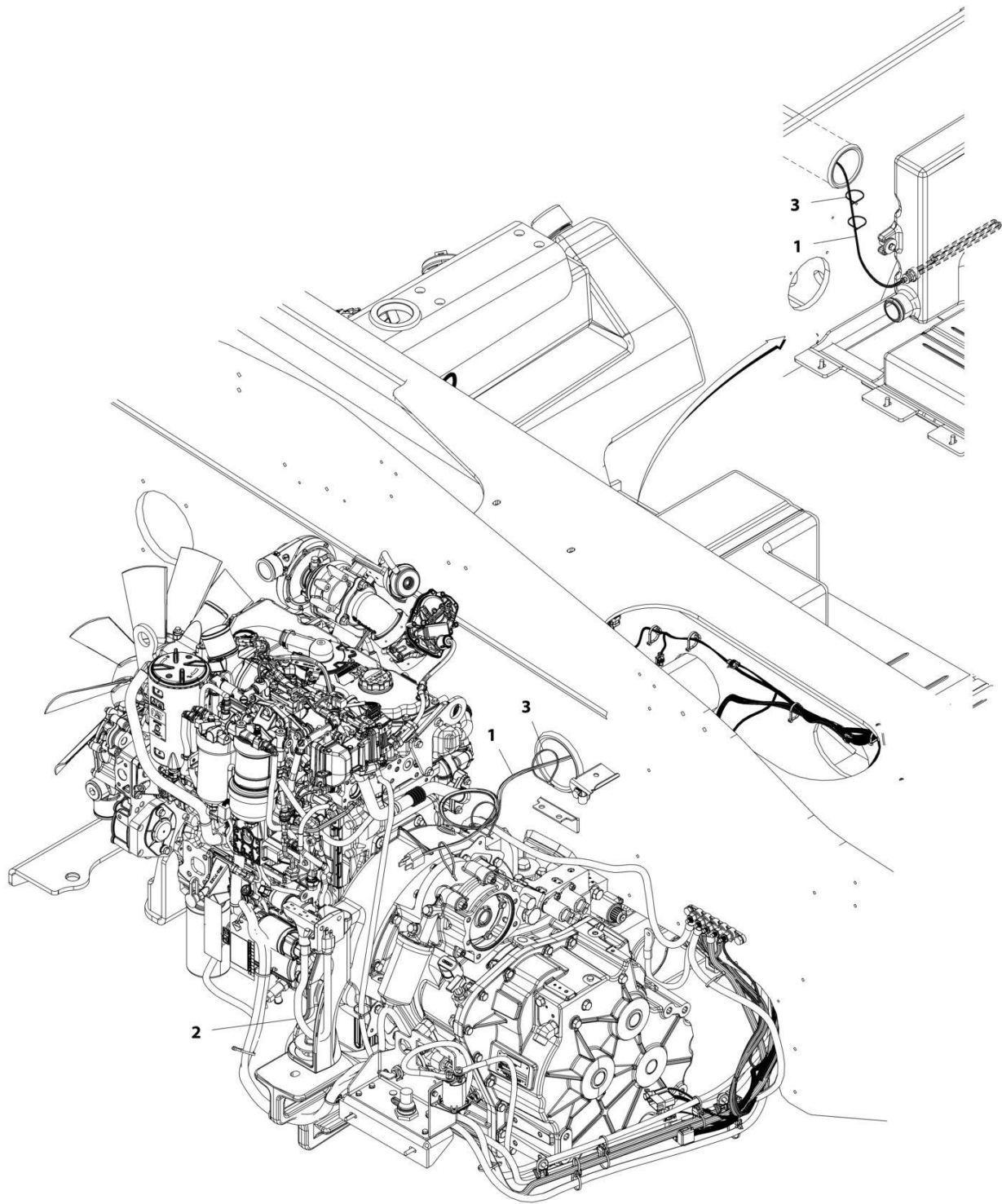
SECTION 10 - ELECTRICAL

FIGURE 10-63. HEATER HARNESS - FUEL FILTER

ITEM	PART NUMBER	QTY	DESCRIPTION	REV
	1001204095	Ref	Fuel Filter Heater Installation	A
1	4240099	2	Strap, Tie	
2	1001202498	1	Pad	

SECTION 10 - ELECTRICAL

FIGURE 10-64. HEATER HARNESS - HYDRAULIC TANK



ART_1001190671-B

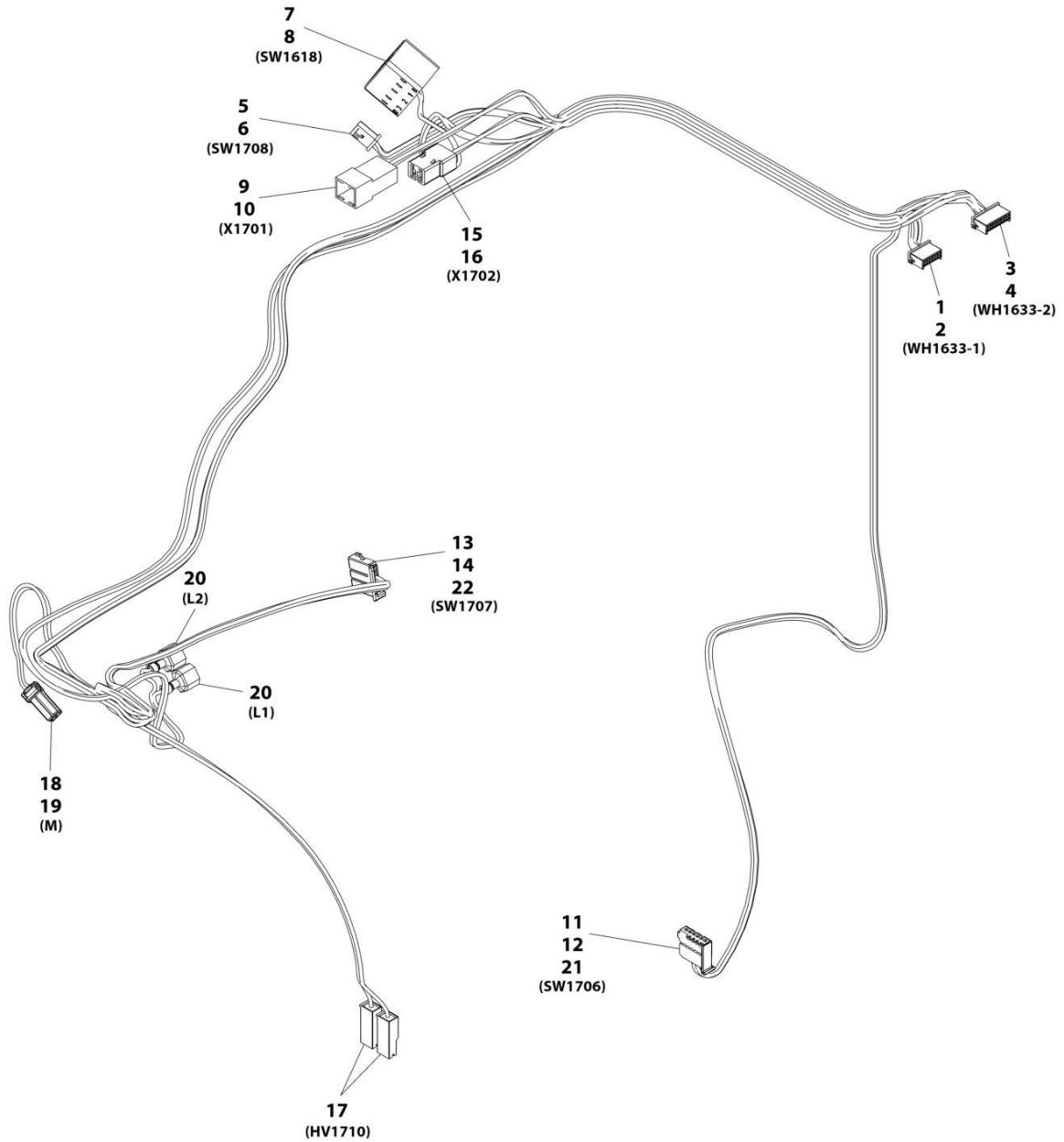
SECTION 10 - ELECTRICAL

FIGURE 10-64. HEATER HARNESS - HYDRAULIC TANK

ITEM	PART NUMBER	QTY	DESCRIPTION	REV
	1001190671	Ref	Hydraulic Tank Heater Installation	B
1	1001105886	1	Heater, Immersion	
2	1060626	1	Cord, 3-Way Extension	
3	4240099	5	Strap, Tie	

SECTION 10 - ELECTRICAL

FIGURE 10-65. HVAC ACTUATOR HARNESS



ART_1001268830

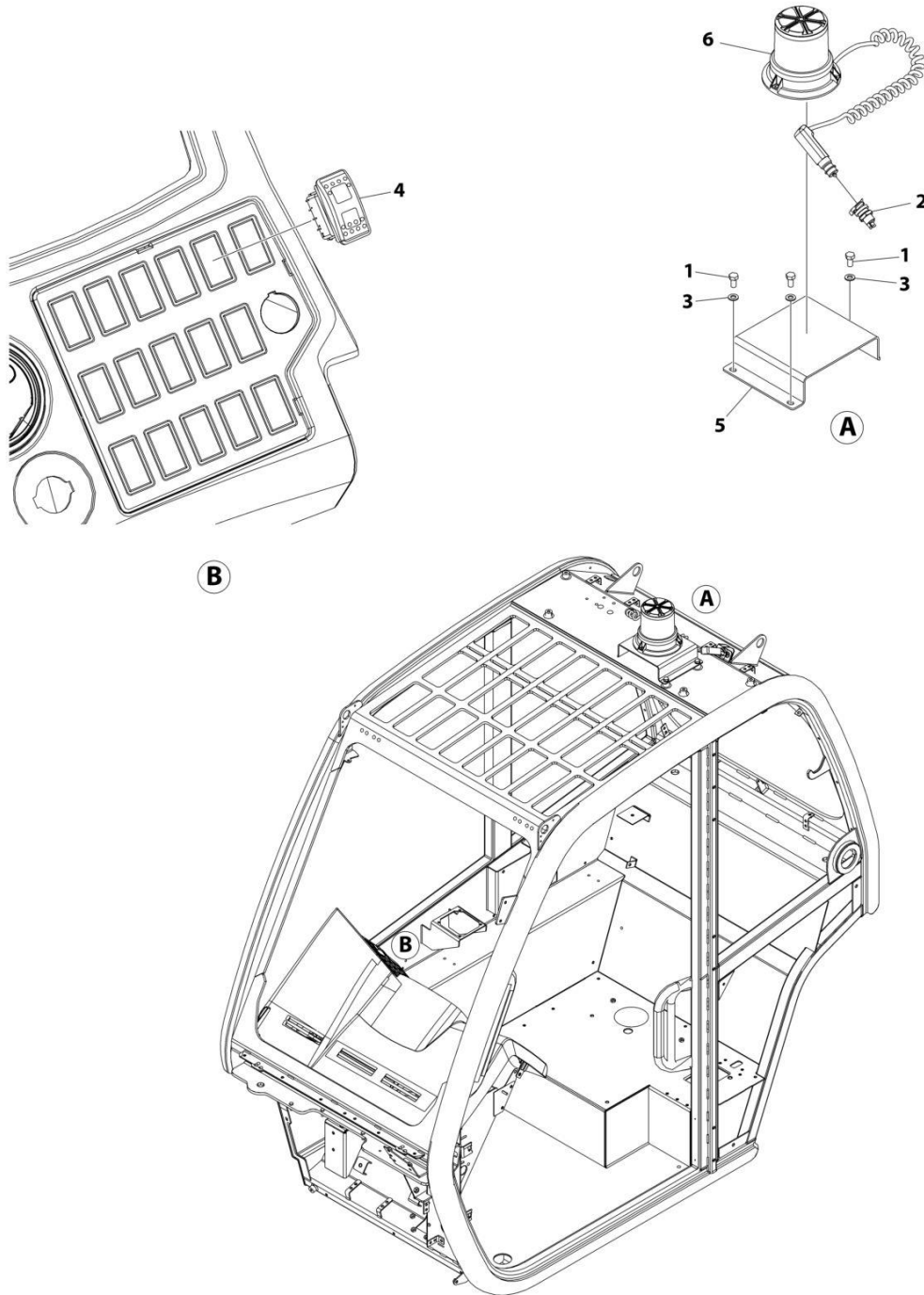
SECTION 10 - ELECTRICAL

FIGURE 10-65. HVAC ACTUATOR HARNESS

ITEM	PART NUMBER	QTY	DESCRIPTION	REV
	1001268830	Ref	CAB HVAC ACTUATOR HARNESS	B
1	1001274536	1	Connector	
2	1001274543	10	Terminal	
3	1001274537	1	Connector	
4	1001274543	8	Terminal	
5	1001184473	1	Connector	
6	1001184479	3	Terminal	
7	1001274533	1	Connector	
8	1001274539	4	Terminal	
9	1001116999	1	Connector	
10	1001274540	2	Terminal	
11	1001274534	1	Connector	
12	1001274541	2	Terminal	
13	1001274534	1	Connector	
14	1001274541	5	Terminal	
15	1001116991	1	Connector	
16	1001116720	2	Terminal	
17	1001274535	2	Connector	
18	1001274538	1	Connector	
19	1001274544	2	Terminal	
20	8220050	2	Terminal	
21	1001274553	1	Retainer	
22	1001274553	1	Retainer	

SECTION 10 - ELECTRICAL

FIGURE 10-66. LIGHTS - BEACON INSTALLATION (LED)



ART_1001195883_B

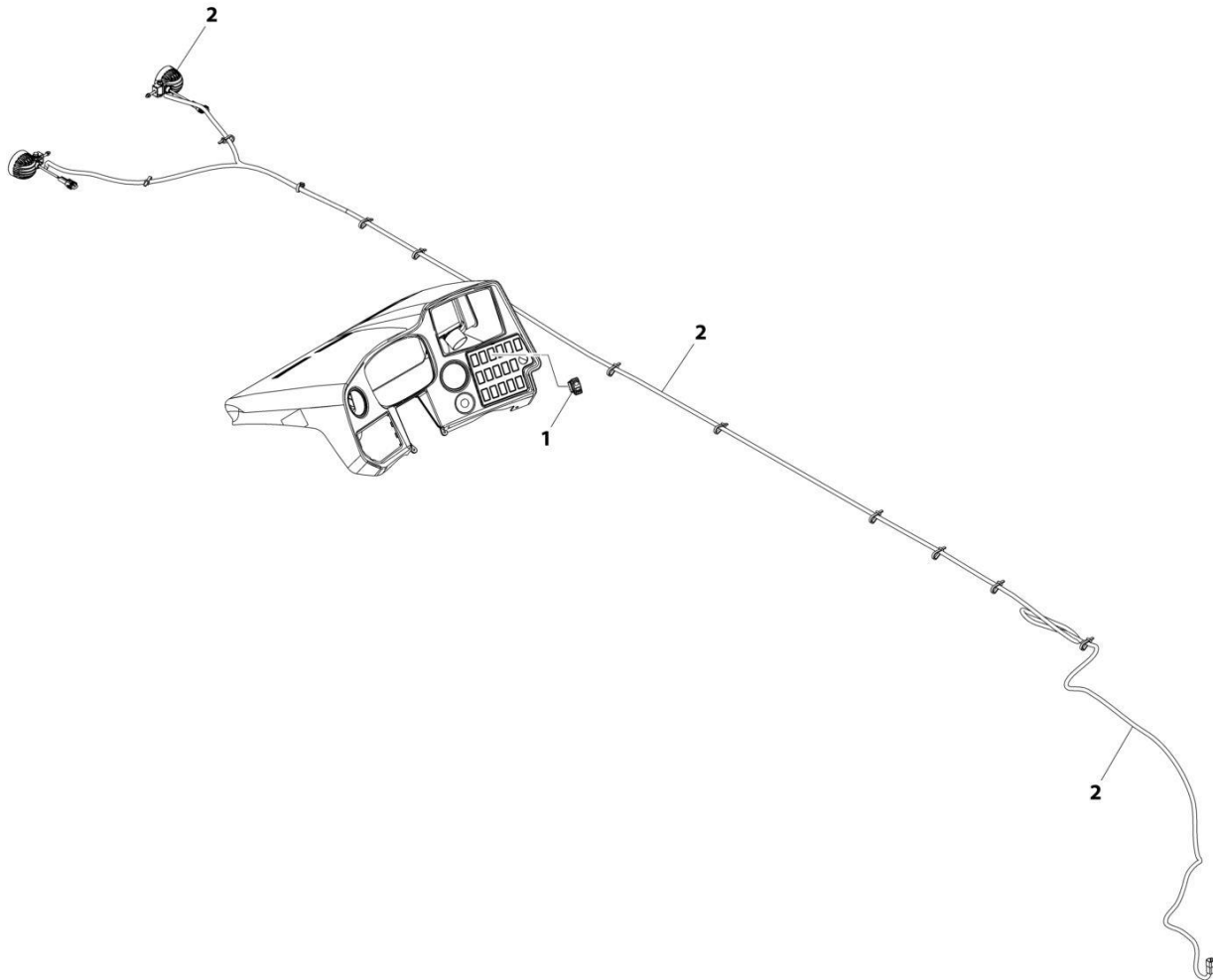
SECTION 10 - ELECTRICAL

FIGURE 10-66. LIGHTS - BEACON INSTALLATION (LED)

ITEM	PART NUMBER	QTY	DESCRIPTION	REV
	1001195883	Ref	LIGHTS - BEACON INSTALLATION (LED)	B
1	0760808	3	Bolt M8X16	
2	4461174	1	Terminal	
3	4811900	3	Washer, M8	
4	1001159738	1	Switch, Beacon	
5	1001174796	1	Bracket	
6	1001273075	1	Light, Beacon (LED)	

SECTION 10 - ELECTRICAL

FIGURE 10-67. LIGHTS - BOOM WORK LIGHTS SWITCH/HARNESS INSTALLATION (LED)



ART_1001230599-A

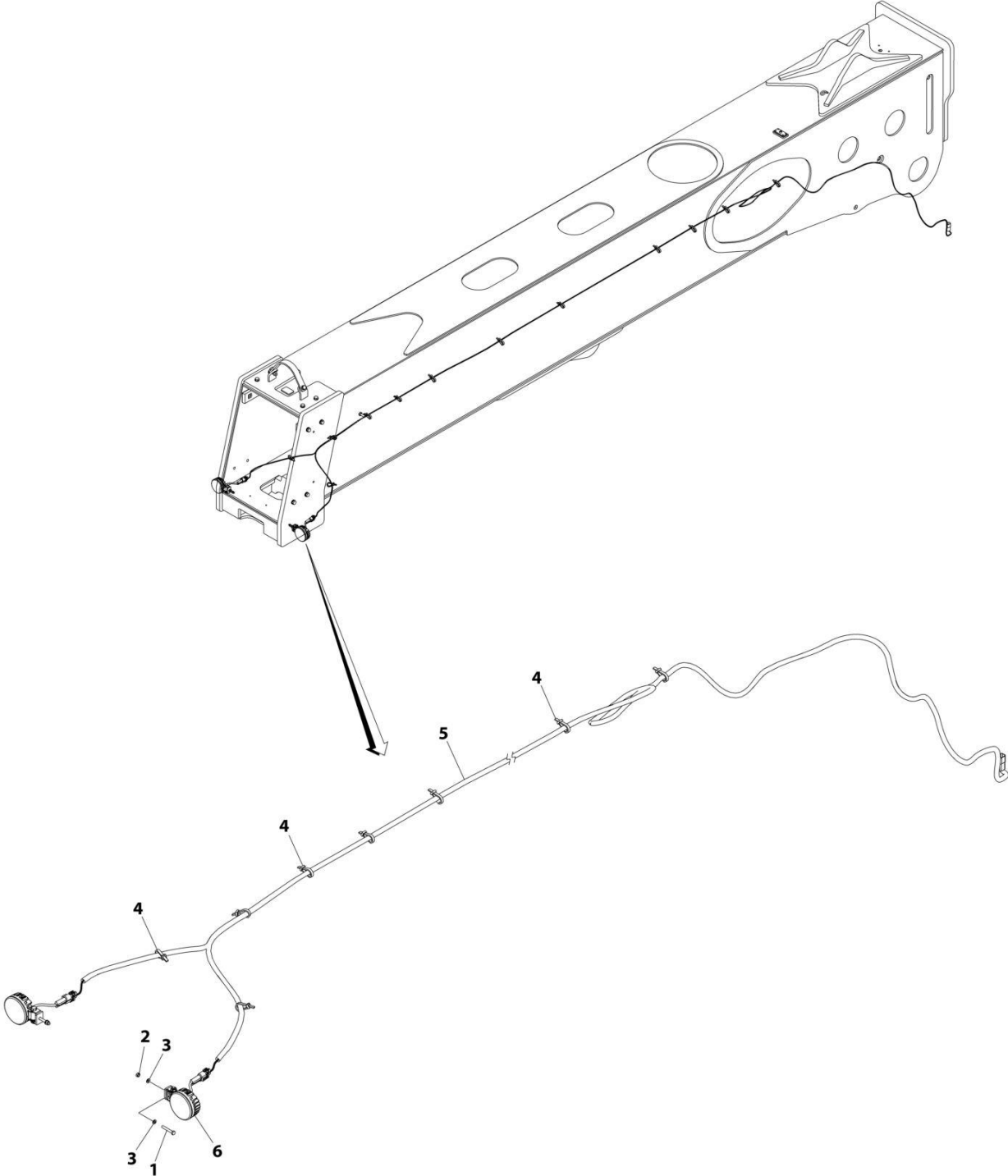
SECTION 10 - ELECTRICAL

FIGURE 10-67. LIGHTS - BOOM WORK LIGHTS SWITCH/HARNESS INSTALLATION (LED)

ITEM	PART NUMBER	QTY	DESCRIPTION	REV
1	1001230599	Ref	Boom Work Lights Installation	A
	1001159739	1	Switch, Boom Work Lights	
2	1001230623	1	Installation, Boom LED Work Lights (See Separate Breakdown in this Section)	

SECTION 10 - ELECTRICAL

FIGURE 10-68. LIGHTS - BOOM WORK LIGHTS HARNESS INSTALLATION (LED)



ART_1001230623_B

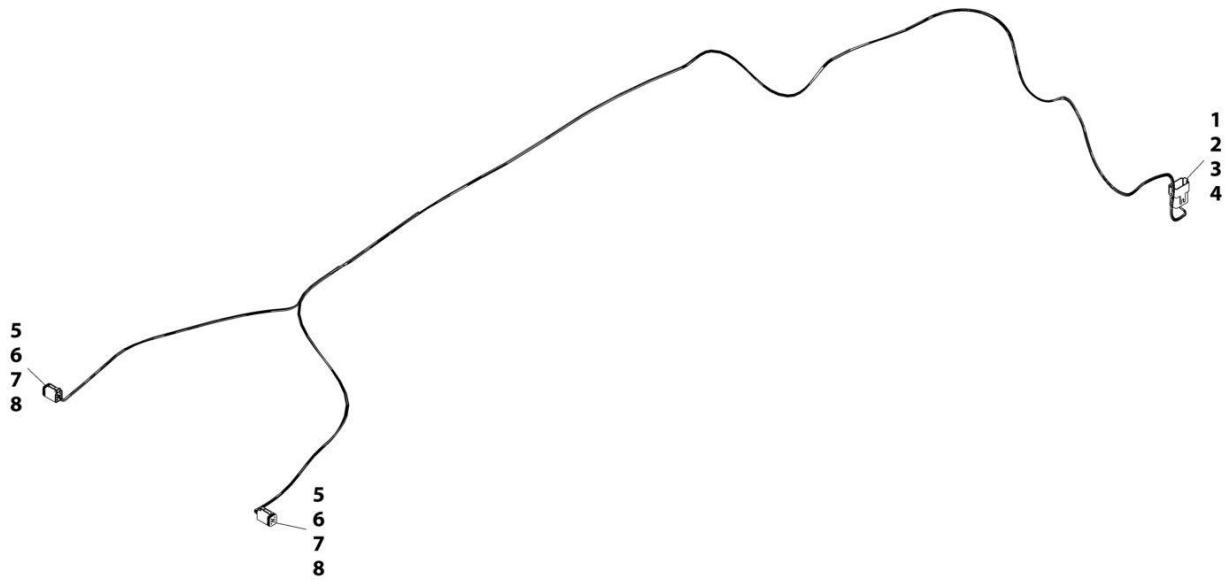
SECTION 10 - ELECTRICAL

FIGURE 10-68. LIGHTS - BOOM WORK LIGHTS HARNESS INSTALLATION (LED)

ITEM	PART NUMBER	QTY	DESCRIPTION	REV
	1001230623	Ref	BOOM WORK LIGHTS HARNESS INSTALLATION (LED)	B
1	0700616	2	Bolt M6 x 40	
2	3290601	2	Nut M6	
3	4811700	4	Washer M6	
4	1001008923	AR	Strap, Cable	
5	1001167608	1	Harness, Boom Worklights (See Separate Breakdown in this Section)	
6	1001273635	2	Lamp, LED Work light	

SECTION 10 - ELECTRICAL

FIGURE 10-69. LIGHTS - BOOM WORK LIGHTS HARNESS



ART_1001167608-E

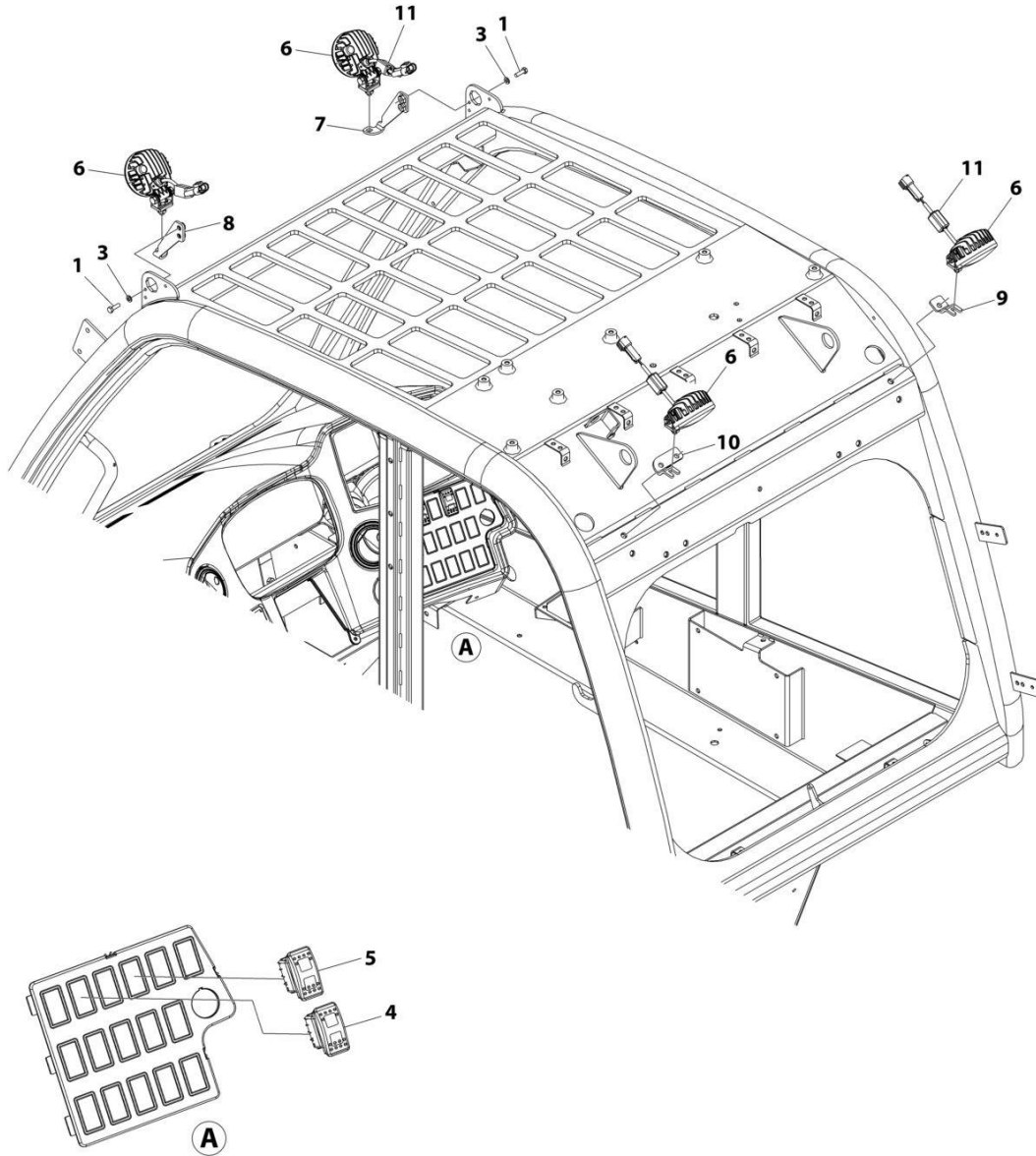
SECTION 10 - ELECTRICAL

FIGURE 10-69. LIGHTS - BOOM WORK LIGHTS HARNESS

ITEM	PART NUMBER	QTY	DESCRIPTION	REV
	1001167608	Ref	Boom Worklights Harness	E
1	4460932	1	Connector	
2	80604020	1	Lock, Connector	
3	4460464	2	Terminal	
4	4460466	2	Plug	
5	4461115	2	Connector	
6	1001103564	2	Lock, Terminal	
7	1001116728	2	Terminal	
8	4460458	2	Seal	

SECTION 10 - ELECTRICAL

FIGURE 10-70. LIGHTS - CAB WORK LIGHTS INSTALLATION (NO A/C) (LED)



ART_1001200538_E

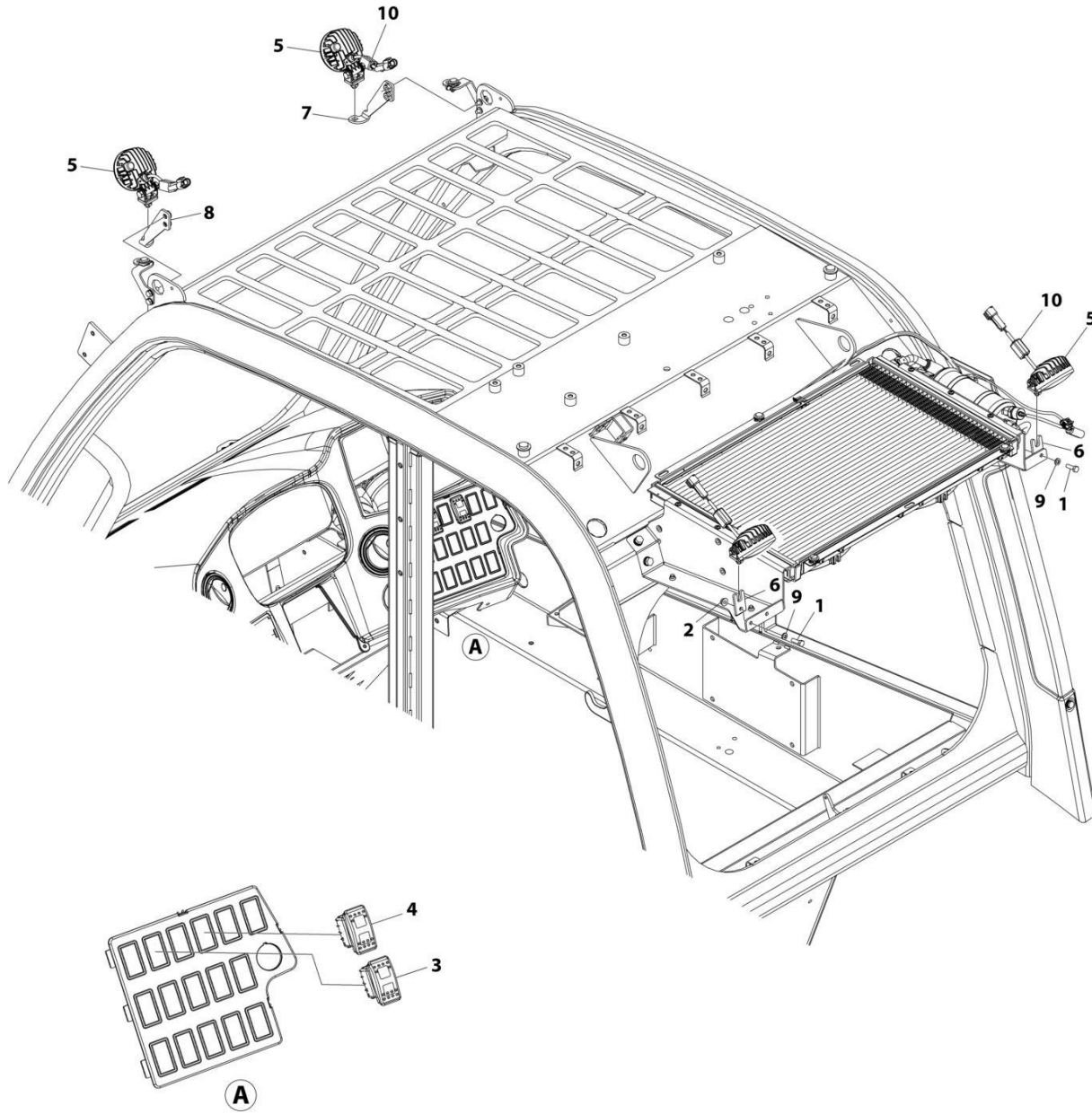
SECTION 10 - ELECTRICAL

FIGURE 10-70. LIGHTS - CAB WORK LIGHTS INSTALLATION (NO A/C) (LED)

ITEM	PART NUMBER	QTY	DESCRIPTION	REV
	1001200538	Ref	LIGHTS - CAB WORK LIGHTS INSTALLATION (NO A/C) (LED)	E
1	0700610	4	Bolt M6 x 20	
3	4811700	4	Washer M6	
4	1001159845	1	Switch, Front Worklights	
5	1001159846	1	Switch, Rear Worklights	
6	1001273635	4	Lamp, LED Work Light	
7	1001244193	1	Support, LED Work Light RH	
8	1001244192	1	Support, LED Work Light LH	
9	1001204528	1	Support, LED Work Light RH	
10	1001204530	1	Support, LED Work Light LH	
11	1001228989	4	Harness, Ferrite	

SECTION 10 - ELECTRICAL

FIGURE 10-71. LIGHTS - CAB WORK LIGHTS INSTALLATION (A/C) (LED)



ART_1001200539_E

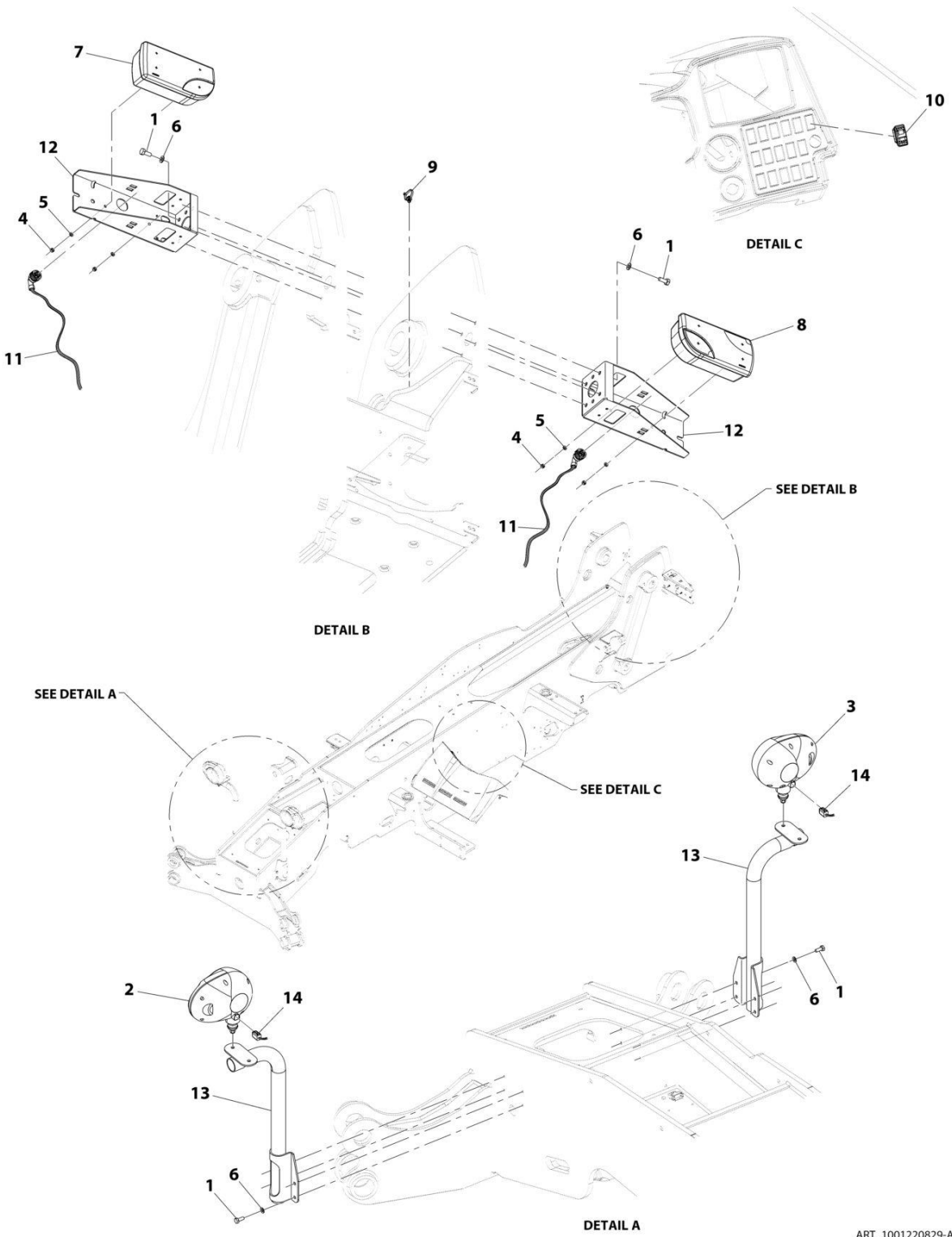
SECTION 10 - ELECTRICAL

FIGURE 10-71. LIGHTS - CAB WORK LIGHTS INSTALLATION (A/C) (LED)

ITEM	PART NUMBER	QTY	DESCRIPTION	REV
	1001200539	Ref	LIGHTS - CAB WORK LIGHTS INSTALLATION (A/C) (LED)	E
1	0700610	2	Bolt M6 x 20	
2	5220600	2	Nut M6	
3	1001159845	1	Switch, Front Worklights	
4	1001159846	1	Switch, Rear Worklights	
5	1001273635	4	Lamp, LED Worklights	
6	1001204060	2	Bracket	
7	1001244193	1	Support, LED Work Light RH	
8	1001244192	1	Support, LED Work Light LH	
9	4811700	2	Washer M6	
10	1001228989	4	Harness, Ferrite	

SECTION 10 - ELECTRICAL

FIGURE 10-72. LIGHTS - ROADLIGHTS INSTALLATION



ART_1001220829-A

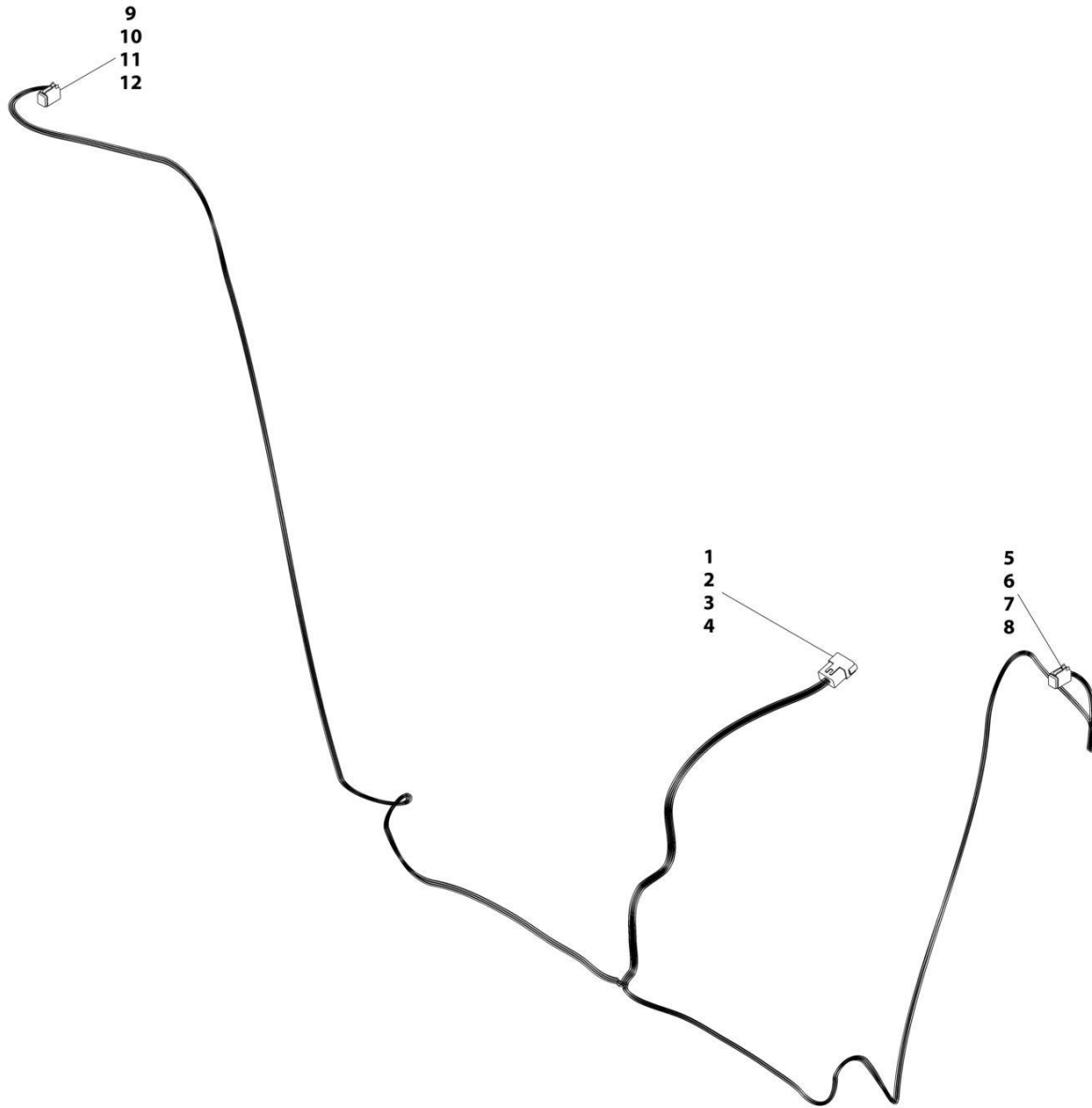
SECTION 10 - ELECTRICAL

FIGURE 10-72. LIGHTS - ROADLIGHTS INSTALLATION

ITEM	PART NUMBER	QTY	DESCRIPTION	REV
	1001220829	Ref	Road Lights Installation	A
1	0761010	16	Bolt, M10X20	
2	2920207	1	Driving Light, LH	
3	2920208	1	Driving Light, RH	
4	3290607	4	Nut, M6X1	
5	4811700	4	Washer, M6	
6	4812000	16	Washer, M10	
7	1001091715	1	Lamp, Rear LH	
8	1001091716	1	Lamp, Rear RH	
9	1001146588	1	Strap, Cable	
10	1001159734	1	Switch, Hazard	
11	1001173092	1	Harness, HBP Tail Lights (See Separate Breakdown in Electrical Section)	
12	1001196100	2	Bracket	
13	1001220817	2	Bracket	
14	1001165360	1	Harness, Front Frame Headlight (See Separate Breakdown in Electrical Section)	

SECTION 10 - ELECTRICAL

FIGURE 10-73. LIGHTS - ROADLIGHTS HEADLIGHT HARNESS



ART_1001165360-D

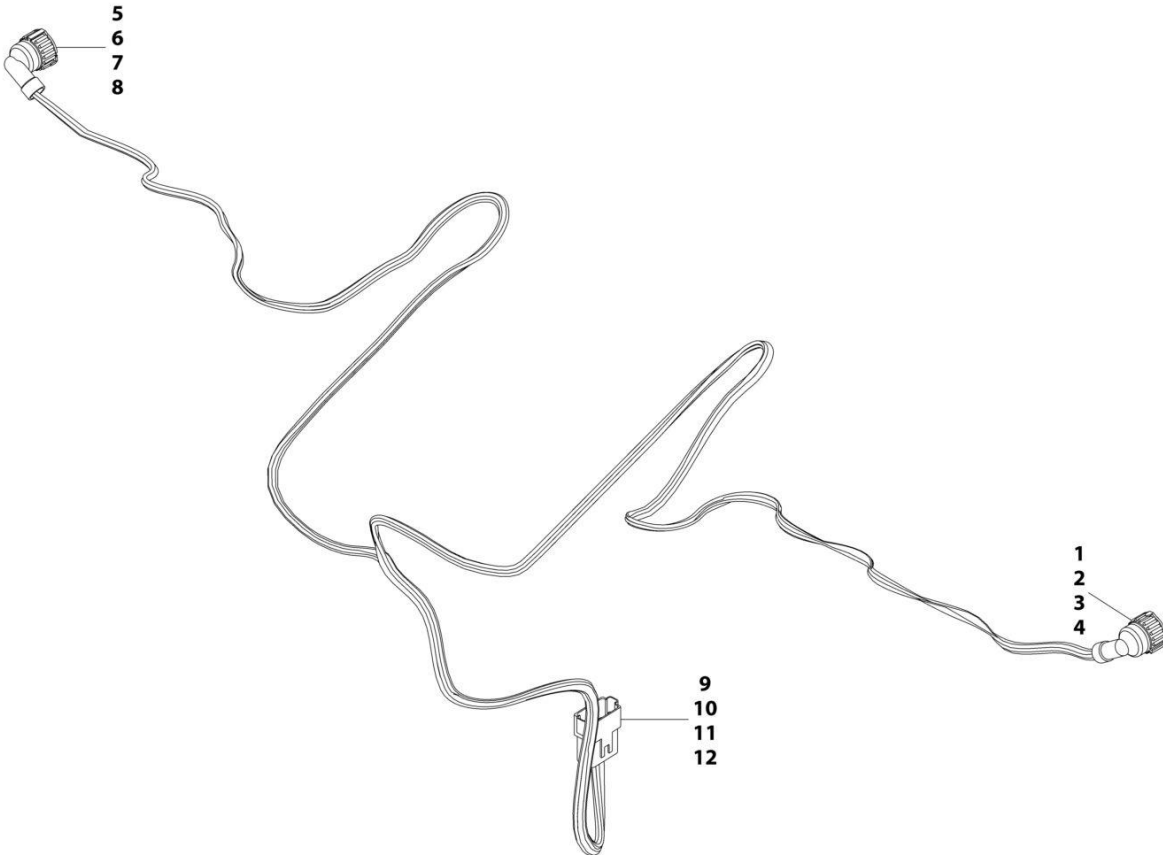
SECTION 10 - ELECTRICAL

FIGURE 10-73. LIGHTS - ROADLIGHTS HEADLIGHT HARNESS

ITEM	PART NUMBER	QTY	DESCRIPTION	REV
	1001165360	Ref	Front Frame Headlight Harness	D
1	4460970	1	Connector	
2	80363179	1	Lock, Connector	
3	4460941	10	Terminal	
4	4460466	2	Plug	
5	4460894	1	Connector	
6	91504107	1	Lock, Connector	
7	4460942	5	Terminal	
8	4460466	1	Plug	
9	4460894	1	Connector	
10	91504107	1	Lock, Connector	
11	4460942	5	Terminal	
12	4460466	1	Plug	

SECTION 10 - ELECTRICAL

FIGURE 10-74. LIGHTS - ROADLIGHTS TAILLIGHTS HARNESS



ART_1001173092-D

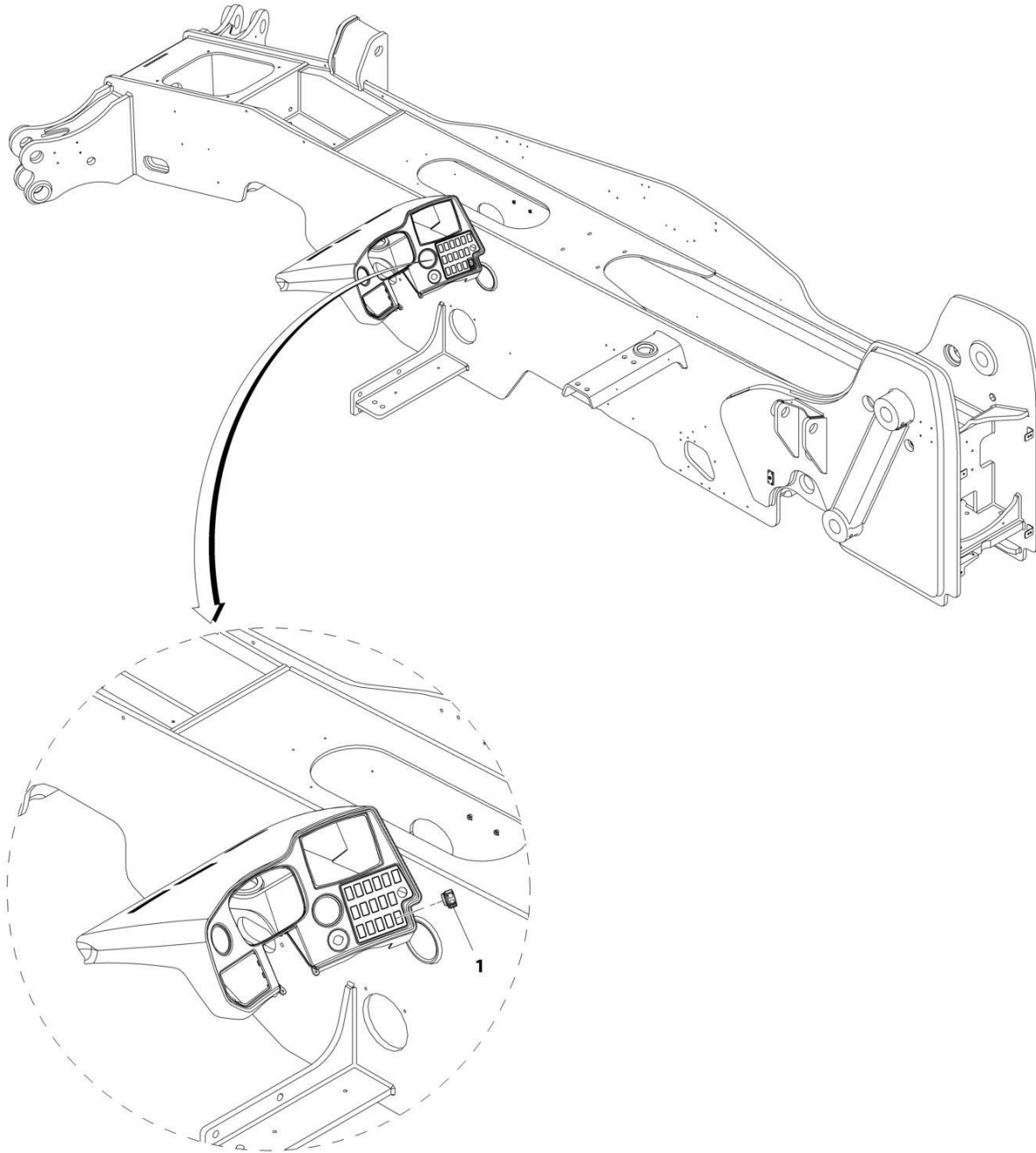
SECTION 10 - ELECTRICAL

FIGURE 10-74. LIGHTS - ROADLIGHTS TAILLIGHTS HARNESS

ITEM	PART NUMBER	QTY	DESCRIPTION	REV
	1001173092	Ref	HBP Tail Lights Harness	D
1	1001116996	1	Connector	
2	1001118392	5	Terminal	
3	4461054	5	Seal	
4	1001116696	2	Plug	
5	1001116996	1	Connector	
6	1001118392	5	Terminal	
7	4461054	5	Seal	
8	1001116696	2	Plug	
9	4460970	1	Connector	
10	80363179	1	Lock, Connector	
11	4460941	10	Terminal	
12	4460466	2	Plug	

SECTION 10 - ELECTRICAL

FIGURE 10-75. LIGHTS - SWITCH INSTALLATION



ART_100197282-A

SECTION 10 - ELECTRICAL

FIGURE 10-75. LIGHTS - SWITCH INSTALLATION

ITEM	PART NUMBER	QTY	DESCRIPTION	REV
1	1001197282	Ref	Switch Light Installation	A
	1001163639	1	Switch, Driving Lights	

SECTION 10 - ELECTRICAL

FIGURE 10-76. LSI HARNESS - BOOM RETRACT



ART_1001259062-A

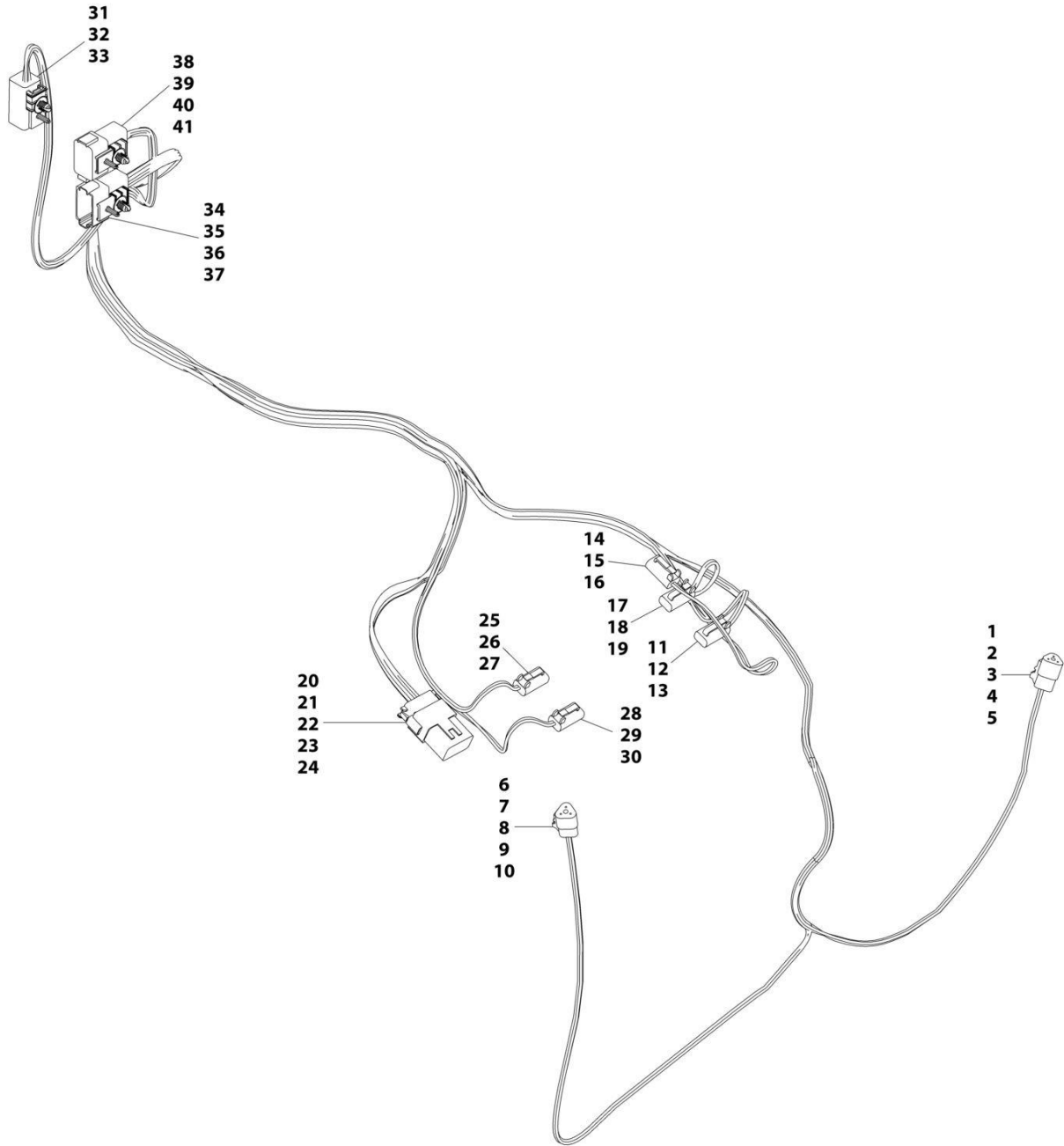
SECTION 10 - ELECTRICAL

FIGURE 10-76. LSI HARNESS - BOOM RETRACT

ITEM	PART NUMBER	QTY	DESCRIPTION	REV
	1001259062	Ref	Boom Retract Harness	B
1	4461262	1	Connector	
2	1001107854	3	Terminal	
3	1001104498	3	Seal	
4	4460932	1	Connector	
5	4460464	3	Terminal	
6	4460466	1	Plug	

SECTION 10 - ELECTRICAL

FIGURE 10-77. OUTRIGGER HARNESS



ART_1001172822-E

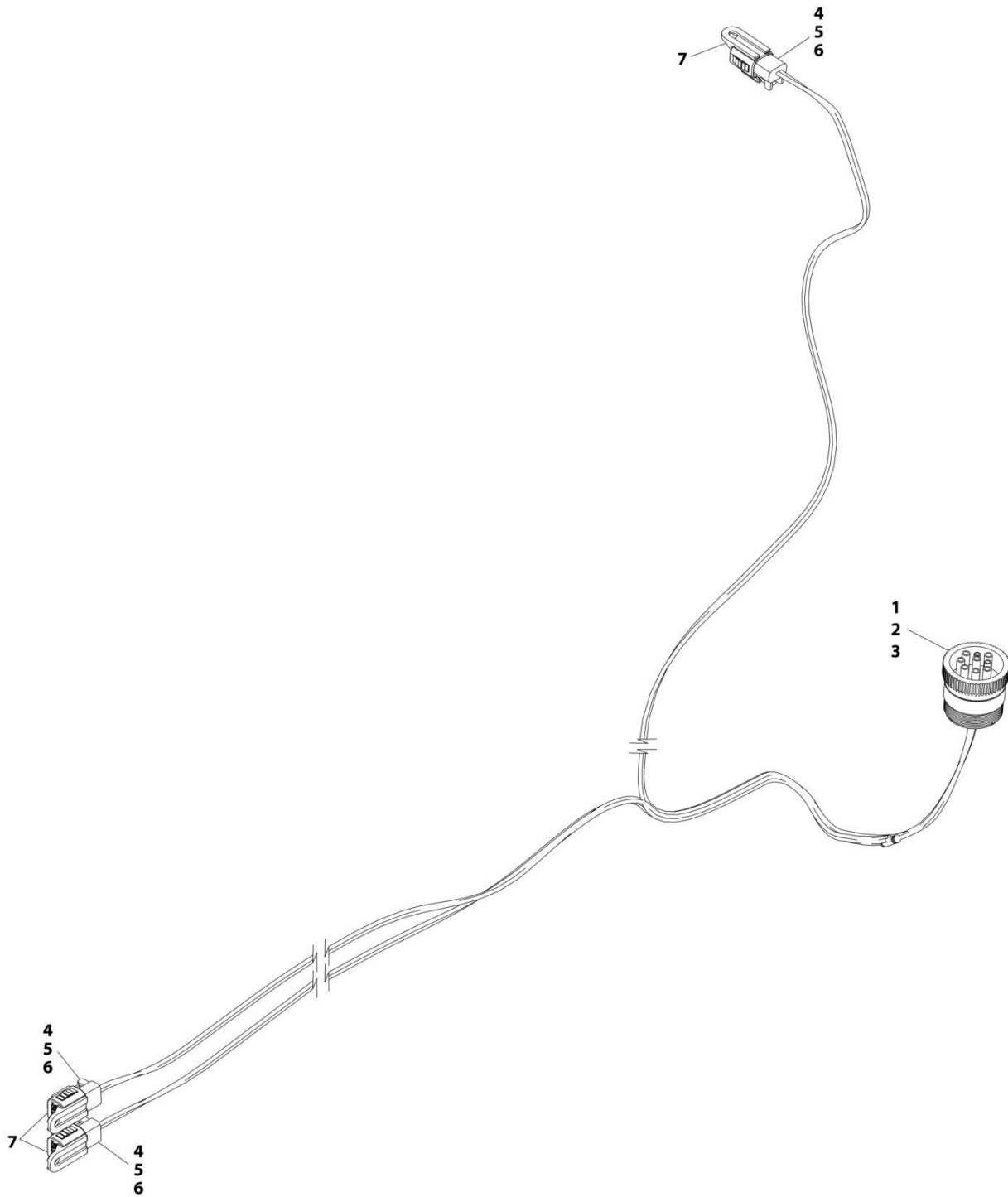
SECTION 10 - ELECTRICAL

FIGURE 10-77. OUTRIGGER HARNESS

ITEM	PART NUMBER	QTY	DESCRIPTION	REV
	1001172822	Ref	Outrigger Harness	E
1	4460539	1	Connector	
2	77363244	1	Lock, Secondary	
3	4460536	1	Terminal, 3 Pin Male	
4	4460465	3	Terminal	
5	4460466	1	Plug	
6	4460539	1	Connector	
7	77363244	1	Lock, Secondary	
8	4460536	1	Terminal, 3 Pin Male	
9	4460465	3	Terminal	
10	4460466	1	Plug	
11	4460891	1	Connector	
12	80604018	1	Lock, Secondary	
13	4460465	2	Terminal	
14	4460891	1	Connector	
15	80604018	1	Lock, Secondary	
16	4460465	2	Terminal	
17	4460891	1	Connector	
18	80604018	1	Lock, Secondary	
19	4460465	2	Terminal	
20	4460933	1	Connector	
21	80604016	1	Lock, Secondary	
22	4460970	1	Terminal, Receptacle	
23	4460942	10	Terminal	
24	4460466	2	Plug	
25	4460891	1	Connector	
26	80604018	1	Lock, Secondary	
27	4460465	2	Terminal	
28	4460891	1	Connector	
29	80604018	1	Lock, Secondary	
30	4460465	2	Terminal	
31	4460899	1	Connector	
32	80604022	1	Lock, Secondary	
33	4460464	6	Terminal	
34	4460970	1	Connector	
35	80363179	1	Lock, Secondary	
36	4460941	10	Terminal	
37	4460466	2	Plug	
38	4460950	1	Connector	
39	80363179	1	Lock, Secondary	
40	4460464	7	Terminal	
41	4460466	5	Plug	

SECTION 10 - ELECTRICAL

FIGURE 10-78. PLATFORM HARNESS



ART_1001167695-C

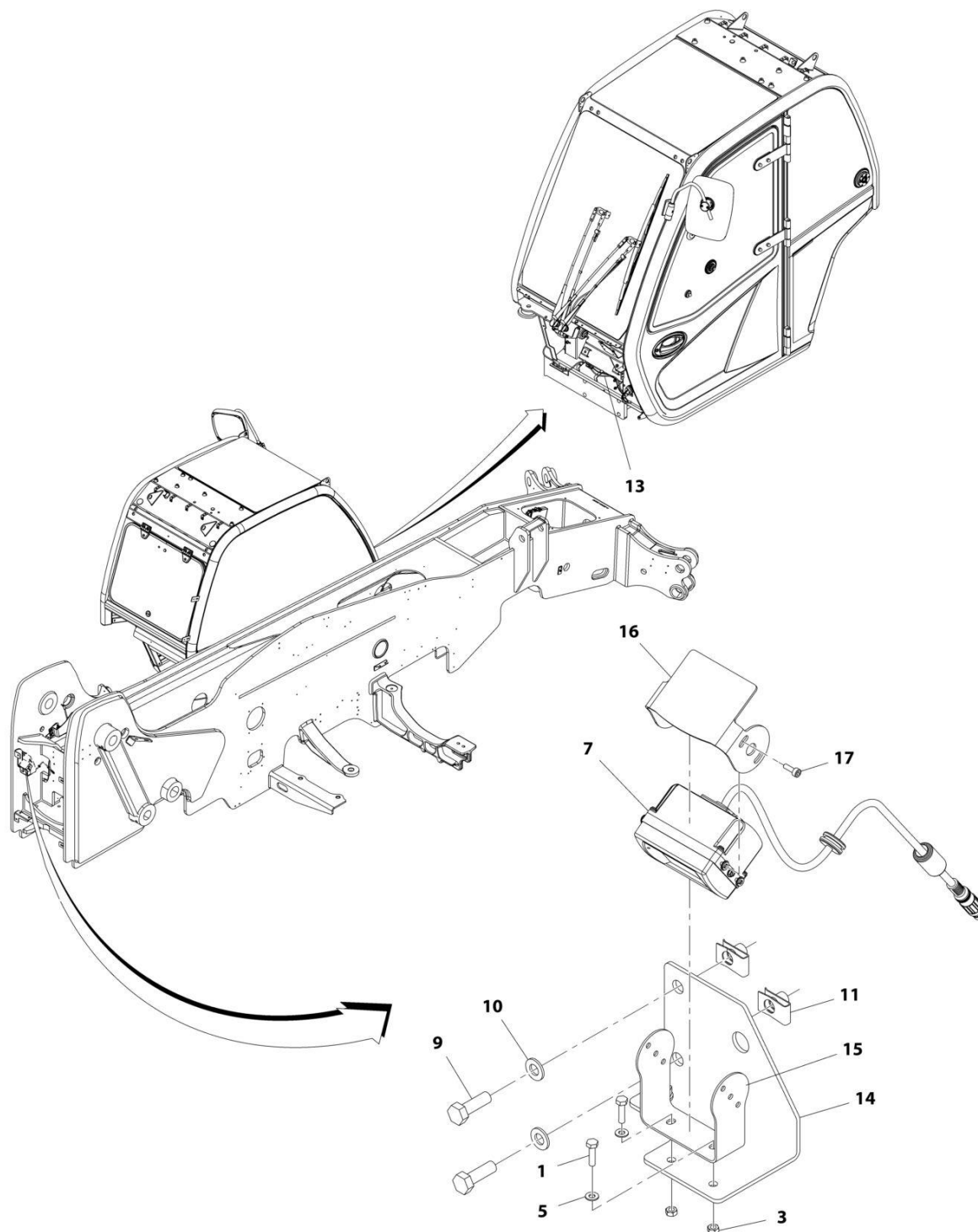
SECTION 10 - ELECTRICAL

FIGURE 10-78. PLATFORM HARNESS

ITEM	PART NUMBER	QTY	DESCRIPTION	REV
	1001167695	Ref	Platform Harness	C
1	1001112796	1	Connector	
2	4460466	5	Terminal	
3	4460465	4	Terminal	
4	4460891	3	Connector, (includes rear seal)	
5	80604018	2	Lock, Connector	
6	4460465	2	Terminal	
7	1001155806	3	Cap, Dust	

SECTION 10 - ELECTRICAL

FIGURE 10-79. REVERSE CAMERA INSTALLATION



ART_1001168031-E

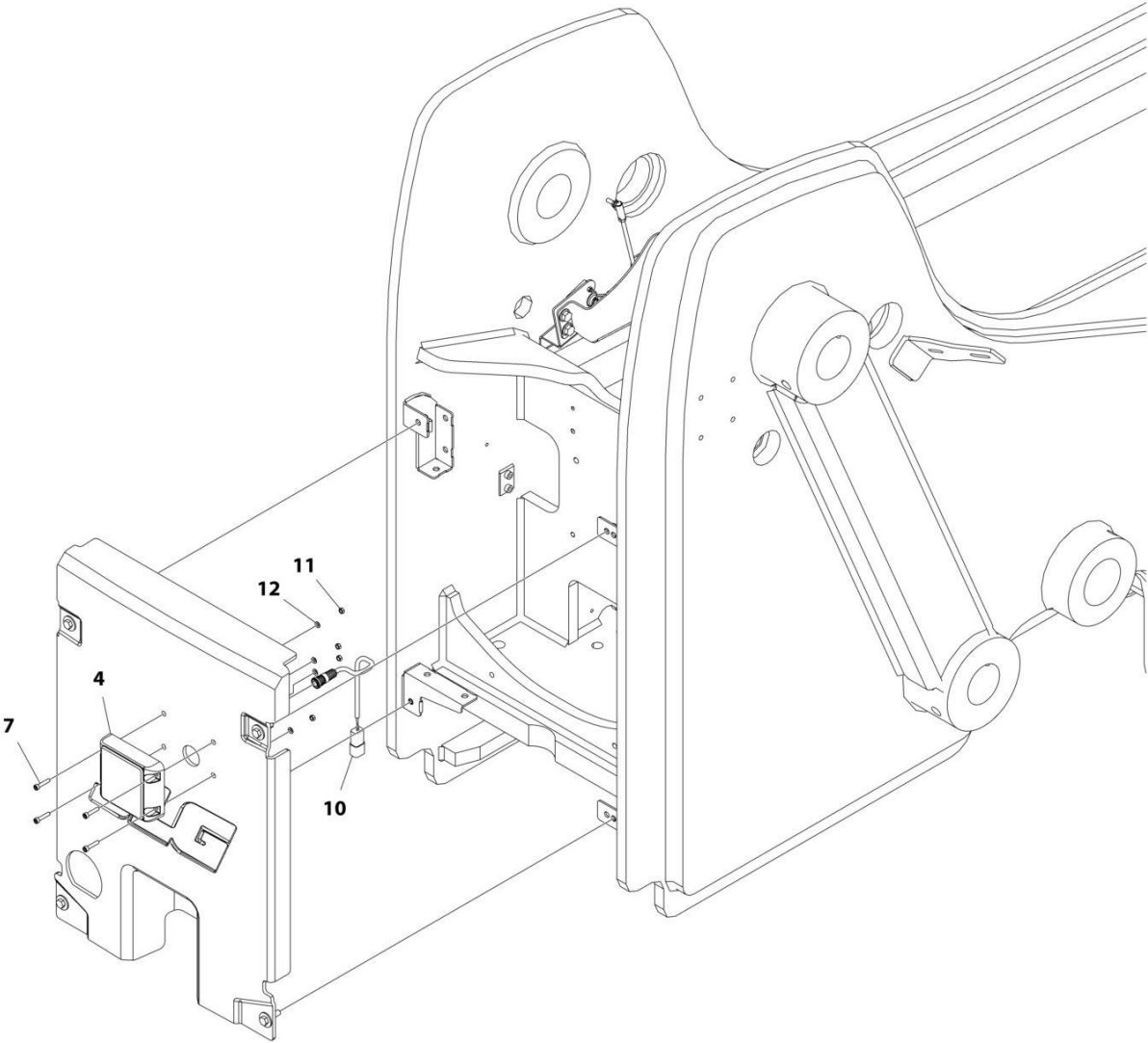
SECTION 10 - ELECTRICAL

FIGURE 10-79. REVERSE CAMERA INSTALLATION

ITEM	PART NUMBER	QTY	DESCRIPTION	REV
	1001168031	Ref	Reverse Camera Installation	E
1	0700408	2	Bolt, M4X16	
3	3290401	2	Nut, M4X0.7	
5	4811400	2	Washer, M4	
7	1001167017	1	Camera	
9	0760812	3	Bolt, M8X25	
10	4811900	3	Washer, M8	
11	8310686	3	Nut, Retainer M8X12.5	
13	1001171962	1	Cable, Reverse Camera	
14	1001202620	1	Bracket, Reverse Camera Mount	
15	1001202621	1	Bracket, Reverse Camera Mount	
16	1001202622	1	Bracket, Reverse Sun Shield	
17	4031205	4	Bolt, M3X10	

SECTION 10 - ELECTRICAL

FIGURE 10-80. REVERSE SENSOR INSTALLATION



ART_1001172536_I

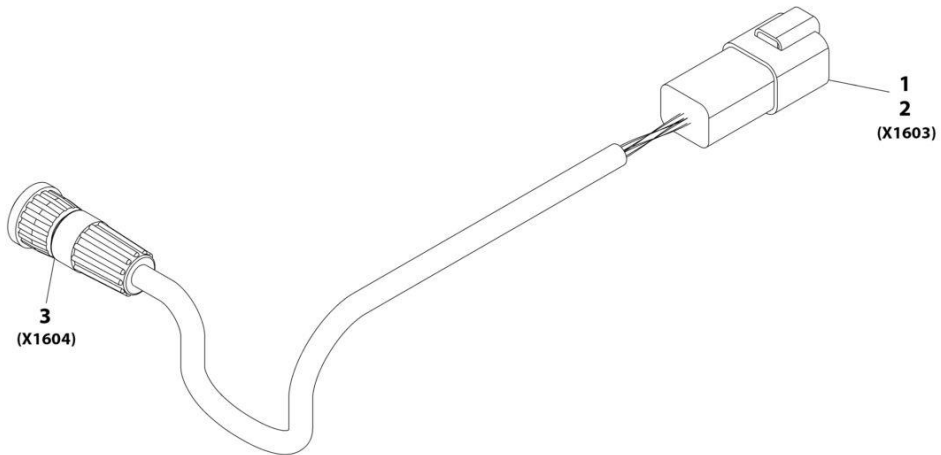
SECTION 10 - ELECTRICAL

FIGURE 10-80. REVERSE SENSOR INSTALLATION

ITEM	PART NUMBER	QTY	DESCRIPTION	REV
	1001172536	Ref	Reverse Sensor Installation	I
4	1001247421	1	Sensor, Reverse	
7	5271609	4	Screw, M5X25	
10	1001175776	1	Harness, Reverse Sensor (See Separate Breakdown in this Section)	
11	3290501	4	Nut, M5X0.8	
12	4811600	4	Washer, M5	

SECTION 10 - ELECTRICAL

FIGURE 10-81. REVERSE SENSOR HARNESS



ART_1001175776-C

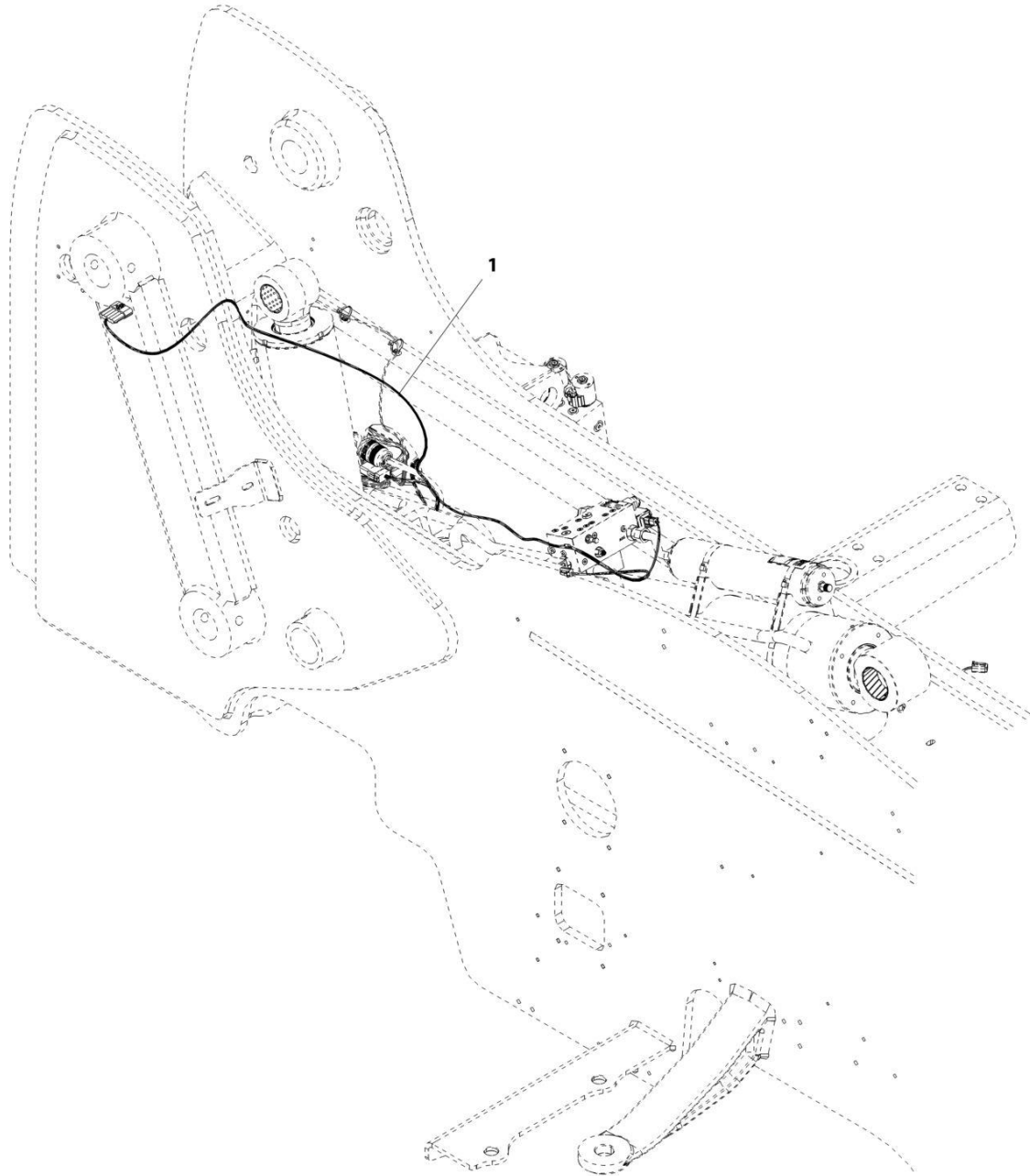
SECTION 10 - ELECTRICAL

FIGURE 10-81. REVERSE SENSOR HARNESS

ITEM	PART NUMBER	QTY	DESCRIPTION	REV
	1001175776	Ref	Reverse Sensor Harness	C
1	4460932	1	Connector	
2	4460464	4	Terminal	
3	1001175733	1	Connector	

SECTION 10 - ELECTRICAL

FIGURE 10-82. RIDE CONTROL VALVE HARNESS INSTALLATION



ART_1001175677-A

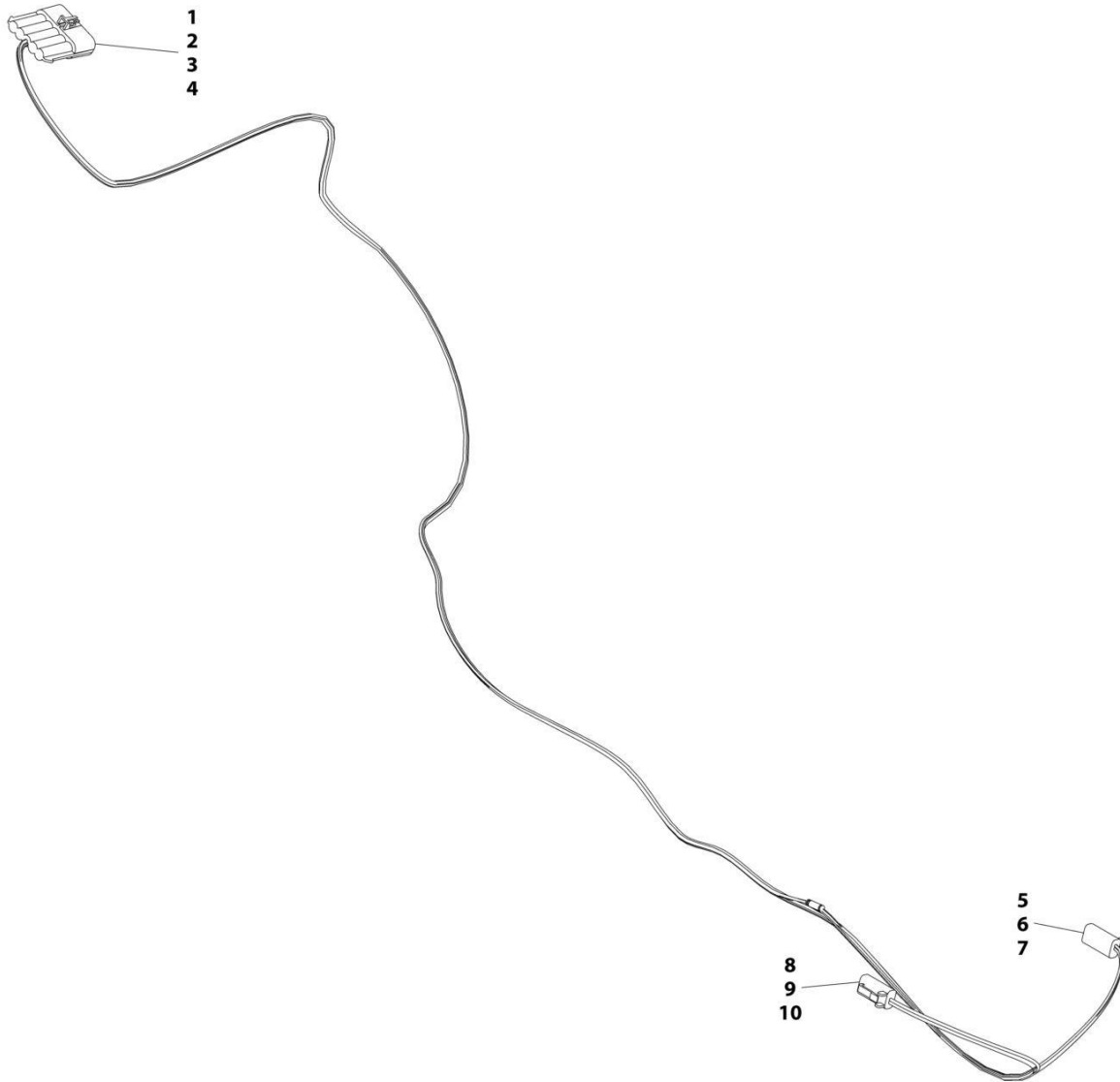
SECTION 10 - ELECTRICAL

FIGURE 10-82. RIDE CONTROL VALVE HARNESS INSTALLATION

ITEM	PART NUMBER	QTY	DESCRIPTION	REV
1	1001175677 1001173527	Ref 1	Ride Control CB Valve Harness Installation Harness, Ride Control CB Valve (See Separate Breakdown in this Section)	A

SECTION 10 - ELECTRICAL

FIGURE 10-83. RIDE CONTROL VALVE HARNESS



ART_1001173527-B

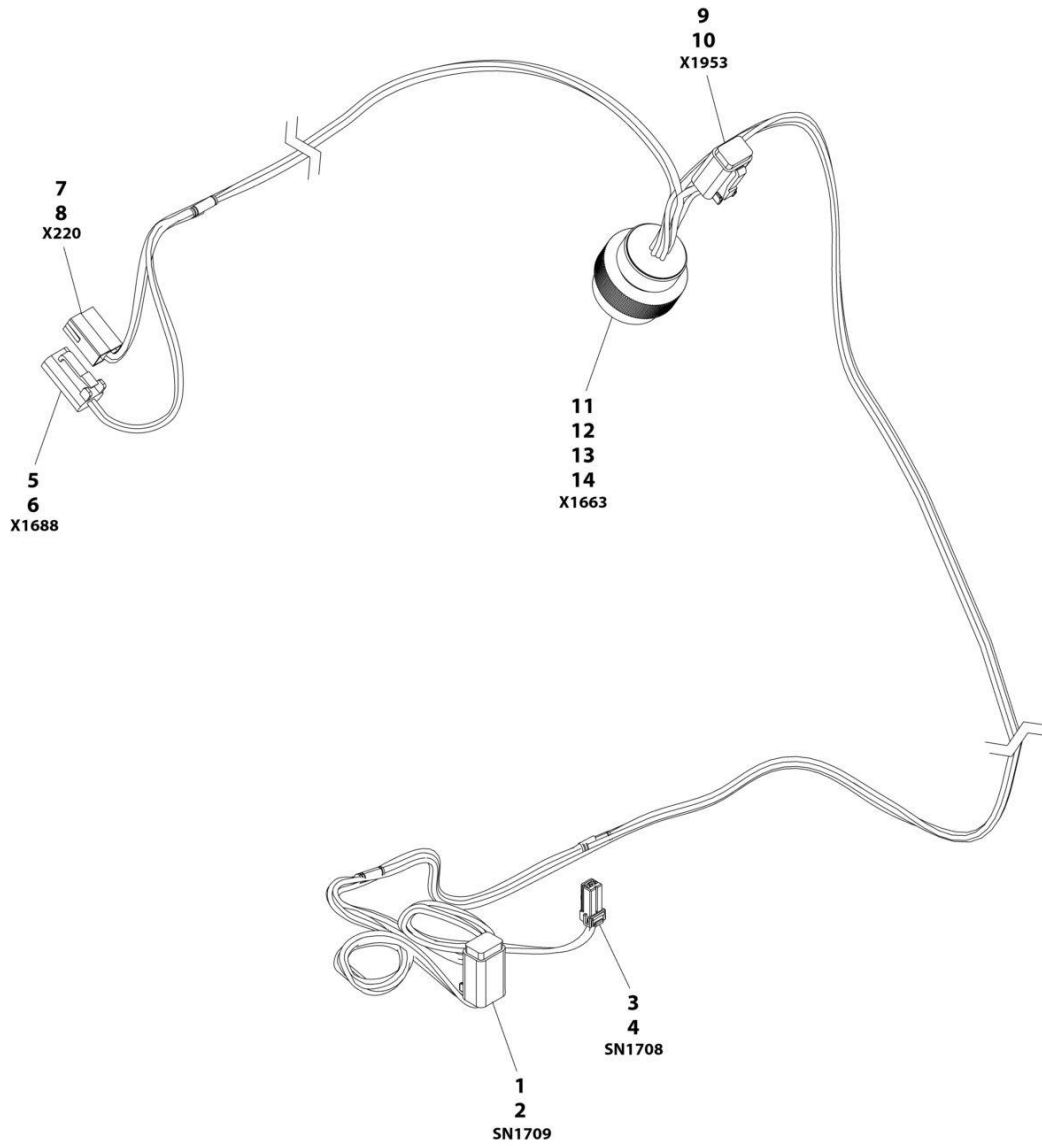
SECTION 10 - ELECTRICAL

FIGURE 10-83. RIDE CONTROL VALVE HARNESS

ITEM	PART NUMBER	QTY	DESCRIPTION	REV
	1001173527	Ref	Ride Control CB Valve Harness	B
1	1001121727	1	Connector	
2	1001166727	2	Plug	
3	1001116745	2	Terminal	
4	1001116729	1	Terminal	
5	4460891	1	Connector	
6	80604018	1	Lock, Secondary	
7	4460465	2	Terminal	
8	4460891	1	Connector	
9	80604018	1	Lock, Secondary	
10	4460465	2	Terminal	

SECTION 10 - ELECTRICAL

FIGURE 10-84. ROOF PIGTAIL HARNESS



ART_1001265200

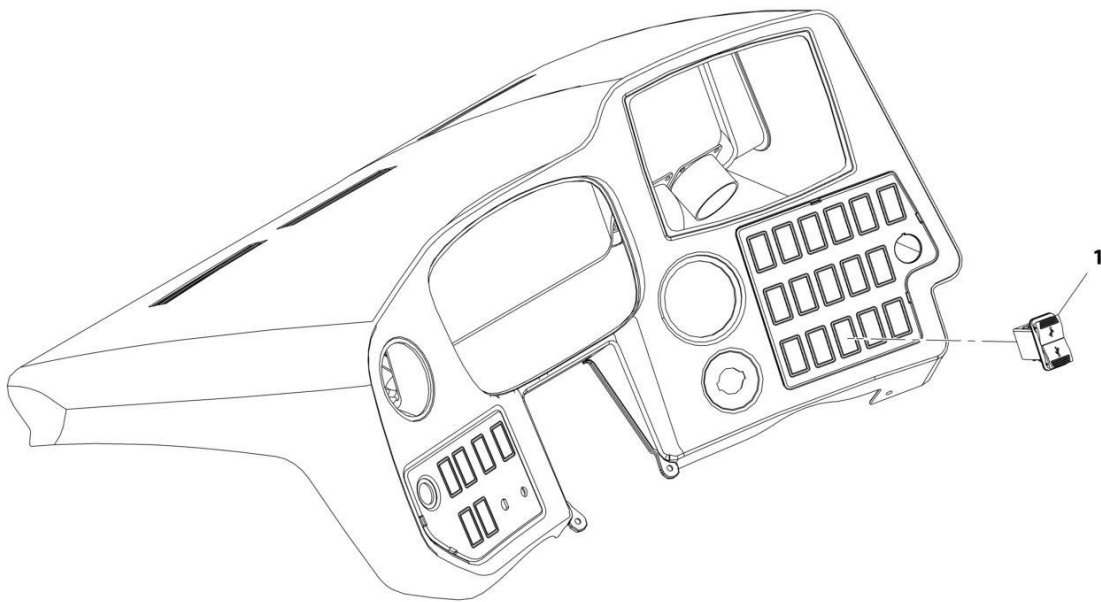
SECTION 10 - ELECTRICAL

FIGURE 10-84. ROOF PIGTAIL HARNESS

ITEM	PART NUMBER	QTY	DESCRIPTION	REV
	1001265200	Ref	Roof Pigtail Harness	A
1	4460884	1	Connector	
2	4460465	4	Terminal	
3	1001264844	1	Connector	
4	1001264861	2	Terminal	
5	4460891	1	Connector	
6	4460465	2	Terminal	
7	4460994	1	Connector	
8	1001118384	2	Terminal	
9	4460884	1	Connector	
10	4460942	4	Terminal	
11	4461015	1	Connector	
12	4460942	6	Terminal	
13	4460465	5	Terminal	
14	4460466	3	Plug	

SECTION 10 - ELECTRICAL

FIGURE 10-85. USB CHARGER INSTALLATION



ART_1001200152-A

SECTION 10 - ELECTRICAL

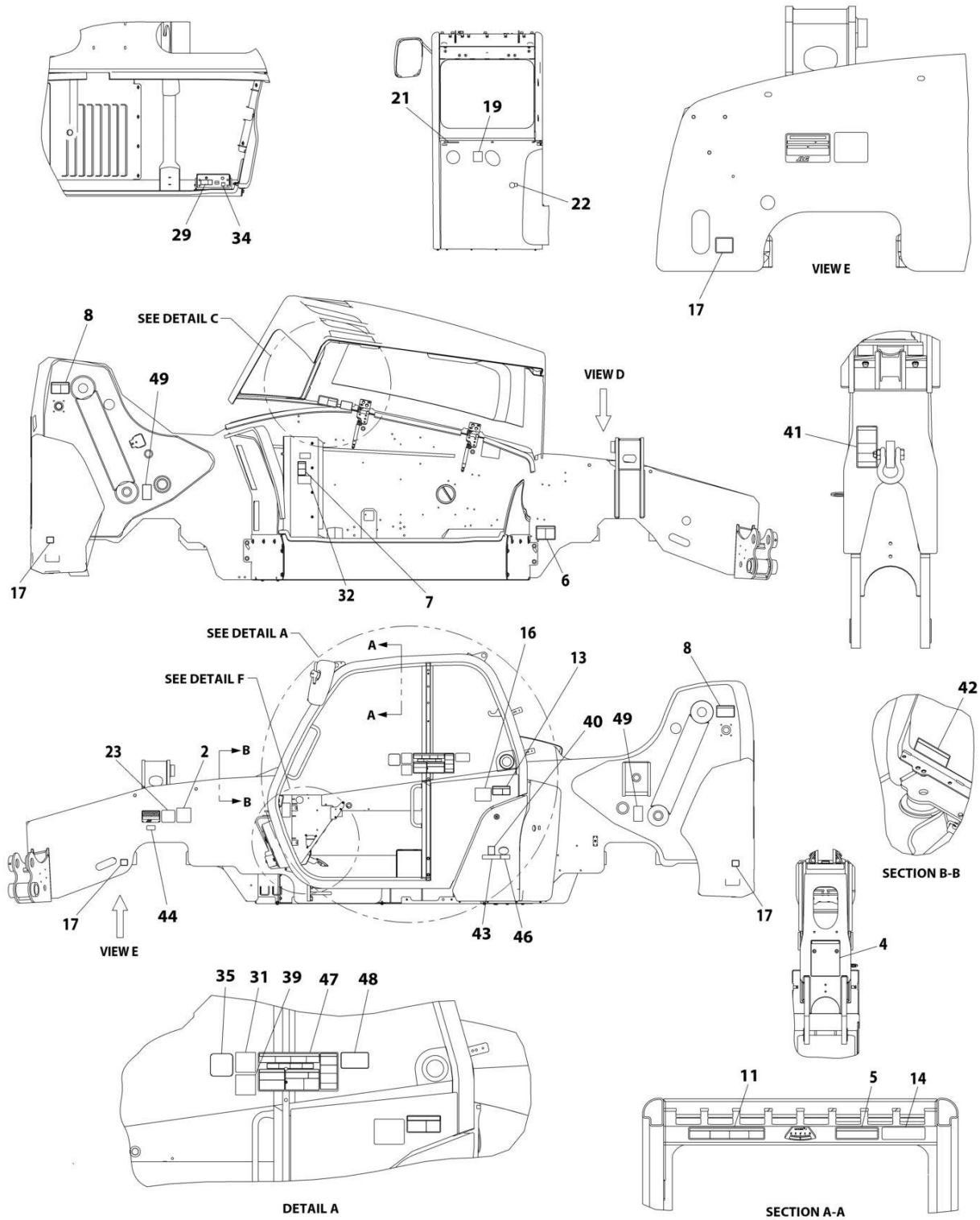
FIGURE 10-85. USB CHARGER INSTALLATION

ITEM	PART NUMBER	QTY	DESCRIPTION	REV
1	1001200152 1001174712	Ref 1	USB Charger Installation USB Charger Assembly	A

SECTION 11 - DECALS

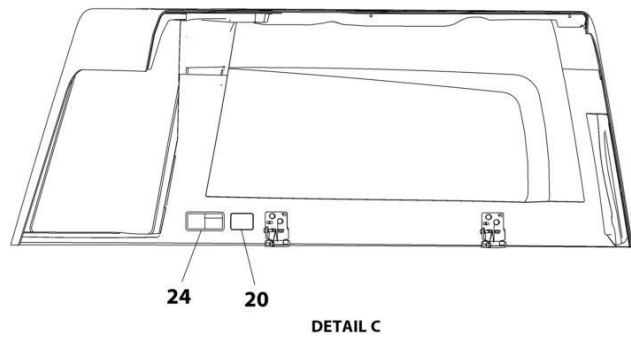
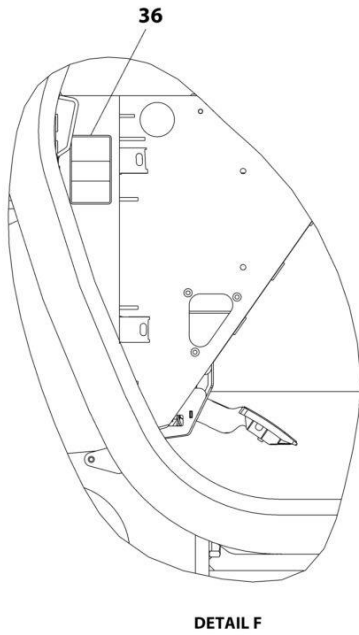
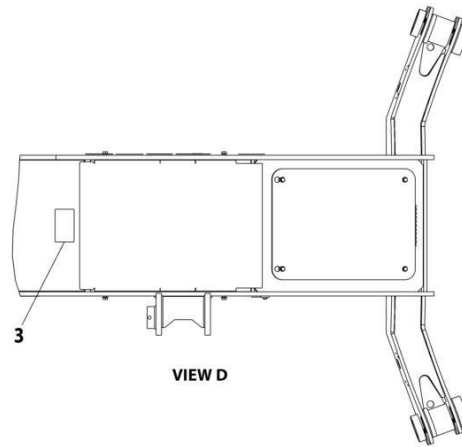
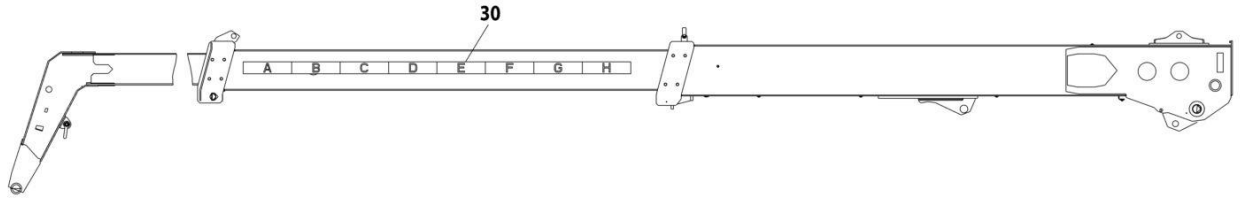
SECTION 11 - DECALS

FIGURE 11-1. DECAL INSTALLATION (ANSI)



ART_1001173429_1-P

SECTION 11 - DECALS



ART_1001173429_2-P

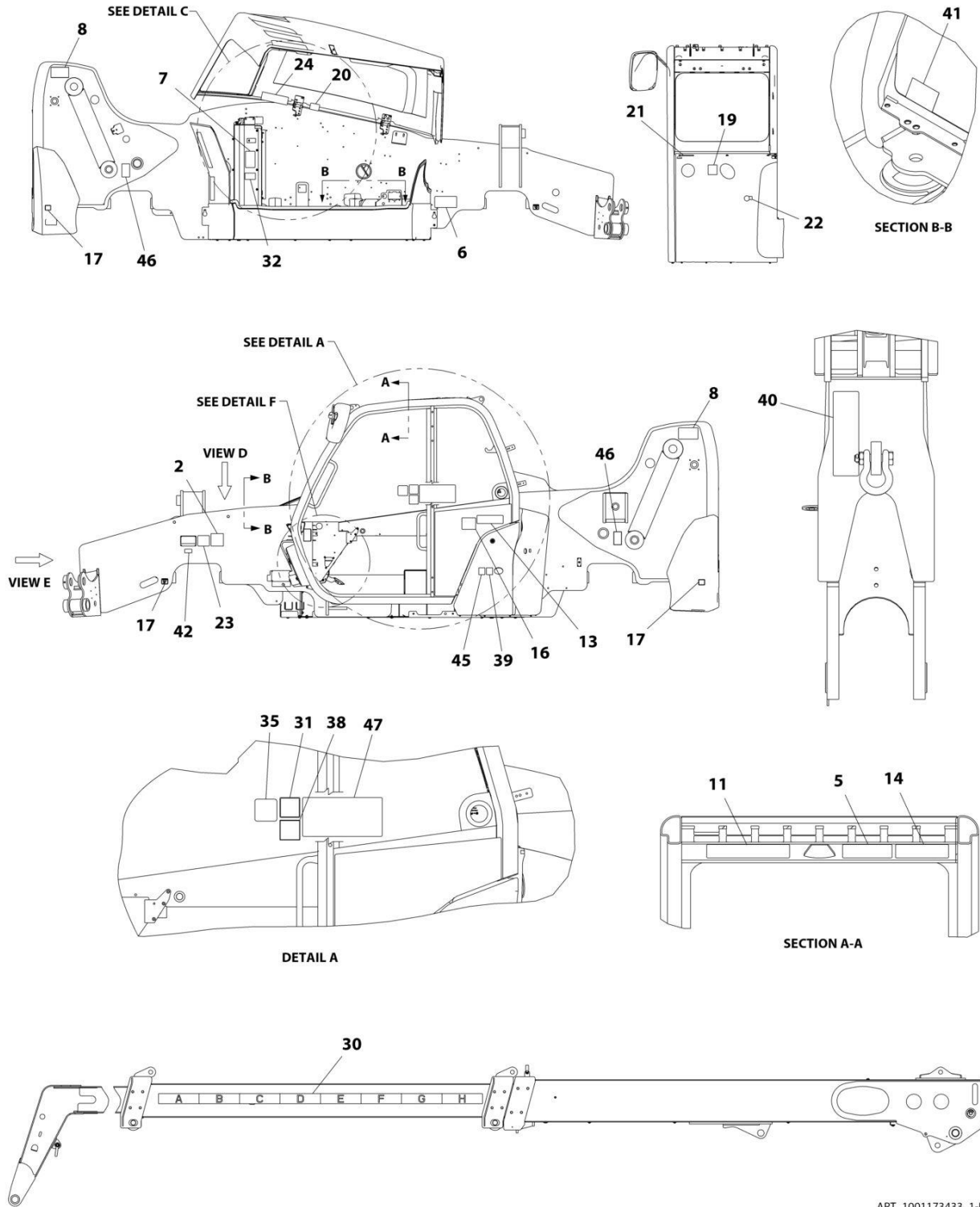
SECTION 11 - DECALS

FIGURE 11-1. DECAL INSTALLATION (ANSI)

ITEM	PART NUMBER	QTY	DESCRIPTION	REV
	1001173429	Ref	Decal Installation	P
2	1702631	1	Decal, Bar Code	
3	1706296	1	Decal, Battery Warning	
4	1001195849	1	Decal, Carry Personnel	
5	1706299	1	Decal, Contacting Power Lines Warning	
6	1706300	1	Decal, Ether Warning	
7	1706301	1	Decal, Keep Clear Of Rotating Parts Warning	
8	1706302	2	Decal, Pinch Point Boom Holes	
11	1706306	1	Decal, Tip Over Warning	
13	1706768	1	Decal, Vehicle Roll Away	
14	1706850	1	Decal, Crush Hazard Warning	
16	3251813	1	Decal, USA	
17	4109801	4	Decal, Tie Down Point	
19	1001094708	1	Decal, Hydraulic Oil	
20	1001109053	1	Decal, Coolant Fill	
21	1001218704	1	Decal, Ultra Low Sulfur Diesel	
22	1001130323	1	Decal, Oil Level	
23	1001131271	1	Decal, Patent	
24	1001139578	1	Decal, Hot Fluid Warning	
26	1001229575	1	Decal, Nameplate	
29	1001195855	1	Decal, Battery Disconnect	
30	1001171277	1	Decal, Boom Extend	
31	1001172035	1	Decal, No Weld or Drill	
32	1001173422	1	Decal, MCO 110HP	
34	1001184632	1	Decal, Battery Positive	
35	1001188372	1	Decal, Sway	
36	1001191229	1	Decal, Fuse Panel	
39	1001200101	1	Decal, Manual	
40	1001196806	1	Decal, Diesel Exhaust Fluid	
41	1001207217	1	Decal, Danger Swinging Loads	
42	1001218659	1	Decal, Brake Fluid	
43	1001219212	1	Decal, DEF Fluid	
44	1001223453	1	Decal, ICES	
45	1001009178	4	Decal, Track Metal	
46	1001230310	1	Decal, JLG DEF Tank Service	
48	1001231801	1	Decal, Warning Prop 65 Diesel	
49	1001222650	2	Decal, Axle Lift	

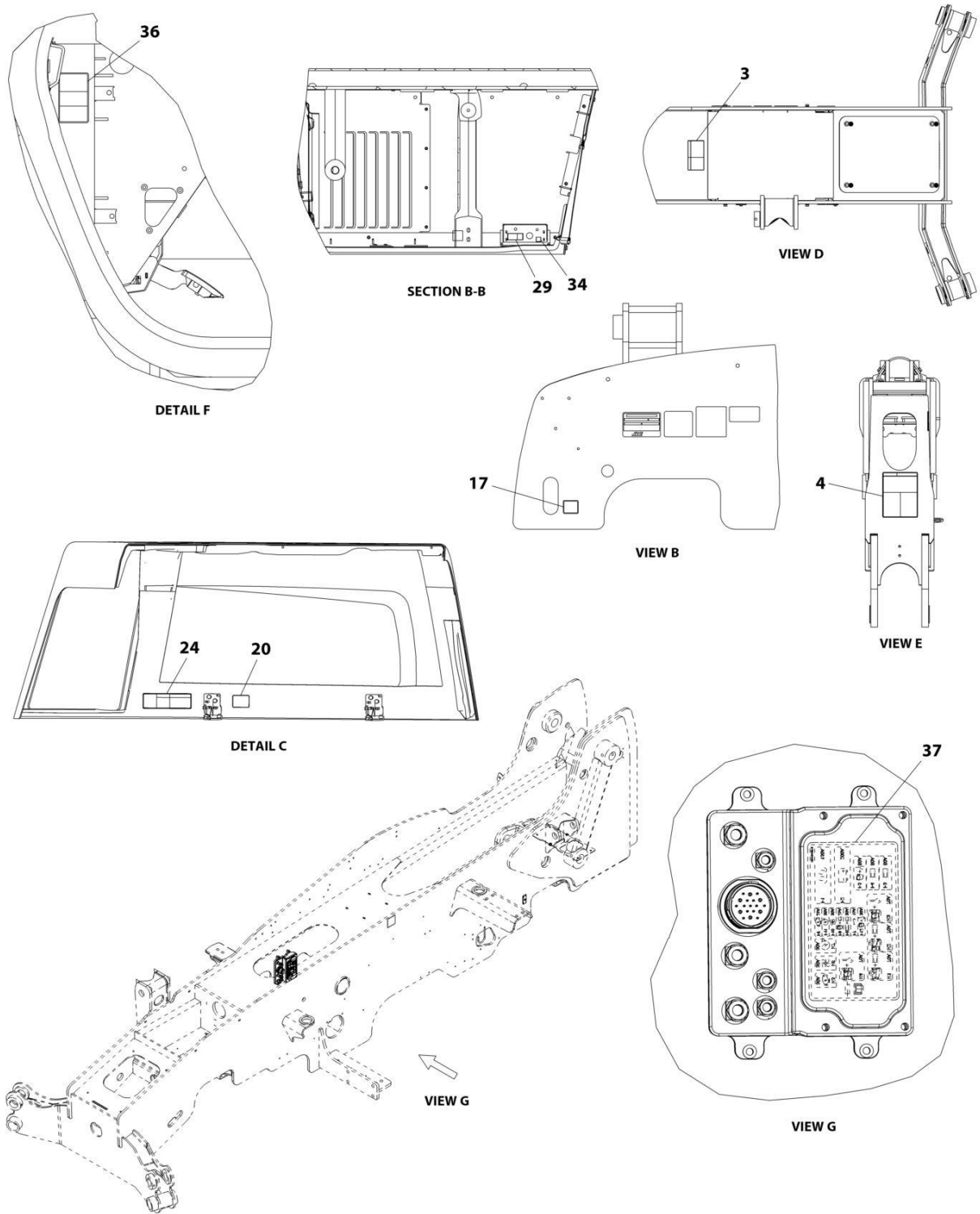
SECTION 11 - DECALS

FIGURE 11-2. DECAL INSTALLATION (CSA ENGLISH/FRENCH)



ART_1001173433_1-P

SECTION 11 - DECALS



ART_1001173433_2-P

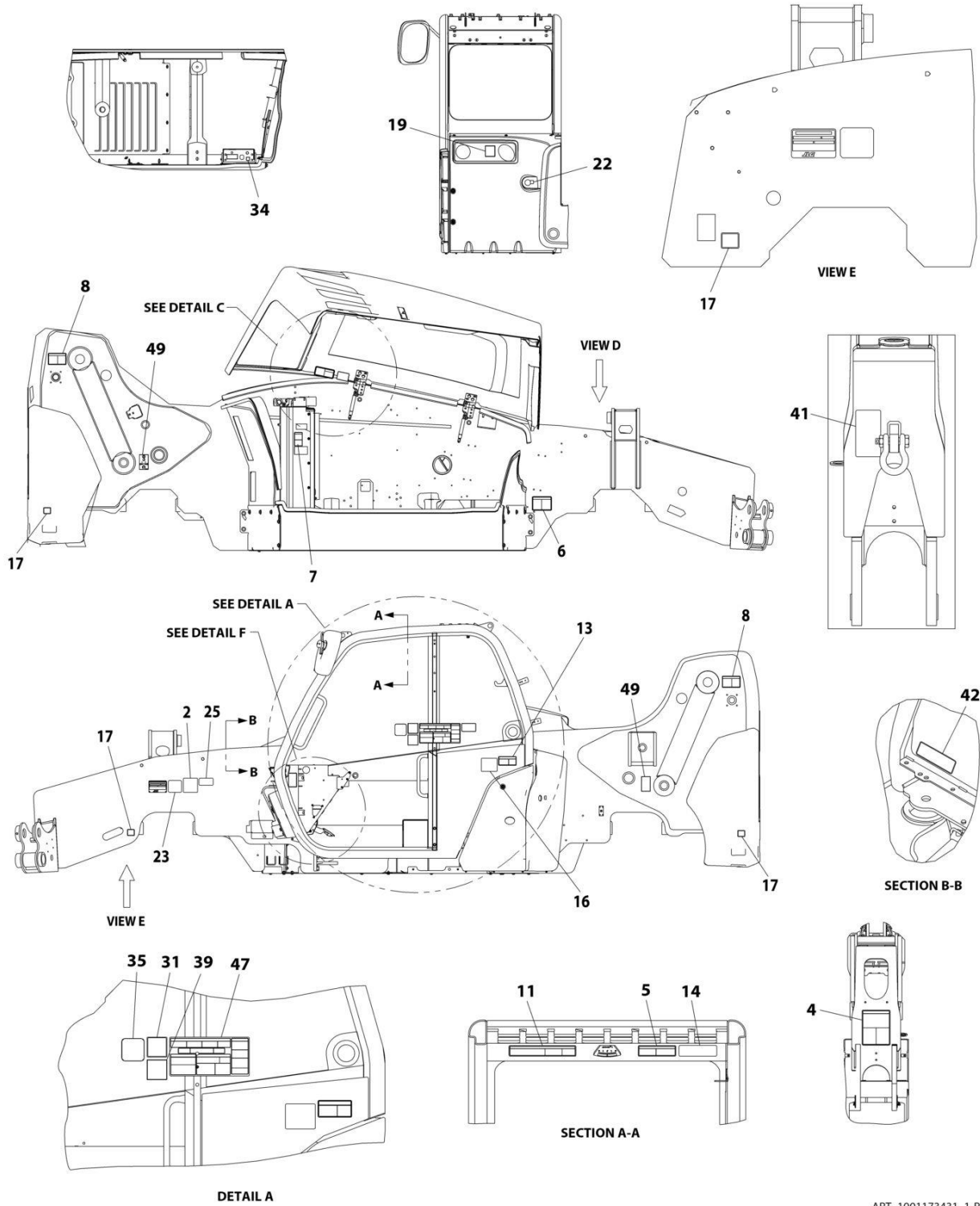
SECTION 11 - DECALS

FIGURE 11-2. DECAL INSTALLATION (CSA ENGLISH/FRENCH)

ITEM	PART NUMBER	QTY	DESCRIPTION	REV
	1001173433	Ref	Decal Installation (CSA English/French)	P
2	1702631	1	Decal, Bar Code	
3	1001163174	1	Decal, Battery Warning	
4	1001195851	1	Decal, Carry Personnel	
5	1001163210	1	Decal, Electrocutation Hazard	
6	1001163212	1	Decal, Warning No Either	
7	1001163222	1	Decal, Moving Parts	
8	1001163223	2	Decal, Pinch Point	
11	1001163285	1	Decal, Warning Tip Over	
13	1001163300	1	Decal, No Riders	
14	1001163304	1	Decal, Warning Crushing Hazard	
16	3251813	1	Decal, USA	
17	4109801	1	Decal, Tie Down Point	
19	1001094708	1	Decal, Hydraulic Oil	
20	1001109053	1	Decal, Coolant Fill	
21	1001163355	1	Decal, Ultra Low Sulfur Diesel	
22	1001130323	1	Decal, Oil Level	
23	1001131271	1	Decal, Patent	
24	1001163323	1	Decal, Warning Hot Fluid	
26	1001229575	1	Decal, Nameplate	
29	1001195855	1	Decal, Battery Disconnect	
30	1001171277	1	Decal, Boom Extend	
31	1001172035	1	Decal, No Weld Or Drill	
32	1001173422	1	Decal, MCO, 130HP	
34	1001184632	1	Decal, Battery Positive	
35	1001188372	1	Decal, Sway	
36	1001191229	1	Decal, Fuse Panel	
37	1001191487	1	Decal, Fuse Panel (Note: Supply with power distribution box)	
38	1001200101	1	Decal, Manual	
39	1001196806	1	Decal, Diesel Exhaust Fluid	
40	1001209625	1	Decal, Danger Swinging Loads	
41	1001219211	1	Decal, Brake Fluid	
42	1001223453	1	Decal, ICES	
44	1001009178	4	Decal, Track Metal	
45	1001230311	1	Decal DEF Tank	

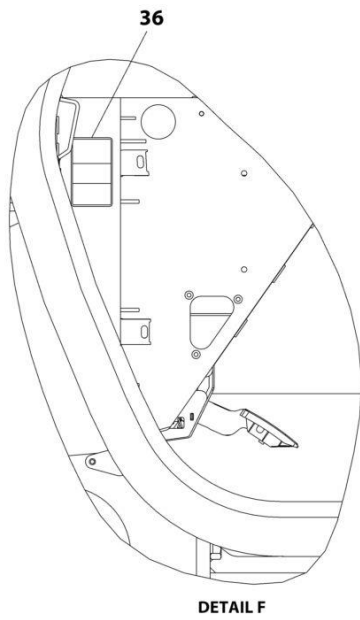
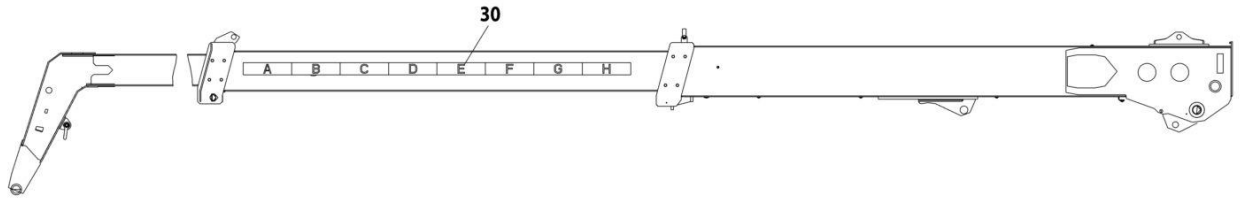
SECTION 11 - DECALS

FIGURE 11-3. DECAL INSTALLATION (ISO)

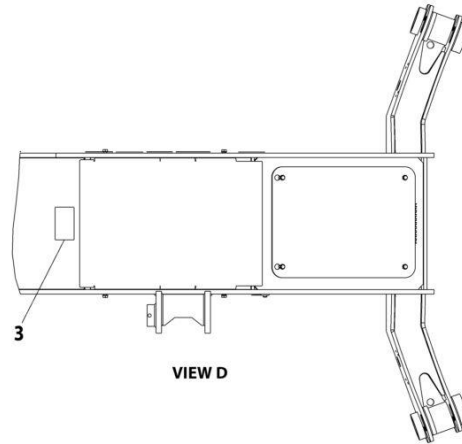


ART_1001173431_1-P

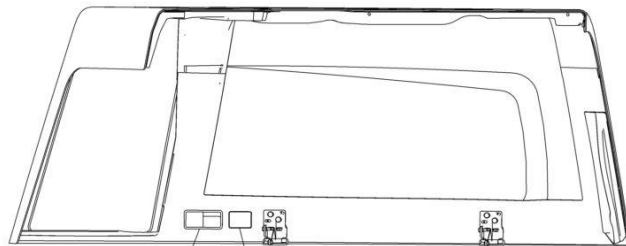
SECTION 11 - DECALS



DETAIL F



VIEW D



24 20

DETAIL C

ART_1001173431_2-P

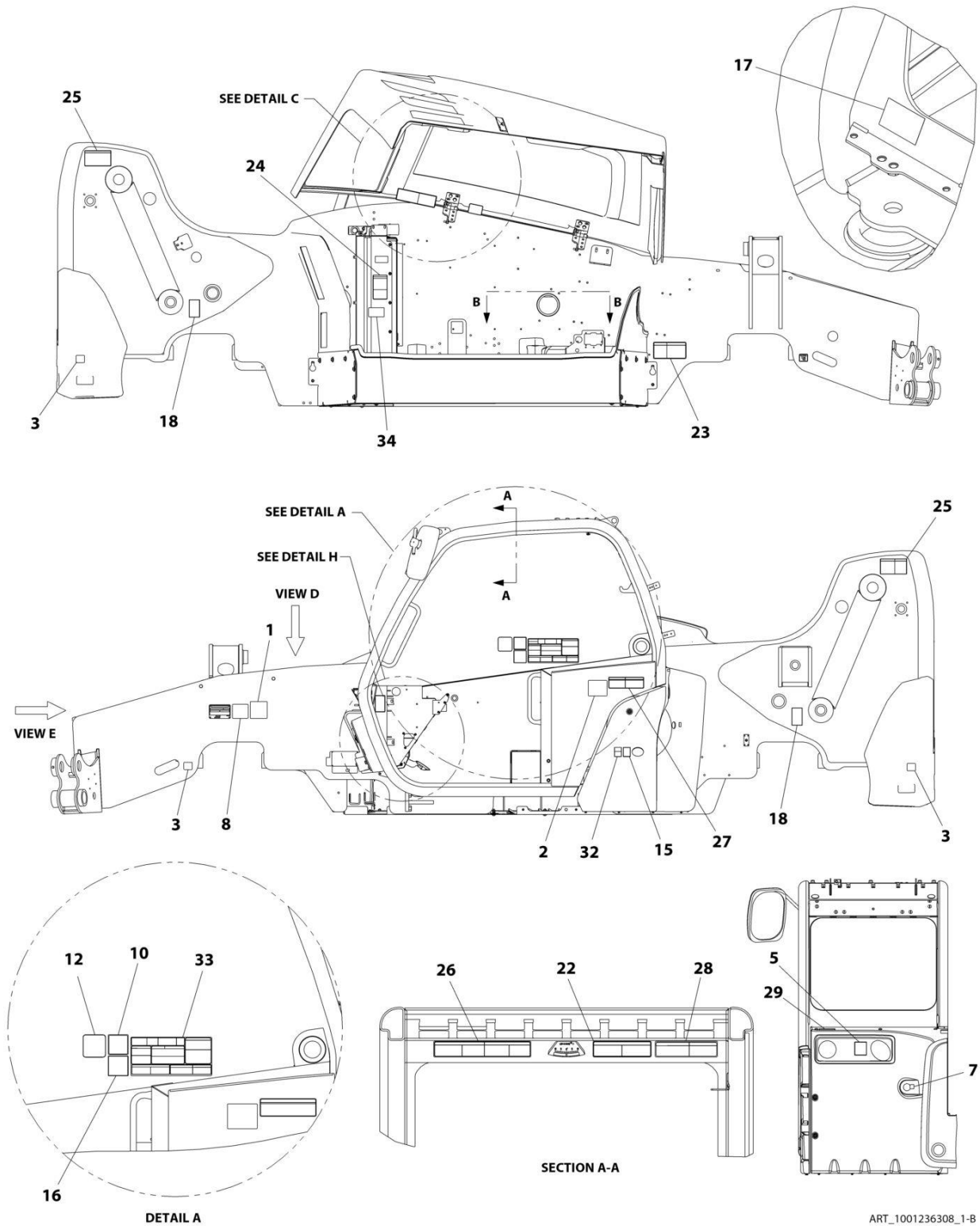
SECTION 11 - DECALS

FIGURE 11-3. DECAL INSTALLATION (ISO)

ITEM	PART NUMBER	QTY	DESCRIPTION	REV
	1001173431	1	Decal Installation (ISO)	P
2	1702631	1	Decal, Bar Code	
3	1706281	1	Decal, Battery Warning	
4	1706282	1	Decal, Carry Personnel	
5	1706284	1	Decal, Electrocutation Hazard	
6	1706098	1	Decal, Ether Warning	
7	1706285	1	Decal, Keep Clear of Rotating Parts Warning	
8	1706292	2	Decal, Pinch Point Boom Holes	
11	1706288	1	Decal, Tip Over Warning	
13	1001092878	1	Decal, No Riders	
14	1001092877	1	Decal, Crush Hazard Warning	
16	3251813	1	Decal, USA	
17	4109801	4	Decal, Tie Down Point	
19	1001094708	1	Decal, Hydraulic Oil	
20	1001109053	1	Decal, Coolant Fill	
22	1001130323	1	Decal, Oil Level	
23	1001131271	1	Decal, Patent	
24	1001139942	1	Decal, Hot Fluid Warning	
25	1001143852	1	Decal, EPA (LS)	
26	1001229575	1	Decal, Nameplate	
30	1001171277	1	Decal, Boom Extend	
31	1001172035	1	Decal, No Weld or Drill	
32	1001173422	1	Decal, MCO 110HP	
34	1001184632	1	Decal, Battery Positive	
35	1001188372	1	Decal, Sway	
36	1001191229	1	Decal, Fuse Panel	
39	1001200101	1	Decal, Manual	
41	1001207218	1	Decal, Danger Swinging Loads	
42	1001219211	1	Decal, Brake Fluid	
45	1001009178	4	Decal, Track Metal	
49	1001222650	2	Decal, Axle Lift	

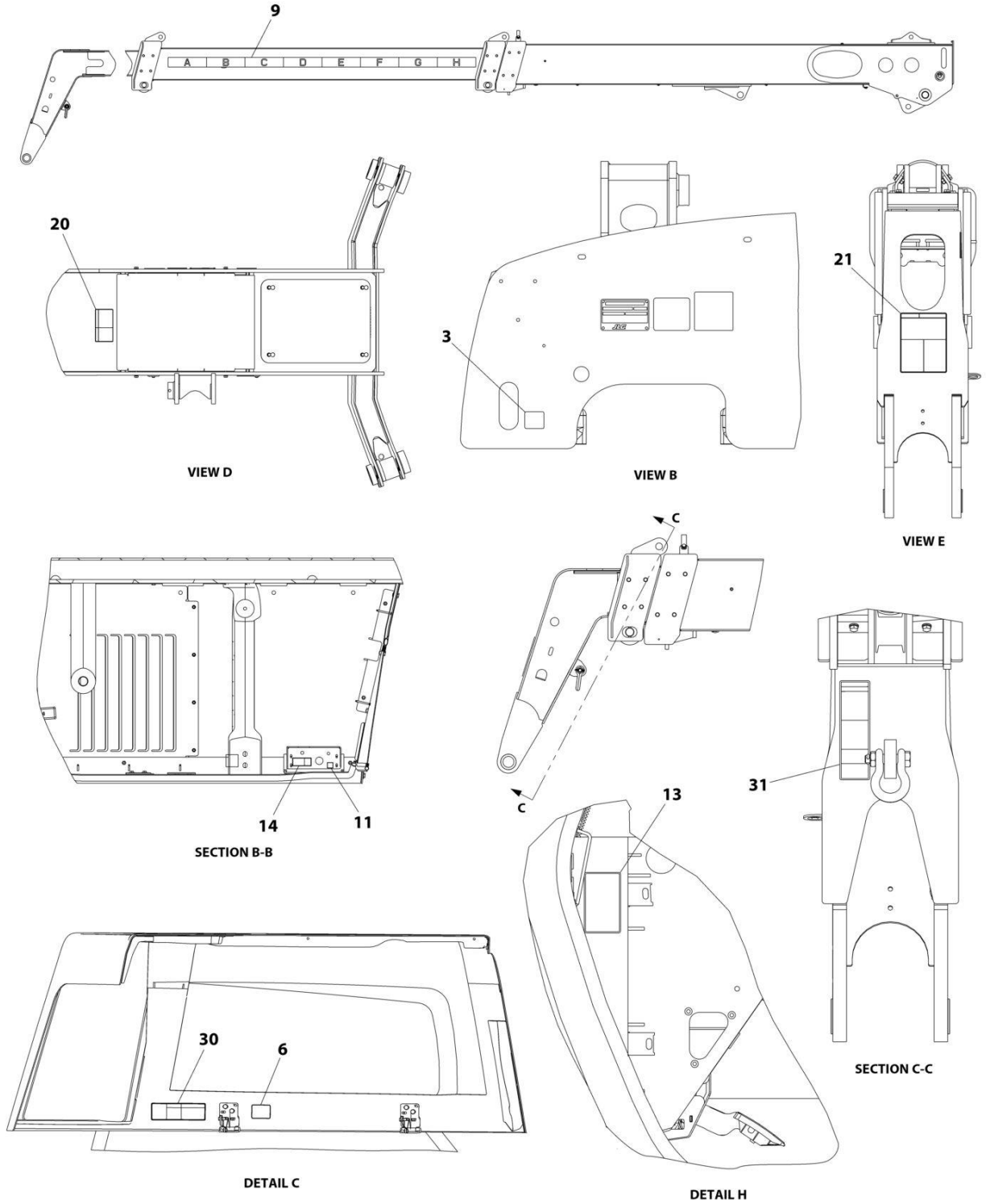
SECTION 11 - DECALS

FIGURE 11-4. DECAL INSTALLATION (LATIN AMERICAN ENGLISH/SPANISH)



ART_1001236308_1-B

SECTION 11 - DECALS



ART_1001236308_2-B

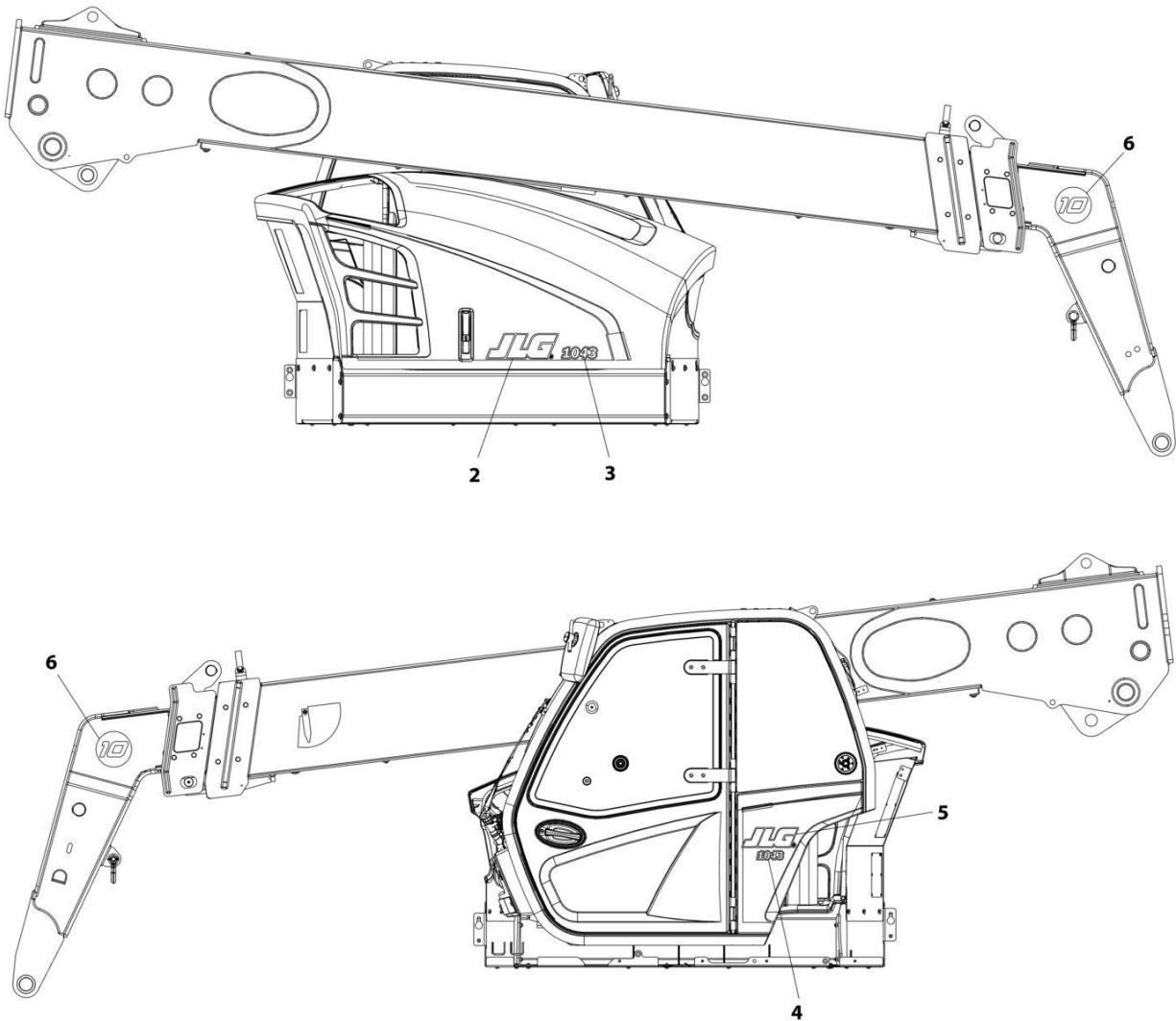
SECTION 11 - DECALS

FIGURE 11-4. DECAL INSTALLATION (LATIN AMERICAN ENGLISH/SPANISH)

ITEM	PART NUMBER	QTY	DESCRIPTION	REV
	1001236308	Ref	Decal Installation	B
1	1702631	1	Decal, Bar Code	
2	3251813	1	Decal, USA	
3	4109801	4	Decal, Tie Down Point	
5	1001094708	1	Decal, Hydraulic Oil	
6	1001109053	1	Decal, Coolant Fill	
7	1001130323	1	Decal, Oil Level	
8	1001131271	1	Decal, Patent	
9	1001171277	1	Decal, Boom Extend	
10	1001172035	1	Decal, No Weld or Drill	
11	1001184632	1	Decal, Battery Positive	
12	1001188372	1	Decal, Sway	
13	1001191229	1	Decal, Fuse Panel	
14	1001195855	1	Decal, Battery Disconnect	
15	1001196806	1	Decal, Diesel Exhaust Fluid	
16	1001200101	1	Decal, Manual	
17	1001219211	1	Decal, Brake Fluid	
18	1001222650	2	Decal, Axle Lift	
20	1001235794	1	Decal, Battery Warning	
21	1001235796	1	Decal, Carry Personnel	
22	1001235797	1	Decal, Electrocutation Hazard	
23	1001235798	1	Decal, Warning No Either	
24	1001235799	1	Decal, Moving Parts	
25	1001235800	2	Decal, Pinch Point	
26	1001235801	1	Decal, Warning Tip Over	
27	1001235802	1	Decal, No Riders	
28	1001235803	1	Decal, Warning Crushing Hazard	
29	1001235804	1	Decal, Ultra Low Sulfur Diesel	
30	1001235805	1	Decal, Warning Hot Fluid	
31	1001235807	1	Decal, Danger Swinging Loads	
32	1001235808	1	Decal, JLG DEF Tank Service	
33	1001235809	1	Decal, Warning/Danger Cab	
34	1001236312	1	Decal, MCO 130HP	

SECTION 11 - DECALS

FIGURE 11-5. BRAND AND MODEL DECAL INSTALLATION



ART_1001172979_F

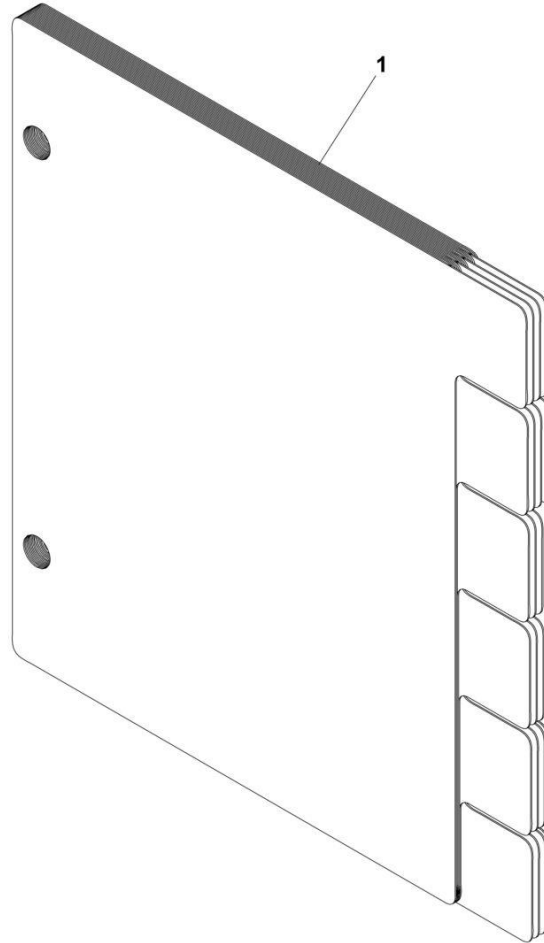
SECTION 11 - DECALS

FIGURE 11-5. BRAND AND MODEL DECAL INSTALLATION

ITEM	PART NUMBER	QTY	DESCRIPTION	REV
	1001172979	Ref	Brand and Model Decal Installation	F
2	1001160775	1	Decal, JLG 5 Black	
3	1001276760	1	Decal, JLG 1043	
4	1001276761	1	Decal, JLG 1043 Cab	
5	1001169674	1	Decal, JLG	
6	1001279167	2	Decal, Boom Head	

SECTION 11 - DECALS

FIGURE 11-6. CAPACITY CHART BOOKLET (ANSI) (OUTRIGGERS)



ART_1001212419-J

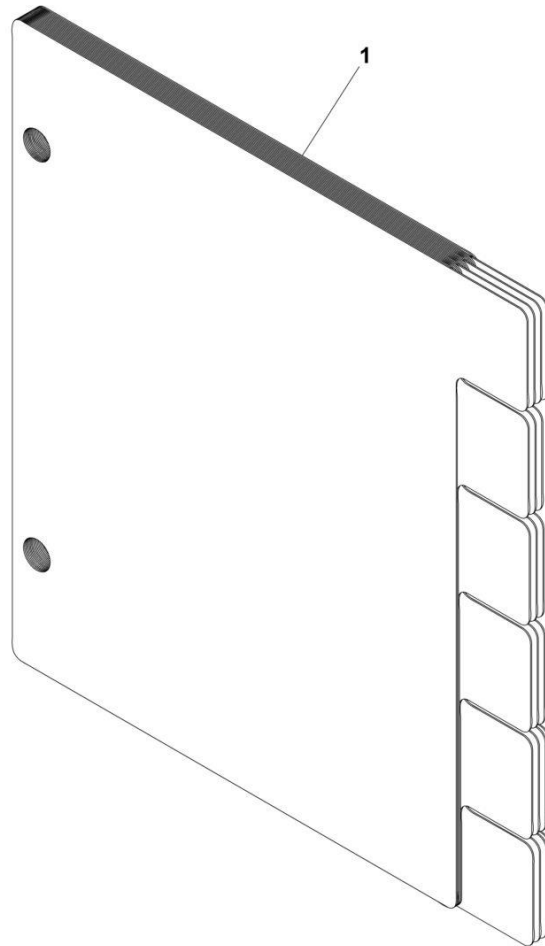
SECTION 11 - DECALS

FIGURE 11-6. CAPACITY CHART BOOKLET (ANSI) (OUTRIGGERS)

ITEM	PART NUMBER	QTY	DESCRIPTION	REV
1	1001212419	1	Capacity Chart Booklet (ANSI), (Outriggers) - 1043	J

SECTION 11 - DECALS

FIGURE 11-7. CAPACITY CHART BOOKLET (ISO) (OUTRIGGERS)



ART_1001206371-J

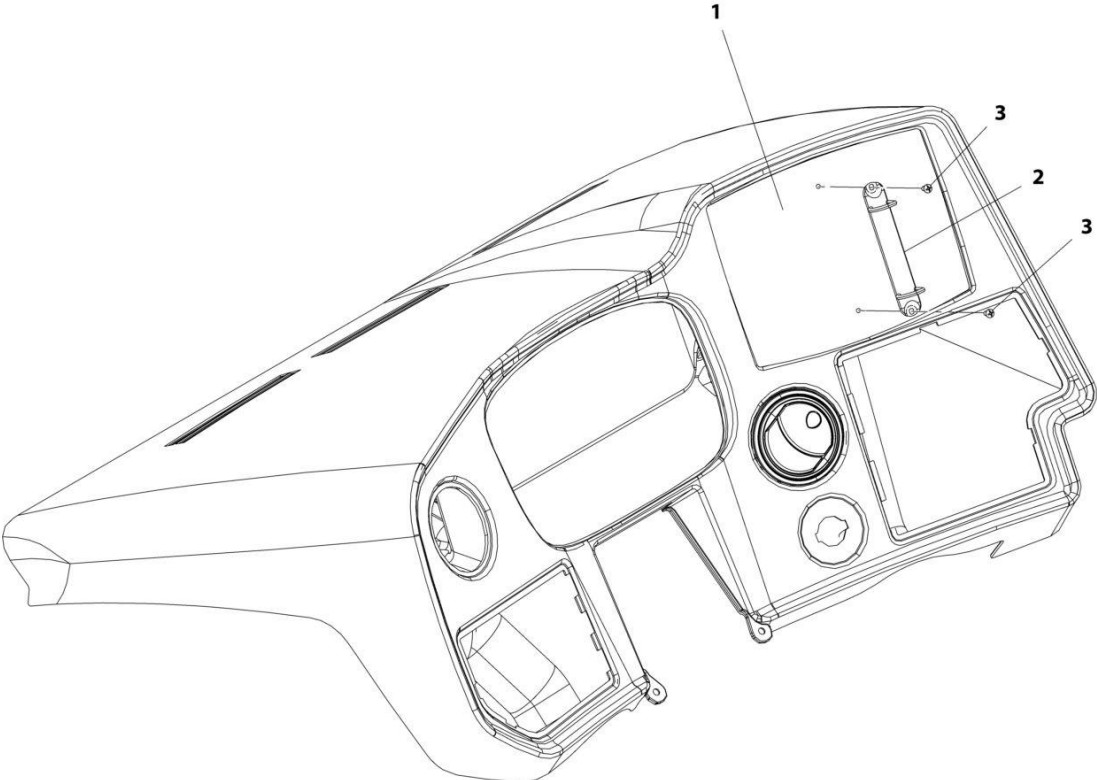
SECTION 11 - DECALS

FIGURE 11-7. CAPACITY CHART BOOKLET (ISO) (OUTRIGGERS)

ITEM	PART NUMBER	QTY	DESCRIPTION	REV
1	1001206371	1	Capacity Chart Booklet (ISO), (Outriggers) - 1043	J

SECTION 11 - DECALS

FIGURE 11-8. CAPACITY CHART HOLDER INSTALLATION



ART_1001178706-A

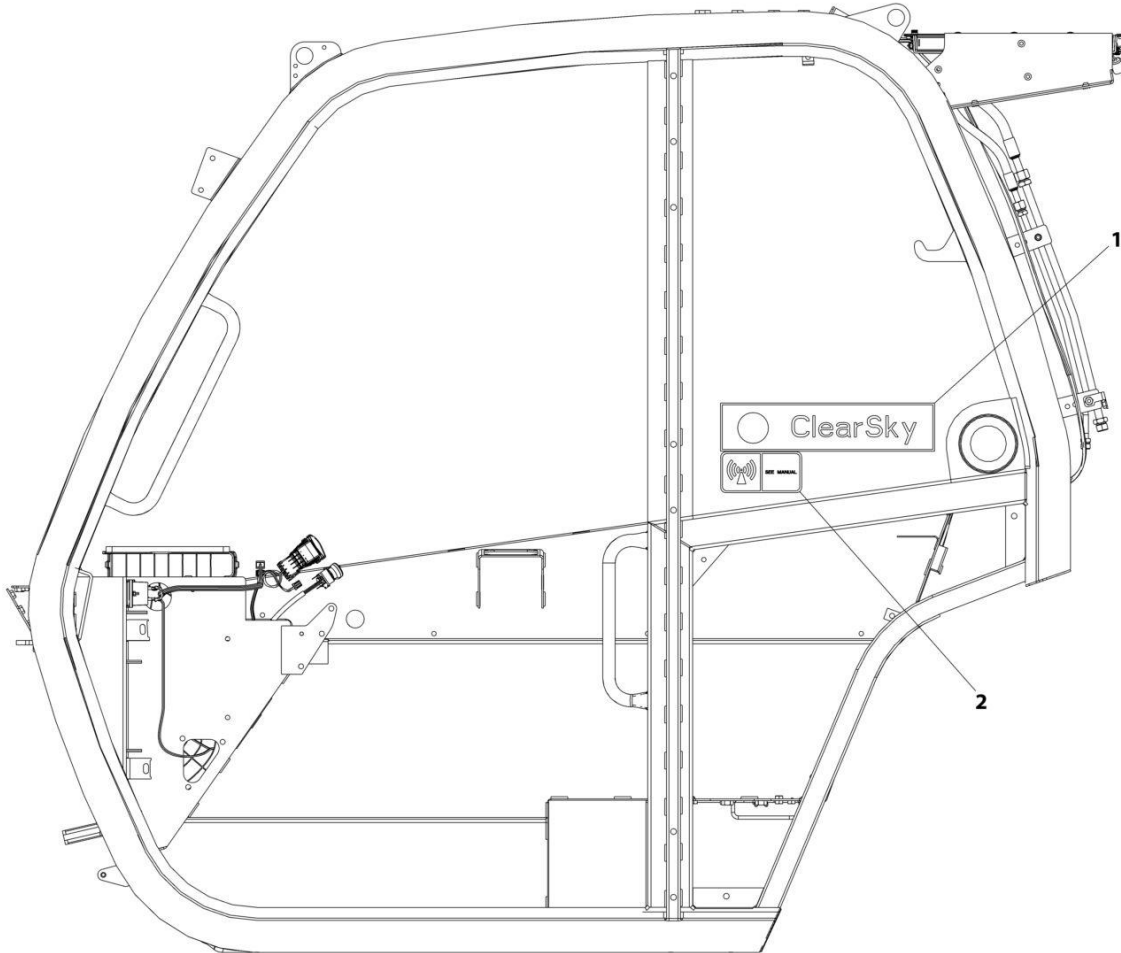
SECTION 11 - DECALS

FIGURE 11-8. CAPACITY CHART HOLDER INSTALLATION

ITEM	PART NUMBER	QTY	DESCRIPTION	REV
	1001178706	Ref	Capacity Chart Holder Installation	A
1	1001179297	1	Load Chart, Bezel	
2	1001005960	1	Holder	
3	7029486	2	Screw	

SECTION 11 - DECALS

FIGURE 11-9. CLEARSKY DECAL INSTALLATION



ART_1001229707

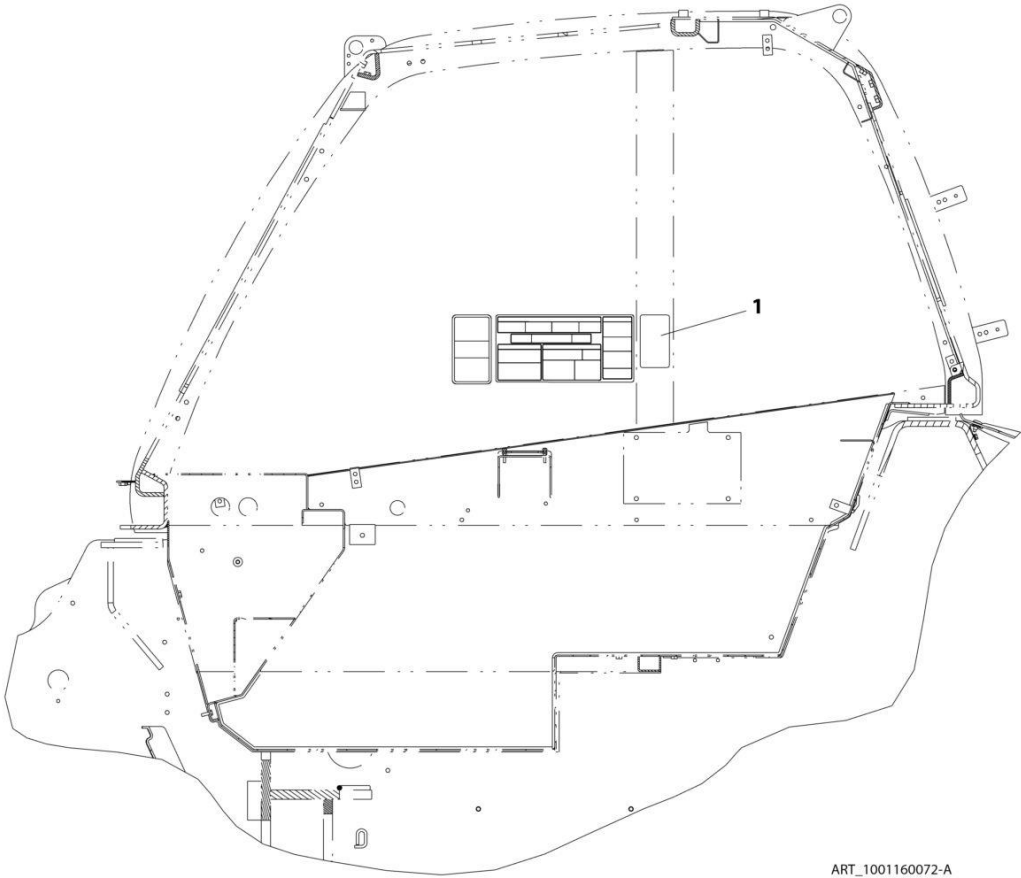
SECTION 11 - DECALS

FIGURE 11-9. CLEARSKY DECAL INSTALLATION

ITEM	PART NUMBER	QTY	DESCRIPTION	REV
	1001229707	Ref	Clearsky Decal Installation	C
1	1001294815	1	Decal - ClearSky	
2	1001120989	1	Radio Frequency Decal	

SECTION 11 - DECALS

FIGURE 11-10. REVERSE SENSOR SYSTEM DECAL (ENGLISH)



ART_1001160072-A

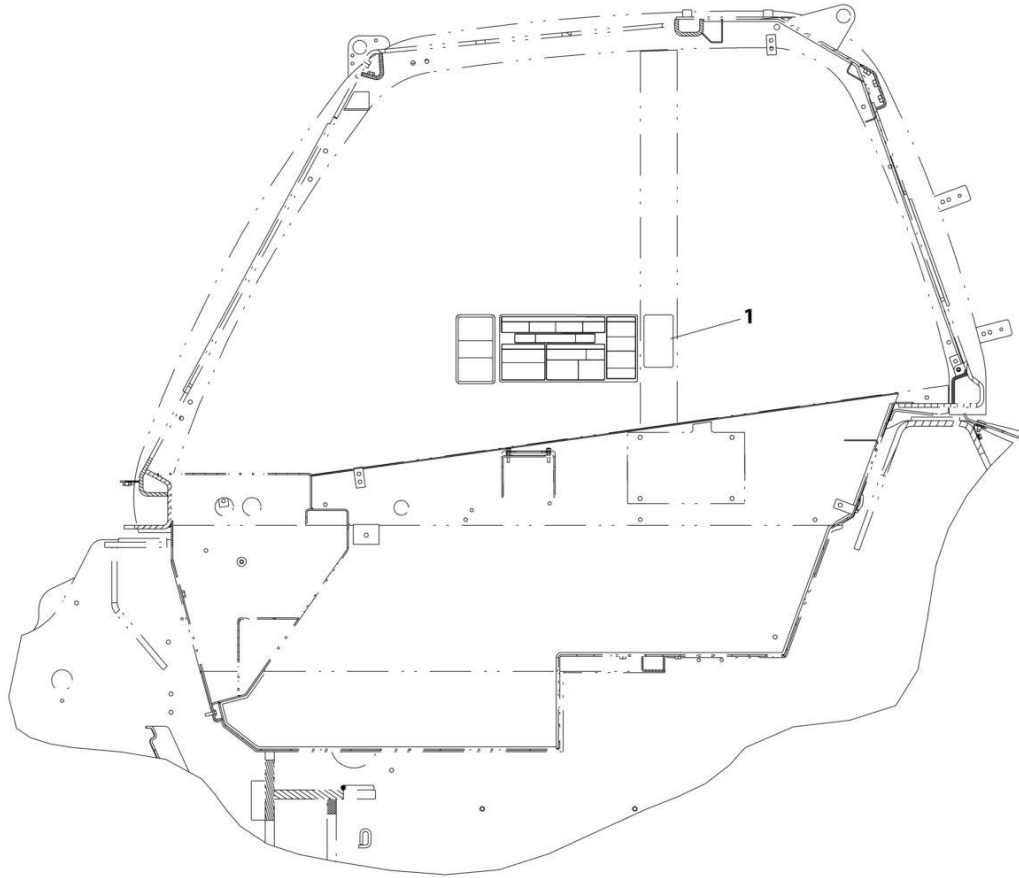
SECTION 11 - DECALS

FIGURE 11-10. REVERSE SENSOR SYSTEM DECAL (ENGLISH)

ITEM	PART NUMBER	QTY	DESCRIPTION	REV
1	1001160072	1	Reverse Sensor System Decal (English)	A

SECTION 11 - DECALS

FIGURE 11-11. REVERSE SENSOR SYSTEM DECAL (ENGLISH/SPANISH)



ART_1001237846-A

SECTION 11 - DECALS

FIGURE 11-11. REVERSE SENSOR SYSTEM DECAL (ENGLISH/SPANISH)

ITEM	PART NUMBER	QTY	DESCRIPTION	REV
1	1001237846	Ref	REVERSE SENSOR SYSTEM DECAL (ENGLISH/SPANISH LANGUAGES)	A

SECTION 12 - RECOMMENDED SERVICE PARTS STOCK

SECTION 12 - RECOMMENDED SERVICE PARTS STOCK

SECTION 12 - RECOMMENDED SERVICE PARTS STOCK

FIGURE 12-1. RECOMMENDED SERVICE PARTS STOCK

ITEM	PART NUMBER	QTY	DESCRIPTION	REV
		Ref	Note: The following list will service one machine (built to current production per date on the front cover) with emergency repair parts which can be installed in the field. Parts from the list should be replaced when inventory is depleted to keep service parts stock supplied. For further information, contact your JLG dealer or the JLG Industries Parts Department.	
	70029597	1	Coil, 12V (Drywall Carriage)	
	70028281	1	Coil (Ride Control)	
	70022147	1	Coil (Frame Level & Outrigger Valve)	
	70020868	1	Coil (Frame Level & Outrigger Valve)	
	70021208	1	Coil (Frame Level & Outrigger Valve)	
	70002963	1	Coil (Priority Valve & Sahr Brake)	
	70020764	1	Coil (Quick Coupler)	
	70003788	1	Coil (Stabilizer Valve)	
	70026582	1	Coil (Steer Select Valve)	
	1001159028	1	Controller, Accelerator	
	1001197138	1	Controller, Brake	
	1001242098	1	Controller, Fingertip Joystick (Outrigger Switches Installation)	
	1001222609	1	Controller, Joystick	
	70026558	1	Controller, Range Selector	
	1001177597	2	Diode, 6amp (Engine Harness ULS)	
		Ref	Engine - Cummins 110HP ULS	
	70026237	12	Filter, Oil	
	70025850	12	Filter, Primary Air	
	70025851	12	Filter, Secondary Air	
	70026453	12	Filter, Secondary Fuel	
		Ref	Engine - Cummins 110HP LS	
	70026237	12	Filter, Oil	
	70025850	12	Filter, Primary Air	
	70026234	12	Filter, Primary Fuel	
	70025851	12	Filter, Secondary Air	
	70026801	12	Filter, Secondary Fuel	
	1001162662	12	Filter, Breather	
	8229261	2	Fuse, 5A (ASOV)	
	8229242	2	Fuse, 5A (Cab Electrical Board, Cab Option 1 Board, Cab Option 2 Board, Clearsky2 Harness, Engine Harness ULS)	
	80983191	2	Fuse, 10A (Cab Electrical Board, Cab Option 1 Board, Cab Option 2 Board, Engine Harness ULS)	
	8229244	2	Fuse, 15A (Cab Option 2 Board, Engine Harness ULS, Frame Power Distribution Box)	
	8229235	2	Fuse, 20A (ASOV)	
	8229247	2	Fuse, 25A (Cab Option 1 Board, Frame Power Distribution Box, Frame Power Distribution Box)	
	8229245	2	Fuse, 30AMP (Cab Electrical Board & Frame Power Distribution Box)	
	70026297	2	Fuse, 80A (Frame Power Distribution Box)	
	1001095336	2	Fuse, 150A (Frame Power Distribution Box)	
	70026296	2	Fuse, 200A (Frame Power Distribution Box)	
	1001131177	2	Fuse, Power Module	
	70022765	1	Key, Ignition	
	2940074	1	Latch (Fork Mounted Basket)	

SECTION 12 - RECOMMENDED SERVICE PARTS STOCK

ITEM	PART NUMBER	QTY	DESCRIPTION	REV
	1001203181	1	Module, Accessory (ASOV)	
	1001270467	1	Module, Front Frame Control (Frame Electrical Installation)	
	1001270468	1	Module, Rear Frame Control (Frame Electrical Installation)	
	3740080	1	Relay (ASOV & Cab Seat Belt Alarm Harness)	
	1001205172	1	Relay (Engine Harness)	
	1001117308	1	Relay (Engine Bay Electrical Installation)	
	70026292	1	Relay, 35A (Cab Electrical Board)	
	70026295	1	Relay, 35A (Frame Power Distribution Box)	
	70026293	1	Relay, 50A (Cab Option 1 Board)	
	70026294	1	Relay, 70A (Frame Power Distribution Box)	
	4000015	1	Sensor, Angle (Boom Angle Sensor Installation)	
	1001121955	1	Sensor, Coolant Level	
	1001147340	1	Sensor, Pressure Transducer (Cab Hydraulics)	
	1001183024	1	Sensor, Proximity (LSI)	
	1001160730	1	Sensor, Rear Axle (LSI)	
	1001247421	1	Sensor, Reverse	
	1001128478	1	Sensor, Temperature (Tank Hydraulic)	
	1001104654	1	Switch, AUX	
	1001159746	1	Switch, Auxiliary Electric	
	1001159738	1	Switch (Beacon)	
	1001159745	1	Switch, Boom Ride (Ride Control)	
	1001159739	1	Switch, Boom Work Lights	
	1001192142	1	Switch, Disconnect	
	1001163639	1	Switch, Driving Lights	
	1001239793	1	Switch, FNR 4 Speed	
	1001212470	1	Switch, Frame Level	
	1001159845	1	Switch, Front Worklights	
	1001159734	1	Switch, Hazard (Roadlights)	
	1001169268	1	Switch, Horn Button	
	1001160326	1	Switch, HVAC On/Off (Heater & AC)	
	1001159925	1	Switch, HVAC Recycle (Heater & AC)	
	1001172547	1	Switch, HVAC Rotary 3 Speed (Heater & AC)	
	1001159742	1	Switch, LSI Override	
	1001159753	1	Switch, Park Brake	
	1001080375	1	Switch, Quick Coupler (Hydraulic Coupler)	
	1001159735	1	Switch, Rear Wiper	
	1001159846	1	Switch, Rear Worklights	
	1001159736	1	Switch, Roof Wiper	
	1001159849	1	Switch, Steer Mode	
	1001215941	1	Switch, Toggle (ASOV)	
	1001256974	1	Switch, Turn-Wiper	
	1001102502	1	Switch, 4 Position Key	

SECTION 13 - SPECIAL OPTIONS/ACCESSORIES/KITS

SECTION 13 - SPECIAL OPTIONS/ACCESSORIES/KITS

SECTION 13 - SPECIAL OPTIONS/ACCESSORIES/KITS

FIGURE 13-1. SPECIAL OPTIONS/ACCESSORIES/KITS

ITEM	PART NUMBER	QTY	DESCRIPTION	REV
	See Note	Ref	Note: This list is to accommodate machines ordered with special equipment. Options may not be applicable to all models. For more specific parts information contact JLG Parts Department.	
		Ref	SPECIAL OPTIONS/ACCESSORIES/KITS	
	1001254401	Ref	Access Control Kit	
	1001202371	1	Aftermarket/Service Kits	T
	1001249695	Ref	Analyzer and Cable Kit	
	1001249941	Ref	Battery Powered Analyzer Cable Kit	
	1001199376	Ref	Beacon Kit	
	1001211987	Ref	Boom Kit	
	1001208646	Ref	Boom Wear Pads Kit	
	1001211985	Ref	Boom Wiper Kit	
	1001213286	Ref	Cab Display Kit	
	1001210341	Ref	Cab Electrical Option 1	
	1001210342	Ref	Cab Electrical Option 2	
	1001199381	Ref	Cab Guard Kit (Front)	
	1001199380	Ref	Cab Guard Kit (Top)	
	1001199382	Ref	Cab Guard Kit (Front and Top)	
	1001213334	Ref	Cab Enclosure Kit	
	1001213342	Ref	Cab Enclosure Kit with Heater (ULS /LS)	
	1001213343	Ref	Cab Enclosure Kit with Heater and A/C (ULS) (ANSI, ANSI Export and Canada)	
	1001213344	Ref	Cab Enclosure Kit with Heater and A/C (LS) (ANSI Export and Latin America)	
	1001213336	Ref	Cab Heater Kit (ULS /LS)	
	1001213339	Ref	Cab Heater and A/C Kit (ULS) (ANSI, ANSI Export and Canada)	
	1001213340	Ref	Cab Heater and A/C Kit (LS) (ANSI Export and Latin America)	
	1001213349	Ref	Cab Heater - Upgrader from Heater Only to Heater and A/C Kit (ULS) (ANSI, ANSI Export and Canada)	
	1001213350	Ref	Cab Heater - Upgrader from Heater Only to Heater and A/C Kit (LS) (ANSI Export and Latin America)	
	1001268341	Ref	Camera (Rear View) Add-on Kit(Dealer Installed)	
	1001199333	Ref	ClearSky Telematics Kit - Long Roof Cap (ANSI, ANSI Export and Canada)	
	1001199334	Ref	ClearSky Telematics Kit - Short Roof Cap (ANSI, ANSI Export and Canada)	
	1001243187	Ref	ClearSky Telematics Kit - Canbus (North America) (ANSI, ANSI Export and Canada)	
	1001265378	Ref	ClearSky Telematics Kit - Canbus (CE) (ANSI Export and CE)	
	1001265372	Ref	ClearSky Telematics Kit - Canbus (North America) (ANSI and Canada)	
	1001254390	Ref	ClearSky Telematics Kit - Canbus (CE) (ANSI Export and CE)	
	1001276923	Ref	ClearSky Telematics Add-on Kit (Contact JLG for Approved Countries)	
	1001254400	Ref	ClearSky Telematics Extension Kit - Canbus	
	1001211991	Ref	Cold Weather Kit (ULS) (ANSI, ANSI Export and Canada)	
	1001211992	Ref	Cold Weather Kit (LS) (ANSI Export and Latin America)	
	1001211919	Ref	Decal Kit - 1043	
	1001238953	Ref	DEF Sensor Upgrade Kit (ANSI, ANSI Export and Canada)	
	1001148902	Ref	Electrical Connector Kit - Amp/Tyco Electrical Connectors	
	1001148903	Ref	Electrical Connector Kit - Deutsch DT Electrical Connectors	

SECTION 13 - SPECIAL OPTIONS/ACCESSORIES/KITS

ITEM	PART NUMBER	QTY	DESCRIPTION	REV
	1001148904	Ref	Electrical Connector Kit - Deutsch HD Electrical Connectors	
	1001148905	Ref	Electrical Connector Kit - Packard Electrical Connectors	
	1001148906	Ref	Electrical Connector Kit - Various Electrical Connectors	
	1001272892	Ref	EROPS Service Kit	
	1001214167	Ref	External Rear Window Release Kit	
	1001199378	Ref	Fender Kit	
	1001208643	Ref	Filter Kit - 250Hour (ANSI, ANSI Export and Canada)	
	1001208644	Ref	Filter Kit - 1000Hour (ANSI, ANSI Export and Canada)	
	1001239961	Ref	Fire Extinguisher Kit	
	1001278325	Ref	Fuel Cap Cover Kit	
	1001209981	Ref	Lights – Boom Worklight Kit	
	1001230107	Ref	Lights - Roadlights Kit (Outriggers)	
	1001208847	Ref	Lights - Worklight Kit	
	1001235921	Ref	Lights - Worklight Kit (LED)	
	1001272890	Ref	OROPS Service Kit	
	1001199362	Ref	Rear Wiper Kit	
	1001199366	Ref	Reverse Camera Kit	
	1001245914	Ref	Reverse Camera Kit (4WARD)	
	1001252086	Ref	Reverse Sensing System Kit	
	1001199328	Ref	Roof Wiper Kit	
	1001213289	Ref	Short Roof Cap Kit	
	1001260947	Ref	Smart Shift Kit	
	1001274892	Ref	Steering Column Service Kit - 0 Speed FNR (with Worklights)	
	1001275150	Ref	Steering Column Service Kit - 2 Speed FNR (with Worklights)	
	1001274891	Ref	Steering Column Service Kit - 2 Speed FNR (with Clamp)	
	1001274889	Ref	Steering Column Service Kit - 4 Speed FNR (with Worklights)	
	1001274890	Ref	Steering Column Service Kit - 4 Speed FNR (with Clamp)	
	1001229799	Ref	Strainer Kit	
	1001274718	Ref	Tire Set - Solid 13x24 Directional	
	1001274257	Ref	Tire Set - Solid 13x28 Directional	
	1001274302	Ref	Tire Set - Solid 13x28 Non-Directional	
	1001274721	Ref	Tire Set - Solid 14x24 Directional	
	1001274305	Ref	Tire Set - Solid 14x28 Directional	
	1001274307	Ref	Tire Set - Solid 14x28 Non-Directional	
	1001263075	Ref	Tire Kit – Turf (Pneumatic)	
	1001249695	Ref	Tools- Analyzaer and Cable Kit	
	1001249941	Ref	Tools- Analyzaer and Cable Kit (Battery Powered)	
	7002821	Ref	Tools - Crimper, Wire	
	7002823	Ref	Tools - Pin Extractor - Universal (For Electrical Connectors with Pins and Sockets)	
	4460510	Ref	Tools - Pin Extractor - 12-14 Gauge (For Removal of Pin/Sockets from Deutsch Connectors)	
	4460467	Ref	Tools - Pin Extractor - 16-18 Gauge (For Removal of Pin/Sockets from Deutsch Connectors)	
	7016654	Ref	Tools - Screwdriver, Magnetic	
	7002822	Ref	Tools - Screwdriver, Potentiometer	
	7004275	Ref	Tools - Seal Tool 1in (For Cylinders)	
	7004276	Ref	Tools - Seal Tool 1-1/2in (For Cylinders)	
	7002828	Ref	Tools - Stripper, Wire	
	1001262959	Ref	Voltage Regulator Relocation Kit	

SECTION 13 - SPECIAL OPTIONS/ACCESSORIES/KITS

PART NUMBER INDEX

SECTION 13 - SPECIAL OPTIONS/ACCESSORIES/KITS

0100011.....137, 139, 143, 145, 153, 155	0711219.....55	0761218.....275, 277	1001095396.....705
01043892.....975	0711220.....55, 91	0761608.....459	1001095418.....149, 151
0400075.....853	0711225.....57	0770807.....57	1001095650.....43, 45, 47, 673
0440296.....69	0711226.....57	0770814.....661	1001095738.....383
0440321.....755	0711228.....75	0771210.....57, 59, 275	1001095744.....383
0498748.....537	0711229.....77	0771212.....57, 59	1001095804.....869, 871
0641404.....47	0711626.....247	0781016.....329	1001095810.....103
0641405.....103	0711629.....247	0781208.....755	1001096019.....99
0641407.....47	0711630.....247	0791605.....291	1001096020.....99
0641510.....235	0711631.....75, 85	0860520.....103	1001096021.....101
0641612.....137, 143, 153	0711635.....77	0930020.....127	1001096023.....101
0641812.....712	0712020.....501	1001001568.....695	1001096024.....99
0642032.....133, 137, 139, 141, 143, 145, 147, 153, 155	0712022.....501	1001002946.....539	1001096025.....101
0681810.....137, 139, 143, 145, 153, 155	0712027.....499	1001002947.....539	1001096365.....539
0700408.....1009	0712042.....49	1001002953.....539	1001097053.....337
0700610.....27, 29, 53, 251, 316, 320, 625, 843, 845, 847, 939, 941, 957, 991, 993	0712442.....715, 723	1001002957.....539	1001097110.....197
0700614.....235, 586	0741408.....47	1001003043.....527	1001097202.....503, 505
0700616.....712, 987	0741610...137, 139, 143, 145, 153, 155	1001003227.....23	1001097205.....205
0700618.....873, 925	0760304.....671	1001003301.....801	1001097540..27, 29, 621, 623
0700808.....925	0760405...113, 115, 117, 119, 123, 125, 129, 133, 137, 139, 141, 143, 145, 147, 149, 151, 153, 155, 929	1001003427.....327	1001097586.....527
0700812.....491	0760507.....327, 561	1001003590.....723	1001097587.....415, 445
070081427, 29, 325, 801, 939, 941	0760512.....633	1001004640.....673, 675	1001097588.....283, 285
0700815.....309	0760605...285, 537, 657	1001005368.....535	1001097810.....413, 717
0700816.....269, 271, 291, 689, 712, 951	0760606.....27, 29	1001005960.....1047	1001098762.....855
0700817.....697	0760607...313, 316, 320, 537, 929, 975	1001007056.....785	1001098769.....89
0700818.....775, 957	0760608...91, 267, 309, 503, 505, 559, 633, 649, 657, 673, 675, 939, 941, 961, 963	1001008540.....939, 941	1001099113.....137, 139, 143, 145, 153, 155
0700819.....701, 951, 953	0760610.....555	100100855939, 316, 320, 457, 459, 517, 525, 645, 879, 929, 943, 945, 957, 961, 963, 966	1001099115.....137, 139, 143, 145, 153, 155
0700820.....637, 639, 641, 957	0760615.....71, 712, 953	1001008857.....539	1001099170.....521
0700823.....703	0760807.....251, 925	1001008923.....987	1001099351.....111
0700824.....673, 675	0760808...557, 625, 627, 925, 929, 983	1001008988.....537	1001099457.....195
0700826.....309	076081023, 59, 261, 569, 571, 573, 583, 586, 603, 627, 637, 639, 657, 712, 741, 745	1001009163.....337, 801	1001099699.....561
0700827.....253, 255	0760812...253, 297, 489, 505, 517, 525, 539, 701, 1009	1001009178.1026, 1030, 1034	1001099717.....859
0701014...21, 23, 41, 301	0760815.....21, 301, 539, 697, 712, 717, 957	1001025750.....313	1001099901.....115
070101627, 29, 301, 491, 493, 691, 693, 733, 941, 943	0760817.....723	1001028308.....717	1001099902.....113
0701017.....295, 297	0760823.....33, 303	1001047062.....537	1001100265.....123
0701018.....259, 261, 275, 277	0761007...925, 961, 963	1001080375...693, 1057	1001100266.....125
0701020.....35, 275, 277	0761008.....857, 859	1001080996.....83, 693	1001100267.....129
0701027.....323	076101023, 25, 259, 283, 285, 295, 301, 337, 457, 493, 712, 925, 939, 941, 957, 961, 963, 995	1001090063...137, 143, 153	1001100822.....123
0701215.....329	0761012...257, 259, 261, 275, 277, 673, 675, 693	1001090064...137, 143, 153	1001100823.....125
0701216.....247, 331	0761017.....117, 119	1001090140...137, 139, 143, 145, 153, 155	1001100824.....129
0701217.....91, 741	0761210...277, 313, 943, 945	1001090343...605, 607, 633	1001100967.....109
0701220.....247	0761212.....693	1001091715.....995	1001101458.....43, 45
0701224.....91	0761214...35, 43, 45, 83, 87	1001091716.....995	1001101808.....843
0701226.....57, 659	0761215.....33, 719	1001091751.....903	1001102502.....869, 871, 1057
0701227.....247		1001091951.....79	1001102509.....443
0701229.....39		1001092481.....97	1001103012.....880
0701230.....39		1001092482.....97	1001103156.....857, 859
0711015.....337		1001092877.....1034	1001103182.....149, 763
0711027.....715, 723		1001092878.....1034	1001103564.....989
0711214.....57, 59		1001093171.....205	1001104477.....695, 817
0711215.....55		1001093564.....855	1001104498.....1003
0711216.....55, 57, 59		1001094134.....201	1001104519.....893, 899
0711217.....55, 57, 59		1001094136.....201	1001104654.....869, 871, 1057
0711218.....57		1001094708.1026, 1030, 1034, 1038	1001104685.....251
		1001095336...959, 1056	1001105441.....93
			1001105886.....979
			1001107192.....537
			1001107854.....835, 971, 1003
			1001108668.....208

SECTION 13 - SPECIAL OPTIONS/ACCESSORIES/KITS

1001109053 . 1026, 1030, 1034, 1038	1001118392..... 999	1001139942..... 1034	1001157663 253, 255
1001110544 671	10011184495..... 955	1001141246 539	1001157890 839, 893
1001110704 149, 151	1001118684..... 880	1001141281 603	1001157891 863
1001111076 649	1001118685..... 899	1001141311 607	1001157972 729, 811
1001111147 649	1001120163..... 785, 787	1001141312 605	1001158146 869
1001111190 149, 151, 208, 213	1001120178..... 463, 465, 467, 469	1001141313 607	1001158298 699, 701, 713
1001111317 515, 523	1001120179..... 463, 467	1001141400 316, 320	1001158527 673, 825
1001112612 863, 879, 933, 935	1001120914..... 137, 139, 143, 145, 153, 155	1001143200 519, 551	1001159028 653, 655, 1056
1001112796 911, 919, 1007	1001120915..... 137, 139, 143, 145, 153, 155	1001143692 93	1001159347 275, 277, 289
1001112902 27, 29	1001120989..... 1049	1001143852 1034	1001159734 995, 1057
1001114495 279, 281	1001121103..... 463	1001143857 673, 675	1001159735 605, 1057
1001114498 971	1001121105..... 467	1001144147 839, 891, 909, 932, 935	1001159736 607, 1057
1001114803 275, 277	1001121109..... 463	1001144296 966	1001159738 983, 1057
1001116128 457, 459	1001121172..... 966	1001144629J 103	1001159739 985, 1057
1001116696 999	10011211726..... 971	1001145707 935	1001159742 517, 525, 1057
1001116697 880	1001121727..... 1017	1001146160 107	1001159745 705, 1057
1001116698 880	1001121955..... 291, 1057	1001146588 316, 320, 645, 873, 883, 951, 953, 961, 963, 995	1001159746 865, 1057
1001116700 893	1001125027..... 932, 936	1001146949 663	1001159753 869, 871, 1057
1001116720 981	1001125083..... 933	1001147060 845	1001159760 725, 727
1001116723 879, 880, 893, 894, 897	1001125085..... 933	1001147340 699, 701, 1057	1001159845 991, 993, 1057
1001116725 933	1001125117..... 55, 57, 59, 91, 693	1001147449 616	1001159846 991, 993, 1057
1001116727 971	1001125410..... 467	1001148902 1060	1001159847 727, 729
1001116728 971, 989	1001125465..... 457, 459	1001148903 1060	1001159849 869, 871, 1057
1001116729 1017	1001125677..... 966	1001148904 1061	1001159881 301
1001116731 909	1001126008..... 839, 921, 967	1001148905 1061	1001159882 301
1001116732 935	1001126011..... 933	1001148906 1061	1001159925 583, 586, 1057
1001116745 1017	1001126349..... 936	1001149160 27, 29	1001160042 586
1001116747 835, 894	1001126353..... 936	1001149278 616	1001160043 583
1001116748 879, 933, 935	1001126356..... 936	1001150610 932, 935	1001160072 1051
1001116749 933, 935	1001126357..... 936	1001150611 966, 968	1001160116 247
1001116754 880	1001126391..... 947	1001150735 879	1001160250 49
1001116763 835, 880, 971	1001126393..... 947	1001150737 879	1001160253 21
1001116774 839, 967	1001126487..... 932	1001151101 481	1001160255 41
1001116808 839, 967	1001126837..... 553, 555, 857	1001151102 481	1001160326 586, 1057
1001116810 968	1001128127..... 968	1001151108 481	1001160396 243
1001116811 932, 935	1001128144..... 291	1001152742 947	1001160397 277
1001116812 839, 879, 897, 909, 911, 947, 967	1001128341..... 291	1001152915 523	1001160402 275
1001116815 839, 879	1001128478..... 337, 801, 1057	1001152934 523	1001160420 325
1001116950 933, 935, 966	1001128594..... 241, 245	1001152947 515, 523	1001160426 255
1001116986 894	1001128890..... 107	1001153612 933	1001160496 639
1001116991 879, 893, 981	1001130220... 27, 29, 845	1001153748 749, 827	1001160498 881
1001116996 999	1001130323.. 1026, 1030, 1034, 1038	1001153749 925	1001160500 967, 972
1001116997 894	1001131177..... 925, 1056	1001154365 513, 523	1001160502 881
1001116999 893, 981	1001131271.. 1026, 1030, 1034, 1038	1001154419 523	1001160503 637, 639
1001117021 835	10011312168..... 25	1001154511 239, 241	1001160506 641
1001117073 933, 935	1001132169..... 966	1001154721 511, 515	1001160508 507, 509, 557
1001117079 893	1001132170..... 966	1001154790 243, 245	1001160509 967, 972
1001117081 879, 880, 893, 897	1001132170..... 966	1001154984 507	1001160510 967, 972
1001117121 899	1001133072..... 143, 153	1001155020 616	1001160711 853
1001117308 939, 941, 1057	1001133534..... 329	1001155261 301	1001160730 1057
1001118323 966	1001134274..... 857, 859	1001155307 673	1001160735 31
1001118378 839	1001136975..... 316, 320	1001155446 497, 499	1001160775 1041
1001118383 899	1001137512..... 199	1001155447 509, 603	1001160888 247
1001118384 879, 880, 893, 894, 897, 1019	1001137578..... 947, 948	1001155486 607	1001160927 853, 855
	1001138348..... 279, 281	1001155540 275, 277	1001160928 855
	1001138348..... 279, 281	1001155796 625	1001161069 609
	1001139551..... 607	1001155800 625	
	1001139552..... 605	1001155806 1007	
	1001139568..... 535	1001156265 673, 675	
	1001139578..... 1026	1001157481 535	
		1001157487 535	

SECTION 13 - SPECIAL OPTIONS/ACCESSORIES/KITS

1001161097.....881, 967, 972	1001163029..... 57, 59	1001164615 569, 571	1001166975.....79
1001161098.....881, 967	1001163034 55, 57, 59	1001164655 557	1001166993.....281
1001161099.....881, 967, 972	1001163035 57	1001164726 537	1001167001.....667
1001161100.....881, 967, 972	1001163067 35, 801	1001164837 301	1001167015.....609
1001161101.....881, 967, 972	1001163072 697	1001164838 301	1001167017.....1009
1001161304.....747, 749	1001163073 697	1001164860 755	1001167050.....831
1001161308.....685, 687, 737	1001163082 275, 277, 287	1001164870 693	1001167051.....831, 833, 957
1001161340.....712	1001163103 55, 57	1001164881 87	1001167078.....275, 277, 291
1001161343.....712	1001163112 55, 57	1001164884 81, 83	1001167167.....301
1001161421.....411, 413	1001163127 831, 939	1001164885 81, 83	1001167168.....301
1001161424.....441, 443	1001163133 249	1001164948 691, 693	1001167186.....325
1001161499.....507, 509, 653	1001163134 251	1001164967 305	1001167266.....597, 601
1001161528.....699, 701	1001163136 55, 57	1001164971 715	1001167281.....801
1001161538.....515	1001163151 649	1001164972 715, 723	1001167357.....253, 255
1001161564.....39	1001163170 649	1001165022 547	1001167437.....745
1001161664.....239, 243, 337	1001163174 1030	1001165022J..... 545	1001167493.....57
1001161672.....673, 675	1001163210 1030	1001165080 513, 537	1001167528.....947
1001161769.....873, 875	1001163212 1030	1001165171 55, 57, 59	1001167528.....947
1001161770.....883, 887	1001163222 1030	1001165172 55, 57, 59	1001167608.....987, 989
1001161771.....885, 889	1001163223 1030	1001165194 947	1001167616.....932
1001161854.....612, 616, 619	1001163227 239, 243, 247	1001165269 633, 635	1001167620.....947
1001161855.....612, 616	1001163230 239, 243, 323	1001165270 633	1001167624.....947
1001161896.....673, 675	1001163231 239, 320	1001165273 635	1001167641.....932
1001161897.....673, 675	1001163232 239, 299	1001165275 539	1001167646.....925
1001161898.....673, 675	1001163233 239, 925	1001165276 545	1001167648.....932
1001161920.....279, 281	1001163235 239, 331	1001165309 966	1001167649.....932
1001161957.....967, 971	1001163238 243, 269	1001165310 966	1001167650.....932
1001161959.....881	1001163239 243, 259	1001165311 971	1001167656.....932
1001161963.....967, 972	1001163241 243, 316	1001165327 635	1001167657.....932
1001161978.....712	1001163242 243, 929	1001165351 633	1001167695.....867, 1007
1001162076.....757, 775	1001163244 277, 285	1001165360 995, 997	1001167761.....81, 83, 85
1001162212.....299	1001163245 277, 281	1001165367 55, 57, 59	1001167762.....81, 83, 87
1001162239.....21, 23	1001163246 277, 281	1001165407 633	1001167799.....867
1001162240J.....23	1001163247 275, 277, 293	1001165416 633	1001167806.....89
1001162281.....295, 301	1001163248 275, 283	1001165455 633	1001167937.....543
1001162339.....697	1001163249 275, 279	1001165458 633	1001167958.....537, 543
1001162346.....697	1001163253 301, 313	1001165637 603	1001167971.....313
1001162365.....697	1001163254 253, 255, 257	1001165699 873	1001168030.....275, 277
1001162366.....697	1001163285 1030	1001165827 847	1001168031.....1009
1001162469.....55, 57	1001163300 1030	1001165831 415, 417, 419, 421, 423, 425, 427, 429, 431, 433, 435, 437, 439	1001168038.....794
1001162597.....301	1001163304 1030	1001165978 491, 493	1001168041.....794
1001162600.....757, 767	1001163323 1030	1001166163 61, 63	1001168054.....699, 701
1001162660.....801, 803	1001163340 880	1001166233 61	1001168142.....673, 675
1001162661.....803	1001163355 1030	1001166235 61, 63	1001168151.....673, 675
1001162662.....801, 1056	1001163371 883, 893	1001166385 649	1001168264.....489, 505
1001162663.....803	1001163414 137, 139, 143, 145, 153, 155, 761	1001166397 957	1001168272.....303
1001162667.....803	1001163546 301	1001166416 279, 281	1001168281.....39
1001162670.....685, 687, 719	1001163637 291	1001166430 283, 285	1001168327.....586
1001162674.....719, 721	1001163639.. 1001, 1057	1001166449 269, 271	1001168330.....586
1001162685.....769, 771	1001163704 59	1001166450 271	1001168331.....586
1001162765.....801	1001163712 59	1001166451 269	1001168341.....53, 55
1001162789.....509, 633	1001163723 287	1001166565 259, 265	1001168342J.....55
1001162886.....880	1001164019 47	1001166566 261, 263	1001168368.....55
1001162887.....880	1001164036 757, 789	1001166634 539, 545	1001168456.....586
1001162920.....657	1001164183 47	1001166670 947	1001168464.....725, 745
1001162922.....657	1001164402 957, 959	1001166716 259	1001168469.....685, 687, 717
1001162953.....586, 597	1001164404 301	1001166727 1017	1001168482.....857, 859
1001162979.....673	1001164436 39	1001166754 499	1001168486.....73
	1001164454 39	1001166755 499	1001168546.....53, 57
	1001164498 569, 571, 573	1001166763 883	1001168547.....57
	1001164567 93	1001166764 885	1001168560.....301
		1001166925 281	1001168561.....57
			1001168567.....57, 69
			1001168587.....57
			1001168589.....59

SECTION 13 - SPECIAL OPTIONS/ACCESSORIES/KITS

1001168602..... 53, 59	1001169965.....275, 277	1001172035..1026, 1030,	1001173541..... 53, 65
1001168603..... 59	1001170071.....33	1034, 1038	1001173546..... 275, 277
1001168629..... 715, 723	1001170072.....33	1001172075.....755	1001173626..... 295
1001168630..... 59, 71	1001170100.....685, 687,	1001172077.....755	1001173702..... 745, 747
1001168632..... 71	689	1001172078.....755	1001173739..... 91
1001168638..... 301, 303	1001170171.....337, 339,	1001172088.....657	1001173765..... 833, 941
1001168644..... 39	343, 345, 347, 349,	1001172094.....657	1001173849..... 869
1001168658..... 53	351, 353, 355, 357,	1001172134.....83, 755	1001173956..... 697
1001168760..... 27, 29	359, 361, 363, 365,	1001172146.....35	1001173957..... 697
1001168761..... 29	367, 369, 371, 373,	1001172147.....35	1001173965..... 612, 616
1001168764..... 715	375, 377, 379, 381,	1001172178.....327	1001174271..... 301, 309
1001168771..... 271	383, 385, 387, 389,	1001172193.....515, 523,	1001174295..... 537, 549
1001168782..... 441, 445	391, 393, 395, 397, 399	545	1001174320..... 523
1001168783..... 409, 441	1001170215.....943	1001172344.....73, 79	1001174321..... 539
1001168784..... 411, 415	1001170231.....657	1001172345.....73, 77	1001174338..... 712
1001168785..... 409, 411	1001170320.....943, 945	1001172346.....73, 75	1001174356..... 275, 277
1001168786..... 409	1001170326.....565	1001172350.....75	1001174426..... 861, 865
1001168795..... 247	1001170366.....509, 559	1001172352.....77	1001174478..... 39, 671
1001168797..... 247	1001170374.....519	1001172353.....77	1001174581..... 619
1001168822..... 299	1001170495.....511, 519	1001172401.....507, 509,	1001174712..... 1021
1001168831..... 69	1001170500.....513, 527	567	1001174741..... 625
1001169009..... 239	1001170502.....527, 535	1001172495.....855	1001174795..... 305
1001169011..... 239, 271	1001170504.....612, 616	1001172496.....855	1001174796..... 983
1001169012..... 239, 261	1001170515.....569, 571,	1001172536.....1011	1001174800..... 625
1001169146..... 957	573	1001172547.....583, 586,	1001174801..... 625
1001169151..... 586, 835	1001170518.....612, 616	1057	1001174832..... 279
1001169155..... 269, 271	1001170549.....697	1001172550.....583, 586	1001175201..... 303
1001169173..... 275, 277	1001170566.....961, 963	1001172553.....583, 586	1001175265..... 880, 971
1001169174..... 275, 277	1001170601J.....537	1001172591.....279, 281	1001175267..... 967, 972
1001169207..... 293	1001170603.....513, 551	1001172606.....612	1001175269..... 323
1001169209..... 71	1001170616.....407	1001172608.....612	1001175347..... 712
1001169214..... 71	1001170624.....961, 963	1001172644.....29	1001175368..... 49
1001169265..... 23	1001170628..... 81	1001172728.....861, 863	1001175470..... 565
1001169268..... 665, 1057	1001170631.....83	1001172755.....316, 320	1001175471..... 559, 563
1001169278..... 53, 61	1001170645.....27, 29	1001172774.....637	1001175477..... 537
1001169279..... 61, 63	1001170665.....27, 29	1001172822.....39, 1005	1001175570..... 717
1001169281..... 53, 63	1001170712.....91	1001172953.....285	1001175577... 705, 1015
1001169350..... 401, 409	1001170717.....609	1001172954.....401, 403	1001175683..... 91
1001169351..... 401, 407	1001170740.....943	1001172979.....1041	1001175699..... 712
1001169354..... 677, 679	1001170741.....943	1001172994.....91	1001175713..... 699, 701
1001169355..... 679	1001170749.....943	1001172995.....91	1001175718..... 689
1001169365..... 961, 963	1001170816.....943, 945	1001172996.....91	1001175733..... 1013
1001169367..... 679	1001170944.....539	1001172997.....91	1001175741..... 705
1001169373..... 63	1001170993.....563	1001173091.....947, 961	1001175776.. 1011, 1013
1001169375..... 689	1001171037.....547	1001173092.....995, 999	1001175789..... 685, 699
1001169376..... 689	1001171153.....31, 33	1001173257.....641	1001175814..... 717
1001169378..... 689	1001171154.....31, 35	1001173298.....537	1001175903..... 616
1001169379..... 63	1001171179.....35	1001173411.....893	1001175904..... 612
1001169393..... 293	1001171182.....535	1001173419.....509	1001176004..... 947
1001169409..... 299	1001171183.....535	1001173422..1026, 1030,	1001176121..... 559, 565
1001169410..... 299	1001171242.....489	1034	1001176164..... 605
1001169454..... 33	1001171277.. 1026, 1030,	1001173429.....1026	1001176228..... 243
1001169461..... 35	1034, 1038	1001173431.....1034	1001176272..... 519, 551
1001169602..... 33	1001171318.....27	1001173433.....1030	1001176273..... 519, 551
1001169603..... 612, 616	1001171450.....53	1001173446.....712	1001176333..... 897
1001169604..... 616	1001171634.....547	1001173450.....712	1001176338..... 901
1001169605..... 612, 616	1001171701.....301	1001173451.....712	1001176515..... 105
1001169674..... 1041	1001171756.....633	1001173452.....275, 277	1001176626..... 519, 551
1001169751..... 677	1001171764.....81, 93	1001173457.....275, 277	1001176935..... 932, 947
1001169763..... 665	1001171767.....563	1001173468.....27, 29	1001176945..... 301
1001169825..... 921	1001171772.....27, 29	1001173471.....53, 697	1001177597..... 879, 933,
1001169830..... 699, 701,	1001171808.....89	1001173527... 1015, 1017	1056
712	1001171874.....657	1001173530.....831, 961	1001177654J..... 49
1001169850..... 295	1001171885.....21	1001173531.....831, 943	1001177702..... 729
1001169881..... 537, 545	1001171889.....497	1001173538.....65	1001177704..... 712
1001169883..... 547	1001171890.....497, 501	1001173539.....65	1001178123..... 633
1001169885..... 547	1001171962.....1009	1001173540.....65	1001178170..... 586

SECTION 13 - SPECIAL OPTIONS/ACCESSORIES/KITS

1001178670.....675, 823	1001184017 257	1001188618 595	1001192720.....235
1001178706.....1047	1001184056 857	1001188619 595	1001192766.....537, 541
1001178729.....493	1001184076 23	1001188637 689	1001192836.....493
1001178783.....901	1001184280 595	1001188720 591, 595	1001192875.....235
1001178791.....303	1001184296 591, 595	1001188725 591, 595	1001192876.....235
1001178826.....631	1001184297 591, 595	1001188729 591, 595	1001192877.....235
1001178933.....873	1001184403 599	1001188733 591	1001193026.....253, 255
1001179008.....529, 531, 533, 631	1001184404 599	1001188787 857, 859	1001193171.....833, 945
1001179009.....529, 531, 533, 631	1001184405 599	1001188817 595	1001193210.....545
1001179080.....597	1001184406 599	1001188818 595	1001193540.....235
1001179081.....597	1001184427 595	1001188971 712	1001193577.....91
1001179130.....597, 599	1001184439 537	1001189023 595	1001193578.....91
1001179206.....295, 301	1001184473 981	1001189024 595	1001193579.....91
1001179297.....1047	1001184479 981	1001189025 591, 595	1001193729.....235
1001179376.....279	1001184484 857, 859	1001189046 925	1001193771.....689
1001179484.....619	1001184491 955	1001189048 595	1001193993.....939, 941
1001179548.....27	1001184493 955	1001189054 595	1001194282.....675
1001179968.....295, 297	1001184496 955	1001189224 691, 693	1001194286.....239, 951
1001179972.....295	1001184551 936	1001189299 693	1001194421.....879, 903
1001179973.....297	1001184632. 1026, 1030, 1034, 1038	1001189308 693	1001194534.....259
1001180076.....243, 329	1001184640 757, 793	1001189492 57	1001194785.....91
1001180078.....329	1001184835 925, 955	1001189605 691	1001194787.....91
1001180226.....297	1001184975 616	1001189606 693	1001194789.....91
1001180227.....297	1001185179 612, 616	1001189663 693, 695	1001194978.....37
1001180242.....243, 953	1001185278 261	1001189714 55	1001194981.....801
1001180263.....637, 641	1001185497 271	1001189793 57, 59	1001195089.....951, 953
1001180306.....712	1001185498 269	1001189888 794	1001195217.....689
1001180542.....283, 285	1001185505 271	1001190179 849	1001195342.....601
1001180553.....283, 285	1001185633 627	1001190322 933, 935	1001195343.....601
1001180620.....957	1001185823 936	1001190347 612	1001195345.....601
1001180682.....901	1001185824 936	1001190585 943	1001195346.....601
1001180683.....901	1001185846 627	1001190589 612, 616	1001195385.....601
1001181128.....939, 941	1001186225 337	1001190670 849, 851, 855	1001195386.....601
1001181411.....535	1001186342 316, 320	1001190671 849, 851, 979	1001195437.....601
1001181531.....869, 871	1001186418 712	1001190921 932	1001195438.....601
1001181537.....39	1001186705 257	1001190980 316	1001195518.....247
1001181543.....667	1001186843 712	1001191091 549	1001195781.....933
1001181625.....283, 285	1001186898 259, 261	1001191168 309	1001195782.....933
1001181815.....295	1001187070 932, 933, 935, 936	1001191229. 1026, 1030, 1034, 1038	1001195849.....1026
1001181920.....519, 551	1001187075 967	1001191348 295	1001195851.....1030
1001181921.....519, 551	1001187076 966, 972	1001191486 925	1001195855.. 1026, 1030, 1038
1001181961.....853	1001187077 909, 947	1001191487 1030	1001195878.....515, 523
1001182011.....283, 285	1001187078 839, 909, 935, 972	1001191503 755	1001195883.....983
1001182012.....283, 285	1001187079 839, 933, 935, 967	1001191505 755	1001195970.....121
1001182094.....331	1001187080 933, 967	1001191603 41	1001195972.....503
1001182123.....519, 551	1001187335 503, 505	1001191617 612, 616	1001196076.....569, 571, 573
1001182139.....519, 551	1001187532 865	1001191635 41	1001196100.....995
1001182279.....721, 799	1001187623 945	1001192042 717	1001196289.....917, 919
1001182328.....627	1001187624 945	1001192142 939, 941, 1057	1001196404.....23
1001182671.....663	1001187785 61, 63	1001192240 619	1001196422.....23
1001182839.....555	1001188048 503, 505	1001192303 833	1001196426J.....23
1001182911.....723	1001188244 55	1001192305 833, 963	1001196440.....313, 316, 320
1001183024.....517, 525, 1057	1001188372. 1026, 1030, 1034, 1038	1001192309 537	1001196491.....257
1001183177.....261	1001188590 583, 586	1001192341 723	1001196634.....915
1001183221.....863	1001188592 595	1001192393 843	1001196806.. 1026, 1030, 1038
1001183550.....619	1001188594 591, 595	1001192394 847	1001197027.....569, 575
1001183759.....301	1001188602 591, 595	1001192435 705	1001197138.....657, 659, 1056
1001183827.....267	1001188603 591, 595	1001192468 951, 953	1001197139.....657, 661
1001183829.....267	1001188604 591, 595	1001192471 951, 953	1001197217.....629
1001183830.....261	1001188610 591, 595	1001192643 541	1001197218.....629
1001183831.....259	1001188612 591, 595	1001192644 543	1001197219.....629
1001183835.....259, 261, 267	1001188614 591, 595	1001192646 537	1001197259.....629
1001183836.....301		1001192711 235	

SECTION 13 - SPECIAL OPTIONS/ACCESSORIES/KITS

1001197282	1001	1001203932.....	21	1001210342.....	1060	1001215531	539
1001197299	316, 320	1001203933.....	21	1001210390.....	755, 785	1001215941	273, 1057
1001197339	21	1001203934.....	21	1001210450.....	957	1001217467	331
1001197407	932, 936	1001204032.....	273, 805	1001210707.....	35	1001218255	213
1001197600	789, 821	1001204045.....	59	1001210775.....	691, 693	1001218341	49
1001197709	471	1001204047.....	59	1001210782.....	501	1001218358	839
1001197715	471	1001204060.....	993	1001211041.....	647	1001218524	709
1001197716	471	1001204066.....	539	1001211059.....	857, 859	1001218542	583, 586
1001198291	471	1001204086.....	23	1001211139.....	149, 151	1001218659	1026
1001198321	939, 941	1001204095.....	849, 977	1001211428.....	327	1001218704	1026
1001198355	235	1001204115.....	539	1001211429.....	327	1001218996	583, 586
1001199099	939, 941	1001204120.....	539	1001211432.....	33, 327	1001219076	612, 616
1001199183	845	1001204144.....	301	1001211516.....	147	1001219082	273
1001199328	1061	1001204152.....	699, 701	1001211693.....	873	1001219191	701, 709
1001199333	1060	1001204225.....	657	1001211747.....	327	1001219211 .	1030, 1034, 1038
1001199334	1060	1001204486.....	23	1001211775.....	967	1001219212	1026
1001199362	1061	1001204528.....	991	1001211907.....	612, 616	1001219220	519, 551
1001199366	1061	1001204530.....	991	1001211919.....	1060	1001219865	612, 616
1001199376	1060	1001204598.....	509	1001211944.....	851	1001220540	499
1001199378	1061	1001204709.....	631	1001211985.....	1060	1001220760	337
1001199380	1060	1001205172.....	933, 1057	1001211987.....	1060	1001220817	995
1001199381	1060	1001205254.....	945	1001211991.....	1060	1001220829	995
1001199382	1060	1001205255.....	945	1001211992.....	1060	1001221057	595
1001199670	309	1001205335.....	75	1001212011.....	549	1001221058	595
1001200082	961, 963	1001205402.....	521	1001212047.....	529	1001221059	583, 586
1001200101 .	1026, 1030, 1034, 1038	1001205532.....	537, 539	1001212048.....	531	1001221295	583, 586
1001200102	943, 945	1001205756.....	699, 701	1001212049.....	529	1001221318	553, 555
1001200152	1021	1001205976.....	553	1001212050.....	531	1001221319	553, 555
1001200206	909	1001206019.....	331	1001212369.....	603	1001221504	461
1001200239	329	1001206332.....	253	1001212419.....	1043	1001221520	701
1001200538	991	1001206371.....	1045	1001212470.....	869, 871, 1057	1001221527	701
1001200539	993	1001206432.....	53	1001213065.....	39, 797	1001221742	701
1001200555	251	1001206448.....	253	1001213126J.....	23	1001221749	675
1001200989	55, 57, 59	1001206588.....	316, 320	1001213200J.....	461	1001221941	905
1001201162	917	1001206746.....	29	1001213210.....	309, 311	1001222609	667, 669, 1056
1001201331	633	1001206980.....	273	1001213286.....	1060	1001222650 .	1026, 1034, 1038
1001201646	27, 29	1001207171.....	933	1001213289.....	1061	1001222715	929, 935
1001201885	903	1001207173.....	966	1001213289.....	1061	1001222741	539
1001202133	645	1001207217.....	1026	1001213331.....	539	1001223265	612, 616
1001202134	643	1001207218.....	1034	1001213334.....	1060	1001223453 ..	1026, 1030
1001202138	643	1001207282.....	327	1001213336.....	1060	1001223455	879, 880
1001202247	273	1001207291J.....	39	1001213339.....	1060	1001223456	881
1001202247	273	1001207292.....	39	1001213340.....	1060	1001223457	880, 881
1001202371	1060	1001207343.....	27, 29	1001213342.....	1060	1001225462	703, 705
1001202454	871	1001207343.....	27, 29	1001213342.....	1060	1001225464	703, 705
1001202487	273	1001207557.....	327	1001213343.....	1060	1001225467	713
1001202491	273	1001207557.....	327	1001213344.....	1060	1001225681	703
1001202498	977	1001207594.....	525, 555	1001213344.....	1060	1001225682	705
1001202498	977	1001207606.....	203	1001213349.....	1060	1001225749	685, 687, 725
1001202512	489, 505	1001207963.....	612, 616	1001213350.....	1060	1001225750	725, 731
1001202513	489	1001208106.....	501	1001213752.....	553, 555	1001225751	731, 733
1001202519	917	1001208186.....	295	1001213791.....	537	1001225752	733, 735
1001202526	299	1001208192.....	647	1001213988.....	873, 877	1001226035	703, 751
1001202617	917	1001208308.....	612, 616	1001214092.....	603	1001226575	687, 701
1001202620	1009	1001208338.....	489	1001214156.....	625	1001226636	909
1001202621	1009	1001208643.....	1061	1001214167.....	1061	1001226637	909
1001202622	1009	1001208644.....	1061	1001214220.....	657	1001226799	905, 907
1001202786	489, 505	1001208646.....	1060	1001214326.....	507, 509, 521	1001226876	769
1001202847	712	1001208847.....	1061	1001214331.....	507, 511	1001227056	705, 707
1001202904	221, 223, 225, 227, 229, 231, 233	1001208881.....	713	1001214332.....	509, 513	1001227077	273
1001202986	39, 316, 320, 929, 961, 963	1001209028.....	553	1001214401.....	555	1001227137	705
1001203067	699, 701	1001209387.....	25	1001214468.....	717	1001227186	523
1001203181	273, 1057	1001209388.....	23	1001214480.....	673, 675	1001227187	545
1001203225	871	1001209463.....	649	1001214535.....	627		
1001203502	712	1001209625.....	1030	1001214653.....	797		
1001203503	235	1001209899.....	519, 551	1001214654.....	797		
		1001209981.....	1061	1001215319.....	305, 307		
		1001210340.....	693	1001215476.....	273		
		1001210341.....	1060				

SECTION 13 - SPECIAL OPTIONS/ACCESSORIES/KITS

1001227188.....545	1001231692..... 107	1001239961 1061	1001257067.....553
1001227297.....905, 907, 909	1001231801 1026	1001241308 541	1001257069.....553
1001227379..... 185	1001232147 43	1001241337 561	1001257071.....681
1001227382..... 187	1001232288 921, 939	1001241610 873, 899	1001257087.....553
1001227386.....685	1001232299 43, 45	1001241836 21	1001257763..... 712
1001227388.....687	1001232336 43, 45, 47	1001241837 465, 469	1001258099.....561
1001227497.....685, 687, 712	1001232338 43	1001241841 465	1001258244.....581
1001227670..... 105, 109, 113, 115, 117, 119, 123, 125, 127, 129, 131, 133, 135, 137, 139, 141, 143, 145, 147, 149, 151, 153, 155, 159, 203, 208, 213, 221	1001232355 193	1001241842 469	1001258245.....581
1001227676.....757	1001232377 713	1001241848 465	1001258563.....517, 553
1001227677.....757, 769	1001232439 975	1001241849 469	1001258605..... 181
1001227802.....537	1001232500 107	1001241879 735, 813	1001258644.....457, 517, 525
1001227964.....273	1001232556 975	1001242098 671, 1056	1001258798..... 459
1001228273.....273	1001232588 47	1001242644 131	1001258808.....517
1001228643.....273	1001232624 975	1001243187 1060	1001258809.....525
1001228872.....299	1001232751 849, 975	1001243214 157	1001258862.....517, 525
1001228989.....991, 993	1001233383 137	1001244192 991, 993	1001259062.....517, 525, 1003
1001229235.....491	1001233384 143	1001244193 991, 993	1001259082..... 859
1001229540.....621	1001233385 153	1001245914 1061	1001259141..... 713
1001229541.....623	1001234127 743, 819	1001246001 487	1001259206..... 191
1001229550.....621	1001234139 45	1001246022 157	1001259457.....487
1001229551.....623	1001234253 45	1001246391 932, 936	1001259635.....487
1001229575.. 1026, 1030, 1034	1001234277 741	1001246533 39	1001260509.....955
1001229707..... 1049	1001234455 25	1001247421 .. 1011, 1057	1001260572.....713
1001229799..... 1061	1001234800 936	1001249695 .. 1060, 1061	1001260573.....713
1001229955.....905	1001235100 327	1001249941 .. 1060, 1061	1001260599.....713
1001230107..... 1061	1001235696 925, 932	1001250161 901	1001260947..... 1061
1001230163.....549	1001235794 1038	1001250331 715, 723	1001262072..... 869, 871
1001230239..... 107	1001235796 1038	1001251073 793, 794	1001262336.....445, 452
1001230241..... 107	1001235797 1038	1001251095 757, 781, 783	1001262959..... 1061
1001230310..... 1026	1001235798 1038	1001252086 1061	1001263011.....475
1001230311..... 1030	1001235799 1038	1001252522 775	1001263046.....755
1001230402..... 839	1001235800 1038	1001252567 739, 815	1001263075..... 1061
1001230403..... 839, 840	1001235801 1038	1001252571 737	1001264415.....553
1001230404..... 840	1001235802 1038	1001253078 712	1001264700..... 475
1001230599.....985	1001235803 1038	1001253079 712	1001264713..... 475
1001230623.....985, 987	1001235804 1038	1001253083 717	1001264844..... 1019
1001230713J.....491, 493	1001235805 1038	1001253086 713	1001264861..... 1019
1001230765.....157, 159, 161, 163, 165, 167, 169, 171, 173	1001235807 1038	1001253088 717	1001264884..... 757, 781
1001230931..... 879	1001235808 1038	1001253089 712	1001264976.....589, 593
1001231002.....313	1001235809 1038	1001253097 699, 701	1001265008..... 893
1001231003.....313	1001235921 1061	1001253099 712	1001265200..... 645, 1019
1001231244.....493	1001235963 21, 25	1001253102 712	1001265372..... 1060
1001231397..... 839, 840	1001236308 1038	1001253103 699, 701	1001265378..... 1060
1001231398..... 839, 840, 903, 967	1001236312 1038	1001253107 713	1001266488..... 573
1001231400.....839, 840, 903, 967	1001236542 505	1001253112 712	1001266971.....961, 963, 971
1001231401..... 839, 840	1001237212 880	1001253154 699	1001267969..... 789, 791
1001231402..... 840	1001237845 533	1001253155 701	1001267970.....775, 777
1001231404.....840, 903, 967	1001237846 1053	1001253156 699	1001268341..... 1060
1001231406.....840, 903, 967	1001237852 533	1001253158 701	1001268744.....573, 903
1001231407.....273, 837	1001238560 103, 235	1001253159 717	1001268804..... 573
1001231483.....273, 839	1001238565. 97, 99, 101, 103	1001253160 712	1001268827..... 583, 589
	1001238566 235	1001253252 737, 739	1001268828.....589, 591
	1001238570 235	1001253253 741, 743	1001268829.....589, 593
	1001238653 97	1001253331 975	1001268830.....589, 593, 981
	1001238654 101	1001253371 731, 741	1001268831.....586, 593
	1001238655 99	1001254185 905, 907, 911	1001268832.....593, 595
	1001238953 1060	1001254390 1060	1001268846..... 612, 616
	1001239194 907	1001254400 1060	1001269555.....591, 595
	1001239249 907	1001254401 1060	1001269556.....591, 595
	1001239510 307	1001255901 915	1001269558.....591, 595
	1001239511 307	1001256073 515, 523	1001269559.....591, 595
	1001239539 273	1001256952 673, 675	1001269560.....591, 595
	1001239734 137, 139, 143, 145, 153, 155	1001256974 681, 1057	1001269561.....591, 595
	1001239793 869, 871, 1057	1001257058 553	
		1001257059 553	

SECTION 13 - SPECIAL OPTIONS/ACCESSORIES/KITS

1001269563 591, 595	1001279167..... 1041	1319594..... 353, 355, 357, 359, 361, 363	1706288 1034
1001269564 591, 595	1001279210..... 303, 305	1319595..... 353, 355, 357, 359, 363	1706292 1034
1001269578 595	1001281182..... 477	1319596..... 357, 359, 363	1706296 1026
1001269579 595	1001281184..... 477	1319600..... 353, 355, 357, 359, 361, 363	1706299 1026
1001270117 565	1001281186..... 477	1319601..... 353, 355, 357, 359, 361, 363	1706300 1026
1001270466 873	1001281268..... 961, 963, 966	1319602..... 353, 355, 357, 359, 361, 363	1706301 1026
1001270467 957, 1057	1001281297..... 333	1319605..... 357, 359, 363	1706302 235, 1026
1001270468 957, 1057	1001281298..... 333	1319607 357	1706306 1026
1001270976 583, 586	1001281301..... 333	1319608..... 357, 367	1706768 1026
1001271436 885, 891	1001281302..... 333	1319614 359	1706850 1026
1001272659 913	1001281303..... 333	1319615..... 353, 355, 359, 363	1706892 97
1001272890 1061	1001281304..... 333	1319617 353, 355	2080040 103
1001272892 1061	1001281305..... 333	1319618..... 353, 355	2080078 535
1001272997 915	1001281354..... 333	1319620..... 353, 355	2080086 515, 523
1001273012 913, 915	1001281360..... 333	1319621 353, 355	2080087 515, 523
1001273075 983	1001281468..... 333	1319622..... 353, 355	2080092 559
1001273635 987, 991, 993	1001281656..... 333	1319623..... 353, 355	2110404 703
1001273991 879	1001281888..... 333	1319624..... 353, 355	2110406 735, 739
1001274257 1061	1001282009..... 333	1319625..... 353, 355	2110408 729
1001274302 1061	1001282010..... 333	1319626..... 353, 355	2110604 739
1001274303 483	1001282011..... 333	1319627 353, 355	2110606 ... 137, 139, 143, 145, 153, 155, 729, 735, 739, 743, 807
1001274304 483	1001282322..... 873, 879	1319628..... 353, 355	2110610 695, 721
1001274305 483, 1061	1001283420..... 885, 897	1319629..... 353, 355	2110808 39, 413, 709, 729, 739, 749
1001274306 485	1001283990..... 333	1319630..... 353, 355	2110810 695, 793
1001274307 485, 1061	1001287742..... 117, 119	1319631 353, 355	2111008 705, 739, 743
1001274533 981	1001289105..... 457, 459	1319632..... 353, 355	2111010 705, 729, 735
1001274534 981	1001289296..... 457, 459	1319633..... 363	2111212 769
1001274535 981	1001290669..... 457	1319635..... 363	2111616 735, 801
1001274536 981	1001290670..... 459	1319636..... 353, 355, 363	2130404 673, 675, 705
1001274537 981	1001293104..... 507	1319638..... 353, 355	2130406 715, 729
1001274538 981	1001293182..... 151, 765	1319647 399	2130604 703, 705
1001274539 981	1001294815..... 1049	1319648..... 399	2130606 ... 135, 723, 735, 739, 807
1001274540 981	1001301599..... 149, 151	1319683 371	2130608 135
1001274541 981	1001301600..... 149, 151	1319684..... 371	2130806 723
1001274543 981	1060379 103	1319685..... 371	2130808 ... 137, 139, 143, 145, 153, 155, 673, 675, 739
1001274544 981	1060626 855, 979	1319686..... 371	2130810 287, 695
1001274553 981	1062255 ... 239, 253, 905, 907, 925, 929	1319687 371	2131010 287
1001274718 1061	10700681 201	1319688 371	2131210 337, 735
1001274719 479	10705034 135	1319689 371	2131212 293
1001274720 479	10713707 957	1319694 371	2131616 287, 739
1001274721 479, 1061	10719267 269	1319719..... 375	2144605 413, 443
1001274889 1061	10725554 423, 452	1320022..... 586	2150404 695, 785
1001274890 1061	10731709 .. 349, 371, 375	1320219..... 713	2150808 ... 443, 709, 749
1001274891 1061	10731744 351	1320748..... 395, 397	2151210 703, 705
1001274892 1061	10731845 .. 357, 359, 363	1320754..... 395, 397	2151212 703, 705
1001275150 1061	10731959 399	1321094..... 241, 245	2160016 ... 39, 55, 57, 75, 77, 85, 715, 723
1001275637 465, 469, 477	10732071 371	1321329..... 697	2170108 729
1001275638 465, 469, 477	10732072 371	1321752..... 717	2170110 735
1001275841 117, 119	10732095 369	1322039..... 241, 245	2170208 673, 675
1001275852 119	10837928 813	1322040..... 241, 245	2170212 293
1001275853 117	10837929 813	1701509..... 103	2170216 287
1001275929 571, 577	10837937 813	1702631..... 1026, 1030, 1034, 1038	2170306 723, 735
1001275931 573, 579	1170021 133	1702773..... 97, 99, 101	2170308 689, 709
1001275933 577, 581	1170024 141	1704277 103	2170316 287
1001276666 155	120034 873, 883, 885	1704885..... 97, 99, 101	2170350 739
1001276667 155	1319229 343	1706098..... 1034	2170404 721
1001276760 1041	1319436 393	1706281 1034	2170406 743
1001276761 1041	1319558 347	1706282 1034	2170510 713
1001276920 913	1319563 347	1706284 1034	2170806 413, 443, 739
1001276923 1060	1319571 ... 349, 351, 367, 381, 393	1706285 1034	2170810 743
1001277290 139	1319576 367		
1001277338 145	1319590 349		
1001278028 857	1319593 ... 353, 355, 357, 359, 361, 363		
1001278325 1061			
1001278919 305			

SECTION 13 - SPECIAL OPTIONS/ACCESSORIES/KITS

2171308.....691, 693	3291005..... 89, 691, 693, 715, 723, 943, 945, 961, 963	4032017 737	4460748.....933
2172106....137, 139, 143, 145, 153, 155, 735	3291007 117, 119	4060807 713	4460761.....839, 877
2172108.....691, 695	3291201...43, 45, 55, 741	4060919 699, 701, 712	4460789.....835, 932
2180467.....291	3291205...39, 75, 77, 659	4105262 89	4460809.....839
2200223.....249, 275	3291605 75, 77, 79, 85	4109801 1026, 1030, 1034, 1038	4460836.....893, 967, 968
2200224.....283, 285	3292001 501	4110422 ... 107, 109, 111, 113, 115, 117, 119	4460884....839, 879, 894, 919, 947, 967, 971, 1019
2220218.....329	3300240 ... 133, 137, 139, 141, 143, 145, 147, 153, 155	4110473 135	4460891....839, 932, 933, 935, 947, 966, 971, 1005, 1007, 1017, 1019
2220237.....275, 277	3311405 47, 103	4240032 905, 907, 913	4460894....879, 880, 947, 966, 971, 997
2220239.....801	3311502 235	4240033 645	4460897....880, 891, 966
2220240.....801	3311505 569, 571, 573	4240099 ... 693, 699, 701, 977, 979	4460899....835, 880, 899, 966, 1005
2220242.....287	3311508 855	4460225 880, 893	4460906.....893
2220415.....149, 151	3331615 247	4460234 905, 907	4460930....880, 897, 933, 947, 971
2220473.....149, 151	3332011 53, 499	4460265 880	4460931.....863
2220810.....329	3340829 47	4460267 ... 877, 880, 881, 893, 894, 897	4460932....837, 879, 894, 915, 966, 989, 1003, 1013
2220883....794, 797, 821	3391410 235	4460268 ... 877, 880, 881, 893, 894, 897	4460933....880, 909, 932, 936, 966, 967, 971, 1005
2220885.....723	3421453 103	4460321 839, 877	4460934.....932
2220886.....797	3423242 141, 143, 145	4460343 ... 880, 881, 893, 894, 897	4460935.....932
2221116.....739	3423275 133, 137, 139	4460367 894, 897	4460941....835, 879, 891, 894, 971, 997, 999, 1005
2221229.....721	3423276 ... 147, 149, 151, 153, 155	4460434 880, 881, 897	4460942....891, 893, 894, 966, 967, 968, 971, 997, 1005, 1019
2221244.....713	3423307 ... 137, 139, 143, 145, 153, 155	4460458 ... 839, 933, 936, 971, 989	4460943....863, 879, 891, 936
2340037.....175	3440620 107	4460464 ... 835, 837, 839, 863, 879, 880, 899, 903, 909, 915, 932, 935, 947, 966, 971, 989, 1003, 1005, 1013	4460944....879, 897, 911, 932, 947, 967
2340038.....179	3520072 103	4460465 ... 839, 879, 880, 891, 893, 897, 909, 911, 919, 932, 933, 935, 936, 947, 966, 967, 968, 971, 1005, 1007, 1017, 1019	4460945....839, 879, 966
2340039.....189	3520186 41	4460466 ... 839, 863, 879, 880, 891, 897, 899, 909, 911, 919, 932, 933, 935, 936, 947, 966, 967, 968, 971, 989, 997, 999, 1003, 1005, 1007, 1019	4460950....932, 935, 966, 1005
2340045.....177	3520198 103	4460467 1061	4460955.....933, 935
2400060.....909	3575947 323	4460475 839	4460970....932, 935, 966, 971, 997, 999, 1005
24921332.....295, 301	3740080 ... 273, 903, 966, 1057	4460496 ... 873, 885, 933, 935	4460982.....947
2600281.....103	3760170 103	4460497 ... 873, 885, 933, 935	4460984.....879
2716143.....213	3760348 657	4460508 863, 932, 935	4460994.....894, 1019
2717160.....135	3760463 65	4460509 966, 968, 971	4461005.....933, 935
2717161.....135	3760493 65, 723	4460510 1061	4461006.....932, 935
2717162.....135	3790151 273	4460518 839, 966, 967	4461015...891, 966, 1019
2717283.....135, 773	3790152 273	4460536 903, 1005	4461016.....879
2717287.....149, 151	3790228 712	4460539 ... 839, 879, 880, 897, 947, 966, 971, 1005	4461017.....863
2915023.....763	3820020 103	4460608 ... 932, 933, 935, 936	4461018.....971
2920207.....995	3841203 ... 137, 139, 143, 145, 153, 155	4460670 909	4461054.....933, 999
2920208.....995	3900379...27, 29, 621, 623	4460705 893	4461095.....932, 936
2940074.....103, 1056	3931632 737	4460708 893	4461115.....894, 989
31200160.....97	4000015 1057	4460742 839	4461118.....835, 971
31200386.....99	4010415 859	4460744 880	4461174.....983
31200387.....101	4010508002 612, 616	4460746 880, 936	4461262.....971, 1003
31200388.....101	4010510 667		4461290.....921
3251813.....1026, 1030, 1034, 1038	4010608002 537, 569, 571, 573, 612, 616, 625, 649		4469464.....933
3290401....583, 586, 929, 1009	4010610002 612, 616, 625, 857, 859		4520356.....487
3290405.....541, 857	4010612002 545		4520482.....473
3290501....873, 883, 885, 975, 1011	4031205 1009		4641122.....487
3290505.....91, 273, 561, 663, 681	4031607 681, 801		4641501.....807, 809
3290601.....91, 235, 251, 316, 320, 586, 625, 657, 727, 857, 859, 873, 929, 939, 941, 975, 987	4031608 925, 975		4641502.....135, 807
3290605 25, 71, 612, 616, 943, 945	4031608001 612, 616		4679000268.....47
3290607.....995	4031708 553		
3290801....253, 269, 271, 301, 309, 537, 653, 701, 925, 957	4031708001 609		
3290805....491, 493, 517, 525, 661, 747	4031910 637, 641		
3290806.....535	4031912 747		
3291001....259, 261, 275, 277, 295, 301, 941, 943	4031917 769		
	4031918 693		
	4031920 789		
	4031921 705		

SECTION 13 - SPECIAL OPTIONS/ACCESSORIES/KITS

4711400.....	103	4812102.....	33, 275, 277, 489, 505	70021378.....	131	70022936.....	208, 213
471678.....	633	4812300.....	.75, 77, 79, 247, 459	70021379.....	131	70022937.....	208, 213
4740003.....	87	4812500.....	53, 499, 501	70021382.....	131	70022938.....	213
4740274.....	275, 277	4831400.....	583, 586	70021387.....	109, 127	70022939.....	209, 213
4740532.....	719	4831600.....	801, 925, 975	70021389.....	131	70022940.....	213
4751400.....	47	4831700.....	313, 316, 320, 625	70021391.....	127	70022941.....	213
4761400.....	859	4831900.....	325, 583, 586, 657	70021392.....	127	70022942.....	208, 213
4761800.....	712	4832000.....	275, 277	70021393.....	127, 779	70022943.....	213
4807718.....	605	4832100.....	275, 277	70021399.....	127	70022944.....	213
4811400... ..	113, 115, 117, 119, 123, 125, 129, 133, 137, 139, 141, 143, 145, 147, 149, 151, 153, 155, 583, 586, 929, 1009	4871700.....	961, 963	70021415.....	109, 111	70022945.....	213
4811600.....	91, 273, 561, 612, 616, 925, 975, 1011	4891800... ..	137, 139, 143, 145, 153, 155	70021440... ..	105, 759, 779	70022946.....	209, 213
4811602001.....	612, 616	4892600.....	415, 445	70021444.....	759, 779	70022947.....	213
4811700... ..	25, 27, 29, 53, 71, 91, 235, 251, 309, 316, 320, 503, 505, 515, 523, 537, 553, 555, 569, 571, 573, 586, 609, 625, 633, 649, 657, 727, 873, 925, 929, 939, 941, 943, 945, 953, 957, 961, 963, 975, 987, 991, 993, 995	5220600.....	993	70021445.....	759	70022948.....	213
4811700001.....	612, 616	5220800.....	853, 855	70021446.....	759, 779	70022949... ..	208, 209, 213
4811702... ..	251, 267, 503, 505, 559, 625, 657, 673, 675, 843, 845, 847	5241000.....	117, 119	70021447.....	759, 779	70022950.....	208, 213
4811702001.....	537, 545, 612, 616, 667	5241600.....	755	70021448.....	759, 779	70022951.....	213
4811900... ..	33, 57, 59, 251, 253, 255, 291, 297, 301, 303, 309, 491, 517, 525, 537, 539, 557, 569, 571, 573, 586, 603, 627, 637, 639, 641, 653, 657, 673, 675, 689, 701, 703, 712, 741, 745, 747, 775, 801, 925, 929, 939, 941, 951, 957, 983, 1009	5242400... ..	235, 715, 723	70021451.....	759, 779	70022952.....	208
4811902... ..	21, 23, 27, 29, 261, 269, 271, 325, 583, 586, 625, 627, 712	5250608.....	601	70021452.....	759, 779	70022957.....	208, 214
4812000... ..	21, 25, 27, 29, 35, 41, 89, 257, 259, 261, 275, 277, 283, 285, 295, 297, 301, 323, 337, 457, 491, 493, 673, 675, 691, 693, 712, 715, 723, 733, 857, 859, 925, 939, 941, 943, 957, 961, 963, 995	5250814.....	27, 29	70021464.....	779	70022960.....	208, 214
481200221, 23, 259, 261, 275, 277		5271609.....	1011	70021465.....	779	70022966.....	214
4812100... ..	33, 35, 39, 55, 75, 77, 83, 247, 329, 331, 659, 741, 943, 945	5272012.....	457, 459	70021466.....	779	70022969.....	208, 214
		6604662.....	149, 151	70021526.....	367	70022970.....	208, 214
		70000656.....	371	70021531.....	817	70022971.....	213
		70002219.....	761	70021606.....	452	70022972.....	213
		70002224.....	761	70021607.....	452	70022973.....	213
		70002955.....	819	70021609.....	452	70022974.....	213
		70002963.....	815, 819, 1056	70021610.....	452	70022975.....	213
		70003788.....	821, 1056	70021611.....	452	70022976.....	213
		70003849.....	761	70021612.....	452	70022977.....	213
		70004654.....	811	70021613.....	452	70022978.....	213
		70005433.....	794	70021614.....	427, 454	70022979.....	214
		70020002.....	131	70021812.....	763	70022980.....	209, 213
		70020004.....	225	70021867.....	799	70022982.....	213
		70020028.....	131	70021920.....	351	70022984.....	208, 214
		70020428.....	763	70021921.....	109, 111	70022985.....	208, 214
		70020555.....	203, 205	70021935.....	109, 111	70022987.....	208, 214
		70020562.....	127	70021977.....	109, 111	70022988.....	213
		70020764.....	817, 1056	70021978.....	109, 111	70022990.....	209, 214
		70020867.....	811, 827	70021979.....	109, 111	70022992.....	208, 214
		70020868.....	811, 1056	70021980.....	127	70022993.....	208, 214
		70021177... ..	421, 425, 452	70021981.....	127	70022994.....	208, 214
		70021208.....	811, 1056	70021982.....	127	70022995.....	208, 214
		70021209.....	811	70022008.....	813	70022998.....	209, 213
		70021213.....	811	70022010.....	813	70022999.....	213
		70021227.....	361	70022012.....	813	70023000.....	167, 213
		70021228.....	361	70022014.....	813	70023001.....	213
		70021268.....	361	70022028.....	109, 111	70023003.....	208, 214
		70021269.....	361	70022044.....	763	70023004.....	208, 219
		70021342.....	111, 127	70022045.....	763	70023005.....	208, 219
		70021349.....	109, 111	70022046.....	763	70023006.....	208, 219
		70021351.....	131	70022075... ..	353, 355, 357, 359, 361, 363	70023007.....	208, 219
		70021358.....	127	70022140.....	423, 452	70023009.....	208, 214
		70021359.....	127	70022147.....	811, 1056	70023010.....	208, 213
		70021360.....	127	70022527... ..	109, 111, 127	70023014.....	208, 214
		70021361.....	127	70022528.....	109, 111	70023015.....	208
		70021362.....	127	70022529.....	109, 111	70023016... ..	208, 213, 214
		70021364.....	127	70022564... ..	767, 783, 794, 797	70023086.....	771
		70021365.....	127	70022634.....	241, 245	70023327.....	811
		70021366.....	127	70022765... ..	869, 871, 1056	70023369... ..	767, 794, 797
		70021367.....	127	70022814.....	453	70023370.....	767
		70021376.....	131, 759	70022931.....	208, 213	70023372.....	767
		70021377.....	131	70022932.....	208, 213	70023376.....	783
				70022933.....	213	70023379... ..	767, 794, 797
				70022934.....	208, 213	70023380.....	783
				70022935.....	209, 213	70023404.....	349, 393
						70023469.....	423, 452

SECTION 13 - SPECIAL OPTIONS/ACCESSORIES/KITS

70023474.....391	70025614 771	70026300 797	70026528.. 353, 355, 357, 359, 361, 363
70023475.....393	70025816 655	70026301 797	70026529.. 353, 355, 357, 359, 361, 363
70023476.....393	70025817 655	70026302 .. 767, 794, 797	70026530..... 357
70023489.....453	70025844 669	70026303 767, 797	70026531..... 359
70023490..... 431, 453	70025850 265, 1056	70026304 797	70026532..... 361
70023491..... 431	70025851 265, 1056	70026305 797	70026535..... 363
70023493.....453	70025852 263	70026308 797	70026536... 365, 391, 393
70023496..... 431	70025853 263	70026309 797	70026538..... 369
70023502..... 389	70025855 425, 453	70026336 767	70026539..... 369
70023736..... 241, 245	70025856 431	70026353 289	70026540..... 767
70023800.....393	70025859 659	70026354 289	70026541 767
70023801.....393	70025860 659	70026355 289	70026542..... 767
70023885..... 351, 383	70025887 423, 452	70026356 289	70026543..... 767
70023925...208, 214, 217	70025897 799	70026357 289	70026544..... 369, 371
70023928..... 809	70025959 761	70026358 289	70026545..... 767
70023929..... 809	70025970 419	70026359 289	70026546..... 371
70023933..... 241	70025972 .. 425, 433, 453	70026360 289	70026547..... 371
70024004..... 431	70025980 453	70026369 813	70026548..... 371
70024005..... 423, 431	70026002 453	70026370 813	70026549..... 371
70024016..... 241, 245	70026030 453	70026373 813	70026550..... 767
70024020..... 761	70026056 761	70026374 813	70026554..... 371
70024059..... 109, 111	70026057 761	70026375 813	70026555..... 371
70024060..... 111	70026058 761	70026376 813	70026556..... 371
70024062..... 105	70026059 761	70026377 813	70026558..... 385, 1056
70024127..... 167	70026060 761	70026378 813	70026559..... 387
70024129..... 171	70026061 761	70026380 813	70026561..... 371
70024146... 425, 435, 454	70026062 761	70026381 813	70026568..... 811
70024147... 433, 435, 453	70026081 289	70026383 813	70026569..... 811
70024186..... 799	70026082 289	70026389 813	70026570..... 811
70024188..... 799	70026211 787	70026393 263	70026571..... 811
70024189..... 799	70026212 787	70026394 263	70026572..... 799
70024202..... 813	70026213 787	70026395 265	70026582..... 827, 1056
70024210..... 419, 452	70026214 787	70026396 265	70026583..... 799
70024213..... 419	70026215 787	70026401 825	70026632..... 452
70024215..... 419	70026220 241	70026432 659	70026633..... 423
70024216..... 452	70026222 245	70026433 659	70026698..... 109, 111
70024262..... 761	70026223 241	70026438 423, 452	70026699..... 105
70024306..... 199	70026224 241, 245	70026439 423, 452	70026745..... 203
70024307..... 199	70026225 241, 245	70026440 821	70026746..... 203
70024407..... 799	70026226 241, 245	70026442 821	70026747..... 105
70024408..... 799	70026228 241, 245	70026443 821	70026770..... 773
70024414..... 799	70026229 241, 245	70026444 821	70026771..... 773
70024415..... 799	70026230 241, 245	70026445 821	70026773..... 773
70024416..... 799	70026231 241, 245	70026446 821	70026774..... 773
70024551..... 161	70026232 241, 245	70026453 241, 1056	70026775..... 773
70024552..... 161	70026233 245	70026456 771	70026800..... 245
70024679..... 163	70026234 245, 1056	70026457 771	70026801..... 245, 1056
70024684..... 163	70026235 241, 245	70026458 771	70026944..... 105
70024721..... 163, 167	70026236 241	70026459 771	70026946..... 105
70024733..... 171	70026237 241, 245, 1056	70026460 771	70026948..... 105
70024734..... 171	70026238 425, 453	70026461 771	70027009..... 109
70024759..... 163, 173	70026239 425, 454	70026462 771	70027024..... 575, 577
70024761..... 163, 173	70026240 425	70026480 161	70027025..... 575
70024848..... 419	70026241 241, 245	70026481 167	70027026..... 575, 577
70024849..... 419	70026244 311	70026482 167	70027027..... 577
70024850..... 425	70026245 311	70026503 171	70027028..... 575, 577
70024851..... 425	70026247 311	70026515 347	70027030..... 575, 577
70024881..... 453, 454	70026248 311	70026516 . 347, 349, 351, 383	70027032..... 575, 577
70024895..... 377	70026257 669	70026517 .. 349, 371, 375	70027033..... 575, 577
70025335..... 421, 452	70026258 669	70026518 349	70027034..... 575
70025337..... 452	70026266 .. 429, 439, 454	70026519 351	70027035..... 575, 577
70025338..... 453	70026292 875, 1057	70026520 351	70027098..... 813
70025339..... 431, 453	70026293 887, 1057	70026521 351	70027105..... 453
70025353..... 214	70026294 959, 1057	70026527 . 353, 355, 357, 359, 361, 363	70027130..... 813
70025561..... 425, 453	70026295 959, 1057		
70025562..... 453	70026296 959, 1056		
70025606..... 761	70026297 959, 1056		

SECTION 13 - SPECIAL OPTIONS/ACCESSORIES/KITS

70027281	245	70029613	161	70029680.....	167	70029754.....	233
70027642	131	70029614	161	70029681.....	165	70029755.....	225
70027705	311	70029615	161	70029682.....	165	70029756.....	223, 225
70027706	311	70029616	161	70029683.....	165	70029757.....	225
70027758	797	70029617	161	70029684.....	165	70029758.....	233
70027951	214	70029618	161	70029685.....	165	70029759.....	233
70028119	169	70029619	161	70029686.....	165	70029760.....	225
70028130	167	70029620	161	70029687.....	165	70029761.....	227
70028153	163, 173	70029621	161	70029688.....	165	70029762.....	223, 225
70028154	163, 173	70029622	161	70029689.....	165	70029763.....	229
70028155	163, 173	70029623	161	70029690.....	165	70029764.....	225
7002821	1061	70029624	161	70029691.....	165	70029765.....	225
7002822	1061	70029625	161	70029692.....	165	70029766.....	225
7002823	1061	70029626	161	70029693.....	165	70029767.....	225
7002828	1061	70029627	161	70029694.....	165	70029768.....	225
70028281	707, 1056	70029628	161	70029695.....	165	70029769.....	227
70028285	823	70029629	161	70029704.....	233	70029770.....	229
70028329	453	70029630	161	70029705.....	233	70029771.....	227
70028388	453	70029631	161	70029706.....	233	70029772.....	227
70028392	454	70029632	163	70029707.....	233	70029773.....	225
70028450	241	70029633	163	70029708.....	233	70029774.....	225
70028451	821	70029634	163	70029709.....	233	70029775.....	225
70028453	703, 707	70029635	163	70029710.....	233	70029776.....	225
70028478	813	70029636	163	70029711.....	233	70029777.....	223, 225
70028482	813	70029637	163	70029712.....	233	70029778.....	225
70028484	813	70029638	163	70029713.....	233	70029779.....	225
70028514	805	70029639	163	70029714.....	233	70029780.....	223, 225
70028515	805	70029640	163	70029715.....	233	70029781.....	223, 225
70028516	805	70029641	163	70029716.....	233	70029782.....	231
70028517	805	70029642	163	70029717.....	227	70029783.....	231
70028546	835	70029643	163	70029718.....	227	70029784.....	225
70028661	167	70029644	165	70029719.....	227	70029785.....	223
70028672	167	70029645	165	70029720.....	225	70029786.....	225
70028701	161, 173	70029646	165	70029721.....	225	70029787.....	229
70028702	161, 173	70029647	171	70029722.....	225	70029788.....	225
70028703	161, 173	70029648	161	70029723.....	225	70029789.....	227, 229
70028706	173	70029649	173	70029724.....	225	70029790.....	225
70028707	173	70029650	173	70029725.....	223, 225	70029791.....	233
70028708	173	70029651	173	70029726.....	225	70029792.....	223
70028768	167	70029652	173	70029727.....	231	70029793.....	225
70028882	454	70029653	173	70029728.....	225	70029794.....	223, 225
70029468	783	70029654	173	70029729.....	225	70029795.....	233
70029469	794	70029655	173	70029730.....	231	70029796.....	233
70029586	161	70029656	173	70029731.....	231	70029800.....	783
70029587	161	70029657	173	70029732.....	225, 233	70029801.....	783
70029588	161	70029658	173	70029733.....	233	70029802.....	783
70029592	171	70029659	167	70029734.....	223, 225, 233	70029803.....	783
70029593	171	70029660	167	70029735.....	223, 225	70029804.....	783
70029594	171	70029661	167	70029736.....	225	70029805.....	783
70029595	161, 167	70029662	167	70029737.....	233	70029816.....	813
70029596	169	70029663	167	70029738.....	223, 225	70029817.....	813
70029597	169, 1056	70029664	167	70029739.....	223, 225, 227, 229	70029818.....	813
70029598	169	70029665	167	70029740.....	223	70029819.....	813
70029599	169	70029666	167	70029741.....	225, 227, 229	70029820.....	813
70029600	169	70029667	167	70029742.....	223, 225	70029976.....	815
70029601	169	70029668	167	70029743.....	223, 225, 227	70029977.....	815
70029602	169	70029669	167	70029744.....	229	70030024.....	452
70029603	171	70029670	167	70029745.....	225	70030026.....	425, 454
70029604	171	70029671	167	70029746.....	227, 229	70030036.....	819
70029605	171	70029672	167	70029747.....	223, 225	70030100.....	815
70029606	171	70029673	167	70029748.....	229	70030101.....	815
70029607	171	70029674	167	70029749.....	227, 229	70030141.....	131
70029608	161	70029675	167	70029750.....	223	70030142.....	131
70029609	161	70029676	167	70029751.....	225	70030143.....	131
70029610	161	70029677	167	70029752.....	225	70030144.....	131
70029611	161	70029678	167	70029753.....	233	70030145.....	131
70029612	161	70029679	167			70030317.....	241

SECTION 13 - SPECIAL OPTIONS/ACCESSORIES/KITS

70030347.....241	7026755 351	7029850 ... 353, 355, 357, 359, 361, 363	8037140.....787
70030388.....777, 791	7026756 351	7029852 ... 353, 355, 357, 359, 361, 363	80604016.....893, 1005
70030389.....777, 791	7026757 353	7029972 351	80604018.....947, 1005, 1007, 1017
70030390.....791	7026758 ... 353, 355, 357, 359, 361, 363	7029973 349	80604020.....989
70030391.....777, 791	7026759 ... 353, 355, 357, 359, 361, 363	7062922 149, 151	80604021...894, 919, 947
70030392.....777, 791	7026760 ... 353, 355, 357, 359, 361, 363	7110702 149, 151	80604022.....1005
70030393.....777, 791	7026761 ... 353, 355, 357, 359, 361, 363	7110712 149, 151	80604025.....947
70030394.....777, 791	7026762 355	7110722 149, 151	806253.....491
70030395.....777	7026765 361	7138978 67	806264.....491
70031325.....765	7026766 361	7138979 67	80634004.....799
70031326.....765	7026769 ... 361, 367, 395, 397	7138986 57, 67	8065062.....149, 151
70031327.....765	7026771 367	7139918 135	80933113.....719
70031328.....765	7026772 367	7150580 403, 405	80933367.....269, 271
70031329.....765	7026773 367	7300435 247	80963067.....933
70031339.....794	7026774 367	7301295 135	80983191..875, 887, 889, 933, 1056
70031340.....794	7026775 367	7301408 183	82033995.....251, 299
70031341.....794	7026776 369	77133137 697, 723	8205655.....763
70031342.....794	7026780 369	77133139 697	8220035.....837
70031343.....794	7026781 369	77133140 697	8220050.....981
70031350.....241	7026782 373	77133168 717	8220051....893, 894, 967
70031351.....241	7026783 373	77363244 947, 1005	8220097.....932
70031352.....241	7026784 373	8000759 535	8220098.....932
70031380.....241	7026787 371	8000803 537	8220108.....837, 921
70031440.....167	7026788 371	8004398 535	8220116.....966
70031441.....167	7026789 371	8008175 421, 452	8220124.....932, 936
70031443.....135	7026791 375	80204002 421, 452	8220375.....879
70031444.....131	7026792 351, 375	80204005 . 421, 425, 452, 453	8229234.....840
70031445.....109, 111	7026793 375	80204012 425	8229235.....839, 1056
70031446.....127	7026794 351, 375	80204033 423, 452	8229242....875, 887, 909, 933, 1056
70031447.....167	7026795 375	80204035 423, 452	8229244....889, 933, 959, 1056
70041616.....241, 245	7026798 575, 577	80204043 423, 452	8229245...875, 959, 1056
70041617.....241, 245	7027254 381	80204048 423	8229247...887, 959, 1056
70041619.....241, 245	7027255 381	80204060 419	8229261.....839, 1056
70041620.....241, 245	7027267 361	80204065 425, 453	8275212.....295, 301
7004275.....1061	7027269 395	80204076 425, 453	8278020.....275, 277
7004276.....1061	7027270 395	80204108 419	8303620....465, 469, 477
70050472.....813	7027271 397	80204117 . 419, 439, 452, 454	8303634....135, 149, 151
70050481.....813	7027272 397	80204143 427, 454	8303658.....135
70050504.....813	7027273 399	80204144 427, 454	8303715.....149, 151
70050507.....813	7028714 425, 453	80204281 419, 452	8305624.....135
70050508.....813	7028715 425, 453	80233218 699, 701	8305643....135, 149, 151
7012510.....821	7028716 425, 453	80304227 361	8305645....465, 469, 477
7016654.....1061	7028733 ... 425, 453, 454	80304394 .. 351, 367, 375	8305919....267, 559, 612, 616, 625, 843, 847
7022390.....707, 819	7029127 427, 454	80304405 347	8307110....465, 469, 477
7022399.....821	7029267 369, 371	80334277 799	8307904.....149, 151
7024574.....763	7029288 421, 452	8033786 763, 765	8307918.....149, 151
7024808.....821	7029290 439, 454	8034697 813	8310160.....149, 151
7024939.....799	7029298 419	8035382 813	8310161.....149, 151
7024943.....799	7029300 425	8035536 763	8310302.....135
7024944.....799	7029307 421, 452	8035779 405	8310435.....135
7024953.....799	7029309 425	8035862 763	8310559.....549
7024954.....799	7029486 609, 1047	8035863 763	8310620.....49
7026490.....427, 454	7029520 205	8036190 357, 359	8310686.....712, 1009
7026577.....393	7029521 205	8036250 375	8405006....699, 701, 712
7026578.....393	7029692 111, 127	80363179 . 947, 997, 999, 1005	8405007....285, 337, 712
7026731433, 437, 453	7029711 131	80363195 557	8405009....283, 285, 303, 657
7026744.....343	7029714 127	8036433 405	8405101.....283, 285
7026745.....343	7029733 425, 437	8036528 369, 371	8405201....283, 285, 616
7026746.....345	7029734 419, 452	8036529 369	8405202.....283, 285
7026747.....347	7029735 419, 452	8036733 773	8405209.....712
7026748.....347	7029789 419	8036847 349, 351	8405212....273, 279, 281
7026749.....347	7029849 ... 353, 355, 357, 359, 361, 363		
7026750.....349			
7026751.....349			
7026752.....349			
7026753.....351			
7026754.....351			

SECTION 13 - SPECIAL OPTIONS/ACCESSORIES/KITS

8405305 273, 279, 281	8750030 712	91043084.....473	91514123.. 423, 425, 452
8405402 259	8769132 149, 151	91043125...209, 691, 693	91514130 423, 452
8406102 257	8769146 712	91043126...208, 691, 693	91514131 423, 452
8406105 943	8769153 712	91053419.....273	91514133 423, 452
8406112 316, 320	8770016 149, 151	91355037.....473	91514134 423, 452
8406201 ... 251, 925, 929, 961, 963	8770120 699, 701	91355038.....473	91514143 431
8410007 271	8770215 757, 781	91403193.....409	91514146 425, 453
8410009 ... 251, 299, 583, 586, 712	8786514 ... 463, 465, 467, 469, 471, 473, 475, 477	91403413..109, 131, 135, 137, 139, 143, 145, 149, 151, 153, 155, 167, 209, 213, 691, 693	91514147 425, 453
8410011 269, 271	8841322 383	91403414..109, 131, 135, 137, 139, 143, 145, 149, 151, 153, 155, 167, 208, 213, 691, 693	91514148 425, 453
8410013 283, 285, 299	88662434 713	91403414..109, 131, 135, 137, 139, 143, 145, 149, 151, 153, 155, 167, 208, 213, 691, 693	91514149 425, 453
8410019 285	88671001 . 137, 139, 143, 145, 153, 155	91403414..109, 131, 135, 137, 139, 143, 145, 149, 151, 153, 155, 167, 208, 213, 691, 693	91514151 419
8420053 ... 109, 131, 135, 137, 139, 143, 145, 149, 151, 153, 155, 167, 213	8880218-OM..... 403, 407	91403414..109, 131, 135, 137, 139, 143, 145, 149, 151, 153, 155, 167, 208, 213, 691, 693	91514152 419
8420055 ... 109, 131, 135, 137, 139, 143, 145, 149, 151, 153, 155, 167, 213	8881802 313	91403414..109, 131, 135, 137, 139, 143, 145, 149, 151, 153, 155, 167, 208, 213, 691, 693	91514153 419
8424217 721	8902842 765	91403448.....107	91514154 419, 452
8424233 712	90200003 . 133, 135, 137, 139, 141, 143, 145, 147, 149, 151, 153, 155	91413025.....269, 271	91514155 419
8430032 ... 721, 723, 739, 743	90206195 301	91473206..471, 473, 475, 477	91514156 419
8430033 739, 743	90206198 23	91474512.....421, 452	91514157 419
8430034 329	90451058 135	91474524.....425	91514158 419
8466306 567	90554016 . 105, 109, 111, 127, 131, 203	91504107.....947, 997	91514159 419, 452
8546407 712	90554017 127, 131	91513266.....489, 505	91514161 419, 452
8580315 149, 151	90554018 127	91514081.....425, 453	91514165 419, 452
8584001 149, 151	90554020 .. 109, 111, 131	91514082.....425, 453	91514167 419
8584003 917	90554033 105	91514083.....425	91514174 425, 453
8630003 135	90554034 105	91514084.....425	91514175 .. 433, 435, 453
8642207 149, 151	90554042 109, 111	91514087...421, 425, 452	91514177 .. 433, 435, 453
86683122 975	90554045 759, 779	91514089..419, 421, 425, 452	91514178 425, 453
86683211 301	90554054 109, 111	91514090.....439, 454	91514179 425, 453
86883127 301	90554062 111, 127	91514095.....425, 453	91514180 425, 453
8750016 723	90554065 127, 131	91514098.....421, 452	91514181 425, 453
8750029 712	90554067 131	91514099.....425, 439	91514183 425, 453
	90554076 111, 127	91514101.....421, 452	91514184 .. 433, 437, 453
	90554080 205	91514111.....453	91514185 .. 433, 437, 453
	91013191 971	91514112.....425, 453	91514186 .. 433, 437, 453
	91013192 966	91514117.....425	91514188 425, 453
		91514118.....489, 505	91514189 425, 453
			91554019 947
			91561240 755



**Corporate Office
JLG Industries, Inc.
1 JLG Drive
McConnellsburg, PA 17233-9533 USA
☎ (717) 485-5161 (Corporate)
☎ (877) 554-5438 (Customer Support)
📠 (717) 485-6417**

**Visit our website for JLG Worldwide Locations.
www.jlg.com**



OSHKOSH™