



Illustrated Parts Manual

***Model
1100SJ***

**PVC
2207**

**P/N
31220394**

November 15, 2022 - Rev B

ANSI



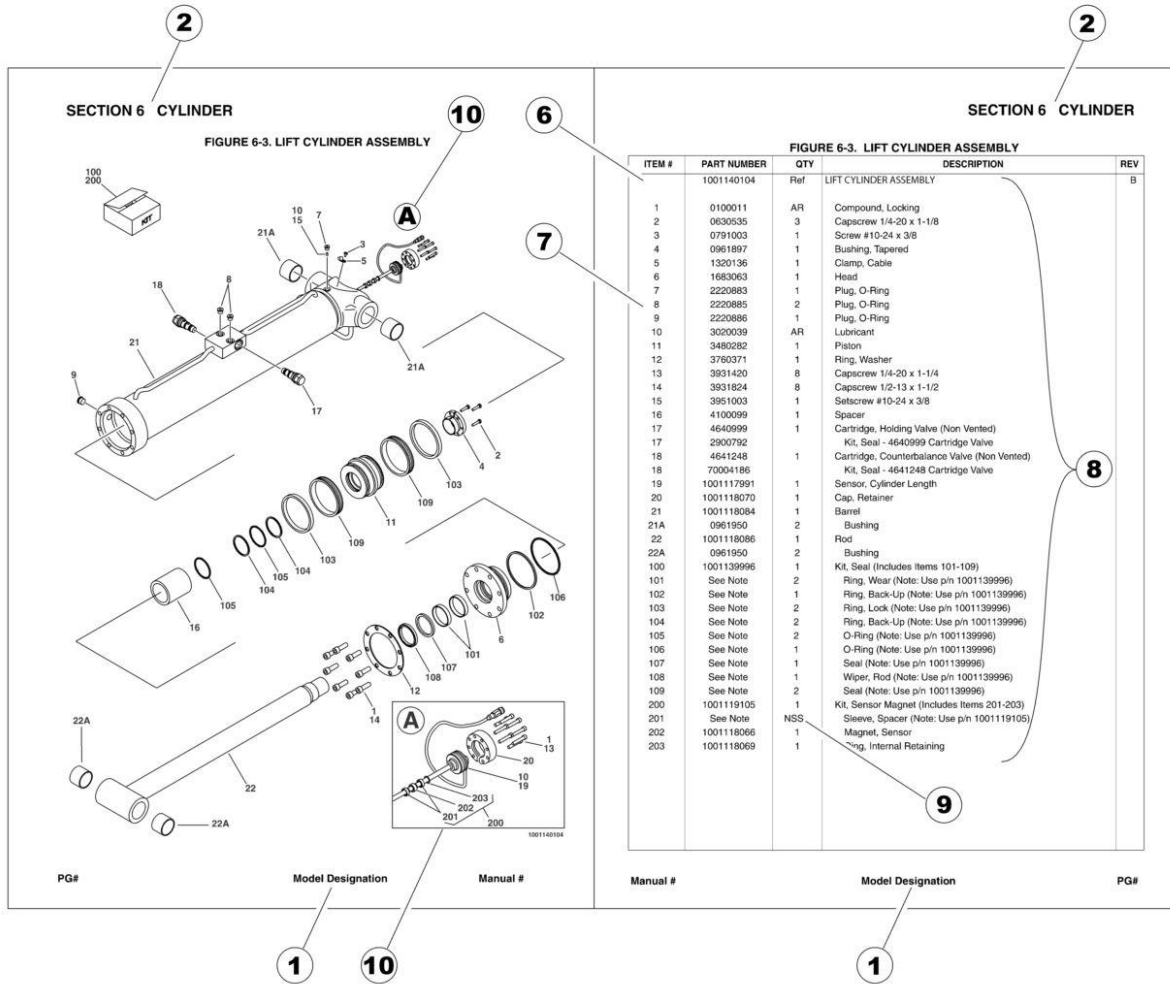
An Oshkosh Corporation Company

REVISION LOG

July 11, 2022 - A - Original Issue of Manual (Edited to B/M 1001261100 Revision M)

November 15, 2022 - B - Revised Manual (Edited to B/M 1001261100 Revision P)

GENERAL INFORMATION



1) MACHINE IDENTIFICATION

Machines are identified by model and in some cases a combination of models, serial number (SN) or regional standard (i.e ANSI, CE, CSA). Components may also be identified by SN or manufacturer. Common components that may be identified by these characteristics are engines and hydraulic components.

2) PARTS MANUAL ORGANIZATION

Product information in this manual is organized under section titles. Frame, Cylinder, Hydraulic and Electrical are a few examples. Each section is organized by figure and page number. The information within the Figure is then organized by item number, part number, description and corresponding illustration (s).

3) TABLE OF CONTENTS (NOT SHOWN)

A table of contents is found toward the beginning of the manual. Figure number, description and page number are provided for quick reference to the page containing the related information.

4) RECOMMENDED SPARE PARTS (NOT SHOWN)

The Recommended Spare Parts List, located near the end of the manual, reference most frequently used maintenance parts.

5) PART NUMBER INDEX (NOT SHOWN)

A numerical index listing all part numbers and the corresponding page number(s) appears at the back of the manual.

GENERAL INFORMATION

6) NON-SERVICED PARTS

In some instances, it is necessary to display non-serviced parts, assemblies or installations. In the case of assemblies and installations there will be a Ref in the Qty. column. In case of parts that are not available for service within assemblies or components, there will be a NSS (Not Sold Separately) or NLA (No Longer Available) listed in the Qty. column of the manual.

7) PARTS LIST ITEM NUMBERS

Numbers shown in the item# column correspond to numbers used in the associated illustration (s). Item numbers which are missing from the sequence in the parts list are not used on that page.

8) INDENTED PARTS DESCRIPTION

An indented part description is included in the item under which it is indented.

9) ABBREVIATION AND SYMBOLS

AC.....	Alternating Current	L.....	Liter
ADE.....	Advanced Design Electronics	LB(LBS).....	Pounds
AG.....	Agricultural	LCD.....	Liquid Crystal Display
ANSI.....	American National Standards Institute	LED.....	Light Emitting Diodes
AR.....	As Required	LH.....	Left Hand
ASSY.....	Assembly	LRC.....	Low Rated Countries
AUS.....	Australia	LSS.....	Load Sensing System
AUX.....	Auxiliary	M(m).....	Metric/Meter
AWG.....	American Wire Gauge	MM(mm).....	Milimeter
B/M.....	Bill of Material	mA.....	Miliamps
CAC.....	Charge Air Cooler	NLA.....	No Longer Available
CE.....	European Conformity	NPT.....	National Pipe Threads
CCW.....	Counter Clockwise	NSS.....	Not Sold Separately
CM.....	Centimeter	OD.....	Outside Diameter
CW.....	Clockwise	ORB.....	O-Ring Boss
CSA.....	Canadian Standards Association	ORFS.....	O-Ring Face Seal
CYL.....	Cylinder	OZ (oz).....	Ounces
DIA.....	Diameter	PG.....	Page
DC.....	Direct Current	PN.....	Part Number
DEF.....	Diesel Exhaust Fluid	QT(qt.).....	Quarts
EMS.....	Emergency Stop	QTY.....	Quantity
ENG.....	Engine	REF.....	Reference
FT(ft).....	Feet	REV.....	Revision Level
GA(Ga).....	Gauge	RH.....	Right Hand
HRC.....	High Rated Countries	SAE.....	Society of Automotive Engineers
HVAC.....	Heating, Ventilating, and Air Conditioning	SN.....	Serial Number
HYD.....	Hydraulic	SPEC(S).....	Specifications
Hz.....	Hertz	T/T.....	Turntable
ID.....	Inside Diameter	UGM.....	Universal Ground Module
IN.....	inches	V.....	Volts
ISO.....	International Organization for Standards	W.....	Watts
JIC.....	Joint Industry Council	#.....	Number
KG.....	Kilogram		

10) ILLUSTRATION REFERENCE LETTERS

When necessary, illustrations may contain reference letters that are intended to track information (i. e. hoses, harnesses) from one point to another or to track visual enlargement of components to show details that may be located in another area on the illustration.

Note: Due to continuous product improvements, JLG Industries, Inc. reserves the right to make specification changes without prior notification. Contact JLG Industries, Inc. for updated information.

TABLE OF CONTENTS

SECTION 1 - FRAME.....	13
FIGURE 1-1. AXLE INSTALLATION - 2WS	14
FIGURE 1-2. AXLE INSTALLATION - 4WS	16
FIGURE 1-3. STEER INSTALLATION - 2WS.....	18
FIGURE 1-4. STEER INSTALLATION - 4WS.....	20
FIGURE 1-5. WHEEL DRIVE INSTALLATION - 2WD.....	24
FIGURE 1-6. WHEEL DRIVE INSTALLATION - 4WD.....	26
FIGURE 1-7. DRIVE HUB ASSEMBLY - 2WD FRONT.....	28
FIGURE 1-8. DRIVE HUB ASSEMBLY	30
FIGURE 1-9. DRIVE MOTOR ASSEMBLY - 2WD	34
FIGURE 1-10. DRIVE MOTOR ASSEMBLY - 4WD	36
FIGURE 1-11. TIRE AND WHEEL INSTALLATION - FOAM-FILLED	38
FIGURE 1-12. TIRE AND WHEEL INSTALLATION - SOLID	40
FIGURE 1-13. VALVES INSTALLATION - FRAME (2WD/2WS).....	42
FIGURE 1-14. VALVES INSTALLATION - FRAME (4WD/2WS).....	44
FIGURE 1-15. VALVES INSTALLATION - FRAME (1100SJ WITH 4WD/4WS).....	46
FIGURE 1-16. TRACTION VALVE ASSEMBLY - 2WD.....	48
FIGURE 1-17. TRACTION VALVE ASSEMBLY - 4WD.....	50
FIGURE 1-18. AXLE EXTEND/STEER ASSEMBLY	52
FIGURE 1-19. STEER VALVE ASSEMBLY	54
FIGURE 1-20. FRAME COVER INSTALLATION (2WS)	56
FIGURE 1-21. FRAME COVER INSTALLATION (4WS)	58
FIGURE 1-22. FRAME COVER INSTALLATION - SHIPYARD MACHINES (2WS).....	60
FIGURE 1-23. FRAME COVER INSTALLATION - SHIPYARD MACHINES (4WS).....	62
SECTION 2 - TURNTABLE.....	65
FIGURE 2-1. VALVE INSTALLATION - TURNTABLE (2WD/2WS).....	66
FIGURE 2-2. VALVE INSTALLATION - TURNTABLE (4WD/2WS).....	68
FIGURE 2-3. VALVE INSTALLATION - TURNTABLE (4WD/4WS).....	70
FIGURE 2-4. MAIN VALVE ASSEMBLY	72
FIGURE 2-5. SWING DRIVE INSTALLATION	76
FIGURE 2-6. SWING MOTOR/HUB ASSEMBLY.....	78
FIGURE 2-7. PINION SHIELD INSTALLATION (OPTIONAL).....	82
FIGURE 2-8. TURNTABLE BEARING AND LUBE INSTALLATION	84
FIGURE 2-9. BEARING AND TURNTABLE SHIELDS INSTALLATION	86
FIGURE 2-10. BEARING AND TURNTABLE SHIELDS INSTALLATION (SHIPYARD MACHINES).....	88
FIGURE 2-11. TURNTABLE LOCK INSTALLATION.....	90
FIGURE 2-12. ROTARY COUPLING AND COLLECTOR RING INSTALLATION.....	92
FIGURE 2-13. BATTERY TRAY AND AUXILIARY PUMP INSTALLATION	94
FIGURE 2-14. TANKS INSTALLATION.....	96
FIGURE 2-15. FUEL TANK ASSEMBLY	98
FIGURE 2-16. HYDRAULIC TANK ASSEMBLY.....	100
FIGURE 2-17. ELECTRICAL COMPONENTS INSTALLATION (ALL SPEC EXCEPT CHINA IV SPECS).....	102
FIGURE 2-18. ELECTRICAL COMPONENTS INSTALLATION (CHINA IV SPECS).....	104
FIGURE 2-19. GROUND CONTROL PANEL ASSEMBLY (ALL SPEC EXCEPT CHINA IV SPECS)	106

TABLE OF CONTENTS

FIGURE 2-20. GROUND CONTROL PANEL ASSEMBLY (CHINA IV SPECS)	108
FIGURE 2-21. LIGHT PANEL INSTALLATION.....	110
FIGURE 2-22. KEYSWITCH INSTALLATION.....	112
FIGURE 2-23. ELECTRICAL ASSEMBLY	114
FIGURE 2-24. STROBE LIGHT INSTALLATION - AMBER.....	116
FIGURE 2-25. STROBE LIGHT INSTALLATION - AMBER (SHIPYARD MACHINES).....	118
FIGURE 2-26. ALARM AND TURNTABLE COVERS INSTALLATION.....	120
FIGURE 2-27. WHITE NOISE ALARM INSTALLATION	122
FIGURE 2-28. HOOD INSTALLATION - DEUTZ TD2011 ENGINE	124
FIGURE 2-29. HOOD INSTALLATION - DEUTZ TD2.9L4 ENGINE	128
FIGURE 2-30. HOOD ASSEMBLY - ENGINE SIDE (DEUTZ TD2011 ENGINE).....	132
FIGURE 2-31. HOOD ASSEMBLY - ENGINE SIDE (DEUTZ TD2.9L4 ENGINE).....	134
FIGURE 2-32. HOOD ASSEMBLY - TANK SIDE.....	136
SECTION 3 - ENGINE.....	139
FIGURE 3-1. DEUTZ TD2011 ENGINE INSTALLATION.....	140
FIGURE 3-2. DEUTZ TD2011 ENGINE AND PUMPS SUB-ASSEMBLY	142
FIGURE 3-3. DEUTZ TD2011 ENGINE ASSEMBLY.....	144
FIGURE 3-4. DEUTZ TD2011 ENGINE COMPONENTS.....	148
FIGURE 3-5. DEUTZ TD2.9L4 T4F ENGINE INSTALLATION	152
FIGURE 3-6. DEUTZ TD2.9L4 T4F ENGINE AND PUMPS SUB-ASSEMBLY.....	156
FIGURE 3-7. DEUTZ TD2.9L4 T4F ENGINE ASSEMBLY.....	158
FIGURE 3-8. DEUTZ TD2.9L4 T4F ENGINE COMPONENTS	164
FIGURE 3-9. DEUTZ TD2.9L4 T4I ENGINE INSTALLATION.....	168
FIGURE 3-10. DEUTZ TD2.9L4 T4I ENGINE AND PUMPS SUB-ASSEMBLY	172
FIGURE 3-11. DEUTZ TD2.9L4 T4I ENGINE ASSEMBLY	174
FIGURE 3-12. DEUTZ TD2.9L4 T4I ENGINE COMPONENTS	180
FIGURE 3-13. DEUTZ TD2.9L4 (CHINA IV) ENGINE INSTALLATION.....	184
FIGURE 3-14. DEUTZ TD2.9L4 (CHINA IV) ENGINE AND PUMP SUB-ASSEMBLY.....	188
FIGURE 3-15. DEUTZ TD2.9L4 (CHINA IV) ENGINE ASSEMBLY	190
FIGURE 3-16. DEUTZ TD2.9L4 (CHINA IV) ENGINE COMPONENTS.....	196
FIGURE 3-17. PUMP COUPLING KIT	198
FIGURE 3-18. TANDEM PUMP ASSEMBLY	200
FIGURE 3-19. PISTON PUMP ASSEMBLY.....	204
FIGURE 3-20. GEAR PUMP ASSEMBLY	208
FIGURE 3-21. AIR CLEANER ASSEMBLY	210
FIGURE 3-22. FUEL FILTER ASSEMBLY - DEUTZ TD2.9L4 T4F ENGINES.....	212
FIGURE 3-23. FUEL FILTER INSTALLATION – DEUTZ TD2011 ENGINE (OPTIONAL).....	214
FIGURE 3-24. 7500W SKYPOWER GENERATOR INSTALLATION - 60HZ/240V (DEUTZ TD2.9L4 T4F ENGINES) (OPTIONAL)	216
SECTION 4 - BOOM.....	221
FIGURE 4-1. BOOM INSTALLATION	222
FIGURE 4-2. BOOM ASSEMBLY	226
FIGURE 4-3. TELESCOPE VALVE ASSEMBLY	230
FIGURE 4-4. JIB ASSEMBLY	232

TABLE OF CONTENTS

FIGURE 4-5. PLATFORM ROTATOR ASSEMBLY.....	234
FIGURE 4-6. POWER TRACK INSTALLATION.....	236
FIGURE 4-7. PLATFORM SUPPORT INSTALLATION.....	238
FIGURE 4-8. VALVE INSTALLATION - BOOM (2WD/2WS).....	240
FIGURE 4-9. VALVE INSTALLATION - BOOM (4WD/2WS).....	242
FIGURE 4-10. VALVE INSTALLATION - BOOM (4WD/4WS).....	244
FIGURE 4-11. JIB AND PLATFORM ROTATE VALVE ASSEMBLY.....	246
FIGURE 4-12. BOOM SENSORS INSTALLATION.....	248
FIGURE 4-13. BOOM SENSORS INSTALLATION (WITH VERTICAL/HORIZONTAL CONTROLS).....	250
FIGURE 4-14. BOOM SHIELDS INSTALLATION.....	252
FIGURE 4-15. BOOM SHIELDS INSTALLATION - SHIPYARD MACHINES.....	254
SECTION 5 - PLATFORM.....	257
FIGURE 5-1. PLATFORM ASSEMBLY - STANDARD MACHINES.....	258
FIGURE 5-2. PLATFORM ASSEMBLY - SHIPYARD MACHINES.....	260
FIGURE 5-3. PLATFORM CONSOLE AND FOOTSWITCH INSTALLATION - SHIPYARD MACHINES (ENGLISH LANGUAGE).....	262
FIGURE 5-4. PLATFORM CONSOLE AND FOOTSWITCH INSTALLATION - SHIPYARD MACHINES (ENGLISH/CHINESE LANGUAGE).....	264
FIGURE 5-5. PLATFORM CONSOLE AND FOOTSWITCH INSTALLATION - SHIPYARD MACHINES (ENGLISH/JAPANESE LANGUAGE).....	266
FIGURE 5-6. PLATFORM CONSOLE AND FOOTSWITCH INSTALLATION - SHIPYARD MACHINES (ENGLISH/KOREAN LANGUAGE).....	268
FIGURE 5-7. PLATFORM CONSOLE AND FOOTSWITCH INSTALLATION - STANDARD MACHINES (ENGLISH LANGUAGE).....	270
FIGURE 5-8. CONSOLE BOX SUB-ASSEMBLY (ENGLISH LANGUAGE).....	272
FIGURE 5-9. CONSOLE BOX SUB-ASSEMBLY (ENGLISH/JAPANESE LANGUAGE).....	274
FIGURE 5-10. CONSOLE BOX SUB-ASSEMBLY (ENGLISH/KOREAN LANGUAGE).....	276
FIGURE 5-11. CONSOLE BOX SUB-ASSEMBLY (ENGLISH/CHINESE LANGUAGE).....	278
FIGURE 5-12. CONSOLE BOX SUB-ASSEMBLY (ENGLISH LANGUAGE).....	280
FIGURE 5-13. CONSOLE BOX ASSEMBLY (ENGLISH LANGUAGE).....	282
FIGURE 5-14. CONSOLE BOX ASSEMBLY.....	286
FIGURE 5-15. CONTROLLER ASSEMBLY (LIFT AND SWING).....	290
FIGURE 5-16. CONTROLLER ASSEMBLY (DRIVE AND STEER).....	294
FIGURE 5-17. JIB SWITCH INSTALLATION - 1100SJ.....	296
FIGURE 5-18. LIGHT PANEL INSTALLATION.....	298
FIGURE 5-19. SKYEYE INSTALLATION.....	300
FIGURE 5-20. SKYGUARD INSTALLATION.....	302
FIGURE 5-21. SKYLINE INSTALLATION.....	304
FIGURE 5-22. USB CHARGER INSTALLATION.....	306
FIGURE 5-23. OVERHEAD PROTECTION INSTALLATION - WITHOUT LSS (KOREAN/CHINA SPECS).....	308
FIGURE 5-24. OVERHEAD PROTECTION INSTALLATION - WITH LSS (KOREAN/CHINA SPECS).....	310
SECTION 6 - CYLINDER.....	313
FIGURE 6-1. AXLE EXTEND CYLINDER ASSEMBLY.....	314
FIGURE 6-2. LEVEL CYLINDER ASSEMBLY - PLATFORM SLAVE.....	316
FIGURE 6-3. LIFT CYLINDER ASSEMBLY - BOOM.....	318
FIGURE 6-4. LIFT CYLINDER ASSEMBLY - JIB.....	320

TABLE OF CONTENTS

FIGURE 6-5. MASTER CYLINDER ASSEMBLY	322
FIGURE 6-6. STEER CYLINDER ASSEMBLY	324
FIGURE 6-7. TELESCOPE CYLINDER	326
FIGURE 6-8. TELESCOPE CYLINDER	328
SECTION 7 - HYDRAULIC	331
FIGURE 7-1. BOOM HYDRAULIC DIAGRAM	332
FIGURE 7-2. CHASSIS HYDRAULIC DIAGRAM - 2WD/2WS.....	336
FIGURE 7-3. CHASSIS HYDRAULIC DIAGRAM - 4WD/2WS.....	340
FIGURE 7-4. CHASSIS HYDRAULIC DIAGRAM - 4WD/4WS.....	344
FIGURE 7-5. TURNTABLE HYDRAULIC DIAGRAM	348
SECTION 8 - ELECTRICAL.....	351
FIGURE 8-1. ELECTRICAL DIAGRAM LIST	352
FIGURE 8-2. AXLE POWER TRACK HARNESS	354
FIGURE 8-3. BATTERY CABLE KIT - DEUTZ TD2011	356
FIGURE 8-4. BATTERY CABLE KIT - DEUTZ TD2.9L4	358
FIGURE 8-5. BLAM HARNESS	360
FIGURE 8-6. BOOM CABLES INSTALLATION - 1100SJ WITHOUT POWER AT PLATFORM.....	362
FIGURE 8-7. BOOM CABLES INSTALLATION - WITHOUT POWER AT PLATFORM.....	364
FIGURE 8-8. BOOM CABLES INSTALLATION - WITH AC POWER AT PLATFORM	366
FIGURE 8-9. BOOM CABLES INSTALLATION - WITH SKYPOWER	368
FIGURE 8-10. BOOM CABLE - MAIN - WITHOUT POWER AT PLATFORM	370
FIGURE 8-11. BOOM CABLE - MAIN - WITH POWER AT PLATFORM.....	372
FIGURE 8-12. CHASSIS AND TURNTABLE HARNESS INSTALLATION	374
FIGURE 8-13. CHASSIS HARNESS.....	376
FIGURE 8-14. CLEARSKY INSTALLATION - 3G CANBUS CONNECTION (AUSTRALIAN SPECS)	378
FIGURE 8-15. CLEARSKY INSTALLATION - 3G CANBUS CONNECTION (CE & UK CA SPECS).....	380
FIGURE 8-16. CLEARSKY INSTALLATION - 4G CANBUS CONNECTION (ALL SPECS EXCEPT CHINA SPECS).....	382
FIGURE 8-17. CLEARSKY INSTALLATION - 4G CANBUS CONNECTION (CHINA SPECS).....	384
FIGURE 8-18. CLEARSKY INSTALLATION - 3 WIRE GT1030 (ALL SPECS EXCEPT CHINA SPECS)	386
FIGURE 8-19. CLEARSKY INSTALLATION - WITH DEUTZ TD2.9L4 (CHINA IV) ENGINES (CHINA SPECS).....	388
FIGURE 8-20. CLEARSKY HARNESS - 3G & 4G CANBUS CONNECTIONS	390
FIGURE 8-21. CLEARSKY HARNESS - 3 WIRE GT1030.....	392
FIGURE 8-22. CLEARSKY HARNESS - WITH DEUTZ TD2.9L4 (CHINA IV) ENGINES	394
FIGURE 8-23. CLEARSKY TELEMATICS JUMPER HARNESS	396
FIGURE 8-24. TELEMATICS CONTROL MODULE ASSEMBLY	398
FIGURE 8-25. ENGINE HARNESS - DEUTZ TD2011 ENGINES.....	400
FIGURE 8-26. ENGINE HARNESS - DEUTZ TD2.9L4 ENGINES.....	402
FIGURE 8-27. ENGINE HARNESS - DEUTZ TD2.9L4 ENGINES (CHINA IV SPECS).....	406
FIGURE 8-28. FUEL FILTER HARNESS - DEUTZ TD2.9L4 T4I.....	410
FIGURE 8-29. FUEL PUMP HARNESS - DEUTZ TD2.9L4	412
FIGURE 8-30. GENERATOR HARNESS - 7500W SKYPOWER (60HZ/240V) (DEUTZ TD2.9L4 T4F ENGINES) (OPTIONAL)	414
FIGURE 8-31. GENERATOR CABLE HARNESS - 7500W SKYPOWER (60HZ/240V) (DEUTZ TD2.9L4 T4F ENGINES)	416
FIGURE 8-32. GROUND CONTROL PANEL HARNESS	418
FIGURE 8-33. LOAD SENSING PIN HARNESS	420

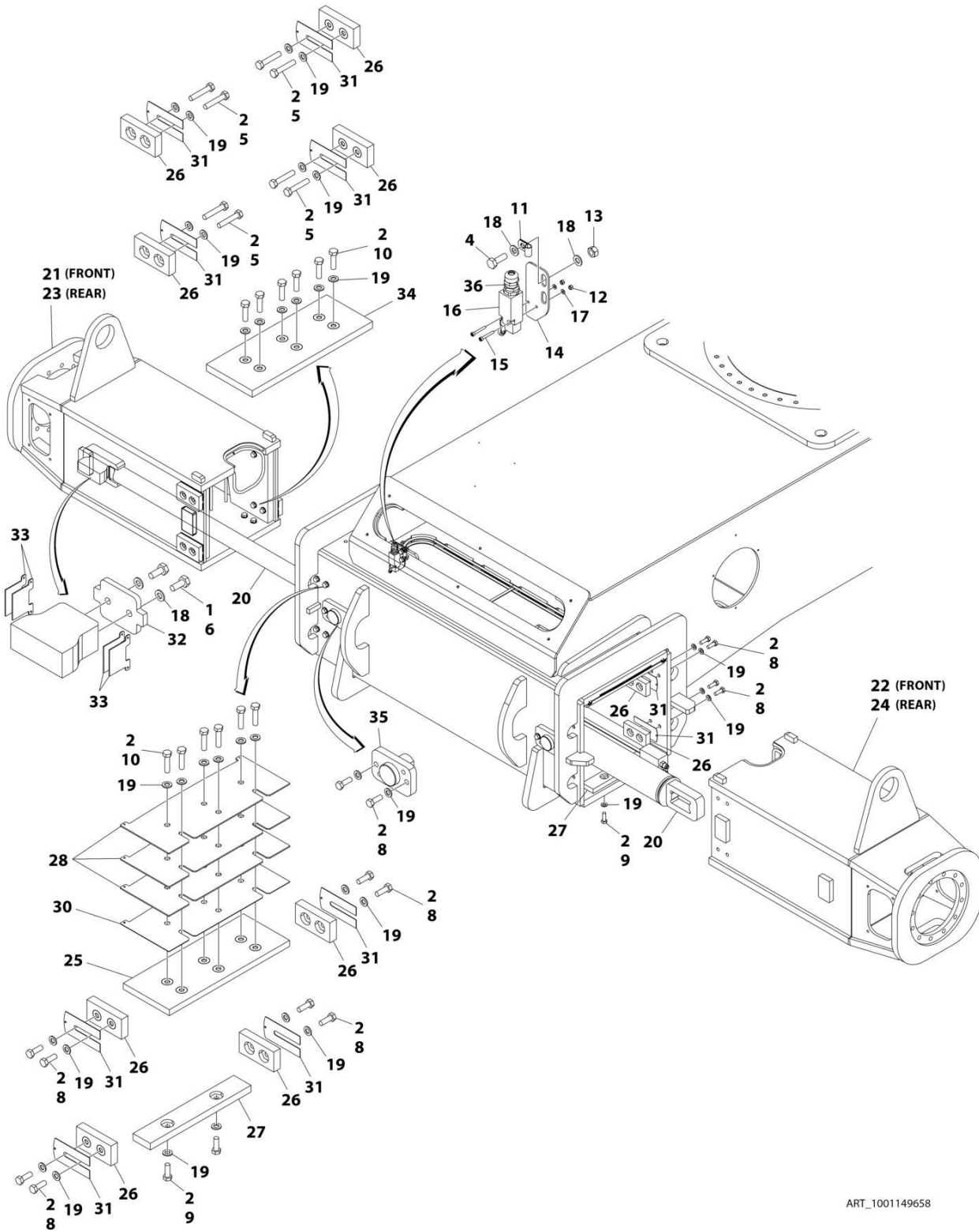
TABLE OF CONTENTS

FIGURE 8-34. MAIN VALVE HARNESS	422
FIGURE 8-35. OVERHEAD SOFT TOUCH HARNESS	424
FIGURE 8-36. PLATFORM CONSOLE BOX HARNESS	426
FIGURE 8-37. PLATFORM VALVE HARNESS (1100SJ)	428
FIGURE 8-38. SKYEYE EMITTER HARNESS.....	430
FIGURE 8-39. SKYEYE RECEIVER HARNESS	432
FIGURE 8-40. SKYEYE INTERMEDIATE HARNESS.....	434
FIGURE 8-41. SKYGUARD SENSOR HARNESS.....	436
FIGURE 8-42. SKYLINE HARNESS.....	438
FIGURE 8-43. STROBE LIGHT CONTROL HARNESS (BLUE LIGHT).....	440
FIGURE 8-44. SWING DRIVE HARNESS.....	442
FIGURE 8-45. TURNTABLE HARNESS	444
FIGURE 8-46. WHITE NOISE ALARM HARNESS.....	448
SECTION 9 - DECALS.....	451
FIGURE 9-1. DECAL INSTALLATION - STANDARD PLATFORM (ENGLISH LANGUAGE)	452
FIGURE 9-2. DECAL INSTALLATION - SHIPYARD PLATFORM (ENGLISH LANGUAGE).....	454
FIGURE 9-3. DECAL INSTALLATION - STANDARD PLATFORM (ENGLISH/CHINESE LANGUAGE).....	456
FIGURE 9-4. DECAL INSTALLATION - SHIPYARD PLATFORM (ENGLISH/CHINESE LANGUAGE)	458
FIGURE 9-5. DECAL INSTALLATION - STANDARD PLATFORM (ENGLISH/JAPANESE LANGUAGE).....	460
FIGURE 9-6. DECAL INSTALLATION - SHIPYARD PLATFORM (ENGLISH/JAPANESE LANGUAGE)	462
FIGURE 9-7. DECAL INSTALLATION - KOREAN SPECS (ENGLISH/KOREAN LANGUAGES).....	464
FIGURE 9-8. DECAL INSTALLATION - SHIPYARD PLATFORM (ENGLISH/KOREAN LANGUAGE).....	466
FIGURE 9-9. INSTALLATION WARNING STRIPE (COMMERCIAL MACHINES).....	468
FIGURE 9-10. INSTALLATION WARNING STRIPE (SHIPYARD MACHINES).....	470
FIGURE 9-11. DECALS INSTALLATION - OPTIONS.....	472
SECTION 10 - RECOMMENDED SERVICE PARTS STOCK	475
FIGURE 10-1. RECOMMENDED SERVICE PARTS STOCK	476
SECTION 11 - SPECIAL OPTIONS/ACCESSORIES/KITS	479
FIGURE 11-1. SPECIAL OPTIONS/ACCESSORIES/KITS	480
PART NUMBER INDEX	483

SECTION 1 - FRAME

SECTION 1 - FRAME

FIGURE 1-1. AXLE INSTALLATION - 2WS



ART_1001149658

SECTION 1 - FRAME

FIGURE 1-1. AXLE INSTALLATION - 2WS

ITEM	PART NUMBER	QTY	DESCRIPTION	REV
	1001149658	Ref	AXLE INSTALLATION	G
1	0100011	AR	Compound, Locking	
2	0100019	AR	Compound, Locking	
3	0100081	AR	Adhesive (Not Shown)	
4	0701014	8	Bolt M10 x 30	
5	0701221	32	Bolt M12 x 65	
6	0761012	8	Bolt M10 x 25	
8	0761216	40	Bolt M12 x 40	
9	0761217	8	Bolt M12 x 45	
10	0761218	48	Bolt M12 x 50	
11	1320263	4	Clamp	
12	3290405	8	Nut M4	
13	3291007	8	Nut M10	
14	3573294	4	Plate, Switch	
15	4031510	8	Capscrew M4 x 30	
16	4360578	4	Switch, Limit	
17	4811400	8	Washer M4	
18	4812000	24	Washer M10	
19	4812100	128	Washer M12	
20	1001149464	2	Axle Extend Cylinder Assembly (See Separate Breakdown in CYLINDER SECTION)	
21	1001149671	1	Axle, Front (Left)	
22	1001149672	1	Axle, Front (Right)	
23	1001149785	1	Axle, Rear (Left)	
24	1001149786	1	Axle, Rear (Right)	
25	1001150320	4	Pad, Wear	
26	1001150321	32	Pad, Wear	
27	1001150322	4	Pad, Wear	
28	1001150323	8	Shim 3mm	
30	1001150325	8	Shim 1.2mm	
31	1001150326	64	Shim 1.2mm	
32	1001150407	4	Plate	
33	1001150408	16	Shim 1.5mm	
34	1001150458	4	Pad, Wear	
35	1001150558	4	Stop	
36	4460968	4	Connector, Strain Relief	

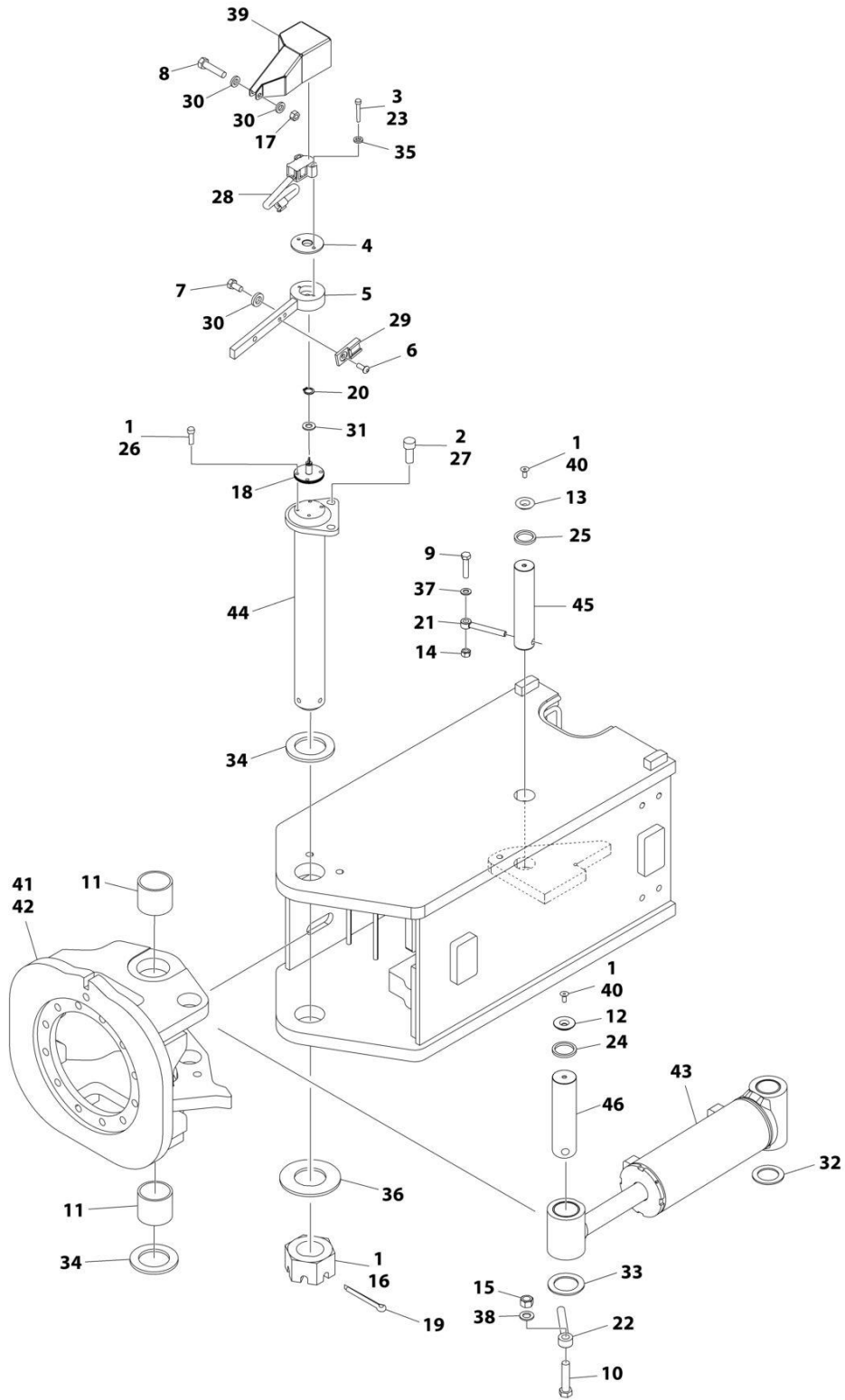
SECTION 1 - FRAME

FIGURE 1-2. AXLE INSTALLATION - 4WS

ITEM	PART NUMBER	QTY	DESCRIPTION	REV
	1001222642	Ref	AXLE INSTALLATION	B
1	0100011	AR	Compound, Locking	
2	0100019	AR	Compound, Locking	
3	0100081	AR	Adhesive (Not Shown)	
4	0701014	8	Bolt M10 x 30	
5	0701221	32	Bolt M12 x 65	
6	0761012	8	Bolt M10 x 25	
8	0761216	40	Bolt M12 x 40	
9	0761217	8	Bolt M12 x 45	
10	0761218	48	Bolt M12 x 50	
11	1320263	4	Clamp	
12	3290405	8	Nut M4	
13	3291007	8	Nut M10	
14	3573294	4	Plate, Switch	
15	4031510	8	Capscrew M4 x 30	
16	4360578	4	Switch, Limit	
17	4811400	8	Washer M4	
18	4812000	24	Washer M10	
19	4812100	128	Washer M12	
20	1001149464	2	Axle Extend Cylinder Assembly (See Separate Breakdown in CYLINDER SECTION)	
21	1001149671	1	Axle, Front (Left)	
22	1001149672	1	Axle, Front (Right)	
25	1001150320	4	Pad, Wear	
26	1001150321	32	Pad, Wear	
27	1001150322	4	Pad, Wear	
28	1001150323	8	Shim 3mm	
30	1001150325	8	Shim 1.2mm	
31	1001150326	64	Shim 1.2mm	
32	1001150407	4	Plate	
33	1001150408	16	Shim 1.5mm	
34	1001150458	4	Pad, Wear	
35	1001150558	4	Stop	
36	4460968	4	Connector, Strain Relief	

SECTION 1 - FRAME

FIGURE 1-3. STEER INSTALLATION - 2WS



ART_1001149657

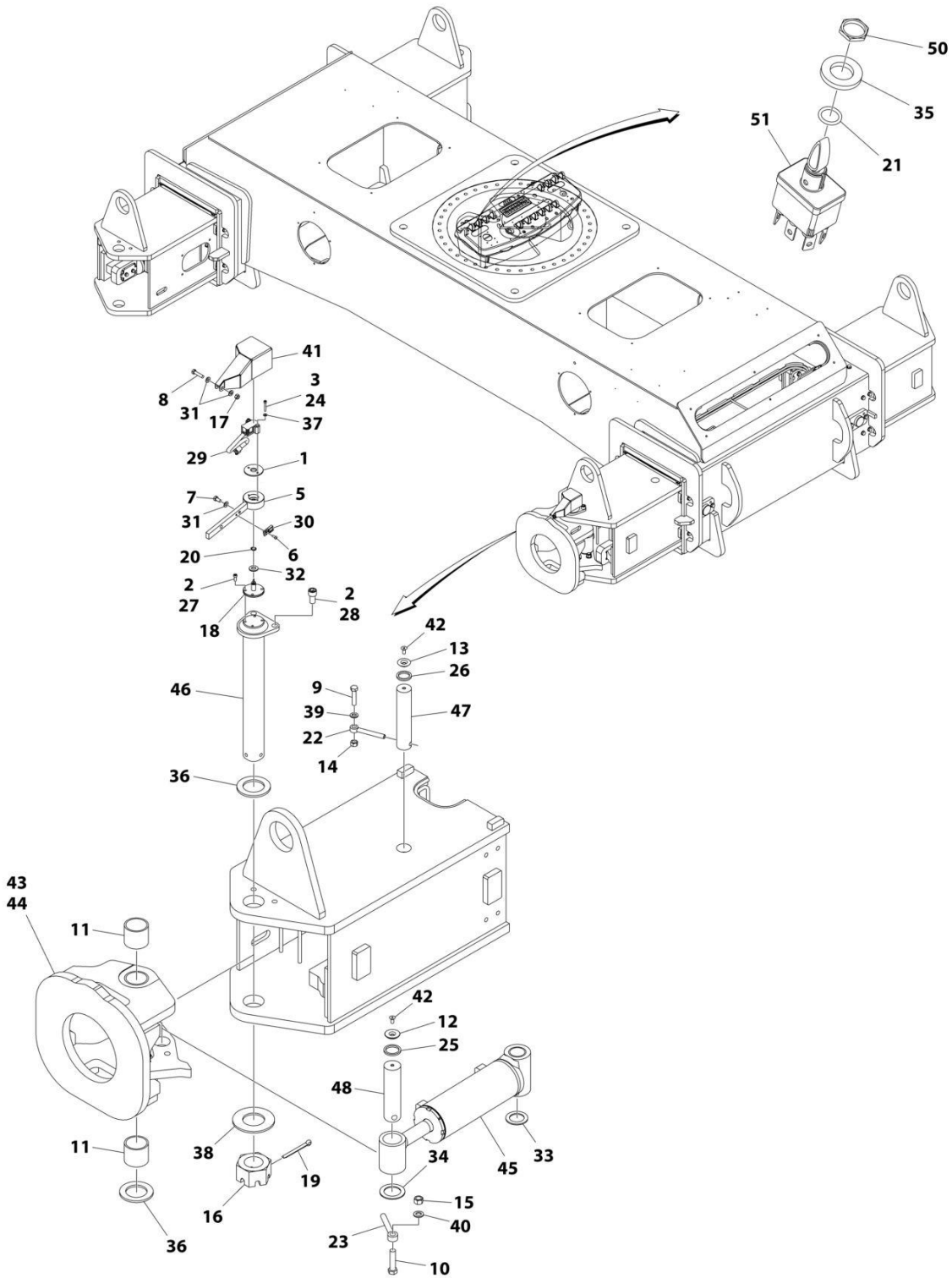
SECTION 1 - FRAME

FIGURE 1-3. STEER INSTALLATION - 2WS

ITEM	PART NUMBER	QTY	DESCRIPTION	REV
	1001149657	Ref	STEER INSTALLATION	B
1	0100011	AR	Compound, Locking	
2	0100019	AR	Compound, Locking	
3	0100035	AR	Compound, Locking	
4	0080277	2	Adapter, Sensor	
5	0200833	2	Arm, Sensor	
6	0630464	2	Screw #10 x 1/2	
7	0641505	2	Bolt 5/16 x 5/8	
8	0641511	2	Bolt 5/16 x 1-3/8	
9	0701219	2	Bolt M12 x 55	
10	0701622	2	Bolt M16 x 70	
11	0962423	4	Bearing	
12	1120549	2	Cap (Outer)	
13	1120550	2	Cap (Inner)	
14	3291207	2	Nut M12	
15	3291607	2	Nut M16	
16	3300464	2	Nut	
17	3311505	2	Nut 5/16	
18	3423256	2	Pin, Sensor	
19	3451214	2	Pin 3/8 x 3-1/2	
20	3760383	2	Ring	
21	3841203	2	Keeper, Rod	
22	3841258	2	Keeper, Rod	
23	3931020	4	Capscrew #10 x 1-1/4	
24	3960551	2	Seal (Outer)	
25	3960552	2	Seal (Inner)	
26	4031707	8	Capscrew M6 x 16	
27	4032310	4	Capscrew M16 x 30	
28	4360505	2	Switch, Sensor	
29	4460914	2	Mount, Terminal	
30	4711500	6	Washer 5/16	
31	4711800	2	Washer 1/2	
32	4740181	2	Washer	
33	4740229	2	Washer	
34	4740505	4	Washer	
35	4750800	4	Washer #8	
36	4755000	2	Washer 2-1/2	
37	4812100	2	Washer M12	
38	4812300	2	Washer M16	
39	1001109730	2	Cover, Sensor	
40	1001137125	4	Screw M8 x 20	
41	1001149440	1	Spindle (Left)	
42	1001149441	1	Spindle (Right)	
43	1001149463	2	Steer Cylinder Assembly (See Separate Breakdown in CYLINDER SECTION)	
44	1001150418	2	Kingpin	
45	1001150419	2	Pin (Inner)	
46	1001150460	2	Pin (Outer)	

SECTION 1 - FRAME

FIGURE 1-4. STEER INSTALLATION - 4WS



ART_1001222688

SECTION 1 - FRAME

FIGURE 1-4. STEER INSTALLATION - 4WS

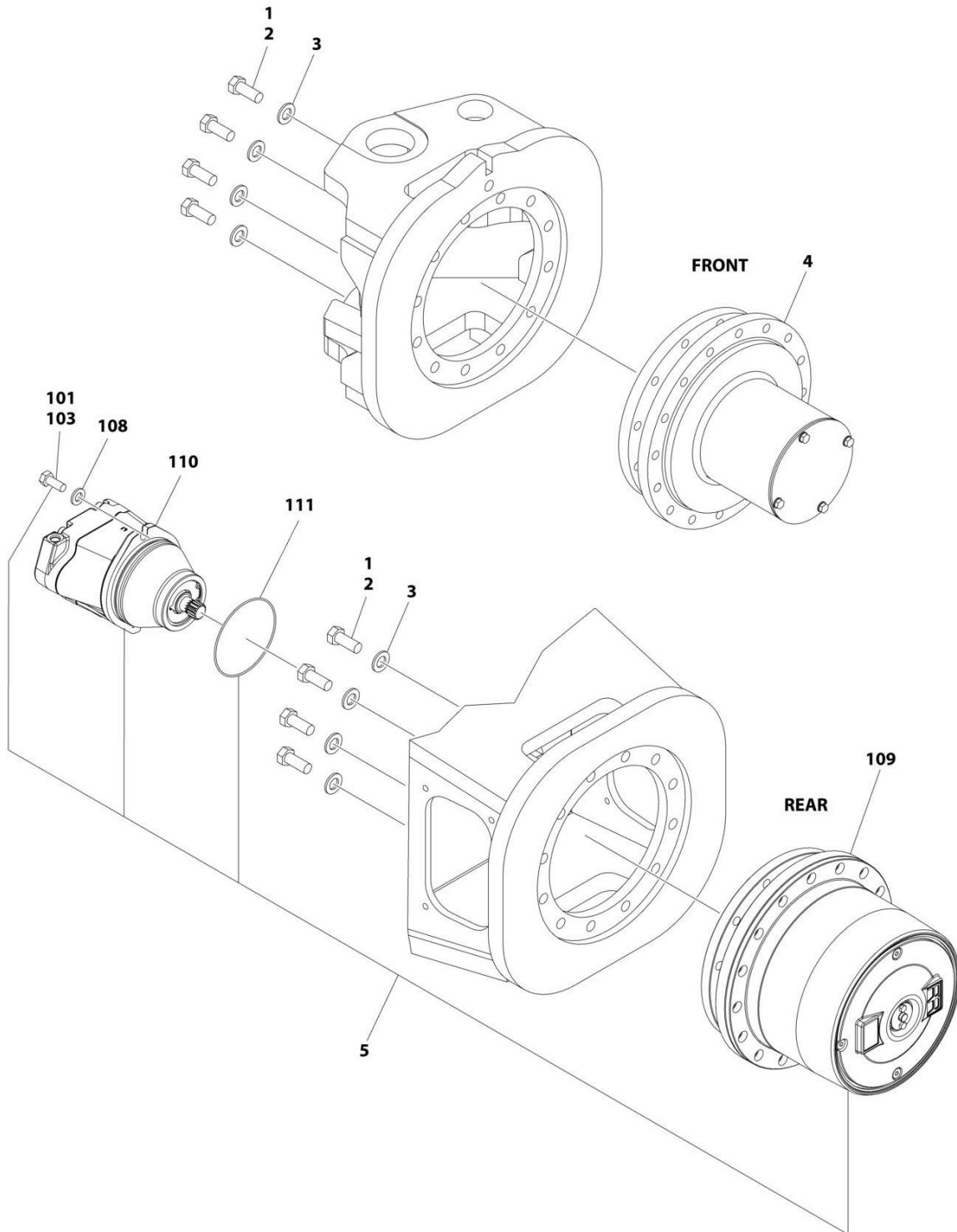
ITEM	PART NUMBER	QTY	DESCRIPTION	REV
	1001222688	Ref	STEER INSTALLATION	A
1	0080277	4	Adapter, Sensor	
2	0100011	AR	Compound, Locking	
3	0100019	AR	Compound, Locking	
4	0100035	AR	Compound, Locking (Not Shown)	
5	0200833	4	Arm, Sensor	
6	0630464	4	Screw #10 x 1/2	
7	0641505	4	Bolt 5/16 x 5/8	
8	0641511	4	Bolt 5/16 x 1-3/8	
9	0701219	4	Bolt M12 x 55	
10	0701622	4	Bolt M16 x 70	
11	0962423	8	Bearing	
12	1120549	4	Cap (Outer)	
13	1120550	4	Cap (Inner)	
14	3291207	4	Nut M12	
15	3291607	4	Nut M16	
16	3300464	4	Nut	
17	3311505	4	Nut 5/16	
18	3423256	4	Pin, Sensor	
19	3451214	4	Pin 3/8 x 3-1/2	
20	3760383	4	Ring	
21	3790012	1	O-Ring	
22	3841203	4	Keeper, Rod	
23	3841258	4	Keeper, Rod	
24	3931020	8	Capscrew #10 x 1-1/4	
25	3960551	4	Seal (Outer)	
26	3960552	4	Seal (Inner)	
27	4031707	16	Capscrew M6 x 16	
28	4032310	4	Capscrew M16 x 30	
29	4360505	4	Switch, Sensor	
30	4460914	4	Mount, Terminal	
31	4711500	12	Washer 5/16	
32	4711800	4	Washer 1/2	
33	4740181	4	Washer	
34	4740229	4	Washer	
35	4740397	1	Spacer	
36	4740505	8	Washer	
37	4750800	8	Washer #8	
38	4755000	4	Washer 2-1/2	
39	4812100	4	Washer M12	
40	4812300	4	Washer M16	
41	1001109730	4	Cover, Sensor	
42	1001137125	8	Screw M8 x 20	
43	1001149440	2	Spindle (Left)	
44	1001149441	2	Spindle (Right)	
45	1001149463	4	Steer Cylinder Assembly (See Separate Breakdown in CYLINDER SECTION)	
46	1001150418	4	Kingpin	
47	1001150419	4	Pin (Inner)	
48	1001150460	4	Pin (Outer)	

SECTION 1 - FRAME

ITEM	PART NUMBER	QTY	DESCRIPTION	REV
49	1001152574	2	Axle Power Track Harness (Not Shown - See Separate Breakdown in ELECTRICAL SECTION)	
50	1001155044	1	Nut 15/32	
51	1001161709	1	Switch, Toggle	

SECTION 1 - FRAME

FIGURE 1-5. WHEEL DRIVE INSTALLATION - 2WD



ART_1001150018

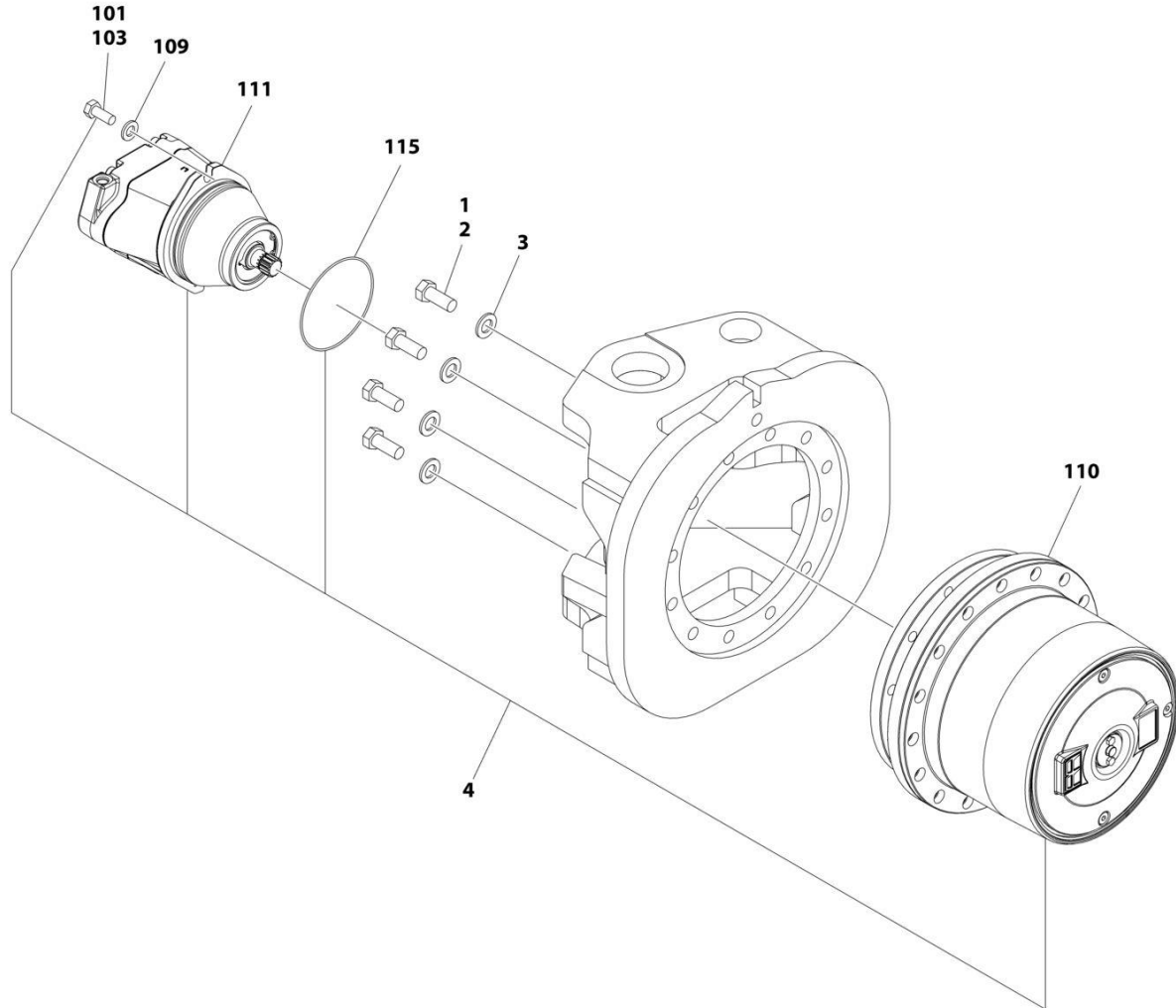
SECTION 1 - FRAME

FIGURE 1-5. WHEEL DRIVE INSTALLATION - 2WD

ITEM	PART NUMBER	QTY	DESCRIPTION	REV
	1001150018	Ref	WHEEL DRIVE INSTALLATION - 2WD	C
1	0100019	AR	Compound, Locking	
2	0761616	48	Bolt M16 x 40	
3	5241600	48	Washer M16	
4	1001146251	2	Drive Hub Assembly - 2WD Front (See Separate Breakdown in this Section)	
5	1001151094	2	Drive Hub/Motor Assembly - 2WD Rear	E
101	0100011	AR	Compound, Locking	
103	0761214	4	Bolt M12 x 30 (2 Per Assembly)	
108	5241200	4	Washer M12 (2 Per Assembly)	
109	1001101550	2	Drive Hub Assembly (1 Per Assembly) (See Separate Breakdown in this Section)	
110	1001149458	2	Drive Motor Assembly - 2WD (1 Per Assembly) (See Separate Breakdown in this Section)	
111	3790158	2	O-Ring	

SECTION 1 - FRAME

FIGURE 1-6. WHEEL DRIVE INSTALLATION - 4WD



ART_1001150017

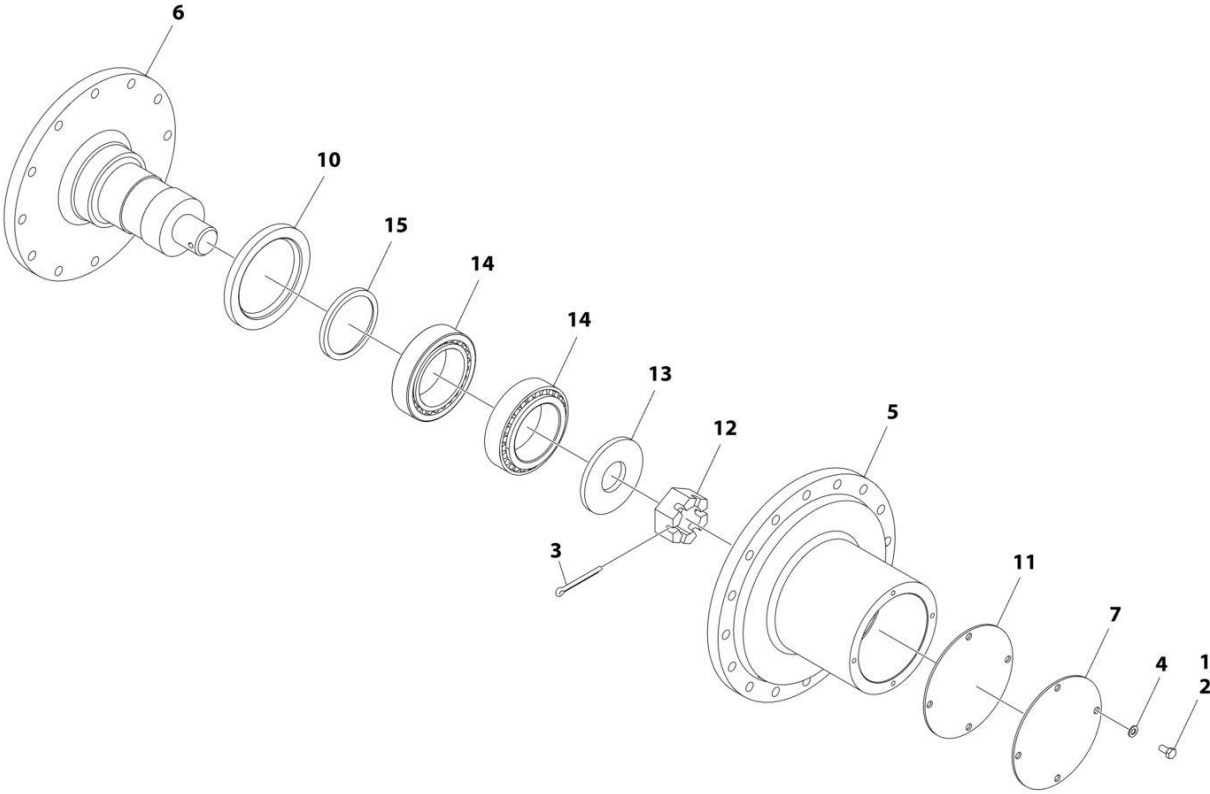
SECTION 1 - FRAME

FIGURE 1-6. WHEEL DRIVE INSTALLATION - 4WD

ITEM	PART NUMBER	QTY	DESCRIPTION	REV
	1001150017	Ref	WHEEL DRIVE INSTALLATION - 4WD	D
1	0100019	AR	Compound, Locking	
2	0761616	48	Bolt M16 x 40	
3	5241600	48	Washer M16	
4	1001151092	4	Drive Hub/Motor Assembly	F
101	0100011	AR	Compound, Locking	
103	0761214	8	Bolt M12 x 30 (2 Per Assembly)	
109	5241200	8	Washer M12 (2 Per Assembly)	
110	1001101550	4	Drive Hub Assembly (1 Per Assembly) (See Separate Breakdown in this Section)	
111	1001149456	4	Drive Motor Assembly - 2WD (1 Per Assembly) (See Separate Breakdown in this Section)	
115	3790158	4	O-Ring	

SECTION 1 - FRAME

FIGURE 1-7. DRIVE HUB ASSEMBLY - 2WD FRONT



ART_1001146251

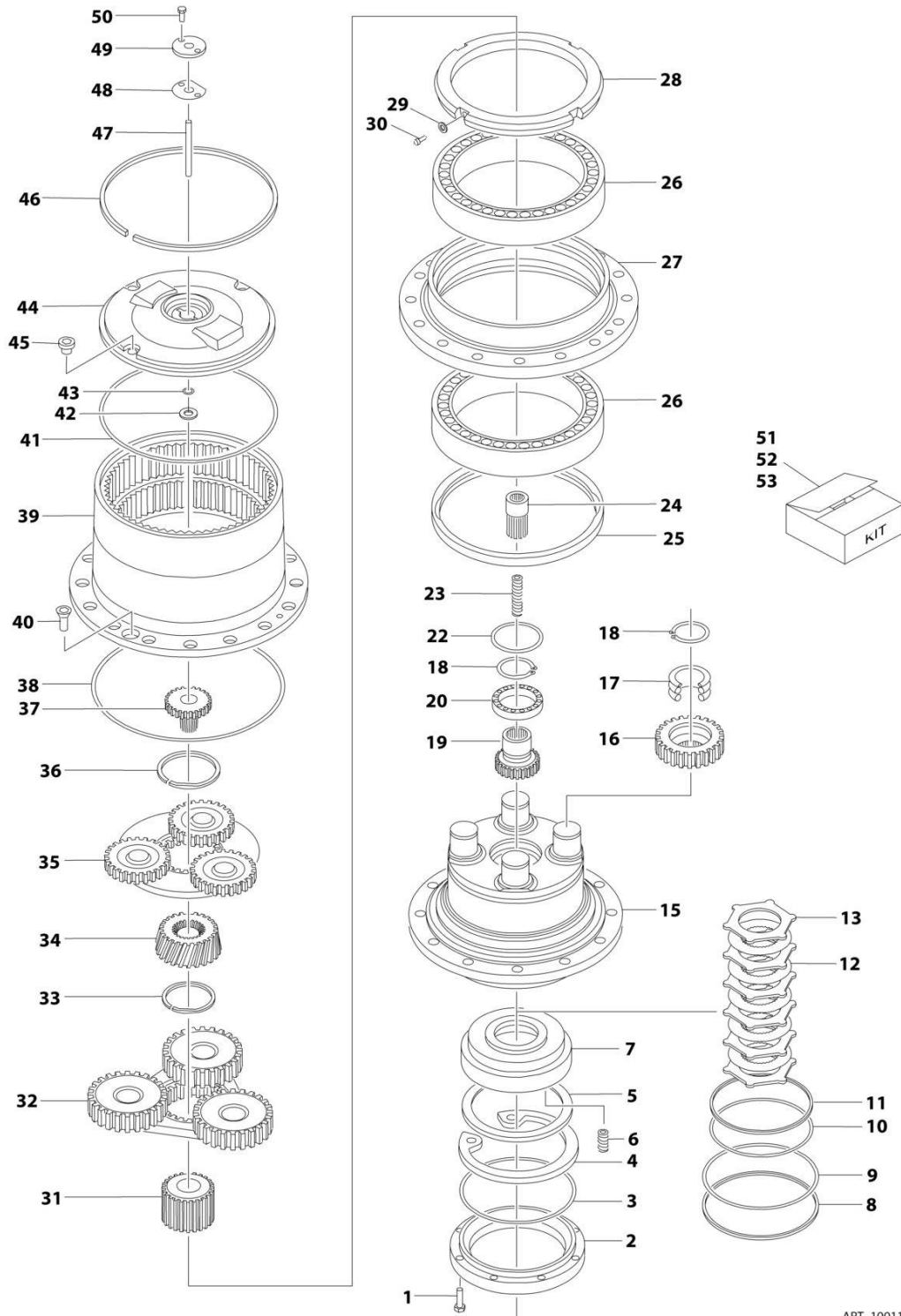
SECTION 1 - FRAME

FIGURE 1-7. DRIVE HUB ASSEMBLY - 2WD FRONT

ITEM	PART NUMBER	QTY	DESCRIPTION	REV
	1001146251	Ref	DRIVE HUB ASSEMBLY - 2WD FRONT	D
1	0100071	AR	Adhesive	
2	0760808	4	Bolt M8 x 16	
3	3450810	1	Pin, Cotter 1/4 x 2-1/2	
4	4811900	4	Washer M8	
5	1001146249	1	Hub	
6	1001146250	1	Spindle	
7	1001146253	1	Cap	
10	1001149680	1	Seal	
11	1001149681	1	Gasket	
12	1001149742	1	Nut	
13	1001149865	1	Washer	
14	1001210887	2	Bearing	
15	1001211508	1	Spacer	

SECTION 1 - FRAME

FIGURE 1-8. DRIVE HUB ASSEMBLY



ART_1001101550

SECTION 1 - FRAME

FIGURE 1-8. DRIVE HUB ASSEMBLY

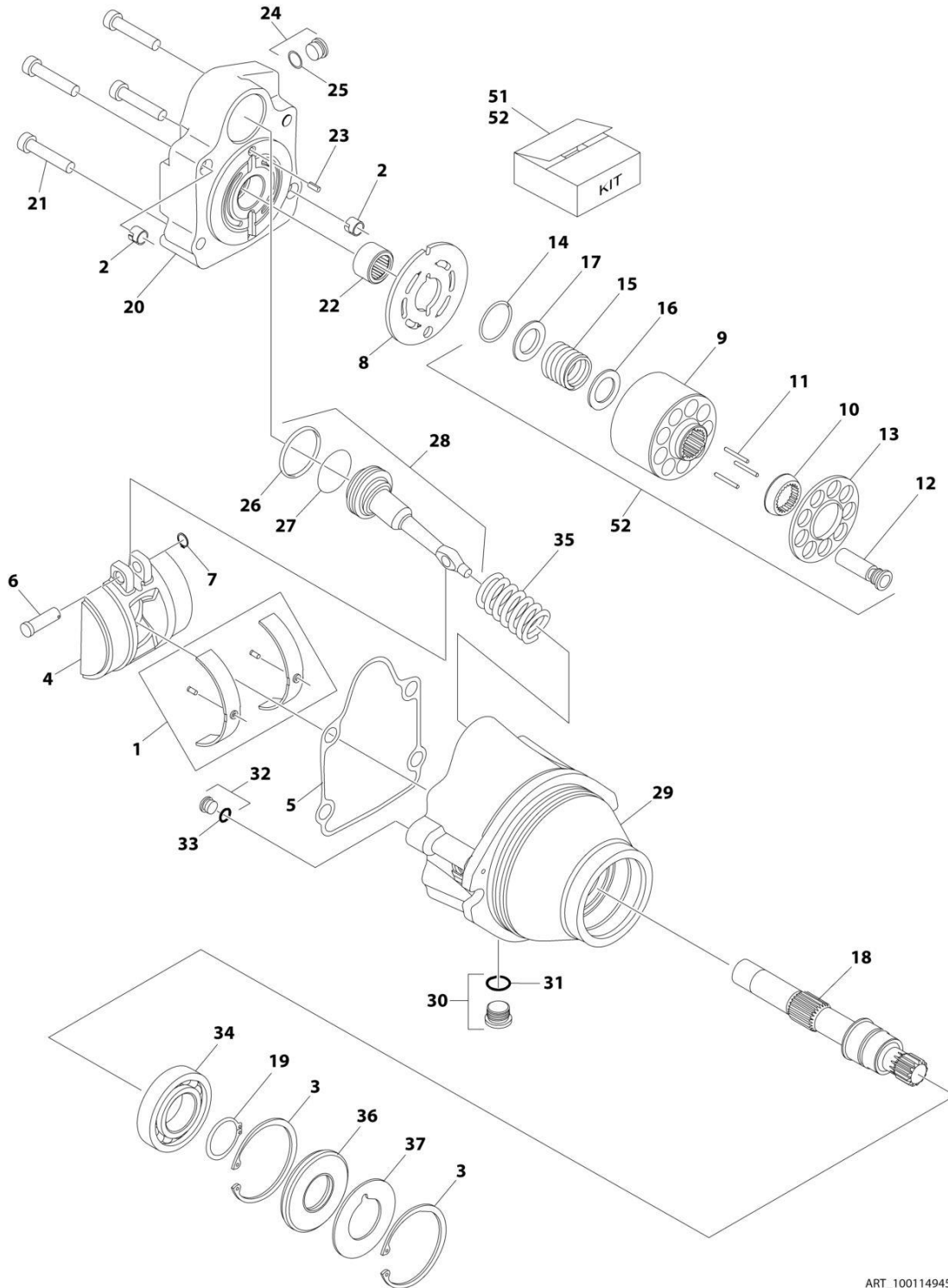
ITEM	PART NUMBER	QTY	DESCRIPTION	REV
	1001101550	Ref	DRIVE HUB ASSEMBLY	E
1	70002015	8	Bolt M8 x 25	
2	70002016	1	Ring, Motor Support	
3	See Note	NSS	O-Ring (Note: Use Item 51)	
4	70002018	1	Snap Ring	
5	70002019	1	Retainer, Spring	
6	70002020	9	Spring	
7	See Note	NSS	Piston (Note: Use Item 53)	
8	See Note	NSS	Ring, Back-up (Note: Use Item 51 or 53)	
9	See Note	NSS	O-Ring (Note: Use Item 51 or 53)	
10	See Note	NSS	O-Ring (Note: Use Item 51 or 53)	
11	See Note	NSS	Ring, Back-up (Note: Use Item 51 or 53)	
12	70002026	5	Disc, Friction	
13	70002027	6	Disc, Steel	
15	70002029	1	Spindle	
16	70002030	4	Gear, Planetary	
17	70002031	4	Bearing	
18	70002032	5	Snap Ring	
19	70002033	1	Gear, Brake/Input	
20	70002034	1	Bearing	
22	70002035	1	Ring, Wear	
23	70002036	1	Spring	
24	70002037	1	Shaft, Engagement	
25	See Note	NSS	Seal (Note: Use Item 51)	
26	70002039	2	Bearing Assembly	
27	70002040	1	Support, Hub	
28	70002041	1	Nut, Retaining	
29	70002042	NLA	Washer (Use p/n 70002674)	
30	70002043	NLA	Screw, Flange (Use p/n 70002674)	
31	70002044	1	Gear, Planetary Sun	
32	70002045	1	Reduction Assembly, Secondary	
33	70002046	1	Snap Ring	
34	70002047	1	Gear, Secondary Input Sun	
35	70002048	1	Reduction Assembly, Primary	
36	70002049	1	Snap Ring	
37	70002050	1	Gear, Primary Input Sun	
38	See Note	NSS	O-Ring (Note: Use Item 51)	
39	See Note	NSS	Housing, Hub (Note: Use p/n 1001101550)	
40	70002052	2	Screw, Countersunk	
41	See Note	NSS	O-Ring (Note: Use Item 51 or 52)	
42	See Note	NSS	Thrustwasher (Note: Use Item 52)	
43	See Note	NSS	O-Ring (Note: Use Item 51 or 52)	
44	See Note	NSS	Cover, Hub (Note: Use Item 52)	
45	70002057	3	Plug	
46	See Note	NSS	Snap Ring (Note: Use Item 52)	
47	See Note	NSS	Pin, Engagement (Note: Use Item 52)	
48	See Note	NSS	Gasket (Note: Use Item 51 or 52)	
49	See Note	NSS	Cover, Engagement (Note: Use Item 52)	
50	See Note	NSS	Screw (Note: Use Item 52)	
51	70002248	1	Seal Kit (Includes Items 3, 8-11, 25, 38, 41, 43 & 48)	

SECTION 1 - FRAME

ITEM	PART NUMBER	QTY	DESCRIPTION	REV
52	70002247	1	Cover Kit (Includes Items 41-44 & 46-50)	
53	70002249	1	Brake Kit (Includes Items 4-13)	

SECTION 1 - FRAME

FIGURE 1-9. DRIVE MOTOR ASSEMBLY - 2WD



ART_1001149458

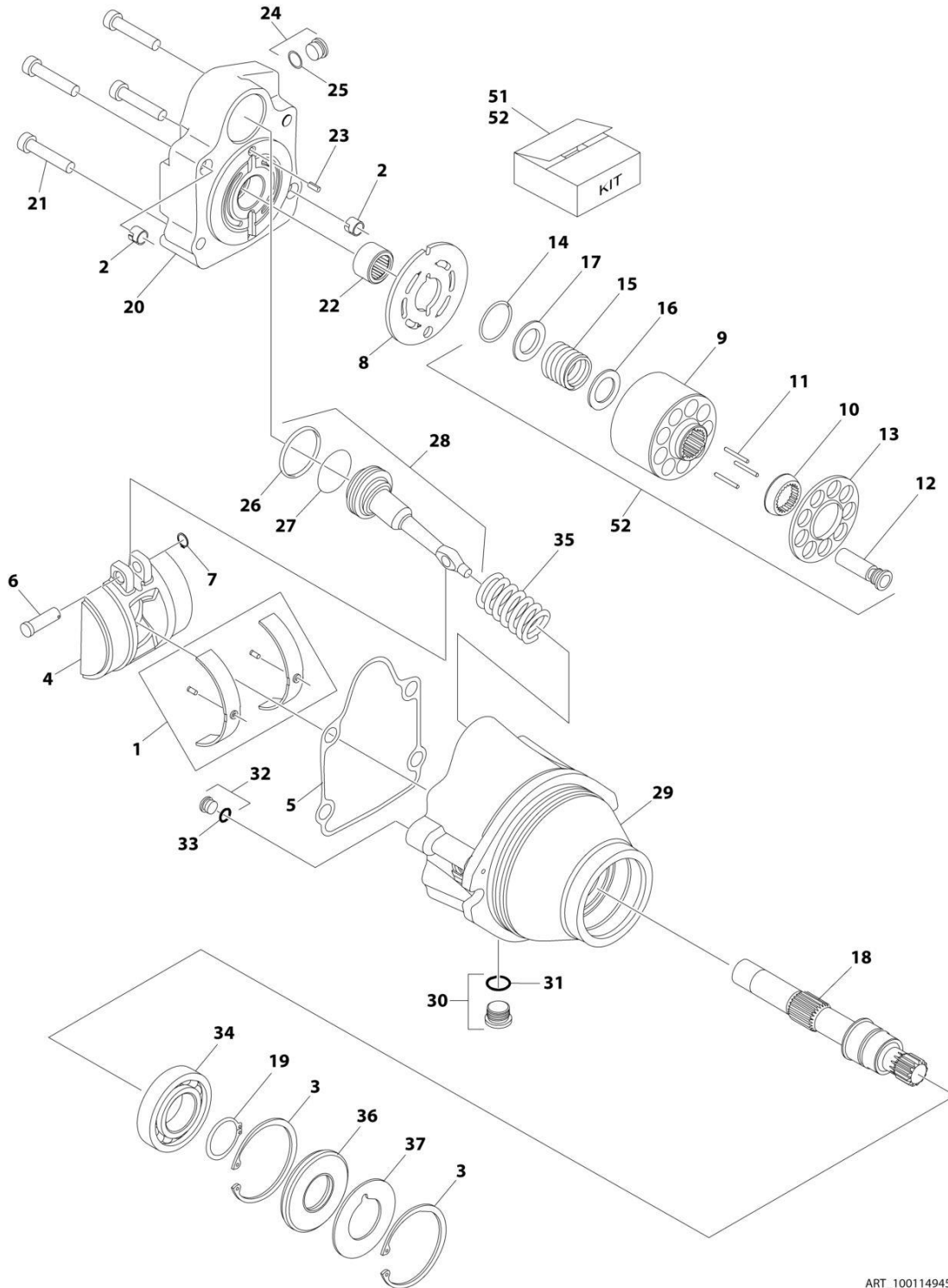
SECTION 1 - FRAME

FIGURE 1-9. DRIVE MOTOR ASSEMBLY - 2WD

ITEM	PART NUMBER	QTY	DESCRIPTION	REV
	1001149458	Ref	DRIVE MOTOR ASSEMBLY - 2WD	B
1	70000852	1	Bearing Kit	
2	70003628	2	Locating Pin	
3	7007438	2	Snap Ring	
4	70000853	1	Swash Plate	
5	See Note	NSS	Gasket (Note: Use Item 51)	
6	70004201	1	Pin	
7	70004202	1	Ring, Retaining	
8	70000854	1	Plate, Valve	
9	70000855	1	Block, Cylinder	
10	70000856	1	Guide	
11	7021275	3	Pin, Slipper	
12	7024865	9	Piston, Cylinder	
13	70000857	1	Retainer, Slipper	
14	7022311	1	Snap Ring	
15	7024867	1	Spring	
16	7024868	1	Washer	
17	7022314	1	Retainer, Spring	
18	70000858	1	Shaft	
19	7007439	1	Snap Ring	
20	70000859	1	End Cap, Motor	
21	7022368	4	Bolt	
22	7021249	1	Bearing, Needle	
23	7007446	1	Pin, Dowel	
24	7007420	1	Plug (Includes Item 25)	
25	See Note	NSS	O-Ring (Note: Use Item 51 or 24)	
26	See Note	NSS	Ring, Piston (Note: Use Item 51 or 28)	
27	See Note	NSS	O-Ring (Note: Use Item 51 or 28)	
28	70004207	1	Piston, Servo (Includes Items 26 & 27)	
29	See Note	NSS	Housing (Note: Not Available - Purchase Complete Motor)	
30	7022321	1	Plug (Includes Item 31)	
31	See Note	NSS	O-Ring (Note: Use Item 51 or 30)	
32	70002133	1	Plug (Includes Item 33)	
33	See Note	NSS	O-Ring (Note: Use Item 51 or 32)	
34	70002176	1	Bearing	
35	70000861	1	Spring	
36	See Note	NSS	Seal (Note: Use Item 51)	
37	7022371	1	Washer, Seal Support	
51	70000862	1	Motor Seal Kit (Includes Items 5, 25, 26, 27, 31, 33 & 36)	
52	7027740	1	Cylinder Block Kit (Includes Items 9-17)	

SECTION 1 - FRAME

FIGURE 1-10. DRIVE MOTOR ASSEMBLY - 4WD



ART_1001149456

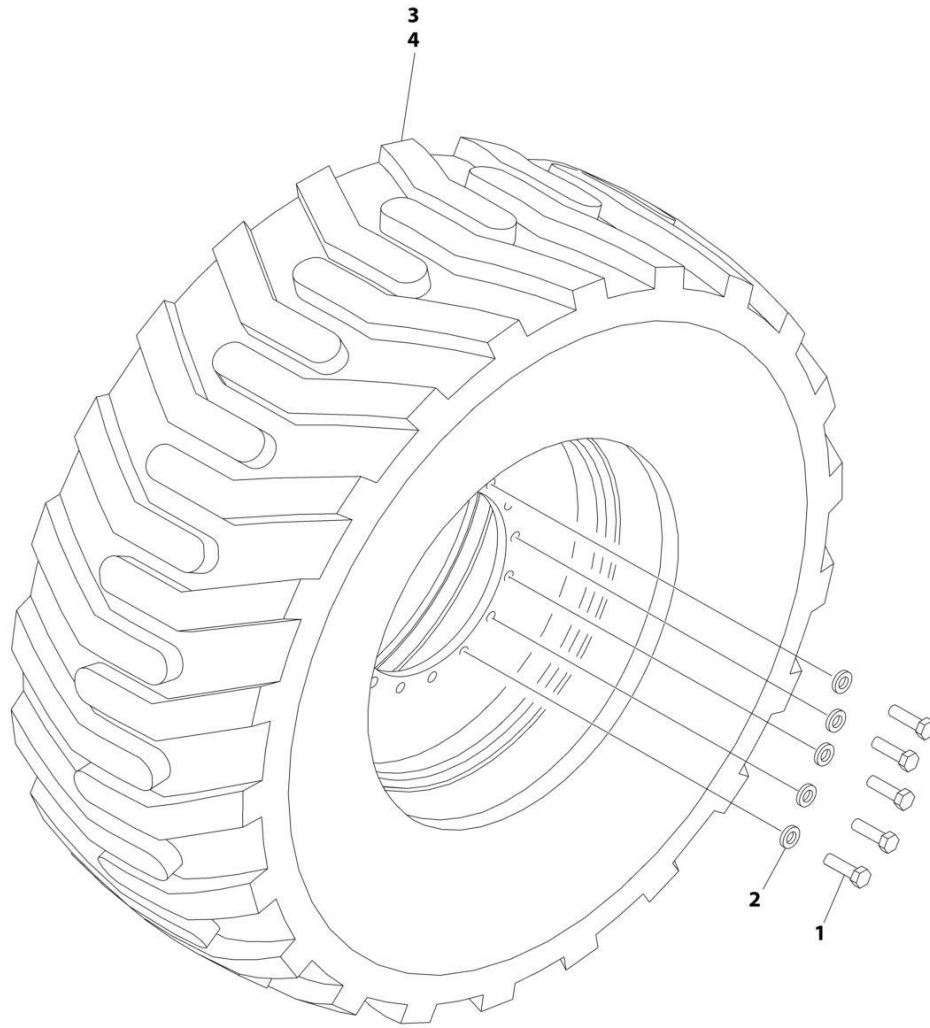
SECTION 1 - FRAME

FIGURE 1-10. DRIVE MOTOR ASSEMBLY - 4WD

ITEM	PART NUMBER	QTY	DESCRIPTION	REV
	1001149456	Ref	DRIVE MOTOR ASSEMBLY - 4WD	B
1	70000852	1	Bearing Kit	
2	70003628	2	Locating Pin	
3	7007439	2	Snap Ring	
4	70000853	1	Swash Plate	
5	See Note	NSS	Gasket (Note: Use Item 51)	
6	70004201	1	Pin	
7	70004202	1	Ring, Retaining	
8	70000854	1	Plate, Valve	
9	See Note	NSS	Block, Cylinder (Note: Use Item 52)	
10	See Note	NSS	Guide (Note: Use Item 52)	
11	7021275	3	Pin, Slipper	
12	70005821	9	Piston, Cylinder	
13	70000857	1	Retainer, Slipper	
14	7022311	1	Snap Ring	
15	7024867	1	Spring	
16	7024868	1	Washer	
17	7022314	1	Retainer, Spring	
18	70000858	1	Shaft	
19	7007439	1	Snap Ring	
20	70000859	1	End Cap, Motor	
21	7022368	4	Bolt	
22	7021249	1	Bearing, Needle	
23	7007446	1	Pin, Dowel	
24	7007420	1	Plug (Includes Item 25)	
25	See Note	NSS	O-Ring (Note: Use Item 51 or 24)	
26	See Note	NSS	Ring, Piston (Note: Use Item 51 or 28)	
27	See Note	NSS	O-Ring (Note: Use Item 51 or 28)	
28	70000860	1	Piston, Servo (Includes Items 26 & 27)	
29	See Note	NSS	Housing (Note: Not Available - Purchase Complete Motor)	
30	7022321	1	Plug (Includes Item 31)	
31	See Note	NSS	O-Ring (Note: Use Item 51 or 30)	
32	70002133	1	Plug (Includes Item 33)	
33	See Note	NSS	O-Ring (Note: Use Item 51 or 32)	
34	70002176	1	Bearing	
35	70000861	1	Spring	
36	See Note	NSS	Seal (Note: Use Item 51)	
37	7022371	1	Washer, Seal Support	
51	70000862	1	Motor Seal Kit (Includes Items 5, 25, 26, 27, 31, 33 & 36)	
52	70005820	1	Cylinder Block Kit (Includes Items 9-17)	

SECTION 1 - FRAME

FIGURE 1-11. TIRE AND WHEEL INSTALLATION - FOAM-FILLED



ART_1001150022

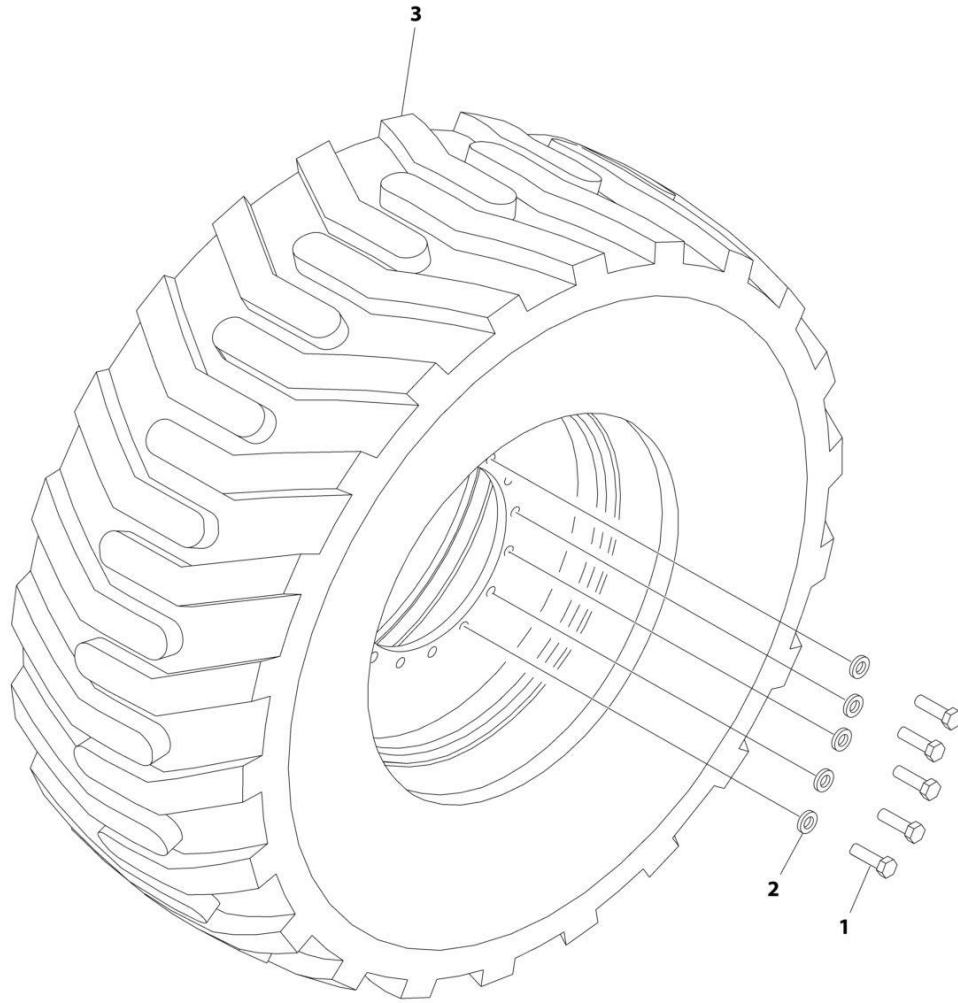
SECTION 1 - FRAME

FIGURE 1-11. TIRE AND WHEEL INSTALLATION - FOAM-FILLED

ITEM	PART NUMBER	QTY	DESCRIPTION	REV
	1001150022	Ref	TIRE AND WHEEL INSTALLATION - FOAM-FILLED	B
		Ref	Note: Assemblies may require ballast/foam filling to manufacturer's specifications prior to installing on a machine. Refer to Operation and Safety or Service and Maintenance Manuals. Purchase individual tire and/or rim only if able to foam fill tire and wheel assembly, otherwise, purchase complete assembly.	
1	0701619	64	Bolt M16 x 55 (16 Per Wheel)	
2	5241600	64	Washer M16 (16 Per Assembly)	
3	1001151436	2	Left Side Tire and Wheel Assembly - Foam-Filled	
4	1001151437	2	Right Side Tire and Wheel Assembly - Foam-Filled	

SECTION 1 - FRAME

FIGURE 1-12. TIRE AND WHEEL INSTALLATION - SOLID



ART_1001150023

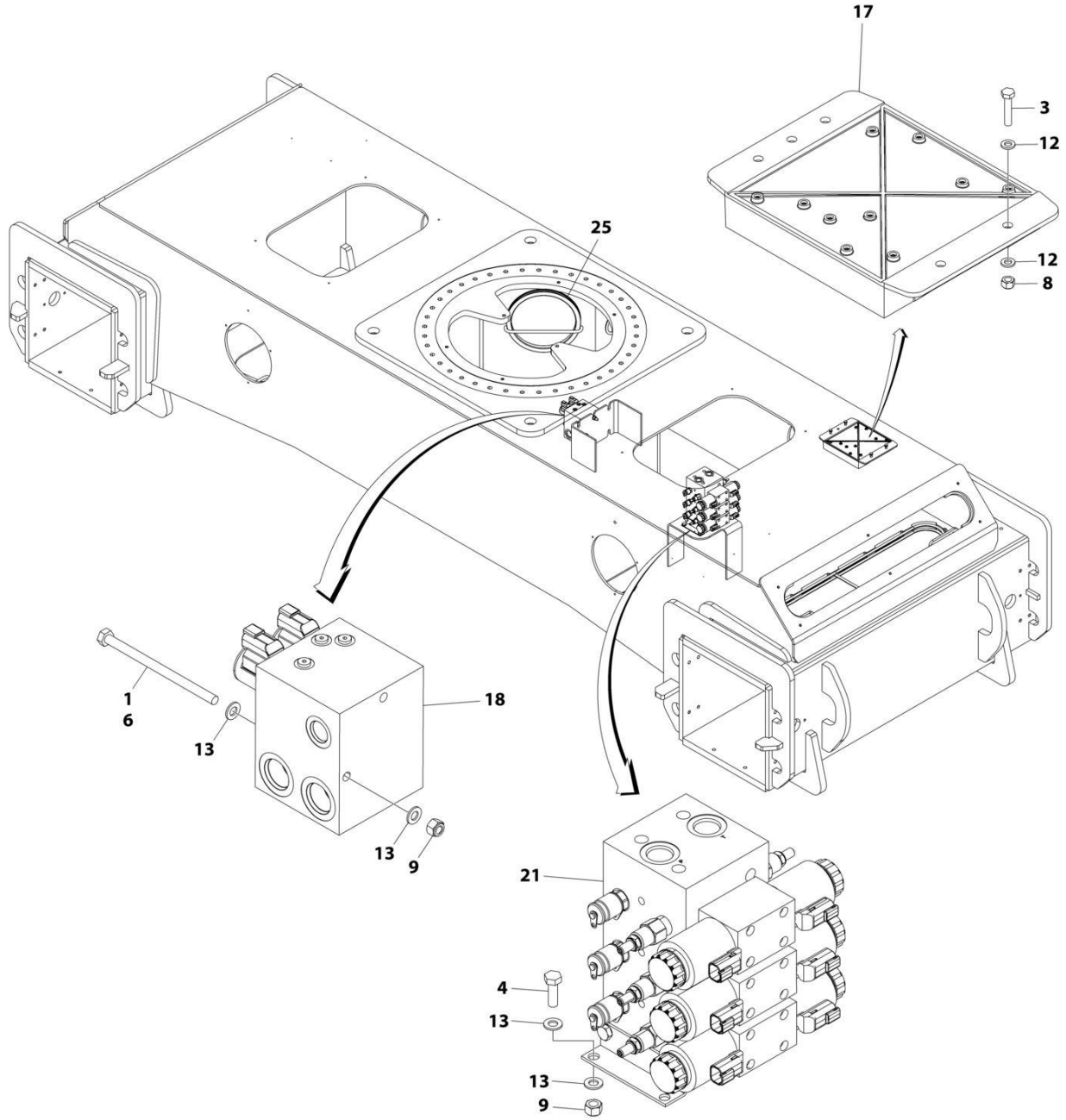
SECTION 1 - FRAME

FIGURE 1-12. TIRE AND WHEEL INSTALLATION - SOLID

ITEM	PART NUMBER	QTY	DESCRIPTION	REV
	1001150023	Ref	TIRE AND WHEEL INSTALLATION - SOLID	B
1	0701619	64	Bolt M16 x 55 (16 Per Wheel)	
2	5241600	64	Washer M16 (16 Per Wheel)	
3	1001147247	4	Tire and Wheel Assembly - Solid	

SECTION 1 - FRAME

FIGURE 1-13. VALVES INSTALLATION - FRAME (2WD/2WS)



ART_1001223984_C_10F3

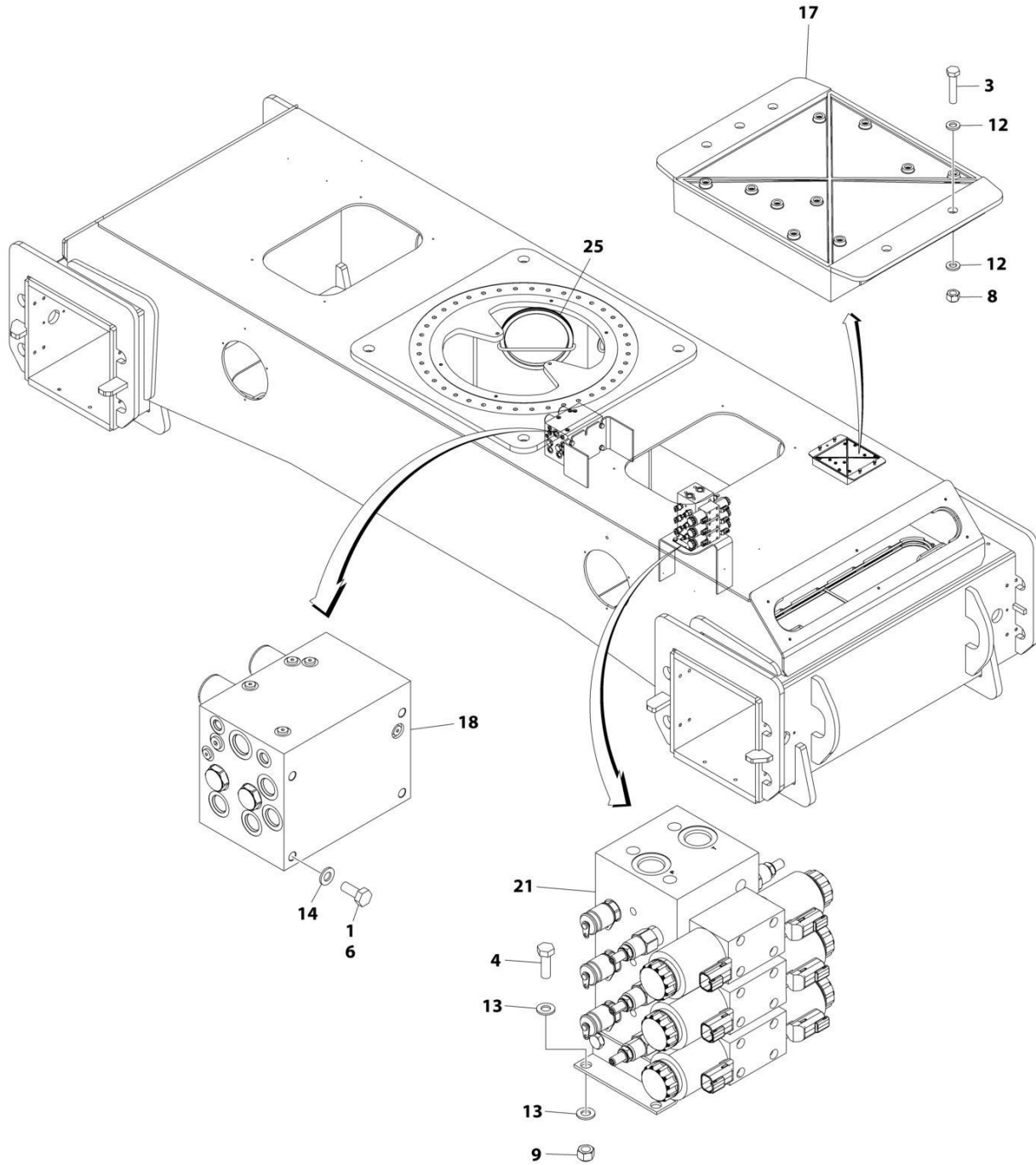
SECTION 1 - FRAME

FIGURE 1-13. VALVES INSTALLATION - FRAME (2WD/2WS)

ITEM	PART NUMBER	QTY	DESCRIPTION	REV
	1001223984	Ref	VALVES INSTALLATION - FRAME	C
1	0100011	AR	Compound, Locking	
3	0760614	4	Bolt M6 x 30	
4	0760812	4	Bolt M8 x 25	
6	0700830	2	Bolt M8 x 130	
8	3290605	4	Nut M6	
9	3290805	6	Nut M8	
12	4811700	8	Washer M6	
13	4811900	12	Washer M8	
17	1001277210	1	Module, Control - Frame (Note: Re-calibration Required when Replaced)	
18	1001194532	1	Traction Valve Assembly - 2WD (See Separate Breakdown in this Section)	
21	1001151834	1	Axle Extend/Steer Valve Assembly (See Separate Breakdown in this Section)	
25	4060808	AR	Flex-Trim	

SECTION 1 - FRAME

FIGURE 1-14. VALVES INSTALLATION - FRAME (4WD/2WS)



ART_1001223931_C_10F3

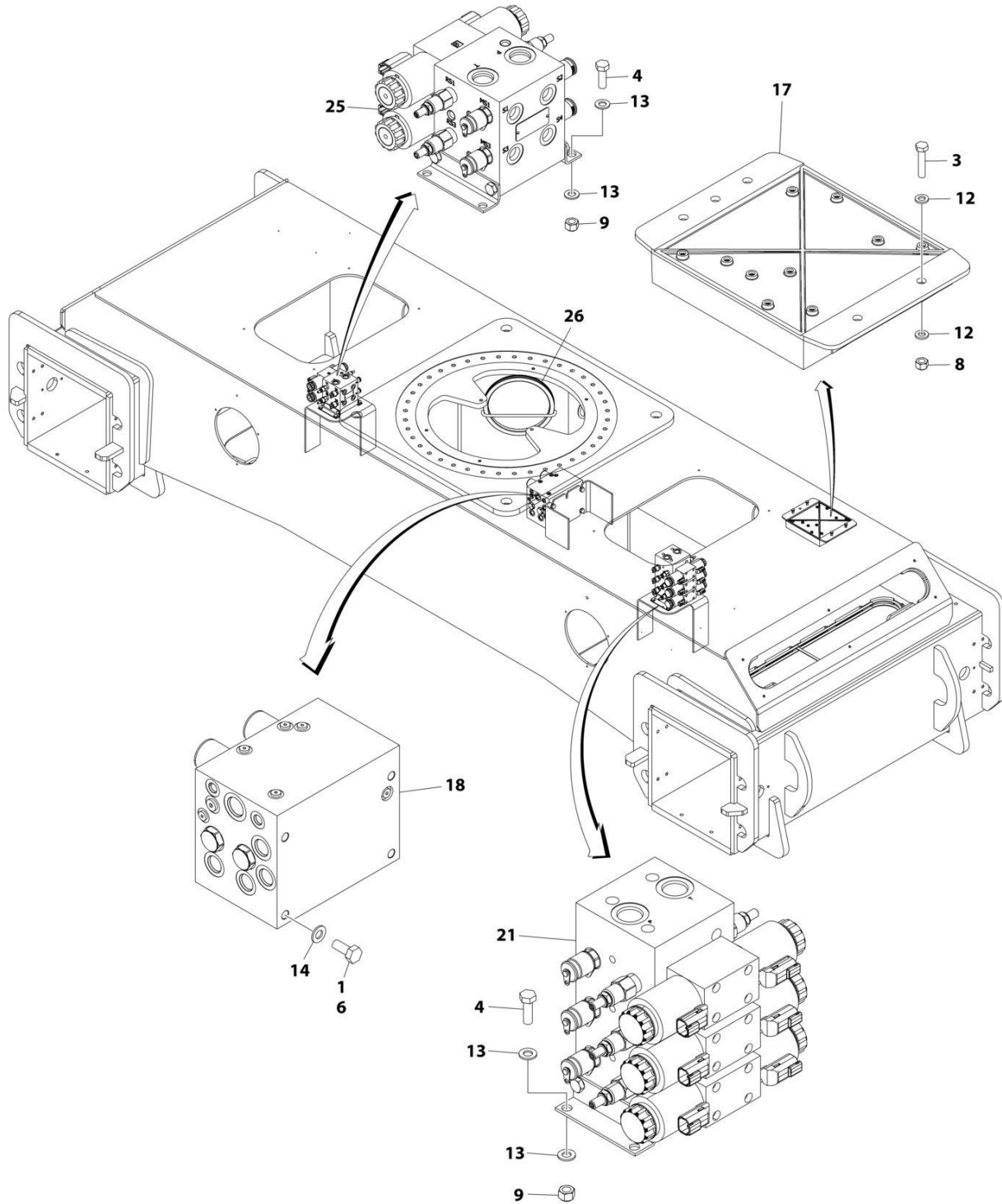
SECTION 1 - FRAME

FIGURE 1-14. VALVES INSTALLATION - FRAME (4WD/2WS)

ITEM	PART NUMBER	QTY	DESCRIPTION	REV
	1001223931	Ref	VALVES INSTALLATION - FRAME	C
1	0100011	AR	Compound, Locking	
3	0760614	4	Bolt M6 x 30	
4	0760812	4	Bolt M8 x 25	
6	0761012	4	Bolt M10 x 25	
8	3290605	4	Nut M6	
9	3290805	4	Nut M8	
12	4811700	8	Washer M6	
13	4811900	8	Washer M8	
14	4812000	4	Washer M10	
17	1001277210	1	Module, Control - Frame (Note: Re-calibration Required when Replaced)	
18	1001151409	1	Traction Valve Assembly - 4WD (See Separate Breakdown in this Section)	
21	1001151834	1	Axle Extend/Steer Valve Assembly (See Separate Breakdown in this Section)	
25	4060808	AR	Flex-Trim	

SECTION 1 - FRAME

FIGURE 1-15. VALVES INSTALLATION - FRAME (1100SJ WITH 4WD/4WS)



ART_1001223890_C_10F3

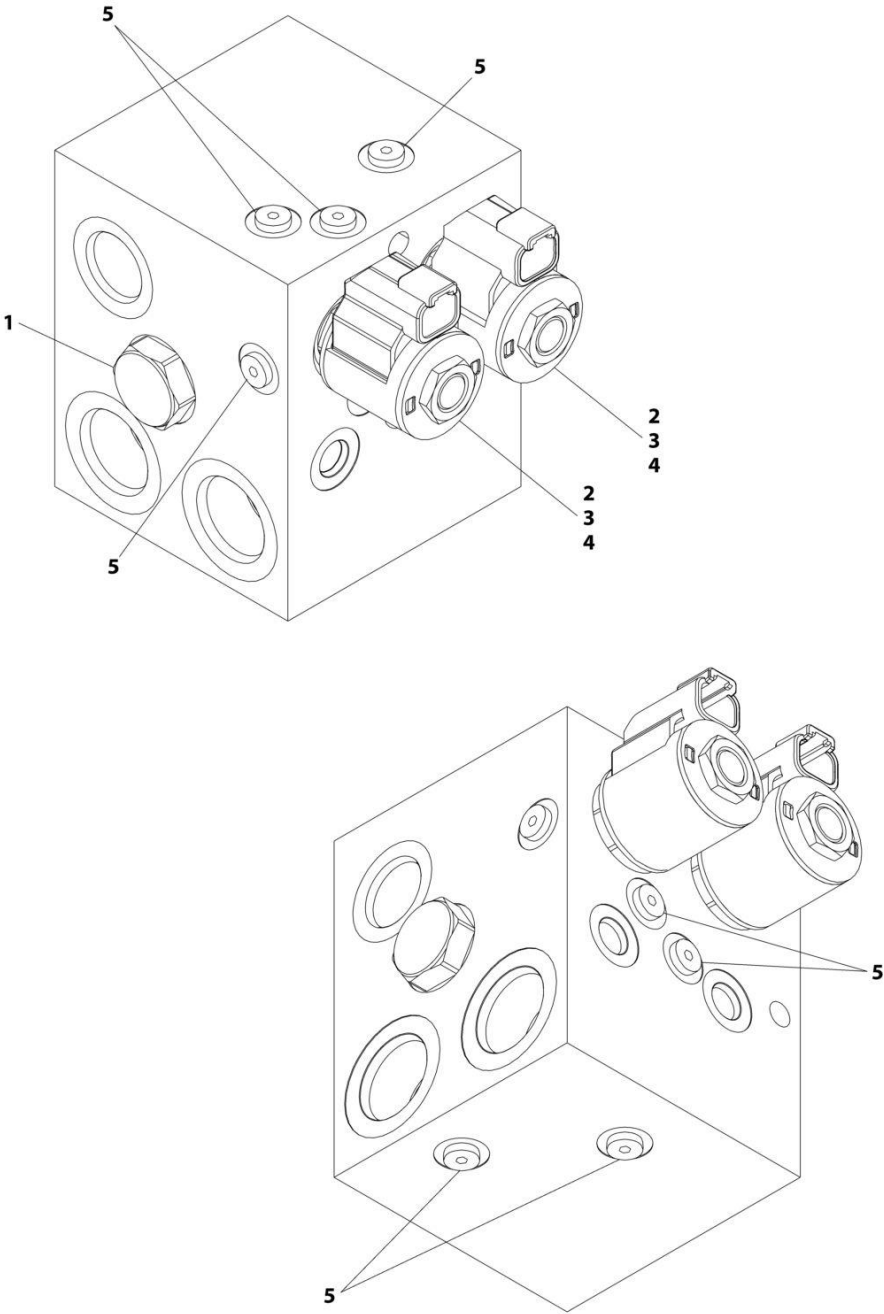
SECTION 1 - FRAME

FIGURE 1-15. VALVES INSTALLATION - FRAME (1100SJ WITH 4WD/4WS)

ITEM	PART NUMBER	QTY	DESCRIPTION	REV
	1001223890	Ref	VALVES INSTALLATION - FRAME	C
1	0100011	AR	Compound, Locking	
3	0760614	4	Bolt M6 x 30	
4	0760812	8	Bolt M8 x 25	
6	0761012	4	Bolt M10 x 25	
8	3290605	4	Nut M6	
9	3290805	8	Nut M8	
12	4811700	8	Washer M6	
13	4811900	16	Washer M8	
14	4812000	4	Washer M10	
17	1001277210	1	Module, Control - Frame (Note: Re-calibration Required when Replaced)	
18	1001151409	1	Traction Valve Assembly - 4WD (See Separate Breakdown in this Section)	
21	1001151834	1	Axle Extend/Steer Valve Assembly (See Separate Breakdown in this Section)	
25	1001222524	1	Steer Valve Assembly (See Separate Breakdown in this Section)	
26	4060808	AR	Flex-Trim	

SECTION 1 - FRAME

FIGURE 1-16. TRACTION VALVE ASSEMBLY - 2WD



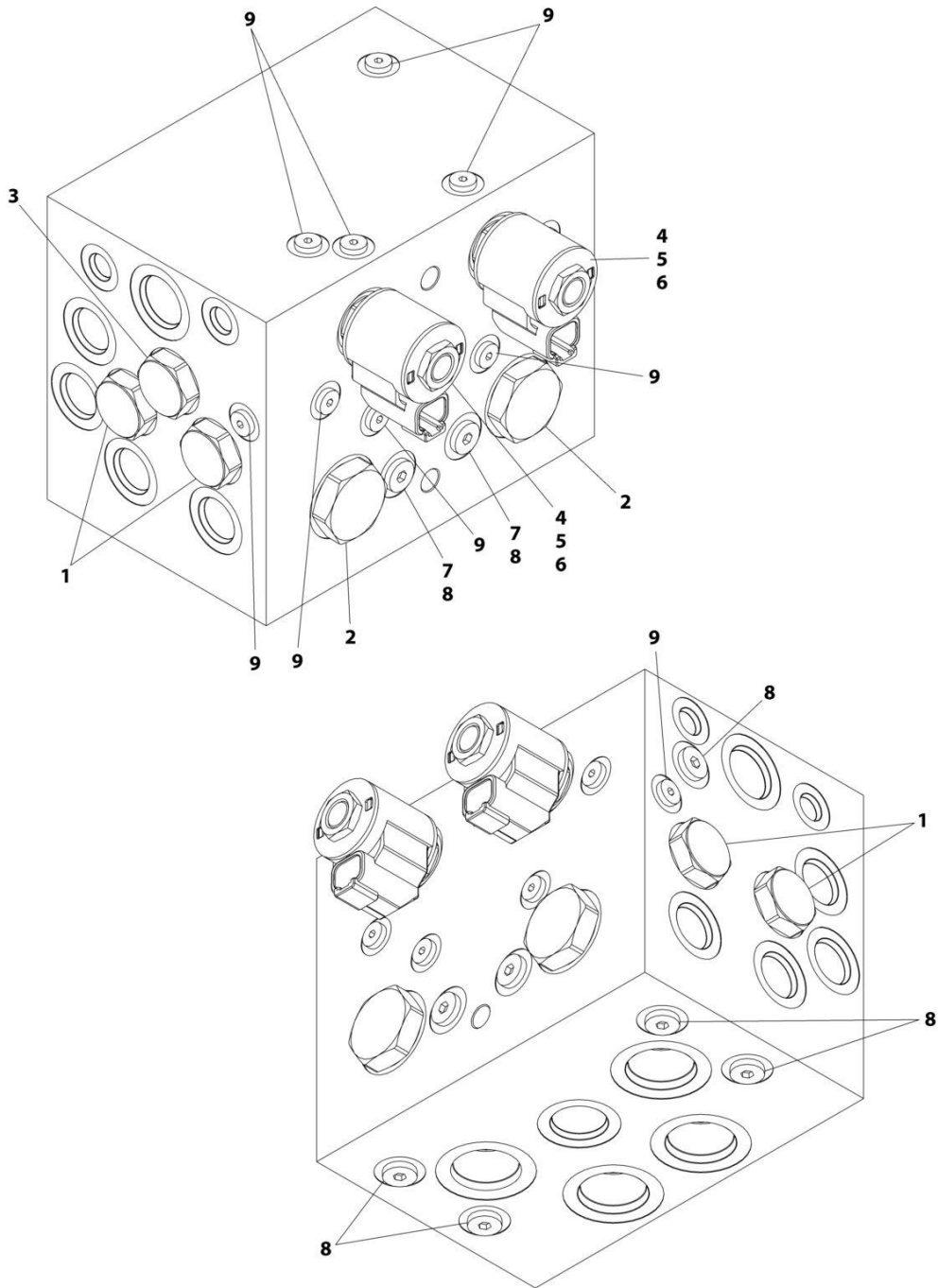
ART_1001194532

FIGURE 1-16. TRACTION VALVE ASSEMBLY - 2WD

ITEM	PART NUMBER	QTY	DESCRIPTION	REV
	1001194532	Ref	TRACTION VALVE ASSEMBLY - 2WD	C
1	70000804	1	Cartridge, Shuttle Valve	
1	70000805	1	Seal Kit - 70000804 Valve	
2	70005775	2	Cartridge, Solenoid Less Coil	
2	70005776	2	Seal Kit - 70005775 Valve	
3	7022390	2	Nut, Coil	
4	70002386	2	Coil	
5	2220881	8	Plug	

SECTION 1 - FRAME

FIGURE 1-17. TRACTION VALVE ASSEMBLY - 4WD



ART_1001151409

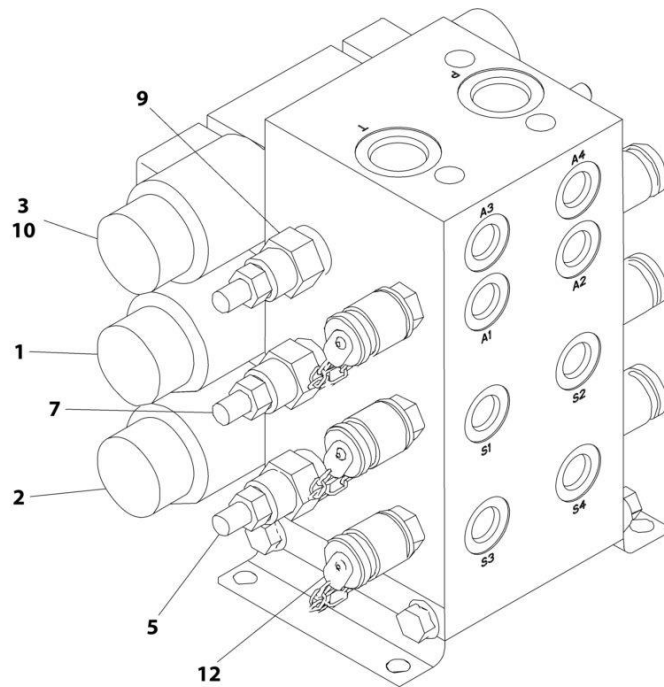
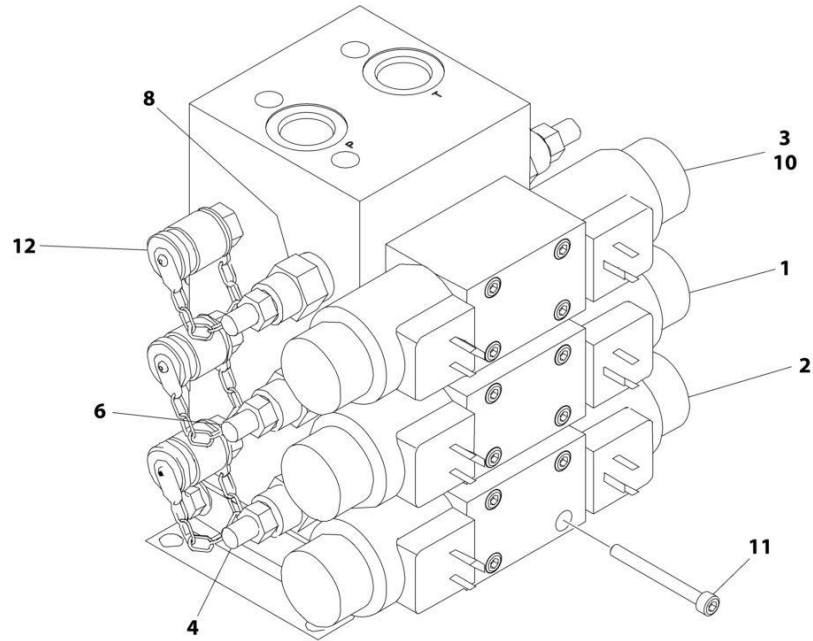
SECTION 1 - FRAME

FIGURE 1-17. TRACTION VALVE ASSEMBLY - 4WD

ITEM	PART NUMBER	QTY	DESCRIPTION	REV
	1001151409	Ref	TRACTION VALVE ASSEMBLY - 4WD	B
1	70005774	4	Cartridge, Check Valve	
1	7024808	4	Seal Kit - 70005774 Valve	
2	70002958	2	Cartridge, Flow Divider Valve	
2	70002959	2	Seal Kit - 70002958 Valve	
3	70000804	1	Cartridge, Shuttle Valve	
3	70000805	1	Seal Kit - 70000804 Valve	
4	70005775	2	Cartridge, Solenoid Less Coil	
4	70005776	2	Seal Kit - 70005775 Valve	
5	7022390	2	Nut, Coil	
6	70002386	2	Coil	
7	7017493	2	Orifice	
8	2220883	7	Plug	
9	2220881	11	Plug	

SECTION 1 - FRAME

FIGURE 1-18. AXLE EXTEND/STEER ASSEMBLY



ART_1001151834

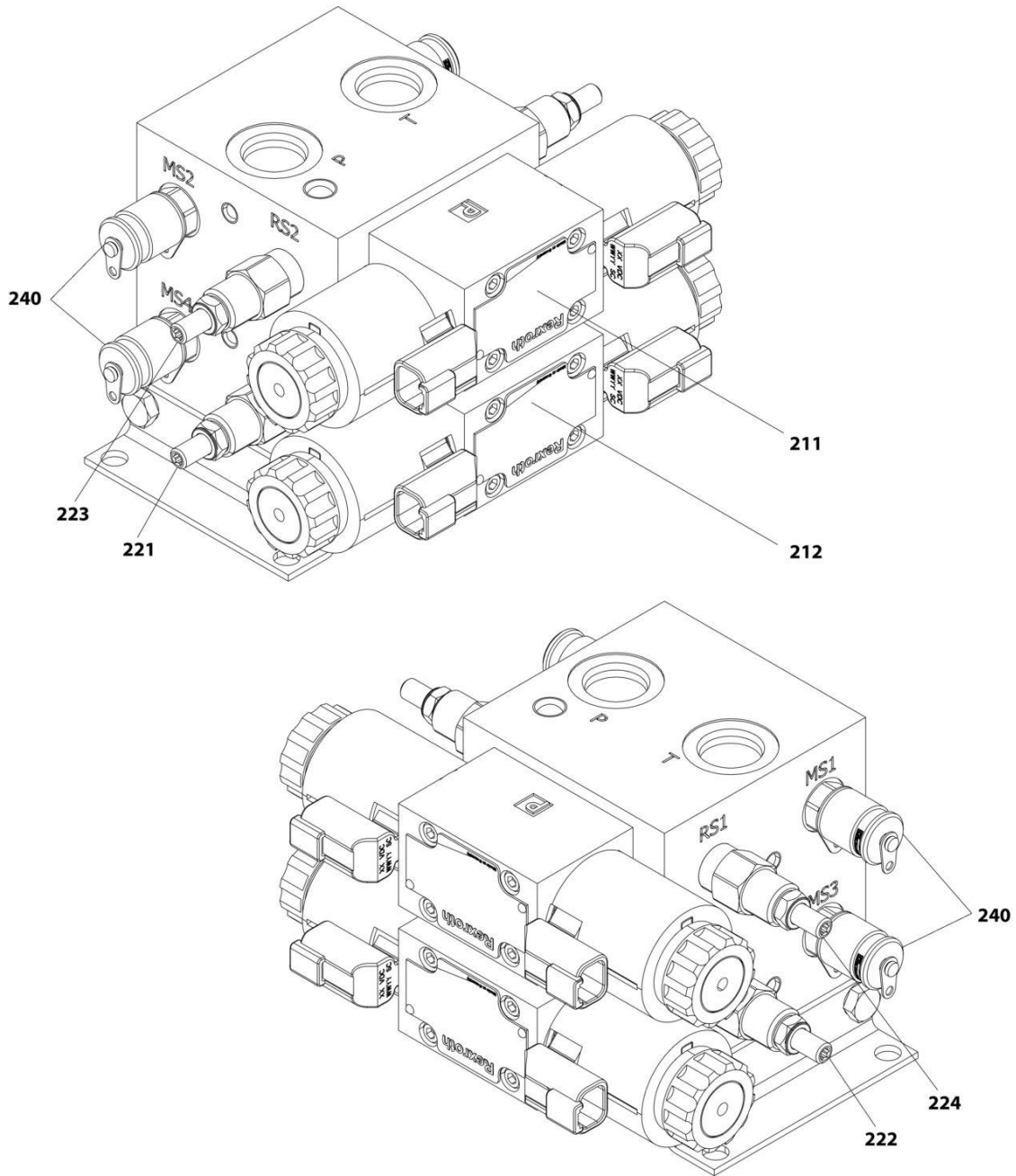
SECTION 1 - FRAME

FIGURE 1-18. AXLE EXTEND/STEER ASSEMBLY

ITEM	PART NUMBER	QTY	DESCRIPTION	REV
	1001151834	Ref	AXLE EXTEND/STEER ASSEMBLY	E
1	70006929	1	Valve (Steer)	
1	See Note	NSS	Seal Kit - 70006929 Valve (Note: Not Available for Purchase)	
1	70006950	2	Coil	
1	70004461	2	O-Ring, Pole Tube	
1	7021375	2	Nut, Coil	
2	70006929	1	Valve (Steer)	
2	See Note	NSS	Seal Kit - 70006929 Valve (Note: Not Available for Purchase)	
2	70006950	2	Coil	
2	70004461	2	O-Ring, Pole Tube	
2	7021375	2	Nut, Coil	
3	70001939	1	Orifice	
4	70006087	1	Cartridge, Relief Valve	
4	7011346	1	Seal Kit - 70006087 Valve	
5	70006088	1	Cartridge, Relief Valve	
5	7011346	1	Seal Kit - 70006088 Valve	
6	70006087	1	Cartridge, Relief Valve	
6	7011346	1	Seal Kit - 70006087 Valve	
7	70006088	1	Cartridge, Relief Valve	
7	7011346	1	Seal Kit - 70006088 Valve	
8	70006089	1	Cartridge, Relief Valve	
8	7011346	1	Seal Kit - 70006089 Valve	
9	70006089	1	Cartridge, Relief Valve	
9	7011346	1	Seal Kit - 70006089 Valve	
10	70004459	1	Valve (Steer)	
10	7012773	1	Seal Kit - 70004459 Valve	
10	70004460	2	Coil	
10	70004461	2	O-Ring, Pole Tube	
10	7021375	2	Nut, Coil	
11	7018942	12	Capscrew #10 x 2	
12	2221086	6	Fitting, Pressure Test	

SECTION 1 - FRAME

FIGURE 1-19. STEER VALVE ASSEMBLY



ART_1001222524

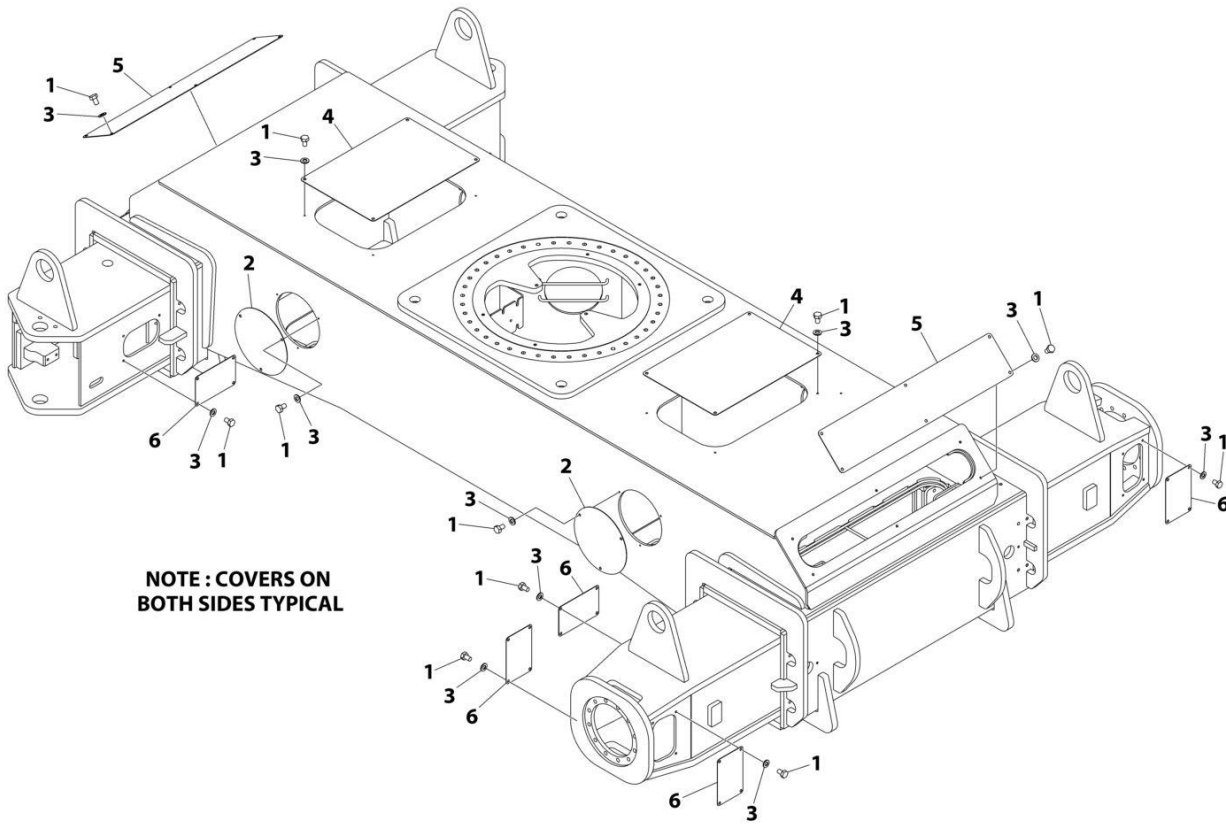
SECTION 1 - FRAME

FIGURE 1-19. STEER VALVE ASSEMBLY

ITEM	PART NUMBER	QTY	DESCRIPTION	REV
	1001222524	Ref	STEER VALVE ASSEMBLY	B
211	70006929	1	Valve (Steer)	
211	See Note	NSS	Seal Kit - 70006929 Valve (Note: Not Available for Purchase)	
211	70006950	2	Coil	
211	70004461	2	O-Ring, Pole Tube	
211	7021375	1	Nut, Coil	
212	70006929	1	Valve (Steer)	
212	See Note	NSS	Seal Kit - 70006929 Valve (Note: Not Available for Purchase)	
212	70006950	2	Coil	
212	70004461	2	O-Ring, Pole Tube	
212	7021375	2	Nut, Coil	
221	70006087	1	Cartridge, Relief Valve	
221	7011346	1	Seal Kit - 70006087 Valve	
222	70006088	1	Cartridge, Relief Valve	
222	7011346	1	Seal Kit - 70006088 Valve	
223	70006087	1	Cartridge, Relief Valve	
223	7011346	1	Seal Kit - 70006087 Valve	
224	70006088	1	Cartridge, Relief Valve	
224	7011346	1	Seal Kit - 70006088 Valve	
240	2221086	4	Fitting, Pressure Test	

SECTION 1 - FRAME

FIGURE 1-20. FRAME COVER INSTALLATION (2WS)



ART_1001150044

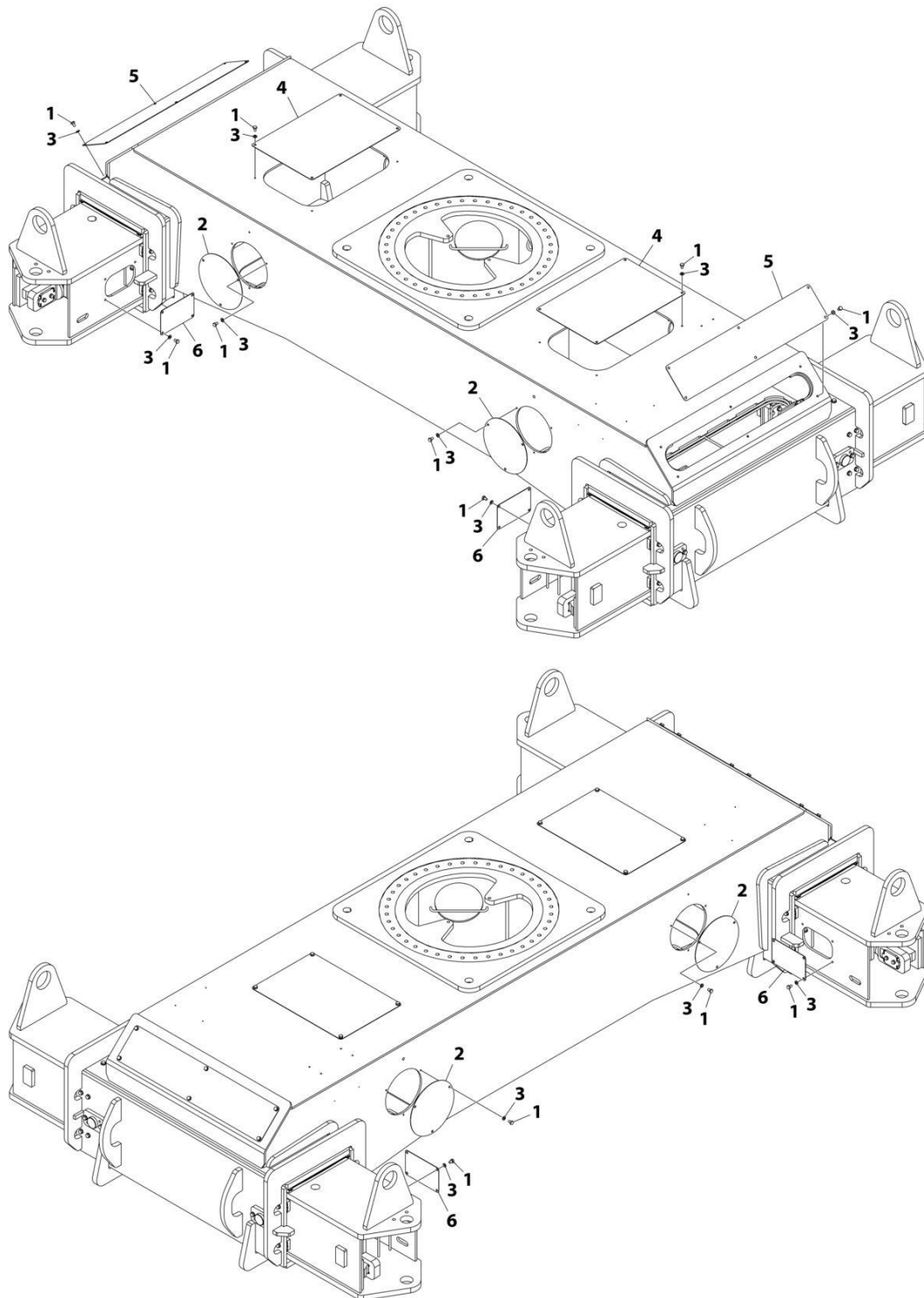
SECTION 1 - FRAME

FIGURE 1-20. FRAME COVER INSTALLATION (2WS)

ITEM	PART NUMBER	QTY	DESCRIPTION	REV
	1001150044	Ref	FRAME COVER INSTALLATION - STANDARD MACHINES	C
1	0761008	AR	Bolt M10 x 16	
2	1671049	4	Cover	
3	4812000	AR	Washer M10	
4	1001150577	AR	Cover	
5	1001150578	2	Cover	
6	1001150579	8	Cover	

SECTION 1 - FRAME

FIGURE 1-21. FRAME COVER INSTALLATION (4WS)



ART_1001232783

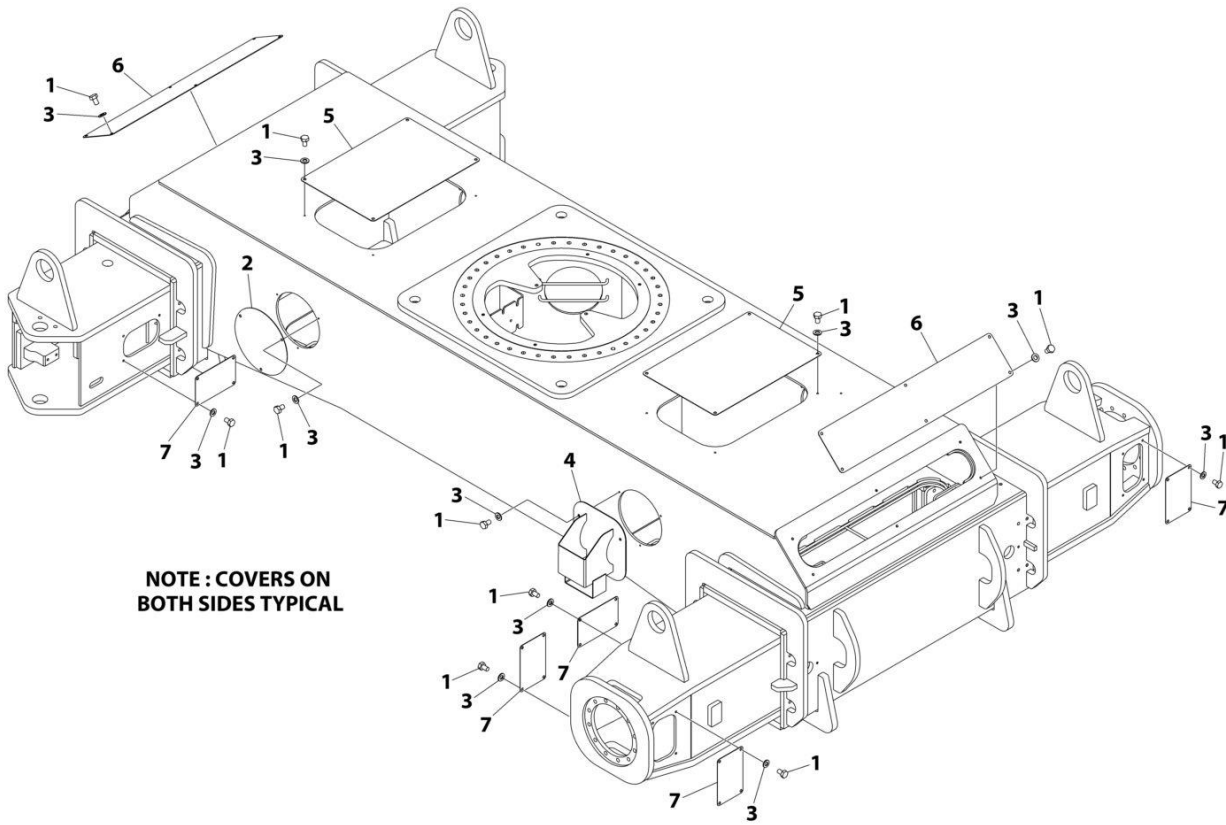
SECTION 1 - FRAME

FIGURE 1-21. FRAME COVER INSTALLATION (4WS)

ITEM	PART NUMBER	QTY	DESCRIPTION	REV
	1001232783	Ref	FRAME COVER INSTALLATION - STANDARD MACHINES	A
1	0761008	48	Bolt M10 x 16	
2	1671049	4	Cover	
3	4812000	48	Washer M10	
4	1001150577	2	Cover	
5	1001150578	2	Cover	
6	1001150579	4	Cover	

SECTION 1 - FRAME

FIGURE 1-22. FRAME COVER INSTALLATION - SHIPYARD MACHINES (2WS)



ART_1001150042

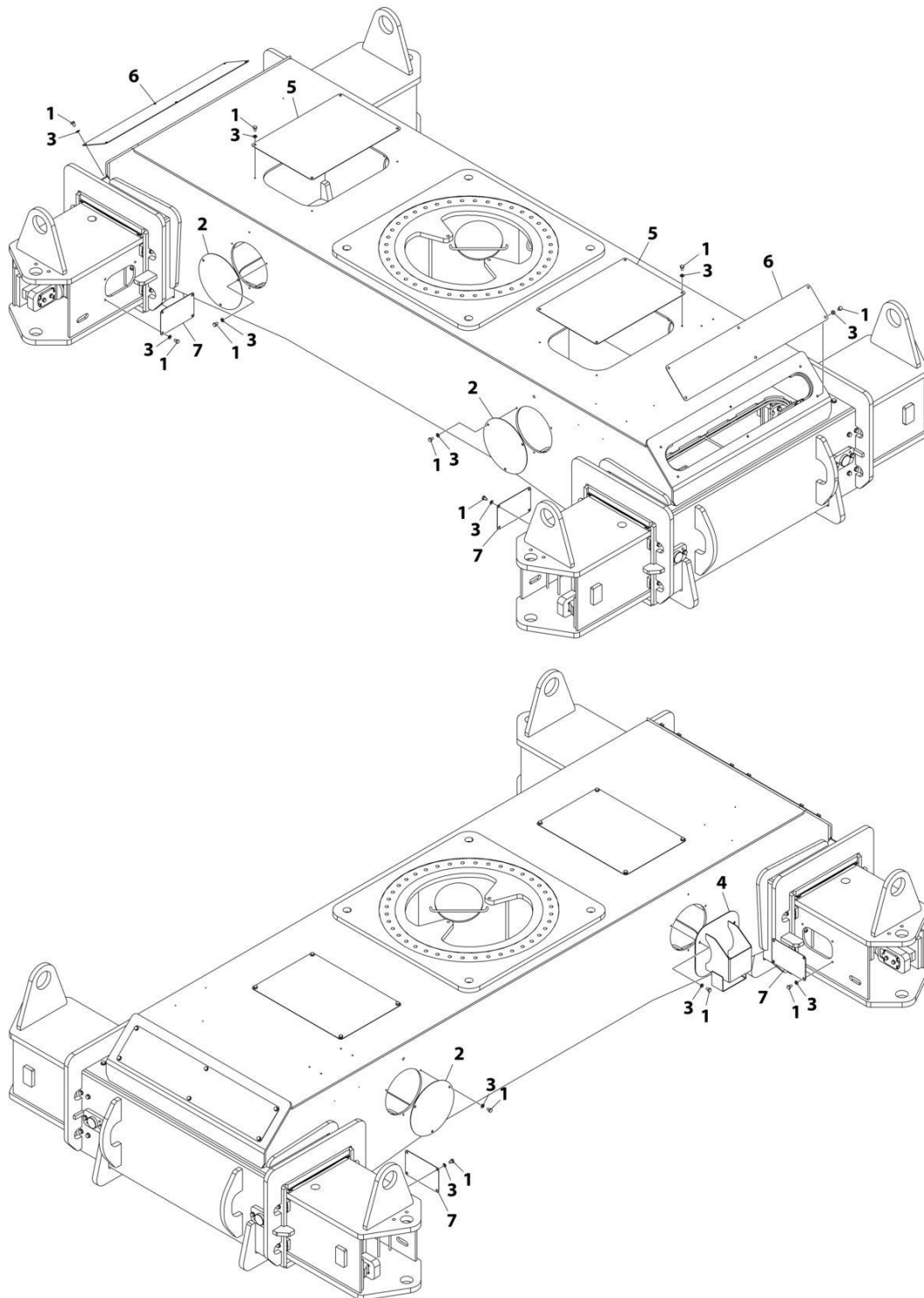
SECTION 1 - FRAME

FIGURE 1-22. FRAME COVER INSTALLATION - SHIPYARD MACHINES (2WS)

ITEM	PART NUMBER	QTY	DESCRIPTION	REV
	1001150042	Ref	FRAME COVER INSTALLATION - SHIPYARD MACHINES	C
1	0761008	AR	Bolt M10 x 16	
2	1671049	3	Cover	
3	4812000	AR	Washer M10	
4	1001110877	1	Mount, Fire Extinguisher	
5	1001150577	AR	Cover	
6	1001150578	2	Cover	
7	1001150579	8	Cover	

SECTION 1 - FRAME

FIGURE 1-23. FRAME COVER INSTALLATION - SHIPYARD MACHINES (4WS)



ART_1001232782

SECTION 1 - FRAME

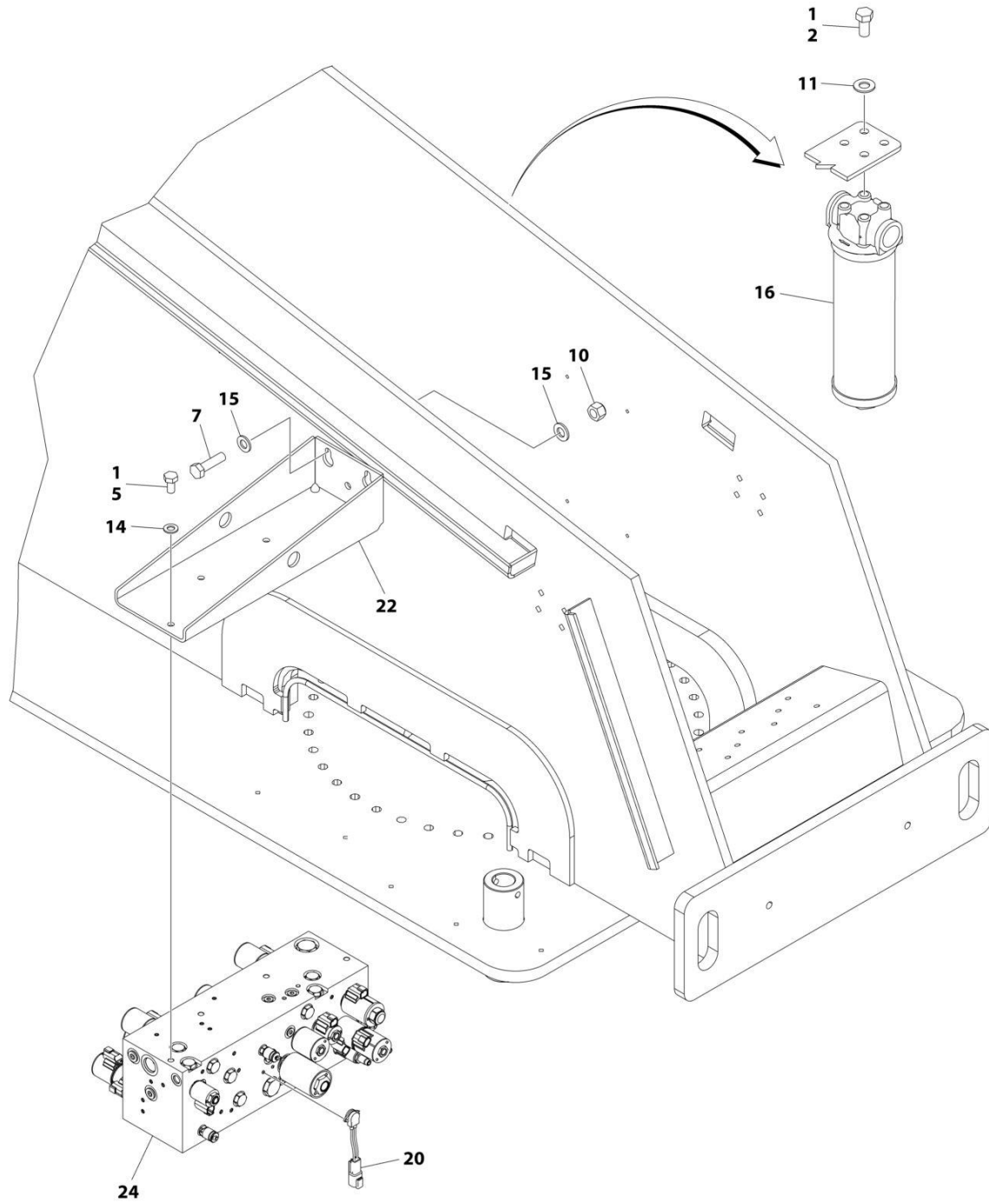
FIGURE 1-23. FRAME COVER INSTALLATION - SHIPYARD MACHINES (4WS)

ITEM	PART NUMBER	QTY	DESCRIPTION	REV
	1001232782	Ref	FRAME COVER INSTALLATION - SHIPYARD MACHINES	A
1	0761008	48	Bolt M10 x 16	
2	1671049	3	Cover	
3	4812000	48	Washer M10	
4	1001110877	1	Mount, Fire Extinguisher	
5	1001150577	2	Cover	
6	1001150578	2	Cover	
7	1001150579	4	Cover	

SECTION 2 - TURNTABLE

SECTION 2 - TURNTABLE

FIGURE 2-1. VALVE INSTALLATION - TURNTABLE (2WD/2WS)



ART_1001223984_C_20F3

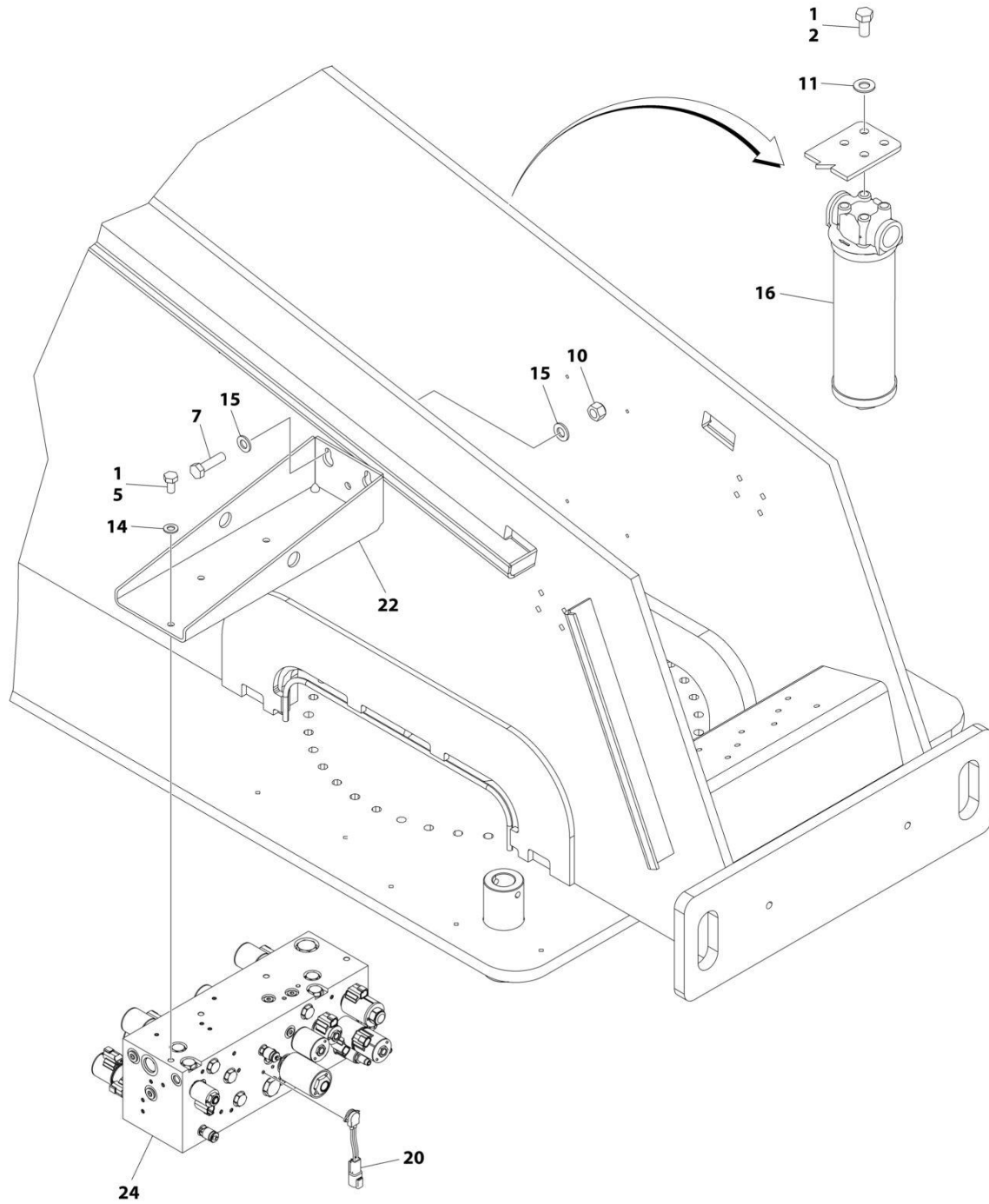
SECTION 2 - TURNTABLE

FIGURE 2-1. VALVE INSTALLATION - TURNTABLE (2WD/2WS)

ITEM	PART NUMBER	QTY	DESCRIPTION	REV
	1001223984	Ref	VALVE INSTALLATION - TURNTABLE	C
1	0100011	AR	Compound, Locking	
2	0641606	4	Bolt 3/8 x 3/4	
5	0761010	4	Bolt M10 x 20	
7	0761217	3	Bolt M12 x 45	
10	3291205	3	Nut M12	
11	4711600	4	Washer 3/8	
14	4812000	4	Washer M10	
15	4812100	6	Washer M12	
16	1001108617	1	Filter, Hydraulic	
16	70002231	1	Element, Filter	
20	1001151525	1	Sensor, Temperature	
22	1001151840	1	Bracket	
24	1001219116	1	Main Valve Assembly (See Separate Breakdown in this Section)	

SECTION 2 - TURNTABLE

FIGURE 2-2. VALVE INSTALLATION - TURNTABLE (4WD/2WS)



ART_1001223931_C_20F3

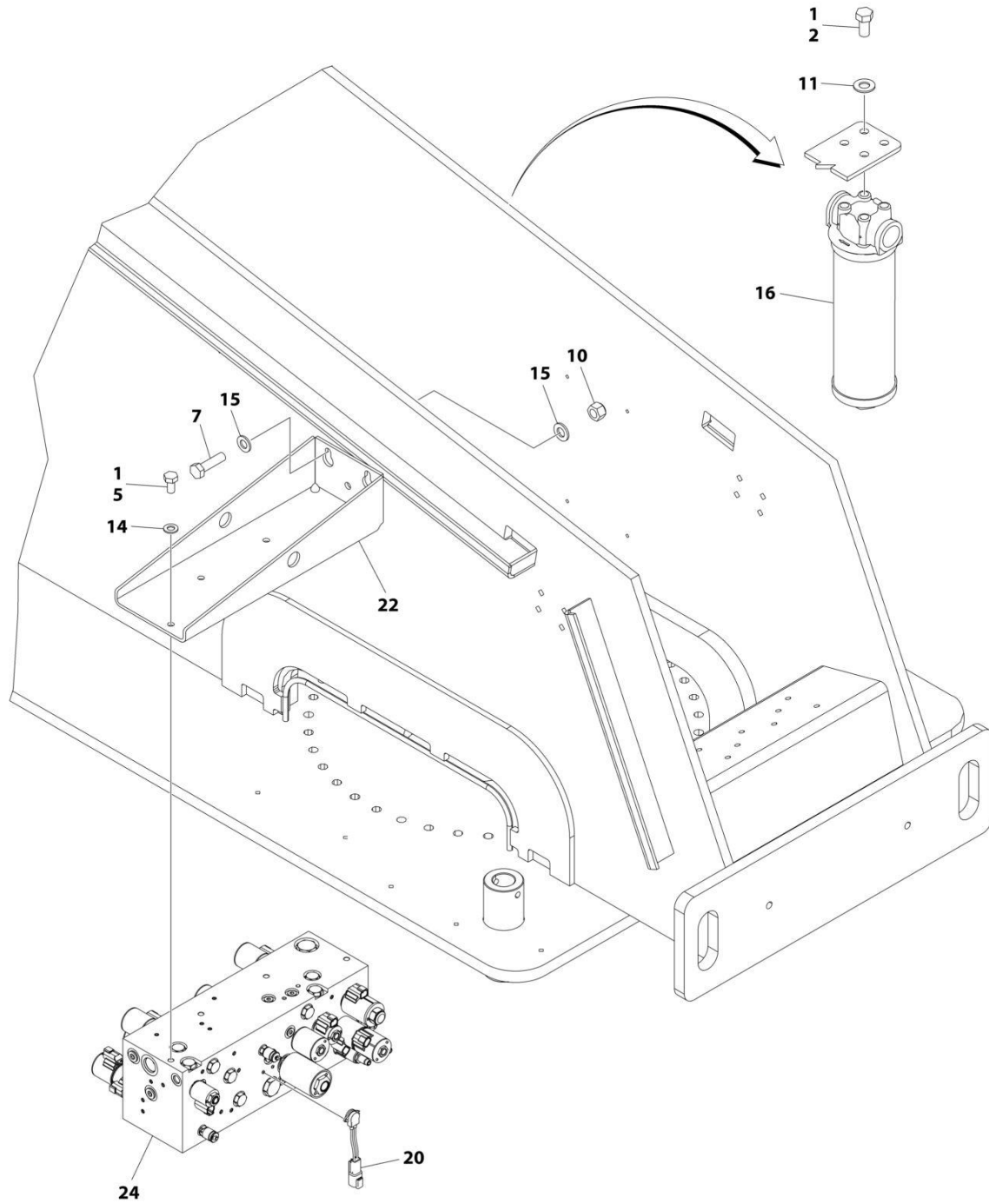
SECTION 2 - TURNTABLE

FIGURE 2-2. VALVE INSTALLATION - TURNTABLE (4WD/2WS)

ITEM	PART NUMBER	QTY	DESCRIPTION	REV
	1001223931	Ref	VALVE INSTALLATION - TURNTABLE	C
1	0100011	AR	Compound, Locking	
2	0641606	4	Bolt 3/8 x 3/4	
5	0761010	4	Bolt M10 x 20	
7	0761217	3	Bolt M12 x 45	
10	3291205	3	Nut M12	
11	4711600	4	Washer 3/8	
14	4812000	4	Washer M10	
15	4812100	6	Washer M12	
16	1001108617	1	Filter, Hydraulic	
16	70002231	1	Element, Filter	
20	1001151525	1	Sensor, Temperature	
22	1001151840	1	Bracket	
24	1001219116	1	Main Valve Assembly (See Separate Breakdown in this Section)	

SECTION 2 - TURNTABLE

FIGURE 2-3. VALVE INSTALLATION - TURNTABLE (4WD/4WS)



ART_1001223890_C_20F3

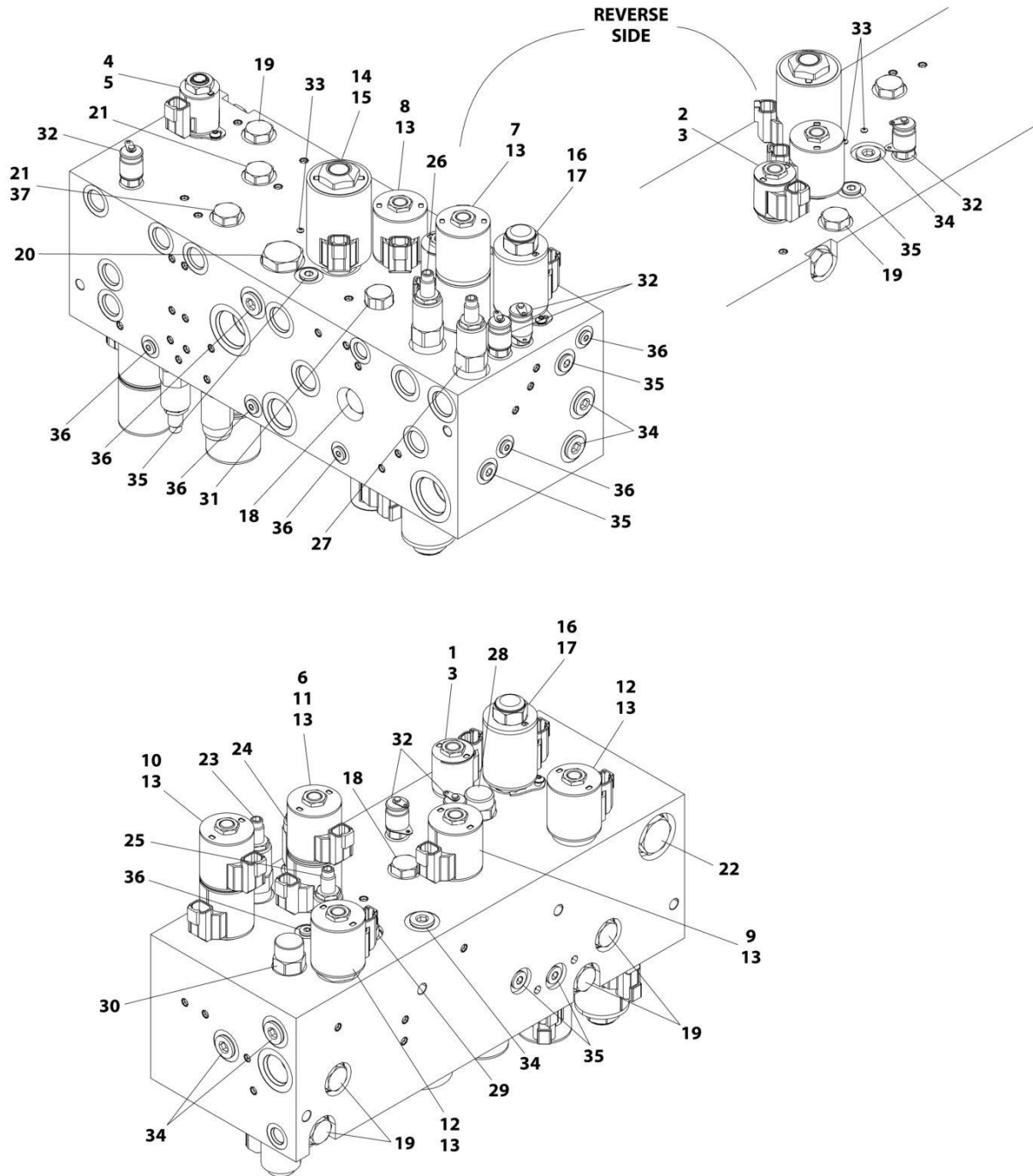
SECTION 2 - TURNTABLE

FIGURE 2-3. VALVE INSTALLATION - TURNTABLE (4WD/4WS)

ITEM	PART NUMBER	QTY	DESCRIPTION	REV
	1001223890	Ref	VALVE INSTALLATION - TURNTABLE	C
1	0100011	AR	Compound, Locking	
2	0641606	4	Bolt 3/8 x 3/4	
5	0761010	4	Bolt M10 x 20	
7	0761217	3	Bolt M12 x 45	
10	3291205	3	Nut M12	
11	4711600	4	Washer 3/8	
14	4812000	4	Washer M10	
15	4812100	6	Washer M12	
16	1001108617	1	Filter, Hydraulic	
16	70002231	1	Element, Filter	
20	1001151525	1	Sensor, Temperature	
22	1001151840	1	Bracket	
24	1001219116	1	Main Valve Assembly (See Separate Breakdown in this Section)	

SECTION 2 - TURNTABLE

FIGURE 2-4. MAIN VALVE ASSEMBLY



ART_1001219116

SECTION 2 - TURNTABLE

FIGURE 2-4. MAIN VALVE ASSEMBLY

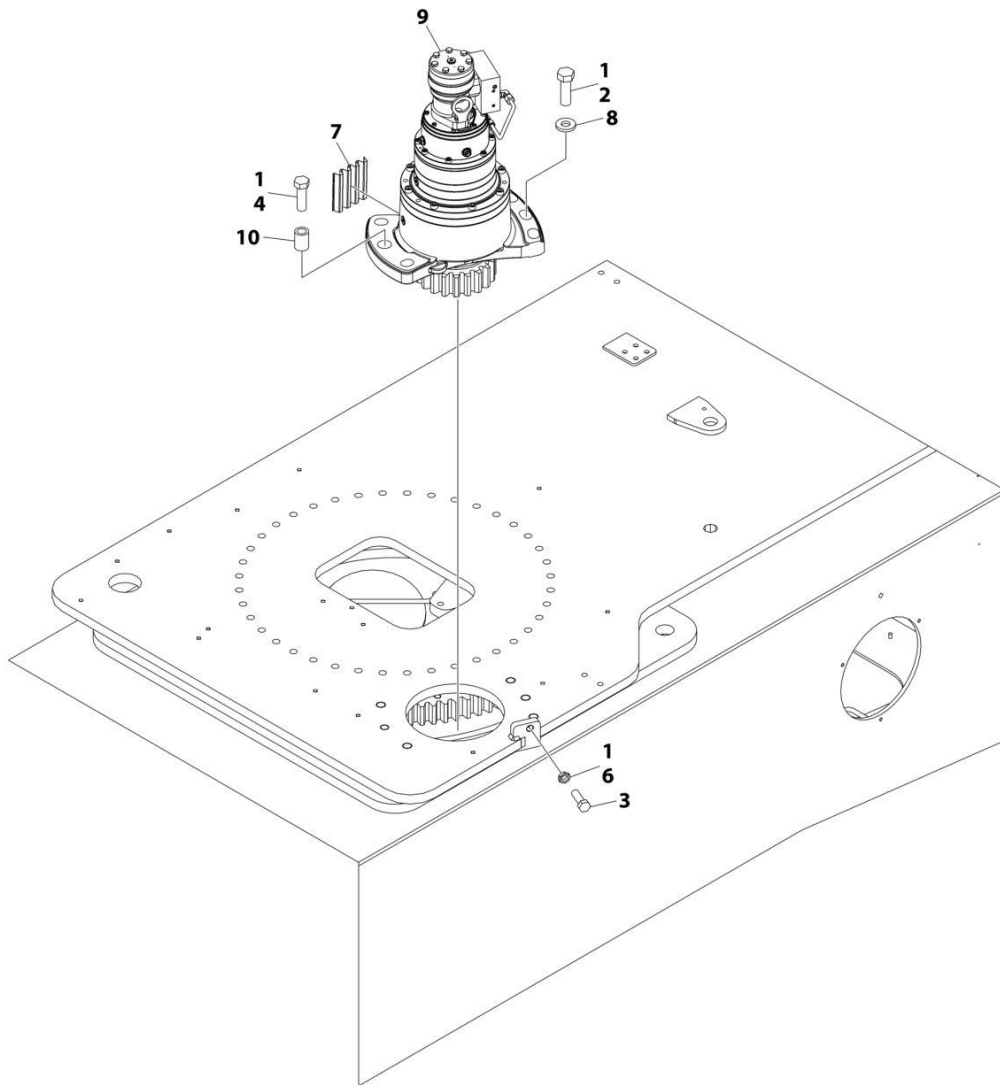
ITEM	PART NUMBER	QTY	DESCRIPTION	REV
	1001219116	Ref	MAIN VALVE ASSEMBLY	C
1	7017467	1	Cartridge, Solenoid Valve Less Coil	
1	7012967	1	Seal Kit - 7017467 Valve	
1	7022390	1	Nut, Coil	
2	7017453	1	Cartridge, Solenoid Valve Less Coil	
2	7017402	1	Seal Kit - 7017453 Valve	
2	7022390	1	Nut, Coil	
3	70002386	2	Coil	
4	70002969	1	Cartridge, Proportional Valve	
4	7010543	1	Seal Kit - 70002969 Valve	
4	70005717	1	Lockdown Kit	
5	70002971	1	Coil	
6	70005778	1	Cartridge, Solenoid Valve Less Coil	
6	70003976	1	Seal Kit - 70005778 Valve	
6	70003024	1	Spacer, Coil	
6	7022390	1	Nut, Coil	
7	70006237	1	Cartridge, Solenoid Valve Less Coil	
7	70006238	1	Seal Kit - 70006237 Valve	
7	70003024	1	Spacer, Coil	
7	7022390	1	Nut, Coil	
8	70006239	1	Cartridge, Solenoid Valve Less Coil	
8	7012518	1	Seal Kit - 70006239 Valve	
8	7022390	1	Nut, Coil	
9	7010635	1	Cartridge, Solenoid Valve Less Coil	
9	2900708	1	Seal Kit - 7010635 Valve	
9	7022390	1	Nut, Coil	
10	70003972	1	Cartridge, Solenoid Valve Less Coil	
10	70003976	1	Seal Kit - 70003972 Valve	
10	7022390	1	Nut, Coil	
11	70005781	1	Disc, Check Valve	
12	7023923	2	Cartridge, Solenoid Valve Less Coil	
12	7023919	2	Seal Kit - 7023923 Valve	
12	7022390	2	Nut, Coil	
13	70003788	10	Coil	
14	70005782	1	Cartridge, Solenoid Valve Less Coil	
14	7012925	1	Seal Kit - 70005782 Valve	
14	70027278	1	Nut, Coil	
15	70027006	1	Coil	
16	7021636	2	Cartridge, Proportional Valve	
16	7017495	2	Seal Kit - 7021636 Valve	
16	70005725	2	Lockdown Kit	
17	70003789	2	Coil	
18	7022391	2	Cartridge, Check Valve	
18	7012967	2	Seal Kit - 7022391 Valve	
19	4641129	6	Cartridge, Check Valve	
19	7012540	6	Seal Kit - 4641129 Valve	
20	70006240	1	Cartridge, Check Valve	
20	7023919	1	Seal Kit - 70006240 Valve	
21	7012914	2	Cartridge, Check Valve	
21	7012918	2	Seal Kit - 7012914 Valve	

SECTION 2 - TURNTABLE

ITEM	PART NUMBER	QTY	DESCRIPTION	REV
22	10837489	1	Cartridge, Check Valve	
22	7023919	1	Seal Kit - 10837489 Valve	
23	7017418	1	Cartridge, Relief Valve	
23	7012998	1	Seal Kit - 7017418 Valve	
24	70006241	1	Cartridge, Relief Valve	
24	7012998	1	Seal Kit - 70006241 Valve	
25	7017420	1	Cartridge, Relief Valve	
25	7012998	1	Seal Kit - 7017420 Valve	
26	70006242	1	Cartridge, Relief Valve	
26	7012998	1	Seal Kit - 70006242 Valve	
27	70005784	1	Cartridge, Relief Valve	
27	7012998	1	Seal Kit - 70005784 Valve	
28	4641210	1	Cartridge, Flow Regulator Valve	
28	7010545	1	Seal Kit - 4641210 Valve	
29	7023924	1	Cartridge, Flow Regulator Valve	
29	7012953	1	Seal Kit - 7023924 Valve	
30	70004152	1	Cartridge, Pressure Compensator Valve	
30	2900707	1	Seal Kit - 70004152 Valve	
31	70005786	1	Cartridge, Valve	
31	2900770	1	Seal Kit - 70005786 Valve	
32	2221086	6	Fitting, Pressure Test	
33	70005785	2	Screw M3 x 3	
34	2220886	7	Plug	
35	2220885	6	Plug	
36	2220883	6	Plug	
37	70006427	1	Orifice	

SECTION 2 - TURNTABLE

FIGURE 2-5. SWING DRIVE INSTALLATION



ART_1001228618

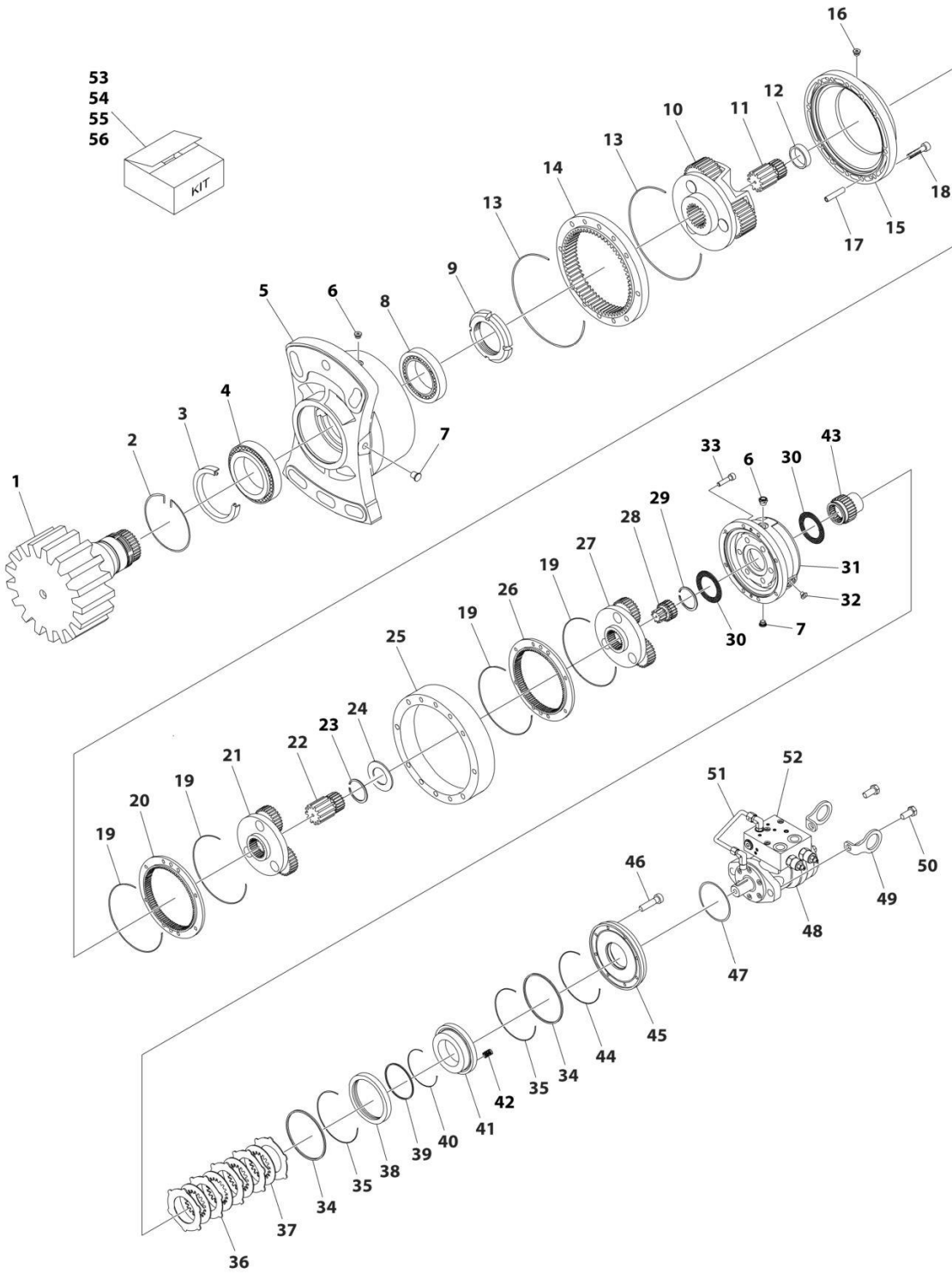
SECTION 2 - TURNTABLE

FIGURE 2-5. SWING DRIVE INSTALLATION

ITEM	PART NUMBER	QTY	DESCRIPTION	REV
	1001228618	Ref	SWING DRIVE INSTALLATION	C
1	0100019	AR	Compound, Locking	
2	0682422	5	Bolt 7/8 x 2-3/4 Grade 8	
3	0761618	1	Bolt M16 x 50	
4	0772021	1	Bolt M20 x 65 Grade 10.9	
6	3291602	1	Nut M16	
7	4071041	1	Shim	
8	4892400	5	Washer	
9	1001228488	1	Swing Motor/Hub Assembly (See Separate Breakdown in this Section)	
10	1001229141	1	Sleeve	

SECTION 2 - TURNTABLE

FIGURE 2-6. SWING MOTOR/HUB ASSEMBLY



ART_1001228488

SECTION 2 - TURNTABLE

FIGURE 2-6. SWING MOTOR/HUB ASSEMBLY

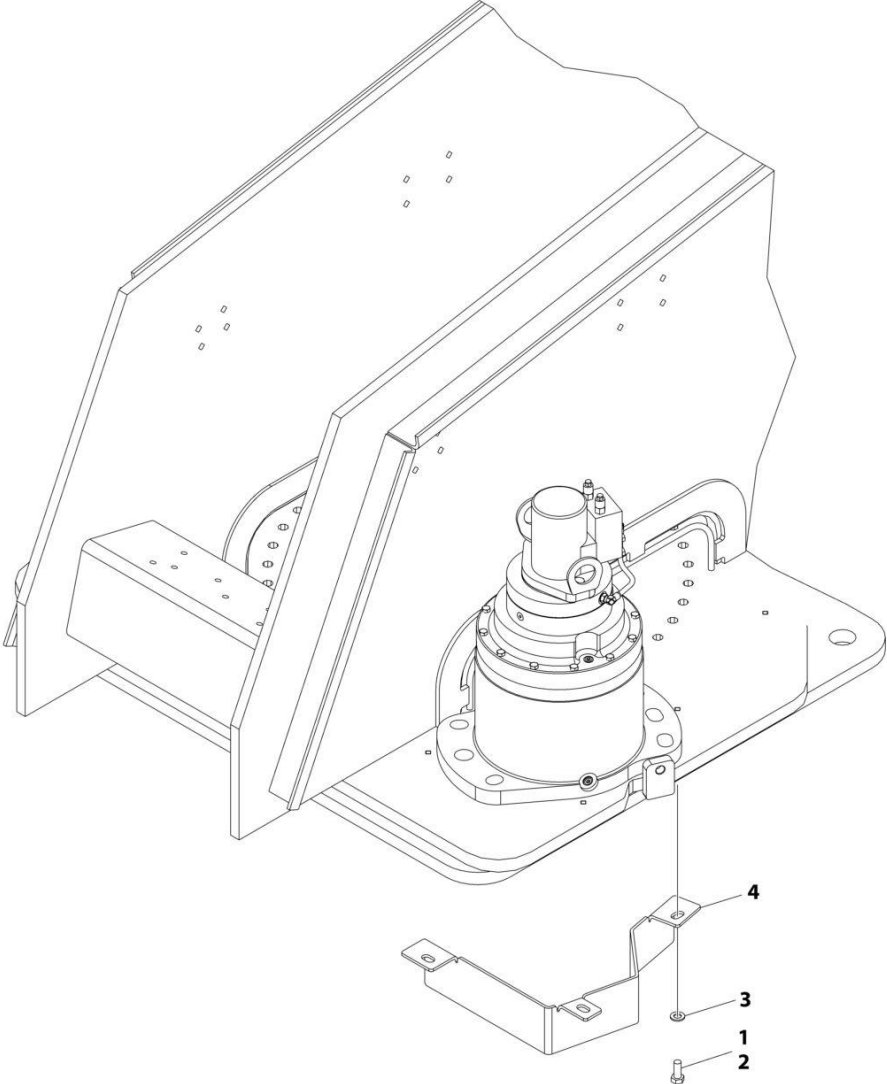
ITEM	PART NUMBER	QTY	DESCRIPTION	REV
	1001228488	Ref	SWING MOTOR/HUB ASSEMBLY	B
1	See Note	NSS	Shaft (Note: Use Item 56)	
2	70004467	1	Ring	
3	See Note	NSS	Seal, Oil (Note: Use Item 53)	
4	See Note	NSS	Bearing (Note: Use Item 55)	
5	See Note	NSS	Support, Output (Note: Not Available for Purchase)	
6	70002057	5	Plug with O-Ring	
7	70004469	2	Plug with O-Ring	
8	See Note	NSS	Bearing (Note: Use Item 55)	
9	See Note	NSS	Nut, Ring (Note: Use Item 56)	
10	70006986	1	Reduction, Gear - Complete	
11	70006987	1	Pinion	
12	70004477	1	Spacer	
13	See Note	NSS	O-Ring (Note: Use Item 53)	
14	70004474	1	Ring, Planetary	
15	70006988	1	Spacer	
16	70002057	2	Plug with O-Ring	
17	70006989	4	Pin, Spring	
18	70004480	8	Capscrew M10 x 55	
19	See Note	NSS	O-Ring (Note: Use Item 53)	
20	70006990	1	Ring, Planetary	
21	70006991	1	Reduction, Gear - Complete	
22	70006992	1	Pinion	
23	70002032	1	Ring	
24	70006993	1	Spacer	
25	70006994	1	Spacer	
26	70004481	1	Ring, Planetary	
27	70006995	1	Reduction, Gear - Complete	
28	70006996	1	Pinion	
29	70006997	1	Ring	
30	70006998	2	Washer	
31	See Note	NSS	Housing, Brake (Note: Not Available for Purchase)	
32	70006999	1	Plug	
33	70007000	8	Capscrew M8 x 90	
34	See Note	NSS	Seal (Note: Use Item 53 or 54)	
35	See Note	NSS	O-Ring (Note: Use Item 53 or 54)	
36	See Note	NSS	Disc, Steel (Note: Use Item 54)	
37	See Note	NSS	Disc (Note: Use Item 54)	
38	70005317	1	Spacer	
39	See Note	NSS	Seal (Note: Use Item 53 or 54)	
40	See Note	NSS	O-Ring (Note: Use Item 53 or 54)	
41	70005318	1	Piston, Brake	
42	See Note	NSS	Spring, Brake (Note: Use Item 54)	
43	70007001	1	Shaft, Input	
44	See Note	NSS	O-Ring (Note: Use Item 53 or 54)	
45	70007002	1	Cover	
46	70007003	8	Screw M6 x 25	
47	See Note	NSS	O-Ring (Note: Use Item 53)	
48	70007009	1	Motor	
48	70007011	1	Seal Kit	

SECTION 2 - TURNTABLE

ITEM	PART NUMBER	QTY	DESCRIPTION	REV
49	See Note	NSS	Lug, Lifting (Note: Not Available for Purchase)	
50	70004494	2	Capscrew M12 x 35	
51	70007004	1	Brake, Valve Adapter	
52	70007010	1	Valve	
52	70007012	1	Seal Kit	
52	70007013	1	Hardware Kit	
53	70007005	1	Seal Kit – Brake and Hub (Includes Items 3, 13, 19, 34, 35, 39, 40, 44 & 47)	
54	70007006	1	Seal Kit – Brake (Includes Items 34-37, 39, 40, 42 & 44)	
55	70007007	1	Bearing Kit (Includes Items 4 & 8)	
56	70007008	1	Output Shaft Kit (Includes Items 1 & 9)	

SECTION 2 - TURNTABLE

FIGURE 2-7. PINION SHIELD INSTALLATION (OPTIONAL)



ART_1001150078

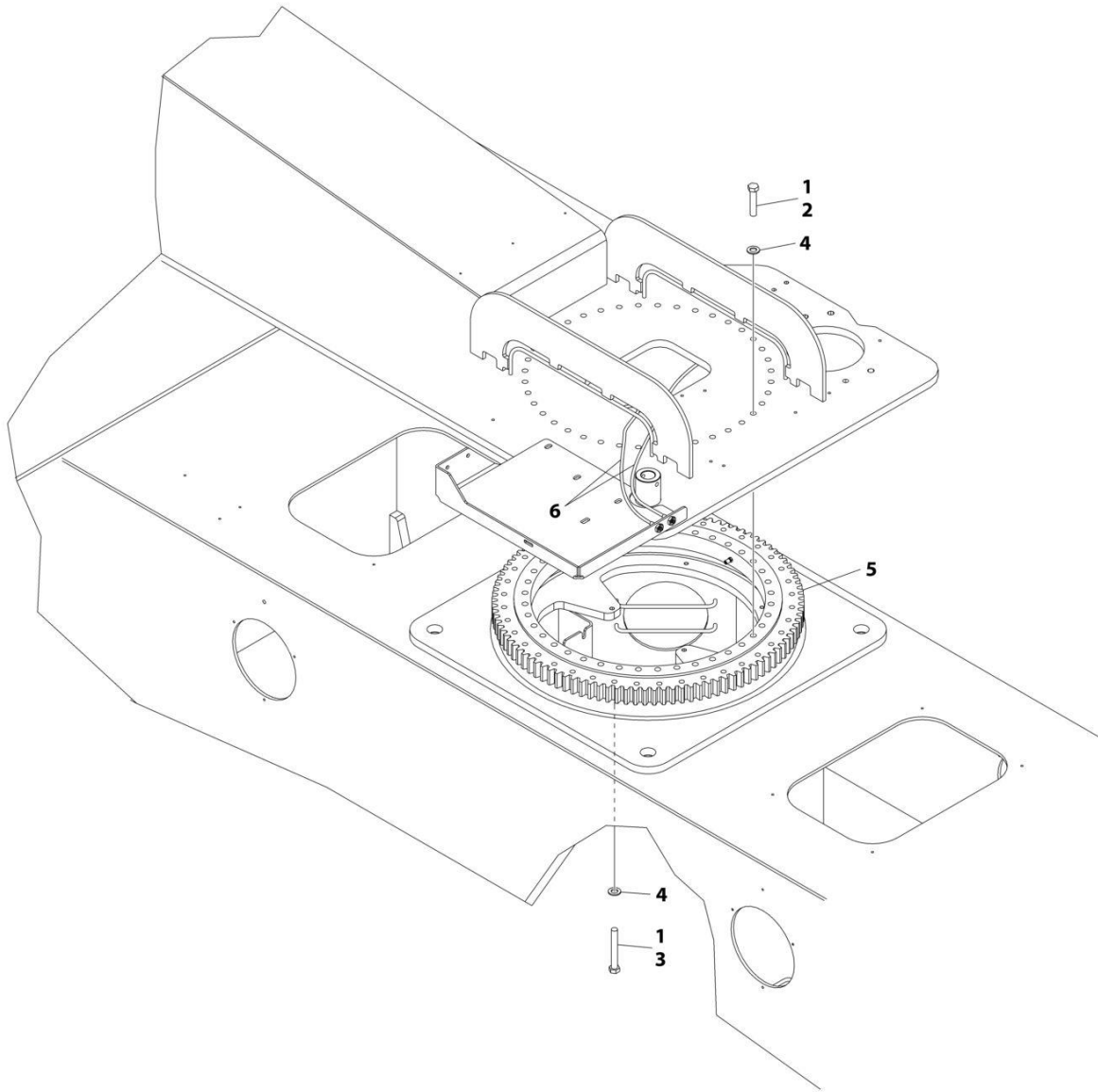
SECTION 2 - TURNTABLE

FIGURE 2-7. PINION SHIELD INSTALLATION (OPTIONAL)

ITEM	PART NUMBER	QTY	DESCRIPTION	REV
	1001150078	Ref	PINION SHIELD INSTALLATION (OPTIONAL)	A
1	0100011	AR	Compound, Locking	
2	0761214	3	Bolt M12 x 30	
3	4812100	3	Washer M12	
4	1001151180	1	Shield, Pinion	

SECTION 2 - TURNTABLE

FIGURE 2-8. TURNTABLE BEARING AND LUBE INSTALLATION



ART_1001150026

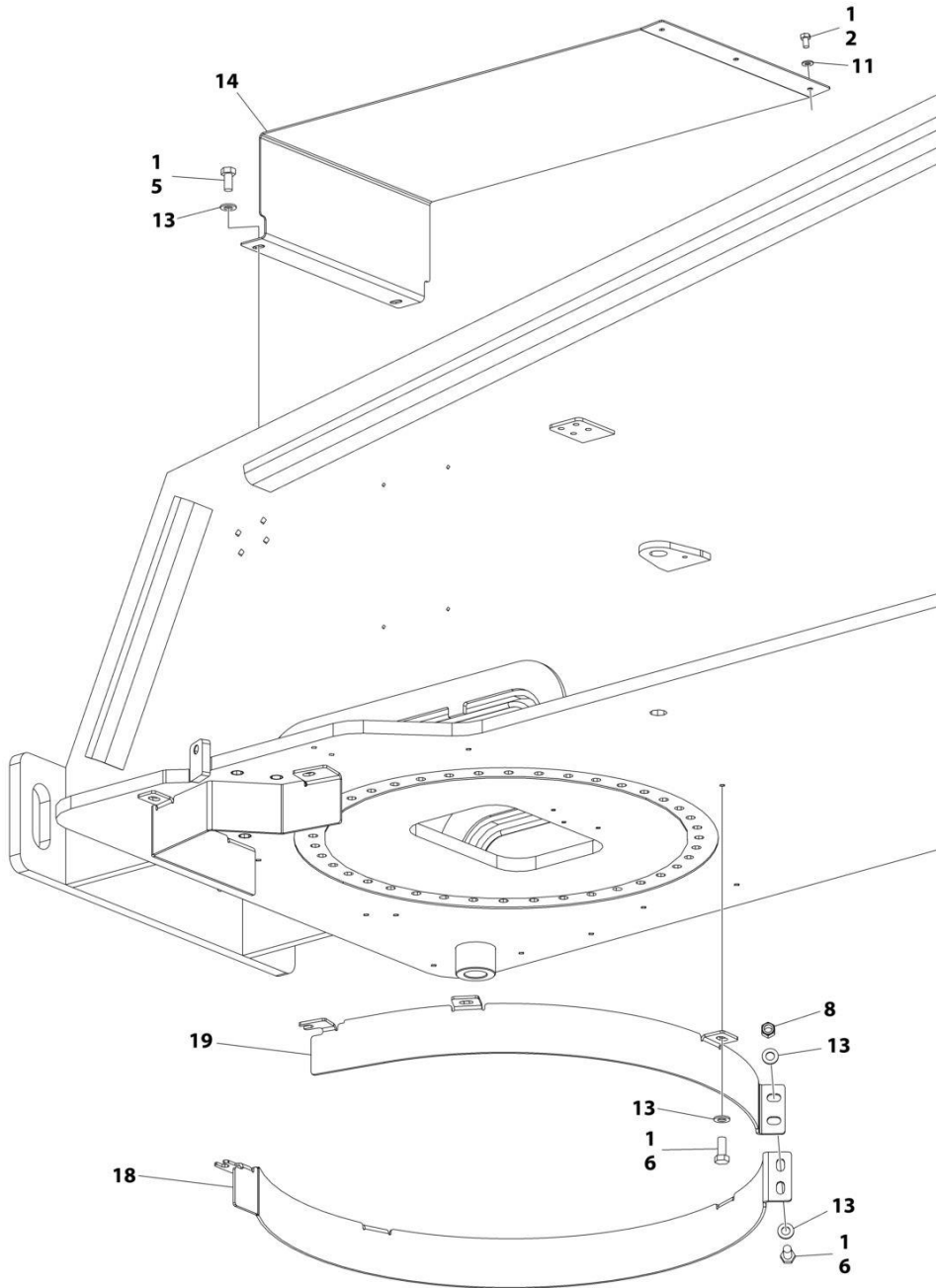
SECTION 2 - TURNTABLE

FIGURE 2-8. TURNTABLE BEARING AND LUBE INSTALLATION

ITEM	PART NUMBER	QTY	DESCRIPTION	REV
	1001150026	Ref	TURNTABLE BEARING AND LUBE INSTALLATION	B
1	0100019	AR	Compound, Locking	
2	0711624	40	Bolt M16 x 80 Grade 10.9	
3	0711629	40	Bolt M16 x 120 Grade 10.9	
4	5241600	80	Washer M16	
5	1001151058	1	Bearing, Swing	
6	1001151646	2	Hose with Fittings	

SECTION 2 - TURNTABLE

FIGURE 2-9. BEARING AND TURNTABLE SHIELDS INSTALLATION



ART_1001269756_10F2

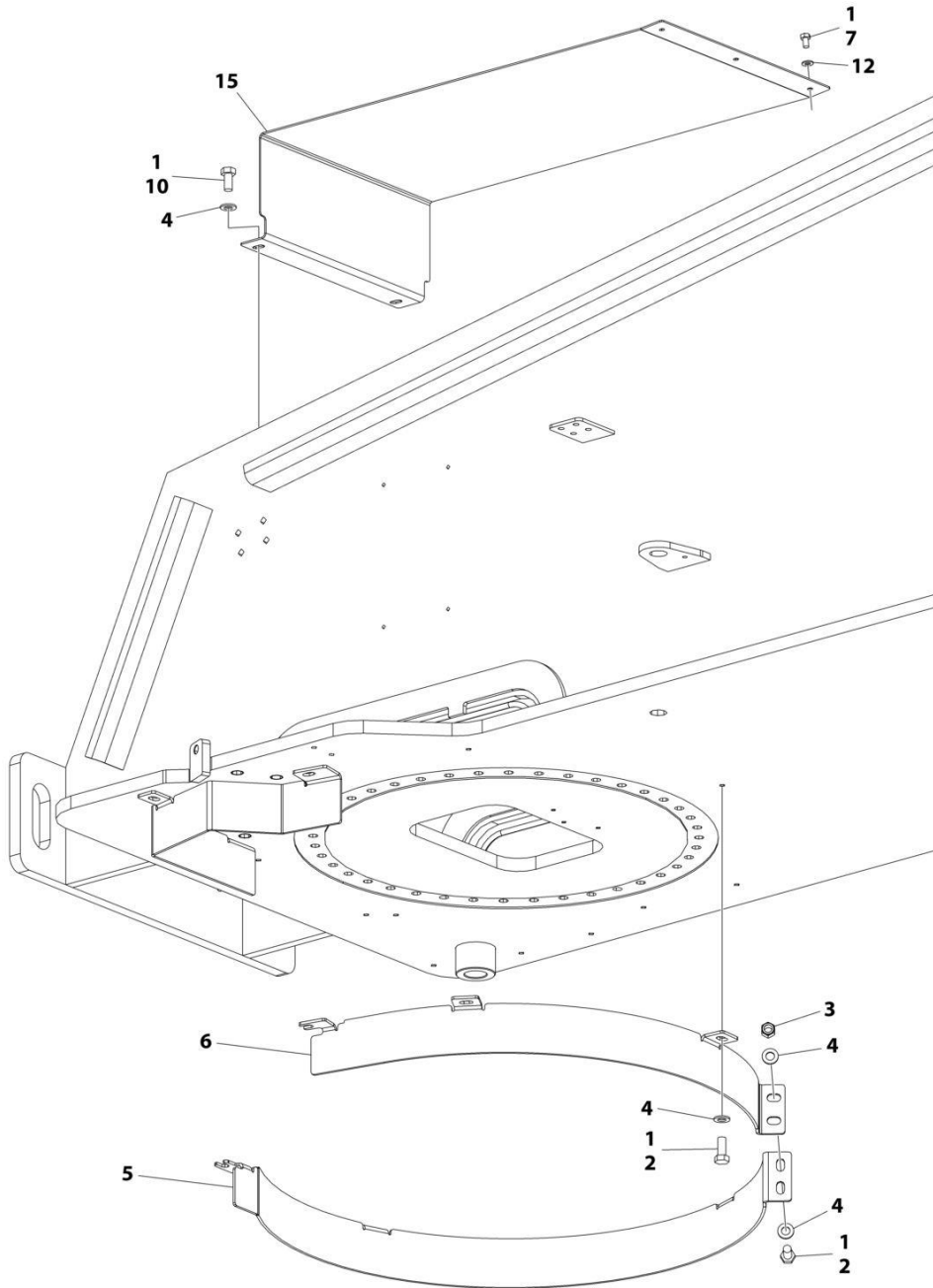
SECTION 2 - TURNTABLE

FIGURE 2-9. BEARING AND TURNTABLE SHIELDS INSTALLATION

ITEM	PART NUMBER	QTY	DESCRIPTION	REV
	1001269756	Ref	HOSTILE PACKAGE - BEARING AND TURNTABLE	A
1	0100011	AR	Compound, Locking	
2	0760807	7	Bolt M8 x 14	
5	0761212	2	Bolt M12 x 25	
6	0761214	6	Bolt M12 x 30	
8	3291205	2	Nut, Lock M12	
11	4811900	10	Washer M8	
13	4812100	10	Washer M12	
14	1001151064	1	Cover, Turntable	
18	1001221679	1	Bracket	
19	1001221680	1	Bracket	

SECTION 2 - TURNTABLE

FIGURE 2-10. BEARING AND TURNTABLE SHIELDS INSTALLATION (SHIPYARD MACHINES)



ART_1001150096_10F2

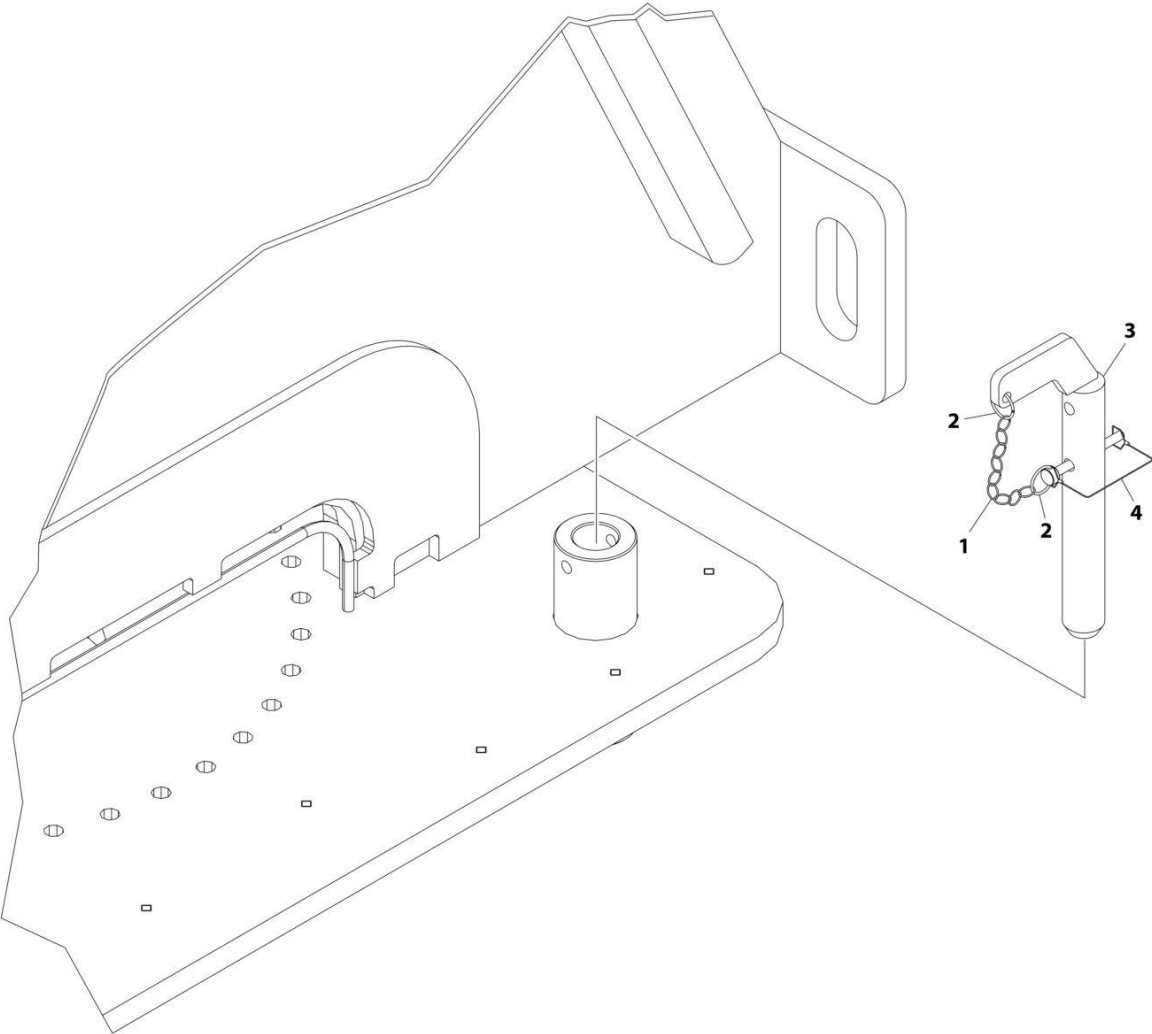
SECTION 2 - TURNTABLE

FIGURE 2-10. BEARING AND TURNTABLE SHIELDS INSTALLATION (SHIPYARD MACHINES)

ITEM	PART NUMBER	QTY	DESCRIPTION	REV
	1001150096	Ref	BEARING AND TURNTABLE SHIELDS INSTALLATION	I
1	0100011	AR	Compound, Locking	
2	0761214	6	Bolt M12 x 30	
3	3291205	2	Nut M12	
4	4812100	10	Washer M12	
5	1001221679	1	Bracket	
6	1001221680	1	Bracket	
7	0760807	3	Bolt M8 x 14	
10	0761212	2	Bolt M12 x 25	
12	4811900	6	Washer M8	
15	1001151064	1	Cover, Turntable	

SECTION 2 - TURNTABLE

FIGURE 2-11. TURNTABLE LOCK INSTALLATION



ART_1001150019

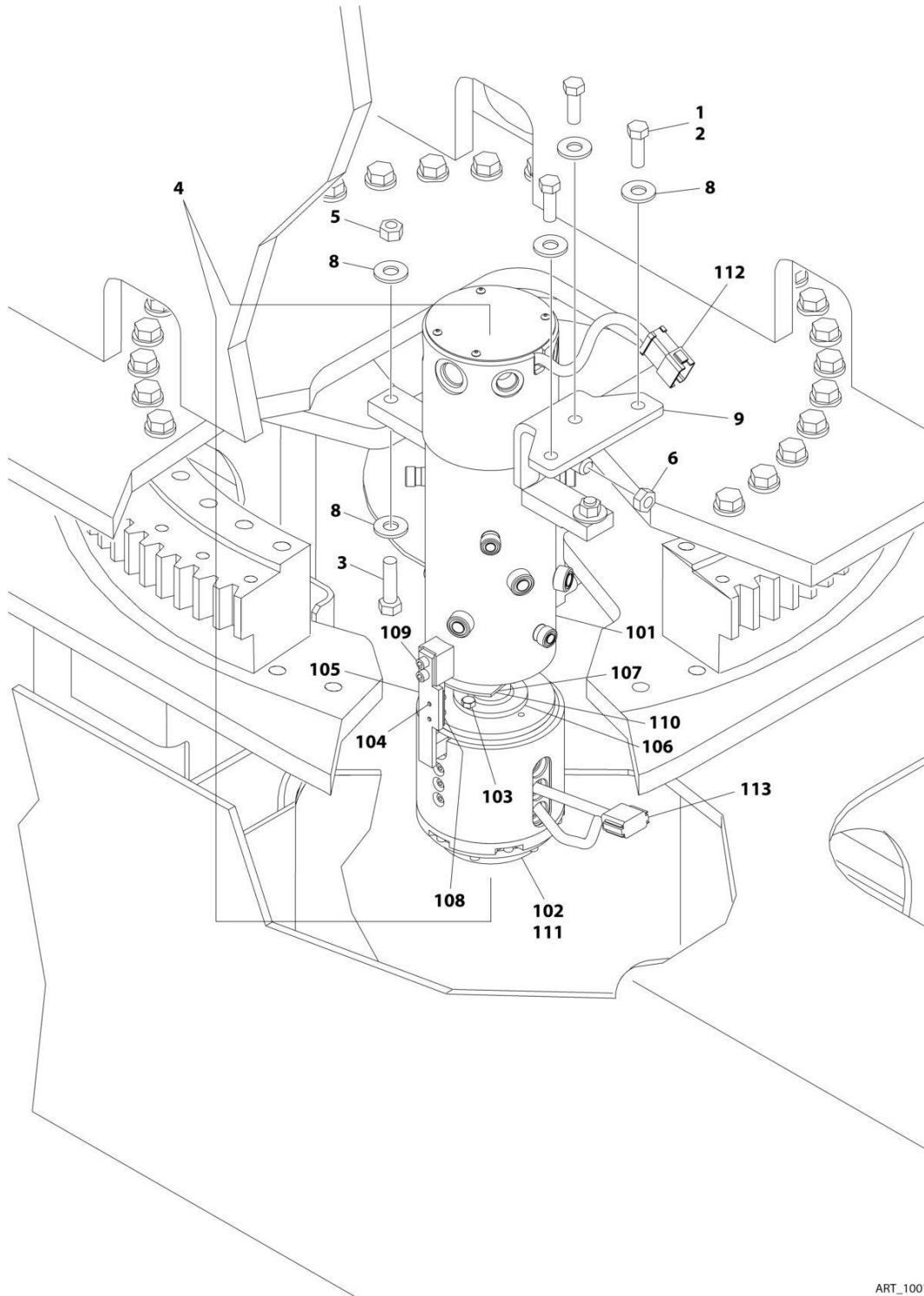
SECTION 2 - TURNTABLE

FIGURE 2-11. TURNTABLE LOCK INSTALLATION

ITEM	PART NUMBER	QTY	DESCRIPTION	REV
	1001150019	Ref	TURNTABLE LOCK INSTALLATION	B
1	1260017	7 in/16cm	Chain	
2	3760170	2	Ring	
3	1001215629	1	Pin	
4	1001151025	1	Pin	

SECTION 2 - TURNTABLE

FIGURE 2-12. ROTARY COUPLING AND COLLECTOR RING INSTALLATION



ART_1001150025

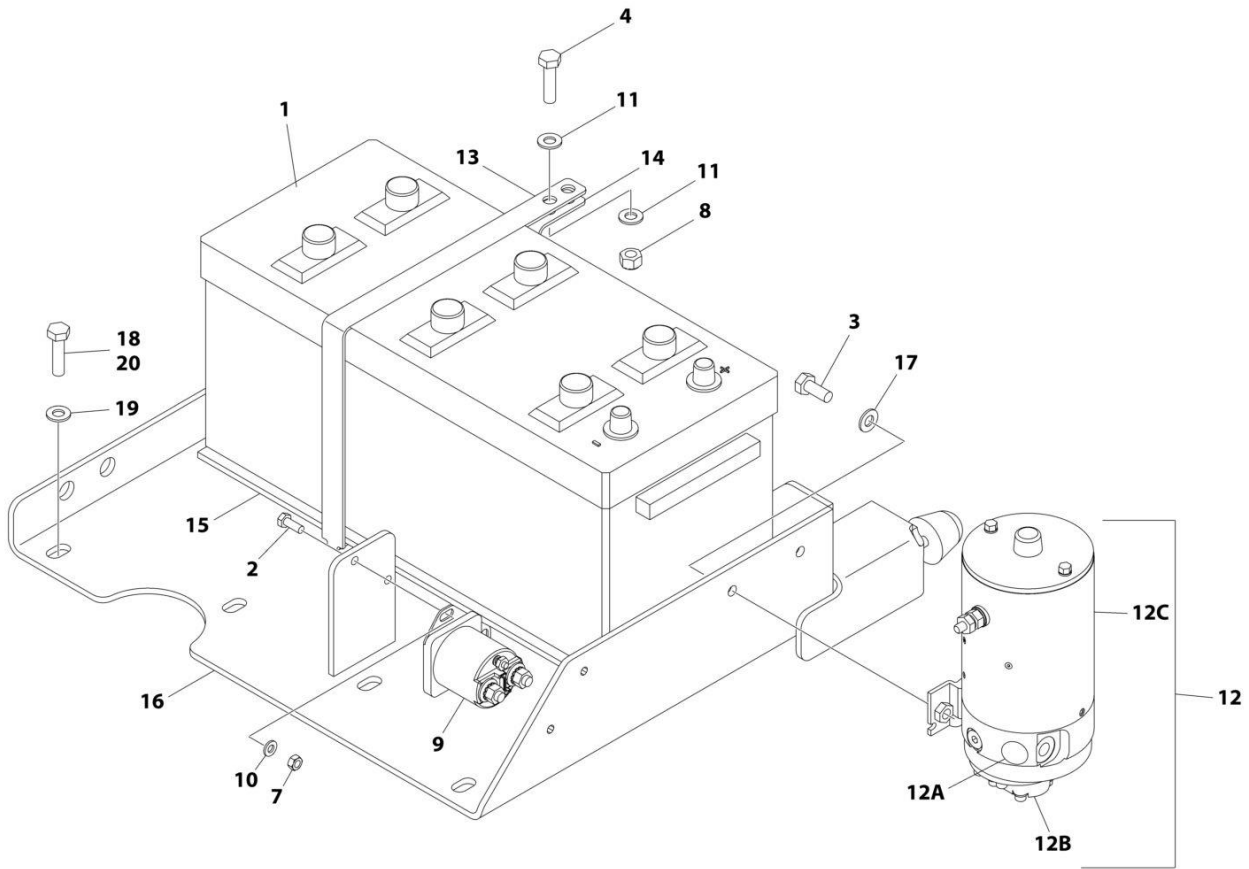
SECTION 2 - TURNTABLE

FIGURE 2-12. ROTARY COUPLING AND COLLECTOR RING INSTALLATION

ITEM	PART NUMBER	QTY	DESCRIPTION	REV
	1001150025	Ref	ROTARY COUPLING AND COLLECTOR RING INSTALLATION	B
1	0100011	AR	Compound, Locking	
2	0761214	3	Bolt M12 x 30	
3	0761221	2	Bolt M12 x 65	
4	1001216394	1	Rotary Coupling and Collector Ring Assembly (See Items 101-113 for Breakdown)	
5	3291205	2	Nut M12	
6	3322201	2	Nut 3/4	
8	4812100	7	Washer M12	
9	1001150644	1	Bracket, Swivel	
	1001216394	Ref	ROTARY COUPLING AND COLLECTOR RING ASSEMBLY	A
101	7026665	1	Coupling, Rotary	
101	See Note	1	Bearing (Note: Not Available For Purchase)	
101	70001123	1	Seal Kit - Coupling	
102	7026029	1	Contactora, Rotary Circuit (Does not include connector or pins)	
103	0641506	4	Bolt 5/16 x 3/4	
104	3931512	2	Capscrew 5/16 x 3/4	
105	70005456	1	Arm, Torque	
106	See Note	NSS	Adapter (Note: Not Available For Purchase)	
107	7026030	1	Plate, Cam	
108	7026031	1	Sensor, Proximity	
109	3931008	2	Capscrew #10 x 1/2	
110	7026032	1	Pin, Dowel	
111	0100048	AR	Grease, Silicone (Apply to Contactora Connector)	
112	4460837	1	Receptacle, Female - 12 Position	
112	4460943	3	Pin, Male	
112	4460941	5	Pin, Male	
112	4460466	4	Plug, Terminal	
113	4460836	1	Plug, Male - 12 Position	
113	4460944	3	Socket, Female	
113	4460942	7	Socket, Female	
113	4460466	2	Plug, Terminal	

SECTION 2 - TURNTABLE

FIGURE 2-13. BATTERY TRAY AND AUXILIARY PUMP INSTALLATION



ART_1001148588

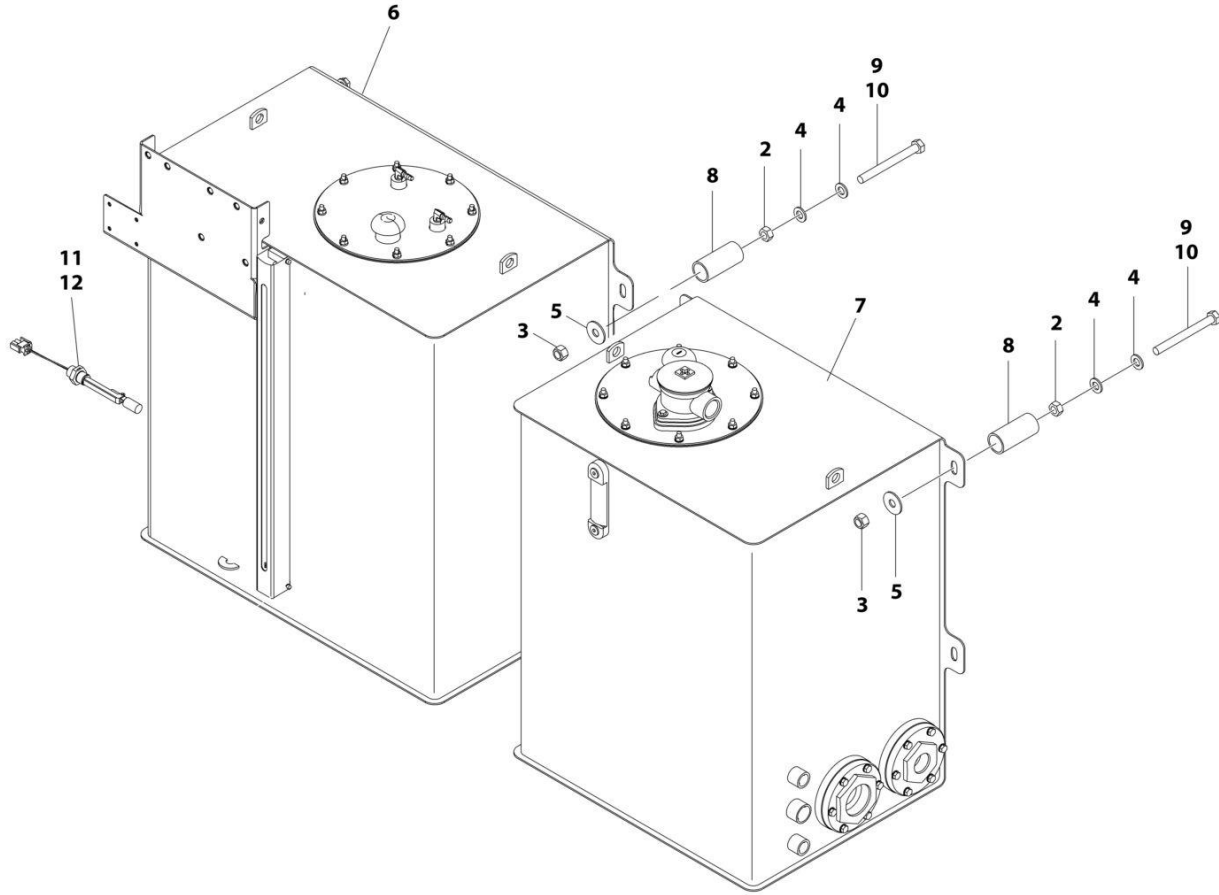
SECTION 2 - TURNTABLE

FIGURE 2-13. BATTERY TRAY AND AUXILIARY PUMP INSTALLATION

ITEM	PART NUMBER	QTY	DESCRIPTION	REV
	1001148588	Ref	BATTERY TRAY AND AUXILIARY PUMP INSTALLATION	E
1	0400020	1	Battery	
2	0760608	2	Bolt M6 x 16	
3	0681607	2	Bolt 3/8 x 7/8	
4	0761016	1	Bolt M10 x 40	
7	3290601	2	Nut M6	
8	3291005	1	Nut M10	
9	3740067	1	Relay	
10	4811700	2	Washer M6	
11	4812000	2	Washer M10	
12	3600424	1	Auxiliary Pump Assembly	
12A	70024669	1	Mounting Kit (Includes Coupling, Gasket and Hardware)	
12A	7011016	1	Coupling	
12A	7011044	1	Gasket	
12A	7011043	4	Bolt	
12A	7011048	4	Washer	
12B	7029593	1	Pump Kit (Includes Pump, Coupling, Gasket and Hardware)	
12C	70001056	1	Motor Kit (Includes Motor, Adapter and Coupling)	
13	1001148584	1	Bracket, Tie Down	
14	1001148585	1	Bracket, Tie Down	
15	1001148587	1	Insulate	
16	1001151730	1	Tray Battery	
17	4711600	2	Washer 3/8	
18	0761214	4	Bolt M12 x 30	
19	4812100	4	Washer M12	
20	0100011	AR	Compound, Locking	

SECTION 2 - TURNTABLE

FIGURE 2-14. TANKS INSTALLATION



ART_1001150016

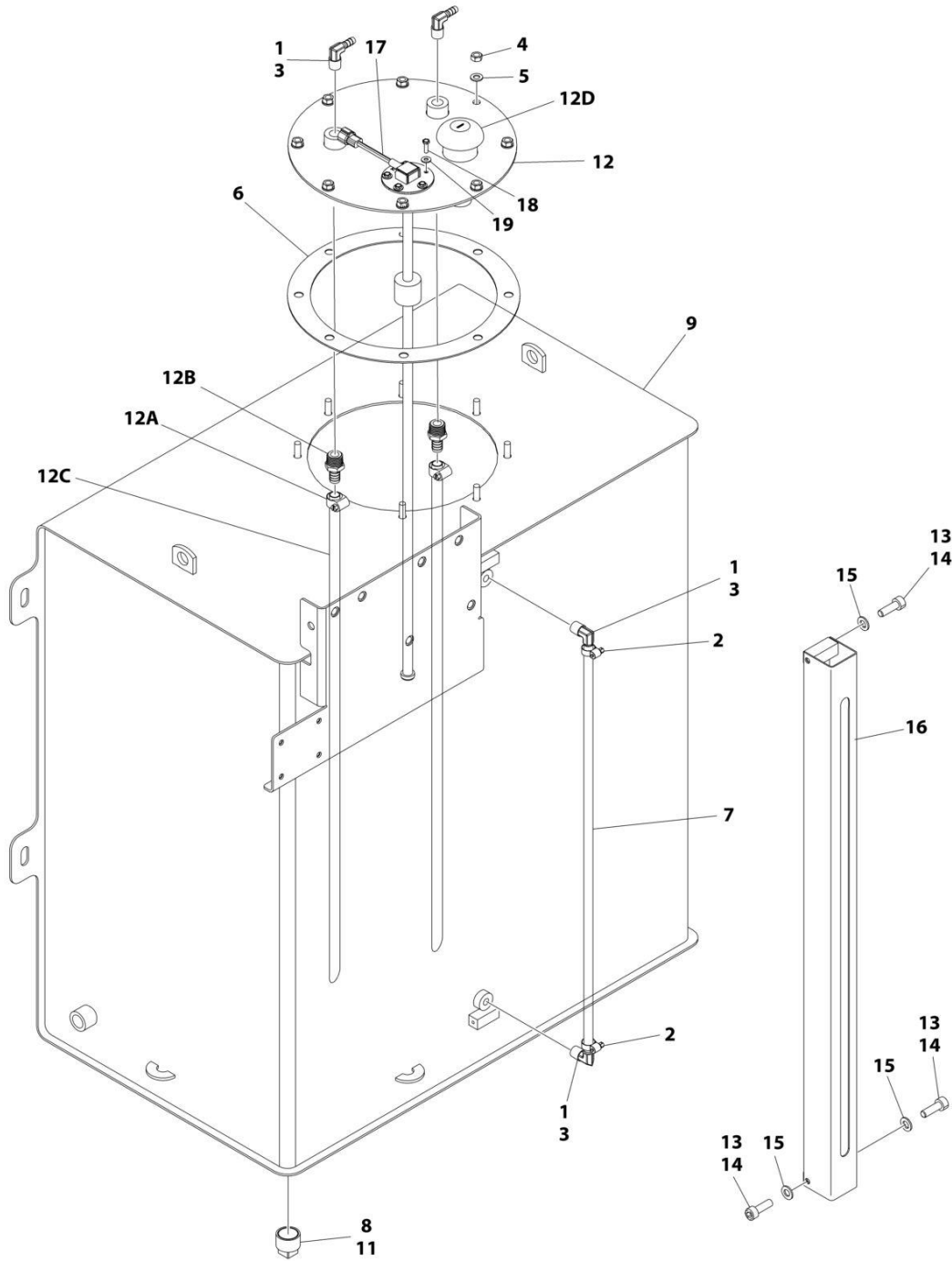
SECTION 2 - TURNTABLE

FIGURE 2-14. TANKS INSTALLATION

ITEM	PART NUMBER	QTY	DESCRIPTION	REV
	1001150016	Ref	TANKS INSTALLATION	F
2	3291201	8	Nut M12	
3	3291205	8	Nut M12	
4	4812100	16	Washer M12	
5	4812102	8	Washer M12	
6	1001221175	1	Fuel Tank Assembly (See Separate Breakdown in this Section)	
7	1001221284	1	Hydraulic Tank Assembly (See Separate Breakdown in this Section)	
8	1001151809	8	Sleeve	
9	0100011	AR	Compound, Locking	
10	0761229	8	Bolt M12 x 120	
11	1001182997	AR	Adhesive	
12	4360436	1	Switch, Fuel Level	

SECTION 2 - TURNTABLE

FIGURE 2-15. FUEL TANK ASSEMBLY



ART_1001221175_F

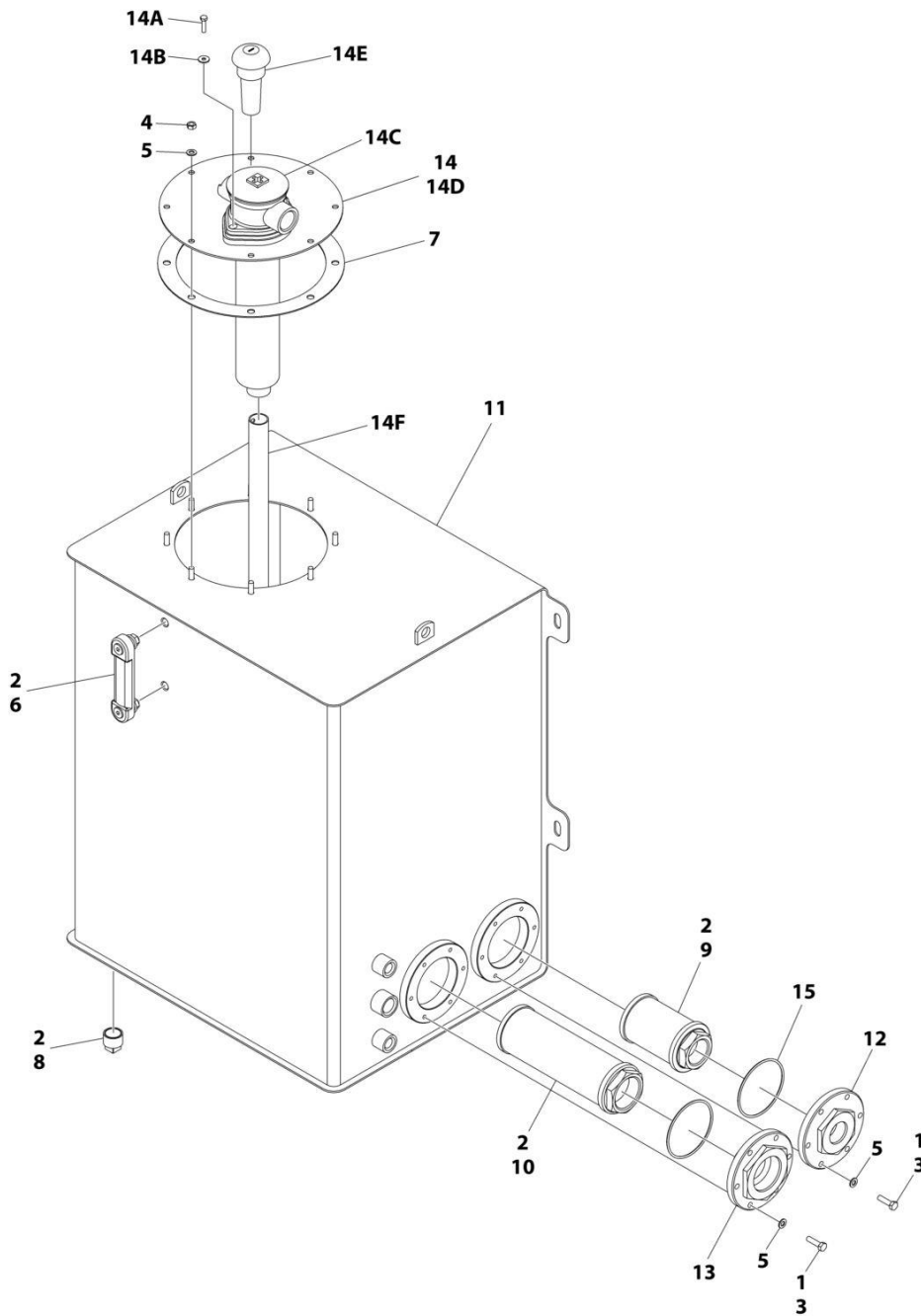
SECTION 2 - TURNTABLE

FIGURE 2-15. FUEL TANK ASSEMBLY

ITEM	PART NUMBER	QTY	DESCRIPTION	REV
	1001221175	Ref	FUEL TANK ASSEMBLY	F
1	0100020	1	Sealant	
2	1001174486	2	Clamp	
3	2220313	4	Fitting, 90 NPTF/BARB	
4	3290801	8	Nut M8	
5	4811900	8	Washer M8	
6	1001147229	1	Gasket	
7	1001147230	1	Pipe, Nylon	
8	1001228485	1	Plug	
9	See Note	NSS	Tank, Fuel (Note: Use p/n 1001221175)	
11	1001182997	AR	Adhesive	
12	1001277278	1	Lid Assembly	
12A	8410013	2	Clamp	
12B	1001147223	2	Fitting, Straight BARB/NPT	
12C	1001147231	2	Pipe, Nylon	
12D	See Note	NSS	Screen, Filter (Note: Use p/n 1001221172)	
12D	1001221172	1	Cap, Filter	
13	0100011	AR	Loctite #242	
14	4031607	3	Bolt M5 x 16	
15	4811600	AR	Washer M5	
16	1001236143	1	Cover, Fuel Gauge	
17	1001286219	1	Sensor, Fuel Level	
18	0731005	5	Bolt #10 x 5/8	
19	4751000	5	Washer #10	

SECTION 2 - TURNTABLE

FIGURE 2-16. HYDRAULIC TANK ASSEMBLY



ART_1001221284

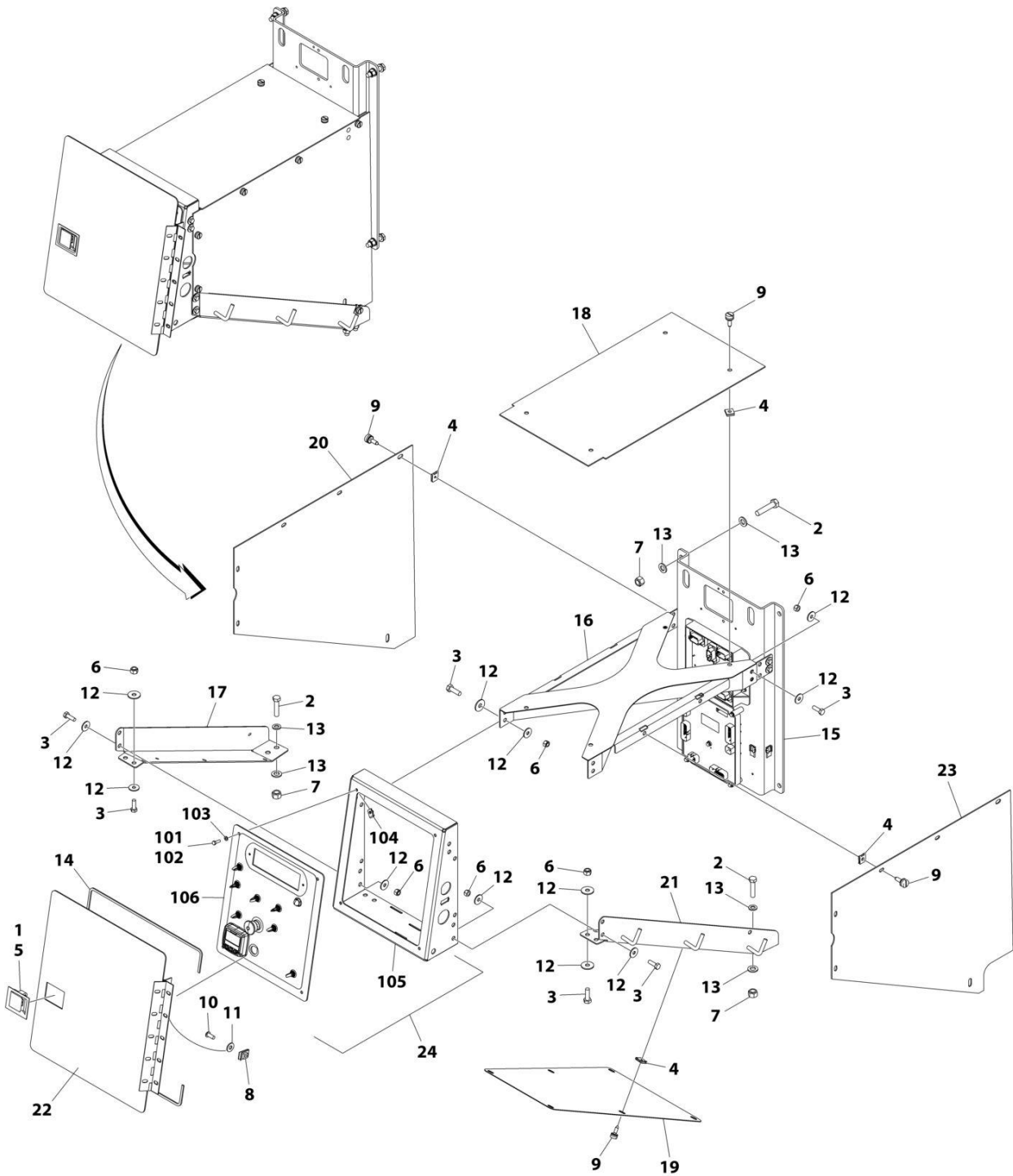
SECTION 2 - TURNTABLE

FIGURE 2-16. HYDRAULIC TANK ASSEMBLY

ITEM	PART NUMBER	QTY	DESCRIPTION	REV
	1001221284	Ref	HYDRAULIC TANK ASSEMBLY	C
1	0100011	AR	Compound, Locking	
2	0100020	1	Sealant	
3	0760814	12	Bolt M8 x 30	
4	3290801	8	Nut M8	
5	4811900	20	Washer M8	
6	7024441	1	Gage, Sight	
7	1001147229	1	Gasket	
8	1001228485	1	Plug	
9	1001230051	1	Filter, Suction	
10	1001221286	1	Filter, Suction	
11	See Note	NSS	Tank, Hydraulic (Note: Use p/n 1001221284)	
12	1001221290	1	Adapter, Mounting	
13	1001221291	1	Adapter, Mounting	
14	1001221312	1	Lid Assembly	
14A	0100011	AR	Compound, Locking	
14A	0760612	2	Bolt M6 x 25	
14B	4811702	2	Washer M6	
14C	1001147551	1	Hydraulic Filter Assembly	
14C	70005707	1	Element, Filter	
14D	1001221313	1	Lid Assembly	
14E	See Note	1	Screen, Filter (Note: Use p/n 1001221172)	
14E	See Note	1	Cap, Filter (Note: Use p/n 1001221172)	
14F	1001221340	1	Pipe	
15	1001221334	2	O-Ring	

SECTION 2 - TURNTABLE

FIGURE 2-17. ELECTRICAL COMPONENTS INSTALLATION (ALL SPEC EXCEPT CHINA IV SPECS)



ART_1001248435_B

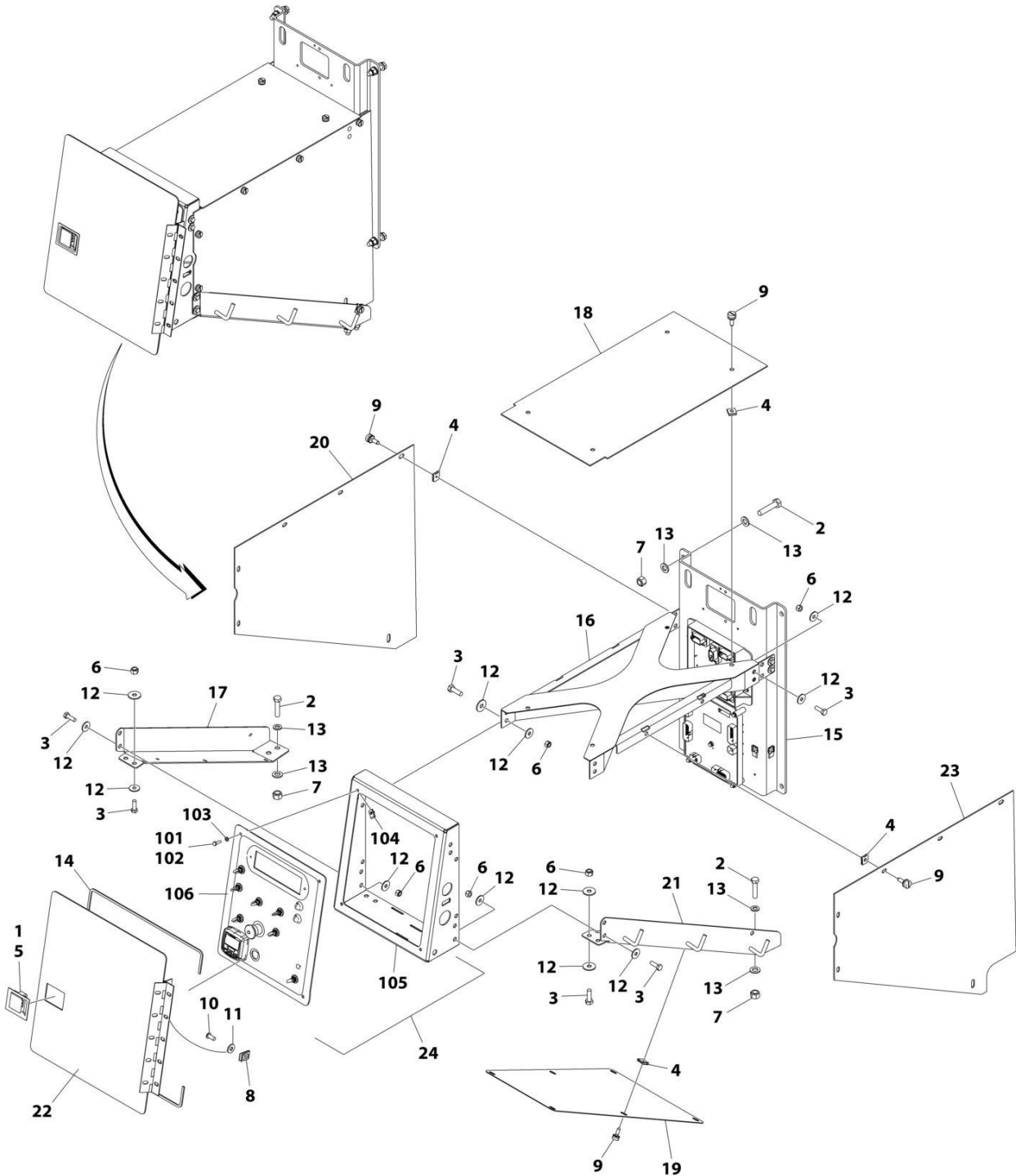
SECTION 2 - TURNTABLE

FIGURE 2-17. ELECTRICAL COMPONENTS INSTALLATION (ALL SPEC EXCEPT CHINA IV SPECS)

ITEM	PART NUMBER	QTY	DESCRIPTION	REV
	1001248435	Ref	ELECTRICAL COMPONENTS INSTALLATION	B
1	0100011	AR	Compound, Locking	
2	0701219	8	Bolt M12 x 55	
3	0760812	16	Bolt M8 x 25	
4	1380169	22	Clip	
5	2940045	1	Latch	
6	3290805	16	Nut M8	
7	3291205	8	Nut M12	
8	3300364	3	Nut, Tinnerman 5/16	
9	3900174	22	Screw, Thumb	
10	3900210	3	Screw 5/16 x 3/4	
11	4751500	3	Washer 5/16	
12	4811902	32	Washer M8	
13	4812100	16	Washer M12	
14	1001113047	5 ft/1.5m	Seal	
15	1001152193	1	Electrical Assembly (See Separate Breakdown in this Section)	
16	1001152214	1	Support (Top)	
17	1001152217	1	Support (LH)	
18	1001217857	1	Cover (Top)	
19	1001217858	1	Cover (Bottom)	
20	1001217859	1	Cover (Side)	
21	1001217864	1	Support (RH)	
22	1001218545	1	Door	
23	1001223930	1	Cover (Side)	
24	1001266229	1	Ground Control Box Assembly (Includes Items 101-106)	A
101	0100011	AR	Compound, Locking	
102	0760610	4	Bolt M6x20	
103	4811700	4	Washer M6	
104	1001130220	4	Nut, Tinnerman M6	
105	1001152197	1	Box	
106	1001266228	1	Ground Control Panel Assembly (See Separate Breakdown in this Section)	

SECTION 2 - TURNTABLE

FIGURE 2-18. ELECTRICAL COMPONENTS INSTALLATION (CHINA IV SPECS)



ART_1001256020

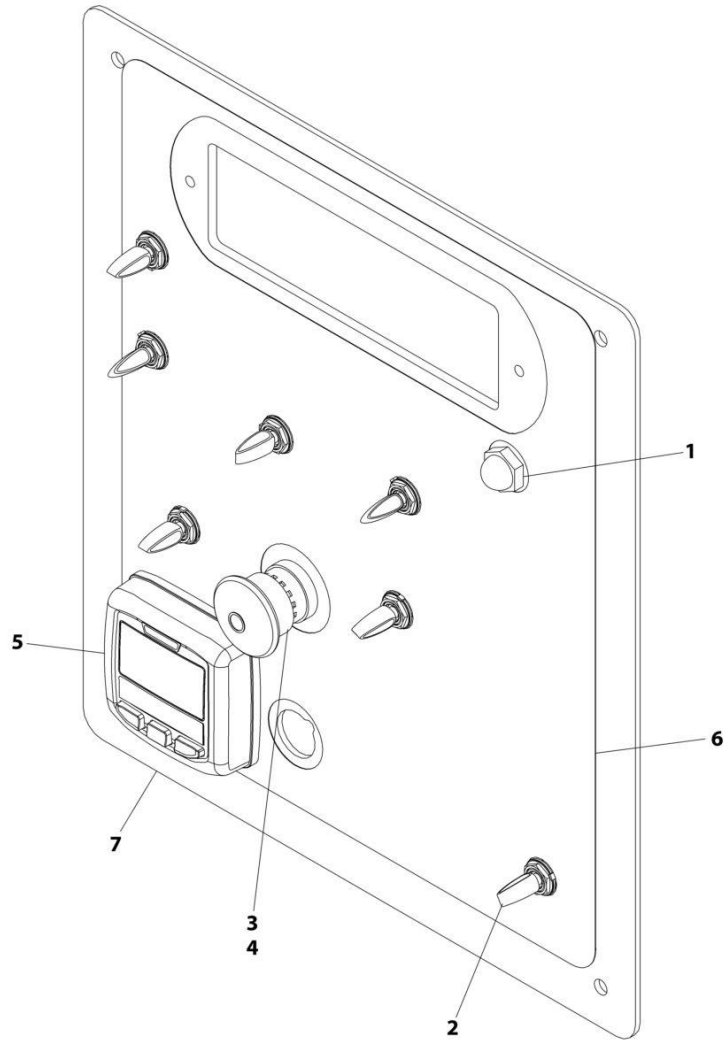
SECTION 2 - TURNTABLE

FIGURE 2-18. ELECTRICAL COMPONENTS INSTALLATION (CHINA IV SPECS)

ITEM	PART NUMBER	QTY	DESCRIPTION	REV
	1001256020	Ref	ELECTRICAL COMPONENTS INSTALLATION	A
1	0100011	AR	Compound, Locking	
2	0701219	8	Bolt M12 x 55	
3	0760812	16	Bolt M8 x 25	
4	1380169	22	Clip	
5	2940045	1	Latch	
6	3290805	16	Nut M8	
7	3291205	8	Nut M12	
8	3300364	3	Nut, Tinnerman 5/16	
9	3900174	22	Screw, Thumb	
10	3900210	3	Screw 5/16 x 3/4	
11	4751500	3	Washer 5/16	
12	4811902	32	Washer M8	
13	4812100	16	Washer M12	
14	1001113047	5 ft/1.5m	Seal	
15	1001152193	1	Electrical Assembly (See Separate Breakdown in this Section)	
16	1001152214	1	Support (Top)	
17	1001152217	1	Support (LH)	
18	1001217857	1	Cover (Top)	
19	1001217858	1	Cover (Bottom)	
20	1001217859	1	Cover (Side)	
21	1001217864	1	Support (RH)	
22	1001218545	1	Door	
23	1001223930	1	Cover (Side)	
24	1001256019	1	Ground Control Box Assembly (Includes Items 101-106)	A
101	0100011	AR	Compound, Locking	
102	0760610	4	Bolt M6x20	
103	4811700	4	Washer M6	
104	1001130220	4	Nut, Tinnerman M6	
105	1001152197	1	Box	
106	1001256018	1	Ground Control Panel Assembly (See Separate Breakdown in this Section)	

SECTION 2 - TURNTABLE

FIGURE 2-19. GROUND CONTROL PANEL ASSEMBLY (ALL SPEC EXCEPT CHINA IV SPECS)



ART_1001266228

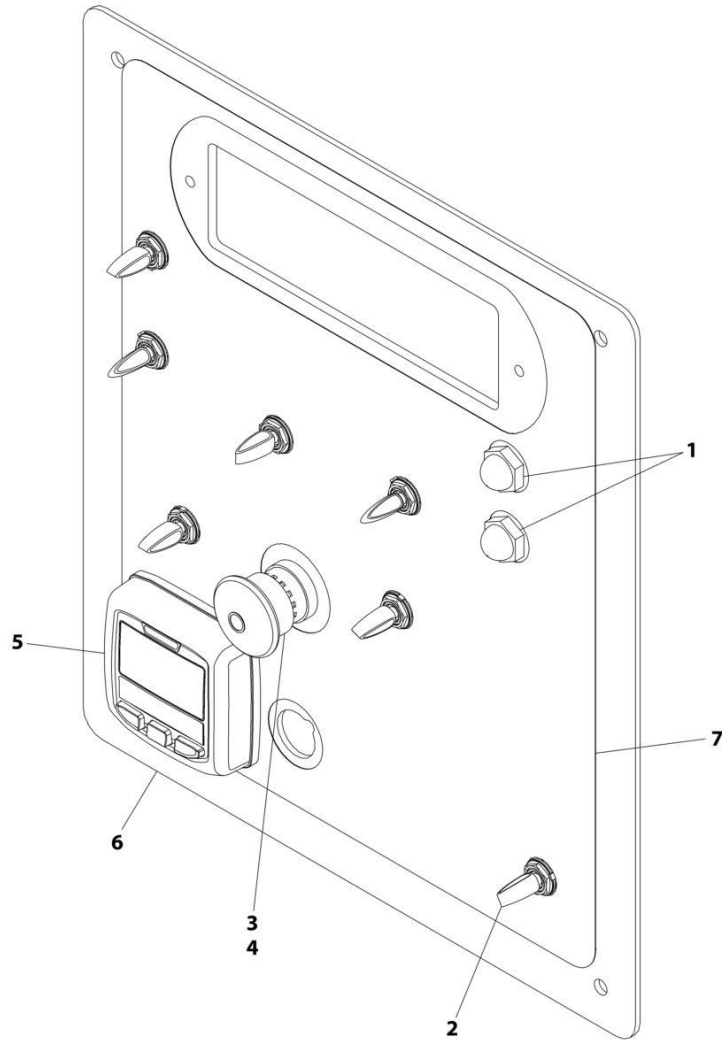
SECTION 2 - TURNTABLE

FIGURE 2-19. GROUND CONTROL PANEL ASSEMBLY (ALL SPEC EXCEPT CHINA IV SPECS)

ITEM	PART NUMBER	QTY	DESCRIPTION	REV
	1001266228	Ref	GROUND CONTROL PANEL ASSEMBLY	A
1	4360274	1	Switch, Push Button	
2	4360328	7	Switch, Toggle	
3	4360475	1	Switch, Emergency Stop	
3	7020175	1	Cap	
3	7020176	1	Block, Contact	
4	4360476	2	Block, Contact	
5	1001171482	1	Gauge	
6	1001266221	1	Decal - Ground Control	
7	1001266222	1	Panel	

SECTION 2 - TURNTABLE

FIGURE 2-20. GROUND CONTROL PANEL ASSEMBLY (CHINA IV SPECS)



ART_1001256018

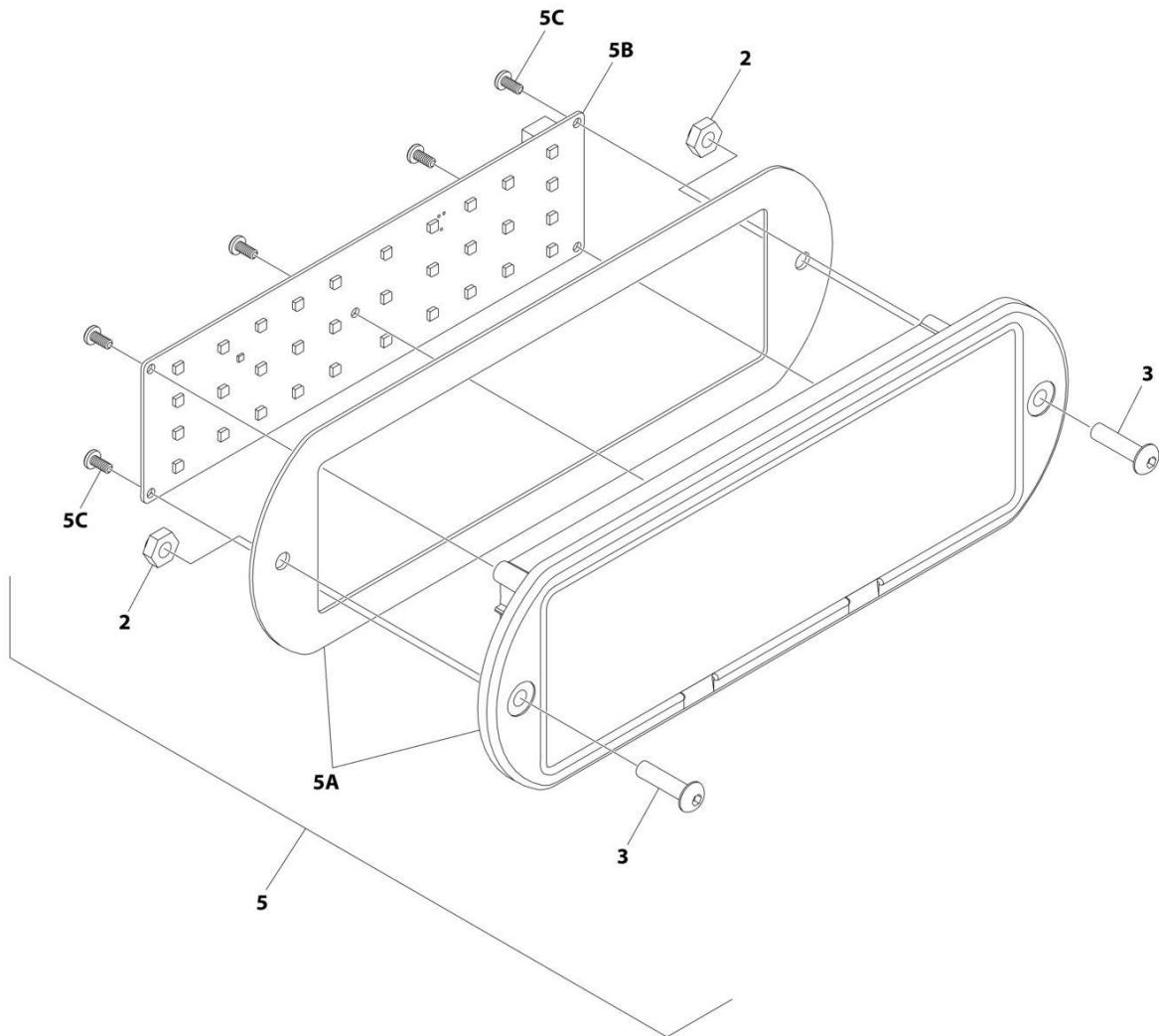
SECTION 2 - TURNTABLE

FIGURE 2-20. GROUND CONTROL PANEL ASSEMBLY (CHINA IV SPECS)

ITEM	PART NUMBER	QTY	DESCRIPTION	REV
	1001256018	Ref	GROUND CONTROL PANEL ASSEMBLY	A
1	4360274	2	Switch, Push Button	
2	4360328	7	Switch, Toggle	
3	4360475	1	Switch, Emergency Stop	
3	7020175	1	Cap	
3	7020176	1	Block, Contact	
4	4360476	2	Block, Contact	
5	1001171482	1	Gauge	
6	1001256006	1	Panel	
7	1001256017	1	Decal - Ground Control	

SECTION 2 - TURNTABLE

FIGURE 2-21. LIGHT PANEL INSTALLATION



ART_1001241403_10F2

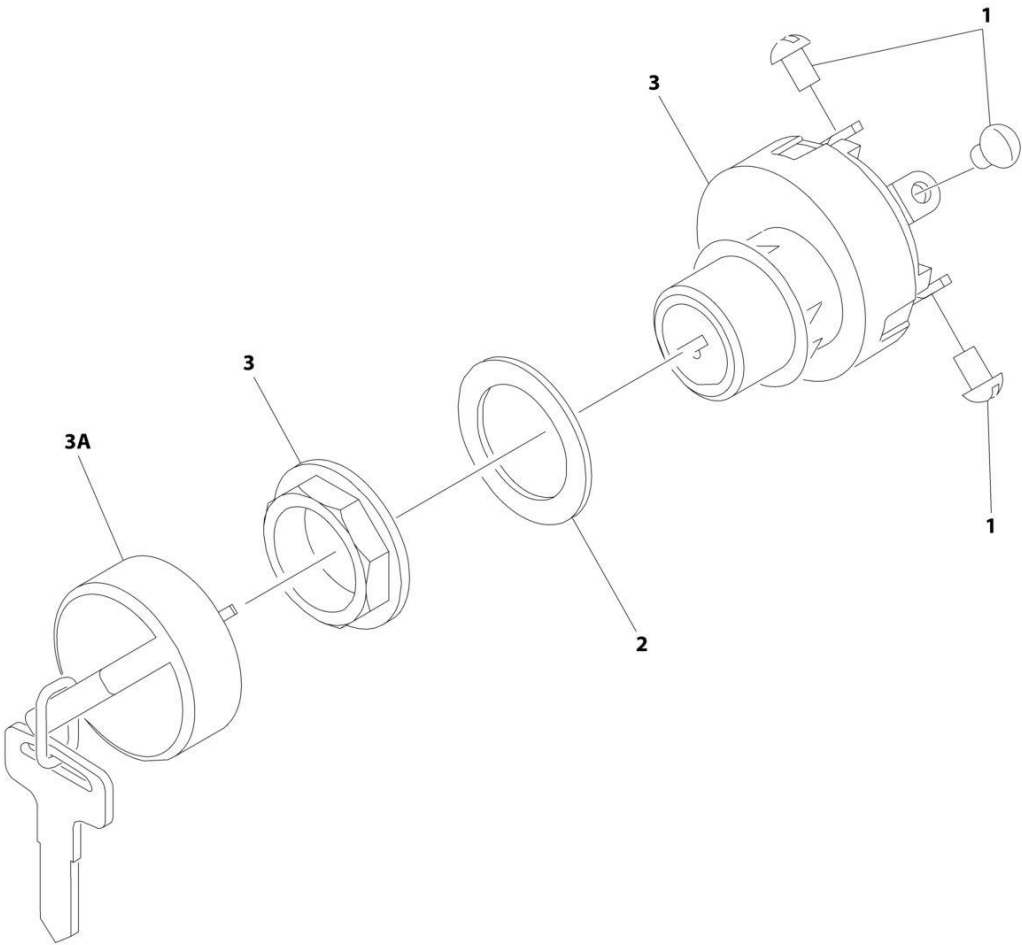
SECTION 2 - TURNTABLE

FIGURE 2-21. LIGHT PANEL INSTALLATION

ITEM	PART NUMBER	QTY	DESCRIPTION	REV
	1001241403	Ref	LIGHT PANEL INSTALLATION - GROUND CONTROL	C
2	3300408	2	Nut, Nylon Insert	
3	0630518	2	Screw #10 x 3/4	
5	1001238674	1	Light Panel Assembly	H
5A	1001236092	1	Lens Assembly (Includes Housing Shell, Decal/Lens with Icons & Gasket)	
5B	1001238732	1	Panel, LED Light	
5C		Ref	Screw	

SECTION 2 - TURNTABLE

FIGURE 2-22. KEYSWITCH INSTALLATION



ART_0259666

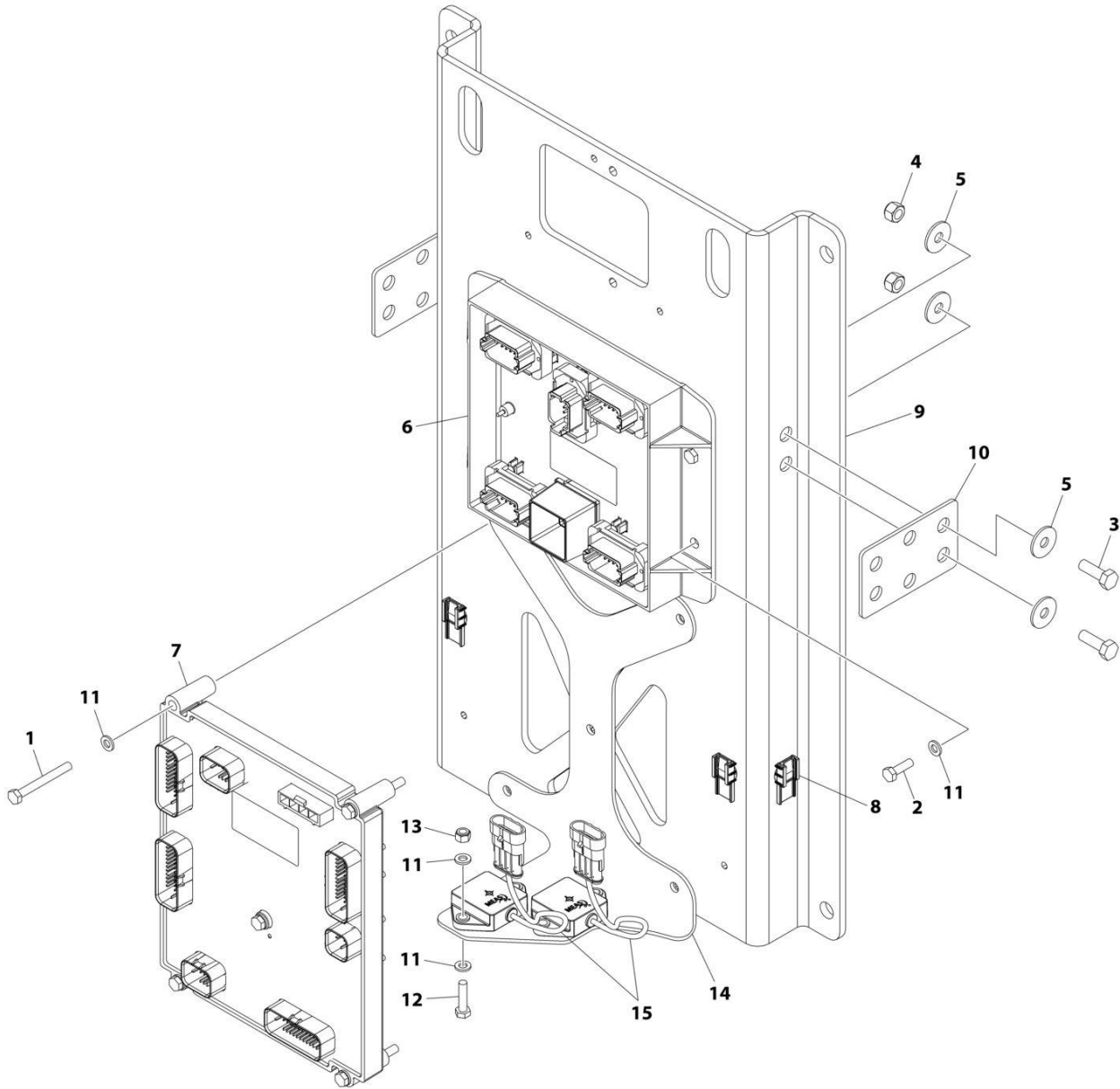
SECTION 2 - TURNTABLE

FIGURE 2-22. KEYSWITCH INSTALLATION

ITEM	PART NUMBER	QTY	DESCRIPTION	REV
	0259666	Ref	KEYSWITCH INSTALLATION	B
1	3910804	6	Screw #8 x 1/8	
2	1001151393	1	Shim .063	
3	4360469	1	Keyswitch	
3A	2860030	1	Key, Replacement	

SECTION 2 - TURNTABLE

FIGURE 2-23. ELECTRICAL ASSEMBLY



ART_1001152193_J

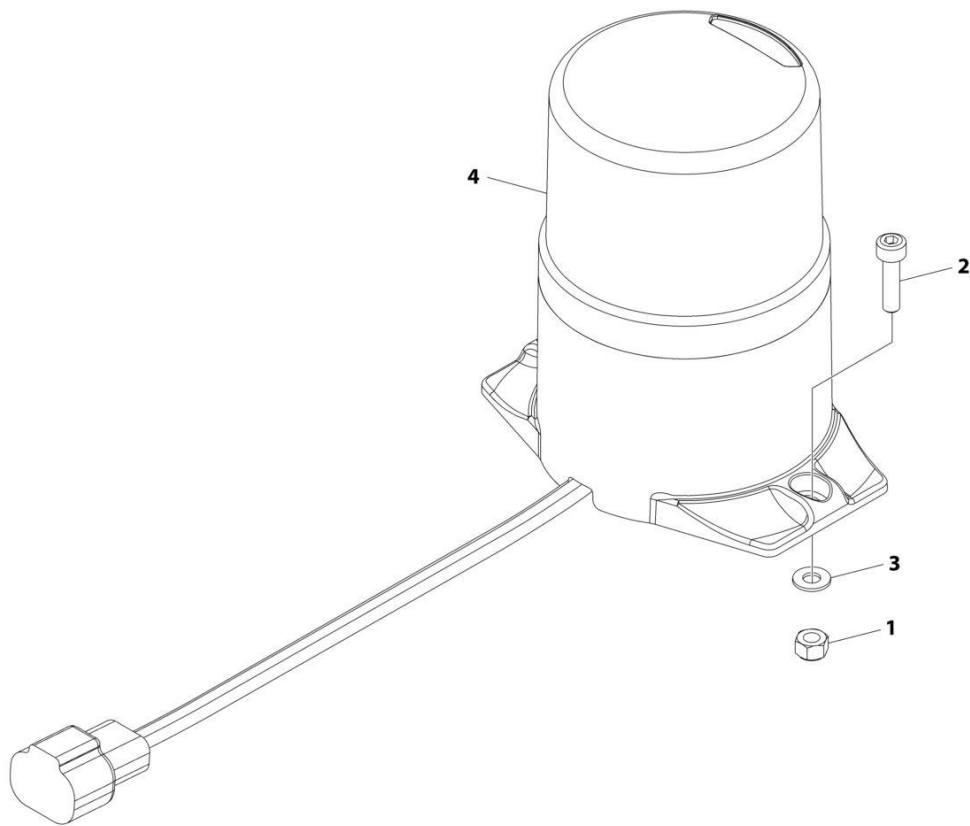
SECTION 2 - TURNTABLE

FIGURE 2-23. ELECTRICAL ASSEMBLY

ITEM	PART NUMBER	QTY	DESCRIPTION	REV
	1001152193	Ref	ELECTRICAL ASSEMBLY	I
1	0700619	5	Bolt M6 x 55	
2	0760610	4	Bolt M6 x 20	
3	0760812	4	Bolt M8 x 25	
4	3290805	4	Nut, Lock M8	
5	4811902	8	Washer M8	
6	1001277208	1	Module, Boom Length and Angle Control (Note: Re-calibration Required when Replaced)	
7	1001281100	1	Module, Ground Control (Note: Re-calibration Required when Replaced)	
8	1001121172	4	Mount, Terminal	
9	1001152194	1	Plate	
10	1001152195	2	Mount	
11	4811700	17	Washer M6	
12	0760612	4	Bolt M6 x 25	
13	3290605	4	Nut, Lock M6	
14	1001276642	1	Bracket	
15	1001219601	2	Sensor, Tilt	

SECTION 2 - TURNTABLE

FIGURE 2-24. STROBE LIGHT INSTALLATION - AMBER



ART_1001269755

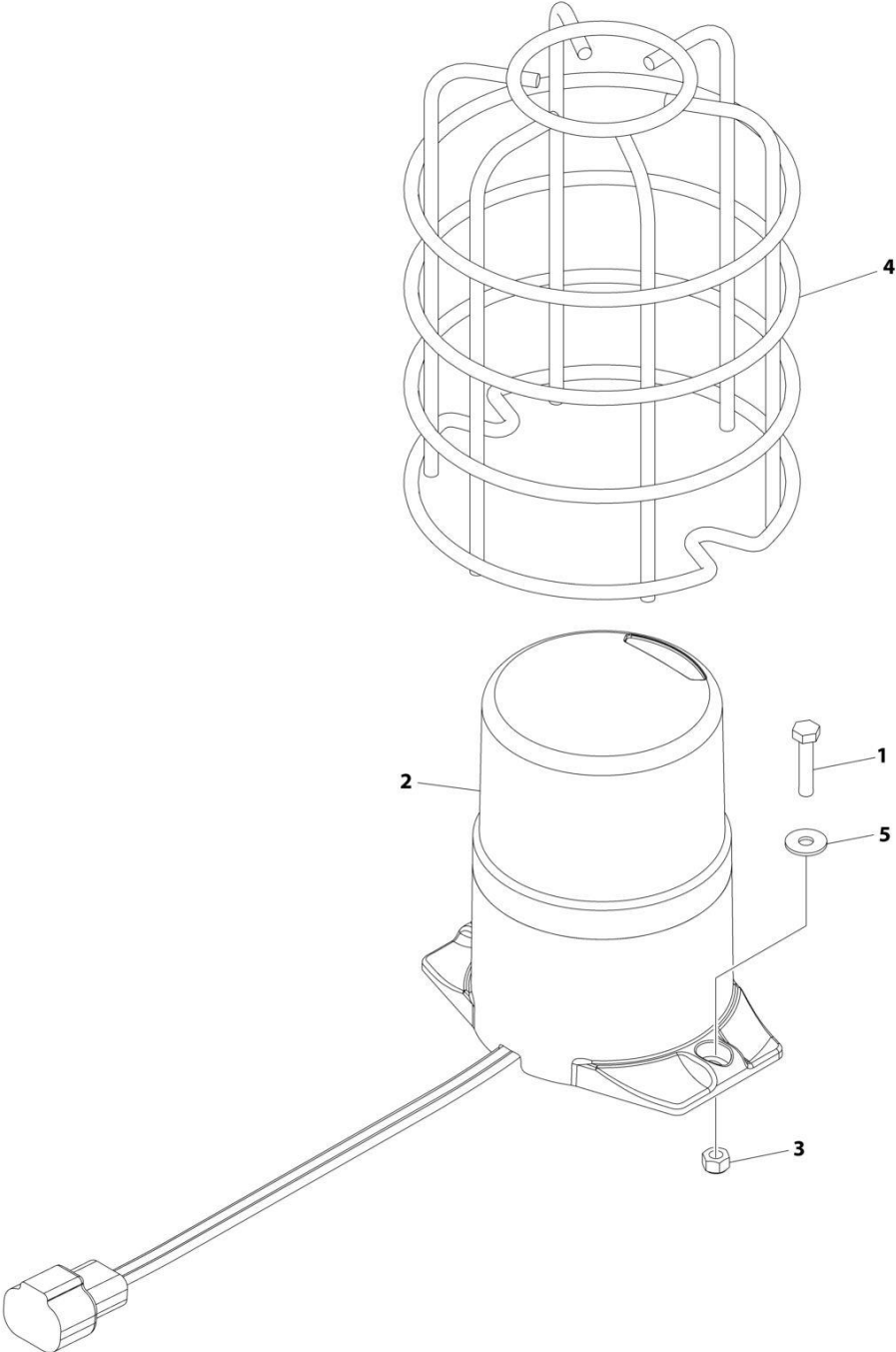
SECTION 2 - TURNTABLE

FIGURE 2-24. STROBE LIGHT INSTALLATION - AMBER

ITEM	PART NUMBER	QTY	DESCRIPTION	REV
	1001269755	Ref	STROBE LIGHT INSTALLATION - AMBER	A
1	3290405	2	Nut, Lock M4	
2	4031507	2	Capscrew M4 x 16	
3	4811400	2	Washer M4	
4	1001233479	1	Light, Strobe	
4	4460891	1	Connector	
4	4460465	2	Socket	

SECTION 2 - TURNTABLE

FIGURE 2-25. STROBE LIGHT INSTALLATION - AMBER (SHIPYARD MACHINES)



ART_1001151701_B

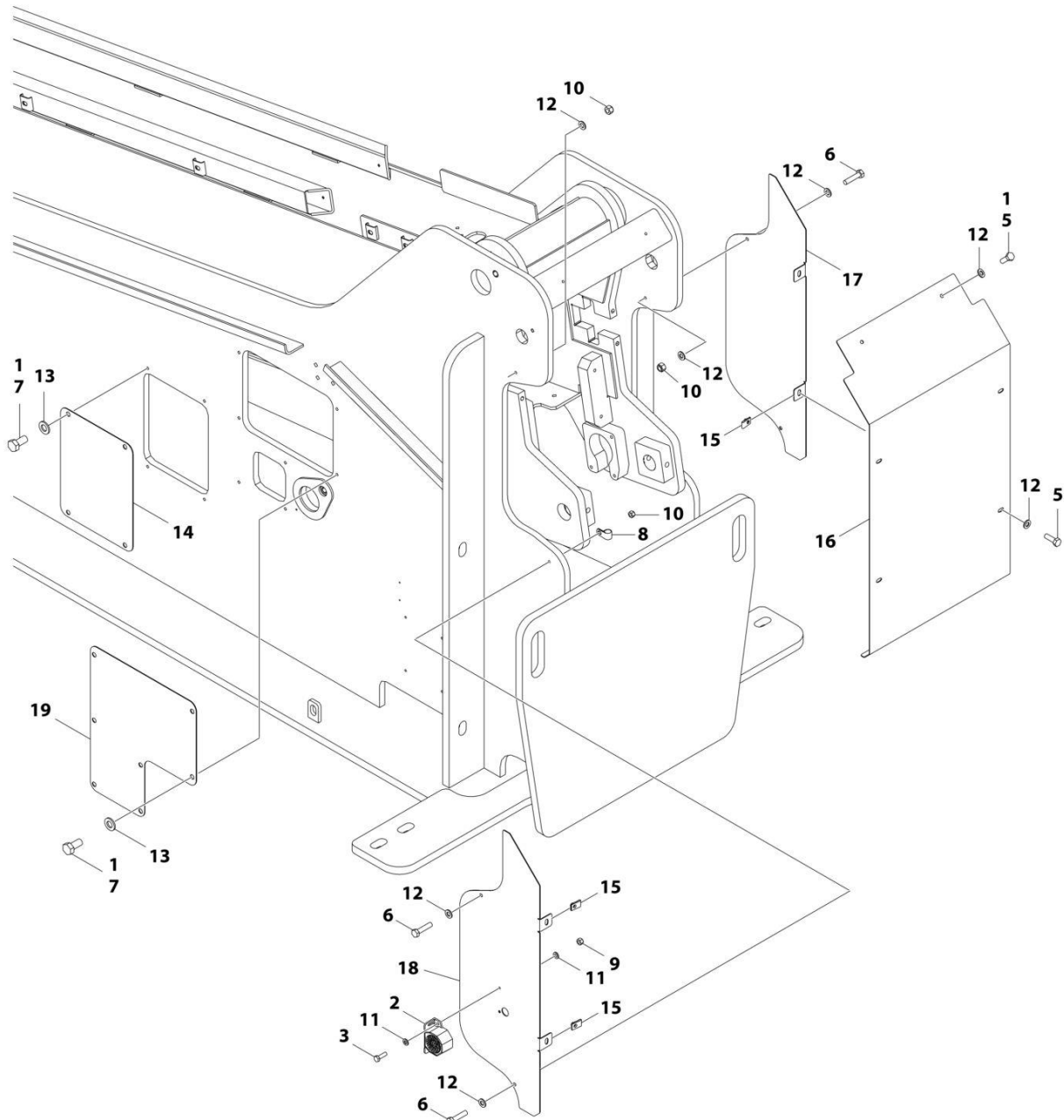
SECTION 2 - TURNTABLE

FIGURE 2-25. STROBE LIGHT INSTALLATION - AMBER (SHIPYARD MACHINES)

ITEM	PART NUMBER	QTY	DESCRIPTION	REV
	1001151701	Ref	STROBE LIGHT INSTALLATION - AMBER	B
1	0760410	2	Bolt M4 x 20	
2	1001233479	1	Light, Strobe	
2	4460891	1	Plug, Male - 2 Position	
2	4460465	2	Socket, Female	
3	3290405	2	Nut M4	
4	4060865	1	Guard, Strobe	
5	1001091102	2	Washer M4	

SECTION 2 - TURNTABLE

FIGURE 2-26. ALARM AND TURNTABLE COVERS INSTALLATION



ART_1001151213

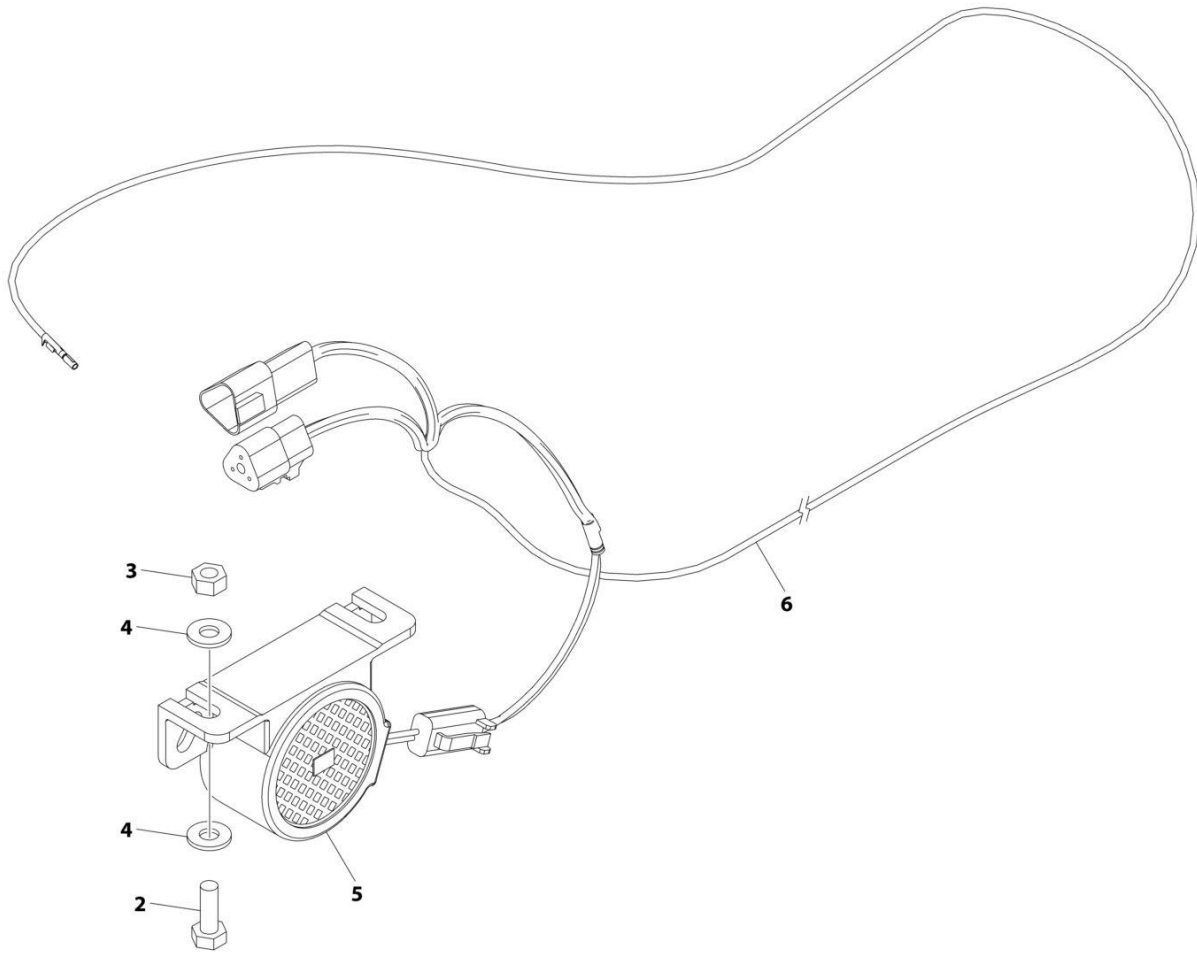
SECTION 2 - TURNTABLE

FIGURE 2-26. ALARM AND TURNTABLE COVERS INSTALLATION

ITEM	PART NUMBER	QTY	DESCRIPTION	REV
	1001151213	Ref	ALARM AND TURNTABLE COVERS INSTALLATION	F
1	0100011	AR	Compound, Locking	
2	0140043	1	Alarm	
3	0760610	2	Bolt M6 x 20	
5	0760812	6	Bolt M8 x 25	
6	0760815	4	Bolt M8 x 35	
7	0761212	AR	Bolt M12 x 25	
8	1320061	1	Clamp	
9	3290605	2	Nut M6	
10	3290805	4	Nut M8	
11	4811700	4	Washer M6	
12	4811900	13	Washer M8	
13	4812100	AR	Washer M12	
14	1001148768	1	Cover	
15	1001149160	4	Nut, Tinnerman M8	
16	1001151221	1	Cover (End)	
17	1001151222	1	Cover (LH)	
18	1001151223	1	Cover (RH)	
19	1001218733	1	Cover	

SECTION 2 - TURNTABLE

FIGURE 2-27. WHITE NOISE ALARM INSTALLATION



ART_1001263172

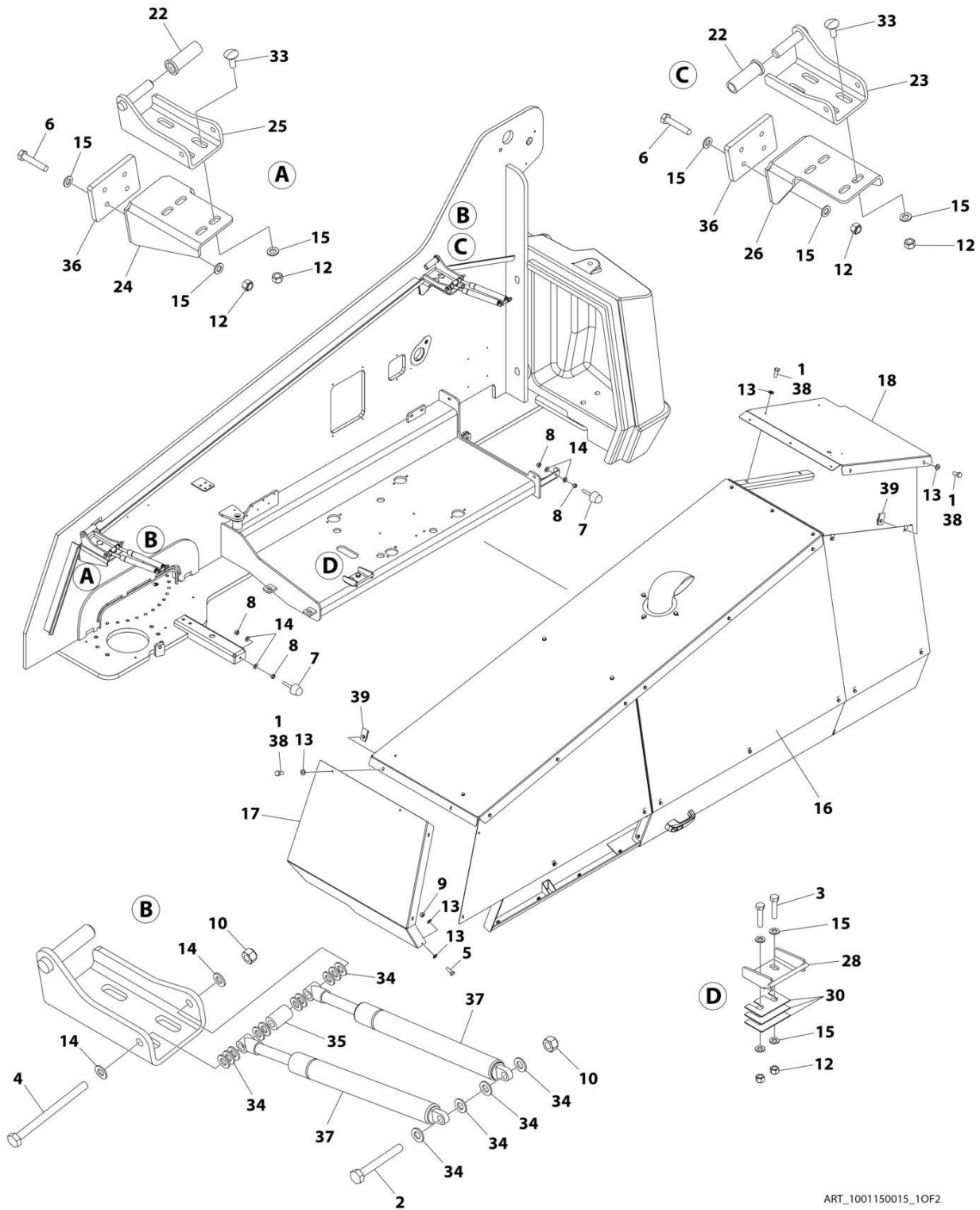
SECTION 2 - TURNTABLE

FIGURE 2-27. WHITE NOISE ALARM INSTALLATION

ITEM	PART NUMBER	QTY	DESCRIPTION	REV
	1001263172	Ref	WHITE NOISE ALARM INSTALLATION	B
1	0100048	AR	Compound, Silicone (Not Shown)	
2	0641406	2	Bolt 1/4 x 3/4	
3	3311405	2	Nut 1/4	
4	4711400	4	Washer 1/4	
5	1001184682	1	Alarm	
6	1001243682	1	White Noise Motion Alarm Harness (See Separate Breakdown in ELECTRICAL Section)	

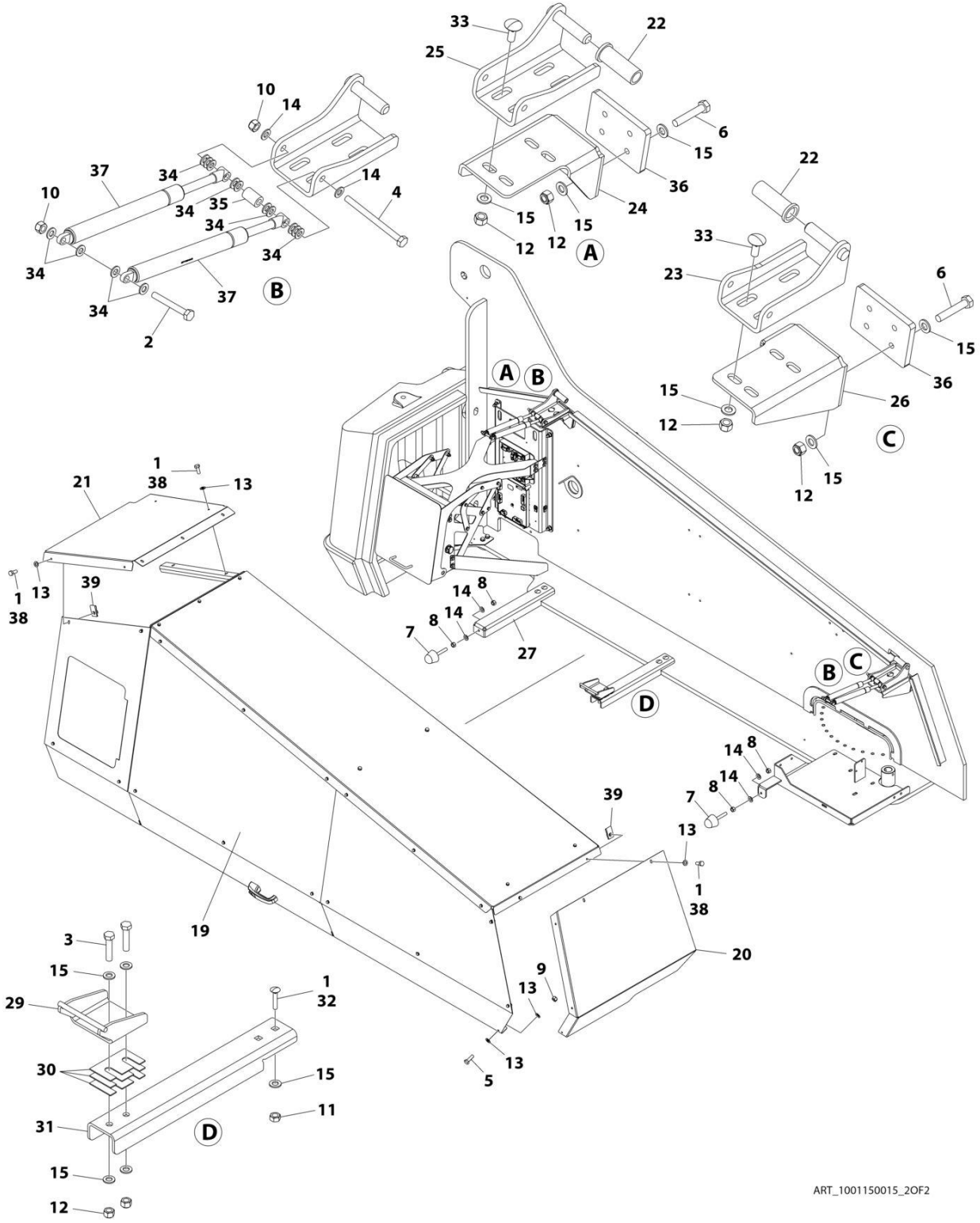
SECTION 2 - TURNTABLE

FIGURE 2-28. HOOD INSTALLATION - DEUTZ TD2011 ENGINE



ART_1001150015_10F2

SECTION 2 - TURNTABLE



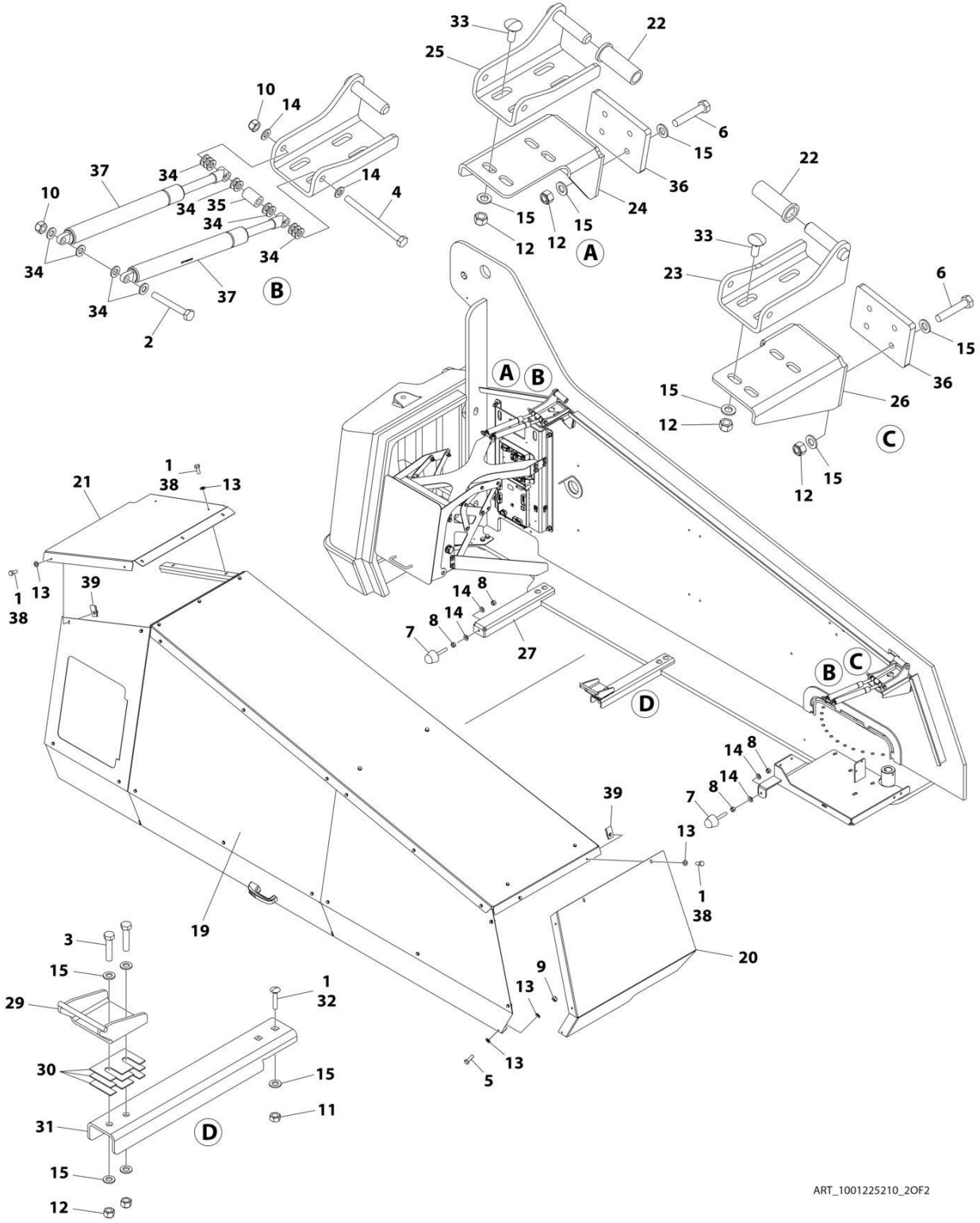
ART_1001150015_2OF2

SECTION 2 - TURNTABLE

FIGURE 2-28. HOOD INSTALLATION - DEUTZ TD2011 ENGINE

ITEM	PART NUMBER	QTY	DESCRIPTION	REV
	1001150015	Ref	HOOD INSTALLATION - DEUTZ TD2011 ENGINE	D
1	0100011	AR	Compound, Locking	
2	0701024	4	Bolt M10 x 80	
3	0701219	4	Bolt M12 x 55	
4	0711030	4	Bolt M10 x 130	
5	0760812	2	Bolt M8 x 25	
6	0761221	16	Bolt M12 x 65	
7	0940071	4	Bumper	
8	3271601	8	Nut 3/8	
9	3290805	2	Nut M8	
10	3291005	8	Nut M10	
11	3291201	4	Nut M12	
12	3291205	36	Nut M12	
13	4811900	24	Washer M8	
14	4812000	16	Washer M10	
15	4812100	60	Washer M12	
16	1001149075	1	Hood Assembly - Engine Side (See Separate Breakdown in this Section)	
17	1001149082	1	Panel, Hood	
18	1001149083	1	Panel, Hood	
19	1001149085	1	Hood Assembly - Tank Side (See Separate Breakdown in this Section)	
20	1001149092	1	Panel, Hood	
21	1001149093	1	Panel, Hood	
22	1001149095	4	Bearing	
23	1001149096	2	Hinge (RH)	
24	1001149098	2	Bracket	
25	1001149099	2	Hinge (LH)	
26	1001149101	2	Bracket	
27	1001153028	1	Bracket	
28	1001153029	1	Bracket, Latch (Engine Side)	
29	1001153030	1	Bracket, Latch (Tank Side)	
30	1001153034	6	Plate, Spacer	
31	1001153035	1	Bracket	
32	1001153086	4	Bolt M12 x 70	
33	1001153162	16	Bolt M12 x 35	
34	1001153195	58	Washer M10	
35	1001153198	4	Spacer	
36	1001153199	4	Plate, Spacer	
37	1001151912	8	Spring, Gas	
38	0760810	20	Bolt M8 x 20	
39	1001149160	16	Nut, Tinnerman M8	

SECTION 2 - TURNTABLE



ART_1001225210_20F2

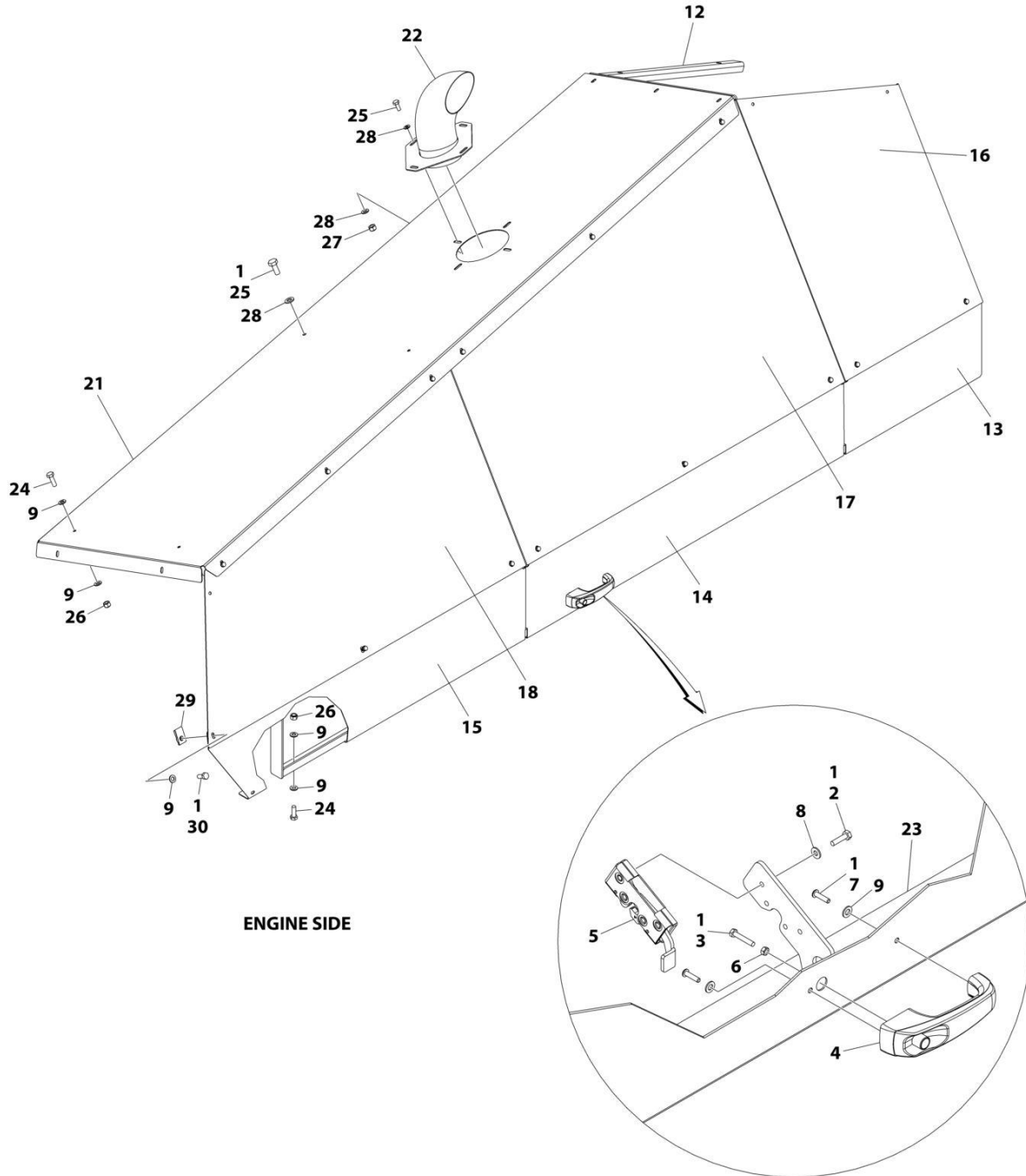
SECTION 2 - TURNTABLE

FIGURE 2-29. HOOD INSTALLATION - DEUTZ TD2.9L4 ENGINE

ITEM	PART NUMBER	QTY	DESCRIPTION	REV
	1001225210	Ref	HOOD INSTALLATION – DEUTZ TD2.9L4 ENGINE	A
1	0100011	AR	Compound, Locking	
2	0701024	4	Bolt M10 x 80	
3	0701219	4	Bolt M12 x 55	
4	0711030	4	Bolt M10 x 130	
5	0760812	2	Bolt M8 x 25	
6	0761221	16	Bolt M12 x 65	
7	0940071	4	Bumper	
8	3271601	8	Nut 3/8	
9	3290805	2	Nut M8	
10	3291005	8	Nut M10	
11	3291201	4	Nut M12	
12	3291205	36	Nut M12	
13	4811900	24	Washer M8	
14	4812000	16	Washer M10	
15	4812100	60	Washer M12	
16	1001225211	1	Hood Assembly - Engine Side (See Separate Breakdown in this Section)	
17	1001149082	1	Panel, Hood	
18	1001149083	1	Panel, Hood	
19	1001149085	1	Hood Assembly - Tank Side (See Separate Breakdown in this Section)	
20	1001149092	1	Panel, Hood	
21	1001149093	1	Panel, Hood	
22	1001149095	4	Bearing	
23	1001149096	2	Hinge (RH)	
24	1001149098	2	Bracket	
25	1001149099	2	Hinge (LH)	
26	1001149101	2	Bracket	
27	1001153028	1	Bracket	
28	1001153029	1	Bracket, Latch (Engine Side)	
29	1001153030	1	Bracket, Latch (Tank Side)	
30	1001153034	6	Plate, Spacer	
31	1001153035	1	Bracket	
32	1001153086	4	Bolt M12 x 70	
33	1001153162	16	Bolt M12 x 35	
34	1001153195	58	Washer M10	
35	1001153198	4	Spacer	
36	1001153199	4	Plate, Spacer	
37	1001151912	8	Spring, Gas	
38	0760810	20	Bolt M8 x 20	
39	1001149160	16	Nut, Tinnerman M8	

SECTION 2 - TURNTABLE

FIGURE 2-30. HOOD ASSEMBLY - ENGINE SIDE (DEUTZ TD2011 ENGINE)



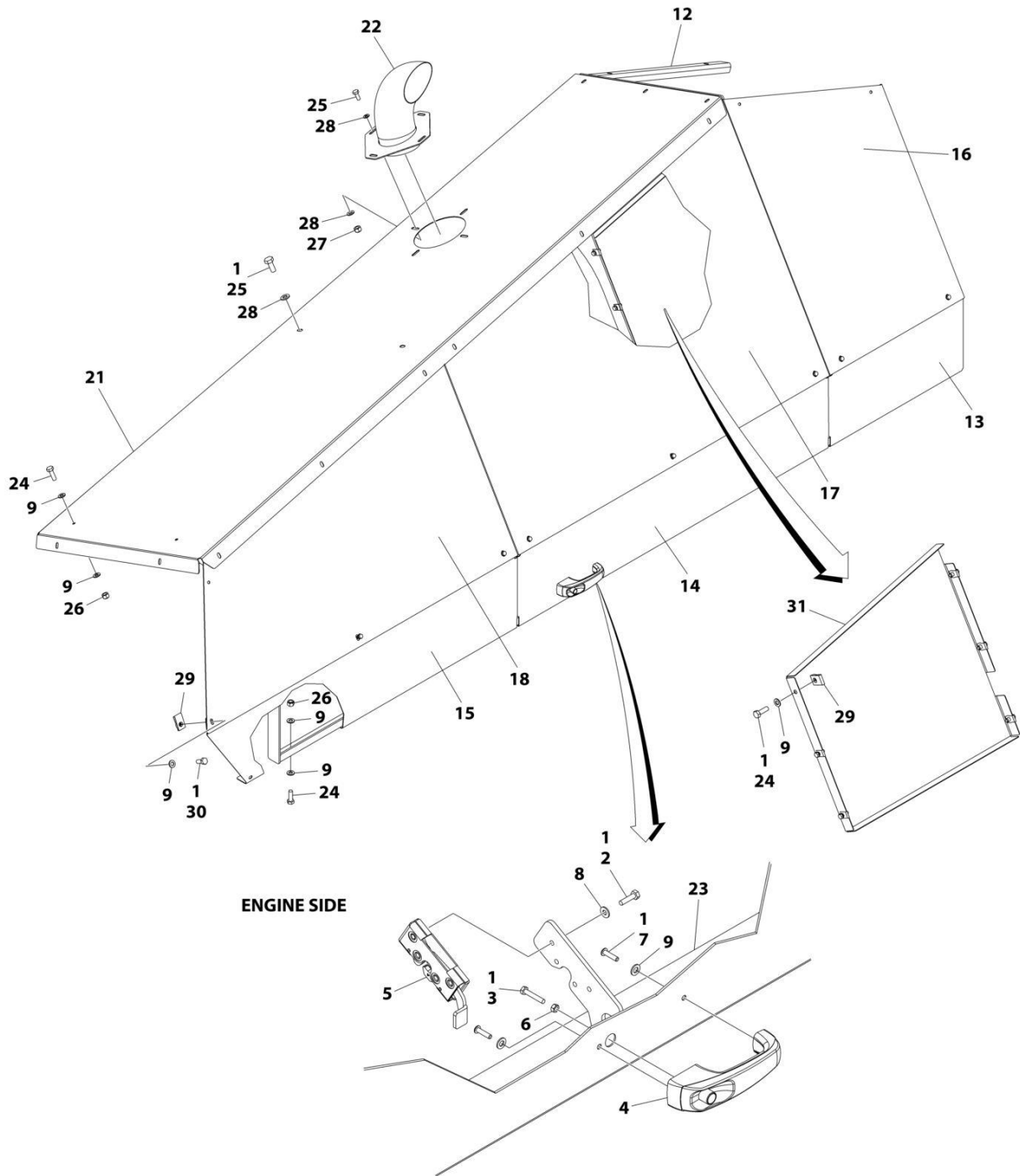
SECTION 2 - TURNTABLE

FIGURE 2-30. HOOD ASSEMBLY - ENGINE SIDE (DEUTZ TD2011 ENGINE)

ITEM	PART NUMBER	QTY	DESCRIPTION	REV
	1001149075	Ref	HOOD ASSEMBLY - ENGINE SIDE (DEUTZ TD2011 ENGINE)	C
1	0100011	AR	Compound, Locking	
2	0641408	4	Bolt 1/4 x 1	
3	0700615	1	Bolt M6 x 35	
4	2560187	1	Handle	
5	2940173	1	Latch, Rotary	
6	3290601	1	Nut M6	
7	3900363	2	Screw M6 x 25	
8	4711400	4	Washer 1/4	
9	4811900	60	Washer M8	
12	1001149061	1	Frame, Hood	
13	1001149076	1	Panel - Front Lower Side	
14	1001149077	1	Panel - Middle Lower Side	
15	1001149078	1	Panel - Rear Lower Side	
16	1001149079	1	Panel - Front Middle Upper Side	
17	1001149080	1	Panel - Middle Upper Side	
18	1001149081	1	Panel - Rear Upper Side	
21	1001149084	1	Panel, Top	
22	1001151226	1	Stack, Exhaust	
23	1001151229	1	Seal	
24	0760812	22	Bolt M8 x 25	
25	0761012	6	Bolt M10 x 25	
26	3290805	22	Nut M8	
27	3291005	4	Nut M10	
28	4812000	10	Washer M10	
29	1001149160	14	Nut, Tinnerman M8	
30	0760810	14	Bolt M8 x 20	

SECTION 2 - TURNTABLE

FIGURE 2-31. HOOD ASSEMBLY - ENGINE SIDE (DEUTZ TD2.9L4 ENGINE)



ART_1001225211

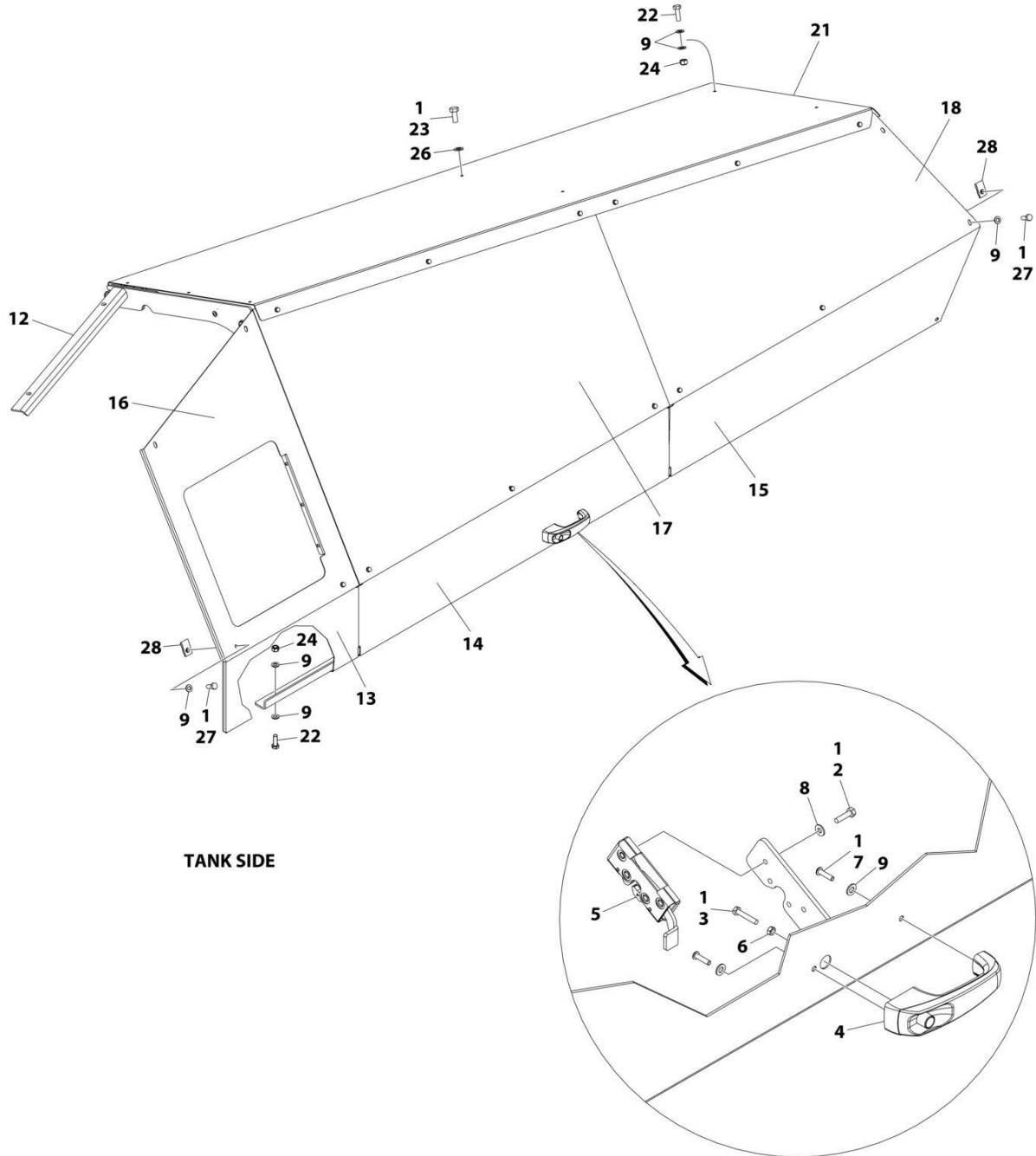
SECTION 2 - TURNTABLE

FIGURE 2-31. HOOD ASSEMBLY - ENGINE SIDE (DEUTZ TD2.9L4 ENGINE)

ITEM	PART NUMBER	QTY	DESCRIPTION	REV
	1001225211	Ref	HOOD ASSEMBLY - ENGINE SIDE (DEUTZ TD2.9L4 ENGINE)	B
1	0100011	AR	Compound, Locking	
2	0641408	4	Bolt 1/4 x 1	
3	0700615	1	Bolt M6 x 35	
4	2560187	1	Handle	
5	2940173	1	Latch, Rotary	
6	3290601	1	Nut M6	
7	3900363	2	Screw M6 x 25	
8	4711400	4	Washer 1/4	
9	4811900	AR	Washer M8	
12	1001149061	1	Frame, Hood	
13	1001149076	1	Panel - Front Lower Side	
14	1001149077	1	Panel - Middle Lower Side	
15	1001149078	1	Panel - Rear Lower Side	
16	1001149079	1	Panel - Front Middle Upper Side	
17	1001149080	1	Panel - Middle Upper Side	
18	1001149081	1	Panel - Rear Upper Side	
21	1001225244	1	Panel, Top	
22	1001151226	1	Stack, Exhaust	
23	1001151229	1	Seal	
24	0760812	AR	Bolt M8 x 25	
25	0761012	6	Bolt M10 x 25	
26	3290805	22	Nut M8	
27	3291005	4	Nut M10	
28	4812000	10	Washer M10	
29	1001149160	AR	Nut, Tinnerman M8	
30	0760810	14	Bolt M8 x 20	
31	1001232358	1	Shield	

SECTION 2 - TURNTABLE

FIGURE 2-32. HOOD ASSEMBLY - TANK SIDE



TANK SIDE

ART_1001149085

SECTION 2 - TURNTABLE

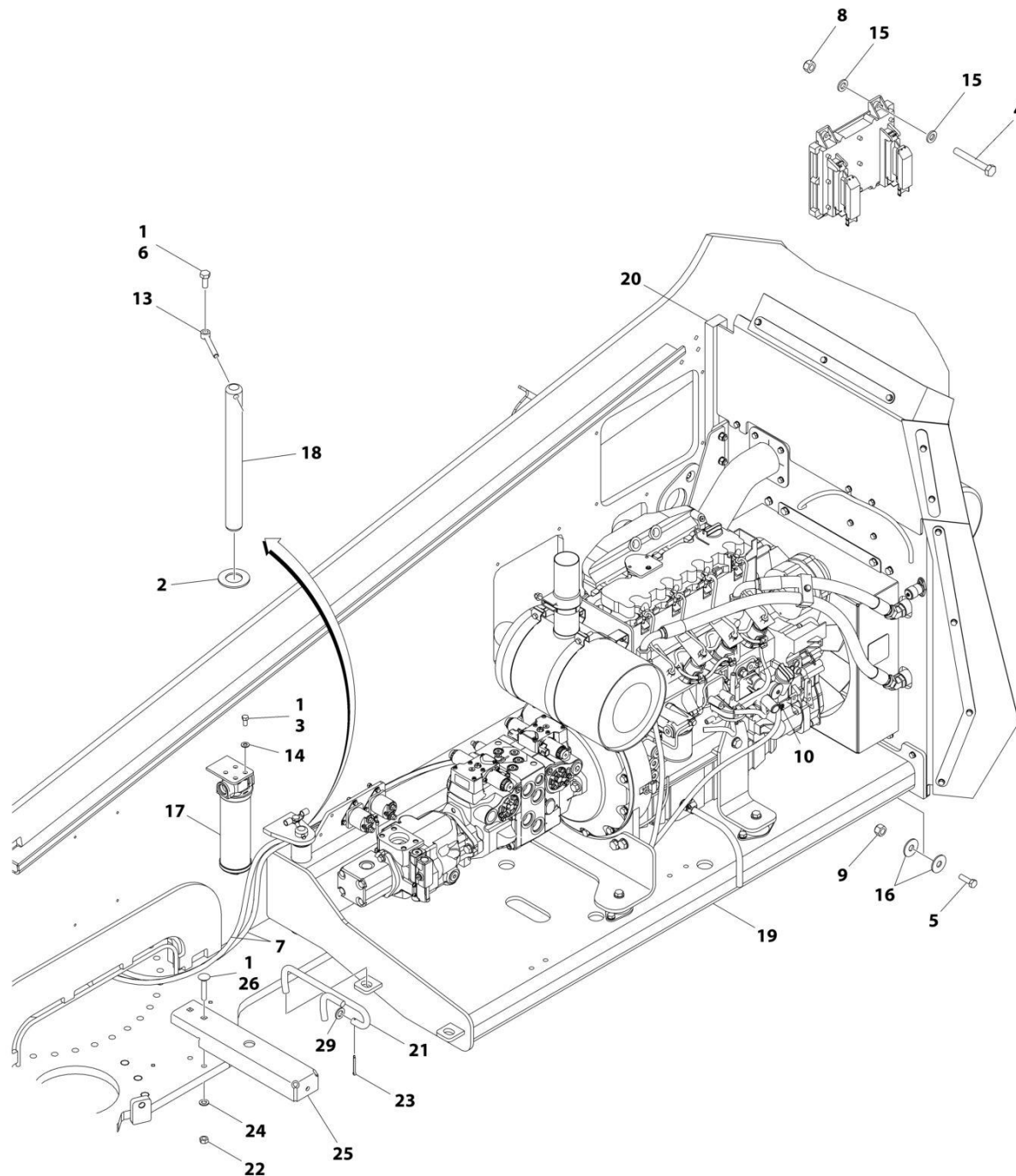
FIGURE 2-32. HOOD ASSEMBLY - TANK SIDE

ITEM	PART NUMBER	QTY	DESCRIPTION	REV
	1001149085	Ref	HOOD ASSEMBLY - TANK SIDE	F
1	0100011	AR	Compound, Locking	
2	0641408	4	Bolt 1/4 x 1	
3	0700615	1	Bolt M6 x 35	
4	2560187	1	Handle	
5	2940173	1	Latch, Rotary	
6	3290601	1	Nut M6	
7	3900363	2	Screw M6 x 25	
8	4711400	4	Washer 1/4	
9	4811900	60	Washer M8	
12	1001149062	1	Frame, Hood	
13	1001149086	1	Panel - Front Lower Side	
14	1001149087	1	Panel - Middle Lower Side	
15	1001149088	1	Panel - Rear Lower Side	
16	1001149089	1	Panel - Front Upper Side	
17	1001149090	1	Panel - Middle Upper Side	
18	1001149091	1	Panel - Rear Upper Side	
21	1001149094	1	Panel - Top	
22	0760812	22	Bolt M8 x 25	
23	0761012	2	Bolt M10 x 25	
24	3290805	22	Nut M8	
26	4812000	2	Washer M10	
29	1001149160	14	Nut, Tinnerman M8	
30	0760810	14	Bolt M8 x 20	

SECTION 3 - ENGINE

SECTION 3 - ENGINE

FIGURE 3-1. DEUTZ TD2011 ENGINE INSTALLATION



ART_1001150013

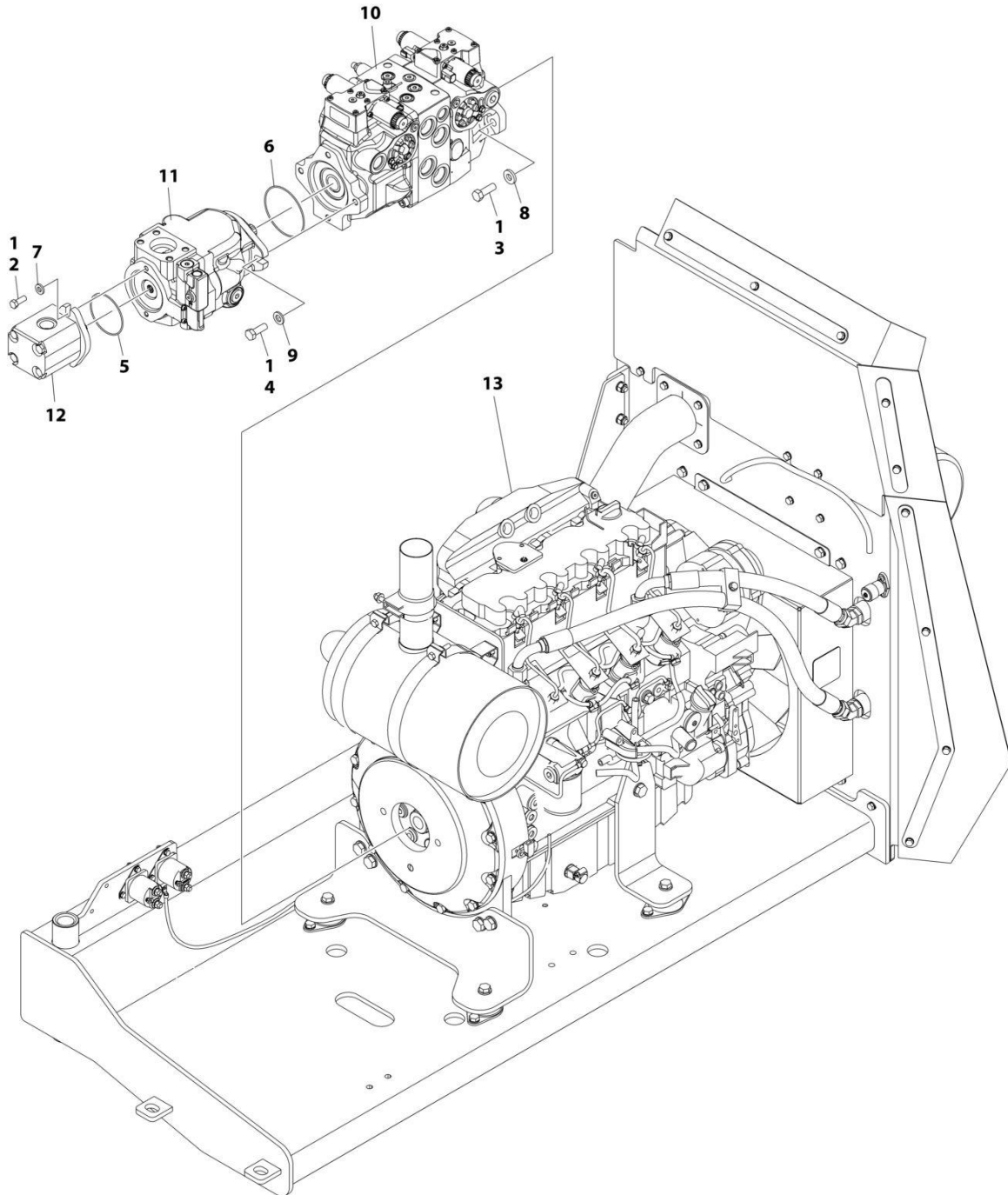
SECTION 3 - ENGINE

FIGURE 3-1. DEUTZ TD2011 ENGINE INSTALLATION

ITEM	PART NUMBER	QTY	DESCRIPTION	REV
	1001150013	Ref	DEUTZ TD2011 ENGINE INSTALLATION	I
1	0100011	AR	Compound, Locking	
2	0440162	1	Bearing	
3	0641606	4	Bolt 3/8 x 3/4	
4	0700617	4	Bolt M6 x 45	
5	0701216	1	Bolt M12 x 40	
6	0761012	1	Bolt M10 x 25	
7	2720058	33 ft/10m	Hose	
8	3290605	4	Nut M6	
9	3291205	1	Nut M12	
10	1001174486	4	Clamp	
13	3841143	1	Keeper, Pin	
14	4711600	4	Washer 3/8	
15	4811700	8	Washer M6	
16	4812102	2	Washer M12	
17	1001108617	1	Filter, Hydraulic	
17	70002231	1	Element, Filter	
18	1001135196	1	Pin	
19	1001151129	1	Deutz TD2011 Engine and Pumps Sub-Assembly (See Separate Breakdown in this Section)	
20	1001153046	1	Seal	
21	1001153083	1	Hook	
22	3291201	2	Nut M12	
23	3391210	1	Pin, Split	
24	4812100	2	Washer M12	
25	1001153027	1	Bracket	
26	1001153086	2	Bolt M12 x 70	
27	1001150443	1	Battery Cable Kit - Deutz TD2011 (Not Shown - See Separate Breakdown in ELECTRICAL Section)	
28	1001119470	1	Engine Harness - Deutz TD2011 (Not Shown - See Separate Breakdown in ELECTRICAL Section)	
29	4812300	1	Washer M16	

SECTION 3 - ENGINE

FIGURE 3-2. DEUTZ TD2011 ENGINE AND PUMPS SUB-ASSEMBLY



ART_1001151129

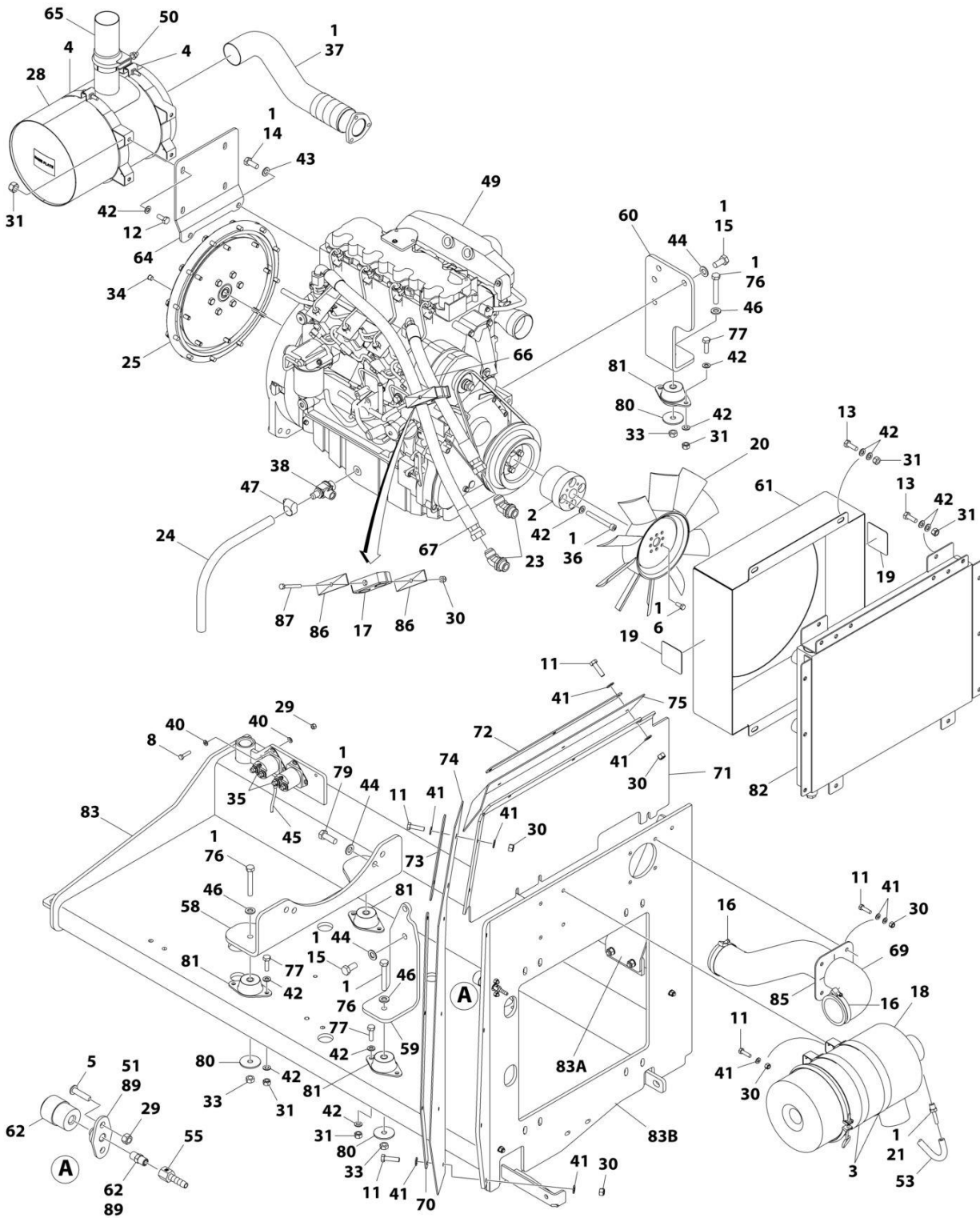
SECTION 3 - ENGINE

FIGURE 3-2. DEUTZ TD2011 ENGINE AND PUMPS SUB-ASSEMBLY

ITEM	PART NUMBER	QTY	DESCRIPTION	REV
	1001151129	Ref	DEUTZ TD2011 ENGINE AND PUMPS SUB-ASSEMBLY	F
1	0100011	AR	Compound, Locking	
2	0641608	2	Bolt 3/8 x 1	
3	0641812	2	Bolt 1/2 x 1-1/2	
4	0761215	2	Bolt M12 x 35	
5	3790152	1	O-Ring	
6	3790155	1	O-Ring	
7	4891600	2	Washer 3/8	
8	4891800	2	Washer 1/2	
9	5241200	2	Washer M12	
10	1001108616	1	Tandem Pump Assembly (See Separate Breakdown in this Section)	
11	1001171095	1	Piston Pump Assembly (See Separate Breakdown in this Section)	
12	1001112927	1	Gear Pump Assembly (See Separate Breakdown in this Section)	
13	1001151128	1	Deutz TD2011 Engine Assembly (See Separate Breakdown in this Section)	

SECTION 3 - ENGINE

FIGURE 3-3. DEUTZ TD2011 ENGINE ASSEMBLY



ART_1001151128_N

SECTION 3 - ENGINE

FIGURE 3-3. DEUTZ TD2011 ENGINE ASSEMBLY

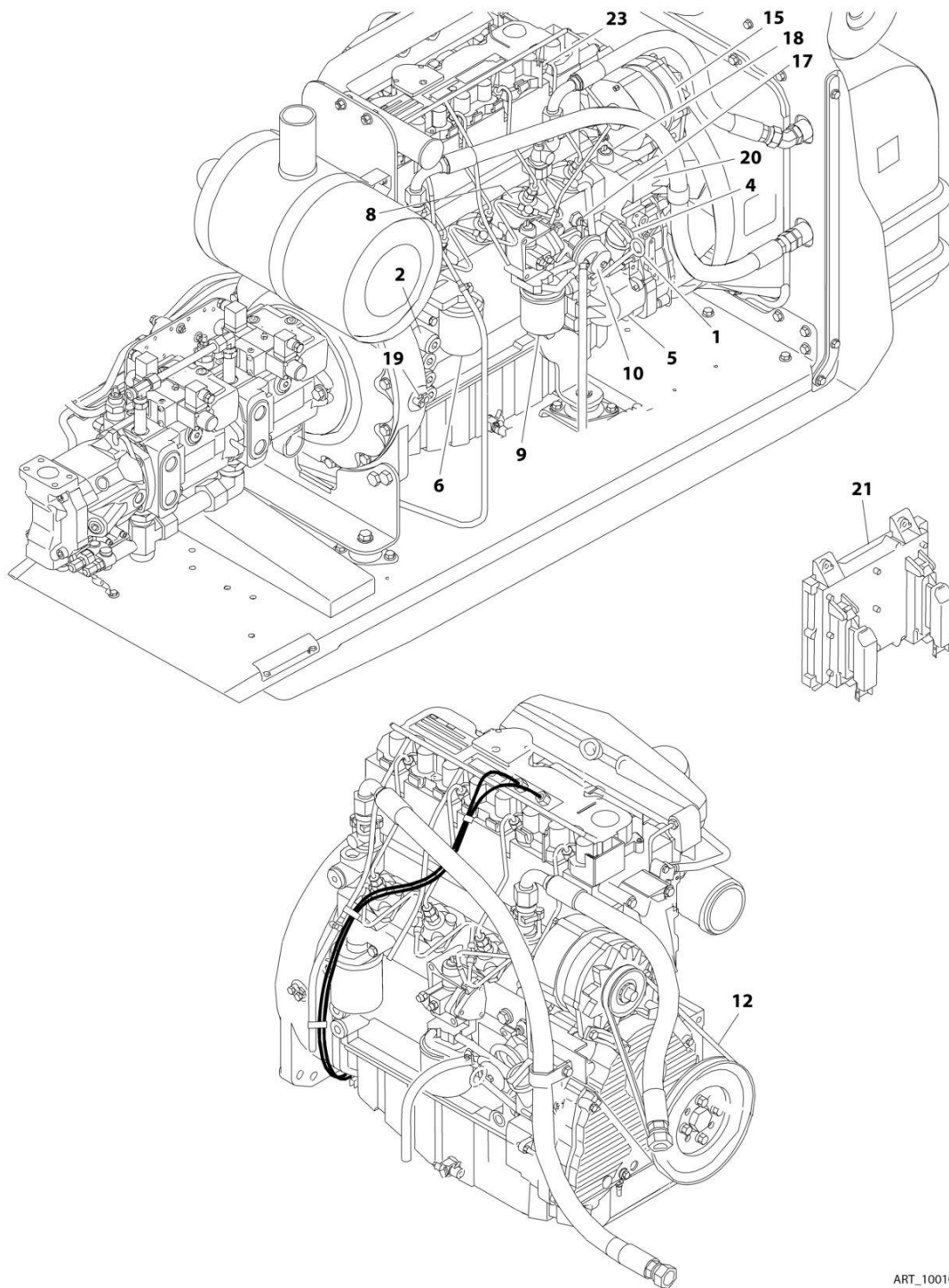
ITEM	PART NUMBER	QTY	DESCRIPTION	REV
	1001151128	Ref	DEUTZ TD2011 ENGINE ASSEMBLY	N
1	0100011	AR	Compound, Locking	
2	0080237	1	Spacer, Fan	
3	0340003	2	Band, Air Cleaner	
4	0340051	2	Band, Muffler	
5	3900363	2	Screw M6 x 25	
6	0641506	4	Bolt 5/16 x 3/4	
8	0760612	4	Bolt M6 x 25	
11	0760814	18	Bolt M8 x 30	
12	0761012	4	Bolt M10 x 25	
13	0761014	8	Bolt M10 x 30	
14	0761214	2	Bolt M12 x 30	
15	0771414	6	Bolt M14 x 30	
16	1320058	2	Clamp	
17	8750024	1	Clamp	
18	1001204509	1	Air Cleaner Assembly	
18	7003655	1	Element, Air Cleaner	
18	7015014	1	Clamp	
18	7015015	1	Cap, End	
19	1703162	2	Decal - Fan Blade	
20	2060025	1	Fan	
21	2220315	1	Fitting, Straight Barbed	
23	2220498	2	Fitting, 45 JIC/ORB	
24	2750532	9 in/22cm	Hose	
25	2902065	1	Pump Coupling Kit (See Separate Breakdown in this Section)	
28	1001257277	1	Muffler	
29	3290605	6	Nut M6	
30	3290805	19	Nut M8	
31	3291005	20	Nut M10	
33	3331211	4	Nut M12	
34	3520054	1	Plug	
35	3740067	2	Relay	
36	4032022	4	Capscrew M10 x 90	
37	4568293	1	Pipe, Exhaust	
38	4640751	1	Valve, Oil Drain	
40	4811700	8	Washer M6	
41	4811900	32	Washer M8	
42	4812000	40	Washer M10	
43	4812100	2	Washer M12	
44	4812200	10	Washer M14	
45	4923468	1	Glow Plug Harness	
46	5241200	4	Washer M12	
47	8410013	1	Clamp	
49	1001098601	1	Deutz TD2011 Engine Components (See Separate Breakdown in this Section)	
50	1001111116	1	Clamp	
51	1001138173	1	Support	
53	1001138248	22 in /56cm	Tube Nylon	
55	1001141995	1	Fitting, Straight NPT/Barbed	

SECTION 3 - ENGINE

ITEM	PART NUMBER	QTY	DESCRIPTION	REV
58	1001149314	1	Mount Rear Engine	
59	1001149315	1	Mount, Outboard Engine	
60	1001149316	1	Mount, Inboard Engine	
61	1001149530	1	Shroud, Fan	
62	1001149639	1	Indicator, Restriction	
64	1001149744	1	Bracket, Muffler	
65	1001151157	1	Pipe, Exhaust Extension	
66	1001151158	1	Hose, Oil Cooler (Upper)	
67	1001151159	1	Hose, Oil Cooler (Lower)	
69	1001092856	1	Hose, Turbo	
70	1001151320	1	Plate, Clamping	
71	1001152488	1	Baffle	
72	1001152493	1	Plate, Clamping	
73	1001152496	1	Plate, Clamping	
74	1001152497	1	Panel, Rubber	
75	1001152500	1	Panel, Rubber	
76	0711224	4	Bolt M12 x 80	
77	0761015	8	Bolt M10 x 35	
79	0771416	4	Bolt M14 x 40	
80	1001168018	4	Washer	
81	1001191610	4	Mount, Motor	
82	1001196107	1	Radiator	
83	1001196896	1	Tray Assembly	
83A	1001212817	1	Support	
83B	1001196894	1	Plate, Radiator Mounting	
85	1001197477	1	Seal	
86	8750025	2	Cover, Plate	
87	0700824	1	Bolt M8 x 80	
89	0100020	AR	Sealant	

SECTION 3 - ENGINE

FIGURE 3-4. DEUTZ TD2011 ENGINE COMPONENTS



ART_1001098601

SECTION 3 - ENGINE

FIGURE 3-4. DEUTZ TD2011 ENGINE COMPONENTS

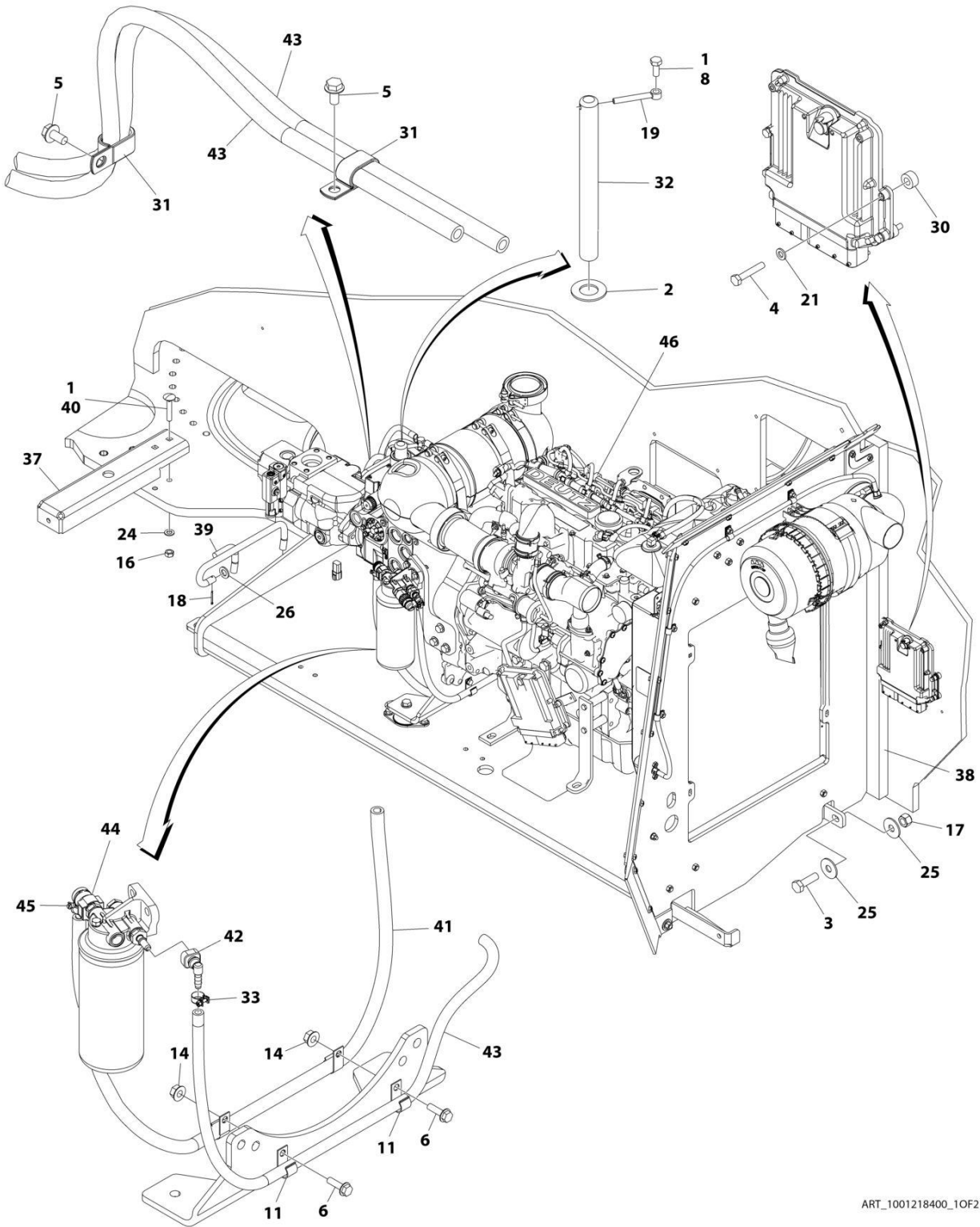
ITEM	PART NUMBER	QTY	DESCRIPTION	REV
	1001098601	Ref	DEUTZ TD2011 ENGINE COMPONENTS	C
1	7027235	1	Dipstick	
1	70000044	1	O-Ring	
2	70003475	1	Thermostat	
2	7020460	1	Compression Spring	
3	70001870	1	Flywheel (Not Shown)	
3	7024579	1	Gear, Ring (Not Shown)	
4	7020465	1	Cap, Filler	
5	70001850	1	Pump, Oil	
5	7020468	1	Seal Between Oil Pump and Engine Block (Not Shown)	
6	7016331	1	Filter, Oil	
6	7027236	1	Sender, Temperature (Located near Oil Filter)	
8		Ref	Injector Pump	
8	70001128	AR	"A" Series	
8	70001129	AR	"B" Series	
8	70001130	AR	"C" Series	
8	70001131	AR	"D" Series	
8	7020447	AR	Gasket (1 per Injector)	
9	7016328	1	Filter, Fuel	
10	70000916	1	Pump Fuel Supply	
10	70001435	1	Repair Kit	
10	70000917	1	O-Seal Between Fuel Pump and Engine Block (Not Shown)	
10	70000918	1	Sealing Ring (Not Shown)	
10	70000919	1	Pump, Hand (Not Shown)	
11	7027239	1	Solenoid, Start (Not Shown - Located near Throttle)	
12	7020414	1	V-Belt	
13	7020471	4	Gasket, Exhaust Manifold to Engine Block (Not Shown)	
13	7020486	1	Gasket, Exhaust Manifold to Exhaust Pipe (Not Shown)	
14	7027240	1	Turbocharger (Not Shown)	
14	70001857	1	Flange, Turbocharger (Not Shown)	
14	70001135	1	Gasket (Not Shown)	
15	70001867	1	Alternator	
15	70001868	1	Regulator, Voltage (Not Shown)	
16	7020479	1	Starter (Not Shown - Located on Right Side of Engine)	
16	7026608	1	Relay, Start (Not Shown)	
17	7027790	1	Sensor, Oil Pressure	
18	7027791	1	Sensor, Temperature (Not Shown)	
19	7024565	1	Sensor, Speed	
20	7027792	1	Actuator Throttle	
20	7027276	2	Spring	
21	1600443	1	Module, EMR2 Controller	
22	70002718	1	Seal, Rear Main (Not Shown)	
23	70003135	4	Injector, Fuel	
23	70003136	1	Ring, Sealing	
24	70001847	1	Valve, Breather (Located - Front Cover) (Not Shown)	
24	70001126	1	O-Ring (Not Shown)	
25	70001125	1	Cap, Breather (Located In Cylinder Head Cover) (Not Shown)	
25	70001126	1	O-Ring (Not Shown)	
26	70001871	4	Gasket, Air Intake Manifold (Not Shown)	
27	70000345	4	Plug, Glow (Not Shown)	

SECTION 3 - ENGINE

ITEM	PART NUMBER	QTY	DESCRIPTION	REV
28	70007353	1	Gasket Kit (Not Shown)	

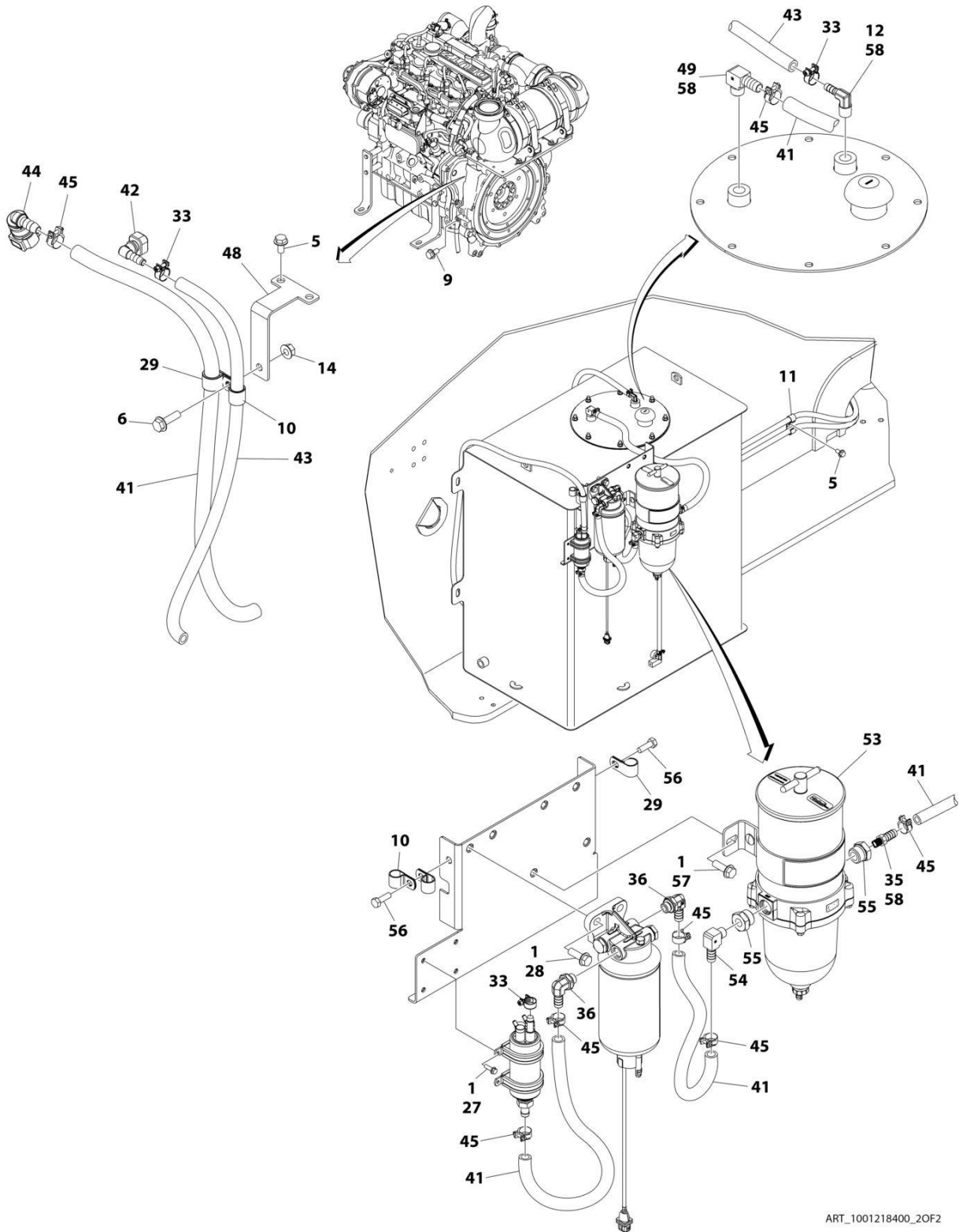
SECTION 3 - ENGINE

FIGURE 3-5. DEUTZ TD2.9L4 T4F ENGINE INSTALLATION



ART_1001218400_10F2

SECTION 3 - ENGINE



ART_1001218400_2OF2

SECTION 3 - ENGINE

FIGURE 3-5. DEUTZ TD2.9L4 T4F ENGINE INSTALLATION

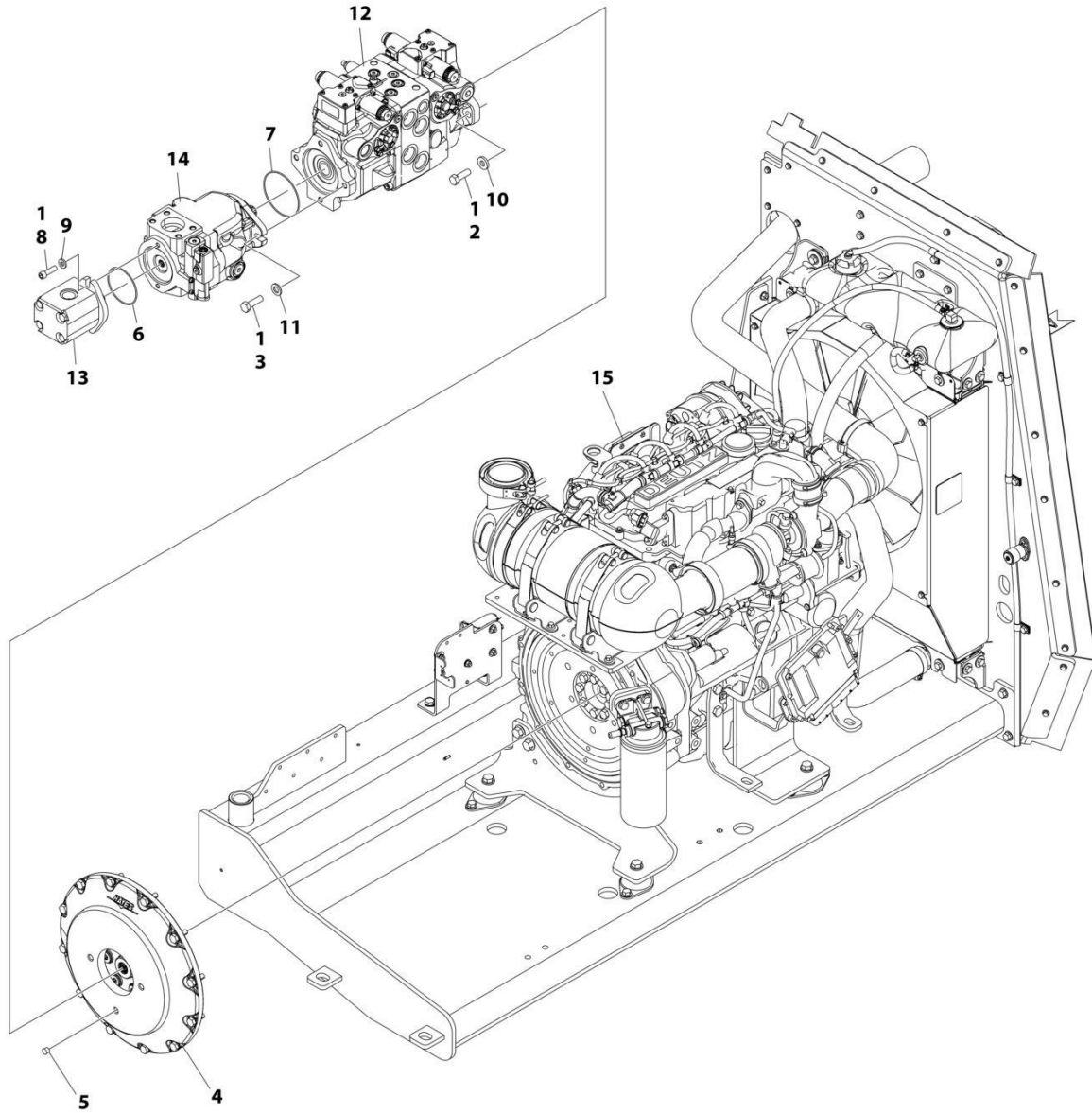
ITEM	PART NUMBER	QTY	DESCRIPTION	REV
	1001218400	Ref	DEUTZ TD2.9L4 T4F ENGINE INSTALLATION	H
1	0100011	AR	Compound, Locking	
2	0440162	1	Bearing	
3	0701216	1	Bolt M12 x 40	
4	0760615	4	Bolt M6 x 35	
5	0760808	7	Bolt M8 x 16	
6	5250813	3	Bolt M8 x 28	
8	0761012	1	Bolt M10 x 25	
9	5251212	1	Bolt M12 x 25	
10	1320061	AR	Clamp	
11	1320223	9	Clip	
12	2220313	1	Fitting, 90 NPTF/BARB	
14	5260800	3	Nut M8	
16	3291201	2	Nut M12	
17	3291205	1	Nut M12	
18	3391210	1	Pin, Split	
19	3841143	1	Keeper, Pin	
21	4811700	4	Washer M6	
24	4812100	2	Washer M12	
25	4812102	2	Washer M12	
26	4812300	1	Washer M16	
27	5250508	4	Bolt M5 x 16	
28	5251013	2	Bolt M10 x 28	
29	8406202	2	Clip	
30	1001110425	4	Spacer	
31	1001116792	2	Clamp	
32	1001135196	1	Pin	
33	1001136975	4	Clamp	
34	1001221289	1	Fuel Pump Harness - Deutz TD2.9L4 (Not Shown - See Separate Breakdown in ELECTRICAL Section)	
35	2180832	1	Fitting, Straight Barbed	
36	1001142501	1	Fitting, 90 Barbed	
37	1001153027	1	Bracket	
38	1001153046	1	Seal	
39	1001153083	1	Hook	
40	1001153086	2	Bolt M12 x 70	
41	1001154405	AR	Hose	
42	1001155823	2	Coupling, 90 Quick Connect	
43	1001165035	AR	Hose	
44	1001170982	2	Fitting, 90	
45	1001175568	AR	Clip	
46	1001218403	1	Deutz TD2.9L4 T4F Engine and Pumps Sub-Assembly (See Separate Breakdown in this Section)	
48	1001219726	1	Plate, Clamping	
49	1001220535	1	Fitting, 90 NPT/Barbed	
50	1001220749	1	Battery Cable Kit - Deutz TD2.9L4 (Not Shown - See Separate Breakdown in ELECTRICAL Section)	
53	1001222817	1	Filter, Fuel Assembly (See Separate Breakdown in this Section)	
54	1001224023	1	Fitting, 90 NPT/Barbed	
54	1001178797	1	Fitting, 90 NPTF/Barbed	

SECTION 3 - ENGINE

ITEM	PART NUMBER	QTY	DESCRIPTION	REV
55	2220816	2	Fitting, Straight FNPTF/ORB	
56	5250810	2	Bolt M8 x 20	
57	5251011	2	Bolt M10 x 22	
58	0100020	AR	Sealant	

SECTION 3 - ENGINE

FIGURE 3-6. DEUTZ TD2.9L4 T4F ENGINE AND PUMPS SUB-ASSEMBLY



ART_1001218403

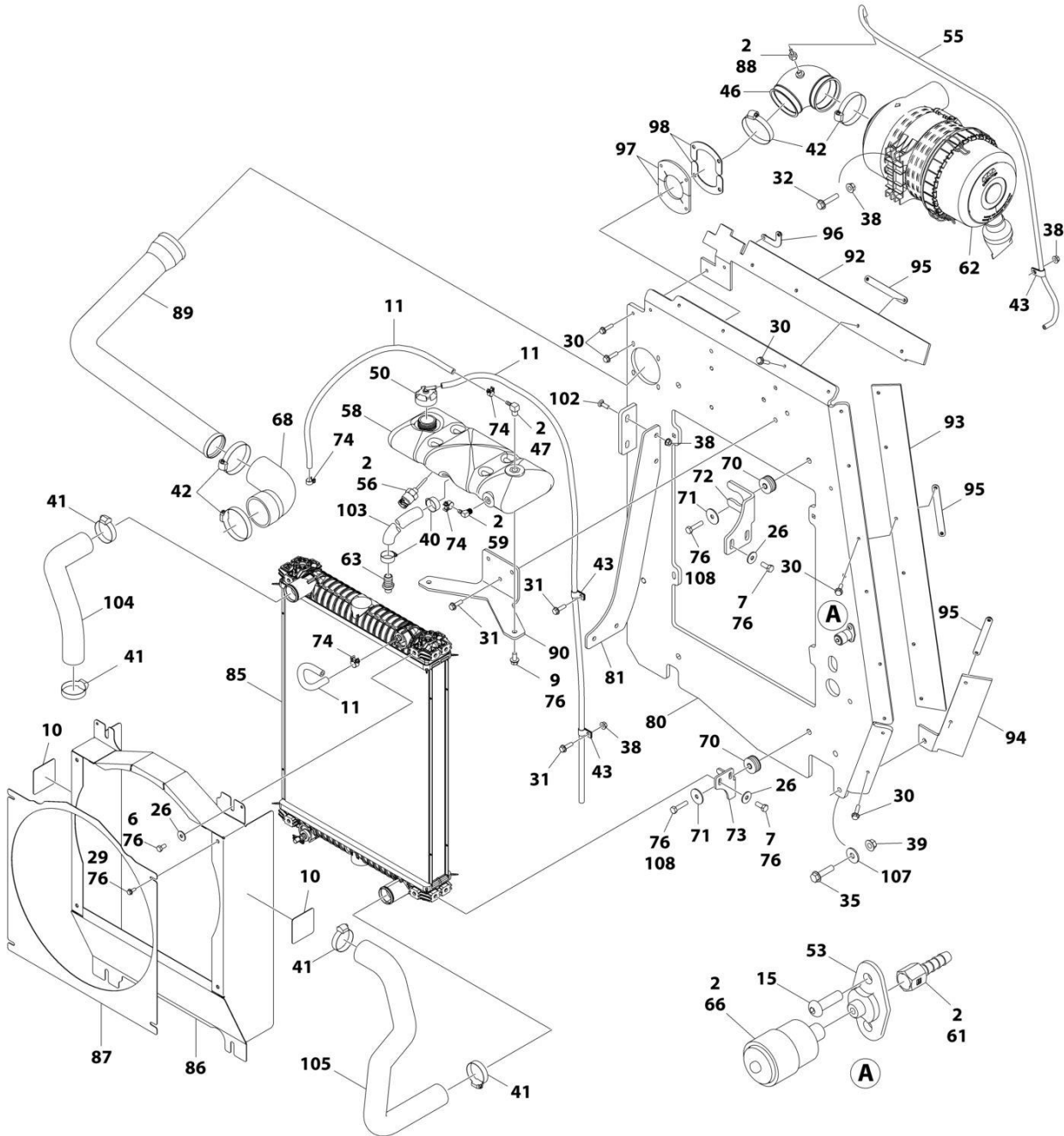
SECTION 3 - ENGINE

FIGURE 3-6. DEUTZ TD2.9L4 T4F ENGINE AND PUMPS SUB-ASSEMBLY

ITEM	PART NUMBER	QTY	DESCRIPTION	REV
	1001218403	Ref	DEUTZ TD2.9L4 T4F ENGINE AND PUMPS SUB-ASSEMBLY	A
1	0100011	AR	Compound, Locking	
2	0641812	2	Bolt 1/2 x 1-1/2	
3	0761216	2	Bolt M12 x 40	
4	2902065	1	Pump Coupling Kit (See Separate Breakdown in this Section)	
5	3520054	1	Plug	
6	3790152	1	O-Ring	
7	3790155	1	O-Ring	
8	3931620	2	Capscrew 3/8 x 1-1/4	
9	4891600	2	Washer 3/8	
10	4891800	2	Washer 1/2	
11	5241200	2	Washer M12	
12	1001108616	1	Tandem Pump Assembly (See Separate Breakdown in this Section)	
13	1001112927	1	Gear Pump Assembly (See Separate Breakdown in this Section)	
14	1001171095	1	Piston Pump Assembly (See Separate Breakdown in this Section)	
15	1001218404	1	Deutz TD2.9L4 T4F Engine Assembly (See Separate Breakdown in this Section)	

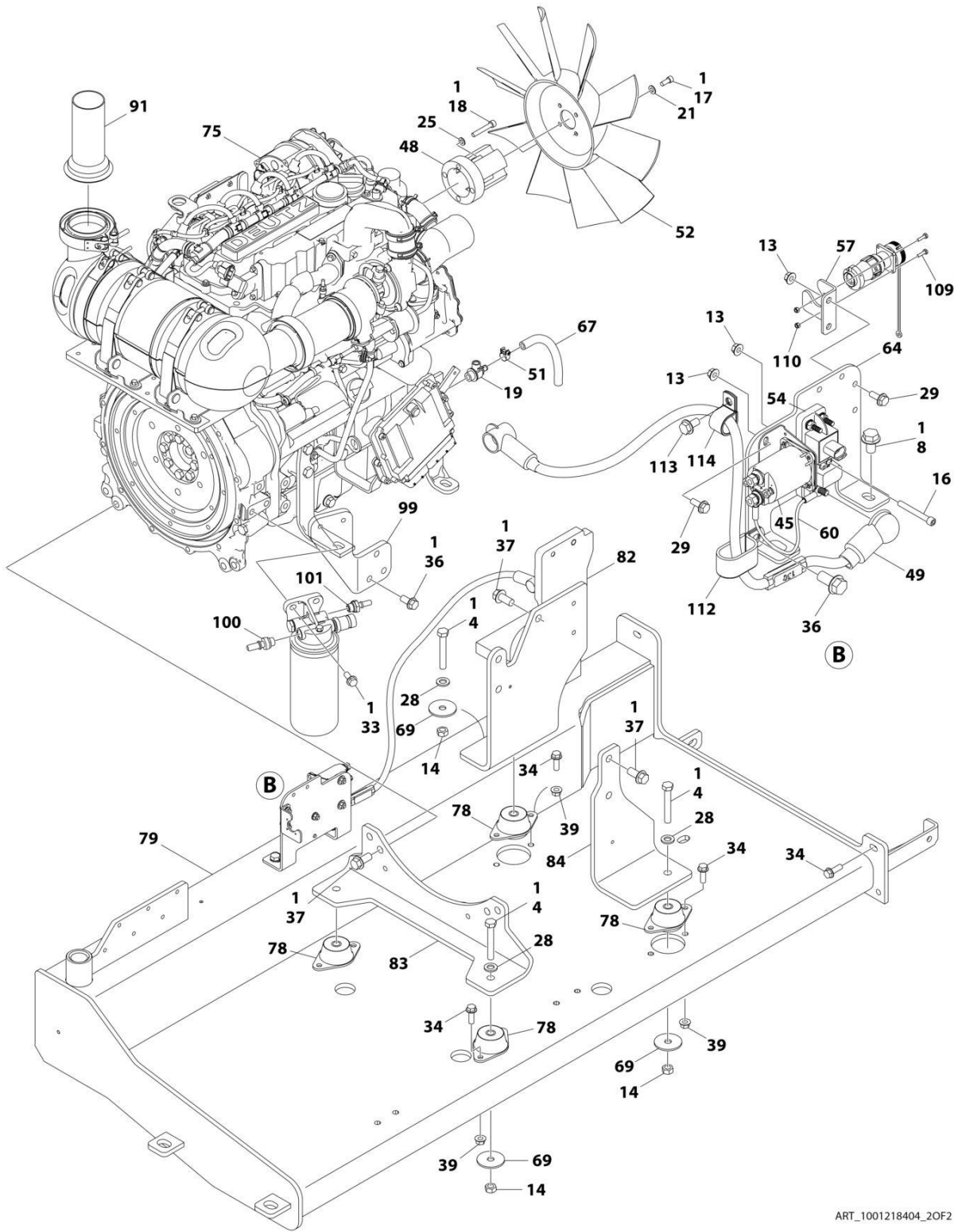
SECTION 3 - ENGINE

FIGURE 3-7. DEUTZ TD2.9L4 T4F ENGINE ASSEMBLY



ART_1001218404_1OF2

SECTION 3 - ENGINE



ART_1001218404_20F2

SECTION 3 - ENGINE

FIGURE 3-7. DEUTZ TD2.9L4 T4F ENGINE ASSEMBLY

ITEM	PART NUMBER	QTY	DESCRIPTION	REV
	1001218404	Ref	DEUTZ TD2.9L4 T4F ENGINE ASSEMBLY	I
1	0100011	AR	Compound, Locking	
2	0100020	AR	Sealant	
4	0711224	4	Bolt M12 x 80	
6	0760808	4	Bolt M8 x 16	
7	0760810	8	Bolt M8 x 20	
8	5251008	2	Bolt M10 x 16	
9	0811606	2	Bolt 3/8 x 3/4	
10	1703162	2	Decal - Fan Blade	
11	1001228200	90 in/ 2.3m	Hose	
13	5260600	3	Nut M6	
14	3331211	4	Nut M12	
15	3900364	2	Screw M6 x 20	
16	0700618	1	Capscrew M6 x 50	
17	3931512	4	Capscrew 5/16 x 3/4	
18	4031914	4	Capscrew M8 x 50	
19	4640751	1	Valve, Oil Drain	
21	4711500	4	Washer 5/16	
25	4811900	4	Washer M8	
26	4811902	12	Washer M8	
28	5241200	4	Washer M12	
29	5250608	AR	Bolt M6 x 16	
30	5250612	18	Bolt M6 x 25	
31	5250813	8	Bolt M8 x 28	
32	5250816	2	Bolt M8 x 40	
33	5251012	2	Bolt M10 x 25	
34	5251014	10	Bolt M10 x 30	
35	5251016	1	Bolt M10 x 40	
36	5251212	4	Bolt M12 x 25	
37	5251414	9	Bolt M14 x 30	
38	5260800	11	Nut M8 Grade 10	
39	5261000	9	Nut M10 Grade 10	
40	8405007	2	Clamp	
41	8405104	4	Clamp	
42	8405204	4	Clamp	
43	8406109	8	Clip	
45	1001117308	1	Contactator	
46	1001126874	1	Elbow, Air Intake	
47	1001134488	1	Fitting, 90 Barbed	
48	1001135138	1	Spacer, Fan	
49	1001135779	1	Cable, Alternator +	
50	1001136834	1	Cap	
51	1001136975	1	Clamp	
52	1001137276	1	Fan	
53	1001138173	1	Support	
54	1001138228	1	Relay	
55	1001138248	AR	Tube, Nylon	
56	1001138827	1	Sensor, Coolant Level	
57	1001139240	1	Bracket	

SECTION 3 - ENGINE

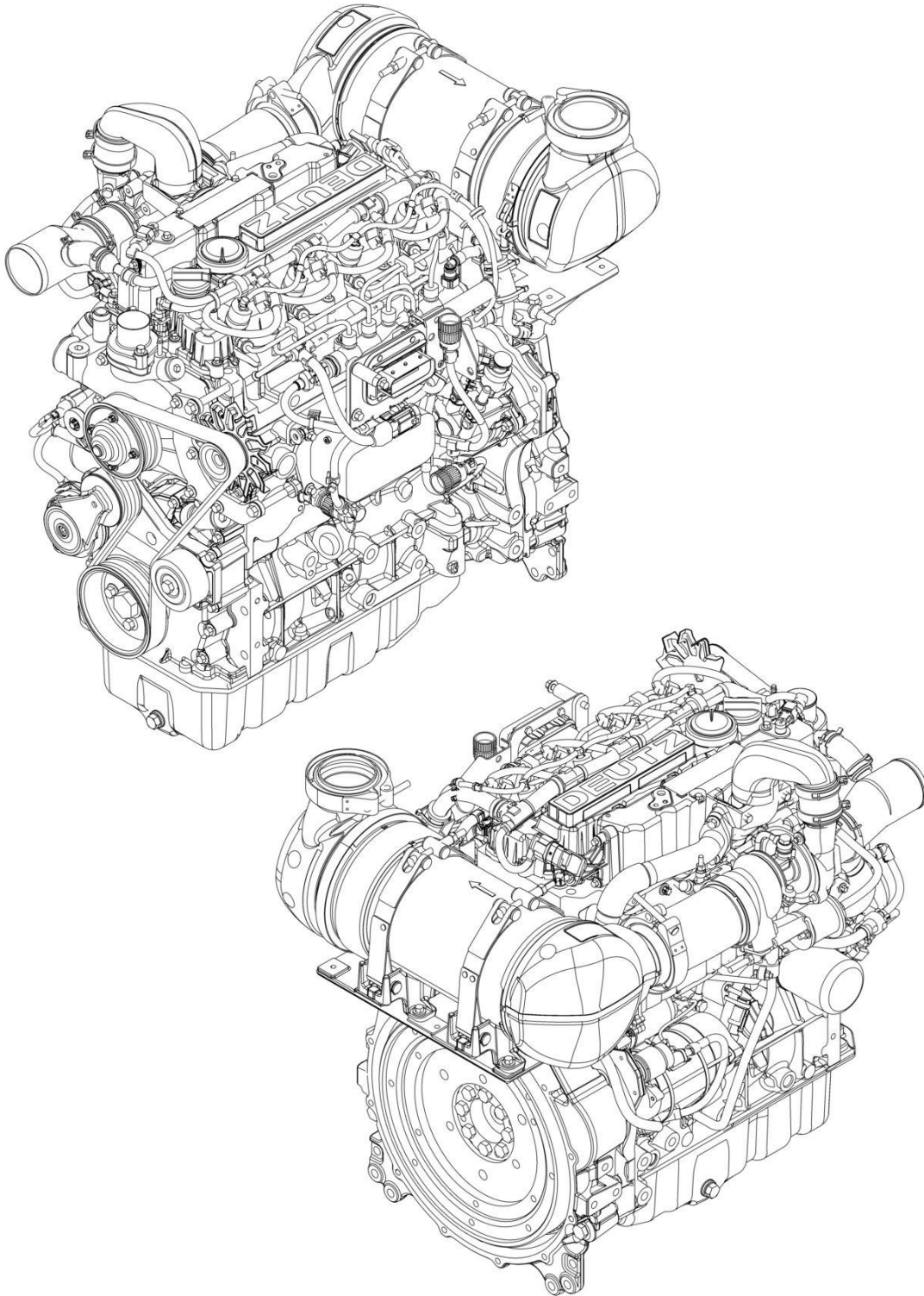
ITEM	PART NUMBER	QTY	DESCRIPTION	REV
58	1001229542	1	Tank, Surge	
59	1001140564	1	Fitting, 90 Barbed	
60	1001141304	1	Glow Fuse Harness	
61	1001141995	1	Fitting, NPT/Barbed	
62	1001142259	1	Air Cleaner Assembly (See Separate Breakdown in this Section)	
63	1001143797	1	Fitting, Straight Barbed	
64	1001145154	1	Plate	
65	1001148843	1	Fuel Filter Harness - Deutz TD2.9L4 (Not Shown - See Separate Breakdown in ELECTRICAL Section)	
66	1001149639	1	Indicator, Restriction	
67	1001165035	9 in/21cm	Hose	
68	1001165820	1	Hose, 90	
69	1001168018	4	Washer	
70	1001169054	4	Isolator	
71	1001169138	4	Pad	
72	1001169967	2	Bracket	
73	1001170035	2	Bracket	
74	1320022	4	Clamp	
75	1001249946	1	Deutz TD2.9L4 T4F Engine Components (See Separate Breakdown in this Section)	
76	1001180620	AR	Adhesive	
78	1001191610	4	Mount, Motor	
79	1001218405	1	Tray	
80	1001218406	1	Plate	
81	1001218408	1	Brace	
82	1001218409	1	Mount, Engine (Front Inboard)	
83	1001218411	1	Mount, Engine (Rear)	
84	1001218412	1	Mount, Engine (Front Outboard)	
85	1001218414	1	Radiator	
86	1001218416	1	Shroud, Fan	
87	1001218417	1	Plate	
88	1001180516	1	Adapter	
89	1001218423	1	Tube, Air Intake	
90	1001218425	1	Bracket	
91	1001231245	1	Pipe, Exhaust	
92	1001218429	1	Seal, Radiator (Top)	
93	1001218430	1	Seal, Radiator (Upper)	
94	1001218431	1	Seal, Radiator (Lower)	
95	1001218432	6	Plate	
96	1001218434	1	Plate	
97	1001218436	2	Seal	
98	1001218437	2	Plate	
99	1001218440	1	Bracket, Filter	
100	1001218443	1	Fitting, Straight	
101	1001218444	1	Fitting, Straight	
102	1001218448	4	Bolt	
103	1001218580	AR	Hose	
104	1001218944	1	Hose, Radiator (Top)	
105	1001218945	1	Hose, Radiator (Bottom)	
106	1001220261	1	Engine Harness - Deutz TD2.9L4 (Not Shown - See Separate Breakdown in ELECTRICAL Section)	
107	4812002	1	Washer M10	

SECTION 3 - ENGINE

ITEM	PART NUMBER	QTY	DESCRIPTION	REV
108	0701017	4	Bolt M10 x 45	
109	0760306	3	Bolt M3 x 12	
110	3290305	3	Nut M3	
111	4240099	AR	Tie Strap (Not Shown)	
112	1001181899	1	Clamp	
113	5250808	1	Bolt M8 x 16	
114	8406202	1	Clip	
114	1001026127	1	Clamp	

SECTION 3 - ENGINE

FIGURE 3-8. DEUTZ TD2.9L4 T4F ENGINE COMPONENTS



ART_1001249946

SECTION 3 - ENGINE

FIGURE 3-8. DEUTZ TD2.9L4 T4F ENGINE COMPONENTS

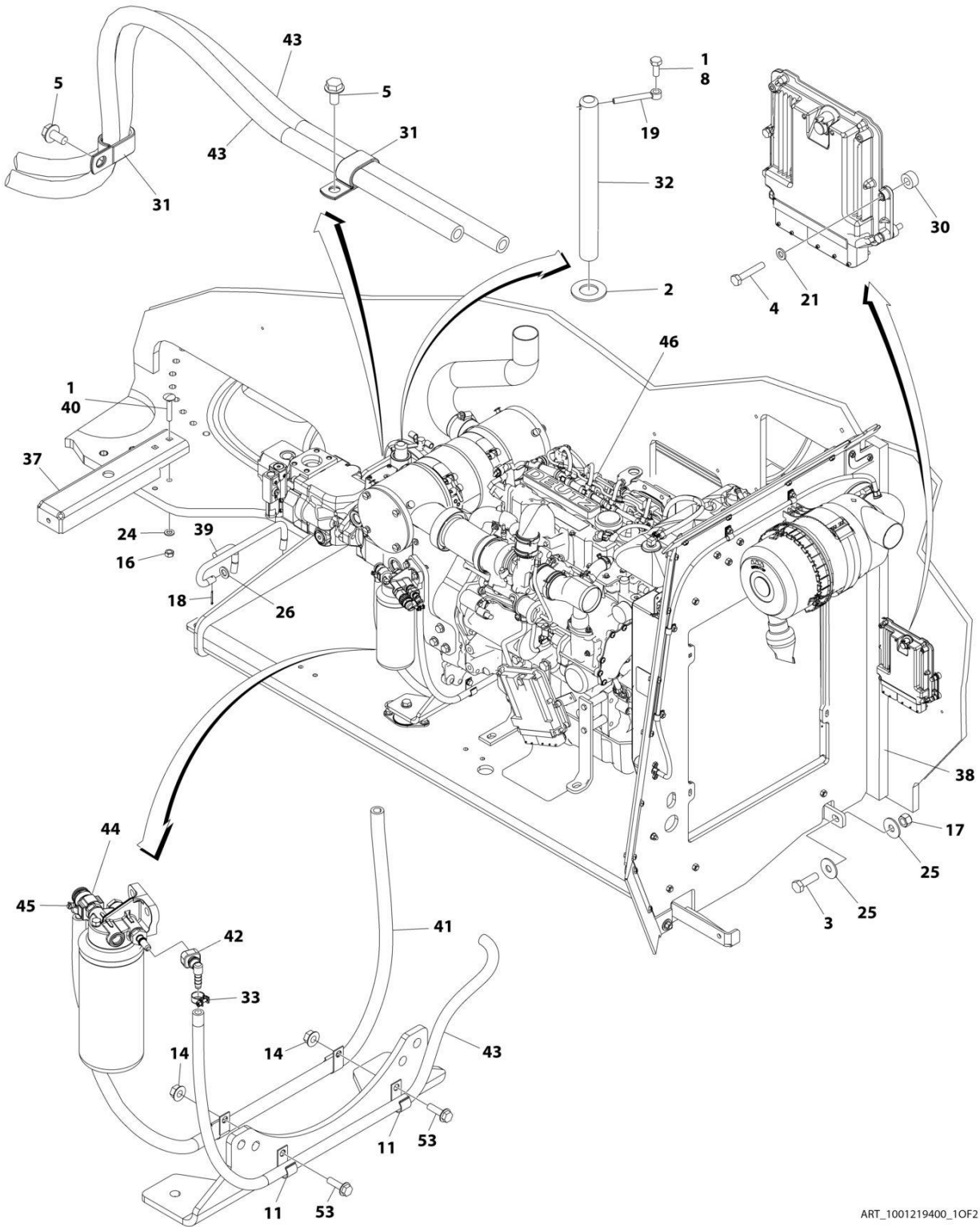
ITEM	PART NUMBER	QTY	DESCRIPTION	REV
	1001249946	Ref	DEUTZ ENGINE COMPONENTS	A
		Ref	Note: For complete list of parts, contact JLG Parts Department.	
		Ref	Air Intake System Components	
	70004276	1	Turbocharger	
		Ref	Cooling System Components	
		Ref	Pump, Coolant	
		Ref	Thermostat	
		Ref	Electrical System Components	
	70025210	1	Module, ECU/ECM	
	70024914	1	Generator (Includes Regulator & Fan)	
	70025149	1	Regulator	
	70024915	1	Starter (Includes Solenoid & Relay)	
	70005647	1	Solenoid	
	70005648	1	Relay	
	70025231	1	Harness, Injector	
	70025077	1	Harness, Engine	
	70026210	1	Sender, Tacho-Generator (Speed) (On Rear of Block) (Includes Seal)	
	70024916	1	Sender, Tacho-Generator (Speed) (On Front Cover) (Includes Seal)	
	70024922	1	Sender, Temperature (Includes Seal) (On Air Intake Manifold)	
	70024507	1	Sensor, Pressure (Includes Seal) (On Air Intake Manifold)	
	70024918	1	Sender, Temperature (On Head)	
	70024504	1	Sensor, Pressure (Includes Seal) (On Block)	
		Ref	Plug, Glow	
		Ref	Exhaust System Components	
	70005189	1	Valve, EGR	
	70025130	8	Bolt, Exhaust Manifold	
	70025164	1	Gasket, Exhaust Manifold	
	70025246	1	Outlet, Muffler	
		Ref	Muffler	
	70025245	2	Bracket, Muffler Mounting	
	70004504	1	Compensator, Exhaust	
		Ref	Fuel System Components	
	70024924	1	Pump, High Pressure	
	70025181	4	Injector(Includes Seal Clamp & O-Ring)	
	70006144	1	Pump, Fuel Supply (Includes Clamps)	
	1001225430	1	Filter, Fuel (Pre-Filter)	
	1001225431	1	Filter, Fuel	
		Ref	Lubricating System Components	
	7020465	2	Cap, Oil Fill	
	70005941	2	Plug, Oil Drain	
	70005942	2	Seal, Oil Drain Plug	
	70005172	1	Pump, Oil (Includes seal 7 Gasket)	
	7016331	1	Filter, Oil	
	70024494	1	Cooler, Oil	
		Ref	Mechanical Components	
	70001870	1	Flywheel (includes Ring Gear)	
		Ref	V-Belt	
	70004279	1	Gasket Set - Complete	

SECTION 3 - ENGINE

ITEM	PART NUMBER	QTY	DESCRIPTION	REV
	70005938	1	Gasket Set - Complete	

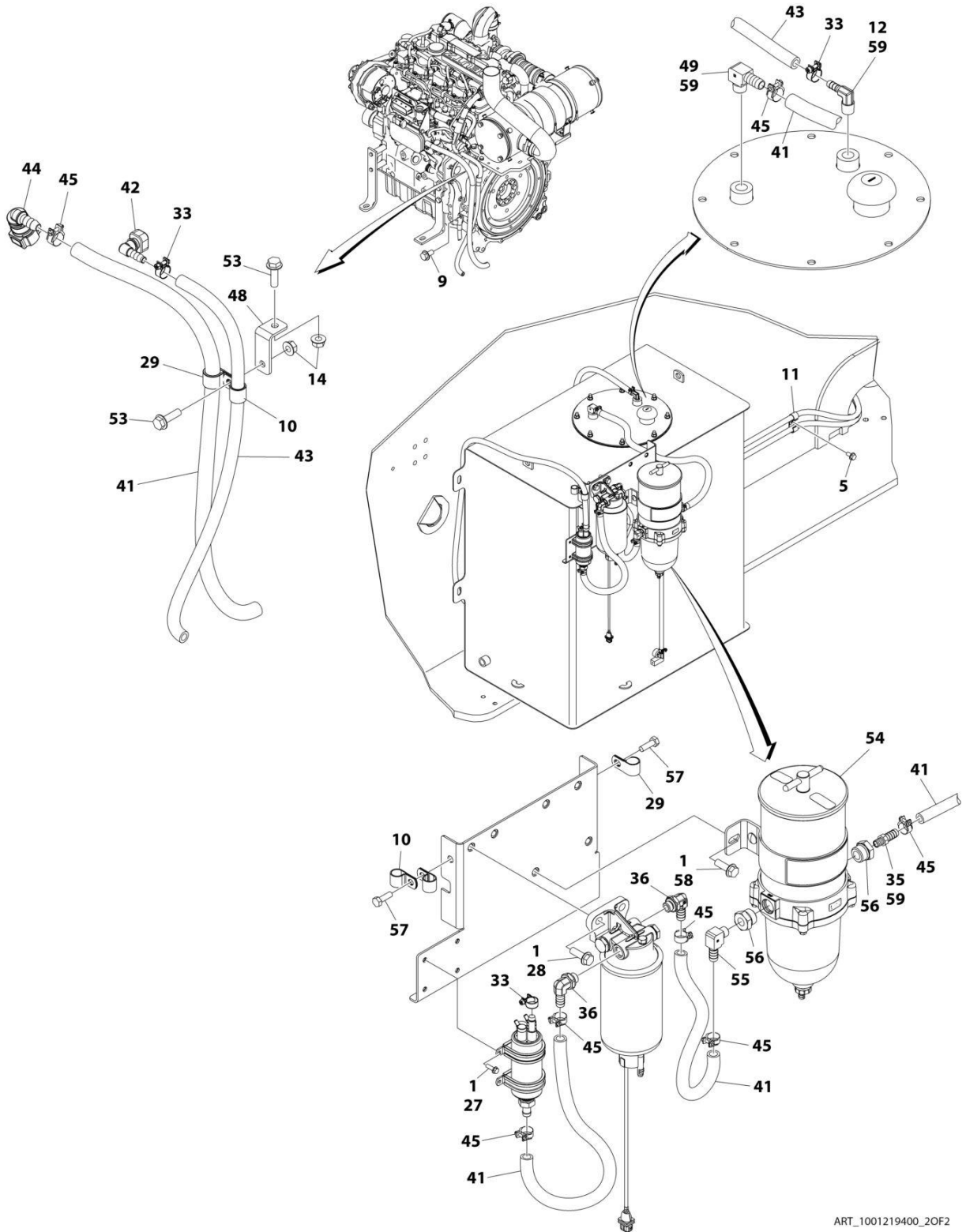
SECTION 3 - ENGINE

FIGURE 3-9. DEUTZ TD2.9L4 T4I ENGINE INSTALLATION



ART_1001219400_10F2

SECTION 3 - ENGINE



ART_1001219400_2OF2

SECTION 3 - ENGINE

FIGURE 3-9. DEUTZ TD2.9L4 T4I ENGINE INSTALLATION

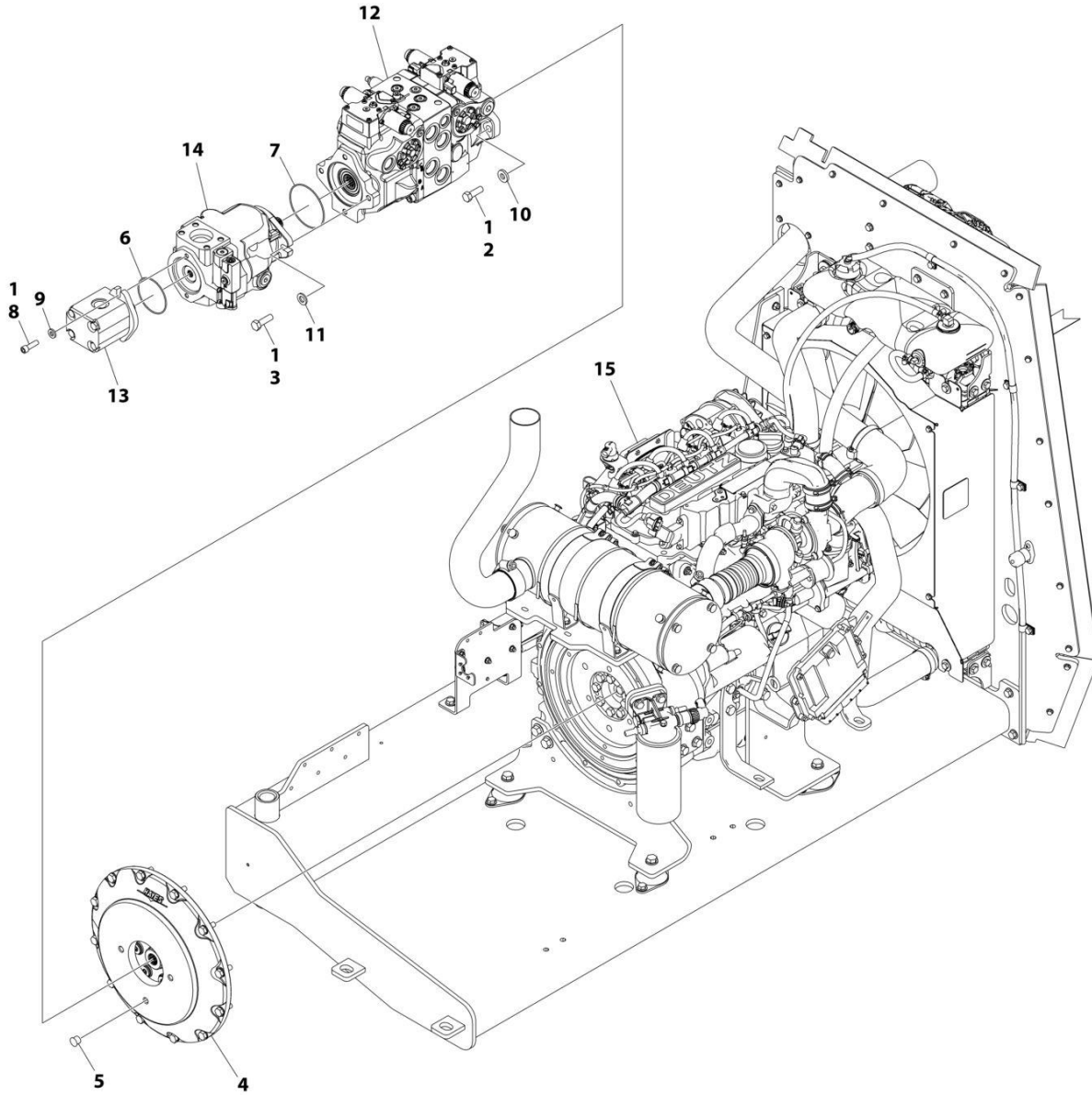
ITEM	PART NUMBER	QTY	DESCRIPTION	REV
	1001219400	Ref	DEUTZ TD2.9L4 T4I ENGINE INSTALLATION	I
1	0100011	AR	Compound, Locking	
2	0440162	1	Bearing	
3	0701216	1	Bolt M12 x 40	
4	0760615	4	Bolt M6 x 35	
5	5250808	5	Bolt M8 x 16	
8	0761012	1	Bolt M10 x 25	
9	5251212	1	Bolt M12 x 25	
10	1320061	3	Clamp	
11	1320223	9	Clip	
12	2220313	1	Fitting, 90 NPTF/Barb	
14	5260800	4	Nut M8	
16	3291201	2	Nut M12	
17	3291205	1	Nut M12	
18	3391210	1	Pin, Split	
19	3841143	1	Keeper, Pin	
21	4811700	4	Washer M6	
24	4812100	2	Washer M12	
25	4812102	2	Washer M12	
26	4812300	1	Washer M16	
27	5250508	4	Bolt M5 x 16	
28	5251014	2	Bolt M10 x 30	
29	8406202	2	Clip	
30	1001110425	4	Spacer	
31	1001116792	2	Clamp	
32	1001135196	1	Pin	
33	1001136975	4	Clamp	
34	1001221289	1	Fuel Pump Harness - Deutz TD2.9L4 (Not Shown - See Separate Breakdown in ELECTRICAL Section)	
35	2180832	1	Fitting, Straight Barbed	
36	1001142501	2	Fitting, 90 Barbed	
37	1001153027	1	Bracket	
38	1001153046	1	Seal	
39	1001153083	1	Hook	
40	1001153086	2	Bolt M12 x 70	
41	1001154405	AR	Hose	
42	1001155823	2	Coupling, 90 Quick Connect	
43	1001165035	AR	Hose	
44	1001170982	2	Fitting, 90	
45	1001175568	AR	Clip	
46	1001219403	1	Deutz TD2.9L4 T4i Engine and Pumps Sub-Assembly (See Separate Breakdown in this Section)	
47	1001219631	1	Bracket	
48	1001221205	1	Bracket	
49	1001220535	1	Fitting, 90	
50	1001220749	1	Battery Cable Kit - Deutz TD2.9L4 (Not Shown - See Separate Breakdown in ELECTRICAL Section)	
53	5250813	1	Bolt M8 x 28	
54	1001222817	1	Filter, Fuel Assembly (See Separate Breakdown in this Section)	
55	1001224023	1	Fitting, 90 NPT/Barbed	

SECTION 3 - ENGINE

ITEM	PART NUMBER	QTY	DESCRIPTION	REV
55	1001178797	1	Fitting, 90 NPTF/Barbed	
56	2220816	2	Fitting, Straight FNPTF/ORB	
57	5250810	2	Bolt M8 x 20	
58	5251011	2	Bolt M10 x 22	
59	0100020	AR	Sealant	

SECTION 3 - ENGINE

FIGURE 3-10. DEUTZ TD2.9L4 T4I ENGINE AND PUMPS SUB-ASSEMBLY



ART_1001219403

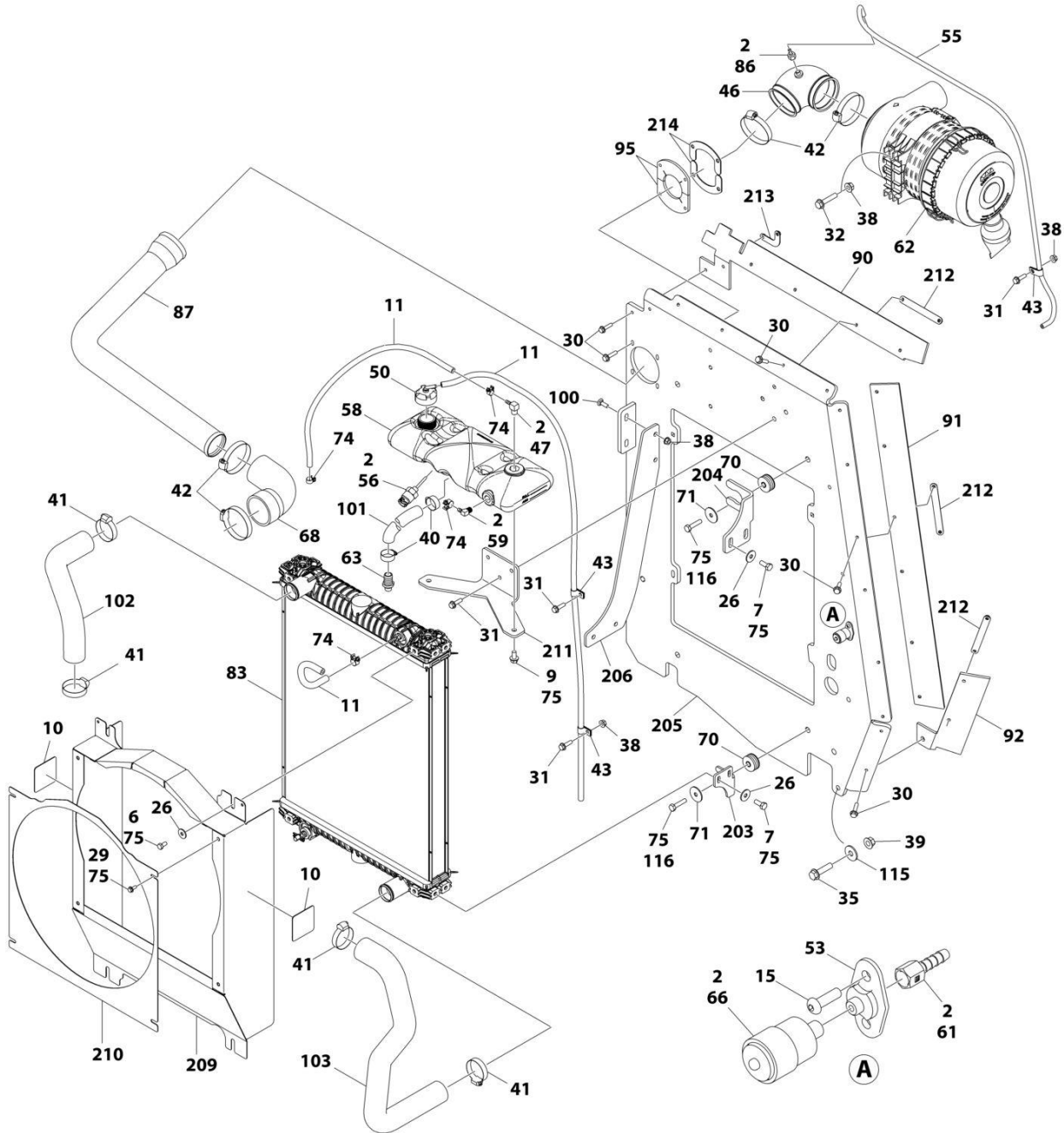
SECTION 3 - ENGINE

FIGURE 3-10. DEUTZ TD2.9L4 T4I ENGINE AND PUMPS SUB-ASSEMBLY

ITEM	PART NUMBER	QTY	DESCRIPTION	REV
	1001219403	Ref	DEUTZ TD2.9L4 T4I ENGINE AND PUMPS SUB-ASSEMBLY	D
1	0100011	AR	Compound, Locking	
2	0641812	2	Bolt 1/2 x 1-1/2	
3	0761216	2	Bolt M12 x 40	
4	2902065	1	Pump Coupling Kit (See Separate Breakdown in this Section)	
5	3520054	1	Plug	
6	3790152	1	O-Ring	
7	3790155	1	O-Ring	
8	3931620	2	Capscrew 3/8 x 1-1/4	
9	4891600	2	Washer 3/8	
10	4891800	2	Washer 1/2	
11	5241200	2	Washer M12	
12	1001108616	1	Tandem Pump Assembly (See Separate Breakdwon in this Section)	
13	1001112927	1	Gear Pump Assembly (See Separate Breakdown in this Section)	
14	1001171095	1	Piston Pump Assembly (See Separate Breakdown in this Section)	
15	1001219404	1	Deutz TD2.9L4 T4i Engine Assembly (See Separate Breakdown in this Section)	

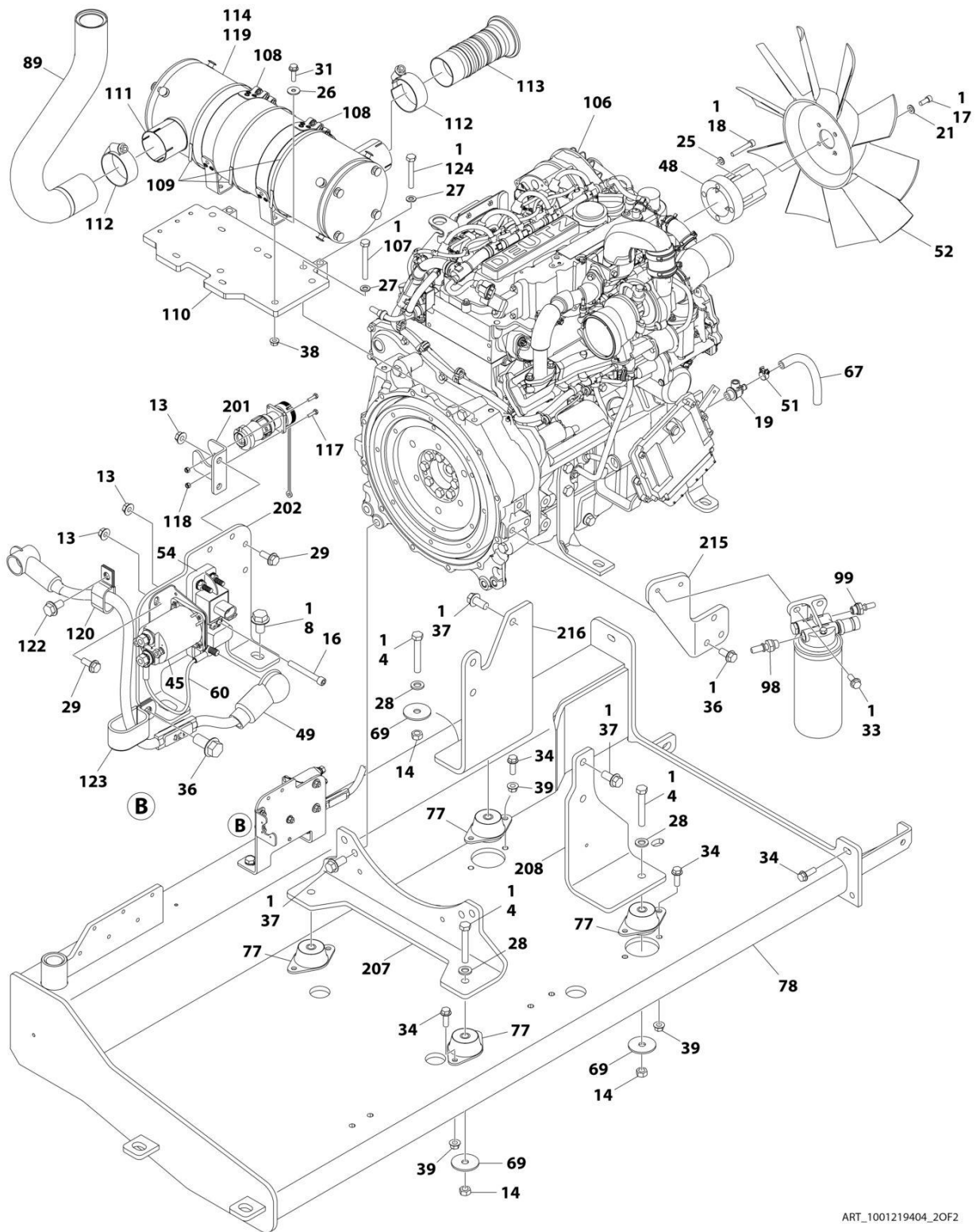
SECTION 3 - ENGINE

FIGURE 3-11. DEUTZ TD2.9L4 T4I ENGINE ASSEMBLY



ART_1001219404_10F2

SECTION 3 - ENGINE



ART_1001219404_20F2

SECTION 3 - ENGINE

FIGURE 3-11. DEUTZ TD2.9L4 T4I ENGINE ASSEMBLY

ITEM	PART NUMBER	QTY	DESCRIPTION	REV
	1001219404	Ref	DEUTZ TD2.9L4 T4I ENGINE ASSEMBLY	L
1	0100011	AR	Compound, Locking	
2	0100020	AR	Sealant	
4	0711224	4	Bolt M12 x 80	
6	0760808	4	Bolt M8 x 16	
7	0760810	8	Bolt M8 x 20	
8	5251008	2	Bolt M10 x 16	
9	0811606	2	Bolt 3/8 x 3/4	
10	1703162	2	Decal - Fan Blade	
11	1001228200	90 in/ 2.3m	Hose	
13	5260600	5	Nut M6	
14	3331211	4	Nut M12	
15	3900364	2	Screw M6 x 20	
16	0700618	1	Capscrew M6 x 50	
17	3931512	4	Capscrew 5/16 x 3/4	
18	4031914	4	Capscrew M8 x 50	
19	4640751	1	Valve, Oil Drain	
21	4711500	4	Washer 5/16	
25	4811900	4	Washer M8	
26	4811902	16	Washer M8	
27	4812000	AR	Washer M10	
28	5241200	4	Washer M12	
29	5250608	AR	Bolt M6 x 16	
30	5250612	18	Bolt M6 x 25	
31	5250813	12	Bolt M8 x 28	
32	5250816	2	Bolt M8 x 40	
33	5251012	2	Bolt M10 x 25	
34	5251014	10	Bolt M10 x 30	
35	5251016	AR	Bolt M10 x 40	
36	5251212	AR	Bolt M12 x 25	
37	5251414	9	Bolt M14 x 30	
38	5260800	15	Nut M8 Grade 10	
39	5261000	9	Nut M10 Grade 10	
40	8405007	2	Clamp	
41	8405104	4	Clamp	
42	8405204	4	Clamp	
43	8406109	8	Clip	
45	1001117308	1	Contactator	
46	1001126874	1	Elbow, Air Intake	
47	1001134488	1	Fitting, 90 Barbed	
48	1001135138	1	Spacer, Fan	
49	1001135779	1	Cable, Alternator +	
50	1001136834	1	Cap, Tank	
51	1001136975	1	Clamp	
52	1001137276	1	Fan	
53	1001138173	1	Support	
54	1001138228	1	Relay	
55	1001138248	51.2 in/ 1.3m	Tube, Nylon	

SECTION 3 - ENGINE

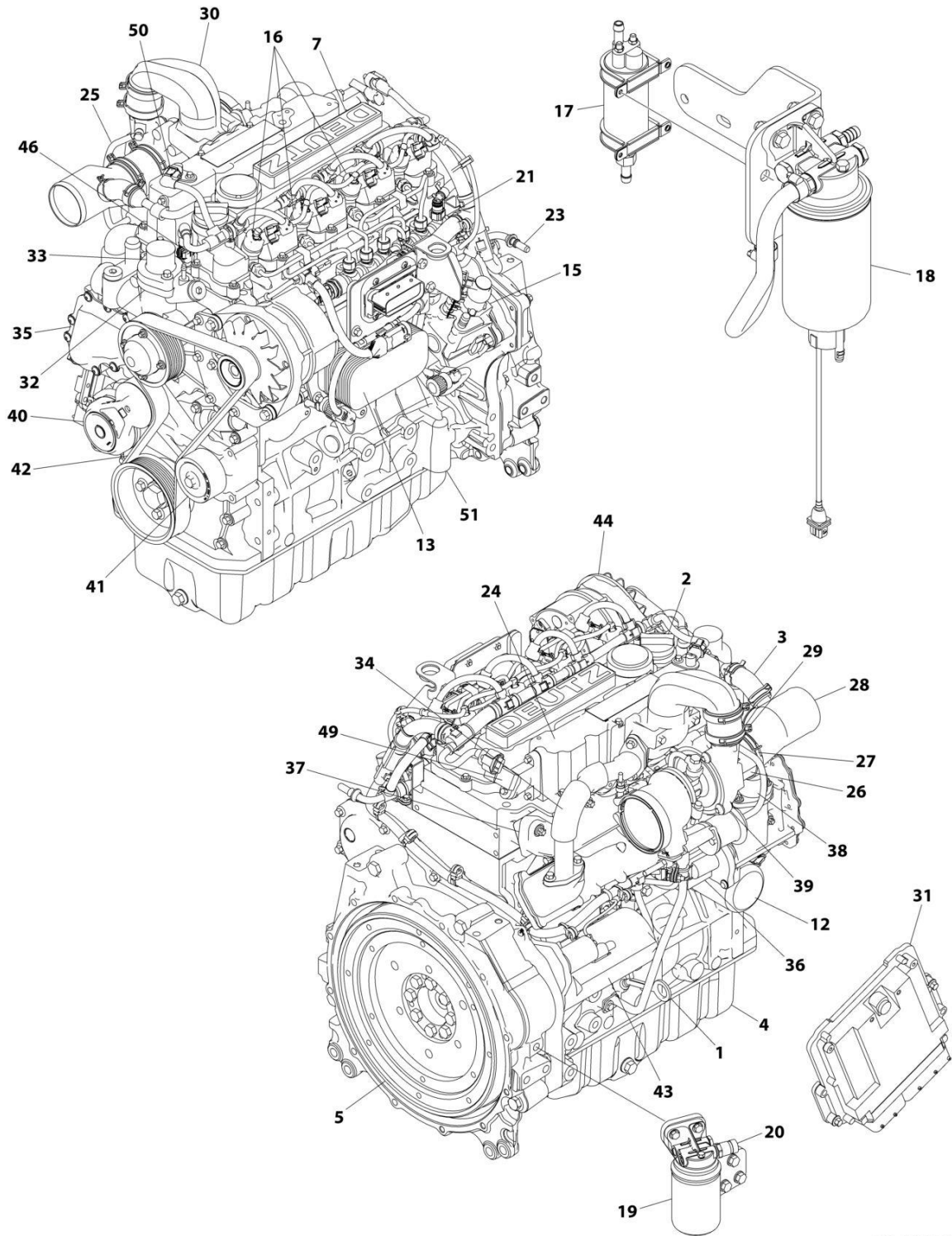
ITEM	PART NUMBER	QTY	DESCRIPTION	REV
56	1001138827	1	Sensor, Coolant Level	
58	1001229542	1	Tank, Surge	
59	1001140564	1	Fitting, 90 Barbed	
60	1001141304	1	Glow Fuse Harness	
61	1001141995	1	Fitting, Straight NPT/Barbed	
62	1001142259	1	Air Cleaner Assembly (See Separate Breakdown in this Section)	
63	1001143797	1	Fitting, Straight Barbed	
65	1001148843	1	Fuel Filter Harness - Deutz TD2.9L4 (Not Shown - See Separate Breakdown in ELECTRICAL Section)	
66	1001149639	1	Indicator, Restriction	
67	1001165035	8.5 in/ 21cm	Hose	
68	1001165820	1	Hose, Turbo Inlet 90	
69	1001168018	4	Washer	
70	1001169054	4	Isolator, Radiator	
71	1001169138	4	Pad	
74	1320022	4	Clamp	
75	1001180620	AR	Adhesive	
77	1001191610	4	Mount, Motor	
78	1001218405	1	Tray	
83	1001218414	1	Radiator	
86	1001180516	1	Adapter	
87	1001218423	1	Tube, Air Intake	
89	1001257154	1	Pipe, Exhaust	
90	1001218429	1	Seal	
91	1001218430	1	Seal	
92	1001218431	1	Seal	
95	1001218436	2	Seal	
98	1001218443	1	Fitting, Straight	
99	1001218444	1	Fitting, Straight	
100	1001218448	4	Bolt	
101	1001218580	AR	Hose	
102	1001218944	1	Hose, Radiator (Top)	
103	1001218945	1	Hose, Radiator (Bottom)	
105	1001220261	1	Engine Harness - Deutz TD2.9L4 (Not Shown - See Separate Breakdown in ELECTRICAL Section)	
106	1001219642	1	Deutz TD2.9L4 T4i Engine Components (See Separate Breakdown in this Section)	
107	0701025	2	Bolt M10 x 85	
108	1001119727	2	Clamp	
109	1001137336	3	Strap	
110	1001221203	1	Bracket	
111	1001151432	1	Muffler	
112	1001221212	2	Clamp	
113	1001221217	1	Pipe, Flex	
114	1001221427	1	Muffler-Wrap	
115	4812002	1	Washer M10	
116	0701017	4	Bolt M10 x 45	
117	0760306	3	Bolt M3 x 12	
118	3290305	3	Nut M3	
119	4920385	1	Wire, Safety	
120	8406202	1	Clip	

SECTION 3 - ENGINE

ITEM	PART NUMBER	QTY	DESCRIPTION	REV
120	1001026127	1	Clamp	
121	4240099	1	Tie Strap (Not Shown)	
122	5250808	1	Bolt M8 x 16	
123	1001181899	1	Clamp	
124	0701022	2	Bolt M10 x 70	
200	1001269754	1	Plates & Brackets Kit	
201	1001139240	1	Bracket	
202	1001145154	1	Plate	
203	1001169967	2	Bracket	
204	1001170035	2	Bracket	
205	1001218406	1	Plate, Radiator Mounting	
206	1001218408	1	Brace	
207	1001218411	1	Mount, Engine (Rear)	
208	1001218412	1	Mount, Engine (Front Outboard)	
209	1001218416	1	Shroud, Fan	
210	1001218417	1	Plate, Shroud	
211	1001218425	1	Bracket, Surge Tank	
212	1001218432	6	Plate, Clamping	
213	1001218434	1	Plate, Clamping	
214	1001218437	2	Plate, Clamping	
215	1001218440	1	Bracket	
216	1001219455	1	Mount, Engine (Front Inboard)	

SECTION 3 - ENGINE

FIGURE 3-12. DEUTZ TD2.9L4 T4I ENGINE COMPONENTS



ART_1001219642

SECTION 3 - ENGINE

FIGURE 3-12. DEUTZ TD2.9L4 T4I ENGINE COMPONENTS

ITEM	PART NUMBER	QTY	DESCRIPTION	REV
	1001219642	Ref	DEUTZ TD2.9L4 ENGINE COMPONENTS	D
1	70006127	1	Dipstick	
1	70024905	1	O-Ring	
2	7020465	2	Cap, Filler	
3	70005920	1	Hose	
3	70025111	2	Clamp	
4	70025162	1	Pan, Oil	
4	70005941	2	Plug	
4	70005942	2	Washer, Sealing	
5	70001870	1	Flywheel	
5	7024579	1	Gear, Ring	
6	70024906	1	Gasket, Head (Not Shown)	
7	70005921	1	Cover, Valve	
7	70025205	1	Gasket	
7	70005171	1	Gasket	
8	70025076	1	Valve (Not Shown - Located on Right Side of Front Engine Cover)	
8	70025176	1	Spring	
8	70025082	1	Ring, Sealing	
8	70025091	1	Plug	
9	70004280	1	Seal, Shaft - Front (Not Shown)	
10	70002718	1	Seal, Shaft - Rear (Not Shown)	
11	70005172	1	Pump, Oil Lube (Not Shown)	
11	70025135	1	O-Ring	
11	70005173	1	Gasket	
12	7016331	1	Filter, Oil	
12	70025137	1	Bushing	
13	70024494	1	Cooler, Engine Oil (Not Shown - Located on Right Side)	
13	70024925	1	Gasket	
14	70025171	1	Oil Suction Pump (Not Shown - Located Inside of Engine Oil Pan)	
15	70024924	1	Pump, Fuel	
15	70025152	1	O-Ring	
15	70025080	1	Washer	
15	70024488	1	Spacer	
15	70024517	1	O-Ring	
16	70025181	4	Injector, Fuel (Not Shown - Located on Right Side)	
16	70025140	4	Washer, Sealing	
16	70025146	4	Clamp (Top of Injector)	
16	70025145	4	O-Ring	
16	70025154	4	Shoe, Clamping	
16	70000345	1	Plug, Glow (Not Shown)	
16	70025231	1	Harness, Glow Plug (Not Shown)	
17	70005174	NLA	Pump, Fuel (Use p/n 1001226098)	
17	70025144	2	Clamp	
18	70024961	1	Fuel Filter Assembly	
18	70025153	NLA	Filter, Fuel (Use p/n 1001225430)	
18	70024513	1	Cable, Sensor	
18	70025239	1	Ring, Sealing	
19	70004511	1	Filter with Head	
19	70004512	NLA	Filter, Fuel (Use p/n 1001225432)	
20	70024504	1	Sensor, Pressure	

SECTION 3 - ENGINE

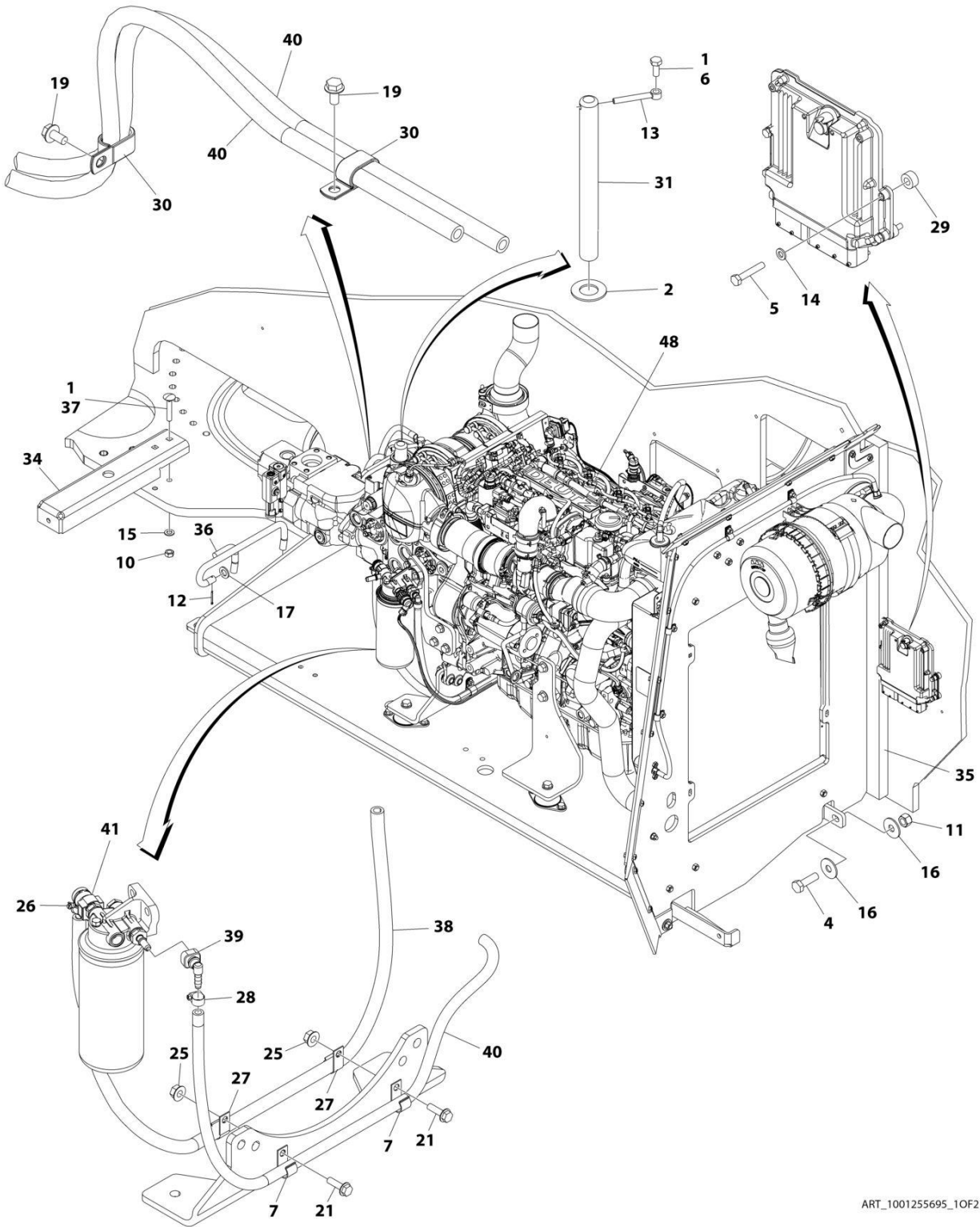
ITEM	PART NUMBER	QTY	DESCRIPTION	REV
20	70024920	1	O-Ring	
21	70025151	1	Rail, Fuel	
21	70025235	1	Repair Kit	
21	70025240	1	O-Ring	
22	70025182	1	Fuel Line - High Pressure (Cylinder 1 & 2) (Not Shown)	
22	70025183	1	Fuel Line - High Pressure (Cylinder 3 & 4) (Not Shown)	
22	70025184	1	Fuel Line - High Pressure (Supply) (Not Shown)	
23	70025158	1	Manifold, Fuel	
23	70025109	2	Clamp	
23	70025115	1	Clamp	
23	70025133	1	Hose	
23	70024502	1	Pipe	
23	70025185	1	Hose	
23	70025101	2	Clamp	
24	70005923	1	Charge Air Pipe	
24	70005924	1	O-Ring	
24	70005177	1	Gasket	
25	70005925	1	Breather Line	
25	70005181	1	O-Ring	
26	70004501	1	Sleeve, Rubber	
27	70025112	2	Clamp	
28	70005926	1	Elbow Connector	
29	70005927	1	Sleeve, Rubber	
29	70025107	2	Clamp	
30	70005928	1	Charge Air Elbow	
31	70025210	1	ECU (Engine Control Unit)	
32	70024910	1	Pump, Water	
32	70025200	1	Ring, Sealing	
32	70025084	2	Plug	
32	7020492	2	Ring, Sealing	
33	70005929	1	Thermostat	
33	70005184	1	O-Ring	
33	70025142	1	Cover, Thermostat	
33	70025931	1	Gasket	
34	70025178	1	Pipe	
34	70025768	1	Valve, Shuttle	
34	70025179	2	Gasket	
34	70025180	1	Gasket	
35	70025203	1	Module, EGR (Includes Item 36)	
35	70025155	1	Plug	
36	70005188	1	Control Valve	
36	70005189	1	Seal	
37	70004282	1	Manifold, Exhaust	
37	70025164	1	Gasket, Exhaust Manifold to Head	
38	70026995	1	Pipe (Not Shown - Located on Left Side)	
38	70021895	2	Gasket	
39	70004276	1	Turbocharger	
39	70024912	1	Gasket, Exhaust Manifold	
39	70024509	1	Gasket, Return Line	
40	70025477	1	Tensioner, Belt	
41	70024484	1	Idler Roller	

SECTION 3 - ENGINE

ITEM	PART NUMBER	QTY	DESCRIPTION	REV
42	70004277	1	Belt, Drive	
43	70024915	1	Starter	
43	70005647	1	Switch, Solenoid	
43	70005648	1	Relay	
44	70025533	1	Generator	
44	70025149	1	Regulator, Voltage	
45	70025077	1	Harness, Engine (Not Shown)	
46	70024918	1	Sender, Temperature	
47	70024504	1	Sensor, Pressure (Not Shown - Located on Right Side)	
47	70024920	1	O-Ring	
48	70026210	2	Sensor, Speed (Not Shown - Located Left Side Front and Flywheel Housing)	
48	70005191	2	O-Ring	
49	70024507	1	Sensor, Pressure (Not Shown - Located Top Rear)	
49	70025120	1	O-Ring	
50	70024922	1	Temperature, Transmitter	
50	70035212	1	O-Ring	
51	70025660	1	Screw	

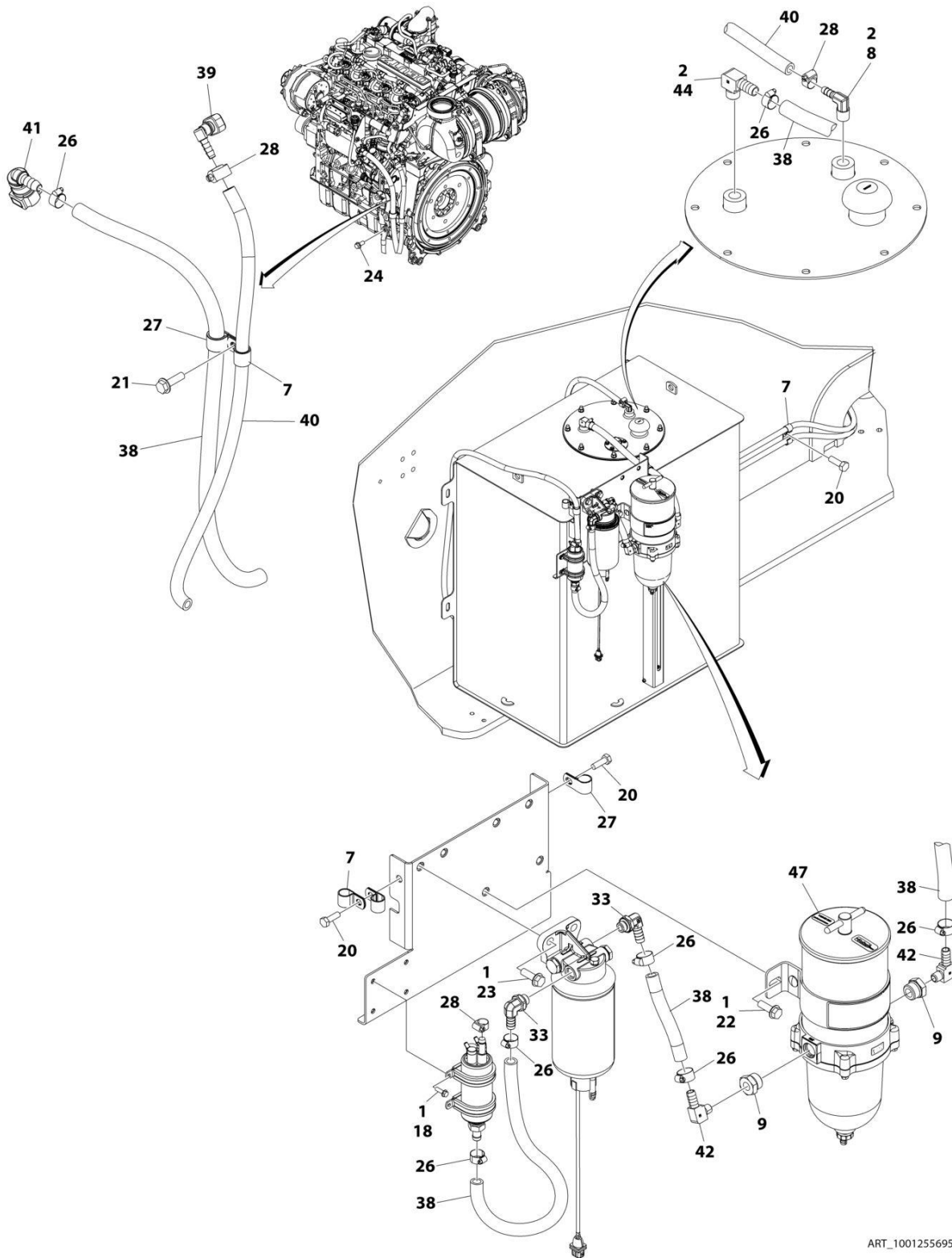
SECTION 3 - ENGINE

FIGURE 3-13. DEUTZ TD2.9L4 (CHINA IV) ENGINE INSTALLATION



ART_1001255695_10F2

SECTION 3 - ENGINE



ART_1001255695_20F2

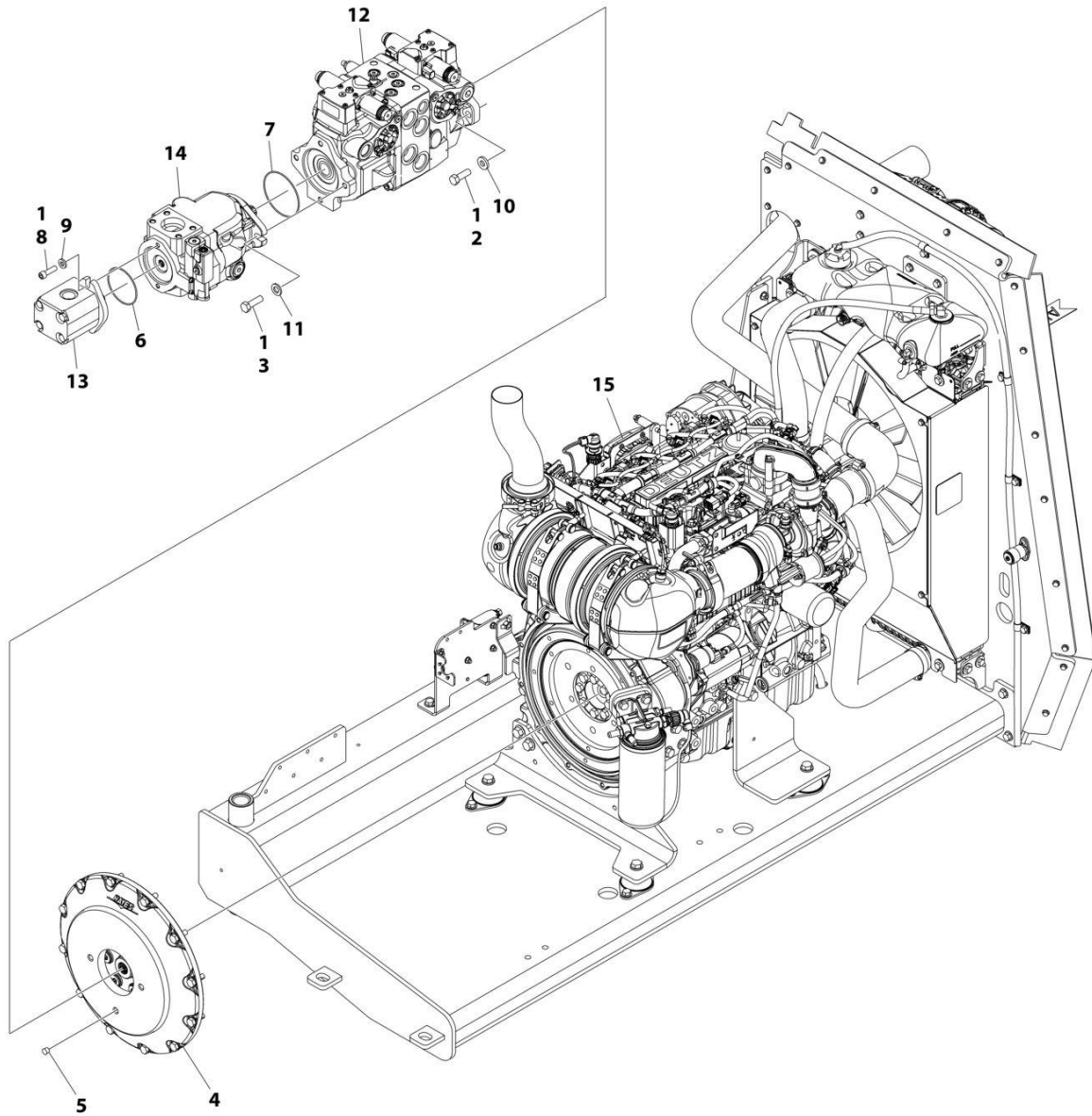
SECTION 3 - ENGINE

FIGURE 3-13. DEUTZ TD2.9L4 (CHINA IV) ENGINE INSTALLATION

ITEM	PART NUMBER	QTY	DESCRIPTION	REV
	1001255695	Ref	DEUTZ TD2.9L4 ENGINE INSTALLATION	B
1	0100011	AR	Compound, Locking	
2	0100020	AR	Sealant	
3	0440162	1	Bearing	
4	0701216	1	Bolt M12 x 40	
5	0760615	4	Bolt M6 x 35	
6	0761012	1	Bolt M10 x 25	
7	1320061	10	Clamp	
8	2220313	1	Fitting, 90 NPTF/BARB	
9	2220816	2	Fitting, Straight FNPTF/ORB	
10	3291201	2	Nut M12	
11	3291205	1	Nut M12	
12	3391210	1	Pin, Split	
13	3841143	1	Keeper, Pin	
14	4811700	4	Washer M6	
15	4812100	2	Washer M12	
16	4812102	2	Washer M12	
17	4812300	1	Washer M16	
18	5250508	4	Bolt M5 x 16	
19	5250808	2	Bolt M8 x 16	
20	5250810	5	Bolt M8 x 20	
21	5250813	3	Bolt M8 x 28	
22	5251011	2	Bolt M10 x 22	
23	5251014	2	Bolt M10 x 30	
24	5251212	1	Bolt M12 x 25	
25	5260800	2	Nut M8	
26	8405006	8	Clamp	
27	8406202	4	Clip	
28	8410013	4	Clamp	
29	1001110425	4	Spacer	
30	1001116792	2	Clamp	
31	1001135196	1	Pin	
33	1001142501	2	Fitting, 90 Barbed	
34	1001153027	1	Bracket	
35	1001153046	1	Seal	
36	1001153083	1	Hook	
37	1001153086	2	Bolt M12 x 70	
38	1001154405	AR	Hose	
39	1001155823	2	Coupling, 90 Quick Connect	
40	1001165035	AR	Hose	
41	1001170982	2	Fitting, 90	
42	1001178797	2	Fitting, 90 NPTF/Barbed	
44	1001220535	1	Fitting, 90 NPT/Barbed	
45	1001220749	1	Battery Cable Kit - Deutz TD2.9L4 (Not Shown - See Separate Breakdown in ELECTRICAL Section)	
46	1001221289	1	Fuel Pump Harness - Deutz TD2.9L4 (Not Shown - See Separate Breakdown in ELECTRICAL Section)	
47	1001222817	1	Filter, Fuel Assembly (See Separate Breakdown in this Section)	
48	1001255696	1	Deutz TD2.9L4 Engine and Pumps Sub-Assembly (See Separate Breakdown in this Section)	

SECTION 3 - ENGINE

FIGURE 3-14. DEUTZ TD2.9L4 (CHINA IV) ENGINE AND PUMP SUB-ASSEMBLY



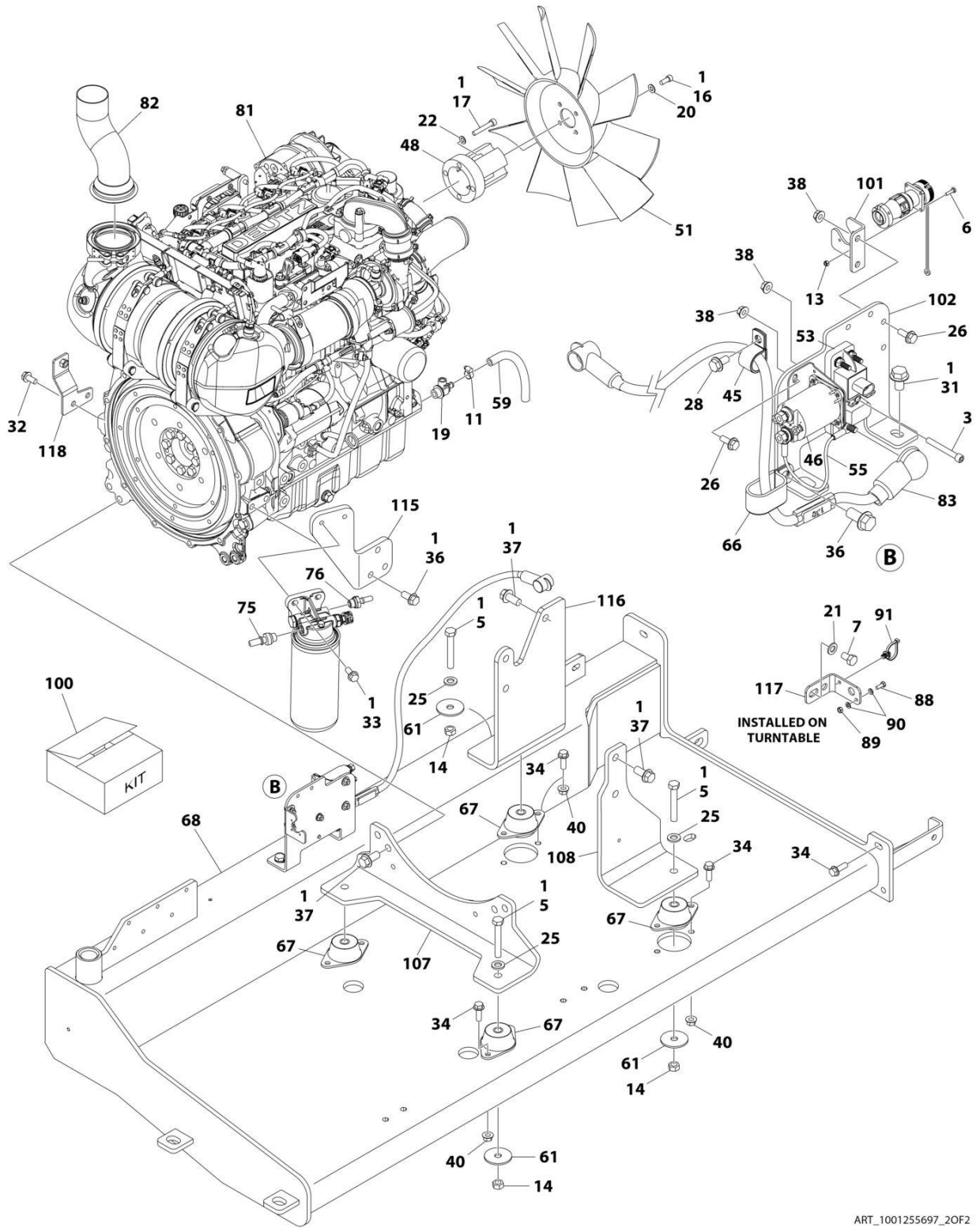
ART_1001255696

SECTION 3 - ENGINE

FIGURE 3-14. DEUTZ TD2.9L4 (CHINA IV) ENGINE AND PUMP SUB-ASSEMBLY

ITEM	PART NUMBER	QTY	DESCRIPTION	REV
	1001255696	Ref	DEUTZ TD2.9L4 ENGINE AND PUMP SUB-ASSEMBLY	A
1	0100011	AR	Compound, Locking	
2	0641812	2	Bolt 1/2 x 1-1/2	
3	0761216	2	Bolt M12 x 40	
4	2902065	1	Pump Coupling Kit (See Separate Breakdown in this Section)	
5	3520054	1	Plug	
6	3790152	1	O-Ring	
7	3790155	1	O-Ring	
8	3931620	2	Capscrew 3/8 x 1-1/4	
9	4891600	2	Washer 3/8	
10	4891800	2	Washer 1/2	
11	5241200	2	Washer M12	
12	1001108616	1	Tandem Pump Assembly (See Separate Breakdown in this Section)	
13	1001112927	1	Gear Pump Assembly (See Separate Breakdown in this Section)	
14	1001171095	1	Piston Pump Assembly (See Separate Breakdown in this Section)	
15	1001255697	1	Deutz TD2.9L4 Engine Assembly (See Separate Breakdown in this Section)	

SECTION 3 - ENGINE



ART_1001255697_20F2

SECTION 3 - ENGINE

FIGURE 3-15. DEUTZ TD2.9L4 (CHINA IV) ENGINE ASSEMBLY

ITEM	PART NUMBER	QTY	DESCRIPTION	REV
	1001255697	Ref	DEUTZ TD2.9L4 ENGINE ASSEMBLY	B
1	0100011	AR	Compound, Locking	
2	0100020	AR	Sealant	
3	0700618	1	Capscrew M6 x 50	
4	0701017	4	Bolt M10 x 45	
5	0711224	4	Bolt M12 x 80	
6	0760306	3	Bolt M3 x 12	
7	0761210	2	Bolt M12 x 20	
8	0760808	4	Bolt M8 x 16	
9	0760810	8	Bolt M8 x 20	
10	0811606	2	Bolt 3/8 x 3/4	
11	8405009	5	Clamp	
12	1703162	2	Decal - Fan Blade	
13	3290305	3	Nut M3	
14	3331211	4	Nut M12	
15	3900364	2	Screw M6 x 20	
16	3931512	4	Capscrew 5/16 x 3/4	
17	4031914	4	Capscrew M8 x 50	
18	4240099	AR	Tie Strap (Not Shown)	
19	4640751	1	Valve, Oil Drain	
20	4711500	4	Washer 5/16	
21	4812100	2	Washer M12	
22	4811900	4	Washer M8	
23	4811902	12	Washer M8	
24	4812002	1	Washer M10	
25	5241200	4	Washer M12	
26	5250608	AR	Bolt M6 x 16	
27	5250612	18	Bolt M6 x 25	
28	5250808	1	Bolt M8 x 16	
29	5250813	8	Bolt M8 x 28	
30	5250816	2	Bolt M8 x 40	
31	5251008	2	Bolt M10 x 16	
32	5251011	2	Bolt M10 x 22	
33	5251012	2	Bolt M10 x 25	
34	5251014	10	Bolt M10 x 30	
35	5251016	1	Bolt M10 x 40	
36	5251212	4	Bolt M12 x 25	
37	5251414	9	Bolt M14 x 30	
38	5260600	5	Nut M6	
39	5260800	11	Nut M8 Grade 10	
40	5261000	9	Nut M10 Grade 10	
41	8405007	2	Clamp	
42	8405104	4	Clamp	
43	8405204	4	Clamp	
44	8406109	8	Clip	
45	1001026127	1	Clamp	
46	1001117308	1	Contactactor	
47	1001126874	1	Elbow, Air Intake	
48	1001135138	1	Spacer, Fan	
49	1001136834	1	Cap	

SECTION 3 - ENGINE

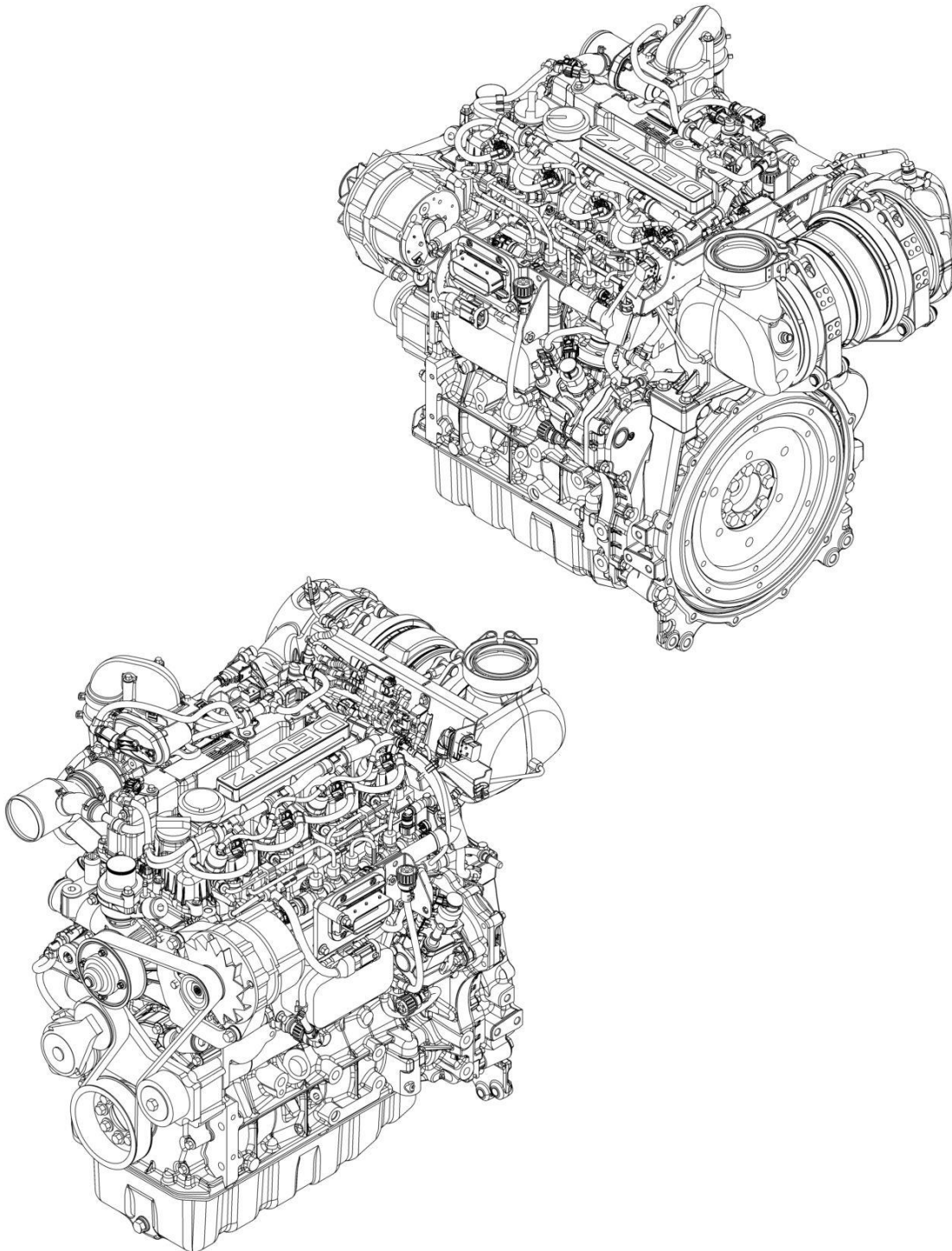
ITEM	PART NUMBER	QTY	DESCRIPTION	REV
50	1001237285	1	Engine Harness - Deutz TD2.9L4 (Not Shown - See Separate Breakdown in ELECTRICAL Section)	
51	1001137276	1	Fan	
52	1001138173	1	Support	
53	1001138228	1	Relay	
54	1001138248	AR	Tube, Nylon	
55	1001141304	1	Glow Fuse Harness	
56	1001141995	1	Fitting, NPT/Barbed	
57	1001143797	1	Fitting, Straight Barbed	
58	1001149639	1	Indicator, Restriction	
59	1001165035	9 in/21cm	Hose	
60	1001165820	1	Hose, 90	
61	1001168018	4	Washer	
62	1001169054	4	Isolator	
63	1001169138	4	Pad	
64	1001180516	1	Adapter	
65	1001180620	AR	Adhesive	
66	1001181899	1	Clamp	
67	1001191610	4	Mount, Motor	
68	1001218405	1	Tray	
69	1001218414	1	Radiator	
70	1001218423	1	Tube, Air Intake	
71	1001218429	1	Seal, Radiator (Top)	
72	1001218430	1	Seal, Radiator (Upper)	
73	1001218431	1	Seal, Radiator (Lower)	
74	1001218436	2	Seal	
75	1001218443	1	Fitting, Straight	
76	1001218444	1	Fitting, Straight	
77	1001218448	4	Bolt	
78	1001218944	1	Hose, Radiator (Top)	
79	1001218945	1	Hose, Radiator (Bottom)	
80	1001230635	1	Tank, Surge	
81	1001282206	1	Deutz TD2.9L4 Engine Components (See Separate Breakdown in this Section)	
82	1001259424	1	Pipe, Exhaust	
83	1001135779	1	Cable, Alternator +	
84	1001142259	1	Air Cleaner Assembly (See Separate Breakdown in this Section)	
85	1001148843	1	Fuel Filter Harness - Deutz TD2.9L4 (Not Shown - See Separate Breakdown in ELECTRICAL Section)	
86	1001218580	AR	Hose	
87	1001228200	90 in/ 2.3m	Hose	
88	0760608	1	Bolt M6 x 16	
89	3290601	1	Nut M6	
90	4811700	2	Washer M6	
91	1001146588	1	Tie-Strap	
100	1001259425	1	Kit, Engine Parts Package	
101	1001139240	1	Bracket	
102	1001145154	1	Plate	
103	1001169967	2	Bracket	
104	1001170035	2	Bracket	
105	1001218406	1	Plate	

SECTION 3 - ENGINE

ITEM	PART NUMBER	QTY	DESCRIPTION	REV
106	1001218408	1	Brace	
107	1001218411	1	Mount, Engine (Rear)	
108	1001218412	1	Mount, Engine (Front Outboard)	
109	1001218416	1	Shroud, Fan	
110	1001218417	1	Plate	
111	1001218425	1	Bracket	
112	1001218432	6	Plate	
113	1001218434	1	Plate	
114	1001218437	2	Plate	
115	1001218440	1	Bracket, Filter	
116	1001219455	1	Mount, Engine (Front Inboard)	
117	1001256879	1	Bracket	
118	1001255694	1	Bracket	

SECTION 3 - ENGINE

FIGURE 3-16. DEUTZ TD2.9L4 (CHINA IV) ENGINE COMPONENTS



ART_1001282206

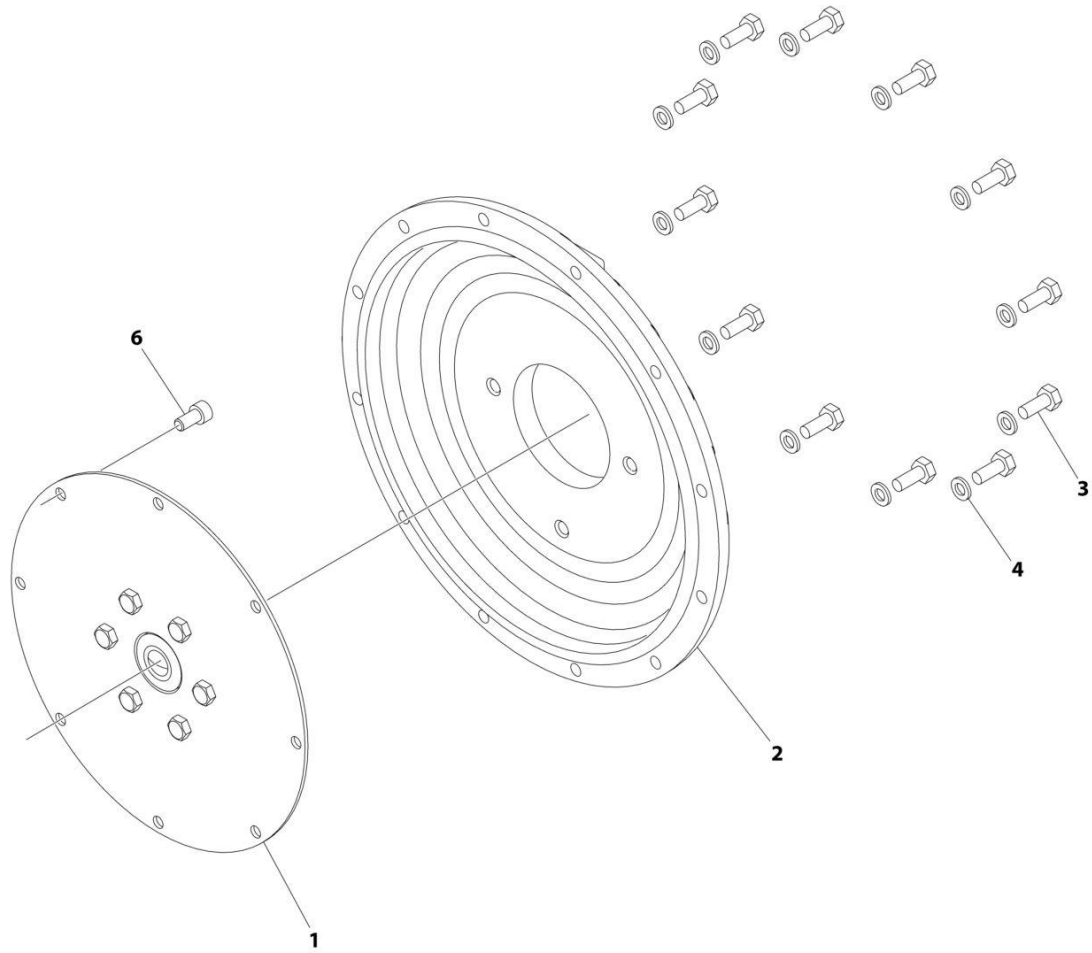
SECTION 3 - ENGINE

FIGURE 3-16. DEUTZ TD2.9L4 (CHINA IV) ENGINE COMPONENTS

ITEM	PART NUMBER	QTY	DESCRIPTION	REV
	1001282206	Ref Ref	DEUTZ TD2.9L4 ENGINE COMPONENTS Note: No Other Service Parts Available at Time of Printing	A

SECTION 3 - ENGINE

FIGURE 3-17. PUMP COUPLING KIT



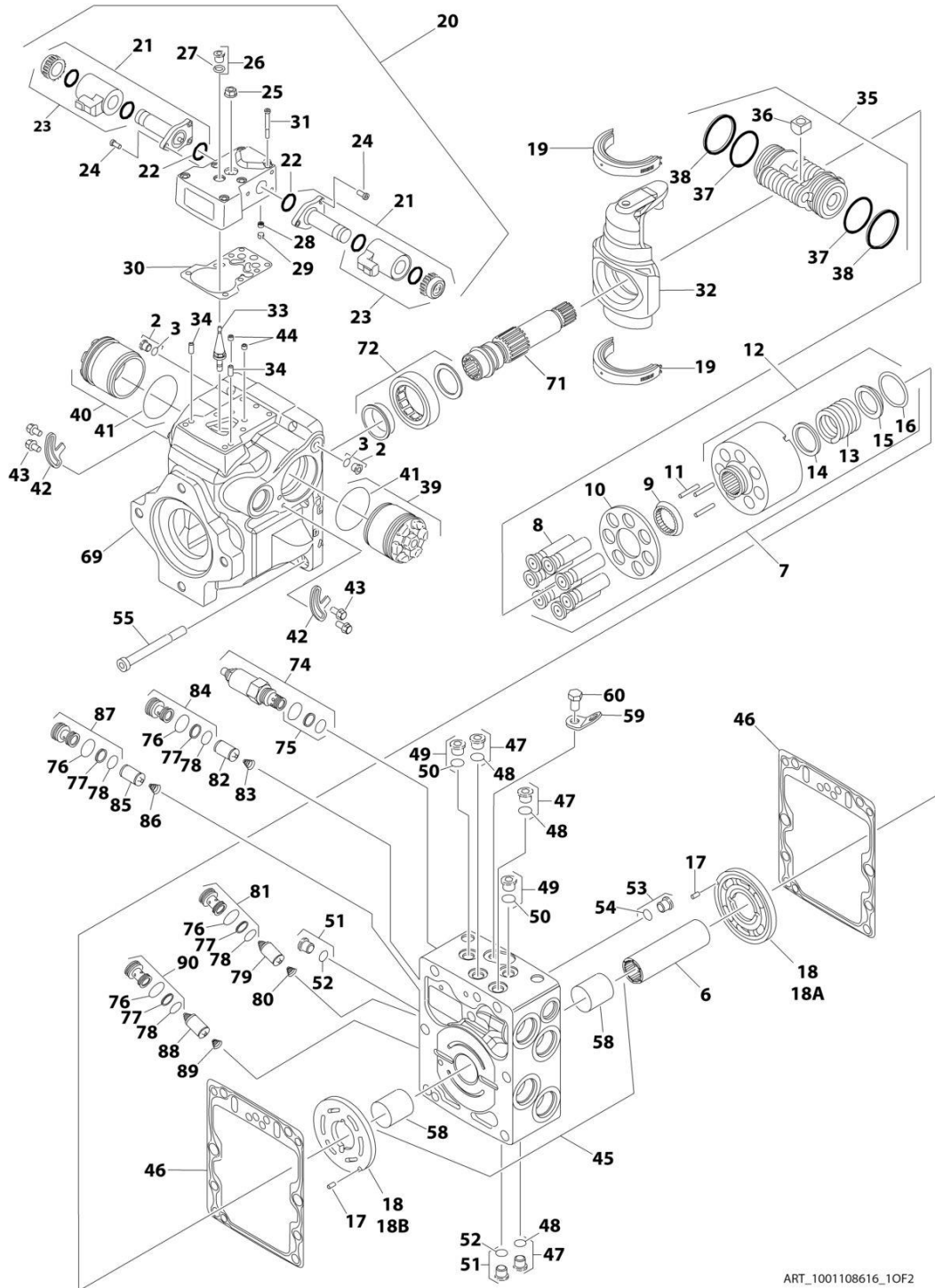
ART_2902065

FIGURE 3-17. PUMP COUPLING KIT

ITEM	PART NUMBER	QTY	DESCRIPTION	REV
	2902065	Ref	PUMP COUPLING KIT	L
1	70000793	1	Coupling, Hayes	
2	See Note	NSS	Plate, Pump Adapter (Note: Use p/n 2902065)	
3	See Note	NSS	Bolt M10 x 30 Grade 10.9 (Note: Use p/n 2902065)	
4	See Note	NSS	Washer M10 (Note: Use p/n 2902065)	
6	See Note	NSS	Bolt M10 x 20 Grade 10.9 (Note: Use p/n 2902065)	

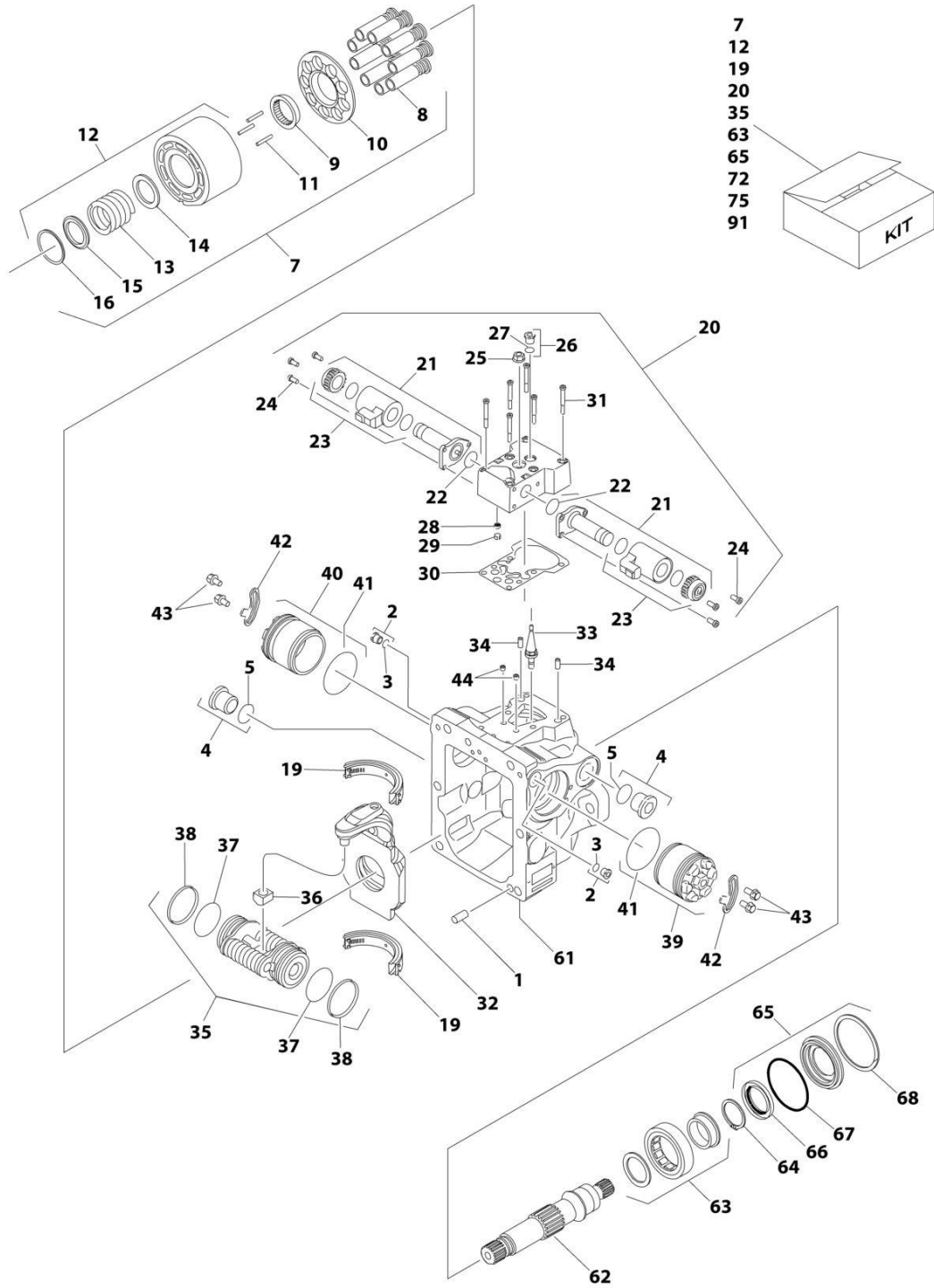
SECTION 3 - ENGINE

FIGURE 3-18. TANDEM PUMP ASSEMBLY



ART_1001108616_10F2

SECTION 3 - ENGINE



ART_1001108616_2OF2

SECTION 3 - ENGINE

FIGURE 3-18. TANDEM PUMP ASSEMBLY

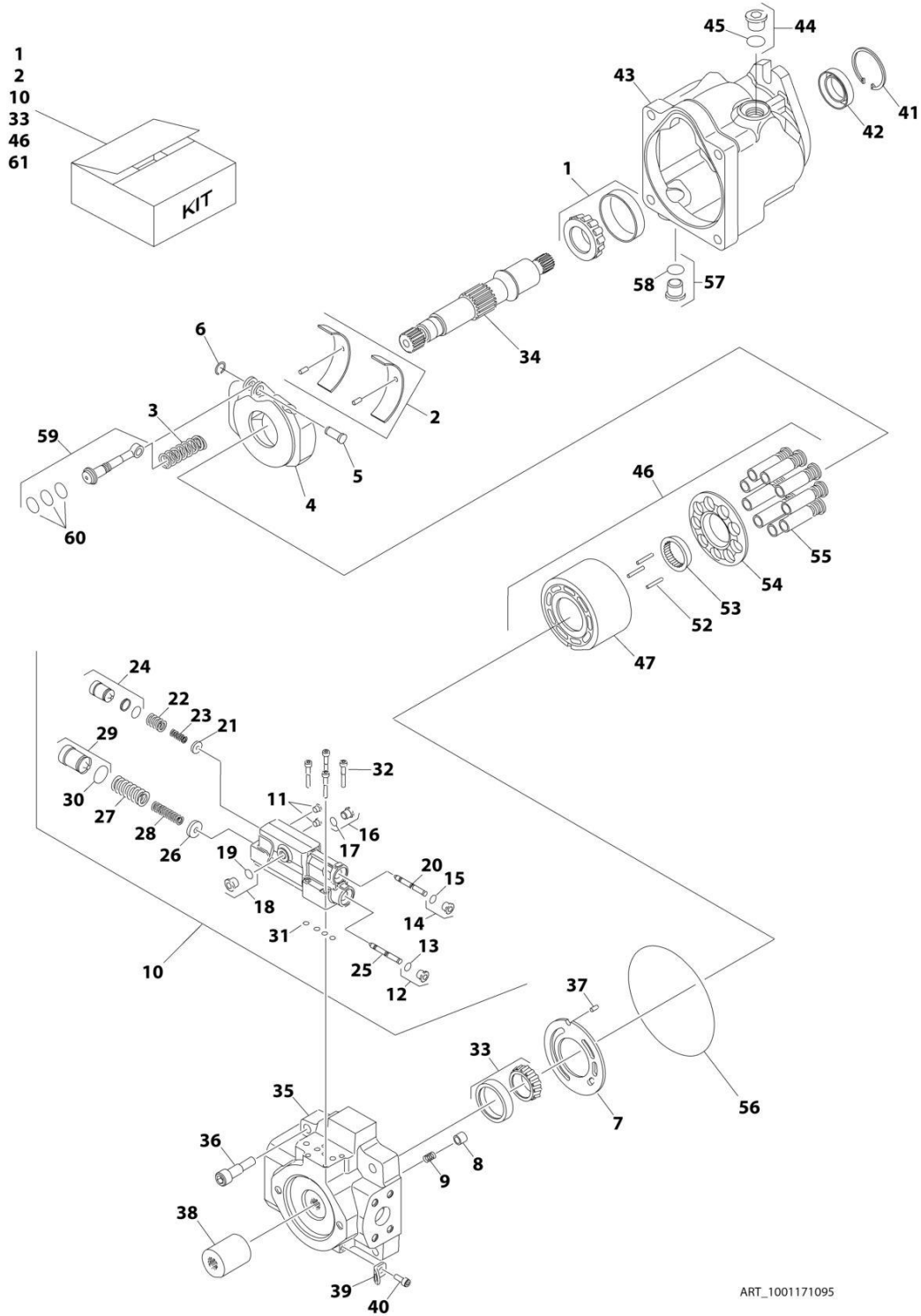
ITEM	PART NUMBER	QTY	DESCRIPTION	REV
	1001108616	Ref	PUMP ASSEMBLY (SAUER TANDEM)	D
1	70002132	4	Pin	
2	70002133	4	Plug Assembly (Includes Item 3)	
3	7007207	4	O-Ring (Part of Item 2)	
4	7007419	2	Plug Assembly (Includes Item 5)	
5	7007418	2	O-Ring (Part of Item 4)	
6	70002600	1	Coupling	
7	70002135	2	Cylinder Block Kit (Each Kit Includes Qty 1 of Items 8-10 & 12-16 & Qty 3 of Item 11)	
8	70002136	2	Piston Assembly Kit (Includes Qty 9 Piston Assemblies) (Part of Item 7)	
9	70002137	2	Guide, Slipper Retainer (Part of Item 7)	
10	70002138	2	Retainer, Slipper (Part of Item 7)	
11	7021275	6	Pin, Slipper Retainer Holddown (Part of Item 7)	
12	70002135	2	Cylinder Block Assembly (Includes Qty 1 of Item 13-16) (Part of Item 7)	
13	70002139	2	Spring (Part of Item 12)	
14	70002140	2	Washer (Part of Item 12)	
15	70002141	2	Washer (Part of Item 12)	
16	70002142	2	Ring, Retaining (Part of Item 12)	
17	7007446	2	Pin	
18		Ref	Plate, Valve Options:	
18A	70002601	1	Plate, CW Valve	
18B	70002602	1	Plate, CCW Valve	
19	70002145	2	Swash Plate Bearing Kit (Includes Qty 2 Bearings)	
20	70002618	2	EDC Kit (Includes Items 21-31)	
21	70002619	4	Solenoid Valve Assembly (Includes Items 22 & 23) (Part of Item 20)	
22	70002148	4	O-Ring (2 Per EDC Assembly) (Part of Item 21)	
23	70002620	4	Coil, Nut and Seals Kit (2 Per EDC Assembly) (Part of Item 21)	
24	70002150	12	Screw (Part of Item 20)	
25	7022301	2	Nut, Seal (Part of Item 20)	
26	70002151	2	Plug Assembly (Part of Item 20) (Includes Item 27)	
27	7007207	2	O-Ring (Part of Item 26)	
28	70002134	2	Screen (Part of Item 20)	
29	70002153	2	Ring, Locking (Part of Item 20)	
30	70002154	2	Gasket, Control (Part of Item 20)	
31	70002156	12	Capscrew (Part of Item 20)	
32	70002152	2	Swash Plate	
33	70002155	2	Link, Swash Plate	
34	70002157	4	Pin, Dowel	
35	70002158	2	Servo Piston Assembly (Includes Items 36-38)	
36	70002159	2	Block, Slider (Part of Item 35)	
37	70002160	2	O-Ring (Part of Item 35)	
38	70002161	2	Ring, Piston (Part of Item 35)	
39	70002162	2	Cylinder, Servo	
40	70002162	2	Cylinder, Servo	
41	70002163	4	O-Ring	
42	70002164	4	Plate, Locking	
43	70002165	8	Screw	

SECTION 3 - ENGINE

ITEM	PART NUMBER	QTY	DESCRIPTION	REV
44	70002604	4	Orifice	
45	70002605	1	Center Section Assembly (Includes Item 58)	
46	70002168	2	Gasket, End Cap	
47	70001958	2	Plug Assembly (Includes Item 48)	
48	7021256	2	O-Ring (Part of Item 47)	
49	70001958	2	Plug Assembly (Includes Item 50)	
50	7021256	2	O-Ring (Part of Item 49)	
51	70001958	2	Plug Assembly (Includes Item 52)	
52	7021256	2	O-Ring (Part of Item 51)	
53	70001958	2	Plug Assembly (Includes Item 54)	
54	7021256	2	O-Ring (Part of Item 53)	
55	70002606	4	Capscrew	
58	70002607	2	Bearing, Journal (Part of Item 45)	
59	70002608	1	Bracket, Lifting	
60	70002609	1	Screw	
61	See Note	1	Housing (Note: Not Available for Purchase)	
62	70002175	1	Shaft	
63	70002610	1	Ball Bearing Kit	
	7007439	1	Ring, Retaining	
65	70002174	1	Shaft Seal Kit (Includes Items 66-68) (Note: This is a universal kit and will contain extra pieces that are not used on this pump assembly)	
66	70002177	1	Seal, Lip	
67	70002178	1	O-Ring	
68	70002179	1	Ring, Retaining	
69	See Note	1	Housing (Note: Not Available for Purchase)	
71	70002612	1	Shaft	
72	70002610	1	Ball Bearing Kit	
74	70002621	1	High Pressure Relief Valve Cartridge Assembly (Includes Item 75)	
75	70002622	1	Seal Kit - 70002621 Valve (Part of Item 74)	
76	7007415	1	O-Ring (Part of Items 81, 84, 87 & 90)	
77	7021293	1	Ring, Back-up (Part of Items 81, 84, 87 & 90)	
78	7022300	1	O-Ring (Part of Items 81, 84, 87 & 90)	
79	70002616	1	SCR Valve Assembly	
80	7024800	1	Spring	
81	7021265	1	Plug Assembly (Includes Qty 1 of Items 76-78)	
82	70002616	1	SCR Valve Assembly	
83	7024800	1	Spring	
84	7021265	1	Plug Assembly (Includes Qty 1 of Item 76-78)	
85	70002616	1	SCR Valve Assembly	
86	7024800	1	Spring	
87	70002617	1	Plug Assembly (Includes Qty 1 of Item 76-78)	
88	70002616	1	SCR Valve Assembly	
89	7024800	1	Spring	
90	7021265	1	Plug Assembly (Includes Qty 1 of Items 76-78)	
91	70002623	1	Overhaul Seal Kit (Includes Items 3, 5, 22, 27, 30, 37, 38, 41, 46, 48, 50, 52, 54, 66, 67, 75, 76, 77 & 78)	

SECTION 3 - ENGINE

FIGURE 3-19. PISTON PUMP ASSEMBLY



ART_1001171095

SECTION 3 - ENGINE

FIGURE 3-19. PISTON PUMP ASSEMBLY

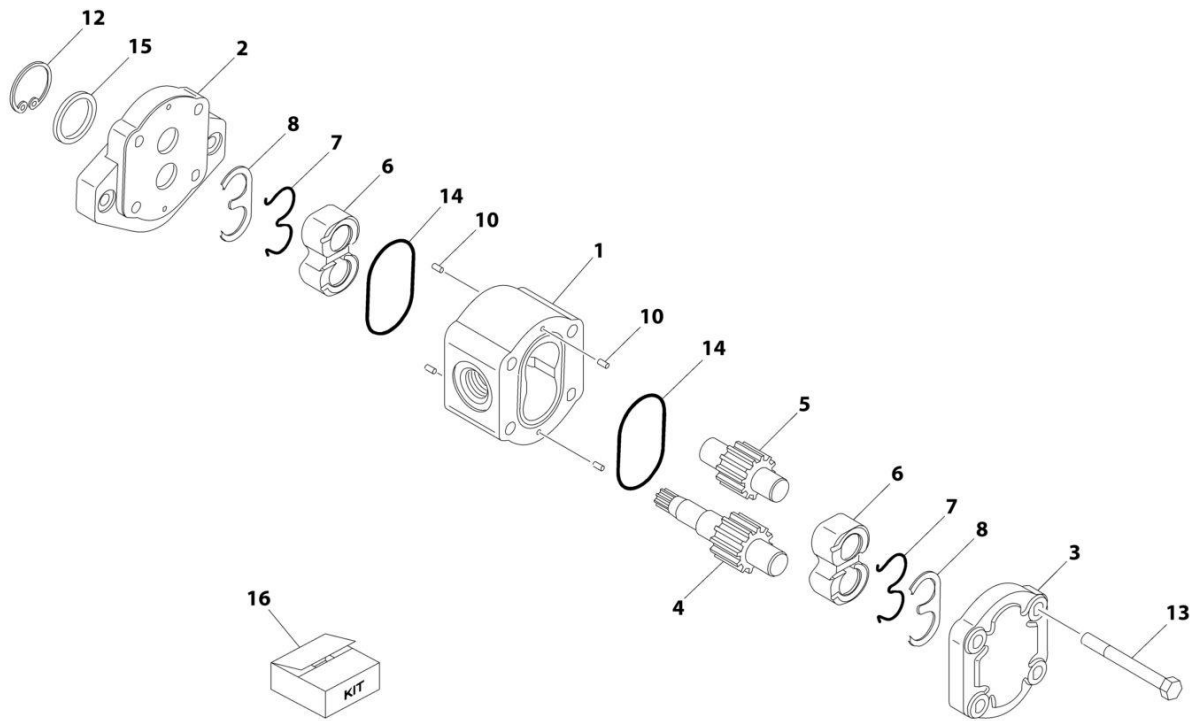
ITEM	PART NUMBER	QTY	DESCRIPTION	REV
	1001171095	Ref	PUMP ASSEMBLY (SAUER PISTON)	B
1	70002578	1	Bearing Kit - Front (Includes Cup and Cone)	
2	70004426	1	Swash Plate Bearing Kit (Includes Qty 2 Bearings and Retainer Pins)	
3	70002580	1	Spring, Bias	
4	70004416	1	Swash Plate Assembly	
5	70002582	1	Shaft	
6	70002583	1	Ring, Retaining	
7	70004417	1	Plate, Valve	
8	70001956	1	Poppet, Check Valve	
9	70001955	1	Spring	
10	70022286	1	Control Kit (Includes Items 11-32)	
11	See Note	NSS	Setscrew (Note: Use Item 10)	
12	70002133	1	Plug Assembly (Includes Item 13)	
13	7007207	1	O-Ring (Part of Item 12)	
14	70002133	1	Plug Assembly (Part of Item 15)	
15	7007207	1	O-Ring (Part of Item 14)	
16	70002133	1	Plug Assembly (Includes Item 17)	
17	7007207	1	O-Ring (Part of Item 16)	
18	70002133	1	Plug Assembly (Includes Item 19)	
19	7007207	1	O-Ring (Part of Item 18)	
20	See Note	NSS	Spool (Note: Use Item 10)	
21	See Note	NSS	Guide, Spring LS (Note: Use Item 10)	
22	See Note	NSS	Spring, Outer LS (Note: Use Item 10)	
23	See Note	NSS	Spring, Inner LS (Note: Use Item 10)	
24	See Note	NSS	Plug, Adjusting LS (Note: Use Item 10 or 61)	
25	See Note	NSS	Spool, Control (Note: Use Item 10)	
26	See Note	NSS	Guide, Spring PC (Note: Use Item 10)	
27	See Note	NSS	Spring, Outer PC (Note: Use Item 10)	
28	See Note	NSS	Spring, Inner PC (Note: Use Item 10)	
29	See Note	NSS	Plug, Adjusting PC (Note: Use Item 10)	
30	See Note	NSS	O-Ring (Note: Use Item 10 or 61)	
31	See Note	NSS	Ring, Seal (Note: Use Item 10 or 61)	
32	See Note	NSS	Capscrew (Note: Use Item 10)	
33	70002585	1	Bearing Kit - Rear (Includes Cup and Cone)	
34	70002586	1	Shaft	
35	70004420	1	Cap, End	
36	70002588	4	Capscrew	
37	7007446	1	Pin, Slotted	
38	70002589	1	Coupling	
39	7022340	1	Bracket, Lifting	
40	70002590	1	Capscrew	
41	7023962	1	Ring, Retaining	
42	See Note	NSS	Seal, Lip (Note: Use Item 61)	
43	See Note	NSS	Housing (Note: Not Available for Purchase)	
44	7023964	1	Plug Assembly (Includes Item 45)	
45	7007415	1	O-Ring (Part of Item 44)	
46	70004423	1	Cylinder Block Kit (Includes Items 47-55)	
47	70004421	1	Cylinder	
52	7021275	3	Pin, Hold-down	

SECTION 3 - ENGINE

ITEM	PART NUMBER	QTY	DESCRIPTION	REV
53	70002592	1	Guide, Slipper Retainer	
54	70002593	1	Retainer, Slipper	
55	70004422	1	Piston Assembly	
56	See Note	NSS	Seal, End Cap (Note: Use Item 61)	
57	7023964	1	Plug, O-Ring (Includes Item 58)	
58	7007415	1	O-Ring (Part of Item 57)	
59	70005418	1	Servo Piston Assembly (Includes Item 60)	
60	See Note	NSS	Ring, Piston (Part of Item 59) (Note: Use Item 61)	
61	70002599	1	Complete Seal Kit (Includes Items 13, 15, 17, 19, 24, 30, 31, 42, 45, 56, 58 & 60)	

SECTION 3 - ENGINE

FIGURE 3-20. GEAR PUMP ASSEMBLY



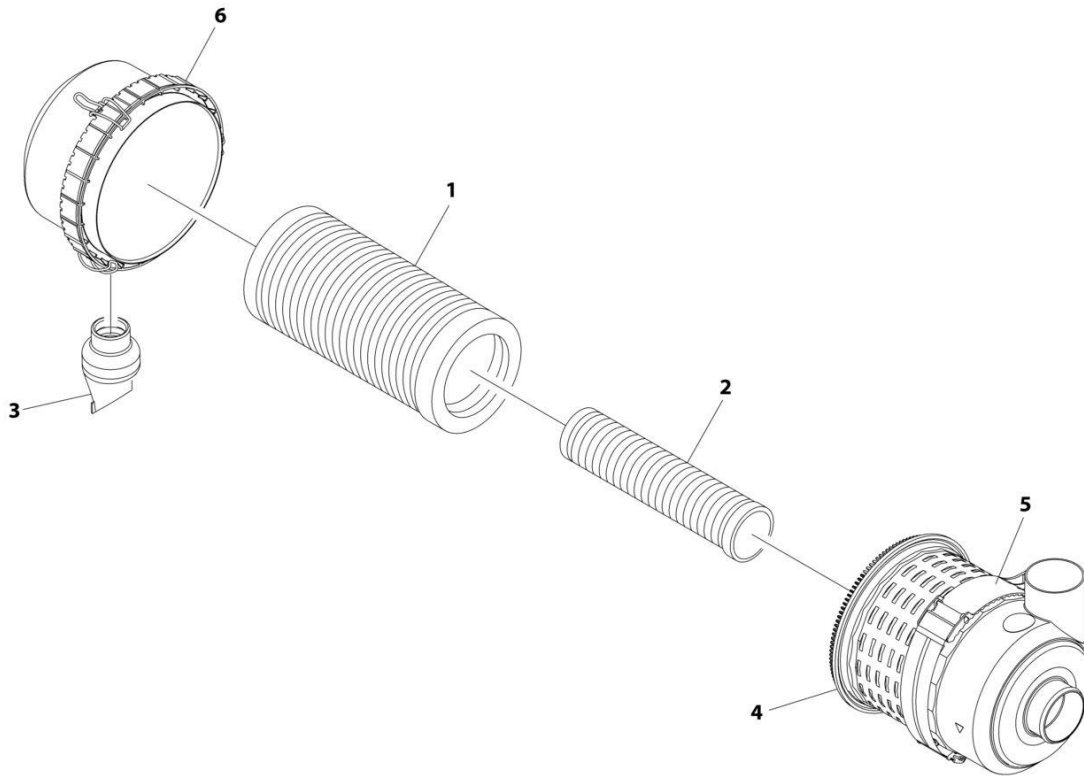
ART_1001112927

FIGURE 3-20. GEAR PUMP ASSEMBLY

ITEM	PART NUMBER	QTY	DESCRIPTION	REV
	1001112927	Ref	PUMP ASSEMBLY (SAUER GEAR)	A
1	See Note	NSS	Body (Note: Use p/n 1001112927)	
2	See Note	NSS	Cover, Front (Note: Use p/n 1001112927)	
3	See Note	NSS	Cover, Rear (Note: Use p/n 1001112927)	
4	See Note	NSS	Shaft, Gear (Note: Use p/n 1001112927)	
5	See Note	NSS	Gear, Idler (Note: Use p/n 1001112927)	
6	See Note	NSS	Block, Bearing (Note: Use p/n 1001112927)	
7	7007489	2	Ring, Anti-Extrusion	
8	7007489	2	Ring, Seal	
10	See Note	NSS	Pin, Dowel (Note: Use p/n 1001112927)	
12	70002576	1	Ring, Retaining	
13	See Note	NSS	Capscrew (Note: Use p/n 1001112927)	
14	7007489	2	O-Ring	
15	7007489	1	Seal, Lip	
16	7007489	1	Seal Kit - 1001112927 Pump (Includes Items 7, 8, 14 & 15)	

SECTION 3 - ENGINE

FIGURE 3-21. AIR CLEANER ASSEMBLY



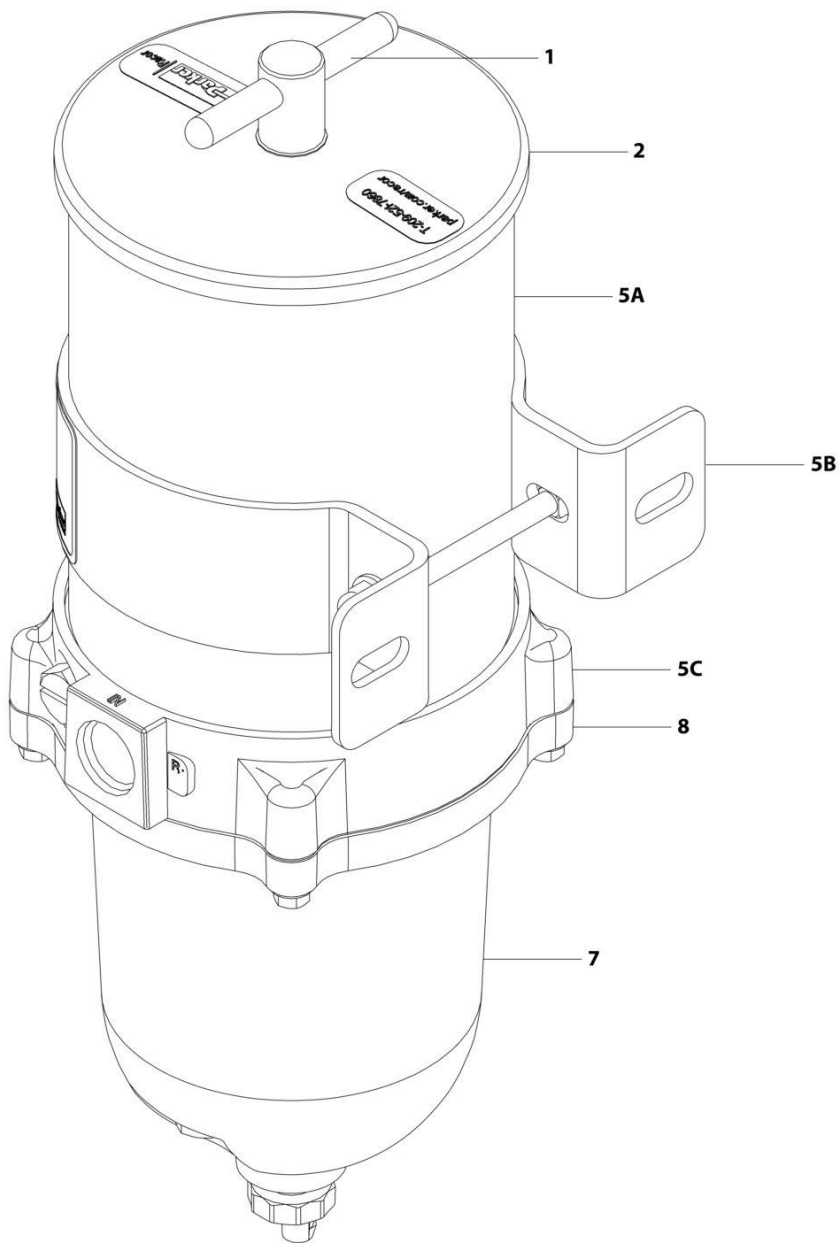
ART_1001142259_D

FIGURE 3-21. AIR CLEANER ASSEMBLY

ITEM	PART NUMBER	QTY	DESCRIPTION	REV
	1001142259	Ref	AIR CLEANER ASSEMBLY	D
1	70024190	1	Main Air Element	
2	70024191	1	Secondary Air Element	
3	70025249	1	Dust Valve	
4	70030962	1	Filter Housing (Includes Item 6)	
5	70030963	1	Bracket	
6	See Note	NSS	Cover with Clips (Note: Purchase Item 4)	

SECTION 3 - ENGINE

FIGURE 3-22. FUEL FILTER ASSEMBLY - DEUTZ TD2.9L4 T4F ENGINES



ART_1001222817

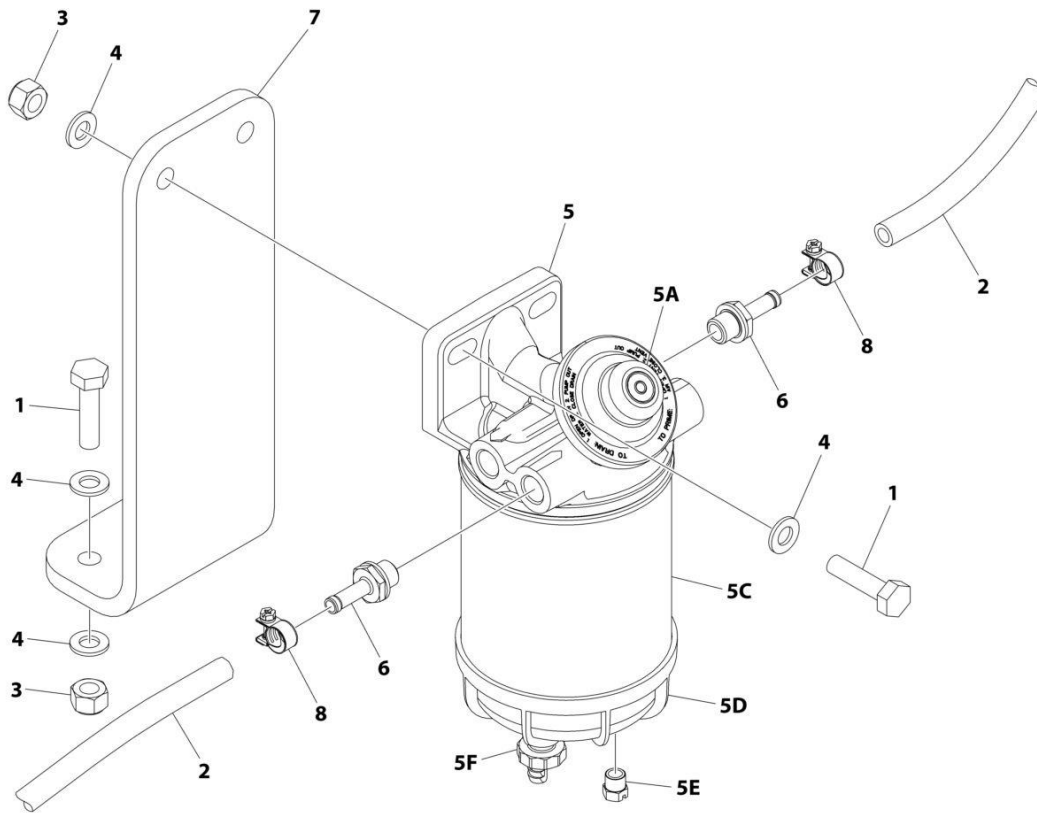
SECTION 3 - ENGINE

FIGURE 3-22. FUEL FILTER ASSEMBLY - DEUTZ TD2.9L4 T4F ENGINES

ITEM	PART NUMBER	QTY	DESCRIPTION	REV
	1001222817	Ref	FUEL FILTER ASSEMBLY	A
1	70006403	1	Handle Kit (Includes Handle, Handle O-Ring & Lid Gasket)	
2	70006404	1	Lid Kit (Includes Lid, Handle O-Ring & Lid Gasket)	
3	70006405	1	Element, Filter (Not Shown)	
5A	See Note	NSS	Housing (Note: Use p/n 1001222817)	
5B	See Note	NSS	Bracket (Note: Use p/n 1001222817)	
5C	See Note	NSS	Tube, Return (Note: Use p/n 1001222817)	
6	70006407	1	Certrfuge & Baffle Kit (Not Shown - Located at Bottom of 5C) (Also Includes p/n 70006406 & Bowl Gasket)	
6	70006406	1	Checkball & Gasket Kit (Not Shown - Located at Bottom of 5C)	
7	70006409	1	Bowl Kit (Includes Bowl Gasket, Plug with O-Ring & Drain)	
7	70006408	1	Gasket, Bowl	
8	70006410	1	Bowl Ring Kit (Includes Bowl Gasket & Bolts)	

SECTION 3 - ENGINE

FIGURE 3-23. FUEL FILTER INSTALLATION – DEUTZ TD2011 ENGINE (OPTIONAL)



ART_1001150091

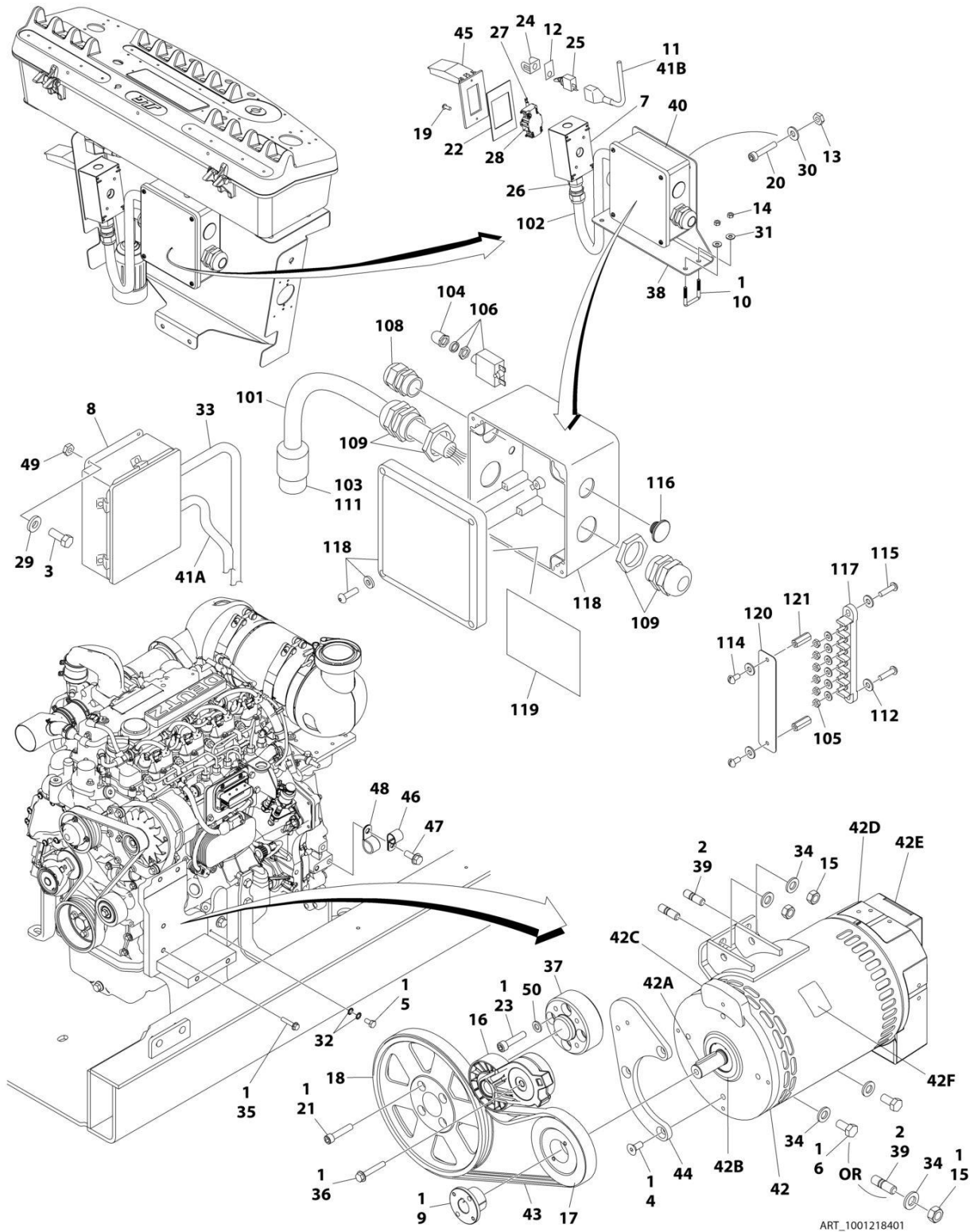
SECTION 3 - ENGINE

FIGURE 3-23. FUEL FILTER INSTALLATION – DEUTZ TD2011 ENGINE (OPTIONAL)

ITEM	PART NUMBER	QTY	DESCRIPTION	REV
	1001150091	Ref	FUEL FILTER INSTALLATION – DEUTZ TD2011 ENGINE (OPTIONAL)	B
1	0761016	4	Bolt M10 x 40	
2	2720058	16.7 ft /5.1m	Hose Fuel Line	
3	3291005	4	Nut M10	
4	4812000	8	Washer M10	
5	1001149452	1	Fuel Filter/Water Separator Assembly	
5A	See Note	NSS	Indicator, Restriction (Note: Use p/n 1001149452)	
5B	70004064	1	Bypass Valve Kit (Not Shown)	
5C	70004065	1	Gasket, Head to Element	
5C	70004066	1	Element, Filter	
5D	70004067	1	Gasket, Element to Bowl	
5D	70004068	1	Bowl Kit (Includes Bowl, Element and Plug)	
5E	70004069	1	Plug	
5F	70004070	1	Drain	
6	1001149469	2	Fitting, Straight Barbed	
7	1001182727	1	Bracket	
8	1001174486	4	Clamp	

SECTION 3 - ENGINE

FIGURE 3-24. 7500W SKYPOWER GENERATOR INSTALLATION - 60HZ/240V (DEUTZ TD2.9L4 T4F ENGINES) (OPTIONAL)



ART_1001218401

SECTION 3 - ENGINE

FIGURE 3-24. 7500W SKYPOWER GENERATOR INSTALLATION - 60HZ/240V (DEUTZ TD2.9L4 T4F ENGINES) (OPTIONAL)

ITEM	PART NUMBER	QTY	DESCRIPTION	REV
	1001218401	Ref	7500W SKYPOWER GENERATOR INSTALLATION - 60HZ/240V (DEUTZ TD2.9L4 T4F ENGINES) (OPTIONAL)	D
1	0100011	AR	Compound, Locking	
2	0100019	AR	Compound, Locking	
3	0760615	4	Bolt M6 x 35	
4	0741607	3	Screw 3/8 x 7/8	
5	0760606	1	Bolt M6 x 12	
6	0761212	2	Bolt M12 x 25	
7	0860038	1	Box, Receptacle	
8	0861538	1	Generator Control Box Assembly	
8	7024488	1	Card, Circuit - Generator Power (Not Shown)	
8	See Note	1	Fuse (Note: Not Available Purchase Locally)	
8	7024489	1	Card, Circuit - Control (Not Shown)	
		Ref	Note: When replacing card, rocker switch on card must be set for required application.	
8	70000619	1	Harness, Circuit Card	
9	0962520	1	Bushing, Taper	
10	1320302	2	Clamp	
11	2820031	1	Heat Shrink	
12	3251102	1	Nameplate - Generator	
13	3311005	4	Nut #10	
14	3311401	4	Nut 1/4	
15	3331211	AR	Nut M12	
16	3580317	1	Tensioner, Bolt	
17	3580318	1	Pulley, Generator	
18	3580320	1	Pulley, Engine	
19	3910606	4	Screw #6 x 3/8	
20	3931016	4	Capscrew #10 x 1	
21	3931628	4	Capscrew 3/8 x 1-3/4	
22	3960422	1	Gasket	
23	4032013	4	Capscrew M10 x 45	
23	4032014	4	Capscrew M10 x 50	
24	4060802	1	Guard, Switch	
25	4360336	1	Switch, Toggle	
26	4460071	1	Connector, Strain Relief	
27	4460315	2	Terminal	
28	4460346	1	Receptacle, Female	
29	4711400	4	Washer 1/4	
29	4811700	8	Washer M6	
30	4751000	4	Washer #10	
31	4751400	4	Washer 1/4	
32	4871700	2	Washer M6	
33	4922972	1	Generator Harness (See Separate Breakdown in ELECTRICAL Section)	
34	5241200	4	Washer M12	
35	5250816	2	Bolt M8 x 40	
36	5250818	1	Bolt M8 x 50	
37	1001135679	1	Adapter, Pulley	
38	1001141958	1	Bracket	

SECTION 3 - ENGINE

ITEM	PART NUMBER	QTY	DESCRIPTION	REV
39	1001155041	AR	Stud	
40	1001157592	1	Junction Box Assembly (See Items 101-121 for Breakdown)	
41	1001157770	AR	Electrical Diagram Components (Not Shown)	
41A	1001119968	1	Generator Harness - 7500W SkyPower (60Hz/240V) (Deutz TD2.9L4 TF4 Engines) (Optional) (See Separate Breakdown in ELECTRICAL Section)	
41B	4922641	1	Switch Harness	
42	1001212223	1	Generator Assembly	
42	70001100	1	Rotor (Includes p/n 70001384 & 70000863) (Not Shown)	
42	70001384	1	Bearing, Shaft (Rear) (Not Shown)	
42	70000863	1	Fan, Generator (Not Shown)	
42	70006093	1	Stator (Not Shown)	
42	See Note	NSS	Stud 1/4 x 13-3/8 (Not Shown) (Note: Purchase Locally)	
42	70003631	1	Brushholder Assembly (Not Shown) (was p/n 7024484)	
42A	70004099	1	Key	
42B	70001966	1	Bearing, Ball Radial (Located in Belt Tensioner Endbell)	
42B	70003709	1	Ring, Retaining (Small)	
42B	70003708	1	Ring, Retaining (Large)	
42C	70004092	1	Endbell, Belt Tensioner	
42D	70004094	1	Endbell, Brush Block	
42E	70006094	1	Shroud Assembly	
42E	7027799	1	Block, Connector - 6 Position (Not Shown)	
42E	70002460	6	Nut, Brass (Attaches p/n 7027799 to Cover) (Not Shown)	
42E	70006095	1	Breaker, Circuit 30Amp (Not Shown)	
42E	70006096	1	Boot, Breaker (Not Shown)	
42E	See Note	NSS	Connector with Leads (Not Shown) (Note: Not Available for Purchase)	
42E	7026626	1	Connector with Pins (Not Shown)	
42E	70004098	1	Clamp, Cable (Not Shown)	
42E	70006097	1	Plate, End Panel (Not Shown)	
42E	70002291	1	Insulator, End Panel (Not Shown)	
42E	70001974	1	Decal - Terminal Connections (Not Shown)	
42F	70001973	1	Decal - Warning Moving Parts	
43	1001214683	1	V-Belt	
44	1001218447	1	Bracket	
45	1001110873	1	Cover, Receptacle	
46	1320061	1	Clamp	
47	5251012	1	Bolt M10 x 25	
48	7274000040	1	Clamp	
49	3290605	4	Nut	
50	4812000	4	Washer	
	1001157592	Ref	JUNCTION BOX ASSEMBLY	C
101	1060343	1.5 ft/ 0.5m	Cable, Electrical 10/4	
102	1001179154	2.5 ft/ 0.8m	Cable, Electrical 12/3	
103	1671092	1	Cover	
104	3300396	1	Cover, Fuse	
105	3311001	6	Nut #10	
106	4360070	1	Circuit Breaker - 15Amp	
108	4460425	1	Strain Relief, Terminal	
109	4460426	2	Connector, Strain Relief	

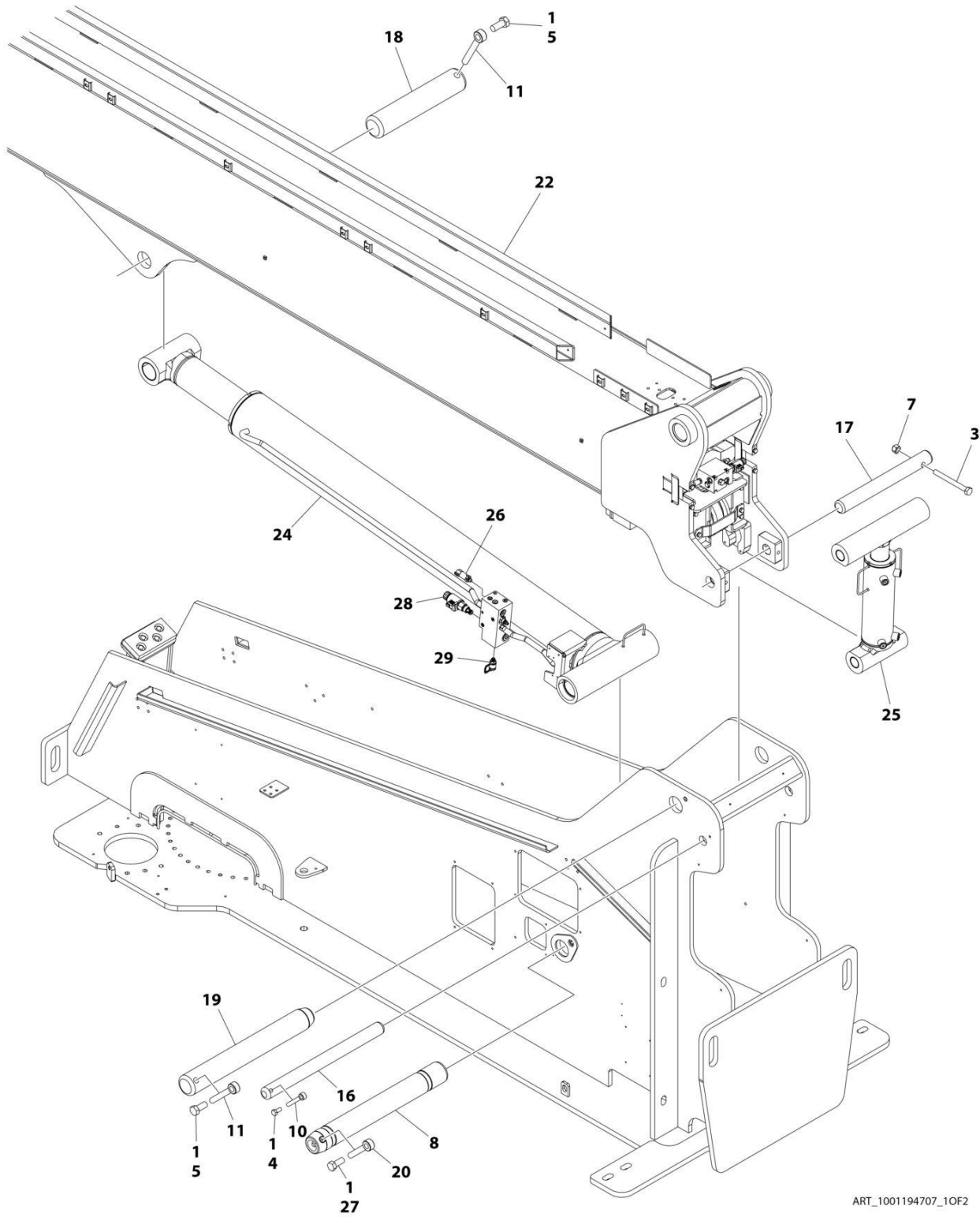
SECTION 3 - ENGINE

ITEM	PART NUMBER	QTY	DESCRIPTION	REV
111	4460963	1	Connector	
112	4711000	10	Washer #10	
114	10702077	2	Screw #10 x 3/8	
115	10702082	2	Screw #10 x 3/4	
116	1001152525	1	Plug	
117	1001157520	1	Block, Terminal	
118	1001157521	1	Box, Junction	
119	1001157528	1	Decal - Wiring Schematic	
120	1001158007	1	Cover, PVC	
121	1001158008	2	Stand-Off	

SECTION 4 - BOOM

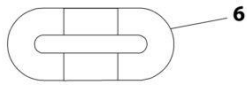
SECTION 4 - BOOM

FIGURE 4-1. BOOM INSTALLATION

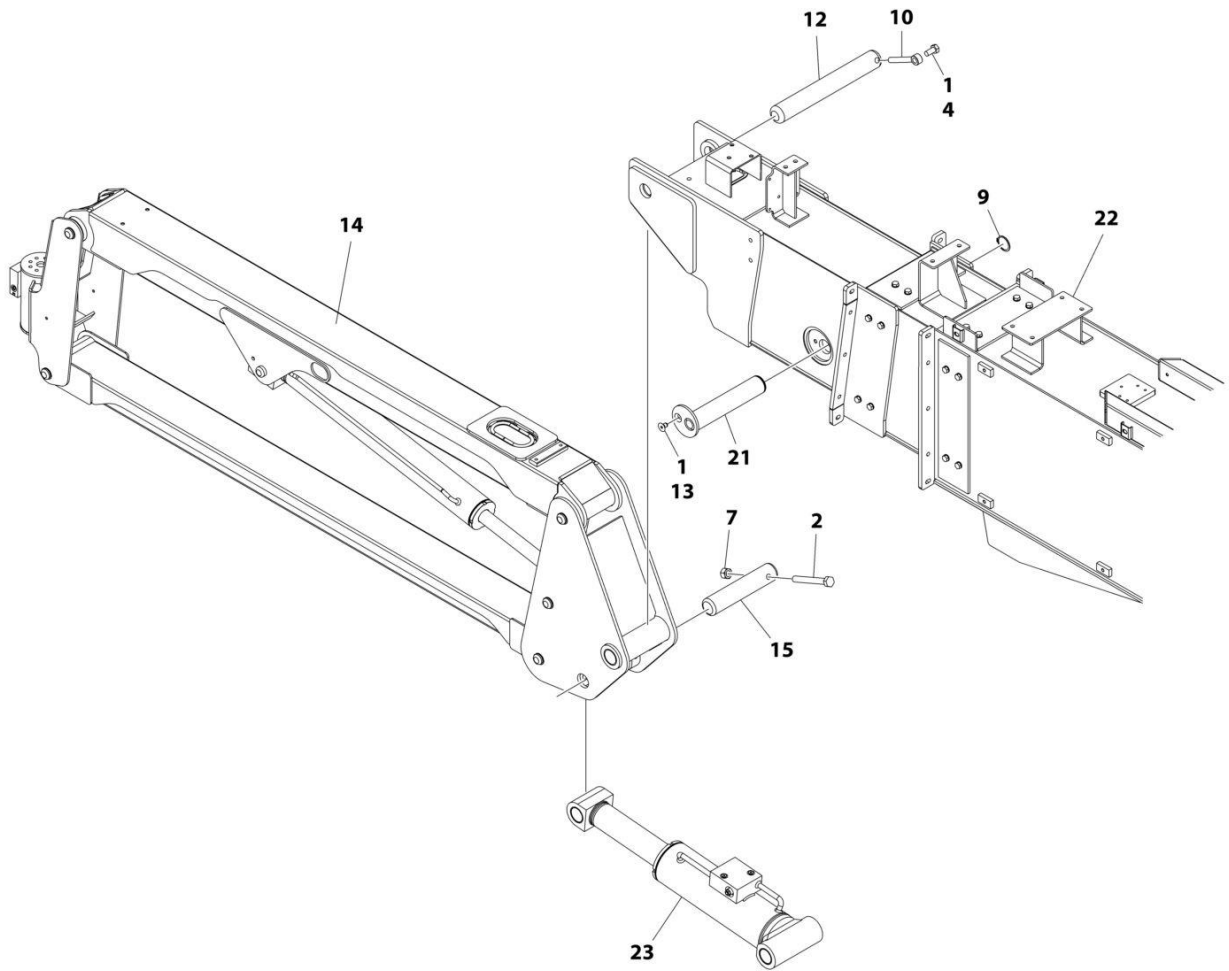


ART_1001194707_TOF2

SECTION 4 - BOOM



**DECALS LOCATED ON
BOTTOM PLATE OF MID BOOM**



ART_1001194707_2OF2

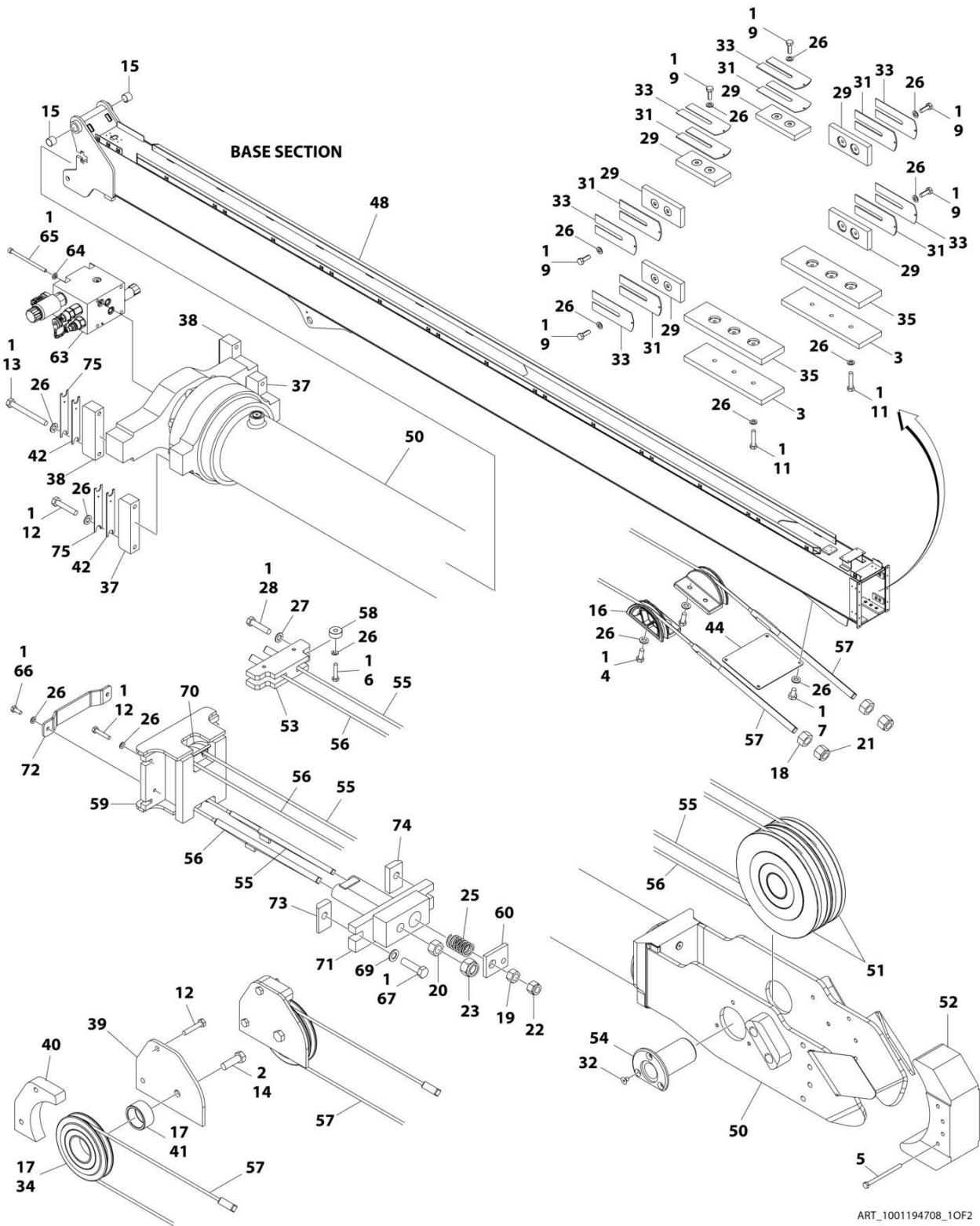
SECTION 4 - BOOM

FIGURE 4-1. BOOM INSTALLATION

ITEM	PART NUMBER	QTY	DESCRIPTION	REV
	1001194707	Ref	BOOM INSTALLATION	G
1	0100019	AR	Compound, Locking	
2	0701227	1	Bolt M12 x 100	
3	0701229	1	Bolt M12 x 120	
4	0761212	2	Bolt M12 x 25	
5	0762017	2	Bolt M20 x 45	
6	1705366	1	Decal - Boom Length	
7	3291205	2	Nut M12	
8	3423208	1	Pin	
9	3760233	1	Ring, Retaining	
10	3841203	2	Keeper, Pin	
11	3841287	2	Keeper, Pin	
12	1001116547	1	Pin	
13	1001137032	1	Screw M10 x 16	
14	1001150012	1	Jib Assembly (See Separate Breakdown in this Section)	
15	1001150470	1	Pin	
16	1001150471	1	Pin	
17	1001200794	1	Pin	
18	1001150473	1	Pin	
19	1001150474	1	Pin	
20	3841581	1	Keeper, Pin	
21	1001194694	1	Pin	
22	1001194708	1	Boom Assembly (See Separate Breakdown in this Section)	
23	1001195191	1	Level Cylinder Assembly - Platform Slave (See Separate Breakdown in CYLINDER Section)	
24	1001197797	1	Lift Cylinder - Boom (See Separate Breakdown in CYLINDER Section)	
25	1001197798	1	Master Cylinder Assembly (See Separate Breakdown in CYLINDER Section)	
26	1001199043	1	Sensor, Pressure Transducer	
27	0642214	1	Bolt 3/4 x 1-3/4	
28	1001218037	1	Proportional Valve Assembly	
28	70006003	1	Cartridge Less Coil	
28	70006005	1	Seal Kit - 70006003 Cartridge	
28	70006004	1	Coil	
28	70006006	1	Nut	
29	2221086	1	Fitting, Test	

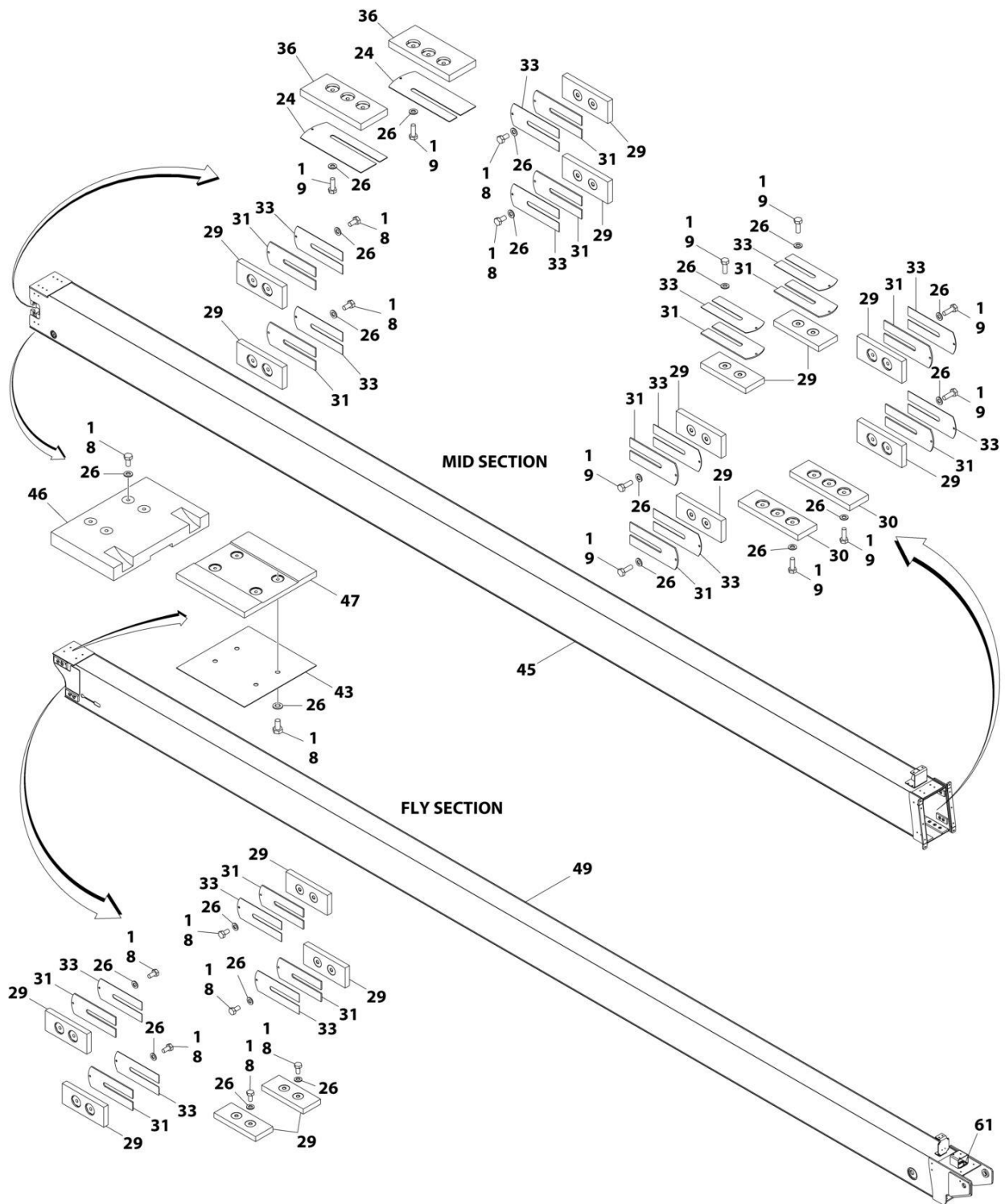
SECTION 4 - BOOM

FIGURE 4-2. BOOM ASSEMBLY



ART_1001194708_10F2

SECTION 4 - BOOM



ART_1001194708_20F2

SECTION 4 - BOOM

FIGURE 4-2. BOOM ASSEMBLY

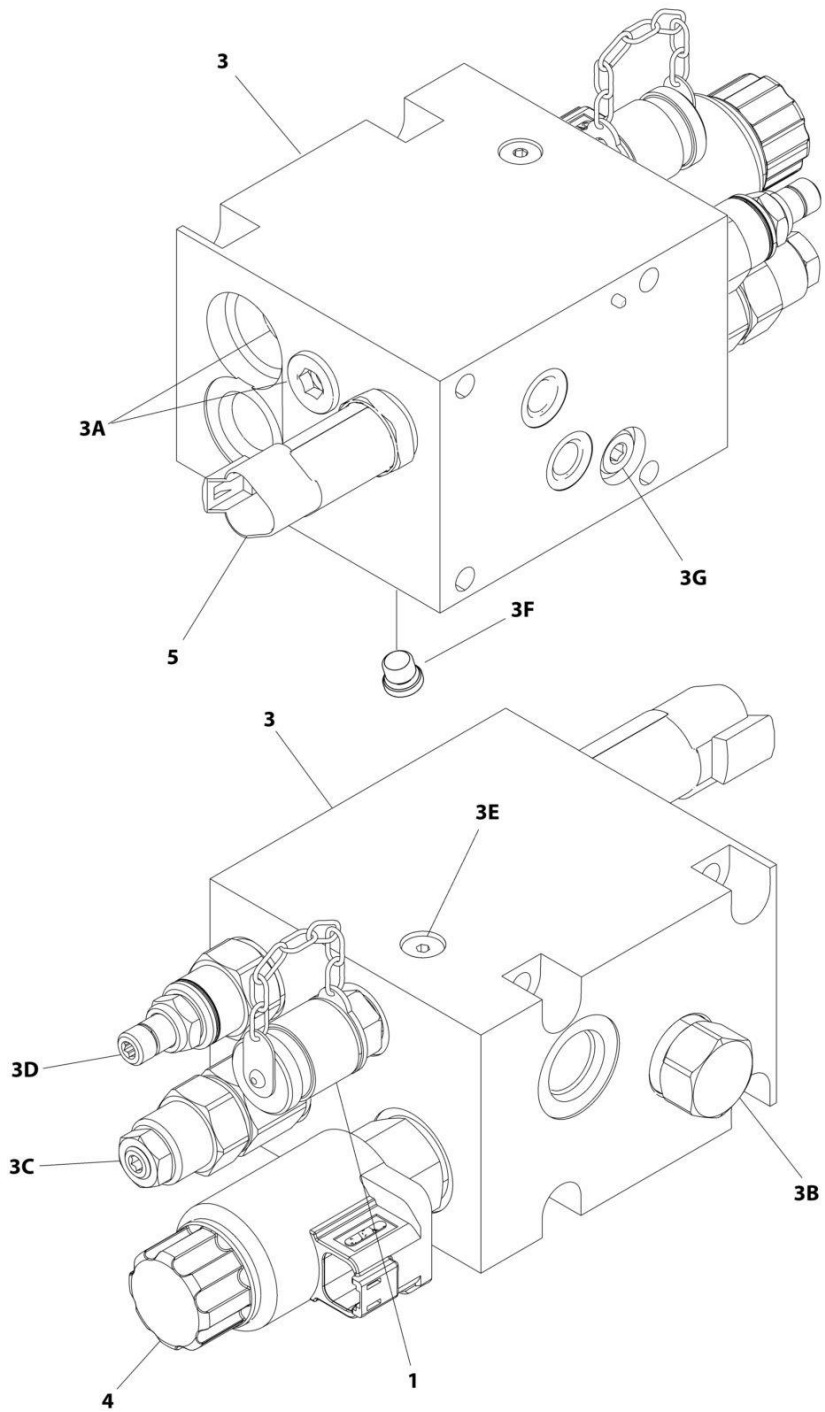
ITEM	PART NUMBER	QTY	DESCRIPTION	REV
	1001194708	Ref	BOOM ASSEMBLY	N
1	0100011	AR	Compound, Locking	
2	0100019	AR	Compound, Locking	
3	0561471	2	Block, Spacer	
4	0641608	4	Bolt 3/8 x 1	
5	0701031	4	Bolt M10 x 140	
6	0711018	2	Bolt M10 x 50	
7	0761009	4	Bolt M10 x 18	
8	0761010	28	Bolt M10 x 20	
9	0761014	36	Bolt M10 x 30	
11	0761018	6	Bolt M10 x 50	
12	0761019	12	Bolt M10 x 55	
13	0761027	4	Bolt M10 x 100	
14	0761618	2	Bolt M16 x 50	
15	0962297	2	Bushing	
16	1220078	2	Sheave, Block	
17	3020039	AR	Lubricant	
18	3272201	2	Nut 3/4	
19	3272401	1	Nut 7/8	
20	3282601	1	Nut 1	
21	3300241	2	Nut Nylon Collar Locking 3/4-10	
22	3300242	1	Nut Nylon Collar Locking 7/8-9	
23	3300459	1	Nut	
24	4071015	2	Shim, 16 Gauge	
25	4160197	1	Spring	
26	4812000	94	Washer M10	
27	4812300	2	Washer M16	
28	1001110853	2	Bolt M16 x 70	
29	1001118287	22	Pad, Wear	
30	1001136583	2	Pad, Wear	
31	1001136592	NLA	Shim, 11 Gauge (Use PN 4070898)	
31	4070898	20	Shim, 11 Gauge	
32	1001137032	3	Screw M10 x 16	
33	1001143713	NLA	Shim, 18 Gauge (Use PN 4070897)	
33	4070897	20	Shim, 18 Gauge	
34	1001146775	2	Sheave, Assembly	
34	0962404	2	Bushing, Bronze (1 Per Sheave)	
34	0962411	2	Bushing, Composite (1 Per Sheave)	
35	1001148011	2	Pad, Wear	
36	1001148012	2	Pad, Wear	
37	1001148420	2	Bar	
38	1001148421	2	Bar	
39	1001148576	2	Cover, Sheave	
40	1001148577	2	Block, Rope Retainer	
41	1001148578	2	Sleeve, Sheave	
42	1001194636	4	Shim, 14 Gauge	
43	1001194653	1	Shim, 16 Gauge	
44	1001194663	1	Cover	
45	1001194706	1	Boom, Mid	
46	1001194712	1	Pad, Wear	

SECTION 4 - BOOM

ITEM	PART NUMBER	QTY	DESCRIPTION	REV
47	1001194715	1	Pad, Wear	
48	1001194717	1	Boom, Base	
49	1001194733	1	Boom, Fly	
50	1001232899	1	Telescope Cylinder Assembly (See Separate Breakdown in CYLINDER Section)	
51	1001194935	2	Sheave Assembly	
51	1001154294	1	Ring, Retaining (1 Per Sheave)	
51	1001154304	1	Bushing, Composite (1 Per Sheave)	
51	1001154306	1	Bushing, Bronze (1 Per Sheave)	
52	1001194937	1	Guard, Sheave	
53	1001194938	1	Block, Extent Rope	
54	1001194940	1	Pin	
55	1001194941	1	Rope, Extend	
56	1001194942	1	Rope, Extend	
57	1001194943	2	Rope, Retract	
58	1001195442	2	Washer	
59	1001216560	1	Support	
60	1001216835	1	Block	
61	4060807	8.3 in/ 21cm	Flex-Trim	
62	3020042	AR	Lubricant (Not Shown)	
63	1001221518	1	Telescope Valve Assembly (See Separate Breakdown in this Section)	
64	5240600	4	Washer M6	
65	5271723	4	Capscrew M6 x 100	
66	0761012	2	Bolt M10 x 25	
67	1001119057	2	Bolt M20 x 75	
69	5242000	2	Washer M20	
70	1001216555	1	Guide	
71	1001216832	1	Adjuster, Switch	
72	1001216836	1	Bracket	
73	1001220778	1	Spacer	
74	1001220779	1	Pad	
75	1001225343	4	Shim, 18 Gauge	

SECTION 4 - BOOM

FIGURE 4-3. TELESCOPE VALVE ASSEMBLY



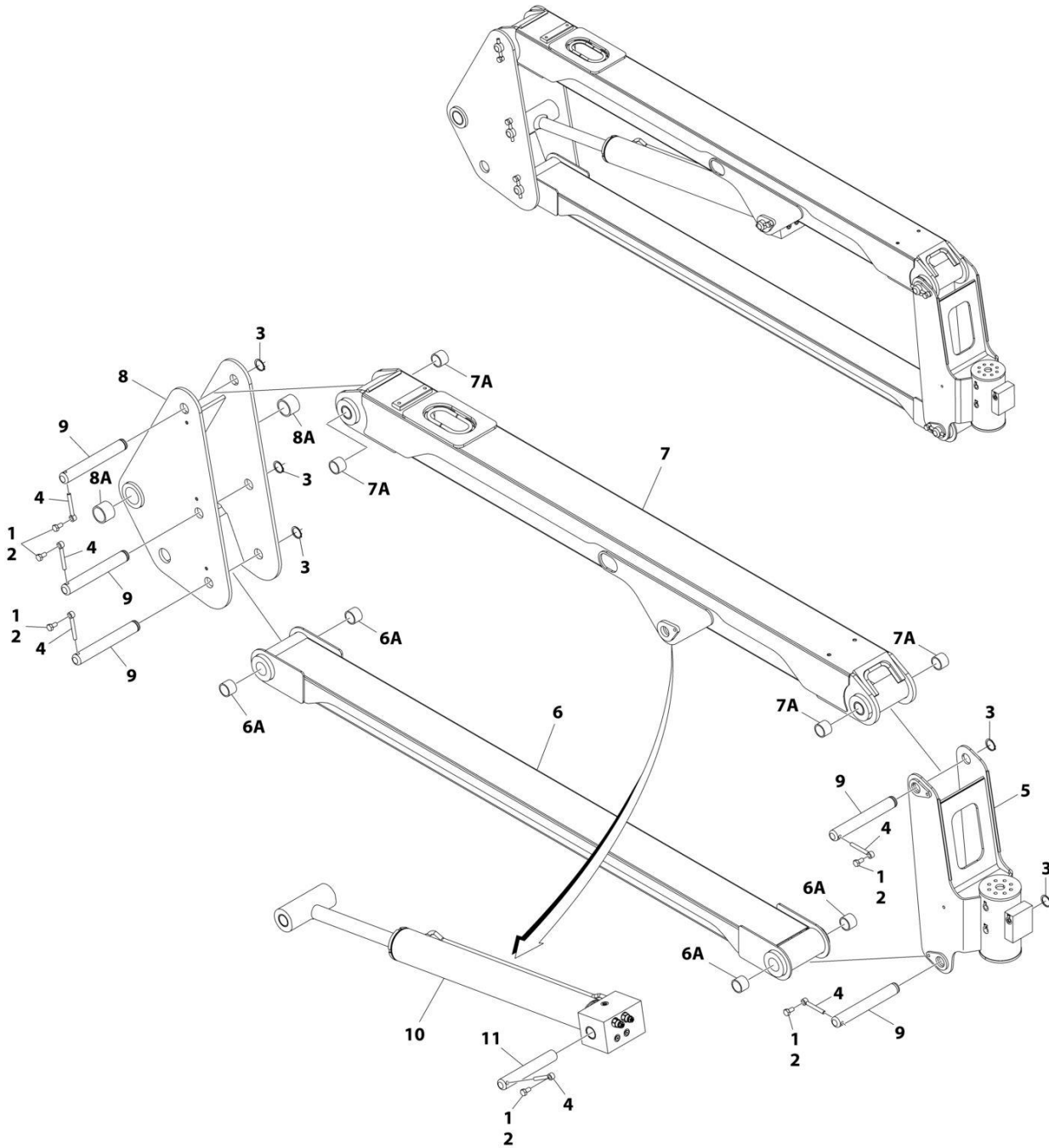
ART_1001221518

FIGURE 4-3. TELESCOPE VALVE ASSEMBLY

ITEM	PART NUMBER	QTY	DESCRIPTION	REV
	1001221518	Ref	TELESCOPE VALVE ASSEMBLY	C
1	2221086	1	Fitting, Test	
3	1001226706	1	Load Holding Valve Manifold	
3A	70006282	1	Cartridge	
3A	7011346	1	Seal Kit - 70006282 Valve	
3B	70006098	1	Cartridge	
3B	70006099	1	Seal Kit - 70006098 Valve	
3C	70006283	1	Cartridge	
3C	2900700	1	Seal Kit - 70006283 Valve	
3D	70006101	1	Cartridge	
3D	70006102	1	Seal Kit - 70006101 Valve	
3E	2220881	1	Plug	
3F	2220883	1	Plug	
3G	2221337	1	Plug	
4	1001218037	1	Solenoid Valve	
4	70006003	1	Cartridge	
4	70006004	1	Coil	
4	70006005	1	Seal Kit - 70006003 Valve	
4	70006006	1	Nut	
5	1001199043	1	Sensor, Pressure Transducer	

SECTION 4 - BOOM

FIGURE 4-4. JIB ASSEMBLY



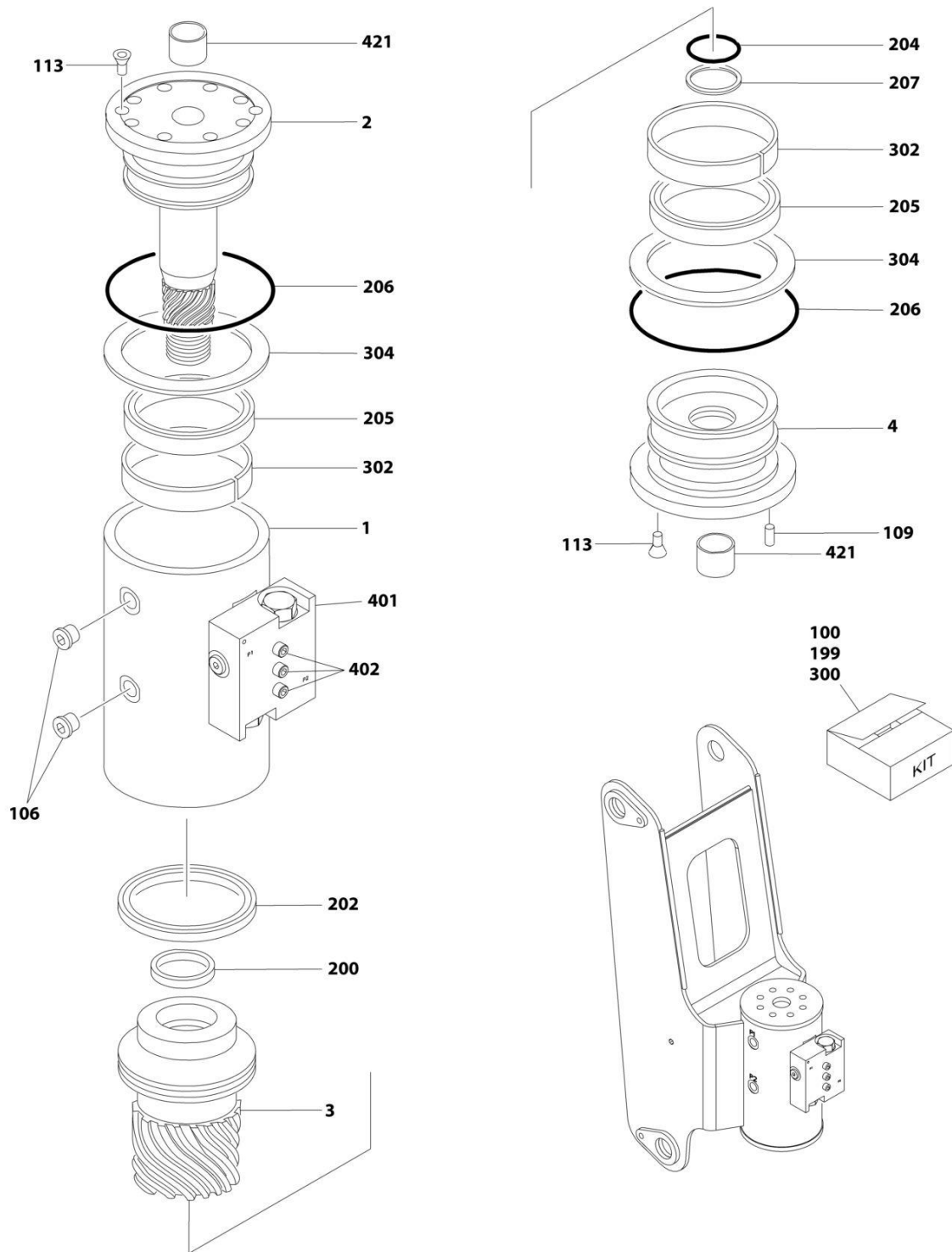
ART_1001150012

FIGURE 4-4. JIB ASSEMBLY

ITEM	PART NUMBER	QTY	DESCRIPTION	REV
	1001150012	Ref	JIB ASSEMBLY	B
1	0100011	AR	Compound, Locking	
2	0761010	6	Bolt M10 x 20	
3	3760133	5	Ring, Retaining	
4	3841143	6	Keeper, Pin	
5	1001148919	1	Platform Rotator Assembly (See Separate Breakdown in this Section)	
6	1001148930	1	Link, Lower Jib Assembly	
6A	0961951	4	Bushing	
7	1001148932	1	Link, Upper Jib Assembly	
7A	0961951	4	Bushing	
8	1001148953	1	Pivot, Jib Assembly	
8A	1001118665	2	Bushing	
9	1001149103	5	Pin, Nickel Plated	
10	1001149389	1	Lift Cylinder Assembly - Jib (See Separate Breakdown in CYLINDER Section)	
11	1001149903	1	Pin, Nickel Plated	

SECTION 4 - BOOM

FIGURE 4-5. PLATFORM ROTATOR ASSEMBLY



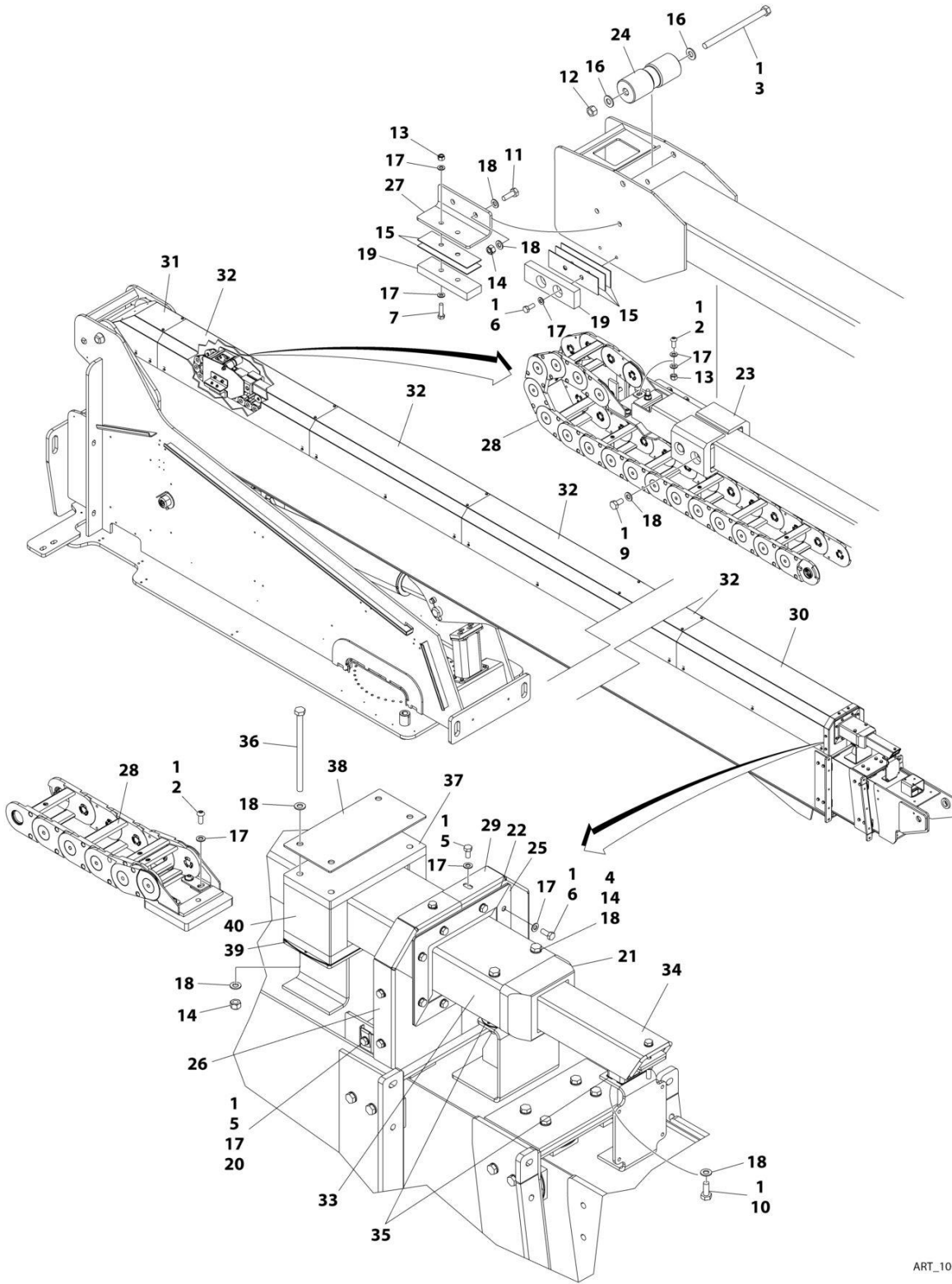
ART_1001148919

FIGURE 4-5. PLATFORM ROTATOR ASSEMBLY

ITEM	PART NUMBER	QTY	DESCRIPTION	REV
	1001148919	Ref	PLATFORM ROTATOR ASSEMBLY	G
1	See Note	NSS	Housing/Ring Gear (Note: Purchase Complete Assembly)	
2	70003948	1	Shaft	
3	7017163	1	Piston	
4	7017164	1	Cap	
100	7017142	1	Hardware Kit (Includes Items 106-109)	
106	See Note	NSS	Plug (Note: Use Item 100)	
109	See Note	NSS	Pin, Dowel (Note: Use Item 100)	
113	70001697	6	Screw 1/4 x 3/8	
199	70000342	1	Seal Kit - Low Temperature (Includes Items 200-207)	
200	See Note	NSS	T-Seal (Note: Use Item 199)	
202	See Note	NSS	T-Seal (Note: Use Item 199)	
204	See Note	NSS	O-Ring (Note: Use Item 199)	
205	See Note	NSS	Seal (Note: Use Item 199)	
206	See Note	NSS	O-Ring (Note: Use Item 199)	
207	See Note	1	Ring, Back-up (Note: Use Item 199)	
300	7017159	1	Bearing Kit (Includes Items 302-304)	
302	See Note	NSS	Bearing (Note: Use Item 300)	
304	See Note	NSS	Washer, Thrust (Note: Use Item 300)	
401	7017172	1	Valve, Control (Note: Sold as Assembly Only)	
401	7017192	2	Cartridge, Valve - Counterbalance (Seal Kit Not Available)	
401	See Note	1	Cartridge, Valve - Check (Seal Kit Not Available) (Note: Use p/n 7017172)	
402	See Note	NSS	Bolt 1/4 x 1-1/2 Grade 8 (Note: Purchase Locally)	
421	7017195	2	Bushing	

SECTION 4 - BOOM

FIGURE 4-6. POWER TRACK INSTALLATION



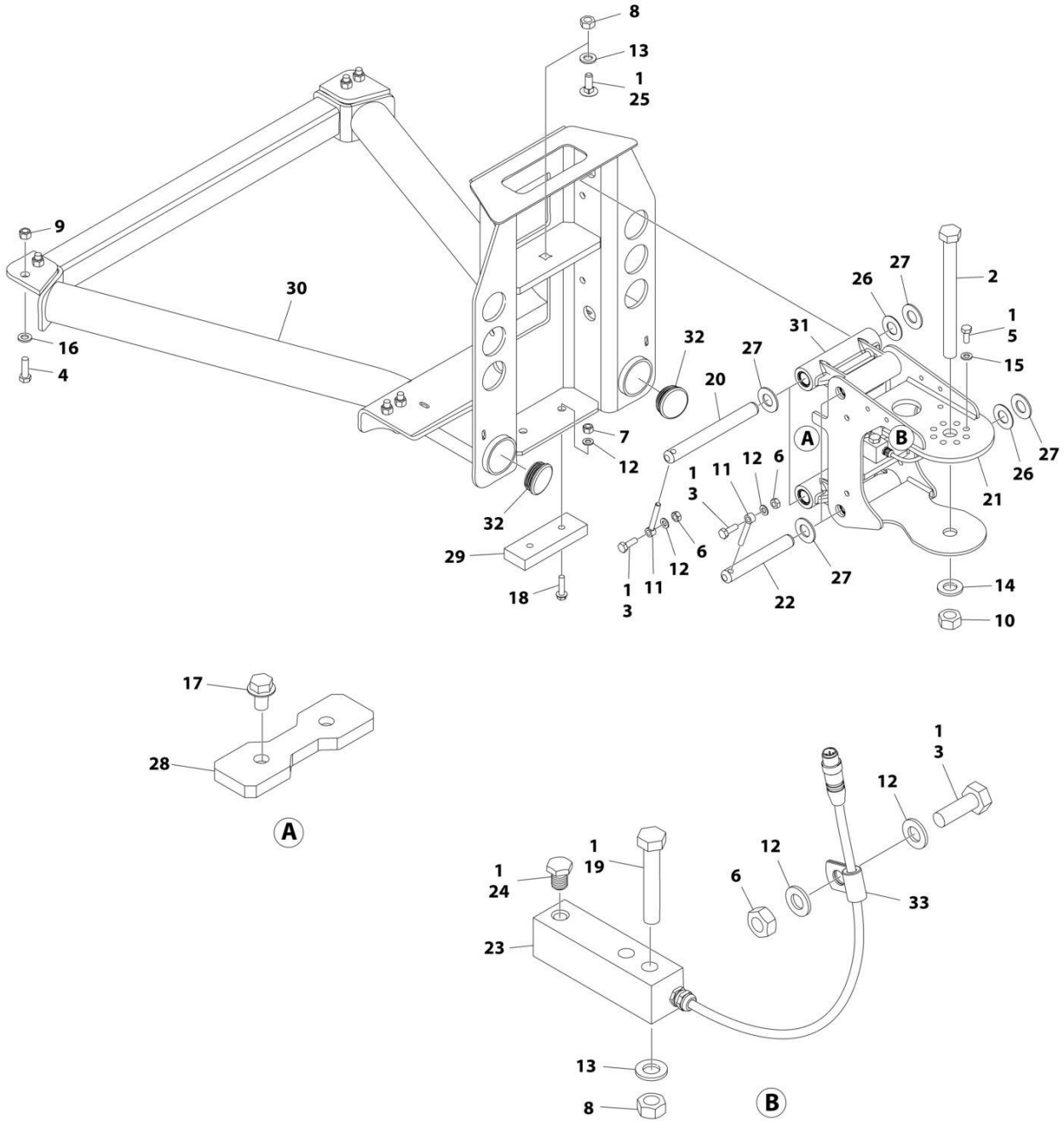
ART_1001194506

FIGURE 4-6. POWER TRACK INSTALLATION

ITEM	PART NUMBER	QTY	DESCRIPTION	REV
	1001194506	Ref	POWER TRACK INSTALLATION	G
1	0100019	AR	Compound, Locking	
2	0630612	8	Screw M8 x 20	
3	0641858	1	Bolt 1/2 x 7-1/4	
4	0701030	2	Bolt M10 x 130	
5	0760808	66	Bolt M8 x 16	
6	0760810	12	Bolt M8 x 20	
7	0760814	4	Bolt M8 x 30	
9	0761010	4	Bolt M10 x 20	
10	0761012	2	Bolt M10 x 25	
11	0761014	4	Bolt M10 x 30	
12	3271805	1	Nut 1/2	
13	3290805	8	Nut M8	
14	3291005	10	Nut M10	
15	4070895	10	Shim, 16 Gauge	
16	4711800	2	Washer 1/2	
17	4811900	94	Washer M8	
18	4812000	26	Washer M10	
19	1001148650	4	Pad, Wear	
20	1001149160	60	Nut, Tinnerman M8	
21	1001194134	2	Pad, Wear	
22	1001194136	2	Wiper	
23	1001194137	2	Pad, Wear	
24	1001194138	1	Roller	
25	1001194525	2	Bracket	
26	1001216208	1	Cover, Front (RH)	
27	1001194528	2	Bracket	
28	1001194548	1	Power Track Assembly	
28	70005824	AR	Repair Section Kit	
28	70005825	1	Mounting Kit	
29	1001216207	1	Cover, Front (LH)	
30	1001194550	1	Cover, Track (Front)	
31	1001194564	1	Cover, Track (Rear)	
32	1001194566	6	Cover, Track (Mid)	
33	1001194568	1	Tube, Push (Mid Boom)	
34	1001194582	1	Tube, Push (Fly Boom)	
35	1001198229	6	Shim, 1mm	
36	0701034	4	Bolt M10 x 170	
37	1001194133	2	Pad, Wear	
38	1001197717	1	Plate	
39	1001216206	4	Shim, 1mm	
40	1001217028	2	Pad, Wear	

SECTION 4 - BOOM

FIGURE 4-7. PLATFORM SUPPORT INSTALLATION



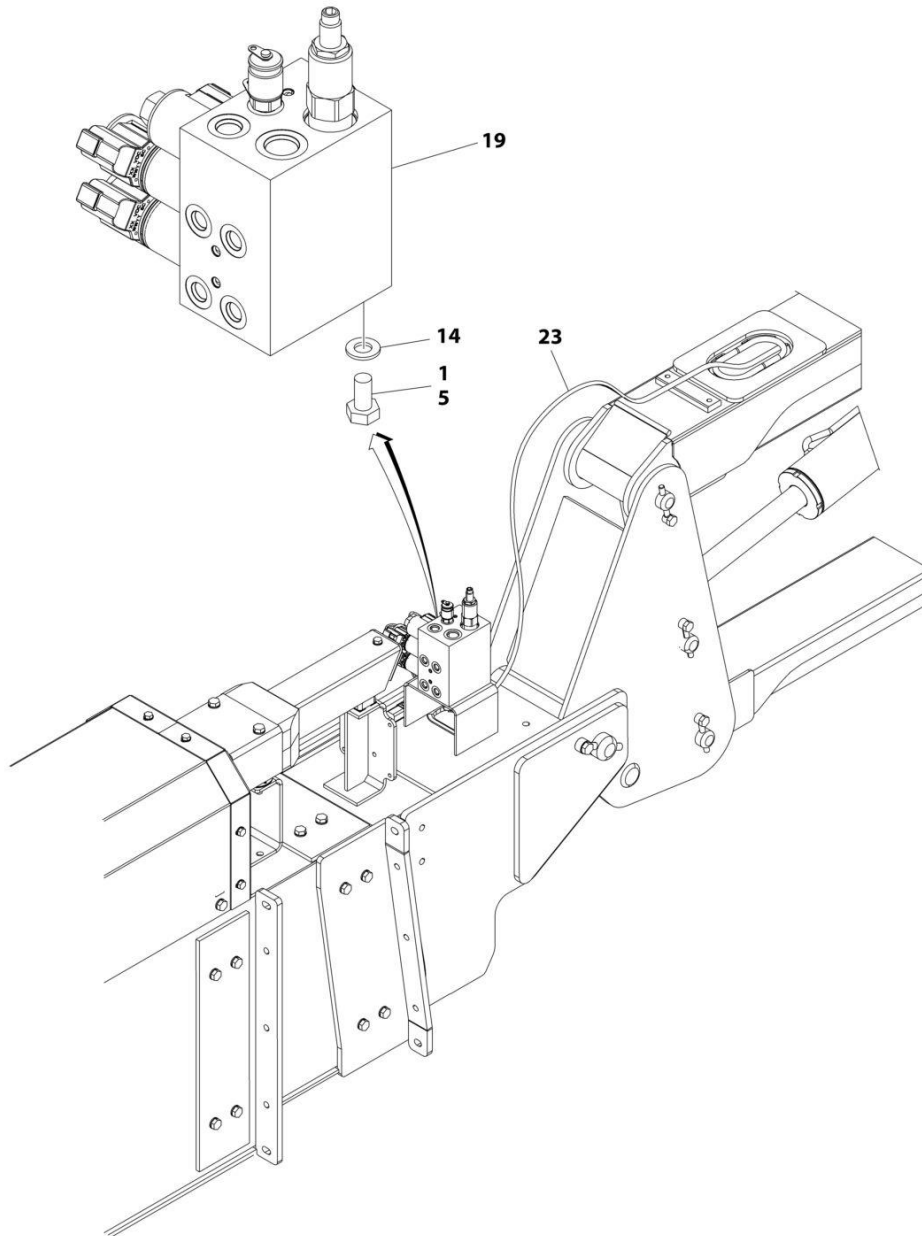
ART_1001215258_H

FIGURE 4-7. PLATFORM SUPPORT INSTALLATION

ITEM	PART NUMBER	QTY	DESCRIPTION	REV
	1001215258	Ref	PLATFORM SUPPORT INSTALLATION	H
1	0100011	AR	Compound, Locking	
2	0712445001	1	Bolt M24 x 280	
3	0761014	5	Bolt M10 x 30	
4	0761216	8	Bolt M12 x 40	
5	0771012	8	Bolt M10 x 25	
6	3291001	5	Nut M10	
7	3291005	2	Nut M10	
8	3291201	3	Nut M12	
9	3291205	8	Nut M12	
10	3332415001	1	Nut M24	
11	3841143	4	Keeper	
12	4812000	8	Washer M10	
13	4812100	3	Washer M12	
14	5242400001	1	Washer M24	
15	5241000	8	Washer M10	
16	5241200	8	Washer M12	
17	5251008	2	Bolt M10 x 16	
18	5251016	2	Bolt M10 x 40	
19	1001098828	2	Bolt M12 x 70	
20	1001167565	2	Pin	
21	1001217917	1	Support, Rotary Side	
22	1001168402	2	Pin	
23	1001247468	1	Gauge, Load Sensing	
24	1001188622	1	Screw	
25	1001188844	1	Bolt M12 x 35	
26	1001189001	4	Bearing	
27	1001189002	8	Bearing	
28	1001190985	1	Wear Pad	
29	1001200491	1	Plate	
30	1001200494	1	Support	
31	1001201351	2	Link, LSS Assembly	
31	1001187382	4	Bearing	
31	1001187383	4	Seal	
32	1001204725	2	Plug	
33	91203039	1	Clamp	

SECTION 4 - BOOM

FIGURE 4-8. VALVE INSTALLATION - BOOM (2WD/2WS)



ART_1001223984_C_30F3

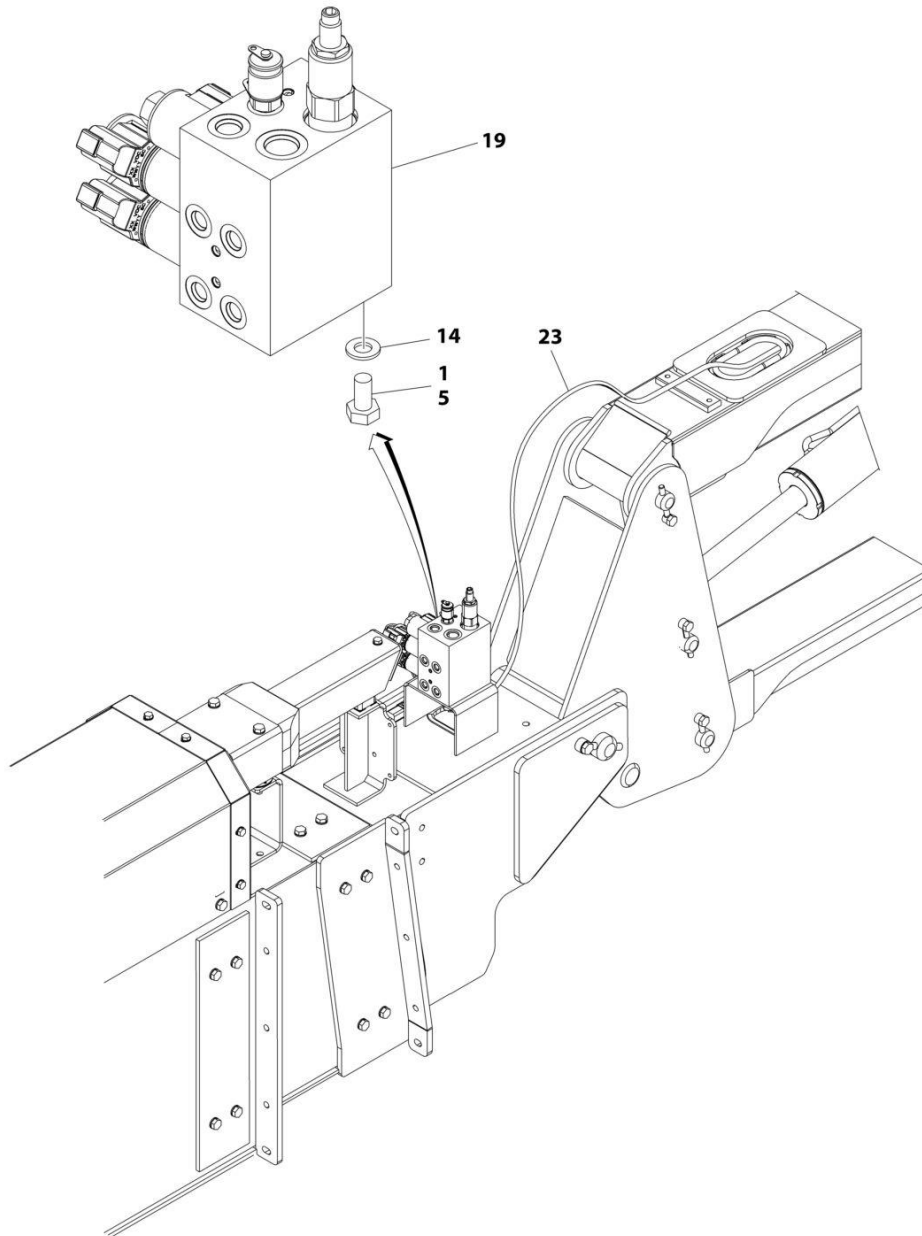
SECTION 4 - BOOM

FIGURE 4-8. VALVE INSTALLATION - BOOM (2WD/2WS)

ITEM	PART NUMBER	QTY	DESCRIPTION	REV
	1001223984	Ref	VALVE INSTALLATION - BOOM	C
1	0100011	AR	Compound, Locking	
5	0761010	3	Bolt M10 x 20	
14	4812000	3	Washer M10	
19	1001151500	1	Jib and Platform Rotate Valve Assembly (See Separate Breakdown in this Section)	
23	1001231797	1	Platform Valve Harness (See Separate Breakdown in ELECTRICAL Section)	

SECTION 4 - BOOM

FIGURE 4-9. VALVE INSTALLATION - BOOM (4WD/2WS)



ART_1001223931_C_30F3

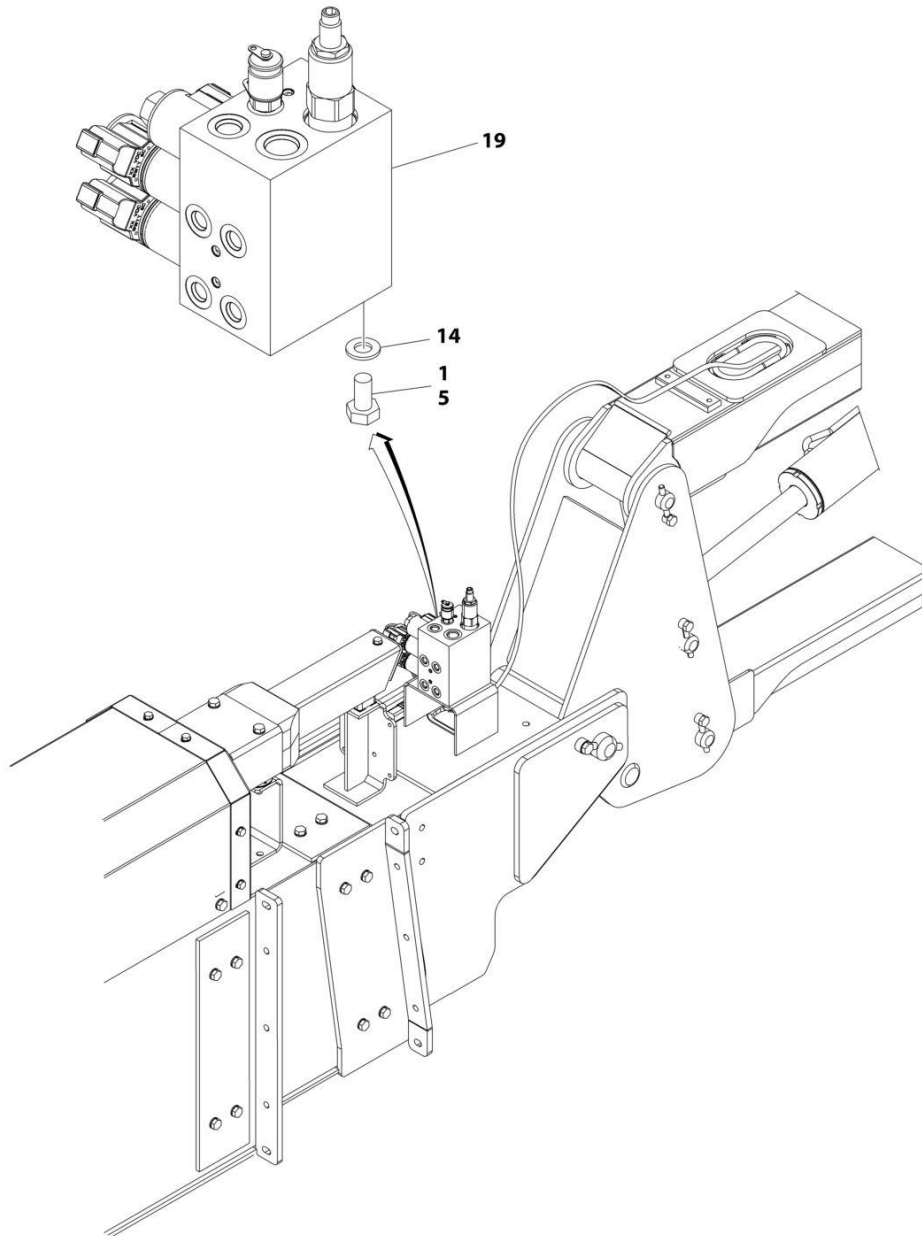
SECTION 4 - BOOM

FIGURE 4-9. VALVE INSTALLATION - BOOM (4WD/2WS)

ITEM	PART NUMBER	QTY	DESCRIPTION	REV
	1001223931	Ref	VALVE INSTALLATION - BOOM	C
1	0100011	AR	Compound, Locking	
5	0761010	3	Bolt M10 x 20	
14	4812000	3	Washer M10	
19	1001151500	1	Jib and Platform Rotate Valve Assembly (See Separate Breakdown in this Section)	
23	1001231797	1	Platform Valve Harness (See Separate Breakdown in ELECTRICAL Section)	

SECTION 4 - BOOM

FIGURE 4-10. VALVE INSTALLATION - BOOM (4WD/4WS)



ART_1001223890_C_30F3

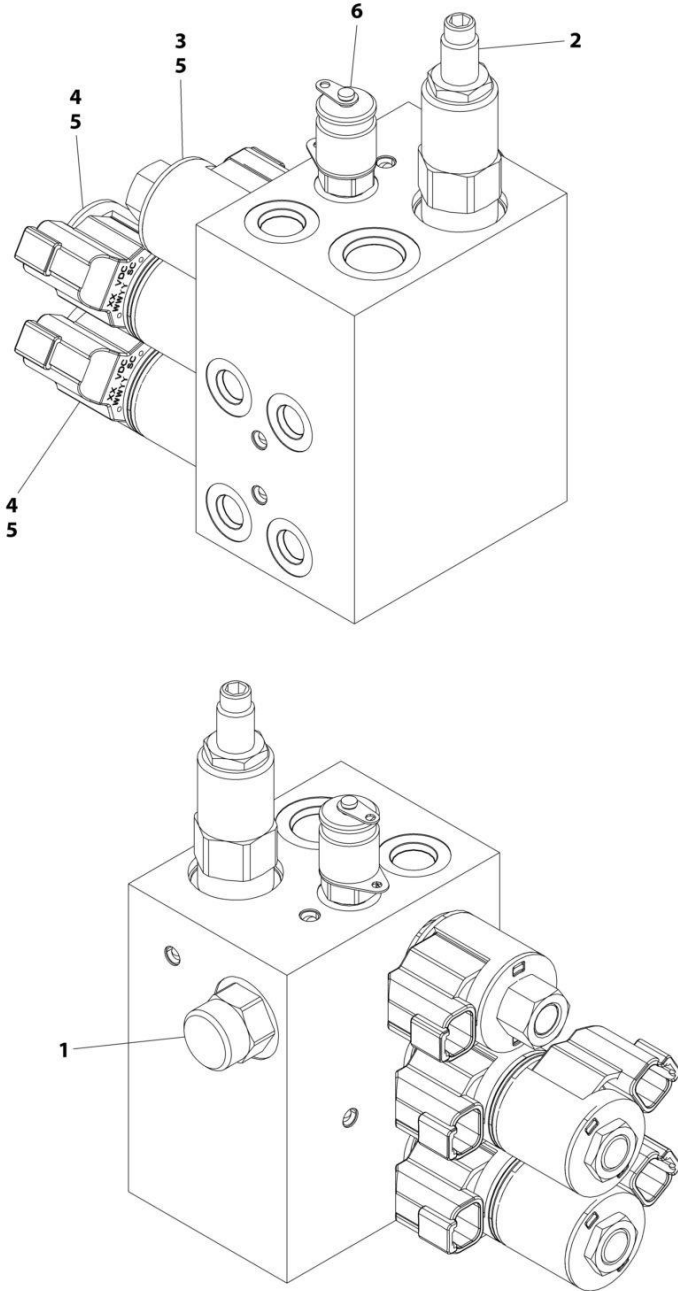
SECTION 4 - BOOM

FIGURE 4-10. VALVE INSTALLATION - BOOM (4WD/4WS)

ITEM	PART NUMBER	QTY	DESCRIPTION	REV
	1001223890	Ref	VALVE INSTALLATION - BOOM	C
1	0100011	AR	Compound, Locking	
5	0761010	3	Bolt M10 x 20	
14	4812000	3	Washer M10	
19	1001151500	1	Jib and Platform Rotate Valve Assembly (See Separate Breakdown in this Section)	

SECTION 4 - BOOM

FIGURE 4-11. JIB AND PLATFORM ROTATE VALVE ASSEMBLY



ART_1001151500

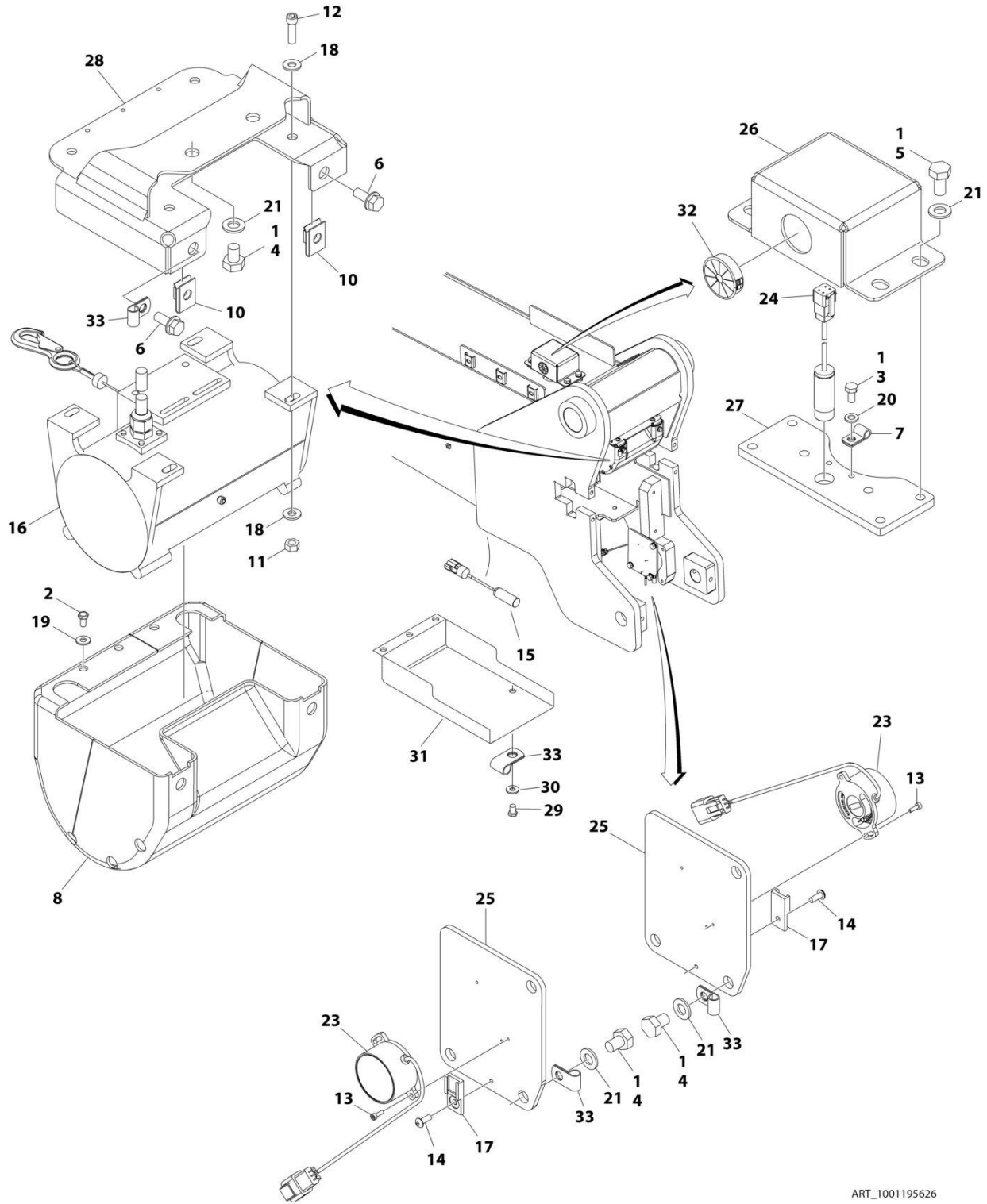
SECTION 4 - BOOM

FIGURE 4-11. JIB AND PLATFORM ROTATE VALVE ASSEMBLY

ITEM	PART NUMBER	QTY	DESCRIPTION	REV
	1001151500	Ref	JIB AND PLATFORM ROTATE VALVE ASSEMBLY	F
1	70006425	1	Cartridge, Flow Regulator	
1	8036572	1	Seal Kit - 70005787 Valve	
2	70023609	1	Cartridge, Relief Valve	
2	7012998	1	Seal Kit - 70005788 Valve	
3	7017410	1	Cartridge, Solenoid Valve Less Coil	
3	7012967	1	Seal Kit - 7017410 Valve	
3	70003978	1	Nut, Coil	
4	70005789	2	Cartridge, Solenoid Valve Less Coil	
4	7017402	2	Seal Kit - 70005789 Valve	
4	7022390	2	Nut, Coil	
4	70003023	2	Spacer, Coil	
5	70002386	5	Coil	
6	2221086	1	Fitting, Test	

SECTION 4 - BOOM

FIGURE 4-12. BOOM SENSORS INSTALLATION



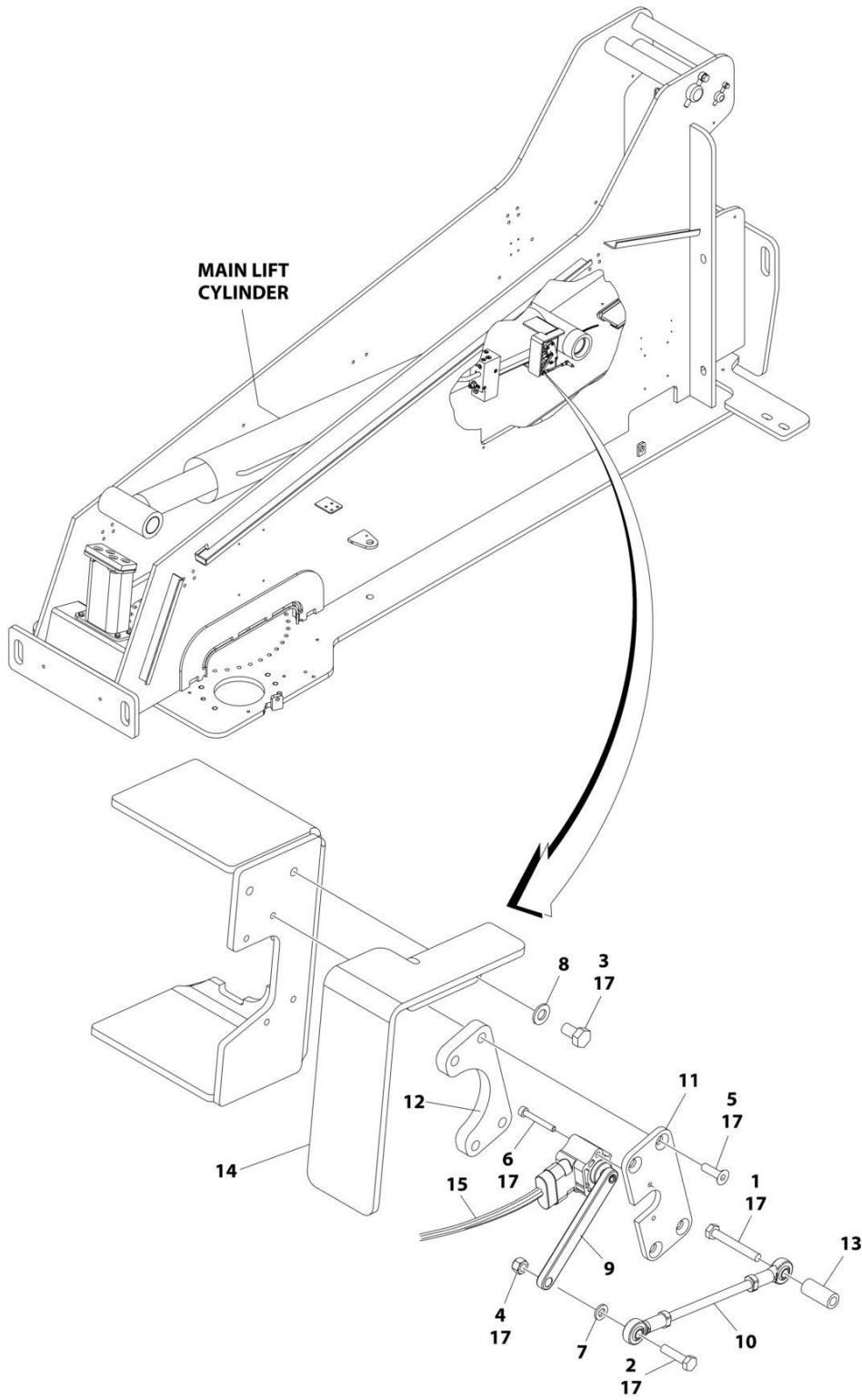
ART_1001195626

FIGURE 4-12. BOOM SENSORS INSTALLATION

ITEM	PART NUMBER	QTY	DESCRIPTION	REV
	1001195626	Ref	BOOM SENSORS INSTALLATION	E
1	0100011	AR	Compound, Locking	
2	0721003	3	Screw #10 x 3/8	
3	0760606	1	Bolt M6 x 12	
4	0761007	8	Bolt M10 x 14	
5	0761010	6	Bolt M10 x 20	
6	0791506	2	Screw 5/16 x 3/4	
7	1320136	1	Clamp	
8	1671142	1	Cover	
10	3300364	2	Nut, Tinnerman 5/16	
11	3311405	4	Nut 1/4	
12	3931414	4	Capscrew 1/4 x 7/8	
13	4031205	6	Capscrew M3 x 10	
14	4031605	2	Capscrew M5 x 10	
15	1001196517	1	Sensor, Proximity	
16	4360552	1	Switch, Boom Length	
17	4460914	2	Terminal, Base	
18	4711400	8	Washer 1/4	
19	4751000	3	Washer #10	
20	4811700	1	Washer M6	
21	4812000	14	Washer M10	
23	1001147479	2	Sensor, Angle	
24	1001204043	1	Sensor, Proximity	
25	1001151906	2	Plate	
26	1001151907	1	Cover	
27	1001151908	1	Plate	
28	1001242540	1	Support	
29	0760806	7	Bolt M8 x 12	
30	4811900	7	Washer M8	
31	1001221435	1	Cover	
32	1001185281	1	Plug	
33	1320263	6	Clamp	

SECTION 4 - BOOM

FIGURE 4-13. BOOM SENSORS INSTALLATION (WITH VERTICAL/HORIZONTAL CONTROLS)



ART_1001150036

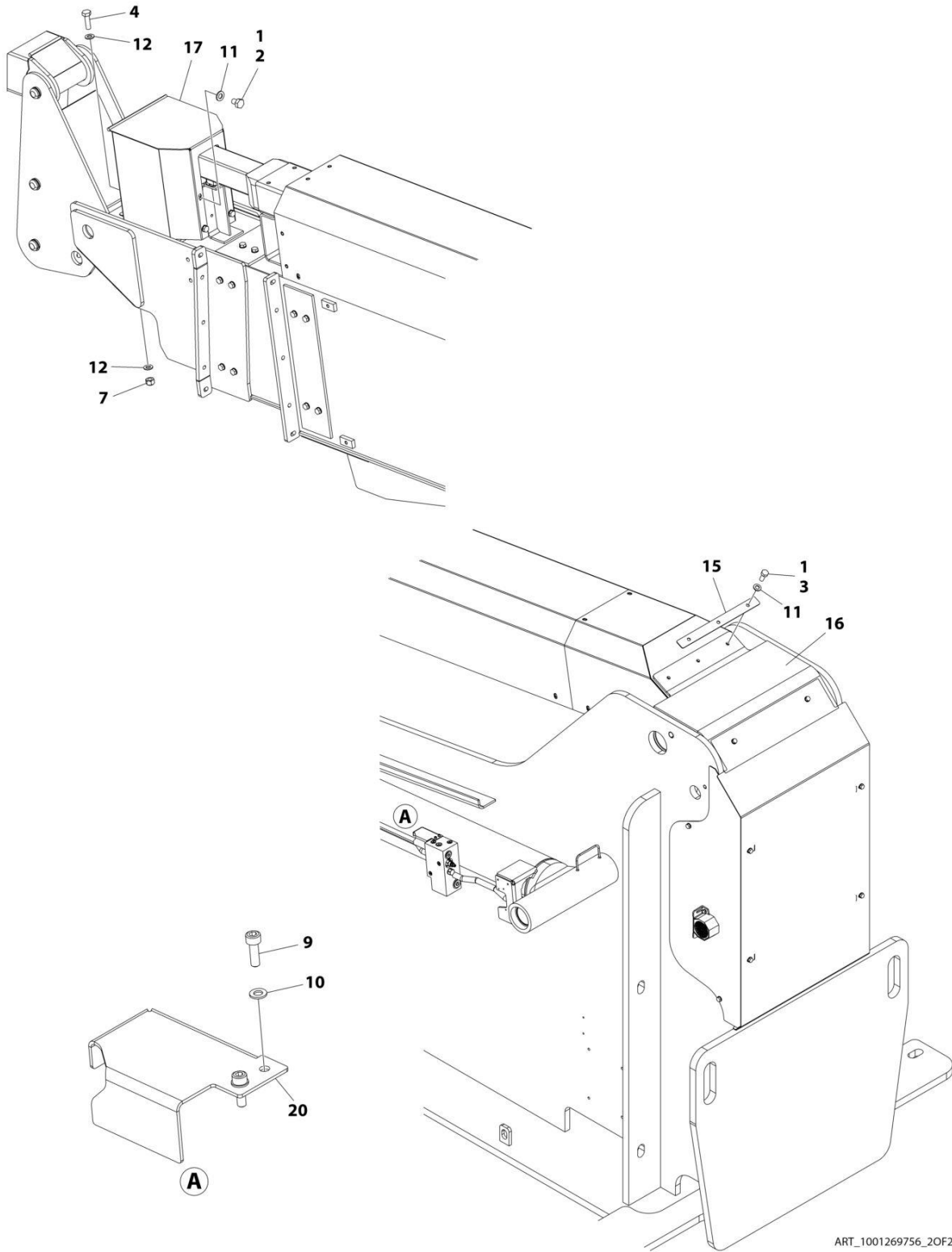
SECTION 4 - BOOM

FIGURE 4-13. BOOM SENSORS INSTALLATION (WITH VERTICAL/HORIZONTAL CONTROLS)

ITEM	PART NUMBER	QTY	DESCRIPTION	REV
	1001150036	Ref	BOOM SENSORS INSTALLATION (WITH VERTICAL/HORIZONTAL CONTROLS)	C
1	0700617	1	Bolt M6 x 45	
2	0760612	1	Bolt M6 x 25	
3	0760807	2	Bolt M8 x 14	
4	3290605	1	Nut M6	
5	1001170305	4	Screw #6	
6	4031510	2	Capscrew M4 x 30	
7	4811700	1	Washer M6	
8	4811900	2	Washer M8	
9	1001118971	1	Sensor, Angle	
10	1001119033	1	Link	
11	1001152039	1	Mount	
12	1001152059	1	Plate	
13	1001152060	1	Sleeve	
14	1001152062	1	Cover	
15	1001152454	1	HV Protractor Harness	
15	1001230931	1	Plug, Male - 6 Position (Angle Sensor)	
15	1001116748	6	Socket, Female	
15	4460899	1	Receptacle, Female - 6 Position (BLAM Module)	
15	4460464	6	Pin, Male	
16	1001207673	1	HV Jumper Harness (Not Shown)	
16	4460871	2	Pin, Male	
17	0100011	AR	Compound, Locking	

SECTION 4 - BOOM

FIGURE 4-14. BOOM SHIELDS INSTALLATION



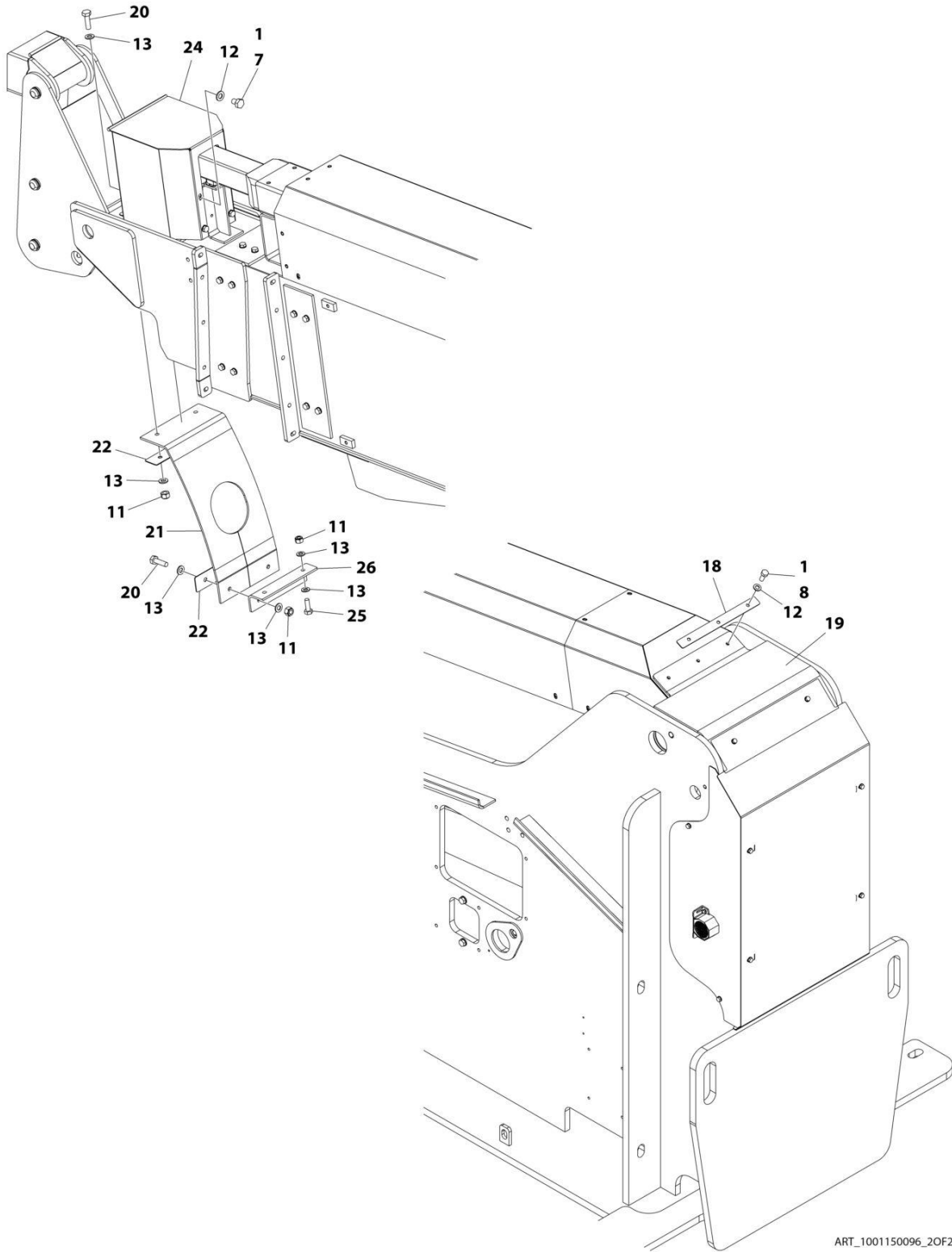
ART_1001269756_20F2

FIGURE 4-14. BOOM SHIELDS INSTALLATION

ITEM	PART NUMBER	QTY	DESCRIPTION	REV
	1001269756	Ref	HOSTILE PACKAGE - BOOM	A
1	0100011	AR	Compound, Locking	
2	0760807	7	Bolt M8 x 14	
3	0760810	3	Bolt M8 x 20	
4	0761015	2	Bolt M10 x 35	
7	3291005	2	Nut, Lock M10	
9	4031607	2	Capscrew M5 x 16	
10	4811600	2	Washer M5	
11	4811900	10	Washer M8	
12	4812000	4	Washer M10	
15	1001195876	1	Plate, Clamp	
16	1001195877	1	Cover, Boom Pivot	
17	1001205505	1	Cover, Valve	
20	1001245788	1	Cover, Sensor	

SECTION 4 - BOOM

FIGURE 4-15. BOOM SHIELDS INSTALLATION - SHIPYARD MACHINES



ART_1001150096_20F2

SECTION 4 - BOOM

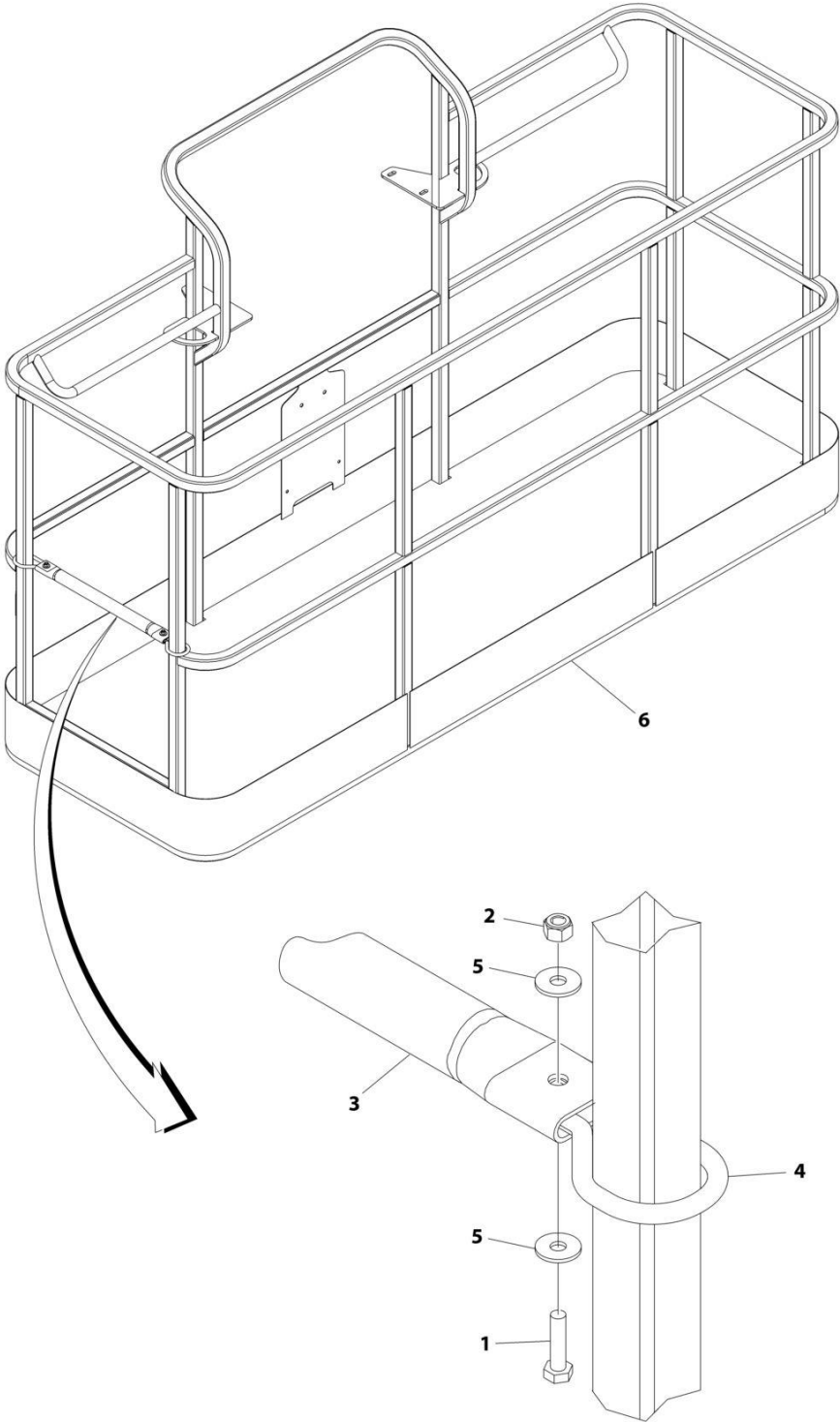
FIGURE 4-15. BOOM SHIELDS INSTALLATION - SHIPYARD MACHINES

ITEM	PART NUMBER	QTY	DESCRIPTION	REV
	1001150096	Ref	BOOM SHIELDS INSTALLATION	I
1	0100011	AR	Compound, Locking	
7	0760807	7	Bolt M8 x 14	
8	0760810	3	Bolt M8 x 20	
11	3291005	6	Nut M10	
12	4811900	6	Washer M8	
13	4812000	12	Washer M10	
18	1001195876	1	Plate, Clamp	
19	1001195877	1	Cover, Boom Pivot	
20	0761015	4	Bolt M10 x 35	
21	1001200156	1	Cover, Fly Nose	
22	1001200157	2	Plate, Clamp	
24	1001205505	1	Cover, Valve	
25	0761014	2	Bolt M10 x 30	
26	1001220562	1	Bracket	

SECTION 5 - PLATFORM

SECTION 5 - PLATFORM

FIGURE 5-1. PLATFORM ASSEMBLY - STANDARD MACHINES



ART_1001227180

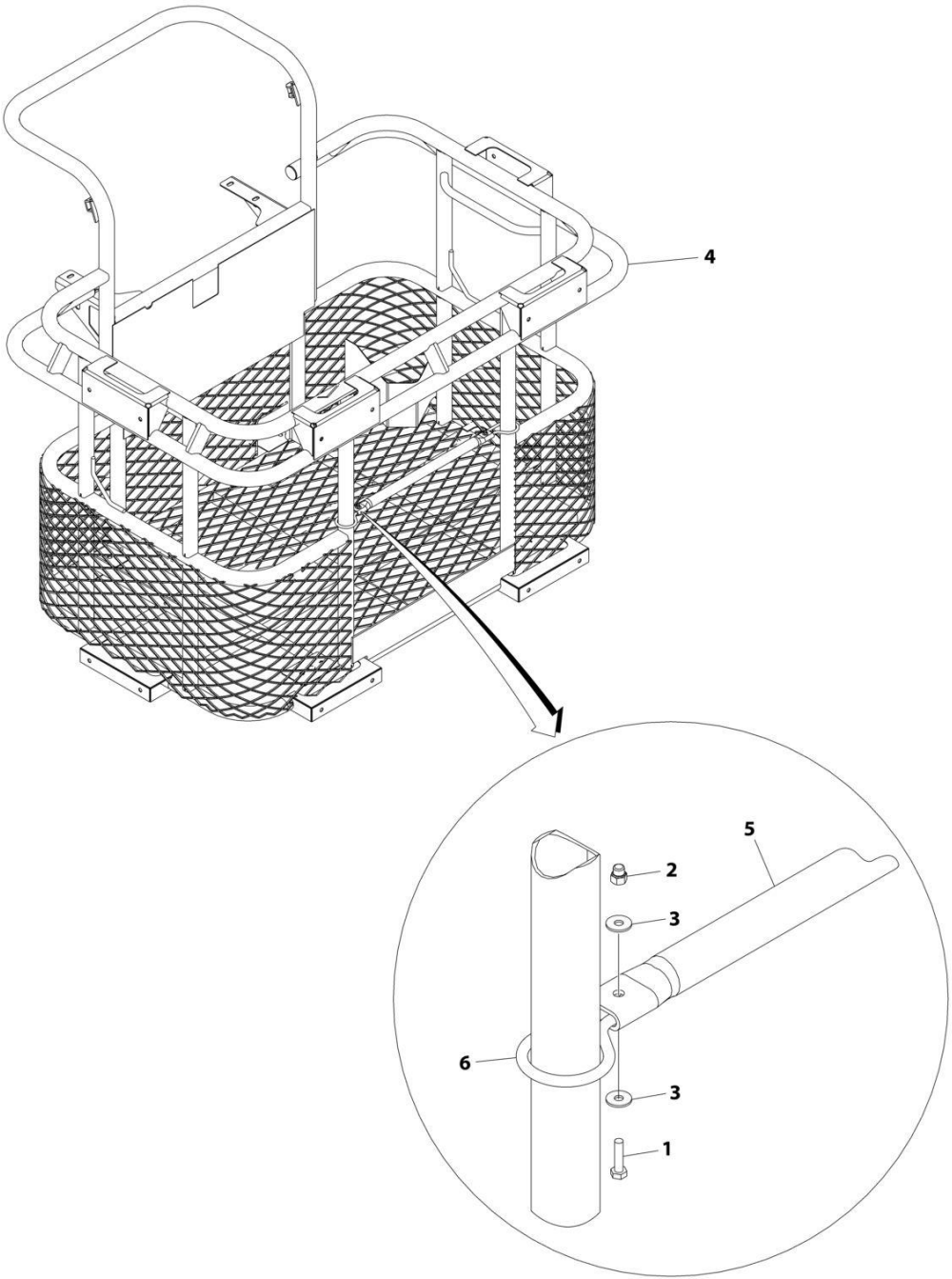
SECTION 5 - PLATFORM

FIGURE 5-1. PLATFORM ASSEMBLY - STANDARD MACHINES

ITEM	PART NUMBER	QTY	DESCRIPTION	REV
	1001227180	Ref	PLATFORM ASSEMBLY - STANDARD MACHINES	C
		Ref	Note: Replacement Decals Must be Ordered Separately - See DECAL SECTION.	
1	0760612	2	Bolt M6 x 25	
2	3290605	2	Nut M6	
3	3641585	1	Rail	
4	3841692	2	Loop, Rod	
5	4811702	4	Washer M6	
6	See Note	NSS	Platform (Note: Purchase Platform Assembly)	

SECTION 5 - PLATFORM

FIGURE 5-2. PLATFORM ASSEMBLY - SHIPYARD MACHINES



ART_1001150037

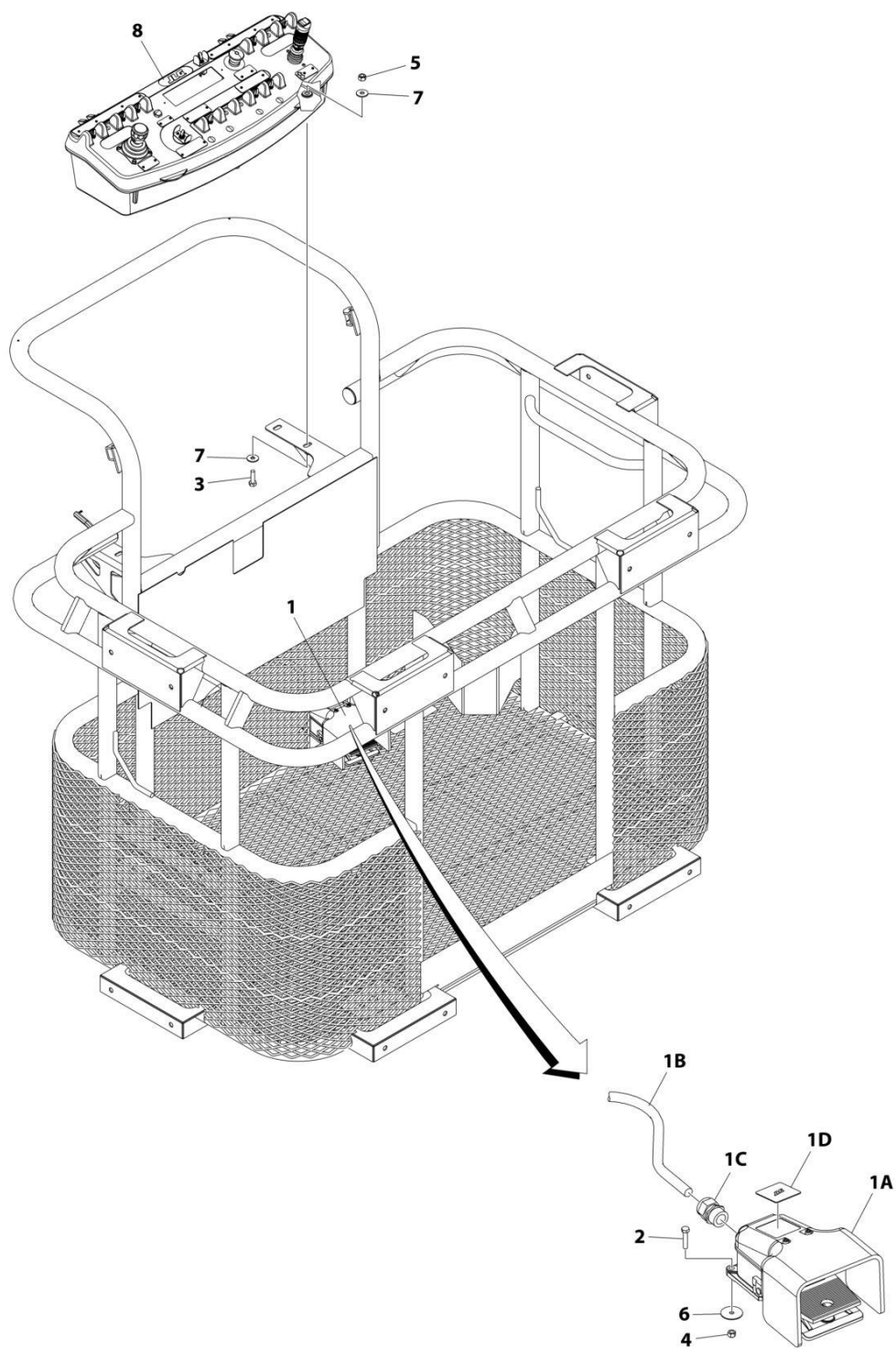
SECTION 5 - PLATFORM

FIGURE 5-2. PLATFORM ASSEMBLY - SHIPYARD MACHINES

ITEM	PART NUMBER	QTY	DESCRIPTION	REV
	1001150037	Ref	PLATFORM ASSEMBLY - SHIPYARD MACHINES	B
		Ref	Note: Replacement Decals Must be Ordered Separately - See DECAL SECTION.	
1	0760612	2	Bolt M6 x 25	
2	3290606	2	Nut M6	
3	4811702	4	Washer M6	
4	See Note	NSS	Platform (Note: Purchase Platform Assembly)	
5	1001151214	1	Rail	
6	1001151215	2	Loop, Rod	

SECTION 5 - PLATFORM

FIGURE 5-3. PLATFORM CONSOLE AND FOOTSWITCH INSTALLATION - SHIPYARD MACHINES (ENGLISH LANGUAGE)



ART_1001248425

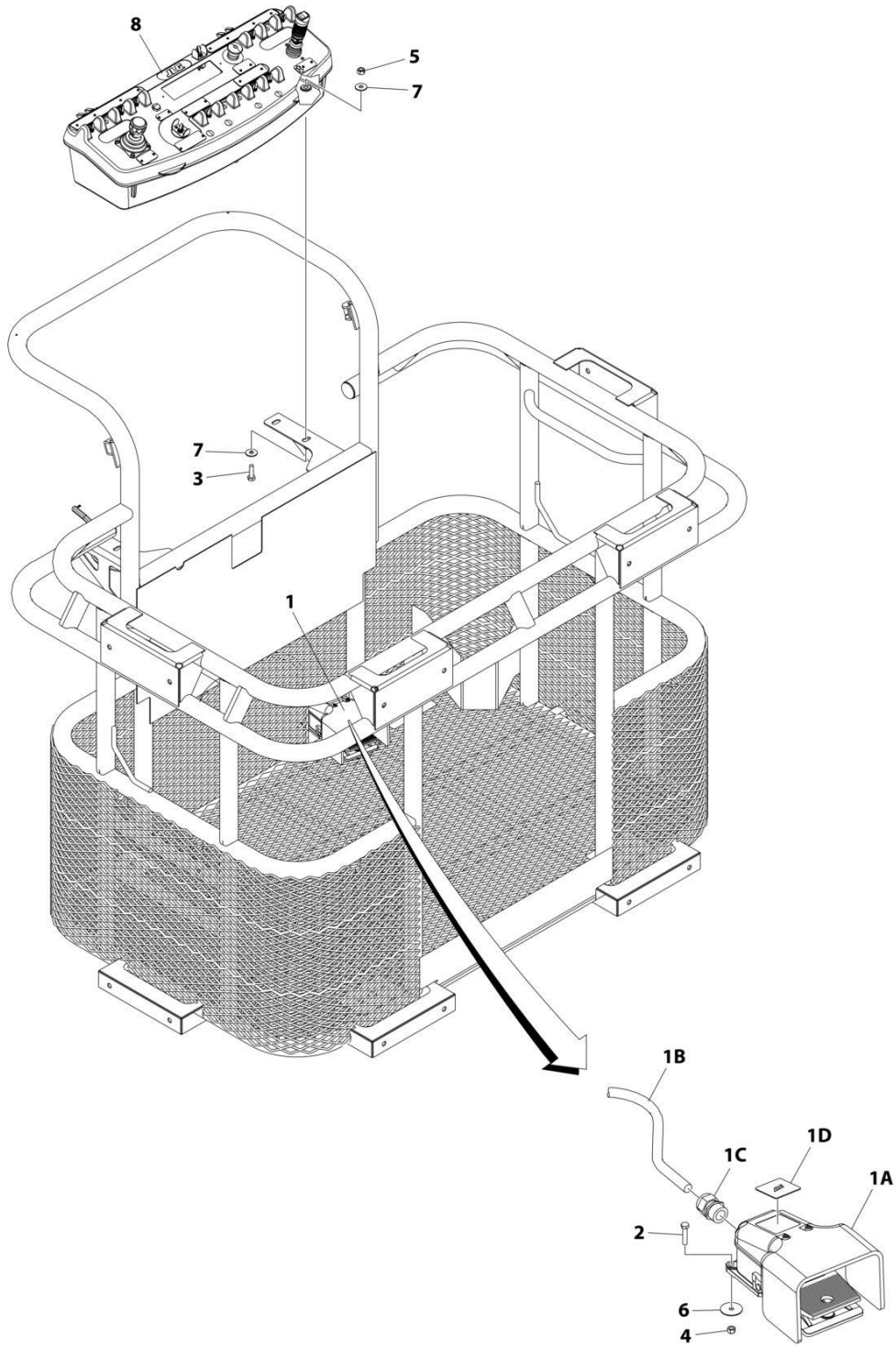
SECTION 5 - PLATFORM

**FIGURE 5-3. PLATFORM CONSOLE AND FOOTSWITCH INSTALLATION - SHIPYARD MACHINES
(ENGLISH LANGUAGE)**

ITEM	PART NUMBER	QTY	DESCRIPTION	REV
	1001248425	Ref	PLATFORM CONSOLE AND FOOTSWITCH INSTALLATION - SHIPYARD MACHINES (ENGLISH LANGUAGE)	A
1	0272970	1	Footswitch Assembly	B
1A	0100020	1	Sealant	
1B	1060918	7 ft/ 2.2m	Cable, Electrical - 18/3	
1C	1001117320	1	Footswitch	
1D	4460042	3	Terminal, Ring	
1E	4460071	1	Connector, Strain Relief	
1F	4460226	2	Socket, Female	
1G	4460464	1	Pin, Male	
2	0760614	3	Bolt M6 x 30	
3	0761015	4	Bolt M10 x 35	
4	3290605	3	Nut M6	
5	3291005	4	Nut M10	
6	4740362	3	Washer, Fender 1/4	
7	4812002	8	Washer M10	
8	1001248456	1	Platform Console and Decals Installation (See Separate Breakdown in this Section)	

SECTION 5 - PLATFORM

FIGURE 5-4. PLATFORM CONSOLE AND FOOTSWITCH INSTALLATION - SHIPYARD MACHINES (ENGLISH/CHINESE LANGUAGE)



ART_1001248427

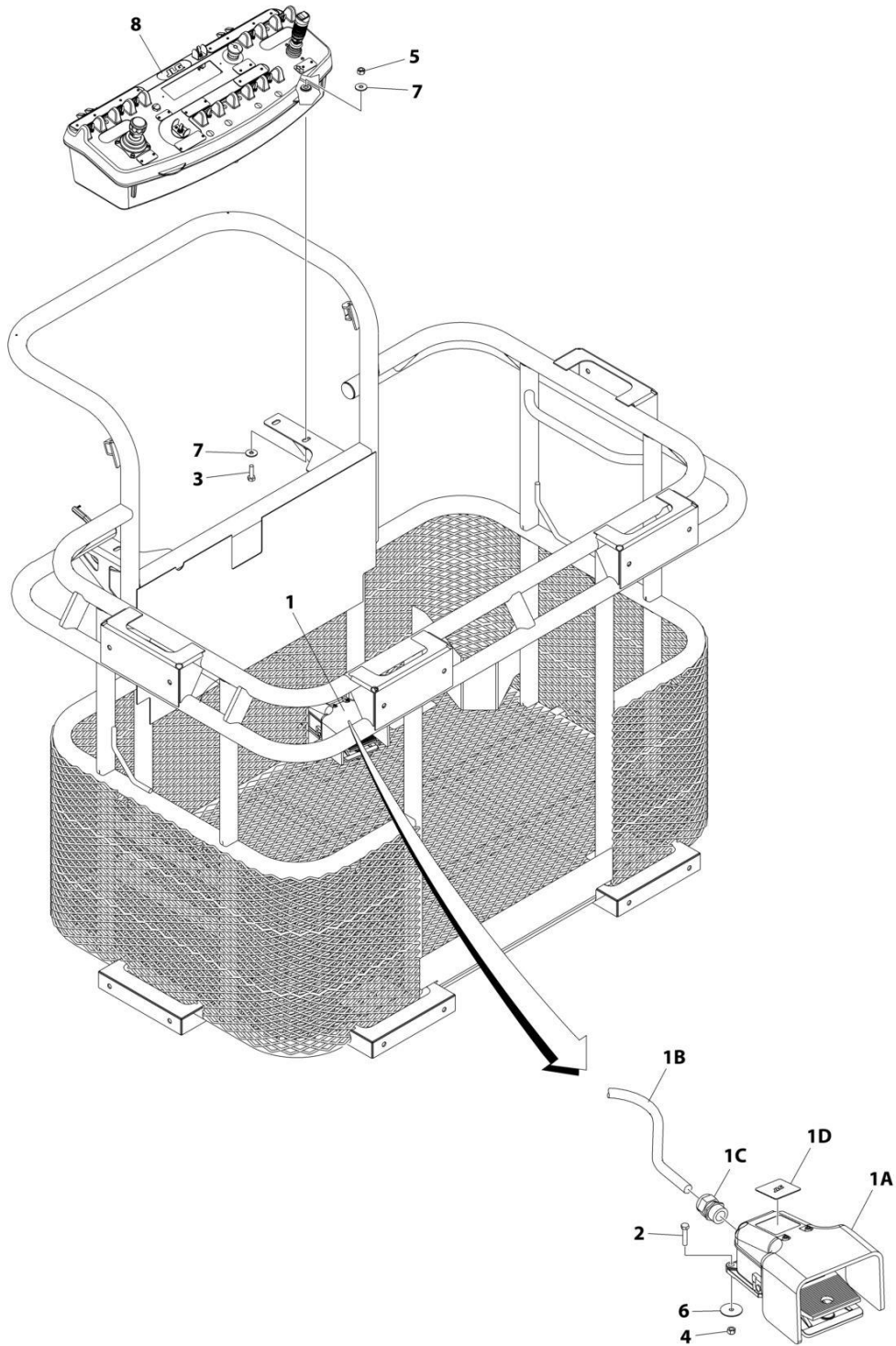
SECTION 5 - PLATFORM

**FIGURE 5-4. PLATFORM CONSOLE AND FOOTSWITCH INSTALLATION - SHIPYARD MACHINES
(ENGLISH/CHINESE LANGUAGE)**

ITEM	PART NUMBER	QTY	DESCRIPTION	REV
	1001248427	Ref	PLATFORM CONSOLE AND FOOTSWITCH INSTALLATION - SHIPYARD MACHINES (ENGLISH/CHINESE LANGUAGE)	A
1	0272970	1	Footswitch Assembly	B
1A	0100020	1	Sealant	
1B	1060918	7 ft/ 2.2m	Cable, Electrical - 18/3	
1C	1001117320	1	Footswitch	
1D	4460042	3	Terminal, Ring	
1E	4460071	1	Connector, Strain Relief	
1F	4460226	2	Socket, Female	
1G	4460464	1	Pin, Male	
2	0760614	3	Bolt M6 x 30	
3	0761015	4	Bolt M10 x 35	
4	3290605	3	Nut M6	
5	3291005	4	Nut M10	
6	4740362	3	Washer, Fender 1/4	
7	4812002	8	Washer M10	
8	1001248458	1	Platform Console and Decals Installation (See Separate Breakdown in this Section)	

SECTION 5 - PLATFORM

FIGURE 5-5. PLATFORM CONSOLE AND FOOTSWITCH INSTALLATION - SHIPYARD MACHINES (ENGLISH/JAPANESE LANGUAGE)



ART_1001248428

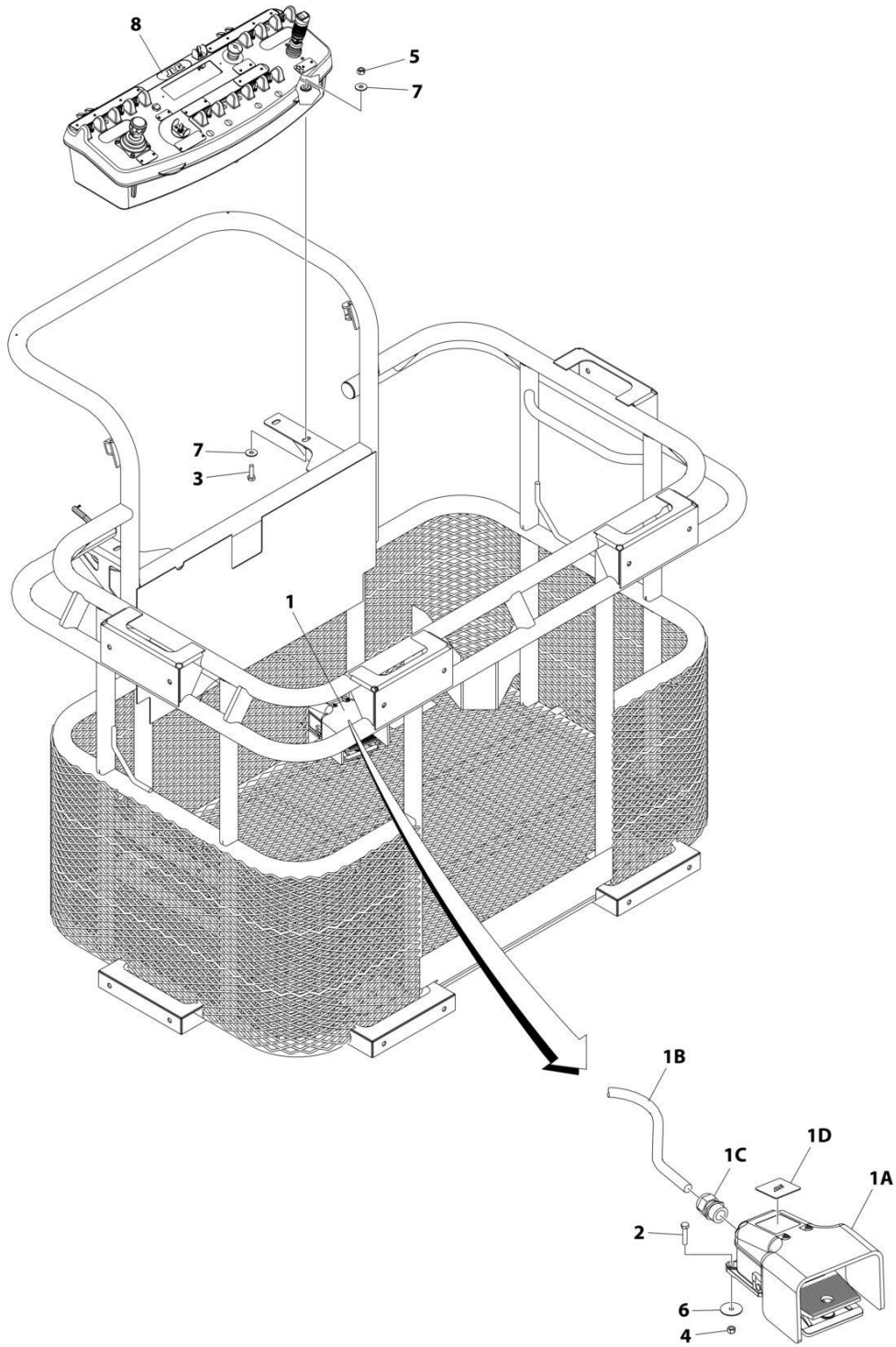
SECTION 5 - PLATFORM

**FIGURE 5-5. PLATFORM CONSOLE AND FOOTSWITCH INSTALLATION - SHIPYARD MACHINES
(ENGLISH/JAPANESE LANGUAGE)**

ITEM	PART NUMBER	QTY	DESCRIPTION	REV
	1001248428	Ref	PLATFORM CONSOLE AND FOOTSWITCH INSTALLATION - SHIPYARD MACHINES (ENGLISH/JAPANESE LANGUAGE)	A
1	0272970	1	Footswitch Assembly	B
1A	0100020	1	Sealant	
1B	1060918	7 ft/ 2.2m	Cable, Electrical - 18/3	
1C	1001117320	1	Footswitch	
1D	4460042	3	Terminal, Ring	
1E	4460071	1	Connector, Strain Relief	
1F	4460226	2	Socket, Female	
1G	4460464	1	Pin, Male	
2	0760614	3	Bolt M6 x 30	
3	0761015	4	Bolt M10 x 35	
4	3290605	3	Nut M6	
5	3291005	4	Nut M10	
6	4740362	3	Washer, Fender 1/4	
7	4812002	8	Washer M10	
8	1001248459	1	Platform Console and Decals Installation (See Separate Breakdown in this Section)	

SECTION 5 - PLATFORM

FIGURE 5-6. PLATFORM CONSOLE AND FOOTSWITCH INSTALLATION - SHIPYARD MACHINES (ENGLISH/KOREAN LANGUAGE)



ART_1001248426

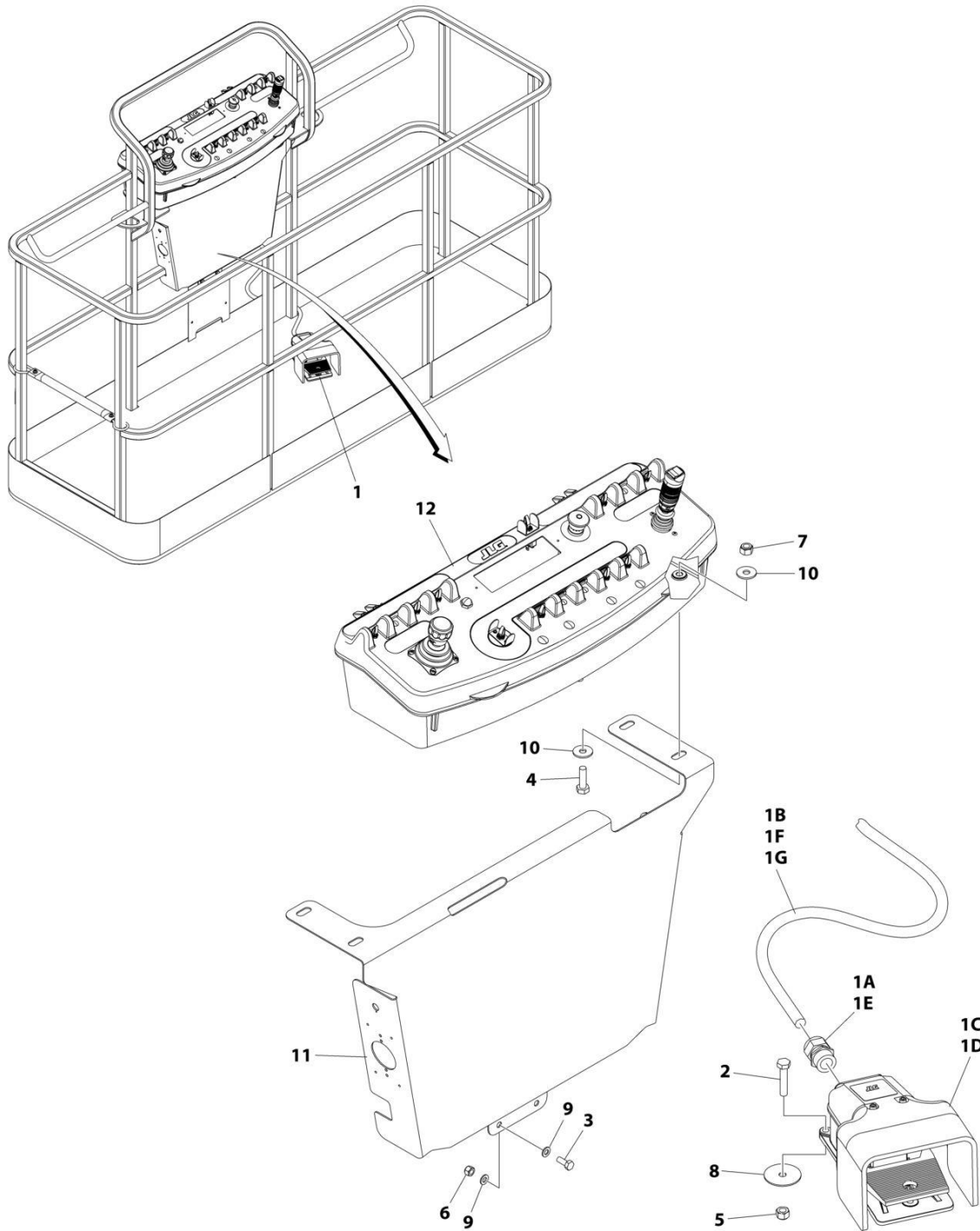
SECTION 5 - PLATFORM

**FIGURE 5-6. PLATFORM CONSOLE AND FOOTSWITCH INSTALLATION - SHIPYARD MACHINES
(ENGLISH/KOREAN LANGUAGE)**

ITEM	PART NUMBER	QTY	DESCRIPTION	REV
	1001248426	Ref	PLATFORM CONSOLE AND FOOTSWITCH INSTALLATION	A
1	0272970	1	Footswitch Assembly	B
1A	0100020	1	Sealant	
1B	1060918	7 ft/ 2.2m	Cable, Electrical - 18/3	
1C	1001117320	1	Footswitch	
1D	4460042	3	Terminal, Ring	
1E	4460071	1	Connector, Strain Relief	
1F	4460226	2	Socket, Female	
1G	4460464	1	Pin, Male	
2	0760614	3	Bolt M6 x 30	
3	0761015	4	Bolt M10 x 35	
4	3290605	3	Nut M6	
5	3291005	4	Nut M10	
6	4740362	3	Washer, Fender 1/4	
7	4812002	8	Washer M10	
8	1001248457	1	Platform Console and Decals Installation (See Separate Breakdown in this Section)	

SECTION 5 - PLATFORM

FIGURE 5-7. PLATFORM CONSOLE AND FOOTSWITCH INSTALLATION - STANDARD MACHINES (ENGLISH LANGUAGE)



ART_1001255824

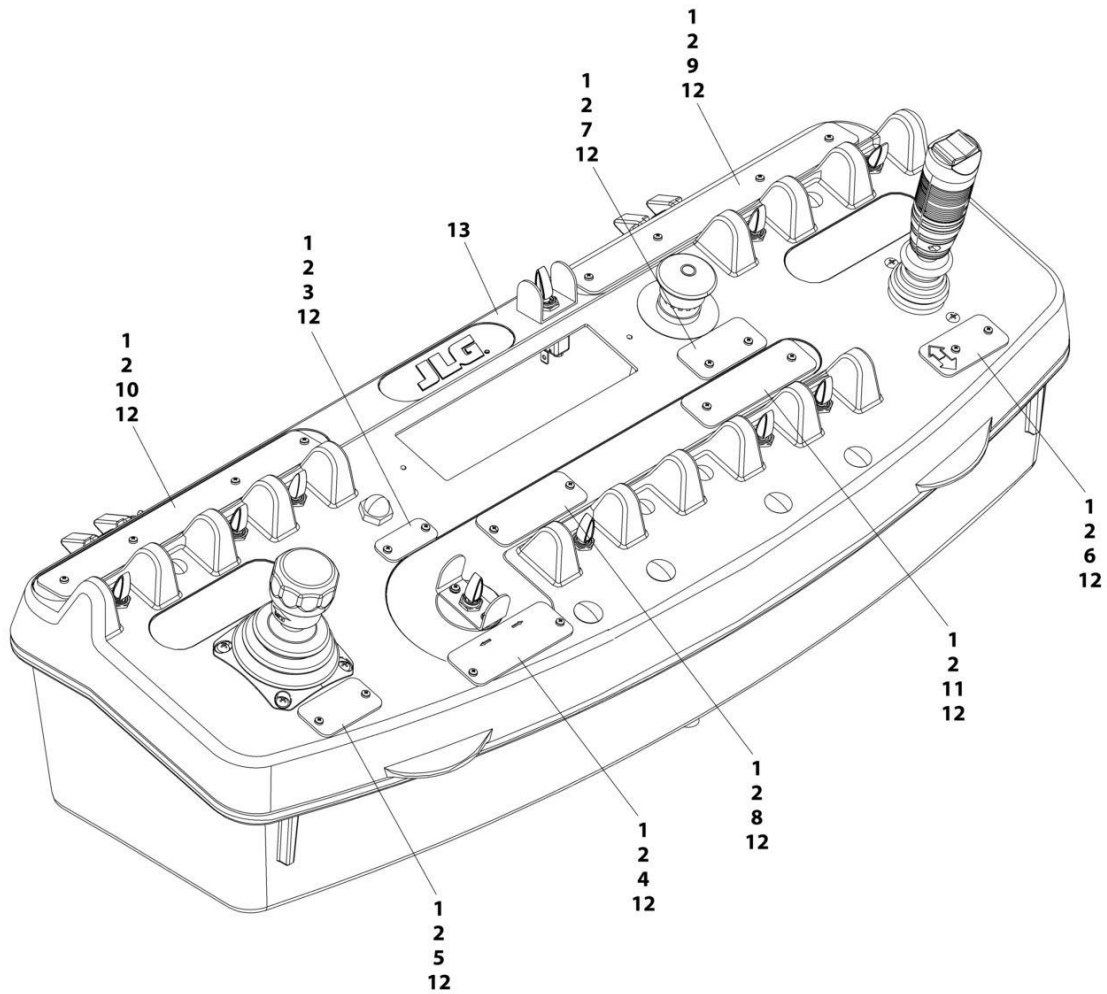
SECTION 5 - PLATFORM

**FIGURE 5-7. PLATFORM CONSOLE AND FOOTSWITCH INSTALLATION - STANDARD MACHINES
(ENGLISH LANGUAGE)**

ITEM	PART NUMBER	QTY	DESCRIPTION	REV
	1001255824	Ref	PLATFORM CONSOLE AND FOOTSWITCH INSTALLATION - STANDARD MACHINES (ENGLISH LANGUAGE)	A
1	0272970	1	Footswitch Assembly	B
1A	0100020	1	Sealant	
1B	1060918	7 ft/ 2.2m	Cable, Electrical - 18/3	
1C	1001117320	1	Footswitch	
1D	4460042	3	Terminal, Ring	
1E	4460071	1	Connector, Strain Relief	
1F	4460226	2	Socket, Female	
1G	4460464	1	Pin, Male	
2	0760614	3	Bolt M6 x 30	
3	0760810	2	Bolt M8 x 20	
4	0761015	4	Bolt M10 x 35	
5	3290605	3	Nut M6	
6	3290805	2	Nut M8	
7	3291005	4	Nut M10	
8	4740362	3	Washer, Fender 1/4	
9	4811900	4	Washer M8	
10	4812002	8	Washer M10	
11	1001145439	1	Panel, Pedestal	
12	1001255826	1	Platform Console and Decals Installation (See Separate Breakdown in this Section)	

SECTION 5 - PLATFORM

FIGURE 5-8. CONSOLE BOX SUB-ASSEMBLY (ENGLISH LANGUAGE)



ART_1001248456

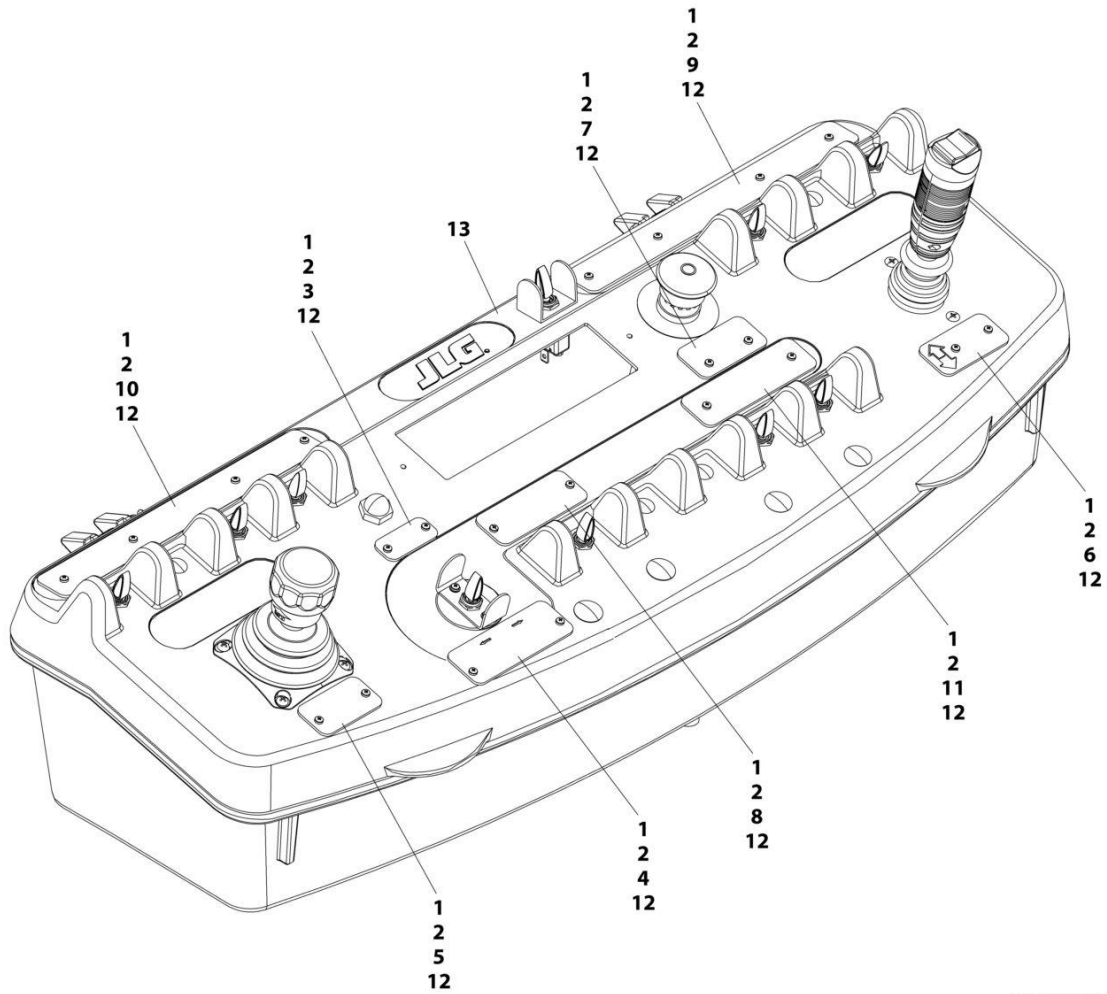
SECTION 5 - PLATFORM

FIGURE 5-8. CONSOLE BOX SUB-ASSEMBLY (ENGLISH LANGUAGE)

ITEM	PART NUMBER	QTY	DESCRIPTION	REV
	1001248456	Ref	PLATFORM CONSOLE AND DECALS INSTALLATION	A
1	3290305	22	Nut M3	
2	1001110544	22	Washer M3	
3	1001198138	1	Decal - Horn	
4	1001198146	1	Decal - Function Speed Selection	
5	1001198150	1	Decal - Lift/Swing Selection	
6	1001198154	1	Decal - Drive/Steer Selection	
7	1001198156	1	Decal - Emergency Stop	
8	1001198200	1	Decal - Platform Rotate Selection	
9	1001198205	1	Decal	
10	1001198206	1	Decal	
11	1001198207	1	Decal	
12	1001198576	22	Screw M3 x 10	
13	1001248460	1	Console Box Assembly (See Separate Breakdown in this Section)	

SECTION 5 - PLATFORM

FIGURE 5-9. CONSOLE BOX SUB-ASSEMBLY (ENGLISH/JAPANESE LANGUAGE)



ART_1001248459

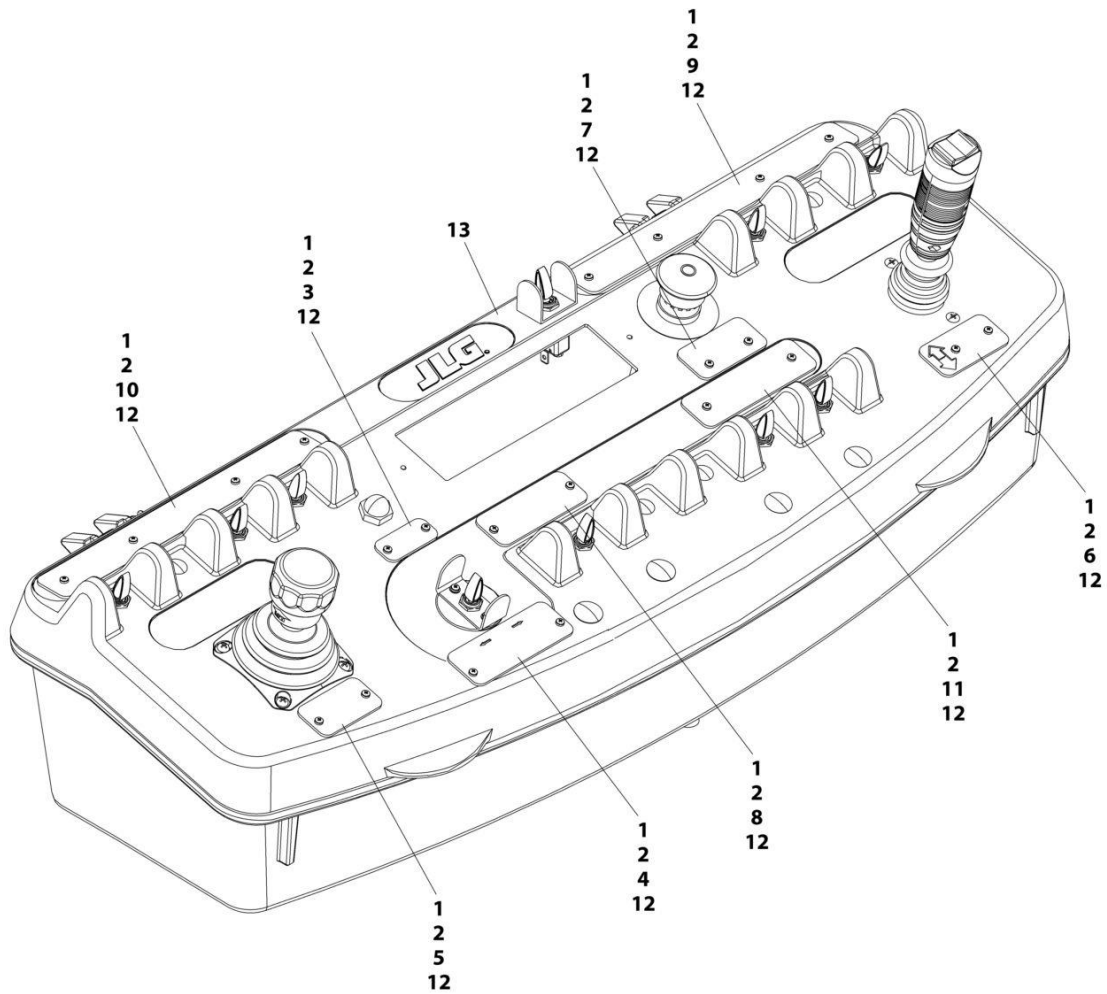
SECTION 5 - PLATFORM

FIGURE 5-9. CONSOLE BOX SUB-ASSEMBLY (ENGLISH/JAPANESE LANGUAGE)

ITEM	PART NUMBER	QTY	DESCRIPTION	REV
	1001248459	Ref	PLATFORM CONSOLE AND DECALS INSTALLATION	A
1	3290305	22	Nut M3	
2	1001110544	22	Washer M3	
3	1001198144	1	Decal - Horn	
4	1001198145	1	Decal - Function Speed Selection	
5	1001198149	1	Decal - Lift/Swing Selection	
6	1001198153	1	Decal - Drive/Steer Selection	
7	1001198155	1	Decal - Emergency Stop	
8	1001198160	1	Decal - Platform Rotate Selection	
9	1001198166	1	Decal	
10	1001198167	1	Decal	
11	1001198170	1	Decal	
12	1001198576	22	Screw M3 x 10	
13	1001248460	1	Console Box Assembly (See Separate Breakdown in this Section)	

SECTION 5 - PLATFORM

FIGURE 5-10. CONSOLE BOX SUB-ASSEMBLY (ENGLISH/KOREAN LANGUAGE)



ART_1001248457

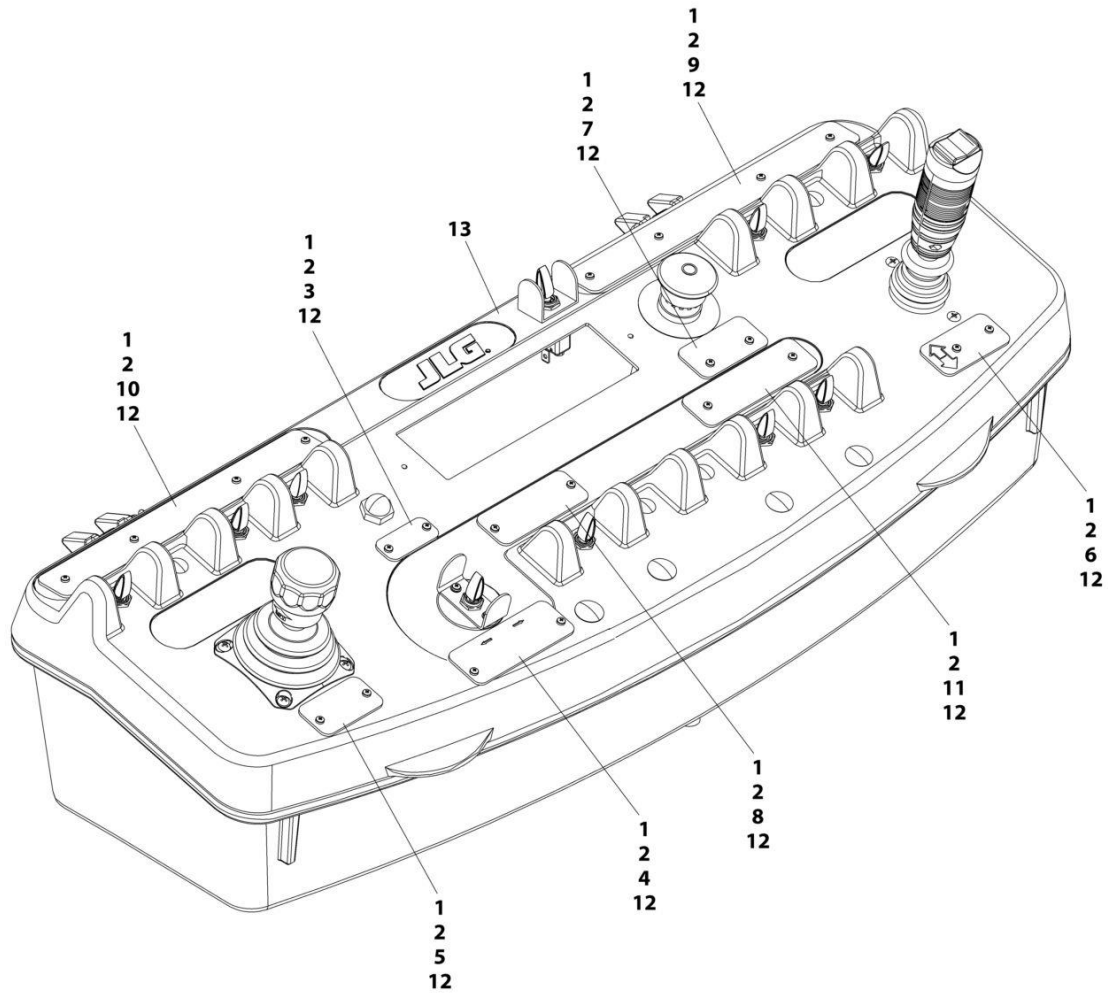
SECTION 5 - PLATFORM

FIGURE 5-10. CONSOLE BOX SUB-ASSEMBLY (ENGLISH/KOREAN LANGUAGE)

ITEM	PART NUMBER	QTY	DESCRIPTION	REV
	1001248457	Ref	PLATFORM CONSOLE AND DECALS INSTALLATION	A
1	3290305	22	Nut M3	
2	1001110544	22	Washer M3	
3	1001198175	1	Decal - Horn	
4	1001198176	1	Decal - Function Speed Selection	
5	1001198178	1	Decal - Lift/Swing Selection	
6	1001198180	1	Decal - Drive/Steer Selection	
7	1001198181	1	Decal - Emergency Stop	
8	1001198183	1	Decal - Platform Rotate Selection	
9	1001198188	1	Decal	
10	1001198189	1	Decal	
11	1001198190	1	Decal	
12	1001198576	22	Screw M3 x 10	
13	1001248460	1	Console Box Assembly (See Separate Breakdown in this Section)	

SECTION 5 - PLATFORM

FIGURE 5-11. CONSOLE BOX SUB-ASSEMBLY (ENGLISH/CHINESE LANGUAGE)



ART_1001248458

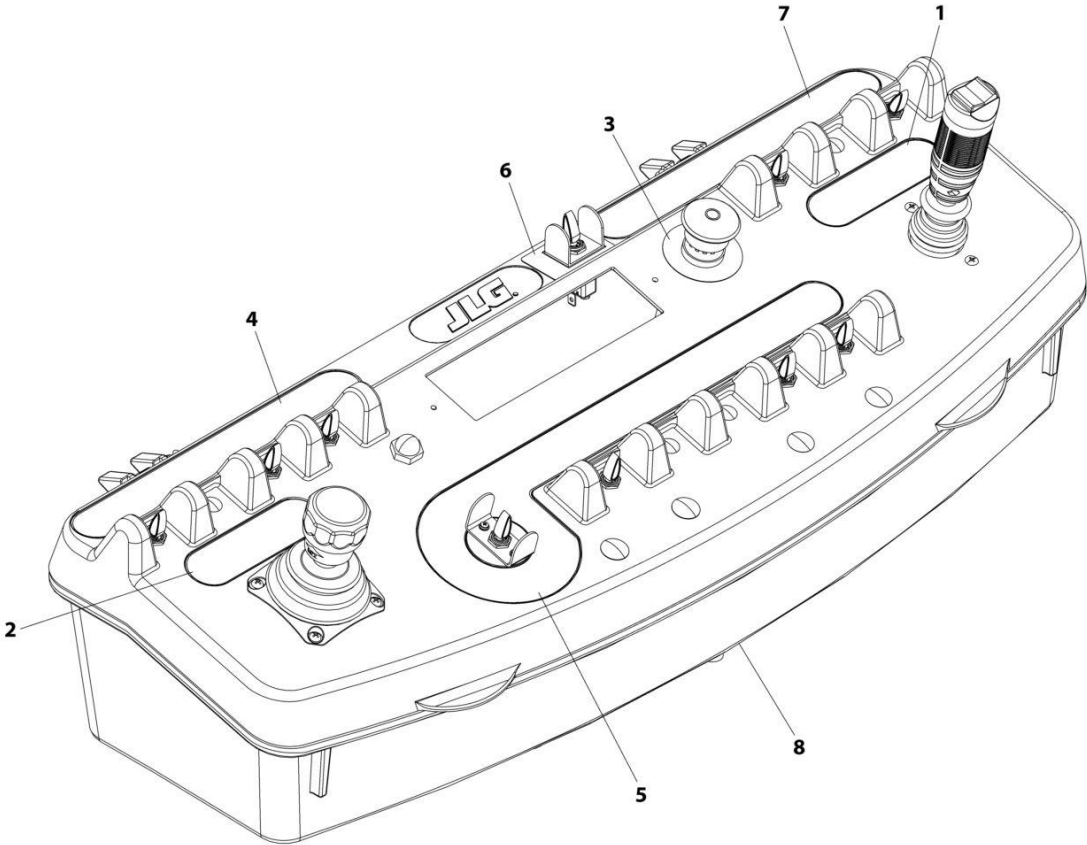
SECTION 5 - PLATFORM

FIGURE 5-11. CONSOLE BOX SUB-ASSEMBLY (ENGLISH/CHINESE LANGUAGE)

ITEM	PART NUMBER	QTY	DESCRIPTION	REV
	1001248458	Ref	PLATFORM CONSOLE AND DECALS INSTALLATION	A
1	3290305	22	Nut M3	
2	1001110544	22	Washer M3	
3	1001198211	1	Decal - Horn	
4	1001198212	1	Decal - Function Speed Selection	
5	1001198214	1	Decal - Lift/Swing Selection	
6	1001198216	1	Decal - Drive/Steer Selection	
7	1001198217	1	Decal - Emergency Stop	
8	1001198219	1	Decal - Platform Rotate Selection	
9	1001198224	1	Decal	
10	1001198225	1	Decal	
11	1001198226	1	Decal	
12	1001198576	22	Screw M3 x 10	
13	1001248460	1	Console Box Assembly (See Separate Breakdown in this Section)	

SECTION 5 - PLATFORM

FIGURE 5-12. CONSOLE BOX SUB-ASSEMBLY (ENGLISH LANGUAGE)



ART_1001255826

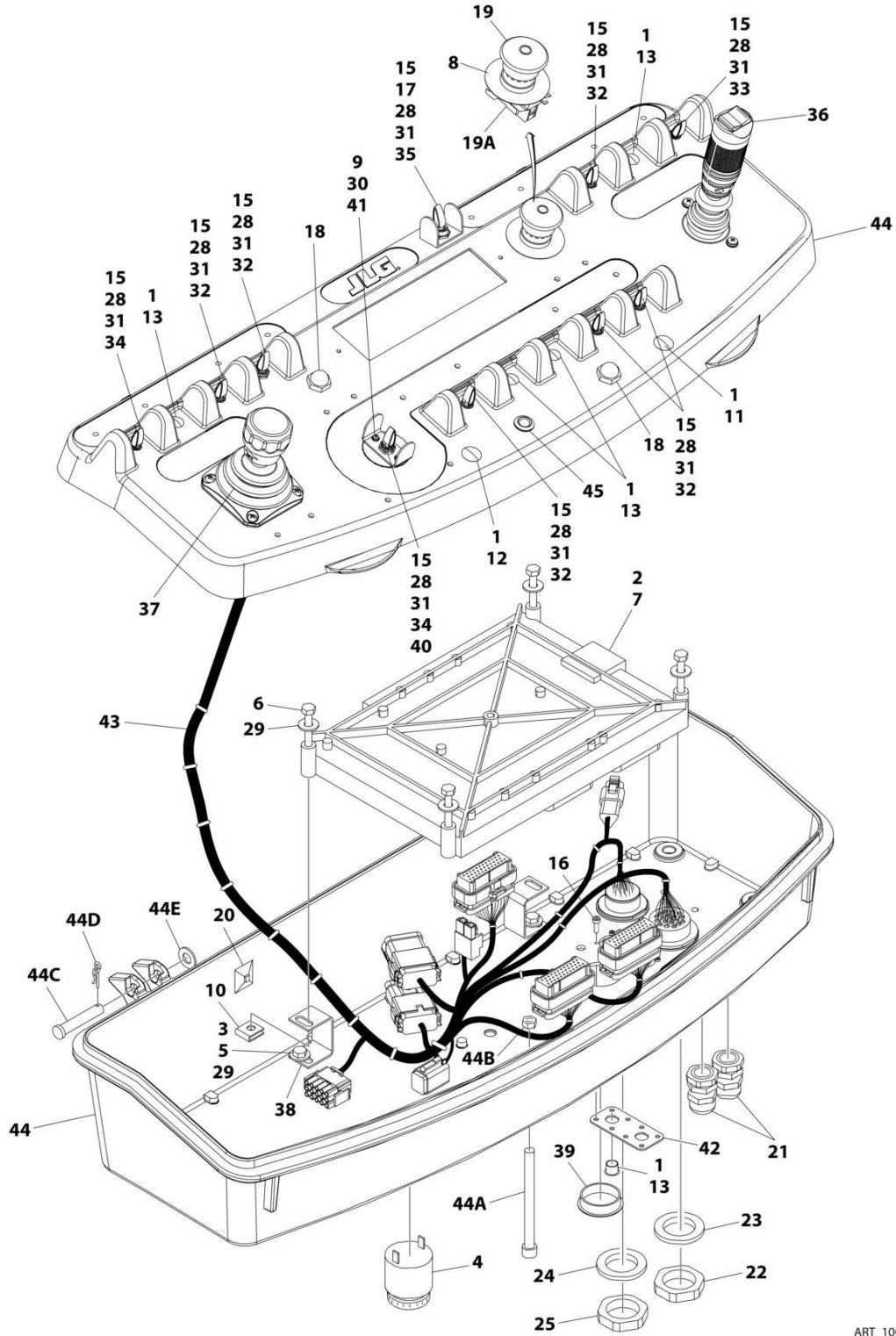
SECTION 5 - PLATFORM

FIGURE 5-12. CONSOLE BOX SUB-ASSEMBLY (ENGLISH LANGUAGE)

ITEM	PART NUMBER	QTY	DESCRIPTION	REV
	1001255826	Ref	CONSOLE BOX SUB-ASSEMBLY (ENGLISH LANGUAGE)	A
1	1702565	1	Decal - Drive/Steer Selection	
2	1702566	1	Decal - Lift/Swing Selection	
3	1704260	1	Decal - EMS	
4	1705744	1	Decal - Horn	
5	1705745	1	Decal - Function Speed Selection	
6	1706741	1	Decal - Boom Control Selection	
7	1001131168	1	Decal, Stop	
8	1001255827	1	Console Box Assembly (See Separate Breakdown in this Section)	

SECTION 5 - PLATFORM

FIGURE 5-13. CONSOLE BOX ASSEMBLY (ENGLISH LANGUAGE)



ART_1001248460_D

SECTION 5 - PLATFORM

FIGURE 5-13. CONSOLE BOX ASSEMBLY (ENGLISH LANGUAGE)

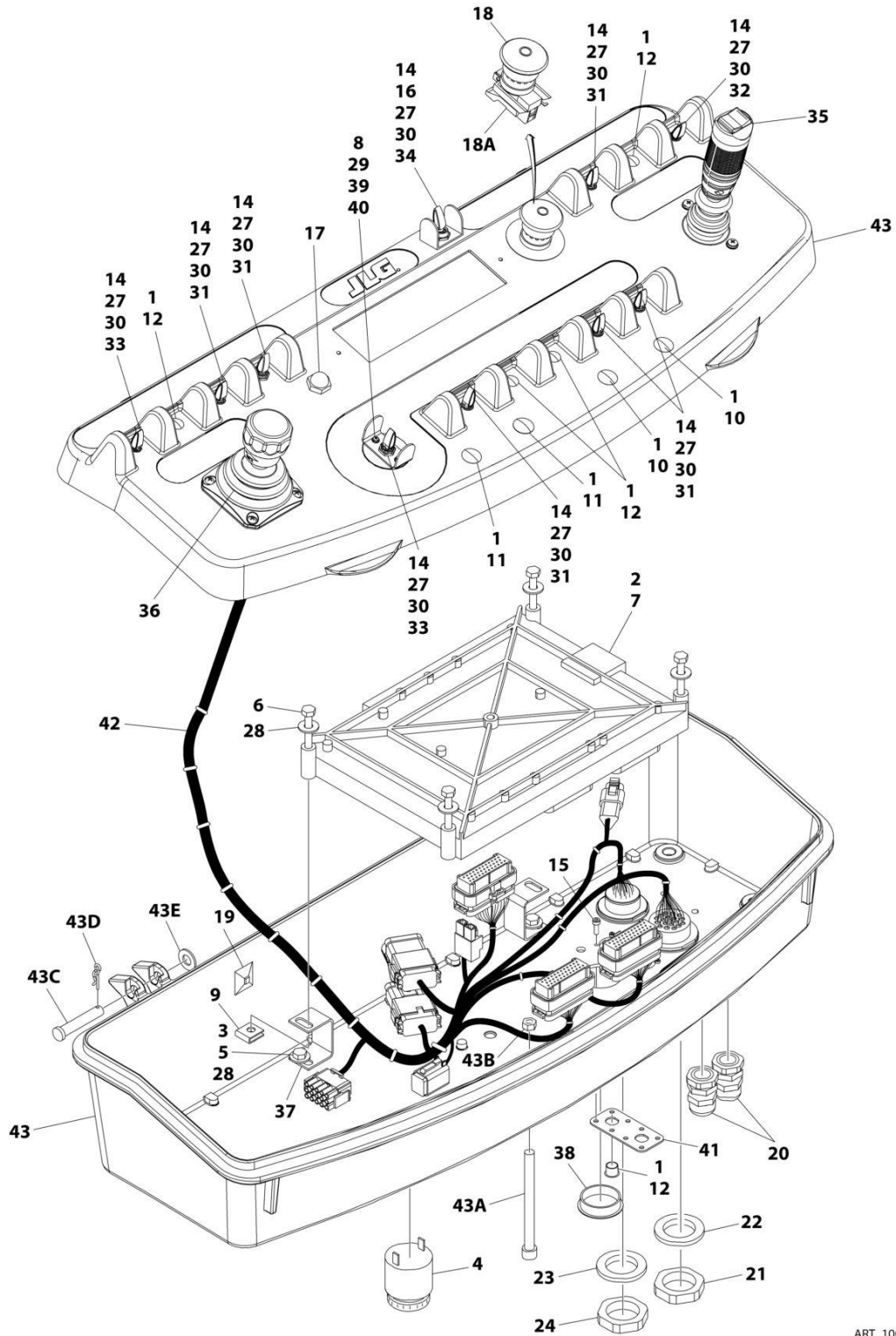
ITEM	PART NUMBER	QTY	DESCRIPTION	REV
	1001248460	Ref	PLATFORM CONSOLE ASSEMBLY	D
1	0100009	AR	Sealant	
2	0100048	AR	Grease, Dielectric	
3	0100035	AR	Compound, Locking	
4	0140011	1	Alarm	
5	0641404	4	Bolt 1/4 x 1/2	
6	0641414	4	Bolt 1/4 x 1-3/4	
7	1600343	1	Module, Platform (Note: Re-calibration Required when Replaced)	
8	1704260	1	Decal - Emergency Stop	
9	3290305	2	Nut M3	
10	3300353	4	Nut, Tinnerman	
11	3520026	1	Plug, Hole	
12	3520027	1	Plug, Hole	
13	3520054	5	Plug, Hole	
14	3520174	3	Plug, Hole (Not Shown)	
15	3790012	10	O-Ring	
16	3900349	8	Capscrew M2.5	
17	4060906	1	Guard, Switch	
18	4360387	2	Switch, Push Button	
19	4360475	1	Switch, Emergency Stop	
19	7020175	1	Cap, Red	
19A	7020176	1	Contact, Block	
20	4460234	3	Base, Mounting	
21	4460428	2	Connector, Strain Relief	
22	4460470	1	Nut, Terminal	
23	4460471	1	Washer, Terminal	
24	4460496	1	Washer, Terminal	
25	4460497	1	Nut, Terminal	
26	4460708	1	Terminal (Not Shown)	
27	4460905	AR	Plug, Terminal (Not Shown)	
28	4740397	10	Washer	
29	4751400	8	Washer 1/4	
30	1001110544	4	Washer M3	
31	1001155044	10	Nut 15/32	
32	1001155045	6	Switch, Toggle	
33	1001159256	1	Switch, Toggle	
34	1001161709	2	Switch, Toggle	
35	1001161710	1	Switch, Toggle	
36	1001166538	NLA	Controller Assembly (Drive and Steer) (Use p/n 1001212415) (See Separate Breakdown in this Section)	
37	1001166539	NLA	Controller Assembly (Lift and Swing) (Use p/n 1001129555) (See Separate Breakdown in this Section)	
38	1001172760	4	Bracket	
39	1001185281	1	Plug	
40	1001196744	1	Guard, Switch	
41	1001198576	2	Screw M3 x 10	
42	1001213882	1	Mount, Connector	
43	1001243596	1	Platform Console Harness (See Separate Breakdown in ELECTRICAL Section)	
44	1001249886	1	Box, Console	

SECTION 5 - PLATFORM

ITEM	PART NUMBER	QTY	DESCRIPTION	REV
44A	0630568	1	Screw 3/8 x 4-1/2	
44B	3311601	1	Nut 3/8	
44C	3430616	2	Pin	
44D	3470003	2	Pin	
44E	4711600	2	Washer 3/8	
45	1001206532	1	Light, Indicator	

SECTION 5 - PLATFORM

FIGURE 5-14. CONSOLE BOX ASSEMBLY



ART_1001255827

SECTION 5 - PLATFORM

FIGURE 5-14. CONSOLE BOX ASSEMBLY

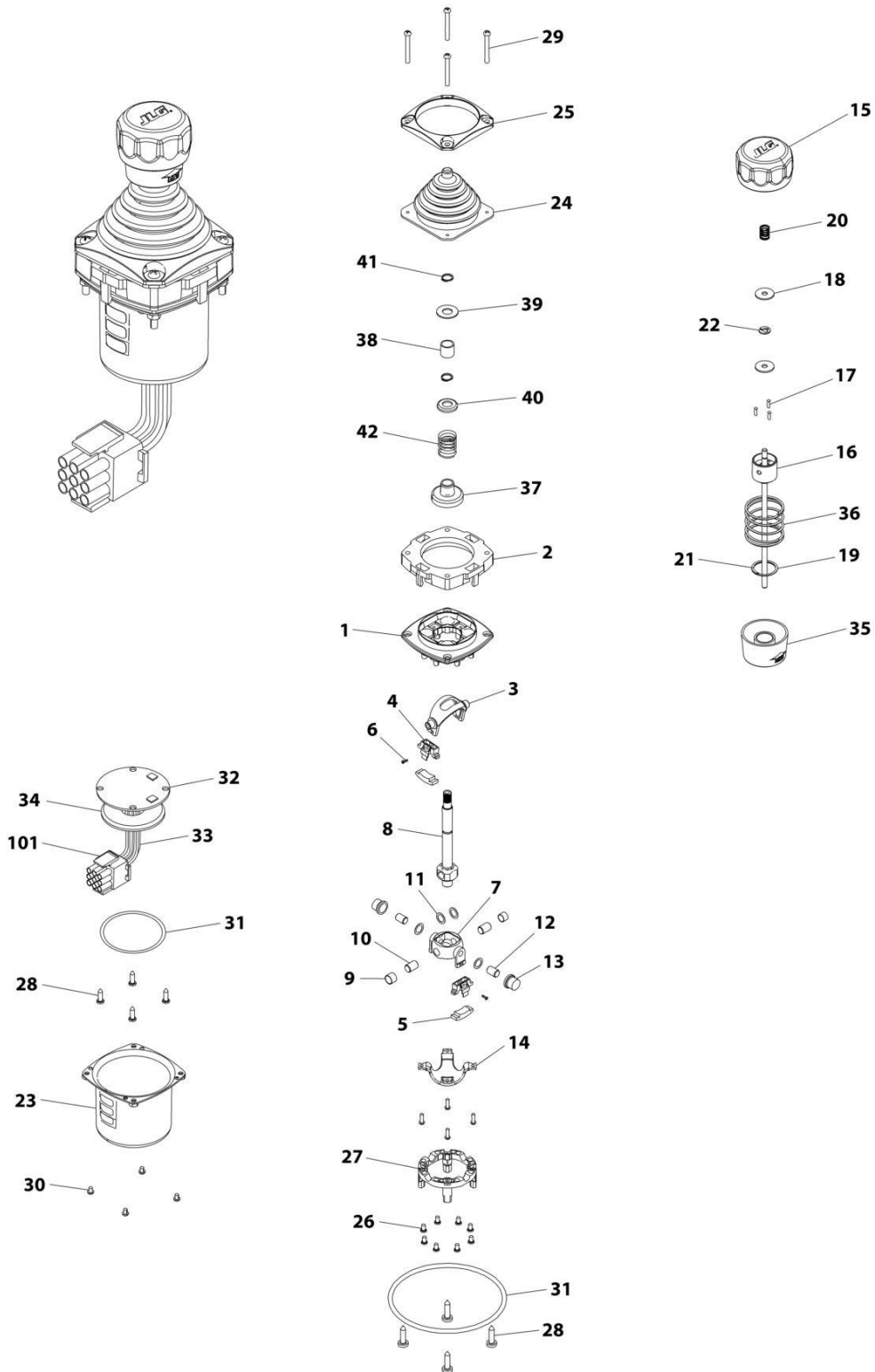
ITEM	PART NUMBER	QTY	DESCRIPTION	REV
	1001255827	Ref	CONSOLE BOX ASSEMBLY	B
1	0100009	AR	Sealant	
2	0100048	AR	Grease, Dielectric	
3	0100035	AR	Compound, Locking	
4	0140011	1	Alarm	
5	0641404	4	Bolt 1/4 x 1/2	
6	0641414	4	Bolt 1/4 x 1-3/4	
7	1600343	1	Module, Platform (Note: Re-calibration Required when Replaced)	
8	3290305	2	Nut M3	
9	3300353	4	Nut, Tinnerman	
10	3520026	2	Plug, Hole	
11	3520027	2	Plug, Hole	
12	3520054	5	Plug, Hole	
13	3520174	3	Plug, Hole (Not Shown)	
14	3790012	10	O-Ring	
15	3900349	8	Capscrew M2.5	
16	4060906	1	Guard, Switch	
17	4360387	1	Switch, Push Button	
18	4360475	1	Switch, Emergency Stop	
18	7020175	1	Cap, Red	
18A	7020176	1	Contact, Block	
19	4460234	3	Base, Mounting	
20	4460428	2	Connector, Strain Relief	
21	4460470	1	Nut, Terminal	
22	4460471	1	Washer, Terminal	
23	4460496	1	Washer, Terminal	
24	4460497	1	Nut, Terminal	
25	4460708	1	Terminal (Not Shown)	
26	4460905	AR	Plug, Terminal (Not Shown)	
27	4740397	10	Washer	
28	4751400	8	Washer 1/4	
29	1001110544	4	Washer M3	
30	1001155044	10	Nut 15/32	
31	1001155045	6	Switch, Toggle	
32	1001159256	1	Switch, Toggle	
33	1001161709	2	Switch, Toggle	
34	1001161710	1	Switch, Toggle	
35	1001166538	NLA	Controller Assembly (Drive and Steer) (Use p/n 1001212415) (See Separate Breakdown in this Section)	
36	1001166539	NLA	Controller Assembly (Lift and Swing) (Use p/n 1001129555) (See Separate Breakdown in this Section)	
37	1001172760	4	Bracket	
38	1001185281	1	Plug	
39	1001196744	1	Guard, Switch	
40	1001198576	2	Screw M3 x 10	
41	1001213882	1	Mount, Connector	
42	1001243596	1	Platform Console Harness (See Separate Breakdown in ELECTRICAL Section)	
43	1001255828	1	Box, Console	
43A	0630568	1	Screw 3/8 x 4-1/2	

SECTION 5 - PLATFORM

ITEM	PART NUMBER	QTY	DESCRIPTION	REV
43B	3311601	1	Nut 3/8	
43C	3430616	2	Pin	
43D	3470003	2	Pin	
43E	4711600	2	Washer 3/8	

SECTION 5 - PLATFORM

FIGURE 5-15. CONTROLLER ASSEMBLY (LIFT AND SWING)



ART_1001166539

SECTION 5 - PLATFORM

FIGURE 5-15. CONTROLLER ASSEMBLY (LIFT AND SWING)

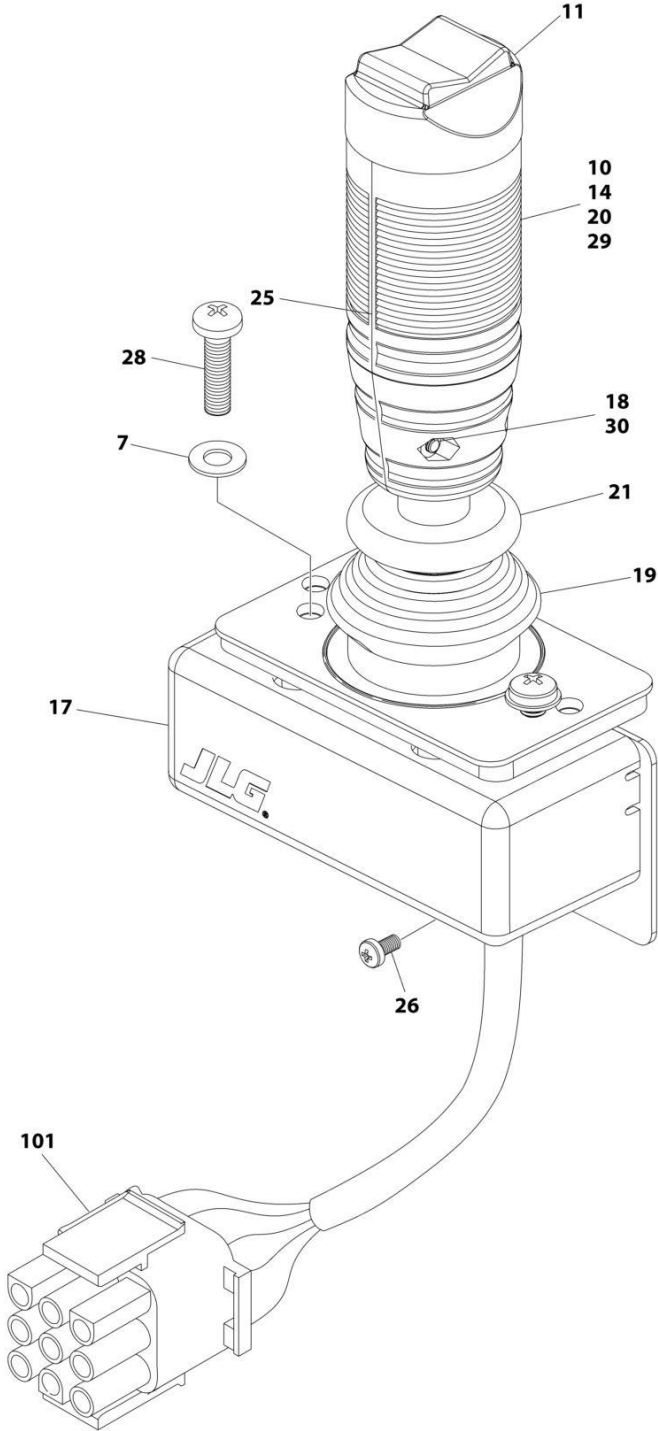
ITEM	PART NUMBER	QTY	DESCRIPTION	REV
	1001166539	Ref	CONTROLLER ASSEMBLY	E
		Ref	Note: Original Equipment Controller May Have Been Replaced with Service Replacement Controller. Visually Identify Controller Before Ordering Parts.	
		Ref	Note: For Replacement, Use p/n 1001129555	
1	See Note	NSS	Main Cast Body (Note: Not Available - Purchase Complete Assembly)	
2	70004752	1	Adapter	
3	See Note	NSS	Pivot Arm, Plastic (Note: Not Available - Purchase Complete Assembly)	
4	See Note	NSS	Holder, Magnet (Note: Not Available - Purchase Complete Assembly)	
5	See Note	NSS	Arc, Magnet (Note: Not Available - Purchase Complete Assembly)	
6	See Note	NSS	Screw (Note: Not Available for Purchase)	
7	See Note	NSS	Pivot Arm, Cast (Note: Not Available - Purchase Complete Assembly)	
8	See Note	NSS	Shaft, Main (Note: Not Available - Purchase Complete Assembly)	
9	See Note	NSS	Bearing (Note: Not Available - Purchase Complete Assembly)	
10	See Note	NSS	Pin (Note: Not Available - Purchase Complete Assembly)	
11	See Note	NSS	Shim (Note: Not Available - Purchase Complete Assembly)	
12	See Note	NSS	Pin (Note: Not Available - Purchase Complete Assembly)	
13	See Note	NSS	Bearing (Note: Not Available - Purchase Complete Assembly)	
14	See Note	NSS	Dome, Centering (Note: Not Available - Purchase Complete Assembly)	
15	70004753	1	Cap	
16	70004754	1	Insert, Cap	
17	70004755	3	Pin	
18	70004756	2	Washer	
19	70004757	1	Pin, Centering	
20	70004758	1	Spring	
21	70004759	1	Ring, Retaining	
22	70004760	1	E-Ring	
23	70004761	1	Can, Enclosure	
24	70004762	1	Boot	
25	70004763	1	Bezel	
26	See Note	NSS	Screw (Note: Not Available for Purchase)	
27	See Note	NSS	Base Mounting (Note: Not Available - Purchase Complete Assembly)	
28	See Note	NSS	Screw (Note: Not Available for Purchase)	
29	70004764	4	Screw	
30	70004765	4	Screw	
31	70004766	1	O-Ring	
32	See Note	NSS	Plate (Note: Not Available - Purchase Complete Assembly)	
33	See Note	NSS	Harness (Note: Not Available - Purchase Complete Assembly)	
34	70004767	1	Grommet, Rubber	
35	70004768	1	Housing	
36	70004769	1	Spring	
37	70004770	1	Stopper	
38	70004771	1	Spacer	
39	70004772	1	Washer	
40	70004773	1	Disc	

SECTION 5 - PLATFORM

ITEM	PART NUMBER	QTY	DESCRIPTION	REV
41	70004774	2	Ring, Retaining	
42	70004775	1	Spring	
101	4460265	1	Connector - 9 Position	
101	4460226	6	Socket, Female	

SECTION 5 - PLATFORM

FIGURE 5-16. CONTROLLER ASSEMBLY (DRIVE AND STEER)



ART_1001166538

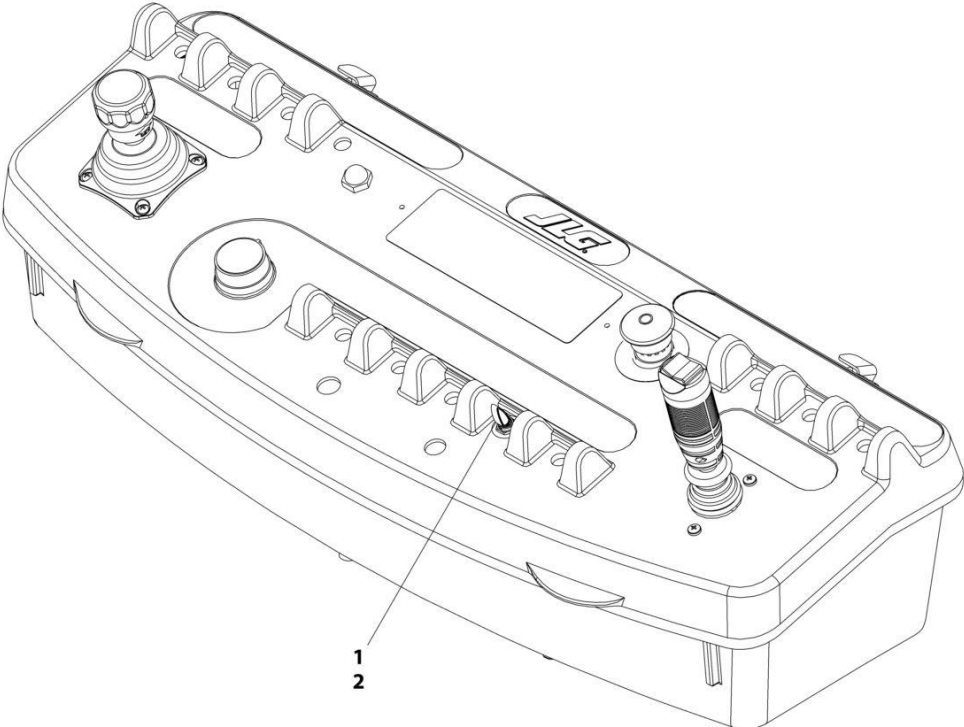
SECTION 5 - PLATFORM

FIGURE 5-16. CONTROLLER ASSEMBLY (DRIVE AND STEER)

ITEM	PART NUMBER	QTY	DESCRIPTION	REV
	1001166538	Ref	CONTROLLER ASSEMBLY - DRIVE AND STEER	G
		Ref	Note: For Replacement, Use p/n 1001212415.	
7	70004738	2	Washer	
10	70004739	1	Roller	
11	70004740	1	Boot, Switch	
14	70004741	2	Half, Handle	
17	70004742	1	Enclosure	
18	70004743	4	Nut	
19	70004744	NLA	Boot, Controller (Use p/n 70005230 Boot/Base Assembly)	
20	70004745	NLA	Tube, Locking (Use p/n 70005230 Boot/Base Assembly)	
21	70004746	NLA	Disc, Locking (Use p/n 70005230 Boot/Base Assembly)	
25	70004747	2	Seal, Rope	
26	70004748	1	Screw M3 x 6	
28	70004749	2	Screw M5 x 20	
29	70004750	1	Pin, Dowel	
30	70004751	4	Screw M3 x 16	
101	4460265	1	Connector - 9 Position	
101	4460226	7	Socket, Female	

SECTION 5 - PLATFORM

FIGURE 5-17. JIB SWITCH INSTALLATION - 1100SJ



ART_0271340

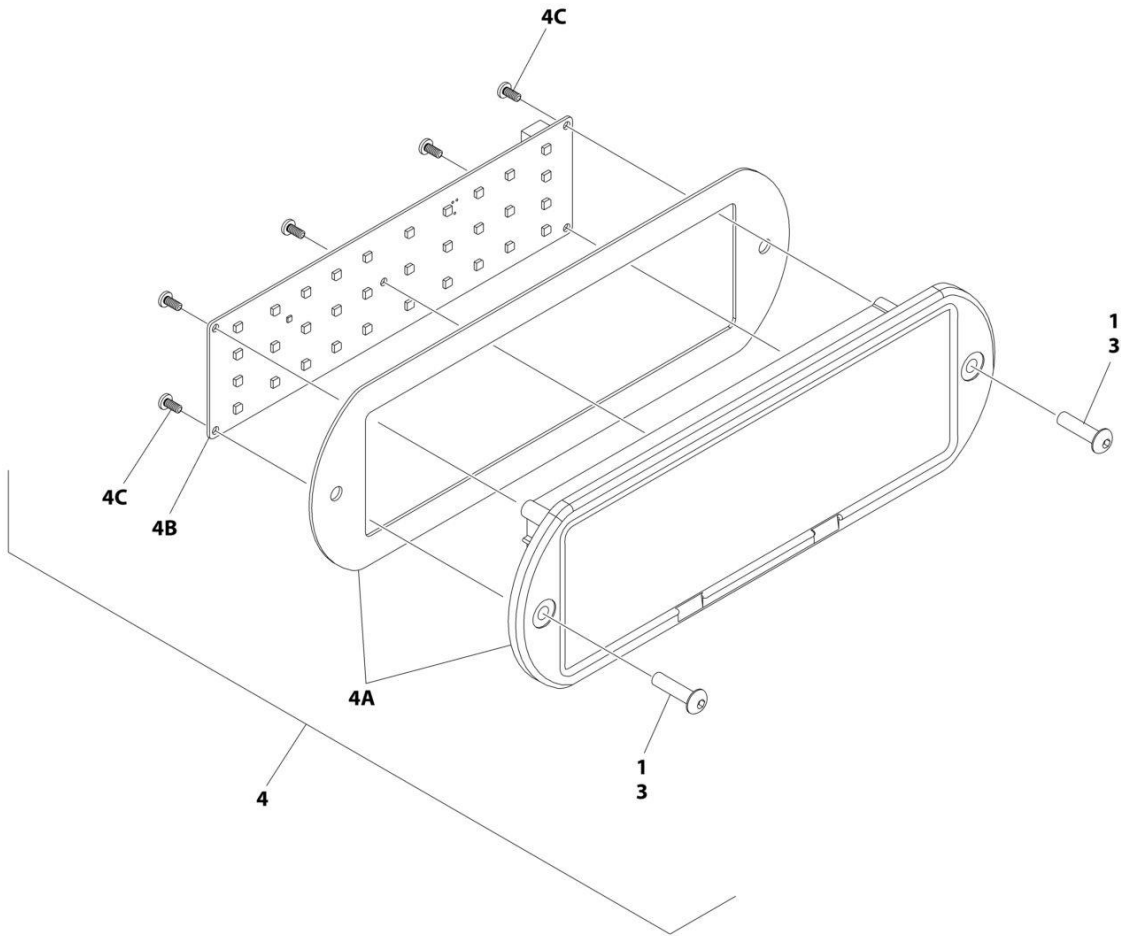
SECTION 5 - PLATFORM

FIGURE 5-17. JIB SWITCH INSTALLATION - 1100SJ

ITEM	PART NUMBER	QTY	DESCRIPTION	REV
	0271340	Ref	JIB SWITCH INSTALLATION	1/A
1	4360328	1	Switch, Toggle	
2	3790012	1	O-Ring	

SECTION 5 - PLATFORM

FIGURE 5-18. LIGHT PANEL INSTALLATION



ART_1001241403_2OF2

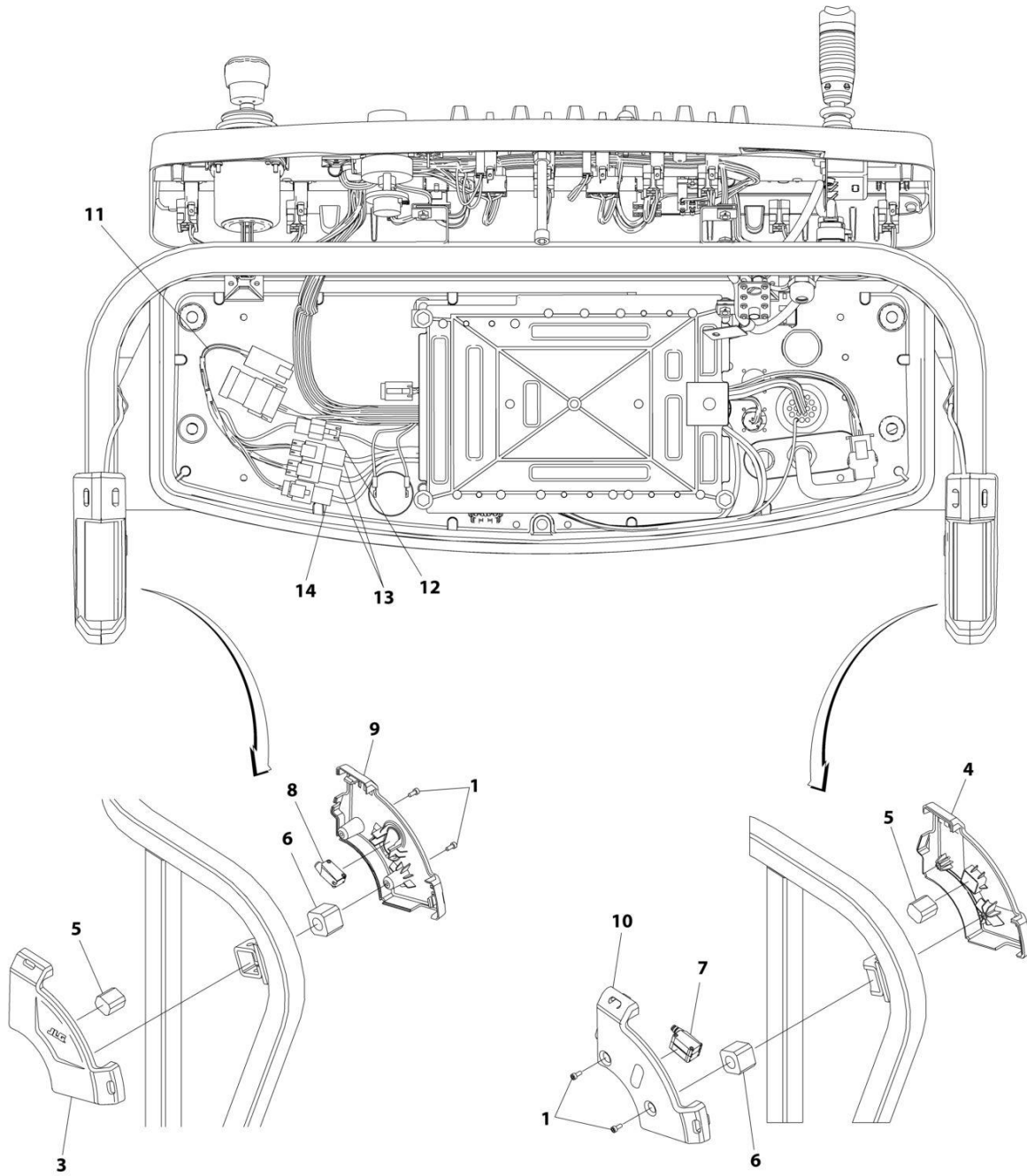
SECTION 5 - PLATFORM

FIGURE 5-18. LIGHT PANEL INSTALLATION

ITEM	PART NUMBER	QTY	DESCRIPTION	REV
	1001241403	Ref	LIGHT PANEL INSTALLATION - PLATFORM CONSOLE	C
1	3300408	1	Nut, Nylon Insert	
3	0630518	2	Screw #10 x 3/4	
4	1001238672	1	Light Panel Electrical Assembly	H
4A	1001236089	1	Lens Assembly (Includes Housing Shell, Decal/Lens with Icons & Gasket)	
4B	1001238732	1	Panel, LED Light	
4C		Ref	Screw	

SECTION 5 - PLATFORM

FIGURE 5-19. SKYEYE INSTALLATION



ART_1001229341

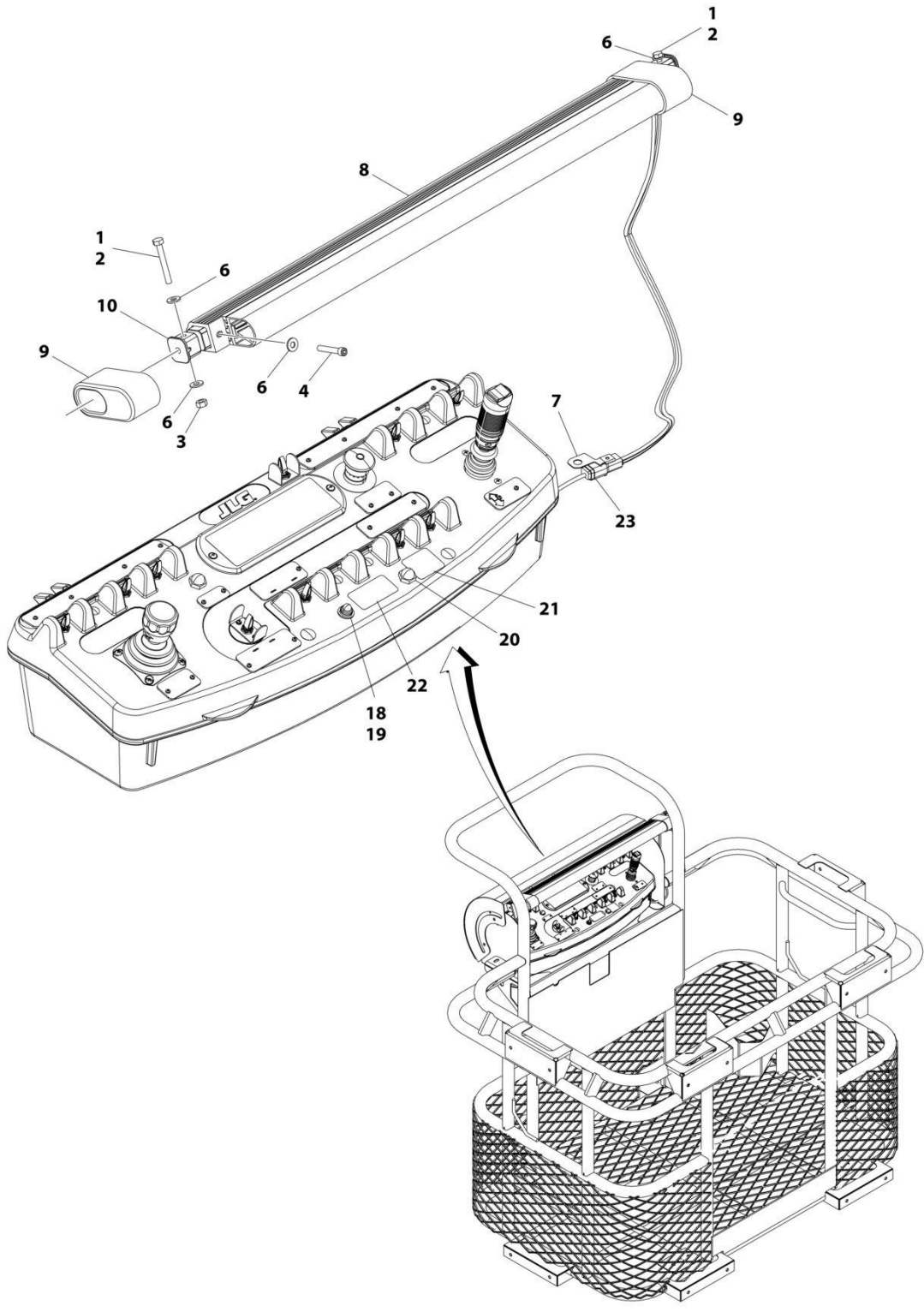
SECTION 5 - PLATFORM

FIGURE 5-19. SKYEYE INSTALLATION

ITEM	PART NUMBER	QTY	DESCRIPTION	REV
	1001229341	Ref	SKYEYE INSTALLATION	B
1	4031505	4	Bolt M4 x 10	
2	4240033	AR	Tie-Strap (Not Shown)	
3	1001227633	1	Housing, LH Outer	
4	1001227634	1	Housing, RH Outer	
5	1001227985	2	Shim	
6	1001227987	2	Shim	
7	1001228224	2	Sensor, Receiver	
8	1001228225	1	Sensor, Emitter	
9	1001232164	1	Housing, LH Inner	
10	1001232165	1	Housing, RH Inner	
11	1001237865	1	Harness, Skyeeye Intermediate (See Separate Breakdown in ELECTRICAL Section)	
12	1001238319	NLA	Harness, Skyeeye Drain Jumper	
12	1001187674	1	Plug, Male - 2 Position	
12	4460942	1	Terminal	
12	4460466	1	Plug, Terminal	
12	4460508	1	Pin, Male	
13	1001237863	2	Harness, Skyeeye Receiver (See Separate Breakdown in ELECTRICAL Section)	
14	1001237864	1	Harness, Skyeeye Emitter (See Separate Breakdown in ELECTRICAL Section)	

SECTION 5 - PLATFORM

FIGURE 5-20. SKYGUARD INSTALLATION



ART_1001153444

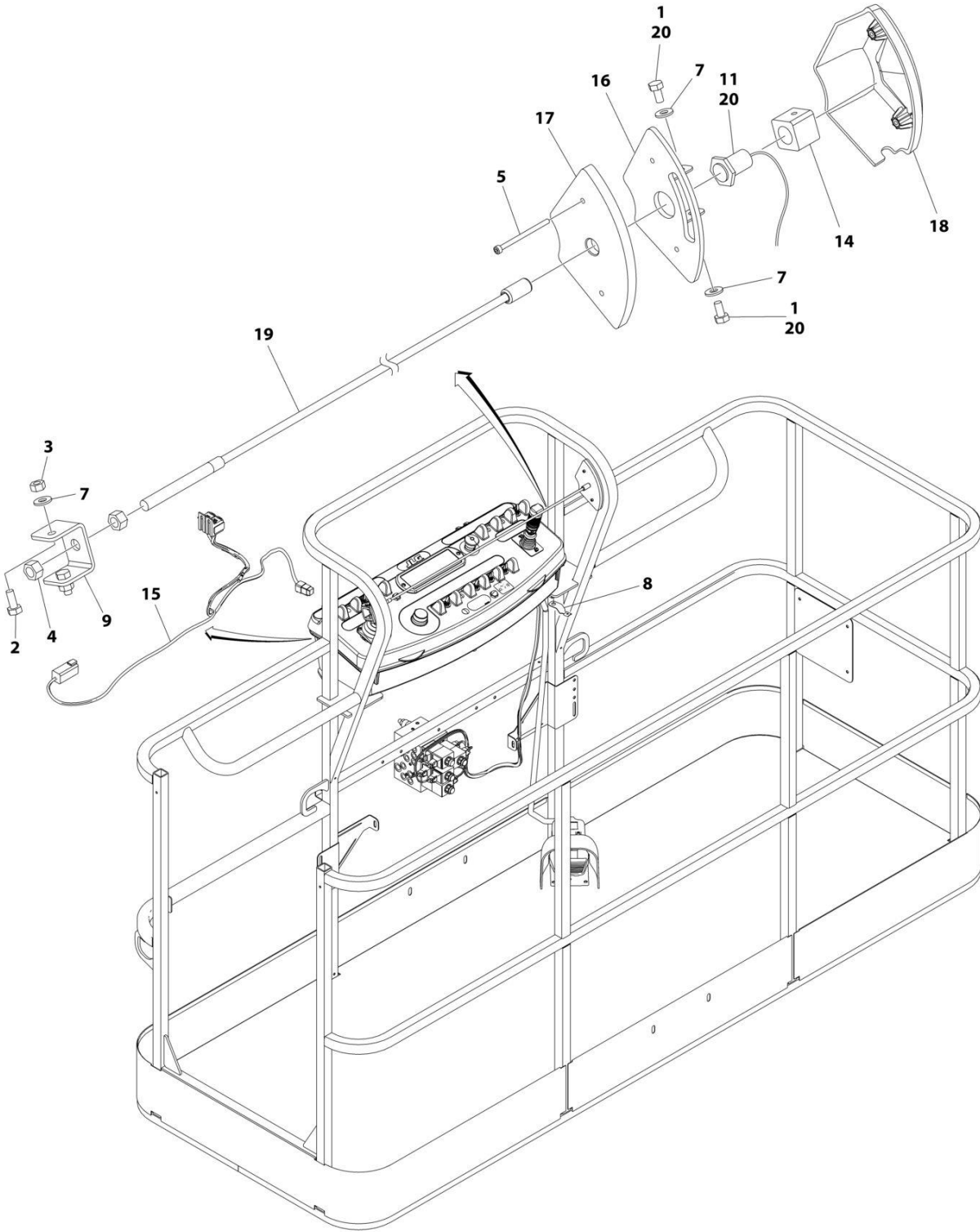
SECTION 5 - PLATFORM

FIGURE 5-20. SKYGUARD INSTALLATION

ITEM	PART NUMBER	QTY	DESCRIPTION	REV
	1001153444	Ref	SKYGUARD INSTALLATION	G
1	0100011	AR	Compound, Locking	
2	0641416	2	Bolt 1/4 x 2	
3	3311405	2	Nut 1/4	
4	3931408	2	Capscrew 1/4 x 1/2	
5	4240033	4	Tie-Strap (Not Shown)	
6	4711400	6	Washer 1/4	
7	1001120328	1	Mount, Terminal	
8	1001137673	1	SkyGuard Switch Assembly	
9	1001186517	2	Cover, Platform Sensor	
10	1001209664	1	Suport	
18	2920028	1	Lamp, Indicator	
19	2920029	1	Bulb, Light	
20	4360387	1	Switch, Push Button	
21	1001144433	1	Decal - No Weight SkyGuard	
22	1001224978	1	Decal - Platform Sensor Override	
23	1001199904	1	SkyGuard Sensor Harness (See Separate Breakdown in ELECTRICAL Section)	

SECTION 5 - PLATFORM

FIGURE 5-21. SKYLINE INSTALLATION



ART_1001238559_D

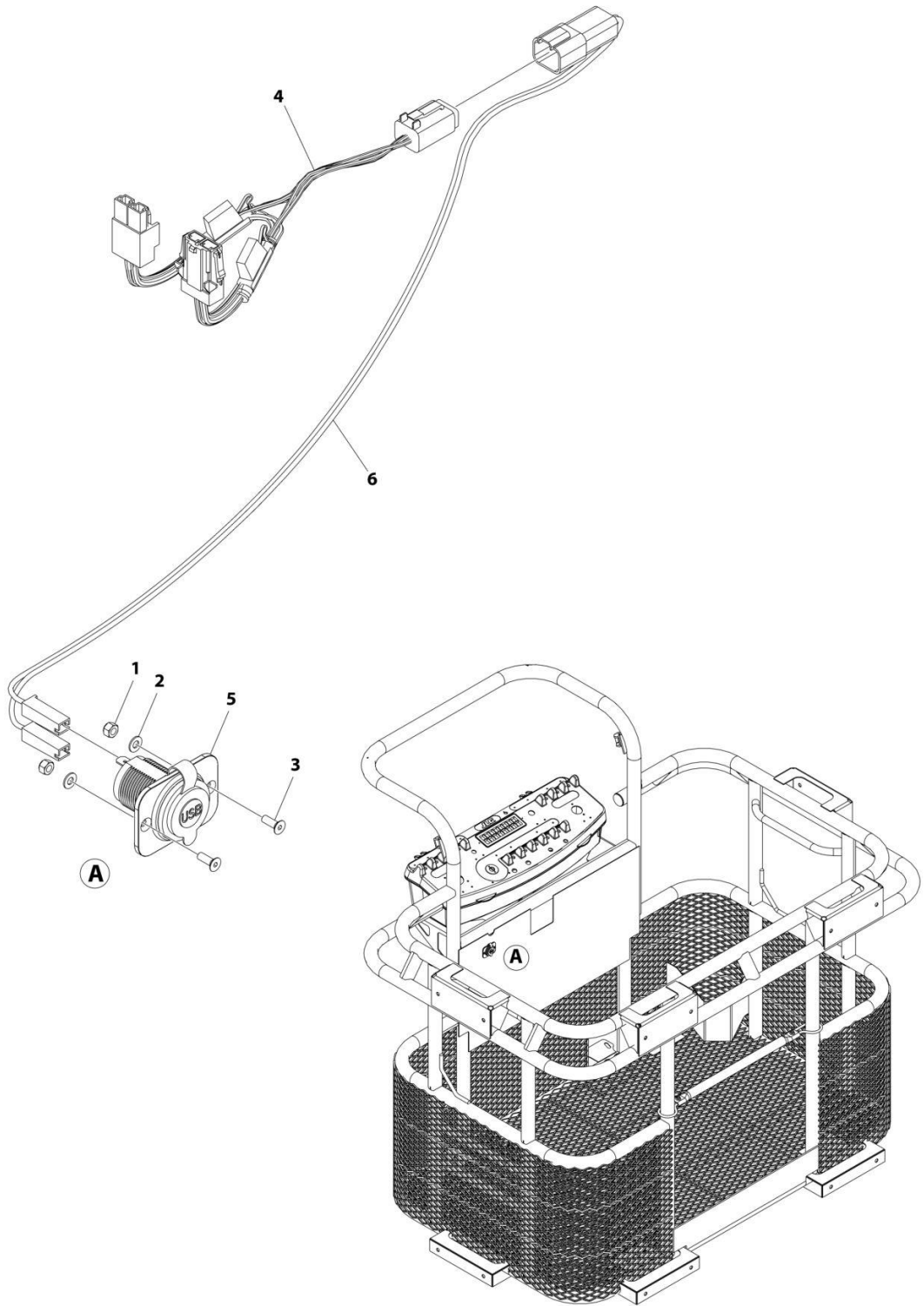
SECTION 5 - PLATFORM

FIGURE 5-21. SKYLINE INSTALLATION

ITEM	PART NUMBER	QTY	DESCRIPTION	REV
	1001238559	Ref	SKYLINE INSTALLATION	D
1	0641404	2	Bolt 1/4 x 1/2	
2	0641405	2	Bolt 1/4 x 5/8	
3	3311405	2	Nut 1/4	
4	3311601	2	Nut 3/8	
5	4031516	2	Capscrew M4 x 60	
6	4240033	AR	Tie-Strap (Not Shown)	
7	4711400	4	Washer 1/4	
8	1001120328	1	Mount	
9	1001232642	1	Bracket	
11	1001232667	1	Sensor, Proximity	
11	1001311034	1	Sensor, Proximity	
14	1001236552	1	Block	
15	1001238418	1	Harness, Skyline (See Separate Breakdown in ELECTRICAL Section)	
16	1001238472	1	Mount	
17	1001254473	1	Housing, LH	
18	1001241965	1	Housing, RH	
19	1001254472	1	Rod	
20	0100011	AR	Compound, Locking	

SECTION 5 - PLATFORM

FIGURE 5-22. USB CHARGER INSTALLATION



ART_1001274527

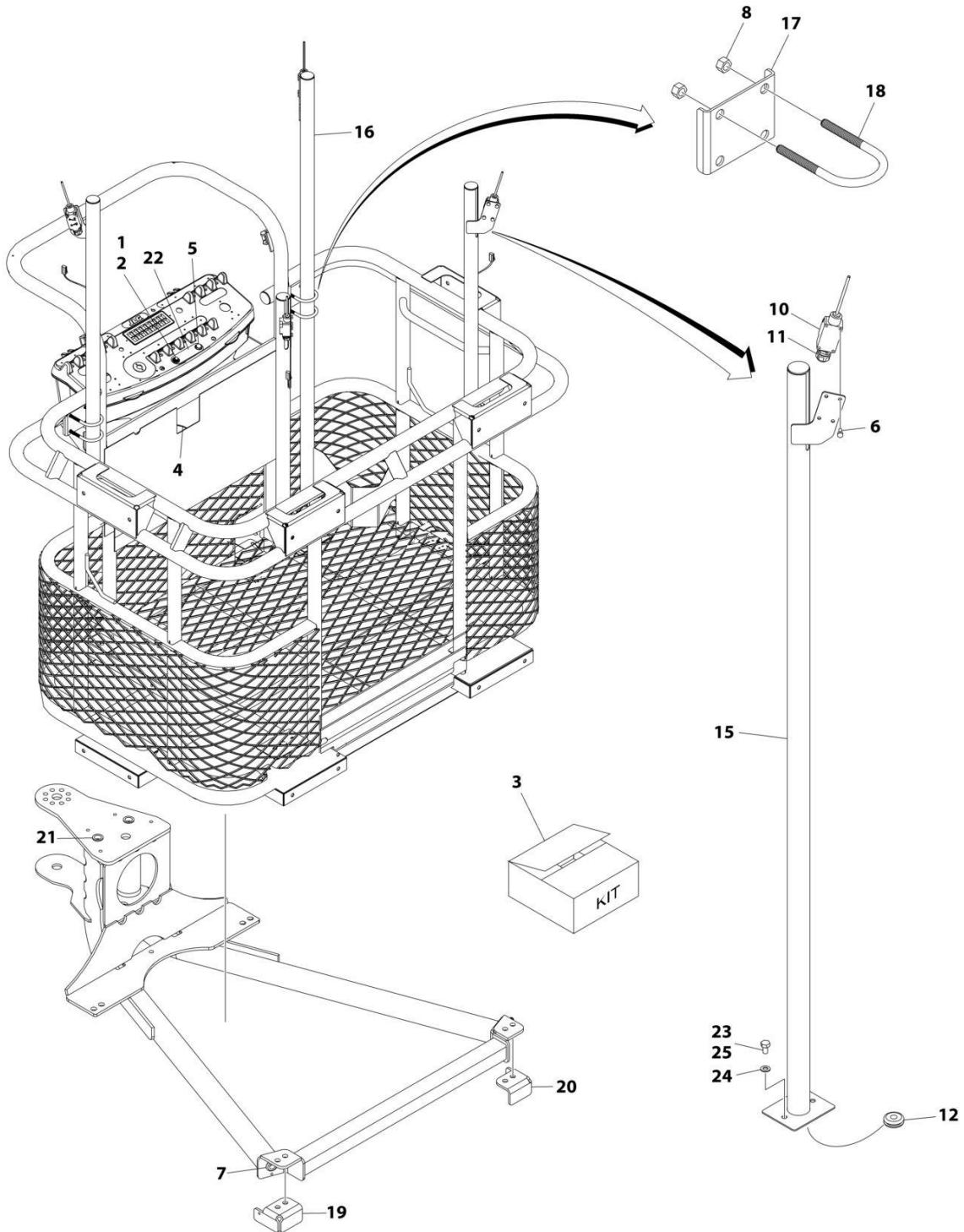
SECTION 5 - PLATFORM

FIGURE 5-22. USB CHARGER INSTALLATION

ITEM	PART NUMBER	QTY	DESCRIPTION	REV
	1001274527	Ref	USB CHARGER INSTALLATION	A
1	3290405	2	Nut M4	
2	4811400	2	Washer M4	
3	1001097244	2	Screw M4 x 12	
4	1001120484	1	Harness, Work Lights	
4	4460879	1	Plug, Male - 2 Position	
4	4460887	4	Terminal	
4	2400060	2	Fuseholder Includes Cover	
4	4460884	1	Connector - 4 Position	
4	4460465	4	Socket, Female	
4	1001120471	1	Connector - 2 Position	
4	1001120477	4	Terminal	
5	1001210636	1	Receptacle, USB	
6	1001265163	1	Harness, USB	A
6	4460260	2	Cover, Terminal	
6	4460259	2	Terminal	
6	4460932	1	Receptacle, Bussbar - 4 Position	
6	4460464	2	Pin, Male	
6	4460466	2	Plug, Terminal	

SECTION 5 - PLATFORM

FIGURE 5-23. OVERHEAD PROTECTION INSTALLATION - WITHOUT LSS (KOREAN/CHINA SPECS)



ART_1001150098

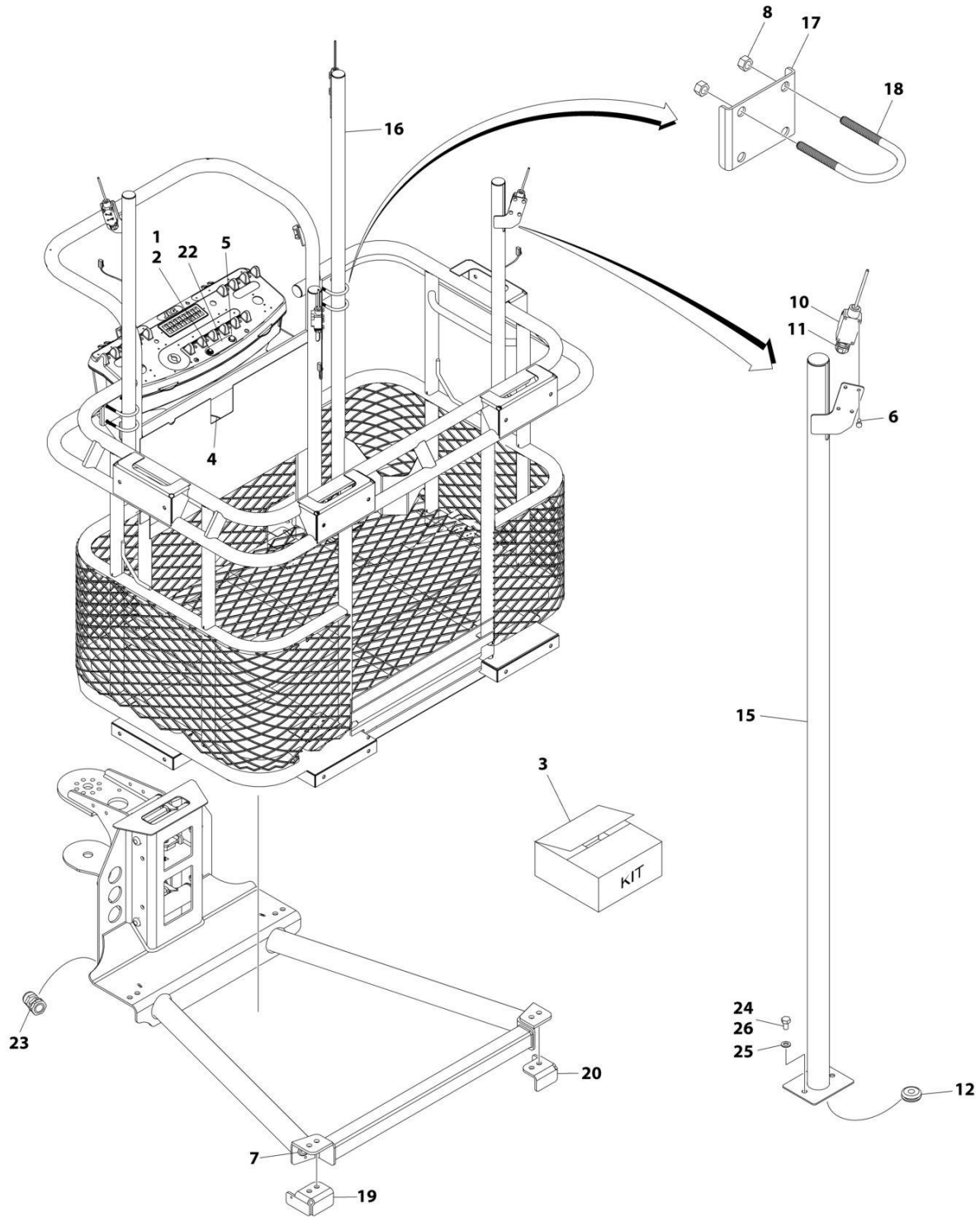
SECTION 5 - PLATFORM

FIGURE 5-23. OVERHEAD PROTECTION INSTALLATION - WITHOUT LSS (KOREAN/CHINA SPECS)

ITEM	PART NUMBER	QTY	DESCRIPTION	REV
	1001150098	Ref	OVERHEAD PROTECTION INSTALLATION - WITHOUT LSS (KOREAN/CHINA SPECS)	D
1	2920028	1	Light, Indicator	
2	2920029	1	Bulb	
3	1001151061	1	Accessory, O/H Soft Touch Kit (Includes Items 6-21 & 23-25)	
4	1001151201	1	Harness, Soft Touch (See Separate Breakdown in ELECTRICAL SECTION)	
5	4360387	1	Switch, Push Button	
6	0641405	16	Bolt 1/4 x 5/8	
7	2540038	2	Grommet	
8	3311605	16	Nut 3/8	
9	4240099	12	Tie-Strap (Not Shown)	
10	4360477	4	Switch, Proximity	
11	4460662	4	Connector, Strain Relief	
12	1001090615	4	Grommet	
14	1001121576	1	Cover (Not Shown)	
15	1001150698	2	Tube	
16	1001150699	2	Tube	
17	1001151027	4	Plate	
18	1001151028	8	Bolt	
19	1001151651	1	Shield	
20	1001151652	1	Shield	
21	1001151731	2	Grommet	
22	1001113691	1	Decal - Soft Touch Override	
23	0761009	8	Bolt M10 x 18	
24	4812000	8	Washer M10	
25	0100011	AR	Compound, Locking	

SECTION 5 - PLATFORM

FIGURE 5-24. OVERHEAD PROTECTION INSTALLATION - WITH LSS (KOREAN/CHINA SPECS)



ART_1001206605

SECTION 5 - PLATFORM

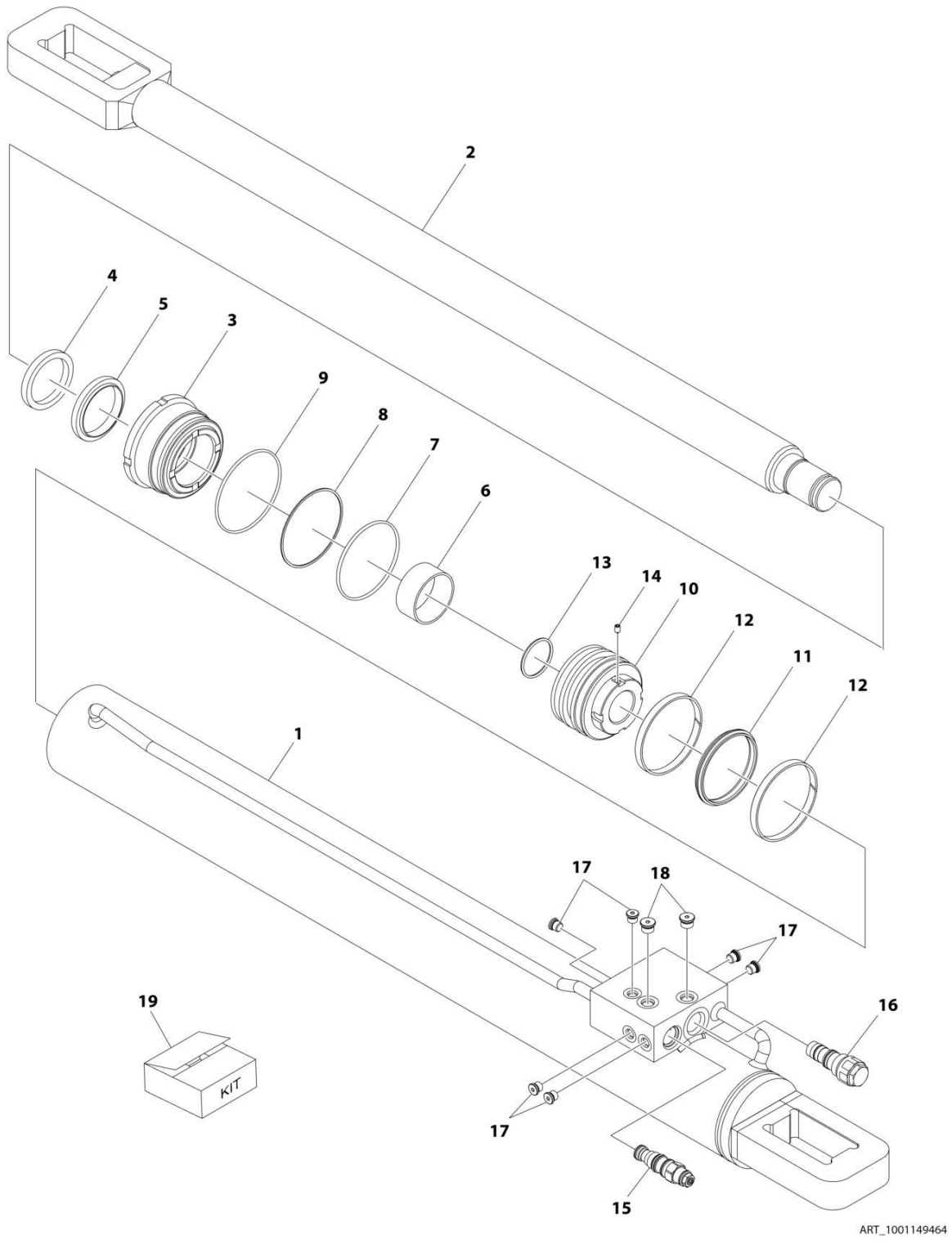
FIGURE 5-24. OVERHEAD PROTECTION INSTALLATION - WITH LSS (KOREAN/CHINA SPECS)

ITEM	PART NUMBER	QTY	DESCRIPTION	REV
	1001206605	Ref	OVERHEAD PROTECTION INSTALLATION - WITH LSS (KOREAN/CHINA SPECS)	C
1	2920028	1	Light, Indicator	
2	2920029	1	Bulb	
3	1001151061	1	Accessory, O/H Soft Touch Kit (Includes Items 6-20 & 24-26)	
4	1001151201	1	Harness, Soft Touch (See Separate Breakdown in ELECTRICAL SECTION)	
5	4360387	1	Switch, Push Button	
6	0641405	16	Bolt 1/4 x 5/8	
7	2540038	2	Grommet	
8	3311605	16	Nut 3/8	
9	4240099	12	Tie-Strap (Not Shown)	
10	4360477	4	Switch, Proximity	
11	4460662	4	Connector, Strain Relief	
12	1001090615	4	Grommet	
14	1001121576	1	Cover (Not Shown)	
15	1001150698	2	Tube	
16	1001150699	2	Tube	
17	1001151027	4	Plate	
18	1001151028	8	Bolt	
19	1001151651	1	Shield	
20	1001151652	1	Shield	
22	1001113691	1	Decal - Soft Touch Override	
23	4460968	2	Connector, Strain Relief	
24	0761009	8	Bolt M10 x 18	
25	4812000	8	Washer M10	
26	0100011	AR	Compound, Locking	

SECTION 6 - CYLINDER

SECTION 6 - CYLINDER

FIGURE 6-1. AXLE EXTEND CYLINDER ASSEMBLY



ART_1001149464

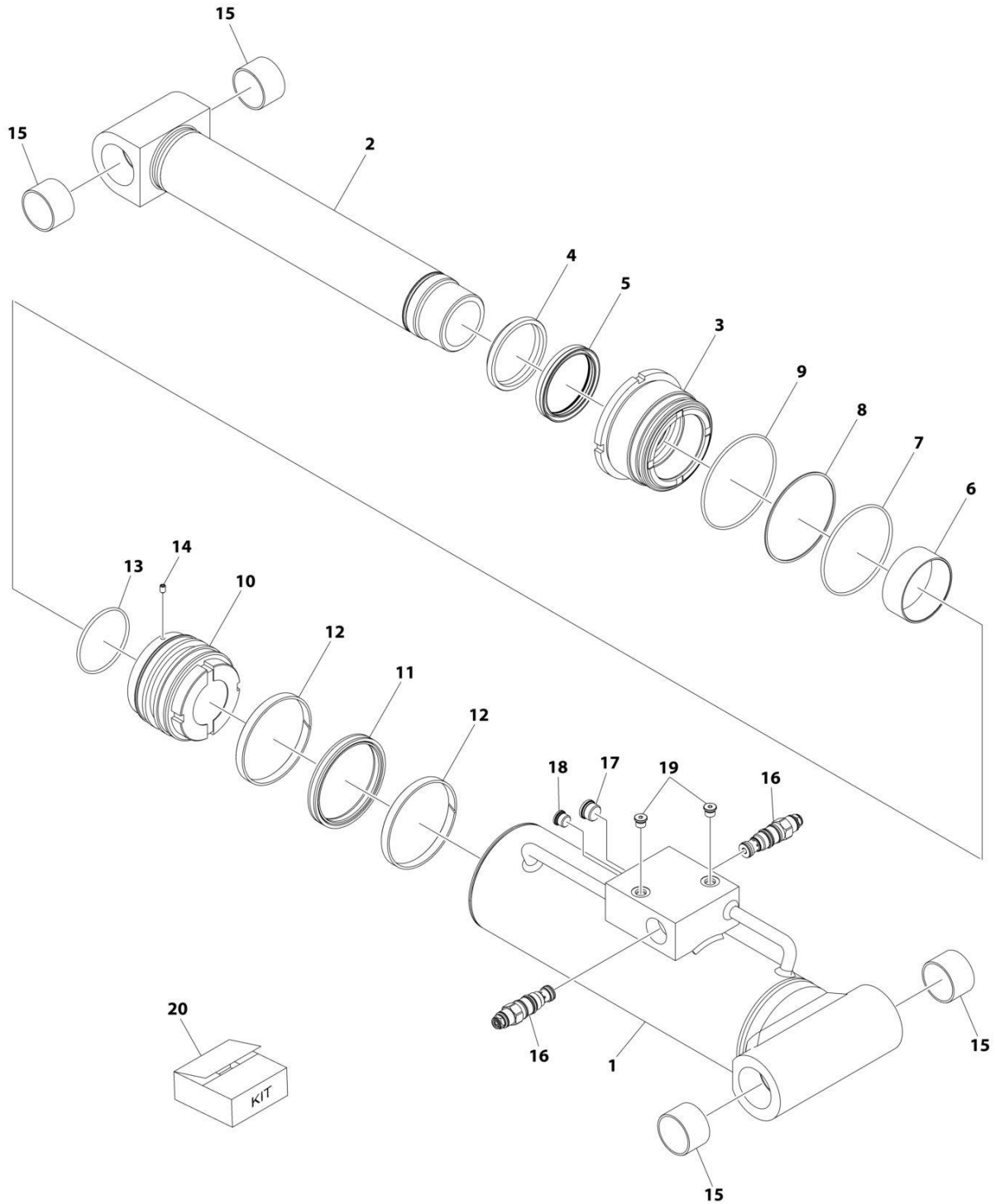
SECTION 6 - CYLINDER

FIGURE 6-1. AXLE EXTEND CYLINDER ASSEMBLY

ITEM	PART NUMBER	QTY	DESCRIPTION	REV
	1001149464	Ref	AXLE EXTEND CYLINDER ASSEMBLY	D
		Ref	Note: Original Cylinder May Have Been Replaced with Service Replacement. Identify PN Stamped on Cylinder Before Ordering Parts.	
1	70005850	1	Barrel	
2	70005851	1	Rod	
3	70005852	1	Head	
4	See Note	NSS	Wiper (Note: Use Item 19)	
5	See Note	NSS	Seal, Rod (Note: Use Item 19)	
6	70004637	1	Bearing	
7	See Note	NSS	O-Ring (Note: Use Item 19)	
8	See Note	NSS	Ring, Back Up (Note: Use Item 19)	
9	See Note	NSS	O-Ring (Note: Use Item 19)	
10	70005853	1	Piston	
11	See Note	NSS	Seal, Piston (Note: Use Item 19)	
12	See Note	NSS	Ring, Wear (Note: Use Item 19)	
13	See Note	NSS	O-Ring (Note: Use Item 19)	
14	70005847	1	Setscrew	
15	70005888	1	Cartridge, Valve - Counterbalance	
15	2900770	1	Seal Kit - 70005888 Valve	
16	4640509	1	Cartridge, Valve - Counterbalance	
16	2900792	1	Seal Kit - 4640509 Valve	
17	2220883	6	Plug	
18	2220885	2	Plug	
19	70005854	1	Seal Kit (Includes Items 4, 5, 7-9 & 11-13)	

SECTION 6 - CYLINDER

FIGURE 6-2. LEVEL CYLINDER ASSEMBLY - PLATFORM SLAVE



ART_1001195191

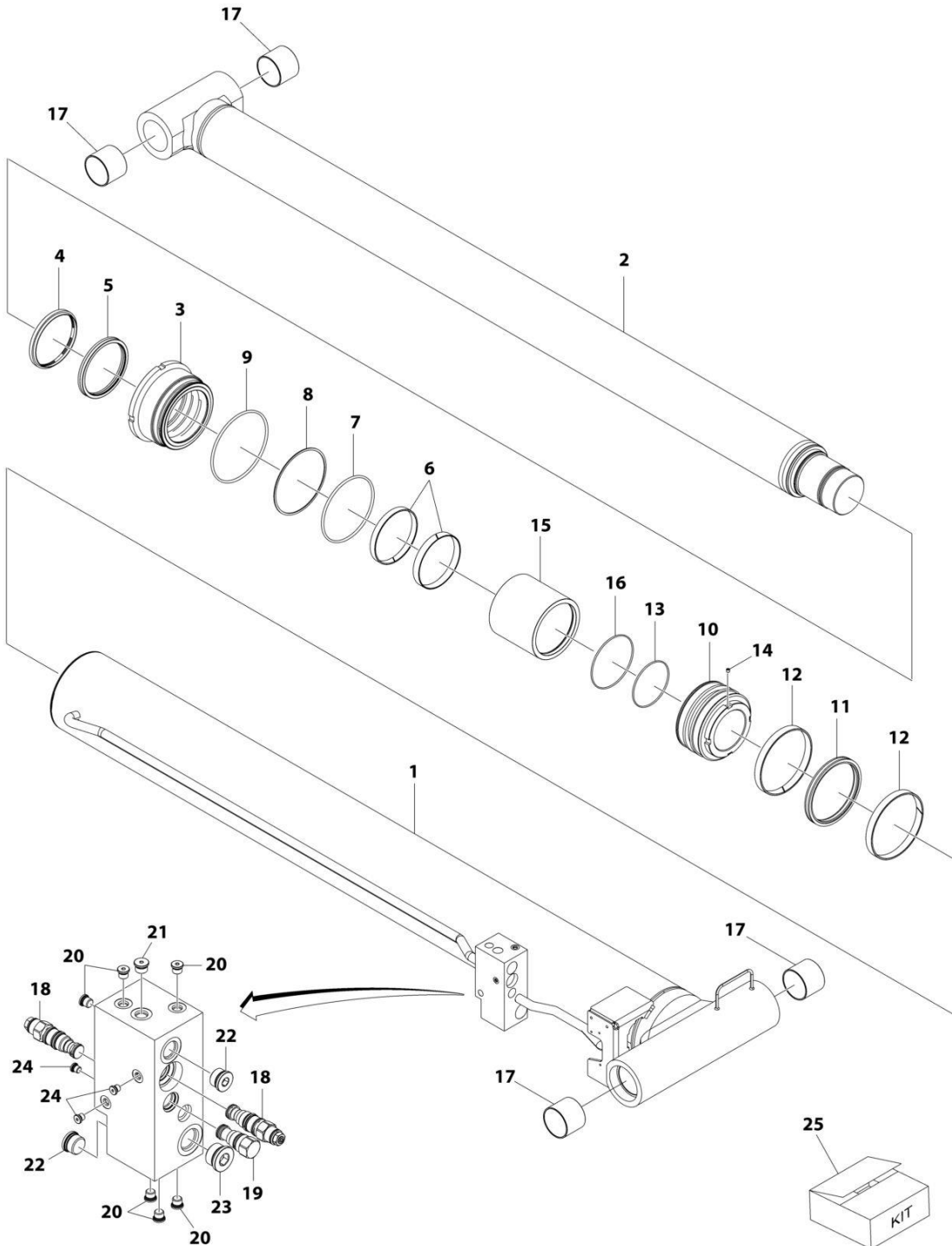
SECTION 6 - CYLINDER

FIGURE 6-2. LEVEL CYLINDER ASSEMBLY - PLATFORM SLAVE

ITEM	PART NUMBER	QTY	DESCRIPTION	REV
	1001195191	Ref	LEVEL CYLINDER ASSEMBLY - PLATFORM SLAVE	E
		Ref	Note: Original Cylinder May Have Been Replaced with Service Replacement. Identify PN Stamped on Cylinder Before Ordering Parts.	
1	70005863	1	Barrel	
2	70005864	1	Rod	
3	70005845	1	Head	
4	See Note	NSS	Wiper (Note: Use Item 20)	
5	See Note	NSS	Seal, Rod (Note: Use Item 20)	
6	70026302	1	Bearnig	
7	See Note	NSS	O-Ring (Note: Use Item 20)	
8	See Note	NSS	Ring, Back Up (Note: Use Item 20)	
9	See Note	NSS	O-Ring (Note: Use Item 20)	
10	70005865	1	Piston	
11	See Note	NSS	Seal, Piston (Note: Use Item 20)	
12	See Note	NSS	Ring, Wear (Note: Use Item 20)	
13	See Note	NSS	O-Ring (Note: Use Item 20)	
14	70005866	1	Setscrew	
15	0961949	4	Bearing	
16	1001168209	2	Cartridge, Valve - Counterbalance	
16	2900770	2	Seal Kit - 1001168209 Valve	
17	2220886	1	Plug	
18	2220885	1	Plug	
19	2220883	2	Plug	
20	70005867	1	Seal Kit (Includes Items 4, 5, 7-9 & 11-13)	

SECTION 6 - CYLINDER

FIGURE 6-3. LIFT CYLINDER ASSEMBLY - BOOM



ART_1001197797

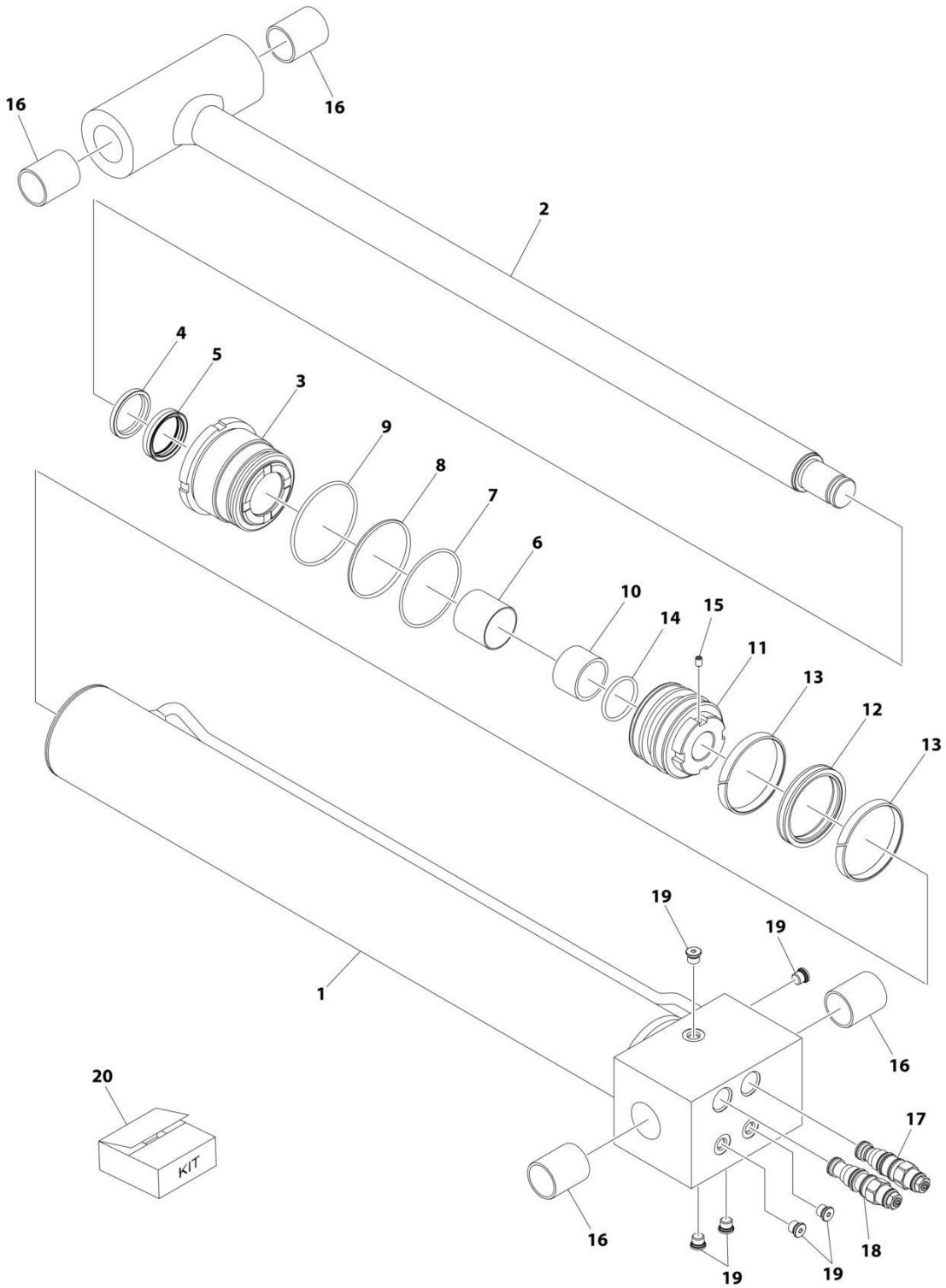
SECTION 6 - CYLINDER

FIGURE 6-3. LIFT CYLINDER ASSEMBLY - BOOM

ITEM	PART NUMBER	QTY	DESCRIPTION	REV
	1001197797	Ref	LIFT CYLINDER ASSEMBLY - BOOM	E
		Ref	Note: Original Cylinder May Have Been Replaced with Service Replacement. Identify PN Stamped on Cylinder Before Ordering Parts.	
1	70005835	1	Barrel	
2	70005836	1	Rod	
3	70005837	1	Head	
4	See Note	NSS	Wiper (Note: Use Item 25)	
5	See Note	NSS	Seal, Rod (Note: Use Item 25)	
6	See Note	NSS	Ring, Wear (Note: Use Item 25)	
7	See Note	NSS	O-Ring (Note: Use Item 25)	
8	See Note	NSS	Ring, Back Up (Note: Use Item 25)	
9	See Note	NSS	O-Ring (Note: Use Item 25)	
10	70005838	1	Piston	
11	See Note	NSS	Seal, Piston (Note: Use Item 25)	
12	See Note	NSS	Ring, Wear (Note: Use Item 25)	
13	See Note	NSS	O-Ring (Note: Use Item 25)	
14	70005839	1	Setscrew	
15	70005840	1	Spacer	
16	70005841	1	O-Ring	
17	0962297	4	Bearing	
18	1001156016	2	Cartridge, Valve - Counterbalance	
18	7011376	2	Seal Kit - 1001156016 Valve	
19	4641285	1	Cartridge, Valve - Shuttle	
19	7011311	1	Seal Kit - 4641285 Valve	
20	2220883	6	Plug	
21	2220885	1	Plug	
22	2220887	2	Plug	
23	2220888	1	Plug	
24	2220881	3	Plug	
25	70005842	1	Seal Kit (Includes Items 4-9 & 11-13)	

SECTION 6 - CYLINDER

FIGURE 6-4. LIFT CYLINDER ASSEMBLY - JIB



ART_1001149389

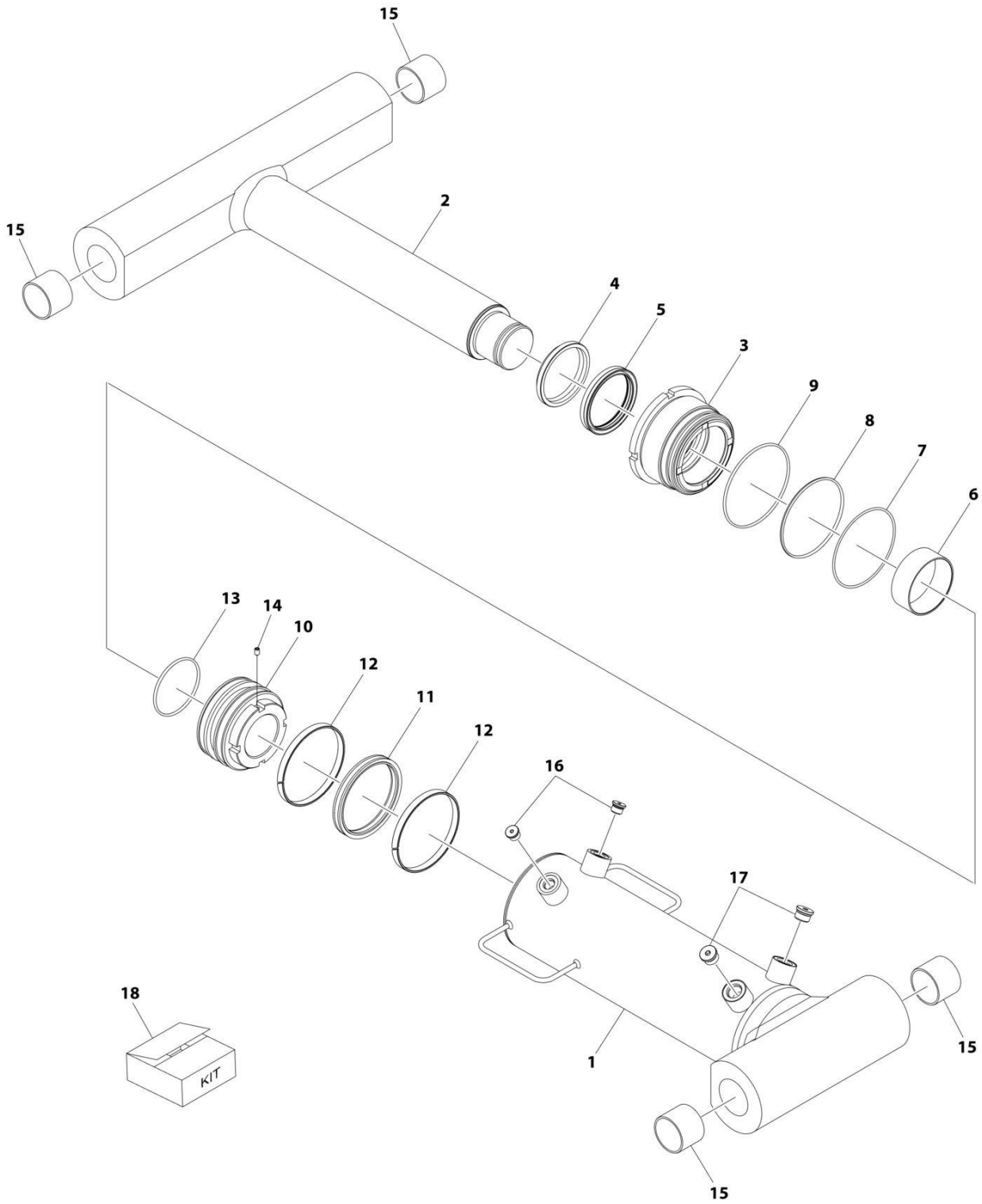
SECTION 6 - CYLINDER

FIGURE 6-4. LIFT CYLINDER ASSEMBLY - JIB

ITEM	PART NUMBER	QTY	DESCRIPTION	REV
	1001149389	Ref	LIFT CYLINDER ASSEMBLY - JIB	C
		Ref	Note: Original Cylinder May Have Been Replaced with Service Replacement. Identify PN Stamped on Cylinder Before Ordering Parts.	
1	70005855	1	Barrel	
2	70005856	1	Rod	
3	70005857	1	Head	
4	See Note	NSS	Wiper (Note: Use Item 20)	
5	See Note	NSS	Seal, Rod (Note: Use Item 20)	
6	70005858	1	Bearing	
7	See Note	NSS	O-Ring (Note: Use Item 20)	
8	See Note	NSS	Ring, Back Up (Note: Use Item 20)	
9	See Note	NSS	O-Ring (Note: Use Item 20)	
10	70005859	1	Spacer	
11	70005860	1	Piston	
12	See Note	NSS	Seal, Piston (Note: Use Item 20)	
13	See Note	NSS	Ring, Wear (Note: Use Item 20)	
14	See Note	NSS	O-Ring (Note: Use Item 20)	
15	70005847	1	Setscrew	
16	70005861	4	Bearing	
17	70005890	1	Cartridge, Valve - Counterbalance	
17	2900770	1	Seal Kit - 70005890 Valve	
18	70005889	1	Cartridge, Valve - Counterbalance	
18	2900770	1	Seal Kit - 70005889 Valve	
19	2220883	6	Plug	
20	70005862	1	Seal Kit (Includes Items 4, 5, 7-9 & 12-14)	

SECTION 6 - CYLINDER

FIGURE 6-5. MASTER CYLINDER ASSEMBLY



ART_1001197798

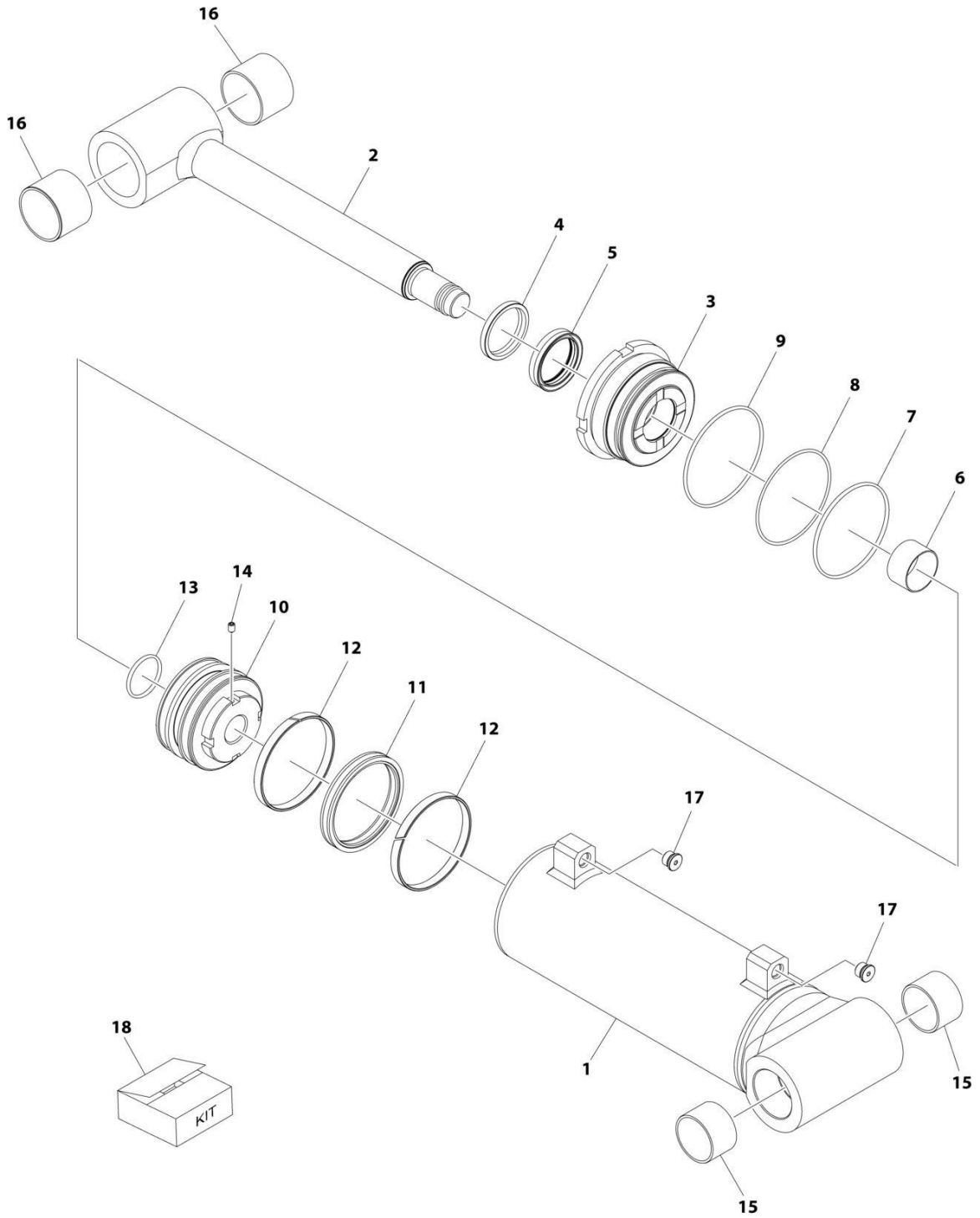
SECTION 6 - CYLINDER

FIGURE 6-5. MASTER CYLINDER ASSEMBLY

ITEM	PART NUMBER	QTY	DESCRIPTION	REV
	1001197798	Ref	MASTER CYLINDER ASSEMBLY	F
		Ref	Note: Original Cylinder May Have Been Replaced with Service Replacement. Identify PN Stamped on Cylinder Before Ordering Parts.	
1	70005843	1	Barrel	
2	70005844	1	Rod	
3	70005845	1	Head	
4	See Note	NSS	Wiper (Note: Use Item 18)	
5	See Note	NSS	Seal, Rod (Note: Use Item 18)	
6	70026302	1	Bearing	
7	See Note	NSS	O-Ring (Note: Use Item 18)	
8	See Note	NSS	Ring, Back Up (Note: Use Item 18)	
9	See Note	NSS	O-Ring (Note: Use Item 18)	
10	70005846	1	Piston	
11	See Note	NSS	Seal, Piston (Note: Use Item 18)	
12	See Note	NSS	Ring, Wear (Note: Use Item 18)	
13	See Note	NSS	O-Ring (Note: Use Item 18)	
14	70005847	1	Setscrew	
15	70005848	4	Bearing	
16	2220885	2	Plug	
17	2220886	2	Plug	
18	70005849	1	Seal Kit (Includes Items 4, 5, 7-9 and 11-13)	

SECTION 6 - CYLINDER

FIGURE 6-6. STEER CYLINDER ASSEMBLY



ART_1001149463

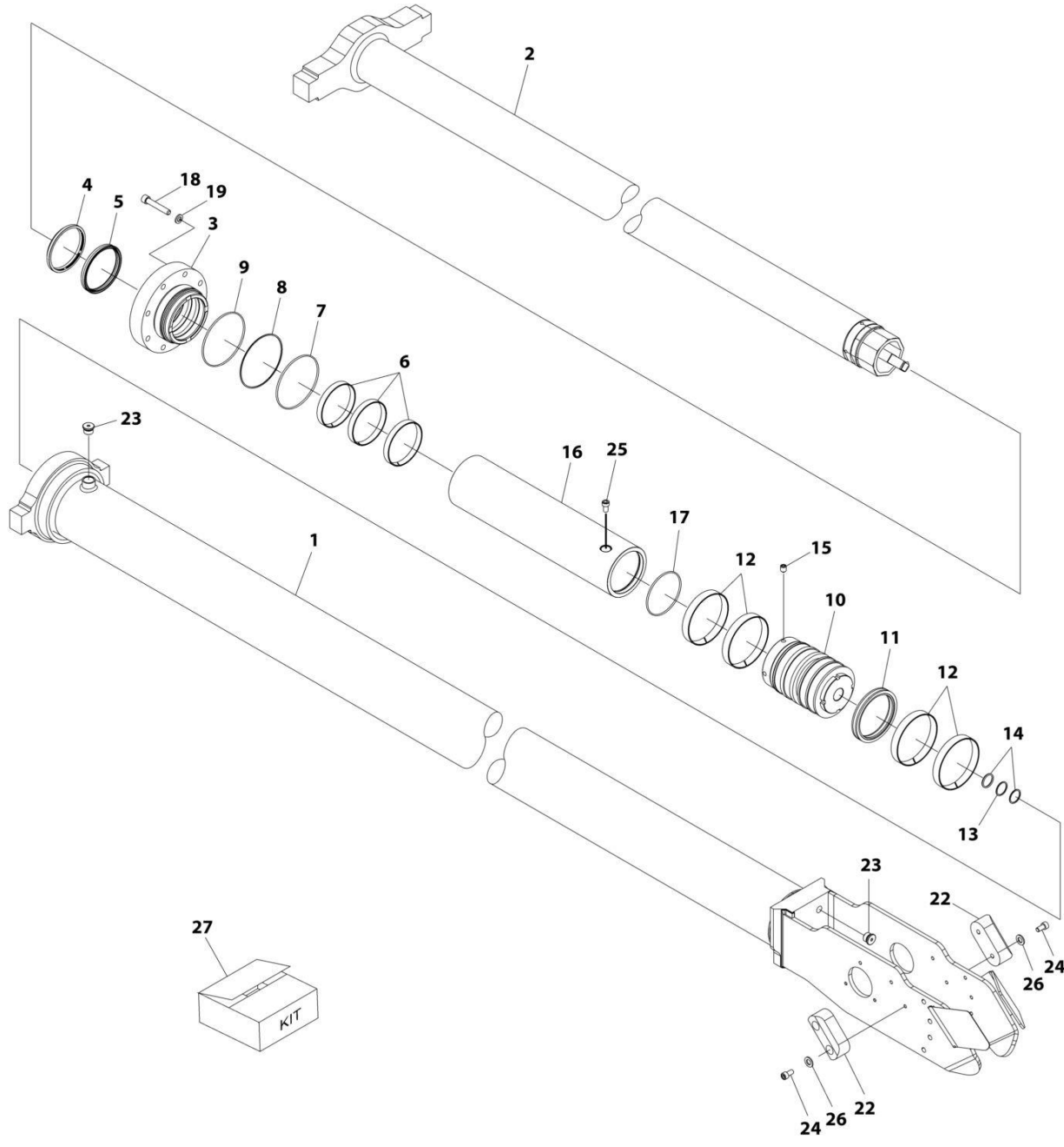
SECTION 6 - CYLINDER

FIGURE 6-6. STEER CYLINDER ASSEMBLY

ITEM	PART NUMBER	QTY	DESCRIPTION	REV
	1001149463	Ref	STEER CYLINDER ASSEMBLY	C
		Ref	Note: Original Cylinder May Have Been Replaced with Service Replacement. Identify PN Stamped on Cylinder Before Ordering Parts.	
1	70005868	1	Barrel	
2	70005869	1	Rod	
3	70005870	1	Head	
4	See Note	NSS	Wiper (Note: Use Item 18)	
5	See Note	NSS	Seal, Rod (Note: Use Item 18)	
6	70005871	1	Bearing	
7	See Note	NSS	O-Ring (Note: Use Item 18)	
8	See Note	NSS	Ring, Back Up (Note: Use Item 18)	
9	See Note	NSS	O-Ring (Note: Use Item 18)	
10	70005872	1	Piston	
11	See Note	NSS	Seal, Piston (Note: Use Item 18)	
12	See Note	NSS	Ring, Wear (Note: Use Item 18)	
13	See Note	NSS	O-Ring (Note: Use Item 18)	
14	70005873	1	Setscrew	
15	0961950	2	Bearing	
16	0961949	2	Bearing	
17	2220885	2	Plug	
18	70005874	1	Seal Kit (Includes Items 4, 5, 7-9 & 11-13)	

SECTION 6 - CYLINDER

FIGURE 6-7. TELESCOPE CYLINDER



ART_1001194925

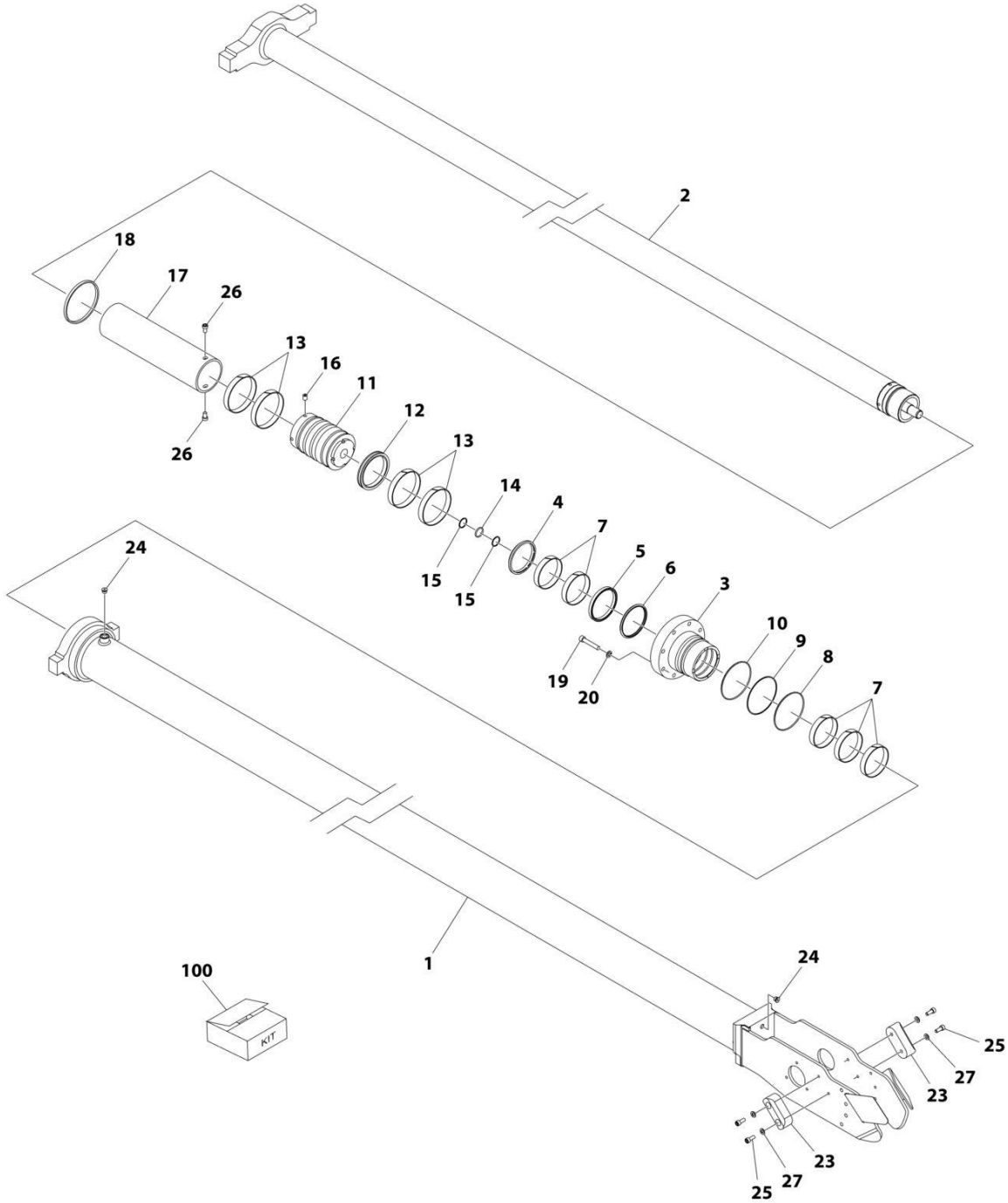
SECTION 6 - CYLINDER

FIGURE 6-7. TELESCOPE CYLINDER

ITEM	PART NUMBER	QTY	DESCRIPTION	REV
	1001194925	Ref	TELESCOPE CYLINDER	F
		Ref	Note: Original Cylinder May Have Been Replaced with Service Replacement. Identify PN Stamped on Cylinder Before Ordering Parts.	
1	70005875	1	Barrel	
2	70005876	1	Rod	
3	70005877	1	Head	
4	See Note	NSS	Wiper (Note: Use Item 27)	
5	See Note	NSS	Seal, Rod (Note: Use Item 27)	
6	See Note	NSS	Ring, Wear (Note: Use Item 27)	
7	See Note	NSS	O-Ring (Note: Use Item 27)	
8	See Note	NSS	Ring, Back Up (Note: Use Item 27)	
9	See Note	NSS	O-Ring (Note: Use Item 27)	
10	70005878	1	Piston	
11	See Note	NSS	Seal, Piston (Note: Use Item 27)	
12	See Note	NSS	Ring, Wear (Note: Use Item 27)	
13	See Note	NSS	O-Ring (Note: Use Item 27)	
14	See Note	NSS	Ring, Back Up (Note: Use Item 27)	
15	70005879	1	Setscrew	
16	70005880	1	Spacer	
17	70005881	1	O-Ring	
18	70005882	8	Capscrew M12 x 70	
19	70005883	8	Washer	
22	70005884	2	Pad	
23	2220885	2	Plug	
24	4032009	4	Capscrew M10 x 25	
25	70006343	1	Capscrew M6 x 8	
26	70006344	4	Washer	
27	70005886	1	Seal Kit (Includes Items 4-8 & 10-13)	

SECTION 6 - CYLINDER

FIGURE 6-8. TELESCOPE CYLINDER



ART_1001232899

SECTION 6 - CYLINDER

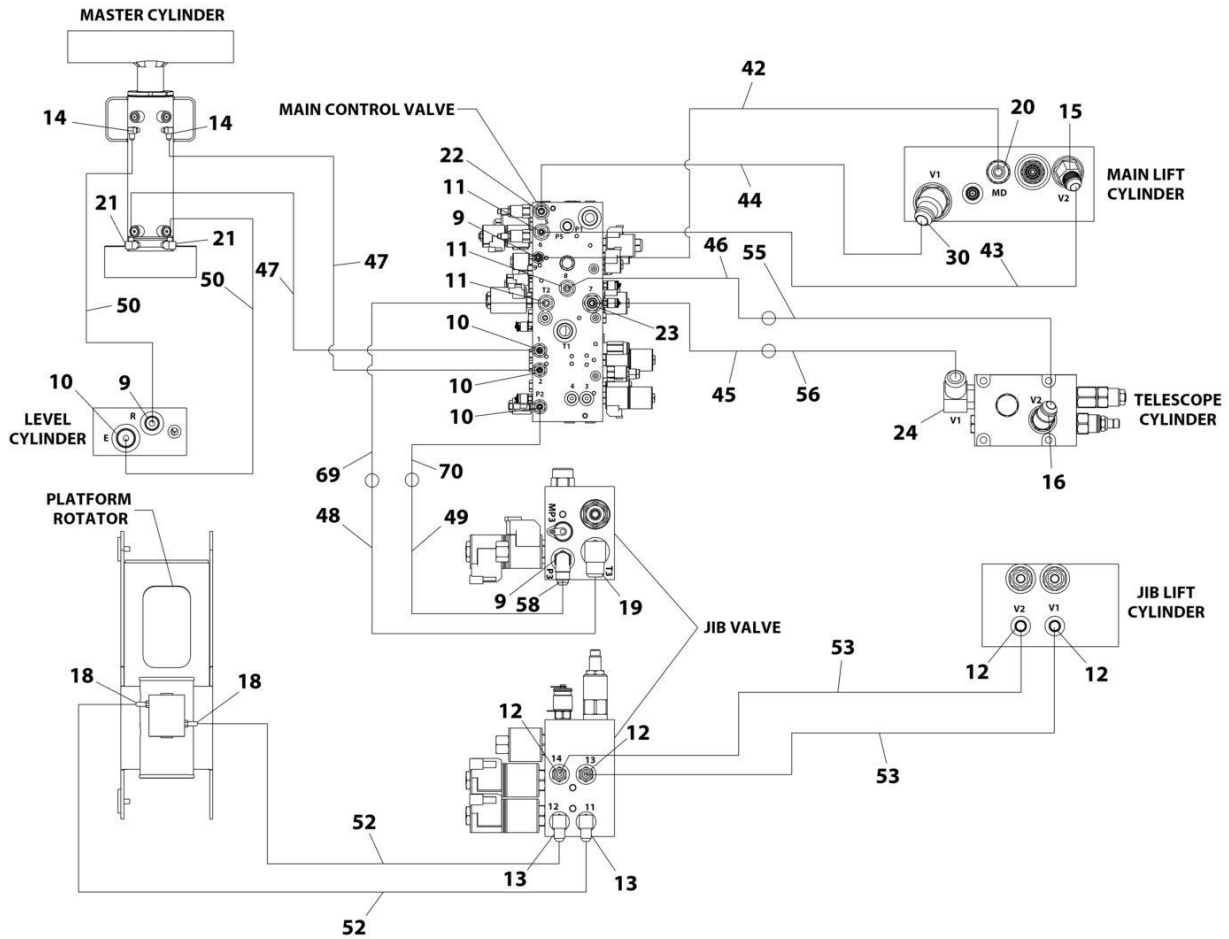
FIGURE 6-8. TELESCOPE CYLINDER

ITEM	PART NUMBER	QTY	DESCRIPTION	REV
	1001232899	Ref	TELESCOPE CYLINDER	A
		Ref	Note: Original Cylinder May Have Been Replaced with Service Replacement. Identify PN Stamped on Cylinder Before Ordering Parts.	
1	See Note	NSS	Barrel Weldment (Note: Not Available for Purchase)	
2	70005876	1	Rod Weldment	
3	70006617	1	Head	
4	See Note	NSS	Wiper (Note: Use Item 100)	
5	See Note	NSS	Seal, Rod (Note: Use Item 100)	
6	See Note	NSS	Ring, Buffer (Note: Use Item 100)	
7	See Note	NSS	Ring, Wear (Note: Use Item 100)	
8	See Note	NSS	O-Ring (Note: Use Item 100)	
9	See Note	NSS	Ring, Back Up (Note: Use Item 100)	
10	See Note	NSS	O-Ring (Note: Use Item 100)	
11	70005878	1	Piston	
12	See Note	NSS	Seal, Piston (Note: Use Item 100)	
13	See Note	NSS	Ring, Wear (Note: Use Item 100)	
14	See Note	NSS	O-Ring (Note: Use Item 100)	
15	See Note	NSS	Ring, Back Up (Note: Use Item 100)	
16	70005879	1	Setscrew	
17	70005880	1	Spacer	
18	70005881	1	O-Ring	
19	70005882	8	Capscrew M12 x 70	
20	70005883	8	Washer	
21	70006620	1	Cover (Not Shown)	
22	70006621	4	Bolt M6 x 16 (Not Shown)	
23	70006622	2	Pad	
24	2220885	2	Plug	
25	70005885	4	Capscrew M10 x 25	
26	70006343	2	Capscrew M6 x 8	
27	70006344	4	Washer M10	
100	70006623	1	Seal Kit (Includes Items 4-10 & 12-15)	

SECTION 7 - HYDRAULIC

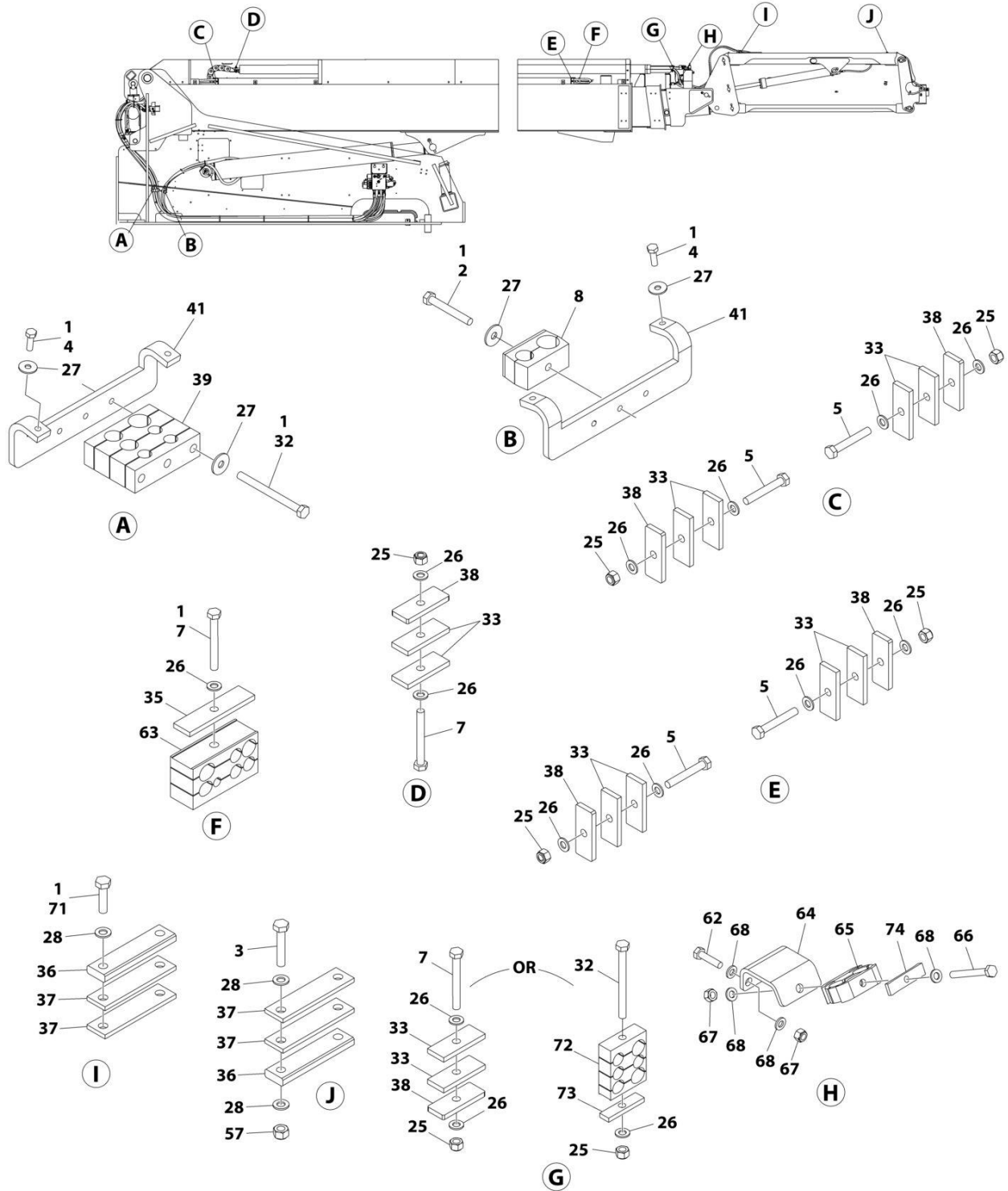
SECTION 7 - HYDRAULIC

FIGURE 7-1. BOOM HYDRAULIC DIAGRAM



ART_1001150086_1OF2

SECTION 7 - HYDRAULIC



ART_1001150086_20F2

SECTION 7 - HYDRAULIC

FIGURE 7-1. BOOM HYDRAULIC DIAGRAM

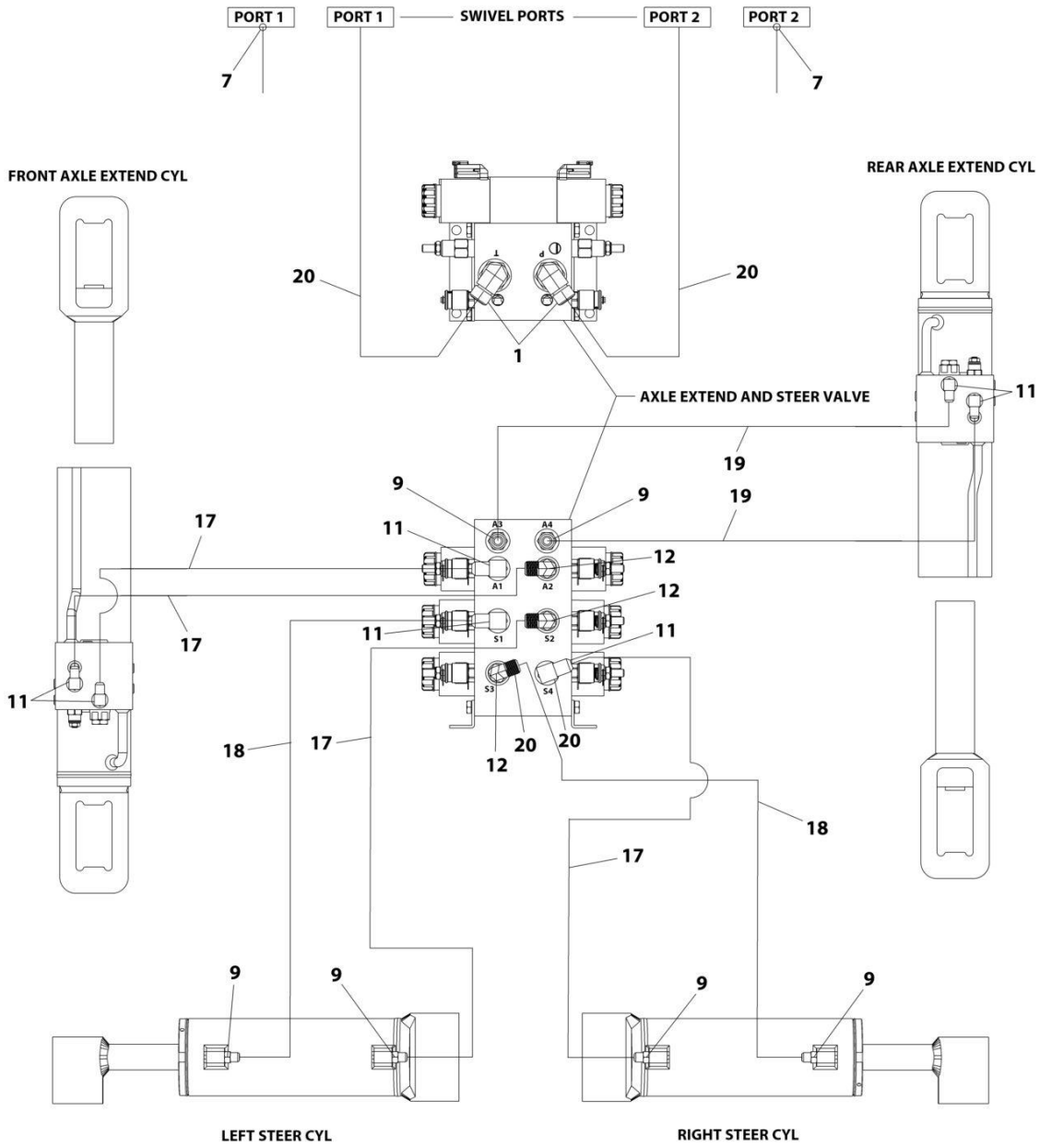
ITEM	PART NUMBER	QTY	DESCRIPTION	REV
	1001150086	Ref	BOOM HYDRAULIC DIAGRAM	F
1	0100011	AR	Compound, Locking	
2	0700820	1	Bolt M8 x 60	
3	0701019	2	Bolt M10 x 55	
4	0760812	4	Bolt M8 x 25	
5	0700819	4	Bolt M8 x 55	
6	4100026	11.5 ft/ 3.5m	Sleeve, Protection (Not Shown)	
7	0700822	AR	Bolt M8 x 70	
8	1320235	1	Clamp	
9	2220371	3	Fitting, Straight JIC/ORB	
10	2220372	4	Fitting, Straight JIC/ORB	
11	2220374	3	Fitting, Straight JIC/ORB	
12	2220415	4	Fitting, Straight JIC/ORB	
13	2220466	2	Fitting, 90 JIC/ORB	
14	2220473	2	Fitting, 90 JIC/ORB	
15	2220499	1	Fitting, 45 JIC/ORB	
16	2220500	1	Fitting, 45 JIC/ORB	
18	2220502	2	Fitting, 45 JIC/ORB	
19	2220596	1	Fitting, 90 JIC/ORB	
20	2220603	1	Fitting, Straight JIC/ORB	
21	2220628	2	Fitting, 90 JIC/ORB	
22	2220947	1	Fitting, Straight JIC/ORB	
23	2220865	1	Fitting, Straight JIC/ORB	
24	2221042	1	Fitting, 90 JIC/ORB	
25	3290805	6	Nut M8	
26	4811900	13	Washer M8	
27	4811902	7	Washer M8	
28	4812000	6	Washer M10	
30	8770048	1	Fitting, 45	
32	1001127624	AR	Bolt M8 x 95	
33	1001136402	AR	Pad	
35	1001147039	1	Plate, Clamp	
36	1001152704	2	Plate, Clamp	
37	1001152708	4	Pad	
38	1001197718	AR	Plate, Clamp	
39	1001204722	1	Clamp	
40	4240018	20	Tie-Strap (Not Shown)	
41	1001206133	2	Bracket	
42	1001206123	1	Hose	
43	1001206124	1	Hose	
44	1001206125	1	Hose	
45	1001206126	1	Hose	
46	1001206127	1	Hose	
47	1001206128	2	Hose	
48	1001206129	1	Hose	
49	1001206130	1	Hose	
50	1001206131	2	Hose	
52	1001206121	2	Hose	
53	1001206122	2	Hose	

SECTION 7 - HYDRAULIC

ITEM	PART NUMBER	QTY	DESCRIPTION	REV
55	1001213664	1	Hose	
56	1001213665	1	Hose	
57	3291005	2	Nut M10	
58	8760268	1	Fitting, 90 JIC/FSJIC	
60	1321385	2	Clamp	
61	0760606	2	Bolt M6 x 12	
62	0760612	2	Bolt M6 x 25	
63	1001222493	1	Clamp	
64	1001230054	1	Bracket	
65	1001230052	1	Clamp	
66	0760619	1	Bolt M6 x 55	
67	3290605	3	Nut M6	
68	4811700	8	Washer M6	
69	1001223300	1	Hose	
70	1001223301	1	Hose	
71	0761016	2	Bolt M10 x 40	
72	1001231149	1	Clamp	
73	1001231150	1	Plate	
74	1001230053	1	Plate	

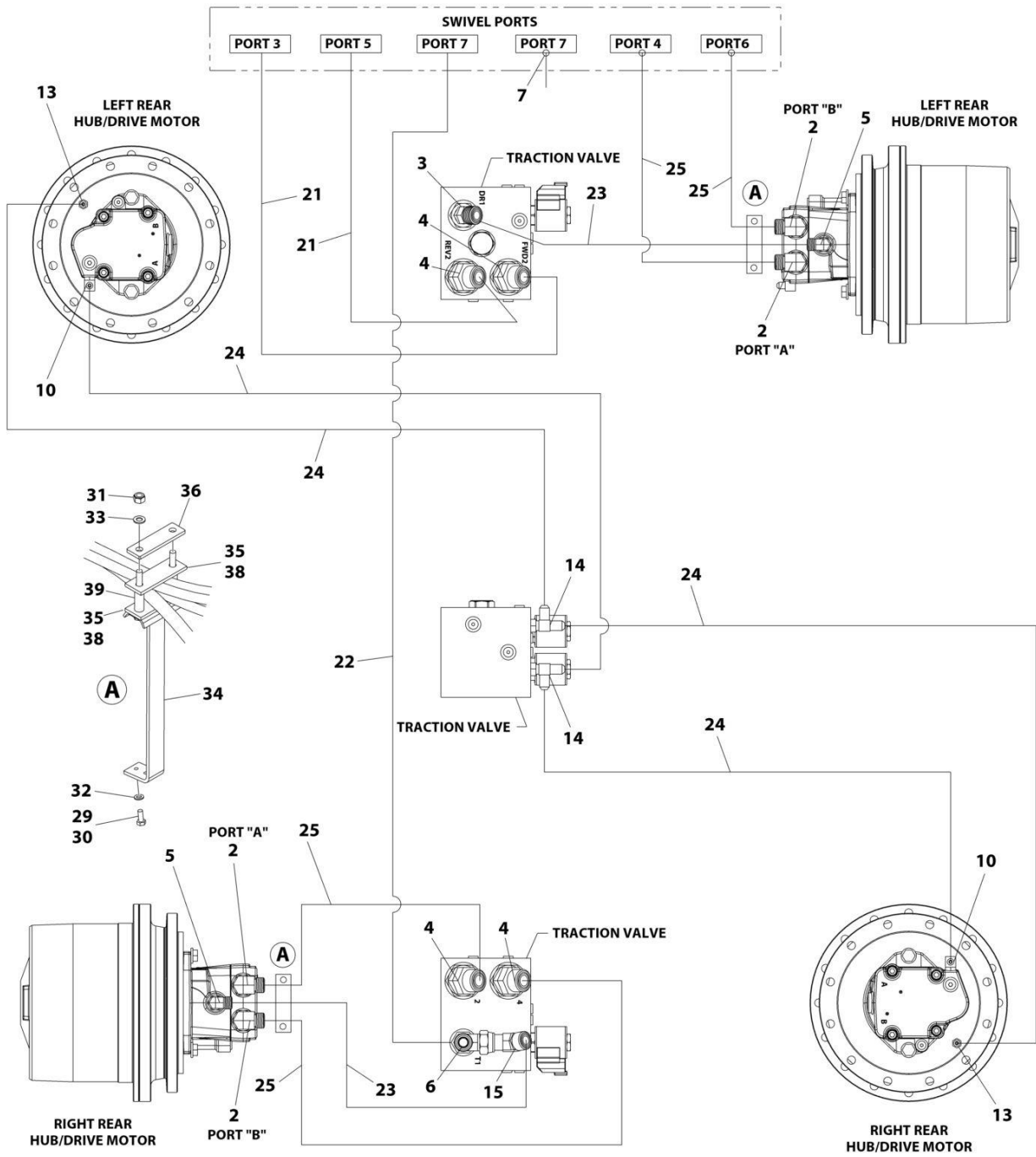
SECTION 7 - HYDRAULIC

FIGURE 7-2. CHASSIS HYDRAULIC DIAGRAM - 2WD/2WS



ART_1001150090_10F2

SECTION 7 - HYDRAULIC



ART_1001150090_2OF2

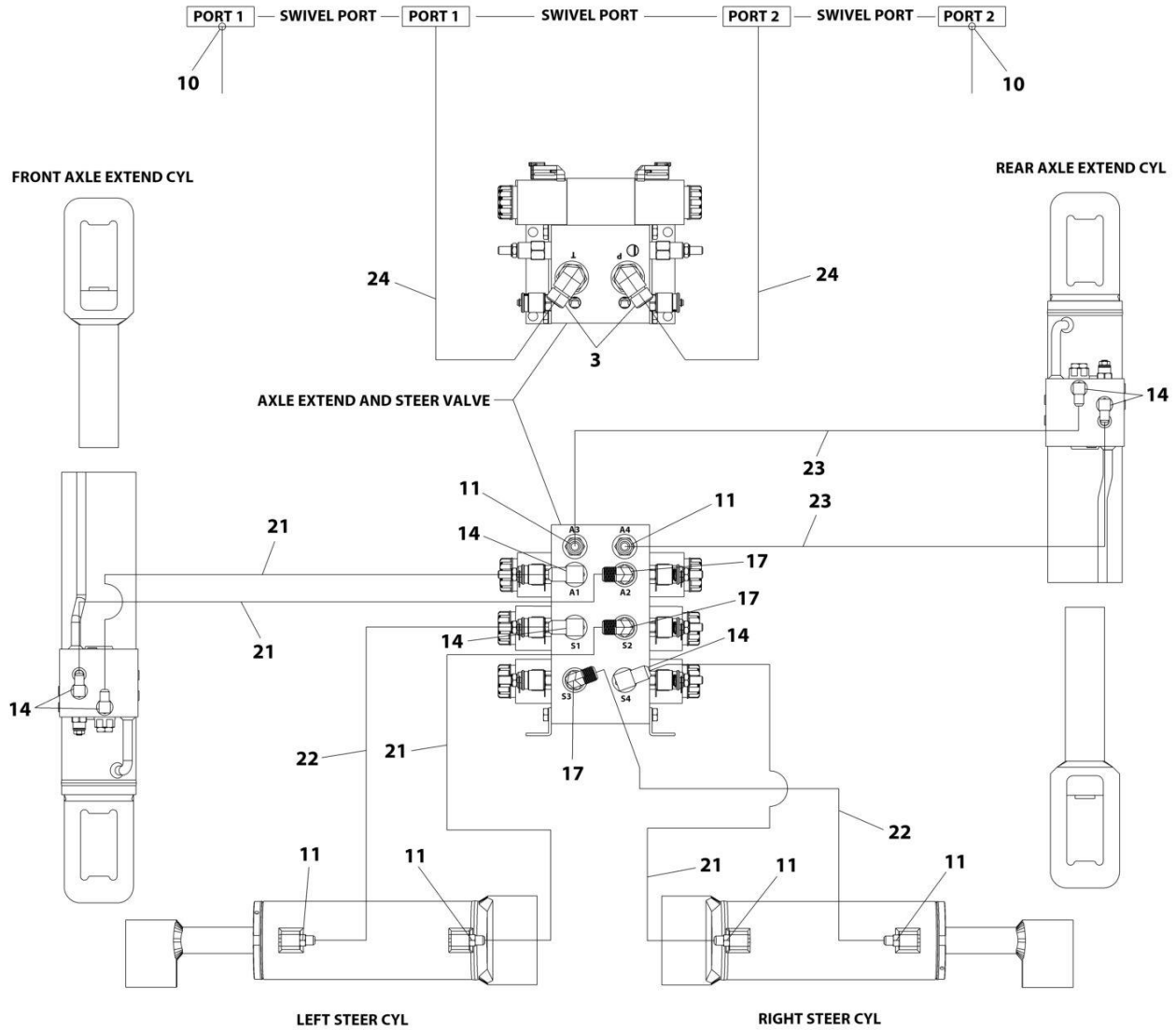
SECTION 7 - HYDRAULIC

FIGURE 7-2. CHASSIS HYDRAULIC DIAGRAM - 2WD/2WS

ITEM	PART NUMBER	QTY	DESCRIPTION	REV
	1001150090	Ref	CHASSIS HYDRAULIC DIAGRAM - 2WD/2WS	E
1	2130810	2	Fitting, 90 ORFS/ORB	
2	2131012	4	Fitting, 90 ORFS/ORB	
3	2150810	1	Fitting, 45 ORFS/ORB	
4	2151012	4	Fitting, 45 ORFS/ORB	
5	2170208	2	Fitting, 90 ORFS/ORB	
6	2170308	1	Fitting, Tee ORFS/ORB/ORFS	
7	2170908	3	Fitting, Cap FORFS	
9	2220371	6	Fitting, Straight JIC/ORB	
10	2220472	2	Fitting, 90 JIC/ORB	
11	2220473	7	Fitting, 90 JIC/ORB	
12	2220819	3	Fitting, 90 JIC/ORB	
13	2220923	2	Fitting, Straight JIC/ORB	
14	2221034	2	Fitting, Tee	
15	2221231	1	Fitting, 45 FSORFS/ORFS	
17	1001194341	4	Hose	
18	1001194342	2	Hose	
19	1001194345	2	Hose	
20	1001194346	2	Hose	
21	1001194347	2	Hose	
22	1001194348	1	Hose	
23	1001194398	2	Hose	
24	1001194401	4	Hose	
25	1001194410	4	Hose	
27	4240017	8	Tie-Strap (Not Shown)	
28	4240018	16	Tie-Strap (Not Shown)	
29	0100011	AR	Compound, Locking	
30	0760810	8	Bolt M8 x 20	
31	3291005	8	Nut M10	
32	4811900	8	Washer M8	
33	4812000	8	Washer M10	
34	1001209688	4	Bracket	
35	1001209841	8	Pad	
36	1001209842	4	Plate, Clamp	
38	0100081	1	Adhesive	
39	2750532	11 in /28cm	Hose	

SECTION 7 - HYDRAULIC

FIGURE 7-3. CHASSIS HYDRAULIC DIAGRAM - 4WD/2WS



ART_1001150089_10F2

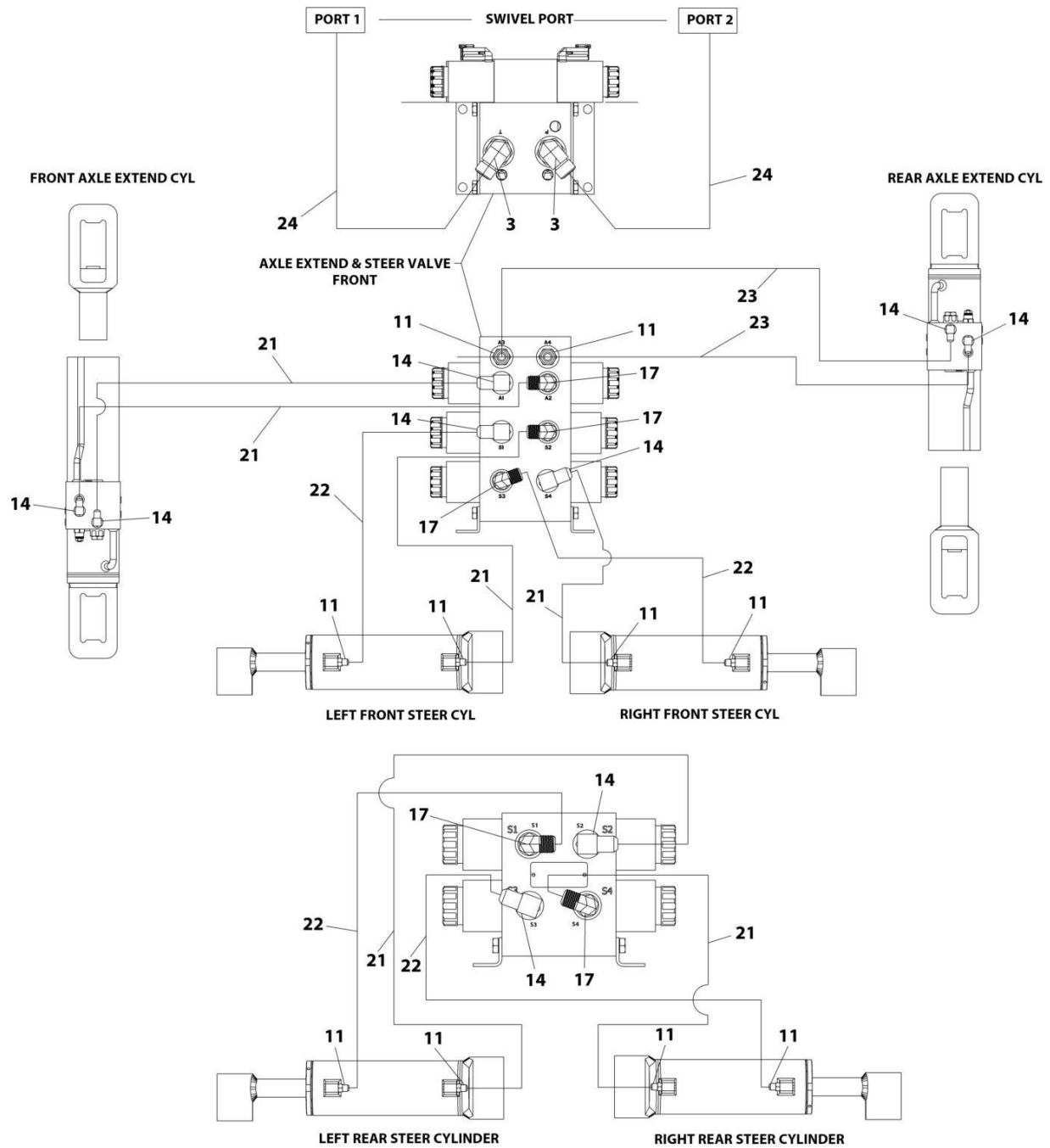
SECTION 7 - HYDRAULIC

FIGURE 7-3. CHASSIS HYDRAULIC DIAGRAM - 4WD/2WS

ITEM	PART NUMBER	QTY	DESCRIPTION	REV
	1001150089	Ref	CHASSIS HYDRAULIC DIAGRAM - 4WD/2WS	E
1	2110810	2	Fitting, Straight ORFS/ORB	
2	2130808	6	Fitting, 90 ORFS/ORB	
3	2130810	2	Fitting, 90 ORFS/ORB	
4	2130812	8	Fitting, 90 ORFS/ORB	
5	2150810	1	Fitting, 45 ORFS/ORB	
6	2151012	4	Fitting, 45 ORFS/ORB	
7	2170108	4	Fitting, Straight ORFS/ORB	
8	2170208	2	Fitting, 90 ORFS/ORB	
9	2170708	2	Fitting, Tee ORFS/FSORFS/ORFS	
10	2170908	3	Fitting, Cap FORFS	
11	2220371	6	Fitting, Straight JIC/ORB	
12	2220415	2	Fitting, Straight JIC/ORB	
13	2220466	2	Fitting, 90 JIC/ORB	
14	2220473	7	Fitting, 90 JIC/ORB	
15	2220502	2	Fitting, 45 JIC/ORB	
16	2220605	2	Fitting, Tee JIC/FSJIC/JIC	
17	2220819	3	Fitting, 90 JIC/ORB	
18	2220861	2	Fitting, Tee JIC/FSJIC/JIC	
19	2220923	2	Fitting, Straight JIC/ORB	
21	1001194341	4	Hose	
22	1001194342	2	Hose	
23	1001194345	2	Hose	
24	1001194346	2	Hose	
25	1001194396	4	Hose	
26	1001194397	1	Hose	
27	1001194398	6	Hose	
28	1001194401	4	Hose	
29	1001194402	4	Hose	
30	1001194406	4	Hose	
31	1001194407	2	Hose	
32	4240017	3	Tie-Strap (Not Shown)	
33	4240018	26	Tie-Strap (Not Shown)	
34	0100011	AR	Compound, Locking	
35	0760810	8	Bolt M8 x 20	
36	3291005	8	Nut M10	
37	4811900	8	Washer M8	
38	4812000	8	Washer M10	
39	1001209688	4	Bracket	
40	1001209841	8	Pad	
41	1001209842	4	Plate, Clamp	
42	0100081	AR	Adhesive	
43	2220472	2	Fitting, 90 JIC/ORB	
44	2220582	2	Fitting, Straight JIC/ORB	
45	2750532	12.6 in /32cm	Hose	

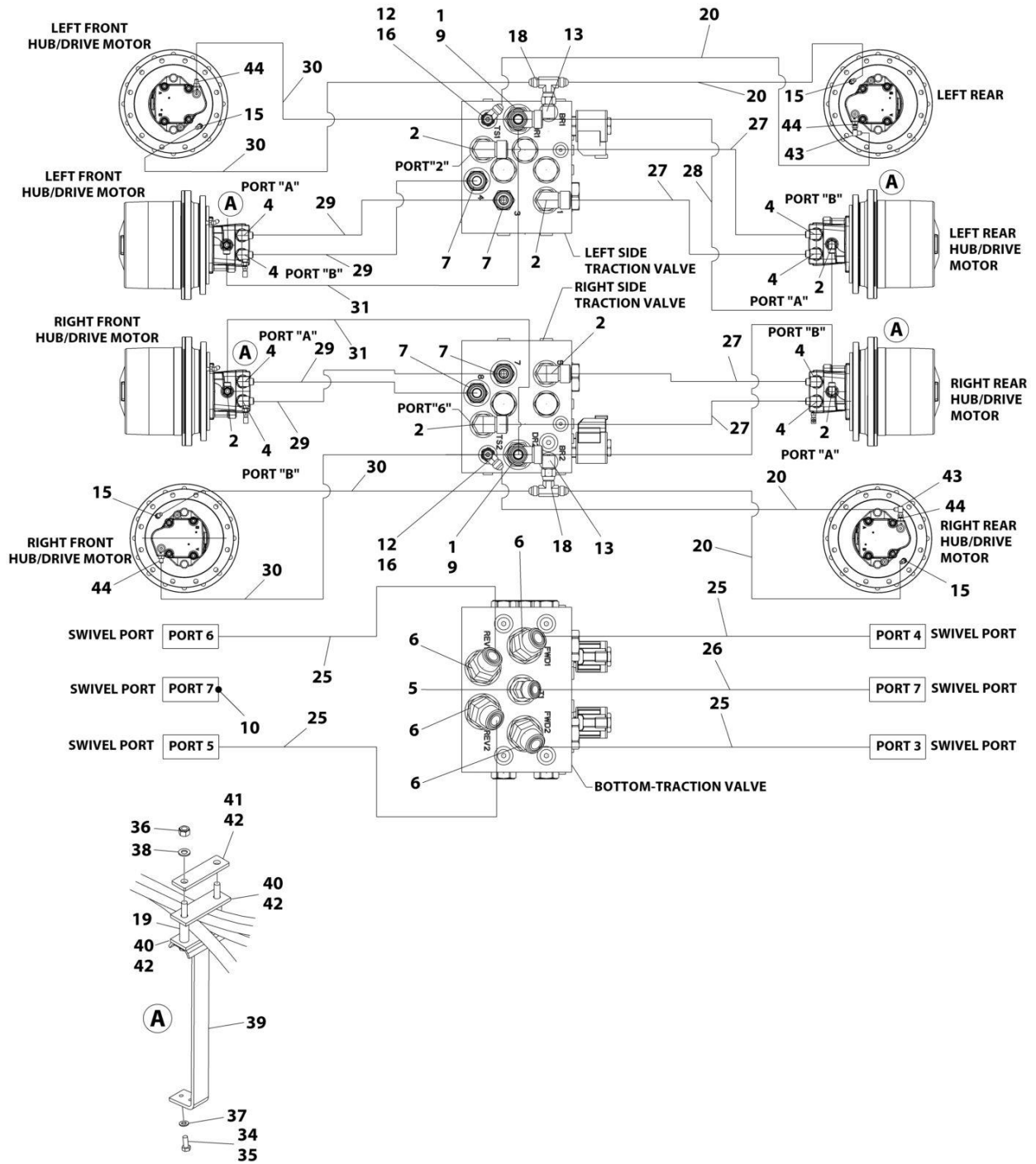
SECTION 7 - HYDRAULIC

FIGURE 7-4. CHASSIS HYDRAULIC DIAGRAM - 4WD/4WS



ART_1001222730_1OF2

SECTION 7 - HYDRAULIC



ART_1001222730_2OF2

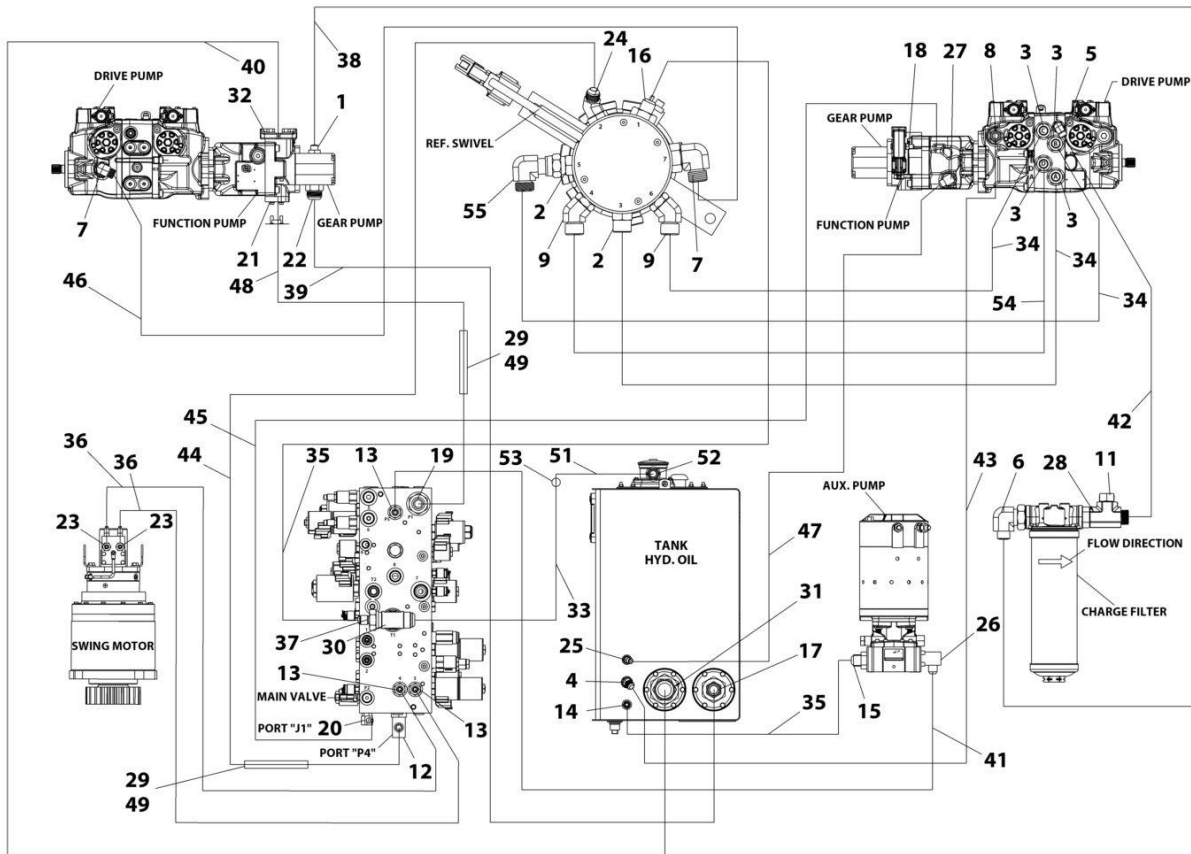
SECTION 7 - HYDRAULIC

FIGURE 7-4. CHASSIS HYDRAULIC DIAGRAM - 4WD/4WS

ITEM	PART NUMBER	QTY	DESCRIPTION	REV
	1001222730	Ref	CHASSIS HYDRAULIC DIAGRAM - 4WD/4WS	A
1	2110810	2	Fitting, Straight ORFS/ORB	
2	2130808	8	Fitting, 90 ORFS/ORB	
3	2130810	4	Fitting, 90 ORFS/ORB	
4	2130812	8	Fitting, 90 ORFS/ORB	
5	2150810	1	Fitting, 45 ORFS/ORB	
6	2151012	4	Fitting, 45 ORFS/ORB	
7	2170108	4	Fitting, Straight ORFS/ORB	
9	2170708	2	Fitting, Tee ORFS/FSORFS/ORFS	
10	2170908	1	Fitting, Cap FORFS	
11	2220371	10	Fitting, Straight JIC/ORB	
12	2220415	2	Fitting, Straight JIC/ORB	
13	2220466	2	Fitting, 90 JIC/ORB	
14	2220473	9	Fitting, 90 JIC/ORB	
15	2220502	4	Fitting, 45 JIC/ORB	
16	2220605	2	Fitting, Tee JIC/FSJIC/JIC	
17	2220819	5	Fitting, 90 JIC/ORB	
18	2220861	2	Fitting, Tee JIC/FSJIC/JIC	
19	2750532	12.6 in/ 32cm	Hose	
20	1001222796	4	Hose	
21	1001194341	6	Hose	
22	1001194342	4	Hose	
23	1001194345	2	Hose	
24	1001194346	4	Hose	
25	1001194396	4	Hose	
26	1001194397	1	Hose	
27	1001194398	4	Hose	
28	1001222785	2	Hose	
29	1001194402	4	Hose	
30	1001194406	4	Hose	
31	1001194407	2	Hose	
32	4240017	1	Tie-Strap (Not Shown)	
33	4240018	1	Tie-Strap (Not Shown)	
34	0100011	AR	Compound, Locking	
35	0760810	8	Bolt M8 x 20	
36	3291005	8	Nut M10	
37	4811900	8	Washer M8	
38	4812000	8	Washer M10	
39	1001209688	4	Bracket	
40	1001209841	8	Pad	
41	1001209842	4	Plate, Clamp	
42	0100081	AR	Adhesive	
43	2220654	2	Fitting, 90 JIC/JIC	
44	2220582	4	Fitting, Straight JIC/ORB	

SECTION 7 - HYDRAULIC

FIGURE 7-5. TURNTABLE HYDRAULIC DIAGRAM



ART_1001150088

SECTION 7 - HYDRAULIC

FIGURE 7-5. TURNTABLE HYDRAULIC DIAGRAM

ITEM	PART NUMBER	QTY	DESCRIPTION	REV
	1001150088	Ref	TURNTABLE HYDRAULIC DIAGRAM	F
1	2110812	1	Fitting, Straight ORFS/ORB	
2	2111010	2	Fitting, Straight ORFS/ORB	
3	2111016	4	Fitting, Straight ORFS/ORB	
4	2220498	1	Fitting, 45 JIC/ORB	
5	2130810	1	Fitting, 90 ORFS/ORB	
6	2130812	1	Fitting, 90 ORFS/ORB	
7	2131012	2	Fitting, 90 ORFS/ORB	
8	2220451	1	Fitting, Straight JIC/ORB	
9	2151010	2	Fitting, 45 ORFS/ORB	
11	2170908	1	Fitting, Cap FORFS	
12	2220366	1	Fitting, 90 JIC/ORB	
13	2220372	3	Fitting, Straight JIC/ORB	
14	2220373	1	Fitting, Straight JIC/ORB	
15	2220374	1	Fitting, Straight JIC/ORB	
16	2220375	1	Fitting, Straight JIC/ORB	
17	2220380	1	Fitting, Straight JIC/ORB	
18	2220415	1	Fitting, Straight JIC/ORB	
19	2220435	1	Fitting, Straight JIC/ORB	
20	2220472	1	Fitting, 90 JIC/ORB	
21	2220478	1	Fitting Kit - Split Flange	
22	2220479	1	Fitting, Straight JIC/ORB	
23	2220497	2	Fitting, Straight JIC/ORB	
24	2220499	1	Fitting, 45 JIC/ORB	
25	2220500	1	Fitting, 45 JIC/ORB	
26	2220628	1	Fitting, 90 JIC/ORB	
27	2220671	1	Fitting, 90 JIC/ORB	
28	2221084	1	Fitting, Tee ORFS to ORB	
29	4100066	1	Sleeve, Hose	
30	8760552	1	Fitting, Straight JIC/ORB/JIC	
31	88662013	1	Fitting, Tee JIC/ORB	
32	1001110604	1	Fitting Kit - Split Flange	
33	1001219627	1	Tube	
34	1001199837	3	Hose	
35	1001199839	2	Hose	
36	1001199849	2	Hose	
37	2220624	1	Fitting, Straight JIC/FSJIC	
38	1001194348	1	Hose	
39	1001199834	1	Hose	
40	1001199835	1	Hose	
41	1001199840	1	Hose	
42	1001199843	1	Hose	
43	1001199844	1	Hose	
44	1001199845	1	Hose	
45	1001199846	1	Hose	
46	1001199847	1	Hose	
47	1001199848	1	Hose	
48	1001199851	1	Hose	
49	4240017	4	Tie-Strap	
50	4240018	3	Tie-Strap (Not Shown)	

SECTION 7 - HYDRAULIC

ITEM	PART NUMBER	QTY	DESCRIPTION	REV
51	1001219628	1	Hose	
52	2220377	1	Fitting, Straight JIC/ORB	
53	1001143501	1	Clamp	
54	1001223381	1	Hose	
55	2172110	1	Fitting, 90 ORFS/FSORFS	
56	4060807	17 in /42cm	Flex-Trim (Not Shown - Located on Engine Tray)	

SECTION 8 - ELECTRICAL

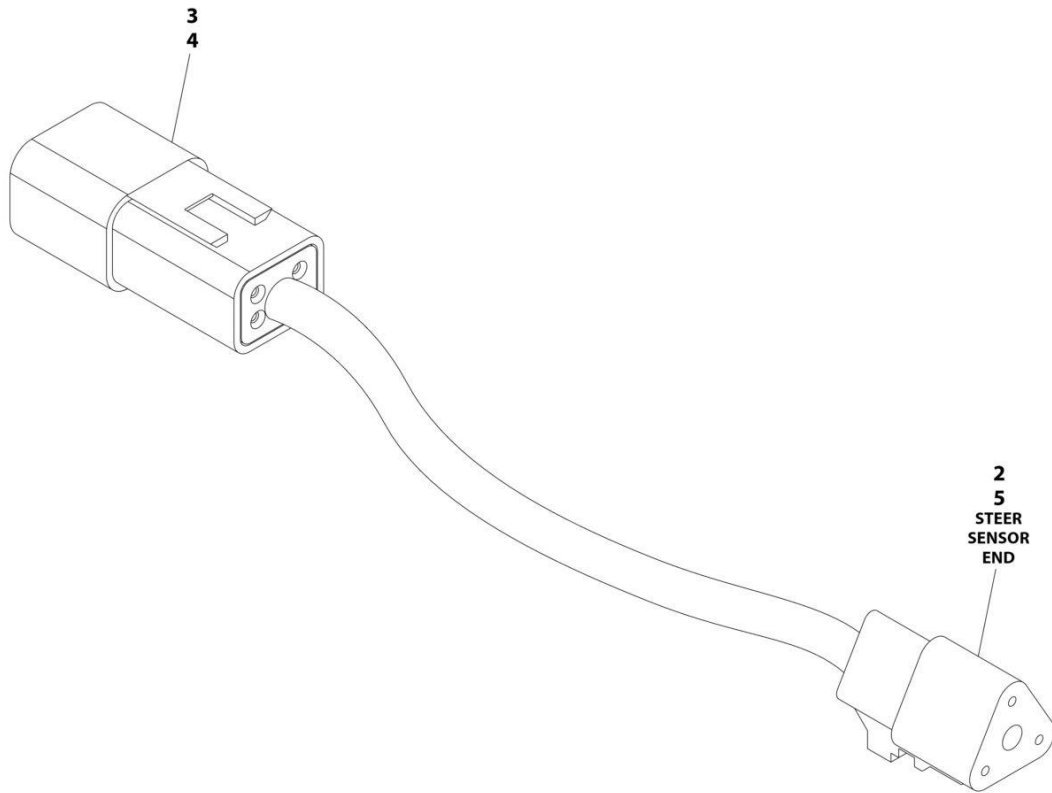
SECTION 8 - ELECTRICAL

FIGURE 8-1. ELECTRICAL DIAGRAM LIST

ITEM	PART NUMBER	QTY	DESCRIPTION	REV
		Ref	Note: For more information, contact the JLG Service/Parts Department.	
		Ref	ELECTRICAL DIAGRAMS	
	1001150005	Ref	Electrical Schematic (See Service & Maintenance Manual)	
	1001157770	Ref	Generator Electrical Diagram - 7500W SkyPower Generator	

SECTION 8 - ELECTRICAL

FIGURE 8-2. AXLE POWER TRACK HARNESS



ART_1001152574

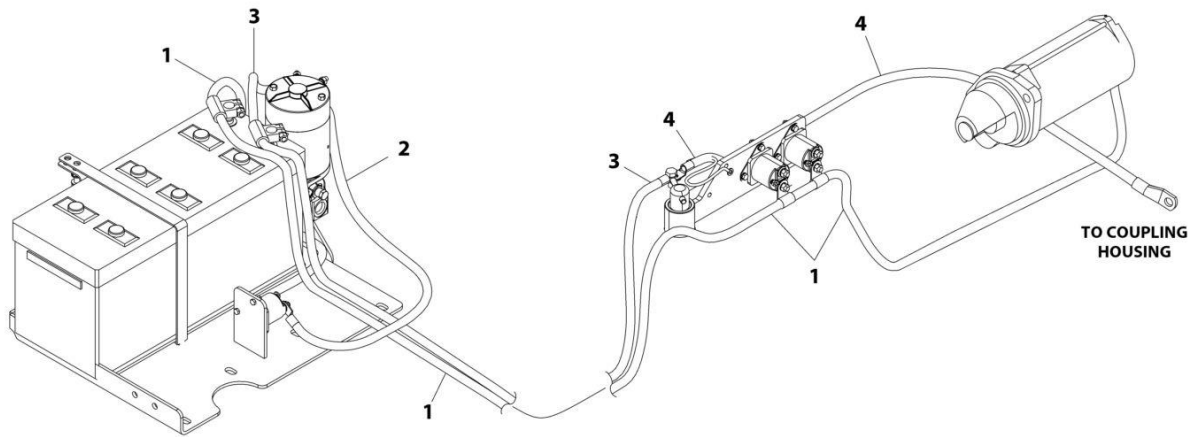
SECTION 8 - ELECTRICAL

FIGURE 8-2. AXLE POWER TRACK HARNESS

ITEM	PART NUMBER	QTY	DESCRIPTION	REV
	1001152574	Ref	AXLE POWER TRACK HARNESS	C
2	4460539	1	Plug, Male - 3 Position	
3	4460932	1	Receptacle, Female - 4 Position	
4	4460943	4	Pin, Male	
5	4460944	3	Socket, Female	

SECTION 8 - ELECTRICAL

FIGURE 8-3. BATTERY CABLE KIT - DEUTZ TD2011



ART_1001150443

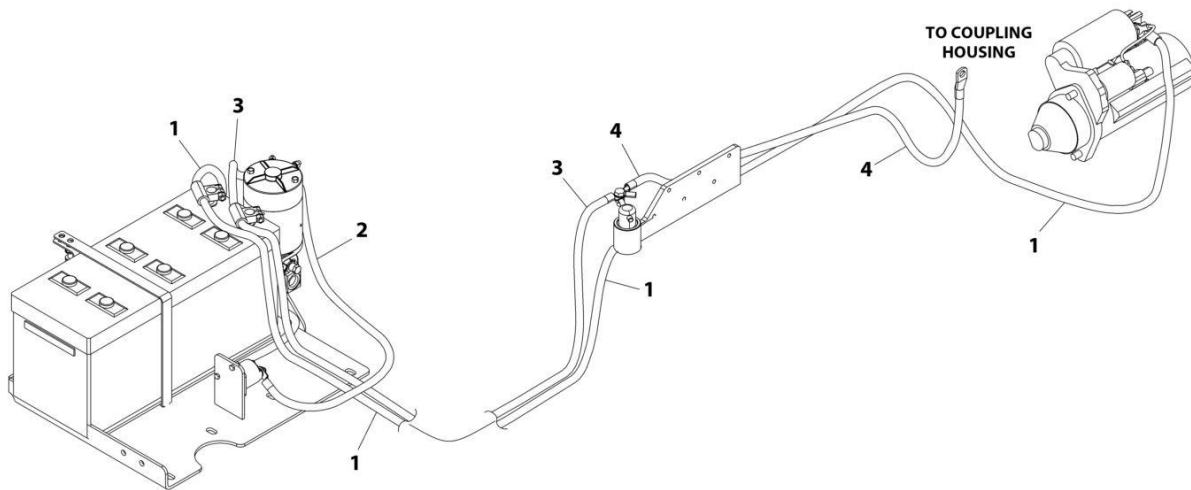
SECTION 8 - ELECTRICAL

FIGURE 8-3. BATTERY CABLE KIT - DEUTZ TD2011

ITEM	PART NUMBER	QTY	DESCRIPTION	REV
	1001150443	Ref	BATTERY CABLE KIT - DEUTZ TD2011	C
1	70009025	1	Cable, Battery - Battery + to Starter, Start Relay and Aux Relay	
2	70009022	1	Cable, Battery - Aux Relay to Aux Power	
3	70009023	1	Cable, Battery - Battery - to Aux Ground, Pivot Ground	
4	70009026	1	Cable, Battery - Engine to Pivot Ground	

SECTION 8 - ELECTRICAL

FIGURE 8-4. BATTERY CABLE KIT - DEUTZ TD2.9L4



ART_1001220749

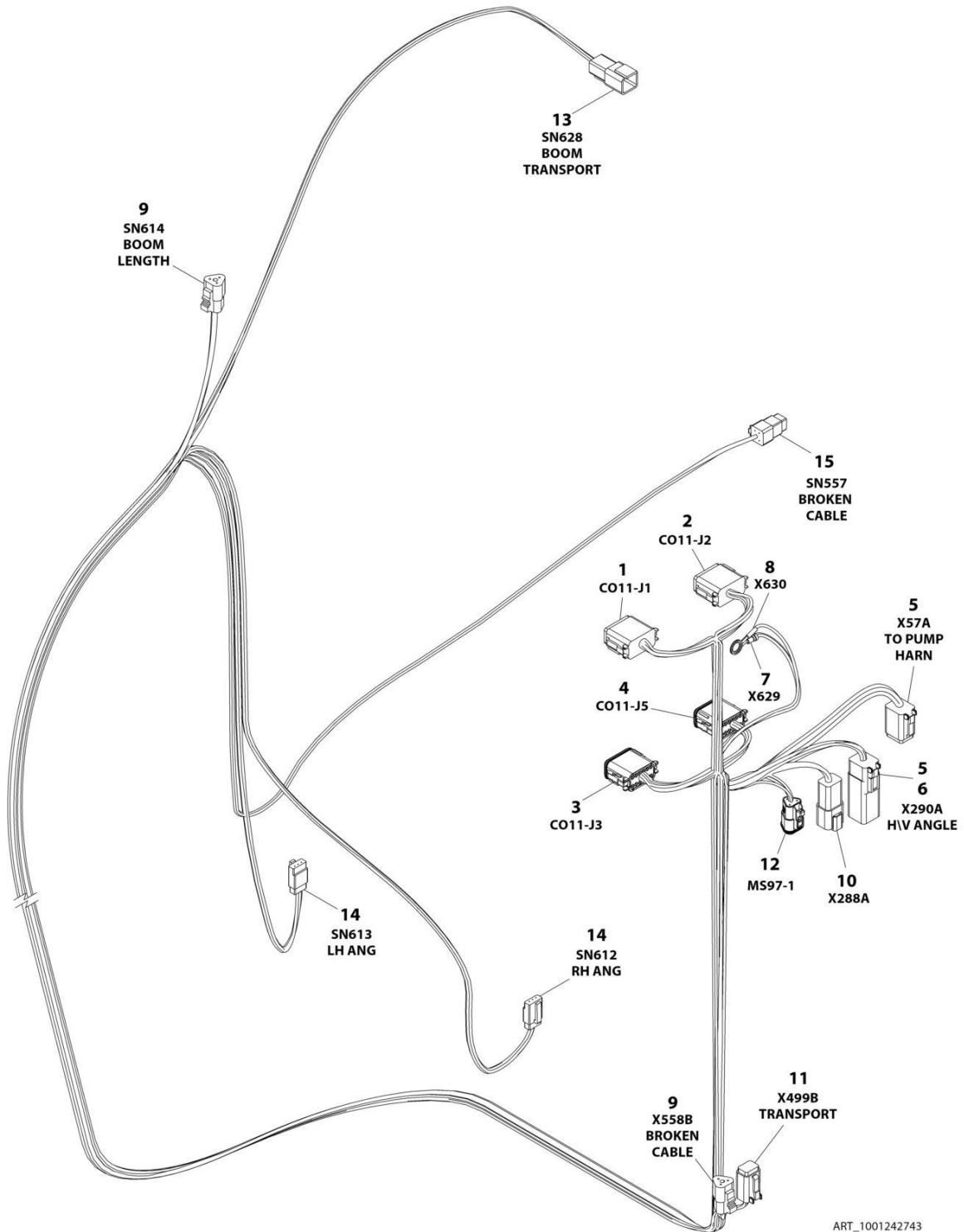
SECTION 8 - ELECTRICAL

FIGURE 8-4. BATTERY CABLE KIT - DEUTZ TD2.9L4

ITEM	PART NUMBER	QTY	DESCRIPTION	REV
	1001220749	Ref	BATTERY CABLE KIT - DEUTZ TD2.9L4	B
1	70009021	1	Cable, Battery - Battery + to Starter, Start Relay and Aux Relay	
2	70009022	1	Cable, Battery - Aux Relay to Aux Power	
3	70009023	1	Cable, Battery - Battery - Aux Ground, Pivot Ground	
4	70009024	1	Cable, Battery - Engine to Pivot Ground	

SECTION 8 - ELECTRICAL

FIGURE 8-5. BLAM HARNESS



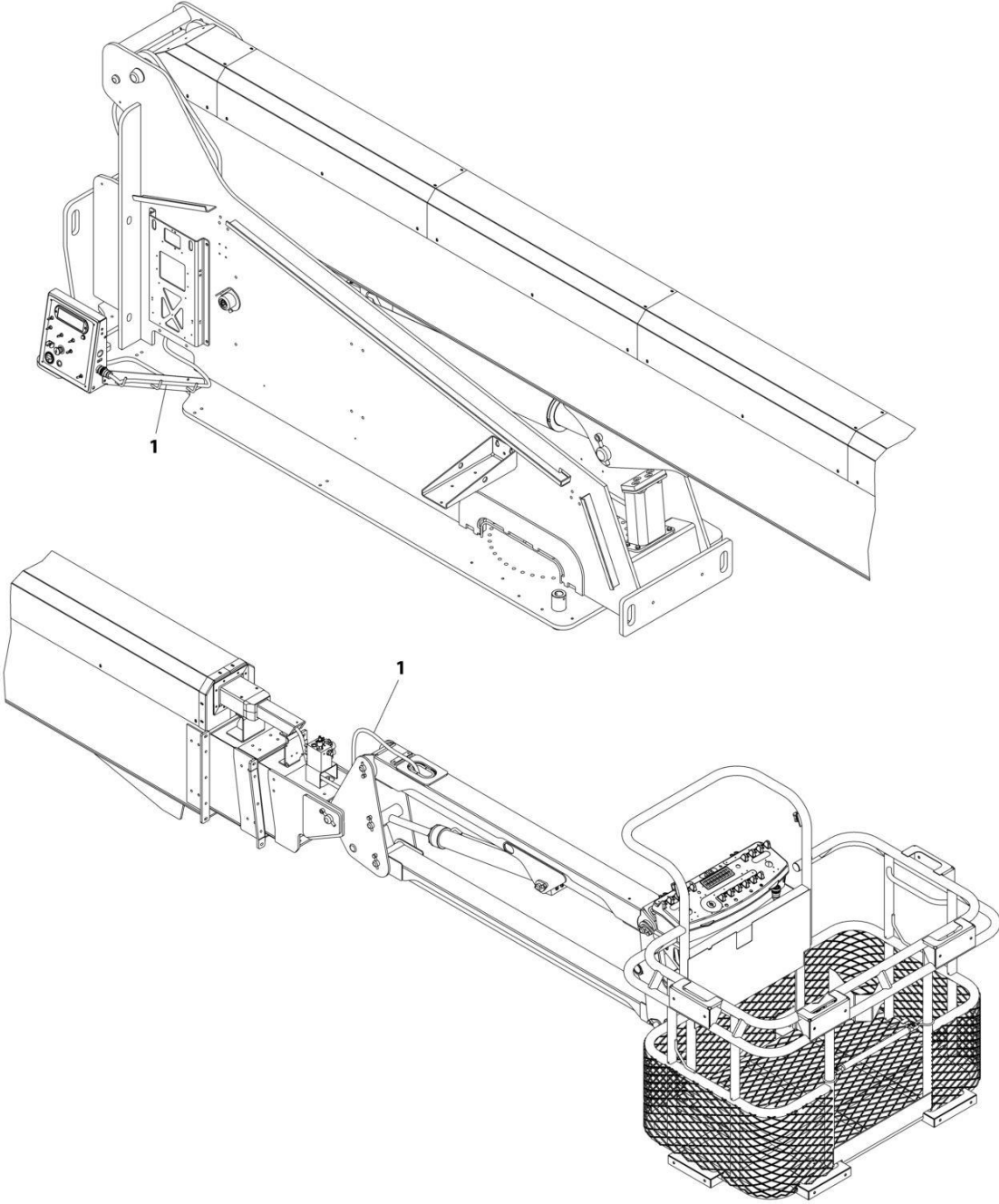
SECTION 8 - ELECTRICAL

FIGURE 8-5. BLAM HARNESS

ITEM	PART NUMBER	QTY	DESCRIPTION	REV
	1001242743	Ref	BLAM HARNESS	C
1	1001270339	1	Connector - 12 Position (Gray)	
1	4460465	7	Socket, Female	
1	4460466	3	Plug, Terminal	
1	4460942	2	Terminal	
2	1001270340	1	Connector - 12 Position (Black)	
2	4460465	8	Socket, Female	
2	4460466	4	Plug, Terminal	
3	1001239344	1	Connector - 12 Position (Green)	
3	4460465	11	Socket, Female	
3	4460466	1	Plug, Terminal	
4	1001239345	1	Connector - 12 Position (Brown)	
4	4460465	5	Socket, Female	
4	4460466	7	Plug, Terminal	
5	4460894	2	Connector - 6 Position (Gray)	
5	4460465	11	Socket, Female	
5	4460466	1	Plug, Terminal	
6	4460899	1	Connector, Female - 6 Position	
7	4460670	1	Terminal, Ring	
8	4460703	1	Terminal, Ring	
9	4460539	2	Plug, Male - 3 Position	
9	4460465	3	Socket, Female	
9	4460944	3	Socket, Female	
10	4460932	1	Connector - 4 Position (Gray)	
10	4460941	2	Pin, Male	
10	4460466	1	Plug, Terminal	
10	4460464	1	Pin, Male	
11	4460884	1	Connector - 4 Position (Gray)	
11	4460465	4	Socket, Female	
12	1001116812	1	Plug, Male - 3 Position	
12	4460465	3	Socket, Female	
13	1001097051	1	Receptacle, Female - 4 Position	
13	1001116695	4	Pin, Male	
14	4460911	2	Plug, Male - 3 Position	
14	4460918	6	Terminal	
15	4461077	1	Plug, Male - 3 Position	
15	4460928	3	Socket, Female	
15	4460518	1	Plug, Terminal	

SECTION 8 - ELECTRICAL

FIGURE 8-6. BOOM CABLES INSTALLATION - 1100SJ WITHOUT POWER AT PLATFORM



ART_1001200024

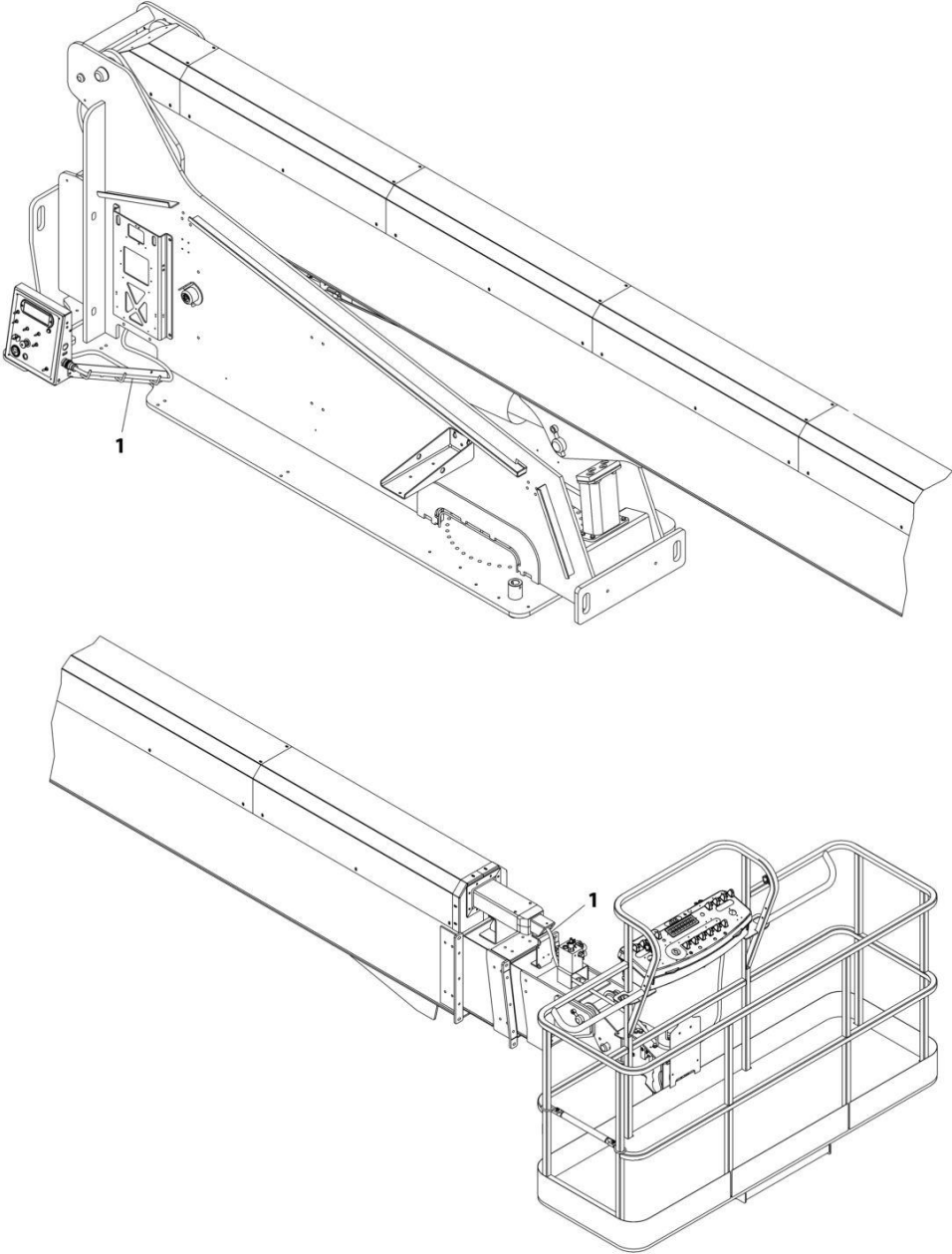
SECTION 8 - ELECTRICAL

FIGURE 8-6. BOOM CABLES INSTALLATION - 1100SJ WITHOUT POWER AT PLATFORM

ITEM	PART NUMBER	QTY	DESCRIPTION	REV
	1001200024	Ref	BOOM CABLES INSTALLATION - WITHOUT POWER AT PLATFORM	C
	1001200030	1	Boom Cable - Main (See Separate Breakdown in this Section)	

SECTION 8 - ELECTRICAL

FIGURE 8-7. BOOM CABLES INSTALLATION - WITHOUT POWER AT PLATFORM



ART_1001200025

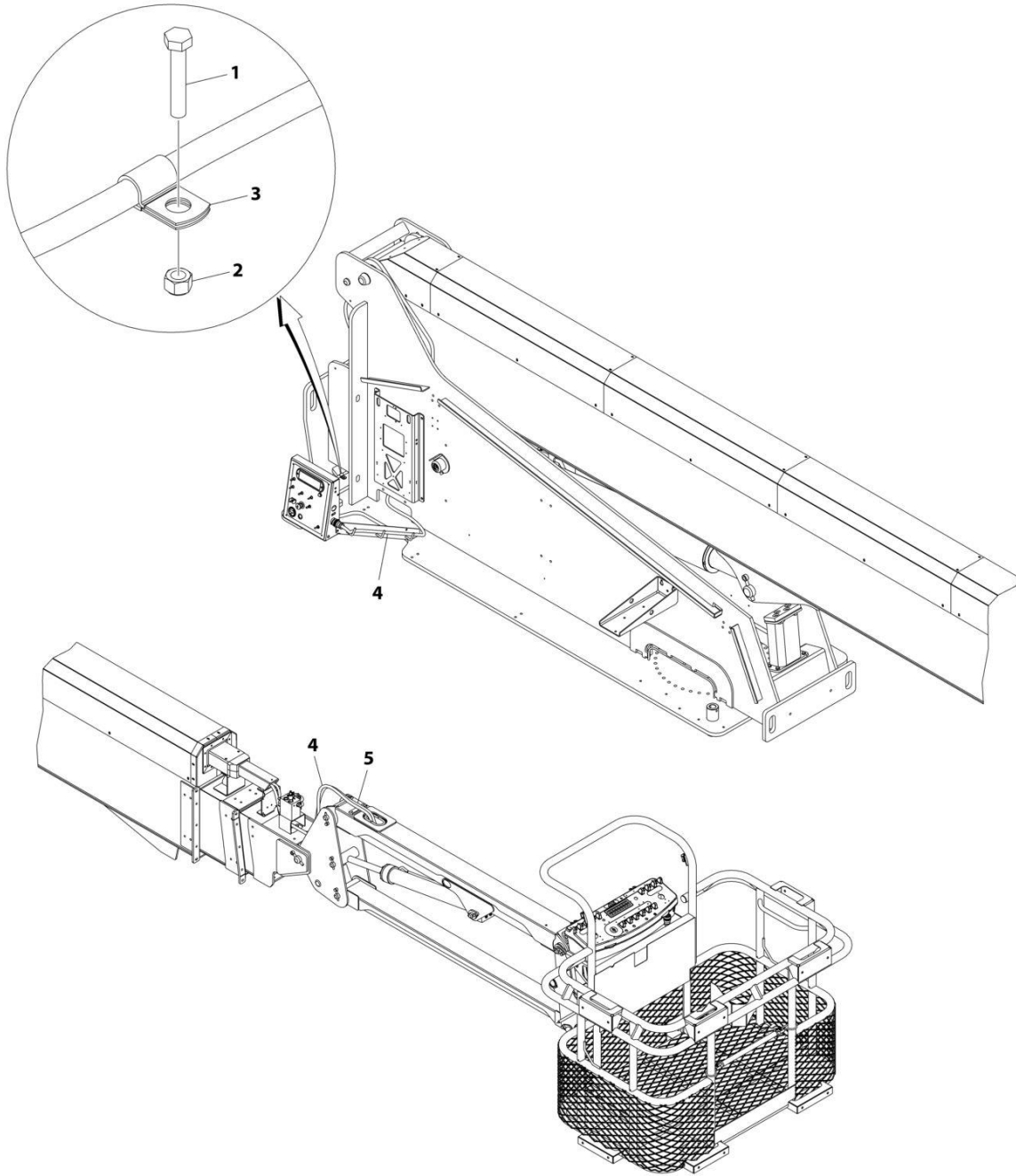
SECTION 8 - ELECTRICAL

FIGURE 8-7. BOOM CABLES INSTALLATION - WITHOUT POWER AT PLATFORM

ITEM	PART NUMBER	QTY	DESCRIPTION	REV
	1001200025	Ref	BOOM CABLES INSTALLATION - WITHOUT POWER AT PLATFORM	B
1	1001200031	1	Boom Cable - Main (See Separate Breakdown in this Section)	

SECTION 8 - ELECTRICAL

FIGURE 8-8. BOOM CABLES INSTALLATION - WITH AC POWER AT PLATFORM



ART_1001200026

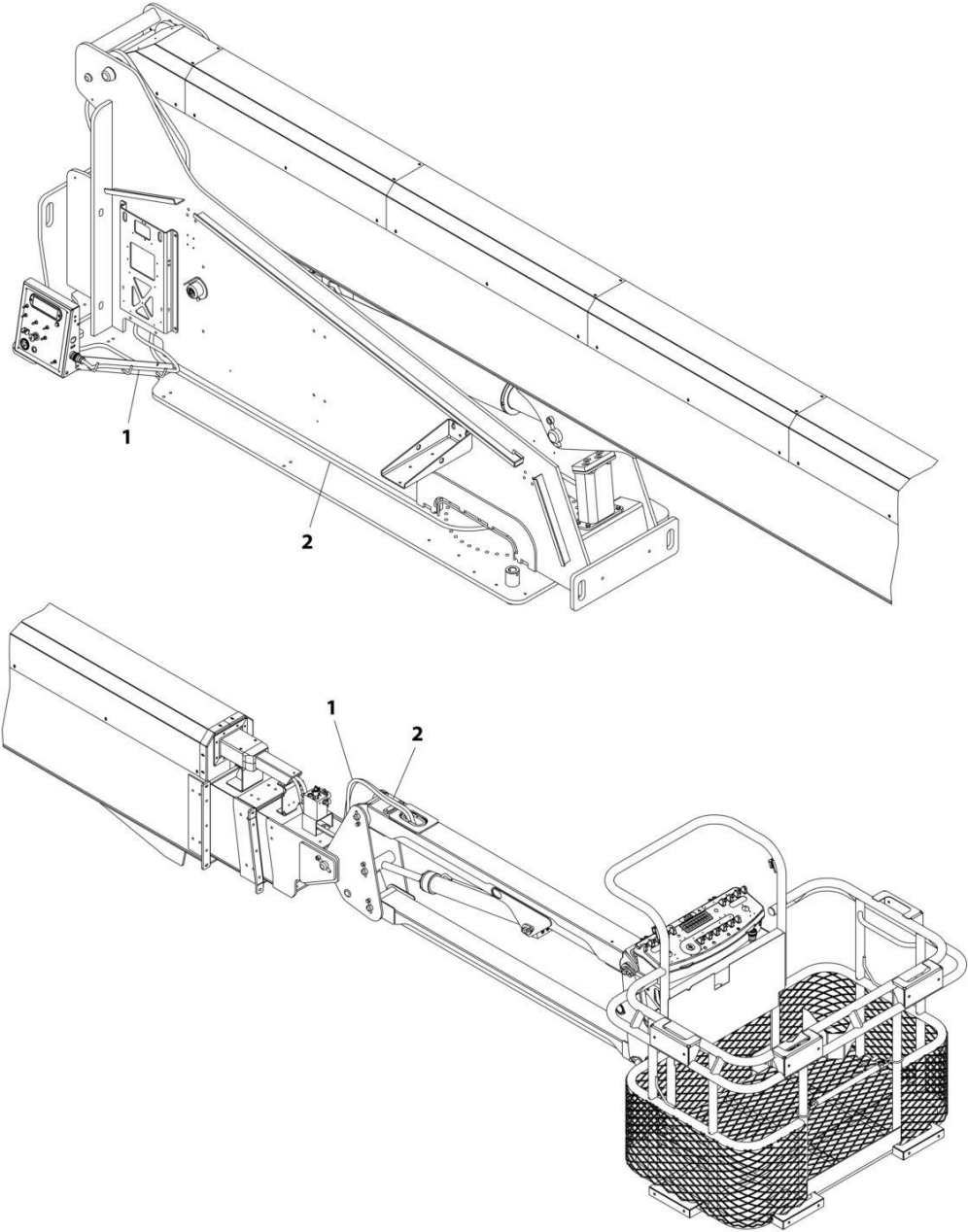
SECTION 8 - ELECTRICAL

FIGURE 8-8. BOOM CABLES INSTALLATION - WITH AC POWER AT PLATFORM

ITEM	PART NUMBER	QTY	DESCRIPTION	REV
	1001200026	Ref	BOOM CABLES INSTALLATION - WITH AC POWER AT PLATFORM	C
1	0700817	1	Bolt M8 x 45	
2	3290805	1	Nut M8	
3	1001080996	1	Clamp	
4	1001200030	1	Boom Cable - Main (See Separate Breakdown in this Section)	
5	1001200032	1	Boom Cable - AC	

SECTION 8 - ELECTRICAL

FIGURE 8-9. BOOM CABLES INSTALLATION - WITH SKYPOWER



ART_1001200028

SECTION 8 - ELECTRICAL

FIGURE 8-9. BOOM CABLES INSTALLATION - WITH SKYPOWER

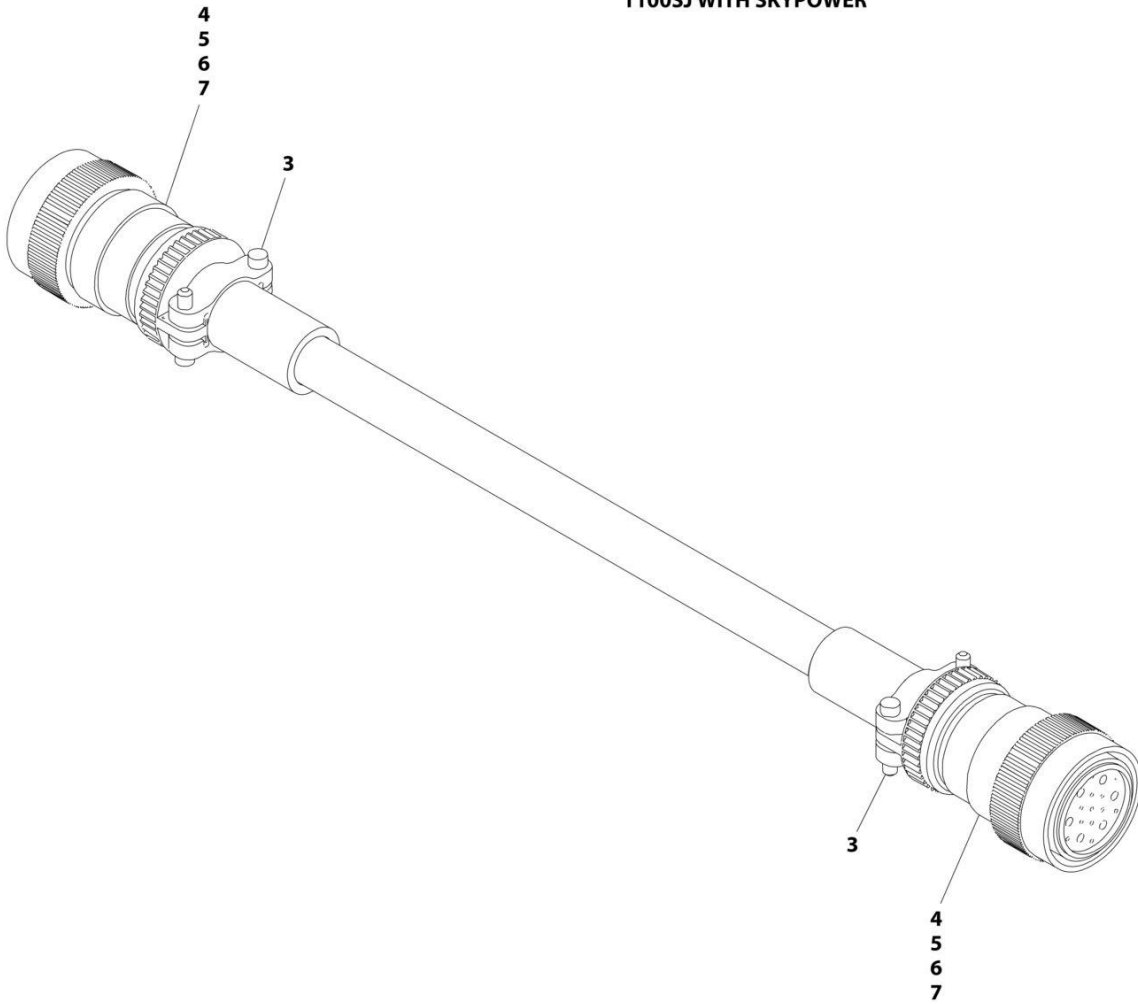
ITEM	PART NUMBER	QTY	DESCRIPTION	REV
	1001200028	Ref	BOOM CABLES INSTALLATION - WITH SKYPOWER	C
1	1001200030	1	Boom Cable - Main (See Separate Breakdown in this Section)	
2	1001200034	1	Boom Cable - SkyPower	

SECTION 8 - ELECTRICAL

FIGURE 8-10. BOOM CABLE - MAIN - WITHOUT POWER AT PLATFORM

USAGE CHART:

- 1030S WITHOUT POWER AT PLATFORM
- 1100SJ WITHOUT AC POWER AT PLATFORM
- 1100SJ WITH SKYPOWER



ART_1001200030

SECTION 8 - ELECTRICAL

FIGURE 8-10. BOOM CABLE - MAIN - WITHOUT POWER AT PLATFORM

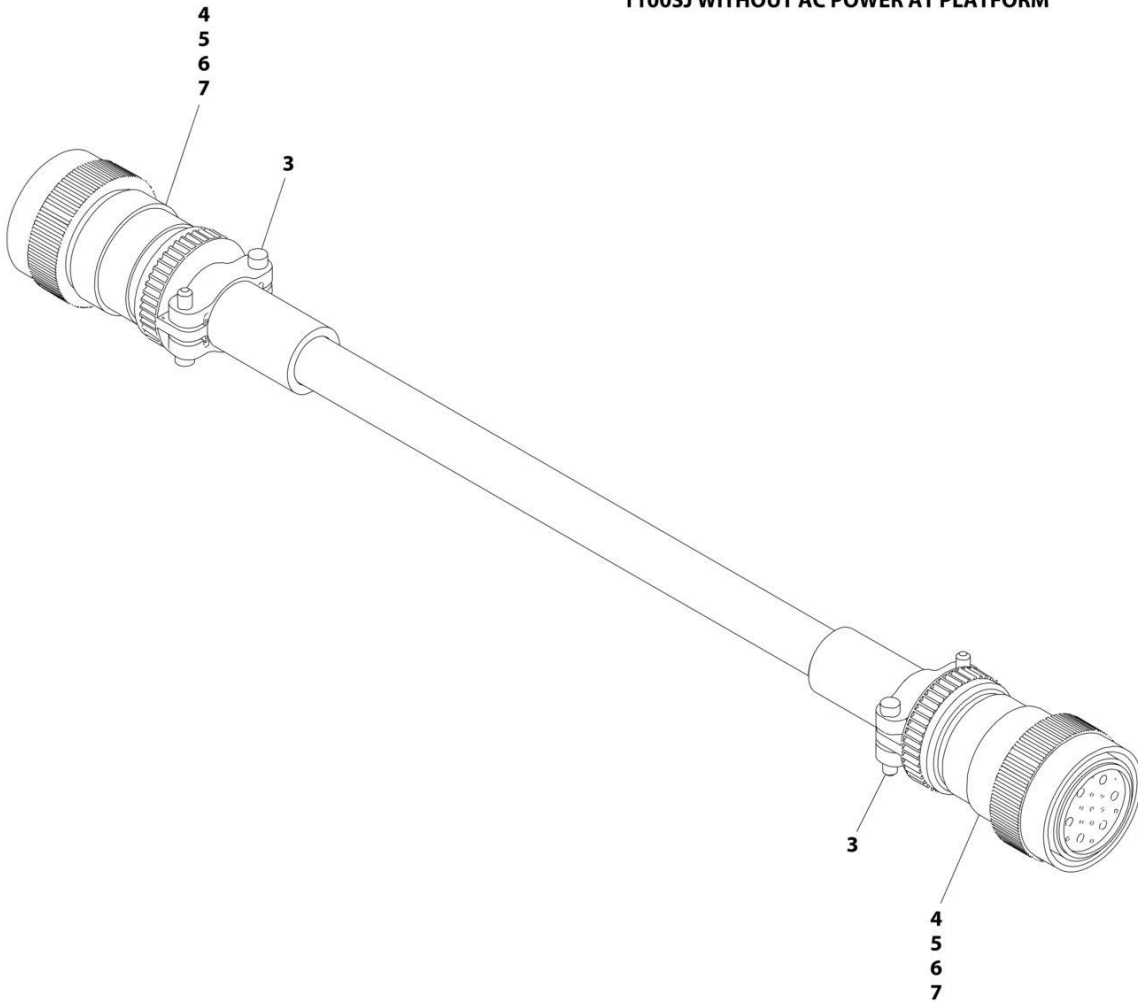
ITEM	PART NUMBER	QTY	DESCRIPTION	REV
	1001200030	Ref	BOOM CABLE - MAIN	E
3	4460473	2	Clamp	
4	4460509	8	Socket, Female	
5	4460865	2	Connector - 19 Position	
6	4460465	22	Socket, Female	
7	4460466	8	Plug, Socket	

SECTION 8 - ELECTRICAL

FIGURE 8-11. BOOM CABLE - MAIN - WITH POWER AT PLATFORM

USAGE CHART:

- 1030S WITH AC POWER AT PLATFORM
- 1030S WITH SKYPOWER
- 1100SJ WITHOUT AC POWER AT PLATFORM



ART_1001200031

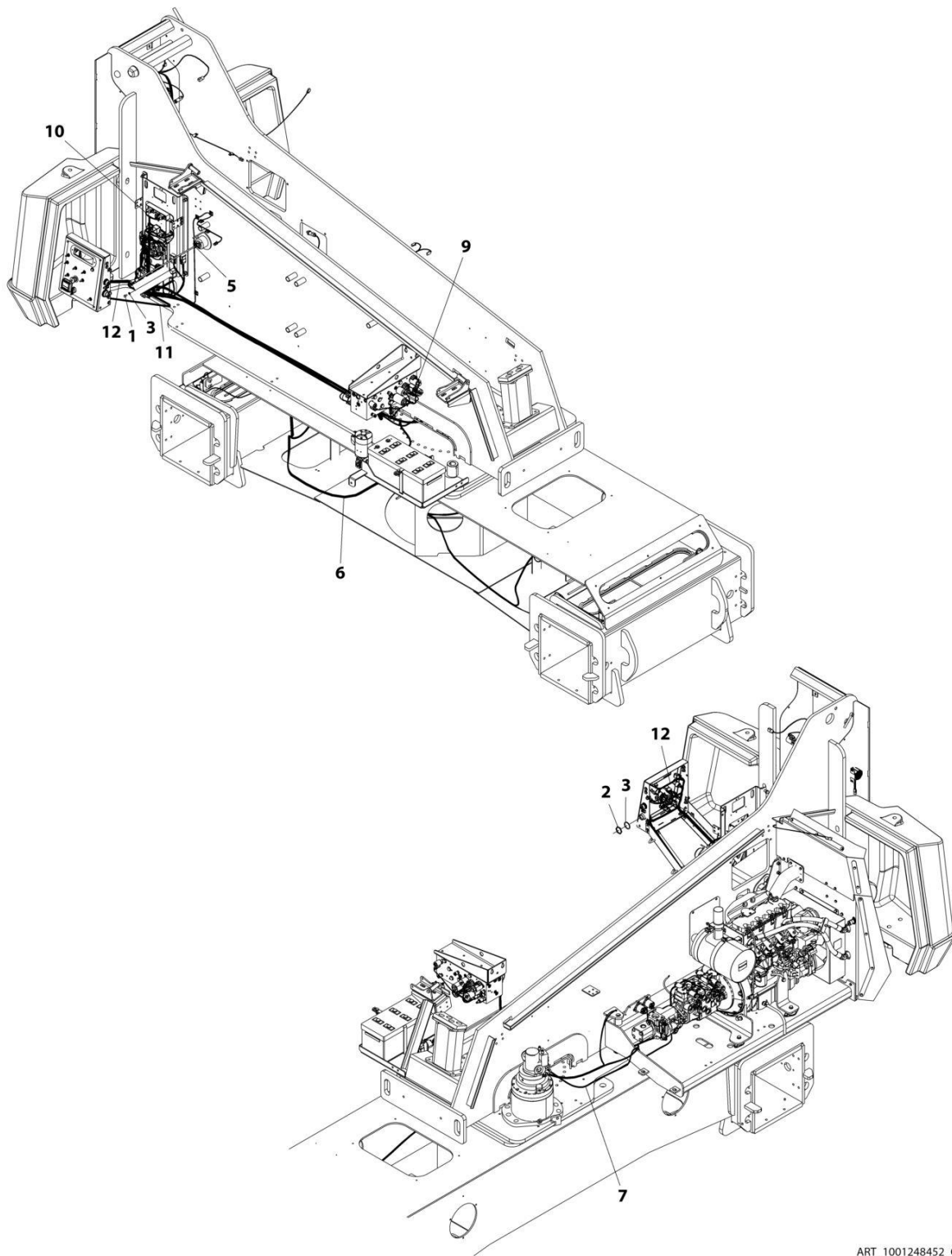
SECTION 8 - ELECTRICAL

FIGURE 8-11. BOOM CABLE - MAIN - WITH POWER AT PLATFORM

ITEM	PART NUMBER	QTY	DESCRIPTION	REV
	1001200031	Ref	BOOM CABLE - MAIN	D
3	4460473	2	Clamp	
4	4460509	8	Socket, Female	
5	4460865	2	Connector - 19 Position	
6	4460465	22	Socket, Female	
7	4460466	8	Plug, Socket	

SECTION 8 - ELECTRICAL

FIGURE 8-12. CHASSIS AND TURNTABLE HARNESS INSTALLATION



ART_1001248452_C

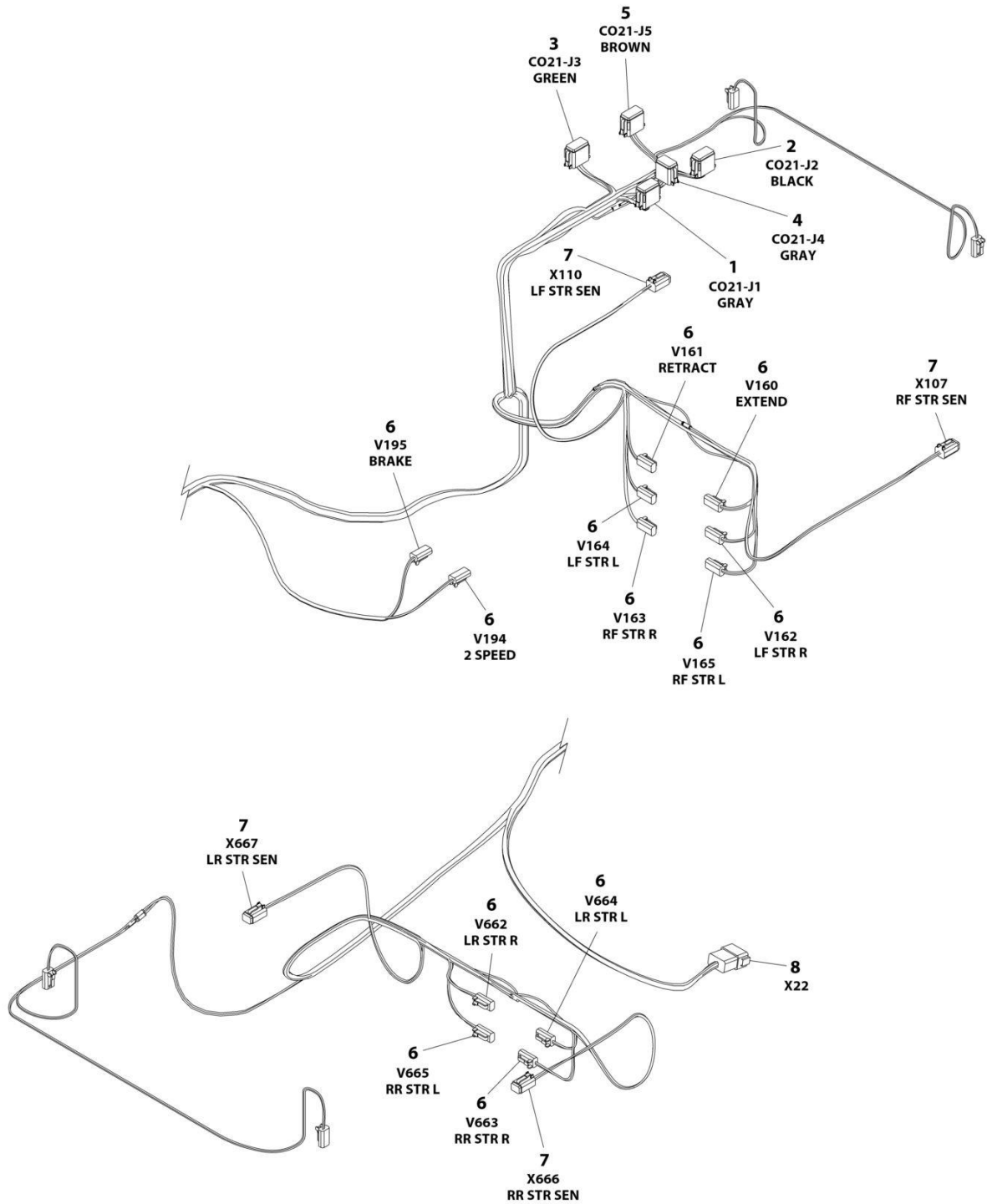
SECTION 8 - ELECTRICAL

FIGURE 8-12. CHASSIS AND TURNTABLE HARNESS INSTALLATION

ITEM	PART NUMBER	QTY	DESCRIPTION	REV
	1001248452	Ref	CHASSIS AND TURNTABLE HARNESS INSTALLATION	C
1	0760606	1	Bolt M6 x 12	
2	4460470	1	Nut, Terminal	
3	4460471	1	Washer, Terminal	
4	4811700	1	Washer M6	
5	4923256	1	Load Sensing Pin Harness (See Separate Breakdown in this Section)	
6	1001149524	1	Chassis Harness (See Separate Breakdown in this Section)	
7	1001150480	1	Swing Drive Harness (See Separate Breakdown in this Section)	
8	1001152574	2	Axle Power Track Harness (Not Shown - See Separate Breakdown in this Section)	
9	1001287741	1	Main Valve Harness (See Separate Breakdown in this Section)	
10	1001242743	1	BLAM Harness (See Separate Breakdown in this Section)	
11	1001279504	1	Turntable Harness (See Separate Breakdown in this Section)	
12	1001242745	1	Ground Control Panel Harness (See Separate Breakdown in this Section)	
13	4240032	AR	Tie-Strap (Not Shown)	
14	4460234	AR	Mount, Tie-Strap (Not Shown)	

SECTION 8 - ELECTRICAL

FIGURE 8-13. CHASSIS HARNESS



ART_1001149524

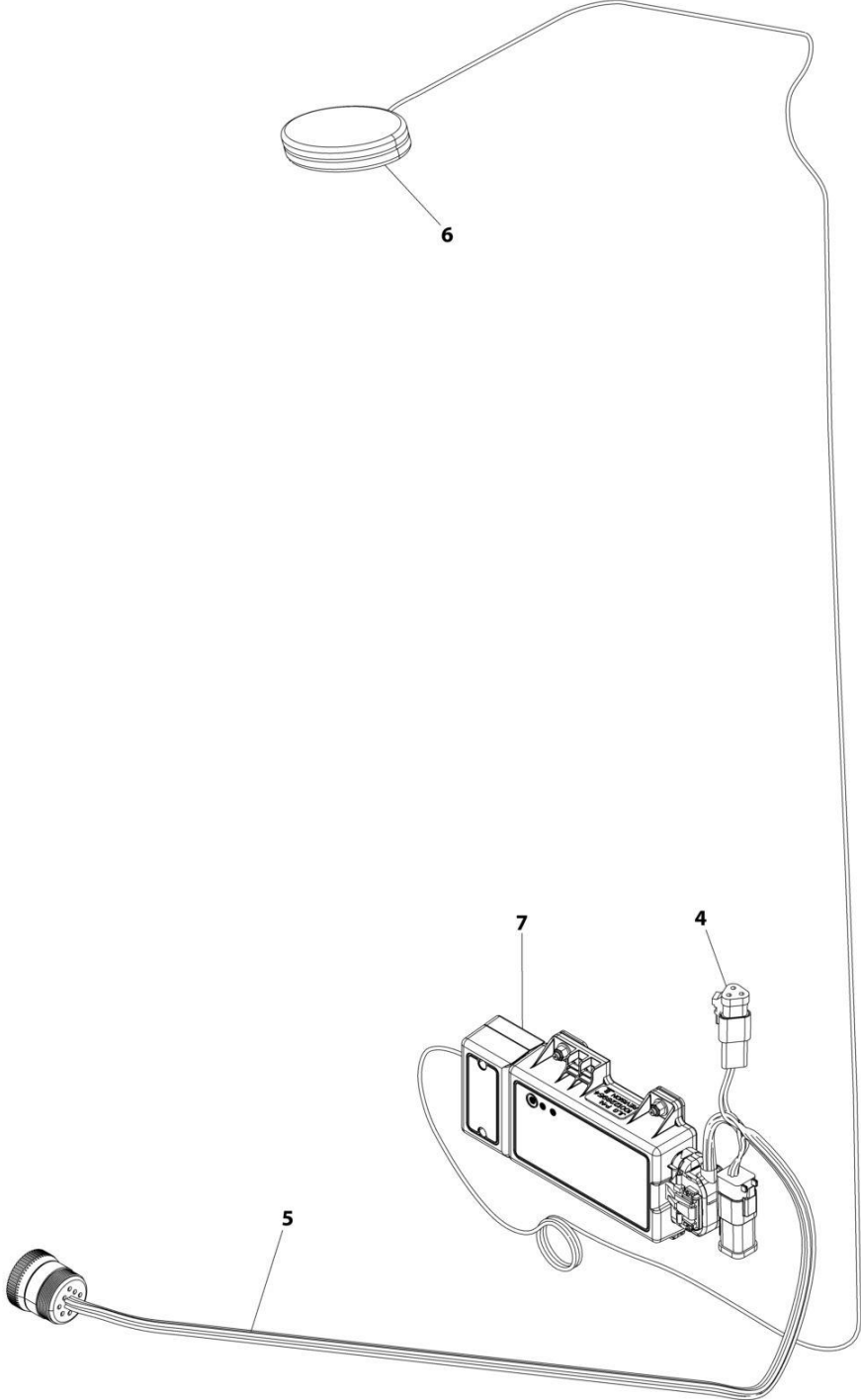
SECTION 8 - ELECTRICAL

FIGURE 8-13. CHASSIS HARNESS

ITEM	PART NUMBER	QTY	DESCRIPTION	REV
	1001149524	Ref	CHASSIS HARNESS	E
1	4460933	1	Connector - 12 Position (Gray)	
1	4460465	8	Socket, Female	
1	4460466	4	Plug, Terminal	
2	4460836	1	Connector - 12 Position (Black)	
2	4460465	6	Socket, Female	
2	4460466	6	Plug, Terminal	
3	4460934	1	Connector - 12 Position (Green)	
3	4460465	12	Socket, Female	
4	4460930	1	Connector - 8 Position (Gray)	
4	4460465	4	Socket, Female	
4	4460466	4	Plug, Terminal	
5	4460935	1	Connector - 12 Position (Brown)	
5	4460465	9	Socket, Female	
5	4460466	3	Plug, Terminal	
6	4460891	12	Plug, Male - 2 Position	
6	4460465	24	Socket, Female	
7	4460884	4	Plug, Male - 4 Position	
7	4460465	16	Socket, Female	
8	4460950	1	Connector - 12 Position	
8	4460464	9	Pin, Male	
8	4460466	3	Plug, Terminal	

SECTION 8 - ELECTRICAL

FIGURE 8-14. CLEARSKY INSTALLATION - 3G CANBUS CONNECTION (AUSTRALIAN SPECS)



ART_1001246526

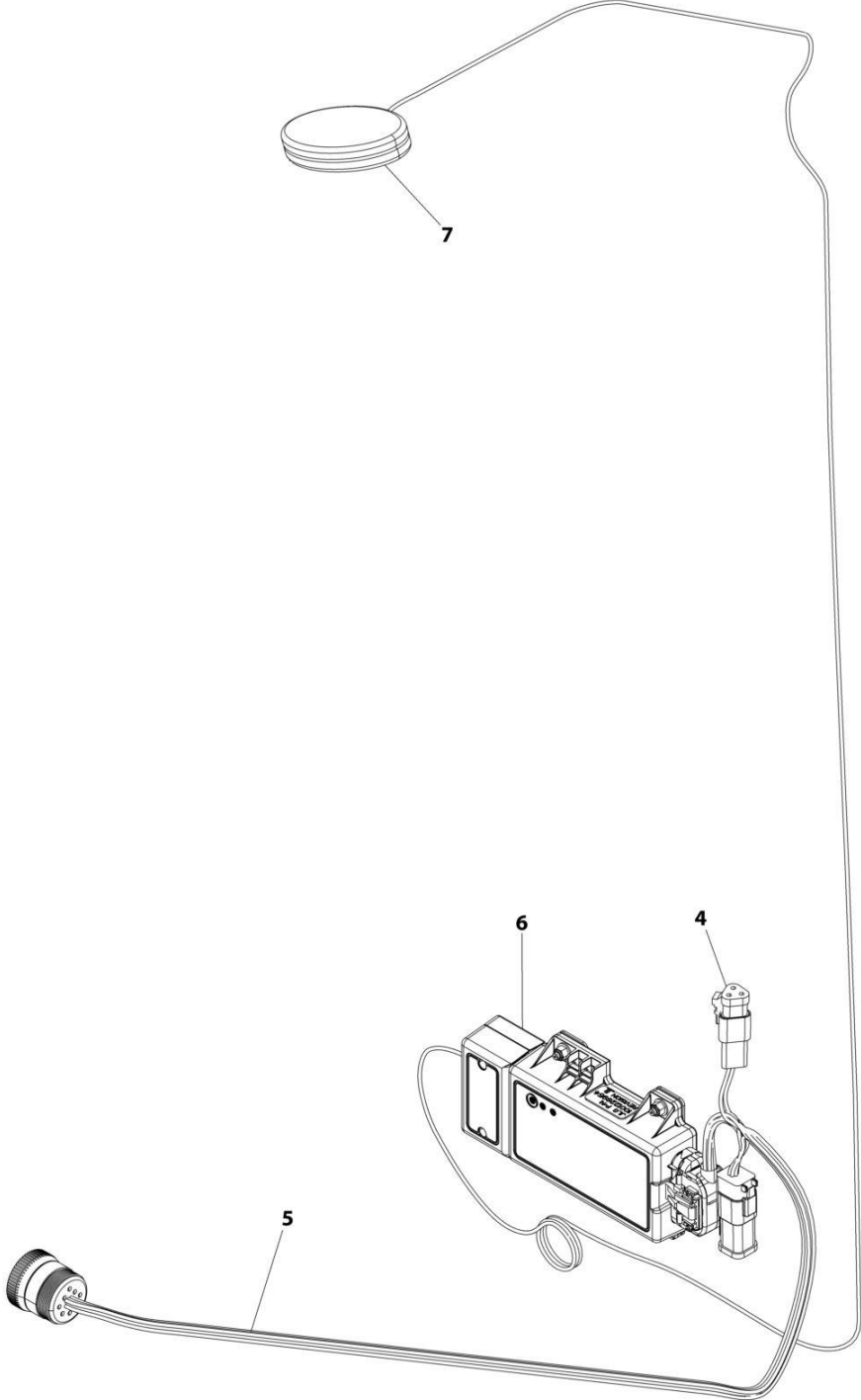
SECTION 8 - ELECTRICAL

FIGURE 8-14. CLEARSKY INSTALLATION - 3G CANBUS CONNECTION (AUSTRALIAN SPECS)

ITEM	PART NUMBER	QTY	DESCRIPTION	REV
	1001246526	REF	CLEARSKY INSTALLATION CANBUS CONNECTION	A
1	1062255	AR	Tie-Strap (Not Shown)	
2	4240032	AR	Tie-Strap (Not Shown)	
3	4460234	AR	Strap, Cable -Tie (Not Shown)	
4	1001129408	1	Connector	
5	1001226739	1	ClearSky Telematics Harness (See Separate Breakdown in this Section)	
6	1001236144	1	Antenna	
7	1001246144	1	Telematics Control Module (Note: Re-calibration Required when Replaced)	

SECTION 8 - ELECTRICAL

FIGURE 8-15. CLEARSKY INSTALLATION - 3G CANBUS CONNECTION (CE & UK CA SPECS)



ART_1001242625

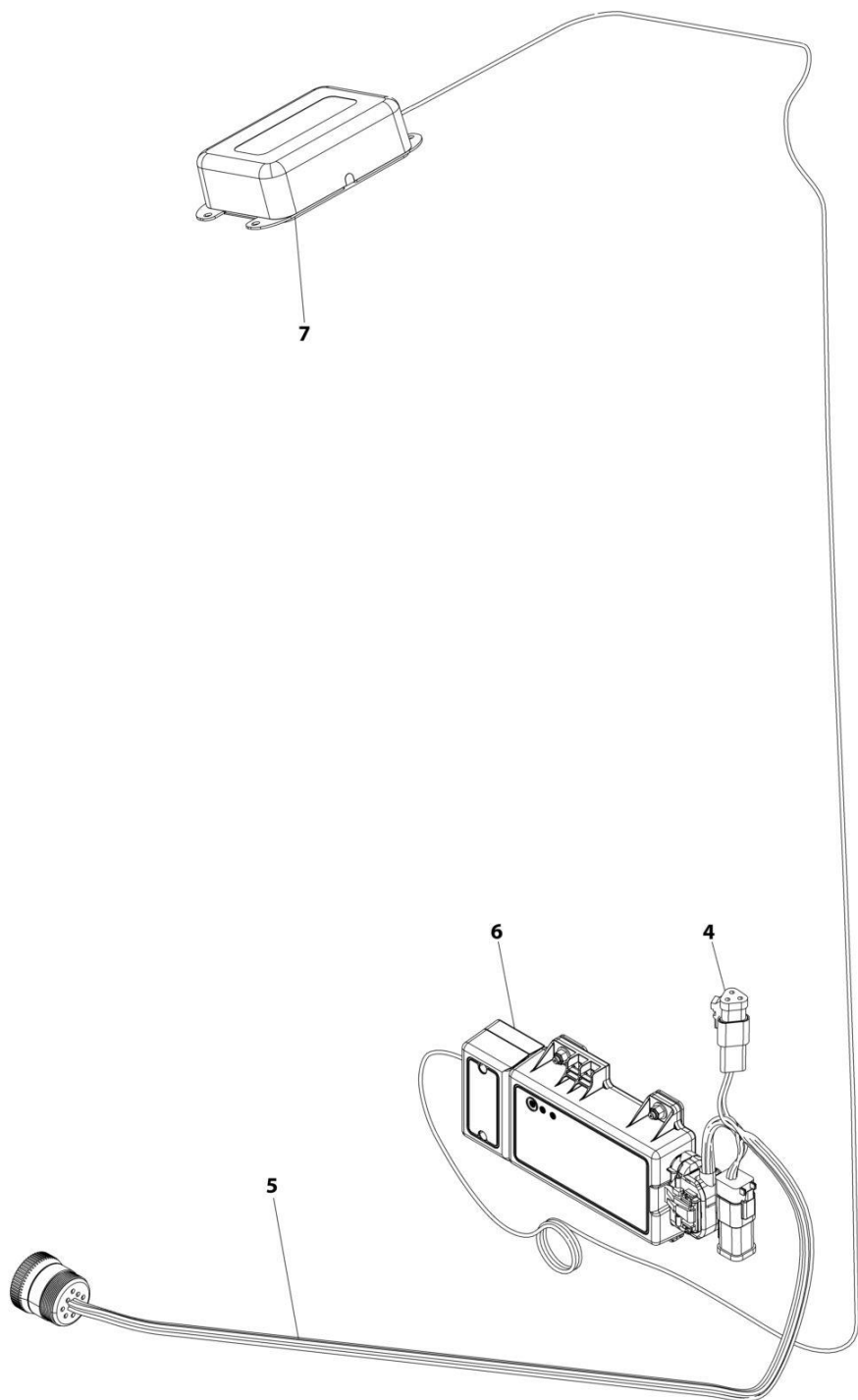
SECTION 8 - ELECTRICAL

FIGURE 8-15. CLEARSKY INSTALLATION - 3G CANBUS CONNECTION (CE & UK CA SPECS)

ITEM	PART NUMBER	QTY	DESCRIPTION	REV
	1001242625	REF	CLEARSKY INSTALLATION CANBUS CONNECTION	A
1	1062255	AR	Tie-Strap (Not Shown)	
2	4240032	AR	Tie-Strap (Not Shown)	
3	4460234	AR	Strap, Cable -Tie (Not Shown)	
4	1001129408	1	Connector	
5	1001226739	1	ClearSky Telematics Harness (See Separate Breakdown in this Section)	
6	1001228954	1	Telematics Control Module (Note: Re-calibration Required when Replaced)	
7	1001236144	1	Antenna	

SECTION 8 - ELECTRICAL

FIGURE 8-16. CLEARSKY INSTALLATION - 4G CANBUS CONNECTION (ALL SPECS EXCEPT CHINA SPECS)



ART_1001242624

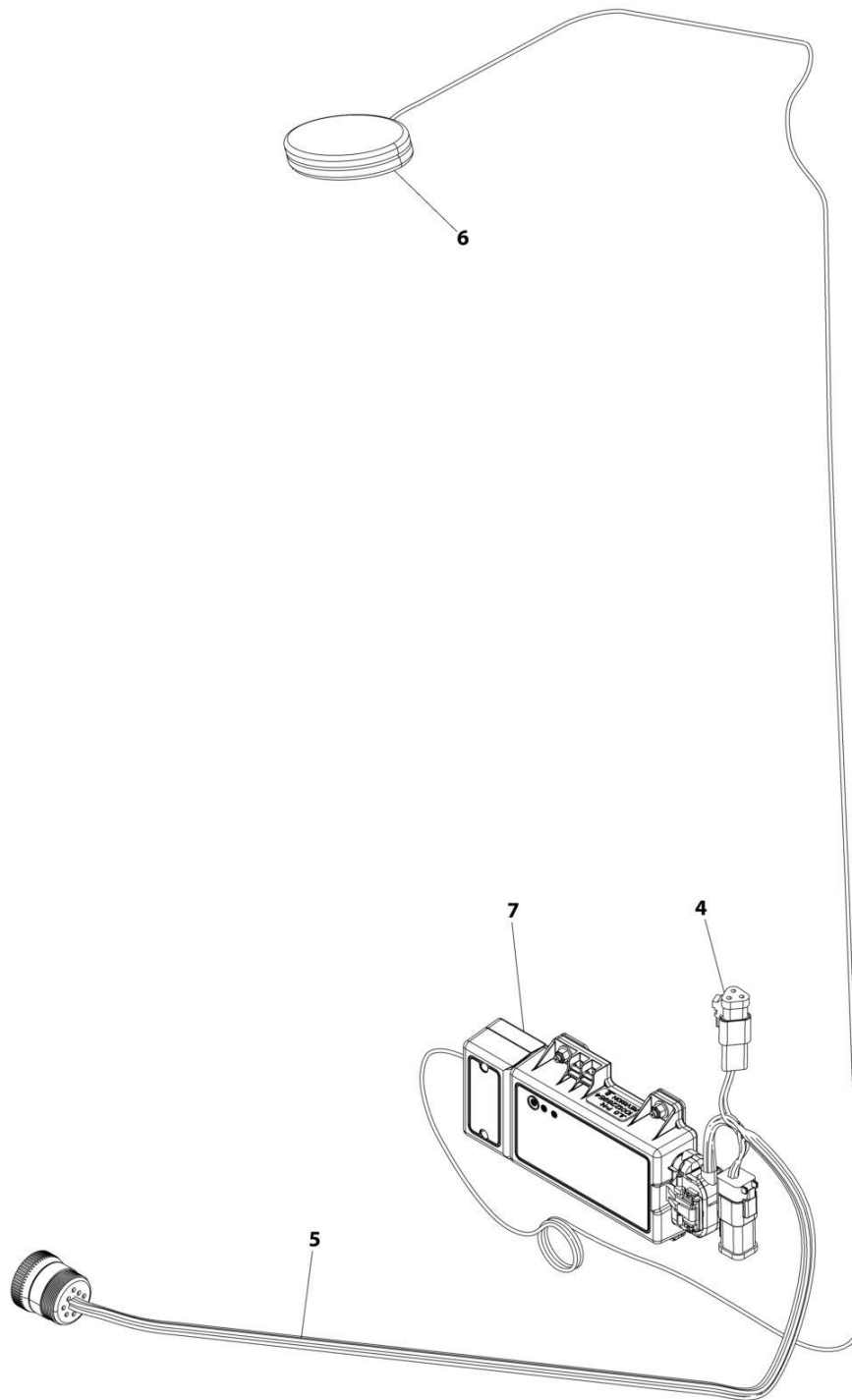
SECTION 8 - ELECTRICAL

FIGURE 8-16. CLEARSKY INSTALLATION - 4G CANBUS CONNECTION (ALL SPECS EXCEPT CHINA SPECS)

ITEM	PART NUMBER	QTY	DESCRIPTION	REV
	1001242624	REF	CLEARSKY INSTALLATION CANBUS CONNECTION	B
1	1062255	AR	Tie-Strap (Not Shown)	
2	4240032	AR	Tie-Strap (Not Shown)	
3	4460234	AR	Strap, Cable -Tie (Not Shown)	
4	1001129408	1	Connector	
5	1001226739	1	ClearSky Telematics Harness (See Separate Breakdown in this Section)	
6	1001262322	1	Telematics Control Module (Note: Re-calibration Required when Replaced)	
7	1001262327	1	Antenna	

SECTION 8 - ELECTRICAL

FIGURE 8-17. CLEARSKY INSTALLATION - 4G CANBUS CONNECTION (CHINA SPECS)



ART_1001246527

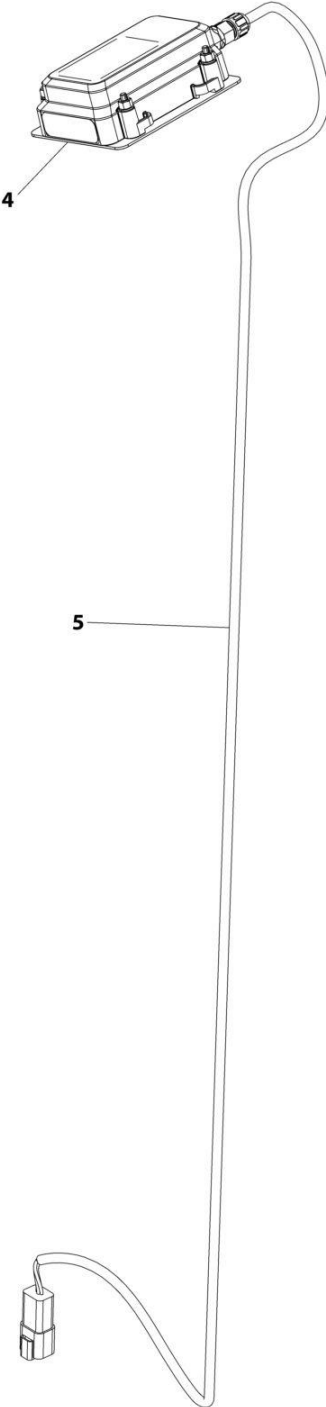
SECTION 8 - ELECTRICAL

FIGURE 8-17. CLEARSKY INSTALLATION - 4G CANBUS CONNECTION (CHINA SPECS)

ITEM	PART NUMBER	QTY	DESCRIPTION	REV
	1001246527	REF	CLEARSKY INSTALLATION CANBUS CONNECTION	A
1	1062255	AR	Tie-Strap (Not Shown)	
2	4240032	AR	Tie-Strap (Not Shown)	
3	4460234	AR	Strap, Cable -Tie (Not Shown)	
4	1001129408	1	Connector	
5	1001226739	1	ClearSky Telematics Harness (See Separate Breakdown in this Section)	
6	1001236144	1	Antenna	
7	1001246145	1	Telematics Control Module (Note: Re-calibration Required when Replaced)	

SECTION 8 - ELECTRICAL

FIGURE 8-18. CLEARSKY INSTALLATION - 3 WIRE GT1030 (ALL SPECS EXCEPT CHINA SPECS)



ART_1001276650

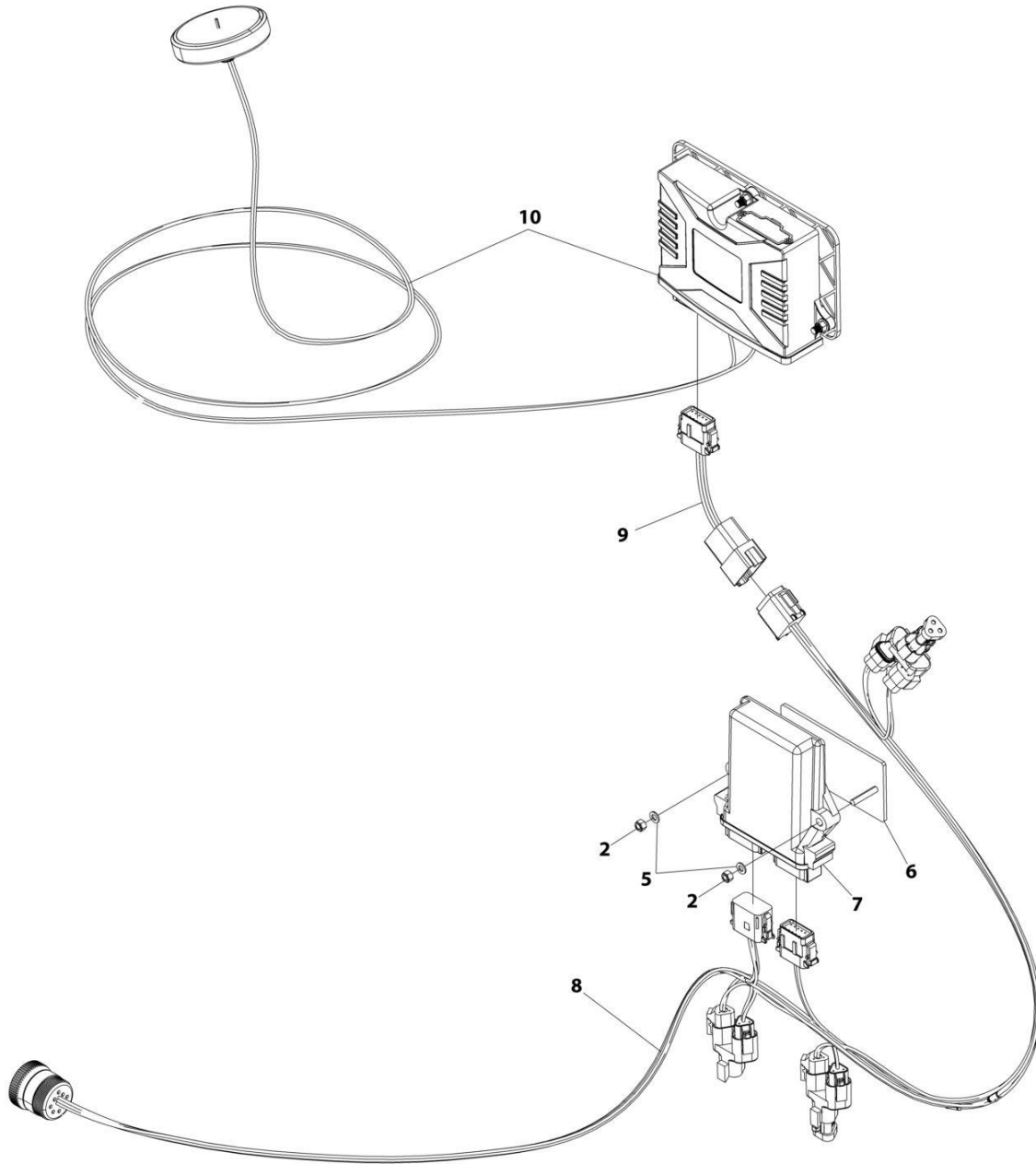
SECTION 8 - ELECTRICAL

FIGURE 8-18. CLEARSKY INSTALLATION - 3 WIRE GT1030 (ALL SPECS EXCEPT CHINA SPECS)

ITEM	PART NUMBER	QTY	DESCRIPTION	REV
	1001276605	Ref	CLEARSKY INSTALLATION GT1030	A
1	1062255	AR	Tie-Strap (Not Shown)	
2	4240032	AR	Tie-Strap (Not Shown)	
3	4460234	AR	Strap, Cable -Tie (Not Shown)	
4	1001272659	1	Telematics Control Module (Note: Re-calibration Required when Replaced)	
5	1001273012	1	ClearSky Harness (See Separate Breakdown in this Section)	

SECTION 8 - ELECTRICAL

FIGURE 8-19. CLEARSKY INSTALLATION - WITH DEUTZ TD2.9L4 (CHINA IV) ENGINES (CHINA SPECS)



ART_1001289665

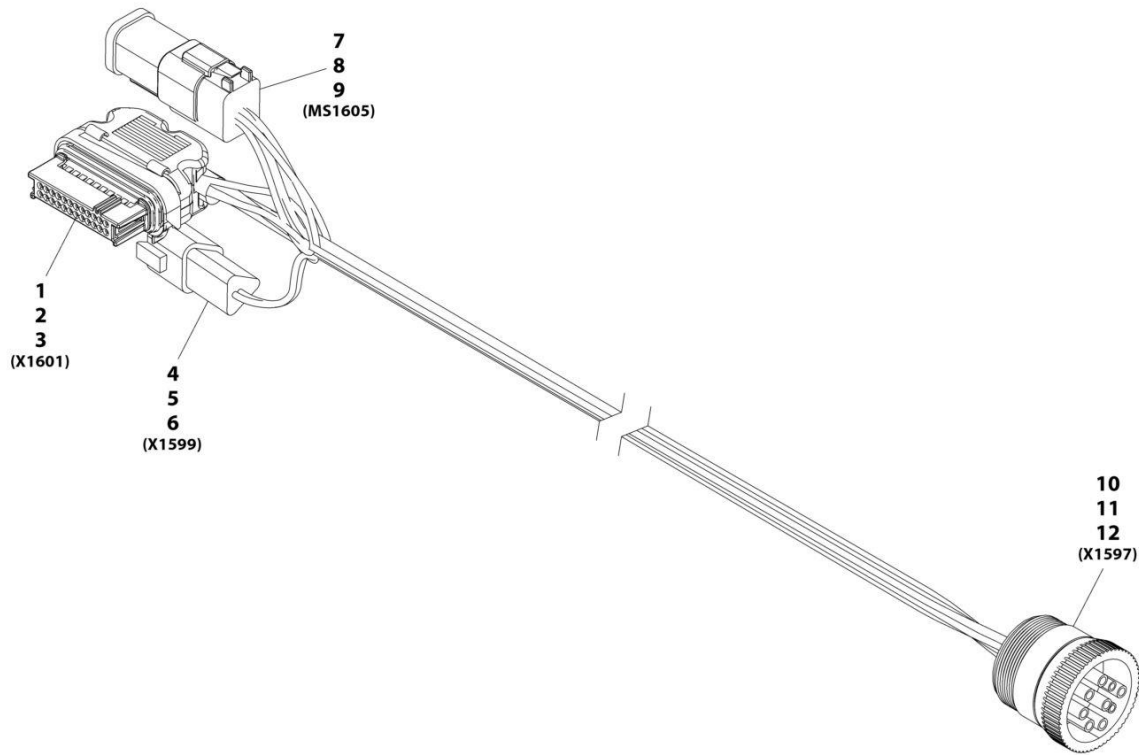
SECTION 8 - ELECTRICAL

FIGURE 8-19. CLEARSKY INSTALLATION - WITH DEUTZ TD2.9L4 (CHINA IV) ENGINES (CHINA SPECS)

ITEM	PART NUMBER	QTY	DESCRIPTION	REV
	1001289665	REF	CLEARSKY INSTALLATION	A
1	1062255	AR	Tie-Strap (Not Shown)	
2	3290505	2	Nut, Lock M5	
3	4240032	AR	Tie-Strap (Not Shown)	
4	4460234	AR	Strap, Cable -Tie (Not Shown)	
5	4811600	2	Washer M5	
6	1001219082	1	Bracket	
7	1001229458	1	Gateway Controller	
8	1001226831	1	ClearSky Harness (See Separate Breakdown in this Section)	
9	1001282406	1	Telematics Jumper Harness (See Separate Breakdown in this Section)	
10	1001289138	1	Telematics Control Module Assembly (Note: Re-calibration Required when Replaced) (See Separate Breakdown in this Section)	

SECTION 8 - ELECTRICAL

FIGURE 8-20. CLEARSKY HARNESS - 3G & 4G CANBUS CONNECTIONS



ART_1001226739-A

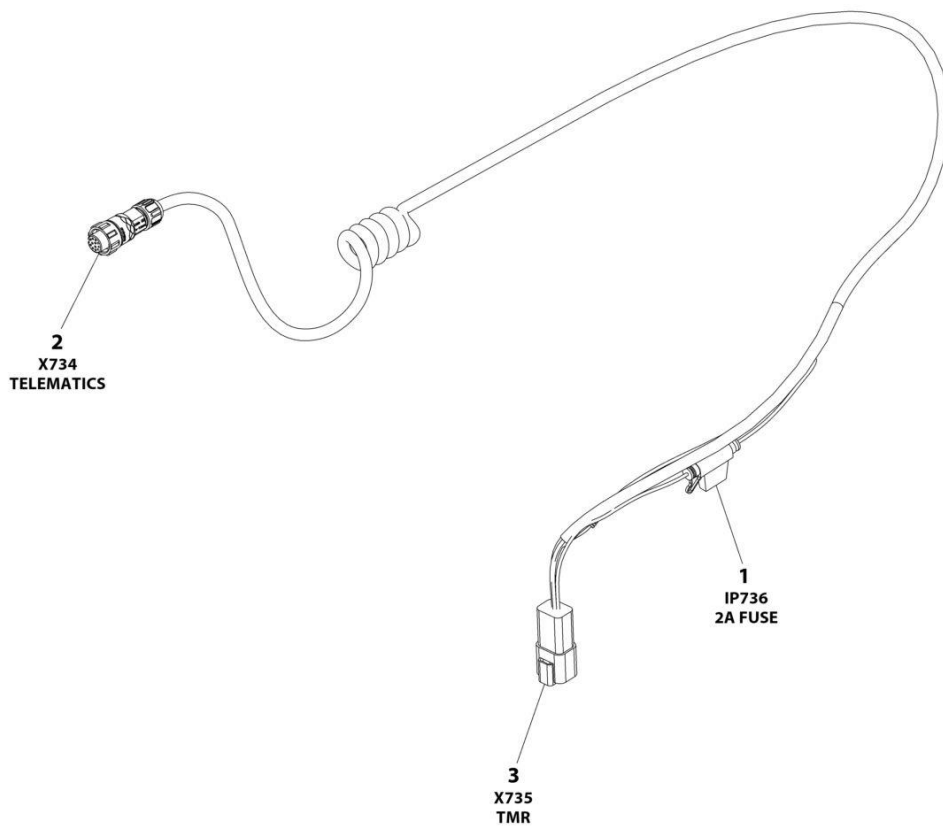
SECTION 8 - ELECTRICAL

FIGURE 8-20. CLEARSKY HARNESS - 3G & 4G CANBUS CONNECTIONS

ITEM	PART NUMBER	QTY	DESCRIPTION	REV
	1001226739	Ref	Clearsky Harness	A
1	1001226636	1	Connector	
2	1001116731	16	Plug, Terminal	
3	1001226637	8	Terminal	
4	1001144147	1	Connector	
5	4460464	2	Terminal	
6	4460466	1	Plug, Terminal	
7	4460894	1	Connector	
8	4460465	6	Terminal	
9	1001226541	1	Connector- 6 Pin Bussbar	
10	1001112796	1	Connector	
11	4460465	8	Terminal	
12	4460466	1	Plug, Terminal	

SECTION 8 - ELECTRICAL

FIGURE 8-21. CLEARSKY HARNESS - 3 WIRE GT1030



ART_1001273012

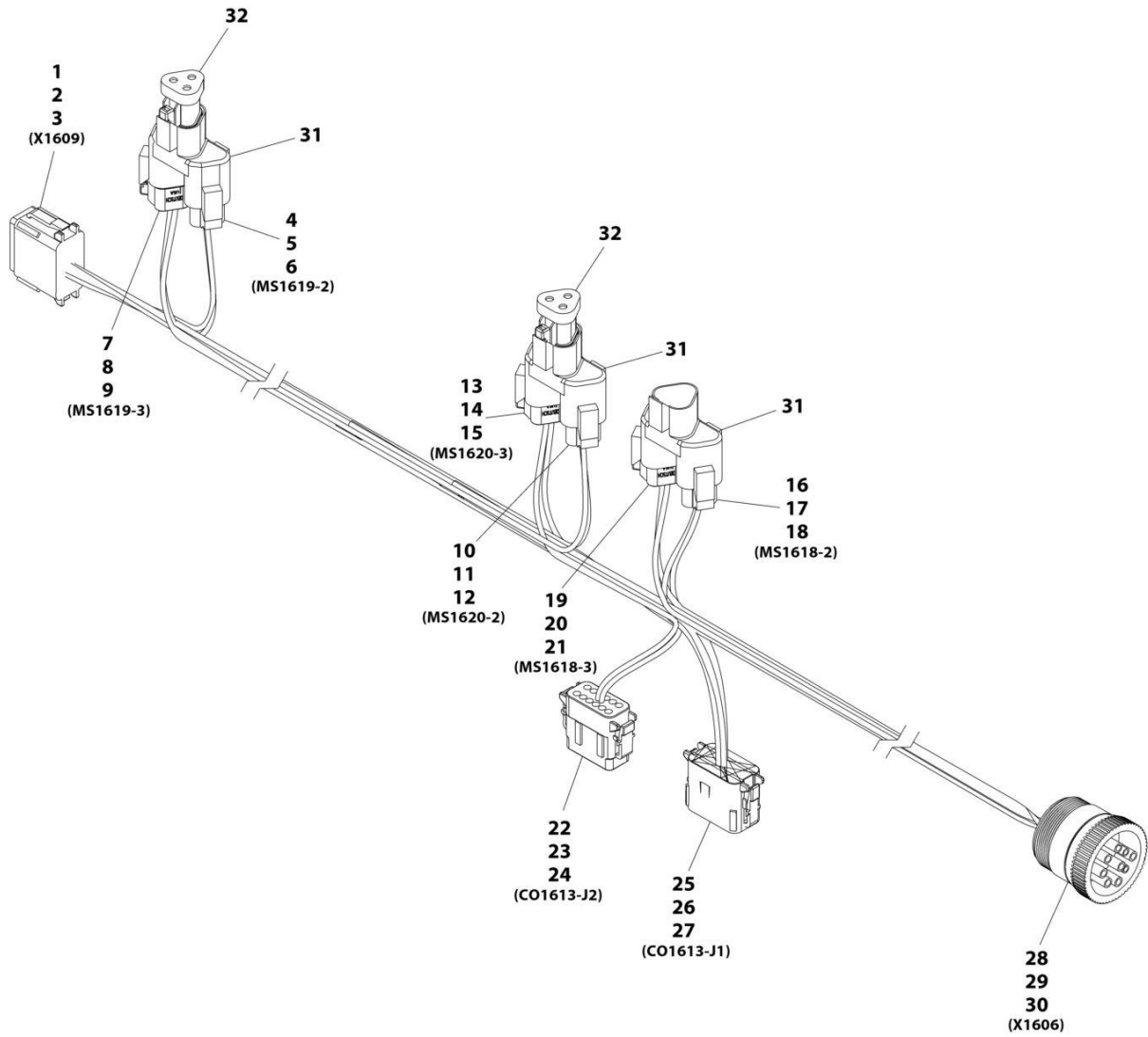
SECTION 8 - ELECTRICAL

FIGURE 8-21. CLEARSKY HARNESS - 3 WIRE GT1030

ITEM	PART NUMBER	QTY	DESCRIPTION	REV
	1001273012	Ref	CLEARSKY TELEMATICS HARNESS - GT1030	D
1	1001255901	1	Fuseholder	
1	1001196634	1	Fuse - 2Amp	
2	1001272997	1	Connector - 12 Position	
2		Ref	Terminal	
3	4460932	1	Receptacle, Female - 4 Position	
3	4460464	4	Pin, Male	

SECTION 8 - ELECTRICAL

FIGURE 8-22. CLEARSKY HARNESS - WITH DEUTZ TD2.9L4 (CHINA IV) ENGINES



ART_1001226831-A

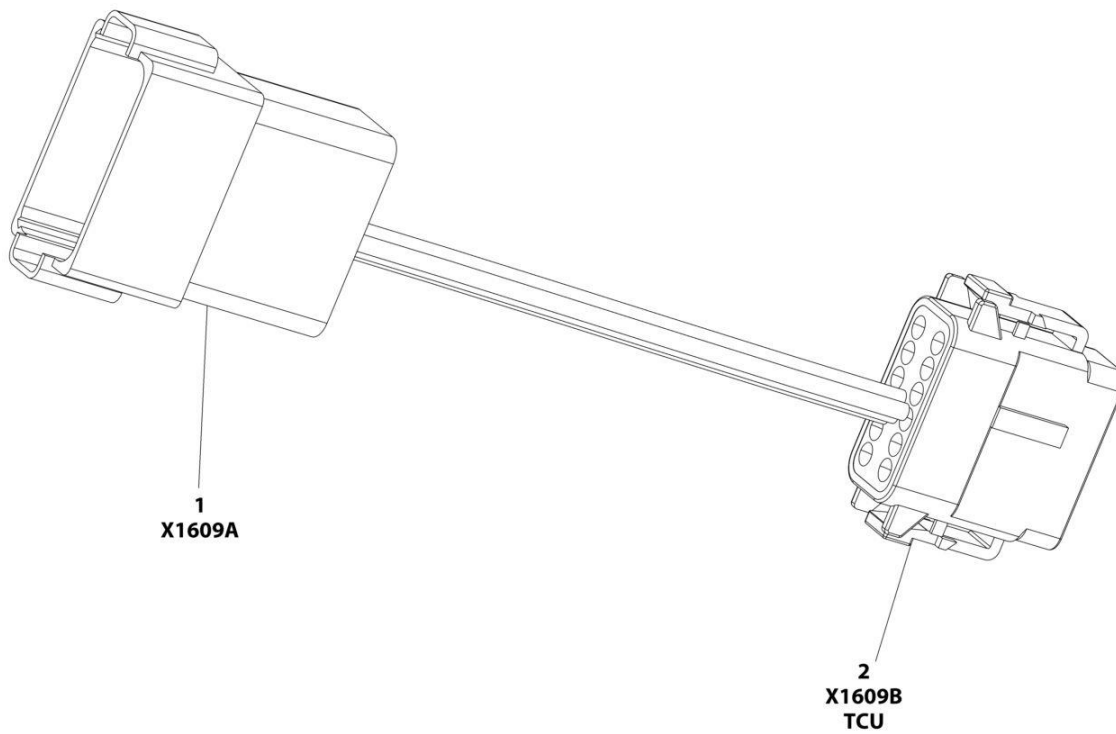
SECTION 8 - ELECTRICAL

FIGURE 8-22. CLEARSKY HARNESS - WITH DEUTZ TD2.9L4 (CHINA IV) ENGINES

ITEM	PART NUMBER	QTY	DESCRIPTION	REV
	1001226831	Ref	Telematics Gateway Harness	A
1	4460933	1	Connector	
2	1001116692	5	Terminal	
3	4460466	7	Plug	
4	4460539	1	Connector	
5	4460465	2	Terminal	
6	4460466	1	Plug	
7	1001116812	1	Connector	
8	4460465	2	Terminal	
9	4460466	1	Plug	
10	4460539	1	Connector	
11	4460465	2	Terminal	
12	4460466	1	Plug	
13	1001116812	1	Connector	
14	4460465	2	Terminal	
15	4460466	1	Plug	
16	4460539	1	Connector	
17	4460465	2	Terminal	
18	4460466	1	Plug	
19	1001116812	1	Connector	
20	4460465	2	Terminal	
21	4460466	1	Plug	
22	1001116808	1	Connector	
23	1001116694	2	Terminal	
24	4460518	10	Plug	
25	1001116774	1	Connector	
26	1001116694	4	Terminal	
27	4460518	8	Plug	
28	1001112796	1	Connector	
29	1001116692	5	Terminal	
30	4460466	3	Plug	
31	4460945	3	Terminal, 3 Way "T" Receptacle	
32	1001116815	2	Connector, Plug 3-Pin	

SECTION 8 - ELECTRICAL

FIGURE 8-23. CLEARSKY TELEMATICS JUMPER HARNESS



ART_1001282406

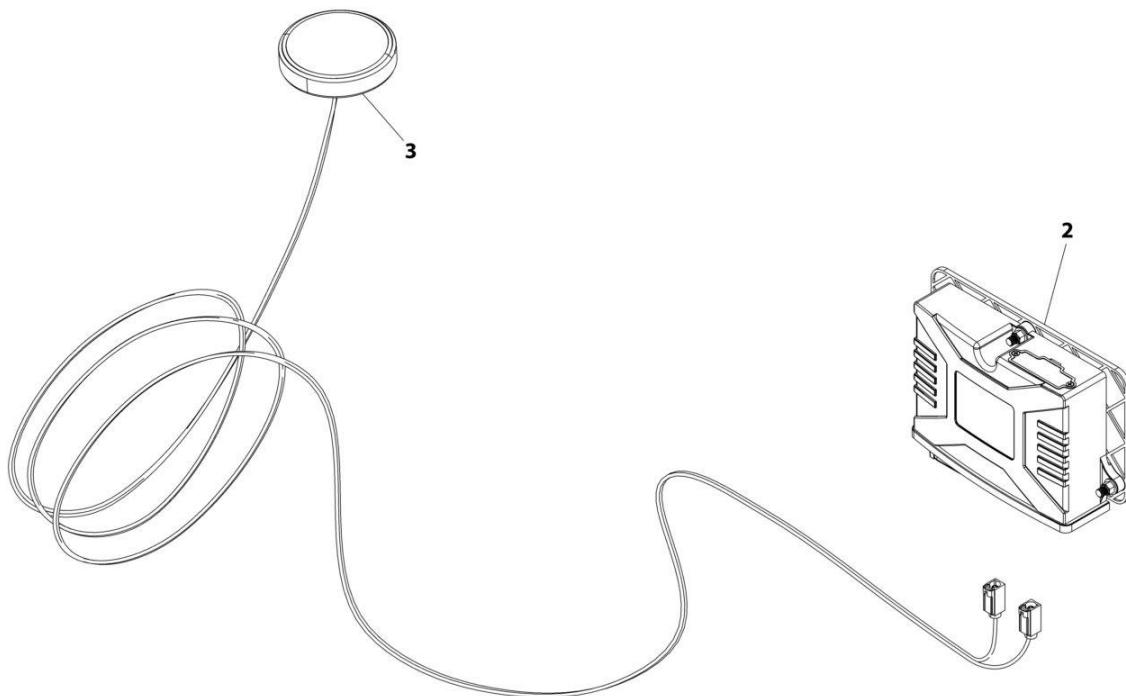
SECTION 8 - ELECTRICAL

FIGURE 8-23. CLEARSKY TELEMATICS JUMPER HARNESS

ITEM	PART NUMBER	QTY	DESCRIPTION	REV
	1001282406	REF	TELEMATICS JUMPER HARNESS	B
1	4460970	1	Connector	
1	1001116693	5	Socket	
1	4460466	7	Plug, Sealing	
2	1001116774	1	Connector	
2	4460518	5	Plug Sealing	
2	1001116694	7	Socket	

SECTION 8 - ELECTRICAL

FIGURE 8-24. TELEMATICS CONTROL MODULE ASSEMBLY



ART_1001289138

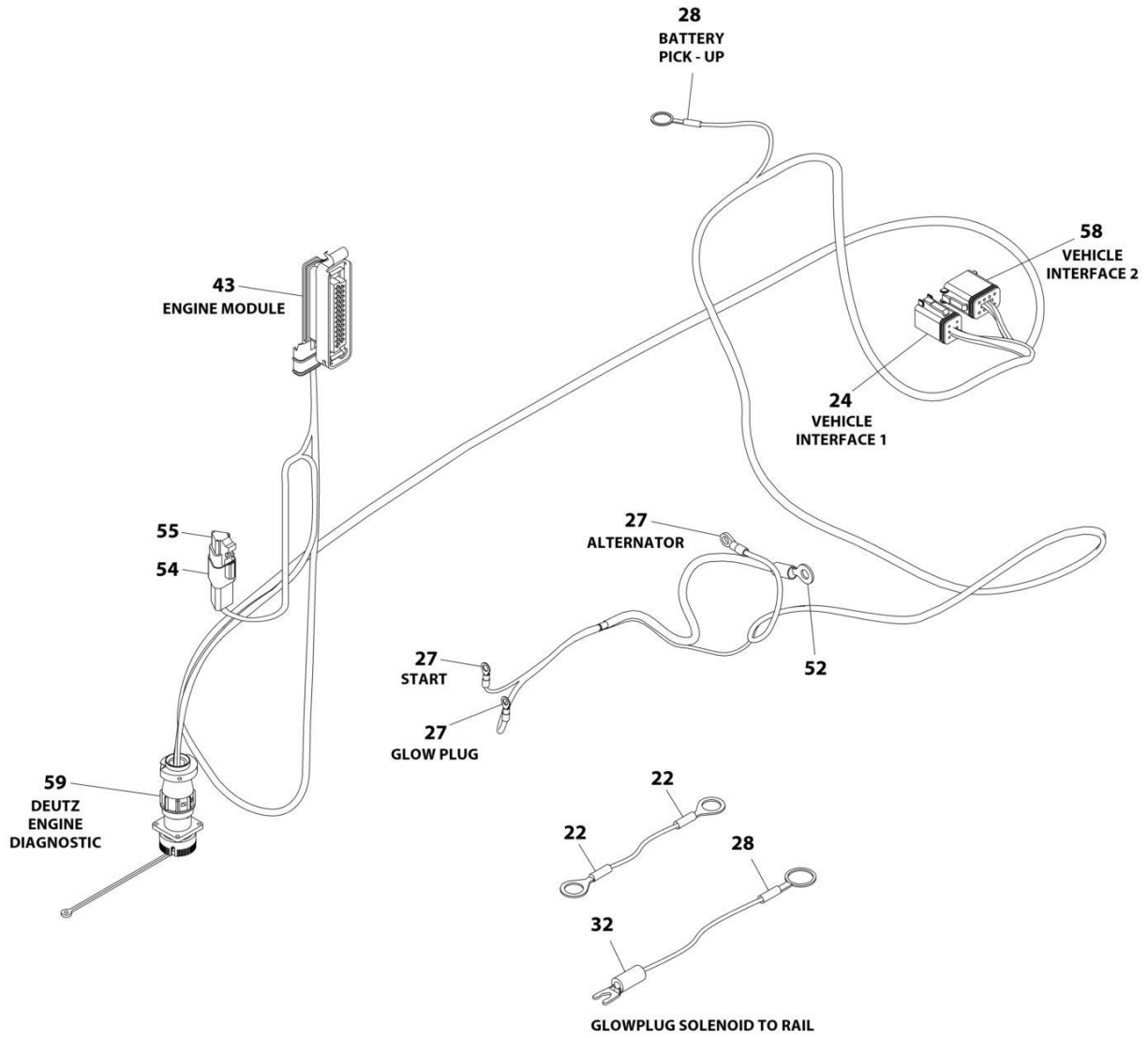
SECTION 8 - ELECTRICAL

FIGURE 8-24. TELEMATICS CONTROL MODULE ASSEMBLY

ITEM	PART NUMBER	QTY	DESCRIPTION	REV
	1001289138	Ref	CLEARSKY CONTROL MODULE ASSEMBLY	A
2	1001289140	1	ClearSky Control Module	
3	1001289199	1	Antenna	

SECTION 8 - ELECTRICAL

FIGURE 8-25. ENGINE HARNESS - DEUTZ TD2011 ENGINES



ART_1001119470

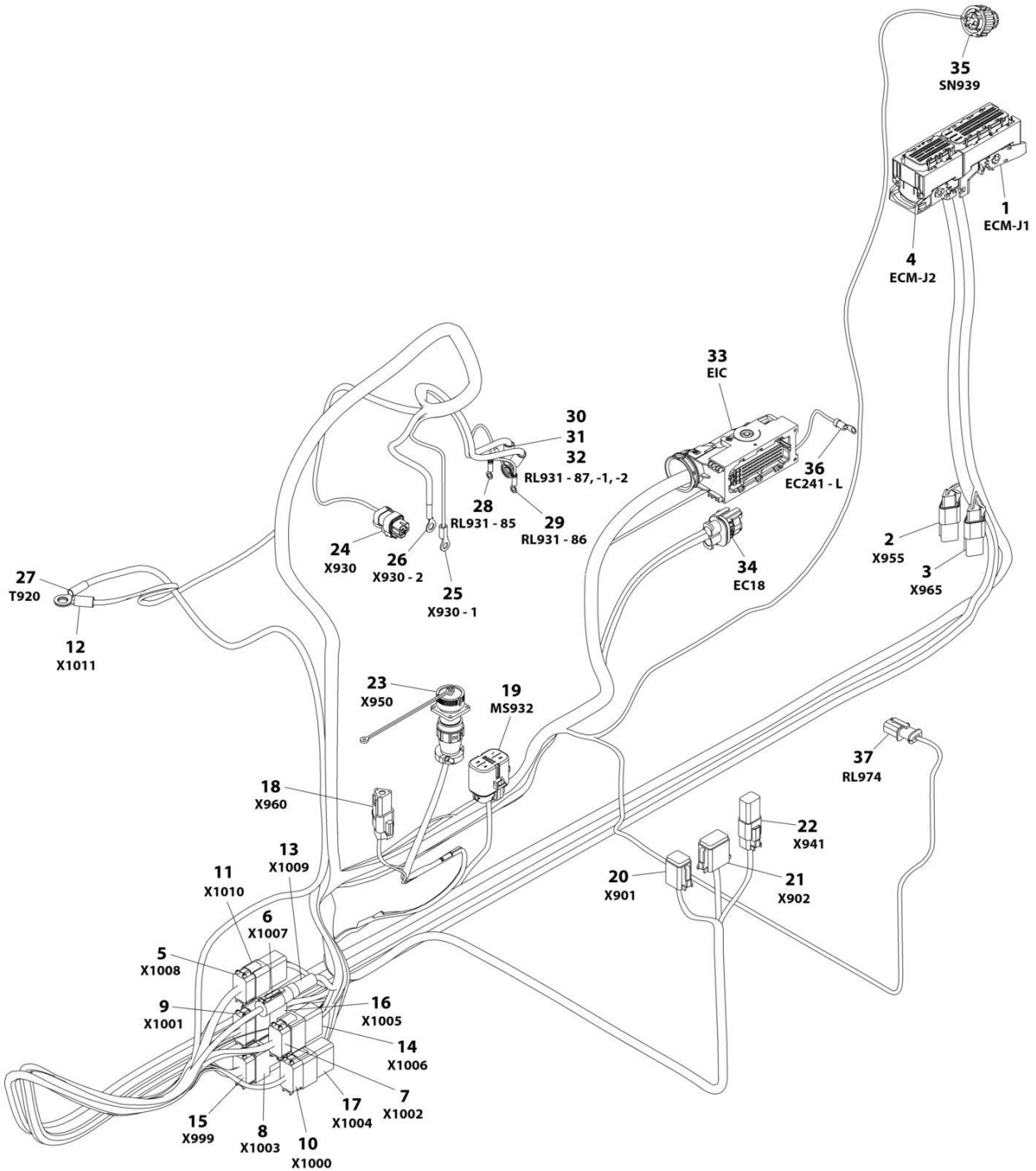
SECTION 8 - ELECTRICAL

FIGURE 8-25. ENGINE HARNESS - DEUTZ TD2011 ENGINES

ITEM	PART NUMBER	QTY	DESCRIPTION	REV
	1001119470	Ref	ENGINE HARNESS - DEUTZ TD2011 ENGINES	B
22	4460702	2	Terminal, Eyelet	
24	4460894	1	Connector - 6 Position	
24	4460465	2	Socket, Female	
24	4460466	1	Plug, Terminal	
24	4460944	3	Socket, Female	
27	4460313	3	Terminal, Eyelet	
28	4460019	2	Terminal, Eyelet	
32	4460315	1	Terminal, Fork	
43	4461052	1	Connector - 25 Position	
43	4461005	5	Terminal	
43	4461006	5	Seal	
43	4461060	2	Terminal (Tin)	
43	4461054	2	Seal, Terminal	
43	4461008	18	Plug, Hole	
43	4461053	1	Cover, Plug	
50	4240032	AR	Tie-Strap (Not Shown)	
51	4240033	AR	Tie-Strap (Not Shown)	
52	4461097	1	Terminal, Eyelet	
54	4461095	1	Connector - 3 Position	
54	4460944	3	Socket, Female	
55	4461070	1	Connector with Resistor (3 Position)	
58	4460930	1	Connector - 8 Position	
58	4460465	2	Socket, Female	
58	4460466	6	Seal, Plug	
59	2902443	1	Kit, Receptacle	
59	4461071	8	Terminal, Female (Gold)	
59	4461072	1	Connector, Flange Mount	
59	4461073	1	Connector, Dust Cap	
59	4461074	1	Connector, Shell	

SECTION 8 - ELECTRICAL

FIGURE 8-26. ENGINE HARNESS - DEUTZ TD2.9L4 ENGINES



ART_1001220261

SECTION 8 - ELECTRICAL

FIGURE 8-26. ENGINE HARNESS - DEUTZ TD2.9L4 ENGINES

ITEM	PART NUMBER	QTY	DESCRIPTION	REV
	1001220261	Ref	ENGINE HARNESS - DEUTZ TD2.9L4 ENGINES	B
1	1001133956	1	Connector (Includes Cover, Locks and Retention Plate)	
1	1001126352	6	Terminal	
1	1001126384	19	Terminal	
1	1001126351	1	Terminal	
1	1001126357	3	Plug, Seal	
1	1001126356	65	Plug, Seal	
2	4461070	1	Connector with Resistor (3 Position)	
2	4461095	1	Connector - 3 Position	
2	4460944	2	Socket, Female	
2	4460466	1	Seal, Plug	
3	4461070	1	Connector with Resistor (3 Position)	
3	4461095	1	Connector - 3 Position	
3	4460944	2	Socket, Female	
3	4460466	1	Seal, Plug	
4	1001133957	1	Connector (Includes Cover, Locks and Retention Plate)	
4	1001126351	13	Terminal	
4	1001126384	17	Terminal	
4	1001126356	20	Plug, Seal	
4	1001126357	10	Plug, Seal	
5	4460930	1	Connector - 8 Position	
5	4460944	5	Socket, Female (Gold)	
5	4460465	2	Socket, Female	
5	4460466	1	Seal, Plug	
6	1001116707	1	Connector - 1 Position	
6	91143340	1	Terminal	
7	4460935	1	Plug, Brown - 12 Position	
7	4460465	12	Socket, Female	
8	4460970	1	Connector - 12 Position	
8	4460941	12	Pin, Male	
9	4460934	1	Connector, Green - 12 Position	
9	4460465	10	Socket, Female	
9	4460466	2	Seal, Plug	
10	4460836	1	Connector, Black - 12 Position	
10	4460465	8	Socket, Female	
10	4460466	4	Seal, Plug	
11	4460931	1	Connector - 8 Position (Gray)	
11	4460943	5	Pin, Male (Gold)	
11	4460466	3	Plug, Socket	
12	8220164	1	Terminal, Eyelet	
13	1001116967	1	Connector - 1 Position	
13	91143339	1	Terminal	
14	4460982	1	Connector - 12 Position	
14	4460464	12	Pin, Male	
15	4460933	1	Connector, Gray - 12 Position	
15	4460942	12	Socket, Female	
16	1001152742	1	Connector - 12 Position	
16	4460464	10	Pin, Male	
16	4460466	2	Seal, Plug	
17	4460950	1	Connector - 12 Position	

SECTION 8 - ELECTRICAL

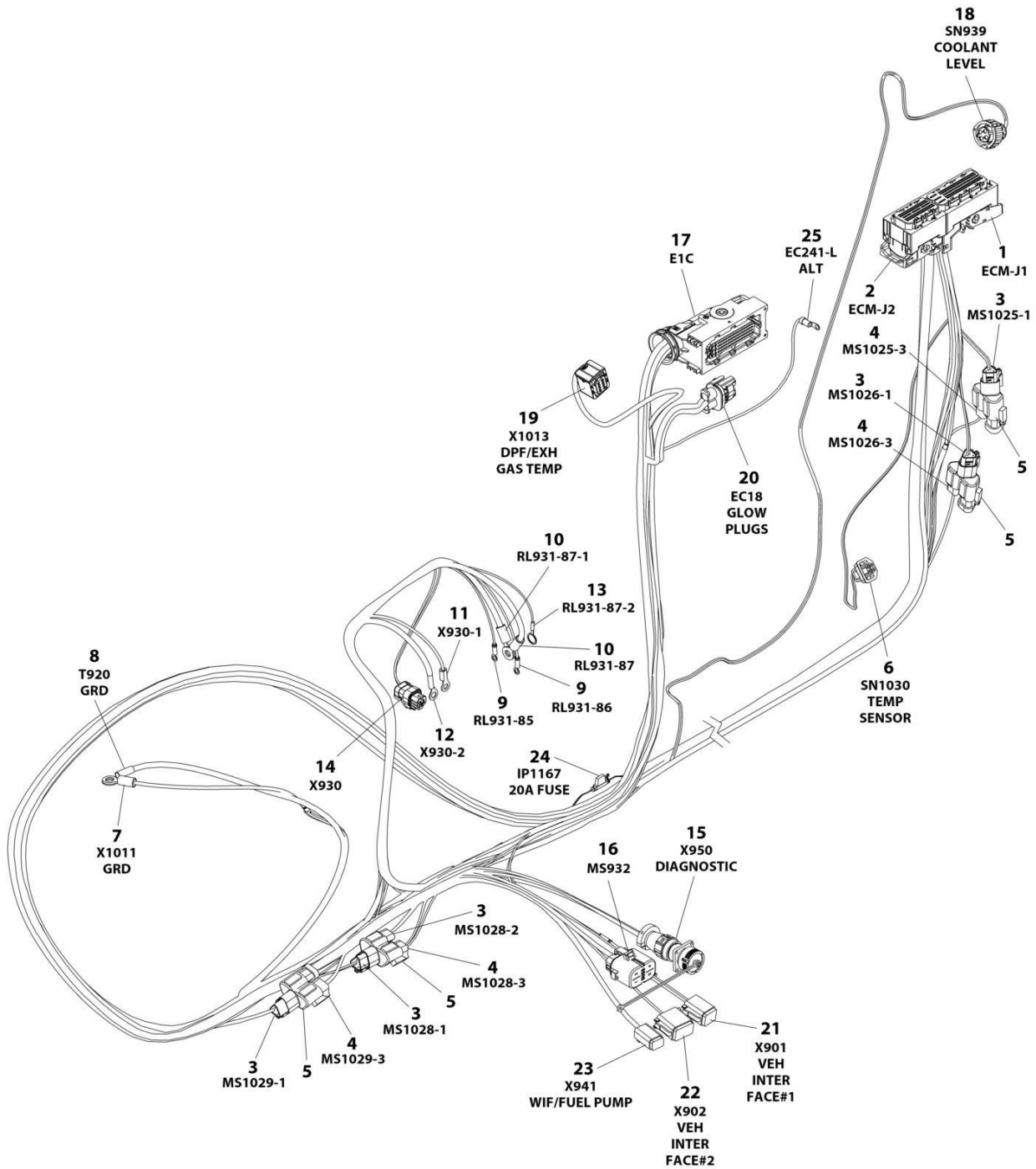
ITEM	PART NUMBER	QTY	DESCRIPTION	REV
17	4460464	8	Pin, Male	
17	4460466	4	Plug, Seal	
18	4461070	1	Connector with Resistor (3 Position)	
18	4461095	1	Connector - 3 Position	
18	4460944	2	Socket, Female	
18	4460466	1	Seal, Plug	
19	80484084	1	Connector - 8 Position	
19	8229242	1	Fuse - 5A	
19	80983191	1	Fuse - 10A	
19	1001147264	1	Cap	
19	1001116728	4	Plug	
19	4460458	4	Seal	
19	1001116727	4	Seal, Plug	
20	4460894	1	Connector - 6 Position	
20	4460465	3	Socket, Female	
20	4460944	2	Socket, Female	
20	4460466	1	Seal, Plug	
21	4460930	1	Connector - 8 Position	
21	4460465	1	Socket, Female	
21	4460466	7	Plug, Seal	
22	4460884	1	Connector - 4 Position	
22	4460465	2	Socket, Female	
22	4460942	2	Socket, Female	
22	4460932	1	Connector - 4 Position	
22	4460466	4	Seal, Plug	
23	2902443	1	Kit, Receptacle	
23	4461071	8	Terminal, Female (Gold)	
23	4461072	1	Connector, Flange Mount	
23	4461073	1	Connector, Dust Cap	
23	4461074	1	Connector, Shell	
24	1001116952	1	Connector - 2 Position	
24	4460465	2	Socket, Female	
25	4460043	1	Terminal, Eyelet	
26	1001117106	1	Terminal, Eyelet	
27	4460019	1	Terminal, Eyelet	
28	4460247	1	Terminal, Eyelet	
29	4460247	1	Terminal, Eyelet	
30	1001117107	1	Terminal, Eyelet	
31	1001117107	1	Terminal, Eyelet	
32	4460703	1	Terminal, Eyelet	
33	1001126362	1	Connector - 62 Position	
33	1001126363	33	Terminal	
33	1001126364	33	Seal	
33	1001126391	23	Plug	
33	4461008	4	Plug, Cavity	
33	1001126365	2	Terminal	
33	4461054	2	Seal	
34	1001142938	1	Connector - 2 Position	
34	1001142940	2	Terminal, Female	
34	1001142941	2	Seal	
35	1001133714	1	Connector - 4 Position	

SECTION 8 - ELECTRICAL

ITEM	PART NUMBER	QTY	DESCRIPTION	REV
35	1001133715	3	Terminal, Female	
35	1001135650	1	Seal	
35	1001135651	1	Plug, Cavity	
36	4460042	1	Terminal, Eyelet	
37	1001138110	1	Connector - 2 Position	
37	1001138111	2	Socket, Female	
37	1001138113	2	Seal	

SECTION 8 - ELECTRICAL

FIGURE 8-27. ENGINE HARNESS - DEUTZ TD2.9L4 ENGINES (CHINA IV SPECS)



ART_1001237285

SECTION 8 - ELECTRICAL

FIGURE 8-27. ENGINE HARNESS - DEUTZ TD2.9L4 ENGINES (CHINA IV SPECS)

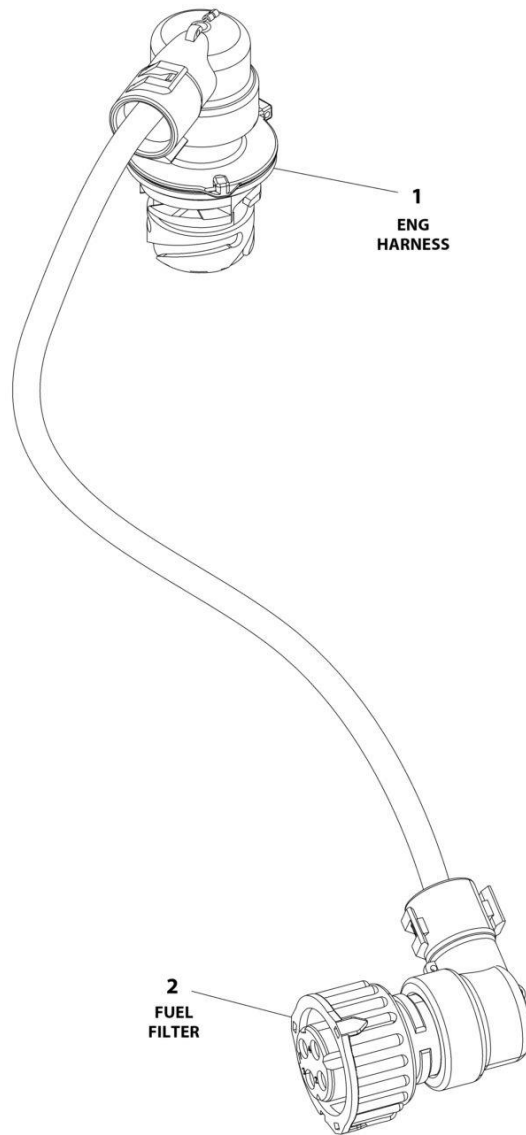
ITEM	PART NUMBER	QTY	DESCRIPTION	REV
	1001237285	Ref	ENGINE HARNESS	G
1	1001133956	1	Connector (Includes Cover, Locks and Retention Plate)	
1	1001182361	6	Terminal	
1	1001230934	25	Terminal	
1	1001126351	3	Terminal	
1	1001252527	4	Terminal	
1	1001230935	55	Plug, Terminal	
1	1001230936	1	Plug, Terminal	
2	1001133957	1	Connector (Includes Cover, Locks and Retention Plate)	
2	1001126351	13	Terminal	
2	1001230934	26	Terminal	
2	1001230935	9	Terminal	
2	1001230936	11	Plug, Terminal	
3	1001116812	5	Plug, Male - 3 Position	
3	4460944	10	Socket, Female	
3	4460466	5	Plug, Terminal	
4	4460539	4	Plug, Male - 3 Position	
4	4460944	8	Socket, Female	
4	4460466	4	Plug, Terminal	
5	4460945	4	Connector - 3 Way	
6	1001126487	1	Connector - 3 Position	
6	1001167635	2	Terminal	
6	1001126485	2	Seal	
7	8220164	1	Terminal, Eyelet	
8	4460019	1	Terminal, Eyelet	
9	4460247	2	Terminal, Eyelet	
10	1001117107	2	Terminal, Eyelet	
11	4460043	1	Terminal, Eyelet	
12	1001117106	1	Terminal, Eyelet	
13	4460703	1	Terminal, Eyelet	
14	1001116952	1	Connector - 2 Position	
14	4460465	2	Socket, Female	
15	2902443	1	Kit, Receptacle	
15	4461071	8	Terminal, Female (Gold)	
15	4461072	1	Connector, Flange Mount	
15	4461073	1	Connector, Dust Cap	
15	4461074	1	Connector, Shell	
16	80484084	1	Connector - 8 Position	
16	4460748	4	Plug, Terminal	
16	4460746	3	Terminal	
16	1001234800	1	Terminal	
16	4460458	4	Seal	
17	1001126362	1	Connector - 62 Position	
17	1001126363	36	Terminal	
17	1001126364	36	Seal	
17	1001126391	7	Plug, Terminal	
17	4461008	4	Plug, Cavity	
17	1001126392	12	Terminal	
17	1001223459	12	Seal	
17	1001167632	2	Terminal	

SECTION 8 - ELECTRICAL

ITEM	PART NUMBER	QTY	DESCRIPTION	REV
17	4461054	2	Seal	
18	1001133714	1	Connector - 4 Position	
18	1001133715	3	Terminal, Female	
18	1001135650	1	Seal	
18	1001135651	1	Plug, Cavity	
19	1001239202	1	Connector - 8 Position	
19	1001126363	7	Terminal	
19	1001126364	7	Seal	
19	1001135651	1	Plug, Terminal	
20	1001142938	1	Connector - 2 Position	
20	1001142940	2	Terminal, Female	
20	1001142941	2	Seal	
21	4460894	1	Connector - 6 Position	
21	4460465	2	Socket, Female	
21	4460944	2	Socket, Female	
21	4460466	2	Seal, Plug	
22	4460930	1	Connector - 8 Position	
22	4460465	1	Socket, Female	
22	4460466	7	Seal, Plug	
23	4460884	1	Connector - 4 Position	
23	4460465	2	Socket, Female	
23	4460942	2	Socket, Female	
24	1001170764	1	Fuseholder with Cover and 20AMP Fuse	
24	1001197719	1	Resistor 620ohm/5 watt	
25	4460042	1	Terminal, Eyelet	

SECTION 8 - ELECTRICAL

FIGURE 8-28. FUEL FILTER HARNESS - DEUTZ TD2.9L4 T4I



ART_1001148843

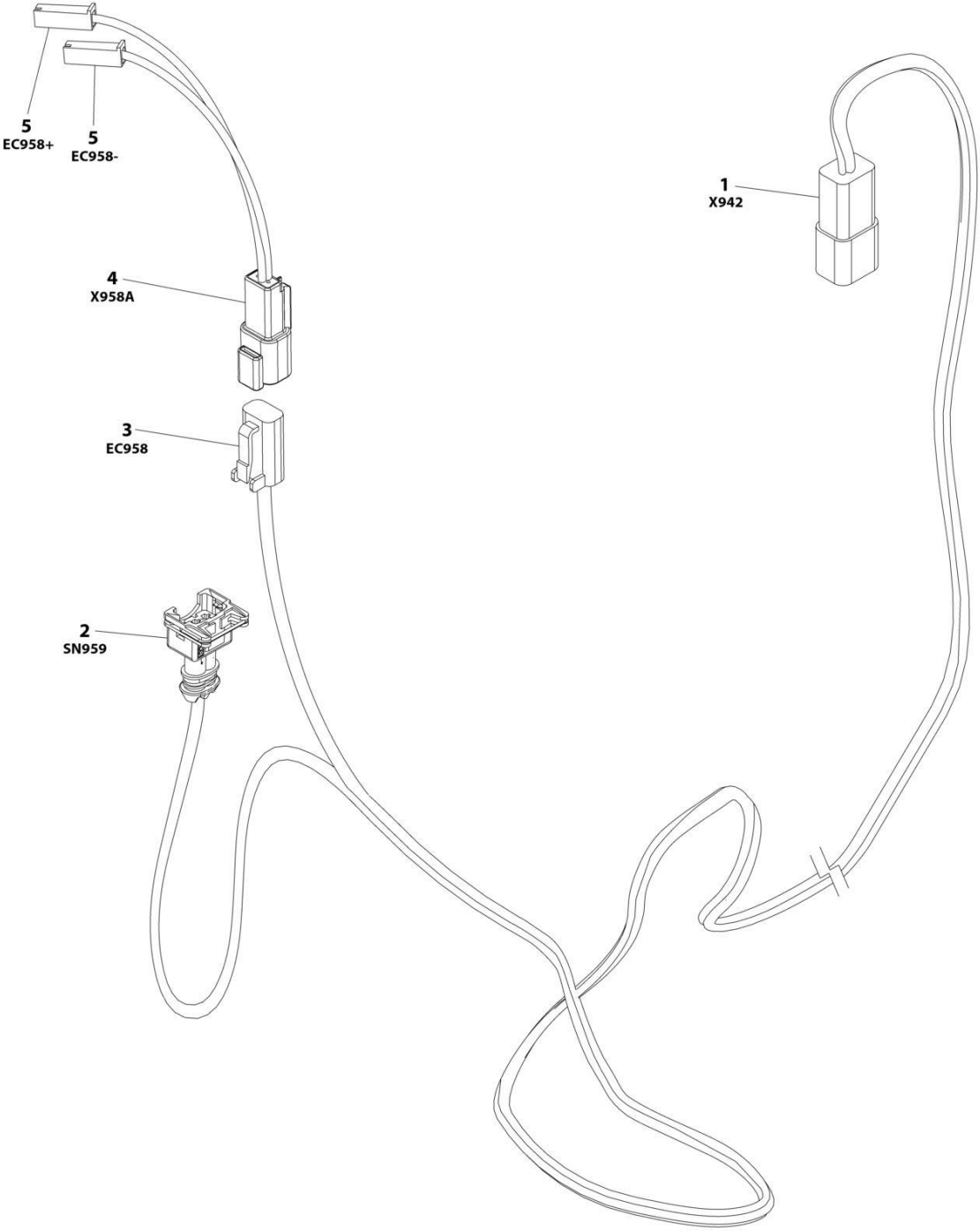
SECTION 8 - ELECTRICAL

FIGURE 8-28. FUEL FILTER HARNESS - DEUTZ TD2.9L4 T4I

ITEM	PART NUMBER	QTY	DESCRIPTION	REV
	1001148843	Ref	FUEL FILTER HARNESS - DEUTZ TCD2.9L4 ENGINES	A
1	1001148842	1	Connector - 4 Position	
1	1001148841	4	Pin, Male	
1	1001135650	4	Seal	
2	1001133714	1	Plug, Male - 4 Position	
2	1001133715	4	Socket, Female	
2	1001135650	4	Seal	

SECTION 8 - ELECTRICAL

FIGURE 8-29. FUEL PUMP HARNESS - DEUTZ TD2.9L4



ART_1001221289

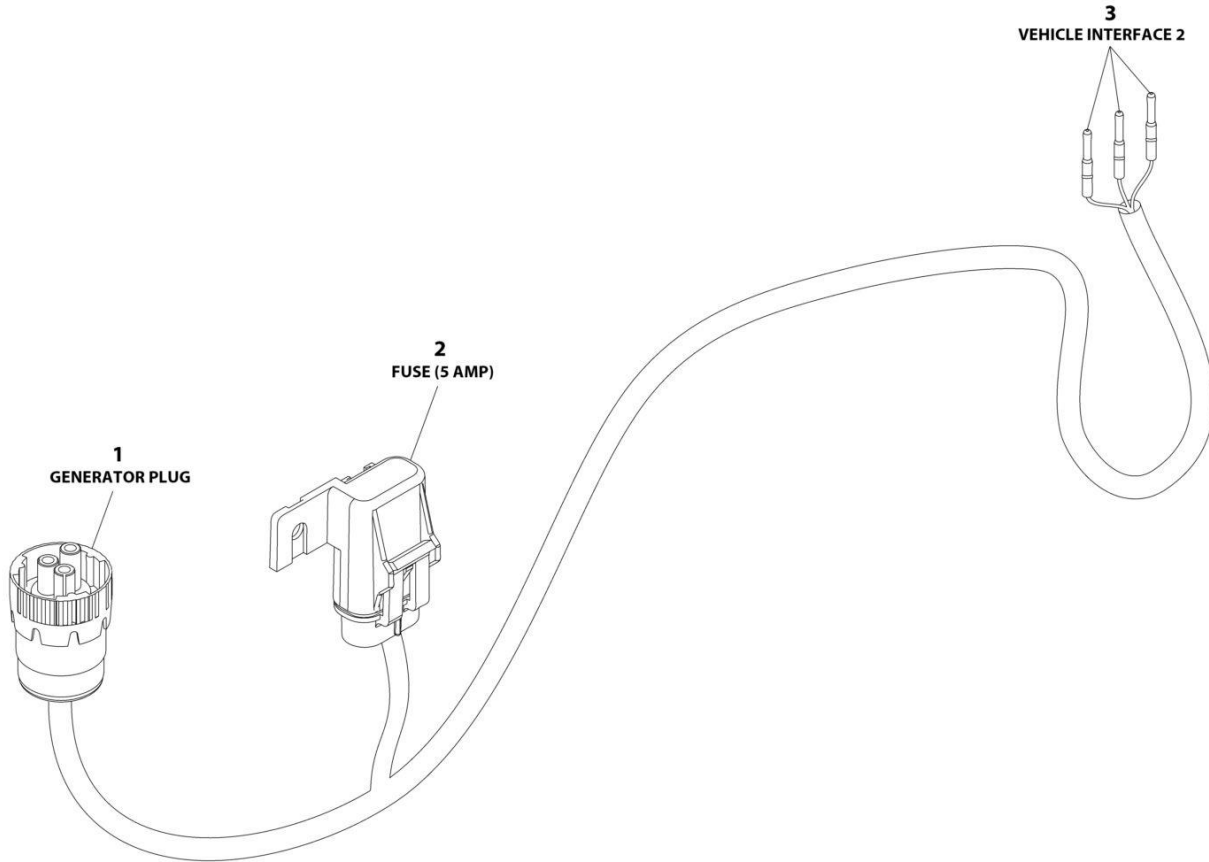
SECTION 8 - ELECTRICAL

FIGURE 8-29. FUEL PUMP HARNESS - DEUTZ TD2.9L4

ITEM	PART NUMBER	QTY	DESCRIPTION	REV
	1001221289	Ref	FUEL PUMP HARNESS - DEUTZ TD2.9L4	B
1	4460932	1	Connector - 4 Position	
1	4460464	2	Pin, Male	
1	4460941	2	Pin, Male	
2	1001116983	1	Connector - 2 Position	
2	1001116710	2	Socket, Female	
2	4461054	2	Seal	
3	4460891	1	Connector - 2 Position	
3	4460942	2	Socket, Female	
4	4460897	1	Connector - 2 Position	
4	4460941	2	Pin, Male	
5	4460260	2	Cover, Terminal	
5	4460259	2	Terminal	

SECTION 8 - ELECTRICAL

FIGURE 8-30. GENERATOR HARNESS - 7500W SKYPOWER (60HZ/240V) (DEUTZ TD2.9L4 T4F ENGINES) (OPTIONAL)



ART_100119968

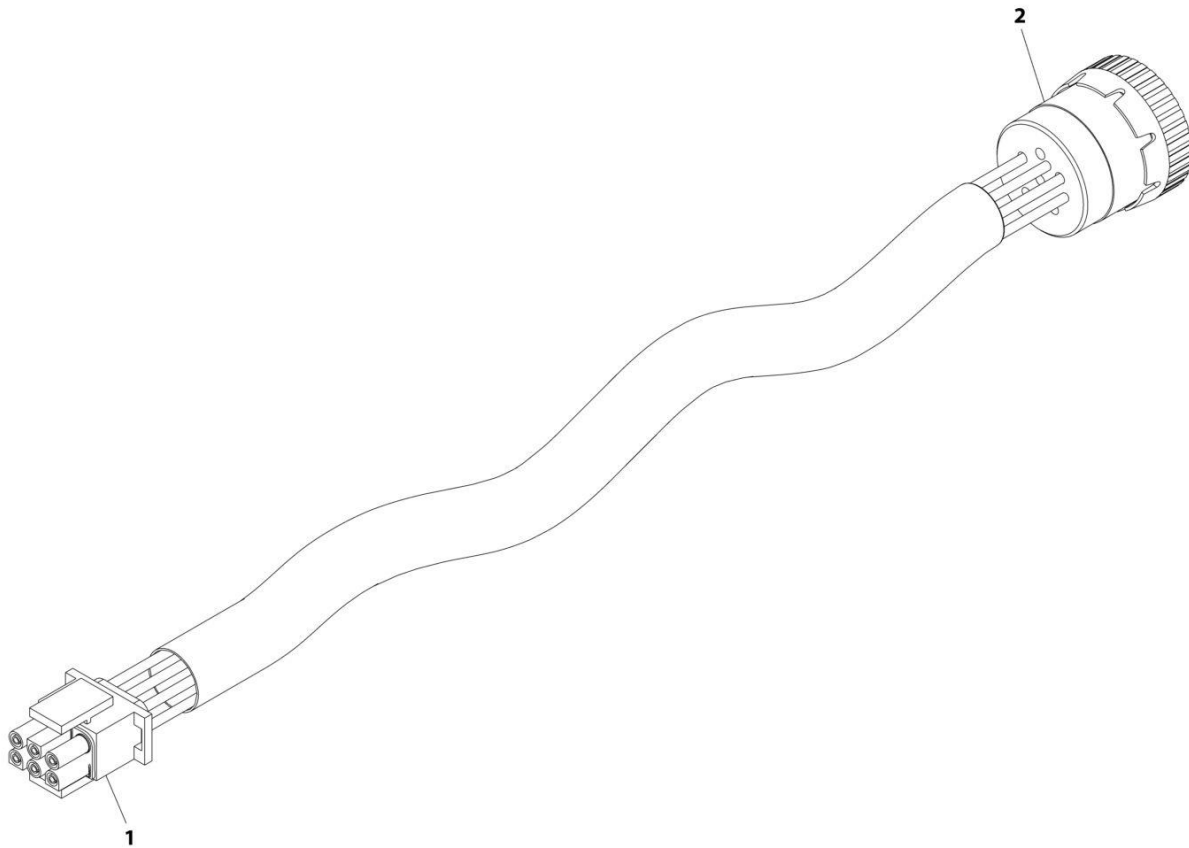
SECTION 8 - ELECTRICAL

FIGURE 8-30. GENERATOR HARNESS - 7500W SKYPOWER (60HZ/240V) (DEUTZ TD2.9L4 T4F ENGINES) (OPTIONAL)

ITEM	PART NUMBER	QTY	DESCRIPTION	REV
	1001119968	Ref	GENERATOR HARNESS - 7500W GENERATOR	C
1	4460967	1	Connector - 3 Position	
1	4460465	3	Socket, Female	
2	1001117078	1	Connector, Metri-Pack with 5Amp Fuse	
3	4460465	3	Socket, Female	

SECTION 8 - ELECTRICAL

FIGURE 8-31. GENERATOR CABLE HARNESS - 7500W SKYPOWER (60HZ/240V) (DEUTZ TD2.9L4 T4F ENGINES)



ART_4922972

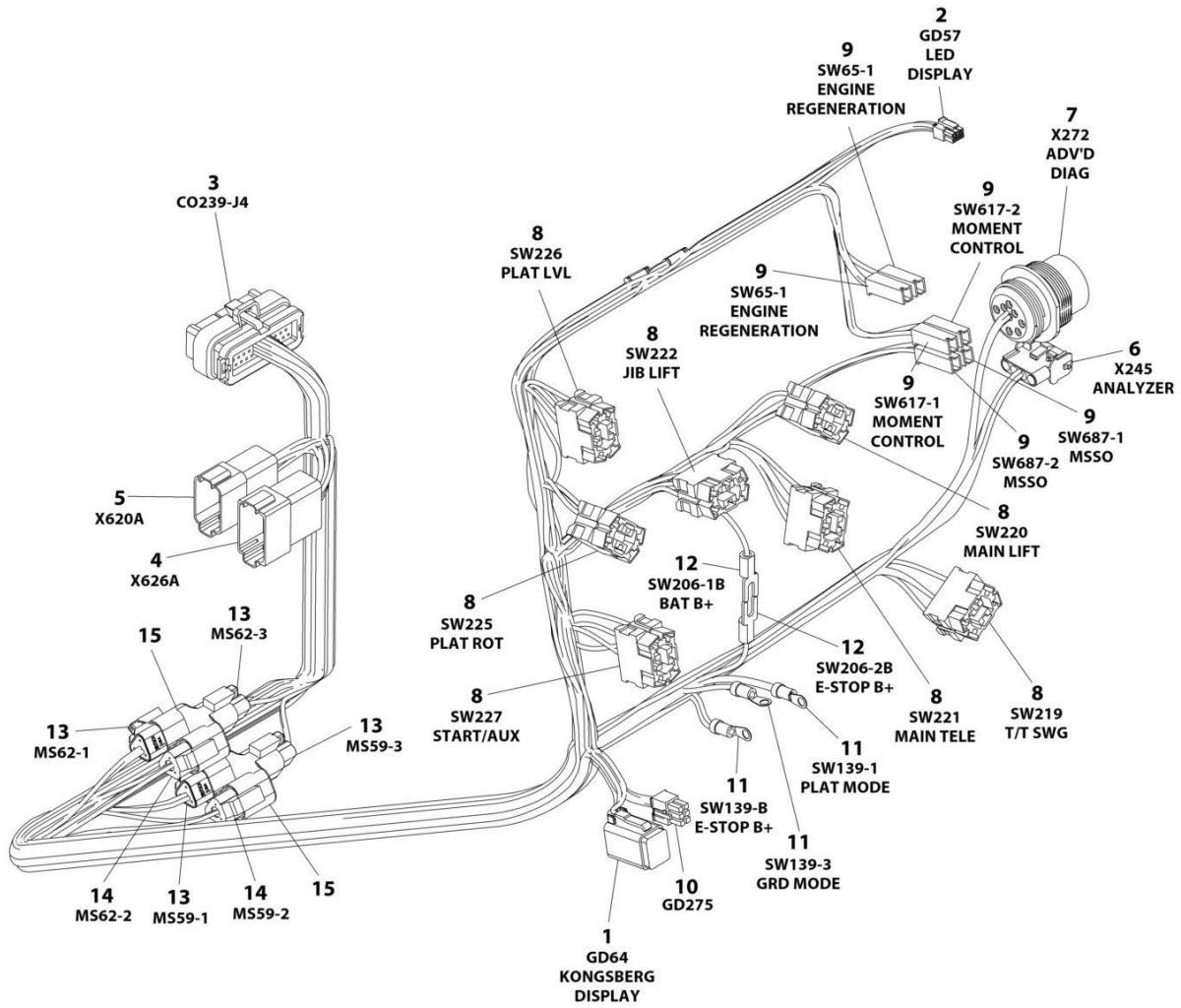
SECTION 8 - ELECTRICAL

FIGURE 8-31. GENERATOR CABLE HARNESS - 7500W SKYPOWER (60HZ/240V) (DEUTZ TD2.9L4 T4F ENGINES)

ITEM	PART NUMBER	QTY	DESCRIPTION	REV
	4922972	Ref	GENERATOR HARNESS - 7500W GENERATOR	C
1	4460225	1	Connector - 6 Position	
1	4460268	6	Socket, Female	
1	4460807	1	Seal, Plug	
1	4460808	1	Seal, Plug	
2	77363233	1	Connector - 6 Position	
2	4460465	6	Socket, Female	

SECTION 8 - ELECTRICAL

FIGURE 8-32. GROUND CONTROL PANEL HARNESS



ART_1001242745

SECTION 8 - ELECTRICAL

FIGURE 8-32. GROUND CONTROL PANEL HARNESS

ITEM	PART NUMBER	QTY	DESCRIPTION	REV
	1001242745	Ref	GROUND CONTROL PANEL HARNESS	B
1	4460894	1	Connector - 6 Posiiton	
1	4460466	2	Plug, Terminal	
1	4460465	4	Socket, Female	
2	1001237667	1	Connector - 6 Posiiton	
2	1001237668	5	Socket, Female	
3	4460876	1	Connector - 35 Position	
3	4460905	16	Plug, Terminal	
3	4460871	19	Socket, Female	
4	4460670	1	Terminal, Ring	
4	4460464	10	Plug, Male	
4	4460466	2	Plug, Terminal	
5	4460931	1	Connector - 8 Position	
5	4460464	8	Plug, Male	
6	4460761	1	Receptacle, Female - 4 Position	
6	4460267	4	Pin, Male	
7	1001112612	1	Connector - 9 Position	
7	4460497	1	Nut, Terminal	
7	4460496	1	Washer, Terminal	
7	1001106736	1	Cap, Dust	
7	4460464	5	Plug, Male	
7	4460466	4	Plug, Terminal	
8	4460418	7	Connector - 6 Position	
8	1001159186	14	Socket, Female	
8	4460419	14	Socket, Female	
9	4460260	6	Cover, Terminal	
9	4460259	9	Terminal	
10	4460868	1	Plug, Male - 2 Position	
10	4460877	4	Socket, Female	
11	4460042	3	Terminal, Ring	
12	4460144	2	Terminal, Fork	
13	1001116812	4	Plug, Male - 3 Position	
13	4460944	8	Socket, Female	
13	4460466	4	Plug, Terminal	
14	4460539	2	Plug, Male - 3 Position	
14	4460944	4	Socket, Female	
14	4460466	2	Plug, Terminal	
15	4460945	2	Plug, Female 3-Way	

SECTION 8 - ELECTRICAL

FIGURE 8-33. LOAD SENSING PIN HARNESS



ART_4923256

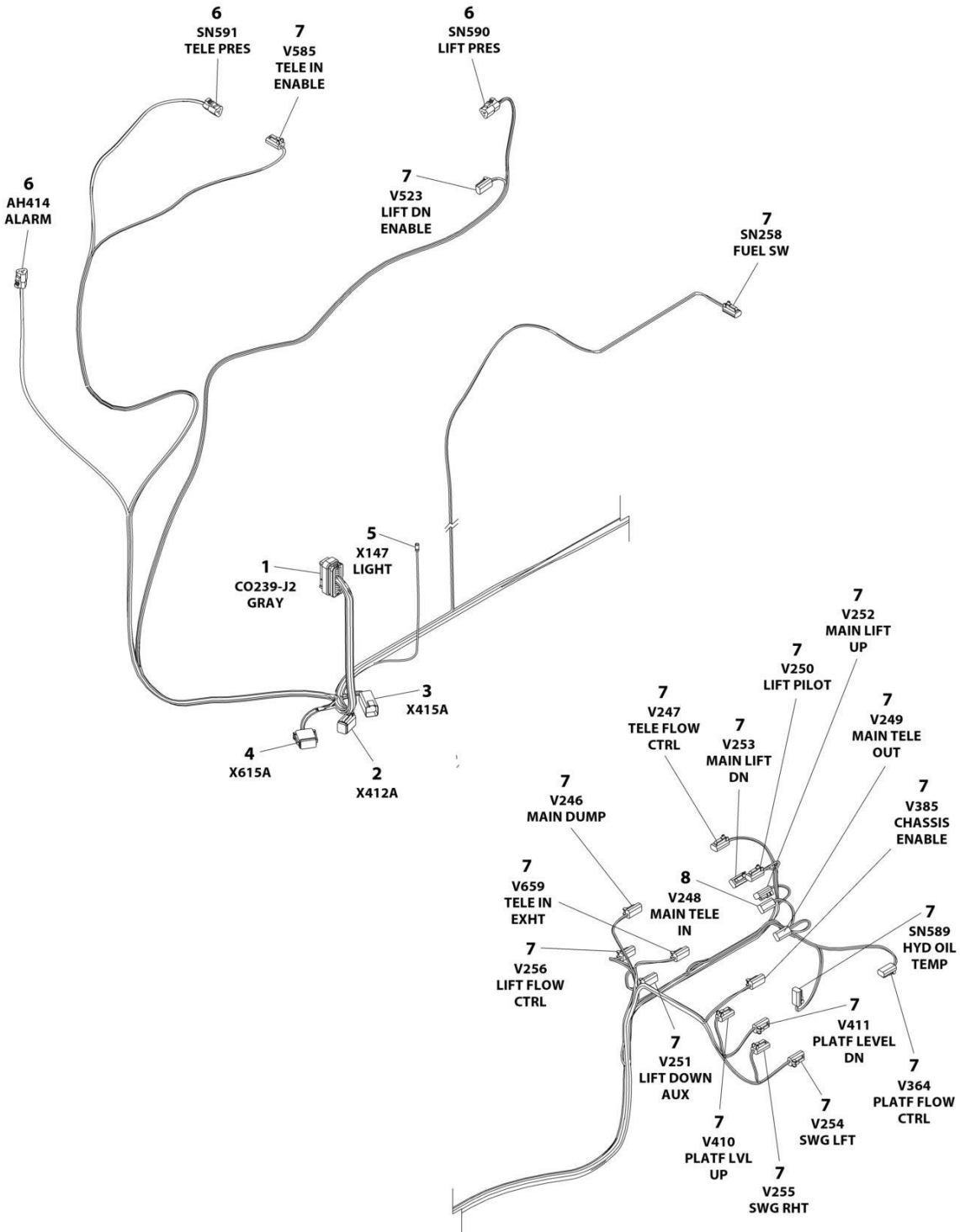
SECTION 8 - ELECTRICAL

FIGURE 8-33. LOAD SENSING PIN HARNESS

ITEM	PART NUMBER	QTY	DESCRIPTION	REV
	4923256	Ref	LOAD SENSING PIN HARNESS	C
1	4460930	1	Connector - 8 Position (Gray)	
1	4460465	4	Socket, Female	
1	4460466	3	Plug, Sealing	
2	See Note	NSS	Connector - 4 Position (Note: Not Available for Purchase)	
2	See Note	NSS	Terminal (Note: Not Available for Purchase)	

SECTION 8 - ELECTRICAL

FIGURE 8-34. MAIN VALVE HARNESS



ART_1001287441

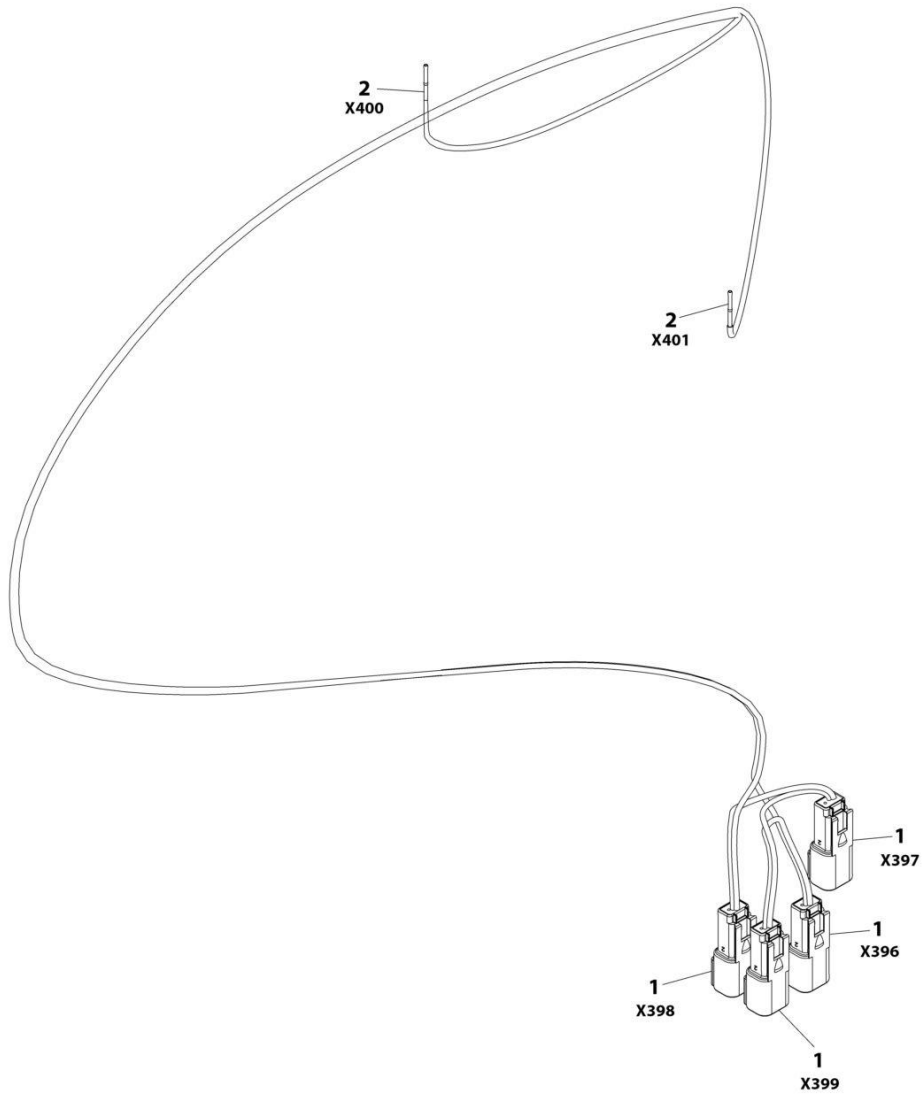
SECTION 8 - ELECTRICAL

FIGURE 8-34. MAIN VALVE HARNESS

ITEM	PART NUMBER	QTY	DESCRIPTION	REV
	1001287741	Ref	MAIN VALVE HARNESS	A
1	4460875	1	Connector	
1	4460871	26	Socket	
1	4460905	9	Plug	
2	4460894	1	Connector	
2	4460465	5	Socket	
2	4460466	1	Plug	
3	4460899	1	Connector	
3	4460464	6	Pin	
4	4460930	1	Connector	
4	4460465	7	Socket	
4	4460466	1	Plug	
5	4460121	1	Terminal, Ring	
6	4460539	3	Connector	
6	4460465	8	Socket	
7	4460424	20	Connector	
7	4460268	40	Socket	

SECTION 8 - ELECTRICAL

FIGURE 8-35. OVERHEAD SOFT TOUCH HARNESS



ART_1001151201

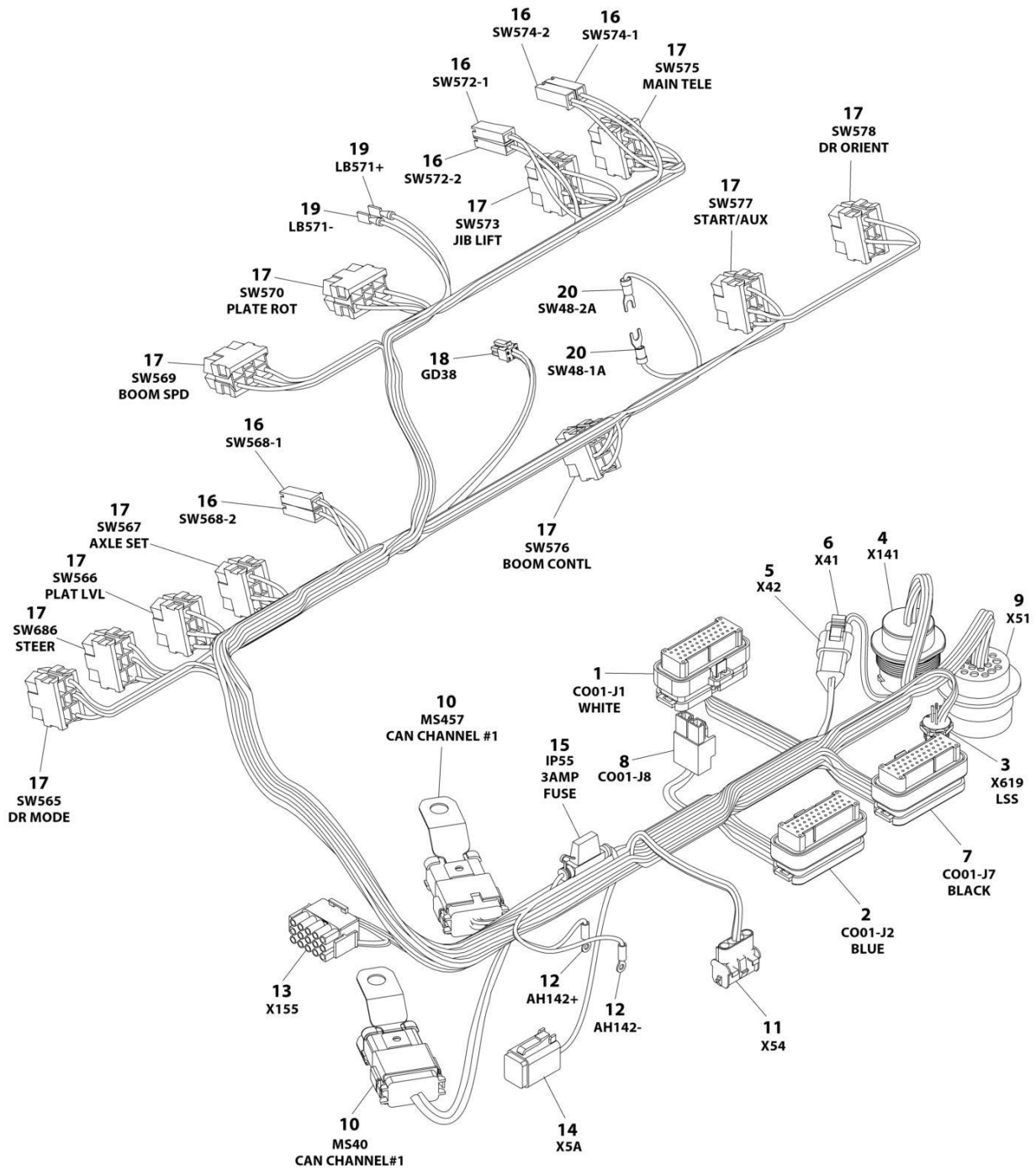
SECTION 8 - ELECTRICAL

FIGURE 8-35. OVERHEAD SOFT TOUCH HARNESS

ITEM	PART NUMBER	QTY	DESCRIPTION	REV
	1001151201	Ref	OVERHEAD SOFT TOUCH HARNESS	A
1	4460897	4	Connector - 2 Position	
1	4460464	8	Pin, Male	
2	4460226	2	Socket, Female	

SECTION 8 - ELECTRICAL

FIGURE 8-36. PLATFORM CONSOLE BOX HARNESS



ART_1001243596

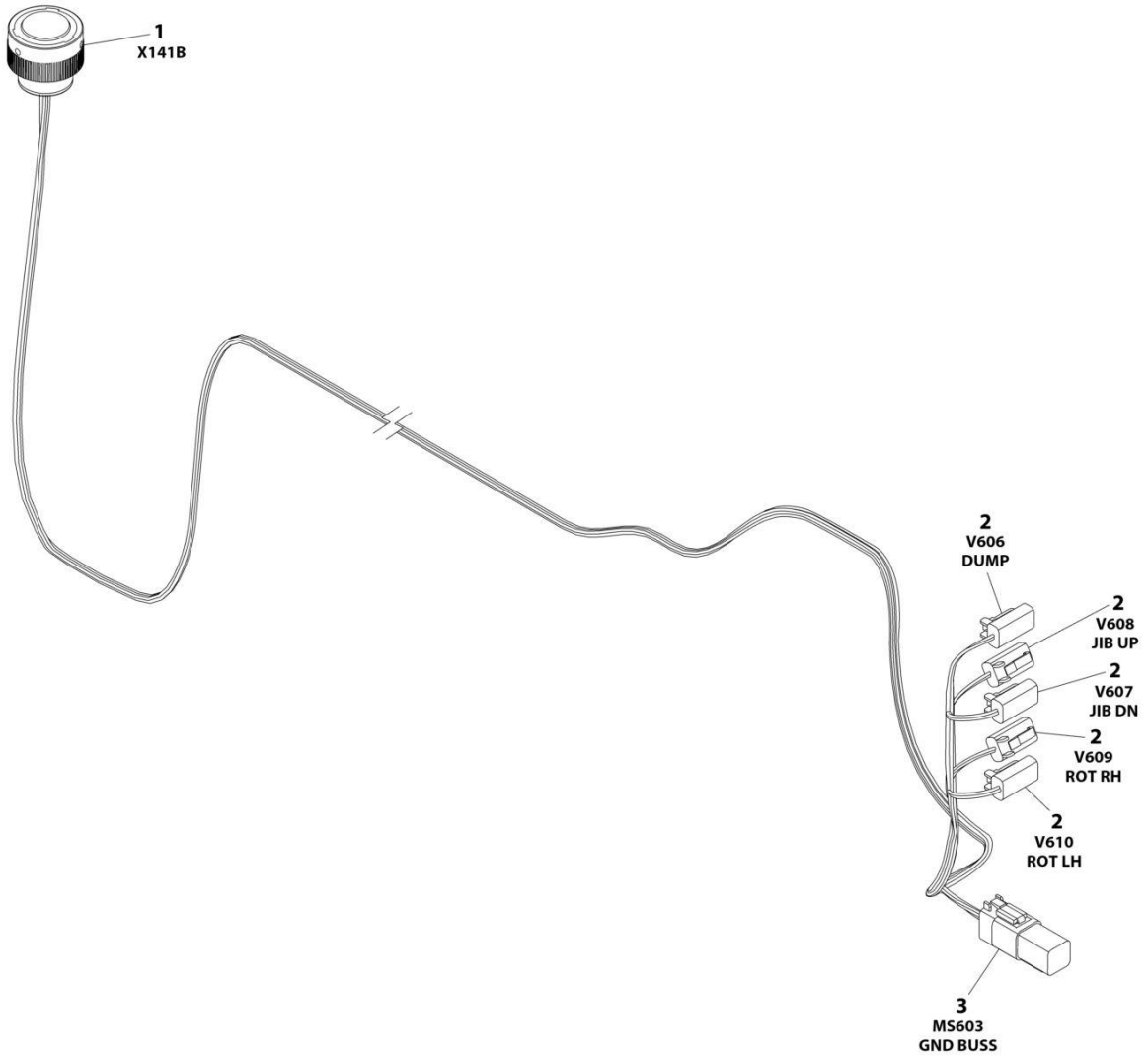
SECTION 8 - ELECTRICAL

FIGURE 8-36. PLATFORM CONSOLE BOX HARNESS

ITEM	PART NUMBER	QTY	DESCRIPTION	REV
	1001243596	Ref	PLATFORM CONSOLE BOX HARNESS	C
1	4460874	1	Connector - 35 Position	
1	4460871	24	Socket, Female	
1	4460905	11	Plug, Terminal	
2	4460876	1	Connector - 35 Position	
2	4460871	11	Socket, Female	
2	4460905	24	Plug, Terminal	
3	1001213447	1	Receptacle, Female - 5 Position (With Wires & Terminals)	
4	4460925	1	Connector - 21 Position	
4	1001126011	7	Pin, Male	
4	4460518	14	Plug, Terminal	
5	4460536	1	Recepracle, Female - 3 Position	
5	4460943	3	Pin, Male	
6	4460539	1	Plug, Male - 3 Position	
6	4460944	3	Socket, Male	
7	4460873	1	Connector - 35 Position	
7	4460871	19	Socket, Female	
7	4460905	16	Plug, Terminal	
8	4460879	1	Plug, Male - 2 Position	
8	4460887	2	Terminal	
9	4460866	1	Connector - 19 Position	
9	4460943	3	Pin, Male	
9	4460464	5	Pin, Male	
9	4460508	2	Pin, Male	
9	4460466	9	Plug, Terminal	
10	4460933	2	Plug, Male - 12 Position	
10	4460465	17	Socket, Female	
10	4460466	7	Plug, Terminal	
10	1001119020	2	Bussbar - 12 Position	
10	1001120328	2	Mount	
11	4460761	1	Receptacle, Female - 4 Position	
11	4460227	4	Pin, Male	
12	1001098122	2	Terminal, Ring	
13	4460434	2	Plug, Male - 15 Position	
13	4460227	6	Pin, Male	
13	4460267	12	Pin, Male	
14	4460894	1	Plug, Male - 6 Position	
14	4460465	4	Socket, Female	
14	4460466	2	Plug, Terminal	
15	2400060	1	Fuseholder with Cover	
15		Ref	Fuse - 3 AMP	
16	4460260	6	Cover, Terminal	
16	4460259	6	Terminal	
17	4460418	11	Connector - 6 Position	
17	4460419	20	Socket, Female	
17	1001159186	21	Socket, Female	
18	1001237667	1	Plug, Male - 6 Position	
18	1001237668	4	Socket, Female	
19	4460016	2	Terminal	
20	4460183	2	Terminal, Fork	

SECTION 8 - ELECTRICAL

FIGURE 8-37. PLATFORM VALVE HARNESS (1100SJ)



ART_1001231797

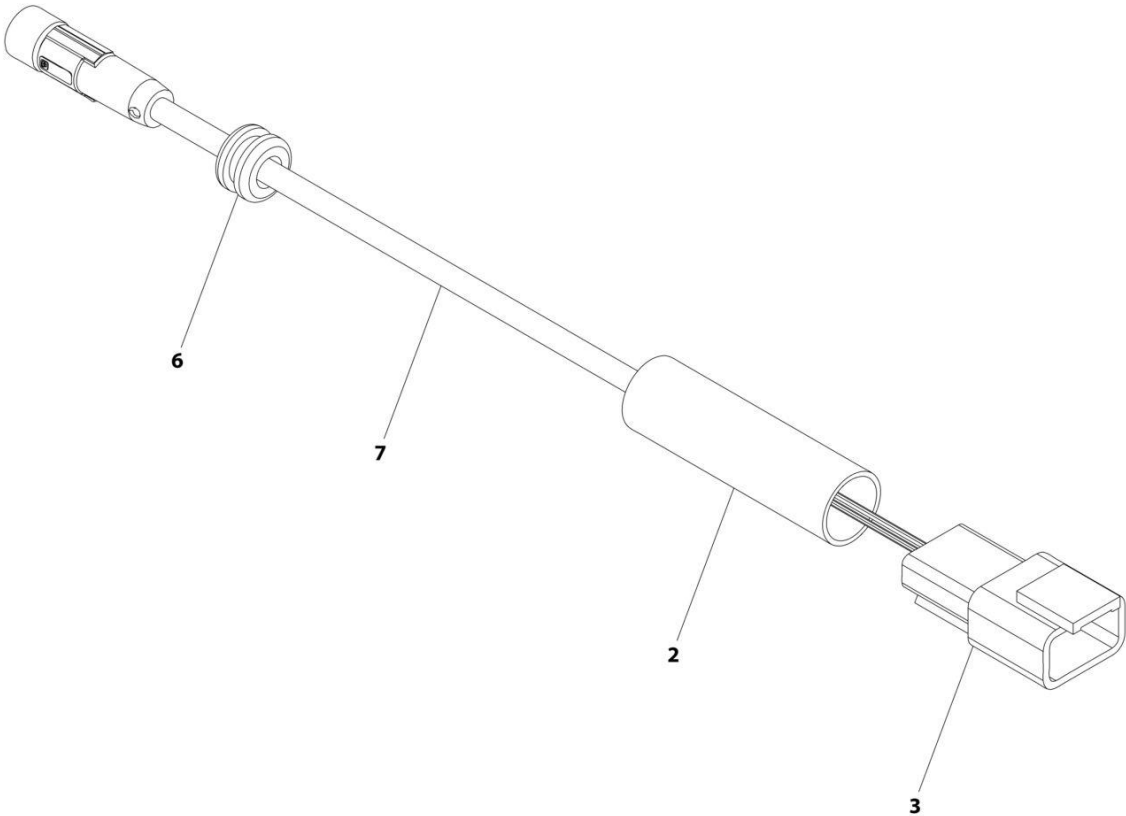
SECTION 8 - ELECTRICAL

FIGURE 8-37. PLATFORM VALVE HARNESS (1100SJ)

ITEM	PART NUMBER	QTY	DESCRIPTION	REV
	1001231797	1	PLATFORM VALVE HARNESS	A
1	4460926	1	Connector - 21 Position	
1	4460928	7	Socket, Female	
1	4460518	14	Plug, Terminal	
2	4460891	5	Plug, Male - 2 Position	
2	4460465	10	Socket, Female	
3	4460894	1	Plug, Male - 6 Position	
3	4460465	5	Socket, Female	
3	4460466	1	Plug, Terminal	
3	4460892	1	Bussbar - 6 Position	

SECTION 8 - ELECTRICAL

FIGURE 8-38. SKYEYE EMITTER HARNESS



ART_1001237864

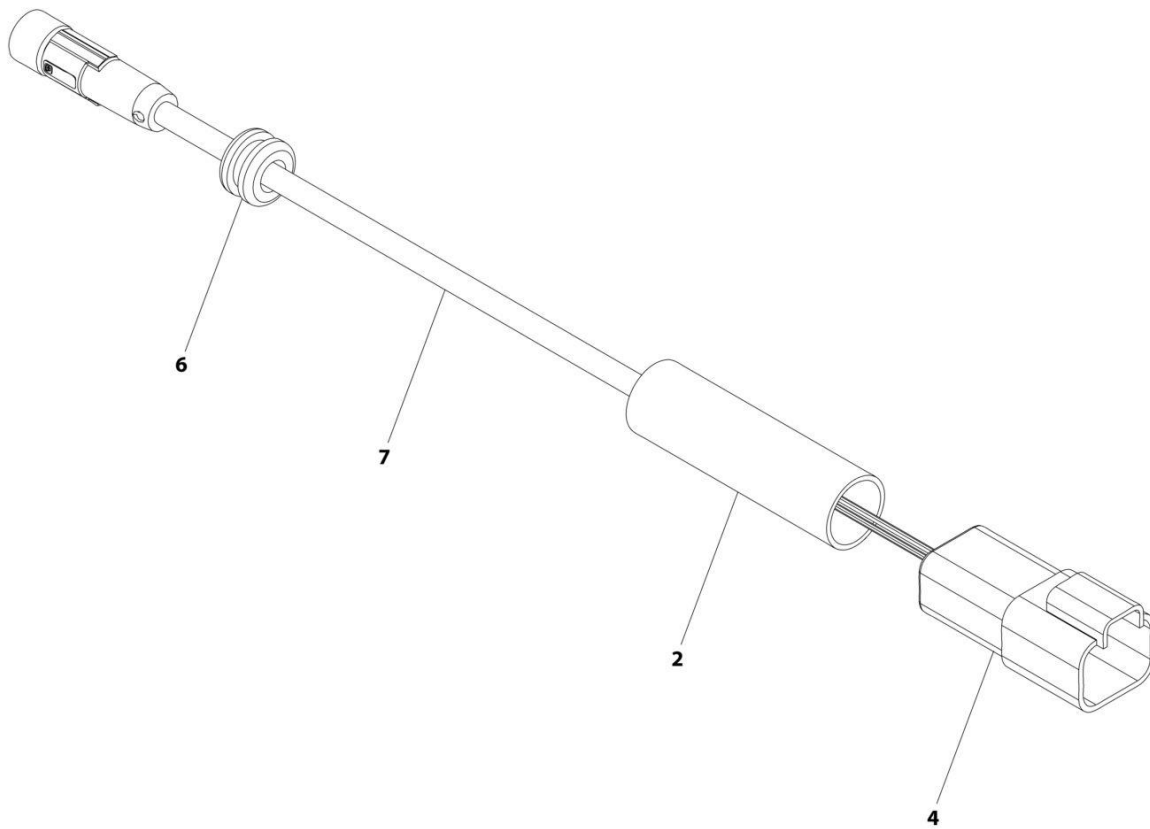
SECTION 8 - ELECTRICAL

FIGURE 8-38. SKYEYE EMITTER HARNESS

ITEM	PART NUMBER	QTY	DESCRIPTION	REV
	1001237864	Ref	SKYEYE EMITTER HARNESS	A
2	2820247	AR	Tubing, Heat Shrink	
3	4460910	1	Connector - 3 Position	
3	1001119620	3	Pin, Male	
6	1001227996	1	Grommet	
7	1001237862	1	Cable, M8 Female Cordset	

SECTION 8 - ELECTRICAL

FIGURE 8-39. SKYEYE RECEIVER HARNESS



ART_1001237863

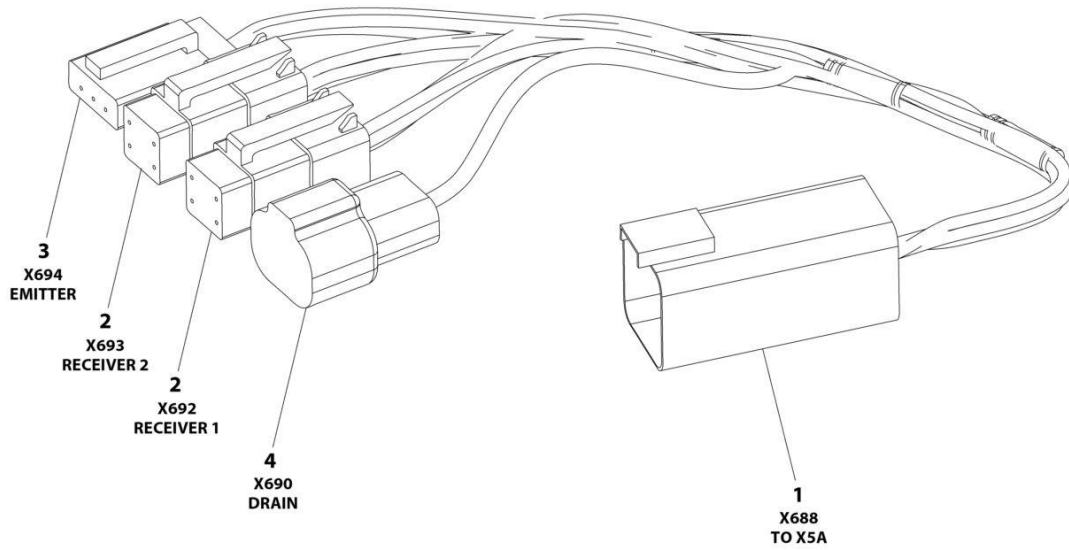
SECTION 8 - ELECTRICAL

FIGURE 8-39. SKYEYE RECEIVER HARNESS

ITEM	PART NUMBER	QTY	DESCRIPTION	REV
	1001237863	Ref	SKYEYE RECEIVER HARNESS	A
2	2820247	AR	Tubing, Heat Shrink	
4	1001097051	1	Connector - 4 Position	
4	1001119620	4	Pin, Male	
6	1001227996	1	Grommet	
7	1001237862	1	Cable, M8 Female Cordset	

SECTION 8 - ELECTRICAL

FIGURE 8-40. SKYEYE INTERMEDIATE HARNESS



ART_1001237865

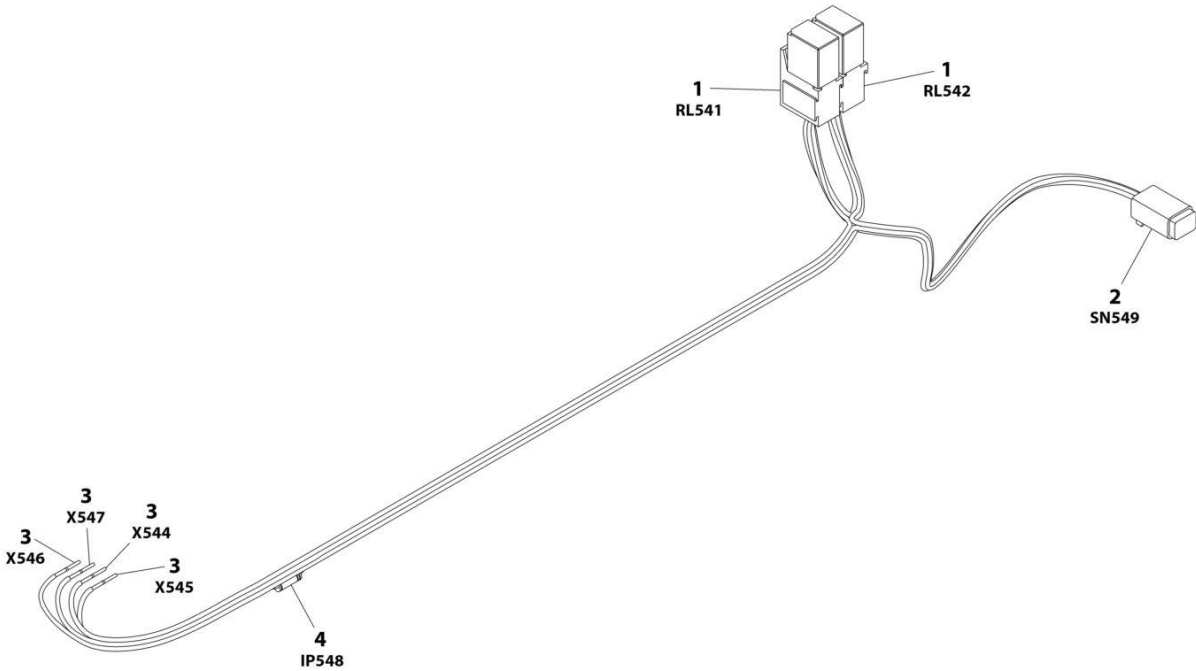
SECTION 8 - ELECTRICAL

FIGURE 8-40. SKYEYE INTERMEDIATE HARNESS

ITEM	PART NUMBER	QTY	DESCRIPTION	REV
	1001237865	Ref	SKYEYE INTERMEDIATE HARNESS	A
1	4460899	1	Connector - 6 Position	
1	4460943	4	Pin, Male	
1	4460466	2	Plug, Terminal	
2	4461077	2	Connector - 4 Position	
2	1001119619	8	Socket, Female	
3	4460911	1	Connector - 3 Position	
3	1001119619	3	Socket, Female	
4	1001187681	1	Connector - 2 Position	
4	4460941	1	Pin, Male	
4	4460466	1	Plug, Terminal	

SECTION 8 - ELECTRICAL

FIGURE 8-41. SKYGUARD SENSOR HARNESS



ART_1001199904

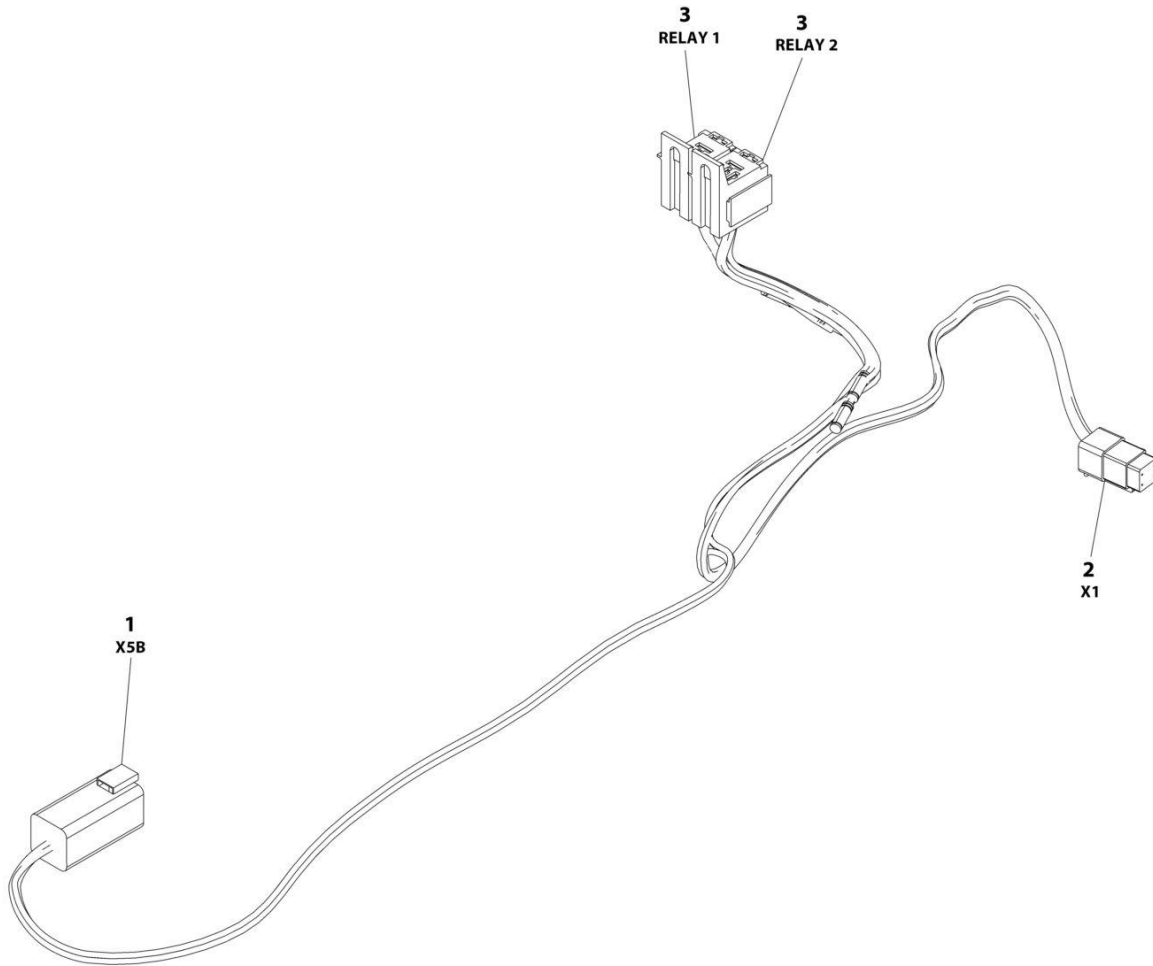
SECTION 8 - ELECTRICAL

FIGURE 8-41. SKYGUARD SENSOR HARNESS

ITEM	PART NUMBER	QTY	DESCRIPTION	REV
	1001199904	Ref	SKYGUARD SENSOR HARNESS	B
1	1001186432	2	Connector, Relay	
1	1001116720	5	Terminal	
1	1001118388	6	Terminal	
1	1001186431	2	Relay	
2	4460884	1	Plug, Male - 4 Position	
2	4460465	4	Socket, Female	
3	4460226	4	Socket, Female	
3	4460465	5	Socket, Female	
4	See Note	NSS	Resistor 18Ohm/25W (Note: Use p/n 1001199904)	

SECTION 8 - ELECTRICAL

FIGURE 8-42. SKYLINE HARNESS



ART_1001238418

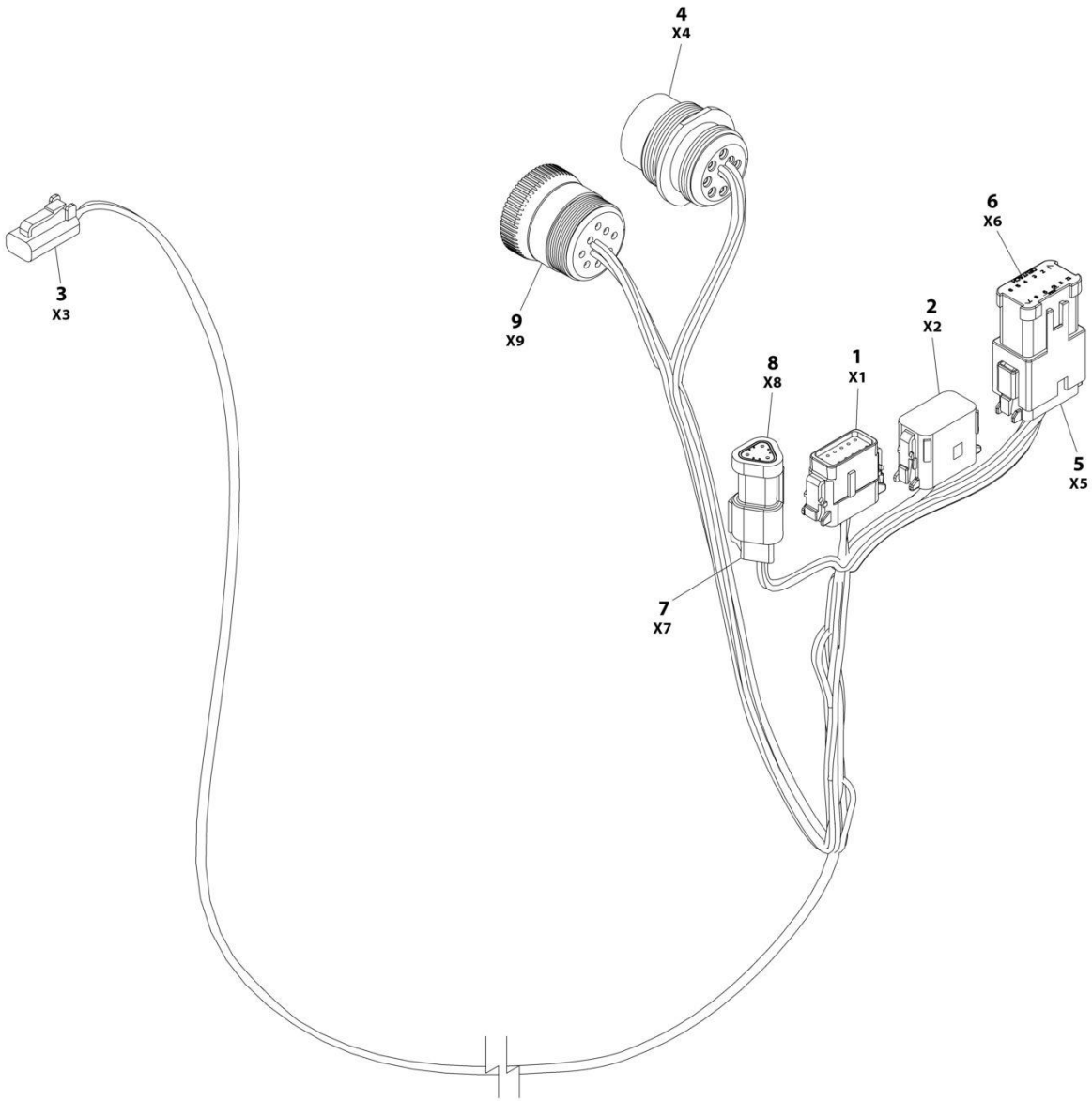
SECTION 8 - ELECTRICAL

FIGURE 8-42. SKYLINE HARNESS

ITEM	PART NUMBER	QTY	DESCRIPTION	REV
	1001238418	Ref	SKYLINE HARNESS	B
1	4460899	1	Connector - 6 Position	
1	4460464	4	Pin, Male	
1	4460466	2	Plug, Terminal	
2	4461077	1	Connector - 4 Position	
2	1001126009	4	Socket, Female	
3	1001186432	2	Plug, Relay	
3	1001118388	5	Terminal	
3	1001118384	3	Terminal	
3	3740086	2	Relay	

SECTION 8 - ELECTRICAL

FIGURE 8-43. STROBE LIGHT CONTROL HARNESS (BLUE LIGHT)



ART_1001142736

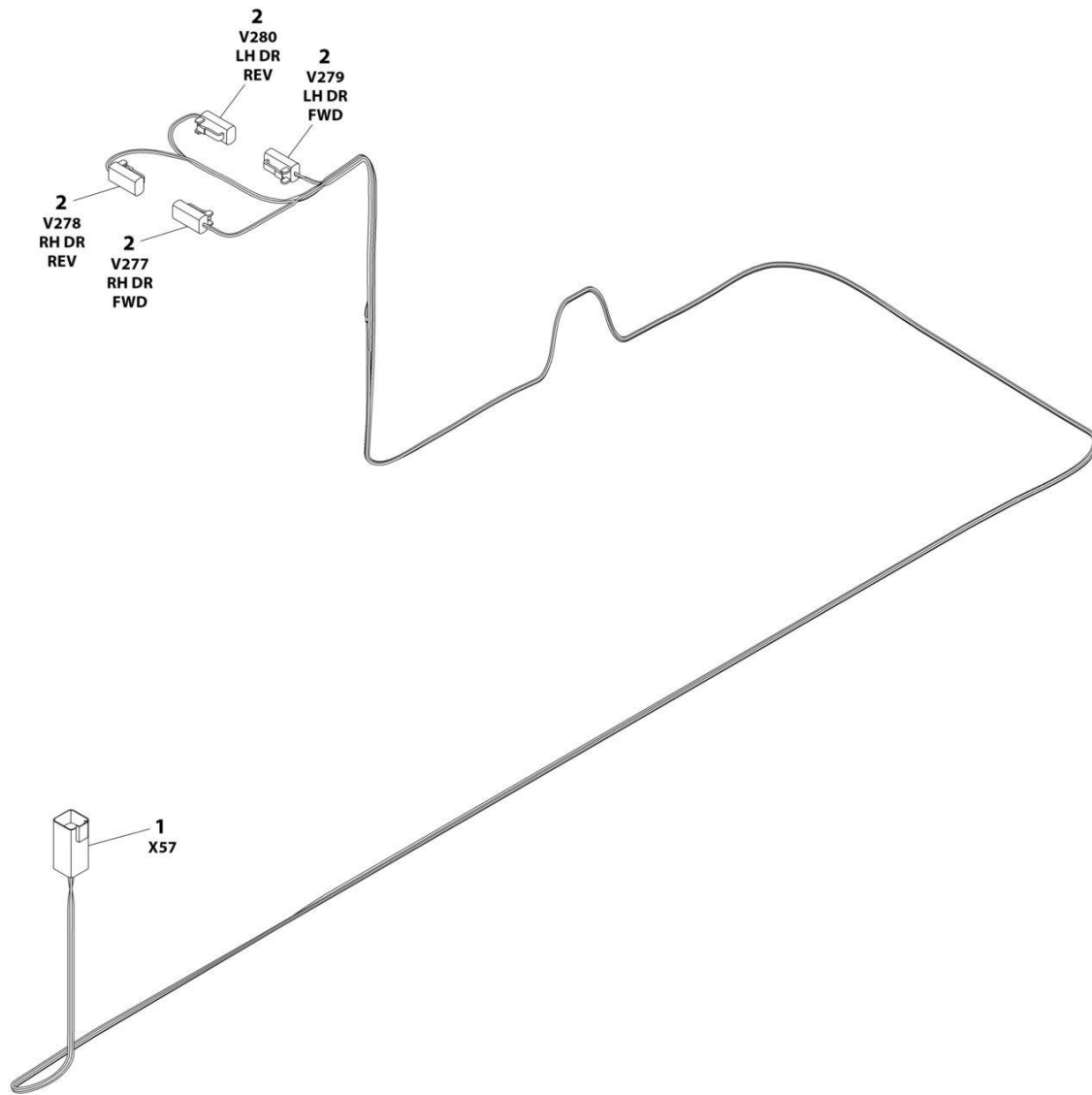
SECTION 8 - ELECTRICAL

FIGURE 8-43. STROBE LIGHT CONTROL HARNESS (BLUE LIGHT)

ITEM	PART NUMBER	QTY	DESCRIPTION	REV
	1001142736	Ref	STROBE LIGHT HARNESS	F
1	1001116808	1	Plug, Male - 12 Position	
1	4460928	3	Socket, Female	
1	4460518	9	Plug, Terminal	
2	1001116774	1	Plug, Male - 12 Position	
2	4460928	3	Socket, Female	
2	4460518	9	Plug, Terminal	
3	4460891	1	Plug, Male - 2 Position	
3	4460465	2	Socket, Female	
4	1001112612	1	Connector - 9 Position	
4	4460464	6	Pin, Male	
4	4460466	3	Plug, Terminal	
5	4460933	1	Plug, Male - 12 Position	
5	4460465	12	Socket, Female	
6	1001119020	1	Bussbar - 12 Position	
7	4461095	1	Plug, Male - 3 Position	
7	4460465	3	Socket, Female	
8	4461070	1	Bussbar - 3 Position	
9	1001112796	1	Connector - 9 Position	
9	4460465	6	Socket, Female	
9	4460466	3	Plug, Terminal	

SECTION 8 - ELECTRICAL

FIGURE 8-44. SWING DRIVE HARNESS



ART_1001150480

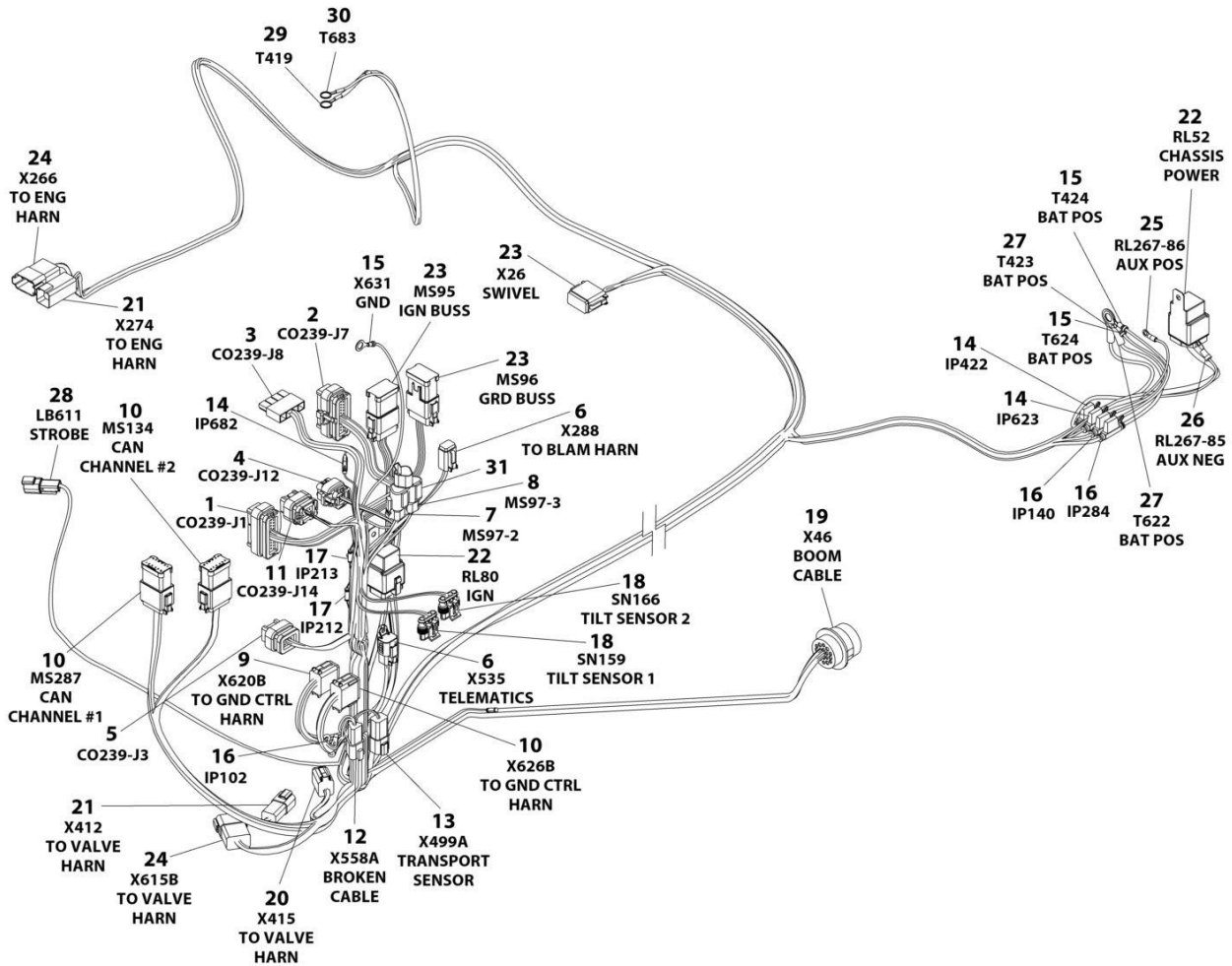
SECTION 8 - ELECTRICAL

FIGURE 8-44. SWING DRIVE HARNESS

ITEM	PART NUMBER	QTY	DESCRIPTION	REV
	1001150480	Ref	SWING DRIVE HARNESS	E
1	4460899	1	Receptacle, Female - 6 Position	
1	4460464	5	Pin, Male	
1	4460466	1	Plug, Terminal	
2	4460891	4	Plug, Male - 2 Position	
2	4460465	16	Socket, Female	

SECTION 8 - ELECTRICAL

FIGURE 8-45. TURNTABLE HARNESS



ART_1001279504

SECTION 8 - ELECTRICAL

FIGURE 8-45. TURNTABLE HARNESS

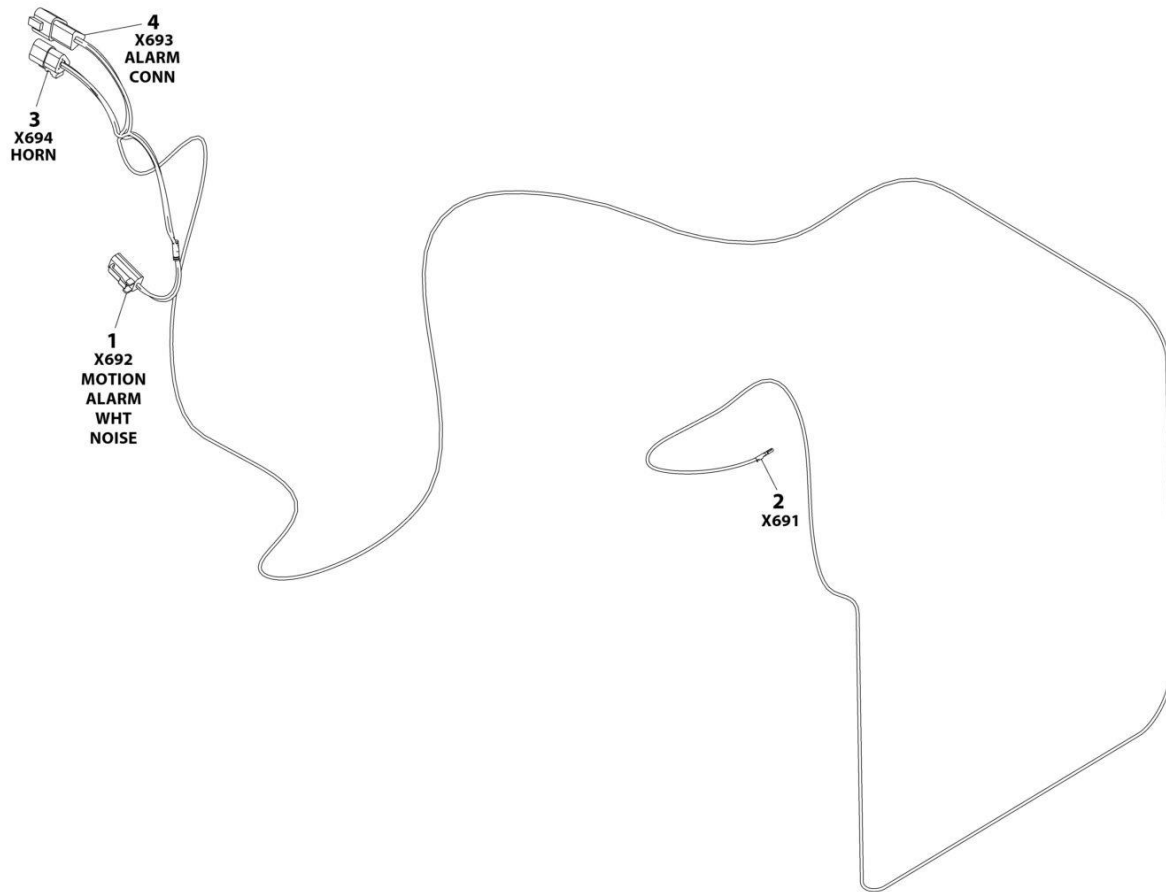
ITEM	PART NUMBER	QTY	DESCRIPTION	REV
	1001279504	Ref	TURNTABLE HARNESS	A
1	4460874	1	Connector - 35 Position (Natural)	
1	4460871	16	Pin, Male	
1	4460905	19	Plug, Terminal	
2	4460873	1	Connector - 35 Position (Black)	
2	4460871	22	Pin, Male	
2	4460905	13	Plug, Terminal	
3	4460878	1	Plug, Male - 4 Position	
3	4460887	4	Terminal	
4	1001113961	1	Plug, Male - 8 Position	
4	4460905	3	Plug, Terminal	
4	4460871	5	Socket, Female	
5	4460872	1	Connector - 14 Position	
5	4460871	7	Pin, Male	
5	4460905	7	Plug, Terminal	
6	4460884	2	Plug, Male - 4 Position	
6	1001192401	1	Cap, Dust	
6	4460942	2	Socket, Female	
6	4460466	2	Plug, Terminal	
6	4460465	4	Socket, Female	
7	4460539	1	Plug, Male - 3 Position	
7	4460944	2	Socket, Female	
7	4460466	1	Plug, Terminal	
8	1001116812	1	Plug, Male - 3 Position	
8	4460944	2	Socket, Female	
8	4460466	1	Plug, Terminal	
9	4460930	1	Plug, Male - 8 Position	
9	4460465	8	Socket, Female	
10	4460933	3	Plug, Male - 12 Position	
10	1001125677	2	Bussbar - 12 Position	
10	4460465	28	Socket, Female	
10	4460466	8	Plug, Terminal	
11	1001246859	1	Connector - 14 Position	
11	4460905	12	Plug, Terminal	
11	4460871	2	Pin, Male	
12	4460536	1	Receptacle, Female - 3 Position	
12	4460464	3	Pin, Male	
13	4460932	1	Receptacle, Female - 4 Position	
13	4460464	4	Pin, Male	
14	2400066	3	Fuseholder with Cover	
15	4460670	3	Terminal, Ring	
16	2400060	3	Fuseholder with Cover	
17	See Note	NSS	Fuse 6A (Note: Purchase Locally)	
18	1001103012	2	Connector - 4 Position	
18	1001107854	8	Terminal, Socket	
18	1001104498	8	Terminal, Seal	
19	4460866	1	Connector - 19 Position	
19	4460466	9	Plug, Terminal	
19	4460464	8	Pin, Male	
19	4460508	2	Pin, Male	

SECTION 8 - ELECTRICAL

ITEM	PART NUMBER	QTY	DESCRIPTION	REV
20	4460894	1	Plug, Male - 6 Position	
20	4460465	6	Socket, Female	
21	4460899	2	Receptacle, Female - 6 Position	
21	4460464	10	Pin, Male	
21	4460466	2	Plug, Terminal	
22	1001117025	2	Relay Assembly	
22	1001116734	4	Terminal	
22	1001116732	4	Terminal	
22	1001128128	2	Plug, Terminal	
23	4460836	3	Plug, Male - 12 Position	
23	4460837	2	Bussbar - 12 Position	
23	4460942	6	Socket, Female	
23	4460466	15	Plug, Terminal	
23	4460465	15	Socket, Female	
24	4460931	2	Receptacle, Female - 8 Position	
24	4460464	11	Pin, Male	
24	4460466	5	Plug, Terminal	
25	4460313	1	Terminal, Ring	
26	4460702	1	Terminal, Ring	
27	8220045	2	Terminal, Ring	
28	4460897	1	Receptacle, Female - 2 Position	
28	4460464	2	Pin, Male	
29	4460019	1	Terminal, Ring	
30	4460256	1	Terminal, Ring	
31	4460945	1	Plug, Female 3-Way	

SECTION 8 - ELECTRICAL

FIGURE 8-46. WHITE NOISE ALARM HARNESS



ART_1001243682

SECTION 8 - ELECTRICAL

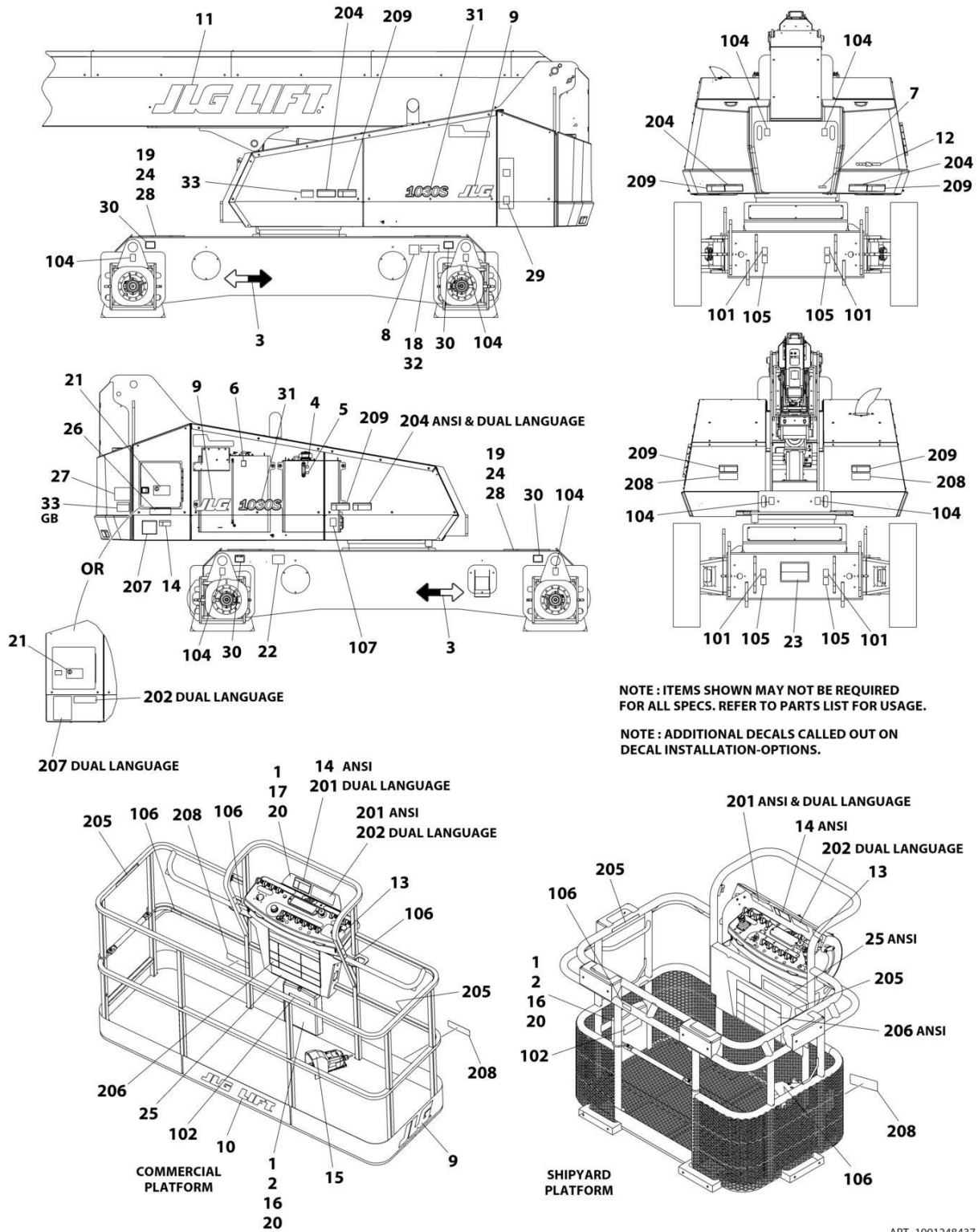
FIGURE 8-46. WHITE NOISE ALARM HARNESS

ITEM	PART NUMBER	QTY	DESCRIPTION	REV
	1001243682	Ref	WHITE NOISE ALARM HARNESS	A
1	4460891	1	Plug, Male - 2 Position	
1	4460465	2	Socket, Female	
2	4460871	1	Terminal	
3	4460539	1	Plug, Male- 3 Position	
3	4460465	3	Socket, Female	
4	4460536	1	Receptacle, Female- 3 Position	
4	4460464	3	Pin, Male	

SECTION 9 - DECALS

SECTION 9 - DECALS

FIGURE 9-1. DECAL INSTALLATION - STANDARD PLATFORM (ENGLISH LANGUAGE)



ART_1001248437

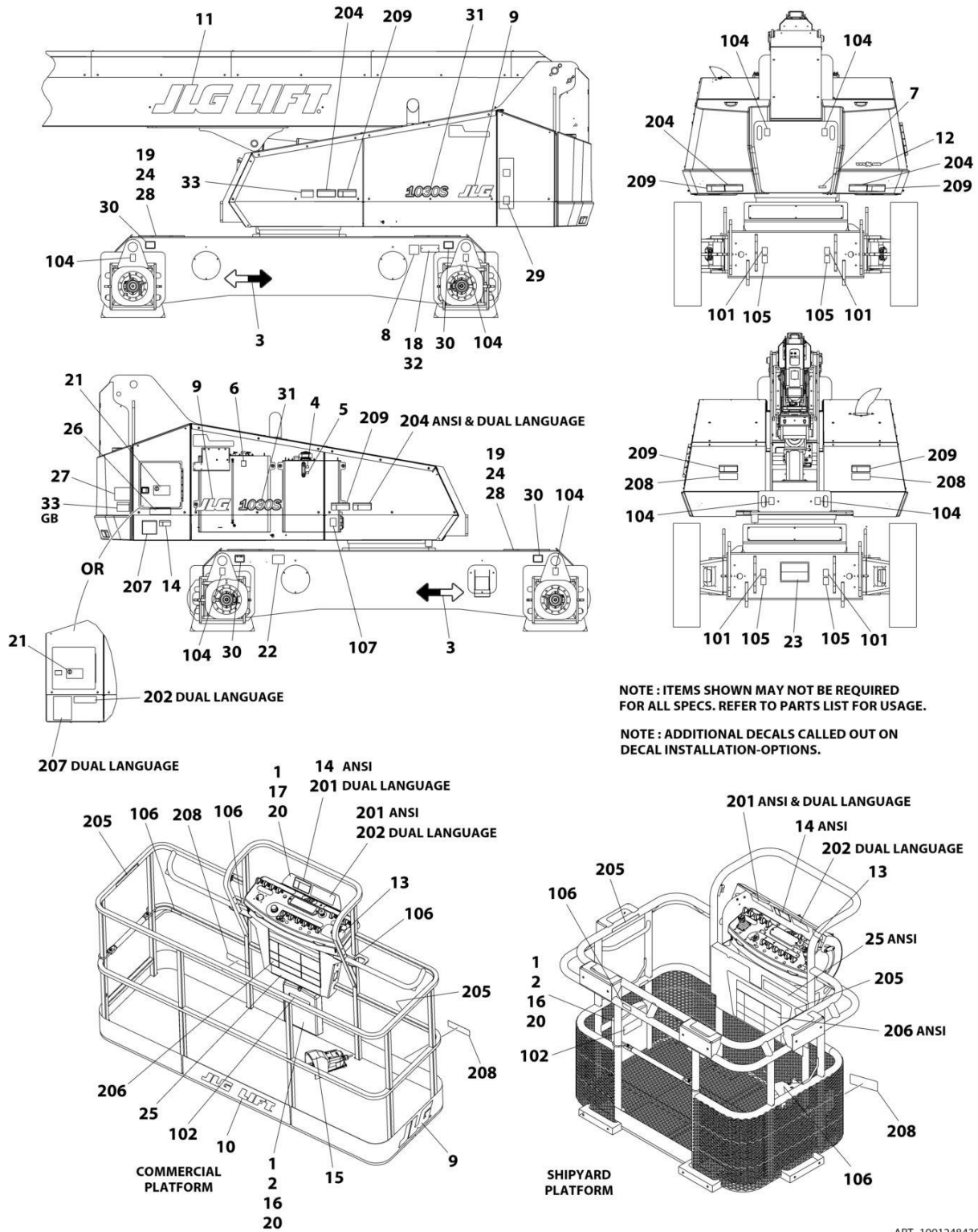
SECTION 9 - DECALS

FIGURE 9-1. DECAL INSTALLATION - STANDARD PLATFORM (ENGLISH LANGUAGE)

ITEM	PART NUMBER	QTY	DESCRIPTION	REV
	1001248437	Ref	DECAL INSTALLATION - STANDARD PLATFORM (ENGLISH LANGUAGE)	C
	1001248558	Ref	DECAL REFERENCE CHART	C
1	0641406	7	Bolt 1/4 x 3/4	
2	0860520	1	Box, Manual Storage	
3	1701501	4	Decal - Arrow	
4	1701502	1	Decal - Hydraulic Oil Level (High)	
5	1701503	1	Decal - Hydraulic Oil Level (Low)	
6	1701505	2	Decal - Fuel	
7	1702590	1	Decal - 220V/50Hz	
8	See Note	NSS	Decal - Bar Code (Note: Not Available for Purchase)	
9	1702773	3	Decal - JLG 5in	
10	1702774	1	Decal - JLG Lift 3 1/2in	
11	1702862	2	Decal - JLG Lift 12in	
12	1704885	1	Decal - www.jlg.com	
13	1705351	1	Decal - Drive/Steer Instructions	
14	1705492	2	Decal - Tip-Over Hazard	
15	3252347	1	Decal - Footswitch	
16	3311405	4	Nut 1/4	
17	3380474	1	Plate - Decal	
18	3820001	2	Rivet	
20	4751400	7	Washer 1/4	
21	1001117307	1	Decal - Emergency Stop	
22	1001131269	1	Decal - Patent	
23	1001150079	1	Decal - Lift Diagram	
25	1001254240	1	Decal - Warning Dual Cap	
26	1001254241	1	Decal - Warning Dual Cap	
27	1001203790	1	Decal - Daily Check List	
100	1001248539	1	Decal - Kit Master	
101	1701499	4	Decal - No Lift	
102	1701509	1	Decal - Manual	
103	1701529	2	Decal - Arrow	
104	1703811	8	Decal - Lift	
105	1703814	6	Decal - Tie Down	
106	1704277	4	Decal - Lanyard Attach	
107	1704412	1	Decal - Hydraulic Oil Chart	
200	1001248542	1	Decal - Kit English	
201	1705337	1	Decal - Tip-Over	
204	1703953	7	Decal - Warning Crushing	
205	1702868	2	Decal - No Hands	
206	1703797	1	Decal - Warning/Danger	
207	1705336	1	Decal - Warning Inspection	
208	1703804	5	Decal - Warning Crushing	
209	1703805	6	Decal - Electrocutation	

SECTION 9 - DECALS

FIGURE 9-2. DECAL INSTALLATION - SHIPYARD PLATFORM (ENGLISH LANGUAGE)



ART_1001248439

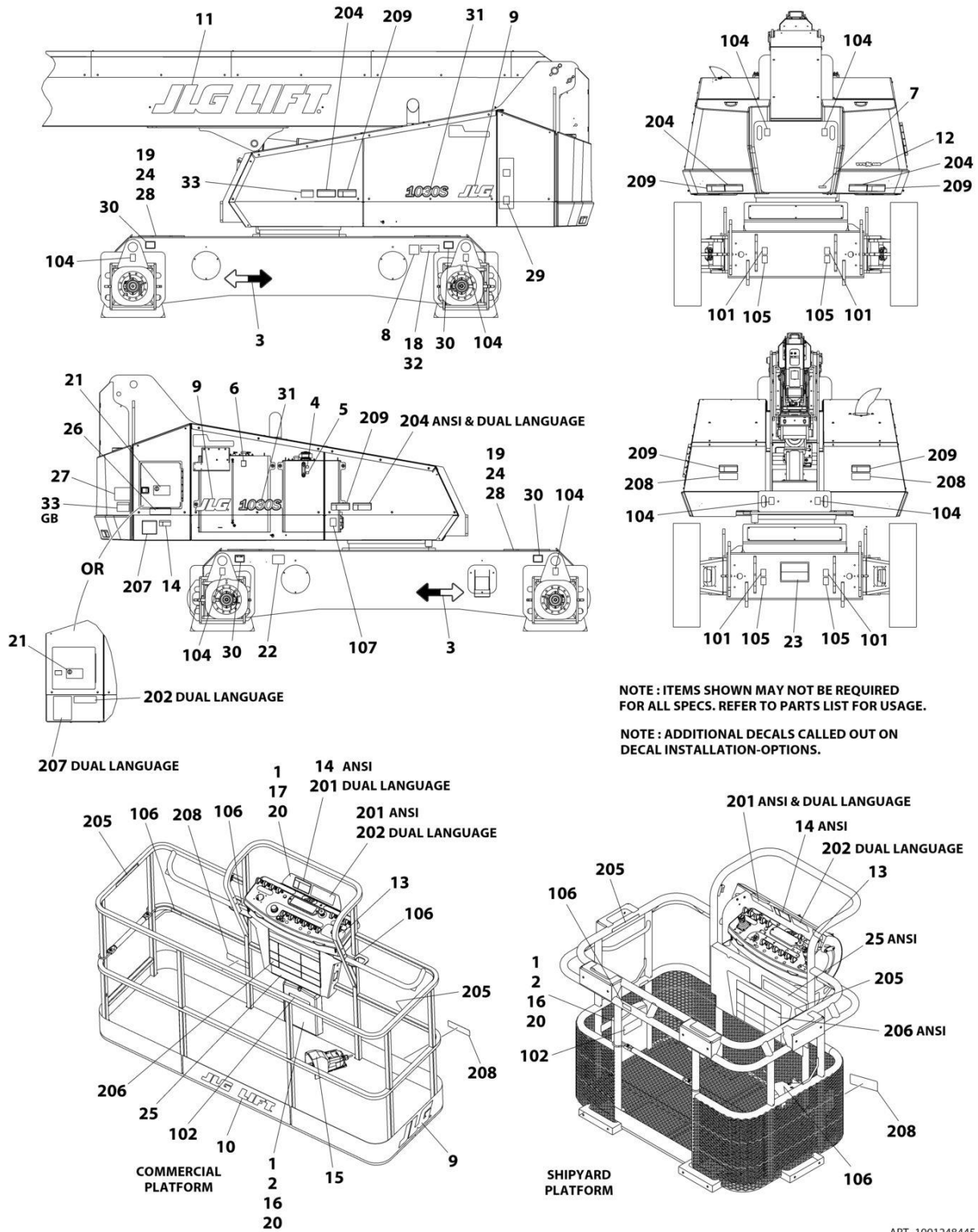
SECTION 9 - DECALS

FIGURE 9-2. DECAL INSTALLATION - SHIPYARD PLATFORM (ENGLISH LANGUAGE)

ITEM	PART NUMBER	QTY	DESCRIPTION	REV
	1001248439	Ref	DECAL INSTALLATION - SHIPYARD PLATFORM (ENGLISH LANGUAGE)	C
	1001248558	Ref	DECAL REFERENCE CHART	C
1	0641406	4	Bolt 1/4 x 3/4	
2	0860520	1	Box, Manual Storage	
3	1701501	4	Decal - Arrow	
4	1701502	1	Decal - Hydraulic Oil Level (High)	
5	1701503	1	Decal - Hydraulic Oil Level (Low)	
6	1701505	2	Decal - Fuel	
7	1702590	1	Decal - 220V/50Hz	
8	See Note	NSS	Decal - Bar Code (Note: Not Available for Purchase)	
9	1702773	3	Decal - JLG 5in	
11	1702862	2	Decal - JLG Lift 12in	
12	1704885	1	Decal - www.jlg.com	
13	1001203789	1	Decal - Drive/Steer Instruction	
14	1705492	2	Decal - Tip-Over Hazard	
15	3252347	1	Decal - Footswitch	
16	3311405	4	Nut 1/4	
18	3820001	2	Rivet	
20	4751400	4	Washer 1/4	
21	1001117307	1	Decal - Emergency Stop	
22	1001131269	1	Decal - Patent	
23	1001150079	1	Decal - Lift Diagram	
25	1001254240	1	Decal - Warning Dual Cap	
26	1001254241	1	Decal - Warning Dual Cap	
27	1001203790	1	Decal - Daily Check List	
100	1001248539	1	Decal - Kit Master	
101	1701499	4	Decal - No Lift	
102	1701509	1	Decal - Manual	
103	1701529	2	Decal - Arrow	
104	1703811	8	Decal - Lift	
105	1703814	6	Decal - Tie Down	
106	1704277	4	Decal - Lanyard Attach	
107	1704412	1	Decal - Hydraulic Oil Chart	
200	1001248542	1	Decal - Kit English	
201	1705337	1	Decal - Tip-Over	
204	1703953	1	Decal - Warning Crushing	
205	1702868	2	Decal - No Hands	
206	1703797	1	Decal - Warning/Danger	
207	1705336	1	Decal - Warning Inspection	
208	1703804	4	Decal - Warning Crushing	
209	1703805	5	Decal - Electrocution	

SECTION 9 - DECALS

FIGURE 9-3. DECAL INSTALLATION - STANDARD PLATFORM (ENGLISH/CHINESE LANGUAGE)



ART_1001248445

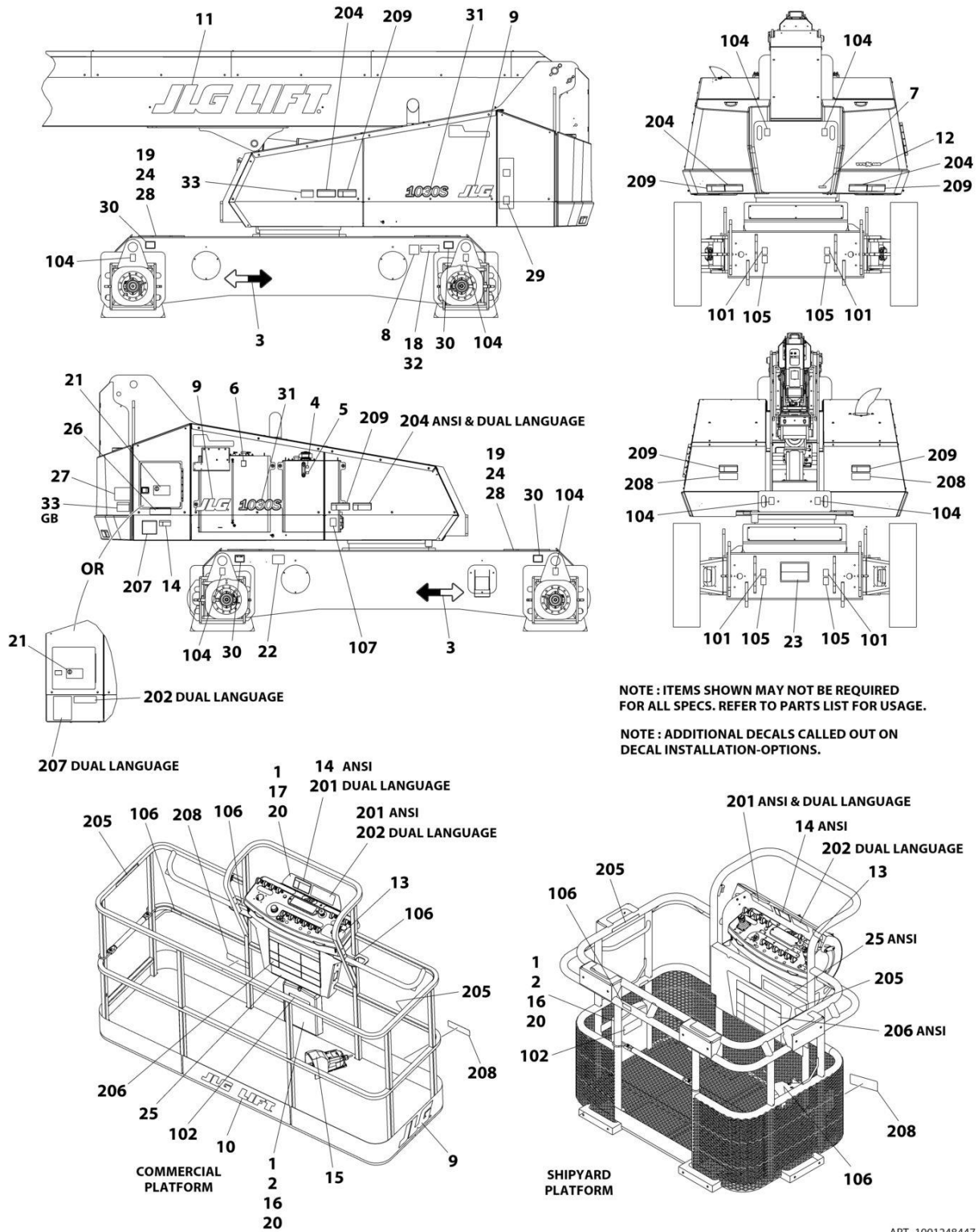
SECTION 9 - DECALS

FIGURE 9-3. DECAL INSTALLATION - STANDARD PLATFORM (ENGLISH/CHINESE LANGUAGE)

ITEM	PART NUMBER	QTY	DESCRIPTION	REV
	1001248445	Ref	DECAL INSTALLATION - STANDARD PLATFORM (ENGLISH/CHINESE LANGUAGE)	C
	1001248558	Ref	DECAL REFERENCE CHART	C
1	0641406	4	Bolt 1/4 x 3/4	
2	0860520	1	Box, Manual Storage	
3	1701501	4	Decal - Arrow	
4	1701502	1	Decal - Hydraulic Oil Level (High)	
5	1701503	1	Decal - Hydraulic Oil Level (Low)	
6	1701505	2	Decal - Fuel	
7	1702590	1	Decal - 220V/50Hz	
8	See Note	1	Decal - Bar Code (Note: Not Available for Purchase)	
9	1702773	3	Decal - JLG 5in	
10	1702774	1	Decal - JLG Lift 3 1/2in	
11	1702862	2	Decal - JLG Lift 12in	
12	1704885	1	Decal - www.jlg.com	
13	1705430	1	Decal - Drive/Steer Instructions	
16	3311405	4	Nut 1/4	
18	3820001	2	Rivet	
20	4751400	4	Washer 1/4	
21	1001117307	1	Decal - Emergency Stop	
23	1001150079	1	Decal - Lift Diagram	
24	1001153281	2	Plate, Arrow	
25	1001254244	1	Decal - Warning Dual Cap	
26	1001254247	1	Decal - Warning Dual Cap	
27	1001206772	1	Decal - Daily Check List	
33	1001244298	2	Decal - Wechat QR Code	
100	1001248539	1	Decal - Kit Master	
101	1701499	4	Decal - No Lift	
102	1701509	1	Decal - Manual	
103	1701529	2	Decal - Arrow	
104	1703811	8	Decal - Lift	
105	1703814	6	Decal - Tie Down	
106	1704277	4	Decal - Lanyard Attach	
107	1704412	1	Decal - Hydraulic Oil Chart	
200	1001248544	1	Decal - Kit	
201	1001117034	1	Decal - Tip-Over	
202	1001117035	2	Decal - Warning Tip-Over	
204	1703943	7	Decal - Warning Crushing	
205	1001116846	2	Decal - Caution No Hands	
206	1703925	1	Decal - Warning/Danger	
207	1001116849	2	Decal - Warning Inspection	
208	1703949	4	Decal - Warning Crushing	
209	1001116851	6	Decal - Electrocution	
210	1703982	1	Decal - Footswitch	

SECTION 9 - DECALS

FIGURE 9-4. DECAL INSTALLATION - SHIPYARD PLATFORM (ENGLISH/CHINESE LANGUAGE)



ART_1001248447

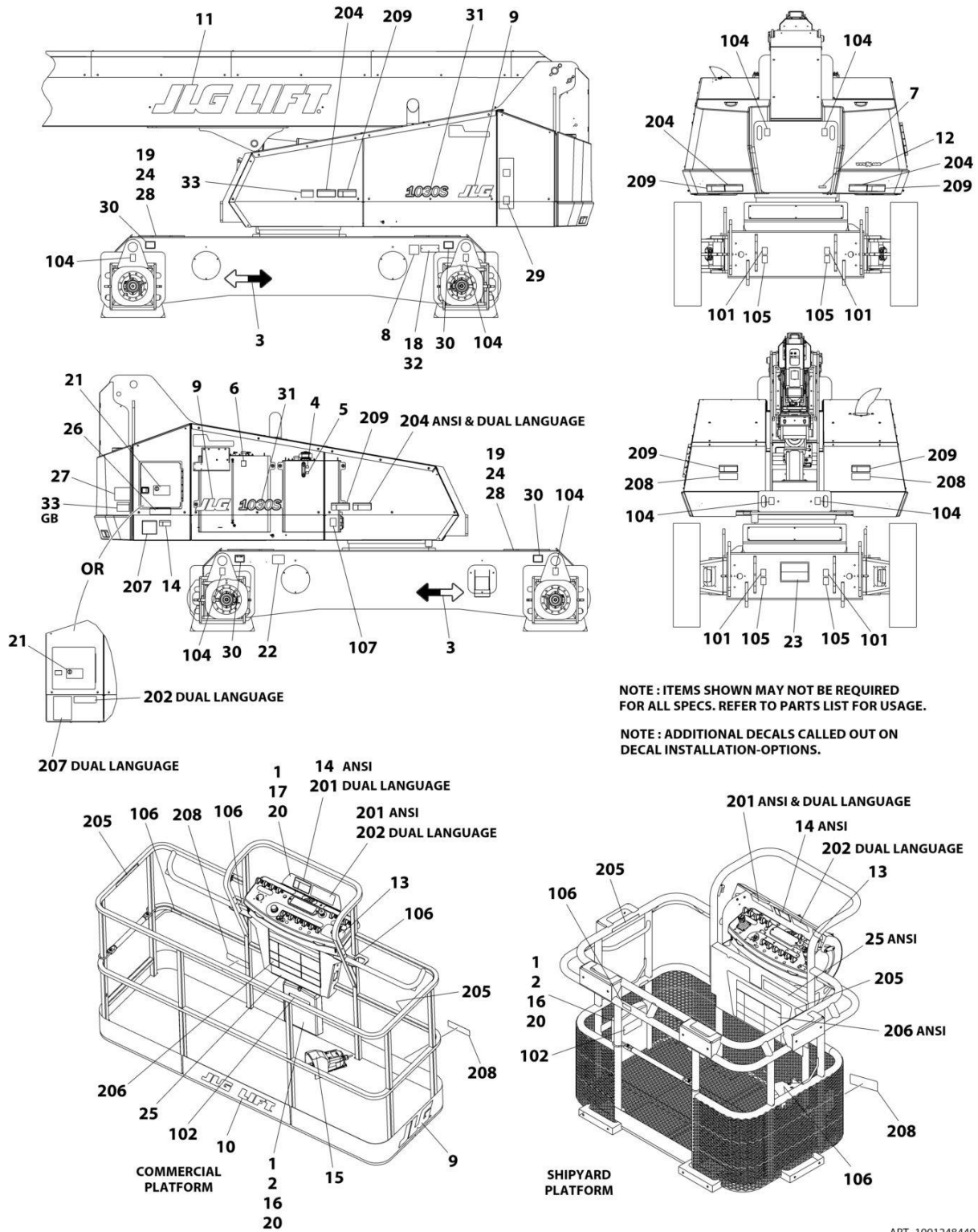
SECTION 9 - DECALS

FIGURE 9-4. DECAL INSTALLATION - SHIPYARD PLATFORM (ENGLISH/CHINESE LANGUAGE)

ITEM	PART NUMBER	QTY	DESCRIPTION	REV
	1001248447	Ref	DECAL INSTALLATION - SHIPYARD PLATFORM (ENGLISH/CHINESE LANGUAGE)	C
	1001248558	Ref	DECAL REFERENCE CHART	C
1	0641406	4	Bolt 1/4 x 3/4	
2	0860520	1	Box, Manual Storage	
3	1701501	4	Decal - Arrow	
4	1701502	1	Decal - Hydraulic Oil Level (High)	
5	1701503	1	Decal - Hydraulic Oil Level (Low)	
6	1701505	2	Decal - Fuel	
7	1702590	1	Decal - 220V/50Hz	
8	See Note	NSS	Decal - Bar Code (Note: Not Available for Purchase)	
9	1702773	3	Decal - JLG 5in	
11	1702862	2	Decal - JLG Lift 12in	
12	1704885	1	Decal - www.jlg.com	
13	1001203930	1	Decal - Drive/Steer Instructions	
16	3311405	4	Nut 1/4	
18	3820001	2	Rivet	
20	4751400	4	Washer 1/4	
21	1001117307	1	Decal - Emergency Stop	
23	1001150079	1	Decal - Lift Diagram	
25	1001254244	1	Decal - Warning Dual Cap	
26	1001254247	1	Decal - Warning Dual Cap	
27	1001206772	1	Decal - Daily Check List	
33	1001244298	2	Decal - Wechat QR Code	
200	1001248539	1	Decal - Kit Master	
101	1701499	4	Decal - No Lift	
102	1701509	1	Decal - Manual	
103	1701529	2	Decal - Arrow	
104	1703811	8	Decal - Lift	
105	1703814	6	Decal - Tie Down	
106	1704277	4	Decal - Lanyard Attach	
107	1704412	1	Decal - Hydraulic Oil Chart	
200	1001248544	1	Decal - Kit	
201	1001117034	1	Decal - Tip-Over	
202	1001117035	2	Decal - Warning Tip-Over	
204	1703943	7	Decal - Warning Crushing	
205	1001116846	2	Decal - Caution No Hands	
206	1703925	1	Decal - Warning/Danger	
207	1001116849	2	Decal - Warning Inspection	
208	1703949	4	Decal - Warning Crushing	
209	1001116851	6	Decal - Electrocution	
210	1703982	1	Decal - Footswitch	

SECTION 9 - DECALS

FIGURE 9-5. DECAL INSTALLATION - STANDARD PLATFORM (ENGLISH/JAPANESE LANGUAGE)



ART_1001248449

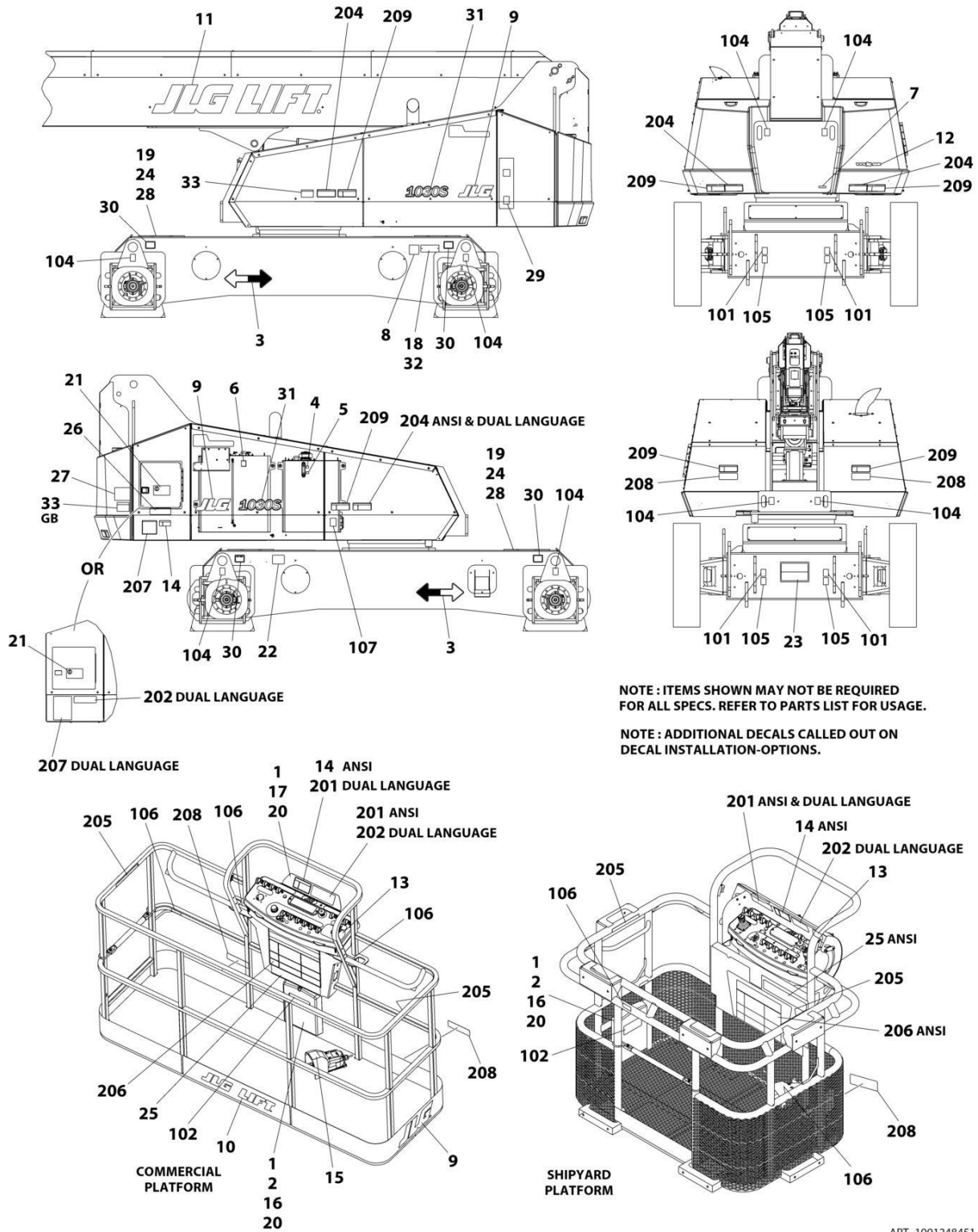
SECTION 9 - DECALS

FIGURE 9-5. DECAL INSTALLATION - STANDARD PLATFORM (ENGLISH/JAPANESE LANGUAGE)

ITEM	PART NUMBER	QTY	DESCRIPTION	REV
	1001248449	Ref	DECAL INSTALLATION - STANDARD PLATFORM (ENGLISH/JAPANESE LANGUAGE)	C
	1001248558	Ref	DECAL REFERENCE CHART	C
1	0641406	4	Bolt 1/4 x 3/4	
2	0860520	1	Box, Manual Storage	
3	1701501	4	Decal - Arrow	
4	1701502	1	Decal - Hydraulic Oil Level (High)	
5	1701503	1	Decal - Hydraulic Oil Level (Low)	
6	1701505	2	Decal - Fuel	
7	1702590	1	Decal - 220V/50Hz	
8	See Note	NSS	Decal - Bar Code (Note: Not Available for Purchase)	
9	1702773	3	Decal - JLG 5in	
10	1702774	1	Decal - JLG 3-1/2in	
11	1702862	2	Decal - JLG Lift 12in	
12	1704885	1	Decal - www.jlg.com	
13	1705426	1	Decal - Drive/Steer Instructions	
16	3311405	4	Nut 1/4	
18	3820001	2	Rivet	
20	4751400	4	Washer 1/4	
21	1001117307	1	Decal - Emergency Stop	
23	1001150079	1	Decal - Lift Diagram	
25	1001254263	1	Decal - Warning Dual Cap	
26	1001254264	1	Decal - Warning Dual Cap	
27	1001206773	1	Decal - Daily Check List	
100	1001248539	1	Decal - Kit Master	
101	1701499	4	Decal - No Lift	
102	1701509	1	Decal - Manual	
103	1701529	2	Decal - Arrow	
104	1703811	8	Decal - Lift	
105	1703814	6	Decal - Tie Down	
106	1704277	4	Decal - Lanyard Attach	
107	1704412	1	Decal - Hydraulic Oil Chart	
200	1001248543	1	Decal, Kit	
201	1705338	1	Decal - Tip-Over	
202	1705493	2	Decal - Warning Tip-Over	
203	1703944	7	Decal - Warning Crushing	
206	1703926	1	Decal - Warning/Danger	
207	1705344	1	Decal - Warning Inspection	
208	1703950	5	Decal - Warning Crushing	
209	1703938	6	Decal - Electrocution	
210	1703980	1	Decal - Footswitch	

SECTION 9 - DECALS

FIGURE 9-6. DECAL INSTALLATION - SHIPYARD PLATFORM (ENGLISH/JAPANESE LANGUAGE)



ART_1001248451

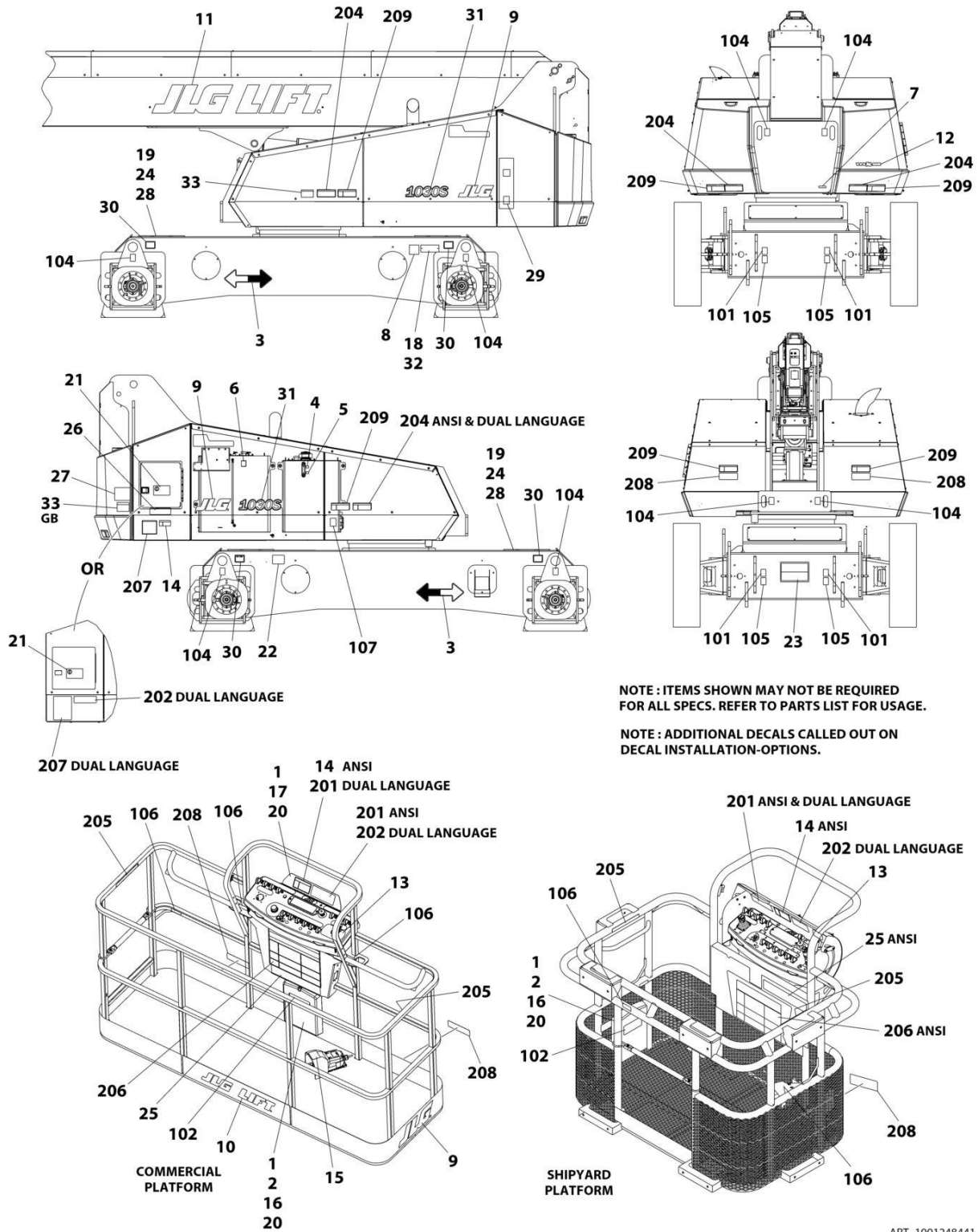
SECTION 9 - DECALS

FIGURE 9-6. DECAL INSTALLATION - SHIPYARD PLATFORM (ENGLISH/JAPANESE LANGUAGE)

ITEM	PART NUMBER	QTY	DESCRIPTION	REV
	1001248451	Ref	DECAL INSTALLATION - SHIPYARD PLATFORM (ENGLISH/JAPANESE LANGUAGE)	C
	1001248558	Ref	DECAL REFERENCE CHART	C
1	0641406	4	Bolt 1/4 x 3/4	
2	0860520	1	Box, Manual Storage	
3	1701501	4	Decal - Arrow	
4	1701502	1	Decal - Hydraulic Oil Level (High)	
5	1701503	1	Decal - Hydraulic Oil Level (Low)	
6	1701505	2	Decal - Fuel	
7	1702590	1	Decal - 220V/50Hz	
8	See Note	NSS	Decal - Bar Code (Note: Not Available for Purchase)	
9	1702773	2	Decal - JLG 5in	
11	1702862	2	Decal - JLG Lift 12in	
12	1704885	1	Decal - www.jlg.com	
13	1001203931	1	Decal - Drive/Steer Instructions	
16	3311405	4	Nut 1/4	
18	3820001	2	Rivet	
20	4751400	4	Washer 1/4	
21	1001117307	1	Decal - Emergency Stop	
23	1001150079	1	Decal - Lift Diagram	
25	1001254263	1	Decal - Warning Dual Cap	
26	1001254264	1	Decal - Warning Dual Cap	
27	1001206773	1	Decal - Daily Check List	
100	1001248539	1	Decal - Kit Master	
101	1701499	4	Decal - No Lift	
102	1701509	1	Decal - Manual	
103	1701529	2	Decal - Arrow	
104	1703811	8	Decal - Lift	
105	1703814	6	Decal - Tie Down	
106	1704277	4	Decal - Lanyard Attach	
107	1704412	1	Decal - Hydraulic Oil Chart	
201	1705338	1	Decal - Tip-Over	
202	1705493	2	Decal - Warning Tip-Over	
204	1703944	7	Decal - Warning Crushing	
206	1703926	1	Decal - Warning/Danger	
207	1705344	2	Decal - Warning Inspection	
208	1703950	5	Decal - Warning Crushing	
209	1703938	6	Decal - Electrocution	
210	1703980	1	Decal - Footswitch	

SECTION 9 - DECALS

FIGURE 9-7. DECAL INSTALLATION - KOREAN SPECS (ENGLISH/KOREAN LANGUAGES)



ART_1001248441

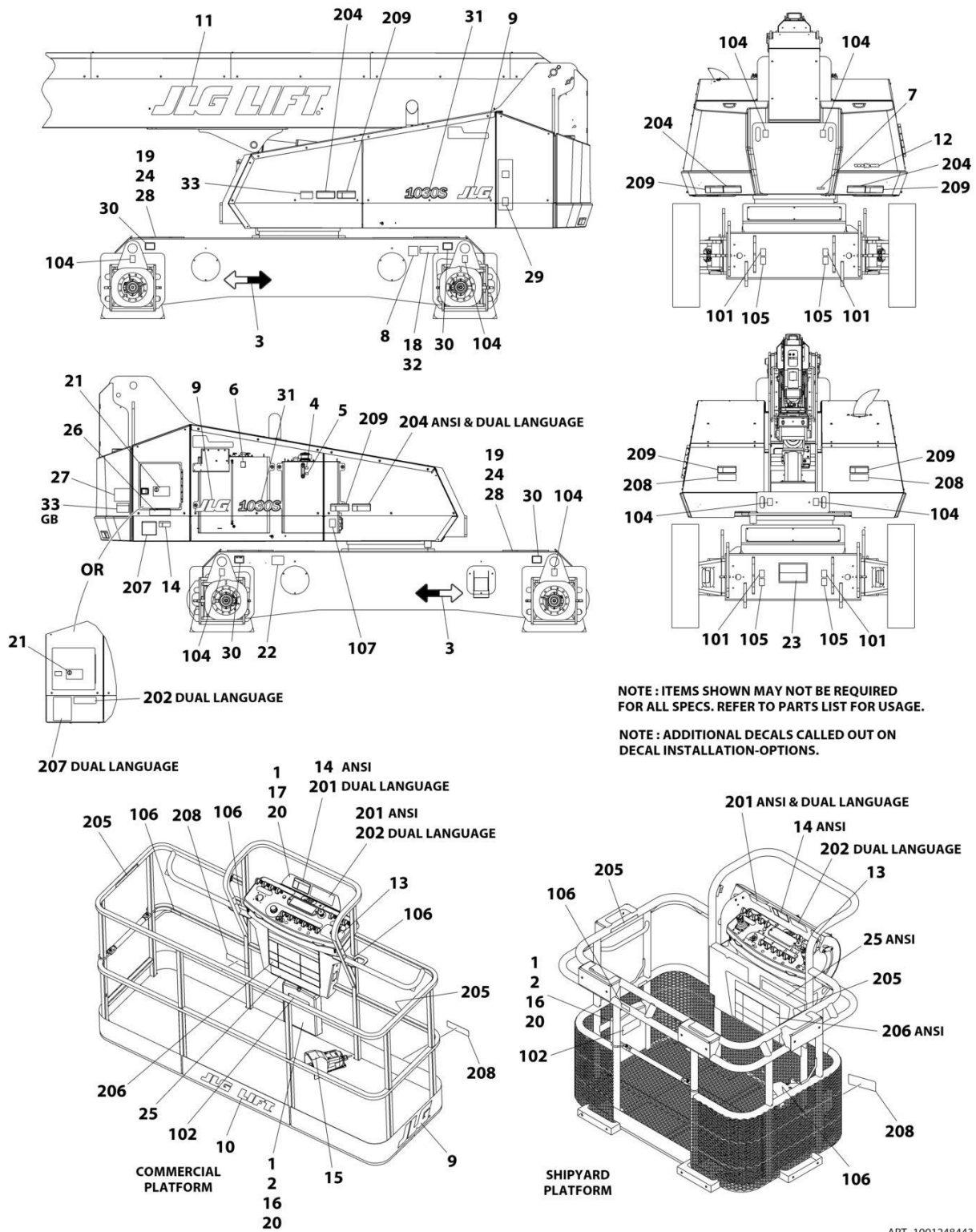
SECTION 9 - DECALS

FIGURE 9-7. DECAL INSTALLATION - KOREAN SPECS (ENGLISH/KOREAN LANGUAGES)

ITEM	PART NUMBER	QTY	DESCRIPTION	REV
	1001248441	Ref	DECAL INSTALLATION - STANDARD PLATFORM (ENGLISH/KOREAN LANGUAGE)	C
	1001248558	Ref	DECAL REFERENCE CHART	C
1	0641406	4	Bolt 1/4 x 3/4	
2	0860520	1	Box, Manual Storage	
3	1701501	4	Decal - Arrow	
4	1701502	1	Decal - Hydraulic Oil Level (High)	
5	1701503	1	Decal - Hydraulic Oil Level (Low)	
6	1701505	2	Decal - Fuel	
7	1702590	1	Decal - 220V/50Hz	
8	See Note	NSS	Decal - Bar Code (Note: Not Available for Purchase)	
9	1702773	3	Decal - JLG 5in	
10	1702774	1	Decal - JLG Lift 3 1/2in	
11	1702862	2	Decal - JLG Lift 12in	
12	1704885	1	Decal - www.jlg.com	
13	1705427	1	Decal - Drive Steer	
16	3311405	4	Nut 1/4	
18	3820001	2	Rivet	
20	4751400	4	Washer 1/4	
21	1001117307	1	Decal - Emergency Stop	
23	1001150079	1	Decal - Lift Diagram	
25	1001254242	1	Decal - Warning Dual Cap	
26	1001254243	1	Decal - Warning Dual Cap	
27	1001206771	1	Decal - BCS Daily Check	
100	1001248539	1	Decal - Kit Master	
101	1701499	4	Decal - No Lift	
102	1701509	1	Decal - Manual	
103	1701529	2	Decal - Arrow	
104	1703811	4	Decal - Lift	
105	1703814	4	Decal - Tie Down	
106	1704277	3	Decal - Lanyard Attach	
107	1704412	1	Decal - Hydraulic Oil Chart	
200	1001248545	1	Decal - Kit	
201	1705339	1	Decal - Tip Over BCS	
202	1705503	2	Decal - Warning Tip Over	
204	1703945	7	Decal - Warning Crushing	
205	1705969	2	Decal - Caution No Hands	
206	1703927	1	Decal - Warning Danger	
207	1705345	1	Decal - Warning Inspection	
208	1703951	5	Decal - Warning Crushing	
209	1703939	6	Decal - Danger Electrocution	
210	1703981	1	Decal - Foot Switch	

SECTION 9 - DECALS

FIGURE 9-8. DECAL INSTALLATION - SHIPYARD PLATFORM (ENGLISH/KOREAN LANGUAGE)



ART_1001248443

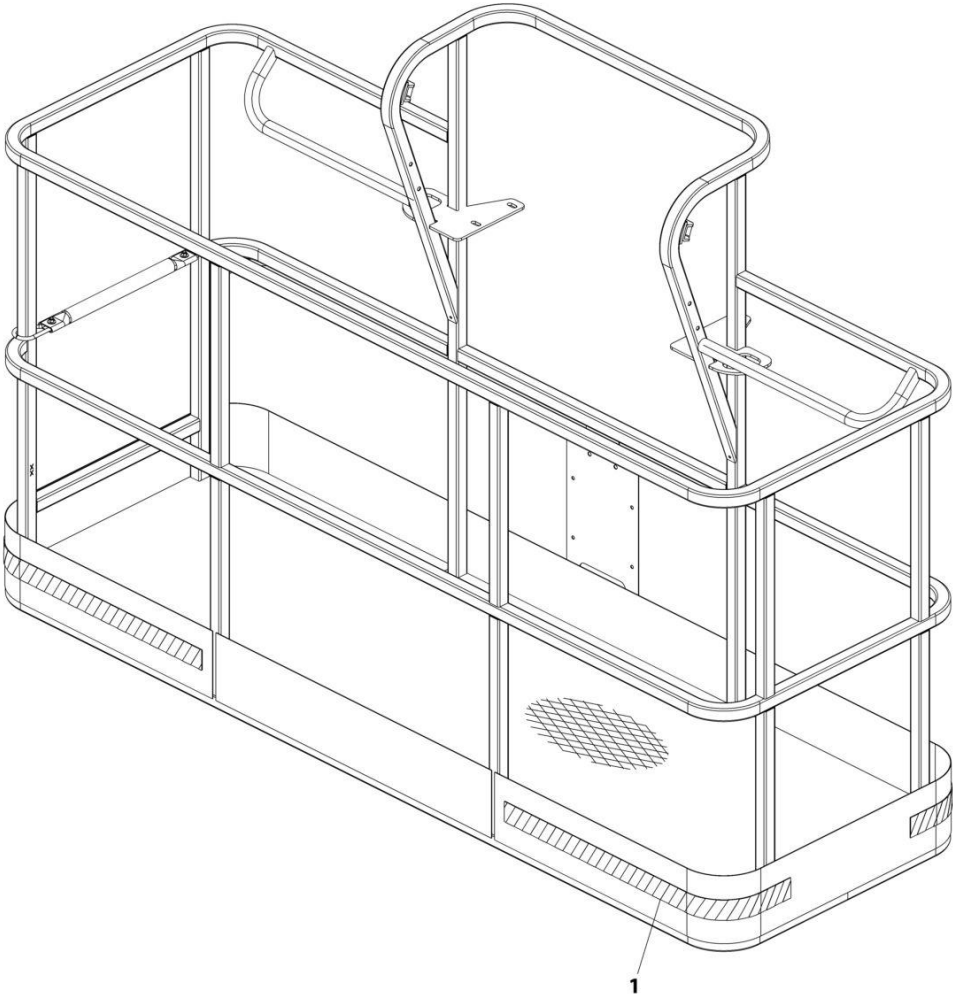
SECTION 9 - DECALS

FIGURE 9-8. DECAL INSTALLATION - SHIPYARD PLATFORM (ENGLISH/KOREAN LANGUAGE)

ITEM	PART NUMBER	QTY	DESCRIPTION	REV
	1001248443	Ref	DECAL INSTALLATION - SHIPYARD PLATFORM (ENGLISH/KOREAN LANGUAGE)	C
	1001248558	Ref	DECAL REFERENCE CHART	C
1	0641406	4	Bolt 1/4 x 3/4	
2	0860520	1	Box, Manual Storage	
3	1701501	4	Decal - Arrow	
4	1701502	1	Decal - Hydraulic Oil Level (High)	
5	1701503	1	Decal - Hydraulic Oil Level (Low)	
6	1701505	2	Decal - Fuel	
7	1702590	1	Decal - 220V/50Hz	
8	See Note	NSS	Decal - Bar Code (Note: Not Available for Purchase)	
9	1702773	3	Decal - JLG 5in	
11	1702862	2	Decal - JLG Lift 12in	
12	1704885	1	Decal - www.jlg.com	
13	1001203929	1	Decal - Drive/Steer Instructions	
16	3311405	4	Nut 1/4	
18	3820001	2	Rivet	
20	4751400	4	Washer 1/4	
21	1001117307	1	Decal - Emergency Stop	
23	1001150079	1	Decal - Lift Diagram	
25	1001254242	1	Decal - Warning Dual Cap	
26	1001254243	1	Decal - Warning Dual Cap	
27	1001206771	1	Decal - Daily Check List	
100	1001248539	1	Decal - Kit Master	
101	1701499	4	Decal - No Lift	
102	1701509	1	Decal - Manual	
103	1701529	2	Decal - Arrow	
104	1703811	8	Decal - Lift	
105	1703814	6	Decal - Tie Down	
106	1704277	4	Decal - Lanyard Attach	
107	1704412	1	Decal - Hydraulic Oil Chart	
200	1001248545	1	Decal - Kit	
201	1705339	1	Decal - Tip-Over	
202	1705503	2	Decal - Warning Tip-Over	
204	1703945	7	Decal - Warning Crushing	
205	1705969	2	Decal - Caution No Hand	
206	1703927	1	Decal - Warning/Danger	
207	1705345	1	Decal - Warning Inspection	
208	1703951	5	Decal - Warning Crushing	
209	1703939	6	Decal - Danger Electrocution	
210	1703981	1	Decal - Footswitch	

SECTION 9 - DECALS

FIGURE 9-9. INSTALLATION WARNING STRIPE (COMMERCIAL MACHINES)



ART_1001255085

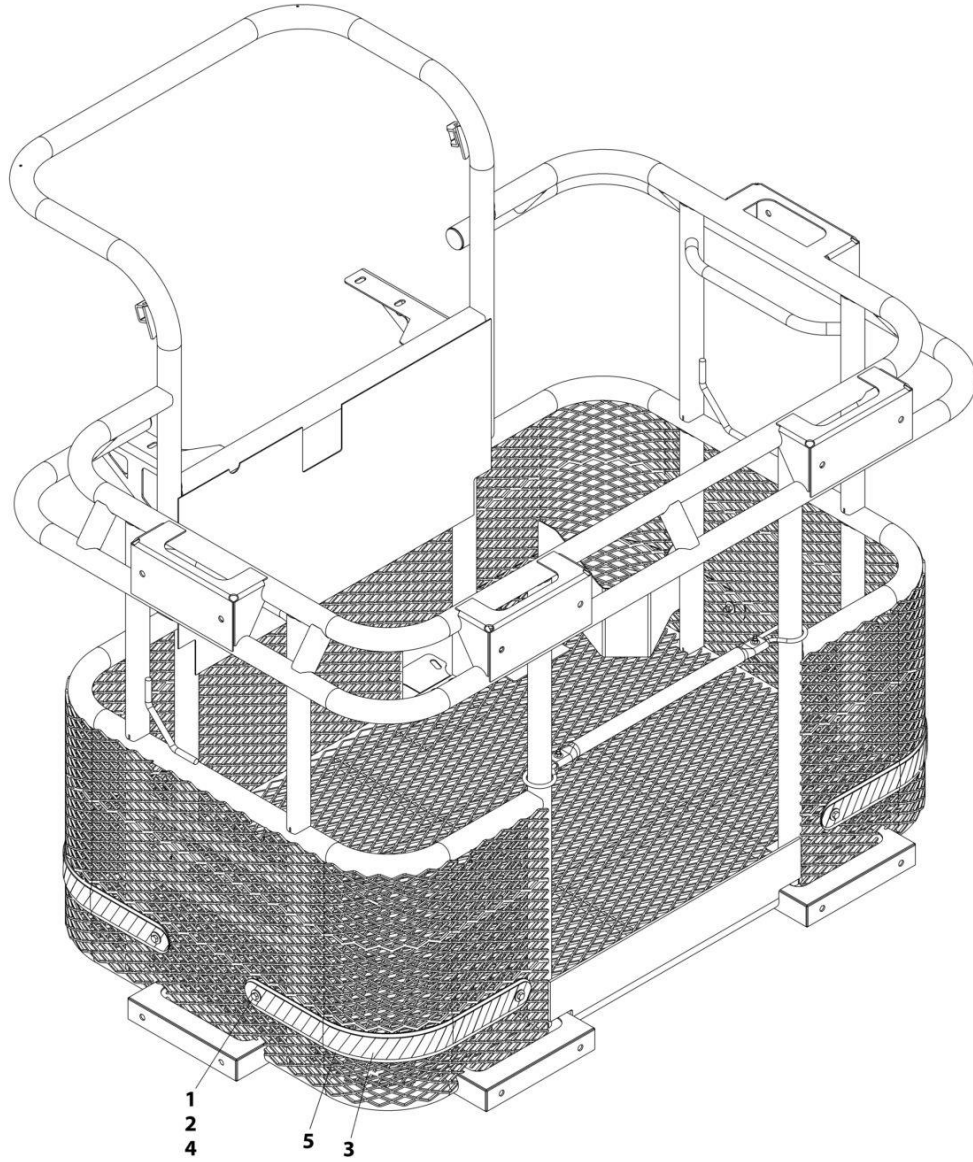
SECTION 9 - DECALS

FIGURE 9-9. INSTALLATION WARNING STRIPE (COMMERCIAL MACHINES)

ITEM	PART NUMBER	QTY	DESCRIPTION	REV
1	1001255085 4420051	Ref 168 in	INSTALLATION WARNING STRIPE (COMMERCIAL MACHINES) Tape	A

SECTION 9 - DECALS

FIGURE 9-10. INSTALLATION WARNING STRIPE (SHIPYARD MACHINES)



ART_1001255086

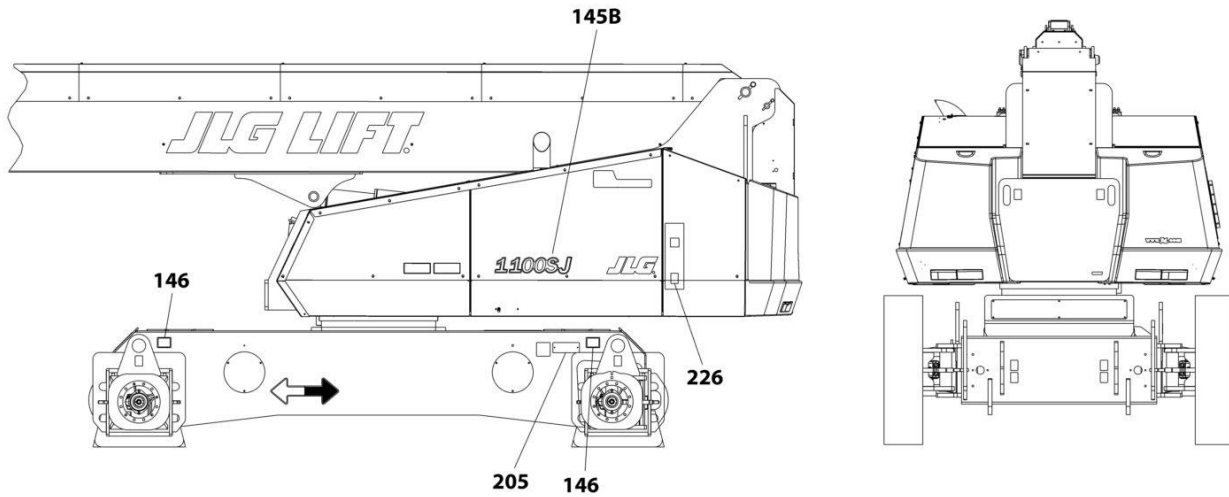
SECTION 9 - DECALS

FIGURE 9-10. INSTALLATION WARNING STRIPE (SHIPYARD MACHINES)

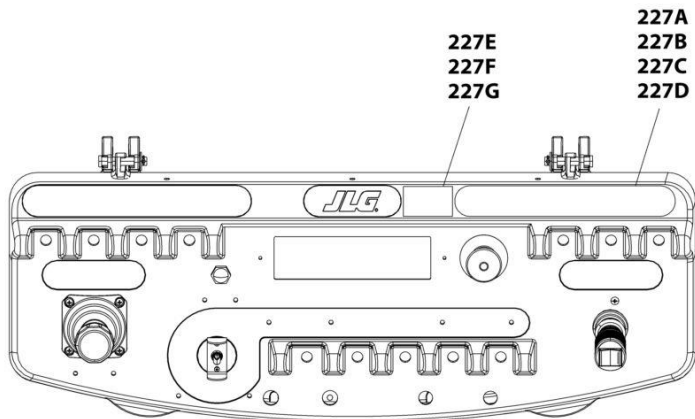
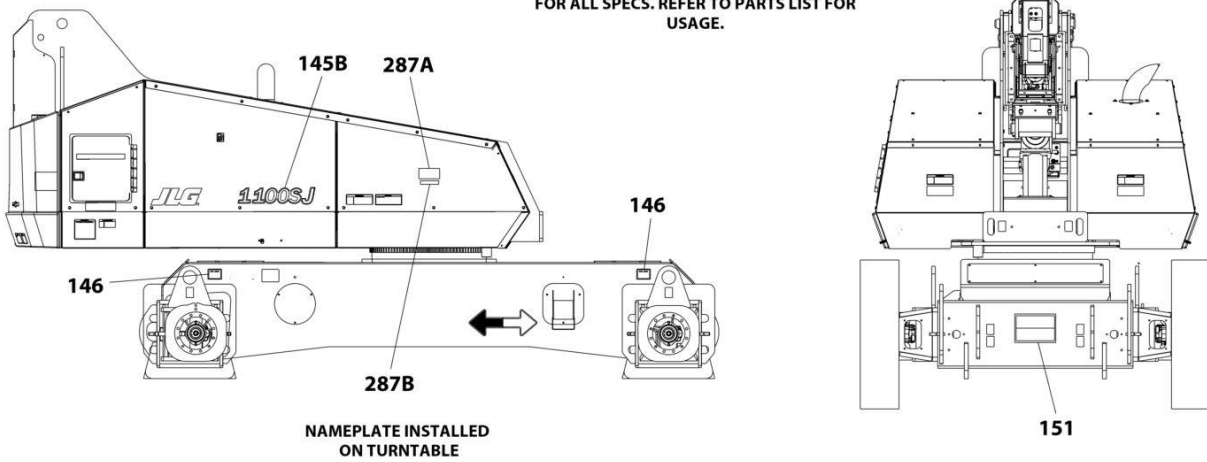
ITEM	PART NUMBER	QTY	DESCRIPTION	REV
	1001255086	Ref	INSTALLATION WARNING STRIPE (SHIPYARD MACHINES)	A
1	0760810	8	Bolt M8 x 20	
2	3290806	8	Nut M8 x 1-1/4	
3	4420051	188 in	Tape	
4	4811902	16	Washer M8	
5	1001255084	4	Panel, Decal Mount	

SECTION 9 - DECALS

FIGURE 9-11. DECALS INSTALLATION - OPTIONS



NOTE : ITEMS SHOWN MAY NOT BE REQUIRED FOR ALL SPECS. REFER TO PARTS LIST FOR USAGE.



ART_DECAL_OPTIONS

SECTION 9 - DECALS

FIGURE 9-11. DECALS INSTALLATION - OPTIONS

ITEM	PART NUMBER	QTY	DESCRIPTION	REV
		Ref	DECAL INSTALLATIONS - OPTIONS	
	1001248558	Ref	DECAL REFERENCE CHART	C
145B	1001272098	2	Decal - 1100SJ	
146	1001150074	4	Decal - Max Tire Load	
151	1001150079	1	Decal - Lift Diagram	
205	See Note	NSS	Decal - Nameplate (Note: Not Available for Purchase)	
226	1704972	1	Decal - Warning Eplosion/Fire (English Language)	
226	1706060	1	Decal - Warning Eplosion/Fire (English/Chinese Language)	
226	1706062	1	Decal - Warning Eplosion/Fire (English/Japanese Language)	
226	1706061	1	Decal - Warning Eplosion/Fire (English/Korean Language)	
227A	1001198930	1	Decal - Horizontal/Vertical Controls - English Language	
227B	1001199120	1	Decal - Horizontal/Vertical Controls - Chinese Language	
227C	1001199134	1	Decal - Horizontal/Vertical Controls - Korean Language	
227D	1001199214	1	Decal - Horizontal/Vertical Controls - Japanese Language	
227E	1001255830	1	Decal - Horizontal/Vertical Controls - English Language	
227F	1001255832	1	Decal - Horizontal/Vertical Controls - Chinese/Japanese Language	
227G	1001255834	1	Decal - Horizontal/Vertical Controls - Korean Language	
238	1001139654	1	Decal - Ultra Low Sulfur Fuel (China IV Specs) (Not Shown - Located Near Fuel Tank)	
287	1001292288	Ref	ECO Label Installation	
287A	See Note	NSS	Nameplate - Serial Number (Note: Not Available for Purchase)	
287A	3820001	4	Pop Rivet	
287B	See Note	NSS	Plate – Mein Code (Note: Not Available for Purchase)	
287B	3820001	4	Pop Rivet	

SECTION 10 - RECOMMENDED SERVICE PARTS STOCK

SECTION 10 - RECOMMENDED SERVICE PARTS STOCK

SECTION 10 - RECOMMENDED SERVICE PARTS STOCK

FIGURE 10-1. RECOMMENDED SERVICE PARTS STOCK

ITEM	PART NUMBER	QTY	DESCRIPTION	REV
		Ref	Note: The following list will service one machine (built to current production per date on the front cover) with emergency repair parts which can be installed in the field. Parts from the list should be replaced when inventory is depleted to keep service parts stock supplied. For further information, contact your JLG dealer or the JLG Industries Parts Department.	
	70006095	1	Breaker, Circuit 30Amp (7500W 60Hz Generator)	
	4360070	1	Circuit Breaker 15Amp (7500W 60Hz Generator)	
	70002386	1	Coil (Traction Valve, Main Valve, & Jib & Platform Rotate Valve)	
	70006950	1	Coil (Axle Extend/Steer Assembly & Steer Valve)	
	70004460	1	Coil (Axle Extend/Steer Assembly)	
	70002971	1	Coil (Main Valve)	
	70003788	1	Coil (Main Valve)	
	70027006	1	Coil (Main Valve)	
	70003789	1	Coil (Main Valve)	
	70006004	1	Coil (Boom Installation & Telescope Valve)	
	7026029	1	Contactora, Rotary Circuit (Rotary Coupling & Collector Ring)	
	1001166538	1	Controller, Drive/Steer	
	1001166539	1	Controller, Lift/Swing	
	70005707	12	Element, Filter Hydraulic (Tanks)	
	70002231	12	Element, Pressure Filter (Valve Installation - Turntable)	
		Ref	Engine - TD2011	
	7003655	12	Element, Air Filter	
	70004066	12	Element, Filter (With Optional Fuel Water Separator)	
	7016328	12	Filter, Fuel	
	7016331	12	Filter, Oil	
	1600443	1	Module, EMR2 (ECM) (Note: Not available to order. Please Contact the JLG Parts Contact Center)	
	3740067	1	Relay	
	7026608	1	Relay, Start	
		Ref	Engine - TD2.9L4	
	1001117308	1	Contactora	
	70024190	12	Element, Air Filter (Primary)	
	70024191	12	Element, Air Filter (Secondary)	
	1001222817	1	Filter, Fuel	
	1001225430	12	Filter, Fuel Primary	
	1001225431	12	Filter, Fuel Secondary	
	7016331	12	Filter, Oil	
	70025210	1	Module, (ECM) (Note: Not available to order. Please Contact the JLG Parts Contact Center)	
	1001138228	1	Relay	
	70005648	1	Relay	
	8229242	2	Fuse, 5A	
	80983191	2	Fuse, 10A	
	2860030	1	Key, Replacement	
	1001142683	1	Module, Beacon (Blue Beacon)	
	1001277208	1	Module (B.L.A.M.)	
	1001277210	1	Module, Control Frame (Valves Installation - Frame)	
	1001281100	1	Module (Ground Control)	
	1600343	1	Module, Platform Control	

SECTION 10 - RECOMMENDED SERVICE PARTS STOCK

ITEM	PART NUMBER	QTY	DESCRIPTION	REV
	3740067	1	Relay (Battery Tray)	
	1001186431	1	Relay (SkyGuard Sensor Harness)	
	3740086	1	Relay (SkyLine Harness)	
	1001147479	1	Sensor, Angle (Boom Sensor Installation)	
	1001118971	1	Sensor, Angle (Boom Sensor Installation with Vertical/Horizontal Controls)	
	4360505	1	Sensor, Angle Rotary (Steer Installation)	
	4360552	1	Switch, Boom Length (Boom Sensor Installation)	
	1001228225	1	Sensor, Emitter (SkyEye)	
	4360436	1	Sensor, Fuel Level (Tanks)	
	4360578	1	Sensor, Limit (Axle Installation)	
	1001247468	1	Senosr, LoadCell (Platform Support)	
	1001199043	1	Sensor, Pressure Transducer (Boom Installation & Telescope Valve)	
	7026031	1	Sensor, Proximity (Rotary Coupling & Collector RIng)	
	1001196517	1	Sensor, Proximity (Boom Sensor Installation)	
	1001232667	1	Sensor, Proximity (SkyLine)	
	1001204043	1	Sensor, Proximity (Boom Sensor Installation)	
	4360477	1	Sensor, Proximity (Overhead Protection)	
	1001228224	1	Sensor, Receiver (SkyEye)	
	1001219601	1	Sensor, Tilt (Ground Control)	
	1001137673	1	Switch, SkyGuard	
	1001151525	1	Sensor, Temperature (Valve Installation - Turntable)	
	4360475	1	Switch, Emergency Stop	
	0272970	1	Switch, Foot	
	4360469	1	Switch, Key	
	4360274	1	Switch, Pushbutton Gray (Ground Control)	
	4360387	1	Switch, Pushbutton Yellow (Console Box, SkyGuard & Overhead Protection)	
	1001161709	1	Switch, Toggle (Steer Installation 4WS & Console Box)	
	4360328	1	Switch, Toggle (Ground Control Box & Jib Switch)	
	1001155045	1	Switch, Toggle (Console Box)	
	1001159256	1	Switch, Toggle (Console Box)	
	1001161710	1	Switch, Toggle (Console Box)	
	4360336	1	Switch, Toggle (Generator Options)	

SECTION 11 - SPECIAL OPTIONS/ACCESSORIES/KITS

SECTION 11 - SPECIAL OPTIONS/ACCESSORIES/KITS

SECTION 11 - SPECIAL OPTIONS/ACCESSORIES/KITS

FIGURE 11-1. SPECIAL OPTIONS/ACCESSORIES/KITS

ITEM	PART NUMBER	QTY	DESCRIPTION	REV
		Ref	Note: This list is to accommodate machines ordered with special equipment. Options may not be applicable to all models. For more specific parts information contact JLG Parts Department.	
		Ref	MISCELLANEOUS SPECIAL OPTIONS/ACCESSORIES/KITS	
	1001216793	Ref	Air Cleaner Pre-Cleaner	
	1001150058	Ref	Airline Installation	
	1001153446	Ref	Analyzer Installation	
	1001150052	Ref	Bellows Installation - Boom	
	1001150054	Ref	Bellows Installation - Chassis	
	1001150094	Ref	Boom Rest Block Installation	
	1001195494	Ref	Boom Wipers Installation	
		Ref	ClearSky Add-on Kit Options (Dealer Installed)	
	1001276923	Ref	ClearSky Add-on Kit - 3 Wire GT1030 (Dealer Installed) (Contact JLG for Approved Countries)	
	1001242653	Ref	ClearSky Decal Installation	
		Ref	Decal Kits	
	2902303	Ref	Decal Kit - Master	
	2902307	Ref	Decal Kit - Country Spec (ANSI Spec)	
	2902309	Ref	Decal Kit - Country Spec (Chinese Spec)	
	2902308	Ref	Decal Kit - Country Spec (Japanese Spec)	
	2902310	Ref	Decal Kit - Country Spec (Korean Spec)	
		Ref	Electrical Connector Kits	
	1001148902	Ref	Amp/Tyco Electrical Connector Kit	
	1001148903	Ref	Deutsch DT Electrical Connector Kit	
	1001148904	Ref	Deutsch HD Electrical Connector Kit	
	1001148905	Ref	Packard Electrical Connector Kit	
	1001148906	Ref	Various Electrical Connectors Kit	
	1001253945	Ref	Enhanced Detection System (Level 1)	
	1001253946	Ref	Enhanced Detection System (Level 2)	
	1001148971	Ref	Lanyard (Bolt-on) Installation Kit	
		Ref	Light Options:	
	1001201539	Ref	Chassis Illuminations Lights Installation	
	1001152640	Ref	Platform Beacon Light Installation	
	1001120467	Ref	Platform Floodlights Installation	
	1001150064	Ref	Oil Cooler Installation (Deutz TD2011 Engines)	
	1001218402	Ref	Oil Cooler Installation (Deutz TD2.9L4 Engines)	
	1001272166	Ref	Pipe Rack Kit	
	1001150095	Ref	Platform Bumpers Installation	
	1001266290	Ref	Platform Console Cover Installation	
	1001269757	Ref	Platform Decal Panel - Dual Language Decals	
	1001270690	Ref	Platform Decal Panel - English Language Decals	
	1001266807	Ref	Platform Mesh to Top Rail Add-on Kit - 30INx48IN Platform (Dealer Installed)	
	1001279196	Ref	Service Kits	C
	1001252033	Ref	SkySense Add-on Kit (Level 1) (Dealer Installed)	
	1001252034	Ref	SkySense Add-on Kit (Level 2) (Dealer Installed)	
	1001250465	Ref	SkySense Installation (Level 1) (Factory Installed)	
	1001250466	Ref	SkySense Installation (Level 2) (Factory Installed)	

SECTION 11 - SPECIAL OPTIONS/ACCESSORIES/KITS

ITEM	PART NUMBER	QTY	DESCRIPTION	REV
	1001206605	Ref	Soft-Touch (Overhead) Installation - With LSS (Chinese & Korean Specs)	
		Ref	Tools for Service:	
	2901443	Ref	Analyzer Kit	
	7002821	Ref	Crimper, Wire	
	7002823	Ref	Pin Extractor - Universal (For Electrical Connectors with Pins and Sockets)	
	4460467	Ref	Extractor - 16-18 Gauge (For Removal of Pin/Sockets from Deutsch Connectors)	
	4460510	Ref	Extractor - 12-14 Gauge (For Removal of Pin/Sockets from Deutsch Connectors)	
	70004646	Ref	Puller (Hub Assembly)	
	70004648	Ref	Puller (Hub Assembly)	
	7016654	Ref	Screwdriver, Magnetic	
	7002822	Ref	Screwdriver, Potentiometer	
	7004275	Ref	Seal Tool 1 (For Cylinders)	
	7004276	Ref	Seal Tool 1 1/2 (For Cylinders)	
	70004647	Ref	Seal Tool (Hub Assembly)	
	1001137005	Ref	Software Cable Kit	
	7002828	Ref	Stripper, Wire	
	4921850	Ref	Throttle Service Harness	
	70004185	Ref	Torque Multiplier	
	1001279126	Ref	UGM2 Retrofit Kit	
	1001274249	Ref	USB Charger Add-on Kit (Dealer Installed)	
	7016655	Ref	Wire Rope Sheave Gauge	
	2910894	Ref	Wire Rope Kit	
	1001274479	Ref	White Noise Motion Alarm (Dealer Installed)	
	1001277916	Ref	White Noise Motion Alarm (Ambient) (Dealer Installed)	
	1001247280	Ref	White Noise Motion Alarm (Ambient) (Factory Installed)	

SECTION 11 - SPECIAL OPTIONS/ACCESSORIES/KITS

PART NUMBER INDEX

SECTION 11 - SPECIAL OPTIONS/ACCESSORIES/KITS

0080237.....145	0700617 141, 251	0761009 228, 309, 311	1001108616..... 143, 157,
0080277.....19, 21	0700618 160, 176, 192	0761010 . 67, 69, 71, 228,	173, 189, 202
0100009.....283, 287	0700619 115	233, 237, 241, 243,	1001108617.... 67, 69, 71,
0100011.... 15, 17, 19, 21,	0700817 367	245, 249	141
25, 27, 43, 45, 47, 67,	0700819 334	0761012 ... 15, 17, 45, 47,	1001109730..... 19, 21
69, 71, 83, 87, 89, 93,	0700820 334	133, 135, 137, 141,	1001110425..... 154, 170,
95, 97, 99, 101, 103,	0700822 334	145, 154, 170, 186,	186
105, 121, 126, 130,	0700824 146	229, 237	1001110544..... 273, 275,
133, 135, 137, 141,	0700830 43	0761014 ... 145, 228, 237,	277, 279, 283, 287
143, 145, 154, 157,	0701014 15, 17	239, 255	1001110604..... 349
160, 170, 173, 176,	0701017 ... 162, 177, 192	0761015 ... 146, 253, 255,	1001110853..... 228
186, 189, 192, 217,	0701019 334	263, 265, 267, 269, 271	1001110873..... 218
228, 233, 239, 241,	0701022 178	0761016 95, 215, 335	1001110877..... 61, 63
243, 245, 249, 251,	0701024 126, 130	0761018 228	1001111116..... 145
253, 255, 303, 305,	0701025 177	0761019 228	1001112612..... 419, 441
309, 311, 334, 338, 342,	0701030 237	0761027 228	1001112796..... 391, 395,
346	0701031 228	0761210 192	441
0100019.... 15, 17, 19, 21,	0701034 237	076121287, 89, 121, 217,	1001112927..... 143, 157,
25, 27, 77, 85, 217,	0701216 ... 141, 154, 170,	224	173, 189, 209
224, 228, 237	186	0761214 ... 25, 27, 83, 87,	1001113047..... 103, 105
0100020..... 99, 101, 146,	0701219 19, 21, 103, 105,	89, 93, 95, 145	1001113691..... 309, 311
155, 160, 171, 176,	126, 130	0761215 143	1001113961..... 445
186, 192, 263, 265,	0701221 15, 17	0761216 15, 17, 157, 173,	1001116547..... 224
267, 269, 271	0701227 224	189, 239	1001116692..... 395
0100035.19, 21, 283, 287	0701229 224	0761217 ... 15, 17, 67, 69,	1001116693..... 397
0100048..... 93, 123, 283,	0701619 39, 41	71	1001116694..... 395, 397
287	0701622 19, 21	0761218 15, 17	1001116695..... 361
0100071 29	0711018 228	0761221 93, 126, 130	1001116707..... 403
0100081 15, 17, 338, 342,	0711030 126, 130	0761229 97	1001116710..... 413
346	0711224 ... 146, 160, 176,	0761616 25, 27	1001116720..... 437
0140011 283, 287	192	0761618 77, 228	1001116727..... 404
0140043 121	0711624 85	0762017 224	1001116728..... 404
0200833 19, 21	0711629 85	0771012 239	1001116731..... 391
0259666 113	0712445001 239	0771414 145	1001116732..... 446
0271340 297	0721003 249	0771416 146	1001116734..... 446
0272970.... 263, 265, 267,	0731005 99	0772021 77	1001116748..... 251
269, 271, 477	0741607 217	0791506 249	1001116774..... 395, 397,
0340003 145	0760306 ... 162, 177, 192	0811606 ... 160, 176, 192	441
0340051 145	0760410 119	0860038 217	1001116792..... 154, 170,
0400020 95	0760606 ... 217, 249, 335,	0860520 ... 453, 455, 457,	186
0440162.... 141, 154, 170,	375	459, 461, 463, 465, 467	1001116808..... 395, 441
186	0760608 95, 193	0861538 217	1001116812..... 361, 395,
0561471 228	0760610 ... 103, 105, 115,	0940071 126, 130	407, 419, 445
0630464 19, 21	121	0961949 317, 325	1001116815..... 395
0630518 111, 299	0760612 ... 101, 115, 145,	0961950 325	1001116846..... 457, 459
0630568 284, 287	251, 259, 261, 335	0961951 233	1001116849..... 457, 459
0630612 237	0760614. 43, 45, 47, 263,	0962297 228, 319	1001116851..... 457, 459
0641404.... 283, 287, 305	265, 267, 269, 271	0962404 228	1001116952..... 404, 407
0641405.... 305, 309, 311	0760615 ... 154, 170, 186,	0962411 228	1001116967..... 403
0641406.... 123, 453, 455,	217	0962423 19, 21	1001116983..... 413
457, 459, 461, 463,	0760619 335	0962520 217	1001117025..... 446
465, 467	0760806 249	1001026127 162, 178,	1001117034..... 457, 459
0641408.... 133, 135, 137	0760807 87, 89, 251, 253,	192	1001117035..... 457, 459
0641414 283, 287	255	1001080996 367	1001117078..... 415
0641416 303	0760808 29, 154, 160,	1001090615 309, 311	1001117106..... 404, 407
0641505 19, 21	176, 192, 237	1001091102 119	1001117107..... 404, 407
0641506 93, 145	0760810 ... 126, 130, 133,	1001092856 146	1001117307..... 453, 455,
0641511 19, 21	135, 137, 160, 176,	1001097051 361, 433	457, 459, 461, 463,
0641606... 67, 69, 71, 141	192, 237, 253, 255,	1001097244 307	465, 467
0641608 143, 228	271, 338, 342, 346, 471	1001098122 427	1001117308..... 160, 176,
0641812.... 143, 157, 173,	0760812. 43, 45, 47, 103,	1001098601 145, 149	192, 476
189	105, 115, 121, 126,	1001098828 239	1001117320..... 263, 265,
0641858 237	130, 133, 135, 137, 334	1001101550 ... 25, 27, 31	267, 269, 271
0642214 224	0760814 101, 145, 237	1001103012 445	1001118287..... 228
0681607 95	0760815 121	1001104498 445	1001118384..... 439
0682422 77	0761007 249	1001106736 419	1001118388..... 437, 439
0700615.... 133, 135, 137	0761008 57, 59, 61, 63	1001107854 445	1001118665..... 233

SECTION 11 - SPECIAL OPTIONS/ACCESSORIES/KITS

1001118971 251, 477	1001136975..... 154, 160, 170, 176	1001148578.....228	1001149639 146, 161, 177, 193
1001119020 427, 441	1001137005..... 481	1001148584.....95	1001149657 19
1001119033 251	1001137032..... 224, 228	1001148585.....95	1001149658 15
1001119057 229	1001137125..... 19, 21	1001148587.....95	1001149671 15, 17
1001119470 141, 401	1001137276..... 160, 176, 193	1001148588.....95	1001149672 15, 17
1001119619 435	1001137336..... 177	1001148650.....237	1001149680 29
1001119620 431, 433	1001137673..... 303, 477	1001148768.....121	1001149681 29
1001119727 177	1001138110..... 405	1001148841.....411	1001149742 29
1001119968 218, 415	1001138111..... 405	1001148842.....411	1001149744 146
1001120328 303, 305, 427	1001138113..... 405	1001148843..... 161, 177, 193, 411	1001149785 15
1001120467 480	1001138173..... 145, 160, 176, 193	1001148902.....480	1001149786 15
1001120471 307	1001138228..... 160, 176, 193, 476	1001148903.....480	1001149865 29
1001120477 307	1001138248..... 145, 160, 176, 193	1001148904.....480	1001149903 233
1001120484 307	1001138827..... 160, 177	1001148905.....480	1001150005 352
1001121172 115	1001139240..... 160, 178, 193	1001148906.....480	1001150012 224, 233
1001121576 309, 311	1001139654..... 473	1001148919..... 233, 235	1001150013 141
1001125677 445	1001140564..... 161, 177	1001148930.....233	1001150015 126
1001126009 439	1001141304..... 161, 177, 193	1001148932.....233	1001150016 97
1001126011 427	1001141958..... 217	1001148953.....233	1001150017 27
1001126351 403, 407	1001141995..... 145, 161, 177, 193	1001148971.....480	1001150018 25
1001126352 403	1001142259..... 161, 177, 193, 211	1001149061..... 133, 135	1001150019 91
1001126356 403	1001142501..... 154, 170, 186	1001149062.....137	1001150022 39
1001126357 403	1001142683..... 476	1001149075..... 126, 133	1001150023 41
1001126362 404, 407	1001142736..... 441	1001149076..... 133, 135	1001150025 93
1001126363 404, 407, 408	1001142938..... 404, 408	1001149077..... 133, 135	1001150026 85
1001126364 404, 407, 408	1001142940..... 404, 408	1001149078..... 133, 135	1001150036 251
1001126365 404	1001142941..... 404, 408	1001149079..... 133, 135	1001150037 261
1001126384 403	1001143501..... 350	1001149080..... 133, 135	1001150042 61
1001126391 404, 407	1001143713..... 228	1001149081..... 133, 135	1001150044 57
1001126392 407	1001143797..... 161, 177, 193	1001149082..... 126, 130	1001150052 480
1001126485 407	1001144147..... 391	1001149083..... 126, 130	1001150054 480
1001126487 407	1001144433..... 303	1001149084..... 133	1001150058 480
1001126874 160, 176, 192	1001145154..... 161, 178, 193	1001149085..... 126, 130, 137	1001150064 480
1001127624 334	1001145439..... 271	1001149086.....137	1001150074 473
1001128128 446	1001146249..... 29	1001149087.....137	1001150078 83
1001129408 379, 381, 383, 385	1001146250..... 29	1001149088.....137	1001150079 453, 455, 465, 467, 473
1001130220 103, 105	1001146251..... 25, 29	1001149089.....137	1001150086 334
1001131168 281	1001146253..... 29	1001149090.....137	1001150088 349
1001131269 453, 455	1001146588..... 193	1001149091.....137	1001150089 342
1001133714 404, 408, 411	1001146775..... 228	1001149092..... 126, 130	1001150090 338
1001133715 405, 408, 411	1001147039..... 334	1001149093..... 126, 130	1001150091 215
1001133956 403, 407	1001147223..... 99	1001149094..... 137	1001150094 480
1001133957 403, 407	1001147229..... 99, 101	1001149095..... 126, 130	1001150095 480
1001134488 160, 176	1001147230..... 99	1001149096..... 126, 130	1001150096 89, 255
1001135138 160, 176, 192	1001147231..... 99	1001149098..... 126, 130	1001150098 309
1001135196 141, 154, 170, 186	1001147247..... 41	1001149099..... 126, 130	1001150320 15, 17
1001135650 405, 408, 411	1001147264..... 404	1001149101..... 126, 130	1001150321 15, 17
1001135651 405, 408	1001147479..... 249, 477	1001149103.....233	1001150322 15, 17
1001135679 217	1001147551..... 101	1001149160..... 121, 126, 130, 133, 135, 137, 237	1001150323 15, 17
1001135779 160, 176, 193	1001148011..... 228	1001149314..... 146	1001150325 15, 17
1001136402 334	1001148012..... 228	1001149315..... 146	1001150326 15, 17
1001136583 228	1001148420..... 228	1001149316..... 146	1001150407 15, 17
1001136592 228	1001148421..... 228	1001149389..... 233, 321	1001150408 15, 17
1001136834 160, 176, 192	1001148576..... 228	1001149440..... 19, 21	1001150418 19, 21
	1001148577..... 228	1001149441..... 19, 21	1001150419 19, 21
		1001149452..... 215	1001150443 141, 357
		1001149456..... 27, 37	1001150458 15, 17
		1001149458..... 25, 35	1001150460 19, 21
		1001149463... 19, 21, 325	1001150470 224
		1001149464... 15, 17, 315	1001150471 224
		1001149469..... 215	1001150473 224
		1001149524..... 375, 377	1001150474 224
		1001149530..... 146	1001150480 375, 443
			1001150558 15, 17

SECTION 11 - SPECIAL OPTIONS/ACCESSORIES/KITS

1001150577.....57, 59, 61, 63	1001152217 103, 105	1001167565 239	1001194346..... 338, 342, 346
1001150578.....57, 59, 61, 63	1001152454 251	1001167632 407	1001194347..... 338
1001150579.....57, 59, 61, 63	1001152488 146	1001167635 407	1001194348..... 338, 349
1001150644.....93	1001152493 146	1001168018 146, 161, 177, 193	1001194396..... 342, 346
1001150698.....309, 311	1001152496 146	1001168209 317	1001194397..... 342, 346
1001150699.....309, 311	1001152497 146	1001168402 239	1001194398..... 338, 342, 346
1001151025.....91	1001152500 146	1001169054 161, 177, 193	1001194401..... 338, 342
1001151027.....309, 311	1001152525 219	1001169138 161, 177, 193	1001194402..... 342, 346
1001151028.....309, 311	1001152574 22, 355, 375	1001169967 161, 178, 193	1001194406..... 342, 346
1001151058.....85	1001152640 480	1001170035 161, 178, 193	1001194407..... 342, 346
1001151061.....309, 311	1001152704 334	1001170305 251	1001194410 338
1001151064.....87, 89	1001152708 334	1001170764 408	1001194506..... 237
1001151092.....27	1001152742 403	1001170982 154, 170, 186	1001194525 237
1001151094.....25	1001153027 141, 154, 170, 186	1001171095 143, 157, 173, 189, 205	1001194528 237
1001151128..... 143, 145	1001153028 126, 130	1001171482 107, 109	1001194532..... 43, 49
1001151129..... 141, 143	1001153029 126, 130	1001172760 283, 287	1001194548..... 237
1001151157 146	1001153030 126, 130	1001174486 99, 141, 215	1001194550..... 237
1001151158 146	1001153034 126, 130	1001175568 154, 170	1001194564..... 237
1001151159 146	1001153035 126, 130	1001178797 154, 171, 186	1001194566..... 237
1001151180 83	1001153046 141, 154, 170, 186	1001179154 218	1001194568..... 237
1001151201 309, 311, 425	1001153083 141, 154, 170, 186	1001180516 161, 177, 193	1001194582..... 237
1001151213 121	1001153086 126, 130, 141, 154, 170, 186	1001180620 161, 177, 193	1001194636..... 228
1001151214 261	1001153162 126, 130	1001181899 162, 178, 193	1001194653..... 228
1001151215 261	1001153195 126, 130	1001182361 407	1001194663..... 228
1001151221 121	1001153198 126, 130	1001182727 215	1001194694..... 224
1001151222 121	1001153199 126, 130	1001182997 97, 99	1001194706..... 228
1001151223 121	1001153281 457	1001184682 123	1001194707..... 224
1001151226 133, 135	1001153444 303	1001185281 249, 283, 287	1001194708..... 224, 228
1001151229 133, 135	1001153446 480	1001186431 437, 477	1001194712..... 228
1001151320 146	1001154294 229	1001186432 437, 439	1001194715..... 229
1001151393 113	1001154304 229	1001186517 303	1001194717..... 229
1001151409 45, 47, 51	1001154306 229	1001187382 239	1001194733..... 229
1001151432 177	1001154405 154, 170, 186	1001187383 239	1001194925..... 327
1001151436 39	1001155041 218	1001187674 301	1001194935..... 229
1001151437 39	1001155044 22, 283, 287	1001187681 435	1001194938..... 229
1001151500 241, 243, 245, 247	1001155045 283, 287, 477	1001188622 239	1001194940..... 229
1001151525 67, 69, 71, 477	1001155823 154, 170, 186	1001188844 239	1001194941..... 229
1001151646 85	1001156016 319	1001189001 239	1001194942..... 229
1001151651 309, 311	1001157520 219	1001189002 239	1001194943..... 229
1001151652 309, 311	1001157521 219	1001190985 239	1001195191..... 224, 317
1001151701 119	1001157522 219	1001191610 146, 161, 177, 193	1001195442..... 229
1001151730 95	1001157528 219	1001192401 445	1001195494..... 480
1001151731 309	1001157592 218	1001194133 237	1001195626..... 249
1001151809 97	1001157770 218, 352	1001194134 237	1001195876..... 253, 255
1001151834 43, 45, 47, 53	1001158007 219	1001194136 237	1001195877..... 253, 255
1001151840 67, 69, 71	1001158008 219	1001194137 237	1001196107..... 146
1001151906 249	1001159186 419, 427	1001194138 237	1001196517..... 249, 477
1001151907 249	1001159256 283, 287, 477	1001194341 338, 342, 346	1001196634..... 393
1001151908 249	1001161709 22, 283, 287, 477	1001194342 338, 342, 346	1001196744..... 283, 287
1001151912 126, 130	1001161710 283, 287, 477	1001194345 338, 342, 346	1001196894..... 146
1001152039 251	1001165035 154, 161, 170, 177, 186, 193		1001196896..... 146
1001152059 251	1001165820 161, 177, 193		1001197477..... 146
1001152060 251	1001166538 283, 287, 295, 476		1001197717..... 237
1001152062 251	1001166539 283, 287, 291, 476		1001197718..... 334
1001152193 103, 105, 115			1001197719..... 408
1001152194 115			1001197797..... 224, 319
1001152195 115			1001197798..... 224, 323
1001152197 103, 105			1001198138..... 273
1001152214 103, 105			1001198144..... 275
			1001198145..... 275
			1001198146..... 273
			1001198149..... 275
			1001198150..... 273
			1001198153..... 275

SECTION 11 - SPECIAL OPTIONS/ACCESSORIES/KITS

1001198154.....	273	1001201539.....	480	1001218402.....	480	1001219726.....	154
1001198155.....	275	1001203789.....	455	1001218403.....	154, 157	1001220261.....	161, 177, 403
1001198156.....	273	1001203790.....	453, 455	1001218404.....	157, 160	1001220535.....	154, 170, 186
1001198160.....	275	1001203929.....	467	1001218405.....	161, 177, 193	1001220562.....	255
1001198166.....	275	1001203930.....	459	1001218406.....	161, 178, 193	1001220749.....	154, 170, 186, 359
1001198167.....	275	1001203931.....	463	1001218408.....	161, 178, 194	1001220778.....	229
1001198170.....	275	1001204043.....	249, 477	1001218409.....	161	1001220779.....	229
1001198175.....	277	1001204509.....	145	1001218411.....	161, 178, 194	1001221172.....	99
1001198176.....	277	1001204722.....	334	1001218412.....	161, 178, 194	1001221175.....	97, 99
1001198178.....	277	1001204725.....	239	1001218414.....	161, 177, 193	1001221203.....	177
1001198180.....	277	1001205505.....	253, 255	1001218416.....	161, 178, 194	1001221205.....	170
1001198181.....	277	1001206121.....	334	1001218417.....	161, 178, 194	1001221212.....	177
1001198183.....	277	1001206122.....	334	1001218423.....	161, 177, 193	1001221217.....	177
1001198188.....	277	1001206123.....	334	1001218425.....	161, 178, 194	1001221284.....	97, 101
1001198189.....	277	1001206124.....	334	1001218429.....	161, 177, 193	1001221286.....	101
1001198190.....	277	1001206125.....	334	1001218430.....	161, 177, 193	1001221289.....	154, 170, 186, 413
1001198200.....	273	1001206126.....	334	1001218431.....	161, 177, 193	1001221290.....	101
1001198205.....	273	1001206127.....	334	1001218432.....	161, 178, 194	1001221291.....	101
1001198206.....	273	1001206128.....	334	1001218434.....	161, 178, 194	1001221312.....	101
1001198207.....	273	1001206129.....	334	1001218436.....	161, 177, 193	1001221313.....	101
1001198211.....	279	1001206130.....	334	1001218437.....	161, 178, 194	1001221334.....	101
1001198212.....	279	1001206131.....	334	1001218440.....	161, 178, 194	1001221340.....	101
1001198214.....	279	1001206133.....	334	1001218443.....	161, 177, 193	1001221427.....	177
1001198216.....	279	1001206532.....	284	1001218444.....	161, 177, 193	1001221435.....	249
1001198217.....	279	1001206605.....	311, 481	1001218447.....	218	1001221518.....	229, 231
1001198219.....	279	1001206771.....	465, 467	1001218448.....	161, 177, 193	1001221679.....	87, 89
1001198224.....	279	1001206772.....	457, 459	1001218545.....	103, 105	1001221680.....	87, 89
1001198225.....	279	1001206773.....	461, 463	1001218580.....	161, 177, 193	1001222493.....	335
1001198226.....	279	1001207673.....	251	1001218733.....	121	1001222524.....	47, 55
1001198229.....	237	1001209664.....	303	1001218944.....	161, 177, 193	1001222642.....	17
1001198576.....	273, 275, 277, 279, 283, 287	1001209688.....	338, 342, 346	1001218945.....	161, 177, 193	1001222688.....	21
1001198930.....	473	1001209841.....	338, 342, 346	1001219082.....	389	1001222730.....	346
1001199043.....	224, 231, 477	1001209842.....	338, 342, 346	1001219116.....	67, 69, 71, 73	1001222730.....	346
1001199120.....	473	1001210636.....	307	1001219400.....	170	1001222817.....	154, 170, 186, 213, 476
1001199134.....	473	1001210887.....	29	1001219403.....	170, 173	1001223300.....	335
1001199214.....	473	1001211508.....	29	1001219404.....	173, 176	1001223301.....	335
1001199834.....	349	1001212223.....	218	1001219455.....	178, 194	1001223381.....	350
1001199835.....	349	1001212817.....	146	1001219601.....	115, 477	1001223459.....	407
1001199837.....	349	1001213447.....	427	1001219627.....	349	1001223890.....	47, 71, 245
1001199839.....	349	1001213664.....	335	1001219628.....	350	1001223930.....	103, 105
1001199840.....	349	1001213665.....	335	1001219631.....	170	1001223931.....	45, 69, 243
1001199843.....	349	1001213882.....	283, 287	1001219642.....	177, 181	1001223984.....	43, 67, 241
1001199844.....	349	1001214683.....	218			1001224023.....	154, 170
1001199845.....	349	1001215258.....	239			1001224978.....	303
1001199846.....	349	1001215629.....	91			1001225210.....	130
1001199847.....	349	1001216206.....	237			1001225211.....	130, 135
1001199848.....	349	1001216207.....	237			1001225244.....	135
1001199849.....	349	1001216208.....	237			1001225343.....	229
1001199851.....	349	1001216394.....	93			1001225430.....	165, 476
1001199904.....	303, 437	1001216555.....	229			1001225431.....	165, 476
1001200024.....	363	1001216560.....	229			1001226541.....	391
1001200025.....	365	1001216793.....	480			1001226636.....	391
1001200026.....	367	1001216832.....	229			1001226637.....	391
1001200028.....	369	1001216835.....	229			1001226706.....	231
1001200030.....	363, 367, 369, 371	1001216836.....	229			1001226739.....	379, 381, 383, 385, 391
1001200031.....	365, 373	1001217028.....	237			1001226831.....	389, 395
1001200032.....	367	1001217857.....	103, 105			1001227180.....	259
1001200034.....	369	1001217858.....	103, 105			1001227633.....	301
1001200156.....	255	1001217859.....	103, 105			1001227634.....	301
1001200157.....	255	1001217864.....	103, 105			1001227985.....	301
1001200491.....	239	1001217917.....	239				
1001200494.....	239	1001218037.....	224, 231				
1001200794.....	224	1001218400.....	154				
1001201351.....	239	1001218401.....	217				

SECTION 11 - SPECIAL OPTIONS/ACCESSORIES/KITS

1001227987.....301	1001242743..... 361, 375	1001255695..... 186	1001311034.....305
1001227996.....431, 433	1001242745..... 375, 419	1001255696..... 186, 189	1060343.....218
1001228200.....160, 176, 193	1001243596..... 283, 287, 427	1001255697..... 189, 192	1060918....263, 265, 267, 269, 271
1001228224.....301, 477	1001243682..... 123, 449	1001255824..... 271	1062255....379, 381, 383, 385, 387, 389
1001228225.....301, 477	1001244298..... 457, 459	1001255826..... 271, 281	10702077.....219
1001228485.....99, 101	1001245788..... 253	1001255827..... 281, 287	10702082.....219
1001228488.....77, 79	1001246144..... 379	1001255828..... 287	10837489..... 74
1001228618.....77	1001246145..... 385	1001255830..... 473	1120549..... 19, 21
1001228954.....381	1001246526..... 379	1001255832..... 473	1120550..... 19, 21
1001229141.....77	1001246527..... 385	1001255834..... 473	1220078.....228
1001229341.....301	1001246859..... 445	1001255901..... 393	1260017.....91
1001229458.....389	1001247280..... 481	1001256006..... 109	1320022..... 161, 177
1001229542.....161, 177	1001247280..... 481	1001256017..... 109	1320058.....145
1001230051.....101	1001247468..... 239, 477	1001256018..... 105, 109	1320061....121, 154, 170, 186, 218
1001230052.....335	1001248425..... 263	1001256019..... 105	1320136.....249
1001230053.....335	1001248426..... 269	1001256020..... 105	1320223..... 154, 170
1001230054.....335	1001248427..... 265	1001256879..... 194	1320235.....334
1001230635.....193	1001248428..... 267	1001257154..... 177	1320263..... 15, 17, 249
1001230931.....251	1001248435..... 103	1001257277..... 145	1320302.....217
1001230934.....407	1001248437..... 453	1001259424..... 193	1320302.....217
1001230935.....407	1001248439..... 455	1001259425..... 193	1321385.....335
1001230936.....407	1001248441..... 465	1001262322..... 383	1380169..... 103, 105
1001231149.....335	1001248443..... 467	1001262327..... 383	1600343....283, 287, 476
1001231150.....335	1001248445..... 457	1001263172..... 123	1600443..... 149, 476
1001231245.....161	1001248447..... 459	1001265163..... 307	1671049....57, 59, 61, 63
1001231797.....241, 243, 429	1001248449..... 461	1001266221..... 107	1671092.....218
1001232164.....301	1001248451..... 463	1001266222..... 107	1671142.....249
1001232165.....301	1001248452..... 375	1001266228..... 103, 107	1701499....453, 455, 457, 459, 461, 463, 465, 467
1001232358.....135	1001248456..... 263, 273	1001266229..... 103	1701501....453, 455, 457, 459, 461, 463, 465, 467
1001232642.....305	1001248457..... 269, 277	1001266290..... 480	1701502....453, 455, 457, 459, 461, 463, 465, 467
1001232667.....305, 477	1001248458..... 265, 279	1001266807..... 480	1701503....453, 455, 457, 459, 461, 463, 465, 467
1001232782.....63	1001248459..... 267, 275	1001269754..... 178	1701505....453, 455, 457, 459, 461, 463, 465, 467
1001232783.....59	1001248460..... 273, 275, 277, 279, 283	1001269755..... 117	1701509....453, 455, 457, 459, 461, 463, 465, 467
1001232899.....229, 329	1001248539..... 453, 455, 457, 459, 461, 463, 465, 467	1001269756..... 87, 253	1701529....453, 455, 457, 459, 461, 463, 465, 467
1001233479.....117, 119	1001248542..... 453, 455	1001269757..... 480	1702565.....281
1001234800.....407	1001248543..... 461	1001270339..... 361	1702566.....281
1001236089.....299	1001248544..... 457, 459	1001270340..... 361	1702590....453, 455, 457, 459, 461, 463, 465, 467
1001236092.....111	1001248545..... 465, 467	1001270690..... 480	1702773....453, 455, 457, 459, 461, 463, 465, 467
1001236143.....99	1001248554..... 457, 459	1001272166..... 480	1702774....453, 457, 461, 465
1001236144.....379, 381, 385	1001248545..... 465, 467	1001272659..... 387	1702862....453, 455, 457, 459, 461, 463, 465, 467
1001236552.....305	1001248558..... 453, 455, 457, 459, 461, 463, 465, 467, 473	1001272997..... 393	1702868.....453, 455
1001237285.....193, 407	1001249886..... 283	1001273012..... 387, 393	1703162....145, 160, 176, 192
1001237667.....419, 427	1001249946..... 161, 165	1001274249..... 481	1703797.....453, 455
1001237668.....419, 427	1001250465..... 480	1001274479..... 481	1703804.....453, 455
1001237862.....431, 433	1001250466..... 480	1001274527..... 307	1703805.....453, 455
1001237863.....301, 433	1001250466..... 480	1001276605..... 387	1703811....453, 455, 457, 459, 461, 463, 465, 467
1001237864.....301, 431	1001252033..... 480	1001276642..... 115	1703814....453, 455, 457, 459, 461, 463, 465, 467
1001237865.....301, 435	1001252034..... 480	1001276923..... 480	1703925.....457, 459
1001238319.....301	1001252034..... 480	1001277208..... 115, 476	1703926.....461, 463
1001238418.....305, 439	1001252527..... 407	1001277210...43, 45, 47, 476	1703927.....465, 467
1001238472.....305	1001253945..... 480	1001277278..... 99	1703938.....461, 463
1001238559.....305	1001253946..... 480	1001277916..... 481	
1001238672.....299	1001254240..... 453, 455	1001279126..... 481	
1001238674.....111	1001254241..... 453, 455	1001279196..... 480	
1001238732.....111, 299	1001254242..... 465, 467	1001279504..... 375, 445	
1001239202.....408	1001254243..... 465, 467	1001281100..... 115, 476	
1001239344.....361	1001254244..... 457, 459	1001282206..... 193, 197	
1001239345.....361	1001254247..... 457, 459	1001282406..... 389, 397	
1001241403.....111, 299	1001254263..... 461, 463	1001286219..... 99	
1001241965.....305	1001254264..... 461, 463	1001287741..... 375, 423	
1001242540.....249	1001254472..... 305	1001289138..... 389, 399	
1001242624.....383	1001254473..... 305	1001289140..... 399	
1001242625.....381	1001255084..... 471	1001289199..... 399	
1001242653.....480	1001255085..... 469	1001289665..... 389	
	1001255086..... 471	1001292288..... 473	
	1001255694..... 194		

SECTION 11 - SPECIAL OPTIONS/ACCESSORIES/KITS

1703939.....	465, 467	2220372.....	334, 349	2902065.....	145, 157, 173, 189, 199	3311401.....	217
1703943.....	457, 459	2220373.....	349	2902303.....	480	3311405... 123, 249, 303, 305, 453, 455, 457, 459, 461, 463, 465, 467	
1703944.....	461, 463	2220374.....	334, 349	2902307.....	480	3311505.....	19, 21
1703945.....	465, 467	2220375.....	349	2902308.....	480	3311601....	284, 288, 305
1703949.....	457, 459	2220377.....	350	2902309.....	480	3311605.....	309, 311
1703950.....	461, 463	2220380.....	349	2902310.....	480	3322201.....	93
1703951.....	465, 467	2220415... 334, 342, 346, 349		2902443.....	401, 404, 407	3331211... 145, 160, 176, 192, 217	
1703953.....	453, 455	2220435.....	349	2910894.....	481	3332415001.....	239
1703980.....	461, 463	2220451.....	349	2920028.....	303, 309, 311	3380474.....	453
1703981.....	465, 467	2220466... 334, 342, 346		2920029.....	303, 309, 311	3391210... 141, 154, 170, 186	
1703982.....	457, 459	2220472... 338, 342, 349		2940045.....	103, 105	3423208.....	224
1704260.....	281, 283	2220473... 334, 338, 342, 346		2940173.....	133, 135, 137	3423256.....	19, 21
1704277... 453, 455, 457, 459, 461, 463, 465, 467		2220478.....	349	3020039.....	228	3430616.....	284, 288
1704412... 453, 455, 457, 459, 461, 463, 465, 467		2220479.....	349	3020042.....	229	3450810.....	29
1704885... 453, 455, 457, 459, 461, 463, 465, 467		2220497.....	349	3251102.....	217	3451214.....	19, 21
1704972.....	473	2220498.....	145, 349	3252347.....	453, 455	3470003.....	284, 288
1705336.....	453, 455	2220499.....	334, 349	3271601.....	126, 130	3520026.....	283, 287
1705337.....	453, 455	2220500.....	334, 349	3271805.....	237	3520027.....	283, 287
1705338.....	461, 463	2220502... 334, 342, 346		3272201.....	228	3520054... 145, 157, 173, 189, 283, 287	
1705339.....	465, 467	2220582.....	342, 346	3272401.....	228	3520174.....	283, 287
1705344.....	461, 463	2220582.....	342, 346	3282601.....	228	3573294.....	15, 17
1705345.....	465, 467	2220596.....	334	3290305.... 162, 177, 192, 273, 275, 277, 279, 283, 287		3580317.....	217
1705351.....	453	2220603.....	334	3290405 15, 17, 117, 119, 307		3580318.....	217
1705366.....	224	2220605.....	342, 346	3290505.....	389	3580320.....	217
1705426.....	461	2220624.....	349	3290601.....	95, 133, 135, 137, 193	3600424.....	95
1705427.....	465	2220628.....	334, 349	3290605.. 43, 45, 47, 115, 121, 141, 145, 218, 251, 259, 263, 265, 267, 269, 271, 335		3641585.....	259
1705430.....	457	2220654.....	346	3290606.....	261	3740067.... 95, 145, 476, 477	
1705492.....	453, 455	2220671.....	349	3290801.....	99, 101	3740086.....	439, 477
1705493.....	461, 463	2220816... 155, 171, 186		3290805.. 43, 45, 47, 103, 105, 115, 121, 126, 130, 133, 135, 137, 145, 237, 271, 334, 367		3760133.....	233
1705503.....	465, 467	2220819... 338, 342, 346		3291001.....	239	3760170.....	91
1705744.....	281	2220861.....	342, 346	3291005.....	95, 126, 130, 133, 135, 145, 215, 237, 239, 253, 255, 263, 265, 267, 269, 271, 335, 338, 342, 346	3760233.....	224
1705745.....	281	2220865.....	334	3291007.....	15, 17	3760383.....	19, 21
1705969.....	465, 467	2220881 49, 51, 231, 319		3291201.....	97, 126, 130, 141, 154, 170, 186, 239	3790012.... 21, 283, 287, 297	
1706060.....	473	2220885... 317, 319, 321		3291205.... 67, 69, 71, 87, 89, 93, 97, 103, 105, 126, 130, 141, 154, 170, 186, 224, 239		3790152... 143, 157, 173, 189	
1706061.....	473	2220885... 74, 315, 317, 319, 323, 325, 327, 329		3291207.....	19, 21	3790155... 143, 157, 173, 189	
1706062.....	473	2220886... 74, 317, 323		3291602.....	77	3790158.....	25, 27
1706741.....	281	2220887.....	319	3291607.....	19, 21	3820001... 453, 455, 457, 459, 461, 463, 465, 467, 473	
2060025.....	145	2220888.....	319	3300241.....	228	3841143... 141, 154, 170, 186, 233, 239	
2110810.....	342, 346	2220923.....	338, 342	3300242.....	228	3841203.....	19, 21, 224
2110812.....	349	2220947.....	334	3300353.....	283, 287	3841258.....	19, 21
2111010.....	349	2221034.....	338	3300364.... 103, 105, 249		3841287.....	224
2111016.....	349	2221042.....	334	3300396.....	218	3841581.....	224
2130808.....	342, 346	2221084.....	349	3300408.....	111, 299	3841692.....	259
2130810... 338, 342, 346, 349		2221086 .53, 55, 74, 224, 231, 247		3300459.....	228	3900174.....	103, 105
2130812... 342, 346, 349		2221231.....	338	3300464.....	19, 21	3900210.....	103, 105
2131012.....	338, 349	2221337.....	231	3311001.....	218	3900349.....	283, 287
2150810... 338, 342, 346		2400060... 307, 427, 445		3311005.....	217	3900363... 133, 135, 137, 145	
2151010.....	349	2400066.....	445			3900364.... 160, 176, 192	
2151012... 338, 342, 346		2540038.....	309, 311			3910606.....	217
2170108.....	342, 346	2560187... 133, 135, 137				3910804.....	113
2170208.....	338, 342	2720058.....	141, 215			3931008.....	93
2170308.....	338	2750532... 145, 338, 342, 346				3931016.....	217
2170708.....	342, 346	2820031.....	217			3931020.....	19, 21
2170908... 338, 342, 346, 349		2820247.....	431, 433			3931408.....	303
2172110.....	350	2860030.....	113, 476				
2180832.....	154, 170	2900700.....	231				
2220313.... 99, 154, 170, 186		2900707.....	74				
2220315.....	145	2900708.....	73				
2220366.....	349	2900770... 74, 315, 317, 321					
2220371... 334, 338, 342, 346		2900792.....	315				
		2901443.....	481				

SECTION 11 - SPECIAL OPTIONS/ACCESSORIES/KITS

3931414.....249	4460043 404, 407	4460539 ... 355, 361, 395,	4460944.....93, 355, 361,
3931512.....93, 160, 176,	4460071 ... 217, 263, 265,	407, 419, 423, 427,	401, 403, 404, 407,
192	267, 269, 271	445, 449	408, 419, 427, 445
3931620.....157, 173, 189	4460121 423	4460662 309, 311	4460945....395, 407, 419,
3931628.....217	4460144 419	4460670 361, 419, 445	446
3960422.....217	4460183 427	4460702 401, 446	4460950.....377, 403
3960551.....19, 21	4460225 417	4460703 361, 404, 407	4460963.....219
3960552.....19, 21	4460226 ... 263, 265, 267,	4460708 283, 287	4460967.....415
4031205.....249	269, 271, 292, 295,	4460746 407	4460968.....15, 17, 311
4031505.....301	425, 437	4460748 407	4460970.....397, 403
4031507.....117	4460227 427	4460761 419, 427	4460982.....403
4031510.....15, 17, 251	4460234 ... 283, 287, 375,	4460807 417	4461005.....401
4031516.....305	379, 381, 383, 385,	4460808 417	4461006.....401
4031605.....249	387, 389	4460836 93, 377, 403,	4461008....401, 404, 407
4031607.....99, 253	4460247 404, 407	446	4461052.....401
4031707.....19, 21	4460256 446	4460837 93, 446	4461053.....401
4031914.....160, 176, 192	4460259 ... 307, 413, 419,	4460865 371, 373	4461054....401, 404, 408,
4032009.....327	427	4460866 427, 445	413
4032013.....217	4460260 ... 307, 413, 419,	4460868 419	4461060.....401
4032014.....217	427	4460871 ... 251, 419, 423,	4461070....401, 403, 404,
4032022.....145	4460265 292, 295	427, 445, 449	441
4032310.....19, 21	4460267 419, 427	4460872 445	4461071....401, 404, 407
4060802.....217	4460268 417, 423	4460873 427, 445	4461072....401, 404, 407
4060807.....229, 350	4460313 401, 446	4460874 427, 445	4461073....401, 404, 407
4060808.....43, 45, 47	4460315 217, 401	4460875 423	4461074....401, 404, 407
4060865.....119	4460346 217	4460876 419, 427	4461077....361, 435, 439
4060906.....283, 287	4460418 419, 427	4460877 419	4461095....401, 403, 404,
4070895.....237	4460419 419, 427	4460878 445	441
4070897.....228	4460424 423	4460879 307, 427	4461097.....401
4070898.....228	4460425 218	4460884 ... 307, 361, 377,	4568293.....145
4071015.....228	4460426 218	404, 408, 437, 445	4640509.....315
4071041.....77	4460428 283, 287	4460887 ... 307, 427, 445	4640751....145, 160, 176,
4100026.....334	4460434 427	4460891 ... 117, 119, 377,	192
4100066.....349	4460458 404, 407	413, 429, 441, 443, 449	4641129.....73
4160197.....228	4460464 ... 251, 263, 265,	4460892 429	4641210.....74
4240017....338, 342, 346,	267, 269, 271, 307,	4460894 ... 361, 391, 401,	4641285.....319
349	361, 377, 391, 393,	404, 408, 419, 423,	4711000.....219
4240018....334, 338, 342,	403, 404, 413, 419,	427, 429, 446	4711400....123, 133, 135,
346, 349	423, 425, 427, 439,	4460897 ... 413, 425, 446	137, 217, 249, 303, 305
4240032....375, 379, 381,	441, 443, 445, 446, 449	4460899 ... 251, 361, 423,	4711500 19, 21, 160, 176,
383, 385, 387, 389, 401	4460465 ... 117, 119, 307,	435, 439, 443, 446	192
4240033....301, 303, 305,	361, 371, 373, 377,	4460905 ... 283, 287, 419,	4711600....67, 69, 71, 95,
401	391, 395, 401, 403,	423, 427, 445	141, 284, 288
4240099....162, 178, 192,	404, 407, 408, 415,	4460910 431	4711800.....19, 21, 237
309, 311	417, 419, 421, 423,	4460911 361, 435	4740181 19, 21
4360070.....218, 476	427, 429, 437, 441,	4460914 19, 21, 249	4740229.....19, 21
4360274....107, 109, 477	443, 445, 446, 449	4460918 361	4740362....263, 265, 267,
4360328....107, 109, 297,	4460466 93, 301, 307,	4460925 427	269, 271
477	361, 371, 373, 377,	4460926 429	4740397.....21, 283, 287
4360336.....217, 477	391, 395, 397, 401,	4460928 361, 429, 441	4740505.....19, 21
4360387....283, 287, 303,	403, 404, 407, 408,	4460930 ... 377, 401, 403,	4750800.....19, 21
309, 311, 477	419, 421, 423, 427,	404, 408, 421, 423, 445	4751000.....99, 217, 249
4360436.....97, 477	429, 435, 439, 441,	4460931 403, 419, 446	4751400....217, 283, 287,
4360469.....113, 477	443, 445, 446	4460932 ... 307, 355, 361,	453, 455, 457, 459,
4360475....107, 109, 283,	4460467 481	393, 404, 413, 445	461, 463, 465, 467
287, 477	4460470 283, 287, 375	4460933 ... 377, 395, 403,	4751500.....103, 105
4360476.....107, 109	4460471 283, 287, 375	427, 441, 445	4755000.....19, 21
4360477....309, 311, 477	4460473 371, 373	4460934 377, 403	4811400.15, 17, 117, 307
4360505.....19, 21, 477	4460496 283, 287, 419	4460935 377, 403	4811600.....99, 253, 389
4360552.....249, 477	4460497 ... 283, 287, 419	4460941 93, 361, 403,	4811700....43, 45, 47, 95,
4360578.....15, 17, 477	4460508 301, 427, 445	413, 435	103, 105, 115, 121,
4420051.....469, 471	4460509 371, 373	4460942 93, 301, 361,	141, 145, 154, 170,
4460016.....427	4460510 481	403, 404, 408, 413,	186, 193, 217, 249,
4460019....401, 404, 407,	4460518 ... 361, 395, 397,	445, 446	251, 335, 375
446	427, 429, 441	4460943 93, 355, 403,	4811702....101, 259, 261
4460042....263, 265, 267,	4460536 427, 445, 449	427, 435	4811900....29, 43, 45, 47,
269, 271, 405, 408, 419			87, 89, 99, 101, 121,

SECTION 11 - SPECIAL OPTIONS/ACCESSORIES/KITS

126, 130, 133, 135, 137, 145, 160, 176, 192, 237, 249, 251, 253, 255, 271, 334, 338, 342, 346	5251014 ... 160, 170, 176, 186, 192	70002026.....31	70002291 218
4811902 ... 103, 105, 115, 160, 176, 192, 334, 471	5251016 ... 160, 176, 192, 239	70002027.....31	7000238649, 51, 73, 247, 476
4812000 ... 15, 17, 45, 47, 57, 59, 61, 63, 67, 69, 71, 95, 126, 130, 133, 135, 137, 145, 176, 215, 218, 228, 237, 239, 241, 243, 245, 249, 253, 255, 309, 311, 334, 338, 342, 346	5251212 ... 154, 160, 170, 176, 186, 192	70002029.....31	70002460 218
4812002 ... 161, 177, 192, 263, 265, 267, 269, 271	5251414 160, 176, 192	70002030.....31	70002576 209
4812100 ... 15, 17, 19, 21, 67, 69, 71, 83, 87, 89, 93, 95, 97, 103, 105, 121, 126, 130, 141, 145, 154, 170, 186, 192, 239	5260600 160, 176, 192	70002031.....31	70002578 205
4812102 97, 141, 154, 170, 186	5260800 ... 154, 160, 170, 176, 186, 192	70002032.....31, 79	70002578 205
4812200 145	5261000 160, 176, 192	70002033.....31	70002580 205
4812300 19, 21, 141, 154, 170, 186, 228	5271723 229	70002034.....31	70002582 205
4871700 217	70000044 149	70002035.....31	70002583 205
4891600 ... 143, 157, 173, 189	70000342 235	70002036.....31	70002585 205
4891800 ... 143, 157, 173, 189	70000345 149, 181	70002037.....31	70002586 205
4892400 77	70000619 217	70002039.....31	70002588 205
4920385 177	70000793 199	70002040.....31	70002589 205
4921850 481	70000804 49, 51	70002041.....31	70002590 205
4922641 218	70000805 49, 51	70002042.....31	70002592 206
4922972 217, 417	70000852 35, 37	70002043.....31	70002593 206
4923256 375, 421	70000853 35, 37	70002044.....31	70002599 206
4923468 145	70000854 35, 37	70002045.....31	70002600 202
5240600 229	70000855 35	70002046.....31	70002601 202
5241000 239	70000856 35	70002047.....31	70002602 202
524120025, 27, 143, 145, 157, 160, 173, 176, 189, 192, 217, 239	70000857 35, 37	70002048.....31	70002604 203
5241600 ... 25, 27, 39, 41, 85	70000858 35, 37	70002049.....31	70002605 203
5242000 229	70000859 35, 37	70002050.....31	70002606 203
5242400001 239	70000860 37	70002052.....31	70002607 203
5250508 ... 154, 170, 186	70000861 35, 37	70002057.....31, 79	70002608 203
5250608 ... 160, 176, 192	70000862 35, 37	70002132.....202	70002609 203
5250612 ... 160, 176, 192	70000863 218	70002133.....35, 37, 202, 205	70002610 203
5250808 ... 162, 170, 178, 186, 192	70000916 149	70002134.....202	70002612 203
5250810 ... 155, 171, 186	70000917 149	70002135.....202	70002616 203
5250813 ... 154, 160, 170, 176, 186, 192	70000918 149	70002136.....202	70002617 203
5250816 ... 160, 176, 192, 217	70000919 149	70002137.....202	70002618 202
5250818 217	70001056 95	70002138.....202	70002619 202
5251008 ... 160, 176, 192, 239	70001100 218	70002139.....202	70002620 202
5251011 ... 155, 171, 186, 192	70001123 93	70002140.....202	70002621 203
5251012 ... 160, 176, 192, 218	70001125 149	70002141.....202	70002622 203
5251013 154	70001126 149	70002142.....202	70002623 203
	70001128 149	70002145.....202	70002718 149, 181
	70001129 149	70002148.....202	70002958 51
	70001130 149	70002150.....202	70002959 51
	70001131 149	70002151.....202	70002969 73
	70001135 149	70002152.....202	70002971 73, 476
	70001384 218	70002153.....202	70003023 247
	70001435 149	70002154.....202	70003024 73
	70001697 235	70002155.....202	70003135 149
	70001847 149	70002156.....202	70003136 149
	70001850 149	70002157.....202	70003475 149
	70001857 149	70002158.....202	70003628 35, 37
	70001867 149	70002159.....202	70003631 218
	70001868 149	70002160.....202	70003708 218
	70001870 .. 149, 165, 181	70002161.....202	70003709 218
	70001871 149	70002162.....202	70003788 73, 476
	70001939 53	70002163.....202	70003789 73, 476
	70001955 205	70002164.....202	70003948 235
	70001956 205	70002165.....202	70003972 73
	70001958 203	70002168.....203	70003976 73
	70001966 218	70002174.....203	70003978 247
	70001973 218	70002175.....203	70004064 215
	70001974 218	70002176.....35, 37	70004065 215
	70002015 31	70002177.....203	70004066 215, 476
	70002016 31	70002178.....203	70004067 215
	70002018 31	70002179.....203	70004068 215
	70002019 31	70002231 67, 69, 71, 141, 476	70004069 215
	70002020 31	70002247 32	70004070 215
		70002248 31	70004092 218
		70002249 32	70004094 218
			70004098 218
			70004099 218

SECTION 11 - SPECIAL OPTIONS/ACCESSORIES/KITS

70004152.....	74	70004770.....	291	70005863.....	317	70006403.....	213
70004185.....	481	70004771.....	291	70005864.....	317	70006404.....	213
70004201.....	35, 37	70004772.....	291	70005865.....	317	70006405.....	213
70004202.....	35, 37	70004773.....	291	70005866.....	317	70006406.....	213
70004207.....	35	70004774.....	292	70005867.....	317	70006407.....	213
70004276.....	165, 182	70004775.....	292	70005868.....	325	70006408.....	213
70004277.....	183	70005171.....	181	70005869.....	325	70006409.....	213
70004279.....	165	70005172.....	165, 181	70005870.....	325	70006410.....	213
70004280.....	181	70005173.....	181	70005871.....	325	70006425.....	247
70004282.....	182	70005174.....	181	70005872.....	325	70006427.....	74
70004416.....	205	70005177.....	182	70005873.....	325	70006617.....	329
70004417.....	205	70005181.....	182	70005874.....	325	70006620.....	329
70004420.....	205	70005184.....	182	70005875.....	327	70006621.....	329
70004421.....	205	70005188.....	182	70005876.....	327, 329	70006622.....	329
70004422.....	206	70005189.....	165, 182	70005877.....	327	70006623.....	329
70004423.....	205	70005191.....	183	70005878.....	327, 329	70006929.....	53, 55
70004426.....	205	70005317.....	79	70005879.....	327, 329	70006950.....	53, 55, 476
70004459.....	53	70005318.....	79	70005880.....	327, 329	70006986.....	79
70004460.....	53, 476	70005418.....	206	70005881.....	327, 329	70006987.....	79
70004461.....	53, 55	70005456.....	93	70005882.....	327, 329	70006988.....	79
70004467.....	79	70005647.....	165, 183	70005883.....	327, 329	70006989.....	79
70004469.....	79	70005648.....	165, 183, 476	70005884.....	327	70006990.....	79
70004474.....	79	70005707.....	101, 476	70005885.....	329	70006991.....	79
70004477.....	79	70005717.....	73	70005886.....	327	70006992.....	79
70004480.....	79	70005725.....	73	70005888.....	315	70006993.....	79
70004481.....	79	70005774.....	51	70005889.....	321	70006994.....	79
70004494.....	80	70005775.....	49, 51	70005890.....	321	70006995.....	79
70004501.....	182	70005776.....	49, 51	70005920.....	181	70006996.....	79
70004504.....	165	70005778.....	73	70005921.....	181	70006997.....	79
70004511.....	181	70005781.....	73	70005923.....	182	70006998.....	79
70004512.....	181	70005782.....	73	70005924.....	182	70006999.....	79
70004637.....	315	70005784.....	74	70005925.....	182	70007000.....	79
70004646.....	481	70005785.....	74	70005926.....	182	70007001.....	79
70004647.....	481	70005786.....	74	70005927.....	182	70007002.....	79
70004648.....	481	70005789.....	247	70005928.....	182	70007003.....	79
70004738.....	295	70005820.....	37	70005929.....	182	70007004.....	80
70004739.....	295	70005821.....	37	70005938.....	166	70007005.....	80
70004740.....	295	70005824.....	237	70005941.....	165, 181	70007006.....	80
70004741.....	295	70005825.....	237	70005942.....	165, 181	70007007.....	80
70004742.....	295	70005835.....	319	70006003.....	224, 231	70007008.....	80
70004743.....	295	70005836.....	319	70006004.....	224, 231, 476	70007009.....	79
70004744.....	295	70005837.....	319	70006005.....	224, 231	70007010.....	80
70004745.....	295	70005838.....	319	70006006.....	224, 231	70007011.....	79
70004746.....	295	70005839.....	319	70006087.....	53, 55	70007012.....	80
70004747.....	295	70005840.....	319	70006088.....	53, 55	70007013.....	80
70004748.....	295	70005841.....	319	70006089.....	53	70007353.....	150
70004749.....	295	70005842.....	319	70006093.....	218	70009021.....	359
70004750.....	295	70005843.....	323	70006094.....	218	70009022.....	357, 359
70004751.....	295	70005844.....	323	70006095.....	218, 476	70009023.....	357, 359
70004752.....	291	70005845.....	317, 323	70006096.....	218	70009024.....	359
70004753.....	291	70005846.....	323	70006097.....	218	70009025.....	357
70004754.....	291	70005847.....	315, 321, 323	70006098.....	231	70009026.....	357
70004755.....	291	70005848.....	323	70006099.....	231	70021895.....	182
70004756.....	291	70005849.....	323	70006101.....	231	70022286.....	205
70004757.....	291	70005850.....	315	70006102.....	231	70023609.....	247
70004758.....	291	70005851.....	315	70006127.....	181	70024190.....	211, 476
70004759.....	291	70005852.....	315	70006144.....	165	70024191.....	211, 476
70004760.....	291	70005853.....	315	70006237.....	73	70024484.....	182
70004761.....	291	70005854.....	315	70006238.....	73	70024488.....	181
70004762.....	291	70005855.....	321	70006239.....	73	70024494.....	165, 181
70004763.....	291	70005856.....	321	70006240.....	73	70024502.....	182
70004764.....	291	70005857.....	321	70006241.....	74	70024504.....	165, 181, 183
70004765.....	291	70005858.....	321	70006242.....	74	70024507.....	165, 183
70004766.....	291	70005859.....	321	70006282.....	231	70024509.....	182
70004767.....	291	70005860.....	321	70006283.....	231	70024513.....	181
70004768.....	291	70005861.....	321	70006343.....	327, 329	70024517.....	181
70004769.....	291	70005862.....	321	70006344.....	327, 329	70024669.....	95

SECTION 11 - SPECIAL OPTIONS/ACCESSORIES/KITS

70024905	181	70025210 ..	165, 182, 476	7015015.....	145	7024441	101
70024906	181	70025231	165, 181	7016328.....	149, 476	7024488	217
70024910	182	70025235	182	7016331	149, 165, 181,	7024489	217
70024912	182	70025239	181	476	7024565	149	
70024914	165	70025240	182	7016654.....	481	7024579	149, 181
70024915	165, 183	70025245	165	7016655.....	481	7024800	203
70024916	165	70025246	165	7017142.....	235	7024808	51
70024918	165, 183	70025249	211	7017159.....	235	7024865	35
70024920	182, 183	70025477	182	7017163.....	235	7024867	35, 37
70024922	165, 183	70025533	183	7017164.....	235	7024868	35, 37
70024924	165, 181	70025660	183	7017172.....	235	7026029	93, 476
70024925	181	70025768	182	7017192.....	235	7026030	93
70024961	181	70025931	182	7017195.....	235	7026031	93, 477
70025076	181	70026210	165, 183	7017402.....	73, 247	7026032	93
70025077	165, 183	70026302	317, 323	7017410.....	247	7026608	149, 476
70025080	181	70026995	182	7017418.....	74	7026626	218
70025082	181	70027006	73, 476	7017420.....	74	7026665	93
70025084	182	70027278	73	7017453.....	73	7027235	149
70025091	181	7002821	481	7017467.....	73	7027236	149
70025101	182	7002822	481	7017493.....	51	7027239	149
70025107	182	7002823	481	7017495.....	73	7027240	149
70025109	182	7002828	481	7018942.....	53	7027276	149
70025111	181	70030962	211	7020175....	107, 109, 283,	7027740	35
70025112	182	70030963	211	287	7027790	149	
70025115	182	70035212	183	7020176....	107, 109, 283,	7027791	149
70025120	183	7003655	145, 476	287	7027792	149	
70025130	165	7004275	481	7020414.....	149	7027799	218
70025133	182	7004276	481	7020447.....	149	7029593	95
70025135	181	7007207	202, 205	7020460.....	149	7274000040	218
70025137	181	7007415	203, 205, 206	7020465....	149, 165, 181	77363233	417
70025140	181	7007418	202	7020468.....	149	8036572	247
70025142	182	7007419	202	7020471.....	149	80484084	404, 407
70025144	181	7007420	35, 37	7020479.....	149	80983191	404, 476
70025145	181	7007438	35	7020486.....	149	8220045	446
70025146	181	7007439	35, 37, 203	7020492.....	182	8220164	403, 407
70025149	165, 183	7007446	35, 37, 202, 205	7021249.....	35, 37	8229242	404, 476
70025151	182	7007489	209	7021256.....	203	8405006	186
70025152	181	7010543	73	7021265.....	203	8405007	160, 176, 192
70025153	181	7010545	74	7021275.35,	37, 202, 205	8405009	192
70025154	181	7010635	73	7021293.....	203	8405104	160, 176, 192
70025155	182	7011016	95	7021375.....	53, 55	8405204	160, 176, 192
70025158	182	7011043	95	7021636.....	73	8406109	160, 176, 192
70025162	181	7011044	95	7022300.....	203	8406202 ...	154, 162, 170,
70025164	165, 182	7011048	95	7022301.....	202	177, 186	
70025171	181	7011311	319	7022311.....	35, 37	8410013	99, 145, 186
70025176	181	7011346	53, 55, 231	7022314.....	35, 37	8750024	145
70025178	182	7011376	319	7022321.....	35, 37	8750025	146
70025179	182	7012518	73	7022340.....	205	8760268	335
70025180	182	7012540	73	7022368.....	35, 37	8760552	349
70025181	165, 181	7012773	53	7022371.....	35, 37	8770048	334
70025182	182	7012914	73	7022390...49,	51, 73, 247	88662013	349
70025183	182	7012918	73	7022391.....	73	91143339	403
70025184	182	7012925	73	7023919.....	73, 74	91143340	403
70025185	182	7012953	74	7023923.....	73	91203039	239
70025200	182	7012967	73, 247	7023924.....	74		
70025203	182	7012998	74, 247	7023962.....	205		
70025205	181	7015014	145	7023964.....	205, 206		



**Corporate Office
JLG Industries, Inc.
1 JLG Drive
McConnellsburg, PA 17233-9533 USA
☎ (717) 485-5161 (Corporate)
☎ (877) 554-5438 (Customer Support)
📠 (717) 485-6417**

**Visit our website for JLG Worldwide Locations.
www.jlg.com**



OSHKOSH™