



Illustrated Parts Manual

Model 1500AJP

PVC
2207

P/N
31220606

November 15, 2023 - Rev E

ANSI

CE



**UK
CA**

AS/NZS

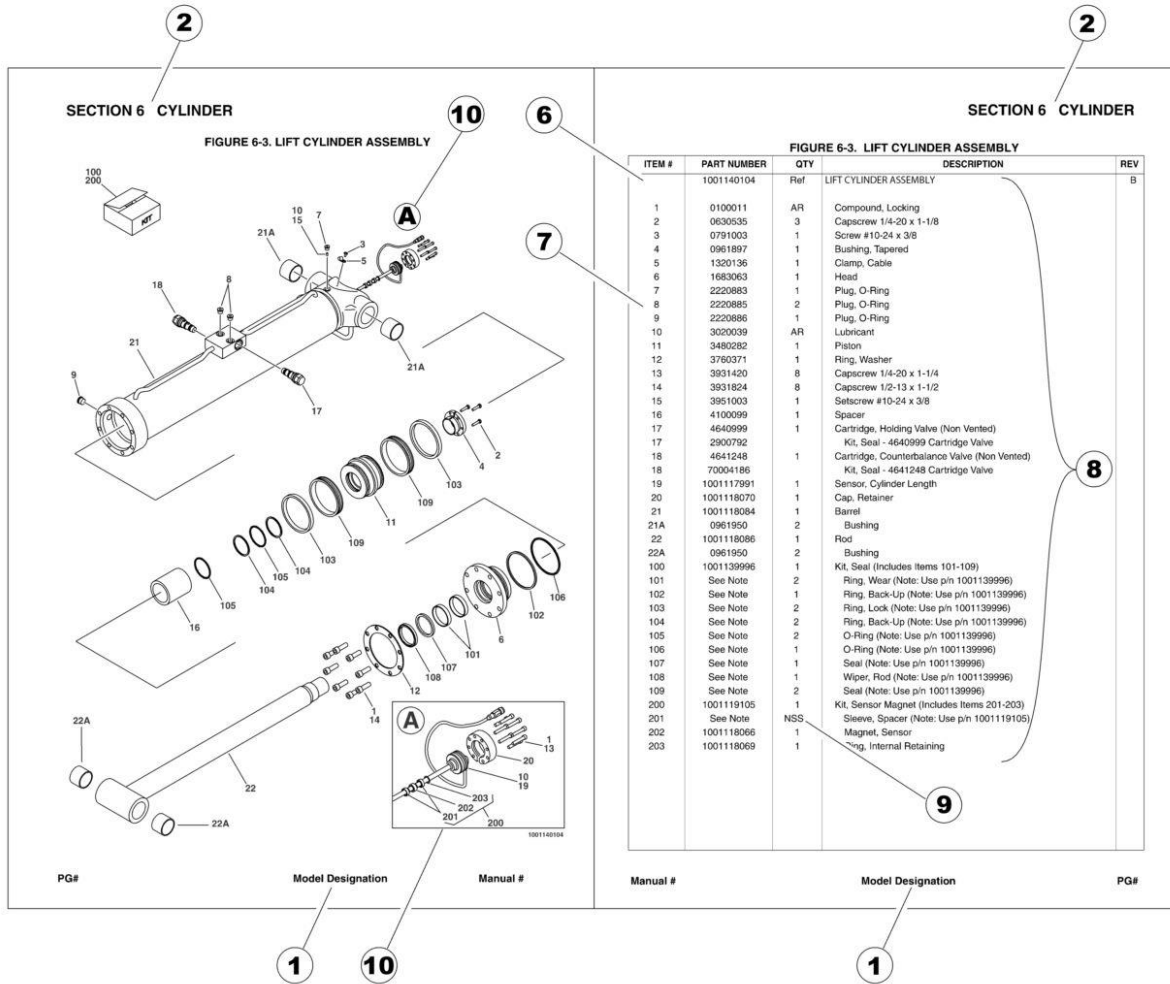


An Oshkosh Corporation Company

REVISION LOG

July 11, 2022 - A - Original Issue of Manual (Edited to B/M 1001261501 Revision M)
November 15, 2022 - B - Revised Manual (Edited to B/M 1001261501 Revision N)
July 17, 2023 - C - Revised Manual (Edited to B/M 1001261501 Revision N)
September 1, 2023 - D - Revised Manual (Edited to B/M 1001261501 Revision N)
November 15, 2023 - E - Revised Manual (Edited to B/M 1001261501 Revision N)

GENERAL INFORMATION



1) MACHINE IDENTIFICATION

Machines are identified by model and in some cases a combination of models, serial number (SN) or regional standard (i.e ANSI, CE, CSA). Components may also be identified by SN or manufacturer. Common components that may be identified by these characteristics are engines and hydraulic components.

2) PARTS MANUAL ORGANIZATION

Product information in this manual is organized under section titles. Frame, Cylinder, Hydraulic and Electrical are a few examples. Each section is organized by figure and page number. The information within the Figure is then organized by item number, part number, description and corresponding illustration (s).

3) TABLE OF CONTENTS (NOT SHOWN)

A table of contents is found toward the beginning of the manual. Figure number, description and page number are provided for quick reference to the page containing the related information.

4) RECOMMENDED SPARE PARTS (NOT SHOWN)

The Recommended Spare Parts List, located near the end of the manual, reference most frequently used maintenance parts.

5) PART NUMBER INDEX (NOT SHOWN)

A numerical index listing all part numbers and the corresponding page number(s) appears at the back of the manual.

GENERAL INFORMATION

6) NON-SERVICED PARTS

In some instances, it is necessary to display non-serviced parts, assemblies or installations. In the case of assemblies and installations there will be a Ref in the Qty. column. In case of parts that are not available for service within assemblies or components, there will be a NSS (Not Sold Separately) or NLA (No Longer Available) listed in the Qty. column of the manual.

7) PARTS LIST ITEM NUMBERS

Numbers shown in the item# column correspond to numbers used in the associated illustration (s). Item numbers which are missing from the sequence in the parts list are not used on that page.

8) INDENTED PARTS DESCRIPTION

An indented part description is included in the item under which it is indented.

9) ABBREVIATION AND SYMBOLS

AC.....	Alternating Current	L.....	Liter
ADE.....	Advanced Design Electronics	LB(LBS).....	Pounds
AG.....	Agricultural	LCD.....	Liquid Crystal Display
ANSI.....	American National Standards Institute	LED.....	Light Emitting Diodes
AR.....	As Required	LH.....	Left Hand
ASSY.....	Assembly	LRC.....	Low Rated Countries
AUS.....	Australia	LSS.....	Load Sensing System
AUX.....	Auxiliary	M(m).....	Metric/Meter
AWG.....	American Wire Gauge	MM(mm).....	Milimeter
B/M.....	Bill of Material	mA.....	Miliamps
CAC.....	Charge Air Cooler	NLA.....	No Longer Available
CE.....	European Conformity	NPT.....	National Pipe Threads
CCW.....	Counter Clockwise	NSS.....	Not Sold Separately
CM.....	Centimeter	OD.....	Outside Diameter
CW.....	Clockwise	ORB.....	O-Ring Boss
CSA.....	Canadian Standards Association	ORFS.....	O-Ring Face Seal
CYL.....	Cylinder	OZ (oz).....	Ounces
DIA.....	Diameter	PG.....	Page
DC.....	Direct Current	PN.....	Part Number
DEF.....	Diesel Exhaust Fluid	QT(qt.).....	Quarts
EMS.....	Emergency Stop	QTY.....	Quantity
ENG.....	Engine	REF.....	Reference
FT(ft).....	Feet	REV.....	Revision Level
GA(Ga).....	Gauge	RH.....	Right Hand
HRC.....	High Rated Countries	SAE.....	Society of Automotive Engineers
HVAC.....	Heating, Ventilating, and Air Conditioning	SN.....	Serial Number
HYD.....	Hydraulic	SPEC(S).....	Specifications
Hz.....	Hertz	T/T.....	Turntable
ID.....	Inside Diameter	UGM.....	Universal Ground Module
IN.....	inches	V.....	Volts
ISO.....	International Organization for Standards	W.....	Watts
JIC.....	Joint Industry Council	#.....	Number
KG.....	Kilogram		

10) ILLUSTRATION REFERENCE LETTERS

When necessary, illustrations may contain reference letters that are intended to track information (i. e. hoses, harnesses) from one point to another or to track visual enlargement of components to show details that may be located in another area on the illustration.

Note: Due to continuous product improvements, JLG Industries, Inc. reserves the right to make specification changes without prior notification. Contact JLG Industries, Inc. for updated information.

TABLE OF CONTENTS

SECTION 1 - FRAME.....	15
FIGURE 1-1. AXLE INSTALLATION	16
FIGURE 1-2. STEER INSTALLATION.....	18
FIGURE 1-3. WHEEL DRIVE INSTALLATION.....	20
FIGURE 1-4. DRIVE MOTOR ASSEMBLY	22
FIGURE 1-5. DRIVE HUB ASSEMBLY	24
FIGURE 1-6. TIRE/WHEEL INSTALLATION.....	28
FIGURE 1-7. VALVES INSTALLATION - FRAME.....	30
FIGURE 1-8. TRACTION VALVE ASSEMBLY.....	32
FIGURE 1-9. STEER/AXLE EXTEND VALVE ASSEMBLY.....	34
FIGURE 1-10. ELECTRICAL COMPONENTS INSTALLATION - FRAME (HRC) (ANSI, ANSI EXPORT, CSA AND JAPANESE SPECS) (Prior to SN 0300298207).....	36
FIGURE 1-11. ELECTRICAL COMPONENTS INSTALLATION - FRAME (HRC) (ANSI, ANSI EXPORT, CSA AND JAPANESE SPECS) (SN 0300298207 to Present).....	38
FIGURE 1-12. ELECTRICAL COMPONENTS INSTALLATION - FRAME (HRC) (CE & UK CA SPECS) (Prior to SN 0300298207).....	40
FIGURE 1-13. ELECTRICAL COMPONENTS INSTALLATION - FRAME (HRC) (CE & UK CA SPECS) (SN 0300298207 to Present).....	42
FIGURE 1-14. ELECTRICAL COMPONENTS INSTALLATION - FRAME (LRC) (ANSI EXPORT, AUSTRALIAN AND CHINA SPECS) (Prior to SN 0300298207).....	44
FIGURE 1-15. ELECTRICAL COMPONENTS INSTALLATION - FRAME (LRC) (ANSI EXPORT, AUSTRALIAN AND CHINA SPECS) (SN 0300298207 to Present).....	46
FIGURE 1-16. ELECTRICAL COMPONENTS INSTALLATION - FRAME (LRC) (CE & UK CA SPECS) (Prior to SN 0300298207).....	48
FIGURE 1-17. ELECTRICAL COMPONENTS INSTALLATION - FRAME (LRC) (CE & UK CA SPECS) (SN 0300298207 to Present).....	50
FIGURE 1-18. ELECTRICAL COMPONENTS INSTALLATION WITH TOWER STOW - FRAME (HRC) (ANSI, ANSI EXPORT, CSA AND JAPANESE SPECS) (Prior to SN 0300298207).....	52
FIGURE 1-19. ELECTRICAL COMPONENTS INSTALLATION WITH TOWER STOW - FRAME (HRC) (ANSI, ANSI EXPORT, CSA AND JAPANESE SPECS) (SN 0300298207 to Present).....	54
FIGURE 1-20. ELECTRICAL COMPONENTS INSTALLATION WITH TOWER STOW - FRAME (HRC) (CE & UK CA SPECS) (Prior to SN 0300298207).....	56
FIGURE 1-21. ELECTRICAL COMPONENTS INSTALLATION WITH TOWER STOW - FRAME (HRC) (CE & UK CA SPECS) (SN 0300298207 to Present).....	58
FIGURE 1-22. ELECTRICAL COMPONENTS INSTALLATION WITH TOWER STOW - FRAME (LRC) (ANSI EXPORT, AUSTRALIAN AND CHINA SPECS) (Prior to SN 0300298207).....	60
FIGURE 1-23. ELECTRICAL COMPONENTS INSTALLATION WITH TOWER STOW - FRAME (LRC) (ANSI EXPORT, AUSTRALIAN AND CHINA SPECS) (SN 0300298207 to Present).....	62
FIGURE 1-24. ELECTRICAL COMPONENTS INSTALLATION WITH TOWER STOW - FRAME (LRC) (CE & UK CA SPECS) (Prior to SN 0300298207).....	64
FIGURE 1-25. ELECTRICAL COMPONENTS INSTALLATION WITH TOWER STOW - FRAME (LRC) (CE & UK CA SPECS) (SN 0300298207 to Present).....	66
FIGURE 1-26. COVERS INSTALLATION - FRAME.....	68
SECTION 2 - TURNTABLE.....	71
FIGURE 2-1. VALVES AND FILTERS INSTALLATION - TURNTABLE (PARKER HYDRAULIC FILTER).....	72
FIGURE 2-2. VALVES AND FILTERS INSTALLATION - TURNTABLE (DONALDSON HYDRAULIC FILTER).....	74
FIGURE 2-3. MAIN VALVE ASSEMBLY	76
FIGURE 2-4. JUNCTION VALVE ASSEMBLY	80
FIGURE 2-5. TURNTABLE BEARING INSTALLATION	82

TABLE OF CONTENTS

FIGURE 2-6. TURNTABLE LOCK INSTALLATION	84
FIGURE 2-7. SWING DRIVE INSTALLATION	86
FIGURE 2-8. SWING HUB/BRAKE/MOTOR ASSEMBLY	88
FIGURE 2-9. COUPLING/COLLECTOR RING INSTALLATION.....	92
FIGURE 2-10. COUPLING/COLLECTOR RING ASSEMBLY.....	94
FIGURE 2-11. TANKS INSTALLATION (WITHOUT DIESEL EXHAUST FLUID TANK).....	96
FIGURE 2-12. TANKS INSTALLATION (WITH DIESEL EXHAUST FLUID TANK)	98
FIGURE 2-13. HYDRAULIC TANK ASSEMBLY	100
FIGURE 2-14. AUXILIARY POWER AND BATTERIES INSTALLATIONS	102
FIGURE 2-15. AUXILIARY PUMP/MOTOR ASSEMBLY	104
FIGURE 2-16. ELECTRICAL COMPONENTS INSTALLATION - TURNTABLE (HRC) (ANSI, ANSI EXPORT, CSA AND JAPANESE SPECS) (Prior to SN 0300298207)	106
FIGURE 2-17. ELECTRICAL COMPONENTS INSTALLATION - TURNTABLE (HRC) (ANSI, ANSI EXPORT, CSA AND JAPANESE SPECS) (SN 0300298207 to Present).....	110
FIGURE 2-18. ELECTRICAL COMPONENTS INSTALLATION - TURNTABLE (HRC) (CE & UK CA SPECS) (Prior to SN 0300298207)	114
FIGURE 2-19. ELECTRICAL COMPONENTS INSTALLATION - TURNTABLE (HRC) (CE & UK CA SPECS) (SN 0300298207 to Present).....	118
FIGURE 2-20. ELECTRICAL COMPONENTS INSTALLATION - TURNTABLE (LRC) (ANSI EXPORT, AUSTRALIAN AND CHINA SPECS) (Prior to SN 0300298207)	122
FIGURE 2-21. ELECTRICAL COMPONENTS INSTALLATION - TURNTABLE (LRC) (ANSI EXPORT, AUSTRALIAN AND CHINA SPECS) (SN 0300298207 to Present)	126
FIGURE 2-22. ELECTRICAL COMPONENTS INSTALLATION - TURNTABLE (LRC) (CE & UK CA SPECS) (Prior to SN 0300298207)	130
FIGURE 2-23. ELECTRICAL COMPONENTS INSTALLATION - TURNTABLE (LRC) (CE & UK CA SPECS) (SN 0300298207 to Present).....	134
FIGURE 2-24. ELECTRICAL COMPONENTS INSTALLATION WITH TOWER STOW - TURNTABLE (HRC) (ANSI, ANSI EXPORT, CSA AND JAPANESE SPECS) (Prior to SN 0300298207)	138
FIGURE 2-25. ELECTRICAL COMPONENTS INSTALLATION WITH TOWER STOW - TURNTABLE (HRC) (ANSI, ANSI EXPORT, CSA AND JAPANESE SPECS) (SN 0300298207 to Present)	142
FIGURE 2-26. ELECTRICAL COMPONENTS INSTALLATION WITH TOWER STOW - TURNTABLE (HRC) (CE & UK CA SPECS) (Prior to SN 0300298207)	146
FIGURE 2-27. ELECTRICAL COMPONENTS INSTALLATION WITH TOWER STOW - TURNTABLE (HRC) (CE & UK CA SPECS) (SN 0300298207 to Present)	150
FIGURE 2-28. ELECTRICAL COMPONENTS INSTALLATION WITH TOWER STOW - TURNTABLE (LRC) (ANSI EXPORT, AUSTRALIAN AND CHINA SPECS) (Prior to SN 0300298207)	154
FIGURE 2-29. ELECTRICAL COMPONENTS INSTALLATION WITH TOWER STOW - TURNTABLE (LRC) (ANSI EXPORT, AUSTRALIAN AND CHINA SPECS) (SN 0300298207 to Present)	158
FIGURE 2-30. ELECTRICAL COMPONENTS INSTALLATION WITH TOWER STOW - TURNTABLE (LRC) (CE & UK CA SPECS) (Prior to SN 0300298207)	162
FIGURE 2-31. ELECTRICAL COMPONENTS INSTALLATION WITH TOWER STOW - TURNTABLE (LRC) (CE & UK CA SPECS) (SN 0300298207 to Present)	166
FIGURE 2-32. GROUND CONTROL CONSOLE ASSEMBLY (HRC) (ANSI, ANSI EXPORT, CSA AND JAPANESE SPECS) ..	170
FIGURE 2-33. GROUND CONTROL CONSOLE ASSEMBLY (HRC) (CE & UK CA SPECS).....	172
FIGURE 2-34. GROUND CONTROL CONSOLE ASSEMBLY (LRC) (ANSI EXPORT, AUSTRALIAN AND CHINA SPECS)	174
FIGURE 2-35. GROUND CONTROL CONSOLE ASSEMBLY (LRC) (CE & UK CA SPECS)	176
FIGURE 2-36. GROUND CONTROL CONSOLE ASSEMBLY WITH TOWER STOW (HRC) (ANSI, ANSI EXPORT, CSA AND JAPANESE SPECS)	178
FIGURE 2-37. GROUND CONTROL CONSOLE ASSEMBLY WITH TOWER STOW (HRC) (CE & UK CA SPECS).....	180
FIGURE 2-38. GROUND CONTROL CONSOLE ASSEMBLY WITH TOWER STOW (LRC) (ANSI EXPORT, AUSTRALIAN AND CHINA SPECS).....	182

TABLE OF CONTENTS

FIGURE 2-39. GROUND CONTROL CONSOLE ASSEMBLY WITH TOWER STOW (LRC) (CE & UK CA SPECS).....	184
FIGURE 2-40. LIGHT PANEL INSTALLATION	186
FIGURE 2-41. ALARM INSTALLATION	188
FIGURE 2-42. WHITE NOISE ALARM INSTALLATION.....	190
FIGURE 2-43. WHITE NOISE AMBIENT ALARM INSTALLATION.....	192
FIGURE 2-44. STROBE LIGHT INSTALLATION - AMBER (Prior to SN 0300298207).....	194
FIGURE 2-45. STROBE LIGHT INSTALLATION - AMBER (SN 0300298207 to Present)	196
FIGURE 2-46. STROBE LIGHT INSTALLATION - BLUE.....	198
FIGURE 2-47. STROBE LIGHT INSTALLATION - RED.....	200
FIGURE 2-48. HOOD INSTALLATION.....	202
FIGURE 2-49. HOOD PLUGS INSTALLATION.....	208
FIGURE 2-50. VENTURI INSTALLATION (HRC).....	210
FIGURE 2-51. VENTURI INSTALLATION (LRC)	212
SECTION 3 - ENGINE	215
FIGURE 3-1. ENGINE INSTALLATION (HRC) (WITHOUT COLD WEATHER PACKAGE).....	216
FIGURE 3-2. ENGINE ASSEMBLY WITH PUMPS (HRC) (WITHOUT COLD WEATHER PACKAGE)	220
FIGURE 3-3. ENGINE ASSEMBLY (HRC) (WITHOUT COLD WEATHER PACKAGE).....	222
FIGURE 3-4. ENGINE INSTALLATION (HRC) (WITH COLD WEATHER PACKAGE)	228
FIGURE 3-5. ENGINE ASSEMBLY WITH PUMPS (HRC) (WITH COLD WEATHER PACKAGE).....	232
FIGURE 3-6. ENGINE ASSEMBLY (HRC) (WITH COLD WEATHER PACKAGE)	234
FIGURE 3-7. DEUTZ HRC ENGINE COMPONENTS	240
FIGURE 3-8. ENGINE INSTALLATION (LRC) (WITHOUT COLD WEATHER PACKAGE)	244
FIGURE 3-9. ENGINE ASSEMBLY WITH PUMPS (LRC) (WITHOUT COLD WEATHER PACKAGE).....	248
FIGURE 3-10. ENGINE ASSEMBLY (LRC) (WITHOUT COLD WEATHER PACKAGE)	250
FIGURE 3-11. ENGINE INSTALLATION (LRC) (WITH COLD WEATHER PACKAGE).....	256
FIGURE 3-12. ENGINE ASSEMBLY WITH PUMPS (LRC) (WITH COLD WEATHER PACKAGE)	260
FIGURE 3-13. ENGINE ASSEMBLY (LRC) (WITH COLD WEATHER PACKAGE).....	262
FIGURE 3-14. DEUTZ LRC ENGINE COMPONENTS.....	268
FIGURE 3-15. ENGINE INSTALLATION (HRC) (STAGE V) (WITHOUT COLD WEATHER PACKAGE).....	270
FIGURE 3-16. ENGINE ASSEMBLY WITH PUMPS (HRC) (STAGE V) (WITHOUT COLD WEATHER PACKAGE)	276
FIGURE 3-17. ENGINE ASSEMBLY (HRC) (STAGE V) (WITHOUT COLD WEATHER PACKAGE).....	280
FIGURE 3-18. ENGINE INSTALLATION (HRC) (WITH COLD WEATHER PACKAGE)	286
FIGURE 3-19. ENGINE ASSEMBLY WITH PUMPS (HRC) (WITH COLD WEATHER PACKAGE).....	292
FIGURE 3-20. ENGINE ASSEMBLY (HRC) (STAGE V) (WITH COLD WEATHER PACKAGE)	296
FIGURE 3-21. DEUTZ HRC (STAGE V) ENGINE COMPONENTS	302
FIGURE 3-22. PUMP COUPLING KIT	306
FIGURE 3-23. TANDEM PUMP ASSEMBLY	308
FIGURE 3-24. PISTON PUMP ASSEMBLY	312
FIGURE 3-25. GEAR PUMP ASSEMBLY	316
FIGURE 3-26. FUEL FILTER/WATER SEPARATOR INSTALLATION (LRC).....	318
FIGURE 3-27. QUICKFIT OIL VALVE	320
FIGURE 3-28. SPARK ARRESTOR INSTALLATION (LRC) (OPTIONAL).....	322
FIGURE 3-29. 4000W GENERATOR INSTALLATION - 50HZ.....	324
FIGURE 3-30. 4000W GENERATOR INSTALLATION - 60HZ.....	328
FIGURE 3-31. 7500W SKYPOWER GENERATOR INSTALLATION - 50HZ.....	332

TABLE OF CONTENTS

FIGURE 3-32. 7500W SKYPOWER GENERATOR INSTALLATION - 60HZ.....	336
FIGURE 3-33. BREATHER HEATER INSTALLATION - MACHINES WITH COLD WEATHER PACKAGE	340
SECTION 4 - BOOM.....	343
FIGURE 4-1. BOOM AND CYLINDERS INSTALLATION (Prior to SN 0300298789)	344
FIGURE 4-2. BOOM AND CYLINDERS INSTALLATION (SN 0300298789 to Present).....	348
FIGURE 4-3. TOWER BOOM ASSEMBLY (Prior to SN 0300298789)	352
FIGURE 4-4. TOWER BOOM ASSEMBLY (SN 0300298789 to Present).....	356
FIGURE 4-5. MAIN BOOM AND JIB ASSEMBLY (Prior to SN 0300296300)	360
FIGURE 4-6. MAIN BOOM AND JIB ASSEMBLY (SN 0300296300 to Present)	366
FIGURE 4-7. PLATFORM ROTATOR ASSEMBLY	372
FIGURE 4-8. JIB ROTATOR ASSEMBLY.....	374
FIGURE 4-9. POWER TRACK INSTALLATION - TOWER BOOM	376
FIGURE 4-10. POWER TRACK INSTALLATION - MAIN BOOM	378
FIGURE 4-11. VALVES AND FILTERS INSTALLATION - BOOM.....	380
FIGURE 4-12. BOOM VALVE ASSEMBLY.....	382
FIGURE 4-13. PLATFORM VALVE ASSEMBLY	384
FIGURE 4-14. BOOM SENSORS AND COVERS INSTALLATION	386
FIGURE 4-15. PLATFORM SUPPORT INSTALLATION - WITH LSS	392
SECTION 5 - PLATFORM.....	395
FIGURE 5-1. PLATFORM ASSEMBLY - 30IN X 3FT (76CM X .91M) - DROP BAR ENTRY	396
FIGURE 5-2. PLATFORM ASSEMBLY - 30IN X 4FT (76.2CM X 1.22M) WITH SWING GATE	398
FIGURE 5-3. PLATFORM ASSEMBLY - 30IN X 4FT (76.2CM X 1.22M) WITH DROP BAR	400
FIGURE 5-4. PLATFORM ASSEMBLY - 36IN X 6FT (91.5CM X 1.83M) WITH SWING GATE	402
FIGURE 5-5. PLATFORM ASSEMBLY - 36IN X 6FT (91.5CM X 1.83M) TRI-ENTRY WITH SWING GATE	404
FIGURE 5-6. PLATFORM ASSEMBLY - 36IN X 6FT (91.5CM X 1.83M) WITH DROP BAR	406
FIGURE 5-7. PLATFORM ASSEMBLY - 36IN X 6FT (91.5CM X 1.83M) TRI-ENTRY WITH DROPBAR	408
FIGURE 5-8. PLATFORM ASSEMBLY - 36IN X 6FT (91.5CM X 1.83M) WITH FALL ARREST (ANSI, ANSI EXPORT AND CSA SPECS).....	410
FIGURE 5-9. PLATFORM ASSEMBLY - 36IN X 8FT (91.5CM X 2.44M) WITH SWING GATE	412
FIGURE 5-10. PLATFORM ASSEMBLY - 36IN X 8FT (91.5CM X 2.44M) WITH TRI-ENTRY (1 GATE/2 DROP BARS).....	414
FIGURE 5-11. PLATFORM ASSEMBLY - 36IN X 8FT (91.5CM X 2.44M) WITH DROP BAR	416
FIGURE 5-12. PLATFORM ASSEMBLY - 36IN X 8FT (91.5CM X 2.44M) WITH TRI-ENTRY (3 DROP BARS).....	418
FIGURE 5-13. PLATFORM ASSEMBLY - 36IN X 8FT (91.5CM X 2.44M) WITH FALL ARREST (ANSI, ANSI EXPORT AND CSA SPECS).....	420
FIGURE 5-14. PLATFORM ASSEMBLY - 36IN X 8FT (91.5CM X 2.44M) WITH FALL ARREST (ALL SPECS EXCEPT CSA SPECS).....	422
FIGURE 5-15. TRAY ASSEMBLY	424
FIGURE 5-16. LCD DISPLAY INSTALLATION.....	426
FIGURE 5-17. CONSOLE BOX AND FOOTSWITCH INSTALLATION.....	428
FIGURE 5-18. CONSOLE BOX AND FOOTSWITCH INSTALLATION - WITH TOWER STOW	430
FIGURE 5-19. PLATFORM CONSOLE ASSEMBLY	432
FIGURE 5-20. PLATFORM CONSOLE ASSEMBLY - WITH TOWER STOW	436
FIGURE 5-21. CONSOLE DECAL AND LIGHT PANEL INSTALLATION.....	440
FIGURE 5-22. CONTROLLER ASSEMBLY (LIFT AND SWING)	442
FIGURE 5-23. CONTROLLER ASSEMBLY (DRIVE AND STEER)	446

TABLE OF CONTENTS

FIGURE 5-24. FOOTSWITCH ASSEMBLY.....	448
FIGURE 5-25. SKYEYE INSTALLATION	450
FIGURE 5-26. SKYGUARD BAR INSTALLATION	452
FIGURE 5-27. SKYLINE INSTALLATION	454
FIGURE 5-28. SKYSENSE MID TUBE SENSOR ASSEMBLY	456
FIGURE 5-29. SKYSENSE OVERHEAD SENSOR ASSEMBLY	458
FIGURE 5-30. SKYGLAZIER INSTALLATION (ANSI, ANSI EXPORT, AUSTRALIAN, CE AND CSA SPECS)	460
FIGURE 5-31. SKYWELDER/SKYCUTTER COMBO INSTALLATION (60HZ).....	462
FIGURE 5-32. SKYWELDER INSTALLATION (50HZ).....	466
FIGURE 5-33. SKYWELDER INSTALLATION (60HZ).....	468
FIGURE 5-34. SKYWELDER PREP PACKAGE (60HZ)	470
FIGURE 5-35. SOFT TOUCH SYSTEM INSTALLATION - 8FT/2.4M PLATFORMS (OPTIONAL).....	472
FIGURE 5-36. SOFT TOUCH SYSTEM INSTALLATION - 8FT/2.44M FALL ARREST PLATFORM.....	474
FIGURE 5-37. WELDER ASSEMBLY	476
FIGURE 5-38. SKYCUTTER INSTALLATION.....	478
FIGURE 5-39. PLASMA CUTTER ASSEMBLY.....	480
FIGURE 5-40. FALL ARREST INSTALLATION (BOLT - ON EXTERNAL) 4FFT/1.22M PLATFORM)	482
FIGURE 5-41. FALL ARREST INSTALLATION (BOLT-ON EXTERNAL) (6FT/1.82M PLATFORM)	484
FIGURE 5-42. FALL ARREST INSTALLATION (BOLT-ON EXTERNAL) (6FT/1.82M TRI-ENTRY PLATFORM)	486
FIGURE 5-43. FALL ARREST INSTALLATION (BOLT-ON EXTERNAL) (8FT/2.4M PLATFORM)	488
FIGURE 5-44. USB CHARGER INSTALLATION	490
SECTION 6 - CYLINDER.....	493
FIGURE 6-1. AXLE EXTEND CYLINDER ASSEMBLY	494
FIGURE 6-2. LEVEL CYLINDER ASSEMBLY - PLATFORM SLAVE (Prior to SN 0300296300).....	496
FIGURE 6-3. LEVEL CYLINDER ASSEMBLY - PLATFORM SLAVE (SN 0300296300 to Present).....	498
FIGURE 6-4. LIFT CYLINDER ASSEMBLY - JIB.....	500
FIGURE 6-5. LIFT CYLINDER ASSEMBLY - MAIN BOOM (Prior to SN 0300298789).....	502
FIGURE 6-6. LIFT CYLINDER ASSEMBLY - MAIN BOOM (SN 0300298789 to Present).....	504
FIGURE 6-7. LIFT CYLINDER ASSEMBLY - TOWER BOOM.....	506
FIGURE 6-8. STEER CYLINDER ASSEMBLY.....	508
FIGURE 6-9. TELESCOPE CYLINDER ASSEMBLY - MAIN BOOM (Prior to SN 0300296300).....	510
FIGURE 6-10. TELESCOPE CYLINDER ASSEMBLY - MAIN BOOM (SN 0300296300 to Present).....	512
FIGURE 6-11. TELESCOPE CYLINDER ASSEMBLY - TOWER BOOM (Prior to SN 0300298789).....	514
FIGURE 6-12. TELESCOPE CYLINDER ASSEMBLY - TOWER BOOM (SN 0300298789 to Present)	518
FIGURE 6-13. TELESCOPE CYLINDER ASSEMBLY - TOWER BOOM (SN 0300298789 to Present)	522
SECTION 7 - HYDRAULIC	525
FIGURE 7-1. BOOM AND JIB HYDRAULIC DIAGRAM.....	526
FIGURE 7-2. CHASSIS HYDRAULIC DIAGRAM.....	528
FIGURE 7-3. TURNTABLE HYDRAULIC DIAGRAM	532
SECTION 8 - ELECTRICAL	539
FIGURE 8-1. AC BOX AT PLATFORM INSTALLATION - 110V GFI (ANSI, CSA AND JAPANESE SPECS)	540
FIGURE 8-2. AC BOX AT PLATFORM INSTALLATION - 110V IEC YELLOW WITHOUT GENERATOR (CE & UK CA SPECS)	542

TABLE OF CONTENTS

FIGURE 8-3. AC BOX AT PLATFORM INSTALLATION - 110V IEC YELLOW WITH 4000W GENERATOR (CE & UK CA SPECS)	544
FIGURE 8-4. AC BOX AT PLATFORM INSTALLATION - 220V IEC BLUE WITHOUT GENERATOR (CE & UK CA SPECS)	546
FIGURE 8-5. AC BOX AT PLATFORM INSTALLATION - 220V IEC BLUE WITH 4000W GENERATOR (CE & UK CA SPECS)	548
FIGURE 8-6. AC BOX AT PLATFORM INSTALLATION - 220V CEE7 POST GROUND WITHOUT GENERATOR (CE & UK CA SPECS)	550
FIGURE 8-7. AC BOX AT PLATFORM INSTALLATION - 220V CEE7 POST GROUND WITH 4000W GENERATOR (CE & UK CA SPECS)	552
FIGURE 8-8. AC BOX AT PLATFORM INSTALLATION - 220V CEE7 SIDE GROUND WITHOUT GENERATOR (CE & UK CA SPECS)	554
FIGURE 8-9. AC BOX AT PLATFORM INSTALLATION - 220V CEE7 SIDE GROUND WITH 4000W GENERATOR (CE & UK CA SPECS)	556
FIGURE 8-10. AC BOX AT PLATFORM INSTALLATION - 220V AFSINT 107 KEYED GROUND WITHOUT GENERATOR (CE & UK CA SPECS)	558
FIGURE 8-11. AC BOX AT PLATFORM INSTALLATION - 220V AFSINT 107 KEYED GROUND WITH 4000W GENERATOR (CE & UK CA SPECS)	560
FIGURE 8-12. AC BOX AT PLATFORM INSTALLATION - BOX WITH COVER WITH 4000W GENERATOR (ANSI EXPORT, AUSTRALIAN, CHINA, JAPANESE, CE & UK CA SPECS)	562
FIGURE 8-13. AC BOX AT PLATFORM INSTALLATION - 240V (WITH 7500W SKYPOWER GENERATOR) (ANSI & CSA SPECS)	564
FIGURE 8-14. AC LEAD INSTALLATION (ANSI EXPORT, AUSTRALIAN, CHINA, CE & UK CA SPECS)	566
FIGURE 8-15. BATTERY DISCONNECT INSTALLATION	568
FIGURE 8-16. BLAM HARNESS	570
FIGURE 8-17. BOOM CABLES INSTALLATION - WITHOUT GENERATOR (ALL SPEC EXCEPT AUSTRALIAN, CHINA, CE & UK CA SPECS)	572
FIGURE 8-18. BOOM CABLES INSTALLATION - WITHOUT GENERATOR (AUSTRALIAN, CHINA, CE & UK CA SPECS)	574
FIGURE 8-19. BOOM CABLES INSTALLATION - WITH 4000W GENERATOR (ALL SPECS)	576
FIGURE 8-20. BOOM CABLES INSTALLATION - WITH SKYPOWER 7500W GENERATOR (ALL SPECS EXCEPT CE & UK CA SPECS)	578
FIGURE 8-21. BOOM CABLE (MAIN BOOM)	580
FIGURE 8-22. BOOM CABLE (TOWER BOOM)	582
FIGURE 8-23. BOOM CONTROL BOX ASSEMBLY (Prior to SN 0300298207)	584
FIGURE 8-24. BOOM CONTROL BOX ASSEMBLY (SN 0300298207 to Present)	586
FIGURE 8-25. BREAKER BOX INSTALLATION - WITH 2 BREAKERS (CE & UK CA SPECS)	588
FIGURE 8-26. BREAKER BOX INSTALLATION - WITH 3 BREAKERS (CE & UK CA SPECS)	590
FIGURE 8-27. BREAKER BOX KIT - WITH 2 BREAKERS (CE & UK CA SPECS)	592
FIGURE 8-28. BREAKER BOX KIT - WITH 3 BREAKERS (CE & UK CA SPECS)	594
FIGURE 8-29. BREAKER BOX KIT - 4000W 50HZ GENERATOR	596
FIGURE 8-30. CHASSIS HARNESS	598
FIGURE 8-31. CLEARSKY INSTALLATION - 4G CANBUS CONNECTION (ALL SPECS EXCEPT CHINA SPECS)	602
FIGURE 8-32. CLEARSKY INSTALLATION - 4G CANBUS CONNECTION (CHINA SPECS)	604
FIGURE 8-33. CLEARSKY INSTALLATION - 3G CANBUS CONNECTION (ANSI EXPORT, CE, AND UK CA SPECS)	606
FIGURE 8-34. CLEARSKY INSTALLATION - 3G CANBUS CONNECTION (AUSTRALIAN SPECS)	608
FIGURE 8-35. CLEARSKY INSTALLATION - 3 WIRE GT1030 (ALL SPECS EXCEPT CHINA SPECS)	610
FIGURE 8-36. CLEARSKY HARNESS - 3G & 4G CANBUS CONNECTIONS	612
FIGURE 8-37. CLEARSKY HARNESS - 3 WIRE GT1030	614
FIGURE 8-38. DEF TANK EXTENSION HARNESS	616
FIGURE 8-39. DIESEL EXHAUST FLUID TANK HARNESS	618

TABLE OF CONTENTS

FIGURE 8-40. DRIVE PUMP HARNESS	620
FIGURE 8-41. ENGINE HARNESS (HRC)	622
FIGURE 8-42. ENGINE HARNESS STAGE V (HRC)	626
FIGURE 8-43. ENGINE HARNESS (LRC)	630
FIGURE 8-44. ENGINE CAN HARNESS	634
FIGURE 8-45. FUEL PUMP AND WIF HARNESS	636
FIGURE 8-46. PLATFORM OUTLET HARNESS	638
FIGURE 8-47. GENERATOR TO CONTROL BOX HARNESS (4000W GENERATOR)	640
FIGURE 8-48. GENERATOR TO CONTROL BOX HARNESS (7500W GENERATOR)	642
FIGURE 8-49. GENERATOR TO PLATFORM HARNESS (4000W-60HZ GENERATOR)	644
FIGURE 8-50. GENERATOR TO PLATFORM HARNESS (4000W-50HZ & 7500W GENERATOR)	646
FIGURE 8-51. GROUND CONTROL HARNESS	648
FIGURE 8-52. INTERFACE HARNESS - WITH 1 CELL LSS	650
FIGURE 8-53. LCD DISPLAY HARNESS	652
FIGURE 8-54. MAIN BOOM CONTROL BOX HARNESS	654
FIGURE 8-55. PLATFORM CONSOLE HARNESS - WITH SKYGUARD	658
FIGURE 8-56. RECEPTACLE BOX KIT - 110V IEC YELLOW (CE & UK CA SPEC)	662
FIGURE 8-57. RECEPTACLE BOX KIT - 220V IEC BLUE (CE & UK CA SPEC)	664
FIGURE 8-58. RECEPTACLE BOX KIT - 220V CEE7 POST GROUND (CE & UK CA SPEC)	666
FIGURE 8-59. RECEPTACLE BOX KIT - 220V CEE7 SIDE GROUND (CE & UK CA SPEC)	668
FIGURE 8-60. RECEPTACLE BOX KIT - 220V AFSINT 107 (CE & UK CA SPEC)	670
FIGURE 8-61. SECONDARY CONTROL HARNESS	672
FIGURE 8-62. SENSOR HARNESS - AXLE	674
FIGURE 8-63. SENSOR HARNESS - BOOM	676
FIGURE 8-64. SENSOR HARNESS - PLATFORM LEVEL	678
FIGURE 8-65. SKYEYE INTERMEDIATE HARNESS	680
FIGURE 8-66. SKYEYE EMITTER HARNESS	682
FIGURE 8-67. SKYEYE RECEIVER HARNESS	684
FIGURE 8-68. SKYLINE HARNESS	686
FIGURE 8-69. STEER HARNESS	688
FIGURE 8-70. STROBE LIGHT HARNESS - AMBER LIGHTS	690
FIGURE 8-71. STROBE LIGHT HARNESS - BLUE & RED LIGHTS	692
FIGURE 8-72. STROBE LIGHT JUMPER HARNESS - AMBER	694
FIGURE 8-73. TURNTABLE HARNESS (Prior to SN 0300298207)	696
FIGURE 8-74. TURNTABLE HARNESS (SN 0300298207 to Present)	700
FIGURE 8-75. VALVE HARNESS - BOOM	704
FIGURE 8-76. VALVE HARNESS - PLATFORM	706
FIGURE 8-77. VALVE HARNESS - TURNTABLE (Prior to SN 0300298207)	708
FIGURE 8-78. VALVE HARNESS - TURNTABLE (SN 0300298207 to Present)	710
FIGURE 8-79. WHITE NOISE MOTION ARLARM HARNESS	712
SECTION 9 - DECALS	715
FIGURE 9-1. DECAL INSTALLATION - ANSI SPEC	716
FIGURE 9-2. DECAL INSTALLATION - AUSTRALIAN SPEC	720
FIGURE 9-3. DECAL INSTALLATION - BRAZIL SPEC (ENGLISH/PORTUGUESE)	724
FIGURE 9-4. DECAL INSTALLATION - CE & UK CA SPEC	728

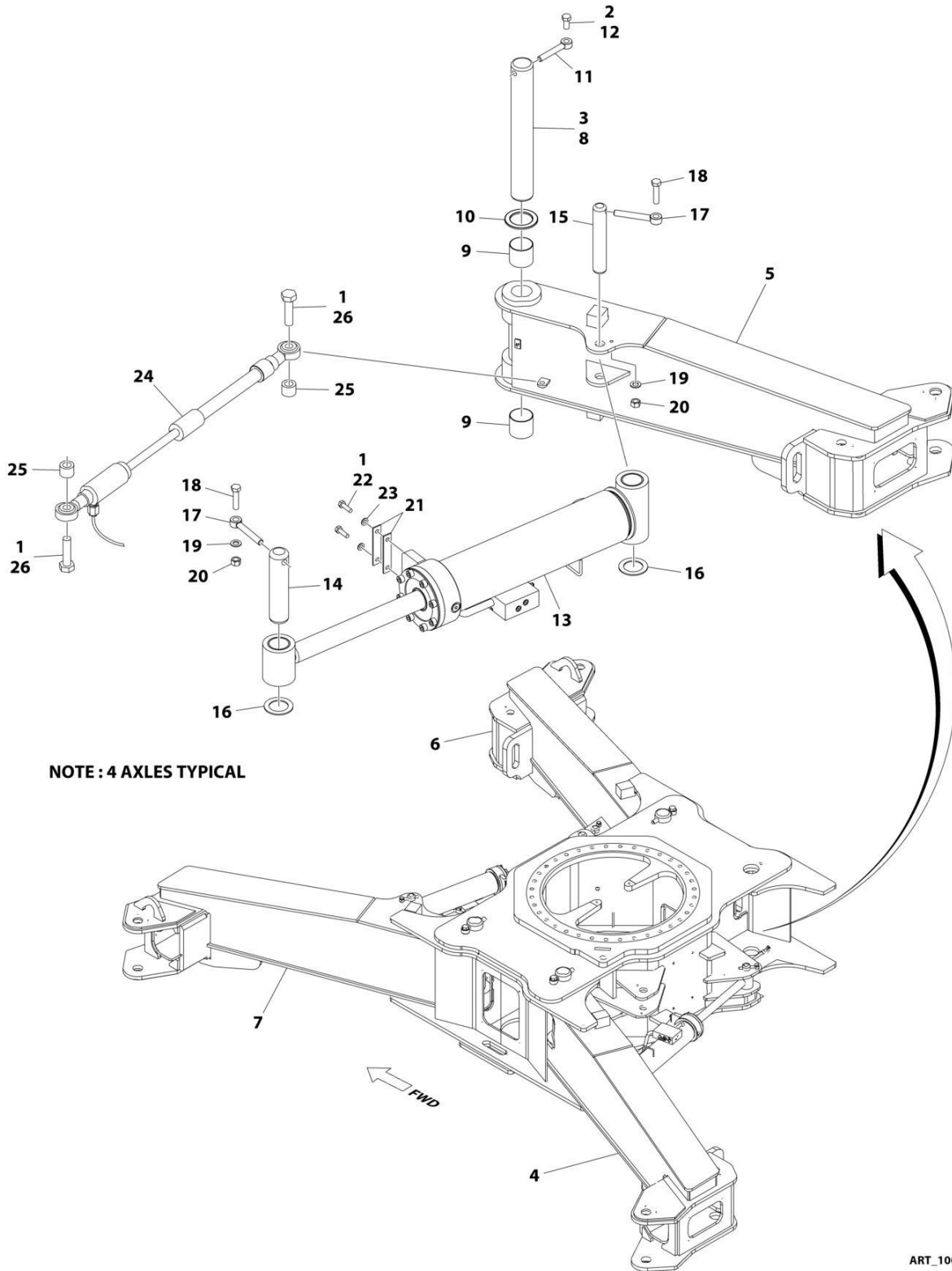
TABLE OF CONTENTS

FIGURE 9-5. DECAL INSTALLATION - CHINA SPEC (ENGLISH/CHINESE)	732
FIGURE 9-6. DECAL INSTALLATION - CSA SPEC (ENGLISH/FRENCH)	736
FIGURE 9-7. DECAL INSTALLATION - JAPAN SPEC (ENGLISH/JAPANESE)	740
FIGURE 9-8. DECAL INSTALLATION - KOREA SPEC (ENGLISH/KOREAN)	744
FIGURE 9-9. DECAL INSTALLATION - CSA SPEC (ENGLISH/FRENCH)	748
FIGURE 9-10. DECAL INSTALLATION - OPTIONS	752
FIGURE 9-11. SKYCUTTER DECAL INSTALLATION (ANSI, ANSI EXPORT AND CSA SPECS)	756
FIGURE 9-12. SKYCUTTER DECAL INSTALLATION (JAPANESE SPECS)	758
SECTION 10 - RECOMMENDED SERVICE PARTS STOCK	761
FIGURE 10-1. RECOMMENDED SERVICE PARTS STOCK	762
SECTION 11 - SPECIAL OPTIONS/ACCESSORIES/KITS	765
FIGURE 11-1. SPECIAL OPTIONS/ACCESSORIES/KITS	766
PART NUMBER INDEX	771

SECTION 1 - FRAME

SECTION 1 - FRAME

FIGURE 1-1. AXLE INSTALLATION



ART_1001190949_B

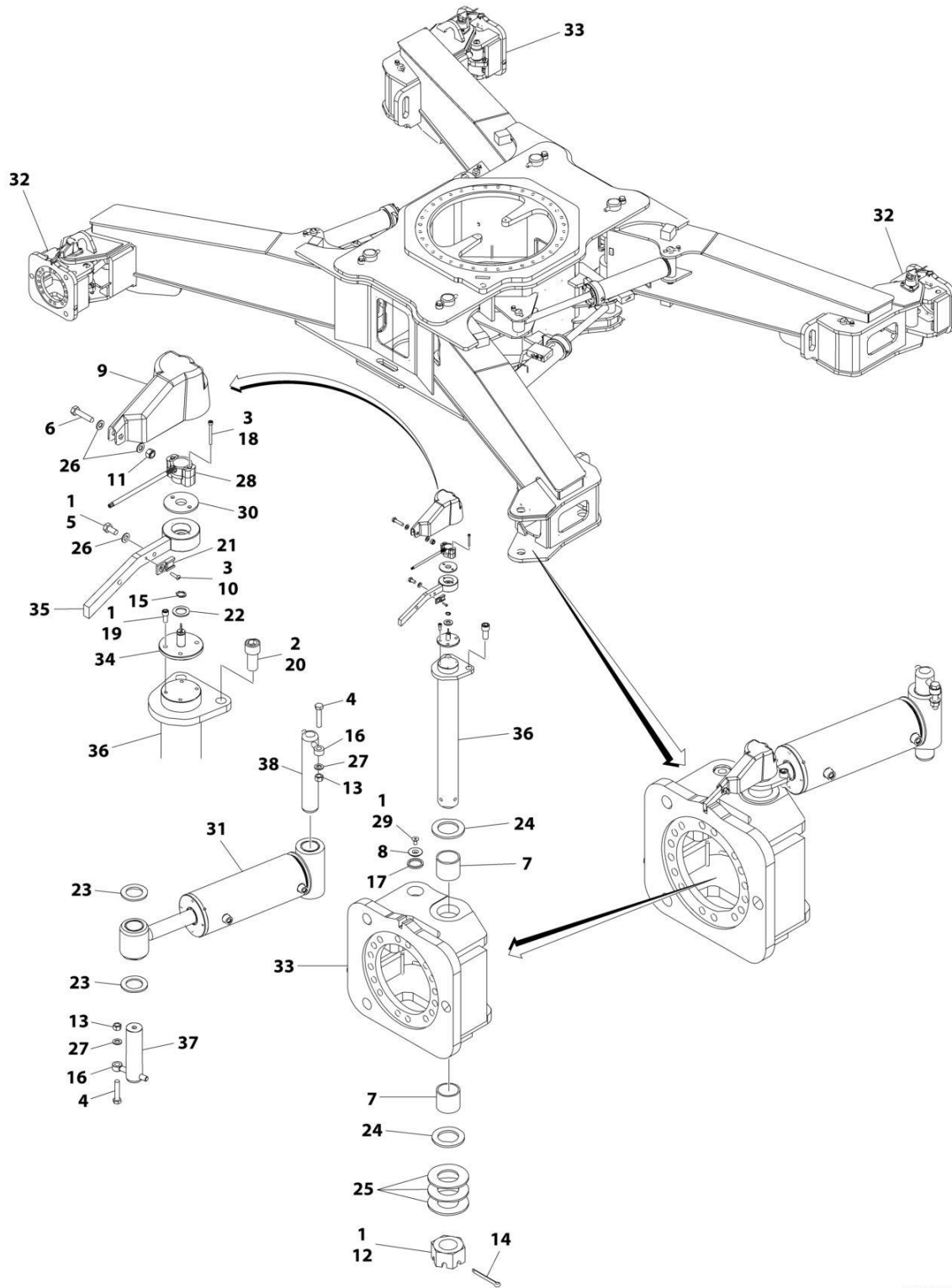
SECTION 1 - FRAME

FIGURE 1-1. AXLE INSTALLATION

ITEM	PART NUMBER	QTY	DESCRIPTION	REV
	1001190949	Ref	AXLE INSTALLATION	G
1	0100011	AR	Compound, Locking	
2	0100071	AR	Compound, Locking	
3	3020039	AR	Lubricant	
4	1001190950	1	Axle - Rear LH	
5	1001190951	1	Axle - Rear RH	
6	1001190952	1	Axle - Front RH	
7	1001190953	1	Axle - Front LH	
8	1001155363	4	Pin	
9	0440273	8	Bushing	
10	1001155133	4	Washer, Thrust	
11	3841356	4	Keeper, Pin	
12	0762418001	4	Bolt M24 x 50	
13	1001251066	4	Axle Extend Cylinder Assembly (See Separate Breakdown in CYLINDER Section)	
14	3422912	4	Pin	
15	1001120000	4	Pin	
16	4740229	8	Washer, Thrust	
17	3841258	8	Keeper, Pin	
18	0701420001	8	Bolt M14 x 60	
19	4812200001	8	Washer M14	
20	3291407001	8	Nut M14	
21	1001158017	AR	Shim	
22	0761015001	8	Bolt M10 x 35	
23	1001172358	8	Washer M10	
24	1001157084	4	Axle Sensor and Harness Assembly	
24	4460910	1	Receptacle, Female - 3 Position	
24	4460917	6	Pin, Male	
25	1001157007	8	Sleeve	
26	0761016001	8	Bolt M10 x 40	

SECTION 1 - FRAME

FIGURE 1-2. STEER INSTALLATION



ART_1001156606_G

FIGURE 1-2. STEER INSTALLATION

ITEM	PART NUMBER	QTY	DESCRIPTION	REV
	1001156606	Ref	STEER INSTALLATION	G
1	0100011	AR	Compound, Locking	
2	0100019	AR	Compound, Locking	
3	0100035	AR	Compound, Locking	
4	0701422001	8	Bolt M14 x 70	
5	0760808001	4	Bolt M8 x 16	
6	0760815001	4	Bolt M8 x 35	
7	0962423	8	Bushing	
8	1120549	4	Cap	
9	1671040	4	Cover	
10	2080091	4	Screw M4 x 16	
11	3290805001	4	Nut M8	
12	3300464001	4	Nut	
13	3291407001	8	Nut M14	
14	3451214	4	Pin, Cotter	
15	3760383	4	Ring	
16	3841258	8	Keeper, Pin	
17	3960551	4	Seal	
18	4031512	8	Capscrew M4 x 40	
19	4031707	16	Capscrew M6 x 16	
20	4032311001	8	Capscrew M16 x 35	
21	4460914	4	Base, Terminal	
22	4711800	4	Washer 1/2	
23	4740229	8	Washer, Thrust	
24	4740505	8	Washer, Thrust	
25	4755000001	18	Washer 2-1/2	
26	4811900001	12	Washer M8	
27	4812200001	8	Washer M14	
28	1001146963	4	Sensor Assembly	
28	4460899	1	Connector - 6 Position	
28	4460464	6	Socket, Female	
29	1001174345	4	Screw M20 x 20	
30	1001155836	4	Adapter	
31	1001251065	4	Steer Cylinder Assembly (See Separate Breakdown in CYLINDER Section)	
32	1001156678	2	Spindle - Front LH and Rear RH	
33	1001156679	2	Spindle - Front RH and Rear LH	
34	1001156778	4	Pin	
35	1001156785	4	Link	
36	1001156815	4	Kingpin	
37	1001156991	4	Pin	
38	1001156996	4	Pin	
39	1001155817	4	Steer Harness (Not Shown - See Separate Breakdown in ELECTRICAL SECTION)	

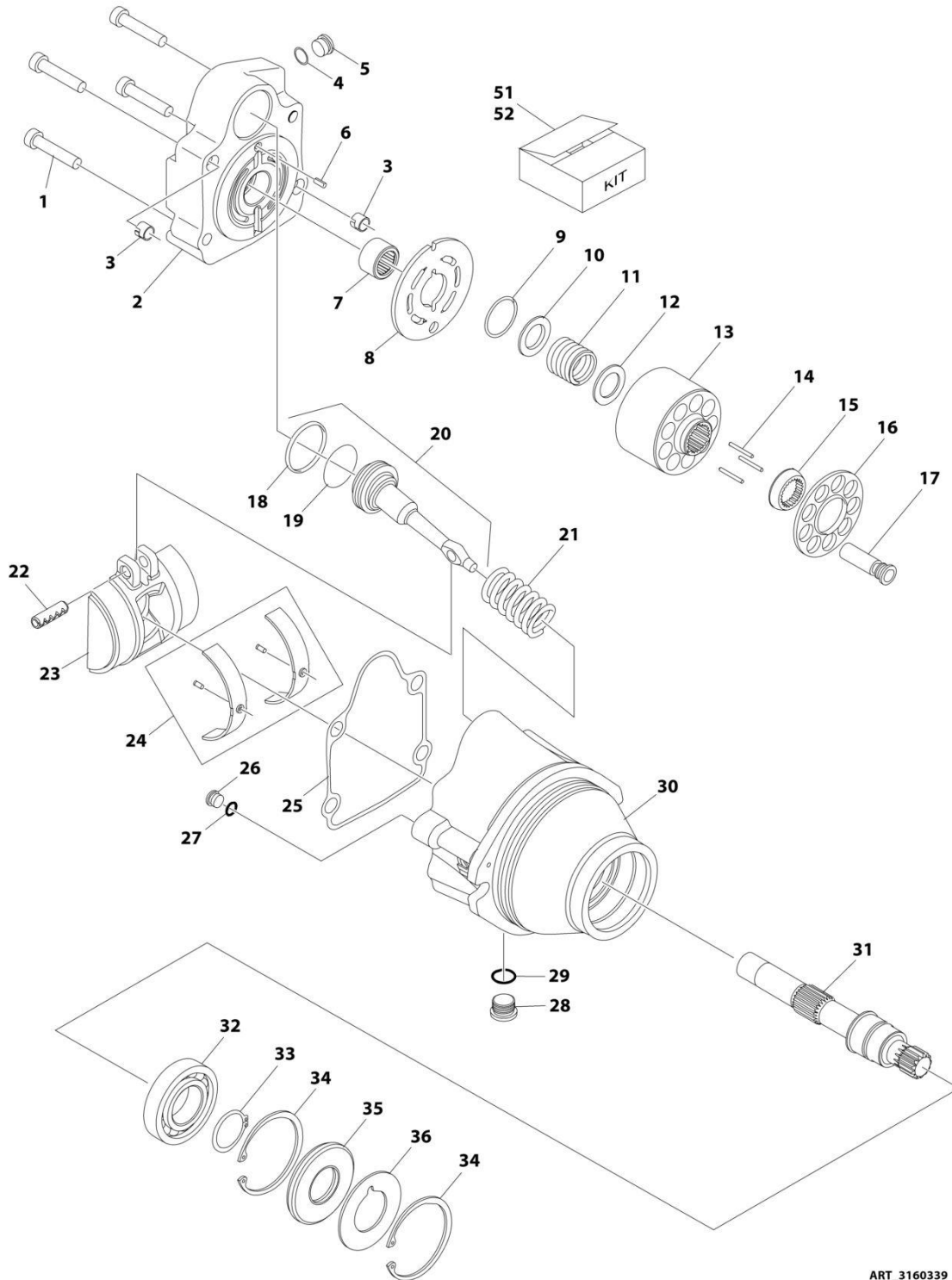
SECTION 1 - FRAME

FIGURE 1-3. WHEEL DRIVE INSTALLATION

ITEM	PART NUMBER	QTY	DESCRIPTION	REV
	1001157850	Ref	WHEEL DRIVE INSTALLATION	F
1	0100019	AR	Compound, Locking	
2	0762018001	64	Bolt M20 x 50	
3	5242000001	64	Washer M20	
4	1001154759	2	Drive Hub/Motor with Fittings - Front LH and Rear RH (See Items 101-106 for Breakdown)	
5	1001157849	2	Drive Hub/Motor with Fittings - Front RH and Rear LH (See Items 101-106 for Breakdown)	
	1001154759	Ref	HUB/MOTOR ASSEMBLY WITH FITTINGS - FRONT LH AND REAR RH	E
	1001157849	Ref	HUB/MOTOR ASSEMBLY WITH FITTINGS - FRONT RH AND REAR LH	E
101	2110808	1	Fitting, Straight ORFS/ORB	
102	2220415	1	Fitting, Straight JIC/ORB	
103	2220472	1	Fitting, 90 JIC/ORB	
104	2111012	1	Fitting, Straight ORFS/ORB	
105	2131012	1	Fitting, 90 ORFS/ORB	
106	1001154772	1	Drive Hub/Motor (See Items 201-207 for Breakdown)	
	1001154772	Ref	DRIVE HUB/MOTOR ASSEMBLY	E
201	0100011	AR	Compound, Locking	
202	0761214	2	Bolt M12 x 30	
204	3160339	1	Motor - Drive (See Separate Breakdown in this Section)	
205	3790158	1	O-Ring	
206	5241200	2	Washer M12	
207	1001149921	1	Hub - Drive (See Separate Breakdown in this Section)	

SECTION 1 - FRAME

FIGURE 1-4. DRIVE MOTOR ASSEMBLY



ART_3160339

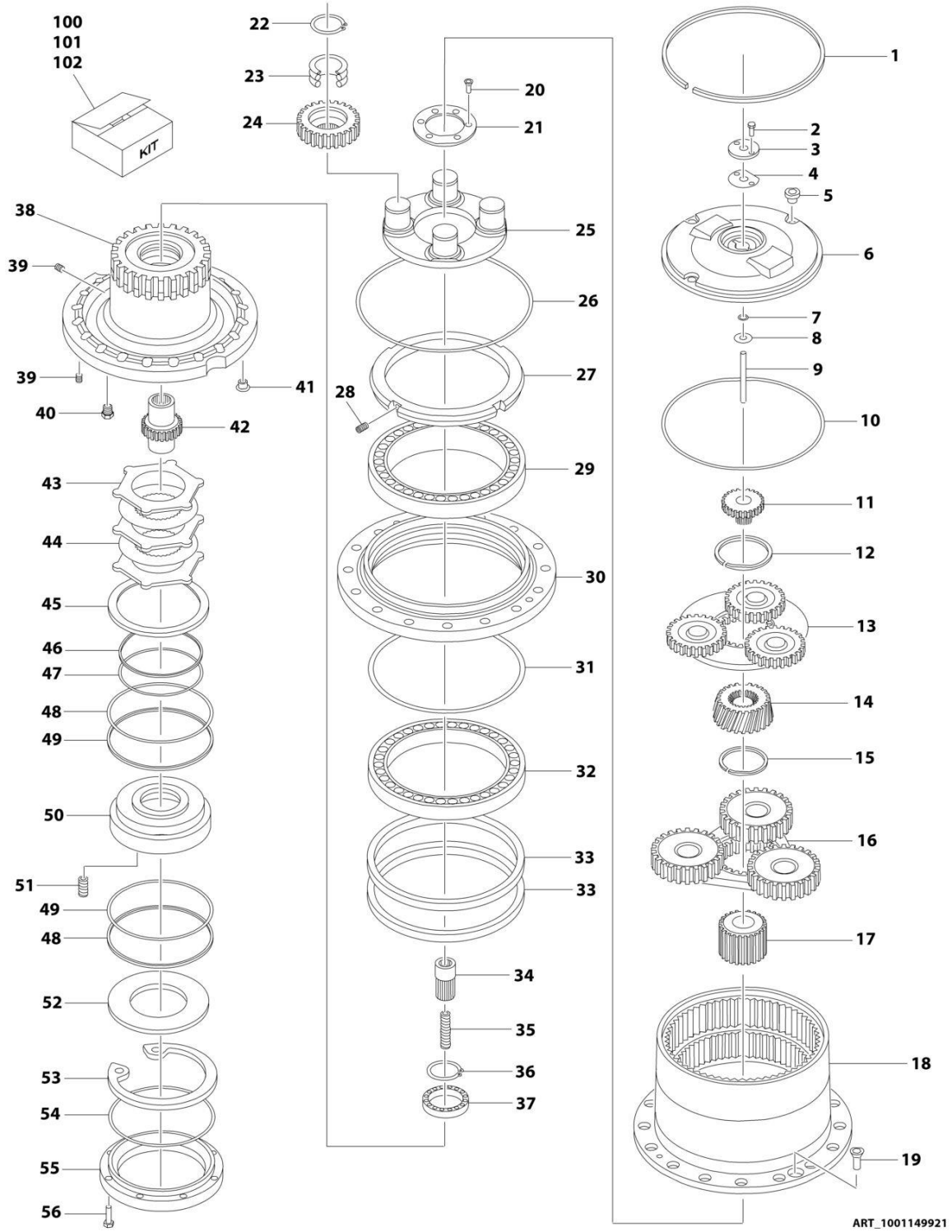
SECTION 1 - FRAME

FIGURE 1-4. DRIVE MOTOR ASSEMBLY

ITEM	PART NUMBER	QTY	DESCRIPTION	REV
	3160339	Ref	DRIVE MOTOR ASSEMBLY	D
1	7022368	4	Bolt	
2	70000859	1	End Cap, Motor	
3	70003628	2	Locating Pin	
4	See Note	NSS	O-Ring (Note: Use Item 51)	
5	7007420	1	Plug (Includes Item 4)	
6	7007446	1	Pin, Dowel	
7	7021249	1	Bearing, Needle	
8	70000854	1	Plate, Valve	
9	7022311	1	Snap Ring	
10	7022314	1	Retainer, Spring	
11	7024867	1	Spring	
12	7024868	1	Washer	
13	70000855	1	Block, Cylinder	
14	7021275	3	Pin, Slipper	
15	70000856	1	Guide	
16	70000857	1	Retainer, Slipper	
17	7024865	9	Piston, Cylinder	
18	See Note	NSS	Ring, Piston (Note: Use Item 51)	
19	See Note	NSS	O-Ring (Note: Use Item 51)	
20	70000860	1	Piston, Servo (Includes Items 18 & 19)	
21	70000861	1	Spring	
22	See Note	NSS	Pin (Note: Not Available for Purchase)	
23	70000853	1	Swash Plate	
24	70000852	1	Bearing Kit	
25	See Note	NSS	Gasket (Note: Use Item 51)	
26	See Note	NSS	Plug (Note: Not Available for Purchase)	
27	See Note	NSS	O-Ring (Note: Use Item 51)	
28	7022321	1	Plug (Includes Item 29)	
29	See Note	NSS	O-Ring (Note: Use Item 51)	
30	See Note	NSS	Housing (Note: Not Available - Purchase Complete Motor)	
31	70000858	1	Shaft	
32	7007437	1	Bearing	
33	7007439	1	Snap Ring	
34	7007438	2	Snap Ring	
35	See Note	NSS	Seal (Note: Use Item 51)	
36	7022371	1	Washer, Seal Support	
51	70000862	1	Kit 1 - Motor Seal Kit (Includes Items 4, 18, 19, 25, 27, 29 & 35)	
52	7027740	1	Kit 2 - Cylinder Block Kit (Includes Items 9-17)	

SECTION 1 - FRAME

FIGURE 1-5. DRIVE HUB ASSEMBLY



SECTION 1 - FRAME

FIGURE 1-5. DRIVE HUB ASSEMBLY

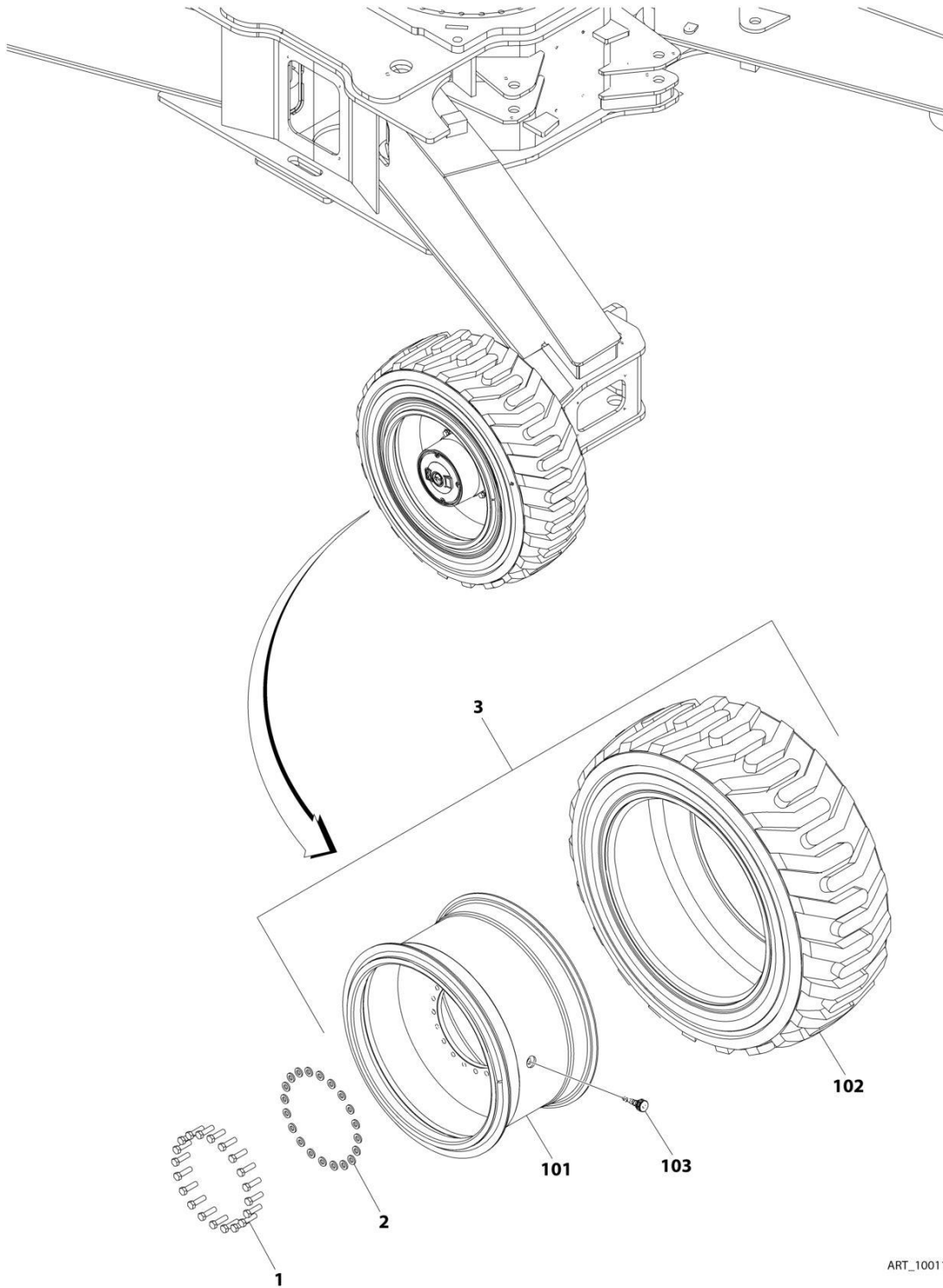
ITEM	PART NUMBER	QTY	DESCRIPTION	REV
	1001149921	Ref	DRIVE HUB ASSEMBLY	G
1	70004429	1	Ring	
2	See Note	NSS	Screw M6 x 20 (Note: Use Item 101)	
3	See Note	NSS	Cover (Note: Use Item 101)	
4	70004429	1	Gasket	
5	70002057	3	Plug	
6	See Note	NSS	Cover (Note: Use Item 101)	
7	See Note	NSS	O-Ring (Note: Use Item 100 or 101)	
8	See Note	NSS	Shim (Note: Use Item 101)	
9	See Note	NSS	Pin (Note: Use Item 101)	
10	See Note	NSS	O-Ring (Note: Use Item 100 or 101)	
11	70004430	1	Pinion	
12	70004431	1	Ring, Retaining	
13	70004432	1	Assembly, Gear Reduction	
14	70004433	1	Pinion	
15	70004434	1	Ring	
16	70004435	1	Assembly, Gear Reduction	
17	70004436	1	Pinion	
18	See Note	NSS	Housing, Hub (Note: Use p/n 1001149921)	
19	70002052	2	Screw M10 x 25	
20	70004437	6	Screw M6 x 14	
21	70004438	1	Plug	
22	70002032	4	Ring, Retaining	
23	70002031	4	Bearing	
24	70004439	4	Wheel, Planet	
25	70004440	1	Flange	
26	See Note	NSS	O-Ring (Note: Use Item 100)	
27	70004441	1	Nut	
28	70004363	2	Screw M6 x 10	
29	70004442	1	Bearing	
30	See Note	NSS	Support, Hub (Note: Use p/n 1001149921)	
31	See Note	NSS	O-Ring (Note: Use Item 100)	
32	70004443	1	Bearing	
33	See Note	1	Seal (Note: Use Item 100)	
34	70004444	1	Coupling	
35	70002036	1	Spring	
36	70004445	1	Ring, Retaining	
37	70004446	1	Bearing	
38	See Note	NSS	Axle (Note: Use p/n 1001149921)	
39	70004447	3	Plug	
40	70002057	3	Plug (Includes O-Ring)	
41	70002028	1	Plug, Plastic	
42	70004448	1	Shaft, Input	
43	See Note	NSS	Disc, Iron (Note: Use Item 102)	
44	See Note	NSS	Disc, Brake (Note: Use Item 102)	
45	See Note	NSS	Spacer (Note: Use Item 102)	
46	See Note	NSS	Seal (Note: Use Item 100 or 102)	
47	See Note	NSS	O-Ring (Note: Use Item 100 or 102)	
48	See Note	NSS	Seal (Note: Use Item 100 or 102)	
49	See Note	NSS	O-Ring (Note: Use Item 100 or 102)	

SECTION 1 - FRAME

ITEM	PART NUMBER	QTY	DESCRIPTION	REV
50	See Note	NSS	Piston, Brake (Note: Use Item 102)	
51	See Note	NSS	Spring, Brake (Note: Use Item 102)	
52	See Note	NSS	Spacer (Note: Use Item 102)	
53	See Note	NSS	Ring, Retaining (Note: Use Item 102)	
54	See Note	NSS	O-Ring (Note: Use Item 100)	
55	70004449	1	Support, Motor	
56	70004450	6	Screw M8 x 25	
100	70004451	1	Kit, Seal (Includes Items 4, 7, 10, 26, 31, 33, 46-49 & 54)	
101	70004452	1	Kit, Cover (Includes Items 2-10)	
102	70004453	1	Kit, Brake (Includes Items 43-53)	

SECTION 1 - FRAME

FIGURE 1-6. TIRE/WHEEL INSTALLATION



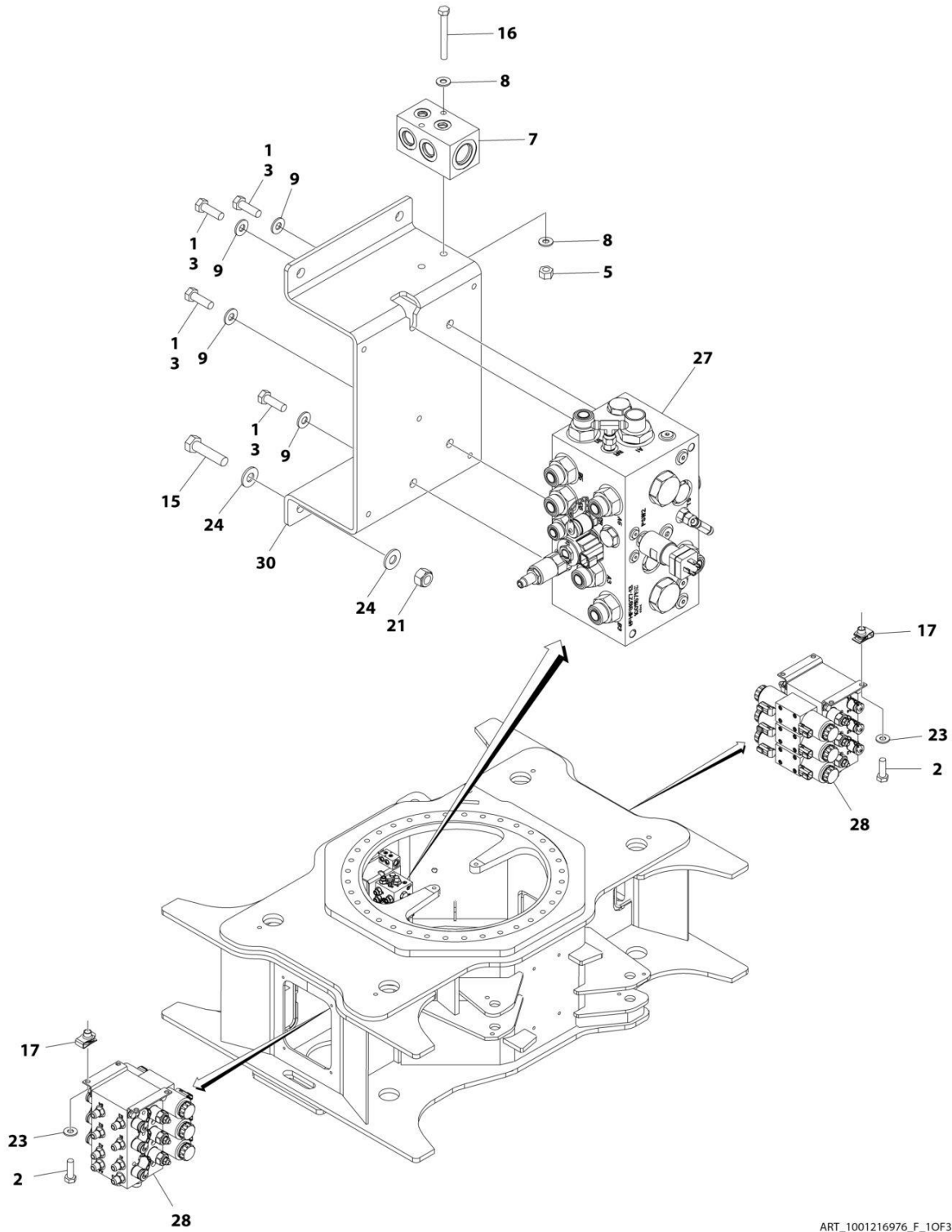
ART_1001157216

FIGURE 1-6. TIRE/WHEEL INSTALLATION

ITEM	PART NUMBER	QTY	DESCRIPTION	REV
	1001157216	Ref	TIRE/WHEEL INSTALLATION	F
		Ref	Note: Requires ballast/foam filling to manufacturer's specifications prior to installing on a machine. Refer to Service and Maintenance Manuals. Purchase individual tire and/or rim only if able to foam fill tire and wheel assembly, otherwise, purchase complete.	
1	0701619001	80	Bolt M16 x 55 (20 Per Wheel)	
2	1001172356	80	Washer 5/8 (20 Per Wheel)	
3	1001147616	2	Tire/Wheel (RH Side)	
3	1001149711	2	Tire/Wheel (LH Side)	
	1001147616	Ref	TIRE/WHEEL ASSEMBLY (RH SIDE)	I
	1001149711	Ref	TIRE/WHEEL ASSEMBLY (LH SIDE)	I
101	1001147617	4	Wheel (1 per Tire/Wheel)	
102	1001147618	4	Tire (1 per Tire/Wheel)	
103	1001157467	4	Valve (1 per Tire/Wheel)	

SECTION 1 - FRAME

FIGURE 1-7. VALVES INSTALLATION - FRAME



ART_1001216976_F_10F3

SECTION 1 - FRAME

FIGURE 1-7. VALVES INSTALLATION - FRAME

ITEM	PART NUMBER	QTY	DESCRIPTION	REV
	1001216976	Ref	VALVES INSTALLATION - FRAME	F
1	0100011	AR	Compound, Locking	
2	0760812	8	Bolt M8 x 25	
3	0761012	4	Bolt M10 x 25	
5	3290607	2	Nut M6	
7	4641155	1	Manifold, Junction	
8	4811700	4	Washer M6	
9	4812000	4	Washer M10	
15	0761218001	4	Bolt M12 x 50	
16	1001096653	2	Bolt M6 x 70	
17	1001118274	8	Nut M8	
21	3291205001	4	Nut M12	
23	4811900001	8	Washer M8	
24	4812100001	8	Washer M12	
27	1001219110	1	Traction Valve Assembly (See Separate Breakdown in this Section)	
28	1001157207	2	Steer/Axle Extend Valve Assembly (See Separate Breakdown in this Section)	
30	1001164354	1	Bracket	

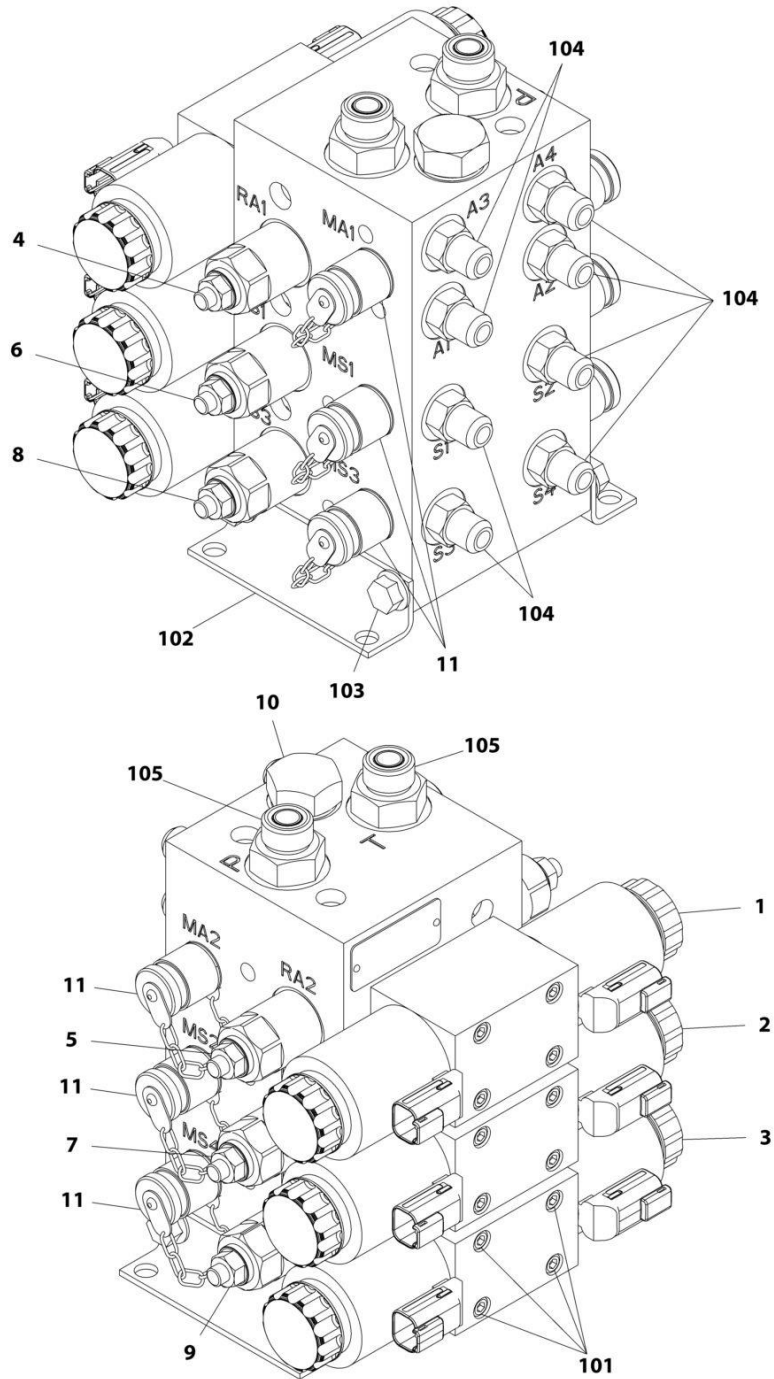
SECTION 1 - FRAME

FIGURE 1-8. TRACTION VALVE ASSEMBLY

ITEM	PART NUMBER	QTY	DESCRIPTION	REV
	1001219110	Ref	TRACTION VALVE ASSEMBLY	B
1	7012941	1	Cartridge, Solenoid Less Coil	
1	7010543	1	Kit, Seal	
2	7012941	1	Cartridge, Solenoid Less Coil	
2	7010543	1	Kit, Seal	
3	70004383	1	Cartridge, Relief	
3	7012998	1	Kit, Seal	
4	70004384	1	Cartridge, Load Shuttle	
4	7012973	1	Kit, Seal	
5	70000804	1	Cartridge	
5	70000805	1	Kit, Seal	
6	70000803	1	Cartridge, Pressure Switch	
7	70002386	2	Coil	
8	7017493	1	Orifice	
9	7017493	1	Orifice	
10	70004386	1	Orifice	
11	70004017	1	Cartridge, Flow Divider	
11	7021625	1	Kit, Seal	
12	70004017	1	Cartridge, Flow Divider	
12	7021625	1	Kit, Seal	
13	70003408	1	Cartridge, Check	
13	7022399	1	Kit, Seal	
14	70003408	1	Cartridge, Check	
14	7022399	1	Kit, Seal	
15	70003408	1	Cartridge, Check	
15	7022399	1	Kit, Seal	
16	70003408	1	Cartridge, Check	
16	7022399	1	Kit, Seal	
17	2220885	1	Plug	
18	2220883	9	Plug	
19	2220881	8	Plug	
101	2111016	2	Fitting, Straight ORB/ORFS	
102	2111012	10	Fitting, Straight ORB/ORFS	
103	2110810	1	Fitting, Straight ORB/ORFS	
104	2220415	2	Fitting, Straight JIC/ORB	
105	2220861	2	Fitting, Tee JIC/ORB	
106	2221086	2	Fitting, Test	

SECTION 1 - FRAME

FIGURE 1-9. STEER/AXLE EXTEND VALVE ASSEMBLY



ART_1001157207

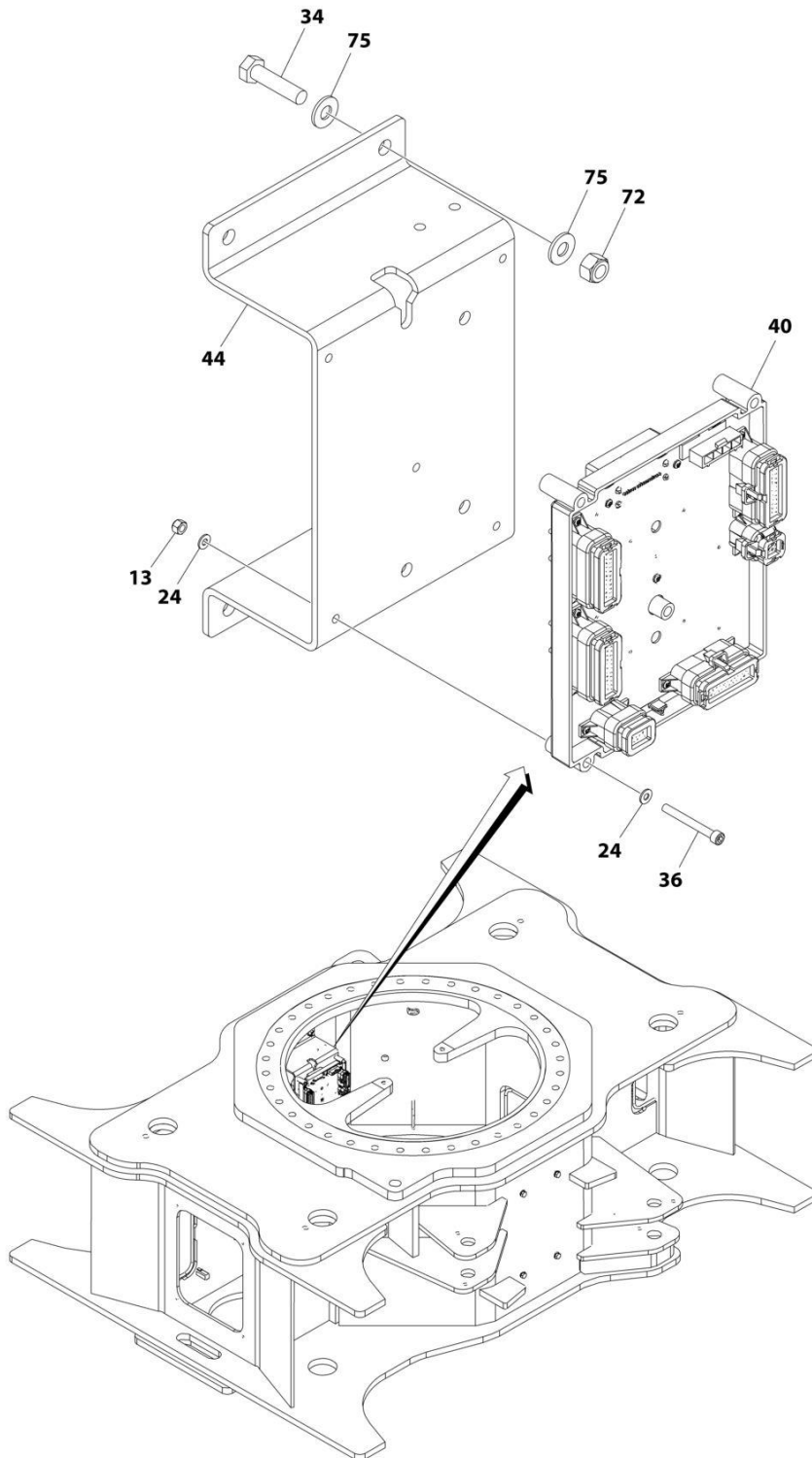
SECTION 1 - FRAME

FIGURE 1-9. STEER/AXLE EXTEND VALVE ASSEMBLY

ITEM	PART NUMBER	QTY	DESCRIPTION	REV
	1001157207	Ref	STEER/AXLE EXTEND VALVE ASSEMBLY	G
1	70004459	1	Valve, Direction Control	
1	7012773	1	Kit, Seal	
1	70004460	2	Coil	
1	7021375	2	Nut, Coil	
1	70004461	2	O-Ring, Solenoid Pole	
2	70004462	1	Valve, Direction Control	
2	7012773	1	Kit, Seal	
2	70004463	2	Coil	
2	7021375	2	Nut, Coil	
2	70004461	2	O-Ring, Solenoid Pole	
3	70004462	1	Valve, Direction Control	
3	7012773	1	Kit, Seal	
3	70004463	2	Coil	
3	7021375	2	Nut, Coil	
3	70004461	2	O-Ring, Solenoid Pole	
4	70004464	1	Cartridge, Relief	
4	70004055	1	Kit, Seal	
5	70004464	1	Cartridge, Relief	
5	70004055	1	Kit, Seal	
6	70004464	1	Cartridge, Relief	
6	70004055	1	Kit, Seal	
7	70004464	1	Cartridge, Relief	
7	70004055	1	Kit, Seal	
8	70004464	1	Cartridge, Relief	
8	70004055	1	Kit, Seal	
9	70004464	1	Cartridge, Relief	
9	70004055	1	Kit, Seal	
10	70004465	1	Cartridge, Flow Divider	
10	70004164	1	Kit, Seal	
11	2221086	6	Fitting, Test	
101	See Note	NSS	Capscrew #10 x 2 (Note: Purchase Locally)	
102	See Note	NSS	Bracket (Note: Not Available for Purchase)	
103	0641504	4	Bolt 5/16 x 1/2	
104	2220371	8	Fitting, Straight JIC/ORB	
105	2110810	2	Fitting, Straight ORB/ORFS	

SECTION 1 - FRAME

FIGURE 1-10. ELECTRICAL COMPONENTS INSTALLATION - FRAME (HRC) (ANSI, ANSI EXPORT, CSA AND JAPANESE SPECS) (Prior to SN 0300298207)



ART_1001243047_C_1OF2

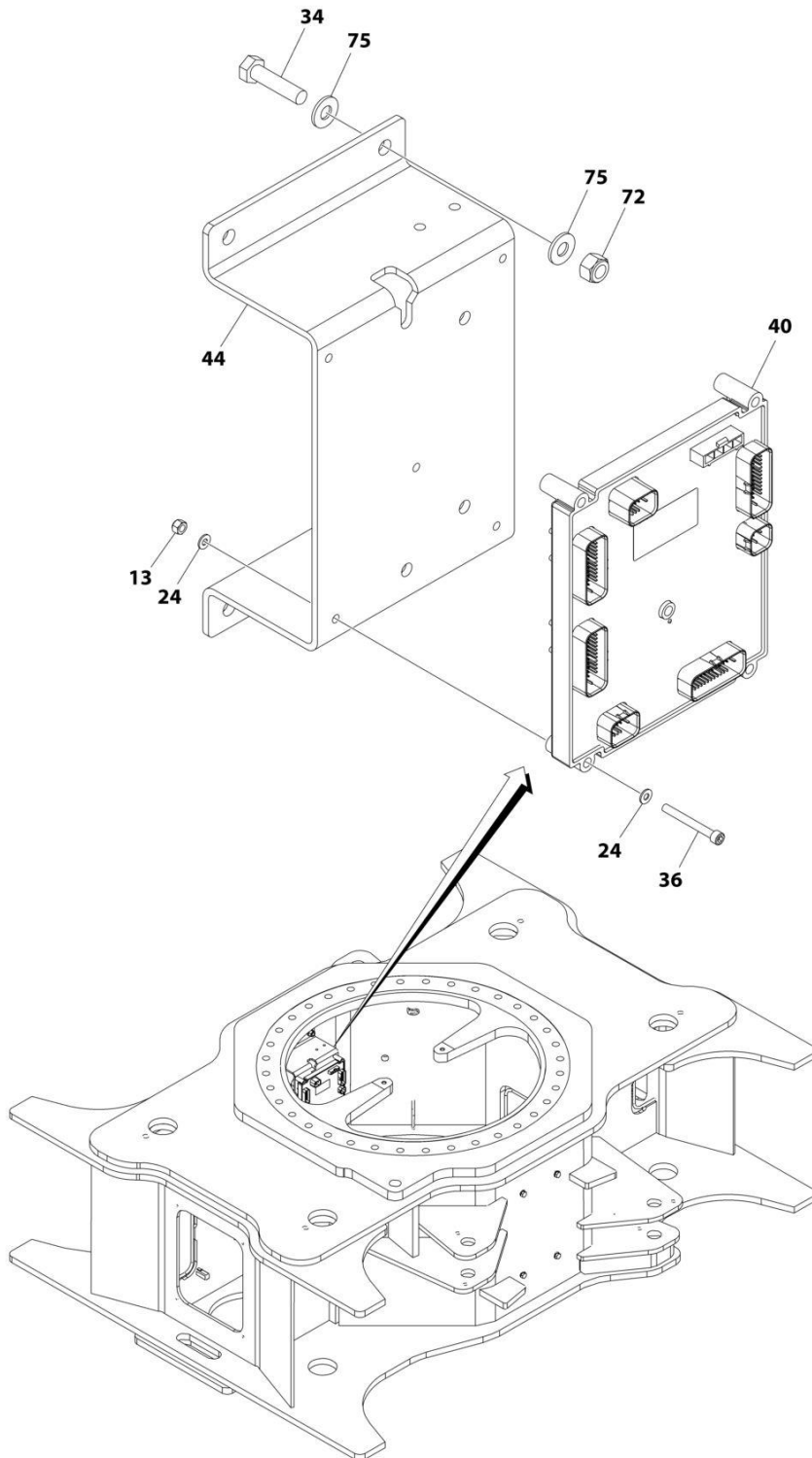
SECTION 1 - FRAME

FIGURE 1-10. ELECTRICAL COMPONENTS INSTALLATION - FRAME (HRC) (ANSI, ANSI EXPORT, CSA AND JAPANESE SPECS) (Prior to SN 0300298207)

ITEM	PART NUMBER	QTY	DESCRIPTION	REV
	1001243047	Ref	ELECTRICAL COMPONENTS INSTALLATION - FRAME (HRC)	C
13	3290605	5	Nut M6	
24	4811700	10	Washer M6	
34	0761218001	4	Bolt M12 x 50	
36	1001118878	5	Capscrew M6 x 55	
39	1001149975	1	Chassis Harness (Not Shown - See Separate Breakdown in ELECTRICAL Section)	
40	1001150162	1	Module, Control (Note: Re-calibration Required when Replaced)	
43	1001163631	4	Axle Sensor Harness (Not Shown - See Separate Breakdown in ELECTRICAL Section)	
44	1001164354	1	Bracket	
72	3291205001	4	Nut M12	
75	4812100001	8	Washer M12	

SECTION 1 - FRAME

FIGURE 1-11. ELECTRICAL COMPONENTS INSTALLATION - FRAME (HRC) (ANSI, ANSI EXPORT, CSA AND JAPANESE SPECS) (SN 0300298207 to Present)



ART_1001243047_G_1OF2

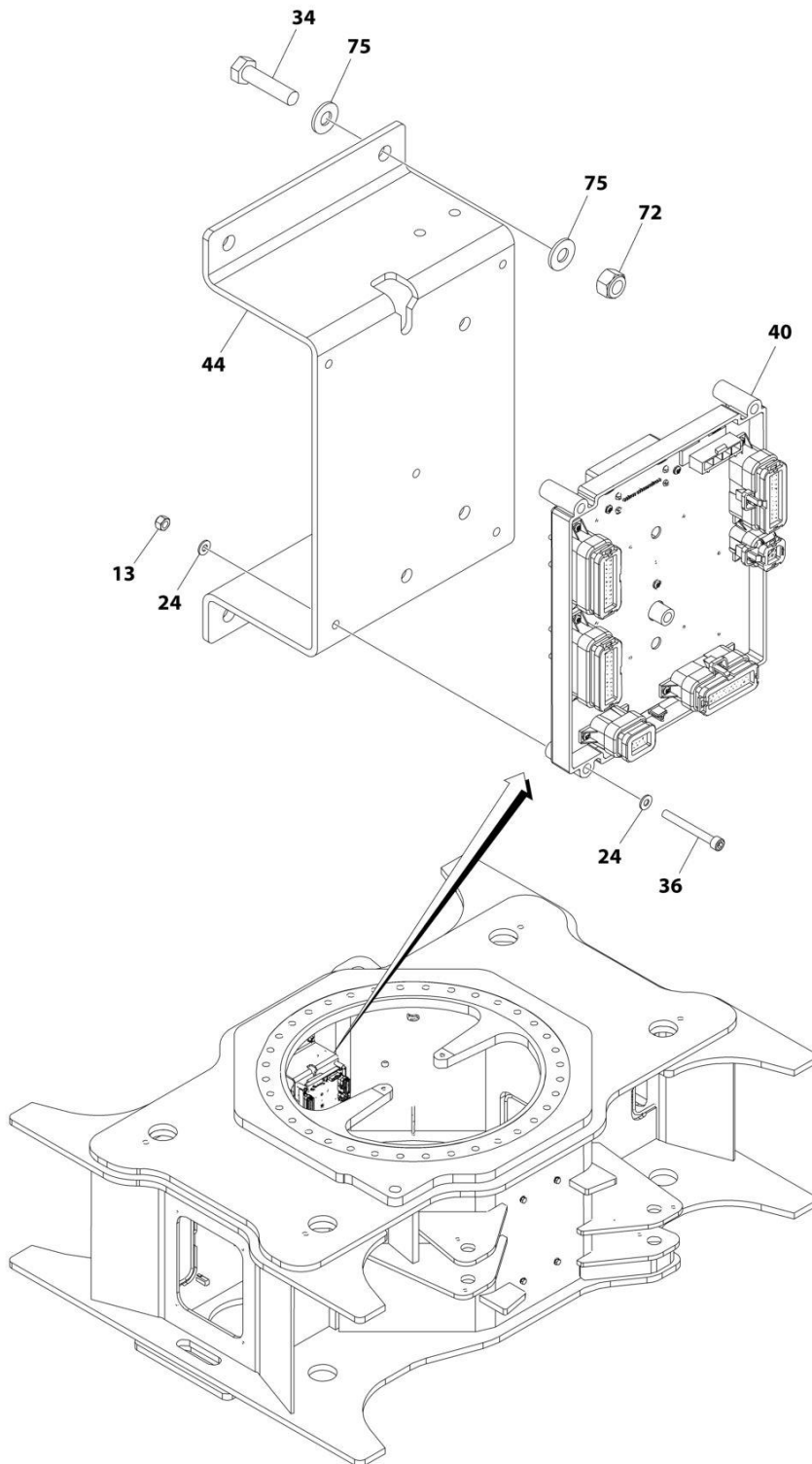
SECTION 1 - FRAME

FIGURE 1-11. ELECTRICAL COMPONENTS INSTALLATION - FRAME (HRC) (ANSI, ANSI EXPORT, CSA AND JAPANESE SPECS) (SN 0300298207 to Present)

ITEM	PART NUMBER	QTY	DESCRIPTION	REV
	1001243047	Ref	ELECTRICAL COMPONENTS INSTALLATION - FRAME (HRC)	G
13	3290605	5	Nut M6	
24	4811700	10	Washer M6	
34	0761218001	4	Bolt M12 x 50	
36	1001118878	5	Capscrew M6 x 55	
39	1001149975	1	Chassis Harness (Not Shown - See Separate Breakdown in ELECTRICAL Section)	
40	1001277132	1	Module, Control (Note: Re-calibration Required when Replaced)	
43	1001163631	4	Axle Sensor Harness (Not Shown - See Separate Breakdown in ELECTRICAL Section)	
44	1001164354	1	Bracket	
72	3291205001	4	Nut M12	
75	4812100001	8	Washer M12	

SECTION 1 - FRAME

FIGURE 1-12. ELECTRICAL COMPONENTS INSTALLATION - FRAME (HRC) (CE & UK CA SPECS)
(Prior to SN 0300298207)



ART_1001243050_C_1OF2

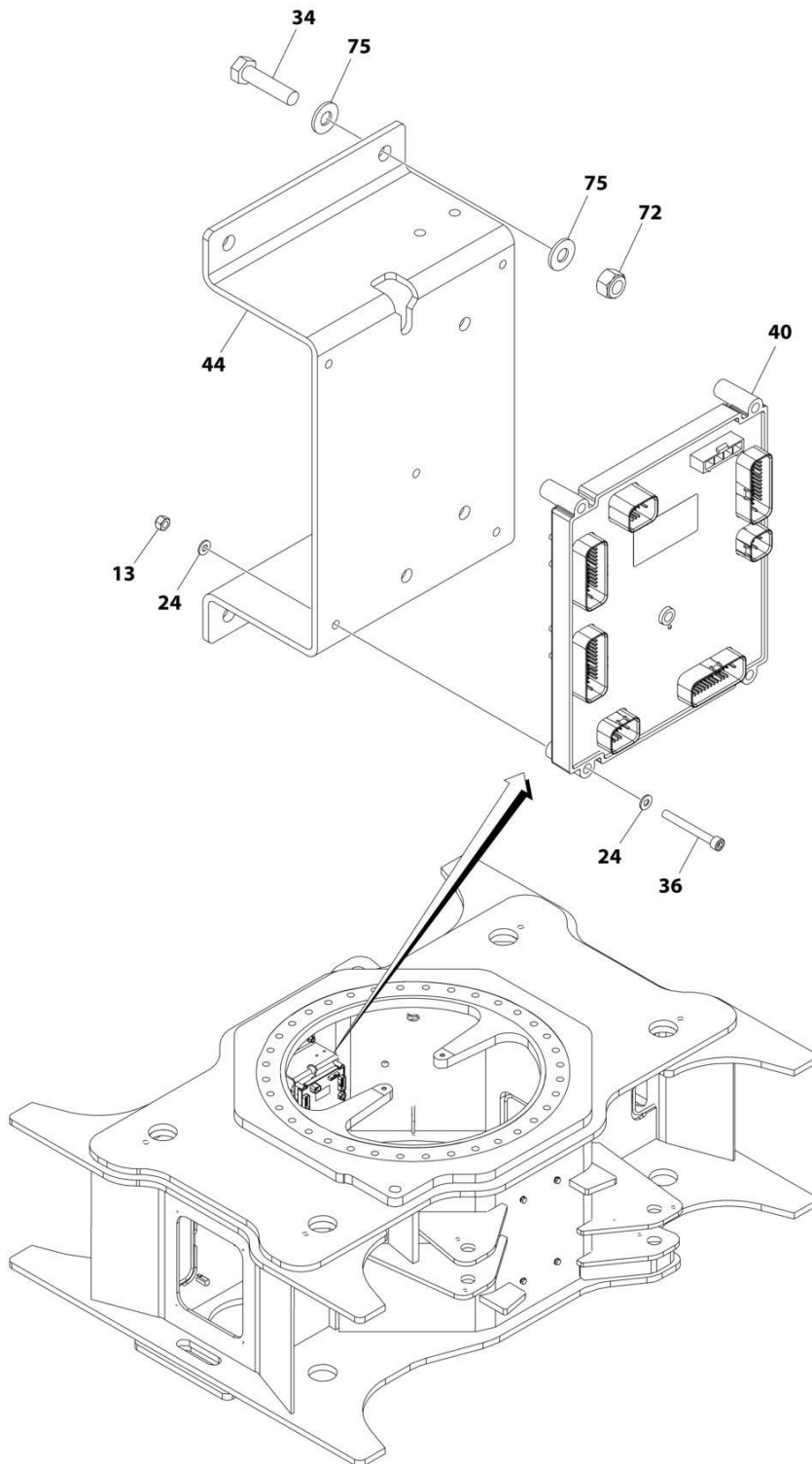
SECTION 1 - FRAME

**FIGURE 1-12. ELECTRICAL COMPONENTS INSTALLATION - FRAME (HRC) (CE & UK CA SPECS)
(Prior to SN 0300298207)**

ITEM	PART NUMBER	QTY	DESCRIPTION	REV
	1001243050	Ref	ELECTRICAL COMPONENTS INSTALLATION - FRAME (HRC)	C
13	3290605	5	Nut M6	
24	4811700	6	Washer M6	
34	0761218001	4	Bolt M12 x 50	
36	1001118878	5	Capscrew M6 x 55	
39	1001149975	1	Chassis Harness (Not Shown - See Separate Breakdown in ELECTRICAL Section)	
40	1001150162	1	Module, Control (Note: Re-calibration Required when Replaced)	
43	1001163631	4	Axle Sensor Harness (Not Shown - See Separate Breakdown in ELECTRICAL Section)	
44	1001164354	1	Bracket	
72	3291205001	4	Nut M12	
75	4812100001	8	Washer M12	

SECTION 1 - FRAME

FIGURE 1-13. ELECTRICAL COMPONENTS INSTALLATION - FRAME (HRC) (CE & UK CA SPECS)
(SN 0300298207 to Present)



ART_1001243050_G_1OF2

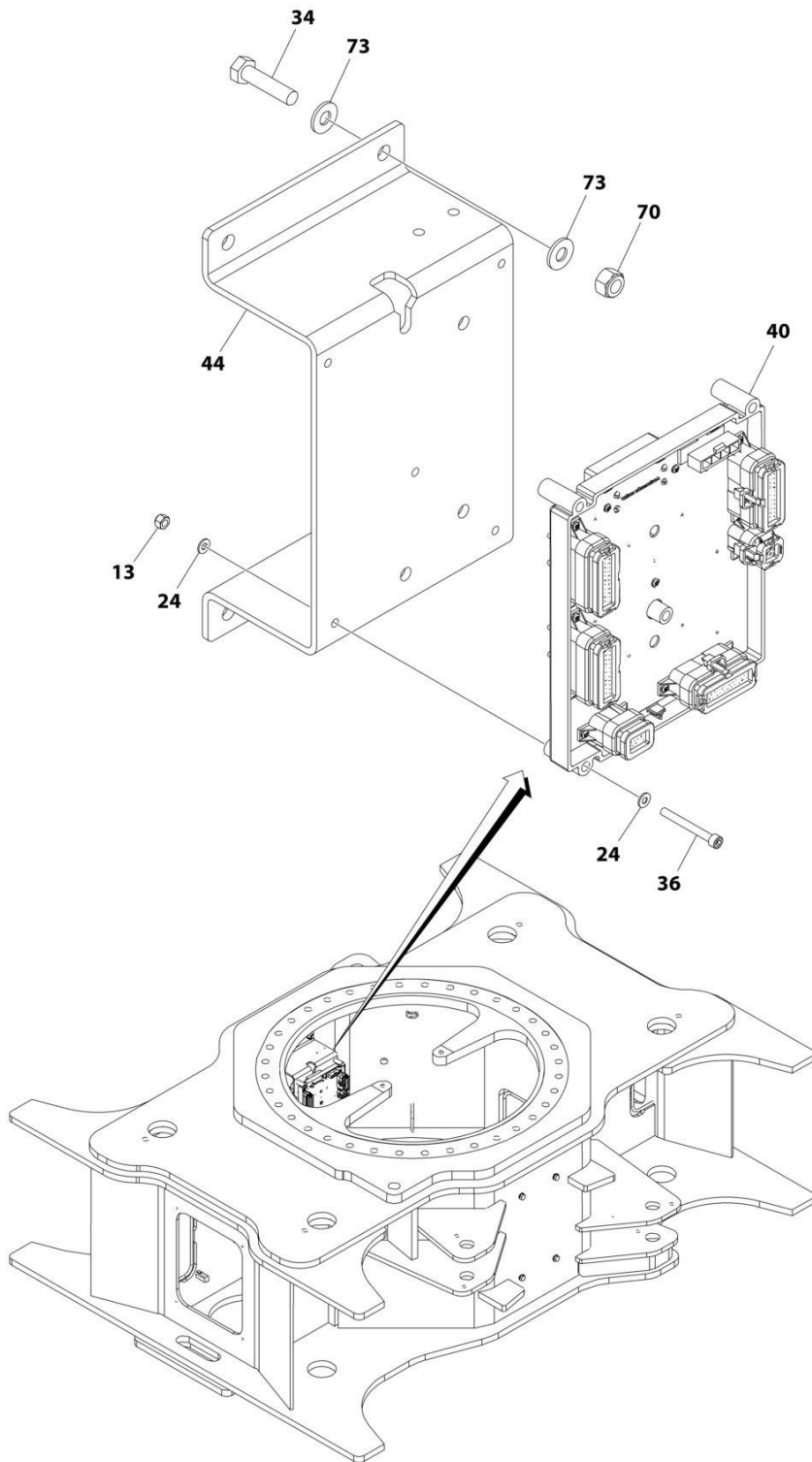
SECTION 1 - FRAME

**FIGURE 1-13. ELECTRICAL COMPONENTS INSTALLATION - FRAME (HRC) (CE & UK CA SPECS)
(SN 0300298207 to Present)**

ITEM	PART NUMBER	QTY	DESCRIPTION	REV
	1001243050	Ref	ELECTRICAL COMPONENTS INSTALLATION - FRAME (HRC)	G
13	3290605	5	Nut M6	
24	4811700	6	Washer M6	
34	0761218001	4	Bolt M12 x 50	
36	1001118878	5	Capscrew M6 x 55	
39	1001149975	1	Chassis Harness (Not Shown - See Separate Breakdown in ELECTRICAL Section)	
40	1001277132	1	Module, Control (Note: Re-calibration Required when Replaced)	
43	1001163631	4	Axle Sensor Harness (Not Shown - See Separate Breakdown in ELECTRICAL Section)	
44	1001164354	1	Bracket	
72	3291205001	4	Nut M12	
75	4812100001	8	Washer M12	

SECTION 1 - FRAME

FIGURE 1-14. ELECTRICAL COMPONENTS INSTALLATION - FRAME (LRC) (ANSI EXPORT, AUSTRALIAN AND CHINA SPECS) (Prior to SN 0300298207)



ART_1001243053_C_1OF2

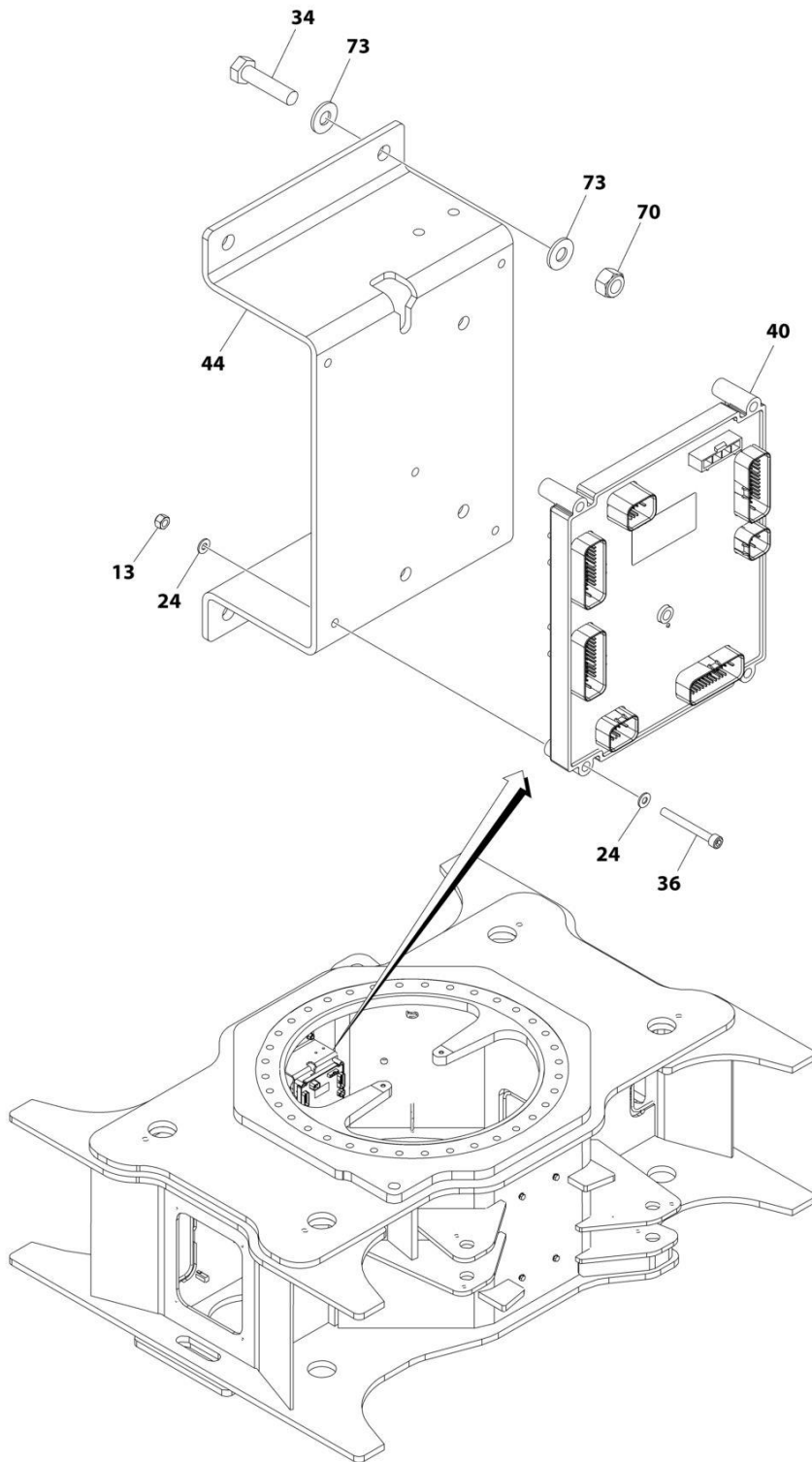
SECTION 1 - FRAME

FIGURE 1-14. ELECTRICAL COMPONENTS INSTALLATION - FRAME (LRC) (ANSI EXPORT, AUSTRALIAN AND CHINA SPECS) (Prior to SN 0300298207)

ITEM	PART NUMBER	QTY	DESCRIPTION	REV
	1001243053	Ref	ELECTRICAL COMPONENTS INSTALLATION - FRAME (LRC)	C
13	3290605	5	Nut M6	
24	4811700	6	Washer M6	
34	0761218001	4	Bolt M12 x 50	
36	1001118878	5	Capscrew M6 x 55	
39	1001149975	1	Chassis Harness (Not Shown - See Separate Breakdown in ELECTRICAL Section)	
40	1001150162	1	Module, Control (Note: Re-calibration Required when Replaced)	
43	1001163631	4	Axle Sensor Harness (Not Shown - See Separate Breakdown in ELECTRICAL Section)	
44	1001164354	1	Bracket	
70	3291205001	4	Nut M12	
73	4812100001	8	Washer M12	

SECTION 1 - FRAME

FIGURE 1-15. ELECTRICAL COMPONENTS INSTALLATION - FRAME (LRC) (ANSI EXPORT, AUSTRALIAN AND CHINA SPECS) (SN 0300298207 to Present)



ART_1001243053_G_1OF2

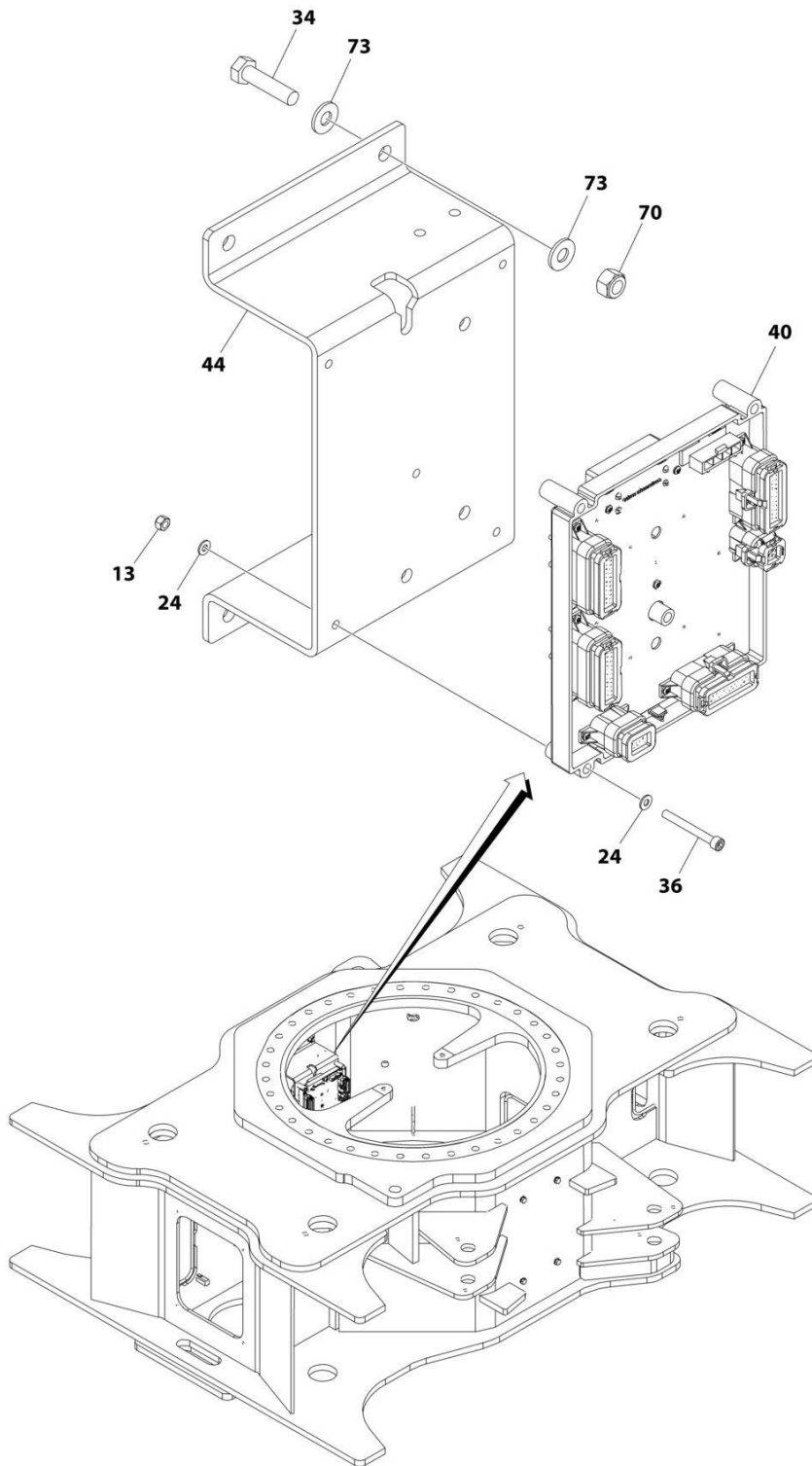
SECTION 1 - FRAME

FIGURE 1-15. ELECTRICAL COMPONENTS INSTALLATION - FRAME (LRC) (ANSI EXPORT, AUSTRALIAN AND CHINA SPECS) (SN 0300298207 to Present)

ITEM	PART NUMBER	QTY	DESCRIPTION	REV
	1001243053	Ref	ELECTRICAL COMPONENTS INSTALLATION - FRAME (LRC)	G
13	3290605	5	Nut M6	
24	4811700	6	Washer M6	
34	0761218001	4	Bolt M12 x 50	
36	1001118878	5	Capscrew M6 x 55	
39	1001149975	1	Chassis Harness (Not Shown - See Separate Breakdown in ELECTRICAL Section)	
40	1001277132	1	Module, Control (Note: Re-calibration Required when Replaced)	
43	1001163631	4	Axle Sensor Harness (Not Shown - See Separate Breakdown in ELECTRICAL Section)	
44	1001164354	1	Bracket	
70	3291205001	4	Nut M12	
73	4812100001	8	Washer M12	

SECTION 1 - FRAME

FIGURE 1-16. ELECTRICAL COMPONENTS INSTALLATION - FRAME (LRC) (CE & UK CA SPECS)
(Prior to SN 0300298207)



ART_1001243055_C_1OF2

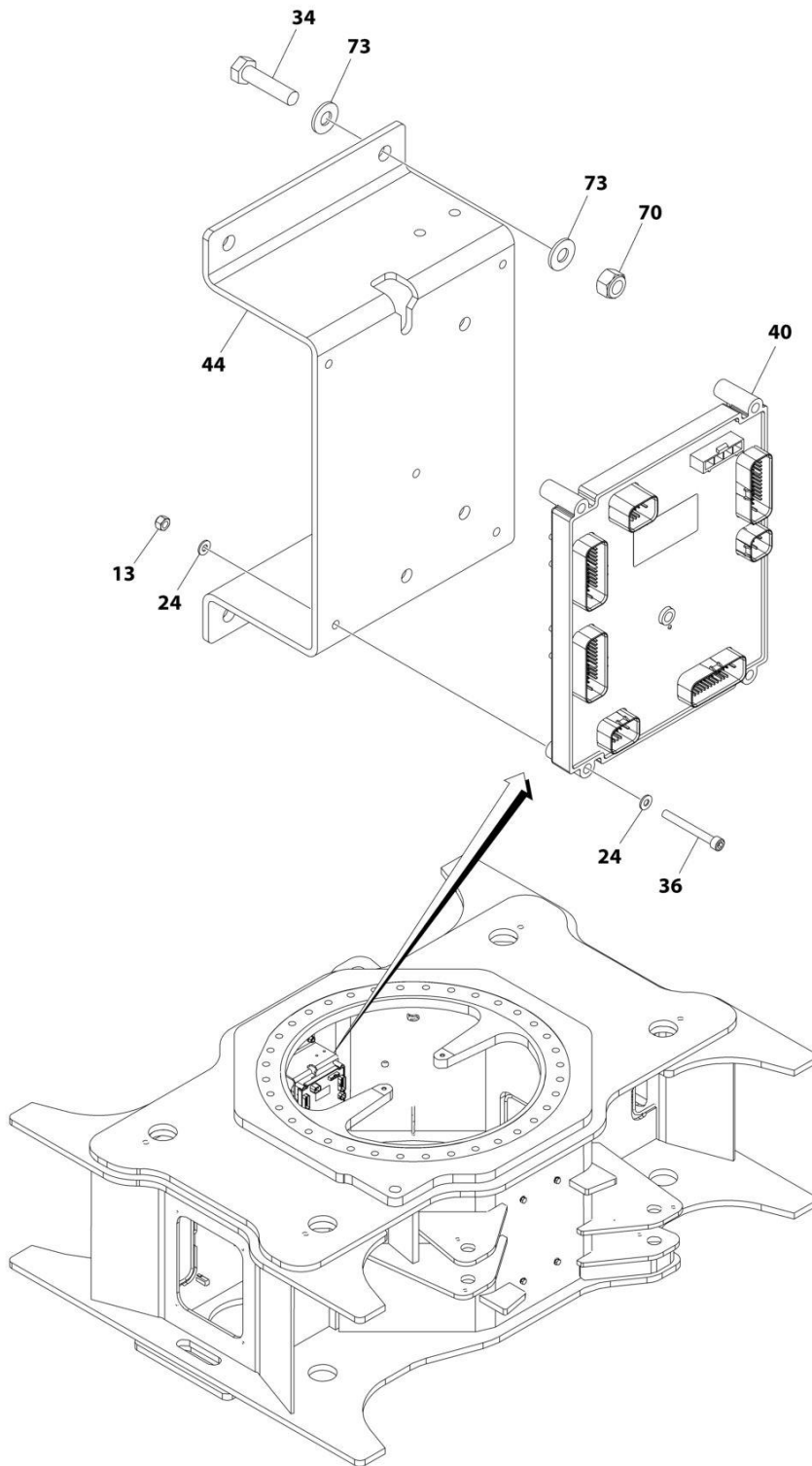
SECTION 1 - FRAME

**FIGURE 1-16. ELECTRICAL COMPONENTS INSTALLATION - FRAME (LRC) (CE & UK CA SPECS)
(Prior to SN 0300298207)**

ITEM	PART NUMBER	QTY	DESCRIPTION	REV
	1001243055	Ref	ELECTRICAL COMPONENTS INSTALLATION - FRAME (LRC)	C
13	3290605	5	Nut M6	
24	4811700	6	Washer M6	
34	0761218001	4	Bolt M12 x 50	
36	1001118878	5	Capscrew M6 x 55	
39	1001149975	1	Chassis Harness (Not Shown - See Separate Breakdown in ELECTRICAL Section)	
40	1001150162	1	Module, Control (Note: Re-calibration Required when Replaced)	
43	1001163631	4	Axle Sensor Harness (Not Shown - See Separate Breakdown in ELECTRICAL Section)	
44	1001164354	1	Bracket	
70	3291205001	4	Nut M12	
73	4812100001	8	Washer M12	

SECTION 1 - FRAME

FIGURE 1-17. ELECTRICAL COMPONENTS INSTALLATION - FRAME (LRC) (CE & UK CA SPECS)
(SN 0300298207 to Present)



ART_1001243055_G_1OF2

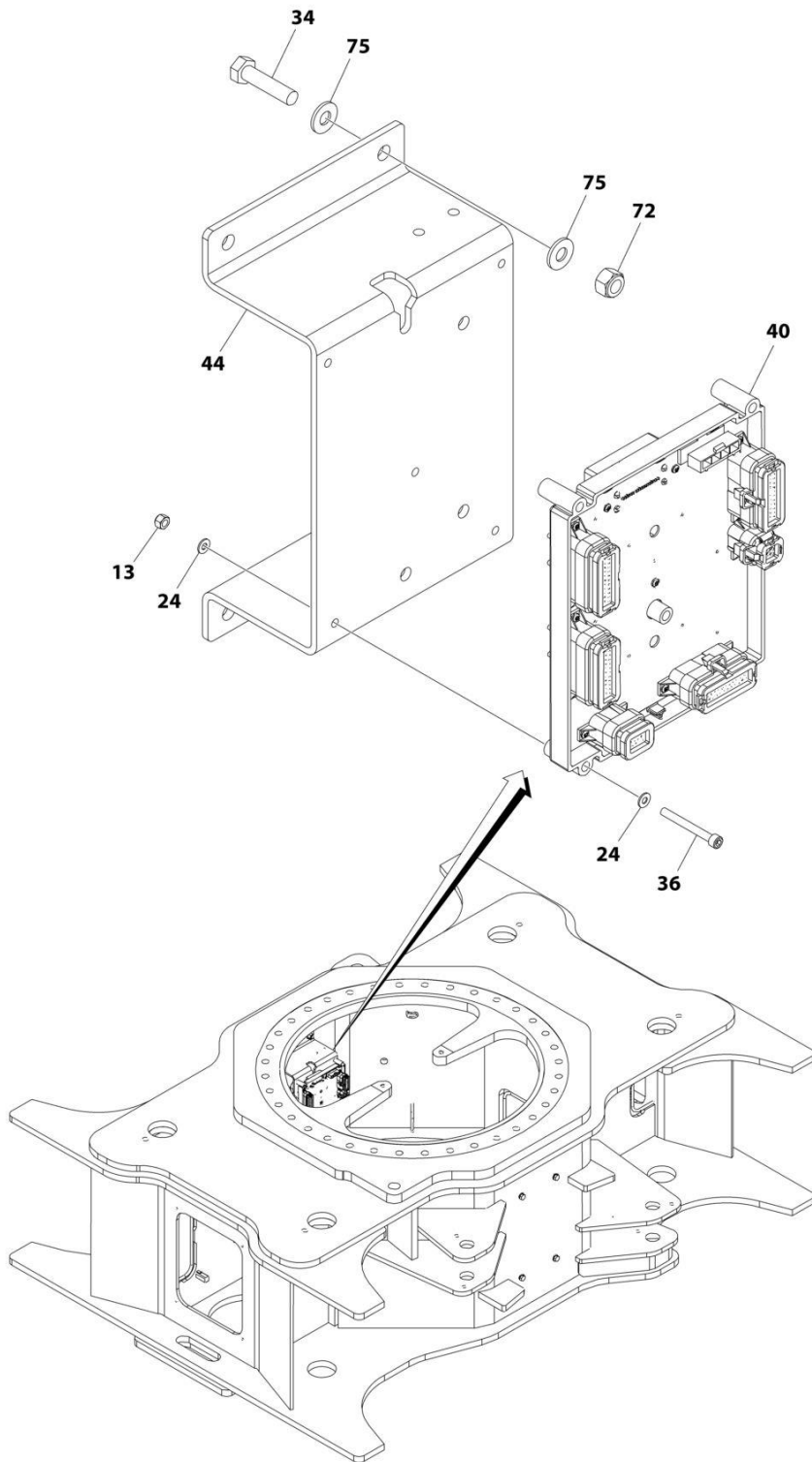
SECTION 1 - FRAME

**FIGURE 1-17. ELECTRICAL COMPONENTS INSTALLATION - FRAME (LRC) (CE & UK CA SPECS)
(SN 0300298207 to Present)**

ITEM	PART NUMBER	QTY	DESCRIPTION	REV
	1001243055	Ref	ELECTRICAL COMPONENTS INSTALLATION - FRAME (LRC)	G
13	3290605	5	Nut M6	
24	4811700	6	Washer M6	
34	0761218001	4	Bolt M12 x 50	
36	1001118878	5	Capscrew M6 x 55	
39	1001149975	1	Chassis Harness (Not Shown - See Separate Breakdown in ELECTRICAL Section)	
40	1001277132	1	Module, Control (Note: Re-calibration Required when Replaced)	
43	1001163631	4	Axle Sensor Harness (Not Shown - See Separate Breakdown in ELECTRICAL Section)	
44	1001164354	1	Bracket	
70	3291205001	4	Nut M12	
73	4812100001	8	Washer M12	

SECTION 1 - FRAME

FIGURE 1-18. ELECTRICAL COMPONENTS INSTALLATION WITH TOWER STOW - FRAME (HRC)
(ANSI, ANSI EXPORT, CSA AND JAPANESE SPECS) (Prior to SN 0300298207)



ART_1001267659_B_1OF2

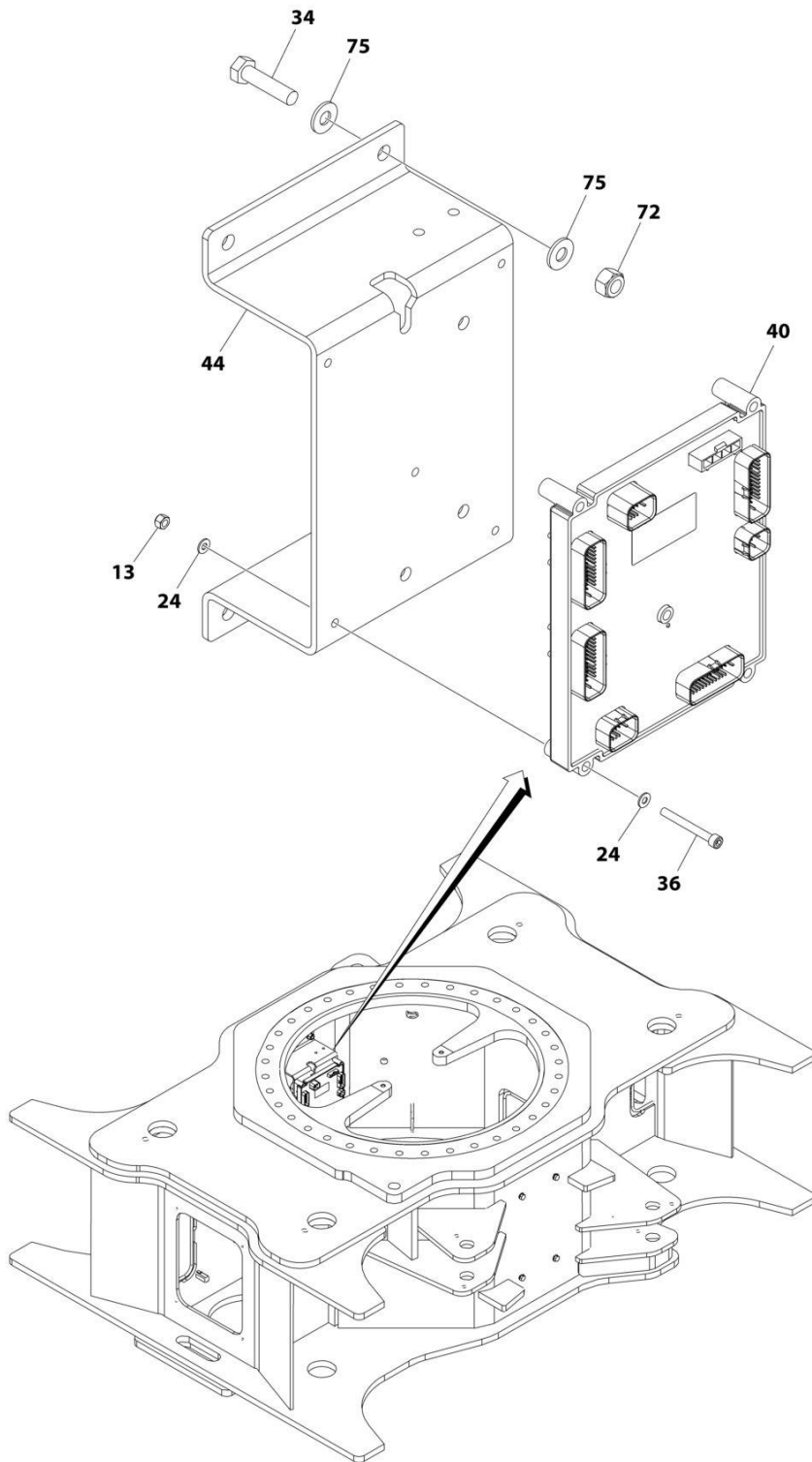
SECTION 1 - FRAME

**FIGURE 1-18. ELECTRICAL COMPONENTS INSTALLATION WITH TOWER STOW - FRAME (HRC)
(ANSI, ANSI EXPORT, CSA AND JAPANESE SPECS) (Prior to SN 0300298207)**

ITEM	PART NUMBER	QTY	DESCRIPTION	REV
	1001267659	Ref	ELECTRICAL COMPONENTS INSTALLATION - FRAME (HRC)	B
13	3290605	5	Nut M6	
24	4811700	10	Washer M6	
34	0761218001	4	Bolt M12 x 50	
36	1001118878	5	Capscrew M6 x 55	
39	1001149975	1	Chassis Harness (Not Shown - See Separate Breakdown in ELECTRICAL Section)	
40	1001150162	1	Module, Control (Note: Re-calibration Required when Replaced)	
43	1001163631	4	Axle Sensor Harness (Not Shown - See Separate Breakdown in ELECTRICAL Section)	
44	1001164354	1	Bracket	
72	3291205001	4	Nut M12	
75	4812100001	8	Washer M12	

SECTION 1 - FRAME

FIGURE 1-19. ELECTRICAL COMPONENTS INSTALLATION WITH TOWER STOW - FRAME (HRC)
(ANSI, ANSI EXPORT, CSA AND JAPANESE SPECS) (SN 0300298207 to Present)



ART_1001267659_F_1OF2

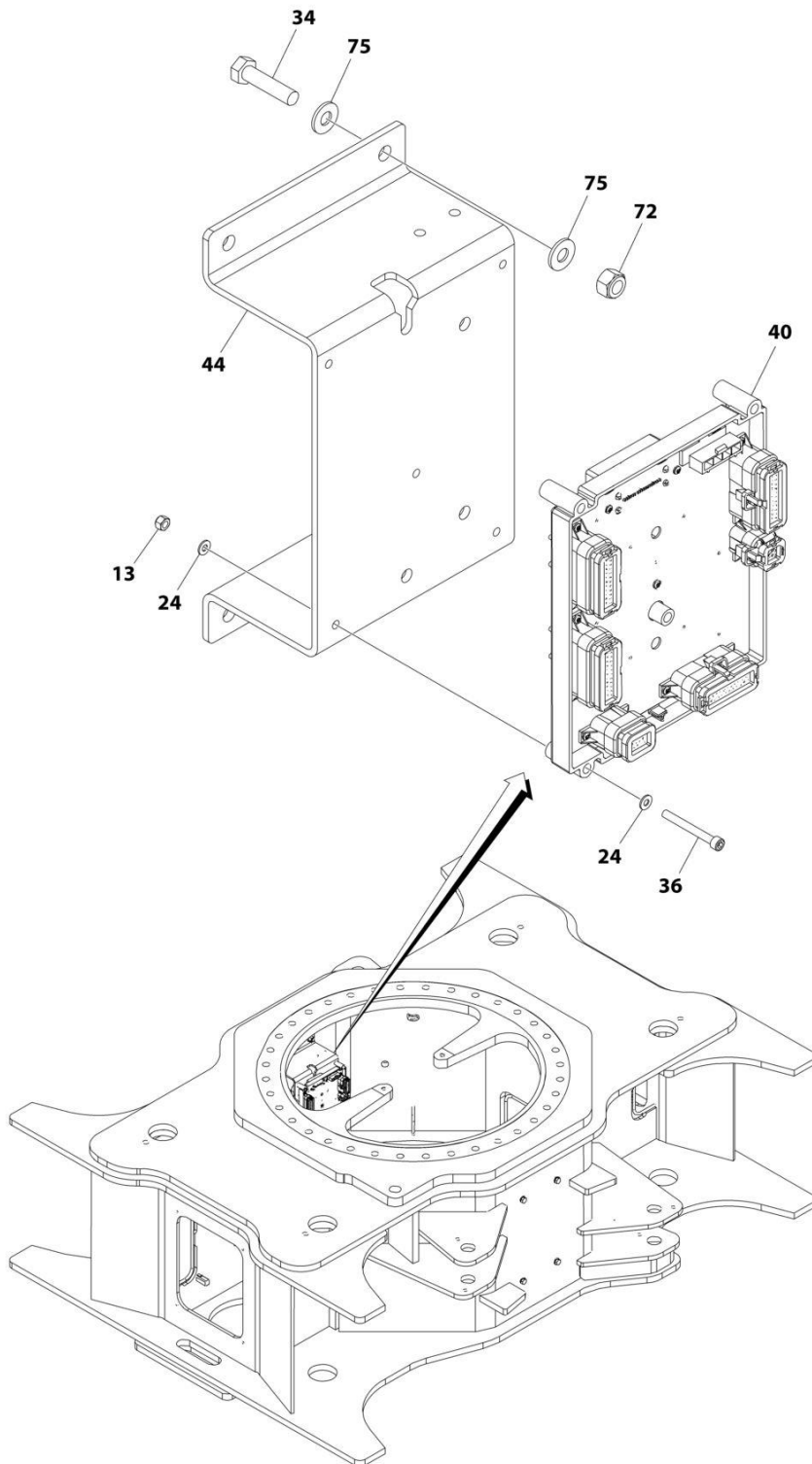
SECTION 1 - FRAME

**FIGURE 1-19. ELECTRICAL COMPONENTS INSTALLATION WITH TOWER STOW - FRAME (HRC)
(ANSI, ANSI EXPORT, CSA AND JAPANESE SPECS) (SN 0300298207 to Present)**

ITEM	PART NUMBER	QTY	DESCRIPTION	REV
	1001267659	Ref	ELECTRICAL COMPONENTS INSTALLATION - FRAME (HRC)	F
13	3290605	5	Nut M6	
24	4811700	10	Washer M6	
34	0761218001	4	Bolt M12 x 50	
36	1001118878	5	Capscrew M6 x 55	
39	1001149975	1	Chassis Harness (Not Shown - See Separate Breakdown in ELECTRICAL Section)	
40	1001277132	1	Module, Control (Note: Re-calibration Required when Replaced)	
43	1001163631	4	Axle Sensor Harness (Not Shown - See Separate Breakdown in ELECTRICAL Section)	
44	1001164354	1	Bracket	
72	3291205001	4	Nut M12	
75	4812100001	8	Washer M12	

SECTION 1 - FRAME

FIGURE 1-20. ELECTRICAL COMPONENTS INSTALLATION WITH TOWER STOW - FRAME (HRC) (CE & UK CA SPECS) (Prior to SN 0300298207)



ART_1001267660_B_10F2

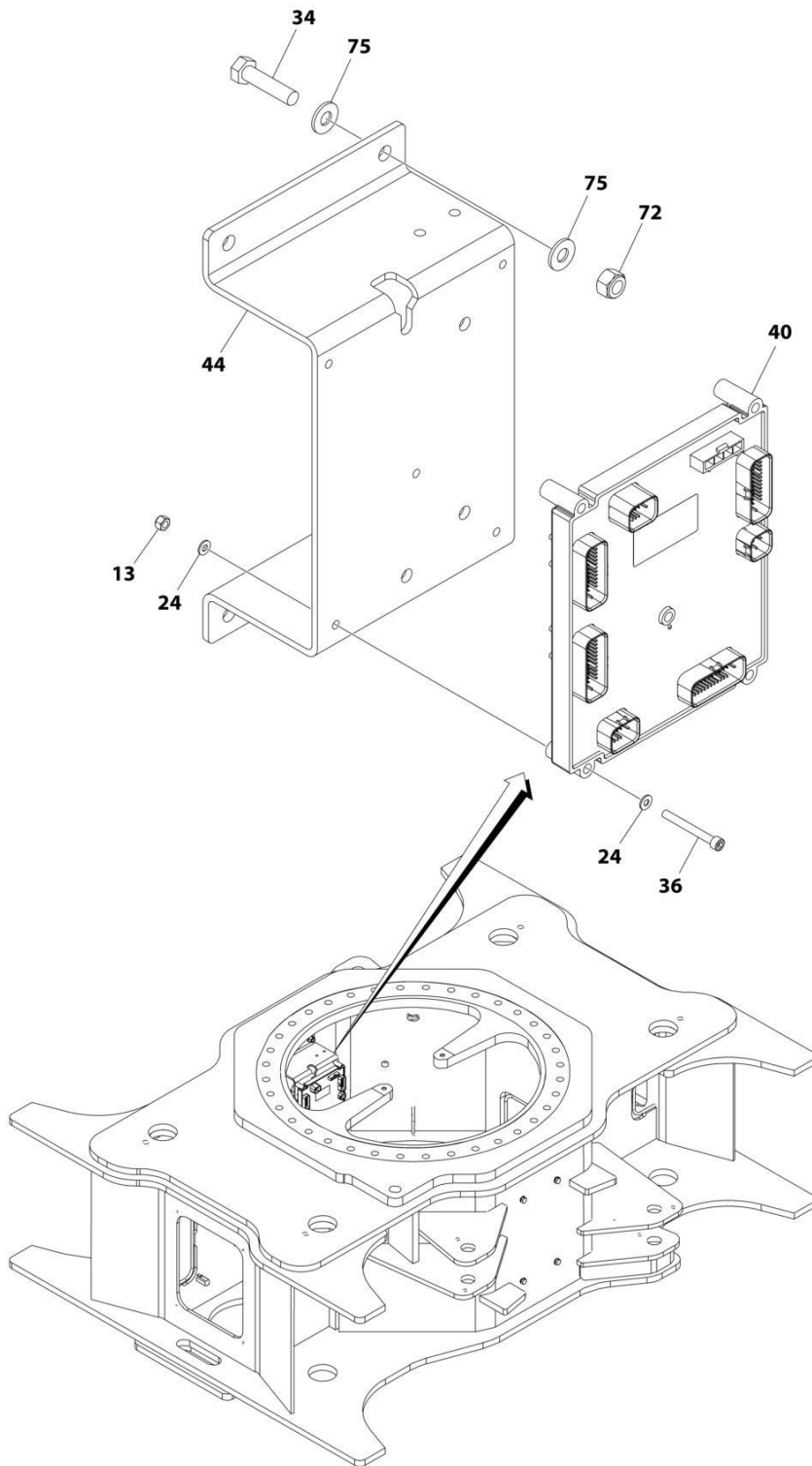
SECTION 1 - FRAME

FIGURE 1-20. ELECTRICAL COMPONENTS INSTALLATION WITH TOWER STOW - FRAME (HRC) (CE & UK CA SPECS) (Prior to SN 0300298207)

ITEM	PART NUMBER	QTY	DESCRIPTION	REV
	1001267660	Ref	ELECTRICAL COMPONENTS INSTALLATION - FRAME (HRC)	B
13	3290605	5	Nut M6	
24	4811700	6	Washer M6	
34	0761218001	4	Bolt M12 x 50	
36	1001118878	5	Capscrew M6 x 55	
39	1001149975	1	Chassis Harness (Not Shown - See Separate Breakdown in ELECTRICAL Section)	
40	1001150162	1	Module, Control (Note: Re-calibration Required when Replaced)	
43	1001163631	4	Axle Sensor Harness (Not Shown - See Separate Breakdown in ELECTRICAL Section)	
44	1001164354	1	Bracket	
72	3291205001	4	Nut M12	
75	4812100001	8	Washer M12	

SECTION 1 - FRAME

FIGURE 1-21. ELECTRICAL COMPONENTS INSTALLATION WITH TOWER STOW - FRAME (HRC) (CE & UK CA SPECS) (SN 0300298207 to Present)



ART_1001267660_F_10F2

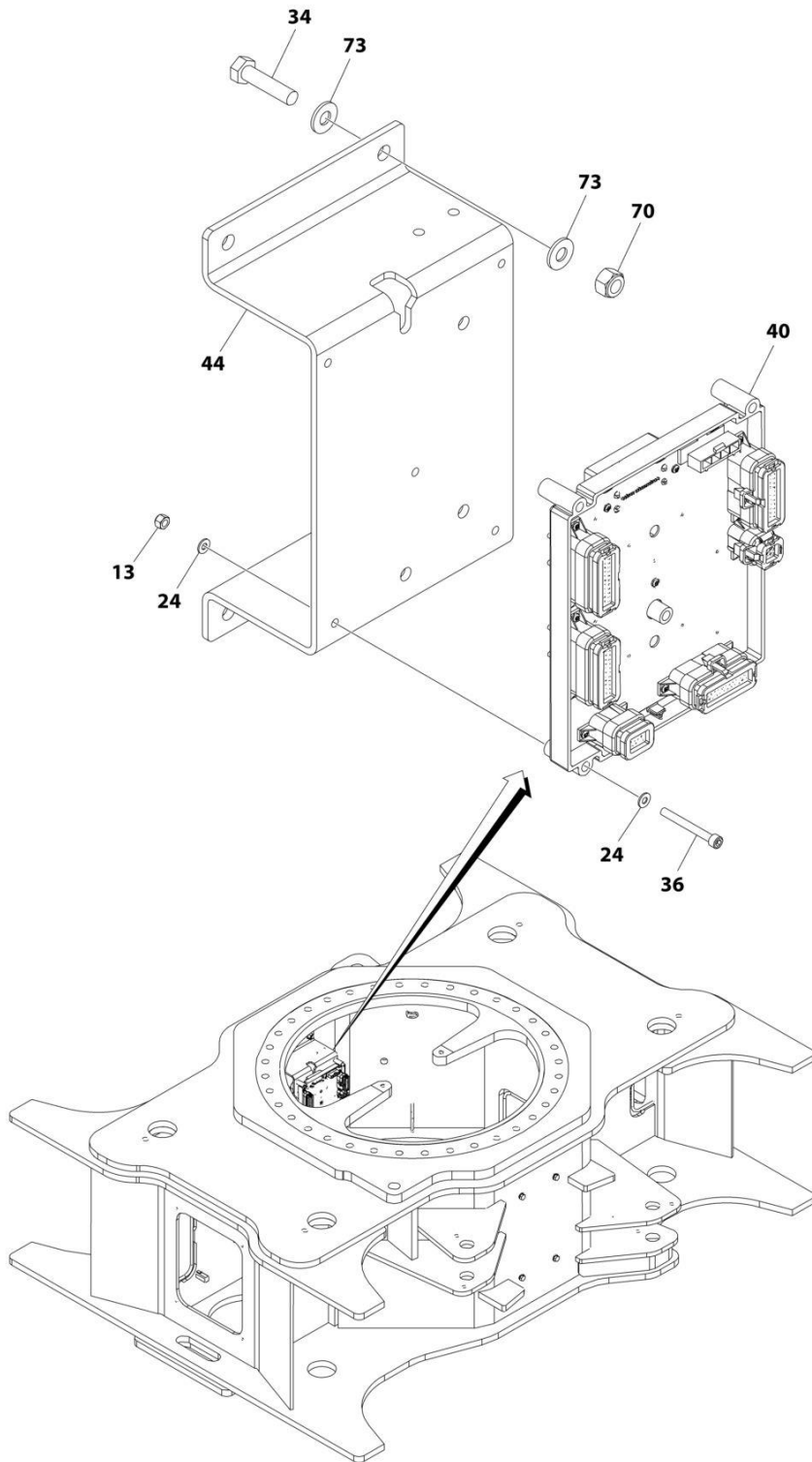
SECTION 1 - FRAME

FIGURE 1-21. ELECTRICAL COMPONENTS INSTALLATION WITH TOWER STOW - FRAME (HRC) (CE & UK CA SPECS) (SN 0300298207 to Present)

ITEM	PART NUMBER	QTY	DESCRIPTION	REV
	1001267660	Ref	ELECTRICAL COMPONENTS INSTALLATION - FRAME (HRC)	F
13	3290605	5	Nut M6	
24	4811700	6	Washer M6	
34	0761218001	4	Bolt M12 x 50	
36	1001118878	5	Capscrew M6 x 55	
39	1001149975	1	Chassis Harness (Not Shown - See Separate Breakdown in ELECTRICAL Section)	
40	1001277132	1	Module, Control (Note: Re-calibration Required when Replaced)	
43	1001163631	4	Axle Sensor Harness (Not Shown - See Separate Breakdown in ELECTRICAL Section)	
44	1001164354	1	Bracket	
72	3291205001	4	Nut M12	
75	4812100001	8	Washer M12	

SECTION 1 - FRAME

FIGURE 1-22. ELECTRICAL COMPONENTS INSTALLATION WITH TOWER STOW - FRAME (LRC)
(ANSI EXPORT, AUSTRALIAN AND CHINA SPECS) (Prior to SN 0300298207)



ART_1001267661_B_10F2

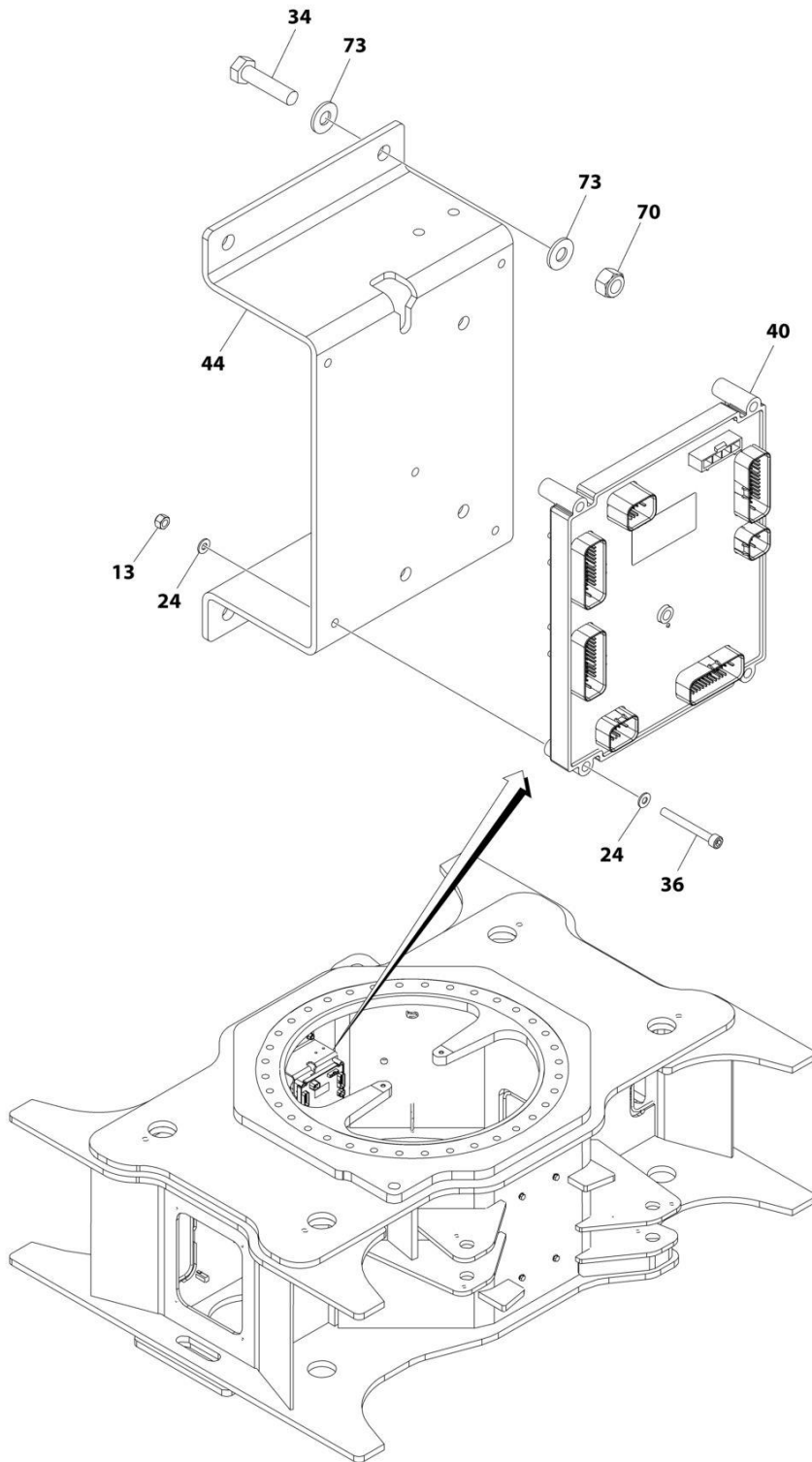
SECTION 1 - FRAME

**FIGURE 1-22. ELECTRICAL COMPONENTS INSTALLATION WITH TOWER STOW - FRAME (LRC)
(ANSI EXPORT, AUSTRALIAN AND CHINA SPECS) (Prior to SN 0300298207)**

ITEM	PART NUMBER	QTY	DESCRIPTION	REV
	1001267661	Ref	ELECTRICAL COMPONENTS INSTALLATION - FRAME (LRC)	B
13	3290605	5	Nut M6	
24	4811700	6	Washer M6	
34	0761218001	4	Bolt M12 x 50	
36	1001118878	5	Capscrew M6 x 55	
39	1001149975	1	Chassis Harness (Not Shown - See Separate Breakdown in ELECTRICAL Section)	
40	1001150162	1	Module, Control (Note: Re-calibration Required when Replaced)	
43	1001163631	4	Axle Sensor Harness (Not Shown - See Separate Breakdown in ELECTRICAL Section)	
44	1001164354	1	Bracket	
70	3291205001	4	Nut M12	
73	4812100001	8	Washer M12	

SECTION 1 - FRAME

**FIGURE 1-23. ELECTRICAL COMPONENTS INSTALLATION WITH TOWER STOW - FRAME (LRC)
(ANSI EXPORT, AUSTRALIAN AND CHINA SPECS) (SN 0300298207 to Present)**



ART_1001267661_F_10F2

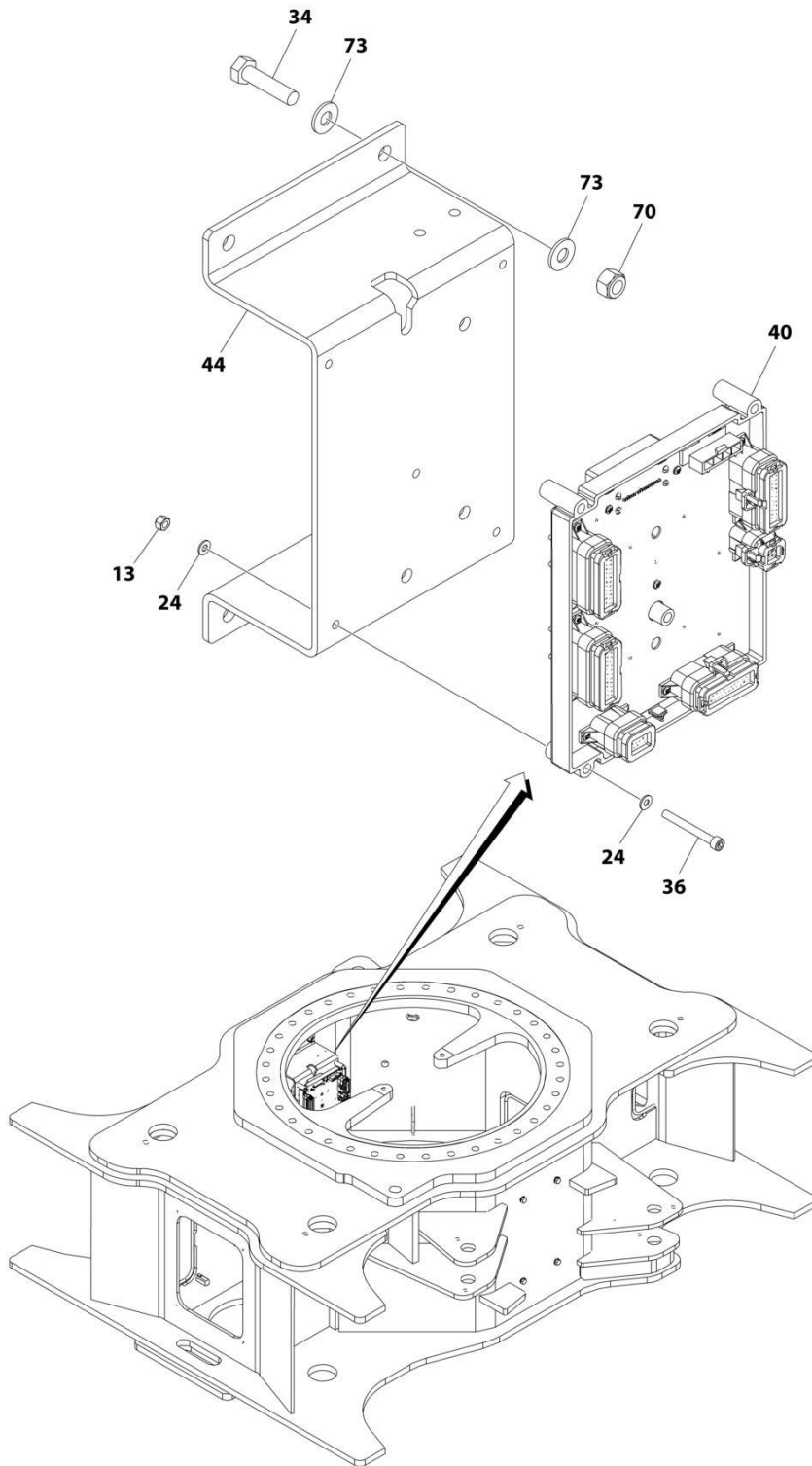
SECTION 1 - FRAME

**FIGURE 1-23. ELECTRICAL COMPONENTS INSTALLATION WITH TOWER STOW - FRAME (LRC)
(ANSI EXPORT, AUSTRALIAN AND CHINA SPECS) (SN 0300298207 to Present)**

ITEM	PART NUMBER	QTY	DESCRIPTION	REV
	1001267661	Ref	ELECTRICAL COMPONENTS INSTALLATION - FRAME (LRC)	F
13	3290605	5	Nut M6	
24	4811700	6	Washer M6	
34	0761218001	4	Bolt M12 x 50	
36	1001118878	5	Capscrew M6 x 55	
39	1001149975	1	Chassis Harness (Not Shown - See Separate Breakdown in ELECTRICAL Section)	
40	1001277132	1	Module, Control (Note: Re-calibration Required when Replaced)	
43	1001163631	4	Axle Sensor Harness (Not Shown - See Separate Breakdown in ELECTRICAL Section)	
44	1001164354	1	Bracket	
70	3291205001	4	Nut M12	
73	4812100001	8	Washer M12	

SECTION 1 - FRAME

FIGURE 1-24. ELECTRICAL COMPONENTS INSTALLATION WITH TOWER STOW - FRAME (LRC) (CE & UK CA SPECS) (Prior to SN 0300298207)



ART_1001267662_B_10F2

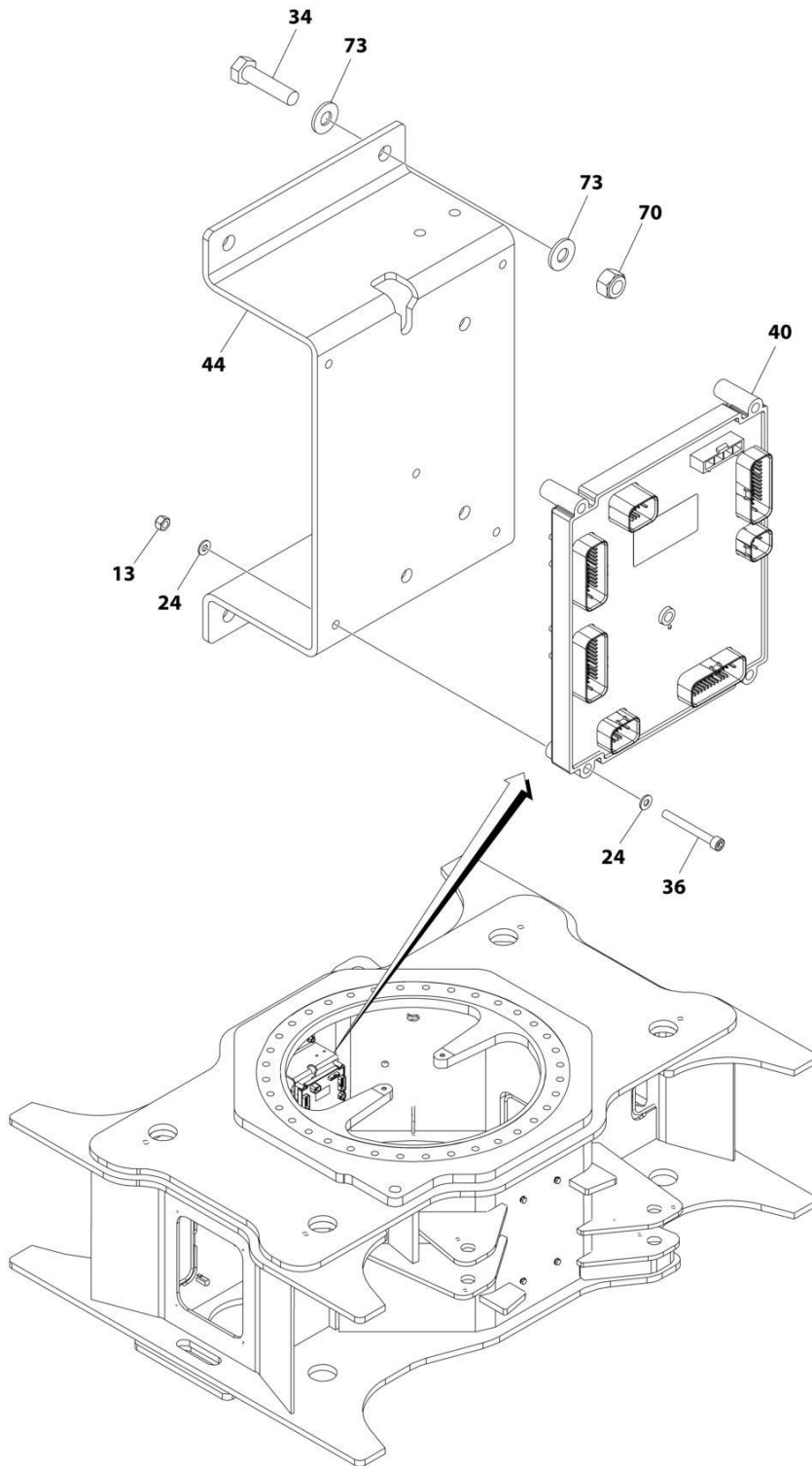
SECTION 1 - FRAME

FIGURE 1-24. ELECTRICAL COMPONENTS INSTALLATION WITH TOWER STOW - FRAME (LRC) (CE & UK CA SPECS) (Prior to SN 0300298207)

ITEM	PART NUMBER	QTY	DESCRIPTION	REV
	1001267662	Ref	ELECTRICAL COMPONENTS INSTALLATION - FRAME (LRC)	B
13	3290605	5	Nut M6	
24	4811700	6	Washer M6	
34	0761218001	4	Bolt M12 x 50	
36	1001118878	5	Capscrew M6 x 55	
39	1001149975	1	Chassis Harness (Not Shown - See Separate Breakdown in ELECTRICAL Section)	
40	1001150162	1	Module, Control (Note: Re-calibration Required when Replaced)	
43	1001163631	4	Axle Sensor Harness (Not Shown - See Separate Breakdown in ELECTRICAL Section)	
44	1001164354	1	Bracket	
70	3291205001	4	Nut M12	
73	4812100001	8	Washer M12	

SECTION 1 - FRAME

FIGURE 1-25. ELECTRICAL COMPONENTS INSTALLATION WITH TOWER STOW - FRAME (LRC) (CE & UK CA SPECS) (SN 0300298207 to Present)



ART_1001267662_F_10F2

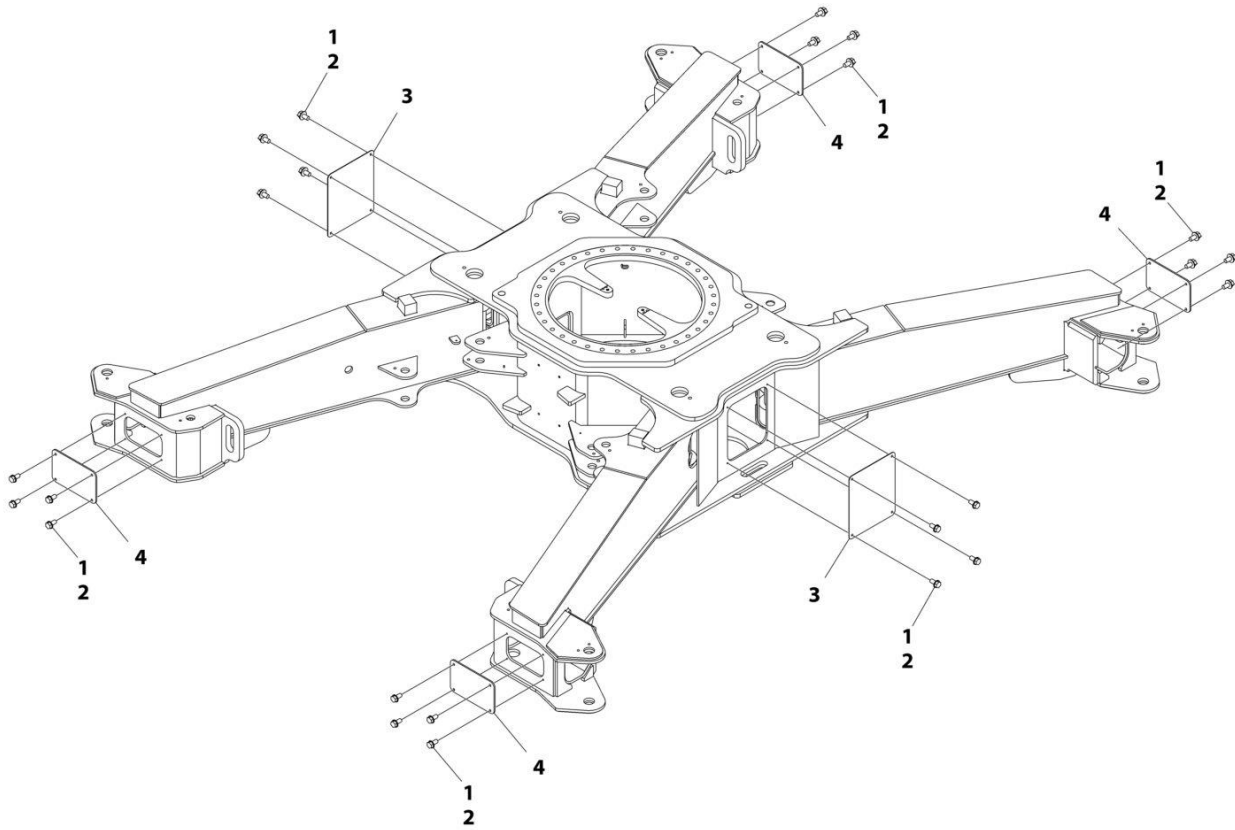
SECTION 1 - FRAME

FIGURE 1-25. ELECTRICAL COMPONENTS INSTALLATION WITH TOWER STOW - FRAME (LRC) (CE & UK CA SPECS) (SN 0300298207 to Present)

ITEM	PART NUMBER	QTY	DESCRIPTION	REV
	1001267662	Ref	ELECTRICAL COMPONENTS INSTALLATION - FRAME (LRC)	F
13	3290605	5	Nut M6	
24	4811700	6	Washer M6	
34	0761218001	4	Bolt M12 x 50	
36	1001118878	5	Capscrew M6 x 55	
39	1001149975	1	Chassis Harness (Not Shown - See Separate Breakdown in ELECTRICAL Section)	
40	1001277132	1	Module, Control (Note: Re-calibration Required when Replaced)	
43	1001163631	4	Axle Sensor Harness (Not Shown - See Separate Breakdown in ELECTRICAL Section)	
44	1001164354	1	Bracket	
70	3291205001	4	Nut M12	
73	4812100001	8	Washer M12	

SECTION 1 - FRAME

FIGURE 1-26. COVERS INSTALLATION - FRAME



ART_1001157670

SECTION 1 - FRAME

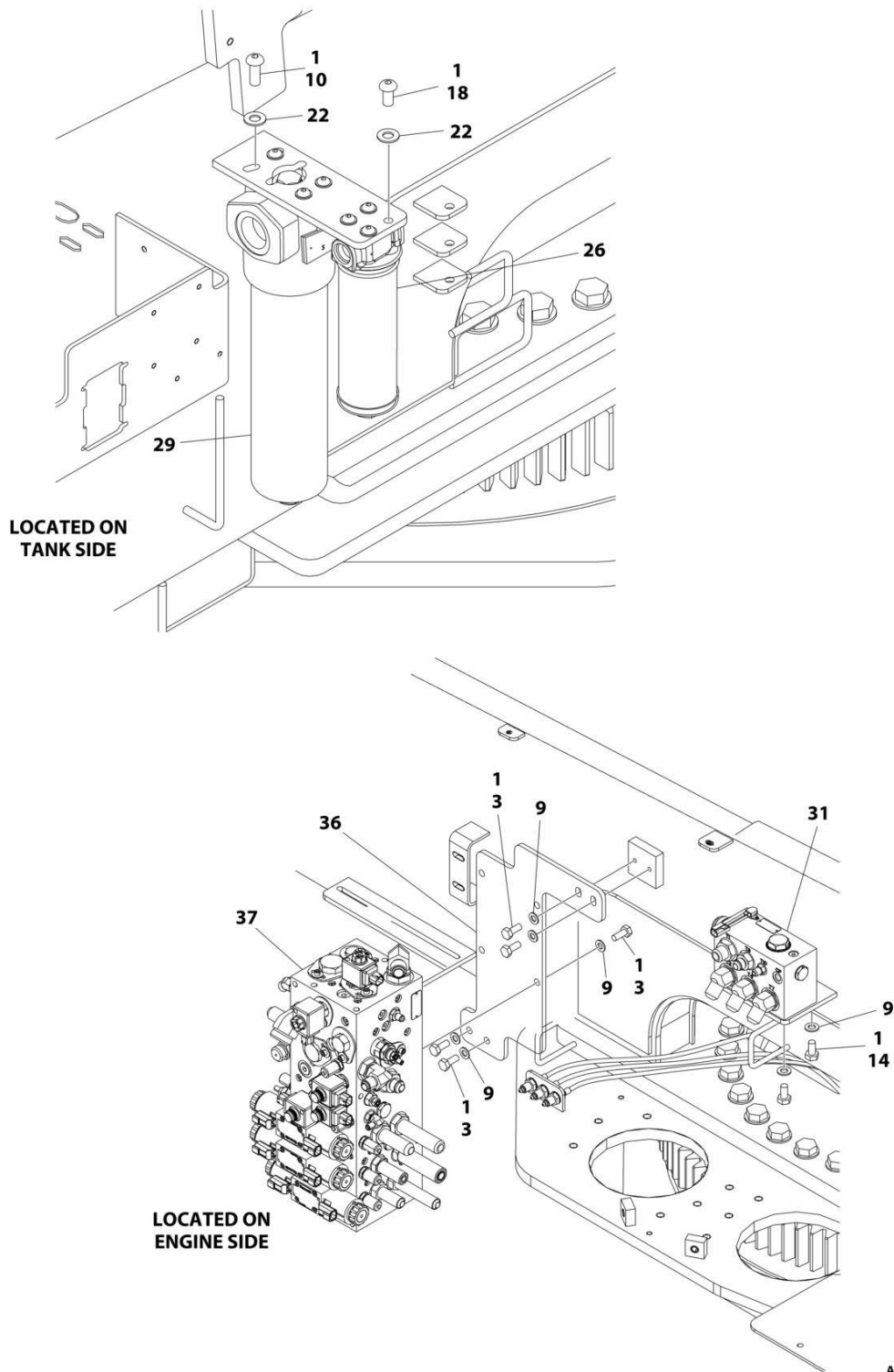
FIGURE 1-26. COVERS INSTALLATION - FRAME

ITEM	PART NUMBER	QTY	DESCRIPTION	REV
	1001157670	Ref	COVERS INSTALLATION - FRAME	B
1	0100011	AR	Compound, Locking	
2	5251210001	24	Bolt M12 x 20	
3	1001155561	2	Cover	
4	1001156867	4	Cover	

SECTION 2 - TURNTABLE

SECTION 2 - TURNTABLE

FIGURE 2-1. VALVES AND FILTERS INSTALLATION - TURNTABLE (PARKER HYDRAULIC FILTER)



ART_1001216976_20F3

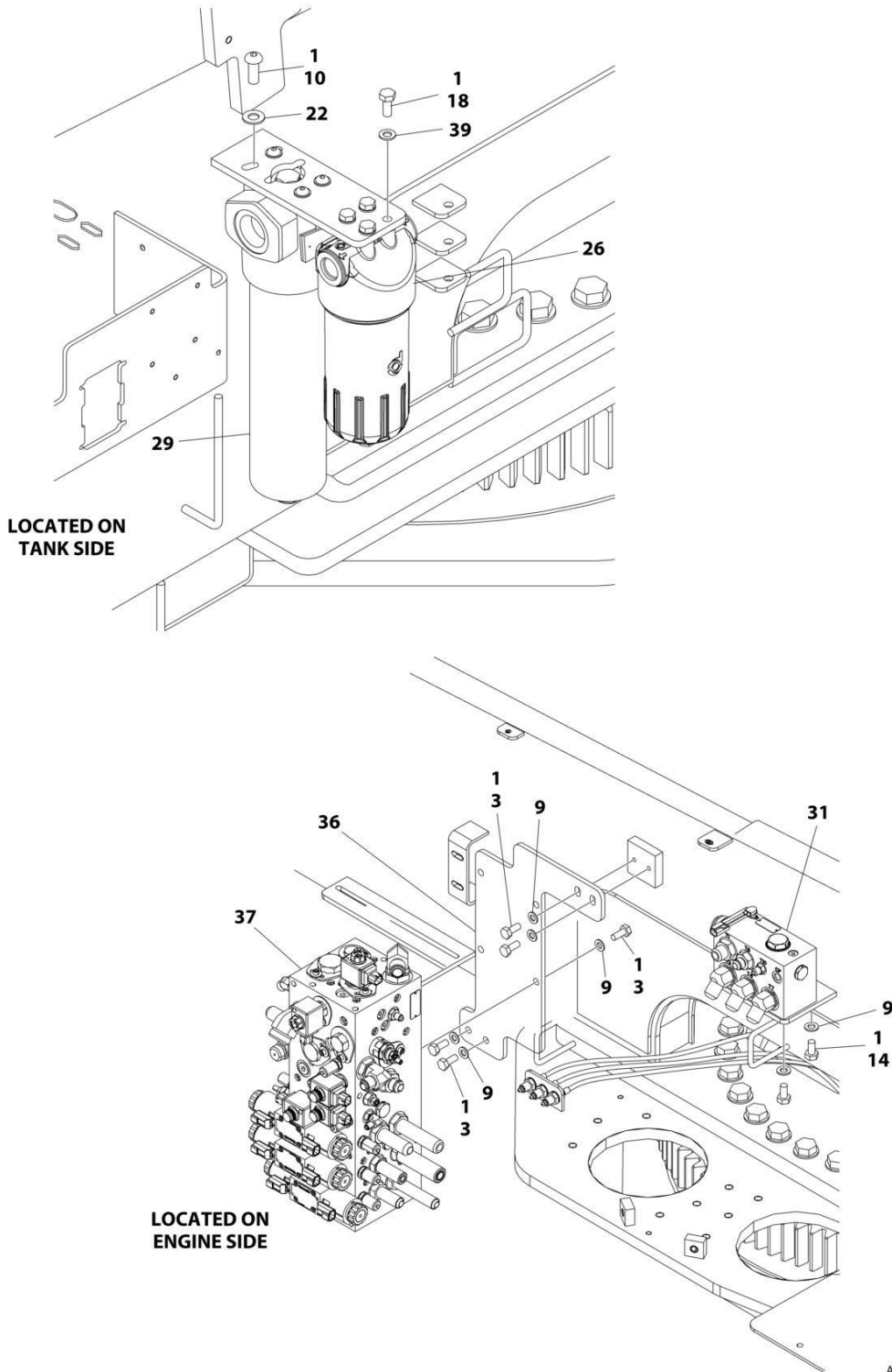
SECTION 2 - TURNTABLE

FIGURE 2-1. VALVES AND FILTERS INSTALLATION - TURNTABLE (PARKER HYDRAULIC FILTER)

ITEM	PART NUMBER	QTY	DESCRIPTION	REV
	1001216976	Ref	VALVES AND FILTERS INSTALLATION - TURNTABLE	E
1	0100011	AR	Compound, Locking	
3	0761012	8	Bolt M10 x 25	
9	4812000	12	Washer M10	
10	88261128	4	Screw 3/8 x 1	
14	0761010001	4	Bolt M10 x 20	
18	1001173846	4	Screw 3/8 x 3/4	
18	1001238236	4	Screw 3/8 x 7/8	
22	4711600001	8	Washer 3/8	
26	1001108617	1	Filter	
26	70002231	1	Element, Filter	
29	1001158412	1	Filter, High Pressure	
29	1001161232	1	Element, High Pressure Filter	
29	70006137	1	Seal Kit - 1001158412 Filter	
31	1001200988	1	Return Valve Assembly (See Separate Breakdown in this Section)	
36	1001213392	1	Bracket	
37	1001234247	1	Main Valve Assembly (See Separate Breakdown in this Section)	

SECTION 2 - TURNTABLE

FIGURE 2-2. VALVES AND FILTERS INSTALLATION - TURNTABLE (DONALDSON HYDRAULIC FILTER)



ART_1001216976_F_2OF3

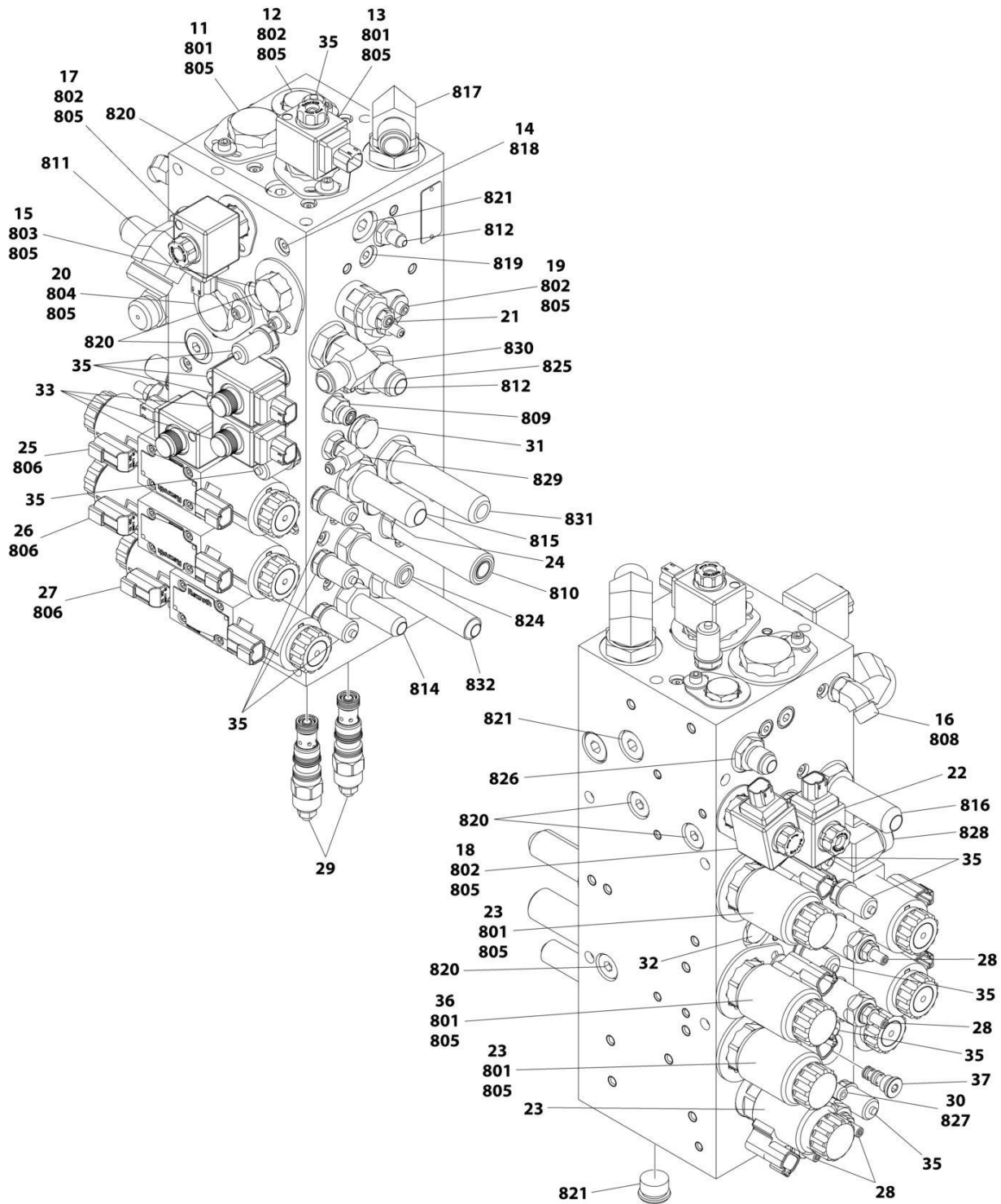
SECTION 2 - TURNTABLE

FIGURE 2-2. VALVES AND FILTERS INSTALLATION - TURNTABLE (DONALDSON HYDRAULIC FILTER)

ITEM	PART NUMBER	QTY	DESCRIPTION	REV
	1001216976	Ref	VALVES AND FILTERS INSTALLATION - TURNTABLE	F
1	0100011	AR	Compound, Locking	
3	0761012	8	Bolt M10 x 25	
9	4812000	12	Washer M10	
10	88261128	4	Screw 3/8 x 1	
14	0761010001	4	Bolt M10 x 20	
18	0761012001	1	Bolt M10 x 25	
22	4711600001	8	Washer 3/8	
26	1001293701	1	Filter	
26	70008358	1	Element, Filter	
26	70008368	1	Head, Filter	
26	70008369	1	Housing, Filter	
29	1001158412	1	Filter, High Pressure	
29	1001161232	1	Element, High Pressure Filter	
29	70006137	1	Seal Kit - 1001158412 Filter	
31	1001200988	1	Return Valve Assembly (See Separate Breakdown in this Section)	
36	1001213392	1	Bracket	
37	1001234247	1	Main Valve Assembly (See Separate Breakdown in this Section)	
39	1001172358	4	Washer M10	

SECTION 2 - TURNTABLE

FIGURE 2-3. MAIN VALVE ASSEMBLY



ART_1001234247

SECTION 2 - TURNTABLE

FIGURE 2-3. MAIN VALVE ASSEMBLY

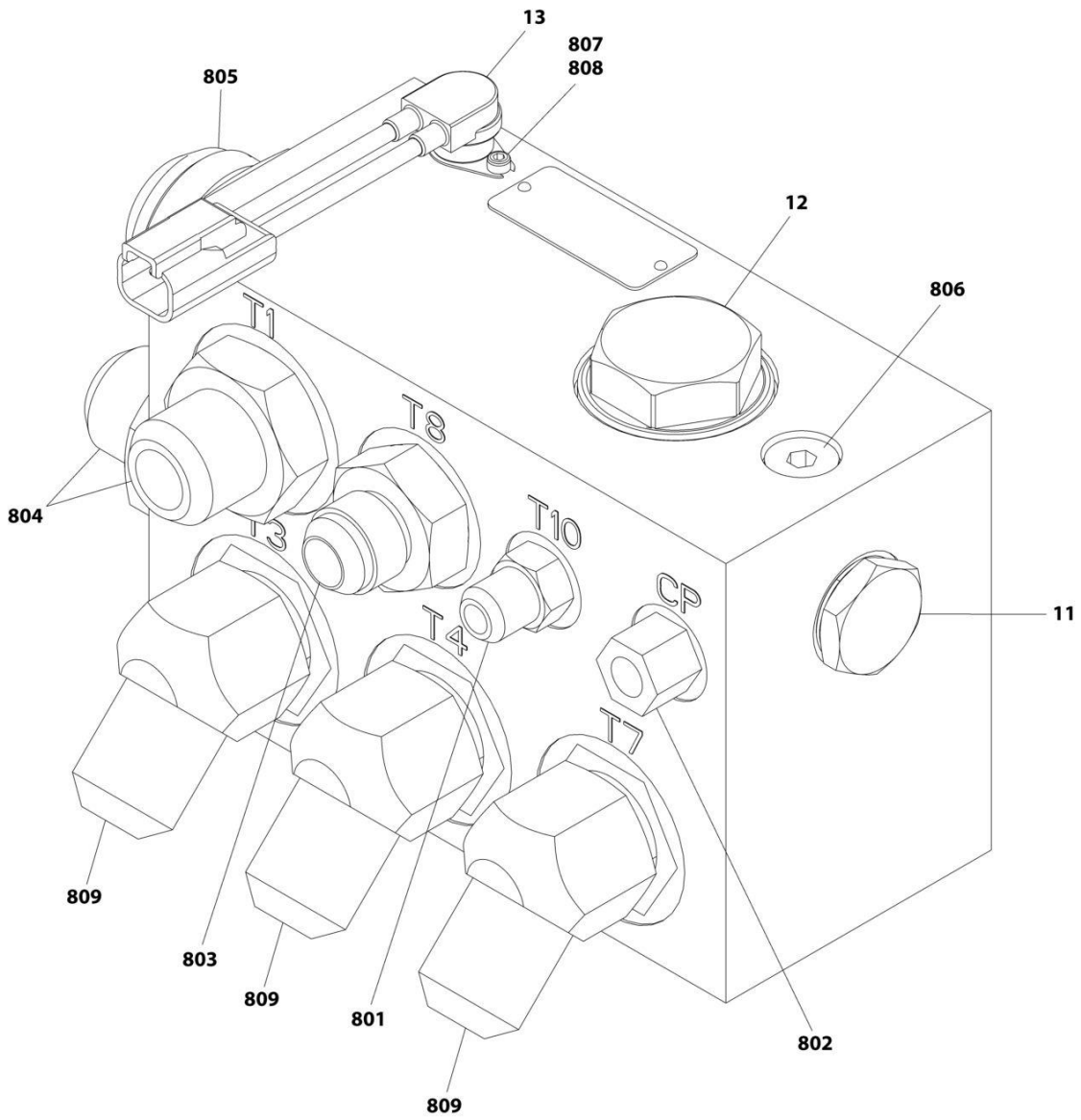
ITEM	PART NUMBER	QTY	DESCRIPTION	REV
	1001234247	Ref	MAIN VALVE ASSEMBLY	C
11	70005943	1	Valve, Cartridge (Check)	
11	70005944	1	Seal Kit - 70005943 Valve	
12	70004585	1	Valve, Cartridge (Check)	
12	70004052	1	Seal Kit - 70004585 Valve	
13	70005945	1	Valve, Solenoid Less Coil (Directional Control)	
13	70005946	1	Seal Kit - 70005945 Valve	
13	70004588	1	Coil	
13	70005947	1	Coil Nut and Pole Tube O-Ring Kit	
14	70004589	1	Orifice 2.2mm	
15	70004590	1	Valve, Solenoid Less Coil (Directional Control)	
15	70023862	1	Seal Kit - 70004590 Valve	
16	70006707	1	Orifice .7mm	
17	70005948	1	Valve, Solenoid Less Coil (Directional Control)	
17	70004055	1	Seal Kit - 70005948 Valve	
17	70004588	1	Coil	
17	70005947	1	Coil Nut and Pole Tube O-Ring Kit	
18	70005948	1	Valve, Solenoid Less Coil (Directional Control)	
18	See Note	NSS	Seal Kit - 70004598 Valve (Note: Not Available)	
18	70004588	1	Coil	
18	70005947	1	Coil Nut and Pole Tube O-Ring Kit	
19	70004591	1	Valve, Cartridge (Pressure Reducing)	
19	70004592	1	Seal Kit - 70004591 Valve	
20	70004583	1	Valve, Cartridge (Check)	
20	70004584	1	Seal Kit - 70004583 Valve	
21	70006708	1	Valve, Cartridge (Relief)	
21	See Note	NSS	Seal Kit - 70006708 Valve (Note: Not Available)	
22	70004586	1	Valve, Solenoid Less Coil (Directional Control)	
22	70004587	1	Seal Kit - 70004586 Valve	
22	70004588	1	Coil	
22	70005947	1	Coil Nut and Pole Tube O-Ring Kit	
23	70004593	3	Valve, Solenoid Less Coil (Flow Control)	
23	70004594	3	Seal Kit - 70004593 Valve	
23	70004595	3	Coil	
23	70004597	3	Nut, Coil	
23	70004596	3	O-Ring, Pole Tube	
24	70023859	3	Valve, Cartridge (Shuttle)	
24	70023860	3	Seal Kit - 70023859 Valve	
25	70004459	1	Valve, Solenoid Less Coil (Tele)	
25	7012773	1	Seal Kit - 70004459 Valve	
25	70004460	1	Coil	
25	7021375	1	Nut, Coil	
26	70004600	1	Valve, Solenoid Less Coil (Lift)	
26	7012773	1	Seal Kit - 70004600 Valve	
26	70004460	1	Coil	
26	7021375	1	Nut, Coil	
27	70004609	1	Valve, Solenoid Less Coil (Lift)	
27	7012773	1	Seal Kit - 70004609 Valve	
27	70004460	1	Coil	
27	7021375	1	Nut, Coil	

SECTION 2 - TURNTABLE

ITEM	PART NUMBER	QTY	DESCRIPTION	REV
28	70004601	4	Valve, Cartridge (Relief)	
28	70004602	4	Seal Kit - 70004601 Valve	
29	70004610	2	Valve, Cartridge (Counterbalance)	
30	70005950	1	Orifice	
31	70005951	1	Valve, Cartridge (Check)	
31	70004052	1	Seal Kit - 70005951 Valve	
32	70005952	1	Valve, Cartridge (Check)	
32	70004052	1	Seal Kit - 70005952 Valve	
33	70004457	3	Valve, Solenoid Less Coil (Directional Control)	
33	70004050	3	Seal Kit - 70004457 Valve	
33	70004588	3	Coil	
33	70005947	3	Coil Nut and Pole Tube O-Ring Kit	
35	2221086	13	Fitting, Test	
36	70005953	1	Valve, Solenoid Less Coil (Flow Control)	
36	70004594	1	Seal Kit - 70005953 Valve	
36	70004595	1	Coil	
36	70004597	1	Nut, Coil	
36	70004596	1	O-Ring, Pole Tube	
37	70004613	1	Valve, Cartridge (Check)	
37	70023860	1	Seal Kit - 70004613 Valve	
801	70000781	5	Plate, Locking	
802	70004619	4	Plate, Locking	
803	70004618	1	Plate, Locking	
804	70002962	1	Plate, Locking	
805	70005958	11	Capscrew	
806	7018942	12	Capscrew	
808	2150606	1	Fitting, 45 ORFS/ORB	
809	2110406	1	Fitting, Straight ORFS/ORB	
810	1001213297	1	Fitting, Straight ORFS/ORB	
811	2151616	1	Fitting, 45 JIC/ORB	
812	2220582	2	Fitting, Straight JIC/ORB	
814	1001213292	1	Fitting, Straight JIC/ORB	
815	1001213294	1	Fitting, Straight JIC/ORB	
816	1001213294	1	Fitting, Straight JIC/ORB	
817	2220465	1	Fitting, 90 JIC/ORB	
818	70002758	1	Plug	
819	70004617	1	Plug	
820	70002759	6	Plug	
821	70004603	4	Plug	
824	1001213296	1	Fitting, Straight ORFS/ORB	
825	2220865	1	Fitting, Straight JIC/ORB	
826	2220374	1	Fitting, Straight JIC/ORB	
827	1001213295	1	Fitting, Straight JIC/ORB	
828	2131010	1	Fitting, 90 ORFS/ORB	
829	2220472	1	Fitting, 90 JIC/ORB	
830	2220906	1	Fitting, 90 JIC/ORB	
831	1001213298	1	Fitting, Straight JIC/ORB	
832	1001213293	1	Fitting, Straight JIC/ORB	

SECTION 2 - TURNTABLE

FIGURE 2-4. JUNCTION VALVE ASSEMBLY



ART_1001200988

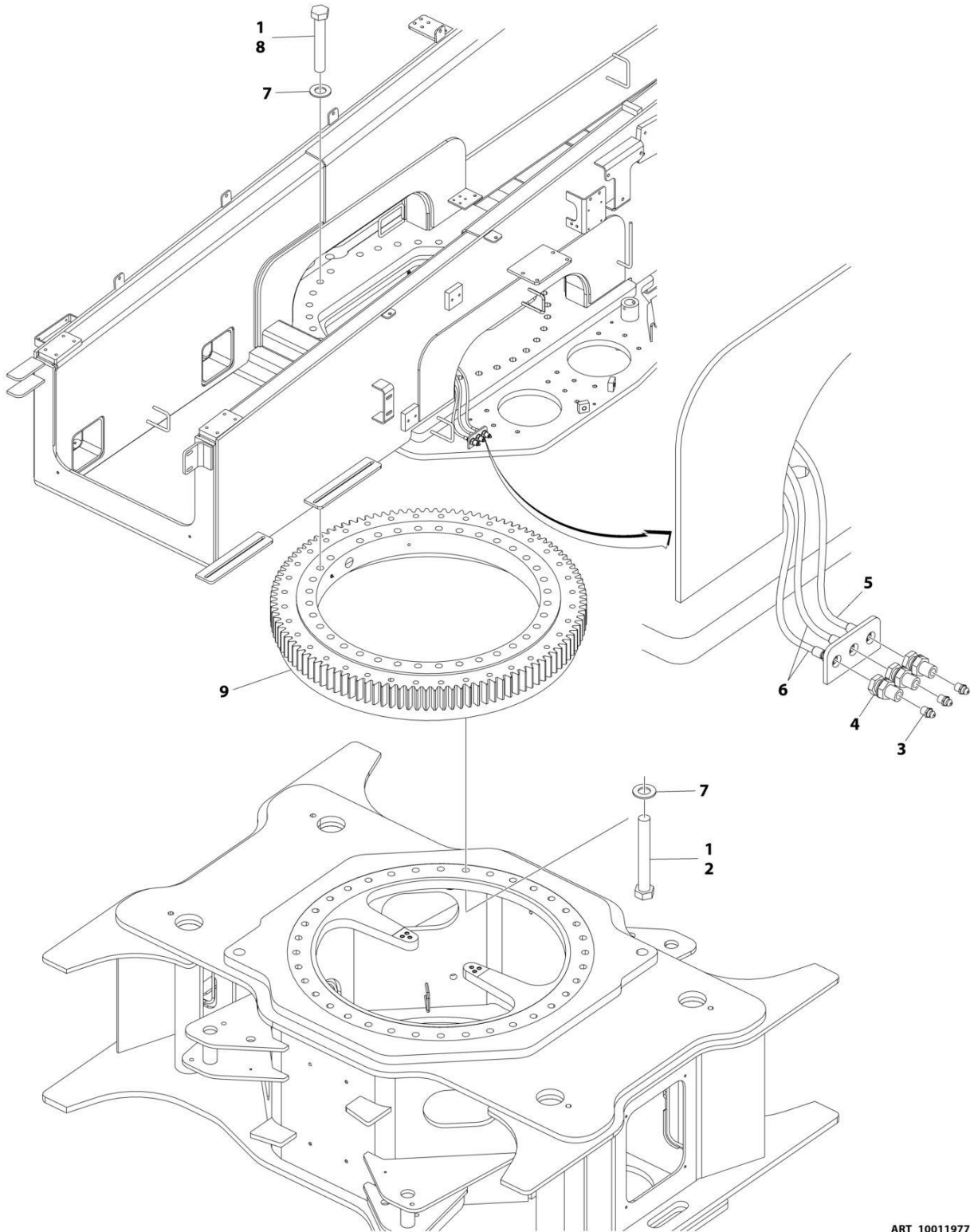
SECTION 2 - TURNTABLE

FIGURE 2-4. JUNCTION VALVE ASSEMBLY

ITEM	PART NUMBER	QTY	DESCRIPTION	REV
	1001200988	Ref	JUNCTION VALVE ASSEMBLY	L
11	70023866	1	Valve, Cartridge (Check)	
11	70023867	1	Seal Kit - 70023866 Valve	
12	70005959	1	Valve, Cartridge (Check)	
12	70004614	1	Seal Kit - 70005959 Valve	
13	70004614	1	Switch, Temperature	
801	2220371	1	Fitting, Straight ORFS/ORB	
802	2221155	1	Fitting, Straight FORB/MORB	
803	2220865	1	Fitting, Straight JIC/ORB	
804	2220435	2	Fitting, Straight JIC/ORB	
805	2220380	1	Fitting, Straight JIC/ORB	
806	70005199	1	Plug	
807	70004615	2	Capscrew	
808	70005961	2	Insert, Threaded	
809	70005958	3	Fitting, 45 JIC/ORB	

SECTION 2 - TURNTABLE

FIGURE 2-5. TURNTABLE BEARING INSTALLATION



ART_1001197761

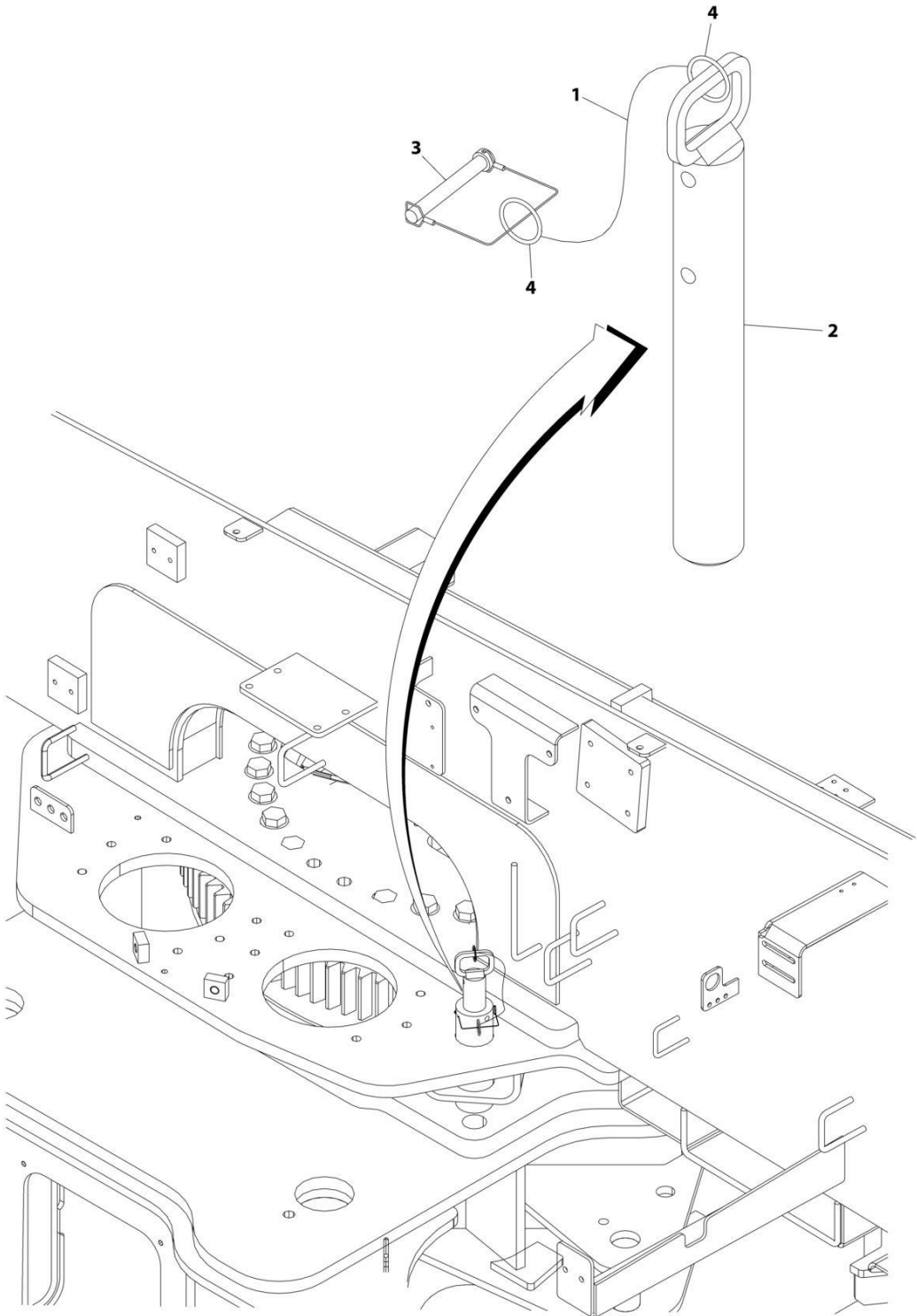
SECTION 2 - TURNTABLE

FIGURE 2-5. TURNTABLE BEARING INSTALLATION

ITEM	PART NUMBER	QTY	DESCRIPTION	REV
	1001197761	Ref	TURNTABLE BEARING INSTALLATION	A
1	0100019	AR	Compound, Locking	
2	0712435	36	Bolt M24 x 180 Grade 10.9	
3	2160002	3	Fitting, Grease	
4	2180344	3	Fitting, Bulkhead NPT	
5	2750528	1	Hose	
6	2751032	2	Hose	
7	5242400	69	Washer M24	
8	1001097587	33	Bolt M24 x 150 Grade 10.9	
9	1001149823	1	Bearing, Swing	
10	1001193630	1	Bearing Kit (Not Shown - Includes Items 2, 7, 8 & 9)	

SECTION 2 - TURNTABLE

FIGURE 2-6. TURNTABLE LOCK INSTALLATION



ART_1001197142

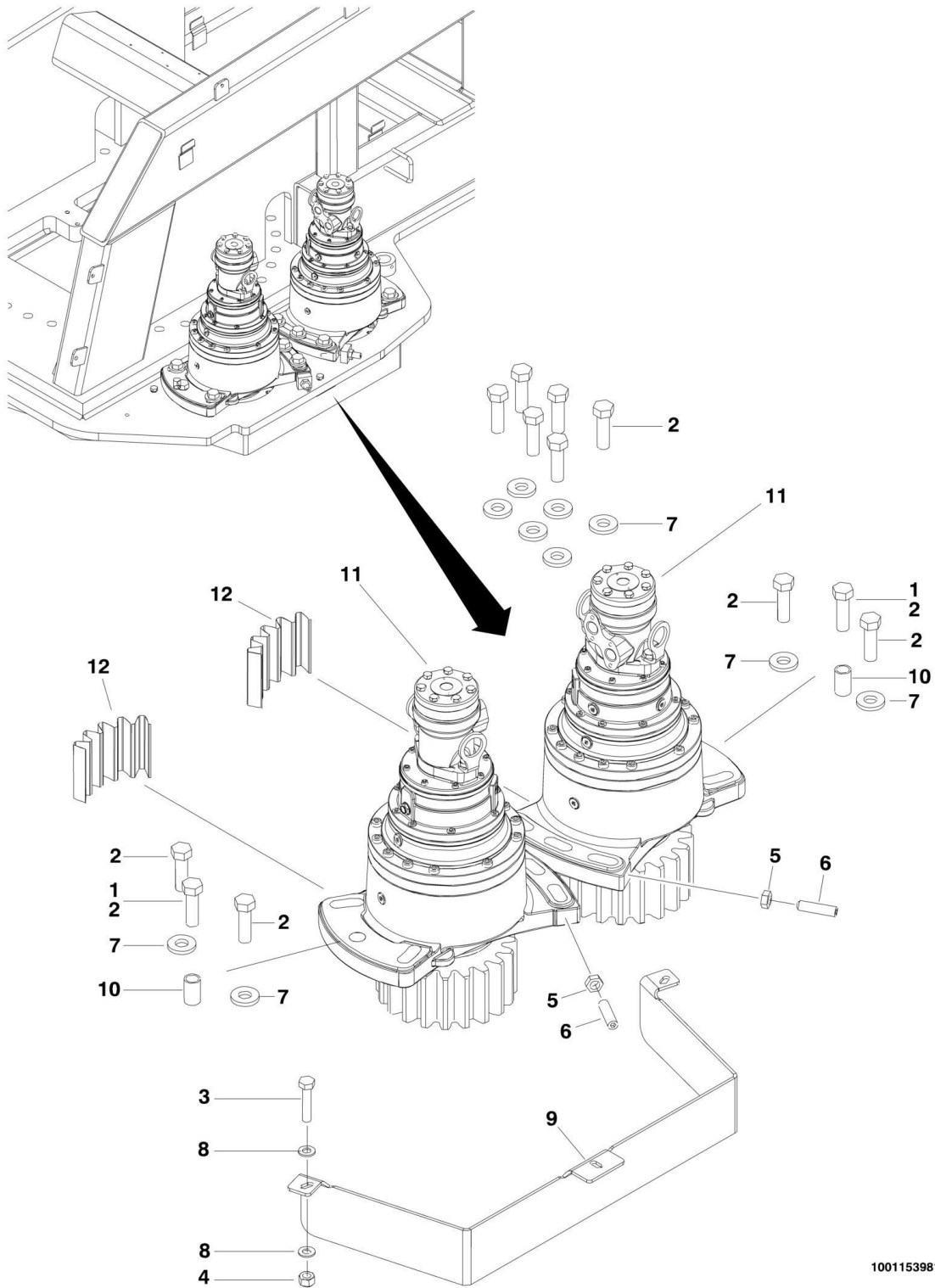
SECTION 2 - TURNTABLE

FIGURE 2-6. TURNTABLE LOCK INSTALLATION

ITEM	PART NUMBER	QTY	DESCRIPTION	REV
	1001197142	Ref	TURNTABLE LOCK INSTALLATION	A
1	1260017	8 in /20cm	Chain	
2	3421563	1	Pin	
3	3421565	1	Pin	
4	3760170	2	Ring	

SECTION 2 - TURNTABLE

FIGURE 2-7. SWING DRIVE INSTALLATION



1001153981

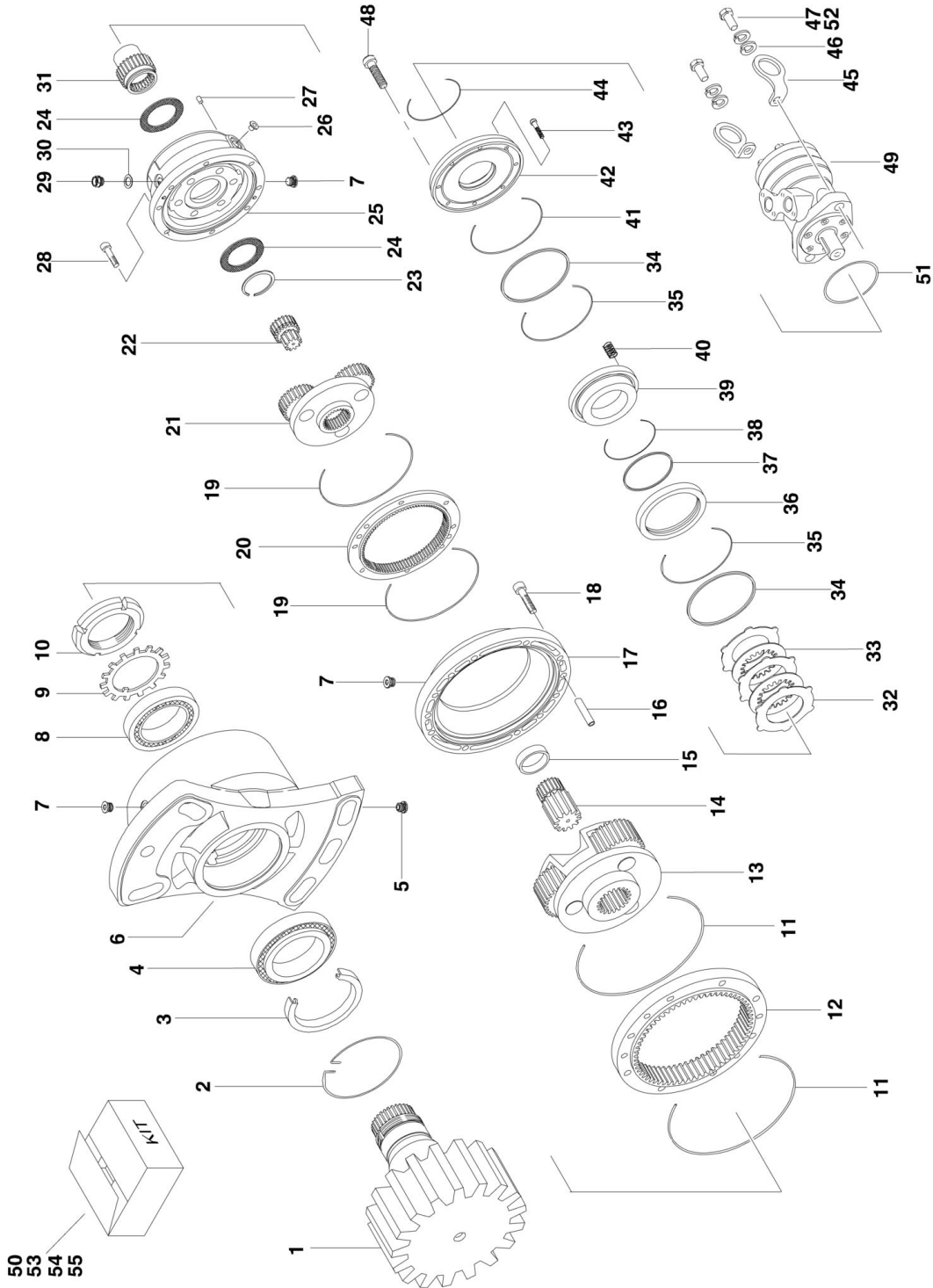
SECTION 2 - TURNTABLE

FIGURE 2-7. SWING DRIVE INSTALLATION

ITEM	PART NUMBER	QTY	DESCRIPTION	REV
	1001153981	Ref	SWING DRIVE INSTALLATION	C
1	0100019	AR	Compound, Locking	
2	0682220	12	Bolt 3/4 x 2-1/2 Grade 8	
3	0701018	3	Bolt M10 x 50	
4	3291005	3	Nut M10	
5	3312002	2	Nut 5/8	
6	3952020	2	Setscrew 5/8 x 2-1/2	
7	4740057	10	Washer	
8	4812000	6	Washer M10	
9	1001150725	1	Shield	
10	1001153983	2	Bar	
11	1001153984	2	Swing Hub/Brake/Motor Assembly (See Separate Breakdown in this Section)	
12	1001154377	2	Shim	

SECTION 2 - TURNTABLE

FIGURE 2-8. SWING HUB/BRAKE/MOTOR ASSEMBLY



1001153984

SECTION 2 - TURNTABLE

FIGURE 2-8. SWING HUB/BRAKE/MOTOR ASSEMBLY

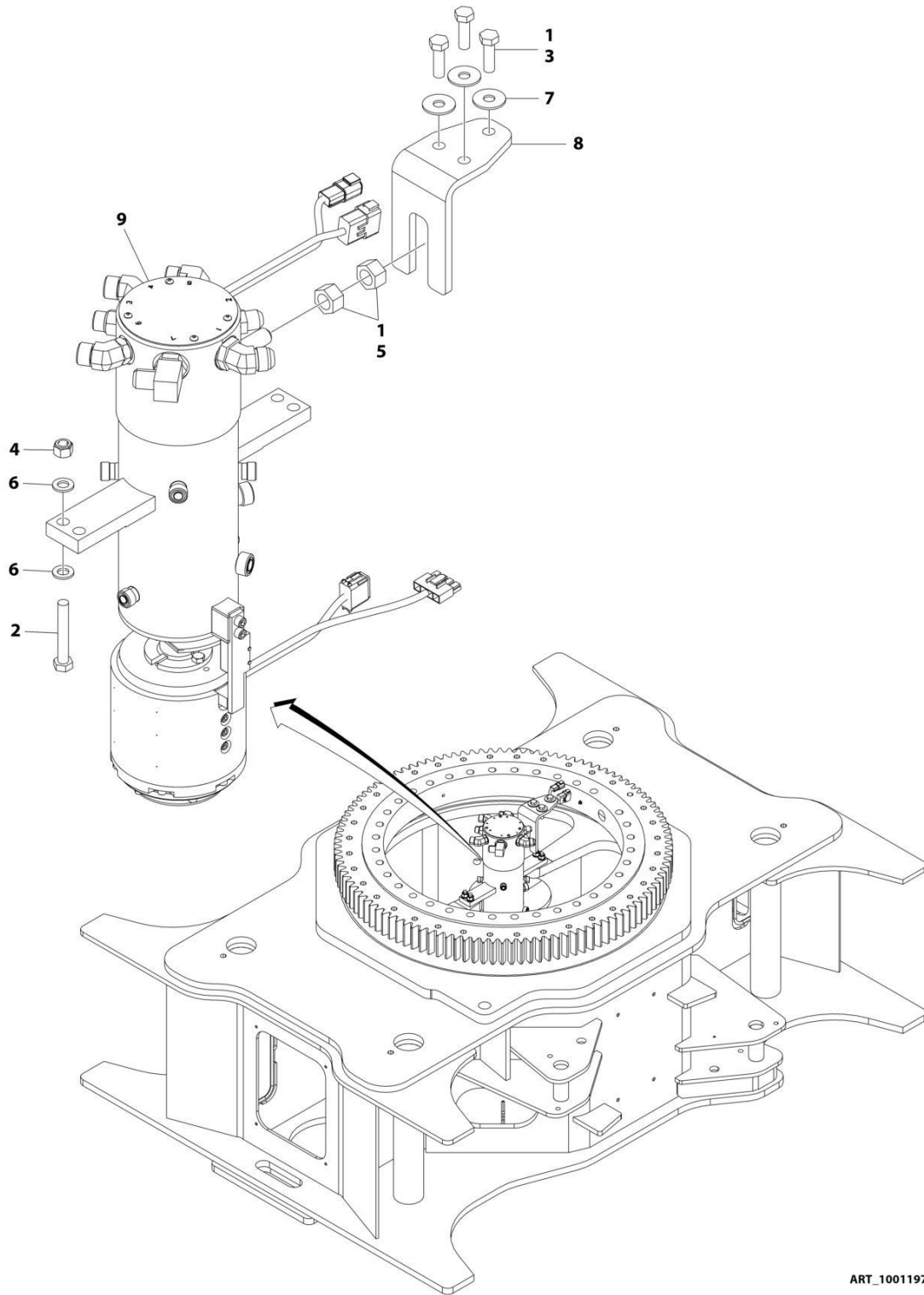
ITEM	PART NUMBER	QTY	DESCRIPTION	REV
	1001153984	Ref	HUB/BRAKE/MOTOR - SWING	E
1	70004466	1	Shaft	
2	70004467	1	Ring	
3	See Note	NSS	Seal, Oil (Use p/n 70004489)	
4	70004468	1	Bearing	
5	70004469	1	Plug with O-Ring	
6	70004470	1	Support, Output	
7	70002057	5	Plug with O-Ring	
8	70004471	1	Bearing	
9	70004472	1	Washer	
10	70004473	1	Nut, Ring	
11	See Note	NSS	O-Ring (Use p/n 70004489)	
12	70004474	1	Ring, Planetary	
13	70004475	1	Reduction, Gear - Complete	
14	70004476	1	Pinion	
15	70004477	1	Spacer	
16	70004478	4	Pin, Spring	
17	70004479	1	Spacer	
18	70004480	8	Capscrew M10x55	
19	See Note	NSS	O-Ring (Use p/n 70004489)	
20	70004481	1	Ring, Planetary	
21	70004482	1	Reduction, Gear - Complete	
22	70004483	1	Pinion	
23	See Note	NSS	Ring (Use p/n 70004488)	
24	See Note	NSS	Washer (Use p/n 70004488)	
25	See Note	NSS	Housing, Brake (Use p/n 70004488)	
26	See Note	NSS	Plug (Use p/n 70004488)	
27	See Note	NSS	Plug (Use p/n 70004488)	
28	See Note	NSS	Capscrew M8x35 (Use p/n 70004488)	
29	See Note	NSS	Plug (Use p/n 70004488)	
30	See Note	NSS	Washer (Use p/n 70004488)	
31	See Note	NSS	Shaft, Input (Use p/n 70004488)	
32	See Note	NSS	Disc, Steel (Use p/n 70004488)	
33	See Note	NSS	Disc (Use p/n 70004488)	
34	See Note	NSS	Seal (Use p/n 70004488 or 70004490)	
35	See Note	NSS	O-Ring (Use p/n 70004488 or 70004490)	
36	See Note	NSS	Spacer (Use p/n 70004488)	
37	See Note	NSS	Seal (Use p/n 70004488 or 70004490)	
38	See Note	NSS	O-Ring (Use p/n 70004488 or 70004490)	
39	See Note	NSS	Piston, Brake (Use p/n 70004488)	
40	See Note	NSS	Spring, Brake (Use p/n 70004488)	
41	See Note	NSS	O-Ring (Use p/n 70004488 or 70004490)	
42	See Note	NSS	Cover (Use p/n 70004488 or 70004490)	
43	See Note	NSS	Screw M6x25 (Use p/n 70004488)	
44	See Note	NSS	O-Ring (Use p/n 70004488 or 70004490)	
45	70004484	2	Lug, Lifting	
46	70004485	4	Washer, Lock	
47	70004486	2	Capscrew M12x25	
48	70004487	2	Capscrew M12x35	
49	70004491	1	Motor	

SECTION 2 - TURNTABLE

ITEM	PART NUMBER	QTY	DESCRIPTION	REV
		Ref	Note: Seal Kit is the only replacement component available. Otherwise, replacement complete motor.	
50	70004492	1	Kit, Seal - Motor	
51	70004493	1	O-Ring	
52	70004494	2	Bolt	
53	70004488	1	Kit, Brake (Includes Items 23-44)	
54	70004489	1	Kit, Seal - Gearbox (Includes Items 3, 11 & 19)	
55	70004490	1	Kit, Brake Seal (Includes Items 34, 35, 37, 38 & 44)	

SECTION 2 - TURNTABLE

FIGURE 2-9. COUPLING/COLLECTOR RING INSTALLATION



ART_1001197118

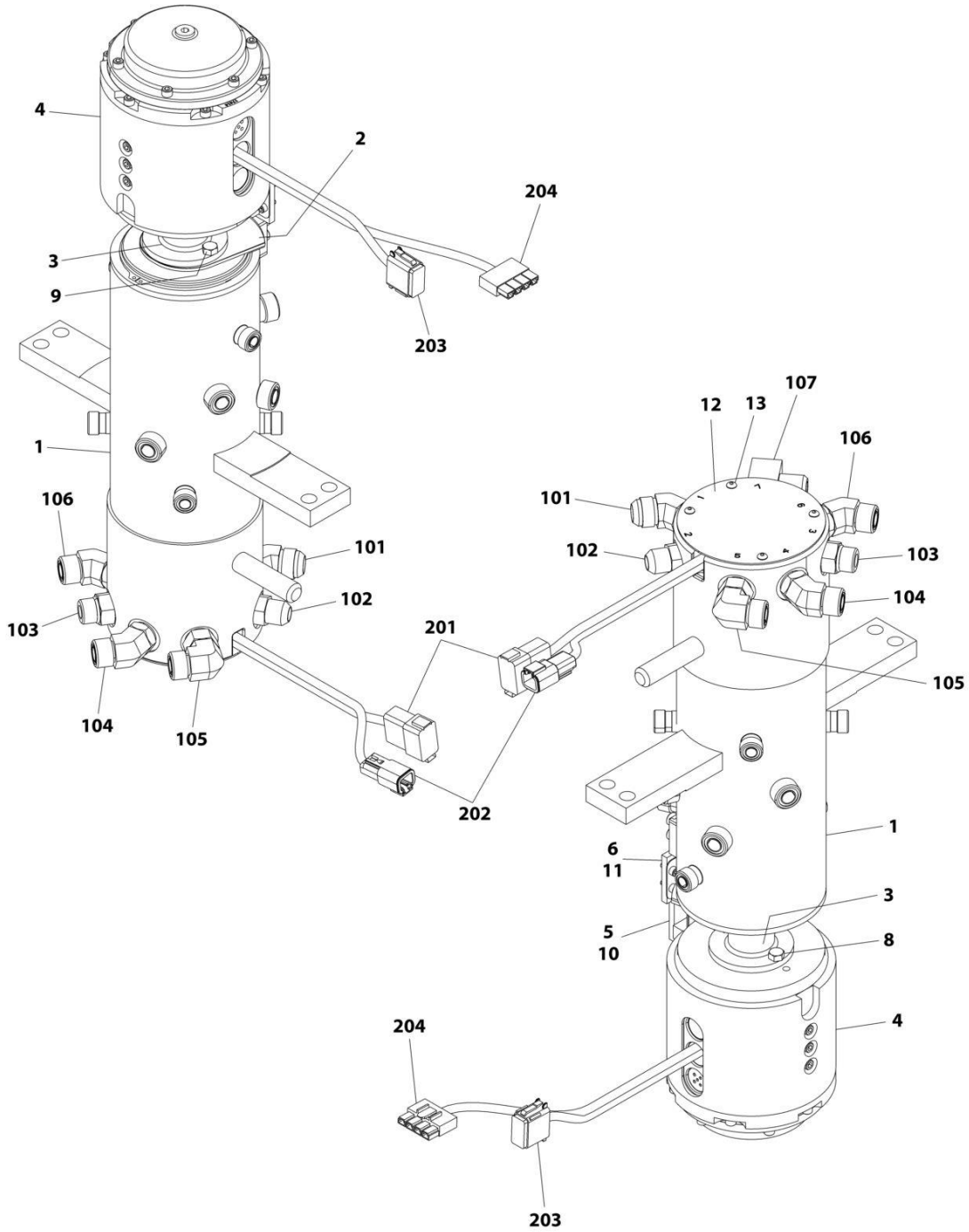
SECTION 2 - TURNTABLE

FIGURE 2-9. COUPLING/COLLECTOR RING INSTALLATION

ITEM	PART NUMBER	QTY	DESCRIPTION	REV
	1001197118	Ref	COUPLING/COLLECTOR RING INSTALLATION	C
1	0100011	AR	Compound, Locking	
2	0701224	4	Bolt M12 x 80	
3	0761216	3	Bolt M12 x 40	
4	3291205	4	Nut M12	
5	3322201	2	Nut 3/4	
6	4812100	8	Washer M12	
7	4812102	3	Washer M12	
8	1001154196	1	Bracket	
9	1001195588	1	Coupling/Collector Ring Assembly (See Separate Breakdown in this Section)	

SECTION 2 - TURNTABLE

FIGURE 2-10. COUPLING/COLLECTOR RING ASSEMBLY



ART_1001195588

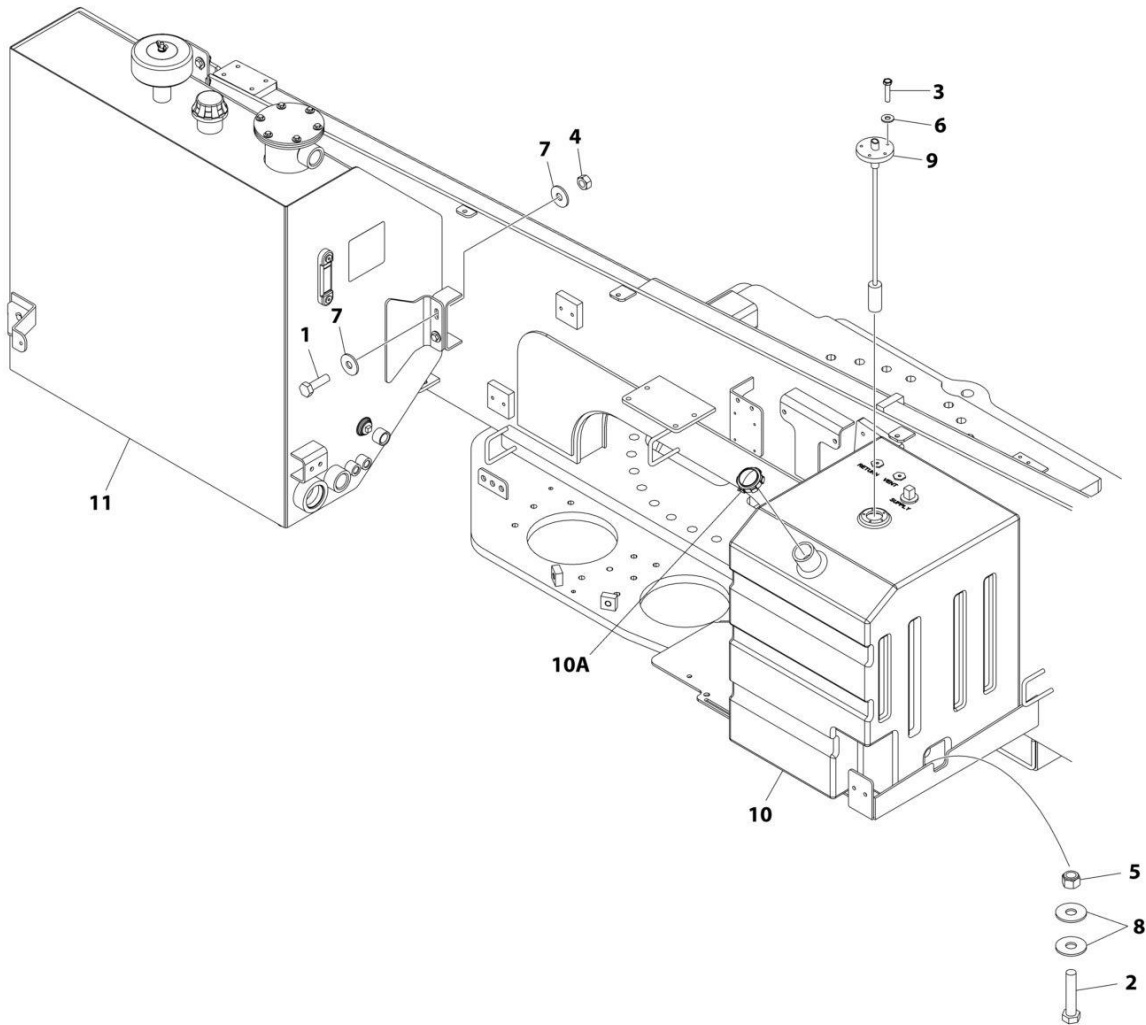
SECTION 2 - TURNTABLE

FIGURE 2-10. COUPLING/COLLECTOR RING ASSEMBLY

ITEM	PART NUMBER	QTY	DESCRIPTION	REV
	1001195588	Ref	COUPLING/COLLECTOR RING ASSEMBLY	E
1	70005679	1	Coupling, Rotary	
2	7026030	1	Cam	
3	See Note	1	Adapter	
4	70005678	1	Ring, Collector	
5	70003484	1	Arm	
6	7026031	1	Sensor, Proximity	
7	7026032	1	Pin, Dowel (Not Shown)	
8	0641506	2	Bolt 5/16 x 3/4	
9	0641508	2	Bolt 5/16 x 1	
10	3931512	2	Capscrew 5/16 x 3/4	
11	See Note	NSS	Capscrew #10 x 1/2 (Note: Purchase Locally)	
12	See Note	NSS	Cover (Note: Purchase Complete Assembly)	
13	See Note	NSS	Screw #10 x 3/8 (Note: Purchase Locally)	
101	2220498	1	Fitting, 45 JIC/ORB	
102	2220947	1	Fitting, Straight JIC/ORB	
103	2111010	1	Fitting, Straight ORBS/ORB	
104	2151010	1	Fitting, 45 ORBS/ORB	
105	2131010	1	Fitting, 90 ORBS/ORB	
106	2151010	1	Fitting, 45 ORBS/ORB	
107	2220906	1	Fitting, 90 JIC/ORB	
201	4460837	1	Receptacle, Female - 12 Position	
201	4460943	3	Pin, Male	
201	4460516	3	Pin, Male	
201	4460466	6	Plug, Terminal	
202	4461017	1	Receptacle, Female - 2 Position	
202	4460464	2	Pin, Male	
203	4460836	1	Plug, Male - 12 Position	
203	4460944	3	Socket, Female	
203	4460465	5	Socket, Female	
203	4460466	4	Plug, Terminal	
204	4460878	1	Plug, Male - 4 Position	
204	4460887	2	Terminal	

SECTION 2 - TURNTABLE

FIGURE 2-11. TANKS INSTALLATION (WITHOUT DIESEL EXHAUST FLUID TANK)



ART_1001197627

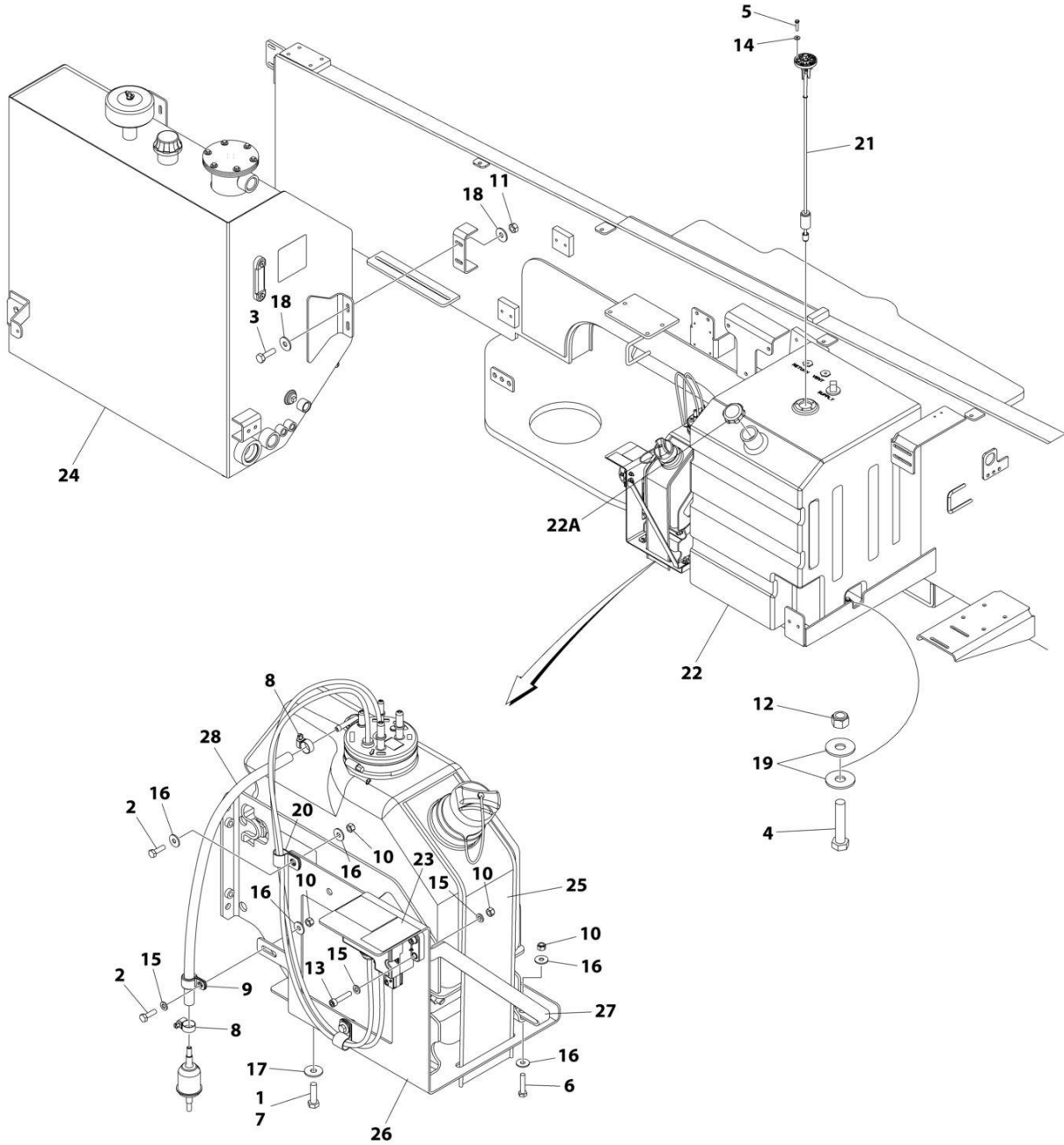
SECTION 2 - TURNTABLE

FIGURE 2-11. TANKS INSTALLATION (WITHOUT DIESEL EXHAUST FLUID TANK)

ITEM	PART NUMBER	QTY	DESCRIPTION	REV
	1001197627	Ref	TANKS INSTALLATION (WITHOUT DIESEL EXHAUST FLUID TANK)	C
1	0701015	4	Bolt M10 x 35	
2	0701220	2	Bolt M12 x 60	
3	0731007	5	Screw #10 x 7/8	
4	3291007	4	Nut M10	
5	3291205	2	Nut M12	
6	4751000	5	Washer #10	
7	4812002	8	Washer M10	
8	4812102	4	Washer M12	
9	1001109048	1	Gauge, Fuel	
9	3960525	1	Gasket (Gauge to Tank)	
10	1001188491	1	Tank, Fuel	
10A	70005565	1	Cap, Fuel	
11	1001197292	1	Hydraulic Tank Assembly (See Separate Breakdown in this Section)	

SECTION 2 - TURNTABLE

FIGURE 2-12. TANKS INSTALLATION (WITH DIESEL EXHAUST FLUID TANK)



ART_1001242390

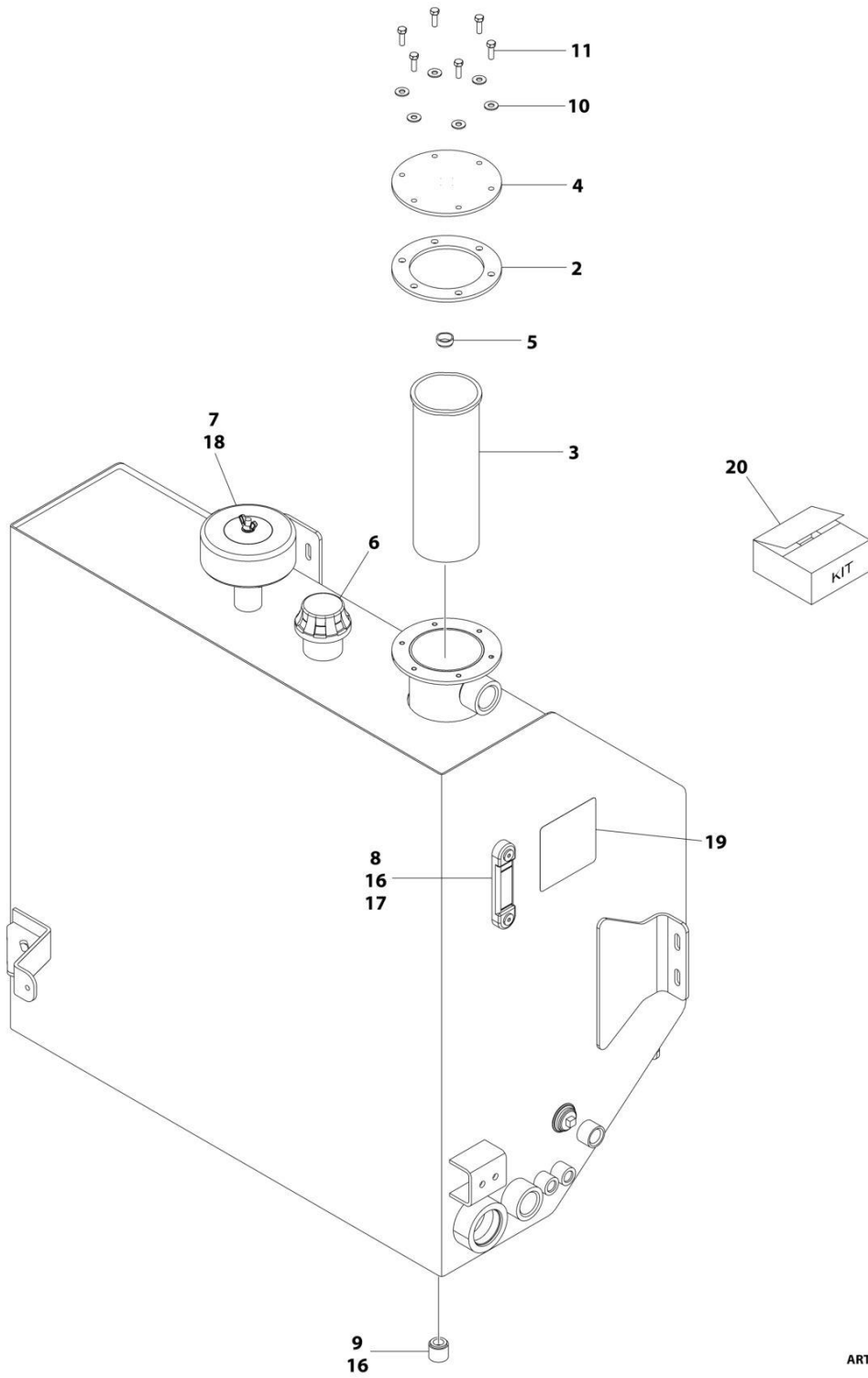
SECTION 2 - TURNTABLE

FIGURE 2-12. TANKS INSTALLATION (WITH DIESEL EXHAUST FLUID TANK)

ITEM	PART NUMBER	QTY	DESCRIPTION	REV
	1001242390	Ref	TANKS INSTALLATION (WITH DIESEL EXHAUST FLUID TANK)	A
1	0100011	AR	Compound, Locking	
2	0700610	3	Bolt M6 x 20	
3	0701015	4	Bolt M10 x 35	
4	0701220	2	Bolt M12 x 60	
5	0731007	5	Screw #10 x 7/8	
6	0760614	1	Bolt M6 x 30	
7	0760814	4	Bolt M8 x 30	
8	1320022	2	Clamp	
9	1320041	1	Clamp	
10	3290605	8	Nut M6	
11	3291007	4	Nut M10	
12	3291205	2	Nut M12	
13	4031710	4	Bolt M6 x 30	
14	4751000	5	Washer #10	
15	4811700	9	Washer M6	
16	4811702	7	Washer M6	
17	4811902	4	Washer M8	
18	4812002	8	Washer M10	
19	4812102	4	Washer M12	
20	8406101	2	Clip	
21	1001109048	1	Gauge, Fuel	
21	3960525	1	Gasket (Gauge to Tank)	
22	1001188491	1	Tank, Fuel	
22A	70005565	1	Cap, Fuel	
23	1001196806	1	Decal - Diesel Exhaust Fluid	
24	1001197292	1	Hydraulic Tank Assembly (See Separate Breakdown in this Section)	
25	1001238158	1	Sleeve, Spill Guard	
26	1001238262	1	Support	
27	1001241631	1	Bracket	
28	1001175201	18 in/ 0.46m	Hose	

SECTION 2 - TURNTABLE

FIGURE 2-13. HYDRAULIC TANK ASSEMBLY



ART_1001197292

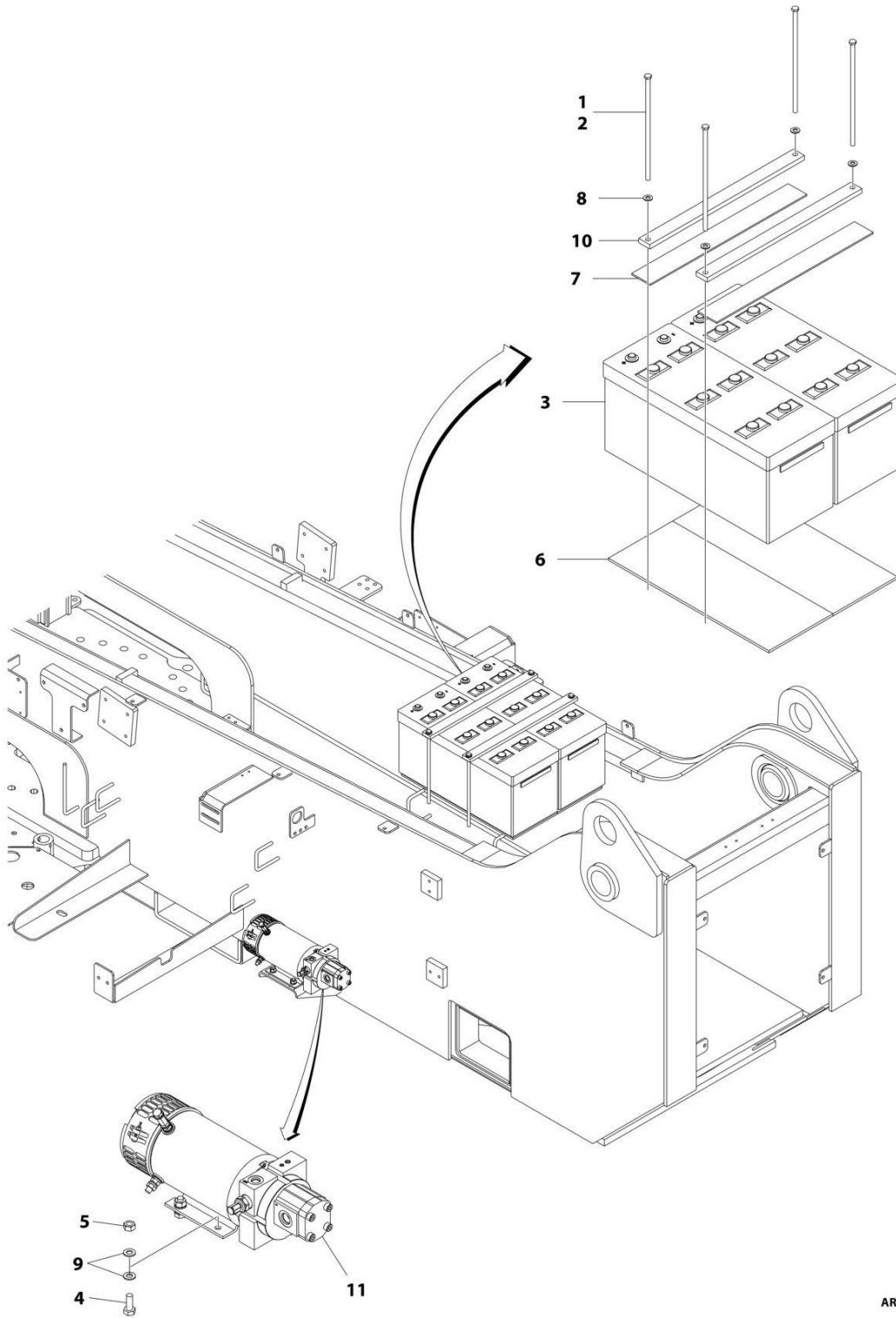
SECTION 2 - TURNTABLE

FIGURE 2-13. HYDRAULIC TANK ASSEMBLY

ITEM	PART NUMBER	QTY	DESCRIPTION	REV
	1001197292	Ref	HYDRAULIC TANK ASSEMBLY	D
2	See Note	NSS	Gasket (Note: Use Item 20)	
3	See Note	NSS	Element, Filter (Note: Use Item 20)	
4	See Note	NSS	Cover (Note: Not Available for Purchase)	
5	70004412	1	Spring	
6	70002838	1	Cap, Fill	
7	See Note	NSS	Breather (Note: Use Item 20)	
8	7024441	1	Gauge	
9	See Note	NSS	Plug (Note: Purchase Locally)	
10	See Note	NSS	Washer 5/16 Stainless Steel (Note: Purchase Locally)	
11	See Note	NSS	Bolt 5/16 x 1 Stainless Steel (Note: Purchase Locally)	
16	See Note	AR	Loctite #243 (Note: Purchase Locally)	
17	See Note	AR	Lubricant (Note: Purchase Locally)	
18	See Note	AR	Loctite #565 (Note: Purchase Locally)	
19	70004411	1	Decal - Service	
20	70004150	1	Tank Filter/ Breather Kit (Includes Item 2, 3 & 7)	

SECTION 2 - TURNTABLE

FIGURE 2-14. AUXILIARY POWER AND BATTERIES INSTALLATIONS



ART_1001197345

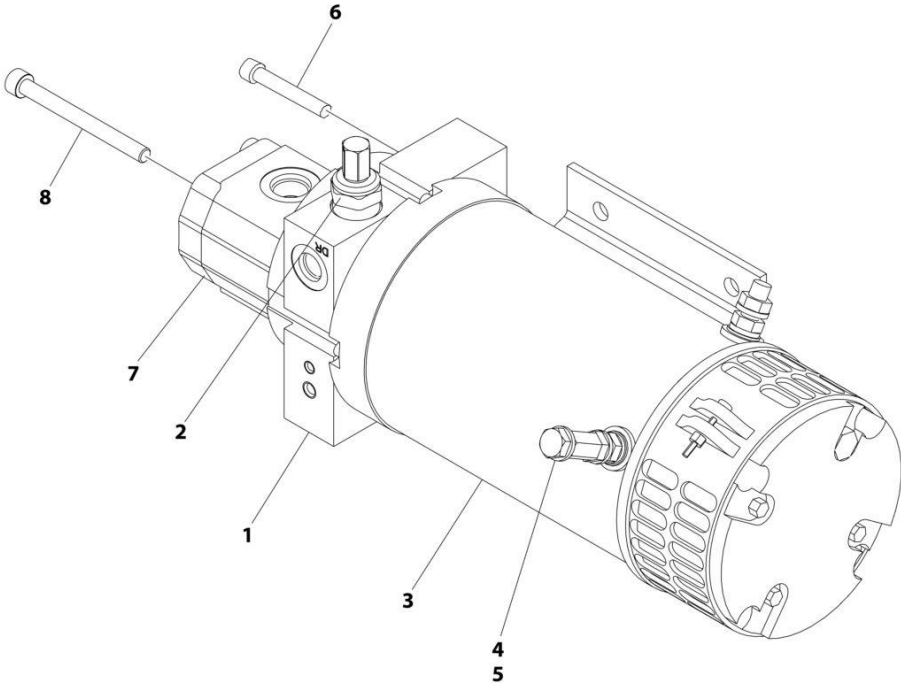
SECTION 2 - TURNTABLE

FIGURE 2-14. AUXILIARY POWER AND BATTERIES INSTALLATIONS

ITEM	PART NUMBER	QTY	DESCRIPTION	REV
	1001197345	Ref	AUXILIARY POWER AND BATTERIES INSTALLATIONS	A
1	0100011	AR	Compound, Locking	
2	0236768	4	Bolt, Tie-Down	
3	0400020	2	Battery	
4	0701013	4	Bolt M10 x 28	
5	3291007	4	Nut M10	
6	3980006	2	Seat, Battery	
7	4420038	34 in /85cm	Tape	
8	4711600	4	Washer 3/8	
9	4812000	8	Washer M10	
10	1001154035	2	Plate	
11	1001162880	1	Auxiliary Pump/Motor Assembly (See Separate Breakdown in this Section)	

SECTION 2 - TURNTABLE

FIGURE 2-15. AUXILIARY PUMP/MOTOR ASSEMBLY



ART_1001162880

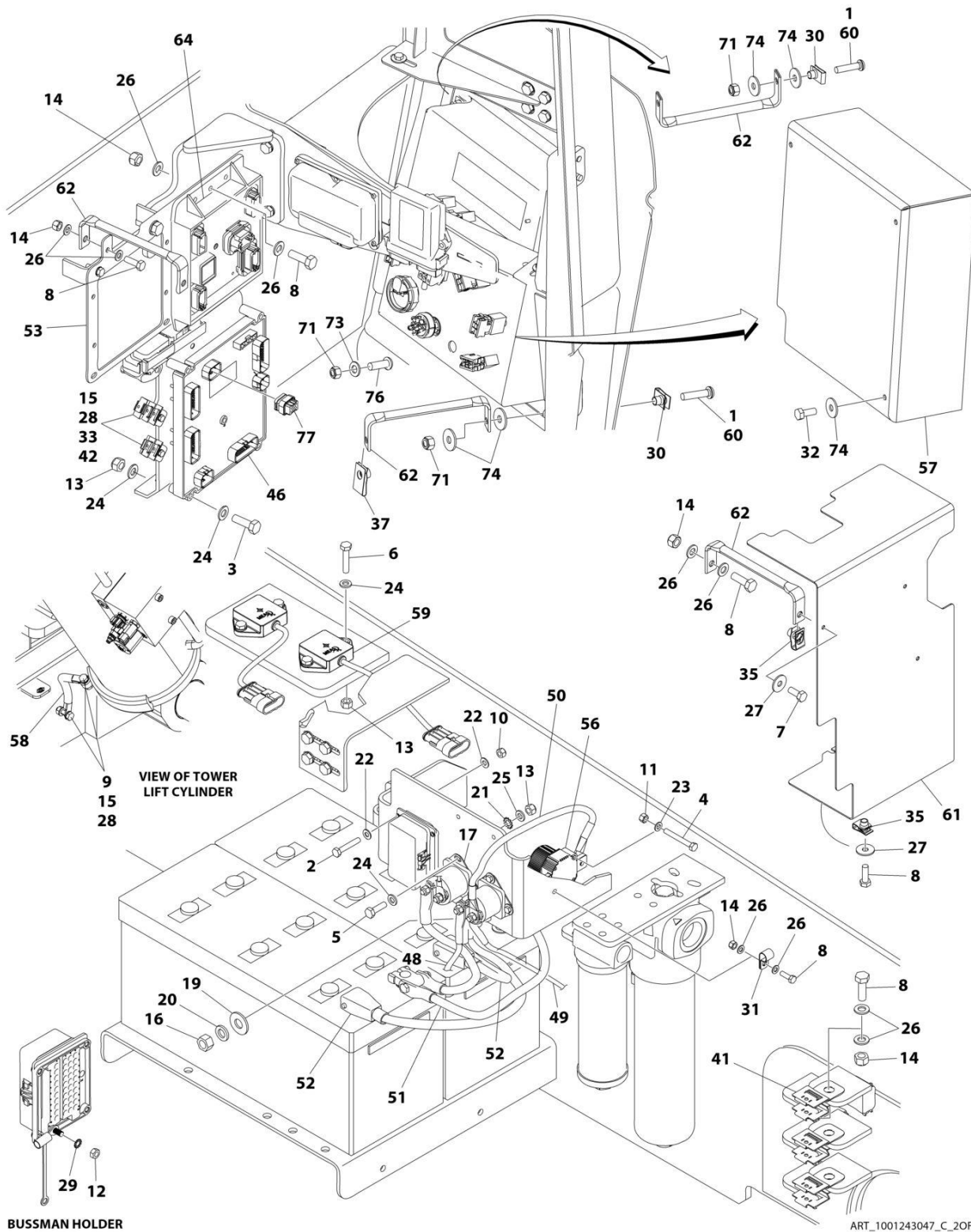
SECTION 2 - TURNTABLE

FIGURE 2-15. AUXILIARY PUMP/MOTOR ASSEMBLY

ITEM	PART NUMBER	QTY	DESCRIPTION	REV
	1001162880	Ref	AUXILIARY PUMP ASSEMBLY (WITHOUT COLD WEATHER PLUS PACKAGE)	A
1	1001164700	1	Base Assembly	
1	70005618	1	Plug	
1	70005617	1	Spring	
1	70005616	1	Poppet, Check	
2	1001164700	1	Valve, Relief	
3	See Note	1	Motor (Note: Not Available for Purchase)	
4	70004006	1	Nut 3/8	
5	70004007	1	Bolt 3/8x3/4	
6	70004005	4	Capscrew 1/4x3	
6	See Note	1	Sleeve (Note: Not Available for Purchase)	
7	See Note	1	Pump Assembly (Note: Not Available for Purchase)	
7	70005615	1	Seal, Shaft	
7	70005619	1	Bearing	
8	See Note	4	Screw M8 x 85 (Note: Not Available for Purchase)	

SECTION 2 - TURNTABLE

FIGURE 2-16. ELECTRICAL COMPONENTS INSTALLATION - TURNTABLE (HRC) (ANSI, ANSI EXPORT, CSA AND JAPANESE SPECS) (Prior to SN 0300298207)



SECTION 2 - TURNTABLE

FIGURE 2-16. ELECTRICAL COMPONENTS INSTALLATION - TURNTABLE (HRC) (ANSI, ANSI EXPORT, CSA AND JAPANESE SPECS) (Prior to SN 0300298207)

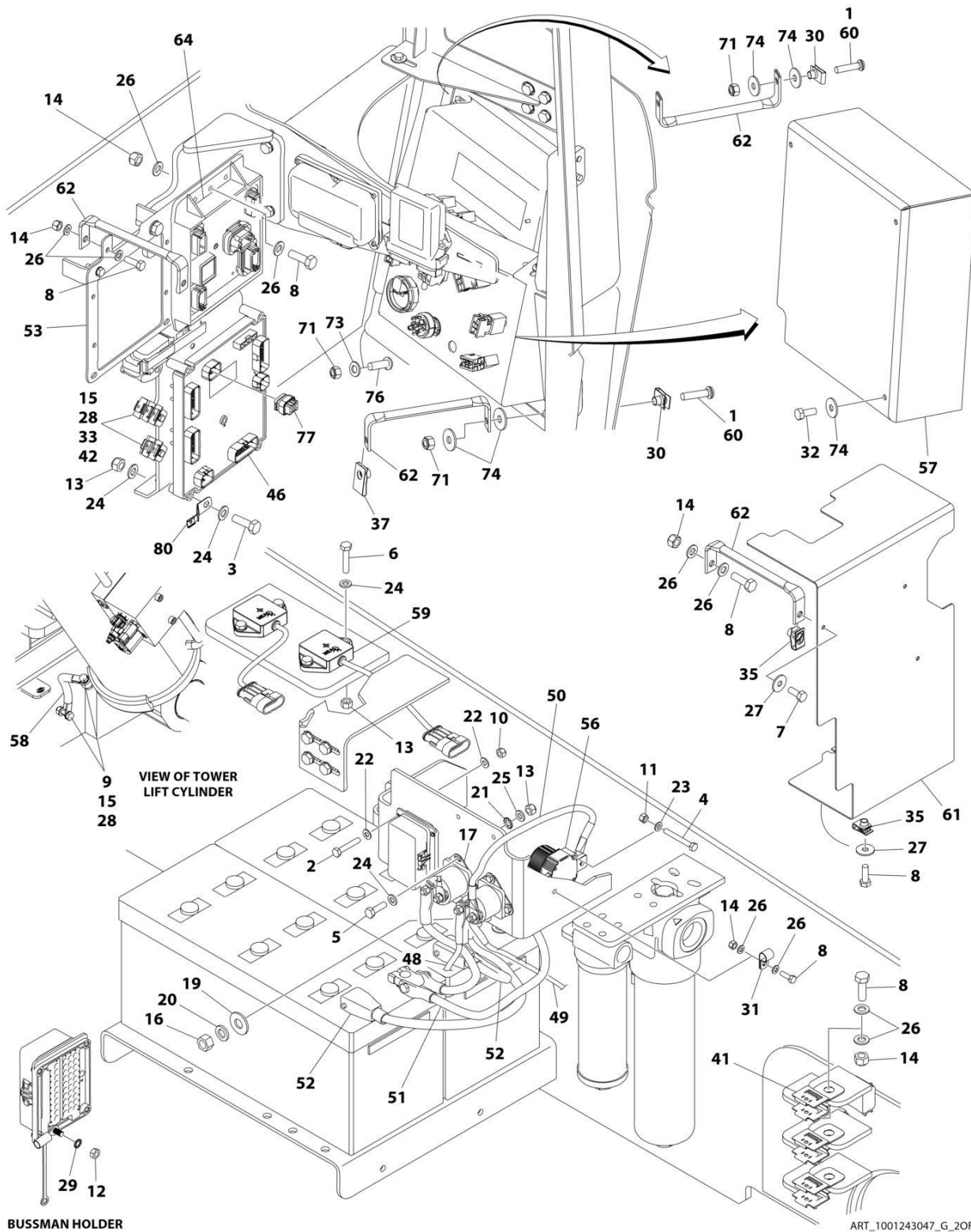
ITEM	PART NUMBER	QTY	DESCRIPTION	REV
	1001243047	Ref	ELECTRICAL COMPONENTS INSTALLATION - TURNTABLE (HRC)	C
1	0100011	AR	Compound, Locking	
2	0700412	4	Bolt M4 x 25	
3	0700620	4	Bolt M6 x 60	
4	0760516	2	Bolt M5 x 40	
5	0760610	4	Bolt M6 x 20	
6	0760613	4	Bolt M6 x 28	
7	0760810	3	Bolt M8 x 20	
8	0760812	12	Bolt M8 x 25	
9	0761015	3	Bolt M10 x 35	
10	3290405	4	Nut M4	
11	3290507	2	Nut M5	
12	3290601	1	Nut M6	
13	3290605	17	Nut M6	
14	3290805	10	Nut M8	
15	3291007	5	Nut M10	
16	3311601	2	Nut 3/8	
17	3740067	2	Relay	
18	4240099	1	Tie-Strap (Not Shown)	
19	4751600	4	Washer 3/8	
20	4761600	2	Washer 3/8	
21	4791400	4	Washer 1/4	
22	4811400	8	Washer M4	
23	4811600	2	Washer M5	
24	4811700	30	Washer M6	
25	4811702	4	Washer M6	
26	4811900	20	Washer M8	
27	4811902	5	Washer M8	
28	4812000	10	Washer M10	
29	4871700	1	Washer M6	
30	8310686	3	Nut, Retainer M8	
31	8406101	1	Clip	
32	0760810001	3	Bolt M8 x 20	
33	0761013001	2	Bolt M10 x 28	
35	100118274	5	Nut, Tinnerman M8	
37	1001149160	3	Nut, Tinnerman M8	
38	1001149970	1	Drive Pump Harness (Not Shown - See Separate Breakdown in ELECTRICAL Section)	
41	1001155967	6	Holder	
42	1001156107	2	Holder	
45	1001187744	AR	Sealant (Not Shown)	
46	1001281500	1	Module, Control (Note: Re-calibration Required when Replaced)	
47	1001258191	1	BLAM Harness (Not Shown - See Separate Breakdown in ELECTRICAL Section)	
48	1001200604	1	Cable, Auxiliary Pump (+)	
49	1001200605	1	Cable, Auxiliary Pump (-)	
50	1001200606	1	Cable, Battery to Auxiliary Relay	
51	1001200726	1	Cable Kit, Battery Positive (Note: Includes Battery Terminal and Qty 4 Cables)	

SECTION 2 - TURNTABLE

ITEM	PART NUMBER	QTY	DESCRIPTION	REV
52	1001200727	1	Cable Kit, Battery Negative (Note: Includes Qty 2 Cables)	
53	1001201103	1	Plate	
54	1001206817	1	Diesel Exhaust Fluid Tank Harness (Not Shown - See Separate Breakdown in ELECTRICAL Section)	
55	1001211885	1	Fuel Pump and WIF Harness (Not Shown - See Separate Breakdown in ELECTRICAL Section)	
56	1001216021	1	Relay	
57	1001216238	1	Cover	
58	1001217007	1	Cable, Ground	
59	1001219601	2	Sensor, Dual Axis	
60	1001221585	3	Screw M8 x 35	
61	1001225167	1	Cover	
62	1001225279	6	Bracket	
63	1001226102	1	Connector, Resistor - 20K Ohm (Not Shown - Located Near Item 12)	
64	1001227960	1	Module, Control (Note: Re-calibration Required when Replaced)	
65	1001228364	1	Wire, Relay Grounding (Not Shown)	
66	1001238483	1	Def Tank Extension Harness (Not Shown - See Separate Breakdown in ELECTRICAL Section)	
67	1001242123	1	Valve Harness (Not Shown - See Separate Breakdown in ELECTRICAL Section)	
68	1001279238	1	Turntable Harness (Not Shown - See Separate Breakdown in ELECTRICAL Section)	
69	1001242126	1	Ground Control Harness (Not Shown - See Separate Breakdown in ELECTRICAL Section)	
70	1001243048	1	Ground Control Box Assembly (Not Shown - See Separate Breakdown in this Section)	
71	3290805001	4	Nut M8	
73	4811900001	1	Washer M8	
74	4811902001	9	Washer M8	
76	8310643001	1	Screw M8 x 25	
77	1001246859	1	Connector	

SECTION 2 - TURNTABLE

FIGURE 2-17. ELECTRICAL COMPONENTS INSTALLATION - TURNTABLE (HRC) (ANSI, ANSI EXPORT, CSA AND JAPANESE SPECS) (SN 0300298207 to Present)



SECTION 2 - TURNTABLE

FIGURE 2-17. ELECTRICAL COMPONENTS INSTALLATION - TURNTABLE (HRC) (ANSI, ANSI EXPORT, CSA AND JAPANESE SPECS) (SN 0300298207 to Present)

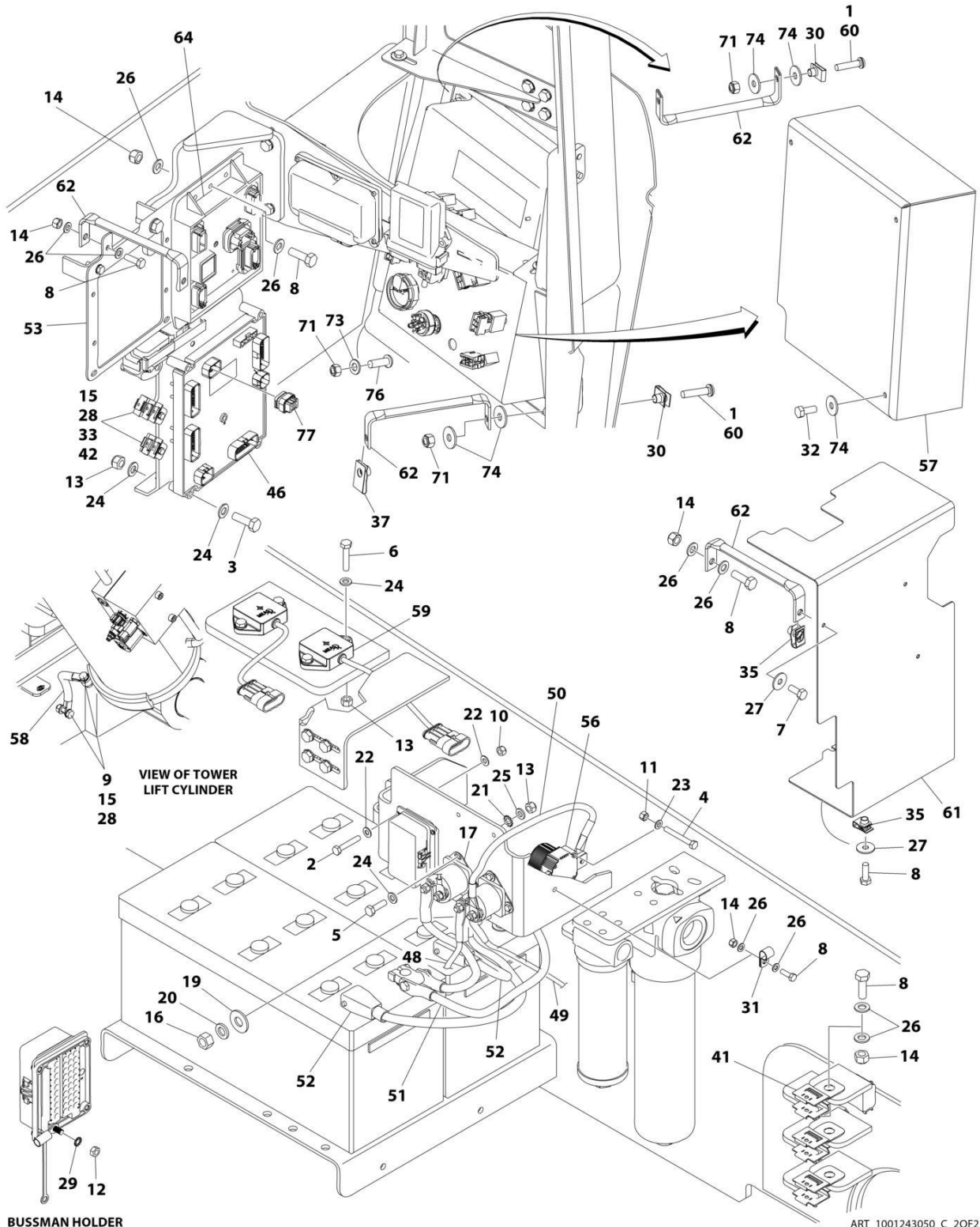
ITEM	PART NUMBER	QTY	DESCRIPTION	REV
	1001243047	Ref	ELECTRICAL COMPONENTS INSTALLATION - TURNTABLE (HRC)	G
1	0100011	AR	Compound, Locking	
2	0700412	4	Bolt M4 x 25	
3	0700620	4	Bolt M6 x 60	
4	0760516	2	Bolt M5 x 40	
5	0760610	4	Bolt M6 x 20	
6	0760613	4	Bolt M6 x 28	
7	0760810	3	Bolt M8 x 20	
8	0760812	12	Bolt M8 x 25	
9	0761015	3	Bolt M10 x 35	
10	3290405	4	Nut M4	
11	3290507	2	Nut M5	
12	3290601	1	Nut M6	
13	3290605	12	Nut M6	
14	3290805	10	Nut M8	
15	3291007	5	Nut M10	
16	3311601	2	Nut 3/8	
17	3740067	2	Relay	
18	4240099	1	Tie-Strap (Not Shown)	
19	4751600	4	Washer 3/8	
20	4761600	2	Washer 3/8	
21	4791400	4	Washer 1/4	
22	4811400	8	Washer M4	
23	4811600	2	Washer M5	
24	4811700	20	Washer M6	
25	4811702	4	Washer M6	
26	4811900	20	Washer M8	
27	4811902	5	Washer M8	
28	4812000	10	Washer M10	
29	4871700	1	Washer M6	
30	8310686	3	Nut, Retainer M8	
31	8406101	1	Clip	
32	0760810001	3	Bolt M8 x 20	
33	0761013001	2	Bolt M10 x 28	
35	100118274	5	Nut, Tinnerman M8	
37	1001149160	3	Nut, Tinnerman M8	
38	1001149970	1	Drive Pump Harness (Not Shown - See Separate Breakdown in ELECTRICAL Section)	
41	1001155967	6	Holder	
42	1001156107	2	Holder	
45	1001187744	AR	Sealant (Not Shown)	
46	1001281500	1	Module, Control (Note: Re-calibration Required when Replaced)	
47	1001258191	1	BLAM Harness (Not Shown - See Separate Breakdown in ELECTRICAL Section)	
48	1001200604	1	Cable, Auxiliary Pump (+)	
49	1001200605	1	Cable, Auxiliary Pump (-)	
50	1001200606	1	Cable, Battery to Auxiliary Relay	
51	1001200726	1	Cable Kit, Battery Positive (Note: Includes Battery Terminal and Qty 4 Cables)	

SECTION 2 - TURNTABLE

ITEM	PART NUMBER	QTY	DESCRIPTION	REV
52	1001200727	1	Cable Kit, Battery Negative (Note: Includes Qty 2 Cables)	
53	1001201103	1	Plate	
54	1001206817	1	Diesel Exhaust Fluid Tank Harness (Not Shown - See Separate Breakdown in ELECTRICAL Section)	
55	1001211885	1	Fuel Pump and WIF Harness (Not Shown - See Separate Breakdown in ELECTRICAL Section)	
56	1001216021	1	Relay	
57	1001216238	1	Cover	
58	1001217007	1	Cable, Ground	
59	1001219601	2	Sensor, Dual Axis	
60	1001221585	3	Screw M8 x 35	
61	1001225167	1	Cover	
62	1001225279	6	Bracket	
63	1001226102	1	Connector, Resistor - 20K Ohm (Not Shown - Located Near Item 12)	
64	1001227960	1	Module, Control (Note: Re-calibration Required when Replaced)	
65	1001228364	1	Wire, Relay Grounding (Not Shown)	
66	1001238483	1	Def Tank Extension Harness (Not Shown - See Separate Breakdown in ELECTRICAL Section)	
67	1001286089	1	Valve Harness (Not Shown - See Separate Breakdown in ELECTRICAL Section)	
68	1001286088	1	Turntable Harness (Not Shown - See Separate Breakdown in ELECTRICAL Section)	
69	1001242126	1	Ground Control Harness (Not Shown - See Separate Breakdown in ELECTRICAL Section)	
70	1001243048	1	Ground Control Box Assembly (Not Shown - See Separate Breakdown in this Section)	
71	3290805001	4	Nut M8	
73	4811900001	1	Washer M8	
74	4811902001	9	Washer M8	
76	8310643001	1	Screw M8 x 25	
77	1001246859	1	Connector	
78	4240032	AR	Tie-Strap (Not Shown)	
79	4460234	AR	Mount, Tie-Strap (Not Shown)	
80	1001120328	1	Mount, Connector	

SECTION 2 - TURNTABLE

FIGURE 2-18. ELECTRICAL COMPONENTS INSTALLATION - TURNTABLE (HRC) (CE & UK CA SPECS) (Prior to SN 0300298207)



SECTION 2 - TURNTABLE

FIGURE 2-18. ELECTRICAL COMPONENTS INSTALLATION - TURNTABLE (HRC) (CE & UK CA SPECS) (Prior to SN 0300298207)

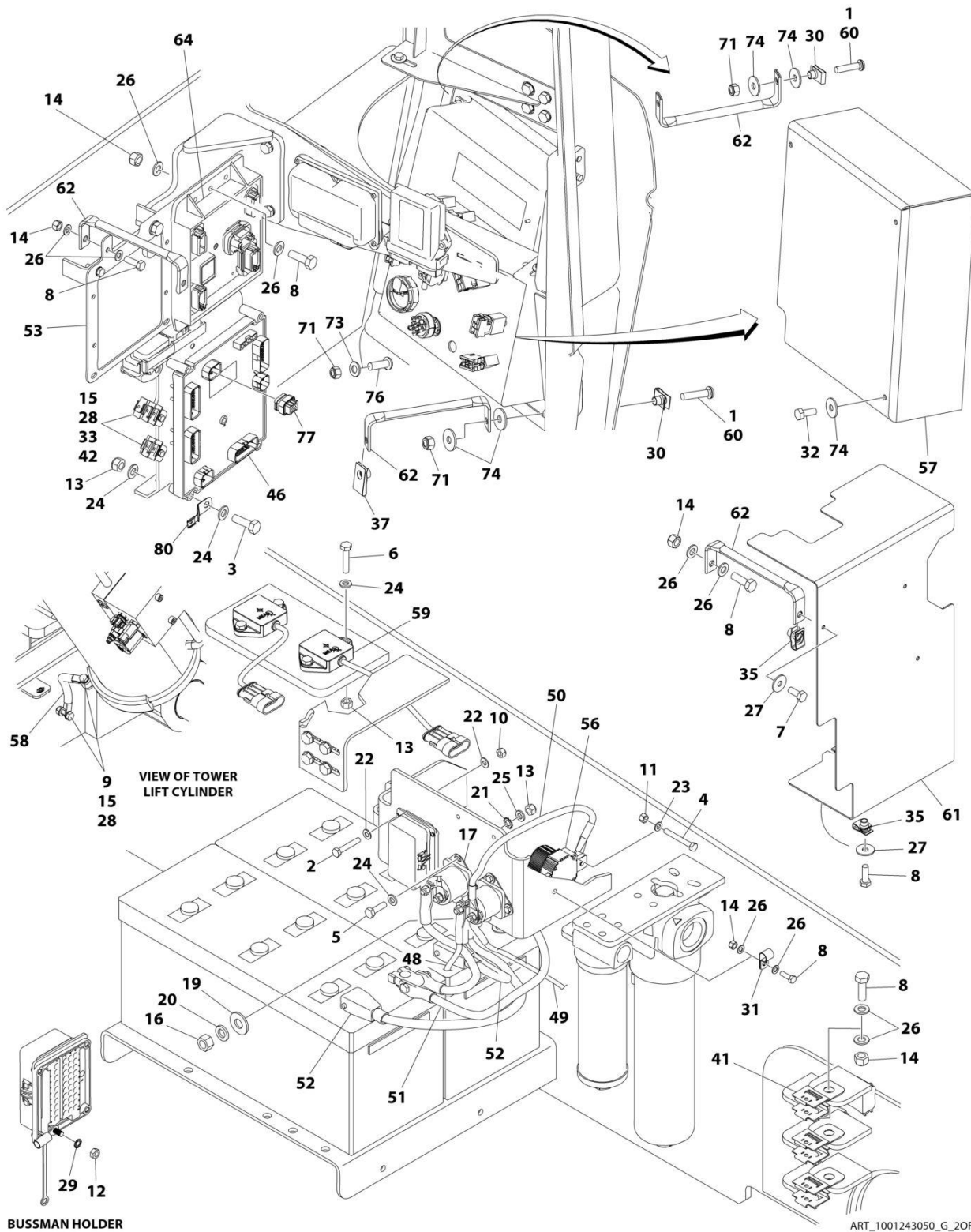
ITEM	PART NUMBER	QTY	DESCRIPTION	REV
	1001243050	Ref	ELECTRICAL COMPONENTS INSTALLATION - TURNTABLE (HRC)	C
1	0100011	AR	Compound, Locking	
2	0700412	4	Bolt M4 x 25	
3	0700620	4	Bolt M6 x 60	
4	0760516	2	Bolt M5 x 40	
5	0760610	4	Bolt M6 x 20	
6	0760613	4	Bolt M6 x 28	
7	0760810	3	Bolt M8 x 20	
8	0760812	12	Bolt M8 x 25	
9	0761015	3	Bolt M10 x 35	
10	3290405	4	Nut M4	
11	3290507	2	Nut M5	
12	3290601	1	Nut M6	
13	3290605	17	Nut M6	
14	3290805	10	Nut M8	
15	3291007	5	Nut M10	
16	3311601	2	Nut 3/8	
17	3740067	2	Relay	
18	4240099	1	Tie-Strap (Not Shown)	
19	4751600	4	Washer 3/8	
20	4761600	2	Washer 3/8	
21	4791400	4	Washer 1/4	
22	4811400	8	Washer M4	
23	4811600	2	Washer M5	
24	4811700	30	Washer M6	
25	4811702	4	Washer M6	
26	4811900	20	Washer M8	
27	4811902	5	Washer M8	
28	4812000	10	Washer M10	
29	4871700	1	Washer M6	
30	8310686	3	Nut, Retainer M8	
31	8406101	1	Clip	
32	0760810001	3	Bolt M8 x 20	
33	0761013001	2	Bolt M10 x 28	
35	100118274	5	Nut, Tinnerman M8	
37	1001149160	3	Nut, Tinnerman M8	
38	1001149970	1	Drive Pump Harness (Not Shown - See Separate Breakdown in ELECTRICAL Section)	
41	1001155967	6	Holder	
42	1001156107	2	Holder	
45	1001187744	AR	Sealant (Not Shown)	
46	1001281500	1	Module, Control (Note: Re-calibration Required when Replaced)	
47	1001258191	1	BLAM Harness (Not Shown - See Separate Breakdown in ELECTRICAL Section)	
48	1001200604	1	Cable, Auxiliary Pump (+)	
49	1001200605	1	Cable, Auxiliary Pump (-)	
50	1001200606	1	Cable, Battery to Auxiliary Relay	
51	1001200726	1	Cable Kit, Battery Positive (Note: Includes Battery Terminal and Qty 4 Cables)	

SECTION 2 - TURNTABLE

ITEM	PART NUMBER	QTY	DESCRIPTION	REV
52	1001200727	1	Cable Kit, Battery Negative (Note: Includes Qty 2 Cables)	
53	1001201103	1	Plate	
54	1001206817	1	Diesel Exhaust Fluid Tank Harness (Not Shown - See Separate Breakdown in ELECTRICAL Section)	
55	1001211885	1	Fuel Pump and WIF Harness (Not Shown - See Separate Breakdown in ELECTRICAL Section)	
56	1001216021	1	Relay	
57	1001216238	1	Cover	
58	1001217007	1	Cable, Ground	
59	1001219601	2	Sensor, Dual Axis	
60	1001221585	3	Screw M8 x 35	
61	1001225167	1	Cover	
62	1001225279	6	Bracket	
63	1001226102	1	Connector, Resistor - 20K Ohm (Not Shown - Located Near Item 12)	
64	1001227960	1	Module, Control (Note: Re-calibration Required when Replaced)	
65	1001228364	1	Wire, Relay Grounding (Not Shown)	
66	1001238483	1	Def Tank Extension Harness (Not Shown - See Separate Breakdown in ELECTRICAL Section)	
67	1001242123	1	Valve Harness (Not Shown - See Separate Breakdown in ELECTRICAL Section)	
68	1001279238	1	Turntable Harness (Not Shown - See Separate Breakdown in ELECTRICAL Section)	
69	1001242126	1	Ground Control Harness (Not Shown - See Separate Breakdown in ELECTRICAL Section)	
70	1001243052	1	Ground Control Box Assembly (Not Shown - See Separate Breakdown in this Section)	
71	3290805001	4	Nut M8	
73	4811900001	1	Washer M8	
74	4811902001	9	Washer M8	
76	8310643001	1	Screw M8 x 25	
77	1001246859	1	Connector	

SECTION 2 - TURNTABLE

FIGURE 2-19. ELECTRICAL COMPONENTS INSTALLATION - TURNTABLE (HRC) (CE & UK CA SPECS) (SN 0300298207 to Present)



SECTION 2 - TURNTABLE

FIGURE 2-19. ELECTRICAL COMPONENTS INSTALLATION - TURNTABLE (HRC) (CE & UK CA SPECS) (SN 0300298207 to Present)

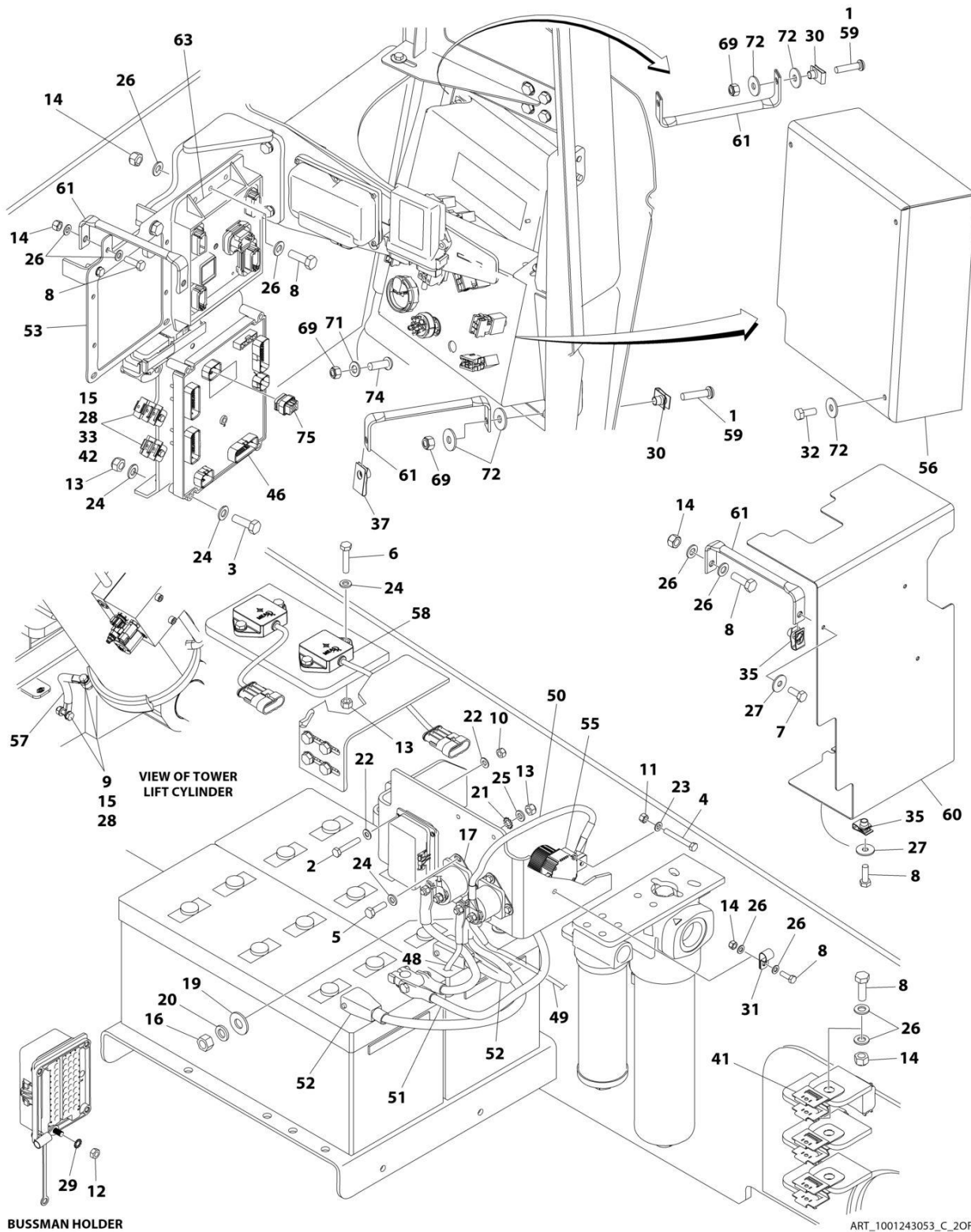
ITEM	PART NUMBER	QTY	DESCRIPTION	REV
	1001243050	Ref	ELECTRICAL COMPONENTS INSTALLATION - TURNTABLE (HRC)	G
1	0100011	AR	Compound, Locking	
2	0700412	4	Bolt M4 x 25	
3	0700620	4	Bolt M6 x 60	
4	0760516	2	Bolt M5 x 40	
5	0760610	4	Bolt M6 x 20	
6	0760613	4	Bolt M6 x 28	
7	0760810	3	Bolt M8 x 20	
8	0760812	12	Bolt M8 x 25	
9	0761015	3	Bolt M10 x 35	
10	3290405	4	Nut M4	
11	3290507	2	Nut M5	
12	3290601	1	Nut M6	
13	3290605	12	Nut M6	
14	3290805	10	Nut M8	
15	3291007	5	Nut M10	
16	3311601	2	Nut 3/8	
17	3740067	2	Relay	
18	4240099	1	Tie-Strap (Not Shown)	
19	4751600	4	Washer 3/8	
20	4761600	2	Washer 3/8	
21	4791400	4	Washer 1/4	
22	4811400	8	Washer M4	
23	4811600	2	Washer M5	
24	4811700	24	Washer M6	
25	4811702	4	Washer M6	
26	4811900	20	Washer M8	
27	4811902	5	Washer M8	
28	4812000	10	Washer M10	
29	4871700	1	Washer M6	
30	8310686	3	Nut, Retainer M8	
31	8406101	1	Clip	
32	0760810001	3	Bolt M8 x 20	
33	0761013001	2	Bolt M10 x 28	
35	100118274	5	Nut, Tinnerman M8	
37	1001149160	3	Nut, Tinnerman M8	
38	1001149970	1	Drive Pump Harness (Not Shown - See Separate Breakdown in ELECTRICAL Section)	
41	1001155967	6	Holder	
42	1001156107	2	Holder	
45	1001187744	AR	Sealant (Not Shown)	
46	1001281500	1	Module, Control (Note: Re-calibration Required when Replaced)	
47	1001258191	1	BLAM Harness (Not Shown - See Separate Breakdown in ELECTRICAL Section)	
48	1001200604	1	Cable, Auxiliary Pump (+)	
49	1001200605	1	Cable, Auxiliary Pump (-)	
50	1001200606	1	Cable, Battery to Auxiliary Relay	
51	1001200726	1	Cable Kit, Battery Positive (Note: Includes Battery Terminal and Qty 4 Cables)	

SECTION 2 - TURNTABLE

ITEM	PART NUMBER	QTY	DESCRIPTION	REV
52	1001200727	1	Cable Kit, Battery Negative (Note: Includes Qty 2 Cables)	
53	1001201103	1	Plate	
54	1001206817	1	Diesel Exhaust Fluid Tank Harness (Not Shown - See Separate Breakdown in ELECTRICAL Section)	
55	1001211885	1	Fuel Pump and WIF Harness (Not Shown - See Separate Breakdown in ELECTRICAL Section)	
56	1001216021	1	Relay	
57	1001216238	1	Cover	
58	1001217007	1	Cable, Ground	
59	1001219601	2	Sensor, Dual Axis	
60	1001221585	3	Screw M8 x 35	
61	1001225167	1	Cover	
62	1001225279	6	Bracket	
63	1001226102	1	Connector, Resistor - 20K Ohm (Not Shown - Located Near Item 12)	
64	1001227960	1	Module, Control (Note: Re-calibration Required when Replaced)	
65	1001228364	1	Wire, Relay Grounding (Not Shown)	
66	1001238483	1	Def Tank Extension Harness (Not Shown - See Separate Breakdown in ELECTRICAL Section)	
67	1001286089	1	Valve Harness (Not Shown - See Separate Breakdown in ELECTRICAL Section)	
68	1001286088	1	Turntable Harness (Not Shown - See Separate Breakdown in ELECTRICAL Section)	
69	1001242126	1	Ground Control Harness (Not Shown - See Separate Breakdown in ELECTRICAL Section)	
70	1001243052	1	Ground Control Box Assembly (Not Shown - See Separate Breakdown in this Section)	
71	3290805001	4	Nut M8	
73	4811900001	1	Washer M8	
74	4811902001	9	Washer M8	
76	8310643001	1	Screw M8 x 25	
77	1001246859	1	Connector	
78	4240032	AR	Tie-Strap (Not Shown)	
79	4460234	AR	Mount, Tie-Strap (Not Shown)	
80	1001120328	1	Mount, Connector	

SECTION 2 - TURNTABLE

FIGURE 2-20. ELECTRICAL COMPONENTS INSTALLATION - TURNTABLE (LRC) (ANSI EXPORT, AUSTRALIAN AND CHINA SPECS) (Prior to SN 0300298207)



SECTION 2 - TURNTABLE

FIGURE 2-20. ELECTRICAL COMPONENTS INSTALLATION - TURNTABLE (LRC) (ANSI EXPORT, AUSTRALIAN AND CHINA SPECS) (Prior to SN 0300298207)

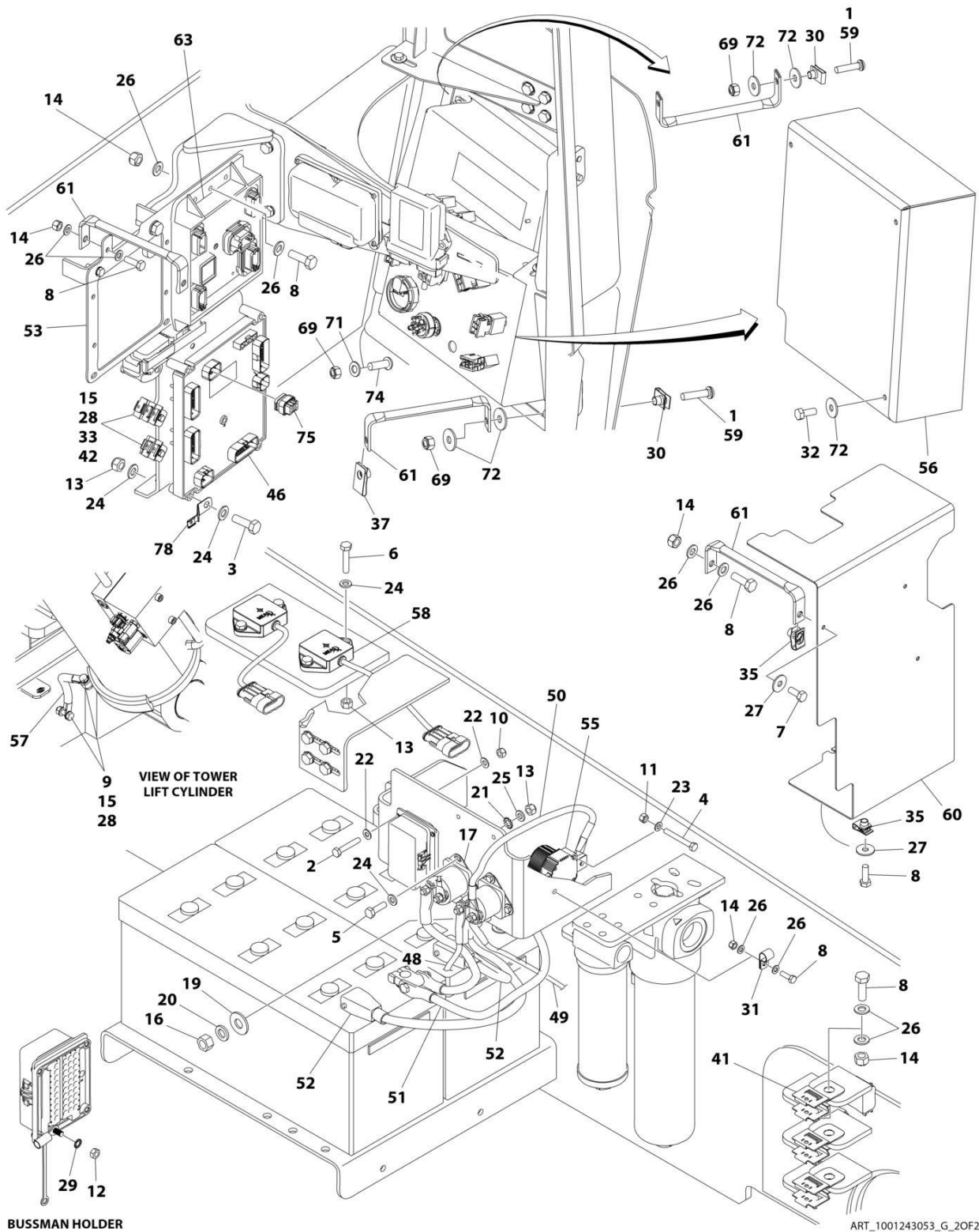
ITEM	PART NUMBER	QTY	DESCRIPTION	REV
	1001243053	Ref	ELECTRICAL COMPONENTS INSTALLATION - TURNTABLE (LRC)	C
1	0100011	AR	Compound, Locking	
2	0700412	4	Bolt M4 x 25	
3	0700620	4	Bolt M6 x 60	
4	0760516	2	Bolt M5 x 40	
5	0760610	4	Bolt M6 x 20	
6	0760613	4	Bolt M6 x 28	
7	0760810	3	Bolt M8 x 20	
8	0760812	11	Bolt M8 x 25	
9	0761015	3	Bolt M10 x 35	
10	3290405	4	Nut M4	
11	3290507	2	Nut M5	
12	3290601	1	Nut M6	
13	3290605	17	Nut M6	
14	3290805	9	Nut M8	
15	3291007	5	Nut M10	
16	3311601	2	Nut 3/8	
17	3740067	2	Relay	
18	4240099	AR	Tie-Strap (Not Shown)	
19	4751600	4	Washer 3/8	
20	4761600	2	Washer 3/8	
21	4791400	4	Washer 1/4	
22	4811400	8	Washer M4	
23	4811600	2	Washer M5	
24	4811700	30	Washer M6	
25	4811702	4	Washer M6	
26	4811900	18	Washer M8	
27	4811902	5	Washer M8	
28	4812000	10	Washer M10	
29	4871700	1	Washer M6	
30	8310686	3	Nut, Retainer M8	
31	8406101	1	Clip	
32	0760810001	3	Bolt M8 x 20	
33	0761013001	2	Bolt M10 x 28	
35	100118274	5	Nut, Tinnerman M8	
37	1001149160	3	Nut, Tinnerman M8	
38	1001149970	1	Drive Pump Harness (Not Shown - See Separate Breakdown in ELECTRICAL Section)	
41	1001155967	4	Holder	
42	1001156107	2	Holder	
45	1001187744	AR	Sealant (Not Shown)	
46	1001281500	1	Module, Control (Note: Re-calibration Required when Replaced)	
47	1001258191	1	BLAM Harness (Not Shown - See Separate Breakdown in ELECTRICAL Section)	
48	1001200604	1	Cable, Auxiliary Pump (+)	
49	1001200605	1	Cable, Auxiliary Pump (-)	
50	1001200606	1	Cable, Battery to Auxiliary Relay	
51	1001200726	1	Cable Kit, Battery Positive (Note: Includes Battery Terminal and Qty 4 Cables)	

SECTION 2 - TURNTABLE

ITEM	PART NUMBER	QTY	DESCRIPTION	REV
52	1001200727	1	Cable Kit, Battery Negative (Note: Includes Qty 2 Cables)	
53	1001201103	1	Plate	
54	1001211885	1	Fuel Pump and WIF Harness (Not Shown - See Separate Breakdown in ELECTRICAL Section)	
55	1001216021	1	Relay	
56	1001216238	1	Cover	
57	1001217007	1	Cable, Ground	
58	1001219601	2	Sensor, Dual Axis	
59	1001221585	3	Screw M8 x 35	
60	1001225167	1	Cover	
61	1001225279	6	Bracket	
62	1001226102	1	Connector, Resistor - 20K Ohm (Not Shown - Located Near Item 12)	
63	1001227960	1	Module, Control (Note: Re-calibration Required when Replaced)	
64	1001228364	1	Wire, Relay Grounding (Not Shown)	
65	1001242123	1	Valve Harness (Not Shown - See Separate Breakdown in ELECTRICAL Section)	
66	1001279238	1	Turntable Harness (Not Shown - See Separate Breakdown in ELECTRICAL Section)	
67	1001242126	1	Ground Control Harness (Not Shown - See Separate Breakdown in ELECTRICAL Section)	
68	1001243054	1	Ground Control Box Assembly (Not Shown - See Separate Breakdown in this Section)	
69	3290805001	4	Nut M8	
71	4811900001	1	Washer M8	
72	4811902001	9	Washer M8	
74	8310643001	1	Screw M8 x 25	
75	1001246859	1	Connector	

SECTION 2 - TURNTABLE

FIGURE 2-21. ELECTRICAL COMPONENTS INSTALLATION - TURNTABLE (LRC) (ANSI EXPORT, AUSTRALIAN AND CHINA SPECS) (SN 0300298207 to Present)



SECTION 2 - TURNTABLE

FIGURE 2-21. ELECTRICAL COMPONENTS INSTALLATION - TURNTABLE (LRC) (ANSI EXPORT, AUSTRALIAN AND CHINA SPECS) (SN 0300298207 to Present)

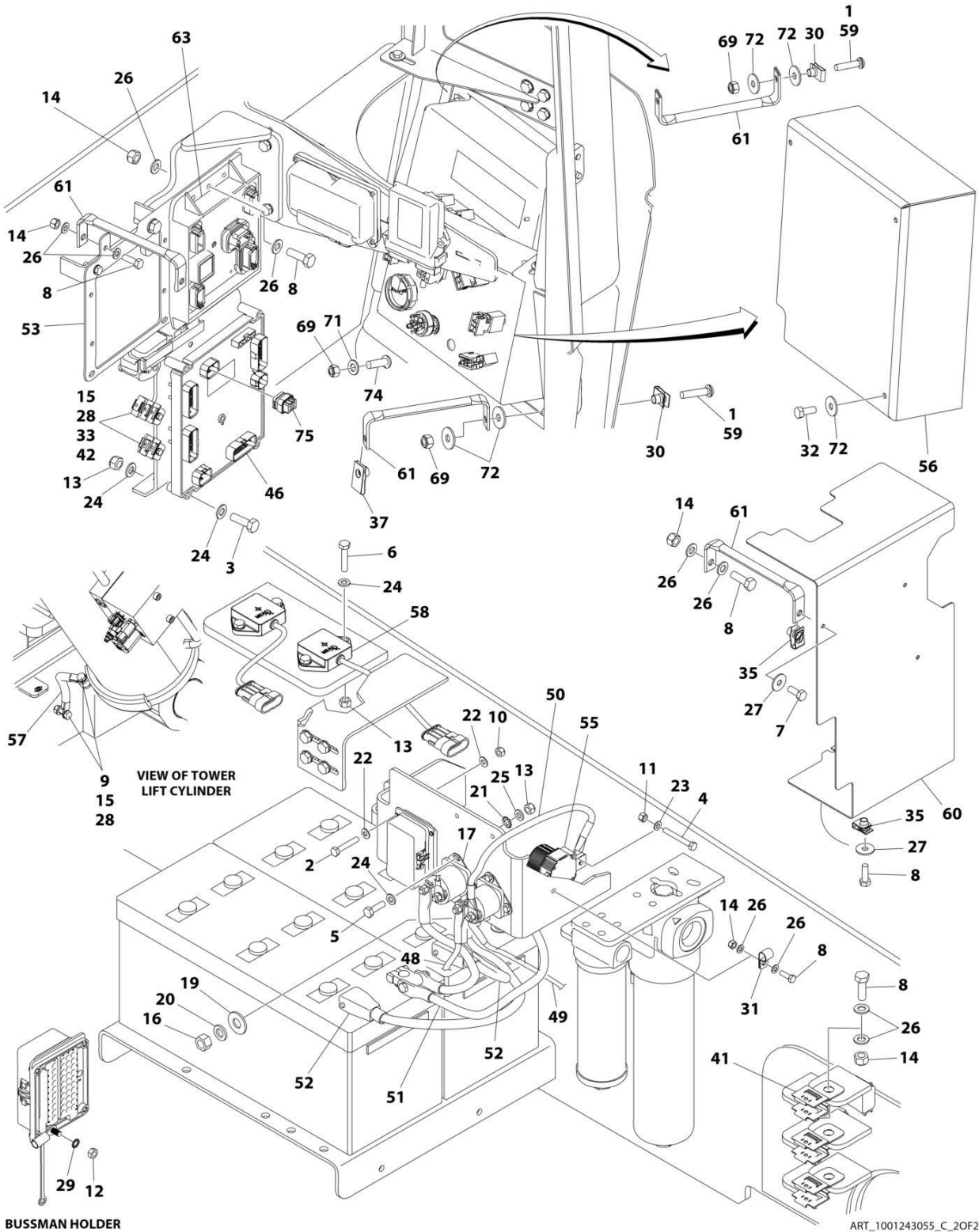
ITEM	PART NUMBER	QTY	DESCRIPTION	REV
	1001243053	Ref	ELECTRICAL COMPONENTS INSTALLATION - TURNTABLE (LRC)	G
1	0100011	AR	Compound, Locking	
2	0700412	4	Bolt M4 x 25	
3	0700620	4	Bolt M6 x 60	
4	0760516	2	Bolt M5 x 40	
5	0760610	4	Bolt M6 x 20	
6	0760613	4	Bolt M6 x 28	
7	0760810	3	Bolt M8 x 20	
8	0760812	11	Bolt M8 x 25	
9	0761015	3	Bolt M10 x 35	
10	3290405	4	Nut M4	
11	3290507	2	Nut M5	
12	3290601	1	Nut M6	
13	3290605	12	Nut M6	
14	3290805	9	Nut M8	
15	3291007	5	Nut M10	
16	3311601	2	Nut 3/8	
17	3740067	2	Relay	
18	4240099	AR	Tie-Strap (Not Shown)	
19	4751600	4	Washer 3/8	
20	4761600	2	Washer 3/8	
21	4791400	4	Washer 1/4	
22	4811400	8	Washer M4	
23	4811600	2	Washer M5	
24	4811700	24	Washer M6	
25	4811702	4	Washer M6	
26	4811900	18	Washer M8	
27	4811902	5	Washer M8	
28	4812000	10	Washer M10	
29	4871700	1	Washer M6	
30	8310686	3	Nut, Retainer M8	
31	8406101	1	Clip	
32	0760810001	3	Bolt M8 x 20	
33	0761013001	2	Bolt M10 x 28	
35	100118274	5	Nut, Tinnerman M8	
37	1001149160	3	Nut, Tinnerman M8	
38	1001149970	1	Drive Pump Harness (Not Shown - See Separate Breakdown in ELECTRICAL Section)	
41	1001155967	4	Holder	
42	1001156107	2	Holder	
45	1001187744	AR	Sealant (Not Shown)	
46	1001281500	1	Module, Control (Note: Re-calibration Required when Replaced)	
47	1001258191	1	BLAM Harness (Not Shown - See Separate Breakdown in ELECTRICAL Section)	
48	1001200604	1	Cable, Auxiliary Pump (+)	
49	1001200605	1	Cable, Auxiliary Pump (-)	
50	1001200606	1	Cable, Battery to Auxiliary Relay	
51	1001200726	1	Cable Kit, Battery Positive (Note: Includes Battery Terminal and Qty 4 Cables)	

SECTION 2 - TURNTABLE

ITEM	PART NUMBER	QTY	DESCRIPTION	REV
52	1001200727	1	Cable Kit, Battery Negative (Note: Includes Qty 2 Cables)	
53	1001201103	1	Plate	
54	1001211885	1	Fuel Pump and WIF Harness (Not Shown - See Separate Breakdown in ELECTRICAL Section)	
55	1001216021	1	Relay	
56	1001216238	1	Cover	
57	1001217007	1	Cable, Ground	
58	1001219601	2	Sensor, Dual Axis	
59	1001221585	3	Screw M8 x 35	
60	1001225167	1	Cover	
61	1001225279	6	Bracket	
62	1001226102	1	Connector, Resistor - 20K Ohm (Not Shown - Located Near Item 12)	
63	1001227960	1	Module, Control (Note: Re-calibration Required when Replaced)	
64	1001228364	1	Wire, Relay Grounding (Not Shown)	
65	1001286089	1	Valve Harness (Not Shown - See Separate Breakdown in ELECTRICAL Section)	
66	1001286088	1	Turntable Harness (Not Shown - See Separate Breakdown in ELECTRICAL Section)	
67	1001242126	1	Ground Control Harness (Not Shown - See Separate Breakdown in ELECTRICAL Section)	
68	1001243054	1	Ground Control Box Assembly (Not Shown - See Separate Breakdown in this Section)	
69	3290805001	4	Nut M8	
71	4811900001	1	Washer M8	
72	4811902001	9	Washer M8	
74	8310643001	1	Screw M8 x 25	
75	1001246859	1	Connector	
76	4240032	AR	Tie-Strap (Not Shown)	
77	4460234	AR	Mount, Tie-Strap (Not Shown)	
78	1001120328	1	Mount, Connector	

SECTION 2 - TURNTABLE

FIGURE 2-22. ELECTRICAL COMPONENTS INSTALLATION - TURNTABLE (LRC) (CE & UK CA SPECS) (Prior to SN 0300298207)



SECTION 2 - TURNTABLE

FIGURE 2-22. ELECTRICAL COMPONENTS INSTALLATION - TURNTABLE (LRC) (CE & UK CA SPECS) (Prior to SN 0300298207)

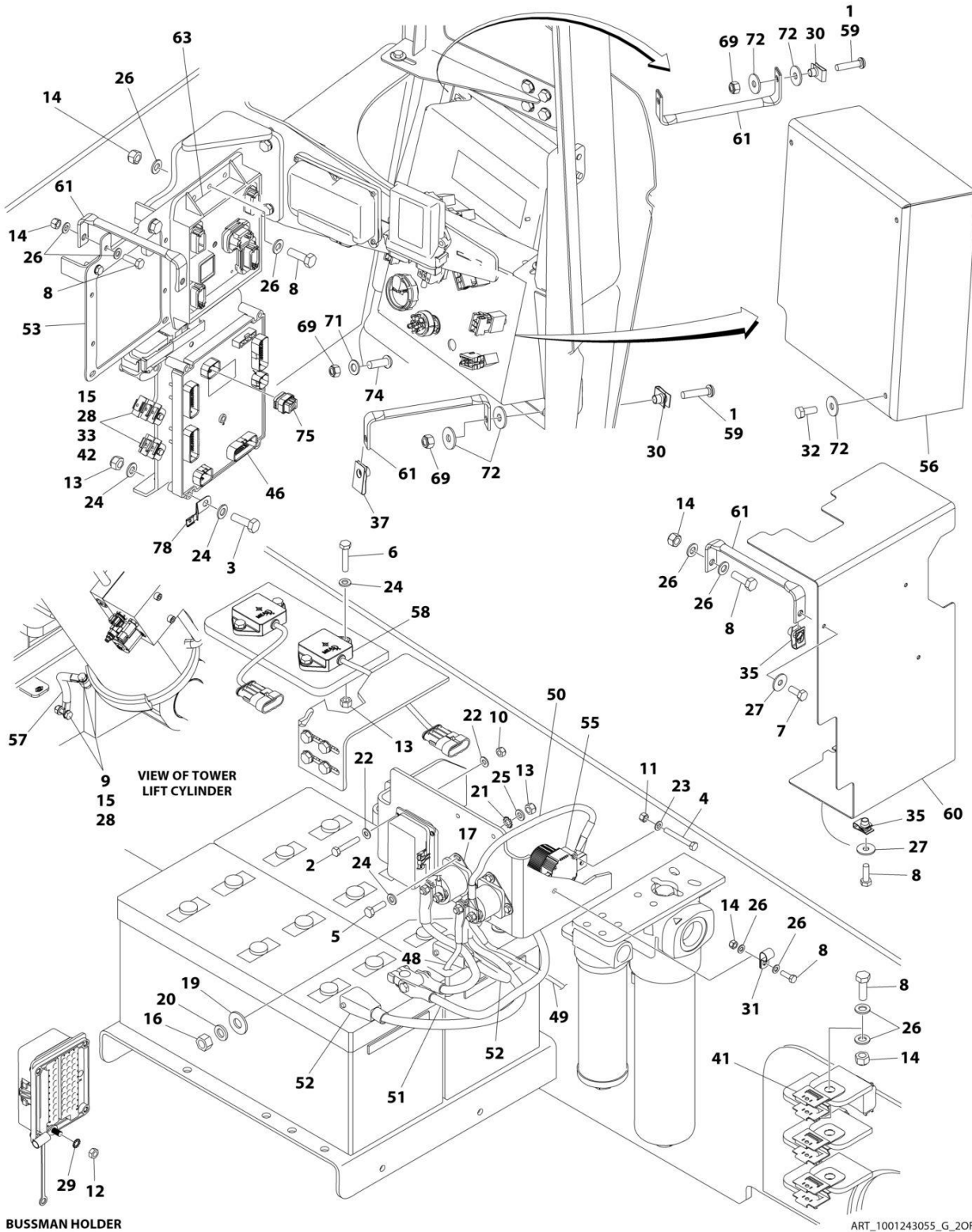
ITEM	PART NUMBER	QTY	DESCRIPTION	REV
	1001243055	Ref	ELECTRICAL COMPONENTS INSTALLATION - TURNTABLE (LRC)	C
1	0100011	AR	Compound, Locking	
2	0700412	4	Bolt M4 x 25	
3	0700620	4	Bolt M6 x 60	
4	0760516	2	Bolt M5 x 40	
5	0760610	4	Bolt M6 x 20	
6	0760613	4	Bolt M6 x 28	
7	0760810	3	Bolt M8 x 20	
8	0760812	11	Bolt M8 x 25	
9	0761015	3	Bolt M10 x 35	
10	3290405	4	Nut M4	
11	3290507	2	Nut M5	
12	3290601	1	Nut M6	
13	3290605	17	Nut M6	
14	3290805	9	Nut M8	
15	3291007	5	Nut M10	
16	3311601	2	Nut 3/8	
17	3740067	2	Relay	
18	4240099	AR	Tie-Strap (Not Shown)	
19	4751600	4	Washer 3/8	
20	4761600	2	Washer 3/8	
21	4791400	4	Washer 1/4	
22	4811400	8	Washer M4	
23	4811600	2	Washer M5	
24	4811700	30	Washer M6	
25	4811702	4	Washer M6	
26	4811900	18	Washer M8	
27	4811902	5	Washer M8	
28	4812000	10	Washer M10	
29	4871700	1	Washer M6	
30	8310686	3	Nut, Retainer M8	
31	8406101	1	Clip	
32	0760810001	3	Bolt M8 x 20	
33	0761013001	2	Bolt M10 x 28	
35	100118274	5	Nut, Tinnerman M8	
37	1001149160	3	Nut, Tinnerman M8	
38	1001149970	1	Drive Pump Harness (Not Shown - See Separate Breakdown in ELECTRICAL Section)	
41	1001155967	4	Holder	
42	1001156107	2	Holder	
45	1001187744	AR	Sealant (Not Shown)	
46	1001281500	1	Module, Control (Note: Re-calibration Required when Replaced)	
47	1001258191	1	BLAM Harness (Not Shown - See Separate Breakdown in ELECTRICAL Section)	
48	1001200604	1	Cable, Auxiliary Pump (+)	
49	1001200605	1	Cable, Auxiliary Pump (-)	
50	1001200606	1	Cable, Battery to Auxiliary Relay	
51	1001200726	1	Cable Kit, Battery Positive (Note: Includes Battery Terminal and Qty 4 Cables)	

SECTION 2 - TURNTABLE

ITEM	PART NUMBER	QTY	DESCRIPTION	REV
52	1001200727	1	Cable Kit, Battery Negative (Note: Includes Qty 2 Cables)	
53	1001201103	1	Plate	
54	1001211885	1	Fuel Pump and WIF Harness (Not Shown - See Separate Breakdown in ELECTRICAL Section)	
55	1001216021	1	Relay	
56	1001216238	1	Cover	
57	1001217007	1	Cable, Ground	
58	1001219601	2	Sensor, Dual Axis	
59	1001221585	3	Screw M8 x 35	
60	1001225167	1	Cover	
61	1001225279	6	Bracket	
62	1001226102	1	Connector, Resistor - 20K Ohm (Not Shown - Located Near Item 12)	
63	1001227960	1	Module, Control (Note: Re-calibration Required when Replaced)	
64	1001228364	1	Wire, Relay Grounding (Not Shown)	
65	1001242123	1	Valve Harness (Not Shown - See Separate Breakdown in ELECTRICAL Section)	
66	1001279238	1	Turntable Harness (Not Shown - See Separate Breakdown in ELECTRICAL Section)	
67	1001242126	1	Ground Control Harness (Not Shown - See Separate Breakdown in ELECTRICAL Section)	
68	1001243056	1	Ground Control Box Assembly (Not Shown - See Separate Breakdown in this Section)	
69	3290805001	4	Nut M8	
71	4811900001	1	Washer M8	
72	4811902001	9	Washer M8	
74	8310643001	1	Screw M8 x 25	
75	1001246859	1	Connector	

SECTION 2 - TURNTABLE

FIGURE 2-23. ELECTRICAL COMPONENTS INSTALLATION - TURNTABLE (LRC) (CE & UK CA SPECS) (SN 0300298207 to Present)



SECTION 2 - TURNTABLE

FIGURE 2-23. ELECTRICAL COMPONENTS INSTALLATION - TURNTABLE (LRC) (CE & UK CA SPECS) (SN 0300298207 to Present)

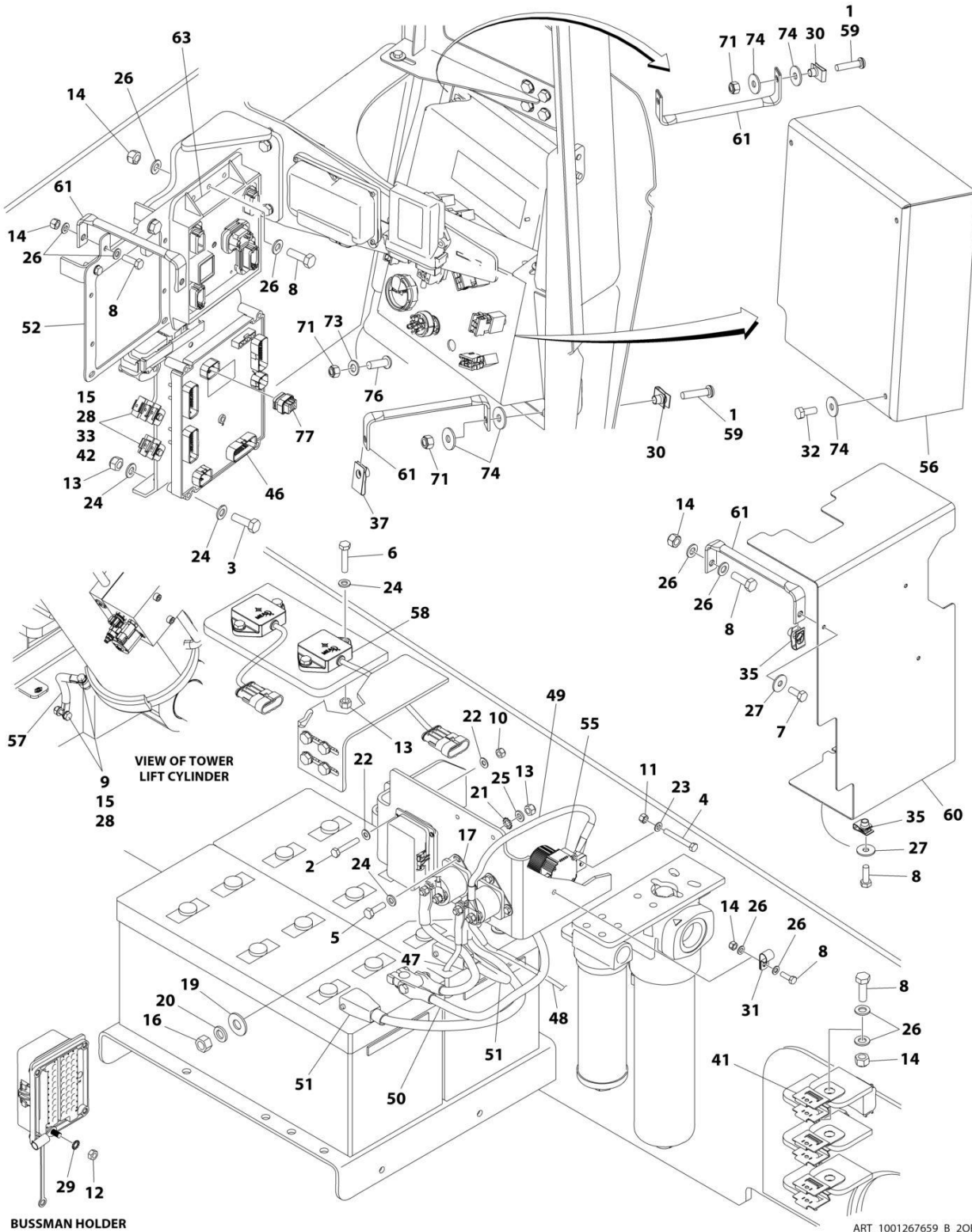
ITEM	PART NUMBER	QTY	DESCRIPTION	REV
	1001243055	Ref	ELECTRICAL COMPONENTS INSTALLATION - TURNTABLE (LRC)	G
1	0100011	AR	Compound, Locking	
2	0700412	4	Bolt M4 x 25	
3	0700620	4	Bolt M6 x 60	
4	0760516	2	Bolt M5 x 40	
5	0760610	4	Bolt M6 x 20	
6	0760613	4	Bolt M6 x 28	
7	0760810	3	Bolt M8 x 20	
8	0760812	11	Bolt M8 x 25	
9	0761015	3	Bolt M10 x 35	
10	3290405	4	Nut M4	
11	3290507	2	Nut M5	
12	3290601	1	Nut M6	
13	3290605	12	Nut M6	
14	3290805	9	Nut M8	
15	3291007	5	Nut M10	
16	3311601	2	Nut 3/8	
17	3740067	2	Relay	
18	4240099	AR	Tie-Strap (Not Shown)	
19	4751600	4	Washer 3/8	
20	4761600	2	Washer 3/8	
21	4791400	4	Washer 1/4	
22	4811400	8	Washer M4	
23	4811600	2	Washer M5	
24	4811700	24	Washer M6	
25	4811702	4	Washer M6	
26	4811900	18	Washer M8	
27	4811902	5	Washer M8	
28	4812000	10	Washer M10	
29	4871700	1	Washer M6	
30	8310686	3	Nut, Retainer M8	
31	8406101	1	Clip	
32	0760810001	3	Bolt M8 x 20	
33	0761013001	2	Bolt M10 x 28	
35	100118274	5	Nut, Tinnerman M8	
37	1001149160	3	Nut, Tinnerman M8	
38	1001149970	1	Drive Pump Harness (Not Shown - See Separate Breakdown in ELECTRICAL Section)	
41	1001155967	4	Holder	
42	1001156107	2	Holder	
45	1001187744	AR	Sealant (Not Shown)	
46	1001281500	1	Module, Control (Note: Re-calibration Required when Replaced)	
47	1001258191	1	BLAM Harness (Not Shown - See Separate Breakdown in ELECTRICAL Section)	
48	1001200604	1	Cable, Auxiliary Pump (+)	
49	1001200605	1	Cable, Auxiliary Pump (-)	
50	1001200606	1	Cable, Battery to Auxiliary Relay	
51	1001200726	1	Cable Kit, Battery Positive (Note: Includes Battery Terminal and Qty 4 Cables)	

SECTION 2 - TURNTABLE

ITEM	PART NUMBER	QTY	DESCRIPTION	REV
52	1001200727	1	Cable Kit, Battery Negative (Note: Includes Qty 2 Cables)	
53	1001201103	1	Plate	
54	1001211885	1	Fuel Pump and WIF Harness (Not Shown - See Separate Breakdown in ELECTRICAL Section)	
55	1001216021	1	Relay	
56	1001216238	1	Cover	
57	1001217007	1	Cable, Ground	
58	1001219601	2	Sensor, Dual Axis	
59	1001221585	3	Screw M8 x 35	
60	1001225167	1	Cover	
61	1001225279	6	Bracket	
62	1001226102	1	Connector, Resistor - 20K Ohm (Not Shown - Located Near Item 12)	
63	1001227960	1	Module, Control (Note: Re-calibration Required when Replaced)	
64	1001228364	1	Wire, Relay Grounding (Not Shown)	
65	1001286089	1	Valve Harness (Not Shown - See Separate Breakdown in ELECTRICAL Section)	
66	1001286088	1	Turntable Harness (Not Shown - See Separate Breakdown in ELECTRICAL Section)	
67	1001242126	1	Ground Control Harness (Not Shown - See Separate Breakdown in ELECTRICAL Section)	
68	1001243056	1	Ground Control Box Assembly (Not Shown - See Separate Breakdown in this Section)	
69	3290805001	4	Nut M8	
71	4811900001	1	Washer M8	
72	4811902001	9	Washer M8	
74	8310643001	1	Screw M8 x 25	
75	1001246859	1	Connector	
76	4240032	AR	Tie-Strap (Not Shown)	
77	4460234	AR	Mount, Tie-Strap (Not Shown)	
78	1001120328	1	Mount, Connector	

SECTION 2 - TURNTABLE

FIGURE 2-24. ELECTRICAL COMPONENTS INSTALLATION WITH TOWER STOW - TURNTABLE (HRC) (ANSI, ANSI EXPORT, CSA AND JAPANESE SPECS) (Prior to SN 0300298207)



SECTION 2 - TURNTABLE

FIGURE 2-24. ELECTRICAL COMPONENTS INSTALLATION WITH TOWER STOW - TURNTABLE (HRC) (ANSI, ANSI EXPORT, CSA AND JAPANESE SPECS) (Prior to SN 0300298207)

ITEM	PART NUMBER	QTY	DESCRIPTION	REV
	1001267659	Ref	ELECTRICAL COMPONENTS INSTALLATION - TURNTABLE (HRC)	B
1	0100011	AR	Compound, Locking	
2	0700412	4	Bolt M4 x 25	
3	0700620	4	Bolt M6 x 60	
4	0760516	2	Bolt M5 x 40	
5	0760610	4	Bolt M6 x 20	
6	0760613	4	Bolt M6 x 28	
7	0760810	3	Bolt M8 x 20	
8	0760812	12	Bolt M8 x 25	
9	0761015	3	Bolt M10 x 35	
10	3290405	4	Nut M4	
11	3290507	2	Nut M5	
12	3290601	1	Nut M6	
13	3290605	17	Nut M6	
14	3290805	10	Nut M8	
15	3291007	5	Nut M10	
16	3311601	2	Nut 3/8	
17	3740067	2	Relay	
18	4240099	1	Tie-Strap (Not Shown)	
19	4751600	4	Washer 3/8	
20	4761600	2	Washer 3/8	
21	4791400	4	Washer 1/4	
22	4811400	8	Washer M4	
23	4811600	2	Washer M5	
24	4811700	30	Washer M6	
25	4811702	4	Washer M6	
26	4811900	20	Washer M8	
27	4811902	5	Washer M8	
28	4812000	10	Washer M10	
29	4871700	1	Washer M6	
30	8310686	3	Nut, Retainer M8	
31	8406101	1	Clip	
32	0760810001	3	Bolt M8 x 20	
33	0761013001	2	Bolt M10 x 28	
35	100118274	5	Nut, Tinnerman M8	
37	1001149160	3	Nut, Tinnerman M8	
38	1001149970	1	Drive Pump Harness (Not Shown - See Separate Breakdown in ELECTRICAL Section)	
41	1001155967	6	Holder	
42	1001156107	2	Holder	
45	1001187744	AR	Sealant (Not Shown)	
46	1001281500	1	Module, Control (Note: Re-calibration Required when Replaced)	
47	1001200604	1	Cable, Auxiliary Pump (+)	
48	1001200605	1	Cable, Auxiliary Pump (-)	
49	1001200606	1	Cable, Battery to Auxiliary Relay	
50	1001200726	1	Cable Kit, Battery Positive (Note: Includes Battery Terminal and Qty 4 Cables)	
51	1001200727	1	Cable Kit, Battery Negative (Note: Includes Qty 2 Cables)	

SECTION 2 - TURNTABLE

ITEM	PART NUMBER	QTY	DESCRIPTION	REV
52	1001201103	1	Plate	
53	1001206817	1	Diesel Exhaust Fluid Tank Harness (Not Shown - See Separate Breakdown in ELECTRICAL Section)	
54	1001211885	1	Fuel Pump and WIF Harness (Not Shown - See Separate Breakdown in ELECTRICAL Section)	
55	1001216021	1	Relay	
56	1001216238	1	Cover	
57	1001217007	1	Cable, Ground	
58	1001219601	2	Sensor, Dual Axis	
59	1001221585	3	Screw M8 x 35	
60	1001225167	1	Cover	
61	1001225279	6	Bracket	
62	1001226102	1	Connector, Resistor - 20K Ohm (Not Shown - Located Near Item 12)	
63	1001227960	1	Module, Control (Note: Re-calibration Required when Replaced)	
64	1001228364	1	Wire, Relay Grounding (Not Shown)	
65	1001238483	1	Def Tank Extension Harness (Not Shown - See Separate Breakdown in ELECTRICAL Section)	
66	1001242123	1	Valve Harness (Not Shown - See Separate Breakdown in ELECTRICAL Section)	
67	1001279238	1	Turntable Harness (Not Shown - See Separate Breakdown in ELECTRICAL Section)	
68	1001242126	1	Ground Control Harness (Not Shown - See Separate Breakdown in ELECTRICAL Section)	
69	1001258191	1	BLAM Harness (Not Shown - See Separate Breakdown in ELECTRICAL Section)	
70	1001265870	1	Ground Control Box Assembly (Not Shown - See Separate Breakdown in this Section)	
71	3290805001	4	Nut M8	
73	4811900001	1	Washer M8	
74	4811902001	9	Washer M8	
76	8310643001	1	Screw M8 x 25	
77	1001246859	1	Connector	

SECTION 2 - TURNTABLE

FIGURE 2-25. ELECTRICAL COMPONENTS INSTALLATION WITH TOWER STOW - TURNTABLE (HRC) (ANSI, ANSI EXPORT, CSA AND JAPANESE SPECS) (SN 0300298207 to Present)

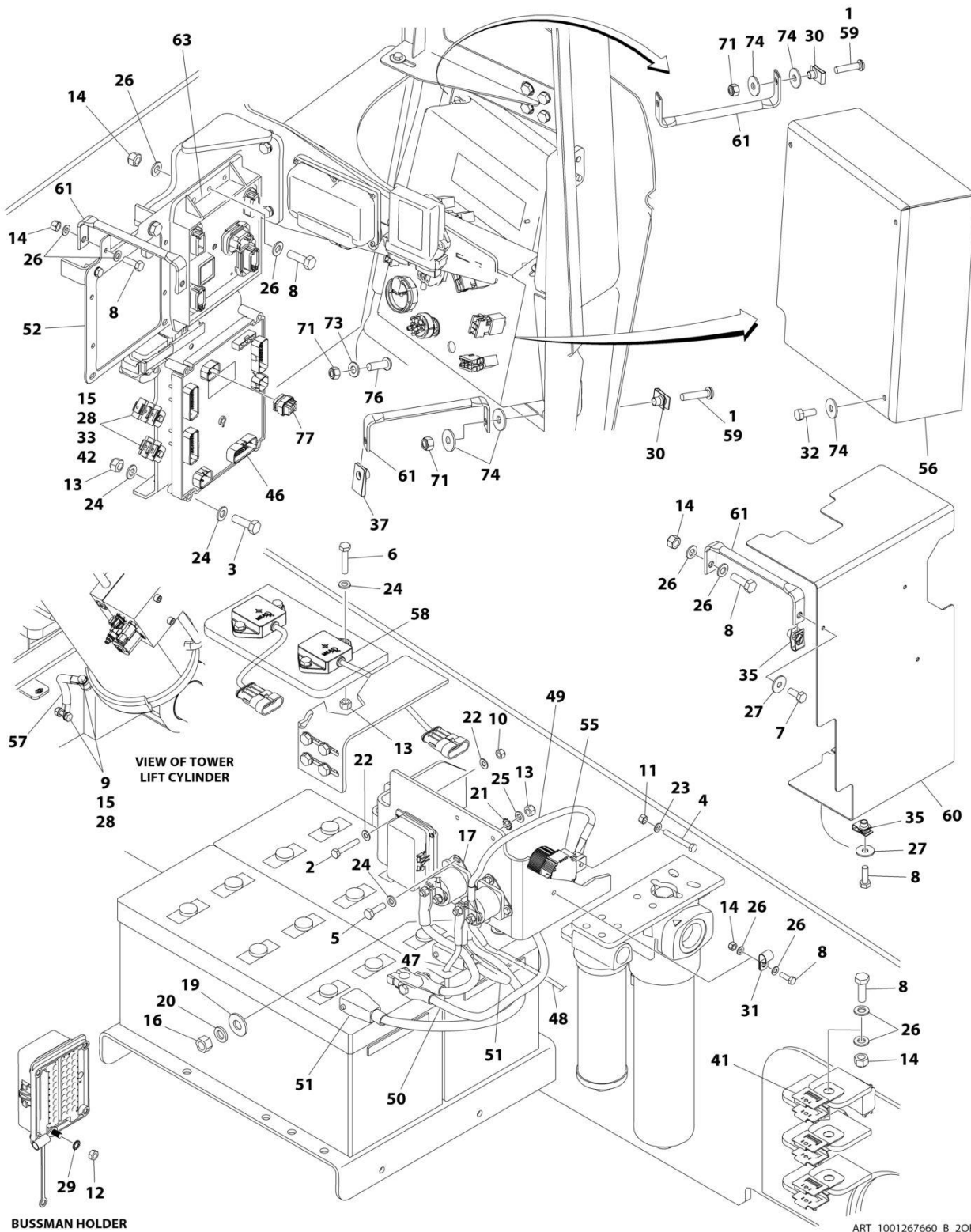
ITEM	PART NUMBER	QTY	DESCRIPTION	REV
	1001267659	Ref	ELECTRICAL COMPONENTS INSTALLATION - TURNTABLE (HRC)	F
1	0100011	AR	Compound, Locking	
2	0700412	4	Bolt M4 x 25	
3	0700620	4	Bolt M6 x 60	
4	0760516	2	Bolt M5 x 40	
5	0760610	4	Bolt M6 x 20	
6	0760613	4	Bolt M6 x 28	
7	0760810	3	Bolt M8 x 20	
8	0760812	12	Bolt M8 x 25	
9	0761015	3	Bolt M10 x 35	
10	3290405	4	Nut M4	
11	3290507	2	Nut M5	
12	3290601	1	Nut M6	
13	3290605	12	Nut M6	
14	3290805	10	Nut M8	
15	3291007	5	Nut M10	
16	3311601	2	Nut 3/8	
17	3740067	2	Relay	
18	4240099	1	Tie-Strap (Not Shown)	
19	4751600	4	Washer 3/8	
20	4761600	2	Washer 3/8	
21	4791400	4	Washer 1/4	
22	4811400	8	Washer M4	
23	4811600	2	Washer M5	
24	4811700	20	Washer M6	
25	4811702	4	Washer M6	
26	4811900	20	Washer M8	
27	4811902	5	Washer M8	
28	4812000	10	Washer M10	
29	4871700	1	Washer M6	
30	8310686	3	Nut, Retainer M8	
31	8406101	1	Clip	
32	0760810001	3	Bolt M8 x 20	
33	0761013001	2	Bolt M10 x 28	
35	100118274	5	Nut, Tinnerman M8	
37	1001149160	3	Nut, Tinnerman M8	
38	1001149970	1	Drive Pump Harness (Not Shown - See Separate Breakdown in ELECTRICAL Section)	
41	1001155967	6	Holder	
42	1001156107	2	Holder	
45	1001187744	AR	Sealant (Not Shown)	
46	1001281500	1	Module, Control (Note: Re-calibration Required when Replaced)	
47	1001200604	1	Cable, Auxiliary Pump (+)	
48	1001200605	1	Cable, Auxiliary Pump (-)	
49	1001200606	1	Cable, Battery to Auxiliary Relay	
50	1001200726	1	Cable Kit, Battery Positive (Note: Includes Battery Terminal and Qty 4 Cables)	
51	1001200727	1	Cable Kit, Battery Negative (Note: Includes Qty 2 Cables)	

SECTION 2 - TURNTABLE

ITEM	PART NUMBER	QTY	DESCRIPTION	REV
52	1001201103	1	Plate	
53	1001206817	1	Diesel Exhaust Fluid Tank Harness (Not Shown - See Separate Breakdown in ELECTRICAL Section)	
54	1001211885	1	Fuel Pump and WIF Harness (Not Shown - See Separate Breakdown in ELECTRICAL Section)	
55	1001216021	1	Relay	
56	1001216238	1	Cover	
57	1001217007	1	Cable, Ground	
58	1001219601	2	Sensor, Dual Axis	
59	1001221585	3	Screw M8 x 35	
60	1001225167	1	Cover	
61	1001225279	6	Bracket	
62	1001226102	1	Connector, Resistor - 20K Ohm (Not Shown - Located Near Item 12)	
63	1001227960	1	Module, Control (Note: Re-calibration Required when Replaced)	
64	1001228364	1	Wire, Relay Grounding (Not Shown)	
65	1001238483	1	Def Tank Extension Harness (Not Shown - See Separate Breakdown in ELECTRICAL Section)	
66	1001286089	1	Valve Harness (Not Shown - See Separate Breakdown in ELECTRICAL Section)	
67	1001286088	1	Turntable Harness (Not Shown - See Separate Breakdown in ELECTRICAL Section)	
68	1001242126	1	Ground Control Harness (Not Shown - See Separate Breakdown in ELECTRICAL Section)	
69	1001258191	1	BLAM Harness (Not Shown - See Separate Breakdown in ELECTRICAL Section)	
70	1001265870	1	Ground Control Box Assembly (Not Shown - See Separate Breakdown in this Section)	
71	3290805001	4	Nut M8	
73	4811900001	1	Washer M8	
74	4811902001	9	Washer M8	
76	8310643001	1	Screw M8 x 25	
77	1001246859	1	Connector	
78	4240032	AR	Tie-Strap (Not Shown)	
79	4460234	AR	Mount, Tie-Strap (Not Shown)	
80	1001120328	1	Mount, Connector	

SECTION 2 - TURNTABLE

FIGURE 2-26. ELECTRICAL COMPONENTS INSTALLATION WITH TOWER STOW - TURNTABLE (HRC) (CE & UK CA SPECS) (Prior to SN 0300298207)



SECTION 2 - TURNTABLE

**FIGURE 2-26. ELECTRICAL COMPONENTS INSTALLATION WITH TOWER STOW - TURNTABLE
(HRC) (CE & UK CA SPECS) (Prior to SN 0300298207)**

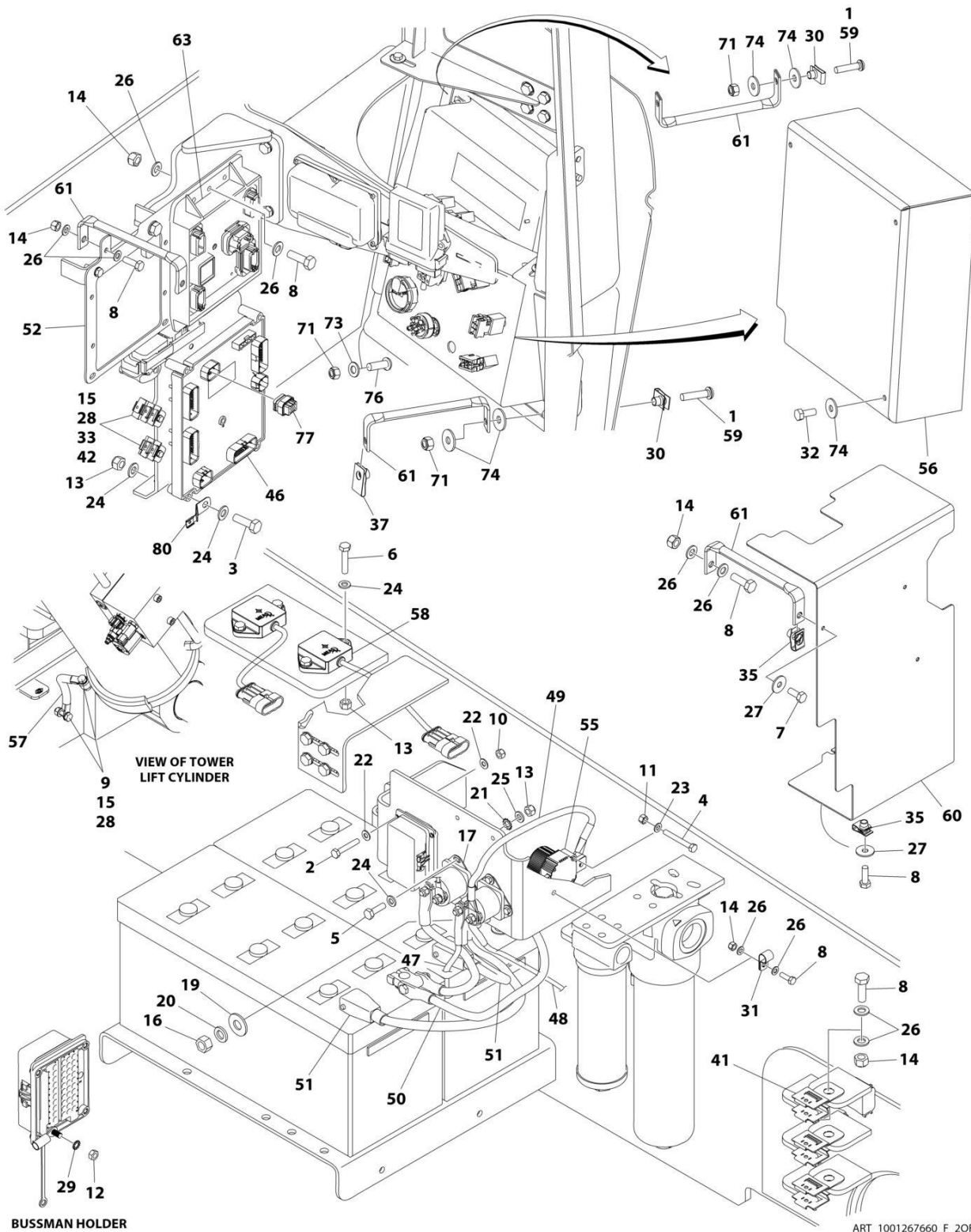
ITEM	PART NUMBER	QTY	DESCRIPTION	REV
	1001267660	Ref	ELECTRICAL COMPONENTS INSTALLATION - TURNTABLE (HRC)	B
1	0100011	AR	Compound, Locking	
2	0700412	4	Bolt M4 x 25	
3	0700620	4	Bolt M6 x 60	
4	0760516	2	Bolt M5 x 40	
5	0760610	4	Bolt M6 x 20	
6	0760613	4	Bolt M6 x 28	
7	0760810	3	Bolt M8 x 20	
8	0760812	12	Bolt M8 x 25	
9	0761015	3	Bolt M10 x 35	
10	3290405	4	Nut M4	
11	3290507	2	Nut M5	
12	3290601	1	Nut M6	
13	3290605	17	Nut M6	
14	3290805	10	Nut M8	
15	3291007	5	Nut M10	
16	3311601	2	Nut 3/8	
17	3740067	2	Relay	
18	4240099	1	Tie-Strap (Not Shown)	
19	4751600	4	Washer 3/8	
20	4761600	2	Washer 3/8	
21	4791400	4	Washer 1/4	
22	4811400	8	Washer M4	
23	4811600	2	Washer M5	
24	4811700	30	Washer M6	
25	4811702	4	Washer M6	
26	4811900	20	Washer M8	
27	4811902	5	Washer M8	
28	4812000	10	Washer M10	
29	4871700	1	Washer M6	
30	8310686	3	Nut, Retainer M8	
31	8406101	1	Clip	
32	0760810001	3	Bolt M8 x 20	
33	0761013001	2	Bolt M10 x 28	
35	100118274	5	Nut, Tinnerman M8	
37	1001149160	3	Nut, Tinnerman M8	
38	1001149970	1	Drive Pump Harness (Not Shown - See Separate Breakdown in ELECTRICAL Section)	
41	1001155967	6	Holder	
42	1001156107	2	Holder	
45	1001187744	AR	Sealant (Not Shown)	
46	1001281500	1	Module, Control (Note: Re-calibration Required when Replaced)	
47	1001200604	1	Cable, Auxiliary Pump (+)	
48	1001200605	1	Cable, Auxiliary Pump (-)	
49	1001200606	1	Cable, Battery to Auxiliary Relay	
50	1001200726	1	Cable Kit, Battery Positive (Note: Includes Battery Terminal and Qty 4 Cables)	
51	1001200727	1	Cable Kit, Battery Negative (Note: Includes Qty 2 Cables)	

SECTION 2 - TURNTABLE

ITEM	PART NUMBER	QTY	DESCRIPTION	REV
52	1001201103	1	Plate	
53	1001206817	1	Diesel Exhaust Fluid Tank Harness (Not Shown - See Separate Breakdown in ELECTRICAL Section)	
54	1001211885	1	Fuel Pump and WIF Harness (Not Shown - See Separate Breakdown in ELECTRICAL Section)	
55	1001216021	1	Relay	
56	1001216238	1	Cover	
57	1001217007	1	Cable, Ground	
58	1001219601	2	Sensor, Dual Axis	
59	1001221585	3	Screw M8 x 35	
60	1001225167	1	Cover	
61	1001225279	6	Bracket	
62	1001226102	1	Connector, Resistor - 20K Ohm (Not Shown - Located Near Item 12)	
63	1001227960	1	Module, Control (Note: Re-calibration Required when Replaced)	
64	1001228364	1	Wire, Relay Grounding (Not Shown)	
65	1001238483	1	Def Tank Extension Harness (Not Shown - See Separate Breakdown in ELECTRICAL Section)	
66	1001242123	1	Valve Harness (Not Shown - See Separate Breakdown in ELECTRICAL Section)	
67	1001279238	1	Turntable Harness (Not Shown - See Separate Breakdown in ELECTRICAL Section)	
68	1001242126	1	Ground Control Harness (Not Shown - See Separate Breakdown in ELECTRICAL Section)	
69	1001258191	1	BLAM Harness (Not Shown - See Separate Breakdown in ELECTRICAL Section)	
70	1001265871	1	Ground Control Box Assembly (Not Shown - See Separate Breakdown in this Section)	
71	3290805001	4	Nut M8	
73	4811900001	1	Washer M8	
74	4811902001	9	Washer M8	
76	8310643001	1	Screw M8 x 25	
77	1001246859	1	Connector	

SECTION 2 - TURNTABLE

FIGURE 2-27. ELECTRICAL COMPONENTS INSTALLATION WITH TOWER STOW - TURNTABLE (HRC) (CE & UK CA SPECS) (SN 0300298207 to Present)



SECTION 2 - TURNTABLE

FIGURE 2-27. ELECTRICAL COMPONENTS INSTALLATION WITH TOWER STOW - TURNTABLE (HRC) (CE & UK CA SPECS) (SN 0300298207 to Present)

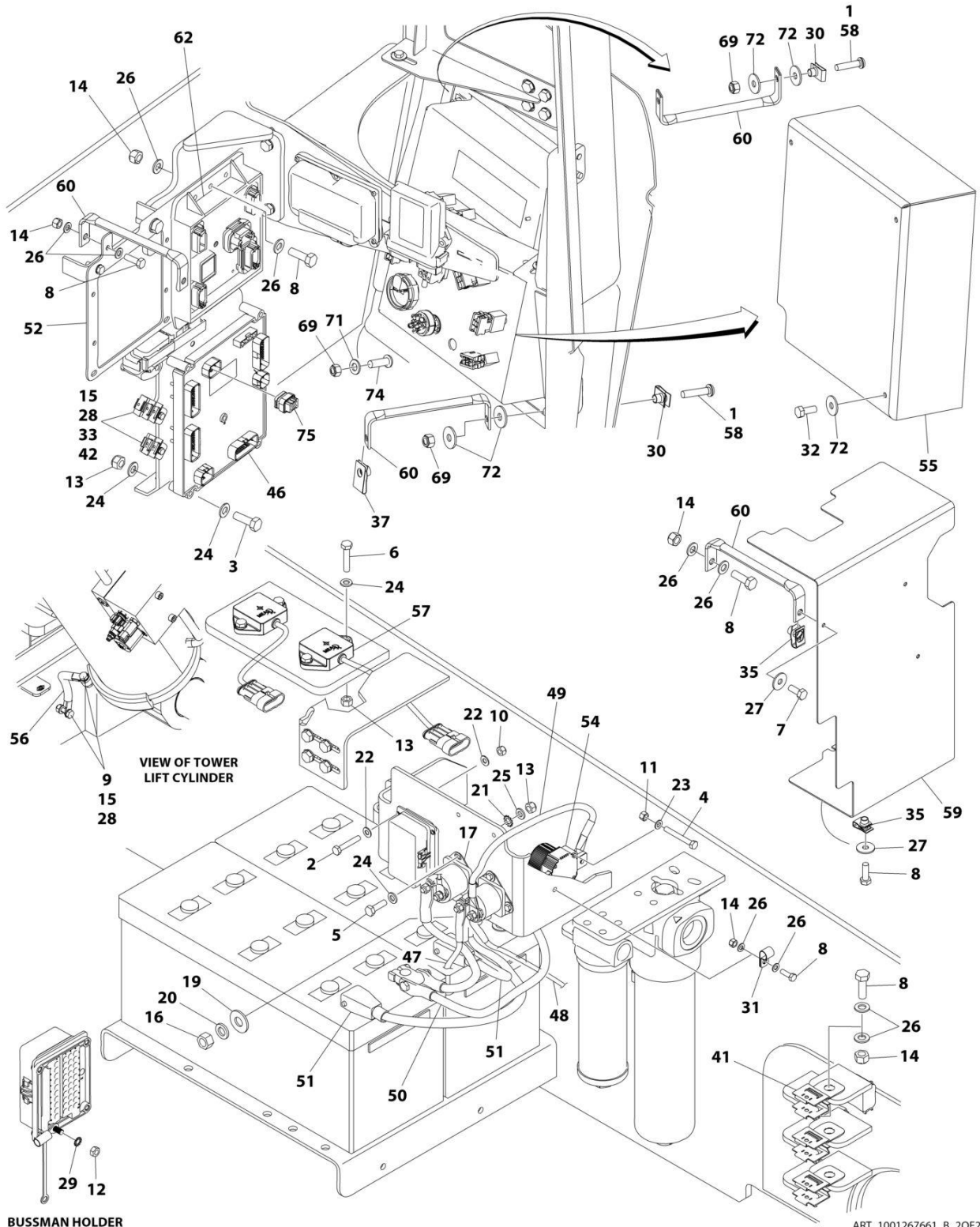
ITEM	PART NUMBER	QTY	DESCRIPTION	REV
	1001267660	Ref	ELECTRICAL COMPONENTS INSTALLATION - TURNTABLE (HRC)	F
1	0100011	AR	Compound, Locking	
2	0700412	4	Bolt M4 x 25	
3	0700620	4	Bolt M6 x 60	
4	0760516	2	Bolt M5 x 40	
5	0760610	4	Bolt M6 x 20	
6	0760613	4	Bolt M6 x 28	
7	0760810	3	Bolt M8 x 20	
8	0760812	12	Bolt M8 x 25	
9	0761015	3	Bolt M10 x 35	
10	3290405	4	Nut M4	
11	3290507	2	Nut M5	
12	3290601	1	Nut M6	
13	3290605	12	Nut M6	
14	3290805	10	Nut M8	
15	3291007	5	Nut M10	
16	3311601	2	Nut 3/8	
17	3740067	2	Relay	
18	4240099	1	Tie-Strap (Not Shown)	
19	4751600	4	Washer 3/8	
20	4761600	2	Washer 3/8	
21	4791400	4	Washer 1/4	
22	4811400	8	Washer M4	
23	4811600	2	Washer M5	
24	4811700	24	Washer M6	
25	4811702	4	Washer M6	
26	4811900	20	Washer M8	
27	4811902	5	Washer M8	
28	4812000	10	Washer M10	
29	4871700	1	Washer M6	
30	8310686	3	Nut, Retainer M8	
31	8406101	1	Clip	
32	0760810001	3	Bolt M8 x 20	
33	0761013001	2	Bolt M10 x 28	
35	100118274	5	Nut, Tinnerman M8	
37	1001149160	3	Nut, Tinnerman M8	
38	1001149970	1	Drive Pump Harness (Not Shown - See Separate Breakdown in ELECTRICAL Section)	
41	1001155967	6	Holder	
42	1001156107	2	Holder	
45	1001187744	AR	Sealant (Not Shown)	
46	1001281500	1	Module, Control (Note: Re-calibration Required when Replaced)	
47	1001200604	1	Cable, Auxiliary Pump (+)	
48	1001200605	1	Cable, Auxiliary Pump (-)	
49	1001200606	1	Cable, Battery to Auxiliary Relay	
50	1001200726	1	Cable Kit, Battery Positive (Note: Includes Battery Terminal and Qty 4 Cables)	
51	1001200727	1	Cable Kit, Battery Negative (Note: Includes Qty 2 Cables)	

SECTION 2 - TURNTABLE

ITEM	PART NUMBER	QTY	DESCRIPTION	REV
52	1001201103	1	Plate	
53	1001206817	1	Diesel Exhaust Fluid Tank Harness (Not Shown - See Separate Breakdown in ELECTRICAL Section)	
54	1001211885	1	Fuel Pump and WIF Harness (Not Shown - See Separate Breakdown in ELECTRICAL Section)	
55	1001216021	1	Relay	
56	1001216238	1	Cover	
57	1001217007	1	Cable, Ground	
58	1001219601	2	Sensor, Dual Axis	
59	1001221585	3	Screw M8 x 35	
60	1001225167	1	Cover	
61	1001225279	6	Bracket	
62	1001226102	1	Connector, Resistor - 20K Ohm (Not Shown - Located Near Item 12)	
63	1001227960	1	Module, Control (Note: Re-calibration Required when Replaced)	
64	1001228364	1	Wire, Relay Grounding (Not Shown)	
65	1001238483	1	Def Tank Extension Harness (Not Shown - See Separate Breakdown in ELECTRICAL Section)	
66	1001286089	1	Valve Harness (Not Shown - See Separate Breakdown in ELECTRICAL Section)	
67	1001286088	1	Turntable Harness (Not Shown - See Separate Breakdown in ELECTRICAL Section)	
68	1001242126	1	Ground Control Harness (Not Shown - See Separate Breakdown in ELECTRICAL Section)	
69	1001258191	1	BLAM Harness (Not Shown - See Separate Breakdown in ELECTRICAL Section)	
70	1001265871	1	Ground Control Box Assembly (Not Shown - See Separate Breakdown in this Section)	
71	3290805001	4	Nut M8	
73	4811900001	1	Washer M8	
74	4811902001	9	Washer M8	
76	8310643001	1	Screw M8 x 25	
77	1001246859	1	Connector	
78	4240032	AR	Tie-Strap (Not Shown)	
79	4460234	AR	Mount, Tie-Strap (Not Shown)	
80	1001120328	1	Mount, Connector	

SECTION 2 - TURNTABLE

FIGURE 2-28. ELECTRICAL COMPONENTS INSTALLATION WITH TOWER STOW - TURNTABLE (LRC) (ANSI EXPORT, AUSTRALIAN AND CHINA SPECS) (Prior to SN 0300298207)



SECTION 2 - TURNTABLE

FIGURE 2-28. ELECTRICAL COMPONENTS INSTALLATION WITH TOWER STOW - TURNTABLE (LRC) (ANSI EXPORT, AUSTRALIAN AND CHINA SPECS) (Prior to SN 0300298207)

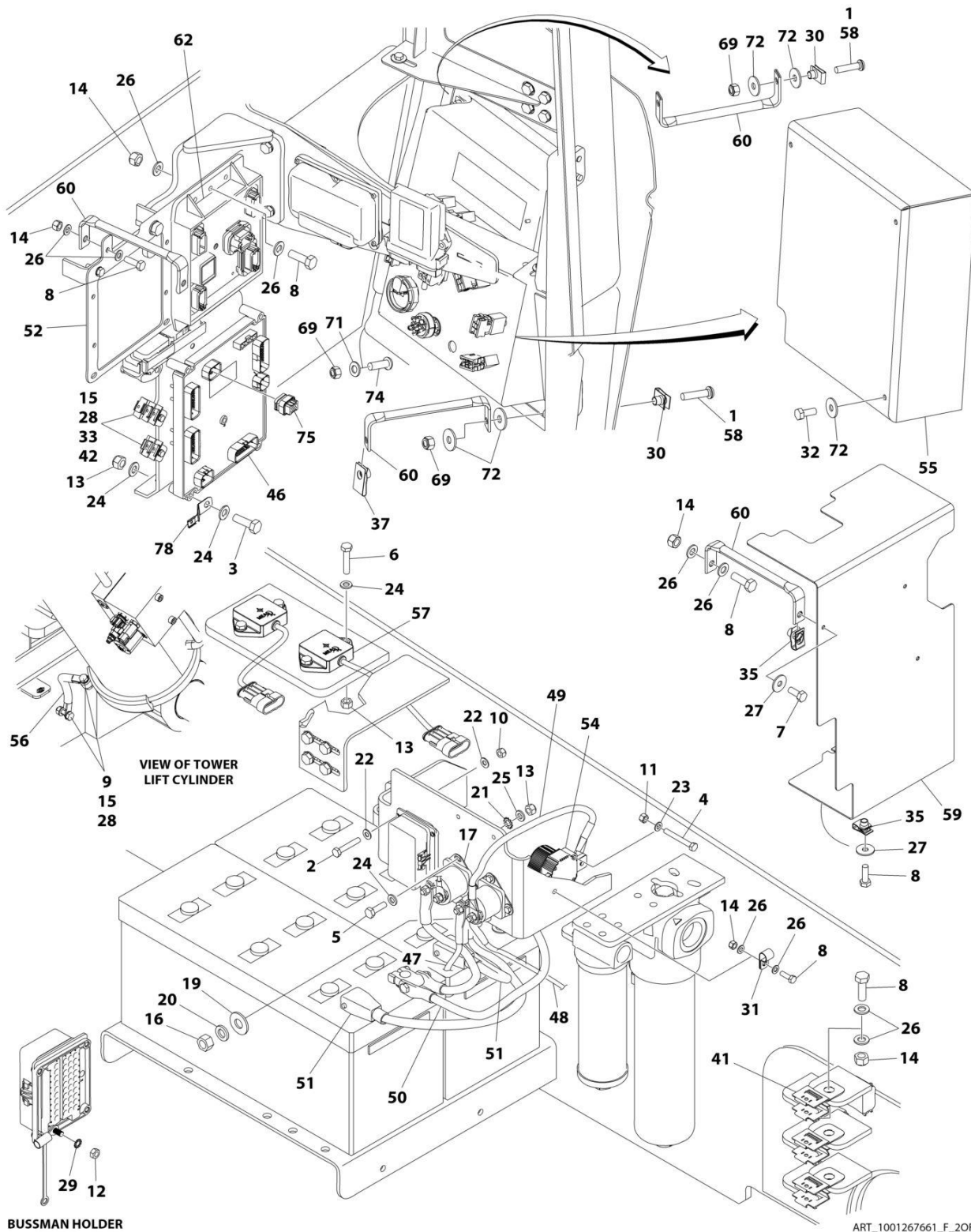
ITEM	PART NUMBER	QTY	DESCRIPTION	REV
	1001267661	Ref	ELECTRICAL COMPONENTS INSTALLATION - TURNTABLE (LRC)	B
1	0100011	AR	Compound, Locking	
2	0700412	4	Bolt M4 x 25	
3	0700620	4	Bolt M6 x 60	
4	0760516	2	Bolt M5 x 40	
5	0760610	4	Bolt M6 x 20	
6	0760613	4	Bolt M6 x 28	
7	0760810	3	Bolt M8 x 20	
8	0760812	11	Bolt M8 x 25	
9	0761015	3	Bolt M10 x 35	
10	3290405	4	Nut M4	
11	3290507	2	Nut M5	
12	3290601	1	Nut M6	
13	3290605	17	Nut M6	
14	3290805	9	Nut M8	
15	3291007	5	Nut M10	
16	3311601	2	Nut 3/8	
17	3740067	2	Relay	
18	4240099	AR	Tie-Strap (Not Shown)	
19	4751600	4	Washer 3/8	
20	4761600	2	Washer 3/8	
21	4791400	4	Washer 1/4	
22	4811400	8	Washer M4	
23	4811600	2	Washer M5	
24	4811700	30	Washer M6	
25	4811702	4	Washer M6	
26	4811900	18	Washer M8	
27	4811902	5	Washer M8	
28	4812000	10	Washer M10	
29	4871700	1	Washer M6	
30	8310686	3	Nut, Retainer M8	
31	8406101	1	Clip	
32	0760810001	3	Bolt M8 x 20	
33	0761013001	2	Bolt M10 x 28	
35	100118274	5	Nut, Tinnerman M8	
37	1001149160	3	Nut, Tinnerman M8	
38	1001149970	1	Drive Pump Harness (Not Shown - See Separate Breakdown in ELECTRICAL Section)	
41	1001155967	4	Holder	
42	1001156107	2	Holder	
45	1001187744	AR	Sealant (Not Shown)	
46	1001281500	1	Module, Control (Note: Re-calibration Required when Replaced)	
47	1001200604	1	Cable, Auxiliary Pump (+)	
48	1001200605	1	Cable, Auxiliary Pump (-)	
49	1001200606	1	Cable, Battery to Auxiliary Relay	
50	1001200726	1	Cable Kit, Battery Positive (Note: Includes Battery Terminal and Qty 4 Cables)	
51	1001200727	1	Cable Kit, Battery Negative (Note: Includes Qty 2 Cables)	

SECTION 2 - TURNTABLE

ITEM	PART NUMBER	QTY	DESCRIPTION	REV
52	1001201103	1	Plate	
53	1001211885	1	Fuel Pump and WIF Harness (Not Shown - See Separate Breakdown in ELECTRICAL Section)	
54	1001216021	1	Relay	
55	1001216238	1	Cover	
56	1001217007	1	Cable, Ground	
57	1001219601	2	Sensor, Dual Axis	
58	1001221585	3	Screw M8 x 35	
59	1001225167	1	Cover	
60	1001225279	6	Bracket	
61	1001226102	1	Connector, Resistor - 20K Ohm (Not Shown - Located Near Item 12)	
62	1001227960	1	Module, Control (Note: Re-calibration Required when Replaced)	
63	1001228364	1	Wire, Relay Grounding (Not Shown)	
64	1001242123	1	Valve Harness (Not Shown - See Separate Breakdown in ELECTRICAL Section)	
65	1001279238	1	Turntable Harness (Not Shown - See Separate Breakdown in ELECTRICAL Section)	
66	1001242126	1	Ground Control Harness (Not Shown - See Separate Breakdown in ELECTRICAL Section)	
67	1001258191	1	BLAM Harness (Not Shown - See Separate Breakdown in ELECTRICAL Section)	
68	1001265872	1	Ground Control Box Assembly (Not Shown - See Separate Breakdown in this Section)	
69	3290805001	4	Nut M8	
71	4811900001	1	Washer M8	
72	4811902001	9	Washer M8	
74	8310643001	1	Screw M8 x 25	
75	1001246859	1	Connector	

SECTION 2 - TURNTABLE

FIGURE 2-29. ELECTRICAL COMPONENTS INSTALLATION WITH TOWER STOW - TURNTABLE (LRC) (ANSI EXPORT, AUSTRALIAN AND CHINA SPECS) (SN 0300298207 to Present)



SECTION 2 - TURNTABLE

FIGURE 2-29. ELECTRICAL COMPONENTS INSTALLATION WITH TOWER STOW - TURNTABLE (LRC) (ANSI EXPORT, AUSTRALIAN AND CHINA SPECS) (SN 0300298207 to Present)

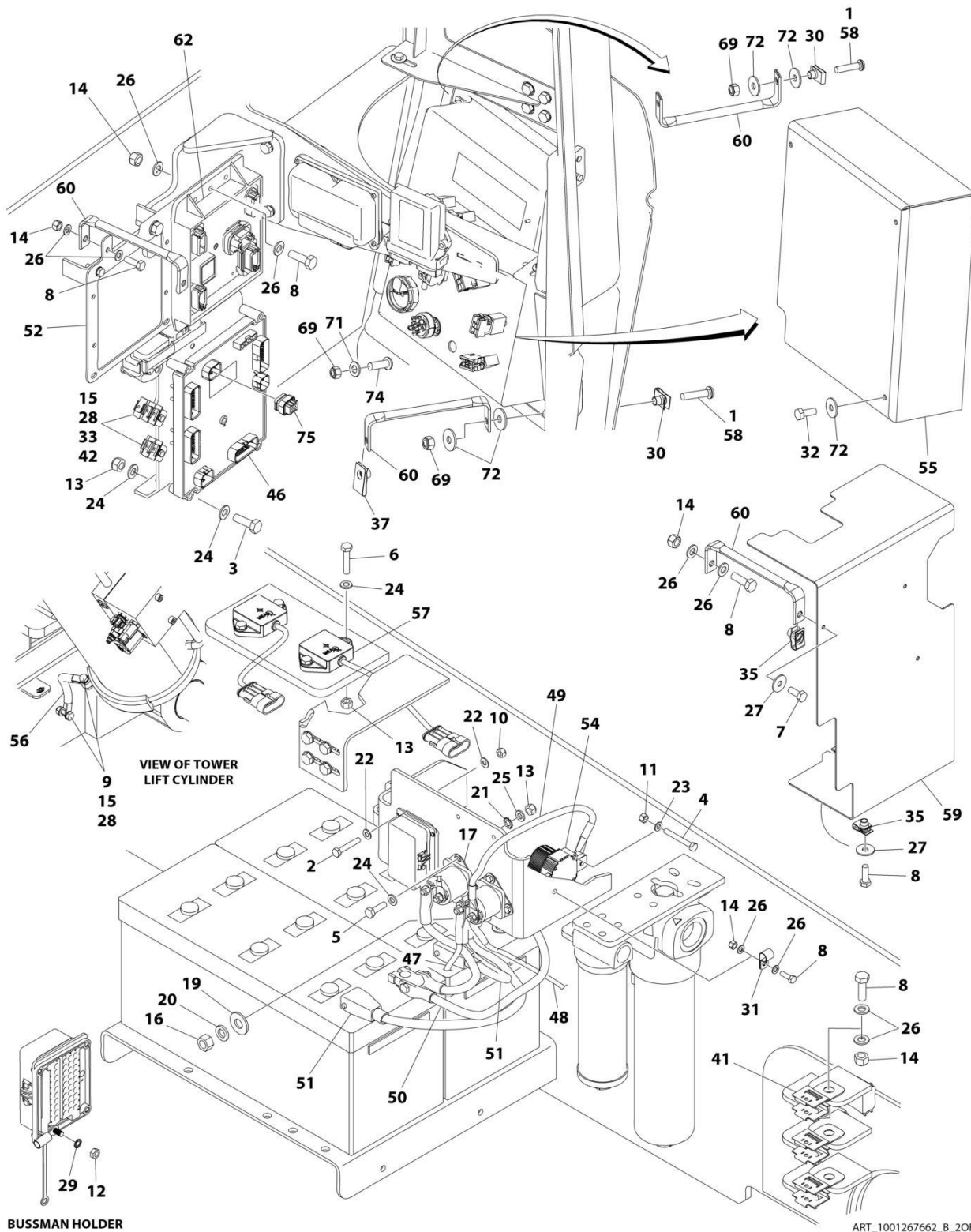
ITEM	PART NUMBER	QTY	DESCRIPTION	REV
	1001267661	Ref	ELECTRICAL COMPONENTS INSTALLATION - TURNTABLE (LRC)	F
1	0100011	AR	Compound, Locking	
2	0700412	4	Bolt M4 x 25	
3	0700620	4	Bolt M6 x 60	
4	0760516	2	Bolt M5 x 40	
5	0760610	4	Bolt M6 x 20	
6	0760613	4	Bolt M6 x 28	
7	0760810	3	Bolt M8 x 20	
8	0760812	11	Bolt M8 x 25	
9	0761015	3	Bolt M10 x 35	
10	3290405	4	Nut M4	
11	3290507	2	Nut M5	
12	3290601	1	Nut M6	
13	3290605	12	Nut M6	
14	3290805	9	Nut M8	
15	3291007	5	Nut M10	
16	3311601	2	Nut 3/8	
17	3740067	2	Relay	
18	4240099	AR	Tie-Strap (Not Shown)	
19	4751600	4	Washer 3/8	
20	4761600	2	Washer 3/8	
21	4791400	4	Washer 1/4	
22	4811400	8	Washer M4	
23	4811600	2	Washer M5	
24	4811700	24	Washer M6	
25	4811702	4	Washer M6	
26	4811900	18	Washer M8	
27	4811902	5	Washer M8	
28	4812000	10	Washer M10	
29	4871700	1	Washer M6	
30	8310686	3	Nut, Retainer M8	
31	8406101	1	Clip	
32	0760810001	3	Bolt M8 x 20	
33	0761013001	2	Bolt M10 x 28	
35	100118274	5	Nut, Tinnerman M8	
37	1001149160	3	Nut, Tinnerman M8	
38	1001149970	1	Drive Pump Harness (Not Shown - See Separate Breakdown in ELECTRICAL Section)	
41	1001155967	4	Holder	
42	1001156107	2	Holder	
45	1001187744	AR	Sealant (Not Shown)	
46	1001281500	1	Module, Control (Note: Re-calibration Required when Replaced)	
47	1001200604	1	Cable, Auxiliary Pump (+)	
48	1001200605	1	Cable, Auxiliary Pump (-)	
49	1001200606	1	Cable, Battery to Auxiliary Relay	
50	1001200726	1	Cable Kit, Battery Positive (Note: Includes Battery Terminal and Qty 4 Cables)	
51	1001200727	1	Cable Kit, Battery Negative (Note: Includes Qty 2 Cables)	

SECTION 2 - TURNTABLE

ITEM	PART NUMBER	QTY	DESCRIPTION	REV
52	1001201103	1	Plate	
53	1001211885	1	Fuel Pump and WIF Harness (Not Shown - See Separate Breakdown in ELECTRICAL Section)	
54	1001216021	1	Relay	
55	1001216238	1	Cover	
56	1001217007	1	Cable, Ground	
57	1001219601	2	Sensor, Dual Axis	
58	1001221585	3	Screw M8 x 35	
59	1001225167	1	Cover	
60	1001225279	6	Bracket	
61	1001226102	1	Connector, Resistor - 20K Ohm (Not Shown - Located Near Item 12)	
62	1001227960	1	Module, Control (Note: Re-calibration Required when Replaced)	
63	1001228364	1	Wire, Relay Grounding (Not Shown)	
64	1001286089	1	Valve Harness (Not Shown - See Separate Breakdown in ELECTRICAL Section)	
65	1001286088	1	Turntable Harness (Not Shown - See Separate Breakdown in ELECTRICAL Section)	
66	1001242126	1	Ground Control Harness (Not Shown - See Separate Breakdown in ELECTRICAL Section)	
67	1001258191	1	BLAM Harness (Not Shown - See Separate Breakdown in ELECTRICAL Section)	
68	1001265872	1	Ground Control Box Assembly (Not Shown - See Separate Breakdown in this Section)	
69	3290805001	4	Nut M8	
71	4811900001	1	Washer M8	
72	4811902001	9	Washer M8	
74	8310643001	1	Screw M8 x 25	
75	1001246859	1	Connector	
76	4240032	AR	Tie-Strap (Not Shown)	
77	4460234	AR	Mount, Tie-Strap (Not Shown)	
78	1001120328	1	Mount, Connector	

SECTION 2 - TURNTABLE

FIGURE 2-30. ELECTRICAL COMPONENTS INSTALLATION WITH TOWER STOW - TURNTABLE (LRC) (CE & UK CA SPECS) (Prior to SN 0300298207)



SECTION 2 - TURNTABLE

**FIGURE 2-30. ELECTRICAL COMPONENTS INSTALLATION WITH TOWER STOW - TURNTABLE
(LRC) (CE & UK CA SPECS) (Prior to SN 0300298207)**

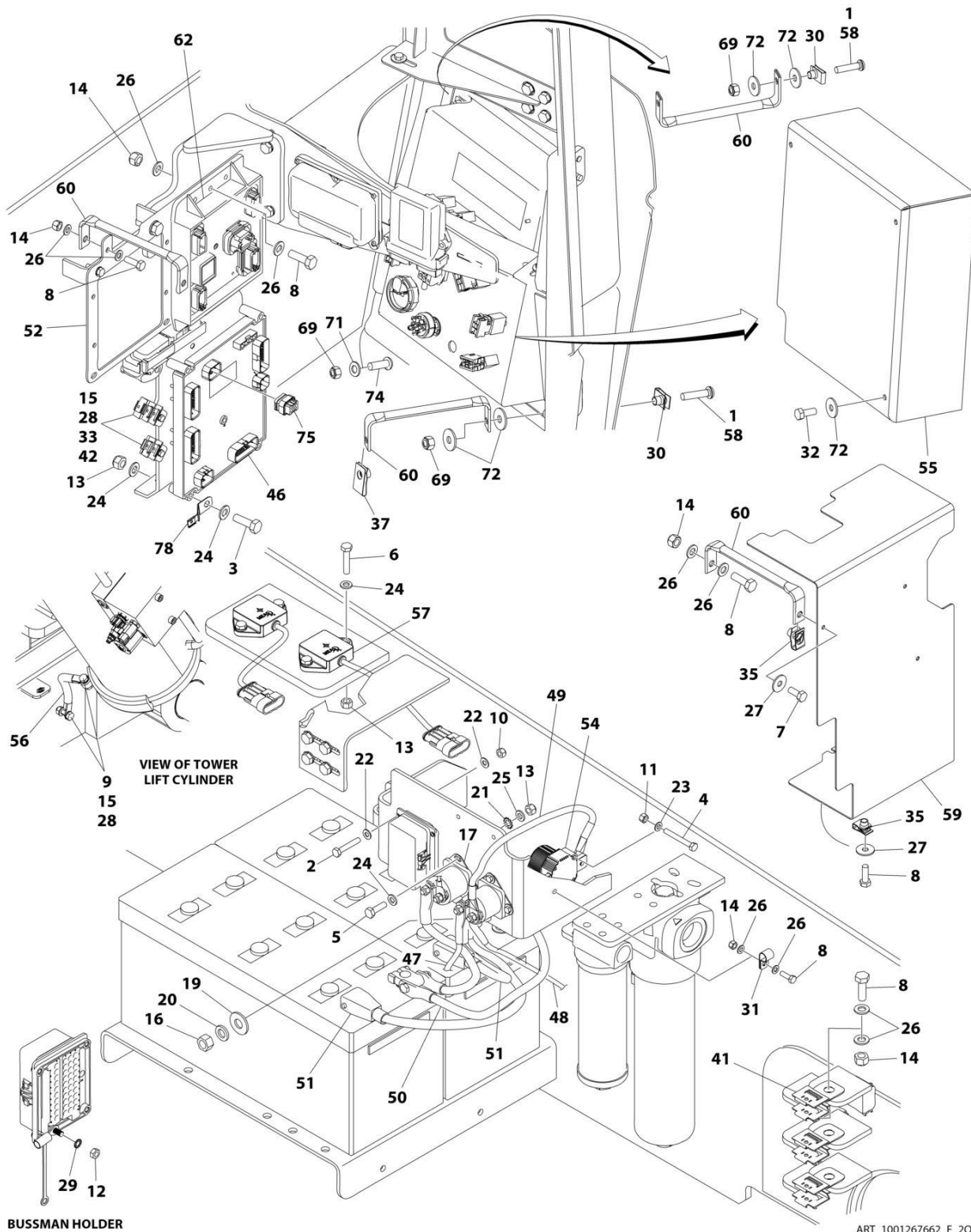
ITEM	PART NUMBER	QTY	DESCRIPTION	REV
	1001267662	Ref	ELECTRICAL COMPONENTS INSTALLATION - TURNTABLE (LRC)	B
1	0100011	AR	Compound, Locking	
2	0700412	4	Bolt M4 x 25	
3	0700620	4	Bolt M6 x 60	
4	0760516	2	Bolt M5 x 40	
5	0760610	4	Bolt M6 x 20	
6	0760613	4	Bolt M6 x 28	
7	0760810	3	Bolt M8 x 20	
8	0760812	11	Bolt M8 x 25	
9	0761015	3	Bolt M10 x 35	
10	3290405	4	Nut M4	
11	3290507	2	Nut M5	
12	3290601	1	Nut M6	
13	3290605	17	Nut M6	
14	3290805	9	Nut M8	
15	3291007	5	Nut M10	
16	3311601	2	Nut 3/8	
17	3740067	2	Relay	
18	4240099	AR	Tie-Strap (Not Shown)	
19	4751600	4	Washer 3/8	
20	4761600	2	Washer 3/8	
21	4791400	4	Washer 1/4	
22	4811400	8	Washer M4	
23	4811600	2	Washer M5	
24	4811700	30	Washer M6	
25	4811702	4	Washer M6	
26	4811900	18	Washer M8	
27	4811902	5	Washer M8	
28	4812000	10	Washer M10	
29	4871700	1	Washer M6	
30	8310686	3	Nut, Retainer M8	
31	8406101	1	Clip	
32	0760810001	3	Bolt M8 x 20	
33	0761013001	2	Bolt M10 x 28	
35	100118274	5	Nut, Tinnerman M8	
37	1001149160	3	Nut, Tinnerman M8	
38	1001149970	1	Drive Pump Harness (Not Shown - See Separate Breakdown in ELECTRICAL Section)	
41	1001155967	4	Holder	
42	1001156107	2	Holder	
45	1001187744	AR	Sealant (Not Shown)	
46	1001281500	1	Module, Control (Note: Re-calibration Required when Replaced)	
47	1001200604	1	Cable, Auxiliary Pump (+)	
48	1001200605	1	Cable, Auxiliary Pump (-)	
49	1001200606	1	Cable, Battery to Auxiliary Relay	
50	1001200726	1	Cable Kit, Battery Positive (Note: Includes Battery Terminal and Qty 4 Cables)	
51	1001200727	1	Cable Kit, Battery Negative (Note: Includes Qty 2 Cables)	

SECTION 2 - TURNTABLE

ITEM	PART NUMBER	QTY	DESCRIPTION	REV
52	1001201103	1	Plate	
53	1001211885	1	Fuel Pump and WIF Harness (Not Shown - See Separate Breakdown in ELECTRICAL Section)	
54	1001216021	1	Relay	
55	1001216238	1	Cover	
56	1001217007	1	Cable, Ground	
57	1001219601	2	Sensor, Dual Axis	
58	1001221585	3	Screw M8 x 35	
59	1001225167	1	Cover	
60	1001225279	6	Bracket	
61	1001226102	1	Connector, Resistor - 20K Ohm (Not Shown - Located Near Item 12)	
62	1001227960	1	Module, Control (Note: Re-calibration Required when Replaced)	
63	1001228364	1	Wire, Relay Grounding (Not Shown)	
64	1001242123	1	Valve Harness (Not Shown - See Separate Breakdown in ELECTRICAL Section)	
65	1001279238	1	Turntable Harness (Not Shown - See Separate Breakdown in ELECTRICAL Section)	
66	1001242126	1	Ground Control Harness (Not Shown - See Separate Breakdown in ELECTRICAL Section)	
67	1001258191	1	BLAM Harness (Not Shown - See Separate Breakdown in ELECTRICAL Section)	
68	1001265873	1	Ground Control Box Assembly (Not Shown - See Separate Breakdown in this Section)	
69	3290805001	4	Nut M8	
71	4811900001	1	Washer M8	
72	4811902001	9	Washer M8	
74	8310643001	1	Screw M8 x 25	
75	1001246859	1	Connector	

SECTION 2 - TURNTABLE

FIGURE 2-31. ELECTRICAL COMPONENTS INSTALLATION WITH TOWER STOW - TURNTABLE (LRC) (CE & UK CA SPECS) (SN 0300298207 to Present)



ART_1001267662_F_20F2

SECTION 2 - TURNTABLE

**FIGURE 2-31. ELECTRICAL COMPONENTS INSTALLATION WITH TOWER STOW - TURNTABLE
(LRC) (CE & UK CA SPECS) (SN 0300298207 to Present)**

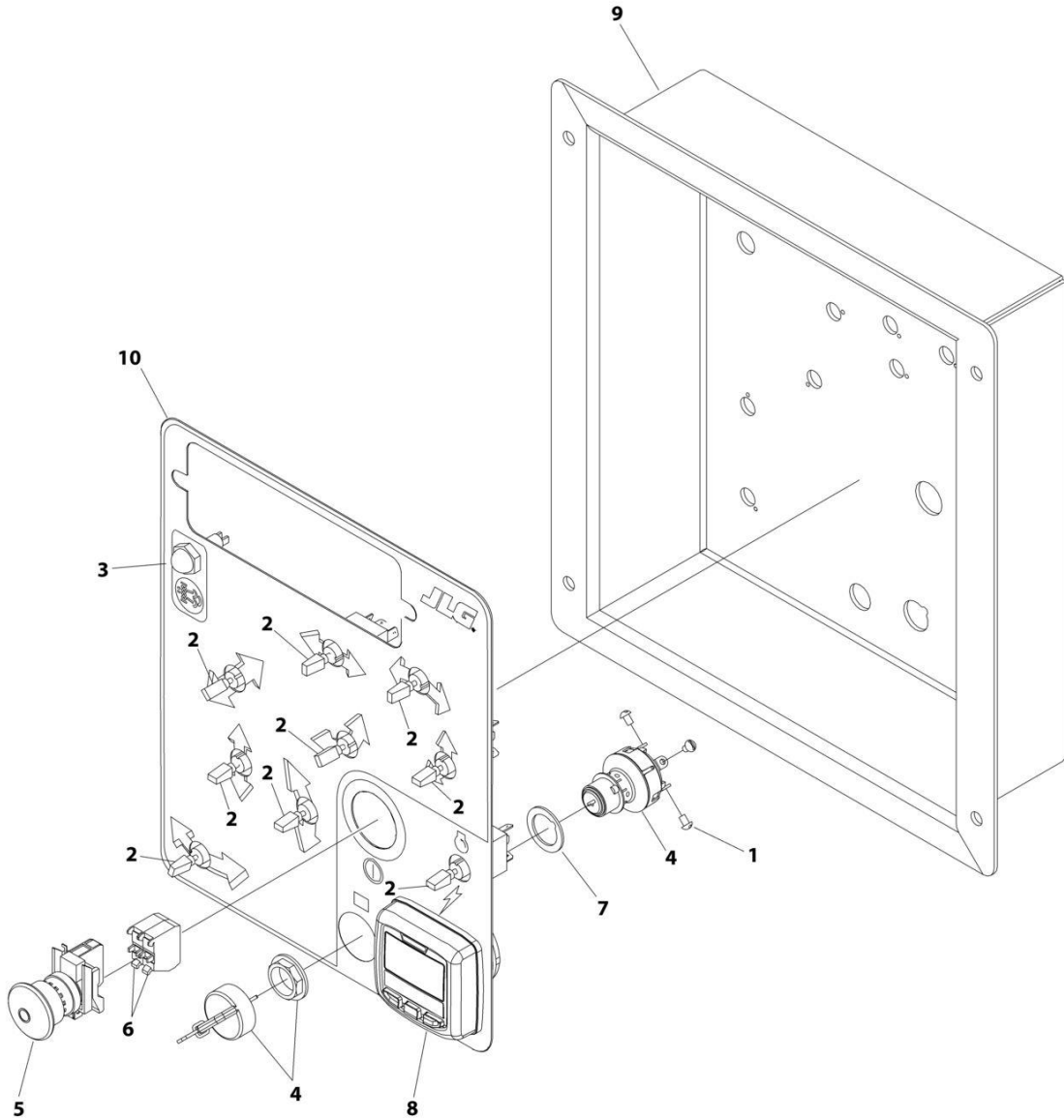
ITEM	PART NUMBER	QTY	DESCRIPTION	REV
	1001267662	Ref	ELECTRICAL COMPONENTS INSTALLATION - TURNTABLE (LRC)	F
1	0100011	AR	Compound, Locking	
2	0700412	4	Bolt M4 x 25	
3	0700620	4	Bolt M6 x 60	
4	0760516	2	Bolt M5 x 40	
5	0760610	4	Bolt M6 x 20	
6	0760613	4	Bolt M6 x 28	
7	0760810	3	Bolt M8 x 20	
8	0760812	11	Bolt M8 x 25	
9	0761015	3	Bolt M10 x 35	
10	3290405	4	Nut M4	
11	3290507	2	Nut M5	
12	3290601	1	Nut M6	
13	3290605	12	Nut M6	
14	3290805	9	Nut M8	
15	3291007	5	Nut M10	
16	3311601	2	Nut 3/8	
17	3740067	2	Relay	
18	4240099	AR	Tie-Strap (Not Shown)	
19	4751600	4	Washer 3/8	
20	4761600	2	Washer 3/8	
21	4791400	4	Washer 1/4	
22	4811400	8	Washer M4	
23	4811600	2	Washer M5	
24	4811700	24	Washer M6	
25	4811702	4	Washer M6	
26	4811900	18	Washer M8	
27	4811902	5	Washer M8	
28	4812000	10	Washer M10	
29	4871700	1	Washer M6	
30	8310686	3	Nut, Retainer M8	
31	8406101	1	Clip	
32	0760810001	3	Bolt M8 x 20	
33	0761013001	2	Bolt M10 x 28	
35	100118274	5	Nut, Tinnerman M8	
37	1001149160	3	Nut, Tinnerman M8	
38	1001149970	1	Drive Pump Harness (Not Shown - See Separate Breakdown in ELECTRICAL Section)	
41	1001155967	4	Holder	
42	1001156107	2	Holder	
45	1001187744	AR	Sealant (Not Shown)	
46	1001281500	1	Module, Control (Note: Re-calibration Required when Replaced)	
47	1001200604	1	Cable, Auxiliary Pump (+)	
48	1001200605	1	Cable, Auxiliary Pump (-)	
49	1001200606	1	Cable, Battery to Auxiliary Relay	
50	1001200726	1	Cable Kit, Battery Positive (Note: Includes Battery Terminal and Qty 4 Cables)	
51	1001200727	1	Cable Kit, Battery Negative (Note: Includes Qty 2 Cables)	

SECTION 2 - TURNTABLE

ITEM	PART NUMBER	QTY	DESCRIPTION	REV
52	1001201103	1	Plate	
53	1001211885	1	Fuel Pump and WIF Harness (Not Shown - See Separate Breakdown in ELECTRICAL Section)	
54	1001216021	1	Relay	
55	1001216238	1	Cover	
56	1001217007	1	Cable, Ground	
57	1001219601	2	Sensor, Dual Axis	
58	1001221585	3	Screw M8 x 35	
59	1001225167	1	Cover	
60	1001225279	6	Bracket	
61	1001226102	1	Connector, Resistor - 20K Ohm (Not Shown - Located Near Item 12)	
62	1001277208	1	Module, Control (Note: Re-calibration Required when Replaced)	
63	1001228364	1	Wire, Relay Grounding (Not Shown)	
64	1001286089	1	Valve Harness (Not Shown - See Separate Breakdown in ELECTRICAL Section)	
65	1001286088	1	Turntable Harness (Not Shown - See Separate Breakdown in ELECTRICAL Section)	
66	1001242126	1	Ground Control Harness (Not Shown - See Separate Breakdown in ELECTRICAL Section)	
67	1001258191	1	BLAM Harness (Not Shown - See Separate Breakdown in ELECTRICAL Section)	
68	1001265873	1	Ground Control Box Assembly (Not Shown - See Separate Breakdown in this Section)	
69	3290805001	4	Nut M8	
71	4811900001	1	Washer M8	
72	4811902001	9	Washer M8	
74	8310643001	1	Screw M8 x 25	
75	1001246859	1	Connector	
76	4240032	AR	Tie-Strap (Not Shown)	
77	4460234	AR	Mount, Tie-Strap (Not Shown)	
78	1001120328	1	Mount, Connector	

SECTION 2 - TURNTABLE

FIGURE 2-32. GROUND CONTROL CONSOLE ASSEMBLY (HRC) (ANSI, ANSI EXPORT, CSA AND JAPANESE SPECS)



ART_1001243048

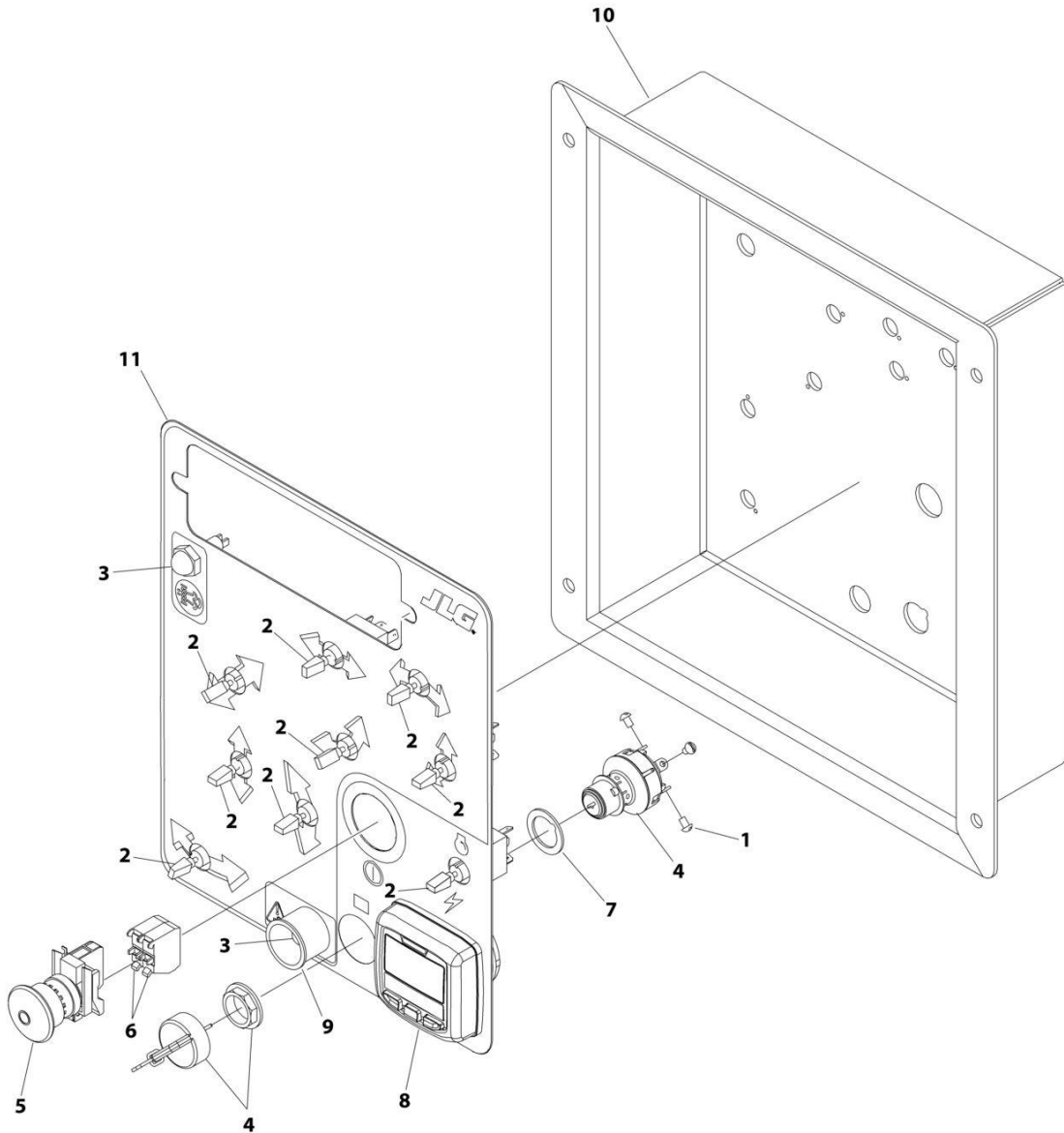
SECTION 2 - TURNTABLE

FIGURE 2-32. GROUND CONTROL CONSOLE ASSEMBLY (HRC) (ANSI, ANSI EXPORT, CSA AND JAPANESE SPECS)

ITEM	PART NUMBER	QTY	DESCRIPTION	REV
	1001243048	Ref	GROUND CONTROL CONSOLE ASSEMBLY (HRC)	A
1	3910804	6	Screw #8 x 1/4	
2	4360328	9	Switch, Toggle	
3	4360387	1	Switch, Push Button	
4	4360469	1	Switch, Key	
4	2360030	1 Set	Key, Replacement	
5	4360475	1	Switch, Push-Pull Emergency	
5	7020175	1	Cap	
5	7020176	1	Block, Contact	
6	4360476	2	Block, Contact	
7	1001151393	1	Shim	
8	1001171482	1	Gauge	
9	1001200854	1	Panel	
10	1001200692	1	Decal - Ground Control	

SECTION 2 - TURNTABLE

FIGURE 2-33. GROUND CONTROL CONSOLE ASSEMBLY (HRC) (CE & UK CA SPECS)



ART_1001243052

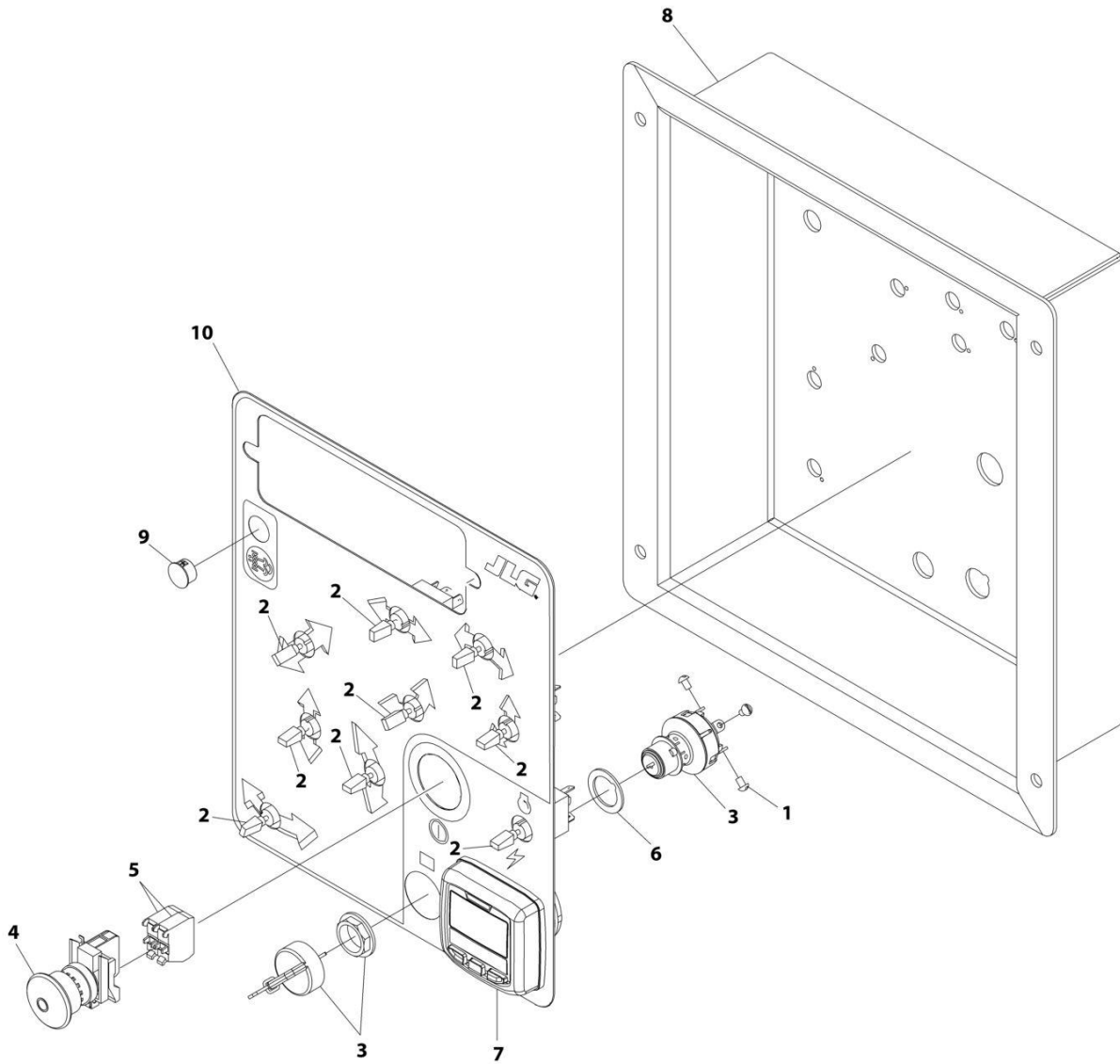
SECTION 2 - TURNTABLE

FIGURE 2-33. GROUND CONTROL CONSOLE ASSEMBLY (HRC) (CE & UK CA SPECS)

ITEM	PART NUMBER	QTY	DESCRIPTION	REV
	1001243052	Ref	GROUND CONTROL CONSOLE ASSEMBLY (HRC)	A
1	3910804	6	Screw #8 x 1/4	
2	4360328	9	Switch, Toggle	
3	4360387	1	Switch, Push Button	
4	4360469	1	Switch, Key	
4	2360030	1 Set	Key, Replacement	
5	4360475	1	Switch, Push-Pull Emergency	
5	7020175	1	Cap	
5	7020176	1	Block, Contact	
6	4360476	2	Block, Contact	
7	1001151393	1	Shim	
8	1001171482	1	Gauge	
9	1001176469	1	Shroud	
10	1001200854	1	Panel	
11	1001243051	1	Decal - Ground Control	

SECTION 2 - TURNTABLE

FIGURE 2-34. GROUND CONTROL CONSOLE ASSEMBLY (LRC) (ANSI EXPORT, AUSTRALIAN AND CHINA SPECS)



ART_1001243054

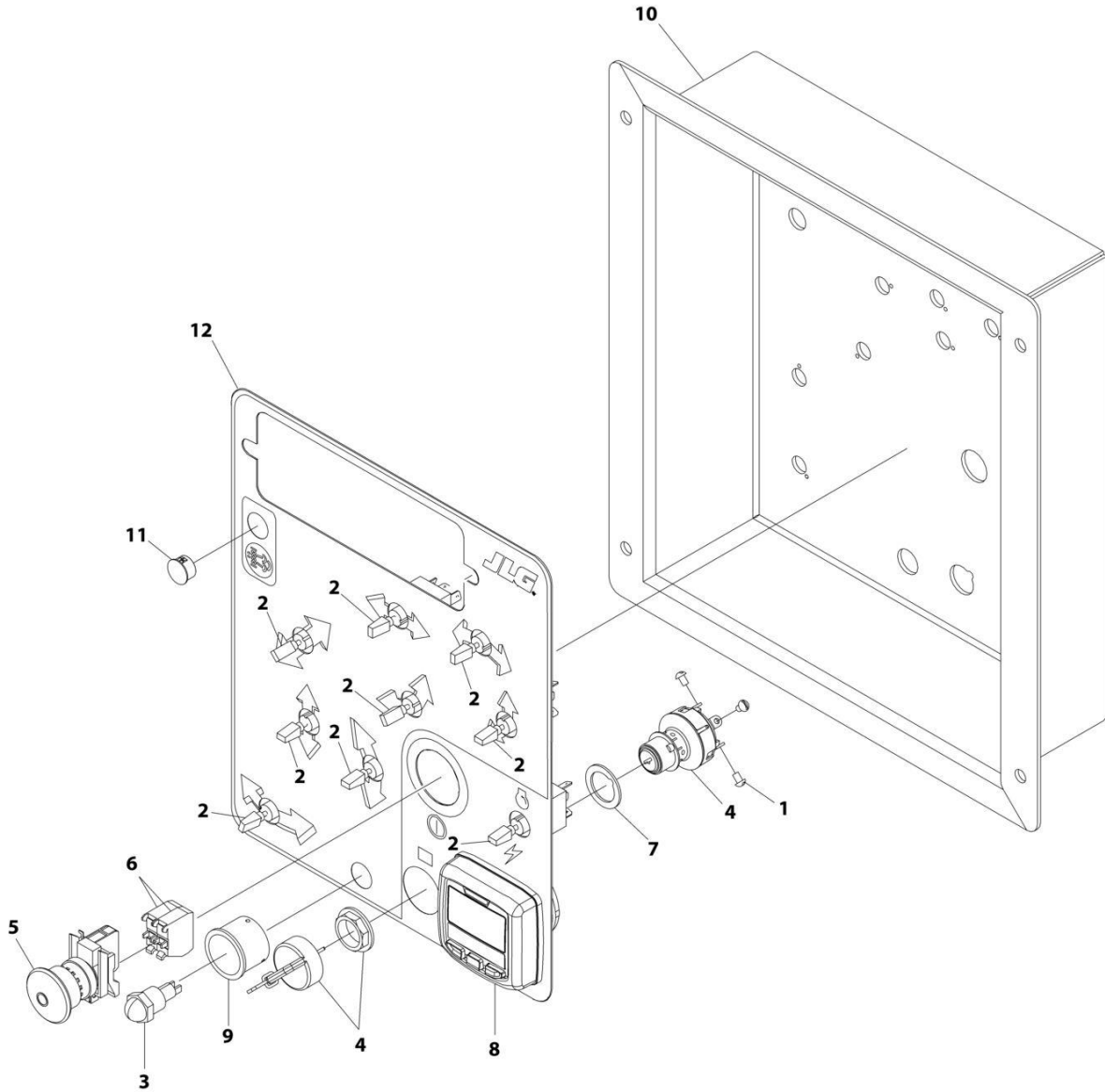
SECTION 2 - TURNTABLE

FIGURE 2-34. GROUND CONTROL CONSOLE ASSEMBLY (LRC) (ANSI EXPORT, AUSTRALIAN AND CHINA SPECS)

ITEM	PART NUMBER	QTY	DESCRIPTION	REV
	1001243054	Ref	GROUND CONTROL CONSOLE ASSEMBLY (LRC)	A
1	3910804	6	Screw #8 x 1/4	
2	4360328	9	Switch, Toggle	
3	4360469	1	Switch, Key	
3	2360030	1 Set	Key, Replacement	
4	4360475	1	Switch, Push-Pull Emergency	
4	7020175	1	Cap	
4	7020176	1	Block, Contact	
5	4360476	2	Block, Contact	
6	1001151393	1	Shim	
7	1001171482	1	Gauge	
8	1001200854	1	Panel	
9	1001207963	1	Plug	
10	1001200692	1	Decal - Ground Control	

SECTION 2 - TURNTABLE

FIGURE 2-35. GROUND CONTROL CONSOLE ASSEMBLY (LRC) (CE & UK CA SPECS)



ART_1001243056

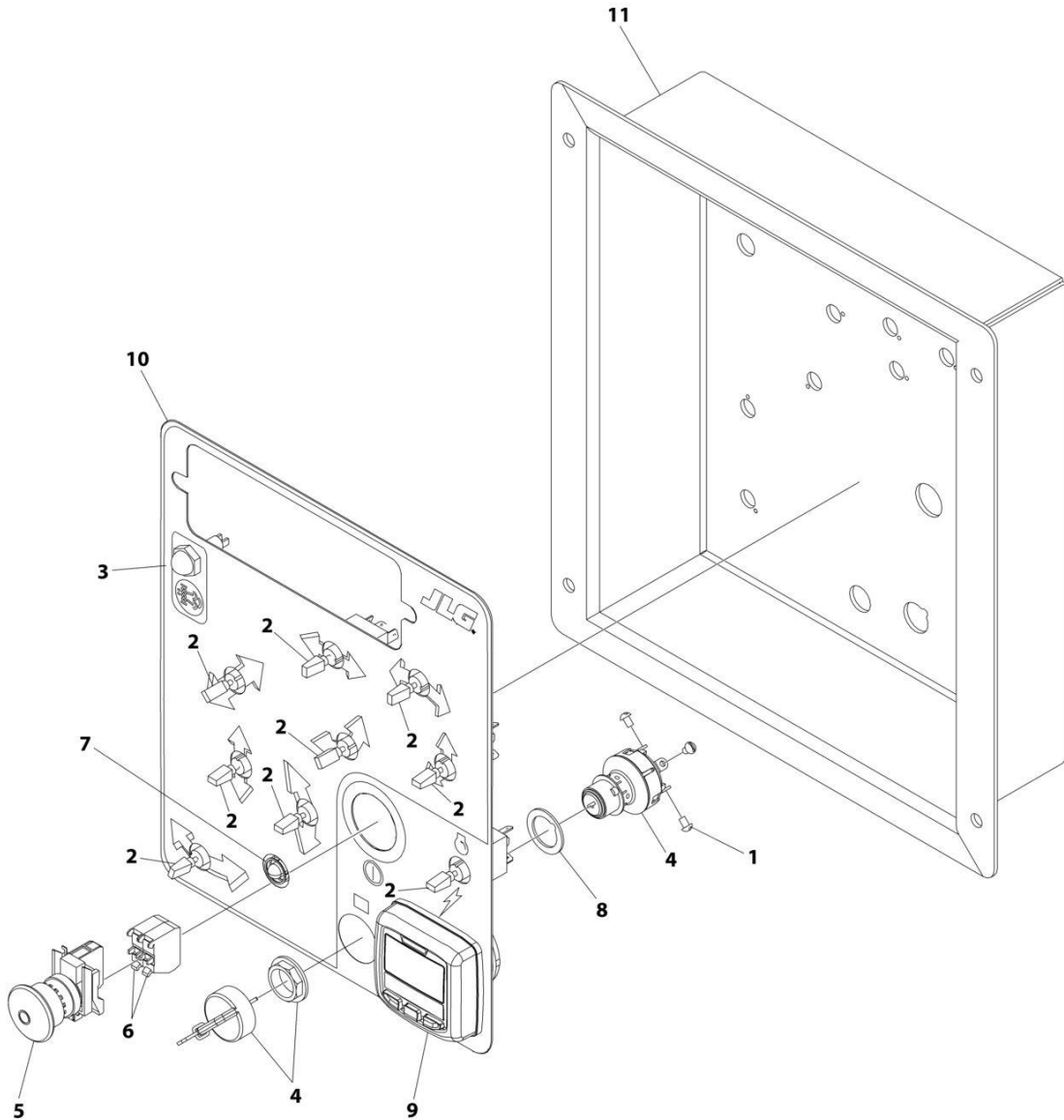
SECTION 2 - TURNTABLE

FIGURE 2-35. GROUND CONTROL CONSOLE ASSEMBLY (LRC) (CE & UK CA SPECS)

ITEM	PART NUMBER	QTY	DESCRIPTION	REV
	1001243056	Ref	GROUND CONTROL CONSOLE ASSEMBLY (LRC)	A
1	3910804	6	Screw #8 x 1/4	
2	4360328	9	Switch, Toggle	
3	4360387	1	Switch, Push Button	
4	4360469	1	Switch, Key	
4	2360030	1 Set	Key, Replacement	
5	4360475	1	Switch, Push-Pull Emergency	
5	7020175	1	Cap	
5	7020176	1	Block, Contact	
6	4360476	2	Block, Contact	
7	1001151393	1	Shim	
8	1001171482	1	Gauge	
9	1001176469	1	Shroud	
10	1001200854	1	Panel	
11	1001207963	1	Plug	
12	1001243051	1	Decal - Ground Control	

SECTION 2 - TURNTABLE

FIGURE 2-36. GROUND CONTROL CONSOLE ASSEMBLY WITH TOWER STOW (HRC) (ANSI, ANSI EXPORT, CSA AND JAPANESE SPECS)



ART_1001265870

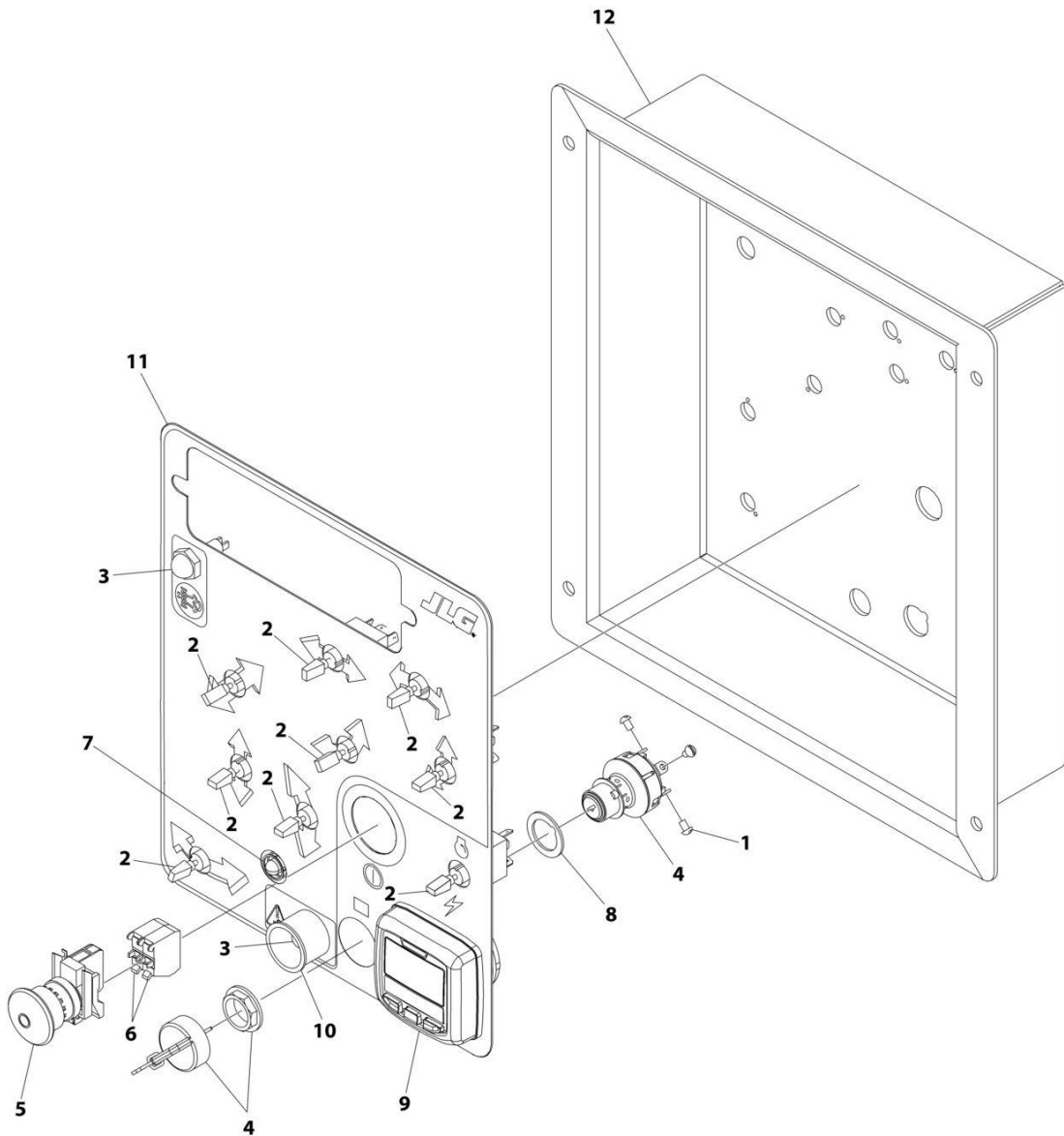
SECTION 2 - TURNTABLE

FIGURE 2-36. GROUND CONTROL CONSOLE ASSEMBLY WITH TOWER STOW (HRC) (ANSI, ANSI EXPORT, CSA AND JAPANESE SPECS)

ITEM	PART NUMBER	QTY	DESCRIPTION	REV
	1001265870	Ref	GROUND CONTROL CONSOLE ASSEMBLY (HRC)	A
1	3910804	6	Screw #8 x 1/4	
2	4360328	9	Switch, Toggle	
3	4360387	1	Switch, Push Button	
4	4360469	1	Switch, Key	
4	2360030	1 Set	Key, Replacement	
5	4360475	1	Switch, Push-Pull Emergency	
5	7020175	1	Cap	
5	7020176	1	Block, Contact	
6	4360476	2	Block, Contact	
7	1001137364	1	Lamp, Indicator	
8	1001151393	1	Shim	
9	1001171482	1	Gauge	
10	1001265857	1	Decal - Ground Control	
11	1001265863	1	Panel	

SECTION 2 - TURNTABLE

FIGURE 2-37. GROUND CONTROL CONSOLE ASSEMBLY WITH TOWER STOW (HRC) (CE & UK CA SPECS)



ART_1001265871

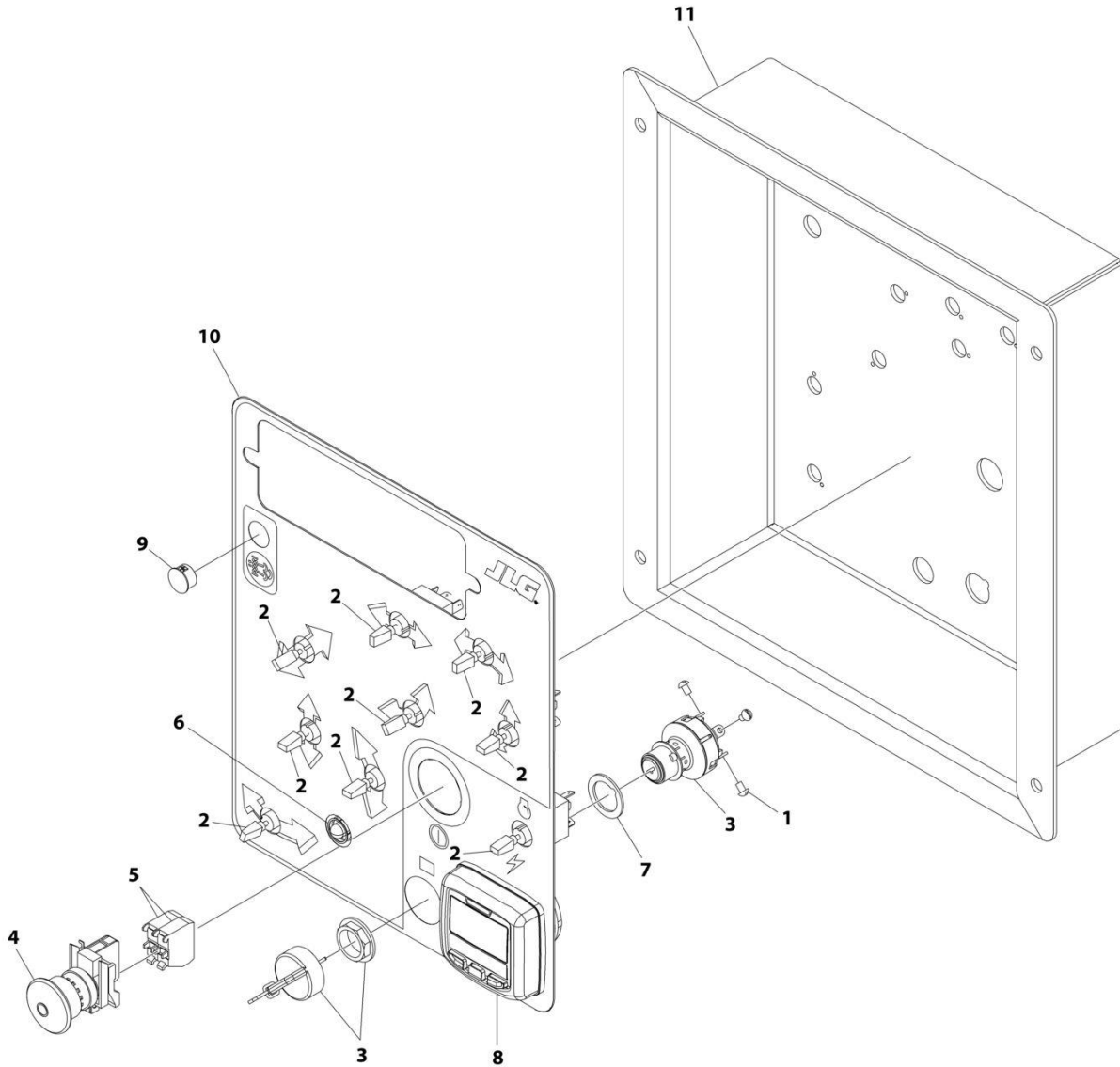
SECTION 2 - TURNTABLE

FIGURE 2-37. GROUND CONTROL CONSOLE ASSEMBLY WITH TOWER STOW (HRC) (CE & UK CA SPECS)

ITEM	PART NUMBER	QTY	DESCRIPTION	REV
	1001265871	Ref	GROUND CONTROL CONSOLE ASSEMBLY (HRC)	A
1	3910804	6	Screw #8 x 1/4	
2	4360328	9	Switch, Toggle	
3	4360387	1	Switch, Push Button	
4	4360469	1	Switch, Key	
4	2360030	1 Set	Key, Replacement	
5	4360475	1	Switch, Push-Pull Emergency	
5	7020175	1	Cap	
5	7020176	1	Block, Contact	
6	4360476	2	Block, Contact	
7	1001137364	1	Lamp, Indicator	
8	1001151393	1	Shim	
9	1001171482	1	Gauge	
10	1001176469	1	Shroud	
11	1001265858	1	Decal - Ground Control	
12	1001265863	1	Panel	

SECTION 2 - TURNTABLE

FIGURE 2-38. GROUND CONTROL CONSOLE ASSEMBLY WITH TOWER STOW (LRC) (ANSI EXPORT, AUSTRALIAN AND CHINA SPECS)



ART_1001265872

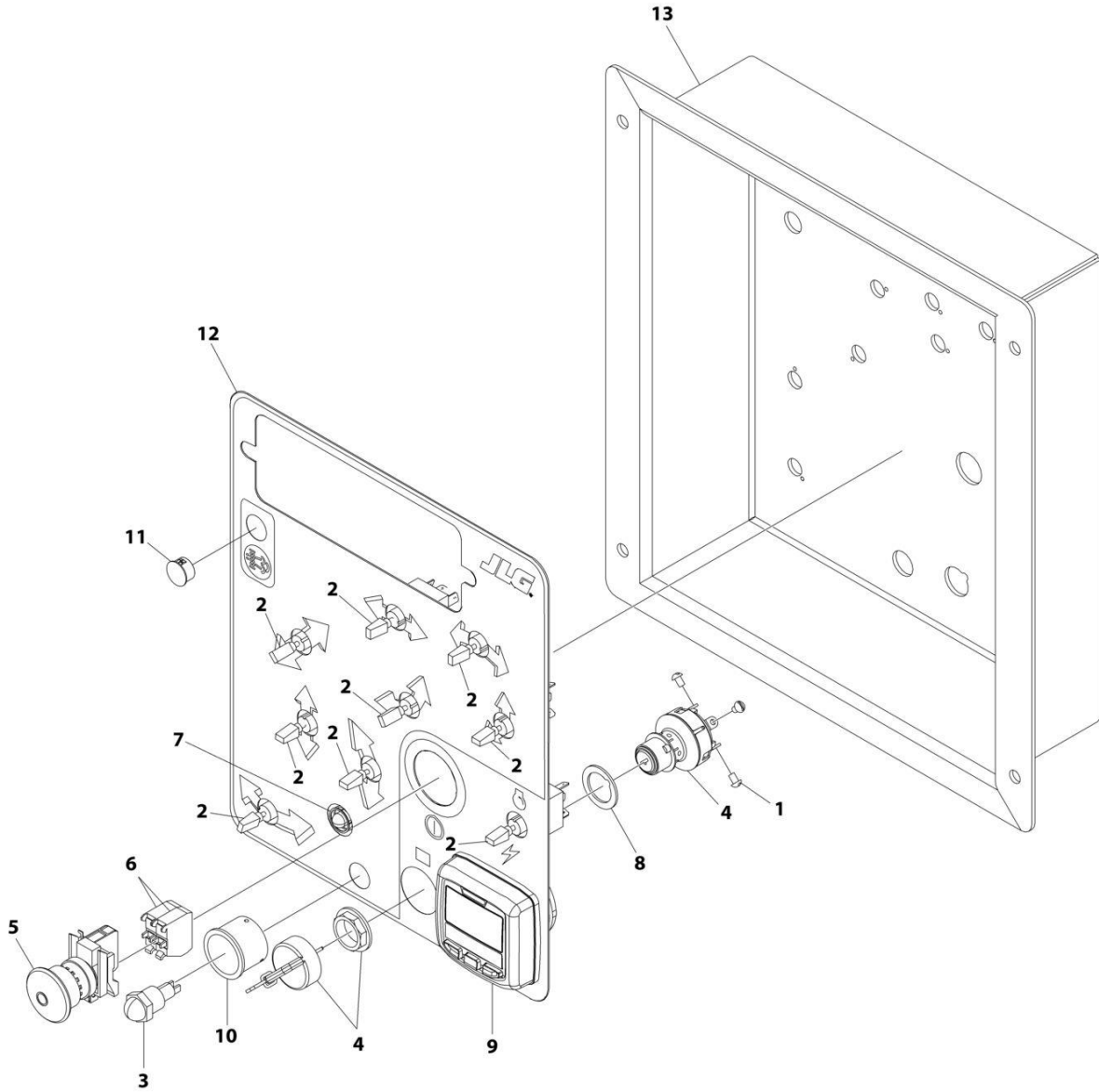
SECTION 2 - TURNTABLE

FIGURE 2-38. GROUND CONTROL CONSOLE ASSEMBLY WITH TOWER STOW (LRC) (ANSI EXPORT, AUSTRALIAN AND CHINA SPECS)

ITEM	PART NUMBER	QTY	DESCRIPTION	REV
	1001265872	Ref	GROUND CONTROL CONSOLE ASSEMBLY (LRC)	A
1	3910804	6	Screw #8 x 1/4	
2	4360328	9	Switch, Toggle	
3	4360469	1	Switch, Key	
3	2360030	1 Set	Key, Replacement	
4	4360475	1	Switch, Push-Pull Emergency	
4	7020175	1	Cap	
4	7020176	1	Block, Contact	
5	4360476	2	Block, Contact	
6	1001137364	1	Lamp, Indicator	
7	1001151393	1	Shim	
8	1001171482	1	Gauge	
9	1001207963	1	Plug	
10	1001265857	1	Decal - Ground Control	
11	1001265863	1	Panel	

SECTION 2 - TURNTABLE

FIGURE 2-39. GROUND CONTROL CONSOLE ASSEMBLY WITH TOWER STOW (LRC) (CE & UK CA SPECS)



ART_1001265873

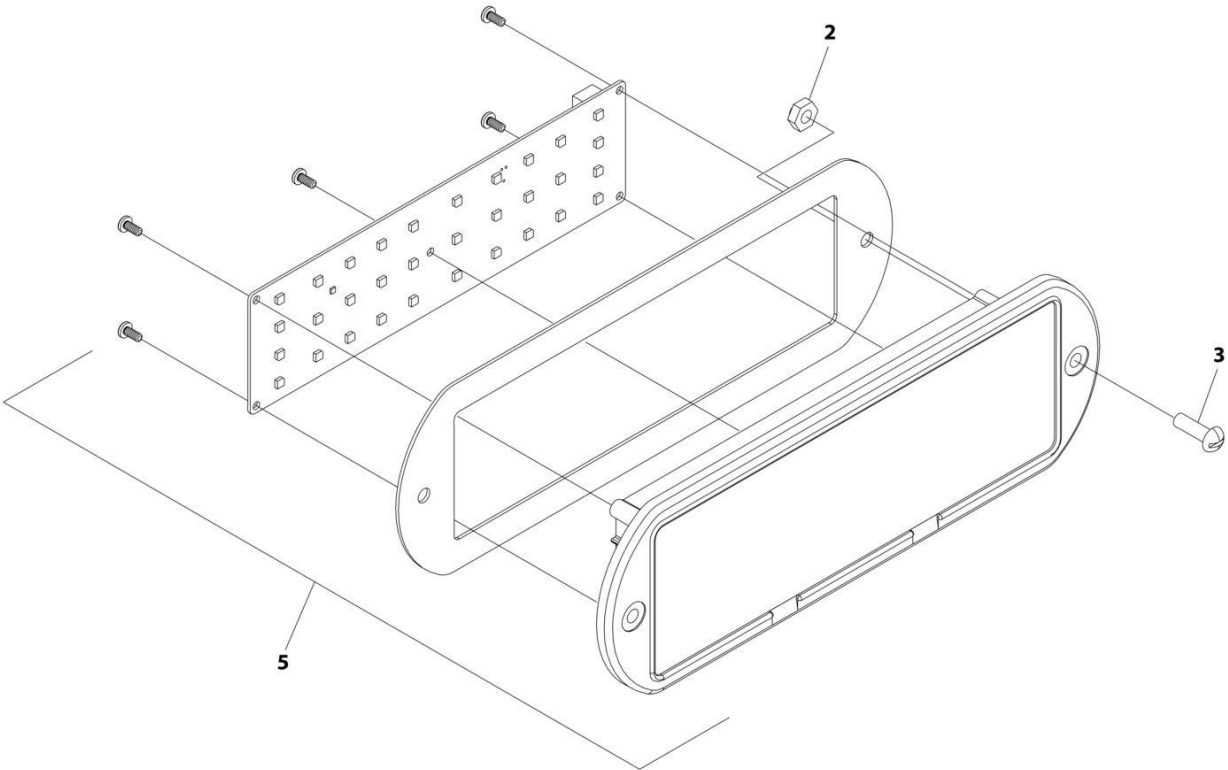
SECTION 2 - TURNTABLE

FIGURE 2-39. GROUND CONTROL CONSOLE ASSEMBLY WITH TOWER STOW (LRC) (CE & UK CA SPECS)

ITEM	PART NUMBER	QTY	DESCRIPTION	REV
	1001265873	Ref	GROUND CONTROL CONSOLE ASSEMBLY (LRC)	A
1	3910804	6	Screw #8 x 1/4	
2	4360328	9	Switch, Toggle	
3	4360387	1	Switch, Push Button	
4	4360469	1	Switch, Key	
4	2360030	1 Set	Key, Replacement	
5	4360475	1	Switch, Push-Pull Emergency	
5	7020175	1	Cap	
5	7020176	1	Block, Contact	
6	4360476	2	Block, Contact	
7	1001137364	1	Lamp, Indicator	
8	1001151393	1	Shim	
9	1001171482	1	Gauge	
10	1001176469	1	Shroud	
11	1001207963	1	Plug	
12	1001265858	1	Decal - Ground Control	
13	1001265863	1	Panel	

SECTION 2 - TURNTABLE

FIGURE 2-40. LIGHT PANEL INSTALLATION



ART_1001245176_10F2

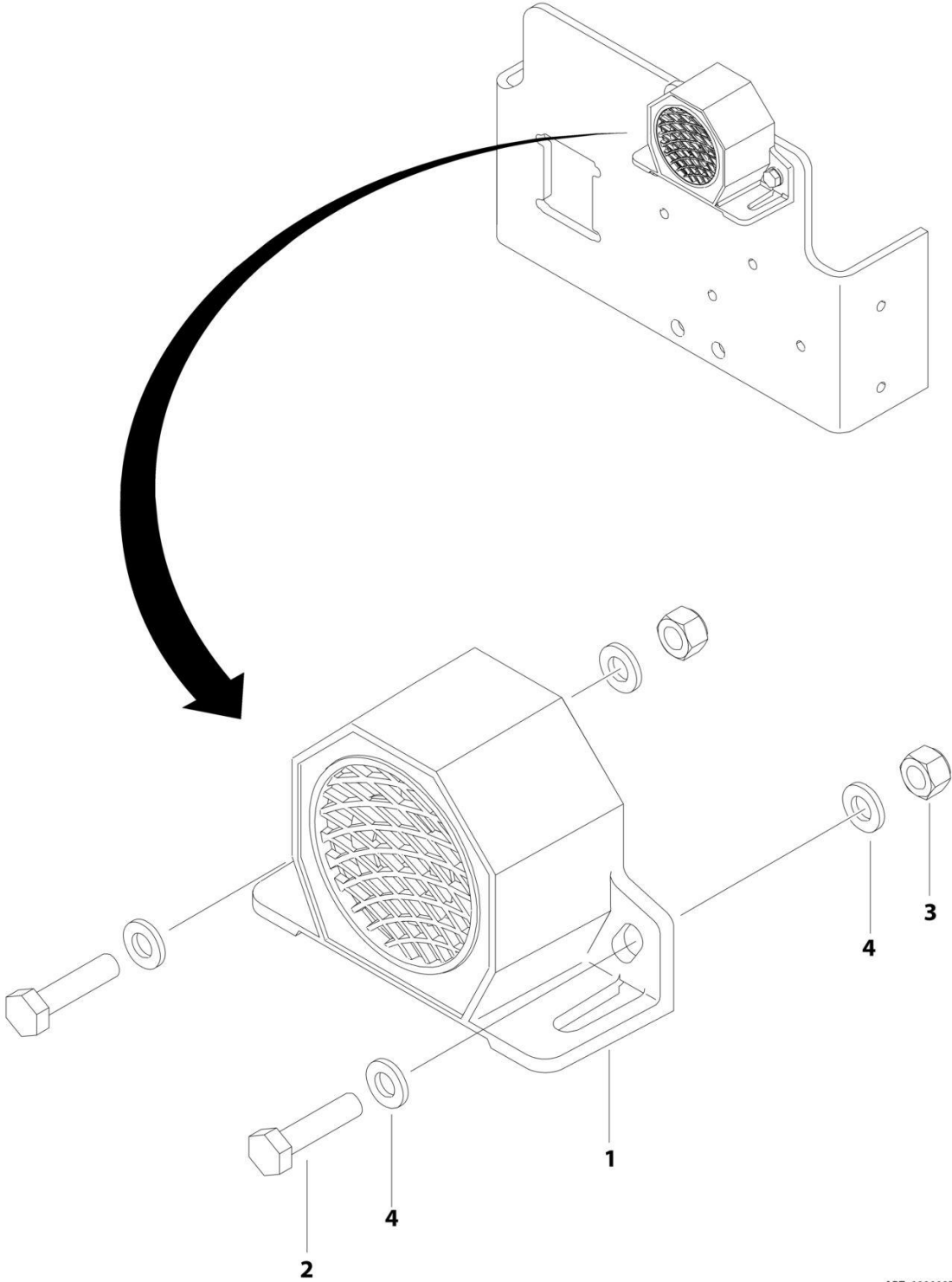
SECTION 2 - TURNTABLE

FIGURE 2-40. LIGHT PANEL INSTALLATION

ITEM	PART NUMBER	QTY	DESCRIPTION	REV
	1001245176	Ref	LIGHT PANEL INSTALLATION	C
2	3300408	2	Nut	
3	0630518	4	Screw 10 x 3/4	
5	1001245206	1	Light Panel Assembly	
5	1001245160	1	Overlay	
5	1001238732	1	Light Panel	

SECTION 2 - TURNTABLE

FIGURE 2-41. ALARM INSTALLATION



ART_1001197331

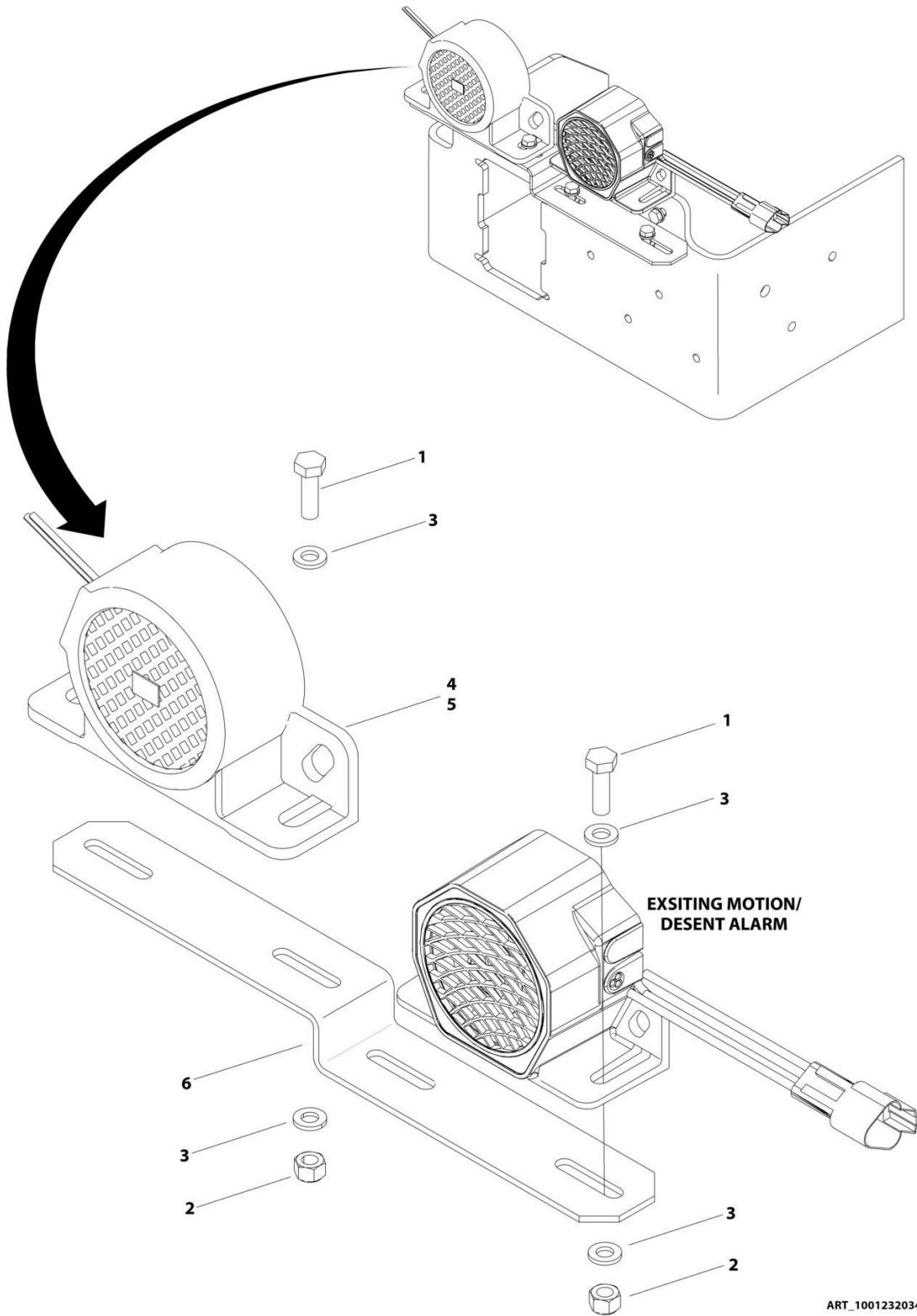
SECTION 2 - TURNTABLE

FIGURE 2-41. ALARM INSTALLATION

ITEM	PART NUMBER	QTY	DESCRIPTION	REV
	1001197331	Ref	ALARM INSTALLATION	A
1	0140043	1	Alarm	
1	4460536	1	Receptacle, Female - 3 Position	
1	4460943	3	Pin, Male	
2	0700612	2	Bolt M6 x 25	
3	3290605	2	Nut M6	
4	4811700	4	Washer M6	

SECTION 2 - TURNTABLE

FIGURE 2-42. WHITE NOISE ALARM INSTALLATION



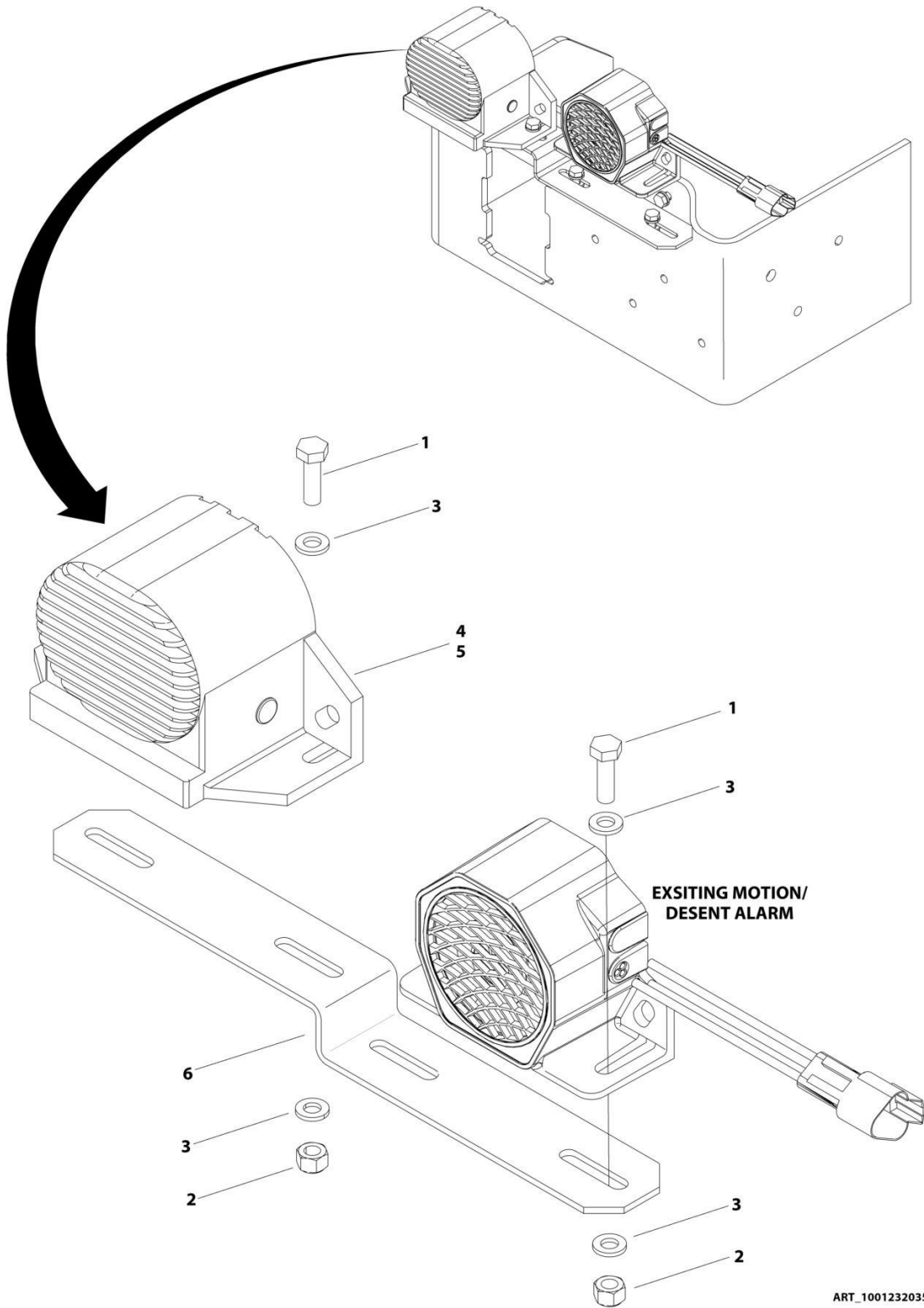
SECTION 2 - TURNTABLE

FIGURE 2-42. WHITE NOISE ALARM INSTALLATION

ITEM	PART NUMBER	QTY	DESCRIPTION	REV
	1001232034	Ref	WHITE NOISE ALARM INSTALLATION	A
1	0700610	4	Bolt M6 x 20	
2	3290605	4	Nut M6	
3	4811700	8	Washer M6	
4	1001184682	1	Alarm	
5	1001231008	1	White Noise Motion Alarm Harness (Not Shown - See Separate Breakdown in ELECTRICAL SECTION)	
6	1001231711	1	Bracket	

SECTION 2 - TURNTABLE

FIGURE 2-43. WHITE NOISE AMBIENT ALARM INSTALLATION



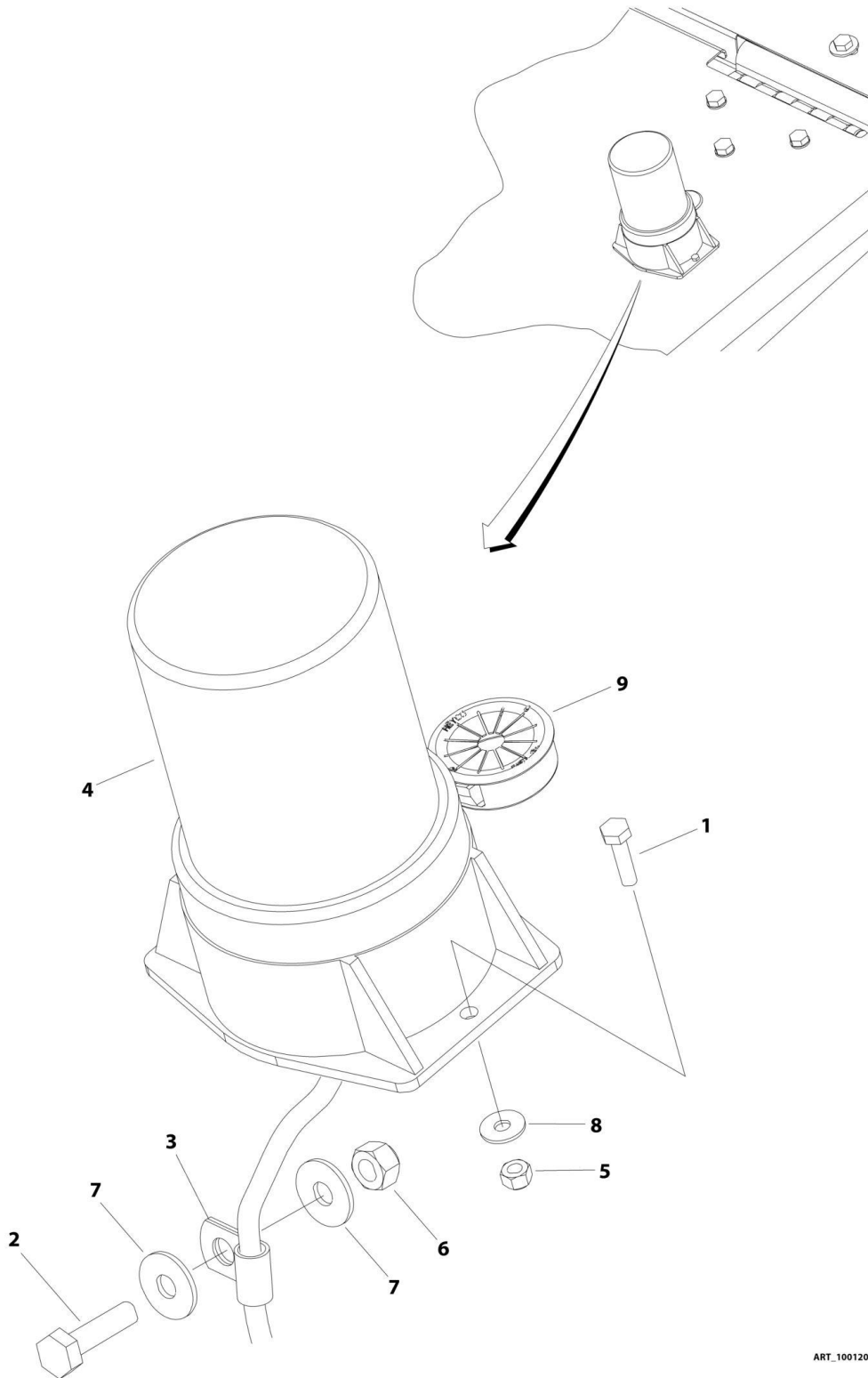
SECTION 2 - TURNTABLE

FIGURE 2-43. WHITE NOISE AMBIENT ALARM INSTALLATION

ITEM	PART NUMBER	QTY	DESCRIPTION	REV
	1001232035	Ref	WHITE NOISE AMBIENT ALARM INSTALLATION	A
1	0700610	4	Bolt M6 x 20	
2	3290605	4	Nut M6	
3	4811700	8	Washer M6	
4	1001182806	1	Alarm	
5	1001231008	1	White Noise Motion Alarm Harness (Not Shown - See Separate Breakdown in ELECTRICAL SECTION)	
6	1001231711	1	Bracket	

SECTION 2 - TURNTABLE

FIGURE 2-44. STROBE LIGHT INSTALLATION - AMBER (Prior to SN 0300298207)



ART_1001203413_B

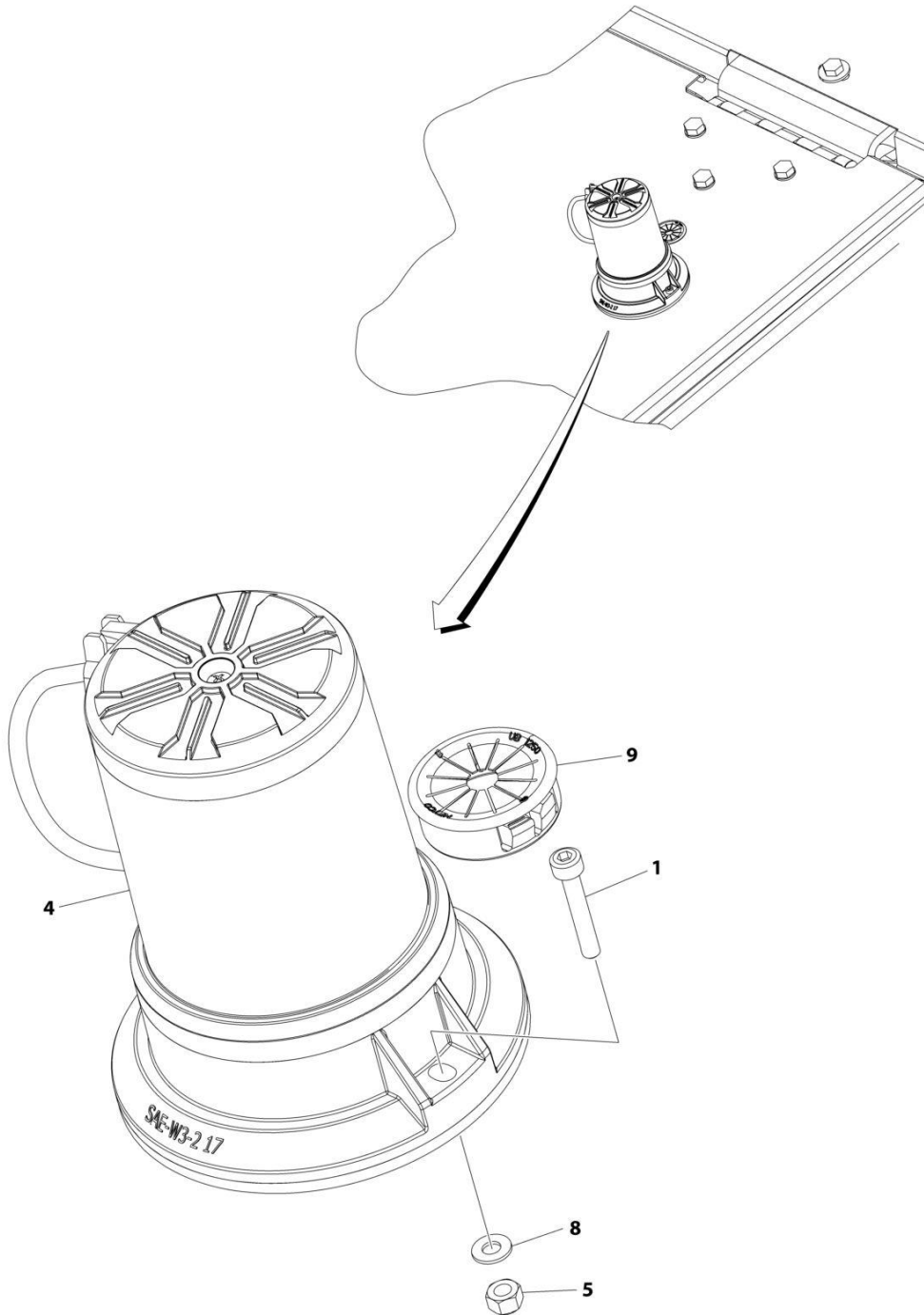
SECTION 2 - TURNTABLE

FIGURE 2-44. STROBE LIGHT INSTALLATION - AMBER (Prior to SN 0300298207)

ITEM	PART NUMBER	QTY	DESCRIPTION	REV
	1001203413	Ref	STROBE LIGHT INSTALLATION - AMBER	B
1	4031509	1	Capscrew M4 x 25	
2	0760610	1	Bolt M6 x 20	
3	1320263	2	Clamp	
4	1001270594	1	Strobe Light Assembly	
4	4460891	1	Connector	
4	4460465	2	Socket	
5	3290405	2	Nut M4	
6	3290607	1	Nut M6	
7	4811702	2	Washer M6	
8	4811400	2	Washer M4	
9	1001169085	1	Grommet	
10	1001202787	1	Strobe Light Harness (Not Shown - See Separate Breakdown in ELECTRICAL Section)	

SECTION 2 - TURNTABLE

FIGURE 2-45. STROBE LIGHT INSTALLATION - AMBER (SN 0300298207 to Present)



ART_1001203413_C

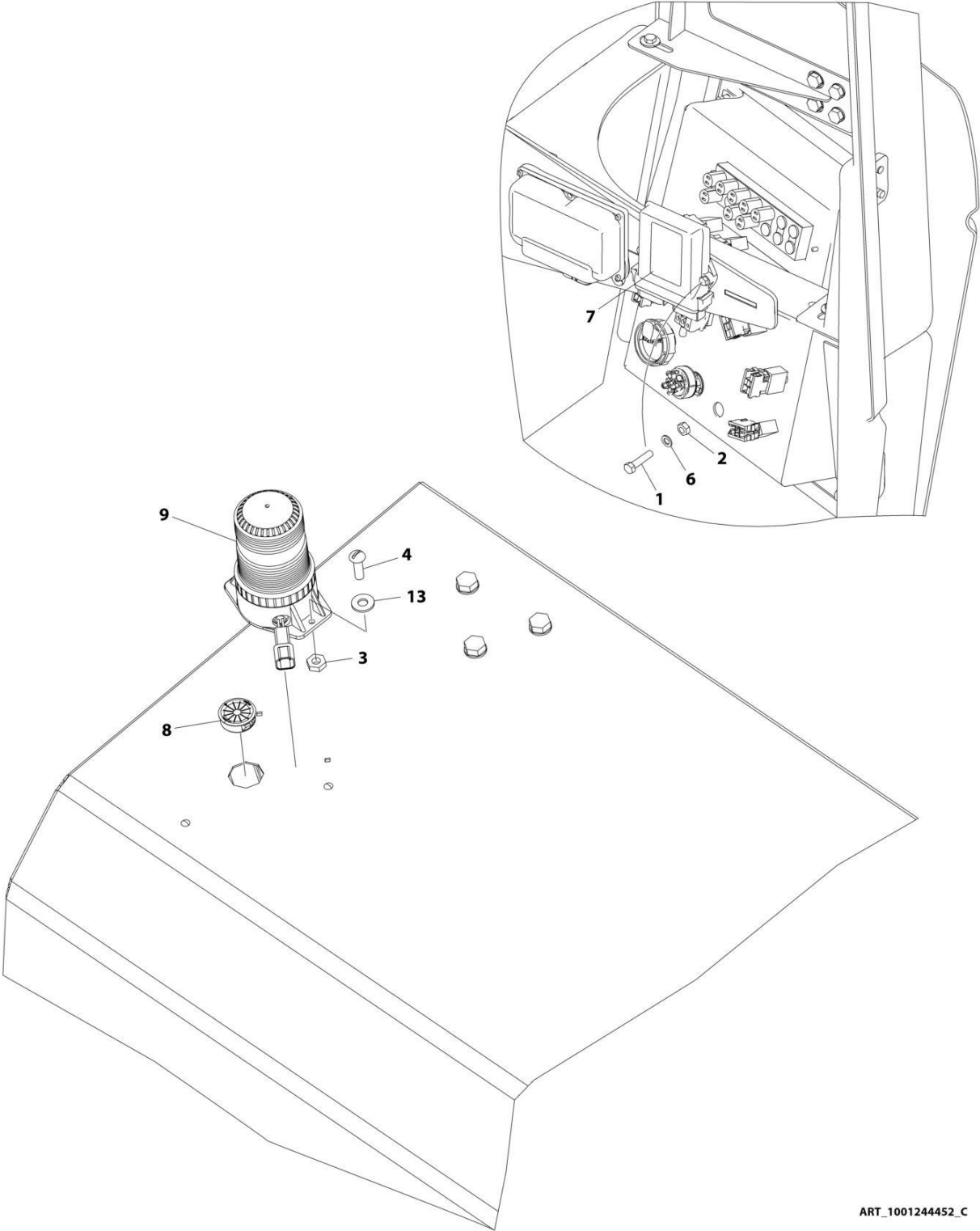
SECTION 2 - TURNTABLE

FIGURE 2-45. STROBE LIGHT INSTALLATION - AMBER (SN 0300298207 to Present)

ITEM	PART NUMBER	QTY	DESCRIPTION	REV
	1001203413	Ref	STROBE LIGHT INSTALLATION - AMBER	C
1	4031509	1	Capscrew M4 x 25	
4	1001270594	1	Strobe Light Assembly	
4	4460891	1	Connector	
4	4460465	2	Socket	
5	3290405	2	Nut M4	
8	4811400	2	Washer M4	
9	1001169085	1	Grommet	
11	1001283776	1	Harness, Jumper (Not Shown - See Separate Breakdown in ELECTRICAL Section)	

SECTION 2 - TURNTABLE

FIGURE 2-46. STROBE LIGHT INSTALLATION - BLUE



ART_1001244452_C

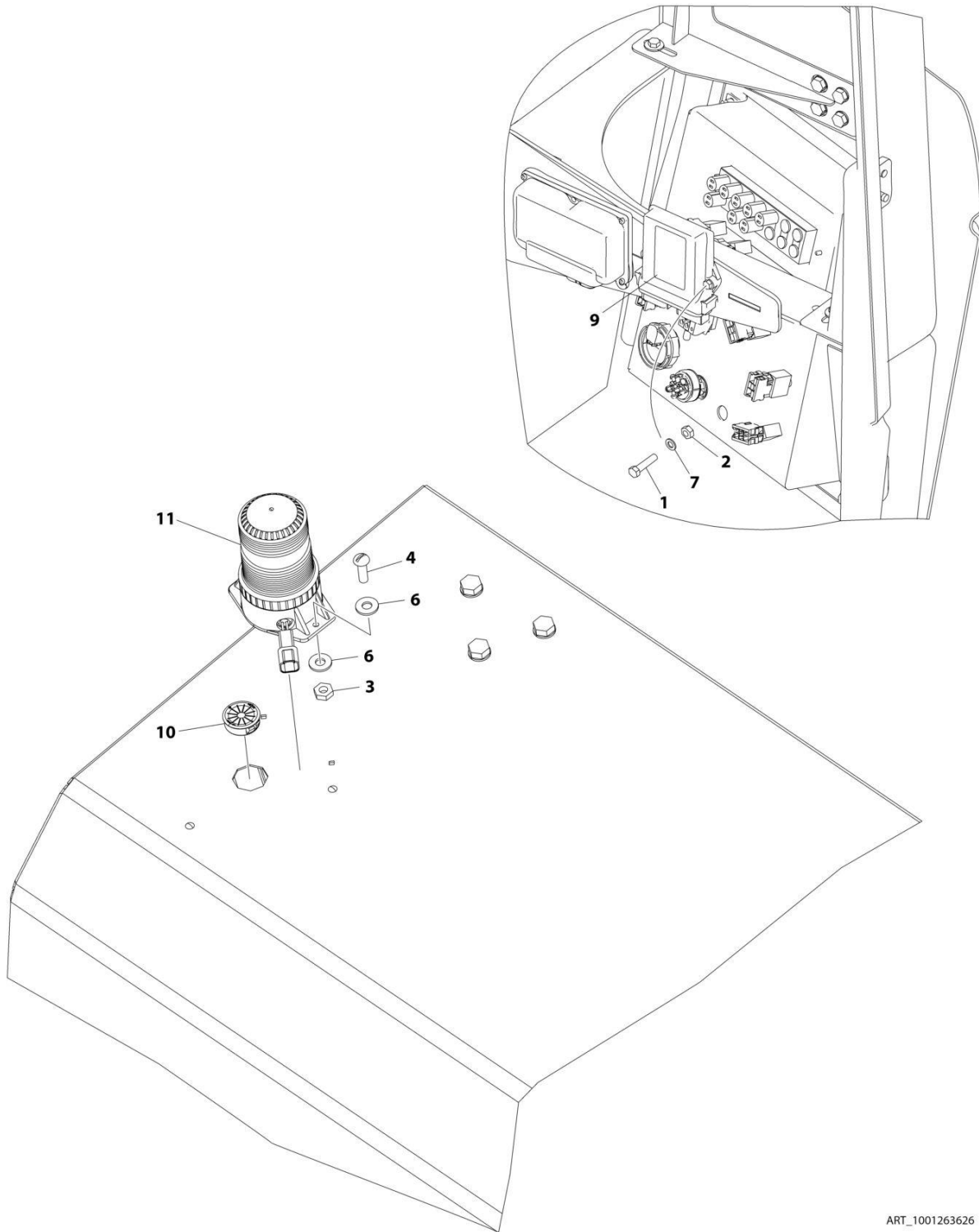
SECTION 2 - TURNTABLE

FIGURE 2-46. STROBE LIGHT INSTALLATION - BLUE

ITEM	PART NUMBER	QTY	DESCRIPTION	REV
	1001244452	Ref	STROBE LIGHT INSTALLATION - BLUE	C
1	0700615	2	Bolt M6 x 35	
2	3290605	2	Nut M6	
3	3290405	2	Nut, Lock M4	
4	4031509	2	Capscrew M4 x 25	
6	4811700	2	Washer M6	
7	1001142683	1	Module, Beacon Control	
8	1001169085	1	Grommet	
9	1001272681	1	Strobe Light Assembly	
9	4460897	1	Connector	
9	4460464	2	Pin	
10	1001210781	1	Strobe Light Harness (Not Shown - See Separate Breakdown in ELECTRICAL Section)	
11	4460488	3	Mounting Base, Terminal (Not Shown)	
12	1001008559	6	Tie, Strap (Not Shown)	
13	4811400	2	Washer M4	

SECTION 2 - TURNTABLE

FIGURE 2-47. STROBE LIGHT INSTALLATION - RED



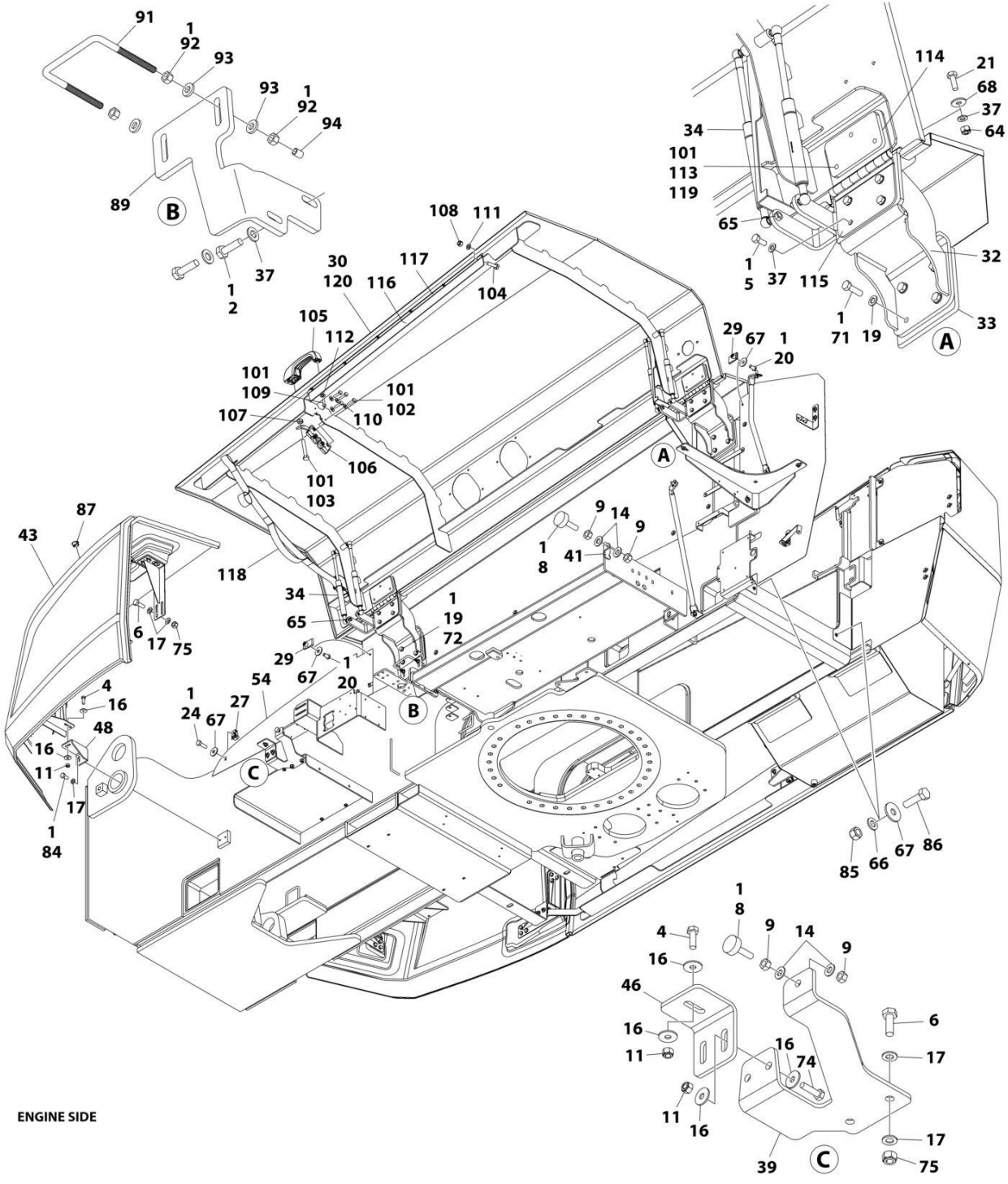
ART_1001263626

SECTION 2 - TURNTABLE

FIGURE 2-47. STROBE LIGHT INSTALLATION - RED

ITEM	PART NUMBER	QTY	DESCRIPTION	REV
	1001263626	Ref	STROBE LIGHT INSTALLATION	A
1	0700615	2	Bolt M6 x 35	
2	3290605	2	Nut M6	
3	3311005	2	Nut #10	
4	3911010	2	Screw #10 x 5/8	
5	4460488	3	Mounting Base, Terminal (Not Shown)	
6	4711000	4	Washer #10	
7	4811700	2	Washer M6	
8	1001008559	6	Tie-Strap (Not Shown)	
9	1001142683	1	Module, Beacon Control	
10	1001169085	1	Grommet	
11	1001207004	1	Strobe Light/Harness Assembly	
11	4460897	1	Connector - 2 Position	
11	4460464	2	Pin, Male	
12	1001210781	1	Strobe Light Harness (Not Shown - See Separate Breakdown in ELECTRICAL Section)	

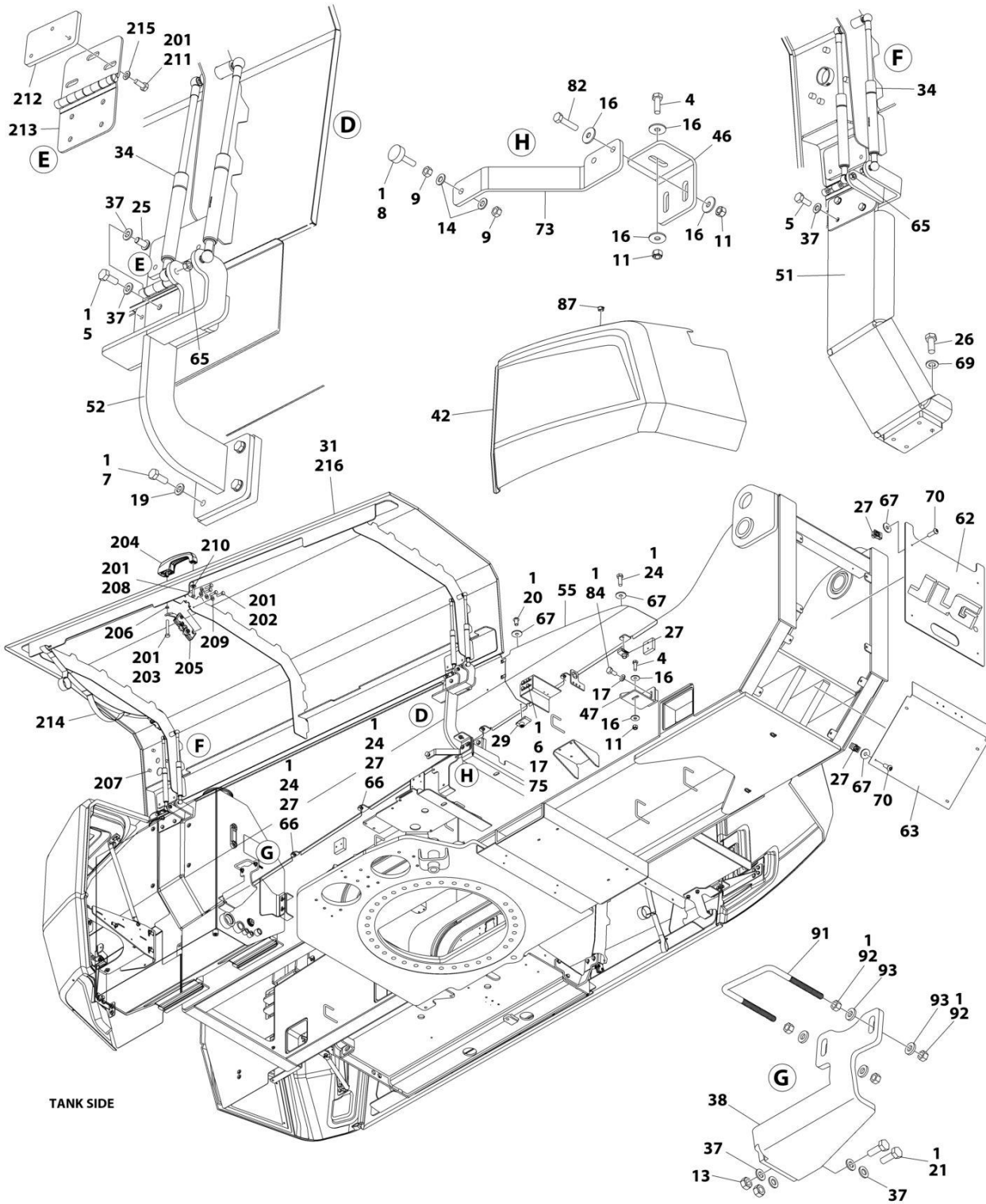
SECTION 2 - TURNTABLE



ENGINE SIDE

ART_1001196562_N_20F3

SECTION 2 - TURNTABLE



ART_1001196562_N_30F3

SECTION 2 - TURNTABLE

FIGURE 2-48. HOOD INSTALLATION

ITEM	PART NUMBER	QTY	DESCRIPTION	REV
	1001196562	Ref	HOOD INSTALLATION	N
1	0100011	AR	Compound, Locking	
2	0701015	2	Bolt M10 x 35	
3	0760810	1	Bolt M8 x 20	
4	0760812	8	Bolt M8 x 25	
5	0761012	22	Bolt M10 x 25	
6	0761014	21	Bolt M10 x 35	
7	0761214	4	Bolt M12 x 30	
8	0940049	4	Bumper	
9	3271501	8	Nut 5/16	
11	3290805	12	Nut M8	
13	3291007	2	Nut M10	
14	4711500	8	Washer 5/16	
16	4811902	26	Washer M8	
17	4812000	44	Washer M10	
18	4812002	5	Washer M10	
19	4812100	12	Washer M12	
20	0630615001	6	Screw M8 x 16	
21	0701014001	4	Bolt M10 x 30	
23	0760810001	8	Bolt M8 x 20	
24	0760812001	19	Bolt M8 x 25	
25	0761007001	2	Bolt M10 x 14	
26	0761214001	8	Bolt M12 x 30	
27	1001118274	27	Nut M8	
28	1001118972	3	Nut M10	
29	1001149160	6	Nut M8	
30	1001286281	1	Hood - Engine Side (See Items 101-120 for Breakdown)	
31	1001286284	1	Hood - Tank Side (See Items 201-216 for Breakdown)	
32	1001155591	2	Bracket	
33	1001155832	2	Plate, Spacer	
34	1001227710	8	Spring, Gas	
37	1001172358	26	Washer M10	
39	1001197937	1	Mount, Cover	
41	1001198685	1	Brace	
42	1001199310	1	Cover, Rear Left	
43	1001199319	1	Cover, Rear Right	
44	1001199465	1	Cover, Front Right	
45	1001199468	1	Cover, Front Left	
46	1001199753	2	Support	
47	1001199754	1	Bracket	
48	1001199755	1	Bracket	
50	1001199764	2	Bracket	
51	1001199778	1	Bracket	
52	1001199780	1	Support	
53	1001199782	1	Mount	
54	1001200501	1	Plate	
55	1001200502	1	Plate	
56	1001200519	1	Panel, Turntable Side	
57	1001200522	1	Cover	
58	1001200532	1	Panel, Filter	

SECTION 2 - TURNTABLE

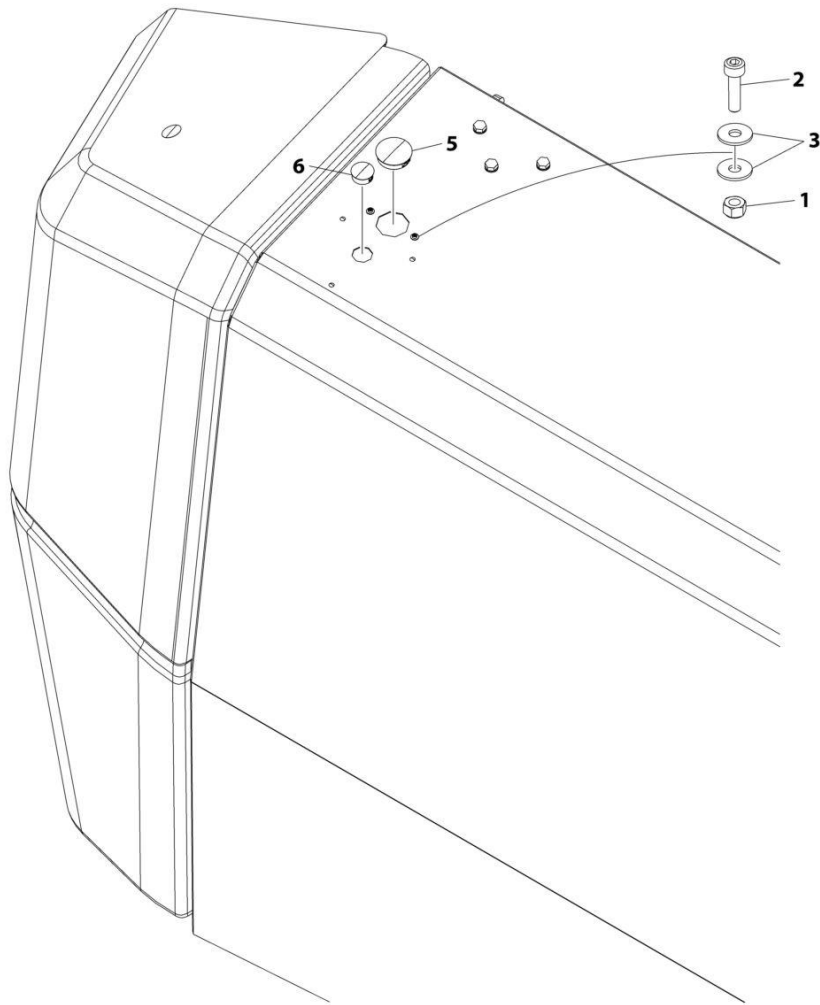
ITEM	PART NUMBER	QTY	DESCRIPTION	REV
59	1001202169	1	Panel, Hood	
60	1001202181	1	Strut	
61	1001202225	1	Bracket	
62	1001202733	1	Cover, Turntable	
63	1001202734	1	Cover, Turntable	
64	3291005001	2	Nut M10	
65	3291007001	8	Nut M10	
66	4811900001	4	Washer M8	
67	4811902001	49	Washer M8	
68	4812002001	2	Washer M10	
69	4812100001	8	Washer M12	
70	8310643001	8	Screw M8 x 25	
71	0761216	4	Bolt M12 x 40	
72	0761217	4	Bolt M12 x 45	
73	1001209961	1	Bracket, Bumper	
74	0760814	2	Bolt M8 x 30	
75	3291005	16	Nut M10	
76	1001209626	1	Brace	
77	1001209935	1	Brace	
78	1001210116	1	Brace	
79	1001210259	1	Brace	
80	1001210283	2	Bracket	
81	1001210294	1	Bracket	
82	0760815	2	Bolt M8 x 35	
83	0761015	2	Bolt M10 x 35	
84	0761011	4	Bolt M10 x 22	
85	3290805001	11	Nut M8	
86	0760814001	2	Bolt M8 x 30	
87	1001131130	4	Plug	
88	1001180620	AR	Compound, Locking	
89	1001250302	1	Bracket	
90	1001250303	1	Bracket	
91	1001243414	2	Bolt U	
92	3311601	8	Nut 3/8	
93	4891600	8	Washer 3/8	
94	1001218572	2	Cap	
	1001286281	Ref	HOOD ASSEMBLY - ENGINE SIDE	A
		Ref	Note: Replacement Decals Must be Ordered Separately - See DECAL Section.	
101	0100011	AR	Compound, Locking	
102	0641408	4	Bolt 1/4 x 1	
103	0700616	1	Bolt M6 x 40	
104	0760612	6	Bolt M6 x 25	
105	2560187	1	Handle, Push Button	
106	2940173	1	Latch	
107	3290601	1	Nut M6	
108	3290605	6	Nut, Lock M6	
109	3900363	2	Capscrew M6 x 25	
110	4711400	4	Washer 1/4	
111	4811700	6	Washer M6	
112	4811900	2	Washer M8	
113	0761012001	6	Bolt M10 x 25	

SECTION 2 - TURNTABLE

ITEM	PART NUMBER	QTY	DESCRIPTION	REV
114	1001155584	2	Plate	
115	1001156347	2	Hinge	
116	1001157906	1	Seal	
117	1001157907	1	Plate	
118	1001160505	1	Strap	
119	1001172358	6	Washer M10	
120	1001286280	1	Hood	
	1001286284	Ref	HOOD ASSEMBLY - TANK SIDE	A
		Ref	Note: Replacement Decals Must be Ordered Separately - See DECAL Section.	
201	0100011	AR	Compound, Locking	
202	0641408	4	Bolt 1/4 x 1	
203	0700616	1	Bolt M6 x 40	
204	2560187	1	Handle, Push Button	
205	2940173	1	Latch	
206	3290601	1	Nut M6	
207	3520173	3	Plug	
208	3900363	2	Capscrew M6 x 25	
209	4711400	4	Washer 1/4	
210	4811900	2	Washer M8	
211	0761012001	6	Bolt M10 x 25	
212	1001155584	2	Plate	
213	1001156347	2	Hinge	
214	1001160505	1	Strap	
215	1001172358	6	Washer M10	
216	1001286283	1	Hood	

SECTION 2 - TURNTABLE

FIGURE 2-49. HOOD PLUGS INSTALLATION



ART_1001287191

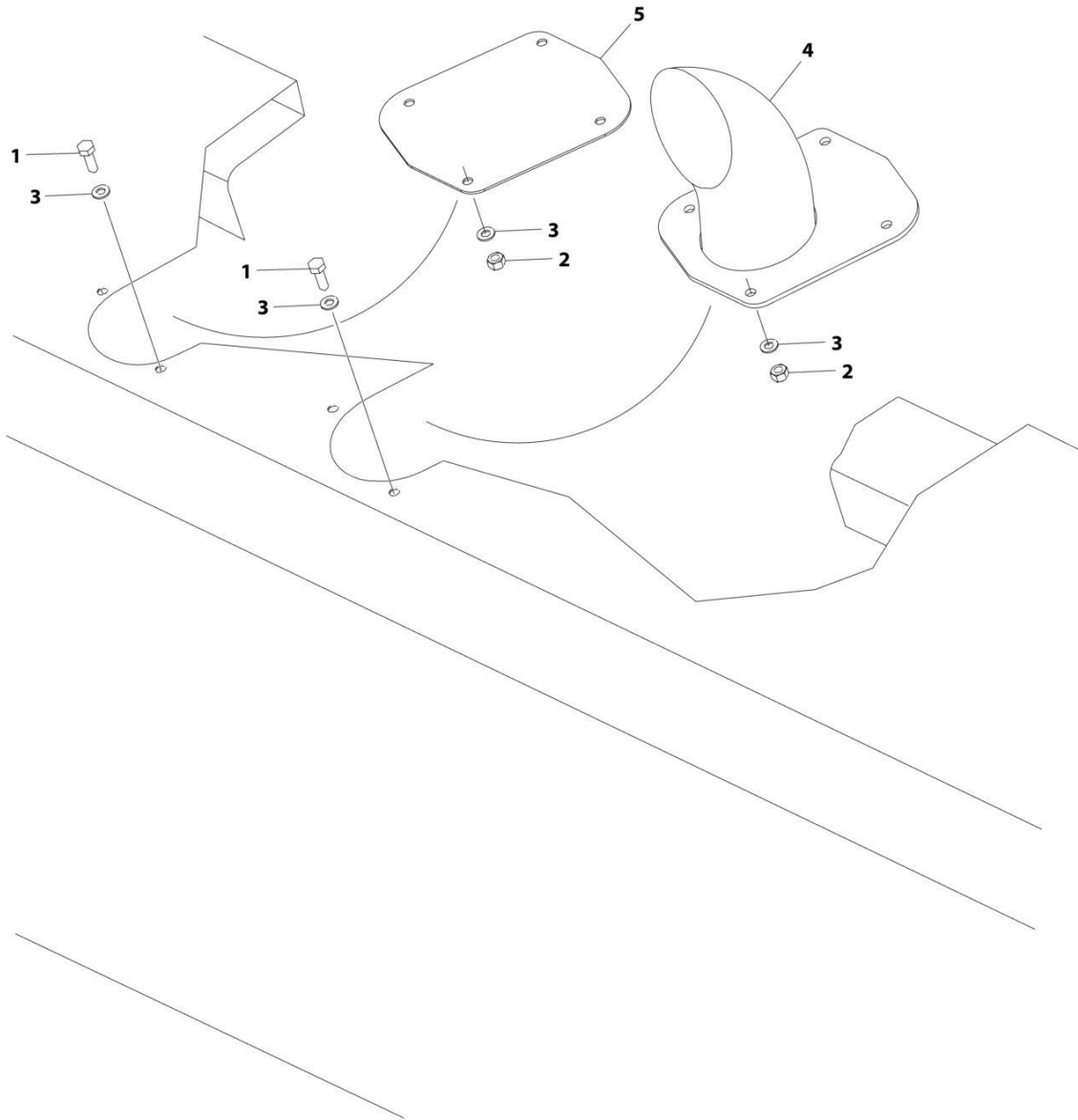
SECTION 2 - TURNTABLE

FIGURE 2-49. HOOD PLUGS INSTALLATION

ITEM	PART NUMBER	QTY	DESCRIPTION	REV
	1001287191	Ref	HOOD PLUGS INSTALLATION	A
1	3290405	4	Nut, Lock M4	
2	4031507	4	Capscrew M4 x 16	
3	1001091102	8	Washer M4	
4	1001244462	1	Cap, Dust (Not Shown)	
5	1001285891	2	Plug 50mm	
6	1001285892	2	Plug 31mm	

SECTION 2 - TURNTABLE

FIGURE 2-50. VENTURI INSTALLATION (HRC)



ART_1001161488

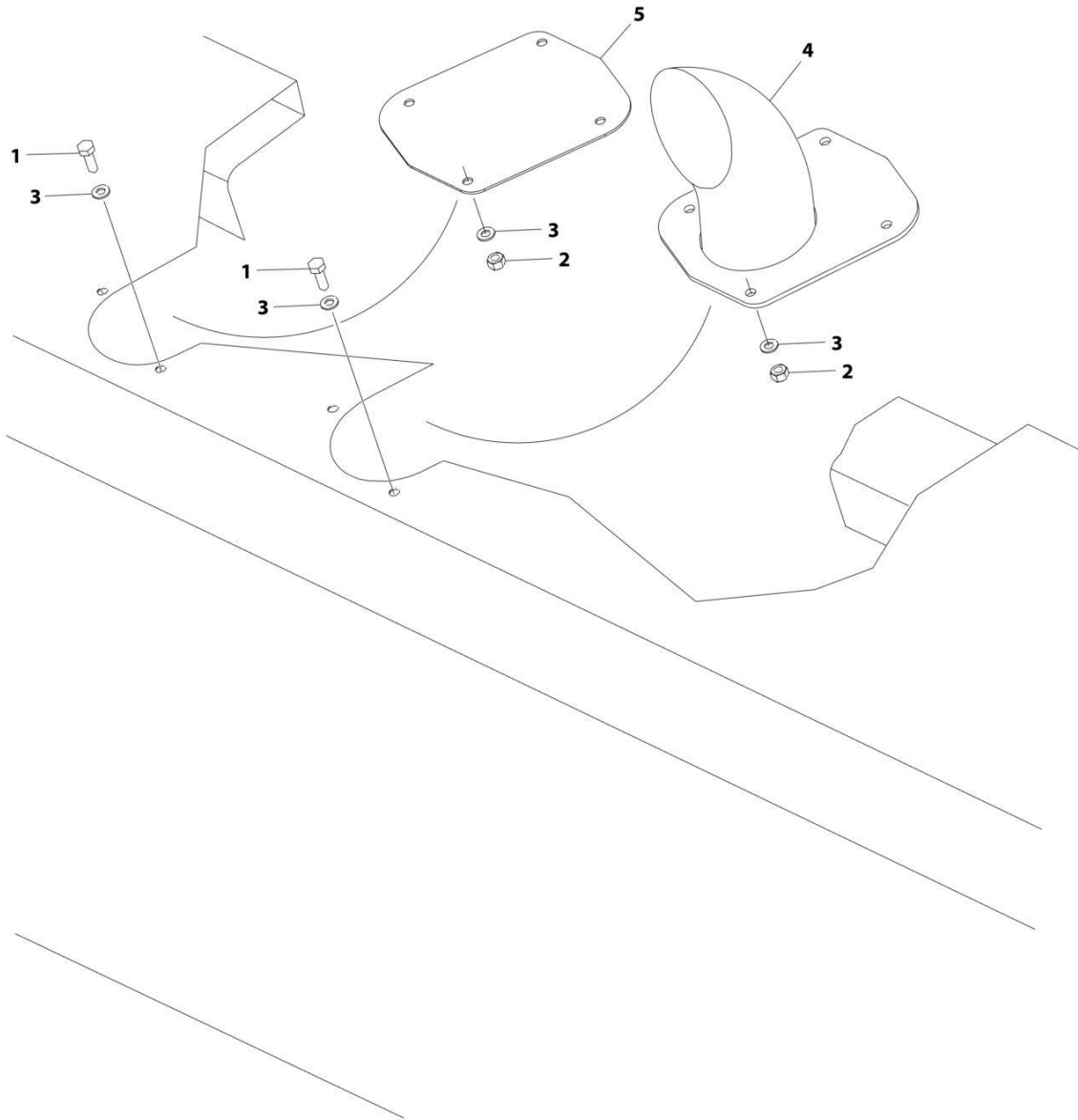
SECTION 2 - TURNTABLE

FIGURE 2-50. VENTURI INSTALLATION (HRC)

ITEM	PART NUMBER	QTY	DESCRIPTION	REV
	1001161488	Ref	VENTURI INSTALLATION (HRC)	E
1	0701014001	8	Bolt M10 x 30	
2	3291005001	8	Nut M10	
3	1001172358	16	Washer M10	
4	1001155527	1	Venturi, Exhaust	
5	1001190927	1	Panel	

SECTION 2 - TURNTABLE

FIGURE 2-51. VENTURI INSTALLATION (LRC)



ART_1001190032

SECTION 2 - TURNTABLE

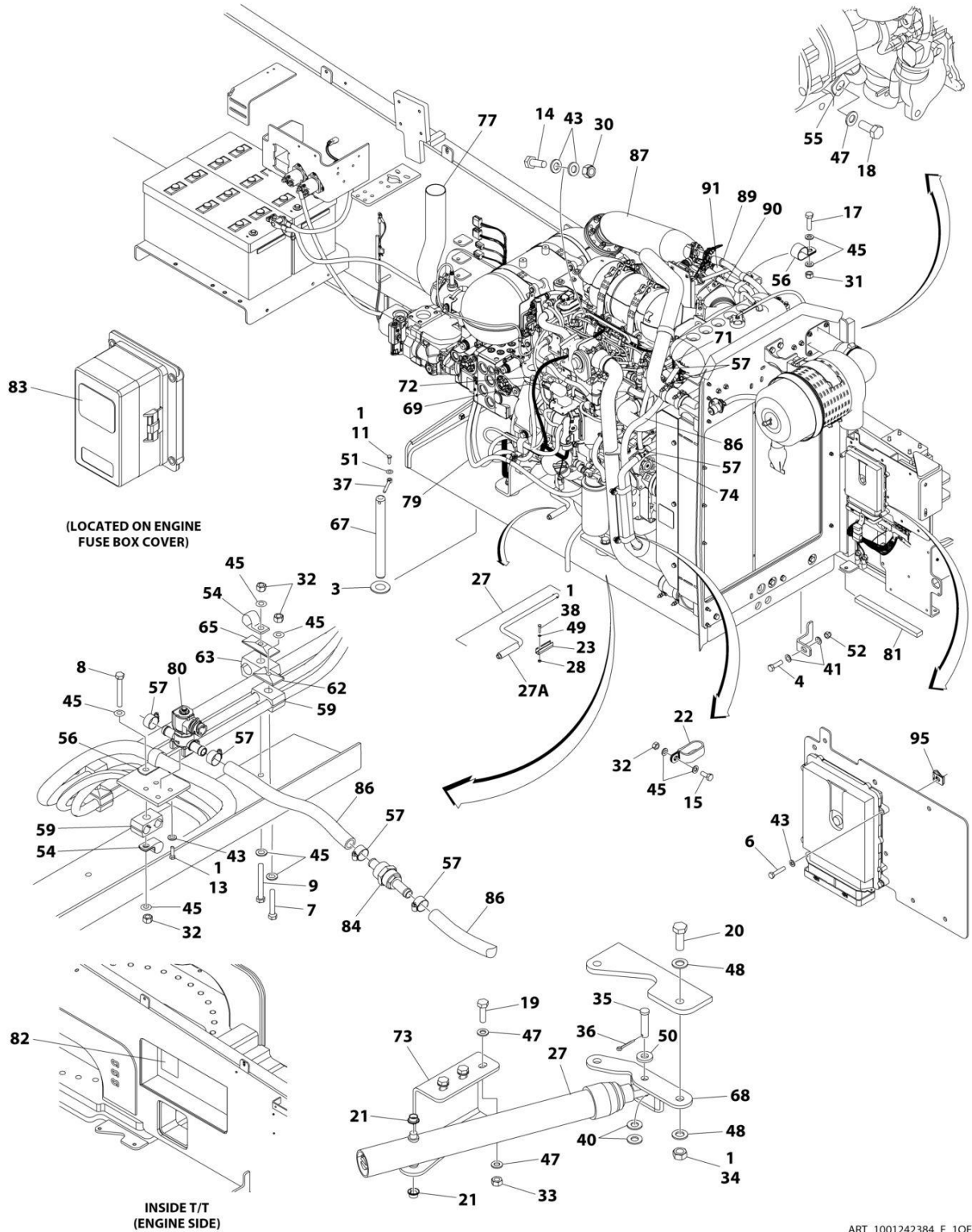
FIGURE 2-51. VENTURI INSTALLATION (LRC)

ITEM	PART NUMBER	QTY	DESCRIPTION	REV
	1001190032	Ref	VENTURI INSTALLATION (LRC)	B
1	0701014001	8	Bolt M10 x 30	
2	3291005001	8	Nut M10	
3	1001172358	16	Washer M10	
4	1001161470	1	Venturi, Exhaust	
5	1001190927	1	Panel	

SECTION 3 - ENGINE

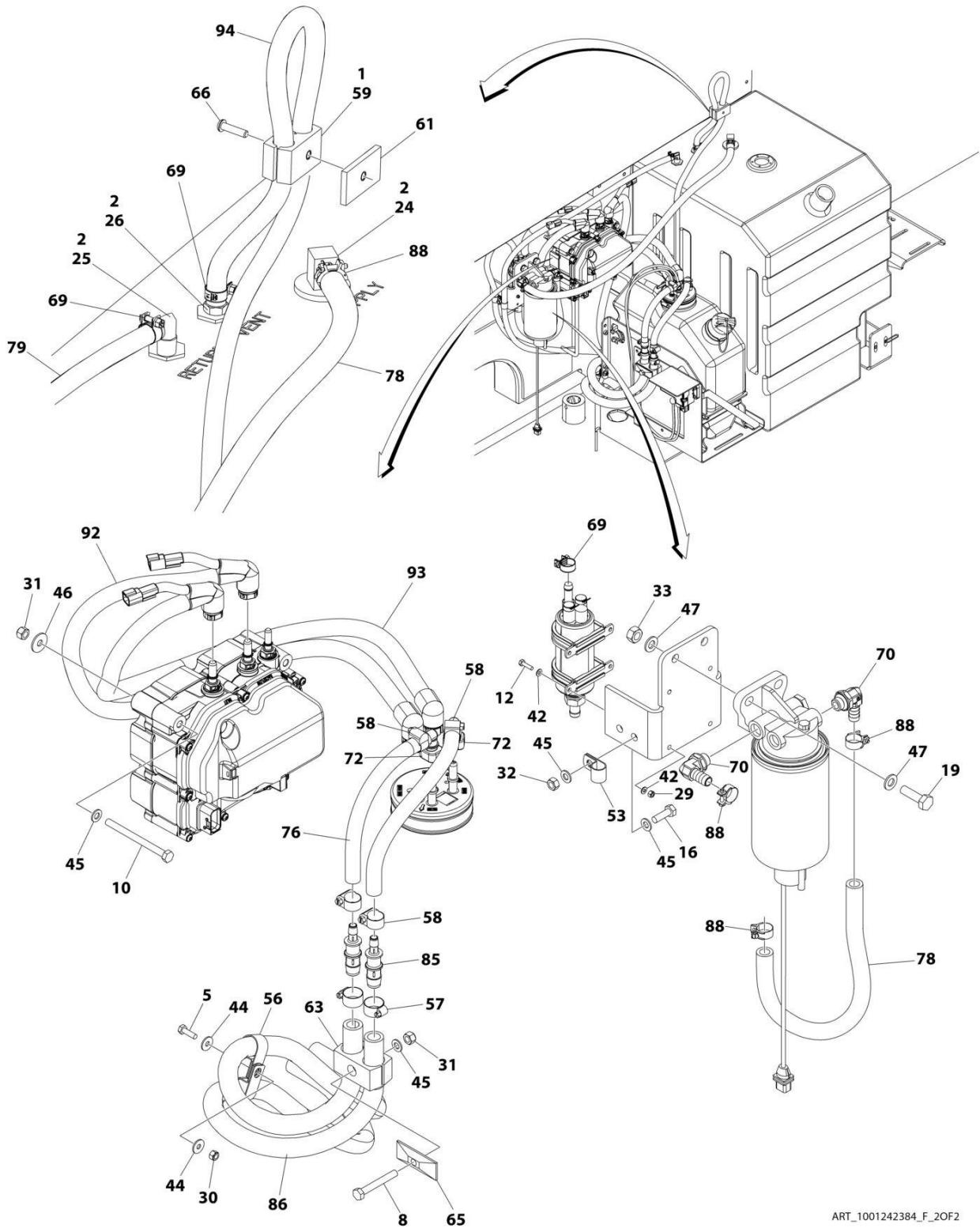
SECTION 3 - ENGINE

FIGURE 3-1. ENGINE INSTALLATION (HRC) (WITHOUT COLD WEATHER PACKAGE)



ART_1001242384_F_10F2

SECTION 3 - ENGINE



ART_1001242384_F_2OF2

SECTION 3 - ENGINE

FIGURE 3-1. ENGINE INSTALLATION (HRC) (WITHOUT COLD WEATHER PACKAGE)

ITEM	PART NUMBER	QTY	DESCRIPTION	REV
	1001242384	Ref	ENGINE INSTALLATION (HRC) (WITHOUT COLD WEATHER PACKAGE)	F
1	0100011	AR	Compound, Locking	
2	0100020	AR	Sealant	
3	0440162	1	Bearing	
4	0642220	1	Bolt 3/4 x 2-1/2	
5	0700610	1	Bolt M6 x 20	
6	0700614	4	Bolt M6 x 30	
7	0700818	2	Bolt M8 x 50	
8	0700820	2	Bolt M8 x 60	
9	0700822	2	Bolt M8 x 70	
10	0700827	3	Bolt M8 x 100	
11	0711015	1	Bolt M10 x 35	
12	0760408	4	Bolt M4 x 16	
13	0760606	4	Bolt M6 x 12	
14	0760608	1	Bolt M6 x 16	
15	0760810	3	Bolt M8 x 20	
16	0760812	2	Bolt M8 x 25	
17	0760814	1	Bolt M8 x 30	
18	0761009	1	Bolt M10 x 18	
19	0761015	5	Bolt M10 x 35	
20	0771416	2	Bolt M14 x 40	
21	0962051	2	Bearing	
22	1321716	3	Clamp	
23	1380147	1	Clip	
24	2180832	1	Fitting, Straight Barbed/NPTF	
25	2220313	1	Fitting, 90 Barbed/NPTF	
26	2221114	1	Fitting, Straight Barbed/NPT	
27	2840016	1	Tray Jack Assembly	
27	7016322	1	Wiper (Burr Brand)	
27A	7016374	1	Handle (Burr Brand)	
27A	7024598	1	Handle (Hammerblow Brand)	
28	3290301	2	Nut M3	
29	3290405	4	Nut M4	
30	3290605	2	Nut M6	
31	3290805	6	Nut M8	
32	3290807	9	Nut M8	
33	3291007	5	Nut M10	
34	3331411	2	Nut M14	
35	3430816	1	Pin	
36	3450404	1	Pin, Cotter 1/8 x 1	
37	3841143	1	Keeper, Pin	
38	4010308	2	Screw M3 x 16	
39	4240099	AR	Tie-Strap (Not Shown)	
40	4711800	2	Washer 1/2	
41	4712200	2	Washer 3/4	
42	4811400	8	Washer M4	
43	4811700	10	Washer M6	
44	4811702	2	Washer M6	
45	4811900	26	Washer M8	

SECTION 3 - ENGINE

ITEM	PART NUMBER	QTY	DESCRIPTION	REV
46	4811902	3	Washer M8	
47	4812000	11	Washer M10	
48	4812200	4	Washer M14	
49	4871200	2	Washer M3	
50	4891800	1	Washer 1/2	
51	5241000	1	Washer M10	
52	8310067	1	Nut 3/4	
53	8406101	1	Clip	
54	8406102	3	Clip	
55	8406105	1	Clip	
56	8406201	6	Clip	
57	8410009	14	Clamp	
58	8410013	4	Clamp	
59	8750014	4	Clamp	
61	8750031	1	Plate, Clamp	
62	8769123	2	Cover, Clamp	
63	8769127	3	Clamp	
65	77133137	3	Cover, Clamp	
66	1001101580	1	Screw M8 x 30	
67	1001135196	1	Pin	
68	1001135497	1	Support	
69	1001136975	5	Clamp	
70	1001142501	2	Fitting, 90 Barbed	
71	1001154262	2	Fitting, Straight Barbed	
72	1001155823	3	Fitting, 90 Barbed	
73	1001155939	1	Mount	
74	1001162212	2	Fitting, Tee Barbed	
76	1001181625	2 ft/ 0.61m	Hose	
77	1001190475	1	Pipe, Exhaust	
78	1001154405	53 in/ 1.4m	Hose	
79	1001165035	31 ft/ 9.4m	Hose	
80	1001199670	1	Valve, Flow	
81	1001206747	1	Seal	
82	1001212056	1	Decal - Engine Fuse Box	
83	1001224046	1	Decal - Engine Fuse Box Cover	
84	1001228872	1	Filter, Coolant Screen	
85	1001238470	2	Fitting, Reducer Barbed	
86	82033995	378 in/ 9.6m	Hose	
87	1001242382	1	Engine Assembly with Pumps (HRC) (Without Cold Weather Package) (See Separate Breakdown in this Section)	
88	1001186342	4	Clip	
89	1001187518	1	Hose	
90	1001193980	1	Hose, Return	
91	1001212825	1	Hose	
92	1001238401	1	Hose, Backflow	
93	1001238402	1	Hose, Suction	
94	2750532	4 ft/ 1.2m	Hose	
95	8305919	4	Nut, Retainer M6	

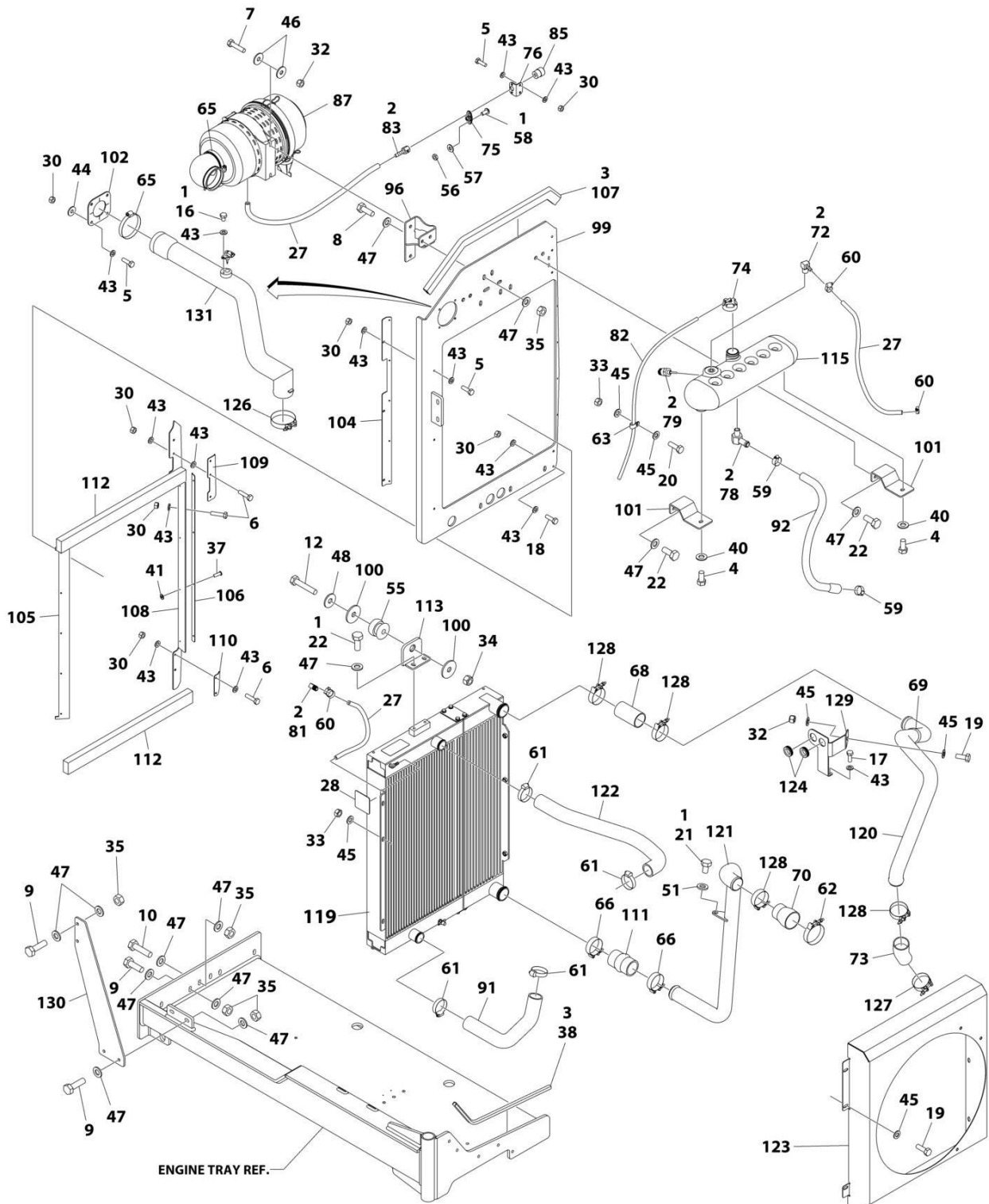
SECTION 3 - ENGINE

FIGURE 3-2. ENGINE ASSEMBLY WITH PUMPS (HRC) (WITHOUT COLD WEATHER PACKAGE)

ITEM	PART NUMBER	QTY	DESCRIPTION	REV
	1001242382	Ref	ENGINE ASSEMBLY WITH PUMPS (HRC) (WITHOUT COLD WEATHER PACKAGE)	C
1	0100011	AR	Compound, Locking	
2	0100035	AR	Compound, Locking	
3	0641812	2	Bolt 1/2 x 1-1/2	
4	0760508	4	Bolt M5 x 16	
5	0760610	2	Bolt M6 x 20	
6	0761015	2	Bolt M10 x 35	
7	0761210	1	Bolt M12 x 20	
8	0761216	2	Bolt M12 x 40	
9	1320041	1	Clamp	
10	1320136	1	Clamp	
12	3290607	2	Nut M6	
13	3291007	2	Nut M10	
14	3310401	3	Nut #4	
15	3790152	1	O-Ring	
16	3790155	1	O-Ring	
17	3910408	3	Screw #4 x 1/2	
18	3931620	2	Capscrew 3/8 x 1-1/4	
19	4740171	2	Washer	
20	4750400	3	Washer #4	
21	4811600	4	Washer M5	
22	4811700	2	Washer M6	
23	4812000	2	Washer M10	
24	4812100	1	Washer M12	
25	4891600	2	Washer 3/8	
26	4891800	2	Washer 1/2	
27	1001108616	1	Tandem Pump Assembly (See Separate Breakdown in this Section)	
28	1001112927	1	Gear Pump Assembly (See Separate Breakdown in this Section)	
29	1001156107	2	Holder, Cable	
30	1001156718	1	Seal	
31	1001157073	1	Cable, Alternator	
32	1001188922	1	Engine Harness (See Separate Breakdown in ELECTRICAL SECTION)	
33	1001197445	1	Cable, Glow Plug	
34	1001199470	1	Piston Pump Assembly (See Separate Breakdown in this Section)	
35	1001202355	1	Cable, Battery Negative	
36	1001206747	1	Seal	
37	1001234791	1	Cable, Battery Positive	
38	1001242378	1	Engine Assembly (HRC) (Without Cold Weather Package) (See Separate Breakdown in this Section)	

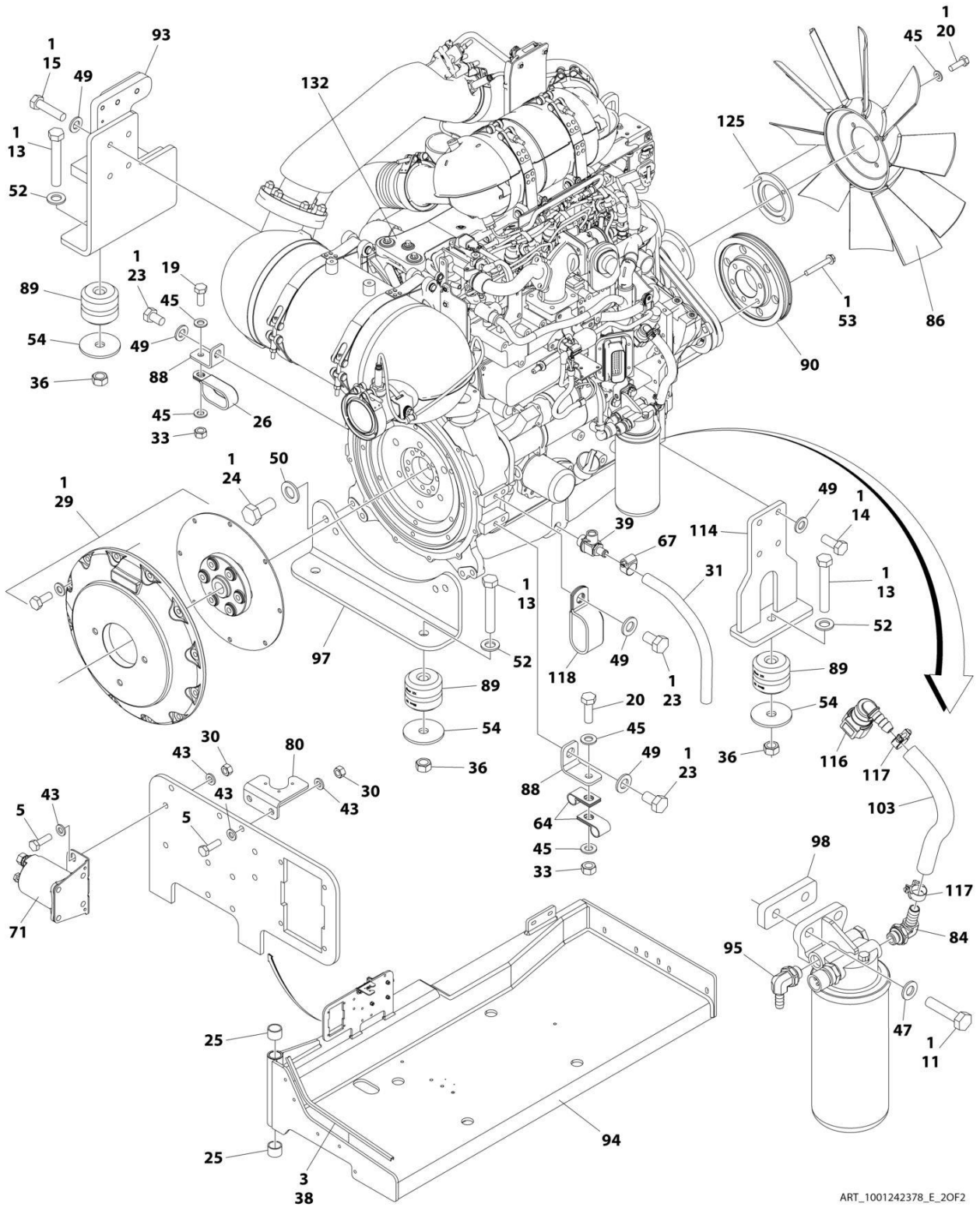
SECTION 3 - ENGINE

FIGURE 3-3. ENGINE ASSEMBLY (HRC) (WITHOUT COLD WEATHER PACKAGE)



ART_1001242378_E_10F2

SECTION 3 - ENGINE



ART_1001242378_E_20F2

SECTION 3 - ENGINE

FIGURE 3-3. ENGINE ASSEMBLY (HRC) (WITHOUT COLD WEATHER PACKAGE)

ITEM	PART NUMBER	QTY	DESCRIPTION	REV
	1001242378	Ref	DEUTZ T4F ENGINE ASSEMBLY	F
1	0100011	AR	Compound, Locking	
2	0100020	AR	Sealant	
3	0100081	AR	Adhesive	
4	0641606	2	Bolt 3/8 x 3/4	
5	0700610	13	Bolt M6 x 20	
6	0700612	7	Bolt M6 x 25	
7	0700815	2	Bolt M8 x 35	
8	0701013	2	Bolt M10 x 28	
9	0701015	6	Bolt M10 x 35	
10	0701016	2	Bolt M10 x 40	
11	0701017	2	Bolt M10 x 45	
12	0701019	1	Bolt M10 x 55	
13	0701627	4	Bolt M16 x 100	
14	0711214	4	Bolt M12 x 30 Grade 10.9	
15	0711218	4	Bolt M12 x 50 Grade 10.9	
16	0760604	1	Bolt M6 x 8	
17	0760608	2	Bolt M6 x 16	
18	0760614	2	Bolt M6 x 30	
19	0760810	6	Bolt M8 x 20	
20	0760812	7	Bolt M8 x 25	
21	0761008	1	Bolt M10 x 16	
22	0761012	6	Bolt M10 x 25	
23	0761210	3	Bolt M12 x 20	
24	0771415	4	Bolt M14 x 35 Grade 10.9	
25	0961951	2	Bushing	
26	1321716	1	Clamp	
27	2720015	5 ft/ 1.5m	Hose	
28	1703162	2	Decal - Fan Blade	
29	2902065	1	Pump Coupling Kit (See Separate Breakdown in this Section)	
30	3290607	22	Nut M6	
31	1001165035	1 ft/ 0.3m	Hose	
32	3290805	3	Nut M8	
33	3290807	5	Nut M8	
34	3291005	1	Nut M10	
35	3291007	10	Nut M10	
36	3291601	4	Nut M16	
37	3820032	9	Rivet	
38	4060807	22 in/ 55cm	Flex-Trim	
39	4640751	1	Valve, Oil Drain	
40	4711600	2	Washer 3/8	
41	4811600	4	Washer M5	
42	4240099	AR	Tie-Strap (Not Shown)	
43	4811700	43	Washer M6	
44	4811702	4	Washer M6	
45	4811900	19	Washer M8	
46	4811902	4	Washer M8	
47	4812000	30	Washer M10	
48	4812002	1	Washer M10	

SECTION 3 - ENGINE

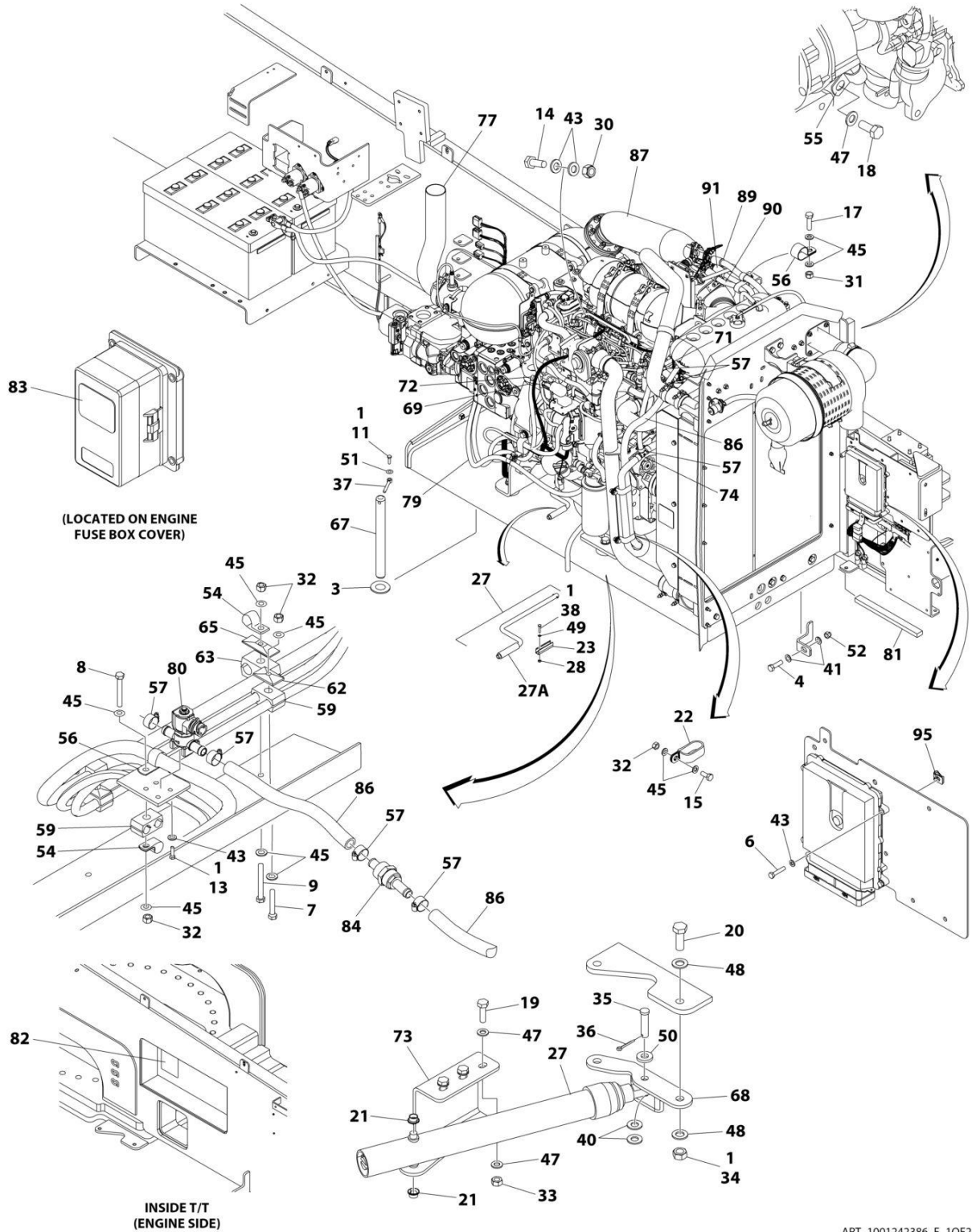
ITEM	PART NUMBER	QTY	DESCRIPTION	REV
49	4812100	11	Washer M12	
50	4812200	4	Washer M14	
51	5241000	1	Washer M10	
52	5241600	4	Washer M16	
53	5251022	6	Bolt M10 x 70	
54	7300435	4	Washer	
55	8278020	1	Mount	
56	8305401	2	Nut 1/4	
57	8307109	2	Washer 1/4	
58	8310548	2	Screw 1/4 x 1/2	
59	8405007	2	Clamp	
60	8405009	4	Clamp	
61	8405104	4	Clamp	
62	8405211	1	Clamp	
63	8406109	2	Clip	
64	8406110	2	Clip	
65	8410011	2	Clamp	
66	8410012	2	Clamp	
67	8410013	1	Clamp	
68	91563070	1	Coupling, Rubber	
69	1001097588	1	Clip	
70	1001117244	1	Reducer	
71	1001117308	1	Relay, 200Amp	
72	1001134488	1	Fitting, 90 NPT/Barbed	
73	1001135943	1	Coupling	
74	1001136834	1	Cap	
75	1001138173	1	Support	
76	1001138175	1	Bracket	
78	1001138559	1	Fitting, 90 NPT	
79	1001138827	1	Sensor	
80	1001139240	1	Bracket	
81	1001140564	1	Fitting, 90 NPT/Barbed	
82	1001138248	5 ft/ 1.5m	Tubing	
83	1001141995	1	Fitting, Straight NPT/Barbed	
84	1001142501	1	Fitting, 90 NPT/Barbed	
85	1001143390	1	Indicator, Air Restriction	
86	1001147567	1	Fan	
87	1001147847	1	Filter, Air	
87	70023809	1	Element, Primary	
87	70023872	1	Element, Secondary	
87	70024328	1	Elbow, Rubber	
87	70024329	1	Clamp, Mounting	
88	1001148641	2	Bracket	
89	1001149517	4	Mount, Motor	
90	1001149746	1	Pulley	
91	1001150504	1	Hose	
92	1001150553	1	Hose	
93	1001151491	1	Support	
94	1001151749	1	Tray	
95	1001152489	1	Fitting, 90 Barbed	
96	1001155023	1	Plate	

SECTION 3 - ENGINE

ITEM	PART NUMBER	QTY	DESCRIPTION	REV
97	1001155496	1	Support	
98	1001155498	1	Plate	
99	1001155525	1	Support	
100	1001155540	2	Washer	
101	1001155557	2	Plate	
102	1001155563	1	Seal	
103	1001154405	8.5 in/ 21cm	Hose	
104	1001155564	1	Bracket	
105	1001155565	1	Seal	
106	1001155566	1	Bracket	
107	1001155728	1	Seal	
108	1001156034	1	Seal	
109	1001156035	1	Bracket	
110	1001156062	1	Bracket	
111	1001156091	1	Hose	
112	1001156644	2	Seal	
113	1001157862	1	Bracket	
114	1001160518	1	Support	
115	1001166393	1	Tank	
116	1001170982	1	Fitting, 90 SAE/Barbed	
117	1001175568	2	Clip	
118	1001181899	1	Clamp	
119	1001256862	1	Radiator	
120	1001189291	1	Pipe, Exhaust	
121	1001190418	1	Tube	
122	1001191122	1	Hose, Upper	
123	1001192138	1	Shroud	
124	1001193599	2	Grommet	
125	1001197317	1	Spacer	
126	1001208297	1	Clamp	
127	1001208298	1	Clamp	
128	1001208299	4	Clamp	
129	1001212810	1	Support	
130	1001212817	1	Plate	
131	1001212826	1	Tube, Intake	
132	1001251858	1	Deutz HRC Engine Components (See Separate Breakdown in this Section)	

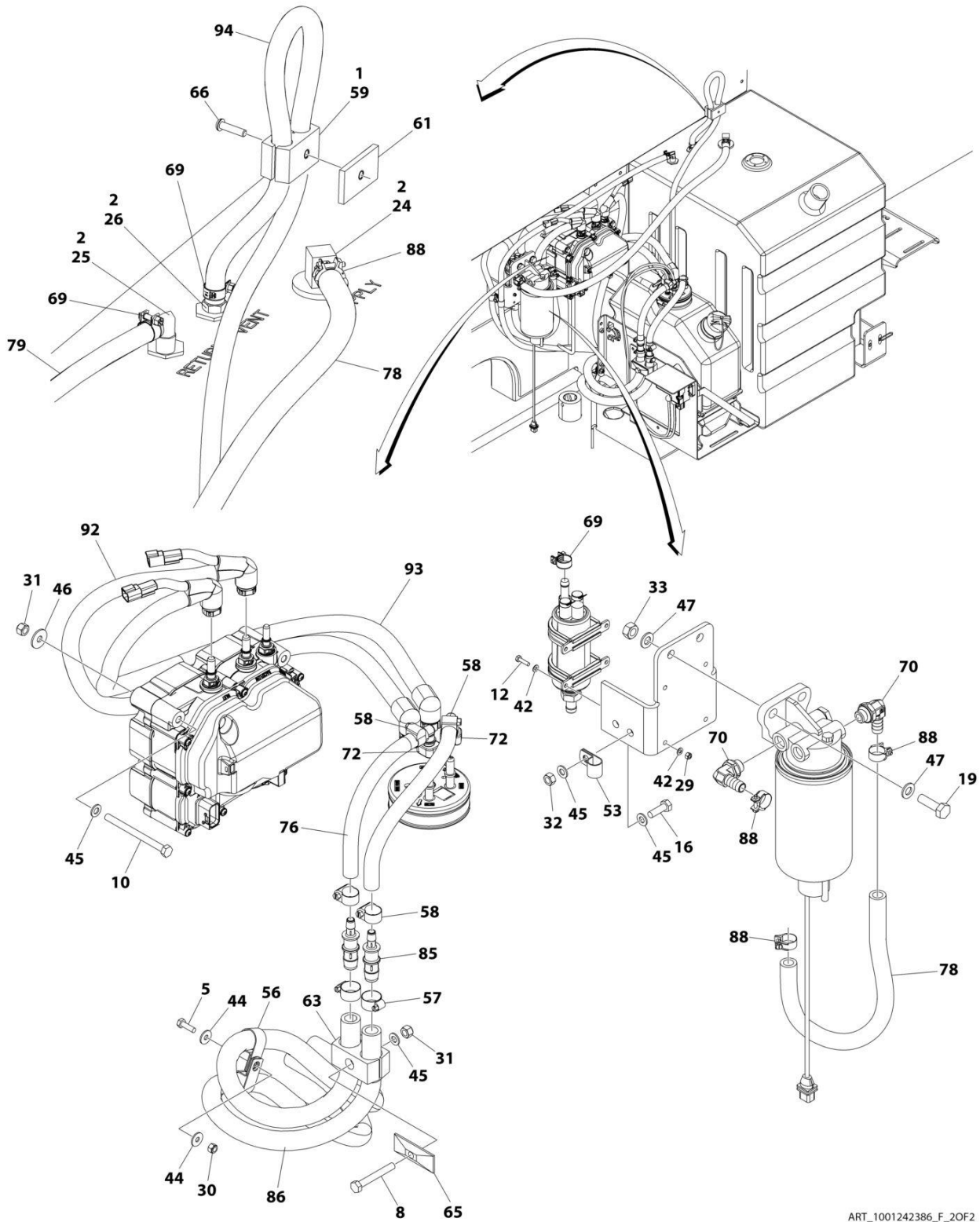
SECTION 3 - ENGINE

FIGURE 3-4. ENGINE INSTALLATION (HRC) (WITH COLD WEATHER PACKAGE)



ART_1001242386_F_10F2

SECTION 3 - ENGINE



ART_1001242386_F_2OF2

SECTION 3 - ENGINE

FIGURE 3-4. ENGINE INSTALLATION (HRC) (WITH COLD WEATHER PACKAGE)

ITEM	PART NUMBER	QTY	DESCRIPTION	REV
	1001242386	Ref	ENGINE INSTALLATION (HRC) (WITH COLD WEATHER PACKAGE)	F
1	0100011	AR	Compound, Locking	
2	0100020	AR	Sealant	
3	0440162	1	Bearing	
4	0642220	1	Bolt 3/4 x 2-1/2	
5	0700610	1	Bolt M6 x 20	
6	0700614	4	Bolt M6 x 30	
7	0700818	2	Bolt M8 x 50	
8	0700820	1	Bolt M8 x 60	
9	0700822	2	Bolt M8 x 70	
10	0700827	3	Bolt M8 x 100	
11	0711015	1	Bolt M10 x 35	
12	0760408	4	Bolt M4 x 16	
13	0760606	4	Bolt M6 x 12	
14	0760608	1	Bolt M6 x 16	
15	0760810	3	Bolt M8 x 20	
16	0760812	2	Bolt M8 x 25	
17	0760814	1	Bolt M8 x 30	
18	0761009	1	Bolt M10 x 18	
19	0761015	5	Bolt M10 x 35	
20	0771416	2	Bolt M14 x 40	
21	0962051	2	Bearing	
22	1321716	3	Clamp	
23	1380147	1	Clip	
24	2180832	1	Fitting, Straight Barbed/NPTF	
25	2220313	1	Fitting, 90 Barbed/NPTF	
26	2221114	1	Fitting, Straight Barbed/NPT	
27	2840016	1	Tray Jack Assembly	
27	7016322	1	Wiper (Burr Brand)	
27A	7016374	1	Handle (Burr Brand)	
27A	7024598	1	Handle (Hammerblow Brand)	
28	3290301	2	Nut M3	
29	3290405	4	Nut M4	
30	3290605	2	Nut M6	
31	3290805	6	Nut M8	
32	3290807	9	Nut M8	
33	3291007	5	Nut M10	
34	3331411	2	Nut M14	
35	3430816	1	Pin	
36	3450404	1	Pin, Cotter 1/8 x 1	
37	3841143	1	Keeper, Pin	
38	4010308	2	Screw M3 x 16	
39	4240099	AR	Tie-Strap (Not Shown)	
40	4711800	2	Washer 1/2	
41	4712200	2	Washer 3/4	
42	4811400	8	Washer M4	
43	4811700	10	Washer M6	
44	4811702	2	Washer M6	
45	4811900	26	Washer M8	

SECTION 3 - ENGINE

ITEM	PART NUMBER	QTY	DESCRIPTION	REV
46	4811902	3	Washer M8	
47	4812000	11	Washer M10	
48	4812200	4	Washer M14	
49	4871200	2	Washer M3	
50	4891800	1	Washer 1/2	
51	5241000	1	Washer M10	
52	8310067	1	Nut 3/4	
53	8406101	1	Clip	
54	8406102	3	Clip	
55	8406105	1	Clip	
56	8406201	6	Clip	
57	8410009	14	Clamp	
58	8410013	4	Clamp	
59	8750014	4	Clamp	
61	8750031	1	Plate, Clamp	
62	8769123	2	Cover, Clamp	
63	8769127	3	Cover, Clamp	
65	77133137	3	Cover, Clamp	
66	1001101580	1	Screw M8 x 30	
67	1001135196	1	Pin	
68	1001135497	1	Support	
69	1001136975	5	Clamp	
70	1001142501	2	Fitting, 90 Barbed	
71	1001154262	2	Fitting, Straight Barbed	
72	1001155823	3	Fitting, 90 Barbed	
73	1001155939	1	Mount	
74	1001162212	2	Fitting, Tee Barbed	
76	1001181625	2 ft/ 0.61m	Hose	
77	1001190475	1	Pipe, Exhaust	
78	1001154405	53 in/ 1.4m	Hose	
79	1001165035	31 ft/ 9.4m	Hose	
80	1001199670	1	Valve, Flow	
81	1001206747	1	Seal	
82	1001212056	1	Decal - Engine Fuse Box	
83	1001224046	1	Decal - Engine Fuse Box Cover	
84	1001228872	1	Filter, Coolant Screen	
85	1001238470	2	Fitting, Reducer Barbed	
86	82033995	374 in/ 9.5m	Hose	
87	1001242383	1	Engine Assembly with Pumps (HRC) (With Cold Weather Package) (See Separate Breakdown in this Section)	
88	1001186342	4	Clip	
89	1001187518	1	Hose	
90	1001193980	1	Hose, Return	
91	1001212825	1	Hose	
92	1001238401	1	Hose, Backflow	
93	1001238402	1	Hose, Suction	
94	2750532	4 ft/ 1.2m	Hose	
95	8305919	4	Nut, Tinnerman M6	

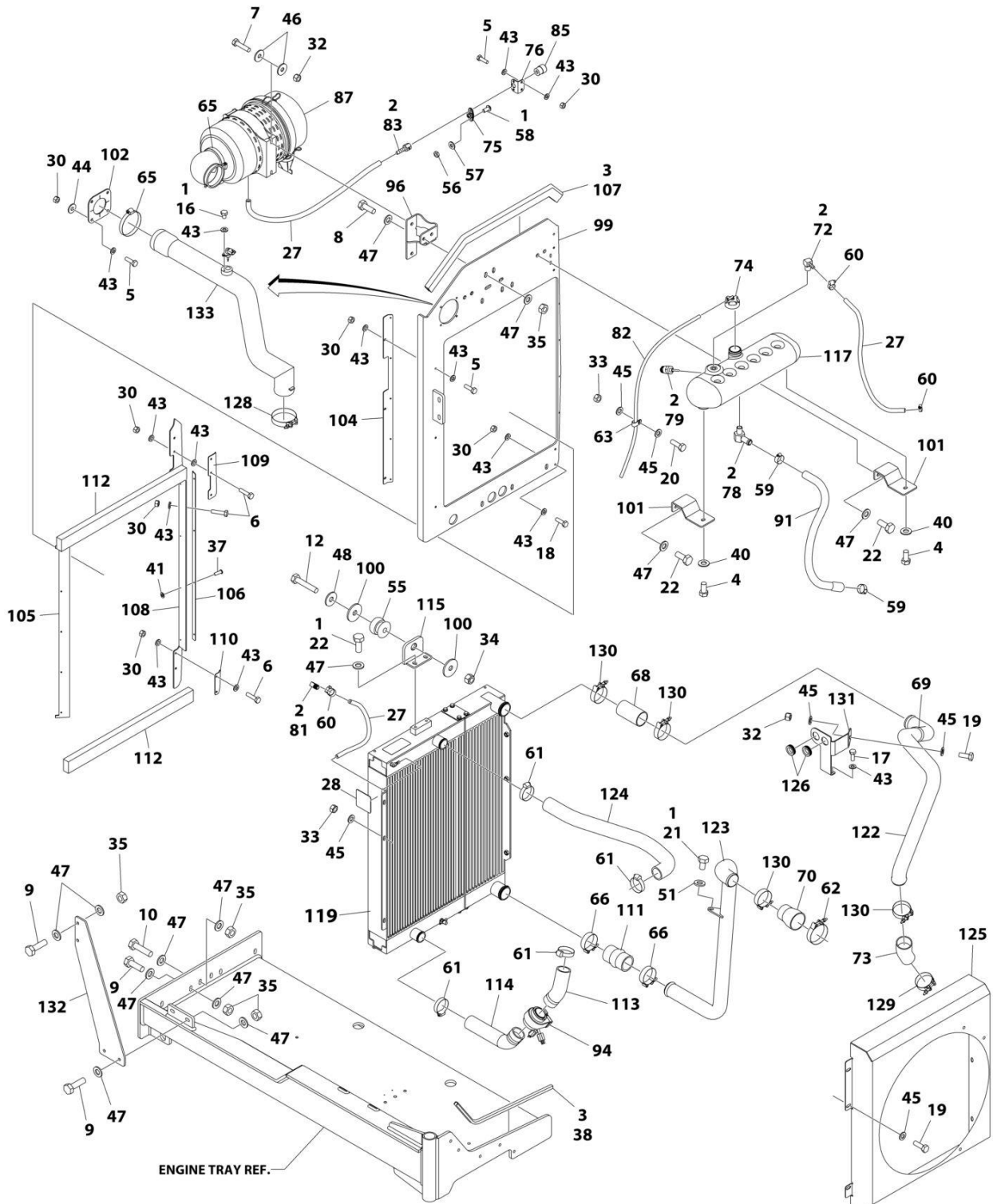
SECTION 3 - ENGINE

FIGURE 3-5. ENGINE ASSEMBLY WITH PUMPS (HRC) (WITH COLD WEATHER PACKAGE)

ITEM	PART NUMBER	QTY	DESCRIPTION	REV
	1001242383	Ref	ENGINE ASSEMBLY WITH PUMPS (HRC) (WITH COLD WEATHER PACKAGE)	C
1	0100011	AR	Compound, Locking	
2	0100035	AR	Compound, Locking	
3	0641812	2	Bolt 1/2 x 1-1/2	
4	0760508	4	Bolt M5 x 16	
5	0760610	2	Bolt M6 x 20	
6	0761015	2	Bolt M10 x 35	
7	0761210	1	Bolt M12 x 20	
8	0761216	2	Bolt M12 x 40	
9	1320041	1	Clamp	
10	1320136	1	Clamp	
12	3290607	2	Nut M6	
13	3291007	2	Nut M10	
14	3310401	3	Nut #4	
15	3790152	1	O-Ring	
16	3790155	1	O-Ring	
17	3910408	3	Screw #4 x 1/2	
18	3931620	2	Capscrew 3/8 x 1-1/4	
19	4740171	2	Washer	
20	4750400	3	Washer #4	
21	4811600	4	Washer M5	
22	4811700	2	Washer M6	
23	4812000	2	Washer M10	
24	4812100	1	Washer M12	
25	4891600	2	Washer 3/8	
26	4891800	2	Washer 1/2	
27	1001108616	1	Tandem Pump Assembly (See Separate Breakdown in this Section)	
28	1001112927	1	Gear Pump Assembly (See Separate Breakdown in this Section)	
29	1001156107	2	Holder, Cable	
30	1001156718	1	Seal	
31	1001157073	1	Cable, Alternator	
32	1001188922	1	Engine Harness (See Separate Breakdown in ELECTRICAL SECTION)	
33	1001197445	1	Cable, Glow Plug	
34	1001199470	1	Piston Pump Assembly (See Separate Breakdown in this Section)	
35	1001202355	1	Cable, Battery Negative	
36	1001206747	1	Seal	
37	1001234791	1	Cable, Battery Positive	
38	1001242380	1	Engine Assembly (HRC) (With Cold Weather Package) (See Separate Breakdown in this Section)	

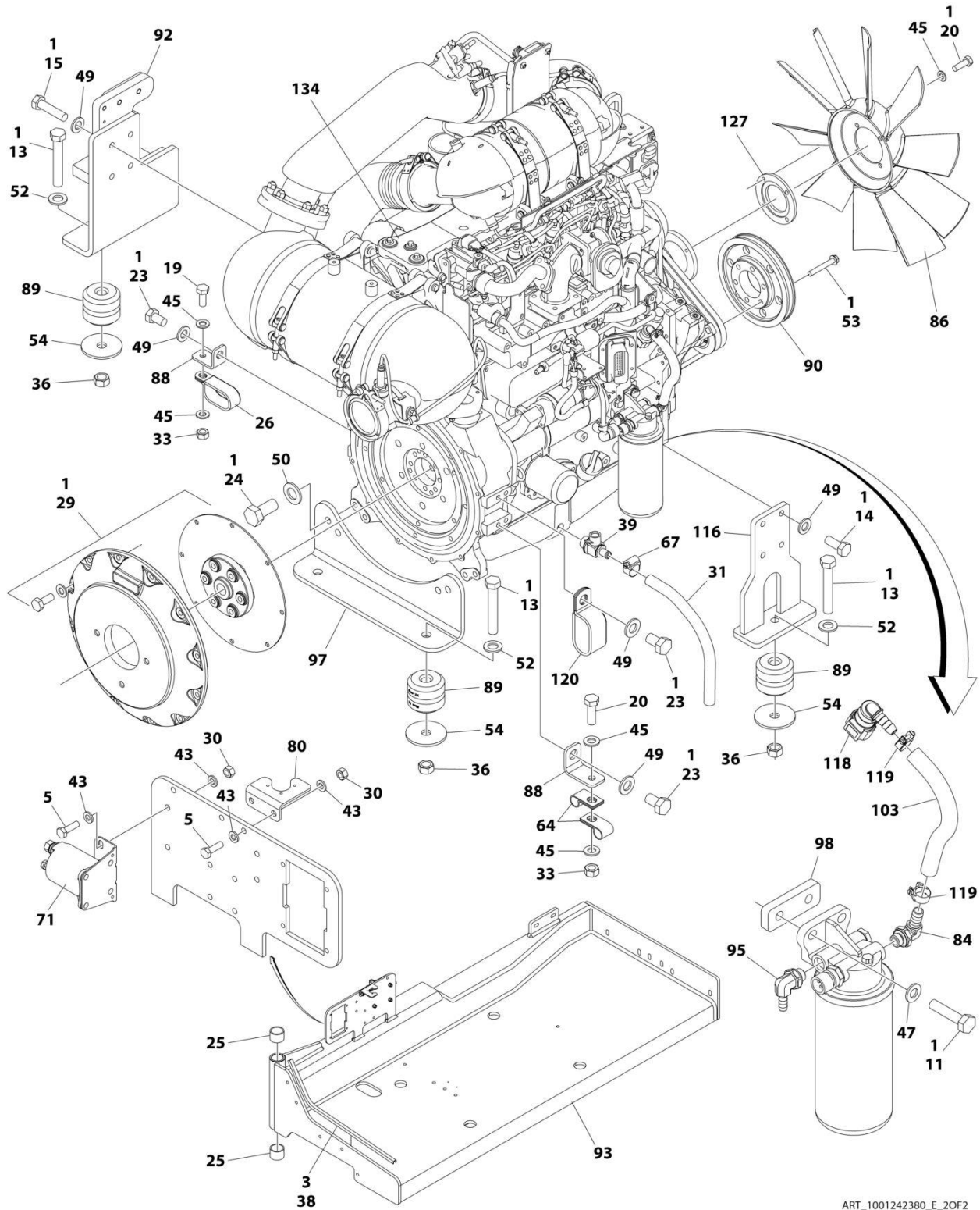
SECTION 3 - ENGINE

FIGURE 3-6. ENGINE ASSEMBLY (HRC) (WITH COLD WEATHER PACKAGE)



ART_1001242380_E_1OF2

SECTION 3 - ENGINE



ART_1001242380_E_20F2

SECTION 3 - ENGINE

FIGURE 3-6. ENGINE ASSEMBLY (HRC) (WITH COLD WEATHER PACKAGE)

ITEM	PART NUMBER	QTY	DESCRIPTION	REV
	1001242380	Ref	DEUTZ T4F ENGINE ASSEMBLY	F
1	0100011	AR	Compound, Locking	
2	0100020	AR	Sealant	
3	0100081	AR	Adhesive	
4	0641606	2	Bolt 3/8 x 3/4	
5	0700610	13	Bolt M6 x 20	
6	0700612	7	Bolt M6 x 25	
7	0700815	2	Bolt M8 x 35	
8	0701013	2	Bolt M10 x 28	
9	0701015	6	Bolt M10 x 35	
10	0701016	2	Bolt M10 x 40	
11	0701017	2	Bolt M10 x 45	
12	0701019	1	Bolt M10 x 55	
13	0701627	4	Bolt M16 x 100	
14	0711214	4	Bolt M12 x 30 Grade 10.9	
15	0711218	4	Bolt M12 x 50 Grade 10.9	
16	0760604	1	Bolt M6 x 8	
17	0760608	2	Bolt M6 x 16	
18	0760614	2	Bolt M6 x 30	
19	0760810	6	Bolt M8 x 20	
20	0760812	7	Bolt M8 x 25	
21	0761008	1	Bolt M10 x 16	
22	0761012	6	Bolt M10 x 25	
23	0761210	3	Bolt M12 x 20	
24	0771415	4	Bolt M14 x 35 Grade 10.9	
25	0961951	2	Bushing	
26	1321716	1	Clamp	
27	2720015	5 ft/ 1.5m	Hose	
28	1703162	2	Decal - Fan Blade	
29	2902065	1	Pump Coupling Kit (See Separate Breakdown in this Section)	
30	3290607	22	Nut M6	
31	1001165035	1 ft/ 0.3m	Hose	
32	3290805	3	Nut M8	
33	3290807	5	Nut M8	
34	3291005	1	Nut M10	
35	3291007	10	Nut M10	
36	3291601	4	Nut M16	
37	3820032	9	Rivet	
38	4060807	22 in/ 55cm	Flex-Trim	
39	4640751	1	Valve, Oil Drain	
40	4711600	2	Washer 3/8	
41	4811600	4	Washer M5	
42	4240099	AR	Tie-Strap (Not Shown)	
43	4811700	43	Washer M6	
44	4811702	4	Washer M6	
45	4811900	19	Washer M8	
46	4811902	4	Washer M8	
47	4812000	30	Washer M10	
48	4812002	1	Washer M10	

SECTION 3 - ENGINE

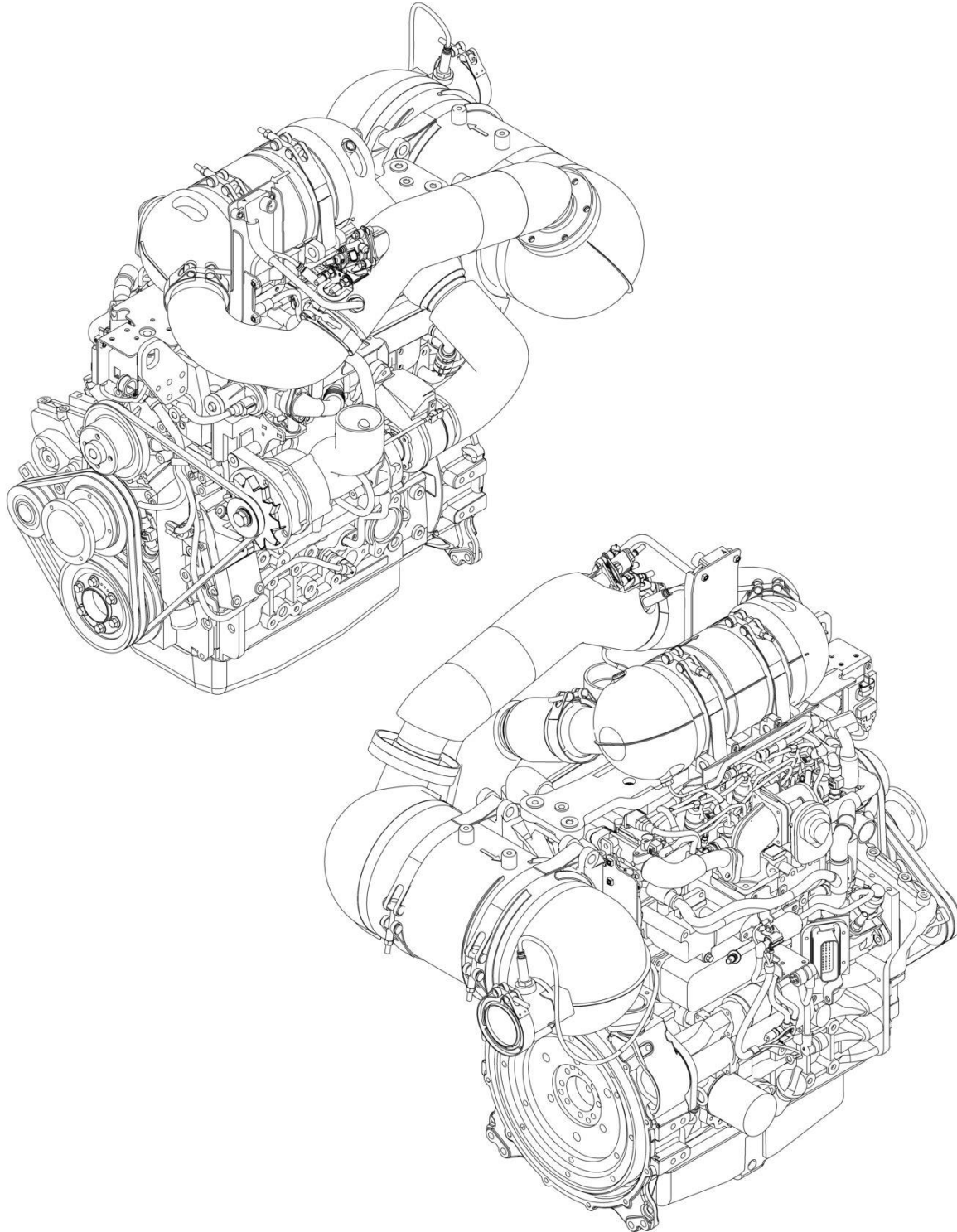
ITEM	PART NUMBER	QTY	DESCRIPTION	REV
49	4812100	11	Washer M12	
50	4812200	4	Washer M14	
51	5241000	1	Washer M10	
52	5241600	4	Washer M16	
53	5251022	6	Bolt M10 x 70	
54	7300435	4	Washer	
55	8278020	1	Mount	
56	8305401	2	Nut 1/4	
57	8307109	2	Washer 1/4	
58	8310548	2	Screw 1/4 x 1/2	
59	8405007	2	Clamp	
60	8405009	4	Clamp	
61	8405104	4	Clamp	
62	8405211	1	Clamp	
63	8406109	2	Clip	
64	8406110	2	Clip	
65	8410011	2	Clamp	
66	8410012	2	Clamp	
67	8410013	1	Clamp	
68	91563070	1	Coupling, Rubber	
69	1001097588	1	Clip	
70	1001117244	1	Reducer	
71	1001117308	1	Relay, 200Amp	
72	1001134488	1	Fitting, 90 NPT/Barbed	
73	1001135943	1	Coupling	
74	1001136834	1	Cap	
75	1001138173	1	Support	
76	1001138175	1	Bracket	
78	1001138559	1	Fitting, 90 NPT	
79	1001138827	1	Sensor	
80	1001139240	1	Bracket	
81	1001140564	1	Fitting, 90 NPT/Barbed	
82	1001138248	5 ft/ 1.5m	Tubing	
83	1001141995	1	Fitting, Straight NPT/Barbed	
84	1001142501	1	Fitting, 90 NPT/Barbed	
85	1001143390	1	Indicator, Air Restriction	
86	1001147567	1	Fan	
87	1001147847	1	Filter, Air	
87	70023809	1	Element, Primary	
87	70023872	1	Element, Secondary	
87	70024328	1	Elbow, Rubber	
87	70024329	1	Clamp, Mounting	
88	1001148641	2	Bracket	
89	1001149517	4	Mount, Motor	
90	1001149746	1	Pulley	
91	1001150553	1	Hose	
92	1001151491	1	Support	
93	1001151749	1	Tray	
94	1001152112	1	Heater	
95	1001152489	1	Fitting, 90 Barbed	
96	1001155023	1	Plate	

SECTION 3 - ENGINE

ITEM	PART NUMBER	QTY	DESCRIPTION	REV
97	1001155496	1	Support	
98	1001155498	1	Plate	
99	1001155525	1	Support	
100	1001155540	2	Washer	
101	1001155557	2	Plate	
102	1001155563	1	Seal	
103	1001154405	8.5 in/ 21cm	Hose	
104	1001155564	1	Bracket	
105	1001155565	1	Seal	
106	1001155566	1	Bracket	
107	1001155728	1	Seal	
108	1001156034	1	Seal	
109	1001156035	1	Bracket	
110	1001156062	1	Bracket	
111	1001156091	1	Hose	
112	1001156644	2	Seal	
113	1001157300	1	Hose	
114	1001157301	1	Hose	
115	1001157862	1	Bracket	
116	1001160518	1	Support	
117	1001166393	1	Tank	
118	1001170982	1	Fitting, 90 SAE/Barbed	
119	1001175568	2	Clip	
120	1001181899	1	Clamp	
121	1001256862	1	Radiator	
122	1001189291	1	Pipe, Exhaust	
123	1001190418	1	Tube	
124	1001191122	1	Hose, Upper	
125	1001192138	1	Shroud	
126	1001193599	2	Grommet	
127	1001197317	1	Spacer	
128	1001208297	1	Clamp	
129	1001208298	1	Clamp	
130	1001208299	4	Clamp	
131	1001212810	1	Support	
132	1001212817	1	Plate	
133	1001212826	1	Tube, Intake	
134	1001251858	1	Deutz HRC Engine Components (See Separate Breakdown in this Section)	

SECTION 3 - ENGINE

FIGURE 3-7. DEUTZ HRC ENGINE COMPONENTS



ART_1001251858

SECTION 3 - ENGINE

FIGURE 3-7. DEUTZ HRC ENGINE COMPONENTS

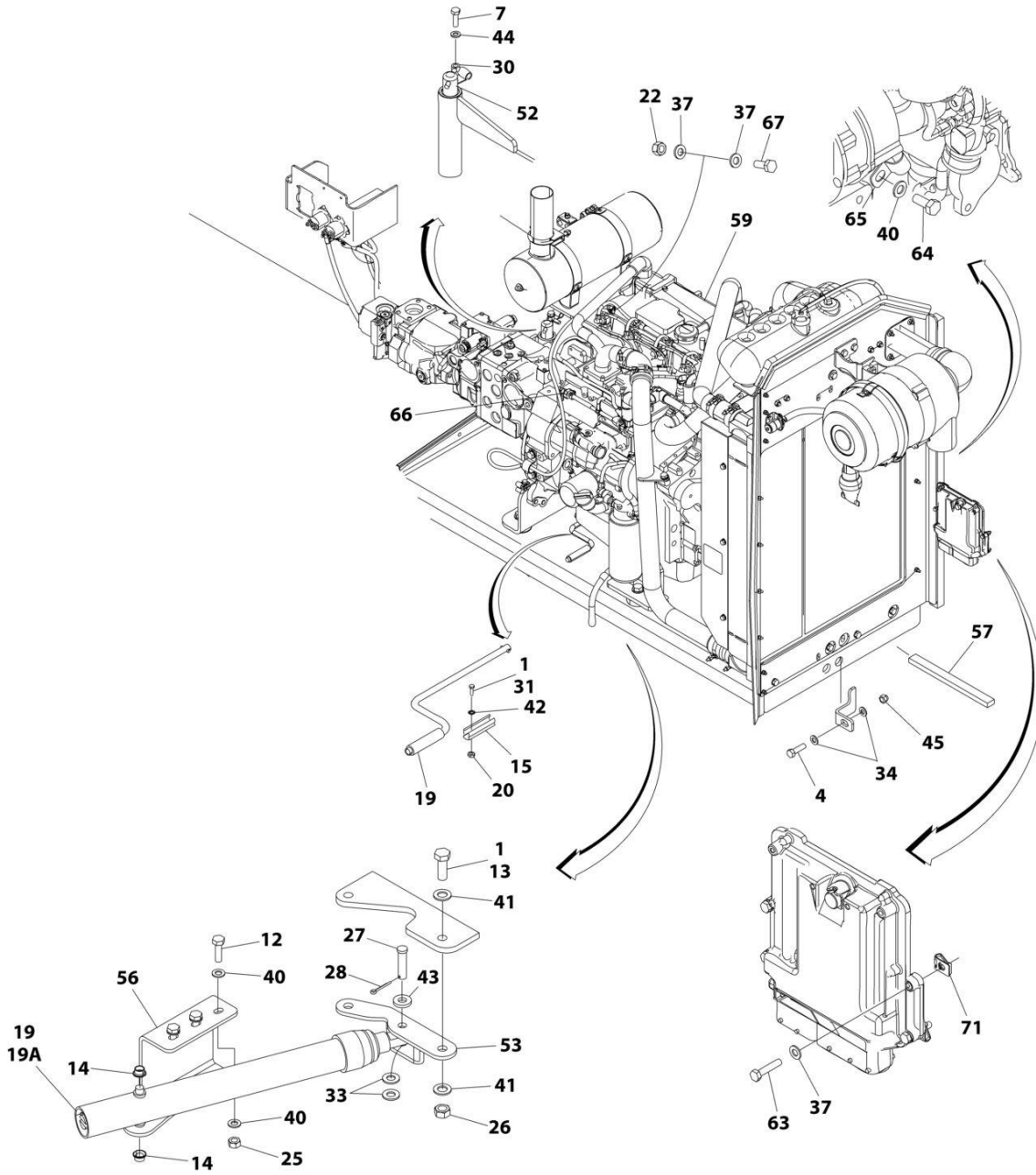
ITEM	PART NUMBER	QTY	DESCRIPTION	REV
	1001251858	Ref	DEUTZ ENGINE COMPONENTS	B
		Ref	Note: For complete list of parts, contact JLG Parts Department	
		Ref	Air Intake System Components	
	70007083	1	Turbocharger	
		Ref	Cooling System Components	
	70004515	1	Pump, Coolant	
		Ref	Electrical System Components	
	70027420	1	Module, ECU/ECM	
	70029401	1	Generator (Includes Regulator & Fan)	
	70006653	1	Regulator	
	70004520	1	Starter (Includes Solenoid)	
	70025780	1	Relay	
	70007085	1	Harness, Engine	
	70005517	1	Harness, Starter	
	70026210	2	Sender, Tacho-Generator (Speed) (Includes Seal)	
	70005559	1	Sender, Temperature	
	70028540	1	Sender, Temperature (On Thermostat Housing)	
	70027405	2	Sender, Temperature (On Exhaust) (Includes Seal)	
	70005556	1	Sender, Temperature (On Exhaust) (Includes Seal)	
	70005524	1	Sensor (On Exhaust)	
	70005522	1	Sensor, Pressure (O2) (On Exhaust)	
	70005523	1	Sensor, Pressure (O2) (On Exhaust)	
	70024507	1	Sensor, Pressure (Includes Seal) (On Air Intake Manifold)	
	70005504	1	Sensor, Pressure (Includes Seal) (On Exhaust)	
	70024504	1	Sensor, Pressure (Includes Seal) (On Block)	
	70024474	4	Plug, Glow	
	70005544	1	Unit, Exhaust Metering (Includes Gasket)	
		Ref	Exhaust System Components	
	70005513	1	Valve, EGR	
	70005511	1	Gasket, Exhaust (Manifold to Head)	
	70024480	1	Gasket, Exhaust (Manifold to TurboCharger)	
	70007083	1	Turbocharger	
	70027460	1	Tank, DEF (Includes Filter, Cover & Breather)	
	70027464	1	Filter (Inside DEF Tank)	
	70027467	1	Breather (On DEF Tank)	
	70007093	1	Catalyst	
	70008612	1	DEF Tank Assembly (Includes Cap, Filler Filter & Venting Valve)	
	70027495	1	Filter, Filler - DEF Tank	
	70008613	1	Cap/Cover, DEF Tank	
	70027467	1	Valve, Venting - DEF Tank	
	1001293066	1	Sensor, Level - DEF Tank	
	70027463	1	Clip, Level Sensor - DEF Tank	
	70027464	1	Filter, DEF In-line	
		Ref	Fuel System Components	
	70024487	1	Pump, Fuel Injector	
	70024485	4	Injector (Includes Seal, Clamp & O-Ring)	
	70006144	1	Pump, Fuel Supply (Includes Clamps)	
	70025153	1	Filter, Fuel (Pre-Filter)	
	70004512	1	Filter, Fuel	
	70005492	1	Valve, Throttle	

SECTION 3 - ENGINE

ITEM	PART NUMBER	QTY	DESCRIPTION	REV
	70005548	1	Pump, Fuel Supply (Includes Filter)	
	70005549	1	Filter (Inside Fuel Supply Pump)	
		Ref	Lubricating System Components	
	70025745	1	Dipstick	
	7020465	2	Cap, Oil Fill	
	70025088	1	Plug, Oil Drain	
	7020404	2	Seal, Oil Drain Plug	
		Ref	Pump, Oil (Includes Bolts & Bushing)	
	7016331	1	Filter, Oil	
	70024494	1	Cooler, Oil	
		Ref	Mechanical Components	
	70005498	1	V-Belt (Set of 2)	
	70005516	1	V-Belt (Generator)	
	70024481	1	Gasket, Valve Cover	
	70025789	1	Gasket, Head	
	70025707	1	Gasket Kit - Complete	

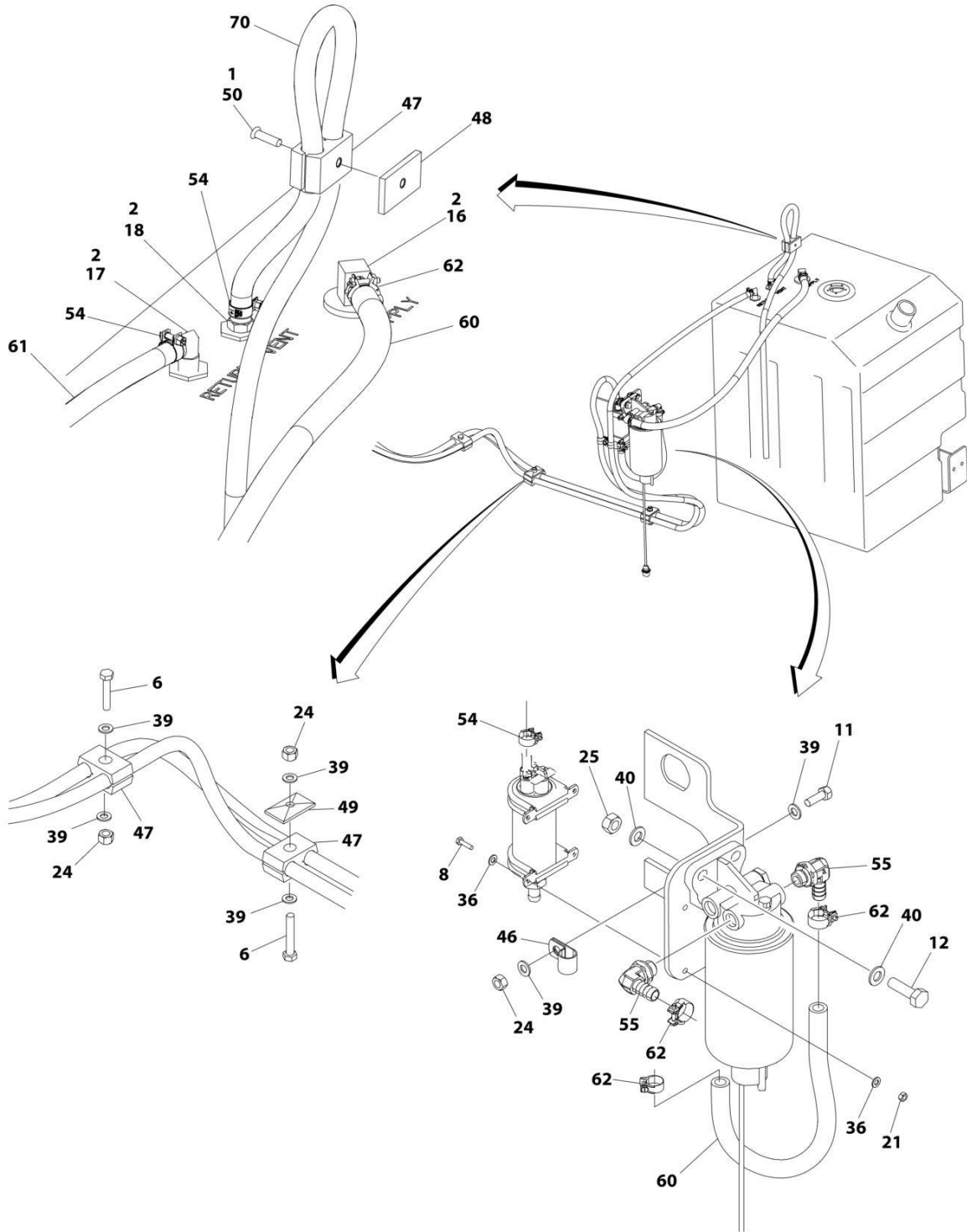
SECTION 3 - ENGINE

FIGURE 3-8. ENGINE INSTALLATION (LRC) (WITHOUT COLD WEATHER PACKAGE)



ART_1001197307_K_10F2

SECTION 3 - ENGINE



ART_1001197307_K_2OF2

SECTION 3 - ENGINE

FIGURE 3-8. ENGINE INSTALLATION (LRC) (WITHOUT COLD WEATHER PACKAGE)

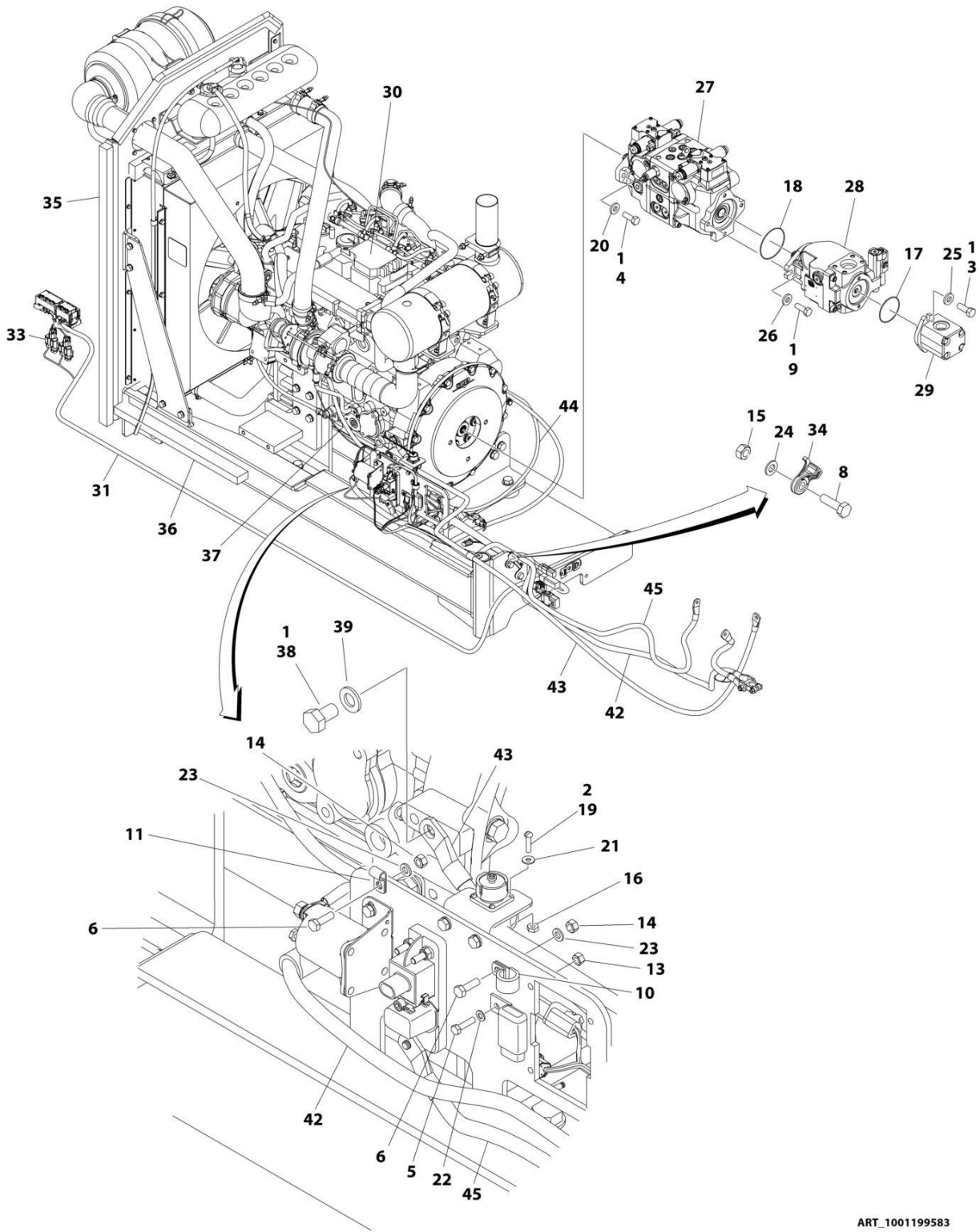
ITEM	PART NUMBER	QTY	DESCRIPTION	REV
	1001197307	Ref	ENGINE INSTALLATION (LRC) (WITHOUT COLD WEATHER PACKAGE)	K
1	0100011	AR	Compound, Locking	
2	0100020	AR	Sealant	
3	0440162	1	Bearing (Not Shown)	
4	0642220	1	Bolt 3/4 x 2-1/2	
6	0700818	3	Bolt M8 x 50	
7	0711015	1	Bolt M10 x 35	
8	0760408	4	Bolt M4 x 16	
11	0760812	1	Bolt M8 x 25	
12	0761015	5	Bolt M10 x 35	
13	0771416	2	Bolt M14 x 40	
14	0962051	2	Bearing	
15	1380147	1	Clip	
16	2180832	1	Fitting, Straight Barbed/NPTF	
17	2220313	1	Fitting, 90 Barbed/NPTF	
18	2221114	1	Fitting, Straight Barbed/NPT	
19	2840016	1	Tray Jack Assembly	
19	7016322	1	Wiper (Burr Brand)	
19A	7016374	1	Handle (Burr Brand)	
19A	7024598	1	Handle (Hammerblow Brand)	
20	3290301	2	Nut M3	
21	3290405	4	Nut M4	
22	3290605	1	Nut M6	
24	3290807	4	Nut M8	
25	3291007	5	Nut M10	
26	3331411	2	Nut M14	
27	3430816	1	Pin	
28	3450404	1	Pin, Cotter 1/8 x 1	
30	3841143	1	Keeper, Pin	
31	4010308	2	Screw M3 x 16	
32	4240099	AR	Tie-Strap (Not Shown)	
33	4711800	2	Washer 1/2	
34	4712200	2	Washer 3/4	
36	4811400	8	Washer M4	
37	4811700	6	Washer M6	
39	4811900	8	Washer M8	
40	4812000	11	Washer M10	
41	4812200	4	Washer M14	
42	4871200	2	Washer M3	
43	4891800	1	Washer 1/2	
44	5241000	1	Washer M10	
45	8310067	1	Nut 3/4	
46	8406101	1	Clip	
47	8750014	4	Clamp	
48	8750031	1	Plate, Clamp	
49	8769123	2	Cover, Clamp	
50	1001101580	1	Screw M8 x 30	
52	1001135196	1	Pin	
53	1001135497	1	Support	

SECTION 3 - ENGINE

ITEM	PART NUMBER	QTY	DESCRIPTION	REV
54	1001136975	5	Clamp	
55	1001142501	2	Fitting, 90 Barbed	
56	1001155939	1	Mount	
57	1001206747	1	Seal	
59	1001199583	1	Engine Assembly with Pumps (LRC) (Without Cold Weather Package) (See Separate Breakdown in this Section)	
60	1001154405	53 in /1.4m	Hose	
61	1001165035	31 ft /9.4m	Hose	
62	1001186342	4	Clip	
63	0700614	4	Bolt M6 x 30	
64	0761009	1	Bolt M10 x 18	
65	8406105	1	Clip	
66	1001155823	1	Fitting, 90 Barbed	
67	0760608	1	Bolt M6 x 16	
70	2750532	4 ft /1.2m	Hose	
71	8305919	4	Nut, Retainer M6	

SECTION 3 - ENGINE

FIGURE 3-9. ENGINE ASSEMBLY WITH PUMPS (LRC) (WITHOUT COLD WEATHER PACKAGE)



ART_1001199583

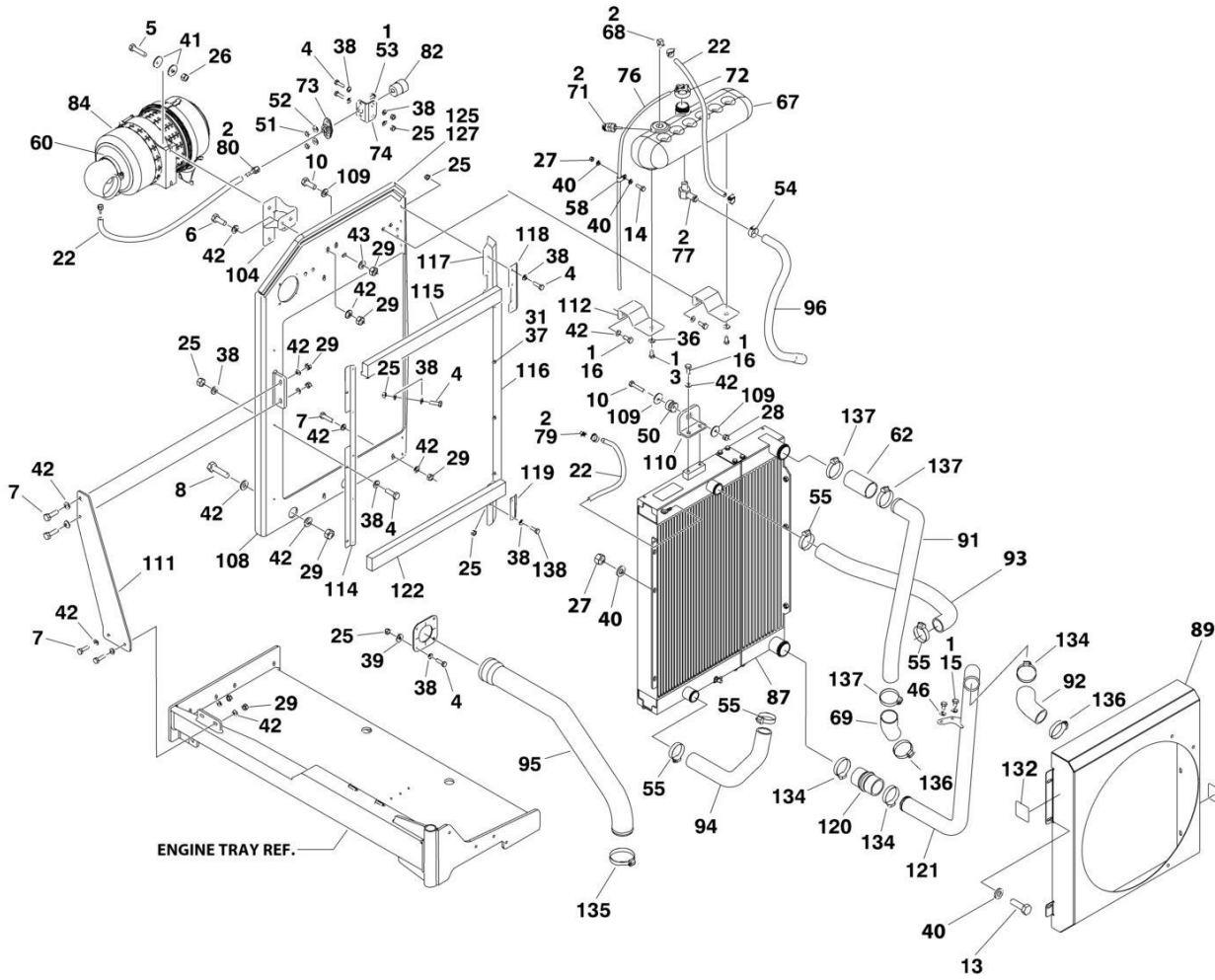
SECTION 3 - ENGINE

FIGURE 3-9. ENGINE ASSEMBLY WITH PUMPS (LRC) (WITHOUT COLD WEATHER PACKAGE)

ITEM	PART NUMBER	QTY	DESCRIPTION	REV
	1001199583	Ref	ENGINE ASSEMBLY WITH PUMPS (LRC) (WITHOUT COLD WEATHER PACKAGE)	J
1	0100011	AR	Compound, Locking	
2	0100035	AR	Compound, Locking	
3	0641608	2	Bolt 3/8 x 1	
4	0641812	2	Bolt 1/2 x 1-1/2	
5	0700510	1	Bolt M5 x 20	
6	0760610	2	Bolt M6 x 20	
8	0761015	2	Bolt M10 x 35	
9	0761216	2	Bolt M12 x 40	
10	1320041	1	Clamp	
11	1320136	1	Clamp	
13	3290507	1	Nut M5	
14	3290607	2	Nut M6	
15	3291007	2	Nut M10	
16	3310401	3	Nut #4	
17	3790152	1	O-Ring	
18	3790155	1	O-Ring	
19	3910408	3	Screw #4 x 1/2	
20	4740171	2	Washer	
21	4750400	3	Washer #4	
22	4811600	2	Washer M5	
23	4811700	2	Washer M6	
24	4812000	2	Washer M10	
25	4891600	2	Washer 3/8	
26	4891800	2	Washer 1/2	
27	1001108616	1	Tandem Pump Assembly (See Separate Breakdown in this Section)	
28	1001199470	1	Piston Pump Assembly (See Separate Breakdown in this Section)	
29	1001112927	1	Gear Pump Assembly (See Separate Breakdown in this Section)	
30	1001149867	1	Engine Assembly (LRC) (Without Cold Weather Package) (See Separate Breakdown in this Section)	
31	1001149971	1	Engine Harness (See Separate Breakdown in ELECTRICAL SECTION)	
33	1001156001	1	Engine Harness Can (See Separate Breakdown in ELECTRICAL SECTION)	
34	1001156107	2	Holder, Cable	
35	1001156718	1	Seal	
36	1001206747	1	Seal	
37	1001157073	1	Cable, Alternator	
38	0761210	1	Bolt M12 x 20	
39	4812100	1	Washer M12	
42	1001234791	1	Cable, Battery Positive	
43	1001202355	1	Cable, Battery Negative	
44	1001168734	1	Cable, Glow Plug	
45	1001222918	1	Cable, System B+	

SECTION 3 - ENGINE

FIGURE 3-10. ENGINE ASSEMBLY (LRC) (WITHOUT COLD WEATHER PACKAGE)



ART_1001149867_S_10F2

SECTION 3 - ENGINE

FIGURE 3-10. ENGINE ASSEMBLY (LRC) (WITHOUT COLD WEATHER PACKAGE)

ITEM	PART NUMBER	QTY	DESCRIPTION	REV
	1001149867	Ref	DEUTZ LRC ENGINE ASSEMBLY	T
1	0100011	AR	Compound, Locking	
2	0100020	AR	Sealant	
3	0641606	2	Bolt 3/8 x 3/4	
4	0700612	20	Bolt M6 x 25	
5	0700815	2	Bolt M8 x 35	
6	0701013	2	Bolt M10 x 28	
7	0701015	6	Bolt M10 x 35	
8	0701016	2	Bolt M10 x 40	
9	0701017	2	Bolt M10 x 45	
10	0701019	1	Bolt M10 x 55	
11	0701627	4	Bolt M16 x 100	
12	0711214	4	Bolt M12 x 30 Grade 10.9	
13	0760810	5	Bolt M8 x 20	
14	0760812	7	Bolt M8 x 25	
15	0761008	2	Bolt M10 x 16	
16	0761012	10	Bolt M10 x 25	
17	0761210	3	Bolt M12 x 20	
18	0771415	4	Bolt M14 x 35 Grade 10.9	
19	0961951	2	Bushing	
20	1321716	1	Clamp	
22	2720015	5 ft/1.5m	Hose	
23	1001165035	1 ft/30.5m	Hose	
24	2902065	1	Pump Coupling Kit (See Separate Breakdown in this Section)	
25	3290607	23	Nut M6	
26	3290805	2	Nut M8	
27	3290807	9	Nut M8	
28	3291005	1	Nut M10	
29	3291007	10	Nut M10	
30	3291601	4	Nut M16	
31	3820032	9	Rivet	
32	5251022	6	Bolt M10 x 70	
33	4031912	4	Capscrew M8 x 40	
34	4240099	AR	Tie-Strap (Not Shown)	
35	4640751	1	Valve, Oil Drain	
36	4711600	2	Washer 3/8	
37	4811600	4	Washer M5	
38	4811700	41	Washer M6	
39	4811702	4	Washer M6	
40	4811900	25	Washer M8	
41	4811902	4	Washer M8	
42	4812000	34	Washer M10	
43	4812002	1	Washer M10	
44	4812100	11	Washer M12	
45	4812200	4	Washer M14	
46	5241000	2	Washer M10	
47	5241600	4	Washer M16	
48	5271614	1	Capscrew M16 x 50	
49	7300435	4	Washer	
50	8278020	1	Mount	

SECTION 3 - ENGINE

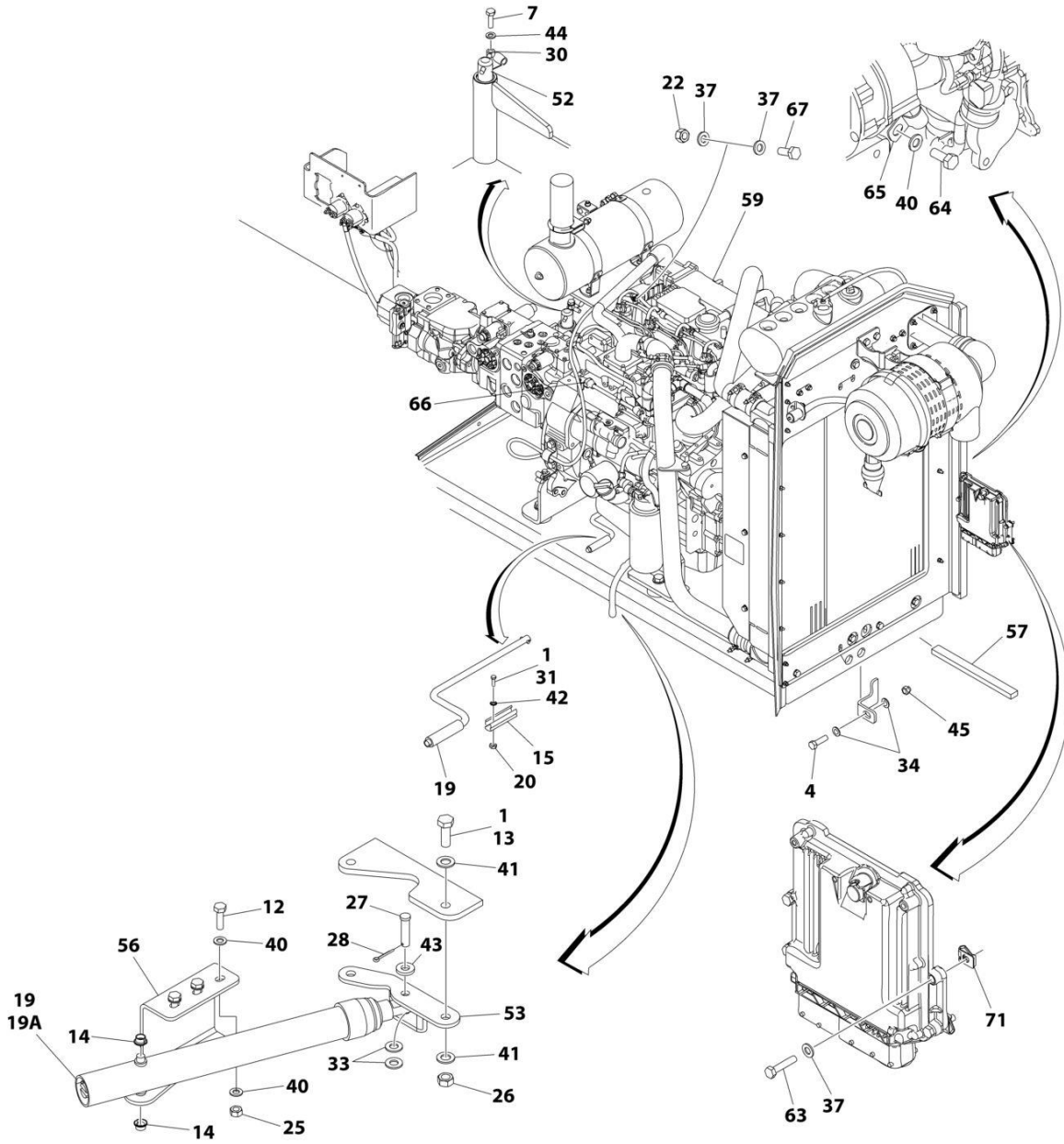
ITEM	PART NUMBER	QTY	DESCRIPTION	REV
51	8305401	2	Nut 1/4	
52	8307109	2	Washer 1/4	
53	8310548	2	Screw 1/4 x 1/2	
54	8405007	2	Clamp	
55	8405104	4	Clamp	
58	8406109	2	Clamp	
59	8406303	1	Clip	
60	8410011	1	Clamp	
61	8410013	3	Clamp	
62	91563070	1	Coupling, Rubber	
63	1001111116	2	Clamp	
64	1001117308	1	Relay	
65	1001119727	2	Clamp	
67	1001166393	1	Tank	
68	1001134488	1	Fitting, 90 NPT/Barbed	
69	1001135943	1	Coupling	
71	1001138827	1	Sensor	
72	1001136834	1	Cap	
73	1001138173	1	Support	
74	1001138175	1	Bracket	
75	1001138228	1	Module, Relay	
75	70023592	1	Fuse 20Amp	
75	70023593	1	Fuse 30Amp	
76	1001138248	5 ft/1.5m	Tubing	
77	1001138559	1	Fitting, 90 NPT	
78	1001139240	1	Bracket	
79	1001140564	1	Fitting, 90 NPT/Barbed	
80	1001141995	1	Fitting, Straight NPT/Barbed	
81	1001142501	1	Fitting, 90 NPT/Barbed	
82	1001143390	1	Indicator, Air Restriction	
83	1001177137	1	Fan	
84	1001147847	1	Filter, Air	
84	70023809	1	Element, Primary	
84	70023872	1	Element, Secondary	
84	70024328	1	Elbow, Rubber	
84	70024329	1	Clamp, Mounting	
85	1001251857	1	Deutz LRC Engine Components (See Separate Breakdown in this Section)	
86	1001148641	2	Bracket	
87	1001256862	1	Radiator	
88	1001149517	4	Mount, Motor	
89	1001192138	1	Shroud	
90	1001149746	1	Pulley	
91	1001150498	1	Tube	
92	1001150499	1	Hose	
93	1001191122	1	Hose	
94	1001150504	1	Hose	
95	1001150505	1	Pipe	
96	1001150553	1	Hose	
97	1001177134	1	Adapter	
98	1001151432	1	Muffler	
99	1001151491	1	Support	

SECTION 3 - ENGINE

ITEM	PART NUMBER	QTY	DESCRIPTION	REV
100	1001151749	1	Tray	
101	1001151761	1	Pipe, Exhaust	
102	1001152489	1	Fitting, 90 Barbed	
103	1001154405	8.5 in/ 21cm	Hose	
104	1001155023	1	Plate	
105	1001155496	1	Support	
106	1001160518	1	Support	
107	1001155498	1	Plate	
108	1001155525	1	Support	
109	1001155540	2	Washer	
110	1001157862	1	Bracket	
111	1001212817	1	Plate	
112	1001155557	2	Plate	
113	1001155563	1	Seal	
114	1001155564	1	Bracket	
115	1001155565	1	Seal	
116	1001155566	1	Bracket	
117	1001156034	1	Seal	
118	1001156035	1	Bracket	
119	1001156062	1	Bracket	
120	1001156091	1	Hose	
121	1001156112	1	Tube	
122	1001156644	2	Seal	
123	1001158262	1	Pipe, Exhaust	
124	1001158289	1	Bracket	
125	1001155728	1	Seal	
126	4060807	22 in/ 55cm	Flex-Trim	
127	0100081	AR	Adhesive	
128	0711218	4	Bolt M12 x 50 Grade 10.9	
129	1320022	4	Clamp	
130	1001170982	1	Fitting, 90 SAE/Barbed	
132	1703162	2	Decal - Fan Blade	
133	8406110	2	Clip	
134	8410012	3	Clamp	
135	1001208297	1	Clamp	
136	1001208298	2	Clamp	
137	1001208299	3	Clamp	
138	0760614	2	Bolt M6 x 30	

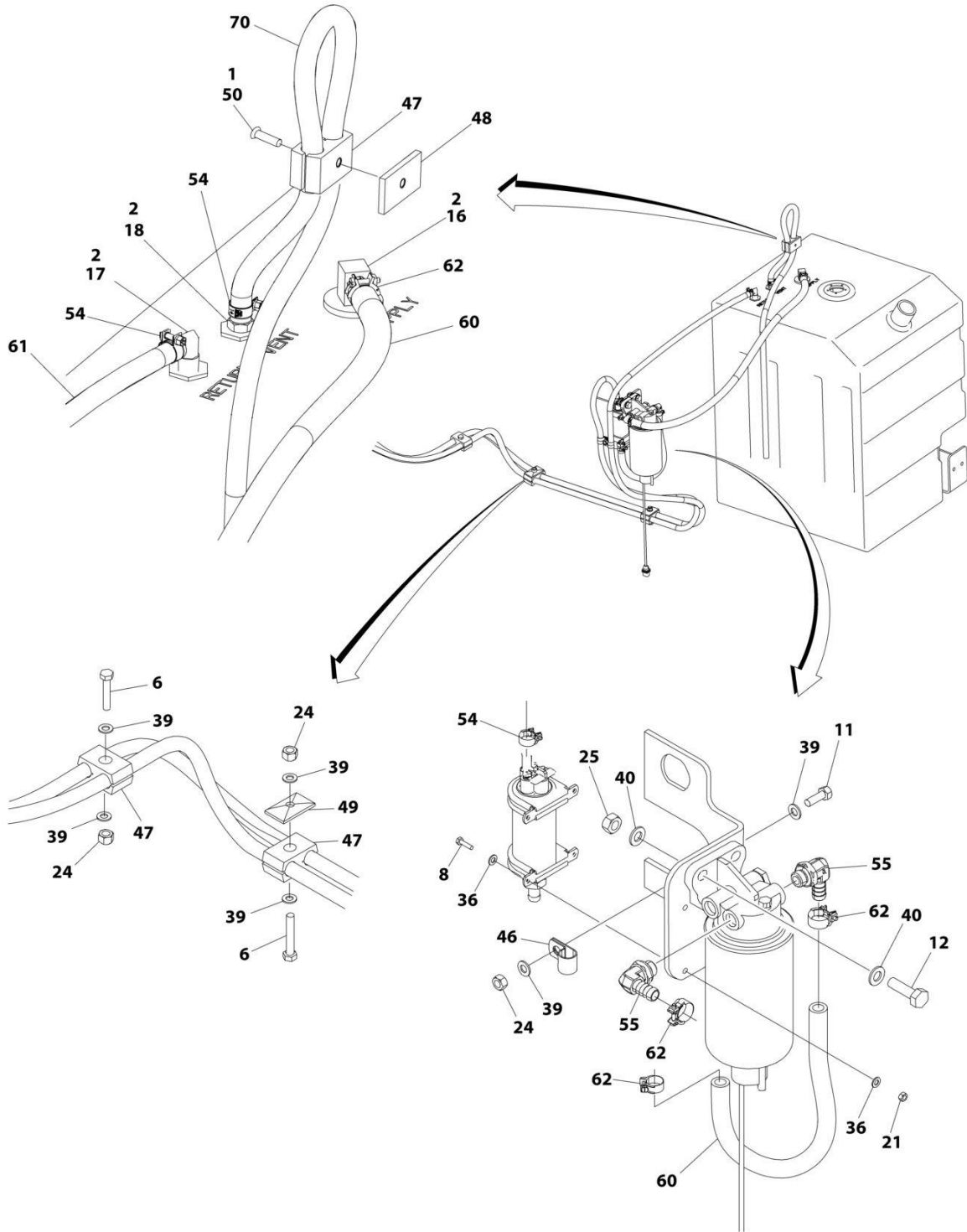
SECTION 3 - ENGINE

FIGURE 3-11. ENGINE INSTALLATION (LRC) (WITH COLD WEATHER PACKAGE)



ART_1001197308_K_10F2

SECTION 3 - ENGINE



ART_1001197308_K_2OF2

SECTION 3 - ENGINE

FIGURE 3-11. ENGINE INSTALLATION (LRC) (WITH COLD WEATHER PACKAGE)

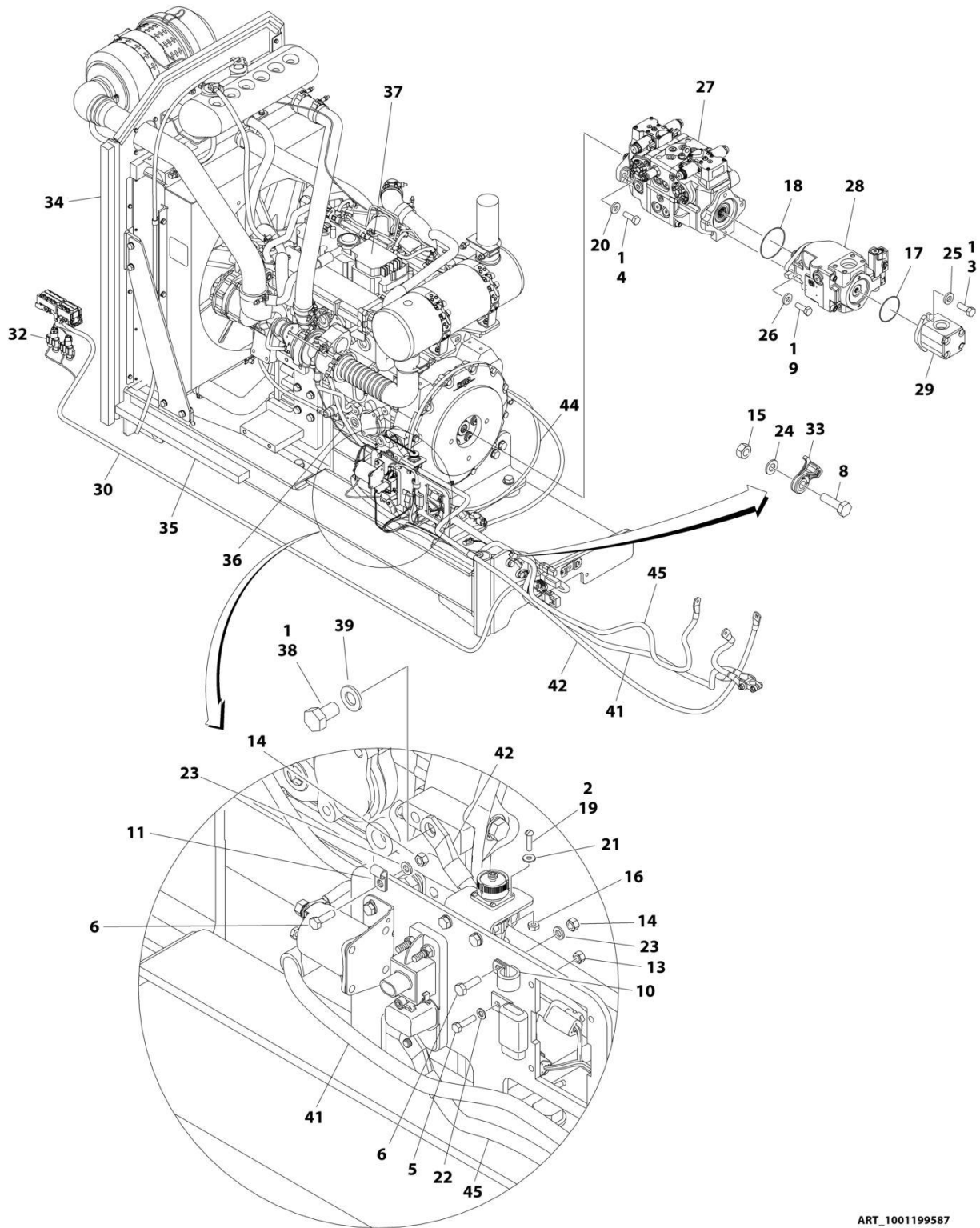
ITEM	PART NUMBER	QTY	DESCRIPTION	REV
	1001197308	Ref	ENGINE INSTALLATION (LRC) (WITH COLD WEATHER PACKAGE)	K
1	0100011	AR	Compound, Locking	
2	0100020	AR	Sealant	
3	0440162	1	Bearing (Not Shown)	
4	0642220	1	Bolt 3/4 x 2-1/2	
6	0700818	3	Bolt M8 x 50	
7	0711015	1	Bolt M10 x 35	
8	0760408	4	Bolt M4 x 16	
11	0760812	1	Bolt M8 x 25	
12	0761015	5	Bolt M10 x 35	
13	0771416	2	Bolt M14 x 40	
14	0962051	2	Bearing	
15	1380147	1	Clip	
16	2180832	1	Fitting, Straight Barbed/NPTF	
17	2220313	1	Fitting, 90 Barbed/NPTF	
18	2221114	1	Fitting, Straight Barbed/NPT	
19	2840016	1	Tray Jack Assembly	
19	7016322	1	Wiper (Burr Brand)	
19A	7016374	1	Handle (Burr Brand)	
19A	7024598	1	Handle (Hammerblow Brand)	
20	3290301	2	Nut M3	
21	3290405	4	Nut M4	
22	3290605	1	Nut M6	
24	3290807	4	Nut M8	
25	3291007	5	Nut M10	
26	3331411	2	Nut M14	
27	3430816	1	Pin	
28	3450404	1	Pin, Cotter 1/8 x 1	
30	3841143	1	Keeper, Pin	
31	4010308	2	Screw M3 x 16	
32	4240099	AR	Tie-Strap (Not Shown)	
33	4711800	2	Washer 1/2	
34	4712200	2	Washer 3/4	
36	4811400	8	Washer M4	
37	4811700	6	Washer M6	
39	4811900	8	Washer M8	
40	4812000	11	Washer M10	
41	4812200	4	Washer M14	
42	4871200	2	Washer M3	
43	4891800	1	Washer 1/2	
44	5241000	1	Washer M10	
45	8310067	1	Nut 3/4	
46	8406101	1	Clip	
47	8750014	4	Clamp	
48	8750031	1	Plate, Clamp	
49	8769123	2	Cover, Clamp	
50	1001101580	1	Screw M8 x 30	
52	1001135196	1	Pin	
53	1001135497	1	Support	

SECTION 3 - ENGINE

ITEM	PART NUMBER	QTY	DESCRIPTION	REV
54	1001136975	5	Clamp	
55	1001142501	2	Fitting, 90 Barbed	
56	1001155939	1	Mount	
57	1001206747	1	Seal	
59	1001199587	1	Engine Assembly with Pumps (LRC) (With Cold Weather Package) (See Separate Breakdown in this Section)	
60	1001154405	53 in /1.4m	Hose	
61	1001165035	31 ft /9.4m	Hose	
62	1001186342	4	Clip	
63	0700614	4	Bolt M6 x 30	
64	0761009	1	Bolt M10 x 18	
65	8406105	1	Clip	
66	1001155823	1	Fitting, 90 Barbed	
67	0760608	1	Bolt M6 x 16	
70	2750532	4 ft /1.2m	Hose	
71	8305919	4	Nut, Retainer M6	

SECTION 3 - ENGINE

FIGURE 3-12. ENGINE ASSEMBLY WITH PUMPS (LRC) (WITH COLD WEATHER PACKAGE)



ART_1001199587

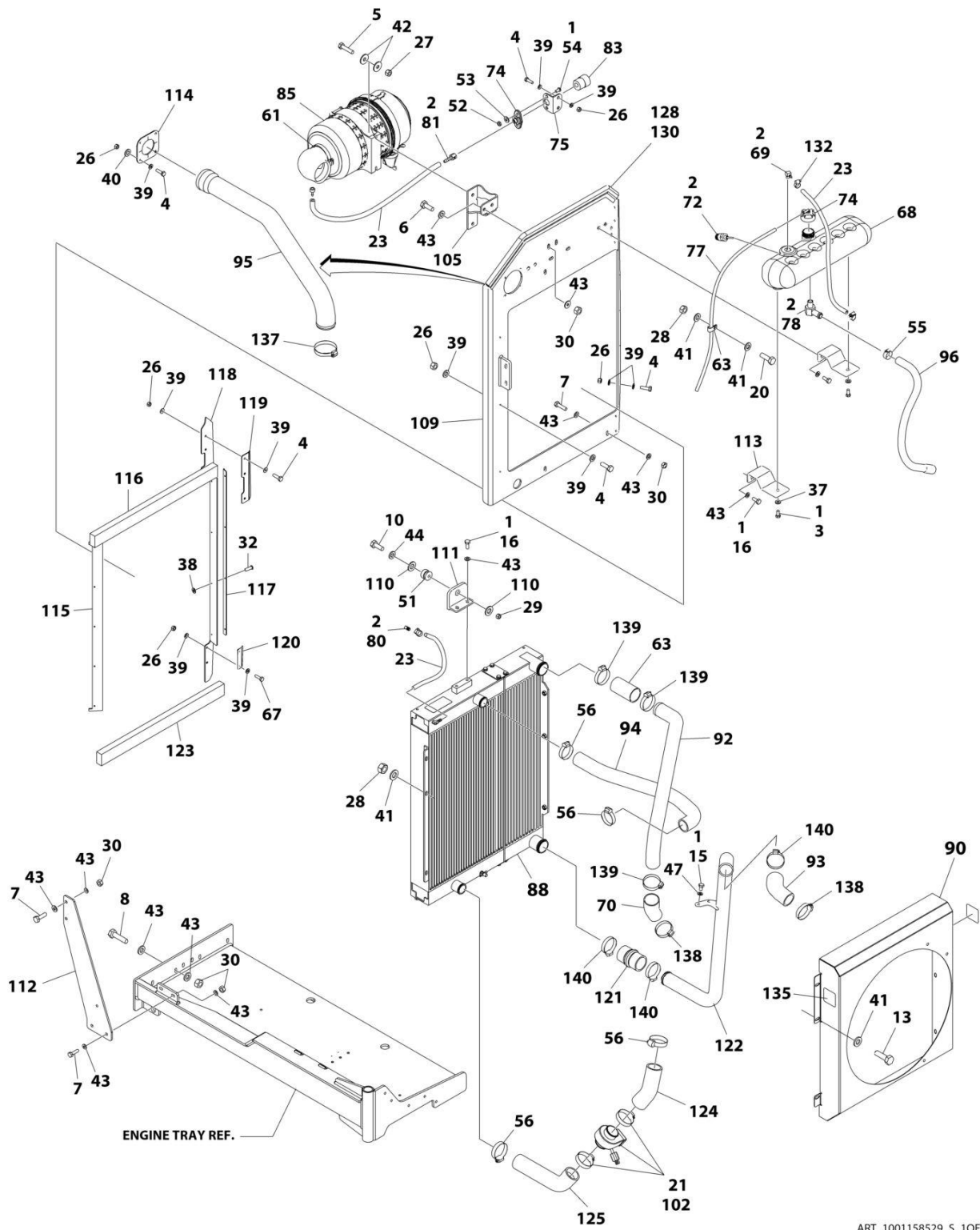
SECTION 3 - ENGINE

FIGURE 3-12. ENGINE ASSEMBLY WITH PUMPS (LRC) (WITH COLD WEATHER PACKAGE)

ITEM	PART NUMBER	QTY	DESCRIPTION	REV
	1001199587	Ref	ENGINE ASSEMBLY WITH PUMPS (LRC) (WITH COLD WEATHER PACKAGE)	J
1	0100011	AR	Compound, Locking	
2	0100035	AR	Compound, Locking	
3	0641608	2	Bolt 3/8 x 1	
4	0641812	2	Bolt 1/2 x 1-1/2	
5	0700510	1	Bolt M5 x 20	
6	0760610	2	Bolt M6 x 20	
8	0761015	2	Bolt M10 x 35	
9	0761216	2	Bolt 12 x 40	
10	1320041	1	Clamp	
11	1320136	1	Clamp	
13	3290507	1	Nut M5	
14	3290607	2	Nut M6	
15	3291007	2	Nut M10	
16	3310401	3	Nut #4	
17	3790152	1	O-Ring	
18	3790155	1	O-Ring	
19	3910408	3	Screw #4 x 1/2	
20	4740171	2	Washer	
21	4750400	3	Washer #4	
22	4811600	2	Washer M5	
23	4811700	2	Washer M6	
24	4812000	2	Washer M10	
25	4891600	2	Washer 3/8	
26	4891800	2	Washer 1/2	
27	1001108616	1	Tandem Pump Assembly (See Separate Breakdown in this Section)	
28	1001199470	1	Piston Pump Assembly (See Separate Breakdown in this Section)	
29	1001112927	1	Gear Pump Assembly (See Separate Breakdown in this Section)	
30	1001149971	1	Engine Harness (See Separate Breakdown in ELECTRICAL SECTION)	
32	1001156001	1	Engine Harness Can (See Separate Breakdown in ELECTRICAL SECTION)	
33	1001156107	2	Holder, Cable	
34	1001156718	1	Seal	
35	1001206747	1	Seal	
36	1001157073	1	Cable, Alternator	
37	1001158529	1	Engine Assembly (LRC) (With Cold Weather Package) (See Separate Breakdown in this Section)	
38	0761210	1	Bolt M12 x 20	
39	4812100	1	Washer M12	
41	1001234791	1	Cable, Battery Positive	
42	1001202355	1	Cable, Battery Negative	
44	1001168734	1	Cable, Glow Plug	
45	1001222918	1	Cable, System B+	

SECTION 3 - ENGINE

FIGURE 3-13. ENGINE ASSEMBLY (LRC) (WITH COLD WEATHER PACKAGE)



ART_1001158529_S_10F2

SECTION 3 - ENGINE

FIGURE 3-13. ENGINE ASSEMBLY (LRC) (WITH COLD WEATHER PACKAGE)

ITEM	PART NUMBER	QTY	DESCRIPTION	REV
	1001158529	Ref	DEUTZ LRC ENGINE ASSEMBLY - WITH COLD WEATHER PKG	T
1	0100011	AR	Compound, Locking	
2	0100020	AR	Sealant	
3	0641606	2	Bolt 3/8 x 3/4	
4	0700612	20	Bolt M6 x 25	
5	0700815	2	Bolt M8 x 35	
6	0701013	2	Bolt M10 x 28	
7	0701015	6	Bolt M10 x 35	
8	0701016	2	Bolt M10 x 40	
9	0701017	2	Bolt M10 x 45	
10	0701019	1	Bolt M10 x 55	
11	0701627	4	Bolt M16 x 100	
12	0711214	4	Bolt M12 x 30 Grade 10.9	
13	0760810	5	Bolt M8 x 20	
14	0760812	7	Bolt M8 x 25	
15	0761008	2	Bolt M10 x 16	
16	0761012	10	Bolt M10 x 25	
17	0761210	3	Bolt M12 x 20	
18	0771415	4	Bolt M14 x 35 Grade 10.9	
19	0961951	2	Bushing	
20	1321716	1	Clamp	
21	1702942	1	Decal - Engine Block Heater	
23	2720015	5 ft/1.5m	Hose	
24	1001165035	1 ft/30.5m	Hose	
25	2902065	1	Pump Coupling Kit (See Separate Breakdown in this Section)	
26	3290607	23	Nut M6	
27	3290805	2	Nut M8	
28	3290807	9	Nut M8	
29	3291005	1	Nut M10	
30	3291007	10	Nut M10	
31	3291601	4	Nut M16	
32	3820032	9	Rivet	
33	5251022	6	Bolt M10 x 70	
34	4031912	4	Capscrew M8 x 40	
35	4240099	AR	Tie-Strap (Not Shown)	
36	4640751	1	Valve, Oil Drain	
37	4711600	2	Washer 3/8	
38	4811600	4	Washer M5	
39	4811700	41	Washer M6	
40	4811702	4	Washer M6	
41	4811900	25	Washer M8	
42	4811902	4	Washer M8	
43	4812000	34	Washer M10	
44	4812002	1	Washer M10	
45	4812100	11	Washer M12	
46	4812200	4	Washer M14	
47	5241000	2	Washer M10	
48	5241600	4	Washer M16	
49	5271614	1	Capscrew M16 x 50	
50	7300435	4	Washer	

SECTION 3 - ENGINE

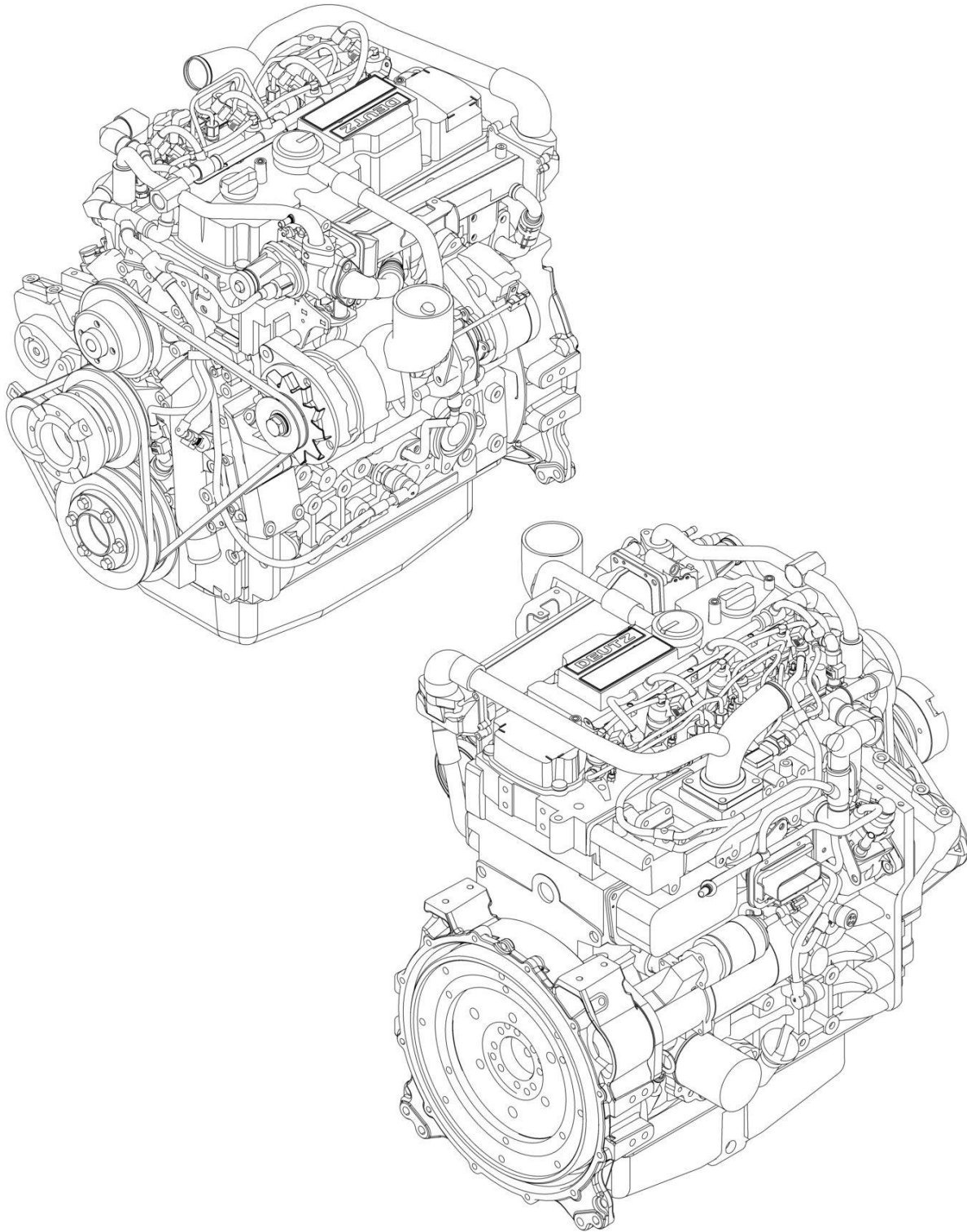
ITEM	PART NUMBER	QTY	DESCRIPTION	REV
51	8278020	1	Mount	
52	8305401	2	Nut 1/4	
53	8307109	2	Washer 1/4	
54	8310548	2	Screw 1/4 x 1/2	
55	8405007	2	Clamp	
56	8405104	4	Clamp	
59	8406109	2	Clamp	
60	8406303	1	Clip	
61	8410011	1	Clamp	
62	8410013	3	Clamp	
63	91563070	1	Coupling, Rubber	
64	1001111116	2	Clamp	
65	1001117308	1	Relay	
66	1001119727	2	Clamp	
67	0760614	2	Bolt M6 x 30	
68	1001166393	1	Tank	
69	1001134488	1	Fitting, 90 NPT/Barbed	
70	1001135943	1	Coupling	
72	1001138827	1	Sensor	
73	1001136834	1	Cap	
74	1001138173	1	Support	
75	1001138175	1	Bracket	
76	1001138228	1	Module, Relay	
76	70023592	1	Fuse 20Amp	
76	70023593	1	Fuse 30Amp	
77	1001138248	5 ft/1.5m	Tubing	
78	1001138559	1	Fitting, 90 NPT	
79	1001139240	1	Bracket	
80	1001140564	1	Fitting, 90 NPT/Barbed	
81	1001141995	1	Fitting, Straight NPT/Barbed	
82	1001142501	1	Fitting, 90 NPT/Barbed	
83	1001143390	1	Indicator, Air Restriction	
84	1001177137	1	Fan	
85	1001147847	1	Filter, Air	
85	70023809	1	Element, Primary	
85	70023872	1	Element, Secondary	
85	70024328	1	Elbow, Rubber	
85	70024329	1	Clamp, Mounting	
86	1001251857	1	Deutz LRC Engine Components (See Separate Breakdown in this Section)	
87	1001148641	2	Bracket	
88	1001256862	1	Radiator	
89	1001149517	4	Mount, Motor	
90	1001192138	1	Shroud	
91	1001149746	1	Pulley	
92	1001150498	1	Tube	
93	1001150499	1	Hose	
94	1001191122	1	Hose	
95	1001150505	1	Pipe	
96	1001150553	1	Hose	
97	1001177134	1	Adapter	
98	1001151432	1	Muffler	

SECTION 3 - ENGINE

ITEM	PART NUMBER	QTY	DESCRIPTION	REV
99	1001151491	1	Support	
100	1001151749	1	Tray	
101	1001151761	1	Pipe, Exhaust	
102	1001152112	1	Heater, Engine Block	
103	1001152489	1	Fitting, 90 Barbed	
104	1001154405	8.5 in /21cm	Hose	
105	1001155023	1	Plate	
106	1001155496	1	Support	
107	1001160518	1	Support	
108	1001155498	1	Plate	
109	1001155525	1	Support	
110	1001155540	2	Washer	
111	1001157862	1	Bracket	
112	1001212817	1	Plate	
113	1001155557	2	Plate	
114	1001155563	1	Seal	
115	1001155564	1	Bracket	
116	1001155565	1	Seal	
117	1001155566	1	Bracket	
118	1001156034	1	Seal	
119	1001156035	1	Bracket	
120	1001156062	1	Bracket	
121	1001156091	1	Hose	
122	1001156112	1	Tube	
123	1001156644	2	Seal	
124	1001157300	1	Hose, Lower Radiator (Top Section)	
125	1001157301	1	Hose, Lower Radiator (Bottom Section)	
126	1001158262	1	Pipe, Exhaust	
127	1001158289	1	Bracket	
128	1001155728	1	Seal	
129	4060807	22 in/ 55cm	Flex-Trim	
130	0100081	AR	Adhesive	
131	0711218	4	Bolt M12 x 50 Grade 10.9	
132	1320022	4	Clamp	
133	1001170982	1	Fitting, 90 SAE/Barbed	
135	1703162	2	Decal - Fan Blade	
136	8406110	2	Clip	
137	1001208297	1	Clamp	
138	1001208298	2	Clamp	
139	1001208299	3	Clamp	
140	8410012	3	Clamp	

SECTION 3 - ENGINE

FIGURE 3-14. DEUTZ LRC ENGINE COMPONENTS



ART_1001251857

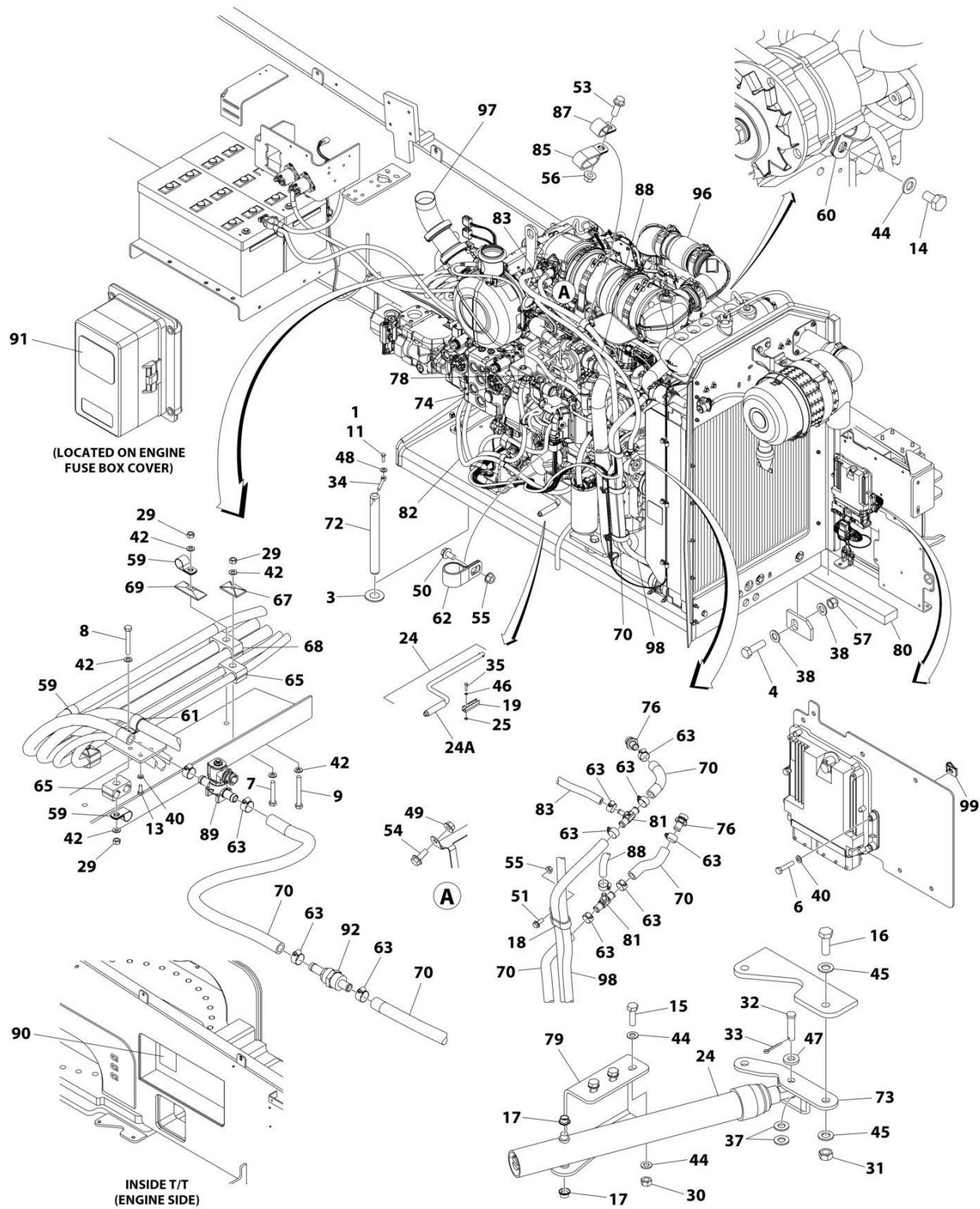
SECTION 3 - ENGINE

FIGURE 3-14. DEUTZ LRC ENGINE COMPONENTS

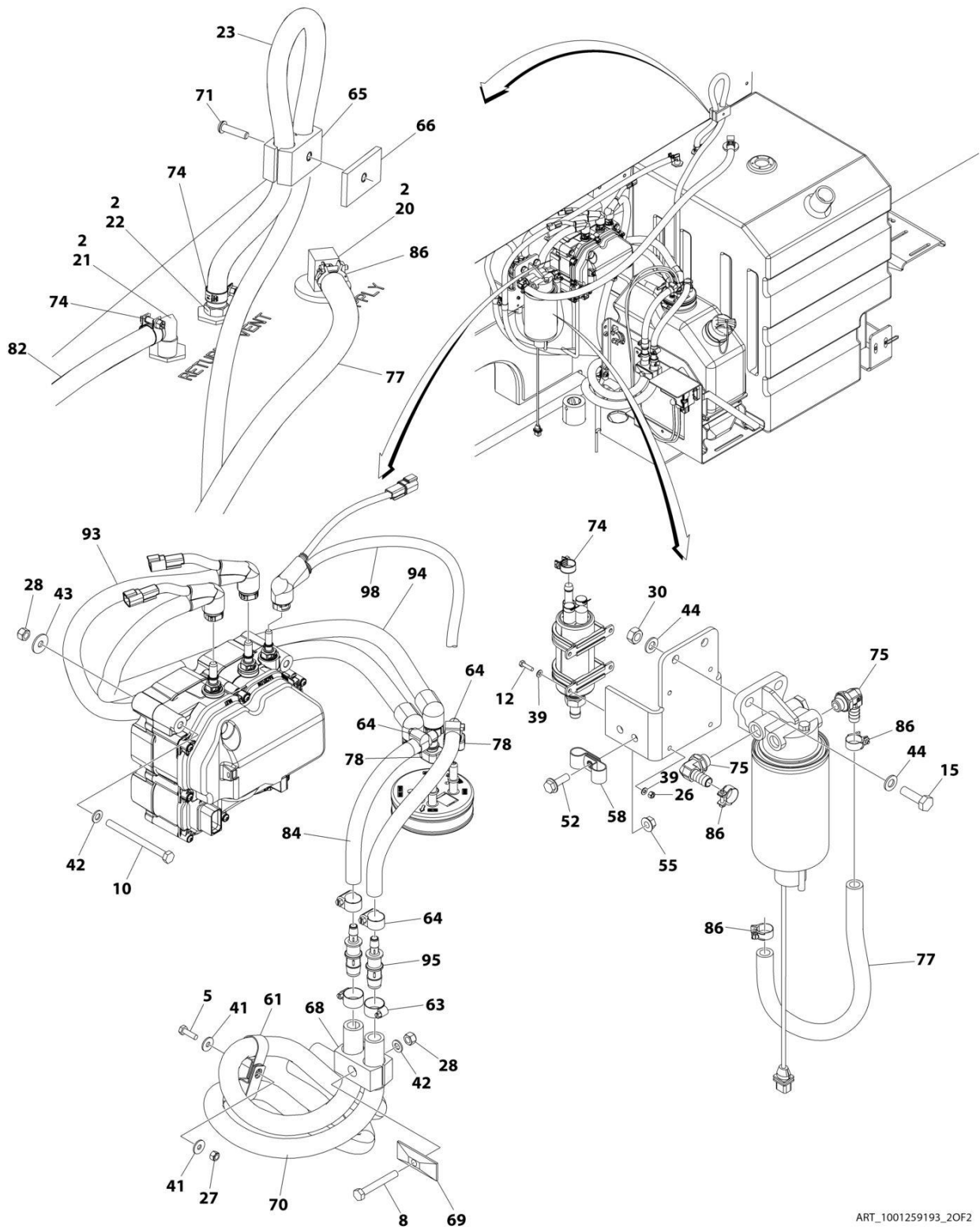
ITEM	PART NUMBER	QTY	DESCRIPTION	REV
	1001251857	Ref	DEUTZ ENGINE COMPONENTS	A
		Ref	Note: For complete list of parts, contact JLG Parts Department	
		Ref	Air Intake System Components	
	70004518	1	Turbocharger	
		Ref	Cooling System Components	
	70004515	1	Pump, Coolant	
		Ref	Electrical System Components	
	70024472	1	Module, ECU/ECM	
	70029401	1	Generator (Includes Regulator & Fan)	
	70006653	1	Regulator	
	70004520	1	Starter (Includes Solenoid)	
	70025780	1	Relay	
	70005564	1	Harness, Engine	
	70026210	1	Sender, Tacho-Generator (Speed) (On Front Cover) (Includes Seal)	
	70028540	1	Sender, Temperature (On Thermostat Housing)	
	70024507	1	Sensor, Pressure (Includes Seal) (On Air Intake Manifold)	
	70024504	1	Sensor, Pressure (Includes Seal) (On Block)	
	70024474	4	Plug, Glow	
		Ref	Exhaust System Components	
	70027569	1	Valve, EGR	
		Ref	Fuel System Components	
	70024487	1	Pump, Fuel Injector	
	70024485	4	Injector (Includes Seal, Clamp & O-Ring)	
	70006144	1	Pump, Fuel Supply (Includes Clamps)	
	70025153	1	Filter, Fuel (Pre-Filter)	
	70004512	1	Filter, Fuel	
		Ref	Lubricating System Components	
	70025745	1	Dipstick	
	7020465	2	Cap, Oil Fill	
	70025088	1	Plug, Oil Drain	
	7020404	2	Seal, Oil Drain Plug	
		Ref	Pump, Oil (Includes Bolts & Bushing)	
	7016331	1	Filter, Oil	
	70024494	1	Cooler, Oil	
		Ref	Mechanical Components	
	70004517	1	V-Belt	
	70004519	1	V-Belt	
	70024481	1	Gasket, Valve Cover	
	70025789	1	Gasket, Head	

SECTION 3 - ENGINE

FIGURE 3-15. ENGINE INSTALLATION (HRC) (STAGE V) (WITHOUT COLD WEATHER PACKAGE)



SECTION 3 - ENGINE



ART_1001259193_2OF2

SECTION 3 - ENGINE

FIGURE 3-15. ENGINE INSTALLATION (HRC) (STAGE V) (WITHOUT COLD WEATHER PACKAGE)

ITEM	PART NUMBER	QTY	DESCRIPTION	REV
	1001259193	Ref	ENGINE INSTALLATION (HRC)	D
1	0100011	AR	Compound, Locking	
2	0100020	AR	Sealant	
3	0440162	1	Bearing	
4	0642220	1	Bolt 3/4 x 2-1/2	
5	0700610	1	Bolt M6 x 20	
6	0700614	4	Bolt M6 x 30	
7	0700818	2	Bolt M8 x 50	
8	0700820	2	Bolt M8 x 60	
9	0700822	2	Bolt M8 x 70	
10	0700827	3	Bolt M8 x 100	
11	0711015	1	Bolt M10 x 35	
12	0760408	4	Bolt M4 x 16	
13	0760608	4	Bolt M6 x 16	
14	0761009	1	Bolt M10 x 18	
15	0761015	5	Bolt M10 x 35	
16	0771416	2	Bolt M14 x 40	
17	0962051	2	Bearing	
18	1321716	1	Clamp	
19	1380147	1	Clip	
20	2180832	1	Fitting, Straight Barbed/NPTF	
21	2220313	1	Fitting, 90 Barbed/NPTF	
22	2221114	1	Fitting, Straight Barbed/NPT	
23	2750532	4 ft/ 1.2m	Hose	
24	2840016	1	Tray Jack Assembly	
24	7016322	1	Wiper (Burr Brand)	
24A	7016374	1	Handle (Burr Brand)	
24A	7024598	1	Handle (Hammerblow Brand)	
25	3290301	2	Nut M3	
26	3290405	4	Nut M4	
27	3290605	1	Nut M6	
28	3290805	4	Nut M8	
29	3290807	5	Nut M8	
30	3291007	5	Nut M10	
31	3331411	2	Nut M14	
32	3430816	1	Pin	
33	3450404	1	Pin, Cotter 1/8 x 1	
34	3841143	1	Keeper, Pin	
35	4010308	2	Screw M3 x 16	
36	4240099	AR	Tie-Strap (Not Shown)	
37	4711800	2	Washer 1/2	
38	4712200	2	Washer 3/4	
39	4811400	8	Washer M4	
40	4811700	8	Washer M6	
41	4811702	2	Washer M6	
42	4811900	14	Washer M8	
43	4811902	3	Washer M8	
44	4812000	11	Washer M10	
45	4812200	4	Washer M14	
46	4871200	2	Washer M3	

SECTION 3 - ENGINE

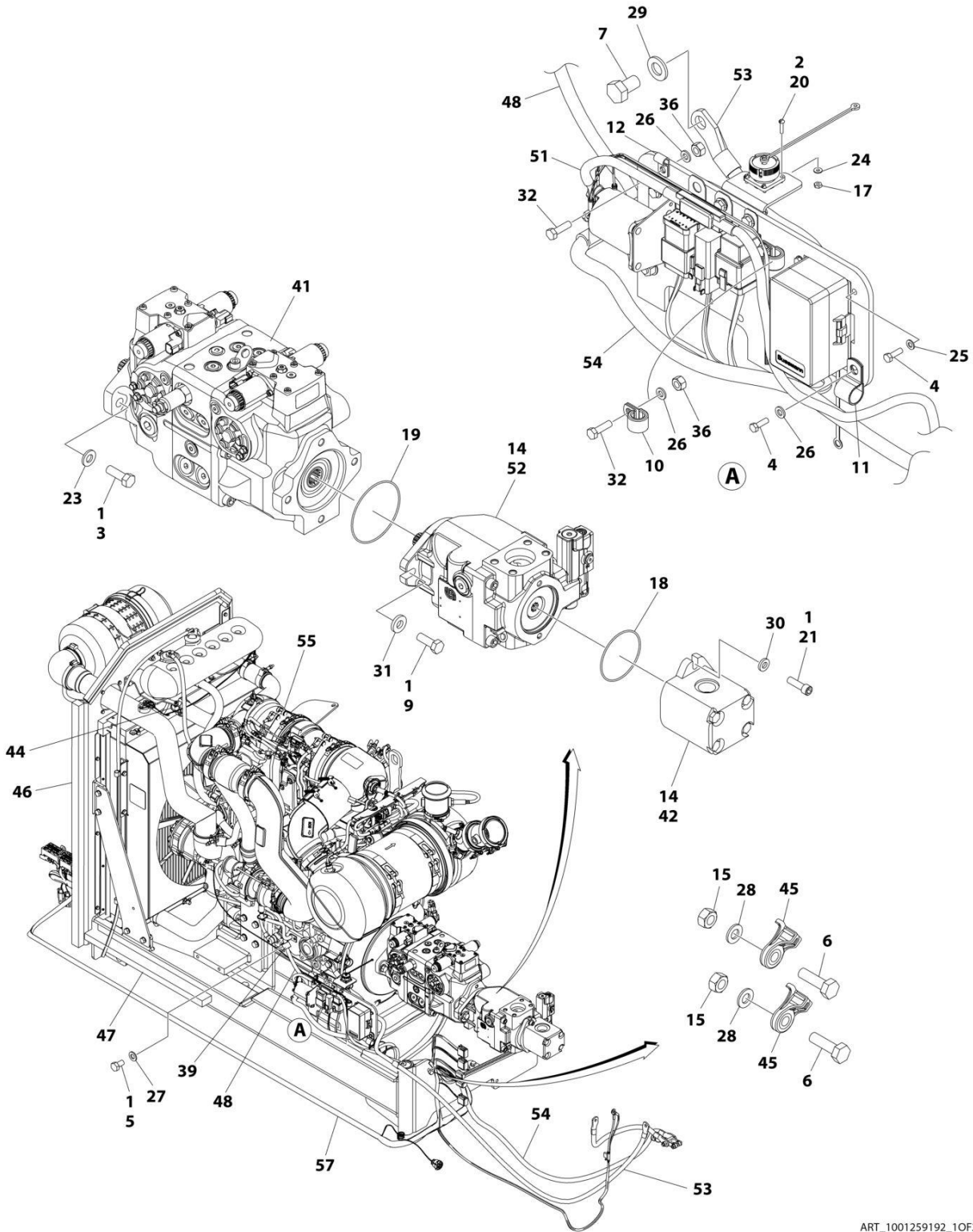
ITEM	PART NUMBER	QTY	DESCRIPTION	REV
47	4891800	1	Washer 1/2	
48	5241000	1	Washer M10	
49	5250608	1	Bolt M6 x 16	
50	5250808	1	Bolt M8 x 16	
51	5250810	1	Bolt M8 x 20	
52	5250812	1	Bolt M8 x 25	
53	5251215	1	Bolt M12 x 35	
54	5260600	1	Nut M6	
55	5260800	3	Nut M8	
56	5261200	1	Nut M12	
57	8310067	1	Nut 3/4	
58	8406101	2	Clip	
59	8406102	3	Clip	
60	8406105	1	Clip	
61	8406201	3	Clip	
62	8406303	1	Clamp	
63	8410009	14	Clamp	
64	8410013	4	Clamp	
65	8750014	4	Clamp	
66	8750031	1	Plate, Clamp	
67	8769123	2	Cover, Clamp	
68	8769127	3	Cover, Clamp	
69	77133137	3	Cover, Clamp	
70	82033995	374 in/ 9.5m	Hose	
71	1001101580	1	Screw M8 x 30	
72	1001135196	1	Pin	
73	1001135497	1	Support	
74	1001136975	5	Clamp	
75	1001142501	2	Fitting, 90 Barbed	
76	1001154262	2	Fitting, Straight Barbed	
77	1001154405	51 in/ 1.3m	Hose	
78	1001155823	3	Fitting, 90 Barbed	
79	1001155939	1	Mount	
80	1001206747	1	Seal	
81	1001162212	2	Fitting, Tee Barbed	
82	1001165035	28 ft/ 8.4m	Hose	
83	1001169409	1	Hose	
84	1001181625	1.65 ft/ 0.50m	Hose	
85	1001181899	1	Clamp	
86	1001186342	4	Clip	
87	1001191620	1	Clamp	
88	1001193980	1	Hose, Return	
89	1001199670	1	Valve, Flow	
90	1001212056	1	Decal - Engine Fuse Box	
91	1001224046	1	Decal - Engine Fuse Box Cover	
92	1001228872	1	Filter, Coolant Screen	
93	1001238401	1	Hose, Backflow	
94	1001238402	1	Hose, Suction	

SECTION 3 - ENGINE

ITEM	PART NUMBER	QTY	DESCRIPTION	REV
95	1001238470	2	Fitting, Reducer Barbed	
96	1001259192	1	Engine Assembly with Pumps (HRC) (Stage V) (With Cold Weather Package) (See Separate Breakdown in this Section)	
97	1001259204	1	Pipe	
98	1001260287	1	Hose	
99	8305919	4	Nut, Retainer	

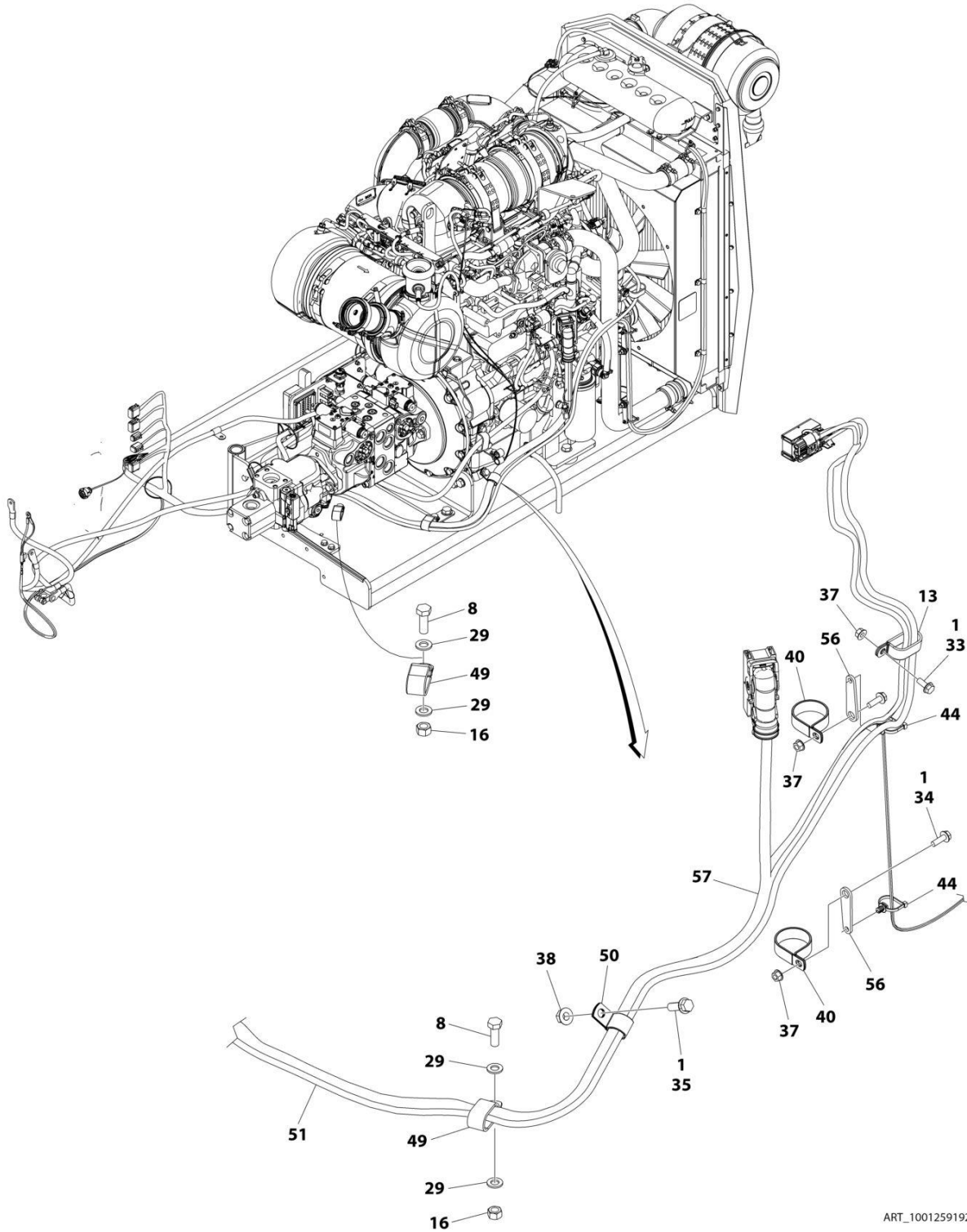
SECTION 3 - ENGINE

FIGURE 3-16. ENGINE ASSEMBLY WITH PUMPS (HRC) (STAGE V) (WITHOUT COLD WEATHER PACKAGE)



ART_1001259192_10F2

SECTION 3 - ENGINE



ART_1001259192_20F2

SECTION 3 - ENGINE

FIGURE 3-16. ENGINE ASSEMBLY WITH PUMPS (HRC) (STAGE V) (WITHOUT COLD WEATHER PACKAGE)

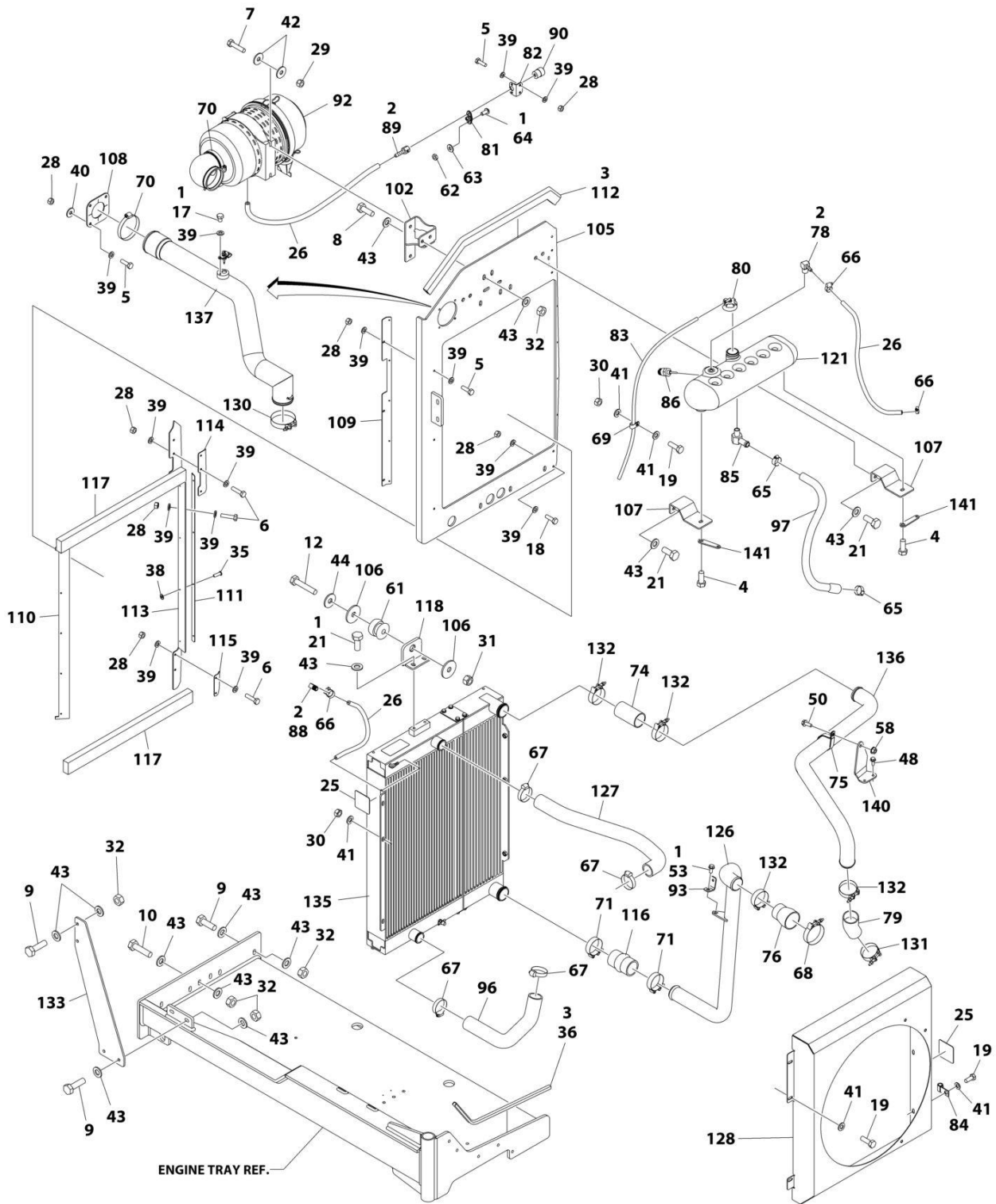
ITEM	PART NUMBER	QTY	DESCRIPTION	REV
	1001259192	Ref	ENGINE ASSEMBLY WITH PUMPS (HRC)	D
1	0100011	AR	Compound, Locking	
2	0100035	AR	Compound, Locking	
3	0641812	2	Bolt 1/2 x 1-1/2	
4	0760508	4	Bolt M5 x 16	
5	0760807	1	Bolt M8 x 14	
6	0761015	2	Bolt M10 x 35	
7	0761210	1	Bolt M12 x 20	
8	0761215	2	Bolt M12 x 35	
9	0761216	2	Bolt M12 x 40	
10	1320041	1	Clamp	
11	1320061	1	Clamp	
12	1320136	1	Clamp	
13	1321716	1	Clamp	
14	3020037	AR	Lubricant	
15	3291007	2	Nut M10	
16	3291207	2	Nut M12	
17	3310401	3	Nut #4	
18	3790152	1	O-Ring	
19	3790155	1	O-Ring	
20	3910408	3	Screw #4 x 1/2	
21	3931620	2	Capscrew 3/8 x 1-1/4	
22	4240099	AR	Tie-Strap (Not Shown)	
23	4740171	2	Washer	
24	4750400	3	Washer #4	
25	4811600	3	Washer M5	
26	4811700	3	Washer M6	
27	4811900	1	Washer M8	
28	4812000	2	Washer M10	
29	4812100	5	Washer M12	
30	4891600	2	Washer 3/8	
31	4891800	2	Washer 1/2	
32	5250611	2	Screw M6 x 22	
32	0760610	2	Bolt M6 x 20	
33	5250810	1	Bolt M8 x 20	
34	5250812	2	Bolt M8 x 25	
35	5251215	1	Bolt M12 x 35	
36	5260600	2	Nut M6	
36	3290607	2	Nut, Lock M6	
37	5260800	3	Nut M8	
38	5261200	1	Nut M12	
39	91043147	1	Clamp	
40	1001097588	2	Clamp	
41	1001108616	1	Tandem Pump Assembly (See Separate Breakdown in this Section)	
42	1001112927	1	Gear Pump Assembly (See Separate Breakdown in this Section)	
44	1001146588	4	Tie-Strap	
45	1001156107	2	Holder, Cable	
46	1001156718	1	Seal	

SECTION 3 - ENGINE

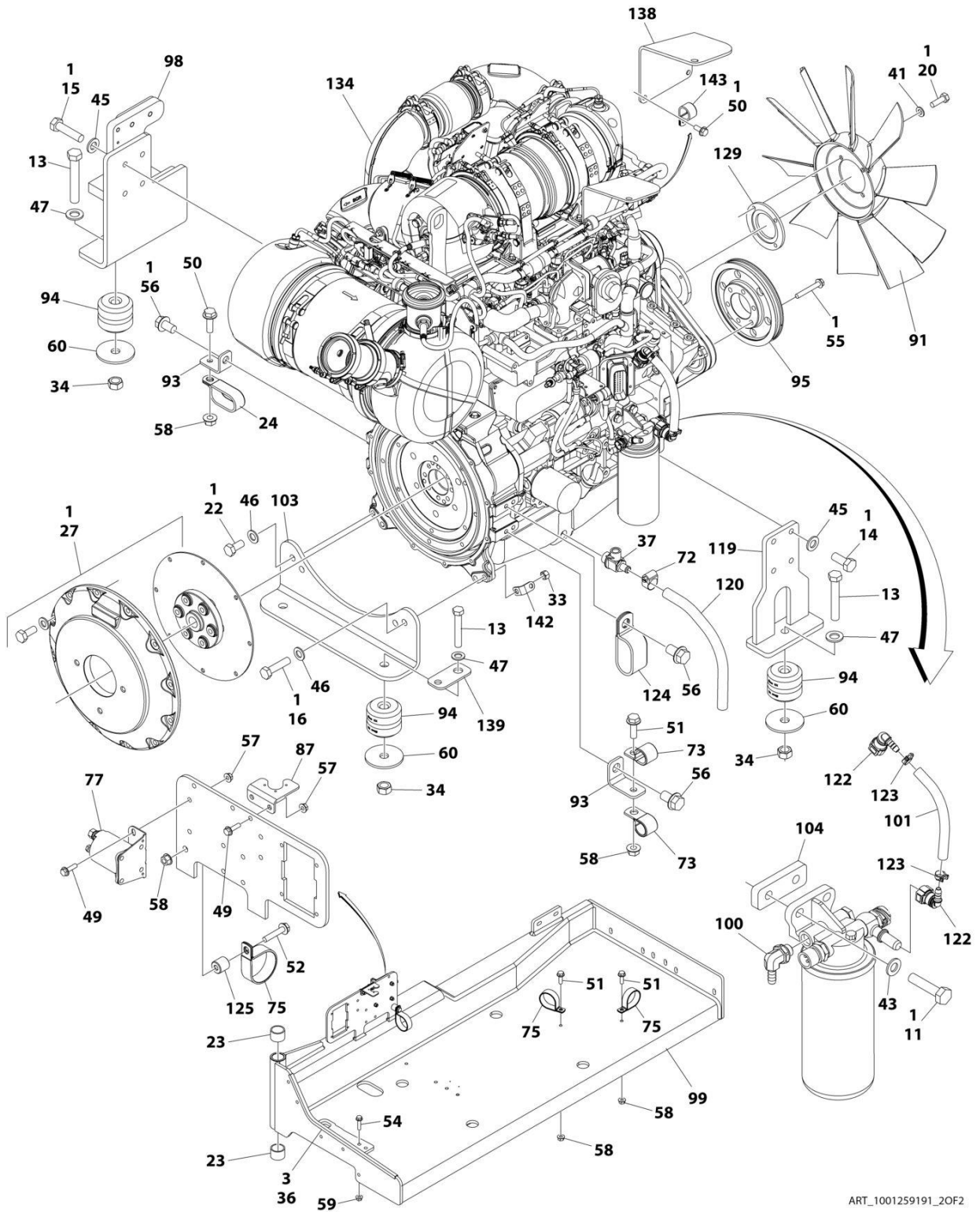
ITEM	PART NUMBER	QTY	DESCRIPTION	REV
47	1001206747	1	Seal	
48	1001157073	1	Cable, Alternator	
49	1001181899	2	Clamp	
50	1001191620	1	Clamp	
51	1001274992	1	Cable, Glow Plug	
52	1001199470	1	Piston Pump Assembly (See Separate Breakdown in this Section)	
53	1001202355	1	Cable, Battery Negative	
54	1001234791	1	Cable, Battery Positive	
55	1001259191	1	Engine Assembly (HRC) (Stage V) (With Cold Weather Package) (See Separate Breakdown in this Section)	
56	1001260307	2	Bracket	
57	1001262056	1	Engine Harness (See Separate Breakdown in ELECTRICAL Section)	

SECTION 3 - ENGINE

FIGURE 3-17. ENGINE ASSEMBLY (HRC) (STAGE V) (WITHOUT COLD WEATHER PACKAGE)



SECTION 3 - ENGINE



ART_1001259191_20F2

SECTION 3 - ENGINE

FIGURE 3-17. ENGINE ASSEMBLY (HRC) (STAGE V) (WITHOUT COLD WEATHER PACKAGE)

ITEM	PART NUMBER	QTY	DESCRIPTION	REV
	1001259191	Ref	DEUTZ T4F ENGINE ASSEMBLY	E
1	0100011	AR	Compound, Locking	
2	0100020	AR	Sealant	
3	0100081	AR	Adhesive	
4	0641607	2	Bolt 3/8 x 7/8	
5	0700610	9	Bolt M6 x 20	
6	0700612	7	Bolt M6 x 25	
7	0700815	2	Bolt M8 x 35	
8	0701013	2	Bolt M10 x 28	
9	0701015	6	Bolt M10 x 35	
10	0701016	2	Bolt M10 x 40	
11	0701017	2	Bolt M10 x 45	
12	0701019	1	Bolt M10 x 55	
13	0701627	4	Bolt M16 x 100	
14	0711214	4	Bolt M12 x 30 Grade 10.9	
15	0711218	4	Bolt M12 x 50 Grade 10.9	
16	0711419	1	Bolt M14 x 55	
17	0760604	1	Bolt M6 x 8	
18	0760614	2	Bolt M6 x 30	
19	0760810	6	Bolt M8 x 20	
20	0760812	4	Bolt M8 x 25	
21	0761012	6	Bolt M10 x 25	
22	0771415	3	Bolt M14 x 35 Grade 10.9	
23	0961951	2	Bushing	
24	1321716	1	Clamp	
25	1703162	2	Decal - Fan Blade	
26	2720015	5 ft/ 1.5m	Hose	
27	2902065	1	Pump Coupling Kit (See Separate Breakdown in this Section)	
28	3290607	18	Nut M6	
29	3290805	2	Nut M8	
30	3290807	3	Nut M8	
31	3291005	1	Nut M10	
32	3291007	10	Nut M10	
33	3291407	1	Nut M14	
34	3291601	4	Nut M16	
35	3820032	9	Rivet	
36	4060807	22 in/ 56cm	Flex-Trim	
37	4640751	1	Valve, Oil Drain	
38	4811600	4	Washer M5	
39	4811700	33	Washer M6	
40	4811702	4	Washer M6	
41	4811900	13	Washer M8	
42	4811902	4	Washer M8	
43	4812000	30	Washer M10	
44	4812002	1	Washer M10	
45	4812100	8	Washer M12	
46	4812200	4	Washer M14	
47	5241600	4	Washer M16	
48	5250608	2	Bolt M6 x 16	

SECTION 3 - ENGINE

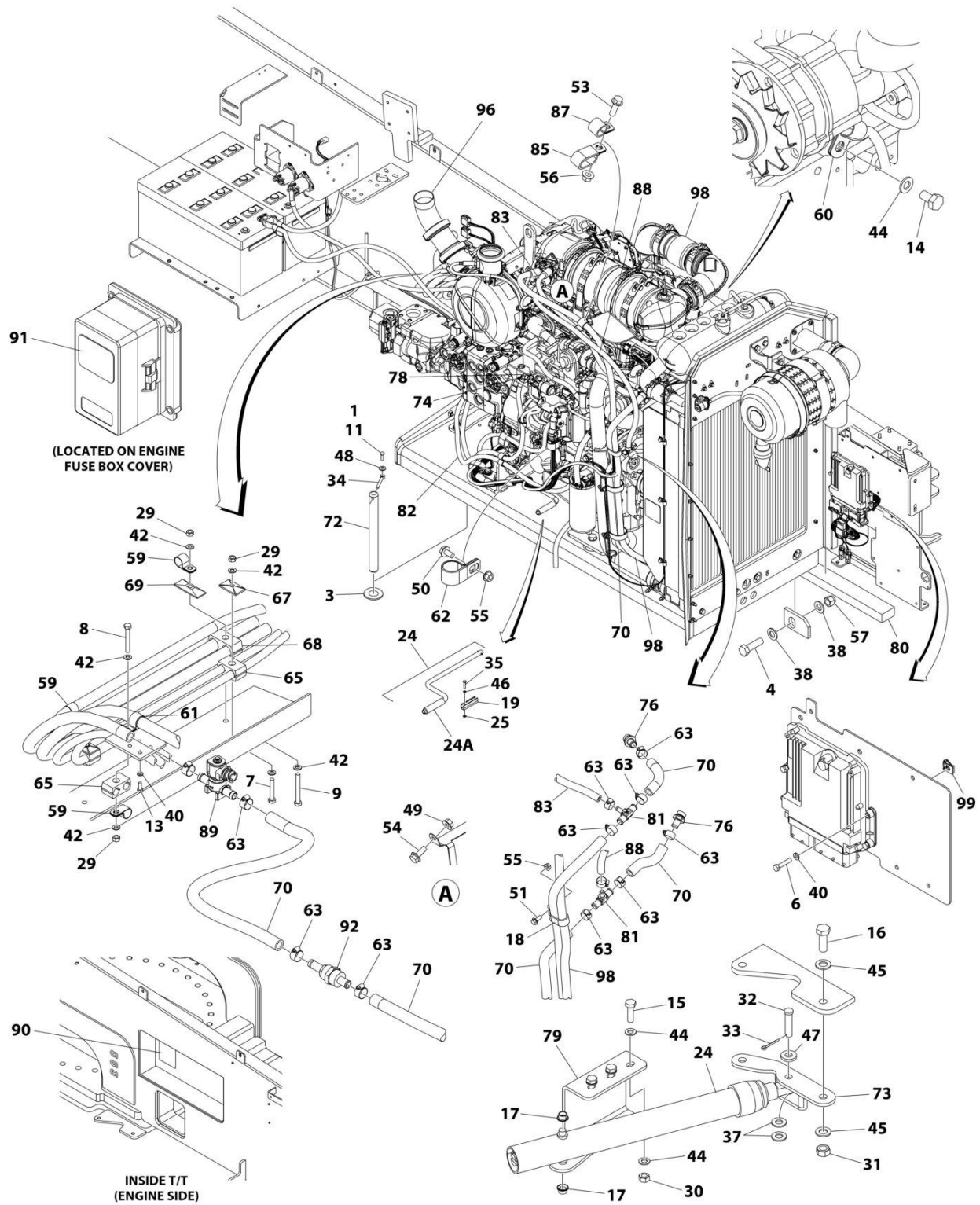
ITEM	PART NUMBER	QTY	DESCRIPTION	REV
49	5250611	4	Bolt M6 x 22	
50	5250810	4	Bolt M8 x 20	
51	5250812	3	Bolt M8 x 25	
52	5250816	1	Bolt M8 x 40	
53	5251010	1	Bolt M10 x 20	
54	5251016	2	Bolt M10 x 40	
55	5251022	6	Bolt M10 x 70	
56	5251210	3	Bolt M12 x 20	
57	5260600	4	Nut M6	
58	5260800	6	Nut M8	
59	5261000	2	Nut M10	
60	7300435	4	Washer	
61	8278020	1	Mount	
62	8305401	2	Nut 1/4	
63	8307109	2	Washer 1/4	
64	8310548	2	Screw 1/4 x 1/2	
65	8405007	2	Clamp	
66	8405009	4	Clamp	
67	8405104	4	Clamp	
68	8405211	1	Clamp	
69	8406109	2	Clip	
70	8410011	2	Clamp	
71	8410012	2	Clamp	
72	8410013	1	Clamp	
73	24861170	2	Clamp	
74	91563070	1	Coupling, Rubber	
75	1001097588	4	Clip	
76	1001117244	1	Reducer	
77	1001117308	1	Relay, 200Amp	
78	1001134488	1	Fitting, 90 NPT/Barbed	
79	1001135943	1	Coupling	
80	1001136834	1	Cap	
81	1001138173	1	Support	
82	1001138175	1	Bracket	
83	1001138248	5 ft/ 1.5m	Tubing	
84	1001138253	3	Clamp	
85	1001138559	1	Fitting, 90 NPT	
86	1001138827	1	Sensor	
87	1001139240	1	Bracket	
88	1001140564	1	Fitting, 90 NPT/Barbed	
89	1001141995	1	Fitting, Straight NPT/Barbed	
90	1001143390	1	Indicator, Air Restriction	
91	1001147567	1	Fan	
92	1001147847	1	Filter, Air	
92	70023809	1	Element, Primary	
92	70023872	1	Element, Secondary	
92	70024328	1	Elbow, Rubber	
92	70024329	1	Clamp, Mounting	
93	1001148641	3	Bracket	
94	1001149517	4	Mount, Motor	
95	1001149746	1	Pulley	

SECTION 3 - ENGINE

ITEM	PART NUMBER	QTY	DESCRIPTION	REV
96	1001150504	1	Hose	
97	1001150553	1	Hose	
98	1001151491	1	Support	
99	1001151749	1	Tray	
100	1001152489	1	Fitting, 90 Barbed	
101	1001154405	8.5 in/ 21cm	Hose	
102	1001155023	1	Plate	
103	1001155496	1	Support	
104	1001155498	1	Plate	
105	1001155525	1	Support	
106	1001155540	2	Washer	
107	1001155557	2	Plate	
108	1001155563	1	Seal	
109	1001155564	1	Bracket	
110	1001155565	1	Seal	
111	1001155566	1	Bracket	
112	1001155728	1	Seal	
113	1001156034	1	Seal	
114	1001156035	1	Bracket	
115	1001156062	1	Bracket	
116	1001156091	1	Hose	
117	1001156644	2	Seal	
118	1001157862	1	Bracket	
119	1001160518	1	Support	
120	1001165035	1 ft/ 0.3m	Hose	
121	1001166393	1	Tank	
122	1001170982	2	Fitting, 90 SAE/Barbed	
123	1001175568	2	Clip	
124	1001181899	1	Clamp	
125	1001182833	1	Bar	
126	1001190418	1	Tube	
127	1001191122	1	Hose, Upper	
128	1001192138	1	Shroud	
129	1001197317	1	Spacer	
130	1001208297	1	Clamp	
131	1001208298	1	Clamp	
132	1001208299	4	Clamp	
133	1001212817	1	Plate	
134	1001256823	1	Deutz HRC (Stage V) Engine Components (See Separate Breakdown in this Section)	
135	1001256862	1	Radiator	
136	1001259203	1	Hose	
137	1001259208	1	Hose	
138	1001259278	1	Bracket	
139	1001259281	1	Bracket	
140	1001291543	1	Support, Hose	
141	1001260307	2	Bracket	
142	1001260889	1	Bracket	
143	1001100319	1	Clip	

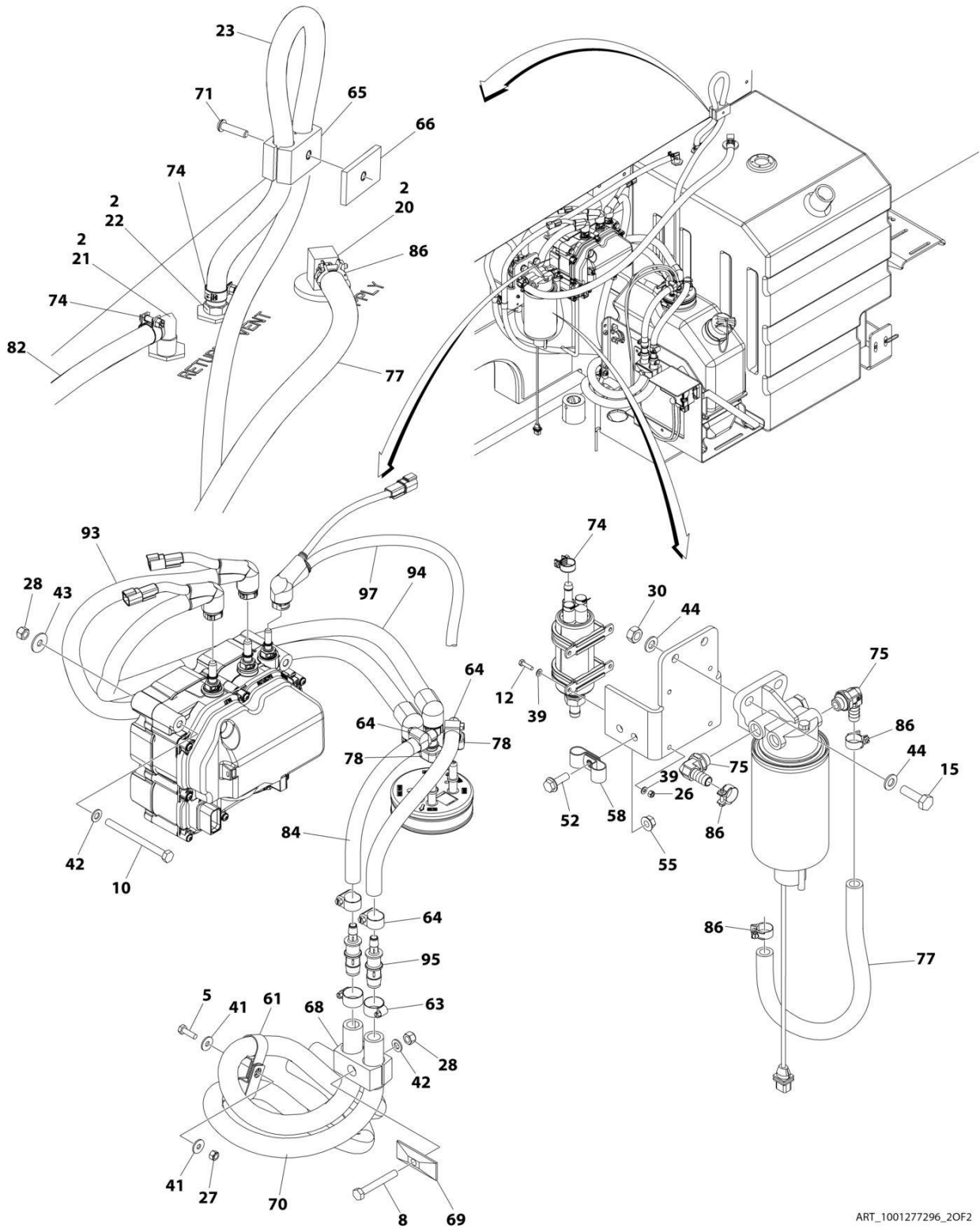
SECTION 3 - ENGINE

FIGURE 3-18. ENGINE INSTALLATION (HRC) (WITH COLD WEATHER PACKAGE)



ART_1001277296_10F2

SECTION 3 - ENGINE



ART_1001277296_2OF2

SECTION 3 - ENGINE

FIGURE 3-18. ENGINE INSTALLATION (HRC) (WITH COLD WEATHER PACKAGE)

ITEM	PART NUMBER	QTY	DESCRIPTION	REV
	1001277296	Ref	ENGINE INSTALLATION (HRC)	C
1	0100011	AR	Compound, Locking	
2	0100020	AR	Sealant	
3	0440162	1	Bearing	
4	0642220	1	Bolt 3/4 x 2-1/2	
5	0700610	1	Bolt M6 x 20	
6	0700614	4	Bolt M6 x 30	
7	0700818	2	Bolt M8 x 50	
8	0700820	2	Bolt M8 x 60	
9	0700822	2	Bolt M8 x 70	
10	0700827	3	Bolt M8 x 100	
11	0711015	1	Bolt M10 x 35	
12	0760408	4	Bolt M4 x 16	
13	0760608	4	Bolt M6 x 16	
14	0761009	1	Bolt M10 x 18	
15	0761015	5	Bolt M10 x 35	
16	0771416	2	Bolt M14 x 40	
17	0962051	2	Bearing	
18	1321716	1	Clamp	
19	1380147	1	Clip	
20	2180832	1	Fitting, Straight Barbed/NPTF	
21	2220313	1	Fitting, 90 Barbed/NPTF	
22	2221114	1	Fitting, Straight Barbed/NPT	
23	2750532	4 ft/ 1.2m	Hose	
24	2840016	1	Tray Jack Assembly	
24	7016322	1	Wiper (Burr Brand)	
24A	7016374	1	Handle (Burr Brand)	
24A	7024598	1	Handle (Hammerblow Brand)	
25	3290301	2	Nut M3	
26	3290405	4	Nut M4	
27	3290605	1	Nut M6	
28	3290805	4	Nut M8	
29	3290807	5	Nut M8	
30	3291007	5	Nut M10	
31	3331411	2	Nut M14	
32	3430816	1	Pin	
33	3450404	1	Pin, Cotter 1/8 x 1	
34	3841143	1	Keeper, Pin	
35	4010308	2	Screw M3 x 16	
36	4240099	AR	Tie-Strap (Not Shown)	
37	4711800	2	Washer 1/2	
38	4712200	2	Washer 3/4	
39	4811400	8	Washer M4	
40	4811700	8	Washer M6	
41	4811702	2	Washer M6	
42	4811900	14	Washer M8	
43	4811902	3	Washer M8	
44	4812000	11	Washer M10	
45	4812200	4	Washer M14	
46	4871200	2	Washer M3	

SECTION 3 - ENGINE

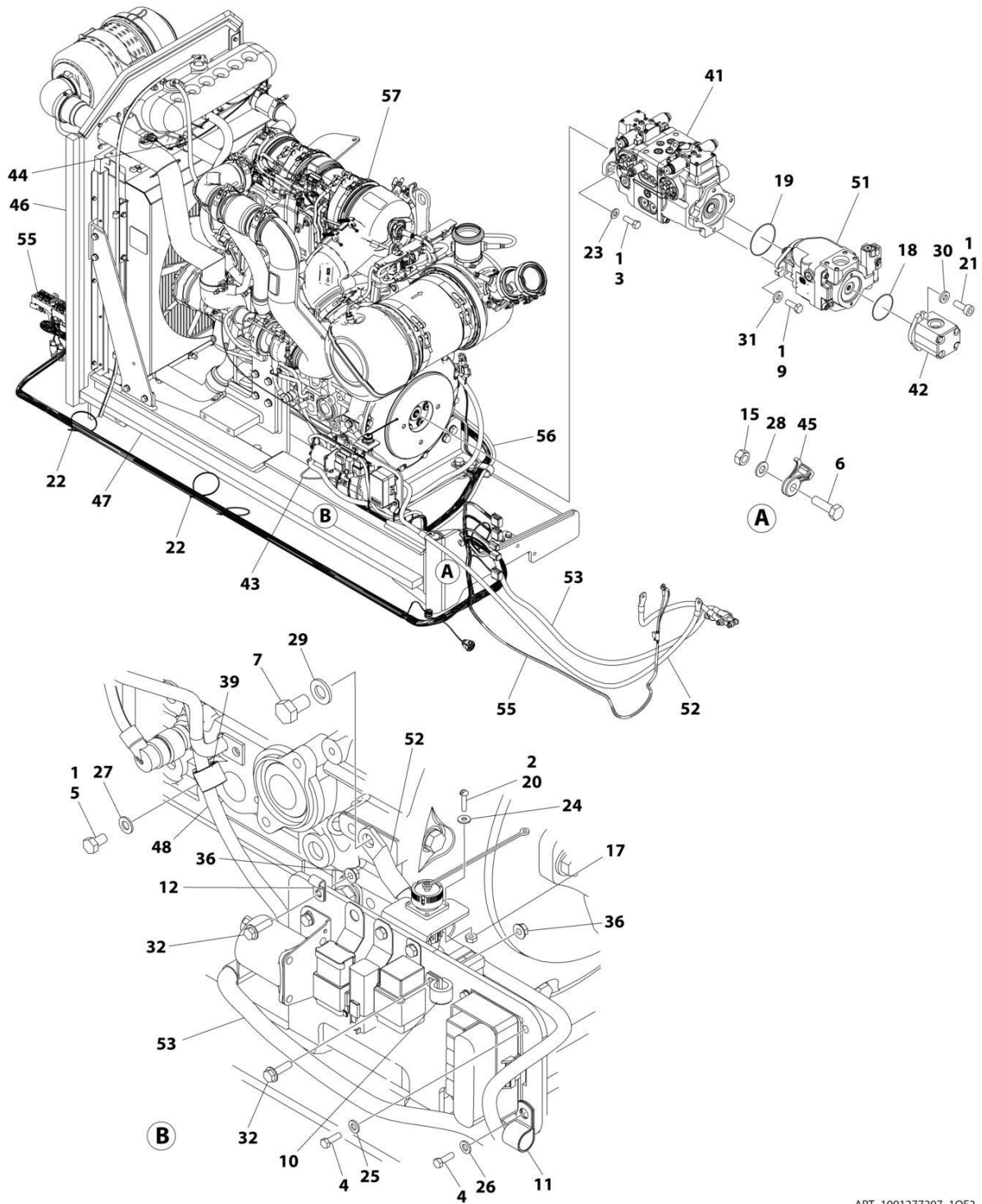
ITEM	PART NUMBER	QTY	DESCRIPTION	REV
47	4891800	1	Washer 1/2	
48	5241000	1	Washer M10	
49	5250608	1	Bolt M6 x 16	
50	5250808	1	Bolt M8 x 16	
51	5250810	1	Bolt M8 x 20	
52	5250812	1	Bolt M8 x 25	
53	5251215	1	Bolt M12 x 35	
54	5260600	1	Nut M6	
55	5260800	3	Nut M8	
56	5261200	1	Nut M12	
57	8310067	1	Nut 3/4	
58	8406101	2	Clip	
59	8406102	3	Clip	
60	8406105	1	Clip	
61	8406201	3	Clip	
62	8406303	1	Clamp	
63	8410009	14	Clamp	
64	8410013	4	Clamp	
65	8750014	4	Clamp	
66	8750031	1	Plate, Clamp	
67	8769123	2	Cover, Clamp	
68	8769127	3	Cover, Clamp	
69	77133137	3	Cover, Clamp	
70	82033995	374 in/ 9.5m	Hose	
71	1001101580	1	Screw M8 x 30	
72	1001135196	1	Pin	
73	1001135497	1	Support	
74	1001136975	5	Clamp	
75	1001142501	2	Fitting, 90 Barbed	
76	1001154262	2	Fitting, Straight Barbed	
77	1001154405	51 in/ 1.3m	Hose	
78	1001155823	3	Fitting, 90 Barbed	
79	1001155939	1	Mount	
80	1001156719	1	Seal	
81	1001162212	2	Fitting, Tee Barbed	
82	1001165035	28 ft/ 8.4m	Hose	
83	1001169409	1	Hose	
84	1001181625	1.65 ft/ 0.50m	Hose	
85	1001181899	1	Clamp	
86	1001186342	4	Clip	
87	1001191620	1	Clamp	
88	1001193980	1	Hose, Return	
89	1001199670	1	Valve, Flow	
90	1001212056	1	Decal - Engine Fuse Box	
91	1001224046	1	Decal - Engine Fuse Box Cover	
92	1001228872	1	Filter, Coolant Screen	
93	1001238401	1	Hose, Backflow	
94	1001238402	1	Hose, Suction	

SECTION 3 - ENGINE

ITEM	PART NUMBER	QTY	DESCRIPTION	REV
95	1001238470	2	Fitting, Reducer Barbed	
96	1001259204	1	Pipe	
97	1001260287	1	Hose	
98	1001277297	1	Engine Assembly with Pumps (HRC) (Stage V) (With Cold Weather Package) (See Separate Breakdown in this Section)	
99	8305919	4	Nut, Retainer	

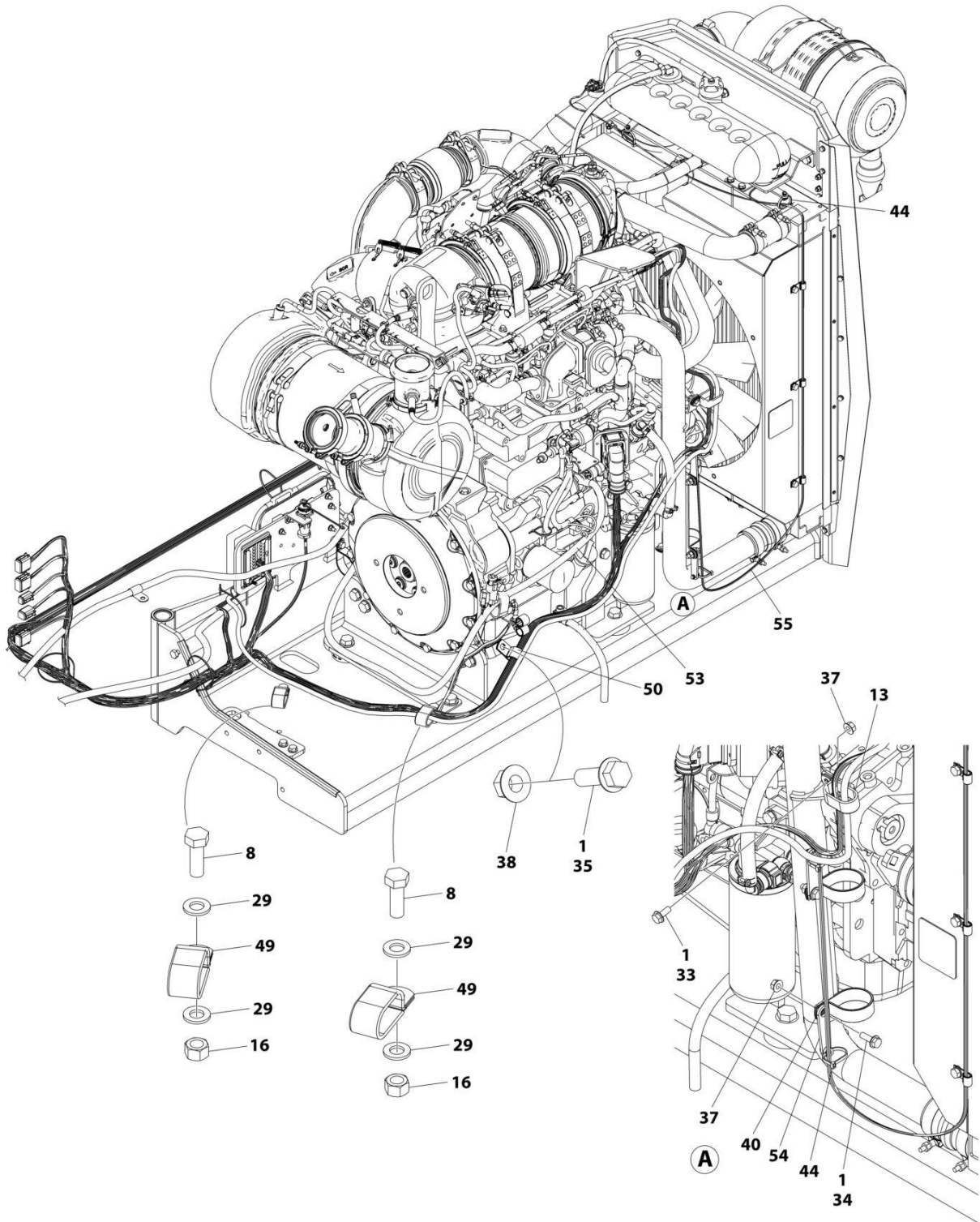
SECTION 3 - ENGINE

FIGURE 3-19. ENGINE ASSEMBLY WITH PUMPS (HRC) (WITH COLD WEATHER PACKAGE)



ART_1001277297_10F2

SECTION 3 - ENGINE



ART_1001277297_2OF2

SECTION 3 - ENGINE

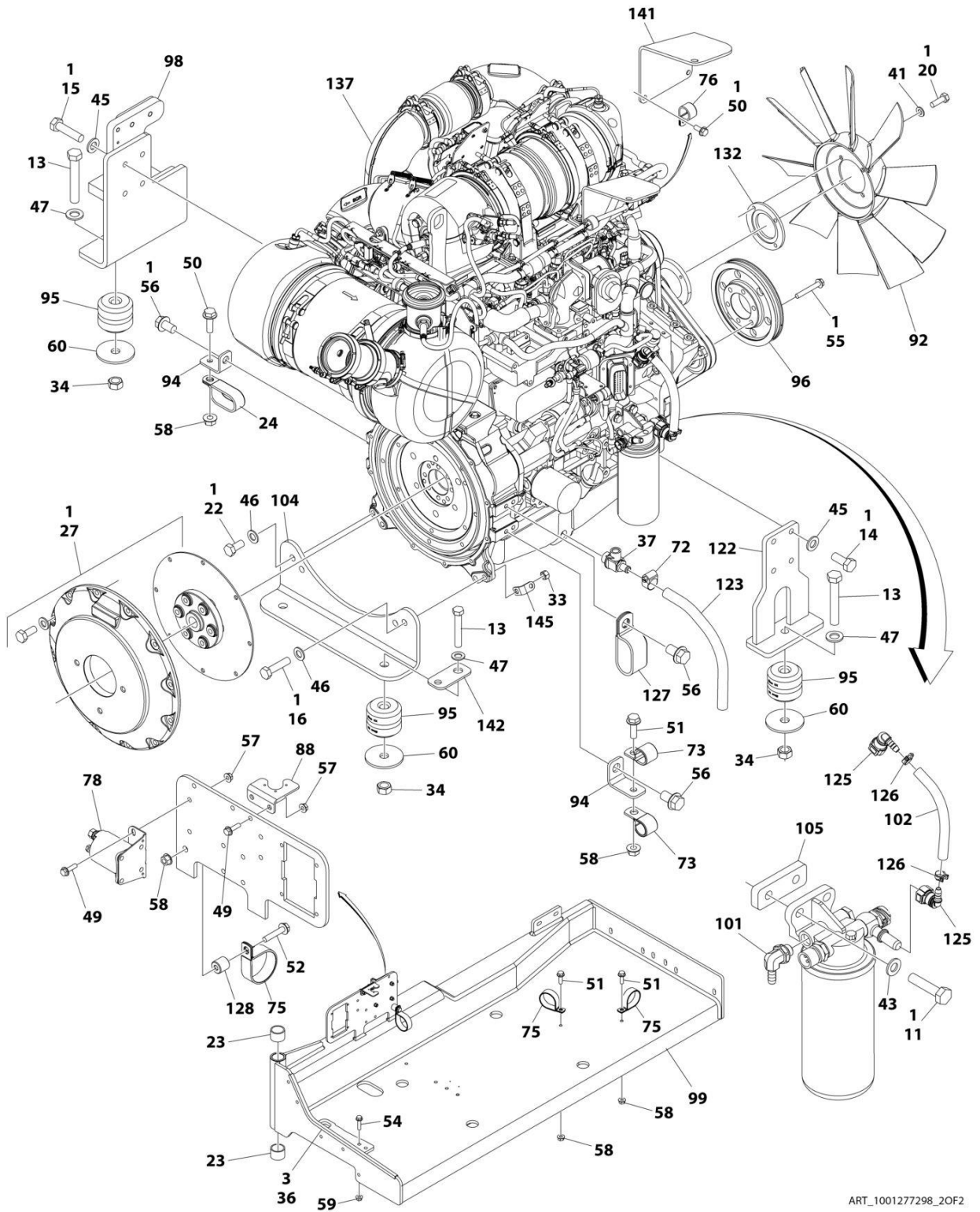
FIGURE 3-19. ENGINE ASSEMBLY WITH PUMPS (HRC) (WITH COLD WEATHER PACKAGE)

ITEM	PART NUMBER	QTY	DESCRIPTION	REV
	1001277297	Ref	ENGINE ASSEMBLY WITH PUMPS (HRC)	C
1	0100011	AR	Compound, Locking	
2	0100035	AR	Compound, Locking	
3	0641812	2	Bolt 1/2 x 1-1/2	
4	0760508	4	Bolt M5 x 16	
5	0760807	1	Bolt M8 x 14	
6	0761015	2	Bolt M10 x 35	
7	0761210	1	Bolt M12 x 20	
8	0761215	2	Bolt M12 x 35	
9	0761216	2	Bolt M12 x 40	
10	1320041	1	Clamp	
11	1320061	1	Clamp	
12	1320136	1	Clamp	
13	1321716	1	Clamp	
14	3020037	AR	Lubricant	
15	3291007	2	Nut M10	
16	3291207	2	Nut M12	
17	3310401	3	Nut #4	
18	3790152	1	O-Ring	
19	3790155	1	O-Ring	
20	3910408	3	Screw #4 x 1/2	
21	3931620	2	Capscrew 3/8 x 1-1/4	
22	4240099	AR	Tie-Strap (Not Shown)	
23	4740171	2	Washer	
24	4750400	3	Washer #4	
25	4811600	3	Washer M5	
26	4811700	1	Washer M6	
27	4811900	1	Washer M8	
28	4812000	2	Washer M10	
29	4812100	5	Washer M12	
30	4891600	2	Washer 3/8	
31	4891800	2	Washer 1/2	
32	5250611	2	Screw M6 x 22	
33	5250810	1	Bolt M8 x 20	
34	5250812	2	Bolt M8 x 25	
35	5251215	1	Bolt M12 x 35	
36	5260600	2	Nut M6	
37	5260800	3	Nut M8	
38	5261200	1	Nut M12	
39	91043147	1	Clamp	
40	1001097588	2	Clamp	
41	1001108616	1	Tandem Pump Assembly (See Separate Breakdown in this Section)	
42	1001112927	1	Gear Pump Assembly (See Separate Breakdown in this Section)	
43	1001141304	1	Wire, Glow Fuse	
44	1001146588	4	Tie-Strap	
45	1001156107	2	Holder, Cable	
46	1001156718	1	Seal	
47	1001156719	1	Seal	
48	1001157073	1	Cable, Alternator	

SECTION 3 - ENGINE

ITEM	PART NUMBER	QTY	DESCRIPTION	REV
49	1001181899	2	Clamp	
50	1001191620	1	Clamp	
51	1001199470	1	Piston Pump Assembly (See Separate Breakdown in this Section)	
52	1001202355	1	Cable, Battery Negative	
53	1001234791	1	Cable, Battery Positive	
54	1001260307	2	Bracket	
55	1001262056	1	Engine Harness (See Separate Breakdown in ELECTRICAL Section)	
56	1001274992	1	Cable, Glow Plug	
57	1001277298	1	Engine Assembly (HRC) (Stage V) (With Cold Weather Package) (See Separate Breakdown in this Section)	

SECTION 3 - ENGINE



ART_1001277298_20F2

SECTION 3 - ENGINE

FIGURE 3-20. ENGINE ASSEMBLY (HRC) (STAGE V) (WITH COLD WEATHER PACKAGE)

ITEM	PART NUMBER	QTY	DESCRIPTION	REV
	1001277298	Ref	DEUTZ T4F ENGINE ASSEMBLY	A
1	0100011	AR	Compound, Locking	
2	0100020	AR	Sealant	
3	0100081	AR	Adhesive	
4	0641607	2	Bolt 3/8 x 7/8	
5	0700610	9	Bolt M6 x 20	
6	0700612	7	Bolt M6 x 25	
7	0700815	2	Bolt M8 x 35	
8	0701013	2	Bolt M10 x 28	
9	0701015	6	Bolt M10 x 35	
10	0701016	2	Bolt M10 x 40	
11	0701017	2	Bolt M10 x 45	
12	0701019	1	Bolt M10 x 55	
13	0701627	4	Bolt M16 x 100	
14	0711214	4	Bolt M12 x 30 Grade 10.9	
15	0711218	4	Bolt M12 x 50 Grade 10.9	
16	0711419	1	Bolt M14 x 55	
17	0760604	1	Bolt M6 x 8	
18	0760614	2	Bolt M6 x 30	
19	0760810	6	Bolt M8 x 20	
20	0760812	4	Bolt M8 x 25	
21	0761012	6	Bolt M10 x 25	
22	0771415	3	Bolt M14 x 35 Grade 10.9	
23	0961951	2	Bushing	
24	1321716	1	Clamp	
25	1703162	2	Decal - Fan Blade	
26	2720015	5 ft/ 1.5m	Hose	
27	2902065	1	Pump Coupling Kit (See Separate Breakdown in this Section)	
28	3290607	18	Nut M6	
29	3290805	2	Nut M8	
30	3290807	3	Nut M8	
31	3291005	1	Nut M10	
32	3291007	10	Nut M10	
33	3291407	1	Nut M14	
34	3291601	4	Nut M16	
35	3820032	9	Rivet	
36	4060807	22 in/ 56cm	Flex-Trim	
37	4640751	1	Valve, Oil Drain	
38	4811600	4	Washer M5	
39	4811700	33	Washer M6	
40	4811702	4	Washer M6	
41	4811900	13	Washer M8	
42	4811902	4	Washer M8	
43	4812000	30	Washer M10	
44	4812002	1	Washer M10	
45	4812100	8	Washer M12	
46	4812200	4	Washer M14	
47	5241600	4	Washer M16	
48	5250608	2	Bolt M6 x 16	

SECTION 3 - ENGINE

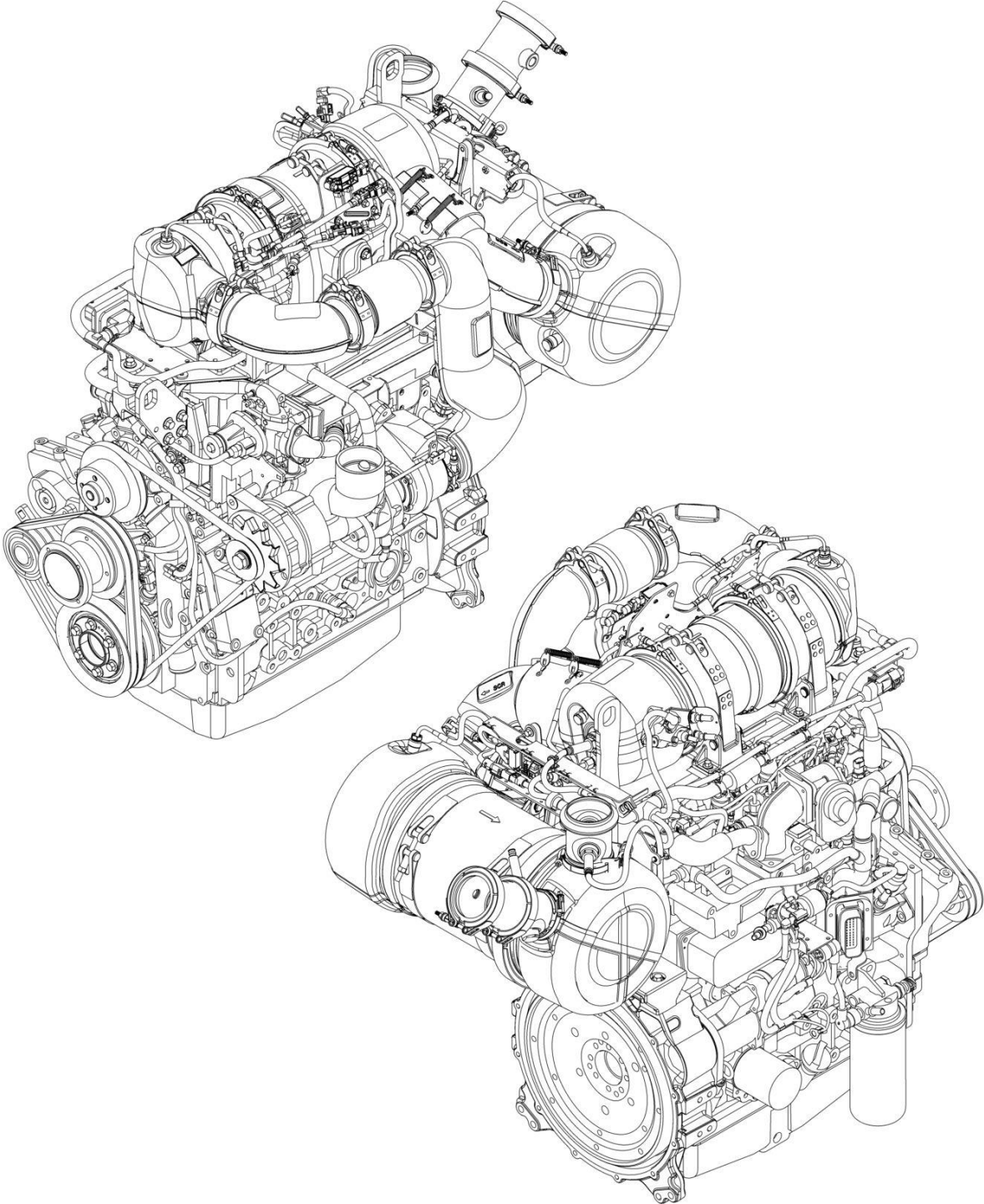
ITEM	PART NUMBER	QTY	DESCRIPTION	REV
49	5250611	4	Bolt M6 x 22	
50	5250810	4	Bolt M8 x 20	
51	5250812	3	Bolt M8 x 25	
52	5250816	1	Bolt M8 x 40	
53	5251010	1	Bolt M10 x 20	
54	5251016	2	Bolt M10 x 40	
55	5251022	6	Bolt M10 x 70	
56	5251210	3	Bolt M12 x 20	
57	5260600	4	Nut M6	
58	5260800	6	Nut M8	
59	5261000	2	Nut M10	
60	7300435	4	Washer	
61	8278020	1	Mount	
62	8305401	2	Nut 1/4	
63	8307109	2	Washer 1/4	
64	8310548	2	Screw 1/4 x 1/2	
65	8405007	2	Clamp	
66	8405009	4	Clamp	
67	8405104	4	Clamp	
68	8405211	1	Clamp	
69	8406109	2	Clip	
70	8410011	2	Clamp	
71	8410012	2	Clamp	
72	8410013	1	Clamp	
73	24861170	2	Clamp	
74	91563070	1	Coupling, Rubber	
75	1001097588	4	Clip	
76	1001100319	1	Clip	
77	1001117244	1	Reducer	
78	1001117308	1	Relay, 200Amp	
79	1001134488	1	Fitting, 90 NPT/Barbed	
80	1001135943	1	Coupling	
81	1001136834	1	Cap	
82	1001138173	1	Support	
83	1001138175	1	Bracket	
84	1001138248	5 ft/ 1.5m	Tubing	
85	1001138253	3	Clamp	
86	1001138559	1	Fitting, 90 NPT	
87	1001138827	1	Sensor	
88	1001139240	1	Bracket	
89	1001140564	1	Fitting, 90 NPT/Barbed	
90	1001141995	1	Fitting, Straight NPT/Barbed	
91	1001143390	1	Indicator, Air Restriction	
92	1001147567	1	Fan	
93	1001147847	1	Filter, Air	
93	70023809	1	Element, Primary	
93	70023872	1	Element, Secondary	
93	70024328	1	Elbow, Rubber	
93	70024329	1	Clamp, Mounting	
94	1001148641	3	Bracket	
95	1001149517	4	Mount, Motor	

SECTION 3 - ENGINE

ITEM	PART NUMBER	QTY	DESCRIPTION	REV
96	1001149746	1	Pulley	
97	1001150553	1	Hose	
98	1001151491	1	Support	
99	1001151749	1	Tray	
100	1001152112	1	Heater	
101	1001152489	1	Fitting, 90 Barbed	
102	1001154405	0.5 in/ 21cm	Hose	
103	1001155023	1	Plate	
104	1001155496	1	Support	
105	1001155498	1	Plate	
106	1001155525	1	Support	
107	1001155540	2	Washer	
108	1001155557	2	Plate	
109	1001155563	1	Seal	
110	1001155564	1	Bracket	
111	1001155565	1	Seal	
112	1001155566	1	Bracket	
113	1001155728	1	Seal	
114	1001156034	1	Seal	
115	1001156035	1	Bracket	
116	1001156062	1	Bracket	
117	1001156091	1	Hose	
118	1001156644	2	Seal	
119	1001157300	1	Hose	
120	1001157301	1	Hose	
121	1001157862	1	Bracket	
122	1001160518	1	Support	
123	1001165035	1 ft/ 0.3m	Hose	
124	1001166393	1	Tank	
125	1001170982	2	Fitting, 90 SAE/Barbed	
126	1001175568	2	Clip	
127	1001181899	1	Clamp	
128	1001182833	1	Bar	
129	1001190418	1	Tube	
130	1001191122	1	Hose, Upper	
131	1001192138	1	Shroud	
132	1001197317	1	Spacer	
133	1001208297	1	Clamp	
134	1001208298	1	Clamp	
135	1001208299	4	Clamp	
136	1001212817	1	Plate	
137	1001256823	1	Deutz T4F Engine Components (See Separate Breakdown in this Section)	
138	1001256862	1	Radiator	
139	1001259203	1	Pipe, Turbo Exhaust	
140	1001259208	1	Pipe, Intake	
141	1001259278	1	Bracket	
142	1001259281	1	Bracket	
143	1001291543	1	Support, Hose	
144	1001260307	2	Bracket	
145	1001260889	1	Bracket	

SECTION 3 - ENGINE

FIGURE 3-21. DEUTZ HRC (STAGE V) ENGINE COMPONENTS



ART_1001256823

SECTION 3 - ENGINE

FIGURE 3-21. DEUTZ HRC (STAGE V) ENGINE COMPONENTS

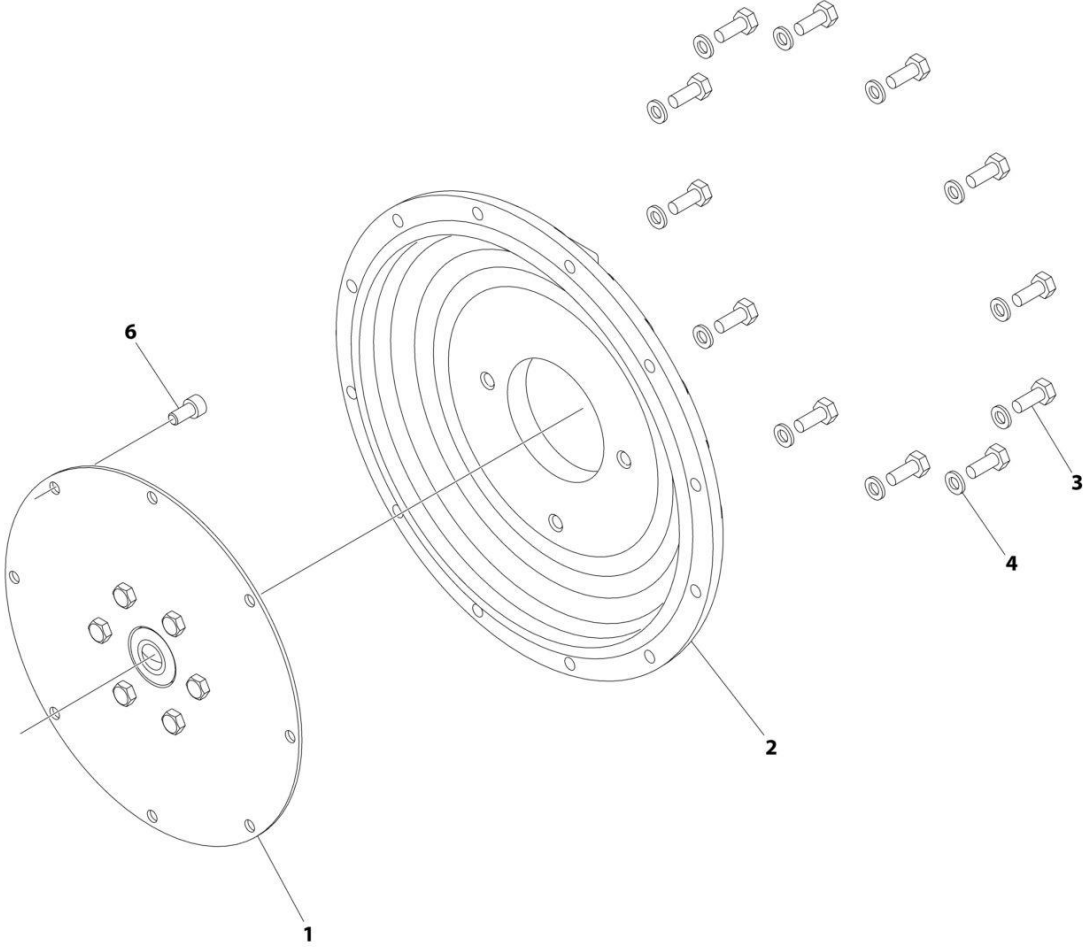
ITEM	PART NUMBER	QTY	DESCRIPTION	REV
	1001256823	Ref	DEUTZ ENGINE COMPONENTS	E
		Ref	Note: For complete list of parts, contact JLG Parts Department	
		Ref	Air Intake System Components	
	70007083	1	Turbocharger	
		Ref	Cooling System Components	
	70004515	1	Pump, Coolant	
		Ref	Electrical System Components	
		Ref	Module, ECU/ECM	
	70029401	1	Generator (Includes Regulator & Fan)	
	70006653	1	Regulator	
	70004520	1	Starter (Includes Solenoid)	
	70025780	1	Relay, Starter	
	70005517	1	Harness, Starter to Relay	
		Ref	Harness, Injector	
	70026210	1	Sender, Tacho-Generator (Speed) (On Rear of Block & Front Cover) (Includes Seal)	
	70005559	1	Sender, Temperature (Includes Seal) (On Air Intake Manifold)	
	70024507	1	Sensor, Pressure (Includes Seal) (On Air Intake Manifold)	
	70024504	1	Sensor, Pressure (Includes Seal) (On Fuel Filter & Side of Block)	
	70029407	1	Sensor, Pressure (Includes Seal) (On Exhaust Manifold)	
	70024474	4	Plug, Glow	
		Ref	Exhaust System Components	
		Ref	Valve, EGR	
	70027425	8	Bolt, Exhaust Manifold	
	70005511	1	Gasket, Exhaust Manifold	
		Ref	Outlet, Muffler	
		Ref	Muffler	
		Ref	Bracket, Muffler Mounting	
		Ref	Compensator, Exhaust	
	70024480	1	Gasket, Turbo to Exhaust Manifold	
	70008612	1	DEF Tank Assembly (Includes Cap, Filler Filter & Venting Valve)	
	70027495	1	Filter, Filler - DEF Tank	
	70008613	1	Cap/Cover, DEF Tank	
	70027467	1	Valve, Venting - DEF Tank	
	1001293066	1	Sensor, Level - DEF Tank	
	70027463	1	Clip, Level Sensor - DEF Tank	
	70027464	1	Filter, DEF In-line	
		Ref	Fuel System Components	
		Ref	Pump, High Pressure	
	70024485	1	Injector (Includes Sealing washer, Clamp & O-Ring)	
	70006144	1	Pump, Fuel Supply (Includes Clamps)	
	70024961	1	Filter, Fuel (Pre-Filter Assembly) (Includes Head, Spin on filter, Sensor Cable & Seal)	
	70025153	1	Filter, Fuel Spin On	
	70024513	1	Sensor Cable (Includes Seal)	
	70004511	1	Filter, Fuel (Assembly) (Includes Head & Spin on Filter)	
	70004512	1	Filter, Fuel Spin On	
	70004508	1	Vol. Control Valve (Includes O-Ring & Gasket)	
	70005548	1	Pump, DEF Supply (Includes Filter, Cover & Fittings)	
		Ref	Lubricating System Components	

SECTION 3 - ENGINE

ITEM	PART NUMBER	QTY	DESCRIPTION	REV
	7020465	2	Cap, Oil Fill	
	70025088	2	Plug, Oil Drain	
	7020404	2	Seal, Oil Drain Plug	
		Ref	Pump, Oil (Includes seal 7 Gasket)	
	7016331	1	Filter, Oil	
	70024494	1	Cooler, Oil	
	70024495	1	Gasket, Oil Cooler	
	70025745	1	Dipstick (Includes Seal)	
		Ref	Mechanical Components	
	70001870	1	Flywheel (includes Gear)	
	70005498	1	Set, Narrow V-Belts	
	70005516	1	V-Belt	
	70025707	1	Gasket Set - Complete	

SECTION 3 - ENGINE

FIGURE 3-22. PUMP COUPLING KIT



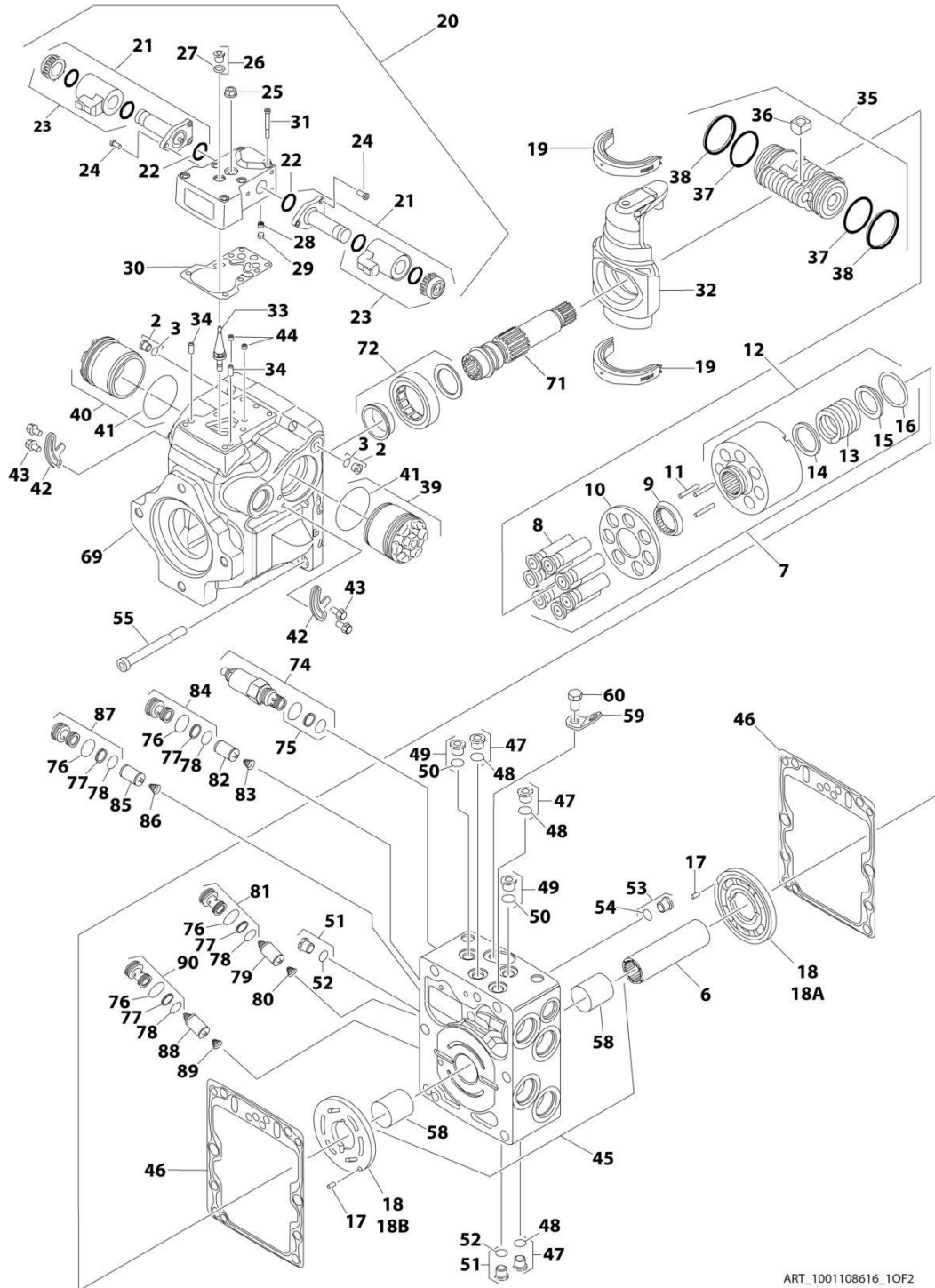
ART_2902065

FIGURE 3-22. PUMP COUPLING KIT

ITEM	PART NUMBER	QTY	DESCRIPTION	REV
	2902065	Ref	PUMP COUPLING KIT	L
1	70000793	1	Coupling, Hayes	
2	See Note	NSS	Plate, Pump Adapter (Note: Use p/n 2902065)	
3	See Note	NSS	Bolt M10 x 30 Grade 10.9 (Note: Use p/n 2902065)	
4	See Note	NSS	Washer M10 (Note: Use p/n 2902065)	
6	See Note	NSS	Bolt M10 x 20 Grade 10.9 (Note: Use p/n 2902065)	

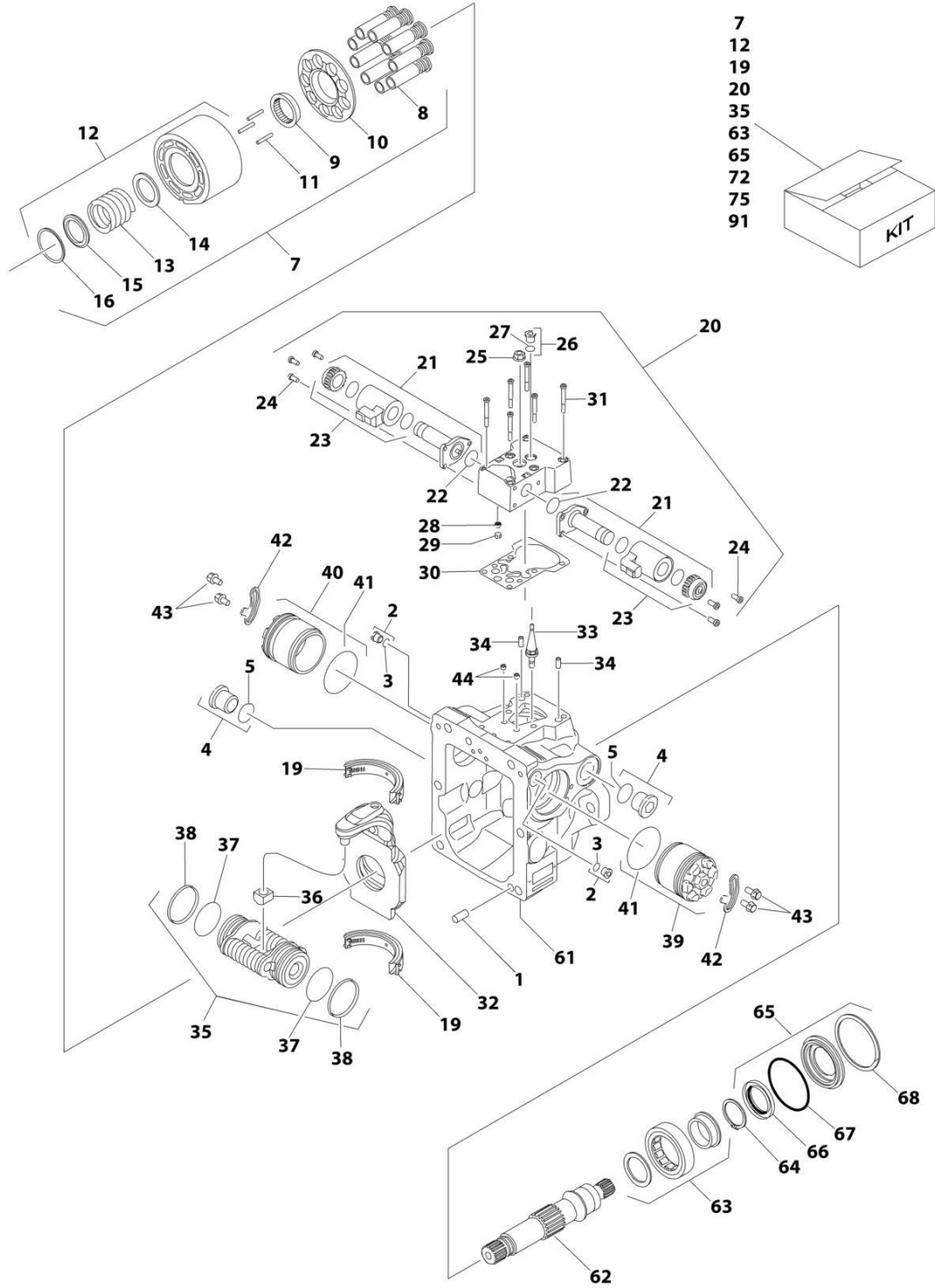
SECTION 3 - ENGINE

FIGURE 3-23. TANDEM PUMP ASSEMBLY



ART_1001108616_10F2

SECTION 3 - ENGINE



ART_1001108616_20F2

SECTION 3 - ENGINE

FIGURE 3-23. TANDEM PUMP ASSEMBLY

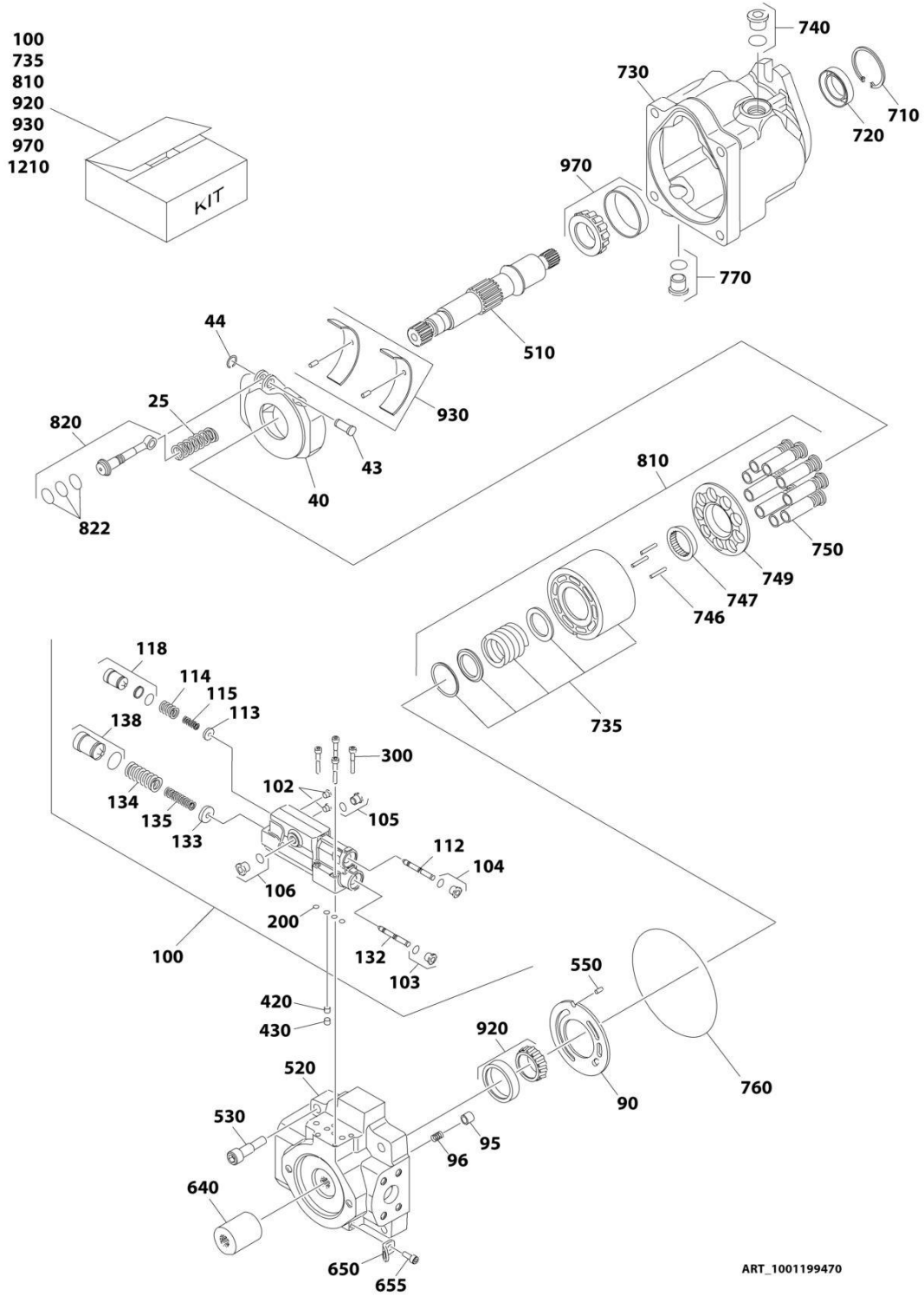
ITEM	PART NUMBER	QTY	DESCRIPTION	REV
	1001108616	Ref	PUMP ASSEMBLY (SAUER TANDEM)	D
1	70002132	4	Pin	
2	70002133	4	Plug Assembly (Includes Item 3)	
3	7007207	4	O-Ring (Part of Item 2)	
4	7007419	2	Plug Assembly (Includes Item 5)	
5	7007418	2	O-Ring (Part of Item 4)	
6	70002600	1	Coupling	
7	70002135	2	Cylinder Block Kit (Each Kit Includes Qty 1 of Items 8-10 & 12-16 & Qty 3 of Item 11)	
8	70002136	2	Piston Assembly Kit (Includes Qty 9 Piston Assemblies) (Part of Item 7)	
9	70002137	2	Guide, Slipper Retainer (Part of Item 7)	
10	70002138	2	Retainer, Slipper (Part of Item 7)	
11	7021275	6	Pin, Slipper Retainer Holddown (Part of Item 7)	
12	70002135	2	Cylinder Block Assembly (Includes Qty 1 of Item 13-16) (Part of Item 7)	
13	70002139	2	Spring (Part of Item 12)	
14	70002140	2	Washer (Part of Item 12)	
15	70002141	2	Washer (Part of Item 12)	
16	70002142	2	Ring, Retaining (Part of Item 12)	
17	7007446	2	Pin	
18		Ref	Plate, Valve Options:	
18A	70002601	1	Plate, CW Valve	
18B	70002602	1	Plate, CCW Valve	
19	70002145	2	Swash Plate Bearing Kit (Includes Qty 2 Bearings)	
20	70002618	2	EDC Kit (Includes Items 21-31)	
21	70002619	4	Solenoid Valve Assembly (Includes Items 22 & 23) (Part of Item 20)	
22	70002148	4	O-Ring (2 Per EDC Assembly) (Part of Item 21)	
23	70002620	4	Coil, Nut and Seals Kit (2 Per EDC Assembly) (Part of Item 21)	
24	70002150	12	Screw (Part of Item 20)	
25	7022301	2	Nut, Seal (Part of Item 20)	
26	70002151	2	Plug Assembly (Part of Item 20) (Includes Item 27)	
27	7007207	2	O-Ring (Part of Item 26)	
28	70002134	2	Screen (Part of Item 20)	
29	70002153	2	Ring, Locking (Part of Item 20)	
30	70002154	2	Gasket, Control (Part of Item 20)	
31	70002156	12	Capscrew (Part of Item 20)	
32	70002152	2	Swash Plate	
33	70002155	2	Link, Swash Plate	
34	70002157	4	Pin, Dowel	
35	70002158	2	Servo Piston Assembly (Includes Items 36-38)	
36	70002159	2	Block, Slider (Part of Item 35)	
37	70002160	2	O-Ring (Part of Item 35)	
38	70002161	2	Ring, Piston (Part of Item 35)	
39	70002162	2	Cylinder, Servo	
40	70002162	2	Cylinder, Servo	
41	70002163	4	O-Ring	
42	70002164	4	Plate, Locking	
43	70002165	8	Screw	

SECTION 3 - ENGINE

ITEM	PART NUMBER	QTY	DESCRIPTION	REV
44	70002604	4	Orifice	
45	70002605	1	Center Section Assembly (Includes Item 58)	
46	70002168	2	Gasket, End Cap	
47	70001958	2	Plug Assembly (Includes Item 48)	
48	7021256	2	O-Ring (Part of Item 47)	
49	70001958	2	Plug Assembly (Includes Item 50)	
50	7021256	2	O-Ring (Part of Item 49)	
51	70001958	2	Plug Assembly (Includes Item 52)	
52	7021256	2	O-Ring (Part of Item 51)	
53	70001958	2	Plug Assembly (Includes Item 54)	
54	7021256	2	O-Ring (Part of Item 53)	
55	70002606	4	Capscrew	
58	70002607	2	Bearing, Journal (Part of Item 45)	
59	70002608	1	Bracket, Lifting	
60	70002609	1	Screw	
61	See Note	1	Housing (Note: Not Available for Purchase)	
62	70002175	1	Shaft	
63	70002610	1	Ball Bearing Kit	
	7007439	1	Ring, Retaining	
65	70002174	1	Shaft Seal Kit (Includes Items 66-68) (Note: This is a universal kit and will contain extra pieces that are not used on this pump assembly)	
66	70002177	1	Seal, Lip	
67	70002178	1	O-Ring	
68	70002179	1	Ring, Retaining	
69	See Note	1	Housing (Note: Not Available for Purchase)	
71	70002612	1	Shaft	
72	70002610	1	Ball Bearing Kit	
74	70002621	1	High Pressure Relief Valve Cartridge Assembly (Includes Item 75)	
75	70002622	1	Seal Kit - 70002621 Valve (Part of Item 74)	
76	7007415	1	O-Ring (Part of Items 81, 84, 87 & 90)	
77	7021293	1	Ring, Back-up (Part of Items 81, 84, 87 & 90)	
78	7022300	1	O-Ring (Part of Items 81, 84, 87 & 90)	
79	70002616	1	SCR Valve Assembly	
80	7024800	1	Spring	
81	7021265	1	Plug Assembly (Includes Qty 1 of Items 76-78)	
82	70002616	1	SCR Valve Assembly	
83	7024800	1	Spring	
84	7021265	1	Plug Assembly (Includes Qty 1 of Item 76-78)	
85	70002616	1	SCR Valve Assembly	
86	7024800	1	Spring	
87	70002617	1	Plug Assembly (Includes Qty 1 of Item 76-78)	
88	70002616	1	SCR Valve Assembly	
89	7024800	1	Spring	
90	7021265	1	Plug Assembly (Includes Qty 1 of Items 76-78)	
91	70002623	1	Overhaul Seal Kit (Includes Items 3, 5, 22, 27, 30, 37, 38, 41, 46, 48, 50, 52, 54, 66, 67, 75, 76, 77 & 78)	

SECTION 3 - ENGINE

FIGURE 3-24. PISTON PUMP ASSEMBLY



SECTION 3 - ENGINE

FIGURE 3-24. PISTON PUMP ASSEMBLY

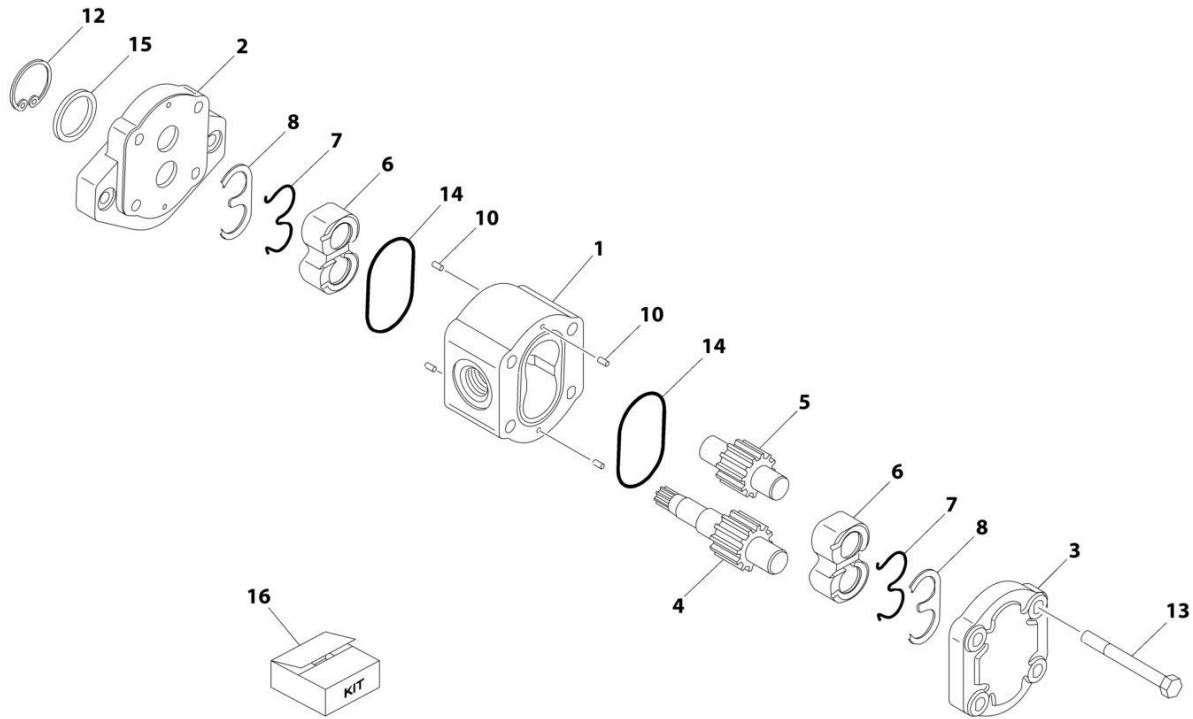
ITEM	PART NUMBER	QTY	DESCRIPTION	REV
	1001199470	Ref	PISTON PUMP ASSEMBLY	E
25	70002580	1	Spring, Bias	
40	70004416	1	Swashplate Assembly	
43	70002582	1	Shaft	
44	70002583	1	Ring, Retaining	
90	70004417	1	Plate, Valve	
95	70001956	1	Poppet, Check Valve	
96	70001955	1	Spring	
100	70022286	1	Kit, Control (Includes Items 102-300)	
102	70023351	1	Setscrew	
103	70002133	1	Plug Assembly (Includes O-Ring)	
103	7007207	1	O-Ring	
104	70002133	1	Plug Assembly (Includes O-Ring)	
104	7007207	1	O-Ring	
105	70002133	1	Plug Assembly (Includes O-Ring)	
105	7007207	1	O-Ring	
106	70002133	1	Plug Assembly (Includes O-Ring)	
106	7007207	1	O-Ring	
112	70004418	1	Spool	
113	70023353	1	Guide, Spring LS	
114	70023354	1	Spring, Outer LS	
115	70023355	1	Spring, Inner LS	
118	70024039	1	Plug, Adjusting LS	
132	70023352	1	Spool, Control	
133	70023357	1	Guide, Spring PC	
134	70023358	1	Spring, Outer PC	
135	70023359	1	Spring, Inner PC	
138	70024040	1	Plug, Adjusting PC (Includes O-Ring)	
138	70023361	1	O-Ring	
200	70023362	4	Ring, Seal	
300	70023363	4	Capscrew	
420	7023377	1	Plug, Orifice	
430	70004419	1	Plug, Orifice	
510	70002586	1	Shaft	
520	70004420	1	Cap, End	
530	70002588	4	Capscrew	
550	7007446	1	Pin, Slotted	
640	70002589	1	Coupling	
650	7022340	1	Bracket, Lifting	
655	70002590	1	Capscrew	
710	7023962	1	Ring, Retaining	
720	70022287	1	Seal, Lip	
730	See Note	NSS	Housing (Note: Not Available for Purchase)	
735	70004421	1	Block, Cylinder	
740	7023964	1	Plug Assembly (Includes O-Ring)	
740	7007415	1	O-Ring	
746	7021275	3	Pin, Hold-down	
747	70002592	1	Guide, Slipper Retainer	
749	70002593	1	Retainer, Slipper	
750	70004422	9	Piston Assembly	

SECTION 3 - ENGINE

ITEM	PART NUMBER	QTY	DESCRIPTION	REV
760	70002595	1	Seal, End Cap	
770	7023964	1	Plug, O-Ring (Includes O-Ring)	
770	7007415	1	O-Ring	
810	70004423	1	Kit, Cylinder Block (Includes Items 735, 746, 747, 749 & 750)	
820	70025979	1	Piston, Servo (Includes Item 822)	
822	70004425	3	Ring, Piston (Part of Item 820)	
920	70002585	1	Kit, Bearing - Rear (Includes Cup and Cone)	
930	70004426	1	Kit, Swashplate Bearing (Includes Qty 2 Bearings and Retainer Pins)	
970	70002578	1	Bearing Kit - Front (Includes Cup and Cone)	
1210	70002599	1	Kit, Complete Seal (Includes Items 200, 720, 760, 822 and Plug O-Rings)	

SECTION 3 - ENGINE

FIGURE 3-25. GEAR PUMP ASSEMBLY



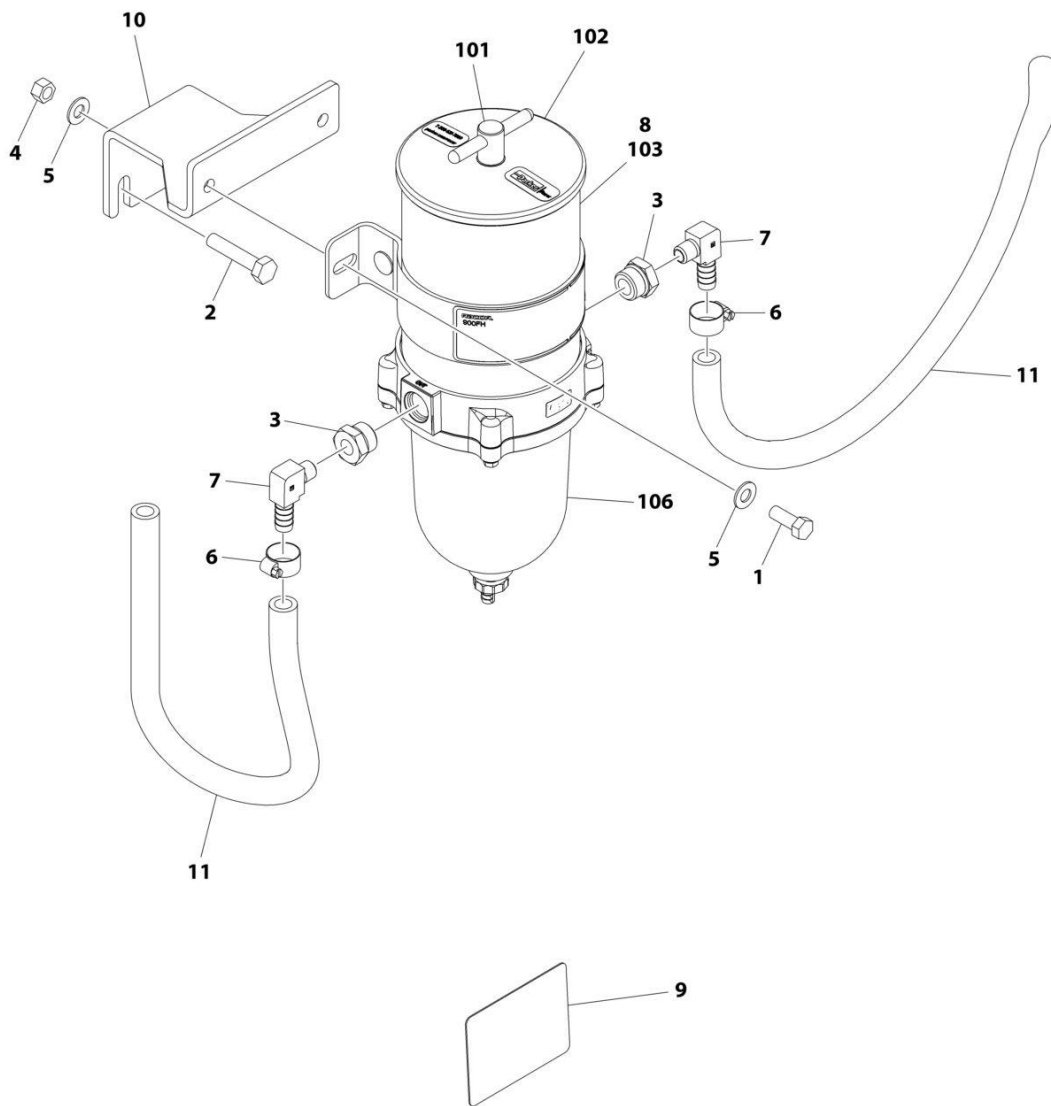
ART_1001112927

FIGURE 3-25. GEAR PUMP ASSEMBLY

ITEM	PART NUMBER	QTY	DESCRIPTION	REV
	1001112927	Ref	PUMP ASSEMBLY (SAUER GEAR)	A
1	See Note	NSS	Body (Note: Use p/n 1001112927)	
2	See Note	NSS	Cover, Front (Note: Use p/n 1001112927)	
3	See Note	NSS	Cover, Rear (Note: Use p/n 1001112927)	
4	See Note	NSS	Shaft, Gear (Note: Use p/n 1001112927)	
5	See Note	NSS	Gear, Idler (Note: Use p/n 1001112927)	
6	See Note	NSS	Block, Bearing (Note: Use p/n 1001112927)	
7	7007489	2	Ring, Anti-Extrusion	
8	7007489	2	Ring, Seal	
10	See Note	NSS	Pin, Dowel (Note: Use p/n 1001112927)	
12	70002576	1	Ring, Retaining	
13	See Note	NSS	Capscrew (Note: Use p/n 1001112927)	
14	7007489	2	O-Ring	
15	7007489	1	Seal, Lip	
16	7007489	1	Seal Kit - 1001112927 Pump (Includes Items 7, 8, 14 & 15)	

SECTION 3 - ENGINE

FIGURE 3-26. FUEL FILTER/WATER SEPARATOR INSTALLATION (LRC)



LOCATED ON TANK SIDE HOOD

ART_1001227912

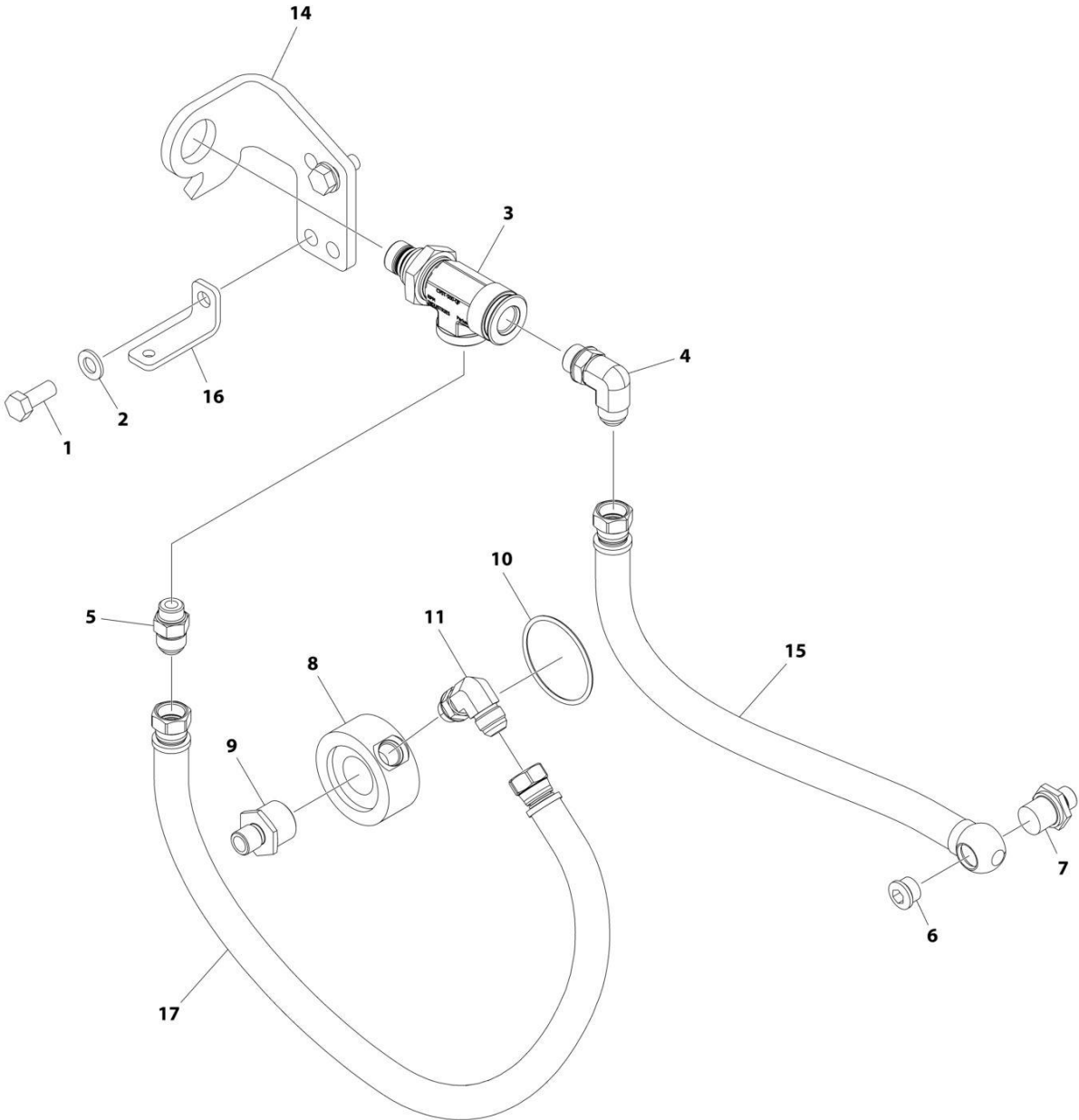
SECTION 3 - ENGINE

FIGURE 3-26. FUEL FILTER/WATER SEPARATOR INSTALLATION (LRC)

ITEM	PART NUMBER	QTY	DESCRIPTION	REV
	1001227912	Ref	FUEL FILTER/WATER SEPARATOR INSTALLATION (LRC)	A
1	0641608	2	Bolt 3/8 x 1	
2	0761018	2	Bolt M10 x 50	
3	2220816	2	Fitting, Adapter FNPTF/ORB	
4	3311605	2	Nut 3/8	
5	4711600	4	Washer 3/8	
6	8405006	2	Clamp	
7	1001178797	2	Fitting, 90 Elbow	
8	1001222817	1	Fuel Filter Assembly (See Items 101-107 for Breakdown)	
9	1001226923	1	Decal - Fuel Water Separator	
10	1001227948	1	Mount, Fuel Filter	
11	1001154405	4 ft/ 1.22m	Hose	
	1001222817	Ref	FUEL FILTER ASSEMBLY	
101	70006403	1	T-Handle Kit (Includes O-Ring)	
102	70006404	1	Lid Kit (Includes Gasket)	
103	70006405	1	Element	
104	70006406	1	Checkball & Gasket Kit (Not Shown)	
105	70006407	1	Centrifuge and Baffle Kit (Not Shown)	
106	70006409	1	Bowl Kit (Includes Gasket, O-Ring and Drain)	
106	70006408	1	Gasket, Bowl	
107	70006410	1	Bowl Ring Kit (Includes Gasket & Hardware) (Not Shown)	

SECTION 3 - ENGINE

FIGURE 3-27. QUICKFIT OIL VALVE



ART_1001284139

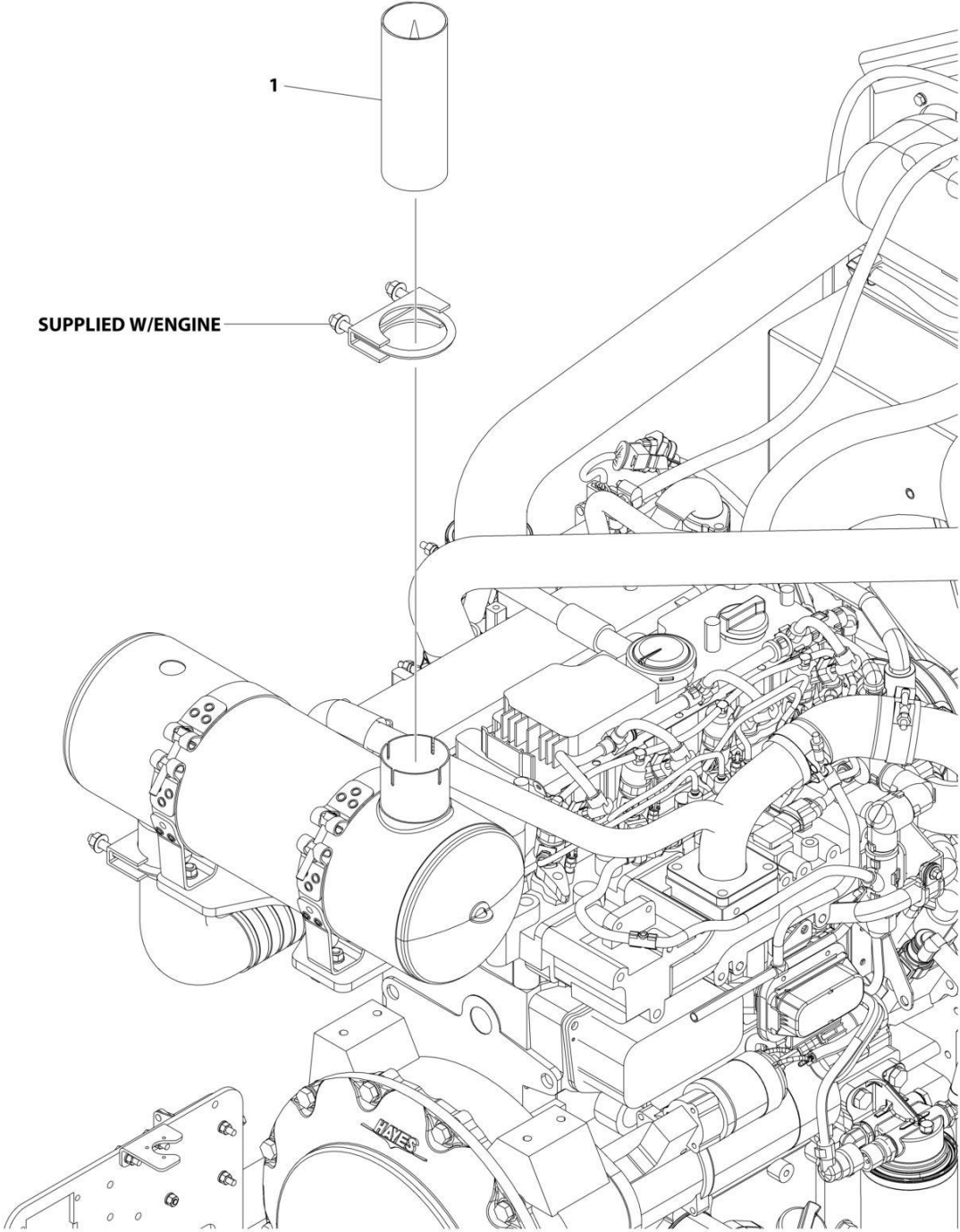
SECTION 3 - ENGINE

FIGURE 3-27. QUICKFIT OIL VALVE

ITEM	PART NUMBER	QTY	DESCRIPTION	REV
	1001284139	Ref	QUICKFIT OIL VALVE	A
1	0761214	2	Bolt M12 x 30	
2	4812100	2	Washer M12	
3	1001281298	1	Valve	
4	1001281301	1	Fitting, 90	
5	1001281302	1	Fitting, Quickfit	
6	1001281304	1	Plug	
7	1001281305	1	Fitting, Banjo	
8	1001281309	1	Filter	
9	1001281310	1	Fitting	
10	1001281311	1	O-Ring	
11	1001281359	1	Valve, Check	
12	1001281360	1	Decal (Not Shown - Located On Frame)	
13	1001281656	AR	Tie-strap (Not Shown)	
14	1001282725	1	Bracket	
15	1001284138	1	Hose	
16	1001284257	1	Bracket	
17	1001284272	1	Hose	

SECTION 3 - ENGINE

FIGURE 3-28. SPARK ARRESTOR INSTALLATION (LRC) (OPTIONAL)



ART_1001158607

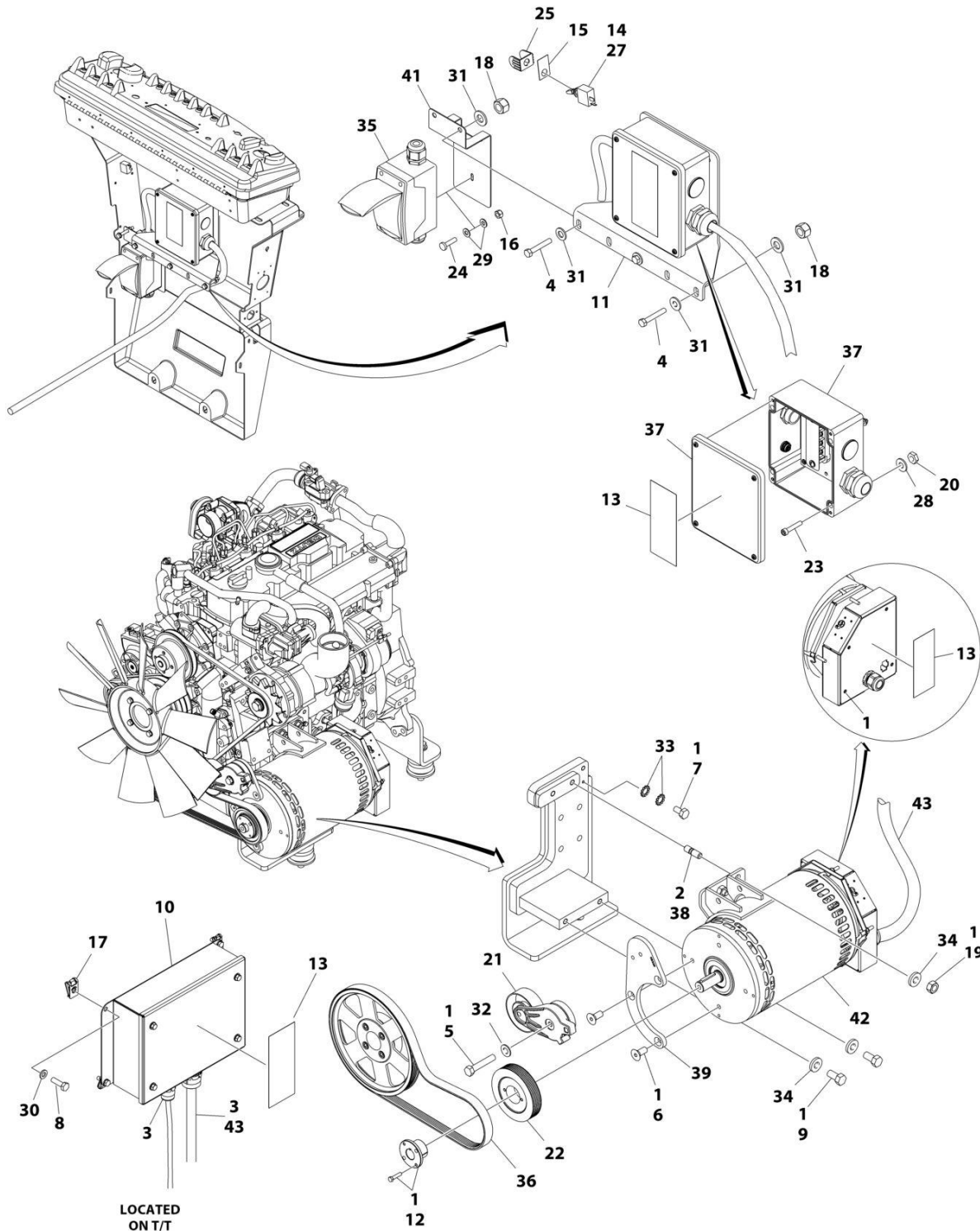
SECTION 3 - ENGINE

FIGURE 3-28. SPARK ARRESTOR INSTALLATION (LRC) (OPTIONAL)

ITEM	PART NUMBER	QTY	DESCRIPTION	REV
1	1001158607 1001158263	Ref 1	SPARK ARRESTOR INSTALLATION Arrestor, Spark	B

SECTION 3 - ENGINE

FIGURE 3-29. 4000W GENERATOR INSTALLATION - 50HZ



SECTION 3 - ENGINE

FIGURE 3-29. 4000W GENERATOR INSTALLATION - 50HZ

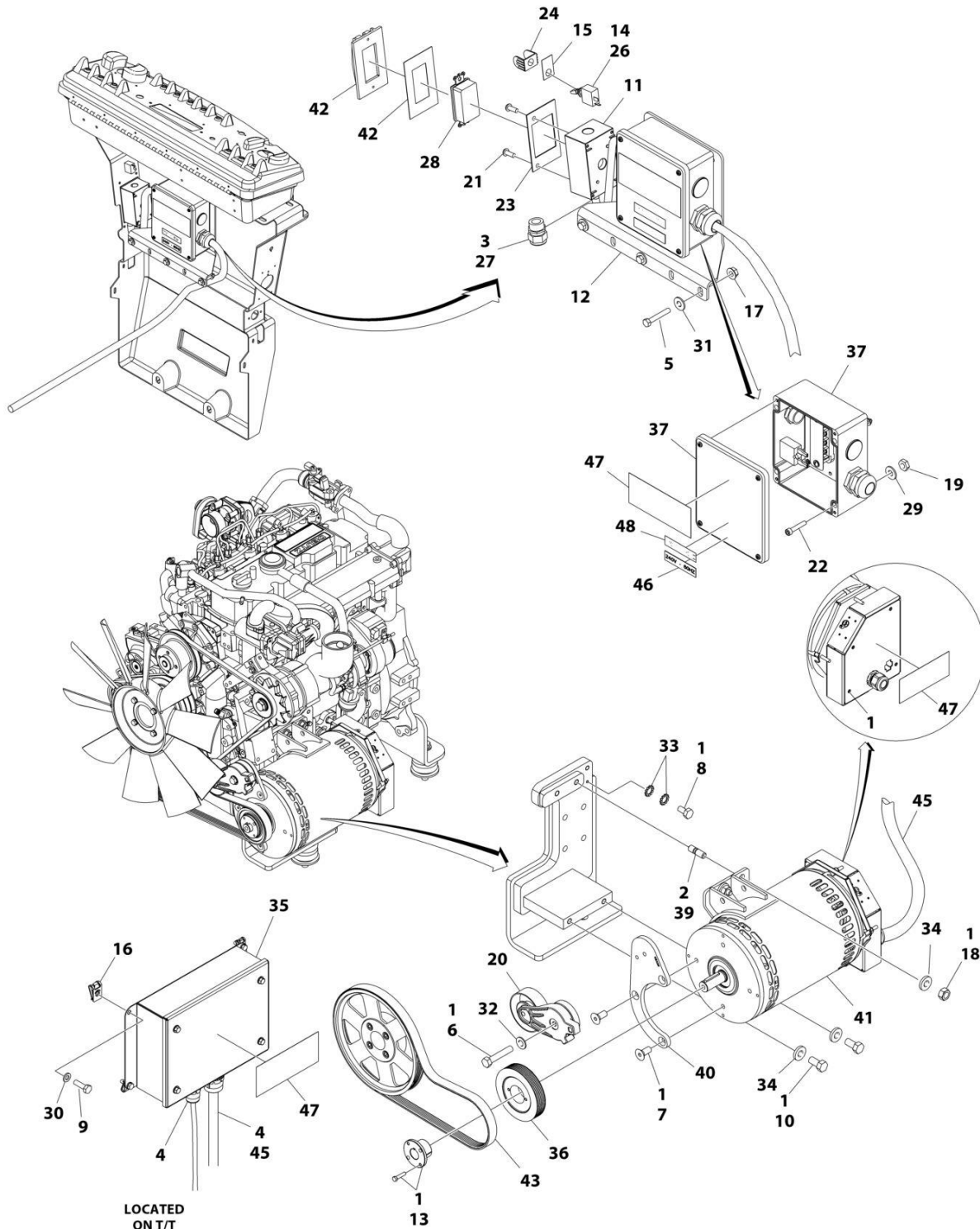
ITEM	PART NUMBER	QTY	DESCRIPTION	REV
	1001200698	Ref	4000W GENERATOR INSTALLATION - 50HZ	D
1	0100011	AR	Compound, Locking	
2	0100019	AR	Compound, Locking	
3	0100048	AR	Grease, Dielectric	
4	0700819001	4	Bolt M8 x 55	
5	0701018	1	Bolt M10 x 50	
6	0741607	3	Screw 3/8 x 7/8	
7	0760606	1	Bolt M6 x 12	
8	0760610	4	Bolt M6 x 20	
9	0761212	2	Bolt M12 x 25	
10	1001138566	1	Control Box Assembly	
10	77363232	1	Connector - 6 Position	
10	See Note	NSS	Connector - 3 Position (Note: Not Available for Purchase)	
10	70006552	1	Capacitor	
10	70006553	1	Relay	
11	0902888	1	Bracket, Junction Box	
12	0962520	1	Bushing, Split	
13	1705489	3	Decal - Hazardous Voltage	
14	2820031	0.3 ft /0.1m	Heat Shrink	
15	3251102	1	Nameplate, Generator	
16	3290405001	2	Nut M4	
17	8305919	4	Nut, Retainer	
18	3290805001	4	Nut M8	
19	3291201	2	Nut M12	
20	3311005001	4	Nut #10	
21	3580317	1	Tensioner, Belt with Pulley	
22	3580318	1	Pulley, Generator	
23	3931016	4	Capscrew #10 x 1	
24	4010408	2	Screw M4 x 16	
25	4060802	1	Guard, Switch	
26	4240018	AR	Tie-Strap (Not Shown)	
27	4360336	1	Switch, Toggle	
28	4751000001	4	Washer #10	
29	4811400001	4	Washer M4	
30	4811700	4	Washer M6	
31	4811900001	8	Washer M8	
32	4812000	1	Washer M10	
33	4871700	2	Washer M6	
34	5241200	4	Washer M12	
35	1001096612	1	Breaker Box Kit (See Separate Breakdown in ELECTRICAL Section)	
36	1001148059	1	Belt, Generator	
37	1001152458	1	Junction Box Assembly	
37	4460425	1	Connector, Strain Relief (LH Side)	
37	4460426	1	Connector, Strain Relief (RH Side)	
37	1001152530	1	Block, Terminal	
37	1001158363	1	Cover, Terminal Block	
38	1001155041	2	Stud	
39	1001155338	1	Support, Tensioner	

SECTION 3 - ENGINE

ITEM	PART NUMBER	QTY	DESCRIPTION	REV
41	1001204650	1	Bracket	
42	1001206119	1	Generator Assembly	
42	70003709	1	Ring, Retaining (External)	
42	70003708	1	Ring, Retaining (Internal)	
42	70001966	1	Bearing	
42	70004092	1	Endbell (Shaft End)	
42	70004171	1	Key	
42	70004676	1	Rotor	
42	70005624	1	Stator	
42	70004678	1	Endbell (Rear)	
42	70004679	1	Cover, Endbell (Rear)	
42	70004680	1	Enclosure, Wiring	
42	70004681	1	Cover, Enclosure	
42	70004682	1	Switch, Reset (Located on Enclosure Cover)	
42	70004098	1	Connector, Strain Relief (Located on Enclosure Cover)	
42	70004683	1	Bushing, Connector (Use p/n 70004098)	
42	70001973	1	Decal - Warning Pinch Point	
43	1001152532	1	Generator (See Separate Breakdown in ELECTRICAL Section)	
		Ref	ELECTRICAL DIAGRAM COMPONENTS	
101	1001153259	1	Generator to Platform Harness (Not Shown) (See Separate Breakdown in ELECTRICAL Section)	
103	4922641	1	Generator Switch Harness (Not Shown)	

SECTION 3 - ENGINE

FIGURE 3-30. 4000W GENERATOR INSTALLATION - 60HZ



SECTION 3 - ENGINE

FIGURE 3-30. 4000W GENERATOR INSTALLATION - 60HZ

ITEM	PART NUMBER	QTY	DESCRIPTION	REV
	1001200699	Ref	4000W GENERATOR INSTALLATION - 60HZ	B
1	0100011	AR	Compound, Locking	
2	0100019	AR	Compound, Locking	
3	0100020	AR	Sealant	
4	0100048	AR	Grease, Dielectric	
5	0700818001	3	Bolt M8 x 50	
6	0701018	1	Bolt M10 x 50	
7	0741607	3	Screw 3/8 x 7/8	
8	0760606	1	Bolt M6 x 12	
9	0760610	4	Bolt M6 x 20	
10	0761212	2	Bolt M12 x 25	
11	0860038	1	Box, Switch	
12	0902888	1	Bracket, Junction Box	
13	0962520	1	Bushing, Split	
14	2820031	0.3 ft /0.1m	Heat Shrink	
15	3251102	1	Nameplate, Generator	
16	8305919	4	Nut, Retainer	
17	3290805001	3	Nut M8	
18	3291201	2	Nut M12	
19	3311005	4	Nut #10	
20	3580317	1	Tensioner, Belt with Pulley	
21	3910606	4	Screw M6 x 3/8	
22	3931016	4	Capscrew #10 x 1	
23	3960422	1	Gasket, AC Receptacle	
24	4060802	1	Guard, Switch	
25	4240018	AR	Tie-Strap (Not Shown)	
26	4360336	1	Switch, Toggle	
27	4460071	1	Connector, Strain Relief	
28	4460346	1	Receptacle	
29	4751000	4	Washer #10	
30	4811700	4	Washer M6	
31	4811900001	6	Washer M8	
32	4812000	1	Washer M10	
33	4871700	2	Washer M6	
34	5241200	4	Washer M12	
35	1001138566	1	Control Box Assembly	
35	77363232	1	Connector - 6 Position	
35	See Note	NSS	Connector - 3 Position (Note: Not Available for Purchase)	
35	70006552	1	Capacitor	
35	70006553	1	Relay	
36	1001150174	1	Pulley, Generator	
37	1001152457	1	Junction Box Assembly	
37	3300396	1	Cover, Breaker	
37	4360070	1	Breaker, Circuit - 15Amp	
37	1001152530	1	Block, Terminal	
37	1001158363	1	Cover, Terminal Block	
37	4460425	1	Connector, Strain Relief (LH Side)	
37	4460426	1	Connector, Strain Relief (RH Side)	
39	1001155041	2	Stud	

SECTION 3 - ENGINE

ITEM	PART NUMBER	QTY	DESCRIPTION	REV
40	1001155338	1	Support, Tensioner	
41	1001200565	1	Generator Assembly	
41	70003709	1	Ring, Retaining (External)	
41	70003708	1	Ring, Retaining (Internal)	
41	70001966	1	Bearing	
41	70004092	1	Endbell (Shaft End)	
41	70004171	1	Key	
41	70004676	1	Rotor	
41	70005625	1	Stator	
41	70004678	1	Endbell (Rear)	
41	70004679	1	Cover, Endbell (Rear)	
41	70004680	1	Enclosure, Wiring	
41	70004685	1	Cover, Enclosure	
41	70005624	1	Switch, Reset (Located on Enclosure Cover)	
41	70004098	1	Connector, Strain Relief (Located on Enclosure Cover)	
41	70004683	1	Bushing, Connector (Use with p/n 70004098)	
41	70001973	1	Decal - Warning Pinch Point	
42	1001110873	1	Cover, Receptacle (60Hz)	
43	1001155303	1	Belt, Generator	
45	1001152532	1	Generator Harness (See Separate Breakdown in ELECTRICAL Section)	
46	1705374	1	Decal - 240V	
47	1705387	3	Decal - Hazardous Voltage	
48	3251243	1	Decal - 120V	
		Ref	ELECTRICAL DIAGRAM COMPONENTS	
101	1001153259	1	Generator to Platform Harness (Not Shown) (See Separate Breakdown in ELECTRICAL Section)	
103	4922641	1	Generator Switch Harness (Not Shown)	

SECTION 3 - ENGINE

FIGURE 3-31. 7500W SKYPOWER GENERATOR INSTALLATION - 50HZ

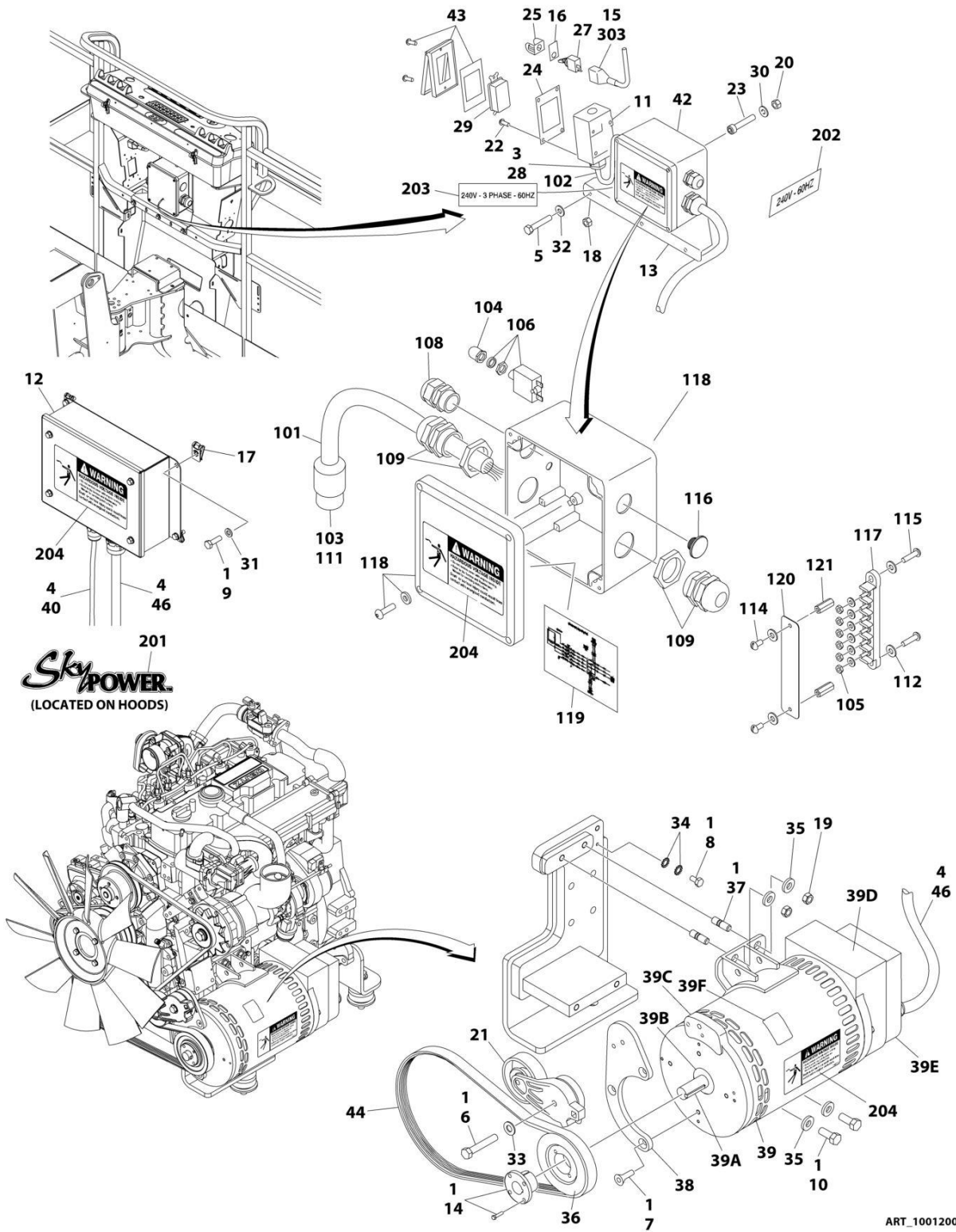
ITEM	PART NUMBER	QTY	DESCRIPTION	REV
	1001200779	Ref	7500W SKYPOWER GENERATOR INSTALLATION - 50HZ	C
		Ref	Note: See ELECTRICAL SECTION for Boom Cable Installation.	
1	0100011	AR	Compound, Locking	
2	0100019	AR	Compound, Locking	
3	0100048	AR	Grease, Dielectric	
4	0700818001	3	Bolt M8 x 50	
5	0701018	1	Bolt M10 x 50	
6	0741607	3	Screw 3/8 x 7/8	
7	0760606	1	Bolt M6 x 12	
8	0760610	4	Bolt M6 x 20	
9	0761212	2	Bolt M12 x 25	
10	0861572	1	Box, Generator Control	
10	7024488	1	Card, Circuit - Generator Power (Not Shown)	
10	See Note	1	Fuse (Note: Not Available Purchase Locally)	
10	7024489	1	Card, Circuit - Control (Not Shown)	
		Ref	Note: When replacing card, rocker switch on card must be set for required application.	
10	70000619	1	Circuit Card Harness	
10	77363232	1	Connector - 6 Position	
10	See Note	NSS	Connector - 3 Position (Note: Not Available for Purchase)	
11	0902888	1	Bracket	
12	0962520	1	Bushing	
13	2820031	AR	Heat Shrink	
14	3251102	1	Nameplate, Generator	
15	8305919	4	Nut, Retainer M6	
16	3290805001	3	Nut M8	
17	3291201	2	Nut M12	
18	3311005	4	Nut #10	
19	3580317	1	Tensioner, Belt with Pulley	
20	3580318	1	Pulley, Generator	
21	3931016	4	Capscrew #10 x 1	
22	4060802	1	Guard, Switch	
23	4240018	AR	Tie-Strap (Not Shown)	
24	4360336	1	Switch, Toggle	
25	4751000	4	Washer #10	
26	4711700	4	Washer M6	
27	4811900001	6	Washer M8	
28	4812000	1	Washer M10	
29	4871700	2	Washer M6	
30	5241200	4	Washer M12	
31	1001155041	2	Stud	
32	1001155338	1	Bracket	
33	1001155348	1	Generator, 7500W	
33	70001100	1	Rotor (Includes p/n 70001384 & 70000863) (Not Shown)	
33	70001384	1	Bearing, Shaft (Rear) (Not Shown)	
33	70000863	1	Fan, Generator (Not Shown)	
33	70005651	1	Stator (Not Shown)	
33	70002297	2	Stud 1/4 x 12-7/8 (Not Shown)	
33	70003631	1	Brushholder Assembly (Not Shown)	
33A	70004171	1	Key	

SECTION 3 - ENGINE

ITEM	PART NUMBER	QTY	DESCRIPTION	REV
33B	70001966	1	Bearing, Ball Radial (Located in Belt Tensioner Endbell)	
33B	70003709	1	Ring, Retaining (Small)	
33B	70003708	1	Ring, Retaining (Large)	
33C	70004092	1	Endbell, Belt Tensioner	
33D	70004094	1	Endbell, Brush Block	
33E	70004096	1	Shroud Assembly	
33E	7027799	1	Block, Connector - 6 Position (Not Shown)	
33E	70002460	6	Nut, Brass (Attaches p/n 7027799 to Cover) (Not Shown)	
33E	7024485	1	Breaker, Circuit 30Amp (Not Shown)	
33E	70001696	1	Boot, Breaker (Not Shown)	
33E	7026597	1	Connector with Leads (Not Shown)	
33E	7026626	1	Connector with Pins (Not Shown)	
33E	70004098	1	Clamp, Cable (Not Shown)	
33E	70005652	1	Plate, End Panel (Not Shown)	
33E	70004097	1	Insulator, End Panel (Not Shown)	
33E	70001974	1	Decal - Terminal Connections (Not Shown)	
33F	70001973	1	Decal - Warning Moving Parts	
34	1001156030	1	Generator Harness (See Separate Breakdown in ELECTRICAL SECTION)	
36	1001157525	1	Junction Box Assembly (See Items 101-117 for Breakdown)	
37	1001148059	1	Belt, Generator	
38	4922925	1	Generator Harness (See Separate Breakdown in ELECTRICAL SECTION)	
	1001157525	Ref	JUNCTION BOX ASSEMBLY	B
101	3300396	1	Cover, Fuse	
102	3311001	6	Nut #10	
103	3520189	1	Plug (50Hz Spec Only)	
104	3520192	1	Plug	
105	4360070	1	Circuit Breaker - 15Amp	
106	4460425	1	Strain Relief, Terminal	
107	4460426	2	Connector, Strain Relief	
109	4711000	10	Washer #10	
110	10702077	2	Screw #10 x 3/8	
111	10702082	2	Screw #10 x 3/4	
112	1001152525	1	Plug	
113	1001157520	1	Block, Terminal	
114	1001157521	1	Box, Junction	
115	1001157528	1	Decal - Wiring Schematic	
116	1001158007	1	Cover, PVC	
117	1001158008	2	Stand-off	
	0272589	Ref	DECAL INSTALLATION	A
201	1705460	2	Decal - SkyPower	
202	1705461	1	Decal - 240V - 3 Phase	
203	1705489	3	Decal - Hazardous Voltage	
		Ref	ELECTRICAL DIAGRAM COMPONENTS	
303	4922641	1	Generator Switch Harness	

SECTION 3 - ENGINE

FIGURE 3-32. 7500W SKYPOWER GENERATOR INSTALLATION - 60HZ



SECTION 3 - ENGINE

FIGURE 3-32. 7500W SKYPOWER GENERATOR INSTALLATION - 60HZ

ITEM	PART NUMBER	QTY	DESCRIPTION	REV
	1001200780	Ref	7500W SKYPOWER GENERATOR INSTALLATION - 60HZ	B
1	0100011	AR	Compound, Locking	
2	0100019	AR	Compound, Locking (Not Shown)	
3	0100020	AR	Sealant, Pipe	
4	0100048	AR	Grease, Dielectric	
5	0700818001	3	Bolt M8 x 50	
6	0701018	1	Bolt M10 x 50	
7	0741607	3	Screw 3/8 x 7/8	
8	0760606	1	Bolt M6 x 12	
9	0760610	4	Bolt M6 x 20	
10	0761212	2	Bolt M12 x 25	
11	0860038	1	Box, Switch	
12	0861538	1	Box, Generator Control	
12	7024488	1	Card, Circuit - Generator Power (Not Shown)	
12	See Note	1	Fuse (Note: Not Available Purchase Locally)	
12	7024489	1	Card, Circuit - Control (Not Shown)	
		Ref	Note: When replacing card, rocker switch on card must be set for required application.	
12	70000619	1	Circuit Card Harness	
12	77363232	1	Connector - 6 Position	
12	See Note	1	Connector - 3 Position (Note: Not Available for Purchase)	
13	0902888	1	Bracket, Generator Junction Box	
14	0962520	1	Bushing, Taper	
15	2820031	AR	Insulator, Heat Shrink	
16	3251102	1	Nameplate, Generator	
17	8305919	4	Nut, Retainer M6	
18	3290805001	3	Nut M8	
19	3291201	2	Nut M12	
20	3311005	4	Nut #10	
21	3580317	1	Pulley, Belt Tensioner	
22	3910606	4	Screw #6 x 3/8	
23	3931016	4	Capscrew #10 x 1	
24	3960422	1	Gasket, AC Receptacle	
25	4060802	1	Guard, Switch	
26	4240018	AR	Tie-Strap (Not Shown)	
27	4360336	1	Switch, Toggle	
28	4460071	1	Connector, Strain Relief	
29	4460346	1	Terminal, Receptacle	
30	4751000	4	Washer #10	
31	4711700	4	Washer M6	
32	4811900001	6	Washer M8	
33	4812000	1	Washer M10	
34	4871700	2	Washer M6	
35	5241200	4	Washer M12	
36	1001150174	1	Pulley, Generator	
37	1001155041	2	Stud	
38	1001155338	1	Bracket	
39	1001155348	1	Generator, 7500W	
39	70001100	1	Rotor (Includes p/n 70001384 & 70000863) (Not Shown)	
39	70001384	1	Bearing, Shaft (Rear) (Not Shown)	

SECTION 3 - ENGINE

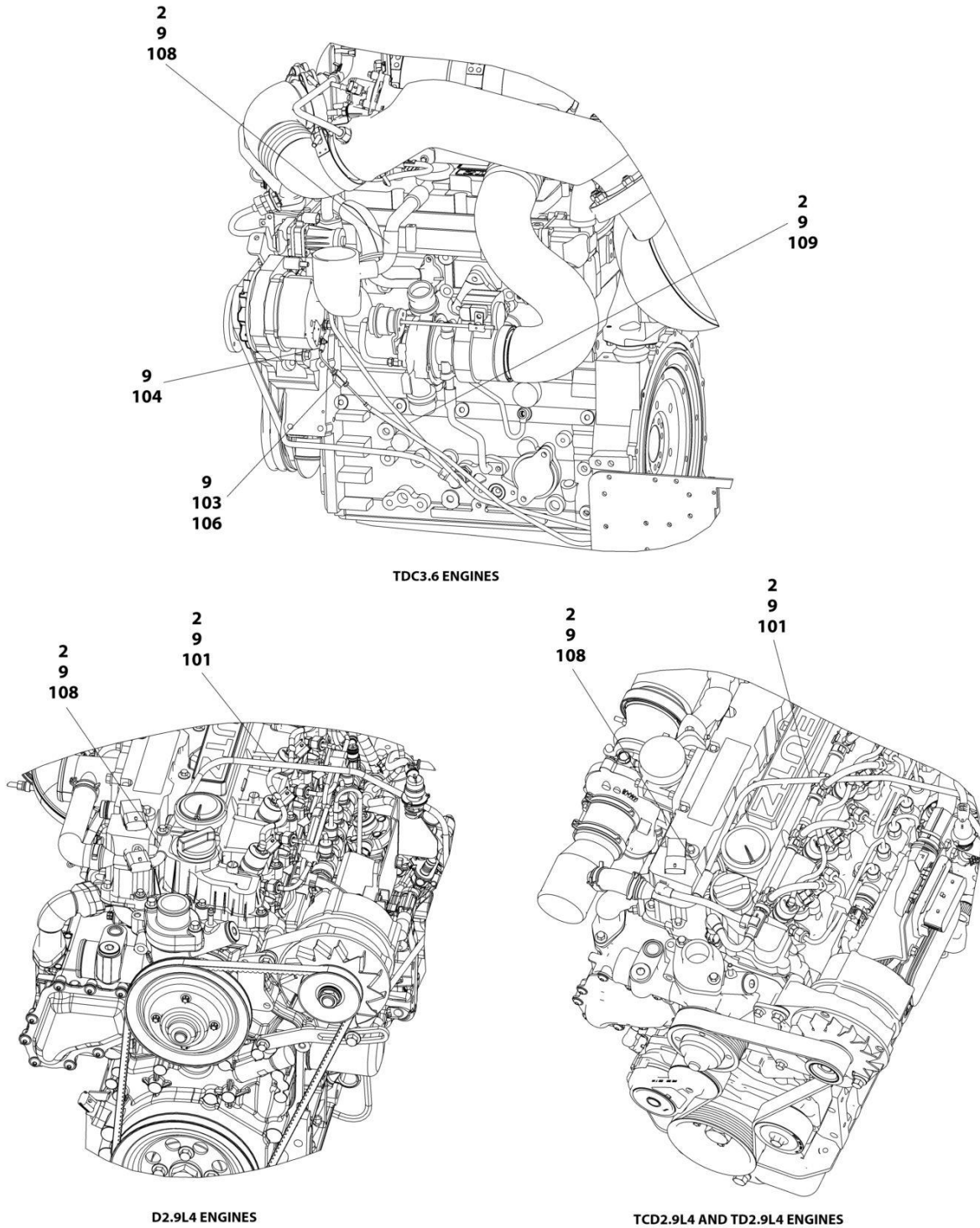
ITEM	PART NUMBER	QTY	DESCRIPTION	REV
39	7000863	1	Fan, Generator (Not Shown)	
39	70004093	1	Stator (Not Shown)	
39	70002297	2	Stud 1/4-20 x 12-7/8 (Not Shown)	
39	70003631	1	Brushholder Assembly (Not Shown)	
39A	70004099	1	Key	
39B	70001966	1	Bearing, Ball Radial (Located in Belt Tensioner Endbell)	
39B	70003709	1	Ring, Retaining (Small)	
39B	70003708	1	Ring, Retaining (Large)	
39C	70004092	1	Endbell, Belt Tensioner	
39D	70004094	1	Endbell, Brush Block	
39E	70004096	1	Shroud Assembly	
39E	7027799	1	Block, Connector - 6 Position (Not Shown)	
39E	70002460	6	Nut, Brass (Attaches p/n 7027799 to Cover) (Not Shown)	
39E	7024485	1	Breaker, Circuit 30Amp (Not Shown)	
39E	70001696	1	Boot, Breaker (Not Shown)	
39E	7026597	1	Connector with Leads (Not Shown)	
39E	7026626	1	Connector with Pins (Not Shown)	
39E	70004098	1	Clamp, Cable (Not Shown)	
39E	70004095	1	Plate, End Panel (Not Shown)	
39E	70004097	1	Insulator, End Panel (Not Shown)	
39E	70001974	1	Decal - Terminal Connections (Not Shown)	
39F	70001973	1	Decal - Warning Moving Parts	
40	1001156030	1	Generator Harness (See Separate Breakdown in ELECTRICAL SECTION)	
42	1001157592	1	Junction Box Assembly (See Items 101-121 for Breakdown)	
43	1001110873	1	Shield, Receptacle Cover	
44	1001155303	1	Belt, Generator	
46	4922925	1	Generator Harness (See Separate Breakdown in ELECTRICAL SECTION)	
	1001157592	Ref	JUNCTION BOX ASSEMBLY	C
101	1060343	1.5 ft /0.5m	Cable, Electrical 10/4	
102	1001179154	2.5 ft /0.8m	Cable, Electrical 12/3	
103	1671092	1	Cover	
104	3300396	1	Cover, Fuse	
105	3311001	6	Nut #10	
106	4360070	1	Circuit Breaker - 15Amp	
108	4460425	1	Strain Relief, Terminal	
109	4460426	2	Connector, Strain Relief	
111	4460963	1	Connector	
112	4711000	10	Washer #10	
114	10702077	2	Screw #10 x 3/8	
115	10702082	2	Screw #10 x 3/4	
116	1001152525	1	Plug	
117	1001157520	1	Block, Terminal	
118	1001157521	1	Box, Junction	
119	1001157528	1	Decal - Wiring Schematic	
120	1001158007	1	Cover, PVC	
121	1001158008	2	Stand-Off	
	0272435	Ref	DECAL INSTALLATION	D
201	1705460	2	Decal - SkyPower	

SECTION 3 - ENGINE

ITEM	PART NUMBER	QTY	DESCRIPTION	REV
202	3251243	1	Decal - 120V - 60Hz	
203	1705375	1	Decal - 240V - 3 Phase	
204	1705387	3	Decal - Hazardous Voltage	
		Ref	ELECTRICAL DIAGRAM COMPONENTS	
303	4922641	1	Generator Switch Harness	

SECTION 3 - ENGINE

FIGURE 3-33. BREATHER HEATER INSTALLATION - MACHINES WITH COLD WEATHER PACKAGE



TDC3.6 ENGINES

D2.9L4 ENGINES

TCD2.9L4 AND TD2.9L4 ENGINES

ART_1001233763

SECTION 3 - ENGINE

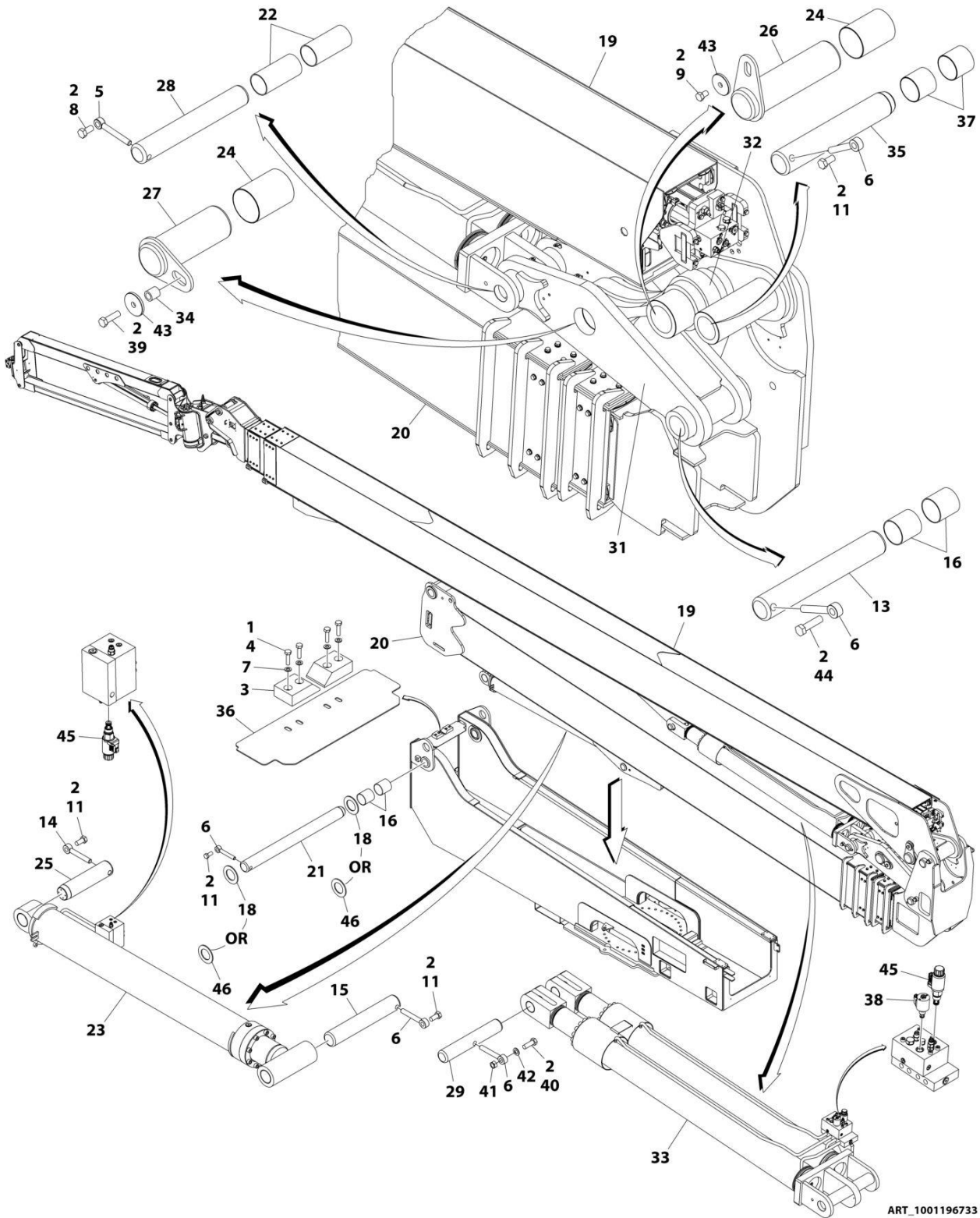
FIGURE 3-33. BREATHER HEATER INSTALLATION - MACHINES WITH COLD WEATHER PACKAGE

ITEM	PART NUMBER	QTY	DESCRIPTION	REV
	1001233763	Ref	BREATHER HEATER INSTALLATION - DEUTZ ENGINES	D
2	4240099	AR	Tie-Strap	
9	1001243895	1	Breather Heater Harness	C
101	2820035	AR	Insulation	
103	2400060	1	Fuseholder with Cover	
104	4460043	1	Terminal, Ring	
105	4460722	1	Terminal, Ring (Not Shown)	
106	1001196634	1	Fuse - 2 Amp	
108	1001232842	1	Breather Heater Kit	

SECTION 4 - BOOM

SECTION 4 - BOOM

FIGURE 4-1. BOOM AND CYLINDERS INSTALLATION (Prior to SN 0300298789)



SECTION 4 - BOOM

FIGURE 4-1. BOOM AND CYLINDERS INSTALLATION (Prior to SN 0300298789)

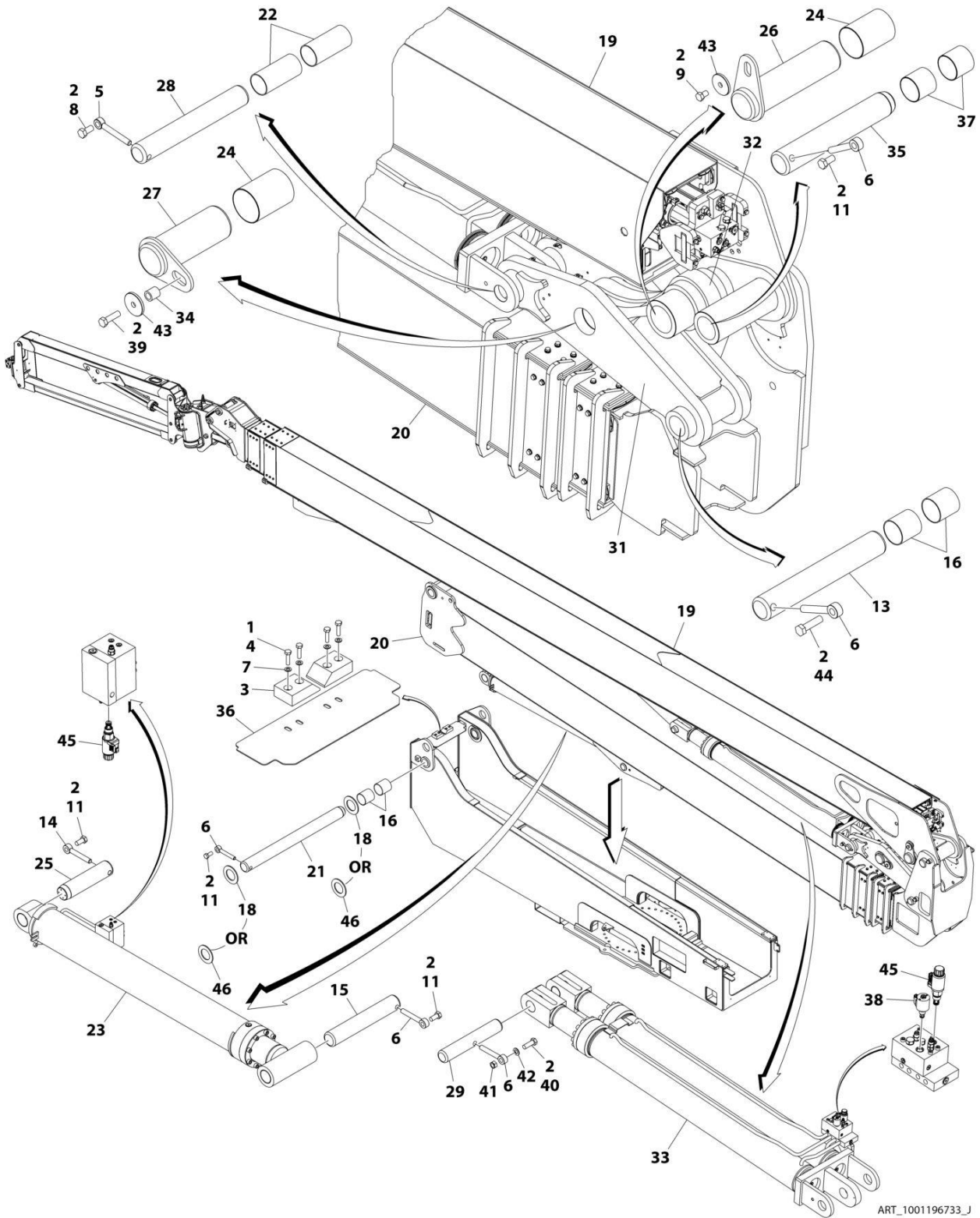
ITEM	PART NUMBER	QTY	DESCRIPTION	REV
	1001196733	Ref	BOOM AND CYLINDERS INSTALLATION	I
1	0100011	AR	Compound, Locking	
2	0100019	AR	Compound, Locking	
3	0561380	2	Block, Boom Rest	
4	0761016001	4	Bolt M10 x 40	
5	3841287	1	Keeper, Pin	
6	3841356	5	Keeper, Pin	
7	1001172358	4	Washer M10	
8	0762016001	1	Bolt M20 x 40	
9	0762014001	1	Bolt M20 x 30	
11	0762418001	4	Bolt M24 x 50	
13	1001134314	1	Pin	
14	1001146940	1	Keeper, Pin	
15	1001156650	1	Pin	
16	1001157887	4	Bearing	
18	1001180153	AR	Washer	
19	1001196917	1	Main Boom and Jib Assembly (See Separate Breakdown in this Section)	
20	1001197902	1	Tower Boom Assembly (See Separate Breakdown in this Section)	
21	1001197969	1	Pivot	
22	1001197973	2	Bearing	
23	1001228090	1	Lift Cylinder Assembly - Tower Boom (See Separate Breakdown in CYLINDER SECTION)	
24	1001198749	2	Bearing	
25	1001198757	1	Pin	
26	1001198758	1	Pin	
27	1001198759	1	Pin	
28	1001198760	1	Pin	
29	1001198761	1	Pin	
31	1001199804	1	Link	
32	1001199812	1	Link	
33	1001228094	1	Lift Cylinder Assembly - Main Boom (See Separate Breakdown in CYLINDER SECTION))	
34	1001200154	1	Spacer	
35	1001200574	1	Pin	
36	1001200576	1	Deflector	
37	0440273	2	Bearing	
38	1001201938	1	Cartridge Valve Assembly	
38	70005657	1	Cartridge, Solenoid Valve Less Coil	
38	70026446	1	Seal Kit - 70005657 Valve	
38	70003788	1	Coil	
39	0702022001	1	Bolt M20 x 70	
40	0762422001	1	Bolt M24 x 70	
41	3292401001	1	Nut M24	
42	4812700001	1	Washer M24	
43	1001207937	2	Washer	
44	0702426001	1	Bolt M24 x 90	
45	1001218037	2	Cartridge, Valve Assembly	
45	70006003	2	Cartridge, Solenoid Valve Less Coil	
45	70006005	2	Seal Kit - 70006003 Valve	

SECTION 4 - BOOM

ITEM	PART NUMBER	QTY	DESCRIPTION	REV
45	70006004	2	Coil	
45	70006006	2	Nut, Coil	
46	1001221425	AR	Washer	

SECTION 4 - BOOM

FIGURE 4-2. BOOM AND CYLINDERS INSTALLATION (SN 0300298789 to Present)



ART_1001196733_J

SECTION 4 - BOOM

FIGURE 4-2. BOOM AND CYLINDERS INSTALLATION (SN 0300298789 to Present)

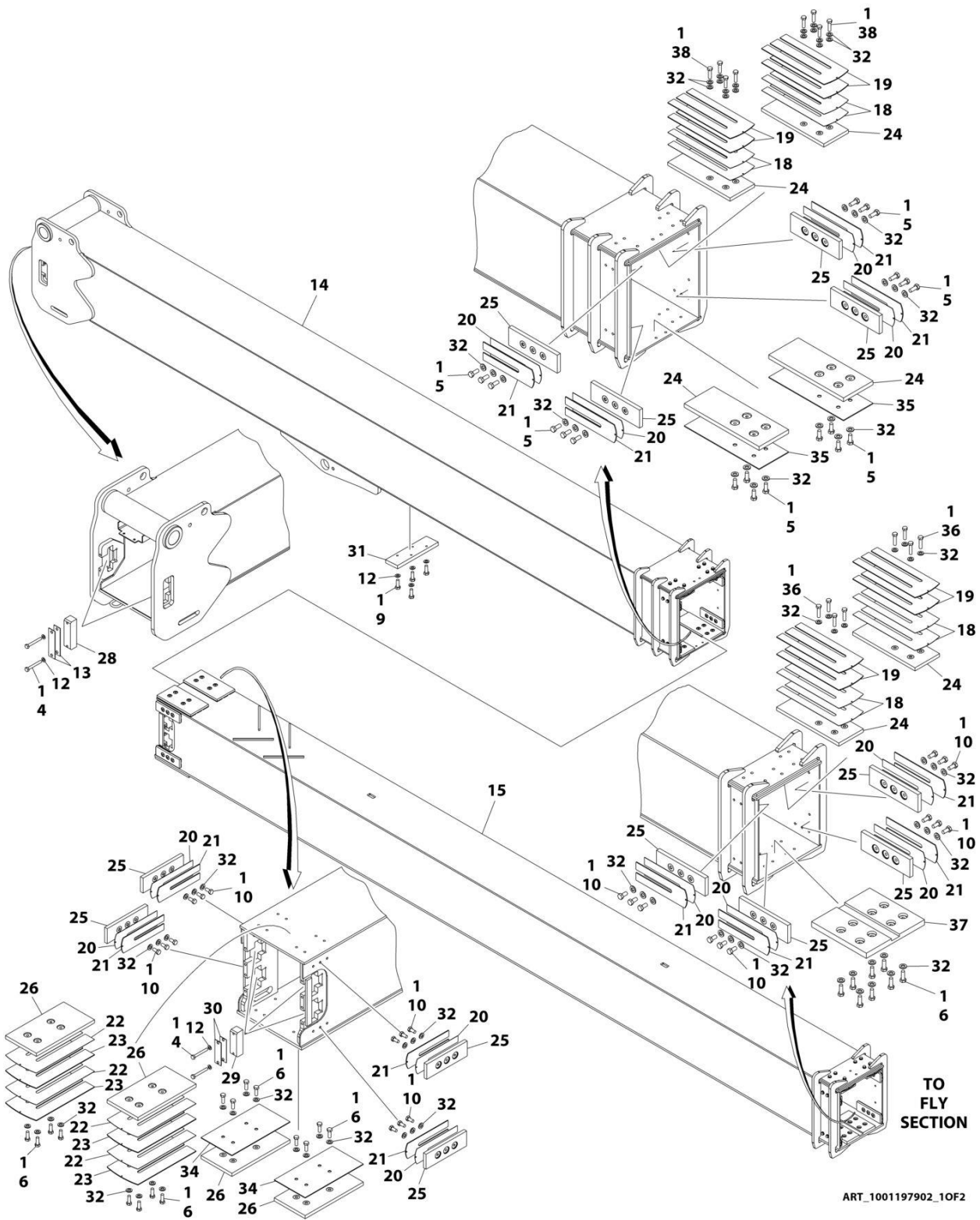
ITEM	PART NUMBER	QTY	DESCRIPTION	REV
	1001196733	Ref	BOOM AND CYLINDERS INSTALLATION	J
1	0100011	AR	Compound, Locking	
2	0100019	AR	Compound, Locking	
3	0561380	2	Block, Boom Rest	
4	0761016001	4	Bolt M10 x 40	
5	3841287	1	Keeper, Pin	
6	3841356	5	Keeper, Pin	
7	1001172358	4	Washer M10	
8	0762016001	1	Bolt M20 x 40	
9	0762014001	1	Bolt M20 x 30	
11	0762418001	4	Bolt M24 x 50	
13	1001134314	1	Pin	
14	1001146940	1	Keeper, Pin	
15	1001156650	1	Pin	
16	1001157887	4	Bearing	
18	1001180153	AR	Washer	
19	1001196917	1	Main Boom and Jib Assembly (See Separate Breakdown in this Section)	
20	1001197902	1	Tower Boom Assembly (See Separate Breakdown in this Section)	
21	1001197969	1	Pivot	
22	1001197973	2	Bearing	
23	1001228090	1	Lift Cylinder Assembly - Tower Boom (See Separate Breakdown in CYLINDER Section)	
24	1001198749	2	Bearing	
25	1001198757	1	Pin	
26	1001198758	1	Pin	
27	1001198759	1	Pin	
28	1001198760	1	Pin	
29	1001198761	1	Pin	
31	1001199804	1	Link	
32	1001199812	1	Link	
33	1001251094	1	Lift Cylinder Assembly - Main Boom (See Separate Breakdown in CYLINDER Section)	
34	1001200154	1	Spacer	
35	1001200574	1	Pin	
36	1001200576	1	Deflector	
37	0440273	2	Bearing	
38	1001201938	1	Cartridge Valve Assembly	
38	70005657	1	Cartridge, Solenoid Valve Less Coil	
38	70026446	1	Seal Kit - 70005657 Valve	
38	70003788	1	Coil	
39	0702022001	1	Bolt M20 x 70	
40	0762422001	1	Bolt M24 x 70	
41	3292401001	1	Nut M24	
42	4812700001	1	Washer M24	
43	1001207937	2	Washer	
44	0702426001	1	Bolt M24 x 90	
45	1001218037	2	Cartridge, Valve Assembly	
45	70006003	2	Cartridge, Solenoid Valve Less Coil	
45	70006005	2	Seal Kit - 70006003 Valve	

SECTION 4 - BOOM

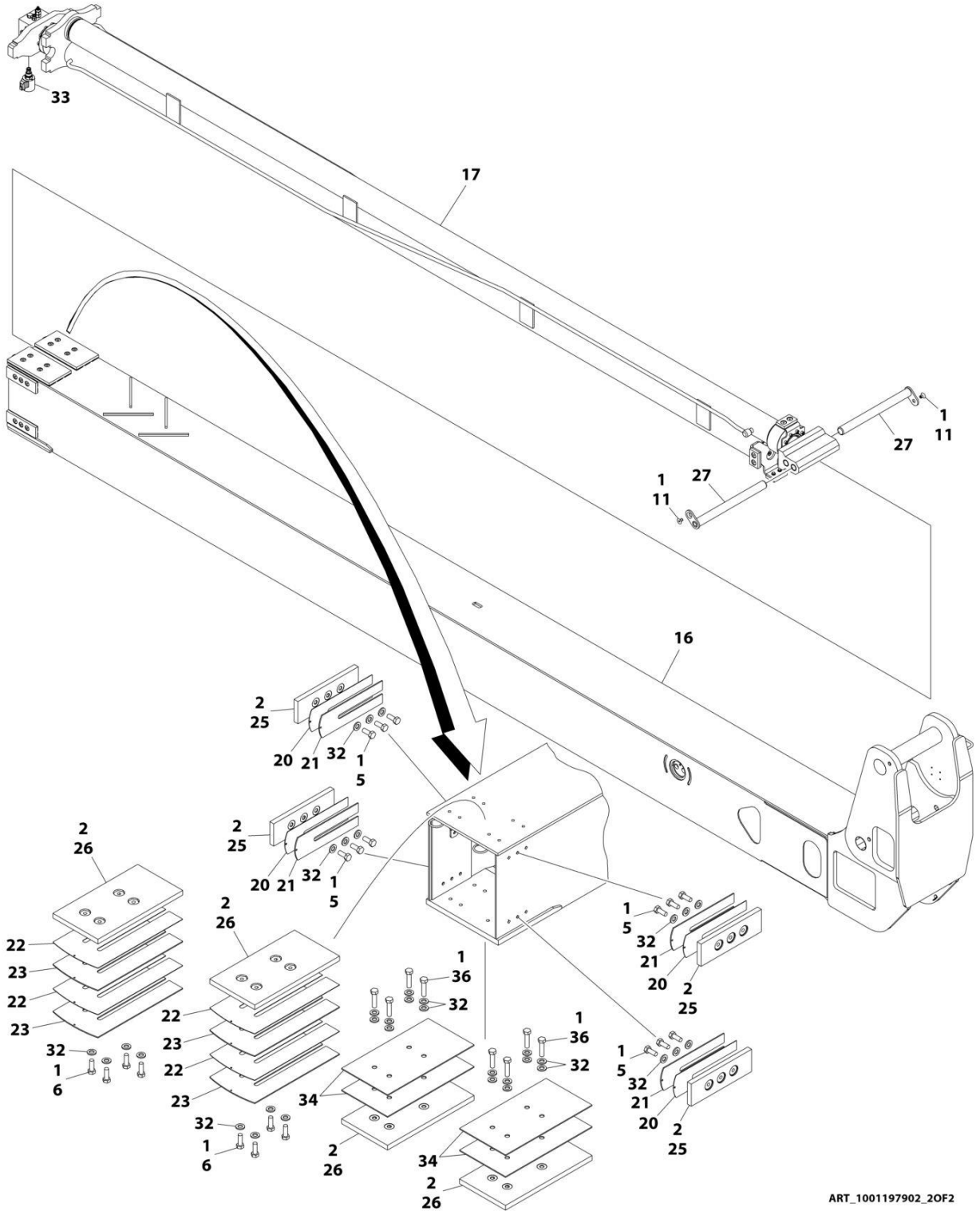
ITEM	PART NUMBER	QTY	DESCRIPTION	REV
45	70006004	2	Coil	
45	70006006	2	Nut, Coil	
46	1001221425	AR	Washer	

SECTION 4 - BOOM

FIGURE 4-3. TOWER BOOM ASSEMBLY (Prior to SN 0300298789)



SECTION 4 - BOOM



ART_1001197902_20F2

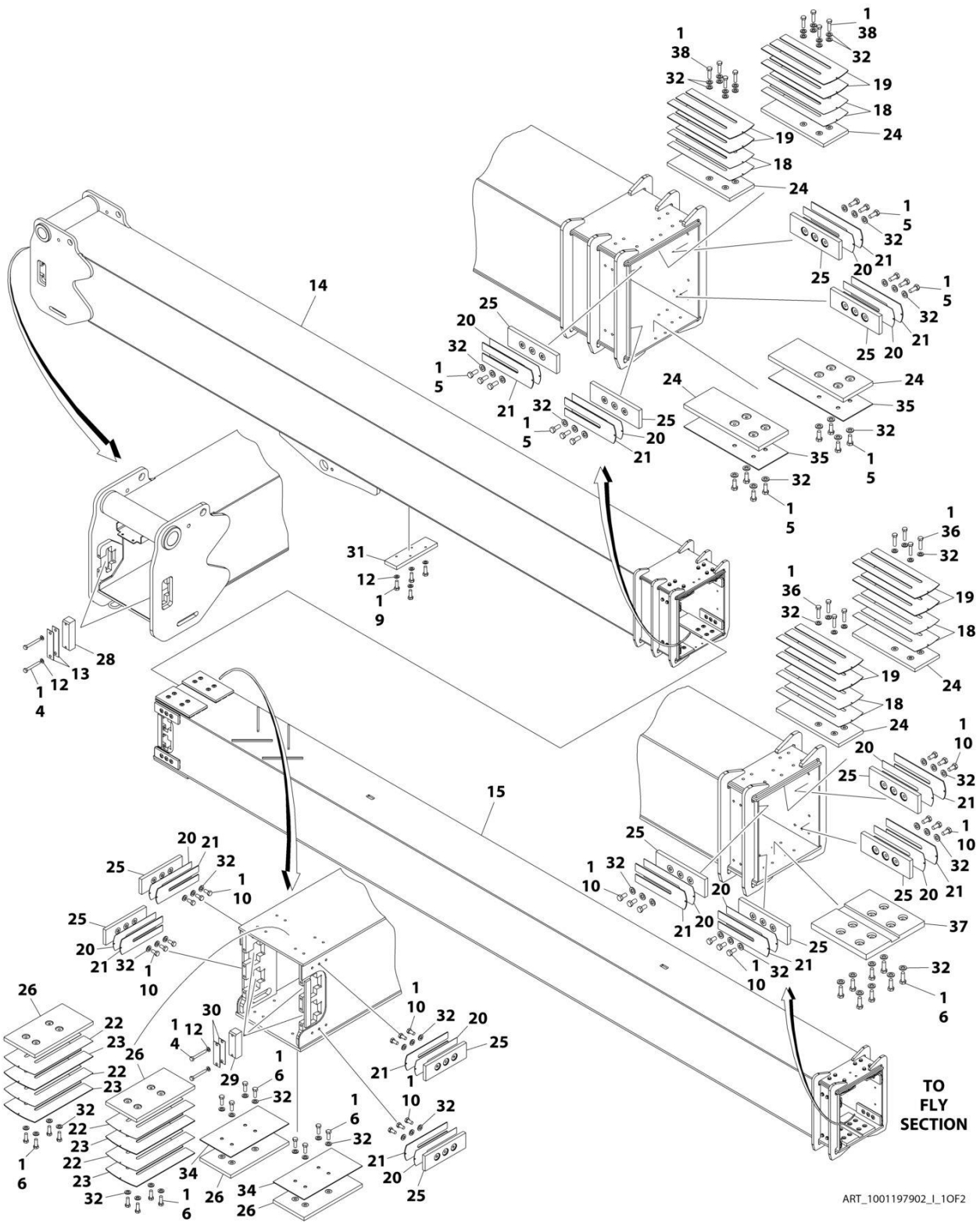
SECTION 4 - BOOM

FIGURE 4-3. TOWER BOOM ASSEMBLY (Prior to SN 0300298789)

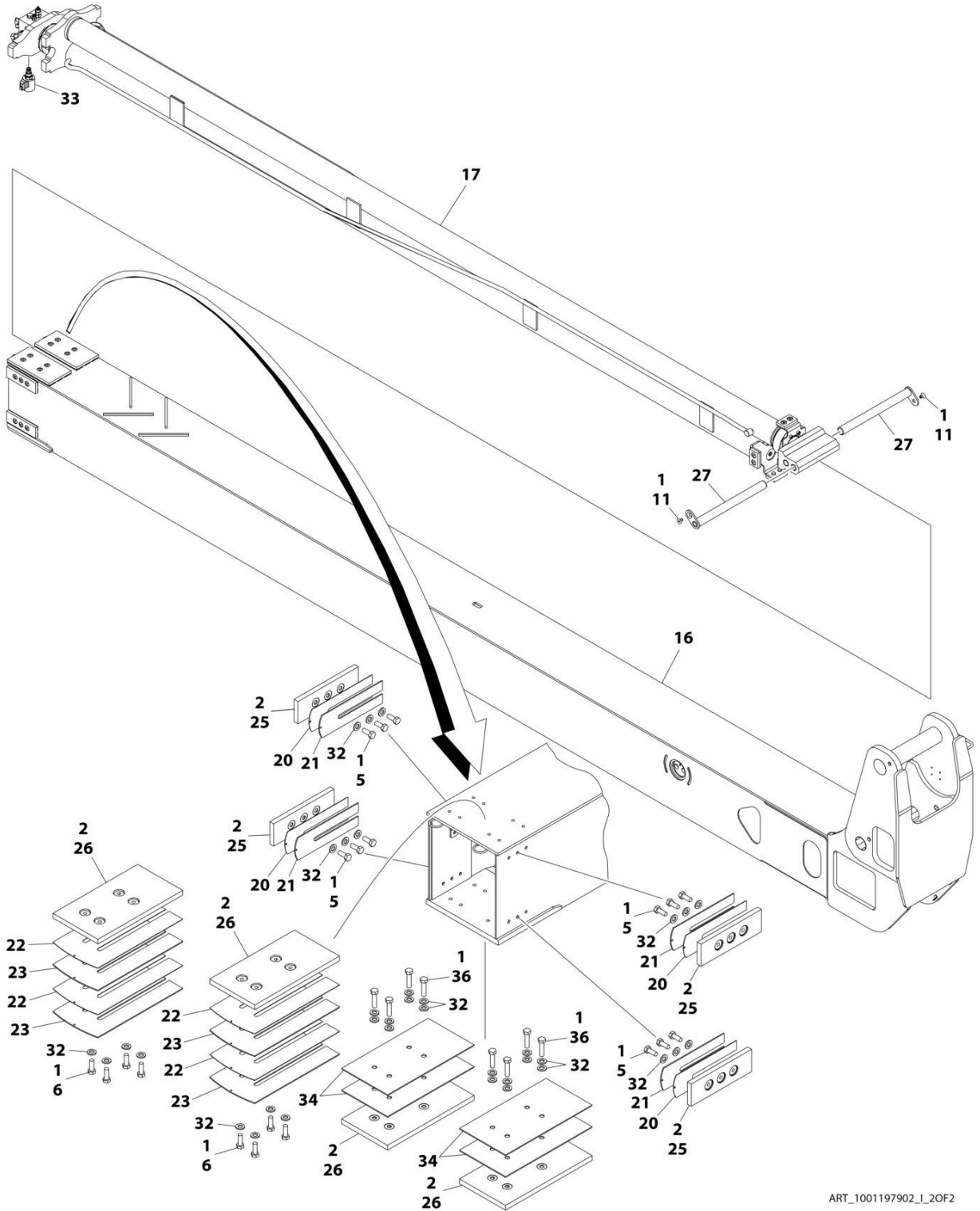
ITEM	PART NUMBER	QTY	DESCRIPTION	REV
	1001197902	Ref	TOWER BOOM ASSEMBLY	H
1	0100011	AR	Compound, Locking	
2	3020042	AR	Lubricant	
4	0701024001	12	Bolt M10 x 80	
5	0711214001	32	Bolt M12 x 30	
6	0711215001	32	Bolt M12 x 35	
9	0761014001	4	Bolt M10 x 30	
10	0771212001	24	Bolt M12 x 25	
11	1001137032	2	Screw M10 x 16	
12	1001172358	16	Washer M10	
13	1001173662	4	Shim 16 Gauge	
14	1001197899	1	Base, Boom (Section 1)	
15	1001209368	1	Mid, Boom (Section 2)	
16	1001197901	1	Fly, Boom (Section 3)	
17	1001228091	1	Telescope Cylinder Assembly - Tower (See Separate Breakdown in CYLINDER SECTION)	
18	1001198640	8	Shim 18 Gauge	
19	1001198641	8	Shim 11 Gauge	
20	1001198642	16	Shim 18 Gauge	
21	1001198643	16	Shim 11 Gauge	
22	1001198644	8	Shim 18 Gauge	
23	1001198645	8	Shim 11 Gauge	
24	1001209375	6	Pad, Wear	
25	1001198732	16	Pad, Wear	
26	1001209374	8	Pad, Wear	
27	1001201007	2	Pin	
28	1001201333	2	Block, Trunnion	
29	1001201334	4	Block, Trunnion	
30	1001201335	8	Shim 16 Gauge	
31	1001204914	1	Pad	
32	5241200001	128	Washer M12	
33	1001201938	1	Cartridge Valve Assembly	
34	1001209372	6	Plate, Spacer	
35	1001209373	2	Plate, Spacer	
36	0771218001	16	Bolt M12 x 50	
37	1001212669	1	Pad, Wear	
38	0711217001	8	Bolt M12 x 45	

SECTION 4 - BOOM

FIGURE 4-4. TOWER BOOM ASSEMBLY (SN 0300298789 to Present)



SECTION 4 - BOOM



ART_1001197902_I_20F2

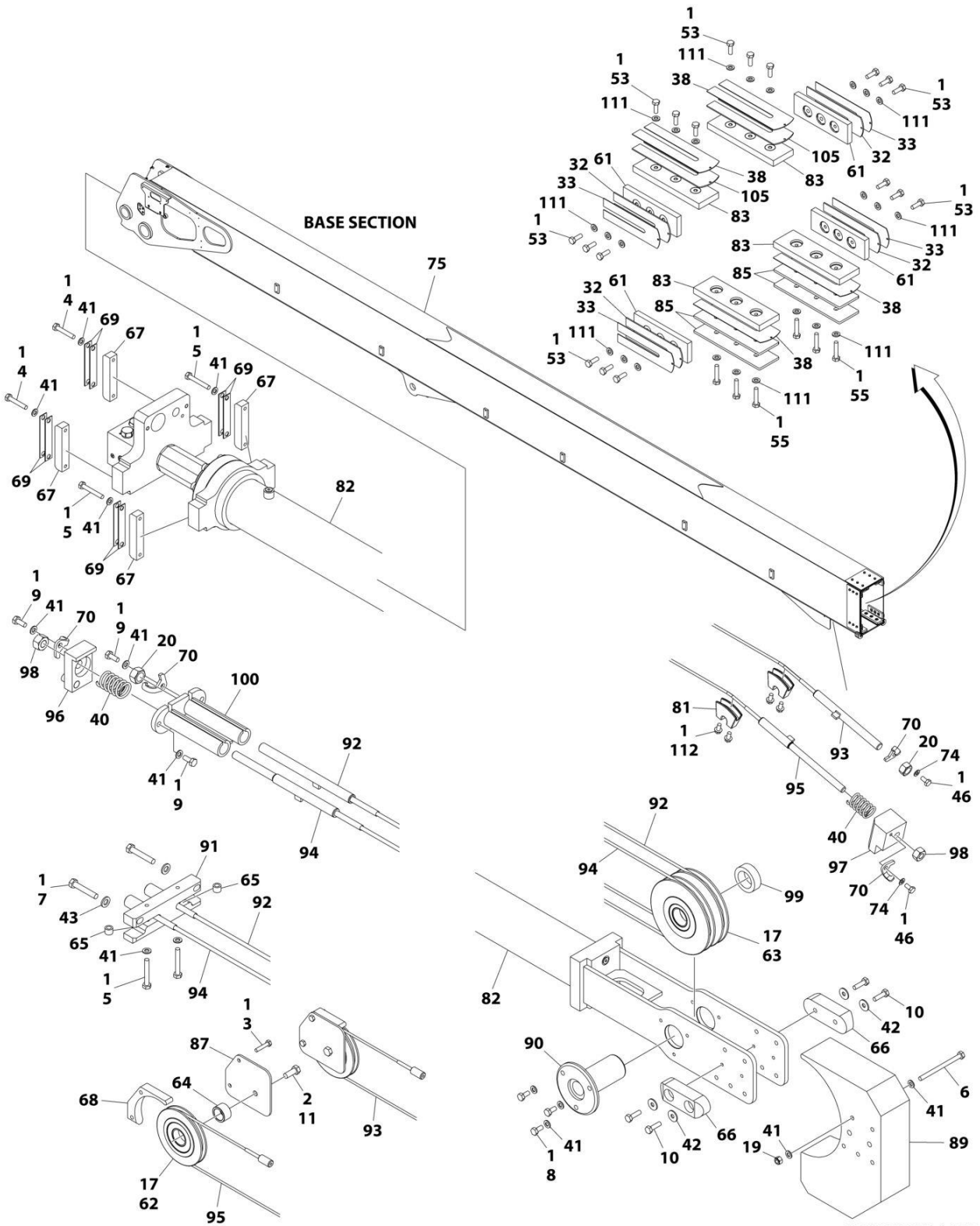
SECTION 4 - BOOM

FIGURE 4-4. TOWER BOOM ASSEMBLY (SN 0300298789 to Present)

ITEM	PART NUMBER	QTY	DESCRIPTION	REV
	1001197902	Ref	TOWER BOOM ASSEMBLY	I
1	0100011	AR	Compound, Locking	
2	3020042	AR	Lubricant	
4	0701024001	12	Bolt M10 x 80	
5	0711214001	32	Bolt M12 x 30	
6	0711215001	32	Bolt M12 x 35	
9	0761014001	4	Bolt M10 x 30	
10	0771212001	24	Bolt M12 x 25	
11	1001137032	2	Screw M10 x 16	
12	1001172358	16	Washer M10	
13	1001173662	4	Shim 16 Gauge	
14	1001197899	1	Base, Boom (Section 1)	
15	1001209368	1	Mid, Boom (Section 2)	
16	1001197901	1	Fly, Boom (Section 3)	
17	1001251091	1	Telescope Cylinder Assembly - Tower (See Separate Breakdown in CYLINDER Section)	
18	1001198640	8	Shim 18 Gauge	
19	1001198641	8	Shim 11 Gauge	
20	1001198642	16	Shim 18 Gauge	
21	1001198643	16	Shim 11 Gauge	
22	1001198644	8	Shim 18 Gauge	
23	1001198645	8	Shim 11 Gauge	
24	1001209375	6	Pad, Wear	
25	1001198732	16	Pad, Wear	
26	1001209374	8	Pad, Wear	
27	1001201007	2	Pin	
28	1001201333	2	Block, Trunnion	
29	1001201334	4	Block, Trunnion	
30	1001201335	8	Shim 16 Gauge	
31	1001204914	1	Pad	
32	5241200001	128	Washer M12	
33	1001201938	1	Cartridge Valve Assembly	
34	1001209372	6	Plate, Spacer	
35	1001209373	2	Plate, Spacer	
36	0771218001	16	Bolt M12 x 50	
37	1001212669	1	Pad, Wear	
38	0711217001	8	Bolt M12 x 45	

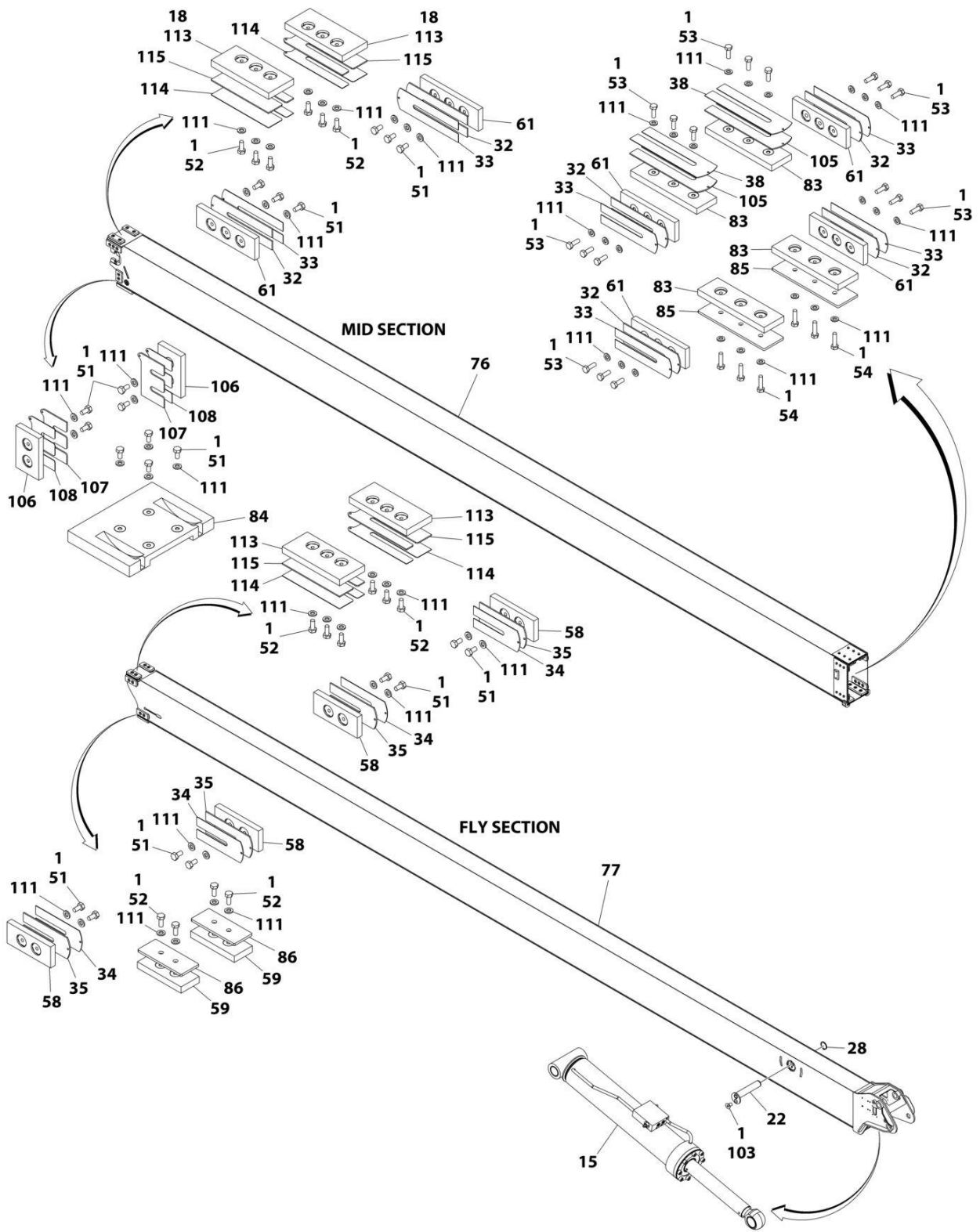
SECTION 4 - BOOM

FIGURE 4-5. MAIN BOOM AND JIB ASSEMBLY (Prior to SN 0300296300)

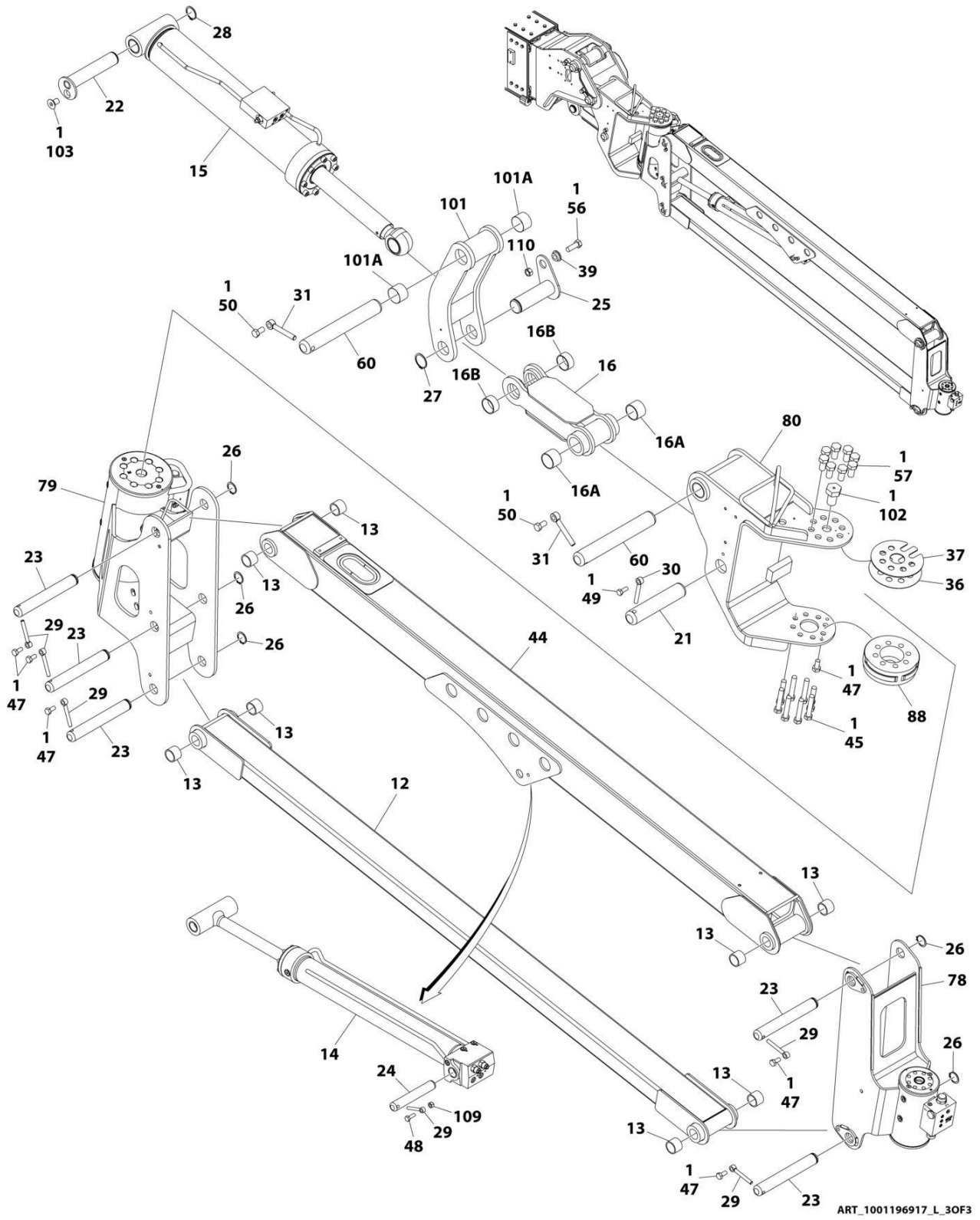


ART_1001196917_L_10F3

SECTION 4 - BOOM



SECTION 4 - BOOM



ART_1001196917_L_30F3

SECTION 4 - BOOM

FIGURE 4-5. MAIN BOOM AND JIB ASSEMBLY (Prior to SN 0300296300)

ITEM	PART NUMBER	QTY	DESCRIPTION	REV
	1001196917	Ref	MAIN BOOM AND JIB ASSEMBLY	L
1	0100011	AR	Compound, Locking	
2	0100019	AR	Compound, Locking	
3	0701018	4	Bolt M10 x 50	
4	0701020	4	Bolt M10 x 60	
5	0701022	6	Bolt M10 x 70	
6	0701031	5	Bolt M10 x 140	
7	0701222	2	Bolt M12 x 70	
8	0761011	3	Bolt M10 x 22	
9	0761012	4	Bolt M10 x 25	
10	0761015	4	Bolt M10 x 35	
11	0761616	2	Bolt M16 x 40	
12	0801550	1	Link, Jib (Lower) (Includes Item 13)	
13	0961951	8	Bushing (Part of Item 12 & 44)	
14	1001251025	1	Lift Cylinder Assembly - Jib (See Separate Breakdown in CYLINDER Section)	
15	1001228034	1	Level Cylinder Assembly (See Separate Breakdown in CYLINDER Section)	
16	3010136	1	Link, Level (Outer)	
16A	0962224	2	Bushing	
16B	0962556	2	Bushing	
17	3020039	AR	Lubricant	
18	3020042	AR	Lubricant	
19	3291005	5	Nut M10	
20	3292201	2	Nut M22	
21	3422178	1	Pin	
22	3422937	1	Pin	
23	3422957	5	Pin	
24	3422958	1	Pin	
25	3423190	1	Pin	
26	3760133	5	Ring, Retaining	
27	3760217	1	Ring, Retaining	
28	3760233	1	Ring, Retaining	
29	3841143	6	Keeper, Pin	
30	3841203	1	Keeper, Pin	
31	3841258	2	Keeper, Pin	
32	4070863	10	Shim 11 Gauge	
33	4070864	10	Shim 18 Gauge	
34	4070897	4	Shim 18 Gauge	
35	4070898	4	Shim 11 Gauge	
36	4071044	1	Shim 18 Gauge	
37	4071045	1	Shim 11 Gauge	
38	4071073	4	Shim 18 Gauge	
39	4100101	1	Spacer	
40	4160197	2	Spring	
41	4812000	27	Washer M10	
42	4812002	4	Washer M10	
43	5241200	2	Washer M12	
44	4846482	1	Link, Jib (Upper) (Includes Item 13)	
45	0711626001	8	Bolt M16 x 90 Grade 10.9	

SECTION 4 - BOOM

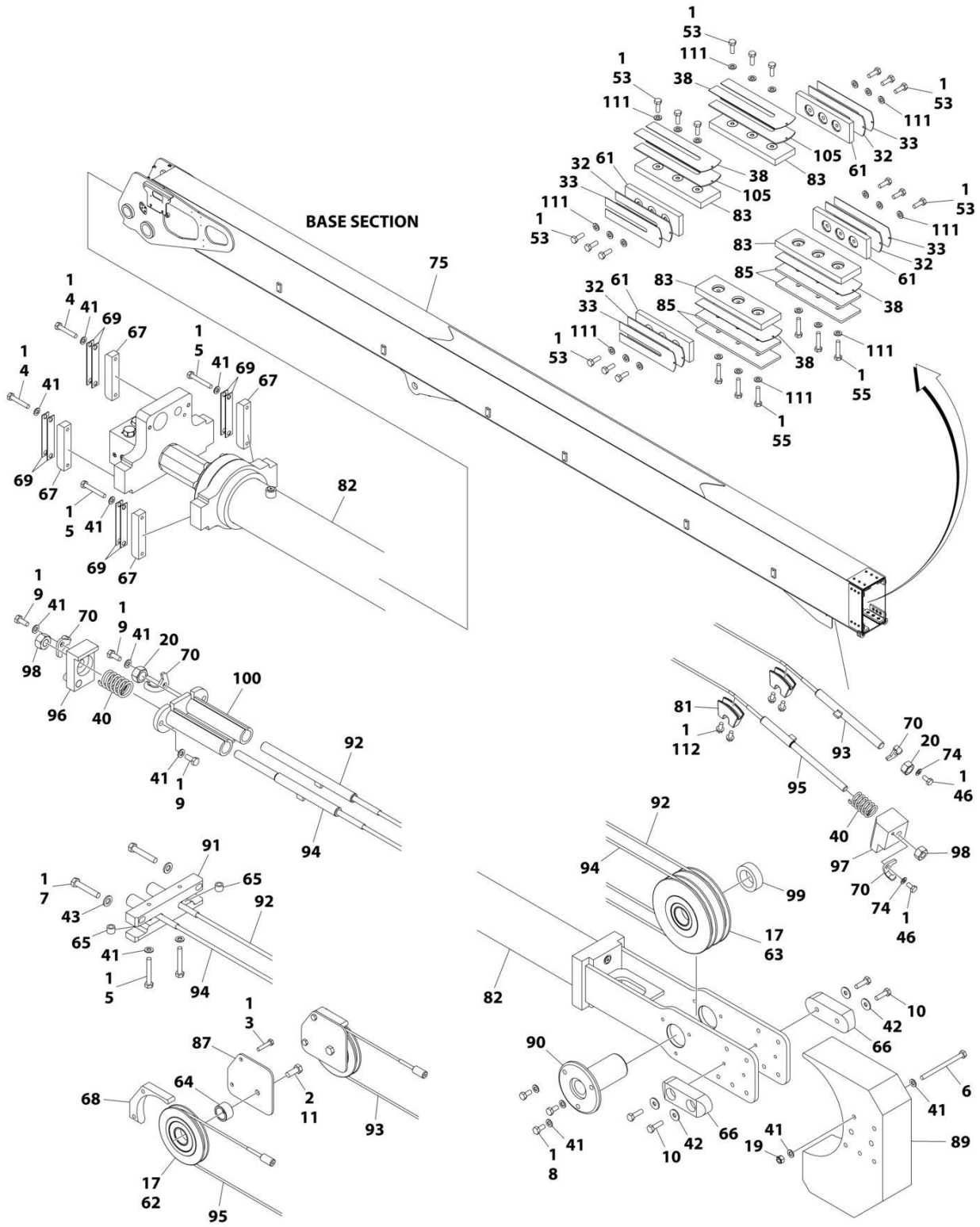
ITEM	PART NUMBER	QTY	DESCRIPTION	REV
46	0761010001	2	Bolt M10 x 20	
47	0761011001	7	Bolt M10 x 22	
48	0761014001	1	Bolt M10 x 30	
49	0761214001	1	Bolt M12 x 30	
50	0761614001	2	Bolt M16 x 30	
51	0771010001	22	Bolt M10 x 20 Grade 10.9	
52	0771012001	16	Bolt M10 x 25 Grade 10.9	
53	0771014001	36	Bolt M10 x 30 Grade 10.9	
54	0771016001	6	Bolt M10 x 40 Grade 10.9	
55	0771018001	6	Bolt M10 x 50 Grade 10.9	
56	0771617001	1	Bolt M16 x 45 Grade 10.9	
57	0772016001	8	Bolt M20 x 40 Grade 10.9	
58	1001118287	4	Pad, Wear	
59	1001118288	4	Pad, Wear	
60	1001119899	2	Pin	
61	1001136583	10	Pad, Wear	
62	1001222385	2	Sheave	
62	1001153785	1	Bushing	
62	1001154247	1	Ring, Snap	
62	1001222387	1	Bushing	
63	1001222402	2	Sheave	
63	1001153827	1	Bushing	
63	1001154247	1	Ring, Snap	
63	1001222404	1	Bushing	
64	1001156613	2	Bushing	
65	1001157007	2	Sleeve, Spacer, Sensor	
66	1001157454	2	Pad, Wear	
67	1001157872	4	Block, Trunnion	
68	1001157878	2	Retainer, Rope	
69	1001157885	8	Shim 16 Gauge	
70	1001167497	4	Plate, Keeper	
74	1001172358	2	Washer M10	
75	1001195924	1	Boom, Base	
76	1001219583	1	Boom, Mid	
77	1001219590	1	Boom, Fly	
78	1001195939	1	Platform Rotator Assembly (See Separate Breakdown in this Section)	
79	1001195940	1	Jib Rotator Assembly (See Separate Breakdown in this Section)	
80	1001195941	1	Pivot, Jib	
81	1001198864	2	Sheave, Deflector	
82	1001228093	1	Telescope Cylinder Assembly - Main Boom (See Separate Breakdown in CYLINDER SECTION)	
83	1001199083	8	Pad	
84	1001199084	1	Pad	
85	1001199085	6	Shim 6mm	
86	1001199086	2	Shim 6mm	
87	1001199117	2	Plate, Sheave	
88	1001199320	1	Cam	
89	1001199610	1	Retainer, Rope	
90	1001199641	1	Pin	
91	1001199990	1	Block, Cable Mount	
92	1001200091	1	Rope, Extend	

SECTION 4 - BOOM

ITEM	PART NUMBER	QTY	DESCRIPTION	REV
93	1001200092	1	Rope, Retract	
94	1001200093	1	Rope, Extend	
95	1001200094	1	Rope, Retract	
96	1001200732	1	Block, Mounting	
97	1001200733	1	Block, Mounting	
98	1001200736	2	Nut M18	
99	1001200739	1	Spacer	
100	1001200741	1	Retainer, Rope	
101	1001200839	1	Link, Level (Inner)	
101A	0962224	2	Bushing	
102	1001201485	1	Bolt M30 x 50	
103	1001201846	1	Screw M12 x 20 Grade 10.9	
105	1001202793	4	Shim 11 Gauge	
106	1001203753	2	Pad, Wear	
107	1001203754	2	Shim 11 Gauge	
108	1001203755	2	Shim 18 Gauge	
109	3291005001	1	Nut M10	
110	3331611001	1	Nut M16	
111	5241000001	86	Washer M10	
112	5251010001	4	Bolt M10 x 20	
113	1001148012	4	Pad, Wear	
114	1001219599	8	Shim 18 Gauge	
115	1001219600	4	Shim 11 Gauge	

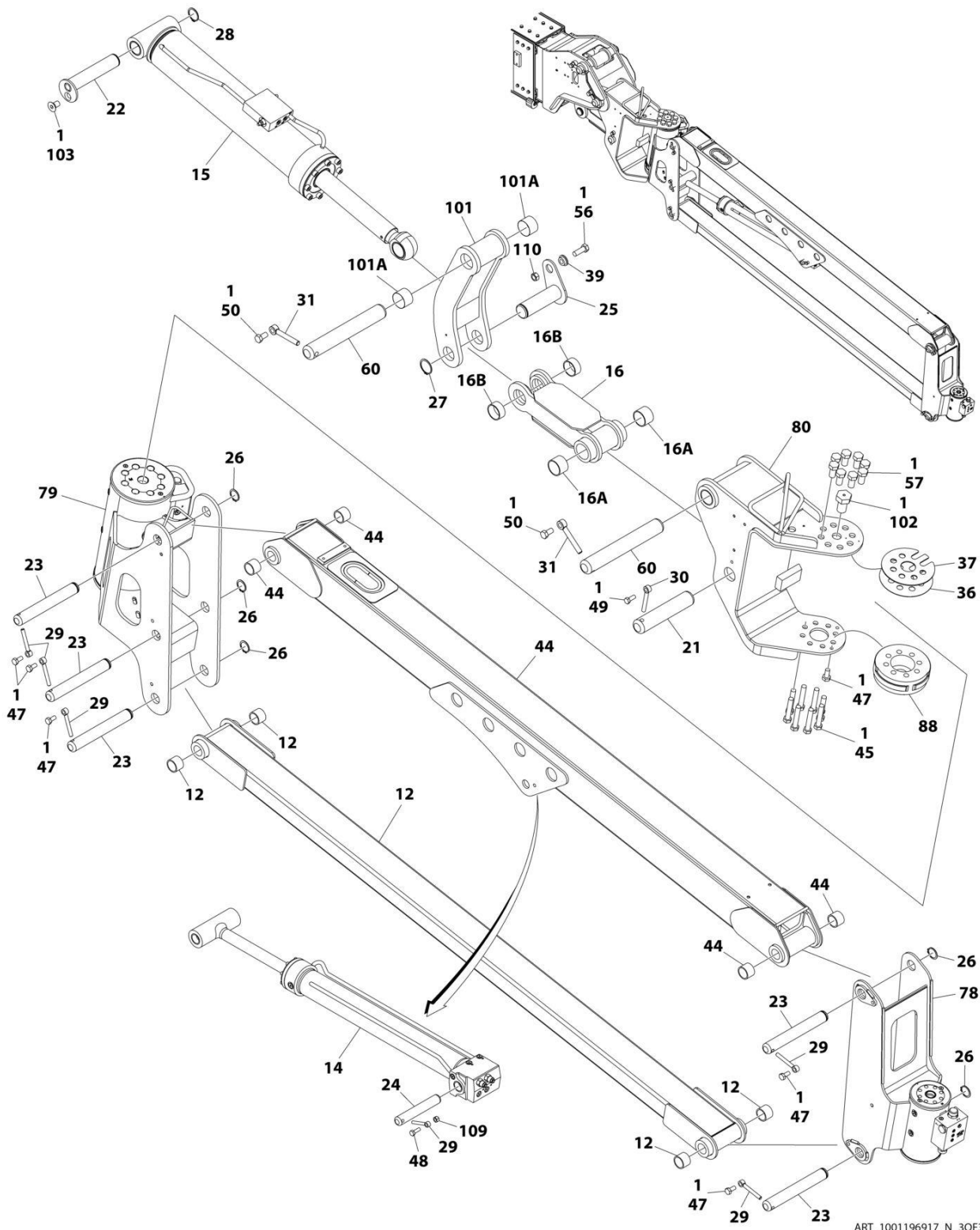
SECTION 4 - BOOM

FIGURE 4-6. MAIN BOOM AND JIB ASSEMBLY (SN 0300296300 to Present)



ART_1001196917_N_10F3

SECTION 4 - BOOM



ART_1001196917_N_30F3

SECTION 4 - BOOM

FIGURE 4-6. MAIN BOOM AND JIB ASSEMBLY (SN 0300296300 to Present)

ITEM	PART NUMBER	QTY	DESCRIPTION	REV
	1001196917	Ref	MAIN BOOM AND JIB ASSEMBLY	N
1	0100011	AR	Compound, Locking	
2	0100019	AR	Compound, Locking	
3	0701018	4	Bolt M10 x 50	
4	0701020	4	Bolt M10 x 60	
5	0701022	6	Bolt M10 x 70	
6	0701031	5	Bolt M10 x 140	
7	0701222	2	Bolt M12 x 70	
8	0761011	3	Bolt M10 x 22	
9	0761012	4	Bolt M10 x 25	
10	0761015	4	Bolt M10 x 35	
11	0761616	2	Bolt M16 x 40	
12	0801550	1	Link, Jib (Lower)	
12	0961951	4	Bushing	
14	1001251025	1	Lift Cylinder Assembly - Jib (See Separate Breakdown in CYLINDER Section)	
15	1001251034	1	Level Cylinder Assembly (See Separate Breakdown in CYLINDER Section)	
16	3010136	1	Link, Level (Outer)	
16A	0962224	2	Bushing	
16B	0962556	2	Bushing	
17	3020039	AR	Lubricant	
18	3020042	AR	Lubricant	
19	3291005	5	Nut M10	
20	3292201	2	Nut M22	
21	3422178	1	Pin	
22	3422937	1	Pin	
23	3422957	5	Pin	
24	3422958	1	Pin	
25	3423190	1	Pin	
26	3760133	5	Ring, Retaining	
27	3760217	1	Ring, Retaining	
28	3760233	1	Ring, Retaining	
29	3841143	6	Keeper, Pin	
30	3841203	1	Keeper, Pin	
31	3841258	2	Keeper, Pin	
32	4070863	10	Shim 11 Gauge	
33	4070864	10	Shim 18 Gauge	
34	4070897	4	Shim 18 Gauge	
35	4070898	4	Shim 11 Gauge	
36	4071044	1	Shim 18 Gauge	
37	4071045	1	Shim 11 Gauge	
38	4071073	4	Shim 18 Gauge	
39	4100101	1	Spacer	
40	4160197	2	Spring	
41	4812000	27	Washer M10	
42	4812002	4	Washer M10	
43	5241200	2	Washer M12	
44	4846482	1	Link, Jib (Upper)	
44	0961951	4	Bushing	

SECTION 4 - BOOM

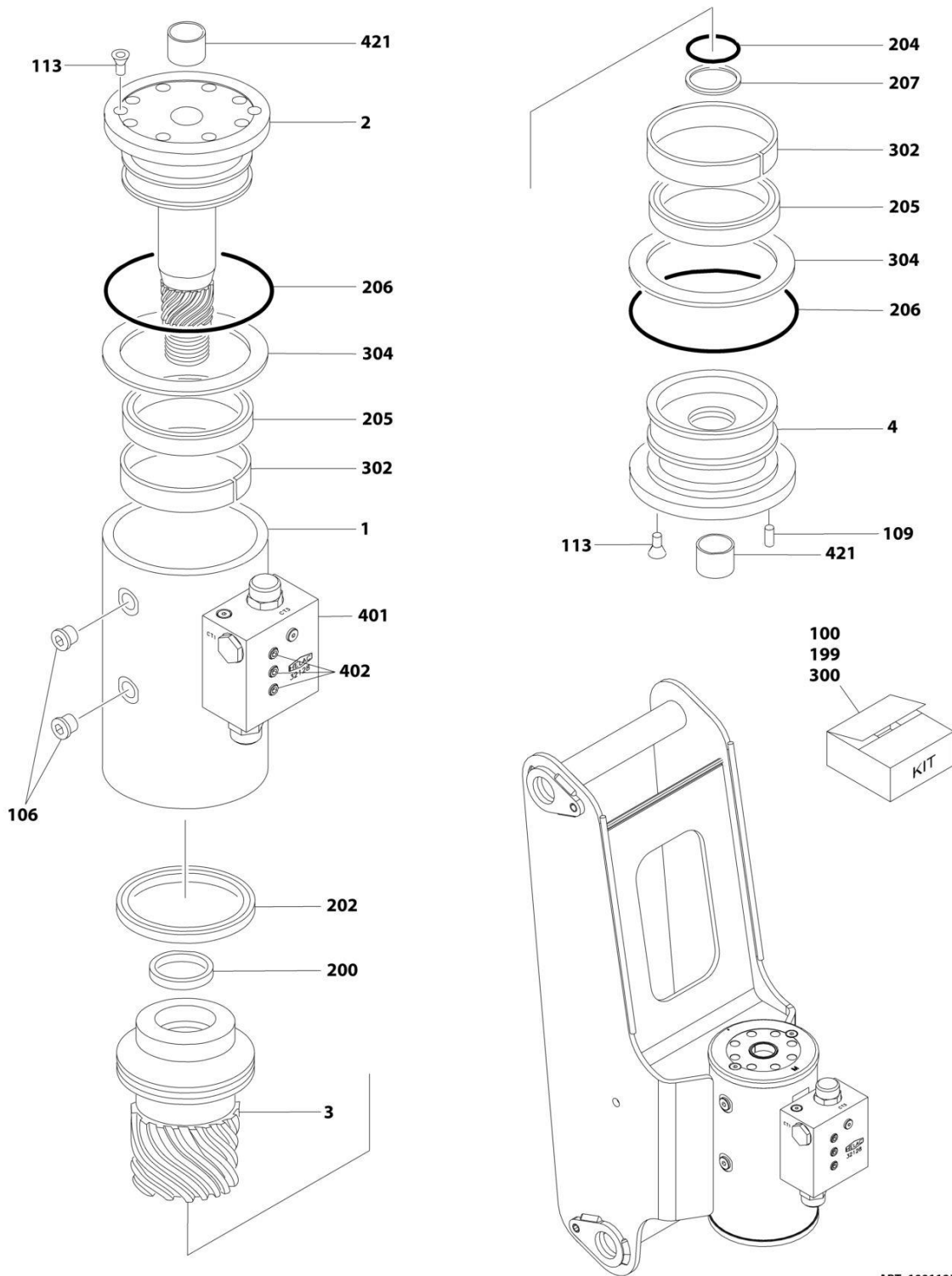
ITEM	PART NUMBER	QTY	DESCRIPTION	REV
45	0711626001	8	Bolt M16 x 90 Grade 10.9	
46	0761010001	2	Bolt M10 x 20	
47	0761011001	7	Bolt M10 x 22	
48	0761014001	1	Bolt M10 x 30	
49	0761214001	1	Bolt M12 x 30	
50	0761614001	2	Bolt M16 x 30	
51	0771010001	22	Bolt M10 x 20 Grade 10.9	
52	0771012001	16	Bolt M10 x 25 Grade 10.9	
53	0771014001	36	Bolt M10 x 30 Grade 10.9	
54	0771016001	6	Bolt M10 x 40 Grade 10.9	
55	0771018001	6	Bolt M10 x 50 Grade 10.9	
56	0771617001	1	Bolt M16 x 45 Grade 10.9	
57	0772016001	8	Bolt M20 x 40 Grade 10.9	
58	1001118287	4	Pad, Wear	
59	1001118288	2	Pad, Wear	
60	1001119899	2	Pin	
61	1001136583	10	Pad, Wear	
62	1001222385	2	Sheave	
62	1001153785	1	Bushing	
62	1001154247	1	Ring, Snap	
62	1001222387	1	Bushing	
63	1001222402	2	Sheave	
63	1001153827	1	Bushing	
63	1001154247	1	Ring, Snap	
63	1001222404	1	Bushing	
64	1001156613	2	Bushing	
65	1001157007	2	Sleeve, Spacer, Sensor	
66	1001157454	2	Pad, Wear	
67	1001157872	4	Block, Trunnion	
68	1001157878	2	Retainer, Rope	
69	1001157885	8	Shim 16 Gauge	
70	1001167497	4	Plate, Keeper	
74	1001172358	2	Washer M10	
75	1001195924	1	Boom, Base	
76	1001219583	1	Boom, Mid	
77	1001219590	1	Boom, Fly	
78	1001195939	1	Platform Rotator Assembly (See Separate Breakdown in this Section)	
79	1001195940	1	Jib Rotator Assembly (See Separate Breakdown in this Section)	
80	1001195941	1	Pivot, Jib	
81	1001198864	2	Sheave, Deflector	
82	1001251093	1	Telescope Cylinder Assembly - Main Boom (See Separate Breakdown in CYLINDER Section)	
83	1001199083	8	Pad	
84	1001199084	1	Pad	
85	1001199085	6	Shim 6mm	
86	1001199086	2	Shim 6mm	
87	1001199117	2	Plate, Sheave	
88	1001199320	1	Cam	
89	1001199610	1	Retainer, Rope	
90	1001199641	1	Pin	
91	1001199990	1	Block, Cable Mount	

SECTION 4 - BOOM

ITEM	PART NUMBER	QTY	DESCRIPTION	REV
92	1001200091	1	Rope, Extend	
93	1001200092	1	Rope, Retract	
94	1001200093	1	Rope, Extend	
95	1001200094	1	Rope, Retract	
96	1001200732	1	Block, Mounting	
97	1001200733	1	Block, Mounting	
98	1001200736	2	Nut M18	
99	1001200739	1	Spacer	
100	1001200741	1	Retainer, Rope	
101	1001200839	1	Link, Level (Inner)	
101A	0962224	2	Bushing	
102	1001201485	1	Bolt M30 x 50	
103	1001201846	1	Screw M12 x 20 Grade 10.9	
105	1001202793	4	Shim 11 Gauge	
106	1001203753	2	Pad, Wear	
107	1001203754	2	Shim 11 Gauge	
108	1001203755	2	Shim 18 Gauge	
109	3291005001	1	Nut M10	
110	3331611001	1	Nut M16	
111	5241000001	86	Washer M10	
112	5251010001	4	Bolt M10 x 20	
113	1001148012	4	Pad, Wear	
114	1001219599	8	Shim 18 Gauge	
115	1001219600	4	Shim 11 Gauge	

SECTION 4 - BOOM

FIGURE 4-7. PLATFORM ROTATOR ASSEMBLY



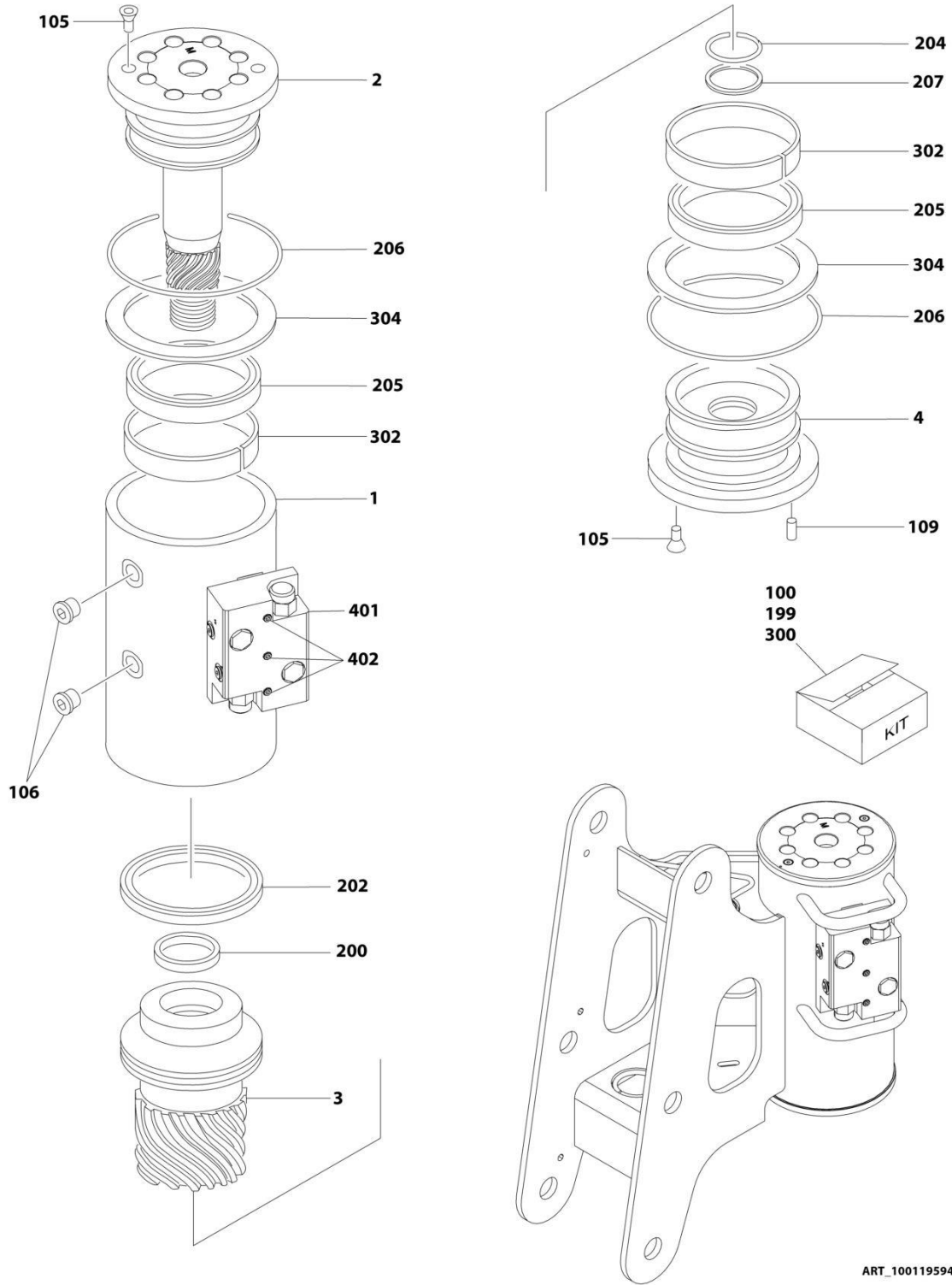
ART_1001195939

FIGURE 4-7. PLATFORM ROTATOR ASSEMBLY

ITEM	PART NUMBER	QTY	DESCRIPTION	REV
	1001195939	Ref	PLATFORM ROTATOR ASSEMBLY	C
1	See Note	NSS	Housing/Ring Gear (Note: Purchase Complete Assembly)	
2	70003948	1	Shaft	
3	7017163	1	Piston	
4	7017164	1	Cap	
100	7017142	1	Hardware Kit (Includes Items 106-109)	
106	See Note	NSS	Plug (Note: Use Item 100)	
109	See Note	NSS	Pin, Dowel (Note: Use Item 100)	
113	70001697	6	Screw 1/4 x 3/8	
199	70000342	1	Seal Kit - Low Temperature (Includes Items 200-207)	
200	See Note	NSS	T-Seal (Note: Use Item 199)	
202	See Note	NSS	T-Seal (Note: Use Item 199)	
204	See Note	NSS	O-Ring (Note: Use Item 199)	
205	See Note	NSS	Seal (Note: Use Item 199)	
206	See Note	NSS	O-Ring (Note: Use Item 199)	
207	See Note	1	Ring, Back-up (Note: Use Item 199)	
300	7017159	1	Bearing Kit (Includes Items 302-304)	
302	See Note	NSS	Bearing (Note: Use Item 300)	
304	See Note	NSS	Washer, Thrust (Note: Use Item 300)	
401	70001639	1	Valve, Control (Note: Sold as Assembly Only)	
402	See Note	NSS	Bolt 1/4 x 1-1/2 Grade 8 (Note: Purchase Locally)	
421	7017195	2	Bushing	

SECTION 4 - BOOM

FIGURE 4-8. JIB ROTATOR ASSEMBLY



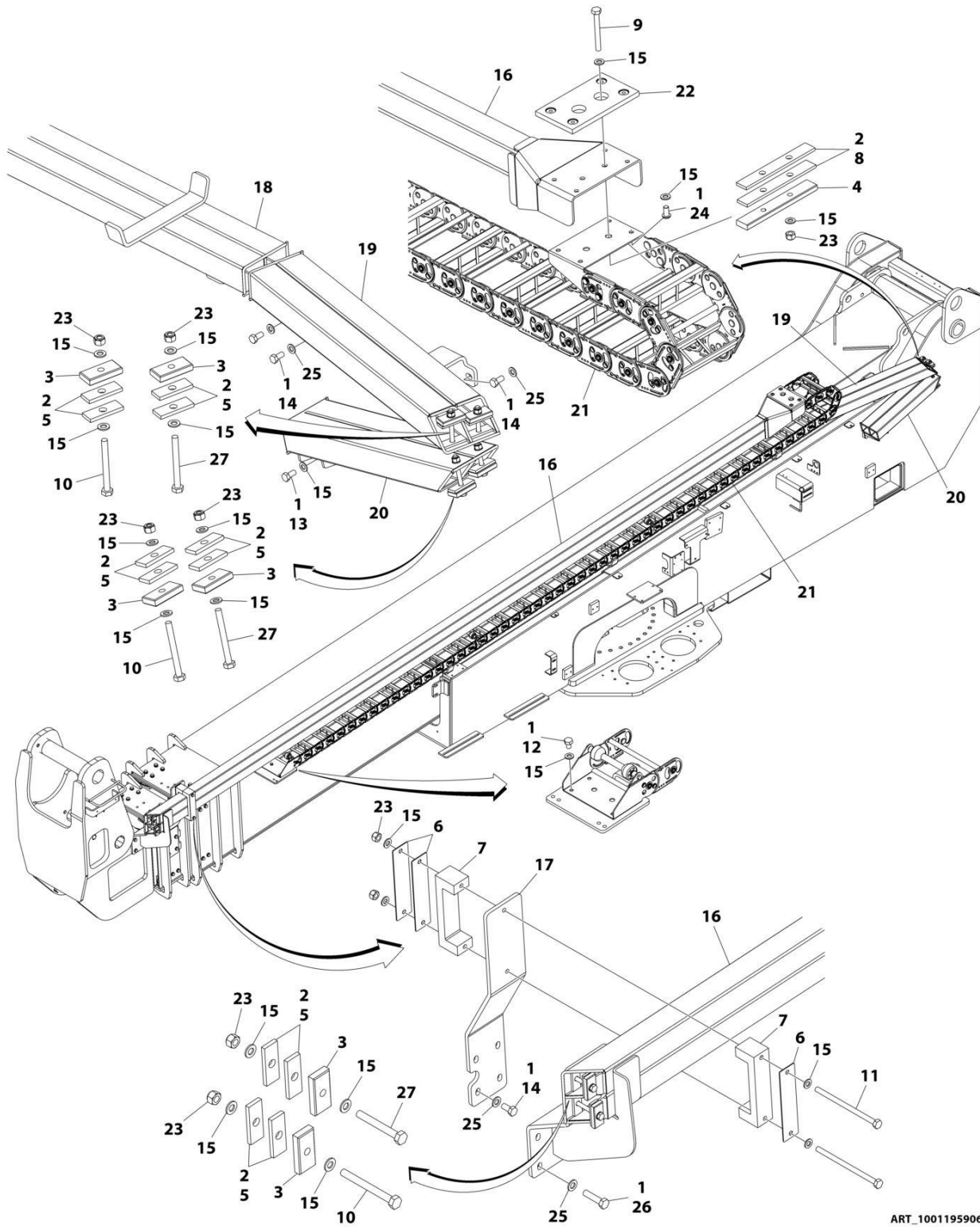
ART_1001195940

FIGURE 4-8. JIB ROTATOR ASSEMBLY

ITEM	PART NUMBER	QTY	DESCRIPTION	REV
	1001195940	Ref	JIB ROTATOR ASSEMBLY	D
1	See Note	NSS	Housing/Ring Gear (Note: Purchase Complete Assembly)	
2	70005620	1	Shaft	
3	7017187	1	Piston	
4	70005621	1	Cap	
5	7017189	1	Ring, Lock (Not Shown)	
100	70001640	1	Hardware Kit (Includes Items 105-109)	
105	See Note	NSS	Screw (Note: Use Item 100)	
106	See Note	NSS	Plug (Note: Use Item 100)	
109	See Note	NSS	Setscrew (Note: Use Item 100)	
199	70000796	1	Seal Kit (Includes Items 200-207)	
200	See Note	NSS	T-Seal (Note: Use Item 199)	
202	See Note	NSS	T-Seal (Note: Use Item 199)	
204	See Note	NSS	O-Ring (Note: Use Item 199)	
205	See Note	NSS	Seal (Note: Use Item 199)	
206	See Note	NSS	O-Ring (Note: Use Item 199)	
207	See Note	NSS	Ring, Back-up (Note: Use Item 199)	
300	70005622	1	Bearing Kit (Includes Items 302-304)	
302	See Note	NSS	Bearing (Note: Use Item 300)	
304	See Note	2	Washer, Thrust (Note: Use Item 300)	
401	70002859	1	Valve, Control (Note: Sold as Assembly Only)	
402	See Note	NSS	Bolt 1/4 x 1-1/2 Grade 8 (Note: Purchase Locally)	

SECTION 4 - BOOM

FIGURE 4-9. POWER TRACK INSTALLATION - TOWER BOOM



ART_1001195906

SECTION 4 - BOOM

FIGURE 4-9. POWER TRACK INSTALLATION - TOWER BOOM

ITEM	PART NUMBER	QTY	DESCRIPTION	REV
	1001195906	Ref	POWER TRACK INSTALLATION - TOWER BOOM	D
1	0100011	AR	Compound, Locking	
2	0100081	AR	Adhesive	
3	1320288	6	Clamp	
4	1320328	1	Clamp	
5	3340941	12	Pad	
6	4071076	AR	Shim	
7	4220189	2	Block	
8	4220190	2	Pad	
9	0701026001	2	Bolt M10 x 90	
10	0701027001	3	Bolt M10 x 100	
11	0701034001	2	Bolt M10 x 170	
12	0761007001	4	Bolt M10 x 14	
13	0761012001	2	Bolt M10 x 25	
14	0761212001	16	Bolt M12 x 25	
15	1001172358	30	Washer M10	
16	1001197760	1	Tube, Push	
17	1001197766	1	Plate, Support	
18	1001201997	1	Tube	
19	1001202000	1	Tube	
20	1001202002	1	Tube	
21	1001202005	1	Power Track Assembly	
21	70003919	AR	Repair Kit	
21	70003920	2	Mounting Feet & Roller Kit	
22	1001202245	1	Pad	
23	3291005001	10	Nut M10	
24	3900393001	4	Screw M10 x 20	
25	4812100001	19	Washer M12	
26	0761218001	3	Bolt M12 x 50	
27	0701024001	3	Bolt M10 x 80	

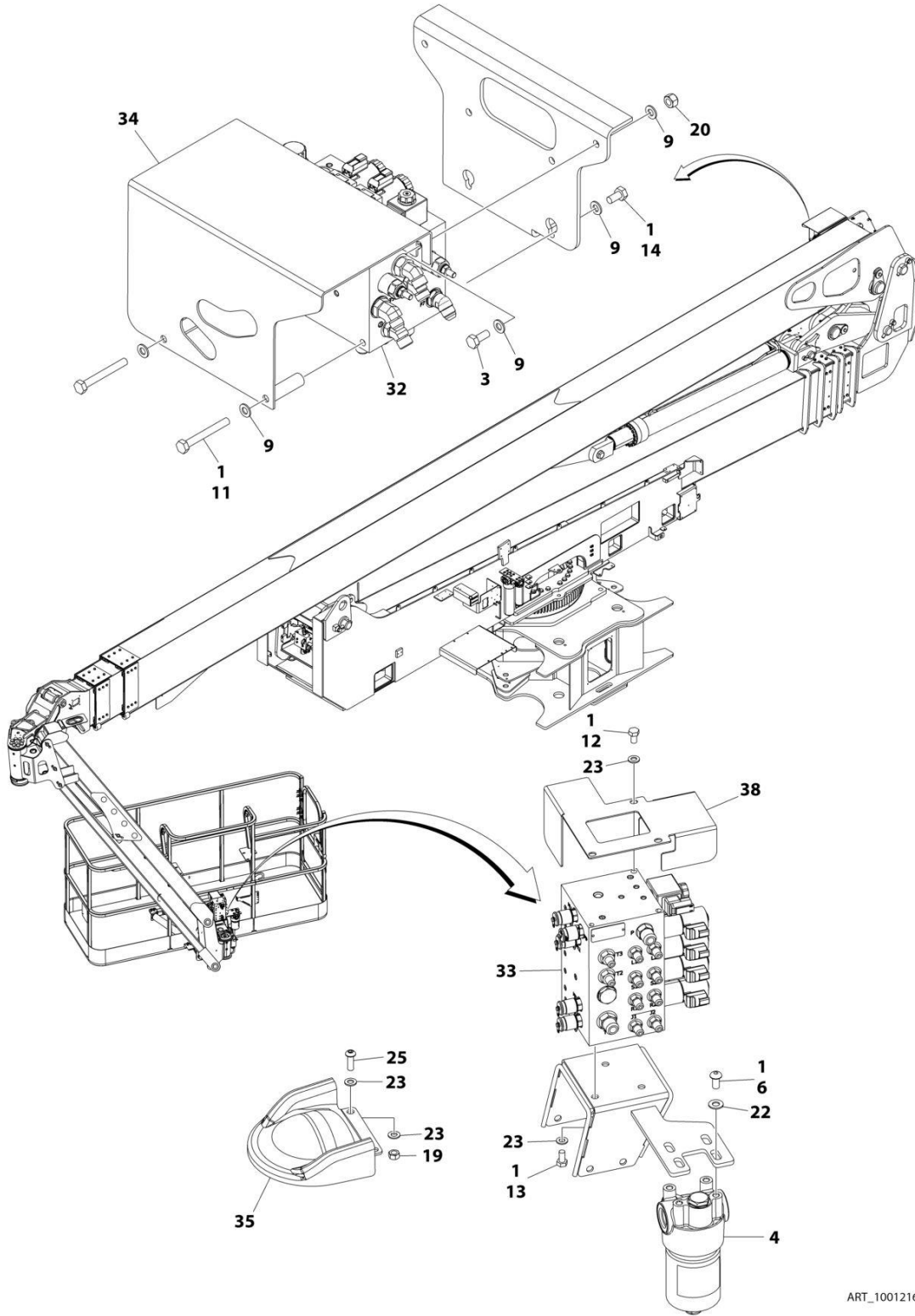
SECTION 4 - BOOM

FIGURE 4-10. POWER TRACK INSTALLATION - MAIN BOOM

ITEM	PART NUMBER	QTY	DESCRIPTION	REV
	1001197312	Ref	POWER TRACK INSTALLATION - MAIN BOOM	I
1	0100011	AR	Compound, Locking	
2	0100081	AR	Adhesive	
3	1320288	1	Clamp	
4	3340764	2	Pad	
5	3340941	2	Pad	
6	1001208596	2	Plate, Clamp	
7	0701027001	1	Bolt M10 x 100	
8	0701032001	2	Bolt M10 x 150	
9	0761016001	6	Bolt M10 x 40	
11	0761214001	20	Bolt M12 x 30	
12	3538758	1	Plate, Mounting	
13	1001172358	34	Washer M10	
14	1001173763	2	Screw M10 x 25	
15	1001198376	1	Tube	
16	1001198377	1	Tube	
17	1001198382	1	Power Track Assembly	
17	70004071	AR	Repair Kit	
17	70005666	2	Mounting Feet Kit	
18	1001198383	1	Tube, Push	
19	1001198386	2	Clamp	
20	1001198388	1	Bracket	
21	1001198389	2	Bracket	
22	1001209633	1	Pad	
24	1001199315	AR	Shim	
25	1001199671	4	Screw M10 x 100	
26	1001200686	2	Screw M10 x 35	
27	3291005001	19	Nut M10	
28	4812100001	20	Washer M12	

SECTION 4 - BOOM

FIGURE 4-11. VALVES AND FILTERS INSTALLATION - BOOM



ART_1001216976_F_30F3

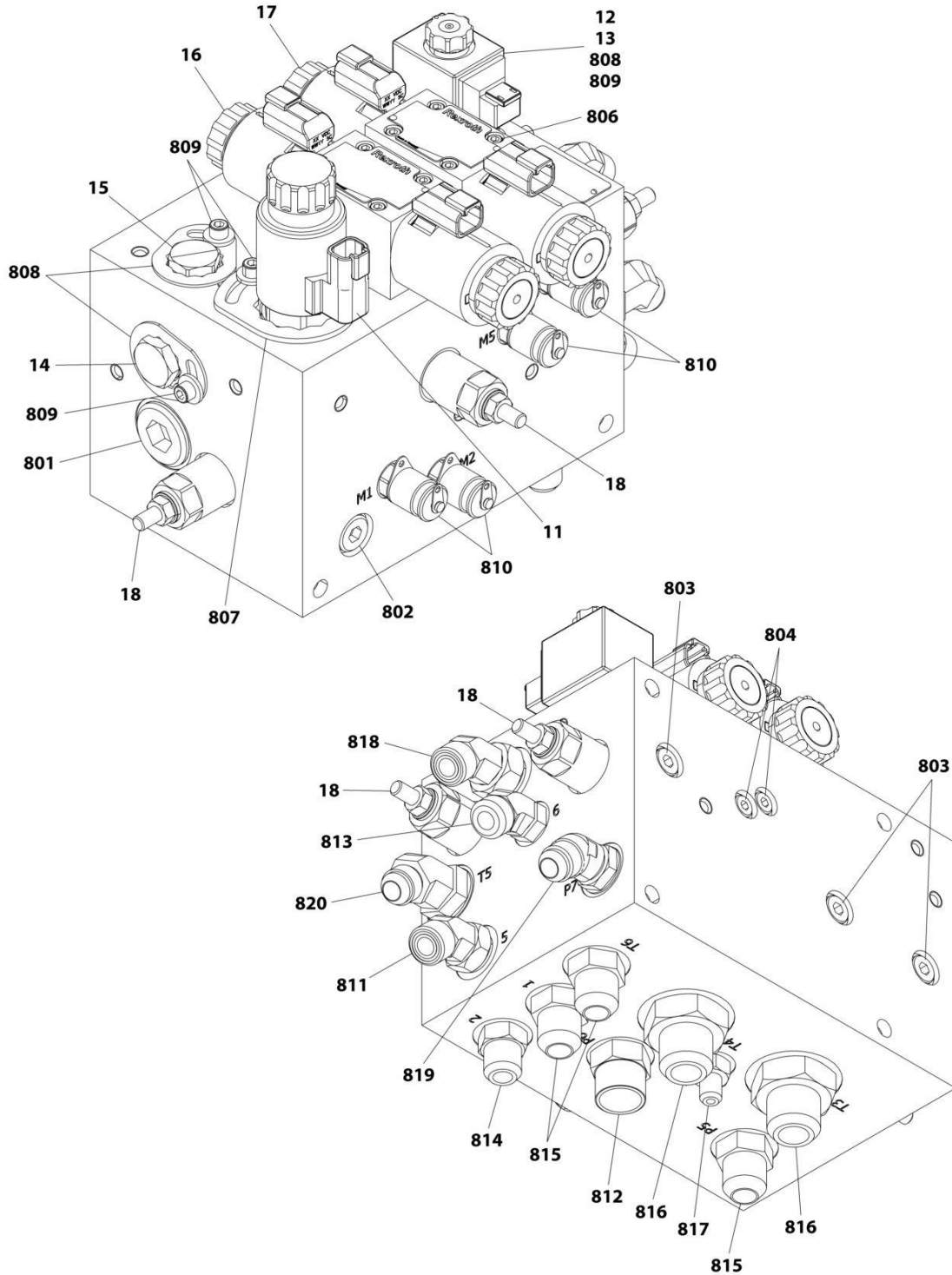
SECTION 4 - BOOM

FIGURE 4-11. VALVES AND FILTERS INSTALLATION - BOOM

ITEM	PART NUMBER	QTY	DESCRIPTION	REV
	1001216976	Ref	VALVES AND FILTERS INSTALLATION - BOOM	F
1	0100011	AR	Compound, Locking	
3	0761012	2	Bolt M10 x 25	
4	2120217	1	Filter	
4	70002097	1	Element	
6	3900283	4	Screw 3/8 x 3/4	
9	4812000	10	Washer M10	
11	0701025001	2	Bolt M10 x 85	
12	0760807001	3	Bolt M8 x 14	
13	0760808001	3	Bolt M8 x 16	
14	0761010001	4	Bolt M10 x 20	
19	3290807001	2	Nut M8	
20	3291005001	2	Nut M10	
22	4711600001	4	Washer 3/8	
23	4811900001	10	Washer M8	
25	8310643001	2	Bolt M8 x 25	
32	1001201503	1	Boom Valve Assembly (See Separate Breakdown in this Section)	
33	1001201986	1	Platform Valve Assembly (See Separate Breakdown in this Section)	
34	1001202692	1	Cover	
35	1001207969	1	Cover	
38	1001214756	1	Cover	

SECTION 4 - BOOM

FIGURE 4-12. BOOM VALVE ASSEMBLY



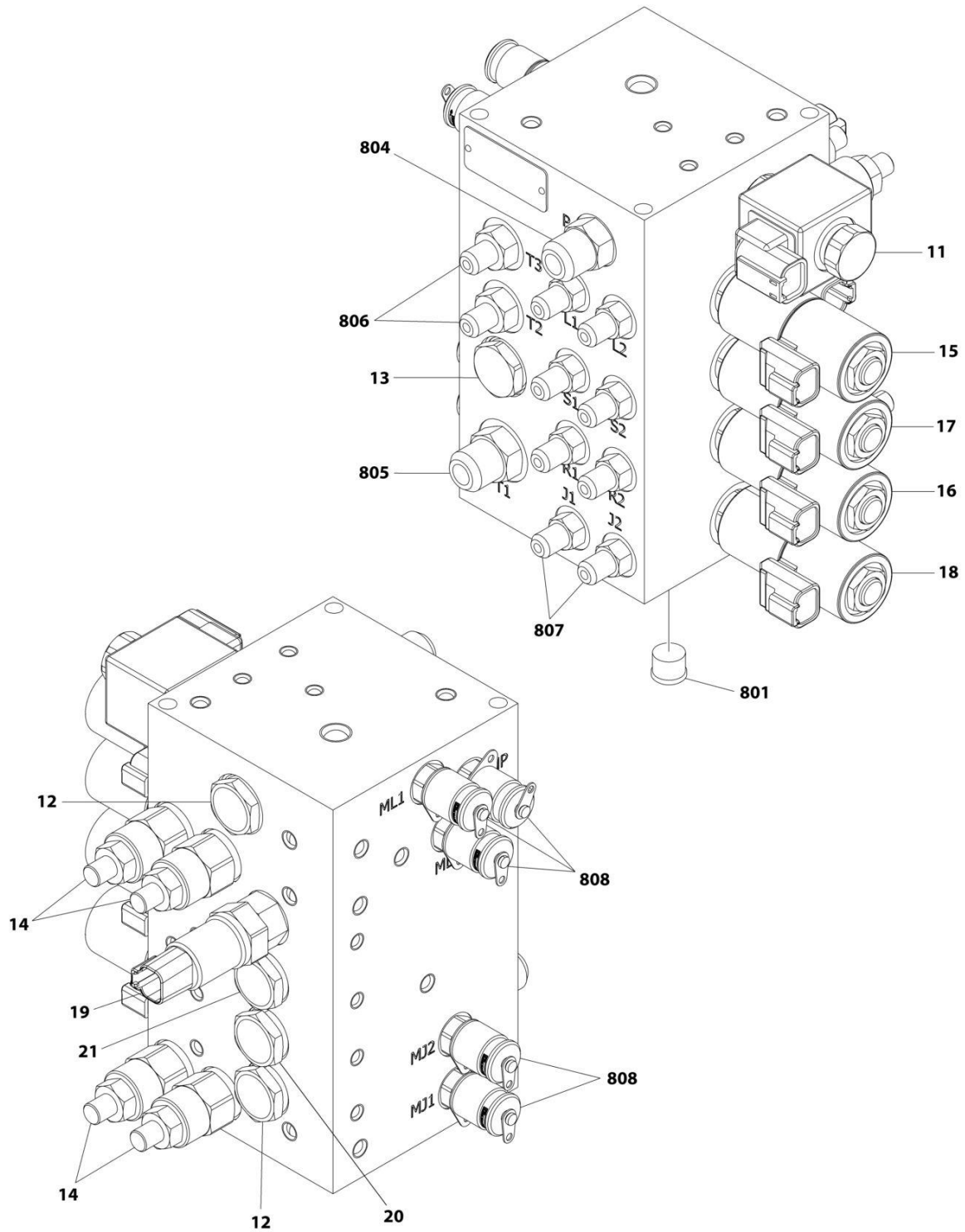
ART_1001201503

FIGURE 4-12. BOOM VALVE ASSEMBLY

ITEM	PART NUMBER	QTY	DESCRIPTION	REV
	1001201503	Ref	BOOM VALVE ASSEMBLY	K
11	70004593	1	Valve, Solenoid Less Coil (Flow Control)	
11	70004594	1	Seal Kit - 70004593 Valve	
11	70004595	1	Coil	
11	70004597	1	Nut, Coil	
11	70004596	1	O-Ring, Pole Tube	
12	7022523	1	Orifice 1mm	
13	70005962	1	Valve, Solenoid Less Coil (Directional Control)	
13	70004052	1	Seal Kit - 70005962 Valve	
13	70004588	1	Coil	
13	70004456	1	Nut, Coil	
13	70004051	1	O-Ring, Pole Tube	
14	70005963	1	Valve, Cartridge (Check)	
14	70005964	1	Seal Kit - 70005963 Valve	
15	70004585	1	Valve, Cartridge (Check)	
15	70004052	1	Seal Kit - 70004585 Valve	
16	70004459	1	Valve, Solenoid Less Coil (Main Tele)	
16	7012773	1	Seal Kit - 70004459 Valve	
16	70004460	1	Coil	
16	7021375	1	Nut, Coil	
16	70004596	1	O-Ring, Pole Tube	
17	70004459	1	Valve, Solenoid Less Coil (Main Lift)	
17	7012773	1	Seal Kit - 70004459 Valve	
17	70004460	1	Coil	
17	7021375	1	Nut, Coil	
17	70004596	1	O-Ring, Pole Tube	
18	70004601	4	Valve, Cartridge (Relief)	
18	70004602	4	Seal Kit - 70004602 Valve	
801	70005965	1	Plug	
802	70002759	1	Plug	
803	70004617	5	Plug	
804	70002758	2	Plug	
806	7018942	8	Capscrew #10 x 2	
807	70005954	1	Plate, Locking	
808	70005955	1	Plate, Locking	
809	70005958	4	Capscrew	
810	2221086	4	Fitting, Test	
811	2150808	1	Fitting, 45 ORFS/ORB	
812	2111010	1	Fitting, Straight ORFS/ORB	
813	2150806	1	Fitting, 45 ORFS/ORB	
814	2220373	1	Fitting, Straight JIC/ORB	
815	2220947	3	Fitting, Straight JIC/ORB	
816	2220435	2	Fitting, Straight JIC/ORB	
817	2220582	1	Fitting, Straight JIC/ORB	
818	2150810	1	Fitting, 45 JIC/ORB	
819	2220500	1	Fitting, 45 JIC/ORB	
820	2220499	1	Fitting, 45 JIC/ORB	

SECTION 4 - BOOM

FIGURE 4-13. PLATFORM VALVE ASSEMBLY



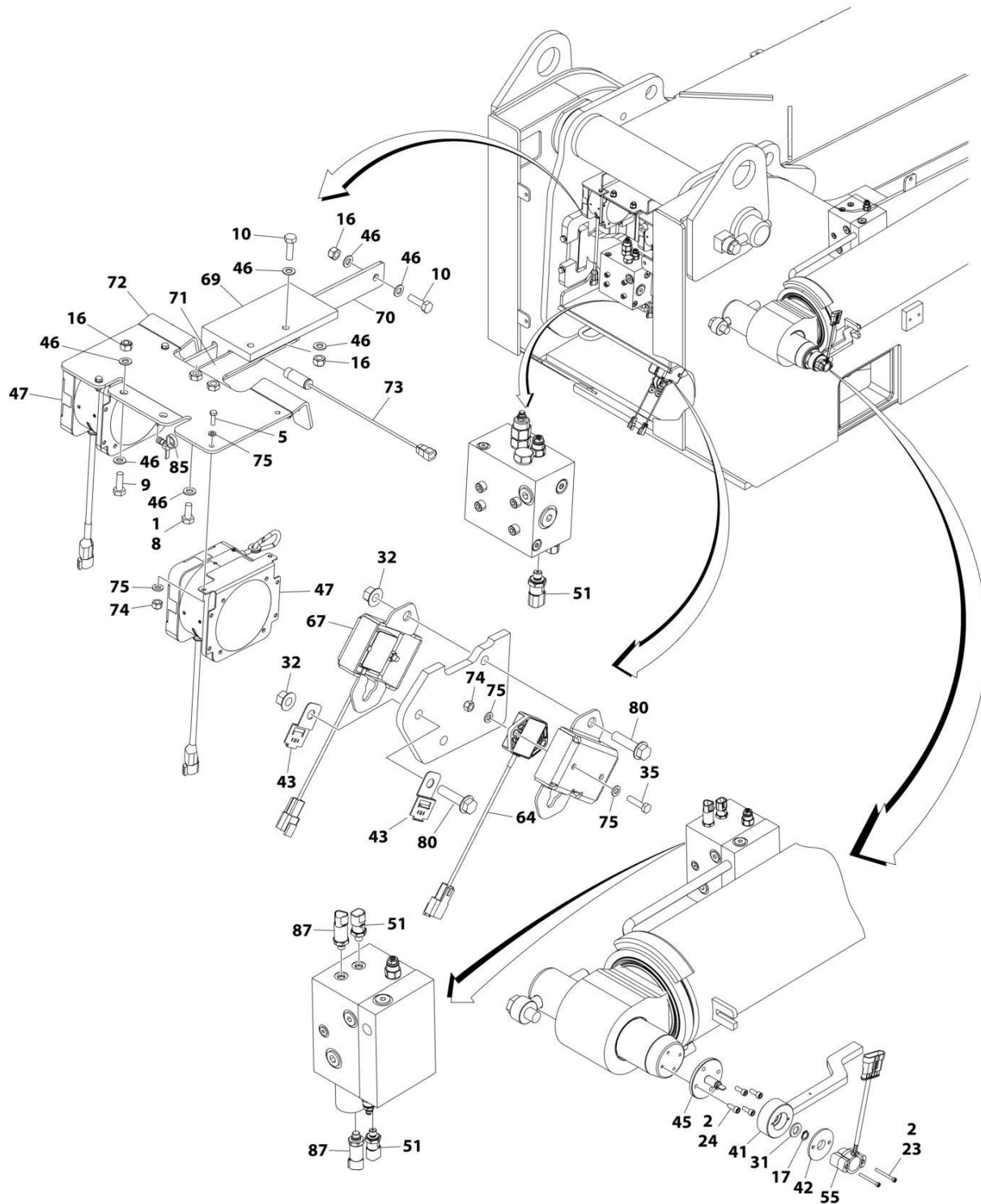
ART_1001201986

FIGURE 4-13. PLATFORM VALVE ASSEMBLY

ITEM	PART NUMBER	QTY	DESCRIPTION	REV
	1001201986	Ref	PLATFORM VALVE ASSEMBLY	K
11	70004457	1	Valve, Solenoid Less Coil (Dump)	
11	70004050	1	Seal Kit - 70004457 Valve	
11	70004653	1	Coil	
11	70004051	1	Seal Kit - 70004653 Coil	
12	70003021	2	Valve, Cartridge (Flow Control)	
12	70004052	2	Seal Kit - 70003021 Valve	
13	70004585	1	Valve, Cartridge (Check)	
13	70004052	1	Seal Kit - 70004585 Valve	
14	70003019	4	Valve, Cartridge (Pressure Relief)	
14	70004052	4	Seal Kit - 70003019 Valve	
15	7023922	1	Valve, Solenoid Less Coil (Platform Level)	
15	7017402	1	Seal Kit - 7023922 Valve	
15	7024885	2	Coil	
15	7022390	1	Nut, Coil	
15	70003023	1	Spacer, Coil	
16	7024899	1	Valve, Solenoid Less Coil (Platform Rotate)	
16	7017402	1	Seal Kit - 7024899 Valve	
16	7024885	2	Coil	
16	7022390	1	Nut, Coil	
16	70003023	1	Spacer, Coil	
17	7024899	1	Valve, Solenoid Less Coil (Platform Sideswing Rotate)	
17	7017402	1	Seal Kit - 7024899 Valve	
17	7024885	2	Coil	
17	7022390	1	Nut, Coil	
17	70003023	1	Spacer, Coil	
18	7023922	1	Valve, Solenoid Less Coil (Jib)	
18	7017402	1	Seal Kit - 7023922 Valve	
18	7024885	2	Coil	
18	7022390	1	Nut, Coil	
18	70003023	1	Spacer, Coil	
19	70005966	1	Switch, Pressure	
19	70005967	1	Connector	
20	70003027	2	Valve, Cartridge (Flow Control)	
20	70004052	2	Seal Kit - 70003027 Valve	
21	70003020	2	Valve, Cartridge (Flow Control)	
21	70004052	2	Seal Kit - 70003020 Valve	
801	70004617	1	Plug	
804	2220600	1	Fitting, Straight JIC/ORB	
805	2220373	1	Fitting, Straight JIC/ORB	
806	2220582	2	Fitting, Straight JIC/ORB	
807	2220415	8	Fitting, Straight JIC/ORB	
808	2221086	5	Fitting, Test	

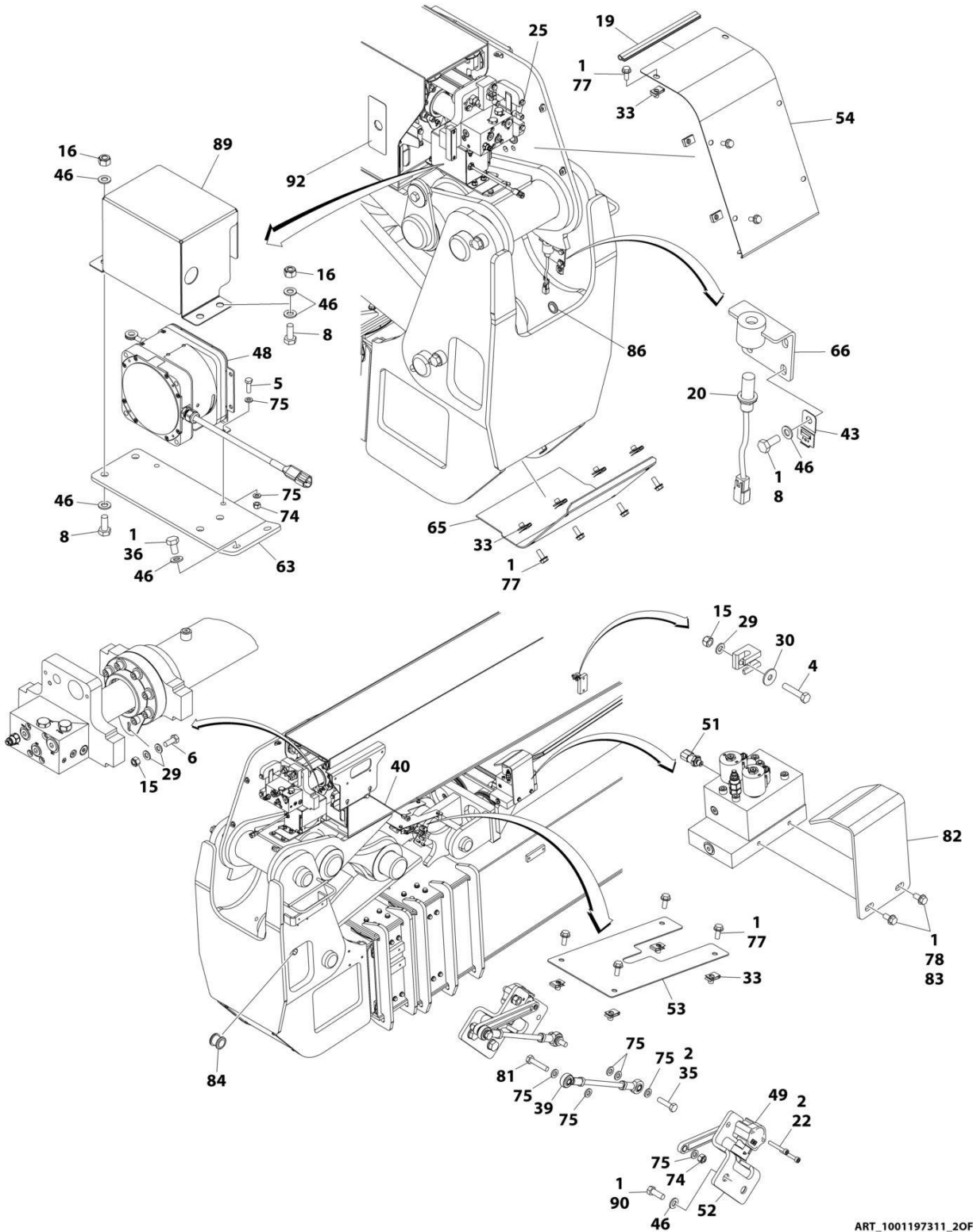
SECTION 4 - BOOM

FIGURE 4-14. BOOM SENSORS AND COVERS INSTALLATION



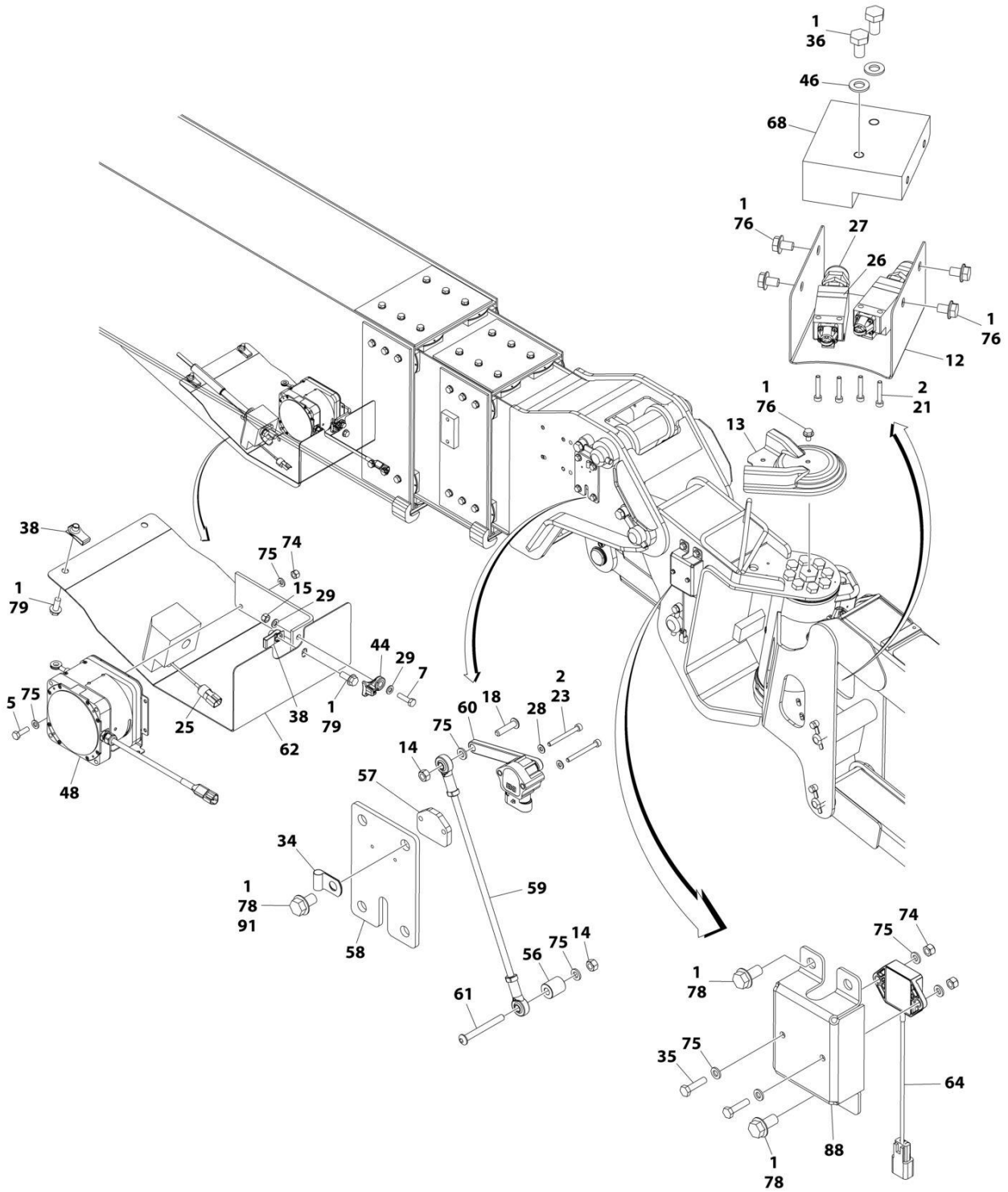
ART_1001197311_10F3

SECTION 4 - BOOM



ART_1001197311_20F3

SECTION 4 - BOOM



ART_1001197311_30F3

SECTION 4 - BOOM

FIGURE 4-14. BOOM SENSORS AND COVERS INSTALLATION

ITEM	PART NUMBER	QTY	DESCRIPTION	REV
	1001197311	Ref	BOOM SENSORS AND COVERS INSTALLATION	O
1	0100011	AR	Compound, Locking	
2	0100035	AR	Compound, Locking	
4	0700816	1	Bolt M8 x 40	
5	0760610	8	Bolt M6 x 20	
6	0760810	1	Bolt M8 x 20	
7	0760814	1	Bolt M8 x 30	
8	0761012001	10	Bolt M10 x 25	
9	0761014	2	Bolt M10 x 30	
10	0761015	4	Bolt M10 x 35	
12	1671039	1	Cover	
13	1671122	1	Cover	
14	3290607	2	Nut M6	
15	3290805	3	Nut M8	
16	3291005	6	Nut M10	
17	3760383	1	Ring	
18	3900363	1	Screw M6 x 25	
19	3960389	1.1 ft/ 0.3m	Seal	
20	4000008	1	Proximity Sensor Assembly (Note: Re-calibration Required when Replaced)	
20	4461076	1	Receptacle, Female - 4 Position	
20	4460917	4	Pin, Male	
21	4031509	4	Capscrew M4 x 25	
22	4031510	4	Capscrew M4 x 30	
23	4031512	4	Capscrew M4 x 40	
24	4031707	4	Capscrew M6 x 16	
25	1001196517	2	Switch, Proximity (Note: Re-calibration Required when Replaced)	
26	4360548	2	Switch, Limit	
27	4460968	2	Connector, Strain Relief	
28	4811400	2	Washer M4	
29	4811900	5	Washer M8	
30	4811902	1	Washer M8	
31	4812100	1	Washer M12	
32	5261018	3	Nut M10 Grade 10.9	
33	8310686	14	Nut, Retainer M8	
34	8406003	1	Clip	
35	0760612001	8	Bolt M6 x 25	
36	0761009001	4	Bolt M10 x 18	
38	1001118972	3	Nut M10	
39	1001216579	2	Link, Sensor	
40	1001120104	1	Proximity Sensor Assembly (Note: Re-calibration Required when Replaced)	
40	4460932	1	Receptacle, Female - 2 Position	
40	4460464	2	Pin, Male	
41	1001155262	1	Link, Sensor	
42	1001155836	1	Adapter	
43	1001155967	3	Holder	
44	1001156107	1	Holder	
45	1001156778	1	Pin	

SECTION 4 - BOOM

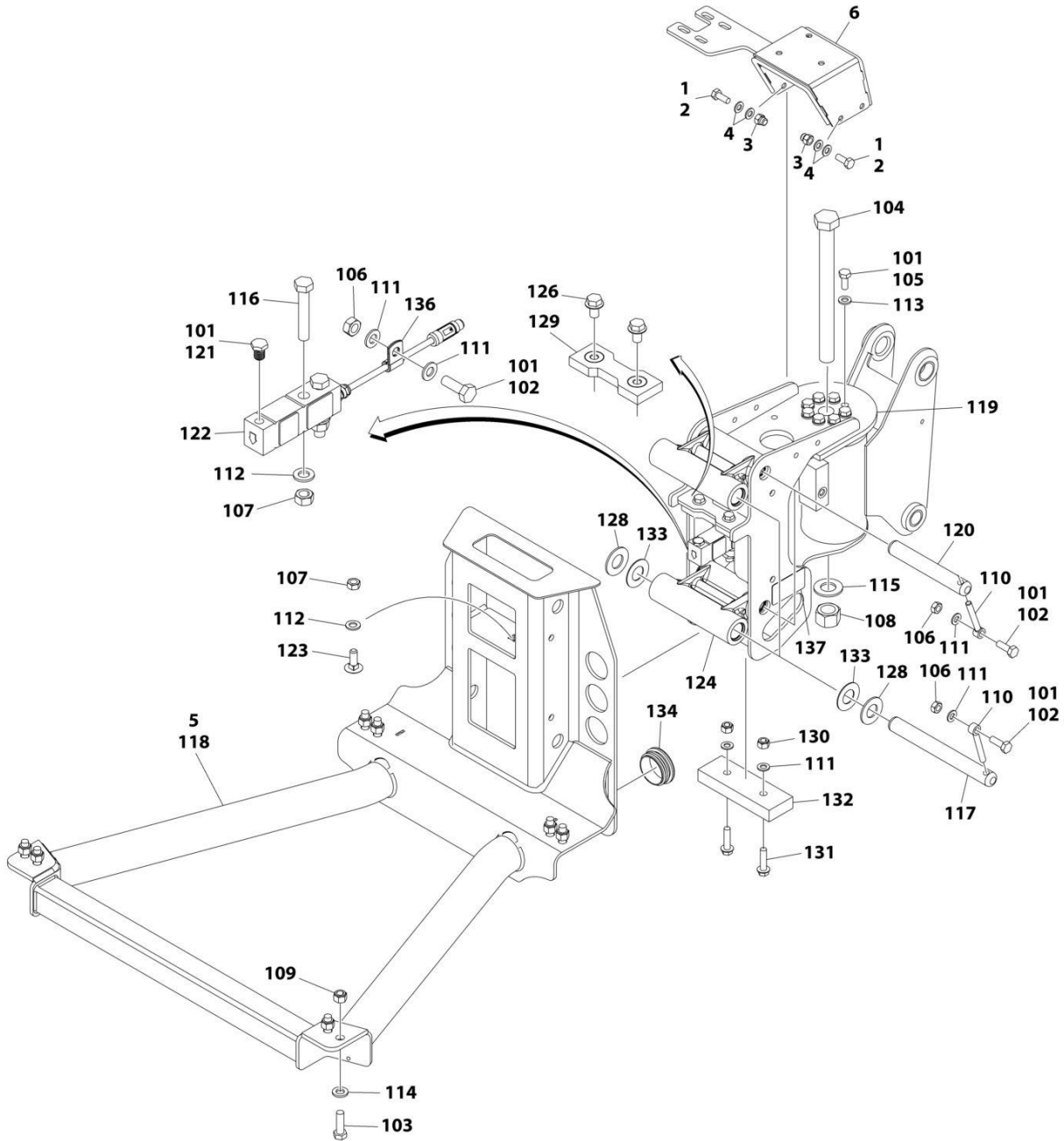
ITEM	PART NUMBER	QTY	DESCRIPTION	REV
46	1001172358	30	Washer M10	
47	1001197960	2	Sensor, Boom Length	
47	4460536	1	Receptacle, Female - 3 Position	
47	4460943	3	Pin, Male	
47	4460539	1	Receptacle, Female - 3 Position	
47	4460466	3	Plug, Terminal	
48	1001197961	2	Sensor, Boom Length	
48	4460536	1	Receptacle, Female - 3 Position	
48	4460943	3	Pin, Male	
48	4460539	1	Receptacle, Female - 3 Position	
48	4460466	3	Plug, Terminal	
49	1001200345	2	Sensor, Angle	
51	1001200550	4	Transducer, Pressure	
52	1001216258	2	Bracket	
53	1001200587	1	Cover	
54	1001200734	1	Panel, Boom Base	
55	1001200764	1	Sensor, BEI Angle	
55	4461228	1	Plug, Male - 6 Position	
55	1001104497	6	Socket, Female	
56	1001200834	1	Spacer	
57	1001200836	1	Plate	
58	1001200837	1	Plate, Mounting	
59	1001200838	1	Link, Sensor	
60	1001200848	1	Sensor, Angle	
61	1001200849	1	Screw M6 x 55	
62	1001201068	1	Cover	
63	1001201069	1	Bracket	
64	1001201095	3	Sensor, Angle Gravity	
64	4460910	1	Receptacle, Female - 3 Position	
64	4460917	3	Pin, Male	
64	4460913	AR	Lock, Wedge	
65	1001202055	1	Cover, Boom Fly	
66	1001202179	1	Bracket	
67	1001202182	2	Shield	
68	1001202950	1	Mount, Switch	
69	1001203898	1	Stop	
70	1001203899	1	Bar	
71	1001203900	1	Plate	
72	1001203904	1	Bracket	
73	1001204043	1	Sensor, Proximity	
73	4461077	1	Plug, Male - 4 Position	
73	4460918	4	Socket, Female	
74	3290605001	16	Nut M6	
75	4811700001	42	Washer M6	
76	5250806001	7	Bolt M8 x 12	
77	5250810001	14	Bolt M8 x 20	
78	5251010001	5	Bolt M10 x 20	
79	5251012001	3	Bolt M10 x 25	
80	5251016001	3	Bolt M10 x 40	
81	0760614001	2	Bolt M6 x 30	
82	1001220470	1	Plate	

SECTION 4 - BOOM

ITEM	PART NUMBER	QTY	DESCRIPTION	REV
83	0100038	AR	Primer, Locking	
84	1001212663	1	Grommet	
85	7894000042	1	Tie-Strap	
86	1001213053	1	Grommet	
87	1001199043	2	Transducer, Pressure	
88	1001213836	1	Cover	
89	1001214098	1	Cover	
90	8310614	4	Screw M10 x 30	
91	5251008001	4	Bolt M10 x 16	
92	1001171324	1	Cover	

SECTION 4 - BOOM

FIGURE 4-15. PLATFORM SUPPORT INSTALLATION - WITH LSS



ART_1001204911_F

SECTION 4 - BOOM

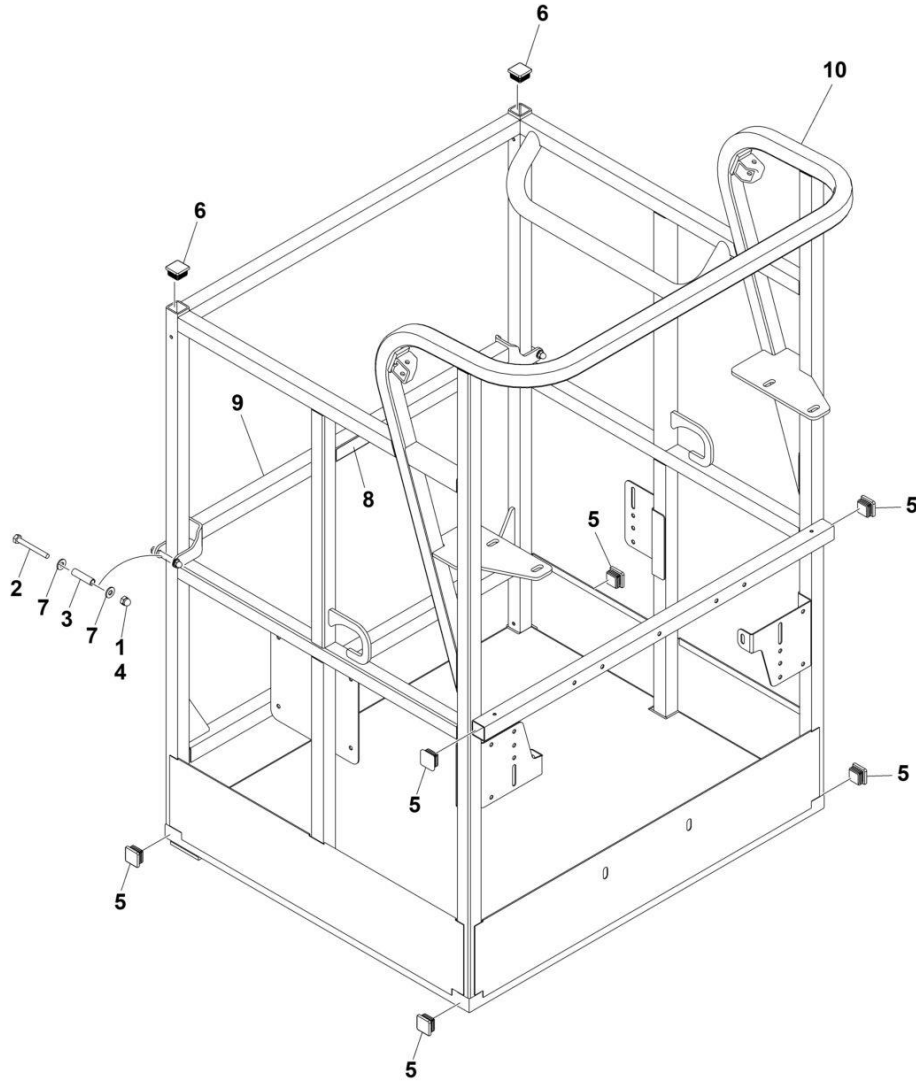
FIGURE 4-15. PLATFORM SUPPORT INSTALLATION - WITH LSS

ITEM	PART NUMBER	QTY	DESCRIPTION	REV
	1001204911	Ref	PLATFORM SUPPORT INSTALLATION - WITH LSS	F
1	0100011	AR	Compound, Locking	
2	0760812001	4	Bolt M8 x 25	
3	3290805001	4	Nut M8	
4	4811900001	8	Washer M8	
5	1001207388	1	Platform Support Assembly - With LSS	
6	1001204073	1	Bracket, Mounting	
	1001207388	Ref	PLATFORM SUPPORT ASSEMBLY - WITH LSS	H
101	0100011	AR	Compound, Locking	
102	0761014001	5	Bolt M10 x 30	
103	0761216001	8	Bolt M12 x 40	
104	0712445001	1	Bolt M24 x 280	
105	0771012001	8	Bolt M10 x 25 Grade 10.9	
106	3291001001	5	Nut M10	
107	3291201001	3	Nut M12	
108	3332415001	1	Nut M24 Grade 10.9	
109	3291205001	8	Nut M12	
110	3841143	4	Keeper, Pin	
111	1001172358	8	Washer M10	
112	4812100001	3	Washer M12	
113	5241000001	8	Washer M10	
114	5241200001	8	Washer M12	
115	5242400001	1	Washer M24	
116	0711222001	2	Screw M12 x 70 Grade 10.9	
117	1001167565	2	Pin	
118	1001200494	1	Support, Platform	
119	1001167567	1	Bracket, Actuator	
120	1001168402	2	Pin	
121	1001188622	1	Screw	
122	1001247468	1	Gauge, Load Sensing	
123	1001188844	1	Bolt M12 x 35	
124	1001201351	2	Link	
126	5251008001	2	Bolt M10 x 16	
128	1001189002	8	Bearing	
129	1001190985	1	Pad, Wear	
130	3291005001	2	Nut M10	
131	5251016001	2	Bolt M10 x 40	
132	1001200491	1	Plate, Wear	
133	1001189001	4	Bearing	
134	1001204725	2	Plug	
136	91203039	1	Clamp	
137	1001216630	2	Decal - Tie Down/No Lift	

SECTION 5 - PLATFORM

SECTION 5 - PLATFORM

FIGURE 5-1. PLATFORM ASSEMBLY - 30IN X 3FT (76CM X .91M) - DROP BAR ENTRY



ART_1001228215

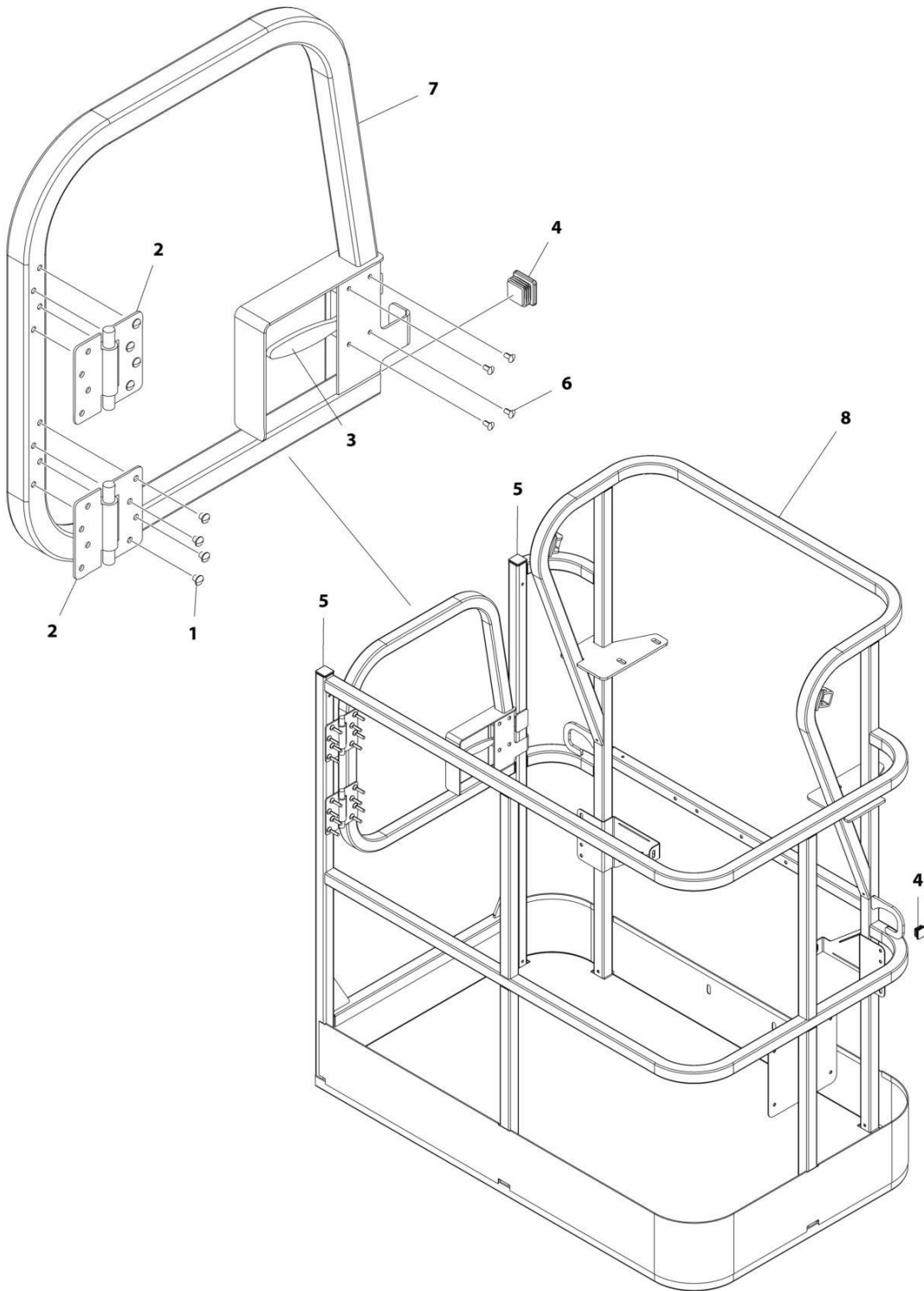
SECTION 5 - PLATFORM

FIGURE 5-1. PLATFORM ASSEMBLY - 30IN X 3FT (76CM X .91M) - DROP BAR ENTRY

ITEM	PART NUMBER	QTY	DESCRIPTION	REV
	1001228215	Ref	PLATFORM ASSEMBLY	A
	See Note	Ref	Note: Platform and Mesh must be ordered separately for Platforms with Mesh. See SPECIAL OPTIONS SECTION for Mesh Installations.	
	See Note	Ref	Note: Replacement Decals Must be Ordered Separately - See DECAL SECTION.	
1	0100011	AR	Compound, Locking	
2	0641418	2	Bolt 1/4 x 2-1/4	
3	0961845	2	Bushing	
4	3300151	2	Nut 1/4	
5	3520072	6	Cap, Plug	
6	3520198	2	Cap, Plug	
7	4711400	4	Washer 1/4	
8	1001140429	1	Decal - Drop Bar	
9	1001226872	1	Bar, Drop	
10	See Note	NSS	Platform (Note: Not Available - Purchase Platform Assembly)	

SECTION 5 - PLATFORM

FIGURE 5-2. PLATFORM ASSEMBLY - 30IN X 4FT (76.2CM X 1.22M) WITH SWING GATE



ART_1001186387

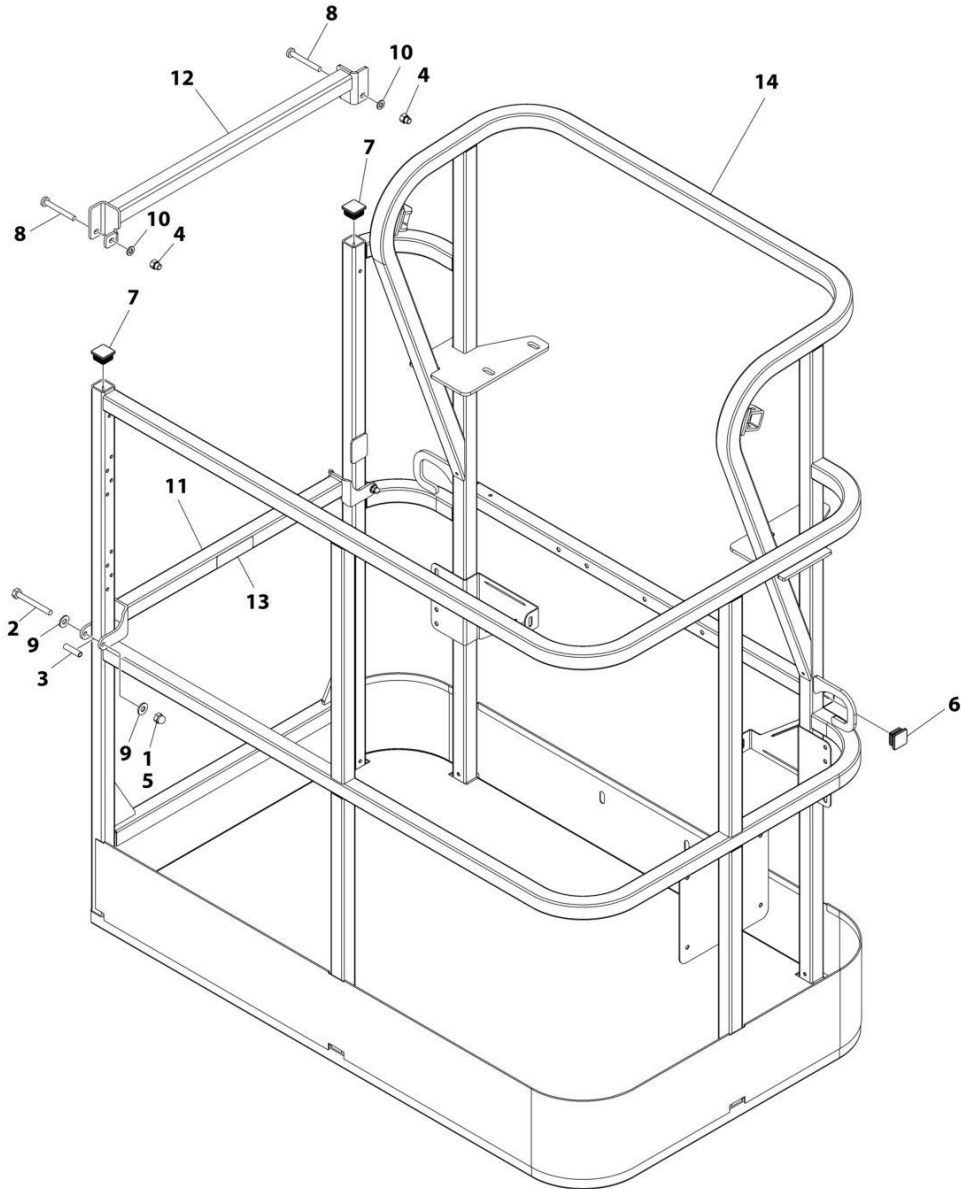
SECTION 5 - PLATFORM

FIGURE 5-2. PLATFORM ASSEMBLY - 30IN X 4FT (76.2CM X 1.22M) WITH SWING GATE

ITEM	PART NUMBER	QTY	DESCRIPTION	REV
	1001186387	Ref	PLATFORM ASSEMBLY	C
		Ref	Note: Platform and Mesh must be ordered separately for Platforms with Mesh. See SPECIAL OPTIONS SECTION for Mesh Installations.	
		Ref	Note: Replacement Decals Must be Ordered Separately - See DECALS SECTION.	
1	2080040	16	Fastener, Huck	
2	2600281	2	Hinge, Self-Closing	
3	2940074	1	Latch	
4	3520072	3	Plug	
5	3520198	2	Plug	
6	3820020	4	Rivet	
7	1001144629	1	Gate	
8	See Note	1	Platform (Note: Not Available - Purchase Platform Assembly)	

SECTION 5 - PLATFORM

FIGURE 5-3. PLATFORM ASSEMBLY - 30IN X 4FT (76.2CM X 1.22M) WITH DROP BAR



ART_1001186375

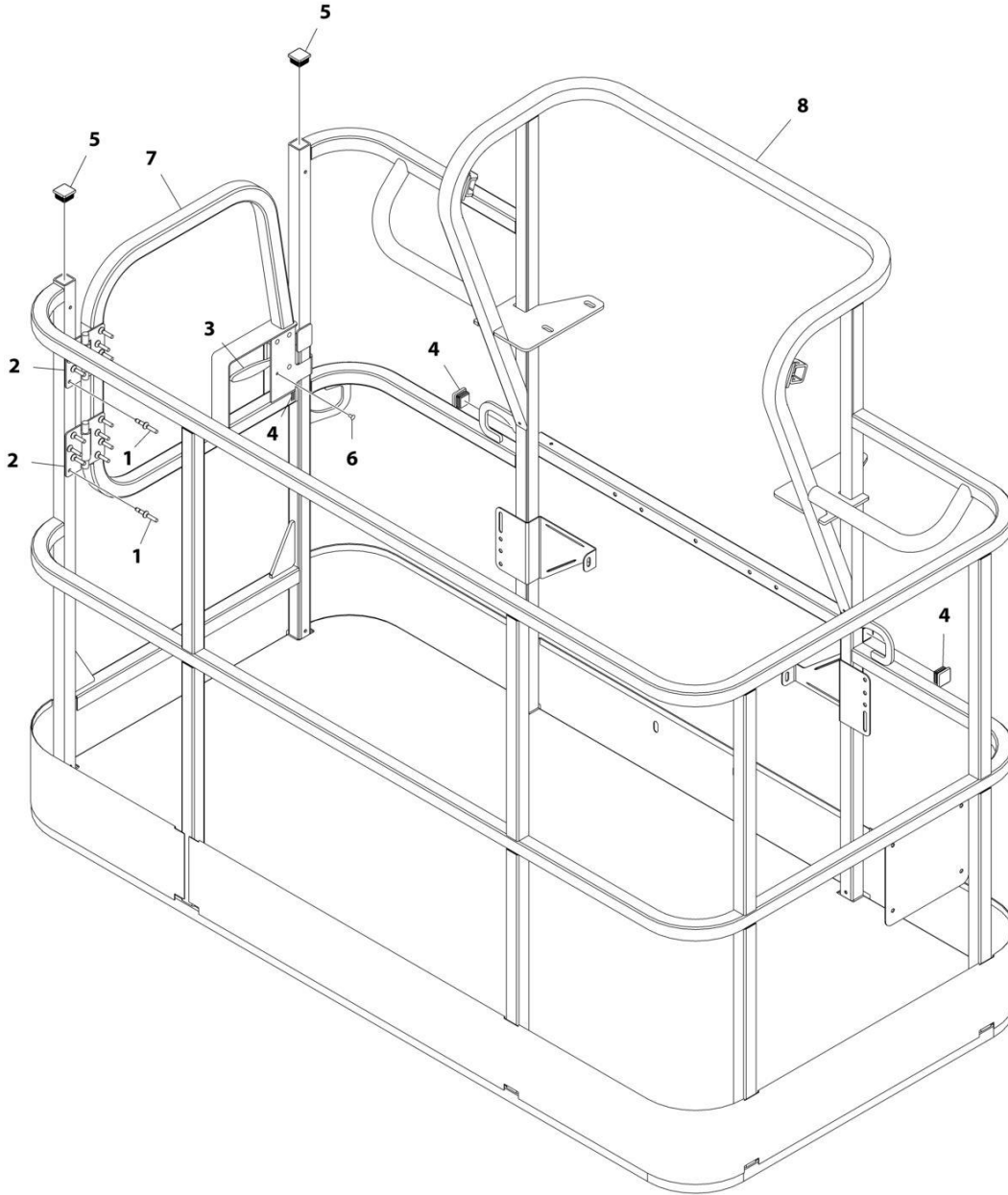
SECTION 5 - PLATFORM

FIGURE 5-3. PLATFORM ASSEMBLY - 30IN X 4FT (76.2CM X 1.22M) WITH DROP BAR

ITEM	PART NUMBER	QTY	DESCRIPTION	REV
	1001186375	Ref	PLATFORM ASSEMBLY	B
		Ref	Note: Platform and Mesh must be ordered separately for Platforms with Mesh. See SPECIAL OPTIONS SECTION for Mesh Installations.	
		Ref	Note: Replacement Decals Must be Ordered Separately - See DECALS SECTION.	
1	0100011	AR	Compound, Locking	
2	0641418	2	Bolt 1/4 x 2-1/4	
3	0961845	2	Bushing	
4	3290606	2	Nut M6	
5	3300151	2	Nut 1/4	
6	3520072	2	Plug	
7	3520198	2	Plug	
8	4010618	2	Screw M6 x 50	
9	4711400	4	Washer 1/4	
10	4811700	2	Washer M6	
11	1001138494	1	Bar, Drop	
12	1001138514	1	Rail - Top	
13	1001140429	1	Decal - Drop Bar	
14	See Note	1	Platform (Note: Not Available - Purchase Platform Assembly)	

SECTION 5 - PLATFORM

FIGURE 5-4. PLATFORM ASSEMBLY - 36IN X 6FT (91.5CM X 1.83M) WITH SWING GATE



ART_1001186384

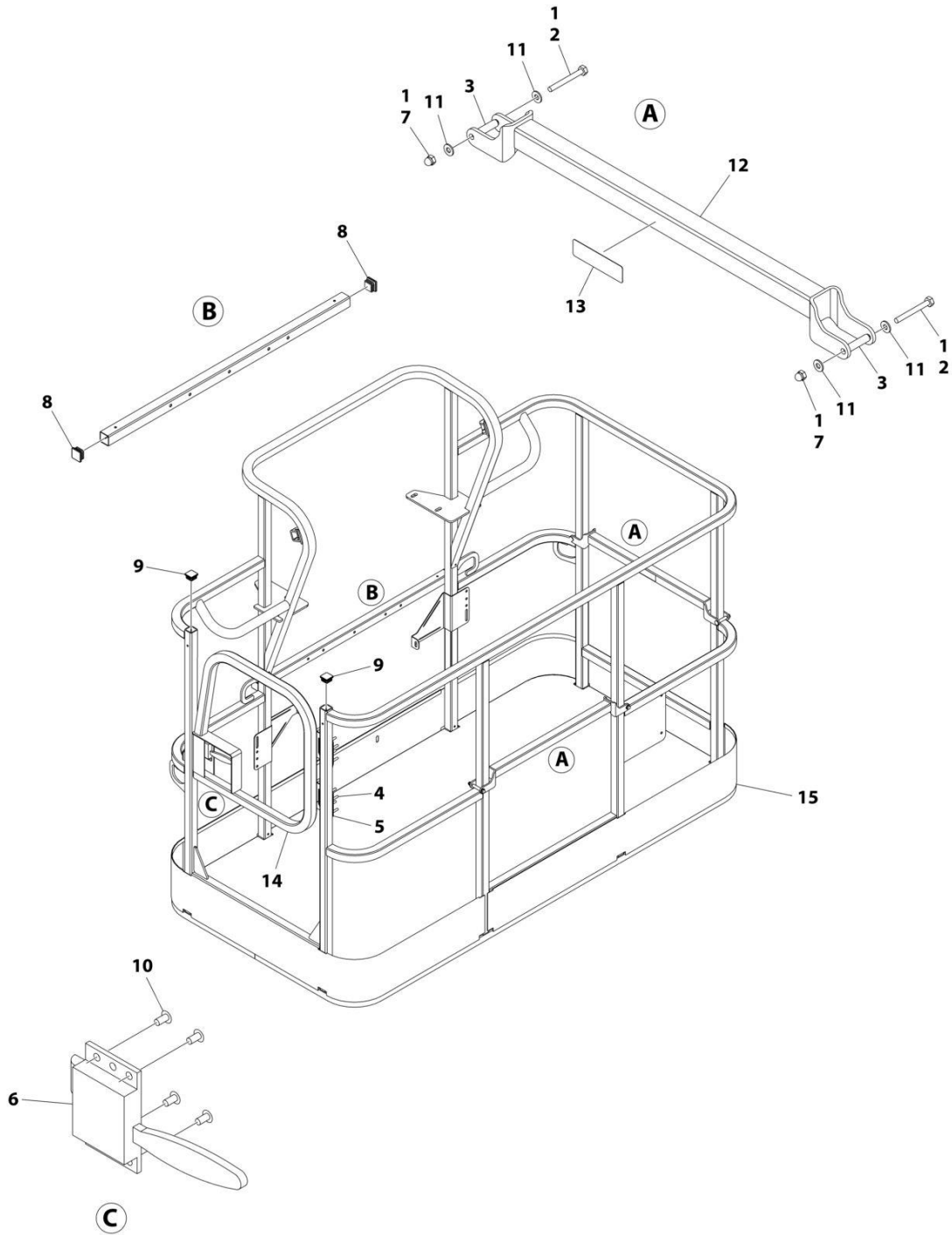
SECTION 5 - PLATFORM

FIGURE 5-4. PLATFORM ASSEMBLY - 36IN X 6FT (91.5CM X 1.83M) WITH SWING GATE

ITEM	PART NUMBER	QTY	DESCRIPTION	REV
	1001186384	Ref	PLATFORM ASSEMBLY - 36IN X 6FT (91.5CM X 1.83M) WITH SWING GATE	C
	See Note	Ref	Note: Platform and Mesh must be ordered separately for Platforms with Mesh. See SPECIAL OPTIONS SECTION for Mesh Installations.	
	See Note	Ref	Note: Replacement Decals Must be Ordered Separately - See DECALS SECTION.	
1	2080040	16	Fastener, Huck	
2	2600281	2	Hinge	
3	2940074	1	Latch	
4	3520072	3	Plug	
5	3520198	2	Plug	
6	3820020	4	Rivet	
7	1001144629	1	Gate	
8	See Note	NSS	Platform (Note: Not Available - Purchase Platform Assembly)	

SECTION 5 - PLATFORM

FIGURE 5-5. PLATFORM ASSEMBLY - 36IN X 6FT (91.5CM X 1.83M) TRI-ENTRY WITH SWING GATE



ART_1001228376

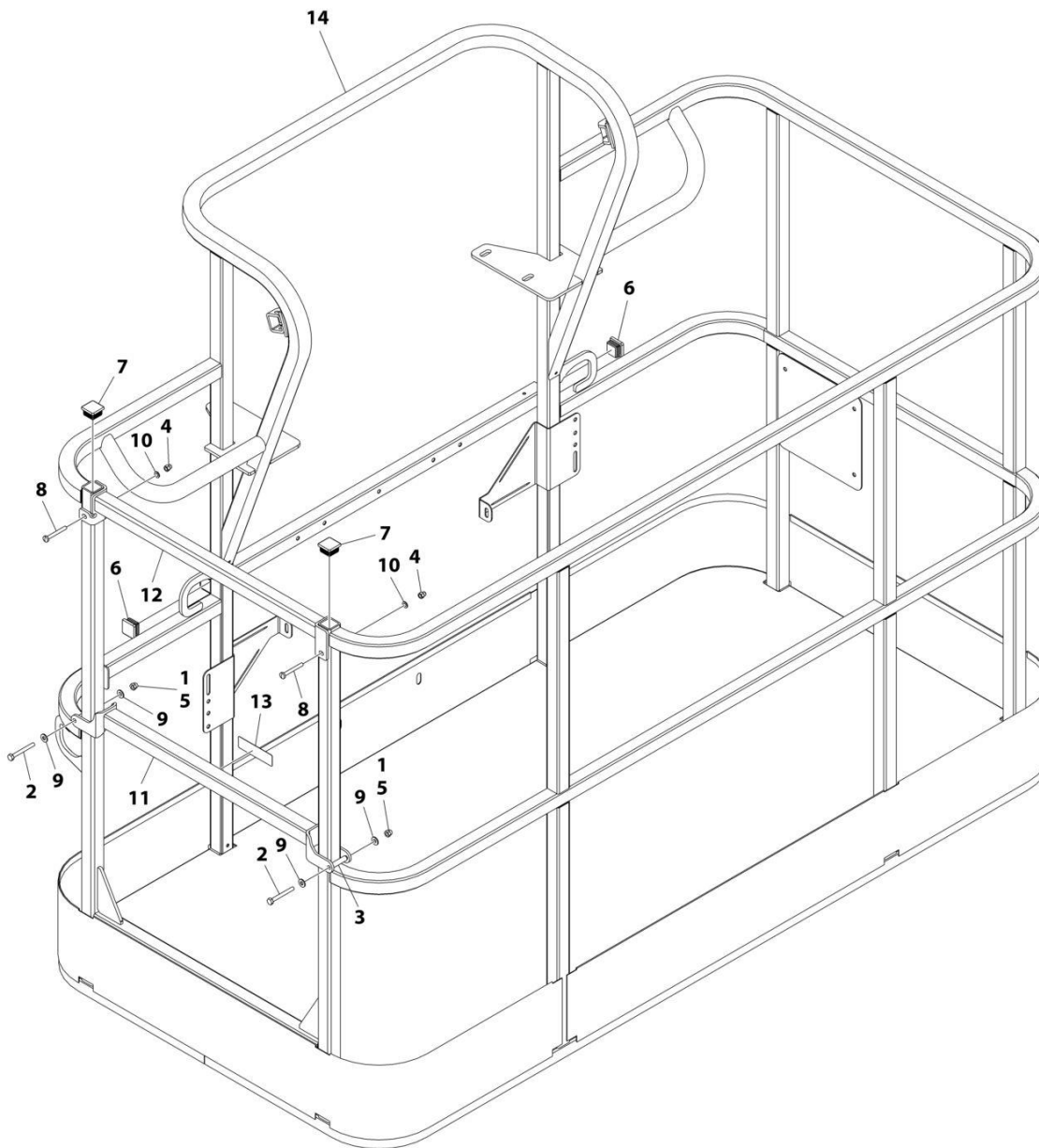
SECTION 5 - PLATFORM

FIGURE 5-5. PLATFORM ASSEMBLY - 36IN X 6FT (91.5CM X 1.83M) TRI-ENTRY WITH SWING GATE

ITEM	PART NUMBER	QTY	DESCRIPTION	REV
	1001228376	Ref	PLATFORM ASSEMBLY - 36IN x 6FT (91.5CM x 1.83M)	B
		Ref	Note: Platform and Mesh must be ordered separately for Platforms with Mesh. See SPECIAL OPTIONS SECTION for Mesh Installations.	
		Ref	Note: Replacement Decals Must be Ordered Separately - See DECAL SECTION.	
1	0100011	AR	Compound, Locking	
2	0641418	4	Bolt 1/4 x 2-1/4	
3	0961845	4	Bushing	
4	2080040	16	Fastener	
5	2600281	2	Hinge	
6	2940074	1	Latch	
7	3300151	4	Nut 1/4	
8	3520072	3	Plug	
9	3520198	2	Plug	
10	3820020	4	Rivet	
11	4711400	8	Washer 1/4	
12	1001138494	2	Bar, Drop	
13	1001140429	2	Decal - Drop Bar	
14	1001144629	1	Gate	
15	See Note	NSS	Platform (Note: Not Available - Purchase Platform Assembly)	

SECTION 5 - PLATFORM

FIGURE 5-6. PLATFORM ASSEMBLY - 36IN X 6FT (91.5CM X 1.83M) WITH DROP BAR



ART_1001186379

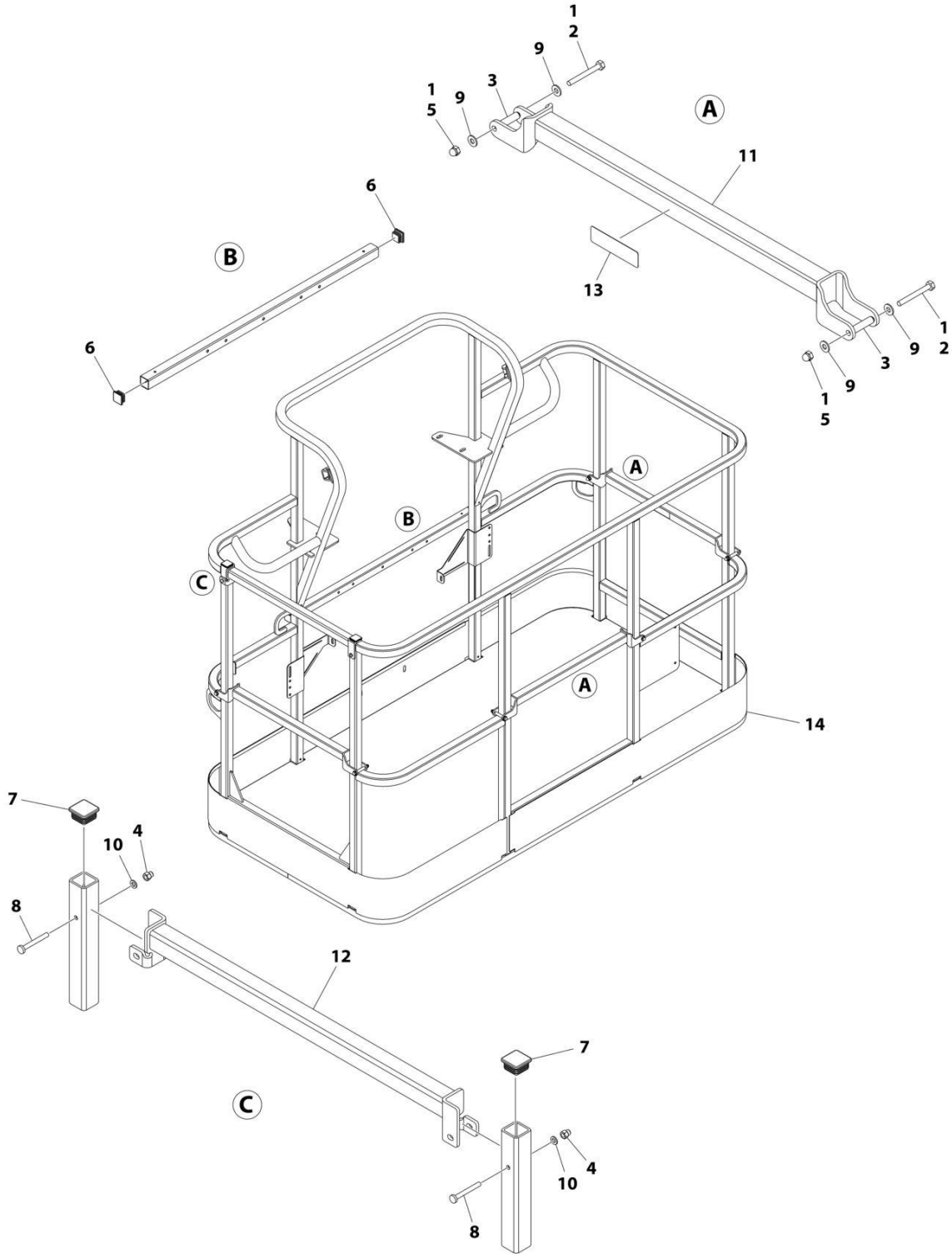
SECTION 5 - PLATFORM

FIGURE 5-6. PLATFORM ASSEMBLY - 36IN X 6FT (91.5CM X 1.83M) WITH DROP BAR

ITEM	PART NUMBER	QTY	DESCRIPTION	REV
	1001186379	Ref	PLATFORM ASSEMBLY - 36IN X 6FT (91.5CM X 1.83M) WITH DROP BAR	B
		Ref	Note: Platform and Mesh must be ordered separately for Platforms with Mesh. See SPECIAL OPTIONS SECTION for Mesh Installations.	
		Ref	Note: Replacement Decals Must be Ordered Separately - See DECALS SECTION.	
1	0100011	AR	Compound, Locking	
2	0641418	2	Bolt 1/4 x 2-1/4	
3	0961845	2	Bushing	
4	3290606	2	Nut M6	
5	3300151	2	Nut 1/4	
6	3520072	2	Plug	
7	3520198	2	Plug	
8	4010618	2	Screw M6 x 50	
9	4711400	4	Washer 1/4	
10	4811700	2	Washer M6	
11	1001138494	1	Bar, Drop	
12	1001138514	1	Rail (Top)	
13	1001140429	1	Decal - Drop Bar	
14	See Note	NSS	Platform (Note: Not Available - Purchase Platform Assembly)	

SECTION 5 - PLATFORM

FIGURE 5-7. PLATFORM ASSEMBLY - 36IN X 6FT (91.5CM X 1.83M) TRI-ENTRY WITH DROPBAR



ART_1001228377

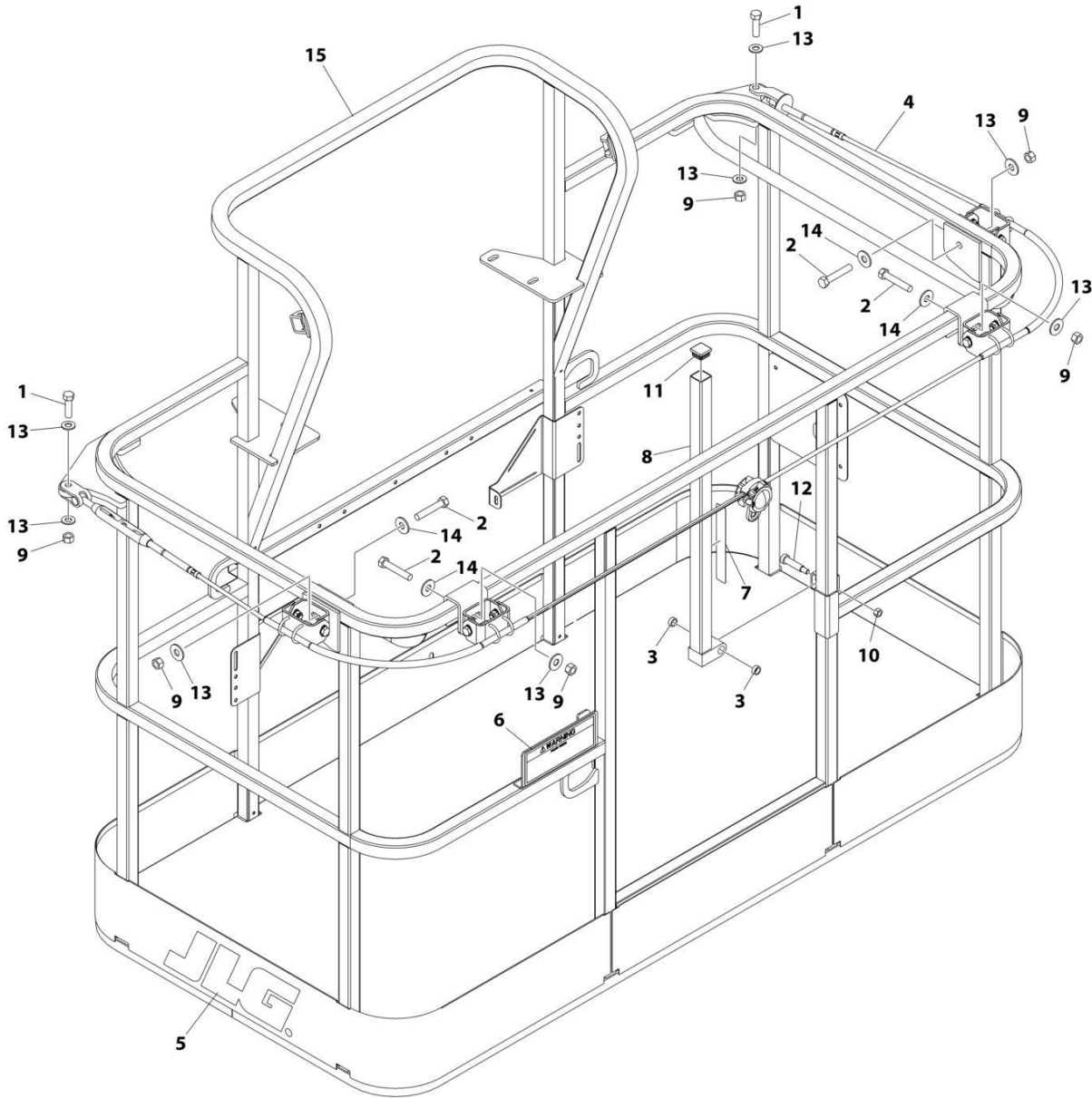
SECTION 5 - PLATFORM

FIGURE 5-7. PLATFORM ASSEMBLY - 36IN X 6FT (91.5CM X 1.83M) TRI-ENTRY WITH DROPBAR

ITEM	PART NUMBER	QTY	DESCRIPTION	REV
	1001228377	Ref	PLATFORM ASSEMBLY - 36IN x 6FT (91.5CM x 1.83M)	B
		Ref	Note: Platform and Mesh must be ordered separately for Platforms with Mesh. See SPECIAL OPTIONS SECTION for Mesh Installations.	
		Ref	Note: Replacement Decals Must be Ordered Separately - See DECAL SECTION.	
1	0100011	1	Compound, Locking	
2	0641418	6	Bolt 1/4 x 2-1/4	
3	0961845	6	Bushing	
4	3290606	2	Nut M6	
5	3300151	6	Nut 1/4	
6	3520072	2	Plug	
7	3520198	2	Plug	
8	4010618	2	Screw M6 x 50	
9	4711400	12	Washer 1/4	
10	4811700	2	Washer M6	
11	1001138494	3	Bar, Drop	
12	1001138514	1	Rail (Top)	
13	1001140429	3	Decal - Drop Bar	
14	See Note	NSS	Platform, Weldment (Note: Not Available - Purchase Platform Assembly)	

SECTION 5 - PLATFORM

FIGURE 5-8. PLATFORM ASSEMBLY - 36IN X 6FT (91.5CM X 1.83M) WITH FALL ARREST (ANSI, ANSI EXPORT AND CSA SPECS)



ART_1001186333

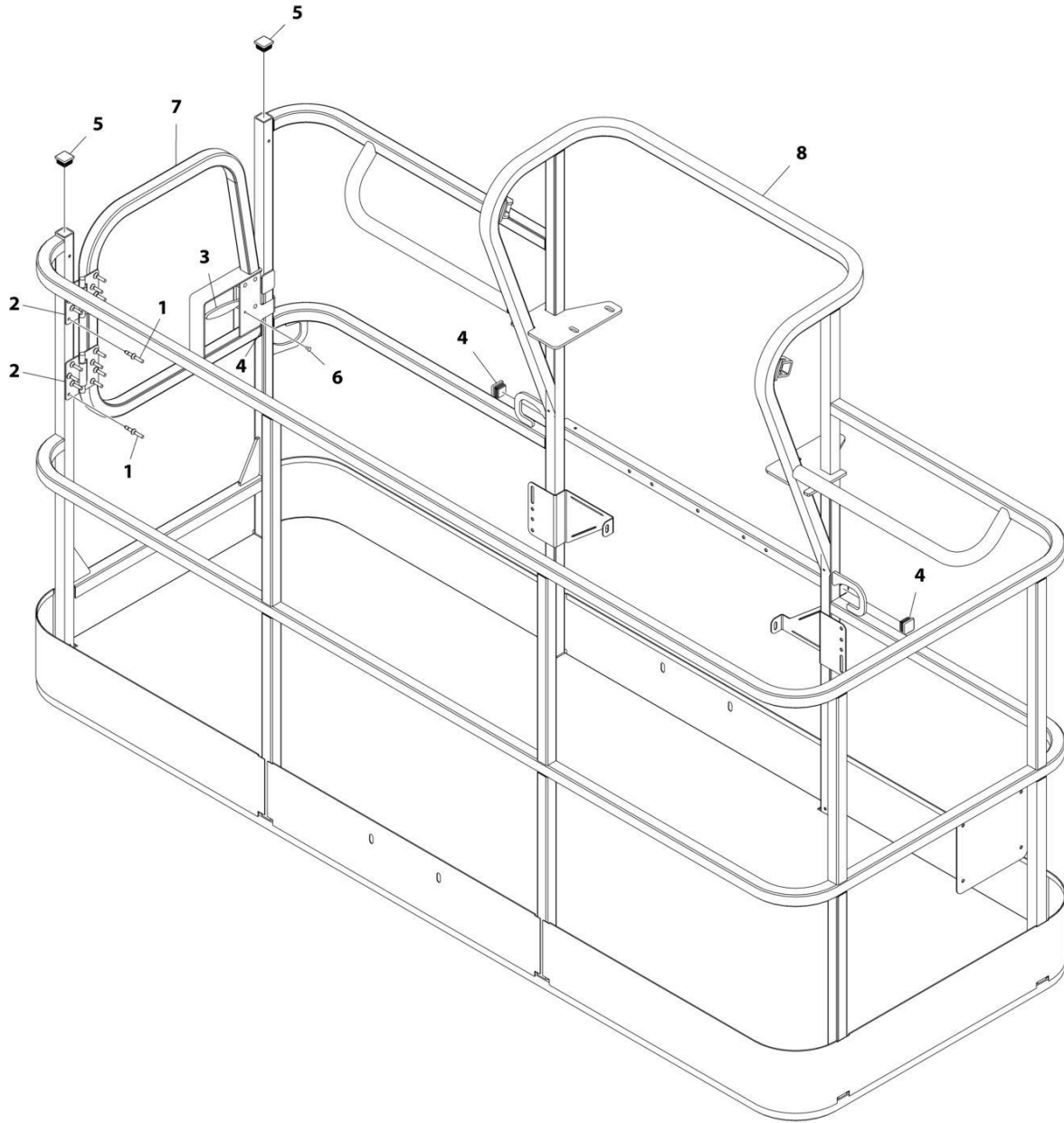
SECTION 5 - PLATFORM

FIGURE 5-8. PLATFORM ASSEMBLY - 36IN X 6FT (91.5CM X 1.83M) WITH FALL ARREST (ANSI, ANSI EXPORT AND CSA SPECS)

ITEM	PART NUMBER	QTY	DESCRIPTION	REV
	1001186333	Ref	PLATFORM ASSEMBLY	C
		Ref	Note: Replacement Decals Must be Ordered Separately - See DECALS SECTION.	
1	0681814	2	Bolt 1/2 x 1-3/4 Grade 8	
2	0681822	4	Bolt 1/2 x 2-3/4 Grade 8	
3	0962270	2	Bearing	
4	1001203655	1	Cable	
5	1702773	1	Decal - JLG	
6	1705014	1	Decal - Safety	
7	1706385	1	Decal - Drop Bar	
8	2410014	1	Bar, Drop	
9	3271805	6	Nut 1/2 Grade 8	
10	3311605	1	Nut 3/8	
11	3520072	1	Plug	
12	3900054	1	Bolt 1/2 x 1-3/4	
13	4711800	8	Washer 1/2	
14	4751800	4	Washer 1/2	
15	See Note	NSS	Platform (Note: Not Available - Purchase Platform Assembly)	

SECTION 5 - PLATFORM

FIGURE 5-9. PLATFORM ASSEMBLY - 36IN X 8FT (91.5CM X 2.44M) WITH SWING GATE



ART_1001186383

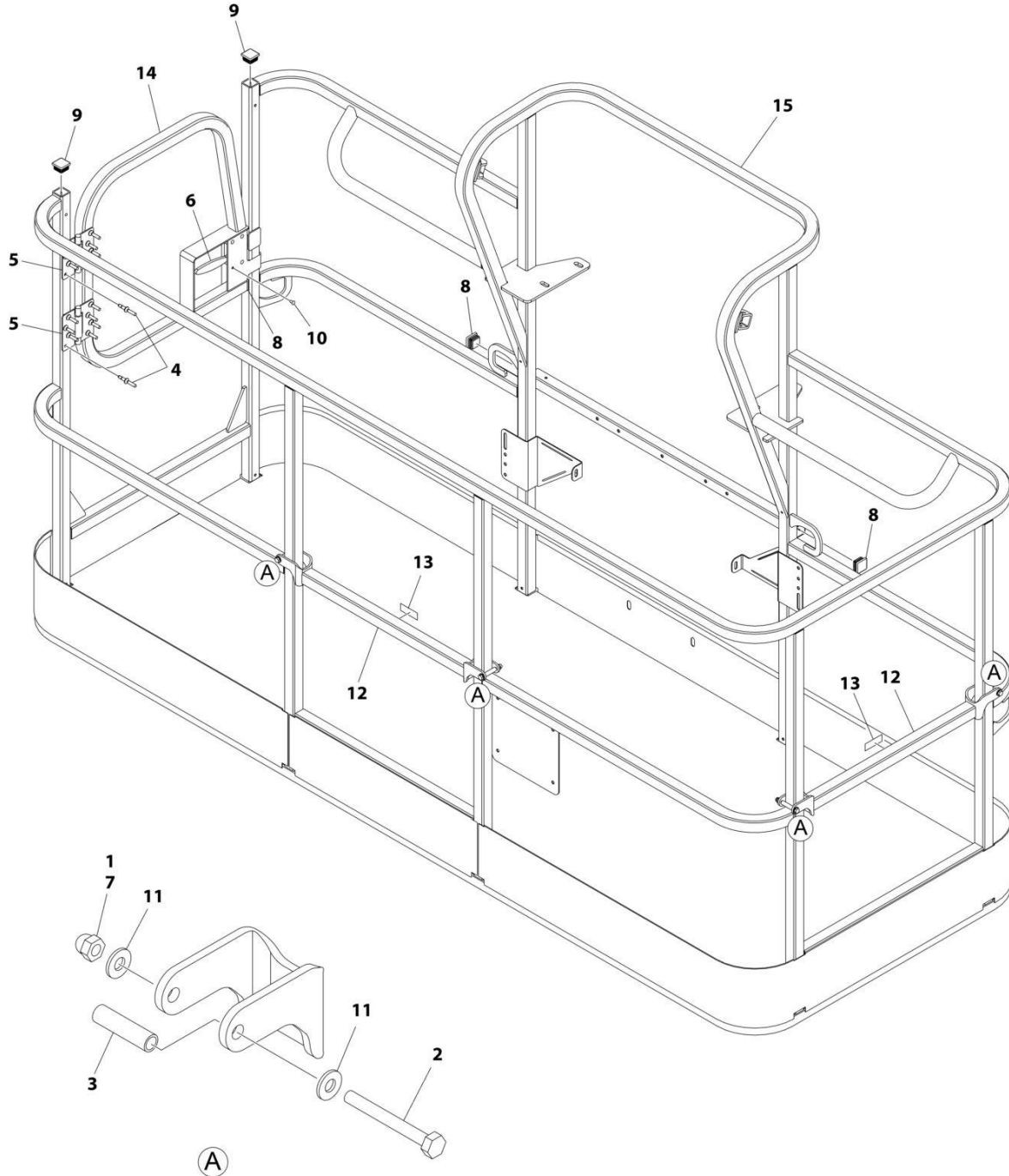
SECTION 5 - PLATFORM

FIGURE 5-9. PLATFORM ASSEMBLY - 36IN X 8FT (91.5CM X 2.44M) WITH SWING GATE

ITEM	PART NUMBER	QTY	DESCRIPTION	REV
	1001186383	Ref	PLATFORM ASSEMBLY - 36IN X 8FT (91.5CM X 2.44M) WITH SWING GATE	D
		Ref	Note: Platform and Mesh must be ordered separately for Platforms with Mesh. See SPECIAL OPTIONS SECTION for Mesh Installations.	
		Ref	Note: Replacement Decals Must be Ordered Separately - See DECALS SECTION.	
1	2080040	16	Fastener, Huck	
2	2600281	2	Hinge	
3	2940074	1	Latch	
4	3520072	3	Plug	
5	3520198	2	Plug	
6	3820020	4	Rivet	
7	1001144629	1	Gate	
8	See Note	NSS	Platform (Note: Not Available - Purchase Platform Assembly)	

SECTION 5 - PLATFORM

FIGURE 5-10. PLATFORM ASSEMBLY - 36IN X 8FT (91.5CM X 2.44M) WITH TRI-ENTRY (1 GATE/2 DROP BARS)



ART_1001228243

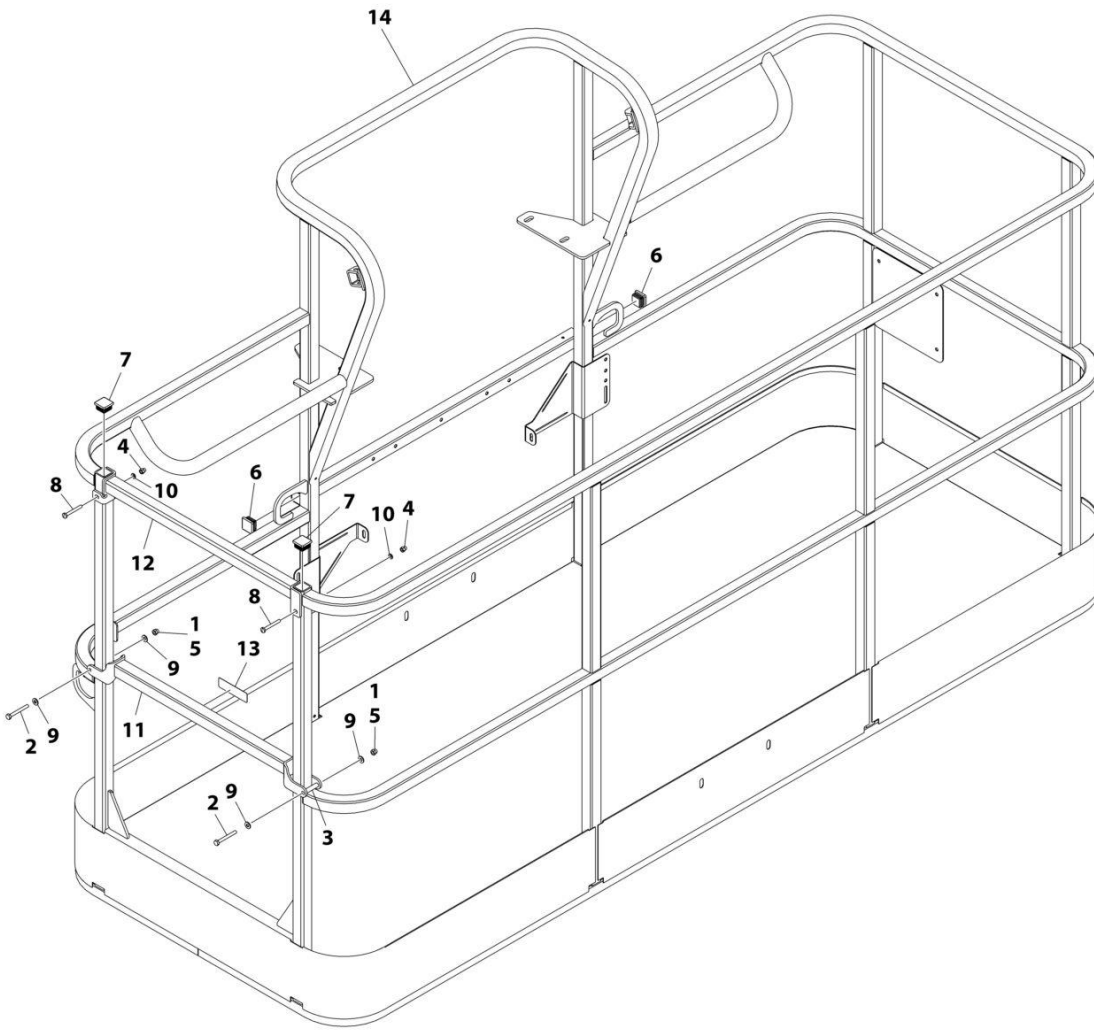
SECTION 5 - PLATFORM

FIGURE 5-10. PLATFORM ASSEMBLY - 36IN X 8FT (91.5CM X 2.44M) WITH TRI-ENTRY (1 GATE/2 DROP BARS)

ITEM	PART NUMBER	QTY	DESCRIPTION	REV
	1001228243	Ref	PLATFORM ASSEMBLY - 36IN X 8FT (91.5CM X 2.44M) WITH TRI-ENTRY	A
		Ref	Note: Platform and Mesh must be ordered separately for Platforms with Mesh. See SPECIAL OPTIONS SECTION for Mesh Installations.	
1	0100011	AR	Compound, Locking	
2	0641418	4	Bolt 1/4 x 2-1/4	
3	0961845	4	Bushing	
4	2080040	16	Fastener, Huck	
5	2600281	2	Hinge, Self-Closing	
6	2940074	1	Latch	
7	3300151	4	Nut 1/4	
8	3520072	3	Cap, Plug	
9	3520198	2	Cap, Plug	
10	3820020	4	Rivet	
11	4711400	8	Washer 1/4	
12	1001138494	2	Bar, Drop	
13	1001140429	2	Decal - Drop Bar	
14	1001144629	1	Gate, Weldment	
15	See Note	1	Platform (Note: Not Available - Purchase Platform Assembly)	

SECTION 5 - PLATFORM

FIGURE 5-11. PLATFORM ASSEMBLY - 36IN X 8FT (91.5CM X 2.44M) WITH DROP BAR



ART_1001186382

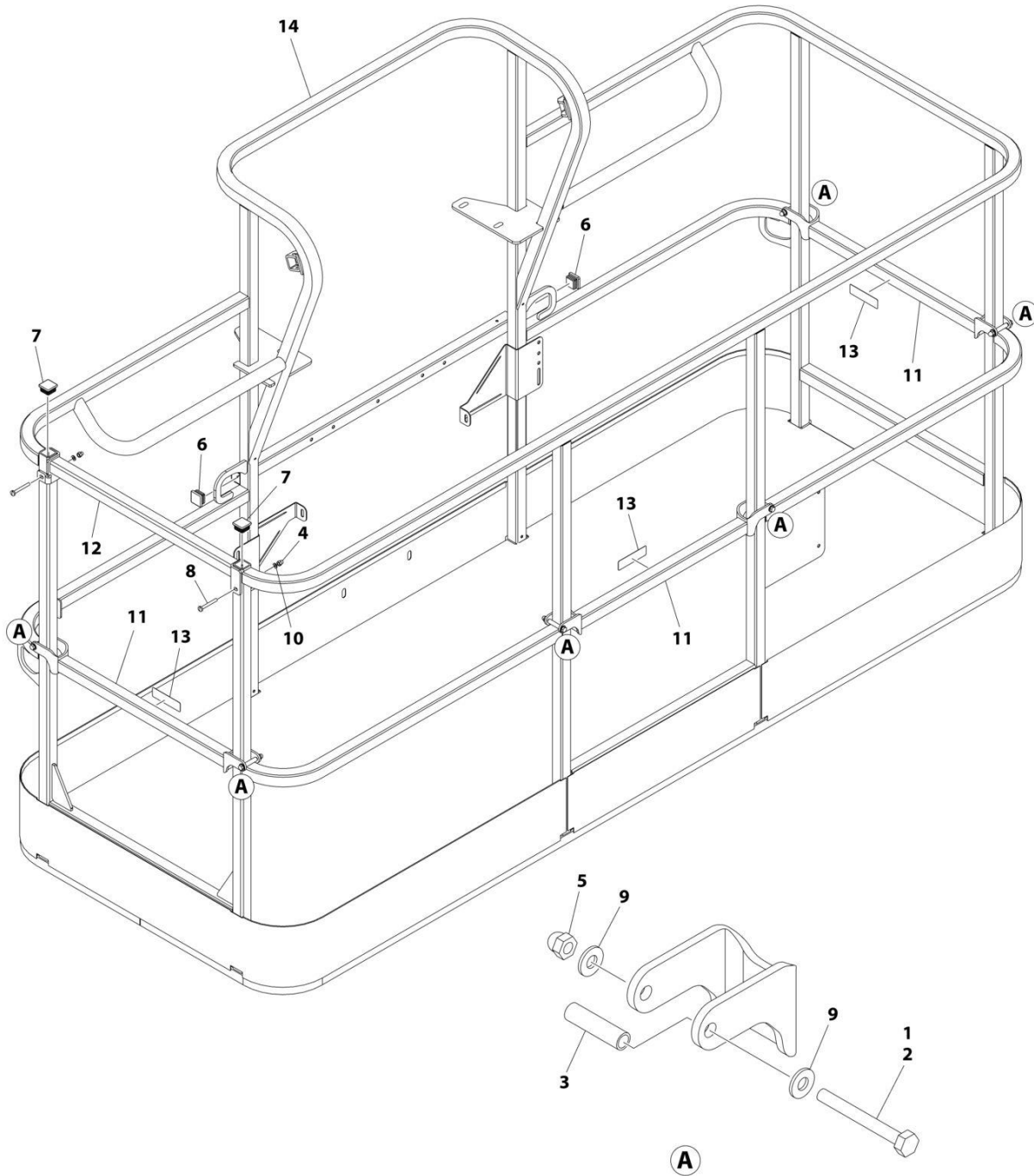
SECTION 5 - PLATFORM

FIGURE 5-11. PLATFORM ASSEMBLY - 36IN X 8FT (91.5CM X 2.44M) WITH DROP BAR

ITEM	PART NUMBER	QTY	DESCRIPTION	REV
	1001186382	Ref	PLATFORM ASSEMBLY - 36IN X 8FT (91.5CM X 2.44M) WITH DROP BAR	C
		Ref	Note: Platform and Mesh must be ordered separately for Platforms with Mesh. See SPECIAL OPTIONS SECTION for Mesh Installations.	
		Ref	Note: Replacement Decals Must be Ordered Separately - See DECALS SECTION.	
1	0100011	AR	Compound, Locking	
2	0641418	2	Bolt 1/4 x 2-1/4	
3	0961845	2	Bushing	
4	3290606	2	Nut M6	
5	3300151	2	Nut 1/4	
6	3520072	2	Plug	
7	3520198	2	Plug	
8	4010618	2	Screw M6 x 50	
9	4711400	4	Washer 1/4	
10	4811700	2	Washer M6	
11	1001138494	1	Bar, Drop	
12	1001138514	1	Rail (Top)	
13	1001140429	1	Decal - Drop Bar	
14	See Note	NSS	Platform (Note: Not Available - Purchase Platform Assembly)	

SECTION 5 - PLATFORM

FIGURE 5-12. PLATFORM ASSEMBLY - 36IN X 8FT (91.5CM X 2.44M) WITH TRI-ENTRY (3 DROP BARS)



ART_1001228375

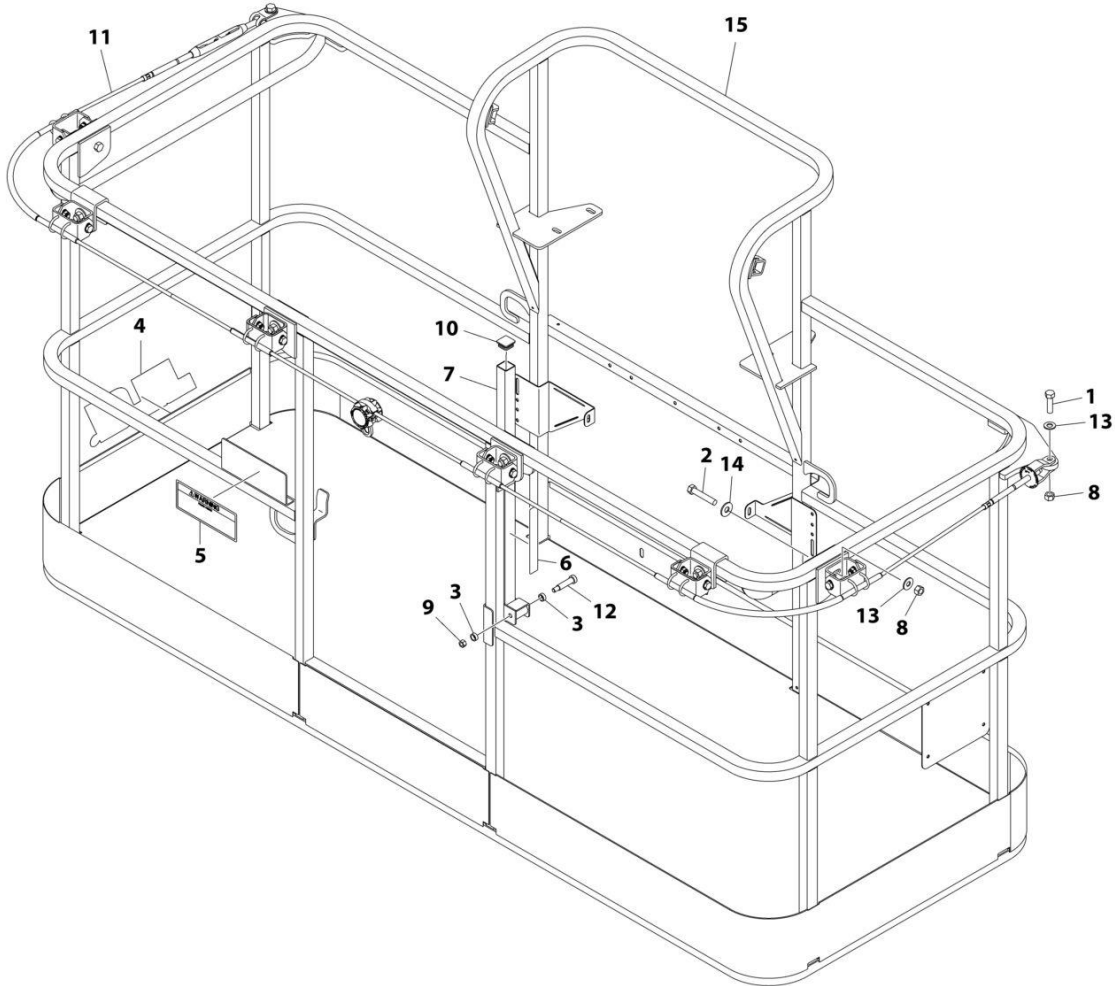
SECTION 5 - PLATFORM

FIGURE 5-12. PLATFORM ASSEMBLY - 36IN X 8FT (91.5CM X 2.44M) WITH TRI-ENTRY (3 DROP BARS)

ITEM	PART NUMBER	QTY	DESCRIPTION	REV
	1001228375	Ref	PLATFORM ASSEMBLY - 36IN X 8FT (91.5CM X 2.44M) WITH TRI-ENTRY	A
		Ref	Note: Platform and Mesh must be ordered separately for Platforms with Mesh. See SPECIAL OPTIONS SECTION for Mesh Installations.	
		Ref	Note: Replacement Decals Must be Ordered Separately - See DECAL SECTION.	
1	0100011	AR	Compound, Locking	
2	0641418	6	Bolt 1/4 x 2-1/4	
3	0961845	6	Bushing	
4	3290606	2	Nut M6 x 1	
5	3300151	6	Nut 1/4	
6	3520072	2	Cap, Plug	
7	3520198	2	Cap, Plug	
8	4010618	2	Screw M6 x 50	
9	4711400	12	Washer 1/4	
10	4811700	2	Washer M6	
11	1001138494	3	Bar, Drop	
12	1001138514	1	Rail (Top)	
13	1001140429	3	Decal - Drop Bar	
14	See Note	1	Platform (Note: Not Available - Purchase Platform Assembly)	

SECTION 5 - PLATFORM

FIGURE 5-13. PLATFORM ASSEMBLY - 36IN X 8FT (91.5CM X 2.44M) WITH FALL ARREST (ANSI, ANSI EXPORT AND CSA SPECS)



ART_1001186334

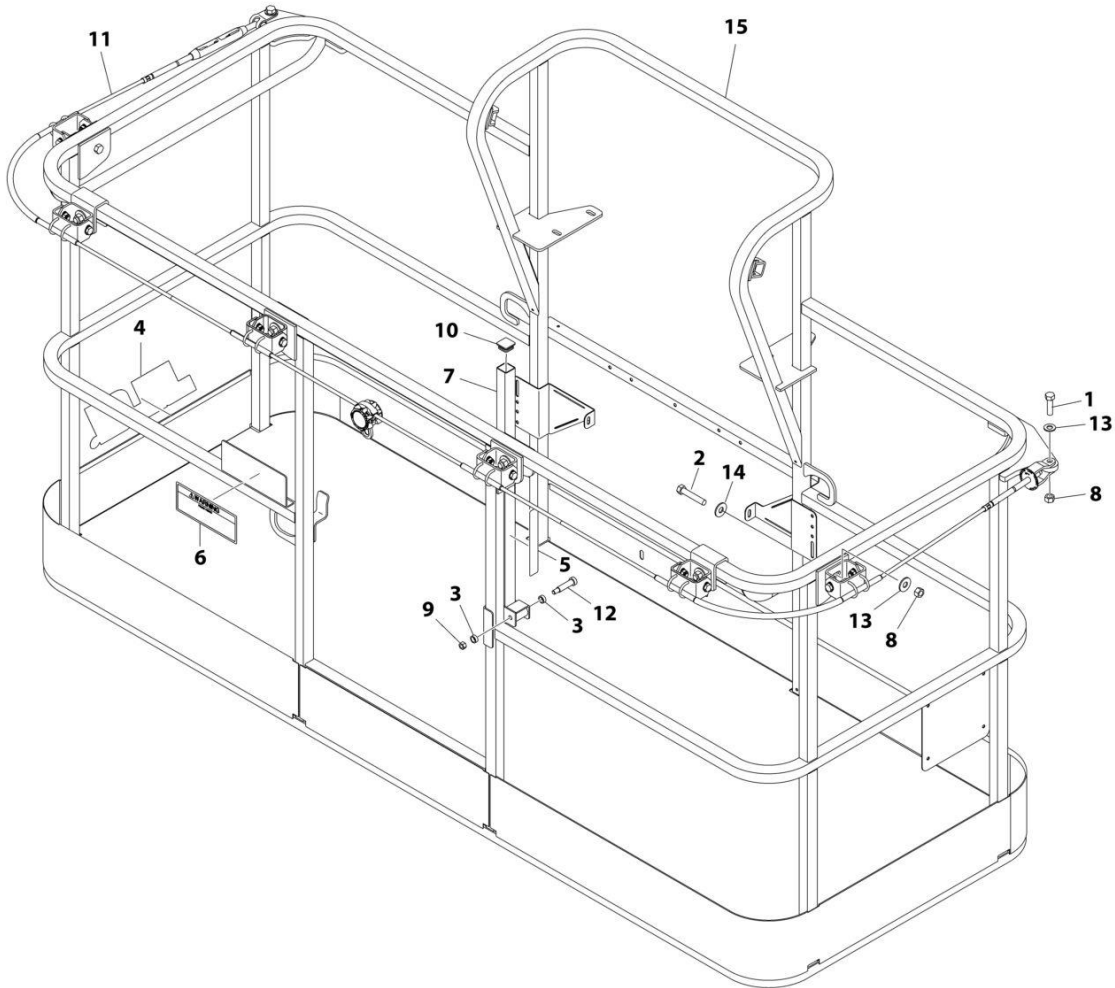
SECTION 5 - PLATFORM

FIGURE 5-13. PLATFORM ASSEMBLY - 36IN X 8FT (91.5CM X 2.44M) WITH FALL ARREST (ANSI, ANSI EXPORT AND CSA SPECS)

ITEM	PART NUMBER	QTY	DESCRIPTION	REV
	1001186334	Ref	PLATFORM ASSEMBLY	D
		Ref	Note: Replacement Decals Must be Ordered Separately - See DECALS SECTION.	
1	0681814	2	Bolt 1/2 x 1-3/4 Grade 8	
2	0681822	6	Bolt 1/2 x 2-3/4 Grade 8	
3	0962270	2	Bearing	
4	1702773	1	Decal - JLG	
5	1705014	1	Decal - Safety	
6	1706385	1	Decal - Drop Bar	
7	2410014	1	Bar, Drop	
8	3271805	8	Nut 1/2 Grade 8	
9	3311605	1	Nut 3/8	
10	3520072	1	Plug	
11	1001203656	1	Cable	
12	3900054	1	Bolt 1/2 x 1-3/4	
13	4711800	2	Washer 1/2	
14	4751800	6	Washer 1/2	
15	See Note	NSS	Platform (Note: Purchase Platform Assembly)	

SECTION 5 - PLATFORM

FIGURE 5-14. PLATFORM ASSEMBLY - 36IN X 8FT (91.5CM X 2.44M) WITH FALL ARREST (ALL SPECS EXCEPT CSA SPECS)



ART_1001186389

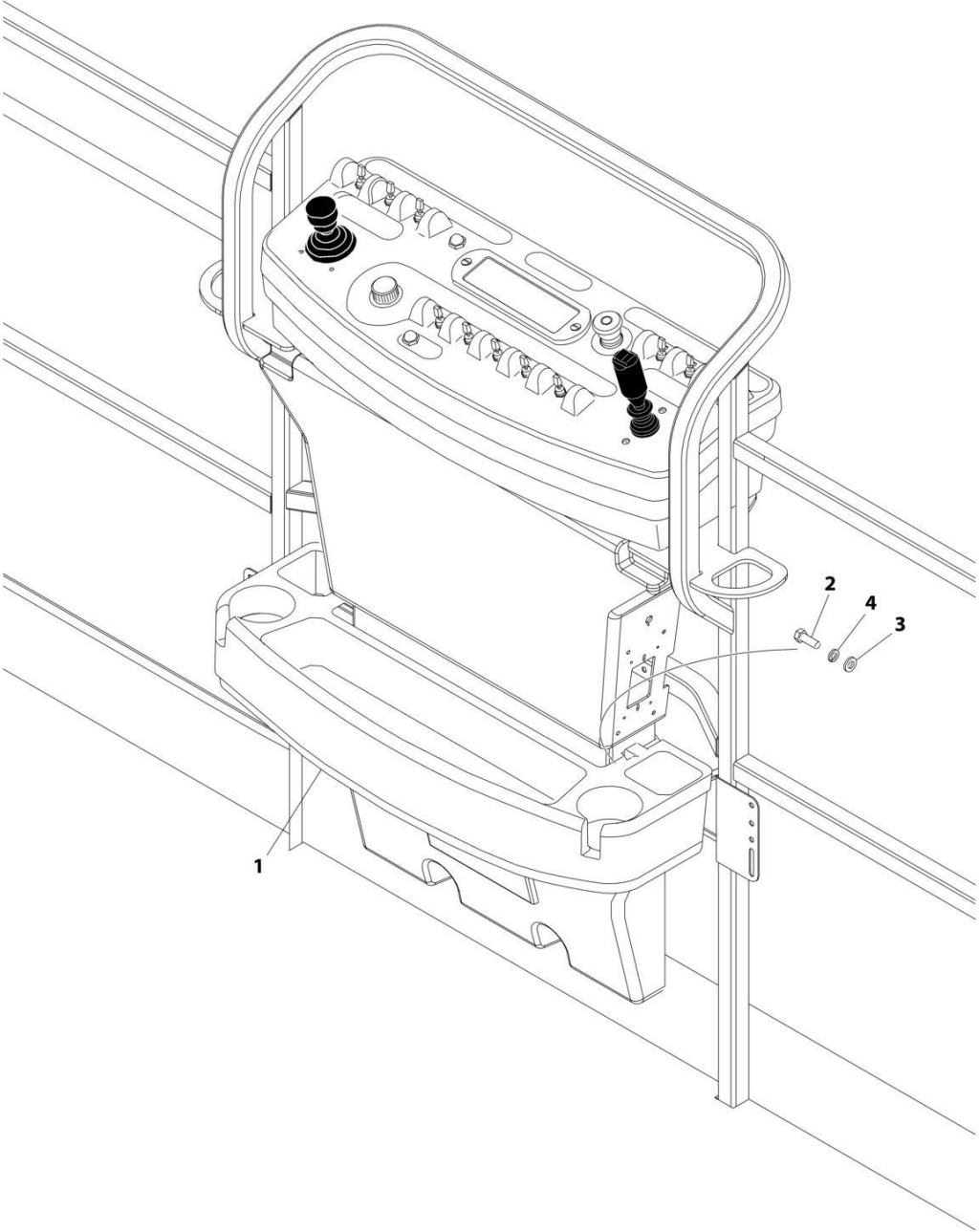
SECTION 5 - PLATFORM

FIGURE 5-14. PLATFORM ASSEMBLY - 36IN X 8FT (91.5CM X 2.44M) WITH FALL ARREST (ALL SPECS EXCEPT CSA SPECS)

ITEM	PART NUMBER	QTY	DESCRIPTION	REV
	1001186389	Ref	PLATFORM ASSEMBLY - 36IN X 8FT (91.5CM X 2.44M) WITH FALL ARREST	D
		Ref	Note: Standard decals must be ordered separately - See DECAL SECTION.	
1	0681814	2	Bolt 1/2 x 1-3/4 Grade 8	
2	0681822	6	Bolt 1/2 x 2-3/4 Grade 8	
3	0962270	2	Bearing	
4	1702773	1	Decal - JLG	
5	1706493	1	Decal - Drop Bar	
6	1706501	1	Decal - Safety	
7	2410014	1	Gate	
8	3271805	8	Nut 1/2 Grade 8	
9	3311605	1	Nut 3/8	
10	3520072	1	Plug	
11	1001203656	1	Cable	
12	3900054	1	Bolt 1/2 x 1-3/4	
13	4711800	8	Washer 1/2	
14	4751800	6	Washer 1/2	
15	1001186318	NSS	Platform (Note: Not Available - Purchase Platform Assembly)	

SECTION 5 - PLATFORM

FIGURE 5-15. TRAY ASSEMBLY



ART_1580012

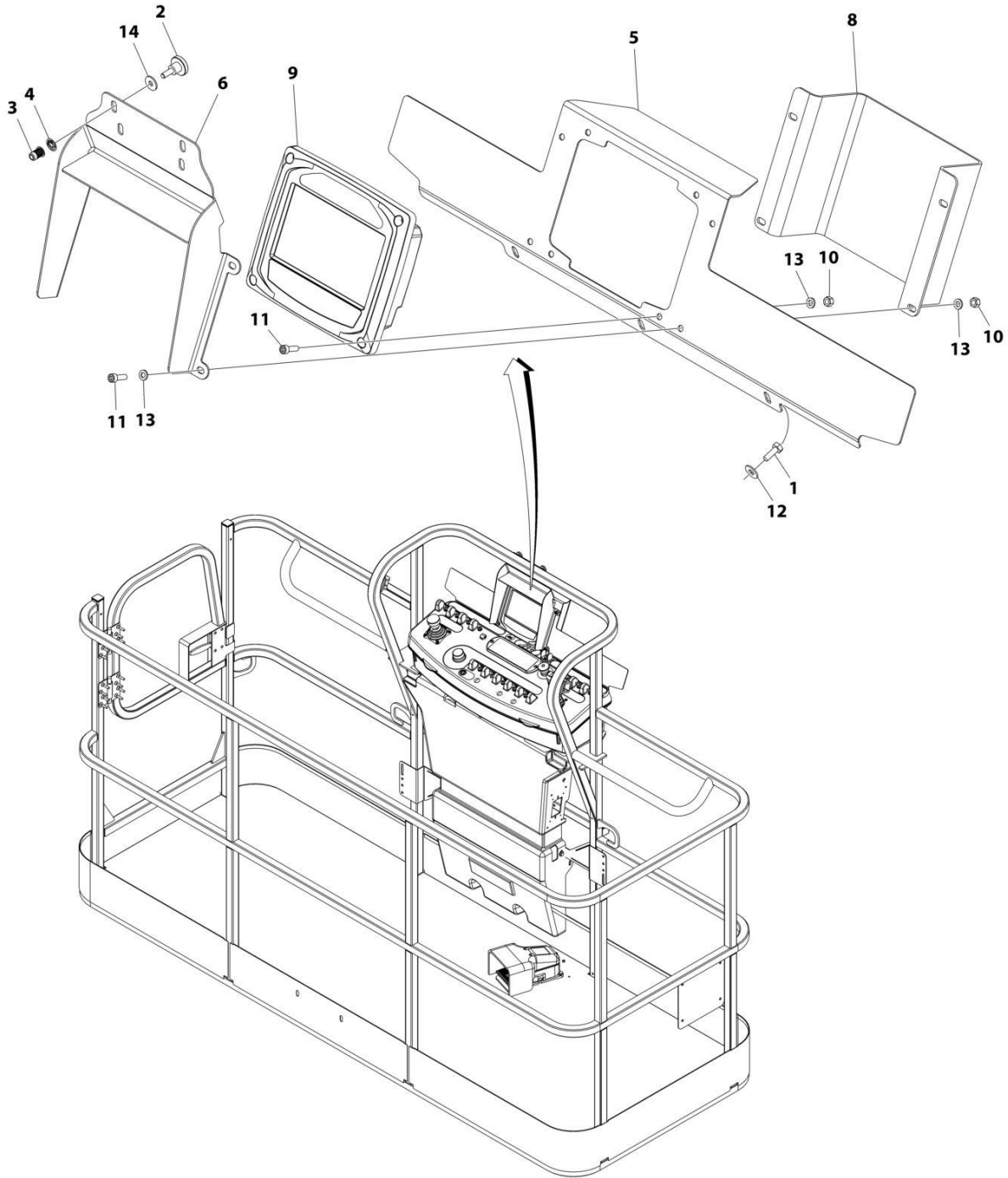
SECTION 5 - PLATFORM

FIGURE 5-15. TRAY ASSEMBLY

ITEM	PART NUMBER	QTY	DESCRIPTION	REV
	1580012	Ref	TRAY ASSEMBLY	C
1	See Note	NSS	Tray, Storage (Center) (Note: Purchase p/n 1580012)	
2	0641406	2	Bolt 1/4 x 3/4	
3	4751400	2	Washer 1/4	
4	4761400	2	Washer 1/4	

SECTION 5 - PLATFORM

FIGURE 5-16. LCD DISPLAY INSTALLATION



ART_1001215375

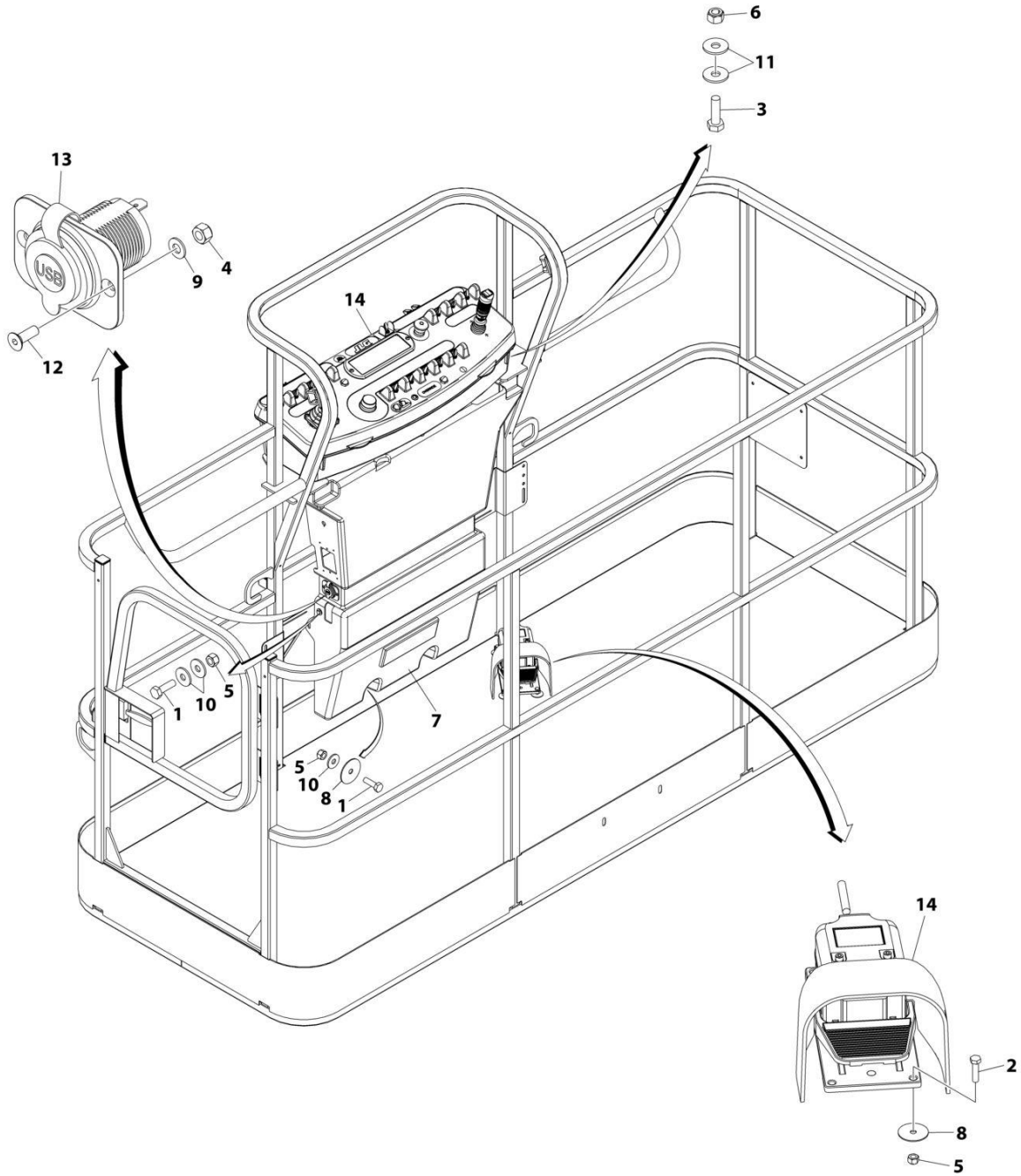
SECTION 5 - PLATFORM

FIGURE 5-16. LCD DISPLAY INSTALLATION

ITEM	PART NUMBER	QTY	DESCRIPTION	REV
	1001215375	Ref	LCD DISPLAY INSTALLATION	A
1	0641406001	3	Bolt 1/4 x 3/4	
2	1001173609	2	Screw, Thumb M6 x 16	
3	1001176636	2	Rivet, Nut M6	
4	1001177635	2	Nut M6	
5	1001215379	1	Bracket, Mounting	
6	1001215380	1	Bracket, Visor	
7	1001220482	1	Harness, LCD Display (Not Shown - See Separate Breakdown in ELECTRICAL SECTION)	
8	1001228976	1	Cover	
9	1001229485	1	Electrical Assembly	
9	1001220955	1	Gauge, LCD Display	
9	1001176582	1	Decal - Platform Display	
9	1001180491	4	Screw #10	
9	1001229922	1	Screen Protector, LCD Display	
10	3290605001	8	Nut M6	
11	4031708001	8	Bolt M6 x 20	
12	4751400001	3	Washer 1/4	
13	4811700001	12	Washer M6	
14	4811702001	2	Washer M6	

SECTION 5 - PLATFORM

FIGURE 5-17. CONSOLE BOX AND FOOTSWITCH INSTALLATION



ART_1001267388

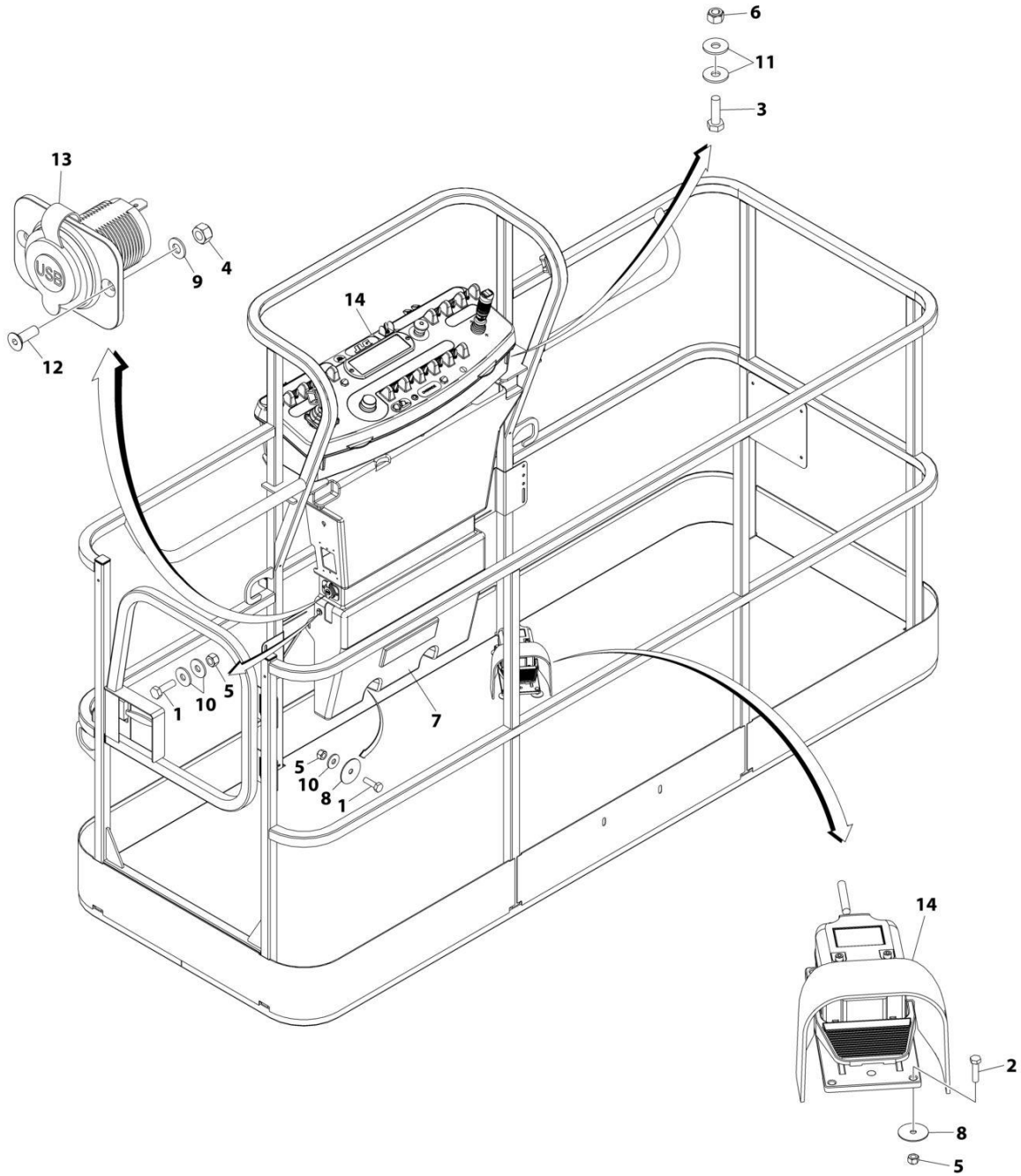
SECTION 5 - PLATFORM

FIGURE 5-17. CONSOLE BOX AND FOOTSWITCH INSTALLATION

ITEM	PART NUMBER	QTY	DESCRIPTION	REV
	1001267388	Ref	CONSOLE BOX AND FOOTSWITCH INSTALLATION	A
1	0760610	4	Bolt M6 x 20	
2	0760612	4	Bolt M6 x 25	
3	0761015	4	Bolt M10 x 35	
4	3290405	2	Nut M4	
5	3290605	8	Nut M6	
6	3291005	4	Nut M10	
7	3380434	1	Panel	
8	4740362	6	Washer	
9	4811400	2	Washer M4	
10	4811702	6	Washer M6	
11	4812002	8	Washer M10	
12	1001097244	2	Screw M4 x 12	
13	1001210636	1	Receptacle	
14	1001267390	1	Platform Console Assembly (See Separate Breakdown in this Section)	

SECTION 5 - PLATFORM

FIGURE 5-18. CONSOLE BOX AND FOOTSWITCH INSTALLATION - WITH TOWER STOW



ART_1001265902

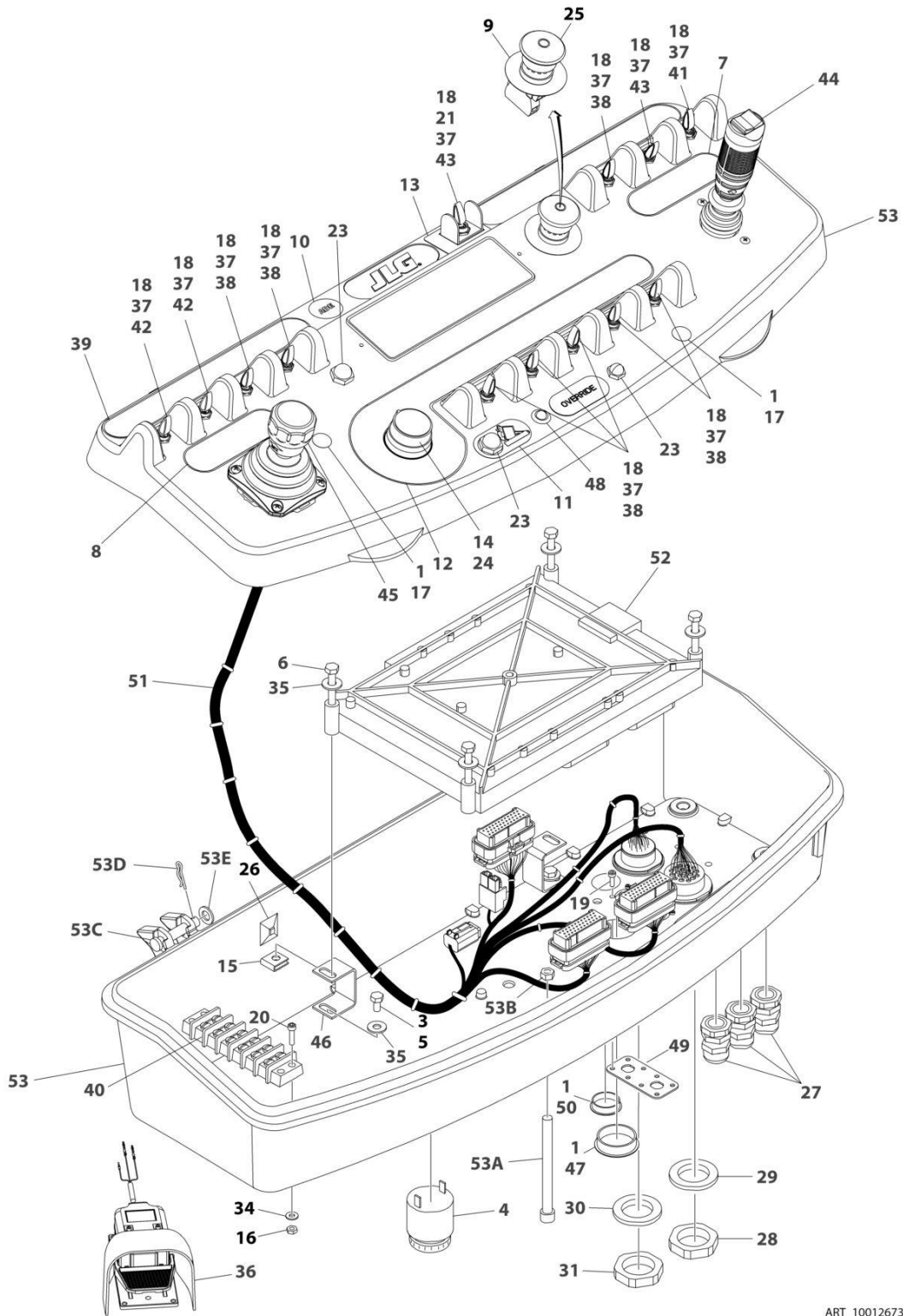
SECTION 5 - PLATFORM

FIGURE 5-18. CONSOLE BOX AND FOOTSWITCH INSTALLATION - WITH TOWER STOW

ITEM	PART NUMBER	QTY	DESCRIPTION	REV
	1001265902	Ref	CONSOLE BOX AND FOOTSWITCH INSTALLATION	A
1	0760610	4	Bolt M6 x 20	
2	0760612	4	Bolt M6 x 25	
3	0761015	4	Bolt M10 x 35	
4	3290405	2	Nut M4	
5	3290605	8	Nut M6	
6	3291005	4	Nut M10	
7	3380434	1	Panel	
8	4740362	6	Washer	
9	4811400	2	Washer M4	
10	4811702	6	Washer M6	
11	4812002	8	Washer M10	
12	1001097244	2	Screw M4 x 12	
13	1001210636	1	Receptacle	
14	1001265904	1	Platform Console Assembly - with Tower Stow (See Separate Breakdown in this Section)	

SECTION 5 - PLATFORM

FIGURE 5-19. PLATFORM CONSOLE ASSEMBLY



ART_1001267390_C

SECTION 5 - PLATFORM

FIGURE 5-19. PLATFORM CONSOLE ASSEMBLY

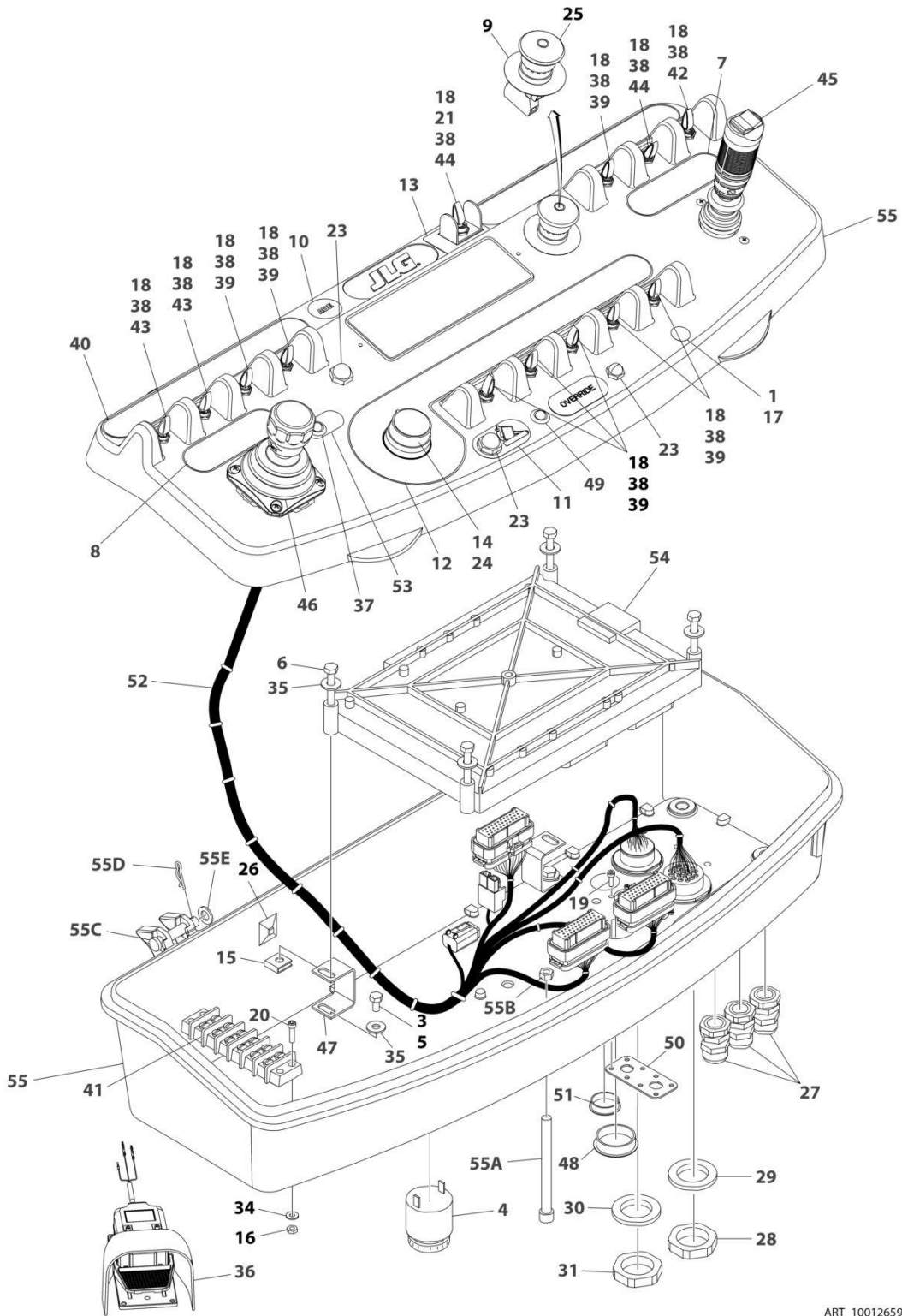
ITEM	PART NUMBER	QTY	DESCRIPTION	REV
	1001267390	Ref	PLATFORM CONSOLE ASSEMBLY	C
1	0100009	AR	Sealant	
3	0100035	AR	Compound, Locking	
4	0140011	1	Alarm	
5	0641405	4	Bolt 1/4 x 5/8	
6	0641414	4	Bolt 1/4 x 1-3/4	
7	1702565	1	Decal - Drive and Steer	
8	1702566	1	Decal - Lift and Swing	
9	1704260	1	Decal - EMS	
10	1705132	1	Decal - Control ADE	
11	1705171	1	Decal - Jib Stow	
12	1705745	1	Decal - Function Speed	
13	1706741	1	Decal - Boom Control Select	
14	2560136	1	Handle, Knob	
15	3300353	4	Nut, Tinnerman	
16	3311005	2	Nut #10	
17	3520026	2	Plug	
18	3790012	13	O-Ring	
19	3900349	8	Capscrew M2.5	
20	3931012	2	Capscrew #10 x 3/4	
21	4060906	1	Guard, Switch	
23	4360387	3	Switch, Push Button	
24	4360407	1	Controller, Speed	
24	4460224	1	Receptacle, Female - 6 Position	
24	4460226	1	Socket, Female	
24	See Note	1	Gasket "Top Hat" (Included with Switch) (Note: Not Available - Purchase Complete Controller.)	
24	70003784	1	Seal	
25	1001274559	1	Switch, Emergency Stop	
26	4460234	6	Mount, Tie-Strap	
27	4460428	3	Connector, Strain Relief	
28	4460470	1	Nut, Terminal	
29	4460471	1	Washer, Terminal	
30	4460496	1	Washer, Terminal	
31	4460497	1	Nut, Terminal	
34	4751000	2	Washer #10	
35	4751400	8	Washer 1/4	
36	1001117174	1	Footswitch Assembly (See Separate Breakdown in this Section)	
37	1001155044	13	Nut 15/32	
38	1001155045	8	Switch, Toggle	
39	1001156926	1	Decal - Horn	
40	1001157292	1	Bar, Buss	
41	1001159256	1	Switch, Toggle	
42	1001161709	2	Switch, Toggle	
43	1001161710	2	Switch, Toggle	
44	1001166538	NLA	Controller Assembly (Drive and Steer) (Use p/n 1001212415) (See Separate Breakdown in this Section)	
45	1001166539	NLA	Controller Assembly (Lift and Swing) (Use p/n 1001129555) (See Separate Breakdown in this Section)	
46	1001172760	4	Bracket	

SECTION 5 - PLATFORM

ITEM	PART NUMBER	QTY	DESCRIPTION	REV
47	1001185281	1	Plug	C
48	1001206532	1	Lamp, Indicator	
49	1001213882	1	Mount, Connector	
50	1001220486	1	Plug	
51	1001242124	1	Platform Console Harness (See Separate Breakdown in ELECTRICAL Section)	
52	1001199483	1	Module, Platform (Note: Re-calibration Required when Replaced)	
53	1001265905	1	BOX, CONSOLE ASSEMBLY	
53A	0630568	1	Screw 3/8 x 4-1/2	
53B	3311601	1	Nut 3/8	
53C	3430616	2	Pin	
53D	3470003	2	Pin	
53E	4711600	2	Washer 3/8	
54	4240099	AR	Tie-Strap (Not Shown)	

SECTION 5 - PLATFORM

FIGURE 5-20. PLATFORM CONSOLE ASSEMBLY - WITH TOWER STOW



ART_1001265904_C

SECTION 5 - PLATFORM

FIGURE 5-20. PLATFORM CONSOLE ASSEMBLY - WITH TOWER STOW

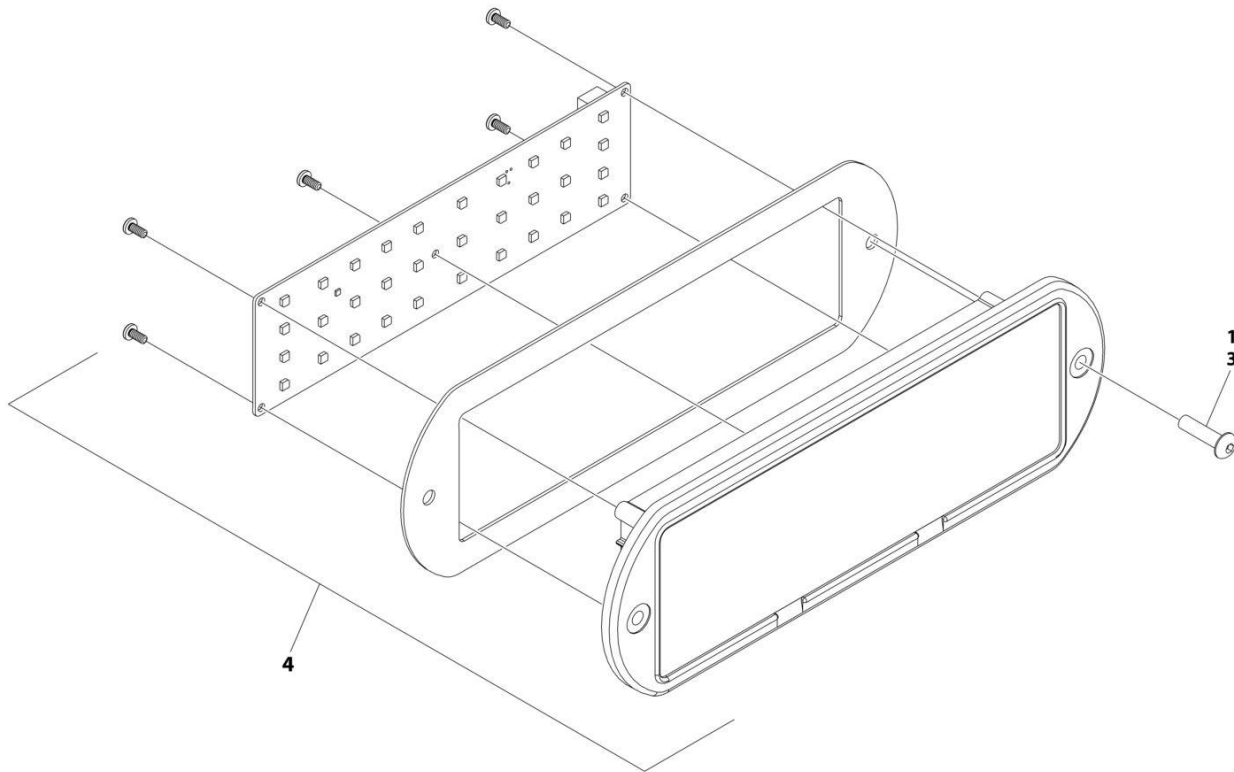
ITEM	PART NUMBER	QTY	DESCRIPTION	REV
	1001265904	Ref	PLATFORM CONSOLE ASSEMBLY	C
1	0100009	AR	Sealant	
3	0100035	1	Compound, Locking	
4	0140011	1	Alarm	
5	0641405	4	Bolt 1/4 x 5/8	
6	0641414	4	Bolt 1/4 x 1-3/4	
7	1702565	1	Decal - Drive and Steer	
8	1702566	1	Decal - Lift and Swing	
9	1704260	1	Decal - EMS	
10	1705132	1	Decal - Control ADE	
11	1705171	1	Decal - Jib Stow	
12	1705745	1	Decal - Function Speed	
13	1706741	1	Decal - Boom Control Select	
14	2560136	1	Handle, Knob	
15	3300353	4	Nut, Tinnerman	
16	3311005	2	Nut #10	
17	3520026	1	Plug	
18	3790012	13	O-Ring	
19	3900349	8	Capscrew M2.5	
20	3931012	2	Capscrew #10 x 3/4	
21	4060906	1	Guard, Switch	
23	4360387	3	Switch, Push Button	
24	4360407	1	Controller, Speed	
24	4460224	1	Receptacle, Female - 6 Position	
24	4460226	1	Socket, Female	
24	See Note	1	Gasket "Top Hat" (Included with Switch) (Note: Not Available - Purchase Complete Controller.)	
24	70003784	1	Seal	
25	1001274559	1	Switch, Emergency Stop	
26	4460234	6	Mount, Tie-Strap	
27	4460428	3	Connector, Strain Relief	
28	4460470	1	Nut, Terminal	
29	4460471	1	Washer, Terminal	
30	4460496	1	Washer, Terminal	
31	4460497	1	Nut, Terminal	
34	4751000	2	Washer #10	
35	4751400	8	Washer 1/4	
36	1001117174	1	Footswitch Assembly (See Separate Breakdown in this Section)	
37	1001137364	1	Lamp, Indicator	
38	1001155044	13	Nut 15/32	
39	1001155045	8	Switch, Toggle	
40	1001156926	1	Decal - Horn	
41	1001157292	1	Bar, Buss	
42	1001159256	1	Switch, Toggle	
43	1001161709	2	Switch, Toggle	
44	1001161710	2	Switch, Toggle	
45	1001166538	NLA	Controller Assembly (Drive and Steer) (Use p/n 1001212415) (See Separate Breakdown in this Section)	
46	1001166539	NLA	Controller Assembly (Lift and Swing) (Use p/n 1001129555) (See Separate Breakdown in this Section)	

SECTION 5 - PLATFORM

ITEM	PART NUMBER	QTY	DESCRIPTION	REV
47	1001172760	4	Bracket	C
48	1001185281	1	Plug	
49	1001206532	1	Lamp, Indicator	
50	1001213882	1	Mount, Connector	
51	1001220486	1	Plug	
52	1001242124	1	Platform Console Harness (See Separate Breakdown in ELECTRICAL Section)	
53	1001260937	1	Decal - Tower Stow	
54	1001199483	1	Module, Platform (Note: Re-calibration Required when Replaced)	
55	1001265905	1	BOX, CONSOLE ASSEMBLY	
55A	0630568	1	Screw 3/8 x 4-1/2	
55B	3311601	1	Nut 3/8	
55C	3430616	2	Pin	
55D	3470003	2	Pin	
55E	4711600	2	Washer 3/8	
56	4240099	AR	Tie-Strap (Not Shown)	

SECTION 5 - PLATFORM

FIGURE 5-21. CONSOLE DECAL AND LIGHT PANEL INSTALLATION



ART_1001245176_20F2

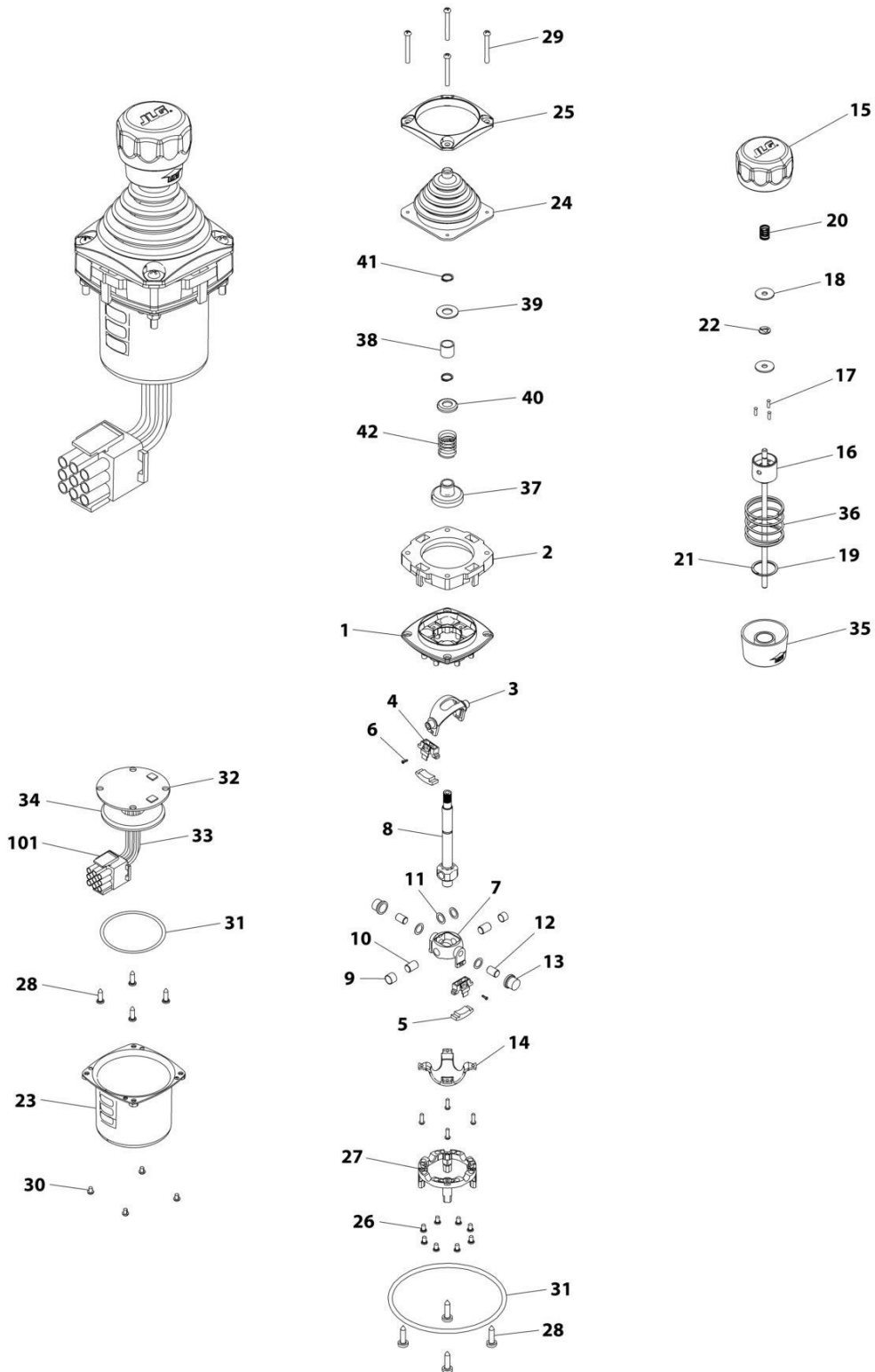
SECTION 5 - PLATFORM

FIGURE 5-21. CONSOLE DECAL AND LIGHT PANEL INSTALLATION

ITEM	PART NUMBER	QTY	DESCRIPTION	REV
	1001245176	Ref	LIGHT PANEL INSTALLATION	C
1	0100035	AR	Compound, Locking	
3	0630518	2	Screw #10 x 3/4	
	1001284588	1	Light Panel Electrical Assembly	
4	1001282106	1	Housing and Seal	
4	1001284587	1	Light Panel (LED)	

SECTION 5 - PLATFORM

FIGURE 5-22. CONTROLLER ASSEMBLY (LIFT AND SWING)



ART_1001166539

SECTION 5 - PLATFORM

FIGURE 5-22. CONTROLLER ASSEMBLY (LIFT AND SWING)

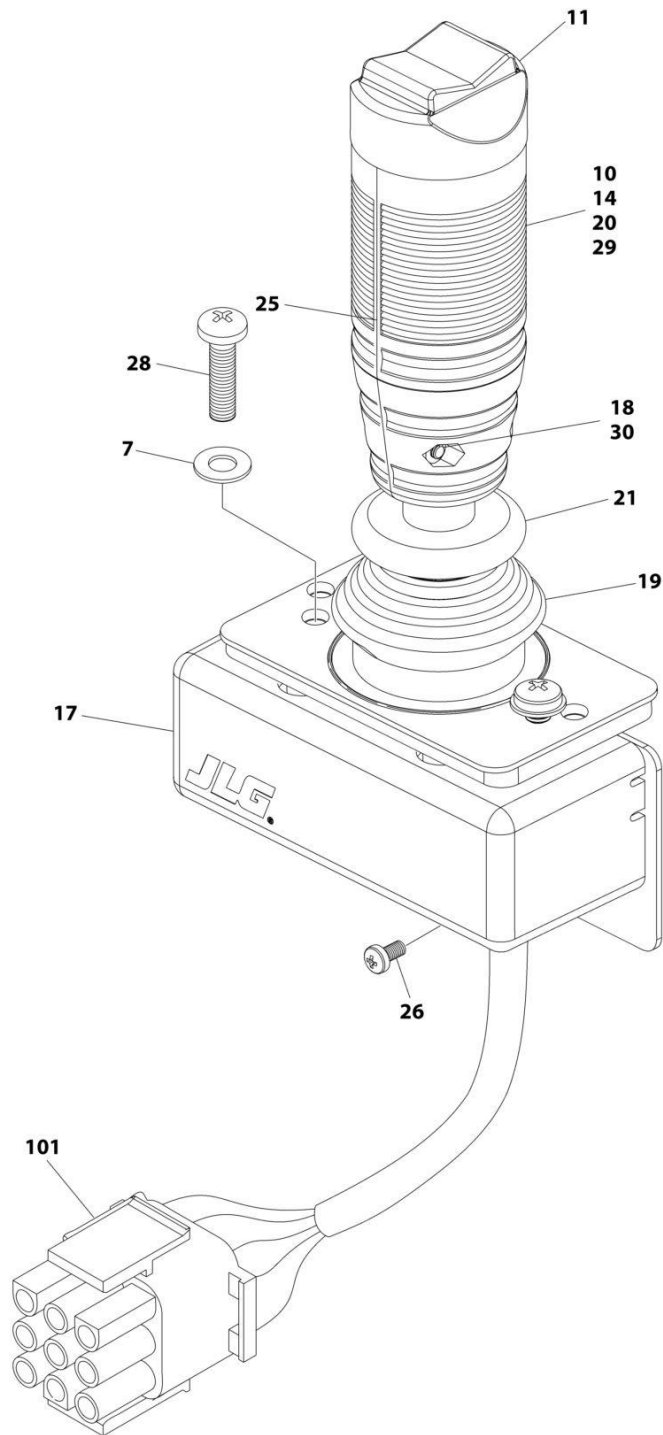
ITEM	PART NUMBER	QTY	DESCRIPTION	REV
	1001166539	Ref	CONTROLLER ASSEMBLY	E
		Ref	Note: Original Equipment Controller May Have Been Replaced with Service Replacement Controller. Visually Identify Controller Before Ordering Parts.	
		Ref	Note: For Replacement, Use p/n 1001129555	
1	See Note	NSS	Main Cast Body (Note: Not Available - Purchase Complete Assembly)	
2	70004752	1	Adapter	
3	See Note	NSS	Pivot Arm, Plastic (Note: Not Available - Purchase Complete Assembly)	
4	See Note	NSS	Holder, Magnet (Note: Not Available - Purchase Complete Assembly)	
5	See Note	NSS	Arc, Magnet (Note: Not Available - Purchase Complete Assembly)	
6	See Note	NSS	Screw (Note: Not Available for Purchase)	
7	See Note	NSS	Pivot Arm, Cast (Note: Not Available - Purchase Complete Assembly)	
8	See Note	NSS	Shaft, Main (Note: Not Available - Purchase Complete Assembly)	
9	See Note	NSS	Bearing (Note: Not Available - Purchase Complete Assembly)	
10	See Note	NSS	Pin (Note: Not Available - Purchase Complete Assembly)	
11	See Note	NSS	Shim (Note: Not Available - Purchase Complete Assembly)	
12	See Note	NSS	Pin (Note: Not Available - Purchase Complete Assembly)	
13	See Note	NSS	Bearing (Note: Not Available - Purchase Complete Assembly)	
14	See Note	NSS	Dome, Centering (Note: Not Available - Purchase Complete Assembly)	
15	70004753	1	Cap	
16	70004754	1	Insert, Cap	
17	70004755	3	Pin	
18	70004756	2	Washer	
19	70004757	1	Pin, Centering	
20	70004758	1	Spring	
21	70004759	1	Ring, Retaining	
22	70004760	1	E-Ring	
23	70004761	1	Can, Enclosure	
24	70004762	1	Boot	
25	70004763	1	Bezel	
26	See Note	NSS	Screw (Note: Not Available for Purchase)	
27	See Note	NSS	Base Mounting (Note: Not Available - Purchase Complete Assembly)	
28	See Note	NSS	Screw (Note: Not Available for Purchase)	
29	70004764	4	Screw	
30	70004765	4	Screw	
31	70004766	1	O-Ring	
32	See Note	NSS	Plate (Note: Not Available - Purchase Complete Assembly)	
33	See Note	NSS	Harness (Note: Not Available - Purchase Complete Assembly)	
34	70004767	1	Grommet, Rubber	
35	70004768	1	Housing	
36	70004769	1	Spring	
37	70004770	1	Stopper	
38	70004771	1	Spacer	
39	70004772	1	Washer	
40	70004773	1	Disc	

SECTION 5 - PLATFORM

ITEM	PART NUMBER	QTY	DESCRIPTION	REV
41	70004774	2	Ring, Retaining	
42	70004775	1	Spring	
101	4460265	1	Connector - 9 Position	
101	4460226	6	Socket, Female	

SECTION 5 - PLATFORM

FIGURE 5-23. CONTROLLER ASSEMBLY (DRIVE AND STEER)



ART_1001166538

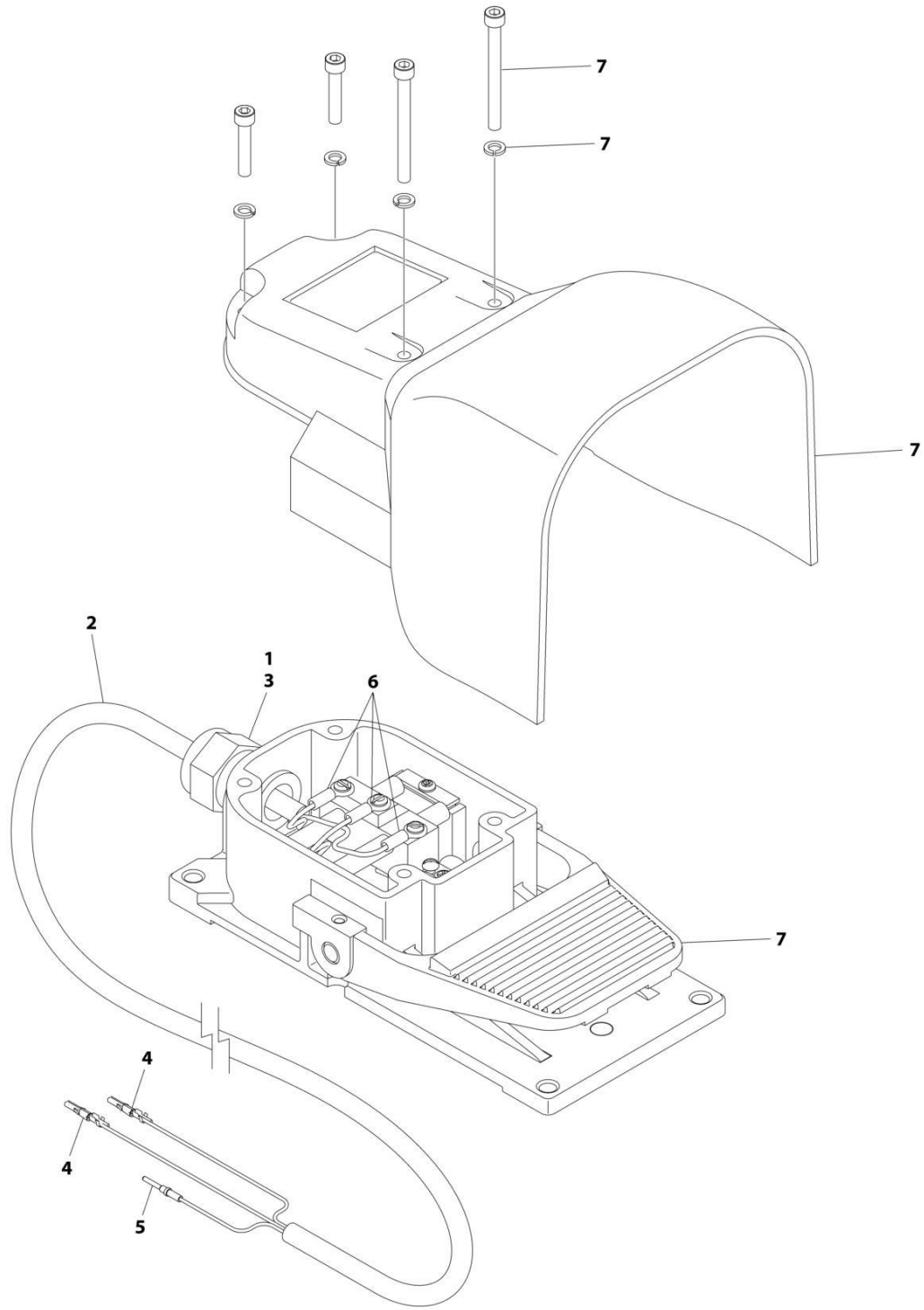
SECTION 5 - PLATFORM

FIGURE 5-23. CONTROLLER ASSEMBLY (DRIVE AND STEER)

ITEM	PART NUMBER	QTY	DESCRIPTION	REV
	1001166538	Ref	CONTROLLER ASSEMBLY - DRIVE AND STEER	G
		Ref	Note: For Replacement, Use p/n 1001212415.	
7	70004738	2	Washer	
10	70004739	1	Roller	
11	70004740	1	Boot, Switch	
14	70004741	2	Half, Handle	
17	70004742	1	Enclosure	
18	70004743	4	Nut	
19	70004744	NLA	Boot, Controller (Use p/n 70005230 Boot/Base Assembly)	
20	70004745	NLA	Tube, Locking (Use p/n 70005230 Boot/Base Assembly)	
21	70004746	NLA	Disc, Locking (Use p/n 70005230 Boot/Base Assembly)	
25	70004747	2	Seal, Rope	
26	70004748	1	Screw M3 x 6	
28	70004749	2	Screw M5 x 20	
29	70004750	1	Pin, Dowel	
30	70004751	4	Screw M3 x 16	
101	4460265	1	Connector - 9 Position	
101	4460226	7	Socket, Female	

SECTION 5 - PLATFORM

FIGURE 5-24. FOOTSWITCH ASSEMBLY



ART_100117174

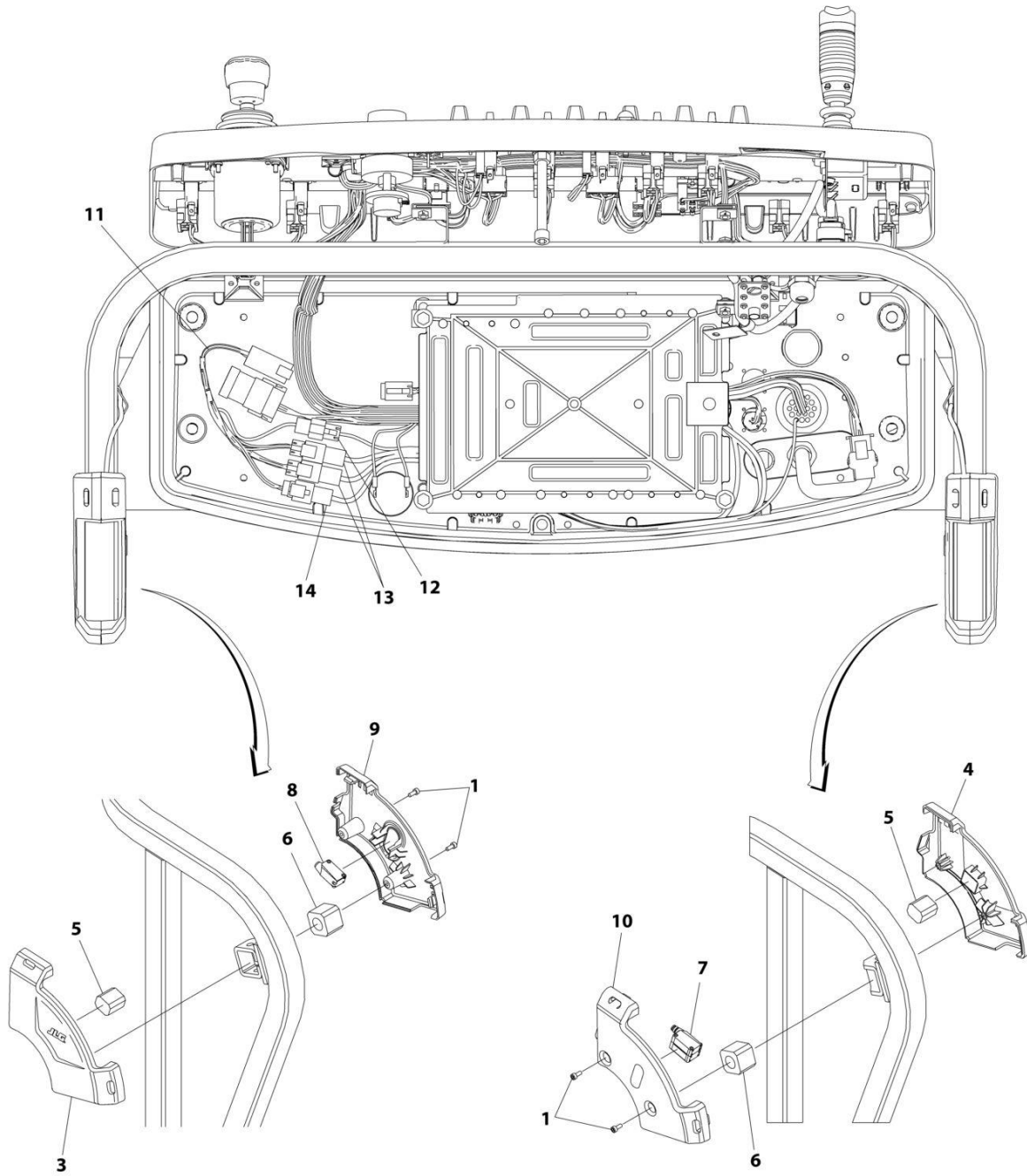
SECTION 5 - PLATFORM

FIGURE 5-24. FOOTSWITCH ASSEMBLY

ITEM	PART NUMBER	QTY	DESCRIPTION	REV
	1001117174	Ref	FOOTSWITCH ASSEMBLY	C
1	0100020	AR	Sealant	
2	1060918	7.5 ft/ 2.3m	Cable, Electrical - 18/3	
3	4460071	1	Connector, Strain Relief	
4	4460226	2	Socket, Female	
5	4460464	1	Pin, Male	
6	1001098122	3	Terminal	
7	1001117172	1	Footswitch	
7	70002902	1	Switch, 20Amp	
7	70002903	1	Gasket	
7	70002905	1	Cover	
7	70002904	1	Kit, Replacement Bolt	

SECTION 5 - PLATFORM

FIGURE 5-25. SKYEYE INSTALLATION



ART_1001229341

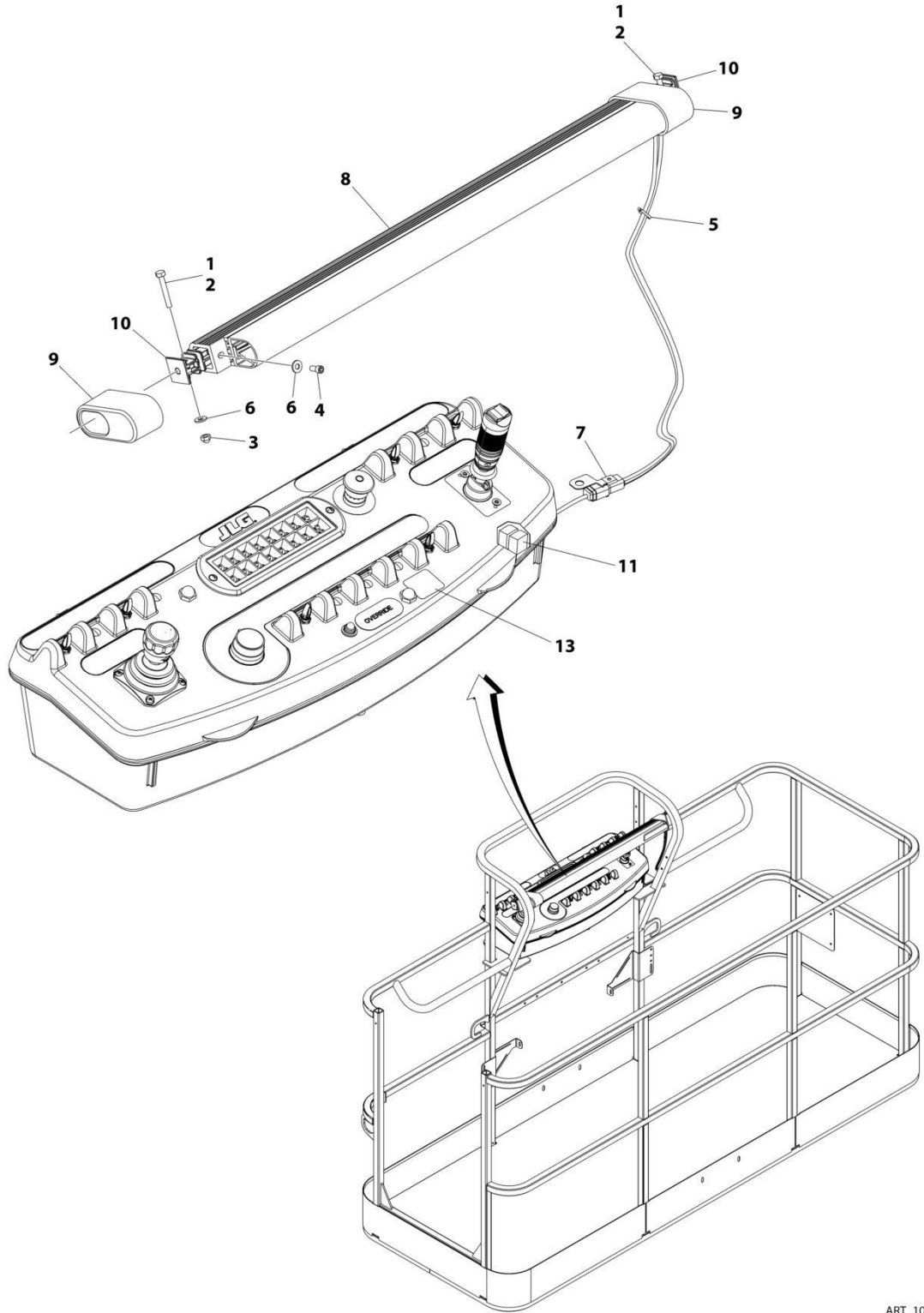
SECTION 5 - PLATFORM

FIGURE 5-25. SKYEYE INSTALLATION

ITEM	PART NUMBER	QTY	DESCRIPTION	REV
	1001229341	Ref	SKYEYE INSTALLATION	B
1	4031505	4	Bolt M4 x 10	
2	4240033	AR	Tie-Strap (Not Shown)	
3	1001227633	1	Housing, LH Outer	
4	1001227634	1	Housing, RH Outer	
5	1001227985	2	Shim	
6	1001227987	2	Shim	
7	1001228224	2	Sensor, Receiver	
8	1001228225	1	Sensor, Emitter	
9	1001232164	1	Housing, LH Inner	
10	1001232165	1	Housing, RH Inner	
11	1001237865	1	Harness, Skyeeye Intermediate (See Separate Breakdown in ELECTRICAL Section)	
12	1001238319	NLA	Harness, Skyeeye Drain Jumper	
12	1001187674	1	Plug, Male - 2 Position	
12	4460942	1	Terminal	
12	4460466	1	Plug, Terminal	
12	4460508	1	Pin, Male	
13	1001237863	2	Harness, Skyeeye Receiver (See Separate Breakdown in ELECTRICAL Section)	
14	1001237864	1	Harness, Skyeeye Emitter (See Separate Breakdown in ELECTRICAL Section)	

SECTION 5 - PLATFORM

FIGURE 5-26. SKYGUARD BAR INSTALLATION



ART_1001238495

SECTION 5 - PLATFORM

FIGURE 5-26. SKYGUARD BAR INSTALLATION

ITEM	PART NUMBER	QTY	DESCRIPTION	REV
	1001238495	Ref	SKYGUARD BAR INSTALLATION	A
1	0100011	AR	Compound, Locking	
2	0641414	2	Bolt 1/4 x 1-3/4	
3	3300430	2	Nut 1/4	
4	3931408	2	Capscrew 1/4 x 1/2	
5	4240033	8	Tie-Strap	
6	4711400	6	Washer 1/4	
7	1001120328	1	Mount	
8	1001137673	1	SkyGuard Switch Assembly	
9	1001186517	2	Cover, Platform Sensor	
10	1001209664	2	Support, Block	
11	1001186431	2	Relay	
12	1001225580	1	Interface Harness Assembly (Not Shown - Located Inside Console Box) (See Separate Breakdown in ELECTRICAL Section)	
13	1001144433	1	Decal - No Weight SkyGuard	

SECTION 5 - PLATFORM

FIGURE 5-27. SKYLINE INSTALLATION

ITEM	PART NUMBER	QTY	DESCRIPTION	REV
	1001238559	Ref	SKYLINE INSTALLATION	D
1	0641404	2	Bolt 1/4 x 1/2	
2	0641405	2	Bolt 1/4 x 5/8	
3	3311405	2	Nut 1/4	
4	3311601	2	Nut 3/8	
5	4031516	2	Capscrew M4 x 60	
6	4240033	AR	Tie-Strap (Not Shown)	
7	4711400	4	Washer 1/4	
8	1001120328	1	Mount	
9	1001232642	1	Bracket	
11	1001232667	1	Sensor, Proximity	
11	1001311034	1	Sensor, Proximity	
14	1001236552	1	Block	
15	1001238418	1	Harness, Skyline (See Separate Breakdown in ELECTRICAL Section)	
16	1001238472	1	Mount	
17	1001254473	1	Housing, LH	
18	1001241965	1	Housing, RH	
19	1001254472	1	Rod	
20	0100011	AR	Compound, Locking	

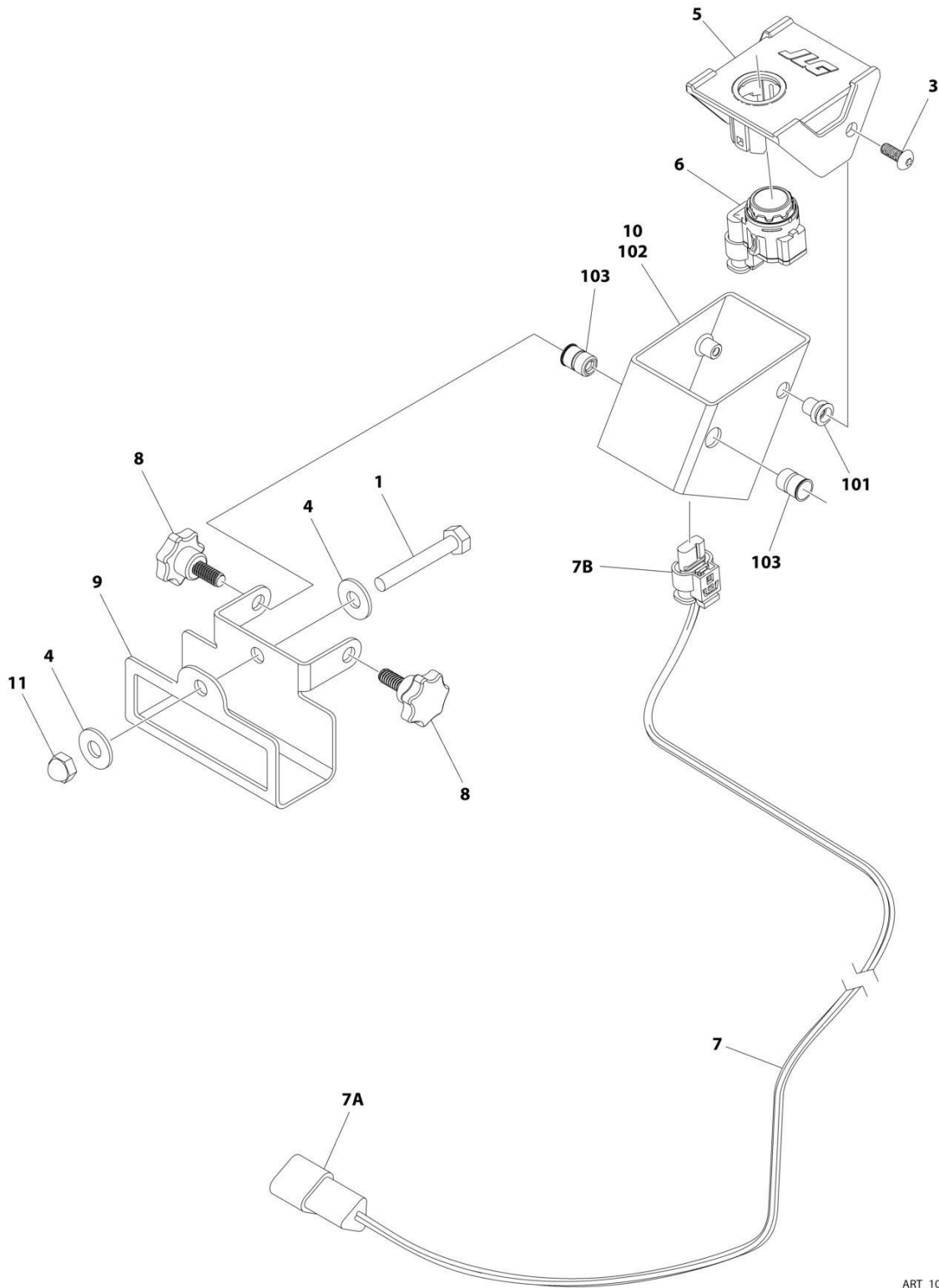
SECTION 5 - PLATFORM

FIGURE 5-28. SKYSENSE MID TUBE SENSOR ASSEMBLY

ITEM	PART NUMBER	QTY	DESCRIPTION	REV
	1001243205	Ref	SKYSENSE MID TUBE SENSOR ASSEMBLY	C
1	0641408	1	Bolt 1/4 x 1	
2	0641414	2	Bolt 1/4 x 1-3/4	
3	1001260525	6	Screw #10 x 1/2	
4	4711400	3	Washer 1/4	
5	1001260524	1	Clamp	
6	1001237902	3	Sensor, SkySense	
7	1001241162	3	Mount, Sensor	
8	1001243092	1	Tube Assembly (Includes items 101 through 104)	C
9	1001244336	1	Harness, SkySense Mid Tube	D
9A	1001237898	1	Connector	
9A	1001237888	3	Terminal	
9B	1001237898	1	Connector	
9B	1001237888	3	Terminal	
9C	1001237898	1	Connector	
9C	1001237888	3	Terminal	
9D	4460931	1	Connector	
9D	4460943	7	Pin	
9D	4460466	1	Plug	
10	1001246389	1	Decal (Not Shown)	
11	1001247252	1	Grommet	
101	2080069	6	Fastener	
104	1001258730	3	Rivnut	

SECTION 5 - PLATFORM

FIGURE 5-29. SKYSENSE OVERHEAD SENSOR ASSEMBLY



ART_1001244733

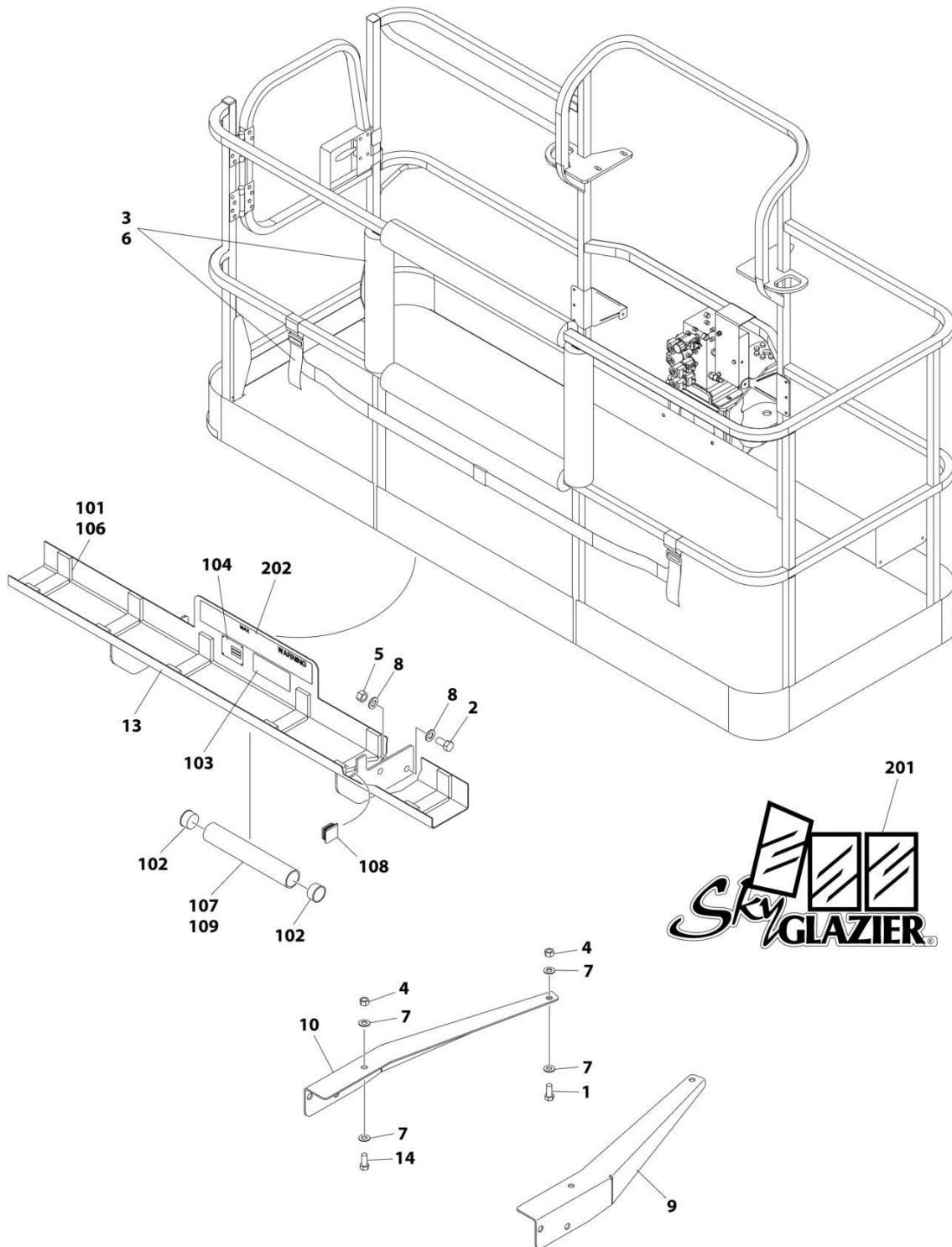
SECTION 5 - PLATFORM

FIGURE 5-29. SKYSENSE OVERHEAD SENSOR ASSEMBLY

ITEM	PART NUMBER	QTY	DESCRIPTION	REV
	1001244733	Ref	SKYSENSE OVERHEAD SENSOR ASSEMBLY	D
1	0641414	1	Bolt 1/4 x 1-3/4	
3	1001260525	2	Screw #10 x 1/2	
4	4751400	2	Washer 1/4	
5	1001237891	1	Mount, Sensor	
6	1001237902	1	Sensor, SkySense	
7	1001244335	1	Harness, SkySense Overhead	D
7A	4460536	1	Connector	
7A	4460943	3	Pin	
7B	1001237898	1	Connector	
7B	1001237888	1	Terminal	
8	1001244671	2	Knob	
9	1001244709	1	Bracket, Mounting	
10	1001244732	1	Housing Assembly (Includes items 101 through 103)	B
11	3300430	1	Nut	
101	2080069	2	Fastener	
102	1001244710	1	Housing, Sensor	
103	1001258730	2	Rivnut	

SECTION 5 - PLATFORM

FIGURE 5-30. SKYGLAZIER INSTALLATION (ANSI, ANSI EXPORT, AUSTRALIAN, CE AND CSA SPECS)



ART_1001172578

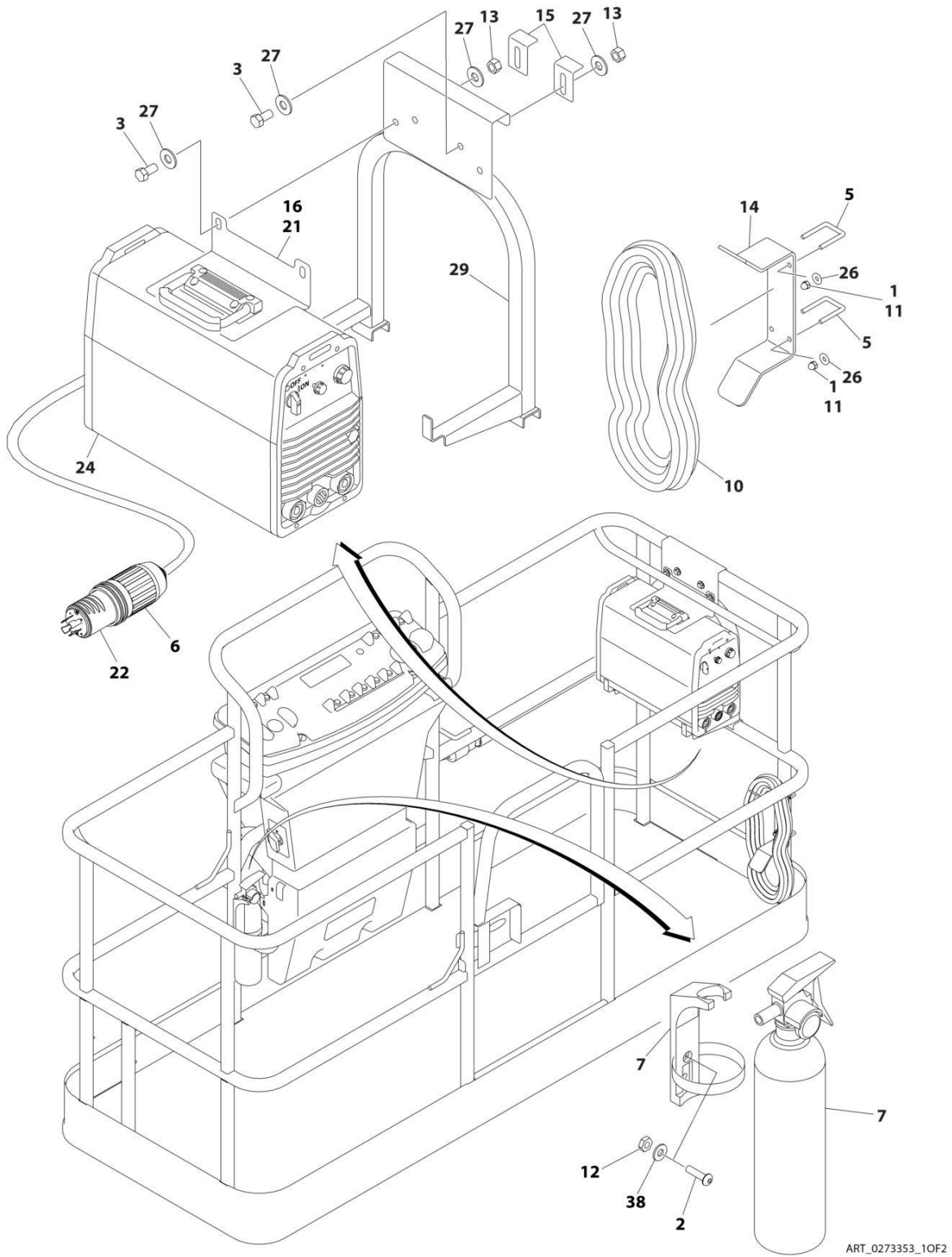
SECTION 5 - PLATFORM

FIGURE 5-30. SKYGLAZIER INSTALLATION (ANSI, ANSI EXPORT, AUSTRALIAN, CE AND CSA SPECS)

ITEM	PART NUMBER	QTY	DESCRIPTION	REV
	1001172578	Ref	SKYGLAZIER INSTALLATION	C
1	0642012	2	Bolt 5/8 x 1-1/2	
2	0642212	4	Bolt 3/4 x 1-1/2	
3	2902212	1	Bumpers and Strap Kit	
3	0940102	1	Bumper Only	
3	4240149	1	Strap Only	
4	3312005	4	Nut 5/8	
5	3312205	4	Nut 3/4	
6	4420014	AR	Tape	
7	4712000	6	Washer 5/8	
8	4712200	8	Washer 3/4	
9	1001099366	1	Support	
10	1001099367	1	Support	
13	1001172577	1	Tray Assembly (See Items 101-109 for Breakdown)	
14	8310129	2	Bolt 3/4 x 2-1/2	
	1001172577	Ref	TRAY ASSEMBLY	C
101	0100081	AR	Adhesive	
102	1120555	2	Cap, Tube	
103	1701509	2	Decal - Manual	
104	See Note	NSS	Nameplate - Serial Number (Note: Not Available for Purchase)	
106	3340956	1	Pad Kit	
107	3460334	1	Tube	
108	3520071	2	Plug	
109	4420066	AR	Tape, Double Sided	
	1001172570	Ref	SKYGLAZIER DECAL INSTALLATION (CSA SPECS) (ENGLISH DECALS)	C
	1001172620	Ref	SKYGLAZIER DECAL INSTALLATION (AUSTRALIAN SPEC) (AUSTRALIAN DECALS)	C
201	1705358	2	Decal - SkyGlazier	
202	1001199035	2	Decal - SkyGlazier Capacity (ANSI Specs)	
202	1001199036	2	Decal - SkyGlazier Capacity (Australian Specs)	

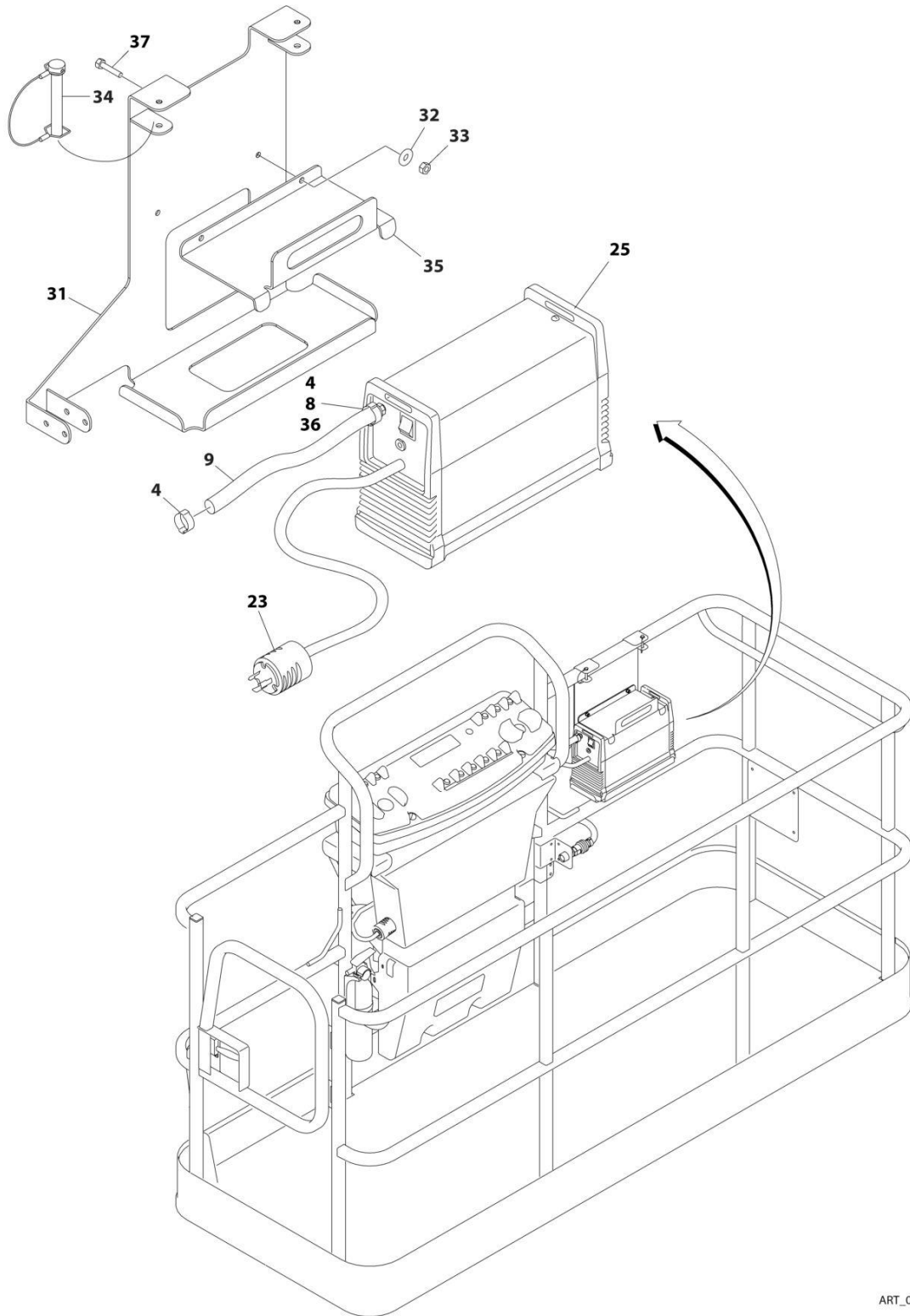
SECTION 5 - PLATFORM

FIGURE 5-31. SKYWELDER/SKYCUTTER COMBO INSTALLATION (60HZ)



ART_0273353_10F2

SECTION 5 - PLATFORM



ART_0273353_20F2

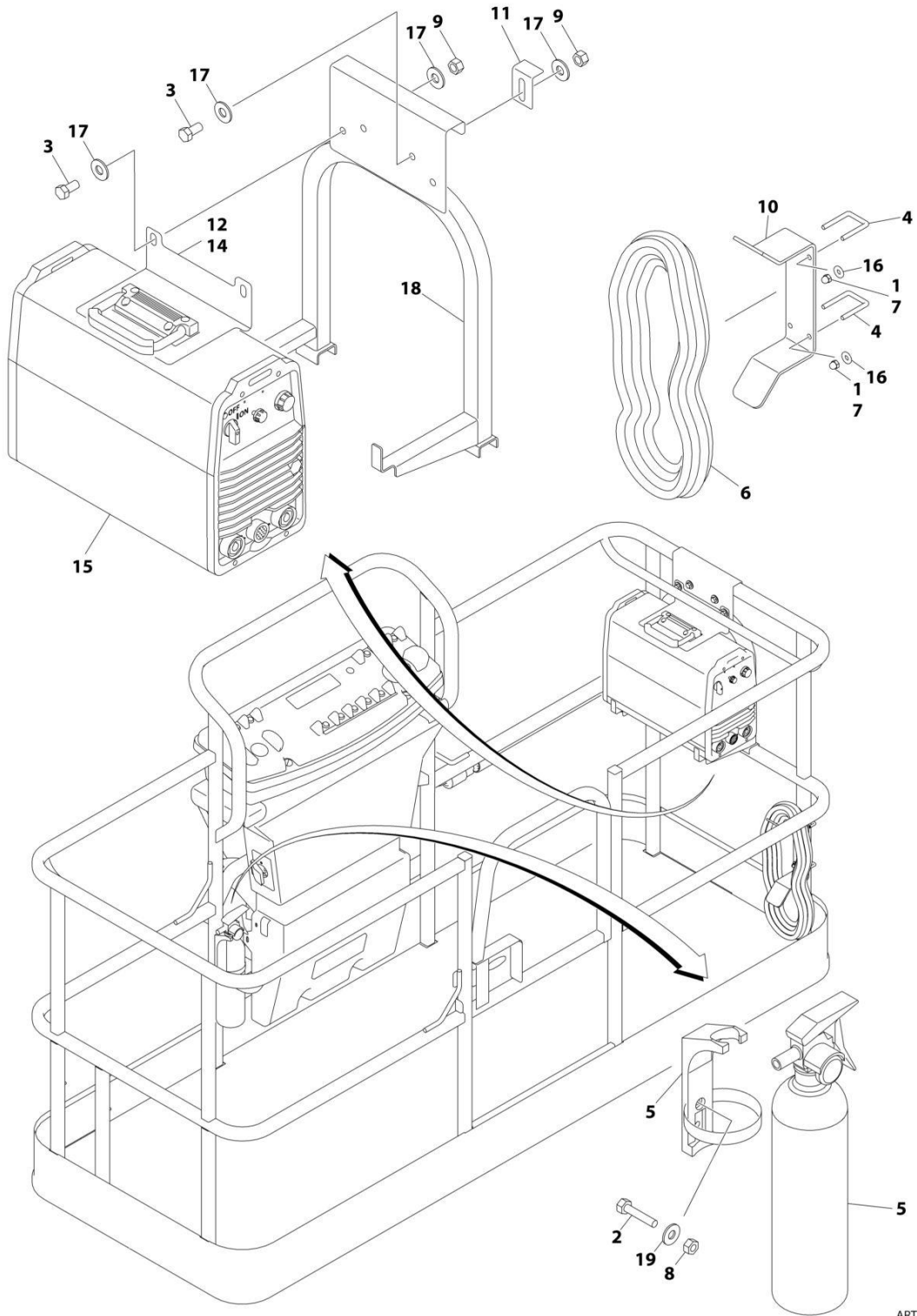
SECTION 5 - PLATFORM

FIGURE 5-31. SKYWELDER/SKYCUTTER COMBO INSTALLATION (60HZ)

ITEM	PART NUMBER	QTY	DESCRIPTION	REV
	0273353	Ref	SKYWELDER/SKYCUTTER COMBO INSTALLATION (60HZ)	G
1	0100011	AR	Compound, Locking	
2	0630518	2	Screw #10 x 3/4	
3	0641606	4	Bolt 3/8 x 3/4	
4	1320177	2	Clamp	
5	1320302	2	Clamp	
6	1671093	1	Cover, Plug	
7	2030010	1	Extinguisher, Fire	
8	2180832	1	Fitting, Barbed/NPT	
9	2720160	4.5 ft /1.37m	Hose	
10	2902217	1	Weld Leads Kit	
11	3300151	4	Nut 1/4	
12	3311005	2	Nut #10	
13	3311605	4	Nut 3/8	
14	3573400	1	Bracket	
15	3577121	2	Angle	
16	3573642	1	Plate	
20	4240099	AR	Tie-Strap (Not Shown)	
21	4420037	2.36 ft /.71m	Tape	
22	4460962	1	Plug, Twist Lock	
23	4460971	1	Plug, Twist Lock	
24	4530028	1	Welder Assembly (See Separate Breakdown in this section)	
25	1001098012	1	Plasma Cutter Assembly (See Separate Breakdown in this Section)	
26	4751400	4	Washer 1/4	
27	4751600	8	Washer 3/8	
29	4846627	1	Support	
31	1001145405	1	Bracket	
32	4811700	2	Washer M6	
33	3290605	2	Nut M6	
34	3421453	3	Pin	
35	3576799	1	Plate, Hold-Down	
36	0100020	1	Sealant	
37	4010608	2	Screw M6 x 16	
38	4751000	2	Washer #10	

SECTION 5 - PLATFORM

FIGURE 5-32. SKYWELDER INSTALLATION (50HZ)



ART_0272521_F

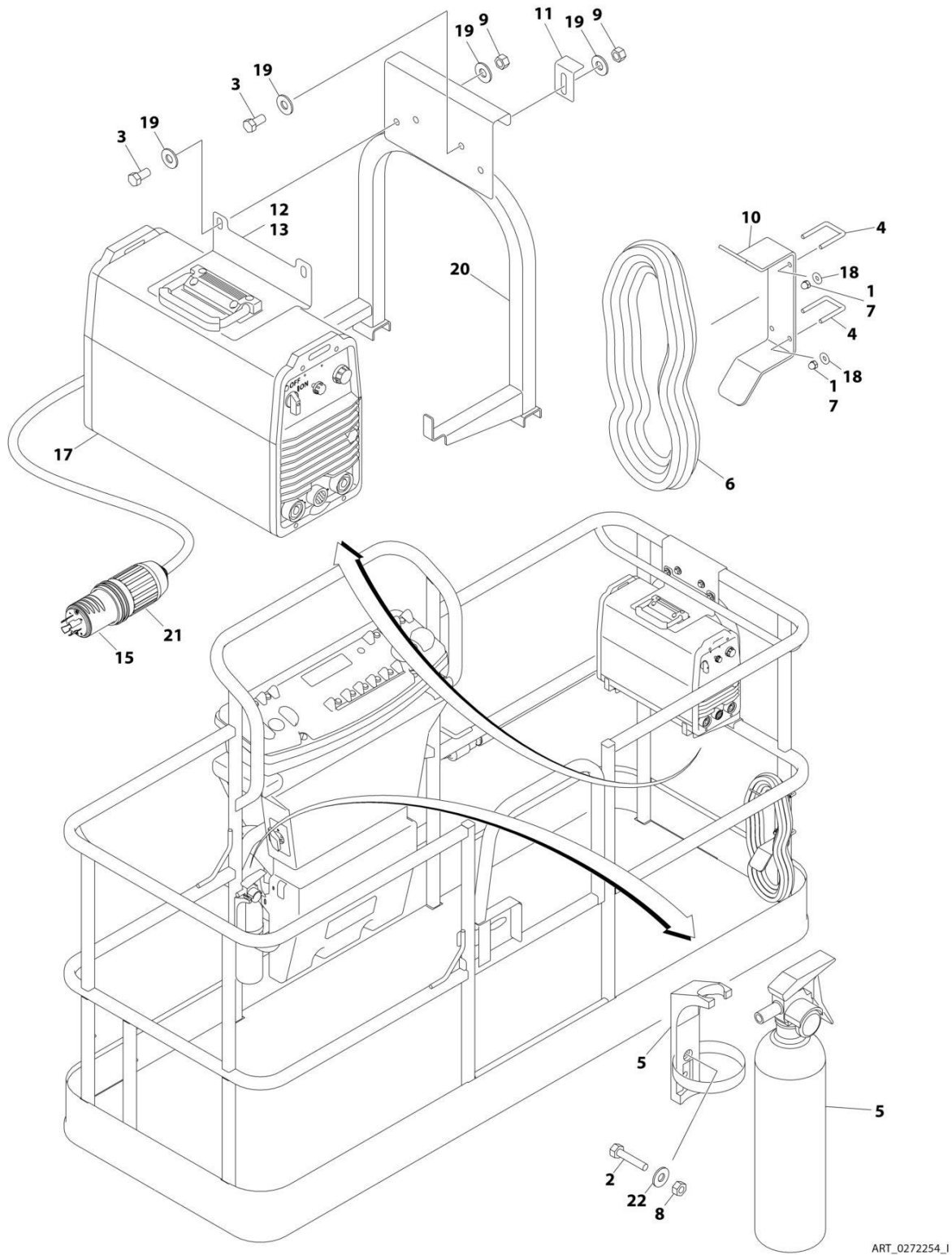
SECTION 5 - PLATFORM

FIGURE 5-32. SKYWELDER INSTALLATION (50HZ)

ITEM	PART NUMBER	QTY	DESCRIPTION	REV
	0272521	Ref	SKYWELDER INSTALLATION	F
1	0100011	AR	Compound, Locking	
2	0630518	2	Screw #10 x 3/4	
3	0641606	4	Bolt 3/8 x 3/4	
4	1320302	2	U-Clamp	
5	2030010	1	Extinguisher, Fire	
6	2902217	1	Weld Leads Kit	
7	3300151	4	Nut 1/4	
8	3311005	2	Nut #10	
9	3311605	4	Nut 3/8	
10	3573400	1	Bracket	
11	3577121	2	Angle	
12	3573642	1	Plate	
13	4240099	AR	Tie-Strap (Not Shown)	
14	4420037	AR	Tape	
15	4530028	1	Welder Assembly (See Separate Breakdown in this Section)	
16	4751400	4	Washer 1/4	
17	4751600	8	Washer 3/8	
18	4846627	1	Support	
19	4751000	2	Washer #10	

SECTION 5 - PLATFORM

FIGURE 5-33. SKYWELDER INSTALLATION (60HZ)



ART_0272254_I

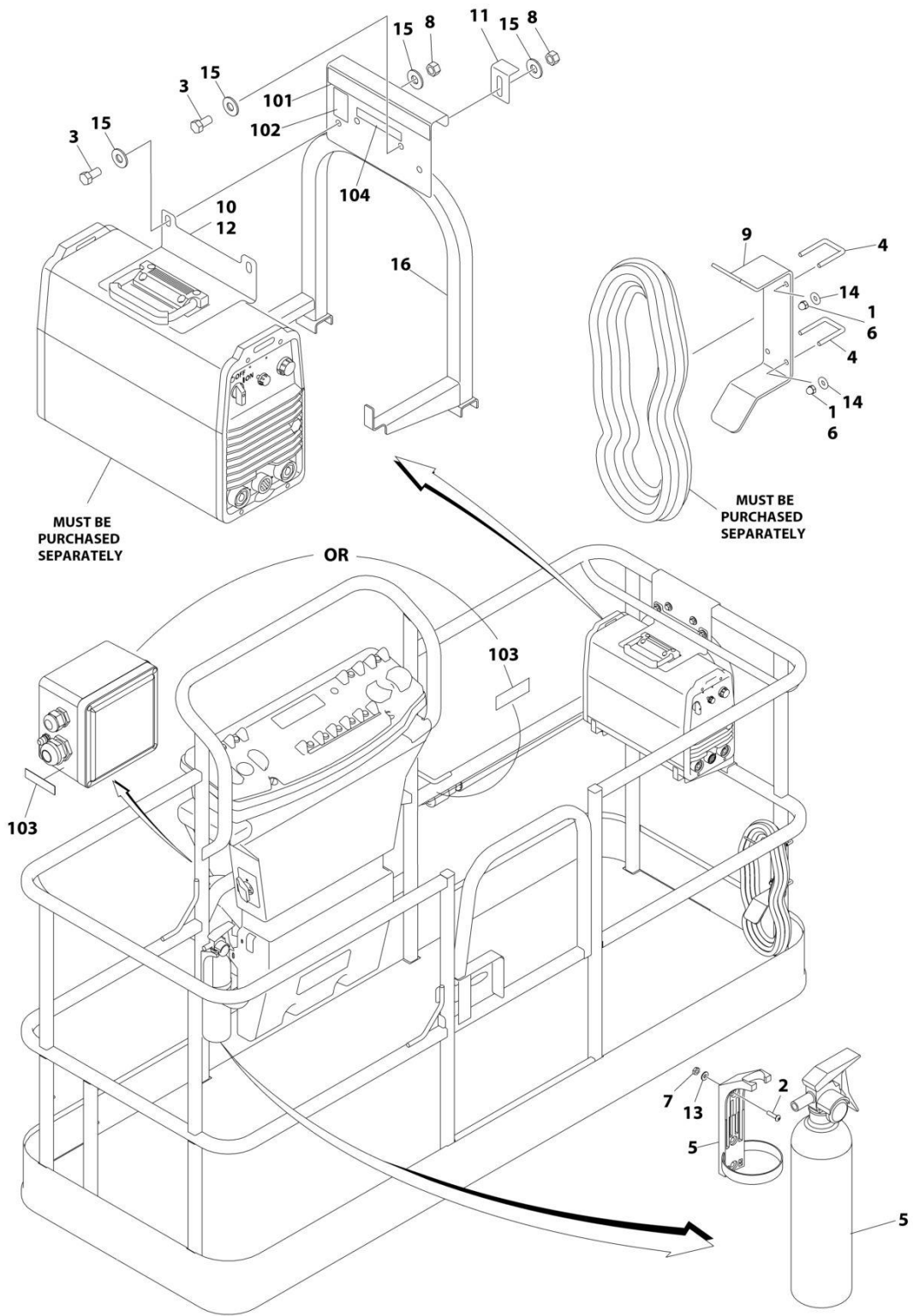
SECTION 5 - PLATFORM

FIGURE 5-33. SKYWELDER INSTALLATION (60HZ)

ITEM	PART NUMBER	QTY	DESCRIPTION	REV
	0272254	Ref	SKYWELDER INSTALLATION	1
1	0100011	AR	Compound, Locking	
2	0630518	2	Screw #10 x 3/4	
3	0641606	4	Bolt 3/8 x 3/4	
4	1320302	2	U-Clamp	
5	2030010	1	Extinguisher, Fire	
6	2902217	1	Weld Leads Kit	
7	3300151	4	Nut 1/4	
8	3311005	2	Nut #10	
9	3311605	4	Nut 3/8	
10	3573400	1	Bracket	
11	3577121	2	Angle	
12	3573642	1	Plate	
13	4420037	AR	Tape	
14	4240099	AR	Tie-Strap (Not Shown)	
15	4460962	1	Plug, Male Twistlock	
17	4530028	1	Welder Assembly (See Separate Breakdown in this Section)	
18	4751400	4	Washer 1/4	
19	4751600	8	Washer 3/8	
20	4846627	1	Support	
21	1671093	1	Cover, Plug	
22	4751000	2	Washer #10	

SECTION 5 - PLATFORM

FIGURE 5-34. SKYWELDER PREP PACKAGE (60HZ)



ART_1001128527_B

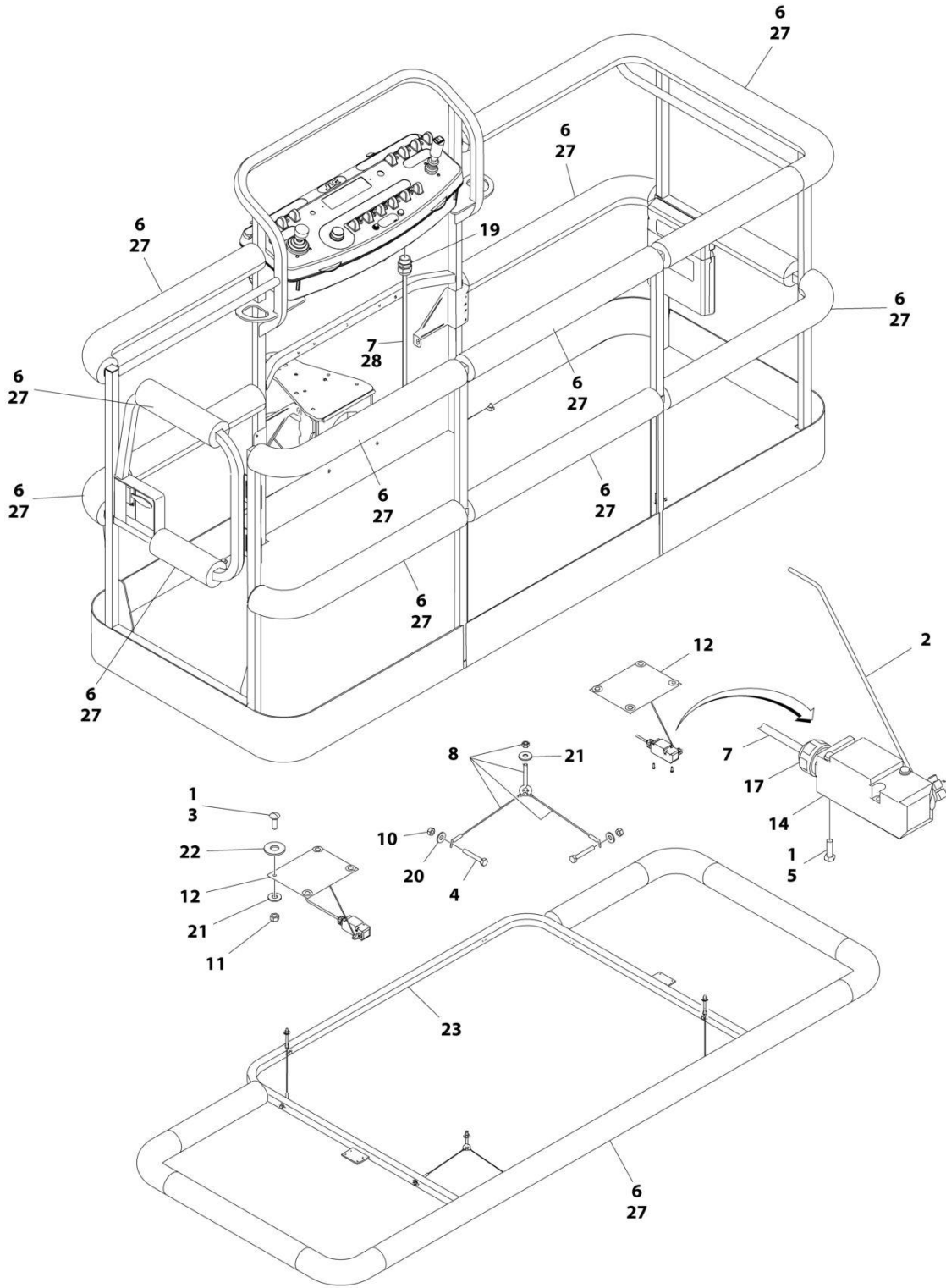
SECTION 5 - PLATFORM

FIGURE 5-34. SKYWELDER PREP PACKAGE (60HZ)

ITEM	PART NUMBER	QTY	DESCRIPTION	REV
	1001128527	Ref	SKYWELDER PREP PACKAGE	B
1	0100011	AR	Compound, Locking	
2	0630518	2	Screw #10 x 3/4	
3	0641606	4	Bolt 3/8 x 3/4	
4	1320302	2	U-Clamp	
5	2030010	1	Extinguisher, Fire	
6	3300151	4	Nut 1/4	
7	3311005	2	Nut #10	
8	3311605	4	Nut 3/8	
9	3573400	1	Bracket	
10	3573642	1	Plate	
11	3577121	2	Angle	
12	4420037	AR	Tape	
13	4751000	2	Washer #10	
14	4751400	4	Washer 1/4	
15	4751600	8	Washer 3/8	
16	4846627	1	Support	
	1001128556	Ref	SKYWELDER DECAL INSTALLATION	C
101	1702868	1	Decal - No Hands	
102	1705305	1	Decal - Weld Lead	
103	1705375	1	Decal - 240V - 3 Phase - 60Hz	
104	1001228988	1	Decal - Weight	

SECTION 5 - PLATFORM

FIGURE 5-35. SOFT TOUCH SYSTEM INSTALLATION - 8FT/2.4M PLATFORMS (OPTIONAL)



ART_0272427_H

SECTION 5 - PLATFORM

FIGURE 5-35. SOFT TOUCH SYSTEM INSTALLATION - 8FT/2.4M PLATFORMS (OPTIONAL)

ITEM	PART NUMBER	QTY	DESCRIPTION	REV
	0272427	Ref	SOFT TOUCH INSTALLATION - 36IN X 8FT (91.5CM X 2.44M) PLATFORM	H
1	0100011	AR	Compound, Locking	
2	0200048	2	Arm, Switch	
3	0630462	8	Bolt	
4	0641414	8	Bolt 1/4 x 1-3/4	
5	0721005	4	Bolt #10 x 5/8	
6	0940103	1	Bumper Kit (Includes Corners and Enough Straight Material for One Platform)	
6	0940092	12	Bumper (Corner)	
6	0940094	AR	Bumper (12ft Length)	
7	1060341	23 ft/7m	Cable, Soft Touch - 16/2	
8	1060903	4	Wire Rope and Eyebolt Assembly	
10	3311401	8	Nut 1/4	
11	3311501	8	Nut 5/16	
12	3574091	2	Plate, Switch Strike	
13	4240099	7	Tie-Strap (Not Shown)	
14	4360057	2	Switch, Limit	
17	4460049	2	Connector, Strain Relief	
18	4460234	7	Tie-Strap (Not Shown)	
19	4460425	1	Connector, Strain Relief	
20	4751400	8	Washer 1/4	
21	4751500	12	Washer 5/16	
22	4751800	8	Washer 1/2	
23	4846673	1	Rail, Soft Touch	
27	1001197017	AR	Tie-Strap	
28	4460226	1	Socket	

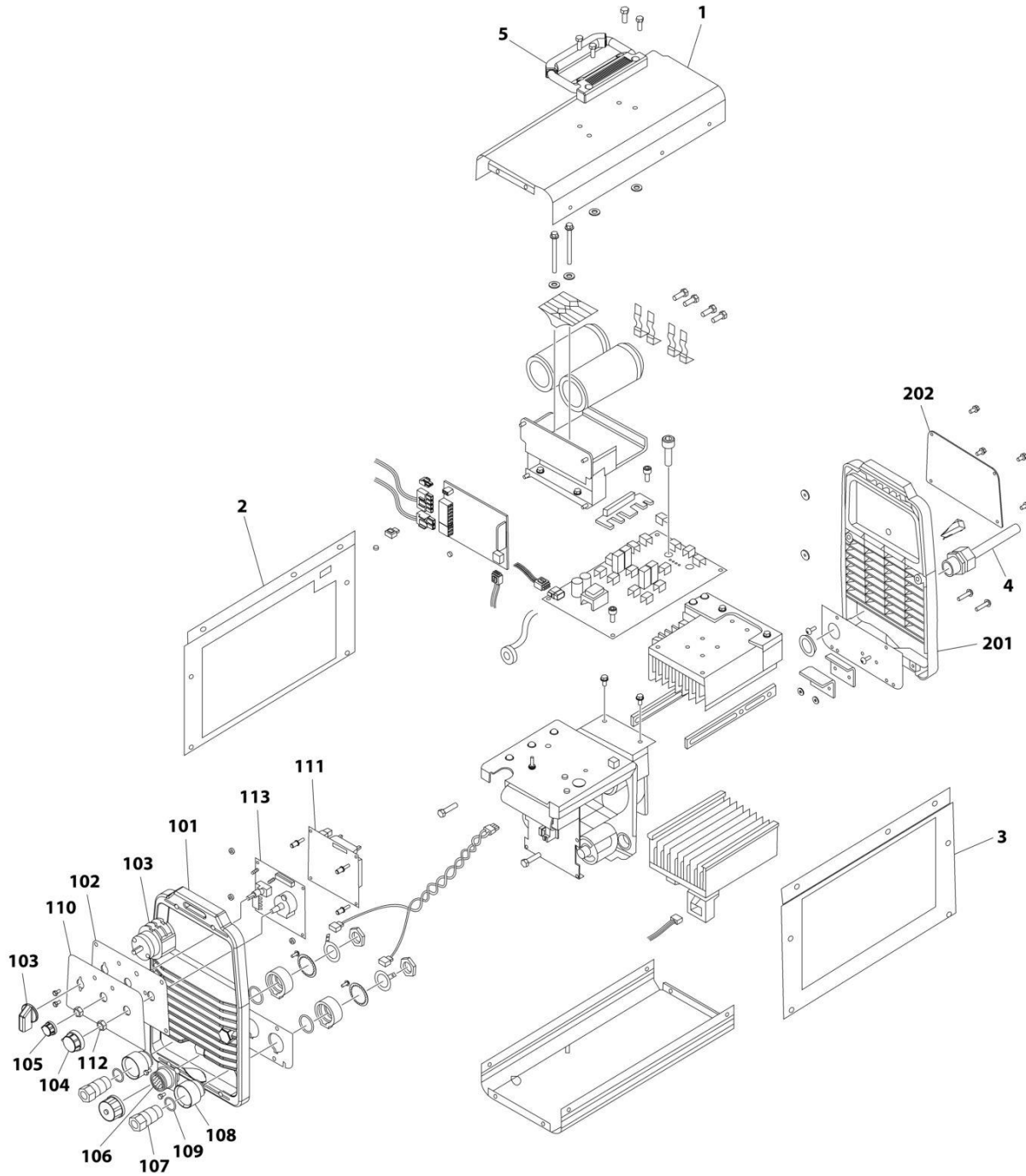
SECTION 5 - PLATFORM

FIGURE 5-36. SOFT TOUCH SYSTEM INSTALLATION - 8FT/2.44M FALL ARREST PLATFORM

ITEM	PART NUMBER	QTY	DESCRIPTION	REV
	0273706	Ref	SOFT TOUCH INSTALLATION	E
1	0100011	AR	Compound, Locking	
2	0200048	2	Arm, Switch	
3	0630462	8	Bolt	
4	0641414	8	Bolt 1/4 x 1-3/4	
5	0721005	4	Bolt #10 x 5/8	
6	0940133	1	Bumper Kit (Includes Corners and Enough Straight Material for One Platform)	
6	0940092	8	Bumper (Corner)	
6	0940094	AR	Bumper (12ft Length)	
7	1060341	23 ft/7m	Cable, Soft Touch - 16/2	
8	1060903	4	Wire Rope and Eyebolt Assembly	
10	3311401	8	Nut 1/4	
11	3311501	8	Nut 5/16	
12	3574091	2	Plate, Switch Strike	
13	4240099	7	Tie-Strap (Not Shown)	
14	4360057	2	Switch, Limit	
17	4460049	2	Connector, Strain Relief	
18	4460234	7	Tie-Strap (Not Shown)	
19	4460425	1	Connector, Strain Relief	
20	4751400	8	Washer 1/4	
21	4751500	12	Washer 5/16	
22	4751800	8	Washer 1/2	
23	4846673	1	Rail, Soft Touch	
27	1001197017	AR	Tie-Strap	
28	4460226	4	Socket	

SECTION 5 - PLATFORM

FIGURE 5-37. WELDER ASSEMBLY



ART_4530028

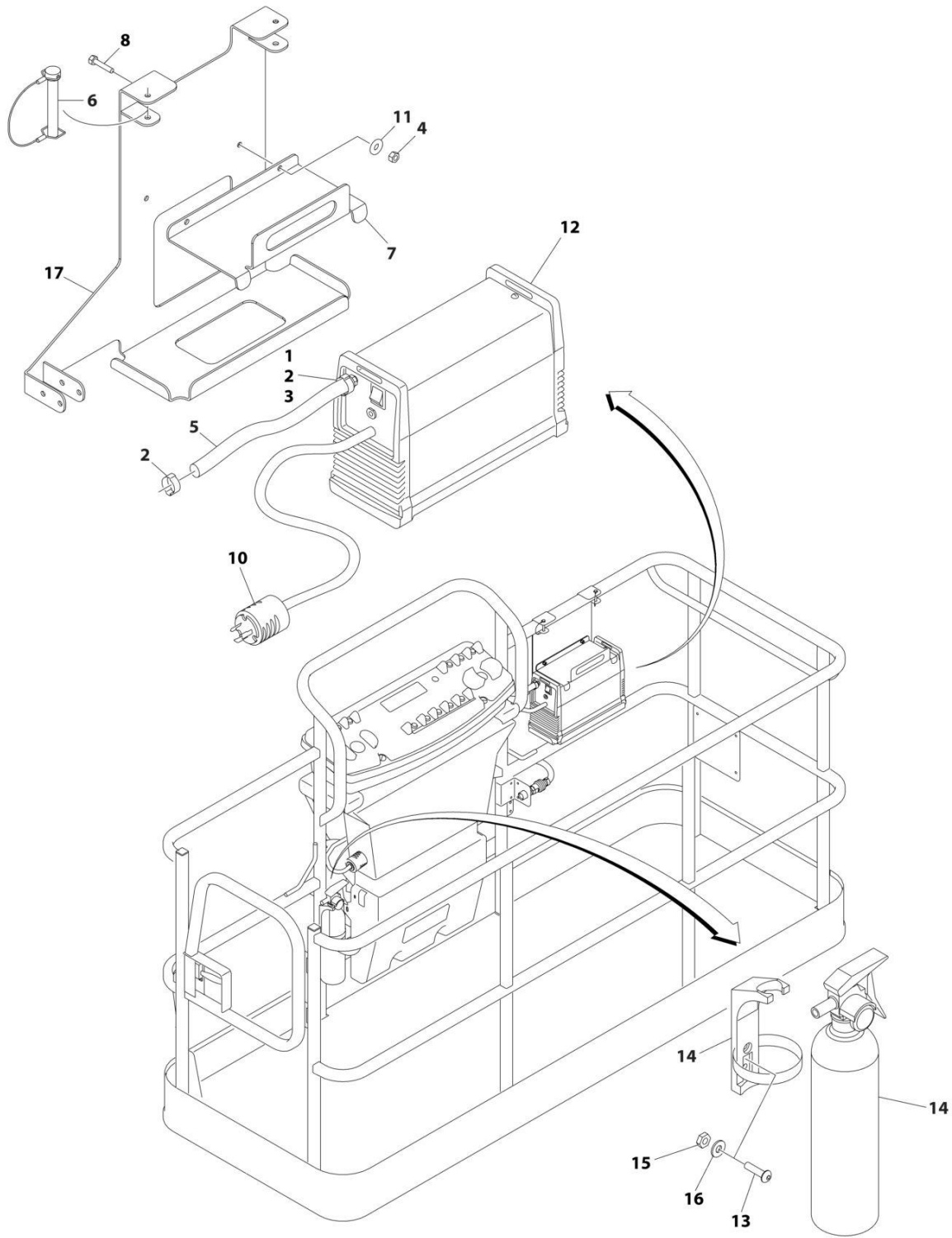
SECTION 5 - PLATFORM

FIGURE 5-37. WELDER ASSEMBLY

ITEM	PART NUMBER	QTY	DESCRIPTION	REV
	4530028	Ref	WELDER ASSEMBLY	B
		Ref	Note: For Other Components, contact your Miller Welder Dealer.	
1	7027773	1	Cover, Top	
1	7027774	1	Decal - Static Precautionary Warning	
2	See Note	NSS	Panel, LH Side (Note: Part of Item 1. Purchase Item 1)	
3	See Note	NSS	Panel, RH Side (Note: Part of Item 1. Purchase Item 1)	
4	7024467	1	Cable, Power	
4	7027775	1	Decal - Electrical Shock Warning (Not Shown)	
5	7027776	1	Handle, Carrying	
101	7024462	1	Panel, Front	
102	7024463	1	Panel, Console	
103	7024469	1	Switch with Lead	
104	7024470	1	Knob	
105	7024471	1	Knob	
106	7024472	1	Receptacle with Leads and Plugs	
107	7024473	2	Receptacle, Twistlock Female	
108	7024474	2	Insulator	
109	7024475	2	O-Ring	
110	7027777	1	Nameplate	
111	7027779	1	Circuit Card Assembly (Process Control)	
112	7024478	2	Nut	
113	7027778	1	Circuit Card Assembly (Operator Interface)	
201	7024462	1	Panel, Rear	
202	7027780	1	Panel, Cover	

SECTION 5 - PLATFORM

FIGURE 5-38. SKYCUTTER INSTALLATION



ART_1001098149_D

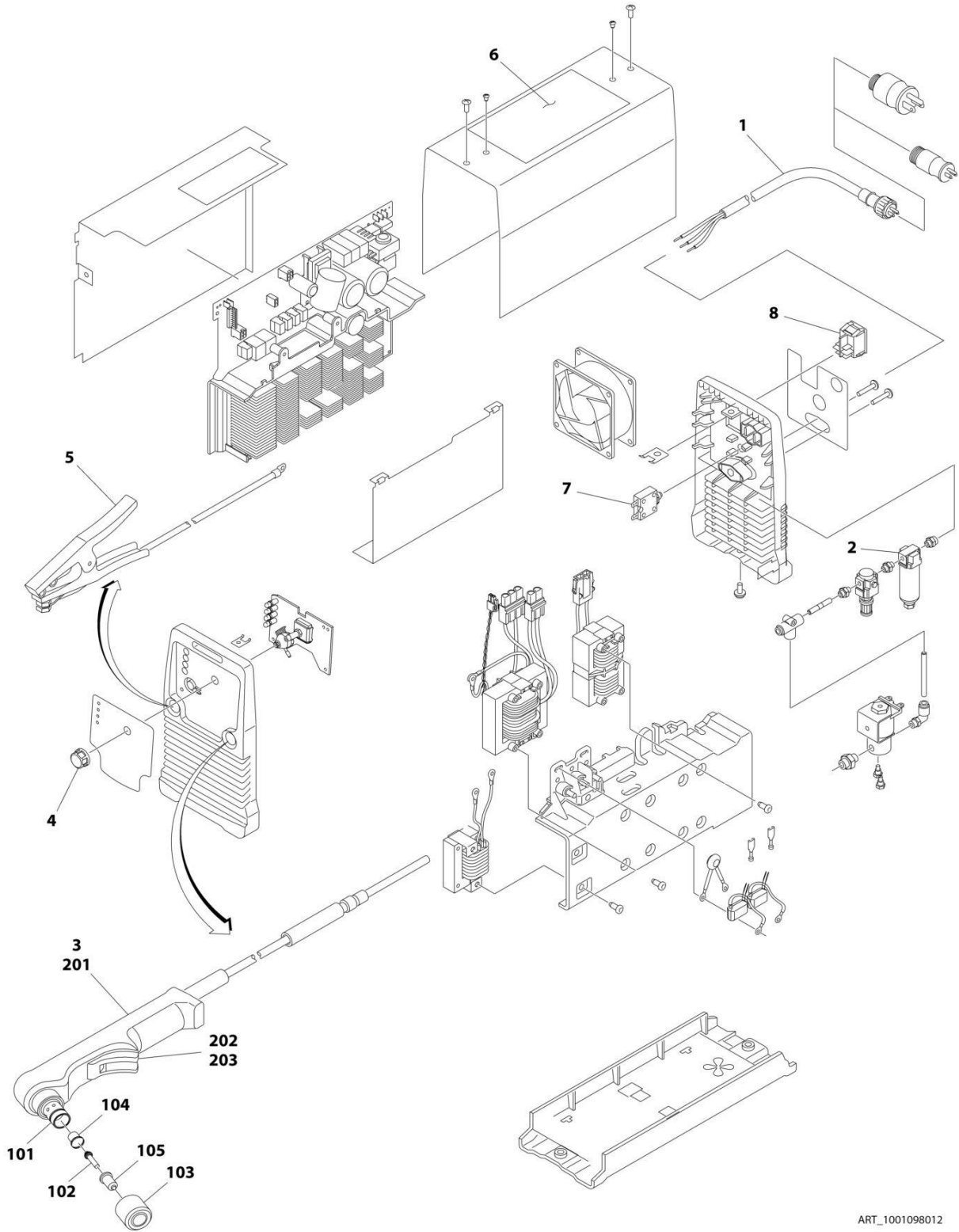
SECTION 5 - PLATFORM

FIGURE 5-38. SKYCUTTER INSTALLATION

ITEM	PART NUMBER	QTY	DESCRIPTION	REV
	1001098149	Ref	SKYCUTTER INSTALLATION	D
		Ref	Note: When replacing platform on machines with SkyCutter option, new bracket p/n 1001145405 must be purchased to accommodate SkyCutter components.	
1	0100020	AR	Sealant	
2	1320177	2	Clamp, Hose	
3	2180832	1	Fitting, NPT/Barbed	
4	3290605	2	Nut M6	
5	2720160	3 ft /.9m	Hose	
6	3421453	3	Pin	
7	3576799	1	Plate, Hold-Down	
8	4010608	2	Screw M6 x 16	
10	4460971	1	Plug, Twistlock	
11	4811700	2	Washer M6	
12	1001098012	1	Plasma Cutter Assembly (See Separate Breakdown in this Section)	
13	0630518	2	Screw #10 x 3/4	
14	2030010	1	Extinguisher, Fire	
15	3311005	2	Nut #10	
16	4751000	2	Washer #10	
17	1001145405	1	Support	

SECTION 5 - PLATFORM

FIGURE 5-39. PLASMA CUTTER ASSEMBLY



ART_1001098012

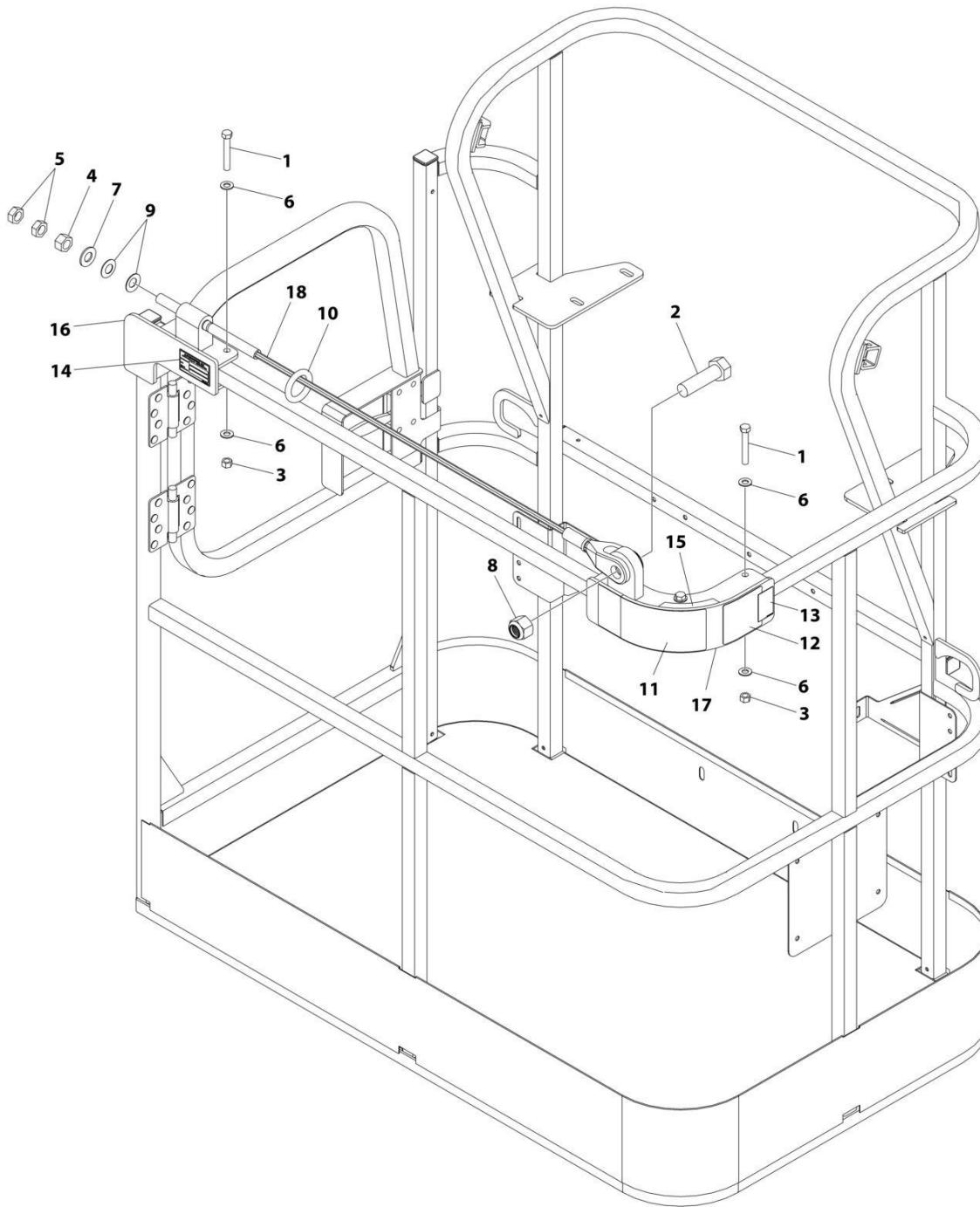
SECTION 5 - PLATFORM

FIGURE 5-39. PLASMA CUTTER ASSEMBLY

ITEM	PART NUMBER	QTY	DESCRIPTION	REV
	1001098012	Ref	PLASMA CUTTER ASSEMBLY	A
		Ref	Note: For Other Components, contact your Miller Welder Dealer.	
1	70001424	1	Cable, Power	
1	70001425	1	Decal - Voltage Warning	
2	70001427	1	Filter, Regulator	
3	70001428	1	Torch Assembly (See Items 101-203 for Breakdown)	
4	7024471	1	Knob	
5	70001429	1	Clamp with Cable	
6	70001430	1	Decal - Caution	
7	70001431	1	Breaker, Circuit	
8	70001432	1	Switch, Rocker	
	70001428	Ref	TORCH ASSEMBLY	
101	7024530	1	O-Ring	
102	7024531	1	Electrode	
103	7024532	1	Cup, Retaining	
104	7024533	1	Swirl Ring	
105	7024534	1	Tip	
201	7024535	1	Handle, Torch	
202	7024536	1	Switch	
203	7024537	1	Trigger	

SECTION 5 - PLATFORM

FIGURE 5-40. FALL ARREST INSTALLATION (BOLT - ON EXTERNAL) 4FFT/1.22M PLATFORM)



ART_1001261338

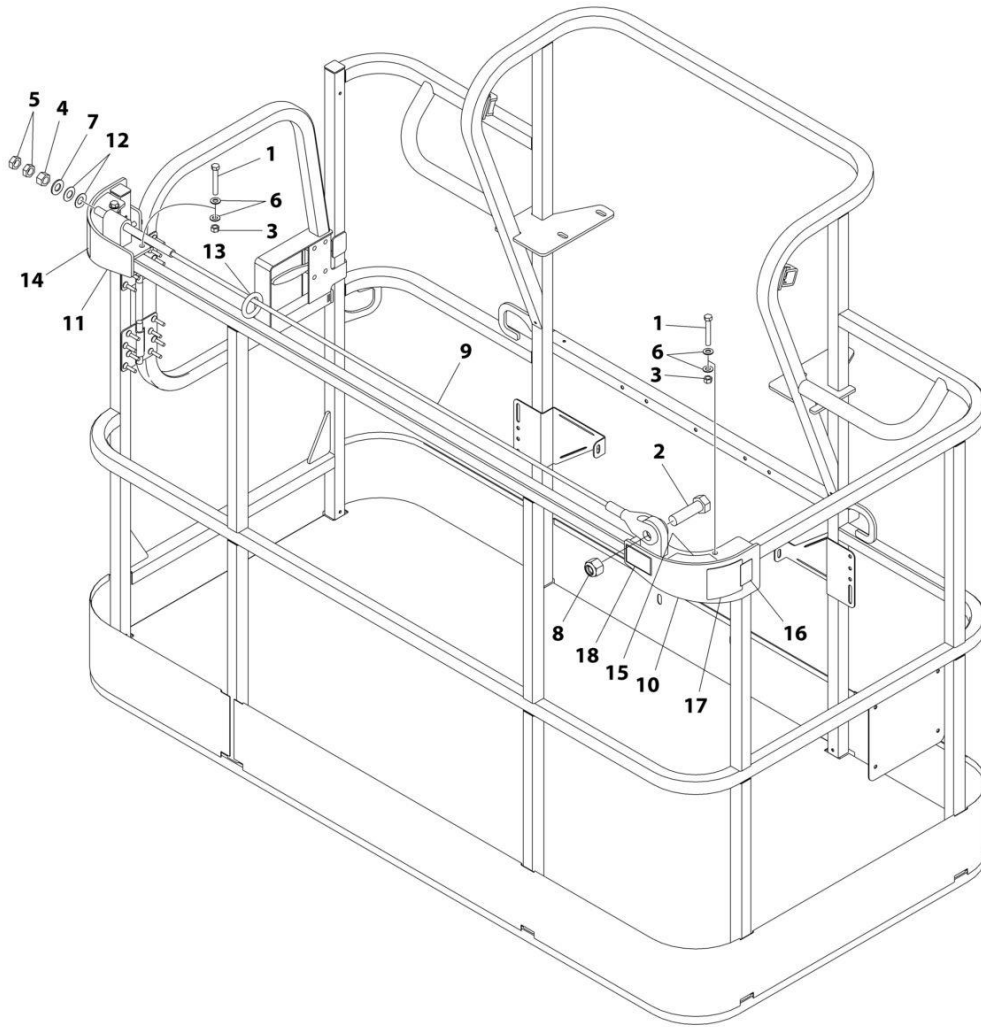
SECTION 5 - PLATFORM

FIGURE 5-40. FALL ARREST INSTALLATION (BOLT - ON EXTERNAL) 4FFT/1.22M PLATFORM)

ITEM	PART NUMBER	QTY	DESCRIPTION	REV
	1001261338	Ref	FALL ARREST INSTALLATION	A
1	0681620	6	Bolt 3/8 x 2-1/2	
2	0682424	1	Bolt 7/8 x 3	
3	3271605	6	Nut 3/8	
4	3272001	1	Nut 5/8	
5	3312002	2	Nut 5/8	
6	4711600	12	Washer 3/8	
7	4712000	1	Washer 5/8	
8	88521214	1	Nut 7/8	
9	1001236891	2	Washer	
10	1001236895	1	Ring	
11	1001238263	1	Decal - Warning Falling Hazard	
12	1001248140	1	Decal - Bolt Fall Arrest Re-Cert	
13	1001248141	1	Decal - Incription	
14	See Note	NSS	Nameplate - Manufacturers Serial Number (Note: Not Available for Purchase)	
15	1001252629	1	Decal - Weight	
16	1001257271	1	Bracket (RH)	
17	1001257274	1	Bracket (LH)	
18	1001261335	1	Rope	

SECTION 5 - PLATFORM

FIGURE 5-41. FALL ARREST INSTALLATION (BOLT-ON EXTERNAL) (6FT/1.82M PLATFORM)



ART_1001236747

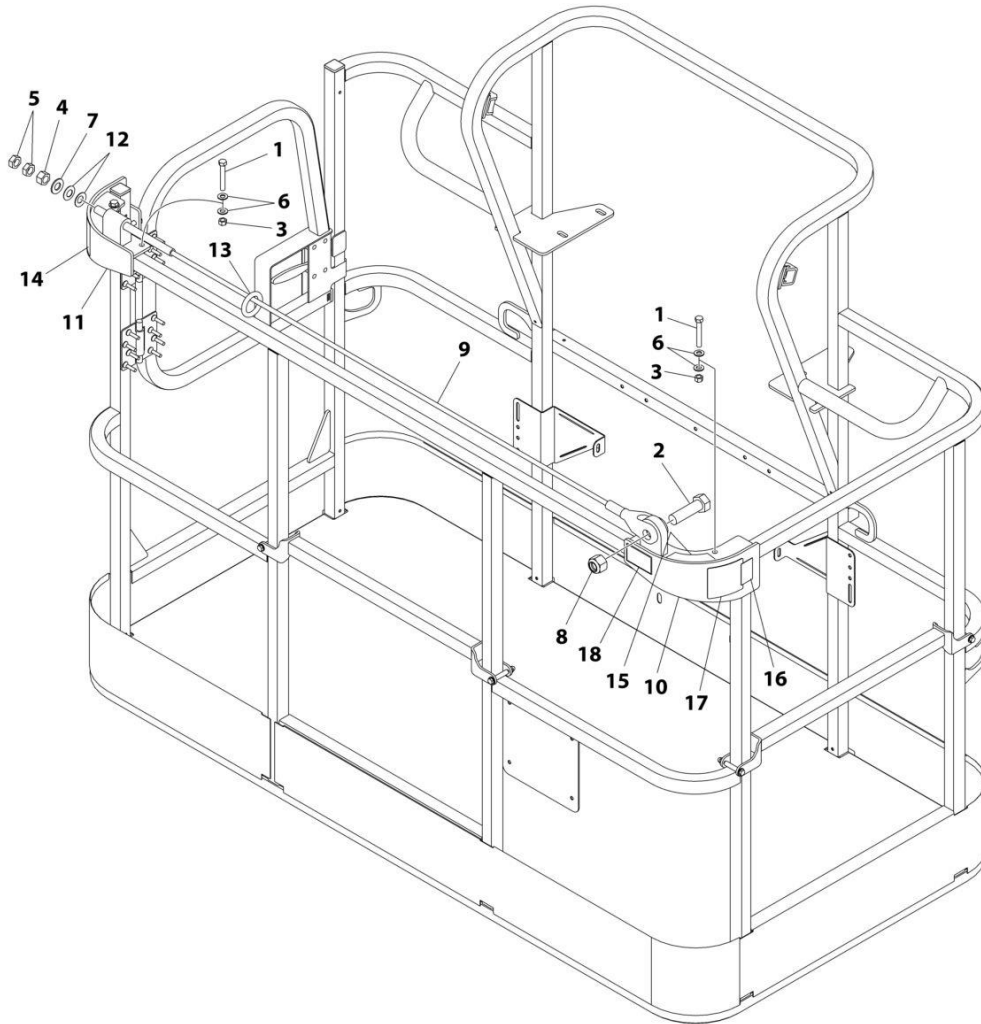
SECTION 5 - PLATFORM

FIGURE 5-41. FALL ARREST INSTALLATION (BOLT-ON EXTERNAL) (6FT/1.82M PLATFORM)

ITEM	PART NUMBER	QTY	DESCRIPTION	REV
	1001236747	Ref	FALL ARREST INSTALLATION (BOLT - ON) 6FT/1.82M PLATFORM	C
1	0681620	6	Bolt 3/8 x 2-1/2	
2	0682424	1	Bolt 7/8 x 3	
3	3271605	6	Nut 3/8	
4	3272001	1	Nut 5/8	
5	3312002	2	Nut 5/8	
6	4711600	12	Washer 3/8	
7	4712000	1	Washer 5/8	
8	88521214	1	Nut 7/8	
9	1001231950	1	Rope	
10	1001232010	1	Bracket (RH)	
11	1001232011	1	Bracket (LH)	
12	1001236891	2	Washer	
13	1001236895	1	Ring	
14	1001238263	1	Decal - Warning Falling Hazard	
15	1001252629	1	Decal - Weight	
16	1001248140	1	Decal - Bolt Fall Arrest Re-Cert	
17	1001248141	1	Decal - Inscription	

SECTION 5 - PLATFORM

FIGURE 5-42. FALL ARREST INSTALLATION (BOLT-ON EXTERNAL) (6FT/1.82M TRI-ENTRY PLATFORM)



ART_1001238463

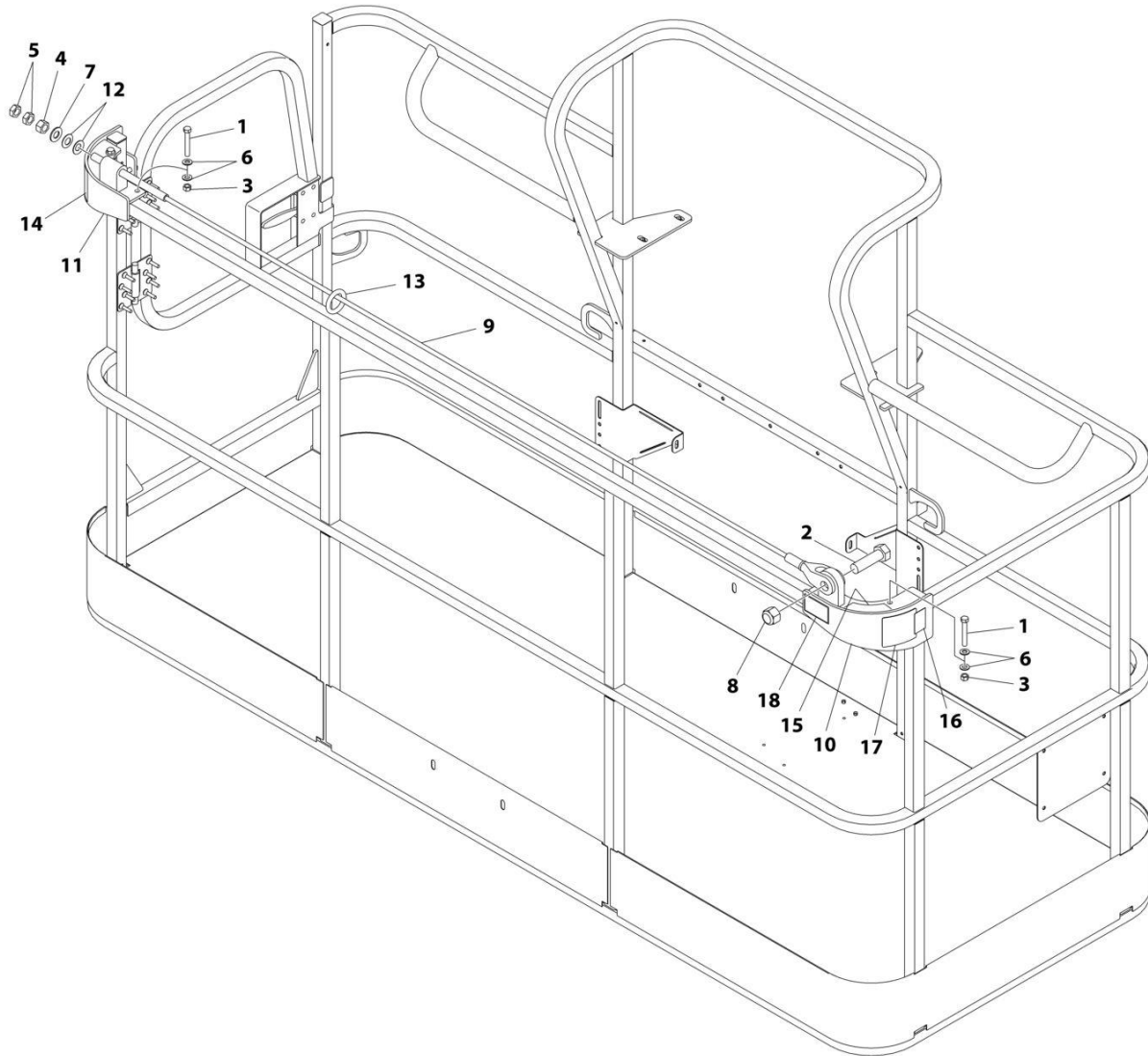
SECTION 5 - PLATFORM

FIGURE 5-42. FALL ARREST INSTALLATION (BOLT-ON EXTERNAL) (6FT/1.82M TRI-ENTRY PLATFORM)

ITEM	PART NUMBER	QTY	DESCRIPTION	REV
	1001238463	Ref	FALL ARREST INSTALLATION (BOLT - ON) 6FT/1.82M PLATFORM	C
1	0681620	6	Bolt 3/8 x 2-1/2	
2	0682424	1	Bolt 7/8 x 3	
3	3271605	6	Nut 3/8	
4	3272001	1	Nut 5/8	
5	3312002	2	Nut 5/8	
6	4711600	12	Washer 3/8	
7	4712000	1	Washer 5/8	
8	88521214	1	Nut 7/8	
9	1001231950	1	Rope	
10	1001232010	1	Bracket (RH)	
11	1001232011	1	Bracket (LH)	
12	1001236891	2	Washer	
13	1001236895	1	Ring	
14	1001238263	1	Decal - Warning Falling Hazard	
15	1001252629	1	Decal - Weight	
16	1001248140	1	Decal - Bolt Fall Arrest Re-Cert	
17	1001248141	1	Decal - Inscription	

SECTION 5 - PLATFORM

FIGURE 5-43. FALL ARREST INSTALLATION (BOLT-ON EXTERNAL) (8FT/2.4M PLATFORM)



ART_1001236746

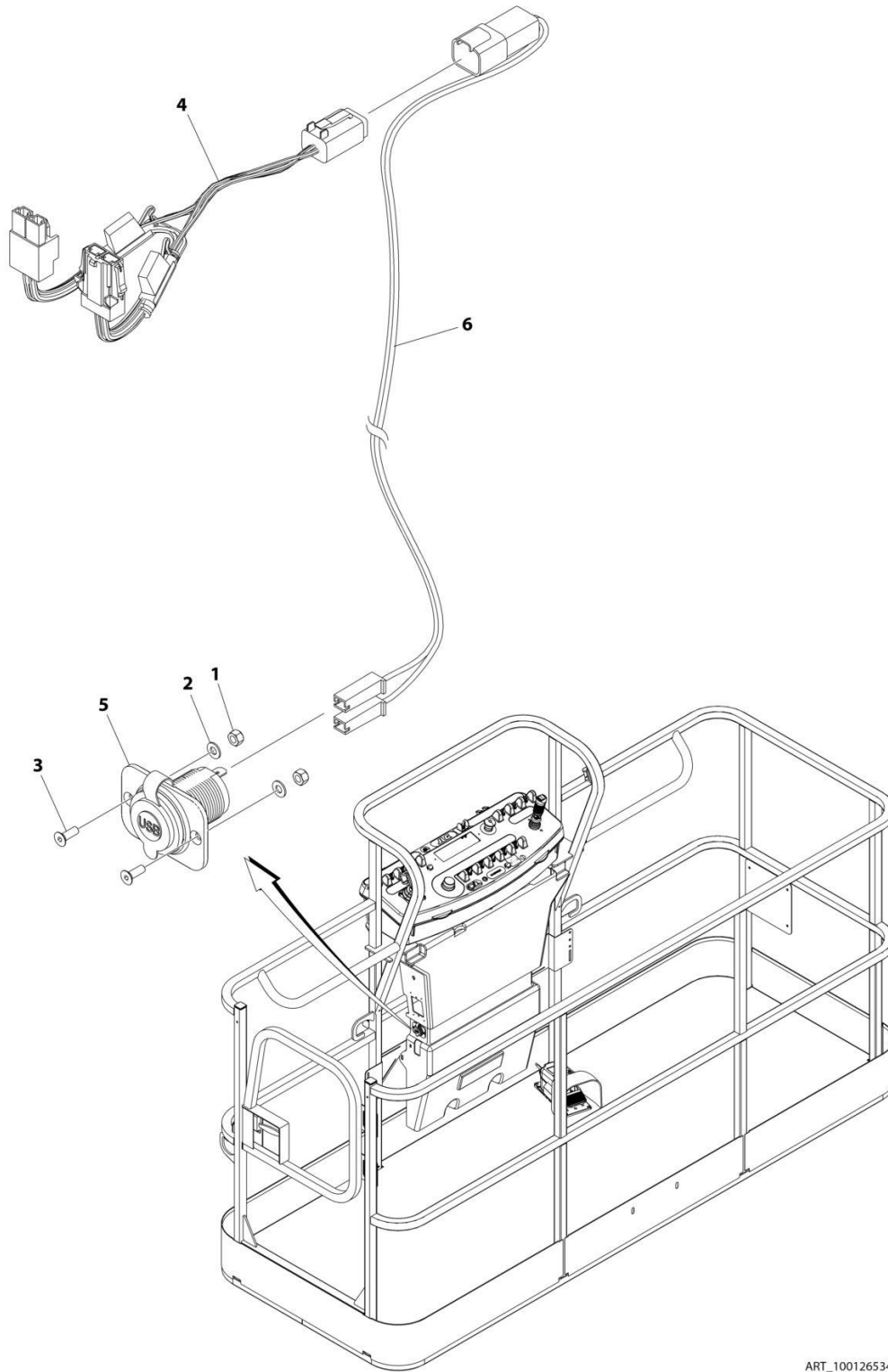
SECTION 5 - PLATFORM

FIGURE 5-43. FALL ARREST INSTALLATION (BOLT-ON EXTERNAL) (8FT/2.4M PLATFORM)

ITEM	PART NUMBER	QTY	DESCRIPTION	REV
	1001236746	Ref	FALL ARREST INSTALLATION (BOLT - ON) 8FT/2.4M PLATFORM	C
1	0681620	6	Bolt 3/8 x 2-1/2	
2	0682424	1	Bolt 7/8 x 3	
3	3271605	6	Nut 3/8	
4	3272001	1	Nut 5/8	
5	3312002	2	Nut 5/8	
6	4711600	12	Washer 3/8	
7	4712000	1	Washer 5/8	
8	88521214	1	Nut 7/8	
9	1001231949	1	Rope	
10	1001232010	1	Bracket (RH)	
11	1001232011	1	Bracket (LH)	
12	1001236891	2	Washer	
13	1001236895	1	Ring	
14	1001238263	1	Decal - Warning Falling Hazard	
15	1001252629	1	Decal - Weight 23LBS/10.4KG	
16	1001248140	1	Decal - Bolt Fall Arrest Re-Cert	
17	1001248141	1	Decal - Inscription	

SECTION 5 - PLATFORM

FIGURE 5-44. USB CHARGER INSTALLATION



ART_1001265342

SECTION 5 - PLATFORM

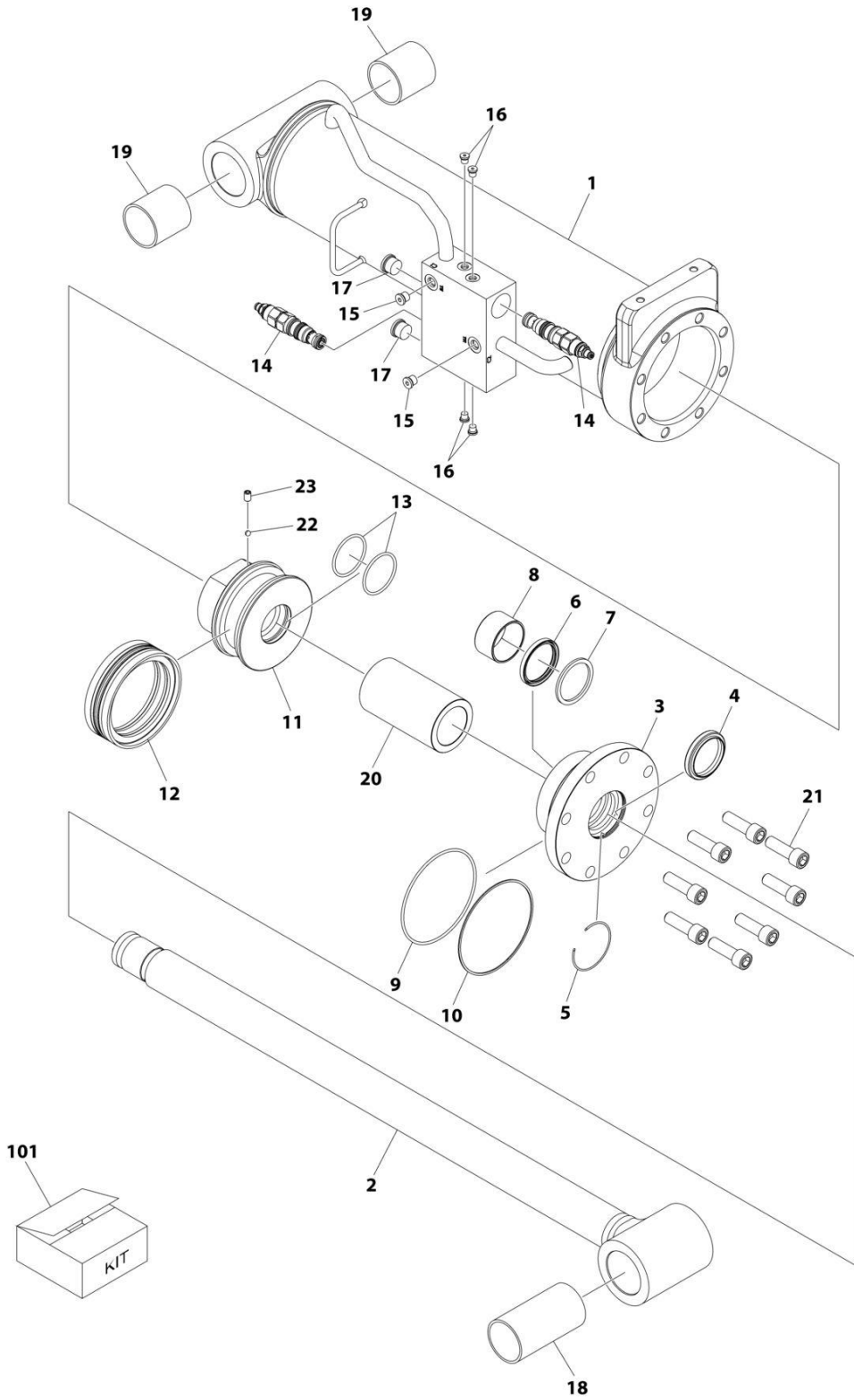
FIGURE 5-44. USB CHARGER INSTALLATION

ITEM	PART NUMBER	QTY	DESCRIPTION	REV
	1001265342	Ref	USB CHARGER INSTALLATION	A
1	3290405	2	Nut M4	
2	4811400	2	Washer M4	
3	1001097244	2	Screw M4 x 12	
4	1001120484	1	Harness, Work Lights	
4	4460879	1	Plug, Male - 2 Position	
4	4460887	2	Terminal	
4	2400060	2	Fuseholder Includes Cover	
4	8229249	2	Fuse, 3 Amp	
4	4460884	1	Connector - 4 Position	
4	4460465	4	Socket, Female	
4	1001120471	1	Connector - 2 Position	
4	1001120477	2	Terminal	
5	1001210636	1	Receptacle, USB	
6	1001265163	1	Harness, USB	A
6	4460260	2	Cover, Terminal	
6	4460259	2	Terminal	
6	4460932	1	Receptacle, Bussbar - 4 Position	
6	4460464	2	Pin, Male	
6	4460466	2	Plug, Terminal	

SECTION 6 - CYLINDER

SECTION 6 - CYLINDER

FIGURE 6-1. AXLE EXTEND CYLINDER ASSEMBLY



ART_1001251066

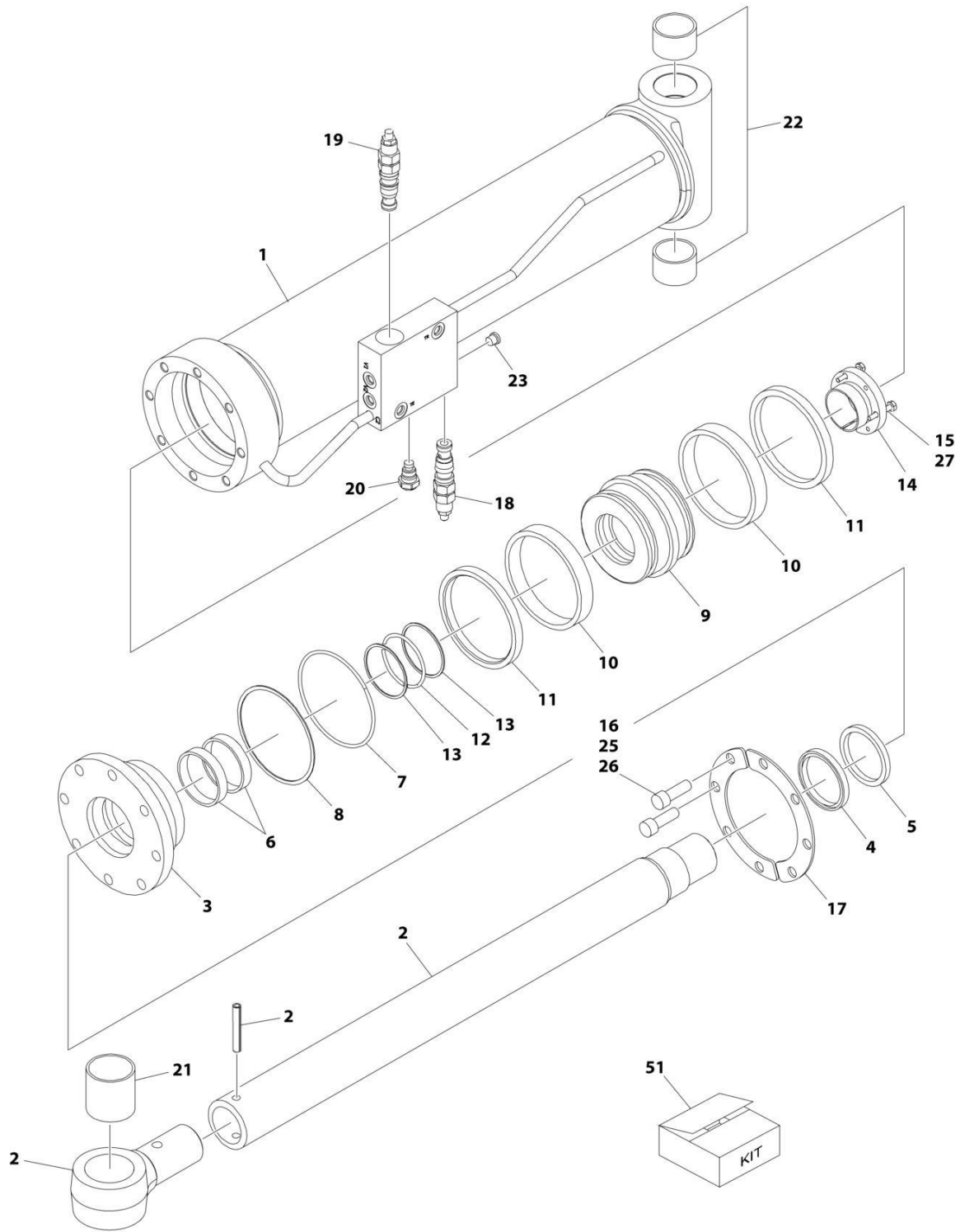
SECTION 6 - CYLINDER

FIGURE 6-1. AXLE EXTEND CYLINDER ASSEMBLY

ITEM	PART NUMBER	QTY	DESCRIPTION	REV
	1001251066	Ref	AXLE EXTEND CYLINDER ASSEMBLY	A
		Ref	Note: Original Cylinder May Have Been Replaced with Service Replacement. Identify PN Stamped on Cylinder Before Ordering Parts.	
1	See Note	NSS	Barrel (Note: Not Available for Purchase)	
2	70008014	1	Rod	
3	70008015	1	Head	
4	See Note	NSS	Wiper (Note: Use Item 101)	
5	7002412	1	Ring, Retaining	
6	See Note	NSS	Seal, Rod (Note: Use Item 101)	
7	See Note	NSS	Ring, Backup (Note: Use Item 101)	
8	70052577	1	Bushing	
9	See Note	NSS	O-Ring (Note: Use Item 101)	
10	See Note	NSS	Ring, Backup (Note: Use Item 101)	
11	70008016	1	Piston	
12	See Note	NSS	Seal, Piston (Note: Use Item 101)	
13	See Note	NSS	O-Ring (Note: Use Item 101)	
14	1001156016	2	Valve, Counterbalance	
14	7011376	2	Seal Kit (Use with 1001156016)	
15	2220883	2	Plug - 7/16	
16	2220881	4	Plug - 5/16	
17	2220886	2	Plug - 3/4	
18	1001157080	1	Bushing	
19	0962561	2	Bushing	
20	70008017	1	Spacer	
21	70008018	8	Bolt M14 x 45	
22	70022564	1	Ball, Steel	
23	70029468	1	Setscrew M8 x 14	
101	70008019	1	Seal Kit (Includes Items 4, 6-7, 9-10 & 12-13)	

SECTION 6 - CYLINDER

FIGURE 6-2. LEVEL CYLINDER ASSEMBLY - PLATFORM SLAVE (Prior to SN 0300296300)



ART_1001228034

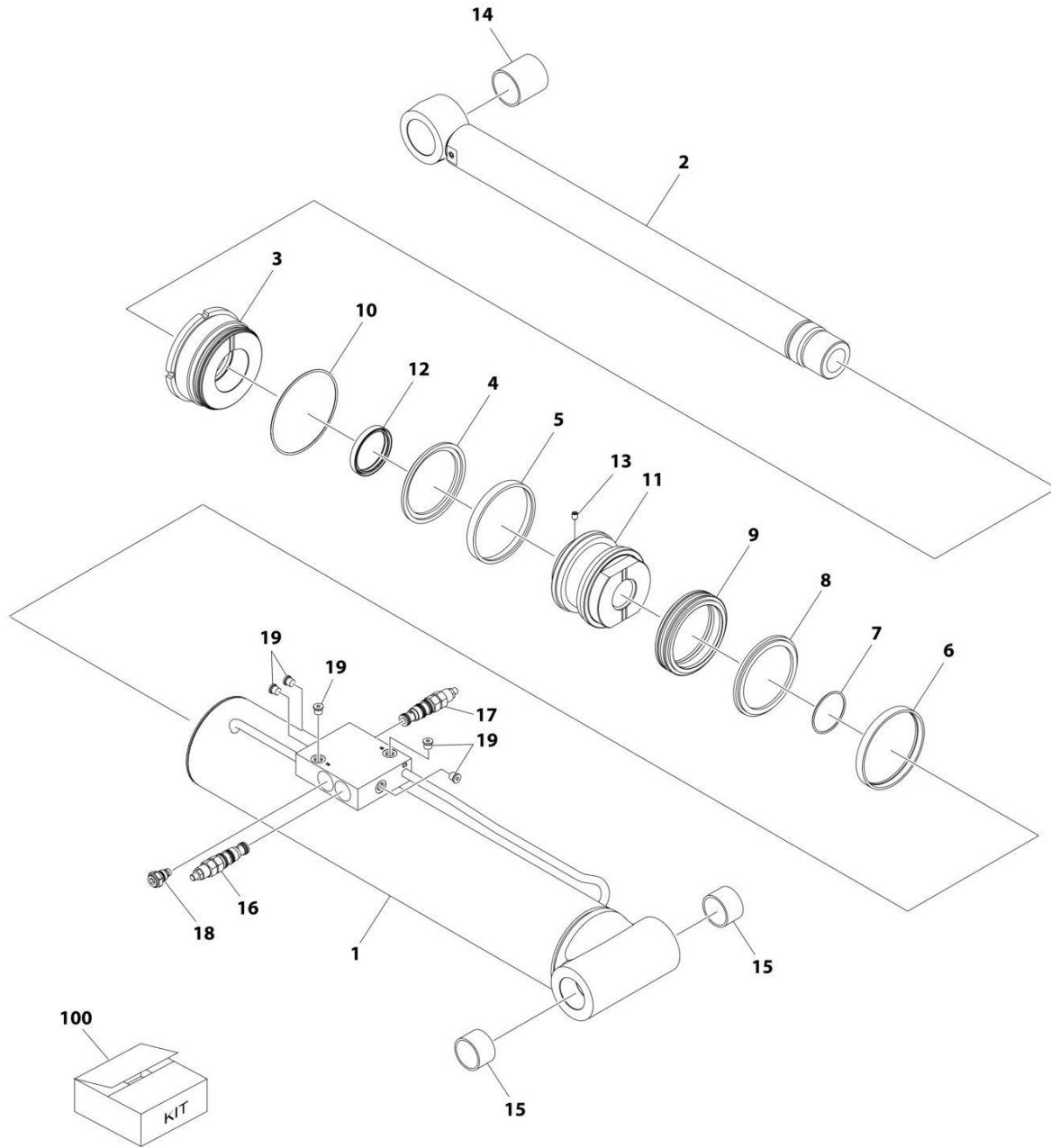
SECTION 6 - CYLINDER

FIGURE 6-2. LEVEL CYLINDER ASSEMBLY - PLATFORM SLAVE (Prior to SN 0300296300)

ITEM	PART NUMBER	QTY	DESCRIPTION	REV
	1001228034	Ref	PLATFORM LEVEL CYLINDER ASSEMBLY	E
		Ref	Note: Original Cylinder May Have Been Replaced with Service Replacement. Identify PN Stamped on Cylinder Before Ordering Parts.	
1	See Note	NSS	Barrel (Note: Not Available for Purchase)	
2	70006496	1	Rod	
3	70006495	1	Head	
4	See Note	NSS	Wiper, Rod (Note: Use Item 51)	
5	See Note	NSS	Seal, Rod (Note: Use Item 51)	
6	See Note	NSS	Ring, Wear (Note: Use Item 51)	
7	See Note	NSS	O-Ring (Note: Use Item 51)	
8	See Note	NSS	Ring, Back-up (Note: Use Item 51)	
9	70006494	1	Piston	
10	See Note	NSS	Ring, Guide (Note: Use Item 51)	
11	See Note	NSS	Ring, Lock (Note: Use Item 51)	
12	See Note	NSS	O-Ring (Note: Use Item 51)	
13	See Note	NSS	Ring, Back-up (Note: Use Item 51)	
14	0961897	1	Bushing, Tapered	
15	0630535	3	Capscrew 1/4 x 1-1/8	
16	3931824	8	Capscrew 1/2 x 1-1/2	
17	70007049	1	Ring, Washer	
18	4641386	1	Cartridge, Holding Valve (Vented)	
18	7011376	1	Seal Kit - 4641386 Cartridge (1 Per Cartridge)	
19	4641393	1	Cartridge, Holding Valve (Vented)	
19	7011376	1	Seal Kit - 4641393 Cartridge (1 Per Cartridge)	
20	4641388	1	Cartridge, Holding Valve	
20	7011353	1	Seal Kit - 4641388 Cartridge (1 Per Cartridge)	
21	0962561	1	Bushing	
22	0961949	2	Bushing	
23	2220883	5	Plug, O-Ring	
24	2220886	AR	Plug, O-Ring	
25	0100011	AR	Compound, Locking	
26	0100038	AR	Primer, Locking	
27	0100019	AR	Compound, Locking	
51	2902285	1	Seal Kit (Includes Items 4-8 & 10-13)	

SECTION 6 - CYLINDER

FIGURE 6-3. LEVEL CYLINDER ASSEMBLY - PLATFORM SLAVE (SN 0300296300 to Present)



ART_1001251034

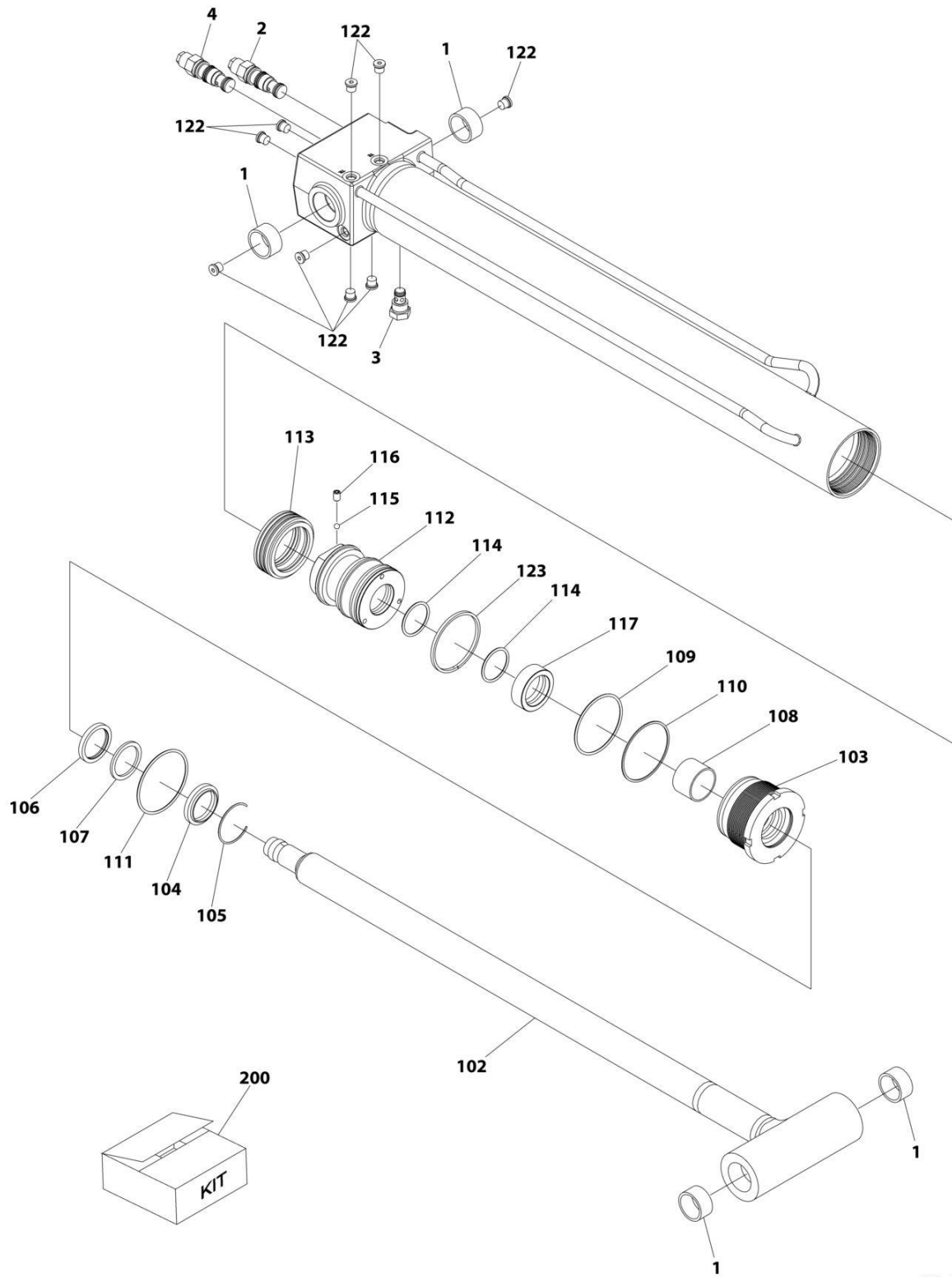
SECTION 6 - CYLINDER

FIGURE 6-3. LEVEL CYLINDER ASSEMBLY - PLATFORM SLAVE (SN 0300296300 to Present)

ITEM	PART NUMBER	QTY	DESCRIPTION	REV
	1001251034	Ref	PLATFORM LEVEL CYLINDER	A
		Ref	Note: Original Cylinder May Have Been Replaced with Service Replacement. Identify PN Stamped on Cylinder Before Ordering Parts.	
1	See Note	NSS	Barrel (Note: Not Available for Purchase)	
2	70008067	1	Rod	
3	70008068	1	Head	
4	See Note	NSS	Wiper, Rod (Note: Use Item 100)	
5	See Note	NSS	Seal, Rod (Note: Use Item 100)	
6	See Note	NSS	Ring, Wear (Note: Use Item 100)	
7	See Note	NSS	O-Ring (Note: Use Item 100)	
8	See Note	NSS	Ring, Back-up (Note: Use Item 100)	
9	See Note	NSS	O-Ring (Note: Use Item 100)	
10	See Note	NSS	O-Ring (Note: Use Item 100)	
11	70008069	1	Piston	
12	See Note	NSS	Seal (Note: Use Item 100)	
13	70005839	1	Setscrew M8 x 12	
14	0962561	1	Bushing	
15	0961949	2	Bushing	
16	4641386	1	Cartridge, Counterbalance Valve	
16	7011376	1	Seal Kit - 4641386 Cartridge	
17	4641393	1	Cartridge, Counterbalance Valve	
17	7011376	1	Seal Kit - 4641393 Cartridge	
18	4641388	1	Cartridge, Orifice Valve	
18	7011353	1	Seal Kit - 4641388 Cartridge	
19	2220883	5	Plug	
100	70008070	1	Seal Kit (Includes Items 4-10 & 12)	

SECTION 6 - CYLINDER

FIGURE 6-4. LIFT CYLINDER ASSEMBLY - JIB



ART_1001251025

SECTION 6 - CYLINDER

FIGURE 6-4. LIFT CYLINDER ASSEMBLY - JIB

ITEM	PART NUMBER	QTY	DESCRIPTION	REV
	1001251025	Ref	JIB CYLINDER ASSEMBLY	A
		Ref	Note: Original Cylinder May Have Been Replaced with Service Replacement. Identify PN Stamped on Cylinder Before Ordering Parts.	
1	0962257	4	Bushing	
2	4640452	1	Valve, Counterbalance	
2	2900770	1	Seal Kit - For 4640452 Counterbalance Valve	
3	4641114	1	Valve, Check	
3	7012998	1	Seal Kit - For 4641114 Check Valve	
4	4641260	1	Valve, Counterbalance	
4	2900770	1	Seal Kit - For 4641260 Counterbalance Valve	
102	70007993	1	Rod	
103	70007994	1	Head	
104	See Note	NSS	Wiper (Note: Use Item 200)	
105	70002373	1	Ring, Retaining	
106	See Note	NSS	Seal (Note: Use Item 200)	
107	See Note	NSS	Ring (Note: Use Item 200)	
108	70005143	1	Bearing	
109	See Note	NSS	O-Ring (Note: Use Item 200)	
110	See Note	NSS	Ring (Note: Use Item 200)	
111	See Note	NSS	O-Ring (Note: Use Item 200)	
112	70007995	1	Piston	
113	See Note	NSS	Seal (Note: Use Item 200)	
114	See Note	NSS	O-Ring (Note: Use Item 200)	
115	70022564	1	Ball, Steel	
116	70006596	1	Setscrew M8 x 1-1/4	
117	70007996	1	Spacer	
122	2220883	9	Plug	
123	70007997	1	Ring	
200	70007998	1	Seal Kit (Includes Items 104, 106, 107, 109-111, 113 & 114)	

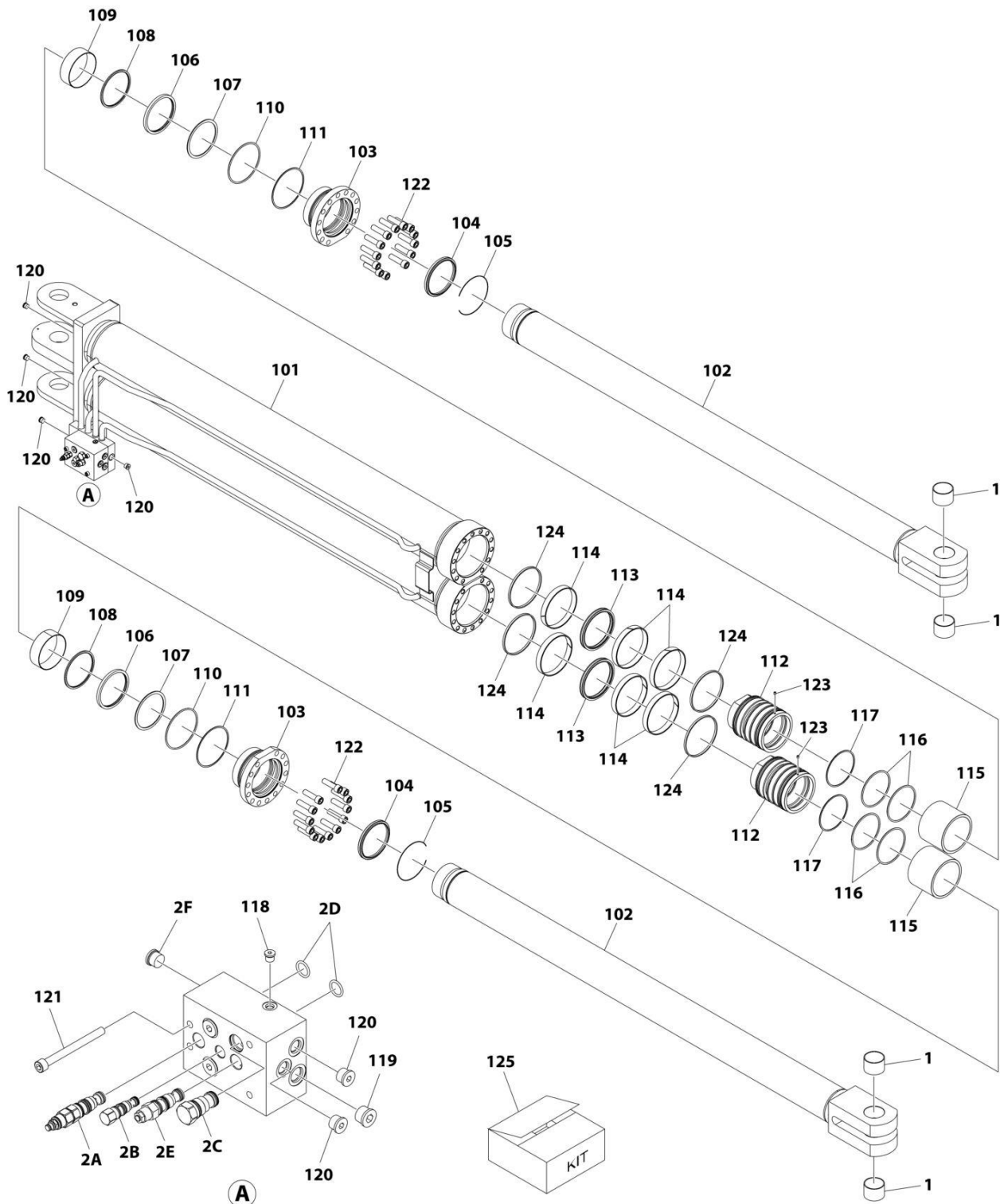
SECTION 6 - CYLINDER

FIGURE 6-5. LIFT CYLINDER ASSEMBLY - MAIN BOOM (Prior to SN 0300298789)

ITEM	PART NUMBER	QTY	DESCRIPTION	REV
	1001228094	Ref	LIFT CYLINDER ASSEMBLY - MAIN BOOM	D
		Ref	Note: Original Cylinder May Have Been Replaced with Service Replacement. Identify PN Stamped on Cylinder Before Ordering Parts.	
1	See Note	NSS	Barrel Weldment (Note: Not Available for Purchase)	
2	70006546	2	Rod	
3	70006545	2	Head	
4	See Note	NSS	Wiper (Note: Use Item 100)	
5	See Note	NSS	Seal (Note: Use Item 100)	
6	See Note	NSS	Ring, Wear (Note: Use Item 100)	
7	See Note	NSS	O-Ring (Note: Use Item 100)	
8	See Note	NSS	Ring, Back-up (Note: Use Item 100)	
9	1001202201	2	Piston	
10	See Note	NSS	Seal (Note: Use Item 100)	
11	See Note	NSS	Ring, Lock (Note: Use Item 100)	
12	See Note	NSS	Ring, Wear (Note: Use Item 100)	
13	See Note	NSS	O-Ring (Note: Use Item 100)	
14	See Note	NSS	Ring, Back-up (Note: Use Item 100)	
15	0961898	2	Bushing	
16	0630536	6	Capscrew 3/8 x 1-1/2	
17	2220886	6	Plug #8	
18	1001204041	1	Valve Assembly	C
18A	70005659	1	Cartridge, Valve (Counterbalance)	
18A	7011376	1	Seal Kit - 70005659 Valve	
18C	70005658	1	Cartridge, Valve (Shuttle)	
18C	7026004	1	Seal Kit - 70005658 Valve	
18D	70004406	1	Cartridge, Valve (Check)	
18D	7011351	1	Seal Kit - 70004406 Valve	
18E	70000778	2	O-Ring	
18F	1001156033	1	Cartridge, Valve (Counterbalance)	
18F	7024574	1	Seal Kit - 1001156033 Valve	
18G	70005598	1	Plug #6	
19	5272024	4	Capscrew M10 x 110	
20	2220887	3	Plug #10	
21	2220883	1	Plug #4	
23	3932272	30	Capscrew 3/4 x 4-1/2	
24	1001202236	2	Ring, Washer	
25	1001198762	4	Bearing	
26	0100011	AR	Compound, Locking	
27	0100038	AR	Primer, Locking	
100	1001202539	2	Kit Seal - Cylinder (Includes Items 4-8 & 10-14)	

SECTION 6 - CYLINDER

FIGURE 6-6. LIFT CYLINDER ASSEMBLY - MAIN BOOM (SN 0300298789 to Present)



ART_1001251094

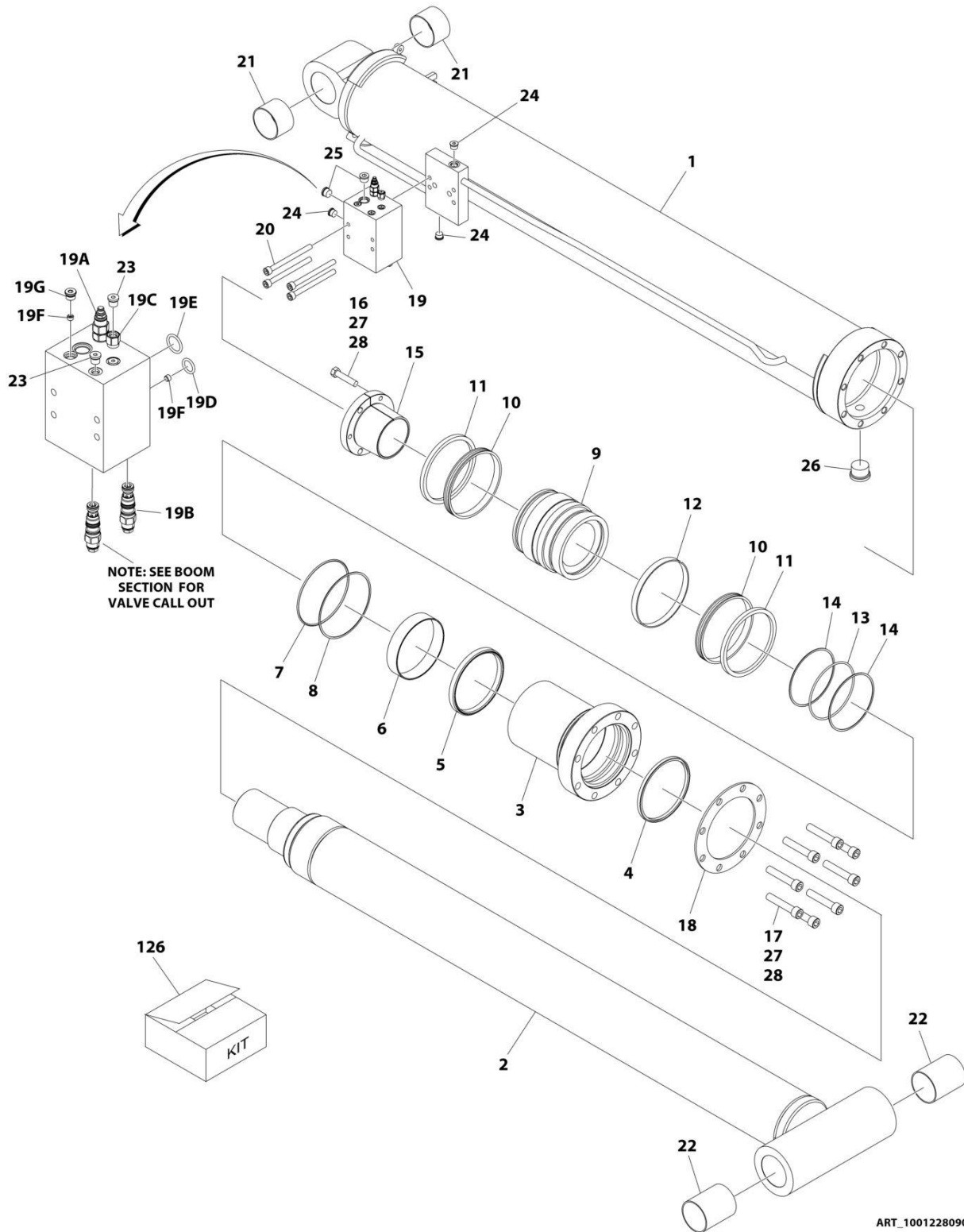
SECTION 6 - CYLINDER

FIGURE 6-6. LIFT CYLINDER ASSEMBLY - MAIN BOOM (SN 0300298789 to Present)

ITEM	PART NUMBER	QTY	DESCRIPTION	REV
	1001251094	Ref	LIFT CYLINDER ASSEMBLY	A
		Ref	Note: Original Cylinder May Have Been Replaced with Service Replacement. Identify PN Stamped on Cylinder Before Ordering Parts.	
1	1001198762	4	Bushing	
2	1001204041	1	Valve Assembly	
2A	70005659	1	Cartridge, Valve (Counterbalance)	
2A	7011376	1	Seal Kit - 70005659 Valve	
2B	70005658	1	Cartridge, Valve (Shuttle)	
2B	7026004	1	Seal Kit - 70005658 Valve	
2C	70004406	1	Cartridge, Valve (Check)	
2C	7011351	1	Seal Kit - 70004406 Valve	
2D	70000778	2	O-Ring	
2E	1001156033	1	Cartridge, Valve (Counterbalance)	
2E	7024574	1	Seal Kit - 1001156033 Valve	
2F	70005598	1	Plug #6	
101	See Note	NSS	Tube (Note: Not Available for Purchase)	
102	70008228	2	Rod	
103	70008229	2	Head	
104	See Note	NSS	Wiper, Dust (Note: Use Item 125)	
105	70008230	2	Ring, Retaining	
106	See Note	NSS	Seal, Rod (Note: Use Item 125)	
107	See Note	NSS	Ring, Backup (Note: Use Item 125)	
108	See Note	NSS	Ring, Buffer (Note: Use Item 125)	
109	70008231	2	Bushing	
110	See Note	NSS	O-Ring (Note: Use Item 125)	
111	See Note	NSS	Ring, Backup (Note: Use Item 125)	
112	70008232	2	Piston	
113	See Note	NSS	Seal, Piston (Note: Use Item 125)	
114	See Note	NSS	Ring, Wear (Note: Use Item 125)	
115	70008233	2	Spacer	
116	See Note	NSS	O-Ring (Note: Use Item 125)	
117	See Note	NSS	Ring, Backup (Note: Use Item 125)	
118	2220883	1	Plug 7/16	
119	70005433	3	Plug 7/8	
120	2220886	6	Plug 3/4	
121	70008234	4	Bolt M10 x 110	
122	70008235	26	Bolt M20 x 75	
123	70005839	2	Setscrew	
124	See Note	NSS	Ring, Dust (Note: Use Item 125)	
125	70008236	1	Seal Kit (Includes Items 104, 106-108, 110-111, 113-114, 116-117 & 124)	

SECTION 6 - CYLINDER

FIGURE 6-7. LIFT CYLINDER ASSEMBLY - TOWER BOOM



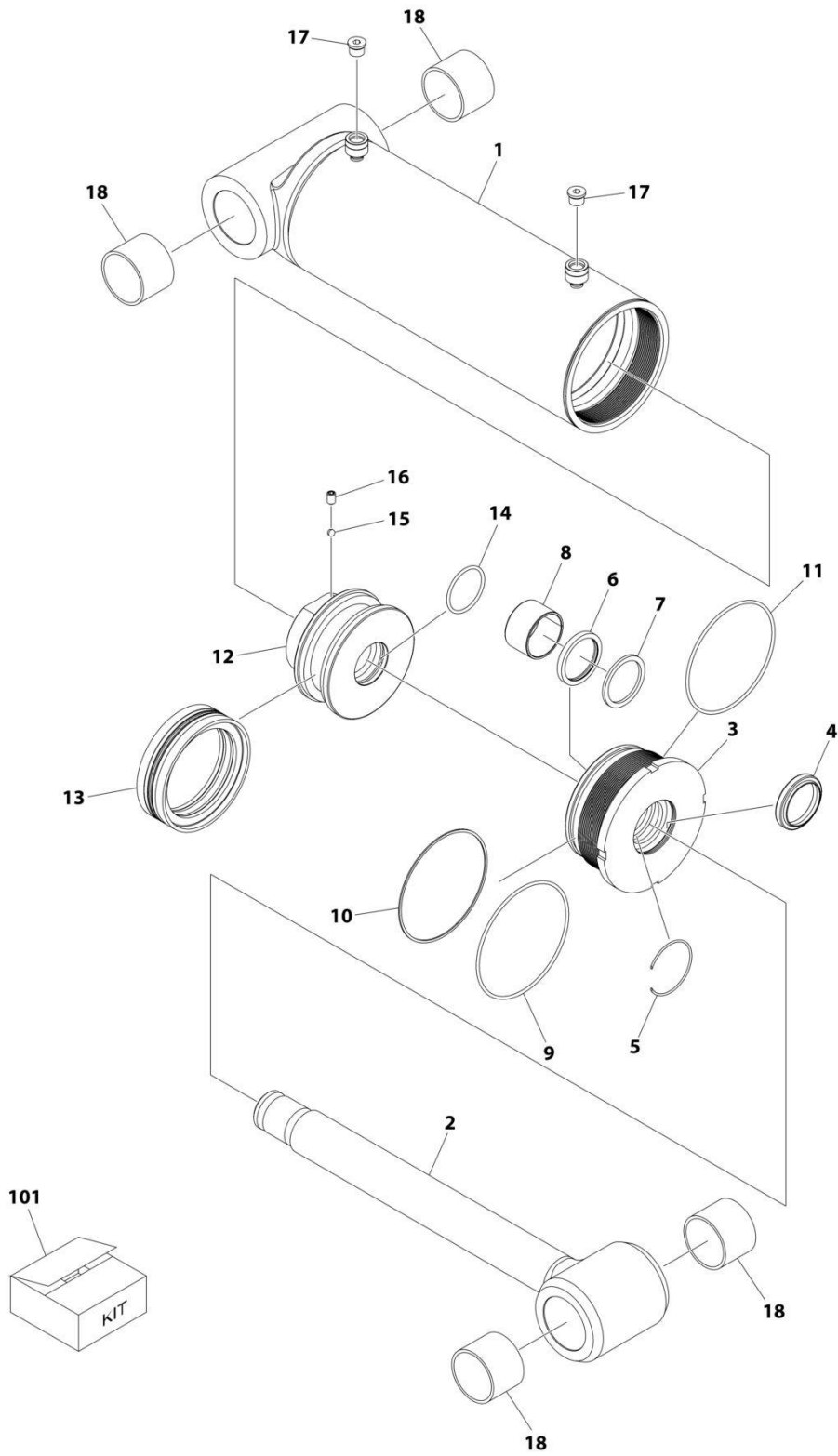
SECTION 6 - CYLINDER

FIGURE 6-7. LIFT CYLINDER ASSEMBLY - TOWER BOOM

ITEM	PART NUMBER	QTY	DESCRIPTION	REV
	1001228090	Ref	LIFT CYLINDER ASSEMBLY - TOWER BOOM	C
		Ref	Note: Original Cylinder May Have Been Replaced with Service Replacement. Identify PN Stamped on Cylinder Before Ordering Parts.	
1	See Note	NSS	Barrel Weldment (Note: Not Available for Purchase)	
2	70006512	1	Rod	
3	70006511	1	Head	
4	See Note	NSS	Ring, Wiper (Note: Use Item 126)	
5	See Note	NSS	Seal, Rod (Note: Use Item 126)	
6	See Note	NSS	Ring, Wear (Note: Use Item 126)	
7	See Note	NSS	O-Ring (Note: Use Item 126)	
8	See Note	NSS	Ring, Back-up (Note: Use Item 126)	
9	70006510	1	Piston	
10	See Note	NSS	Ring, Hydrolock (Note: Use Item 126)	
11	See Note	NSS	Ring, Lock (Note: Use Item 126)	
12	See Note	NSS	Ring, Wear (Note: Use Item 126)	
13	See Note	NSS	O-Ring (Note: Use Item 126)	
14	See Note	NSS	Ring, Back-up (Note: Use Item 126)	
15	0962562	1	Bushing, Tapered	
16	1001206184	3	Bolt 5/8 x 2-7/8 Grade 8	
17	3932264	8	Capscrew 3/4 x 4	
18	1001151503	1	Ring, Washer	
19	1001212199	1	Valve Assembly	
19A	70005656	1	Cartridge, Valve (Counterbalance)	
19A	7011376	1	Seal Kit - 70005656 Valve	
19B	70005655	1	Cartridge, Valve (Counterbalance)	
19B	2900770	1	Seal Kit - 70005655 Valve	
19C	7011361	1	Cartridge, Valve (Shuttle)	
19C	7011346	1	Seal Kit - 7011361 Valve	
19D	70005654	1	O-Ring	
19E	70024072	1	O-Ring	
19F	70005633	2	Orifice .031	
19G	70005598	1	Plug #6	
20	5272025	4	Capscrew M10 x 120	
21	1001133927	2	Bearing	
22	1001150942	2	Bushing	
23	2220883	5	Plug #4	
24	2220886	3	Plug #8	
25	2220887	2	Plug #10	
26	2220888	1	Plug #12	
27	0100011	AR	Compound, Locking	
28	0100038	AR	Primer, Locking	
126	1001160169	1	Seal Kit (Includes Items 4-8 & 10-14)	

SECTION 6 - CYLINDER

FIGURE 6-8. STEER CYLINDER ASSEMBLY



ART_1001251065

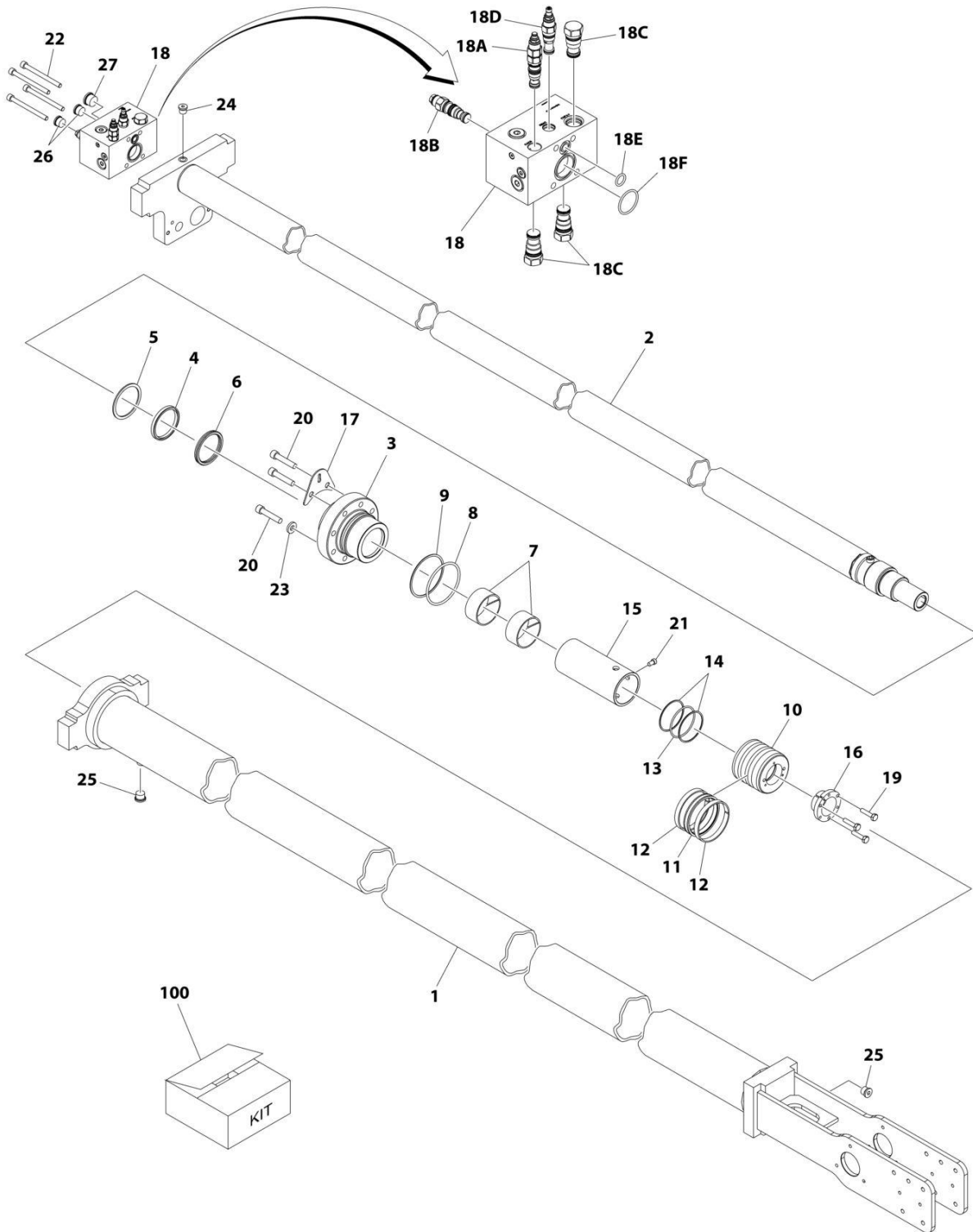
SECTION 6 - CYLINDER

FIGURE 6-8. STEER CYLINDER ASSEMBLY

ITEM	PART NUMBER	QTY	DESCRIPTION	REV
	1001251065	Ref	STEER CYLINDER ASSEMBLY	A
		Ref	Note: Original Cylinder May Have Been Replaced with Service Replacement. Identify PN Stamped on Cylinder Before Ordering Parts.	
1	See Note	NSS	Barrel (Note: Not Available for Purchase)	
2	7008010	1	Rod	
3	7008011	1	Head	
4	See Note	NSS	Wiper (Note: Use Item 101)	
5	70002410	1	Ring, Retaining	
6	See Note	NSS	Seal, Rod (Note: Use Item 101)	
7	See Note	NSS	Ring, Backup (Note: Use Item 101)	
8	7004237	1	Bushing	
9	See Note	NSS	O-Ring (Note: Use Item 101)	
10	See Note	NSS	Ring, Backup (Note: Use Item 101)	
11	See Note	NSS	O-Ring (Note: Use Item 101)	
12	70008012	1	Piston	
13	See Note	NSS	Seal, Piston (Note: Use Item 101)	
14	See Note	NSS	O-Ring (Note: Use Item 101)	
15	70022564	1	Ball, Steel	
16	70006596	1	Setscrew M8 x 12	
17	2220885	2	Plug 9/16	
18	0961950	4	Bushing	
101	70008013	1	Seal Kit (Includes Items 4, 6-7, 9-11 & 13-14)	

SECTION 6 - CYLINDER

FIGURE 6-9. TELESCOPE CYLINDER ASSEMBLY - MAIN BOOM (Prior to SN 0300296300)



ART_1001228093

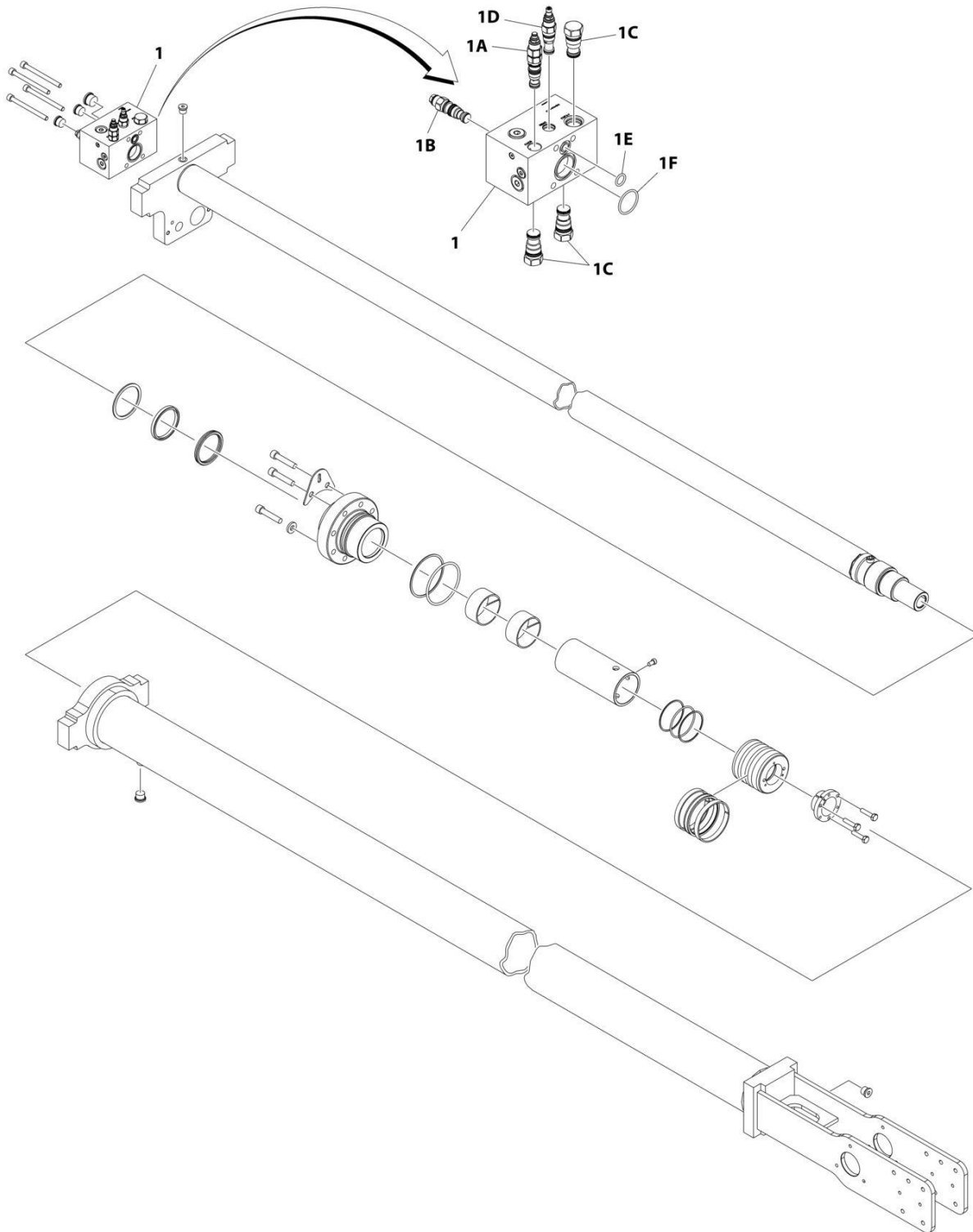
SECTION 6 - CYLINDER

FIGURE 6-9. TELESCOPE CYLINDER ASSEMBLY - MAIN BOOM (Prior to SN 0300296300)

ITEM	PART NUMBER	QTY	DESCRIPTION	REV
	1001228093	Ref	TELESCOPE CYLINDER ASSEMBLY - MAIN BOOM	C
		Ref	Note: Original Cylinder May Have Been Replaced with Service Replacement. Identify PN Stamped on Cylinder Before Ordering Parts.	
1	See Note	NSS	Barrel Weldment (Note: Not Available for Purchase)	
2	70006866	1	Rod	
3	70006867	1	Head	
4	See Note	NSS	Seal, Wiper (Note: Use Item 100)	
5	See Note	NSS	Ring, Retaining (Note: Use Item 100)	
6	See Note	NSS	Seal, Rod (Note: Use Item 100)	
7	See Note	NSS	Ring, Wear (Note: Use Item 100)	
8	See Note	NSS	O-Ring (Note: Use Item 100)	
9	See Note	NSS	Ring, Back-up (Note: Use Item 100)	
10	70006868	1	Piston	
11	See Note	NSS	Seal (Note: Use Item 100)	
12	See Note	NSS	Ring, Wear (Note: Use Item 100)	
13	See Note	NSS	O-Ring (Note: Use Item 100)	
14	See Note	NSS	Ring, Back-up (Note: Use Item 100)	
15	70006869	1	Spacer	
16	0961903	1	Bushing, Tapered	
17	70006870	1	Bracket	
18	1001201772	1	Valve Assembly	D
18A	7011381	1	Cartridge, Valve (Counterbalance)	
18A	2900770	1	Seal Kit - 7011381 Valve	
18B	4640746	1	Cartridge, Valve (Counterbalance)	
18B	2900770	1	Seal Kit - 4640746 Valve	
18C	70004406	3	Cartridge, Valve (Check)	
18C	7011351	3	Seal Kit - 70004406 Valve	
18D	70005999	1	Cartridge, Valve (Relief)	
18D	See Note	NSS	Seal Kit - 70005999 Valve (Note: Not Available for Purchase)	
18E	70005654	1	O-Ring	
18F	70004407	1	O-Ring	
19	0630535	3	Capscrew 1/4 x 1-1/8	
20	70006871	8	Bolt	
21	70006731	1	Bolt	
22	70023368	4	Bolt	
23	70006872	6	Washer	
24	2220883	1	Plug #4	
25	2220885	2	Plug #6	
26	70005433	2	Plug	
27	70027702	1	Plug	
100	1001199297	1	Seal, Kit - Cylinder (Includes Items 101-110)	

SECTION 6 - CYLINDER

FIGURE 6-10. TELESCOPE CYLINDER ASSEMBLY - MAIN BOOM (SN 0300296300 to Present)



ART_1001251093

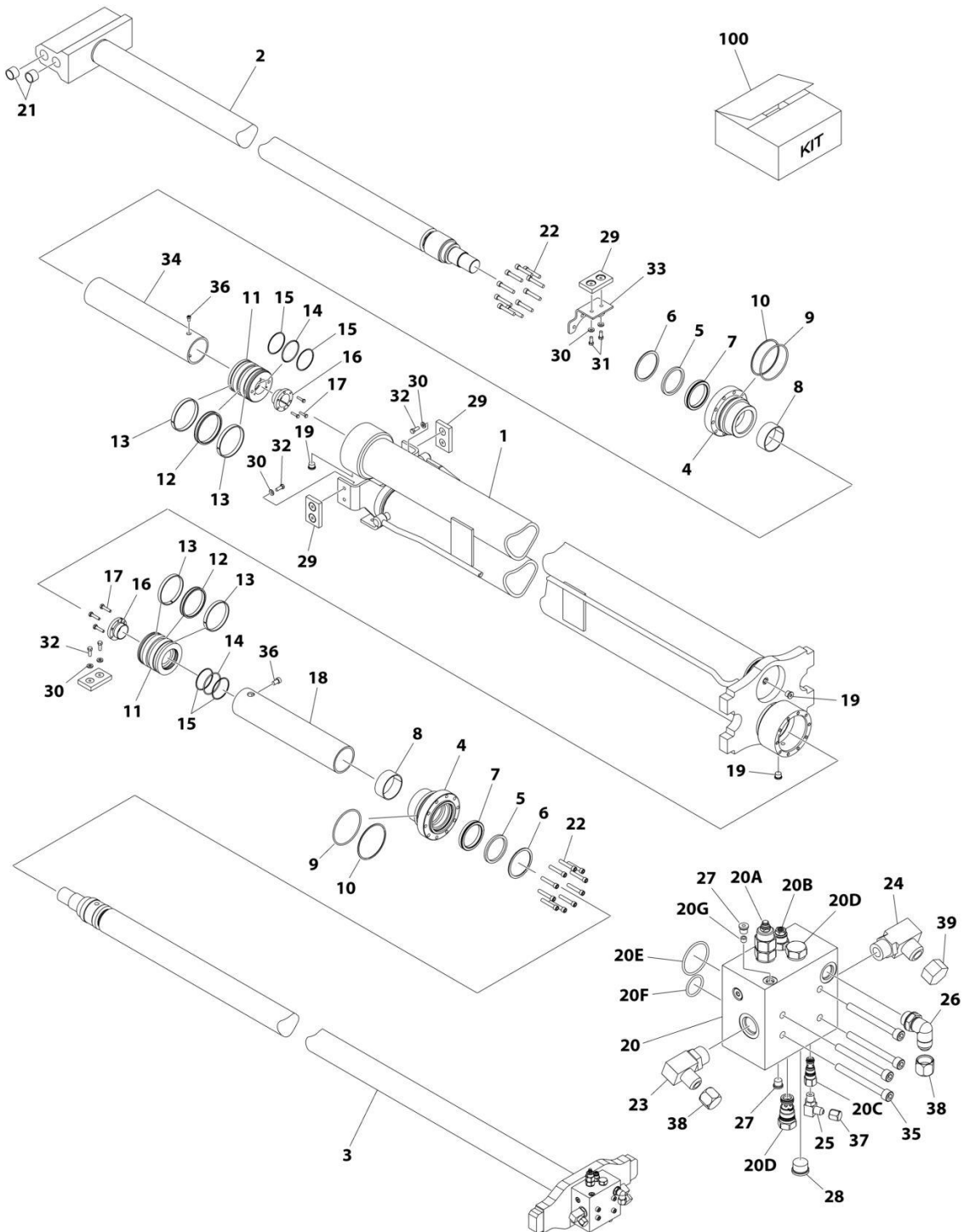
SECTION 6 - CYLINDER

FIGURE 6-10. TELESCOPE CYLINDER ASSEMBLY - MAIN BOOM (SN 0300296300 to Present)

ITEM	PART NUMBER	QTY	DESCRIPTION	REV
	1001251093	Ref	TELESCOPE CYLINDER ASSEMBLY - MAIN BOOM	A
		Ref	Note: Original Cylinder May Have Been Replaced with Service Replacement. Identify PN Stamped on Cylinder Before Ordering Parts.	
		Ref	Note: No Other Service Parts Available at Time of Printing.	
1	1001201772	1	Valve Assembly	D
1A	7011381	1	Cartridge, Valve (Counterbalance)	
1A	2900770	1	Seal Kit - 7011381 Valve	
1B	4640746	1	Cartridge, Valve (Counterbalance)	
1B	2900770	1	Seal Kit - 4640746 Valve	
1C	70004406	3	Cartridge, Valve (Check)	
1C	7011351	3	Seal Kit - 70004406 Valve	
1D	70005999	1	Cartridge, Valve (Relief)	
1D	See Note	NSS	Seal Kit - 70005999 Valve (Note: Not Available for Purchase)	
1E	70005654	1	O-Ring	
1F	70004407	1	O-Ring	

SECTION 6 - CYLINDER

FIGURE 6-11. TELESCOPE CYLINDER ASSEMBLY - TOWER BOOM (Prior to SN 0300298789)



ART_1001228091

SECTION 6 - CYLINDER

FIGURE 6-11. TELESCOPE CYLINDER ASSEMBLY - TOWER BOOM (Prior to SN 0300298789)

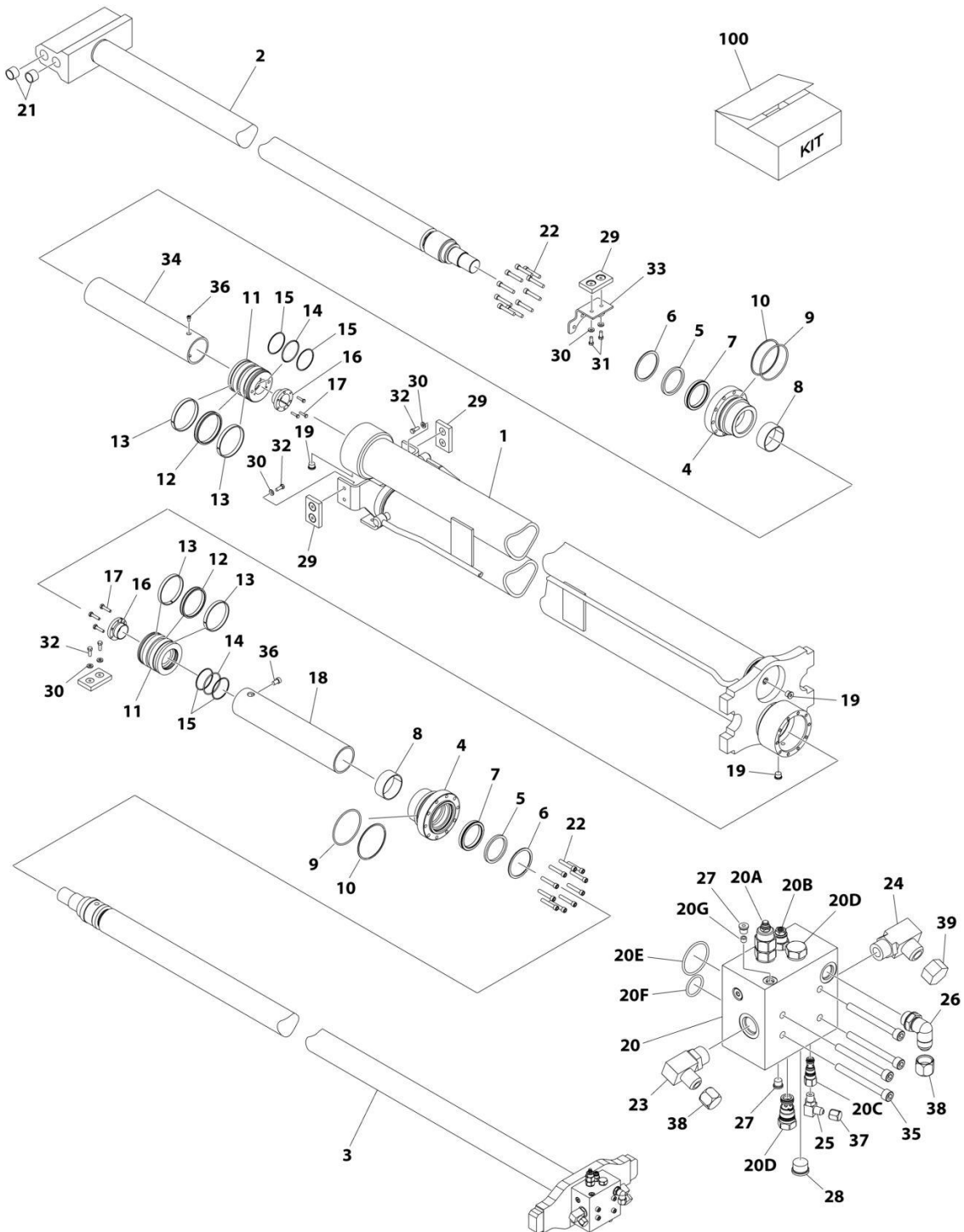
ITEM	PART NUMBER	QTY	DESCRIPTION	REV
	1001228091	Ref	TELESCOPE CYLINDER ASSEMBLY - TOWER BOOM	C
		Ref	Note: Original Cylinder May Have Been Replaced with Service Replacement. Identify PN Stamped on Cylinder Before Ordering Parts.	
1	See Note	NSS	Barrel Weldment (Note: Not Available for Purchase)	
2	70006853	1	Rod	
3	70006854	1	Rod	
4	70006867	1	Head	
5	See Note	NSS	Seal, Wiper (Note: Use Item 100)	
6	See Note	NSS	Ring, Retaining (Note: Use Item 100)	
7	See Note	NSS	Seal, Rod (Note: Use Item 100)	
8	See Note	NSS	Ring, Wear (Note: Use Item 100)	
9	See Note	NSS	O-Ring (Note: Use Item 100)	
10	See Note	NSS	Ring, Back-up (Note: Use Item 100)	
11	70006856	1	Piston	
12	See Note	NSS	Seal (Note: Use Item 100)	
13	See Note	NSS	Ring, Wear (Note: Use Item 100)	
14	See Note	NSS	O-Ring (Note: Use Item 100)	
15	See Note	NSS	Ring, Back-up (Note: Use Item 100)	
16	0961897	1	Bushing, Tapered	
17	0630535	3	Capscrew 1/4 x 1-1/8	
18	70006857	1	Spacer	
19	2220885	4	Plug #6	
20	1001205683	1	Valve Assembly	
20A	70005603	1	Cartridge, Valve (Counterbalance)	
20A	7011371	1	Seal Kit - 70005603 Valve	
20B	70005602	1	Cartridge, Valve (Counterbalance)	
20B	2900770	1	Seal Kit - 70005602 Valve	
20C	7011361	1	Cartridge, Valve (Shuttle)	
20C	7011346	1	Seal Kit - 7011361 Valve	
20D	7011368	2	Cartridge, Valve (Check)	
20D	7011351	2	Seal Kit - 7011368 Valve	
20E	70005601	1	O-Ring	
20F	70005600	1	O-Ring	
20G	70005599	2	Orifice .031	
21	0961951	4	Bushing	
22	70006732	20	Bolt	
23	70006858	1	Connector	
24	70006859	1	Connector	
25	70005804	1	Connector	
26	70006860	1	Connector	
27	2220883	2	Plug #4	
28	70005433	1	Plug	
29	3340763	4	Pad, Wear	
30	70006344	8	Washer	
31	0681607	2	Bolt 3/8 x 7/8 Grade 8	
32	0681608	6	Bolt 3/8 x 1 Grade 8	
33	1001198587	1	Plate, Mounting	
34	70006861	1	Spacer	
35	70006862	4	Bolt	

SECTION 6 - CYLINDER

ITEM	PART NUMBER	QTY	DESCRIPTION	REV
36	70006731	2	Bolt	
37	70006863	1	Cap, Dust	
38	70006864	2	Cap, Dust	
39	70006865	1	Cap, Dust	
100	1001198594	1	Seal kit (Includes Items 5-10 & 12-15)	

SECTION 6 - CYLINDER

FIGURE 6-12. TELESCOPE CYLINDER ASSEMBLY - TOWER BOOM (SN 0300298789 to Present)



ART_1001228091

SECTION 6 - CYLINDER

FIGURE 6-12. TELESCOPE CYLINDER ASSEMBLY - TOWER BOOM (SN 0300298789 to Present)

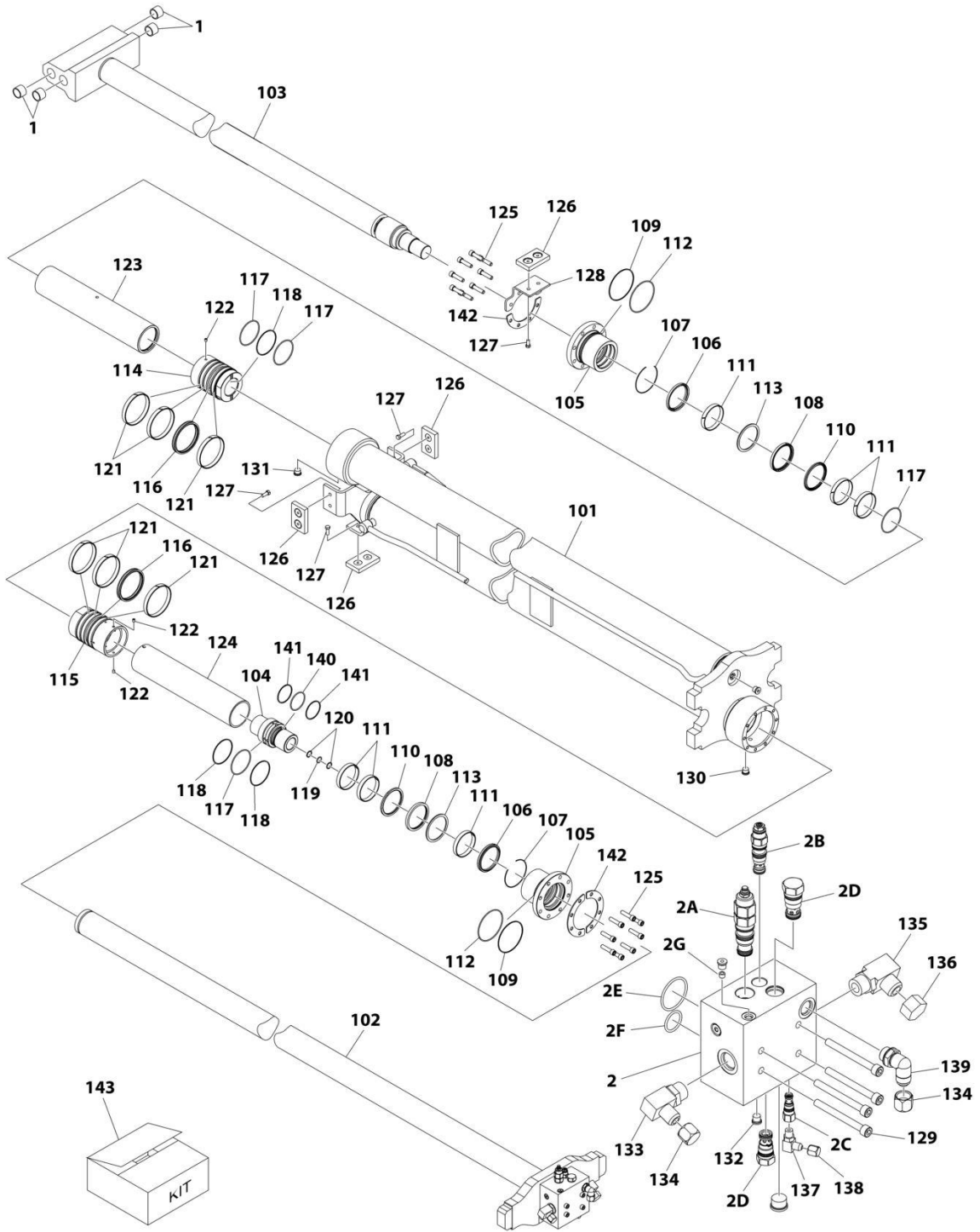
ITEM	PART NUMBER	QTY	DESCRIPTION	REV
	1001228091	Ref	TELESCOPE CYLINDER ASSEMBLY - TOWER BOOM	C
		Ref	Note: Original Cylinder May Have Been Replaced with Service Replacement. Identify PN Stamped on Cylinder Before Ordering Parts.	
1	See Note	NSS	Barrel Weldment (Note: Not Available for Purchase)	
2	70006853	1	Rod	
3	70006854	1	Rod	
4	70006867	1	Head	
5	See Note	NSS	Seal, Wiper (Note: Use Item 100)	
6	See Note	NSS	Ring, Retaining (Note: Use Item 100)	
7	See Note	NSS	Seal, Rod (Note: Use Item 100)	
8	See Note	NSS	Ring, Wear (Note: Use Item 100)	
9	See Note	NSS	O-Ring (Note: Use Item 100)	
10	See Note	NSS	Ring, Back-up (Note: Use Item 100)	
11	70006856	1	Piston	
12	See Note	NSS	Seal (Note: Use Item 100)	
13	See Note	NSS	Ring, Wear (Note: Use Item 100)	
14	See Note	NSS	O-Ring (Note: Use Item 100)	
15	See Note	NSS	Ring, Back-up (Note: Use Item 100)	
16	0961897	1	Bushing, Tapered	
17	0630535	3	Capscrew 1/4 x 1-1/8	
18	70006857	1	Spacer	
19	2220885	4	Plug #6	
20	1001205683	1	Valve Assembly	
20A	70005603	1	Cartridge, Valve (Counterbalance)	
20A	7011371	1	Seal Kit - 70005603 Valve	
20B	70005602	1	Cartridge, Valve (Counterbalance)	
20B	2900770	1	Seal Kit - 70005602 Valve	
20C	7011361	1	Cartridge, Valve (Shuttle)	
20C	7011346	1	Seal Kit - 7011361 Valve	
20D	7011368	2	Cartridge, Valve (Check)	
20D	7011351	2	Seal Kit - 7011368 Valve	
20E	70005601	1	O-Ring	
20F	70005600	1	O-Ring	
20G	70005599	2	Orifice .031	
21	0961951	4	Bushing	
22	70006732	20	Bolt	
23	70006858	1	Connector	
24	70006859	1	Connector	
25	70005804	1	Connector	
26	70006860	1	Connector	
27	2220883	2	Plug #4	
28	70005433	1	Plug	
29	3340763	4	Pad, Wear	
30	70006344	8	Washer	
31	0681607	2	Bolt 3/8 x 7/8 Grade 8	
32	0681608	6	Bolt 3/8 x 1 Grade 8	
33	1001198587	1	Plate, Mounting	
34	70006861	1	Spacer	
35	70006862	4	Bolt	

SECTION 6 - CYLINDER

ITEM	PART NUMBER	QTY	DESCRIPTION	REV
36	70006731	2	Bolt	
37	70006863	1	Cap, Dust	
38	70006864	2	Cap, Dust	
39	70006865	1	Cap, Dust	
100	1001198594	1	Seal kit (Includes Items 5-10 & 12-15)	

SECTION 6 - CYLINDER

FIGURE 6-13. TELESCOPE CYLINDER ASSEMBLY - TOWER BOOM (SN 0300298789 to Present)



ART_1001251091

SECTION 6 - CYLINDER

FIGURE 6-13. TELESCOPE CYLINDER ASSEMBLY - TOWER BOOM (SN 0300298789 to Present)

ITEM	PART NUMBER	QTY	DESCRIPTION	REV
	1001251091	Ref	TELESCOPE CYLINDER ASSEMBLY - TOWER BOOM	A
		Ref	Note: Original Cylinder May Have Been Replaced with Service Replacement. Identify PN Stamped on Cylinder Before Ordering Parts.	
1	0961951	4	Bushing	
2	1001205683	1	Valve Assembly	
2A	70005603	1	Cartridge, Valve (Counterbalance)	
2A	7011371	1	Seal Kit - 70005603 Valve	
2B	70005602	1	Cartridge, Valve (Counterbalance)	
2B	2900770	1	Seal Kit - 70005602 Valve	
2C	7011361	1	Cartridge, Valve (Shuttle)	
2C	7011346	1	Seal Kit - 7011361 Valve	
2D	7011368	2	Cartridge, Valve (Check)	
2D	7011351	2	Seal Kit - 7011368 Valve	
2E	70005601	1	O-Ring	
2F	70005600	1	O-Ring	
2G	70005599	2	Orifice .031	
101	See Note	NSS	Tube (Note: Not Available for Purchase)	
102	70008211	1	Rod	
103	70008212	1	Rod	
104	70008213	1	Rod End	
105	70008214	2	Head	
106	See Note	NSS	Wiper, Dust (Note: Use Item 143)	
107	70023380	2	Ring, Retaining	
108	See Note	NSS	Seal, Rod (Note: Use Item 143)	
109	See Note	NSS	Ring, Backup (Note: Use Item 143)	
110	See Note	NSS	Ring, Buffer (Note: Use Item 143)	
111	See Note	NSS	Ring, Wear (Note: Use Item 143)	
112	See Note	NSS	O-Ring (Note: Use Item 143)	
113	See Note	NSS	Ring, Backup (Note: Use Item 143)	
114	70008215	1	Piston	
115	70008216	1	Piston	
116	See Note	NSS	Seal, Piston (Note: Use Item 143)	
117	See Note	NSS	O-Ring (Note: Use Item 143)	
118	See Note	NSS	Ring, Backup (Note: Use Item 143)	
119	See Note	NSS	O-Ring (Note: Use Item 143)	
120	See Note	NSS	Ring, Backup (Note: Use Item 143)	
121	See Note	NSS	Ring, Wear (Note: Use Item 143)	
122	70005839	3	Setscrew	
123	70008217	1	Spacer	
124	70008218	1	Spacer	
125	70008219	16	Bolt M14 x 50	
126	70008220	4	Pad, Wear	
127	70008221	8	Bolt M12 x 20	
128	70008222	1	Plate, Wear Pad	
129	70008223	4	Bolt M10 x 105	
130	2220883	4	Plug 7/16	
131	2220885	2	Plug 9/16	
132	70005433	1	Plug 7/82	
133	70008224	1	Connector	

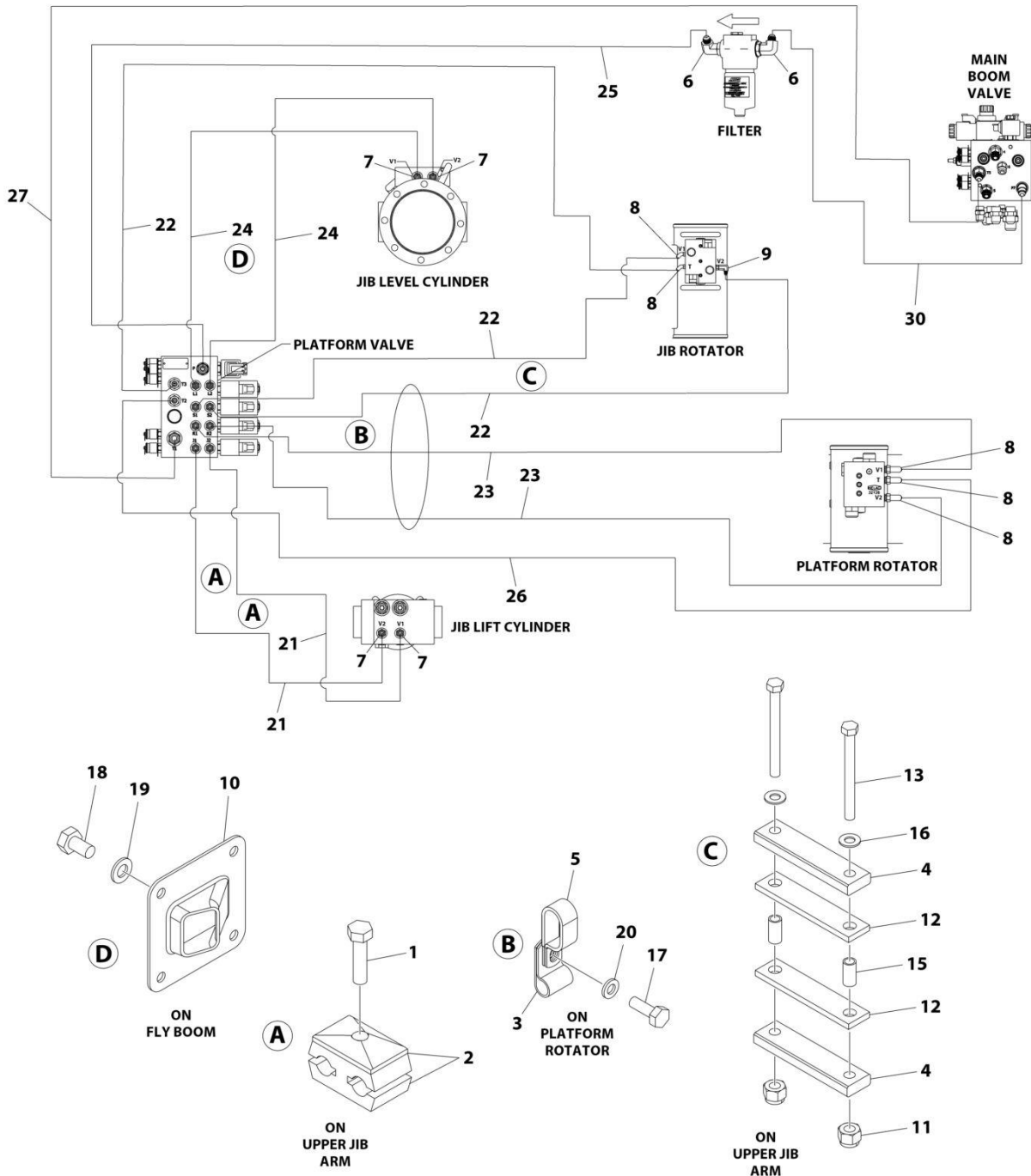
SECTION 6 - CYLINDER

ITEM	PART NUMBER	QTY	DESCRIPTION	REV
134	70006864	2	Cap, Dust	
135	70006859	1	Connector	
136	70006865	1	Cap, Dust	
137	70005804	1	Connector	
138	70006363	1	Cap, Dust	
139	70006860	1	Connector	
140	See Note	NSS	O-Ring (Note: Use Item 143)	
141	See Note	NSS	Ring, Backup (Note: Use Item 143)	
142	70008225	3	Ring, Washer	
143	70008226	1	Seal Kit (Includes Items 106, 108-113, 116-121, 140 & 141)	

SECTION 7 - HYDRAULIC

SECTION 7 - HYDRAULIC

FIGURE 7-1. BOOM AND JIB HYDRAULIC DIAGRAM



ART_1001197361

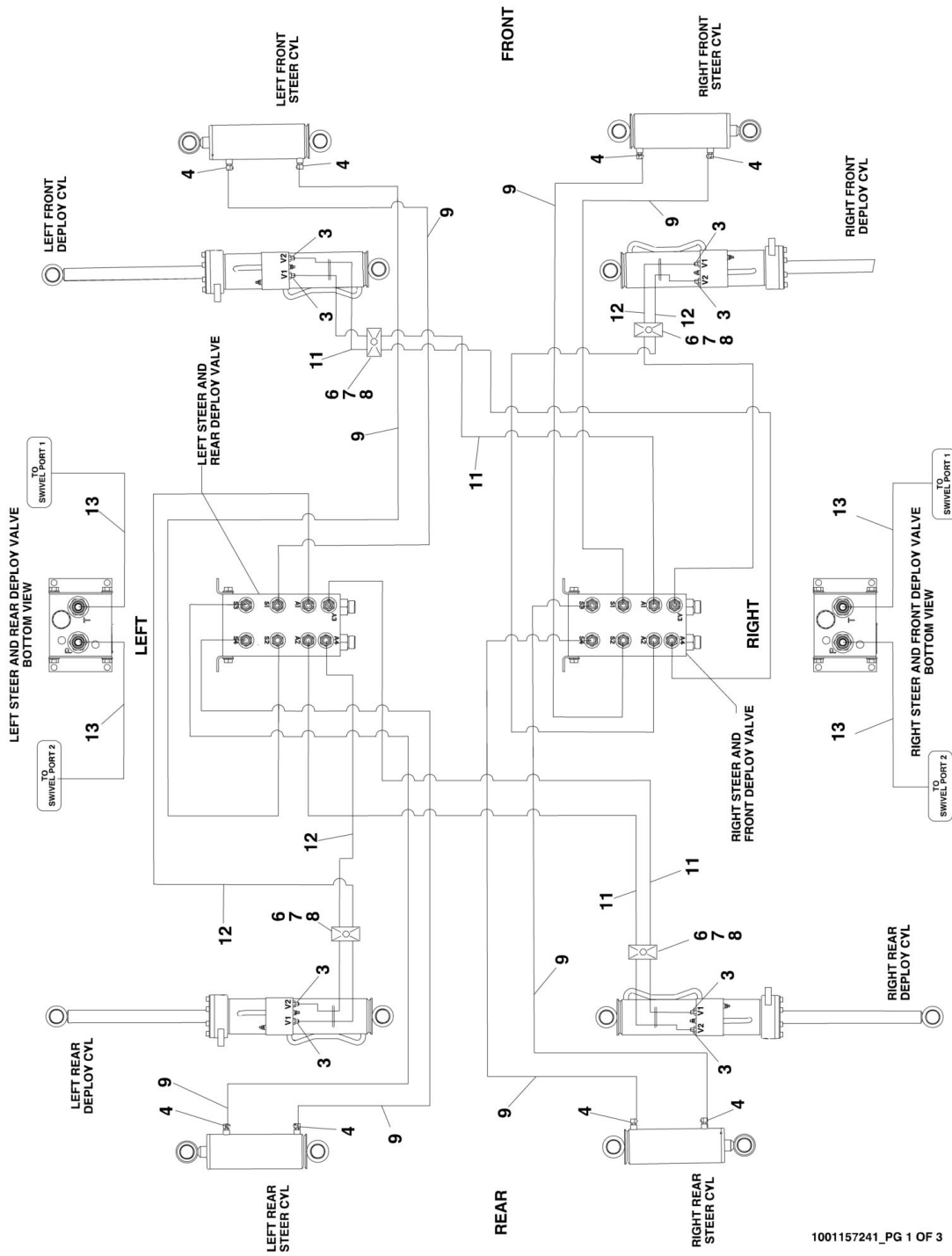
SECTION 7 - HYDRAULIC

FIGURE 7-1. BOOM AND JIB HYDRAULIC DIAGRAM

ITEM	PART NUMBER	QTY	DESCRIPTION	REV
	1001197361	Ref	BOOM AND JIB HYDRAULIC DIAGRAM	D
1	0641510	2	Bolt 5/16 x 1-1/4	
2	1320159	2	Clamp	
3	1320263	1	Clamp	
4	1320296	3	Clamp	
5	1321385	1	Clamp	
6	2220366	2	Fitting, 90 JIC/ORB	
7	2220415	4	Fitting, Straight JIC/ORB	
8	2220502	5	Fitting, 45 JIC/ORB	
9	2220940	1	Fitting, 90 JIC/ORB	
10	2540044	1	Guide, Hose	
11	3300492	2	Nut 3/8	
12	3340934	4	Pad, Rubber	
13	3900260	4	Bolt 3/8 x 4	
14	4240018	11	Tie-Strap (Not Shown)	
15	4562516	4 in/0.1m	Tubing	
16	4711600	4	Washer 3/8	
17	0760610001	1	Bolt M6 x 20	
18	0761009001	4	Bolt M10 x 18	
19	1001172358	4	Washer M10	
20	4811700001	1	Washer M6	
21	1001201130	2	Hose	
22	1001201131	3	Hose	
23	1001201132	2	Hose	
24	1001201133	2	Hose	
25	1001201134	1	Hose	
26	1001201135	1	Hose	
27	1001201136	1	Hose	
28	4100063	1	Protector, Hose Wrap (Not Shown)	
29	4240033	4	Tie-Strap (Not Shown)	
30	1001226902	1	Hose	

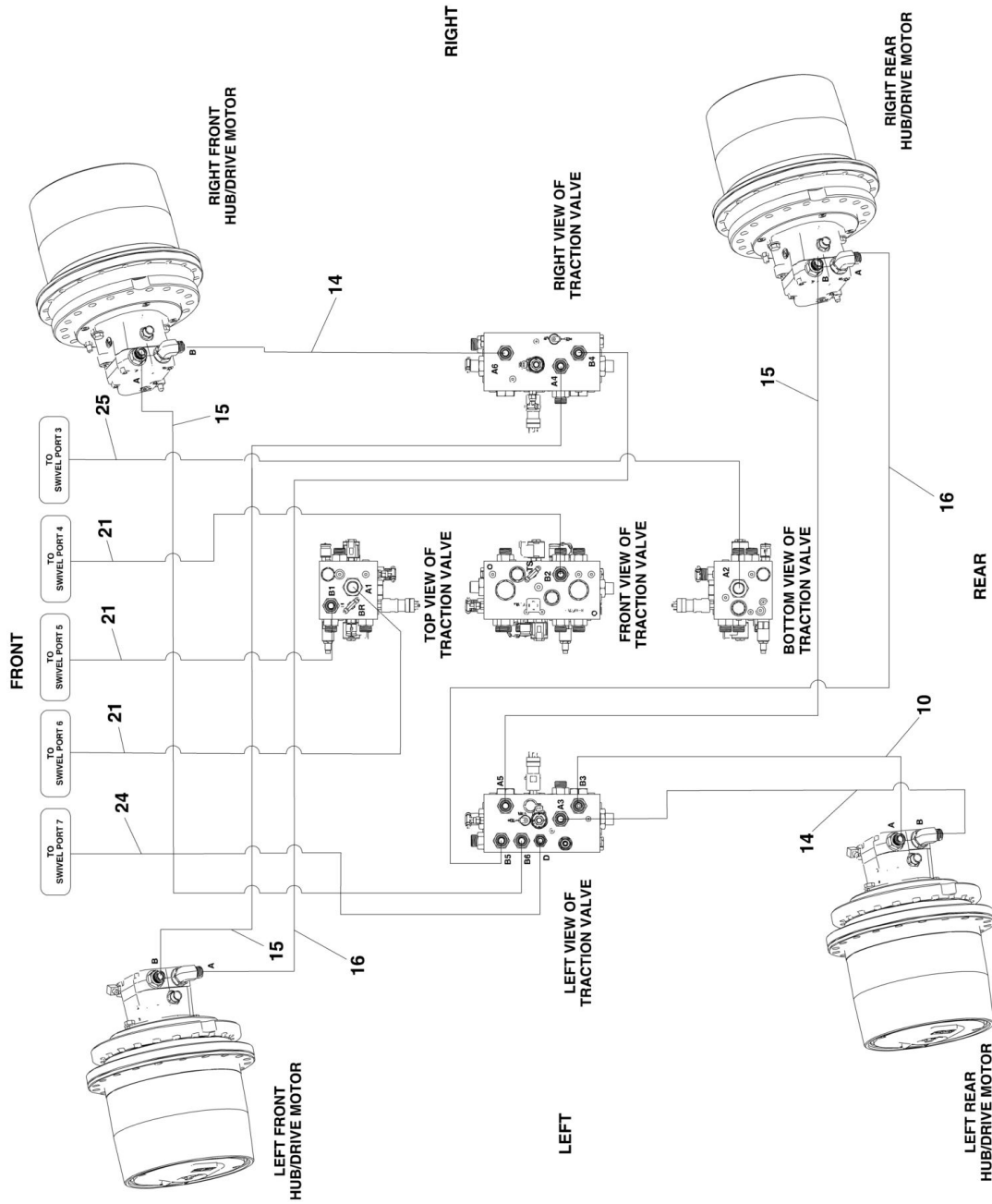
SECTION 7 - HYDRAULIC

FIGURE 7-2. CHASSIS HYDRAULIC DIAGRAM



1001157241_PG 1 OF 3

SECTION 7 - HYDRAULIC



1001157241_PG 2 OF 3

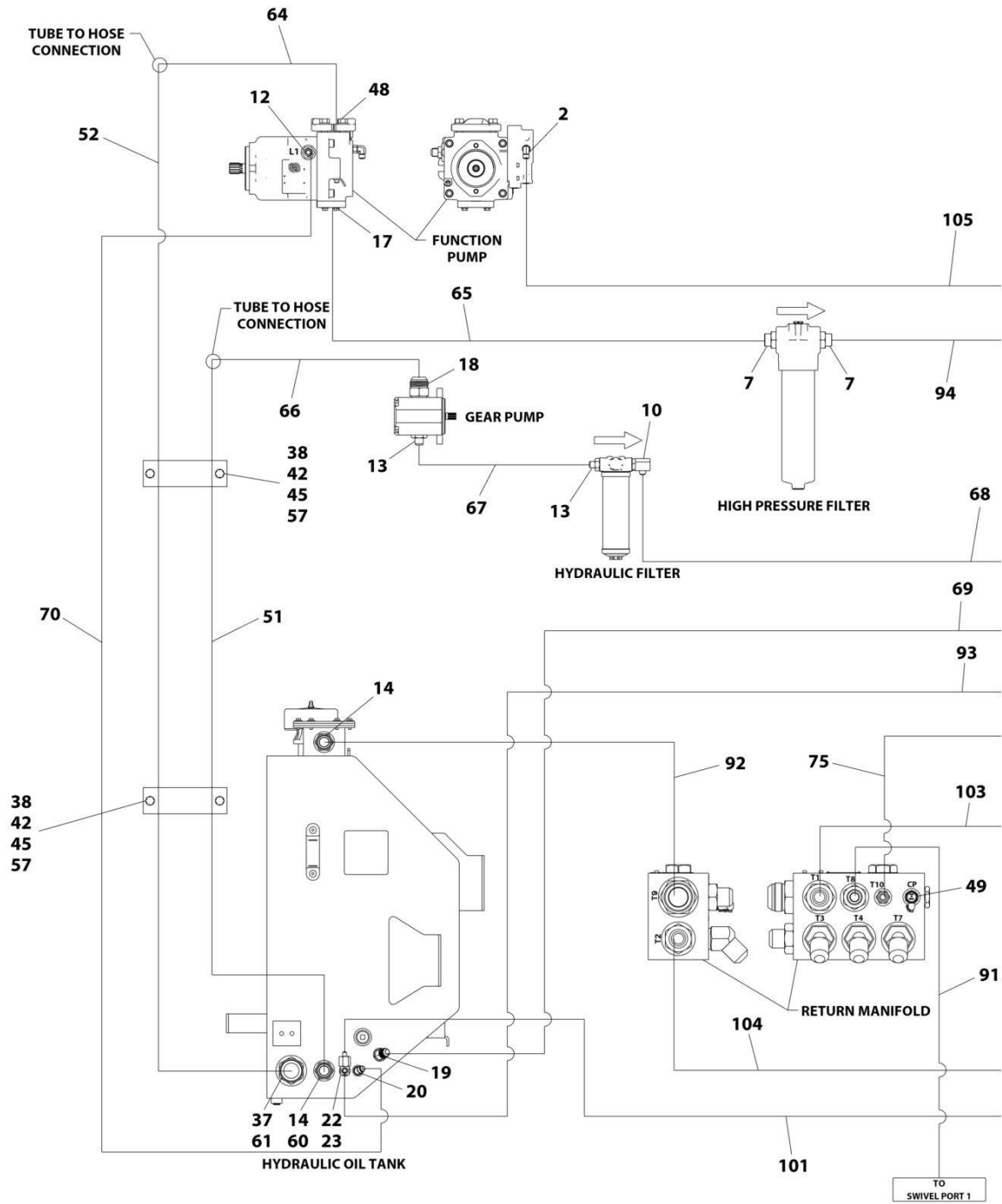
SECTION 7 - HYDRAULIC

FIGURE 7-2. CHASSIS HYDRAULIC DIAGRAM

ITEM	PART NUMBER	QTY	DESCRIPTION	REV
	1001157241	Ref	CHASSIS HYDRAULIC DIAGRAM	D
1	2110808	4	Fitting, Straight ORFS/ORB	
2	2110812	1	Fitting, Straight ORFS/ORB	
3	2220372	8	Fitting, Straight JIC/ORB	
4	2220473	8	Fitting, 90 JIC/ORB	
5	2220504	4	Fitting, Tee JIC/JIC/JIC	
6	8769122	4	Clamp Set	
7	8769128	4	Cover	
8	0641511001	4	Bolt 5/16 x 1-3/8	
9	1001161269	8	Hose	
10	1001161270	1	Hose	
11	1001161271	4	Hose	
12	1001161272	4	Hose	
13	1001161273	4	Hose	
14	1001161274	2	Hose	
15	1001161275	3	Hose	
16	1001161276	2	Hose	
17	1001161277	4	Hose	
18	1001161278	1	Hose	
19	1001161279	6	Hose	
20	1001161280	3	Hose	
21	1001161281	3	Hose	
22	1001161282	2	Hose	
23	1001161283	1	Hose	
24	1001161289	1	Hose	
25	1001161290	1	Hose	
26	4240018	18	Tie-Strap (Not Shown)	
27	2220235	2	Fitting, O-Ring	

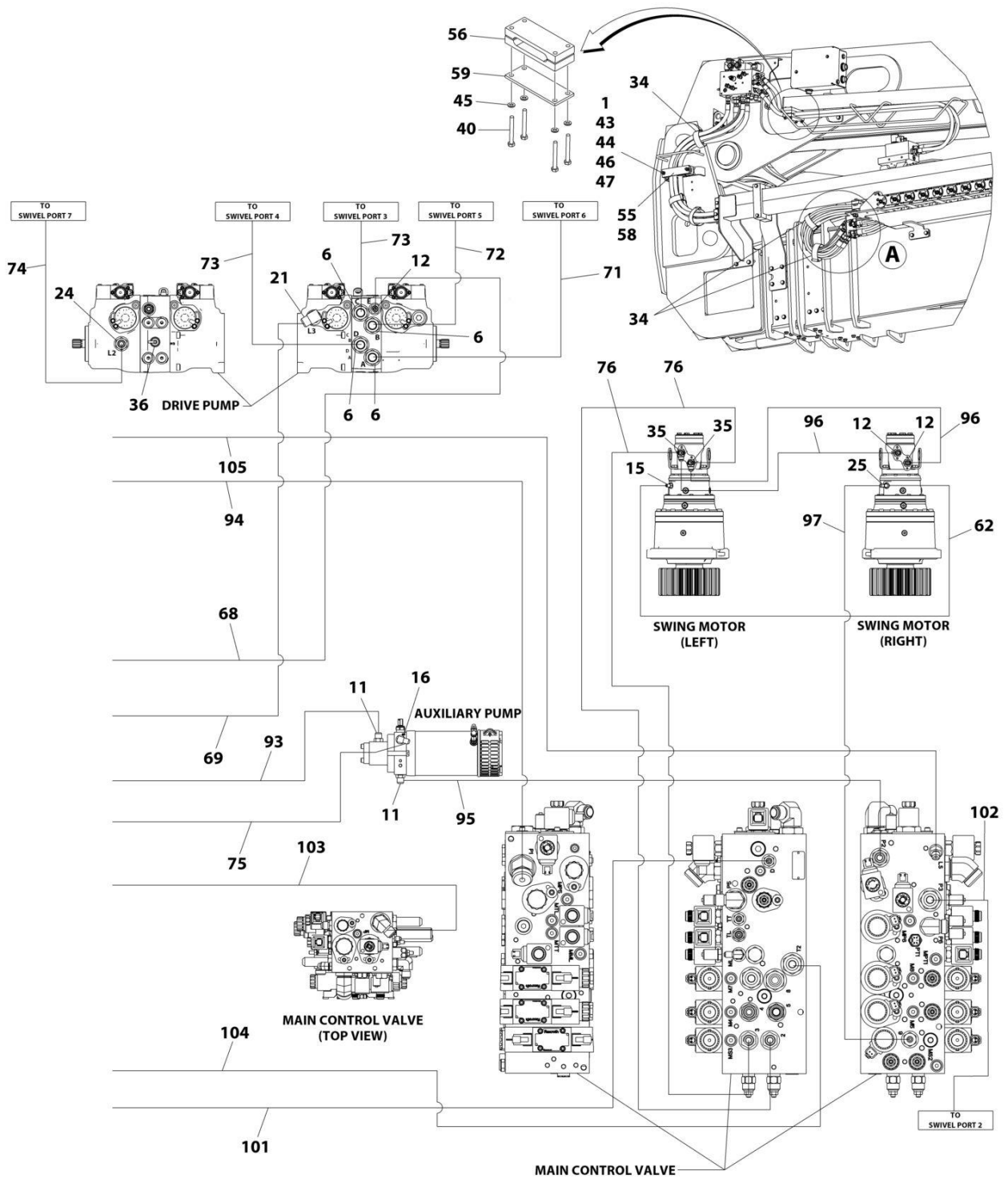
SECTION 7 - HYDRAULIC

FIGURE 7-3. TURNTABLE HYDRAULIC DIAGRAM



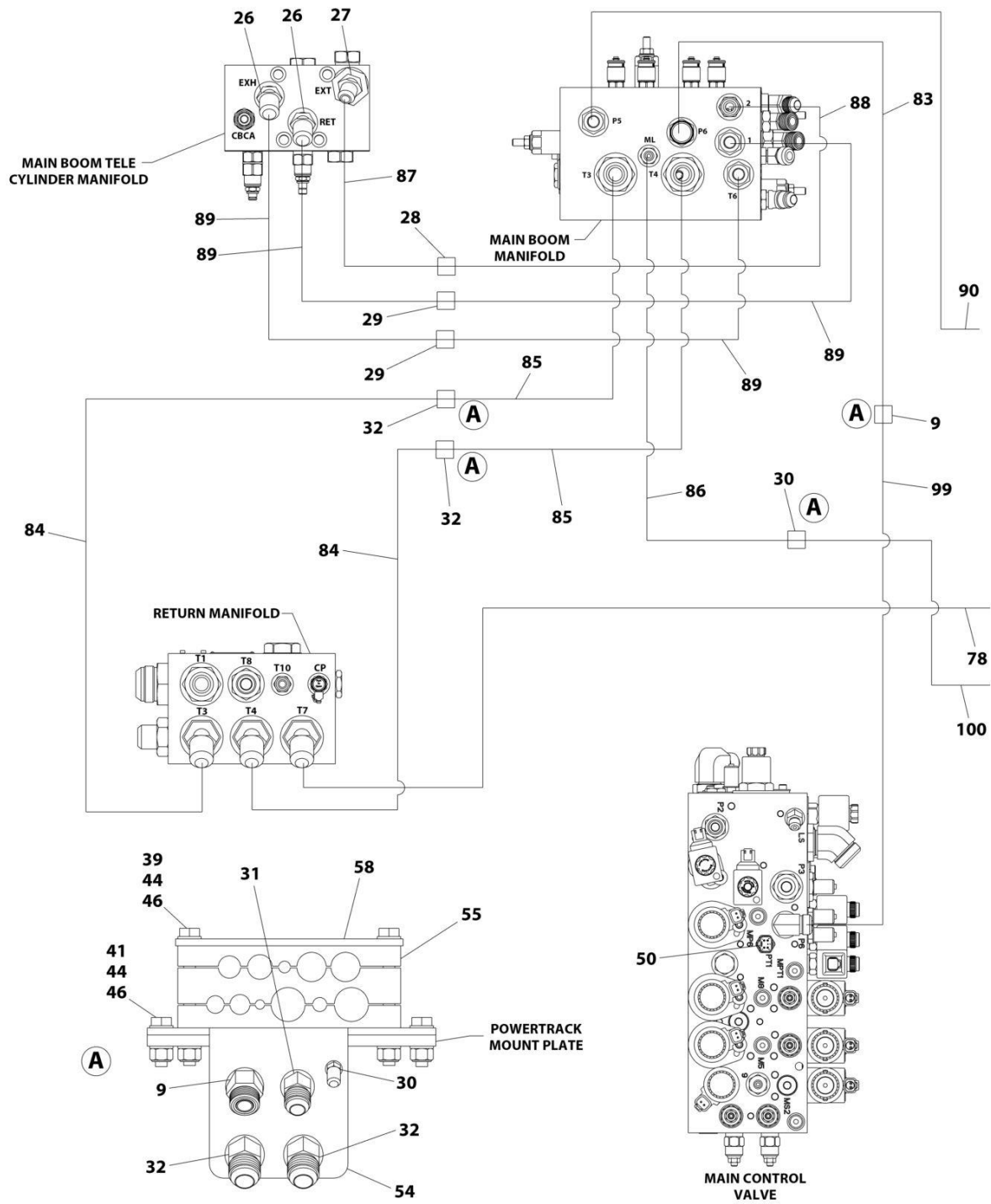
ART_1001212512_10F4

SECTION 7 - HYDRAULIC



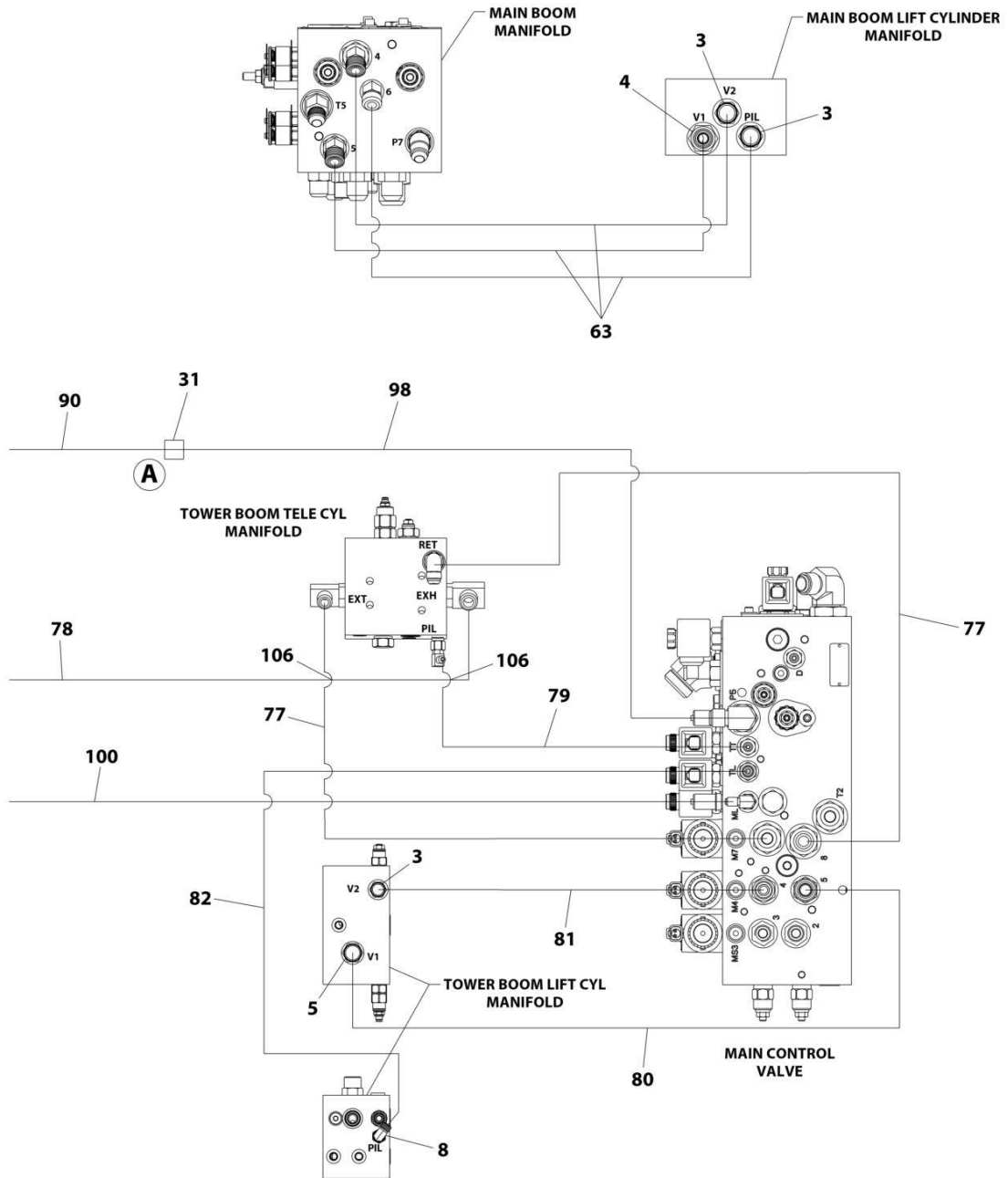
ART_1001212512_2OF4

SECTION 7 - HYDRAULIC



ART_1001212512_30F4

SECTION 7 - HYDRAULIC



ART_1001212512_40F4

SECTION 7 - HYDRAULIC

FIGURE 7-3. TURNTABLE HYDRAULIC DIAGRAM

ITEM	PART NUMBER	QTY	DESCRIPTION	REV
	1001212512	Ref	TURNTABLE HYDRAULIC DIAGRAM	G
1	0100019	AR	Compound, Locking	
2	2110604	1	Fitting, 90 ORFS/ORB	
3	2110808	3	Fitting, Straight ORFS/ORB	
4	2110810	1	Fitting, Straight ORFS/ORB	
5	2111010	1	Fitting, Straight ORFS/ORB	
6	2111016	4	Fitting, Straight ORFS/ORB	
7	2111620	2	Fitting, Straight ORFS/ORB	
8	2170204	1	Fitting, 90 ORFS/ORB	
9	2171310	1	Fitting, 45 ORFS	
10	2220366	1	Fitting, 90 JIC/ORB	
11	2220373	2	Fitting, Straight JIC/ORB	
12	2220374	4	Fitting, Straight JIC/ORB	
13	2220375	2	Fitting, Straight JIC/ORB	
14	2220380	2	Fitting, Straight JIC/ORB	
15	2220415	1	Fitting, Straight JIC/ORB	
16	2220473	1	Fitting, 90 JIC/ORB	
17	2220478	1	Fitting Kit - Split Flange	
18	2220479	1	Fitting, Straight JIC/ORB	
19	2220498	1	Fitting, 45 JIC/ORB	
20	2220500	1	Fitting, 45 JIC/ORB	
21	2220578	1	Fitting, 90 JIC/ORB	
22	2220602	1	Fitting, Tee JIC/ORB/JIC	
23	2220618	1	Fitting, Straight JIC/FSJIC	
24	2220865	1	Fitting, Straight JIC/ORB	
25	2221034	1	Fitting, Tee	
26	2221050	2	Fitting, 45 JIC/ORB	
27	2221077	1	Fitting, 45	
28	2230025	1	Fitting, Straight JIC/JIC	
29	2230026	2	Fitting, Straight JIC/JIC	
30	2230031	1	Fitting, 45 JIC/JIC	
31	2230035	1	Fitting, 45 JIC/JIC	
32	2230036	2	Fitting, 45 JIC/JIC	
33	4240018	4	Tie-Strap (Not Shown)	
34	1001137263	AR	Strap, Cinch	
35	8760554	2	Fitting, Tee JIC/ORB/JIC	
36	77133089	1	Valve, Check	
37	88662013	1	Fitting, Straight JIC/ORB	
38	0700823001	4	Bolt M8 x 75	
39	0701028001	2	Bolt M10 x 110	
40	0760822001	4	Bolt M8 x 70	
41	0761015001	2	Bolt M10 x 35	
42	3290801001	4	Nut M8	
43	3291001001	2	Nut M10	
44	3291005001	6	Nut M10	
45	4811900001	12	Washer M8	
46	1001172358	10	Washer M10	
47	1001202136	2	Stud M10 x 115	
48	1001110604	1	Fitting Kit - Split Flange	
49	1001119455	1	Fitting, Test	

SECTION 7 - HYDRAULIC

ITEM	PART NUMBER	QTY	DESCRIPTION	REV
50	1001200550	1	Sensor, Pressure Transducer	
51	1001202320	1	Tube	
52	1001212328	1	Tube	
53	1001207279	1	Shield (Not Shown)	
54	1001202705	1	Bracket	
55	1001202706	2	Clamp	
56	1001202707	1	Clamp	
57	1001207102	2	Clamp	
58	1001202708	2	Cover, Clamp	
59	1001202709	1	Cover, Clamp	
60	1001217086	1	Seal, Conical	
61	1001217087	1	Seal, Conical	
62	1001161647	1	Hose	
63	1001200977	1	Hose	
64	1001205083	1	Hose	
65	1001205084	1	Hose	
66	1001205086	1	Hose	
67	1001205087	1	Hose	
68	1001205088	1	Hose	
69	1001205089	1	Hose	
70	1001205090	1	Hose	
71	1001205092	1	Hose	
72	1001205093	1	Hose	
73	1001205094	2	Hose	
74	1001205095	1	Hose	
75	1001205096	1	Hose	
76	1001205098	2	Hose	
77	1001205100	2	Hose	
78	1001205102	1	Hose	
79	1001205103	1	Hose	
80	1001205104	1	Hose	
81	1001205105	1	Hose	
82	1001205106	1	Hose	
83	1001205108	1	Hose	
84	1001205110	2	Hose	
85	1001205111	2	Hose	
86	1001205113	1	Hose	
87	1001205114	1	Hose	
88	1001205115	1	Hose	
89	1001205116	4	Hose	
90	1001205117	1	Hose	
91	1001205124	1	Hose	
92	1001205125	1	Hose	
93	1001205949	1	Hose	
94	1001212491	1	Hose	
95	1001212492	1	Hose	
96	1001212494	2	Hose	
97	1001212495	1	Hose	
98	1001212502	1	Hose	
99	1001212503	1	Hose	
100	1001212504	1	Hose	

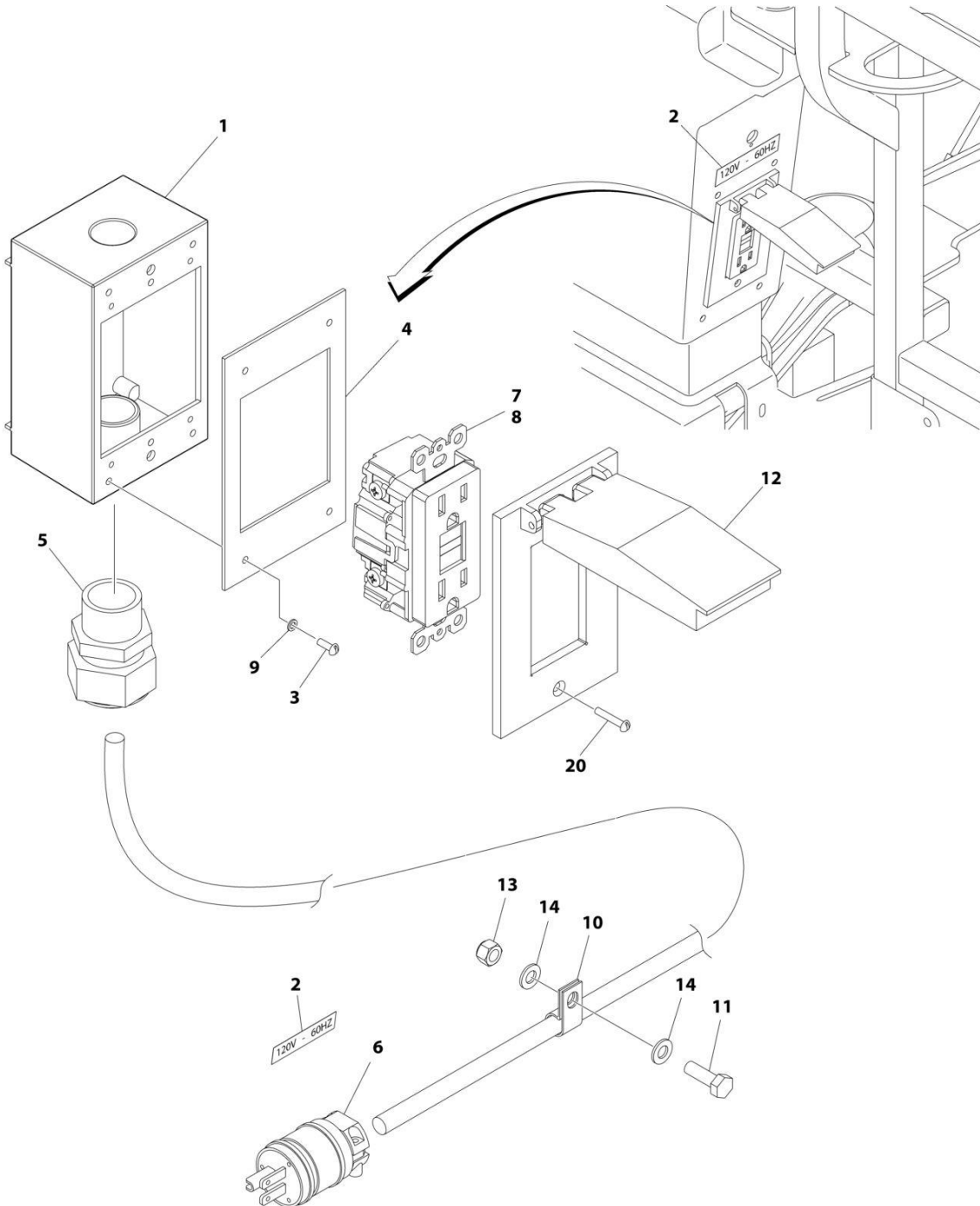
SECTION 7 - HYDRAULIC

ITEM	PART NUMBER	QTY	DESCRIPTION	REV
101	1001212505	1	Hose	
102	1001212507	1	Hose	
103	1001212509	1	Hose	
104	1001231291	1	Hose	
105	1001232201	1	Hose	
106	4240155	6	Strap, Cinch	

SECTION 8 - ELECTRICAL

SECTION 8 - ELECTRICAL

FIGURE 8-1. AC BOX AT PLATFORM INSTALLATION - 110V GFI (ANSI, CSA AND JAPANESE SPECS)



ART_1001197333

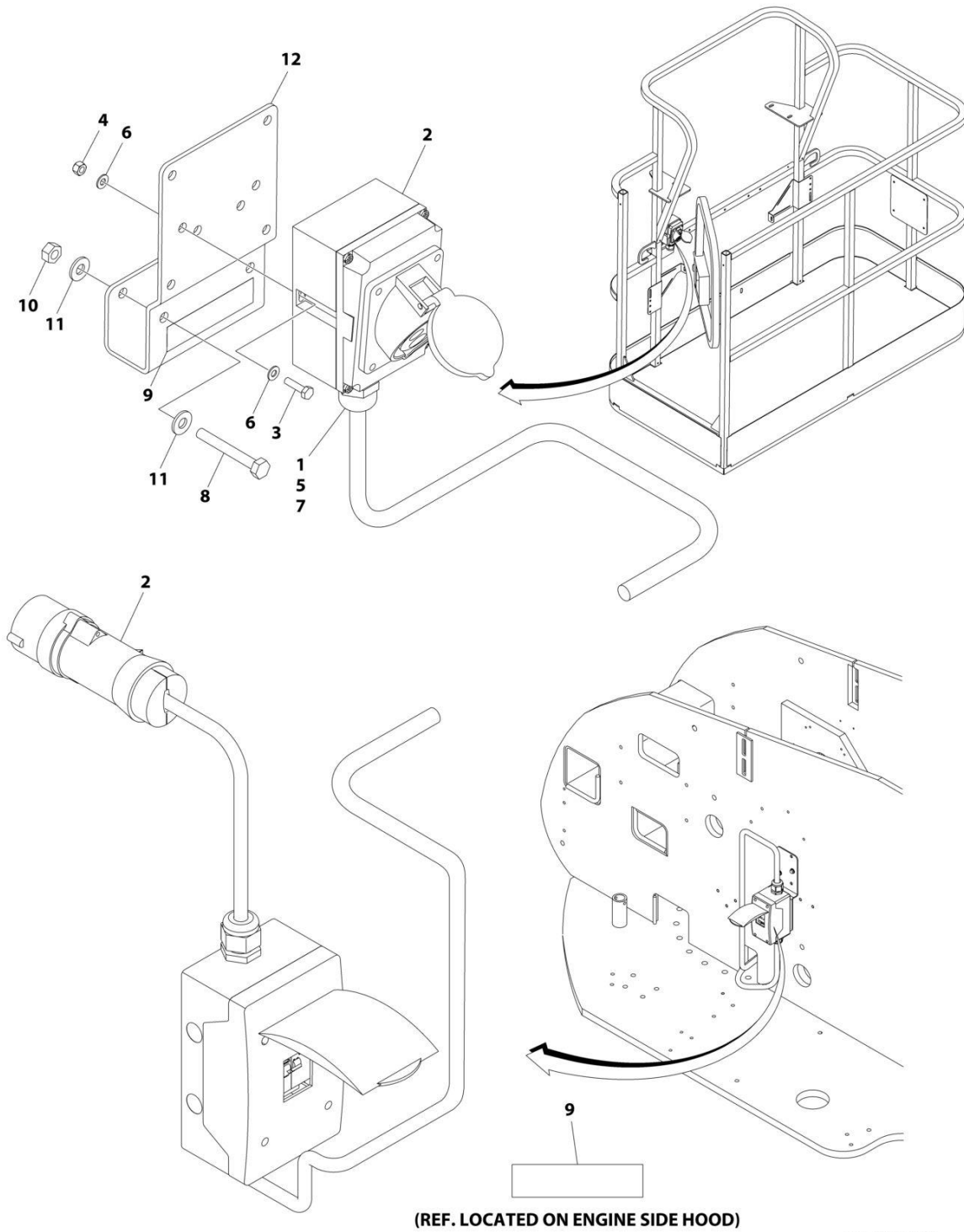
SECTION 8 - ELECTRICAL

FIGURE 8-1. AC BOX AT PLATFORM INSTALLATION - 110V GFI (ANSI, CSA AND JAPANESE SPECS)

ITEM	PART NUMBER	QTY	DESCRIPTION	REV
	1001197333	Ref	AC BOX AT PLATFORM INSTALLATION - 110V GFI	B
1	0860038	1	Box, Switch	
2	3251243	2	Decal - 120V/60Hz	
3	3910606	4	Screw #6 x 3/8	
4	3960422	1	Gasket, AC Receptacle	
5	4460051	1	Connector, Strain Relief	
6	4460205	1	Plug, Male	
7	4460315	3	Terminal, Spade	
8	4460346	1	Terminal, Receptacle	
9	4760600	4	Washer #6	
10	8406109	1	Clamp	
11	0760812001	1	Bolt M8 x 25	
12	1001110873	1	Shield, Receptacle Cover	
13	3290805001	1	Nut M8	
14	4811900001	2	Washer M8	
20	3910612	2	Screw #6 x 3/4	

SECTION 8 - ELECTRICAL

FIGURE 8-2. AC BOX AT PLATFORM INSTALLATION - 110V IEC YELLOW WITHOUT GENERATOR
(CE & UK CA SPECS)



ART_1001091969

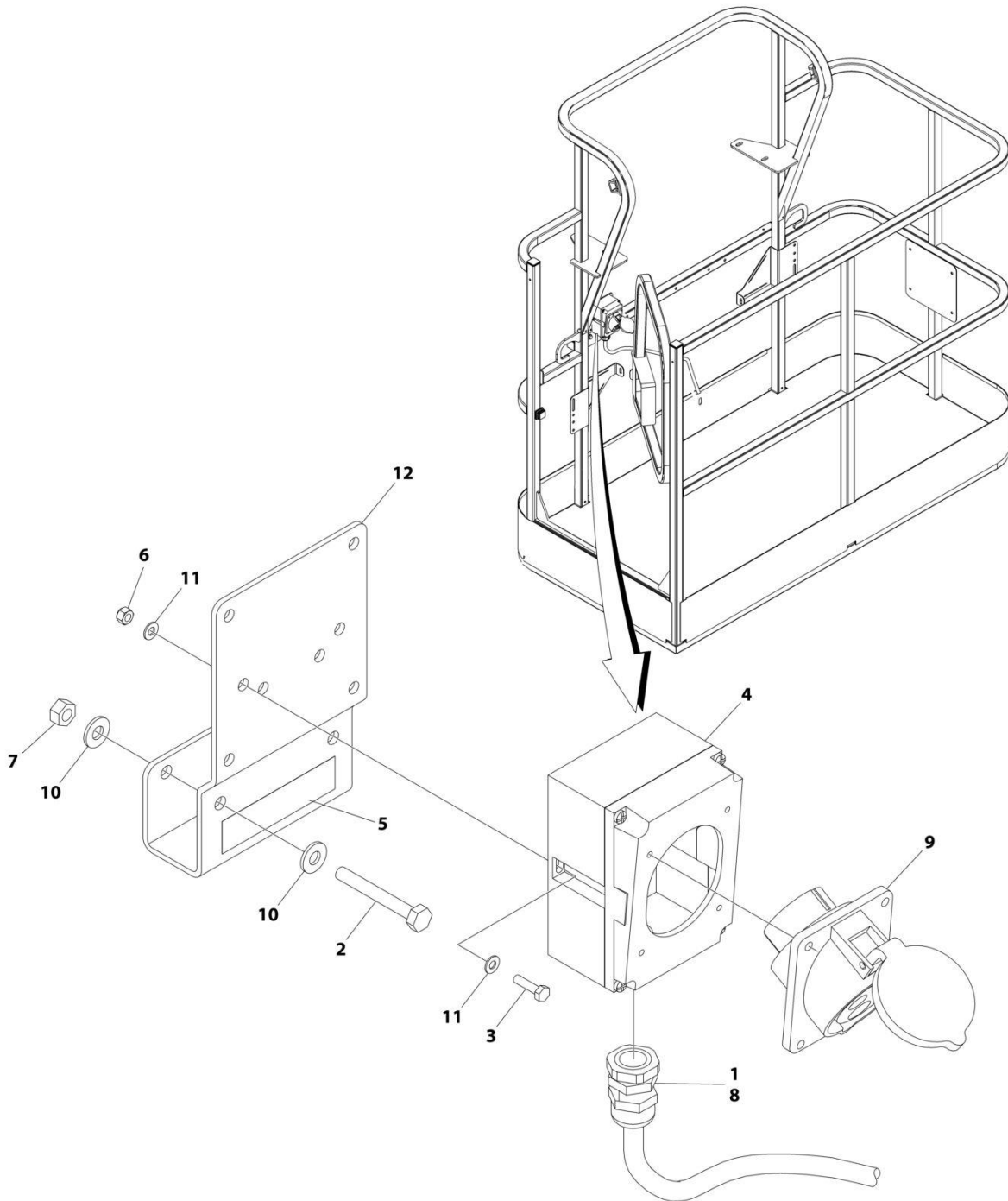
SECTION 8 - ELECTRICAL

**FIGURE 8-2. AC BOX AT PLATFORM INSTALLATION - 110V IEC YELLOW WITHOUT GENERATOR
(CE & UK CA SPECS)**

ITEM	PART NUMBER	QTY	DESCRIPTION	REV
	1001091969	Ref	AC BOX AT PLATFORM INSTALLATION - 110V IEC YELLOW	D
1	0100020	AR	Sealant, Pipe	
2	0275216	1	Receptacle Box Kit (See Separate Breakdown in this Section)	
3	0700408	2	Bolt M4 x 16	
4	3290405	2	Nut M4	
5	1001101196	1	Adapter	
6	4811400	4	Washer M4	
7	1001101191	1	Connector, Strain Relief	
8	0641416	2	Bolt 1/4 x 2	
9	1705325	2	Decal - 110V	
10	3311405	2	Nut 1/4	
11	4711400	4	Washer 1/4	
12	1001193018	1	Bracket	

SECTION 8 - ELECTRICAL

FIGURE 8-3. AC BOX AT PLATFORM INSTALLATION - 110V IEC YELLOW WITH 4000W GENERATOR
(CE & UK CA SPECS)



ART_1001194203

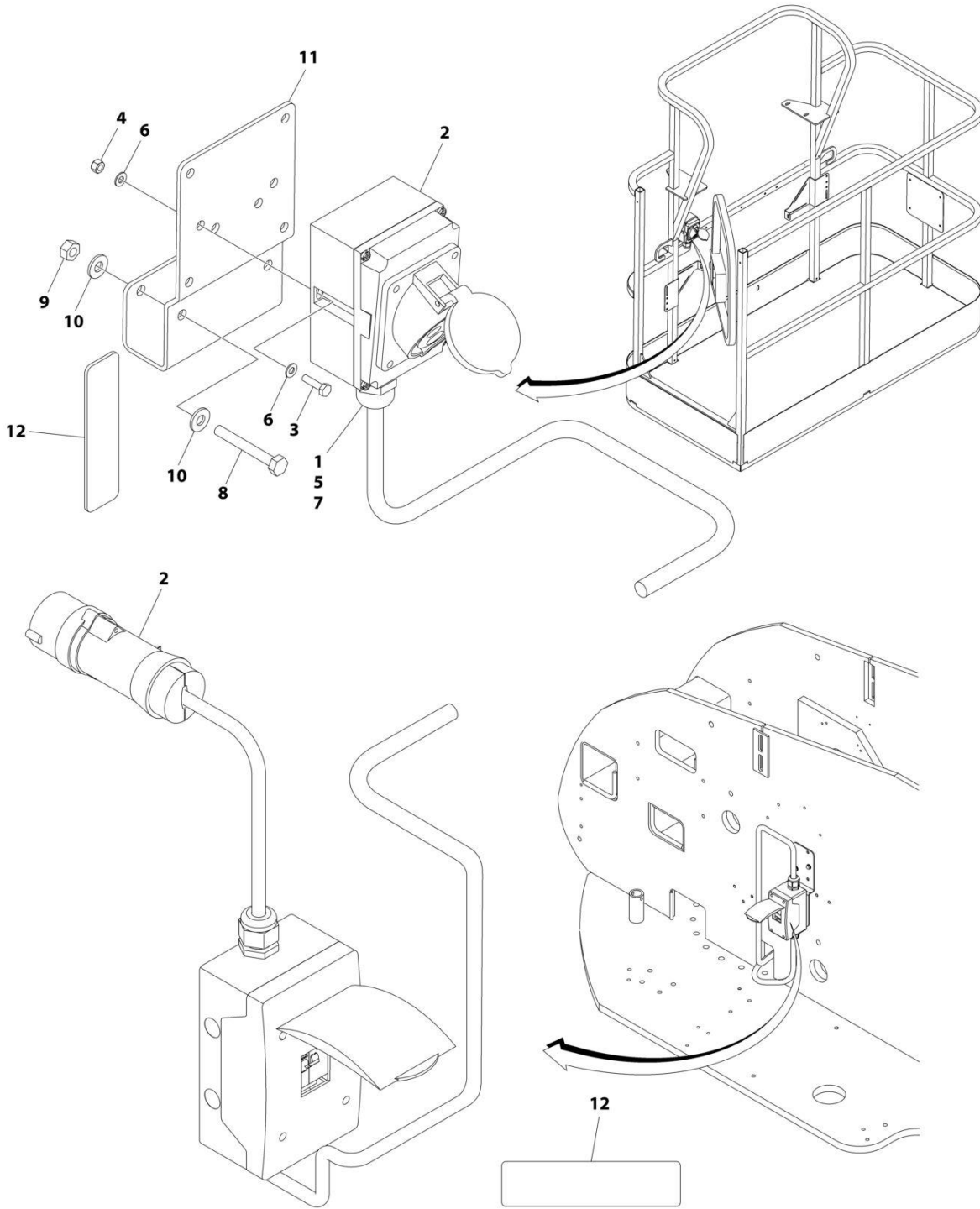
SECTION 8 - ELECTRICAL

**FIGURE 8-3. AC BOX AT PLATFORM INSTALLATION - 110V IEC YELLOW WITH 4000W GENERATOR
(CE & UK CA SPECS)**

ITEM	PART NUMBER	QTY	DESCRIPTION	REV
	1001194203	Ref	AC BOX AT PLATFORM INSTALLATION	B
1	0100020	AR	Sealant, Pipe	
2	0641416	2	Bolt 1/4 x 2	
3	0700408	2	Bolt M4 x 16	
4	0861781	1	Box, Switch	
5	1705325	1	Decal - 110V	
6	3290405	2	Nut M4	
7	3311405	2	Nut 1/4	
8	4460968	1	Connector, Strain Relief	
9	4461198	1	Receptacle	
10	4711400	4	Washer 1/4	
11	4811400	4	Washer M4	
12	1001193018	1	Bracket, AC Receptacle	

SECTION 8 - ELECTRICAL

FIGURE 8-4. AC BOX AT PLATFORM INSTALLATION - 220V IEC BLUE WITHOUT GENERATOR (CE & UK CA SPECS)



ART_1001091970

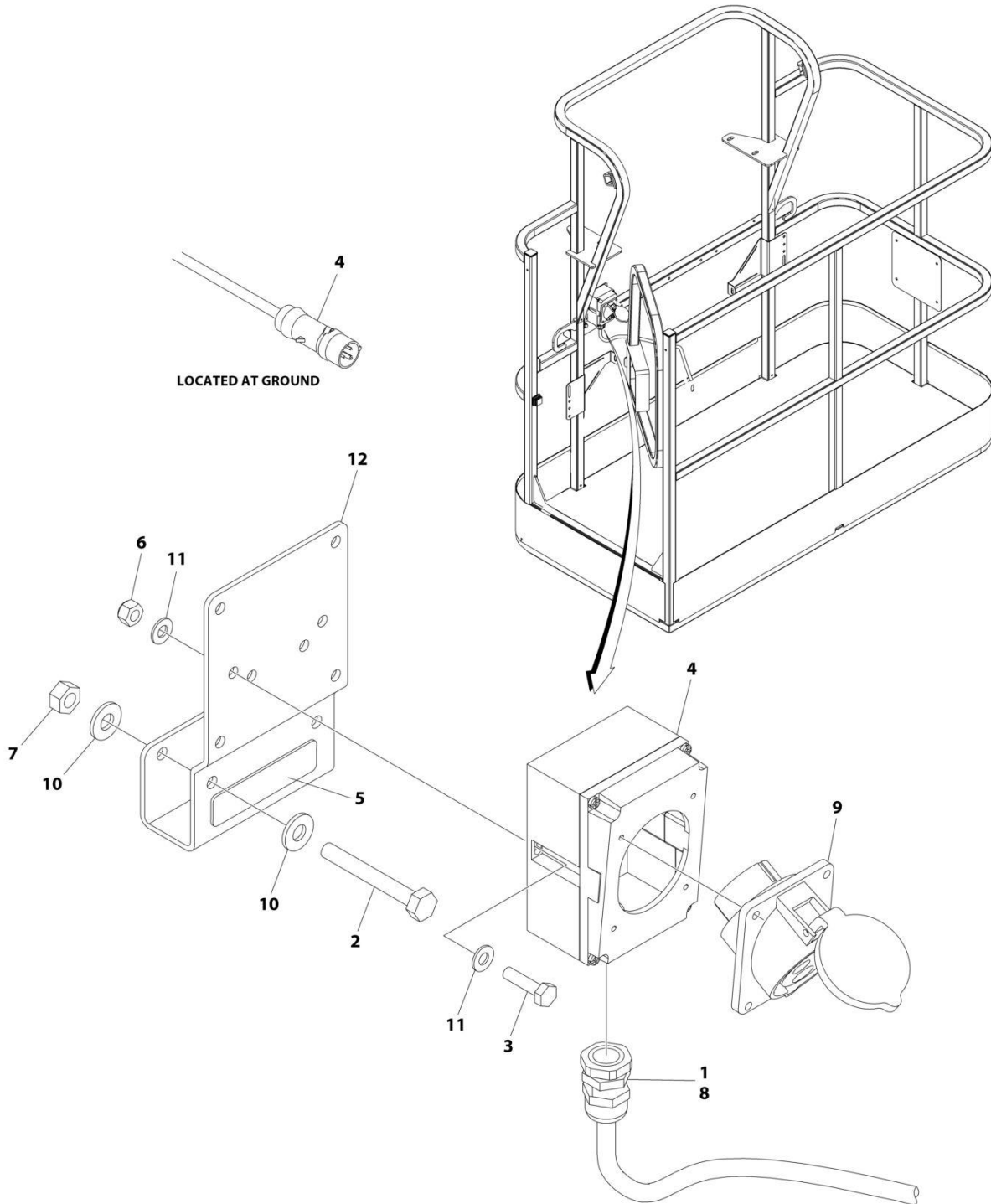
SECTION 8 - ELECTRICAL

FIGURE 8-4. AC BOX AT PLATFORM INSTALLATION - 220V IEC BLUE WITHOUT GENERATOR (CE & UK CA SPECS)

ITEM	PART NUMBER	QTY	DESCRIPTION	REV
	1001091970	Ref	AC BOX AT PLATFORM INSTALLATION - 220V IEC BLUE	D
1	0100020	AR	Sealant, Pipe	
2	0275217	1	Receptacle Box Kit (See Separate Breakdown in this Section)	
3	0700408	2	Bolt M4 x 16	
4	3290405	2	Nut M4	
5	1001101196	1	Adapter	
6	4811400	4	Washer M4	
7	1001101191	1	Connector, Strain Relief	
8	0641416	2	Bolt 1/4 x 2	
9	3311405	2	Nut 1/4	
10	4711400	4	Washer 1/4	
11	1001193018	1	Bracket	
12	3251242	2	Decal - 240V/50Hz	

SECTION 8 - ELECTRICAL

FIGURE 8-5. AC BOX AT PLATFORM INSTALLATION - 220V IEC BLUE WITH 4000W GENERATOR
(CE & UK CA SPECS)



ART_1001194204

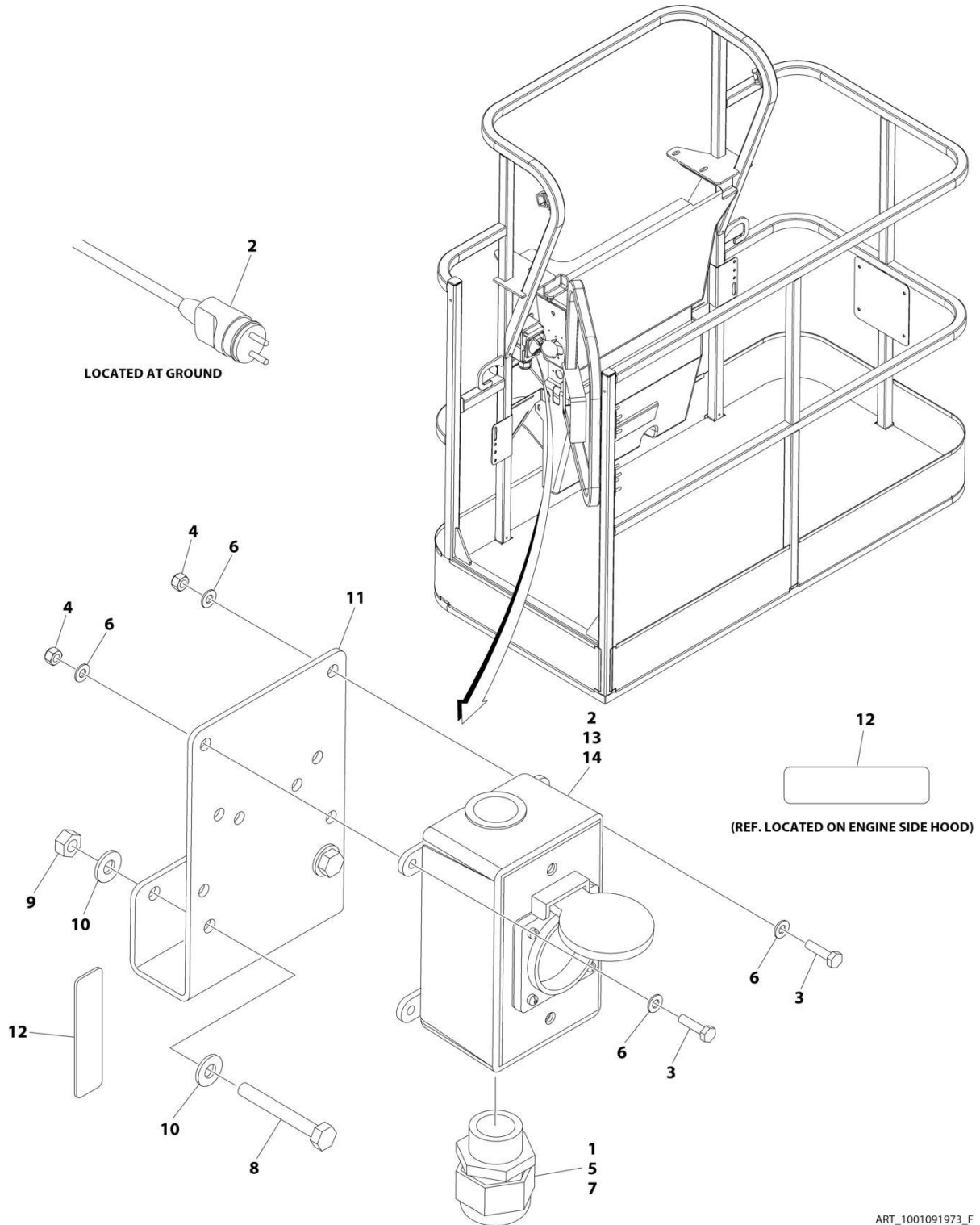
SECTION 8 - ELECTRICAL

**FIGURE 8-5. AC BOX AT PLATFORM INSTALLATION - 220V IEC BLUE WITH 4000W GENERATOR
(CE & UK CA SPECS)**

ITEM	PART NUMBER	QTY	DESCRIPTION	REV
	1001194204	Ref	AC BOX AT PLATFORM INSTALLATION	B
1	0100020	AR	Sealant, Pipe	
2	0641416	2	Bolt 1/4 x 2	
3	0700408	2	Bolt M4 x 16	
4	0861781	1	Box, Switch	
5	3251242	1	Decal - 240V/50Hz	
6	3290405	2	Nut M4	
7	3311405	2	Nut 1/4	
8	4460968	1	Connector, Strain Relief	
9	4461201	1	Receptacle	
10	4711400	4	Washer 1/4	
11	4811400	4	Washer M4	
12	1001193018	1	Bracket, AC Receptacle	

SECTION 8 - ELECTRICAL

FIGURE 8-6. AC BOX AT PLATFORM INSTALLATION - 220V CEE7 POST GROUND WITHOUT GENERATOR (CE & UK CA SPECS)



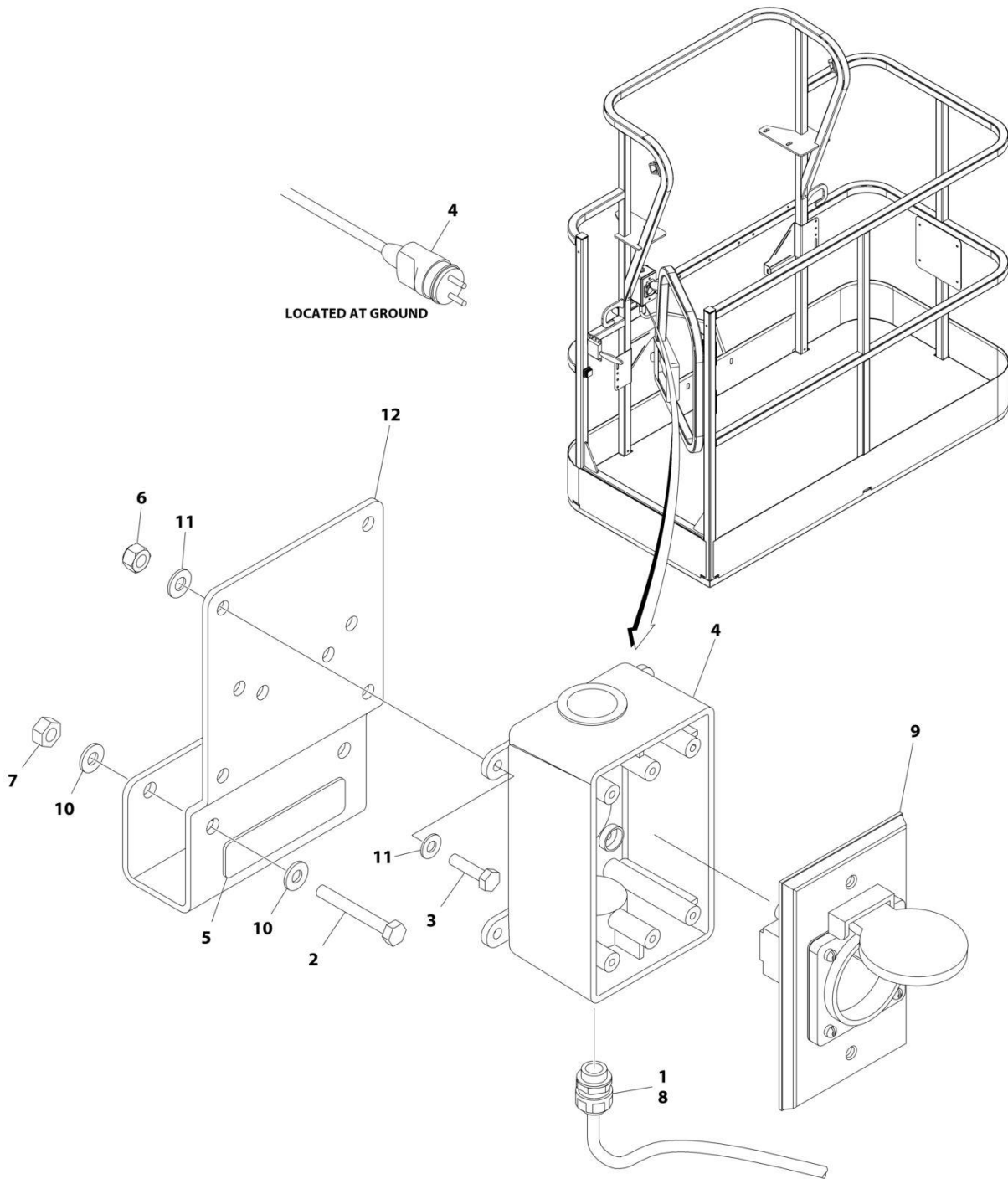
SECTION 8 - ELECTRICAL

FIGURE 8-6. AC BOX AT PLATFORM INSTALLATION - 220V CEE7 POST GROUND WITHOUT GENERATOR (CE & UK CA SPECS)

ITEM	PART NUMBER	QTY	DESCRIPTION	REV
	1001091973	Ref	AC BOX AT PLATFORM INSTALLATION - 220V CEE7 2X4 BOX POST GROUND	F
1	0100020	AR	Sealant, Pipe	
2	0275452	1	Receptacle Box Kit (See Separate Breakdown in this Section)	
3	0700408	4	Bolt M4 x 16	
4	3290405	4	Nut M4	
5	1001101197	1	Adapter	
6	4811400	8	Washer M4	
7	1001101191	1	Connector, Strain Relief	
8	0641416	2	Bolt 1/4 x 2	
9	3311405	2	Nut 1/4	
10	4711400	4	Washer 1/4	
11	1001193018	1	Bracket	
12	3251242	2	Decal - 240V/50Hz	
13	4460806	2	Terminal, Fork (Not Shown)	
14	1001205958	1	Terminal (Not Shown)	

SECTION 8 - ELECTRICAL

FIGURE 8-7. AC BOX AT PLATFORM INSTALLATION - 220V CEE7 POST GROUND WITH 4000W GENERATOR (CE & UK CA SPECS)



ART_1001194197

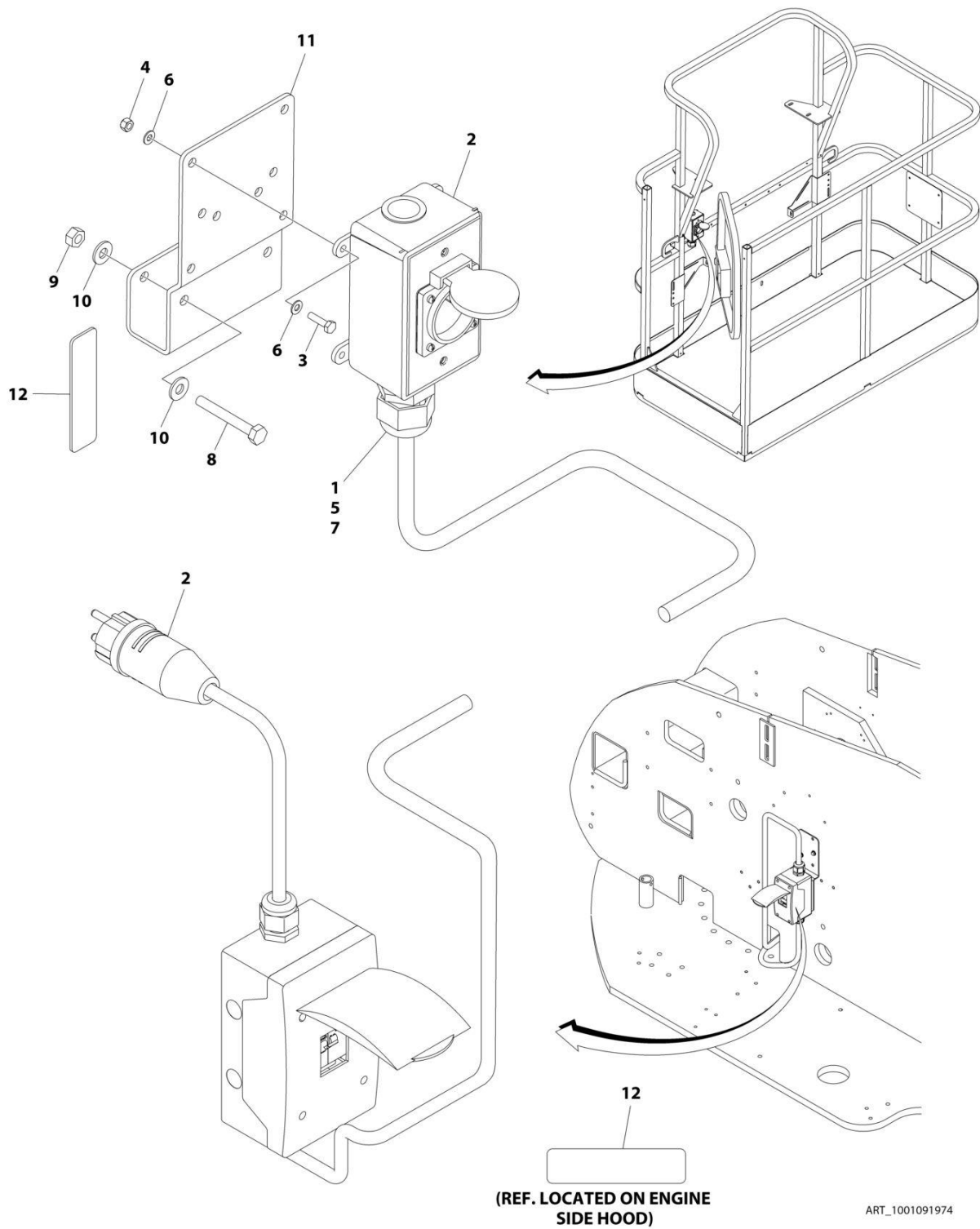
SECTION 8 - ELECTRICAL

FIGURE 8-7. AC BOX AT PLATFORM INSTALLATION - 220V CEE7 POST GROUND WITH 4000W GENERATOR (CE & UK CA SPECS)

ITEM	PART NUMBER	QTY	DESCRIPTION	REV
	1001194197	Ref	AC BOX AT PLATFORM INSTALLATION	B
1	0100020	AR	Sealant, Pipe	
2	0641416	2	Bolt 1/4 x 2	
3	0700408	4	Bolt M4 x 16	
4	0861731	1	Box, Switch	
5	3251242	1	Decal - 240V/50Hz	
6	3290405	4	Nut M4	
7	3311405	2	Nut 1/4	
8	4460662	1	Connector, Strain Relief	
9	4461244	1	Receptacle	
10	4711400	4	Washer 1/4	
11	4811400	8	Washer M4	
12	1001193018	1	Bracket, AC Receptacle	
13	4460806	2	Terminal, Fork (Not Shown)	
14	1001205958	1	Terminal (Not Shown)	

SECTION 8 - ELECTRICAL

FIGURE 8-8. AC BOX AT PLATFORM INSTALLATION - 220V CEE7 SIDE GROUND WITHOUT GENERATOR (CE & UK CA SPECS)



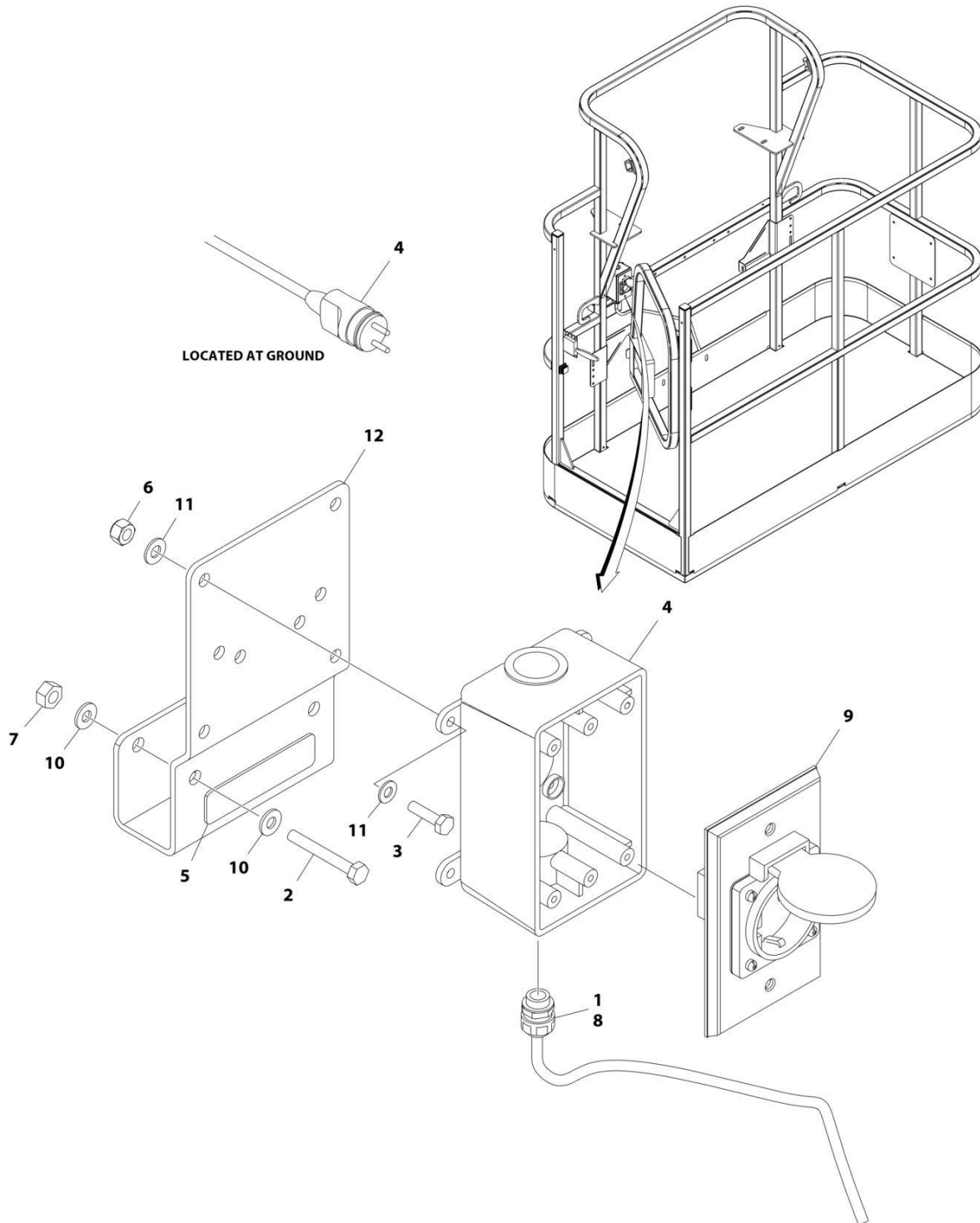
SECTION 8 - ELECTRICAL

FIGURE 8-8. AC BOX AT PLATFORM INSTALLATION - 220V CEE7 SIDE GROUND WITHOUT GENERATOR (CE & UK CA SPECS)

ITEM	PART NUMBER	QTY	DESCRIPTION	REV
	1001091974	Ref	AC BOX AT PLATFORM INSTALLATION - 220V CEE7 2X4 BOX SIDE GROUND	F
1	0100020	AR	Sealant, Pipe	
2	0275453	1	Receptacle Box Kit (See Separate Breakdown in this Section)	
3	0700408	4	Bolt M4 x 16	
4	3290405	4	Nut M4	
5	1001101197	1	Adapter	
6	4811400	8	Washer M4	
7	1001101191	1	Connector, Strain Relief	
8	0641416	2	Bolt 1/4 x 2	
9	3311405	2	Nut 1/4	
10	4711400	4	Washer 1/4	
11	1001193018	1	Bracket	
12	3251242	2	Decal - 240V/50Hz	
13	4460806	2	Terminal, Fork (Not Shown)	
14	1001205958	1	Terminal (Not Shown)	

SECTION 8 - ELECTRICAL

FIGURE 8-9. AC BOX AT PLATFORM INSTALLATION - 220V CEE7 SIDE GROUND WITH 4000W GENERATOR (CE & UK CA SPECS)



ART_1001194198

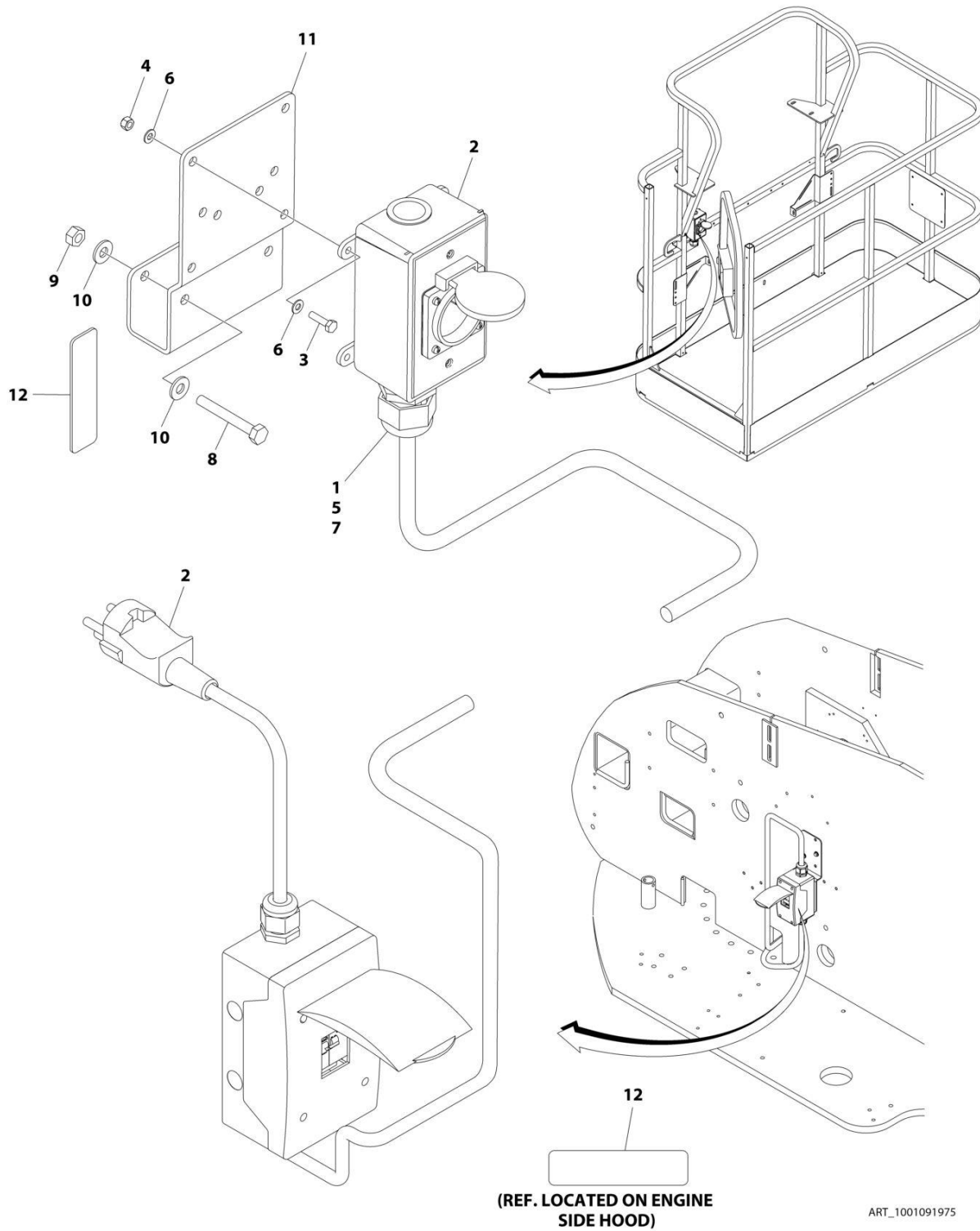
SECTION 8 - ELECTRICAL

FIGURE 8-9. AC BOX AT PLATFORM INSTALLATION - 220V CEE7 SIDE GROUND WITH 4000W GENERATOR (CE & UK CA SPECS)

ITEM	PART NUMBER	QTY	DESCRIPTION	REV
	1001194198	Ref	AC BOX AT PLATFORM INSTALLATION	B
1	0100020	AR	Sealant, Pipe	
2	0641416	2	Bolt 1/4 x 2	
3	0700408	4	Bolt M4 x 16	
4	0861731	1	Box, Switch	
5	3251242	1	Decal - 240V/50Hz	
6	3290405	4	Nut M4	
7	3311405	2	Nut 1/4	
8	4460662	1	Connector, Strain Relief	
9	4461245	1	Receptacle	
10	4711400	4	Washer 1/4	
11	4811400	8	Washer M4	
12	1001193018	1	Bracket, AC Receptacle	
13	4460806	2	Terminal, Fork (Not Shown)	
14	1001205958	1	Terminal (Not Shown)	

SECTION 8 - ELECTRICAL

FIGURE 8-10. AC BOX AT PLATFORM INSTALLATION - 220V AFSINT 107 KEYED GROUND WITHOUT GENERATOR (CE & UK CA SPECS)



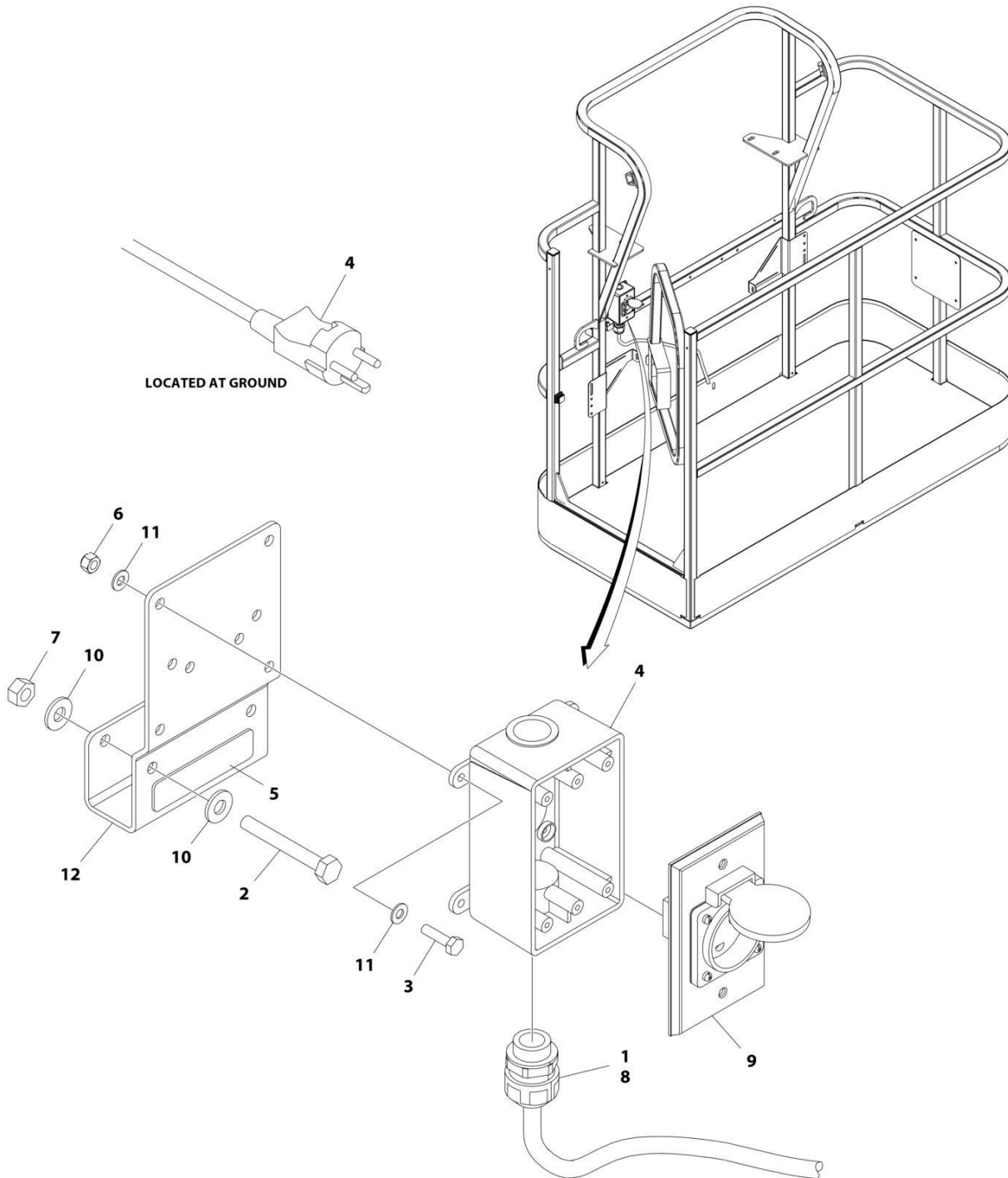
SECTION 8 - ELECTRICAL

**FIGURE 8-10. AC BOX AT PLATFORM INSTALLATION - 220V AFSINT 107 KEYED GROUND
WITHOUT GENERATOR (CE & UK CA SPECS)**

ITEM	PART NUMBER	QTY	DESCRIPTION	REV
	1001091975	Ref	AC BOX AT PLATFORM INSTALLATION - 220V AFSINT 107 2X4 BOX KEYED GROUND	F
1	0100020	AR	Sealant, Pipe	
2	0275454	1	Receptacle Box Kit (See Separate Breakdown in this Section)	
3	0700408	4	Bolt M4 x 16	
4	3290405	4	Nut M4	
5	1001101197	1	Adapter	
6	4811400	8	Washer M4	
7	1001101191	1	Connector, Strain Relief	
8	0641416	2	Bolt 1/4 x 2	
9	3311405	2	Nut 1/4	
10	4711400	4	Washer 1/4	
11	1001193018	1	Bracket	
12	3251242	2	Decal - 240V/50Hz	
13	1001205958	3	Terminal (Not Shown)	

SECTION 8 - ELECTRICAL

FIGURE 8-11. AC BOX AT PLATFORM INSTALLATION - 220V AFSINT 107 KEYED GROUND WITH 4000W GENERATOR (CE & UK CA SPECS)



ART_1001194200

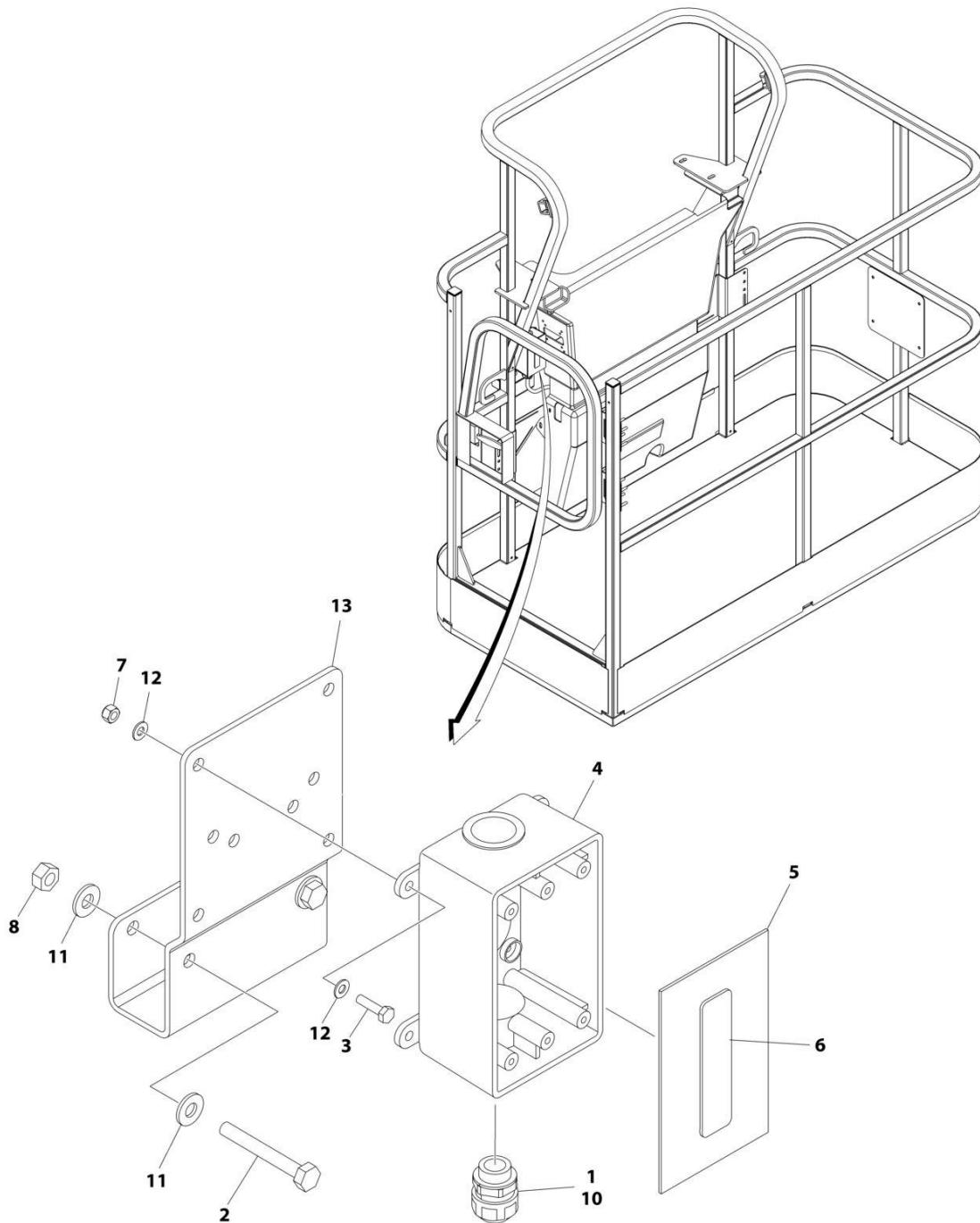
SECTION 8 - ELECTRICAL

FIGURE 8-11. AC BOX AT PLATFORM INSTALLATION - 220V AFSINT 107 KEYED GROUND WITH 4000W GENERATOR (CE & UK CA SPECS)

ITEM	PART NUMBER	QTY	DESCRIPTION	REV
	1001194200	Ref	AC BOX AT PLATFORM INSTALLATION	B
1	0100020	AR	Sealant, Pipe	
2	0641416	2	Bolt 1/4 x 2	
3	0700408	4	Bolt M4 x 16	
4	0861731	1	Box, Switch	
5	3251242	1	Decal - 240V/50Hz	
6	3290405	4	Nut M4	
7	3311405	2	Nut 1/4	
8	4460662	1	Connector, Strain Relief	
9	4461246	1	Receptacle	
10	4711400	4	Washer 1/4	
11	4811400	8	Washer M4	
12	1001193018	1	Bracket, AC Receptacle	
13	1001205958	1	Terminal (Not Shown)	

SECTION 8 - ELECTRICAL

FIGURE 8-12. AC BOX AT PLATFORM INSTALLATION - BOX WITH COVER WITH 4000W GENERATOR (ANSI EXPORT, AUSTRALIAN, CHINA, JAPANESE, CE & UK CA SPECS)



ART_1001194365

SECTION 8 - ELECTRICAL

FIGURE 8-12. AC BOX AT PLATFORM INSTALLATION - BOX WITH COVER WITH 4000W GENERATOR (ANSI EXPORT, AUSTRALIAN, CHINA, JAPANESE, CE & UK CA SPECS)

ITEM	PART NUMBER	QTY	DESCRIPTION	REV
	1001194365	Ref	AC BOX AT PLATFORM INSTALLATION - BOX WITH COVER (2X4 BOX)	A
1	0100020	AR	Sealant	
2	0641416	2	Bolt 1/4 x 2	
3	0700408	4	Bolt M4 x 16	
4	0861731	1	Box, Switch	
5	1670603	1	Cover	
6	3251242	1	Decal - 240V/50Hz	
7	3290405	4	Nut M4	
8	3311405	2	Nut 1/4	
9	4460384	3	Terminal (Not Shown)	
10	4460662	1	Connector, Strain Relief	
11	4711400	4	Washer 1/4	
12	4811400	8	Washer M4	
13	1001193018	1	Bracket, AC Receptacle	

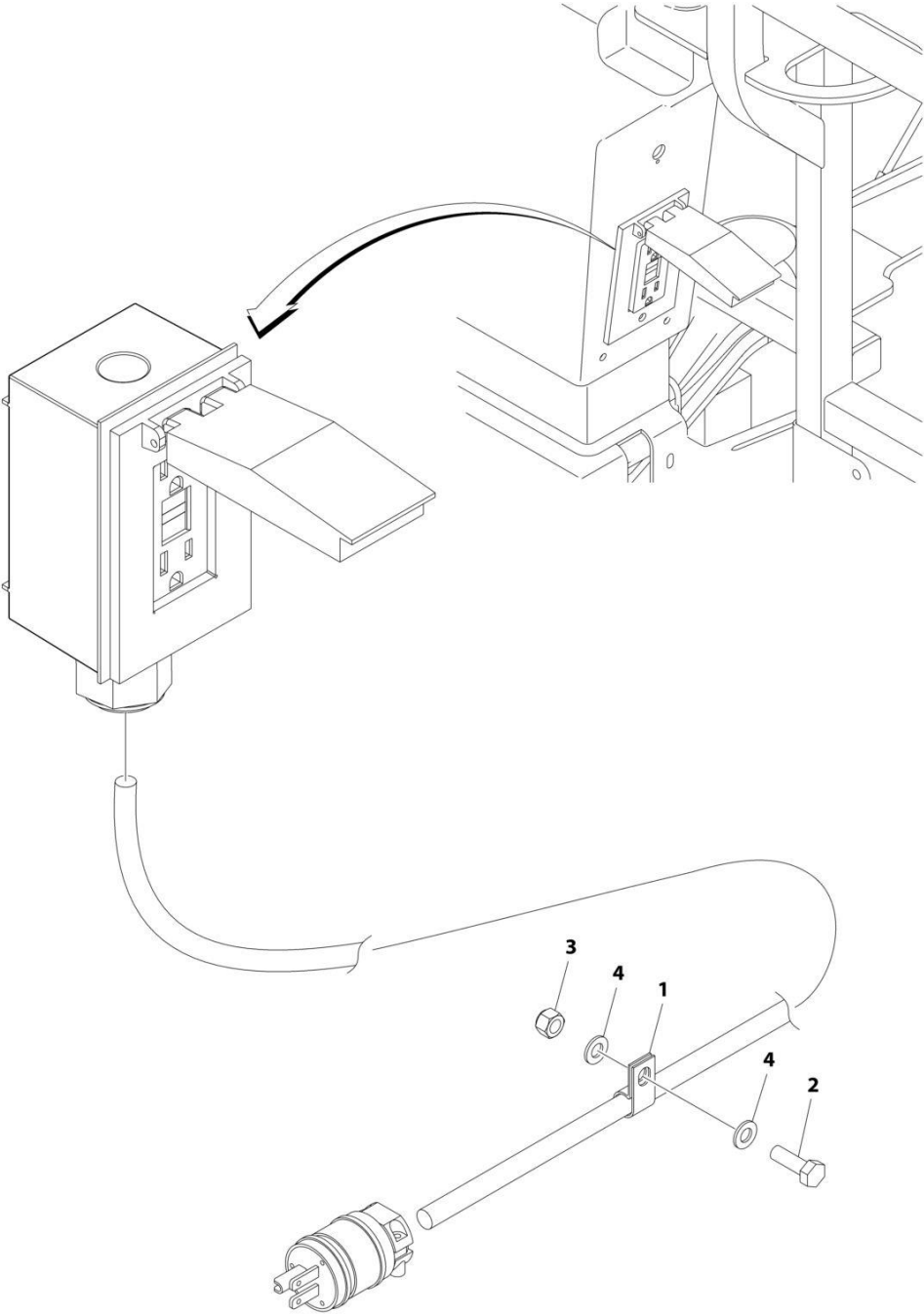
SECTION 8 - ELECTRICAL

FIGURE 8-13. AC BOX AT PLATFORM INSTALLATION - 240V (WITH 7500W SKYPOWER GENERATOR) (ANSI & CSA SPECS)

ITEM	PART NUMBER	QTY	DESCRIPTION	REV
	1001159121	Ref	AC BOX AT PLATFORM INSTALLATION - 240V RECEPTACLE	B
1	3910606	4	Screw 6 x 3/8	
2	3960422	1	Gasket	
3	4240018	AR	Tie-Strap (Not Shown)	
4	4460425	1	Connector, Strain Relief	
5	4460958	1	Receptacle	
7	1001110872	1	Cover, Receptacle	
8	1001159120	1	Receptacle/Breaker Box Assembly	
8	1001148675	1	Box, Receptacle	
8	1001159118	1	Breaker Box Assembly	
8	4460612	1	Connector, Strain Relief	
8	1001159119	1	Connector (Between Boxes)	
9	1705374	1	Decal - 240V/60Hz	

SECTION 8 - ELECTRICAL

FIGURE 8-14. AC LEAD INSTALLATION (ANSI EXPORT, AUSTRALIAN, CHINA, CE & UK CA SPECS)



ART_1001197332

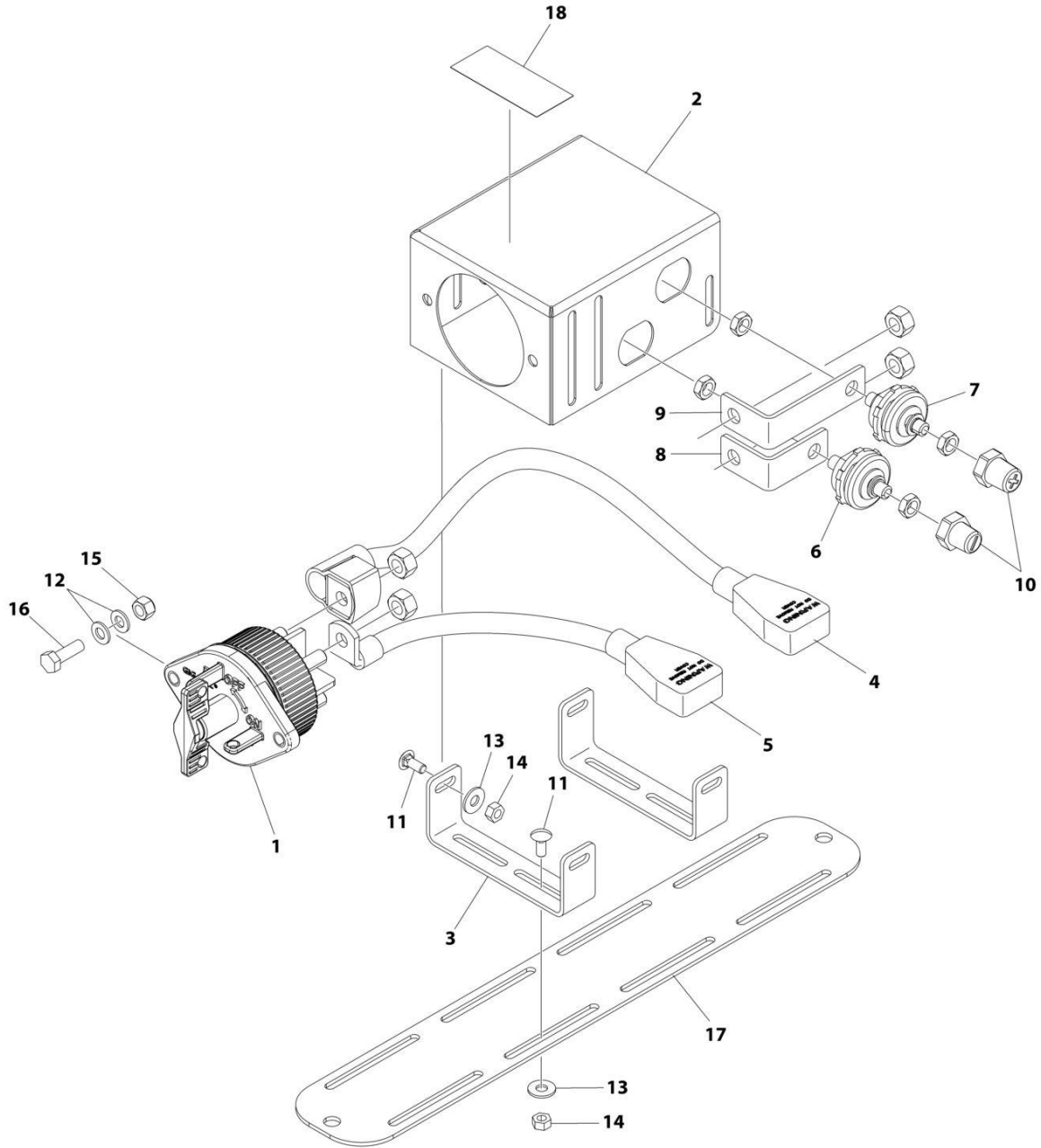
SECTION 8 - ELECTRICAL

FIGURE 8-14. AC LEAD INSTALLATION (ANSI EXPORT, AUSTRALIAN, CHINA, CE & UK CA SPECS)

ITEM	PART NUMBER	QTY	DESCRIPTION	REV
	1001197332	Ref	AC LEAD INSTALLATION	A
1	8406109	1	Clamp	
2	0760812001	1	Bolt M8 x 25	
3	3290805001	1	Nut M8	
4	4811900001	2	Washer M8	

SECTION 8 - ELECTRICAL

FIGURE 8-15. BATTERY DISCONNECT INSTALLATION



ART_1001239874

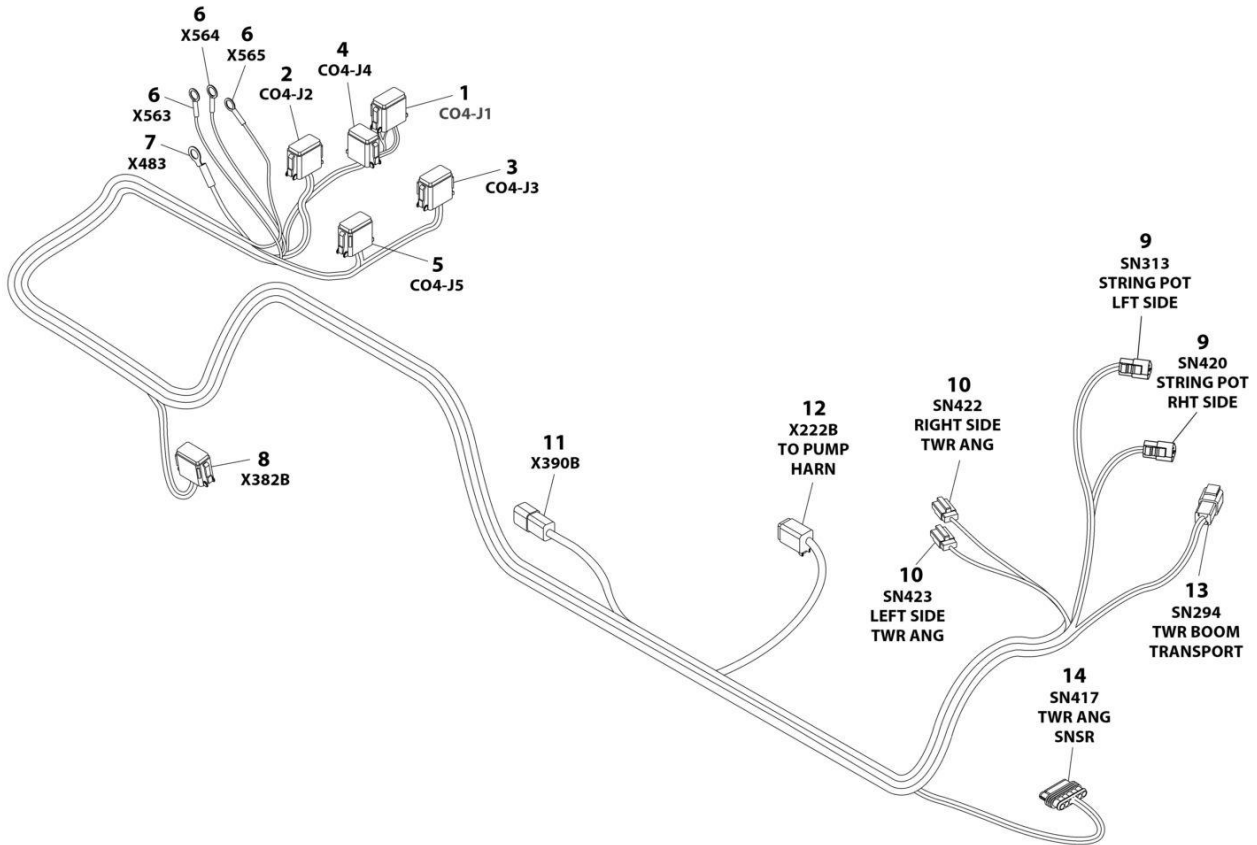
SECTION 8 - ELECTRICAL

FIGURE 8-15. BATTERY DISCONNECT INSTALLATION

ITEM	PART NUMBER	QTY	DESCRIPTION	REV
	1001239874	Ref	BATTERY DISCONNECT INSTALLATION	A
1	1001225346	1	Switch, Disconnect	
2	1001226531	1	Mount	
3	1001239805	2	Mount	
4	1001236504	1	Cable (Positive)	
5	1001236505	1	Cable (Negative)	
6	1001214571	1	Connector (Black)	
7	1001214570	1	Connector (Red)	
8	1001209474	1	Buss bar	
9	1001209432	1	Buss bar	
10	1001206476	1	Connector	
11	88411013	8	Bolt 1/4 x 3/4	
12	4811900	4	Washer M8	
13	4751400	8	Washer 1/4	
14	3311405	8	Nut 1/4	
15	3290805	2	Nut M8	
16	0760812	2	Bolt M8 x 25	
17	1001241586	1	Plate	
18	1001239957	1	Decal - Battery Disconnect	

SECTION 8 - ELECTRICAL

FIGURE 8-16. BLAM HARNESS



ART_1001258191

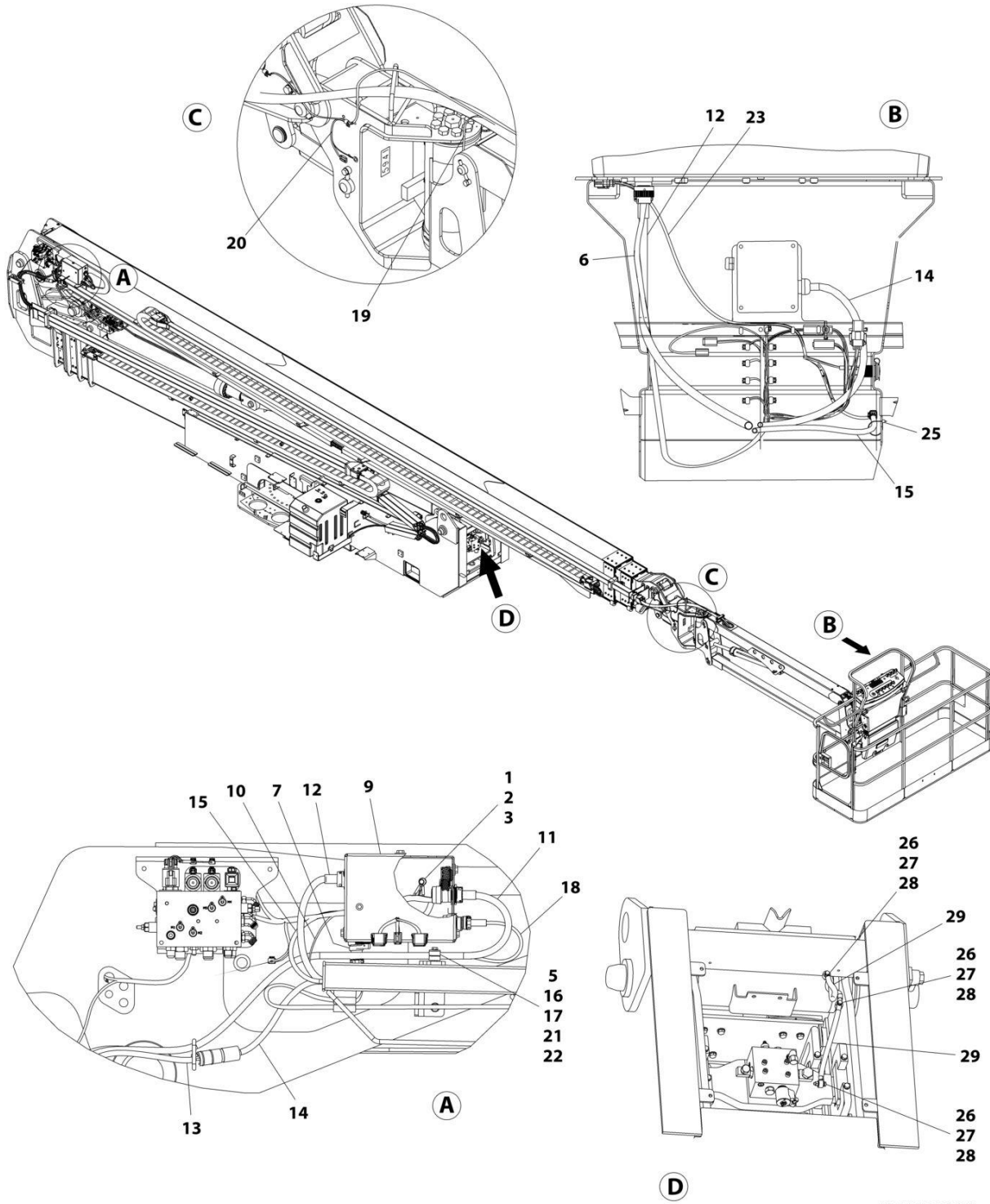
SECTION 8 - ELECTRICAL

FIGURE 8-16. BLAM HARNESS

ITEM	PART NUMBER	QTY	DESCRIPTION	REV
	1001258191	Ref	BLAM HARNESS	B
1	1001270339	1	Plug, Male - 12 Position	
1	1001116692	6	Socket, Female	
1	4460944	2	Socket, Female	
1	4460466	4	Plug, Terminal	
2	1001270340	1	Plug, Male - 12 Position	
2	1001116692	10	Socket, Female	
2	4460466	2	Plug, Terminal	
3	1001239344	1	Plug, Male - 12 Position	
3	1001116692	8	Socket, Female	
3	4460466	4	Plug, Terminal	
4	4460930	1	Plug, Male - 8 Position	
4	1001116692	3	Socket, Female	
4	4460466	5	Plug, Terminal	
5	1001239345	1	Plug, Male - 12 Position	
5	1001116692	4	Socket, Female	
5	4460466	8	Plug, Terminal	
6	4460256	3	Terminal, Ring	
7	1001117110	1	Terminal, Ring	
8	4460933	1	Plug, Male - 12 Position	
8	1001116692	10	Socket, Female	
8	4460944	2	Socket, Female	
9	4460539	2	Plug, Male - 3 Position	
9	4460465	6	Socket, Female	
10	4460911	2	Plug, Male - 3 Position	
10	4460912	2	Wedge Lock	
10	1001116694	6	Socket, Female	
11	4460932	1	Receptacle, Female - 4 Position	
11	4460464	4	Pin, Male	
12	4460894	1	Plug, Male - 6 Position	
12	1001116692	5	Socket, Female	
12	4460466	1	Plug, Terminal	
13	1001097051	1	Receptacle, Female - 4 Position	
13	1001116695	4	Terminal	
14	4461117	1	Plug, Male - 6 Position	
14	1001107854	6	Terminal	
14	1001104498	6	Seal	

SECTION 8 - ELECTRICAL

FIGURE 8-17. BOOM CABLES INSTALLATION - WITHOUT GENERATOR (ALL SPEC EXCEPT AUSTRALIAN, CHINA, CE & UK CA SPECS)



ART_1001197326

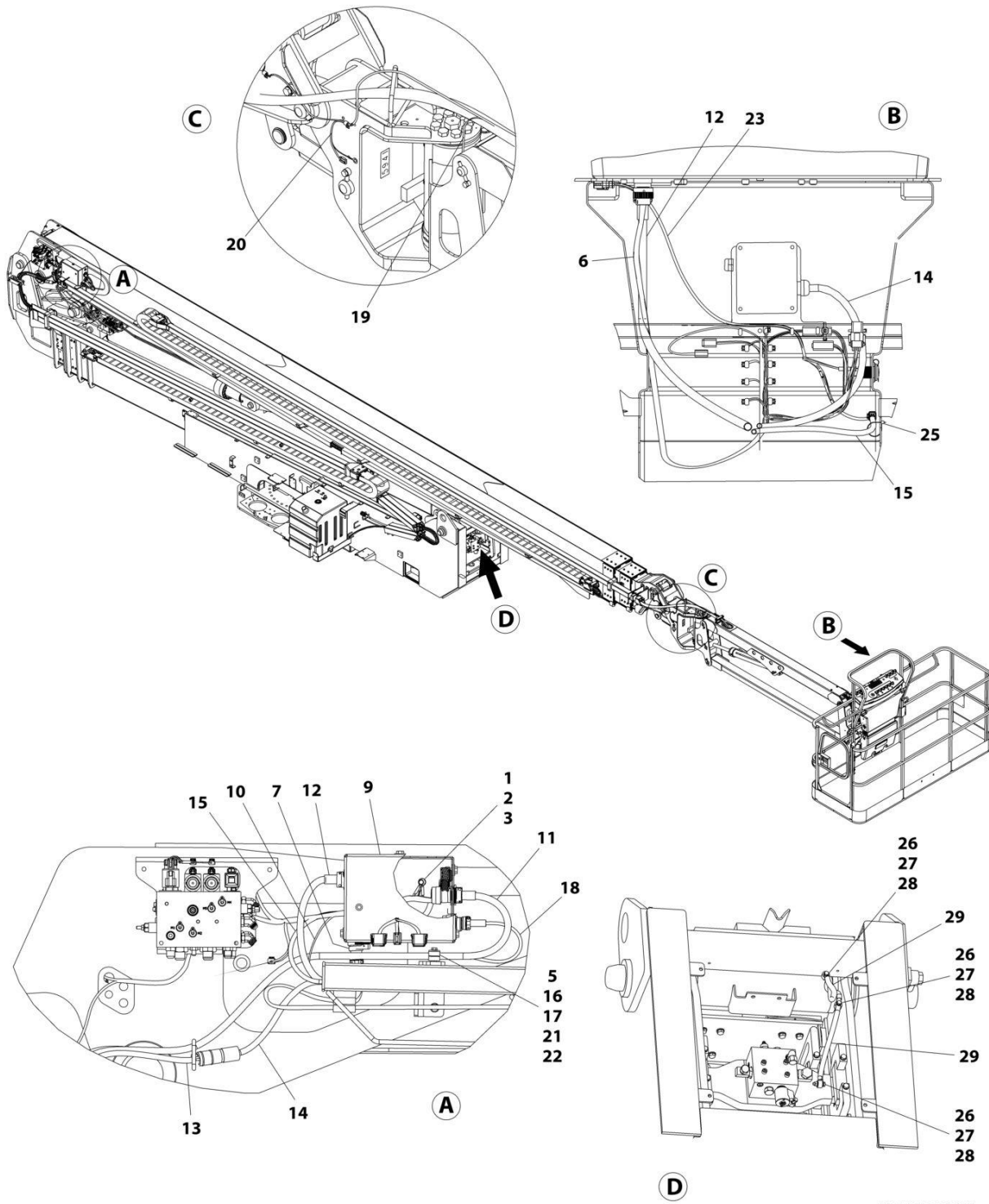
SECTION 8 - ELECTRICAL

FIGURE 8-17. BOOM CABLES INSTALLATION - WITHOUT GENERATOR (ALL SPEC EXCEPT AUSTRALIAN, CHINA, CE & UK CA SPECS)

ITEM	PART NUMBER	QTY	DESCRIPTION	REV
	1001197326	Ref	BOOM CABLES INSTALLATION - WITHOUT GENERATOR	F
1	0100011	AR	Compound, Locking	
2	0761010	3	Bolt M10 x 20	
3	4812000	3	Washer M10	
5	0760818001	2	Bolt M8 x 50	
6	1001196682	1	Valve Harness - Platform (See Separate Breakdown in this Section)	
7	1001216806	1	Valve Harness - Boom (See Separate Breakdown in this Section)	
9	1001200199	1	Boom Control Box Assembly (See Separate Breakdown in this Section)	
10	1001201062	1	Sensor Harness - Boom (See Separate Breakdown in this Section)	
11	1001202259	1	Boom Cable (Tower Boom) (See Separate Breakdown in this Section)	
12	1001202260	1	Boom Cable (Main Boom) (See Separate Breakdown in this Section)	
13	1001202261	1	AC Power to Platform Cable (Tower Boom)	
13	4460134	1	Receptacle, Female	
14	1001202262	1	AC Power to Platform Cable (Main Boom)	
14	4460205	1	Plug, Male	
15	1001202269	1	Main Boom 12/4 Harness	
15	4460932	1	Receptacle, Female - 4 Position	
15	1001157891	7	Pin, Male	
16	1001202742	1	Clamp	
17	1001202743	1	Cover, Clamp	
18	1001202785	1	Secondary Control Harness (See Separate Breakdown in this Section)	
19	1001204027	1	Jib Limit Switch Harness	
19	4460894	1	Plug, Male - 6 Position	
19	4460465	5	Socket, Female	
19	4460466	1	Plug, Terminal	
20	1001204028	1	Sensor Harness - Platform Level (See Separate Breakdown in this Section)	
21	3290805001	2	Nut M8	
22	4811900001	2	Washer M8	
23	1001206506	1	Platform Outlet Harness (See Separate Breakdown in this Section)	
24	1001146588	2	Tie-Strap (Not Shown)	
25	1001008559	3	Tie-Strap	
26	0700815	3	Bolt M8 x 35	
27	3290805	3	Nut M8	
28	4811900	6	Washer M8	
29	1001217007	2	Cable, Stainless Braided Ground	

SECTION 8 - ELECTRICAL

FIGURE 8-18. BOOM CABLES INSTALLATION - WITHOUT GENERATOR (AUSTRALIAN, CHINA, CE & UK CA SPECS)



ART_1001197327

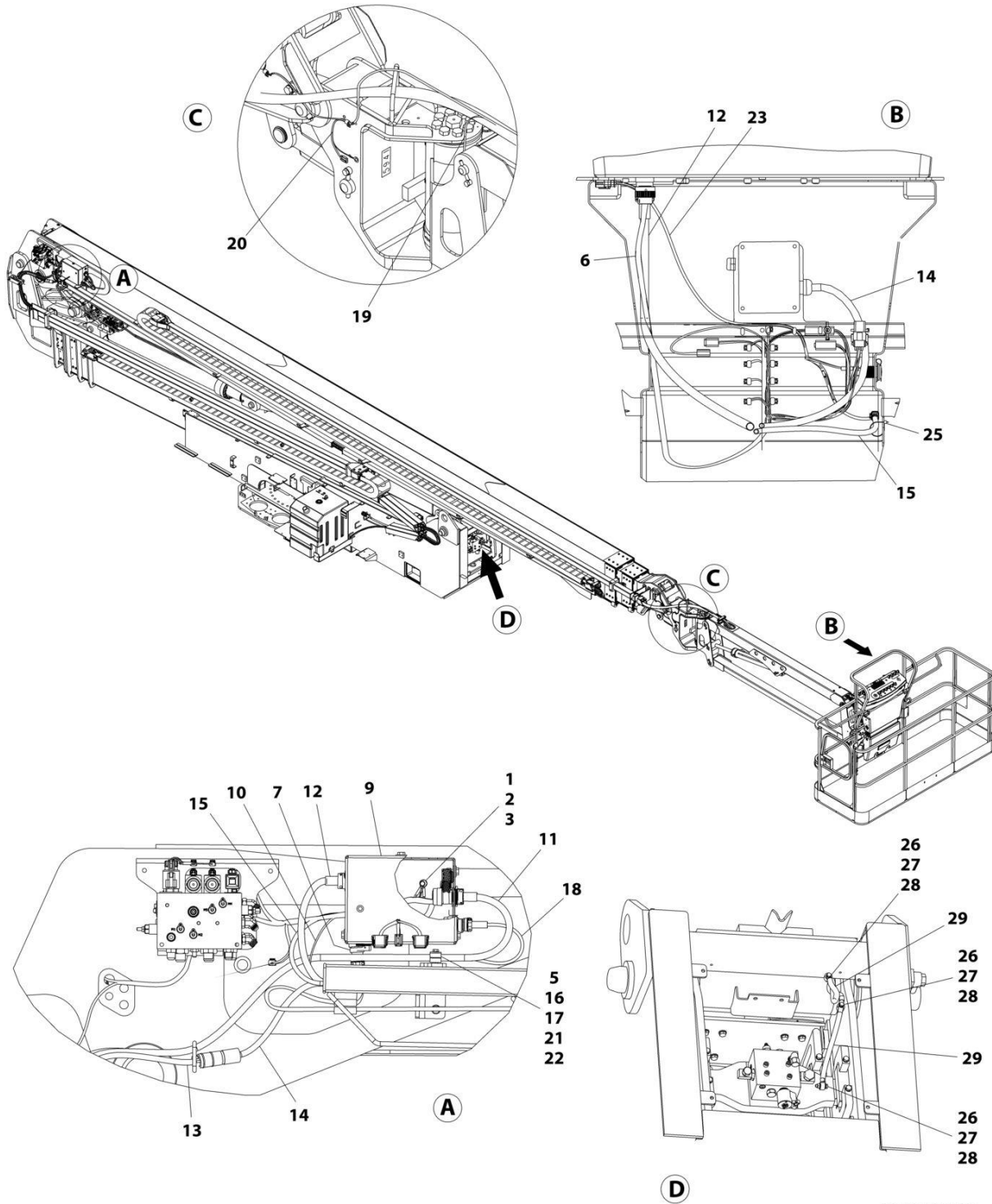
SECTION 8 - ELECTRICAL

FIGURE 8-18. BOOM CABLES INSTALLATION - WITHOUT GENERATOR (AUSTRALIAN, CHINA, CE & UK CA SPECS)

ITEM	PART NUMBER	QTY	DESCRIPTION	REV
	1001197327	Ref	BOOM CABLES INSTALLATION - WITHOUT GENERATOR	F
1	0100011	AR	Compound, Locking	
2	0761010	3	Bolt M10 x 20	
3	4812000	3	Washer M10	
5	0760818001	2	Bolt M8 x 50	
6	1001196682	1	Valve Harness - Platform (See Separate Breakdown in this Section)	
7	1001216806	1	Valve Harness - Boom (See Separate Breakdown in this Section))	
9	1001200199	1	Boom Control Box Assembly (See Separate Breakdown in this Section)	
10	1001201062	1	Sensor Harness - Boom (See Separate Breakdown in this Section)	
11	1001202259	1	Boom Cable (Tower Boom) (See Separate Breakdown in this Section)	
12	1001202260	1	Boom Cable (Main Boom) (See Separate Breakdown in this Section)	
13	1001202263	1	AC Power to Platform Cable (Tower Boom)	
13	4460134	1	Receptacle, Female	
14	1001202264	1	AC Power to Platform Cable (Main Boom)	
14	4460205	1	Plug, Male	
15	1001202269	1	Main Boom 12/4 Harness	
15	4460932	1	Receptacle, Female - 4 Position	
15	1001157891	7	Pin, Male	
16	1001202742	1	Clamp	
17	1001202743	1	Cover, Clamp	
18	1001202785	1	Secondary Control Harness (See Separate Breakdown in this Section)	
19	1001204027	1	Jib Limit Switch Harness	
19	4460894	1	Plug, Male - 6 Position	
19	4460465	5	Socket, Female	
19	4460466	1	Plug, Terminal	
20	1001204028	1	Sensor Harness - Platform Level (See Separate Breakdown in this Section)	
21	3290805001	2	Nut M8	
22	4811900001	2	Washer M8	
23	1001206506	1	Platform - Outlet Harness (See Separate Breakdown in this Section)	
24	1001146588	2	Tie-Strap (Not Shown)	
25	1001008559	3	Tie-Strap	
26	0700815	3	Bolt M8 x 35	
27	3290805	3	Nut M8	
28	4811900	6	Washer M8	
29	1001217007	2	Cable, Stainless Braided Ground	

SECTION 8 - ELECTRICAL

FIGURE 8-19. BOOM CABLES INSTALLATION - WITH 4000W GENERATOR (ALL SPECS)



ART_1001201710

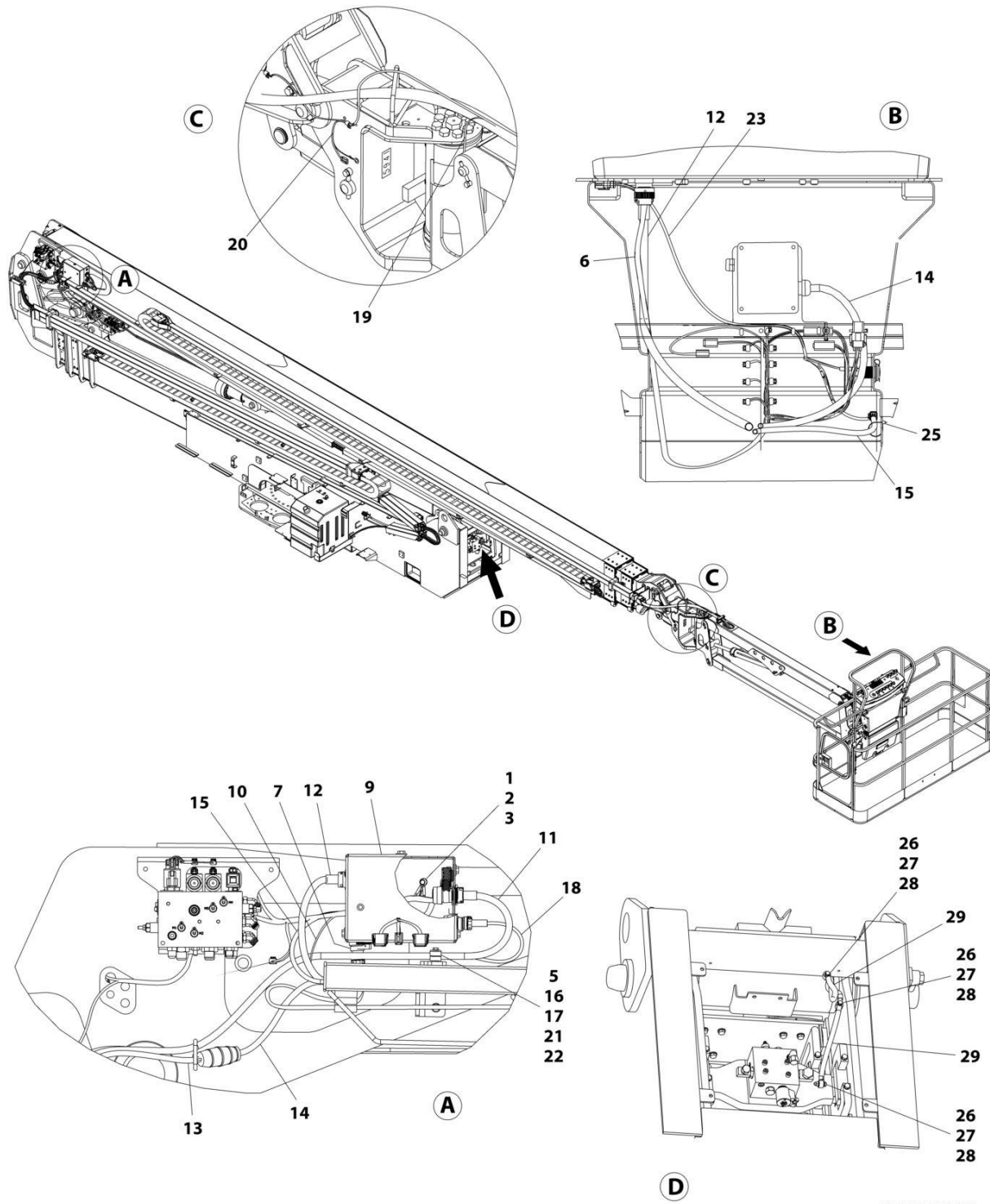
SECTION 8 - ELECTRICAL

FIGURE 8-19. BOOM CABLES INSTALLATION - WITH 4000W GENERATOR (ALL SPECS)

ITEM	PART NUMBER	QTY	DESCRIPTION	REV
	1001201710	Ref	BOOM CABLES INSTALLATION - WITH 4000W GENERATOR	F
1	0100011	AR	Compound, Locking	
2	0761010	3	Bolt M10 x 20	
3	4812000	3	Washer M10	
5	0760818001	2	Bolt M8 x 50	
6	1001196682	1	Valve Harness - Platform (See Separate Breakdown in this Section)	
7	1001216806	1	Valve Harness - Boom (See Separate Breakdown in this Section)	
9	1001200199	1	Boom Control Box Assembly (See Separate Breakdown in this Section)	
10	1001201062	1	Sensor Harness - Boom (See Separate Breakdown in this Section)	
11	1001202259	1	Boom Cable (Tower Boom) (See Separate Breakdown in this Section)	
12	1001202260	1	Boom Cable (Main Boom) (See Separate Breakdown in this Section)	
13	1001202267	1	AC Power to Platform Cable (Tower Boom)	
13	4460963	1	Receptacle, Female	
13	1671093	1	Cover	
14	1001202268	1	AC Power to Platform Cable (Main Boom)	
14	4460962	1	Plug, Male	
14	1671092	1	Cover	
15	1001202269	1	Main Boom 12/4 Harness	
15	4460932	1	Receptacle, Female - 4 Position	
15	1001157891	7	Pin, Male	
16	1001202742	1	Clamp	
17	1001202743	1	Cover, Clamp	
18	1001202785	1	Secondary Control Harness (See Separate Breakdown in this Section)	
19	1001204027	1	Jib Limit Switch Harness	
19	4460894	1	Plug, Male - 6 Position	
19	4460465	5	Socket, Female	
19	4460466	1	Plug, Terminal	
20	1001204028	1	Sensor Harness - Platform Level (See Separate Breakdown in this Section)	
21	3290805001	2	Nut M8	
22	4811900001	2	Washer M8	
23	1001206506	1	Platform Outlet Harness (See Separate Breakdown in this Section)	
24	1001146588	2	Tie-Strap (Not Shown)	
25	1001008559	3	Tie-Strap	
26	0700815	3	Bolt M8 x 35	
27	3290805	3	Nut M8	
28	4811900	6	Washer M8	
29	1001217007	2	Cable, Stainless Braided Ground	

SECTION 8 - ELECTRICAL

FIGURE 8-20. BOOM CABLES INSTALLATION - WITH SKYPOWER 7500W GENERATOR (ALL SPECS EXCEPT CE & UK CA SPECS)



ART_1001197328

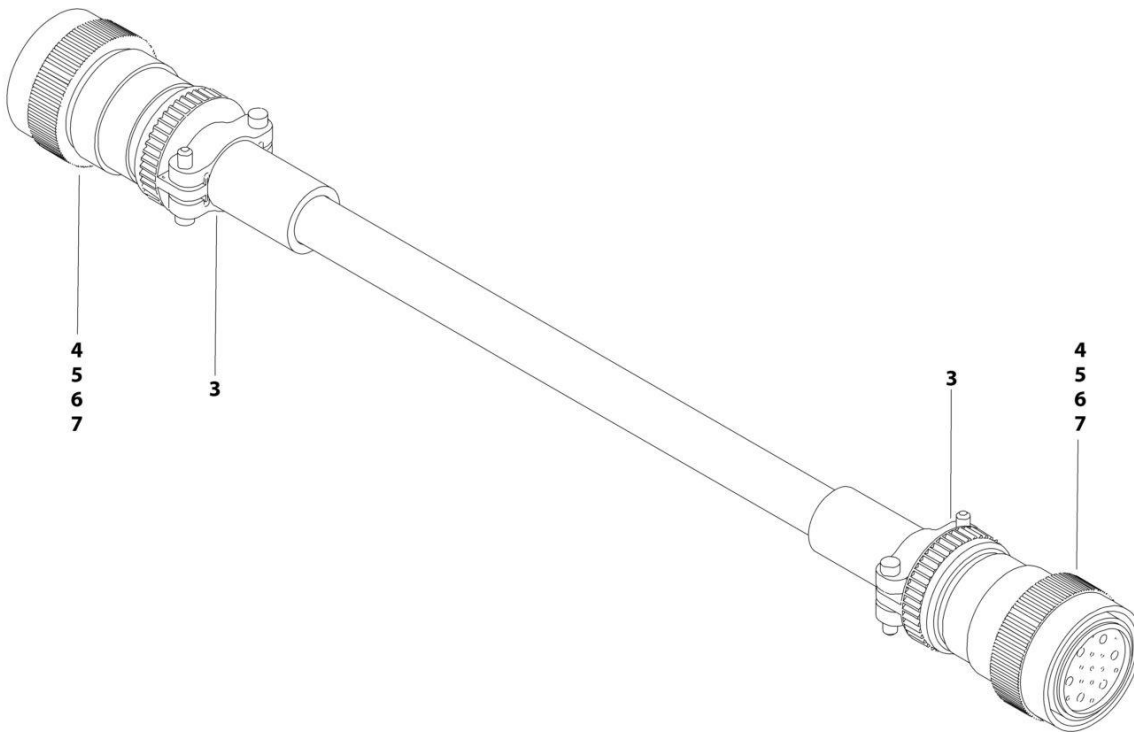
SECTION 8 - ELECTRICAL

FIGURE 8-20. BOOM CABLES INSTALLATION - WITH SKYPOWER 7500W GENERATOR (ALL SPECS EXCEPT CE & UK CA SPECS)

ITEM	PART NUMBER	QTY	DESCRIPTION	REV
	1001197328	Ref	BOOM CABLES INSTALLATION - WITH SKYPOWER 7500W GENERATOR	G
1	0100011	AR	Compound, Locking	
2	0761010	3	Bolt M10 x 20	
3	4812000	3	Washer M10	
5	0760818001	2	Bolt M8 x 50	
6	1001196682	1	Valve Harness - Platform (See Separate Breakdown in this Section)	
7	1001216806	1	Valve Harness - Boom (See Separate Breakdown in this Section)	
9	1001200199	1	Boom Control Box Assembly (See Separate Breakdown in this Section)	
10	1001201062	1	Sensor Harness - Boom (See Separate Breakdown in this Section)	
11	1001202259	1	Boom Cable (Tower Boom) (See Separate Breakdown in this Section)	
12	1001202260	1	Boom Cable (Main Boom) (See Separate Breakdown in this Section)	
13	1001226291	1	AC Power to Platform Cable (Tower Boom)	
13	1060945	1	Cable	
13	1001218623	1	Socket, 30Amp	
14	1001226292	1	AC Power to Platform Cable (Main Boom)	
14	1060945	1	Cable	
14	1001218622	1	Plug, 30Amp	
15	1001202269	1	Main Boom 12/4 Harness	
15	4460932	1	Receptacle, Female - 4 Position	
15	1001157891	7	Pin, Male	
16	1001202742	1	Clamp	
17	1001202743	1	Cover, Clamp	
18	1001202785	1	Secondary Control Harness (See Separate Breakdown in this Section)	
19	1001204027	1	Jib Limit Switch Harness	
19	4460894	1	Plug, Male - 6 Position	
19	4460465	5	Socket, Female	
19	4460466	1	Plug, Terminal	
20	1001204028	1	Sensor Harness - Platform Level (See Separate Breakdown in this Section)	
21	3290805001	2	Nut M8	
22	4811900001	2	Washer M8	
23	1001206506	1	Platform Outlet Harness (See Separate Breakdown in this Section)	
24	1001146588	2	Tie-Strap (Not Shown)	
25	1001008559	3	Tie-Strap	
26	0700815	3	Bolt M8 x 35	
27	3290805	3	Nut M8	
28	4811900	6	Washer M8	
29	1001217007	2	Cable, Stainless Braided Ground	

SECTION 8 - ELECTRICAL

FIGURE 8-21. BOOM CABLE (MAIN BOOM)



ART_1001202260

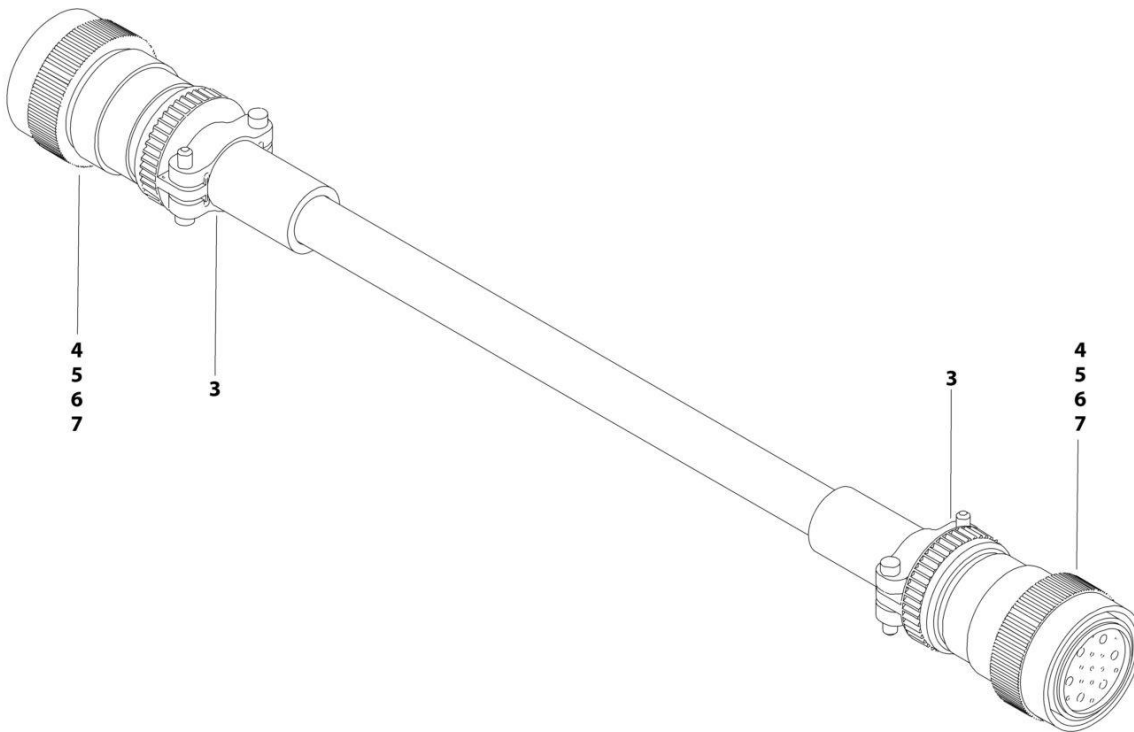
SECTION 8 - ELECTRICAL

FIGURE 8-21. BOOM CABLE (MAIN BOOM)

ITEM	PART NUMBER	QTY	DESCRIPTION	REV
	1001202260	Ref	BOOM CABLE (MAIN BOOM)	B
3	4460473	2	Clamp	
4	4460509	8	Socket, Female	
5	4460865	2	Connector - 19 Position	
6	4460465	20	Socket, Female	
7	4460466	10	Plug, Socket	

SECTION 8 - ELECTRICAL

FIGURE 8-22. BOOM CABLE (TOWER BOOM)



ART_1001202259

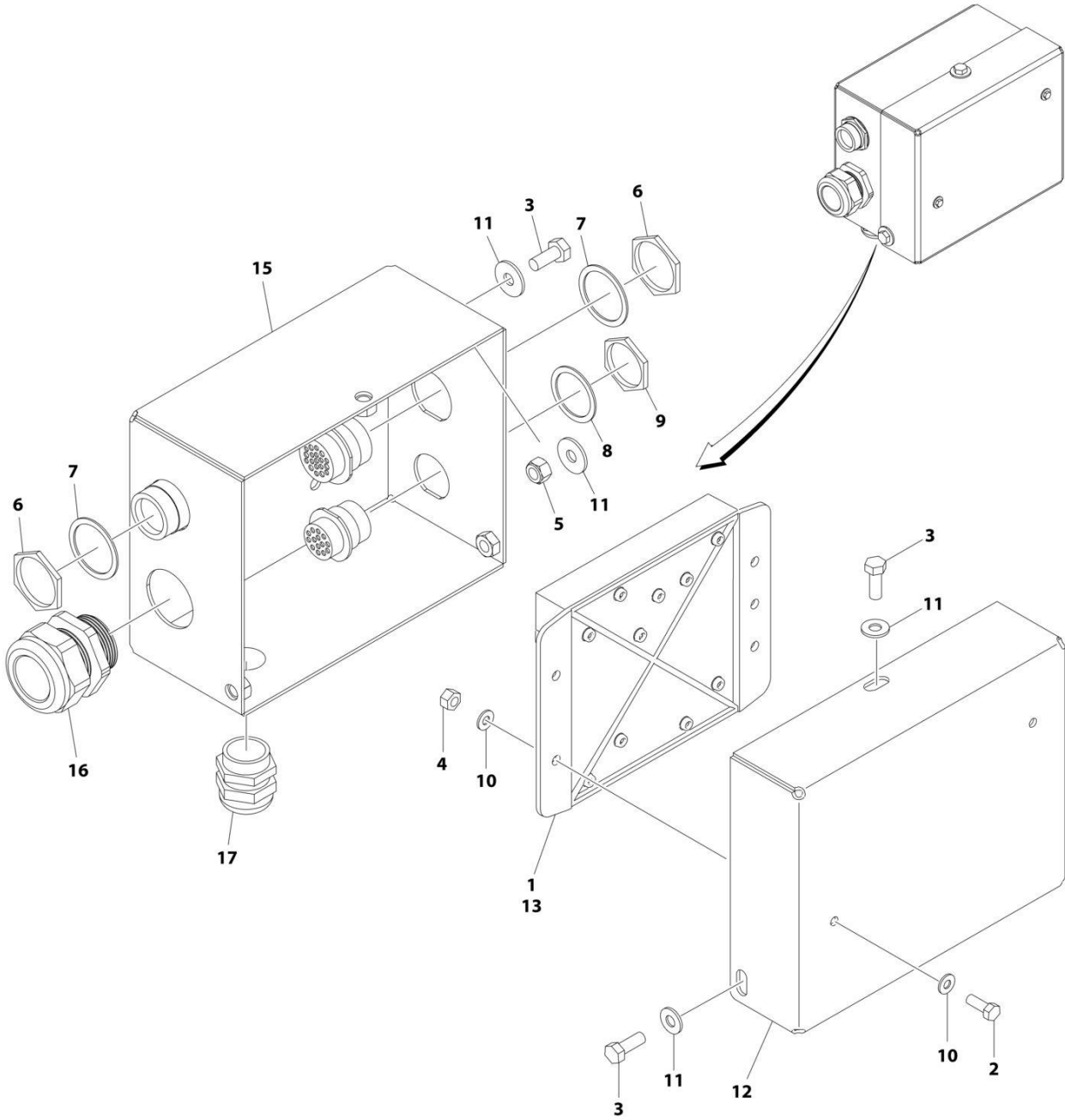
SECTION 8 - ELECTRICAL

FIGURE 8-22. BOOM CABLE (TOWER BOOM)

ITEM	PART NUMBER	QTY	DESCRIPTION	REV
	1001202259	Ref	BOOM CABLE (TOWER BOOM)	B
3	4460473	2	Clamp	
4	4460509	8	Socket, Female	
5	4460865	2	Connector - 19 Position	
6	4460465	20	Socket, Female	
7	4460466	10	Plug, Socket	

SECTION 8 - ELECTRICAL

FIGURE 8-23. BOOM CONTROL BOX ASSEMBLY (Prior to SN 0300298207)



ART_1001200199_F

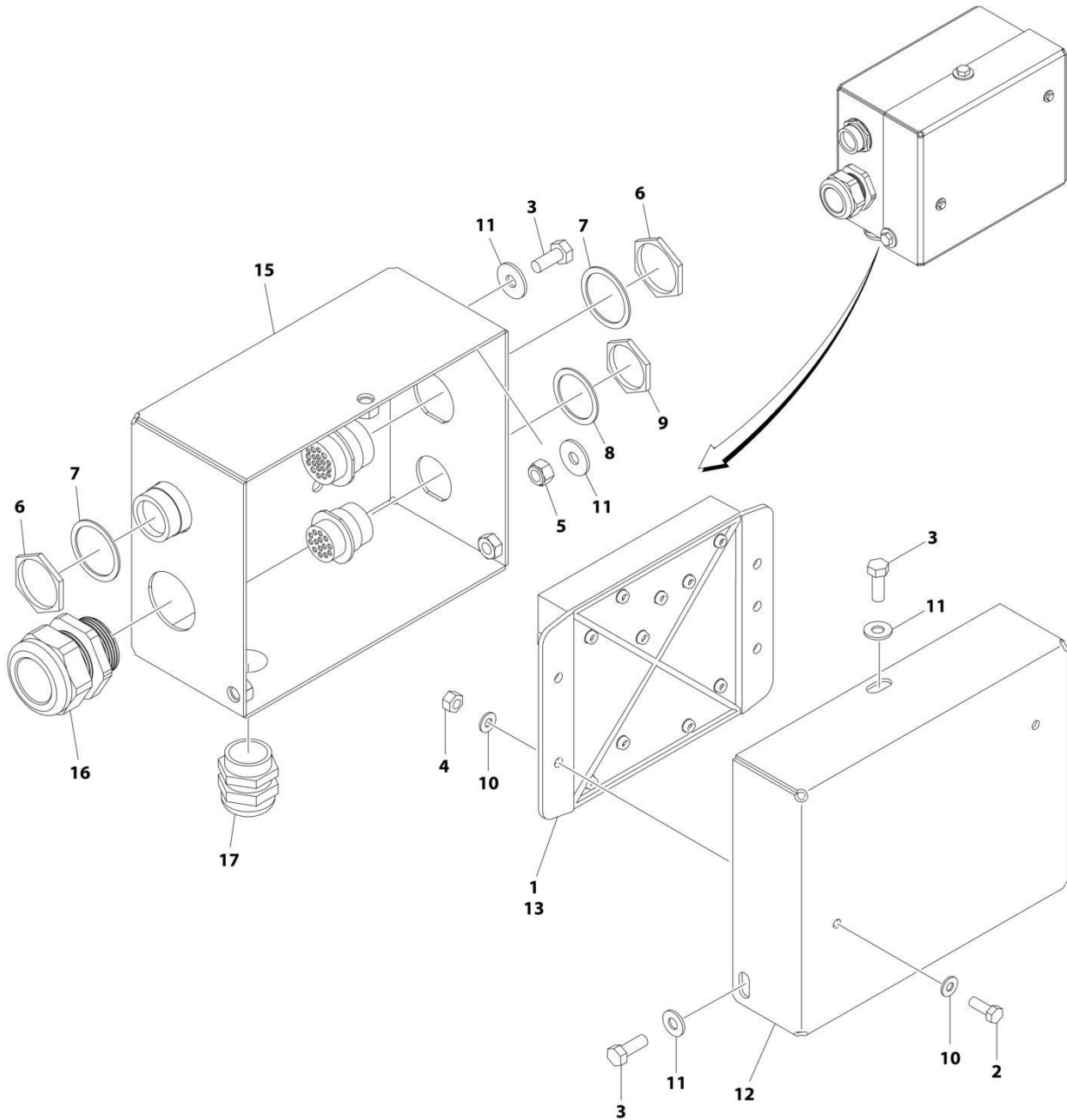
SECTION 8 - ELECTRICAL

FIGURE 8-23. BOOM CONTROL BOX ASSEMBLY (Prior to SN 0300298207)

ITEM	PART NUMBER	QTY	DESCRIPTION	REV
	1001200199	Ref	BOOM CONTROL BOX ASSEMBLY	F
1	0100048	AR	Grease, Dielectric	
2	0760610	2	Bolt M6 x 20	
3	0761012	4	Bolt M10 x 25	
4	3290605	2	Nut M6	
5	3291005	1	Nut M10	
6	4460470	2	Nut, Terminal	
7	4460471	2	Washer, Terminal	
8	4460496	2	Washer, Terminal	
9	4460497	2	Nut, Terminal	
10	4811702	4	Washer M6	
11	4812002	5	Washer M10	
12	1001119215	1	Cover	
13	1001277209	1	Module, Control - Boom (Note: Re-calibration Required when Replaced)	
14	1001216638	1	Main Boom Control Box Harness (Not Shown - See Separate Breakdown in this Section)	
15	1001200203	1	Box	
16	1001215836	1	Connector, Strain Relief	
17	4460426	1	Connector, Strain Relief	

SECTION 8 - ELECTRICAL

FIGURE 8-24. BOOM CONTROL BOX ASSEMBLY (SN 0300298207 to Present)



ART_1001200199_G

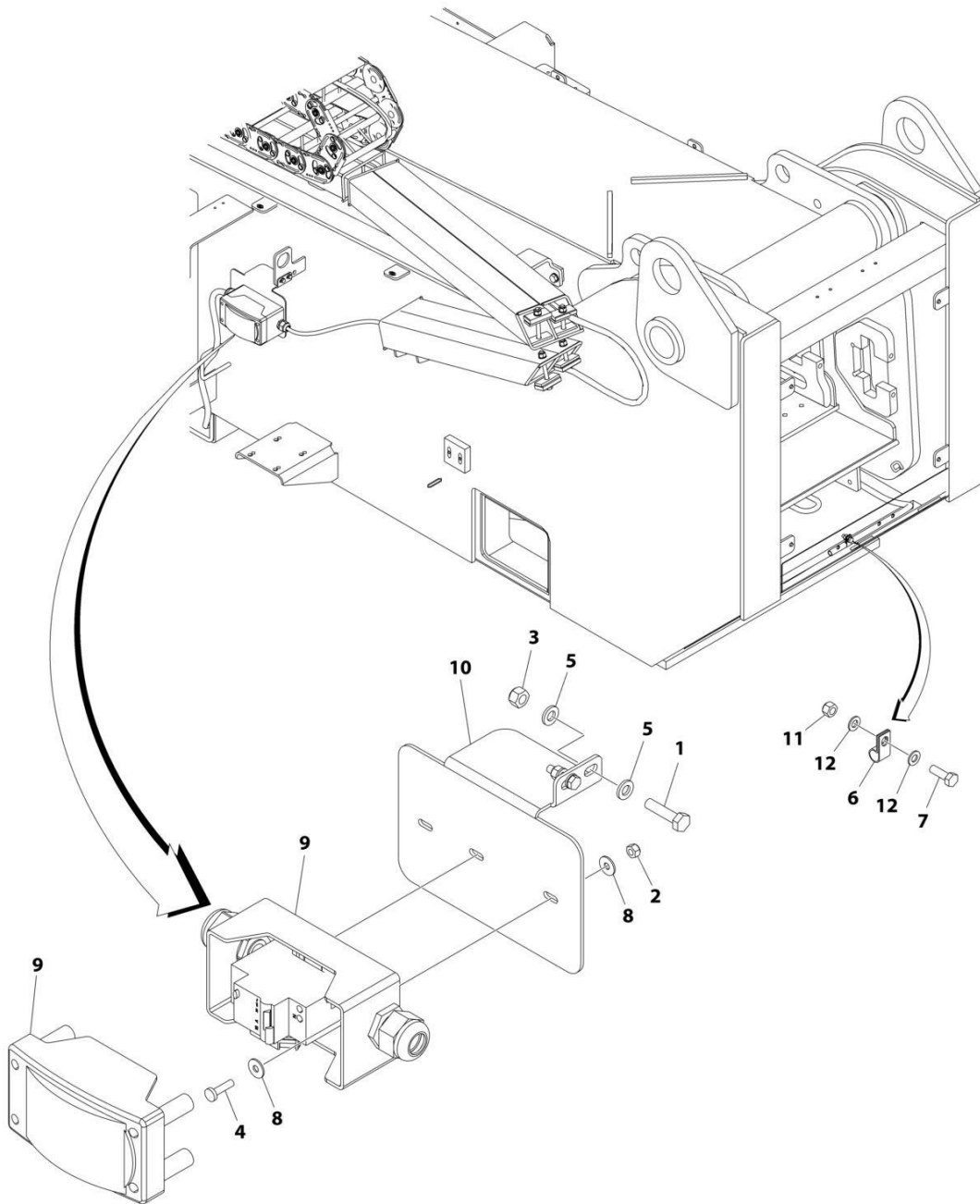
SECTION 8 - ELECTRICAL

FIGURE 8-24. BOOM CONTROL BOX ASSEMBLY (SN 0300298207 to Present)

ITEM	PART NUMBER	QTY	DESCRIPTION	REV
	1001200199	Ref	BOOM CONTROL BOX ASSEMBLY	G
1	0100048	AR	Grease, Dielectric	
2	0760610	2	Bolt M6 x 20	
3	0761012	4	Bolt M10 x 25	
4	3290605	2	Nut M6	
5	3291005	1	Nut M10	
6	4460470	2	Nut, Terminal	
7	4460471	2	Washer, Terminal	
8	4460496	2	Washer, Terminal	
9	4460497	2	Nut, Terminal	
10	4811702	4	Washer M6	
11	4812002	5	Washer M10	
12	1001119215	1	Cover	
13	1001200183	1	Module, Control - Boom (Note: Re-calibration Required when Replaced)	
14	1001216638	1	Main Boom Control Box Harness (Not Shown - See Separate Breakdown in this Section)	
15	1001200203	1	Box	
16	1001215836	1	Connector, Strain Relief	
17	4460426	1	Connector, Strain Relief	

SECTION 8 - ELECTRICAL

FIGURE 8-25. BREAKER BOX INSTALLATION - WITH 2 BREAKERS (CE & UK CA SPECS)



ART_1001197335

SECTION 8 - ELECTRICAL

FIGURE 8-25. BREAKER BOX INSTALLATION - WITH 2 BREAKERS (CE & UK CA SPECS)

ITEM	PART NUMBER	QTY	DESCRIPTION	REV
	1001197335	Ref	BREAKER BOX INSTALLATION - WITH 2 BREAKERS	D
1	0700612	2	Bolt M6 x 25	
2	3290405	2	Nut M4	
3	3290605	2	Nut M6	
4	4010408	2	Screw M4 x 16	
5	4811700	4	Washer M6	
6	8406109	1	Clamp	
7	0760812001	1	Bolt M8 x 25	
8	1001091102	4	Washer M4	
9	1001109654	1	Breaker Box Kit - With 2 Breakers (See Separate Breakdown in this Section)	
10	1001205660	1	Bracket	
11	3290805001	1	Nut M8	
12	4811900001	2	Washer M8	

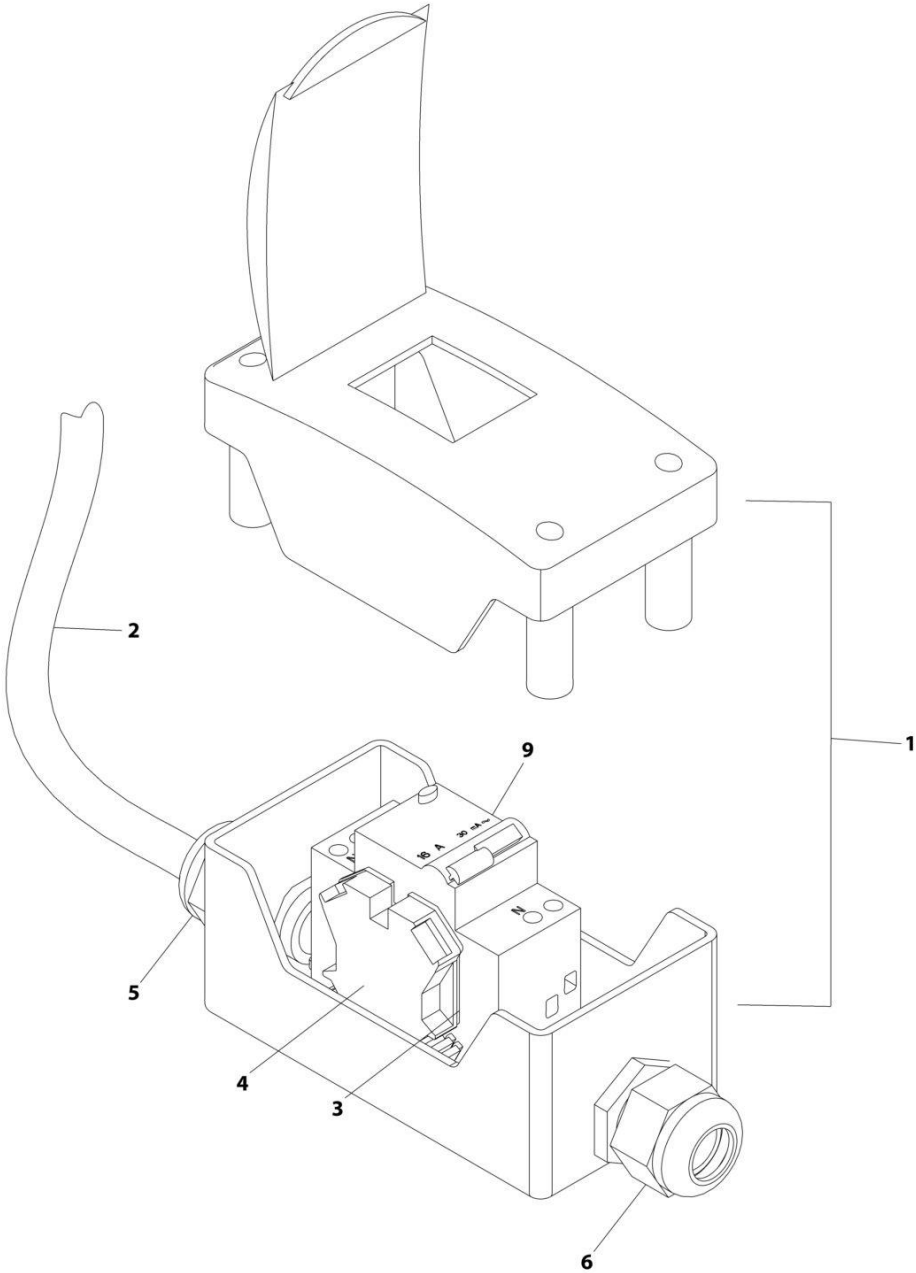
SECTION 8 - ELECTRICAL

FIGURE 8-26. BREAKER BOX INSTALLATION - WITH 3 BREAKERS (CE & UK CA SPECS)

ITEM	PART NUMBER	QTY	DESCRIPTION	REV
	1001205682	Ref	BREAKER BOX INSTALLATION - WITH 3 BREAKERS	B
1	0700612	2	Bolt M6 x 25	
2	3290405	2	Nut M4	
3	3290605	2	Nut M6	
4	4010408	2	Screw M4 x 16	
5	4811700	4	Washer M6	
6	8406109	1	Clamp	
7	0760812001	1	Bolt M8 x 25	
8	1001091102	4	Washer M4	
9	1001205660	1	Bracket	
10	1001205690	1	Breaker Box Kit - With 3 Breakers (See Separate Breakdown in this Section)	
11	3290805001	1	Nut M8	
12	4811900001	2	Washer M8	

SECTION 8 - ELECTRICAL

FIGURE 8-27. BREAKER BOX KIT - WITH 2 BREAKERS (CE & UK CA SPECS)



ART_1001109654

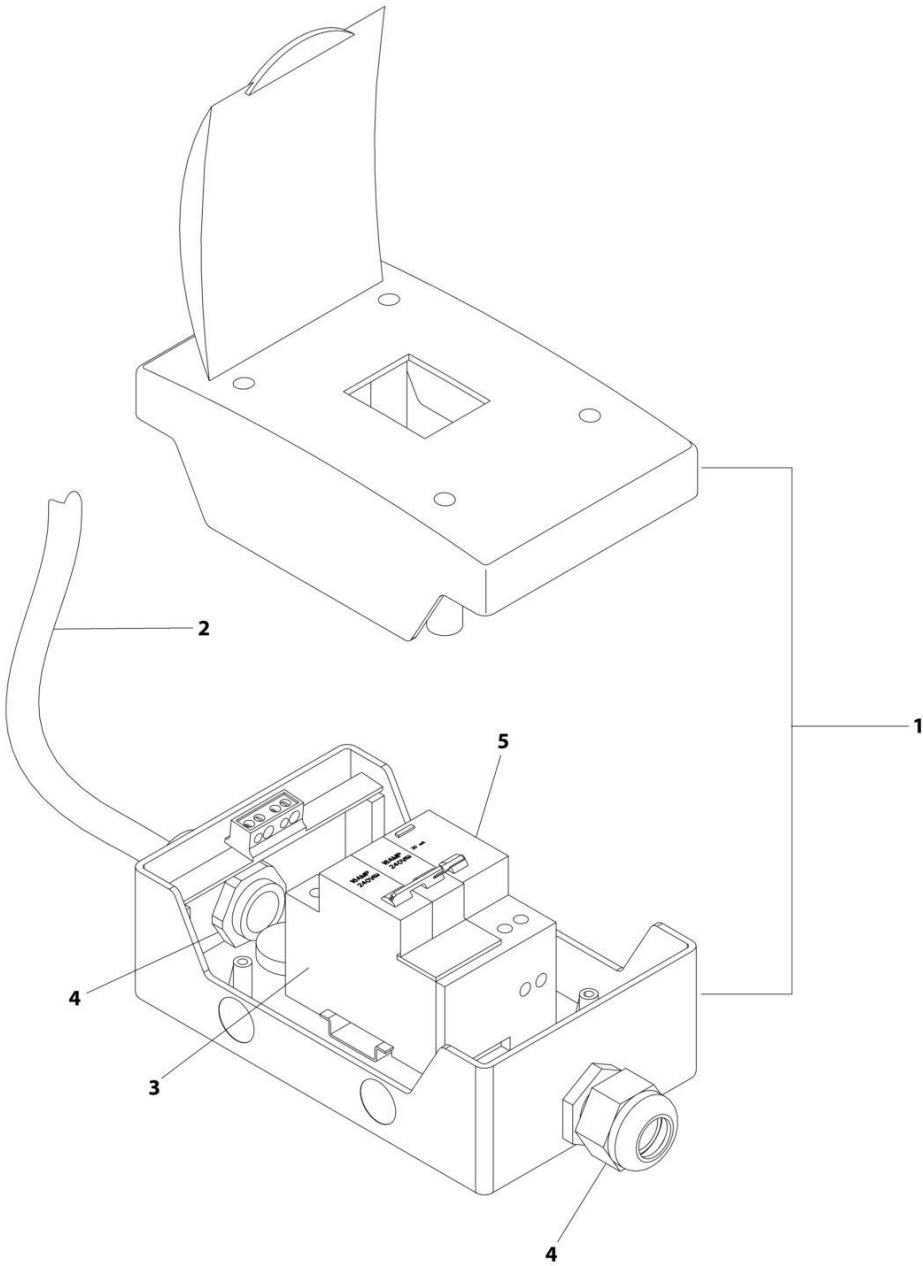
SECTION 8 - ELECTRICAL

FIGURE 8-27. BREAKER BOX KIT - WITH 2 BREAKERS (CE & UK CA SPECS)

ITEM	PART NUMBER	QTY	DESCRIPTION	REV
	1001109654	Ref	BREAKER BOX KIT	C
1	0861880	1	Box, Breaker	
2	1060908	12 ft/ 3.6m	Cable 12/3	
3	4460956	1	Barrier, Terminal Block End	
4	4460957	1	Block, Terminal	
5	1001097150	1	Connector, Strain Relief	
6	1001101191	1	Connector, Strain Relief	
9	1001181045	1	Breaker - 30mA/16Amp	
10	1001100231	3	Terminal (Not Shown)	

SECTION 8 - ELECTRICAL

FIGURE 8-28. BREAKER BOX KIT - WITH 3 BREAKERS (CE & UK CA SPECS)



ART_1001205690

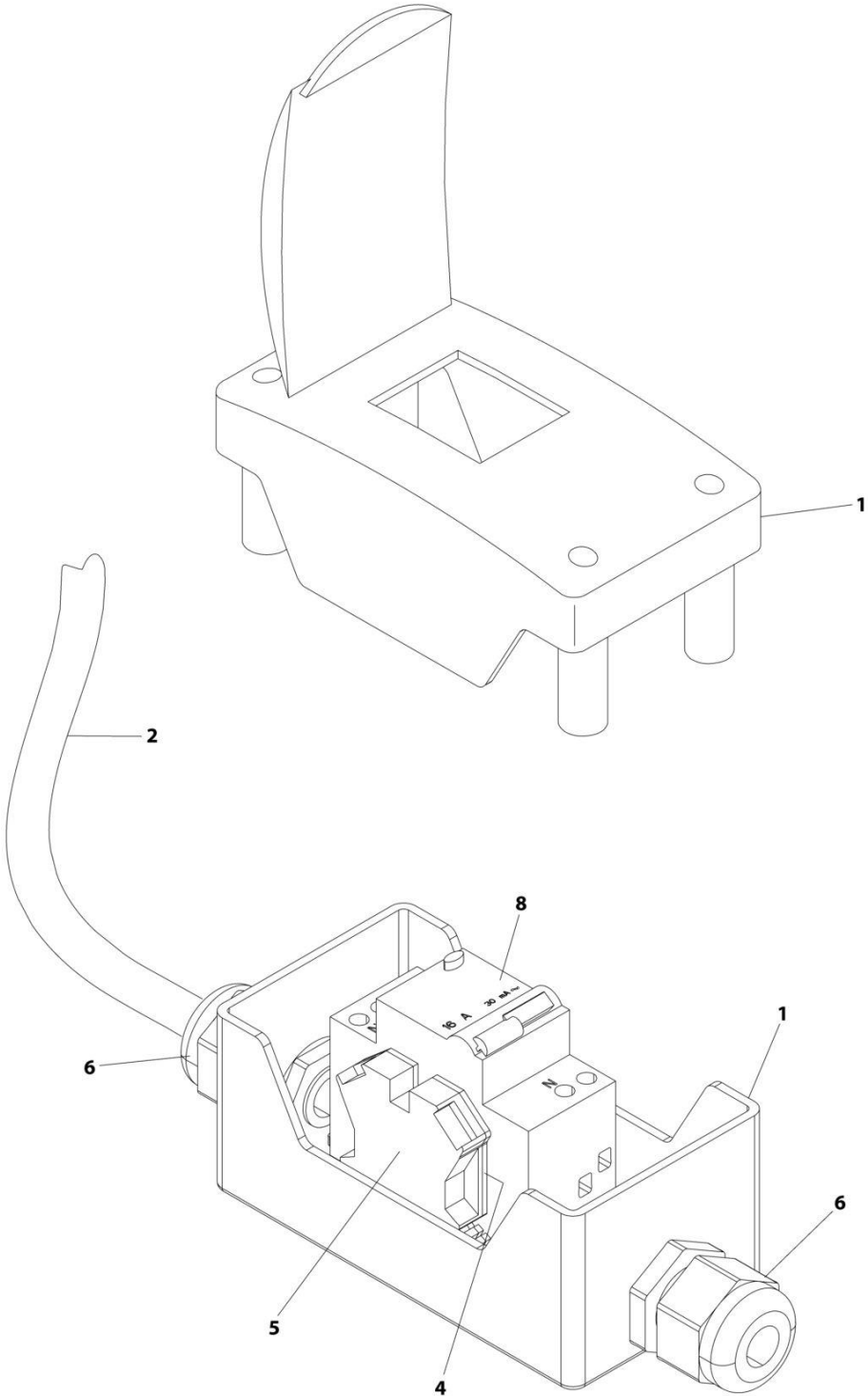
SECTION 8 - ELECTRICAL

FIGURE 8-28. BREAKER BOX KIT - WITH 3 BREAKERS (CE & UK CA SPECS)

ITEM	PART NUMBER	QTY	DESCRIPTION	REV
	1001205690	Ref	BREAKER BOX KIT	B
1	1001152483	1	Box, Breaker	
2	1060545	12 ft / 3.6m	Cable, Electrical 10/3	
3	1001189172	1	Breaker 16Amp Double	
4	1001101191	2	Connector, Strain Relief	
5	1001189171	1	Breaker 30mA	

SECTION 8 - ELECTRICAL

FIGURE 8-29. BREAKER BOX KIT - 4000W 50HZ GENERATOR



ART_1001096612

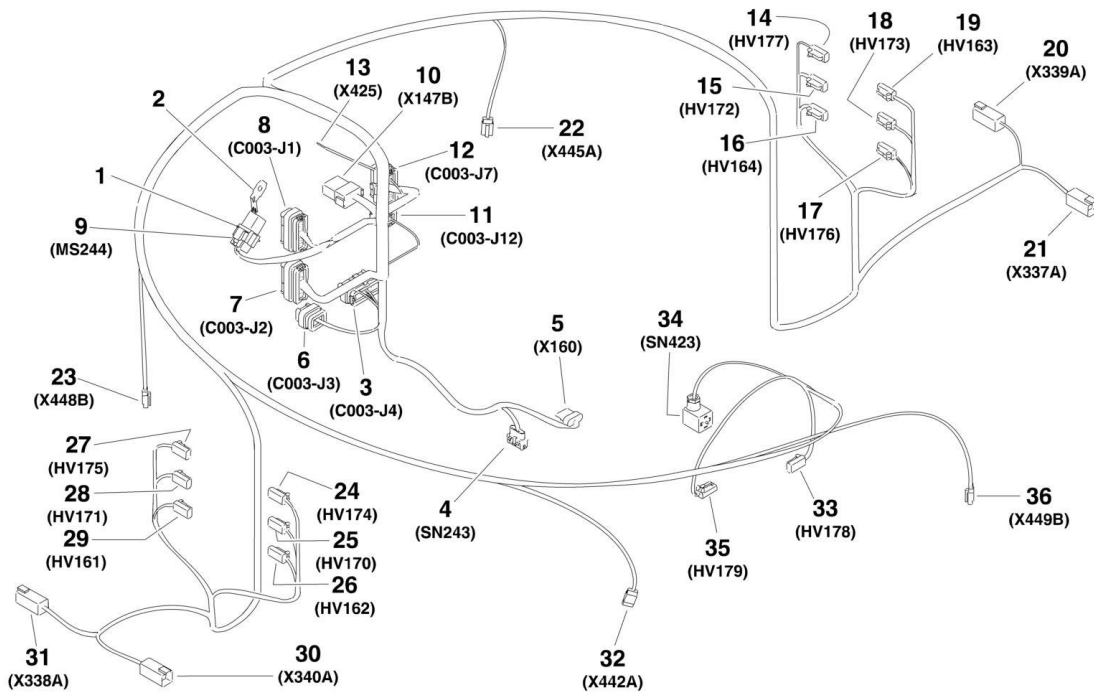
SECTION 8 - ELECTRICAL

FIGURE 8-29. BREAKER BOX KIT - 4000W 50HZ GENERATOR

ITEM	PART NUMBER	QTY	DESCRIPTION	REV
	1001096612	Ref	BREAKER BOX ASSEMBLY	C
1	0861880	1	Box	
2	1060908	4.5 ft /1.4m	Cable, 12/3	
4	4460956	1	Barrier, Terminal	
5	4460957	1	Block, Terminal	
6	1001097150	2	Connector, Strain Relief	
8	1001181045	1	Breaker, Double 30mAmp/16Amp	

SECTION 8 - ELECTRICAL

FIGURE 8-30. CHASSIS HARNESS



1001149975

SECTION 8 - ELECTRICAL

FIGURE 8-30. CHASSIS HARNESS

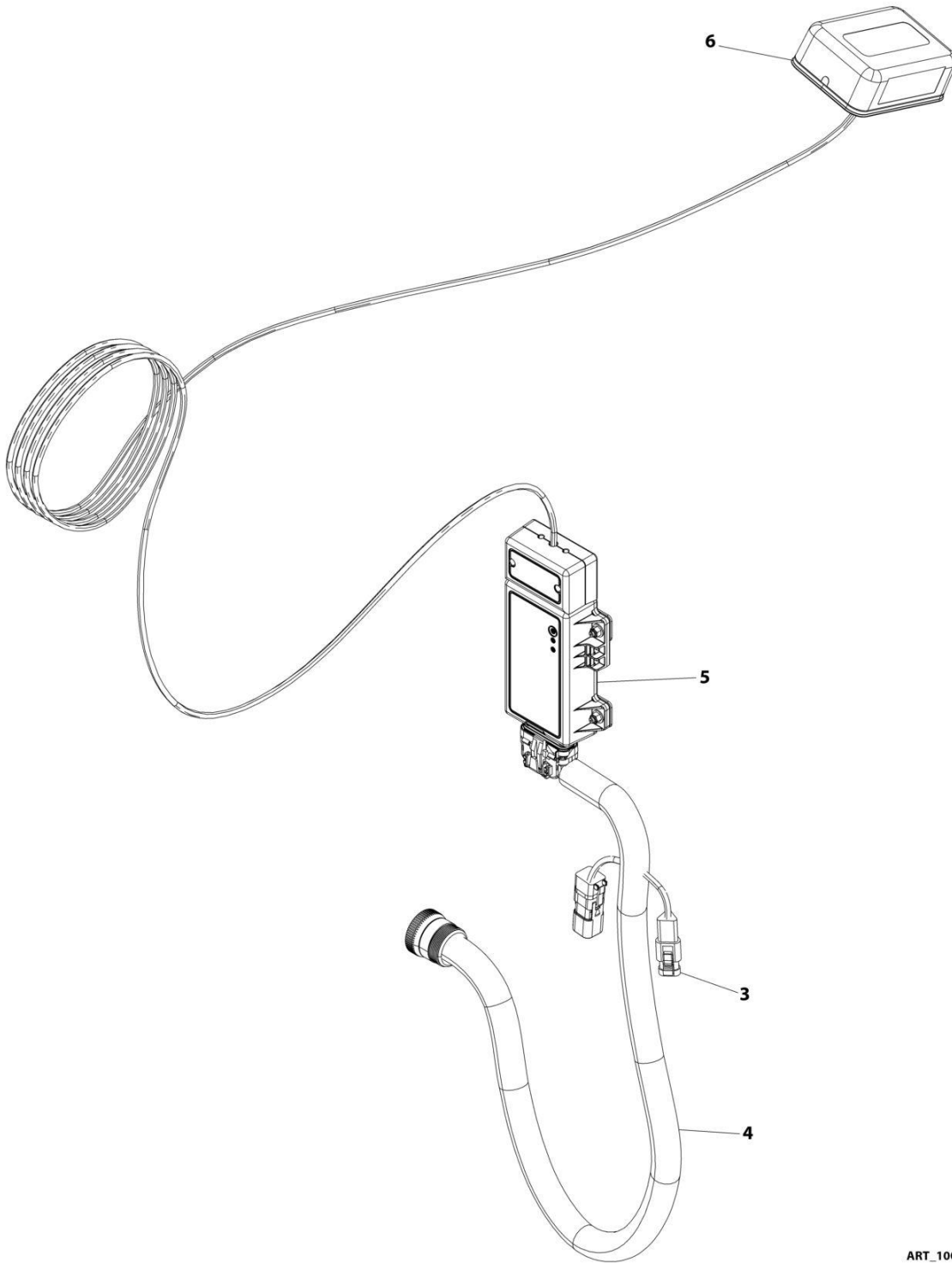
ITEM	PART NUMBER	QTY	DESCRIPTION	REV
	1001149975	Ref	CHASSIS HARNESS	I
1	4460852	1	Connector - 8 Position	
2	1001155743	1	Holder	
3	4460876	1	Connector - 35 Position	
3	4460871	4	Socket, Female	
3	4460905	31	Seal, Plug	
4	1001230931	1	Connector - 6 Position	
4	1001116748	6	Terminal	
5	4460761	1	Connector - 4 Position	
5	4460227	4	Pin, Male	
6	4460872	1	Connector - 14 Position	
6	4460871	5	Socket, Female	
6	4460905	9	Seal, Plug	
7	4460875	1	Connector - 35 Position	
7	4460871	21	Socket, Female	
7	4460905	14	Seal, Plug	
8	4460874	1	Connector - 35 Position	
8	4460871	10	Socket, Female	
8	4460905	25	Seal, Plug	
9	4460851	1	Connector - 8 Position	
9	4460465	7	Socket, Female	
9	4460466	1	Seal, Plug	
10	4460950	1	Connector - 12 Position	
10	4460943	3	Pin, Male (Gold)	
10	4460464	3	Pin, Male	
10	4460466	6	Seal, Plug	
11	1001113961	1	Connector - 8 Position	
11	4460871	1	Socket, Female	
11	4460905	7	Seal, Plug	
12	4460873	1	Connector - 35 Position	
12	4460871	22	Socket, Female	
12	4460905	13	Seal, Plug	
13	4461271	1	Connector - 1 Position	
14	4460891	1	Connector - 2 Position	
14	4460465	2	Socket, Female	
15	4460891	1	Connector - 2 Position	
15	4460465	2	Socket, Female	
16	4460891	1	Connector - 2 Position	
16	4460465	2	Socket, Female	
17	4460891	1	Connector - 2 Position	
17	4460465	2	Socket, Female	
18	4460891	1	Connector - 2 Position	
18	4460465	2	Socket, Female	
19	4460891	1	Connector - 2 Position	
19	4460465	2	Socket, Female	
20	4460899	1	Connector - 6 Position	
20	4460464	4	Pin, Male	
20	4460466	2	Plug, Seal	
21	4460899	1	Connector - 6 Position	
21	4460464	4	Pin, Male	

SECTION 8 - ELECTRICAL

ITEM	PART NUMBER	QTY	DESCRIPTION	REV
21	4460466	2	Plug, Seal	
22	4460911	1	Connector - 3 Position	
23	4460911	1	Connector - 3 Position	
24	4460891	1	Connector - 2 Position	
24	4460465	2	Socket, Female	
25	4460891	1	Connector - 2 Position	
25	4460465	2	Socket, Female	
26	4460891	1	Connector - 2 Position	
26	4460465	2	Socket, Female	
27	4460891	1	Connector - 2 Position	
27	4460465	2	Socket, Female	
28	4460891	1	Connector - 2 Position	
28	4460465	2	Socket, Female	
29	4460891	1	Connector - 2 Position	
29	4460465	2	Socket, Female	
30	4460899	1	Connector - 6 Position	
30	4460464	4	Pin, Male	
30	4460466	2	Plug, Seal	
31	4460899	1	Connector - 6 Position	
31	4460464	4	Pin, Male	
31	4460466	2	Plug, Seal	
32	4460911	1	Connector - 3 Position	
33	4460891	1	Connector - 2 Position	
33	4460465	2	Socket, Female	
34	1001263923	1	Connector - 3 Position	
35	4460891	1	Connector - 2 Position	
35	4460465	2	Socket, Female	
36	4460911	1	Connector - 3 Position	

SECTION 8 - ELECTRICAL

FIGURE 8-31. CLEARSKY INSTALLATION - 4G CANBUS CONNECTION (ALL SPECS EXCEPT CHINA SPECS)



ART_1001227457

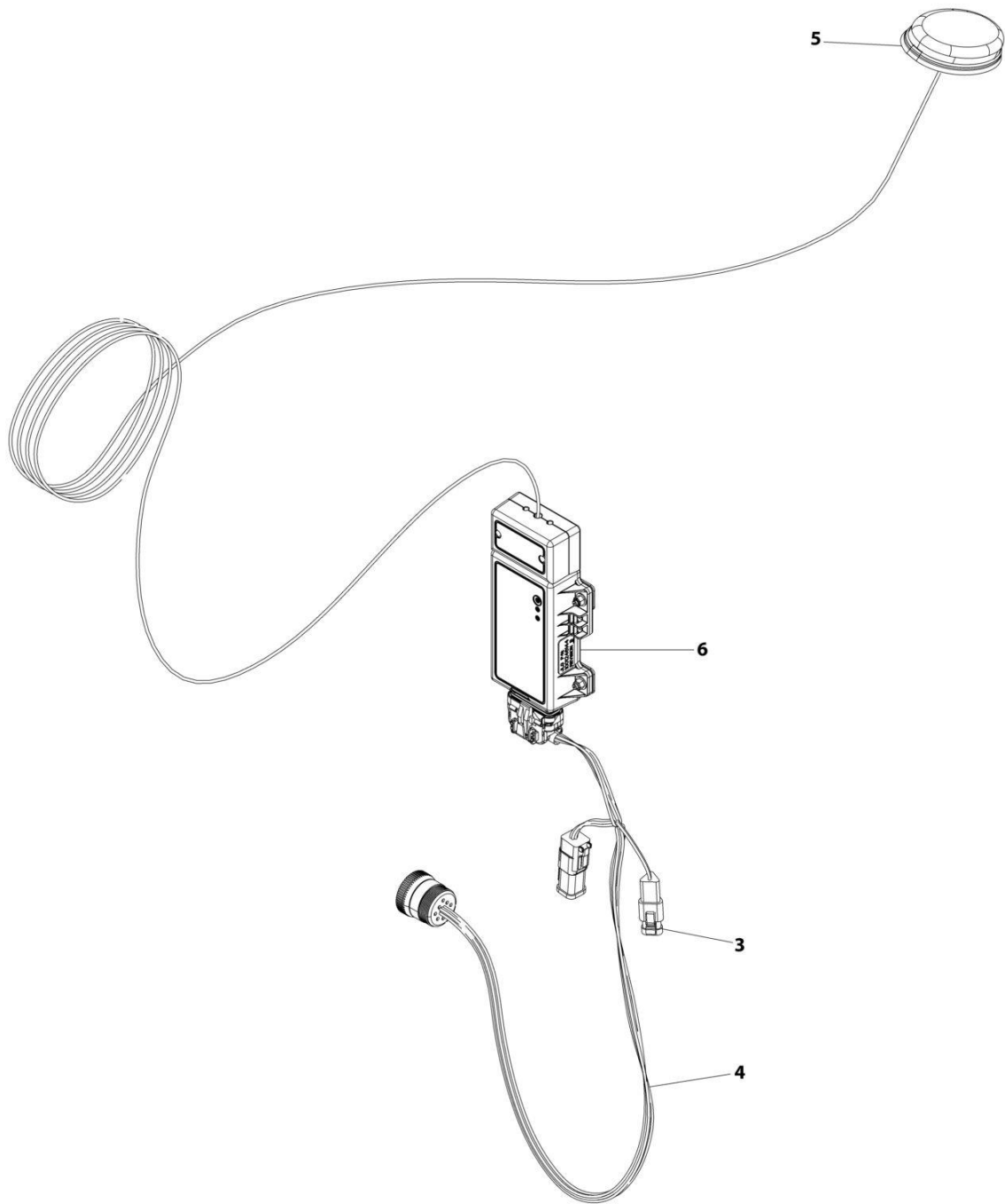
SECTION 8 - ELECTRICAL

FIGURE 8-31. CLEARSKY INSTALLATION - 4G CANBUS CONNECTION (ALL SPECS EXCEPT CHINA SPECS)

ITEM	PART NUMBER	QTY	DESCRIPTION	REV
	1001227457	REF	CLEARSKY INSTALLATION CANBUS CONNECTION	B
1	4240032	AR	Tie-Strap (Not Shown)	
2	4460234	AR	Strap, Cable Tie (Not Shown)	
3	1001129408	1	Connector	
4	1001226739	1	ClearSky Harness (See Separate Breakdown in this Section)	
5	1001262322	1	Telematics Control Module (Note: Re-calibration Required when Replaced)	
6	1001262326	1	Antenna	

SECTION 8 - ELECTRICAL

FIGURE 8-32. CLEARSKY INSTALLATION - 4G CANBUS CONNECTION (CHINA SPECS)



ART_1001246472

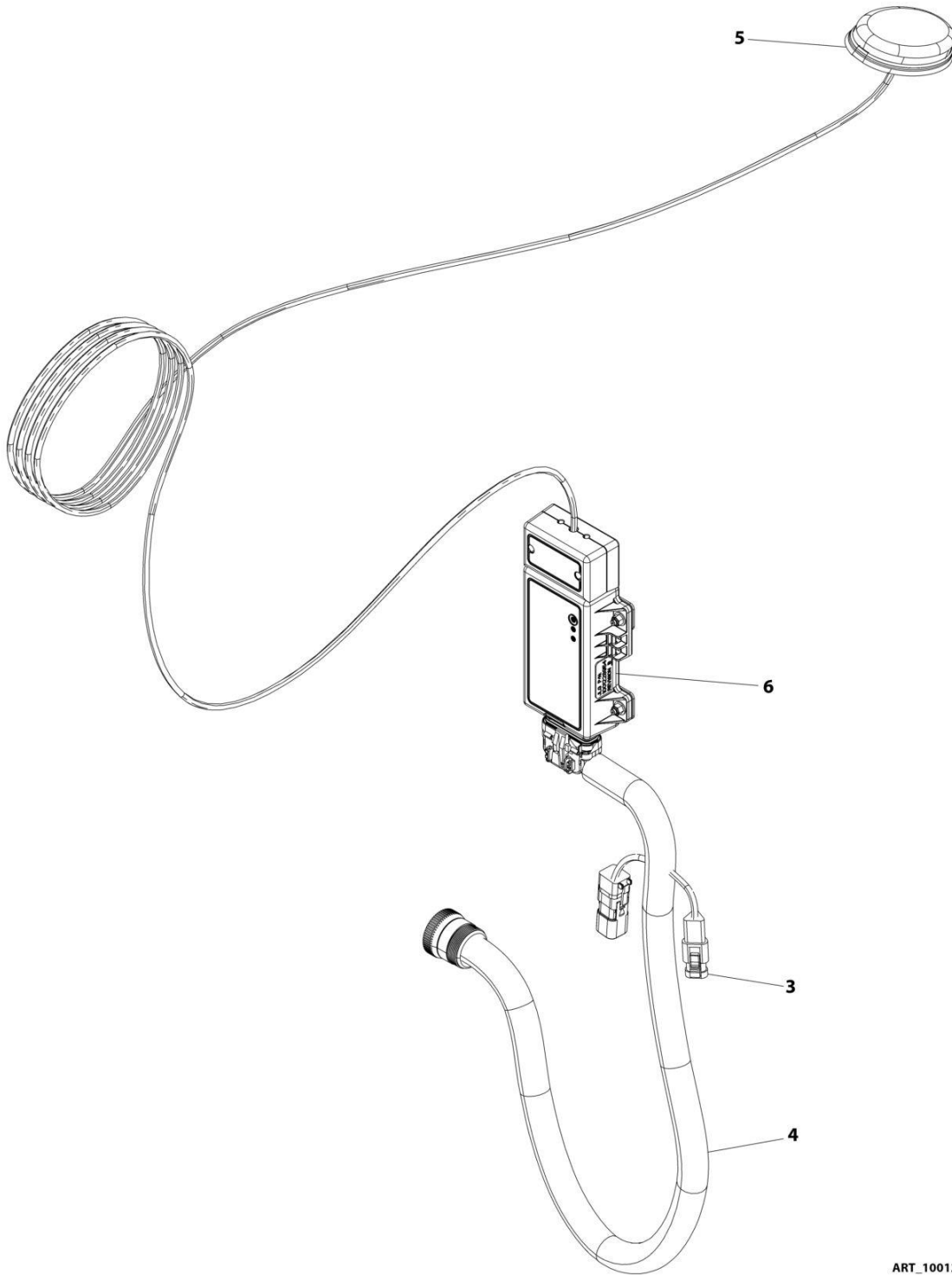
SECTION 8 - ELECTRICAL

FIGURE 8-32. CLEARSKY INSTALLATION - 4G CANBUS CONNECTION (CHINA SPECS)

ITEM	PART NUMBER	QTY	DESCRIPTION	REV
	1001246472	REF	CLEARSKY INSTALLATION CANBUS CONNECTION	A
1	4240032	AR	Tie-Strap (Not Shown)	
2	4460234	AR	Strap, Cable -Tie (Not Shown)	
3	1001129408	1	Connector	
4	1001226739	1	ClearSky Harness (See Separate Breakdown in this Section)	
5	1001226799	1	Antenna	
6	1001246145	1	Telematics Control Module (Note: Re-calibration Required when Replaced)	

SECTION 8 - ELECTRICAL

FIGURE 8-33. CLEARSKY INSTALLATION - 3G CANBUS CONNECTION (ANSI EXPORT, CE, AND UK CA SPECS)



ART_1001228959

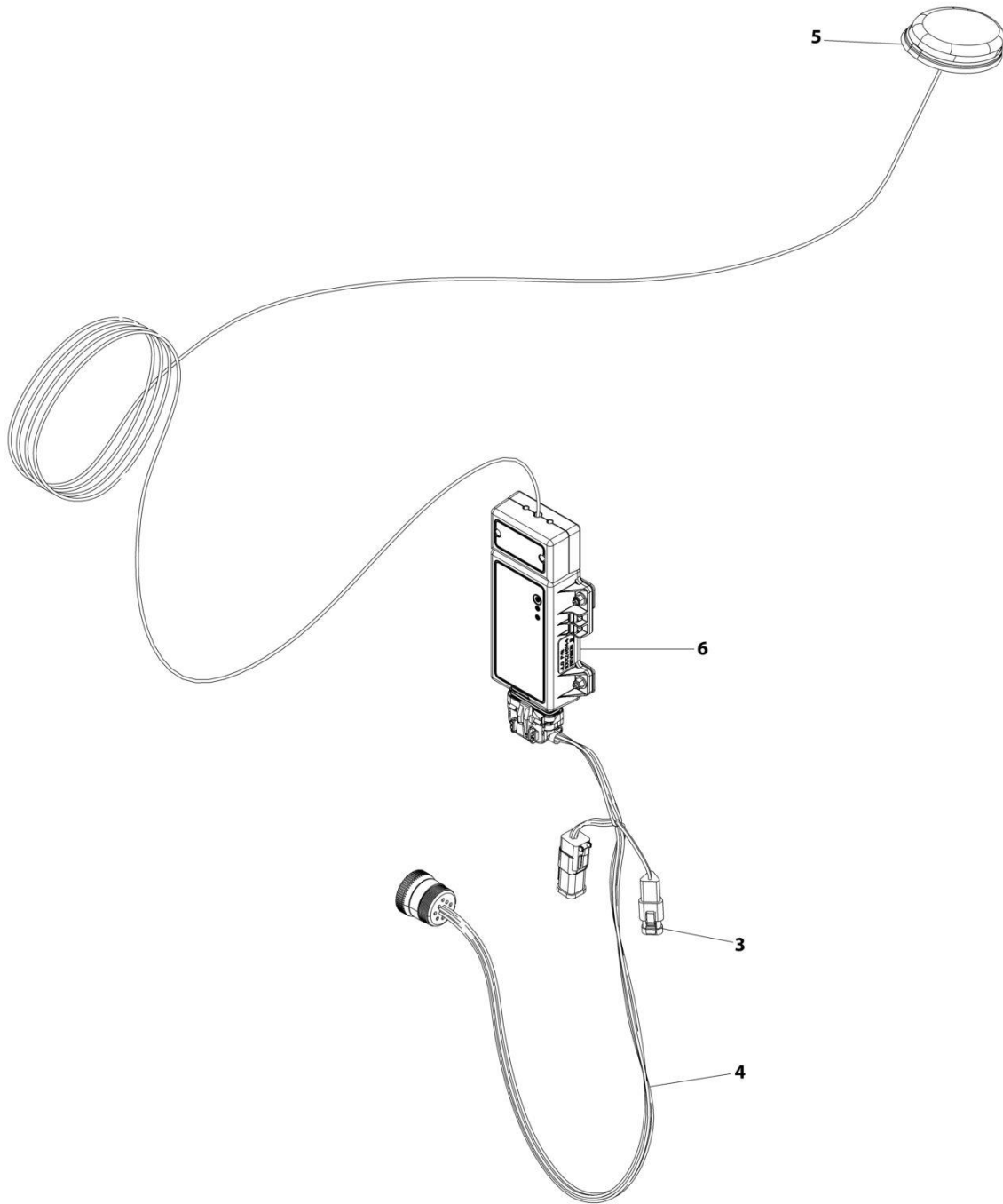
SECTION 8 - ELECTRICAL

FIGURE 8-33. CLEARSKY INSTALLATION - 3G CANBUS CONNECTION (ANSI EXPORT, CE, AND UK CA SPECS)

ITEM	PART NUMBER	QTY	DESCRIPTION	REV
	1001228959	REF	CLEARSKY INSTALLATION CANBUS CONNECTION	A
1	4240032	AR	Tie-Strap (Not Shown)	
2	4460234	AR	Strap, Cable Tie (Not Shown)	
3	1001129408	1	Connector	
4	1001226739	1	ClearSky Harness (See Separate Breakdown in this Section)	
5	1001226799	1	Antenna	
6	1001228954	1	Telematics Control Module (Note: Re-calibration Required when Replaced)	

SECTION 8 - ELECTRICAL

FIGURE 8-34. CLEARSKY INSTALLATION - 3G CANBUS CONNECTION (AUSTRALIAN SPECS)



ART_1001246471

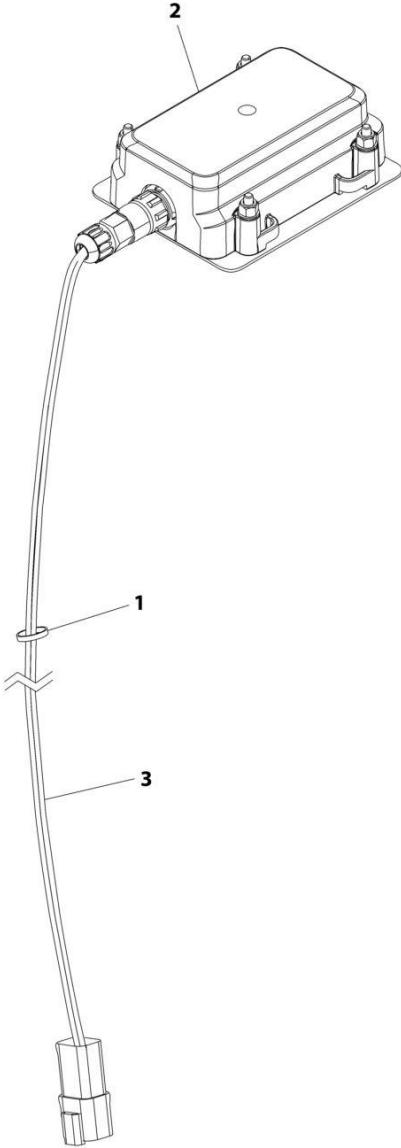
SECTION 8 - ELECTRICAL

FIGURE 8-34. CLEARSKY INSTALLATION - 3G CANBUS CONNECTION (AUSTRALIAN SPECS)

ITEM	PART NUMBER	QTY	DESCRIPTION	REV
	1001246471	REF	CLEARSKY INSTALLATION CANBUS CONNECTION	A
1	4240032	AR	Tie-Strap (Not Shown)	
2	4460234	AR	Strap, Cable -Tie (Not Shown)	
3	1001129408	1	Connector	
4	1001226739	1	ClearSky Harness (See Separate Breakdown in this Section)	
5	1001226799	1	Antenna	
6	1001246144	1	Telematics Control Module (Note: Re-calibration Required when Replaced)	

SECTION 8 - ELECTRICAL

FIGURE 8-35. CLEARSKY INSTALLATION - 3 WIRE GT1030 (ALL SPECS EXCEPT CHINA SPECS)



ART_1001276610

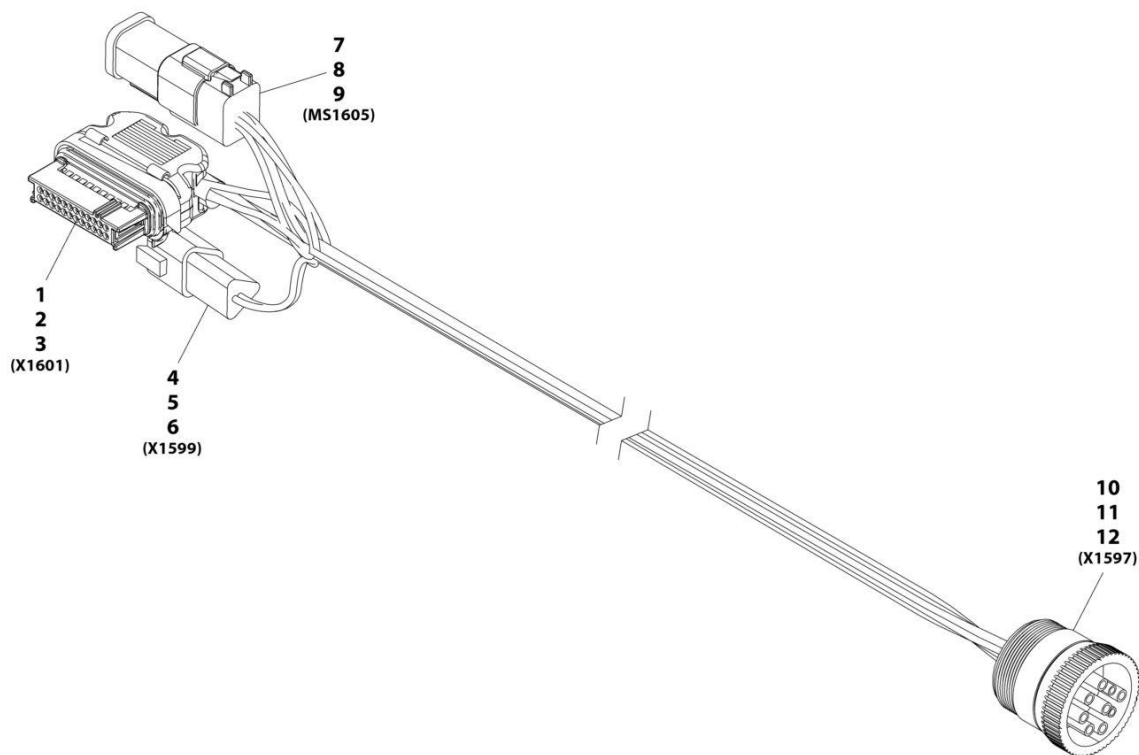
SECTION 8 - ELECTRICAL

FIGURE 8-35. CLEARSKY INSTALLATION - 3 WIRE GT1030 (ALL SPECS EXCEPT CHINA SPECS)

ITEM	PART NUMBER	QTY	DESCRIPTION	REV
1	1001276610 4240032	Ref AR	CLEARSKY INSTALLATION 3-WIRE CONNECTION Tie-Strap	A
2	1001272659	1	Telematics Control Module Assembly (Note: Re-calibration Required when Replaced)	
3	1001273012	1	ClearSky Harness (See Separate Breakdown in this Section)	

SECTION 8 - ELECTRICAL

FIGURE 8-36. CLEARSKY HARNESS - 3G & 4G CANBUS CONNECTIONS



ART_1001226739-A

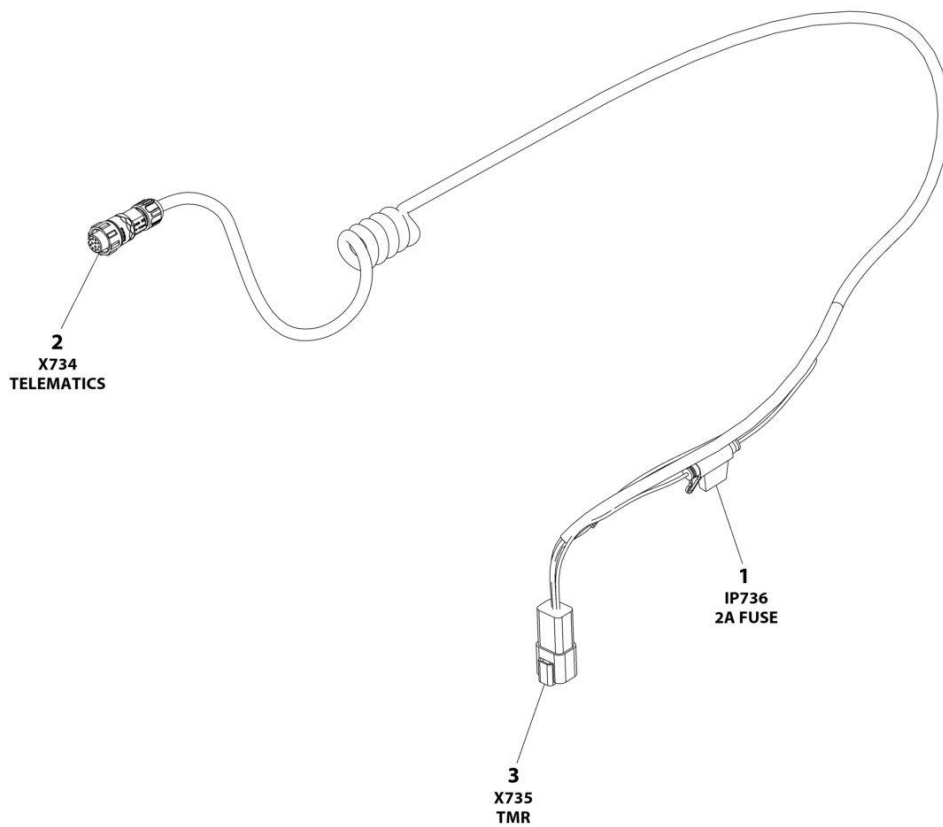
SECTION 8 - ELECTRICAL

FIGURE 8-36. CLEARSKY HARNESS - 3G & 4G CANBUS CONNECTIONS

ITEM	PART NUMBER	QTY	DESCRIPTION	REV
	1001226739	Ref	Clearsky Harness	A
1	1001226636	1	Connector	
2	1001116731	16	Plug, Terminal	
3	1001226637	8	Terminal	
4	1001144147	1	Connector	
5	4460464	2	Terminal	
6	4460466	1	Plug, Terminal	
7	4460894	1	Connector	
8	4460465	6	Terminal	
9	1001226541	1	Connector- 6 Pin Bussbar	
10	1001112796	1	Connector	
11	4460465	8	Terminal	
12	4460466	1	Plug, Terminal	

SECTION 8 - ELECTRICAL

FIGURE 8-37. CLEARSKY HARNESS - 3 WIRE GT1030



ART_1001273012

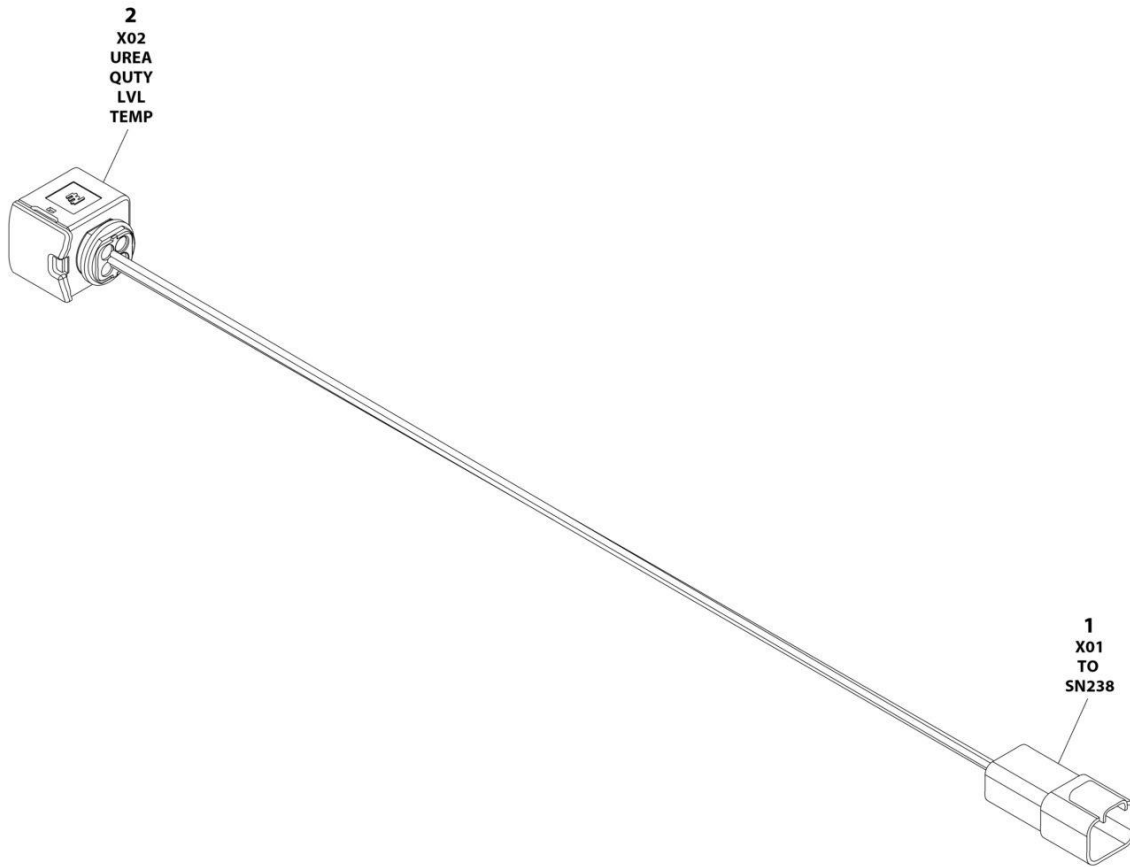
SECTION 8 - ELECTRICAL

FIGURE 8-37. CLEARSKY HARNESS - 3 WIRE GT1030

ITEM	PART NUMBER	QTY	DESCRIPTION	REV
	1001273012	Ref	CLEARSKY TELEMATICS HARNESS - GT1030	D
1	1001255901	1	Fuseholder	
1	1001196634	1	Fuse - 2Amp	
2	1001272997	1	Connector - 12 Position	
2		Ref	Terminal	
3	4460932	1	Receptacle, Female - 4 Position	
3	4460464	4	Pin, Male	

SECTION 8 - ELECTRICAL

FIGURE 8-38. DEF TANK EXTENSION HARNESS



ART_1001238483

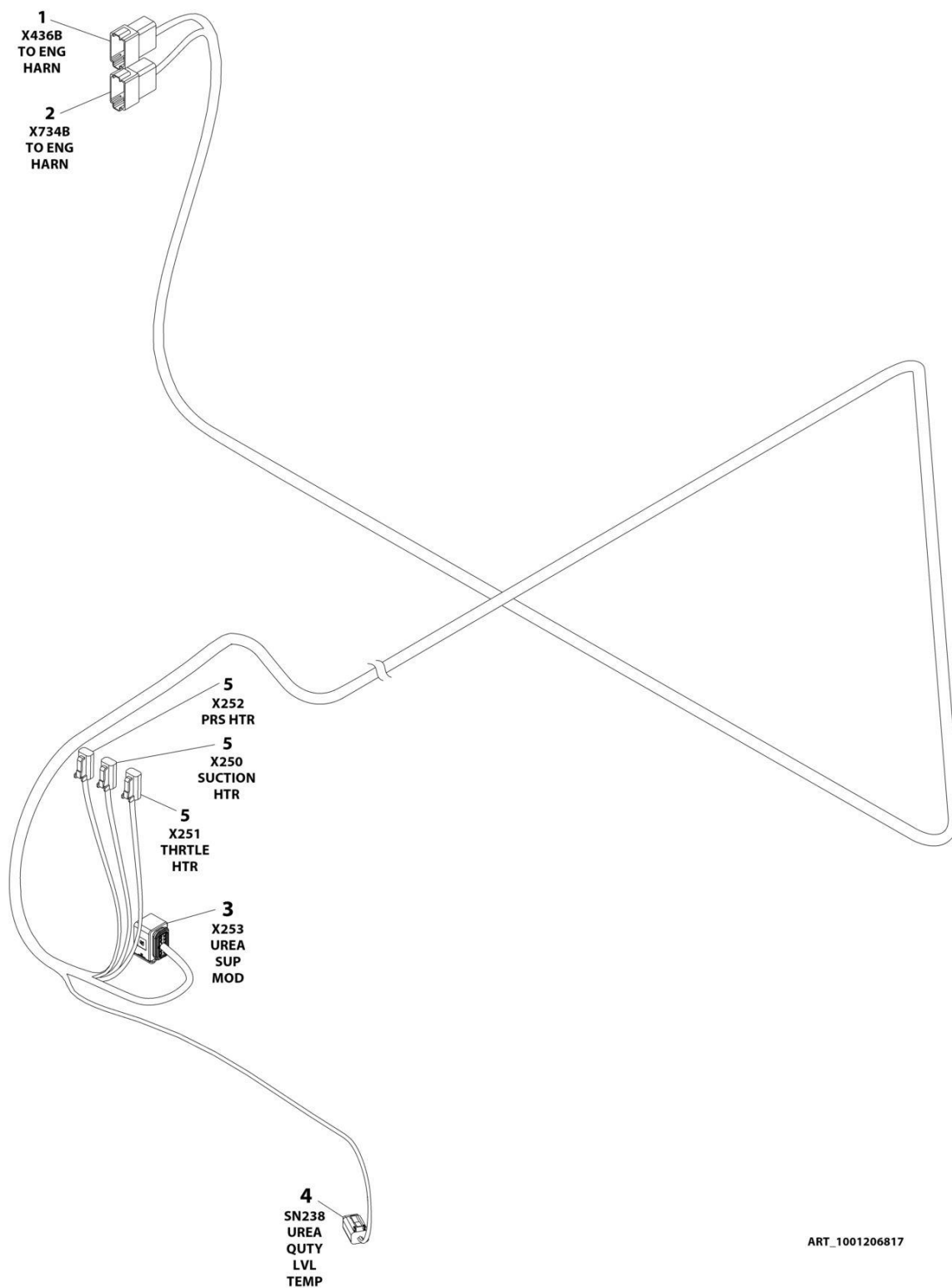
SECTION 8 - ELECTRICAL

FIGURE 8-38. DEF TANK EXTENSION HARNESS

ITEM	PART NUMBER	QTY	DESCRIPTION	REV
	1001238483	Ref	DEF TANK EXTENSION HARNESS	A
1	4460932	1	Receptacle, Female - 4 Position	
1	4460464	2	Pin, Male	
1	4460943	2	Pin, Male	
2	1001167528	1	Connector - 4 Position	
2	1001167632	2	Terminal	
2	1001166704	2	Terminal	
2	1001137578	4	Seal	

SECTION 8 - ELECTRICAL

FIGURE 8-39. DIESEL EXHAUST FLUID TANK HARNESS



ART_1001206817

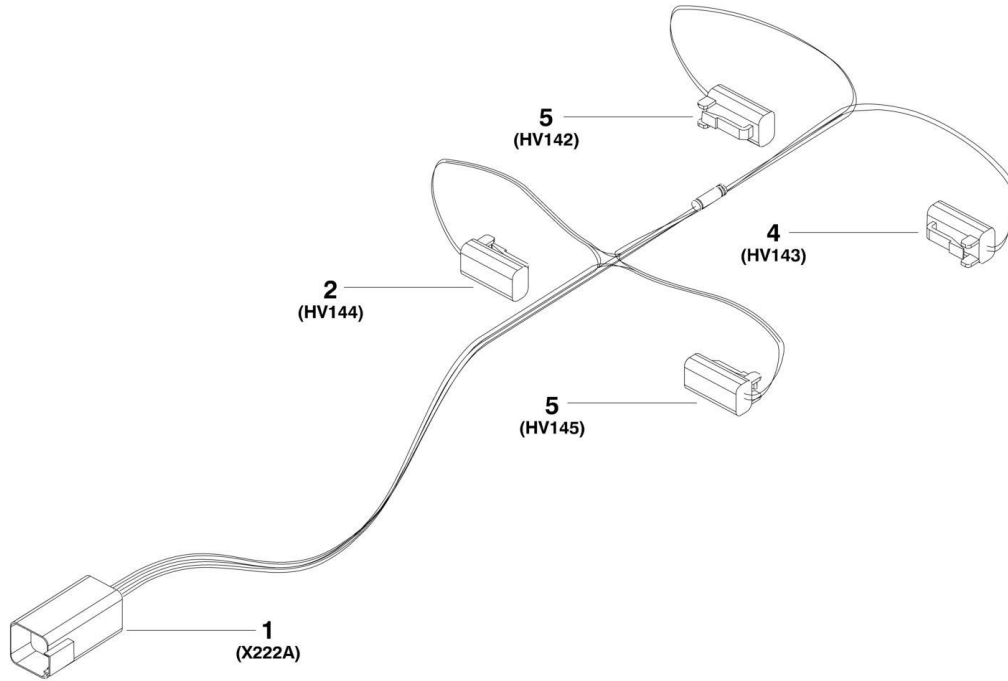
SECTION 8 - ELECTRICAL

FIGURE 8-39. DIESEL EXHAUST FLUID TANK HARNESS

ITEM	PART NUMBER	QTY	DESCRIPTION	REV
	1001206817	Ref	DIESEL EXHAUST FLUID TANK HARNESS	B
1	4460982	1	Receptacle, Female - 12 Position	
1	1001157891	6	Pin, Male	
1	4460464	2	Pin, Male	
1	4460943	2	Pin, Male	
1	4460466	2	Plug, Terminal	
2	1001152742	1	Receptacle, Female - 12 Position	
2	4460941	2	Pin, Male	
2	4460464	8	Pin, Male	
2	4460466	2	Plug, Terminal	
3	1001165194	1	Plug, Male - 12 Position	
3	1001166556	8	Socket, Female	
3	1001166774	2	Socket, Female	
3	1001126391	2	Plug, Terminal	
4	4460884	1	Plug, Male - 4 Position	
4	4460944	2	Socket, Female	
4	4460465	2	Socket, Female	
5	4460891	3	Plug, Male - 2 Position	
5	4460942	6	Socket, Female	

SECTION 8 - ELECTRICAL

FIGURE 8-40. DRIVE PUMP HARNESS



1001149970

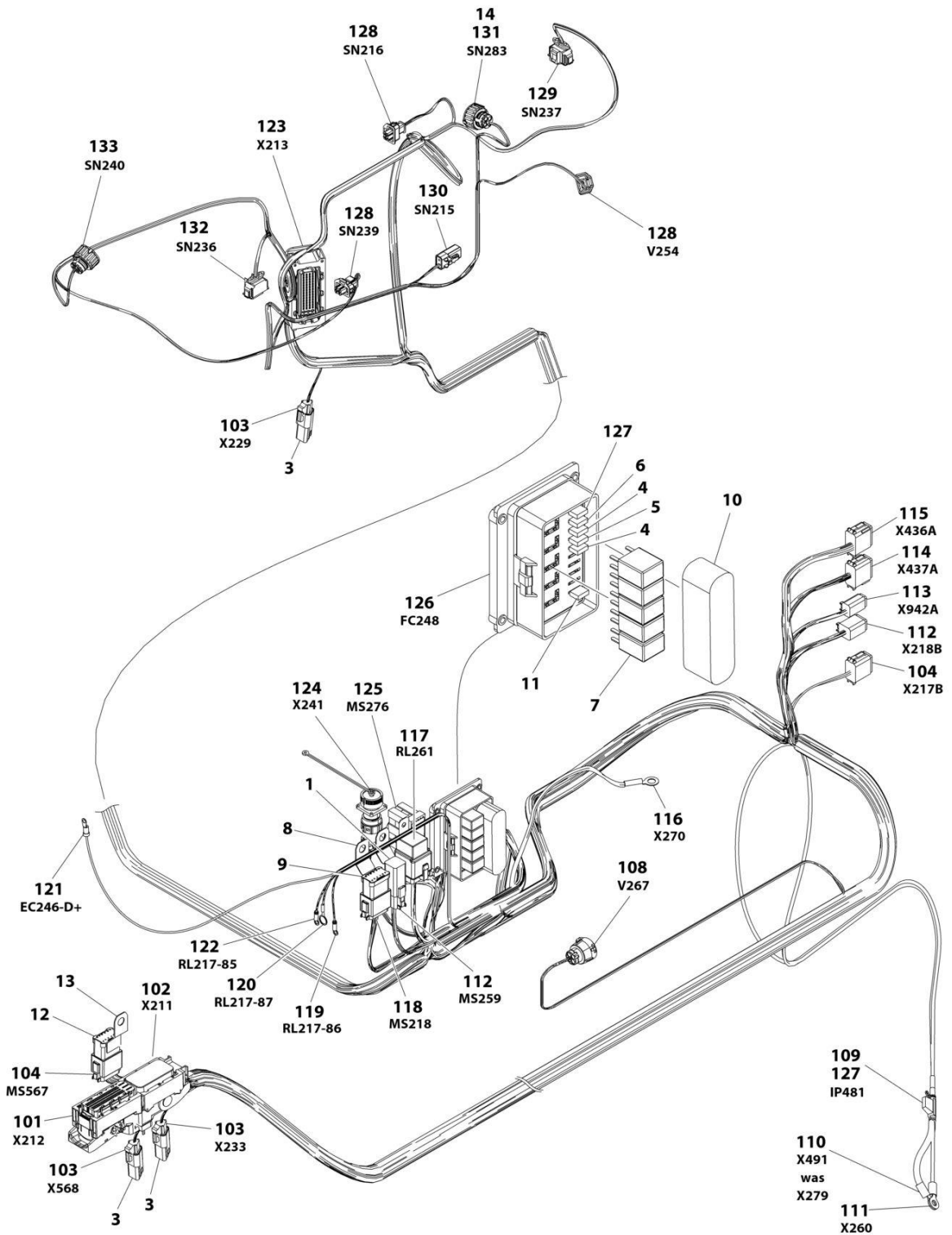
SECTION 8 - ELECTRICAL

FIGURE 8-40. DRIVE PUMP HARNESS

ITEM	PART NUMBER	QTY	DESCRIPTION	REV
	1001149970	Ref	DRIVE PUMP HARNESS	B
1	4460899	1	Connector - 6 Position	
1	4460464	5	Pin, Male	
1	4460466	1	Plug, Seal	
2	4460891	1	Connector - 2 Position	
2	4460465	2	Socket, Female	
3	4460891	1	Connector - 2 Position	
3	4460465	2	Socket, Female	
4	4460891	1	Connector - 2 Position	
4	4460465	2	Socket, Female	
5	4460891	1	Connector - 2 Position	
5	4460465	2	Socket, Female	

SECTION 8 - ELECTRICAL

FIGURE 8-41. ENGINE HARNESS (HRC)



ART_1001188922

SECTION 8 - ELECTRICAL

FIGURE 8-41. ENGINE HARNESS (HRC)

ITEM	PART NUMBER	QTY	DESCRIPTION	REV
	1001188922	Ref	ENGINE HARNESS	K
1	4460892	1	Buss Bar - 6 Position	
3	4461070	3	Connector, Terminating - 3 Position	
4	8229242	2	Fuse, 5 Amp	
5	8229244	1	Fuse, 15 Amp	
6	8229247	1	Fuse, 25 Amp	
7	1001095704	5	Relay	
8	1001120328	2	Mount	
9	1001125677	1	Connector, Bussbar	
10	1001190921	1	Seal	
11	1001197719	1	Resistor 620ohm	
12	4460984	1	Receptacle, Female - 8 Position	
13	1001155743	1	Mount	
14	1001216318	1	Cover	
101	1001167615	1	Connector - 91 Position	
101	1001166551	6	Terminal	
101	1001167621	20	Terminal	
101	1001167622	65	Plug, Terminal	
101	1001126353	6	Seal	
102	1001167625	1	Connector - 105 Position	
102	1001166555	13	Terminal	
102	1001167621	50	Terminal	
102	1001167622	36	Plug, Terminal	
102	1001167623	6	Seal	
103	4461095	3	Connector - 3 Position	
103	4460944	4	Socket, Female	
103	4460465	2	Socket, Female	
103	4460466	3	Plug, Terminal	
104	4460930	2	Connector - 8 Position	
104	4460465	10	Socket, Female	
104	4460466	6	Plug, Terminal	
108	1001167620	1	Connector - 4 Position	
108	1001176004	2	Socket, Female	
108	1001167624	2	Plug, Terminal	
108	1001176002	2	Seal	
109	2400066	1	Fuseholder with Leads	
110	1001117107	1	Terminal, Ring	
111	8220045	1	Terminal, Ring	
112	4460894	2	Plug, Male - 6 Position	
112	4460465	7	Socket, Female	
112	4460944	2	Socket, Female	
112	4460942	1	Socket, Female	
112	4460466	2	Plug, Socket	
113	4460884	1	Plug, Male - 4 Position	
113	4460465	2	Socket, Female	
113	4460942	2	Socket, Female	
114	4460934	1	Plug, Male - 12 Position	
114	4460942	2	Socket, Female	
114	4460465	8	Socket, Female	
114	4460466	2	Plug, Socket	

SECTION 8 - ELECTRICAL

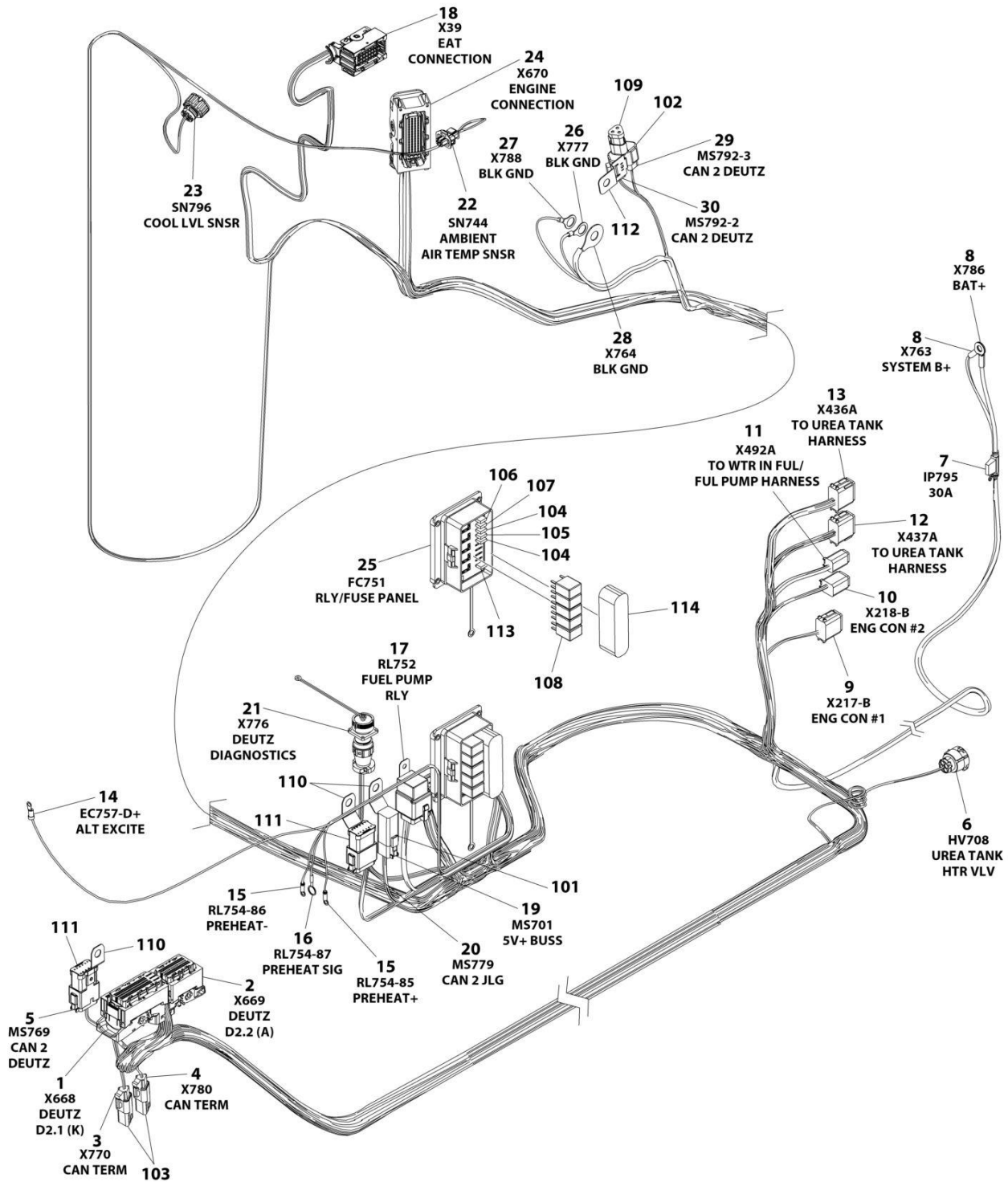
ITEM	PART NUMBER	QTY	DESCRIPTION	REV
115	4460935	1	Plug, Male - 12 Position	
115	1001157890	6	Socket, Female	
115	4460465	2	Socket, Female	
115	4460944	2	Socket, Female	
115	4460466	2	Plug, Socket	
116	1001117108	1	Ring, Terminal	
117	1001118282	1	Connector - 5 Position	
117	1001116734	2	Terminal	
117	1001116733	2	Terminal	
117	1001128128	1	Plug, Socket	
118	4460933	1	Plug, Male - 12 Position	
118	4460944	12	Socket, Female	
119	4460247	1	Terminal, Ring	
120	4460703	1	Terminal, Ring	
121	4460042	1	Terminal, Ring	
122	4460247	1	Terminal, Ring	
123	1001126362	1	Connector - 62 Position	
123	1001166556	30	Socket, Female	
123	1001166774	10	Socket, Female	
123	1001166541	2	Socket, Female	
123	1001166543	2	Socket, Female	
123	1001126391	16	Plug, Terminal	
123	4461008	2	Plug, Terminal	
123	1001166701	30	Seal, Terminal	
123	1001126393	10	Seal, Terminal	
123	4461006	2	Seal, Terminal (Blue)	
123	4461054	2	Seal, Terminal (White)	
124	2902443	1	Kit, Receptacle	
124	4461071	8	Socket, Female	
124	4461072	1	Connector	
124	4461043	1	Cap, Dust	
124	4461074	1	Shell, Back	
125	1001184846	1	Plug, Male - 10 Position	
125	4460509	10	Socket, Female	
126	1001167616	1	Main Fuse Box Assembly	
126	1001116725	6	Socket, Female	
126	8220097	19	Terminal	
126	8220098	7	Terminal	
126	4460748	13	Plug, Terminal	
126	80963067	6	Seal (Blue)	
126	1001175265	12	Seal, Terminal	
126	4460458	14	Seal, Terminal	
127	8229245	2	Fuse, 30 Amp	
128	1001126487	3	Connector - 2 Position	
128	1001167634	4	Socket, Female	
128	1001167635	2	Socket, Female	
128	1001126485	3	Seal, Terminal	
129	1001167629	1	Connector - 4 Position	
129	1001167630	4	Socket, Female	
129	1001126485	4	Seal, Terminal	
130	1001126245	1	Plug, Male - 2 Position	

SECTION 8 - ELECTRICAL

ITEM	PART NUMBER	QTY	DESCRIPTION	REV
130	1001126008	2	Socket, Female	
131	1001167633	1	Connector - 3 Position	
131	1001133715	3	Socket, Female	
131	1001135650	3	Seal, Terminal	
132	1001167631	1	Connector - 4 Position	
132	1001167630	4	Socket, Female	
132	1001126485	4	Seal, Terminal	
133	1001133714	1	Connector - 4 Position	
133	1001133715	3	Socket, Female	
133	1001135650	3	Seal, Terminal	

SECTION 8 - ELECTRICAL

FIGURE 8-42. ENGINE HARNESS STAGE V (HRC)



ART_1001262056

SECTION 8 - ELECTRICAL

FIGURE 8-42. ENGINE HARNESS STAGE V (HRC)

ITEM	PART NUMBER	QTY	DESCRIPTION	REV
	1001262056	Ref	ENGINE HARNESS	E
1	1001133956	1	Connector - 94 Position	
1	1001182361	6	Terminal	
1	1001126351	3	Terminal	
1	1001230934	42	Terminal	
1	1001230935	43	Plug	
1	1001182365	6	Seal	
2	1001133957	1	Connector - 60 Position	
2	1001230936	10	Plug	
2	1001126351	14	Terminal	
2	1001230935	7	Plug	
2	1001230934	27	Terminal	
3	4461095	1	Connector - 3 Position	
3	4460465	2	Socket, Female	
3	4460466	1	Plug, Socket	
4	4461095	1	Connector - 3 Position	
4	4460465	2	Socket, Female	
4	4460466	1	Plug, Socket	
5	4460933	1	Connector - 12 Position	
5	4460465	10	Socket, Female	
5	4460466	2	Plug, Socket	
6	1001167620	1	Connector - 4 Position	
6	1001176004	2	Socket, Female	
6	1001167624	2	Plug, Terminal	
6	1001176002	2	Seal	
7	2400066	1	Fuseholder with Leads	
8	8220045	2	Terminal, Ring	
9	4460930	1	Connector - 8 Position	
9	4460465	1	Socket, Female	
9	4460466	6	Plug, Terminal	
9	4460942	1	Socket, Female	
10	4460894	1	Plug, Male - 6 Position	
10	4460942	1	Socket, Female	
10	4460465	2	Socket, Female	
10	4460944	2	Socket, Female	
10	4460466	1	Plug, Terminal	
11	4460884	1	Plug, Male - 4 Position	
11	4460465	2	Socket, Female	
11	1001157890	2	Socket, Female	
12	4460934	1	Plug, Male - 12 Position	
12	4460465	8	Socket, Female	
12	4460942	2	Terminal	
12	4460466	2	Plug, Terminal	
13	4460935	1	Plug, Male - 12 Position	
13	1001157890	6	Socket, Female	
13	4460465	2	Socket, Female	
13	4460944	2	Socket, Female	
13	4460466	2	Plug, Socket	
14	4460042	1	Terminal, Ring	
15	4460247	2	Terminal, Ring	

SECTION 8 - ELECTRICAL

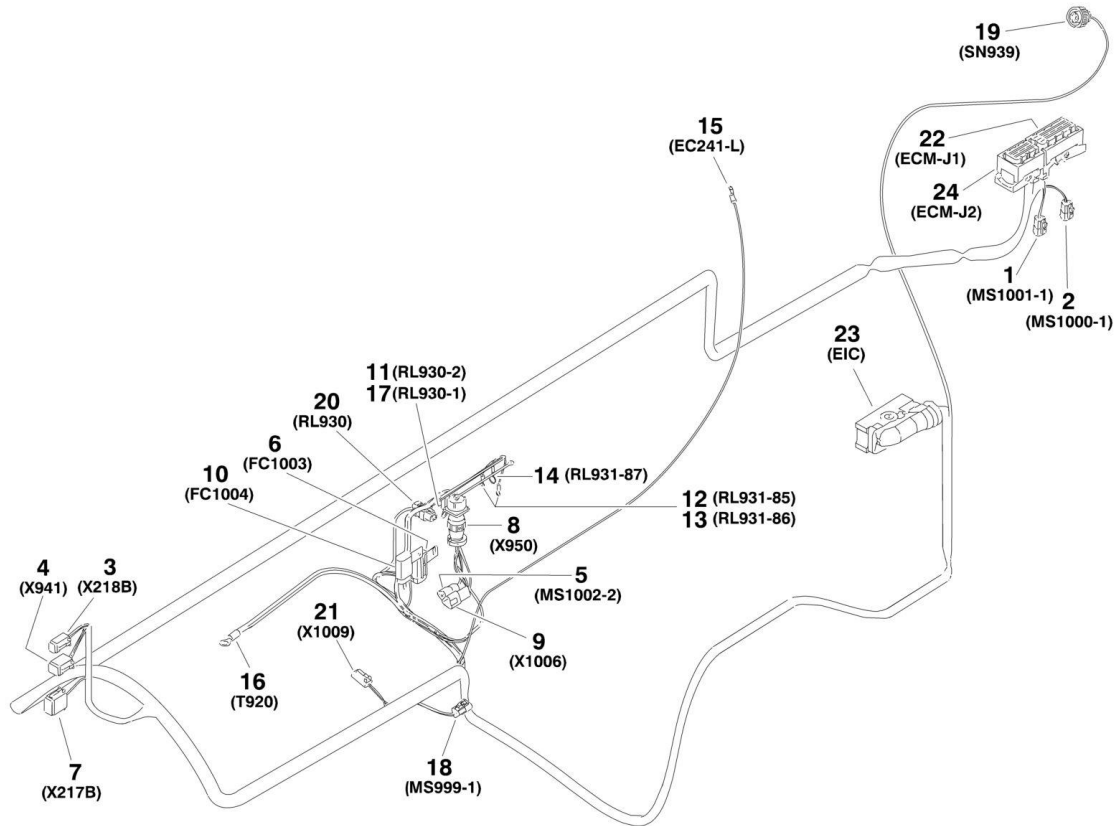
ITEM	PART NUMBER	QTY	DESCRIPTION	REV
16	4460703	1	Terminal, Ring	
17	1001118282	1	Connector - 5 Position	
17	1001116734	2	Terminal	
17	1001116733	2	Terminal	
17	1001128128	1	Plug, Socket	
18	1001268946	1	Connector - 21 Position	
18	1001167632	15	Terminal	
18	4461008	6	Plug	
18	4461054	15	Seal	
19	4460894	1	Plug, Male - 6 Position	
19	4460465	6	Socket, Female	
20	4460933	1	Plug, Male - 12 Position	
20	4460465	8	Socket, Female	
20	4460466	4	Plug, Socket	
21	2902443	1	Kit, Receptacle	
21	4461071	6	Socket, Female	
22	1001126487	1	Connector - 2 Position	
22	1001167634	2	Socket, Female	
22	1001126485	2	Seal, Terminal	
23	1001133714	1	Connector - 4 Position	
23	1001133715	3	Socket, Female	
23	1001135650	3	Seal, Terminal	
24	1001126362	1	Connector - 62 Position	
24	1001126363	36	Terminal	
24	1001126391	8	Plug, Socket	
24	1001126392	12	Terminal	
24	1001126365	2	Terminal	
24	4461008	4	Plug, Socket	
25	1001167616	1	Main Fuse Box Assembly	
25	1001116725	6	Socket, Female	
25	8220097	19	Terminal	
25	4460748	13	Plug, Terminal	
25	8220098	7	Terminal	
26	1001275151	1	Terminal, Ring	
27	1001275153	1	Terminal, Ring	
28	1001275152	1	Terminal, Ring	
29	1001116812	1	Connector - 3 Position	
29	4460465	2	Socket, Female	
29	4460466	1	Plug, Socket	
30	4460539	1	Connector - 3 Position	
30	4460465	2	Socket, Female	
30	4460466	1	Plug, Socket	
101	4460892	1	Receptacle, Female Buss Bar - 6 Position	
102	4460945	1	Receptacle, Female Bussbar - 6 Position	
103	4461070	2	Connector, Terminating - 3 Position	
104	8229242	2	Connector - 3 Position	
105	8229244	1	Fuse 15Amp	
106	8229245	1	Fuse, 30 Amp	
107	8229247	1	Fuse, 25 Amp	
108	1001095704	5	Relay	
109	1001116815	1	Connector - 3 Position	

SECTION 8 - ELECTRICAL

ITEM	PART NUMBER	QTY	DESCRIPTION	REV
110	1001120328	3	Mount	
111	1001125677	2	Connector, Bussbar	
112	1001155967	1	Mount	

SECTION 8 - ELECTRICAL

FIGURE 8-43. ENGINE HARNESS (LRC)



1001149971

SECTION 8 - ELECTRICAL

FIGURE 8-43. ENGINE HARNESS (LRC)

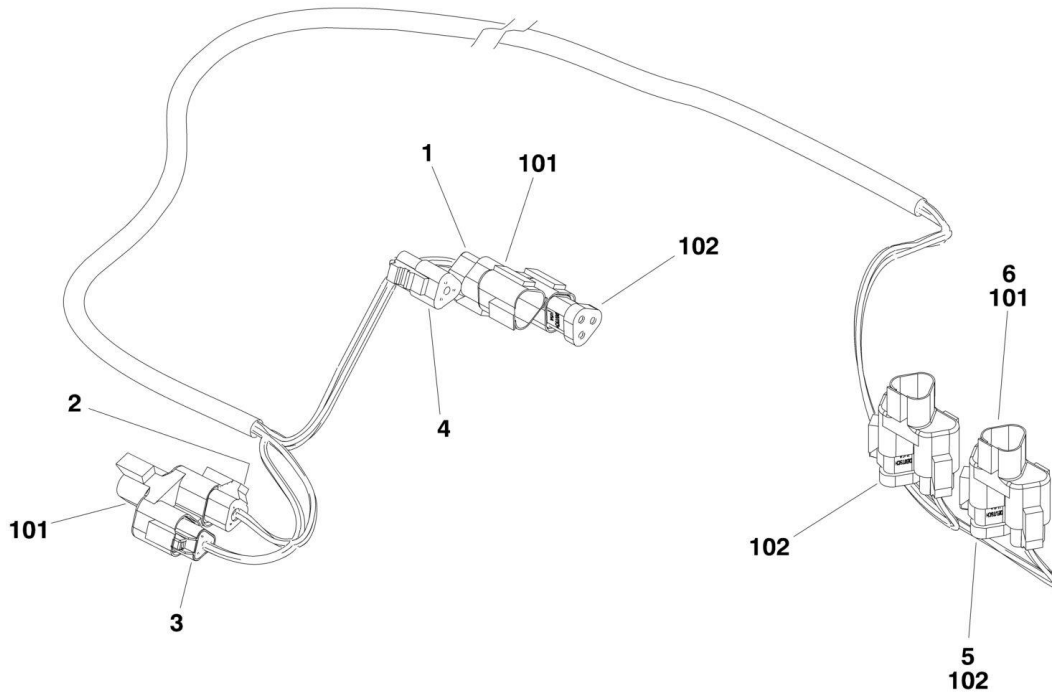
ITEM	PART NUMBER	QTY	DESCRIPTION	REV
	1001149971	Ref	ENGINE HARNESS	F
1	1001116812	1	Connector - 3 Position	
1	4460944	2	Socket, Female	
1	4460466	1	Plug, Socket	
2	1001116812	1	Connector - 3 Position	
2	4460944	2	Socket, Female	
2	4460466	1	Plug, Socket	
3	4460894	1	Connector - 6 Position	
3	4460944	3	Socket, Female	
3	4460466	3	Plug, Socket	
4	1001220379	1	Connector - 4 Position	
4	4460942	2	Socket, Female	
4	4460465	2	Socket, Female	
4	4460466	4	Plug, Socket	
5	4460539	1	Connector - 3 Position	
5	4460944	2	Socket, Female	
5	4460466	1	Plug, Socket	
6	1001119412	1	Fuseholder	
6	See Note	NSS	Fuse 5A (Note: Purchase Locally)	
6	1001116732	1	Terminal	
6	1001128128	1	Plug, Socket	
7	4460930	1	Connector, Female - 8 Position	
7	4460944	1	Socket, Female	
7	4460466	7	Plug, Seal	
8	2902443	1	Kit, Receptacle	
8	4461071	8	Socket, Female	
8	4461072	1	Connector	
8	4461043	1	Cap, Dust	
8	4461074	1	Shell, Back	
9	4460536	1	Connector - 3 Position	
9	4460943	2	Pin, Male	
9	4460466	1	Plug, Socket	
10	1001117023	1	Fuseholder	
10	See Note	NSS	Fuse 10A (Note: Purchase Locally)	
10	1001116732	1	Terminal	
10	1001128128	1	Plug, Socket	
11	1001117106	1	Ring, Terminal	
12	4460247	1	Ring, Terminal	
13	4460247	1	Ring, Terminal	
14	4460703	1	Ring, Terminal	
15	4460042	1	Ring, Terminal	
16	8220115	1	Ring, Terminal	
17	4460043	1	Ring, Terminal	
18	1001116812	1	Connector - 3 Position	
18	4460944	3	Socket, Female	
19	1001133714	1	Connector - 4 Position	
19	1001133715	3	Socket, Female	
20	1001116952	1	Connector - 2 Position	
20	4460465	1	Socket, Female	
20	4460466	1	Seal, Plug	

SECTION 8 - ELECTRICAL

ITEM	PART NUMBER	QTY	DESCRIPTION	REV
21	4460891	1	Connector, Male - 2 Position	
21	4460465	2	Socket, Female	
21	4460897	1	Connector, Female - 2 Position	
21	4460464	2	Pin, Male	
21	See Note	NSS	Resistor 1.5ohm (Note: Not Available for Purchase)	
21	1001156692	AR	Heat Shrink	
22	1001133956	1	Connector - 94 Position	
22	1001126352	6	Terminal 13-17Ga	
22	1001126384	21	Terminal 18-20Ga	
22	1001126351	2	Terminal 15-18Ga	
22	1001126357	2	Plug, Socket	
22	1001126356	63	Plug, Socket	
23	1001126362	1	Connector - 62 Position	
23	1001126365	2	Terminal 17-20Ga	
23	1001126363	35	Terminal 17-20Ga (Gold)	
23	1001126391	21	Plug, Socket	
23	4461008	4	Plug, Socket	
24	1001133957	1	Connector - 60 Position	
24	1001126351	13	Terminal 15-18Ga	
24	1001126384	17	Terminal 18-20Ga	
24	1001126357	11	Plug, Socket	
24	1001126356	19	Plug, Socket	

SECTION 8 - ELECTRICAL

FIGURE 8-44. ENGINE CAN HARNESS



1001156001

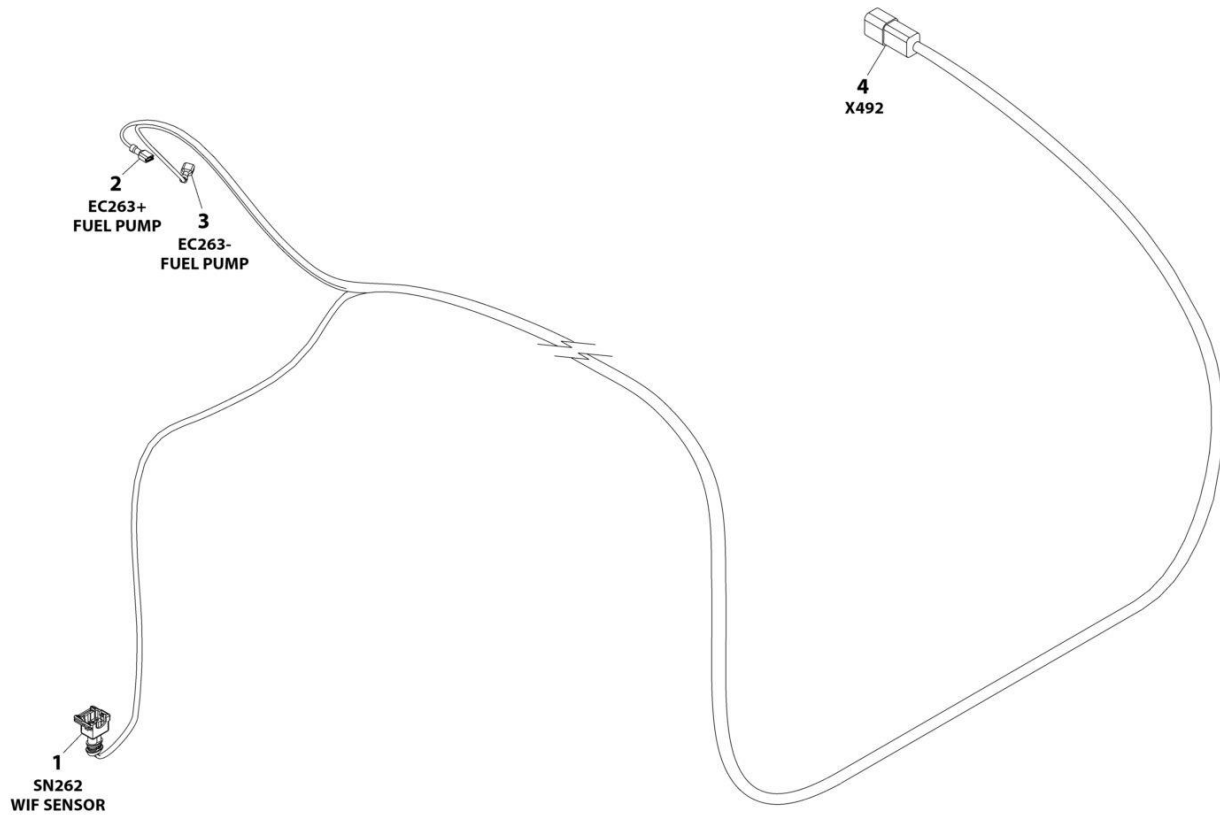
SECTION 8 - ELECTRICAL

FIGURE 8-44. ENGINE CAN HARNESS

ITEM	PART NUMBER	QTY	DESCRIPTION	REV
	1001156001	Ref	ENGINE CAN HARNESS	B
1	1001116812	1	Connector - 3 Position	
1	4460944	3	Socket, Female	
2	4460539	1	Connector - 3 Position	
2	4460944	3	Socket, Female	
3	1001116812	1	Connector - 3 Position	
3	4460944	3	Socket, Female	
4	4460539	1	Connector - 3 Position	
4	4460944	3	Socket, Female	
5	4460539	1	Connector - 3 Position	
5	4460944	3	Socket, Female	
6	4460539	1	Connector - 3 Position	
6	4460944	3	Socket, Female	
101	4460945	4	Connector, Tee	
102	1001116815	3	Connector - 3 Position	

SECTION 8 - ELECTRICAL

FIGURE 8-45. FUEL PUMP AND WIF HARNESS



ART_1001211885

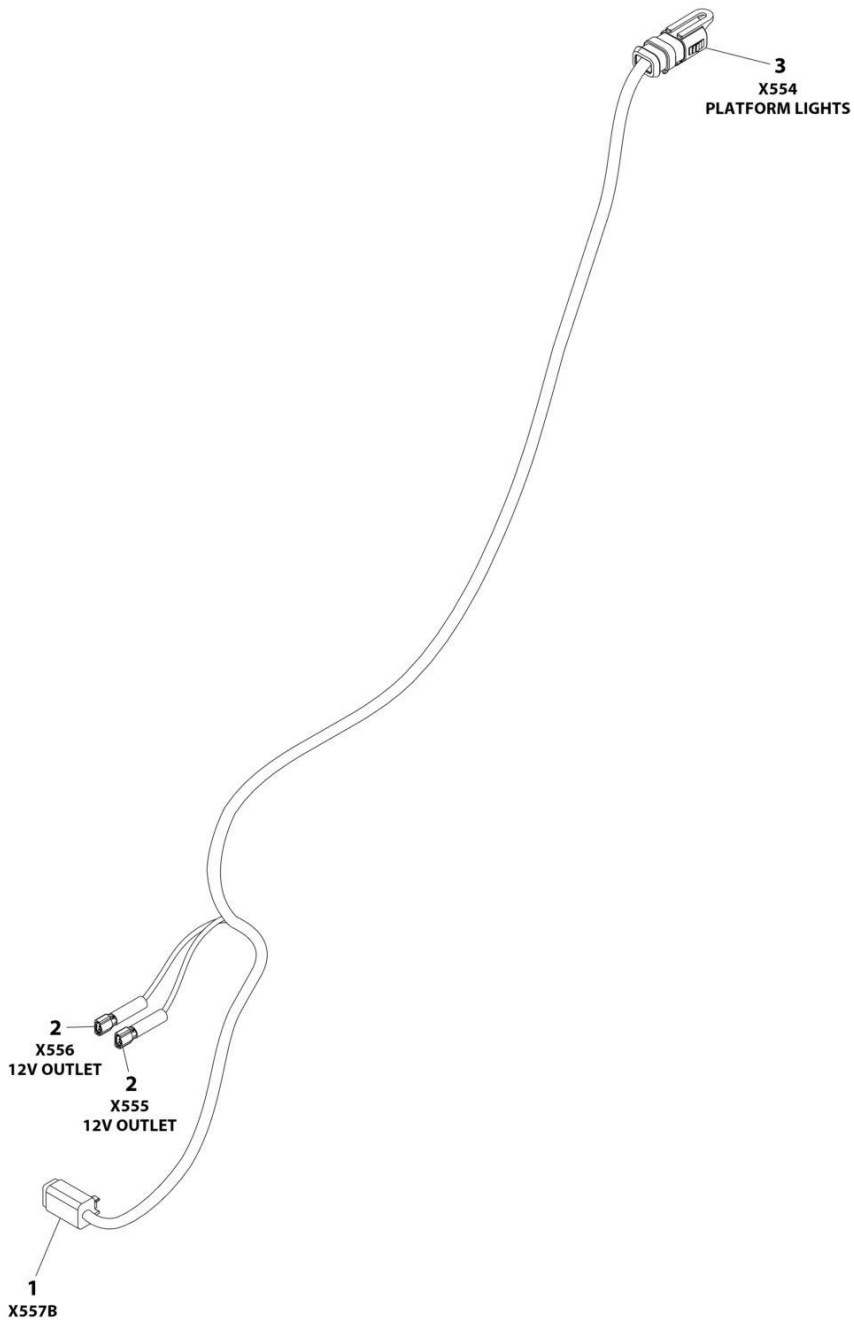
SECTION 8 - ELECTRICAL

FIGURE 8-45. FUEL PUMP AND WIF HARNESS

ITEM	PART NUMBER	QTY	DESCRIPTION	REV
	1001211885	Ref	FUEL PUMP AND WIF HARNESS	B
1	1001116983	1	Connector - 2 Position	
1	4461060	2	Pin, Male	
2	8220051	1	Terminal, Ring	
3	8220051	1	Terminal, Ring	
4	4460932	1	Connector - 4 Position	
4	4460464	2	Pin, Male	
4	4460941	2	Pin, Male	

SECTION 8 - ELECTRICAL

FIGURE 8-46. PLATFORM OUTLET HARNESS



ART_1001206506

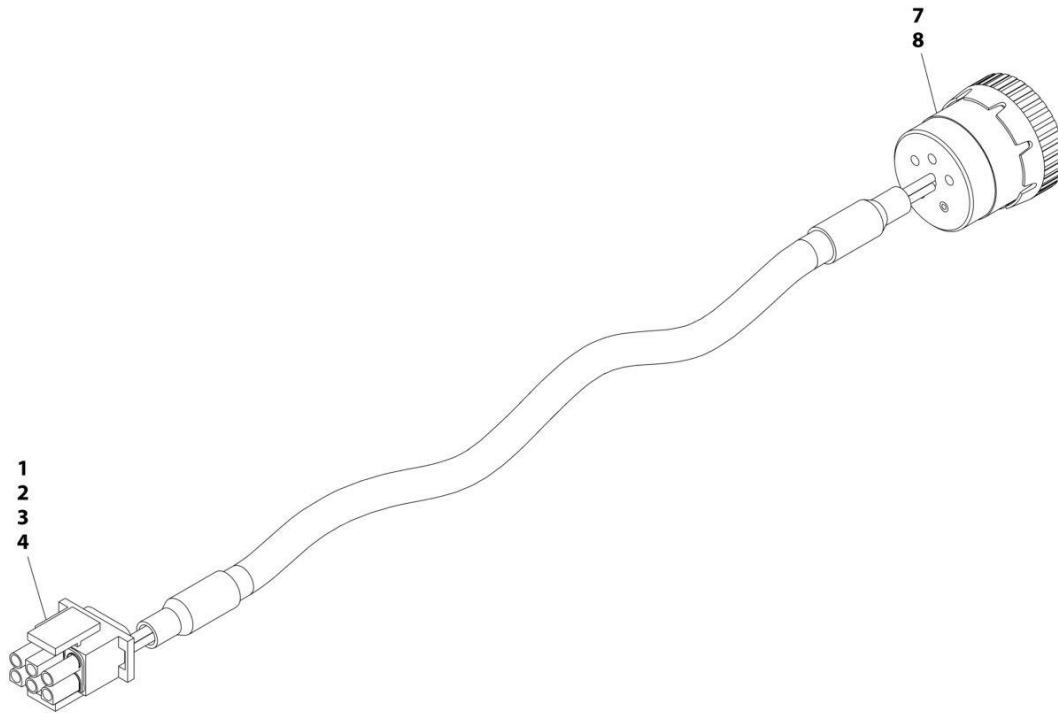
SECTION 8 - ELECTRICAL

FIGURE 8-46. PLATFORM OUTLET HARNESS

ITEM	PART NUMBER	QTY	DESCRIPTION	REV
	1001206506	Ref	PLATFORM OUTLET HARNESS	C
1	4460884	1	Plug, Male - 4 Position	
1	4460465	4	Socket, Female	
2	1001206509	2	Terminal	
3	1001210079	1	Plug, Male - 4 Position	
3	4460465	4	Socket, Female	
3	1001192401	1	Cap, Dust	

SECTION 8 - ELECTRICAL

FIGURE 8-47. GENERATOR TO CONTROL BOX HARNESS (4000W GENERATOR)



ART_1001152532

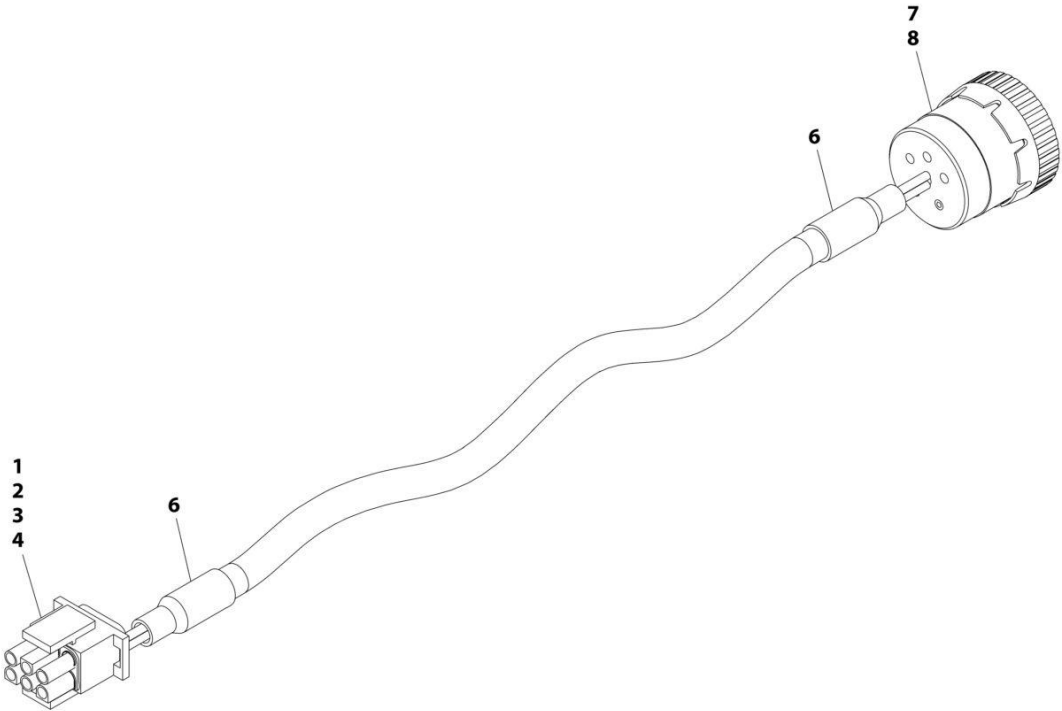
SECTION 8 - ELECTRICAL

FIGURE 8-47. GENERATOR TO CONTROL BOX HARNESS (4000W GENERATOR)

ITEM	PART NUMBER	QTY	DESCRIPTION	REV
	1001152532	Ref	GENERATOR HARNESS	A
1	4460225	1	Connector - 6 Position	
2	4460268	2	Socket, Female	
3	4460807	1	Seal	
4	4460808	1	Seal	
7	4460465	2	Socket, Female	
8	77363233	1	Connector - 6 Position	

SECTION 8 - ELECTRICAL

FIGURE 8-48. GENERATOR TO CONTROL BOX HARNESS (7500W GENERATOR)



ART_4922925

SECTION 8 - ELECTRICAL

FIGURE 8-48. GENERATOR TO CONTROL BOX HARNESS (7500W GENERATOR)

ITEM	PART NUMBER	QTY	DESCRIPTION	REV
	4922925	Ref	GENERATOR TO CONTROL BOX HARNESS (7500W GENERATOR)	C
1	4460225	1	Plug, Male - 2 Position	
2	4460268	6	Socket, Female	
3	4460807	1	Seal	
4	4460808	1	Seal	
6	2820019	AR	Heat Shrink	
7	4460465	6	Socket, Female	
8	77363233	1	Connector - 6 Position	

SECTION 8 - ELECTRICAL

FIGURE 8-49. GENERATOR TO PLATFORM HARNESS (4000W-60HZ GENERATOR)



ART_1001153259

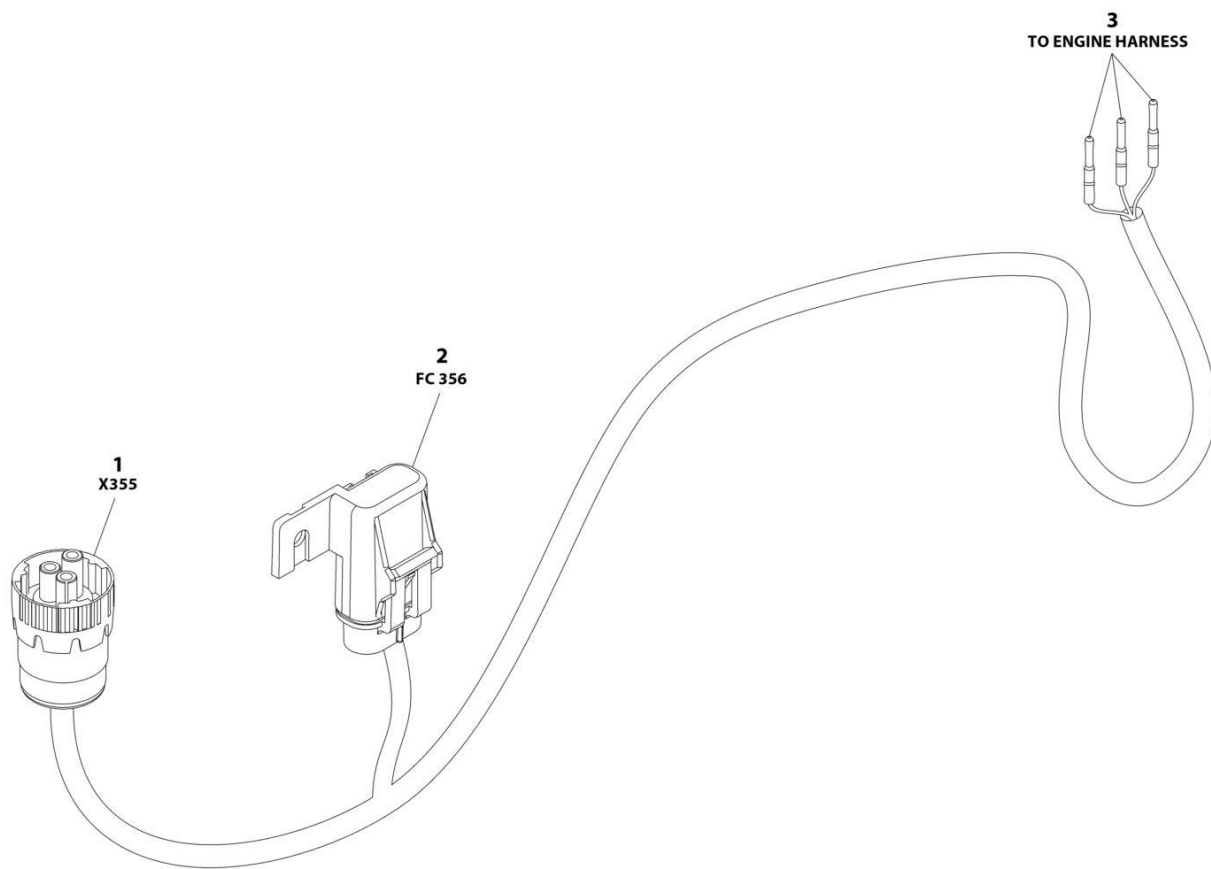
SECTION 8 - ELECTRICAL

FIGURE 8-49. GENERATOR TO PLATFORM HARNESS (4000W-60HZ GENERATOR)

ITEM	PART NUMBER	QTY	DESCRIPTION	REV
	1001153259	Ref	GENERATOR TO PLATFORM HARNESS (4000W-60HZ GENERATOR)	B
1	4460967	1	Connector - 3 Position	
1	4460465	2	Socket, Female	
2	4460465	2	Socket, Female	

SECTION 8 - ELECTRICAL

FIGURE 8-50. GENERATOR TO PLATFORM HARNESS (4000W-50HZ & 7500W GENERATOR)



ART_1001156030

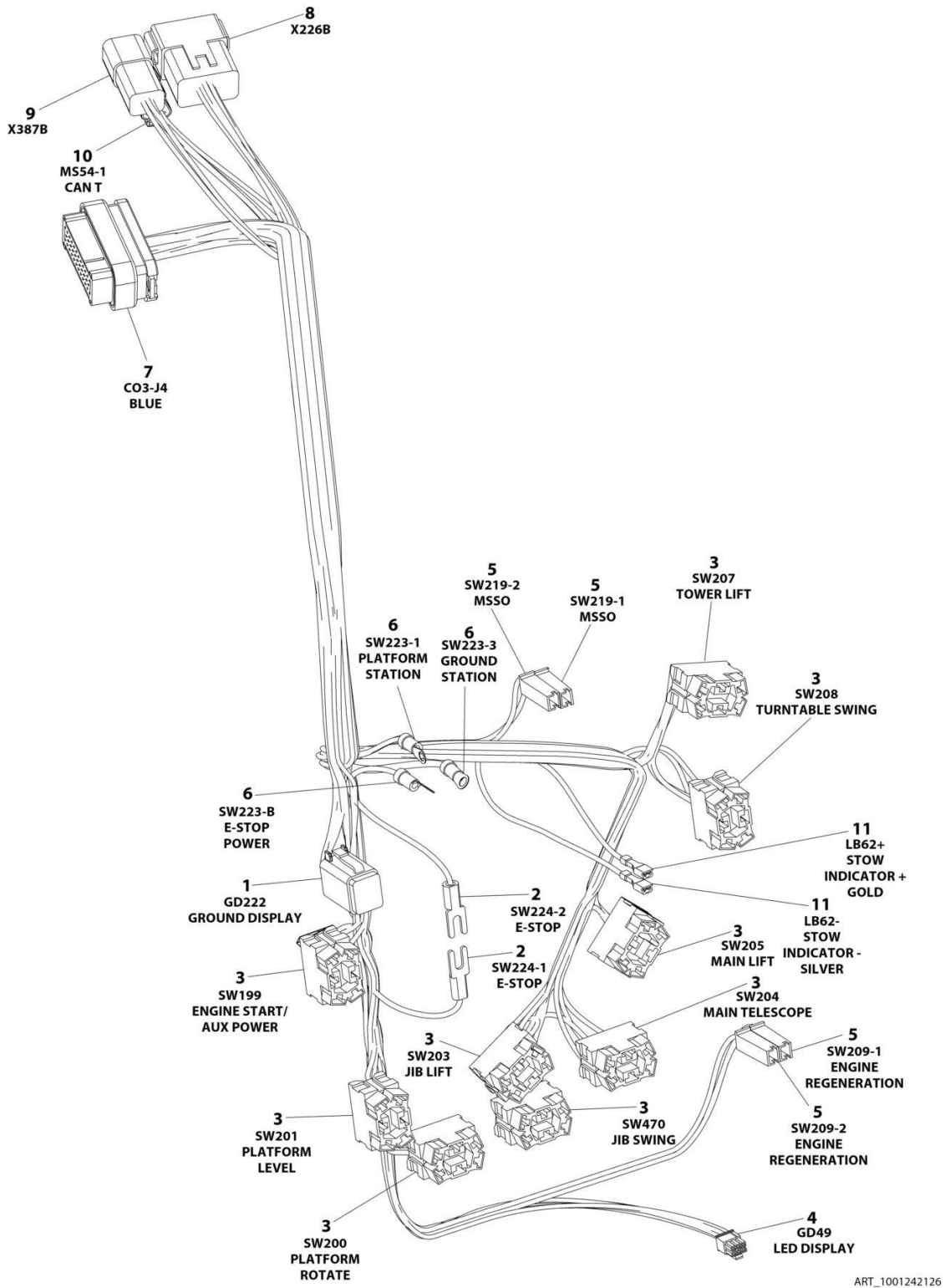
SECTION 8 - ELECTRICAL

FIGURE 8-50. GENERATOR TO PLATFORM HARNESS (4000W-50HZ & 7500W GENERATOR)

ITEM	PART NUMBER	QTY	DESCRIPTION	REV
	1001156030	Ref	GENERATOR ENABLE HARNESS - 7500W GENERATOR	B
1	4460967	1	Connector - 3 Position	
1	4460465	3	Socket, Female	
2	1001119412	1	Connector, Metri-Pack with 5Amp Fuse	
2	1001116733	2	Terminal	
3	4460465	3	Socket, Female	

SECTION 8 - ELECTRICAL

FIGURE 8-51. GROUND CONTROL HARNESS



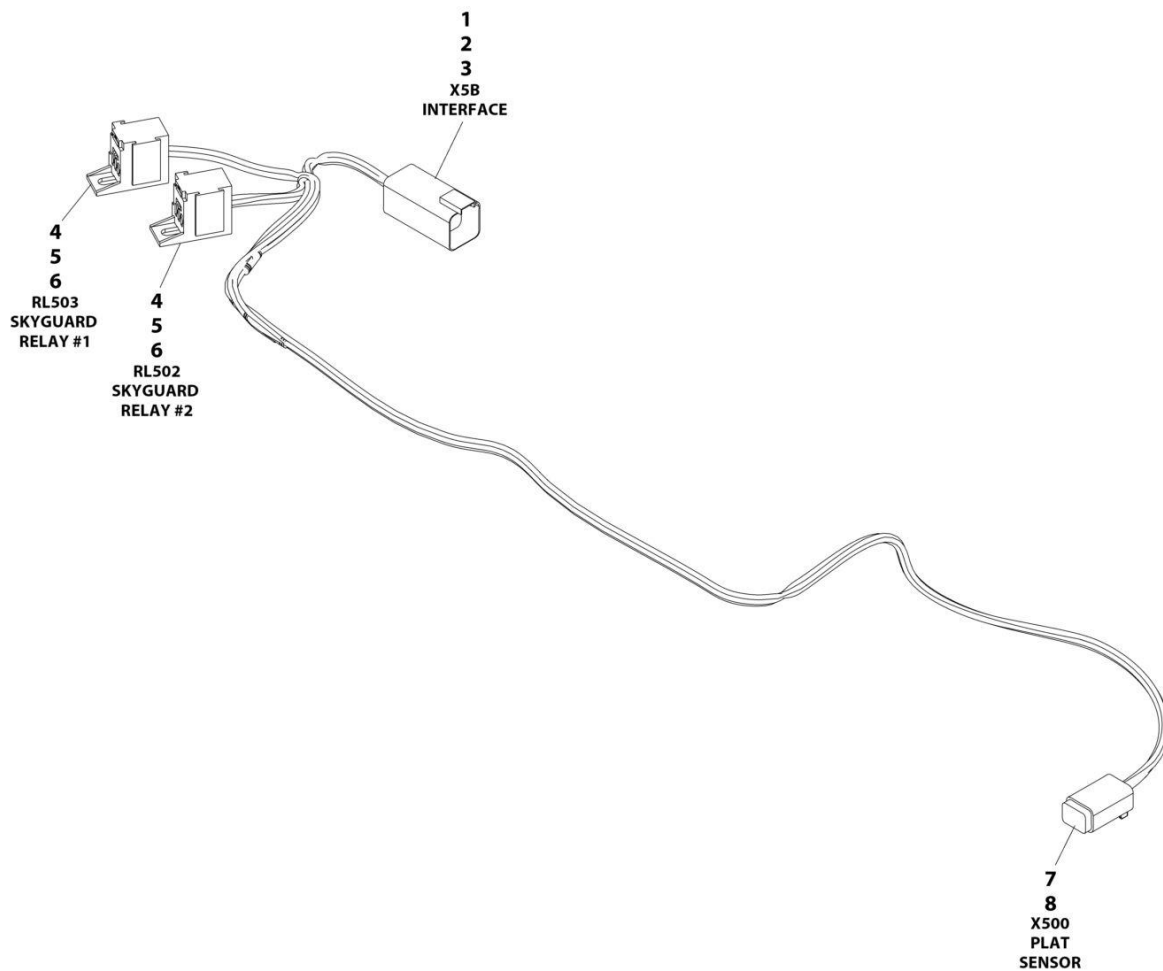
SECTION 8 - ELECTRICAL

FIGURE 8-51. GROUND CONTROL HARNESS

ITEM	PART NUMBER	QTY	DESCRIPTION	REV
	1001242126	Ref	GROUND CONTROL HARNESS	C
1	4460894	1	Plug, Male - 6 Position	
1	4460465	2	Socket, Female	
1	4460944	2	Socket, Female	
1	4460466	2	Plug, Terminal	
2	4460144	2	Terminal, Fork	
3	4460418	9	Connector - 6 Position	
3	4460419	16	Terminal	
3	1001159186	19	Terminal	
4	1001237667	1	Plug Male - 6 Position	
4	1001237668	5	Terminal	
5	4460260	4	Cover, Terminal	
5	4460259	4	Terminal	
6	4460042	3	Terminal, Ring	
7	4460876	1	Connector - 35 Position	
7	4460871	22	Socket, Female	
7	4460905	13	Plug, Terminal	
8	4460970	1	Receptacle, Female - 12 Position	
8	4460464	9	Pin, Male	
8	4460943	2	Pin, Male	
8	4460466	1	Plug, Terminal	
9	4460932	1	Receptacle, Female - 4 Position	
9	4460464	4	Pin, Male	
10	1001116812	1	Plug, Male - 3 Position	
10	4460944	2	Socket, Female	
10	4460466	1	Plug, Terminal	
11	1001201885	2	Terminal	

SECTION 8 - ELECTRICAL

FIGURE 8-52. INTERFACE HARNESS - WITH 1 CELL LSS



ART_1001225580

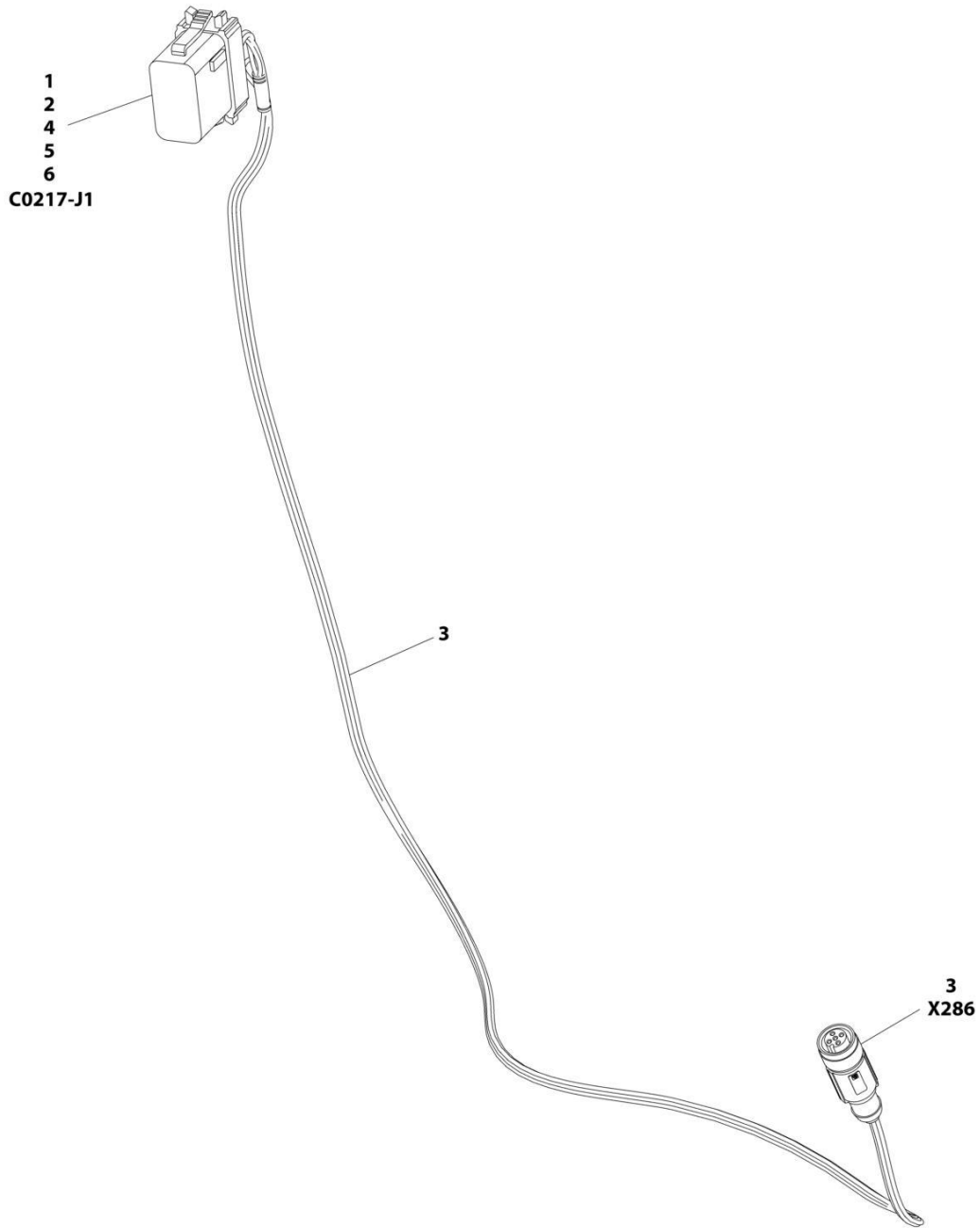
SECTION 8 - ELECTRICAL

FIGURE 8-52. INTERFACE HARNESS - WITH 1 CELL LSS

ITEM	PART NUMBER	QTY	DESCRIPTION	REV
	1001225580	Ref	INTERFACE HARNESS - WITH 1 CELL LSS	D
1	4460899	1	Connector	
2	4460464	4	Terminal	
3	4460466	2	Plug	
4	1001186432	2	Connector	
5	1001116720	4	Terminal	
6	1001118388	4	Terminal	
7	4460884	1	Connector	
8	4460465	4	Terminal	

SECTION 8 - ELECTRICAL

FIGURE 8-53. LCD DISPLAY HARNESS



ART_1001220482

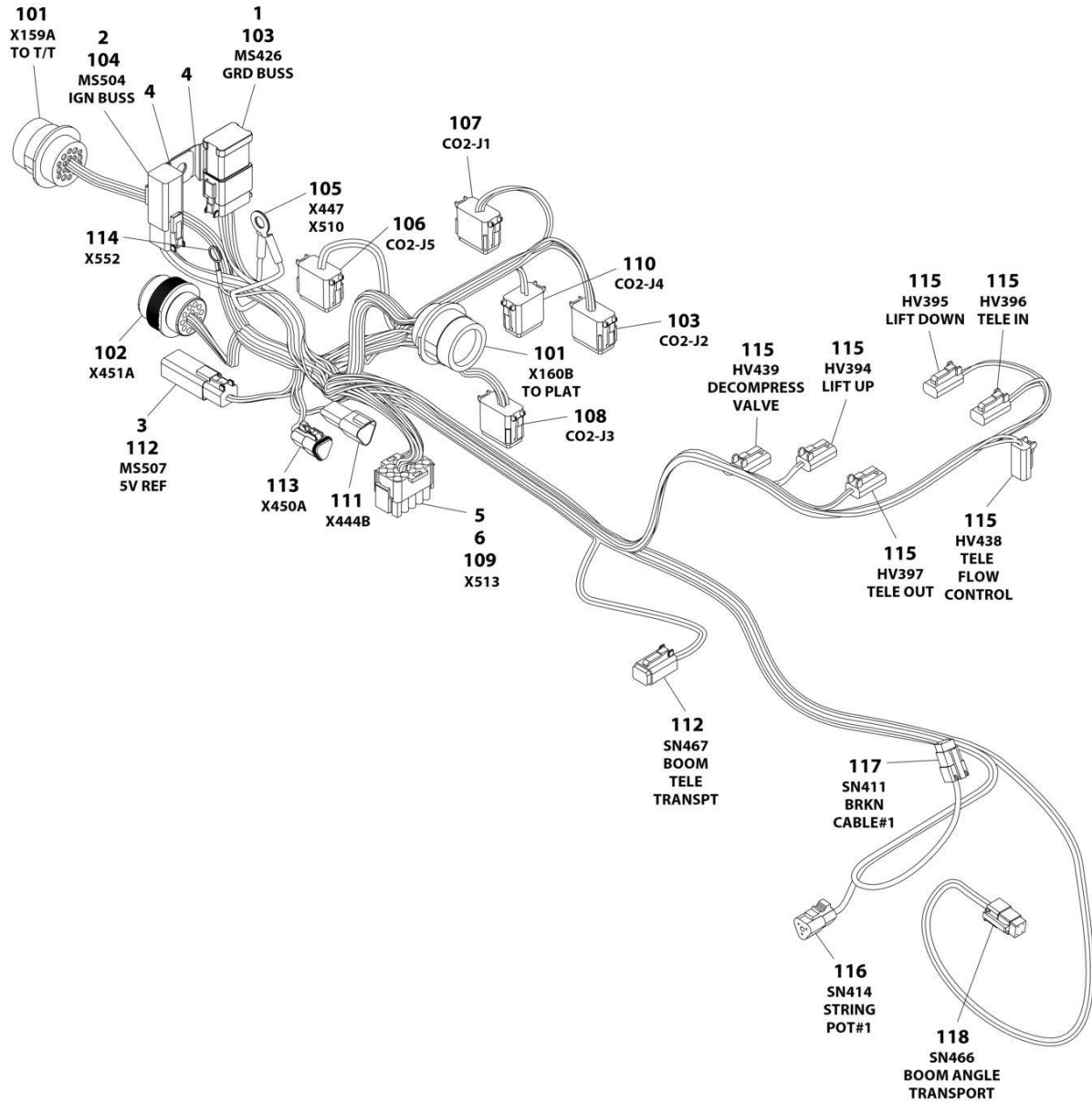
SECTION 8 - ELECTRICAL

FIGURE 8-53. LCD DISPLAY HARNESS

ITEM	PART NUMBER	QTY	DESCRIPTION	REV
	1001220482	Ref	LCD DISPLAY HARNESS	A
1	4460465	3	Socket, Female	
2	4460944	2	Socket, Female (Gold)	
3	1001125295	1	Connector with Cable	
4	1001176333	1	Connector - 12 Position	
5	4460466	13	Plug, Seal	
6	2820171	3	Tube, Heat Shrink	

SECTION 8 - ELECTRICAL

FIGURE 8-54. MAIN BOOM CONTROL BOX HARNESS



ART_1001216638

SECTION 8 - ELECTRICAL

FIGURE 8-54. MAIN BOOM CONTROL BOX HARNESS

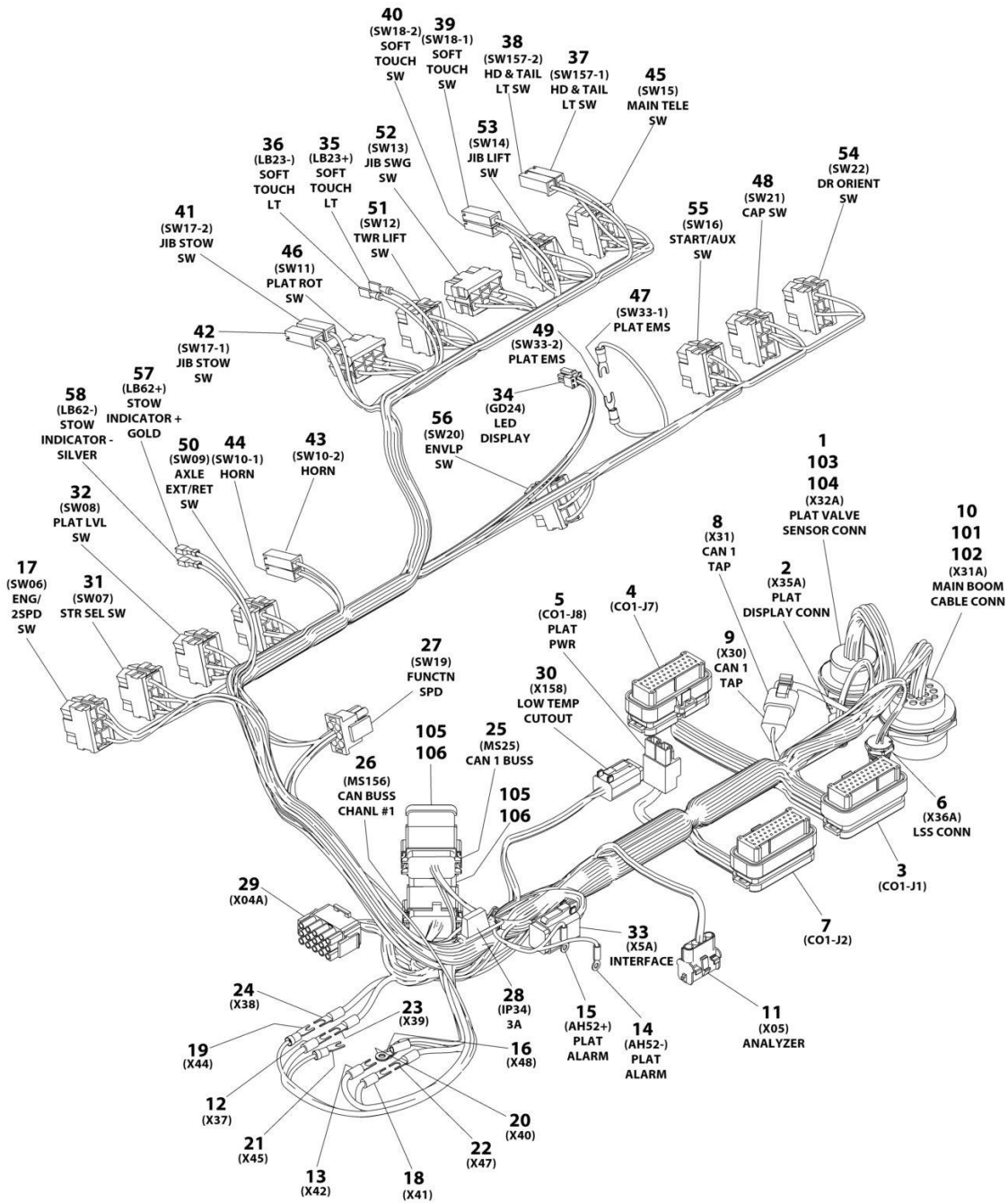
ITEM	PART NUMBER	QTY	DESCRIPTION	REV
	1001216638	Ref	MAIN BOOM CONTROL BOX HARNESS	B
1	4460837	1	Receptacle, Female Termination - 12 Position	
2	4460892	1	Receptacle, Female Buss Bar - 6 Position	
3	4460893	1	Receptacle, Female Buss Bar - 4 Position	
4	1001155967	2	Mount	
5	1001216625	1	Seal	
6	1001216626	1	Seal	
101	4460866	2	Connector - 19 Position	
101	4460943	4	Pin, Male	
101	4460464	16	Pin, Male	
101	4460508	8	Pin, Male	
101	4460466	10	Plug, Terminal	
102	4461016	1	Connector - 12 Position	
102	4460464	9	Pin, Male	
102	4460466	5	Plug, Terminal	
103	4460836	2	Plug, Male - 12 Position	
103	1001157890	4	Socket, Female	
103	4460465	12	Socket, Female	
103	4460466	8	Plug, Terminal	
104	4460894	1	Plug, Male - 6 Position	
104	1001157890	4	Socket, Female	
104	4460465	2	Socket, Female	
105	1001117110	2	Terminal, Ring	
106	4460935	1	Plug, Male - 12 Position	
106	4460465	8	Socket, Female	
106	4460466	4	Plug, Terminal	
107	4460933	1	Plug, Male - 12 Position	
107	4460465	3	Socket, Female	
107	4460944	2	Socket, Female	
107	4460466	7	Plug, Terminal	
108	4460934	1	Plug, Male - 12 Position	
108	4460465	11	Socket, Female	
108	4460466	1	Plug, Terminal	
109	4460434	1	Plug, Male - 15 Position	
109	4460268	13	Socket, Female	
109	4460906	2	Socket, Female	
110	4460930	1	Plug, Male - 8 Position	
110	4460465	2	Socket, Female	
110	4460944	2	Socket, Female	
110	4460466	4	Plug, Terminal	
111	4460536	1	Receptacle, Female - 3 Position	
111	4460464	3	Pin, Male	
112	4460884	2	Plug, Male - 4 Position	
112	4460465	8	Socket, Female	
113	1001116812	1	Plug, Male - 3 Position	
113	4460465	3	Socket, Female	
114	4460722	1	Terminal, Ring	
115	4460891	6	Plug, Male - 2 Position	
115	4460465	12	Socket, Female	
116	4460539	1	Plug, Male - 3 Position	

SECTION 8 - ELECTRICAL

ITEM	PART NUMBER	QTY	DESCRIPTION	REV
116	4460465	2	Socket, Female	
117	4461077	1	Plug, Male - 4 Position	
117	4460928	3	Socket, Female	
117	4460518	1	Plug, Terminal	
118	4461077	1	Plug, Male - 4 Position	
118	1001126008	4	Socket, Female	

SECTION 8 - ELECTRICAL

FIGURE 8-55. PLATFORM CONSOLE HARNESS - WITH SKYGUARD



ART_1001242124

SECTION 8 - ELECTRICAL

FIGURE 8-55. PLATFORM CONSOLE HARNESS - WITH SKYGUARD

ITEM	PART NUMBER	QTY	DESCRIPTION	REV
	1001242124	Ref	PLATFORM CONSOLE HARNESS - WITH SKYGUARD	E
1	4460925	1	Connector - 21 Position	
1	1001126011	20	Pin, Male	
1	4460518	1	Plug, Socket	
2	1001120055	1	Connector - 5 Position with Cable	
3	4460874	1	Connector - 35 Position	
3	4460871	35	Socket, Female	
4	4460873	1	Connector - 35 Position	
4	4460871	28	Socket, Female	
4	4460905	7	Plug, Terminal	
5	4460879	1	Connector - 2 Position	
5	4460887	2	Terminal	
6	1001213447	1	Connector - 5 Position with Cable	
7	4460876	1	Connector - 35 Position	
7	4460871	14	Socket, Female	
7	4460905	21	Plug, Terminal	
8	4460539	1	Connector - 3 Position	
8	4460944	2	Socket, Female	
8	4460466	1	Plug, Socket	
9	4460536	1	Connector - 3 Position	
9	4460943	2	Pin, Male	
9	4460466	1	Plug, Socket	
10	4460866	1	Connector - 19 Position	
10	4460943	2	Pin, Male	
10	4460508	4	Pin, Male	
10	4460464	7	Pin, Male	
10	4460466	5	Plug, Terminal	
11	4460761	1	Receptacle, Female - 4 Position	
11	4460227	4	Pin, Male	
12	4460314	1	Terminal, Fork	
13	4460315	1	Terminal, Fork	
14	1001098122	1	Terminal, Ring	
15	1001098122	1	Terminal, Ring	
16	8220007	1	Terminal, Ring	
17	4460418	1	Connector - 6 Position	
17	1001159186	2	Terminal	
17	4460419	2	Terminal	
18	4460315	1	Terminal, Fork	
19	4460315	1	Terminal, Fork	
20	4460315	1	Terminal, Fork	
21	4460314	1	Terminal, Fork	
22	4460315	1	Terminal, Fork	
23	4460315	1	Terminal, Fork	
24	4460315	1	Terminal, Fork	
25	4460933	1	Connector - 12 Position	
25	4460944	6	Socket, Female	
25	4460466	6	Plug, Terminal	
26	4460933	1	Connector - 12 Position	
26	4460944	12	Socket, Female	
27	4460225	5	Plug, Male - 6 Position	

SECTION 8 - ELECTRICAL

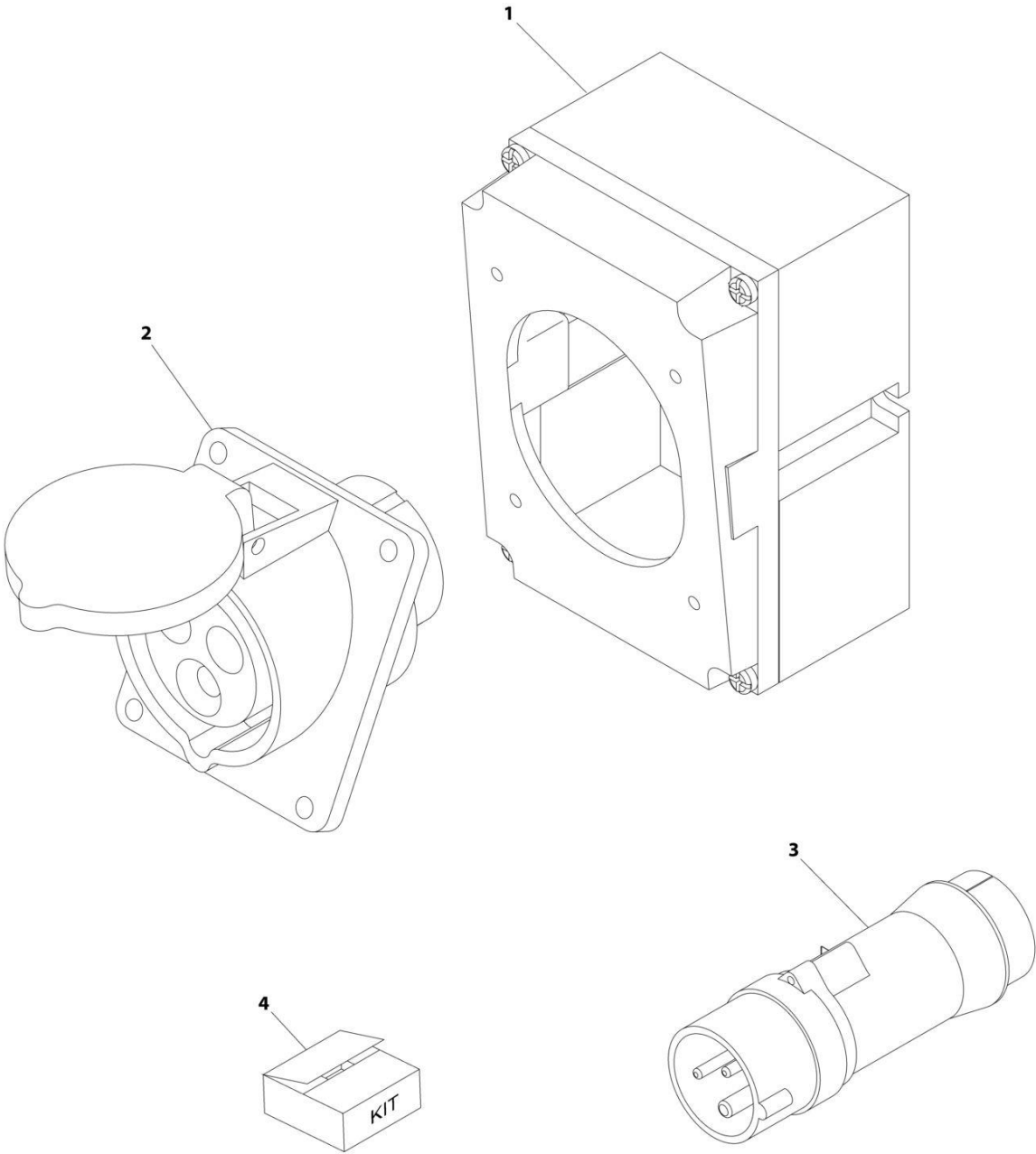
ITEM	PART NUMBER	QTY	DESCRIPTION	REV
27	4460227	4	Pin, Male	
27	4460267	2	Pin, Male	
28	2400060	1	Fuseholder with Cover	
28	2400030	1	Fuse 3 Amp	
29	4460434	1	Plug, Male - 15 Position	
29	4460227	10	Pin, Male	
29	4460267	2	Pin, Male	
30	4460884	1	Plug, Male - 4 Position	
30	4460465	2	Socket, Female	
30	4460944	2	Socket, Female	
31	4460418	1	Connector - 6 Position	
31	1001159186	2	Terminal	
31	4460419	2	Terminal	
32	4460418	1	Connector - 6 Position	
32	1001159186	2	Terminal	
32	4460419	2	Terminal	
33	4460894	1	Connector - 6 Position	
33	4460465	6	Socket, Female	
34	1001237667	1	Plug Male - 6 Position	
34	1001237668	1	Terminal	
35	4460016	1	Terminal	
36	4460016	1	Terminal	
37	4460260	1	Cover, Connector - 1 Position	
37	4460259	1	Terminal	
38	4460260	1	Cover, Connector - 1 Position	
38	4460259	1	Terminal	
39	4460260	1	Cover, Connector - 1 Position	
39	4460259	1	Terminal	
40	4460260	1	Cover, Connector - 1 Position	
40	4460259	1	Terminal	
41	4460260	1	Cover, Connector - 1 Position	
41	4460259	1	Terminal	
42	4460260	1	Cover, Connector - 1 Position	
42	4460259	1	Terminal	
43	4460260	1	Cover, Connector - 1 Position	
43	4460259	1	Terminal	
44	4460260	1	Cover, Connector - 1 Position	
44	4460259	1	Terminal	
45	4460418	1	Connector - 6 Position	
45	1001159186	2	Terminal	
45	4460419	2	Terminal	
46	4460418	1	Connector - 6 Position	
46	1001159186	2	Terminal	
46	4460419	2	Terminal	
47	4460183	1	Terminal, Fork	
48	4460418	1	Connector - 6 Position	
48	1001159186	2	Terminal	
48	4460419	2	Terminal	
49	4460183	1	Terminal, Fork	
50	4460418	1	Connector - 6 Position	
50	1001159186	2	Terminal	

SECTION 8 - ELECTRICAL

ITEM	PART NUMBER	QTY	DESCRIPTION	REV
50	4460419	2	Terminal	
51	4460418	1	Connector - 6 Position	
51	1001159186	2	Terminal	
51	4460419	2	Terminal	
52	4460418	1	Connector - 6 Position	
52	1001159186	2	Terminal	
52	4460419	2	Terminal	
53	4460418	1	Connector - 6 Position	
53	1001159186	2	Terminal	
53	4460419	2	Terminal	
54	4460418	1	Connector - 6 Position	
54	1001159186	2	Terminal	
55	4460418	1	Connector - 6 Position	
55	1001159186	2	Terminal	
55	4460419	2	Terminal	
56	4460418	1	Connector - 6 Position	
56	1001159186	1	Terminal	
56	4460419	2	Terminal	
57	1001201885	1	Terminal	
58	1001201885	1	Terminal	
101	4460470	1	Nut, Terminal	
102	4460471	1	Washer, Terminal	
103	4460496	1	Washer, Terminal	
104	4460497	1	Nut, Terminal	
105	1001120328	1	Mount	
106	1001125677	1	Bussbar, Female - 12 Position	

SECTION 8 - ELECTRICAL

FIGURE 8-56. RECEPTACLE BOX KIT - 110V IEC YELLOW (CE & UK CA SPEC)



ART_0275216

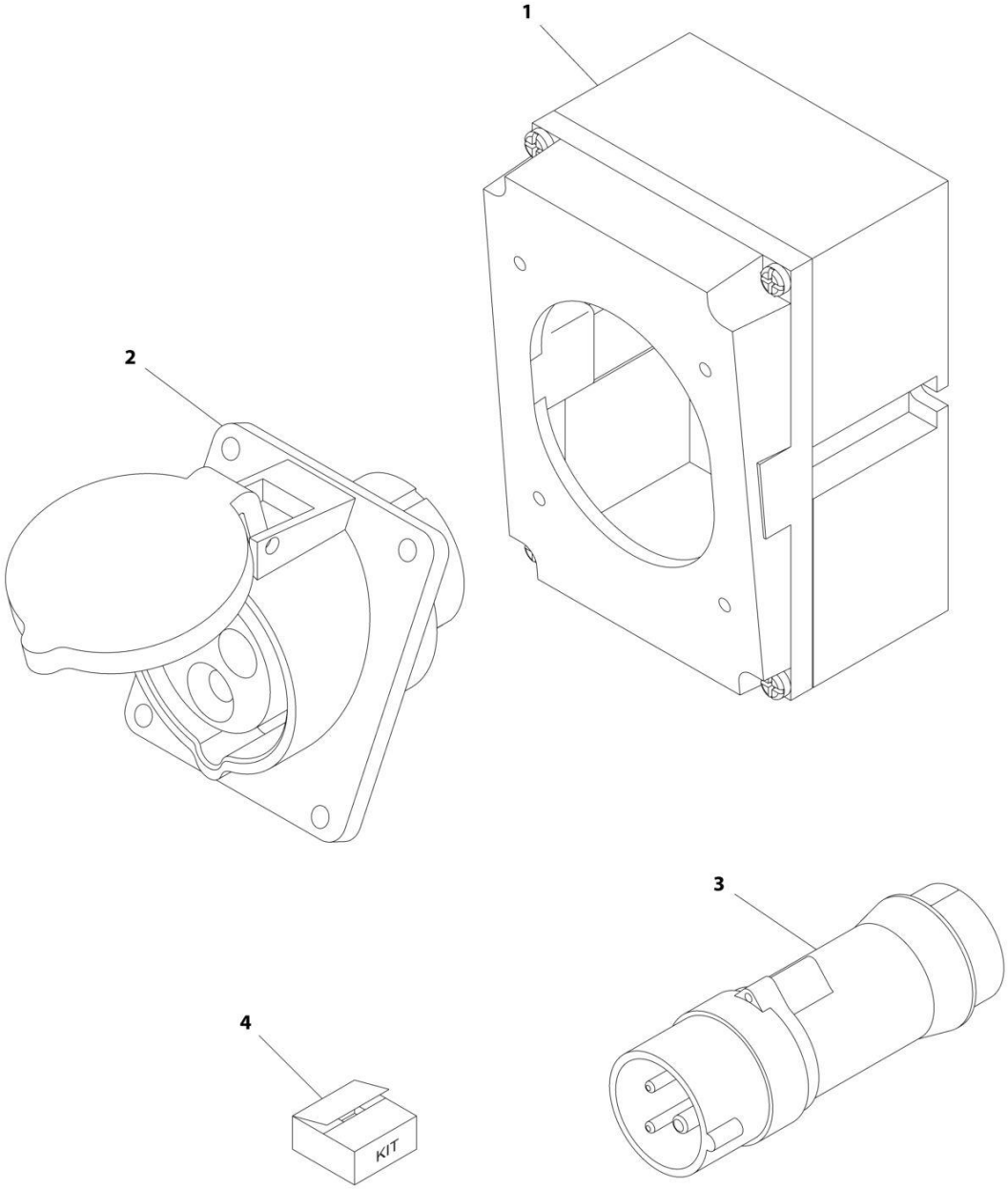
SECTION 8 - ELECTRICAL

FIGURE 8-56. RECEPTACLE BOX KIT - 110V IEC YELLOW (CE & UK CA SPEC)

ITEM	PART NUMBER	QTY	DESCRIPTION	REV
	0275216	Ref	RECEPTACLE BOX KIT - 110V IEC YELLOW	B
1	0861781	1	Box, Switch	
2	4461198	1	Receptacle	
3	4461196	1	Plug, Male	
4	1001100341	1	Plug and Socket Kit (Includes Items 1-3 and Female Plug p/n 4461197)	

SECTION 8 - ELECTRICAL

FIGURE 8-57. RECEPTACLE BOX KIT - 220V IEC BLUE (CE & UK CA SPEC)



ART_0275217

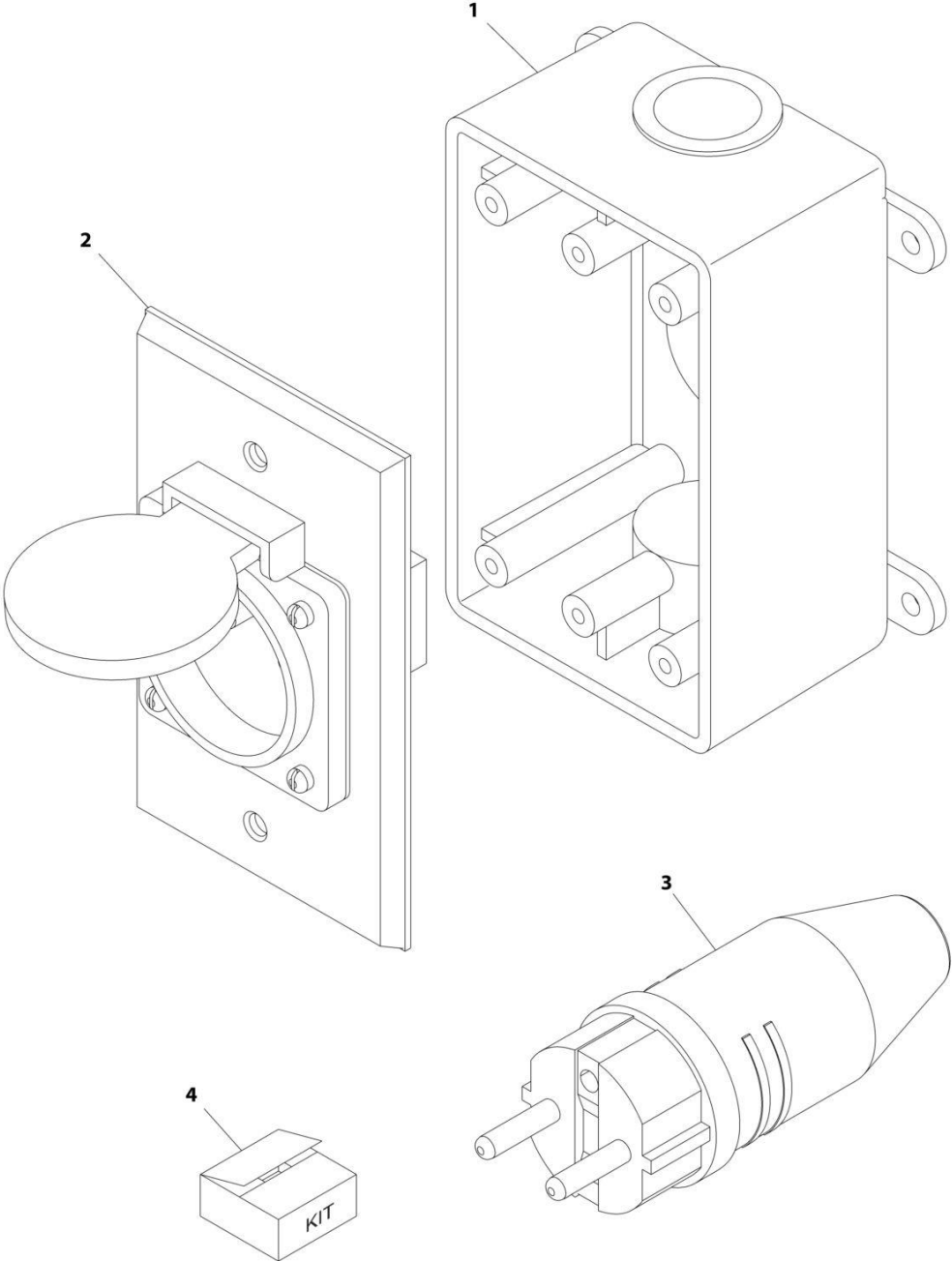
SECTION 8 - ELECTRICAL

FIGURE 8-57. RECEPTACLE BOX KIT - 220V IEC BLUE (CE & UK CA SPEC)

ITEM	PART NUMBER	QTY	DESCRIPTION	REV
	0275217	Ref	RECEPTACLE BOX KIT - 220V IEC BLUE	B
1	0861781	1	Box, Switch	
2	4461201	1	Receptacle	
3	4461199	1	Plug, Male	
4	1001100342	1	Plug and Socket Kit (Includes Items 1-3 and Female Plug p/n 4461200)	

SECTION 8 - ELECTRICAL

FIGURE 8-58. RECEPTACLE BOX KIT - 220V CEE7 POST GROUND (CE & UK CA SPEC)



ART_0275452-C

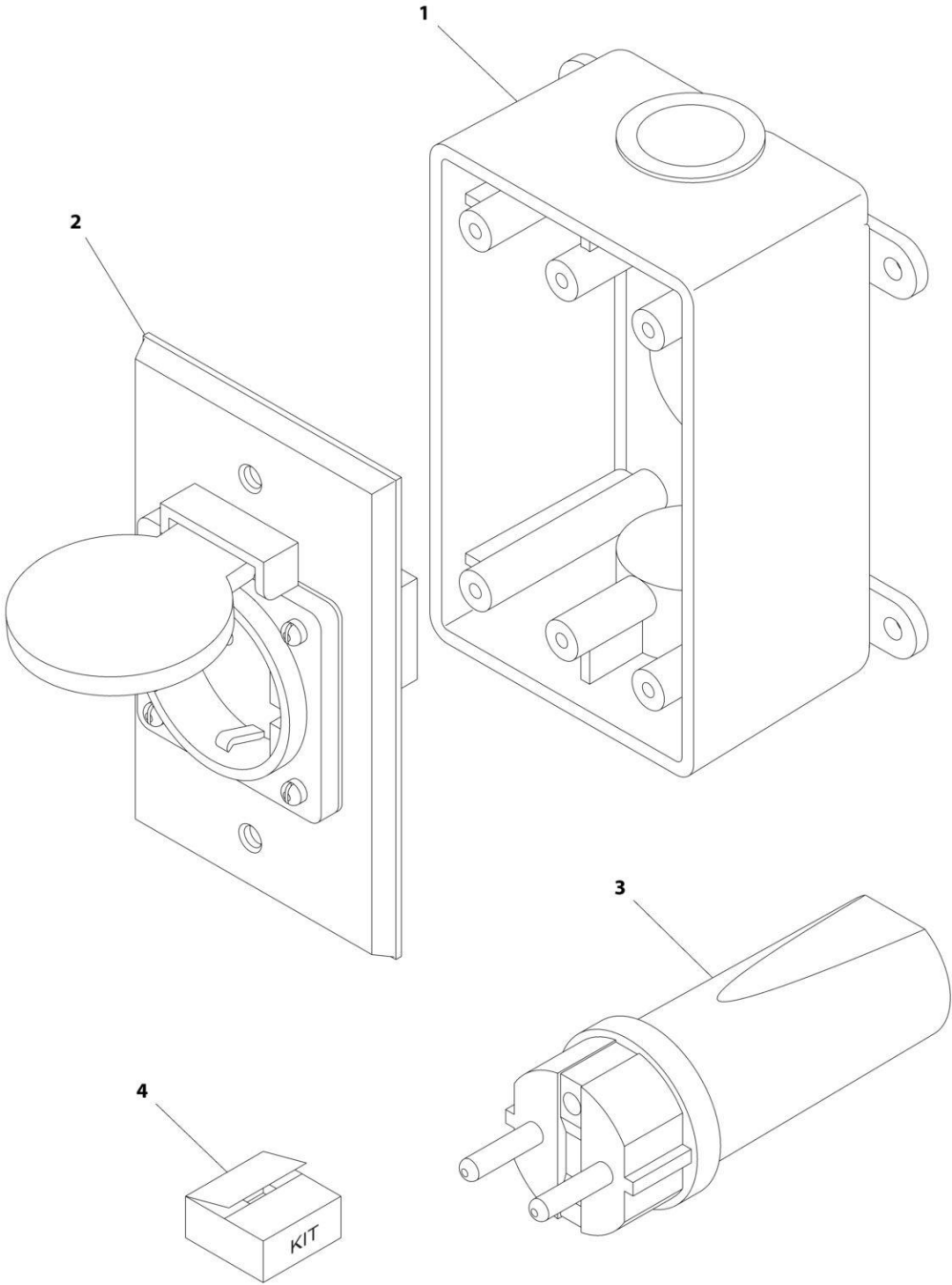
SECTION 8 - ELECTRICAL

FIGURE 8-58. RECEPTACLE BOX KIT - 220V CEE7 POST GROUND (CE & UK CA SPEC)

ITEM	PART NUMBER	QTY	DESCRIPTION	REV
	0275452	Ref	RECEPTACLE BOX KIT - 220V CEE7 POST GROUND 2IN X 4IN BOX	C
1	0861731	1	Box, Switch	
2	4461244	1	Receptacle	
3	4461205	1	Plug, Male	
4	1001100345	1	Plug and Socket Kit (Includes Items 1-3 and Female Plug p/n 4461203)	

SECTION 8 - ELECTRICAL

FIGURE 8-59. RECEPTACLE BOX KIT - 220V CEE7 SIDE GROUND (CE & UK CA SPEC)



ART_0275453

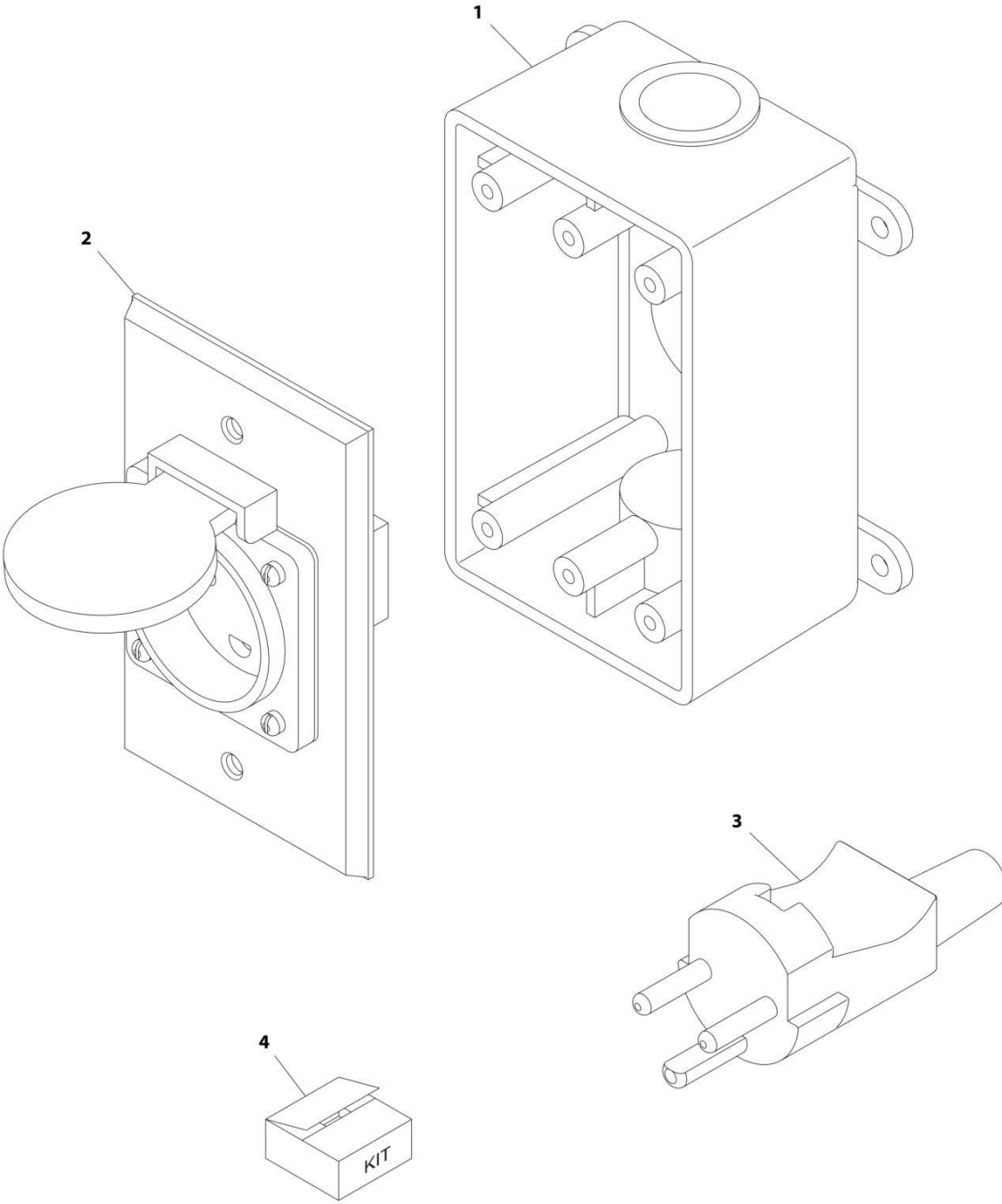
SECTION 8 - ELECTRICAL

FIGURE 8-59. RECEPTACLE BOX KIT - 220V CEE7 SIDE GROUND (CE & UK CA SPEC)

ITEM	PART NUMBER	QTY	DESCRIPTION	REV
	0275453	Ref	RECEPTACLE BOX KIT - 220V CEE7 SIDE GROUND	B
1	0861731	1	Box, Switch	
2	4461245	1	Receptacle	
3	4461205	1	Plug, Male	
4	1001100347	1	Plug and Socket Kit (Includes Items 1-3 and Female Plug p/n 4461206)	

SECTION 8 - ELECTRICAL

FIGURE 8-60. RECEPTACLE BOX KIT - 220V AFSINT 107 (CE & UK CA SPEC)



ART_0275454

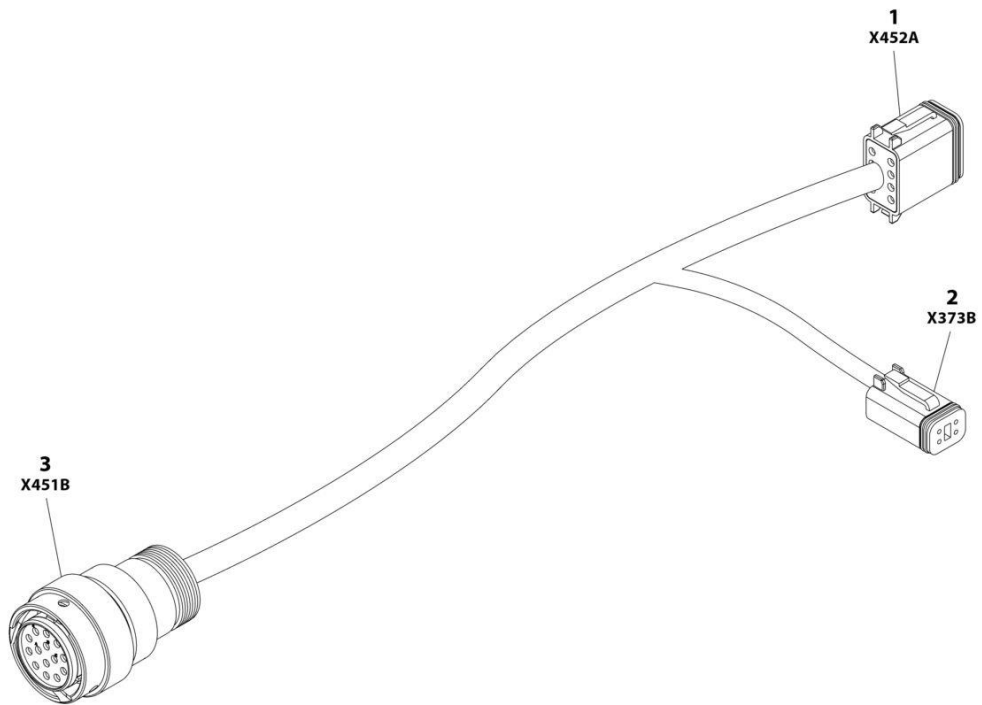
SECTION 8 - ELECTRICAL

FIGURE 8-60. RECEPTACLE BOX KIT - 220V AFSINT 107 (CE & UK CA SPEC)

ITEM	PART NUMBER	QTY	DESCRIPTION	REV
	0275454	Ref	RECEPTACLE BOX KIT - 220V AFSINT 107	B
1	0861731	1	Box, Switch	
2	4461246	1	Receptacle	
3	4461249	1	Plug, Male	
4	1001100346	1	Plug and Socket Kit (Includes Items 1-3 and Female Plug p/n 4461250)	

SECTION 8 - ELECTRICAL

FIGURE 8-61. SECONDARY CONTROL HARNESS



ART_1001202785

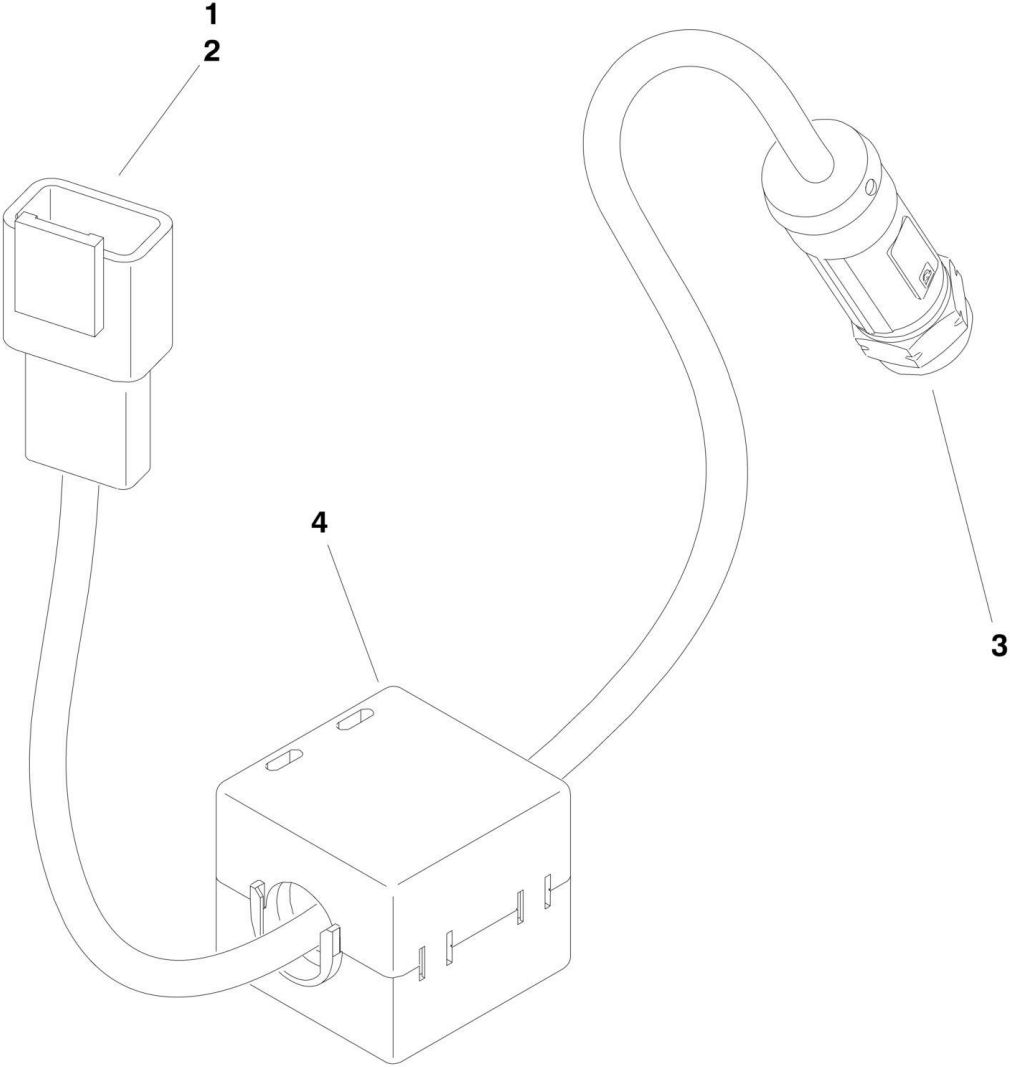
SECTION 8 - ELECTRICAL

FIGURE 8-61. SECONDARY CONTROL HARNESS

ITEM	PART NUMBER	QTY	DESCRIPTION	REV
	1001202785	Ref	SECONDARY CONTROL HARNESS	C
1	4460930	1	Plug, Male - 8 Position	
1	4460465	8	Socket, Female	
2	4460884	1	Plug, Male - 4 Position	
2	1001157890	4	Socket, Female	
3	1001212188	1	Connector - 14 Position	
3	4460465	8	Socket, Female	
3	1001157890	4	Socket, Female	
3	4460466	2	Plug, Terminal	

SECTION 8 - ELECTRICAL

FIGURE 8-62. SENSOR HARNESS - AXLE



1001163631

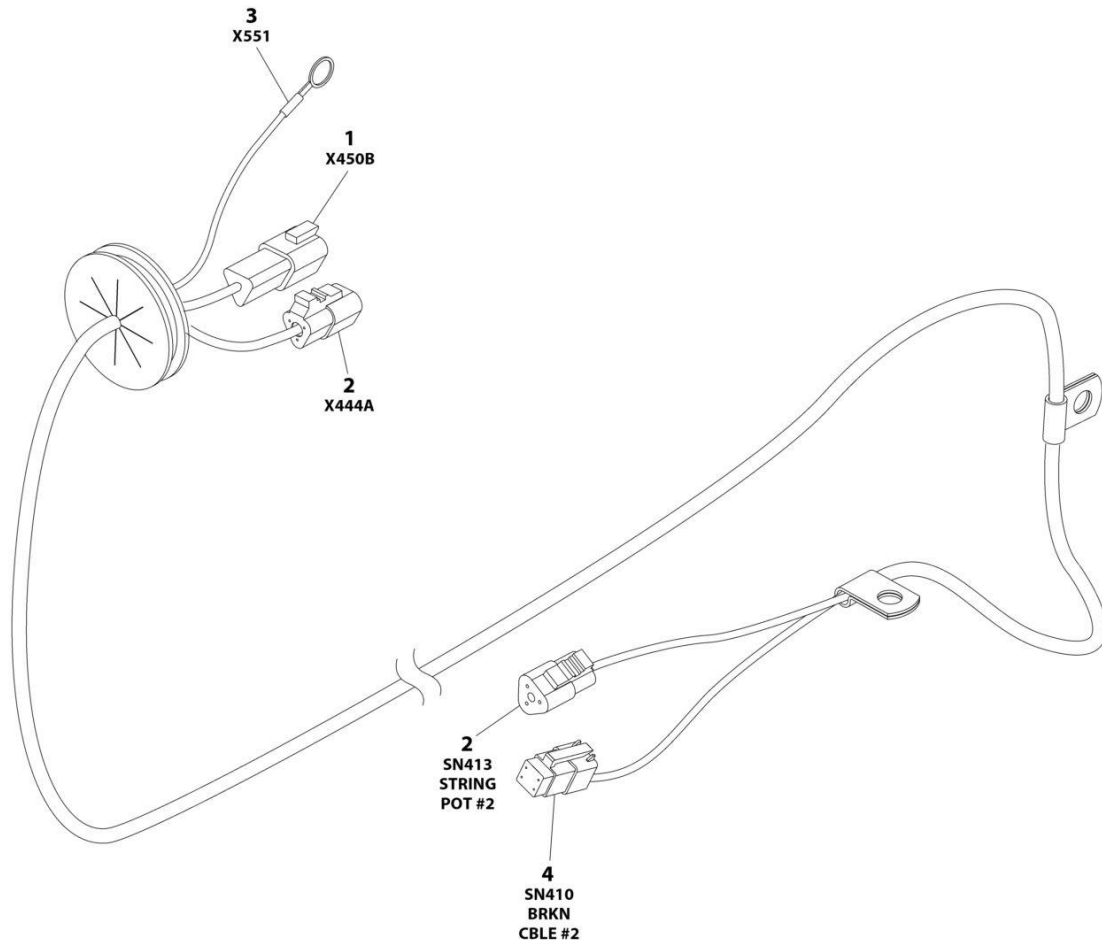
SECTION 8 - ELECTRICAL

FIGURE 8-62. SENSOR HARNESS - AXLE

ITEM	PART NUMBER	QTY	DESCRIPTION	REV
	1001163631	Ref	MTS CONNECTION CABLE	B
1	4460910	1	Connector - 3 Position	
2	4460929	3	Pin, Male	
3	See Note	NSS	Sensor with Cable (Note: Purchase p/n 1001163631)	
4	1001102594	1	Ferrite, LMI	

SECTION 8 - ELECTRICAL

FIGURE 8-63. SENSOR HARNESS - BOOM



ART_1001201062

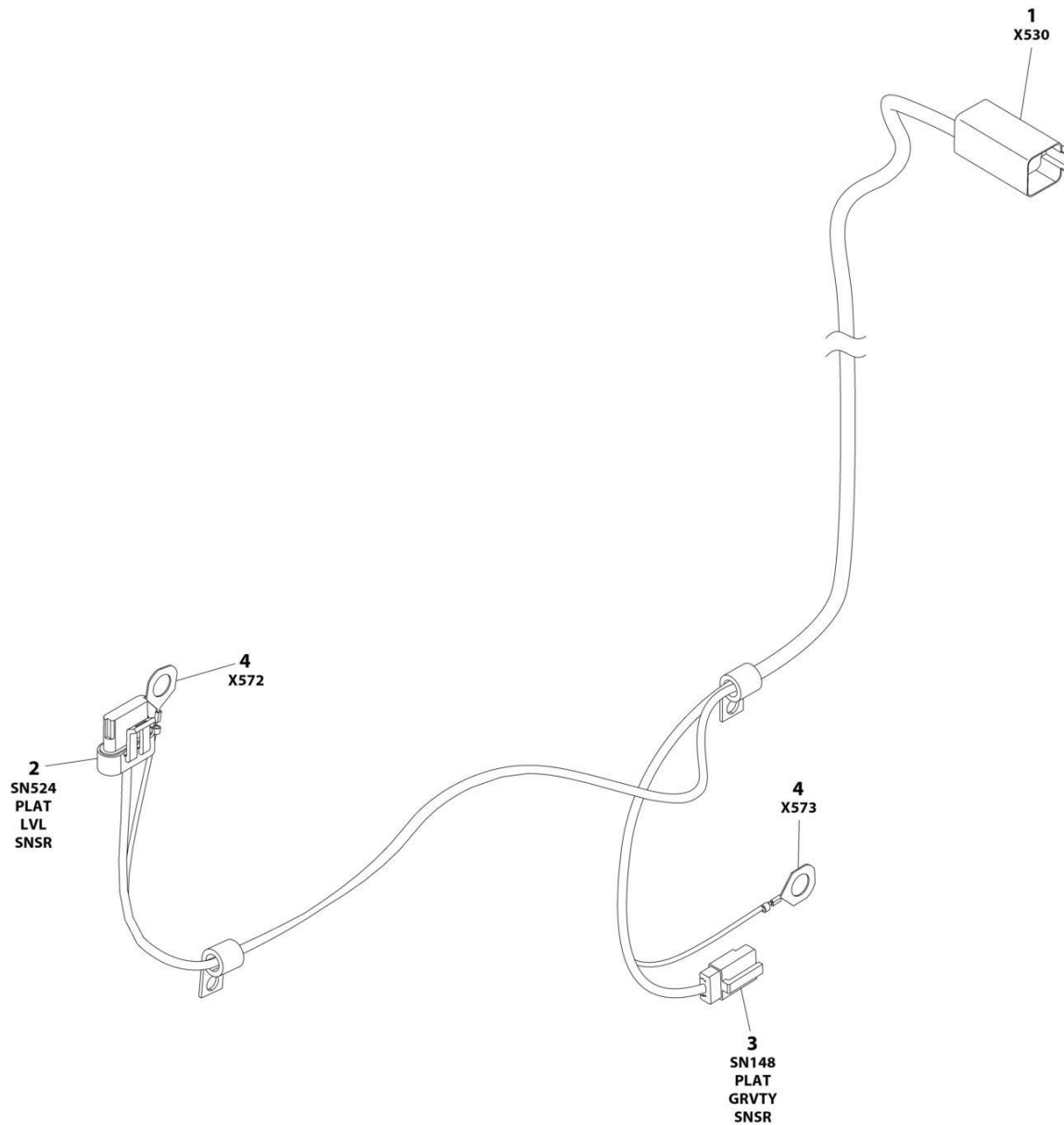
SECTION 8 - ELECTRICAL

FIGURE 8-63. SENSOR HARNESS - BOOM

ITEM	PART NUMBER	QTY	DESCRIPTION	REV
	1001201062	Ref	SENSOR HARNESS - BOOM	C
1	1001144147	1	Receptacle, Female - 3 Position	
1	4460464	3	Pin, Male	
2	4460539	2	Plug, Male - 3 Position	
2	4460465	6	Socket, Female	
3	4460722	1	Terminal, Ring	
4	4461077	1	Plug, Male - 4 Position	
4	4460928	3	Socket, Female	
4	4460518	1	Plug, Terminal	

SECTION 8 - ELECTRICAL

FIGURE 8-64. SENSOR HARNESS - PLATFORM LEVEL



ART_1001204028

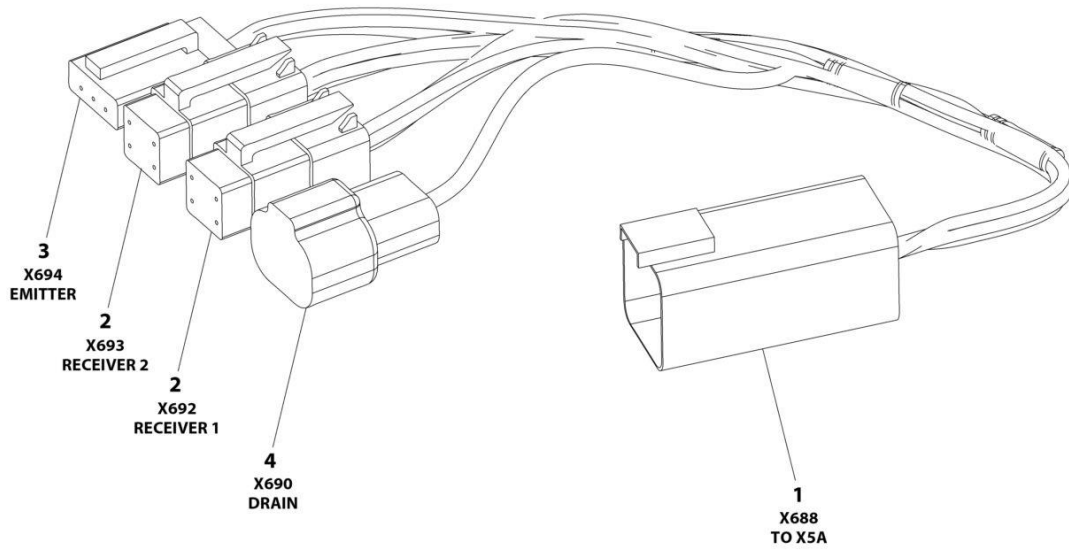
SECTION 8 - ELECTRICAL

FIGURE 8-64. SENSOR HARNESS - PLATFORM LEVEL

ITEM	PART NUMBER	QTY	DESCRIPTION	REV
	1001204028	Ref	SENSOR HARNESS - PLATFORM LEVEL	C
1	4460899	1	Receptacle, Female - 6 Position	
1	4460464	6	Pin, Male	
2	1001230931	1	Plug, Male - 6 Position	
2	1001116748	3	Terminal	
2	1001116751	3	Plug, Terminal	
3	4460911	1	Plug, Male - 3 Position	
3	4460918	3	Socket, Female	
4	1001187077	2	Terminal, Ring	

SECTION 8 - ELECTRICAL

FIGURE 8-65. SKYEYE INTERMEDIATE HARNESS



ART_1001237865

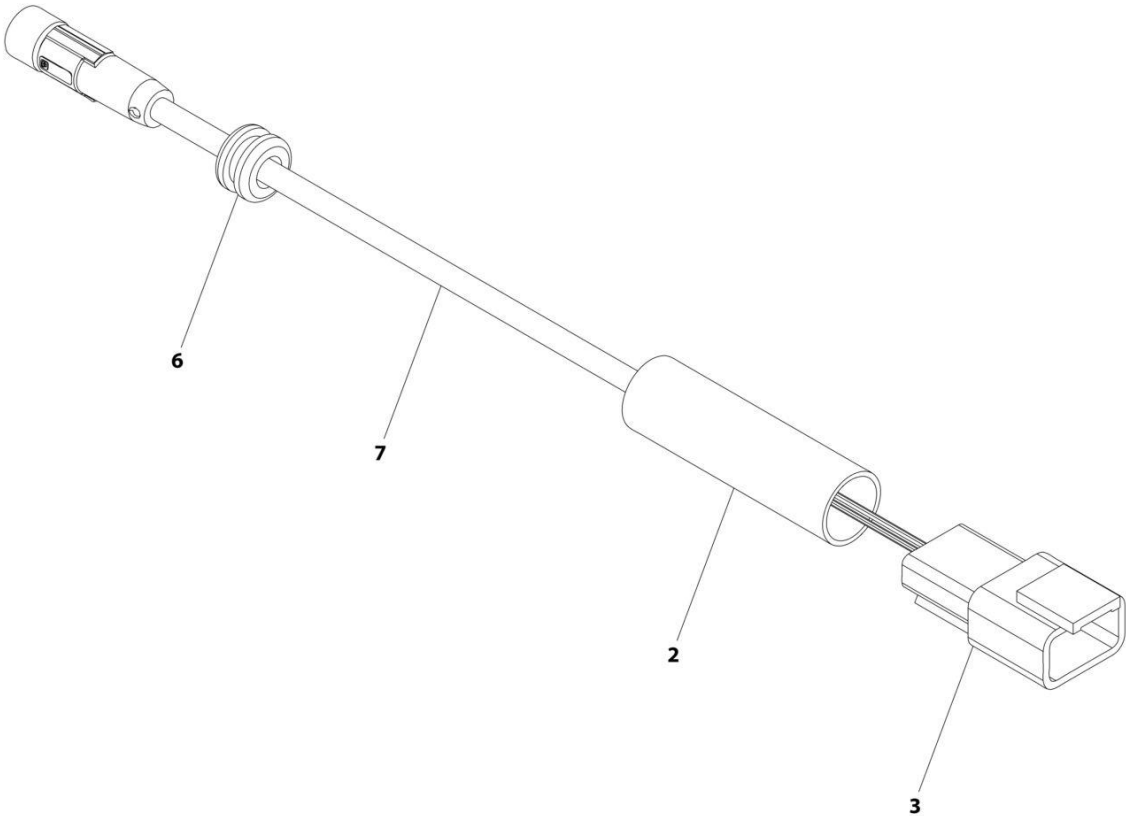
SECTION 8 - ELECTRICAL

FIGURE 8-65. SKYEYE INTERMEDIATE HARNESS

ITEM	PART NUMBER	QTY	DESCRIPTION	REV
	1001237865	Ref	SKYEYE INTERMEDIATE HARNESS	A
1	4460899	1	Connector - 6 Position	
1	4460943	4	Pin, Male	
1	4460466	2	Plug, Terminal	
2	4461077	2	Connector - 4 Position	
2	1001119619	8	Socket, Female	
3	4460911	1	Connector - 3 Position	
3	1001119619	3	Socket, Female	
4	1001187681	1	Connector - 2 Position	
4	4460941	1	Pin, Male	
4	4460466	1	Plug, Terminal	

SECTION 8 - ELECTRICAL

FIGURE 8-66. SKYEYE EMITTER HARNESS



ART_1001237864

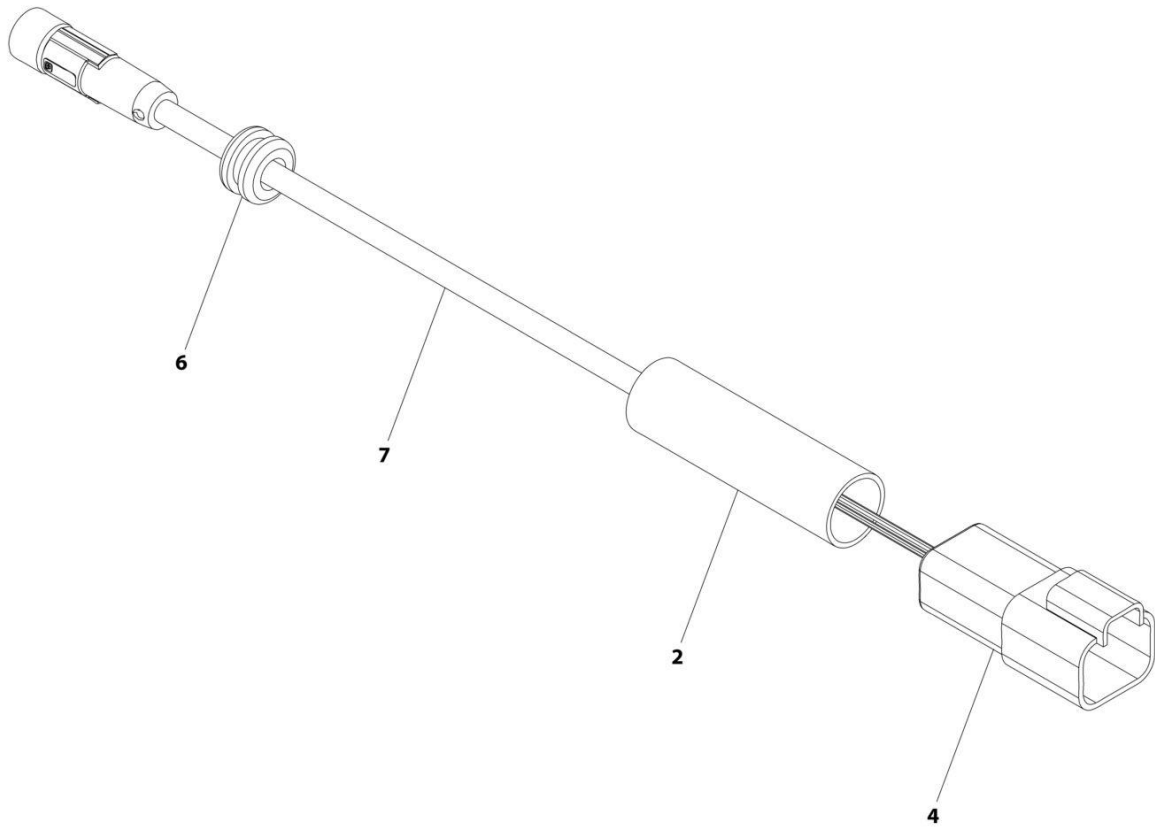
SECTION 8 - ELECTRICAL

FIGURE 8-66. SKYEYE EMITTER HARNESS

ITEM	PART NUMBER	QTY	DESCRIPTION	REV
	1001237864	Ref	SKYEYE EMITTER HARNESS	A
2	2820247	AR	Tubing, Heat Shrink	
3	4460910	1	Connector - 3 Position	
3	1001119620	3	Pin, Male	
6	1001227996	1	Grommet	
7	1001237862	1	Cable, M8 Female Cordset	

SECTION 8 - ELECTRICAL

FIGURE 8-67. SKYEYE RECEIVER HARNESS



ART_1001237863

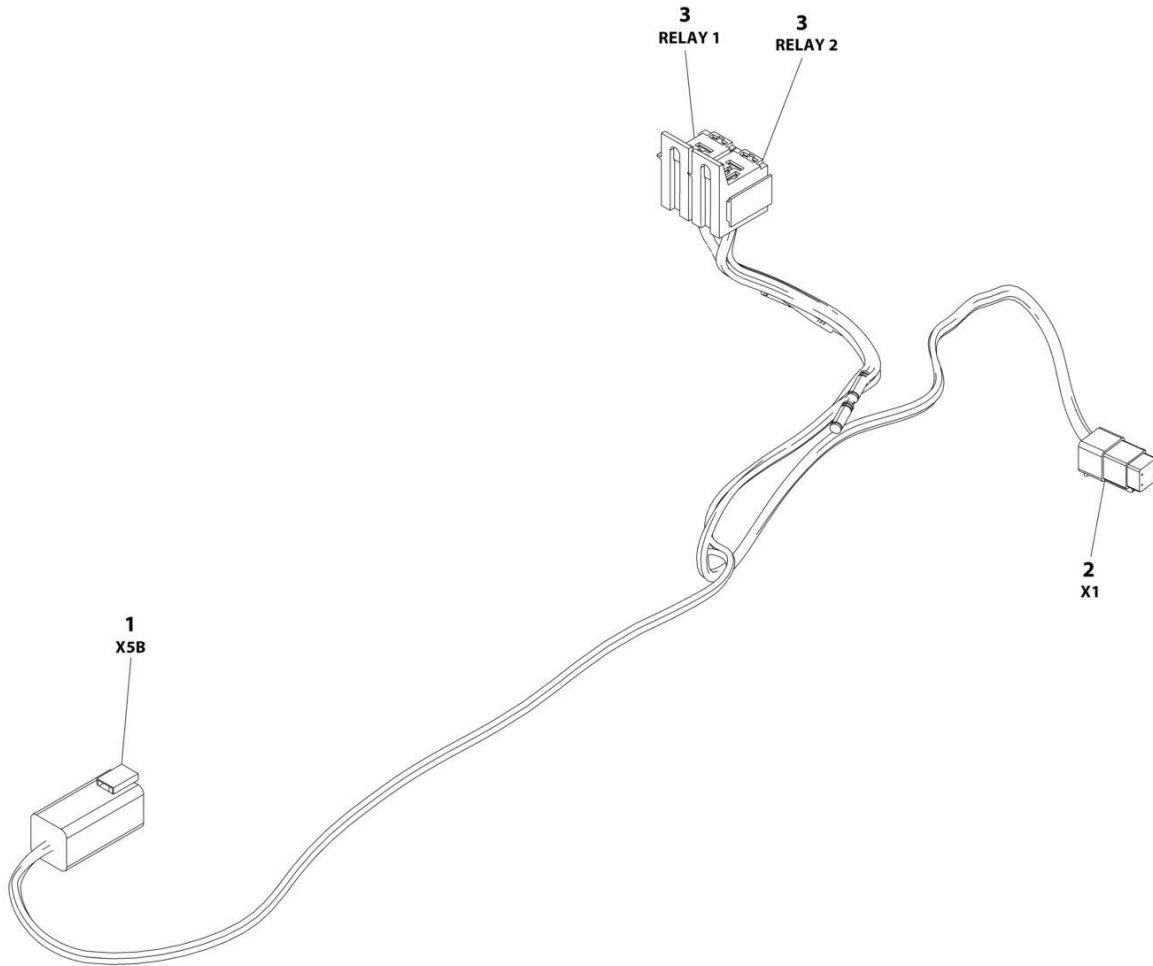
SECTION 8 - ELECTRICAL

FIGURE 8-67. SKYEYE RECEIVER HARNESS

ITEM	PART NUMBER	QTY	DESCRIPTION	REV
	1001237863	Ref	SKYEYE RECEIVER HARNESS	A
2	2820247	AR	Tubing, Heat Shrink	
4	1001097051	1	Connector - 4 Position	
4	1001119620	4	Pin, Male	
6	1001227996	1	Grommet	
7	1001237862	1	Cable, M8 Female Cordset	

SECTION 8 - ELECTRICAL

FIGURE 8-68. SKYLINE HARNESS



ART_1001238418

SECTION 8 - ELECTRICAL

FIGURE 8-68. SKYLINE HARNESS

ITEM	PART NUMBER	QTY	DESCRIPTION	REV
	1001238418	Ref	SKYLINE HARNESS	B
1	4460899	1	Connector - 6 Position	
1	4460464	4	Pin, Male	
1	4460466	2	Plug, Terminal	
2	4461077	1	Connector - 4 Position	
2	1001126009	4	Socket, Female	
3	1001186432	2	Plug, Relay	
3	1001118388	5	Terminal	
3	1001118384	3	Terminal	
3	3740086	2	Relay	

SECTION 8 - ELECTRICAL

FIGURE 8-69. STEER HARNESS



ART_1001155817

SECTION 8 - ELECTRICAL

FIGURE 8-69. STEER HARNESS

ITEM	PART NUMBER	QTY	DESCRIPTION	REV
	1001155817	Ref	STEER HARNESS	B
1	4460894	1	Connector - 6 Position	
1	4460465	4	Socket, Female	
1	4460466	2	Seal, Plug	
2	4460894	1	Connector - 6 Position	
2	4460465	3	Socket, Female	
2	4460466	3	Seal, Plug	

SECTION 8 - ELECTRICAL

FIGURE 8-70. STROBE LIGHT HARNESS - AMBER LIGHTS



ART_1001202787

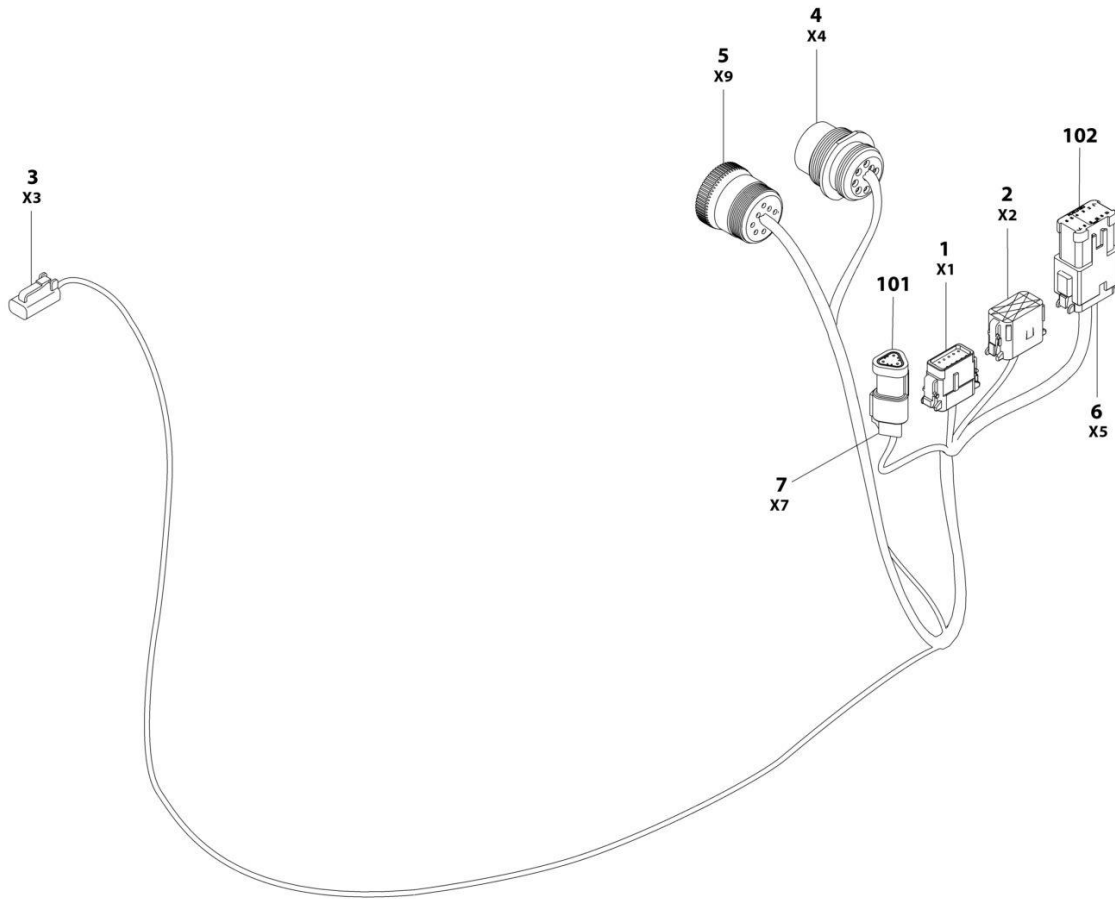
SECTION 8 - ELECTRICAL

FIGURE 8-70. STROBE LIGHT HARNESS - AMBER LIGHTS

ITEM	PART NUMBER	QTY	DESCRIPTION	REV
	1001202787	Ref	STROBE LIGHT (AMBER) HARNESS	B
1	4460897	2	Connector	
1	4460464	4	Pin	

SECTION 8 - ELECTRICAL

FIGURE 8-71. STROBE LIGHT HARNESS - BLUE & RED LIGHTS



ART_1001210781

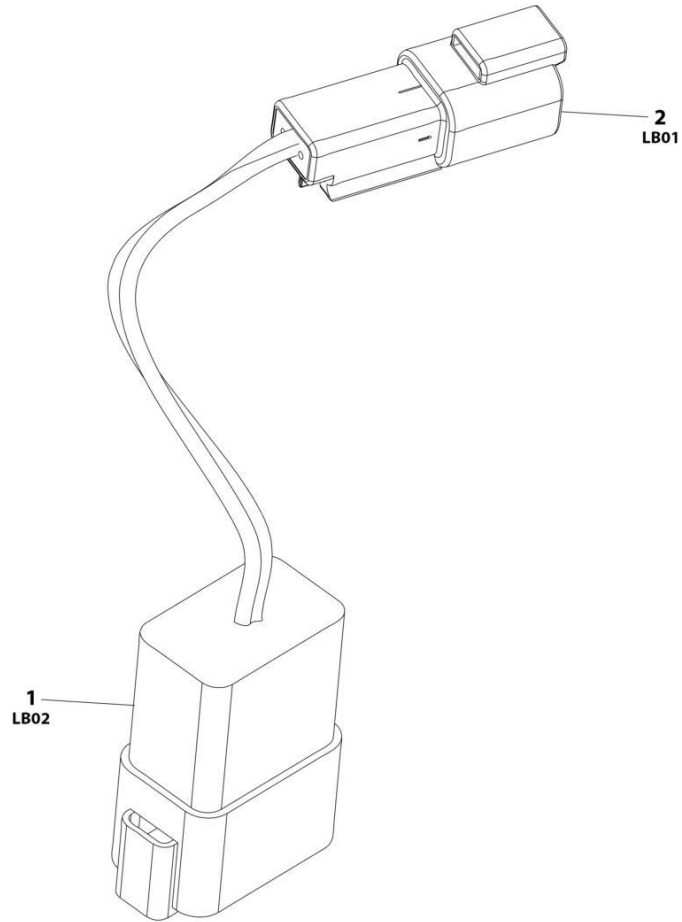
SECTION 8 - ELECTRICAL

FIGURE 8-71. STROBE LIGHT HARNESS - BLUE & RED LIGHTS

ITEM	PART NUMBER	QTY	DESCRIPTION	REV
	1001210781	Ref	STROBE LIGHT HARNESS	C
1	1001116808	1	Connector - 12 Position	
1	1001116694	3	Socket, Female	
1	4460518	9	Plug, Socket	
2	1001116774	1	Connector - 12 Position	
2	1001116694	3	Socket, Female	
2	4460518	9	Plug, Socket	
3	4460891	1	Connector - 2 Position	
3	4460465	2	Socket, Female	
4	1001249095	1	Connector - 9 Position	
4	4460464	6	Pin, Male	
4	4460466	3	Plug, Socket	
5	1001112796	1	Connector - 9 Position	
5	4460465	6	Socket, Female	
5	4460466	3	Plug, Socket	
6	4460933	1	Connector - 12 Position	
6	4460465	12	Socket, Female	
7	4461095	1	Connector - 3 Position	
7	4460465	3	Socket, Female	
101	4461070	1	Connector - 3 Position	
101	1001144296	1	Dust Cap	
102	1001119020	1	Connector, Female Bussbar - 12 Position	

SECTION 8 - ELECTRICAL

FIGURE 8-72. STROBE LIGHT JUMPER HARNESS - AMBER



ART_1001283776

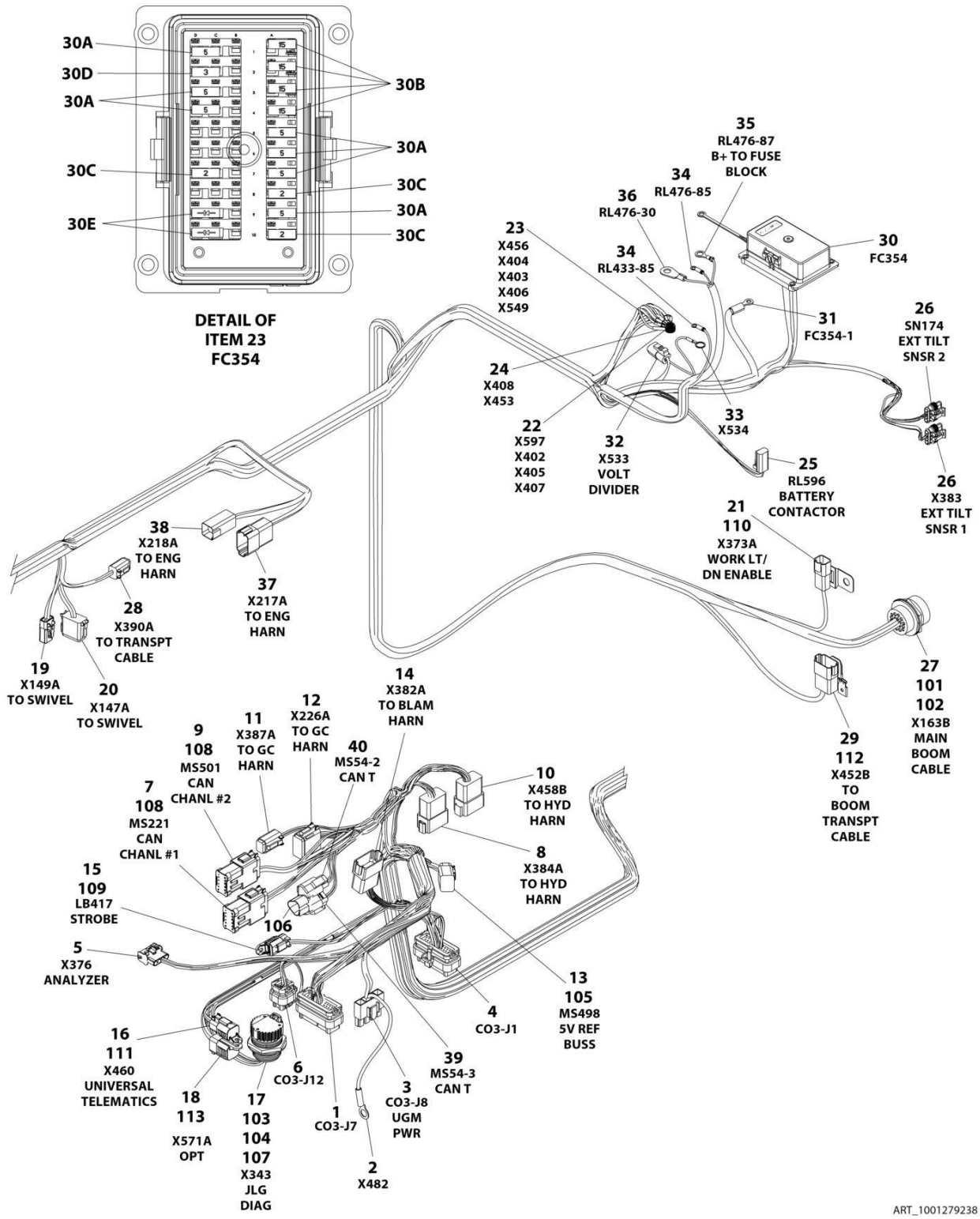
SECTION 8 - ELECTRICAL

FIGURE 8-72. STROBE LIGHT JUMPER HARNESS - AMBER

ITEM	PART NUMBER	QTY	DESCRIPTION	REV
	1001283776	Ref	STROBE LIGHT HARNESS (AMBER)	A
1	4460931	1	Connector	
1	4460464	2	Pin	
1	4460466	6	Plug	
2	4460897	1	Connector	
2	4460464	2	Pin	

SECTION 8 - ELECTRICAL

FIGURE 8-73. TURNTABLE HARNESS (Prior to SN 0300298207)



SECTION 8 - ELECTRICAL

FIGURE 8-73. TURNTABLE HARNESS (Prior to SN 0300298207)

ITEM	PART NUMBER	QTY	DESCRIPTION	REV
	1001279238	Ref	TURNTABLE HARNESS	A
1	4460873	1	Connector - 35 Position	
1	4460871	27	Socket, Female	
1	4460905	8	Plug, Terminal	
2	1001117110	1	Terminal, Ring	
3	4460878	1	Connector - 4 Position	
3	4460887	3	Terminal	
4	4460874	1	Connector - 35 Position	
4	4460871	26	Socket, Female	
4	4460905	9	Plug, Terminal	
5	4460761	1	Connector - 4 Position	
5	4460267	4	Pin, Male	
6	1001113961	1	Connector - 8 Position	
6	4460871	7	Socket, Female	
6	4460905	1	Plug, Terminal	
7	4460933	1	Plug, Male - 12 Position	
7	4460944	12	Socket, Female	
8	4460970	1	Receptacle, Female - 12 Position	
8	4460464	12	Pin, Male	
9	4460933	1	Plug, Male - 12 Position	
9	4460944	10	Socket, Female	
9	4460466	2	Plug, Terminal	
10	4460950	1	Receptacle, Female - 12 Position	
10	4460464	12	Pin, Male	
11	4460884	1	Plug, Male - 4 Position	
11	4460465	4	Socket, Female	
12	4460933	1	Plug, Male - 12 Position	
12	4460465	9	Socket, Female	
12	4460466	1	Plug, Terminal	
12	4460944	2	Socket, Female	
13	4460884	1	Plug, Male - 4 Position	
13	4460465	4	Socket, Female	
14	4460970	1	Receptacle, Female - 12 Position	
14	1001116693	10	Pin, Male	
14	4460943	2	Pin, Male	
15	4460891	1	Plug, Male - 2 Position	
15	4460465	2	Socket, Female	
16	4460884	1	Plug, Male - 4 Position	
16	4460465	4	Socket, Female	
17	1001112612	1	Connector - 9 Position	
17	4460464	3	Pin, Male	
17	4460943	2	Pin, Male	
17	4460466	4	Plug, Terminal	
18	4460894	1	Plug, Male - 6 Position	
18	4460465	4	Socket, Female	
18	4460944	2	Socket, Female	
19	4461018	1	Plug, Male - 2 Position	
19	1001150611	2	Socket, Female	
20	4460836	1	Plug, Male - 12 Position	
20	4460944	2	Socket, Female	

SECTION 8 - ELECTRICAL

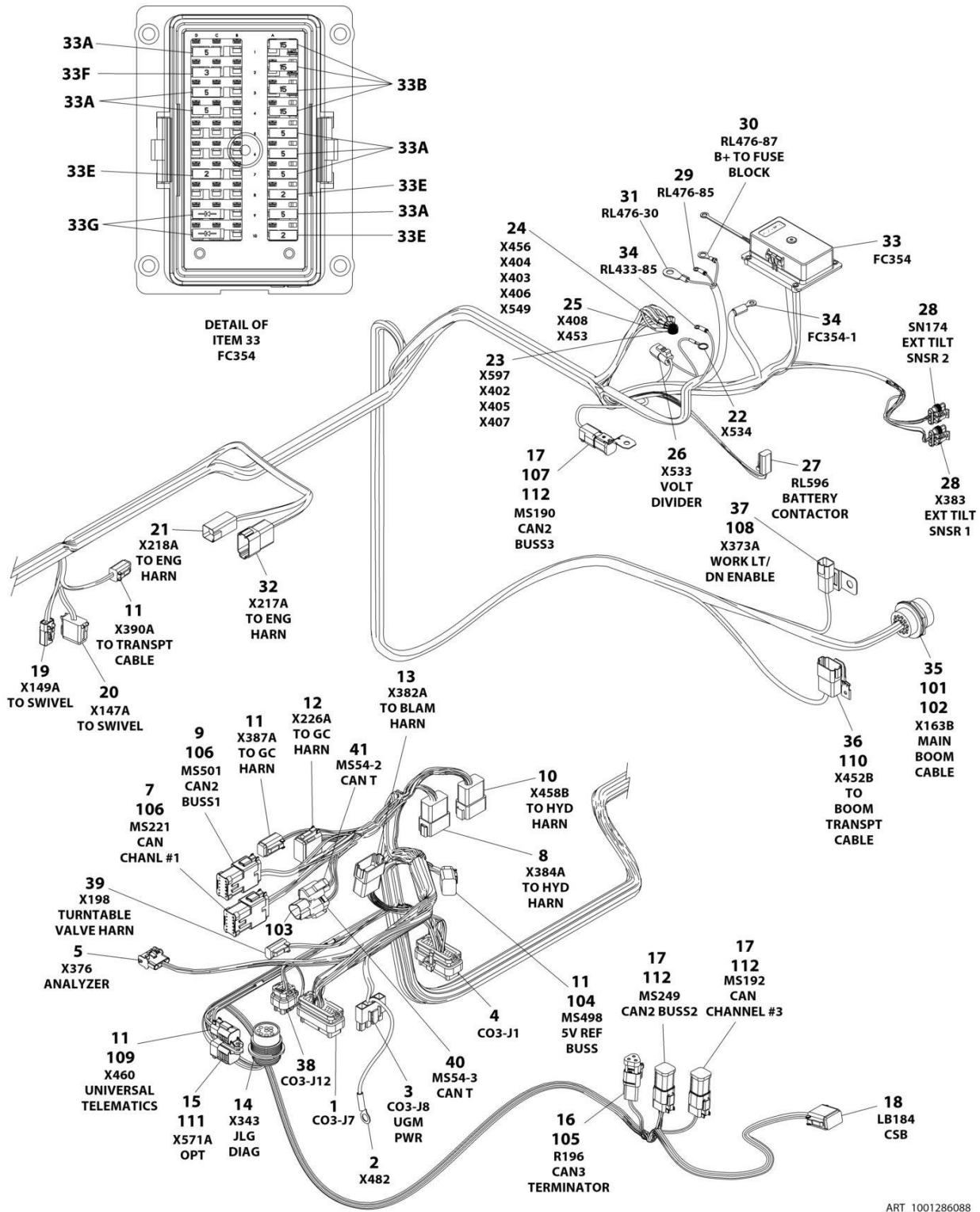
ITEM	PART NUMBER	QTY	DESCRIPTION	REV
20	4460465	1	Socket, Female	
20	4460466	9	Plug, Terminal	
21	4460932	1	Receptacle, Female - 4 Position	
21	1001157891	3	Pin, Male	
21	1001116693	1	Pin, Male	
22	4460722	4	Terminal, Ring	
23	4460019	5	Terminal, Ring	
24	4460256	2	Terminal, Ring	
25	4460891	1	Plug, Male - 2 Position	
25	4460465	2	Socket, Female	
26	1001103012	1	Plug, Male - 4 Position	
26	1001107854	4	Socket, Female	
26	1001104498	4	Seal, Terminal	
27	4460866	1	Connector - 19 Position	
27	4460943	2	Pin, Male	
27	4460464	8	Pin, Male	
27	4460508	4	Pin, Male	
27	4460466	5	Plug, Terminal	
28	4460884	1	Plug, Male - 4 Position	
28	4460465	4	Socket, Female	
29	4460931	1	Receptacle, Female - 8 Position	
29	4460464	8	Pin, Male	
30	1001196605	1	Fuse Box Assembly	
30	8220098	6	Terminal	
30	8220097	17	Terminal	
30	1001116725	1	Socket, Female	
30	4460748	11	Plug, Terminal	
30	4460458	23	Seal, Terminal	
30	80963067	1	Seal (Blue)	
31	8220116	1	Terminal, Ring	
32	4460539	1	Terminal, Ring	
33	4460703	1	Terminal, Ring	
34	4460247	1	Terminal, Ring	
35	4460670	1	Terminal, Ring	
36	4460443	1	Terminal, Ring	
37	4460931	1	Receptacle, Female - 8 Position	
37	1001116693	6	Pin, Male	
37	4460466	2	Plug, Terminal	
38	4460899	1	Receptacle, Female - 6 Position	
38	1001116693	3	Pin, Male	
38	4460943	2	Pin, Male	
38	4460466	1	Plug, Terminal	
39	1001116812	1	Plug, Male - 3 Position	
39	4460944	2	Socket, Female	
39	4460466	1	Plug, Terminal	
40	4460539	1	Plug, Male - 3 Position	
40	4460944	2	Socket, Female	
40	4460466	1	Plug, Terminal	
101	4460470	1	Nut, Terminal	
102	4460471	1	Washer, Terminal	
103	4460496	1	Washer, Terminal	

SECTION 8 - ELECTRICAL

ITEM	PART NUMBER	QTY	DESCRIPTION	REV
104	4460497	1	Nut, Terminal	
105	4460893	1	Receptacle, Female Buss Bar - 4 Position	
106	4460945	1	Connector, Tee	
107	1001106736	1	Cap, Dust	
108	1001125677	2	Connector, Bussbar	
109	1001144295	1	Cap	
110	1001155967	1	Mount	
111	1001192401	1	Cap, Dust	
112	1001202914	1	Mount	
113	1001213448	1	Cap, Dust	

SECTION 8 - ELECTRICAL

FIGURE 8-74. TURNTABLE HARNESS (SN 0300298207 to Present)



ART_1001286088

SECTION 8 - ELECTRICAL

FIGURE 8-74. TURNTABLE HARNESS (SN 0300298207 to Present)

ITEM	PART NUMBER	QTY	DESCRIPTION	REV
	1001286088	Ref	TURNTABLE HARNESS	B
1	4460873	1	Connector	
1	4460871	27	Socket	
1	4460905	8	Plug	
2	1001117110	1	Terminal, Ring	
3	4460878	1	Connector	
3	4460887	3	Socket	
4	4460874	1	Connector	
4	4460871	26	Socket	
4	4460905	9	Plug	
5	4460761	1	Connector	
5	4460267	4	Socket	
6	1001113961	1	Connector	
6	4460905	1	Plug	
6	4460871	7	Socket	
7	4460933	1	Connector	
7	4460944	12	Socket	
8	4460970	1	Connector	
8	4460464	12	Pin	
9	4460933	1	Connector	
9	4460466	4	Plug	
9	4460944	8	Socket	
10	4460950	1	Connector	
10	4460464	12	Socket	
11	4460884	4	Connector	
11	4460465	4	Socket	
12	4460933	1	Connector	
12	4460465	9	Socket (Nickel)	
12	4460944	2	Socket (Gold)	
12	4460466	1	Plug	
13	4460970	1	Connector	
13	1001116693	10	Pin (Nickel)	
13	4460943	2	Pin (Gold)	
14	1001112612	1	Connector	
14	4460464	3	Socket	
14	4460943	2	Pin	
14	4460466	4	Plug	
15	4460894	1	Connector	
15	4460465	4	Socket (Nickel)	
15	4460944	2	Socket (Gold)	
16	1001144147	1	Connector	
16	4460943	2	Pin	
16	4460466	1	Plug	
17	4460894	2	Connector	
17	4460465	12	Socket	
18	4460930	1	Connector	
18	4460465	8	Socket	
19	4461018	1	Connector	
19	1001150611	2	Socket	
20	4460836	1	Connector	

SECTION 8 - ELECTRICAL

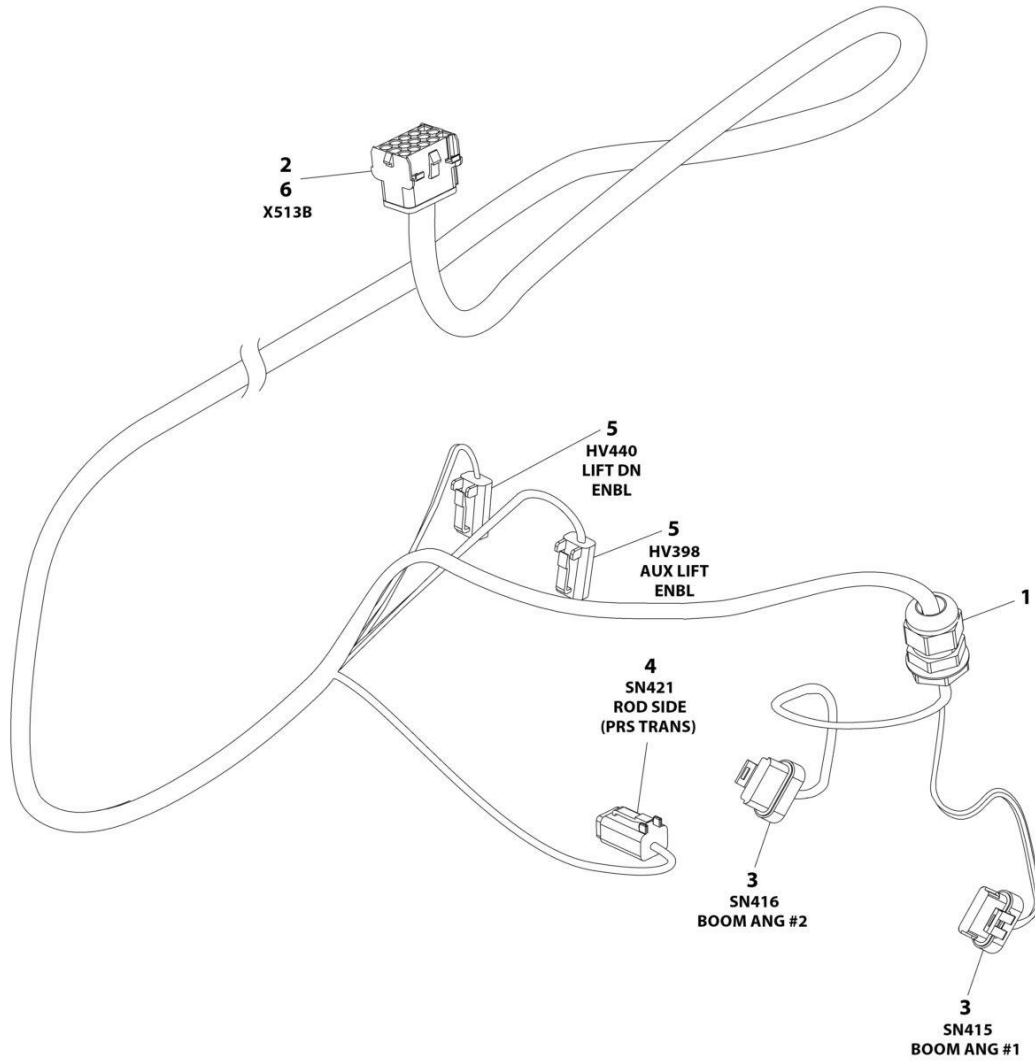
ITEM	PART NUMBER	QTY	DESCRIPTION	REV
20	4460944	2	Socket (Gold)	
20	4460466	9	Plug	
20	4460465	1	Socket (Nickel)	
21	4460899	1	Connector	
21	1001116693	3	Pin (Nickel)	
21	4460943	2	Pin (Gold)	
21	4460466	1	Plug	
22	4460703	1	Terminal, Ring	
23	4460722	4	Terminal, Ring(22-16AWG)	
24	4460019	5	Terminal, Ring(12-10AWG)	
25	4460256	2	Terminal, Ring(16-14AWG)	
26	4460539	1	Connector	
26	4460465	3	Socket	
27	4460891	1	Connector	
27	4460465	2	Socket	
28	1001103012	2	Connector	
28	1001104498	8	Socket	
29	4460247	1	Terminal, Ring	
30	4460670	1	Terminal, Ring	
31	4460443	1	Terminal, Ring	
32	4460931	1	Connector	
32	1001116693	7	Plug	
32	4460466	1	Plug	
33	1001196605	1	Fuse Box Assembly	
33	8220098	6	Socket (14AWG)	
33	1001116725	1	Socket (12-10AWG)	
33	8220097	17	Socket (18AWG)	
33	4460748	11	Plug	
33	4460458	23	Seal (Green)	
33	80963067	1	Seal (Blue)	
33A	8229242	7	Fuse 5AMP	
33B	8229244	4	Fuse 15AMP	
33D	1001196603	1	Cover (Not Shown)	
33E	1001196634	3	Fuse 2AMP	
33F	1001196635	1	Fuse 3AMP	
33G	1001196636	2	Diode 1AMP	
34	8220116	1	Terminal, Ring	
35	4460866	1	Connector	
35	4460466	3	Plug	
35	4460943	2	Pin (20-16AWG, Gold)	
35	4460464	8	Pin (20-16AWG, Nickel)	
35	4460508	4	Pin (14-12AWG, Nickel)	
36	4460931	1	Connector	
36	4460464	8	Pin	
37	4460932	1	Connector	
37	1001157891	3	Pin (16-12AWG)	
37	1001116693	1	Pin (18-14AWG)	
38	1001246859	1	Connector	
38	4460871	4	Socket	
38	4460905	10	Plug	
39	4460891	1	Connector	

SECTION 8 - ELECTRICAL

ITEM	PART NUMBER	QTY	DESCRIPTION	REV
39	4460465	1	Socket	
39	4460466	1	Plug	
40	1001116812	1	Connector	
40	4460944	2	Socket	
40	4460466	1	Plug	
41	4460539	1	Connector	
41	4460944	2	Socket	
41	4460466	1	Plug	
101	4460470	1	Nut, Terminal	
102	4460471	1	Washer, Lock	
103	4460945	1	Connector	
104	4460893	1	Connector, Buss Bar	
105	1001116815	1	Connector	
106	1001125677	2	Connector, Buss Bar	
107	1001120328	1	Mount	
108	1001155967	1	Mount	
109	1001192401	1	Cap, Dust	
110	1001202914	1	Mount	
111	1001213448	1	Cap, Dust	
112	1001226541	3	Connector, Buss Bar	

SECTION 8 - ELECTRICAL

FIGURE 8-75. VALVE HARNESS - BOOM



ART_1001216806

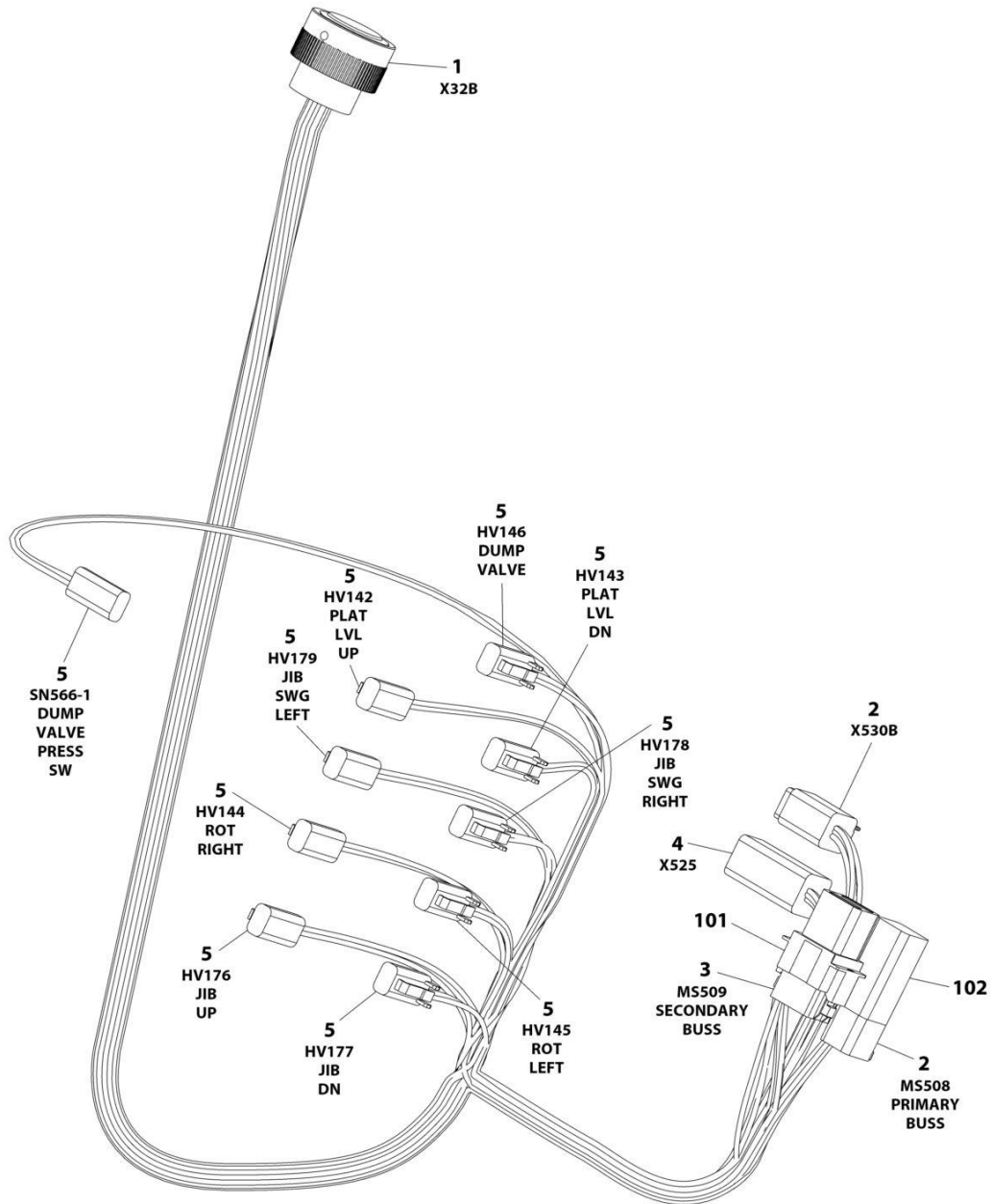
SECTION 8 - ELECTRICAL

FIGURE 8-75. VALVE HARNESS - BOOM

ITEM	PART NUMBER	QTY	DESCRIPTION	REV
	1001216806	Ref	VALVE HARNESS - BOOM	C
1	4460633	1	Connector, Strain Relief	
2	1001216626	1	Seal	
3	1001230931	3	Plug, Male - 6 Position	
3	1001116748	3	Terminal	
3	1001116751	3	Plug, Terminal	
4	4460884	1	Plug, Male - 4 Position	
4	4460465	4	Socket, Female	
5	4460891	2	Plug, Male - 2 Position	
5	4460465	4	Socket, Female	
6	4460708	1	Receptacle, Female - 15 Position	
6	4460267	15	Pin, Male	

SECTION 8 - ELECTRICAL

FIGURE 8-76. VALVE HARNESS - PLATFORM



ART_1001196682

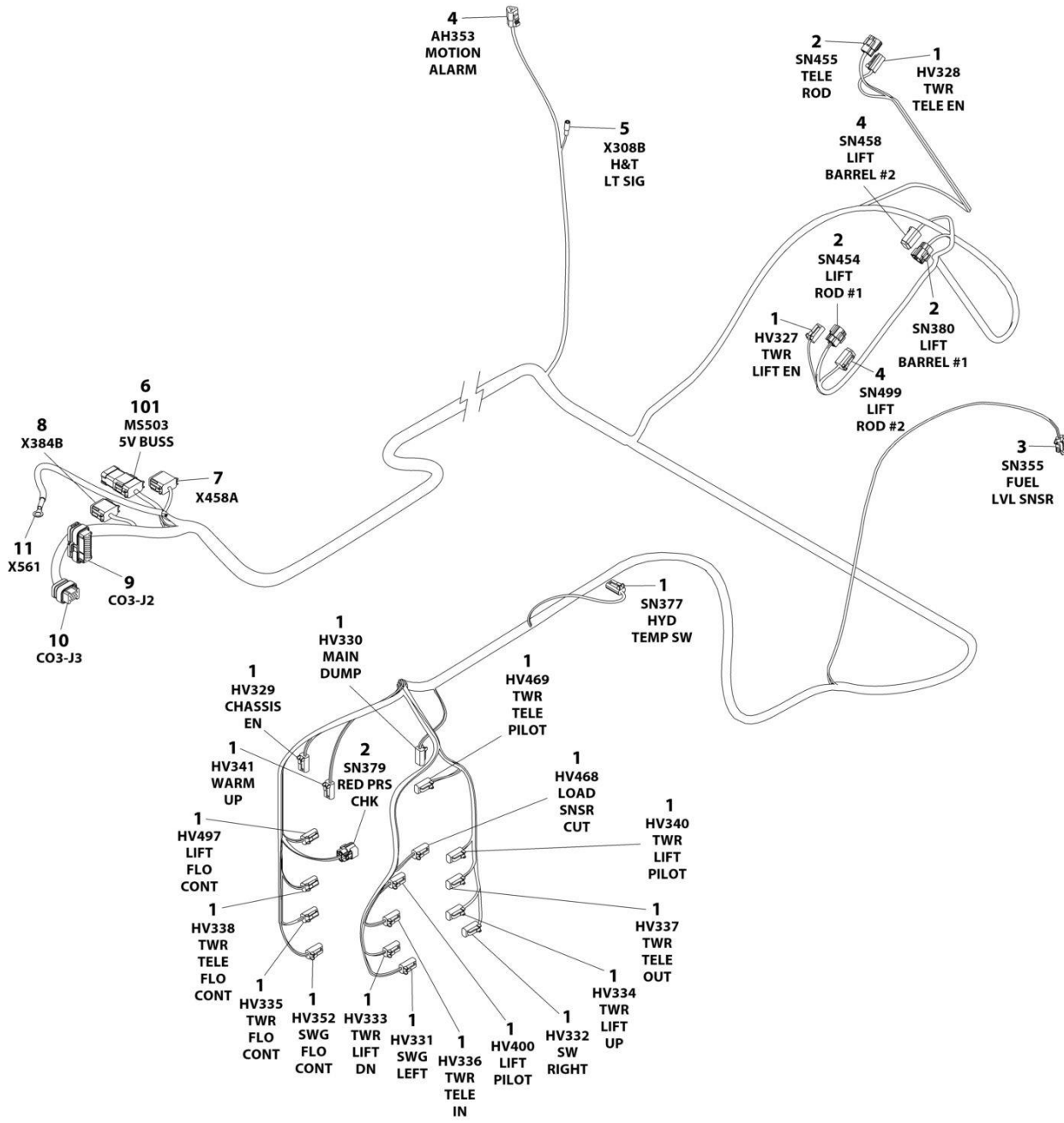
SECTION 8 - ELECTRICAL

FIGURE 8-76. VALVE HARNESS - PLATFORM

ITEM	PART NUMBER	QTY	DESCRIPTION	REV
	1001196682	Ref	VALVE HARNESS - PLATFORM	E
1	4460926	1	Connector - 21 Position	
1	1001126008	20	Socket, Female	
1	4460518	1	Plug, Terminal	
2	4460894	2	Plug, Male - 6 Position	
2	4460465	11	Socket, Female	
2	4460466	1	Plug, Terminal	
3	4460851	1	Plug, Male - 8 Position	
3	4460465	7	Socket, Female	
3	4460466	1	Plug, Terminal	
4	4460899	1	Receptacle, Female - 6 Position	
4	4460464	5	Pin, Male	
4	4460466	1	Plug, Terminal	
5	4460891	10	Plug, Male - 2 Position	
5	4460465	20	Socket, Female	
101	4460852	1	Receptacle, Female Termination - 8 Position	
102	4460892	1	Receptacle, Female Bussbar - 6 Position	

SECTION 8 - ELECTRICAL

FIGURE 8-77. VALVE HARNESS - TURNTABLE (Prior to SN 0300298207)



ART_1001242123

SECTION 8 - ELECTRICAL

FIGURE 8-77. VALVE HARNESS - TURNTABLE (Prior to SN 0300298207)

ITEM	PART NUMBER	QTY	DESCRIPTION	REV
	1001242123	Ref	VALVE HARNESS - TURNTABLE	B
1	4460891	20	Plug, Male - 2 Position	
1	4460465	40	Socket, Female	
2	4460884	4	Plug, Male - 4 Position	
2	4460465	12	Socket, Female	
2	4460466	4	Plug, Terminal	
3	4460843	1	Plug, Male - 2 Position	
3	91554014	NLA	Socket, Female (Use p/n 1001116748)	
4	4460539	3	Plug, Male - 3 Position	
4	4460465	9	Socket, Female	
5	8220068	1	Terminal, Ring	
6	4460930	1	Plug, Male - 8 Position	
6	4460465	6	Socket, Female	
6	4460466	2	Plug, Terminal	
7	4460836	1	Plug, Male - 12 Position	
7	4460465	12	Socket, Female	
8	4460933	1	Plug, Male - 12 Position	
8	4460465	12	Socket, Female	
9	4460875	1	Connector - 35 Position	
9	4460871	32	Socket, Female	
9	4460905	3	Plug, Terminal	
10	4460872	1	Connector - 14 Position	
10	4460871	12	Socket, Female	
10	4460905	2	Plug, Terminal	
11	1001128127	1	Terminal, Ring	
101	4460984	1	Receptacle, Female Bussbar - 8 Position	

SECTION 8 - ELECTRICAL

FIGURE 8-78. VALVE HARNESS - TURNTABLE (SN 0300298207 to Present)

ITEM	PART NUMBER	QTY	DESCRIPTION	REV
	1001286089	Ref	VALVE HARNESS	C
1	4460891	20	Connector	
1	4460465	40	Socket	
2	4460884	4	Connector	
2	4460465	13	Socket	
2	4460466	4	Plug	
3	4460539	3	Connector	
3	4460465	9	Socket	
4	4460843	1	Connector	
4	91554014	2	Socket	
5	8220068	1	Connector	
5	1001117125	1	Socket	
6	4460930	1	Connector	
6	4460465	6	Socket	
6	4460466	2	Plug	
7	4460836	1	Connector	
7	4460465	12	Socket	
8	4460933	1	Connector	
8	4460465	12	Socket	
9	4460872	1	Connector	
9	4460871	11	Socket	
9	4460905	3	Plug	
10	4460875	1	Connector	
10	4460871	33	Socket	
10	4460905	2	Plug	
11	4460884	1	Connector	
11	4460465	4	Socket	
12	1001128127	1	Terminal, Ring	
13	4460897	1	Connector	
13	4460464	1	Pin	
13	4460466	1	Plug	
101	4460984	1	Cap	
102	1001196636	1	Diode 1Amp	
103	1001152266	1	Connector, Diode	

SECTION 8 - ELECTRICAL

FIGURE 8-79. WHITE NOISE MOTION ALARM HARNESS



ART_1001231008

SECTION 8 - ELECTRICAL

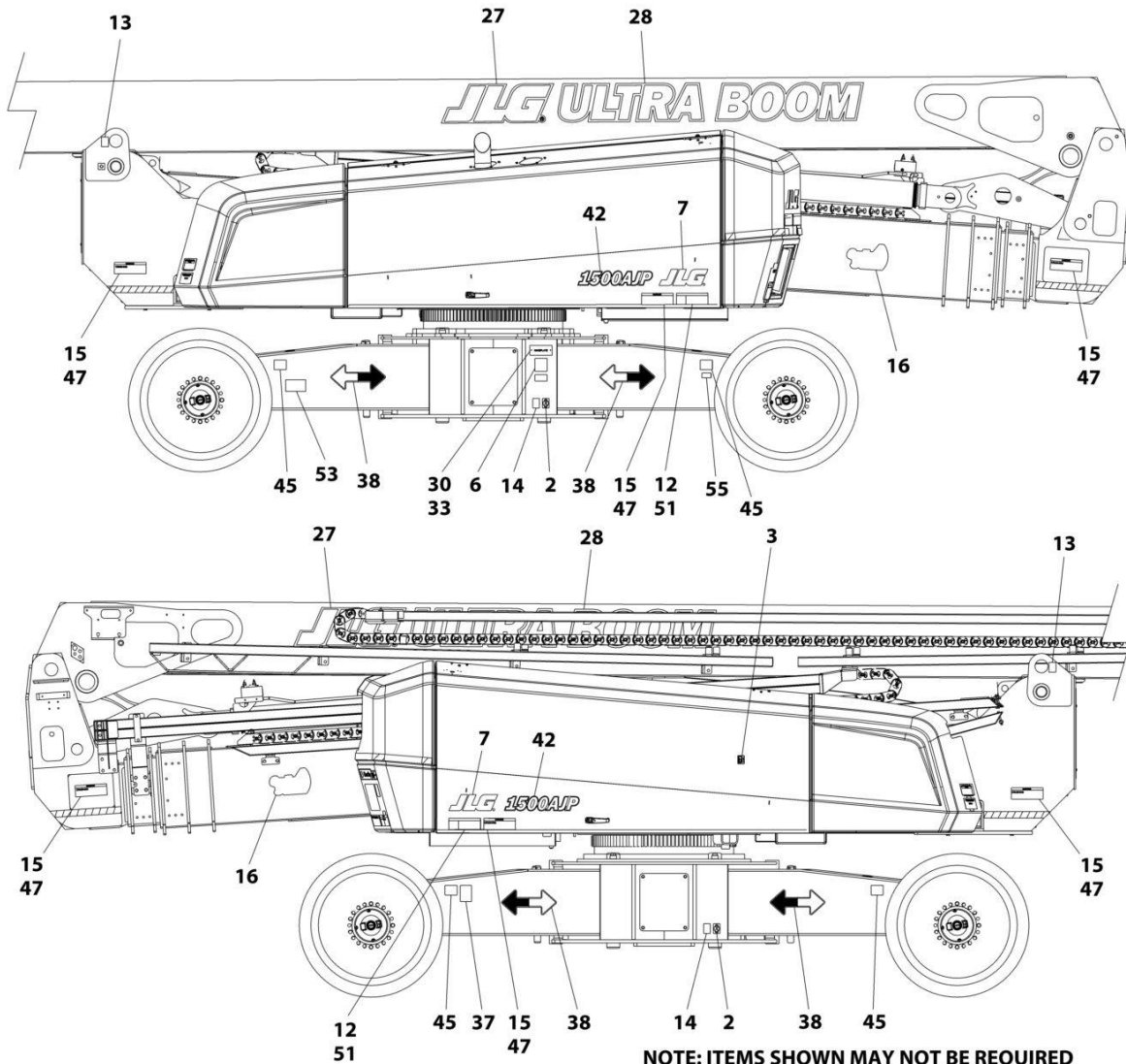
FIGURE 8-79. WHITE NOISE MOTION ALARM HARNESS

ITEM	PART NUMBER	QTY	DESCRIPTION	REV
	1001231008	Ref	WHITE NOISE MOTION ALARM HARNESS	B
1	4460871	1	Socket, Female	
2	4460891	1	Plug, Male - 2 Position	
2	4460465	2	Socket, Female	
3	4460536	1	Connector - 3 Position	
3	4460464	3	Pin, Male	

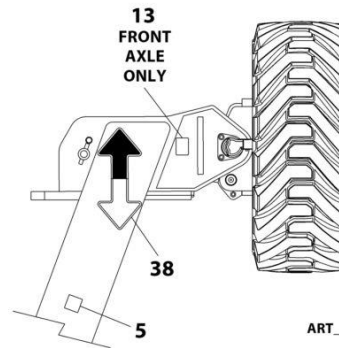
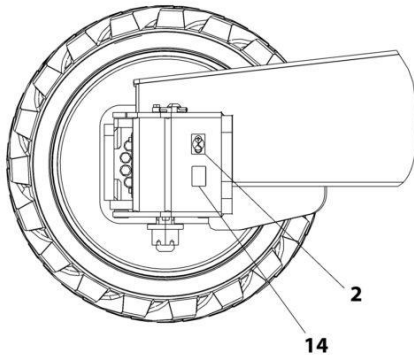
SECTION 9 - DECALS

SECTION 9 - DECALS

FIGURE 9-1. DECAL INSTALLATION - ANSI SPEC

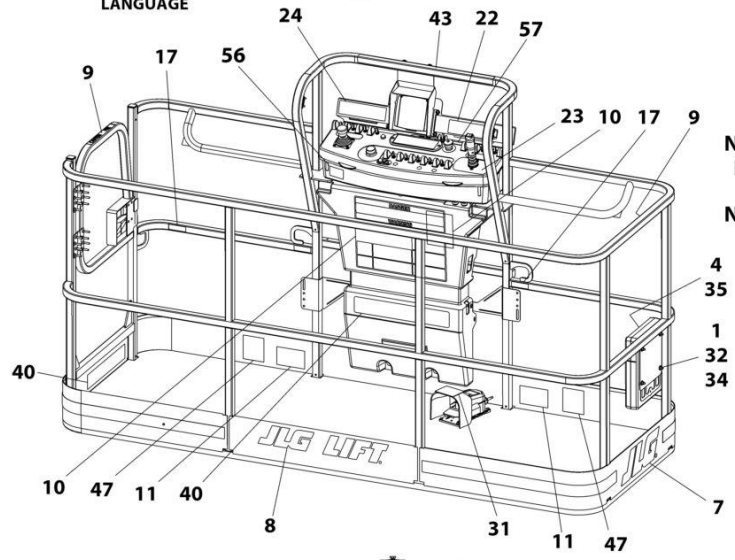
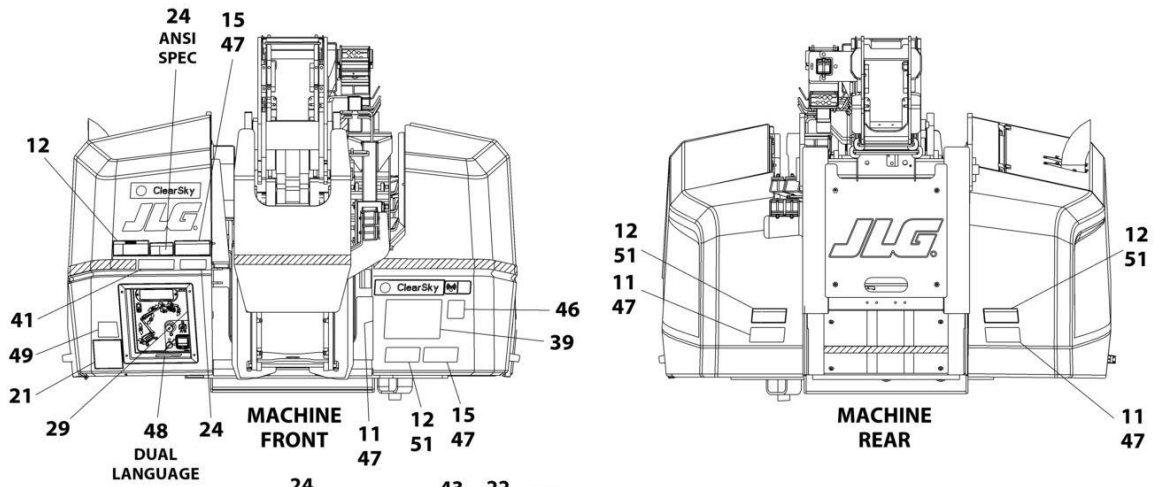


NOTE: ITEMS SHOWN MAY NOT BE REQUIRED FOR ALL SPECS. REFER TO PARTS LISTS FOR USAGE.
 NOTE: ADDITIONAL DECALS CALLED OUT ON DECAL INSTALLATION - OPTIONS.

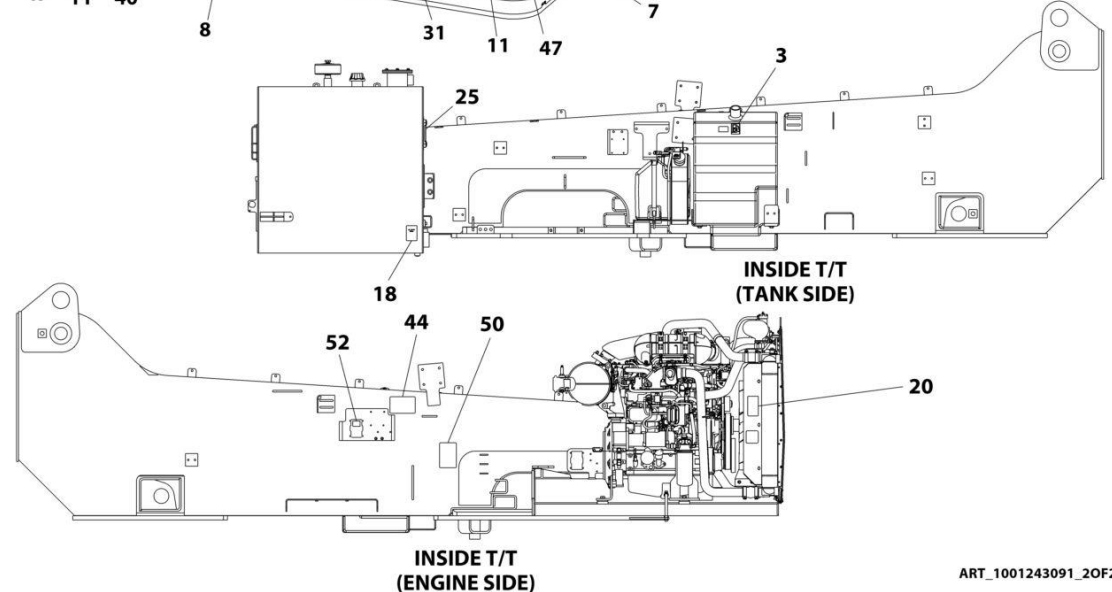


ART_1001243091_10F2

SECTION 9 - DECALS



NOTE: ITEMS SHOWN MAY NOT BE REQUIRED FOR ALL SPECS. REFER TO PARTS LISTS FOR USAGE.
NOTE: ADDITIONAL DECALS CALLED OUT ON DECAL INSTALLATION - OPTIONS.



ART_1001243091_20F2

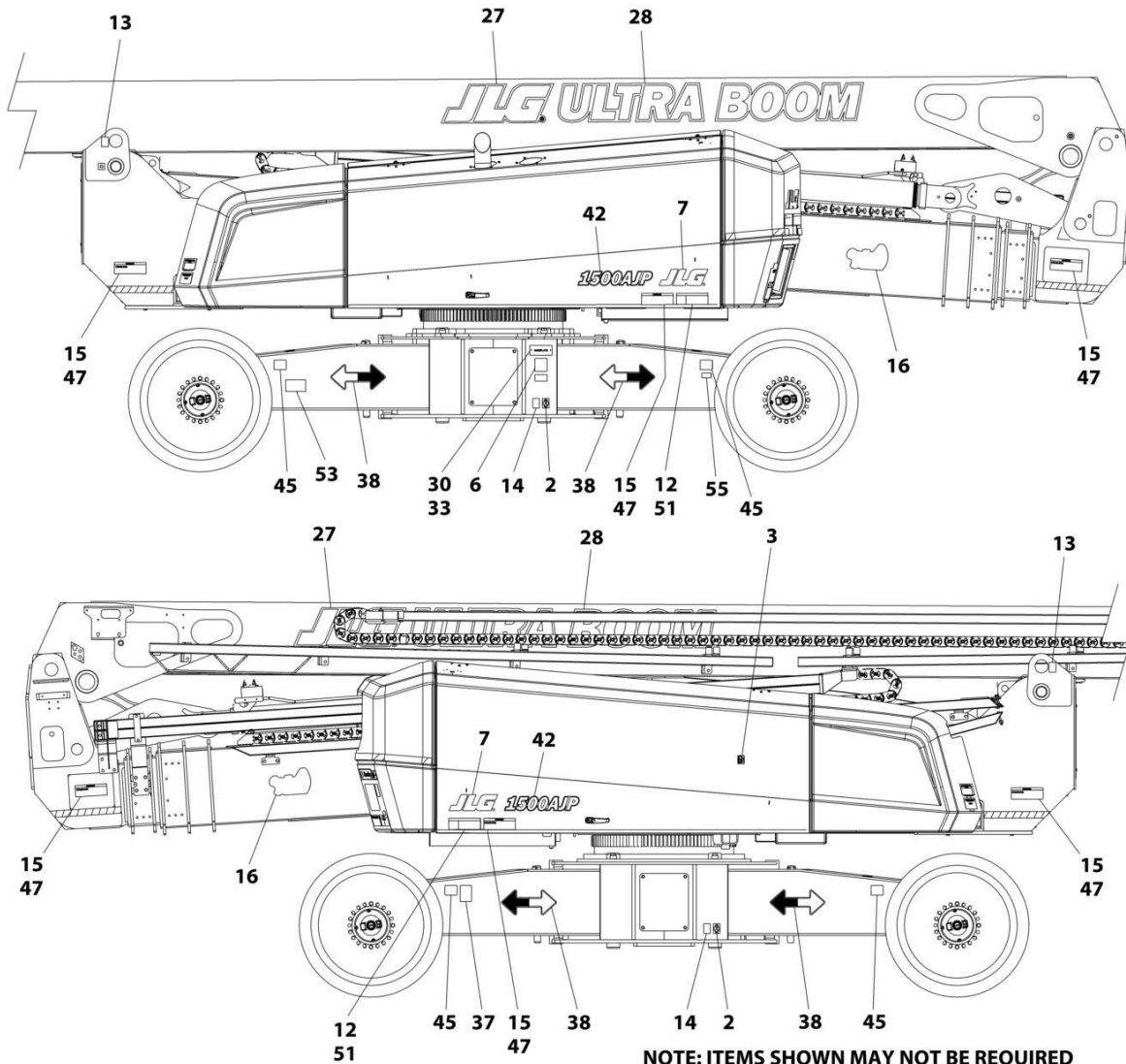
SECTION 9 - DECALS

FIGURE 9-1. DECAL INSTALLATION - ANSI SPEC

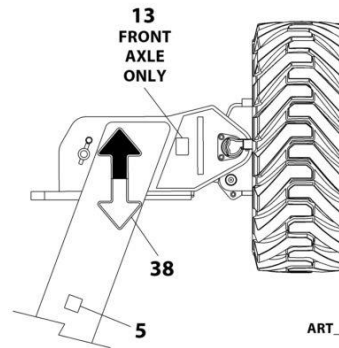
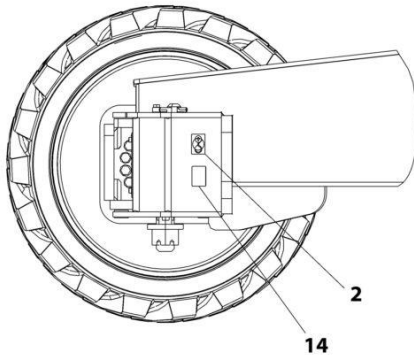
ITEM	PART NUMBER	QTY	DESCRIPTION	REV
	1001243091	Ref	DECAL INSTALLATION - ANSI SPEC	F
	1001197315	Ref	DECAL INSTALLATION - REFERENCE	N
1	0641406	4	Bolt 1/4 x 3/4	
2	1701499	6	Decal - No Tie Down/Lift	
3	1701505	2	Decal - Diesel Fuel	
4	1701509	1	Decal - Manual	
5	1701691	4	Decal - No Step	
6	See Note	NSS	Decal - Bar Code (Note: Not Available for Purchase)	
7	1702773	3	Decal - JLG	
8	1702774	1	Decal - JLG Lift	
9	1702868	2	Decal - No Hands	
10	1001231315	1	Decal - Danger/Warning	
11	1703804	6	Decal - Warning Crushing	
12	1703805	6	Decal - Electrocution	
13	1703811	4	Decal - Lifting Lug	
14	1703814	6	Decal - Tie Down	
15	1703953	8	Decal - Warning Crushing	
16	1703959	2	Decal - Quik Stik	
17	1704277	3	Decal - Lanyard Attach	
18	1704412	1	Decal - Hydraulic Oil	
20	1704972	1	Decal - Glow Plugs Warning	
21	1705336	1	Decal - Danger/Warning	
23	1705351	1	Decal - Drive/Steer Instructions	
24	1705492	1	Decal - Tip-Over	
25	1705511	1	Decal - Oil Level	
27	1705864	2	Decal - JLG	
28	1705865	2	Decal - Ultraboom (Prior to SN 0300281037)	
28	1001267315	2	Decal - Ultraboom (SN 0300281037 to Present)	
29	1001225220	1	Decal - Legend	
31	3252347	1	Nameplate - Footswitch	
32	3311405	4	Nut 1/4	
33	3820001	2	Rivet	
34	4751400	8	Washer 1/4	
35	91403230	1	Box, Manual Storage	
37	1001131269	1	Decal - Patent	
38	1001160445	8	Decal - Arrow	
39	1001284691	1	Decal - Lift Diagram	
40	1001254474	1	Decal - Warning Dual Capacity	
41	1001254475	1	Decal - Warning Dual Capacity	
42	1001200707	2	Decal - 1500AJP (Prior to SN 0300280111)	
42	1001268243	2	Decal - 1500AJP (SN 0300280111 to Present)	
43	1001204096	1	Decal - Legend	
44	1001234789	1	Decal - Jump Start/Dual Battery	
45	1001209896	4	Decal - Maximum Tire Load	
50	1001211904	1	Decal - Fuse Box	
52	1001224045	1	Decal - Fuse Box Cover	
53	1001223055	1	Decal - Decal Yearly Inspection	
55	1001223453	1	Decal - ICES	
57	1001195947	1	Decal - Stop and Auxiliary Power	

SECTION 9 - DECALS

FIGURE 9-2. DECAL INSTALLATION - AUSTRALIAN SPEC

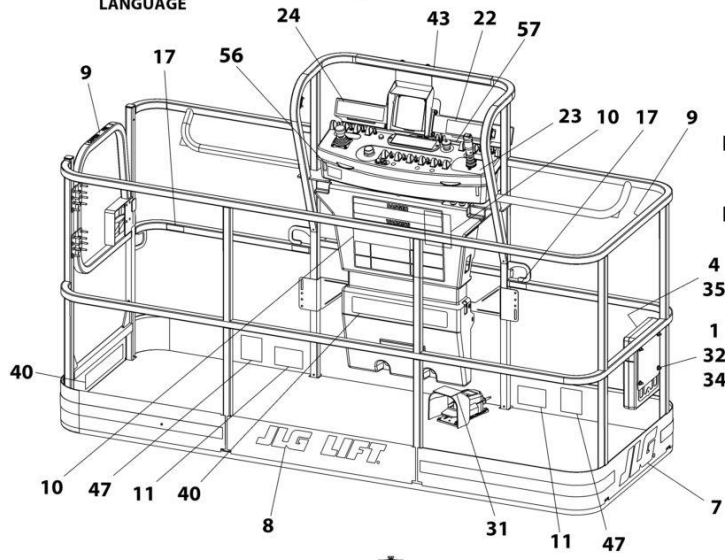
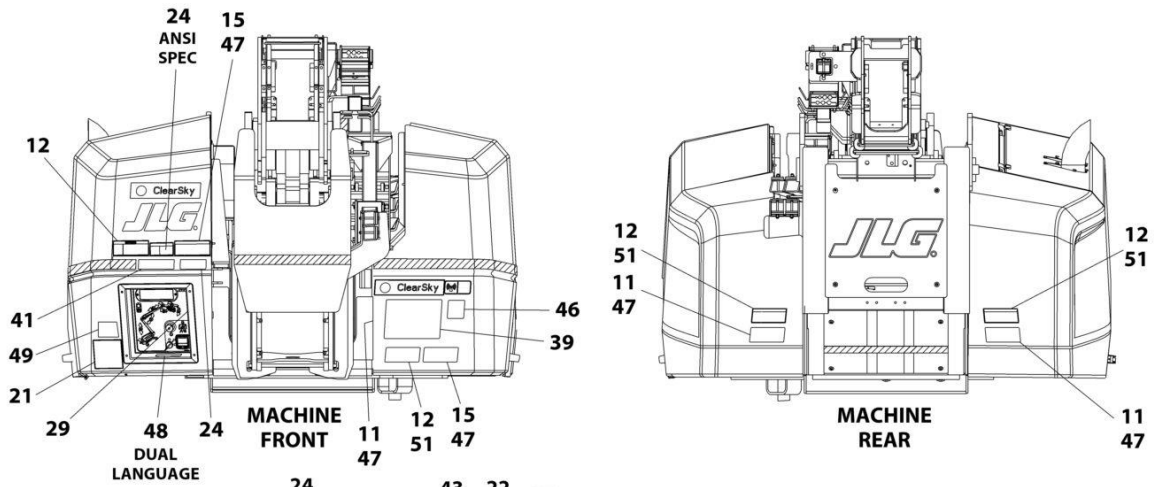


NOTE: ITEMS SHOWN MAY NOT BE REQUIRED FOR ALL SPECS. REFER TO PARTS LISTS FOR USAGE.
 NOTE: ADDITIONAL DECALS CALLED OUT ON DECAL INSTALLATION - OPTIONS.

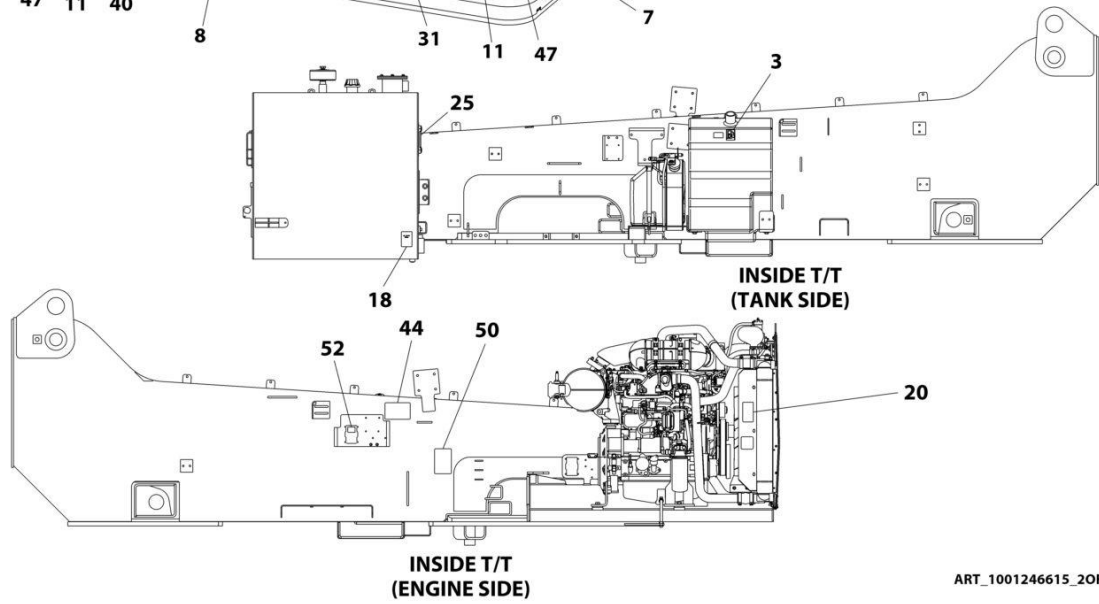


ART_1001246615_10F2

SECTION 9 - DECALS



NOTE: ITEMS SHOWN MAY NOT BE REQUIRED FOR ALL SPECS. REFER TO PARTS LISTS FOR USAGE.
NOTE: ADDITIONAL DECALS CALLED OUT ON DECAL INSTALLATION - OPTIONS.



ART_1001246615_20F2

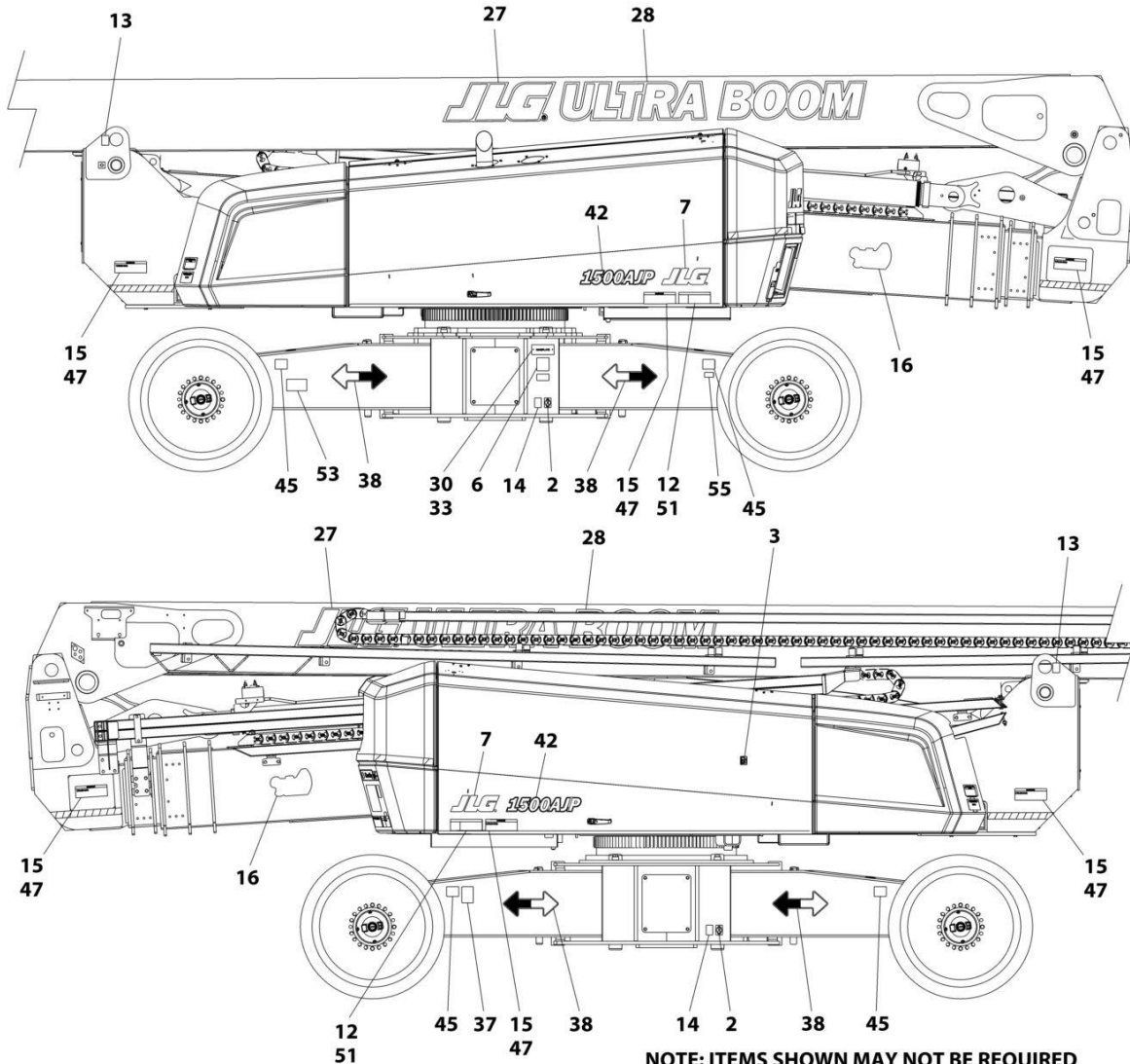
SECTION 9 - DECALS

FIGURE 9-2. DECAL INSTALLATION - AUSTRALIAN SPEC

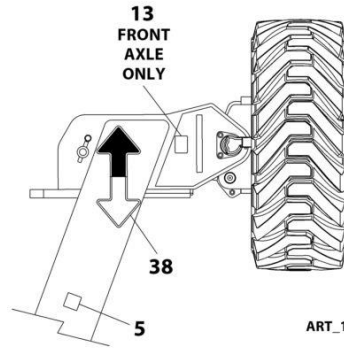
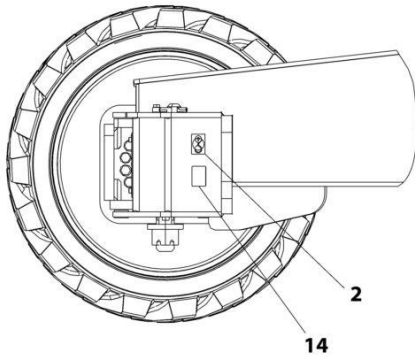
ITEM	PART NUMBER	QTY	DESCRIPTION	REV
	1001246615	Ref	DECAL INSTALLATION - AUSTRALIAN SPEC	F
	1001197315	Ref	DECAL INSTALLATION - REFERENCE	P
1	0641406	4	Bolt 1/4 x 3/4	
2	1701499	6	Decal - No Tie Down/Lift	
3	1701505	2	Decal - Diesel Fuel	
4	1701509	1	Decal - Manual	
5	1701691	4	Decal - No Step	
6	See Note	NSS	Decal - Bar Code (Note: Not Available for Purchase)	
7	1702773	3	Decal - JLG	
8	1702774	1	Decal - JLG Lift	
10	1705921	1	Decal - Tipping/Electrocution	
13	1703811	4	Decal - Lifting Lug	
14	1703814	6	Decal - Tie Down	
16	1703959	2	Decal - Quik Stik	
17	1704277	3	Decal - Lanyard Attach	
18	1704412	1	Decal - Hydraulic Oil	
20	1706098	1	Decal - Warning Ether Start	
21	1705822	1	Decal - Electrical/Safety Manual	
25	1705511	1	Decal - Oil Level	
27	1705864	2	Decal - JLG	
28	1705865	2	Decal - Ultraboom (Prior to SN 0300306809)	
28	1001267315	2	Decal - Ultraboom (SN 0300306809 to Present)	
30	See Note	NSS	Nameplate - Serial Number (Note: Not Available for Purchase)	
31	1705828	1	Nameplate - Footswitch	
32	3311405	4	Nut 1/4	
33	3820001	4	Rivet	
34	4751400	8	Washer 1/4	
35	91403230	1	Box, Manual Storage	
38	1001160445	8	Decal - Arrow	
39	1001284691	1	Decal - Lift Diagram	
40	1001200118	2	Decal - Warning Dual Capacity	
41	1001200117	1	Decal - Warning Dual Capacity	
42	1001200707	1	Decal - 1500AJP (Prior to SN 0300280111)	
42	1001268243	2	Decal - 1500AJP (SN 0300280111 to Present)	
44	1001234789	1	Decal - Jump Start/Dual Battery	
45	1001209896	4	Decal - Maximum Tire Load	
46	1705515	1	Decal - Sound Level	
47	1701518	14	Decal - Crushing	
49	1001112551	1	Decal - Emergency Controls	
50	1001211904	1	Decal - Fuse Box	
51	1705961	5	Decal - Electrocution	
52	1001224045	1	Decal - Fuse Box Cover	
54	1001229782	1	Decal - Wheel Assembly Mass	
57	1001184619	1	Decal - Stop	

SECTION 9 - DECALS

FIGURE 9-3. DECAL INSTALLATION - BRAZIL SPEC (ENGLISH/PORTUGUESE)

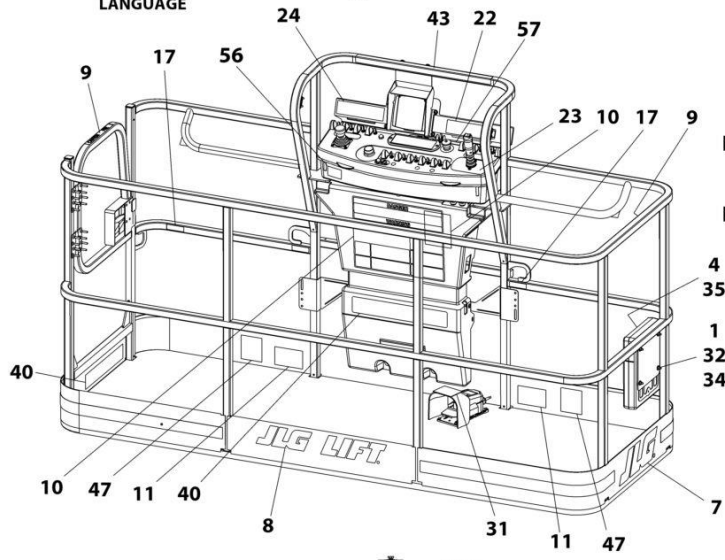
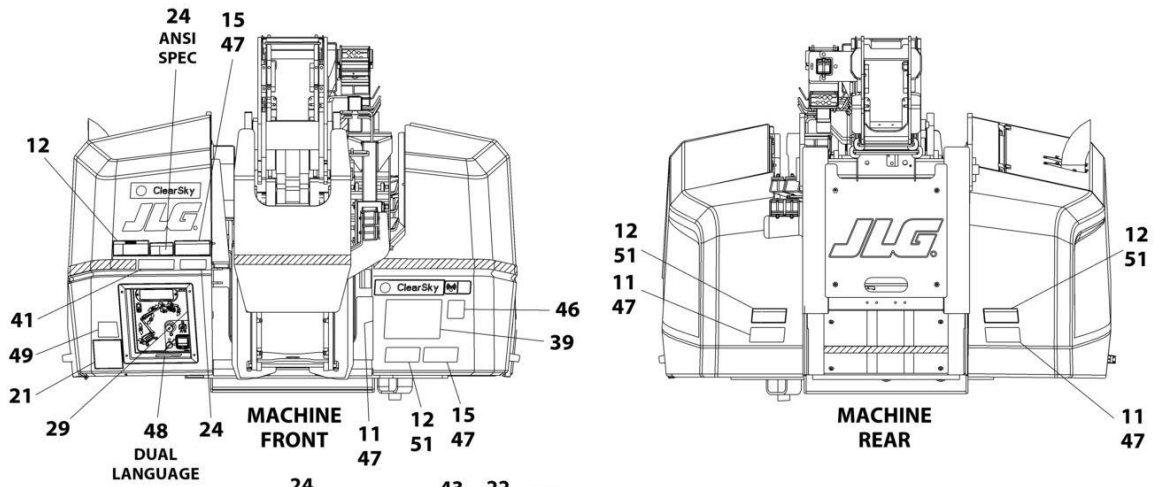


NOTE: ITEMS SHOWN MAY NOT BE REQUIRED FOR ALL SPECS. REFER TO PARTS LISTS FOR USAGE.
 NOTE: ADDITIONAL DECALS CALLED OUT ON DECAL INSTALLATION - OPTIONS.



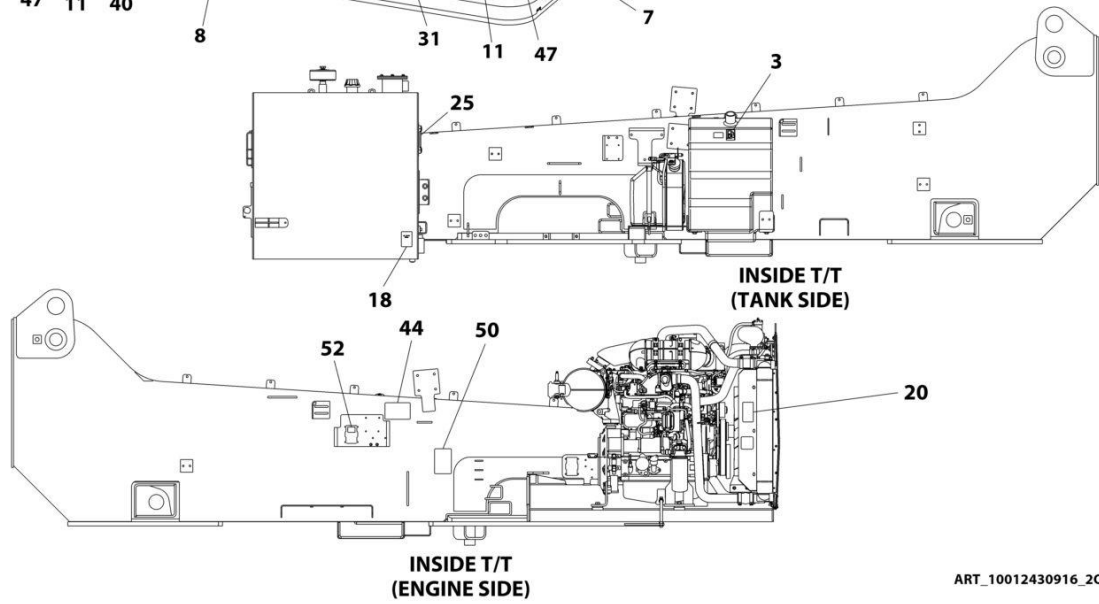
ART_1001243096_10F2

SECTION 9 - DECALS



NOTE: ITEMS SHOWN MAY NOT BE REQUIRED FOR ALL SPECS. REFER TO PARTS LISTS FOR USAGE.

NOTE: ADDITIONAL DECALS CALLED OUT ON DECAL INSTALLATION - OPTIONS.



ART_10012430916_20F2

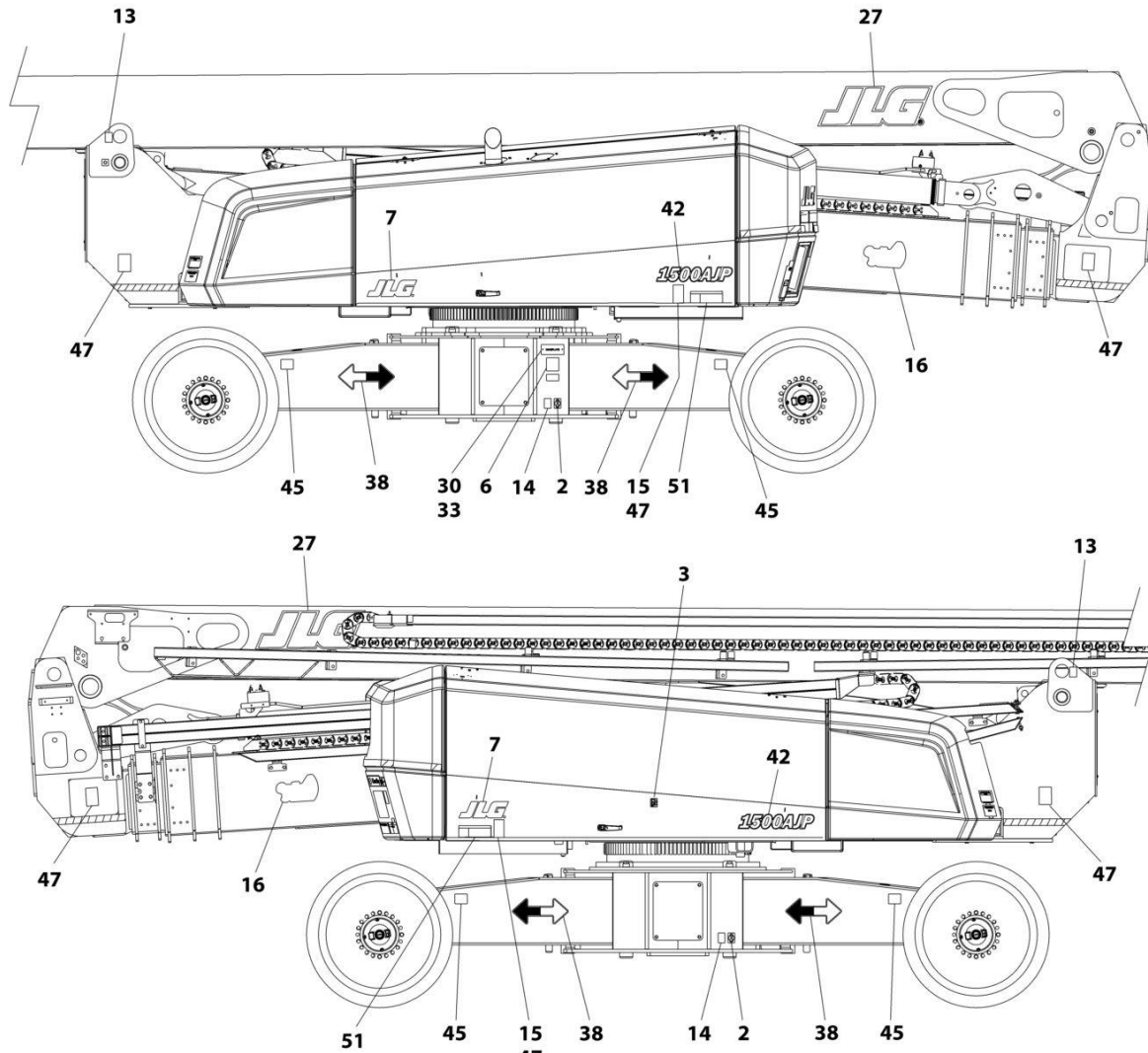
SECTION 9 - DECALS

FIGURE 9-3. DECAL INSTALLATION - BRAZIL SPEC (ENGLISH/PORTUGUESE)

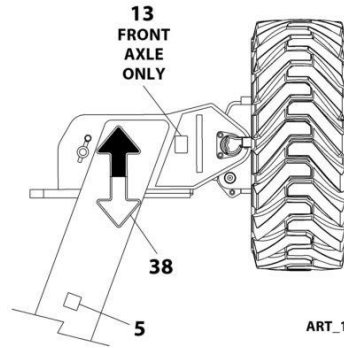
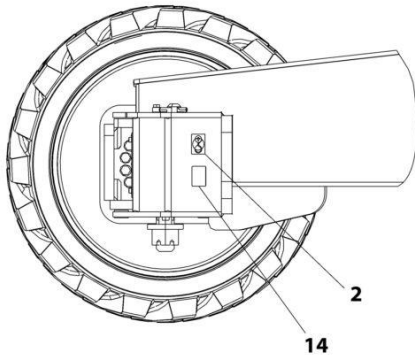
ITEM	PART NUMBER	QTY	DESCRIPTION	REV
	1001243096	Ref	DECAL INSTALLATION - BRAZIL SPEC (ENGLISH/PORTUGUESE)	F
	1001197315	Ref	DECAL INSTALLATION - REFERENCE	N
1	0641406	4	Bolt 1/4 x 3/4	
2	1701499	6	Decal - No Tie Down/Lift	
3	1701505	2	Decal - Diesel Fuel	
4	1701509	1	Decal - Manual	
5	1701691	4	Decal - No Step	
6	See Note	NSS	Decal - Bar Code (Note: Not Available for Purchase)	
7	1702773	3	Decal - JLG	
8	1702774	1	Decal - JLG Lift	
9	1705967	2	Decal - No Hands	
10	1001231319	1	Decal - Danger/Warning	
11	1705898	6	Decal - Crushing	
12	1705897	6	Decal - Danger Electrocution	
13	1703811	4	Decal - Lifting Lug	
14	1703814	6	Decal - Tie Down	
15	1705903	8	Decal - Warning Crushing	
16	1703959	2	Decal - Quik Stik	
17	1704277	3	Decal - Lanyard Attach	
18	1704412	1	Decal - Hydraulic Oil	
20	1706059	1	Decal - Warning Explosion	
21	1705896	1	Decal - Warning Inspection	
23	1705905	1	Decal - Drive/Steer Instruction	
24	1705906	1	Decal - Tip-Over Hazard	
25	1705511	1	Decal - Oil Level	
27	1705864	2	Decal - JLG	
28	1705865	2	Decal - Ultraboom (Prior to SN 0300281037)	
28	1001267315	2	Decal - Ultraboom (SN 0300281037 to Present)	
29	1001225220	1	Decal - Legend	
30	See Note	NSS	Nameplate - Serial Number (Note: Not Available for Purchase)	
31	1705902	1	Decal - Footswitch	
32	3311405	4	Nut 1/4	
33	3820001	2	Rivet	
34	4751400	8	Washer 1/4	
35	91403230	1	Box, Manual Storage	
38	1001160445	8	Decal - Arrow	
39	1001284691	1	Decal - Lift Diagram	
40	1001254482	1	Decal - Warning Dual Capacity	
41	1001254483	1	Decal - Warning Dual Capacity	
42	1001200707	2	Decal - 1500AJP (Prior to SN 0300280111)	
42	1001268243	2	Decal - 1500AJP (SN 0300280111 to Present)	
43	1001204096	1	Decal - Legend	
44	1001234789	1	Decal - Jump Start/Dual Battery	
45	1001209896	4	Decal - Maximum Tire Load	
50	1001211904	1	Decal - Fuse Box	
52	1001224045	1	Decal - Fuse Box Cover	
53	1001224052	1	Decal - Yearly Inspection	
57	1001195947	1	Decal - Stop and Auxiliary Power	

SECTION 9 - DECALS

FIGURE 9-4. DECAL INSTALLATION - CE & UK CA SPEC

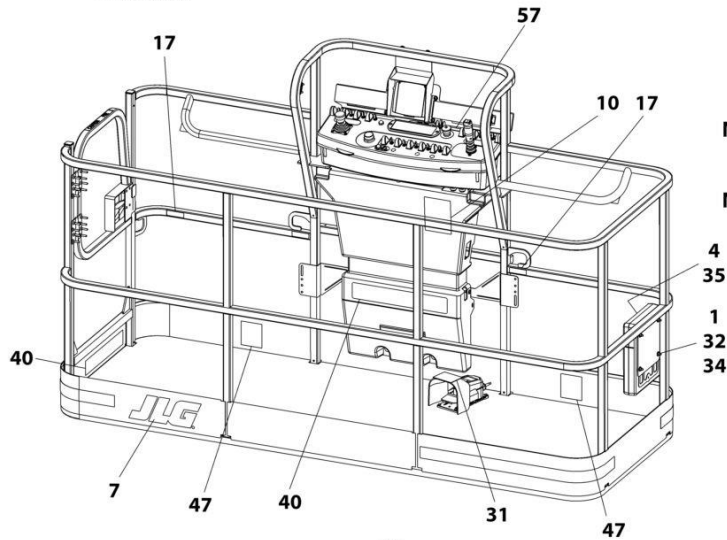
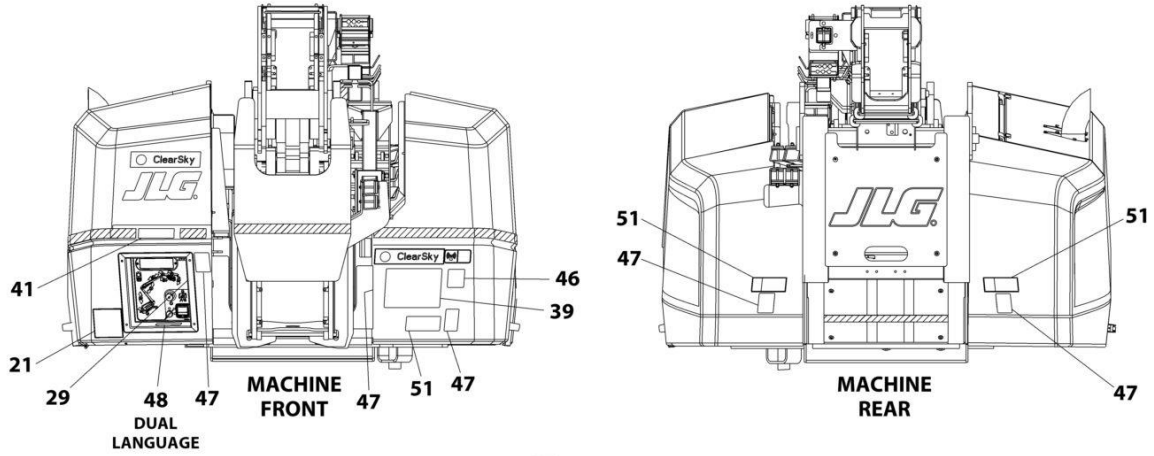


NOTE: ITEMS SHOWN MAY NOT BE REQUIRED FOR ALL SPECS. REFER TO PARTS LISTS FOR USAGE.
NOTE: ADDITIONAL DECALS CALLED OUT ON DECAL INSTALLATION - OPTIONS.

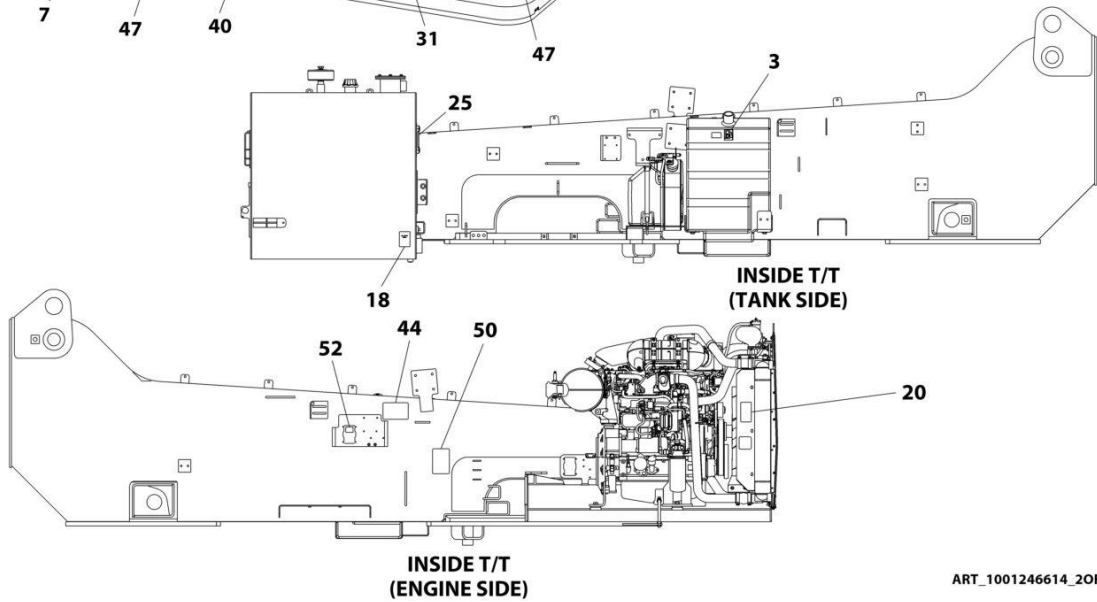


ART_1001246614_10F2

SECTION 9 - DECALS



NOTE: ITEMS SHOWN MAY NOT BE REQUIRED FOR ALL SPECS. REFER TO PARTS LISTS FOR USAGE.
NOTE: ADDITIONAL DECALS CALLED OUT ON DECAL INSTALLATION - OPTIONS.



ART_1001246614_20F2

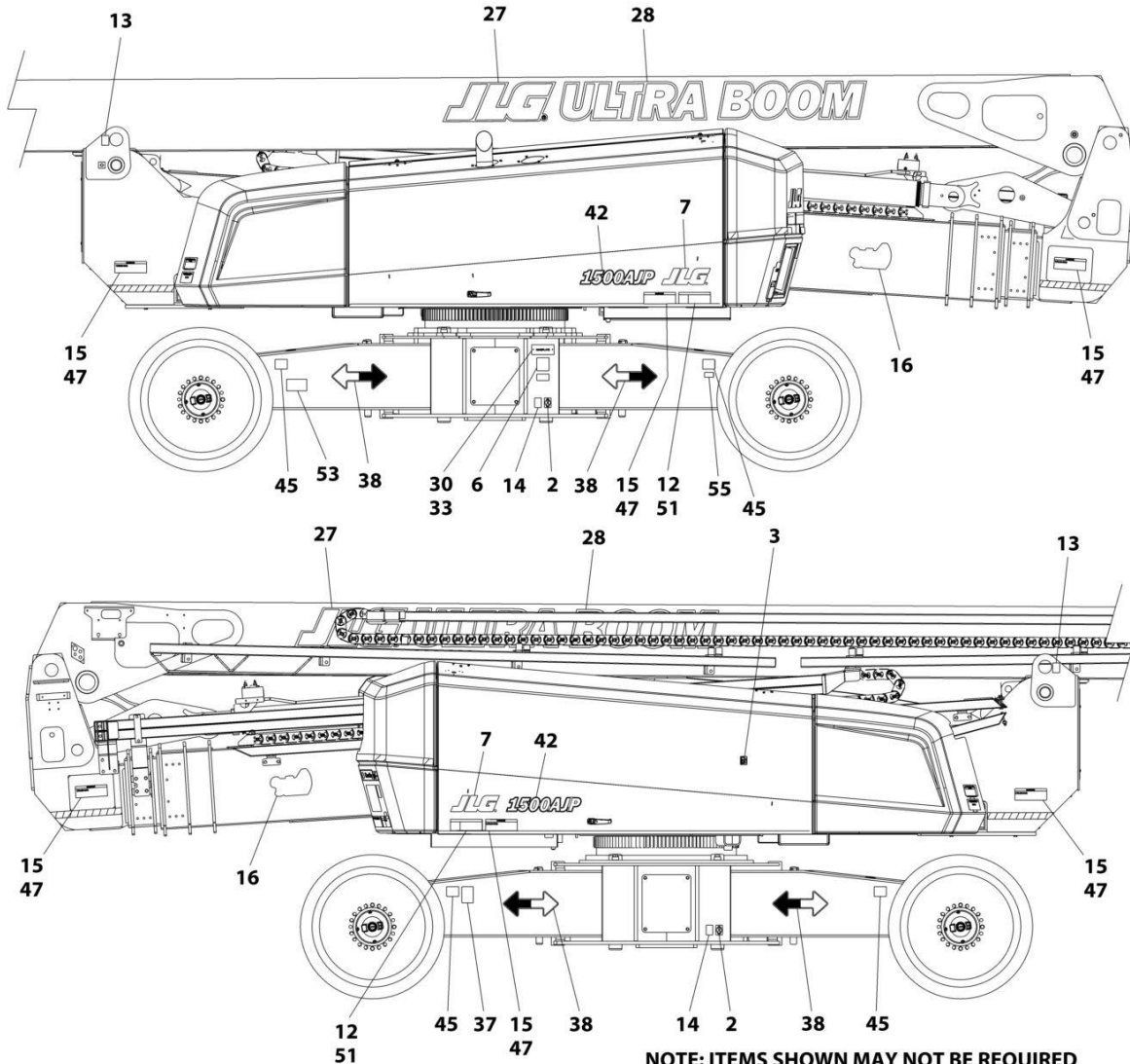
SECTION 9 - DECALS

FIGURE 9-4. DECAL INSTALLATION - CE & UK CA SPEC

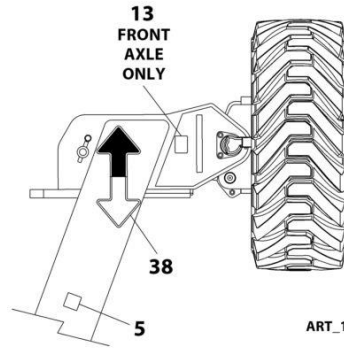
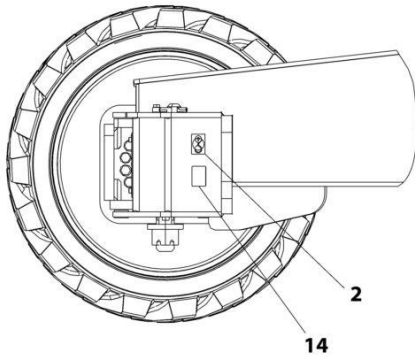
ITEM	PART NUMBER	QTY	DESCRIPTION	REV
	1001246614	Ref	DECAL INSTALLATION - CE & UK CA SPEC	E
	1001234408	Ref	DECAL INSTALLATION - REFERENCE	D
1	0641406	4	Bolt 1/4 x 3/4	
2	1701499	6	Decal - No Tie Down/Lift	
3	1701505	2	Decal - Diesel Fuel	
4	1701509	1	Decal - Manual	
5	1701691	4	Decal - No Step	
6	See Note	NSS	Decal - Bar Code (Note: Not Available for Purchase)	
7	1702773	3	Decal - JLG	
10	1705921	1	Decal - Tipping/Electrocution	
13	1703811	4	Decal - Lifting Lug	
14	1703814	6	Decal - Tie Down	
16	1703959	2	Decal - Quik Stik	
17	1704277	3	Decal - Lanyard Attach	
18	1704412	1	Decal - Hydraulic Oil	
20	1706098	1	Decal - Warning Ether Start	
21	1705822	1	Decal - Electrical/Safety Manual	
25	1705511	1	Decal - Oil Level	
27	1705864	2	Decal - JLG	
30	See Note	NSS	Decal - Serial Number (Note: Not Available for Purchase)	
31	1705828	1	Nameplate - Footswitch	
32	3311405	4	Nut 1/4	
33	3820001	4	Rivet	
34	4751400	8	Washer 1/4	
35	91403230	1	Box, Manual Storage	
38	1001160445	8	Decal - Arrow	
39	1001284691	1	Decal - Lift Diagram	
40	1001200118	1	Decal - Warning Dual Capacity	
41	1001200117	1	Decal - Warning Dual Capacity	
42	1001200707	1	Decal - 1500AJP (Prior to SN 0300280111)	
42	1001268243	2	Decal - 1500AJP (SN 0300280111 to Present)	
44	1001234789	1	Decal - Jump Start/Dual Battery	
45	1001209896	4	Decal - Maximum Tire Load	
46	1705515	1	Decal - Sound Level	
47	1701518	14	Decal - Crushing	
48	1001189882	1	Decal - MSSO Operation	
50	1001211904	1	Decal - Fuse Box	
51	1705961	5	Decal - Electrocution	
52	1001224045	1	Decal - Fuse Box Cover	
57	1001184619	1	Decal - Stop	

SECTION 9 - DECALS

FIGURE 9-5. DECAL INSTALLATION - CHINA SPEC (ENGLISH/CHINESE)

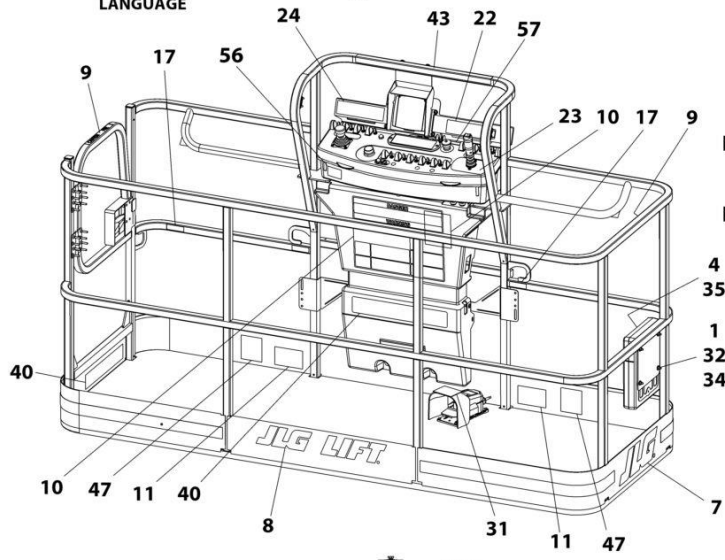
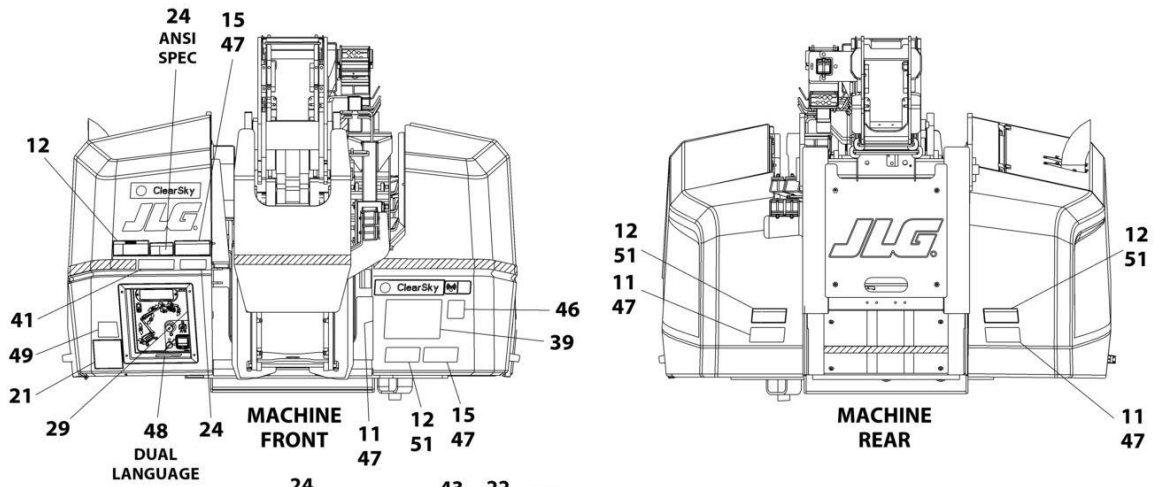


NOTE: ITEMS SHOWN MAY NOT BE REQUIRED FOR ALL SPECS. REFER TO PARTS LISTS FOR USAGE.
 NOTE: ADDITIONAL DECALS CALLED OUT ON DECAL INSTALLATION - OPTIONS.

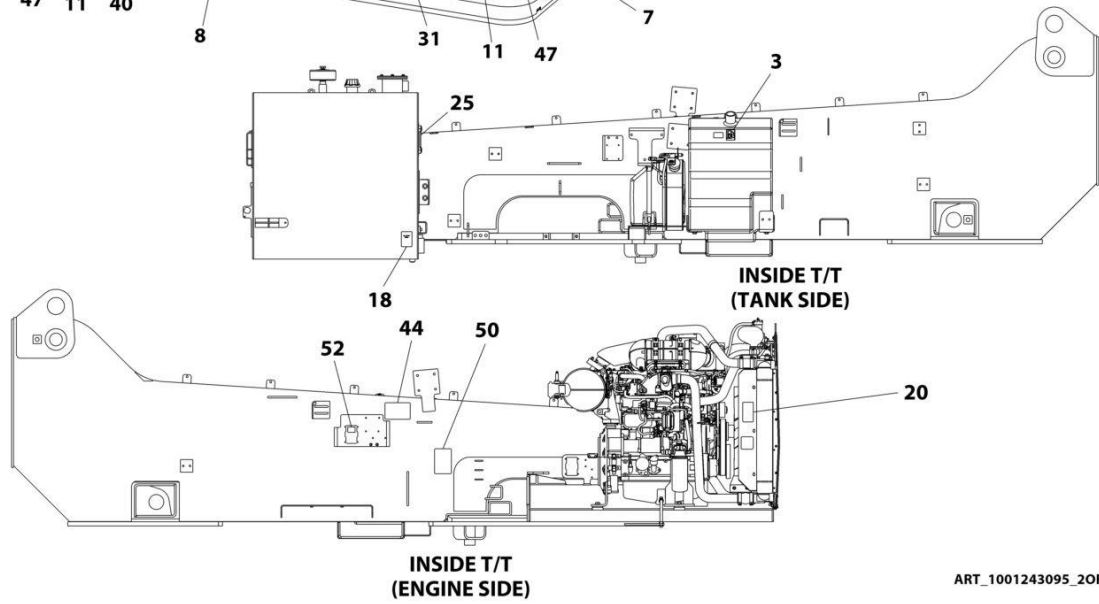


ART_1001243095_10F2

SECTION 9 - DECALS



NOTE: ITEMS SHOWN MAY NOT BE REQUIRED FOR ALL SPECS. REFER TO PARTS LISTS FOR USAGE.
NOTE: ADDITIONAL DECALS CALLED OUT ON DECAL INSTALLATION - OPTIONS.



ART_1001243095_20F2

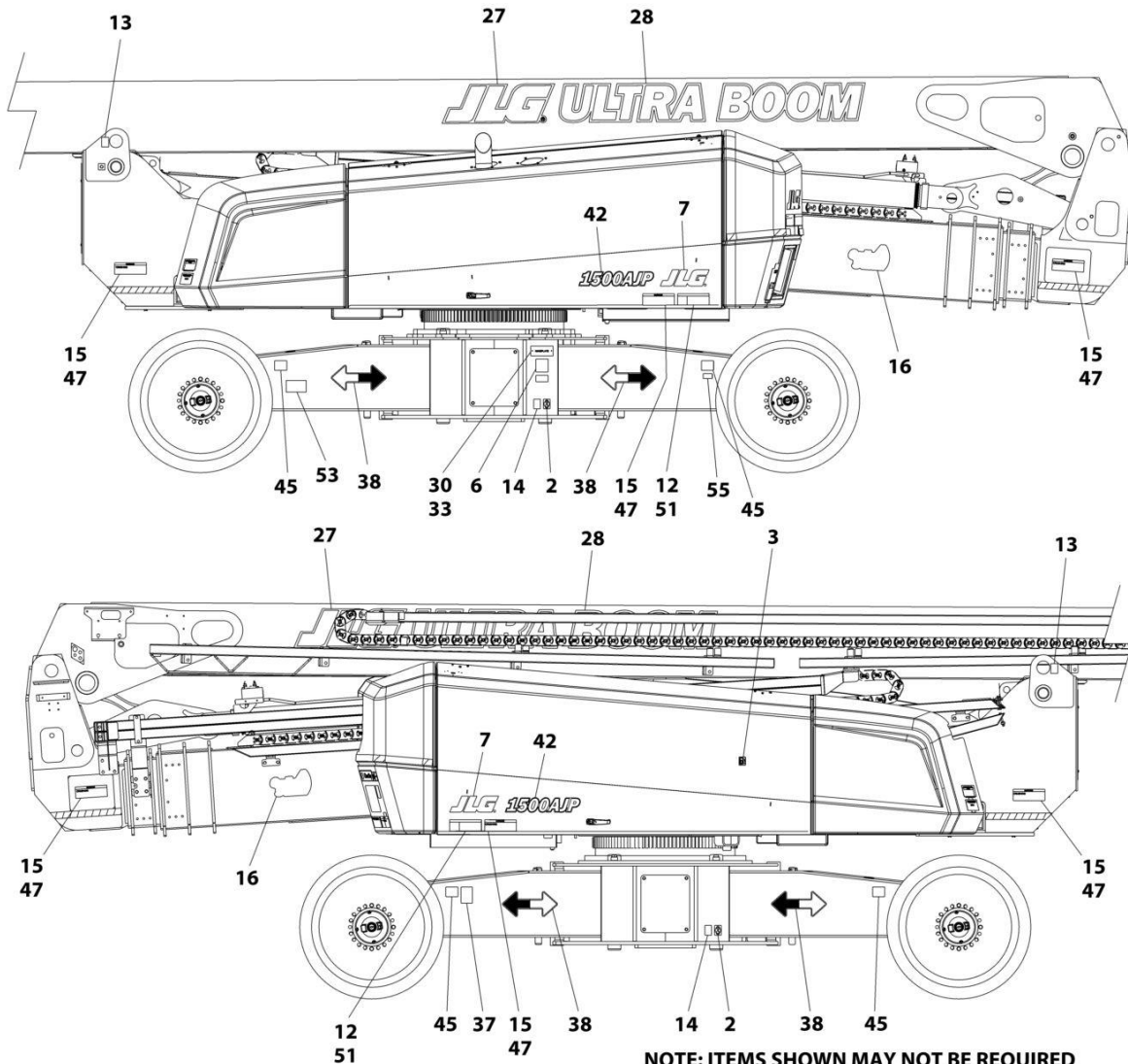
SECTION 9 - DECALS

FIGURE 9-5. DECAL INSTALLATION - CHINA SPEC (ENGLISH/CHINESE)

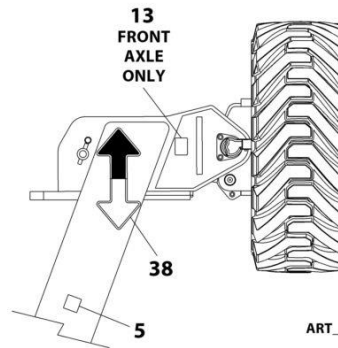
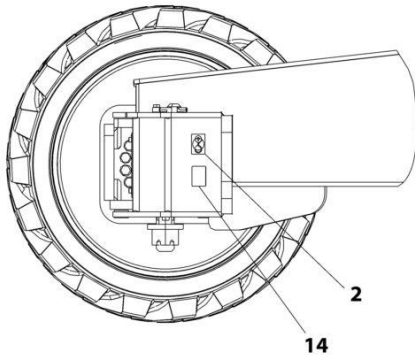
ITEM	PART NUMBER	QTY	DESCRIPTION	REV
	1001243095	Ref	DECAL INSTALLATION - CHINA SPEC (ENGLISH/CHINESE)	F
	1001197315	Ref	DECAL INSTALLATION - REFERENCE	N
1	0641406	4	Bolt 1/4 x 3/4	
2	1701499	6	Decal - No Tie Down/Lift	
3	1701505	2	Decal - Diesel Fuel	
4	1701509	1	Decal - Manual	
5	1701691	4	Decal - No Step	
6	See Note	NSS	Decal - Bar Code (Note: Not Available for Purchase)	
7	1702773	3	Decal - JLG	
8	1702774	1	Decal - JLG Lift	
9	1001116846	2	Decal - Caution No Hands	
10	1001231321	1	Decal - Warning/Danger	
11	1703949	6	Decal - Crushing	
12	1001116851	6	Decal - Electrocution	
13	1703811	4	Decal - Lifting Lug	
14	1703814	6	Decal - Tie Down	
15	1703943	8	Decal - Warning Crushing	
16	1703959	2	Decal - Quik Stik	
17	1704277	3	Decal - Lanyard Attach	
18	1704412	1	Decal - Hydraulic Oil	
20	1706060	1	Decal - Warning Fire Hazard	
21	1001116849	1	Decal - Warning Inspection	
23	1705430	1	Decal - Drive Steer	
24	1001117035	1	Decal - Tip-Over	
25	1705511	1	Decal - Oil Level	
27	1705864	2	Decal - JLG	
28	1705865	2	Decal - Ultraboom (Prior to SN 0300281037)	
28	1001267315	2	Decal - Ultraboom (SN 0300281037 to Present)	
31	1703982	1	Decal - Footswitch	
32	3311405	4	Nut 1/4	
33	3820001	2	Rivet	
34	4751400	8	Washer 1/4	
35	91403230	1	Box, Manual Storage	
38	1001160445	8	Decal - Arrow	
39	1001284691	1	Decal - Lift Diagram	
40	1001254480	1	Decal - Warning Dual Capacity	
41	1001254481	1	Decal - Warning Dual Capacity	
42	1001200707	2	Decal - 1500AJP (Prior to SN 0300280111)	
42	1001268243	2	Decal - 1500AJP (SN 0300280111 to Present)	
44	1001234789	1	Decal - Jump Start/Dual Battery	
45	1001209896	4	Decal - Maximum Tire Load	
50	1001211904	1	Decal - Fuse Box	
52	1001224045	1	Decal - Fuse Box Cover	
53	1001224050	1	Decal - Decal Yearly Inspection	
57	1001195947	1	Decal - Stop and Auxiliary Power	

SECTION 9 - DECALS

FIGURE 9-6. DECAL INSTALLATION - CSA SPEC (ENGLISH/FRENCH)

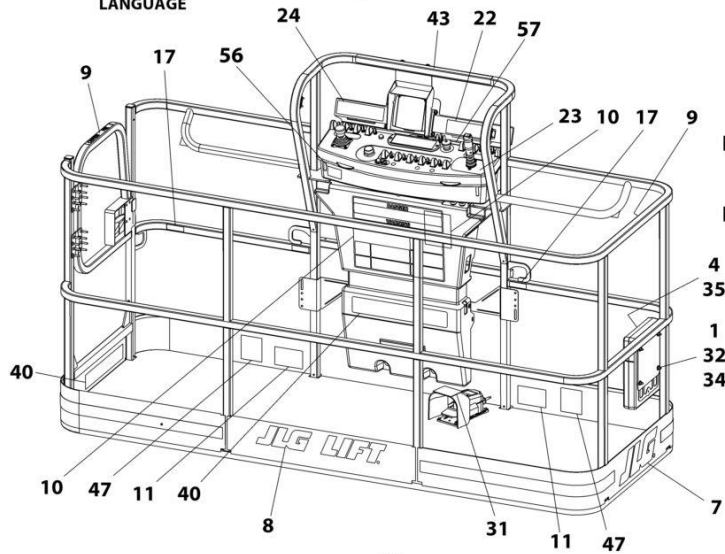
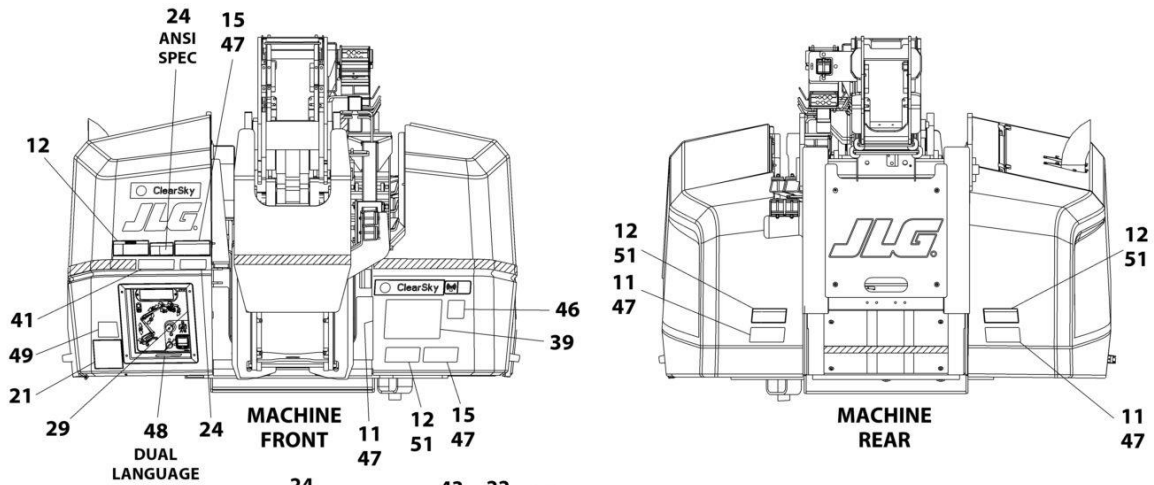


NOTE: ITEMS SHOWN MAY NOT BE REQUIRED FOR ALL SPECS. REFER TO PARTS LISTS FOR USAGE.
 NOTE: ADDITIONAL DECALS CALLED OUT ON DECAL INSTALLATION - OPTIONS.

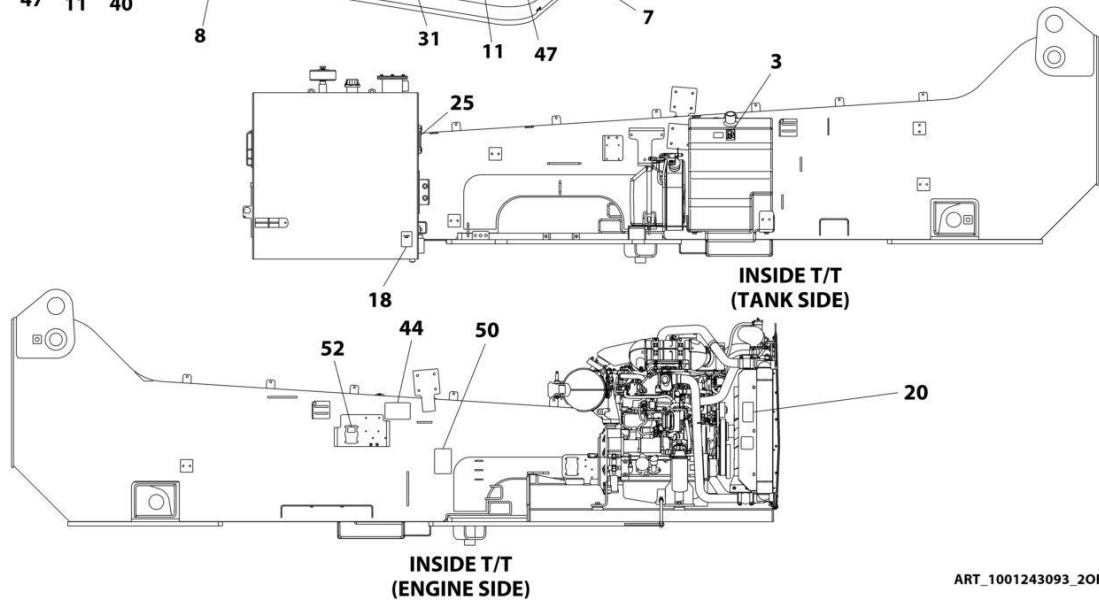


ART_1001243093_10F2

SECTION 9 - DECALS



NOTE: ITEMS SHOWN MAY NOT BE REQUIRED FOR ALL SPECS. REFER TO PARTS LISTS FOR USAGE.
NOTE: ADDITIONAL DECALS CALLED OUT ON DECAL INSTALLATION - OPTIONS.



ART_1001243093_20F2

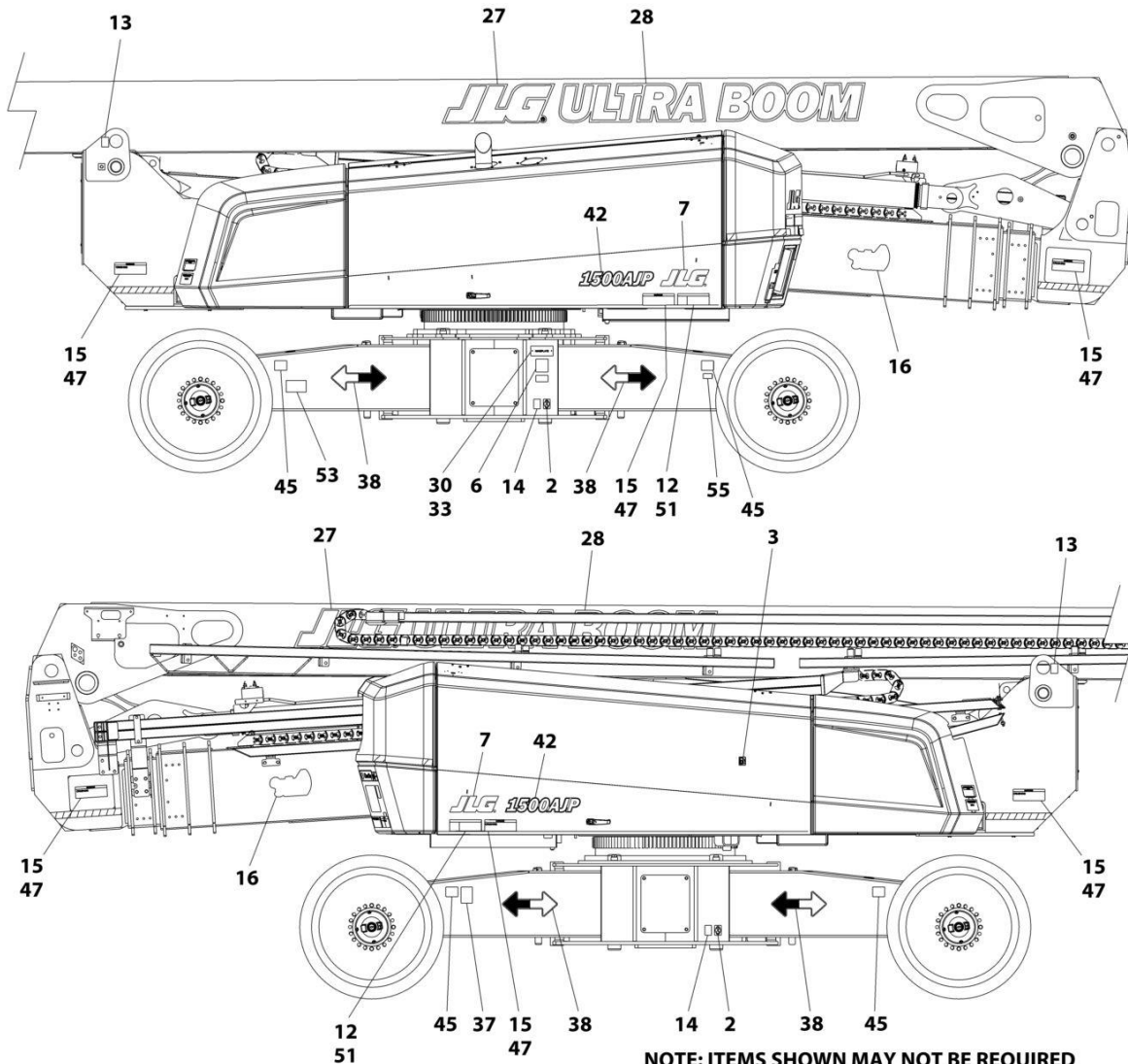
SECTION 9 - DECALS

FIGURE 9-6. DECAL INSTALLATION - CSA SPEC (ENGLISH/FRENCH)

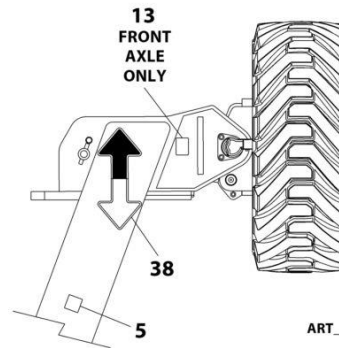
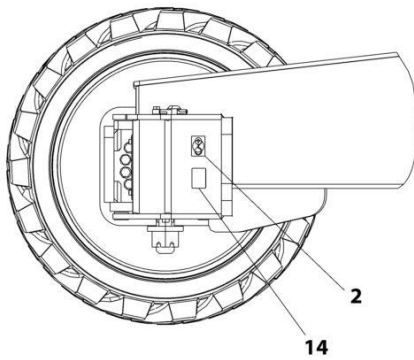
ITEM	PART NUMBER	QTY	DESCRIPTION	REV
	1001243093	Ref	DECAL INSTALLATION - CSA SPEC (ENGLISH/FRENCH)	G
	1001197315	Ref	DECAL INSTALLATION - REFERENCE	N
1	0641406	4	Bolt 1/4 x 3/4	
2	1701499	6	Decal - No Tie Down/Lift	
3	1701505	2	Decal - Diesel Fuel	
4	1701509	1	Decal - Manual	
5	1701691	4	Decal - No Step	
6	See Note	NSS	Decal - Bar Code (Note: Not Available for Purchase)	
7	1702773	3	Decal - JLG	
8	1702774	1	Decal - JLG Lift	
9	1704000	2	Decal - No Hands	
10	1001231316	1	Decal - Danger/Warning	
11	1703948	6	Decal - Warning Crushing	
12	1703936	6	Decal - Electrocution	
13	1703811	4	Decal - Lifting Lug	
14	1703814	6	Decal - Tie Down	
15	1703942	8	Decal - Crushing	
16	1703959	2	Decal - Quik Stik	
17	1704277	3	Decal - Lanyard Attach	
18	1704412	1	Decal - Hydraulic Oil	
20	1706064	1	Decal - Warning Fire Hazard	
21	1705347	1	Decal - Warning Inspection	
23	1705429	1	Decal - Drive/Steer Instructions	
24	1705505	1	Decal - Tip-Over	
25	1705511	1	Decal - Oil Level	
27	1705864	2	Decal - JLG	
28	1705865	2	Decal - Ultraboom (Prior to SN 0300281037)	
28	1001267315	2	Decal - Ultraboom (SN 0300281037 to Present)	
31	1703984	1	Decal - Footswitch	
32	3311405	4	Nut 1/4	
33	3820001	2	Rivet	
34	4751400	8	Washer 1/4	
35	91403230	1	Box, Manual Storage	
37	1001131269	1	Decal - Patent	
38	1001160445	8	Decal - Arrow	
39	1001284691	1	Decal - Lift Diagram	
40	1001254476	1	Decal - Warning Dual Capacity	
41	1001254477	1	Decal - Warning Dual Capacity	
42	1001200707	2	Decal - 1500AJP (Prior to SN 0300280111)	
42	1001268243	2	Decal - 1500AJP (SN 0300280111 to Present)	
43	1001204096	1	Decal - Legend	
44	1001234789	1	Decal - Jump Start/Dual Battery	
45	1001209896	4	Decal - Maximum Tire Load	
50	1001211904	1	Decal - Fuse Box	
52	1001224045	1	Decal - Fuse Box Cover	
53	1001223971	1	Decal - Decal Yearly Inspection	
55	1001223453	1	Decal - ICES	
57	1001184619	1	Decal - Stop	

SECTION 9 - DECALS

FIGURE 9-7. DECAL INSTALLATION - JAPAN SPEC (ENGLISH/JAPANESE)

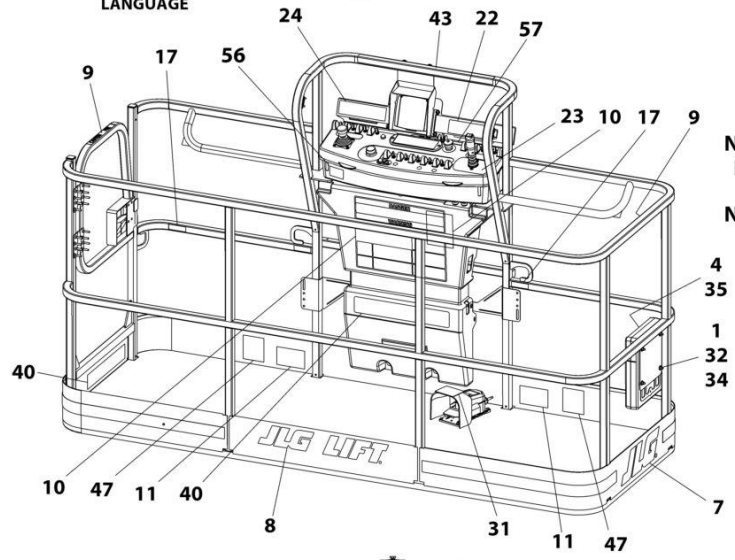
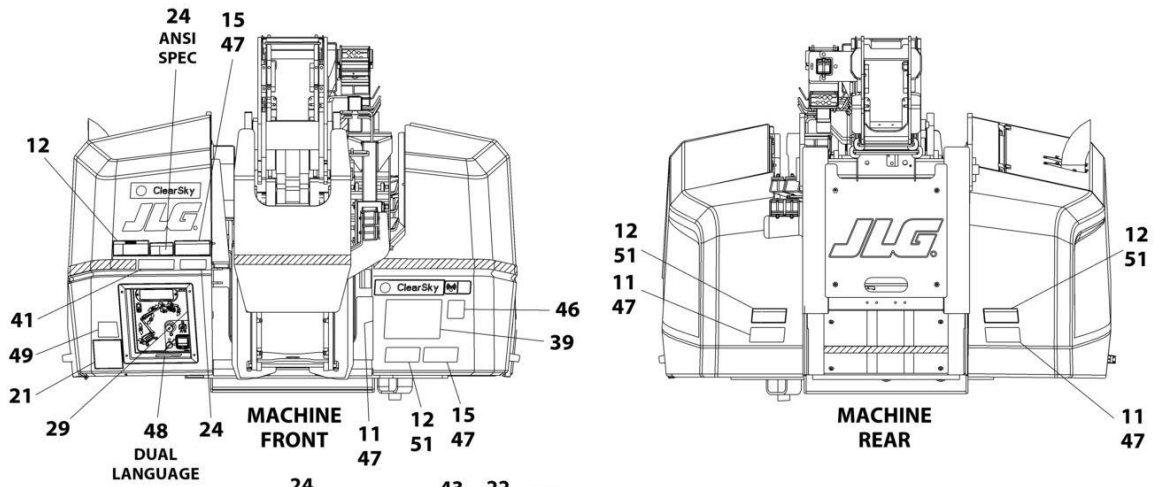


NOTE: ITEMS SHOWN MAY NOT BE REQUIRED FOR ALL SPECS. REFER TO PARTS LISTS FOR USAGE.
 NOTE: ADDITIONAL DECALS CALLED OUT ON DECAL INSTALLATION - OPTIONS.

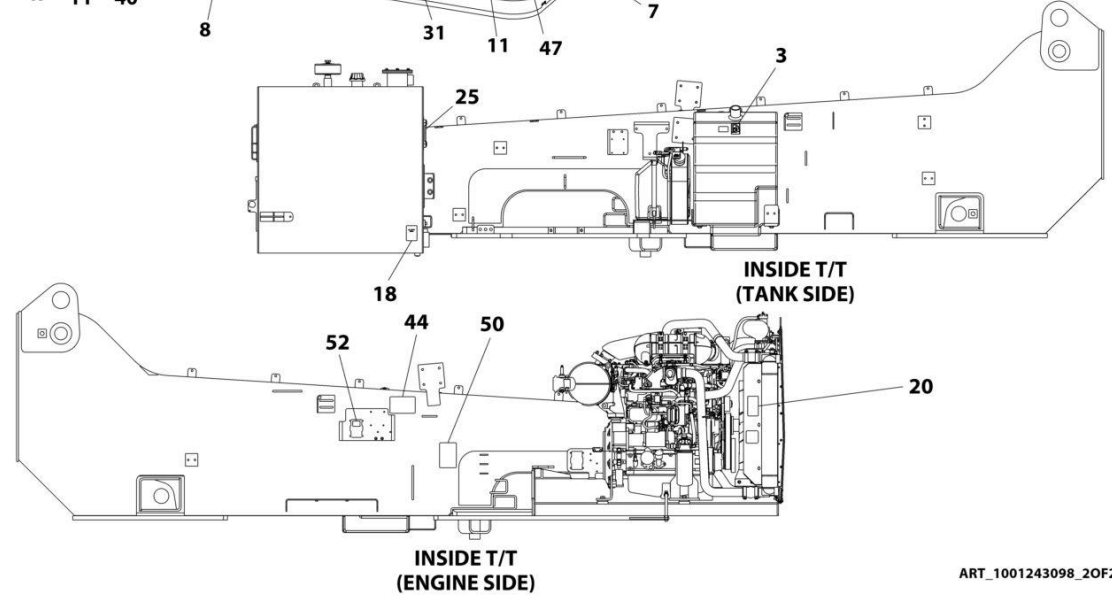


ART_1001243098_10F2

SECTION 9 - DECALS



NOTE: ITEMS SHOWN MAY NOT BE REQUIRED FOR ALL SPECS. REFER TO PARTS LISTS FOR USAGE.
NOTE: ADDITIONAL DECALS CALLED OUT ON DECAL INSTALLATION - OPTIONS.



ART_1001243098_20F2

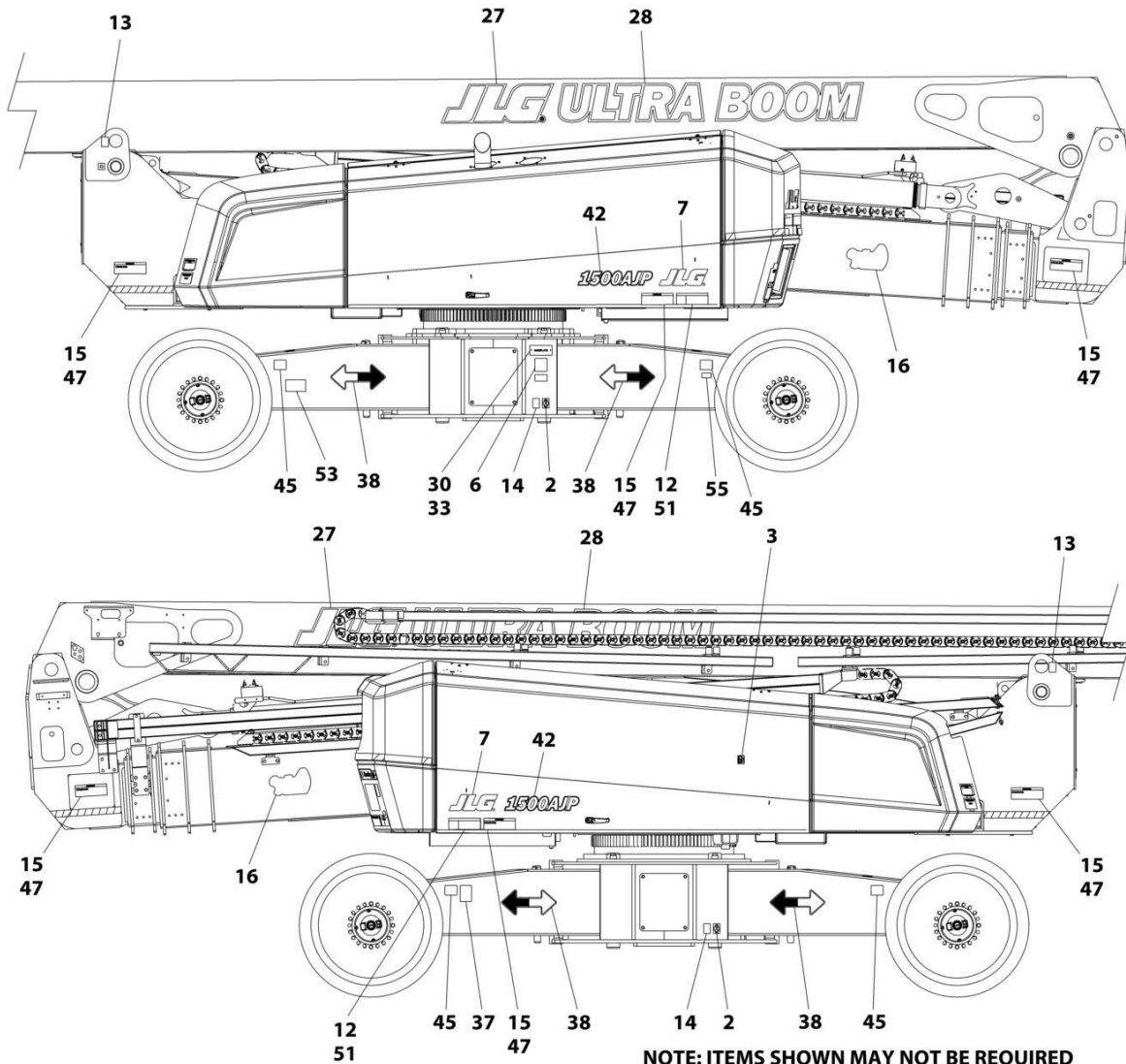
SECTION 9 - DECALS

FIGURE 9-7. DECAL INSTALLATION - JAPAN SPEC (ENGLISH/JAPANESE)

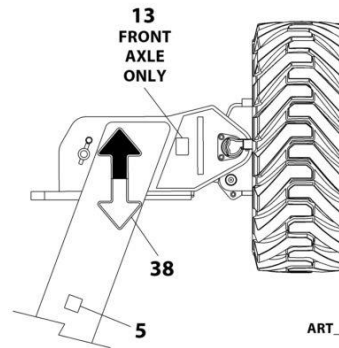
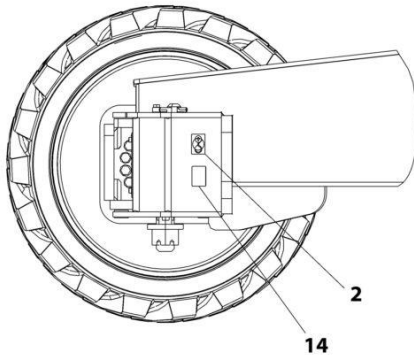
ITEM	PART NUMBER	QTY	DESCRIPTION	REV
	1001243098	Ref	DECAL INSTALLATION - JAPAN SPEC (ENGLISH/JAPANESE)	F
	1001197315	Ref	DECAL INSTALLATION - REFERENCE	N
1	0641406	4	Bolt 1/4 x 3/4	
2	1701499	6	Decal - No Tie Down/Lift	
3	1701505	2	Decal - Diesel Fuel	
4	1701509	1	Decal - Manual	
5	1701691	4	Decal - No Step	
6	See Note	NSS	Decal - Bar Code (Note: Not Available for Purchase)	
7	1702773	3	Decal - JLG	
8	1702774	1	Decal - JLG Lift	
10	1001231320	1	Decal - Danger/Warning	
11	1703950	6	Decal - Crushing	
12	1703938	6	Decal - Electrocution	
13	1703811	4	Decal - Lifting Lug	
14	1703814	6	Decal - Tie Down	
15	1703944	8	Decal - Warning Crushing	
16	1703959	2	Decal - Quik Stik	
17	1704277	3	Decal - Lanyard Attach	
18	1704412	1	Decal - Hydraulic Oil	
20	1704972	1	Decal - Glow Plugs Warning	
21	1705344	1	Decal - Warning Inspection	
23	1705426	1	Decal - Drive/Steer Instruction	
24	1705493	1	Decal - Warning Tip-Over	
25	1705511	1	Decal - Oil Level	
27	1705864	2	Decal - JLG	
28	1705865	2	Decal - Ultraboom (Prior to SN 0300281037)	
28	1001267315	2	Decal - Ultraboom (SN 0300281037 to Present)	
31	1703980	1	Decal - Footswitch	
32	3311405	4	Nut 1/4	
33	3820001	2	Rivet	
34	4751400	8	Washer 1/4	
35	91403230	1	Box, Manual Storage	
38	1001160445	8	Decal - Arrow	
39	1001284691	1	Decal - Lift Diagram	
40	1001254486	1	Decal - Warning Dual Capacity	
41	1001254487	1	Decal - Warning Dual Capacity	
42	1001200707	2	Decal - 1500AJP (Prior to SN 0300280111)	
42	1001268243	2	Decal - 1500AJP (SN 0300280111 to Present)	
44	1001234789	1	Decal - Jump Start/Dual Battery	
45	1001209896	4	Decal - Maximum Tire Load	
50	1001211904	1	Decal - Fuse Box	
52	1001224045	1	Decal - Fuse Box Cover	
53	1001224053	1	Decal - Decal Yearly Inspection	
57	1001195947	1	Decal - Stop and Auxiliary Power	

SECTION 9 - DECALS

FIGURE 9-8. DECAL INSTALLATION - KOREA SPEC (ENGLISH/KOREAN)

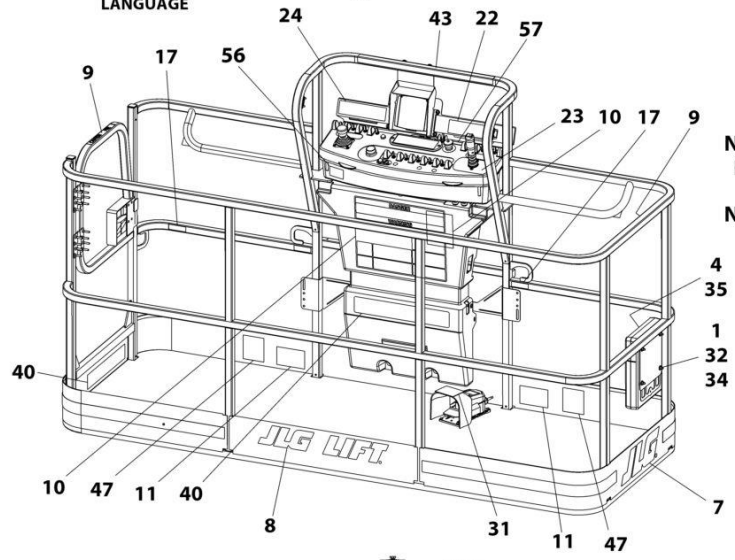
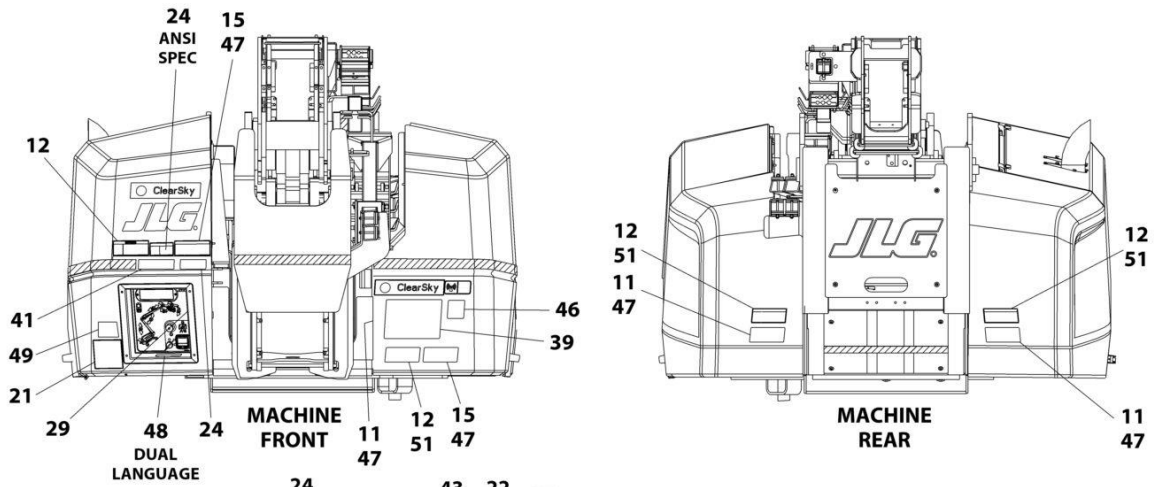


NOTE: ITEMS SHOWN MAY NOT BE REQUIRED FOR ALL SPECS. REFER TO PARTS LISTS FOR USAGE.
 NOTE: ADDITIONAL DECALS CALLED OUT ON DECAL INSTALLATION - OPTIONS.

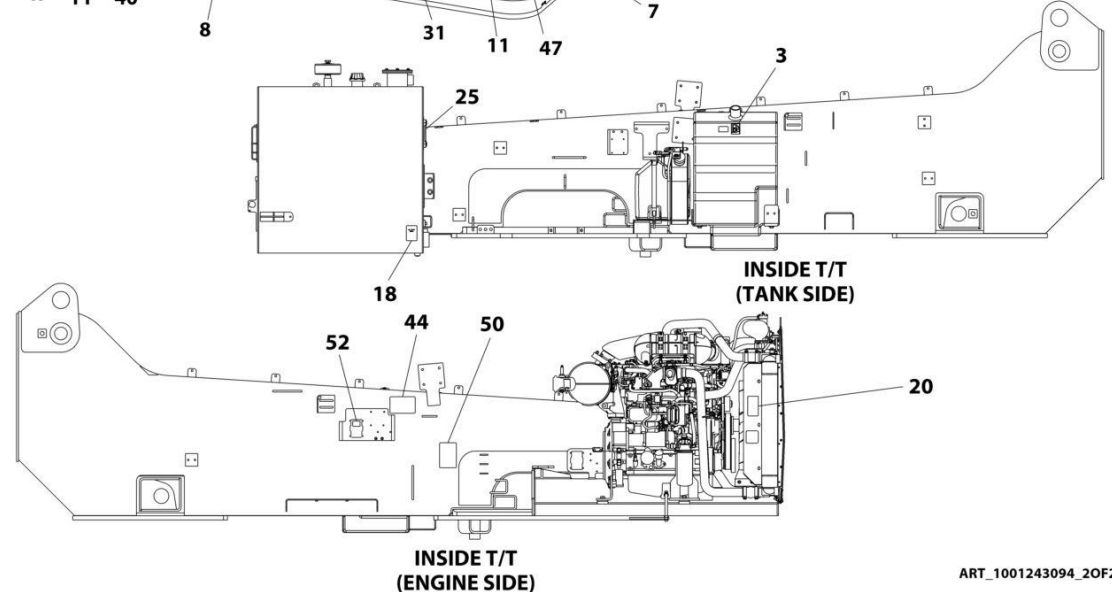


ART_1001243094_10F2

SECTION 9 - DECALS



NOTE: ITEMS SHOWN MAY NOT BE REQUIRED FOR ALL SPECS. REFER TO PARTS LISTS FOR USAGE.
NOTE: ADDITIONAL DECALS CALLED OUT ON DECAL INSTALLATION - OPTIONS.



ART_1001243094_20F2

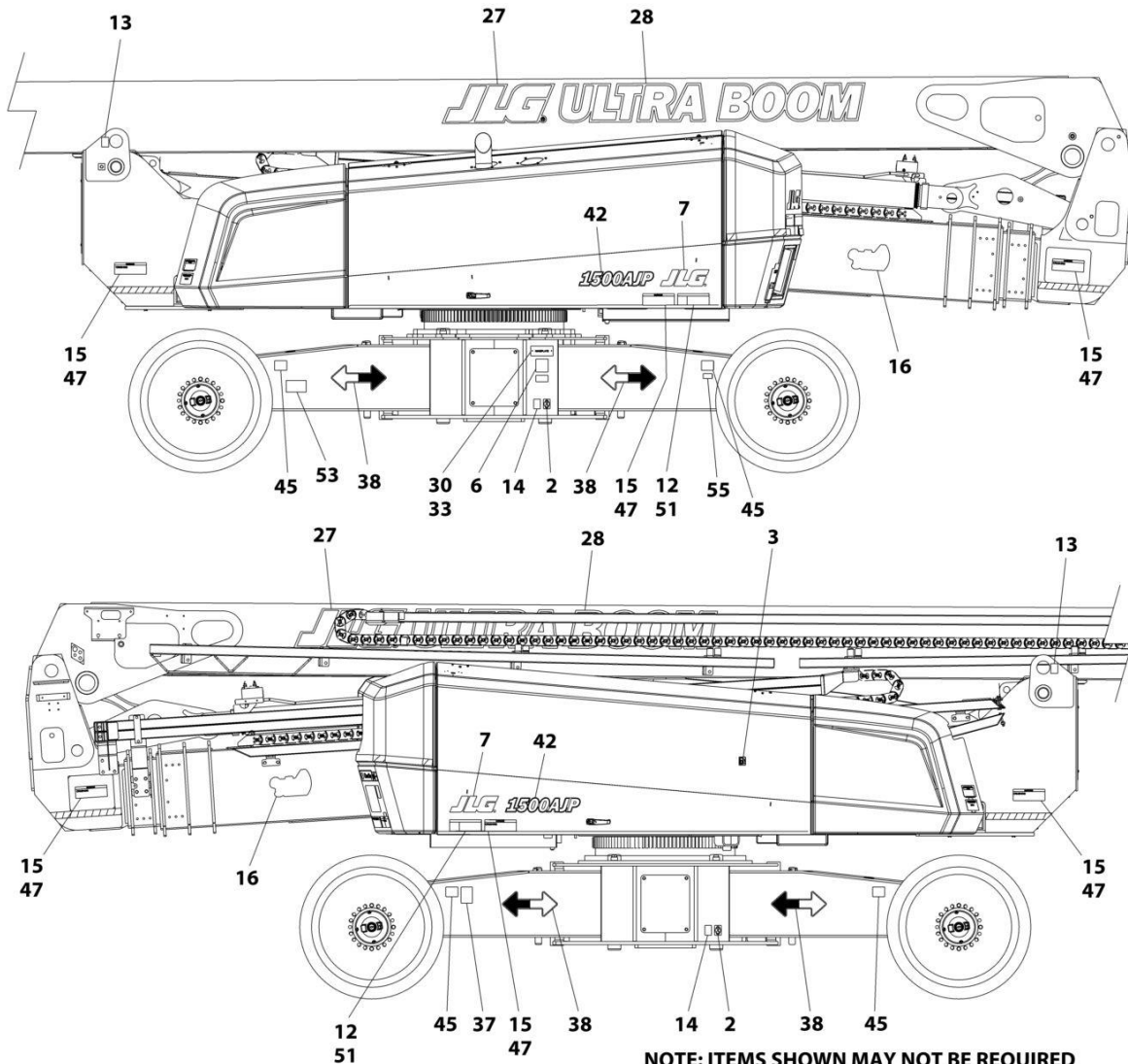
SECTION 9 - DECALS

FIGURE 9-8. DECAL INSTALLATION - KOREA SPEC (ENGLISH/KOREAN)

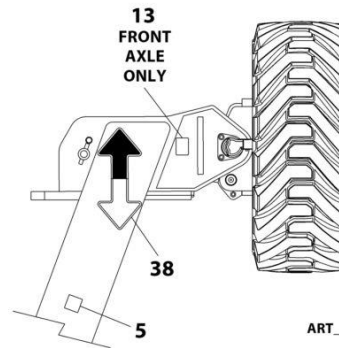
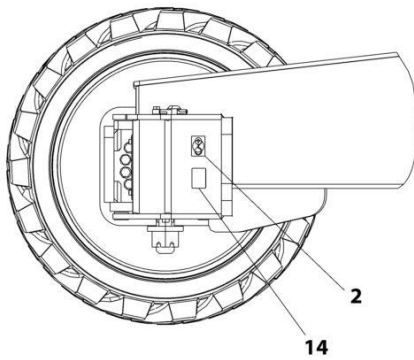
ITEM	PART NUMBER	QTY	DESCRIPTION	REV
	1001243094	Ref	DECAL INSTALLATION - KOREA SPEC (ENGLISH/KOREAN)	F
	1001197315	Ref	DECAL INSTALLATION - REFERENCE	N
1	0641406	4	Bolt 1/4 x 3/4	
2	1701499	6	Decal - No Tie Down/Lift	
3	1701505	2	Decal - Diesel Fuel	
4	1701509	1	Decal - Manual	
5	1701691	4	Decal - No Step	
6	See Note	NSS	Decal - Bar Code (Note: Not Available for Purchase)	
7	1702773	3	Decal - JLG	
8	1702774	1	Decal - JLG Lift	
9	1705969	2	Decal - No Hands	
10	1001231317	1	Decal - Danger/Warning	
11	1703951	6	Decal - Warning Crushing	
12	1703939	6	Decal - Danger Electrocution	
13	1703811	4	Decal - Lifting Lug	
14	1703814	6	Decal - Tie Down	
15	1703945	8	Decal - Warning Crushing	
16	1703959	2	Decal - Quik Stik	
17	1704277	3	Decal - Lanyard Attach	
18	1704412	1	Decal - Hydraulic Oil	
20	1706061	1	Decal - Warning Fire Hazard	
21	1705345	1	Decal - Warning Inspection	
23	1705427	1	Decal - Drive/Steer Instruction	
24	1705503	1	Decal - Warning Tip-Over	
25	1705511	1	Decal - Oil Level	
27	1705864	2	Decal - JLG	
28	1705865	2	Decal - Ultraboom (Prior to SN 0300281037)	
28	1001267315	1	Decal - Ultraboom (SN 0300281037 to Present)	
31	1703981	1	Decal - Footswitch	
32	3311405	4	Nut 1/4	
33	3820001	2	Rivet	
34	4751400	8	Washer 1/4	
35	91403230	1	Box, Manual Storage	
38	1001160445	8	Decal - Arrow	
39	1001284691	1	Decal - Lift Diagram	
40	1001254478	1	Decal - Warning Dual Capacity	
41	1001254479	1	Decal - Warning Dual Capacity	
42	1001200707	2	Decal - 1500AJP (Prior to SN 0300280111)	
42	1001268243	2	Decal - 1500AJP (SN 0300280111 to Present)	
44	1001234789	1	Decal - Jump Start/Dual Battery	
45	1001209896	4	Decal - Maximum Tire Load	
50	1001211904	1	Decal - Fuse Box	
52	1001224045	1	Decal - Fuse Box Cover	
53	1001224048	1	Decal - Decal Yearly Inspection	
57	1001195947	1	Decal - Stop and Auxiliary Power	

SECTION 9 - DECALS

FIGURE 9-9. DECAL INSTALLATION - CSA SPEC (ENGLISH/FRENCH)

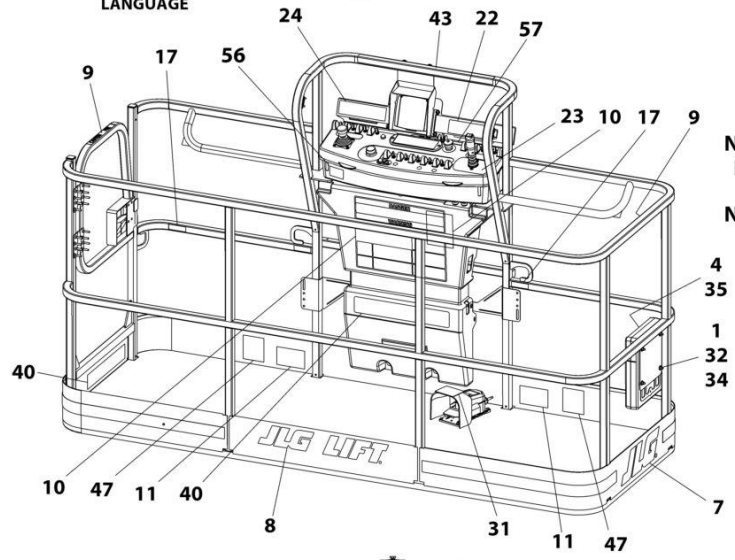
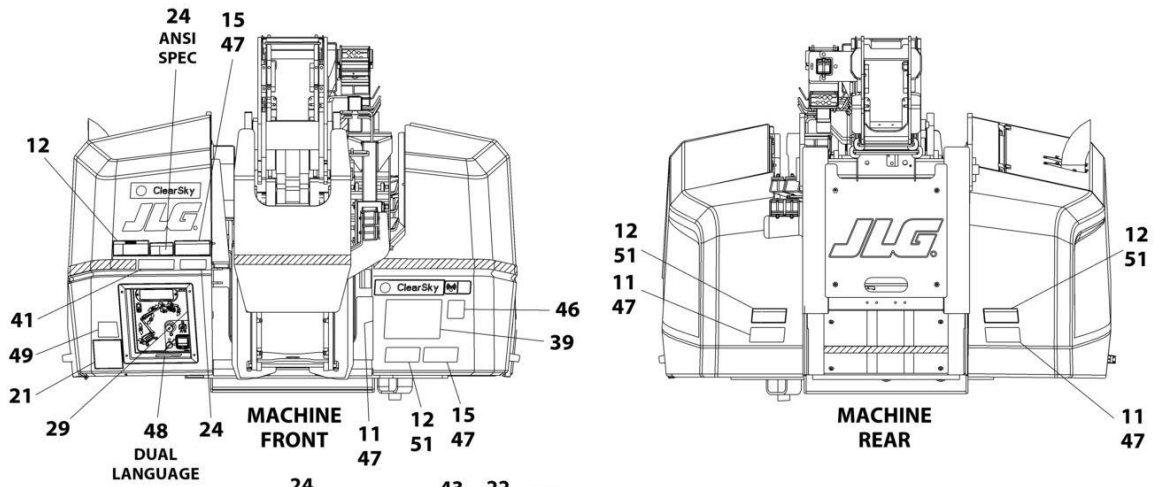


NOTE: ITEMS SHOWN MAY NOT BE REQUIRED FOR ALL SPECS. REFER TO PARTS LISTS FOR USAGE.
 NOTE: ADDITIONAL DECALS CALLED OUT ON DECAL INSTALLATION - OPTIONS.

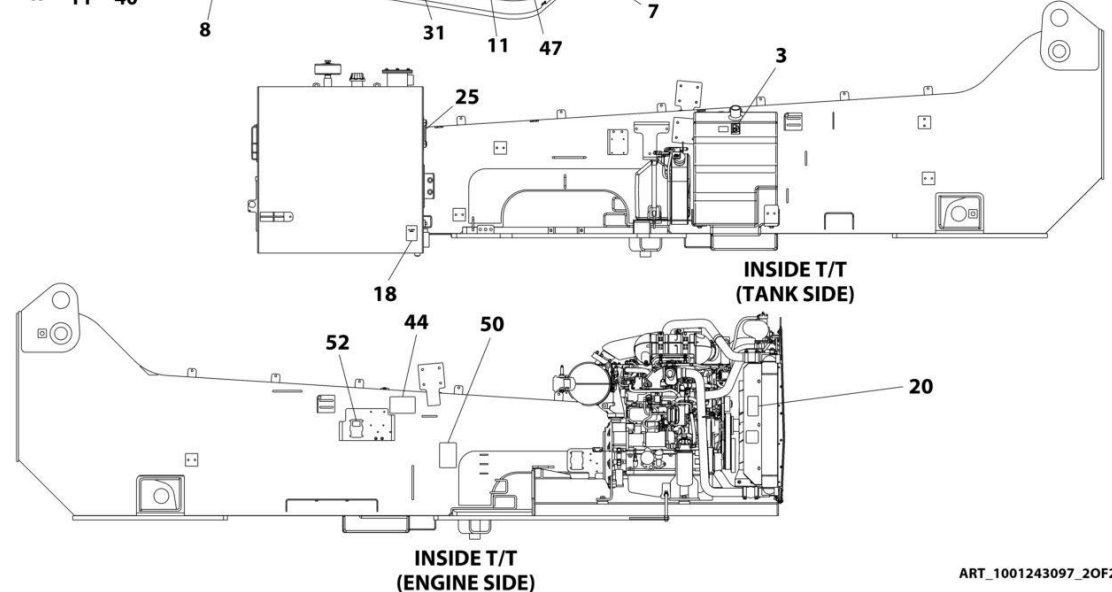


ART_1001243097_10F2

SECTION 9 - DECALS



NOTE: ITEMS SHOWN MAY NOT BE REQUIRED FOR ALL SPECS. REFER TO PARTS LISTS FOR USAGE.
NOTE: ADDITIONAL DECALS CALLED OUT ON DECAL INSTALLATION - OPTIONS.



ART_1001243097_20F2

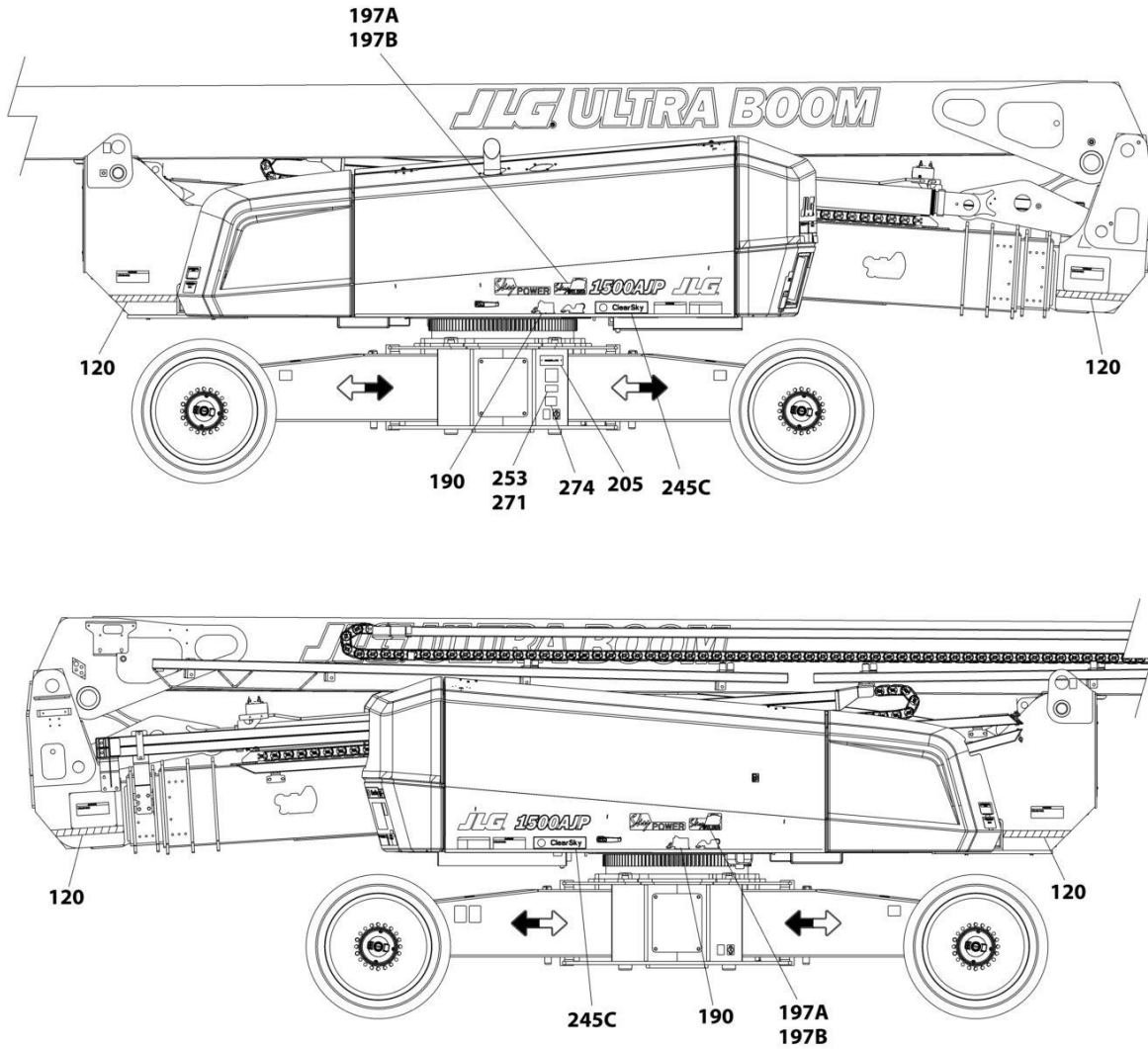
SECTION 9 - DECALS

FIGURE 9-9. DECAL INSTALLATION - CSA SPEC (ENGLISH/FRENCH)

ITEM	PART NUMBER	QTY	DESCRIPTION	REV
	1001243097	Ref	DECAL INSTALLATION - LATIN AMERICA SPEC (ENGLISH/SPANISH)	F
	1001197315	Ref	DECAL INSTALLATION - REFERENCE	N
1	0641406	4	Bolt 1/4 x 3/4	
2	1701499	6	Decal - No Tie Down/Lift	
3	1701505	2	Decal - Diesel Fuel	
4	1701509	1	Decal - Manual	
5	1701691	4	Decal - No Step	
6	See Note	NSS	Decal - Bar Code (Note: Not Available for Purchase)	
7	1702773	3	Decal - JLG	
8	1702774	1	Decal - JLG Lift	
9	1704001	2	Decal - No Hands	
10	1001231318	1	Decal - Danger/Warning	
11	1703947	6	Decal - Warning Crushing	
12	1703935	6	Decal - Electrocutation	
13	1703811	4	Decal - Lifting Lug	
14	1703814	6	Decal - Tie Down	
15	1703941	8	Decal - Warning Crushing	
16	1703959	2	Decal - Quik Stik	
17	1704277	3	Decal - Lanyard Attach	
18	1704412	1	Decal - Hydraulic Oil	
20	1706063	1	Decal - Warning Fire Hazard	
21	1705917	1	Decal - Warning Inspection	
23	1705910	1	Decal - Drive/Steer Instruction	
24	1705915	1	Decal - Tip-Over Hazard	
25	1705511	1	Decal - Oil Level	
27	1705864	2	Decal - JLG	
28	1705865	2	Decal - Ultraboom (Prior to SN 0300281037)	
28	1001267315	2	Decal - Ultraboom (SN 0300281037 to Present)	
31	1703983	1	Decal - Footswitch	
32	3311405	4	Nut 1/4	
33	3820001	2	Rivet	
34	4751400	8	Washer 1/4	
35	91403230	1	Box Manual Storage	
38	1001160445	8	Decal - Arrow	
39	1001284691	1	Decal - Lift Diagram	
40	1001254484	1	Decal - Warning Dual Capacity	
41	1001254485	1	Decal - Warning Dual Capacity	
42	1001200707	2	Decal - 1500AJP (Prior to SN 0300280111)	
42	1001268243	2	Decal - 1500AJP (SN 0300280111 to Present)	
44	1001234789	1	Decal - Jump Start/Dual Battery	
45	1001209896	4	Decal - Max Tire Load	
50	1001211904	1	Decal - Fuse Box	
52	1001224045	1	Decal - Fuse Box Cover	
53	1001224049	1	Decal - Decal Yearly Inspection	
57	1001195947	1	Decal - Stop and Auxiliary Power	

SECTION 9 - DECALS

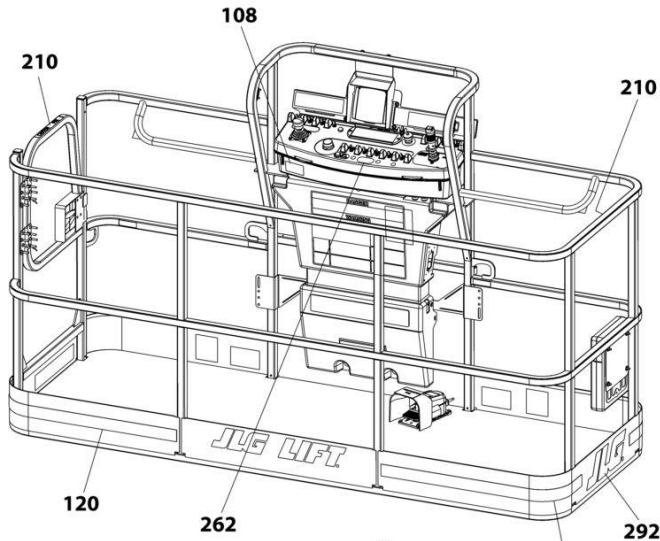
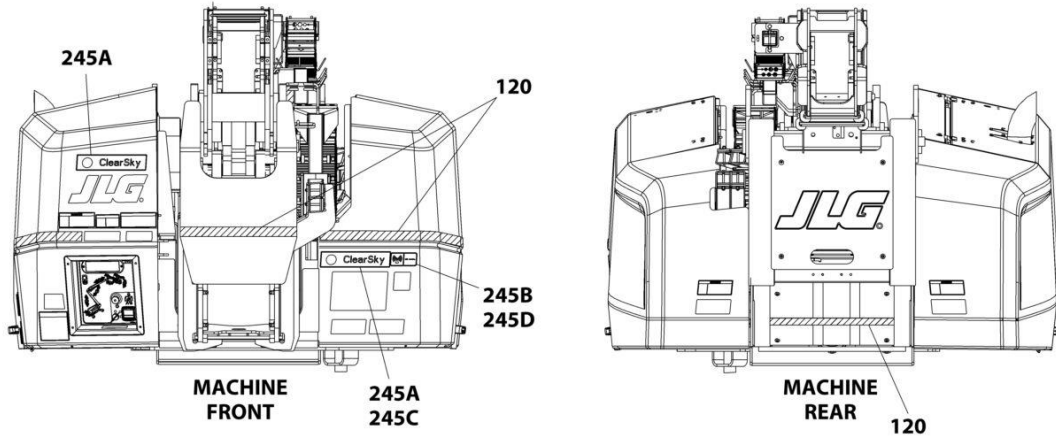
FIGURE 9-10. DECAL INSTALLATION - OPTIONS



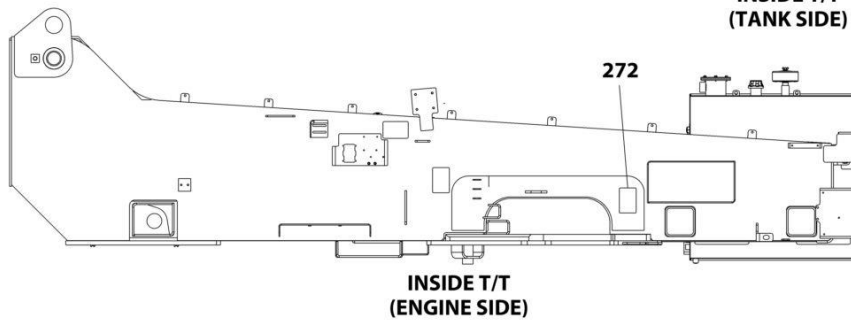
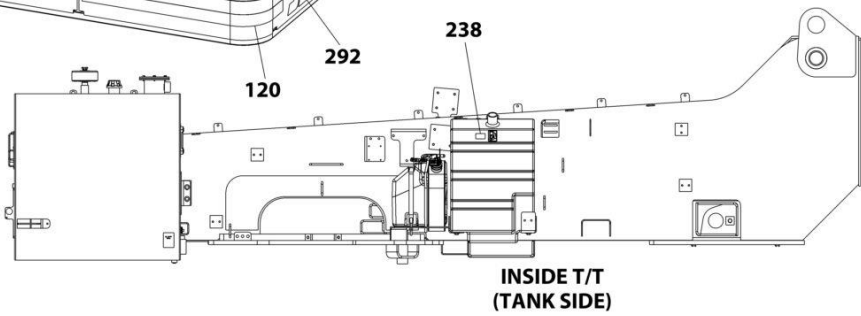
NOTE: ITEMS SHOWN MAY NOT BE REQUIRED FOR ALL SPECS. REFER TO PARTS LISTS FOR USAGE.

ART_DECAL_OPTIONS_10F2

SECTION 9 - DECALS



NOTE: ITEMS SHOWN MAY NOT BE REQUIRED FOR ALL SPECS. REFER TO PARTS LISTS FOR USAGE.



ART_DECAL_OPTIONS_20F2

SECTION 9 - DECALS

FIGURE 9-10. DECAL INSTALLATION - OPTIONS

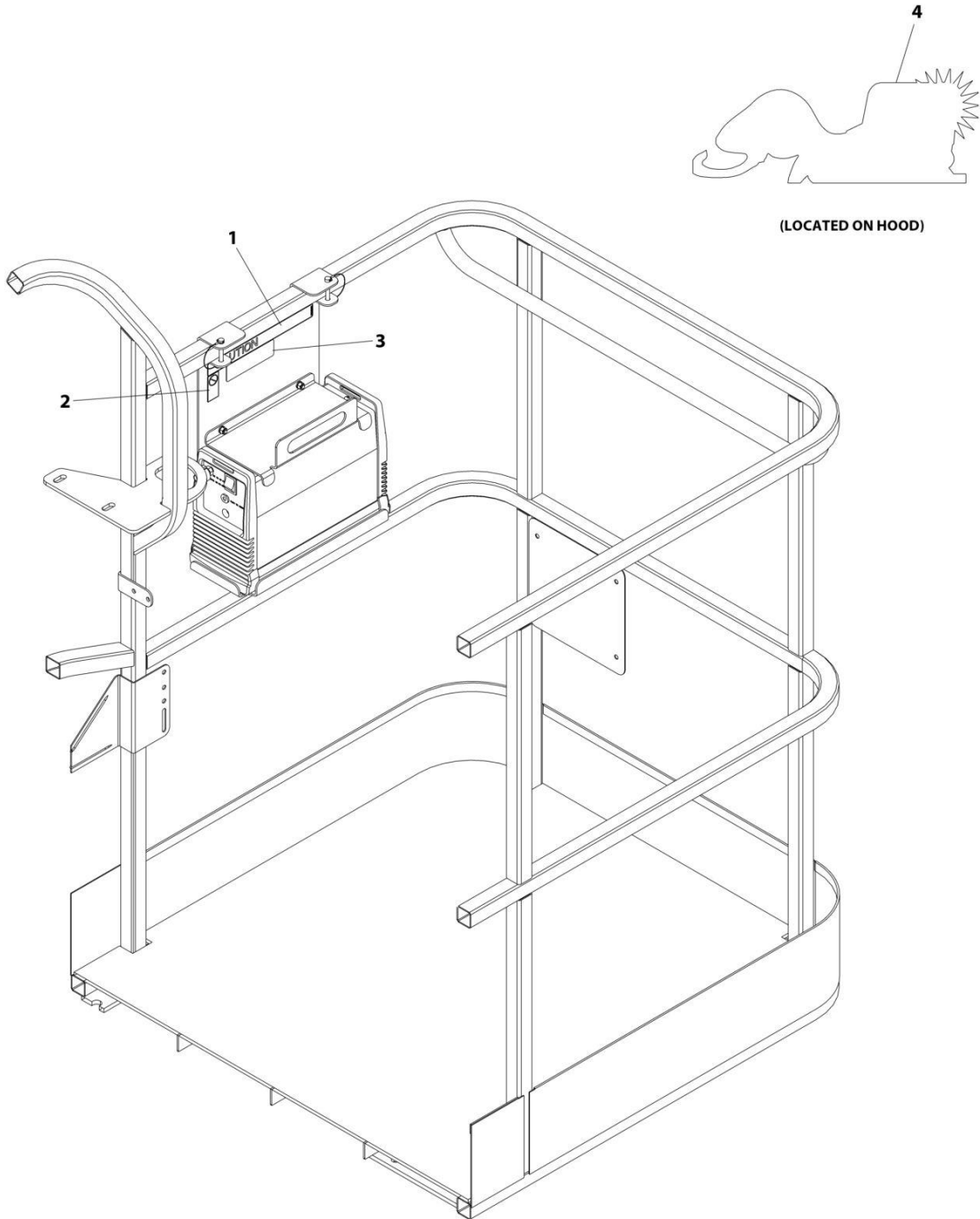
ITEM	PART NUMBER	QTY	DESCRIPTION	REV
		Ref	DECAL INSTALLATION - OPTIONS	
108	1001231801	1	Decal - Warning Prop 65 Diesel (ANSI Specs)	
120	4420051	29 ft /8.8m	Decal - Warning Stripes	
190	1001172570	1	Decal - SkyGlazier (English Language) (ANSI)	
190	1001172620	1	Decal - SkyGlazier (English Language) (Australian)	
190	1001172576	1	Decal - SkyGlazier (English Language) (UK)	
190	1001172573	1	Decal - SkyGlazier (French Language)	
190	1001172574	1	Decal - SkyGlazier (German Language)	
190	1001172575	1	Decal - SkyGlazier (Italian Language)	
190	1001172572	1	Decal - SkyGlazier (Portuguese Language) (Brazil)	
190	1001193136	1	Decal - SkyGlazier (Portuguese Language) (Europe)	
190	1001193135	1	Decal - SkyGlazier (Spanish Language) (Europe)	
190	1001172571	1	Decal - SkyGlazier (Spanish Language) (Latin American)	
197A	0272448	1	Decal - SkyGlazier 60Hz (ANSI, ANSI Export, and CSA Specs)	
197A	1705355	1	Decal - SkyWelder	
197A	1702868	1	Decal - No Hands (Not Shown)	
197A	1705305	1	Decal - Weld Lead (Not Shown)	
197A	1705375	1	Decal - 240V - 3 Phase - 60Hz (Not Shown)	
197A	1001228988	1	Decal - Weight (Not Shown)	
197B	0272588	1	Decal - SkyWelder 50Hz (Australian, Japanese and China Specs)	
197B	1705355	1	Decal - SkyWelder	
197B	1705305	1	Decal - Weld Lead (Not Shown)	
197B	1001228988	1	Decal - Weight (Not Shown)	
205	See Note	1	Nameplate, Serial Number (Note: Not Available for Purchase)	
210		Ref	Decal - No Hands (Required with Soft Touch Platform or Mesh to Top Rail Options Only)	
210	1702868	2	Decal - No Hands (ANSI and Australian Spec) (English)	
210	1705967	2	Decal - No Hands (Brazil Spec) (English/Portuguese)	
210	1001116846	2	Decal - No Hands (China Spec) (English/Chinese)	
210	1704000	2	Decal - No Hands (CSA Spec) (English/French)	
210	1705969	2	Decal - No Hands (Korean Spec) (English/Korean)	
210	1704001	2	Decal - No Hands (Latin American Spec) (English/Spanish)	
238	1001125387	1	Decal - Ultra Low Sulfur Fuel (ANSI, ANSI Export (HRC) and CSA Specs Only)	
238	1001139654	1	Decal - Ultra Low Sulfur Fuel (ANSI Export (LRC), Australian, China, Japanese, CE & UK CA Specs Only)	
245	1001216618	Ref	Decal - ClearSky Telematics	A
245C	1001116208	3	Decal - ClearSky	
245D	1001120989	1	Decal - Radio Frequency	
253	1001143852	1	Decal - Emissions Compliance (ANSI Export (LRC), Australian, China, CE & UK CA (LRC) Specs Only)	
262	1001141300	1	Decal - SkyGuard Override	
265	1001271930	1	Decal - Soft Touch (ANSI) (English) (Not Shown)	
265	1001271932	1	Decal - Soft Touch (China Spec) (English/Chinese) (Not Shown)	
265	1001271934	1	Decal - Soft Touch (Latin American Spec) (English/Spanish) (Not Shown)	
265	1001271936	1	Decal - Soft Touch (CSA Spec) (English/French) (Not Shown)	
265	1001271938	1	Decal - Soft Touch (Japanese Spec) (English/Japanese) (Not Shown)	
265	1001271939	1	Decal - Soft Touch (Korean Spec) (English/Korean) (Not Shown)	

SECTION 9 - DECALS

ITEM	PART NUMBER	QTY	DESCRIPTION	REV
265	1001271940	1	Decal - Soft Touch (Brazil Spec) (English/Portuguese) (Not Shown)	
265	1001271941	1	Decal - Soft Touch (Australian, CE & UK CA Spec) (Not Shown)	
274	1001214029	1	Decal - EAC (CE Russian Spec)	

SECTION 9 - DECALS

FIGURE 9-11. SKYCUTTER DECAL INSTALLATION (ANSI, ANSI EXPORT AND CSA SPECS)



ART_0272599

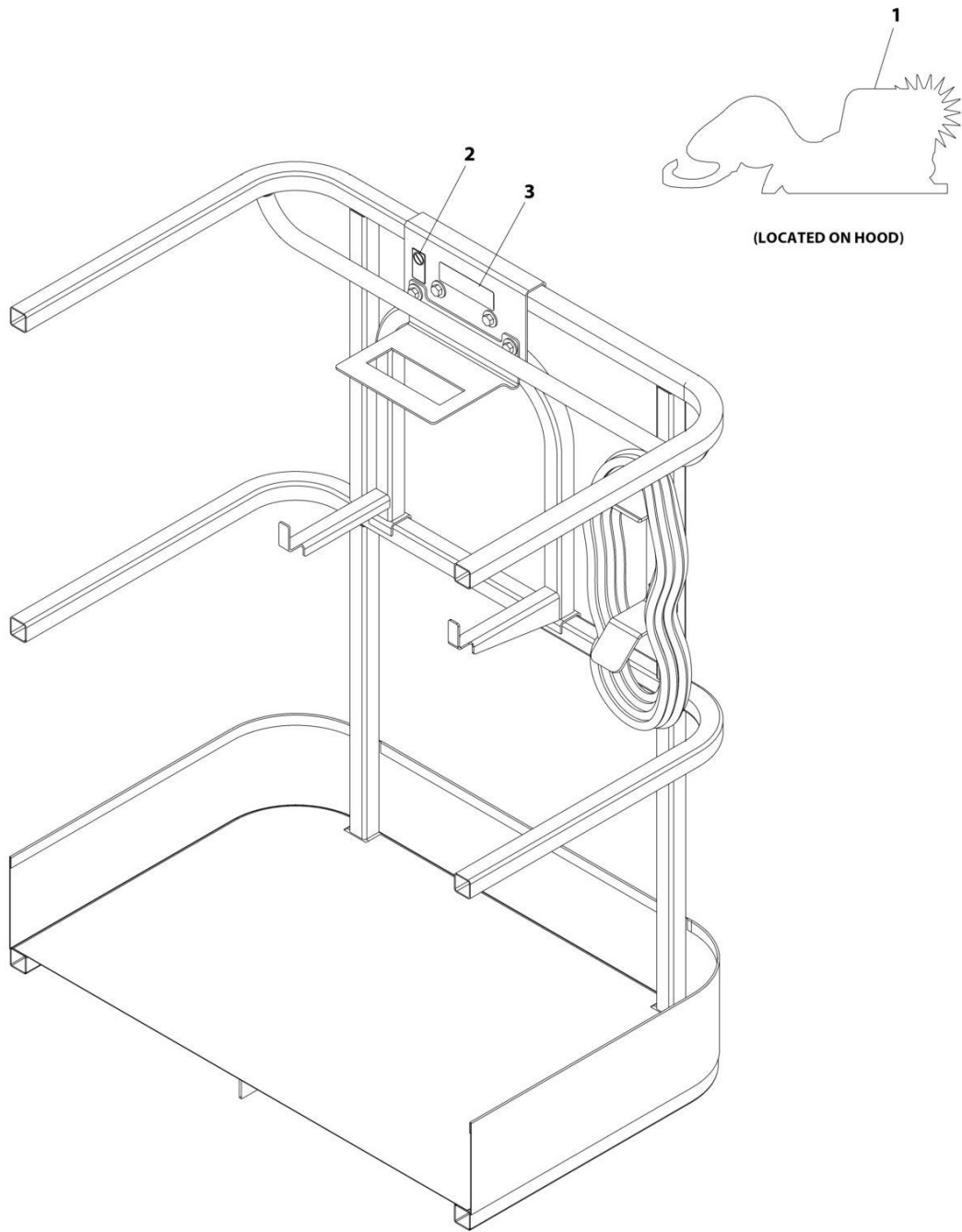
SECTION 9 - DECALS

FIGURE 9-11. SKYCUTTER DECAL INSTALLATION (ANSI, ANSI EXPORT AND CSA SPECS)

ITEM	PART NUMBER	QTY	DESCRIPTION	REV
	0272599	Ref	SKYCUTTER DECAL INSTALLATION	C
1	1702868	1	Decal - No Hands	
2	1705305	1	Decal - Weld Leads	
3	1001252627	1	Decal - Weight	
4	1705490	2	Decal - SkyCutter	

SECTION 9 - DECALS

FIGURE 9-12. SKYCUTTER DECAL INSTALLATION (JAPANESE SPECS)



ART_0272607_C

SECTION 9 - DECALS

FIGURE 9-12. SKYCUTTER DECAL INSTALLATION (JAPANESE SPECS)

ITEM	PART NUMBER	QTY	DESCRIPTION	REV
	0272607	1	SKYCUTTER DECAL INSTALLATION	C
1	1705490	2	Decal - SkyCutter	
2	1705305	1	Decal - Weld Lead	
3	1001252627	1	Decal - Weight	

SECTION 10 - RECOMMENDED SERVICE PARTS STOCK

SECTION 10 - RECOMMENDED SERVICE PARTS STOCK

SECTION 10 - RECOMMENDED SERVICE PARTS STOCK

FIGURE 10-1. RECOMMENDED SERVICE PARTS STOCK

ITEM	PART NUMBER	QTY	DESCRIPTION	REV
		Ref	Note: The following list will service one machine (built to current production per date on the front cover) with emergency repair parts which can be installed in the field. Parts from the list should be replaced when inventory is depleted to keep service parts stock supplied. For further information, contact your JLG dealer or the JLG Industries Parts Department.	
	7024485	1	Breaker, Circuit 30Amp (7500W Generators)	
	1001181045	1	Breaker - 30mA/16Amp (Breaker Box with 2 Breakers and 4000W 50Hz Breaker Box)	
	1001189171	1	Breaker 30mA (Breaker Box with 3 Breakers)	
	1001189172	1	Breaker 16Amp Double (Breaker Box with 3 Breakers)	
	70001431	1	Breaker, Circuit (Plasma Cutter)	
	4360070	1	Breaker, Circuit - 15Amp (4000W 60Hz and all 7500W Generators)	
	70002386	1	Coil (Traction Valve)	
	70004460	1	Coil (Steer/Axle Extend Valve, Main Valve & Boom Valve)	
	70004463	1	Coil (Steer/Axle Extend Valve)	
	70004588	1	Coil (Main Valve & Boom Valve)	
	70004595	1	Coil (Main Valve & Boom Valve)	
	70003788	1	Coil (Boom & Cylinders Installation)	
	70006004	1	Coil (Boom & Cylinders Installation)	
	70004653	1	Coil (Platform Valve)	
	7024885	1	Coil (Platform Valve)	
	1001138566	1	Control, Box (4000w Generator)	
	0861572	1	Control, Box (7500w 50Hz Generator)	
	0861538	1	Control, Box (7500w 60Hz Generator)	
	1001166538	1	Controller, Drive/Steer	
	1001166539	1	Controller, Lift/Swing	
	4360407	1	Controller, Speed (Potentiometer) (Platform Console Box)	
	70008358	12	Element, Hydraulic Filter (Donaldson) (Valves & Filters - Turntable)	
	70002231	12	Element, Hydraulic Filter (Parker) (Valves & Filters - Turntable)	
	1001161232	12	Element, Hydraulic High Pressure Filter (Valves & Filters - Turntable)	
	70002097	12	Element, Hydraulic Pressure (Valves & Filters - Boom)	
	70006405	12	Element, Fuel (LRC Engines)	
	70023809	12	Element, Primary Air (All Engines)	
	70023872	12	Element - Secondary Air (All Engines)	
	1001228872	12	Filter, Coolant Screen (HRC Engines)	
	1001196634	2	Fuse, 2A (Breather Heater)	
	8229249	2	Fuse, 3 Amp (USB Charger)	
	2400030	2	Fuse, 3A (Console Box Harness)	
	8229242	2	Fuse, 5A (Engine Harness HRC)	
	8229244	2	Fuse, 15A (Engine Harness HRC)	
	70023592	2	Fuse, 20A (LRC Engines)	
	8229247	2	Fuse, 25A (Engine Harness HRC)	
	70023593	2	Fuse, 30A (LRC Engines)	
	8229245	2	Fuse, 30A (Engine Harness HRC)	
	2860030	1	Key, Replacement	
	2940074	1	Latch (Platforms with Swing Gate)	
	1001247468	1	Loadcell (Platform Support)	
	1001142683	1	Module, Beacon Control	

SECTION 10 - RECOMMENDED SERVICE PARTS STOCK

ITEM	PART NUMBER	QTY	DESCRIPTION	REV
	1001150162	1	Module, Control (Frame)	
	1001281500	1	Module, Ground Control	
	1001277209	1	Module, Control (Boom)	
	1001199483	1	Module, Platform	
	1001138228	1	Module, Relay (LRC Engines)	
	3740067	1	Relay (Electrical Components - Turntable)	
	1001216021	1	Relay (Electrical Components - Turntable)	
	70006553	1	Relay (4000W Generators)	
	1001186431	1	Relay (SkyGuard)	
	1001095704	1	Relay (HRC Engines)	
	3740086	1	Relay (SkyLine)	
	1001117308	1	Relay, 200Amp (All Engines)	
	1001146963	1	Sensor, Angle (Steer)	
	1001200345	1	Sensor, Angle (Boom Sensors)	
	1001200848	1	Sensor, Angle (Boom Sensors)	
	1001201095	1	Sensor, Angle Gravity (Boom Sensors)	
	1001200764	1	Sensor, BEI Angle (Boom Sensors)	
	1001197960	1	Sensor, Boom Length (Boom Sensors)	
	1001197961	1	Sensor, Boom Length (Boom Sensors)	
	1001138827	1	Sensor (Engine Coolant Level)	
	1001219601	1	Sensor, Dual Axis	
	1001228225	1	Sensor, Emitter (SkyEye)	
	4360548	1	Sensor, Limit (Boom Sensors)	
	70005966	1	Sensor, Pressure (Platform Valve)	
	1001200550	1	Sensor, Pressure Transducer (Turntable Hydraulics)	
	4000008	1	Sensor, Proximity (Boom Sensors)	
	1001120104	1	Sensor, Proximity (Boom Sensors)	
	1001204043	1	Sensor, Proximity (Boom Sensors)	
	1001232667	1	Sensor, Proximity (SkyLine)	
	7026031	1	Sensor, Proximity (Coupling/Collector Ring)	
	1001196517	1	Sensor, Proximity (Boom Sensors)	
	1001228224	1	Sensor, Receiver (SkyEye)	
	1001237902	1	Sensor, SkySense	
	70004614	1	Sensor, Temp (Junction Valve)	
	1001225346	1	Switch, Disconnect (Battery Disconnect)	
	1001117174	1	Switch, Foot	
	4360469	1	Switch, Key	
	4360387	1	Switch, Pushbutton Yellow (Console Box & Ground control Box)	
	4360475	1	Switch, Push-Pull Emergency	
	70001432	1	Switch, Rocker (Plasma Cutter)	
	1001137673	1	Switch, SkyGuard	
	4360336	1	Switch, Toggle (Generators)	
	1001155045	1	Switch, Toggle (Platform Console Box)	
	1001159256	1	Switch, Toggle (Platform Console Box)	
	1001161709	1	Switch, Toggle (Platform Console Box)	
	1001161710	1	Switch, Toggle (Platform Console Box)	
	4360328	1	Switch, Toggle (Ground Control Assembly)	

SECTION 11 - SPECIAL OPTIONS/ACCESSORIES/KITS

SECTION 11 - SPECIAL OPTIONS/ACCESSORIES/KITS

SECTION 11 - SPECIAL OPTIONS/ACCESSORIES/KITS

FIGURE 11-1. SPECIAL OPTIONS/ACCESSORIES/KITS

ITEM	PART NUMBER	QTY	DESCRIPTION	REV
		Ref	Note: This list is to accommodate machines ordered with special equipment. Options may not be applicable to all models. For more specific parts information contact JLG Parts Department.	
		Ref	MISCELLANEOUS SPECIAL OPTIONS/ACCESSORIES/KITS	
	1001197342	Ref	Airline Installation - 1/2	
	1001202401	Ref	Air Intake Shut-off Valve (Deutz Engines - HRC) (ANSI and CSA Specs)	
	1001197329	Ref	Bellows Installation - Boom	
	1001158014	Ref	Bellows Installation - Chassis	
	1001197330	Ref	Boom Wipers Installation	
	1001242192	Ref	ClearSky Access Control Add-on Kit	
		Ref	ClearSky Telematics Installation (Dealer Installed)	
	1001265378	Ref	ClearSky (Telematics) Add-on Kit (Dealer Installed) (ANSI, ANSI Export and CSA Specs)	
	1001246142	Ref	ClearSky (Telematics) Add-on Kit (Dealer Installed) (Australian Specs)	
	1001243184	Ref	ClearSky (Telematics) Add-on Kit (Dealer Installed) (CE & UK CA Specs)	
	1001276923	Ref	ClearSky (Telematics) Add-on Kit (Contact JLG for Approved Countries)	
	1001197336	Ref	Cold Weather Package (Machines without Arctic Package)	
	1001197336	Ref	Cold Weather Package (Machines with Arctic Package)	
	1001233047	Ref	Crankcase Breather Heater Kit	
	1001200137	Ref	Cribbing Switch Installation (ANSI Spec Only)	
		Ref	Decal Installations	
	1001220864	Ref	Decal - Boom Transport Decals Kit	
	1001241344	Ref	Decal - Platform Console Box Decal Kit	
	1001241335	Ref	Decal - Platform Decal Kit	
		Ref	Electrical Connector Kits	
	1001148902	Ref	Amp/Tyco Electrical Connector Kit	
	1001148903	Ref	Deutsch DT Electrical Connector Kit	
	1001148904	Ref	Deutsch HD Electrical Connector Kit	
	1001148905	Ref	Packard Electrical Connector Kit	
	1001148906	Ref	Various Electrical Connectors Kit	
	1001244863	Ref	DEF Tank Replacement Kit	
	1001235962	Ref	Engine Coolant Strainer Kit	
	1001237883	Ref	Fall Arrest Bolt On Kit (6FT x 1.83M) (ANSI, ANSI Export, China, CSA, and Japanese Specs) (Fits Platform p/ns 1001186384 & 1001228376)	
	1001237882	Ref	Fall Arrest Bolt On Kit (8FT x 2.44M) (ANSI, ANSI Export, China, CSA, and Japanese Specs) (Fits Platform p/ns 1001186383)	
	1001197775	Ref	Fan Guard Installation (HRC)	
	1001155069	Ref	Fan Guard Installation (LRC)	
	1001225639	Ref	Combined Filter Kit (Deutz HRC & LRC Engines)	
	1001139099	Ref	Fire Extinguisher Installation	
	1001274833	Ref	Floor Mat Add-on Kit (30x48 Platform) (Dealer Installed)	
	1001274830	Ref	Floor Mat Add-on Kit (36x72 Platform) (Dealer Installed)	
	1001274829	Ref	Floor Mat Add-on Kit (36x96 Platform) (Dealer Installed)	
	1001117294	Ref	Foot Switch Shield	
	1001205812	Ref	Fuel Cap Installation - Lockable	
	1001197340	Ref	Headlight and Taillights Installation	

SECTION 11 - SPECIAL OPTIONS/ACCESSORIES/KITS

ITEM	PART NUMBER	QTY	DESCRIPTION	REV
	1001237402	Ref	Hose/Cable Protection Installation (Boom)	
	1001239627	Ref	Hose Kit - Platform Valve	
	1001239625	Ref	Hose Kit - Upper Powertrack	
	1001241419	Ref	Hostile Environment Kit	
	1001197341	Ref	Illumination Lights Installation	
	1001236952	Ref	Low Temperature Cut Out Installation	
	1001236268	Ref	Main Control Valve Kit	
	1001253618	Ref	Module Box Assembly Kit (Service Kit for P/N 1001246867)	
	1001253619	Ref	Module Box Assembly Kit (Service Kit for P/N 1001246860)	
	1001155064	Ref	Oil Cooler Installation	
	1001272166	Ref	Pipe Rack Kit	
	1001197436	Ref	Platform Console Cover Installation	
	1580013	Ref	Platform Corner Storage Tray	
		Ref	Platform Entry Kits	
	1001142504	Ref	Drop Bar (Replacing Swing Gate with Drop Bar)	
	1001142505	Ref	Swing Gate (Replacing Drop Bar with Swing Gate)	
	1001202917	Ref	Platform Floodlights Installation	
		Ref	Platform Mesh to Top Rail Add-On Kits: (ANSI, ANSI Export, Australian and CSA Specs)	
	1001281456	Ref	30in x 4ft (76cm x 1.22m) with Gate	
	1001281453	Ref	36in x 6ft (91.5cm x 1.83m) with Gate	
	1001281452	Ref	36in x 8ft (91.5cm x 2.44m) with Gate	
		Ref	Platform Mesh to Top Rail Installations (ANSI, ANSI Export, Australian and CSA Specs)	
	1001272182	Ref	30in x 4ft (76cm x 1.22m)	
	1001271642	Ref	36in x 6ft (91.5cm x 1.83m)	
	1001269187	Ref	36in x 8ft (91.5cm x 2.44m)	
		Ref	Platform Plastic Mesh to Top Rail Installations (ANSI, ANSI Export, Australian and CSA Specs)	
	1001266807	Ref	30in x 4ft (76cm x 1.22m)	
	1001266489	Ref	36in x 6ft (91.5cm x 1.83m)	
	1001266056	Ref	36in x 8ft (91.5cm x 2.44m)	
		Ref	Platform Mesh to Mid Rail Add-On Kits: (ANSI, ANSI Export, Australian and CSA Specs)	
	1001281461	Ref	30in x 4ft (76cm x 1.22m) with Gate	
	1001281458	Ref	36in x 6ft (91.5cm x 1.83m) with Gate	
	1001281457	Ref	36in x 8ft (91.5cm x 2.44m) with Gate	
		Ref	Platform Mesh to Mid Rail Installation (ANSI, ANSI Export, Australian and CSA Specs)	
	1001272274	Ref	30in x 4ft (76cm x 1.22m)	
	1001271760	Ref	36in x 6ft (91.5cm x 1.83m)	
	1001269389	Ref	36in x 8ft (91.5cm x 2.44m)	
		Ref	Platform Plastic Mesh to Mid Rail Installation (ANSI, ANSI Export, Australian and CSA Specs)	
	1001266969	Ref	30in x 4ft (76cm x 1.22m)	
	1001266284	Ref	36in x 6ft (91.5cm x 1.83m)	
	1001266098	Ref	36in x 8ft (91.5cm x 2.44m)	
	0272725	Ref	Platform Rail Extension - 8ft Platform	
	2902217	Ref	Platform Weld Leads	
	1001202916	Ref	Platform Worklights Installation	
	1001233732	Ref	Service Tools & Kits	O
	1001266828	Ref	Strobe Light Installation Kit - Blue	
	1001266826	Ref	Strobe Light Installation Kit - Red	

SECTION 11 - SPECIAL OPTIONS/ACCESSORIES/KITS

ITEM	PART NUMBER	QTY	DESCRIPTION	REV
	1001247073	Ref	SkyEye Retrofit Kit	
	1001250035	Ref	SkyGuard Platform Sensor Kit	
	1001249052	Ref	SkyGuard Retrofit Kit	
	1001241547	Ref	SkyEye Housing Repair Kit (LH)	
	1001241548	Ref	SkyEye Housing Repair Kit (RH)	
	1001250595	Ref	SkyGuard 6-Pin Retrofit Installation Kit	
	1001262016	Ref	SkyLine Kit	
	1001252033	Ref	SkySense/Enhanced Detection System (EDS) Level 1 (2-Bar) Installation Kit (Dealer Installed)	
	1001252034	Ref	SkySense/Enhanced Detection System (EDS) Level 2 (3-Bar) Installation Kit (Dealer Installed)	
	1001250465	Ref	SkySense/Enhanced Detection System (EDS) Level 1 (2-Bar) Installation Kit (Factory Installed)	
	1001250466	Ref	SkySense/Enhanced Detection System (EDS) Level 2 (3-Bar) Installation Kit (Factory Installed)	
	1001282461	Ref	SkySense Padding Installation - For 36 x 48 Platforms equipped with SkySense	
	1001282434	Ref	SkySense Pre-cut Bumper Kit (use with 1001282461)	
	1001275642	Ref	SkySense Padding Installation - For 36 x 72 Platforms equipped with SkySense	
	1001275650	Ref	SkySense Pre-cut Bumper Kit (use with 1001275642)	
	1001269655	Ref	SkySense Padding Installation - For 36 x 96 Platforms equipped with SkySense	
	1001276062	Ref	SkySense Pre-cut Bumper Kit (use with 1001269655)	
	4530028	Ref	SkyWelder (Welder Assembly only)	
	1001231235	Ref	SkyWelder Locking Bracket Installation	
		Ref	Tools For Service:	
	2901443	Ref	Analyzer Kit	
	1001249695	Ref	Analyzer, Machine System with Cable	
	1001249941	Ref	Analyzer, Machine System with Cable (Battery Powered)	
	1001197359	Ref	Boom Cable Adjustment Socket Installation	
	7002821	Ref	Crimper, Wire	
	7002823	Ref	Pin Extractor - Universal (For Electrical Connectors with Pins and Sockets)	
	4460467	Ref	Extractor - 16-18 Gauge (For Removal of Pin/Sockets from Deutsch Connectors)	
	4460510	Ref	Extractor - 12-14 Gauge (For Removal of Pin/Sockets from Deutsch Connectors)	
	7016654	Ref	Screwdriver, Magnetic	
	7002822	Ref	Screwdriver, Potentiometer	
	7004275	Ref	Seal Tool 1 in (For Cylinders)	
	7004276	Ref	Seal Tool 1-1/2 in (For Cylinders)	
	1001137005	Ref	Software Cable Kit (Service Kit)	
	7002828	Ref	Stripper, Wire	
	70004185	Ref	Torque Multiplier	
	7016655	Ref	Wire Rope Sheave Gauge	
	1001193630	Ref	Turntable Bearing Kit	
	1001241273	Ref	Tower Boom Wear Pad Kit	
	1001265328	Ref	Tower Stow Sensor Kit	
	1001278007	Ref	UCM Replacement Kit	
	1001277846	Ref	UGM Kit	
	1001274249	Ref	USB Charger Add-on Kit (Dealer Installed)	
	1001262959	Ref	Voltage Regulator Relocation Kit (ClearSky)	
	1001277341	Ref	White Noise Alarm Kit	

SECTION 11 - SPECIAL OPTIONS/ACCESSORIES/KITS

ITEM	PART NUMBER	QTY	DESCRIPTION	REV
	1001277285	Ref	White Noise Ambient Alarm Kit	
	1001241673	Ref	Wire Rope Kit	

SECTION 11 - SPECIAL OPTIONS/ACCESSORIES/KITS

PART NUMBER INDEX

SECTION 11 - SPECIAL OPTIONS/ACCESSORIES/KITS

0100009	433, 437	0630568.....	434, 438	0700820 .218, 230, 272, 288		0760610 107, 111, 115, 119,	
0100011 ..17, 19, 21, 31, 69,		0630615001	205	0700822 .218, 230, 272, 288		123, 127, 131, 135, 139,	
73, 75, 93, 99, 103, 107,		0641404.....	455	0700823001	536	143, 147, 151, 155, 159,	
111, 115, 119, 123, 127,		0641405.....	433, 437, 455	0700827 .218, 230, 272, 288		163, 167, 195, 221, 233,	
131, 135, 139, 143, 147,		0641406 425, 718, 722, 726,		0701013 103, 224, 236, 252,		249, 261, 278, 325, 329,	
151, 155, 159, 163, 167,		730, 734, 738, 742, 746,		264, 282, 298		333, 337, 389, 429, 431,	
205, 206, 207, 218, 221,		750		0701014001 ...205, 211, 213		585, 587	
224, 230, 233, 236, 246,		0641406001	427	070101597, 99, 205, 224,		0760610001.....	527
249, 252, 258, 261, 264,		0641408.....	206, 207, 457	236, 252, 264, 282, 298		0760612.....	206, 429, 431
272, 278, 282, 288, 294,		0641414 433, 437, 453, 457,		0701016 224, 236, 252, 264,		0760612001.....	389
298, 325, 329, 333, 337,		459, 473, 475		282, 298		0760613 107, 111, 115, 119,	
345, 349, 354, 358, 363,		0641416 543, 545, 547, 549,		0701017 224, 236, 252, 264,		123, 127, 131, 135, 139,	
369, 377, 379, 381, 389,		551, 553, 555, 557, 559,		282, 298		143, 147, 151, 155, 159,	
393, 397, 401, 405, 407,		561, 563		0701018 ..87, 325, 329, 333,		163, 167	
409, 415, 417, 419, 453,		0641418 397, 401, 405, 407,		337, 363, 369		0760614.. 99, 224, 236, 254,	
455, 464, 467, 469, 471,		409, 415, 417, 419		0701019 224, 236, 252, 264,		265, 282, 298	
473, 475, 497, 503, 507,		0641504.....	35	282, 298		0760614001.....	390
573, 575, 577, 579		0641506.....	95	0701020	363, 369	0760807.....	278, 294
0100019 19, 21, 83, 87, 325,		0641508.....	95	0701022	363, 369	0760807001.....	381
329, 333, 337, 345, 349,		0641510.....	527	0701024001 ...354, 358, 377		0760808001.....	19, 381
363, 369, 497, 536		0641511001	531	0701025001	381	0760810 107, 111, 115, 119,	
0100020 218, 224, 230, 236,		0641606 224, 236, 252, 264,		0701026001	377	123, 127, 131, 135, 139,	
246, 252, 258, 264, 272,		464, 467, 469, 471		0701027001	377, 379	143, 147, 151, 155, 159,	
282, 288, 298, 329, 337,		0641607.....	282, 298	0701028001	536	163, 167, 205, 218, 224,	
449, 464, 479, 543, 545,		0641608.....	249, 261, 319	0701031	363, 369	230, 236, 252, 264, 282,	
547, 549, 551, 553, 555,		0641812 221, 233, 249, 261,		0701032001	379	298, 389	
557, 559, 561, 563		278, 294		0701034001	377	0760810001.. 107, 111, 115,	
0100035 ..19, 221, 233, 249,		0642012.....	461	0701220	97, 99	119, 123, 127, 131, 135,	
261, 278, 294, 389, 433,		0642212.....	461	0701222	363, 369	139, 143, 147, 151, 155,	
437, 441		0642220 218, 230, 246, 258,		0701224	93	159, 163, 167, 205	
0100038 .391, 497, 503, 507		272, 288		0701420001	17	0760812.. 31, 107, 111, 115,	
0100048 325, 329, 333, 337,		0681607.....	515, 519	0701422001	19	119, 123, 127, 131, 135,	
585, 587		0681608.....	515, 519	0701619001	29	139, 143, 147, 151, 155,	
0100071	17	0681620. 483, 485, 487, 489		0701627 224, 236, 252, 264,		159, 163, 167, 205, 218,	
0100081 224, 236, 254, 266,		0681814.....	411, 421, 423	282, 298		224, 230, 236, 246, 252,	
282, 298, 377, 379, 461		0681822.....	411, 421, 423	0702022001	345, 349	258, 264, 282, 298, 569	
0140011	433, 437	0682220.....	87	0702426001	345, 349	0760812001.. 205, 393, 541,	
0140043	189	0682424. 483, 485, 487, 489		0711015 218, 230, 246, 258,		567, 589, 591	
0200048	473, 475	0700408 543, 545, 547, 549,		272, 288		0760814.. 99, 206, 218, 230,	
0236768	103	551, 553, 555, 557, 559,		0711214 224, 236, 252, 264,		389	
0272254	469	561, 563		282, 298		0760814001.....	206
0272427	473	0700412 107, 111, 115, 119,		0711214001	354, 358	0760815.....	206
0272435	338	123, 127, 131, 135, 139,		0711215001	354, 358	0760815001.....	19
0272448	754	143, 147, 151, 155, 159,		0711217001	354, 358	0760818001.. 573, 575, 577,	
0272521	467	163, 167		0711218 224, 236, 254, 266,		579	
0272588	754	0700510.....	249, 261	282, 298		0760822001.....	536
0272589	334	0700610.. 99, 191, 193, 218,		0711222001	393	0761007001.....	205, 377
0272599	757	224, 230, 236, 272, 282,		0711419	282, 298	0761008. 224, 236, 252, 264	
0272607	759	288, 298		0711626001	363, 370	0761009 218, 230, 247, 259,	
0272725	767	0700612 189, 224, 236, 252,		0712435	83	272, 288	
0273353	464	264, 282, 298, 589, 591		0712445001	393	0761009001.....	389, 527
0273706	475	0700614 218, 230, 247, 259,		0721005	473, 475	0761010. 573, 575, 577, 579	
0275216	543, 663	272, 288		0731007	97, 99	0761010001.....	73, 75, 364,
0275217	547, 665	0700615.....	199, 201	0741607. 325, 329, 333, 337		370, 381	
0275452	551, 667	0700616.....	206, 207	0760408 218, 230, 246, 258,		0761011.....	206, 363, 369
0275453	555, 669	0700620 107, 111, 115, 119,		272, 288		0761011001.....	364, 370
0275454	559, 671	123, 127, 131, 135, 139,		0760508. 221, 233, 278, 294		0761012.....	31, 73, 75, 205,
0400020	103	143, 147, 151, 155, 159,		0760516 107, 111, 115, 119,		224, 236, 252, 264, 282,	
0440162 218, 230, 246, 258,		163, 167		123, 127, 131, 135, 139,		298, 363, 369, 381, 585,	
272, 288		0700815 224, 236, 252, 264,		143, 147, 151, 155, 159,		587	
0440273	17, 345, 349	282, 298, 573, 575, 577,		163, 167		0761012001.....	75, 206, 207,
0561380	345, 349	579		0760604 .224, 236, 282, 298		377, 389	
0630462	473, 475	0700816.....	389	0760606 218, 230, 325, 329,		0761013001.. 107, 111, 115,	
0630518 187, 441, 464, 467,		0700818 218, 230, 246, 258,		333, 337		119, 123, 127, 131, 135,	
469, 471, 479		272, 288		0760608 218, 224, 230, 236,		139, 143, 147, 151, 155,	
0630535 .497, 511, 515, 519		0700818001 ... 329, 333, 337		247, 259, 272, 288		159, 163, 167	
0630536	503	0700819001	325			0761014.....	205, 389

SECTION 11 - SPECIAL OPTIONS/ACCESSORIES/KITS

0761014001 .. 354, 358, 364, 370, 393	0961898 503	1001112551 722	1001119899 364, 370
0761015 107, 111, 115, 119, 123, 127, 131, 135, 139, 143, 147, 151, 155, 159, 163, 167, 206, 218, 221, 230, 233, 246, 249, 258, 261, 272, 278, 288, 294, 363, 369, 389, 429, 431	0961903 511	1001112612 697, 701	1001120000 17
0761015001 17, 536	0961949 497, 499	1001112796 613, 693	1001120055 659
0761016001 17, 345, 349, 379	0961950 509	1001112927 .. 221, 233, 249, 261, 278, 294, 317	1001120104 389, 763
0761018 319	0961951 224, 236, 252, 264, 282, 298, 363, 369, 515, 519, 523	1001113961 ... 599, 697, 701	1001120328 .. 112, 120, 128, 136, 144, 152, 160, 168, 453, 455, 623, 629, 661, 703
0761210 221, 224, 233, 236, 249, 252, 261, 264, 278, 294	0962051 218, 230, 246, 258, 272, 288	1001116208 754	1001120471 491
0761212 . 325, 329, 333, 337	0962224 . 363, 365, 369, 371	1001116692 571	1001120477 491
0761212001 377	0962257 501	1001116693 .. 697, 698, 701, 702	1001120484 491
0761214 21, 205, 321	0962270 411, 421, 423	1001116694 571, 693	1001120989 754
0761214001 .. 205, 364, 370, 379	0962423 19	1001116695 571	1001125295 653
0761215 278, 294	0962520 . 325, 329, 333, 337	1001116720 651	1001125387 754
0761216 .. 93, 206, 221, 233, 249, 261, 278, 294	0962556 363, 369	1001116725 .. 624, 628, 698, 702	1001125677 .. 623, 629, 661, 699, 703
0761216001 393	0962561 495, 497, 499	1001116731 613	1001126008 ... 625, 656, 707
0761217 206	0962562 507	1001116732 631	1001126009 687
0761218001 .. 31, 37, 39, 41, 43, 45, 47, 49, 51, 53, 55, 57, 59, 61, 63, 65, 67, 377	1001008559... 199, 201, 573, 575, 577, 579	1001116733 ... 624, 628, 647	1001126011 659
0761614001 364, 370	1001091102.... 209, 589, 591	1001116734 624, 628	1001126245 624
0761616 363, 369	1001091969..... 543	1001116748 ... 599, 679, 705	1001126351 627, 632
0762014001 345, 349	1001091970..... 547	1001116751 679, 705	1001126352 632
0762016001 345, 349	1001091973..... 551	1001116774 693	1001126353 623
0762018001 21	1001091974..... 555	1001116808 693	1001126356 632
0762418001 17, 345, 349	1001091975..... 559	1001116812 .. 628, 631, 635, 649, 655, 698, 703	1001126357 632
0762422001 345, 349	1001095704... 623, 628, 763	1001116815 ... 628, 635, 703	1001126362 ... 624, 628, 632
0771010001 364, 370	1001096612..... 325, 597	1001116846 734, 754	1001126363 628, 632
0771012001 ... 364, 370, 393	1001096653..... 31	1001116849 734	1001126365 628, 632
0771014001 364, 370	1001097051..... 571, 685	1001116851 734	1001126384 632
0771016001 364, 370	1001097150..... 593, 597	1001116952 631	1001126391 .. 619, 624, 628, 632
0771018001 364, 370	1001097244... 429, 431, 491	1001116983 637	1001126392 628
0771212001 354, 358	1001097587..... 83	1001117023 631	1001126393 624
0771218001 354, 358	1001097588... 225, 237, 278, 283, 294, 299	1001117035 734	1001126485 ... 624, 625, 628
0771415 224, 236, 252, 264, 282, 298	1001098012.... 464, 479, 481	1001117106 631	1001126487 624, 628
0771416 218, 230, 246, 258, 272, 288	1001098122..... 449, 659	1001117107 623	1001128127 709, 711
0771617001 364, 370	1001098149..... 479	1001117108 624	1001128128 ... 624, 628, 631
0772016001 364, 370	1001099366..... 461	1001117110 .. 571, 655, 697, 701	1001128527 471
0801550 363, 369	1001099367..... 461	1001117125 711	1001128556 471
0860038 329, 337, 541	1001100231..... 593	1001117172 449	1001129408 .. 603, 605, 607, 609
0861538 337, 762	1001100319..... 284, 299	1001117174 .. 433, 437, 449, 763	1001131130 206
0861572 333, 762	1001100341..... 663	1001117244 .. 225, 237, 283, 299	1001131269 718, 738
0861731 553, 557, 561, 563, 667, 669, 671	1001100342..... 665	1001117294 766	1001133714 ... 625, 628, 631
0861781 . 545, 549, 663, 665	1001100345..... 667	1001117308 .. 225, 237, 253, 265, 283, 299, 763	1001133715 ... 625, 628, 631
0861880 593, 597	1001100346..... 671	1001118274 31, 107, 111, 115, 119, 123, 127, 131, 135, 139, 143, 147, 151, 155, 159, 163, 167, 205	1001133927 507
0902888 . 325, 329, 333, 337	1001100347..... 669	1001118282 624, 628	1001133956 627, 632
0940049 205	1001101191... 543, 547, 551, 555, 559, 593, 595	1001118287 364, 370	1001133957 627, 632
0940092 473, 475	1001101196..... 543, 547	1001118288 364, 370	1001134314 345, 349
0940094 473, 475	1001101197... 551, 555, 559	1001118384 687	1001134488 .. 225, 237, 253, 265, 283, 299
0940102 461	1001101580... 219, 231, 246, 258, 273, 289	1001118388 651, 687	1001135196 .. 219, 231, 246, 258, 273, 289
0940103 473	1001102594..... 675	1001118878 . 37, 39, 41, 43, 45, 47, 49, 51, 53, 55, 57, 59, 61, 63, 65, 67	1001135650 625, 628
0940133 475	1001103012..... 698, 702	1001118972 205, 389	1001135943 .. 225, 237, 253, 265, 283, 299
0961845 397, 401, 405, 407, 409, 415, 417, 419	1001104497..... 390	1001119020 693	1001136834 .. 225, 237, 253, 265, 283, 299
0961897 497, 515, 519	1001104498... 571, 698, 702	1001119215 585, 587	1001136975 .. 219, 231, 247, 259, 273, 289
	1001106736..... 699	1001119412 631, 647	1001137005 768
	1001107854..... 571, 698	1001119455 536	1001137032 354, 358
	1001108616... 221, 233, 249, 261, 278, 294, 310	1001119619 681	1001137263 536
	1001108617..... 73	1001119620 683, 685	
	1001109048..... 97, 99	1001119727 253, 265	
	1001109654..... 589, 593		
	1001110604..... 536		
	1001110872..... 565		
	1001110873... 330, 338, 541		
	1001111116..... 253, 265		

SECTION 11 - SPECIAL OPTIONS/ACCESSORIES/KITS

1001137364...179, 181, 183, 185, 437	1001148904.....766	1001154405 ..219, 226, 231, 238, 247, 254, 259, 266, 273, 284, 289, 300, 319	1001156091.. 226, 238, 254, 266, 284, 300
1001137578..... 617	1001148905.....766	100115475921	1001156107.. 107, 111, 115, 119, 123, 127, 131, 135, 139, 143, 147, 151, 155, 159, 163, 167, 221, 233, 249, 261, 278, 294, 389
1001137673..... 453, 763	1001148906.....766	100115477221	1001156606..... 19
1001138173...225, 237, 253, 265, 283, 299	1001149160.. 107, 111, 115, 119, 123, 127, 131, 135, 139, 143, 147, 151, 155, 159, 163, 167, 205	1001155023 ..225, 237, 254, 266, 284, 300	1001156613..... 364, 370
1001138175...225, 237, 253, 265, 283, 299	1001149517 ..225, 237, 253, 265, 283, 299	1001155041 ..325, 329, 333, 337	1001156644.. 226, 238, 254, 266, 284, 300
1001138228...253, 265, 763	1001149711 29	1001155044433, 437	1001156650..... 345, 349
1001138248...225, 237, 253, 265, 283, 299	1001149746.. 225, 237, 253, 265, 283, 300	1001155045 ...433, 437, 763	1001156678..... 19
1001138253..... 283, 299	1001149823 83	1001155064767	1001156679..... 19
1001138494...401, 405, 407, 409, 415, 417, 419	1001149867 249, 252	1001155069766	1001156692..... 632
1001138514...401, 407, 409, 417, 419	1001149921 21, 25	100115513317	1001156718.. 221, 233, 249, 261, 278, 294
1001138559...225, 237, 253, 265, 283, 299	1001149970.. 107, 111, 115, 119, 123, 127, 131, 135, 139, 143, 147, 151, 155, 159, 163, 167, 621	1001155262389	1001156719..... 289, 294
1001138566...325, 329, 762	1001149971 ... 249, 261, 631	1001155303330, 338	1001156778..... 19, 389
1001138827...225, 237, 253, 265, 283, 299, 763	1001149975 .. 37, 39, 41, 43, 45, 47, 49, 51, 53, 55, 57, 59, 61, 63, 65, 67, 599	1001155338 ..325, 330, 333, 337	1001156785..... 19
1001139099..... 766	1001150162.. 37, 41, 45, 49, 53, 57, 61, 65, 763	1001155348333, 337	1001156815..... 19
1001139240...225, 237, 253, 265, 283, 299	1001150174 329, 337	100115536317	1001156867..... 69
1001139654..... 754	1001150498 253, 265	1001155496 ..226, 238, 254, 266, 284, 300	1001156926..... 433, 437
1001140429...397, 401, 405, 407, 409, 415, 417, 419	1001150499 253, 265	1001155498 ..226, 238, 254, 266, 284, 300	1001156991..... 19
1001140564...225, 237, 253, 265, 283, 299	1001150504 ... 225, 253, 284	1001155525 ..226, 238, 254, 266, 284, 300	1001156996..... 19
1001141300..... 754	1001150505 253, 265	1001155527211	1001157007..... 17, 364, 370
1001141304..... 294	1001150553 .. 225, 237, 253, 265, 284, 300	1001155540 ..226, 238, 254, 266, 284, 300	1001157073.. 221, 233, 249, 261, 279, 294
1001141995...225, 237, 253, 265, 283, 299	1001150611 697, 701	1001155557 ..226, 238, 254, 266, 284, 300	1001157080..... 495
1001142501...219, 225, 231, 237, 247, 253, 259, 265, 273, 289	1001150725 87	100115556169	1001157084..... 17
1001142504..... 767	1001150942 507	1001155563 ..226, 238, 254, 266, 284, 300	1001157207..... 31, 35
1001142505..... 767	1001151393.. 171, 173, 175, 177, 179, 181, 183, 185	1001155564 ..226, 238, 254, 266, 284, 300	1001157216..... 29
1001142683...199, 201, 762	1001151432 253, 265	1001155565 ..226, 238, 254, 266, 284, 300	1001157241 531
1001143390...225, 237, 253, 265, 283, 299	1001151491 .. 225, 237, 253, 266, 284, 300	1001155566 ..226, 238, 254, 266, 284, 300	1001157292..... 433, 437
1001143852..... 754	1001151503 507	1001155574207	1001157300... 238, 266, 300
1001144147...613, 677, 701	1001151749 .. 225, 237, 254, 266, 284, 300	1001155584205	1001157301... 238, 266, 300
1001144295..... 699	1001151761 254, 266	1001155578 ..226, 238, 254, 266, 284, 300	1001157454..... 364, 370
1001144296..... 693	1001152112... 237, 266, 300	1001155584207	1001157467..... 29
1001144433..... 453	1001152266 711	1001155591205	1001157520..... 334, 338
1001144629...399, 403, 405, 413, 415	1001152457 329	1001155728 ..226, 238, 254, 266, 284, 300	1001157521 334, 338
1001145405..... 464, 479	1001152458 325	1001155743599, 623	1001157525..... 334
1001146588...278, 294, 573, 575, 577, 579	1001152483 595	100115581719, 689	1001157528..... 334, 338
1001146940..... 345, 349	1001152489 .. 225, 237, 254, 266, 284, 300	1001155823 ..219, 231, 247, 259, 273, 289	1001157592..... 338
1001146963..... 19, 763	1001152525 334, 338	1001155832205	1001157670..... 69
1001147567...225, 237, 283, 299	1001152530 325, 329	100115583619, 389	1001157849..... 21
1001147616..... 29	1001152532... 326, 330, 641	1001155939 ..219, 231, 247, 259, 273, 289	1001157850..... 21
1001147617..... 29	1001152742 619	1001155967 ..107, 111, 115, 119, 123, 127, 131, 135, 139, 143, 147, 151, 155, 159, 163, 167, 389, 629, 655, 699, 703	1001157862.. 226, 238, 254, 266, 284, 300
1001147618..... 29	1001153259 ... 326, 330, 645	1001156001 ...249, 261, 635	1001157872..... 364, 370
1001147847...225, 237, 253, 265, 283, 299	1001153785 364, 370	1001156016495	1001157878..... 364, 370
1001148012..... 365, 371	1001153827 364, 370	1001156030 ...334, 338, 647	1001157885..... 364, 370
1001148059..... 325, 334	1001153981 87	1001156033503, 505	1001157887..... 345, 349
1001148641...225, 237, 253, 265, 283, 299	1001153983 87	1001156034 ..226, 238, 254, 266, 284, 300	1001157890.. 624, 627, 655, 673
1001148675..... 565	1001153984 87, 89	1001156035 103	1001157891.. 573, 575, 577, 579, 619, 698, 702
1001148902..... 766	1001154035 103	1001156036 ..226, 238, 254, 266, 284, 300	1001157906..... 207
1001148903..... 766	1001154196 93	1001156037503, 505	1001157907..... 207
	1001154247 364, 370	1001156038 ..226, 238, 254, 266, 284, 300	1001158007..... 334, 338
	1001154262 .. 219, 231, 273, 289	1001156039 ..226, 238, 254, 266, 284, 300	1001158008..... 334, 338
	1001154377 87	1001156062 ..226, 238, 254, 266, 284, 300	1001158014..... 766
			1001158017..... 17
			1001158262..... 254, 266
			1001158263..... 323
			1001158289..... 254, 266

SECTION 11 - SPECIAL OPTIONS/ACCESSORIES/KITS

1001158363.....325, 329	1001166704..... 617	1001179154.....338	1001192138 ..226, 238, 253, 265, 284, 300
1001158412.....73, 75	1001166774.....619, 624	1001180153.....345, 349	1001192401 ...639, 699, 703
1001158529.....261, 264	1001167497.....364, 370	1001180491.....427	1001193018 ..543, 545, 547, 549, 551, 553, 555, 557, 559, 561, 563
1001158607.....323	1001167528.....617	1001180620.....206	1001193135754
1001159118.....565	1001167565.....393	1001181045... 593, 597, 762	1001193136754
1001159119.....565	1001167567.....393	1001181625.. 219, 231, 273, 289	1001193599226, 238
1001159120.....565	1001167615.....623	1001181899.. 226, 238, 273, 279, 284, 289, 295, 300	100119363083, 768
1001159121.....565	1001167616.....624, 628	1001182361627	1001193980 ..219, 231, 273, 289
1001159186.. 649, 659, 660, 661	1001167620.....623, 627	1001182365.....627	1001194197553
1001159256... 433, 437, 763	1001167621.....623	1001182806.....193	1001194198557
1001160169.....507	1001167622.....623	1001182833.....284, 300	1001194200561
1001160445 ..718, 722, 726, 730, 734, 738, 742, 746, 750	1001167623.....623	1001184619... 722, 730, 738	1001194203545
1001160505207	1001167624.....623, 627	1001184682.....191	1001194204549
1001160518.. 226, 238, 254, 266, 284, 300	1001167625.....623	1001184846.....624	1001194365563
1001161232.....73, 75, 762	1001167629.....624	1001185281434, 438	100119558893, 95
1001161269531	1001167630.....624, 625	1001186318.....423	1001195906377
1001161270531	1001167631.....625	1001186333.....411	1001195924364, 370
1001161271531	1001167632.....617, 628	1001186334.....421	1001195939 ...364, 370, 373
1001161272531	1001167633.....625	1001186342.. 219, 231, 247, 259, 273, 289	1001195940 ...364, 370, 375
1001161273531	1001167634.....624, 628	1001186375401	1001195941364, 370
1001161274531	1001167635.....624	1001186379407	1001195947 ..718, 726, 734, 742, 746, 750
1001161275531	1001168402.....393	1001186382.....417	1001196517389, 763
1001161276531	1001168734.....249, 261	1001186383.....413	1001196562205
1001161277531	1001169085...195, 197, 199, 201	1001186384.....403	1001196603702
1001161278531	1001169409.....273, 289	1001186387.....399	1001196605698, 702
1001161279531	1001170982..226, 238, 254, 266, 284, 300	1001186432.. 219, 231, 247, 259, 273, 289	1001196634 ..341, 615, 702, 762
1001161280531	1001171324.....391	1001186439.....423	1001196635702
1001161281531	1001171482...171, 173, 175, 177, 179, 181, 183, 185	1001186432.....453, 763	1001196636702, 711
1001161282531	1001172356.....29	1001186517.....453	1001196682 ..573, 575, 577, 579, 707
1001161283531	1001172358.....17, 75, 205, 207, 211, 213, 345, 349, 354, 358, 364, 370, 377, 379, 390, 393, 527, 536	1001187077.....679	1001196733345, 349
1001161289531	1001172570.....461, 754	1001187518.....219, 231	100119680699
1001161290531	1001172571.....754	1001187674451	1001196917 ..345, 349, 363, 369
1001161470213	1001172572.....754	1001187681681	1001197017473, 475
1001161488211	1001172573.....754	1001187744.. 107, 111, 115, 119, 123, 127, 131, 135, 139, 143, 147, 151, 155, 159, 163, 167	100119711893
1001161647537	1001172574.....754	100118849197, 99	100119714285
1001161709... 433, 437, 763	1001172575.....754	1001188622.....393	100119729297, 99, 101
1001161710... 433, 437, 763	1001172576.....754	1001188844.....393	1001197307246
1001162212.. 219, 231, 273, 289	1001172577.....461	1001188922... 221, 233, 623	1001197308258
1001162880.....103, 105	1001172578.....461	1001189001.....393	1001197311389
1001163631 ..37, 39, 41, 43, 45, 47, 49, 51, 53, 55, 57, 59, 61, 63, 65, 67, 675	1001172620.....461, 754	1001189002.....393	1001197312379
1001164354.. 31, 37, 39, 41, 43, 45, 47, 49, 51, 53, 55, 57, 59, 61, 63, 65, 67	1001172760.....433, 438	1001189171595, 762	1001197315 ..718, 722, 726, 734, 738, 742, 746, 750
1001164700.....105	1001173609.....427	1001189172.....595, 762	1001197317 ..226, 238, 284, 300
1001165035.. 219, 224, 231, 236, 247, 252, 259, 264, 273, 284, 289, 300	1001173662.....354, 358	1001189291226, 238	1001197326573
1001165194.....619	1001173763.....379	1001189882.....730	1001197327575
1001166393.. 226, 238, 253, 265, 284, 300	1001173846.....73	1001190032.....213	1001197328579
1001166538.. 433, 437, 447, 762	1001174345.....19	1001190418.. 226, 238, 284, 300	1001197329766
1001166539.. 433, 437, 443, 762	1001175201.....99	1001190475.....219, 231	1001197330766
1001166541624	1001175265.....624	1001190921.....623	1001197331189
1001166543624	1001175568..226, 238, 284, 300	1001190927.....211, 213	1001197332567
1001166551623	1001176002.....623, 627	1001190949.....17	1001197333541
1001166555623	1001176004.....623, 627	1001190950.....17	1001197335589
1001166556.....619, 624	1001176333.....653	1001190952.....17	1001197336766
1001166701624	1001176469...173, 177, 181, 185	1001190953.....17	1001197340766
	1001176582.....427	1001190985.....393	1001197341767
	1001176636.....427	1001191122.. 226, 238, 253, 265, 284, 300	1001197342766
	1001177134.....253, 265	1001191620.. 273, 279, 289, 295	1001197345103
	1001177137.....253, 265		1001197359768
	1001177635.....427		
	1001178797.....319		

SECTION 11 - SPECIAL OPTIONS/ACCESSORIES/KITS

1001197361.....	527	1001199671.....	379	1001200739.....	365, 371	1001202264.....	575
1001197436.....	767	1001199753.....	205	1001200741.....	365, 371	1001202267.....	577
1001197445.....	221, 233	1001199754.....	205	1001200764.....	390, 763	1001202268.....	577
1001197627.....	97	1001199755.....	205	1001200779.....	333	1001202269..	573, 575, 577, 579
1001197719.....	623	1001199764.....	205	1001200780.....	337	1001202320.....	537
1001197760.....	377	1001199778.....	205	1001200834.....	390	1001202355..	221, 233, 249, 261, 279, 295
1001197761.....	83	1001199780.....	205	1001200836.....	390	1001202401.....	766
1001197766.....	377	1001199782.....	205	1001200837.....	390	1001202539.....	503
1001197775.....	766	1001199804.....	345, 349	1001200838.....	390	1001202692.....	381
1001197899.....	354, 358	1001199812.....	345, 349	1001200839.....	365, 371	1001202705.....	537
1001197901.....	354, 358	1001199990.....	364, 370	1001200848.....	390, 763	1001202706.....	537
1001197902...345, 349, 354, 358		1001200091.....	364, 371	1001200849.....	390	1001202707.....	537
1001197937.....	205	1001200092.....	365, 371	1001200854 ..	171, 173, 175, 177	1001202708.....	537
1001197960.....	390, 763	1001200093.....	365, 371	1001200977.....	537	1001202709.....	537
1001197961.....	390, 763	1001200094.....	365, 371	1001200988.....	73, 75, 81	1001202733.....	206
1001197969.....	345, 349	1001200117.....	722, 730	1001201007.....	354, 358	1001202734.....	206
1001197973.....	345, 349	1001200118.....	722, 730	1001201062 ..	573, 575, 577, 579, 677	1001202742..	573, 575, 577, 579
1001198376.....	379	1001200137.....	766	1001201068.....	390	1001202743..	573, 575, 577, 579
1001198377.....	379	1001200154.....	345, 349	1001201069.....	390	1001202785 ..	573, 575, 577, 579, 673
1001198382.....	379	1001200183.....	587	1001201095.....	390, 763	1001202787.....	195, 691
1001198383.....	379	1001200199 ..	573, 575, 577, 579, 585, 587	1001201103 ..	108, 112, 116, 120, 124, 128, 132, 136, 140, 144, 148, 152, 156, 160, 164, 168	1001202793.....	365, 371
1001198386.....	379	1001200203.....	585, 587	1001201130.....	527	1001202914.....	699, 703
1001198388.....	379	1001200345.....	390, 763	1001201131.....	527	1001202916.....	767
1001198389.....	379	1001200491.....	393	1001201132.....	527	1001202917.....	767
1001198587.....	515, 519	1001200494.....	393	1001201133.....	527	1001202950.....	390
1001198594.....	516, 520	1001200501.....	205	1001201134.....	527	1001203413.....	195, 197
1001198640.....	354, 358	1001200502.....	205	1001201135.....	527	1001203655.....	411
1001198641.....	354, 358	1001200519.....	205	1001201136.....	527	1001203656.....	421, 423
1001198642.....	354, 358	1001200522.....	205	1001201333.....	354, 358	1001203753.....	365, 371
1001198643.....	354, 358	1001200532.....	205	1001201334.....	354, 358	1001203754.....	365, 371
1001198644.....	354, 358	1001200550...390, 537, 763		1001201335.....	354, 358	1001203755.....	365, 371
1001198645.....	354, 358	1001200565.....	330	1001201351.....	393	1001203898.....	390
1001198685.....	205	1001200574.....	345, 349	1001201485.....	365, 371	1001203899.....	390
1001198732.....	354, 358	1001200576.....	345, 349	1001201503.....	381, 383	1001203900.....	390
1001198749.....	345, 349	1001200587.....	390	1001201710.....	577	1001203904.....	390
1001198757.....	345, 349	1001200604 ..	107, 111, 115, 119, 123, 127, 131, 135, 139, 143, 147, 151, 155, 159, 163, 167	1001201772.....	511, 513	1001204027..	573, 575, 577, 579
1001198758.....	345, 349	1001200605 ..	107, 111, 115, 119, 123, 127, 131, 135, 139, 143, 147, 151, 155, 159, 163, 167	1001201846.....	365, 371	1001204028..	573, 575, 577, 579, 679
1001198759.....	345, 349	1001200606 ..	107, 111, 115, 119, 123, 127, 131, 135, 139, 143, 147, 151, 155, 159, 163, 167	1001201885.....	649, 661	1001204041.....	503, 505
1001198760.....	345, 349	1001200686.....	379	1001201938 ..	345, 349, 354, 358	1001204043.....	390, 763
1001198761.....	345, 349	1001200692.....	171, 175	1001201986.....	381, 385	1001204073.....	393
1001198762.....	503, 505	1001200698.....	325	1001201997.....	377	1001204096...718, 726, 738	
1001198864.....	364, 370	1001200699.....	329	1001202000.....	377	1001204650.....	326
1001199035.....	461	1001200707 ..	718, 722, 726, 730, 734, 738, 742, 746, 750	1001202002.....	377	1001204725.....	393
1001199036.....	461	1001200726 ..	107, 111, 115, 119, 123, 127, 131, 135, 139, 143, 147, 151, 155, 159, 163, 167	1001202005.....	377	1001204911.....	393
1001199043.....	391	1001200727 ..	108, 112, 116, 120, 124, 128, 132, 136, 139, 143, 147, 151, 155, 159, 163, 167	1001202055.....	390	1001204914.....	354, 358
1001199083.....	364, 370	1001200732.....	365, 371	1001202056.....	536	1001205083.....	537
1001199084.....	364, 370	1001200733.....	365, 371	1001202169.....	206	1001205084.....	537
1001199085.....	364, 370	1001200734.....	390	1001202179.....	390	1001205086.....	537
1001199086.....	364, 370	1001200736.....	365, 371	1001202181.....	206	1001205087.....	537
1001199117.....	364, 370			1001202182.....	390	1001205088.....	537
1001199297.....	511			1001202201.....	503	1001205089.....	537
1001199310.....	205			1001202225.....	206	1001205090.....	537
1001199315.....	379			1001202236.....	503	1001205092.....	537
1001199319.....	205			1001202245.....	377	1001205093.....	537
1001199320.....	364, 370			1001202259 ..	573, 575, 577, 579, 583	1001205094.....	537
1001199465.....	205			1001202260 ..	573, 575, 577, 579, 581	1001205095.....	537
1001199468.....	205			1001202261.....	573	1001205096.....	537
1001199470...221, 233, 249, 261, 279, 295, 313				1001202262.....	573	1001205098.....	537
1001199483....434, 438, 763				1001202263.....	575	1001205100.....	537
1001199583.....	247, 249					1001205102.....	537
1001199587.....	259, 261						
1001199610.....	364, 370						
1001199641.....	364, 370						
1001199670...219, 231, 273, 289							

SECTION 11 - SPECIAL OPTIONS/ACCESSORIES/KITS

1001205103.....537	1001210259..... 206	1001216579.....389	140, 144, 148, 152, 156, 160, 164, 168
1001205104.....537	1001210283..... 206	1001216618.....754	1001225346.....569, 763
1001205105.....537	1001210294..... 206	1001216625.....655	1001225580.....453, 651
1001205106.....537	1001210636...429, 431, 491	1001216626.....655, 705	1001225639.....766
1001205108.....537	1001210781...199, 201, 693	1001216630.....393	1001226102..108, 112, 116, 120, 124, 128, 132, 136, 140, 144, 148, 152, 156, 160, 164, 168
1001205110.....537	1001211885...108, 112, 116, 120, 124, 128, 132, 136, 140, 144, 148, 152, 156, 160, 164, 168, 637	1001216638...585, 587, 655	1001226291.....579
1001205111.....537	1001211904...718, 722, 726, 730, 734, 738, 742, 746, 750	1001216806..573, 575, 577, 579, 705	1001226292.....579
1001205113.....537	1001212056...219, 231, 273, 289	1001216976.31, 73, 75, 381	1001226531.....569
1001205114.....537	1001212188.....673	1001217007..108, 112, 116, 120, 124, 128, 132, 136, 140, 144, 148, 152, 156, 160, 164, 168, 573, 575, 577, 579	1001226541.....613, 703
1001205115.....537	1001212199.....507	1001217086.....537	1001226636.....613
1001205116.....537	1001212328.....537	1001218037.....345, 349	1001226637..603, 605, 607, 609, 613
1001205117.....537	1001212491.....537	1001218572.....206	1001226799...605, 607, 609
1001205124.....537	1001212492.....537	1001218622.....579	1001226872.....397
1001205125.....537	1001212494.....537	1001218623.....579	1001226902.....527
1001205660.....589, 591	1001212495.....537	1001219110.....31, 33	1001226923.....319
1001205682.....591	1001212502.....537	1001219583.....364, 370	1001227457.....603
1001205683...515, 519, 523	1001212503.....537	1001219590.....364, 370	1001227633.....451
1001205690.....591, 595	1001212504.....537	1001219599.....365, 371	1001227634.....451
1001205812.....766	1001212505.....538	1001219600.....365, 371	1001227710.....205
1001205949.....537	1001212507.....538	1001219601..108, 112, 116, 120, 124, 128, 132, 136, 140, 144, 148, 152, 156, 160, 164, 168, 763	1001227912.....319
1001205958...551, 553, 555, 557, 559, 561	1001212509.....538	1001220379.....631	1001227948.....319
1001206119.....326	1001212512.....536	1001220470.....390	1001227960..108, 112, 116, 120, 124, 128, 132, 136, 140, 144, 148, 152, 156, 160, 164
1001206184.....507	1001212663.....391	1001220482.....427, 653	1001227985.....451
1001206476.....569	1001212669.....354, 358	1001220486.....434, 438	1001227987.....451
1001206506..573, 575, 577, 579, 639	1001212810.....226, 238	1001220864.....766	1001227996.....683, 685
1001206509.....639	1001212817...226, 238, 254, 266, 284, 300	1001220955.....427	1001228034.....363, 497
1001206532.....434, 438	1001212825.....219, 231	1001221425.....346, 350	1001228090...345, 349, 507
1001206747..219, 221, 231, 233, 247, 249, 259, 261, 273, 279	1001212826.....226, 238	1001221585..108, 112, 116, 120, 124, 128, 132, 136, 140, 144, 148, 152, 156, 160, 164, 168	1001228091...354, 515, 519
1001206817..108, 112, 116, 120, 140, 144, 148, 152, 619	1001213053.....391	1001222385.....364, 370	1001228093.....364, 511
1001207004.....201	1001213292.....78	1001222387.....364, 370	1001228094.....345, 503
1001207102.....537	1001213293.....78	1001222402.....364, 370	1001228215.....397
1001207279.....537	1001213294.....78	1001222404.....364, 370	1001228224.....451, 763
1001207388.....393	1001213295.....78	1001222817.....319	1001228225.....451, 763
1001207937.....345, 349	1001213296.....78	1001222918.....249, 261	1001228243.....415
1001207963..175, 177, 183, 185	1001213297.....78	1001223055.....718	1001228364..108, 112, 116, 120, 124, 128, 132, 136, 140, 144, 148, 152, 156, 160, 164, 168
1001207969.....381	1001213298.....78	1001223453.....718, 738	1001228375.....419
1001208297..226, 238, 254, 266, 284, 300	1001213299.....78	1001223971.....738	1001228376.....405
1001208298...226, 238, 254, 266, 284, 300	1001213392.....73, 75	1001224045..718, 722, 726, 730, 734, 738, 742, 746, 750	1001228377.....409
1001208299..226, 238, 254, 266, 284, 300	1001213447.....659	1001224046..219, 231, 273, 289	1001228872..219, 231, 273, 289, 762
1001208596.....379	1001213448.....699, 703	1001224048.....746	1001228954.....607
1001209368.....354, 358	1001213836.....391	1001224049.....750	1001228959.....607
1001209372.....354, 358	1001213882.....434, 438	1001224050.....734	1001228976.....427
1001209373.....354, 358	1001214029.....755	1001224051.....726	1001228988.....471, 754
1001209374.....354, 358	1001214098.....391	1001224052.....742	1001229341.....451
1001209375.....354, 358	1001214570.....569	1001224053.....742	1001229485.....427
1001209432.....569	1001214571.....569	1001225167..108, 112, 116, 120, 124, 128, 132, 136, 140, 144, 148, 152, 156, 160, 164, 168	1001229782.....722
1001209432.....569	1001214756.....381	1001225220.....718, 726	1001229922.....427
1001209474.....569	1001215375.....427	1001225279..108, 112, 116, 120, 124, 128, 132, 136, 140, 144, 148, 152, 156, 160, 164, 168	1001230931...599, 679, 705
1001209626.....206	1001215379.....427	10012255220.....718, 726	1001230934.....627
1001209633.....379	1001215380.....427	1001225279..108, 112, 116, 120, 124, 128, 132, 136, 140, 144, 148, 152, 156, 160, 164, 168	1001230935.....627
1001209664.....453	1001215836.....585, 587	1001225279..108, 112, 116, 120, 124, 128, 132, 136, 140, 144, 148, 152, 156, 160, 164, 168	1001230936.....627
1001209896..718, 722, 726, 730, 734, 738, 742, 746, 750	1001216021...108, 112, 116, 120, 124, 128, 132, 136, 140, 144, 148, 152, 156, 160, 164, 168, 763	1001225279..108, 112, 116, 120, 124, 128, 132, 136, 140, 144, 148, 152, 156, 160, 164, 168	1001231008...191, 193, 713
1001209935.....206	1001216238...108, 112, 116, 120, 124, 128, 132, 136, 140, 144, 148, 152, 156, 160, 164, 168	1001225279..108, 112, 116, 120, 124, 128, 132, 136, 140, 144, 148, 152, 156, 160, 164, 168	1001231235.....768
1001209961.....206	1001216258.....390	1001225279..108, 112, 116, 120, 124, 128, 132, 136, 140, 144, 148, 152, 156, 160, 164, 168	1001231291.....538
1001210079.....639	1001216318.....623		
1001210116.....206			

SECTION 11 - SPECIAL OPTIONS/ACCESSORIES/KITS

1001231315.....	718	1001238463.....	487	1001244452.....	199	1001254483.....	726
1001231316.....	738	1001238470..	219, 231, 274, 290	1001244462.....	209	1001254484.....	750
1001231317.....	746	1001238472.....	455	1001244671.....	459	1001254485.....	750
1001231318.....	750	1001238483..	108, 112, 116, 120, 140, 144, 148, 152, 617	1001244709.....	459	1001254486.....	742
1001231319.....	726	1001238495.....	453	1001244710.....	459	1001254487.....	742
1001231320.....	742	1001238559.....	455	1001244732.....	459	1001255901.....	615
1001231321.....	734	1001238732.....	187	1001244733.....	459	1001256823... 284, 300, 303	
1001231711.....	191, 193	1001239344.....	571	1001244863.....	766	1001256862..	226, 238, 253, 265, 284, 300
1001231801.....	754	1001239345.....	571	1001245160.....	187	1001257271.....	483
1001231949.....	489	1001239625.....	767	1001245176.....	187, 441	1001257274.....	483
1001231950.....	485, 487	1001239627.....	767	1001245206.....	187	1001258191..	107, 111, 115, 119, 123, 127, 131, 135, 140, 144, 148, 152, 156, 160, 164, 168, 571
1001232010....	485, 487, 489	1001239805.....	569	1001246142.....	766	1001258730.....	457, 459
1001232011....	485, 487, 489	1001239874.....	569	1001246144.....	609	1001259191.....	279, 282
1001232034.....	191	1001239957.....	569	1001246145.....	605	1001259192.....	274, 278
1001232035.....	193	1001241162.....	457	1001246389.....	457	1001259193.....	272
1001232164.....	451	1001241273.....	768	1001246471.....	609	1001259203.....	284, 300
1001232165.....	451	1001241335.....	766	1001246472.....	605	1001259204.....	274, 290
1001232201.....	538	1001241344.....	766	1001246614.....	730	1001259208.....	284, 300
1001232642.....	455	1001241419.....	767	1001246615.....	722	1001259278.....	284, 300
1001232667.....	455, 763	1001241547.....	768	1001246859..	108, 112, 116, 120, 124, 128, 132, 136, 140, 144, 148, 152, 156, 160, 164, 168, 702	1001259281.....	284, 300
1001232842.....	341	1001241548.....	768	1001247073.....	768	1001260287.....	274, 290
1001233047.....	766	1001241586.....	569	1001247252.....	457	1001260307..	279, 284, 295, 300
1001233732.....	767	1001241631.....	99	1001247468.....	393, 762	1001260524.....	457
1001233763.....	341	1001241673.....	769	1001248140..	483, 485, 487, 489	1001260525.....	457, 459
1001234247.....	73, 75, 77	1001241965.....	455	1001248141..	483, 485, 487, 489	1001260889.....	284, 300
1001234408.....	730	1001242123..	108, 116, 124, 132, 140, 148, 156, 164, 709	1001249052.....	768	1001260937.....	438
1001234789... 718, 722, 726, 730, 734, 738, 742, 746, 750		1001242124... 434, 438, 659		1001249095.....	693	1001261335.....	483
1001234791... 221, 233, 249, 261, 279, 295		1001242126.. 108, 112, 116, 120, 124, 128, 132, 136, 140, 144, 148, 152, 156, 160, 164, 168, 649		1001249695.....	768	1001261338.....	483
1001235962.....	766	1001242192.....	766	1001249941.....	768	1001262016.....	768
1001236268.....	767	1001242378.....	221, 224	1001250035.....	768	1001262056... 279, 295, 627	
1001236504.....	569	1001242380.....	233, 236	1001250302.....	206	1001262322.....	603
1001236505.....	569	1001242382.....	219, 221	1001250303.....	206	1001262326.....	603
1001236552.....	455	1001242383.....	231, 233	1001250465.....	768	1001262959.....	768
1001236746.....	489	1001242384.....	218	1001250466.....	768	1001263626.....	201
1001236747.....	485	1001242386.....	230	1001250595.....	768	1001263923.....	600
1001236891... 483, 485, 487, 489		1001242390.....	99	1001251025 ... 363, 369, 501		1001265163.....	491
1001236895... 483, 485, 487, 489		1001243047 37, 39, 107, 111		1001251034.....	369, 499	1001265328.....	768
1001236952.....	767	1001243048... 108, 112, 171		1001251065.....	19, 509	1001265342.....	491
1001237402.....	767	1001243050 41, 43, 115, 119		1001251066.....	17, 495	1001265378.....	766
1001237667.....	649, 660	1001243051.....	173, 177	1001251091.....	358, 523	1001265857.....	179, 183
1001237668.....	649, 660	1001243052... 116, 120, 173		1001251093.....	370, 513	1001265858.....	181, 185
1001237862.....	683, 685	1001243053 45, 47, 123, 127		1001251094.....	349, 505	1001265863..	179, 181, 183, 185
1001237863.....	451, 685	1001243054... 124, 128, 175		1001251857 ... 253, 265, 269		1001265870... 140, 144, 179	
1001237864.....	451, 683	1001243055 49, 51, 131, 135		1001251858 ... 226, 238, 241		1001265871... 148, 152, 181	
1001237865.....	451, 681	1001243056... 132, 136, 177		1001252033.....	768	1001265872... 156, 160, 183	
1001237882.....	766	1001243091.....	718	1001252034.....	768	1001265873... 164, 168, 185	
1001237883.....	766	1001243092.....	457	1001252627.....	757, 759	1001265902.....	431
1001237888.....	457, 459	1001243093.....	738	1001252629..	483, 485, 487, 489	1001265904.....	431, 437
1001237891.....	459	1001243094.....	746	1001253618.....	767	1001265905.....	434, 438
1001237898.....	457, 459	1001243095.....	734	1001253619.....	767	1001266056.....	767
1001237902... 457, 459, 763		1001243096.....	726	1001254472.....	455	1001266098.....	767
1001238158.....	99	1001243097.....	750	1001254473.....	455	1001266284.....	767
1001238236.....	73	1001243098.....	742	1001254474.....	718	1001266489.....	767
1001238262.....	99	1001243184.....	766	1001254475.....	718	1001266807.....	767
1001238263... 483, 485, 487, 489		1001243205.....	457	1001254476.....	738	1001266826.....	767
1001238319.....	451	1001243414.....	206	1001254477.....	738	1001266828.....	767
1001238401... 219, 231, 273, 289		1001243895.....	341	1001254478.....	746	1001266969.....	767
1001238402... 219, 231, 273, 289		1001244335.....	459	1001254479.....	746	1001267315... 718, 722, 726, 734, 738, 742, 746, 750	
1001238418.....	455, 687	1001244336.....	457	1001254480.....	734	1001267388.....	429
				1001254481.....	734	1001267390.....	429, 433
				1001254482.....	726		

SECTION 11 - SPECIAL OPTIONS/ACCESSORIES/KITS

100126765953, 55, 139, 143	1001281359..... 321	1320302. 464, 467, 469, 471	1704260433, 437
100126766057, 59, 147, 151	1001281360..... 321	1320328..... 377	1704277 718, 722, 726, 730,
100126766161, 63, 155, 159	1001281452..... 767	1321385..... 527	734, 738, 742, 746, 750
100126766265, 67, 163, 167	1001281453..... 767	1321716 218, 224, 230, 236,	1704412 718, 722, 726, 730,
1001268243.. 718, 722, 726,	1001281456..... 767	252, 264, 272, 278, 282,	734, 738, 742, 746, 750
730, 734, 738, 742, 746,	1001281457..... 767	288, 294, 298	1704972718, 742
750	1001281458..... 767	1380147 218, 230, 246, 258,	1705014411, 421
1001268946..... 628	1001281461..... 767	272, 288	1705132433, 437
1001269187 767	1001281500...107, 111, 115,	1580012..... 425	1705171433, 437
1001269389 767	119, 123, 127, 131, 135,	1580013..... 767	1705305. 471, 754, 757, 759
1001269655 768	139, 143, 147, 151, 155,	1670603..... 563	1705325543, 545
1001270339 571	159, 163, 167, 763	1671039..... 389	1705336718
1001270340 571	1001281656..... 321	1671040..... 19	1705344742
1001270594 195, 197	1001282106..... 441	1671092..... 338, 577	1705345746
1001271642 767	1001282434..... 768	1671093..... 464, 469, 577	1705347738
1001271760 767	1001282461..... 768	1671122..... 389	1705351718
1001271930 754	1001282725..... 321	1701499 718, 722, 726, 730,	1705355754
1001271932 754	1001283776.....197, 695	734, 738, 742, 746, 750	1705358461
1001271934 754	1001284138..... 321	1701505 718, 722, 726, 730,	1705374330, 565
1001271936 754	1001284139..... 321	734, 738, 742, 746, 750	1705375339, 471, 754
1001271938 754	1001284257..... 321	1701509 461, 718, 722, 726,	1705387330, 339
1001271939 754	1001284272..... 321	730, 734, 738, 742, 746,	1705426742
1001271940 755	1001284587..... 441	750	1705427746
1001271941 755	1001284588..... 441	1701518..... 722, 730	1705429738
1001272166 767	1001284691...718, 722, 726,	1701691 718, 722, 726, 730,	1705430734
1001272182 767	730, 734, 738, 742, 746,	734, 738, 742, 746, 750	1705460334, 338
1001272274 767	750	1702565 433, 437	1705461334
1001272659 611	1001285891..... 209	1702566 433, 437	1705489325, 334
1001272681 199	1001285892..... 209	1702773 411, 421, 423, 718,	1705490757, 759
1001272997 615	1001286088...112, 120, 128,	722, 726, 730, 734, 738,	1705492718
1001273012 611, 615	136, 144, 152, 160, 168,	742, 746, 750	1705493742
1001274249 768	701	1702774 718, 722, 726, 734,	1705503746
1001274559 433, 437	1001286089...112, 120, 128,	738, 742, 746, 750	1705505738
1001274829 766	136, 144, 152, 160, 168,	1702868. 471, 718, 754, 757	1705511 718, 722, 726, 730,
1001274830 766	711	1702942..... 264	734, 738, 742, 746, 750
1001274833 766	1001286280..... 207	1703162 224, 236, 254, 266,	1705515722, 730
1001274992 279, 295	1001286281.....205, 206	282, 298	1705745433, 437
1001275151 628	1001286283..... 207	1703804..... 718	1705822722, 730
1001275152 628	1001286284.....205, 207	1703805..... 718	1705828722, 730
1001275153 628	1001287191..... 209	1703811 718, 722, 726, 730,	1705864 718, 722, 726, 730,
1001275642 768	1001291543.....284, 300	734, 738, 742, 746, 750	734, 738, 742, 746, 750
1001275650 768	1001293066.....241, 303	1703814 718, 722, 726, 730,	1705865 718, 722, 726, 734,
1001276062 768	1001293701..... 75	734, 738, 742, 746, 750	738, 742, 746, 750
1001276610 611	1001311034..... 455	1703935 750	1705896726
1001276923 766	1060341473, 475	1703936 738	1705897726
1001277132.. 39, 43, 47, 51,	1060343 338	1703938 742	1705898726
55, 59, 63, 67	1060545 595	1703939..... 746	1705902726
1001277208 168	1060903473, 475	1703941..... 750	1705903726
1001277209 585, 763	1060908593, 597	1703942 738	1705905726
1001277285 769	1060918 449	1703943 734	1705906726
1001277296 288	1060945 579	1703944..... 742	1705910750
1001277297 290, 294	10702077334, 338	1703945 746	1705915750
1001277298 295, 298	10702082334, 338	1703947 750	1705917750
1001277341 768	1120549 19	1703948..... 738	1705921722, 730
1001277846 768	1120555 461	1703949..... 734	1705961722, 730
1001278007 768	1260017 85	1703950..... 742	1705967726, 754
1001279238.. 108, 116, 124,	132002299, 254, 266	1703951 746	1705969746, 754
132, 140, 148, 156, 164,	1320041 ..99, 221, 233, 249,	1703953..... 718	1706059726
697	261, 278, 294	1703959 718, 722, 726, 730,	1706060734
1001281298 321	1320061278, 294	734, 738, 742, 746, 750	1706061746
1001281301 321	1320136 221, 233, 249, 261,	1703980..... 742	1706063750
1001281302 321	278, 294	1703981..... 746	1706064738
1001281304 321	1320159 527	1703982 734	1706098722, 730
1001281305 321	1320177464, 479	1703983 750	1706385411, 421
1001281309 321	1320263195, 527	1703984..... 738	1706493423
1001281310 321	1320288377, 379	1704000..... 738, 754	1706501423
1001281311 321	1320296 527	1704001 750, 754	1706741433, 437

SECTION 11 - SPECIAL OPTIONS/ACCESSORIES/KITS

2030010 464, 467, 469, 471, 479	2220886 495, 497, 503, 505, 507	3252347718	3291005001.. 206, 211, 213, 365, 371, 377, 379, 381, 393, 536
2080040 399, 403, 405, 413, 415	2220887..... 503, 507	3271501205	3291007.... 97, 99, 103, 107, 111, 115, 119, 123, 127, 131, 135, 139, 143, 147, 151, 155, 159, 163, 167, 205, 218, 221, 224, 230, 233, 236, 246, 249, 252, 258, 261, 264, 272, 278, 282, 288, 294, 298
2080069 457, 459	2220888..... 507	3271605 .483, 485, 487, 489	3291007001 206
2080091 19	2220906..... 78, 95	3271805411, 421, 423	3291201. 325, 329, 333, 337
2110406 78	2220940..... 527	3272001 .483, 485, 487, 489	3291201001..... 393
2110604 536	2220947..... 95, 383	3290301 218, 230, 246, 258, 272, 288	3291205..... 93, 97, 99
211080821, 531, 536	2221034..... 536	3290405 107, 111, 115, 119, 123, 127, 131, 135, 139, 143, 147, 151, 155, 159, 163, 167, 195, 197, 199, 209, 218, 230, 246, 258, 272, 288, 429, 431, 491, 543, 545, 547, 549, 551, 553, 555, 557, 559, 561, 563, 589, 591	3291205001.. 31, 37, 39, 41, 43, 45, 47, 49, 51, 53, 55, 57, 59, 61, 63, 65, 67, 393
211081033, 35, 536	2221077..... 536	3290405001325	3291207..... 278, 294
2110812 531	222108633, 35, 78, 383, 385	3290507 107, 111, 115, 119, 123, 127, 131, 135, 139, 143, 147, 151, 155, 159, 163, 167, 249, 261	3291407..... 282, 298
211101095, 383, 536	2221114 218, 230, 246, 258, 272, 288	3290601 107, 111, 115, 119, 123, 127, 131, 135, 139, 143, 147, 151, 155, 159, 163, 167, 206, 207	3291407001 17, 19
2111012 21, 33	2221155..... 81	3290605 ..37, 39, 41, 43, 45, 47, 49, 51, 53, 55, 57, 59, 61, 63, 65, 67, 99, 107, 111, 115, 119, 123, 127, 131, 135, 139, 143, 147, 151, 155, 159, 163, 167, 189, 191, 193, 199, 201, 206, 218, 230, 246, 258, 272, 288, 429, 431, 464, 479, 585, 587, 589, 591	3291601 224, 236, 252, 264, 282, 298
2111016 33, 536	22230025..... 536	3290605001390, 427	3292201..... 363, 369
2111620 536	2230026..... 536	3290606 401, 407, 409, 417, 419	3292401001..... 345, 349
2120217 381	2230031..... 536	3290607 ..31, 195, 221, 224, 233, 236, 249, 252, 261, 264, 278, 282, 298, 389	3300151 397, 401, 405, 407, 409, 415, 417, 419, 464, 467, 469, 471
2131010 78, 95	2230035..... 536	3290801001536	3300353..... 433, 437
2131012 21	2230036..... 536	3290805 107, 111, 115, 119, 123, 127, 131, 135, 139, 143, 147, 151, 155, 159, 163, 167, 205, 218, 224, 230, 236, 252, 264, 272, 282, 288, 298, 389, 569, 573, 575, 577, 579	3300396..... 329, 334, 338
2150606 78	2360030 171, 173, 175, 177, 179, 181, 183, 185	329080500119, 108, 112, 116, 120, 124, 128, 132, 136, 140, 144, 148, 152, 156, 160, 164, 168, 206, 325, 329, 333, 337, 393, 541, 567, 573, 575, 577, 579, 589, 591	3300408..... 187
2150806 383	2400030..... 660, 762	3290807 218, 224, 230, 236, 246, 252, 258, 264, 272, 282, 288, 298	3300430..... 453, 459
2150808 383	2400060..... 341, 491, 660	3290807001381	3300464001 19
2150810 383	2400066..... 623, 627	3291001001393, 536	3300492..... 527
2151010 95	2410014..... 411, 421, 423	3291005 ..87, 206, 224, 236, 252, 264, 282, 298, 363, 369, 389, 429, 431, 585, 587	3310401 221, 233, 249, 261, 278, 294
2151616 78	24861170..... 283, 299		3311001..... 334, 338
2160002 83	2540044..... 527		3311005 201, 329, 333, 337, 433, 437, 464, 467, 469, 471, 479
2170204 536	2560136..... 433, 437		3311005001 325
2171310 536	2560187..... 206, 207		3311401..... 473, 475
2180344 83	2600281 399, 403, 405, 413, 415		3311405 455, 543, 545, 547, 549, 551, 553, 555, 557, 559, 561, 563, 569, 718, 722, 726, 730, 734, 738, 742, 746, 750
2180832 218, 230, 246, 258, 272, 288, 464, 479	2720015 224, 236, 252, 264, 282, 298		3311501..... 473, 475
2220235 531	2720160..... 464, 479		3311601 107, 111, 115, 119, 123, 127, 131, 135, 139, 143, 147, 151, 155, 159, 163, 167, 206, 434, 438, 455
2220313 218, 230, 246, 258, 272, 288	2750528..... 83		3311605 319, 411, 421, 423, 464, 467, 469, 471
2220366 527, 536	2750532 219, 231, 247, 259, 272, 288		3312002.. 87, 483, 485, 487, 489
2220371 35, 81	2751032..... 83		3312005..... 461
2220372 531	2820019..... 643		3312205..... 461
2220373383, 385, 536	2820031. 325, 329, 333, 337		3322201..... 93
2220374 78, 536	2820035..... 341		3331411 218, 230, 246, 258, 272, 288
2220375 536	2820171 653		3331611001 365, 371
2220380 81, 536	2820247..... 683, 685		3332415001 393
222041521, 33, 385, 527, 536	2840016 218, 230, 246, 258, 272, 288		3340763..... 515, 519
2220435 81, 383	2860030..... 762		3340764..... 379
2220465 78	2900770 501, 507, 511, 513, 515, 519, 523		3340934..... 527
2220472 21, 78	2901443..... 768		
2220473 531, 536	2902065 224, 236, 252, 264, 282, 298, 307		
2220478 536	2902212..... 461		
2220479 536	2902217. 464, 467, 469, 767		
2220498 95, 536	2902285..... 497		
2220499 383	2902443..... 624, 628, 631		
2220500 383, 536	2940074 399, 403, 405, 413, 415, 762		
2220502 527	2940173..... 206, 207		
2220504 531	3010136..... 363, 369		
2220578 536	3020037..... 278, 294		
222058278, 383, 385	3020039..... 17, 363, 369		
2220600 385	3020042. 354, 358, 363, 369		
2220602 536	3160339..... 21, 23		
2220618 536	3251102. 325, 329, 333, 337		
2220816 319	3251242 547, 549, 551, 553, 555, 557, 559, 561, 563		
2220861 33	3251243..... 330, 339, 541		
222086578, 81, 536			
2220881 33, 495			
2220883 ..33, 495, 497, 499, 501, 503, 505, 507, 511, 515, 519, 523			
2220885 ..33, 509, 511, 515, 519, 523			

SECTION 11 - SPECIAL OPTIONS/ACCESSORIES/KITS

3340941.....377, 379	3900054411, 421, 423	4240033. 451, 453, 455, 527	4460425 325, 329, 334, 338,
3340956.....461	3900260527	4240099 107, 111, 115, 119,	473, 475, 565
3380434.....429, 431	3900283381	123, 127, 131, 135, 139,	4460426 325, 329, 334, 338,
3421453.....464, 479	3900349433, 437	143, 147, 151, 155, 159,	585, 587
3421563.....85	3900363206, 207, 389	163, 167, 218, 224, 230,	4460428433, 437
3421565.....85	3900393001.....377	236, 246, 252, 258, 264,	4460434655, 660
3422178.....363, 369	3910408 221, 233, 249, 261,	272, 278, 288, 294, 341,	4460443698, 702
3422912.....17	278, 294	434, 438, 464, 467, 469,	4460458624, 698, 702
3422937.....363, 369	3910606 .329, 337, 541, 565	473, 475	4460464 19, 95, 199, 201,
3422957.....363, 369	3910612541	4240149.....461	389, 449, 491, 571, 599,
3422958.....363, 369	3910804 171, 173, 175, 177,	4240155.....538	600, 613, 615, 617, 619,
3423190.....363, 369	179, 181, 183, 185	4360057.....473, 475	621, 632, 637, 649, 651,
3430616.....434, 438	3911010201	4360070. 329, 334, 338, 762	655, 659, 677, 679, 687,
3430816 218, 230, 246, 258,	3931012433, 437	4360328 171, 173, 175, 177,	691, 693, 695, 697, 698,
272, 288	3931016 .325, 329, 333, 337	179, 181, 183, 185, 763	701, 702, 707, 711, 713
3450404 218, 230, 246, 258,	3931408453	4360336 325, 329, 333, 337,	4460465 ..95, 195, 197, 491,
272, 288	393151295	763	571, 573, 575, 577, 579,
3451214.....19	3931620 .221, 233, 278, 294	4360387 171, 173, 177, 179,	581, 583, 599, 600, 613,
3460334.....461	3931824497	181, 185, 433, 437, 763	619, 621, 623, 624, 627,
3470003.....434, 438	3932264507	4360407.....433, 437, 762	628, 631, 632, 639, 641,
3520026.....433, 437	3932272503	4360469 171, 173, 175, 177,	643, 645, 647, 649, 651,
3520071.....461	395202087	179, 181, 183, 185, 763	653, 655, 656, 660, 673,
3520072 397, 399, 401, 403,	3960389389	4360475 171, 173, 175, 177,	677, 689, 693, 697, 698,
405, 407, 409, 411, 413,	3960422 .329, 337, 541, 565	179, 181, 183, 185, 763	701, 702, 703, 705, 707,
415, 417, 419, 421, 423	396052597, 99	4360476 171, 173, 175, 177,	709, 711, 713
3520173.....207	396055119	179, 181, 183, 185	4460466 ..95, 390, 451, 457,
3520189.....334	3980006103	4360548.....389, 763	491, 571, 573, 575, 577,
3520192.....334	4000008389, 763	4420014.....461	579, 581, 583, 599, 600,
3520198 397, 399, 401, 403,	4010308 218, 230, 246, 258,	4420037. 464, 467, 469, 471	613, 619, 621, 623, 624,
405, 407, 409, 413, 415,	272, 288	4420038.....103	627, 628, 631, 649, 651,
417, 419	4010408325, 589, 591	4420051.....754	653, 655, 659, 673, 681,
3538758.....379	4010608464, 479	4420066.....461	687, 689, 693, 695, 697,
3573400. 464, 467, 469, 471	4010618 401, 407, 409, 417,	4460016.....660	698, 701, 702, 703, 707,
3573642. 464, 467, 469, 471	419	4460019.....698, 702	709, 711
3574091473, 475	4031505451	4460042. 624, 627, 631, 649	4460467768
3576799.....464, 479	4031507209	4460043.....341, 631	4460470 433, 437, 585, 587,
3577121. 464, 467, 469, 471	4031509 .195, 197, 199, 389	4460049.....473, 475	661, 698, 703
3580317. 325, 329, 333, 337	4031510389	4460051.....541	4460471 433, 437, 585, 587,
3580318.....325, 333	403151219, 389	4460071.....329, 337, 449	661, 698, 703
3740067 107, 111, 115, 119,	4031516455	4460134.....573, 575	4460473581, 583
123, 127, 131, 135, 139,	403170719, 389	4460144.....649	4460488199, 201
143, 147, 151, 155, 159,	4031708001.....427	4460183.....660	4460496 433, 437, 585, 587,
163, 167, 763	403171099	4460205.....541, 573, 575	661, 698
3740086.....687, 763	4031912252, 264	4460224.....433, 437	4460497 433, 437, 585, 587,
3760133.....363, 369	4032311001.....19	4460225.....641, 643, 659	661, 699
3760170.....85	4060802 .325, 329, 333, 337	4460226 433, 437, 444, 447,	4460508 451, 655, 659, 698,
3760217.....363, 369	4060807 224, 236, 254, 266,	449, 473, 475	702
3760233.....363, 369	282, 298	4460227.....599, 659, 660	4460509581, 583, 624
3760383.....19, 389	4060906433, 437	4460234 112, 120, 128, 136,	4460510768
3790012.....433, 437	4070863363, 369	144, 152, 160, 168, 433,	446051695
3790152 221, 233, 249, 261,	4070864363, 369	437, 473, 475, 603, 605,	4460518 656, 659, 677, 693,
278, 294	4070897363, 369	607, 609	707
3790155 221, 233, 249, 261,	4070898363, 369	4460247 624, 627, 631, 698,	4460536 189, 390, 459, 631,
278, 294	4071044363, 369	702	655, 659, 713
3790158.....21	4071045363, 369	4460256.....571, 698, 702	4460539 390, 571, 628, 631,
3820001 718, 722, 726, 730,	4071073363, 369	4460259.....491, 649, 660	635, 655, 659, 677, 698,
734, 738, 742, 746, 750	4071076377	4460260.....491, 649, 660	702, 703, 709, 711
3820020 399, 403, 405, 413,	4100063527	4460265.....444, 447	4460612565
415	4100101363, 369	4460267. 660, 697, 701, 705	4460633705
3820032 224, 236, 252, 264,	4160197363, 369	4460268.....641, 643, 655	4460662 .553, 557, 561, 563
282, 298	4220189377	4460314.....659	4460670698, 702
3841143 218, 230, 246, 258,	4220190377	4460315.....541, 659	4460703 624, 628, 631, 698,
272, 288, 363, 369, 393	4240018 325, 329, 333, 337,	4460346.....329, 337, 541	702
3841203.....363, 369	527, 531, 536, 565	4460384.....563	4460708705
3841258.....17, 19, 363, 369	4240032 112, 120, 128, 136,	4460418. 649, 659, 660, 661	4460722 341, 655, 677, 698,
3841287.....345, 349	144, 152, 160, 168, 603,	4460419. 649, 659, 660, 661	702
3841356.....17, 345, 349	605, 607, 609, 611		4460748 .624, 628, 698, 702

SECTION 11 - SPECIAL OPTIONS/ACCESSORIES/KITS

4460761 ..599, 659, 697, 701	4460941 619, 637, 681	4711400 206, 207, 397, 401,	143, 147, 151, 155, 159,
4460806 ..551, 553, 555, 557	4460942 451, 619, 623, 627,	405, 407, 409, 415, 417,	163, 167, 221, 224, 233,
4460807 641, 643	631	419, 453, 455, 457, 543,	236, 249, 252, 261, 264,
4460808 641, 643	4460943 ..95, 189, 390, 457,	545, 547, 549, 551, 553,	278, 282, 294, 298
4460836 ..95, 655, 697, 701,	459, 599, 617, 619, 631,	555, 557, 559, 561, 563	4811700.. 31, 37, 39, 41, 43,
709, 711	649, 655, 659, 681, 697,	4711500205	45, 47, 49, 51, 53, 55, 57,
4460837 95, 655	698, 701, 702	4711600 103, 224, 236, 252,	59, 61, 63, 65, 67, 99,
4460843 709, 711	4460944 ..95, 571, 619, 623,	264, 319, 434, 438, 483,	107, 111, 115, 119, 123,
4460851 599, 707	624, 627, 631, 635, 649,	485, 487, 489, 527	127, 131, 135, 139, 143,
4460852 599, 707	653, 655, 659, 660, 697,	471160000173, 75, 381	147, 151, 155, 159, 163,
4460865 581, 583	698, 701, 702, 703	4711700333, 337	167, 189, 191, 193, 199,
4460866 ..655, 659, 698, 702	4460945 ..628, 635, 699, 703	4711800 ..19, 218, 230, 246,	201, 206, 218, 221, 224,
4460871 599, 649, 659, 697,	4460950 599, 697, 701	258, 272, 288, 411, 421,	230, 233, 236, 246, 249,
701, 702, 709, 711, 713	4460956 593, 597	423	252, 258, 261, 264, 272,
4460872599, 709, 711	4460957 593, 597	4712000 461, 483, 485, 487,	278, 282, 288, 294, 298,
4460873 ..599, 659, 697, 701	4460958565	489	325, 329, 401, 407, 409,
4460874 ..599, 659, 697, 701	4460962 464, 469, 577	4712200 218, 230, 246, 258,	417, 419, 464, 479, 589,
4460875599, 709, 711	4460963 338, 577	272, 288, 461	591
4460876599, 649, 659	4460967 645, 647	474005787	4811700001 ... 390, 427, 527
446087895, 697, 701	4460968 389, 545, 549	4740171 221, 233, 249, 261,	4811702.. 99, 107, 111, 115,
4460879 491, 659	4460970 649, 697, 701	278, 294	119, 123, 127, 131, 135,
4460884 491, 619, 623, 627,	4460971 464, 479	474022917, 19	139, 143, 147, 151, 155,
639, 651, 655, 660, 673,	4460982 619	4740362429, 431	159, 163, 167, 195, 218,
697, 698, 701, 705, 709,	4460984 623, 709, 711	474050519	224, 230, 236, 252, 264,
711	4461006 624	4750400 221, 233, 249, 261,	272, 282, 288, 298, 429,
4460887 ..95, 491, 659, 697,	4461008 624, 628, 632	278, 294	431, 585, 587
701	4461016 655	475100097, 99, 329, 333,	4811702001 427
4460891 195, 197, 599, 600,	4461017 95	337, 433, 437, 464, 467,	4811900 107, 111, 115, 119,
619, 621, 632, 655, 693,	4461018 697, 701	469, 471, 479	123, 127, 131, 135, 139,
697, 698, 702, 705, 707,	4461043 624, 631	4751000001325	143, 147, 151, 155, 159,
709, 711, 713	4461054 624, 628	4751400 425, 433, 437, 459,	163, 167, 206, 207, 218,
4460892 ..623, 628, 655, 707	4461060 637	464, 467, 469, 471, 473,	224, 230, 236, 246, 252,
4460893655, 699, 703	4461070 623, 628, 693	475, 569, 718, 722, 726,	258, 264, 272, 278, 282,
4460894 571, 573, 575, 577,	4461071 624, 628, 631	730, 734, 738, 742, 746,	288, 294, 298, 389, 569,
579, 613, 623, 627, 628,	4461072 624, 631	750	573, 575, 577, 579
631, 649, 655, 660, 689,	4461074 624, 631	4751400001427	4811900001 19, 31, 108,
697, 701, 707	4461076 389	4751500473, 475	112, 116, 120, 124, 128,
4460897 199, 201, 632, 691,	4461077 390, 656, 677, 681,	4751600 107, 111, 115, 119,	132, 136, 140, 144, 148,
695, 711	687	123, 127, 131, 135, 139,	152, 156, 160, 164, 168,
4460899 ..19, 599, 600, 621,	4461095 623, 627, 693	143, 147, 151, 155, 159,	206, 325, 329, 333, 337,
651, 679, 681, 687, 698,	4461117571	163, 167, 464, 467, 469,	381, 393, 536, 541, 567,
702, 707	4461196 663	471	573, 575, 577, 579, 589,
4460905 599, 649, 659, 697,	4461198 545, 663	4751800 411, 421, 423, 473,	591
701, 702, 709, 711	4461199 665	475	4811902.. 99, 107, 111, 115,
4460906 655	4461201 549, 665	475500000119	119, 123, 127, 131, 135,
4460910 ...17, 390, 675, 683	4461205 667, 669	4760600541	139, 143, 147, 151, 155,
4460911 ..571, 600, 679, 681	4461228 390	4761400425	159, 163, 167, 205, 219,
4460912 571	4461244 553, 667	4761600 107, 111, 115, 119,	224, 231, 236, 252, 264,
4460913 390	4461245 557, 669	123, 127, 131, 135, 139,	272, 282, 288, 298, 389
4460914 19	4461246 561, 671	143, 147, 151, 155, 159,	4811902001.. 108, 112, 116,
446091717, 389, 390	4461249 671	163, 167	120, 124, 128, 132, 136,
4460918 390, 679	4461271599	4791400 107, 111, 115, 119,	140, 144, 148, 152, 156,
4460925 659	4530028 464, 467, 469, 477,	123, 127, 131, 135, 139,	160, 164, 168, 206
4460926 707	768	143, 147, 151, 155, 159,	4812000 31, 73, 75, 87, 103,
4460928 656, 677	4562516527	163, 167	107, 111, 115, 119, 123,
4460929 675	4640452501	4811400 107, 111, 115, 119,	127, 131, 135, 139, 143,
4460930 571, 623, 627, 631,	4640746511, 513	123, 127, 131, 135, 139,	147, 151, 155, 159, 163,
655, 673, 701, 709, 711	4640751 224, 236, 252, 264,	143, 147, 151, 155, 159,	167, 205, 219, 221, 224,
4460931 ..457, 695, 698, 702	282, 298	163, 167, 195, 197, 199,	231, 233, 236, 246, 249,
4460932 389, 491, 571, 573,	4641114501	218, 230, 246, 258, 272,	252, 258, 261, 264, 272,
575, 577, 579, 615, 617,	4641155 31	288, 389, 429, 431, 491,	278, 282, 288, 294, 298,
637, 649, 698, 702	4641260501	543, 545, 547, 549, 551,	325, 329, 333, 337, 363,
4460933 571, 624, 627, 628,	4641386 497, 499	553, 555, 557, 559, 561,	369, 381, 573, 575, 577,
655, 659, 693, 697, 701,	4641388 497, 499	563	579
709, 711	4641393 497, 499	4811400001325	4812002.... 97, 99, 205, 224,
4460934623, 627, 655	4711000 201, 334, 338	4811600 107, 111, 115, 119,	236, 252, 264, 282, 298,
4460935624, 627, 655		123, 127, 131, 135, 139,	

SECTION 11 - SPECIAL OPTIONS/ACCESSORIES/KITS

363, 369, 429, 431, 585, 587	5260600 273, 278, 283, 289, 294, 299	70002140..... 310	7000275978, 383
4812002001 206	5260800 273, 278, 283, 289, 294, 299	70002141..... 310	70002838101
4812100 ..93, 205, 221, 225, 233, 237, 249, 252, 261, 264, 278, 282, 294, 298, 321, 389	5261000283, 299	70002142..... 310	70002859375
4812100001 .. 31, 37, 39, 41, 43, 45, 47, 49, 51, 53, 55, 57, 59, 61, 63, 65, 67, 206, 377, 379, 393	5261018 389	70002145..... 310	70002902449
4812200 219, 225, 231, 237, 246, 252, 258, 264, 272, 282, 288, 298	5261200 .273, 278, 289, 294	70002148..... 310	70002903449
4812200001 17, 19	5271614252, 264	70002150..... 310	70002904449
4812700001 345, 349	5272024 503	70002151..... 310	70002905449
4846482 363, 369	5272025 507	70002152..... 310	7000296278
4846627 .464, 467, 469, 471	70000342 373	70002153..... 310	70003019385
4846673473, 475	70000619333, 337	70002154..... 310	70003020385
4871200 219, 231, 246, 258, 272, 288	70000778503, 505	70002155..... 310	70003021385
4871700 107, 111, 115, 119, 123, 127, 131, 135, 139, 143, 147, 151, 155, 159, 163, 167, 325, 329, 333, 337	70000781 78	70002156..... 310	70003023385
4891600 206, 221, 233, 249, 261, 278, 294	70000793 307	70002157..... 310	70003027385
4891800 219, 221, 231, 233, 246, 249, 258, 261, 273, 278, 289, 294	70000796 375	70002158..... 310	7000340833
4922641 . 326, 330, 334, 339	70000803 33	70002159..... 310	7000348495
4922925 334, 338, 643	70000804 33	70002160..... 310	7000362823
5241000 219, 225, 231, 237, 246, 252, 258, 264, 273, 289	70000805 33	70002161..... 310	70003631333, 338
5241000001 ... 365, 371, 393	70000852 23	70002162..... 310	70003708326, 330, 334, 338
5241200 .. 21, 325, 329, 333, 337, 363, 369	70000853 23	70002163..... 310	70003709326, 330, 334, 338
5241200001 ... 354, 358, 393	70000854 23	70002164..... 310	70003784433, 437
5241600 225, 237, 252, 264, 282, 298	70000855 23	70002165..... 310	70003788345, 349, 762
5242000001 21	70000856 23	70002168..... 311	70003919377
5242400 83	70000857 23	70002174..... 311	70003920377
5242400001 393	70000858 23	70002175..... 311	70003948373
5250608 . 273, 282, 289, 298	70000859 23	70002177..... 311	70004005105
5250611 . 278, 283, 294, 299	70000860 23	70002178..... 311	70004006105
5250806001 390	70000861 23	70002179..... 311	70004007105
5250808 273, 289	70000862 23	70002231..... 73, 762	7000401733
5250810 273, 278, 283, 289, 294, 299	70000863333, 338	70002297..... 333, 338	7000405078, 385
5250810001 390	70001100333, 337	70002373 501	70004051383, 385
5250812 273, 278, 283, 289, 294, 299	70001384333, 337	70002386..... 33, 762	70004052 ... 77, 78, 383, 385
5250816 283, 299	70001424 481	70002410..... 509	70004055 35, 77
5251008001 391, 393	70001425 481	70002460..... 334, 338	70004071379
5251010 283, 299	70001427 481	70002576..... 317	70004092326, 330, 334, 338
5251010001 ... 365, 371, 390	70001428 481	70002578..... 314	70004093338
5251012001 390	70001429 481	70002580..... 313	70004094334, 338
5251016 283, 299	70001430 481	70002582..... 313	70004095338
5251016001 390, 393	70001431481, 762	70002583..... 313	70004096334, 338
5251022 225, 237, 252, 264, 283, 299	70001432481, 763	70002585..... 314	70004097334, 338
5251210 283, 299	70001639 373	70002586..... 313	70004098326, 330, 334, 338
5251210001 69	70001640 375	70002588..... 313	70004099338
5251215 . 273, 278, 289, 294	70001696334, 338	70002589..... 313	70004150101
	70001697 373	70002590..... 313	7000416435
	70001870 304	70002592..... 313	70004171 326, 330, 333
	70001955 313	70002593..... 313	70004185768
	70001956 313	70002595..... 314	7000436325
	70001958 311	70002599..... 314	7000438333
	70001966326, 330, 334, 338	70002600..... 310	7000438433
	70001973326, 330, 334, 338	70002601..... 310	7000438633
	70001974334, 338	70002602..... 310	70004406503, 505, 511, 513
	70002028 25	70002604..... 311	70004407511, 513
	70002031 25	70002605..... 311	70004411101
	70002032 25	70002606..... 311	70004412101
	70002036 25	70002607..... 311	70004416313
	70002052 25	70002608..... 311	70004417313
	70002057 25, 89	70002609..... 311	70004418313
	70002097381, 762	70002610..... 311	70004419313
	70002132 310	70002612..... 311	70004420313
	70002133310, 313	70002616..... 311	70004421313
	70002134 310	70002617..... 311	70004422313
	70002135 310	70002618..... 310	70004423314
	70002136 310	70002619..... 310	70004425314
	70002137 310	70002620..... 310	70004426314
	70002138 310	70002621..... 311	7000442925
	70002139 310	70002622..... 311	7000443025
		70002623..... 311	7000443125
		70002758..... 78, 383	7000443225

SECTION 11 - SPECIAL OPTIONS/ACCESSORIES/KITS

70004433.....	25	70004583.....	77	70004769.....	443	70005953.....	78
70004434.....	25	70004584.....	77	70004770.....	443	70005954.....	383
70004435.....	25	70004585.....	77, 383, 385	70004771.....	443	70005955.....	383
70004436.....	25	70004586.....	77	70004772.....	443	70005958.....	78, 81, 383
70004437.....	25	70004587.....	77	70004773.....	443	70005959.....	81
70004438.....	25	70004588.....	77, 78, 383, 762	70004774.....	444	70005961.....	81
70004439.....	25	70004589.....	77	70004775.....	444	70005962.....	383
70004440.....	25	70004590.....	77	70005143.....	501	70005963.....	383
70004441.....	25	70004591.....	77	70005199.....	81	70005964.....	383
70004442.....	25	70004592.....	77	70005433.....	505, 511, 515, 519, 523	70005965.....	383
70004443.....	25	70004593.....	77, 383	70005492.....	241	70005966.....	385, 763
70004444.....	25	70004594.....	77, 78, 383	70005498.....	242, 304	70005967.....	385
70004445.....	25	70004595.....	77, 78, 383, 762	70005504.....	241	70005999.....	511, 513
70004446.....	25	70004596.....	77, 78, 383	70005511.....	241, 303	70006003.....	345, 349
70004447.....	25	70004597.....	77	70005513.....	241	70006004.....	346, 350, 762
70004448.....	25	70004600.....	77	70005516.....	242, 304	70006005.....	345, 349
70004449.....	26	70004601.....	78, 383	70005517.....	241, 303	70006006.....	346, 350
70004450.....	26	70004602.....	78, 383	70005522.....	241	70006137.....	73, 75
70004451.....	26	70004603.....	78	70005523.....	241	70006144.....	241, 269, 303
70004452.....	26	70004609.....	77	70005524.....	241	70006344.....	515, 519
70004453.....	26	70004610.....	78	70005544.....	241	70006363.....	524
70004456.....	383	70004613.....	78	70005548.....	242, 303	70006403.....	319
70004457.....	78, 385	70004614.....	81, 763	70005549.....	242	70006404.....	319
70004459.....	35, 77, 383	70004615.....	81	70005556.....	241	70006405.....	319, 762
70004460.....	35, 77, 383, 762	70004617.....	78, 383, 385	70005559.....	241, 303	70006406.....	319
70004461.....	35	70004618.....	78	70005564.....	269	70006407.....	319
70004462.....	35	70004619.....	78	70005565.....	97, 99	70006408.....	319
70004463.....	35, 762	70004653.....	385, 762	70005598.....	503, 505, 507	70006409.....	319
70004464.....	35	70004676.....	326, 330	70005599.....	515, 519, 523	70006410.....	319
70004465.....	35	70004678.....	326, 330	70005600.....	515, 519, 523	70006494.....	497
70004466.....	89	70004679.....	326, 330	70005601.....	515, 519, 523	70006495.....	497
70004467.....	89	70004680.....	326, 330	70005602.....	515, 519, 523	70006496.....	497
70004468.....	89	70004681.....	326	70005603.....	515, 519, 523	70006510.....	507
70004469.....	89	70004682.....	326	70005603.....	515, 519, 523	70006511.....	507
70004470.....	89	70004683.....	326, 330	70005615.....	105	70006512.....	507
70004471.....	89	70004685.....	330	70005616.....	105	70006545.....	503
70004472.....	89	70004738.....	447	70005617.....	105	70006546.....	503
70004473.....	89	70004739.....	447	70005618.....	105	70006552.....	325, 329
70004474.....	89	70004740.....	447	70005619.....	105	70006553.....	325, 329, 763
70004475.....	89	70004741.....	447	70005620.....	375	70006596.....	501, 509
70004476.....	89	70004742.....	447	70005621.....	375	70006653.....	241, 269, 303
70004477.....	89	70004743.....	447	70005622.....	375	70006707.....	77
70004478.....	89	70004744.....	447	70005624.....	326, 330	70006708.....	77
70004479.....	89	70004745.....	447	70005625.....	330	70006731.....	511, 516, 520
70004480.....	89	70004746.....	447	70005633.....	507	70006732.....	515, 519
70004481.....	89	70004747.....	447	70005651.....	333	70006853.....	515, 519
70004482.....	89	70004748.....	447	70005652.....	334	70006854.....	515, 519
70004483.....	89	70004749.....	447	70005654.....	507, 511, 513	70006856.....	515, 519
70004484.....	89	70004750.....	447	70005655.....	507	70006857.....	515, 519
70004485.....	89	70004751.....	447	70005656.....	507	70006858.....	515, 519
70004486.....	89	70004752.....	443	70005657.....	345, 349	70006859.....	515, 519, 524
70004487.....	89	70004753.....	443	70005658.....	503, 505	70006860.....	515, 519, 524
70004488.....	90	70004754.....	443	70005659.....	503, 505	70006861.....	515, 519
70004489.....	90	70004755.....	443	70005666.....	379	70006862.....	515, 519
70004490.....	90	70004756.....	443	70005678.....	95	70006863.....	516, 520
70004491.....	89	70004757.....	443	70005679.....	95	70006864.....	516, 520, 524
70004492.....	90	70004758.....	443	70005804.....	515, 519, 524	70006865.....	516, 520, 524
70004493.....	90	70004759.....	443	70005839.....	499, 505, 523	70006866.....	511
70004494.....	90	70004760.....	443	70005943.....	77	70006867.....	511, 515, 519
70004508.....	303	70004761.....	443	70005944.....	77	70006868.....	511
70004511.....	303	70004762.....	443	70005945.....	77	70006869.....	511
70004512.....	241, 269, 303	70004763.....	443	70005946.....	77	70006870.....	511
70004515.....	241, 269, 303	70004764.....	443	70005947.....	77, 78	70006871.....	511
70004517.....	269	70004765.....	443	70005948.....	77	70006872.....	511
70004518.....	269	70004766.....	443	70005950.....	78	70007049.....	497
70004519.....	269	70004767.....	443	70005951.....	78	70007083.....	241, 303
70004520.....	241, 269, 303	70004768.....	443	70005952.....	78	70007085.....	241

SECTION 11 - SPECIAL OPTIONS/ACCESSORIES/KITS

70007093.....	241	70023809.....	225, 237, 253, 265, 283, 299, 762	7007439.....	23, 311	7024463.....	477
70007993.....	501	70023859.....	77	7007446.....	23, 310, 313	7024467.....	477
70007994.....	501	70023860.....	77, 78	7007489.....	317	7024469.....	477
70007995.....	501	70023862.....	77	7008010.....	509	7024470.....	477
70007996.....	501	70023866.....	81	7008011.....	509	7024471.....	477, 481
70007997.....	501	70023867.....	81	7010543.....	33	7024472.....	477
70007998.....	501	70023872.....	225, 237, 253, 265, 283, 299, 762	7011346.....	507, 515, 519, 523	7024473.....	477
70008012.....	509	70024039.....	313	7011351.....	503, 505, 511, 513, 515, 519, 523	7024474.....	477
70008013.....	509	70024040.....	313	7011353.....	497, 499	7024475.....	477
70008014.....	495	70024072.....	507	7011361.....	507, 515, 519, 523	7024478.....	477
70008015.....	495	7002412.....	495	7011368.....	515, 519, 523	7024485.....	334, 338, 762
70008016.....	495	70024328.....	225, 237, 253, 265, 283, 299	7011371.....	515, 519, 523	7024488.....	333, 337
70008017.....	495	70024329.....	225, 237, 253, 265, 283, 299	7011376.....	495, 497, 499, 503, 505, 507	7024489.....	333, 337
70008018.....	495	70024472.....	269	7011381.....	511, 513	7024530.....	481
70008019.....	495	70024474.....	241, 269, 303	7012773.....	35, 77, 383	7024531.....	481
70008067.....	499	70024480.....	241, 303	7012941.....	33	7024532.....	481
70008068.....	499	70024481.....	242, 269	7012973.....	33	7024533.....	481
70008069.....	499	70024485.....	241, 269, 303	7012998.....	33, 501	7024534.....	481
70008070.....	499	70024487.....	241, 269	7016322.....	218, 230, 246, 258, 272, 288	7024535.....	481
70008211.....	523	70024494.....	242, 269, 304	7016331.....	242, 269, 304	7024536.....	481
70008212.....	523	70024495.....	304	7016374.....	218, 230, 246, 258, 272, 288	7024537.....	481
70008213.....	523	70024504.....	241, 269, 303	7016654.....	768	7024574.....	503, 505
70008214.....	523	70024507.....	241, 269, 303	7016655.....	768	7024598.....	218, 230, 246, 258, 272, 288
70008215.....	523	70024513.....	303	7017142.....	373	7024800.....	311
70008216.....	523	70024961.....	303	7017159.....	373	7024865.....	23
70008217.....	523	70025088.....	242, 269, 304	7017163.....	373	7024867.....	23
70008218.....	523	70025153.....	241, 269, 303	7017164.....	373	7024868.....	23
70008219.....	523	70025707.....	242, 304	7017187.....	375	7024885.....	385, 762
70008220.....	523	70025745.....	242, 269, 304	7017189.....	375	7024899.....	385
70008221.....	523	70025780.....	241, 269, 303	7017195.....	373	7026004.....	503, 505
70008222.....	523	70025789.....	242, 269	7017402.....	385	7026030.....	95
70008223.....	523	70025979.....	314	7017493.....	33	7026031.....	95, 763
70008224.....	523	70026210.....	241, 269, 303	7018942.....	78, 383	7026032.....	95
70008225.....	524	70026446.....	345, 349	7020175.....	171, 173, 175, 177, 179, 181, 183, 185	7026597.....	334, 338
70008226.....	524	70027405.....	241	7020176.....	171, 173, 175, 177, 179, 181, 183, 185	7026626.....	334, 338
70008228.....	505	70027420.....	241	7020404.....	242, 269, 304	7027740.....	23
70008229.....	505	70027425.....	303	7020465.....	242, 269, 304	7027773.....	477
70008230.....	505	70027460.....	241	7021249.....	23	7027774.....	477
70008231.....	505	70027463.....	241, 303	7021256.....	311	7027775.....	477
70008232.....	505	70027464.....	241, 303	7021265.....	311	7027776.....	477
70008233.....	505	70027467.....	241, 303	7021275.....	23, 310, 313	7027777.....	477
70008234.....	505	70027495.....	241, 303	7021293.....	311	7027778.....	477
70008235.....	505	70027569.....	269	7021375.....	35, 77, 383	7027779.....	477
70008236.....	505	70027702.....	511	7021625.....	33	7027780.....	477
70008237.....	505	7002821.....	768	7022300.....	311	7027799.....	334, 338
70008238.....	505	7002822.....	768	7022301.....	310	7300435.....	225, 237, 252, 264, 283, 299
70008239.....	505	7002823.....	768	7022311.....	23	77133089.....	536
70008358.....	75, 762	7002828.....	768	7022314.....	23	77133137219.....	231, 273, 289
70008368.....	75	70028540.....	241, 269	7022321.....	23	77363232325.....	329, 333, 337
70008369.....	75	70029401.....	241, 269, 303	7022340.....	313	77363233.....	641, 643
70008612.....	241, 303	70029407.....	303	7022368.....	23	7894000042.....	391
70008613.....	241, 303	70029468.....	495	7022371.....	23	80963067.....	624, 698, 702
70022286.....	313	7004237.....	509	7022390.....	385	82033995219.....	231, 273, 289
70022287.....	313	7004275.....	768	7022399.....	33	8220007.....	659
70022564.....	495, 501, 509	7004276.....	768	7022523.....	383	8220045.....	623, 627
70023351.....	313	70052577.....	495	7023377.....	313	8220051.....	637
70023352.....	313	7007207.....	310, 313	7023922.....	385	8220068.....	709, 711
70023353.....	313	7007415.....	311, 313, 314	7023962.....	313	8220097.....	624, 628, 698, 702
70023354.....	313	7007418.....	310	7023964.....	313, 314	8220098.....	624, 628, 698, 702
70023355.....	313	7007419.....	310	7024441.....	101	8220115.....	631
70023357.....	313	7007420.....	23	7024462.....	477	8220116.....	698, 702
70023358.....	313	7007437.....	23			8229242.....	623, 628, 702, 762
70023359.....	313	7007438.....	23			8229244.....	623, 628, 702, 762
70023361.....	313					8229245.....	624, 628, 762
70023362.....	313					8229247.....	623, 628, 762
70023363.....	313						
70023368.....	511						
70023380.....	523						
70023592.....	253, 265, 762						
70023593.....	253, 265, 762						

SECTION 11 - SPECIAL OPTIONS/ACCESSORIES/KITS

8229249	491, 762	8310686	107, 111, 115, 119, 123, 127, 131, 135, 139, 143, 147, 151, 155, 159, 163, 167, 389	8406109	225, 237, 253, 265, 283, 299, 541, 567, 589, 591	8769123	219, 231, 246, 258, 273, 289
8278020	225, 237, 252, 265, 283, 299	8405006319	8406110	.225, 237, 254, 266	8769127	.219, 231, 273, 289
8305401	225, 237, 253, 265, 283, 299	8405007	225, 237, 253, 265, 283, 299	8406201	.219, 231, 273, 289	8769128531
8305919	219, 231, 247, 259, 274, 290, 325, 329, 333, 337	8405009	.225, 237, 283, 299	8406303	.253, 265, 273, 289	8826112873, 75
8307109	225, 237, 253, 265, 283, 299	8405104	225, 237, 253, 265, 283, 299	8410009	.219, 231, 273, 289	88411013569
8310067	219, 231, 246, 258, 273, 289	8405211	.225, 237, 283, 299	8410011	225, 237, 253, 265, 283, 299	88521214483	485, 487, 489
8310129461	8406003389	8410012	225, 237, 254, 266, 283, 299	88662013536
8310548	225, 237, 253, 265, 283, 299	8406101	.99, 107, 111, 115, 119, 123, 127, 131, 135, 139, 143, 147, 151, 155, 159, 163, 167, 219, 231, 246, 258, 273, 289	8410013	219, 225, 231, 237, 253, 265, 273, 283, 289, 299	91043147278, 294
8310614391	8406102	.219, 231, 273, 289	8750014	219, 231, 246, 258, 273, 289	91203039393
8310643001	...108, 112, 116, 120, 124, 128, 132, 136, 140, 144, 148, 152, 156, 160, 164, 168, 206, 381	8406105	219, 231, 247, 259, 273, 289	8750031	219, 231, 246, 258, 273, 289	91403230718, 722, 726, 730, 734, 738, 742, 746, 750
				8760554536	91554014709, 711
				8769122531	91563070225, 237, 253, 265, 283, 299



Corporate Office
JLG Industries, Inc.
1 JLG Drive
McConnellsburg, PA 17233-9533 USA
☎ **(717) 485-5161 (Corporate)**
☎ **(877) 554-5438 (Customer Support)**
📠 **(717) 485-6417**

Visit our website for JLG Worldwide Locations.
www.jlg.com



OSHKOSH™