



# Illustrated Parts Manual

**Model  
1850SJ**

**PVC  
2207**

**P/N  
31220609**

**September 1, 2023 - Rev C**

**ANSI**

**CE**



**UK  
CA**

**AS/NZS**



An Oshkosh Corporation Company



## **REVISION LOG**

July 11, 2022 - A - Original Issue of Manual (Edited to B/M 1001261850 Revision M)  
November 15, 2022 - B - Revised Manual (Edited to B/M 1001261850 Revision N)  
September 1, 2023 - C - Revised Manual (Edited to B/M 1001261850 Revision N)

# GENERAL INFORMATION



## 1) MACHINE IDENTIFICATION

Machines are identified by model and in some cases a combination of models, serial number (SN) or regional standard (i.e ANSI, CE, CSA). Components may also be identified by SN or manufacturer. Common components that may be identified by these characteristics are engines and hydraulic components.

## 2) PARTS MANUAL ORGANIZATION

Product information in this manual is organized under section titles. Frame, Cylinder, Hydraulic and Electrical are a few examples. Each section is organized by figure and page number. The information within the Figure is then organized by item number, part number, description and corresponding illustration (s).

## 3) TABLE OF CONTENTS (NOT SHOWN)

A table of contents is found toward the beginning of the manual. Figure number, description and page number are provided for quick reference to the page containing the related information.

## 4) RECOMMENDED SPARE PARTS (NOT SHOWN)

The Recommended Spare Parts List, located near the end of the manual, reference most frequently used maintenance parts.

## 5) PART NUMBER INDEX (NOT SHOWN)

A numerical index listing all part numbers and the corresponding page number(s) appears at the back of the manual.

## GENERAL INFORMATION

### 6) NON-SERVICED PARTS

In some instances, it is necessary to display non-serviced parts, assemblies or installations. In the case of assemblies and installations there will be a Ref in the Qty. column. In case of parts that are not available for service within assemblies or components, there will be a NSS (Not Sold Separately) or NLA (No Longer Available) listed in the Qty. column of the manual.

### 7) PARTS LIST ITEM NUMBERS

Numbers shown in the item# column correspond to numbers used in the associated illustration (s). Item numbers which are missing from the sequence in the parts list are not used on that page.

### 8) INDENTED PARTS DESCRIPTION

An indented part description is included in the item under which it is indented.

### 9) ABBREVIATION AND SYMBOLS

AC.....	Alternating Current	L.....	Liter
ADE.....	Advanced Design Electronics	LB(LBS).....	Pounds
AG.....	Agricultural	LCD.....	Liquid Crystal Display
ANSI.....	American National Standards Institute	LED.....	Light Emitting Diodes
AR.....	As Required	LH.....	Left Hand
ASSY.....	Assembly	LRC.....	Low Rated Countries
AUS.....	Australia	LSS.....	Load Sensing System
AUX.....	Auxiliary	M(m).....	Metric/Meter
AWG.....	American Wire Gauge	MM(mm).....	Milimeter
B/M.....	Bill of Material	mA.....	Miliamps
CAC.....	Charge Air Cooler	NLA.....	No Longer Available
CE.....	European Conformity	NPT.....	National Pipe Threads
CCW.....	Counter Clockwise	NSS.....	Not Sold Separately
CM.....	Centimeter	OD.....	Outside Diameter
CW.....	Clockwise	ORB.....	O-Ring Boss
CSA.....	Canadian Standards Association	ORFS.....	O-Ring Face Seal
CYL.....	Cylinder	OZ (oz).....	Ounces
DIA.....	Diameter	PG.....	Page
DC.....	Direct Current	PN.....	Part Number
DEF.....	Diesel Exhaust Fluid	QT(qt.).....	Quarts
EMS.....	Emergency Stop	QTY.....	Quantity
ENG.....	Engine	REF.....	Reference
FT(ft).....	Feet	REV.....	Revision Level
GA(Ga).....	Gauge	RH.....	Right Hand
HRC.....	High Rated Countries	SAE.....	Society of Automotive Engineers
HVAC.....	Heating, Ventilating, and Air Conditioning	SN.....	Serial Number
HYD.....	Hydraulic	SPEC(S).....	Specifications
Hz.....	Hertz	T/T.....	Turntable
ID.....	Inside Diameter	UGM.....	Universal Ground Module
IN.....	inches	V.....	Volts
ISO.....	International Organization for Standards	W.....	Watts
JIC.....	Joint Industry Council	#.....	Number
KG.....	Kilogram		

### 10) ILLUSTRATION REFERENCE LETTERS

When necessary, illustrations may contain reference letters that are intended to track information (i. e. hoses, harnesses) from one point to another or to track visual enlargement of components to show details that may be located in another area on the illustration.

*Note: Due to continuous product improvements, JLG Industries, Inc. reserves the right to make specification changes without prior notification. Contact JLG Industries, Inc. for updated information.*



# TABLE OF CONTENTS

SECTION 1 - FRAME.....	15
FIGURE 1-1. AXLES INSTALLATION .....	16
FIGURE 1-2. STEERING INSTALLATION .....	18
FIGURE 1-3. WHEEL DRIVE INSTALLATION .....	20
FIGURE 1-4. DRIVE MOTOR ASSEMBLY .....	22
FIGURE 1-5. DRIVE HUB ASSEMBLY .....	24
FIGURE 1-6. TIRE/WHEEL INSTALLATION - IN445/50D710 FOAM-FILLED.....	28
FIGURE 1-7. VALVES INSTALLATION - FRAME (WITH LSS).....	30
FIGURE 1-8. TRACTION VALVE ASSEMBLY .....	32
FIGURE 1-9. STEER/AXLE EXTEND VALVE ASSEMBLY.....	34
FIGURE 1-10. COVERS INSTALLATION - FRAME.....	36
FIGURE 1-11. ELECTRICAL COMPONENTS INSTALLATION - FRAME (ANSI EXPORT (LRC), AUSTRALIAN AND CHINA SPECS) (Prior to SN 0300298210).....	38
FIGURE 1-12. ELECTRICAL COMPONENTS INSTALLATION - FRAME (ANSI EXPORT (LRC), AUSTRALIAN AND CHINA SPECS) (SN 0300298210 to Present).....	40
FIGURE 1-13. ELECTRICAL COMPONENTS INSTALLATION - FRAME (ANSI, ANSI EXPORT (HRC), CSA AND JAPANESE SPECS) (Prior to SN 0300298210).....	42
FIGURE 1-14. ELECTRICAL COMPONENTS INSTALLATION - FRAME (ANSI, ANSI EXPORT (HRC), CSA AND JAPANESE SPECS) (SN 0300298210 to Present).....	44
FIGURE 1-15. ELECTRICAL COMPONENTS INSTALLATION - FRAME (CE & UK CA SPECS) (LRC) (Prior to SN 0300298210) .....	46
FIGURE 1-16. ELECTRICAL COMPONENTS INSTALLATION - FRAME (CE & UK CA SPECS) (LRC) (SN 0300298210 to Present) .....	48
FIGURE 1-17. ELECTRICAL COMPONENTS INSTALLATION - FRAME (CE & UK CA SPECS) (Prior to SN 0300298210) .....	50
FIGURE 1-18. ELECTRICAL COMPONENTS INSTALLATION - FRAME (CE & UK CA SPECS) (SN 0300298210 to Present) ..	52
FIGURE 1-19. ELECTRICAL COMPONENTS INSTALLATION - FRAME (DUETZ TCD3.6L (CHINA IV) ENGINES) (CHINA SPECS ONLY) (Prior to SN 0300299160).....	54
FIGURE 1-20. ELECTRICAL COMPONENTS INSTALLATION - FRAME (DUETZ TCD3.6L (CHINA IV) ENGINES) (CHINA SPECS ONLY) (SN 0300300728 to Present, Excluding 0300299161).....	56
SECTION 2 - TURNTABLE.....	59
FIGURE 2-1. VALVES AND FILTERS INSTALLATION - TURNTABLE (PARKER HYDRAULIC FILTER) .....	60
FIGURE 2-2. VALVES AND FILTERS INSTALLATION - TURNTABLE (DONALDSON HYDRAULIC FILTER) .....	62
FIGURE 2-3. MAIN VALVE ASSEMBLY .....	64
FIGURE 2-4. TURNTABLE BEARING INSTALLATION .....	68
FIGURE 2-5. TURNTABLE LOCK INSTALLATION.....	70
FIGURE 2-6. SWING DRIVE INSTALLATION .....	72
FIGURE 2-7. SWING HUB/BRAKE/ MOTOR ASSEMBLY.....	74
FIGURE 2-8. COUPLING AND COLLECTOR RING INSTALLATION.....	78
FIGURE 2-9. COUPLING AND COLLECTOR RING ASSEMBLY .....	80
FIGURE 2-10. TANKS INSTALLATION.....	82
FIGURE 2-11. TANKS INSTALLATION - WITH DIESEL EXHAUST FLUID TANK.....	84
FIGURE 2-12. HYDRAULIC TANK ASSEMBLY.....	86
FIGURE 2-13. AUXILIARY POWER/BATTERIES INSTALLATIONS .....	88
FIGURE 2-14. AUXILIARY PUMP AND MOTOR ASSEMBLY.....	90
FIGURE 2-15. TURNTABLE ELECTRICAL COMPONENTS INSTALLATION (ANSI EXPORT (LRC), AUSTRALIAN AND CHINA SPECS) .....	92

# TABLE OF CONTENTS

FIGURE 2-16. TURNTABLE ELECTRICAL COMPONENTS INSTALLATION (ANSI EXPORT (LRC), AUSTRALIAN AND CHINA SPECS) (SN 0300298210 to Present) .....	96
FIGURE 2-17. TURNTABLE ELECTRICAL COMPONENTS INSTALLATION (ANSI, ANSI EXPORT (HRC), CSA AND JAPANESE SPECS) .....	100
FIGURE 2-18. TURNTABLE ELECTRICAL COMPONENTS INSTALLATION (ANSI, ANSI EXPORT (HRC), CSA AND JAPANESE SPECS) (SN 0300298210 to Present).....	104
FIGURE 2-19. TURNTABLE ELECTRICAL COMPONENTS INSTALLATION (CE & UK CA (LRC) SPECS) .....	108
FIGURE 2-20. TURNTABLE ELECTRICAL COMPONENTS INSTALLATION (CE & UK CA (LRC) SPECS) (SN 0300298210 to Present).....	112
FIGURE 2-21. TURNTABLE ELECTRICAL COMPONENTS INSTALLATION (CE & UK CA SPECS).....	116
FIGURE 2-22. TURNTABLE ELECTRICAL COMPONENTS INSTALLATION (CE & UK CA SPECS) (SN 0300298210 to Present) .....	120
FIGURE 2-23. TURNTABLE ELECTRICAL COMPONENTS INSTALLATION - DUETZ TCD3.6L (CHINA IV) ENGINES (CHINA SPECS ONLY) (Prior to SN 0300299160) .....	124
FIGURE 2-24. TURNTABLE ELECTRICAL COMPONENTS INSTALLATION - DUETZ TCD3.6L (CHINA IV) ENGINES (CHINA SPECS ONLY) (SN 0300300728 to Present, Excluding 0300299161) .....	128
FIGURE 2-25. GROUND CONTROL CONSOLE ASSEMBLY (ANSI EXPORT (LRC), AUSTRALIAN AND CHINA SPECS) .....	132
FIGURE 2-26. GROUND CONTROL CONSOLE ASSEMBLY (ANSI, ANSI EXPORT (HRC), CSA AND JAPANESE SPECS) ..	134
FIGURE 2-27. GROUND CONTROL CONSOLE ASSEMBLY (CE & UK CA (LRC) SPECS) .....	136
FIGURE 2-28. GROUND CONTROL CONSOLE ASSEMBLY (CE & UK CA SPECS).....	138
FIGURE 2-29. KEY SWITCH .....	140
FIGURE 2-30. LIGHT PANEL .....	142
FIGURE 2-31. ELECTRICAL PANEL ASSEMBLY .....	144
FIGURE 2-32. ALARM INSTALLATION.....	146
FIGURE 2-33. BEACON LIGHT INSTALLATION - AMBER.....	148
FIGURE 2-34. BEACON LIGHT INSTALLATION - AMBER (SN 0300298210 to Present) .....	150
FIGURE 2-35. STROBE LIGHT INSTALLATION - BLUE .....	152
FIGURE 2-36. STROBE LIGHT INSTALLATION - BLUE (SN 0300298210 to Present).....	154
FIGURE 2-37. STROBE LIGHT INSTALLATION - RED .....	156
FIGURE 2-38. STROBE LIGHT INSTALLATION - RED (SN 0300298210 to Present).....	158
FIGURE 2-39. HOOD INSTALLATION .....	160
FIGURE 2-40. HOOD INSTALLATION .....	166
FIGURE 2-41. VENTURI INSTALLATION (HRC) (ANSI, ANSI EXPORT, CSA, JAPANESE, CE & UK CA) .....	172
FIGURE 2-42. VENTURI INSTALLATION (LRC) (ANSI EXPORT, AUSTRALIAN, CHINA, CE & UK CA).....	174
SECTION 3 - ENGINE .....	177
FIGURE 3-1. DEUTZ LRC ENGINE INSTALLATION - WITHOUT COLD WEATHER PKG .....	178
FIGURE 3-2. DEUTZ LRC ENGINE/PUMP ASSEMBLY - WITHOUT COLD WEATHER PKG .....	182
FIGURE 3-3. DEUTZ LRC ENGINE ASSEMBLY - WITHOUT COLD WEATHER PKG .....	184
FIGURE 3-4. DEUTZ LRC ENGINE INSTALLATION - WITH COLD WEATHER PKG.....	190
FIGURE 3-5. DEUTZ LRC ENGINE/PUMP ASSEMBLY - WITH COLD WEATHER PKG.....	194
FIGURE 3-6. DEUTZ LRC ENGINE ASSEMBLY - WITH COLD WEATHER PKG.....	196
FIGURE 3-7. DEUTZ LRC ENGINE COMPONENTS .....	202
FIGURE 3-8. DEUTZ HRC ENGINE INSTALLATION - WITHOUT COLD WEATHER PKG.....	204
FIGURE 3-9. DEUTZ HRC ENGINE/PUMP ASSEMBLY - WITHOUT COLD WEATHER PKG .....	208
FIGURE 3-10. DEUTZ HRC ENGINE ASSEMBLY - WITHOUT COLD WEATHER PKG.....	210
FIGURE 3-11. DEUTZ HRC ENGINE INSTALLATION - WITH COLD WEATHER PKG .....	216
FIGURE 3-12. DEUTZ HRC ENGINE/PUMP ASSEMBLY - WITH COLD WEATHER PKG.....	220



# TABLE OF CONTENTS

FIGURE 3-13. DEUTZ HRC ENGINE ASSEMBLY - WITH COLD WEATHER PKG .....	222
FIGURE 3-14. DEUTZ HRC ENGINE COMPONENTS .....	228
FIGURE 3-15. DEUTZ HRC (STAGE V) ENGINE INSTALLATION - WITHOUT COLD WEATHER PKG .....	232
FIGURE 3-16. DEUTZ HRC (STAGE V) ENGINE/PUMP ASSEMBLY - WITHOUT COLD WEATHER PKG .....	236
FIGURE 3-17. DEUTZ HRC (STAGE V) ENGINE ASSEMBLY - WITHOUT COLD WEATHER PKG .....	240
FIGURE 3-18. DEUTZ HRC (STAGE V) ENGINE COMPONENTS .....	246
FIGURE 3-19. DEUTZ TCD3.6L ENGINE INSTALLATION (CHINA IV).....	250
FIGURE 3-20. DEUTZ TCD3.6L ENGINE AND PUMPS ASSEMBLY (CHINA IV).....	254
FIGURE 3-21. DEUTZ TCD3.6L ENGINE ASSEMBLY (CHINA IV).....	258
FIGURE 3-22. DUETZ TCD3.6L ENGINE COMPONENTS (CHINA IV).....	264
FIGURE 3-23. EXHAUST TEMPERATURE SENSOR INSTALLATION (DEUTZ TCD3.6L (CHINA IV) ENGINE).....	266
FIGURE 3-24. EXHAUST TEMPERATURE SENSOR ASSEMBLY (DEUTZ TCD3.6L (CHINA IV) ENGINE).....	268
FIGURE 3-25. PUMP COUPLING KIT .....	270
FIGURE 3-26. TANDEM PUMP ASSEMBLY .....	272
FIGURE 3-27. PISTON PUMP ASSEMBLY .....	276
FIGURE 3-28. GEAR PUMP ASSEMBLY .....	280
FIGURE 3-29. FUEL FILTER/WATER SEPARATOR INSTALLATION .....	282
FIGURE 3-30. FUEL FILTER ASSEMBLY .....	284
FIGURE 3-31. SPARK ARRESTOR INSTALLATION - DEUTZ LRC (OPTIONAL).....	286
FIGURE 3-32. SPARK ARRESTOR INSTALLATION - DEUTZ T4F (OPTIONAL).....	288
FIGURE 3-33. 4000W GENERATOR INSTALLATION - 50HZ SPEC (OPTIONAL).....	290
FIGURE 3-34. 7500W SKYPOWER GENERATOR INSTALLATION - 60HZ (OPTIONAL).....	294
FIGURE 3-35. 7500W SKYPOWER GENERATOR INSTALLATION - 50HZ (OPTIONAL).....	298
SECTION 4 - BOOM .....	301
FIGURE 4-1. BOOM INSTALLATION.....	302
FIGURE 4-2. BOOM ASSEMBLY .....	304
FIGURE 4-3. JIB INSTALLATION .....	312
FIGURE 4-4. JIB ASSEMBLY .....	316
FIGURE 4-5. PLATFORM ROTATOR ASSEMBLY.....	318
FIGURE 4-6. JIB ROTATOR ASSEMBLY .....	320
FIGURE 4-7. PLATFORM SUPPORT INSTALLATION.....	322
FIGURE 4-8. BOOM CABLES INSTALLATION - 4000W 50HZ GENERATOR (ANSI EXPORT, AUSTRALIAN, CHINA, JAPANESE, CE & UK CA SPECS) .....	324
FIGURE 4-9. BOOM CABLES (AUSTRALIAN, CHINA, CE & UK CA SPECS).....	326
FIGURE 4-10. BOOM CABLES - ANSI, ANSI EXPORT, CSA AND JAPANESE SPECS.....	328
FIGURE 4-11. BOOM CABLES - SKYPOWER .....	330
FIGURE 4-12. BOOM SENSORS AND SWITCHES INSTALLATION.....	332
FIGURE 4-13. JIB ENCLOSURE BOX ASSEMBLY (Prior to SN 0300298210) .....	338
FIGURE 4-14. JIB ENCLOSURE BOX ASSEMBLY (Prior to SN 0300298210) .....	340
FIGURE 4-15. JIB ENCLOSURE BOX ASSEMBLY (SN 0300298210 to Present) .....	342
FIGURE 4-16. POWER TRACK INSTALLATION - BOOM.....	344
FIGURE 4-17. VALVES INSTALLATION - BOOM (WITH LSS) .....	348
FIGURE 4-18. JIB VALVE ASSEMBLY .....	350
FIGURE 4-19. PLATFORM VALVE ASSEMBLY .....	352
SECTION 5 - PLATFORM.....	355

# TABLE OF CONTENTS

FIGURE 5-1. PLATFORM ASSEMBLY - 30IN X 3FT (76CM X 91.5CM) DROP BAR ENTRY .....	356
FIGURE 5-2. PLATFORM ASSEMBLY - 36IN X 6FT (91.5CM X 1.83M) SIDE GATE ENTRY .....	358
FIGURE 5-3. PLATFORM ASSEMBLY - 36IN X 6FT (91.5CM X 1.83M) SIDE GATE/DROP BAR TRI-ENTRY .....	360
FIGURE 5-4. PLATFORM ASSEMBLY - 36IN X 6FT (91.5CM X 1.83M) DROP BAR TRI-ENTRY .....	362
FIGURE 5-5. PLATFORM ASSEMBLY - 36IN X 8FT (91.5CM X 2.44M) SIDE GATE ENTRY .....	364
FIGURE 5-6. PLATFORM ASSEMBLY - 36IN X 8FT (91.5CM X 2.44M) DROP BAR ENTRY .....	366
FIGURE 5-7. PLATFORM ASSEMBLY - 36IN X 8FT (91.5CM X 2.44M) WITH TRI-ENTRY (1 GATE/2 DROP BARS) .....	368
FIGURE 5-8. PLATFORM ASSEMBLY - 36IN X 8FT (91.5CM X 2.44M) WITH TRI-ENTRY (3 DROP BARS).....	370
FIGURE 5-9. PLATFORM ASSEMBLY - 36IN X 8FT (91.5CM X 2.44M) FALL ARREST - ANSI SPEC .....	372
FIGURE 5-10. TRAY INSTALLATION.....	374
FIGURE 5-11. LCD DISPLAY INSTALLATION.....	376
FIGURE 5-12. PLATFORM CONTROLS INSTALLATION - WITH SKYGUARD .....	378
FIGURE 5-13. PLATFORM CONSOLE ASSEMBLY - WITH SKYGUARD .....	380
FIGURE 5-14. LIGHT PANEL .....	384
FIGURE 5-15. CONTROLLER ASSEMBLY (LIFT AND SWING) .....	386
FIGURE 5-16. CONTROLLER ASSEMBLY (DRIVE AND STEER) .....	390
FIGURE 5-17. FOOTSWITCH ASSEMBLY .....	392
FIGURE 5-18. SKYGUARD BAR INSTALLATION.....	394
FIGURE 5-19. SKYCUTTER INSTALLATION (ANSI, ANSI EXPORT, CHINA, CSA AND JAPANESE SPECS) .....	396
FIGURE 5-20. SKYEYE INSTALLATION.....	398
FIGURE 5-21. SKYGLAZIER INSTALLATION (ANSI AND CSA SPECS).....	400
FIGURE 5-22. SKYGLAZIER INSTALLATION (DANISH SPECS).....	402
FIGURE 5-23. SKYGLAZIER INSTALLATION (ENGLISH/FRENCH SPECS).....	404
FIGURE 5-24. SKYGLAZIER INSTALLATION (GERMAN SPECS) .....	406
FIGURE 5-25. SKYGLAZIER INSTALLATION (ITALIAN SPECS).....	408
FIGURE 5-26. SKYGLAZIER INSTALLATION (PORTUGUESE SPECS) .....	410
FIGURE 5-27. SKYGLAZIER INSTALLATION (SPANISH SPECS) .....	412
FIGURE 5-28. SKYGLAZIER INSTALLATION (SWEDISH SPECS).....	414
FIGURE 5-29. SKYGLAZIER INSTALLATION (UK SPECS) .....	416
FIGURE 5-30. SKYLINE INSTALLATION.....	418
FIGURE 5-31. SKYSENSE MID TUBE SENSOR ASSEMBLY .....	420
FIGURE 5-32. SKYSENSE OVERHEAD SENSOR ASSEMBLY .....	422
FIGURE 5-33. SKYWELDER INSTALLATION (50HZ).....	424
FIGURE 5-34. SKYWELDER INSTALLATION (60HZ).....	426
FIGURE 5-35. SKYWELDER PREP PACKAGE (60HZ).....	428
FIGURE 5-36. SKYWELDER/SKYCUTTER COMBO INSTALLATION (60HZ) (ANSI, ANSI EXPORT, CHINA, CSA & JAPANESE SPECS).....	430
FIGURE 5-37. SOFT TOUCH INSTALLATION - 8FT (2.4M) PLATFORM (OPTIONAL) .....	434
FIGURE 5-38. SOFT TOUCH INSTALLATION - 8FT (2.4M) FALL ARREST PLATFORM (OPTIONAL) .....	436
FIGURE 5-39. PLASMA CUTTER ASSEMBLY .....	438
FIGURE 5-40. WELDER ASSEMBLY .....	440
FIGURE 5-41. FALL ARREST INSTALLATION (BOLT - ON) (6FT/1.82M PLATFORM).....	442
FIGURE 5-42. FALL ARREST INSTALLATION (BOLT-ON) (6FT/1.82M TRI-ENTRY PLATFORM).....	444
FIGURE 5-43. FALL ARREST INSTALLATION (BOLT - ON) (8FT/2.4M PLATFORM).....	446
FIGURE 5-44. USB CHARGER INSTALLATION.....	448

# TABLE OF CONTENTS

SECTION 6 - CYLINDER .....	451
FIGURE 6-1. AXLE EXTEND CYLINDER ASSEMBLY .....	452
FIGURE 6-2. LEVEL CYLINDER ASSEMBLY - JIB SLAVE.....	454
FIGURE 6-3. LEVEL CYLINDER ASSEMBLY - PLATFORM SLAVE .....	456
FIGURE 6-4. LIFT CYLINDER ASSEMBLY - BOOM .....	458
FIGURE 6-5. LIFT CYLINDER ASSEMBLY - JIB.....	460
FIGURE 6-6. LOCK CYLINDER ASSEMBLY - JIB.....	462
FIGURE 6-7. STEER CYLINDER ASSEMBLY.....	464
FIGURE 6-8. TELESCOPE CYLINDER ASSEMBLY - BOOM .....	466
FIGURE 6-9. TELESCOPE CYLINDER ASSEMBLY - JIB.....	468
SECTION 7 - HYDRAULIC .....	471
FIGURE 7-1. BOOM AND JIB HYDRAULIC DIAGRAM .....	472
FIGURE 7-2. CHASSIS HYDRAULIC DIAGRAM.....	474
FIGURE 7-3. TURNTABLE HYDRAULIC DIAGRAM .....	478
FIGURE 7-4. HYDRAULIC DIAGRAM LIST .....	482
SECTION 8 - ELECTRICAL .....	483
FIGURE 8-1. ELECTRICAL DIAGRAM LIST.....	484
FIGURE 8-2. AC BOX AT PLATFORM INSTALLATION - 110V IEC 60309 YELLOW WITHOUT 4000W GENERATOR (CE & UK CA SPECS) .....	486
FIGURE 8-3. AC BOX AT PLATFORM INSTALLATION - 110V IEC 60309 YELLOW WITH 4000W GENERATOR (CE & UK CA SPECS) .....	488
FIGURE 8-4. AC BOX AT PLATFORM INSTALLATION - 220V IEC 60309 BLUE WITHOUT 4000W GENERATOR (CE & UK CA SPECS) .....	490
FIGURE 8-5. AC BOX AT PLATFORM INSTALLATION - 220V IEC 60309 BLUE WITH 4000W GENERATOR (CE & UK CA SPECS) .....	492
FIGURE 8-6. AC BOX AT PLATFORM INSTALLATION - 220V CEE7 POST GROUND (2X4 BOX) WITHOUT 4000W GENERATOR (CE & UK CA SPECS) .....	494
FIGURE 8-7. AC BOX AT PLATFORM INSTALLATION - 220V CEE7 POST GROUND (2X4 BOX) WITH 4000W GENERATOR (CE & UK CA SPECS).....	496
FIGURE 8-8. AC BOX AT PLATFORM INSTALLATION - 220V AFSINT 107 KEYED GROUND (2X4 BOX) WITHOUT 4000W GENERATOR (CE & UK CA SPECS) .....	498
FIGURE 8-9. AC BOX AT PLATFORM INSTALLATION - 220V AFSINT 107 KEYED GROUND (2X4 BOX) WITH 4000W GENERATOR (CE & UK CA SPECS) .....	500
FIGURE 8-10. AC BOX AT PLATFORM INSTALLATION - 220V CEE7 SIDE GROUND (2X4 BOX) WITHOUT 4000W GENERATOR (CE & UK CA SPECS) .....	502
FIGURE 8-11. AC BOX AT PLATFORM INSTALLATION - 220V CEE7 SIDE GROUND (2X4 BOX) WITH 4000W GENERATOR (CE & UK CA SPECS).....	504
FIGURE 8-12. AC BOX AT PLATFORM INSTALLATION - BOX WITH COVER (2X4 BOX) WITH 4000W GENERATOR (ANSI EXPORT, AUSTRALIAN, CHINA, JAPANESE, CE & UK CA SPECS) .....	506
FIGURE 8-13. AC BOX AT PLATFORM INSTALLATION - 240V (WITH 7500W SKYPOWER GENERATOR) (ALL SPECS EXCEPT AUSTRALIAN, CE & UK CA SPECS) .....	508
FIGURE 8-14. BATTERY CABLE KIT - DEUTZ LRC ENGINES.....	510
FIGURE 8-15. BATTERY CABLE KIT - DEUTZ HRC ENGINES .....	512
FIGURE 8-16. BATTERY DISCONNECT INSTALLATION .....	514
FIGURE 8-17. BEACON CONTROL HARNESS .....	516
FIGURE 8-18. BEACON HARNESS - AMBER.....	518
FIGURE 8-19. BEACON JUMPER HARNESS - AMBER .....	520
FIGURE 8-20. BEACON JUMPER HARNESS - BLUE & RED .....	522

# TABLE OF CONTENTS

FIGURE 8-21. BLAM HARNESS .....	524
FIGURE 8-22. BOOM AC CABLE - ANSI, ANSI EXPORT, CSA AND JAPANESE SPECS .....	526
FIGURE 8-23. BOOM AC CABLE – AUSTRALIAN, CHINA, CE & UK CA SPECS .....	528
FIGURE 8-24. BOOM AC CABLE - SKYPOWER .....	530
FIGURE 8-25. BOOM AC CABLE - MAIN BOOM WITH 4000W 50HZ GENERATOR (ANSI EXPORT, AUSTRALIAN, CHINA, JAPANESE, CE & UK CA SPECS) .....	532
FIGURE 8-26. BOOM AC CABLE - JIB BOOM WITH 4000W 50HZ GENERATOR (ANSI EXPORT, AUSTRALIAN, CHINA, JAPANESE, CE & UK CA SPECS) .....	534
FIGURE 8-27. BOOM SENSOR HARNESS .....	536
FIGURE 8-28. BREAKER BOX ASSEMBLY - AC CABLE (CE & UK CA SPEC) .....	538
FIGURE 8-29. BREAKER BOX KIT - AC CABLE .....	540
FIGURE 8-30. BREAKER BOX KIT - 4000W 50HZ GENERATOR .....	542
FIGURE 8-31. CLEARSKY INSTALLATION - 3G CANBUS CONNECTION (ANSI EXPORT, CE & UK CA SPECS) .....	544
FIGURE 8-32. CLEARSKY INSTALLATION - 3G CANBUS CONNECTION (AUSTRALIAN SPECS) .....	546
FIGURE 8-33. CLEARSKY INSTALLATION - 4G CANBUS CONNECTION (ALL SPECS EXCEPT CHINA SPECS) .....	548
FIGURE 8-34. CLEARSKY INSTALLATION - 4G CANBUS CONNECTION (CHINA SPECS).....	550
FIGURE 8-35. CLEARSKY INSTALLATION 3-WIRE CONNECTION (ALL SPECS EXCEPT CHINA SPECS) .....	552
FIGURE 8-36. CLEARSKY INSTALLATION - WITH DEUTZ TD2.9L4 (CHINA IV) ENGINES (CHINA SPECS).....	554
FIGURE 8-37. CLEARSKY HARNESS - 3G & 4G CANBUS CONNECTIONS.....	556
FIGURE 8-38. CLEARSKY HARNESS - 3 WIRE GT1030.....	558
FIGURE 8-39. CLEARSKY HARNESS - WITH DEUTZ TD2.9L4 (CHINA IV) ENGINES .....	560
FIGURE 8-40. CLEARSKY TELEMATICS JUMPER HARNESS .....	562
FIGURE 8-41. TELEMATICS CONTROL MODULE ASSEMBLY .....	564
FIGURE 8-42. CHASSIS HARNESS.....	566
FIGURE 8-43. DEF TANK EXTENSION HARNESS.....	570
FIGURE 8-44. DRIVE PUMP HARNESS .....	572
FIGURE 8-45. ENGINE CAN HARNESS .....	574
FIGURE 8-46. ENGINE HARNESS - DEUTZ LRC ENGINES .....	576
FIGURE 8-47. ENGINE HARNESS - DEUTZ HRC ENGINES.....	580
FIGURE 8-48. ENGINE HARNESS - DEUTZ HRC STAGE V ENGINES .....	584
FIGURE 8-49. ENGINE HARNESS - DEUTZ TCD3.6L (CHINA IV) (Prior to SN 0300298210).....	588
FIGURE 8-50. ENGINE HARNESS - DEUTZ TCD3.6L (CHINA IV) (SN 0300298210 to Present).....	592
FIGURE 8-51. FUEL PUMP AND WIF HARNESS.....	596
FIGURE 8-52. GENERATOR HARNESS - 4000W GENERATOR .....	598
FIGURE 8-53. GENERATOR ENABLE HARNESS - 7500W GENERATOR .....	600
FIGURE 8-54. GROUND CONTROL PANEL HARNESS .....	602
FIGURE 8-55. JIB AC CABLE - ANSI, ANSI EXPORT, CSA AND JAPANESE SPECS.....	606
FIGURE 8-56. JIB AC CABLE – AUSTRALIAN, CHINA, CE & UK CA SPECS .....	608
FIGURE 8-57. JIB AC CABLE - SKYPOWER.....	610
FIGURE 8-58. JIB CONTROL CABLE .....	612
FIGURE 8-59. JIB VALVE HARNESS.....	614
FIGURE 8-60. LCD DISPLAY HARNESS .....	618
FIGURE 8-61. LOAD SENSOR CABLE .....	620
FIGURE 8-62. MAIN BOOM 16/4 CABLE .....	622
FIGURE 8-63. MAIN BOOM CONTROL CABLE .....	624

# TABLE OF CONTENTS

FIGURE 8-64. MTS CONNECTION CABLE.....	626
FIGURE 8-65. PLATFORM CONSOLE HARNESS - WITH SKYGUARD .....	628
FIGURE 8-66. PLATFORM INTERFACE HARNESS .....	632
FIGURE 8-67. PLATFORM VALVE HARNESS.....	634
FIGURE 8-68. RECEPTACLE BOX KIT - 110V IEC YELLOW (CE & UK CA SPEC) .....	636
FIGURE 8-69. RECEPTACLE BOX KIT - 220V IEC BLUE (CE & UK CA SPEC).....	638
FIGURE 8-70. RECEPTACLE BOX KIT - 220V CEE7 POST GROUND 2IN X 4IN (CE & UK CA SPEC).....	640
FIGURE 8-71. RECEPTACLE BOX KIT - 220V CEE7 SIDE GROUND 2IN X 4IN (CE & UK CA SPEC) .....	642
FIGURE 8-72. RECEPTACLE BOX KIT - 220V AFSINT 107 (CE & UK CA SPEC).....	644
FIGURE 8-73. RECEPTACLE AND CLAMP INSTALLATION - 110V - ANSI, CSA AND JAPANESE SPECS .....	646
FIGURE 8-74. RECEPTACLE AND CLAMP INSTALLATION - 220V – ANSI, CSA AND JAPANESE SPECS.....	648
FIGURE 8-75. RECEPTACLE AND CLAMP INSTALLATION - SUPPLIED LOCALLY .....	650
FIGURE 8-76. SKYEYE INTERMEDIATE HARNESS.....	652
FIGURE 8-77. SKYEYE RECEIVER HARNESS .....	654
FIGURE 8-78. SKYEYE EMITTER HARNESS.....	656
FIGURE 8-79. SKYLINE HARNESS.....	658
FIGURE 8-80. STEER HARNESS .....	660
FIGURE 8-81. TURNTABLE HARNESS (Prior to SN 0300298210).....	662
FIGURE 8-82. TURNTABLE HARNESS (SN 0300298210 to Present) .....	666
FIGURE 8-83. TRANSPORT SWITCH HARNESS.....	670
FIGURE 8-84. UREA TANK HARNESS .....	672
FIGURE 8-85. VALVE BANK HARNESS (Prior to SN 0300298210).....	674
FIGURE 8-86. MAIN VALVE HARNESS (SN 0300298210 to Present).....	678
SECTION 9 - DECALS.....	681
FIGURE 9-1. DECAL INSTALLATION - ANSI SPECS .....	682
FIGURE 9-2. DECAL INSTALLATION - ANSI EXPORT SPECS (DUAL LANGUAGE - ENGLISH AND SPANISH) .....	684
FIGURE 9-3. DECAL INSTALLATION - AUSTRALIAN SPECS .....	686
FIGURE 9-4. DECAL INSTALLATION - BRAZIL SPECS (DUAL LANGUAGE - ENGLISH AND PORTUGUESE) .....	688
FIGURE 9-5. DECAL INSTALLATION - CE & UK CA SPECS .....	690
FIGURE 9-6. DECAL INSTALLATION - CHINA SPECS (DUAL LANGUAGE - ENGLISH AND CHINESE) .....	692
FIGURE 9-7. DECAL INSTALLATION - CSA SPECS (DUAL LANGUAGE - ENGLISH AND FRENCH).....	694
FIGURE 9-8. DECAL INSTALLATION - JAPANESE SPECS (DUAL LANGUAGE – ENGLISH AND JAPANESE) .....	696
FIGURE 9-9. DECAL INSTALLATION - KOREAN SPECS (DUAL LANGUAGE - ENGLISH AND KOREAN) .....	698
FIGURE 9-10. DECALS INSTALLATION - OPTIONS.....	700
FIGURE 9-11. SKYCUTTER DECAL INSTALLATION .....	704
FIGURE 9-12. SKYWELDER DECAL INSTALLATION - 50HZ .....	706
FIGURE 9-13. SKYWELDER DECAL INSTALLATION - 60HZ .....	708
FIGURE 9-14. SKYCUTTER DECAL INSTALLATION .....	710
SECTION 10 - RECOMMENDED SERVICE PARTS STOCK .....	713
FIGURE 10-1. RECOMMENDED SERVICE PARTS STOCK .....	714
SECTION 11 - SPECIAL OPTIONS/ACCESSORIES/KITS .....	717
FIGURE 11-1. SPECIAL OPTIONS/ACCESSORIES/KITS .....	718

# TABLE OF CONTENTS

PART NUMBER INDEX.....723

**SECTION 1 - FRAME**





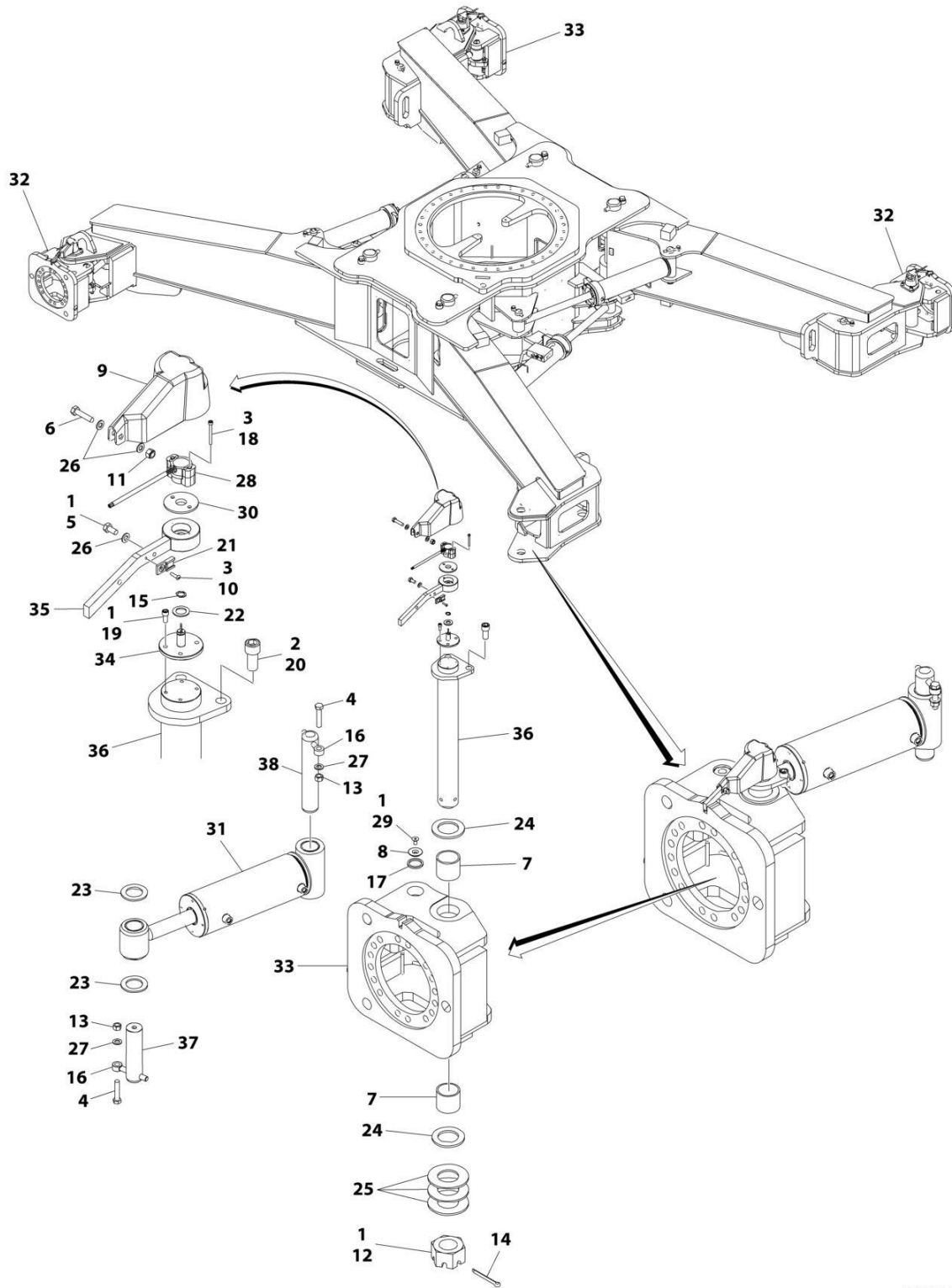
# SECTION 1 - FRAME

## FIGURE 1-1. AXLES INSTALLATION

ITEM	PART NUMBER	QTY	DESCRIPTION	REV
	1001195541	Ref	AXLES INSTALLATION	D
1	0100011	AR	Compound, Locking	
2	0100071	AR	Compound, Locking	
3	0440273	8	Bushing	
4	3020039	AR	Lubricant	
5	3422912	4	Pin	
6	3841258	8	Keeper, Pin	
7	3841356	4	Keeper, Pin	
8	4740229	8	Washer, Thrust	
9	0701420001	8	Bolt M14 x 60	
10	0761015001	8	Bolt M10 x 35	
11	0761016001	8	Bolt M10 x 40	
12	0762418001	4	Bolt M24 x 50	
13	1001120000	4	Pin	
14	1001155133	4	Washer, Thrust	
15	1001155363	4	Pin	
16	1001251066	4	Axle Extend Cylinder Assembly (See Separate Breakdown in CYLINDER Section)	
17	1001157007	8	Sleeve	
18	1001157084	4	Axle Sensor and Harness Assembly	
18	4460910	1	Receptacle, Female - 3 Position	
18	4460917	6	Pin, Male	
19	1001158017	AR	Shim	
20	1001172358	8	Washer M10	
21	1001197553	1	Axle - Front RH	
22	1001197554	1	Axle - Front LH	
23	1001197555	1	Axle - Rear RH	
24	1001197556	1	Axle - Rear LH	
25	3291407001	8	Nut M14	
26	4812200001	8	Washer M14	

# SECTION 1 - FRAME

## FIGURE 1-2. STEERING INSTALLATION



ART\_1001156606\_G

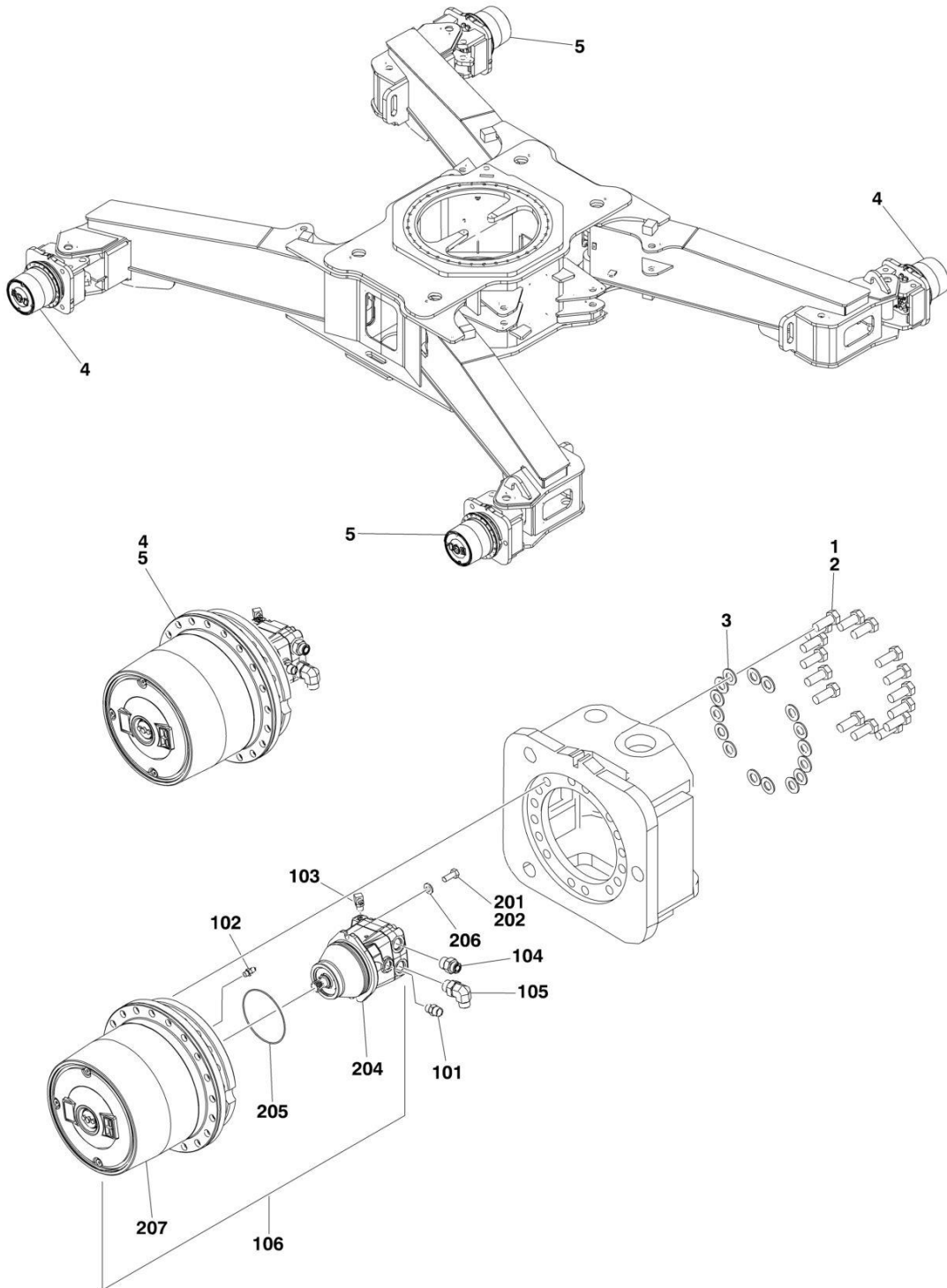
# SECTION 1 - FRAME

## FIGURE 1-2. STEERING INSTALLATION

ITEM	PART NUMBER	QTY	DESCRIPTION	REV
	1001156606	Ref	STEER INSTALLATION	G
1	0100011	AR	Compound, Locking	
2	0100019	AR	Compound, Locking	
3	0100035	AR	Compound, Locking	
4	0701422001	8	Bolt M14 x 70	
5	0760808001	4	Bolt M8 x 16	
6	0760815001	4	Bolt M8 x 35	
7	0962423	8	Bushing	
8	1120549	4	Cap	
9	1671040	4	Cover	
10	2080091	4	Screw M4 x 16	
11	3290805001	4	Nut M8	
12	3300464001	4	Nut	
13	3291407001	8	Nut M14	
14	3451214	4	Pin, Cotter	
15	3760383	4	Ring	
16	3841258	8	Keeper, Pin	
17	3960551	4	Seal	
18	4031512	8	Capscrew M4 x 40	
19	4031707	16	Capscrew M6 x 16	
20	4032311001	8	Capscrew M16 x 35	
21	4460914	4	Base, Terminal	
22	4711800	4	Washer 1/2	
23	4740229	8	Washer, Thrust	
24	4740505	8	Washer, Thrust	
25	4755000001	18	Washer 2-1/2	
26	4811900001	12	Washer M8	
27	4812200001	8	Washer M14	
28	1001146963	4	Sensor Assembly	
28	4460899	1	Connector - 6 Position	
28	4460464	6	Socket, Female	
29	1001174345	4	Screw M20 x 20	
30	1001155836	4	Adapter	
31	1001251065	4	Steer Cylinder Assembly (See Separate Breakdown in CYLINDER Section)	
32	1001156678	2	Spindle - Front LH and Rear RH	
33	1001156679	2	Spindle - Front RH and Rear LH	
34	1001156778	4	Pin	
35	1001156785	4	Link	
36	1001156815	4	Kingpin	
37	1001156991	4	Pin	
38	1001156996	4	Pin	
39	1001155817	4	Steer Harness (Not Shown - See Separate Breakdown in ELECTRICAL SECTION)	

# SECTION 1 - FRAME

## FIGURE 1-3. WHEEL DRIVE INSTALLATION



ART\_1001157850

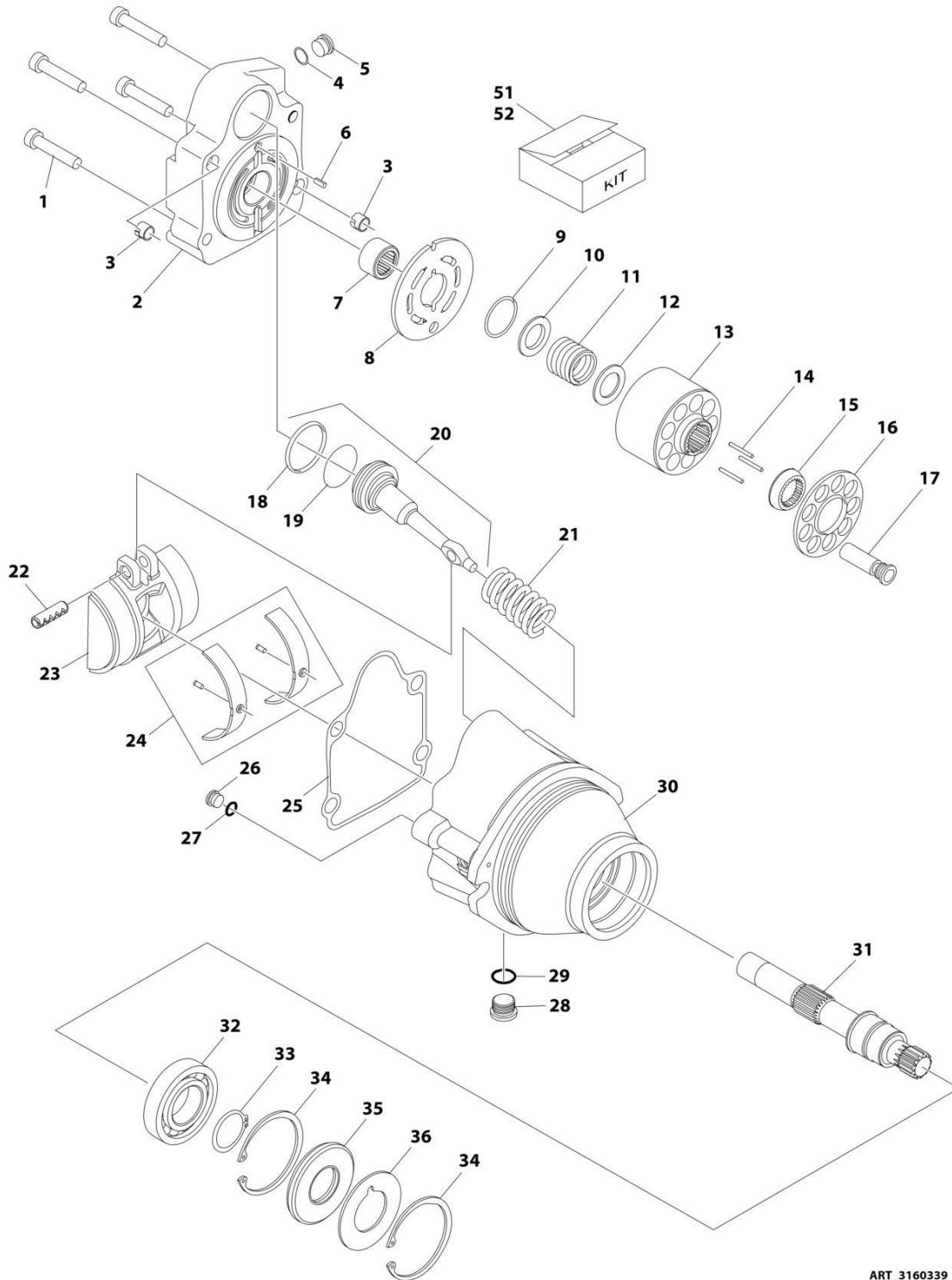
## SECTION 1 - FRAME

**FIGURE 1-3. WHEEL DRIVE INSTALLATION**

ITEM	PART NUMBER	QTY	DESCRIPTION	REV
	1001157850	Ref	WHEEL DRIVE INSTALLATION	F
1	0100019	AR	Compound, Locking	
2	0762018001	64	Bolt M20 x 50	
3	5242000001	64	Washer M20	
4	1001154759	2	Drive Hub/Motor with Fittings - Front LH and Rear RH (See Items 101-106 for Breakdown)	
5	1001157849	2	Drive Hub/Motor with Fittings - Front RH and Rear LH (See Items 101-106 for Breakdown)	
	1001154759	Ref	HUB/MOTOR ASSEMBLY WITH FITTINGS - FRONT LH AND REAR RH	E
	1001157849	Ref	HUB/MOTOR ASSEMBLY WITH FITTINGS - FRONT RH AND REAR LH	E
101	2110808	1	Fitting, Straight ORFS/ORB	
102	2220415	1	Fitting, Straight JIC/ORB	
103	2220472	1	Fitting, 90 JIC/ORB	
104	2111012	1	Fitting, Straight ORFS/ORB	
105	2131012	1	Fitting, 90 ORFS/ORB	
106	1001154772	1	Drive Hub/Motor (See Items 201-207 for Breakdown)	
	1001154772	Ref	DRIVE HUB/MOTOR ASSEMBLY	E
201	0100011	AR	Compound, Locking	
202	0761214	2	Bolt M12 x 30	
204	3160339	1	Motor - Drive (See Separate Breakdown in this Section)	
205	3790158	1	O-Ring	
206	5241200	2	Washer M12	
207	1001149921	1	Hub - Drive (See Separate Breakdown in this Section)	

# SECTION 1 - FRAME

## FIGURE 1-4. DRIVE MOTOR ASSEMBLY



ART\_3160339

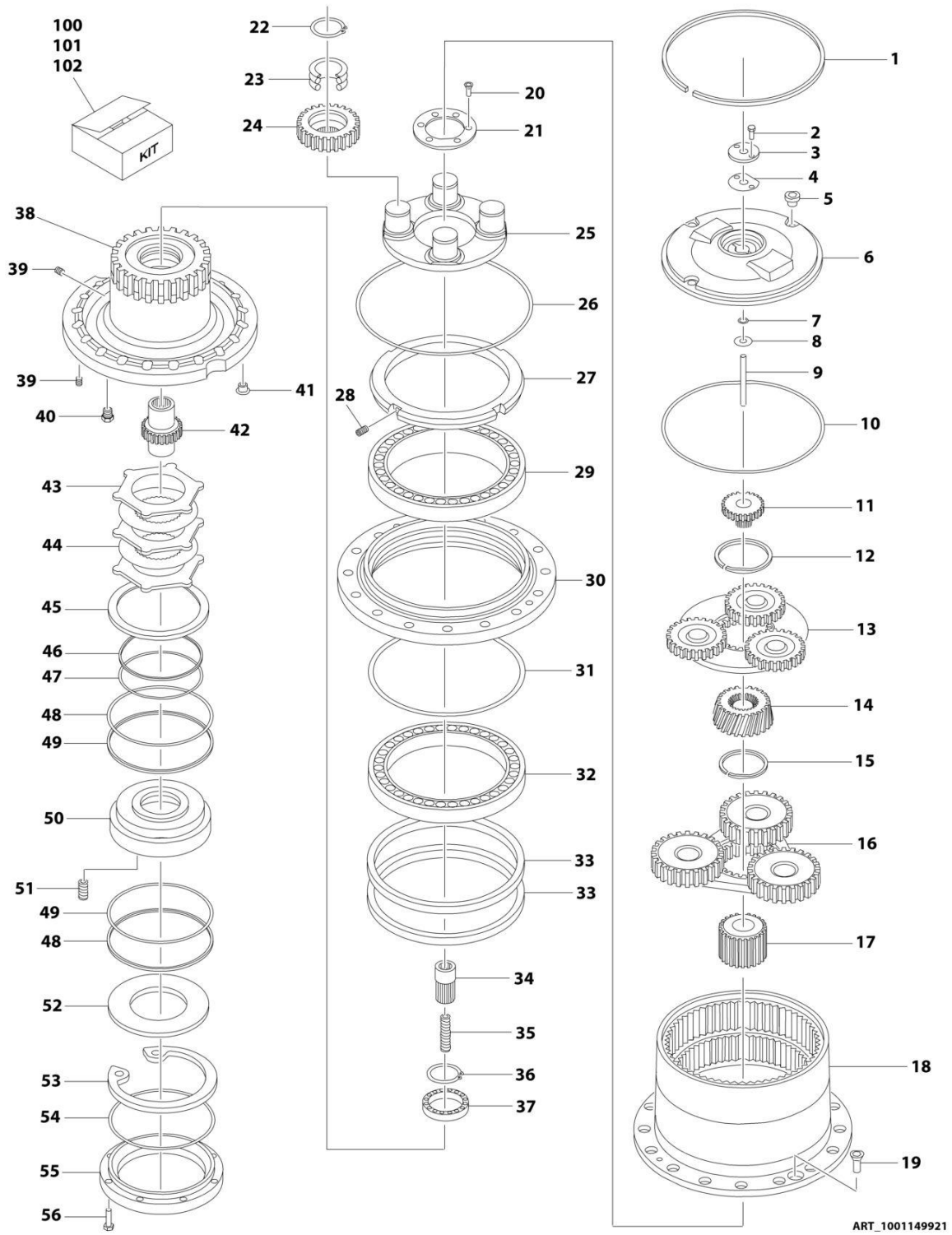
## SECTION 1 - FRAME

### FIGURE 1-4. DRIVE MOTOR ASSEMBLY

ITEM	PART NUMBER	QTY	DESCRIPTION	REV
	3160339	Ref	DRIVE MOTOR ASSEMBLY	D
1	7022368	4	Bolt	
2	70000859	1	End Cap, Motor	
3	70003628	2	Locating Pin	
4	See Note	NSS	O-Ring (Note: Use Item 51)	
5	7007420	1	Plug (Includes Item 4)	
6	7007446	1	Pin, Dowel	
7	7021249	1	Bearing, Needle	
8	70000854	1	Plate, Valve	
9	7022311	1	Snap Ring	
10	7022314	1	Retainer, Spring	
11	7024867	1	Spring	
12	7024868	1	Washer	
13	70000855	1	Block, Cylinder	
14	7021275	3	Pin, Slipper	
15	70000856	1	Guide	
16	70000857	1	Retainer, Slipper	
17	7024865	9	Piston, Cylinder	
18	See Note	NSS	Ring, Piston (Note: Use Item 51)	
19	See Note	NSS	O-Ring (Note: Use Item 51)	
20	70000860	1	Piston, Servo (Includes Items 18 & 19)	
21	70000861	1	Spring	
22	See Note	NSS	Pin (Note: Not Available for Purchase)	
23	70000853	1	Swash Plate	
24	70000852	1	Bearing Kit	
25	See Note	NSS	Gasket (Note: Use Item 51)	
26	See Note	NSS	Plug (Note: Not Available for Purchase)	
27	See Note	NSS	O-Ring (Note: Use Item 51)	
28	7022321	1	Plug (Includes Item 29)	
29	See Note	NSS	O-Ring (Note: Use Item 51)	
30	See Note	NSS	Housing (Note: Not Available - Purchase Complete Motor)	
31	70000858	1	Shaft	
32	7007437	1	Bearing	
33	7007439	1	Snap Ring	
34	7007438	2	Snap Ring	
35	See Note	NSS	Seal (Note: Use Item 51)	
36	7022371	1	Washer, Seal Support	
51	70000862	1	Kit 1 - Motor Seal Kit (Includes Items 4, 18, 19, 25, 27, 29 & 35)	
52	7027740	1	Kit 2 - Cylinder Block Kit (Includes Items 9-17)	

# SECTION 1 - FRAME

## FIGURE 1-5. DRIVE HUB ASSEMBLY





# SECTION 1 - FRAME

## FIGURE 1-5. DRIVE HUB ASSEMBLY

ITEM	PART NUMBER	QTY	DESCRIPTION	REV
	1001149921	Ref	DRIVE HUB ASSEMBLY	G
1	70004429	1	Ring	
2	See Note	NSS	Screw M6 x 20 (Note: Use Item 101)	
3	See Note	NSS	Cover (Note: Use Item 101)	
4	70004429	1	Gasket	
5	70002057	3	Plug	
6	See Note	NSS	Cover (Note: Use Item 101)	
7	See Note	NSS	O-Ring (Note: Use Item 100 or 101)	
8	See Note	NSS	Shim (Note: Use Item 101)	
9	See Note	NSS	Pin (Note: Use Item 101)	
10	See Note	NSS	O-Ring (Note: Use Item 100 or 101)	
11	70004430	1	Pinion	
12	70004431	1	Ring, Retaining	
13	70004432	1	Assembly, Gear Reduction	
14	70004433	1	Pinion	
15	70004434	1	Ring	
16	70004435	1	Assembly, Gear Reduction	
17	70004436	1	Pinion	
18	See Note	NSS	Housing, Hub (Note: Use p/n 1001149921)	
19	70002052	2	Screw M10 x 25	
20	70004437	6	Screw M6 x 14	
21	70004438	1	Plug	
22	70002032	4	Ring, Retaining	
23	70002031	4	Bearing	
24	70004439	4	Wheel, Planet	
25	70004440	1	Flange	
26	See Note	NSS	O-Ring (Note: Use Item 100)	
27	70004441	1	Nut	
28	70004363	2	Screw M6 x 10	
29	70004442	1	Bearing	
30	See Note	NSS	Support, Hub (Note: Use p/n 1001149921)	
31	See Note	NSS	O-Ring (Note: Use Item 100)	
32	70004443	1	Bearing	
33	See Note	1	Seal (Note: Use Item 100)	
34	70004444	1	Coupling	
35	70002036	1	Spring	
36	70004445	1	Ring, Retaining	
37	70004446	1	Bearing	
38	See Note	NSS	Axle (Note: Use p/n 1001149921)	
39	70004447	3	Plug	
40	70002057	3	Plug (Includes O-Ring)	
41	70002028	1	Plug, Plastic	
42	70004448	1	Shaft, Input	
43	See Note	NSS	Disc, Iron (Note: Use Item 102)	
44	See Note	NSS	Disc, Brake (Note: Use Item 102)	
45	See Note	NSS	Spacer (Note: Use Item 102)	
46	See Note	NSS	Seal (Note: Use Item 100 or 102)	
47	See Note	NSS	O-Ring (Note: Use Item 100 or 102)	
48	See Note	NSS	Seal (Note: Use Item 100 or 102)	
49	See Note	NSS	O-Ring (Note: Use Item 100 or 102)	

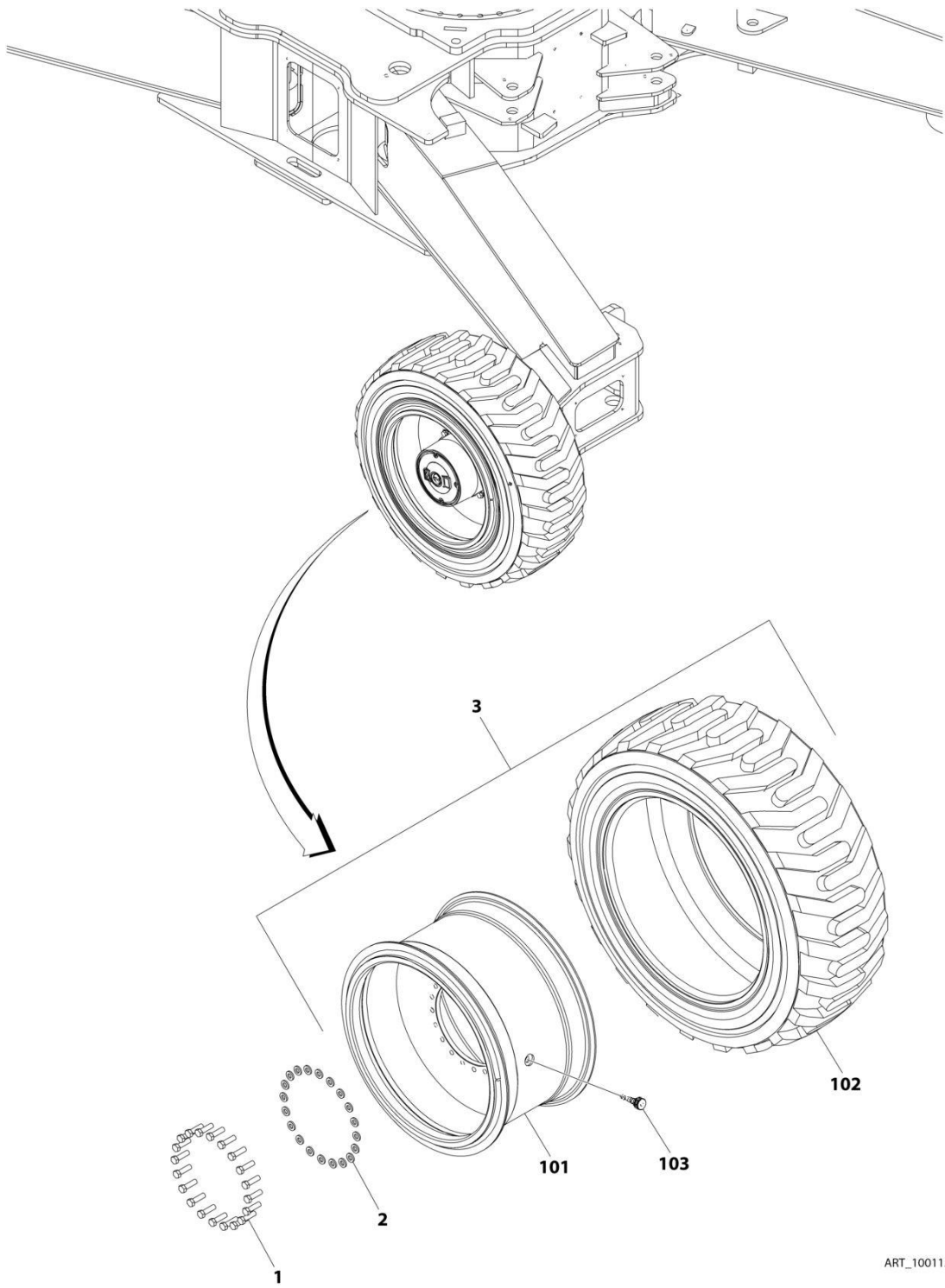
## SECTION 1 - FRAME

ITEM	PART NUMBER	QTY	DESCRIPTION	REV
50	See Note	NSS	Piston, Brake (Note: Use Item 102)	
51	See Note	NSS	Spring, Brake (Note: Use Item 102)	
52	See Note	NSS	Spacer (Note: Use Item 102)	
53	See Note	NSS	Ring, Retaining (Note: Use Item 102)	
54	See Note	NSS	O-Ring (Note: Use Item 100)	
55	70004449	1	Support, Motor	
56	70004450	6	Screw M8 x 25	
100	70004451	1	Kit, Seal (Includes Items 4, 7, 10, 26, 31, 33, 46-49 & 54)	
101	70004452	1	Kit, Cover (Includes Items 2-10)	
102	70004453	1	Kit, Brake (Includes Items 43-53)	



# SECTION 1 - FRAME

## FIGURE 1-6. TIRE/WHEEL INSTALLATION - IN445/50D710 FOAM-FILLED



ART\_1001157216

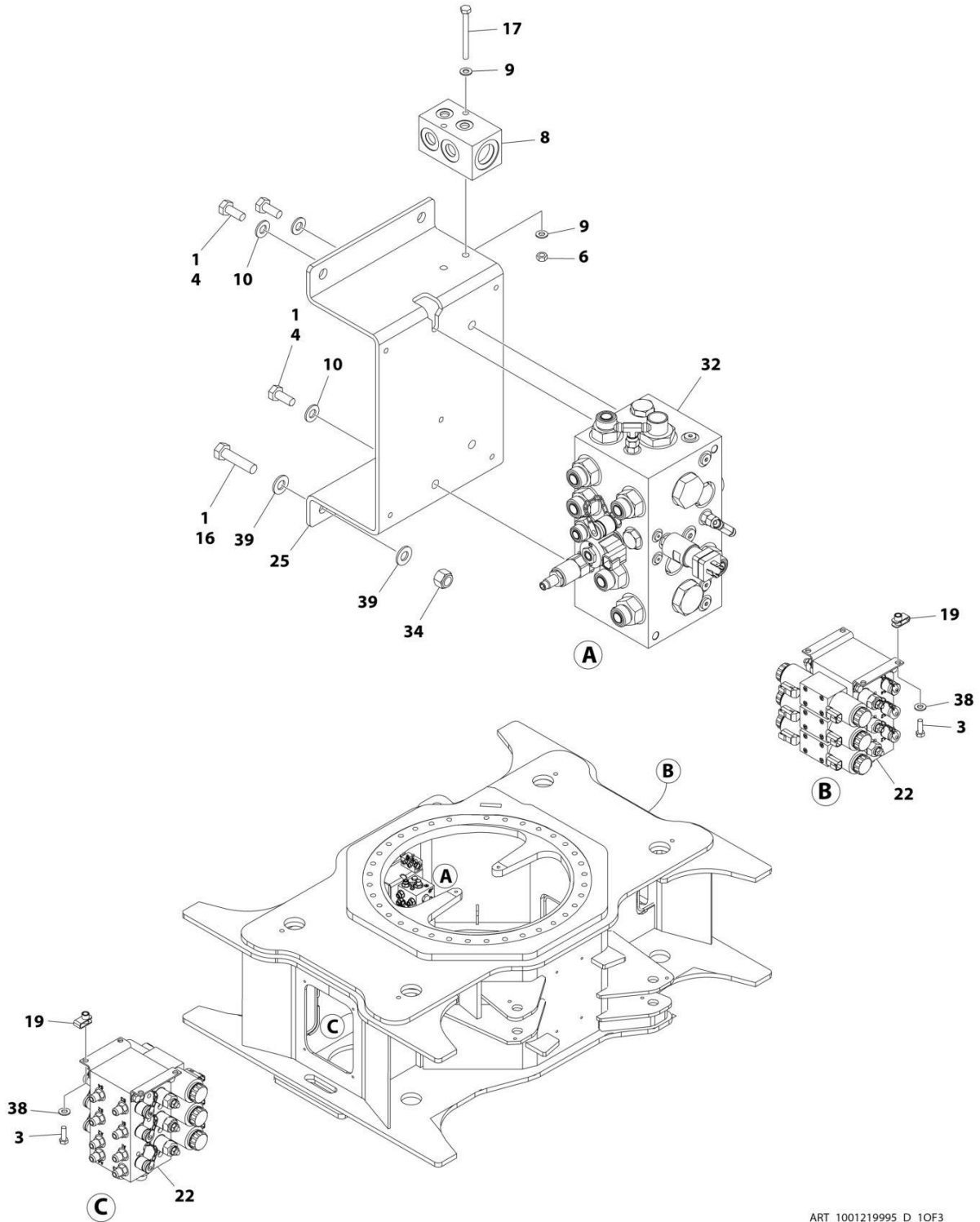
## SECTION 1 - FRAME

**FIGURE 1-6. TIRE/WHEEL INSTALLATION - IN445/50D710 FOAM-FILLED**

ITEM	PART NUMBER	QTY	DESCRIPTION	REV
	1001157216	Ref	TIRE/WHEEL INSTALLATION	F
		Ref	Note: Requires ballast/foam filling to manufacturer's specifications prior to installing on a machine. Refer to Service and Maintenance Manuals. Purchase individual tire and/or rim only if able to foam fill tire and wheel assembly, otherwise, purchase complete.	
1	0701619001	80	Bolt M16 x 55 (20 Per Wheel)	
2	1001172356	80	Washer 5/8 (20 Per Wheel)	
3	1001147616	2	Tire/Wheel (RH Side)	
3	1001149711	2	Tire/Wheel (LH Side)	
	1001147616	Ref	TIRE/WHEEL ASSEMBLY (RH SIDE)	I
	1001149711	Ref	TIRE/WHEEL ASSEMBLY (LH SIDE)	I
101	1001147617	4	Wheel (1 per Tire/Wheel)	
102	1001147618	4	Tire (1 per Tire/Wheel)	
103	1001157467	4	Valve (1 per Tire/Wheel)	

# SECTION 1 - FRAME

## FIGURE 1-7. VALVES INSTALLATION - FRAME (WITH LSS)



ART\_1001219995\_D\_10F3

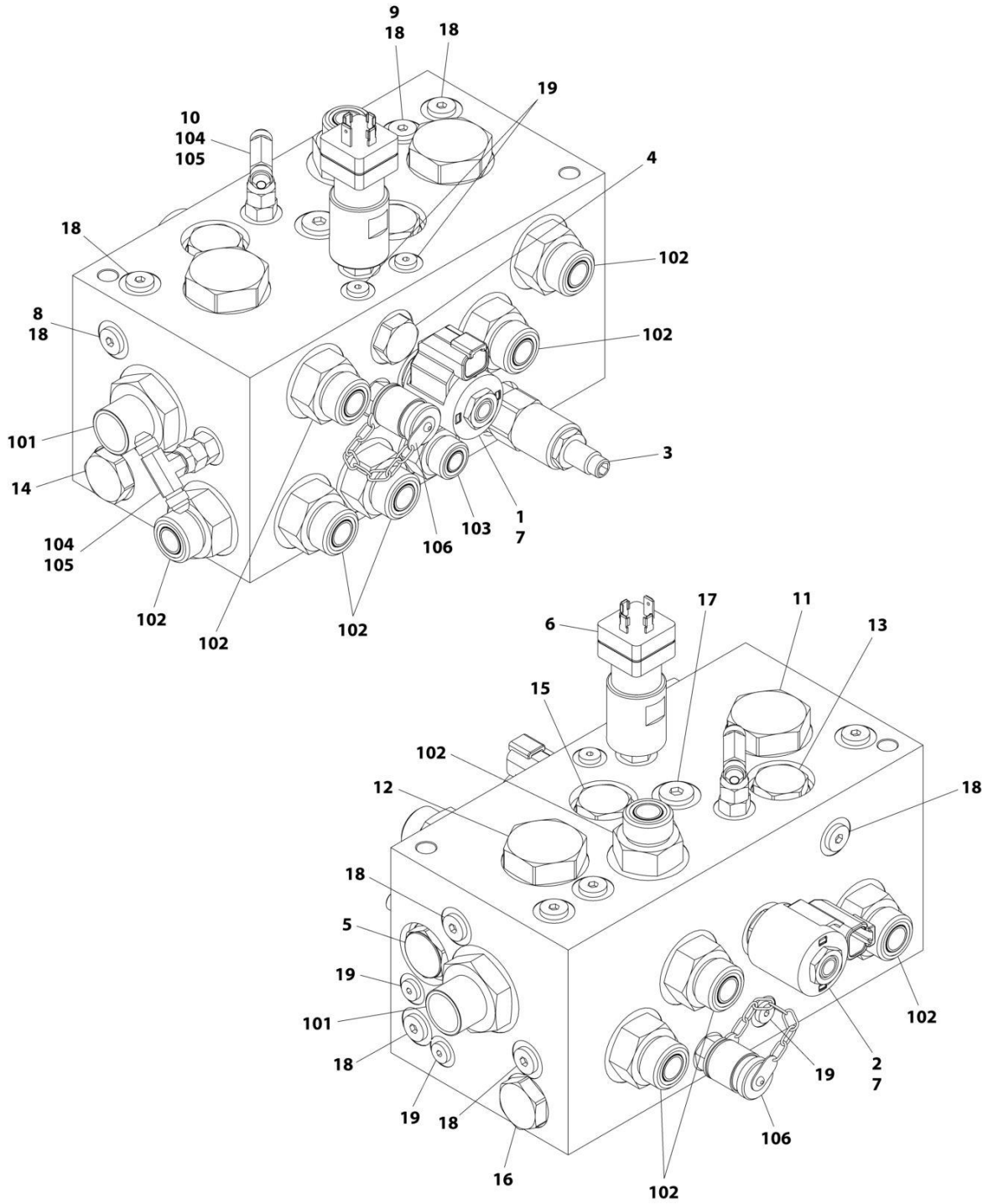
## SECTION 1 - FRAME

**FIGURE 1-7. VALVES INSTALLATION - FRAME (WITH LSS)**

ITEM	PART NUMBER	QTY	DESCRIPTION	REV
	1001219995	Ref	VALVES INSTALLATION - FRAME (WITH LSS)	D
1	0100011	AR	Compound, Locking	
3	0760812	8	Bolt M8 x 25	
4	0761012	4	Bolt M10 x 25	
6	3290607	2	Nut M6	
8	4641155	1	Manifold, Junction	
9	4811700	4	Washer M6	
10	4812000	4	Washer M10	
16	0761218001	4	Bolt M12 x 50	
17	1001096653	2	Bolt M6 x 70	
19	1001118274	8	Nut M8	
22	1001157207	2	Steer/Axle Extend Valve Assembly (See Separate Breakdown in this Section)	
25	1001164354	1	Bracket	
32	1001219110	1	Traction Valve Assembly (See Separate Breakdown in this Section)	
34	3291205001	4	Nut M12	
38	4811900001	8	Washer M8	
39	4812100001	8	Washer M12	

# SECTION 1 - FRAME

## FIGURE 1-8. TRACTION VALVE ASSEMBLY



ART\_1001219110



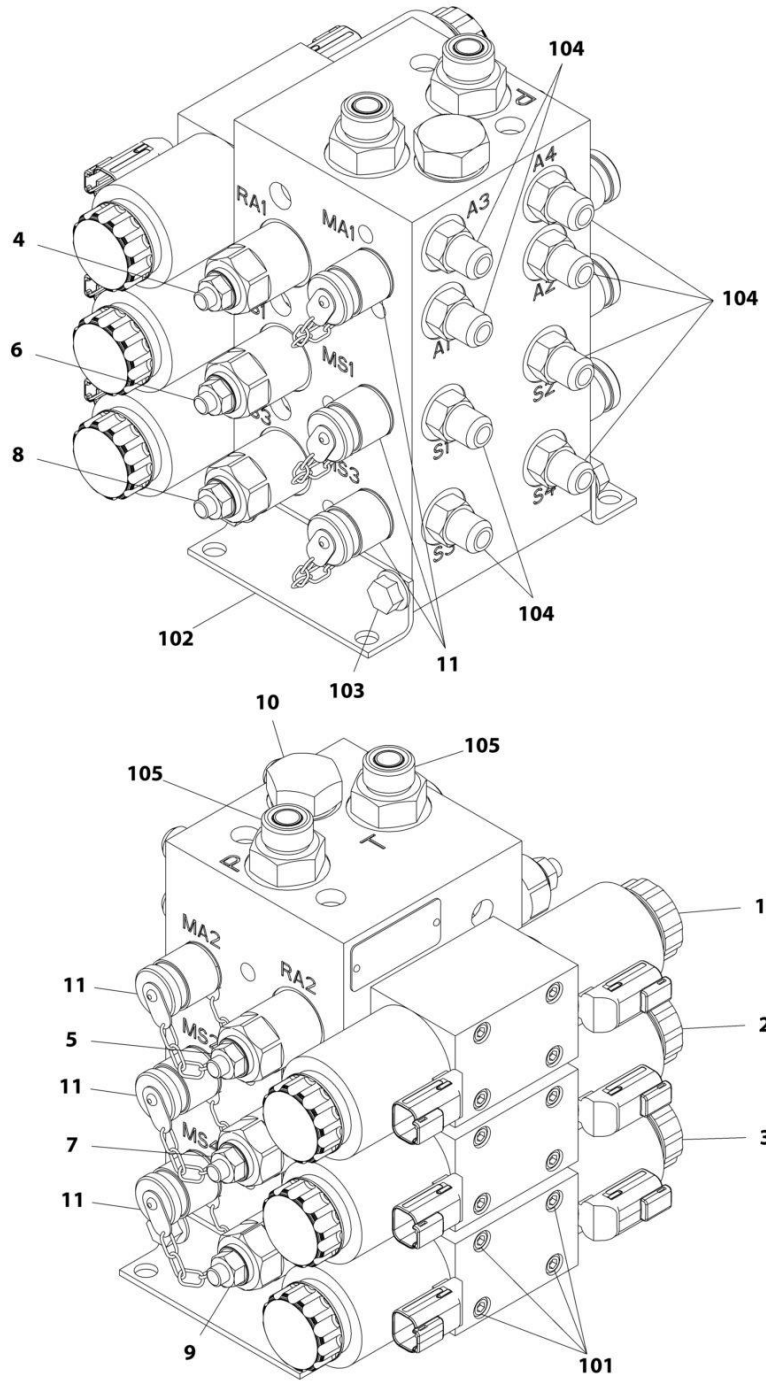
# SECTION 1 - FRAME

## FIGURE 1-8. TRACTION VALVE ASSEMBLY

ITEM	PART NUMBER	QTY	DESCRIPTION	REV
	1001219110	Ref	TRACTION VALVE ASSEMBLY	B
1	7012941	1	Cartridge, Solenoid Less Coil	
1	7010543	1	Kit, Seal	
2	7012941	1	Cartridge, Solenoid Less Coil	
2	7010543	1	Kit, Seal	
3	70004383	1	Cartridge, Relief	
3	7012998	1	Kit, Seal	
4	70004384	1	Cartridge, Load Shuttle	
4	7012973	1	Kit, Seal	
5	70000804	1	Cartridge	
5	70000805	1	Kit, Seal	
6	70000803	1	Cartridge, Pressure Switch	
7	70002386	2	Coil	
8	7017493	1	Orifice	
9	7017493	1	Orifice	
10	70004386	1	Orifice	
11	70004017	1	Cartridge, Flow Divider	
11	7021625	1	Kit, Seal	
12	70004017	1	Cartridge, Flow Divider	
12	7021625	1	Kit, Seal	
13	70003408	1	Cartridge, Check	
13	7022399	1	Kit, Seal	
14	70003408	1	Cartridge, Check	
14	7022399	1	Kit, Seal	
15	70003408	1	Cartridge, Check	
15	7022399	1	Kit, Seal	
16	70003408	1	Cartridge, Check	
16	7022399	1	Kit, Seal	
17	2220885	1	Plug	
18	2220883	9	Plug	
19	2220881	8	Plug	
101	2111016	2	Fitting, Straight ORB/ORFS	
102	2111012	10	Fitting, Straight ORB/ORFS	
103	2110810	1	Fitting, Straight ORB/ORFS	
104	2220415	2	Fitting, Straight JIC/ORB	
105	2220861	2	Fitting, Tee JIC/ORB	
106	2221086	2	Fitting, Test	

# SECTION 1 - FRAME

## FIGURE 1-9. STEER/AXLE EXTEND VALVE ASSEMBLY



ART\_1001157207

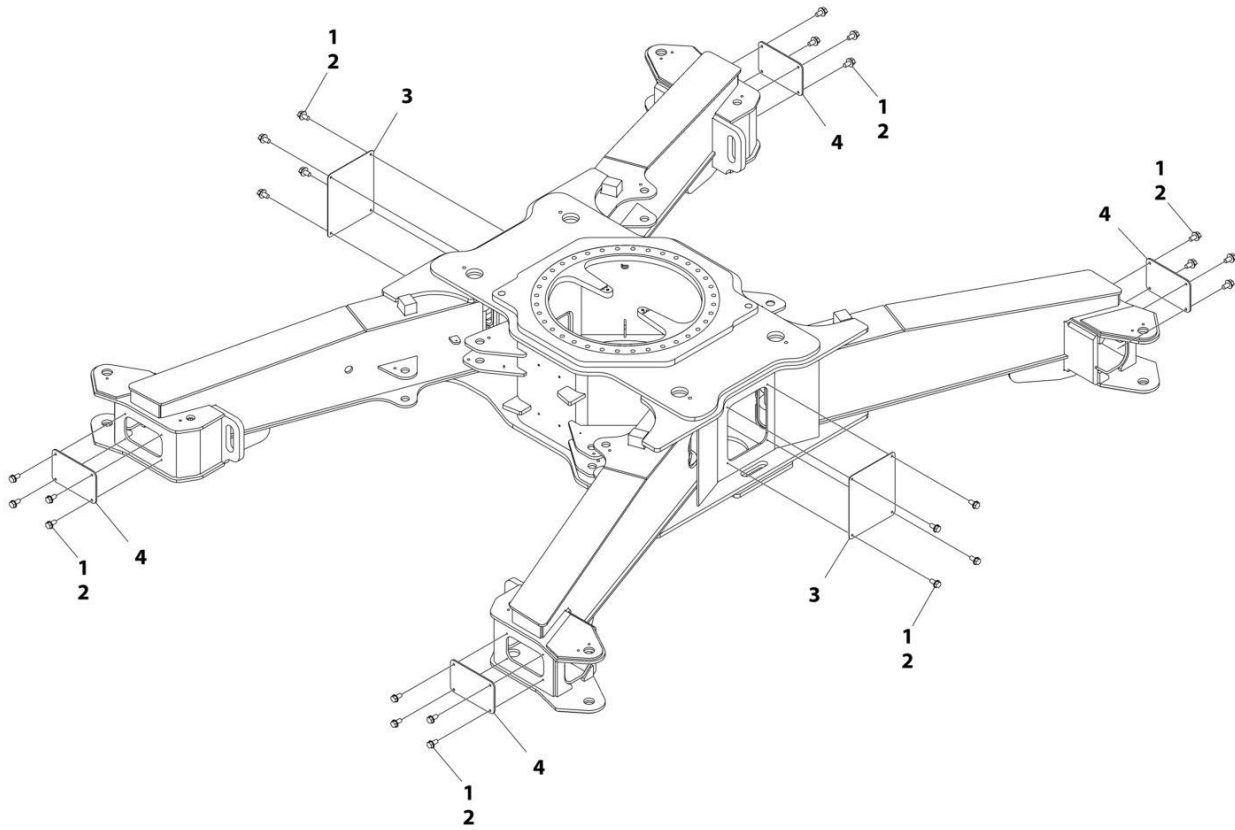
# SECTION 1 - FRAME

## FIGURE 1-9. STEER/AXLE EXTEND VALVE ASSEMBLY

ITEM	PART NUMBER	QTY	DESCRIPTION	REV
	1001157207	Ref	STEER/AXLE EXTEND VALVE ASSEMBLY	G
1	70004459	1	Valve, Direction Control	
1	7012773	1	Kit, Seal	
1	70004460	2	Coil	
1	7021375	2	Nut, Coil	
1	70004461	2	O-Ring, Solenoid Pole	
2	70004462	1	Valve, Direction Control	
2	7012773	1	Kit, Seal	
2	70004463	2	Coil	
2	7021375	2	Nut, Coil	
2	70004461	2	O-Ring, Solenoid Pole	
3	70004462	1	Valve, Direction Control	
3	7012773	1	Kit, Seal	
3	70004463	2	Coil	
3	7021375	2	Nut, Coil	
3	70004461	2	O-Ring, Solenoid Pole	
4	70004464	1	Cartridge, Relief	
4	70004055	1	Kit, Seal	
5	70004464	1	Cartridge, Relief	
5	70004055	1	Kit, Seal	
6	70004464	1	Cartridge, Relief	
6	70004055	1	Kit, Seal	
7	70004464	1	Cartridge, Relief	
7	70004055	1	Kit, Seal	
8	70004464	1	Cartridge, Relief	
8	70004055	1	Kit, Seal	
9	70004464	1	Cartridge, Relief	
9	70004055	1	Kit, Seal	
10	70004465	1	Cartridge, Flow Divider	
10	70004164	1	Kit, Seal	
11	2221086	6	Fitting, Test	
101	See Note	NSS	Capscrew #10 x 2 (Note: Purchase Locally)	
102	See Note	NSS	Bracket (Note: Not Available for Purchase)	
103	0641504	4	Bolt 5/16 x 1/2	
104	2220371	8	Fitting, Straight JIC/ORB	
105	2110810	2	Fitting, Straight ORB/ORFS	

# SECTION 1 - FRAME

## FIGURE 1-10. COVERS INSTALLATION - FRAME



ART\_1001157670

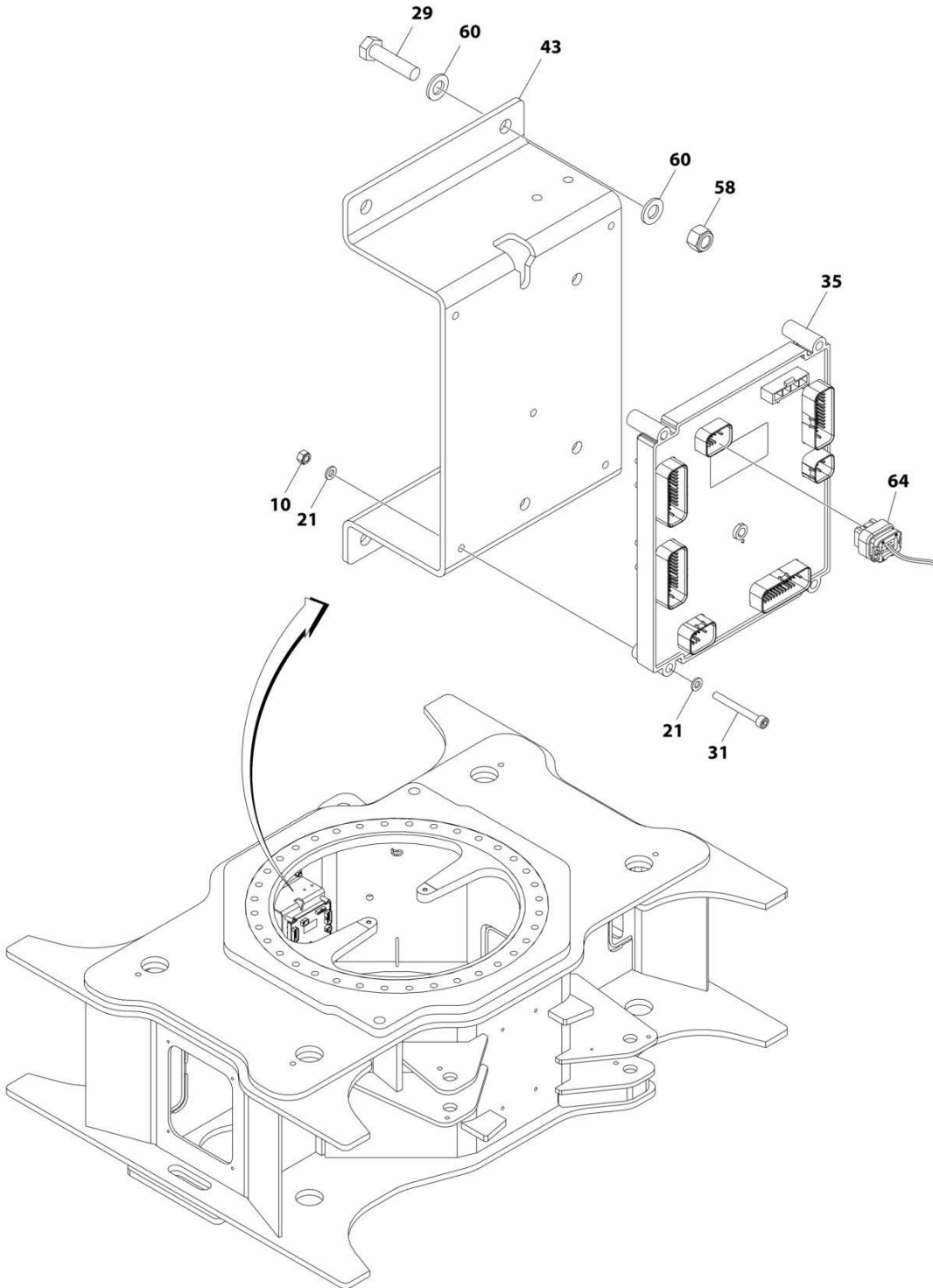
**SECTION 1 - FRAME**

**FIGURE 1-10. COVERS INSTALLATION - FRAME**

<b>ITEM</b>	<b>PART NUMBER</b>	<b>QTY</b>	<b>DESCRIPTION</b>	<b>REV</b>
	1001157670	Ref	COVERS INSTALLATION - FRAME	B
1	0100011	AR	Compound, Locking	
2	5251210001	24	Bolt M12 x 20	
3	1001155561	2	Cover	
4	1001156867	4	Cover	

# SECTION 1 - FRAME

FIGURE 1-11. ELECTRICAL COMPONENTS INSTALLATION - FRAME (ANSI EXPORT (LRC), AUSTRALIAN AND CHINA SPECS) (Prior to SN 0300298210)



ART\_1001223250\_F\_10F2

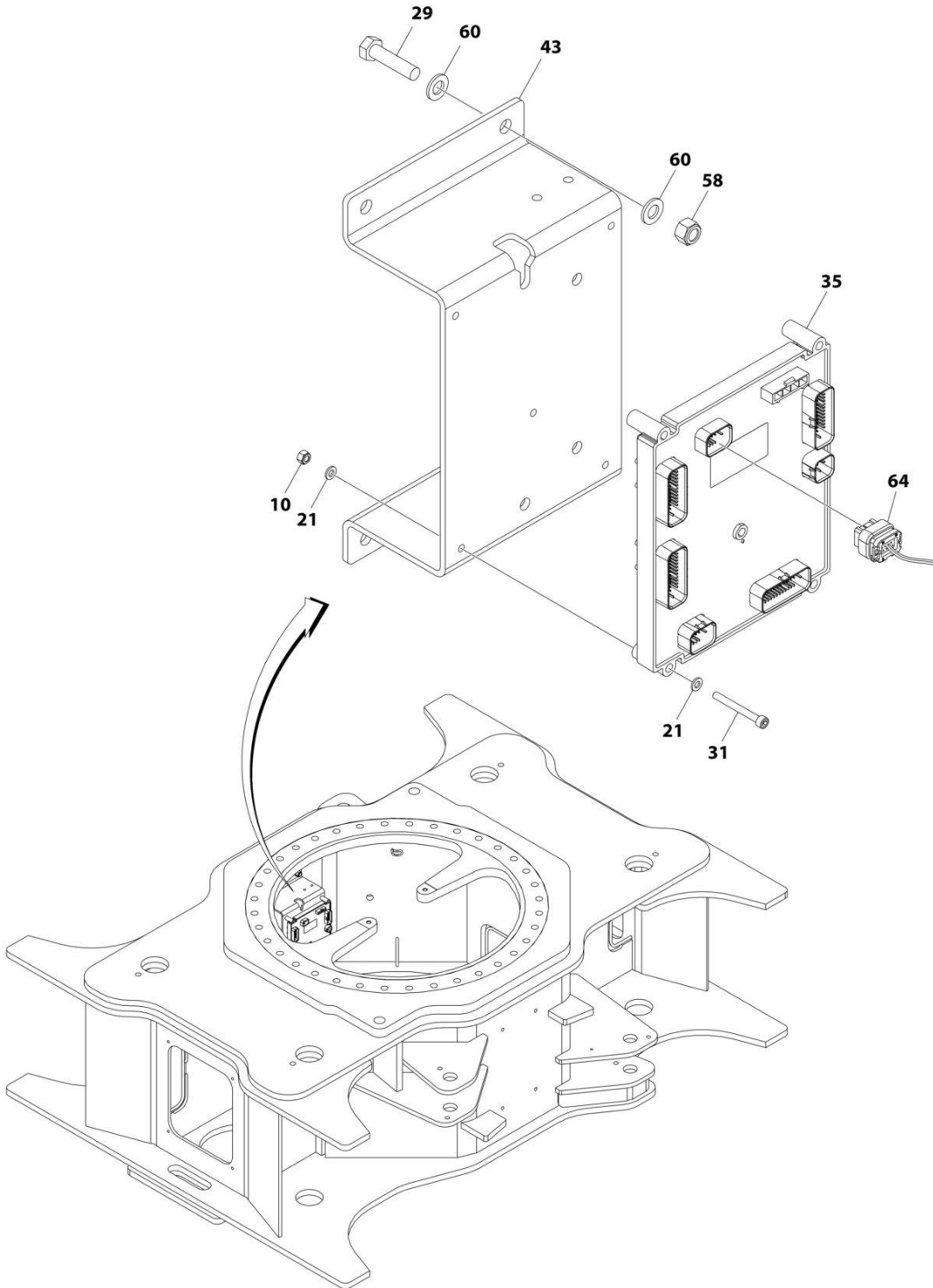
## SECTION 1 - FRAME

**FIGURE 1-11. ELECTRICAL COMPONENTS INSTALLATION - FRAME (ANSI EXPORT (LRC), AUSTRALIAN AND CHINA SPECS) (Prior to SN 0300298210)**

ITEM	PART NUMBER	QTY	DESCRIPTION	REV
	1001223250	Ref	ELECTRICAL COMPONENTS INSTALLATION - FRAME	F
10	3290605	6	Nut M6	
21	4811700	10	Washer M6	
29	0761218001	4	Bolt M12 x 50	
31	1001118878	5	Capscrew M6 x 55	
34	1001149975	1	Chassis Harness (Not Shown - See Separate Breakdown in ELECTRICAL SECTION)	
35	1001277132	1	Module, Control (Note: Re-calibration Required When Replaced)	
43	1001164354	1	Bracket	
58	3291205001	4	Nut M12	
60	4812100001	8	Washer M12	
64	1001246859	1	Connector	

# SECTION 1 - FRAME

FIGURE 1-12. ELECTRICAL COMPONENTS INSTALLATION - FRAME (ANSI EXPORT (LRC), AUSTRALIAN AND CHINA SPECS) (SN 0300298210 to Present)



ART\_1001223250\_G\_10F2



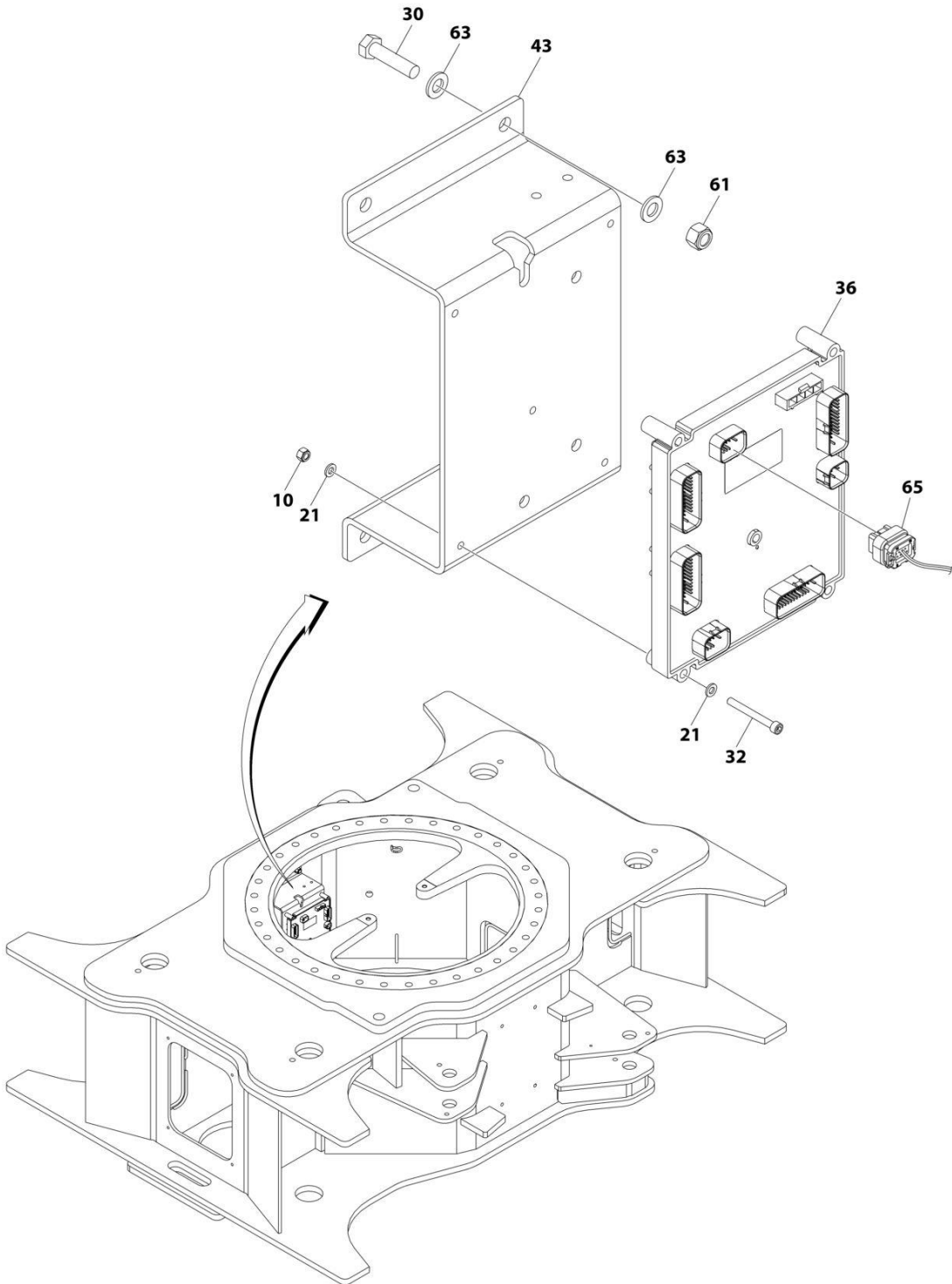
## SECTION 1 - FRAME

**FIGURE 1-12. ELECTRICAL COMPONENTS INSTALLATION - FRAME (ANSI EXPORT (LRC), AUSTRALIAN AND CHINA SPECS) (SN 0300298210 to Present)**

ITEM	PART NUMBER	QTY	DESCRIPTION	REV
	1001223250	Ref	ELECTRICAL COMPONENTS INSTALLATION - FRAME	G
10	3290605	6	Nut M6	
21	4811700	10	Washer M6	
29	0761218001	4	Bolt M12 x 50	
31	1001118878	5	Capscrew M6 x 55	
34	1001149975	1	Chassis Harness (Not Shown - See Separate Breakdown in ELECTRICAL Section)	
35	1001277132	1	Module, Control (Note: Re-calibration Required When Replaced)	
43	1001164354	1	Bracket	
58	3291205001	4	Nut M12	
60	4812100001	8	Washer M12	
64	1001246859	1	Connector	

# SECTION 1 - FRAME

FIGURE 1-13. ELECTRICAL COMPONENTS INSTALLATION - FRAME (ANSI, ANSI EXPORT (HRC), CSA AND JAPANESE SPECS) (Prior to SN 0300298210)



ART\_1001242681\_D\_10F2

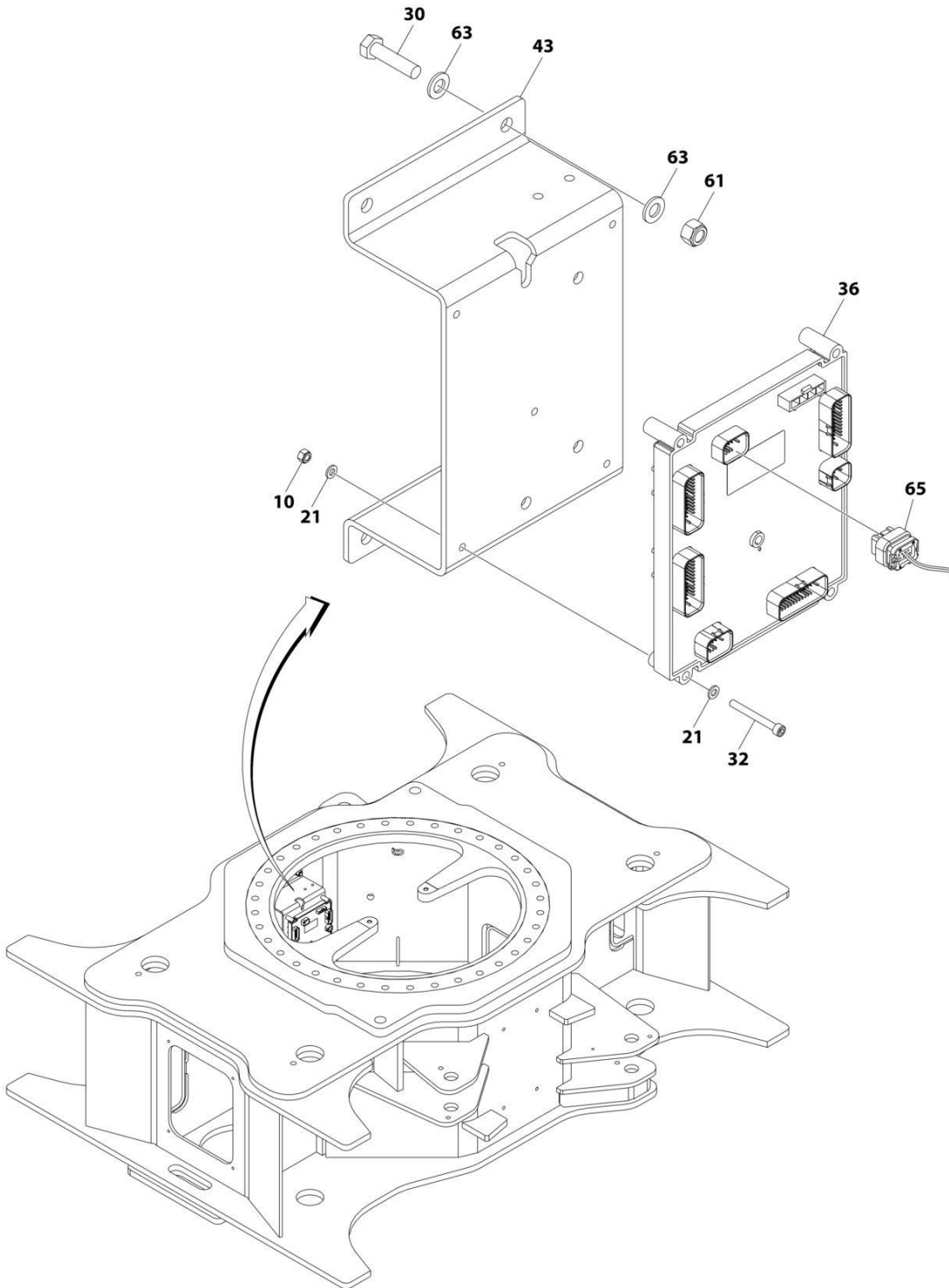
## SECTION 1 - FRAME

**FIGURE 1-13. ELECTRICAL COMPONENTS INSTALLATION - FRAME (ANSI, ANSI EXPORT (HRC), CSA AND JAPANESE SPECS) (Prior to SN 0300298210)**

ITEM	PART NUMBER	QTY	DESCRIPTION	REV
	1001242681	Ref	ELECTRICAL COMPONENTS INSTALLATION - FRAME	D
10	3290605	6	Nut M6	
21	4811700	10	Washer M6	
30	0761218001	4	Bolt M12 x 50	
32	1001118878	5	Capscrew M6 x 55	
35	1001149975	1	Chassis Harness (Not Shown - See Separate Breakdown in ELECTRICAL SECTION)	
36	1001277132	1	Module, Control (Note: Re-calibration Required When Replaced)	
43	1001164354	1	Bracket	
61	3291205001	4	Nut M12	
63	4812100001	8	Washer M12	
65	1001246859	1	Connector	

# SECTION 1 - FRAME

FIGURE 1-14. ELECTRICAL COMPONENTS INSTALLATION - FRAME (ANSI, ANSI EXPORT (HRC), CSA AND JAPANESE SPECS) (SN 0300298210 to Present)



ART\_1001242681\_E\_10F2

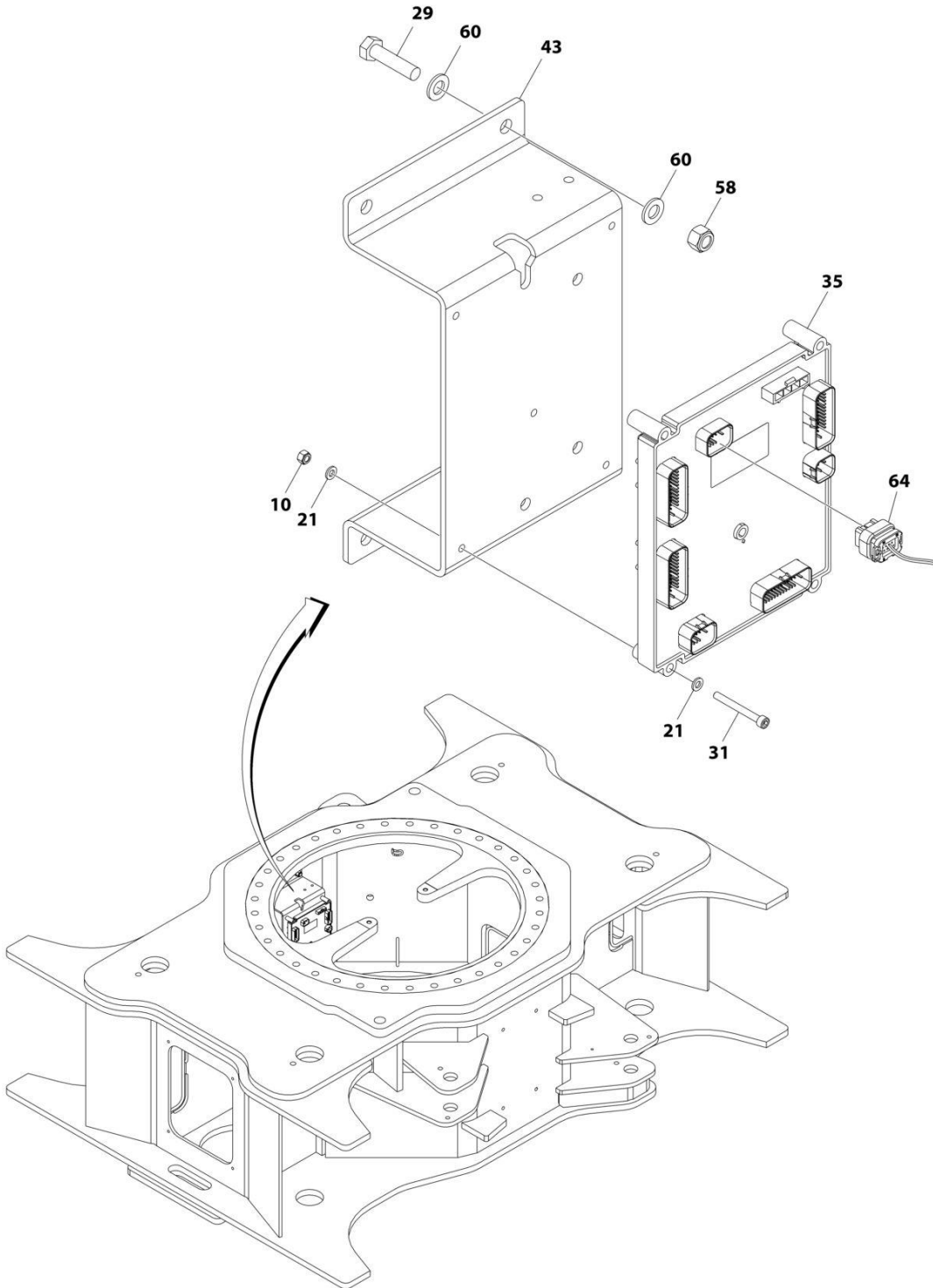
## SECTION 1 - FRAME

**FIGURE 1-14. ELECTRICAL COMPONENTS INSTALLATION - FRAME (ANSI, ANSI EXPORT (HRC), CSA AND JAPANESE SPECS) (SN 0300298210 to Present)**

ITEM	PART NUMBER	QTY	DESCRIPTION	REV
	1001242681	Ref	ELECTRICAL COMPONENTS INSTALLATION - FRAME	E
10	3290605	5	Nut M6	
21	4811700	10	Washer M6	
30	0761218001	4	Bolt M12 x 50	
32	1001118878	5	Capscrew M6 x 55	
35	1001149975	1	Chassis Harness (Not Shown - See Separate Breakdown in ELECTRICAL Section)	
36	1001277132	1	Module, Control (Note: Re-calibration Required When Replaced)	
43	1001164354	1	Bracket	
61	3291205001	4	Nut M12	
63	4812100001	8	Washer M12	
65	1001246859	1	Connector	

# SECTION 1 - FRAME

FIGURE 1-15. ELECTRICAL COMPONENTS INSTALLATION - FRAME (CE & UK CA SPECS) (LRC)  
(Prior to SN 0300298210)



ART\_1001223251\_F\_10F2

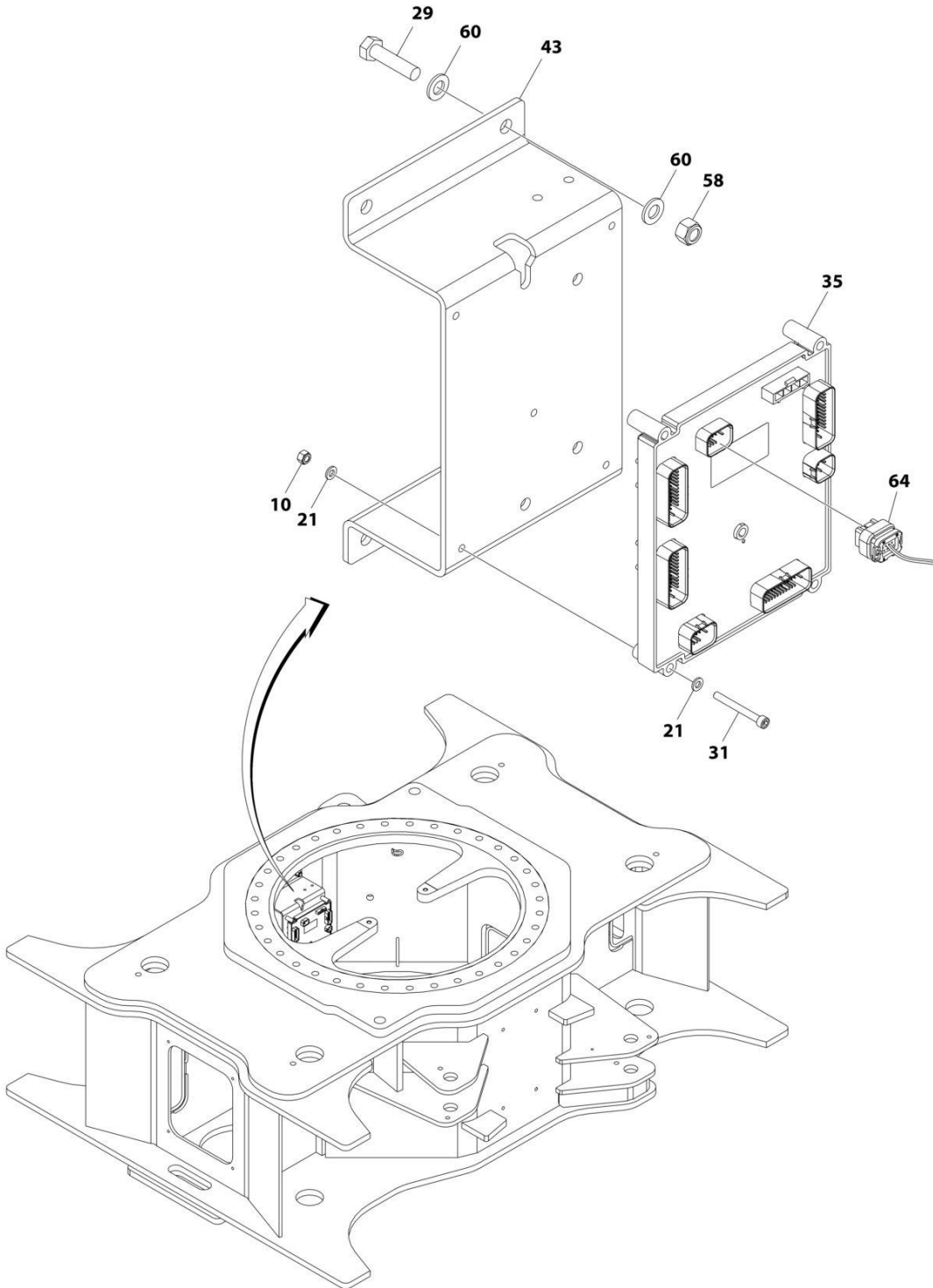
## SECTION 1 - FRAME

**FIGURE 1-15. ELECTRICAL COMPONENTS INSTALLATION - FRAME (CE & UK CA SPECS) (LRC)  
(Prior to SN 0300298210)**

ITEM	PART NUMBER	QTY	DESCRIPTION	REV
	1001223251	Ref	ELECTRICAL COMPONENTS INSTALLATION - FRAME	F
10	3290605	6	Nut M6	
21	4811700	10	Washer M6	
29	0761218001	4	Bolt M12 x 50	
31	1001118878	5	Capscrew M6 x 55	
34	1001149975	1	Chassis Harness (Not Shown - See Separate Breakdown in ELECTRICAL SECTION)	
35	1001277132	1	Module, Control (Note: Re-calibration Required When Replaced)	
43	1001164354	1	Bracket	
58	3291205001	4	Nut M12	
60	4812100001	8	Washer M12	
64	1001246859	1	Connector	

# SECTION 1 - FRAME

FIGURE 1-16. ELECTRICAL COMPONENTS INSTALLATION - FRAME (CE & UK CA SPECS) (LRC)  
(SN 0300298210 to Present)



ART\_1001223251\_G\_10F2



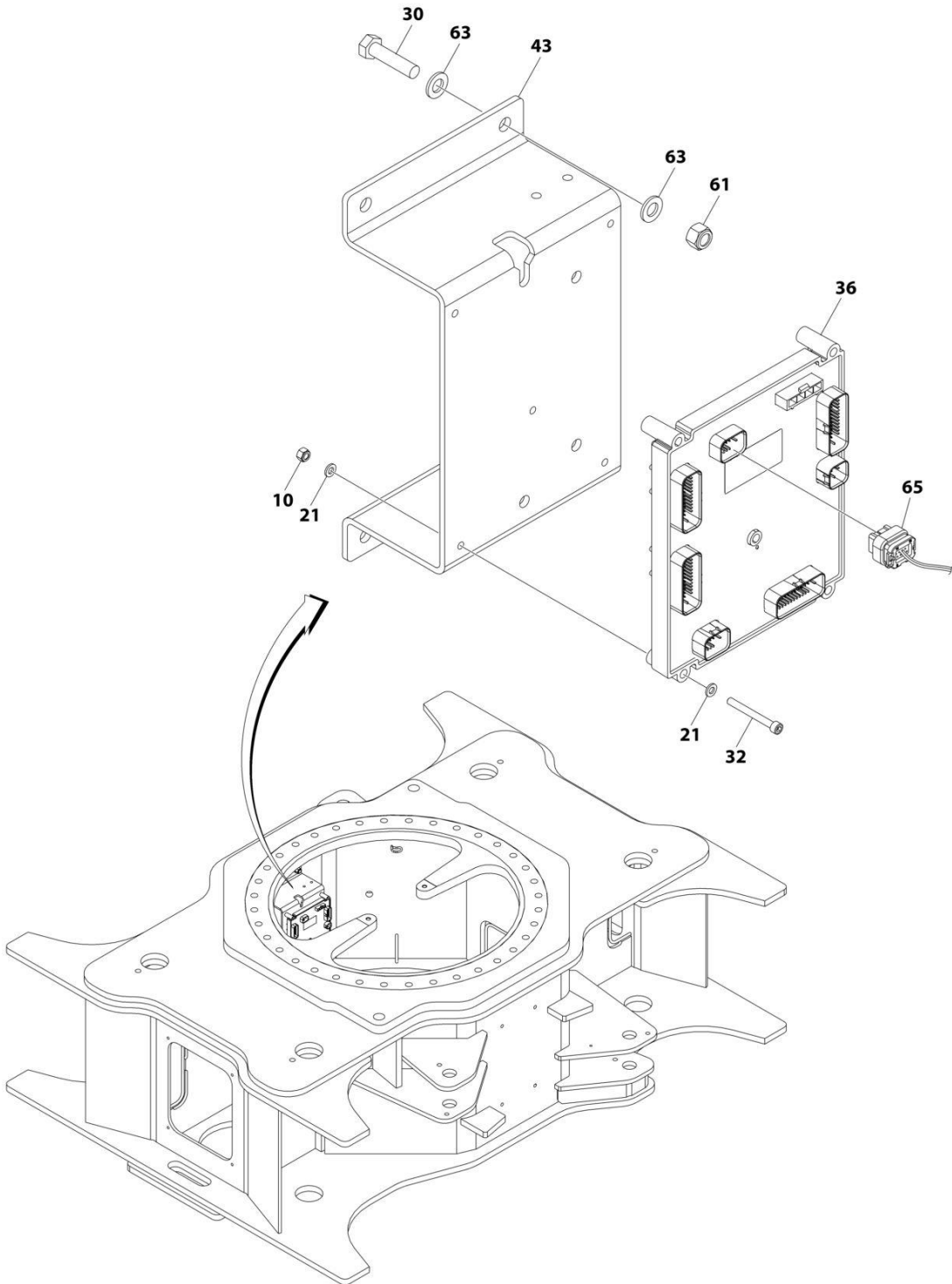
## SECTION 1 - FRAME

**FIGURE 1-16. ELECTRICAL COMPONENTS INSTALLATION - FRAME (CE & UK CA SPECS) (LRC)  
(SN 0300298210 to Present)**

ITEM	PART NUMBER	QTY	DESCRIPTION	REV
	1001223251	Ref	ELECTRICAL COMPONENTS INSTALLATION - FRAME	G
10	3290605	5	Nut M6	
21	4811700	10	Washer M6	
29	0761218001	4	Bolt M12 x 50	
31	1001118878	5	Capscrew M6 x 55	
34	1001149975	1	Chassis Harness (Not Shown - See Separate Breakdown in ELECTRICAL Section)	
35	1001277132	1	Module, Control (Note: Re-calibration Required When Replaced)	
43	1001164354	1	Bracket	
58	3291205001	4	Nut M12	
60	4812100001	8	Washer M12	
64	1001246859	1	Connector	

# SECTION 1 - FRAME

FIGURE 1-17. ELECTRICAL COMPONENTS INSTALLATION - FRAME (CE & UK CA SPECS) (Prior to SN 0300298210)



ART\_1001242861\_D\_10F2

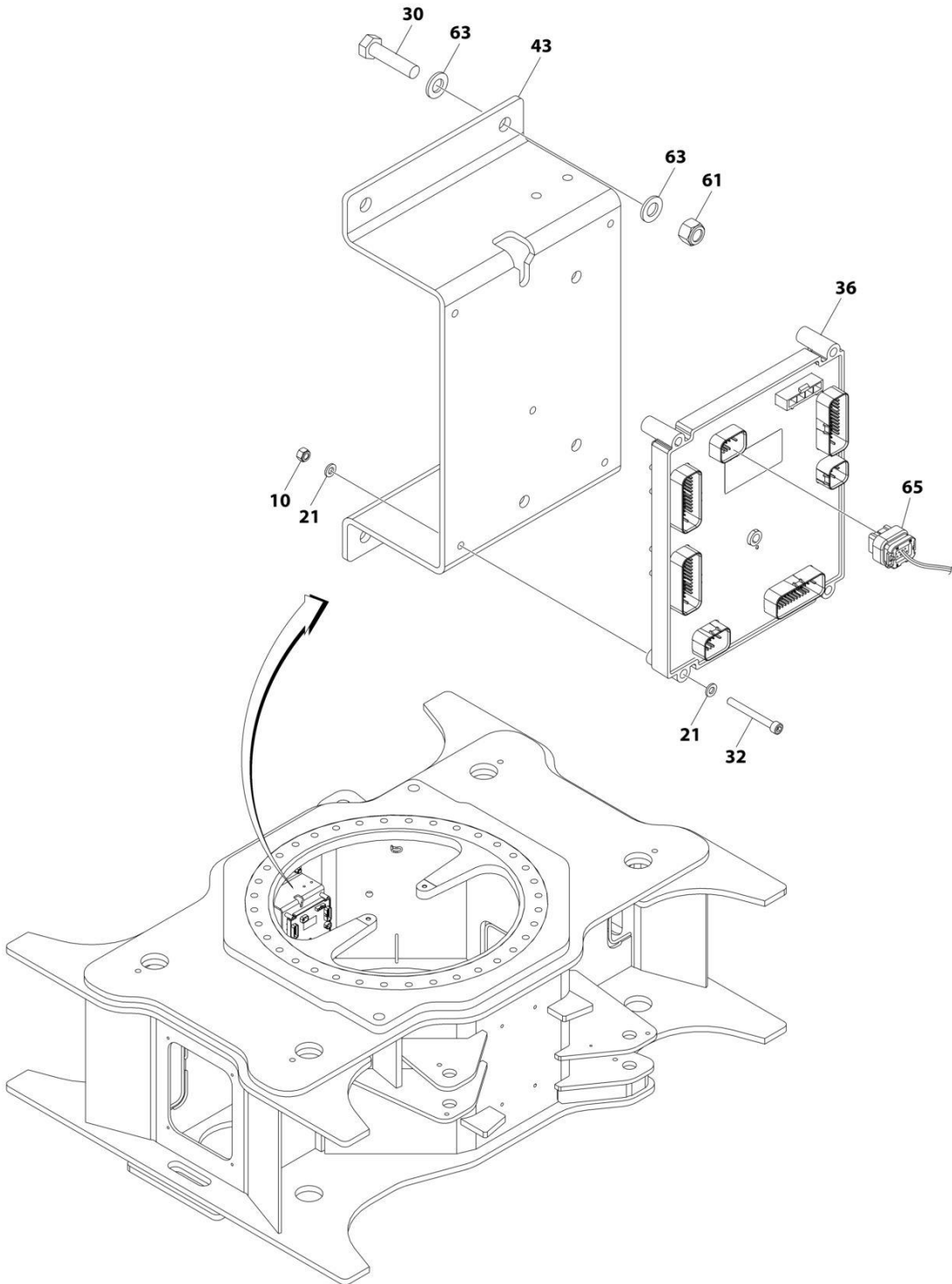
## SECTION 1 - FRAME

**FIGURE 1-17. ELECTRICAL COMPONENTS INSTALLATION - FRAME (CE & UK CA SPECS) (Prior to SN 0300298210)**

ITEM	PART NUMBER	QTY	DESCRIPTION	REV
	1001242861	Ref	ELECTRICAL COMPONENTS INSTALLATION - FRAME	D
10	3290605	6	Nut M6	
21	4811700	10	Washer M6	
30	0761218001	4	Bolt M12 x 50	
32	1001118878	5	Capscrew M6 x 55	
35	1001149975	1	Chassis Harness (Not Shown - See Separate Breakdown in ELECTRICAL Section)	
36	1001277132	1	Module, Control (Note: Re-calibration Required When Replaced)	
43	1001164354	1	Bracket	
61	3291205001	4	Nut M12	
63	4812100001	8	Washer M12	
65	1001246859	1	Connector	

# SECTION 1 - FRAME

FIGURE 1-18. ELECTRICAL COMPONENTS INSTALLATION - FRAME (CE & UK CA SPECS) (SN 0300298210 to Present)



ART\_1001242861\_E\_10F2

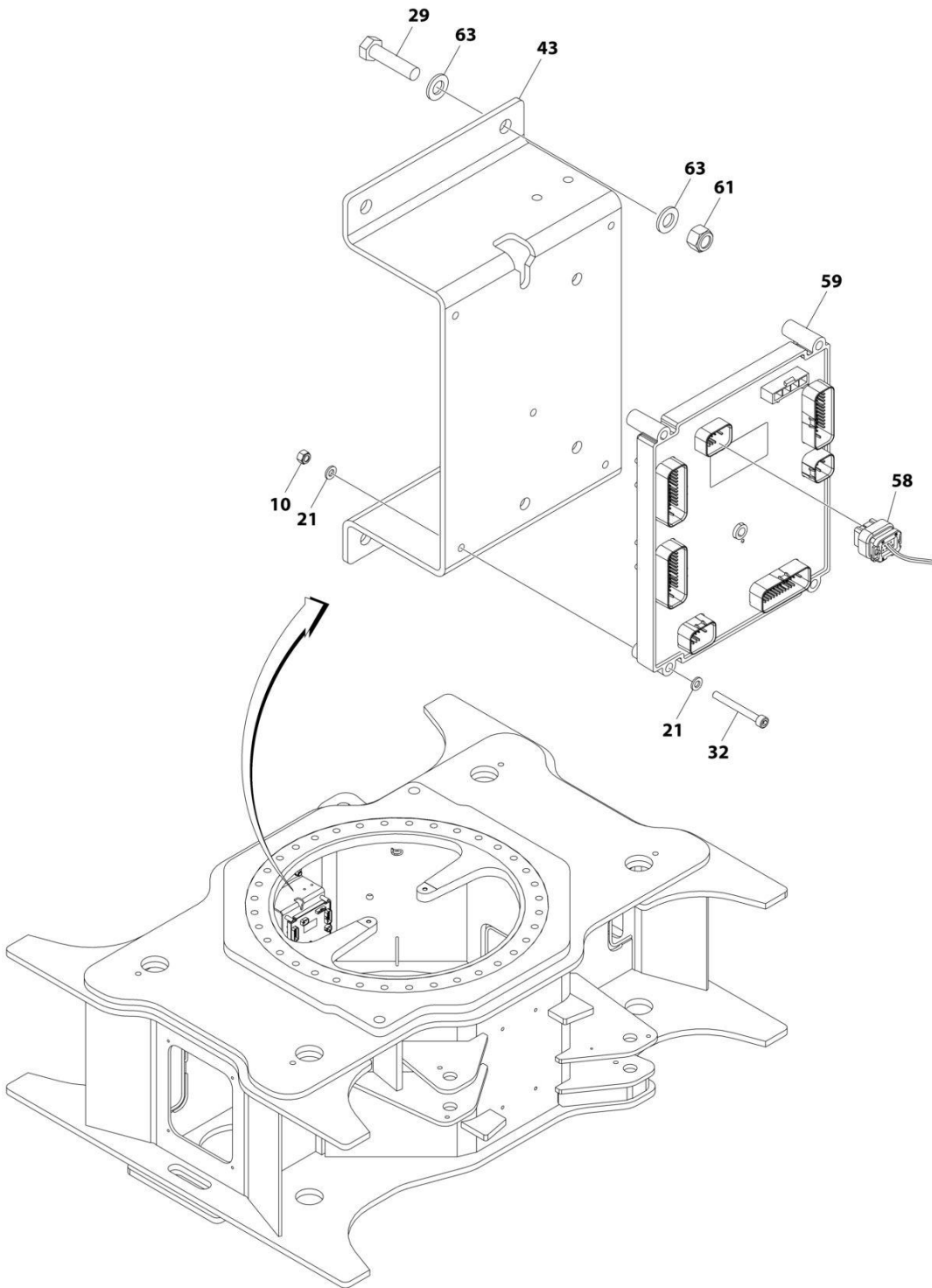
## SECTION 1 - FRAME

**FIGURE 1-18. ELECTRICAL COMPONENTS INSTALLATION - FRAME (CE & UK CA SPECS) (SN 0300298210 to Present)**

ITEM	PART NUMBER	QTY	DESCRIPTION	REV
	1001242861	Ref	ELECTRICAL COMPONENTS INSTALLATION - FRAME	E
10	3290605	5	Nut M6	
21	4811700	10	Washer M6	
30	0761218001	4	Bolt M12 x 50	
32	1001118878	5	Capscrew M6 x 55	
35	1001149975	1	Chassis Harness (Not Shown - See Separate Breakdown in ELECTRICAL Section)	
36	1001277132	1	Module, Control (Note: Re-calibration Required When Replaced)	
43	1001164354	1	Bracket	
61	3291205001	4	Nut M12	
63	4812100001	8	Washer M12	
65	1001246859	1	Connector	

# SECTION 1 - FRAME

FIGURE 1-19. ELECTRICAL COMPONENTS INSTALLATION - FRAME (DUETZ TCD3.6L (CHINA IV) ENGINES) (CHINA SPECS ONLY) (Prior to SN 0300299160)



ART\_1001286018\_10F2

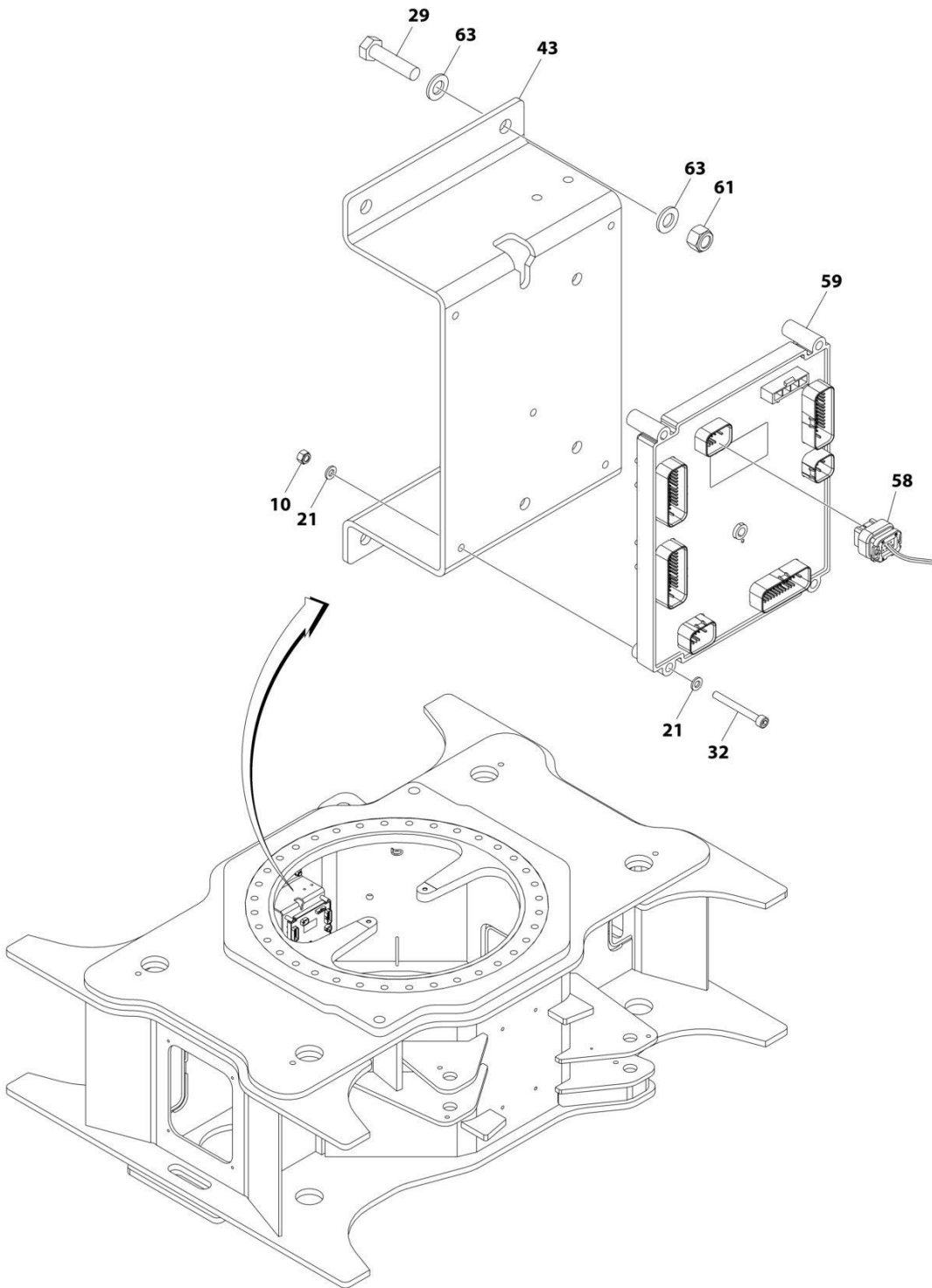
## SECTION 1 - FRAME

**FIGURE 1-19. ELECTRICAL COMPONENTS INSTALLATION - FRAME (DUETZ TCD3.6L (CHINA IV) ENGINES) (CHINA SPECS ONLY) (Prior to SN 0300299160)**

ITEM	PART NUMBER	QTY	DESCRIPTION	REV
	1001286018	Ref	ELECTRICAL COMPONENTS INSTALLATION - FRAME	B
10	3290605	6	Nut M6	
21	4811700	10	Washer M6	
29	0761218001	4	Bolt M12 x 50	
32	1001118878	5	Capscrew M6 x 55	
35	1001149975	1	Chassis Harness (Not Shown - See Separate Breakdown in ELECTRICAL Section)	
43	1001164354	1	Bracket	
58	1001246859	1	Connector	
59	1001150162	1	Module, Control (Note: Re-calibration Required When Replaced)	
61	3291205001	4	Nut, Lock M12	
63	4812100001	8	Washer M12	

# SECTION 1 - FRAME

FIGURE 1-20. ELECTRICAL COMPONENTS INSTALLATION - FRAME (DUETZ TCD3.6L (CHINA IV) ENGINES) (CHINA SPECS ONLY) (SN 0300300728 to Present, Excluding 0300299161)



ART\_1001286018\_C\_10F2



## SECTION 1 - FRAME

**FIGURE 1-20. ELECTRICAL COMPONENTS INSTALLATION - FRAME (DUETZ TCD3.6L (CHINA IV) ENGINES) (CHINA SPECS ONLY) (SN 0300300728 to Present, Excluding 0300299161)**

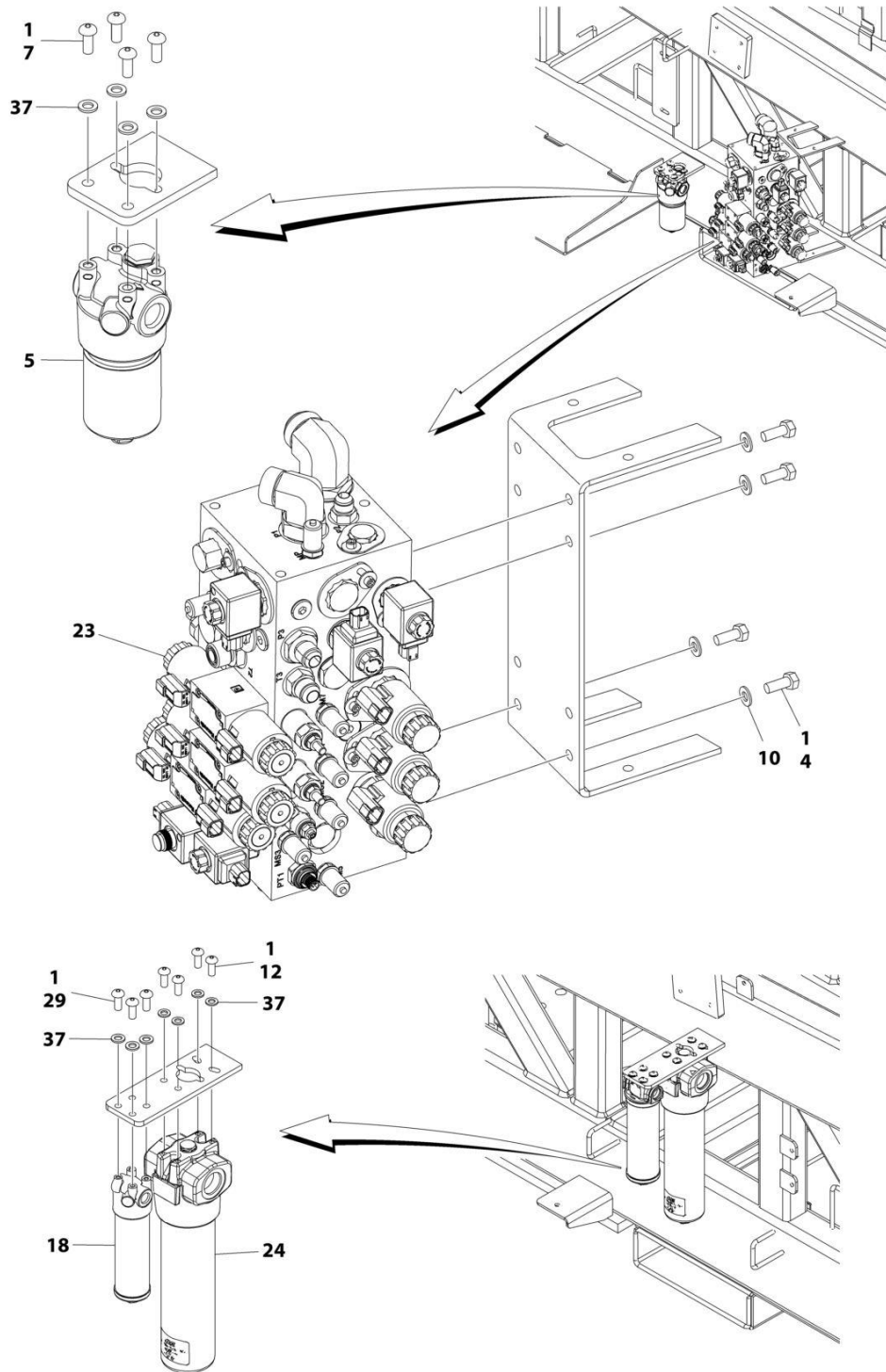
ITEM	PART NUMBER	QTY	DESCRIPTION	REV
	1001286018	Ref	ELECTRICAL COMPONENTS INSTALLATION - FRAME	C
10	3290605	6	Nut M6	
21	4811700	10	Washer M6	
29	0761218001	4	Bolt M12 x 50	
32	1001118878	5	Capscrew M6 x 55	
35	1001149975	1	Chassis Harness (Not Shown - See Separate Breakdown in ELECTRICAL Section)	
43	1001164354	1	Bracket	
58	1001246859	1	Connector	
59	1001150162	1	Module, Control (Note: Re-calibration Required When Replaced)	
61	3291205001	4	Nut, Lock M12	
63	4812100001	8	Washer M12	



**SECTION 2 - TURNTABLE**

# SECTION 2 - TURNTABLE

## FIGURE 2-1. VALVES AND FILTERS INSTALLATION - TURNTABLE (PARKER HYDRAULIC FILTER)



ART\_1001219995\_20F3

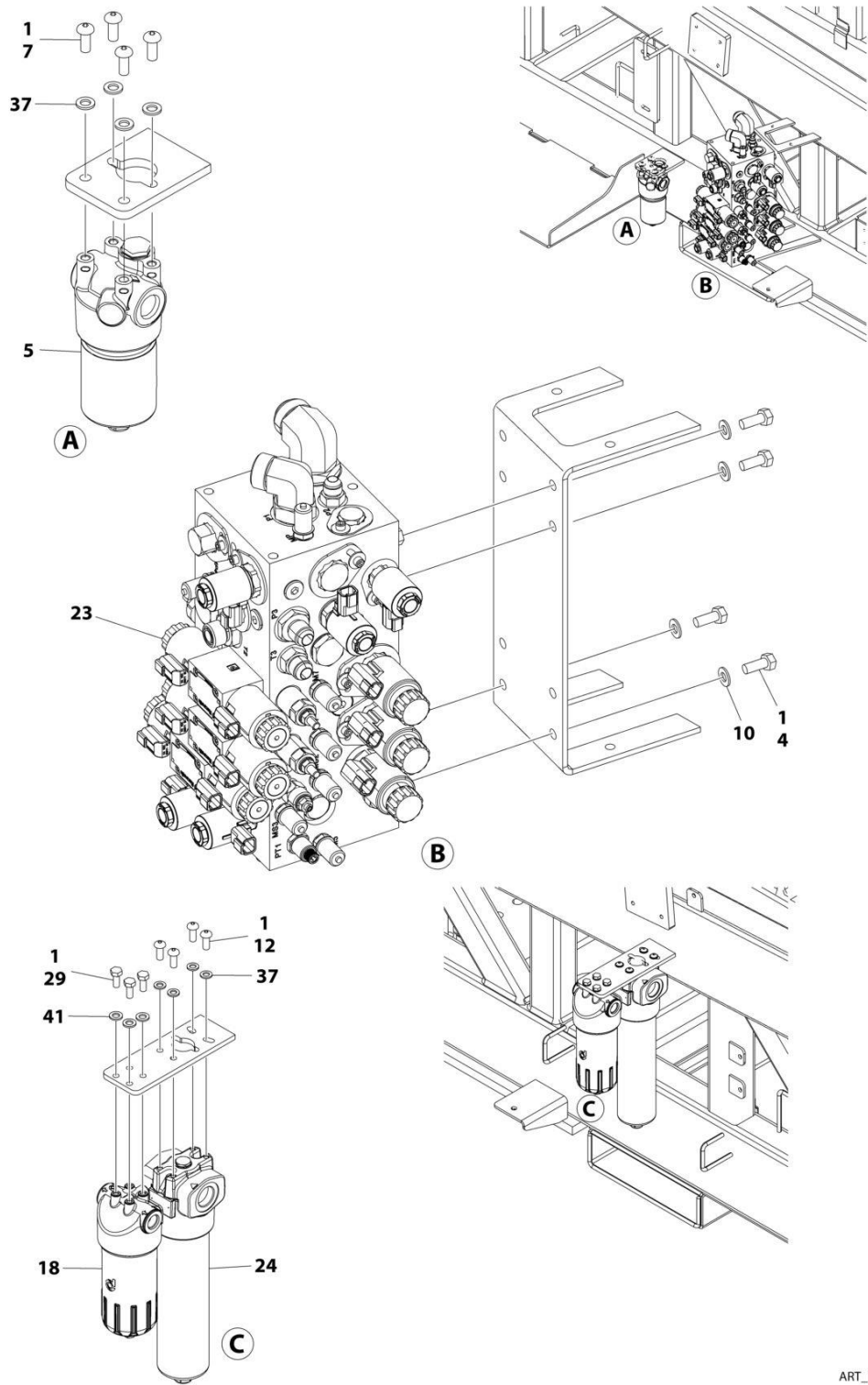
## SECTION 2 - TURNTABLE

**FIGURE 2-1. VALVES AND FILTERS INSTALLATION - TURNTABLE (PARKER HYDRAULIC FILTER)**

ITEM	PART NUMBER	QTY	DESCRIPTION	REV
	1001219995	Ref	VALVES AND HYDRAULIC FILTERS INSTALLATION - TURNTABLE (WITH LSS)	B
1	0100011	AR	Compound, Locking	
4	0761012	4	Bolt M10 x 25	
5	2120217	1	Filter, High Pressure (Tank Side)	
5	70002097	1	Element, High Pressure Filter (Tank Side)	
5	70001499	1	Kit, Seal	
7	3900316	4	Screw 3/8 x 1	
10	4812000	4	Washer M10	
12	88261128	4	Screw 3/8 x 1	
18	1001108617	1	Filter	
18	70002231	1	Element, Filter	
23	1001234548	1	Main Valve Assembly (See Separate Breakdown in this Section)	
24	1001158412	1	Filter, High Pressure (Engine Side)	
24	1001161232	1	Element, High Pressure Filter (Engine Side)	
24	70006137	1	Seal Kit - 1001158412 Filter	
29	1001173846	4	Screw 3/8 x 3/4	
29	1001238236	4	Screw 3/8 x 7/8	
37	4711600001	12	Washer 3/8	

# SECTION 2 - TURNTABLE

## FIGURE 2-2. VALVES AND FILTERS INSTALLATION - TURNTABLE (DONALDSON HYDRAULIC FILTER)



ART\_1001219995\_D\_20F3

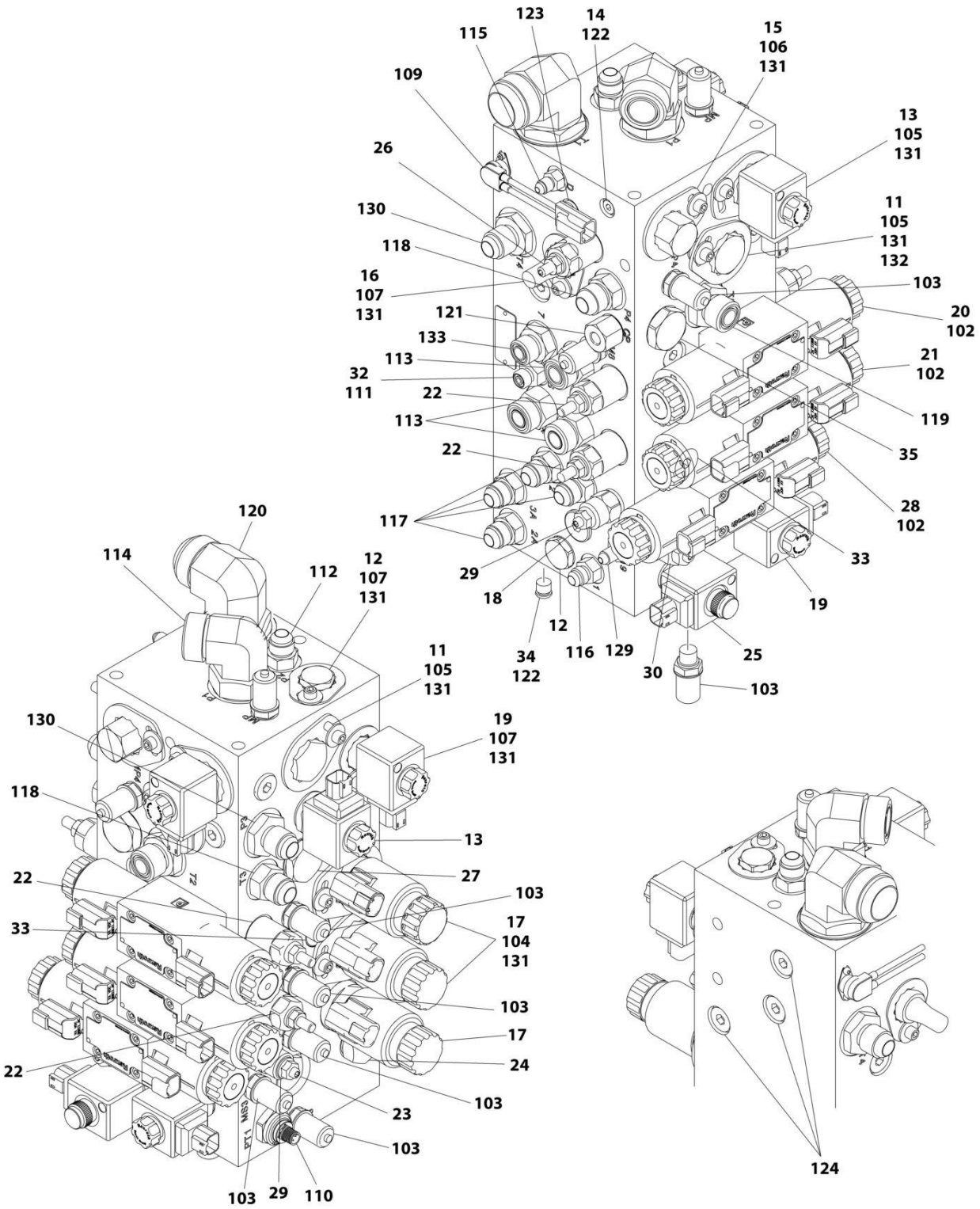
## SECTION 2 - TURNTABLE

**FIGURE 2-2. VALVES AND FILTERS INSTALLATION - TURNTABLE (DONALDSON HYDRAULIC FILTER)**

ITEM	PART NUMBER	QTY	DESCRIPTION	REV
	1001219995	Ref	VALVES AND HYDRAULIC FILTERS INSTALLATION - TURNTABLE (WITH LSS)	D
1	0100011	AR	Compound, Locking	
4	0761012	4	Bolt M10 x 25	
5	2120217	1	Filter, High Pressure (Tank Side)	
5	70002097	1	Element, High Pressure Filter (Tank Side)	
5	70001499	1	Kit, Seal	
7	3900316	4	Screw 3/8 x 1	
10	4812000	4	Washer M10	
12	88261128	4	Screw 3/8 x 1	
18	1001293701	1	Filter	
18	70008358	1	Element, Filter	
18	70008368	1	Head, Filter	
18	70008369	1	Housing, Filter	
23	1001234548	1	Main Valve Assembly (See Separate Breakdown in this Section)	
24	1001158412	1	Filter, High Pressure (Engine Side)	
24	1001161232	1	Element, High Pressure Filter (Engine Side)	
24	70006137	1	Seal Kit - 1001158412 Filter	
29	0761012001	4	Screw M10 x 25	
37	4711600001	8	Washer 3/8	
41	1001172358	4	Washer M10	

# SECTION 2 - TURNTABLE

## FIGURE 2-3. MAIN VALVE ASSEMBLY



ART\_1001234548



**SECTION 2 - TURNTABLE**

**FIGURE 2-3. MAIN VALVE ASSEMBLY**

ITEM	PART NUMBER	QTY	DESCRIPTION	REV
	1001234548	Ref	MAIN VALVE ASSEMBLY	C
11	70004583	3	Cartridge, Check	
11	70004584	3	Kit, Seal	
12	70004585	2	Cartridge, Check	
12	70004052	2	Kit, Seal	
13	70004586	2	Cartridge, Solenoid	
13	70004587	2	Kit, Seal	
13	70004588	5	Coil	
14	70004589	1	Orifice	
15	70004590	1	Cartridge, Directional	
15	70023862	1	Kit, Seal	
16	70004591	1	Cartridge, Pressure Reducing	
16	70004592	1	Kit, Seal	
17	70004593	3	Cartridge, Solenoid	
17	70004594	3	Kit, Seal	
17	70004595	3	Coil	
18	70023859	1	Cartridge, Shuttle	
18	70023860	1	Kit, Seal	
19	70004598	2	Cartridge, Dump	
19	70004055	2	Kit, Seal	
19	70004588	2	Coil	
20	70004459	1	Valve	
20	7012773	1	Kit, Seal	
20	70004460	2	Coil	
20	7021375	2	Nut	
21	70004600	1	Valve	
21	7012773	1	Kit, Seal	
21	70004463	2	Coil	
21	7021375	2	Nut	
22	70004601	4	Cartridge, Relief Valve	
22	70004602	4	Kit, Seal	
23	70023866	1	Valve, Cartridge (Check)	
23	70023867	1	Kit, Seal	
24	70004604	1	Cartridge, Pilot Check	
24	70004605	1	Kit, Seal	
25	70004606	1	Cartridge, Solenoid	
25	70004053	1	Kit, Seal	
25	70004599	1	Coil	
26	70004607	1	Cartridge, Relief Valve	
26	70004602	1	Kit, Seal	
27	70004608	1	Cartridge, Check	
27	70004584	1	Kit, Seal	
28	70004609	1	Valve	
28	7012773	1	Kit, Seal	
28	70004463	2	Coil	
28	7021375	2	Nut	
29	70004610	2	Cartridge, Counterbalance	
29	70004611	1	Kit, Seal	
30	70004612	1	Cartridge, Throttle	
30	70004052	1	Kit, Seal	

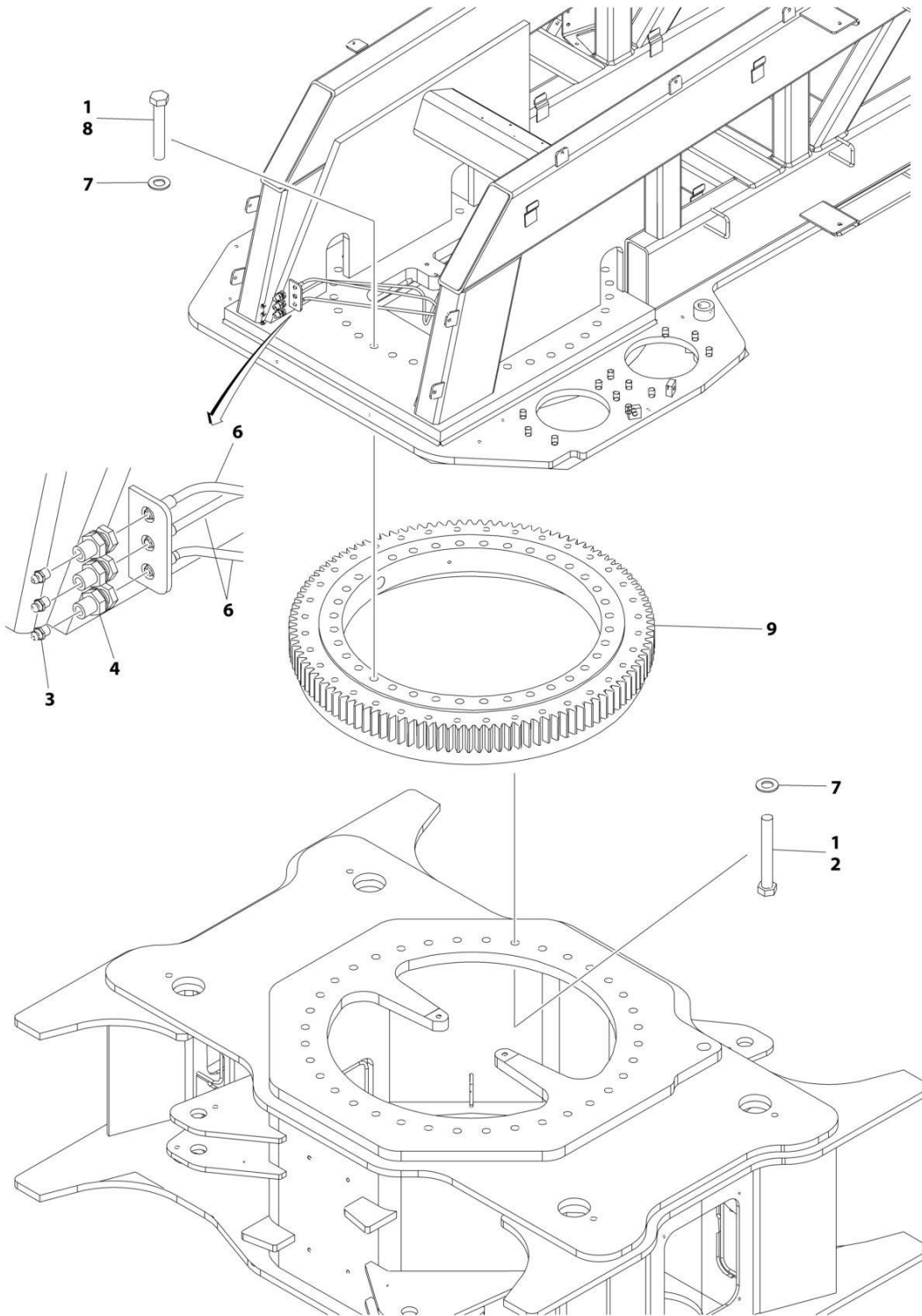
## SECTION 2 - TURNTABLE

ITEM	PART NUMBER	QTY	DESCRIPTION	REV
32	7023821	1	Orifice	
33	70004613	2	Cartridge, Shuttle	
34	70004668	1	Plug, Orifice	
35	10837489	NLA	Cartridge, Check Valve (Use p/n 1001235159)	
102	7018942	12	Capscrew #10 x 2	
103	2221086	9	Fitting, Test	
104	70000781	2	Kit, Locking	
105	70002962	3	Kit, Locking	
106	70004618	1	Kit, Locking	
107	70004619	3	Kit, Locking	
109	70004614	1	Sensor, Thermostat	
109	70004615	2	Capscrew #6 x 3/8-16	
109	70005961	2	Insert, Threaded	
110	70004616	1	Switch, Transducer Switch	
111	2110406	1	Fitting, Straight ORB/ORFS	
112	2220373	1	Fitting, Straight JIC/ORB	
113	2111010	3	Fitting, Straight ORB/ORFS	
114	2131616	1	Fitting, Elbow ORFS/ORB	
115	2220415	1	Fitting, Straight JIC/ORB	
116	2220371	1	Fitting, Straight JIC/ORB	
117	2220373	4	Fitting, Straight JIC/ORB	
118	2220947	2	Fitting, Straight JIC/ORB	
119	2111012	1	Fitting, Straight JIC/ORB	
120	88662070	1	Fitting, 90 JIC/ORB	
121	See Note	NSS	Fitting, Straight (Note: Not Available for Purchase)	
122	70002758	2	Plug, Zero Leak	
123	70004617	1	Plug, Zero Leak	
124	70002759	AR	Plug, Zero Leak	
129	2220582	1	Fitting, Straight JIC/ORB	
130	2220865	2	Fitting, Straight JIC/ORB	
131	70005958	9	Capscrew	
132	4751400	1	Washer 1/4	
133	2110810	1	Fitting, Straight ORB/ORFS	



# SECTION 2 - TURNTABLE

## FIGURE 2-4. TURNTABLE BEARING INSTALLATION



ART\_1001153979

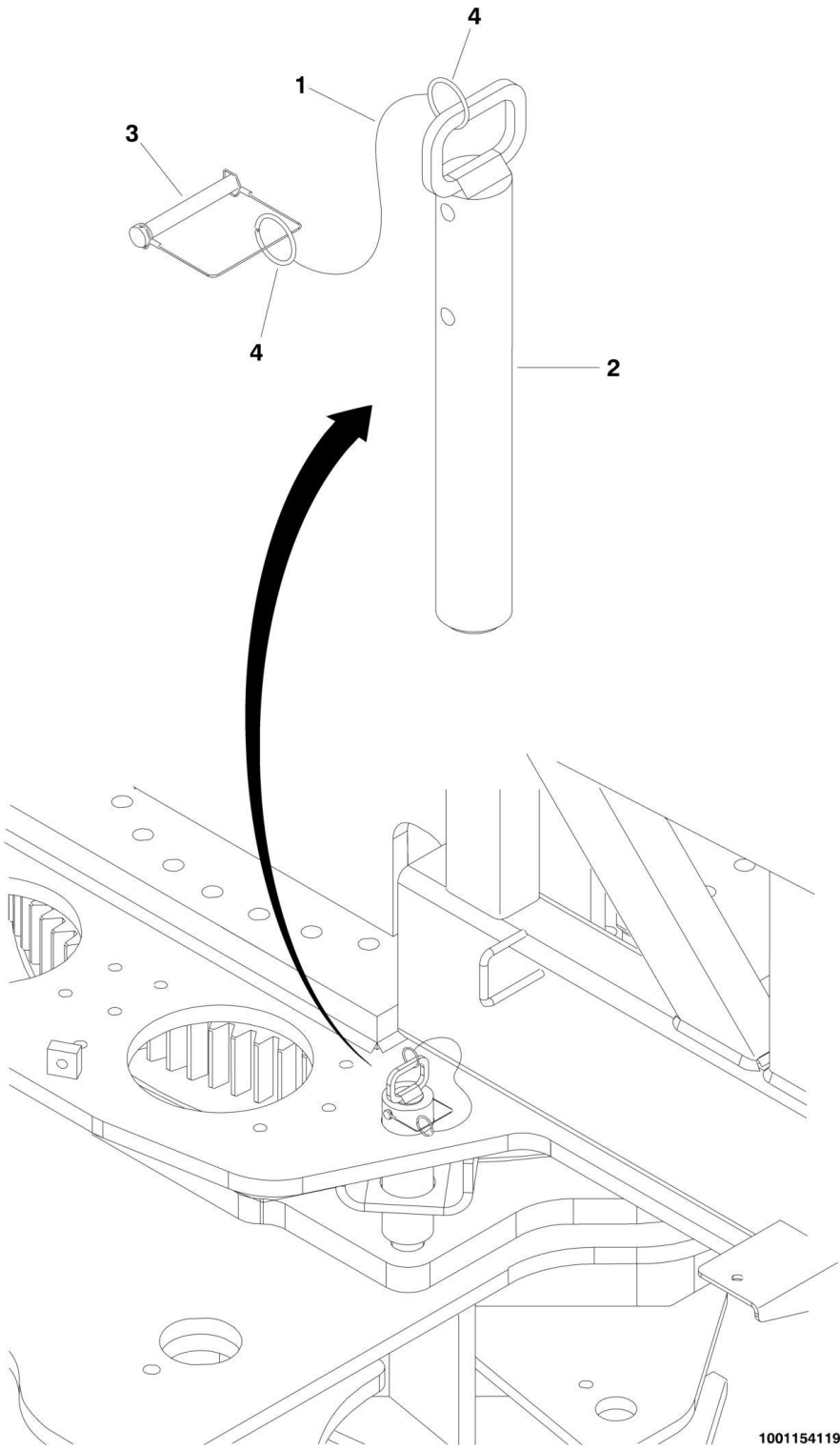
**SECTION 2 - TURNTABLE**

**FIGURE 2-4. TURNTABLE BEARING INSTALLATION**

<b>ITEM</b>	<b>PART NUMBER</b>	<b>QTY</b>	<b>DESCRIPTION</b>	<b>REV</b>
	1001153979	Ref	TURNTABLE BEARING INSTALLATION	C
1	0100019	AR	Compound, Locking	
2	0712435	36	Bolt M24 x 180 Grade 10.9	
3	2160002	1	Fitting, Grease	
4	2180344	3	Fitting, Bulkhead NPT	
6	2751032	1	Hose	
7	5242400	71	Washer M24	
8	1001097587	35	Bolt M24 x 150 Grade 10.9	
9	1001149823	1	Bearing, Swing	

**SECTION 2 - TURNTABLE**

**FIGURE 2-5. TURNTABLE LOCK INSTALLATION**



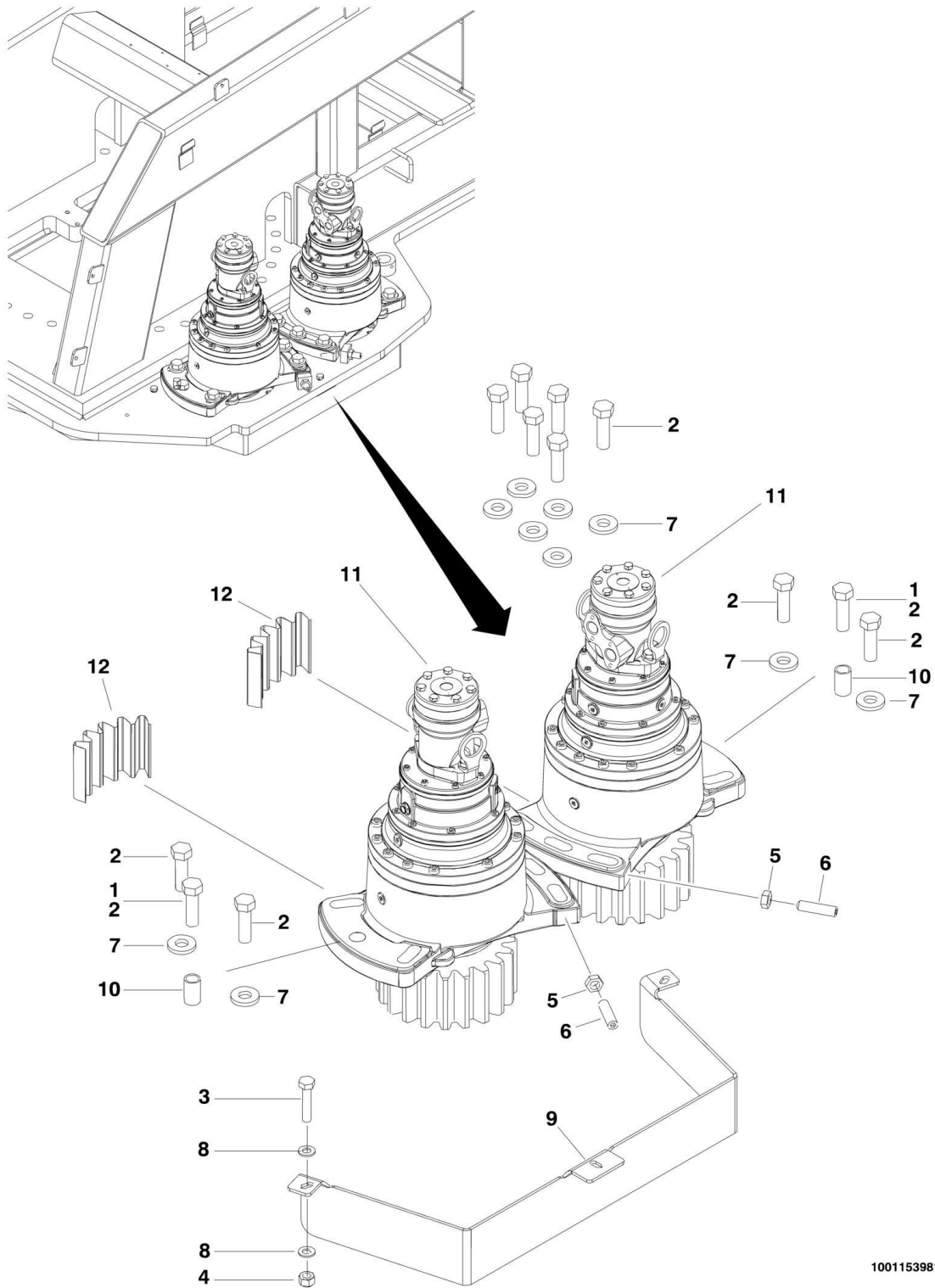
**SECTION 2 - TURNTABLE**

**FIGURE 2-5. TURNTABLE LOCK INSTALLATION**

<b>ITEM</b>	<b>PART NUMBER</b>	<b>QTY</b>	<b>DESCRIPTION</b>	<b>REV</b>
	1001154119	Ref	TURNTABLE LOCK INSTALLATION	A
1	1260017	8 in/20cm	Chain	
2	3421563	1	Pin	
3	3421565	1	Pin	
4	3760170	2	Ring	

# SECTION 2 - TURNTABLE

## FIGURE 2-6. SWING DRIVE INSTALLATION



1001153981



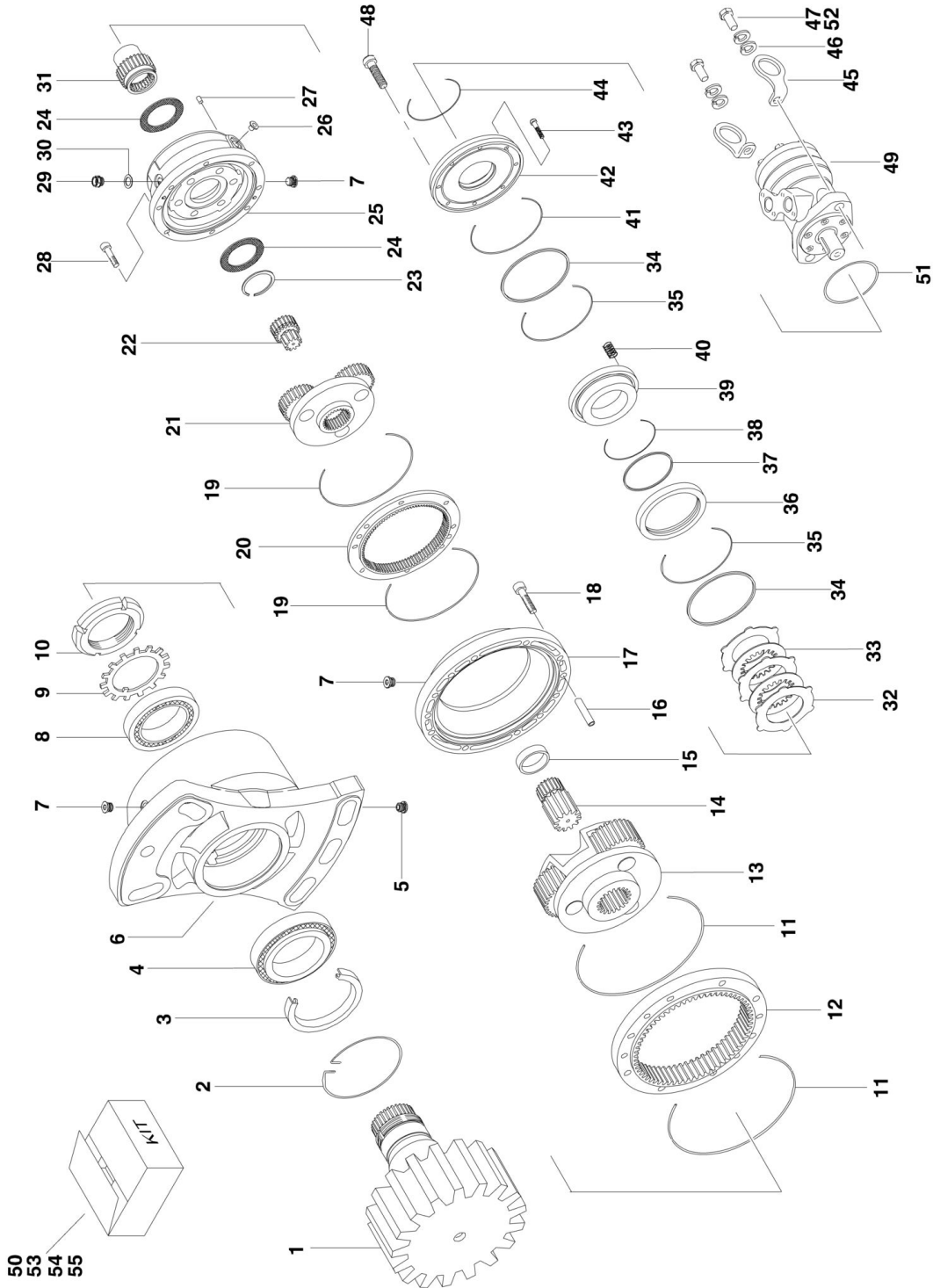
**SECTION 2 - TURNTABLE**

**FIGURE 2-6. SWING DRIVE INSTALLATION**

<b>ITEM</b>	<b>PART NUMBER</b>	<b>QTY</b>	<b>DESCRIPTION</b>	<b>REV</b>
	1001153981	Ref	SWING DRIVE INSTALLATION	C
1	0100019	AR	Compound, Locking	
2	0682220	12	Bolt 3/4 x 2-1/2 Grade 8	
3	0701018	3	Bolt M10 x 50	
4	3291005	3	Nut M10	
5	3312002	2	Nut 5/8	
6	3952020	2	Setscrew 5/8 x 2-1/2	
7	4740057	10	Washer	
8	4812000	6	Washer M10	
9	1001150725	1	Shield	
10	1001153983	2	Bar	
11	1001153984	2	Swing Hub/Brake/Motor Assembly (See Separate Breakdown in this Section)	
12	1001154377	2	Shim	

# SECTION 2 - TURNTABLE

## FIGURE 2-7. SWING HUB/BRAKE/ MOTOR ASSEMBLY



1001153984

## SECTION 2 - TURNTABLE

### FIGURE 2-7. SWING HUB/BRAKE/ MOTOR ASSEMBLY

ITEM	PART NUMBER	QTY	DESCRIPTION	REV
	1001153984	Ref	HUB/BRAKE/MOTOR - SWING	E
1	70004466	1	Shaft	
2	70004467	1	Ring	
3	See Note	NSS	Seal, Oil (Use p/n 70004489)	
4	70004468	1	Bearing	
5	70004469	1	Plug with O-Ring	
6	70004470	1	Support, Output	
7	70002057	5	Plug with O-Ring	
8	70004471	1	Bearing	
9	70004472	1	Washer	
10	70004473	1	Nut, Ring	
11	See Note	NSS	O-Ring (Use p/n 70004489)	
12	70004474	1	Ring, Planetary	
13	70004475	1	Reduction, Gear - Complete	
14	70004476	1	Pinion	
15	70004477	1	Spacer	
16	70004478	4	Pin, Spring	
17	70004479	1	Spacer	
18	70004480	8	Capscrew M10x55	
19	See Note	NSS	O-Ring (Use p/n 70004489)	
20	70004481	1	Ring, Planetary	
21	70004482	1	Reduction, Gear - Complete	
22	70004483	1	Pinion	
23	See Note	NSS	Ring (Use p/n 70004488)	
24	See Note	NSS	Washer (Use p/n 70004488)	
25	See Note	NSS	Housing, Brake (Use p/n 70004488)	
26	See Note	NSS	Plug (Use p/n 70004488)	
27	See Note	NSS	Plug (Use p/n 70004488)	
28	See Note	NSS	Capscrew M8x35 (Use p/n 70004488)	
29	See Note	NSS	Plug (Use p/n 70004488)	
30	See Note	NSS	Washer (Use p/n 70004488)	
31	See Note	NSS	Shaft, Input (Use p/n 70004488)	
32	See Note	NSS	Disc, Steel (Use p/n 70004488)	
33	See Note	NSS	Disc (Use p/n 70004488)	
34	See Note	NSS	Seal (Use p/n 70004488 or 70004490)	
35	See Note	NSS	O-Ring (Use p/n 70004488 or 70004490)	
36	See Note	NSS	Spacer (Use p/n 70004488)	
37	See Note	NSS	Seal (Use p/n 70004488 or 70004490)	
38	See Note	NSS	O-Ring (Use p/n 70004488 or 70004490)	
39	See Note	NSS	Piston, Brake (Use p/n 70004488)	
40	See Note	NSS	Spring, Brake (Use p/n 70004488)	
41	See Note	NSS	O-Ring (Use p/n 70004488 or 70004490)	
42	See Note	NSS	Cover (Use p/n 70004488 or 70004490)	
43	See Note	NSS	Screw M6x25 (Use p/n 70004488)	
44	See Note	NSS	O-Ring (Use p/n 70004488 or 70004490)	
45	70004484	2	Lug, Lifting	
46	70004485	4	Washer, Lock	
47	70004486	2	Capscrew M12x25	
48	70004487	2	Capscrew M12x35	
49	70004491	1	Motor	

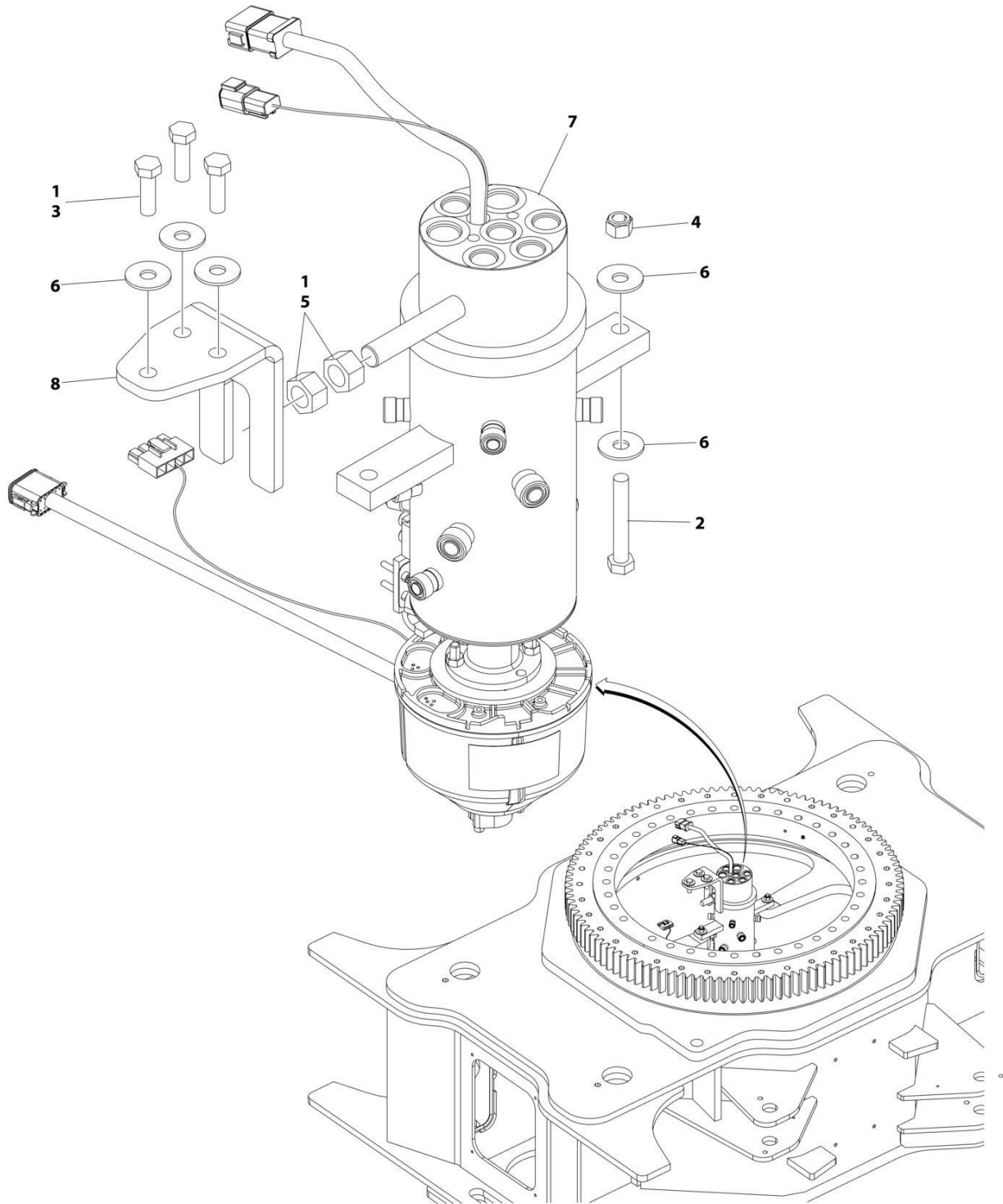
## SECTION 2 - TURNTABLE

ITEM	PART NUMBER	QTY	DESCRIPTION	REV
		Ref	Note: Seal Kit is the only replacement component available. Otherwise, replacement complete motor.	
50	70004492	1	Kit, Seal - Motor	
51	70004493	1	O-Ring	
52	70004494	2	Bolt	
53	70004488	1	Kit, Brake (Includes Items 23-44)	
54	70004489	1	Kit, Seal - Gearbox (Includes Items 3, 11 & 19)	
55	70004490	1	Kit, Brake Seal (Includes Items 34, 35, 37, 38 & 44)	



## SECTION 2 - TURNTABLE

FIGURE 2-8. COUPLING AND COLLECTOR RING INSTALLATION



ART\_1001154192\_B

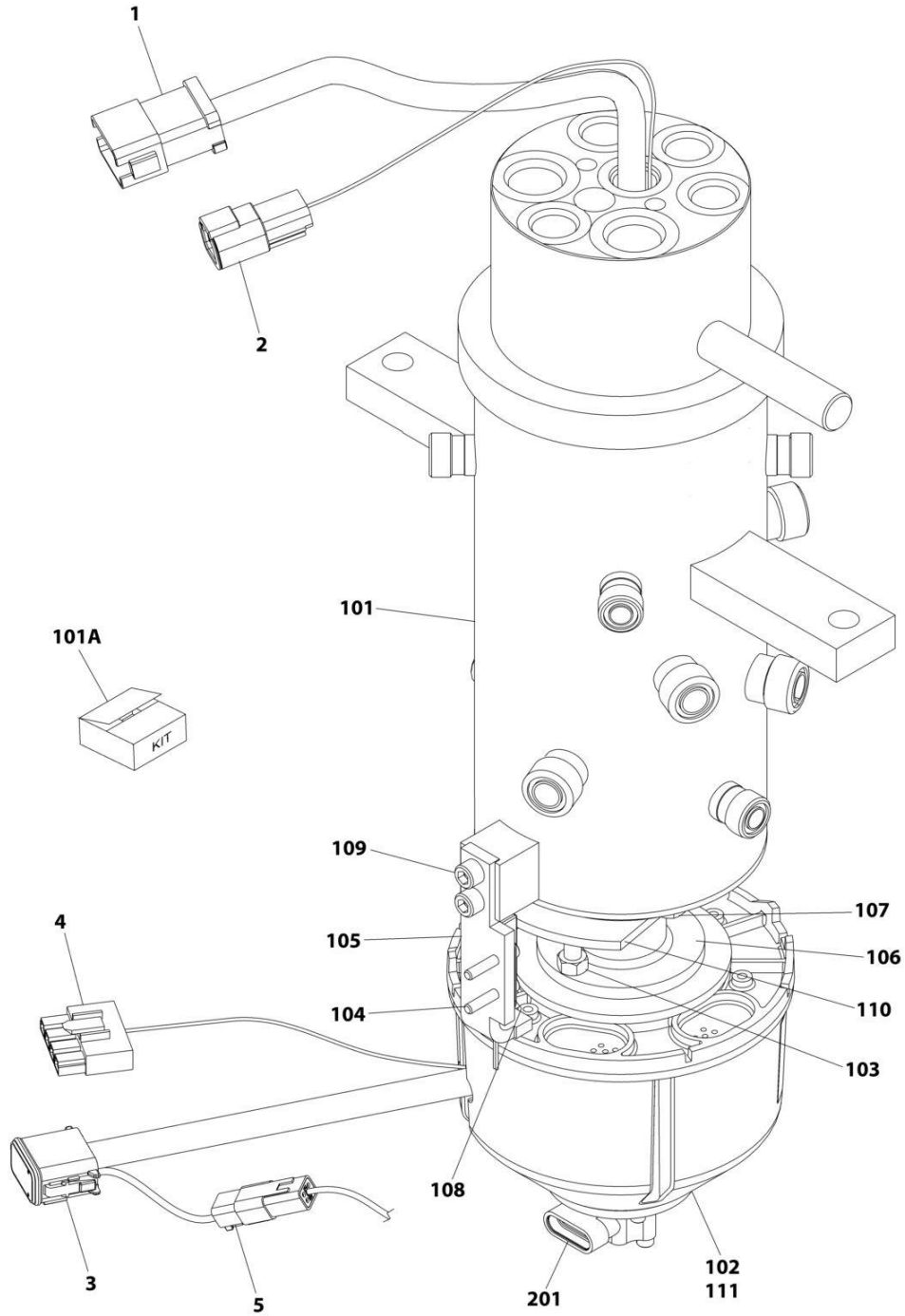
**SECTION 2 - TURNTABLE**

**FIGURE 2-8. COUPLING AND COLLECTOR RING INSTALLATION**

<b>ITEM</b>	<b>PART NUMBER</b>	<b>QTY</b>	<b>DESCRIPTION</b>	<b>REV</b>
	1001154192	Ref	COUPLING/COLLECTOR RING INSTALLATION	B
1	0100011	AR	Compound, Locking	
2	0701224	2	Bolt M12 x 80	
3	0761216	3	Bolt M12 x 40	
4	3291205	2	Nut M12	
5	3322201	2	Nut 3/4	
6	4812102	7	Washer M12	
7	1001278610	1	Coupling/Collector Ring Assembly (See Separate Breakdown in this Section)	
8	1001154196	1	Bracket	

# SECTION 2 - TURNTABLE

## FIGURE 2-9. COUPLING AND COLLECTOR RING ASSEMBLY



ART\_1001278610



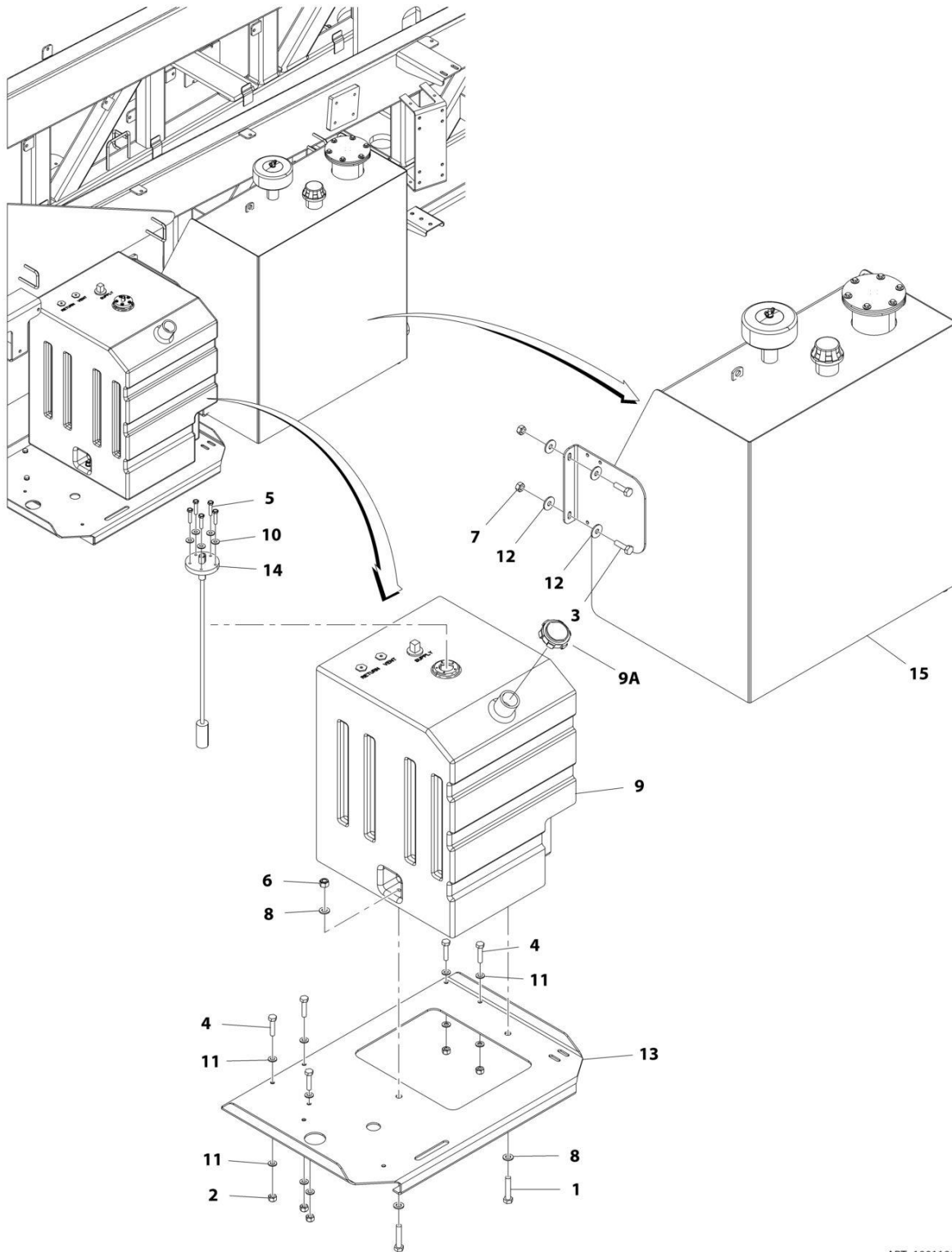
# SECTION 2 - TURNTABLE

**FIGURE 2-9. COUPLING AND COLLECTOR RING ASSEMBLY**

ITEM	PART NUMBER	QTY	DESCRIPTION	REV
	1001278610	Ref	ROTARY COUPLING AND RING ASSEMBLY	A
1	4460837	1	Connector	
1	4460943	3	Pin	
1	4460464	3	Pin	
1	4460466	6	Plug	
1	80604015	1	Wedge Lock	
2	4461017	1	Connector	
2	4460508	2	Pin	
3	4460836	1	Connector	
3	4460944	5	Socket	
3	4460465	3	Socket	
3	4460466	4	Plug	
3	80604016	1	Wedge Lock	
4	4460878	1	Connector	
4	4460887	1	Terminal	
5	4460884	1	Connector	
5	80604021	1	Wedge Lock	
101	70004324	1	Rotary Coupling Assembly	
101A	70004325	1	Seal Kit - 70004324 Coupling	
102	70008366	1	Collector Ring Assembly	
103	70008360	2	Nut 5/16	
104	70007510	2	Capscrew #10 x 1/2	
105	70008361	1	Arm	
106	70008362	1	Adaptor, Spool	
107	70008363	2	Bolt 5/16 x 1	
108	70008364	1	Sensor	
109	3931512	2	Capscrew 5/16 x 3/4	
110	70008365	1	Plate, Cam	
111	0100048	AR	Silicone	
201	70008629	1	Sensor, Rotary Angle	

# SECTION 2 - TURNTABLE

## FIGURE 2-10. TANKS INSTALLATION



ART\_1001191215

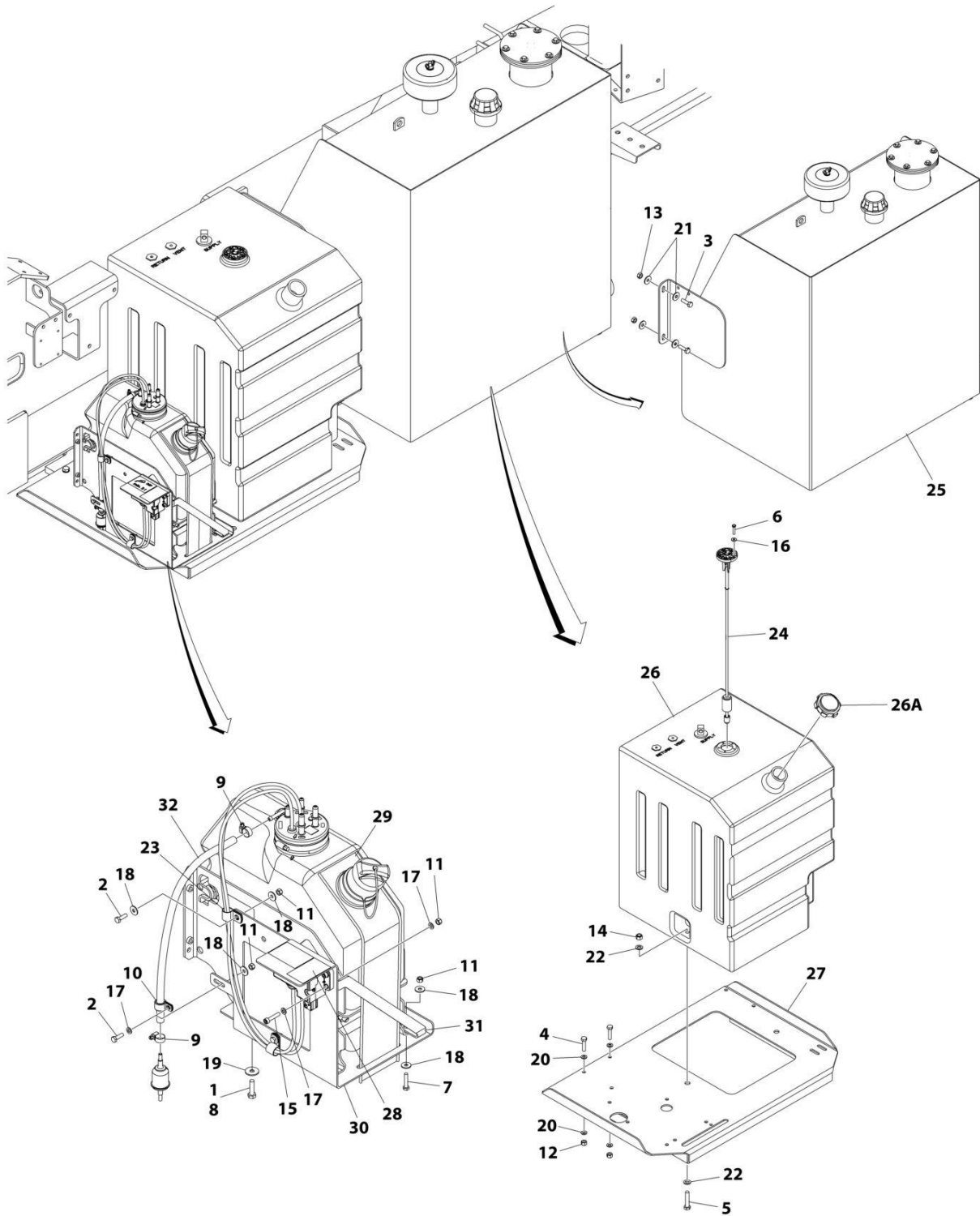
**SECTION 2 - TURNTABLE**

**FIGURE 2-10. TANKS INSTALLATION**

ITEM	PART NUMBER	QTY	DESCRIPTION	REV
	1001191215	Ref	TANKS INSTALLATION	A
1	0701220	2	Bolt M12 x 60	
2	3291005	5	Nut M10	
3	0701015	4	Bolt M10 x 35	
4	0701017	5	Bolt M10 x 45	
5	0731007	5	Screw, Machine #10 x 7/8	
6	3291205	2	Nut M12	
7	3291007	4	Nut M10	
8	4812100	4	Washer M12	
9	1001188491	1	Tank, Fuel	
9A	70005565	1	Cap, Fuel	
10	4751000	5	Washer #10	
11	4812000	10	Washer M10	
12	4812002	8	Washer M10	
13	1001189008	1	Tray	
14	1001109048	1	Gauge, Fuel	
14	3960525	1	Gasket (Gauge to Tank)	
15	1001147879	1	Tank, Hydraulic (See Separate Breakdown in this Section)	

# SECTION 2 - TURNTABLE

## FIGURE 2-11. TANKS INSTALLATION - WITH DIESEL EXHAUST FLUID TANK



ART\_1001242389

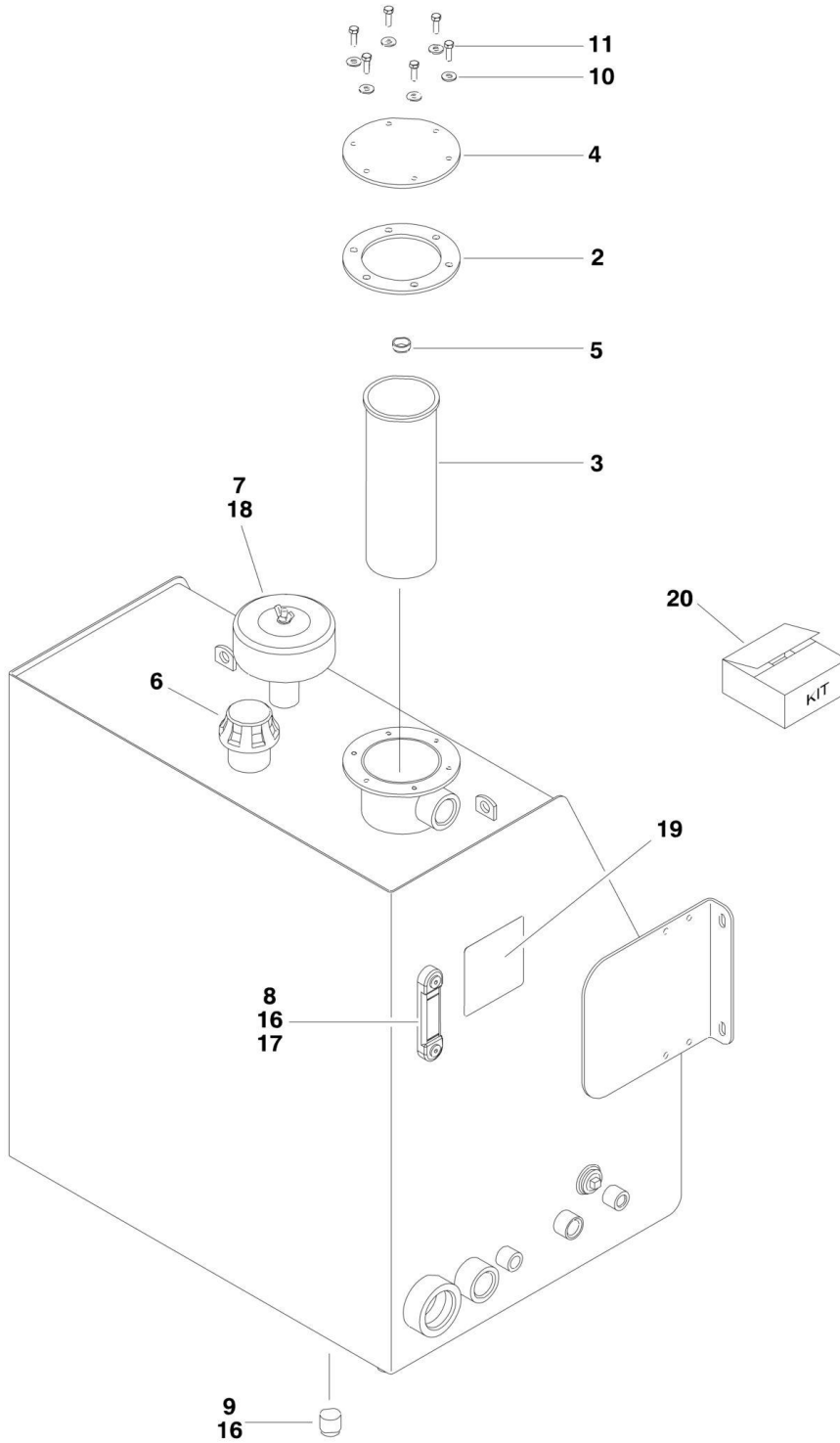
## SECTION 2 - TURNTABLE

**FIGURE 2-11. TANKS INSTALLATION - WITH DIESEL EXHAUST FLUID TANK**

ITEM	PART NUMBER	QTY	DESCRIPTION	REV
	1001242389	Ref	TANKS INSTALLATION - WITH DIESEL EXHAUST FLUID TANK	A
1	0100011	AR	Compound, Locking (Not Shown)	
2	0700610	3	Bolt M6 x 20	
3	0701015	4	Bolt M10 x 35	
4	0701017	5	Bolt M10 x 45	
5	0701220	2	Bolt M12 x 60	
6	0731007	5	Screw, Machine #10 x 7/8	
7	0760614	1	Bolt M6 X 30	
8	0760814	4	Bolt M8 x 30	
9	1320022	2	Clamp	
10	1320041	1	Clamp	
11	3290605	8	Nut, M6	
12	3291005	5	Nut M10	
13	3291007	4	Nut M10	
14	3291205	2	Nut M12	
15	4031710	4	Bolt M6 x 30	
16	4751000	5	Washer #10	
17	4811700	9	Washer M6	
18	4811702	7	Washer M6	
19	4811902	4	Washer M8	
20	4812000	12	Washer M10	
21	4812002	8	Washer M10	
22	4812100	4	Washer M12	
23	8406101	2	Clip	
24	1001109048	1	Gauge, Fuel	
24	3960525	1	Gasket (Gauge to Tank)	
25	1001147879	1	Tank, Hydraulic (See Separate Breakdown in this Section)	
26	1001188491	1	Tank, Fuel	
26A	70005565	1	Cap, Fuel	
27	1001189008	1	Tray	
28	1001196806	1	Decal, Exhaust Fluid	
29	1001238158	1	Sleeve, Spill Guard	
30	1001238262	1	Support	
31	1001241631	1	Brace	
32	1001175201	17 in/ 0.43m	Hose	

# SECTION 2 - TURNTABLE

## FIGURE 2-12. HYDRAULIC TANK ASSEMBLY



1001147879

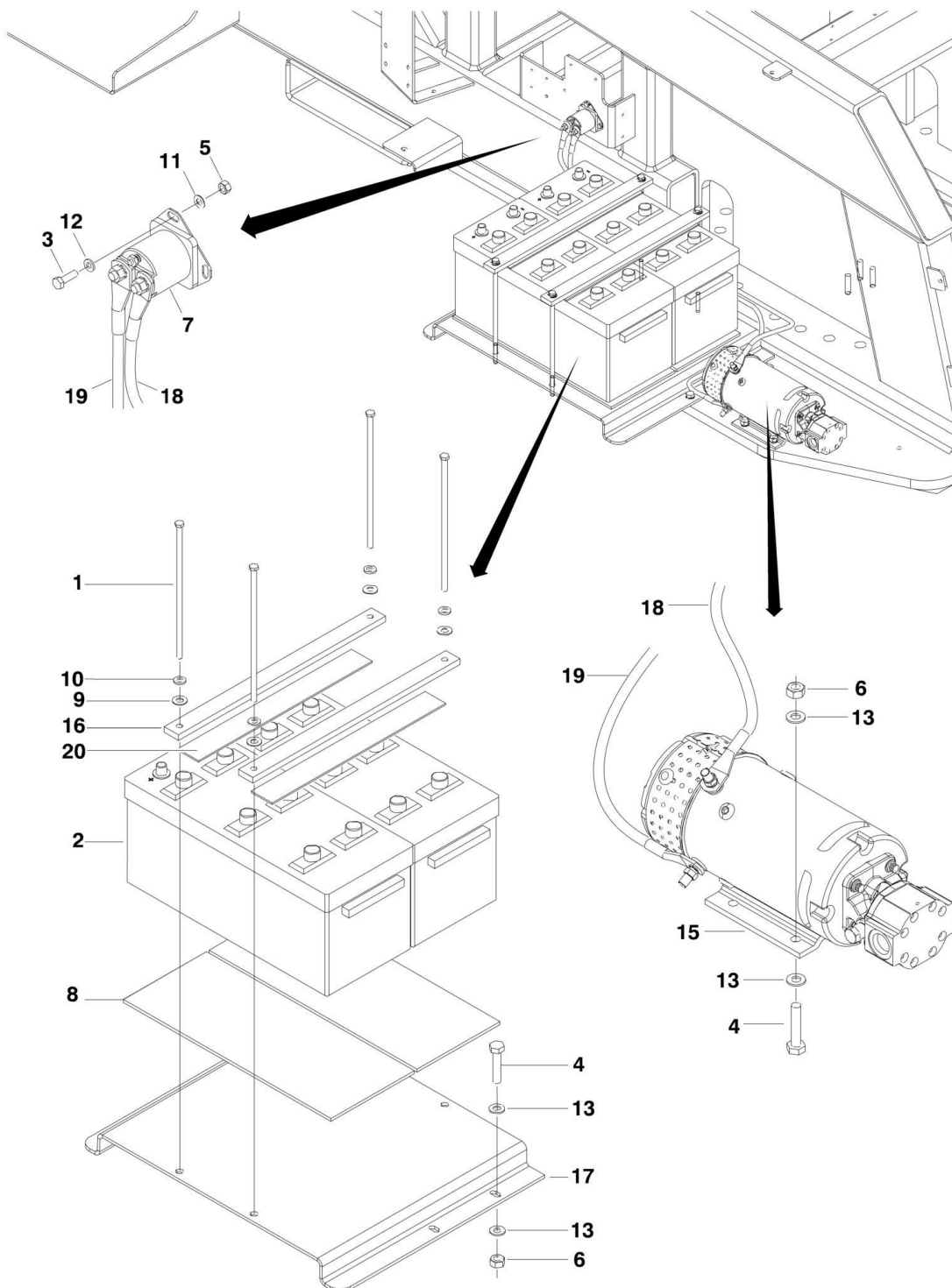
**SECTION 2 - TURNTABLE**

**FIGURE 2-12. HYDRAULIC TANK ASSEMBLY**

ITEM	PART NUMBER	QTY	DESCRIPTION	REV
	1001147879	Ref	HYDRAULIC TANK ASSEMBLY	G
2	See Note	NSS	Gasket (Use p/n 70004150)	
3	See Note	NSS	Element, Filter (Use p/n 70004150)	
4	See Note	NSS	Cover (Note: Not Available for Purchase)	
5	70004412	1	Spring	
6	70002838	1	Cap, Fill	
7	See Note	NSS	Breather (Use p/n 70004150)	
8	7024441	1	Gauge	
9	See Note	NSS	Plug (Note: Purchase Locally)	
10	See Note	NSS	Washer 5/16in Stainless Steel (Note: Purchase Locally)	
11	See Note	NSS	Bolt 5/16-18 x 1 Stainless Steel (Note: Purchase Locally)	
16	See Note	AR	Loctite #243 (Note: Purchase Locally)	
17	See Note	AR	Lubricant (Note: Purchase Locally)	
18	See Note	AR	Loctite #565 (Note: Purchase Locally)	
19	70004411	1	Decal, Service	
20	70004150	1	Kit, Service (Includes Item 2, 3 & 7)	

# SECTION 2 - TURNTABLE

## FIGURE 2-13. AUXILIARY POWER/BATTERIES INSTALLATIONS



1001154034



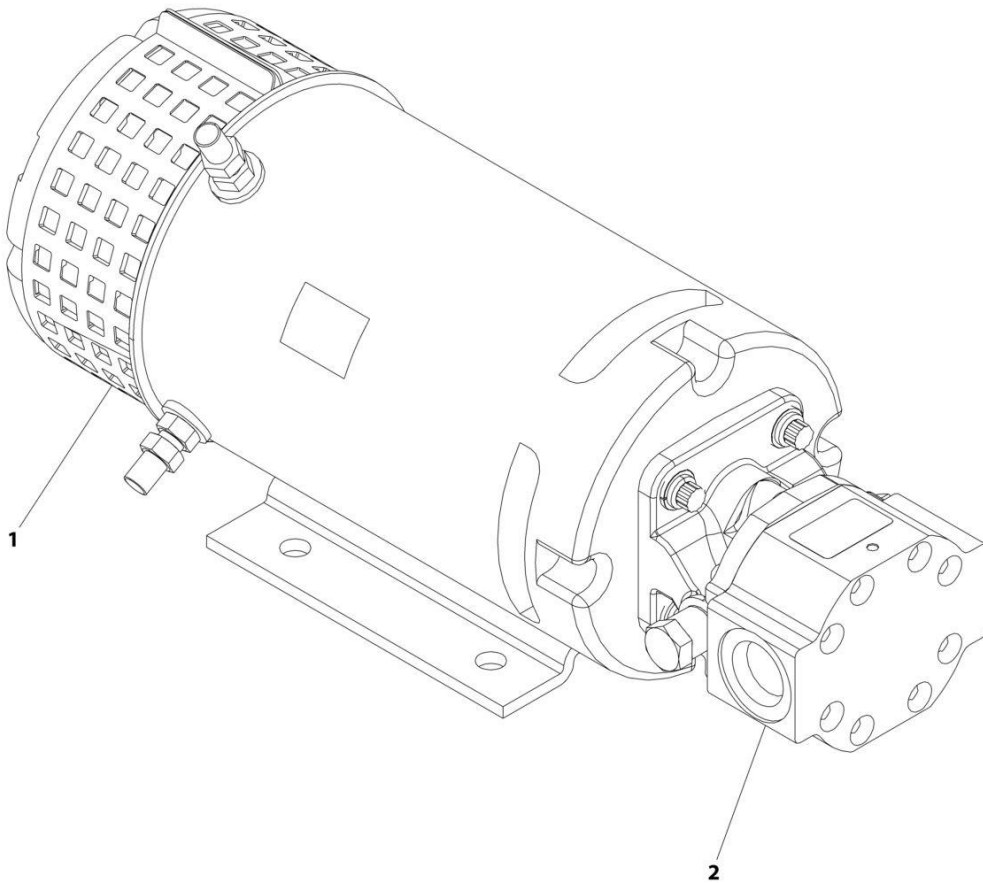
**SECTION 2 - TURNTABLE**

**FIGURE 2-13. AUXILIARY POWER/BATTERIES INSTALLATIONS**

ITEM	PART NUMBER	QTY	DESCRIPTION	REV
	1001154034	Ref	AUXILIARY POWER/BATTERIES INSTALLATIONS	D
1	0236768	4	Bolt, Tie-Down	
2	0400020	2	Battery	
3	0700610	2	Bolt M6 x 20	
4	0701018	8	Bolt M10 x 50	
5	3290607	2	Nut M6	
6	3291007	8	Nut M10	
7	3740067	1	Relay	
8	3980006	2	Seat, battery	
9	4711600	4	Washer 3/8	
10	4761600	4	Washer 3/8	
11	4791400	2	Washer 1/4	
12	4811700	2	Washer M6	
13	4812000	16	Washer M10	
15	1001224066	1	Pump/Motor, Auxiliary (See Separate Breakdown in this Section)	
16	1001154035	2	Plate	
17	1001164056	1	Bracket	
18	1001154144	1	Cable, Electrical (Positive)	
19	1001154145	1	Cable, Electrical (Negative)	
20	4420038	34 in /85cm	Tape	

## SECTION 2 - TURNTABLE

FIGURE 2-14. AUXILIARY PUMP AND MOTOR ASSEMBLY



ART\_1001224066

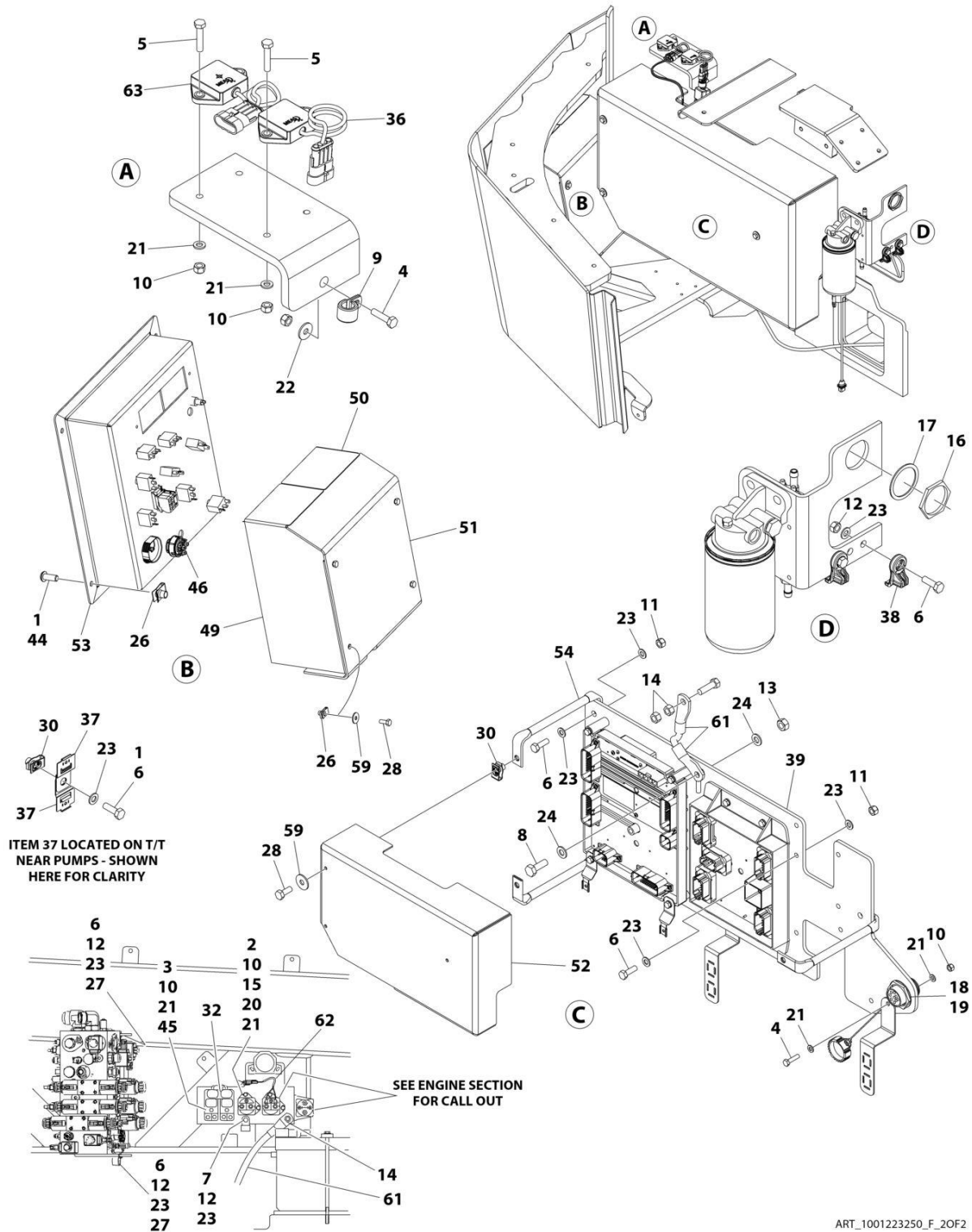
**SECTION 2 - TURNTABLE**

**FIGURE 2-14. AUXILIARY PUMP AND MOTOR ASSEMBLY**

ITEM	PART NUMBER	QTY	DESCRIPTION	REV
	1001224066	Ref	AUXILIARY PUMP ASSEMBLY	B
1	7010924	1	Motor	
1	7010639	2	Brush	
1	7010640	8	Spring, Brush	
1	7011044	1	Gasket, Adapter to Motor	
2	70001001	1	Pump Kit (Includes Pump, Adapter to Motor Gasket p/n 7011044 and Mounting Hardware)	
2	70001000	1	Seal Kit (Includes Adapter to Motor Gasket p/n 7011044, Pump to Adapter Gasket, Shaft Seal and O-Rings for Hex Caps on Adapter)	

# SECTION 2 - TURNTABLE

FIGURE 2-15. TURNTABLE ELECTRICAL COMPONENTS INSTALLATION (ANSI EXPORT (LRC), AUSTRALIAN AND CHINA SPECS)



ART\_1001223250\_F\_20F2

## SECTION 2 - TURNTABLE

**FIGURE 2-15. TURNTABLE ELECTRICAL COMPONENTS INSTALLATION (ANSI EXPORT (LRC), AUSTRALIAN AND CHINA SPECS)**

ITEM	PART NUMBER	QTY	DESCRIPTION	REV
	1001223250	Ref	TURNTABLE ELECTRICAL COMPONENTS INSTALLATION	F
1	0100035	AR	Compound, Locking	
2	0700610	2	Bolt M6 x 20	
3	0700618	2	Bolt M6 x 50	
4	0760612	5	Bolt M6 x 25	
5	0760614	4	Bolt M6 x 30	
6	0760812	13	Bolt M8 x 25	
7	0760815	1	Bolt M8 x 35	
8	0761014	1	Bolt M10 x 30	
9	1320041	1	Clamp	
10	3290605	18	Nut M6	
11	3290805	3	Nut M8	
12	3290807	9	Nut M8	
13	3291007	1	Nut M10	
14	3311601	4	Nut 3/8	
15	3740067	1	Relay	
16	4460470	1	Nut	
17	4460471	1	Washer	
18	4460496	1	Washer, Terminal	
19	4460497	1	Nut, Terminal	
20	4791400	2	Washer 1/4	
21	4811700	26	Washer M6	
22	4811702	1	Washer M6	
23	4811900	19	Washer M8	
24	4812000	2	Washer M10	
26	8310686	8	Nut, Retainer, M8	
27	8406201	2	Clip	
28	0760810001	7	Bolt M8 x 20	
30	1001118274	5	Nut M8	
32	1001135027	1	Bussbar	
33	1001149970	1	Harness - Drive Pump (Not Shown - See Separate Breakdown in ELECTRICAL SECTION)	
36	1001151895	1	Sensor, Tilt	
37	1001155967	4	Holder, Side Mount	
38	1001156107	6	Holder, Cable	
38		Ref	Note: Qty 4 Not Shown - Located Behind Hydraulic Tank	
39	1001156859	1	Panel, Electrical (See Separate Breakdown in this Section)	
40	1001157646	1	Cable, Load Sensor (Not Shown - Runs from Item 36 RH Module to Lift Cylinder) (See Separate Breakdown in ELECTRICAL SECTION)	
41	1001158922	1	Kit, Battery Cable (Not Shown - See Separate Breakdown in ELECTRICAL SECTION)	
42	1001163631	4	Cable, MTS Connection (Not Shown - See Separate Breakdown in ELECTRICAL SECTION)	
44	1001164726	4	Capscrew M8 X 20	
45	1001174871	2	Fuse, Power Module	
46	1001187744	AR	Chemical, Battery Protector and Sealer	
47	1001197446	1	Harness - Main Valve (Not Shown - See Separate Breakdown in ELECTRICAL SECTION)	

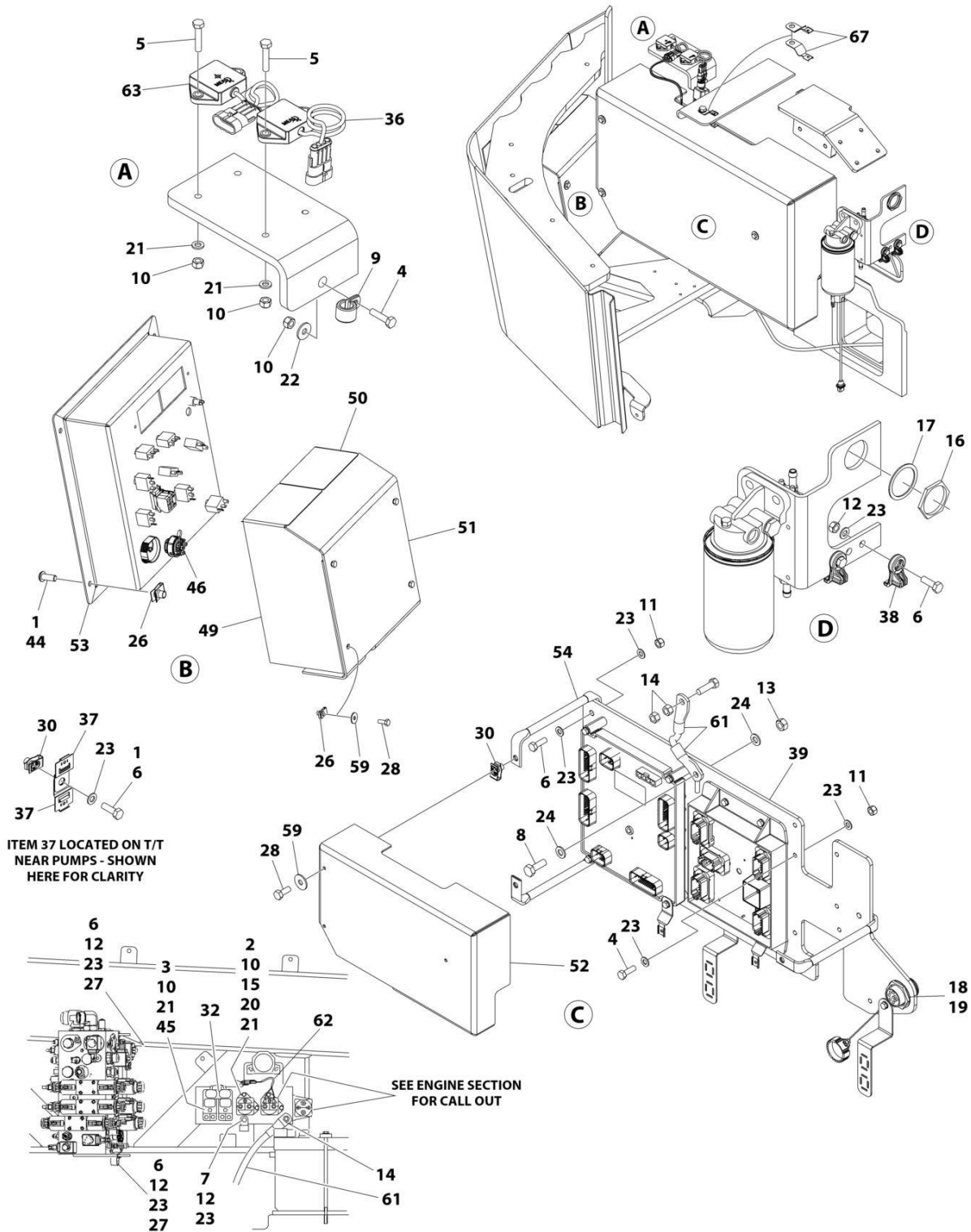
## SECTION 2 - TURNTABLE

ITEM	PART NUMBER	QTY	DESCRIPTION	REV
48	1001211885	1	Harness - Fuel Pump (Not Shown - See Separate Breakdown in ELECTRICAL SECTION)	
49	1001223167	1	Cover	
50	1001223168	1	Cover	
51	1001223169	1	Cover	
52	1001223170	1	Cover	
53	1001266006	1	Ground Control Panel Assembly (See Separate Breakdown in this Section)	
54	1001225279	3	Brace	
55	1001241865	1	Harness - Blam (Not Shown - See Separate Breakdown in ELECTRICAL SECTION)	
56	1001279152	1	Harness - Turntable (Not Shown - See Separate Breakdown in ELECTRICAL Section)	
57	1001241884	1	Harness - Ground Control Panel (Not Shown - See Separate Breakdown in ELECTRICAL SECTION)	
59	4811902001	7	Washer M8	
61	6611172	2	Cable, Ground to Frame	
62	1001114999	1	Harness, Fuel Sensor	
63	1001219601	1	Sensor, Tilt Dual Axis CAN	



# SECTION 2 - TURNTABLE

FIGURE 2-16. TURNTABLE ELECTRICAL COMPONENTS INSTALLATION (ANSI EXPORT (LRC), AUSTRALIAN AND CHINA SPECS) (SN 0300298210 to Present)



ART\_1001223250\_G\_20F2



## SECTION 2 - TURNTABLE

**FIGURE 2-16. TURNTABLE ELECTRICAL COMPONENTS INSTALLATION (ANSI EXPORT (LRC), AUSTRALIAN AND CHINA SPECS) (SN 0300298210 to Present)**

ITEM	PART NUMBER	QTY	DESCRIPTION	REV
	1001223250	Ref	TURNTABLE ELECTRICAL COMPONENTS INSTALLATION	G
1	0100035	AR	Compound, Locking	
2	0700610	2	Bolt M6 x 20	
3	0700618	2	Bolt M6 x 50	
4	0760612	5	Bolt M6 x 25	
5	0760614	4	Bolt M6 x 30	
6	0760812	13	Bolt M8 x 25	
7	0760815	1	Bolt M8 x 35	
8	0761014	1	Bolt M10 x 30	
9	1320041	1	Clamp	
10	3290605	13	Nut M6	
11	3290805	3	Nut M8	
12	3290807	9	Nut M8	
13	3291007	1	Nut M10	
14	3311601	4	Nut 3/8	
15	3740067	1	Relay	
16	4460470	1	Nut	
17	4460471	1	Washer	
18	4460496	1	Washer, Terminal	
19	4460497	1	Nut, Terminal	
20	4791400	2	Washer 1/4	
21	4811700	16	Washer M6	
22	4811702	1	Washer M6	
23	4811900	19	Washer M8	
24	4812000	2	Washer M10	
26	8310686	8	Nut, Retainer, M8	
27	8406201	2	Clip	
28	0760810001	7	Bolt M8 x 20	
30	1001118274	5	Nut M8	
32	1001135027	1	Bussbar	
33	1001149970	1	Harness - Drive Pump (Not Shown - See Separate Breakdown in ELECTRICAL Section)	
36	1001151895	1	Sensor, Tilt	
37	1001155967	4	Holder, Side Mount	
38	1001156107	6	Holder, Cable	
38		Ref	Note: Qty 4 Not Shown - Located Behind Hydraulic Tank	
39	1001156859	1	Panel, Electrical (See Separate Breakdown in this Section)	
40	1001157646	1	Cable, Load Sensor (Not Shown - Runs from Item 36 RH Module to Lift Cylinder) (See Separate Breakdown in ELECTRICAL Section)	
41	1001158922	1	Kit, Battery Cable (Not Shown - See Separate Breakdown in ELECTRICAL Section)	
42	1001163631	4	Cable, MTS Connection (Not Shown - See Separate Breakdown in ELECTRICAL Section)	
44	1001164726	4	Capscrew M8 X 20	
45	1001174871	2	Fuse, Power Module	
46	1001187744	AR	Chemical, Battery Protector and Sealer	
47	1001285583	1	Harness - Main Valve (Not Shown - See Separate Breakdown in ELECTRICAL Section)	

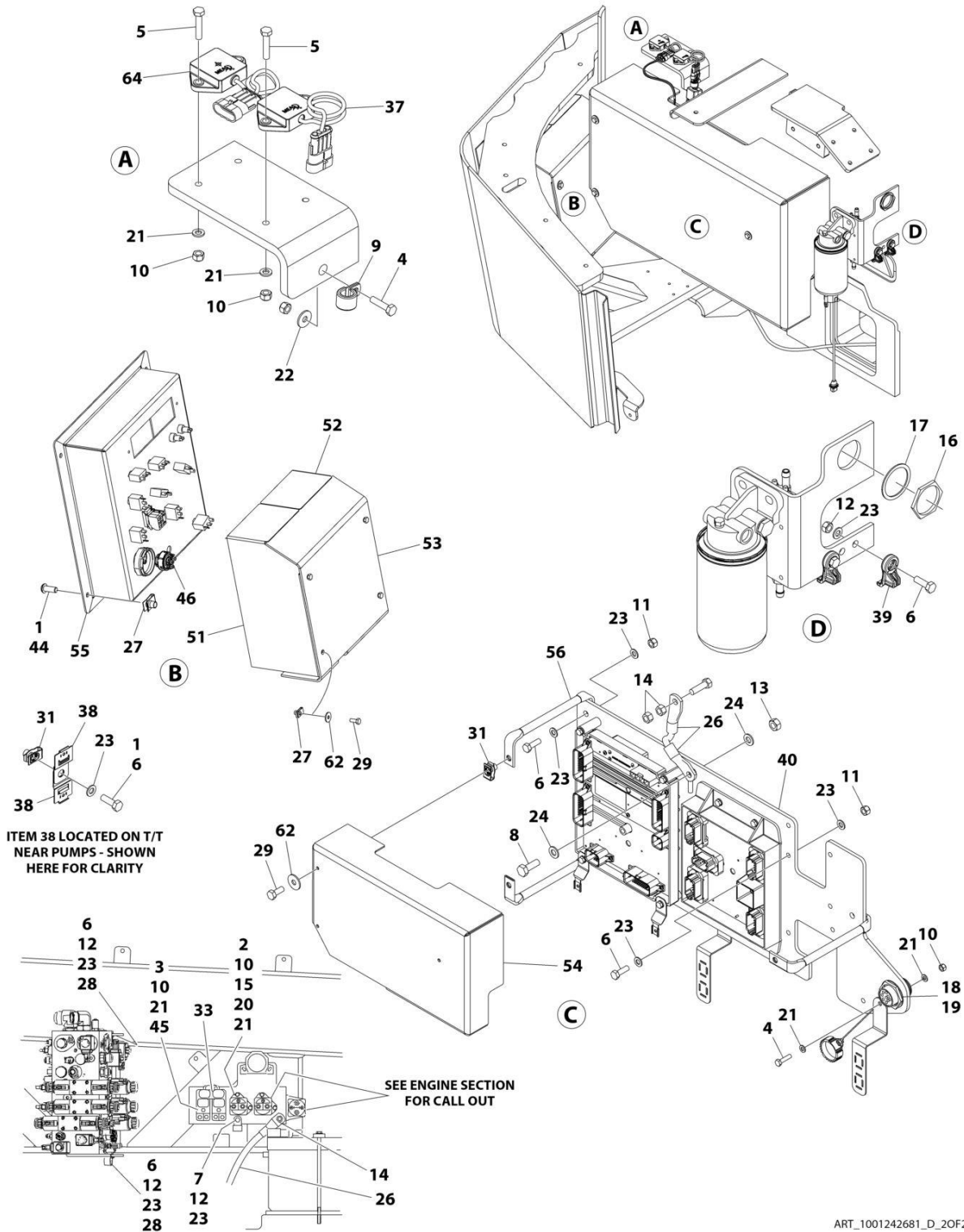
## SECTION 2 - TURNTABLE

ITEM	PART NUMBER	QTY	DESCRIPTION	REV
48	1001211885	1	Harness - Fuel Pump (Not Shown - See Separate Breakdown in ELECTRICAL Section)	
49	1001223167	1	Cover	
50	1001223168	1	Cover	
51	1001223169	1	Cover	
52	1001223170	1	Cover	
53	1001266006	1	Ground Control Panel Assembly (See Separate Breakdown in this Section)	
54	1001225279	3	Brace	
55	1001241865	1	Harness - Blam (Not Shown - See Separate Breakdown in ELECTRICAL Section)	
56	1001285582	1	Harness - Turntable (Not Shown - See Separate Breakdown in ELECTRICAL Section)	
57	1001241884	1	Harness - Ground Control Panel (Not Shown - See Separate Breakdown in ELECTRICAL Section)	
59	4811902001	7	Washer M8	
61	6611172	2	Cable, Ground to Frame	
62	1001114999	1	Harness, Fuel Sensor	
63	1001219601	1	Sensor, Tilt Dual Axis CAN	
65	4240032	AR	Tie-Strap (Not Shown)	
66	4460234	AR	Mount, Tie-Strap (Not Shown)	
67	1001120328	2	Mount, Connector	



# SECTION 2 - TURNTABLE

FIGURE 2-17. TURNTABLE ELECTRICAL COMPONENTS INSTALLATION (ANSI, ANSI EXPORT (HRC), CSA AND JAPANESE SPECS)



ART\_1001242681\_D\_20F2

## SECTION 2 - TURNTABLE

**FIGURE 2-17. TURNTABLE ELECTRICAL COMPONENTS INSTALLATION (ANSI, ANSI EXPORT (HRC), CSA AND JAPANESE SPECS)**

ITEM	PART NUMBER	QTY	DESCRIPTION	REV
	1001242681	Ref	TURNTABLE ELECTRICAL COMPONENTS INSTALLATION	D
1	0100035	AR	Compound, Locking	
2	0700610	2	Bolt M6 x 20	
3	0700618	2	Bolt M6 x 50	
4	0760612	5	Bolt M6 x 25	
5	0760614	4	Bolt M6 x 30	
6	0760812	13	Bolt M8 x 25	
7	0760815	1	Bolt M8 x 35	
8	0761014	1	Bolt M10 x 30	
9	1320041	1	Clamp	
10	3290605	18	Nut M6	
11	3290805	3	Nut M8	
12	3290807	9	Nut M8	
13	3291007	1	Nut M10	
14	3311601	4	Nut 3/8	
15	3740067	1	Relay	
16	4460470	1	Nut	
17	4460471	1	Washer	
18	4460496	1	Washer, Terminal	
19	4460497	1	Nut, Terminal	
20	4791400	2	Washer 1/4	
21	4811700	26	Washer M6	
22	4811702	1	Washer M6	
23	4811900	19	Washer M8	
24	4812000	2	Washer M10	
26	6611172	2	Cable, Ground to Frame	
27	8310686	8	Nut, Retainer, M8	
28	8406201	2	Clip	
29	0760810001	7	Bolt M8 x 20	
31	1001118274	5	Nut M8	
33	1001135027	1	Bussbar	
37	1001149970	1	Harness - Drive Pump (Not Shown - See Separate Breakdown in ELECTRICAL Section)	
37	1001151895	1	Sensor, Tilt	
38	1001155967	4	Holder, Side Mount	
39	1001156107	6	Holder, Cable	
39		Ref	Note: Qty 4 Not Shown - Located Behind Hydraulic Tank	
40	1001156859	1	Panel, Electrical (See Separate Breakdown in this Section)	
41	1001157646	1	Cable, Load Sensor (Not Shown - Runs from Item 36 RH Module to Lift Cylinder) (See Separate Breakdown in ELECTRICAL Section)	
42	1001163631	4	Cable, MTS Connection (Not Shown - See Separate Breakdown in ELECTRICAL Section)	
44	1001164726	4	Capscrew M8 x 20	
45	1001174871	2	Fuse, Power Module	
46	1001187744	AR	Chemical, Battery Protector and Sealer	
47	1001191166	1	Harness, UREA Tank (Not Shown - See Separate Breakdown in ELECTRICAL Section)	
48	1001197442	1	Kit, Battery Cable (Not Shown - See Separate Breakdown in ELECTRICAL Section)	

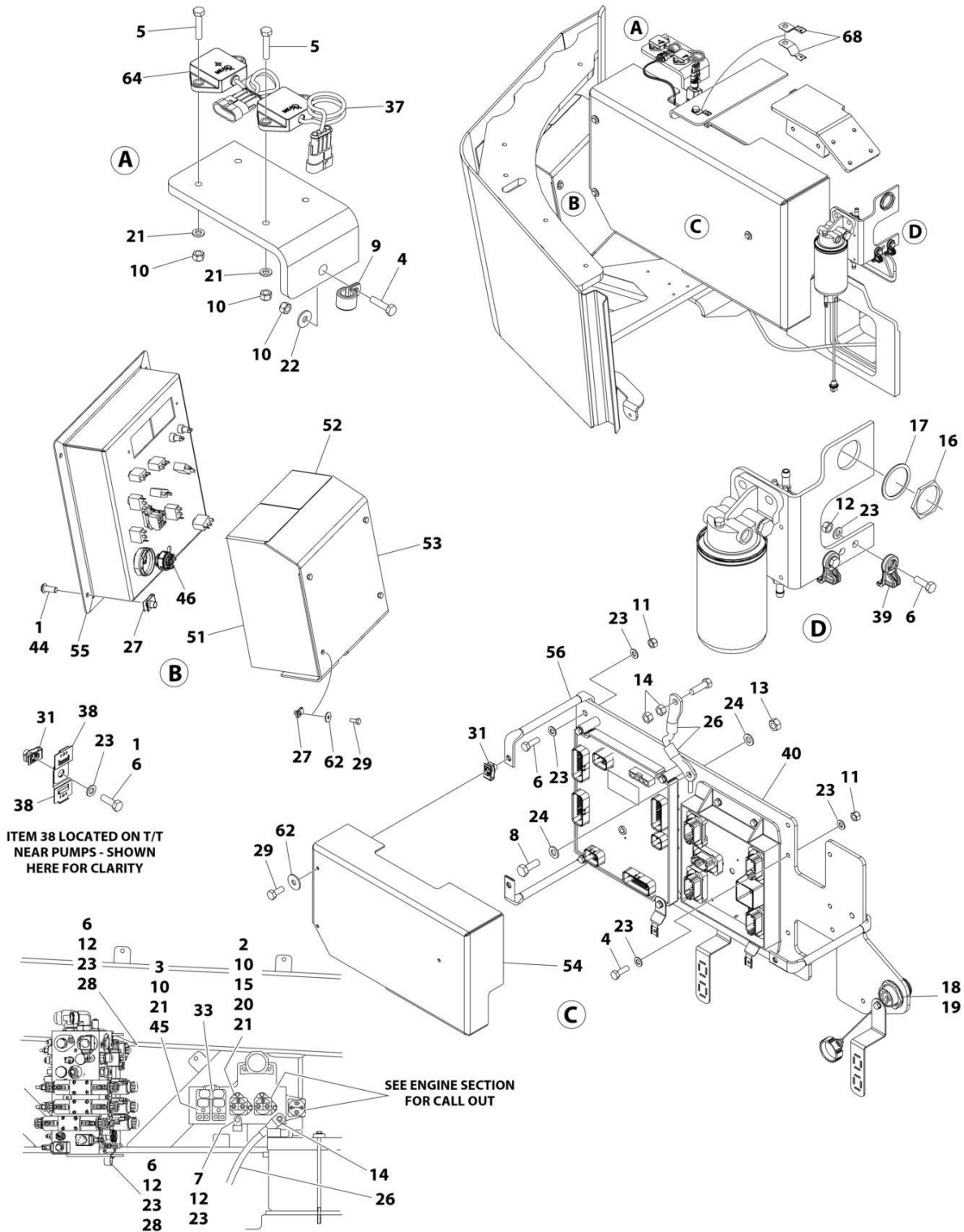
## SECTION 2 - TURNTABLE

ITEM	PART NUMBER	QTY	DESCRIPTION	REV
49	1001197446	1	Harness - Main Valve (Not Shown - See Separate Breakdown in ELECTRICAL Section)	
50	1001211885	1	Harness - Fuel Pump (Not Shown - See Separate Breakdown in ELECTRICAL Section)	
51	1001223167	1	Cover	
52	1001223168	1	Cover	
53	1001223169	1	Cover	
54	1001223170	1	Cover	
55	1001223248	1	Panel, Ground Control (See Separate Breakdown in this Section)	
56	1001225279	3	Brace	
57	1001238483	1	Harness, Def Tank Extension (Not Shown - See Separate Breakdown in ELECTRICAL Section)	
58	1001241865	1	Harness - Blam (Not Shown - See Separate Breakdown in ELECTRICAL Section)	
59	1001279152	1	Harness - Turntable (Not Shown - See Separate Breakdown in ELECTRICAL Section)	
60	1001241884	1	Harness - Ground Control Panel (Not Shown - See Separate Breakdown in ELECTRICAL Section)	
62	4811902001	7	Washer M8	
64	1001219601	1	Sensor, Tilt Dual Axis CAN	



# SECTION 2 - TURNTABLE

**FIGURE 2-18. TURNTABLE ELECTRICAL COMPONENTS INSTALLATION (ANSI, ANSI EXPORT (HRC), CSA AND JAPANESE SPECS) (SN 0300298210 to Present)**



ART\_1001242681\_E\_2OF2



## SECTION 2 - TURNTABLE

**FIGURE 2-18. TURNTABLE ELECTRICAL COMPONENTS INSTALLATION (ANSI, ANSI EXPORT (HRC), CSA AND JAPANESE SPECS) (SN 0300298210 to Present)**

ITEM	PART NUMBER	QTY	DESCRIPTION	REV
	1001242681	Ref	TURNTABLE ELECTRICAL COMPONENTS INSTALLATION	E
1	0100035	AR	Compound, Locking	
2	0700610	2	Bolt M6 x 20	
3	0700618	2	Bolt M6 x 50	
4	0760612	5	Bolt M6 x 25	
5	0760614	4	Bolt M6 x 30	
6	0760812	13	Bolt M8 x 25	
7	0760815	1	Bolt M8 x 35	
8	0761014	1	Bolt M10 x 30	
9	1320041	1	Clamp	
10	3290605	13	Nut M6	
11	3290805	3	Nut M8	
12	3290807	9	Nut M8	
13	3291007	1	Nut M10	
14	3311601	4	Nut 3/8	
15	3740067	1	Relay	
16	4460470	1	Nut	
17	4460471	1	Washer	
18	4460496	1	Washer, Terminal	
19	4460497	1	Nut, Terminal	
20	4791400	2	Washer 1/4	
21	4811700	16	Washer M6	
22	4811702	1	Washer M6	
23	4811900	19	Washer M8	
24	4812000	2	Washer M10	
26	6611172	2	Cable, Ground to Frame	
27	8310686	8	Nut, Retainer, M8	
28	8406201	2	Clip	
29	0760810001	7	Bolt M8 x 20	
31	1001118274	5	Nut M8	
33	1001135027	1	Bussbar	
37	1001149970	1	Harness - Drive Pump (Not Shown - See Separate Breakdown in ELECTRICAL Section)	
37	1001151895	1	Sensor, Tilt	
38	1001155967	4	Holder, Side Mount	
39	1001156107	6	Holder, Cable	
39		Ref	Note: Qty 4 Not Shown - Located Behind Hydraulic Tank	
40	1001156859	1	Panel, Electrical (See Separate Breakdown in this Section)	
41	1001157646	1	Cable, Load Sensor (Not Shown - Runs from Item 36 RH Module to Lift Cylinder) (See Separate Breakdown in ELECTRICAL Section)	
42	1001163631	4	Cable, MTS Connection (Not Shown - See Separate Breakdown in ELECTRICAL Section)	
44	1001164726	4	Capscrew M8 x 20	
45	1001174871	2	Fuse, Power Module	
46	1001187744	AR	Chemical, Battery Protector and Sealer	
47	1001191166	1	Harness, UREA Tank (Not Shown - See Separate Breakdown in ELECTRICAL Section)	
48	1001197442	1	Kit, Battery Cable (Not Shown - See Separate Breakdown in ELECTRICAL Section)	

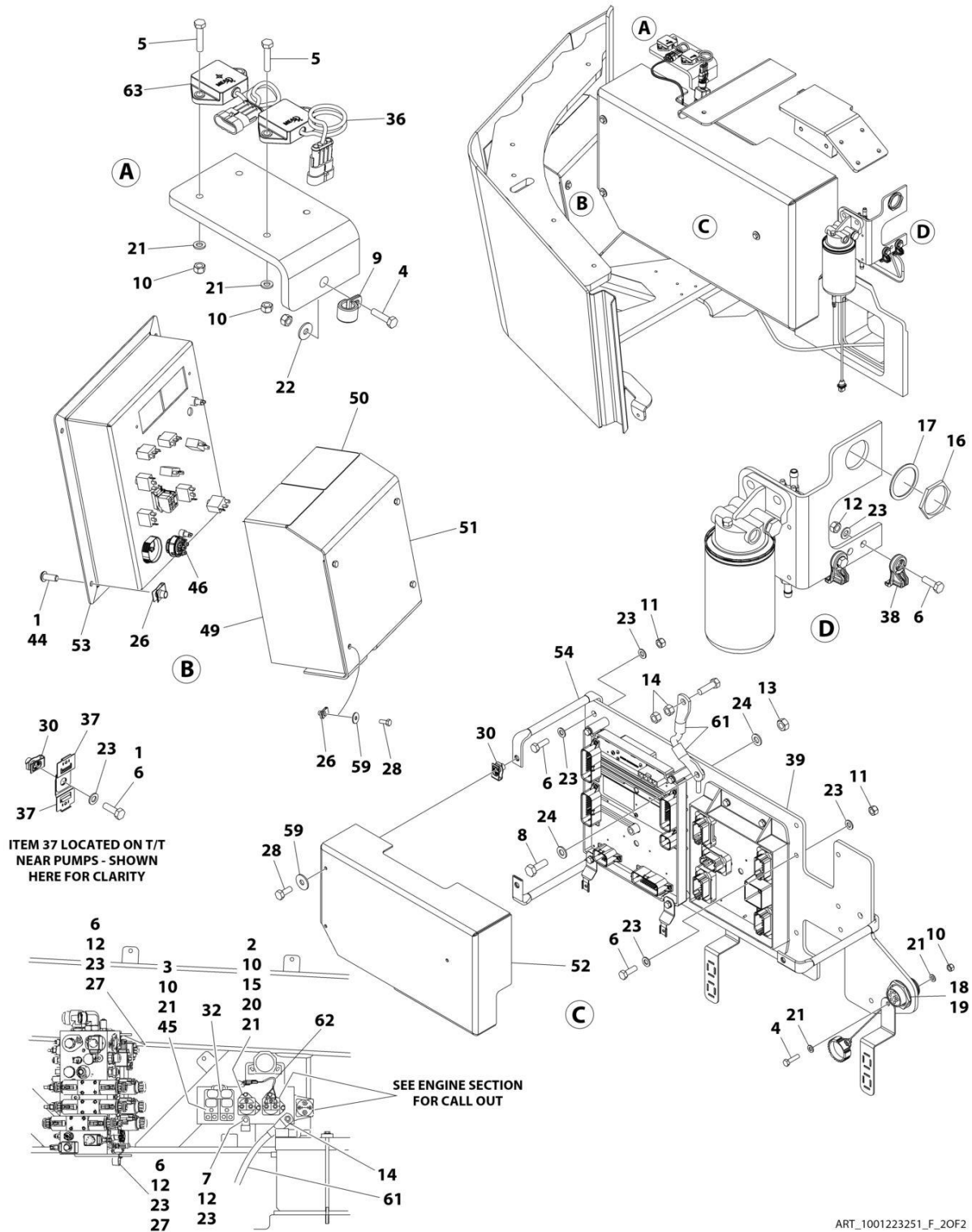
## SECTION 2 - TURNTABLE

ITEM	PART NUMBER	QTY	DESCRIPTION	REV
49	1001285583	1	Harness - Main Valve (Not Shown - See Separate Breakdown in ELECTRICAL Section)	
50	1001211885	1	Harness - Fuel Pump (Not Shown - See Separate Breakdown in ELECTRICAL Section)	
51	1001223167	1	Cover	
52	1001223168	1	Cover	
53	1001223169	1	Cover	
54	1001223170	1	Cover	
55	1001223248	1	Panel, Ground Control (See Separate Breakdown in this Section)	
56	1001225279	3	Brace	
57	1001238483	1	Harness, Def Tank Extension (Not Shown - See Separate Breakdown in ELECTRICAL Section)	
58	1001241865	1	Harness - Blam (Not Shown - See Separate Breakdown in ELECTRICAL Section)	
59	1001285582	1	Harness - Turntable (Not Shown - See Separate Breakdown in ELECTRICAL Section)	
60	1001241884	1	Harness - Ground Control Panel (Not Shown - See Separate Breakdown in ELECTRICAL Section)	
62	4811902001	7	Washer M8	
64	1001219601	1	Sensor, Tilt Dual Axis CAN	
66	4240032	AR	Tie-Strap (Not Shown)	
67	4460234	AR	Mount, Tie-Strap (Not Shown)	
68	1001120328	2	Mount, Connector	



# SECTION 2 - TURNTABLE

FIGURE 2-19. TURNTABLE ELECTRICAL COMPONENTS INSTALLATION (CE & UK CA (LRC) SPECS)



ART\_1001223251\_F\_20F2

## SECTION 2 - TURNTABLE

**FIGURE 2-19. TURNTABLE ELECTRICAL COMPONENTS INSTALLATION (CE & UK CA (LRC) SPECS)**

ITEM	PART NUMBER	QTY	DESCRIPTION	REV
	1001223251	Ref	TURNTABLE ELECTRICAL COMPONENTS INSTALLATION	F
1	0100035	AR	Compound, Locking	
2	0700610	2	Bolt M6 x 20	
3	0700618	2	Bolt M6 x 50	
4	0760612	5	Bolt M6 x 25	
5	0760614	4	Bolt M6 x 30	
6	0760812	13	Bolt M8 x 25	
7	0760815	1	Bolt M8 x 35	
8	0761014	1	Bolt M10 x 30	
9	1320041	1	Clamp	
10	3290605	18	Nut M6	
11	3290805	3	Nut M8	
12	3290807	9	Nut M8	
13	3291007	1	Nut M10	
14	3311601	4	Nut 3/8	
15	3740067	1	Relay	
16	4460470	1	Nut	
17	4460471	1	Washer	
18	4460496	1	Washer, Terminal	
19	4460497	1	Nut, Terminal	
20	4791400	2	Washer 1/4	
21	4811700	26	Washer M6	
22	4811702	1	Washer M6	
23	4811900	19	Washer M8	
24	4812000	2	Washer M10	
26	8310686	8	Nut, Retainer, M8	
27	8406201	2	Clip	
28	0760810001	7	Bolt M8 x 20	
30	1001118274	5	Nut M8	
32	1001135027	1	Bussbar	
33	1001149970	1	Harness - Drive Pump (Not Shown - See Separate Breakdown in ELECTRICAL SECTION)	
36	1001151895	1	Sensor, Tilt	
37	1001155967	4	Holder, Side Mount	
38	1001156107	6	Holder, Cable	
38		Ref	Note: Qty 4 Not Shown - Located Behind Hydraulic Tank	
39	1001156859	1	Panel, Electrical (See Separate Breakdown in this Section)	
40	1001157646	1	Cable, Load Sensor (Not Shown - Runs from Item 36 RH Module to Lift Cylinder) (See Separate Breakdown in ELECTRICAL SECTION)	
41	1001158922	1	Kit, Battery Cable (Not Shown - See Separate Breakdown in ELECTRICAL SECTION)	
42	1001163631	4	Cable, MTS Connection (Not Shown - See Separate Breakdown in ELECTRICAL SECTION)	
44	1001164726	4	Capscrew M8 X 20	
45	1001174871	2	Fuse, Power Module	
46	1001187744	AR	Chemical, Battery Protector and Sealer	
47	1001197446	1	Harness - Main Valve (Not Shown - See Separate Breakdown in ELECTRICAL SECTION)	

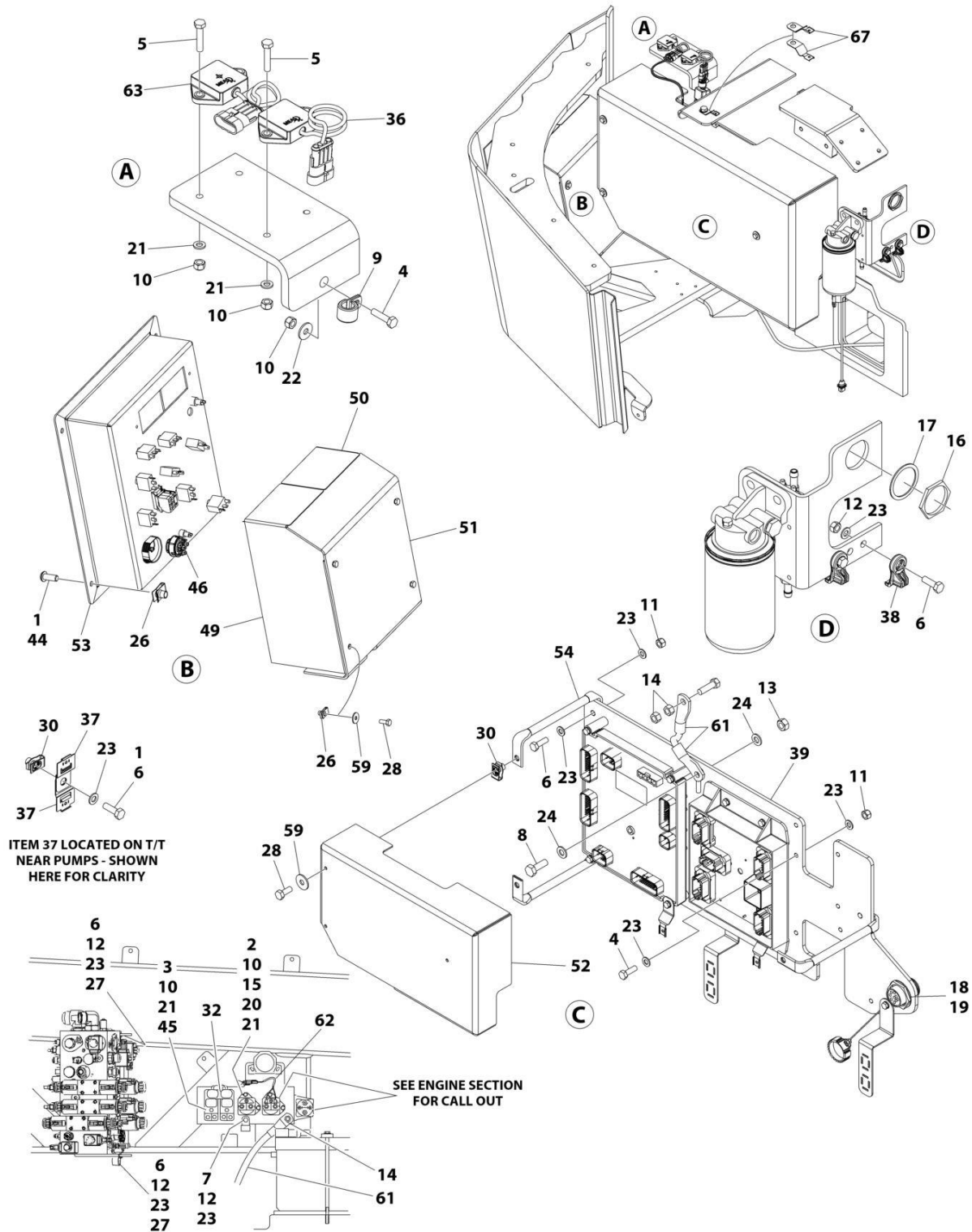
## SECTION 2 - TURNTABLE

ITEM	PART NUMBER	QTY	DESCRIPTION	REV
48	1001211885	1	Harness - Fuel Pump (Not Shown - See Separate Breakdown in ELECTRICAL SECTION)	
49	1001223167	1	Cover	
50	1001223168	1	Cover	
51	1001223169	1	Cover	
52	1001223170	1	Cover	
53	1001266007	1	Ground Control Panel Assembly (See Separate Breakdown in this Section)	
54	1001225279	3	Brace	
55	1001241865	1	Harness - Blam (Not Shown - See Separate Breakdown in ELECTRICAL Section)	
56	1001279152	1	Harness - Turntable (Not Shown - See Separate Breakdown in ELECTRICAL Section)	
57	1001241884	1	Harness - Ground Control Panel (Not Shown - See Separate Breakdown in ELECTRICAL Section)	
59	4811902001	7	Washer M8	
61	6611172	2	Cable, Ground to Frame	
62	1001114999	1	Harness, Fuel Sensor	
63	1001219601	1	Sensor, Tilt Dual Axis CAN	



# SECTION 2 - TURNTABLE

**FIGURE 2-20. TURNTABLE ELECTRICAL COMPONENTS INSTALLATION (CE & UK CA (LRC) SPECS) (SN 0300298210 to Present)**



ART\_1001223251\_G\_20F2



## SECTION 2 - TURNTABLE

**FIGURE 2-20. TURNTABLE ELECTRICAL COMPONENTS INSTALLATION (CE & UK CA (LRC) SPECS) (SN 0300298210 to Present)**

ITEM	PART NUMBER	QTY	DESCRIPTION	REV
	1001223251	Ref	TURNTABLE ELECTRICAL COMPONENTS INSTALLATION	G
1	0100035	AR	Compound, Locking	
2	0700610	2	Bolt M6 x 20	
3	0700618	2	Bolt M6 x 50	
4	0760612	5	Bolt M6 x 25	
5	0760614	4	Bolt M6 x 30	
6	0760812	13	Bolt M8 x 25	
7	0760815	1	Bolt M8 x 35	
8	0761014	1	Bolt M10 x 30	
9	1320041	1	Clamp	
10	3290605	13	Nut M6	
11	3290805	3	Nut M8	
12	3290807	9	Nut M8	
13	3291007	1	Nut M10	
14	3311601	4	Nut 3/8	
15	3740067	1	Relay	
16	4460470	1	Nut	
17	4460471	1	Washer	
18	4460496	1	Washer, Terminal	
19	4460497	1	Nut, Terminal	
20	4791400	2	Washer 1/4	
21	4811700	16	Washer M6	
22	4811702	1	Washer M6	
23	4811900	19	Washer M8	
24	4812000	2	Washer M10	
26	8310686	8	Nut, Retainer, M8	
27	8406201	2	Clip	
28	0760810001	7	Bolt M8 x 20	
30	1001118274	5	Nut M8	
32	1001135027	1	Bussbar	
33	1001149970	1	Harness - Drive Pump (Not Shown - See Separate Breakdown in ELECTRICAL Section)	
36	1001151895	1	Sensor, Tilt	
37	1001155967	4	Holder, Side Mount	
38	1001156107	6	Holder, Cable	
38		Ref	Note: Qty 4 Not Shown - Located Behind Hydraulic Tank	
39	1001156859	1	Panel, Electrical (See Separate Breakdown in this Section)	
40	1001157646	1	Cable, Load Sensor (Not Shown - Runs from Item 36 RH Module to Lift Cylinder) (See Separate Breakdown in ELECTRICAL Section)	
41	1001158922	1	Kit, Battery Cable (Not Shown - See Separate Breakdown in ELECTRICAL Section)	
42	1001163631	4	Cable, MTS Connection (Not Shown - See Separate Breakdown in ELECTRICAL Section)	
44	1001164726	4	Capscrew M8 X 20	
45	1001174871	2	Fuse, Power Module	
46	1001187744	AR	Chemical, Battery Protector and Sealer	
47	1001285583	1	Harness - Main Valve (Not Shown - See Separate Breakdown in ELECTRICAL Section)	

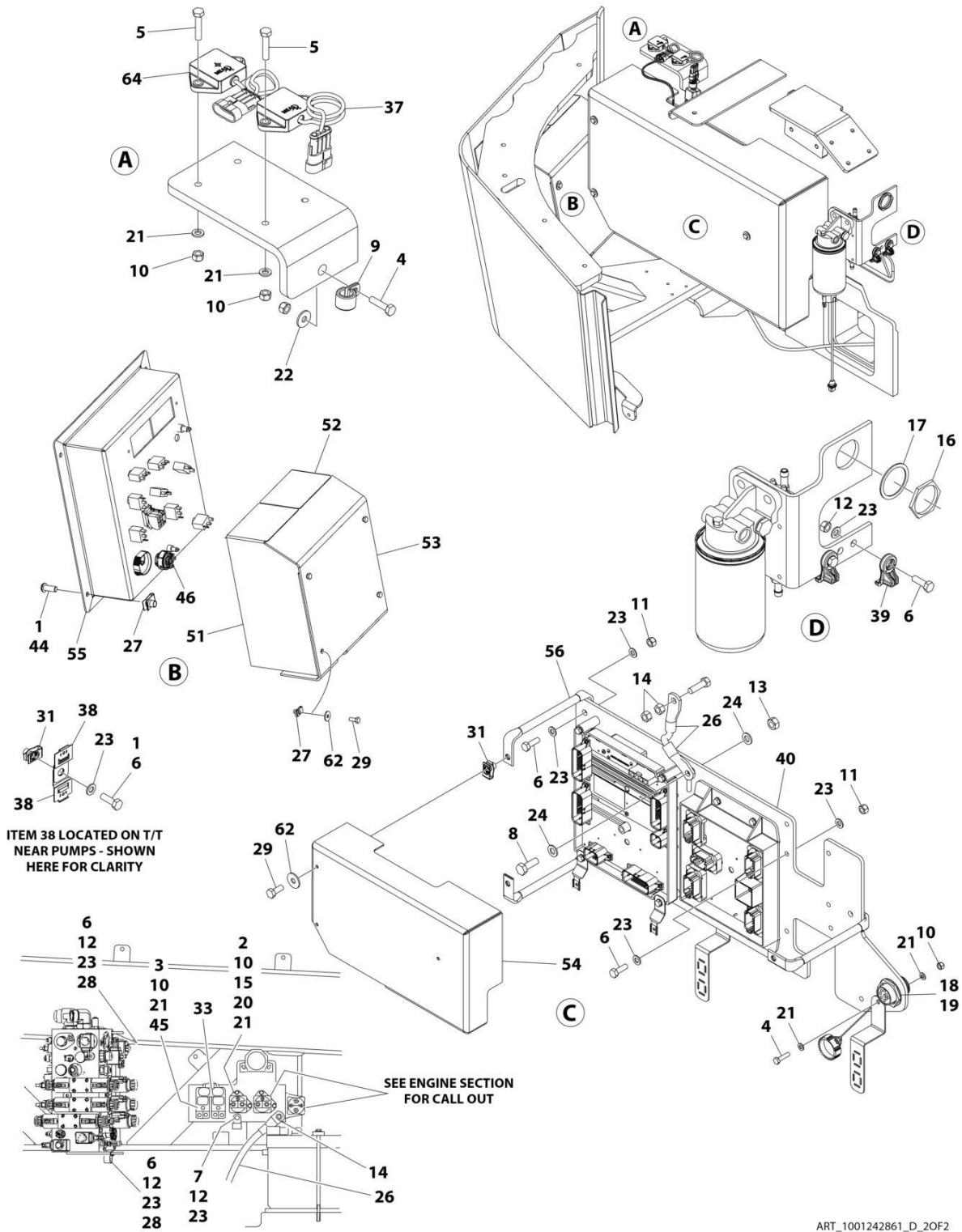
## SECTION 2 - TURNTABLE

ITEM	PART NUMBER	QTY	DESCRIPTION	REV
48	1001211885	1	Harness - Fuel Pump (Not Shown - See Separate Breakdown in ELECTRICAL Section)	
49	1001223167	1	Cover	
50	1001223168	1	Cover	
51	1001223169	1	Cover	
52	1001223170	1	Cover	
53	1001266007	1	Ground Control Panel Assembly (See Separate Breakdown in this Section)	
54	1001225279	3	Brace	
55	1001241865	1	Harness - Blam (Not Shown - See Separate Breakdown in ELECTRICAL Section)	
56	1001285582	1	Harness - Turntable (Not Shown - See Separate Breakdown in ELECTRICAL Section)	
57	1001241884	1	Harness - Ground Control Panel (Not Shown - See Separate Breakdown in ELECTRICAL Section)	
59	4811902001	7	Washer M8	
61	6611172	2	Cable, Ground to Frame	
62	1001114999	1	Harness, Fuel Sensor	
63	1001219601	1	Sensor, Tilt Dual Axis CAN	
65	4240032	AR	Tie-Strap (Not Shown)	
66	4460234	AR	Mount, Tie-Strap (Not Shown)	
67	1001120328	2	Mount, Connector	



# SECTION 2 - TURNTABLE

FIGURE 2-21. TURNTABLE ELECTRICAL COMPONENTS INSTALLATION (CE & UK CA SPECS)



ART\_1001242861\_D\_20F2

## SECTION 2 - TURNTABLE

**FIGURE 2-21. TURNTABLE ELECTRICAL COMPONENTS INSTALLATION (CE & UK CA SPECS)**

ITEM	PART NUMBER	QTY	DESCRIPTION	REV
	1001242861	Ref	TURNTABLE ELECTRICAL COMPONENTS INSTALLATION	D
1	0100035	AR	Compound, Locking	
2	0700610	2	Bolt M6 x 20	
3	0700618	2	Bolt M6 x 50	
4	0760612	5	Bolt M6 x 25	
5	0760614	4	Bolt M6 x 30	
6	0760812	13	Bolt M8 x 25	
7	0760815	1	Bolt M8 x 35	
8	0761014	1	Bolt M10 x 30	
9	1320041	1	Clamp	
10	3290605	18	Nut M6	
11	3290805	3	Nut M8	
12	3290807	9	Nut M8	
13	3291007	1	Nut M10	
14	3311601	4	Nut 3/8	
15	3740067	1	Relay	
16	4460470	1	Nut	
17	4460471	1	Washer	
18	4460496	1	Washer, Terminal	
19	4460497	1	Nut, Terminal	
20	4791400	2	Washer 1/4	
21	4811700	26	Washer M6	
22	4811702	1	Washer M6	
23	4811900	19	Washer M8	
24	4812000	2	Washer M10	
26	6611172	2	Cable, Ground to Frame	
27	8310686	8	Nut, Retainer, M8	
28	8406201	2	Clip	
29	0760810001	7	Bolt M8 x 20	
31	1001118274	5	Nut M8	
33	1001135027	1	Bussbar	
34	1001149970	1	Harness - Drive Pump (Not Shown - See Separate Breakdown in ELECTRICAL Section)	
37	1001151895	1	Sensor, Tilt	
38	1001155967	4	Holder, Side Mount	
39	1001156107	6	Holder, Cable	
39		Ref	Note: Qty 4 Not Shown - Located Behind Hydraulic Tank	
40	1001156859	1	Panel, Electrical (See Separate Breakdown in this Section)	
41	1001157646	1	Cable, Load Sensor (Not Shown - Runs from Item 36 RH Module to Lift Cylinder) (See Separate Breakdown in ELECTRICAL Section)	
42	1001163631	4	Cable, MTS Connection (Not Shown - See Separate Breakdown in ELECTRICAL Section)	
44	1001164726	4	Capscrew M8 x 20	
45	1001174871	2	Fuse, Power Module	
46	1001187744	AR	Chemical, Battery Protector and Sealer	
47	1001191166	1	Harness, UREA Tank (Not Shown - See Separate Breakdown in ELECTRICAL Section)	
48	1001197442	1	Kit, Battery Cable (Not Shown - See Separate Breakdown in ELECTRICAL Section)	

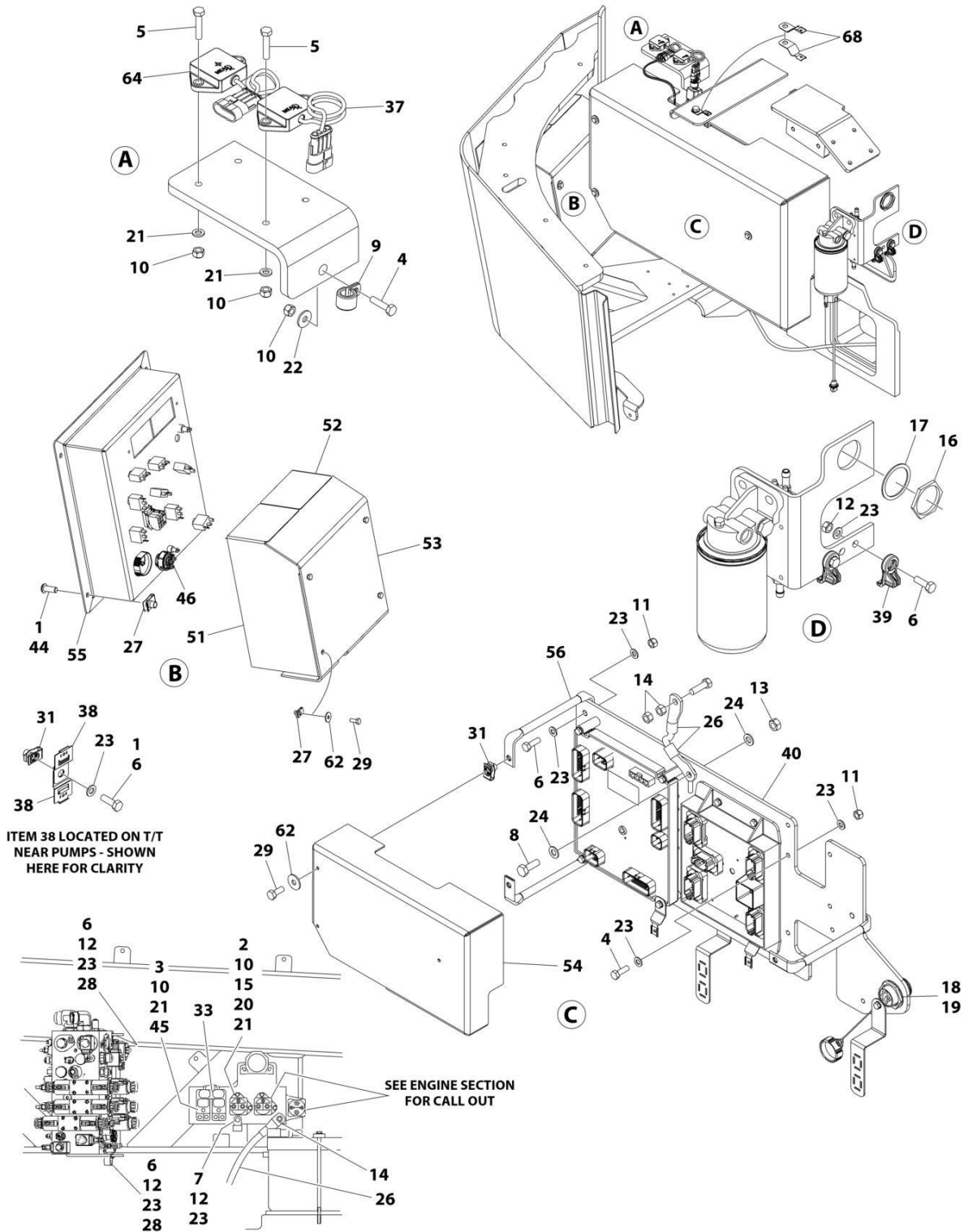
## SECTION 2 - TURNTABLE

ITEM	PART NUMBER	QTY	DESCRIPTION	REV
49	1001197446	1	Harness - Main Valve (Not Shown - See Separate Breakdown in ELECTRICAL Section)	
50	1001211885	1	Harness - Fuel Pump (Not Shown - See Separate Breakdown in ELECTRICAL Section)	
51	1001223167	1	Cover	
52	1001223168	1	Cover	
53	1001223169	1	Cover	
54	1001223170	1	Cover	
55	1001223249	1	Ground Control Panel Assembly (See Separate Breakdown in this Section)	
56	1001225279	3	Brace	
57	1001238483	1	Harness, Def Tank Extension (Not Shown - See Separate Breakdown in ELECTRICAL Section)	
58	1001241865	1	Harness - Blam (Not Shown - See Separate Breakdown in ELECTRICAL Section)	
59	1001279152	1	Harness - Turntable (Not Shown - See Separate Breakdown in ELECTRICAL Section)	
60	1001241884	1	Harness - Ground Control Panel (Not Shown - See Separate Breakdown in ELECTRICAL Section)	
62	4811902001	7	Washer M8	
64	1001219601	1	Sensor, Tilt Dual Axis CAN	



# SECTION 2 - TURNTABLE

FIGURE 2-22. TURNTABLE ELECTRICAL COMPONENTS INSTALLATION (CE & UK CA SPECS) (SN 0300298210 to Present)



ART\_1001242861\_E\_20F2



## SECTION 2 - TURNTABLE

**FIGURE 2-22. TURNTABLE ELECTRICAL COMPONENTS INSTALLATION (CE & UK CA SPECS) (SN 0300298210 to Present)**

ITEM	PART NUMBER	QTY	DESCRIPTION	REV
	1001242861	Ref	TURNTABLE ELECTRICAL COMPONENTS INSTALLATION	E
1	0100035	AR	Compound, Locking	
2	0700610	2	Bolt M6 x 20	
3	0700618	2	Bolt M6 x 50	
4	0760612	5	Bolt M6 x 25	
5	0760614	4	Bolt M6 x 30	
6	0760812	13	Bolt M8 x 25	
7	0760815	1	Bolt M8 x 35	
8	0761014	1	Bolt M10 x 30	
9	1320041	1	Clamp	
10	3290605	13	Nut M6	
11	3290805	3	Nut M8	
12	3290807	9	Nut M8	
13	3291007	1	Nut M10	
14	3311601	4	Nut 3/8	
15	3740067	1	Relay	
16	4460470	1	Nut	
17	4460471	1	Washer	
18	4460496	1	Washer, Terminal	
19	4460497	1	Nut, Terminal	
20	4791400	2	Washer 1/4	
21	4811700	16	Washer M6	
22	4811702	1	Washer M6	
23	4811900	19	Washer M8	
24	4812000	2	Washer M10	
26	6611172	2	Cable, Ground to Frame	
27	8310686	8	Nut, Retainer, M8	
28	8406201	2	Clip	
29	0760810001	7	Bolt M8 x 20	
31	1001118274	5	Nut M8	
33	1001135027	1	Bussbar	
34	1001149970	1	Harness - Drive Pump (Not Shown - See Separate Breakdown in ELECTRICAL Section)	
37	1001151895	1	Sensor, Tilt	
38	1001155967	4	Holder, Side Mount	
39	1001156107	6	Holder, Cable	
39		Ref	Note: Qty 4 Not Shown - Located Behind Hydraulic Tank	
40	1001156859	1	Panel, Electrical (See Separate Breakdown in this Section)	
41	1001157646	1	Cable, Load Sensor (Not Shown - Runs from Item 36 RH Module to Lift Cylinder) (See Separate Breakdown in ELECTRICAL Section)	
42	1001163631	4	Cable, MTS Connection (Not Shown - See Separate Breakdown in ELECTRICAL Section)	
44	1001164726	4	Capscrew M8 x 20	
45	1001174871	2	Fuse, Power Module	
46	1001187744	AR	Chemical, Battery Protector and Sealer	
47	1001191166	1	Harness, UREA Tank (Not Shown - See Separate Breakdown in ELECTRICAL Section)	
48	1001197442	1	Kit, Battery Cable (Not Shown - See Separate Breakdown in ELECTRICAL Section)	

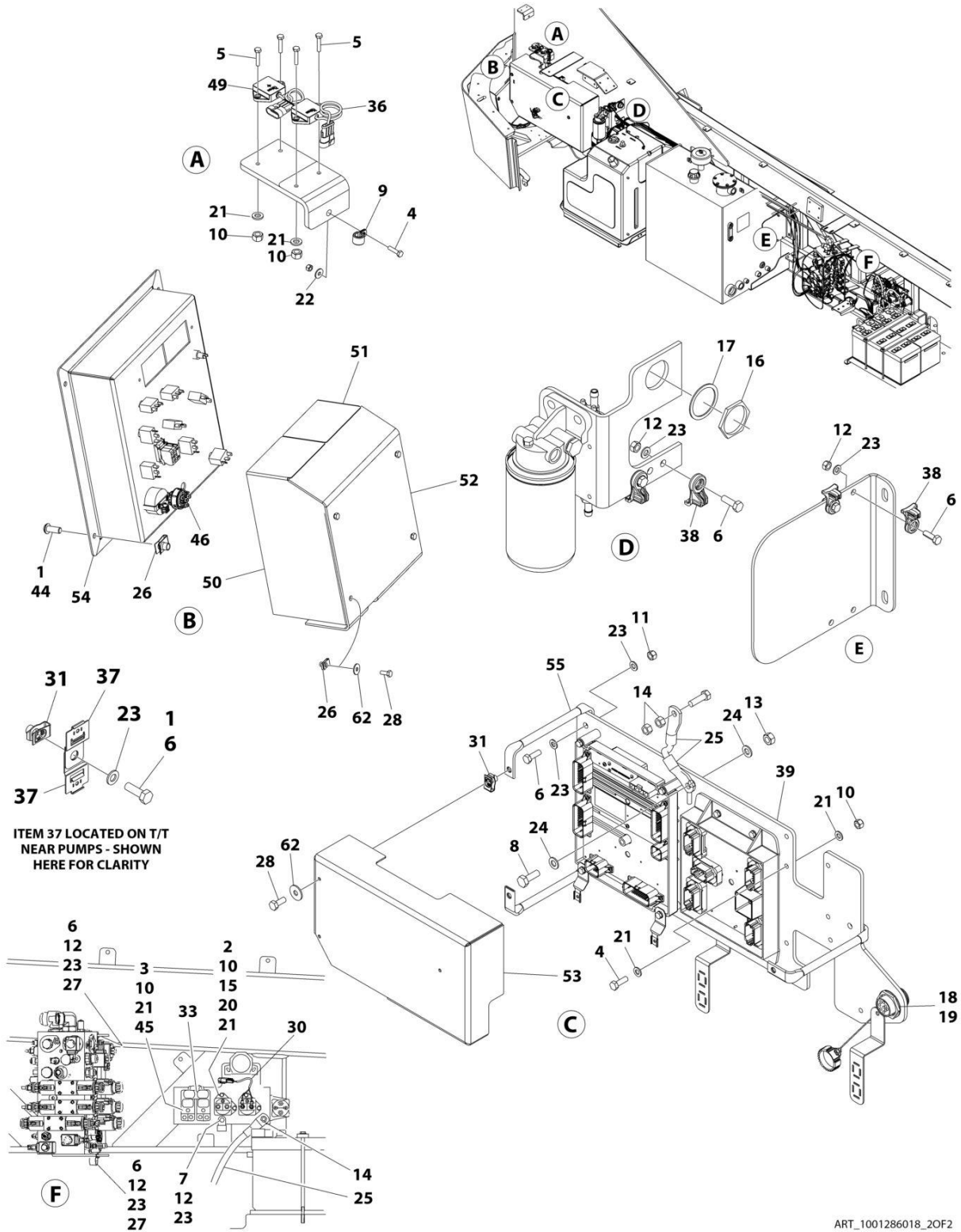
## SECTION 2 - TURNTABLE

ITEM	PART NUMBER	QTY	DESCRIPTION	REV
49	1001285583	1	Harness - Main Valve (Not Shown - See Separate Breakdown in ELECTRICAL Section)	
50	1001211885	1	Harness - Fuel Pump (Not Shown - See Separate Breakdown in ELECTRICAL Section)	
51	1001223167	1	Cover	
52	1001223168	1	Cover	
53	1001223169	1	Cover	
54	1001223170	1	Cover	
55	1001223249	1	Ground Control Panel Assembly (See Separate Breakdown in this Section)	
56	1001225279	3	Brace	
57	1001238483	1	Harness, Def Tank Extension (Not Shown - See Separate Breakdown in ELECTRICAL Section)	
58	1001241865	1	Harness - Blam (Not Shown - See Separate Breakdown in ELECTRICAL Section)	
59	1001285582	1	Harness - Turntable (Not Shown - See Separate Breakdown in ELECTRICAL Section)	
60	1001241884	1	Harness - Ground Control Panel (Not Shown - See Separate Breakdown in ELECTRICAL Section)	
62	4811902001	7	Washer M8	
64	1001219601	1	Sensor, Tilt Dual Axis CAN	
66	4240032	AR	Tie-Strap (Not Shown)	
67	4460234	AR	Mount, Tie-Strap (Not Shown)	
68	1001120328	2	Mount, Connector	



# SECTION 2 - TURNTABLE

**FIGURE 2-23. TURNTABLE ELECTRICAL COMPONENTS INSTALLATION - DUETZ TCD3.6L (CHINA IV) ENGINES (CHINA SPECS ONLY) (Prior to SN 0300299160)**



ART\_1001286018\_20F2

## SECTION 2 - TURNTABLE

**FIGURE 2-23. TURNTABLE ELECTRICAL COMPONENTS INSTALLATION - DUETZ TCD3.6L (CHINA IV) ENGINES (CHINA SPECS ONLY) (Prior to SN 0300299160)**

ITEM	PART NUMBER	QTY	DESCRIPTION	REV
	1001286018	Ref	TURNTABLE ELECTRICAL COMPONENTS INSTALLATION	B
1	0100035	AR	Compound, Locking	
2	0700610	2	Bolt M6 x 20	
3	0700618	2	Bolt M6 x 50	
4	0760612	5	Bolt M6 x 25	
5	0760614	4	Bolt M6 x 30	
6	0760812	13	Bolt M8 x 25	
7	0760815	1	Bolt M8 x 35	
8	0761014	1	Bolt M10 x 30	
9	1320041	1	Clamp	
10	3290605	12	Nut, Lock M6	
11	3290805	3	Nut, Lock M8	
12	3290807	9	Nut, Lock M8	
13	3291007	1	Nut, Lock M10	
14	3311601	4	Nut 3/8	
15	3740067	1	Relay	
16	4460470	1	Nut, Terminal	
17	4460471	1	Washer, Terminal	
18	4460496	1	Washer, Terminal	
19	4460497	1	Nut, Terminal	
20	4791400	2	Washer 1/4	
21	4811700	16	Washer M6	
22	4811702	1	Washer M6	
23	4811900	19	Washer M8	
24	4812000	2	Washer M10	
25	6611172	2	Cable, Ground to Frame	
26	8310686	8	Nut, Retainer M8	
27	8406201	2	Clip	
28	0760810001	7	Bolt M8 x 20	
30	1001114999	1	Harness, Fuel Sensor	
31	1001118274	5	Nut, Tinnerman M8	
33	1001135027	1	Bussbar	
34	1001149970	1	Harness - Drive Pump (Not Shown - See Separate Breakdown in ELECTRICAL Section)	
36	1001151895	1	Sensor, Tilt	
37	1001155967	4	Holder, Side Mount	
38	1001156107	6	Holder, Cable	
39	1001156859	1	Panel, Electrical (See Separate Breakdown in this Section)	
40	1001157646	1	Cable, Load Sensor (Not Shown - Runs from Item 36 RH Module to Lift Cylinder) (See Separate Breakdown in ELECTRICAL Section)	
41	1001158922	1	Kit, Battery Cable (Not Shown - See Separate Breakdown in ELECTRICAL Section)	
42	1001163631	4	Cable, MTS Connection (Not Shown - See Separate Breakdown in ELECTRICAL Section)	
44	1001164726	4	Capscrew M8 X 20	
45	1001174871	2	Fuse, Power Module	
46	1001187744	AR	Chemical, Battery Protector and Sealer	
47	1001197446	1	Harness - Main Valve (Not Shown - See Separate Breakdown in ELECTRICAL Section)	

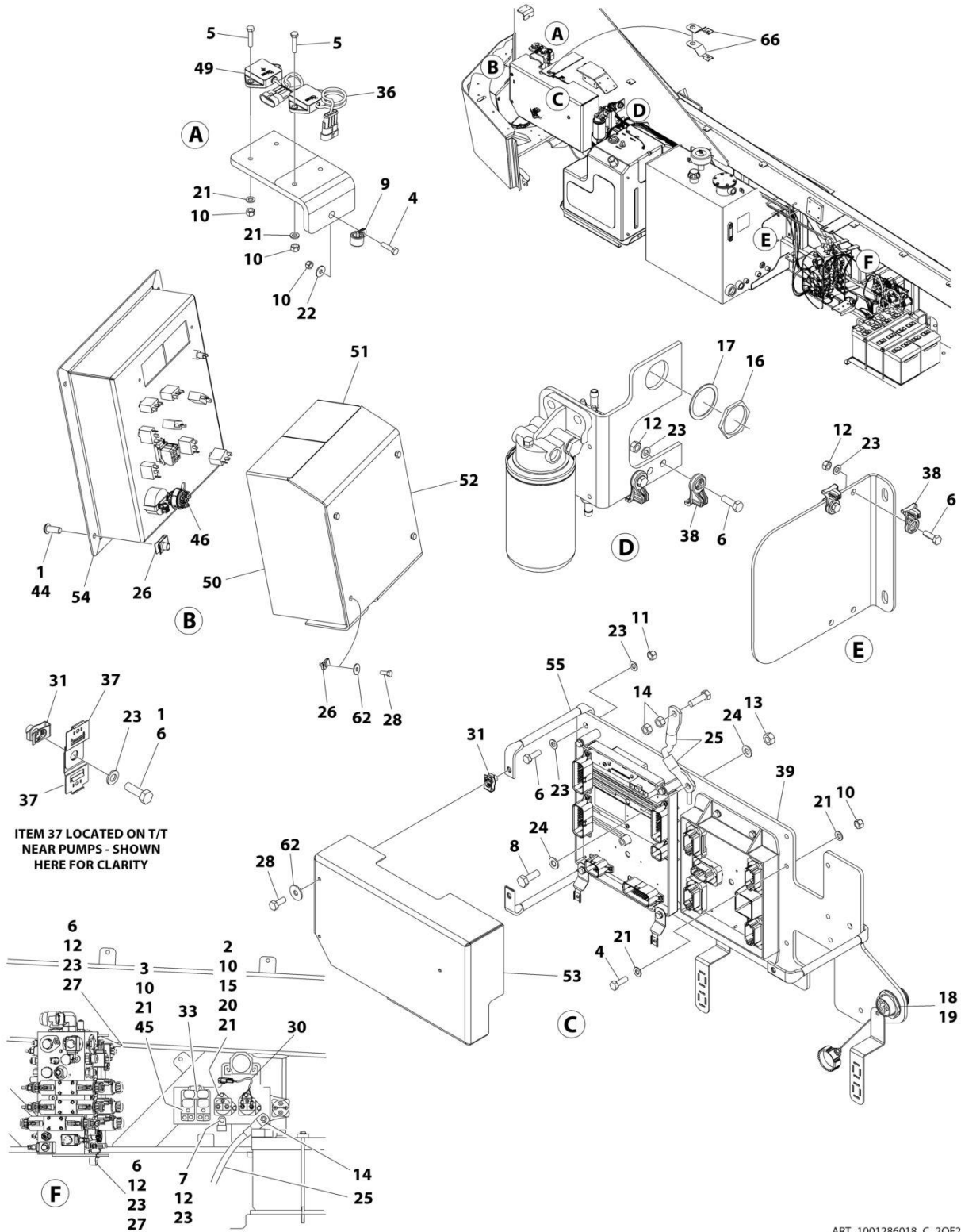
## SECTION 2 - TURNTABLE

ITEM	PART NUMBER	QTY	DESCRIPTION	REV
48	1001211885	1	Harness - Fuel Pump (Not Shown - See Separate Breakdown in ELECTRICAL Section)	
49	1001219601	1	Sensor, Tilt Dual Axis CAN	
50	1001223167	1	Cover	
51	1001223168	1	Cover	
52	1001223169	1	Cover	
53	1001223170	1	Cover	
54	1001223248	1	Ground Control Panel Assembly (See Separate Breakdown in this Section)	
55	1001225279	3	Brace	
56	1001241865	1	Harness - Blam (Not Shown - See Separate Breakdown in ELECTRICAL Section)	
57	1001241884	1	Harness - Ground Control Panel (Not Shown - See Separate Breakdown in ELECTRICAL Section)	
60	1001279152	1	Harness - Turntable (Not Shown - See Separate Breakdown in ELECTRICAL Section)	
62	4811902001	7	Washer M8	



# SECTION 2 - TURNTABLE

**FIGURE 2-24. TURNTABLE ELECTRICAL COMPONENTS INSTALLATION - DUETZ TCD3.6L (CHINA IV) ENGINES (CHINA SPECS ONLY) (SN 0300300728 to Present, Excluding 0300299161)**



ART\_1001286018\_C\_20F2



## SECTION 2 - TURNTABLE

**FIGURE 2-24. TURNTABLE ELECTRICAL COMPONENTS INSTALLATION - DUETZ TCD3.6L (CHINA IV) ENGINES (CHINA SPECS ONLY) (SN 0300300728 to Present, Excluding 0300299161)**

ITEM	PART NUMBER	QTY	DESCRIPTION	REV
	1001286018	Ref	TURNTABLE ELECTRICAL COMPONENTS INSTALLATION	C
1	0100035	AR	Compound, Locking	
2	0700610	2	Bolt M6 x 20	
3	0700618	2	Bolt M6 x 50	
4	0760612	5	Bolt M6 x 25	
5	0760614	4	Bolt M6 x 30	
6	0760812	13	Bolt M8 x 25	
7	0760815	1	Bolt M8 x 35	
8	0761014	1	Bolt M10 x 30	
9	1320041	1	Clamp	
10	3290605	12	Nut, Lock M6	
11	3290805	3	Nut, Lock M8	
12	3290807	9	Nut, Lock M8	
13	3291007	1	Nut, Lock M10	
14	3311601	4	Nut 3/8	
15	3740067	1	Relay	
16	4460470	1	Nut, Terminal	
17	4460471	1	Washer, Terminal	
18	4460496	1	Washer, Terminal	
19	4460497	1	Nut, Terminal	
20	4791400	2	Washer 1/4	
21	4811700	16	Washer M6	
22	4811702	1	Washer M6	
23	4811900	19	Washer M8	
24	4812000	2	Washer M10	
25	6611172	2	Cable, Ground to Frame	
26	8310686	8	Nut, Retainer M8	
27	8406201	2	Clip	
28	0760810001	7	Bolt M8 x 20	
30	1001114999	1	Harness, Fuel Sensor	
31	1001118274	5	Nut, Tinnerman M8	
33	1001135027	1	Bussbar	
34	1001149970	1	Harness - Drive Pump (Not Shown - See Separate Breakdown in ELECTRICAL Section)	
36	1001151895	1	Sensor, Tilt	
37	1001155967	4	Holder, Side Mount	
38	1001156107	6	Holder, Cable	
39	1001156859	1	Panel, Electrical (See Separate Breakdown in this Section)	
40	1001157646	1	Cable, Load Sensor (Not Shown - Runs from Item 36 RH Module to Lift Cylinder) (See Separate Breakdown in ELECTRICAL Section)	
41	1001158922	1	Kit, Battery Cable (Not Shown - See Separate Breakdown in ELECTRICAL Section)	
42	1001163631	4	Cable, MTS Connection (Not Shown - See Separate Breakdown in ELECTRICAL Section)	
44	1001164726	4	Capscrew M8 X 20	
45	1001174871	2	Fuse, Power Module	
46	1001187744	AR	Chemical, Battery Protector and Sealer	
47	1001285583	1	Harness - Main Valve (Not Shown - See Separate Breakdown in ELECTRICAL Section)	

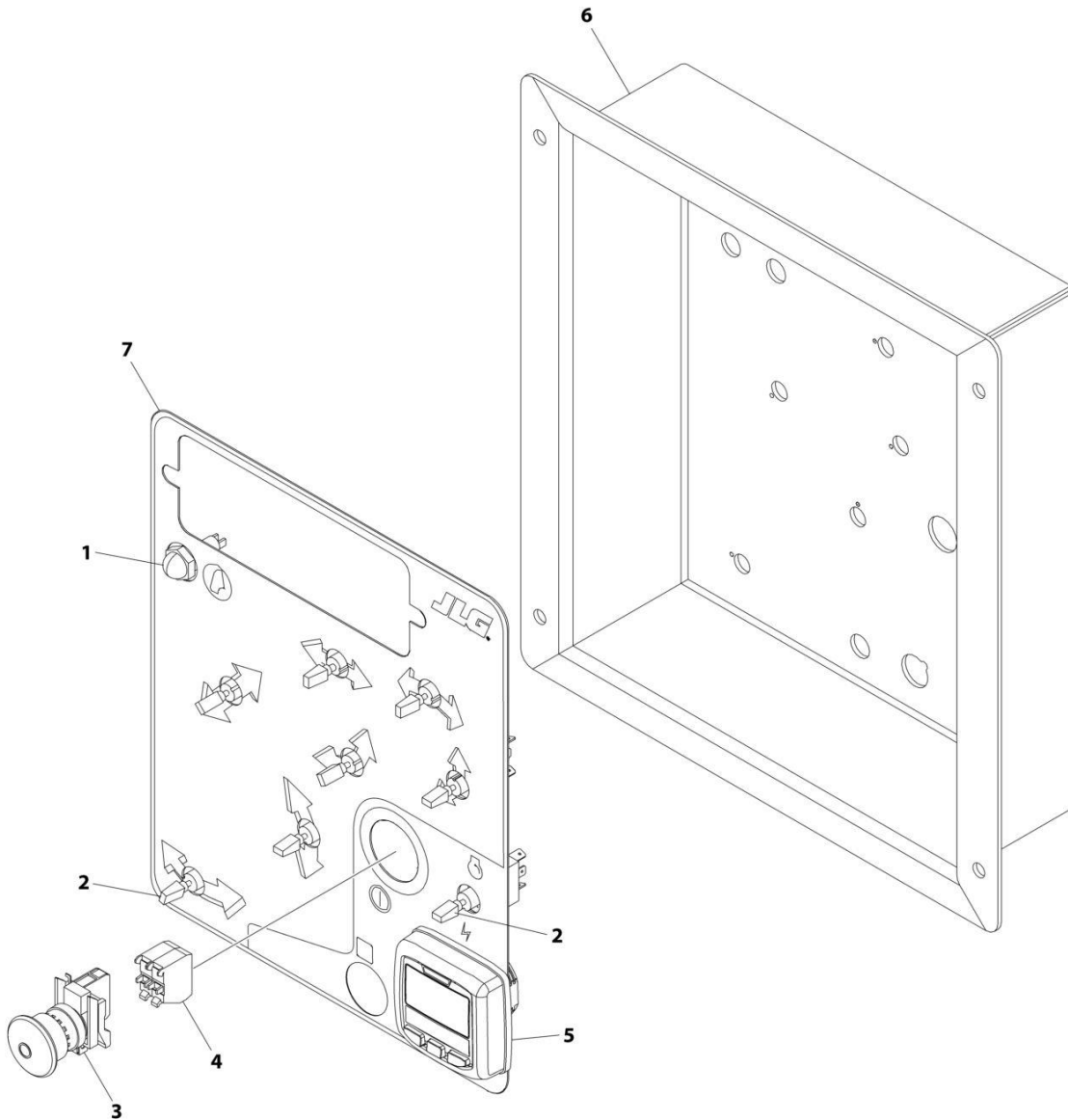
## SECTION 2 - TURNTABLE

ITEM	PART NUMBER	QTY	DESCRIPTION	REV
48	1001211885	1	Harness - Fuel Pump (Not Shown - See Separate Breakdown in ELECTRICAL Section)	
49	1001219601	1	Sensor, Tilt Dual Axis CAN	
50	1001223167	1	Cover	
51	1001223168	1	Cover	
52	1001223169	1	Cover	
53	1001223170	1	Cover	
54	1001223248	1	Ground Control Panel Assembly (See Separate Breakdown in this Section)	
55	1001225279	3	Brace	
56	1001241865	1	Harness - Blam (Not Shown - See Separate Breakdown in ELECTRICAL Section)	
57	1001241884	1	Harness - Ground Control Panel (Not Shown - See Separate Breakdown in ELECTRICAL Section)	
60	1001285582	1	Harness - Turntable (Not Shown - See Separate Breakdown in ELECTRICAL Section)	
62	4811902001	7	Washer M8	
64	4240032	AR	Tie-Strap (Not Shown)	
65	4460234	AR	Mount, Tie-Strap (Not Shown)	
66	1001120328	2	Mount, Connector	



## SECTION 2 - TURNTABLE

FIGURE 2-25. GROUND CONTROL CONSOLE ASSEMBLY (ANSI EXPORT (LRC), AUSTRALIAN AND CHINA SPECS)



ART\_1001266006

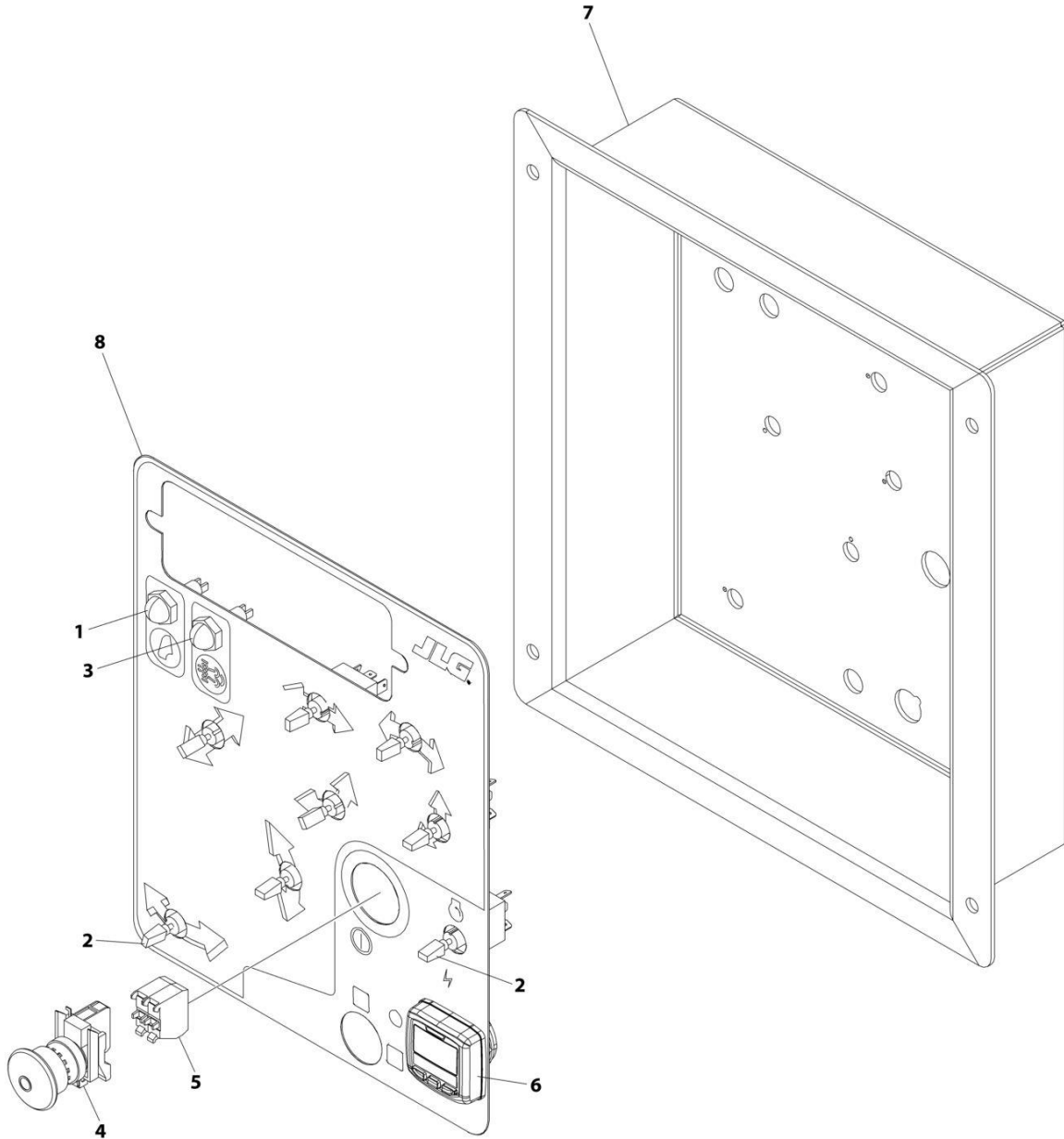
**SECTION 2 - TURNTABLE**

**FIGURE 2-25. GROUND CONTROL CONSOLE ASSEMBLY (ANSI EXPORT (LRC), AUSTRALIAN AND CHINA SPECS)**

ITEM	PART NUMBER	QTY	DESCRIPTION	REV
	1001266006	Ref	GROUND CONTROL CONSOLE ASSEMBLY	A
1	4360274	1	Switch, Pushbutton	
2	4360328	8	Switch, Toggle	
3	4360475	1	Switch, Push-Pull Emergency	
3	7020175	1	Cap	
3	7020176	1	Block, Contact	
4	4360476	2	Block, Contact	
5	1001171482	1	Gauge	
6	1001198628	1	Panel	
7	1001266008	1	Decal - Ground Control	

## SECTION 2 - TURNTABLE

FIGURE 2-26. GROUND CONTROL CONSOLE ASSEMBLY (ANSI, ANSI EXPORT (HRC), CSA AND JAPANESE SPECS)



ART\_1001223248-A

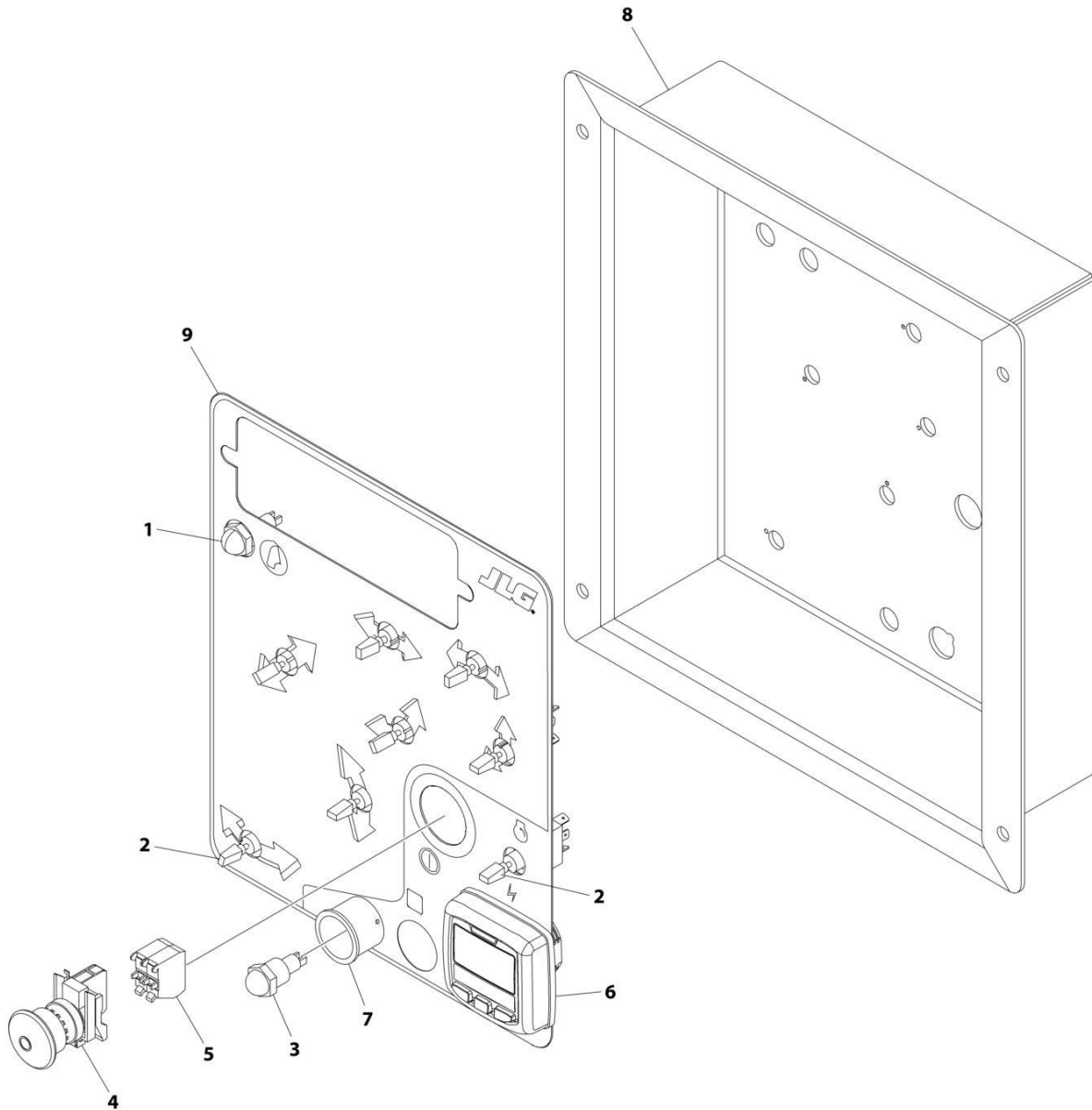
**SECTION 2 - TURNTABLE**

**FIGURE 2-26. GROUND CONTROL CONSOLE ASSEMBLY (ANSI, ANSI EXPORT (HRC), CSA AND JAPANESE SPECS)**

ITEM	PART NUMBER	QTY	DESCRIPTION	REV
	1001223248	Ref	GROUND CONTROL CONSOLE ASSEMBLY	A
1	4360274	1	Switch, Pushbutton	
2	4360328	8	Switch, Toggle	
3	4360387	1	Switch, Push Button	
4	4360475	1	Switch, Push-Pull Emergency	
4	7020175	1	Cap	
4	7020176	1	Block, Contact	
5	4360476	2	Block, Contact	
6	1001171482	1	Gauge	
7	1001198628	1	Panel	
8	1001221445	1	Decal - Ground Control	

# SECTION 2 - TURNTABLE

FIGURE 2-27. GROUND CONTROL CONSOLE ASSEMBLY (CE & UK CA (LRC) SPECS)



ART\_1001266007



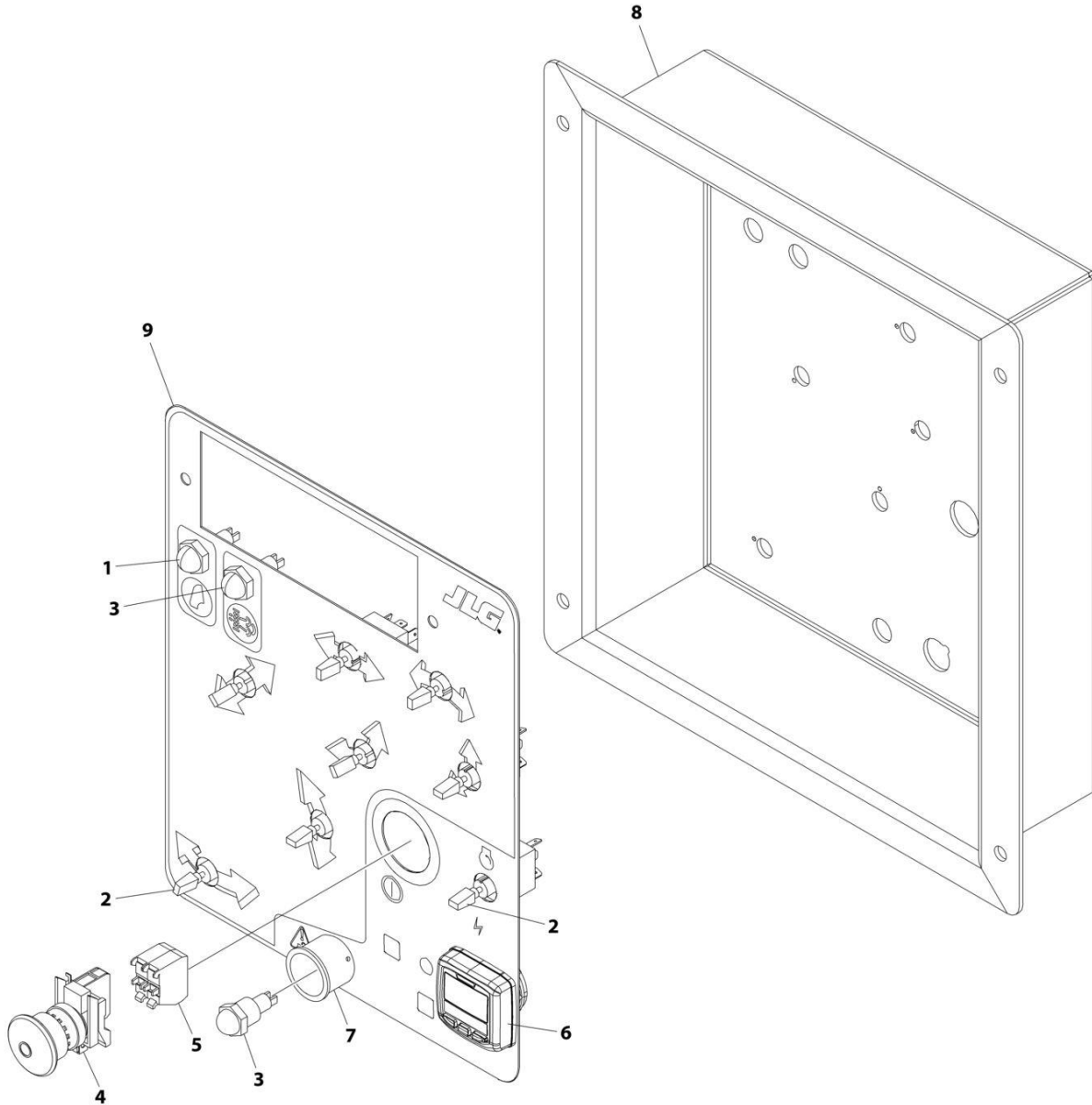
**SECTION 2 - TURNTABLE**

**FIGURE 2-27. GROUND CONTROL CONSOLE ASSEMBLY (CE & UK CA (LRC) SPECS)**

ITEM	PART NUMBER	QTY	DESCRIPTION	REV
	1001266007	Ref	GROUND CONTROL CONSOLE ASSEMBLY	A
1	4360274	1	Switch, Pushbutton	
2	4360328	8	Switch, Toggle	
3	4360387	1	Switch, Push Button	
4	4360475	1	Switch, Push-Pull Emergency	
4	7020175	1	Cap	
4	7020176	1	Block, Contact	
5	4360476	2	Block, Contact	
6	1001171482	1	Gauge	
7	1001176469	1	Shroud	
8	1001198628	1	Panel	
9	1001266009	1	Decal - Ground Control	

## SECTION 2 - TURNTABLE

FIGURE 2-28. GROUND CONTROL CONSOLE ASSEMBLY (CE & UK CA SPECS)



ART\_1001223249

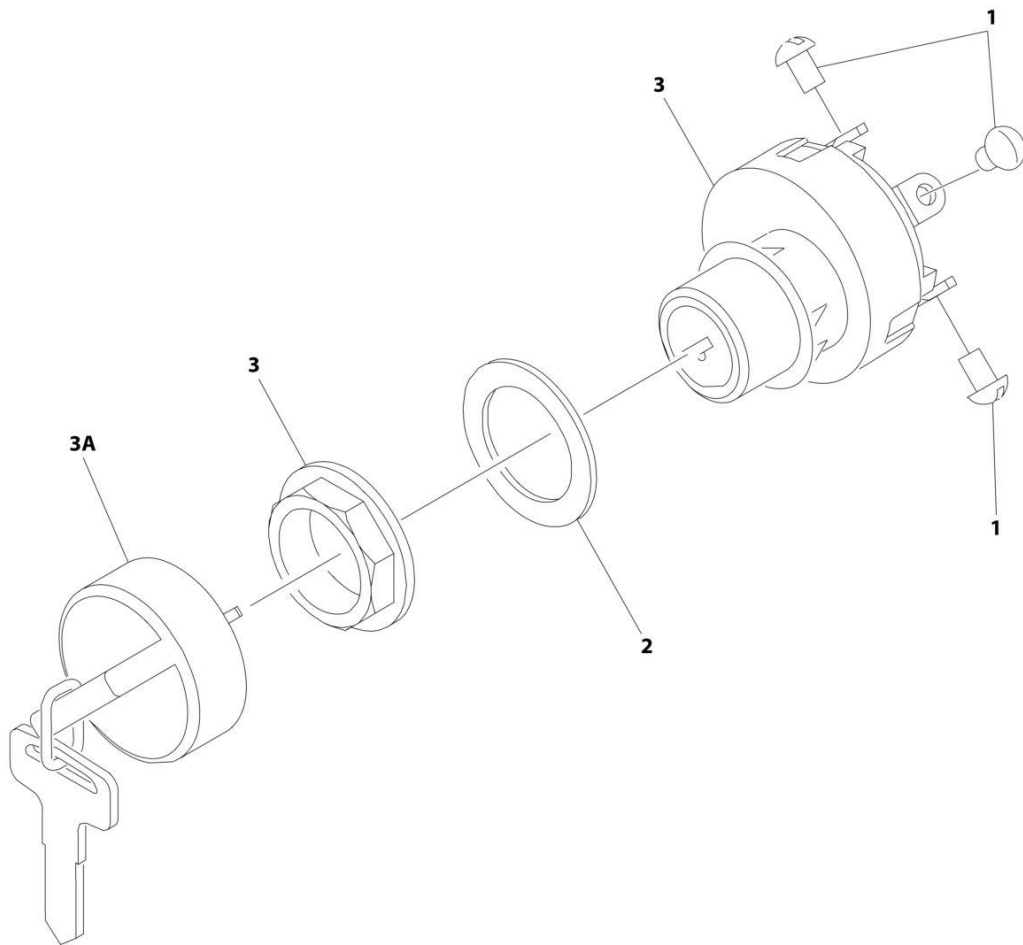
**SECTION 2 - TURNTABLE**

**FIGURE 2-28. GROUND CONTROL CONSOLE ASSEMBLY (CE & UK CA SPECS)**

<b>ITEM</b>	<b>PART NUMBER</b>	<b>QTY</b>	<b>DESCRIPTION</b>	<b>REV</b>
	1001223249	Ref	GROUND CONTROL CONSOLE ASSEMBLY	A
1	4360274	1	Switch, Pushbutton	
2	4360328	8	Switch, Toggle	
3	4360387	2	Switch, Push Button	
4	4360475	1	Switch, Push-Pull Emergency	
4	7020175	1	Cap	
4	7020176	1	Block, Contact	
5	4360476	2	Block, Contact	
6	1001171482	1	Gauge	
7	1001176469	1	Shroud	
8	1001198628	1	Panel	
9	1001221446	1	Decal - Ground Control	

# SECTION 2 - TURNTABLE

## FIGURE 2-29. KEY SWITCH



ART\_0259666

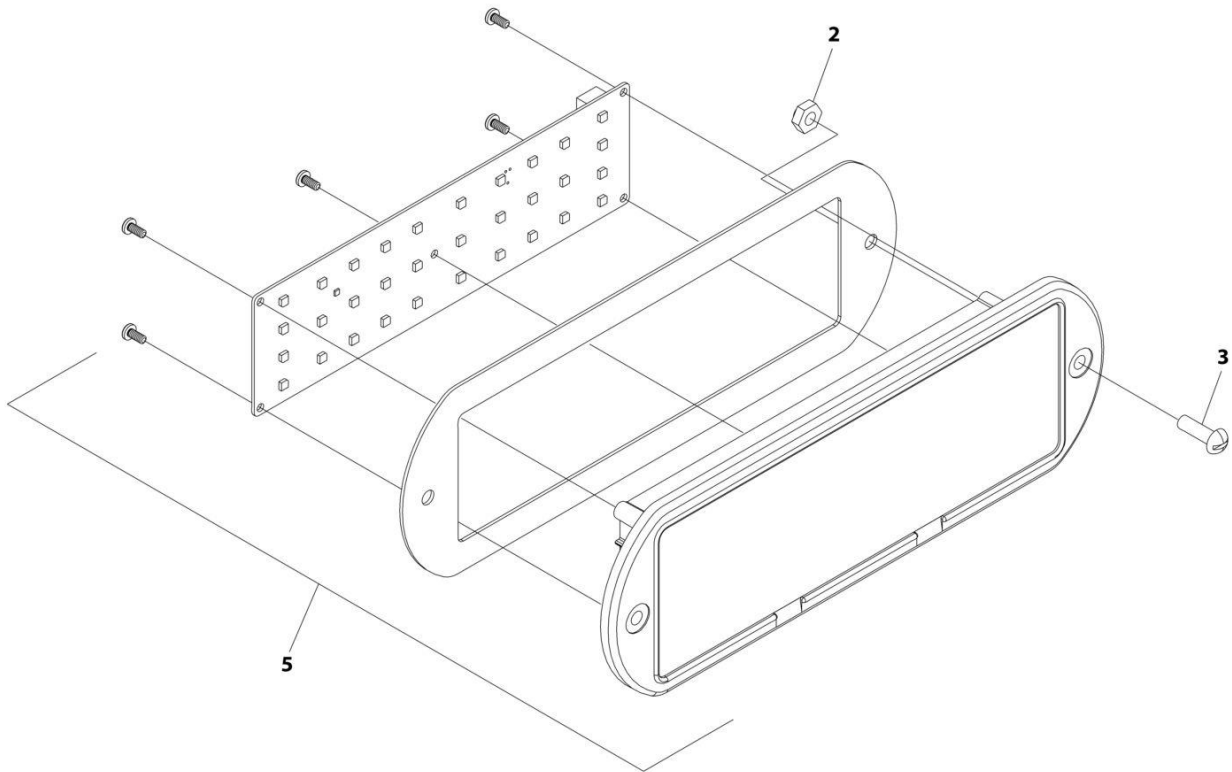
**SECTION 2 - TURNTABLE**

**FIGURE 2-29. KEY SWITCH**

ITEM	PART NUMBER	QTY	DESCRIPTION	REV
	0259666	Ref	KEYSWITCH INSTALLATION	B
1	3910804	6	Screw #8 x 1/8	
2	1001151393	1	Shim .063	
3	4360469	1	Keyswitch	
3A	2860030	1	Key, Replacement	

# SECTION 2 - TURNTABLE

## FIGURE 2-30. LIGHT PANEL



ART\_1001245176\_10F2

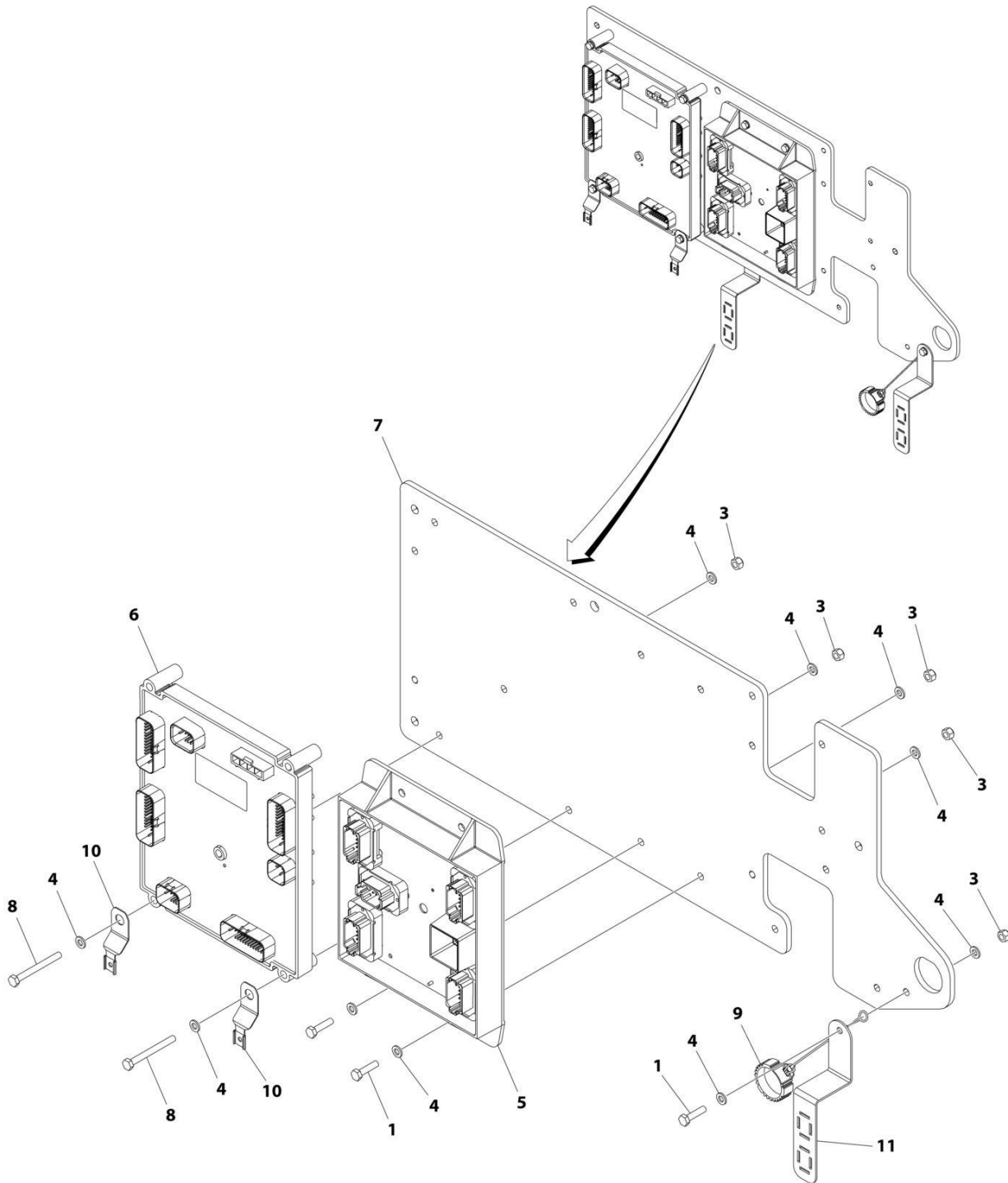
**SECTION 2 - TURNTABLE**

**FIGURE 2-30. LIGHT PANEL**

<b>ITEM</b>	<b>PART NUMBER</b>	<b>QTY</b>	<b>DESCRIPTION</b>	<b>REV</b>
	1001245176	Ref	LIGHT PANEL INSTALLATION	C
2	3300408	2	Nut	
3	0630518	4	Screw 10 x 3/4	
5	1001245206	1	Light Panel Assembly	
5	1001245160	1	Overlay	
5	1001238732	1	Light Panel	

# SECTION 2 - TURNTABLE

## FIGURE 2-31. ELECTRICAL PANEL ASSEMBLY



ART\_1001156859\_I



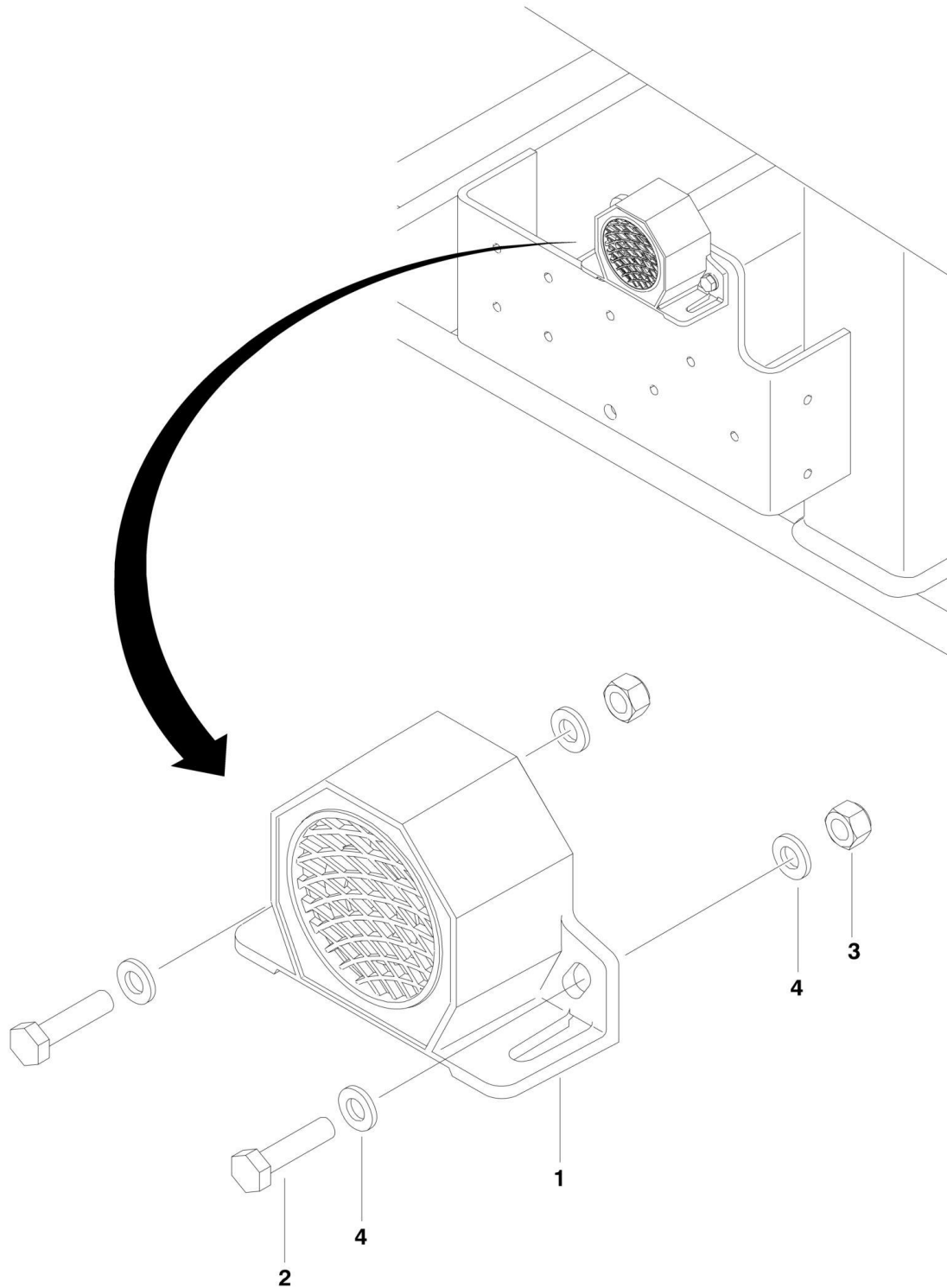
**SECTION 2 - TURNTABLE**

**FIGURE 2-31. ELECTRICAL PANEL ASSEMBLY**

ITEM	PART NUMBER	QTY	DESCRIPTION	REV
	1001156859	Ref	ELECTRICAL PANEL ASSEMBLY	I
1	0760612	5	Bolt M6 x 25	
3	3290605	9	Nut M6	
4	4811700	18	Washer M6	
5	1001227960	1	Module, Controller (Note: Control System Must Be Recalibrated When Controller is Replaced.)	
6	1001281100	1	Module, Controller (Note: Control System Must Be Recalibrated When Controller is Replaced.)	
7	1001227704	1	Plate	
8	0700620	4	Bolt M6 x 60	
9	1001106736	1	Cap, Dust	
10	1001120328	2	Mount, Connector	
11	1001159162	2	Bracket	

## SECTION 2 - TURNTABLE

FIGURE 2-32. ALARM INSTALLATION



1001147879

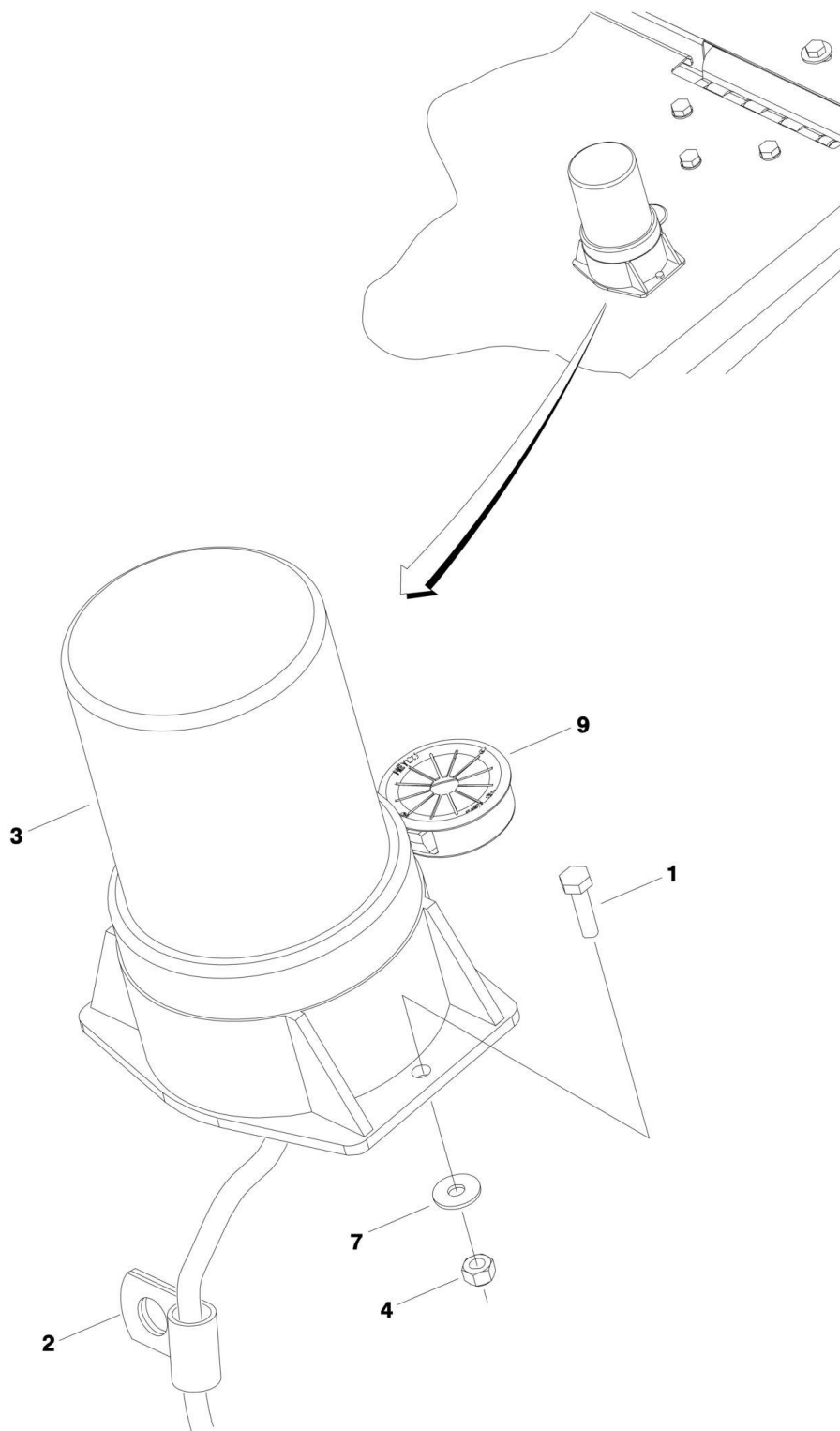
**SECTION 2 - TURNTABLE**

**FIGURE 2-32. ALARM INSTALLATION**

<b>ITEM</b>	<b>PART NUMBER</b>	<b>QTY</b>	<b>DESCRIPTION</b>	<b>REV</b>
	1001154030	Ref	ALARM INSTALLATION	A
1	0140043	1	Alarm	
1	4460536	1	Receptacle, Female - 3 Position	
1	4460943	3	Pin, Male	
2	0700612	2	Bolt M6 x 25	
3	3290605	2	Nut M6	
4	4811700	4	Washer M6	

## SECTION 2 - TURNTABLE

FIGURE 2-33. BEACON LIGHT INSTALLATION - AMBER



ART\_1001157031\_D

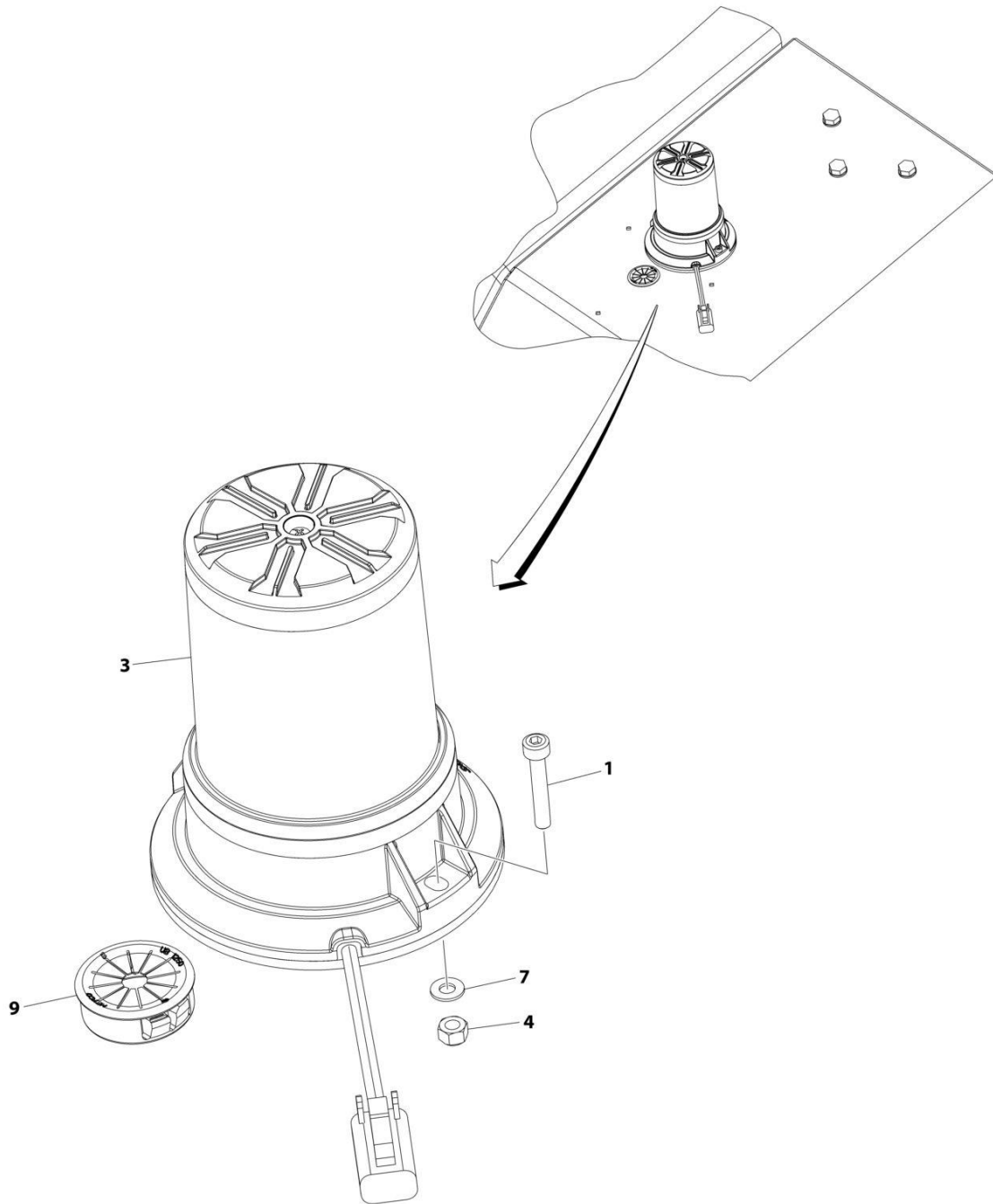
**SECTION 2 - TURNTABLE**

**FIGURE 2-33. BEACON LIGHT INSTALLATION - AMBER**

<b>ITEM</b>	<b>PART NUMBER</b>	<b>QTY</b>	<b>DESCRIPTION</b>	<b>REV</b>
	1001157031	Ref	BEACON LIGHT INSTALLATION - AMBER	D
1	4031509	2	Bolt M4 x 25	
2	1320263	2	Clamp	
3	1001270594	1	Strobe Light Assembly	
3	4460891	1	Connector	
3	4460465	2	Socket	
4	3290405	2	Nut M4	
7	4811400	2	Washer M4	
8	1001158989	1	Beacon Harness (Not Shown - See Separate Breakdown in ELECTRICAL Section)	
9	1001169085	1	Grommet	

## SECTION 2 - TURNTABLE

FIGURE 2-34. BEACON LIGHT INSTALLATION - AMBER (SN 0300298210 to Present)



ART\_1001157031\_E

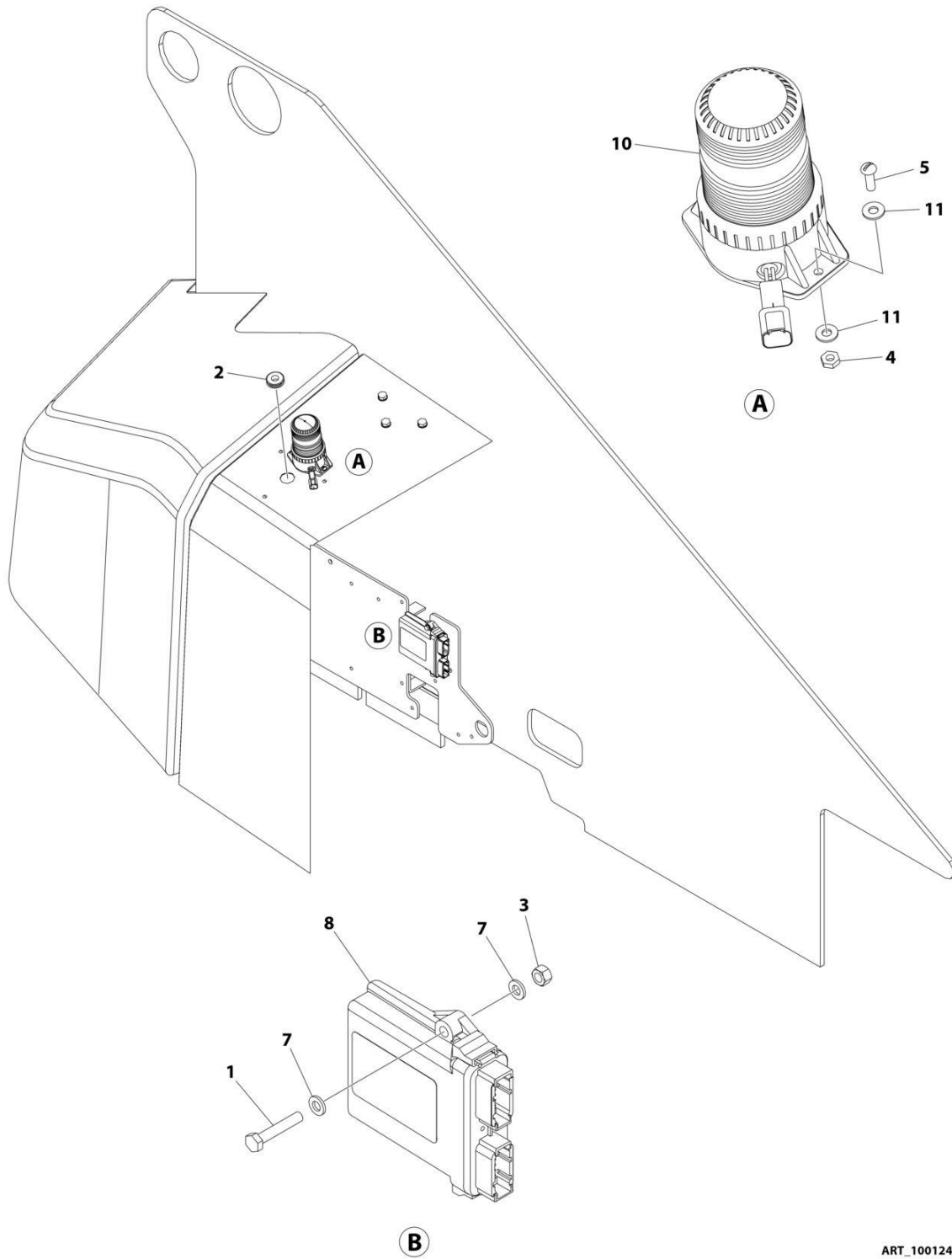
**SECTION 2 - TURNTABLE**

**FIGURE 2-34. BEACON LIGHT INSTALLATION - AMBER (SN 0300298210 to Present)**

ITEM	PART NUMBER	QTY	DESCRIPTION	REV
	1001157031	Ref	BEACON LIGHT INSTALLATION - AMBER	E
1	4031509	2	Bolt M4 x 25	
3	1001270594	1	Strobe Light Assembly	
3	4460891	1	Connector	
3	4460465	2	Socket	
4	3290405	2	Nut M4	
7	4811400	2	Washer M4	
9	1001169085	1	Grommet	
10	1001283776	1	Harness, Jumper (Not Shown - See Separate Breakdown in ELECTRICAL Section)	

# SECTION 2 - TURNTABLE

## FIGURE 2-35. STROBE LIGHT INSTALLATION - BLUE



ART\_100124453\_B



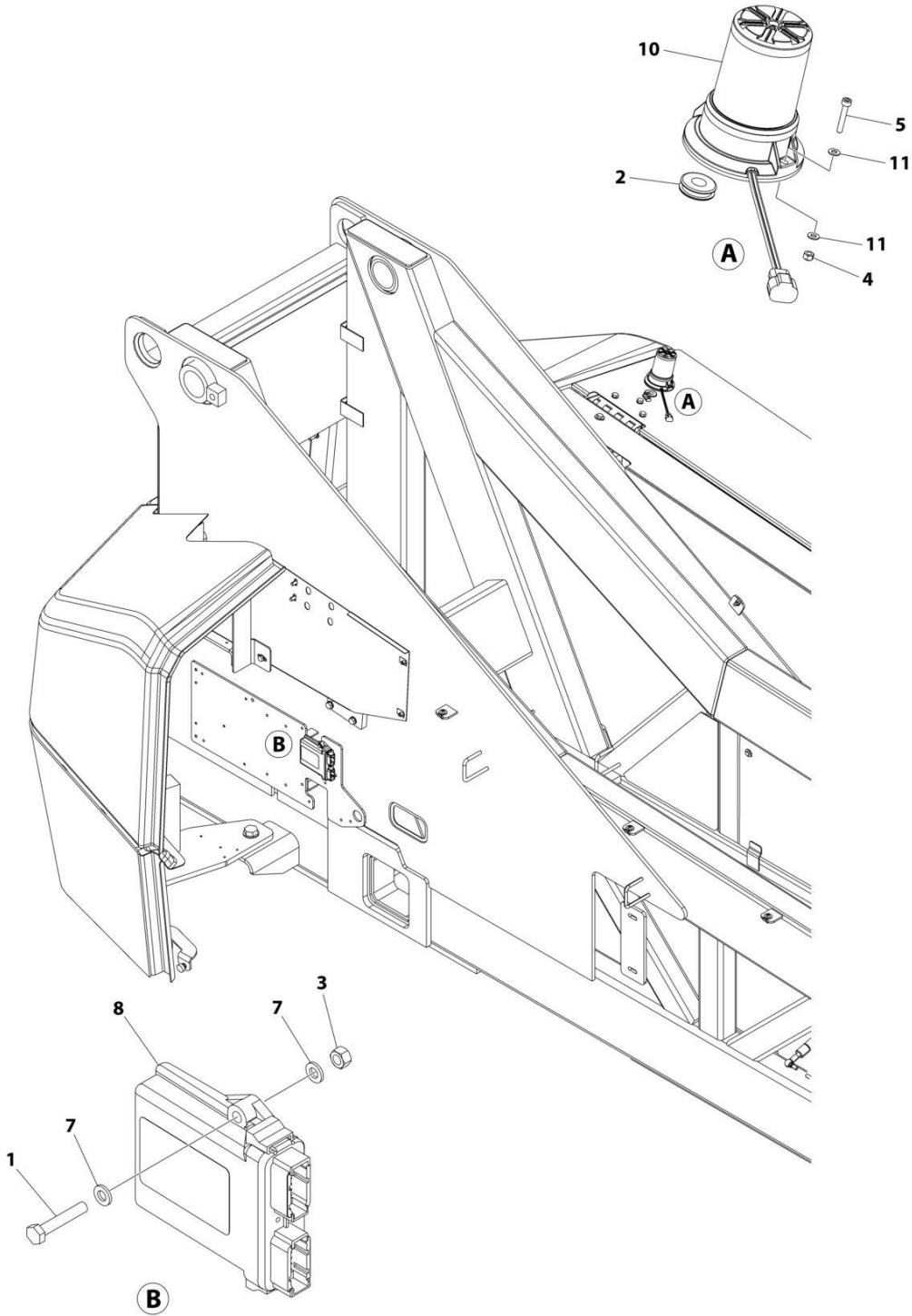
**SECTION 2 - TURNTABLE**

**FIGURE 2-35. STROBE LIGHT INSTALLATION - BLUE**

ITEM	PART NUMBER	QTY	DESCRIPTION	REV
	1001244453	Ref	STROBE LIGHT INSTALLATION - BLUE	B
1	0700615	2	Bolt M6 x 35	
2	2540020	1	Grommet	
3	3290607	2	Nut M6	
4	3290405	2	Nut, Lock M4	
5	4031509	2	Bolt M4 x 25	
7	4811700	4	Washer M6	
8	1001142683	1	Module, Control Beacon	
9	1001142736	1	Beacon Control Harness (Not Shown - See Separate Breakdown in ELECTRICAL Section)	
10	1001272681	1	Lamp, Blue Beacon	
10	4460897	1	Connector	
10	4460464	2	Pin	
11	4811400	2	Washer M4	

# SECTION 2 - TURNTABLE

FIGURE 2-36. STROBE LIGHT INSTALLATION - BLUE (SN 0300298210 to Present)



ART\_1001244453\_C

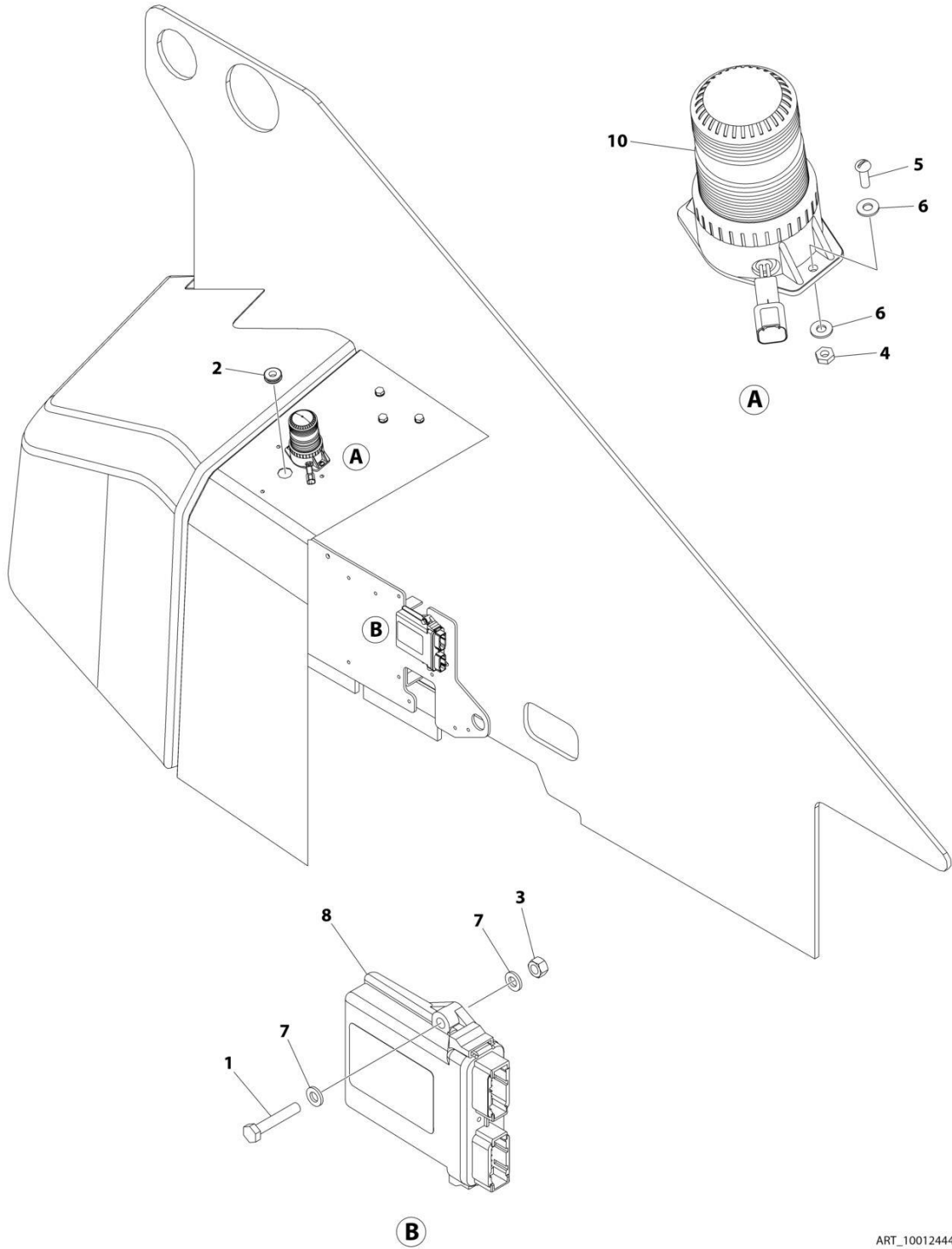
**SECTION 2 - TURNTABLE**

**FIGURE 2-36. STROBE LIGHT INSTALLATION - BLUE (SN 0300298210 to Present)**

ITEM	PART NUMBER	QTY	DESCRIPTION	REV
	1001244453	Ref	STROBE LIGHT INSTALLATION - BLUE	C
1	0700615	2	Bolt M6 x 35	
2	2540020	1	Grommet	
3	3290607	2	Nut M6	
4	3290405	2	Nut, Lock M4	
5	4031509	2	Bolt M4 x 25	
7	4811700	4	Washer M6	
8	1001142683	1	Module, Control Beacon	
9	1001142736	1	Beacon Control Harness (Not Shown - See Separate Breakdown in ELECTRICAL Section)	
10	1001272681	1	Lamp, Blue Beacon	
10	4460897	1	Connector	
10	4460464	2	Pin	
11	4811400	4	Washer M4	
12	1001285733	1	Harness, Jumper (Not Shown - See Separate Breakdown in ELECTRICAL Section)	

# SECTION 2 - TURNTABLE

## FIGURE 2-37. STROBE LIGHT INSTALLATION - RED



ART\_1001244454

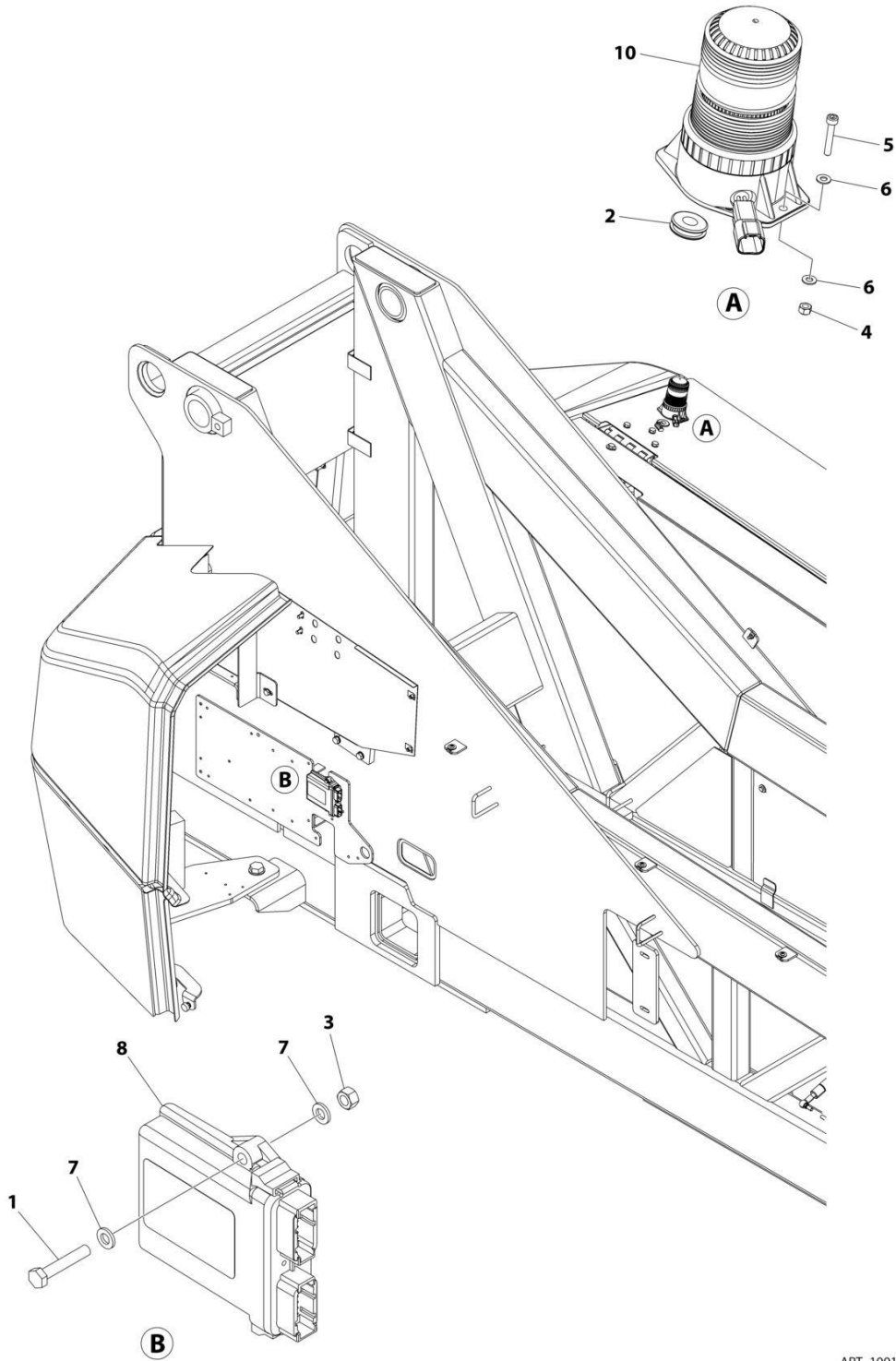
**SECTION 2 - TURNTABLE**

**FIGURE 2-37. STROBE LIGHT INSTALLATION - RED**

ITEM	PART NUMBER	QTY	DESCRIPTION	REV
	1001244454	Ref	STROBE LIGHT INSTALLATION - RED	A
1	0700615	2	Bolt M6 x 35	
2	2540020	1	Grommet	
3	3290607	2	Nut M6	
4	3311005	2	Nut #10	
5	3911010	2	Screw #10 x 5/8	
6	4711000	4	Washer #10	
7	4811700	4	Washer M6	
8	1001142683	1	Module, Beacon Control	
9	1001142736	1	Beacon Control Harness (Not Shown - See Separate Breakdown in ELECTRICAL SECTION)	
10	1001207004	1	Light, Strobe	
10	7028909	1	Connector - 2 Position	
10	4460943	2	Pin, Male	

# SECTION 2 - TURNTABLE

FIGURE 2-38. STROBE LIGHT INSTALLATION - RED (SN 0300298210 to Present)



ART\_1001244454\_B

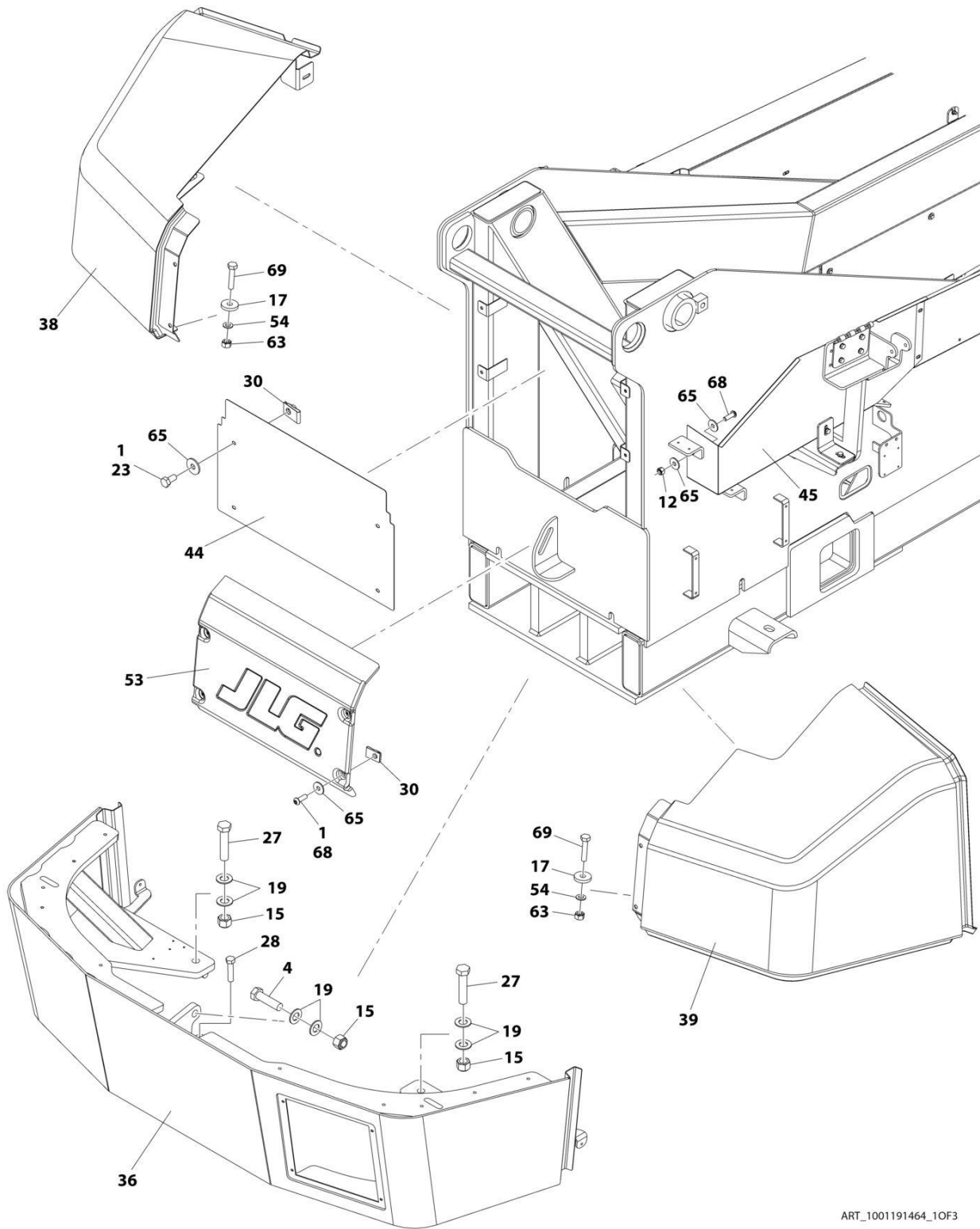
**SECTION 2 - TURNTABLE**

**FIGURE 2-38. STROBE LIGHT INSTALLATION - RED (SN 0300298210 to Present)**

ITEM	PART NUMBER	QTY	DESCRIPTION	REV
	1001244454	Ref	STROBE LIGHT INSTALLATION - RED	B
1	0700615	2	Bolt M6 x 35	
2	2540020	1	Grommet	
3	3290607	2	Nut M6	
4	3290405	2	Nut, Lock M4	
5	4031509	2	Bolt M4 x 25	
6	4811400	4	Washer M4	
7	4811700	4	Washer M6	
8	1001142683	1	Module, Beacon Control	
9	1001142736	1	Beacon Control Harness (Not Shown - See Separate Breakdown in ELECTRICAL Section)	
10	1001207004	1	Light, Strobe	
10	7028909	1	Connector	
10	4460943	2	Pin	
11	1001285733	1	Harness, Jumper (Not Shown - See Separate Breakdown in ELECTRICAL Section)	

# SECTION 2 - TURNTABLE

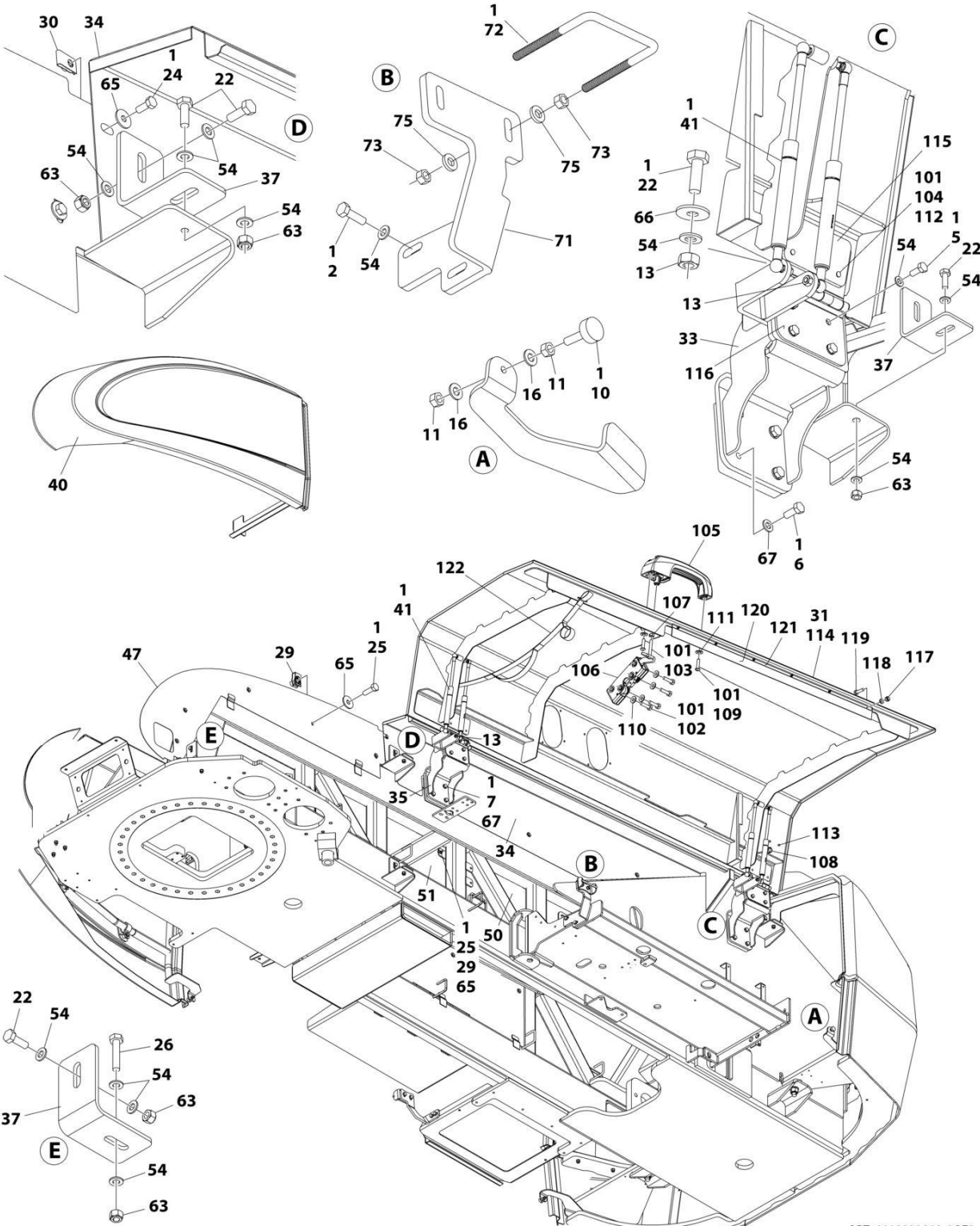
## FIGURE 2-39. HOOD INSTALLATION



ART\_1001191464\_10F3

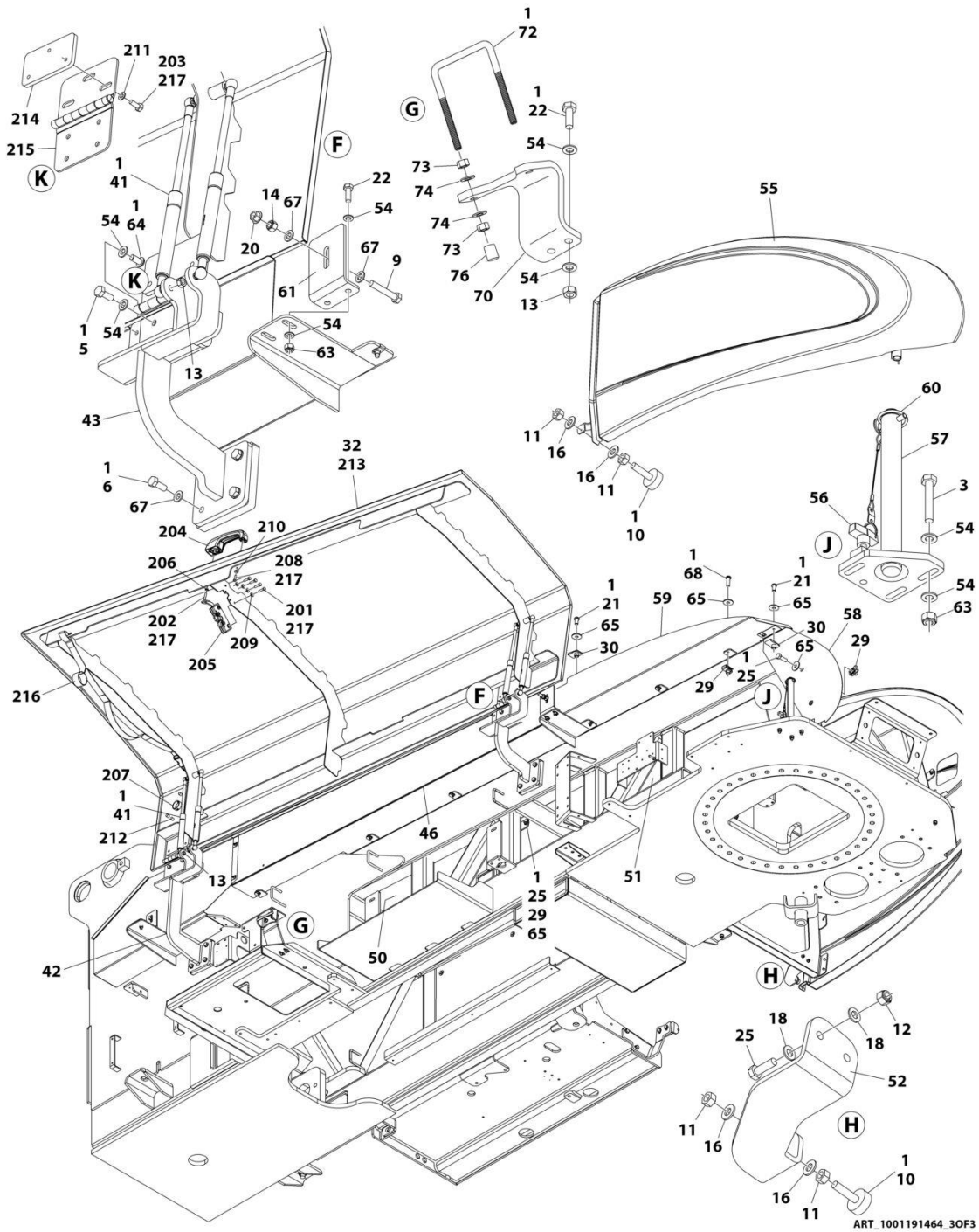


# SECTION 2 - TURNTABLE



ART\_1001191464\_20F3

# SECTION 2 - TURNTABLE



## SECTION 2 - TURNTABLE

### FIGURE 2-39. HOOD INSTALLATION

ITEM	PART NUMBER	QTY	DESCRIPTION	REV
	1001191464	Ref	HOOD INSTALLATION	G
		Ref	Note: Replacement Decals Must Be Ordered Separately - See DECALS SECTION.	
1	0100011	AR	Compound, Locking	
2	0701015	2	Bolt M10 x 35	
3	0701020	3	Bolt M10 x 60	
4	0712426	1	Bolt M24 x 90 Grade 10.9	
5	0761012	16	Bolt M10 x 25	
6	0761214	12	Bolt M12 x 30	
7	0761216	4	Bolt M12 x 40	
9	0761222	1	Bolt M12 x 70	
10	0940049	4	Stopper	
11	3271501	8	Nut 5/16 Grade 8	
12	3290805	3	Nut M8	
13	3291007	11	Nut M10	
14	3291205	1	Nut, Lock M12	
15	3292405	3	Nut M24	
16	4711500	8	Washer 5/16	
17	4740572	10	Washer M10	
18	4811900	4	Washer M8	
19	5242400	6	Washer M24	
20	5261200	1	Nut M12	
21	0630615001	8	Bolt M8 x 16	
22	0701014001	15	Bolt M10 x 30	
23	0760808001	4	Bolt M8 x 16	
24	0760810001	2	Bolt M8 x 20	
25	0760812001	24	Bolt M8 x 25	
26	0761018001	1	Bolt M10 x 50	
27	1001095136	2	Screw M24 x 110 Grade 10.9	
28	1001110853	1	Bolt M16 x 70	
29	1001118274	28	Nut M8	
30	1001149160	18	Nut, Tinnerman	
31	1001155438	1	Hood - Engine Side (See Items 101-122 for Breakdown)	
32	1001155456	1	Hood - Tank Side (See Items 201-217 for Breakdown)	
33	1001155591	2	Bracket	
34	1001155734	1	Cover	
35	1001155832	1	Plate	
36	1001196553	1	Cover, Counterweight	
37	1001155902	5	Bracket	
38	1001155908	1	Cover	
39	1001155909	1	Cover	
40	1001155918	1	Cover	
41	1001227710	8	Spring, Gas	
42	1001156456	1	Bracket	
43	1001156457	1	Bracket	
44	1001156520	1	Panel	
45	1001157217	1	Trough	
46	1001157218	1	Trough	
47	1001157224	1	Panel	
50	1001159652	2	Cover	

## SECTION 2 - TURNTABLE

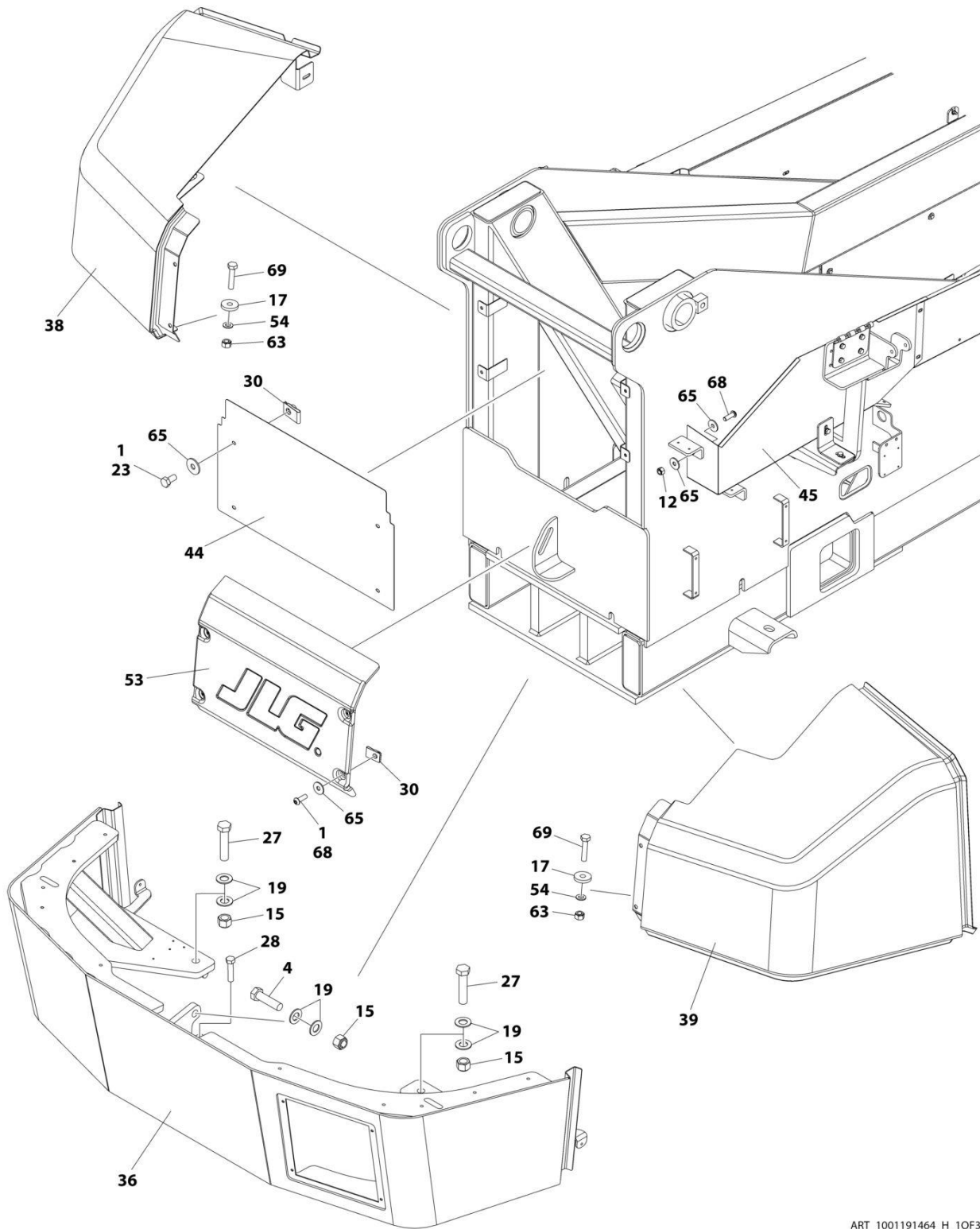
ITEM	PART NUMBER	QTY	DESCRIPTION	REV
51	1001159653	2	Cover	
52	1001165306	1	Brace	
53	1001169081	1	Cover	
54	1001172358	68	Washer M10	
55	1001172781	1	Cover	
55	1001174516	1	Receiver	
55	1001183003	2	Bearing, Flange	
56	1001174514	1	Pin, T-Handle	
57	1001174520	1	Pin, Hood Hinge	
58	1001174596	1	Panel	
59	1001174597	1	Though	
60	1001183022	1	Pin	
61	1001183047	1	Bracket	
63	3291005001	25	Nut, Lock M10	
64	3900393001	4	Screw M10 x 20	
65	4811902001	48	Washer M8	
66	4812002001	2	Washer M10	
67	4812100001	18	Washer M12	
68	8310643001	11	Bolt M8 x 25	
69	0761016001	10	Bolt M10 x 40	
70	1001250304	1	Bracket	
71	1001250302	1	Bracket	
72	1001243414	2	Bolt 3/8 x 4 x 4 5/8	
73	3311601	8	Nut 3/8	
74	4711600	4	Washer 3/8	
75	4891600	1	Washer 3/8	
76	1001218572	2	Cap, Vinyl	
	1001155438	Ref	HOOD ASSEMBLY - ENGINE SIDE	F
		Ref	Note: Replacement Decals Must be Ordered Separately - See DECAL SECTION.	
101	0100011	AR	Compound, Locking	
102	0641408	4	Bolt 1/4 x1	
103	0700616	1	Bolt 5/16 x 3/4	
104	0761012	6	Bolt M10 x 25 (Yellow)	
104	0761012001	6	Bolt M10 x 25 (Black)	
105	2560187	1	Handle, Push Button	
106	2940173	1	Latch	
107	3290601	1	Nut M6	
108	3520032	1	Plug	
109	3900363	2	Screw M6 x 25	
110	4711400	4	Washer 1/4	
111	4811900	2	Washer M8	
112	4812000	6	Washer M10 (Yellow)	
112	1001172358	6	Washer M10 (Black)	
113	3520173	2	Plug	
114	1001155437	1	Hood	
115	1001155584	2	Plate	
116	1001156347	2	Hinge	
117	3290605	6	Nut M6	
118	4811700	6	Washer M6	
119	0760612	6	Bolt M6 x 25	
120	1001157906	1	Seal	

## SECTION 2 - TURNTABLE

ITEM	PART NUMBER	QTY	DESCRIPTION	REV
121	1001157907	1	Plate	F
122	1001160505	1	Strap	
	1001155456	Ref	HOOD ASSEMBLY - TANK SIDE	
		Ref	Note: Replacement Decals Must be Ordered Separately - See DECAL SECTION.	
201	0641408	4	Bolt 1/4 x1	
202	0700616	1	Bolt 5/16 x 3/4	
203	0761012001	6	Bolt M10 x 25	
204	2560187	1	Handle, Push Button	
205	2940173	1	Latch	
206	3290601	1	Nut M6	
207	3520032	1	Plug	
208	3900363	2	Screw M6 x 25	
209	4711400	4	Washer 1/4	
210	4811900	2	Washer M8	
211	1001172358	6	Washer M10	
212	3520173	5	Plug	
213	1001155454	1	Hood	
214	1001155584	2	Plate	
215	1001156347	2	Hinge	
216	1001160505	1	Strap	
217	0100011	AR	Compound, Locking	

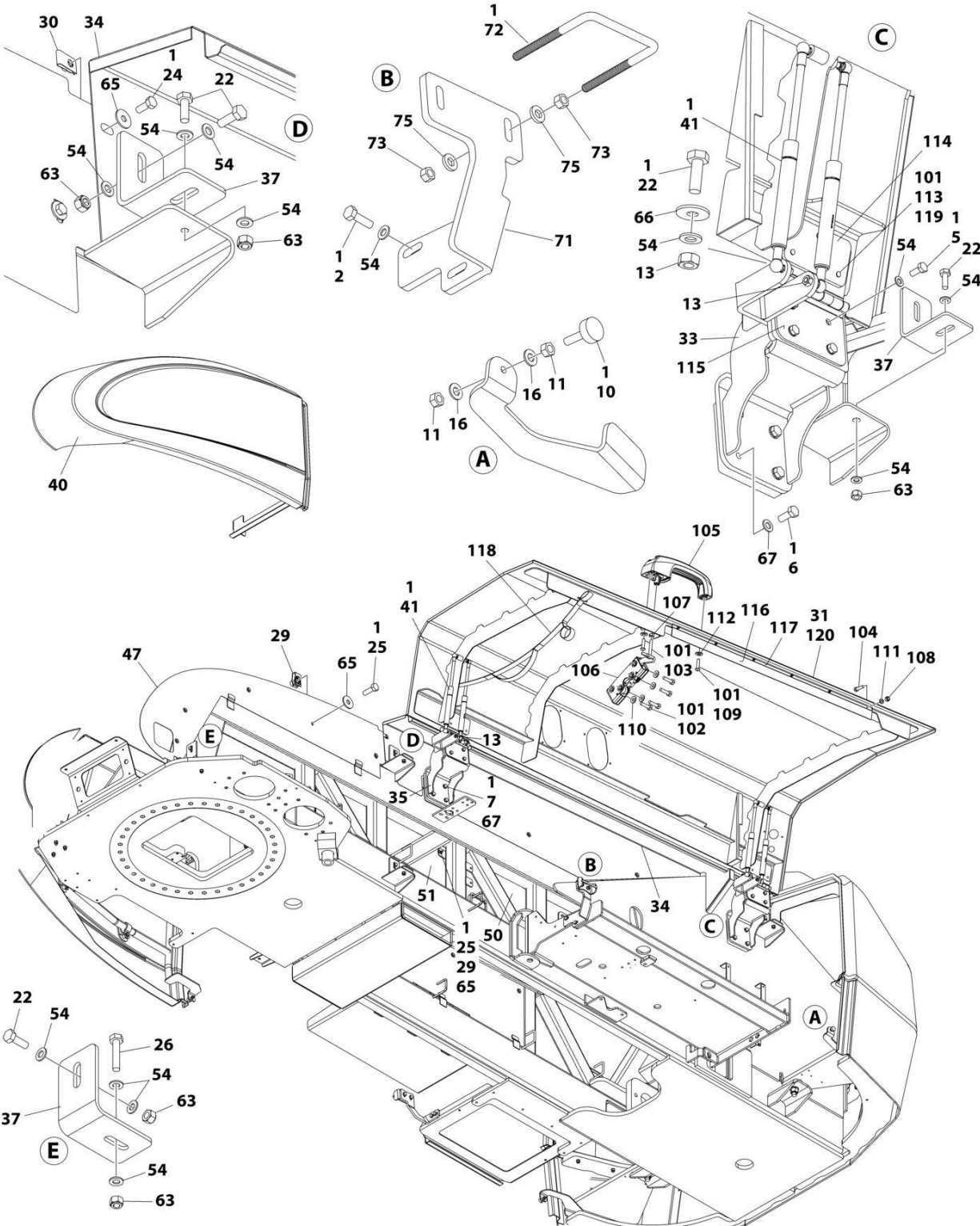
# SECTION 2 - TURNTABLE

## FIGURE 2-40. HOOD INSTALLATION



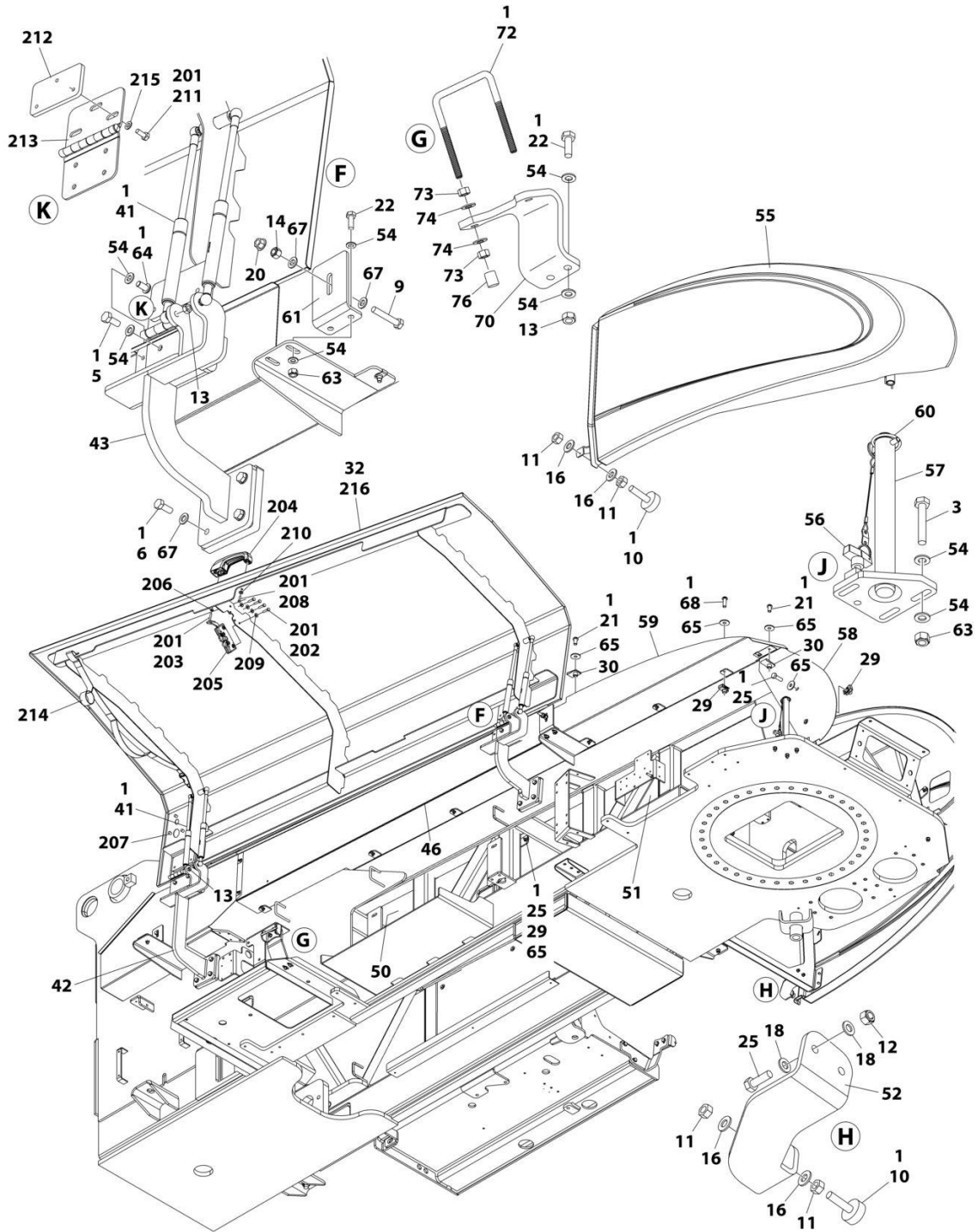
ART\_1001191464\_H\_10F3

SECTION 2 - TURNTABLE



ART\_1001191464\_H\_20F3

# SECTION 2 - TURNTABLE



ART\_1001191464\_H\_30F3



## SECTION 2 - TURNTABLE

### FIGURE 2-40. HOOD INSTALLATION

ITEM	PART NUMBER	QTY	DESCRIPTION	REV
	1001191464	Ref	HOOD INSTALLATION	H
		Ref	Note: Replacement Decals Must Be Ordered Separately - See DECALS Section.	
1	0100011	AR	Compound, Locking	
2	0701015	2	Bolt M10 x 35	
3	0701020	3	Bolt M10 x 60	
4	0712426	1	Bolt M24 x 90 Grade 10.9	
5	0761012	16	Bolt M10 x 25	
6	0761214	12	Bolt M12 x 30	
7	0761216	4	Bolt M12 x 40	
9	0761222	1	Bolt M12 x 70	
10	0940049	4	Stopper	
11	3271501	8	Nut 5/16 Grade 8	
12	3290805	3	Nut M8	
13	3291007	11	Nut M10	
14	3291205	1	Nut, Lock M12	
15	3292405	3	Nut M24	
16	4711500	8	Washer 5/16	
17	4740572	10	Washer M10	
18	4811900	4	Washer M8	
19	5242400	6	Washer M24	
20	5261200	1	Nut M12	
21	0630615001	8	Bolt M8 x 16	
22	0701014001	15	Bolt M10 x 30	
23	0760808001	4	Bolt M8 x 16	
24	0760810001	2	Bolt M8 x 20	
25	0760812001	24	Bolt M8 x 25	
26	0761018001	1	Bolt M10 x 50	
27	1001095136	2	Screw M24 x 110 Grade 10.9	
28	1001110853	1	Bolt M16 x 70	
29	1001118274	28	Nut M8	
30	1001149160	18	Nut, Tinnerman	
31	1001286281	1	Hood - Engine Side (See Items 101-120 for Breakdown)	
32	1001286284	1	Hood - Tank Side (See Items 201-216 for Breakdown)	
33	1001155591	2	Bracket	
34	1001155734	1	Cover	
35	1001155832	1	Plate	
36	1001196553	1	Cover, Counterweight	
37	1001155902	5	Bracket	
38	1001155908	1	Cover	
39	1001155909	1	Cover	
40	1001155918	1	Cover	
41	1001227710	8	Spring, Gas	
42	1001156456	1	Bracket	
43	1001156457	1	Bracket	
44	1001156520	1	Panel	
45	1001157217	1	Trough	
46	1001157218	1	Trough	
47	1001157224	1	Panel	
50	1001159652	2	Cover	

## SECTION 2 - TURNTABLE

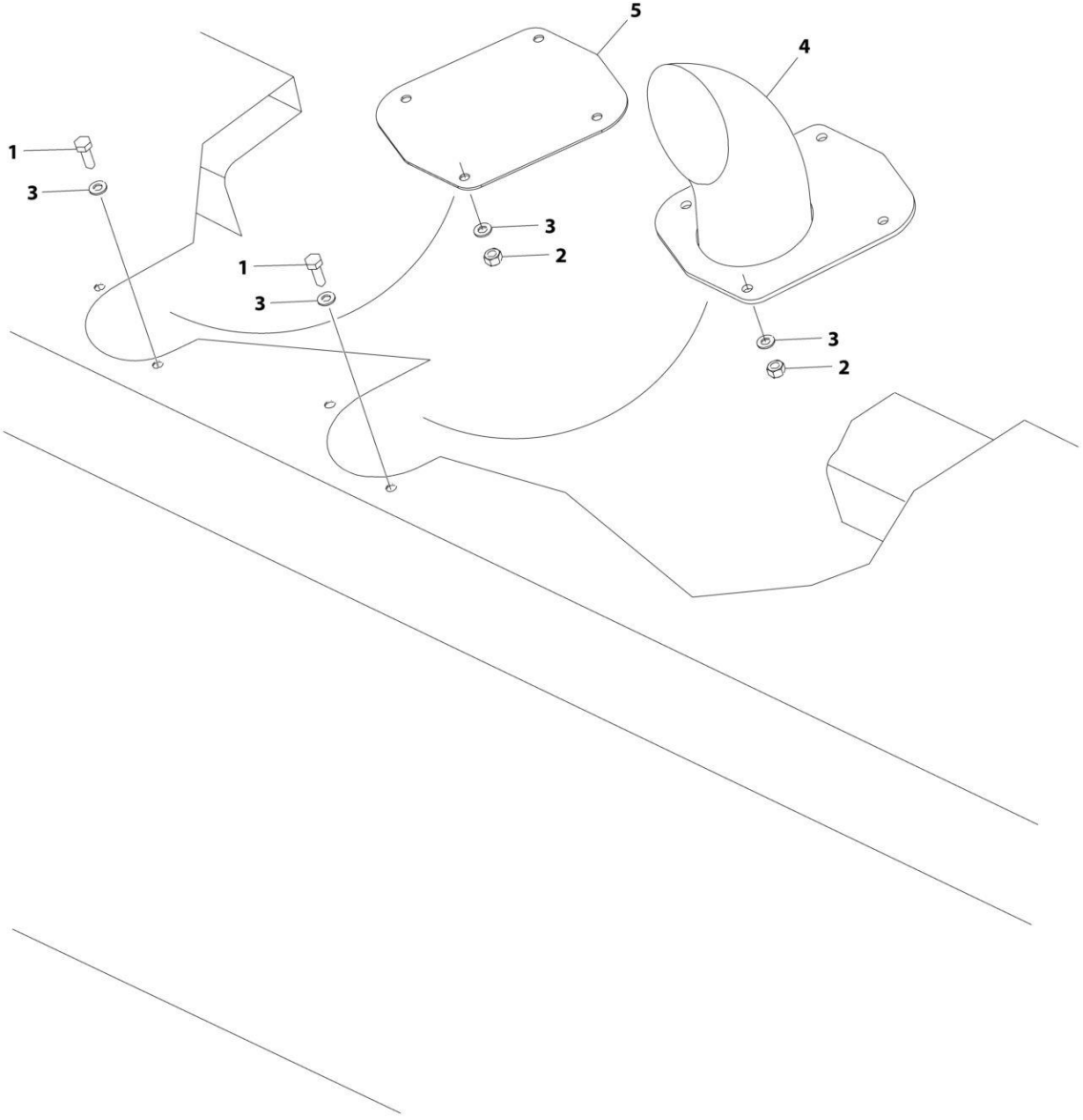
ITEM	PART NUMBER	QTY	DESCRIPTION	REV
51	1001159653	2	Cover	
52	1001165306	1	Brace	
53	1001169081	1	Cover	
54	1001172358	68	Washer M10	
55	1001172781	1	Cover	
55	1001174516	1	Receiver	
55	1001183003	2	Bearing, Flange	
56	1001174514	1	Pin, T-Handle	
57	1001174520	1	Pin, Hood Hinge	
58	1001174596	1	Panel	
59	1001174597	1	Though	
60	1001183022	1	Pin	
61	1001183047	1	Bracket	
63	3291005001	25	Nut, Lock M10	
64	3900393001	4	Screw M10 x 20	
65	4811902001	48	Washer M8	
66	4812002001	2	Washer M10	
67	4812100001	18	Washer M12	
68	8310643001	11	Bolt M8 x 25	
69	0761016001	10	Bolt M10 x 40	
70	1001250304	1	Bracket	
71	1001250302	1	Bracket	
72	1001243414	2	Bolt 3/8 x 4 x 4 5/8	
73	3311601	8	Nut 3/8	
74	4711600	4	Washer 3/8	
75	4891600	4	Washer 3/8	
76	1001218572	2	Cap, Vinyl	
	1001286281	Ref	HOOD ASSEMBLY - ENGINE SIDE	A
		Ref	Note: Replacement Decals Must be Ordered Separately - See DECAL Section.	
101	0100011	AR	Compound, Locking	
102	0641408	4	Bolt 1/4 x 1	
103	0700616	1	Bolt M6 x 40	
104	0760612	6	Bolt M6 x 25	
105	2560187	1	Handle, Push Button	
106	2940173	1	Latch	
107	3290601	1	Nut M6	
108	3290605	6	Nut, Lock M6	
109	3900363	2	Capscrew M6 x 25	
110	4711400	4	Washer 1/4	
111	4811700	6	Washer M6	
112	4811900	2	Washer M8	
113	0761012001	6	Bolt M10 x 25	
114	1001155584	2	Plate	
115	1001156347	2	Hinge	
116	1001157906	1	Seal	
117	1001157907	1	Plate	
118	1001160505	1	Strap	
119	1001172358	6	Washer M10	
120	1001286280	1	Hood	
	1001286284	Ref	HOOD ASSEMBLY - TANK SIDE	A

## SECTION 2 - TURNTABLE

ITEM	PART NUMBER	QTY	DESCRIPTION	REV
		Ref	Note: Replacement Decals Must be Ordered Separately - See DECAL Section.	
201	0100011	AR	Compound, Locking	
202	0641408	4	Bolt 1/4 x 1	
203	0700616	1	Bolt M6 x 40	
204	2560187	1	Handle, Push Button	
205	2940173	1	Latch	
206	3290601	1	Nut M6	
207	3520173	3	Plug	
208	3900363	2	Capscrew M6 x 25	
209	4711400	4	Washer 1/4	
210	4811900	2	Washer M8	
211	0761012001	6	Bolt M10 x 25	
212	1001155584	2	Plate	
213	1001156347	2	Hinge	
214	1001160505	1	Strap	
215	1001172358	6	Washer M10	
216	1001286283	1	Hood	

**SECTION 2 - TURNTABLE**

**FIGURE 2-41. VENTURI INSTALLATION (HRC) (ANSI, ANSI EXPORT, CSA, JAPANESE, CE & UK CA)**



ART\_1001161488

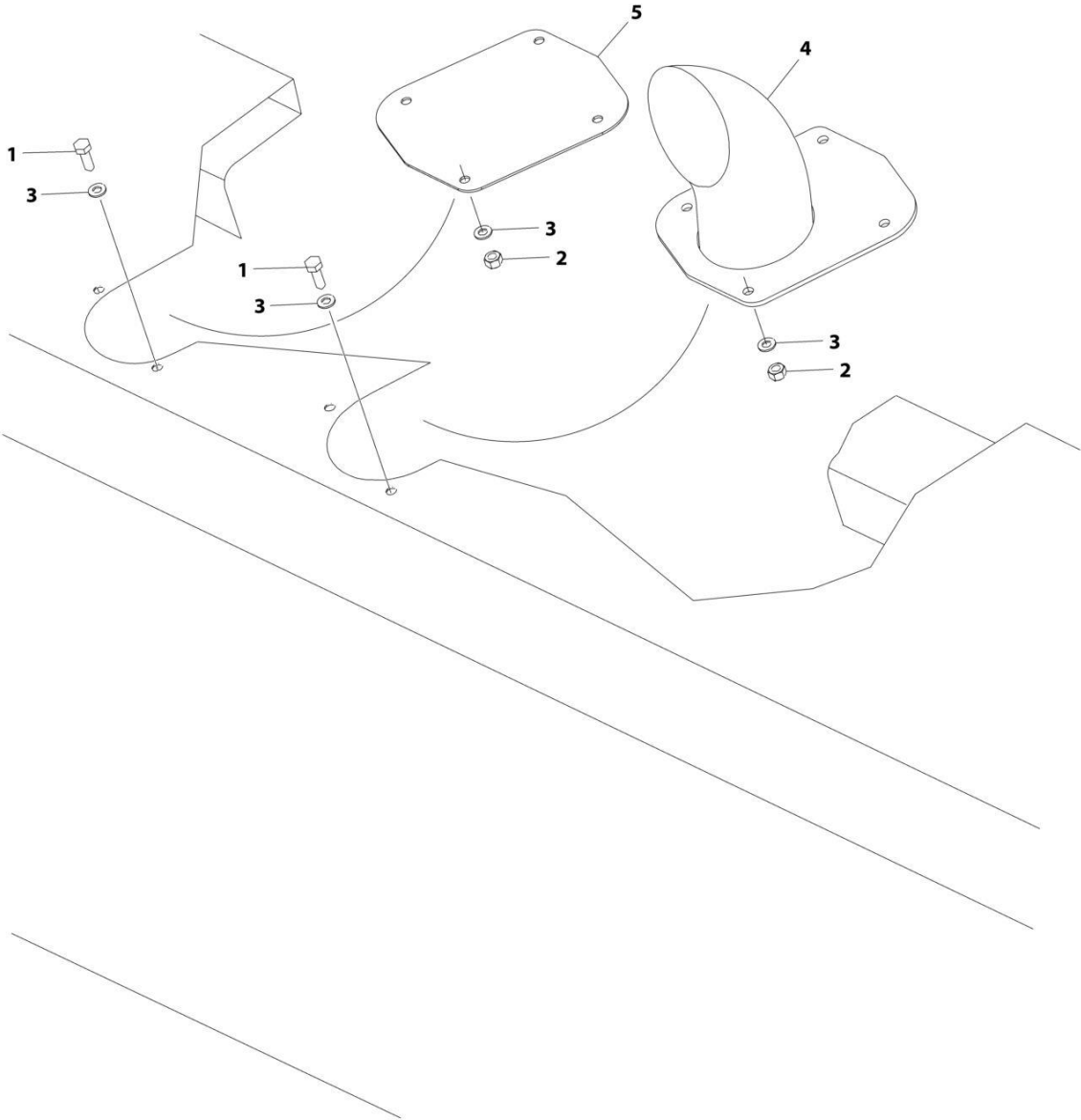
**SECTION 2 - TURNTABLE**

**FIGURE 2-41. VENTURI INSTALLATION (HRC) (ANSI, ANSI EXPORT, CSA, JAPANESE, CE & UK CA)**

<b>ITEM</b>	<b>PART NUMBER</b>	<b>QTY</b>	<b>DESCRIPTION</b>	<b>REV</b>
	1001161488	Ref	VENTURI INSTALLATION (HRC)	E
1	0701014001	8	Bolt M10 x 30	
2	3291005001	8	Nut M10	
3	1001172358	16	Washer M10	
4	1001155527	1	Venturi, Exhaust	
5	1001190927	1	Panel	

# SECTION 2 - TURNTABLE

FIGURE 2-42. VENTURI INSTALLATION (LRC) (ANSI EXPORT, AUSTRALIAN, CHINA, CE & UK CA)



ART\_1001190032

**SECTION 2 - TURNTABLE**

**FIGURE 2-42. VENTURI INSTALLATION (LRC) (ANSI EXPORT, AUSTRALIAN, CHINA, CE & UK CA)**

ITEM	PART NUMBER	QTY	DESCRIPTION	REV
	1001190032	Ref	VENTURI INSTALLATION (LRC)	B
1	0701014001	8	Bolt M10 x 30	
2	3291005001	8	Nut M10	
3	1001172358	16	Washer M10	
4	1001161470	1	Venturi, Exhaust	
5	1001190927	1	Panel	

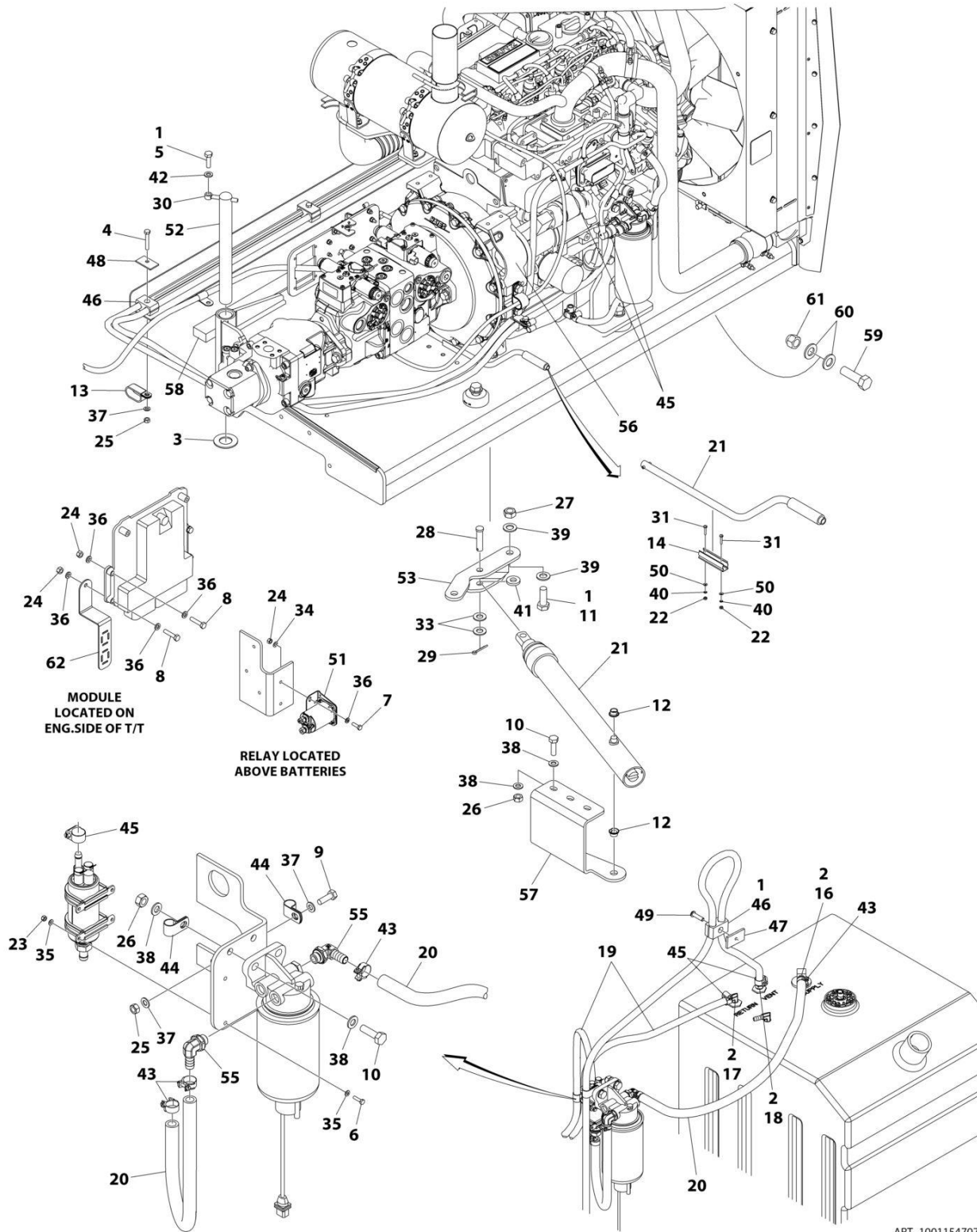




**SECTION 3 - ENGINE**

# SECTION 3 - ENGINE

## FIGURE 3-1. DEUTZ LRC ENGINE INSTALLATION - WITHOUT COLD WEATHER PKG



ART\_1001154707

## SECTION 3 - ENGINE

**FIGURE 3-1. DEUTZ LRC ENGINE INSTALLATION - WITHOUT COLD WEATHER PKG**

ITEM	PART NUMBER	QTY	DESCRIPTION	REV
	1001154707	Ref	DEUTZ LRC ENGINE INSTALLATION	M
1	0100011	AR	Compound, Locking	
2	0100020	AR	Sealant	
3	0440162	1	Bearing, Thrust	
4	0700818	3	Bolt M8 x 50	
5	0711015	1	Bolt M10 x 35 Grade 10.9	
6	0760408	4	Bolt M4 x 16	
7	0760610	2	Bolt M6 x 20	
8	0760613	4	Bolt M6 x 28	
9	0760812	1	Bolt M8 x 25	
10	0761015	5	Bolt M10 x 35	
11	0771416	2	Bolt M14 x 40 Grade 10.9	
12	0962051	2	Bearing, Flange	
13	1321716	3	Clamp	
14	1380147	1	Clip	
16	2180832	1	Fitting, Straight NPT/Barbed	
17	2220313	1	Fitting, 90 NPT/Barbed	
18	2221114	1	Fitting, Straight NPT/Barbed	
19	1001165035	34.5 ft /10.5m	Hose	
20	1001154405	4.5 ft /1.37m	Hose	
21	2840016	1	Jack with Handle	
21	7016374	1	Handle (Burr Manufacturing Brand)	
21	7024598	1	Handle (Hammerblow Corp Brand)	
21	7016322	1	Wiper (Burr Manufacturing Brand Only)	
22	3290301	2	Nut M3	
23	3290405	4	Nut M4	
24	3290607	6	Nut M6	
25	3290807	4	Nut M8	
26	3291007	5	Nut M10	
27	3331411	2	Nut M14	
28	3430816	1	Pin	
29	3450404	1	Pin, Cotter 1/8 x 1	
30	3841143	1	Keeper	
31	4010308	2	Screw M3 x16	
32	4240099	AR	Tie-Strap (Not Shown)	
33	4711800	2	Washer 1/2	
34	4791400	2	Washer 1/4	
35	4811400	8	Washer M4	
36	4811700	10	Washer M6	
37	4811900	5	Washer M8	
38	4812000	10	Washer M10	
39	4812200	4	Washer M14	
40	4871200	2	Washer M3	
41	4891800	1	Washer 1/2	
42	5241000	1	Washer M10	
43	1001186342	4	Clamp	
44	8406101	2	Clip	
45	8410013	5	Clamp	

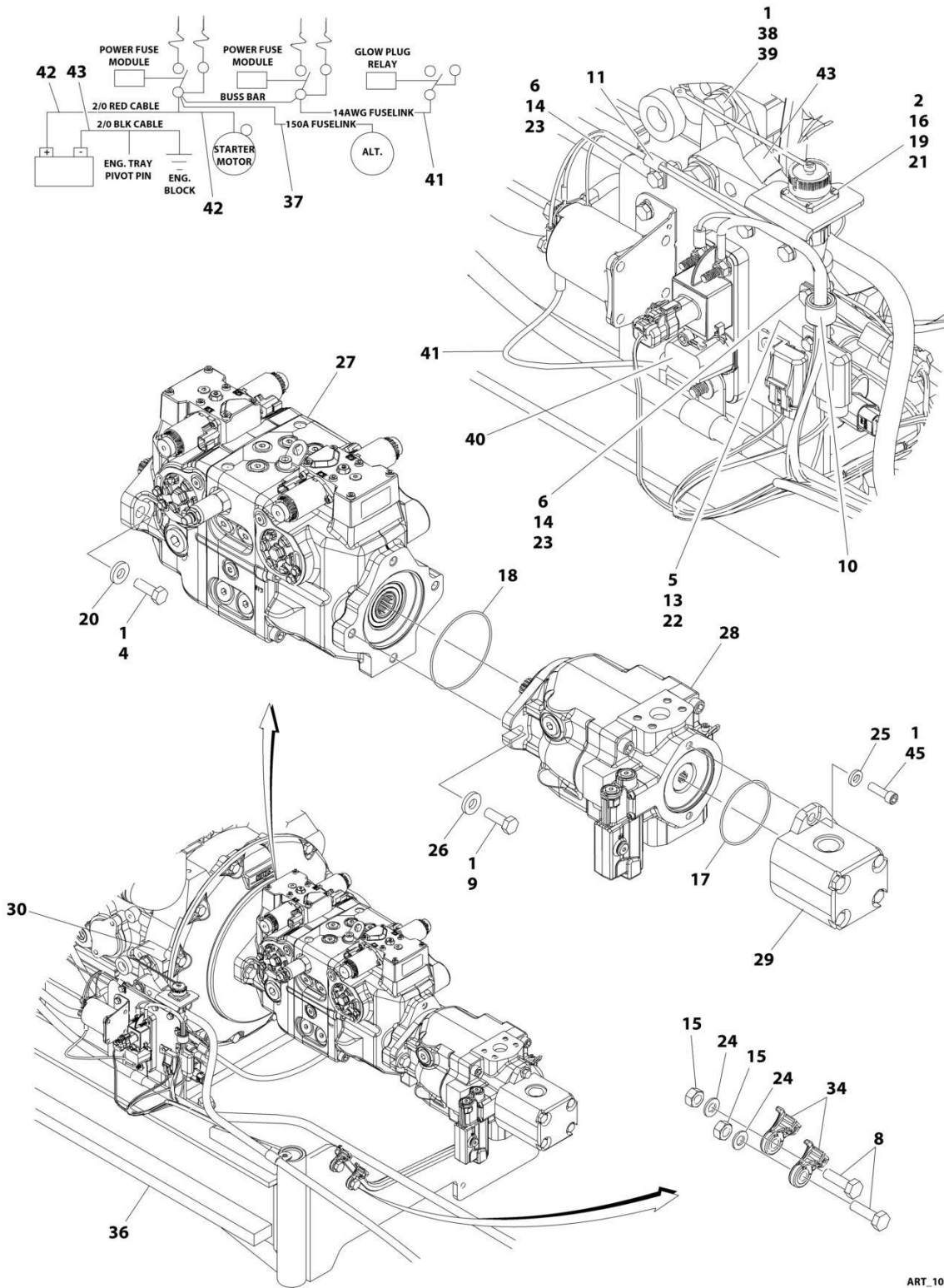
## SECTION 3 - ENGINE

ITEM	PART NUMBER	QTY	DESCRIPTION	REV
46	8750014	4	Clamp	
47	8750031	1	Plate	
48	8769128	3	Cover	
49	1001101580	1	Screw M8 x 30	
50	1001110544	2	Washer M3	
51	1001117308	1	Relay	
52	1001135196	1	Pin	
53	1001135497	1	Support	
55	1001142501	AR	Fitting, 90 NPT/Barbed	
56	1001154706	1	Deutz LRC Engine and Pump Assembly – Without Cold Weather Package (See Separate Breakdown in this Section)	
57	1001155939	1	Plate	
58	1001156719	1	Seal	
59	0642220	1	Bolt 3/4 x 2-1/2	
60	4712200	2	Washer 3/4	
61	8310067	1	Nut 3/4	
62	1001159162	1	Bracket, Support	
63	2750532	7 ft/2.1m	Hose	



# SECTION 3 - ENGINE

## FIGURE 3-2. DEUTZ LRC ENGINE/PUMP ASSEMBLY - WITHOUT COLD WEATHER PKG



ART\_1001154706

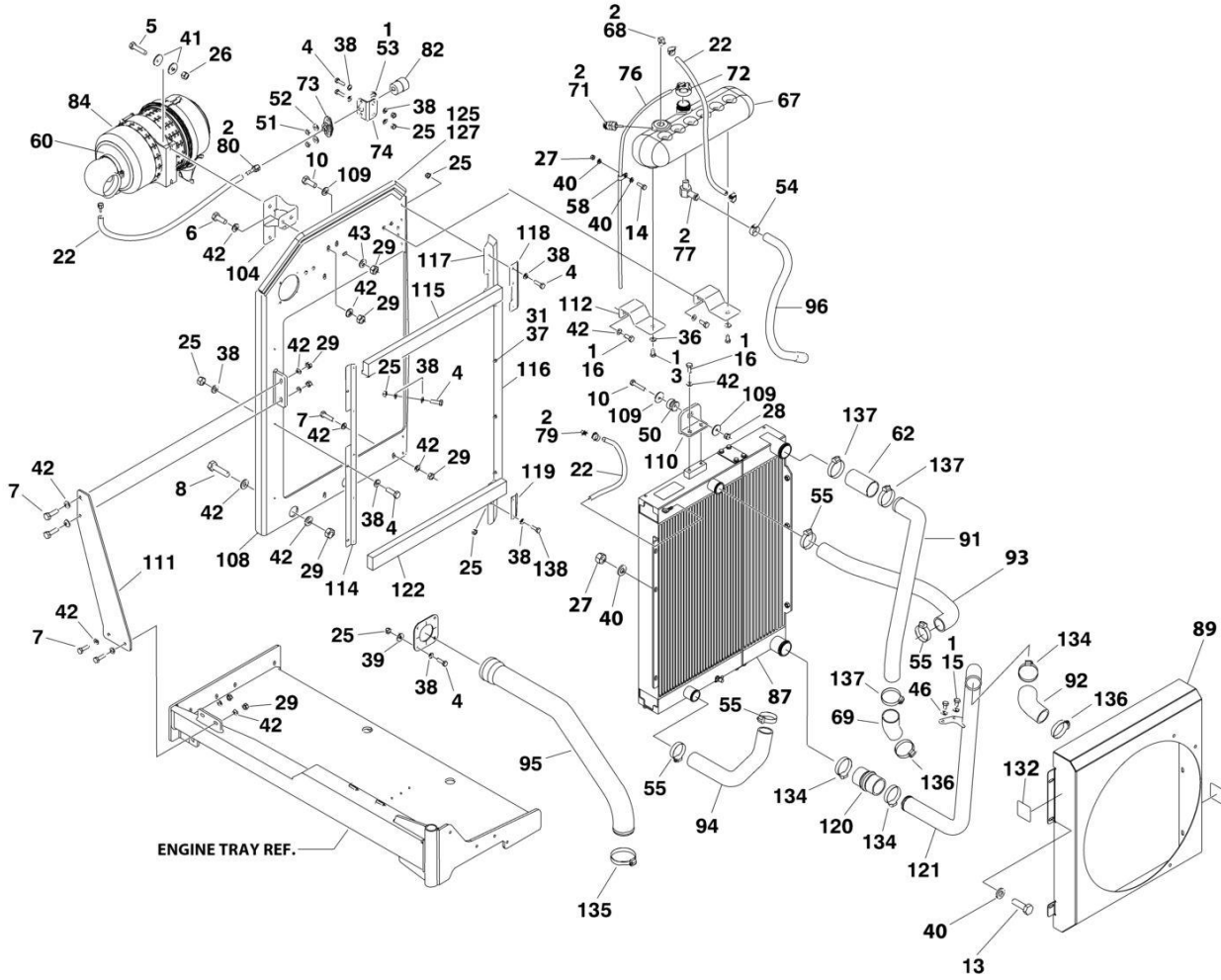
## SECTION 3 - ENGINE

**FIGURE 3-2. DEUTZ LRC ENGINE/PUMP ASSEMBLY - WITHOUT COLD WEATHER PKG**

ITEM	PART NUMBER	QTY	DESCRIPTION	REV
	1001154706	Ref	DEUTZ LRC ENGINE/PUMP ASSEMBLY	K
1	0100011	AR	Compound, Locking	
2	0100035	AR	Compound, Locking	
4	0841812	2	Bolt 1/2 x 1-1/2	
5	0700510	1	Bolt M5 x 20	
6	0760610	2	Bolt M6 x 20	
8	0761015	2	Bolt M10 x 35	
9	0761215	2	Bolt M12 x 35	
10	1320041	1	Clamp	
11	1320136	1	Clamp	
13	3290507	1	Nut M5	
14	3290607	2	Nut M6	
15	3291007	2	Nut M10	
16	3310401	3	Nut #4	
17	3790152	1	O-Ring	
18	3790155	1	O-Ring	
19	3910408	3	Screw #4 x 1/2	
20	4740171	2	Washer	
21	4750400	3	Washer #4	
22	4811600	2	Washer M5	
23	4811700	2	Washer M6	
24	4812000	2	Washer M10	
25	4891600	2	Washer 3/8	
26	4891800	2	Washer 1/2	
27	1001108616	1	Tandem Pump Assembly (See Separate Breakdown in this Section)	
28	1001169892	1	Piston Pump Assembly (See Separate Breakdown in this Section)	
29	1001112927	1	Gear Pump Assembly (See Separate Breakdown in this Section)	
30	1001149867	1	Deutz LRC Engine Assembly – Without Cold Weather Package (See Separate Breakdown in this Section)	
31	1001149971	1	Harness, Engine (Not Shown - See Separate Breakdown in ELECTRICAL SECTION)	
33	1001156001	1	Harness Can (Not Shown - See Separate Breakdown in ELECTRICAL SECTION)	
34	1001156107	2	Holder, Cable	
35	1001156718	1	Seal (Not Shown - Located on Side of Radiator Mounting Plate)	
36	1001156719	1	Seal	
37	1001157073	1	Cable, Alternator Power	
38	0761210	1	Bolt M12 x 20	
39	4812100	1	Washer M12	
40	1001135027	1	Insulator	
41	1001141304	1	Wire, Glow Plug	
42	1001154142	1	Cable, Battery (Positive)	
43	1001154143	1	Cable, Battery (Negative)	
44	1001168734	1	Wire, Glow Plug (Not Shown)	
45	3931620	2	Screw 3/8 x 1-1/4	

# SECTION 3 - ENGINE

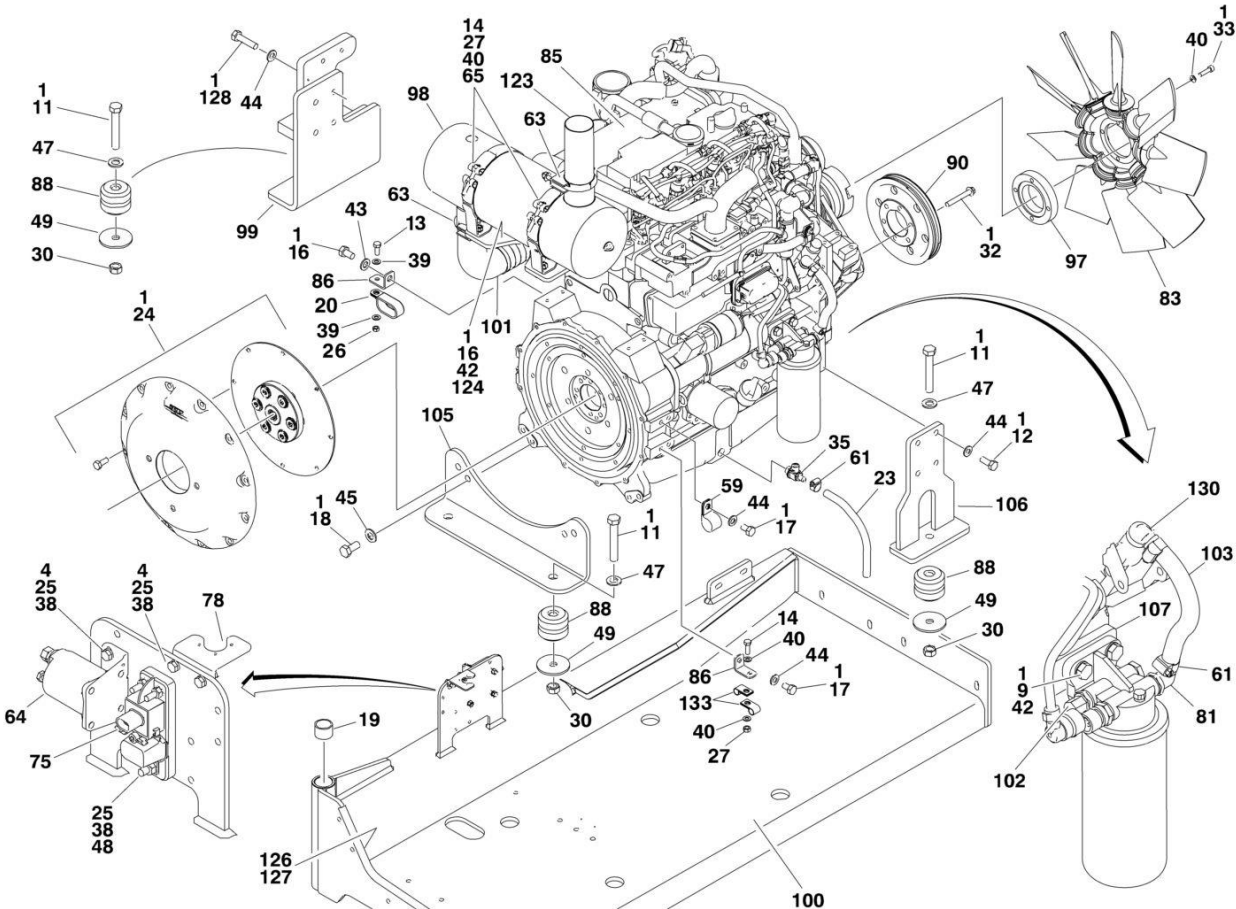
## FIGURE 3-3. DEUTZ LRC ENGINE ASSEMBLY - WITHOUT COLD WEATHER PKG



ART\_1001149867\_S\_10F2



SECTION 3 - ENGINE



ART\_1001149867\_S\_20F2

## SECTION 3 - ENGINE

FIGURE 3-3. DEUTZ LRC ENGINE ASSEMBLY - WITHOUT COLD WEATHER PKG

ITEM	PART NUMBER	QTY	DESCRIPTION	REV
	1001149867	Ref	DEUTZ LRC ENGINE ASSEMBLY	T
1	0100011	AR	Compound, Locking	
2	0100020	AR	Sealant	
3	0641606	2	Bolt 3/8 x 3/4	
4	0700612	20	Bolt M6 x 25	
5	0700815	2	Bolt M8 x 35	
6	0701013	2	Bolt M10 x 28	
7	0701015	6	Bolt M10 x 35	
8	0701016	2	Bolt M10 x 40	
9	0701017	2	Bolt M10 x 45	
10	0701019	1	Bolt M10 x 55	
11	0701627	4	Bolt M16 x 100	
12	0711214	4	Bolt M12 x 30 Grade 10.9	
13	0760810	5	Bolt M8 x 20	
14	0760812	7	Bolt M8 x 25	
15	0761008	2	Bolt M10 x 16	
16	0761012	10	Bolt M10 x 25	
17	0761210	3	Bolt M12 x 20	
18	0771415	4	Bolt M14 x 35 Grade 10.9	
19	0961951	2	Bushing	
20	1321716	1	Clamp	
22	2720015	5 ft/1.5m	Hose	
23	1001165035	1 ft/30.5m	Hose	
24	2902065	1	Pump Coupling Kit (See Separate Breakdown in this Section)	
25	3290607	23	Nut M6	
26	3290805	2	Nut M8	
27	3290807	9	Nut M8	
28	3291005	1	Nut M10	
29	3291007	10	Nut M10	
30	3291601	4	Nut M16	
31	3820032	9	Rivet	
32	5251022	6	Bolt M10 x 70	
33	4031912	4	Capscrew M8 x 40	
34	4240099	AR	Tie-Strap (Not Shown)	
35	4640751	1	Valve, Oil Drain	
36	4711600	2	Washer 3/8	
37	4811600	4	Washer M5	
38	4811700	41	Washer M6	
39	4811702	4	Washer M6	
40	4811900	25	Washer M8	
41	4811902	4	Washer M8	
42	4812000	34	Washer M10	
43	4812002	1	Washer M10	
44	4812100	11	Washer M12	
45	4812200	4	Washer M14	
46	5241000	2	Washer M10	
47	5241600	4	Washer M16	
48	5271614	1	Capscrew M16 x 50	
49	7300435	4	Washer	
50	8278020	1	Mount	

## SECTION 3 - ENGINE

ITEM	PART NUMBER	QTY	DESCRIPTION	REV
51	8305401	2	Nut 1/4	
52	8307109	2	Washer 1/4	
53	8310548	2	Screw 1/4 x 1/2	
54	8405007	2	Clamp	
55	8405104	4	Clamp	
58	8406109	2	Clamp	
59	8406303	1	Clip	
60	8410011	1	Clamp	
61	8410013	3	Clamp	
62	91563070	1	Coupling, Rubber	
63	1001111116	2	Clamp	
64	1001117308	1	Relay	
65	1001119727	2	Clamp	
67	1001166393	1	Tank	
68	1001134488	1	Fitting, 90 NPT/Barbed	
69	1001135943	1	Coupling	
71	1001138827	1	Sensor	
72	1001136834	1	Cap	
73	1001138173	1	Support	
74	1001138175	1	Bracket	
75	1001138228	1	Module, Relay	
75	70023592	1	Fuse 20Amp	
75	70023593	1	Fuse 30Amp	
76	1001138248	5 ft/1.5m	Tubing	
77	1001138559	1	Fitting, 90 NPT	
78	1001139240	1	Bracket	
79	1001140564	1	Fitting, 90 NPT/Barbed	
80	1001141995	1	Fitting, Straight NPT/Barbed	
81	1001142501	1	Fitting, 90 NPT/Barbed	
82	1001143390	1	Indicator, Air Restriction	
83	1001177137	1	Fan	
84	1001147847	1	Filter, Air	
84	70023809	1	Element, Primary	
84	70023872	1	Element, Secondary	
84	70024328	1	Elbow, Rubber	
84	70024329	1	Clamp, Mounting	
85	1001251857	1	Deutz LRC Engine Components (See Separate Breakdown in this Section)	
86	1001148641	2	Bracket	
87	1001256862	1	Radiator	
88	1001149517	4	Mount, Motor	
89	1001192138	1	Shroud	
90	1001149746	1	Pulley	
91	1001150498	1	Tube	
92	1001150499	1	Hose	
93	1001191122	1	Hose	
94	1001150504	1	Hose	
95	1001150505	1	Pipe	
96	1001150553	1	Hose	
97	1001177134	1	Adapter	
98	1001151432	1	Muffler	
99	1001151491	1	Support	

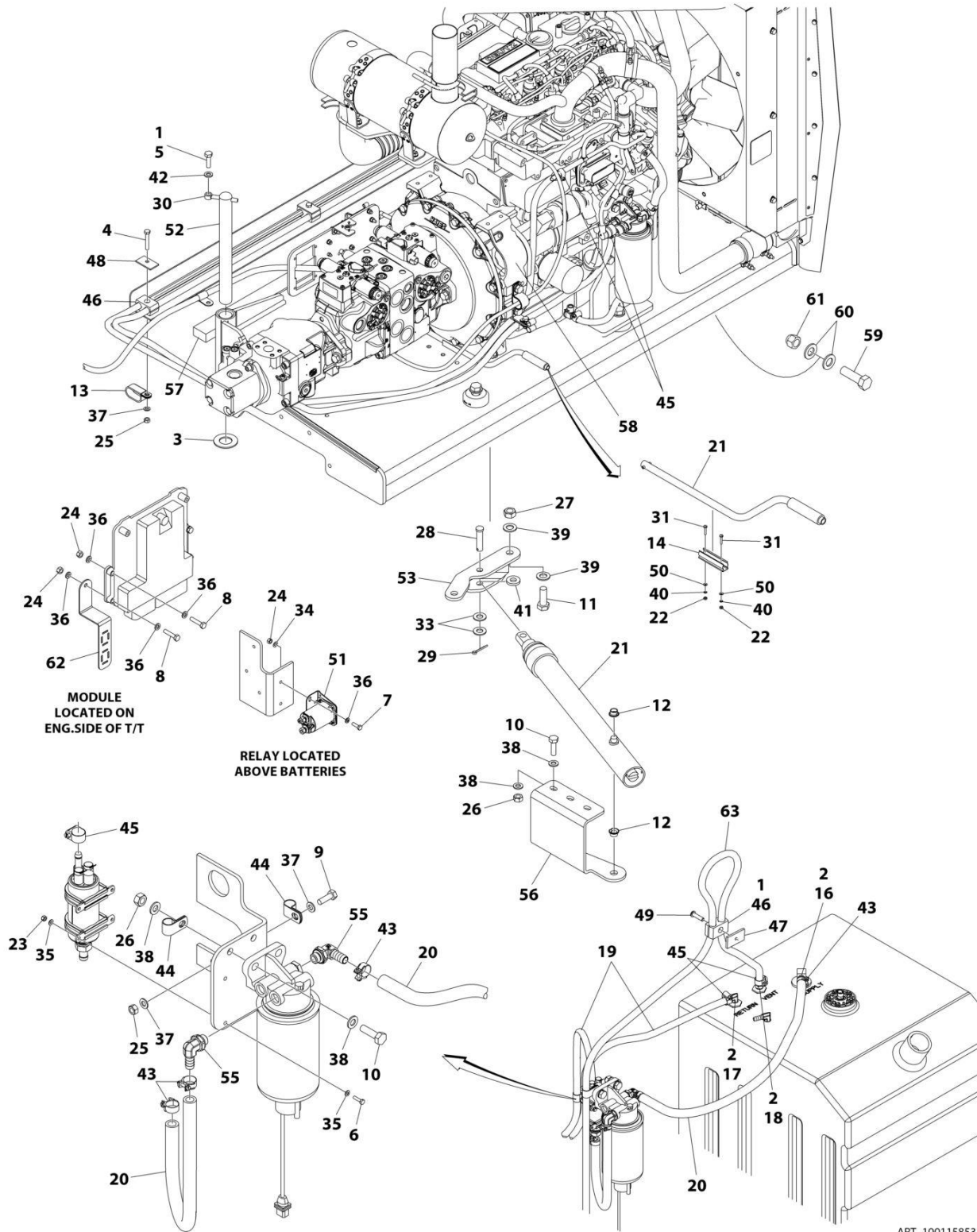
## SECTION 3 - ENGINE

ITEM	PART NUMBER	QTY	DESCRIPTION	REV
100	1001151749	1	Tray	
101	1001151761	1	Pipe, Exhaust	
102	1001152489	1	Fitting, 90 Barbed	
103	1001154405	8.5 in/ 21cm	Hose	
104	1001155023	1	Plate	
105	1001155496	1	Support	
106	1001160518	1	Support	
107	1001155498	1	Plate	
108	1001155525	1	Support	
109	1001155540	2	Washer	
110	1001157862	1	Bracket	
111	1001212817	1	Plate	
112	1001155557	2	Plate	
113	1001155563	1	Seal	
114	1001155564	1	Bracket	
115	1001155565	1	Seal	
116	1001155566	1	Bracket	
117	1001156034	1	Seal	
118	1001156035	1	Bracket	
119	1001156062	1	Bracket	
120	1001156091	1	Hose	
121	1001156112	1	Tube	
122	1001156644	2	Seal	
123	1001158262	1	Pipe, Exhaust	
124	1001158289	1	Bracket	
125	1001155728	1	Seal	
126	4060807	22 in/ 55cm	Flex-Trim	
127	0100081	AR	Adhesive	
128	0711218	4	Bolt M12 x 50 Grade 10.9	
129	1320022	4	Clamp	
130	1001170982	1	Fitting, 90 SAE/Barbed	
132	1703162	2	Decal - Fan Blade	
133	8406110	2	Clip	
134	8410012	3	Clamp	
135	1001208297	1	Clamp	
136	1001208298	2	Clamp	
137	1001208299	3	Clamp	
138	0760614	2	Bolt M6 x 30	



# SECTION 3 - ENGINE

## FIGURE 3-4. DEUTZ LRC ENGINE INSTALLATION - WITH COLD WEATHER PKG



ART\_1001158531

## SECTION 3 - ENGINE

**FIGURE 3-4. DEUTZ LRC ENGINE INSTALLATION - WITH COLD WEATHER PKG**

ITEM	PART NUMBER	QTY	DESCRIPTION	REV
	1001158531	Ref	DEUTZ LRC ENGINE INSTALLATION	M
1	0100011	AR	Compound, Locking	
2	0100020	AR	Sealant	
3	0440162	1	Bearing, Thrust	
4	0700818	3	Bolt M8 x 50	
5	0711015	1	Bolt M10 x 35 Grade 10.9	
6	0760408	4	Bolt M4 x 16	
7	0760610	2	Bolt M6 x 20	
8	0760613	4	Bolt M6 x 28	
9	0760812	1	Bolt M8 x 25	
10	0761015	5	Bolt M10 x 35	
11	0771416	2	Bolt M14 x 40 Grade 10.9	
12	0962051	2	Bearing, Flange	
13	1321716	3	Clamp	
14	1380147	1	Clip	
16	2180832	1	Fitting, Straight NPT/Barbed	
17	2220313	1	Fitting, 90 NPT/Barbed	
18	2221114	1	Fitting, Straight NPT/Barbed	
19	1001165035	35	Hose	
		ft/10.5m		
20	1001154405	4.5 ft	Hose	
		/1.37m		
21	2840016	1	Jack with Handle	
21	7016374	1	Handle (Burr Manufacturing Brand)	
21	7024598	1	Handle (Hammerblow Corp Brand)	
21	7016322	1	Wiper (Burr Manufacturing Brand Only)	
22	3290301	2	Nut M3	
23	3290405	4	Nut M4	
24	3290607	6	Nut M6	
25	3290807	4	Nut M8	
26	3291007	5	Nut M10	
27	3331411	2	Nut M14	
28	3430816	1	Pin	
29	3450404	1	Pin, Cotter 1/8 x 1	
30	3841143	1	Keeper	
31	4010308	2	Screw M3 x16	
32	4240099	AR	Tie-Strap (Not Shown)	
33	4711800	2	Washer 1/2	
34	4791400	2	Washer 1/4	
35	4811400	8	Washer M4	
36	4811700	10	Washer M6	
37	4811900	5	Washer M8	
38	4812000	10	Washer M10	
39	4812200	4	Washer M14	
40	4871200	2	Washer M3	
41	4891800	1	Washer 1/2	
42	5241000	1	Washer M10	
43	1001186342	4	Clamp	
44	8406101	2	Clip	
45	8410013	5	Clamp	

## SECTION 3 - ENGINE

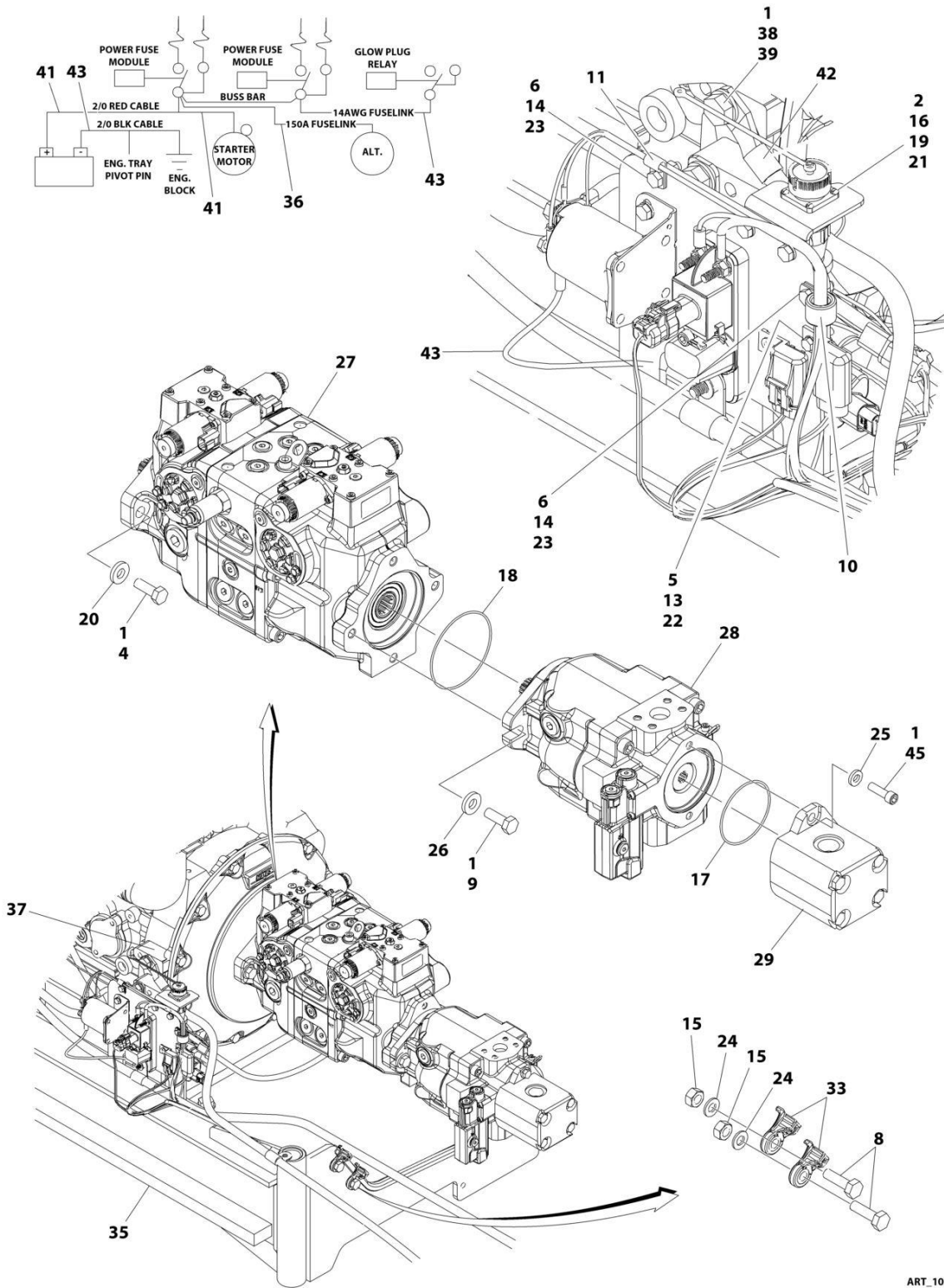
ITEM	PART NUMBER	QTY	DESCRIPTION	REV
46	8750014	4	Clamp	
47	8750031	1	Plate	
48	8769128	3	Cover	
49	1001101580	1	Screw M8 x 30	
50	1001110544	2	Washer M3	
51	1001117308	1	Relay	
52	1001135196	1	Pin	
53	1001135497	1	Support	
55	1001142501	2	Fitting, 90 NPT/Barbed	
56	1001155939	1	Plate	
57	1001156719	1	Seal	
58	1001158530	1	Deutz LRC Engine/Pump Assembly – With Cold Weather Package (See Separate Breakdown in this Section)	
59	0642220	1	Bolt 3/4 x 2-1/2	
60	4712200	2	Washer 3/4	
61	8310067	1	Nut 3/4	
62	1001159162	1	Bracket, Support	
63	2750532	7 ft/2.1m	Hose	





# SECTION 3 - ENGINE

## FIGURE 3-5. DEUTZ LRC ENGINE/PUMP ASSEMBLY - WITH COLD WEATHER PKG



ART\_1001158530

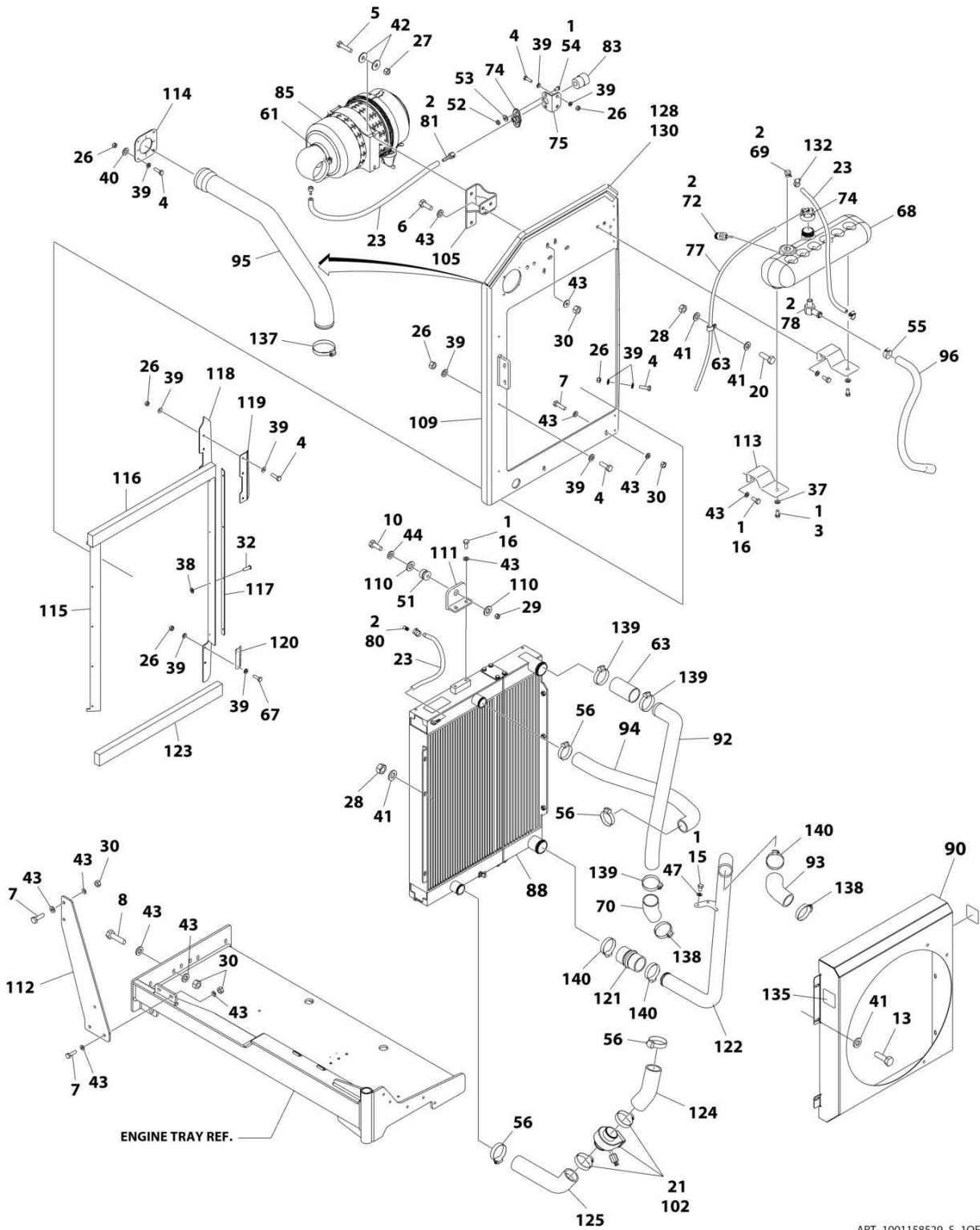
## SECTION 3 - ENGINE

**FIGURE 3-5. DEUTZ LRC ENGINE/PUMP ASSEMBLY - WITH COLD WEATHER PKG**

ITEM	PART NUMBER	QTY	DESCRIPTION	REV
	1001158530	Ref	DEUTZ LRC ENGINE/PUMP ASSEMBLY	K
1	0100011	AR	Compound, Locking	
2	0100035	AR	Compound, Locking	
4	0841812	2	Bolt 1/2 x 1-1/2	
5	0700510	1	Bolt M5 x 20	
6	0760610	2	Bolt M6 x 20	
8	0761015	2	Bolt M10 x 35	
9	0761215	2	Bolt M12 x 35	
10	1320041	1	Clamp	
11	1320136	1	Clamp	
13	3290507	1	Nut M5	
14	3290607	2	Nut M6	
15	3291007	2	Nut M10	
16	3310401	3	Nut #4	
17	3790152	1	O-Ring	
18	3790155	1	O-Ring	
19	3910408	3	Screw #4 x 1/2	
20	4740171	2	Washer	
21	4750400	3	Washer #4	
22	4811600	2	Washer M5	
23	4811700	2	Washer M6	
24	4812000	2	Washer M10	
25	4891600	2	Washer 3/8	
26	4891800	2	Washer 1/2	
27	1001108616	1	Pump, Tandem (See Separate Breakdown in this Section)	
28	1001169892	1	Pump, Piston (See Separate Breakdown in this Section)	
29	1001112927	1	Pump, Gear (See Separate Breakdown in this Section)	
30	1001149971	1	Harness, Engine (Not Shown - See Separate Breakdown in ELECTRICAL SECTION)	
32	1001156001	1	Harness Can (Not Shown - See Separate Breakdown in ELECTRICAL SECTION)	
33	1001156107	2	Holder, Cable	
34	1001156718	1	Seal (Not Shown - Located on Side of Radiator Mounting Plate)	
35	1001156719	1	Seal	
36	1001157073	1	Cable, Alternator Power	
37	1001158529	1	Deutz LRC Engine Assembly – With Cold Weather Package (See Separate Breakdown in this Section)	
38	0761210	1	Bolt M12 x 20	
39	4812100	1	Washer M12	
41	1001154142	1	Cable, Battery (Positive)	
42	1001154143	1	Cable, Battery (Negative)	
43	1001141304	1	Wire, Glow Plug	
44	1001168734	1	Wire, Glow Plug (Not Shown)	
45	3931620	2	Screw 3/8 x 1-1/4	

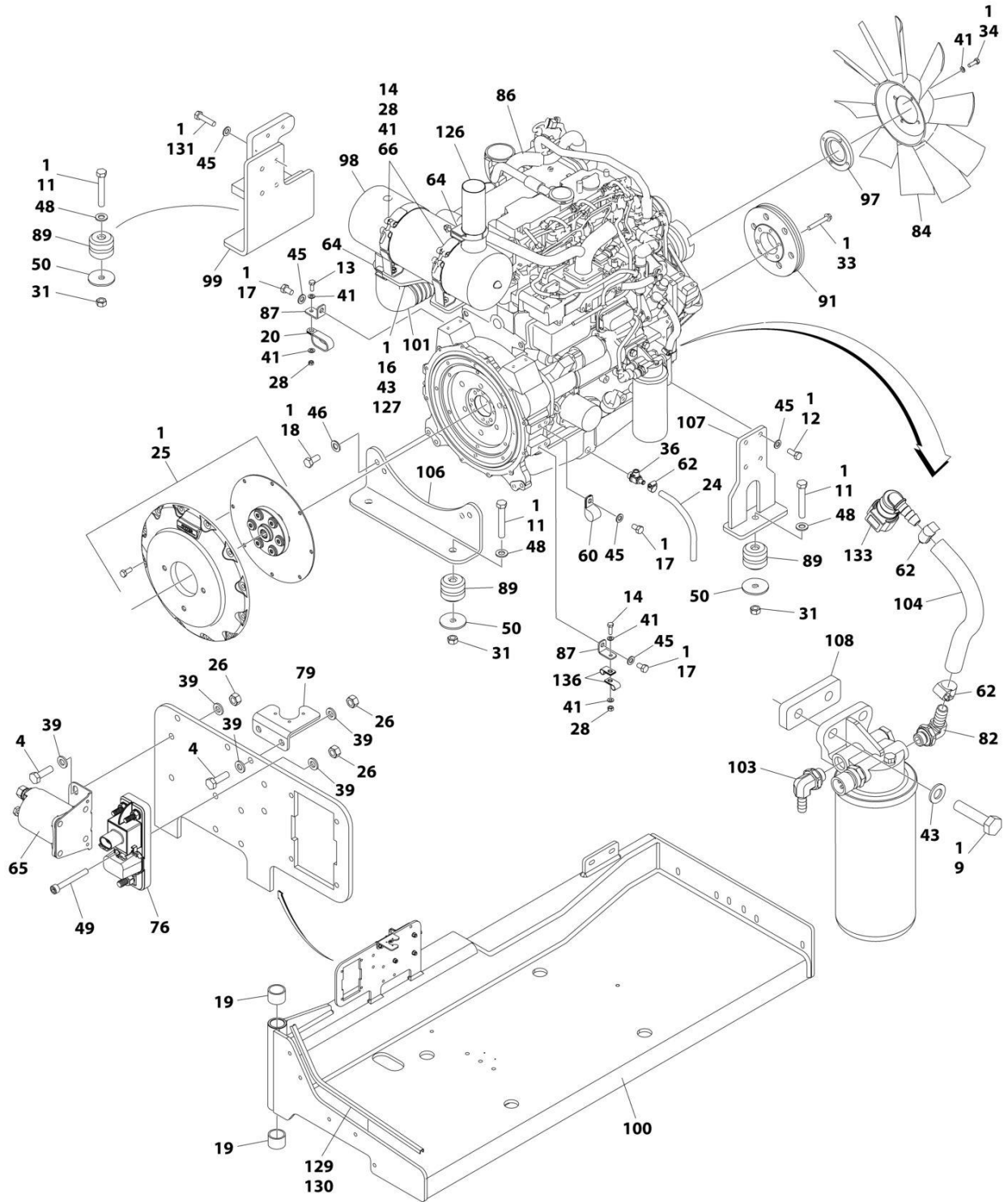
# SECTION 3 - ENGINE

## FIGURE 3-6. DEUTZ LRC ENGINE ASSEMBLY - WITH COLD WEATHER PKG



ART\_1001158529\_S\_10F2

# SECTION 3 - ENGINE



ART\_1001158529\_S\_20F2

## SECTION 3 - ENGINE

FIGURE 3-6. DEUTZ LRC ENGINE ASSEMBLY - WITH COLD WEATHER PKG

ITEM	PART NUMBER	QTY	DESCRIPTION	REV
	1001158529	Ref	DEUTZ LRC ENGINE ASSEMBLY - WITH COLD WEATHER PKG	T
1	0100011	AR	Compound, Locking	
2	0100020	AR	Sealant	
3	0641606	2	Bolt 3/8 x 3/4	
4	0700612	20	Bolt M6 x 25	
5	0700815	2	Bolt M8 x 35	
6	0701013	2	Bolt M10 x 28	
7	0701015	6	Bolt M10 x 35	
8	0701016	2	Bolt M10 x 40	
9	0701017	2	Bolt M10 x 45	
10	0701019	1	Bolt M10 x 55	
11	0701627	4	Bolt M16 x 100	
12	0711214	4	Bolt M12 x 30 Grade 10.9	
13	0760810	5	Bolt M8 x 20	
14	0760812	7	Bolt M8 x 25	
15	0761008	2	Bolt M10 x 16	
16	0761012	10	Bolt M10 x 25	
17	0761210	3	Bolt M12 x 20	
18	0771415	4	Bolt M14 x 35 Grade 10.9	
19	0961951	2	Bushing	
20	1321716	1	Clamp	
21	1702942	1	Decal - Engine Block Heater	
23	2720015	5 ft/1.5m	Hose	
24	1001165035	1 ft/30.5m	Hose	
25	2902065	1	Pump Coupling Kit (See Separate Breakdown in this Section)	
26	3290607	23	Nut M6	
27	3290805	2	Nut M8	
28	3290807	9	Nut M8	
29	3291005	1	Nut M10	
30	3291007	10	Nut M10	
31	3291601	4	Nut M16	
32	3820032	9	Rivet	
33	5251022	6	Bolt M10 x 70	
34	4031912	4	Capscrew M8 x 40	
35	4240099	AR	Tie-Strap (Not Shown)	
36	4640751	1	Valve, Oil Drain	
37	4711600	2	Washer 3/8	
38	4811600	4	Washer M5	
39	4811700	41	Washer M6	
40	4811702	4	Washer M6	
41	4811900	25	Washer M8	
42	4811902	4	Washer M8	
43	4812000	34	Washer M10	
44	4812002	1	Washer M10	
45	4812100	11	Washer M12	
46	4812200	4	Washer M14	
47	5241000	2	Washer M10	
48	5241600	4	Washer M16	
49	5271614	1	Capscrew M16 x 50	
50	7300435	4	Washer	

## SECTION 3 - ENGINE

ITEM	PART NUMBER	QTY	DESCRIPTION	REV
51	8278020	1	Mount	
52	8305401	2	Nut 1/4	
53	8307109	2	Washer 1/4	
54	8310548	2	Screw 1/4 x 1/2	
55	8405007	2	Clamp	
56	8405104	4	Clamp	
59	8406109	2	Clamp	
60	8406303	1	Clip	
61	8410011	1	Clamp	
62	8410013	3	Clamp	
63	91563070	1	Coupling, Rubber	
64	1001111116	2	Clamp	
65	1001117308	1	Relay	
66	1001119727	2	Clamp	
67	0760614	2	Bolt M6 x 30	
68	1001166393	1	Tank	
69	1001134488	1	Fitting, 90 NPT/Barbed	
70	1001135943	1	Coupling	
72	1001138827	1	Sensor	
73	1001136834	1	Cap	
74	1001138173	1	Support	
75	1001138175	1	Bracket	
76	1001138228	1	Module, Relay	
76	70023592	1	Fuse 20Amp	
76	70023593	1	Fuse 30Amp	
77	1001138248	5 ft/1.5m	Tubing	
78	1001138559	1	Fitting, 90 NPT	
79	1001139240	1	Bracket	
80	1001140564	1	Fitting, 90 NPT/Barbed	
81	1001141995	1	Fitting, Straight NPT/Barbed	
82	1001142501	1	Fitting, 90 NPT/Barbed	
83	1001143390	1	Indicator, Air Restriction	
84	1001177137	1	Fan	
85	1001147847	1	Filter, Air	
85	70023809	1	Element, Primary	
85	70023872	1	Element, Secondary	
85	70024328	1	Elbow, Rubber	
85	70024329	1	Clamp, Mounting	
86	1001251857	1	Deutz LRC Engine Components (See Separate Breakdown in this Section)	
87	1001148641	2	Bracket	
88	1001256862	1	Radiator	
89	1001149517	4	Mount, Motor	
90	1001192138	1	Shroud	
91	1001149746	1	Pulley	
92	1001150498	1	Tube	
93	1001150499	1	Hose	
94	1001191122	1	Hose	
95	1001150505	1	Pipe	
96	1001150553	1	Hose	
97	1001177134	1	Adapter	
98	1001151432	1	Muffler	

## SECTION 3 - ENGINE

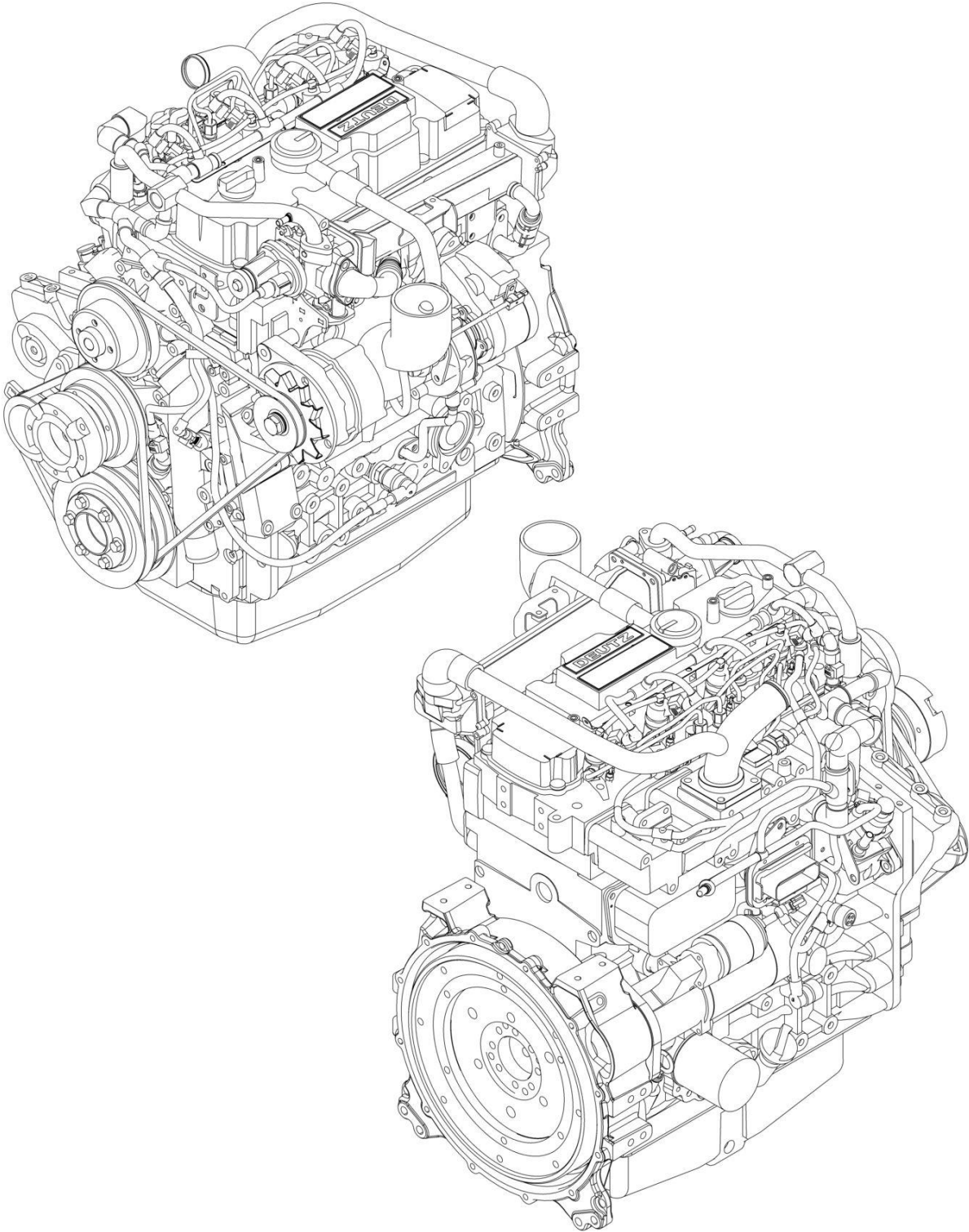
ITEM	PART NUMBER	QTY	DESCRIPTION	REV
99	1001151491	1	Support	
100	1001151749	1	Tray	
101	1001151761	1	Pipe, Exhaust	
102	1001152112	1	Heater, Engine Block	
103	1001152489	1	Fitting, 90 Barbed	
104	1001154405	8.5 in /21cm	Hose	
105	1001155023	1	Plate	
106	1001155496	1	Support	
107	1001160518	1	Support	
108	1001155498	1	Plate	
109	1001155525	1	Support	
110	1001155540	2	Washer	
111	1001157862	1	Bracket	
112	1001212817	1	Plate	
113	1001155557	2	Plate	
114	1001155563	1	Seal	
115	1001155564	1	Bracket	
116	1001155565	1	Seal	
117	1001155566	1	Bracket	
118	1001156034	1	Seal	
119	1001156035	1	Bracket	
120	1001156062	1	Bracket	
121	1001156091	1	Hose	
122	1001156112	1	Tube	
123	1001156644	2	Seal	
124	1001157300	1	Hose, Lower Radiator (Top Section)	
125	1001157301	1	Hose, Lower Radiator (Bottom Section)	
126	1001158262	1	Pipe, Exhaust	
127	1001158289	1	Bracket	
128	1001155728	1	Seal	
129	4060807	22 in/ 55cm	Flex-Trim	
130	0100081	AR	Adhesive	
131	0711218	4	Bolt M12 x 50 Grade 10.9	
132	1320022	4	Clamp	
133	1001170982	1	Fitting, 90 SAE/Barbed	
135	1703162	2	Decal - Fan Blade	
136	8406110	2	Clip	
137	1001208297	1	Clamp	
138	1001208298	2	Clamp	
139	1001208299	3	Clamp	
140	8410012	3	Clamp	





**SECTION 3 - ENGINE**

**FIGURE 3-7. DEUTZ LRC ENGINE COMPONENTS**



ART\_1001251857

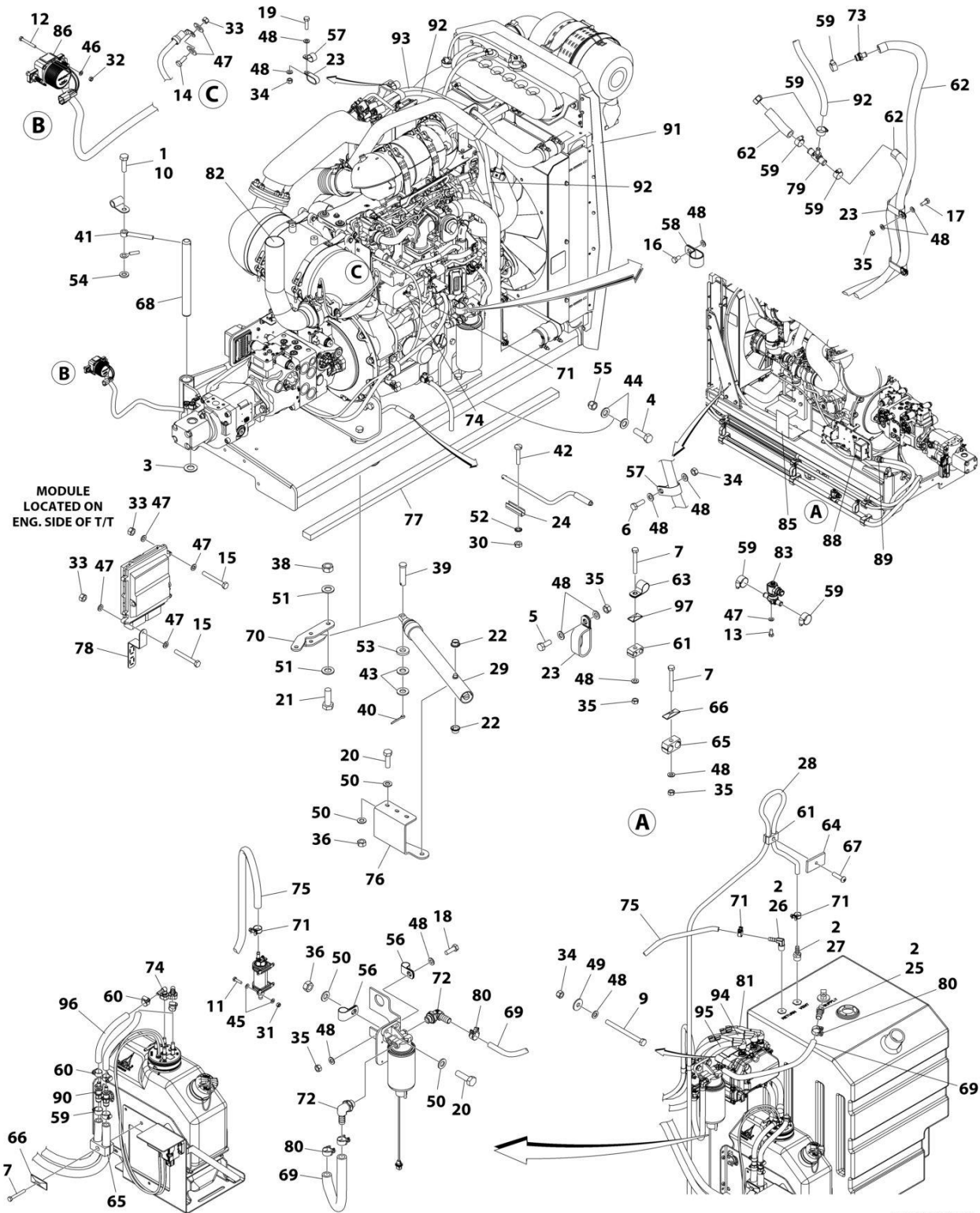
## SECTION 3 - ENGINE

### FIGURE 3-7. DEUTZ LRC ENGINE COMPONENTS

ITEM	PART NUMBER	QTY	DESCRIPTION	REV
	1001251857	Ref	DEUTZ ENGINE COMPONENTS	A
		Ref	Note: For complete list of parts, contact JLG Parts Department	
		Ref	Air Intake System Components	
	70004518	1	Turbocharger	
		Ref	Cooling System Components	
	70004515	1	Pump, Coolant	
		Ref	Electrical System Components	
	70024472	1	Module, ECU/ECM	
	70029401	1	Generator (Includes Regulator & Fan)	
	70006653	1	Regulator	
	70004520	1	Starter (Includes Solenoid)	
	70025780	1	Relay	
	70005564	1	Harness, Engine	
	70026210	1	Sender, Tacho-Generator (Speed) (On Front Cover) (Includes Seal)	
	70028540	1	Sender, Temperature (On Thermostat Housing)	
	70024507	1	Sensor, Pressure (Includes Seal) (On Air Intake Manifold)	
	70024504	1	Sensor, Pressure (Includes Seal) (On Block)	
	70024474	4	Plug, Glow	
		Ref	Exhaust System Components	
	70027569	1	Valve, EGR	
		Ref	Fuel System Components	
	70024487	1	Pump, Fuel Injector	
	70024485	4	Injector (Includes Seal, Clamp & O-Ring)	
	70006144	1	Pump, Fuel Supply (Includes Clamps)	
	70025153	1	Filter, Fuel (Pre-Filter)	
	70004512	1	Filter, Fuel	
		Ref	Lubricating System Components	
	70025745	1	Dipstick	
	7020465	2	Cap, Oil Fill	
	70025088	1	Plug, Oil Drain	
	7020404	2	Seal, Oil Drain Plug	
		Ref	Pump, Oil (Includes Bolts & Bushing)	
	7016331	1	Filter, Oil	
	70024494	1	Cooler, Oil	
		Ref	Mechanical Components	
	70004517	1	V-Belt	
	70004519	1	V-Belt	
	70024481	1	Gasket, Valve Cover	
	70025789	1	Gasket, Head	

# SECTION 3 - ENGINE

## FIGURE 3-8. DEUTZ HRC ENGINE INSTALLATION - WITHOUT COLD WEATHER PKG



ART\_1001242374

## SECTION 3 - ENGINE

**FIGURE 3-8. DEUTZ HRC ENGINE INSTALLATION - WITHOUT COLD WEATHER PKG**

ITEM	PART NUMBER	QTY	DESCRIPTION	REV
	1001242374	Ref	DEUTZ T4F ENGINE INSTALLATION	E
1	0100011	AR	Compound, Locking	
2	0100020	AR	Sealant	
3	0440162	1	Bearing, Thrust	
4	0642220	1	Bolt 3/4 x 2-1/2	
5	0700810	3	Bolt M8 x 20	
6	0700812	1	Bolt M8 x 25	
7	0700820	7	Bolt M8 x 60	
9	0700827	3	Bolt M8 x 100	
10	0711015	1	Bolt M10 x 35 Grade 10.9	
11	0760408	4	Bolt M4 x 16	
12	0760516	2	Bolt M5 x 40	
13	0760606	4	Bolt M6 x 12	
14	0760608	1	Bolt M6 x 16	
15	0760613	4	Bolt M6 x 28	
16	0760807	1	Bolt M8 x 14	
17	0760810	2	Bolt M8 x 20	
18	0760812	1	Bolt M8 x 25	
19	0760814	1	Bolt M8 x 30	
20	0761015	5	Bolt M10 x 35	
21	0771416	2	Bolt M14 x 40 Grade 10.9	
22	0962051	2	Bearing, Flange	
23	1321716	6	Clamp	
24	1380147	1	Clip	
25	2180832	1	Fitting, Straight NPT/Barbed	
26	2220313	1	Fitting, 90 NPT/Barbed	
27	2221114	1	Fitting, Straight NPT/Barbed	
28	2750532	6.9 ft/ 2.1m	Hose	
29	2840016	1	Jack with Handle	
29	7016374	1	Handle (Burr Manufacturing Brand)	
29	7024598	1	Handle (Hammerblow Corp Brand)	
29	7016322	1	Wiper (Burr Manufacturing Brand Only)	
30	3290301	2	Nut M3	
31	3290405	4	Nut M4	
32	3290501	2	Nut M5	
33	3290605	5	Nut M6 x 1	
34	3290805	6	Nut M8	
35	3290807	12	Nut M8	
36	3291007	5	Nut M10	
37	4240099	AR	Tie-Strap (Not Shown)	
38	3331411	2	Nut M14	
39	3430816	1	Pin	
40	3450404	1	Pin, Cotter 1/8 x 1	
41	3841143	1	Keeper	
42	4010308	2	Screw M3 x16	
43	4711800	2	Washer 1/2	
44	4712200	2	Washer 3/4	
45	4811400	8	Washer M4	
46	4811600	2	Washer M5	

## SECTION 3 - ENGINE

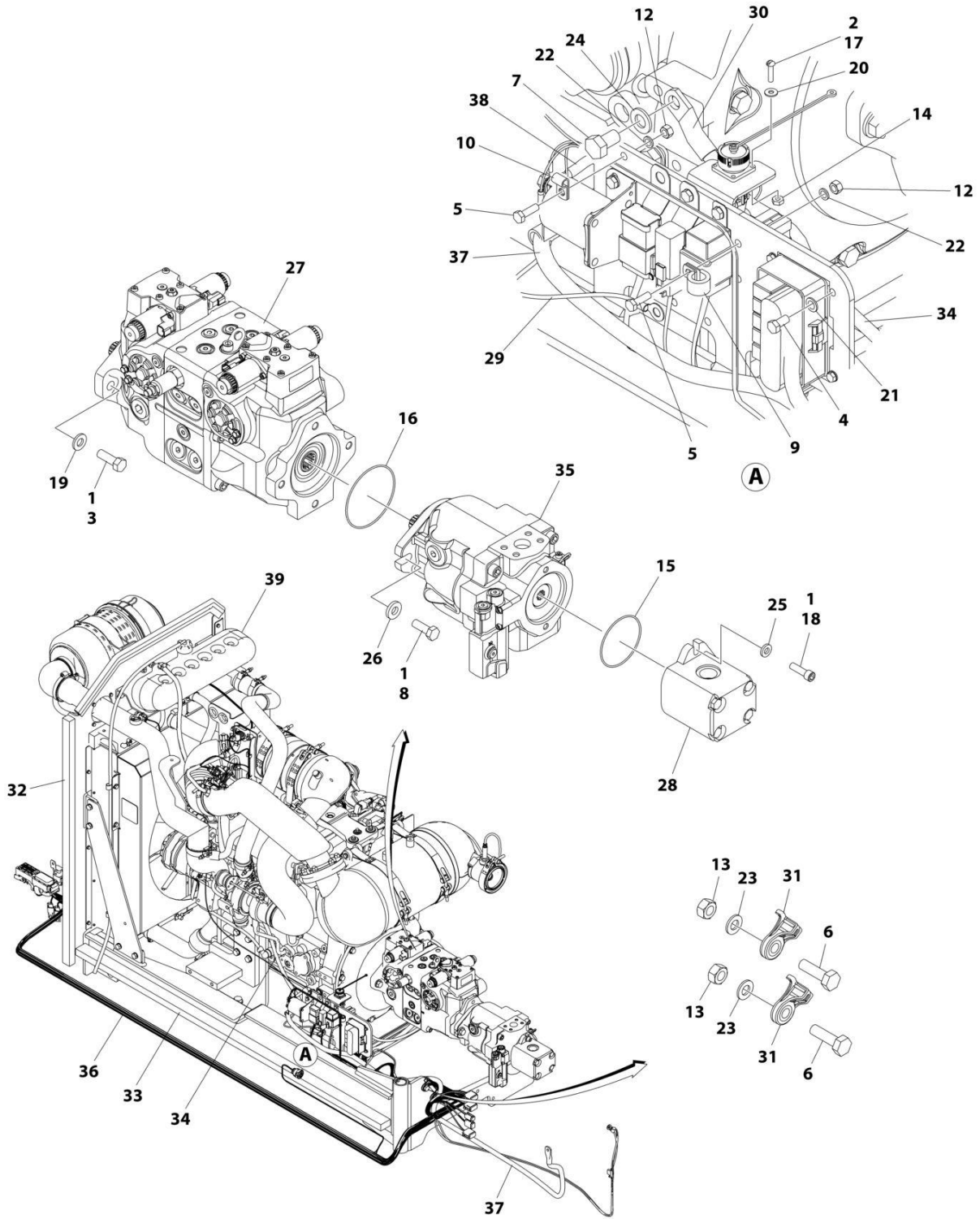
ITEM	PART NUMBER	QTY	DESCRIPTION	REV
47	4811700	14	Washer M6	
48	4811900	30	Washer M8	
49	4811902	3	Washer M8	
50	4812000	10	Washer M10	
51	4812200	4	Washer M14	
52	4871200	2	Washer M3	
53	4891800	1	Washer 1/2	
54	5241000	1	Washer M10	
55	8310067	1	Nut 3/4	
56	8406101	2	Clip	
57	8406201	2	Clip	
58	8406303	1	Clip	
59	8410009	14	Clamp	
60	8410013	4	Clamp	
61	8750014	4	Clamp	
62	82033995	41 ft/ 12.5m	Hose	
63	8406102	3	Clip	
64	8750031	1	Plate	
65	8769127	4	Clamp	
66	77133137	4	Cover	
67	1001101580	1	Screw M8 x 30	
68	1001135196	1	Pin	
69	1001154405	5 ft/ 1.5m	Hose	
70	1001135497	1	Support	
71	1001136975	5	Clamp	
72	1001142501	2	Fitting, 90 NPT/Barbed	
73	1001154262	2	Fitting, Adaptor	
74	1001155823	3	Coupling	
75	1001165035	34.5 ft/ 10.5m	Hose	
76	1001155939	1	Plate	
77	1001156719	1	Seal	
78	1001159162	1	Bracket, Support	
79	1001162212	2	Fitting, Tee	
80	1001186342	4	Clip	
81	1001213643	1	Hose, Pressure	
82	1001190475	1	Pipe, Exhaust	
83	1001199670	1	Valve, Tank Coolant	
85	1001212056	1	Decal - Engine Fuse Box	
86	1001216021	1	Relay	
88	1001224046	1	Decal – Engine Fuse Box Cover	
89	1001228872	1	Filter, Coolant Screen	
90	1001238470	2	Adapter	
91	1001242379	1	Deutz HRC Engine Assembly – Without Cold Weather Package (See Separate Breakdown in this Section)	
92	1001193980	1	Hose, Coolant	
93	1001212825	1	Hose, Coolant	
94	1001238401	1	Hose, Backflow	
95	1001238402	1	Hose, Suction	
96	1001181625	2 ft/ 0.61m	Hose	

## SECTION 3 - ENGINE

ITEM	PART NUMBER	QTY	DESCRIPTION	REV
97	8769123	3	Cover	

# SECTION 3 - ENGINE

## FIGURE 3-9. DEUTZ HRC ENGINE/PUMP ASSEMBLY - WITHOUT COLD WEATHER PKG



ART\_1001242379



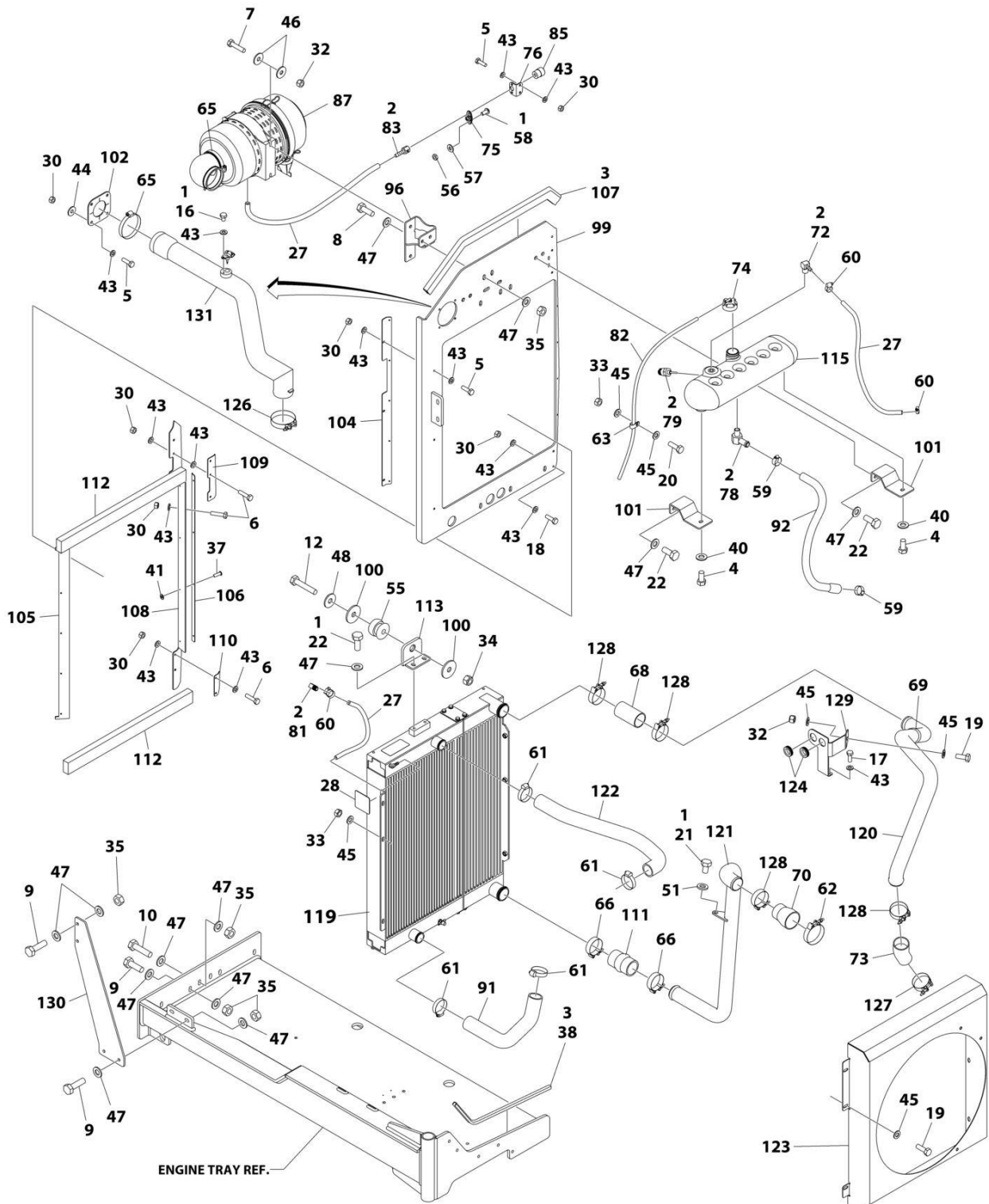
## SECTION 3 - ENGINE

**FIGURE 3-9. DEUTZ HRC ENGINE/PUMP ASSEMBLY - WITHOUT COLD WEATHER PKG**

ITEM	PART NUMBER	QTY	DESCRIPTION	REV
	1001242379	Ref	DEUTZ T4F ENGINE/PUMP ASSEMBLY	D
1	0100011	AR	Compound, Locking	
2	0100035	AR	Compound, Locking	
3	0841812	2	Bolt 1/2 x 1-1/2	
4	0760508	4	Bolt M5 x 16	
5	0760610	2	Bolt M6 x 20	
6	0761015	2	Bolt M10 x 35	
7	0761210	1	Bolt M12 x 20	
8	0761215	2	Bolt M12 x 35	
9	1320041	1	Clamp	
10	1320136	1	Clamp	
12	3290607	2	Nut M6	
13	3291007	2	Nut M10	
14	3310401	3	Nut #4-40NC	
15	3790152	1	O-Ring	
16	3790155	1	O-Ring	
17	3910408	3	Screw #4 x 1/2	
18	3931620	2	Capscrew 3/8 x 1-1/4	
19	4740171	2	Washer	
20	4750400	3	Washer #4	
21	4811600	4	Washer M5	
22	4811700	2	Washer M6	
23	4812000	2	Washer M10	
24	4812100	1	Washer M12	
25	4891600	2	Washer 3/8	
26	4891800	2	Washer 1/2	
27	1001108616	1	Tandem Pump Assembly (See Separate Breakdown in this Section)	
28	1001112927	1	Gear Pump Assembly (See Separate Breakdown in this Section)	
29	1001141304	AR	Wire, Glow Plug Fuse	
30	1001154143	1	Cable, Battery (Negative)	
31	1001156107	2	Holder, Cable	
32	1001156718	1	Seal (Not Shown - Located on Side of Radiator Mounting Plate)	
33	1001156719	1	Seal	
34	1001157073	1	Cable, Alternator Power	
35	1001169892	1	Piston Pump Assembly (See Separate Breakdown in this Section)	
36	1001188922	1	Harness, Engine (Not Shown - See Separate Breakdown in ELECTRICAL SECTION)	
37	1001197443	1	Cable, Battery (Positive)	
38	1001197445	1	Wire, Glow Plug	
39	1001242378	1	Deutz HRC Engine Assembly – Without Cold Weather Package (See Separate Breakdown in this Section)	

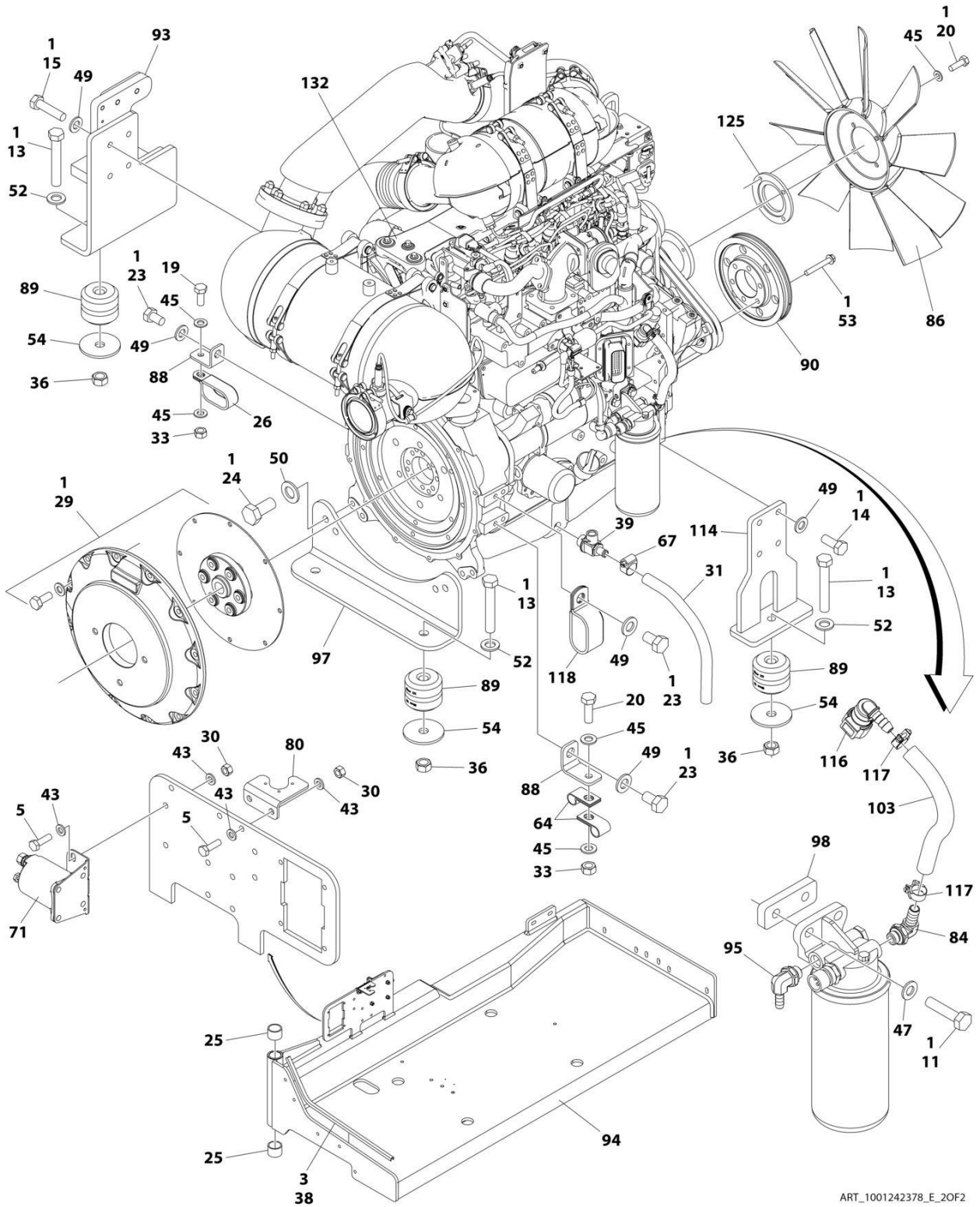
# SECTION 3 - ENGINE

## FIGURE 3-10. DEUTZ HRC ENGINE ASSEMBLY - WITHOUT COLD WEATHER PKG



ART\_1001242378\_E\_10F2

# SECTION 3 - ENGINE



ART\_1001242378\_E\_20F2

## SECTION 3 - ENGINE

FIGURE 3-10. DEUTZ HRC ENGINE ASSEMBLY - WITHOUT COLD WEATHER PKG

ITEM	PART NUMBER	QTY	DESCRIPTION	REV
	1001242378	Ref	DEUTZ T4F ENGINE ASSEMBLY	F
1	0100011	AR	Compound, Locking	
2	0100020	AR	Sealant	
3	0100081	AR	Adhesive	
4	0641606	2	Bolt 3/8 x 3/4	
5	0700610	13	Bolt M6 x 20	
6	0700612	7	Bolt M6 x 25	
7	0700815	2	Bolt M8 x 35	
8	0701013	2	Bolt M10 x 28	
9	0701015	6	Bolt M10 x 35	
10	0701016	2	Bolt M10 x 40	
11	0701017	2	Bolt M10 x 45	
12	0701019	1	Bolt M10 x 55	
13	0701627	4	Bolt M16 x 100	
14	0711214	4	Bolt M12 x 30 Grade 10.9	
15	0711218	4	Bolt M12 x 50 Grade 10.9	
16	0760604	1	Bolt M6 x 8	
17	0760608	2	Bolt M6 x 16	
18	0760614	2	Bolt M6 x 30	
19	0760810	6	Bolt M8 x 20	
20	0760812	7	Bolt M8 x 25	
21	0761008	1	Bolt M10 x 16	
22	0761012	6	Bolt M10 x 25	
23	0761210	3	Bolt M12 x 20	
24	0771415	4	Bolt M14 x 35 Grade 10.9	
25	0961951	2	Bushing	
26	1321716	1	Clamp	
27	2720015	5 ft/ 1.5m	Hose	
28	1703162	2	Decal - Fan Blade	
29	2902065	1	Pump Coupling Kit (See Separate Breakdown in this Section)	
30	3290607	22	Nut M6	
31	1001165035	1 ft/ 0.3m	Hose	
32	3290805	3	Nut M8	
33	3290807	5	Nut M8	
34	3291005	1	Nut M10	
35	3291007	10	Nut M10	
36	3291601	4	Nut M16	
37	3820032	9	Rivet	
38	4060807	22 in/ 55cm	Flex-Trim	
39	4640751	1	Valve, Oil Drain	
40	4711600	2	Washer 3/8	
41	4811600	4	Washer M5	
42	4240099	AR	Tie-Strap (Not Shown)	
43	4811700	43	Washer M6	
44	4811702	4	Washer M6	
45	4811900	19	Washer M8	
46	4811902	4	Washer M8	
47	4812000	30	Washer M10	
48	4812002	1	Washer M10	

## SECTION 3 - ENGINE

ITEM	PART NUMBER	QTY	DESCRIPTION	REV
49	4812100	11	Washer M12	
50	4812200	4	Washer M14	
51	5241000	1	Washer M10	
52	5241600	4	Washer M16	
53	5251022	6	Bolt M10 x 70	
54	7300435	4	Washer	
55	8278020	1	Mount	
56	8305401	2	Nut 1/4	
57	8307109	2	Washer 1/4	
58	8310548	2	Screw 1/4 x 1/2	
59	8405007	2	Clamp	
60	8405009	4	Clamp	
61	8405104	4	Clamp	
62	8405211	1	Clamp	
63	8406109	2	Clip	
64	8406110	2	Clip	
65	8410011	2	Clamp	
66	8410012	2	Clamp	
67	8410013	1	Clamp	
68	91563070	1	Coupling, Rubber	
69	1001097588	1	Clip	
70	1001117244	1	Reducer	
71	1001117308	1	Relay, 200Amp	
72	1001134488	1	Fitting, 90 NPT/Barbed	
73	1001135943	1	Coupling	
74	1001136834	1	Cap	
75	1001138173	1	Support	
76	1001138175	1	Bracket	
78	1001138559	1	Fitting, 90 NPT	
79	1001138827	1	Sensor	
80	1001139240	1	Bracket	
81	1001140564	1	Fitting, 90 NPT/Barbed	
82	1001138248	5 ft/ 1.5m	Tubing	
83	1001141995	1	Fitting, Straight NPT/Barbed	
84	1001142501	1	Fitting, 90 NPT/Barbed	
85	1001143390	1	Indicator, Air Restriction	
86	1001147567	1	Fan	
87	1001147847	1	Filter, Air	
87	70023809	1	Element, Primary	
87	70023872	1	Element, Secondary	
87	70024328	1	Elbow, Rubber	
87	70024329	1	Clamp, Mounting	
88	1001148641	2	Bracket	
89	1001149517	4	Mount, Motor	
90	1001149746	1	Pulley	
91	1001150504	1	Hose	
92	1001150553	1	Hose	
93	1001151491	1	Support	
94	1001151749	1	Tray	
95	1001152489	1	Fitting, 90 Barbed	
96	1001155023	1	Plate	

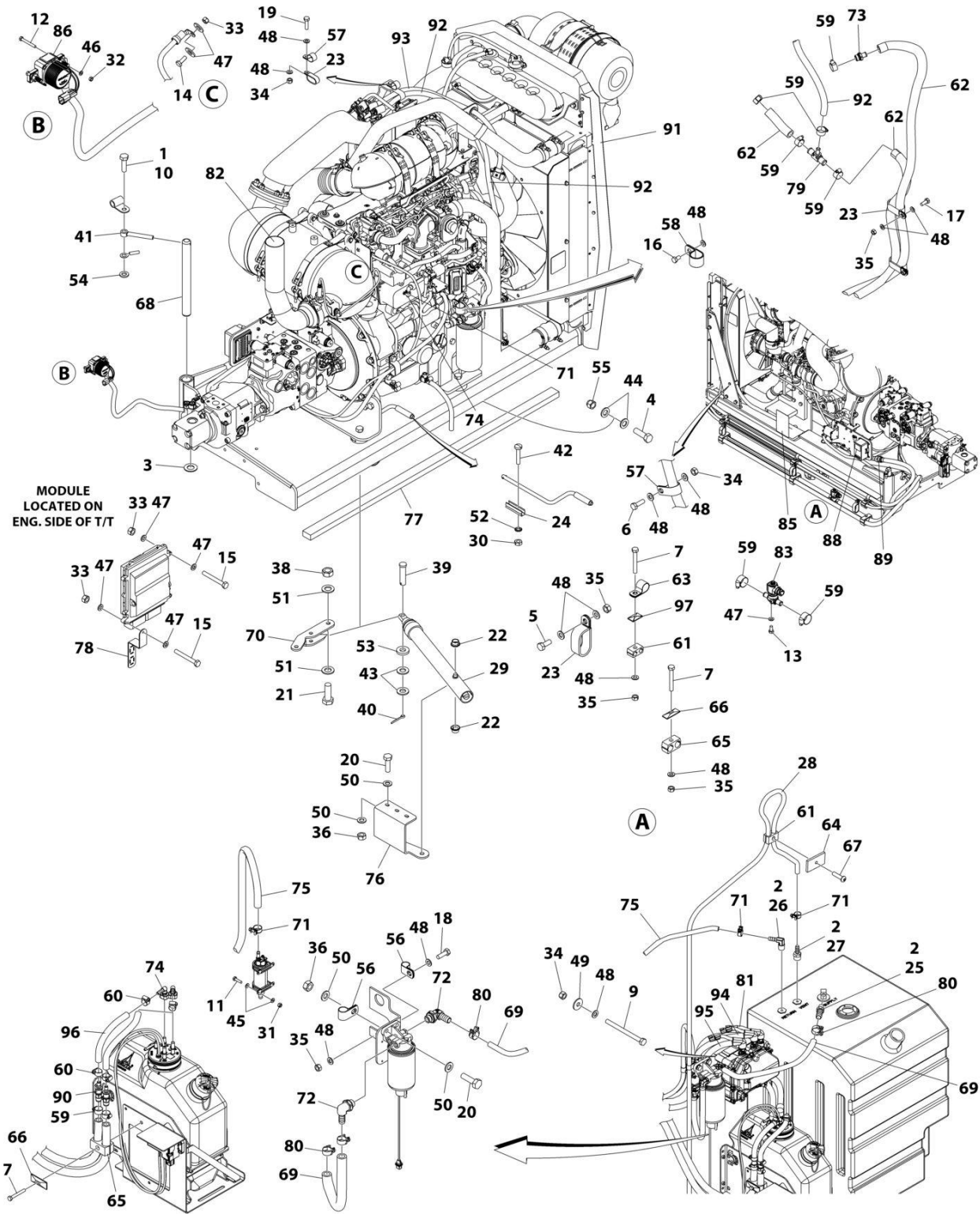
## SECTION 3 - ENGINE

ITEM	PART NUMBER	QTY	DESCRIPTION	REV
97	1001155496	1	Support	
98	1001155498	1	Plate	
99	1001155525	1	Support	
100	1001155540	2	Washer	
101	1001155557	2	Plate	
102	1001155563	1	Seal	
103	1001154405	8.5 in/ 21cm	Hose	
104	1001155564	1	Bracket	
105	1001155565	1	Seal	
106	1001155566	1	Bracket	
107	1001155728	1	Seal	
108	1001156034	1	Seal	
109	1001156035	1	Bracket	
110	1001156062	1	Bracket	
111	1001156091	1	Hose	
112	1001156644	2	Seal	
113	1001157862	1	Bracket	
114	1001160518	1	Support	
115	1001166393	1	Tank	
116	1001170982	1	Fitting, 90 SAE/Barbed	
117	1001175568	2	Clip	
118	1001181899	1	Clamp	
119	1001256862	1	Radiator	
120	1001189291	1	Pipe, Exhaust	
121	1001190418	1	Tube	
122	1001191122	1	Hose, Upper	
123	1001192138	1	Shroud	
124	1001193599	2	Grommet	
125	1001197317	1	Spacer	
126	1001208297	1	Clamp	
127	1001208298	1	Clamp	
128	1001208299	4	Clamp	
129	1001212810	1	Support	
130	1001212817	1	Plate	
131	1001212826	1	Tube, Intake	
132	1001251858	1	Deutz HRC Engine Components (See Separate Breakdown in this Section)	



# SECTION 3 - ENGINE

FIGURE 3-11. DEUTZ HRC ENGINE INSTALLATION - WITH COLD WEATHER PKG



ART\_1001242385



## SECTION 3 - ENGINE

**FIGURE 3-11. DEUTZ HRC ENGINE INSTALLATION - WITH COLD WEATHER PKG**

ITEM	PART NUMBER	QTY	DESCRIPTION	REV
	1001242385	Ref	DEUTZ T4F ENGINE INSTALLATION	E
1	0100011	AR	Compound, Locking	
2	0100020	AR	Sealant	
3	0440162	1	Bearing, Thrust	
4	0642220	1	Bolt 3/4 x 2-1/2	
5	0700810	3	Bolt M8 x 20	
6	0700812	1	Bolt M8 x 25	
7	0700820	7	Bolt M8 x 60	
9	0700827	3	Bolt M8 x 100	
10	0711015	1	Bolt M10 x 35 Grade 10.9	
11	0760408	4	Bolt M4 x 16	
12	0760516	2	Bolt M5 x 40	
13	0760606	4	Bolt M6 x 12	
14	0760608	1	Bolt M6 x 16	
15	0760613	4	Bolt M6 x 28	
16	0760807	1	Bolt M8 x 14	
17	0760810	2	Bolt M8 x 20	
18	0760812	1	Bolt M8 x 25	
19	0760814	1	Bolt M8 x 30	
20	0761015	5	Bolt M10 x 35	
21	0771416	2	Bolt M14 x 40 Grade 10.9	
22	0962051	2	Bearing, Flange	
23	1321716	6	Clamp	
24	1380147	1	Clip	
25	2180832	1	Fitting, Straight NPT/Barbed	
26	2220313	1	Fitting, 90 NPT/Barbed	
27	2221114	1	Fitting, Straight NPT/Barbed	
28	2750532	6.9 ft /2.1m	Hose (Not Shown)	
29	2840016	1	Jack with Handle	
29	7016374	1	Handle (Burr Manufacturing Brand)	
29	7024598	1	Handle (Hammerblow Corp Brand)	
29	7016322	1	Wiper (Burr Manufacturing Brand Only)	
30	3290301	2	Nut M3	
31	3290405	4	Nut M4	
32	3290501	2	Nut M5	
33	3290605	5	Nut M6	
34	3290805	6	Nut M8	
35	3290807	12	Nut M8	
36	3291007	5	Nut M10	
37	4240099	AR	Tie-Strap (Not Shown)	
38	3331411	2	Nut M14	
39	3430816	1	Pin	
40	3450404	1	Pin, Cotter 1/8 x 1	
41	3841143	1	Keeper	
42	4010308	2	Screw M3 x16	
43	4711800	2	Washer 1/2	
44	4712200	2	Washer 3/4	
45	4811400	8	Washer M4	
46	4811600	2	Washer M5	

## SECTION 3 - ENGINE

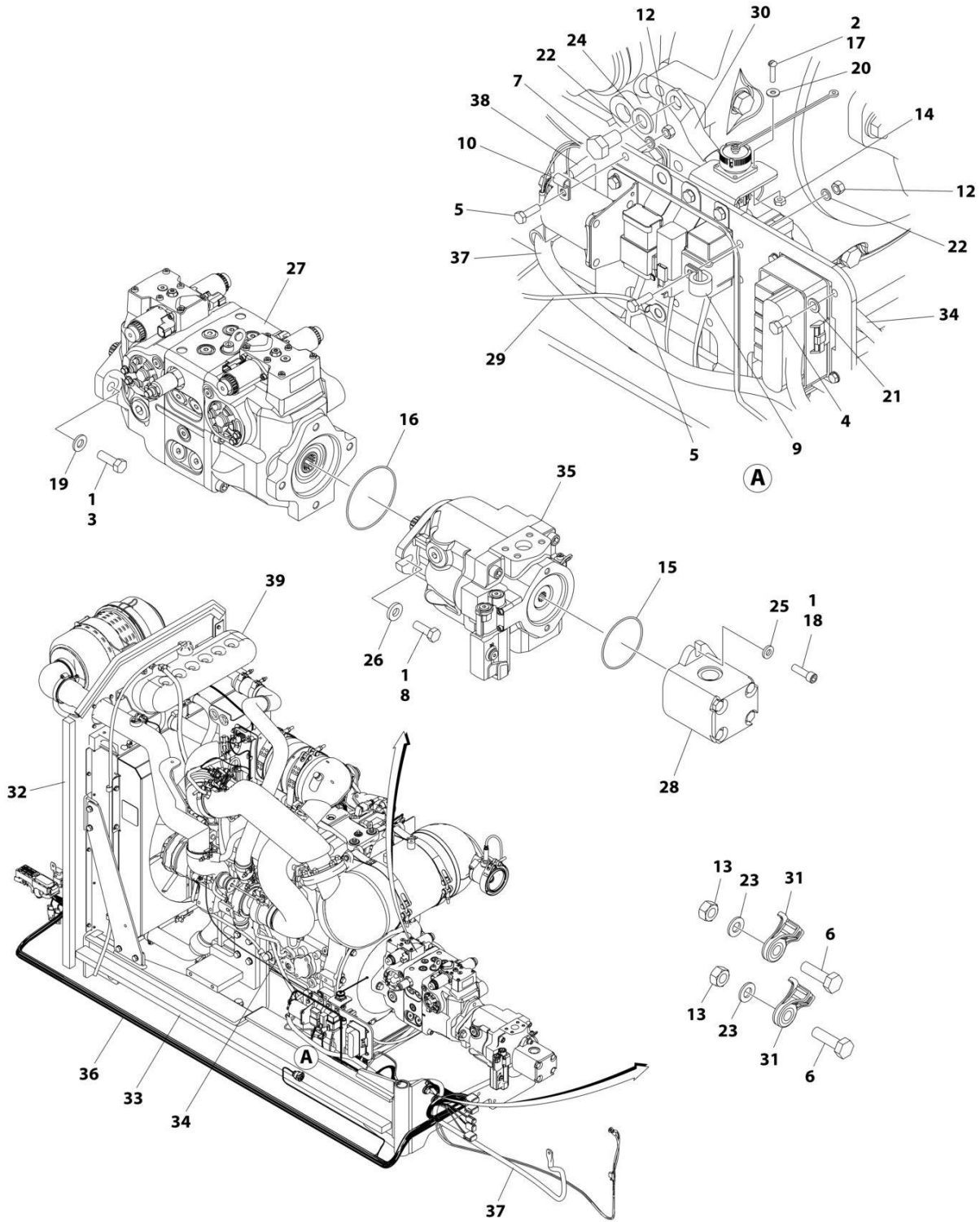
ITEM	PART NUMBER	QTY	DESCRIPTION	REV
47	4811700	14	Washer M6	
48	4811900	30	Washer M8	
49	4811902	3	Washer M8	
50	4812000	10	Washer M10	
51	4812200	4	Washer M14	
52	4871200	2	Washer M3	
53	4891800	1	Washer 1/2	
54	5241000	1	Washer M10	
55	8310067	1	Nut 3/4	
56	8406101	2	Clip	
57	8406201	2	Clip	
58	8406303	1	Clip	
59	8410009	14	Clamp	
60	8410013	4	Clamp	
61	8750014	4	Clamp	
62	82033995	41 ft /12.5m	Hose	
63	8406102	3	Clip	
64	8750031	1	Plate	
65	8769127	4	Clamp	
66	77133137	4	Cover	
67	1001101580	1	Screw M8 x 30	
68	1001135196	1	Pin	
69	1001154405	5 ft /1.5m	Hose	
70	1001135497	1	Support	
71	1001136975	5	Clamp	
72	1001142501	2	Fitting, 90 NPT/Barbed	
73	1001154262	2	Fitting, Adaptor	
74	1001155823	3	Coupling	
75	1001165035	34.5 ft /10.5m	Hose	
76	1001155939	1	Plate	
77	1001156719	1	Seal	
78	1001159162	1	Bracket, Support	
79	1001162212	2	Fitting, Tee	
80	1001186342	4	Clip	
81	1001213643	1	Hose, Pressure	
82	1001190475	1	Pipe, Exhaust	
83	1001199670	1	Valve, Tank Coolant	
85	1001212056	1	Decal - Engine Fuse Box	
86	1001216021	1	Relay	
88	1001224046	1	Decal – Engine Fuse Box Cover	
89	1001228872	1	Filter, Coolant Screen	
90	1001238470	2	Adapter	
91	1001242381	1	Deutz HRC Engine Assembly – With Cold Weather Package (See Separate Breakdown in this Section)	
92	1001193980	1	Hose, Coolant	
93	1001212825	1	Hose, Coolant	
94	1001238401	1	Hose, Backflow	
95	1001238402	1	Hose, Suction	
96	1001181625	2 ft/ 0.61m	Hose	

## SECTION 3 - ENGINE

ITEM	PART NUMBER	QTY	DESCRIPTION	REV
97	8769123	3	Cover	

# SECTION 3 - ENGINE

## FIGURE 3-12. DEUTZ HRC ENGINE/PUMP ASSEMBLY - WITH COLD WEATHER PKG



ART\_1001242381

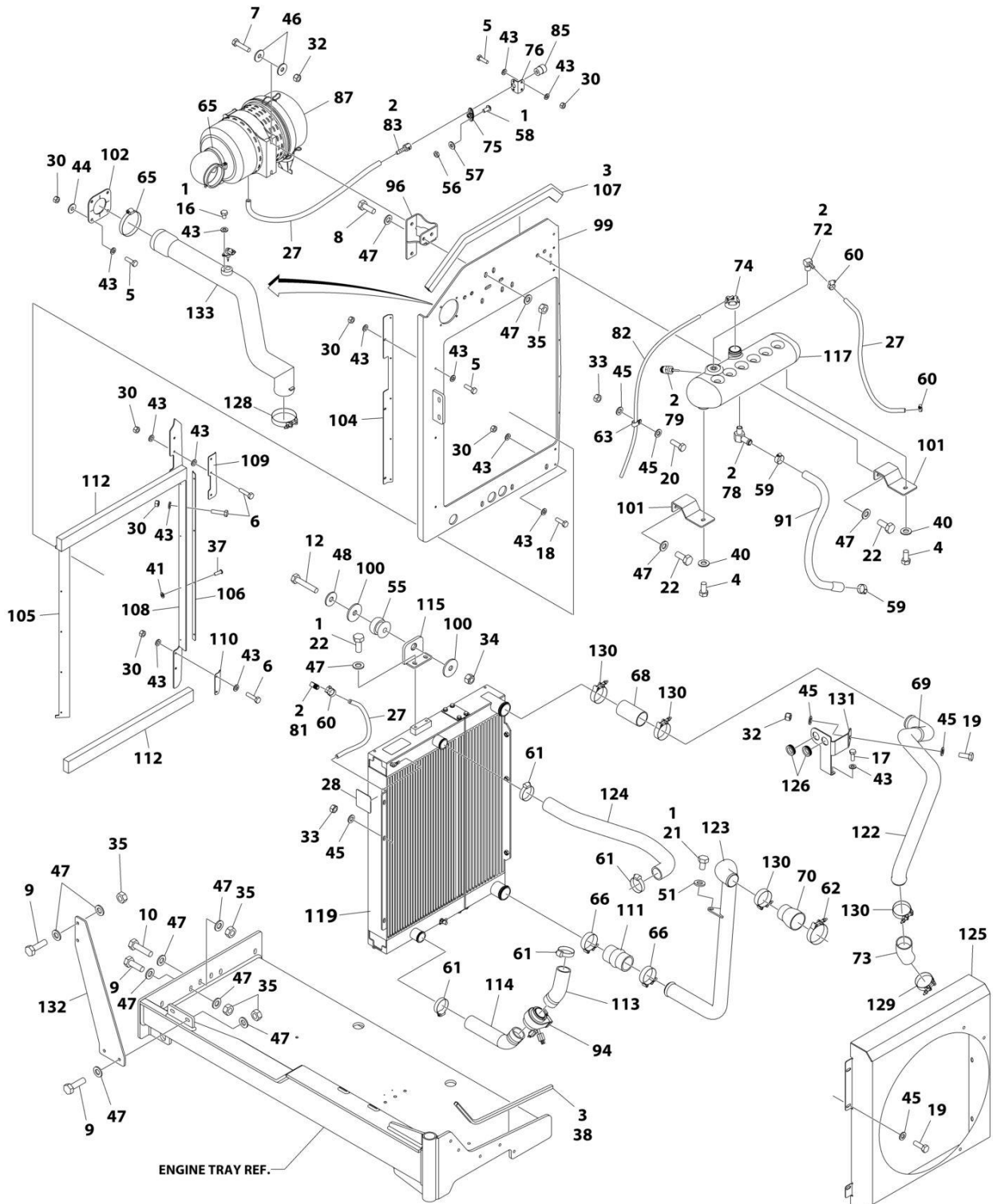
## SECTION 3 - ENGINE

**FIGURE 3-12. DEUTZ HRC ENGINE/PUMP ASSEMBLY - WITH COLD WEATHER PKG**

ITEM	PART NUMBER	QTY	DESCRIPTION	REV
	1001242381	Ref	DEUTZ T4F ENGINE/PUMP ASSEMBLY	D
1	0100011	AR	Compound, Locking	
2	0100035	AR	Compound, Locking	
3	0841812	2	Bolt 1/2 x 1-1/2	
4	0760508	4	Bolt M5 x 16	
5	0760610	2	Bolt M6 x 20	
6	0761015	2	Bolt M10 x 35	
7	0761210	1	Bolt M12 x 20	
8	0761215	2	Bolt M12 x 35	
9	1320041	1	Clamp	
10	1320136	1	Clamp	
12	3290607	2	Nut M6	
13	3291007	2	Nut M10	
14	3310401	3	Nut #4-40NC	
15	3790152	1	O-Ring	
16	3790155	1	O-Ring	
17	3910408	3	Screw #4 x 1/2	
18	3931620	2	Capscrew 3/8 x 1-1/4	
19	4740171	2	Washer,	
20	4750400	3	Washer #4	
21	4811600	4	Washer M5	
22	4811700	2	Washer M6	
23	4812000	2	Washer M10	
24	4812100	1	Washer M12	
25	4891600	2	Washer 3/8	
26	4891800	2	Washer 1/2	
27	1001108616	1	Tandem Pump Assembly (See Separate Breakdown in this Section)	
28	1001112927	1	Gear Pump Assembly (See Separate Breakdown in this Section)	
29	1001141304	AR	Wire, Glow Plug Fuse	
30	1001154143	1	Cable, Battery (Negative)	
31	1001156107	2	Holder, Cable	
32	1001156718	1	Seal (Not Shown - Located on Side of Radiator Mounting Plate)	
33	1001156719	1	Seal	
34	1001157073	1	Cable, Alternator Power	
35	1001169892	1	Piston Pump Assembly (See Separate Breakdown in this Section)	
36	1001188922	1	Harness, Engine (Not Shown - See Separate Breakdown in ELECTRICAL SECTION)	
37	1001197443	1	Cable, Battery (Positive)	
38	1001197445	1	Wire, Glow Plug	
39	1001242380	1	Deutz HRC Engine Assembly – With Cold Weather Package (See Separate Breakdown in this Section)	

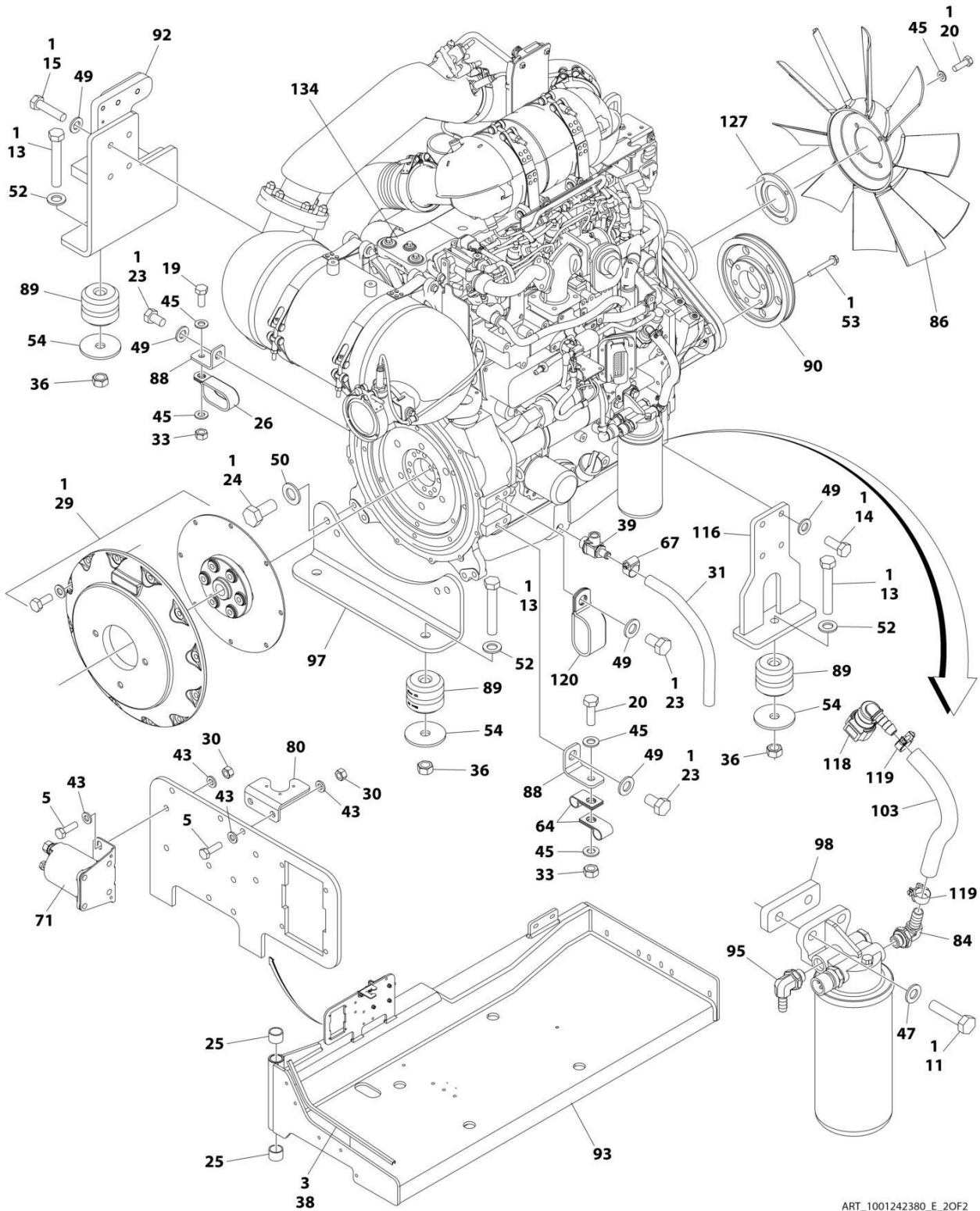
# SECTION 3 - ENGINE

## FIGURE 3-13. DEUTZ HRC ENGINE ASSEMBLY - WITH COLD WEATHER PKG



ART\_1001242380\_E\_1OF2

# SECTION 3 - ENGINE



ART\_1001242380\_E\_20F2

## SECTION 3 - ENGINE

FIGURE 3-13. DEUTZ HRC ENGINE ASSEMBLY - WITH COLD WEATHER PKG

ITEM	PART NUMBER	QTY	DESCRIPTION	REV
	1001242380	Ref	DEUTZ T4F ENGINE ASSEMBLY	F
1	0100011	AR	Compound, Locking	
2	0100020	AR	Sealant	
3	0100081	AR	Adhesive	
4	0641606	2	Bolt 3/8 x 3/4	
5	0700610	13	Bolt M6 x 20	
6	0700612	7	Bolt M6 x 25	
7	0700815	2	Bolt M8 x 35	
8	0701013	2	Bolt M10 x 28	
9	0701015	6	Bolt M10 x 35	
10	0701016	2	Bolt M10 x 40	
11	0701017	2	Bolt M10 x 45	
12	0701019	1	Bolt M10 x 55	
13	0701627	4	Bolt M16 x 100	
14	0711214	4	Bolt M12 x 30 Grade 10.9	
15	0711218	4	Bolt M12 x 50 Grade 10.9	
16	0760604	1	Bolt M6 x 8	
17	0760608	2	Bolt M6 x 16	
18	0760614	2	Bolt M6 x 30	
19	0760810	6	Bolt M8 x 20	
20	0760812	7	Bolt M8 x 25	
21	0761008	1	Bolt M10 x 16	
22	0761012	6	Bolt M10 x 25	
23	0761210	3	Bolt M12 x 20	
24	0771415	4	Bolt M14 x 35 Grade 10.9	
25	0961951	2	Bushing	
26	1321716	1	Clamp	
27	2720015	5 ft/ 1.5m	Hose	
28	1703162	2	Decal - Fan Blade	
29	2902065	1	Pump Coupling Kit (See Separate Breakdown in this Section)	
30	3290607	22	Nut M6	
31	1001165035	1 ft/ 0.3m	Hose	
32	3290805	3	Nut M8	
33	3290807	5	Nut M8	
34	3291005	1	Nut M10	
35	3291007	10	Nut M10	
36	3291601	4	Nut M16	
37	3820032	9	Rivet	
38	4060807	22 in/ 55cm	Flex-Trim	
39	4640751	1	Valve, Oil Drain	
40	4711600	2	Washer 3/8	
41	4811600	4	Washer M5	
42	4240099	AR	Tie-Strap (Not Shown)	
43	4811700	43	Washer M6	
44	4811702	4	Washer M6	
45	4811900	19	Washer M8	
46	4811902	4	Washer M8	
47	4812000	30	Washer M10	
48	4812002	1	Washer M10	



## SECTION 3 - ENGINE

ITEM	PART NUMBER	QTY	DESCRIPTION	REV
49	4812100	11	Washer M12	
50	4812200	4	Washer M14	
51	5241000	1	Washer M10	
52	5241600	4	Washer M16	
53	5251022	6	Bolt M10 x 70	
54	7300435	4	Washer	
55	8278020	1	Mount	
56	8305401	2	Nut 1/4	
57	8307109	2	Washer 1/4	
58	8310548	2	Screw 1/4 x 1/2	
59	8405007	2	Clamp	
60	8405009	4	Clamp	
61	8405104	4	Clamp	
62	8405211	1	Clamp	
63	8406109	2	Clip	
64	8406110	2	Clip	
65	8410011	2	Clamp	
66	8410012	2	Clamp	
67	8410013	1	Clamp	
68	91563070	1	Coupling, Rubber	
69	1001097588	1	Clip	
70	1001117244	1	Reducer	
71	1001117308	1	Relay, 200Amp	
72	1001134488	1	Fitting, 90 NPT/Barbed	
73	1001135943	1	Coupling	
74	1001136834	1	Cap	
75	1001138173	1	Support	
76	1001138175	1	Bracket	
78	1001138559	1	Fitting, 90 NPT	
79	1001138827	1	Sensor	
80	1001139240	1	Bracket	
81	1001140564	1	Fitting, 90 NPT/Barbed	
82	1001138248	5 ft/ 1.5m	Tubing	
83	1001141995	1	Fitting, Straight NPT/Barbed	
84	1001142501	1	Fitting, 90 NPT/Barbed	
85	1001143390	1	Indicator, Air Restriction	
86	1001147567	1	Fan	
87	1001147847	1	Filter, Air	
87	70023809	1	Element, Primary	
87	70023872	1	Element, Secondary	
87	70024328	1	Elbow, Rubber	
87	70024329	1	Clamp, Mounting	
88	1001148641	2	Bracket	
89	1001149517	4	Mount, Motor	
90	1001149746	1	Pulley	
91	1001150553	1	Hose	
92	1001151491	1	Support	
93	1001151749	1	Tray	
94	1001152112	1	Heater	
95	1001152489	1	Fitting, 90 Barbed	
96	1001155023	1	Plate	

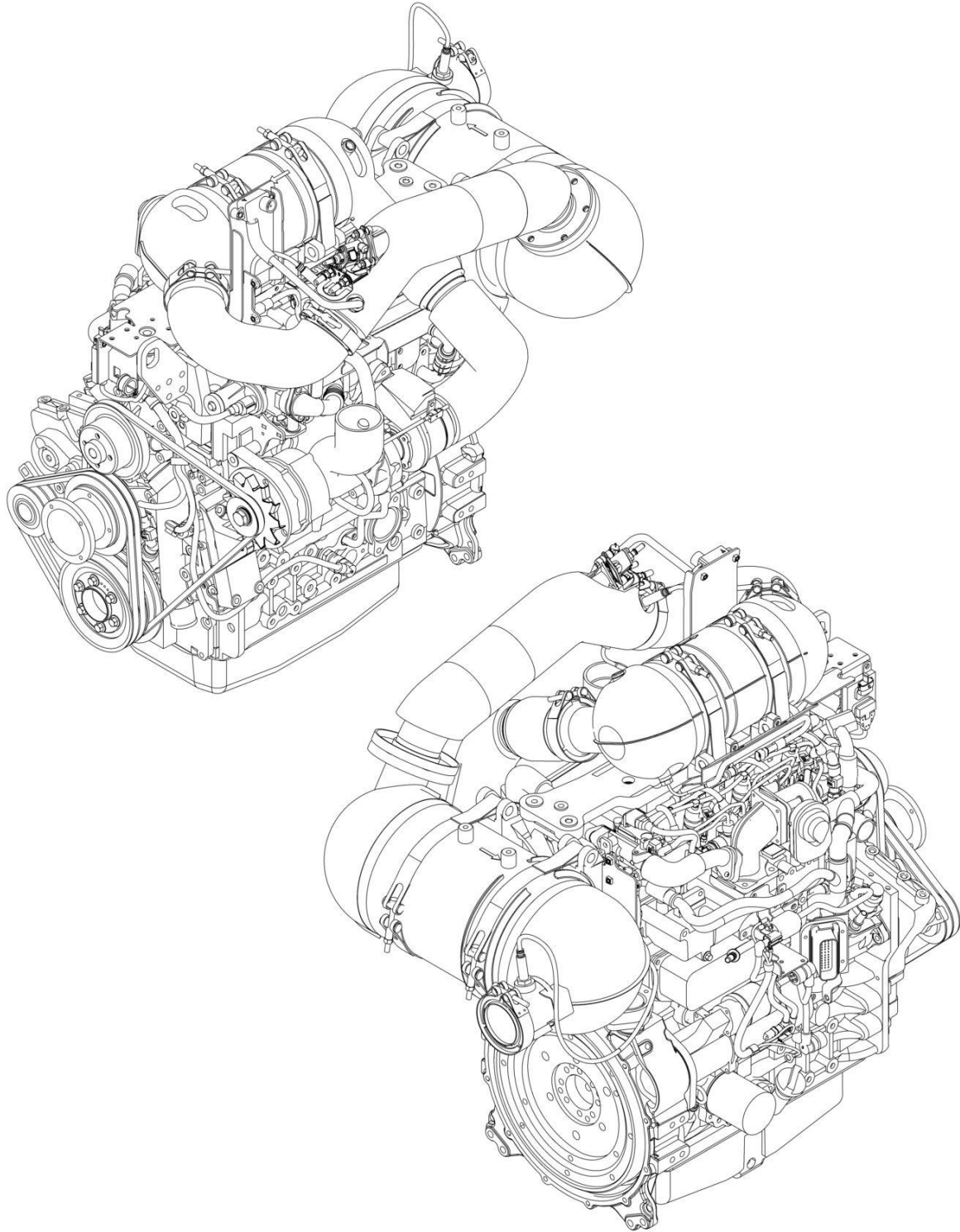
## SECTION 3 - ENGINE

ITEM	PART NUMBER	QTY	DESCRIPTION	REV
97	1001155496	1	Support	
98	1001155498	1	Plate	
99	1001155525	1	Support	
100	1001155540	2	Washer	
101	1001155557	2	Plate	
102	1001155563	1	Seal	
103	1001154405	8.5 in/ 21cm	Hose	
104	1001155564	1	Bracket	
105	1001155565	1	Seal	
106	1001155566	1	Bracket	
107	1001155728	1	Seal	
108	1001156034	1	Seal	
109	1001156035	1	Bracket	
110	1001156062	1	Bracket	
111	1001156091	1	Hose	
112	1001156644	2	Seal	
113	1001157300	1	Hose	
114	1001157301	1	Hose	
115	1001157862	1	Bracket	
116	1001160518	1	Support	
117	1001166393	1	Tank	
118	1001170982	1	Fitting, 90 SAE/Barbed	
119	1001175568	2	Clip	
120	1001181899	1	Clamp	
121	1001256862	1	Radiator	
122	1001189291	1	Pipe, Exhaust	
123	1001190418	1	Tube	
124	1001191122	1	Hose, Upper	
125	1001192138	1	Shroud	
126	1001193599	2	Grommet	
127	1001197317	1	Spacer	
128	1001208297	1	Clamp	
129	1001208298	1	Clamp	
130	1001208299	4	Clamp	
131	1001212810	1	Support	
132	1001212817	1	Plate	
133	1001212826	1	Tube, Intake	
134	1001251858	1	Deutz HRC Engine Components (See Separate Breakdown in this Section)	



## SECTION 3 - ENGINE

FIGURE 3-14. DEUTZ HRC ENGINE COMPONENTS



ART\_1001251858

## SECTION 3 - ENGINE

**FIGURE 3-14. DEUTZ HRC ENGINE COMPONENTS**

ITEM	PART NUMBER	QTY	DESCRIPTION	REV
	1001251858	Ref	DEUTZ ENGINE COMPONENTS	B
		Ref	Note: For complete list of parts, contact JLG Parts Department	
		Ref	Air Intake System Components	
	70007083	1	Turbocharger	
		Ref	Cooling System Components	
	70004515	1	Pump, Coolant	
		Ref	Electrical System Components	
	70027420	1	Module, ECU/ECM	
	70029401	1	Generator (Includes Regulator & Fan)	
	70006653	1	Regulator	
	70004520	1	Starter (Includes Solenoid)	
	70025780	1	Relay	
	70007085	1	Harness, Engine	
	70005517	1	Harness, Starter	
	70026210	2	Sender, Tacho-Generator (Speed) (Includes Seal)	
	70005559	1	Sender, Temperature	
	70028540	1	Sender, Temperature (On Thermostat Housing)	
	70027405	2	Sender, Temperature (On Exhaust) (Includes Seal)	
	70005556	1	Sender, Temperature (On Exhaust) (Includes Seal)	
	70005524	1	Sensor (On Exhaust)	
	70005522	1	Sensor, Pressure (O2) (On Exhaust)	
	70005523	1	Sensor, Pressure (O2) (On Exhaust)	
	70024507	1	Sensor, Pressure (Includes Seal) (On Air Intake Manifold)	
	70005504	1	Sensor, Pressure (Includes Seal) (On Exhaust)	
	70024504	1	Sensor, Pressure (Includes Seal) (On Block)	
	70024474	4	Plug, Glow	
	70005544	1	Unit, Exhaust Metering (Includes Gasket)	
		Ref	Exhaust System Components	
	70005513	1	Valve, EGR	
	70005511	1	Gasket, Exhaust (Manifold to Head)	
	70024480	1	Gasket, Exhaust (Manifold to TurboCharger)	
	70007083	1	Turbocharger	
	70027460	1	Tank, DEF (Includes Filter, Cover & Breather)	
	70027464	1	Filter (Inside DEF Tank)	
	70027467	1	Breather (On DEF Tank)	
	70007093	1	Catalyst	
	70008612	1	DEF Tank Assembly (Includes Cap, Filler Filter & Venting Valve)	
	70027495	1	Filter, Filler - DEF Tank	
	70008613	1	Cap/Cover, DEF Tank	
	70027467	1	Valve, Venting - DEF Tank	
	1001293066	1	Sensor, Level - DEF Tank	
	70027463	1	Clip, Level Sensor - DEF Tank	
	70027464	1	Filter, DEF In-line	
		Ref	Fuel System Components	
	70024487	1	Pump, Fuel Injector	
	70024485	4	Injector (Includes Seal, Clamp & O-Ring)	
	70006144	1	Pump, Fuel Supply (Includes Clamps)	
	70025153	1	Filter, Fuel (Pre-Filter)	
	70004512	1	Filter, Fuel	
	70005492	1	Valve, Throttle	

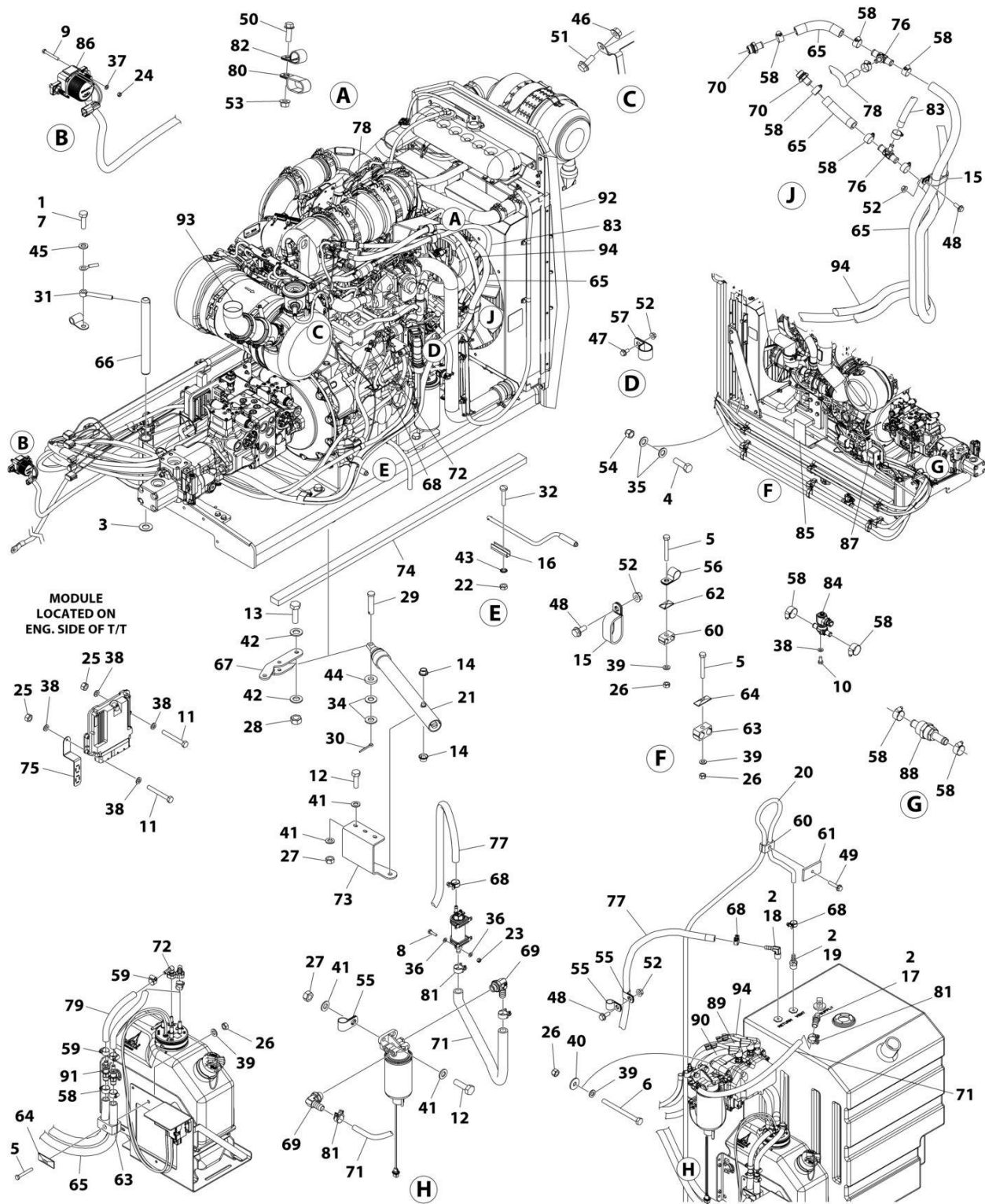
## SECTION 3 - ENGINE

ITEM	PART NUMBER	QTY	DESCRIPTION	REV
	70005548	1	Pump, Fuel Supply (Includes Filter)	
	70005549	1	Filter (Inside Fuel Supply Pump)	
		Ref	Lubricating System Components	
	70025745	1	Dipstick	
	7020465	2	Cap, Oil Fill	
	70025088	1	Plug, Oil Drain	
	7020404	2	Seal, Oil Drain Plug	
		Ref	Pump, Oil (Includes Bolts & Bushing)	
	7016331	1	Filter, Oil	
	70024494	1	Cooler, Oil	
		Ref	Mechanical Components	
	70005498	1	V-Belt (Set of 2)	
	70005516	1	V-Belt (Generator)	
	70024481	1	Gasket, Valve Cover	
	70025789	1	Gasket, Head	
	70025707	1	Gasket Kit - Complete	



# SECTION 3 - ENGINE

## FIGURE 3-15. DEUTZ HRC (STAGE V) ENGINE INSTALLATION - WITHOUT COLD WEATHER PKG



ART\_1001259195



## SECTION 3 - ENGINE

**FIGURE 3-15. DEUTZ HRC (STAGE V) ENGINE INSTALLATION - WITHOUT COLD WEATHER PKG**

ITEM	PART NUMBER	QTY	DESCRIPTION	REV
	1001259195	Ref	DEUTZ T4F ENGINE INSTALLATION	B
1	0100011	AR	Compound, Locking	
2	0100020	AR	Sealant	
3	0440162	1	Bearing, Thrust	
4	0642220	1	Bolt 3/4 x 2-1/2	
5	0700820	7	Bolt M8 x 60	
6	0700827	3	Bolt M8 x 100	
7	0711015	1	Bolt M10 x 35 Grade 10.9	
8	0760408	4	Bolt M4 x 16	
9	0760516	2	Bolt M5 x 40	
10	0760606	4	Bolt M6 x 12	
11	0760613	4	Bolt M6 x 28	
12	0761015	5	Bolt M10 x 35	
13	0771416	2	Bolt M14 x 40 Grade 10.9	
14	0962051	2	Bearing, Flange	
15	1321716	4	Clamp	
16	1380147	1	Clip	
17	2180832	1	Fitting, Straight NPT/Barbed	
18	2220313	1	Fitting, 90 NPT/Barbed	
19	2221114	1	Fitting, Straight NPT/Barbed	
20	2750532	6.9 ft/ 2.1m	Hose	
21	2840016	1	Jack with Handle	
21	7016322	1	Wiper (Burr Manufacturing Brand Only)	
21	7016374	1	Handle (Burr Manufacturing Brand)	
21	7024598	1	Handle (Hammerblow Corp Brand)	
22	3290301	2	Nut M3	
23	3290405	4	Nut M4	
24	3290501	2	Nut M5	
25	3290605	4	Nut M6 x 1	
26	3290805	10	Nut M8	
27	3291007	5	Nut M10	
28	3331411	2	Nut M14	
29	3430816	1	Pin	
30	3450404	1	Pin, Cotter 1/8 x 1	
31	3841143	1	Keeper	
32	4010308	2	Screw M3 x16	
33	4240099	AR	Tie-Strap (Not Shown)	
34	4711800	2	Washer 1/2	
35	4712200	2	Washer 3/4	
36	4811400	8	Washer M4	
37	4811600	2	Washer M5	
38	4811700	12	Washer M6	
39	4811900	13	Washer M8	
40	4811902	3	Washer M8	
41	4812000	10	Washer M10	
42	4812200	4	Washer M14	
43	4871200	2	Washer M3	
44	4891800	1	Washer 1/2	
45	5241000	1	Washer M10	

## SECTION 3 - ENGINE

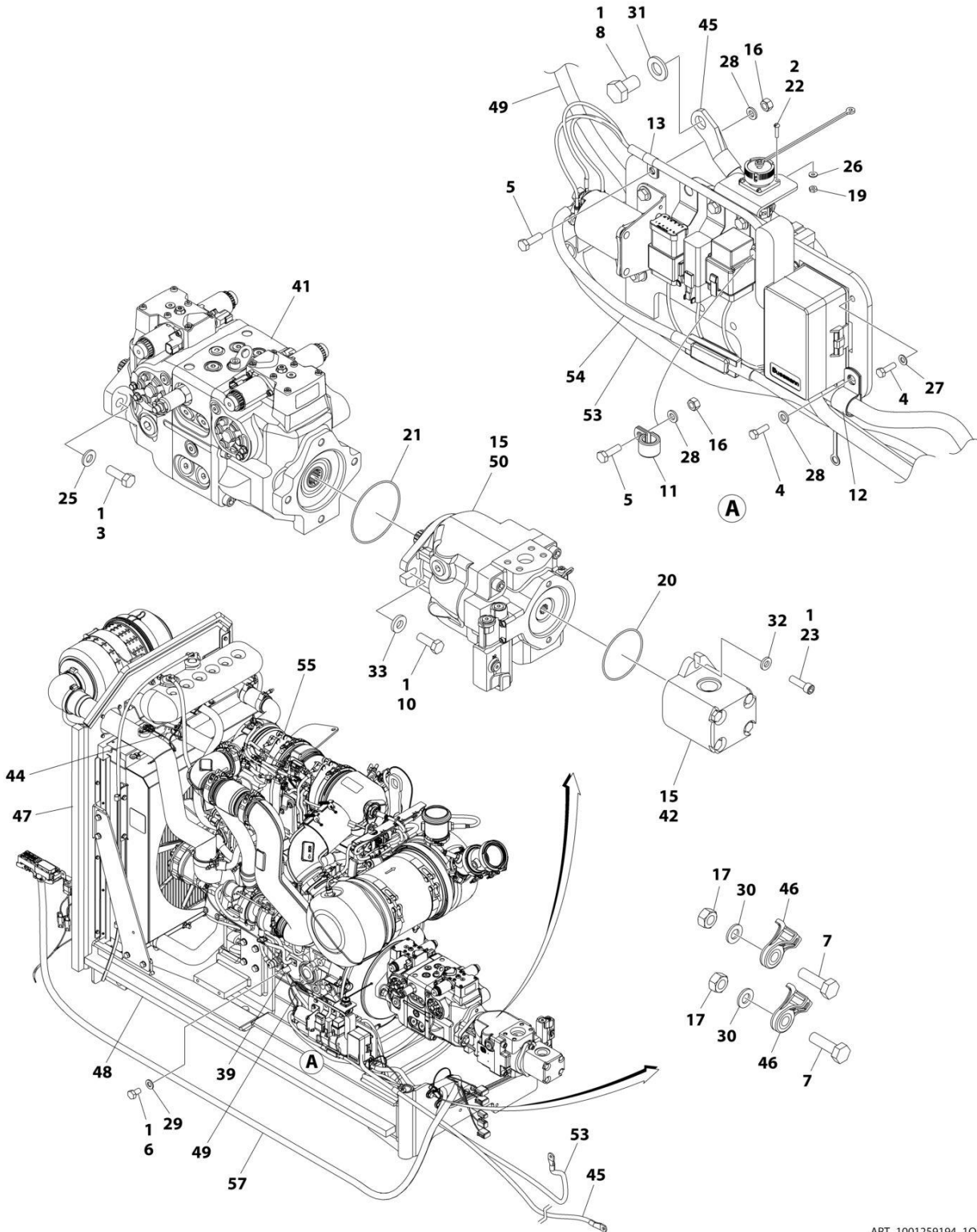
ITEM	PART NUMBER	QTY	DESCRIPTION	REV
46	5250608	1	Bolt M6 x 16	
47	5250808	1	Bolt M8 x 16	
48	5250810	5	Bolt M8 x 20	
49	5250814	1	Bolt M8 x 30	
50	5251215	1	Bolt M12 x 35	
51	5260600	1	Nut M6	
52	5260800	6	Nut M8	
53	5261200	1	Nut M12	
54	8310067	1	Nut 3/4	
55	8406101	3	Clip	
56	8406102	3	Clip	
57	8406303	1	Clip	
58	8410009	14	Clamp	
59	8410013	4	Clamp	
60	8750014	4	Clamp	
61	8750031	1	Plate	
62	8769123	3	Cover	
63	8769127	4	Clamp	
64	77133137	4	Cover	
65	82033995	46 ft/ 14m	Hose	
66	1001135196	1	Pin	
67	1001135497	1	Support	
68	1001136975	5	Clamp	
69	1001142501	2	Fitting, 90 NPT/Barbed	
70	1001154262	2	Fitting, Adaptor	
71	1001154405	3.6 ft/ 1.1m	Hose	
72	1001155823	3	Coupling	
73	1001155939	1	Plate	
74	1001156719	1	Seal	
75	1001159162	1	Bracket, Support	
76	1001162212	2	Fitting, Tee	
77	1001165035	37.4 ft/ 11.4m	Hose	
78	1001169409	1	Hose	
79	1001181625	1.3 ft/ 0.4m	Hose	
80	1001181899	1	Clamp	
81	1001186342	4	Clip	
82	1001191620	1	Clamp	
83	1001193980	1	Hose, Coolant	
84	1001199670	1	Valve, Tank Coolant	
85	1001212056	1	Decal - Engine Fuse Box	
86	1001216021	1	Relay	
87	1001224046	1	Decal – Engine Fuse Box Cover	
88	1001228872	1	Filter, Coolant Screen	
89	1001238401	1	Hose, Backflow	
90	1001238402	1	Hose, Suction	
91	1001238470	2	Adapter	
92	1001259194	1	Deutz HRC (Stage V) Engine Assembly – Without Cold Weather Package (See Separate Breakdown in this Section)	
93	1001259204	1	Pipe	

## SECTION 3 - ENGINE

ITEM	PART NUMBER	QTY	DESCRIPTION	REV
94	1001260943	1	Hose	

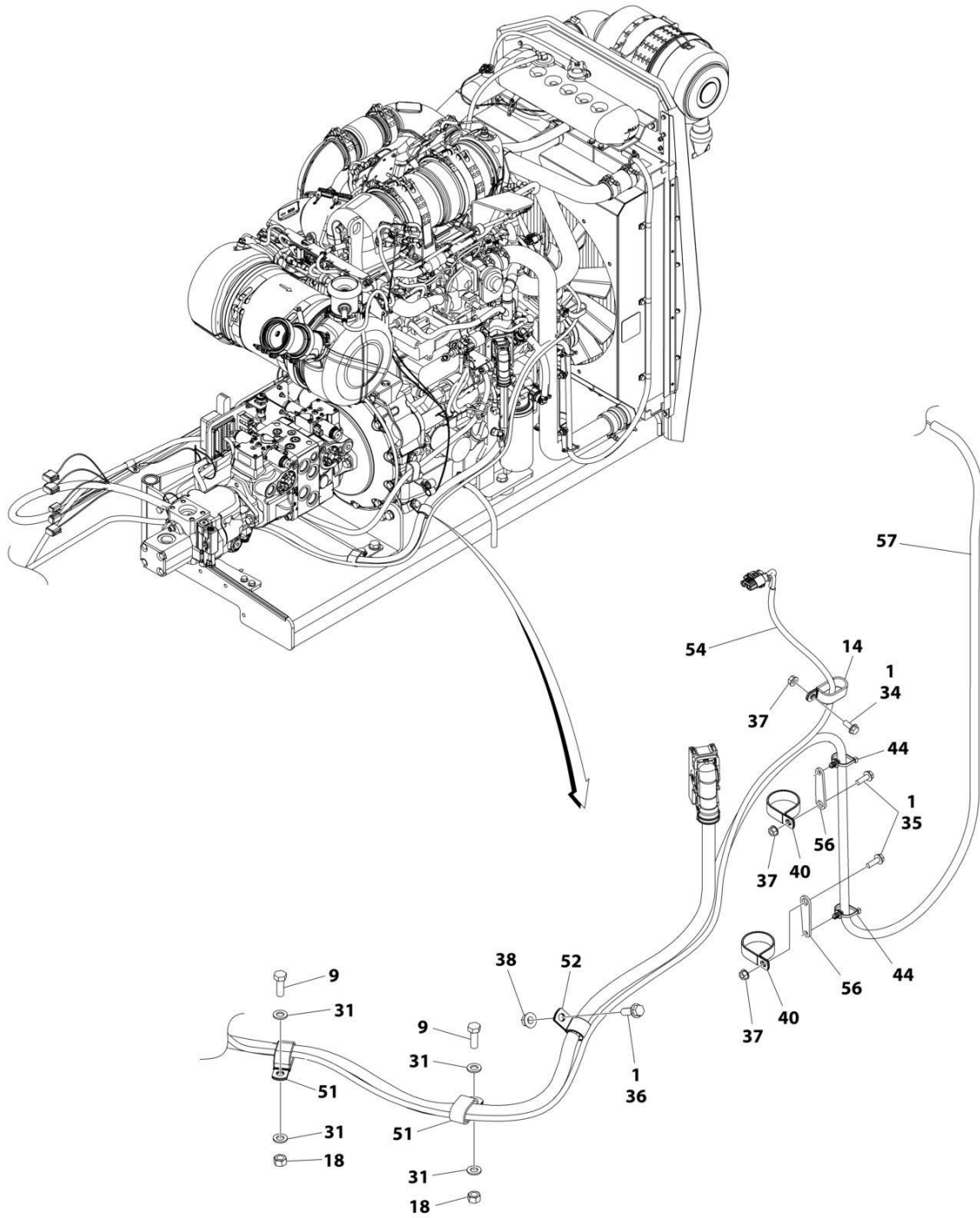
# SECTION 3 - ENGINE

## FIGURE 3-16. DEUTZ HRC (STAGE V) ENGINE/PUMP ASSEMBLY - WITHOUT COLD WEATHER PKG



ART\_1001259194\_10F2

# SECTION 3 - ENGINE



ART\_1001259194\_20F2

## SECTION 3 - ENGINE

FIGURE 3-16. DEUTZ HRC (STAGE V) ENGINE/PUMP ASSEMBLY - WITHOUT COLD WEATHER PKG

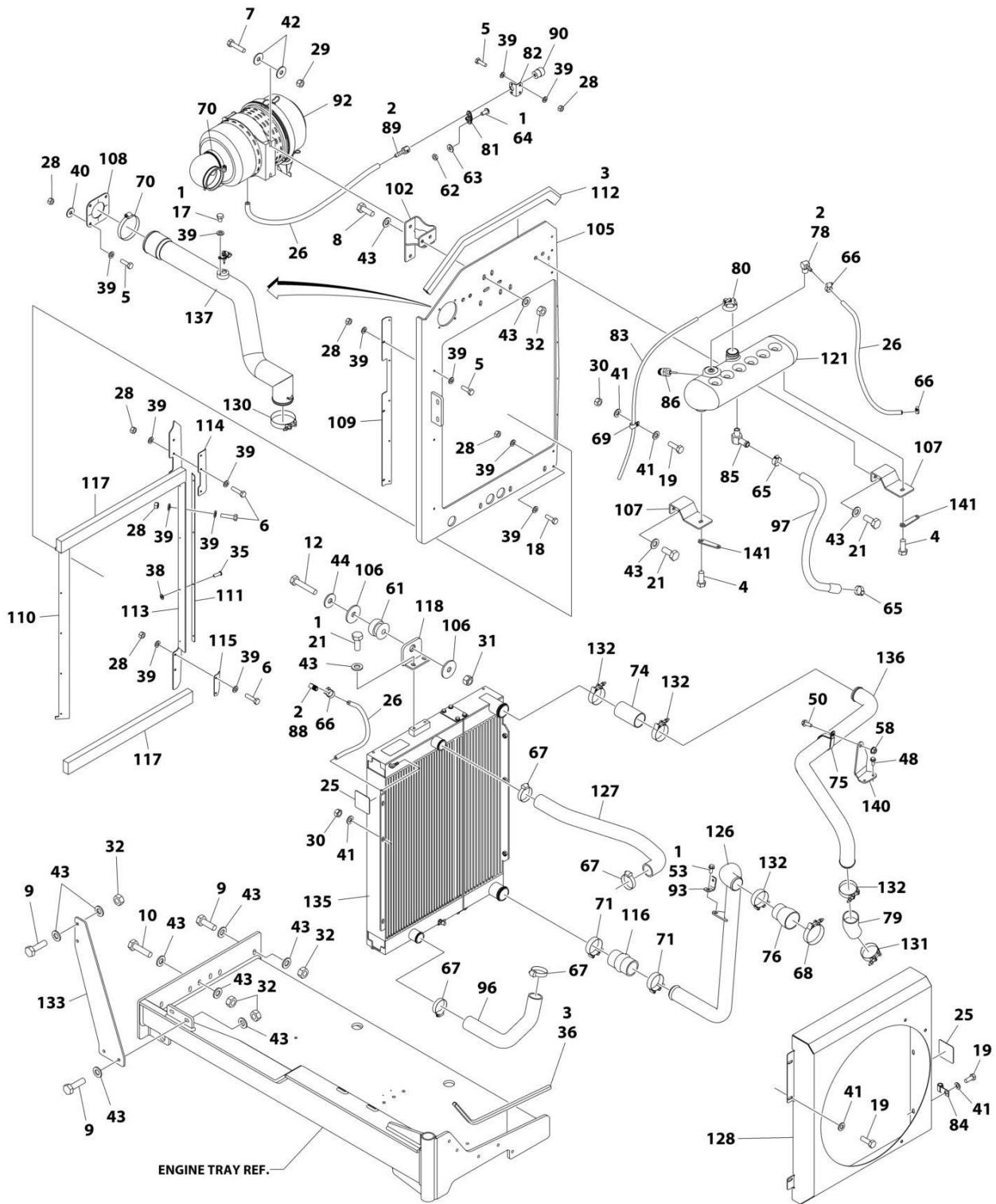
ITEM	PART NUMBER	QTY	DESCRIPTION	REV
	1001259194	Ref	DEUTZ T4F ENGINE/PUMP ASSEMBLY	D
1	0100011	AR	Compound, Locking	
2	0100035	AR	Compound, Locking	
3	0641812	2	Bolt 1/2 x 1-1/2	
4	0760508	4	Bolt M5 x 16	
5	0760610	2	Bolt M6 x 20	
6	0760807	1	Bolt M8 x 14	
7	0761015	2	Bolt M10 x 35	
8	0761210	1	Bolt M12 x 20	
9	0761215	2	Bolt M12 x 35	
10	0761216	2	Bolt M12 x 40	
11	1320041	1	Clamp	
12	1320061	1	Clamp	
13	1320136	1	Clamp	
14	1321716	1	Clamp	
15	3020037	AR	Grease, Dielectric	
16	3290607	2	Nut M6	
17	3291007	2	Nut M10	
18	3291207	2	Nut M12	
19	3310401	3	Nut #4	
20	3790152	1	O-Ring	
21	3790155	1	O-Ring	
22	3910408	3	Screw #4 x 1/2	
23	3931620	2	Screw 3/8 x 1-1/4	
24	4240099	AR	Tie-Strap (Not Shown)	
25	4740171	2	Washer	
26	4750400	3	Washer #4	
27	4811600	3	Washer M5	
28	4811700	3	Washer M6	
29	4811900	1	Washer M8	
30	4812000	2	Washer M10	
31	4812100	5	Washer M12	
32	4891600	2	Washer 3/8	
33	4891800	2	Washer 1/2	
34	5250810	1	Bolt M8 x 20	
35	5250812	2	Bolt M8 x 25	
36	5251215	1	Bolt M12 x 35	
37	5260800	3	Nut M8	
38	5261200	1	Nut M10	
39	91043147	1	Clamp	
40	1001097588	2	Clamp	
41	1001108616	1	Pump, Tandem (See Separate Breakdown in this Section)	
42	1001112927	1	Pump, Gear (See Separate Breakdown in this Section)	
44	1001146588	4	Tie-Strap	
45	1001154143	1	Cable, Battery (Negative)	
46	1001156107	2	Holder, Cable	
47	1001156718	1	Seal	
48	1001156719	1	Seal	
49	1001157073	1	Cable, Alternator Power	
50	1001169892	1	Pump, Piston (See Separate Breakdown in this Section)	

## SECTION 3 - ENGINE

ITEM	PART NUMBER	QTY	DESCRIPTION	REV
51	1001181899	2	Clamp	
52	1001191620	1	Clamp	
53	1001197443	1	Cable, Battery (Positive)	
54	1001274992	1	Cable, Glow Plug	
55	1001259191	1	Deutz HRC Engine Assembly – With Cold Weather Package (See Separate Breakdown in this Section)	
56	1001260307	2	Bracket	
57	1001262056	1	Harness, Engine (See Separate Breakdown in ELECTRICAL Section)	

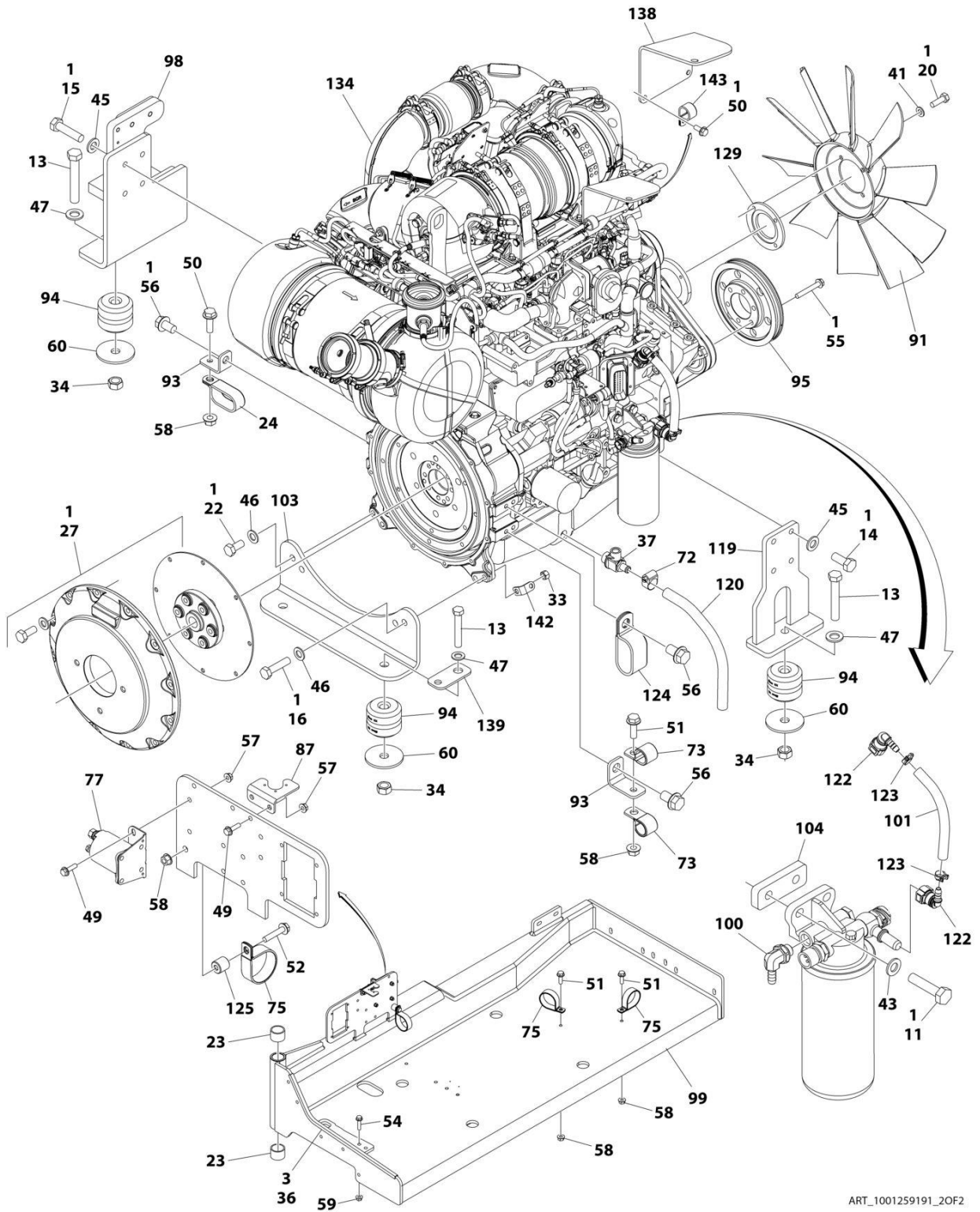
# SECTION 3 - ENGINE

## FIGURE 3-17. DEUTZ HRC (STAGE V) ENGINE ASSEMBLY - WITHOUT COLD WEATHER PKG





# SECTION 3 - ENGINE



ART\_1001259191\_20F2

## SECTION 3 - ENGINE

FIGURE 3-17. DEUTZ HRC (STAGE V) ENGINE ASSEMBLY - WITHOUT COLD WEATHER PKG

ITEM	PART NUMBER	QTY	DESCRIPTION	REV
	1001259191	Ref	DEUTZ T4F ENGINE ASSEMBLY	E
1	0100011	AR	Compound, Locking	
2	0100020	AR	Sealant	
3	0100081	AR	Adhesive	
4	0641607	2	Bolt 3/8 x 7/8	
5	0700610	9	Bolt M6 x 20	
6	0700612	7	Bolt M6 x 25	
7	0700815	2	Bolt M8 x 35	
8	0701013	2	Bolt M10 x 28	
9	0701015	6	Bolt M10 x 35	
10	0701016	2	Bolt M10 x 40	
11	0701017	2	Bolt M10 x 45	
12	0701019	1	Bolt M10 x 55	
13	0701627	4	Bolt M16 x 100	
14	0711214	4	Bolt M12 x 30 Grade 10.9	
15	0711218	4	Bolt M12 x 50 Grade 10.9	
16	0711419	1	Bolt M14 x 55	
17	0760604	1	Bolt M6 x 8	
18	0760614	2	Bolt M6 x 30	
19	0760810	6	Bolt M8 x 20	
20	0760812	4	Bolt M8 x 25	
21	0761012	6	Bolt M10 x 25	
22	0771415	3	Bolt M14 x 35 Grade 10.9	
23	0961951	2	Bushing	
24	1321716	1	Clamp	
25	1703162	2	Decal - Fan Blade	
26	2720015	5 ft/ 1.5m	Hose	
27	2902065	1	Pump Coupling Kit (See Separate Breakdown in this Section)	
28	3290607	18	Nut M6	
29	3290805	2	Nut M8	
30	3290807	3	Nut M8	
31	3291005	1	Nut M10	
32	3291007	10	Nut M10	
33	3291407	1	Nut M14	
34	3291601	4	Nut M16	
35	3820032	9	Rivet	
36	4060807	22 in/ 56cm	Flex-Trim	
37	4640751	1	Valve, Oil Drain	
38	4811600	4	Washer M5	
39	4811700	33	Washer M6	
40	4811702	4	Washer M6	
41	4811900	13	Washer M8	
42	4811902	4	Washer M8	
43	4812000	30	Washer M10	
44	4812002	1	Washer M10	
45	4812100	8	Washer M12	
46	4812200	4	Washer M14	
47	5241600	4	Washer M16	
48	5250608	2	Bolt M6 x 16	

## SECTION 3 - ENGINE

ITEM	PART NUMBER	QTY	DESCRIPTION	REV
49	5250611	4	Bolt M6 x 22	
50	5250810	4	Bolt M8 x 20	
51	5250812	3	Bolt M8 x 25	
52	5250816	1	Bolt M8 x 40	
53	5251010	1	Bolt M10 x 20	
54	5251016	2	Bolt M10 x 40	
55	5251022	6	Bolt M10 x 70	
56	5251210	3	Bolt M12 x 20	
57	5260600	4	Nut M6	
58	5260800	6	Nut M8	
59	5261000	2	Nut M10	
60	7300435	4	Washer	
61	8278020	1	Mount	
62	8305401	2	Nut 1/4	
63	8307109	2	Washer 1/4	
64	8310548	2	Screw 1/4 x 1/2	
65	8405007	2	Clamp	
66	8405009	4	Clamp	
67	8405104	4	Clamp	
68	8405211	1	Clamp	
69	8406109	2	Clip	
70	8410011	2	Clamp	
71	8410012	2	Clamp	
72	8410013	1	Clamp	
73	24861170	2	Clamp	
74	91563070	1	Coupling, Rubber	
75	1001097588	4	Clip	
76	1001117244	1	Reducer	
77	1001117308	1	Relay, 200Amp	
78	1001134488	1	Fitting, 90 NPT/Barbed	
79	1001135943	1	Coupling	
80	1001136834	1	Cap	
81	1001138173	1	Support	
82	1001138175	1	Bracket	
83	1001138248	5 ft/ 1.5m	Tubing	
84	1001138253	3	Clamp	
85	1001138559	1	Fitting, 90 NPT	
86	1001138827	1	Sensor	
87	1001139240	1	Bracket	
88	1001140564	1	Fitting, 90 NPT/Barbed	
89	1001141995	1	Fitting, Straight NPT/Barbed	
90	1001143390	1	Indicator, Air Restriction	
91	1001147567	1	Fan	
92	1001147847	1	Filter, Air	
92	70023809	1	Element, Primary	
92	70023872	1	Element, Secondary	
92	70024328	1	Elbow, Rubber	
92	70024329	1	Clamp, Mounting	
93	1001148641	3	Bracket	
94	1001149517	4	Mount, Motor	
95	1001149746	1	Pulley	

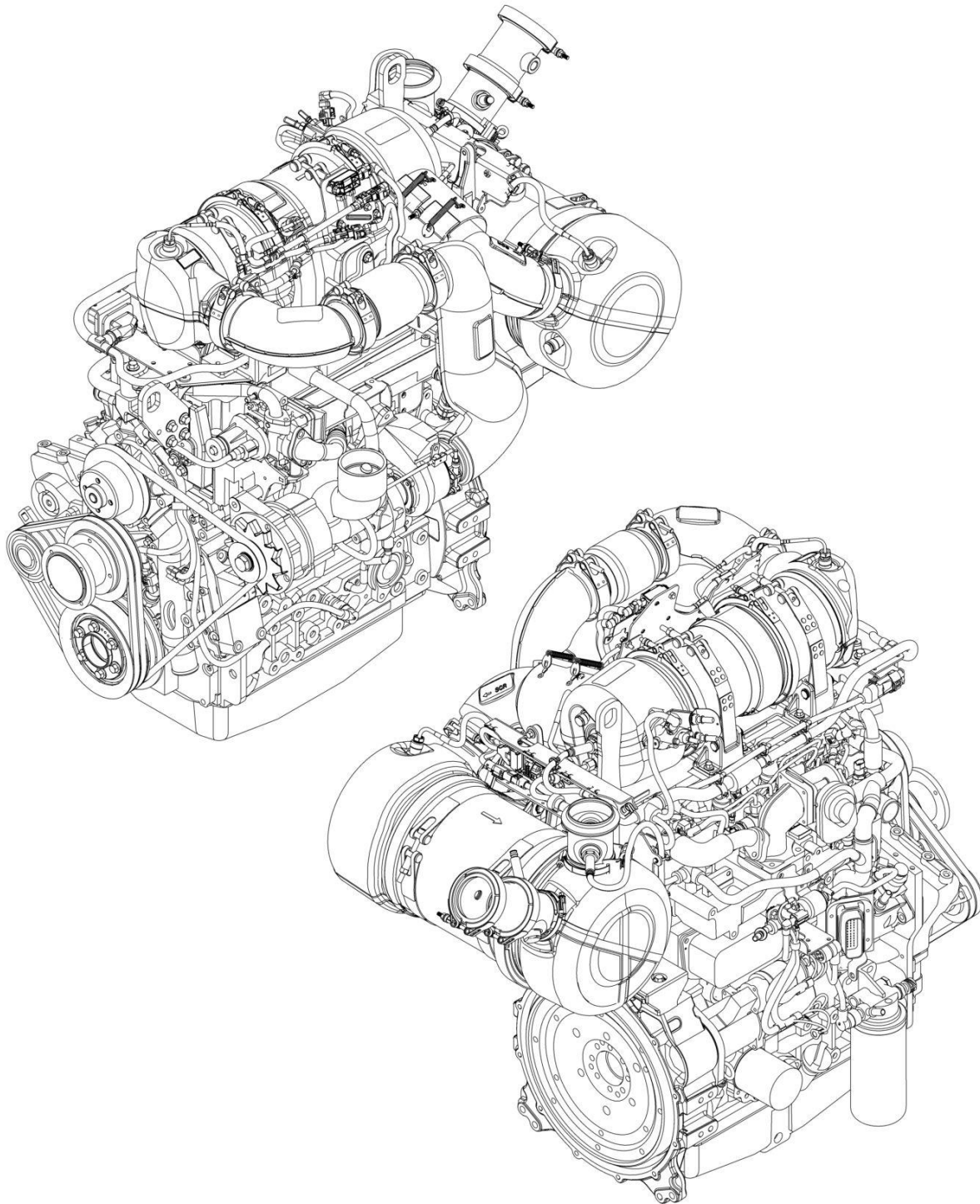
## SECTION 3 - ENGINE

ITEM	PART NUMBER	QTY	DESCRIPTION	REV
96	1001150504	1	Hose	
97	1001150553	1	Hose	
98	1001151491	1	Support	
99	1001151749	1	Tray	
100	1001152489	1	Fitting, 90 Barbed	
101	1001154405	8.5 in/ 21cm	Hose	
102	1001155023	1	Plate	
103	1001155496	1	Support	
104	1001155498	1	Plate	
105	1001155525	1	Support	
106	1001155540	2	Washer	
107	1001155557	2	Plate	
108	1001155563	1	Seal	
109	1001155564	1	Bracket	
110	1001155565	1	Seal	
111	1001155566	1	Bracket	
112	1001155728	1	Seal	
113	1001156034	1	Seal	
114	1001156035	1	Bracket	
115	1001156062	1	Bracket	
116	1001156091	1	Hose	
117	1001156644	2	Seal	
118	1001157862	1	Bracket	
119	1001160518	1	Support	
120	1001165035	1 ft/ 0.3m	Hose	
121	1001166393	1	Tank	
122	1001170982	2	Fitting, 90 SAE/Barbed	
123	1001175568	2	Clip	
124	1001181899	1	Clamp	
125	1001182833	1	Bar	
126	1001190418	1	Tube	
127	1001191122	1	Hose, Upper	
128	1001192138	1	Shroud	
129	1001197317	1	Spacer	
130	1001208297	1	Clamp	
131	1001208298	1	Clamp	
132	1001208299	4	Clamp	
133	1001212817	1	Plate	
134	1001256823	1	Deutz HRC (Stage V) Engine Components (See Separate Breakdown in this Section)	
135	1001256862	1	Radiator	
136	1001259203	1	Hose	
137	1001259208	1	Hose	
138	1001259278	1	Bracket	
139	1001259281	1	Bracket	
140	1001291543	1	Support, Hose	
141	1001260307	2	Bracket	
142	1001260889	1	Bracket	
143	1001100319	1	Clip	



## SECTION 3 - ENGINE

FIGURE 3-18. DEUTZ HRC (STAGE V) ENGINE COMPONENTS



ART\_1001256823

## SECTION 3 - ENGINE

**FIGURE 3-18. DEUTZ HRC (STAGE V) ENGINE COMPONENTS**

ITEM	PART NUMBER	QTY	DESCRIPTION	REV
	1001256823	Ref	DEUTZ ENGINE COMPONENTS	E
		Ref	Note: For complete list of parts, contact JLG Parts Department	
		Ref	Air Intake System Components	
	70007083	1	Turbocharger	
		Ref	Cooling System Components	
	70004515	1	Pump, Coolant	
		Ref	Electrical System Components	
		Ref	Module, ECU/ECM	
	70029401	1	Generator (Includes Regulator & Fan)	
	70006653	1	Regulator	
	70004520	1	Starter (Includes Solenoid)	
	70025780	1	Relay, Starter	
	70005517	1	Harness, Starter to Relay	
		Ref	Harness, Injector	
	70026210	1	Sender, Tacho-Generator (Speed) (On Rear of Block & Front Cover) (Includes Seal)	
	70005559	1	Sender, Temperature (Includes Seal) (On Air Intake Manifold)	
	70024507	1	Sensor, Pressure (Includes Seal) (On Air Intake Manifold)	
	70024504	1	Sensor, Pressure (Includes Seal) (On Fuel Filter & Side of Block)	
	70029407	1	Sensor, Pressure (Includes Seal) (On Exhaust Manifold)	
	70024474	4	Plug, Glow	
		Ref	Exhaust System Components	
		Ref	Valve, EGR	
	70027425	8	Bolt, Exhaust Manifold	
	70005511	1	Gasket, Exhaust Manifold	
		Ref	Outlet, Muffler	
		Ref	Muffler	
		Ref	Bracket, Muffler Mounting	
		Ref	Compensator, Exhaust	
	70024480	1	Gasket, Turbo to Exhaust Manifold	
	70008612	1	DEF Tank Assembly (Includes Cap, Filler Filter & Venting Valve)	
	70027495	1	Filter, Filler - DEF Tank	
	70008613	1	Cap/Cover, DEF Tank	
	70027467	1	Valve, Venting - DEF Tank	
	1001293066	1	Sensor, Level - DEF Tank	
	70027463	1	Clip, Level Sensor - DEF Tank	
	70027464	1	Filter, DEF In-line	
		Ref	Fuel System Components	
		Ref	Pump, High Pressure	
	70024485	1	Injector (Includes Sealing washer, Clamp & O-Ring)	
	70006144	1	Pump, Fuel Supply (Includes Clamps)	
	70024961	1	Filter, Fuel (Pre-Filter Assembly) (Includes Head, Spin on filter, Sensor Cable & Seal)	
	70025153	1	Filter, Fuel Spin On	
	70024513	1	Sensor Cable (Includes Seal)	
	70004511	1	Filter, Fuel (Assembly) (Includes Head & Spin on Filter)	
	70004512	1	Filter, Fuel Spin On	
	70004508	1	Vol. Control Valve (Includes O-Ring & Gasket)	
	70005548	1	Pump, DEF Supply (Includes Filter, Cover & Fittings)	
		Ref	Lubricating System Components	

## SECTION 3 - ENGINE

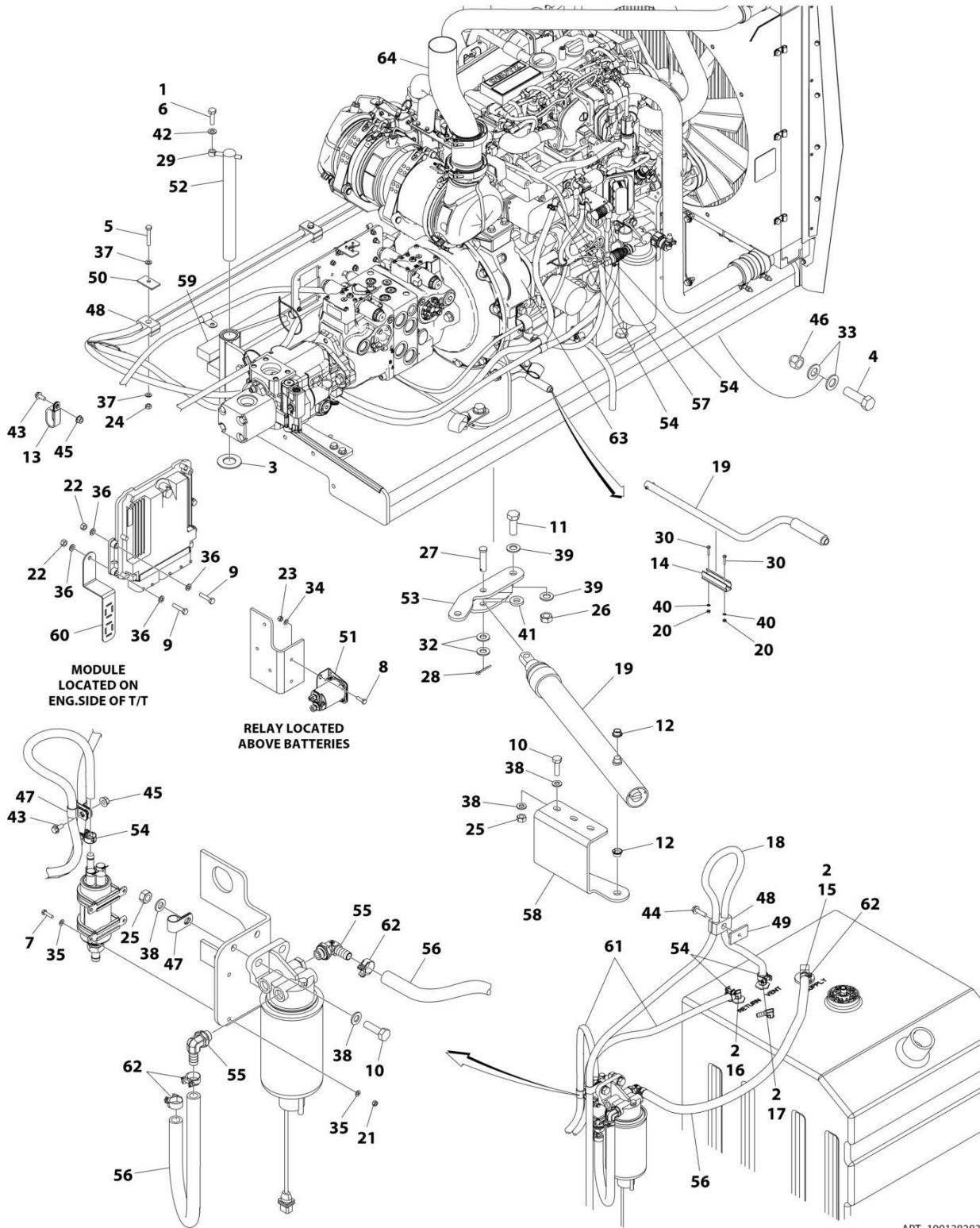
ITEM	PART NUMBER	QTY	DESCRIPTION	REV
	7020465	2	Cap, Oil Fill	
	70025088	2	Plug, Oil Drain	
	7020404	2	Seal, Oil Drain Plug	
		Ref	Pump, Oil (Includes seal 7 Gasket)	
	7016331	1	Filter, Oil	
	70024494	1	Cooler, Oil	
	70024495	1	Gasket, Oil Cooler	
	70025745	1	Dipstick (Includes Seal)	
		Ref	Mechanical Components	
	70001870	1	Flywheel (includes Gear)	
	70005498	1	Set, Narrow V-Belts	
	70005516	1	V-Belt	
	70025707	1	Gasket Set - Complete	





# SECTION 3 - ENGINE

## FIGURE 3-19. DEUTZ TCD3.6L ENGINE INSTALLATION (CHINA IV)



ART\_1001282837

## SECTION 3 - ENGINE

**FIGURE 3-19. DEUTZ TCD3.6L ENGINE INSTALLATION (CHINA IV)**

ITEM	PART NUMBER	QTY	DESCRIPTION	REV
	1001282837	Ref	DEUTZ TCD3.6L ENGINE INSTALLATION	C
1	0100011	AR	Compound, Locking	
2	0100020	AR	Sealant	
3	0440162	1	Bearing, Thrust	
4	0642220	1	Bolt 3/4 x 2-1/2	
5	0700818	3	Bolt M8 x 50	
6	0711015	1	Bolt M10 x 35 Class 10.9	
7	0760408	4	Bolt M4 x 16	
8	0760610	2	Bolt M6 x 20	
9	0760613	4	Bolt M6 x 28	
10	0761015	5	Bolt M10 x 35	
11	0771416	2	Bolt M14 x 40 Class 10.9	
12	0962051	2	Bearing, Flange	
13	1321716	3	Clamp	
14	1380147	1	Clip	
15	2180832	1	Fitting, Straight NPT/Barbed	
16	2220313	1	Fitting, 90 NPT/Barbed	
17	2221114	1	Fitting, Straight NPT/Barbed	
18	2750532	7 ft/2.1m	Hose	
19	2840016	1	Jack with Handle	
19	7016374	1	Handle (Burr Manufacturing Brand)	
19	7024598	1	Handle (Hammerblow Corp Brand)	
19	7016322	1	Wiper (Burr Manufacturing Brand Only)	
20	3290301	2	Nut M3	
21	3290405	4	Nut, Lock M4	
22	3290605	4	Nut, Lock M6	
23	3290607	2	Nut, Lock M6	
24	3290805	3	Nut, Lock M8	
25	3291007	5	Nut, Lock M10	
26	3331411	2	Nut M14 Class 10	
27	3430816	1	Pin	
28	3450404	1	Pin, Cotter 1/8 x 1	
29	3841143	1	Keeper	
30	4010308	2	Screw M3 x16	
31	4240099	AR	Tie-Strap (Not Shown)	
32	4711800	2	Washer 1/2	
33	4712200	2	Washer 3/4	
34	4791400	2	Washer 1/4	
35	4811400	8	Washer M4	
36	4811700	10	Washer M6	
37	4811900	6	Washer M8	
38	4812000	10	Washer M10	
39	4812200	4	Washer M14	
40	4871200	2	Washer, Lock M3	
41	4891800	1	Washer 1/2	
42	5241000	1	Washer M10	
43	5250810	4	Bolt M8 x 20	
44	5250814	1	Bolt M8 x 30	
45	5260800	4	Nut M8 Class 10	
46	8310067	1	Nut, lock 3/4	

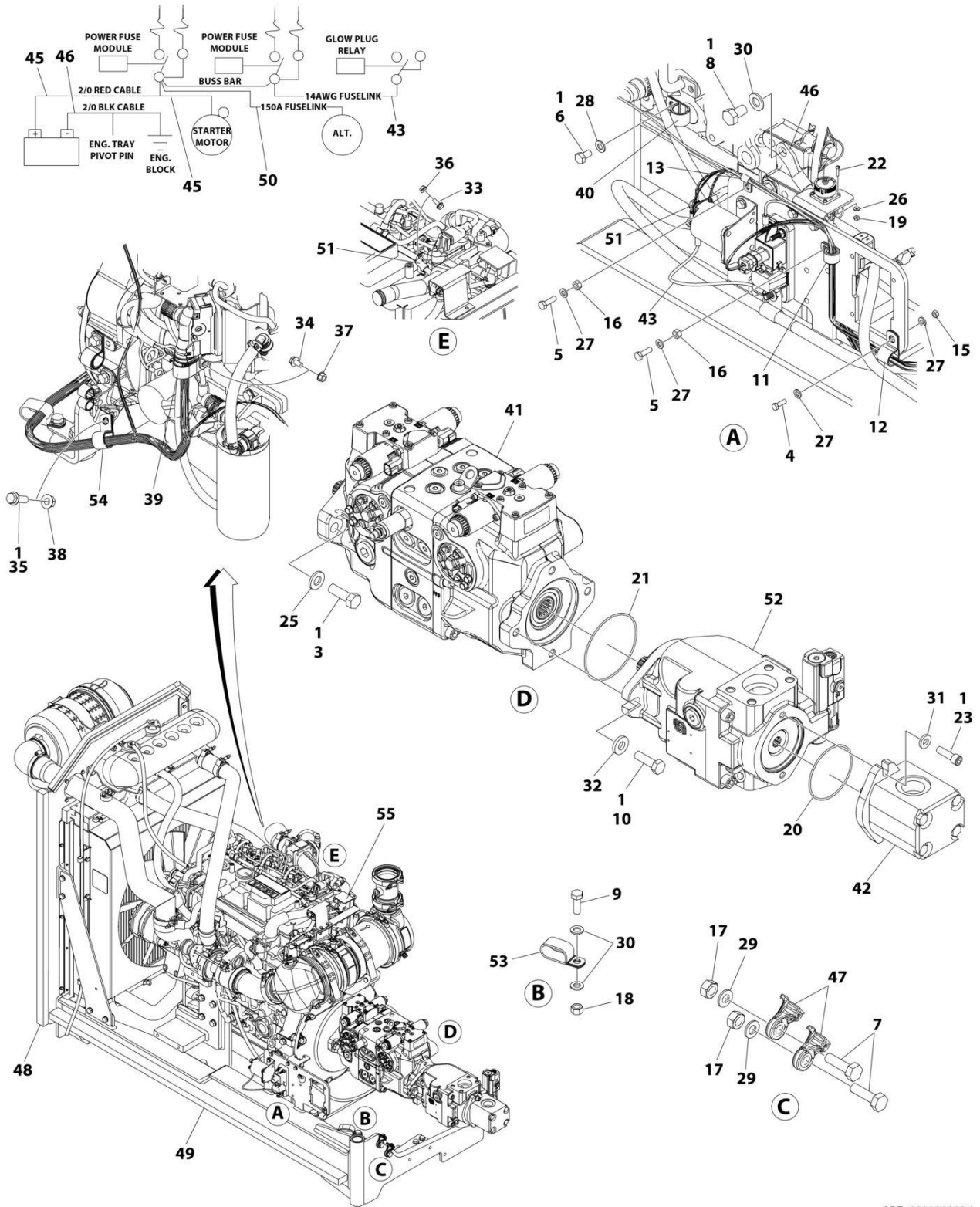
## SECTION 3 - ENGINE

ITEM	PART NUMBER	QTY	DESCRIPTION	REV
47	8406101	3	Clip	
48	8750014	4	Clamp	
49	8750031	1	Plate	
50	8769128	3	Cover	
51	1001117308	1	Relay	
52	1001135196	1	Pin	
53	1001135497	1	Support	
54	1001136975	5	Clamp	
55	1001142501	2	Fitting, 90 NPT/Barbed	
56	1001154405	4.5 ft /1.37m	Hose	
57	1001155823	1	Coupling	
58	1001155939	1	Plate	
59	1001156719	1	Seal	
60	1001159162	1	Bracket, Support	
61	1001165035	37.75 ft /1.37m	Hose	
62	1001186342	4	Clamp	
63	1001282836	1	Deutz TCD3.6L Engine and Pumps Assembly (See Separate Breakdown in this Section)	
64	1001288430	1	Pipe, Exhaust	
65	1001211885	1	Fuel Harness (Not Shown - See Separate Breakdown in ELECTRICAL Section)	



# SECTION 3 - ENGINE

## FIGURE 3-20. DEUTZ TCD3.6L ENGINE AND PUMPS ASSEMBLY (CHINA IV)



ART\_1001282836

## SECTION 3 - ENGINE

**FIGURE 3-20. DEUTZ TCD3.6L ENGINE AND PUMPS ASSEMBLY (CHINA IV)**

ITEM	PART NUMBER	QTY	DESCRIPTION	REV
	1001282836	Ref	DEUTZ TCD3.6L ENGINE/PUMPS ASSEMBLY	C
1	0100011	AR	Compound, Locking	
2	0100035	AR	Compound, Locking	
3	0641812	2	Bolt 1/2 x 1-1/2	
4	0760508	1	Bolt M5 x 16	
5	0760610	2	Bolt M6 x 20	
6	0760807	1	Bolt M8 x 14	
7	0761015	2	Bolt M10 x 35	
8	0761210	1	Bolt M12 x 20	
9	0761215	2	Bolt M12 x 35	
10	0761216	2	Bolt M12 x 40	
11	1320041	1	Clamp	
12	1320061	1	Clamp	
13	1320136	1	Clamp	
15	3290501	1	Nut M5	
16	3290607	2	Nut, Lock M6	
17	3291007	2	Nut, Lock M10	
18	3291207	2	Nut, Lock M12	
19	3310401	3	Nut #4	
20	3790152	1	O-Ring	
21	3790155	1	O-Ring	
22	3910408	3	Screw #4 x 1/2	
23	3931620	2	Bolt 3/8 x 1-1/4	
24	4240099	AR	Tie-Strap (Not Shown)	
25	4740171	2	Washer	
26	4750400	3	Washer #4	
27	4811700	4	Washer M6	
28	4811900	1	Washer M8	
29	4812000	2	Washer M10	
30	4812100	5	Washer M12	
31	4891600	2	Washer 3/8	
32	4891800	2	Washer 1/2	
33	5250608	1	Bolt M6 x 16 Class 10.9	
34	5250808	1	Bolt M8 x 16 Class 10.9	
35	5251215	1	Bolt M12 x 35 Class 10.9	
36	5260600	1	Nut M6 Class 10	
38	5261200	1	Nut M12 Class 10	
39	8406303	1	Clip	
40	91043147	1	Clamp	
41	1001108616	1	Tandem Pump Assembly (See Separate Breakdown in this Section)	
42	1001112927	1	Gear Pump Assembly (See Separate Breakdown in this Section)	
43	1001141304	1	Wire, Glow Plug	
44	1001146588	AR	Fir Tree (Not Shown)	
45	1001154142	1	Cable, Battery (Positive)	
46	1001154143	1	Cable, Battery (Negative)	
47	1001156107	2	Holder, Cable	
48	1001156718	1	Seal	
49	1001156719	1	Seal	
50	1001157073	1	Cable, Alternator Power	

## SECTION 3 - ENGINE

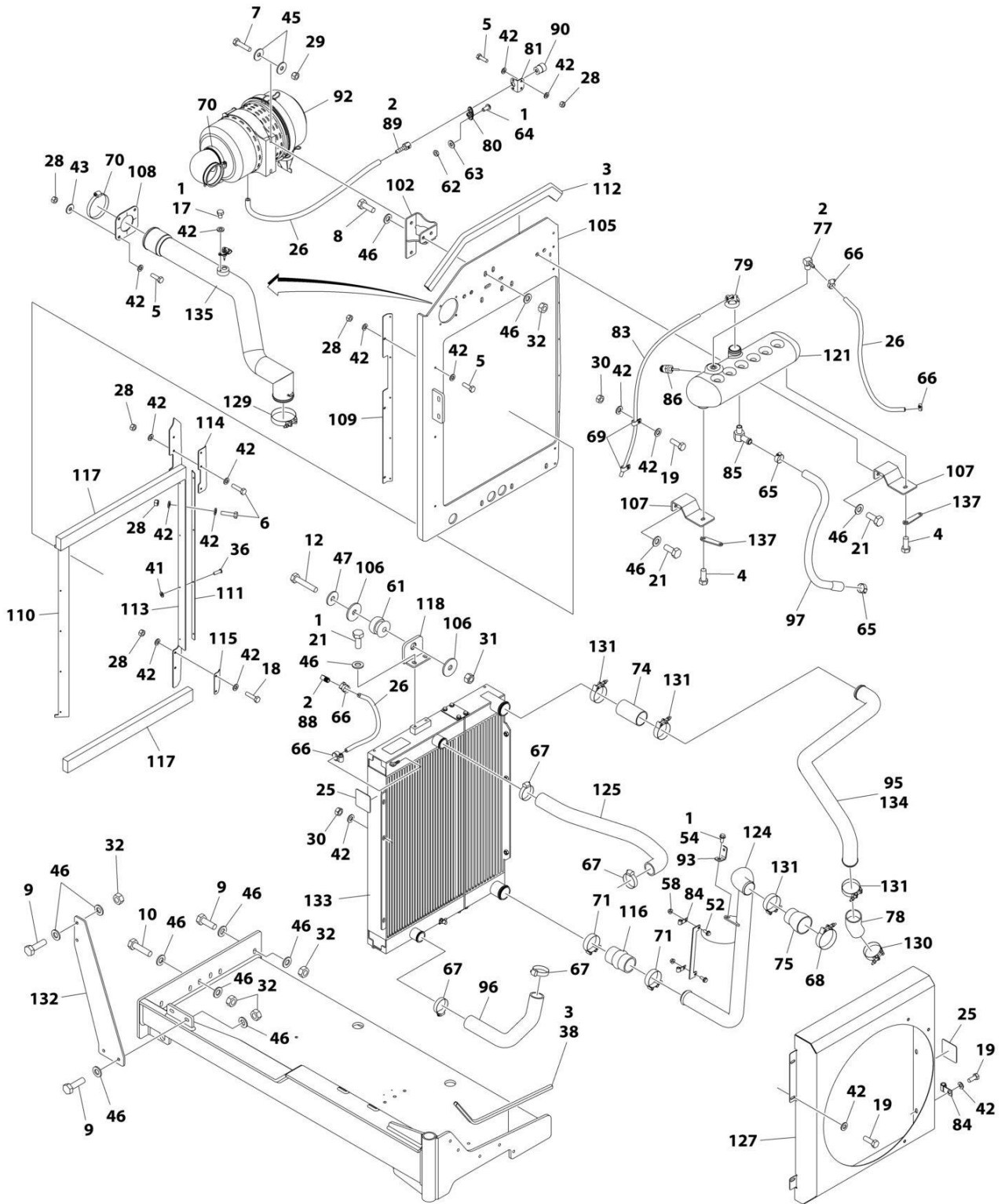
ITEM	PART NUMBER	QTY	DESCRIPTION	REV
51	1001168734	1	Wire, Glow Plug	
52	1001169892	1	Piston Pump Assembly (See Separate Breakdown in this Section)	
53	1001181899	2	Clamp	
54	1001191620	1	Clamp	
55	1001282835	1	Deutz TCD3.6L Engine Assembly (See Separate Breakdown in this Section)	
56	1001285004	1	Harness, Engine (Not Shown) (See Separate Separate Breakdown in this Section)	





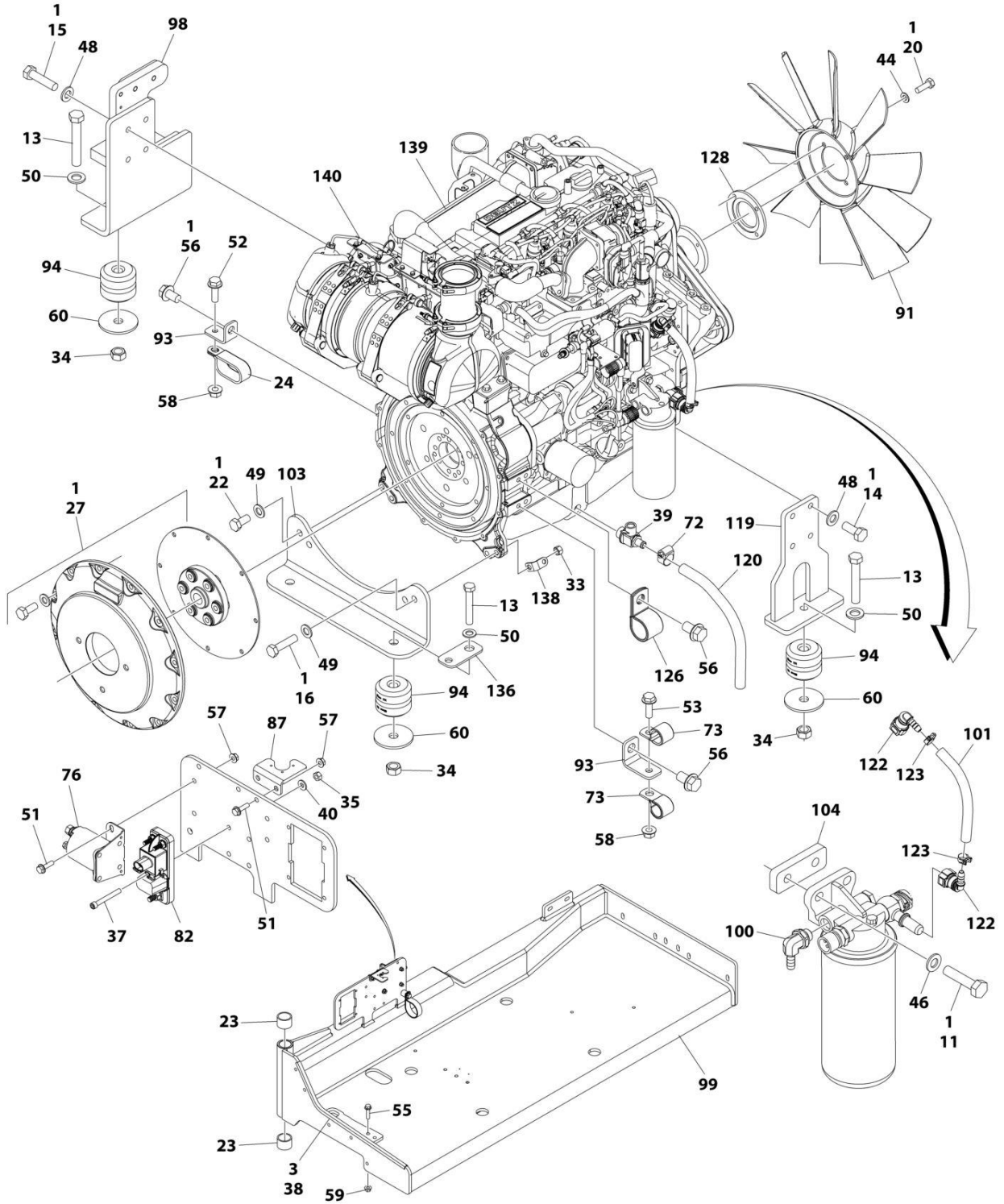
# SECTION 3 - ENGINE

## FIGURE 3-21. DEUTZ TCD3.6L ENGINE ASSEMBLY (CHINA IV)



ART\_1001282835\_10F2

# SECTION 3 - ENGINE



ART\_1001282835\_20F2

## SECTION 3 - ENGINE

FIGURE 3-21. DEUTZ TCD3.6L ENGINE ASSEMBLY (CHINA IV)

ITEM	PART NUMBER	QTY	DESCRIPTION	REV
	1001282835	Ref	DEUTZ TCD3.6L ENGINE ASSEMBLY	C
1	0100011	AR	Compound, Locking	
2	0100020	AR	Sealant	
3	0100081	AR	Adhesive	
4	0641607	2	Bolt 3/8 x 7/8	
5	0700610	9	Bolt M6 x 20	
6	0700612	7	Bolt M6 x 25	
7	0700815	2	Bolt M8 x 35	
8	0701013	2	Bolt M10 x 28	
9	0701015	6	Bolt M10 x 35	
10	0701016	2	Bolt M10 x 40	
11	0701017	2	Bolt M10 x 45	
12	0701019	1	Bolt M10 x 55	
13	0701627	4	Bolt M16 x 100	
14	0711214	4	Bolt M12 x 30 Class 10.9	
15	0711218	4	Bolt M12 x 50 Class 10.9	
16	0711419	1	Bolt M14 x 55 Class 10.9	
17	0760604	1	Bolt M6 x 8	
18	0760614	2	Bolt M6 x 30	
19	0760810	6	Bolt M8 x 20	
20	0760812	4	Bolt M8 x 25	
21	0761012	6	Bolt M10 x 25	
22	0771415	3	Bolt M14 x 35 Class 10.9	
23	0961951	2	Bushing	
24	1321716	1	Clamp	
25	1703162	2	Decal - Fan Blade	
26	2720015	5 ft/ 1.5m	Hose	
27	2902065	1	Pump Coupling Kit (See Separate Breakdown in this Section)	
28	3290607	18	Nut, Lock M8	
29	3290805	2	Nut, Lock M8	
30	3290807	3	Nut, Lock M8	
31	3291005	1	Nut, Lock M10	
32	3291007	10	Nut, Lock M10	
33	3291407	1	Nut, Lock M14	
34	3291601	4	Nut M16	
35	3311405	1	Nut, Lock 1/4	
36	3820032	9	Rivet	
37	3931432	1	Bolt 1/4 x 2	
38	4060807	22 in/ 56cm	Flex-Trim	
39	4640751	1	Valve, Oil Drain	
40	4711400	1	Washer 1/4	
41	4811600	4	Washer M5	
42	4811700	33	Washer M6	
43	4811702	4	Washer M6	
44	4811900	13	Washer M8	
45	4811902	4	Washer M8	
46	4812000	30	Washer M10	
47	4812002	1	Washer M10	
48	4812100	8	Washer M12	

## SECTION 3 - ENGINE

ITEM	PART NUMBER	QTY	DESCRIPTION	REV
49	4812200	4	Washer M14	
50	5241600	4	Washer M16	
51	5250611	4	Bolt M6 x 22 Class 10.9	
52	5250810	3	Bolt M8 x 20 Class 10.9	
53	5250812	1	Bolt M8 x 25 Class 10.9	
54	5251008	1	Bolt M10 x 16 Class 10.9	
55	5251016	2	Bolt M10 x 40 Class 10.9	
56	5251210	3	Bolt M12 x 20 Class 10.9	
57	5260600	4	Nut M6 Class 10	
58	5260800	4	Nut M8 Class 10	
59	5261000	2	Nut M10 Class 10	
60	7300435	4	Washer	
61	8278020	1	Mount	
62	8305401	2	Nut 1/4	
63	8307109	2	Washer 1/4	
64	8310548	2	Bolt 1/4 x 1/2	
65	8405007	2	Clamp	
66	1320022	4	Clamp	
67	8405104	4	Clamp	
68	8405211	1	Clamp	
69	8406109	2	Clip	
70	8410011	2	Clamp	
71	8410012	2	Clamp	
72	8410013	1	Clamp	
73	24861170	2	Clamp	
74	91563070	1	Coupling, Rubber	
75	1001117244	1	Reducer	
76	1001117308	1	Relay, 200Amp	
77	1001134488	1	Fitting, 90 NPT/Barbed	
78	1001135943	1	Coupling	
79	1001136834	1	Cap	
80	1001138173	1	Support	
81	1001138175	1	Bracket	
82	1001138228	1	Relay	
83	1001138248	5 ft/ 1.5m	Tubing	
84	1001138253	5	Clamp	
85	1001138559	1	Fitting, 90 NPT	
86	1001138827	1	Sensor	
87	1001139240	1	Bracket	
88	1001140564	1	Fitting, 90 NPT/Barbed	
89	1001141995	1	Fitting, Straight NPT/Barbed	
90	1001143390	1	Indicator, Air Restriction	
91	1001147567	1	Fan	
92	1001147847	1	Filter, Air	
92	70023809	1	Element, Primary	
92	70023872	1	Element, Secondary	
92	70024328	1	Elbow, Rubber	
92	70024329	1	Clamp, Mounting	
93	1001148641	3	Bracket	
94	1001149517	4	Mount, Motor	
95	1001150498	1	Tube	

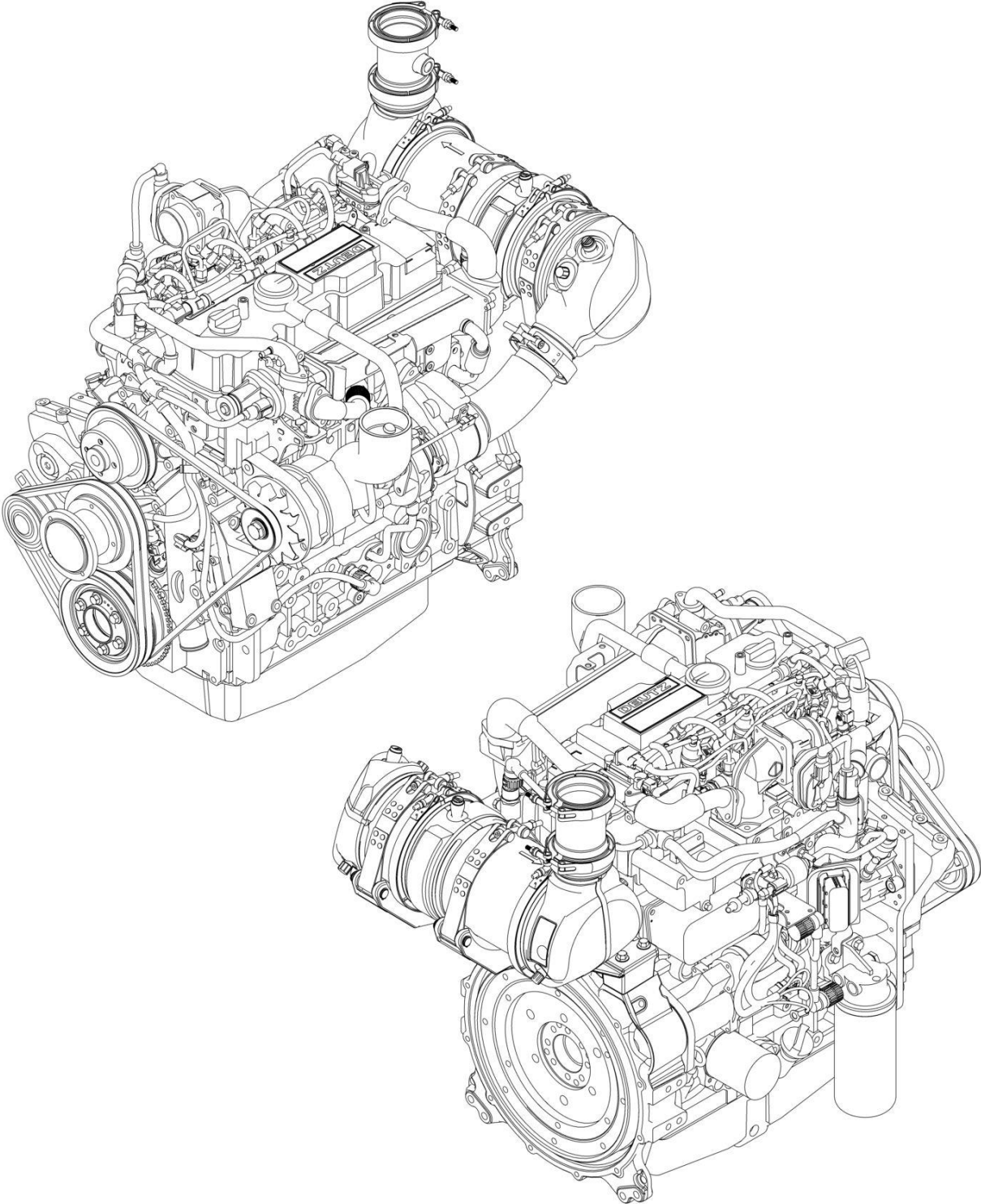
## SECTION 3 - ENGINE

ITEM	PART NUMBER	QTY	DESCRIPTION	REV
96	1001150504	1	Hose	
97	1001150553	1	Hose	
98	1001151491	1	Support	
99	1001151749	1	Tray	
100	1001152489	1	Fitting, 90 Barbed	
101	1001154405	8.5 in/ 21cm	Hose	
102	1001155023	1	Plate	
103	1001155496	1	Support	
104	1001155498	1	Plate	
105	1001155525	1	Support	
106	1001155540	2	Washer	
107	1001155557	2	Plate	
108	1001155563	1	Seal	
109	1001155564	1	Bracket	
110	1001155565	1	Seal	
111	1001155566	1	Bracket	
112	1001155728	1	Seal	
113	1001156034	1	Seal	
114	1001156035	1	Bracket	
115	1001156062	1	Bracket	
116	1001156091	1	Hose	
117	1001156644	2	Seal	
118	1001157862	1	Bracket	
119	1001160518	1	Support	
120	1001165035	1 ft/ 0.3m	Hose	
121	1001166393	1	Tank	
122	1001170982	2	Fitting, 90 SAE/Barbed	
123	1001175568	2	Clip	
124	1001190418	1	Tube	
125	1001191122	1	Hose, Upper	
126	1001191620	1	Clamp	
127	1001192138	1	Shroud	
128	1001197317	1	Spacer	
129	1001208297	1	Clamp	
130	1001208298	1	Clamp	
131	1001208299	4	Clamp	
132	1001212817	1	Plate	
133	1001256862	1	Radiator	
134	1001259203	1	Hose	
135	1001259208	1	Hose	
136	1001259281	1	Bracket	
137	1001260307	2	Bracket	
138	1001260889	1	Bracket	
139	1001282834	1	Deutz TCD3.6L Engine Components (See Separate Breakdown in this Section)	
140	1001288463	1	Exhaust Sensor Installation (See Separate Breakdown in this Section)	



**SECTION 3 - ENGINE**

**FIGURE 3-22. DUETZ TCD3.6L ENGINE COMPONENTS (CHINA IV)**



ART\_1001282834



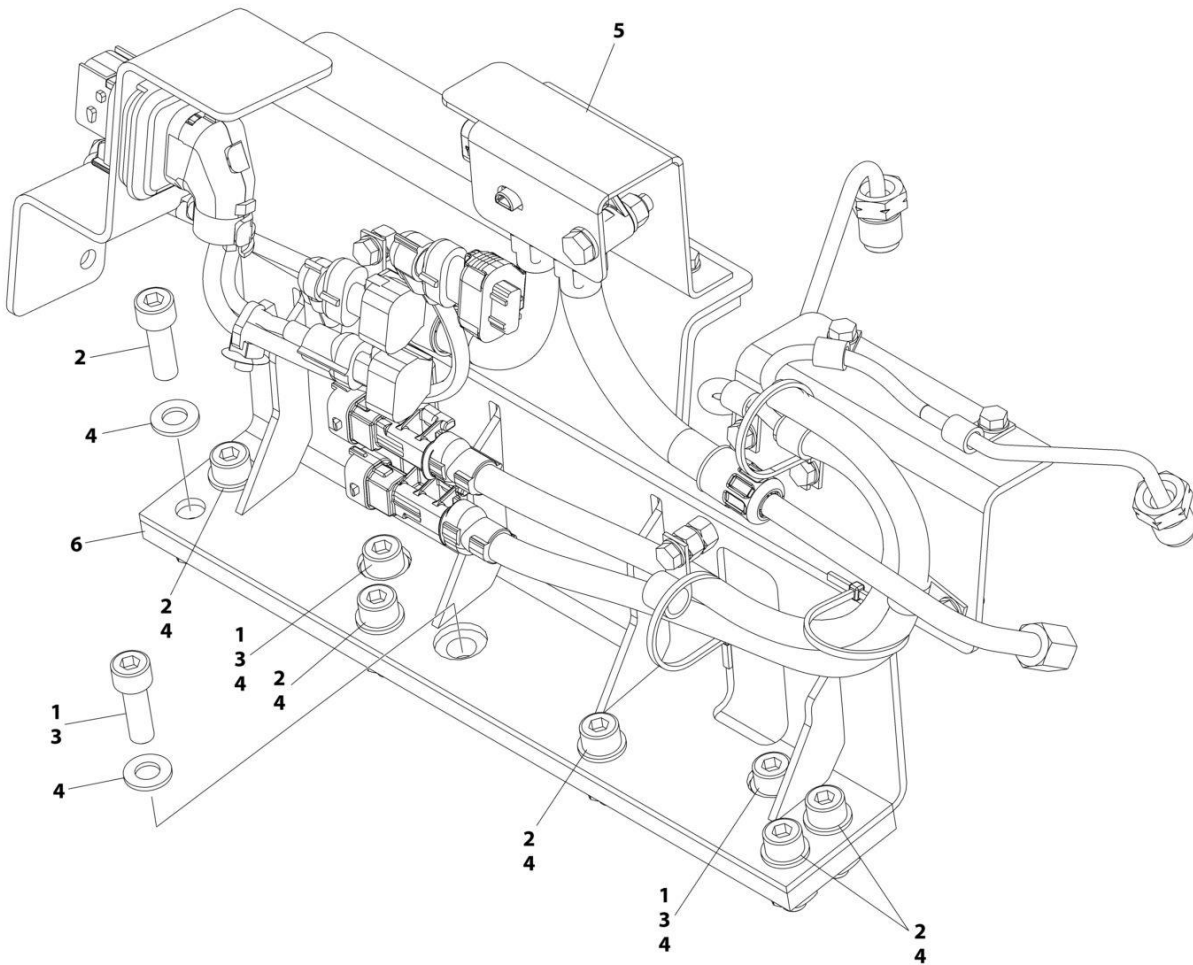
## SECTION 3 - ENGINE

**FIGURE 3-22. DEUTZ TCD3.6L ENGINE COMPONENTS (CHINA IV)**

ITEM	PART NUMBER	QTY	DESCRIPTION	REV
	1001282834 SEE NOTE	Ref Ref	DEUTZ TCD3.6L ENGINE COMPONENTS Note: No Service Parts Available at Time of Printing.	A

# SECTION 3 - ENGINE

## FIGURE 3-23. EXHAUST TEMPERATURE SENSOR INSTALLATION (DEUTZ TCD3.6L (CHINA IV) ENGINE)



ART\_1001288463

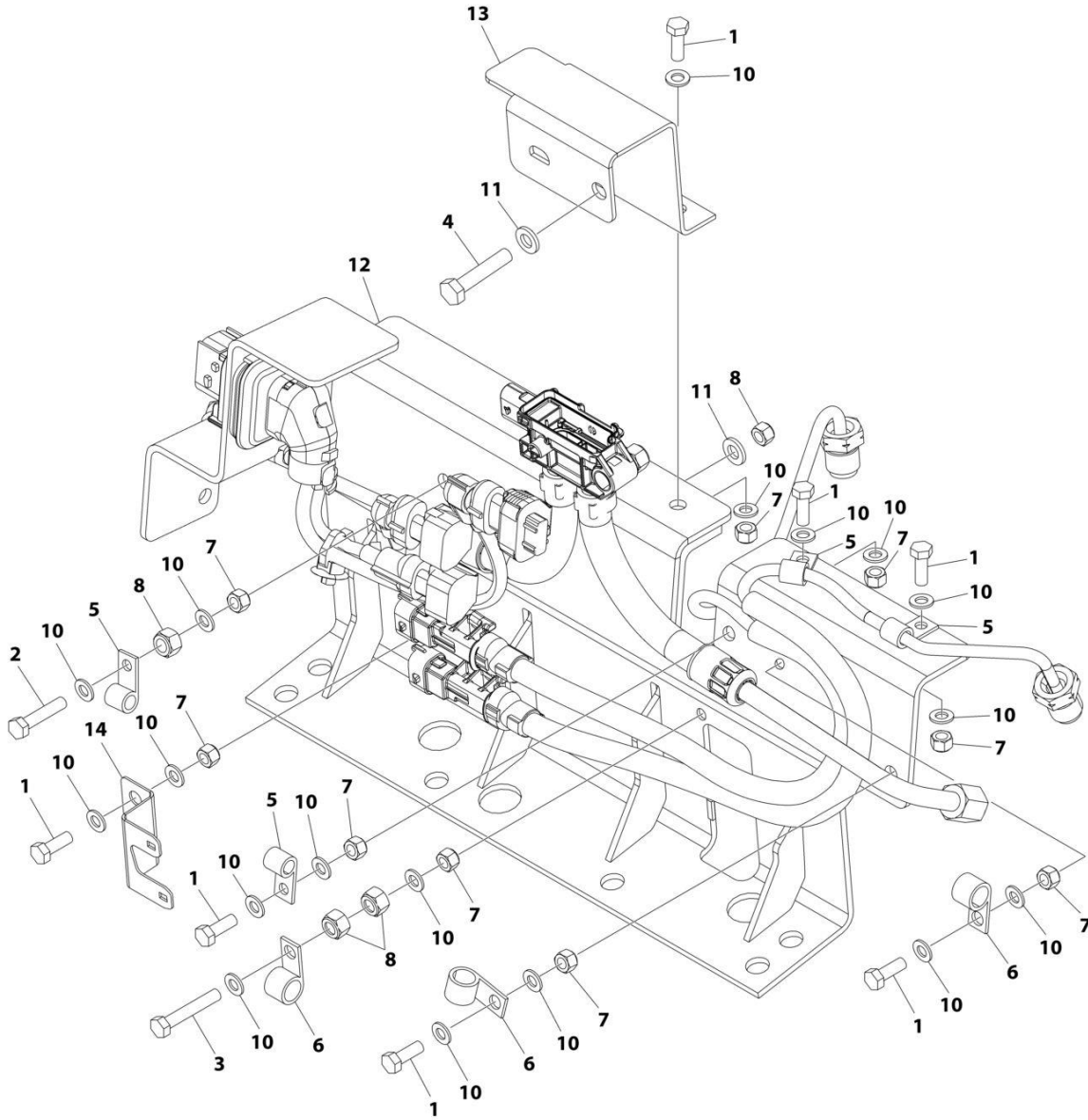
## SECTION 3 - ENGINE

**FIGURE 3-23. EXHAUST TEMPERATURE SENSOR INSTALLATION (DEUTZ TCD3.6L (CHINA IV) ENGINE)**

ITEM	PART NUMBER	QTY	DESCRIPTION	REV
	1001288463	Ref	EXHAUST TEMPERATURE SENSOR INSTALLATION	A
1	0100011	AR	Compound, Locking	
2	4031909	6	Bolt M8 x 25	
3	4031910	3	Bolt M8 x 30	
4	4811900	9	Washer M8	
5	1001288447	1	Exhaust Temperature Sensor Assembly (See Separate Breakdown in this Section)	
6	1001288464	1	Plate, Mounting	

# SECTION 3 - ENGINE

## FIGURE 3-24. EXHAUST TEMPERATURE SENSOR ASSEMBLY (DEUTZ TCD3.6L (CHINA IV) ENGINE)



ART\_1001288447

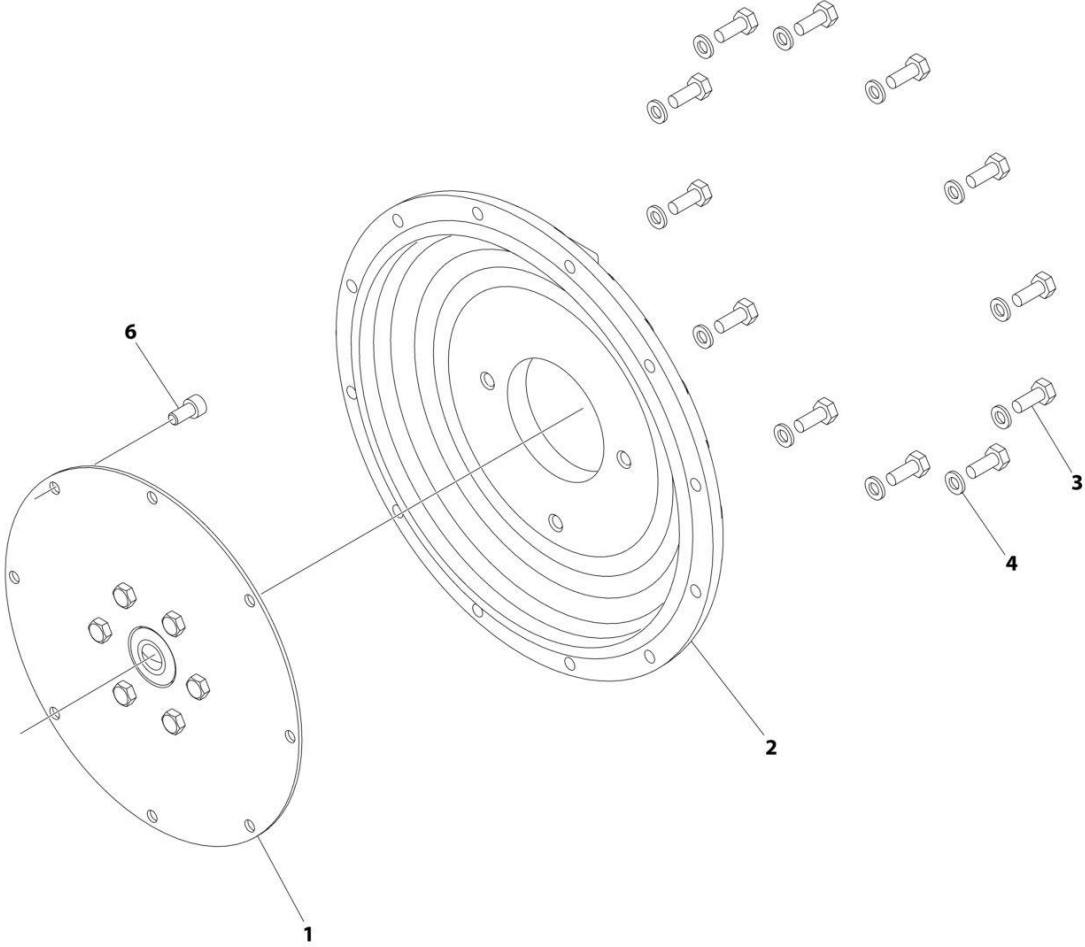
## SECTION 3 - ENGINE

**FIGURE 3-24. EXHAUST TEMPERATURE SENSOR ASSEMBLY (DEUTZ TCD3.6L (CHINA IV) ENGINE)**

ITEM	PART NUMBER	QTY	DESCRIPTION	REV
	1001288447	Ref	EXHAUST TEMPERATURE SENSOR ASSEMBLY	A
1	0760507	9	Bolt M5 x 14	
2	0760512	1	Bolt M5 x 25	
3	0760514	1	Bolt M5 x 30	
4	0760614	1	Bolt M6 x 30	
5	1320040	4	Clamp	
6	1320043	3	Clamp	
7	3290505	11	Nut, Lock M5	
8	3290605	4	Nut, Lock M6	
9	4240099	AR	Tie Strap (Not Shown)	
10	4811600	22	Washer M5	
11	4811700	2	Washer M6	
12	1001288444	1	Mount	
13	1001288445	1	Cover	
14	1001288446	1	Bracket	

**SECTION 3 - ENGINE**

**FIGURE 3-25. PUMP COUPLING KIT**



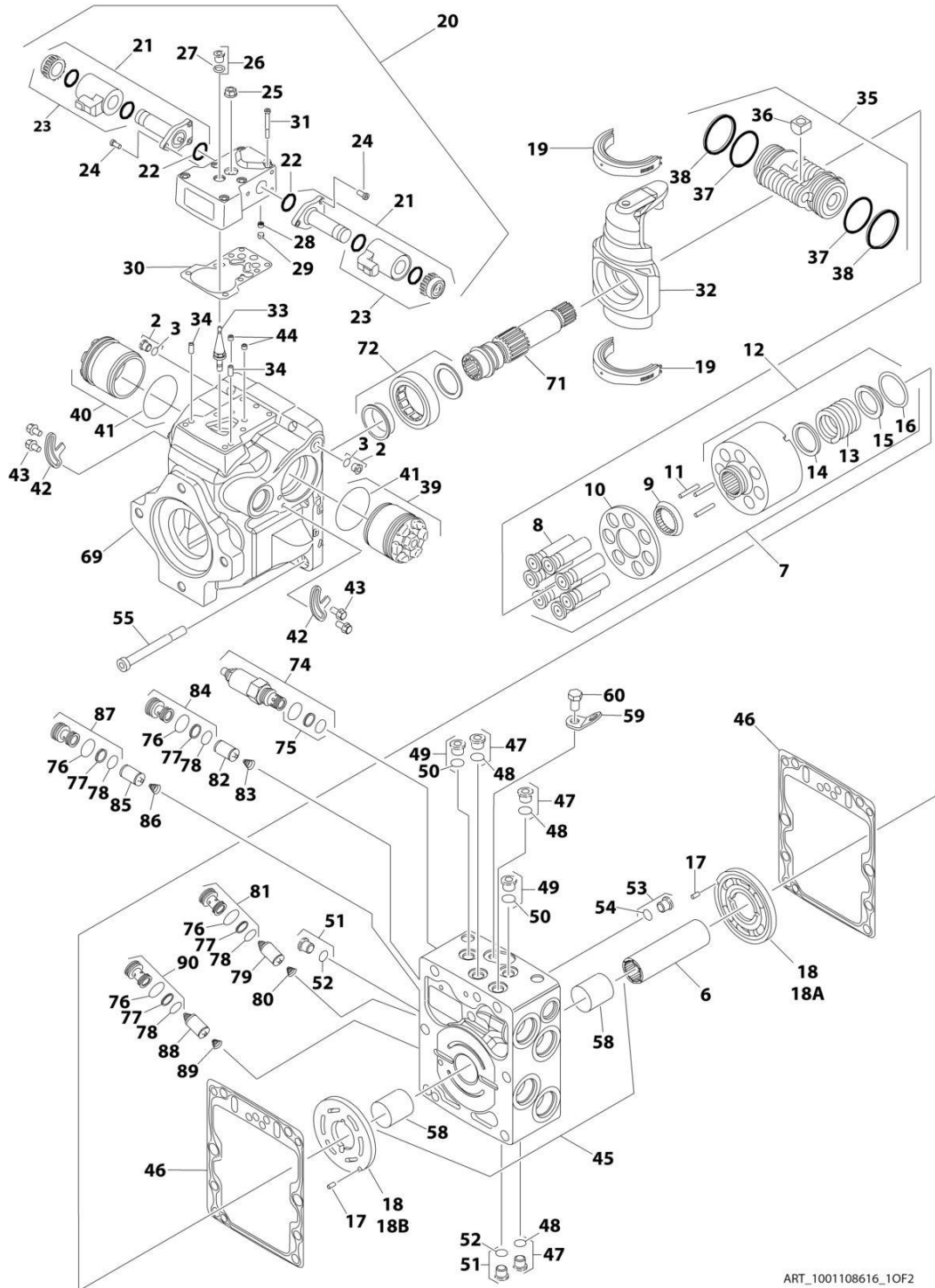
ART\_2902065

FIGURE 3-25. PUMP COUPLING KIT

ITEM	PART NUMBER	QTY	DESCRIPTION	REV
	2902065	Ref	PUMP COUPLING KIT	L
1	70000793	1	Coupling, Hayes	
2	See Note	NSS	Plate, Pump Adapter (Note: Use p/n 2902065)	
3	See Note	NSS	Bolt M10 x 30 Grade 10.9 (Note: Use p/n 2902065)	
4	See Note	NSS	Washer M10 (Note: Use p/n 2902065)	
6	See Note	NSS	Bolt M10 x 20 Grade 10.9 (Note: Use p/n 2902065)	

# SECTION 3 - ENGINE

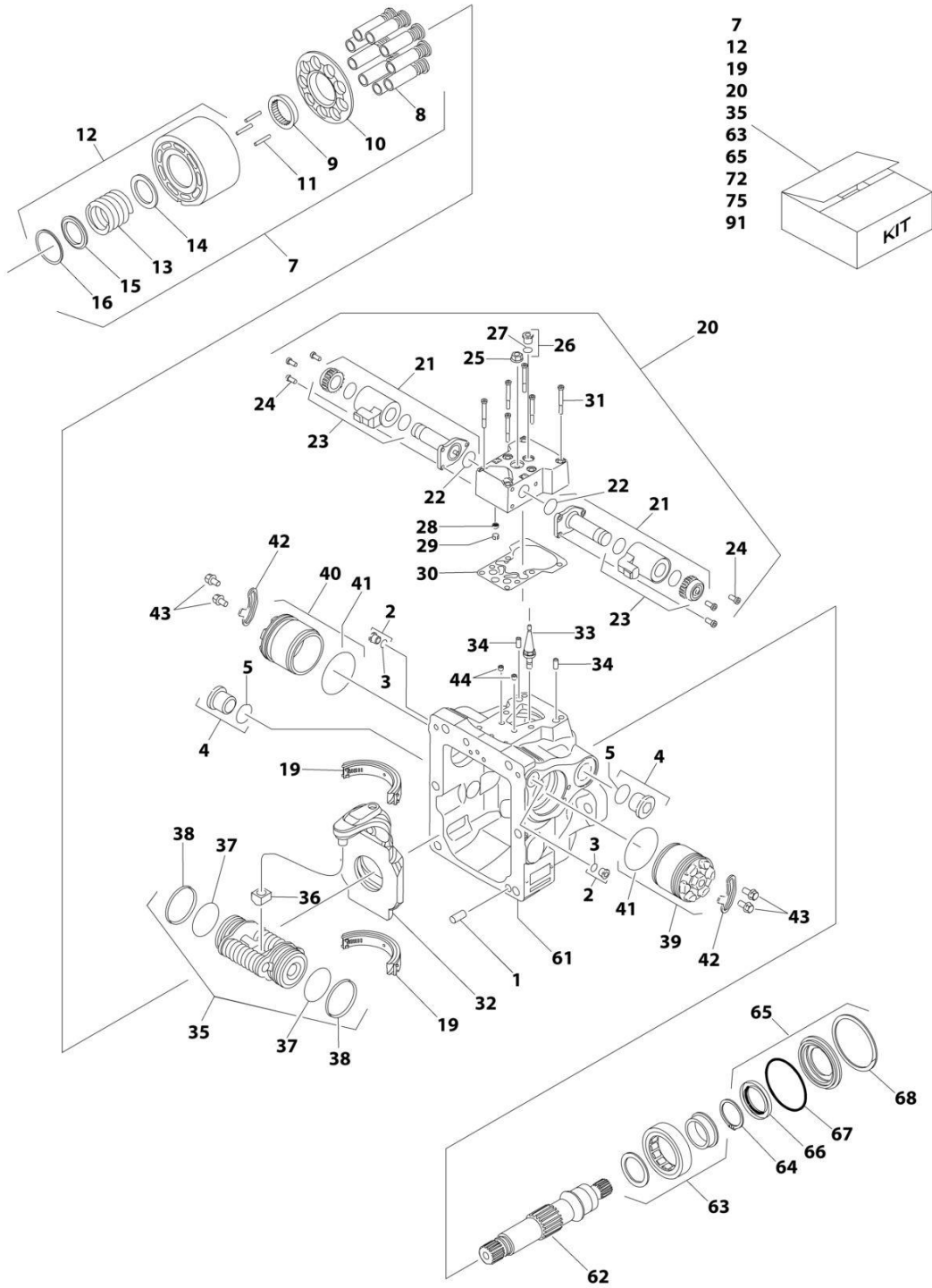
## FIGURE 3-26. TANDEM PUMP ASSEMBLY



ART\_1001108616\_10F2



# SECTION 3 - ENGINE



ART\_1001108616\_20F2

# SECTION 3 - ENGINE

## FIGURE 3-26. TANDEM PUMP ASSEMBLY

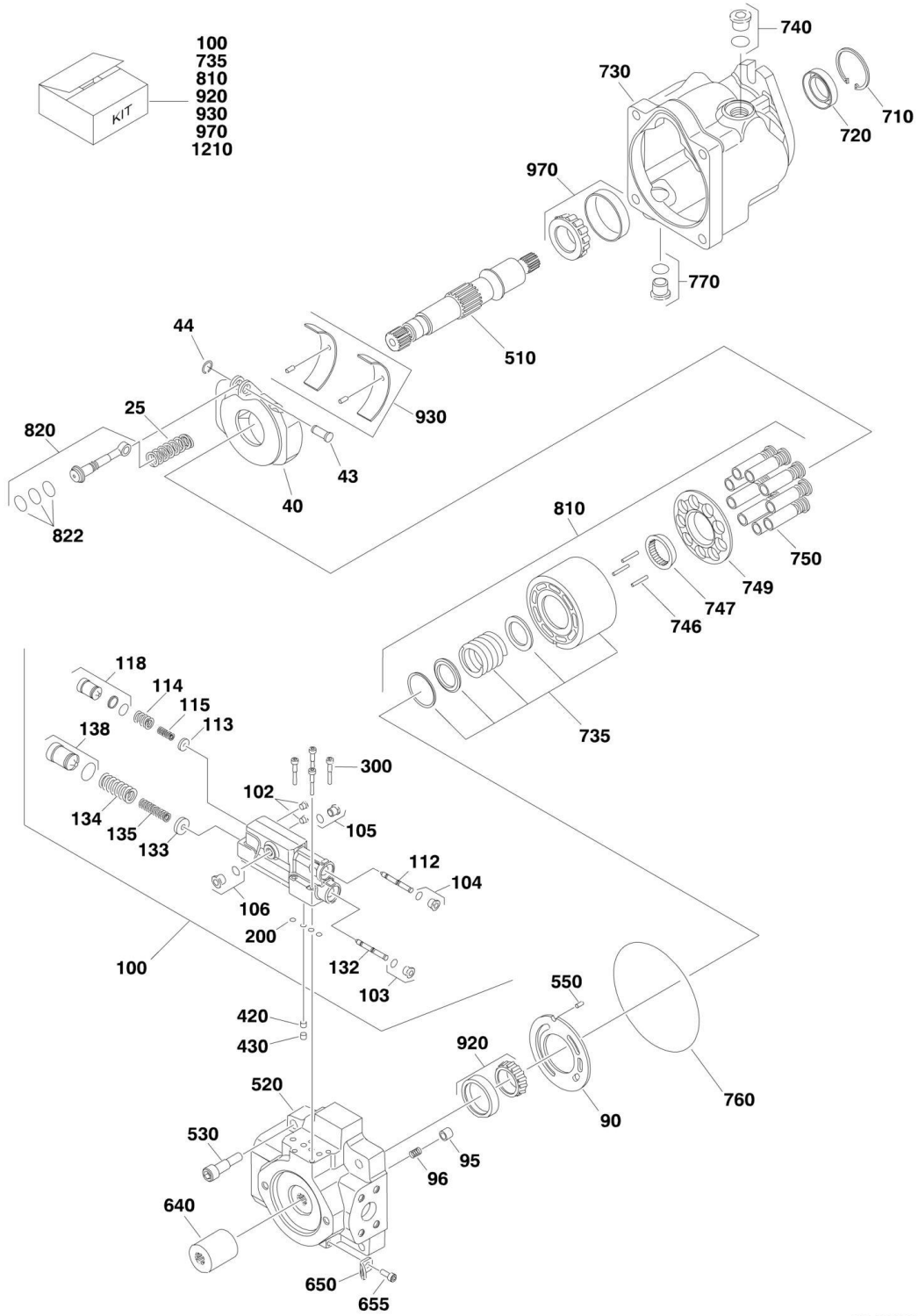
ITEM	PART NUMBER	QTY	DESCRIPTION	REV
	1001108616	Ref	PUMP ASSEMBLY (SAUER TANDEM)	D
1	70002132	4	Pin	
2	70002133	4	Plug Assembly (Includes Item 3)	
3	7007207	4	O-Ring (Part of Item 2)	
4	7007419	2	Plug Assembly (Includes Item 5)	
5	7007418	2	O-Ring (Part of Item 4)	
6	70002600	1	Coupling	
7	70002135	2	Cylinder Block Kit (Each Kit Includes Qty 1 of Items 8-10 & 12-16 & Qty 3 of Item 11)	
8	70002136	2	Piston Assembly Kit (Includes Qty 9 Piston Assemblies) (Part of Item 7)	
9	70002137	2	Guide, Slipper Retainer (Part of Item 7)	
10	70002138	2	Retainer, Slipper (Part of Item 7)	
11	7021275	6	Pin, Slipper Retainer Holddown (Part of Item 7)	
12	70002135	2	Cylinder Block Assembly (Includes Qty 1 of Item 13-16) (Part of Item 7)	
13	70002139	2	Spring (Part of Item 12)	
14	70002140	2	Washer (Part of Item 12)	
15	70002141	2	Washer (Part of Item 12)	
16	70002142	2	Ring, Retaining (Part of Item 12)	
17	7007446	2	Pin	
18		Ref	Plate, Valve Options:	
18A	70002601	1	Plate, CW Valve	
18B	70002602	1	Plate, CCW Valve	
19	70002145	2	Swash Plate Bearing Kit (Includes Qty 2 Bearings)	
20	70002618	2	EDC Kit (Includes Items 21-31)	
21	70002619	4	Solenoid Valve Assembly (Includes Items 22 & 23) (Part of Item 20)	
22	70002148	4	O-Ring (2 Per EDC Assembly) (Part of Item 21)	
23	70002620	4	Coil, Nut and Seals Kit (2 Per EDC Assembly) (Part of Item 21)	
24	70002150	12	Screw (Part of Item 20)	
25	7022301	2	Nut, Seal (Part of Item 20)	
26	70002151	2	Plug Assembly (Part of Item 20) (Includes Item 27)	
27	7007207	2	O-Ring (Part of Item 26)	
28	70002134	2	Screen (Part of Item 20)	
29	70002153	2	Ring, Locking (Part of Item 20)	
30	70002154	2	Gasket, Control (Part of Item 20)	
31	70002156	12	Capscrew (Part of Item 20)	
32	70002152	2	Swash Plate	
33	70002155	2	Link, Swash Plate	
34	70002157	4	Pin, Dowel	
35	70002158	2	Servo Piston Assembly (Includes Items 36-38)	
36	70002159	2	Block, Slider (Part of Item 35)	
37	70002160	2	O-Ring (Part of Item 35)	
38	70002161	2	Ring, Piston (Part of Item 35)	
39	70002162	2	Cylinder, Servo	
40	70002162	2	Cylinder, Servo	
41	70002163	4	O-Ring	
42	70002164	4	Plate, Locking	
43	70002165	8	Screw	

## SECTION 3 - ENGINE

ITEM	PART NUMBER	QTY	DESCRIPTION	REV
44	70002604	4	Orifice	
45	70002605	1	Center Section Assembly (Includes Item 58)	
46	70002168	2	Gasket, End Cap	
47	70001958	2	Plug Assembly (Includes Item 48)	
48	7021256	2	O-Ring (Part of Item 47)	
49	70001958	2	Plug Assembly (Includes Item 50)	
50	7021256	2	O-Ring (Part of Item 49)	
51	70001958	2	Plug Assembly (Includes Item 52)	
52	7021256	2	O-Ring (Part of Item 51)	
53	70001958	2	Plug Assembly (Includes Item 54)	
54	7021256	2	O-Ring (Part of Item 53)	
55	70002606	4	Capscrew	
58	70002607	2	Bearing, Journal (Part of Item 45)	
59	70002608	1	Bracket, Lifting	
60	70002609	1	Screw	
61	See Note	1	Housing (Note: Not Available for Purchase)	
62	70002175	1	Shaft	
63	70002610	1	Ball Bearing Kit	
	7007439	1	Ring, Retaining	
65	70002174	1	Shaft Seal Kit (Includes Items 66-68) (Note: This is a universal kit and will contain extra pieces that are not used on this pump assembly)	
66	70002177	1	Seal, Lip	
67	70002178	1	O-Ring	
68	70002179	1	Ring, Retaining	
69	See Note	1	Housing (Note: Not Available for Purchase)	
71	70002612	1	Shaft	
72	70002610	1	Ball Bearing Kit	
74	70002621	1	High Pressure Relief Valve Cartridge Assembly (Includes Item 75)	
75	70002622	1	Seal Kit - 70002621 Valve (Part of Item 74)	
76	7007415	1	O-Ring (Part of Items 81, 84, 87 & 90)	
77	7021293	1	Ring, Back-up (Part of Items 81, 84, 87 & 90)	
78	7022300	1	O-Ring (Part of Items 81, 84, 87 & 90)	
79	70002616	1	SCR Valve Assembly	
80	7024800	1	Spring	
81	7021265	1	Plug Assembly (Includes Qty 1 of Items 76-78)	
82	70002616	1	SCR Valve Assembly	
83	7024800	1	Spring	
84	7021265	1	Plug Assembly (Includes Qty 1 of Item 76-78)	
85	70002616	1	SCR Valve Assembly	
86	7024800	1	Spring	
87	70002617	1	Plug Assembly (Includes Qty 1 of Item 76-78)	
88	70002616	1	SCR Valve Assembly	
89	7024800	1	Spring	
90	7021265	1	Plug Assembly (Includes Qty 1 of Items 76-78)	
91	70002623	1	Overhaul Seal Kit (Includes Items 3, 5, 22, 27, 30, 37, 38, 41, 46, 48, 50, 52, 54, 66, 67, 75, 76, 77 & 78)	

# SECTION 3 - ENGINE

## FIGURE 3-27. PISTON PUMP ASSEMBLY



1001169892

## SECTION 3 - ENGINE

### FIGURE 3-27. PISTON PUMP ASSEMBLY

ITEM	PART NUMBER	QTY	DESCRIPTION	REV
	1001169892	Ref	PISTON PUMP ASSEMBLY	D
25	70002580	1	Spring, Bias	
40	70004416	1	Swashplate Assembly	
43	70002582	1	Shaft	
44	70002583	1	Ring, Retaining	
90	70004417	1	Plate, Valve	
95	70001956	1	Poppet, Check Valve	
96	70001955	1	Spring	
100	70022286	1	Kit, Control (Includes Items 102 - 300)	
102	70023351	1	Setscrew	
103	70002133	1	Plug Assembly (Includes O-Ring)	
103	7007207	1	O-Ring	
104	70002133	1	Plug Assembly (Includes O-Ring)	
104	7007207	1	O-Ring	
105	70002133	1	Plug Assembly (Includes O-Ring)	
105	7007207	1	O-Ring	
106	70002133	1	Plug Assembly (Includes O-Ring)	
106	7007207	1	O-Ring	
112	70004418	1	Spool	
113	70023353	1	Guide, Spring LS	
114	70023354	1	Spring, Outer LS	
115	70023355	1	Spring, Inner LS	
118	70024039	1	Plug, Adjusting LS	
132	70023352	1	Spool, Control	
133	70023357	1	Guide, Spring PC	
134	70023358	1	Spring, Outer PC	
135	70023359	1	Spring, Inner PC	
138	70024040	1	Plug, Adjusting PC (Includes O-Ring)	
138	70023361	1	O-Ring	
200	70023362	4	Ring, Seal	
300	70023363	4	Capscrew	
420	7023377	1	Plug, Orifice	
430	70004419	1	Plug, Orifice	
510	70023364	1	Shaft	
520	70004420	1	Cap, End	
530	70002588	4	Capscrew	
550	7007446	1	Pin, Slotted	
640	70002589	1	Coupling	
650	7022340	1	Bracket, Lifting	
655	70002590	1	Capscrew	
710	7023962	1	Ring, Retaining	
720	70022287	1	Seal, Lip	
730	See Note	NSS	Housing (Note: Not Available for Purchase)	
735	70002596	1	Block, Cylinder	
740	7023964	1	Plug Assembly (Includes O-Ring)	
740	7007415	1	O-Ring	
746	7021275	3	Pin, Hold-down	
747	70002592	1	Guide, Slipper Retainer	
749	70002593	1	Retainer, Slipper	
750	70004422	9	Piston Assembly	

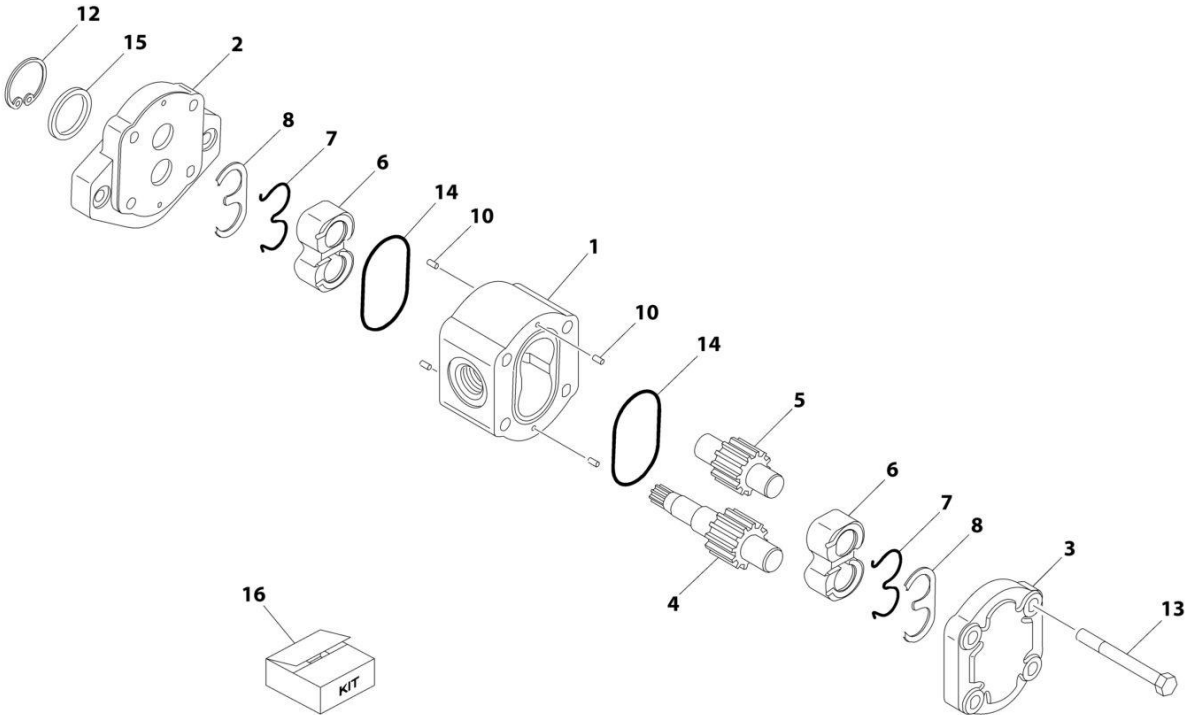
## SECTION 3 - ENGINE

ITEM	PART NUMBER	QTY	DESCRIPTION	REV
760	70002595	1	Seal, End Cap	
770	7023964	1	Plug, O-Ring (Includes O-Ring)	
770	7007415	1	O-Ring	
810	70004423	1	Kit, Cylinder Block (Includes Items 735, 746, 747, 749 & 750)	
820	70004424	1	Piston, Servo (Includes Item 822)	
822	70004425	3	Ring, Piston (Part of Item 820)	
920	70002585	1	Kit, Bearing - Rear (Includes Cup and Cone)	
930	70004426	1	Kit, Swashplate Bearing (Includes Qty 2 Bearings and Retainer Pins)	
970	70002578	1	Bearing Kit - Front (Includes Cup and Cone)	
1210	70002599	1	Kit, Complete Seal (Includes Items 200, 720, 760, 822 and Plug O-Rings)	



**SECTION 3 - ENGINE**

**FIGURE 3-28. GEAR PUMP ASSEMBLY**



ART\_1001112927

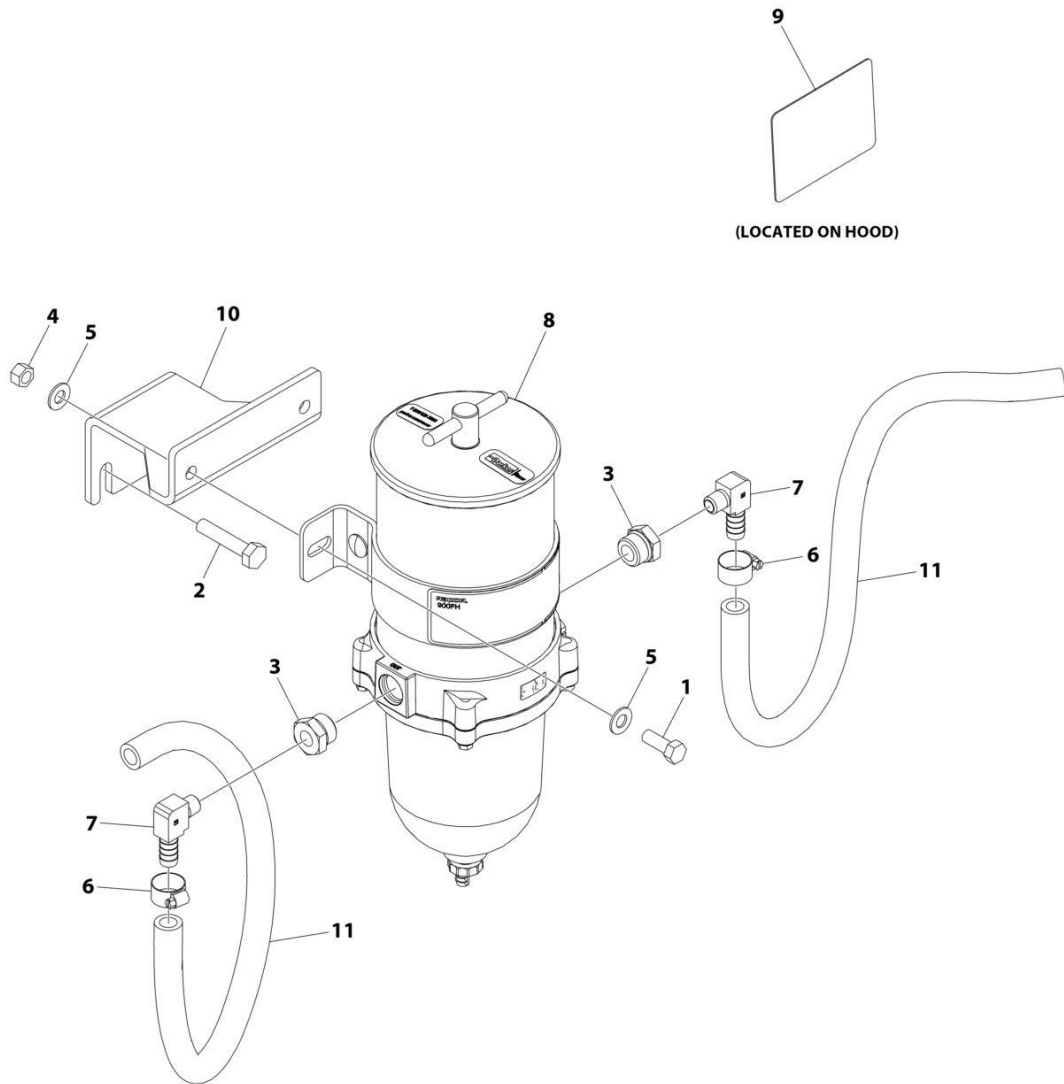


FIGURE 3-28. GEAR PUMP ASSEMBLY

ITEM	PART NUMBER	QTY	DESCRIPTION	REV
	1001112927	Ref	PUMP ASSEMBLY (SAUER GEAR)	A
1	See Note	NSS	Body (Note: Use p/n 1001112927)	
2	See Note	NSS	Cover, Front (Note: Use p/n 1001112927)	
3	See Note	NSS	Cover, Rear (Note: Use p/n 1001112927)	
4	See Note	NSS	Shaft, Gear (Note: Use p/n 1001112927)	
5	See Note	NSS	Gear, Idler (Note: Use p/n 1001112927)	
6	See Note	NSS	Block, Bearing (Note: Use p/n 1001112927)	
7	7007489	2	Ring, Anti-Extrusion	
8	7007489	2	Ring, Seal	
10	See Note	NSS	Pin, Dowel (Note: Use p/n 1001112927)	
12	70002576	1	Ring, Retaining	
13	See Note	NSS	Capscrew (Note: Use p/n 1001112927)	
14	7007489	2	O-Ring	
15	7007489	1	Seal, Lip	
16	7007489	1	Seal Kit - 1001112927 Pump (Includes Items 7, 8, 14 & 15)	

# SECTION 3 - ENGINE

## FIGURE 3-29. FUEL FILTER/WATER SEPARATOR INSTALLATION



ART\_1001227913-A

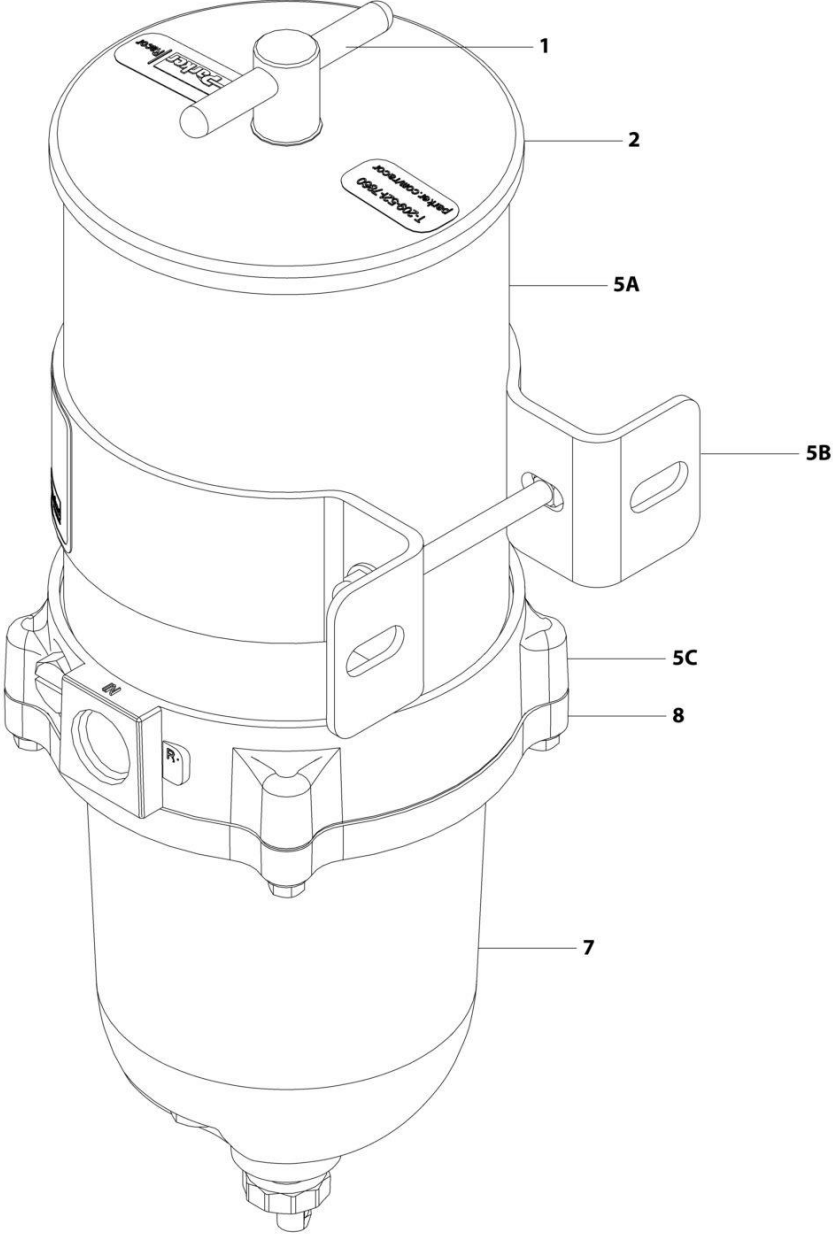
## SECTION 3 - ENGINE

### FIGURE 3-29. FUEL FILTER/WATER SEPARATOR INSTALLATION

ITEM	PART NUMBER	QTY	DESCRIPTION	REV
	1001227913	Ref	FUEL FILTER/WATER INSTALLATION	A
1	0641608	2	Bolt 3/8 x 1	
2	0761018	2	Bolt M10 x 50	
3	2220816	2	Adapter, Straight FNPTF/ORB	
4	3311605	2	Nut 3/8	
5	4711600	4	Washer 3/8	
6	8405006	2	Clamp	
7	1001178797	2	Fitting, 90 NPTF/Barbed	
8	1001222817	1	Filter, Fuel (See Separate Breakdown in this Section)	
9	1001226923	1	Decal - Fuel Water Separator	
10	1001227948	1	Mount	
11	1001154405	1	Hose	

**SECTION 3 - ENGINE**

**FIGURE 3-30. FUEL FILTER ASSEMBLY**



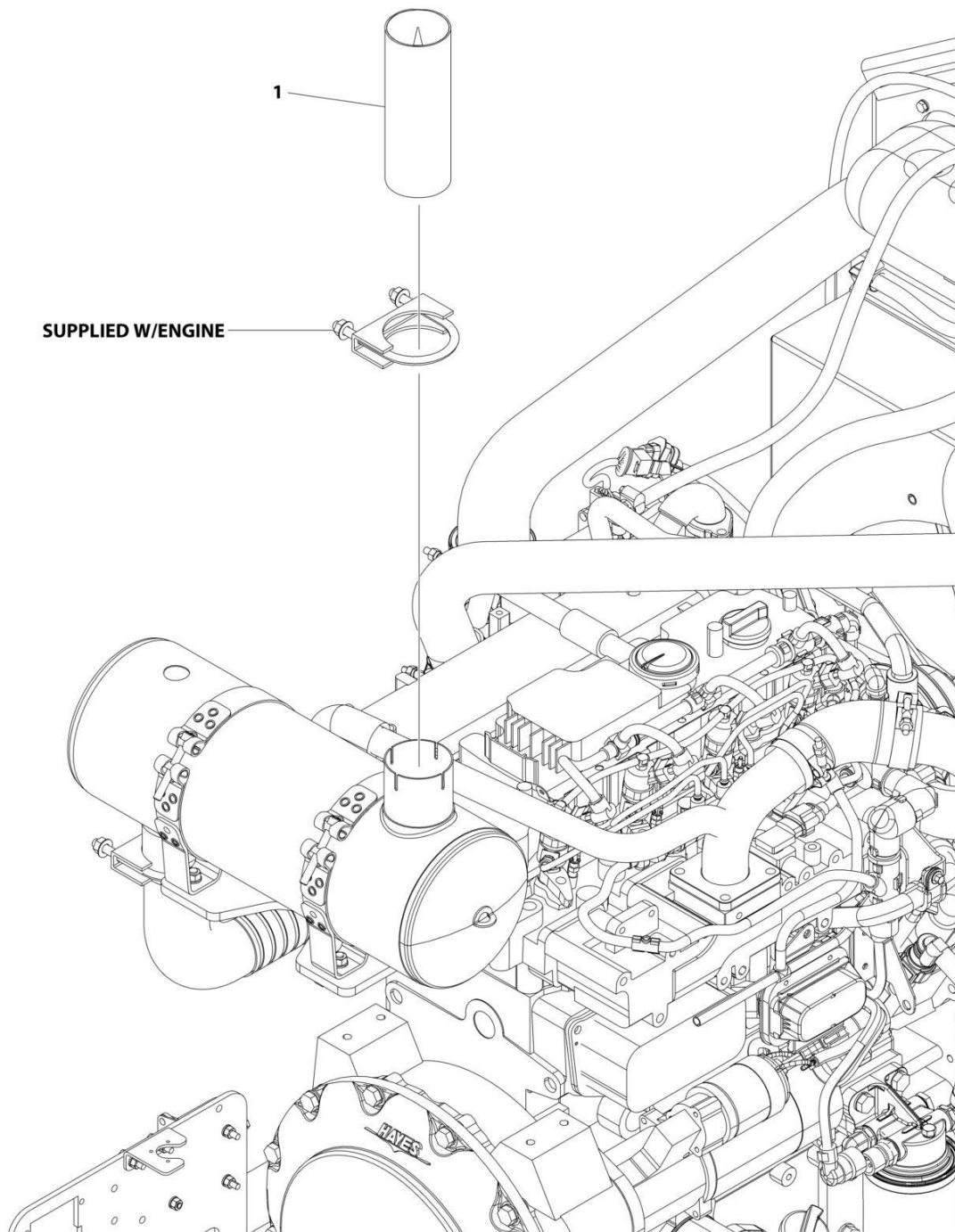
ART\_1001222817

FIGURE 3-30. FUEL FILTER ASSEMBLY

ITEM	PART NUMBER	QTY	DESCRIPTION	REV
	1001222817	Ref	FUEL FILTER ASSEMBLY	A
1	70006403	1	Handle Kit (Includes Handle, Handle O-Ring & Lid Gasket)	
2	70006404	1	Lid Kit (Includes Lid, Handle O-Ring & Lid Gasket)	
3	70006405	1	Element, Filter (Not Shown)	
5A	See Note	NSS	Housing (Note: Use p/n 1001222817)	
5B	See Note	NSS	Bracket (Note: Use p/n 1001222817)	
5C	See Note	NSS	Tube, Return (Note: Use p/n 1001222817)	
6	70006407	1	Certrfuge & Baffle Kit (Not Shown - Located at Bottom of 5C) (Also Includes p/n 70006406 & Bowl Gasket)	
6	70006406	1	Checkball & Gasket Kit (Not Shown - Located at Bottom of 5C)	
7	70006409	1	Bowl Kit (Includes Bowl Gasket, Plug with O-Ring & Drain)	
7	70006408	1	Gasket, Bowl	
8	70006410	1	Bowl Ring Kit (Includes Bowl Gasket & Bolts)	

# SECTION 3 - ENGINE

## FIGURE 3-31. SPARK ARRESTOR INSTALLATION - DEUTZ LRC (OPTIONAL)



ART\_1001158607

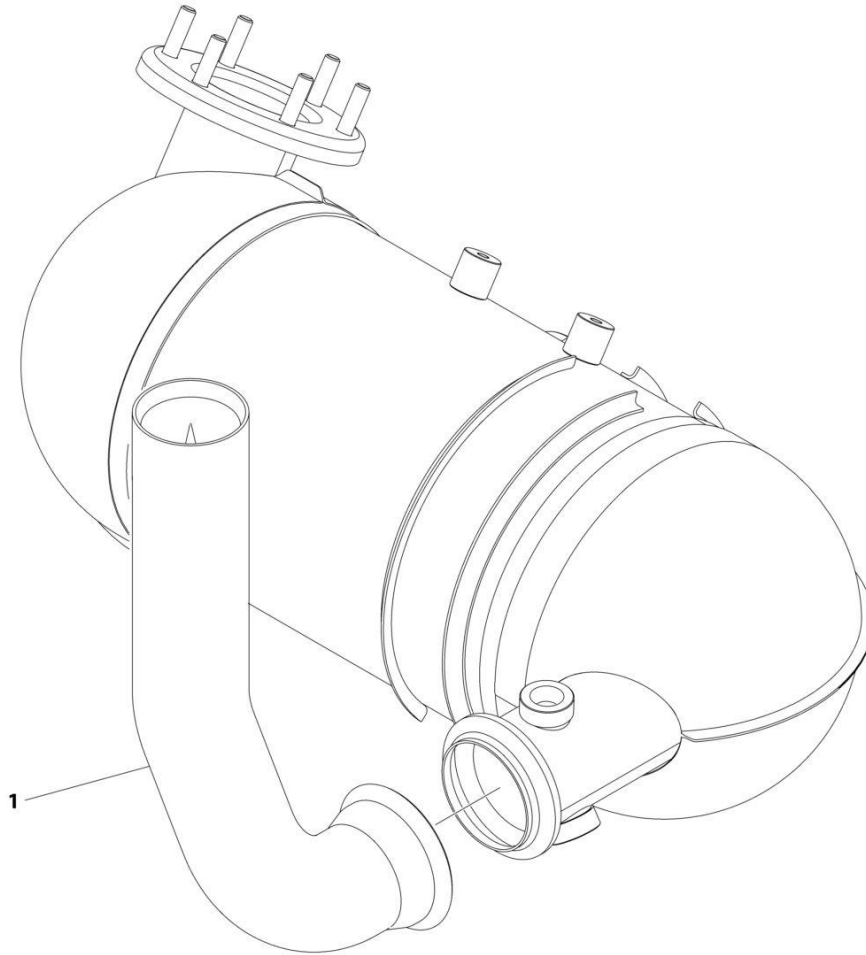
## SECTION 3 - ENGINE

**FIGURE 3-31. SPARK ARRESTOR INSTALLATION - DEUTZ LRC (OPTIONAL)**

ITEM	PART NUMBER	QTY	DESCRIPTION	REV
1	1001158607 1001158263	Ref 1	SPARK ARRESTOR INSTALLATION Arrestor, Spark	B

## SECTION 3 - ENGINE

FIGURE 3-32. SPARK ARRESTOR INSTALLATION - DEUTZ T4F (OPTIONAL)



ART\_1001191390



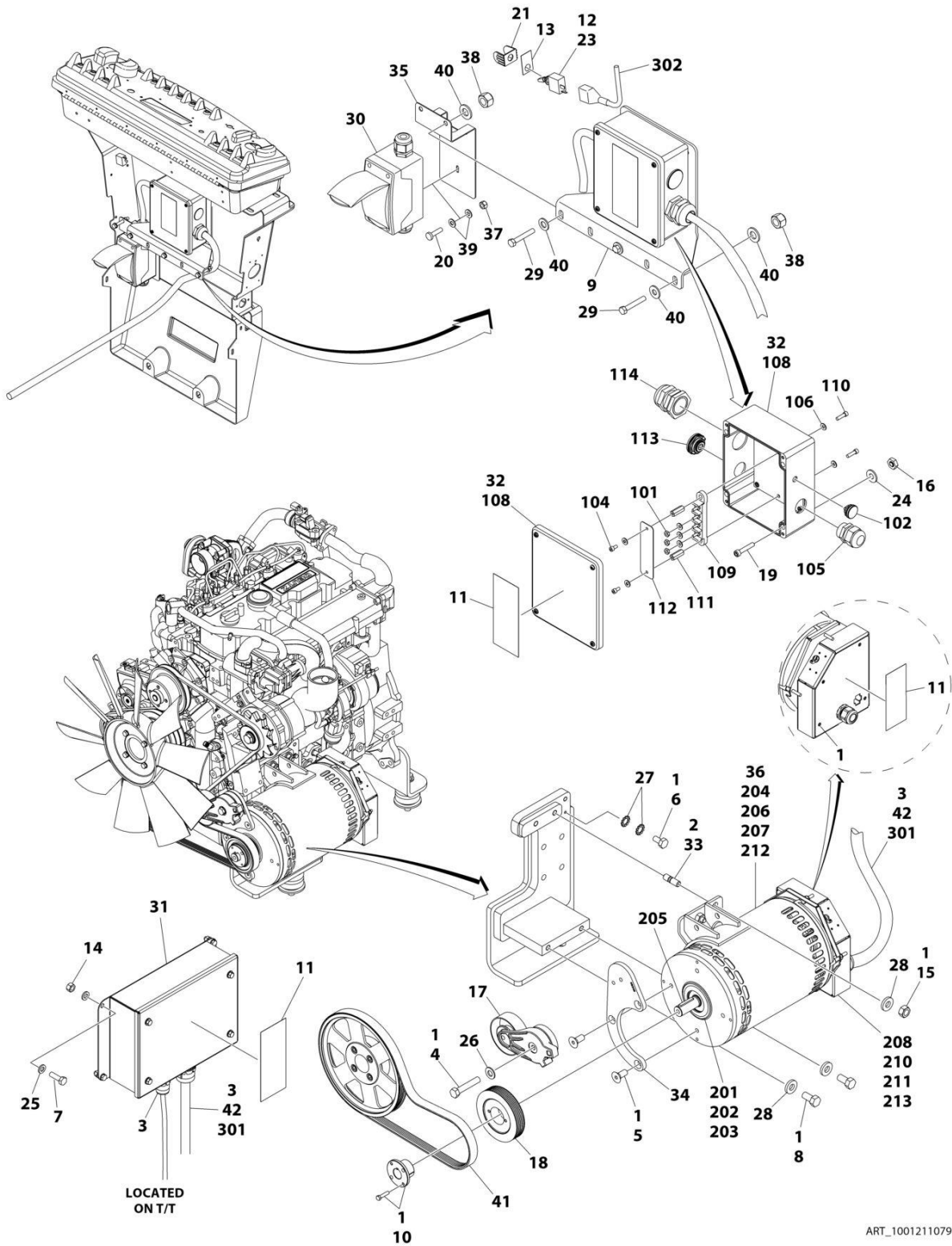
## SECTION 3 - ENGINE

**FIGURE 3-32. SPARK ARRESTOR INSTALLATION - DEUTZ T4F (OPTIONAL)**

ITEM	PART NUMBER	QTY	DESCRIPTION	REV
1	1001191390 1001191368	Ref 1	SPARK ARRESTOR INSTALLATION Arrestor, Spark	A

# SECTION 3 - ENGINE

FIGURE 3-33. 4000W GENERATOR INSTALLATION - 50HZ SPEC (OPTIONAL)



ART\_1001211079

## SECTION 3 - ENGINE

**FIGURE 3-33. 4000W GENERATOR INSTALLATION - 50HZ SPEC (OPTIONAL)**

ITEM	PART NUMBER	QTY	DESCRIPTION	REV
	1001211079	Ref	4000W GENERATOR INSTALLATION	A
		Ref	Note: See ELECTRICAL SECTION for Boom Cable Installation.	
1	0100011	AR	Compound, Locking	
2	0100019	AR	Compound, Locking	
3	0100048	AR	Grease, Dielectric	
4	0701018	1	Bolt M10 x 50	
5	0741607	3	Screw 3/8 x 0.88	
6	0760606	1	Bolt M6 x 12	
7	0760610	4	Bolt M6 x 20	
8	0761212	2	Bolt M12 x 25	
9	0902888	1	Bracket, Generator Junction Box	
10	0962520	1	Bushing, Taper	
11	1705489	3	Decal - Hazardous Voltage	
12	2820031	AR	Insulator, Heat Shrink	
13	3251102	1	Nameplate, Generator	
14	3290607	4	Nut M6	
15	3291201	2	Nut M10	
16	3311005	4	Nut #10	
17	3580317	1	Pulley, Belt Tensioner	
18	3580318	1	Pulley, Generator	
19	3931016	4	Screw 1/4 x 1	
20	4010408	2	Screw M4 x 16	
21	4060802	1	Guard, Switch	
22	4240018	AR	Strap, Tie (Not Shown)	
23	4360336	1	Switch, Toggle	
24	4751000	4	Washer #10	
25	4811700	8	Washer M6	
26	4812000	1	Washer M10	
27	4871700	2	Washer M6	
28	5241200	4	Washer M12	
29	0700819001	4	Bolt M8 x 55	
30	1001096612	1	Kit, Box and Breaker (See Separate Breakdown in ELECTRICAL SECTION)	
31	1001138566	1	Box, Generator Control	
31	70006552	1	Capacitor	
31	70006553	1	Relay	
32	1001152458	1	Box, Junction Assembly (See Items 101-113 for Breakdown)	
33	1001155041	2	Stud	
34	1001155338	1	Bracket	
35	1001204650	1	Plate, Mounting	
36	1001206119	1	Generator, 4000W Assembly (See Items 200-213 for Breakdown)	
37	3290405001	2	Nut M4	
38	3290805001	4	Nut M8	
39	4811400001	4	Washer M4	
40	4811900001	8	Washer M8	
41	1001148059	1	Belt	
42	1001152532	1	Harness, Generator Cable (See Separate Breakdown in ELECTRICAL SECTION)	
	1001152458	Ref	JUNCTION BOX ASSEMBLY	C
101	3311001	3	Nut #10	

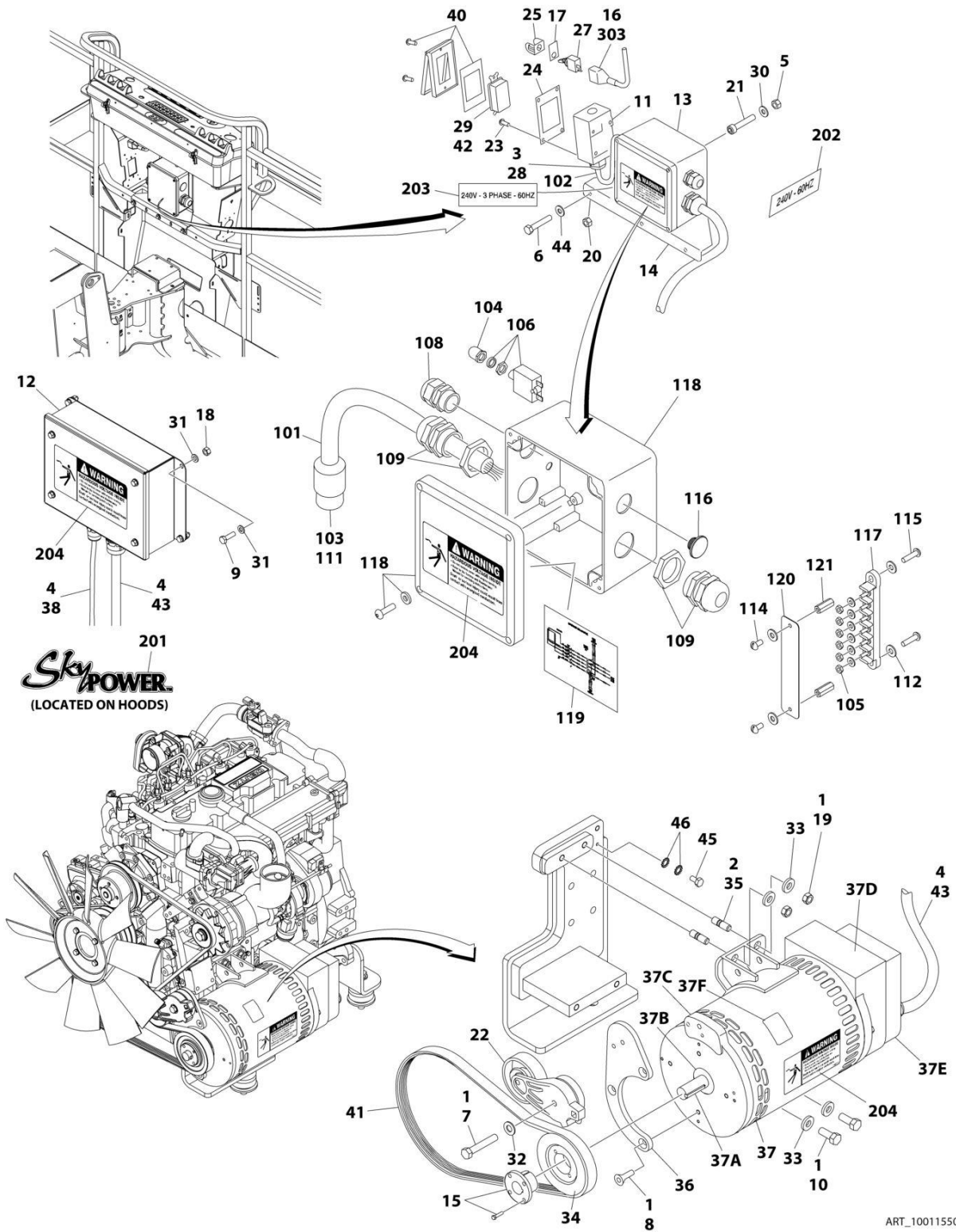
## SECTION 3 - ENGINE

ITEM	PART NUMBER	QTY	DESCRIPTION	REV
102	1001155813	1	Plug, Hole Pluggit	
104	3900300	2	Screw, Spec, Cap	
105	4460425	1	Terminal, Strain Relief	
106	4711000	7	Washer #10	
108	1001152456	1	Box, Junction	
109	1001152530	1	Terminal, Block, 4 Pole	
110	3900267	2	Screw, Spec, Cap	
111	1001158008	2	Stand-Off, Female, Threaded	
112	1001158363	1	Plate, Cover, PVC	
113	1001152525	1	Plug	
114	4460426	1	Connector, Strain Relief	
	1001206119	Ref	4000W GENERATOR ASSEMBLY	
201	70003709	1	Ring, Retaining	
202	70003708	1	Ring, Retaining	
203	70001966	1	Bearing, Ball	
204	70004092	1	Endbell	
205	70004171	1	Key	
206	70004676	1	Rotor Assembly	
207	70005624	1	Stator, Generator 4000W	
208	70004678	1	Endbell	
210	70004680	1	Enclosure	
211	70004681	1	Cover, Enclosure	
212	70004282	1	Switch, Reset	
213	70004683	1	Bushing, Strain Relief	
		Ref	ELECTRICAL DIAGRAM COMPONENTS	
301	1001156030	1	Generator Harness (See Separate Breakdown in ELECTRICAL SECTION)	
302	4922641	1	Generator Switch Harness	
303	1001164091	1	Generator Ground Harness (Not Shown) (ANSI Export, CE and Japanese Specs)	
303	1001154121	1	Generator Ground Harness (Not Shown) (Australian Specs)	



# SECTION 3 - ENGINE

## FIGURE 3-34. 7500W SKYPOWER GENERATOR INSTALLATION - 60HZ (OPTIONAL)



## SECTION 3 - ENGINE

**FIGURE 3-34. 7500W SKYPOWER GENERATOR INSTALLATION - 60HZ (OPTIONAL)**

ITEM	PART NUMBER	QTY	DESCRIPTION	REV
	1001155066	Ref	7500W SKYPOWER GENERATOR INSTALLATION - 60HZ (OPTIONAL)	F
1	0100011	AR	Compound, Locking	
2	0100019	AR	Compound, Locking	
3	0100020	AR	Sealant, Pipe	
4	0100048	AR	Grease, Dielectric	
5	3311005	4	Nut #10	
6	0700818	3	Bolt M8 x 50	
7	0701018	1	Bolt M10 x 50	
8	0741607	3	Screw 3/8 x 7/8	
9	0760610	4	Bolt M6 x 20	
10	0761212	2	Bolt M12 x 25	
11	0860038	1	Box, Switch	
12	0861538	1	Box, Generator Control	
12	7024488	1	Card, Circuit - Generator Power (Not Shown)	
12	See Note	1	Fuse (Note: Not Available Purchase Locally)	
12	7024489	1	Card, Circuit - Control (Not Shown)	
12		Ref	Note: When replacing card, rocker switch on card must be set for required application.	
12	70000619	1	Circuit Card Harness	
12	77363232	1	Connector - 6 Position	
12	See Note	1	Connector - 3 Position (Note: Not Available for Purchase)	
13	1001157592	1	Junction Box Assembly (See Items 101-121 for Breakdown)	
14	0902888	1	Bracket, Generator Junction Box	
15	0962520	1	Bushing, Taper	
16	2820031	AR	Insulator, Heat Shrink	
17	3251102	1	Nameplate, Generator	
18	3290607	4	Nut M6	
19	3291201	2	Nut M10	
20	3290805	3	Nut M8	
21	3931016	4	Capscrew #10 x 1	
22	3580317	1	Tensioner, Belt with Pulley	
23	3910606	4	Screw #6 x 3/8	
24	3960422	1	Gasket, AC Receptacle	
25	4060802	1	Guard, Switch	
26	4240018	AR	Tie-Strap (Not Shown)	
27	4360336	1	Switch, Toggle	
28	4460071	1	Connector, Strain Relief	
29	4460346	1	Terminal, Receptacle	
30	4751000	4	Washer #10	
31	4811700	8	Washer M6	
32	4812000	1	Washer M10	
33	5241200	4	Washer M12	
34	1001150174	1	Pulley, Generator	
35	1001155041	2	Stud	
36	1001155338	1	Bracket	
37	1001155348	1	Generator, 7500W	
37	70001100	1	Rotor (Includes p/n 70001384 & 70000863) (Not Shown)	
37	70001384	1	Bearing, Shaft (Rear) (Not Shown)	
37	70000863	1	Fan, Generator (Not Shown)	

## SECTION 3 - ENGINE

ITEM	PART NUMBER	QTY	DESCRIPTION	REV
37	70004093	1	Stator (Not Shown)	
37	70002297	2	Stud 1/4-20 x 12-7/8 (Not Shown)	
37	70003631	1	Brushholder Assembly (Not Shown)	
37A	70004099	1	Key	
37B	70001966	1	Bearing, Ball Radial (Located in Belt Tensioner Endbell)	
37B	70003709	1	Ring, Retaining (Small)	
37B	70003708	1	Ring, Retaining (Large)	
37C	70004092	1	Endbell, Belt Tensioner	
37D	70004094	1	Endbell, Brush Block	
37E	70004096	1	Shroud Assembly	
37E	7027799	1	Block, Connector - 6 Position (Not Shown)	
37E	70002460	6	Nut, Brass (Attaches p/n 7027799 to Cover) (Not Shown)	
37E	7024485	1	Breaker, Circuit 30Amp (Not Shown)	
37E	70001696	1	Boot, Breaker (Not Shown)	
37E	7026597	1	Connector with Leads (Not Shown)	
37E	7026626	1	Connector with Pins (Not Shown)	
37E	70004098	1	Clamp, Cable (Not Shown)	
37E	70004095	1	Plate, End Panel (Not Shown)	
37E	70004097	1	Insulator, End Panel (Not Shown)	
37E	70001974	1	Decal - Terminal Connections (Not Shown)	
37F	70001973	1	Decal - Warning Moving Parts	
38	1001156030	1	Generator Harness (See Separate Breakdown in ELECTRICAL SECTION)	
40	1001110873	1	Shield, Receptacle Cover	
41	1001155303	1	Belt, Generator	
42	4460315	2	Terminal, Spade	
43	4922925	1	Generator Harness	
43	4460225	1	Plug, Male 6 Position (Plugs into Generator)	
43	See Note	NSS	Socket, Female (Use with 4460225)	
43	See Note	NSS	Seal, Plug (Use with 4460225)	
43	See Note	NSS	Seal, Interface (Use with 4460225)	
44	4811900	6	Washer M8	
45	0760606	1	Bolt M6 x 12	
46	4871700	2	Washer M6	
	1001157592	Ref	JUNCTION BOX ASSEMBLY	C
101	1060343	1.5 ft /0.5m	Cable, Electrical 10/4	
102	1001179154	2.5 ft /0.8m	Cable, Electrical 12/3	
103	1671092	1	Cover	
104	3300396	1	Cover, Fuse	
105	3311001	6	Nut #10	
106	4360070	1	Circuit Breaker - 15Amp	
108	4460425	1	Strain Relief, Terminal	
109	4460426	2	Connector, Strain Relief	
111	4460963	1	Connector	
112	4711000	10	Washer #10	
114	10702077	2	Screw #10 x 3/8	
115	10702082	2	Screw #10 x 3/4	
116	1001152525	1	Plug	
117	1001157520	1	Block, Terminal	
118	1001157521	1	Box, Junction	

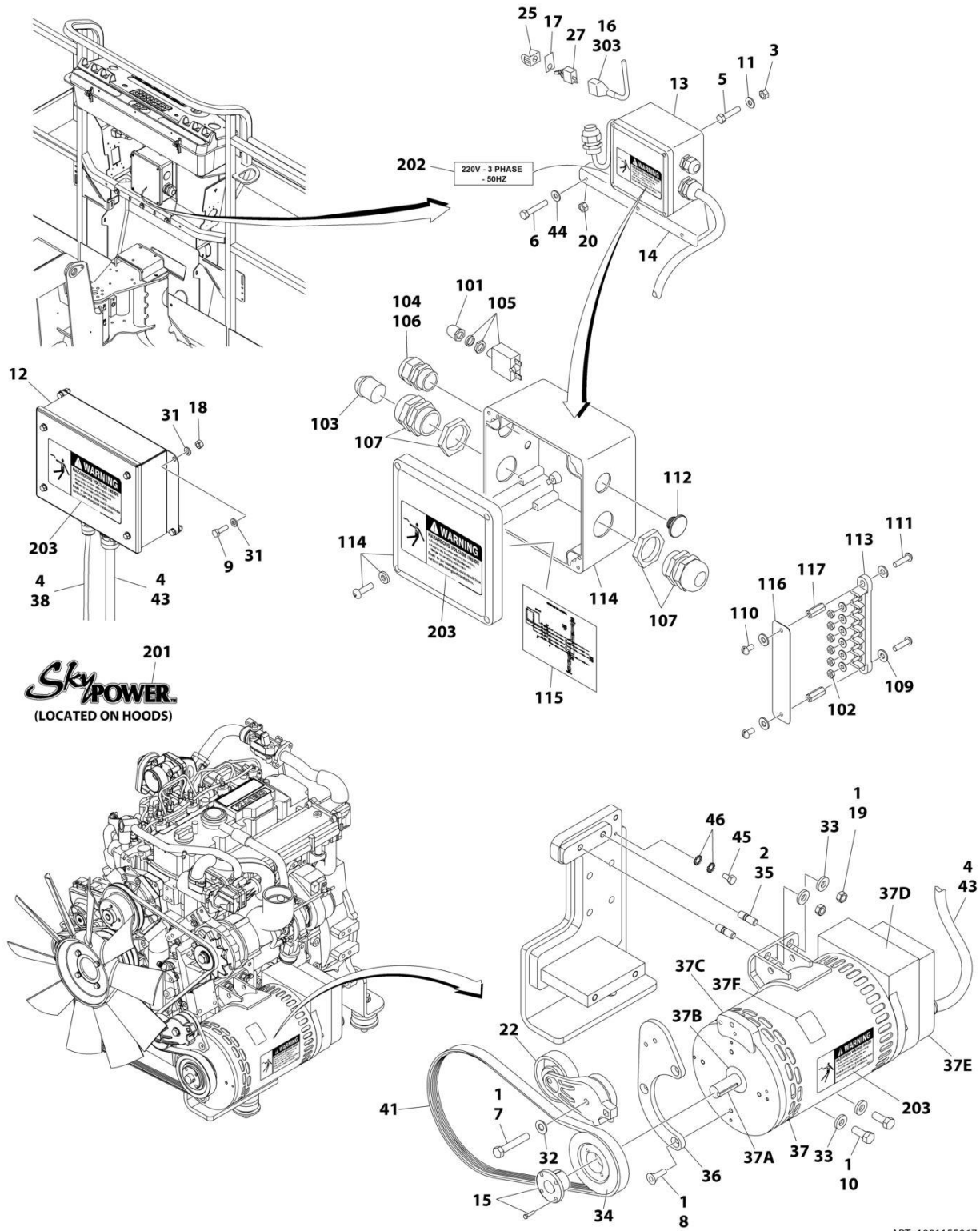


## SECTION 3 - ENGINE

ITEM	PART NUMBER	QTY	DESCRIPTION	REV
119	1001157528	1	Decal - Wiring Schematic	D
120	1001158007	1	Cover, PVC	
121	1001158008	2	Stand-Off	
	0272435	Ref	DECAL INSTALLATION	
201	1705460	2	Decal - SkyPower	
202	3251243	1	Decal - 120-60Hz	
203	1705375	1	Decal - 240V - 3 Phase	
204	1705387	3	Decal - Hazardous Voltage	
		Ref	ELECTRICAL DIAGRAM COMPONENTS	
303	4922641	1	Generator Switch Harness	

# SECTION 3 - ENGINE

## FIGURE 3-35. 7500W SKYPOWER GENERATOR INSTALLATION - 50HZ (OPTIONAL)



## SECTION 3 - ENGINE

**FIGURE 3-35. 7500W SKYPOWER GENERATOR INSTALLATION - 50HZ (OPTIONAL)**

ITEM	PART NUMBER	QTY	DESCRIPTION	REV
	1001155067	Ref	7500W SKYPOWER GENERATOR INSTALLATION - 50HZ (OPTIONAL)	J
1	0100011	AR	Compound, Locking	
2	0100019	AR	Compound, Locking	
3	3311005	4	Nut #10	
4	0100048	AR	Grease, Dielectric	
5	3931016	4	Capscrew #10 x 1	
6	0700818	3	Bolt M8 x 50	
7	0701018	1	Bolt M10 x 50	
8	0741607	3	Screw 3/8 x 7/8	
9	0760610	4	Bolt M6 x 20	
10	0761212	2	Bolt M12 x 25	
11	4751000	4	Washer #10	
12	0861572	1	Box, Generator Control	
12	7024488	1	Card, Circuit - Generator Power (Not Shown)	
12	See Note	1	Fuse (Note: Not Available Purchase Locally)	
12	7024489	1	Card, Circuit - Control (Not Shown)	
12		Ref	Note: When replacing card, rocker switch on card must be set for required application.	
12	70000619	1	Circuit Card Harness	
12	77363232	1	Connector - 6 Position	
12	See Note	NSS	Connector - 3 Position (Note: Not Available for Purchase)	
13	1001157525	1	Junction Box Assembly (See Items 101-117 for Breakdown)	
14	0902888	1	Bracket	
15	0962520	1	Bushing	
16	2820031	AR	Heat Shrink	
17	3251102	1	Nameplate, Generator	
18	3290607	4	Nut M6	
19	3291201	2	Nut M12	
20	3290805	3	Nut M8	
22	3580317	1	Tensioner, Belt with Pulley	
25	4060802	1	Guard, Switch	
26	4240018	AR	Tie-Strap (Not Shown)	
27	4360336	1	Switch, Toggle	
31	4811700	8	Washer M6	
32	4812000	1	Washer M10	
33	5241200	4	Washer M12	
34	3580318	1	Pulley, Generator	
35	1001155041	2	Stud	
36	1001155338	1	Bracket	
37	1001155348	1	Generator, 7500W	
37	70001100	1	Rotor (Includes p/n 70001384 & 70000863) (Not Shown)	
37	70001384	1	Bearing, Shaft (Rear) (Not Shown)	
37	70000863	1	Fan, Generator (Not Shown)	
37	70005651	1	Stator (Not Shown)	
37	70002297	2	Stud 1/4 x 12-7/8 (Not Shown)	
37	70003631	1	Brushholder Assembly (Not Shown)	
37A	70004171	1	Key	
37B	70001966	1	Bearing, Ball Radial (Located in Belt Tensioner Endbell)	
37B	70003709	1	Ring, Retaining (Small)	

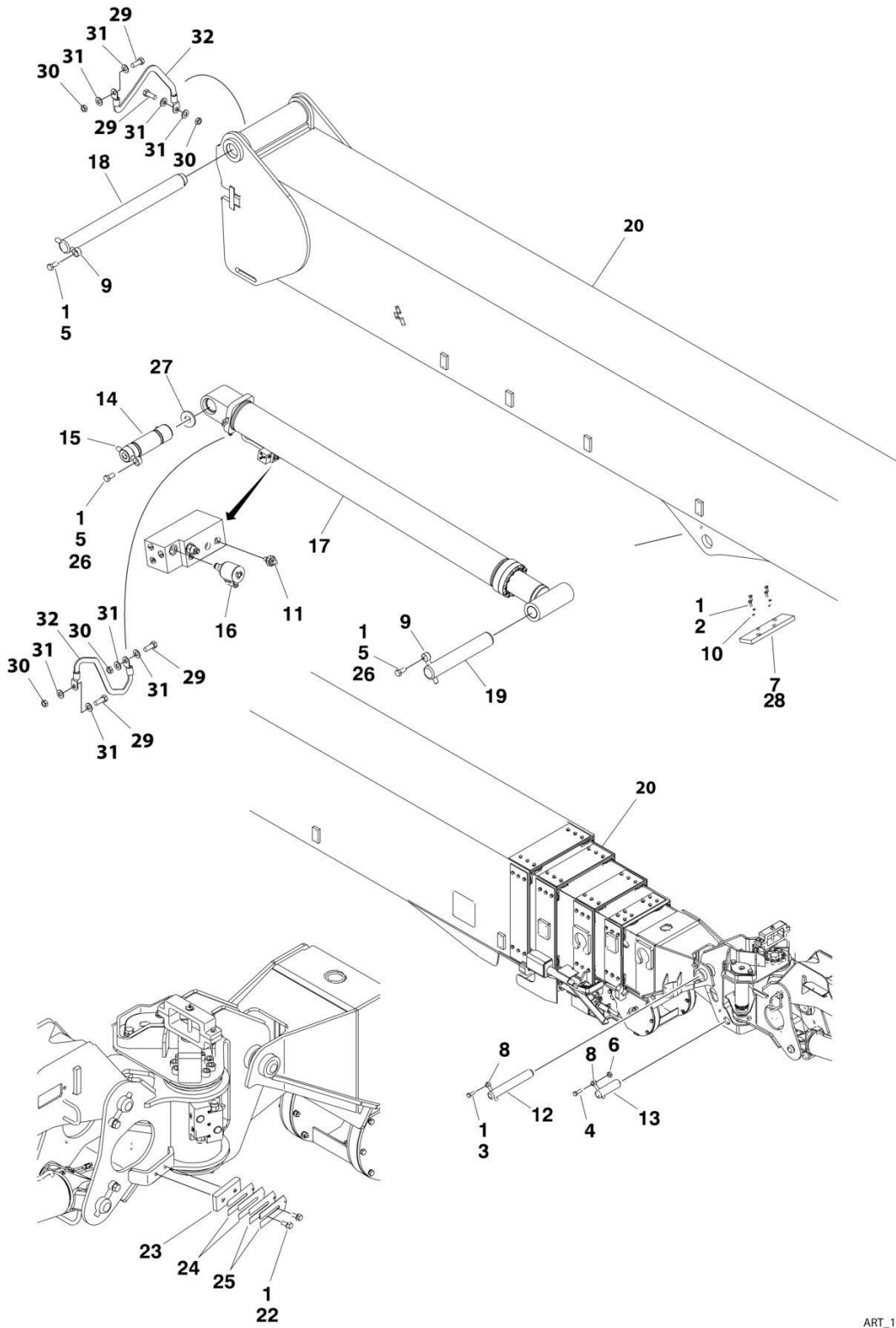
## SECTION 3 - ENGINE

ITEM	PART NUMBER	QTY	DESCRIPTION	REV
37B	70003708	1	Ring, Retaining (Large)	
37C	70004092	1	Endbell, Belt Tensioner	
37D	70004094	1	Endbell, Brush Block	
37E	70004096	1	Shroud Assembly	
37E	7027799	1	Block, Connector - 6 Position (Not Shown)	
37E	70002460	6	Nut, Brass (Attaches p/n 7027799 to Cover) (Not Shown)	
37E	7024485	1	Breaker, Circuit 30Amp (Not Shown)	
37E	70001696	1	Boot, Breaker (Not Shown)	
37E	7026597	1	Connector with Leads (Not Shown)	
37E	7026626	1	Connector with Pins (Not Shown)	
37E	70004098	1	Clamp, Cable (Not Shown)	
37E	70005652	1	Plate, End Panel (Not Shown)	
37E	70004097	1	Insulator, End Panel (Not Shown)	
37E	70001974	1	Decal - Terminal Connections (Not Shown)	
37F	70001973	1	Decal - Warning Moving Parts	
38	1001156030	1	Generator Harness (See Separate Breakdown in ELECTRICAL SECTION)	
41	1001148059	1	Belt, Generator	
43	4922925	1	Generator Harness	
43	4460225	1	Plug, Male 6 Position (Plugs into Generator)	
43	See Note	NSS	Socket, Female (Use with 4460225)	
43	See Note	NSS	Seal, Plug (Use with 4460225)	
43	See Note	NSS	Seal, Interface (Use with 4460225)	
44	4811900	6	Washer M8	
45	0760606	1	Bolt M6 x 12	
46	4871700	2	Washer M6	
	1001157525	Ref	JUNCTION BOX ASSEMBLY	B
101	3300396	1	Cover, Fuse	
102	3311001	6	Nut #10	
103	3520189	1	Plug (50Hz Spec Only)	
104	3520192	1	Plug	
105	4360070	1	Circuit Breaker - 15Amp	
106	4460425	1	Strain Relief, Terminal	
107	4460426	2	Connector, Strain Relief	
109	4711000	10	Washer #10	
110	10702077	2	Screw #10 x 3/8	
111	10702082	2	Screw #10 x 3/4	
112	1001152525	1	Plug	
113	1001157520	1	Block, Terminal	
114	1001157521	1	Box, Junction	
115	1001157528	1	Decal - Wiring Schematic	
116	1001158007	1	Cover, PVC	
117	1001158008	2	Stand-Off	
	0272589	Ref	DECAL INSTALLATION	A
201	1705460	2	Decal - SkyPower	
202	1705461	1	Decal - 240V - 3 Phase	
203	1705489	3	Decal - Hazardous Voltage	
		Ref	ELECTRICAL DIAGRAM COMPONENTS	
303	4922641	1	Generator Switch Harness	

**SECTION 4 - BOOM**

# SECTION 4 - BOOM

## FIGURE 4-1. BOOM INSTALLATION



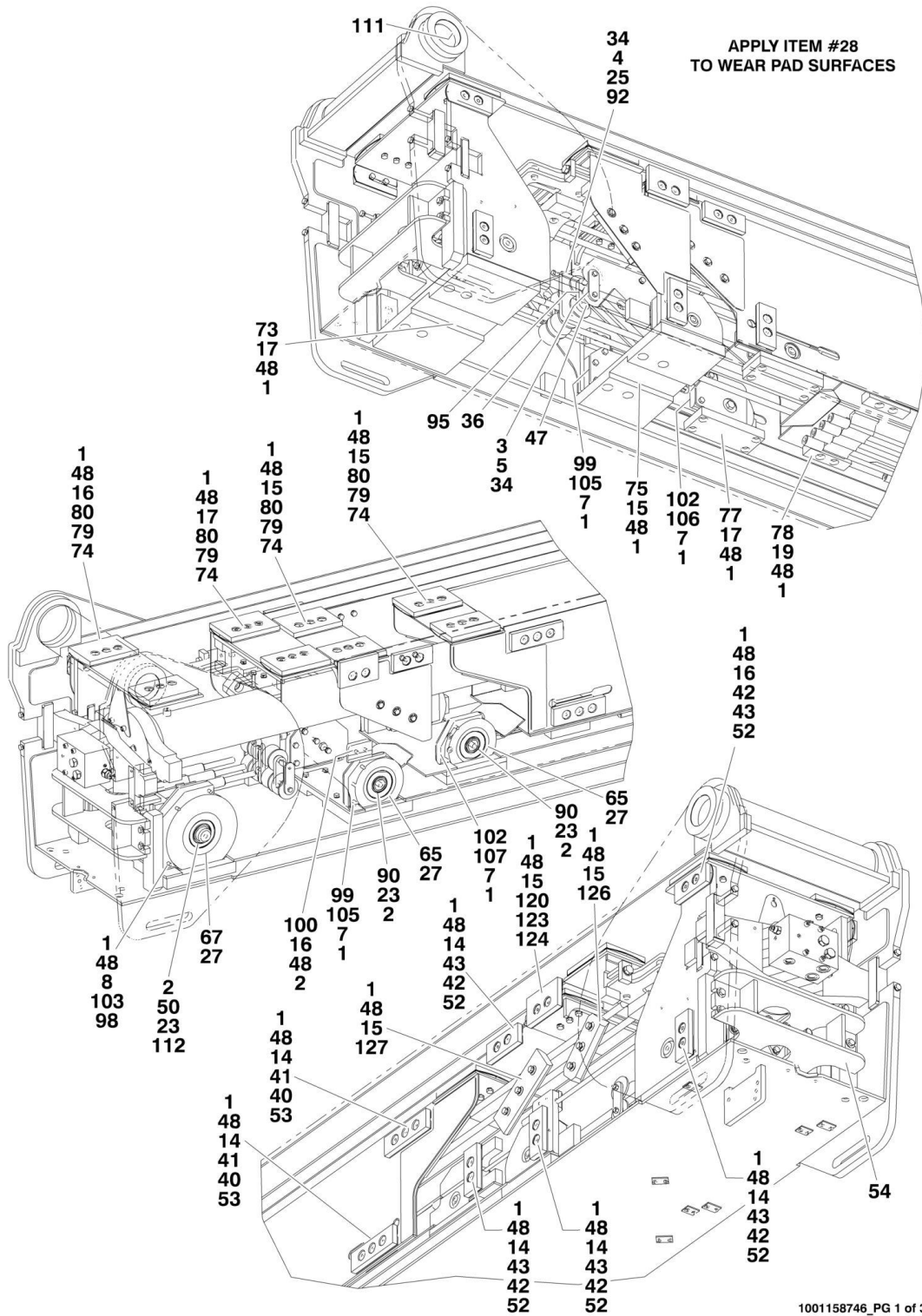
ART\_1001154085

FIGURE 4-1. BOOM INSTALLATION

ITEM	PART NUMBER	QTY	DESCRIPTION	REV
	1001154085	Ref	BOOM INSTALLATION	N
1	0100011	AR	Compound, Locking	
2	0771015001	8	Bolt M10 x 35 (Grade 10.9)	
3	0701616	1	Bolt M16	
4	0701618	1	Bolt M16 X 50	
5	0762418	3	Bolt M24 X 50	
6	3291605	1	Nut M16	
7	1001203653	1	Pad	
8	3841258	2	Keeper, Pin	
9	3841356	2	Keeper, Pin	
10	5241000001	8	Washer, M10	
11	1001119614	1	Switch, Pressure Transducer	
12	1001119899	1	Pin	
13	1001119999	1	Pin	
14	1001146896	1	Pin	
15	1001146940	1	Keeper, Pin	
16	1001148972	1	Valve, Solenoid Cartridge	
16	70002401	1	Cartridge Less Coil	
16	7017496	1	Kit, Seal - 70002401 & 1001148972 Valve	
16	70003788	1	Coil	
17	1001228072	1	Boom Lift Cylinder Assembly (See Separate Breakdown in CYLINDER SECTION)	
18	1001197969	1	Pin	
19	1001156650	1	Pin	
20	1001158746	1	Boom Assembly (See Separate Breakdown in this Section)	
22	0811610001	2	Screw 3/8 X 1-1/4	
23	1001118369	1	Pad	
24	91471226	1	Shim 16Ga	
25	91471227	3	Shim 11Ga	
26	0100071	AR	Compound, Locking	
27	1001180153	1	Washer, Thrust	
28	3020039	AR	Lubricant	
29	0761015	4	Bolt M10 x 35	
30	3291007	4	Nut M10	
31	4812000	8	Washer M10	
32	1001217007	2	Cable, Ground Strap	

# SECTION 4 - BOOM

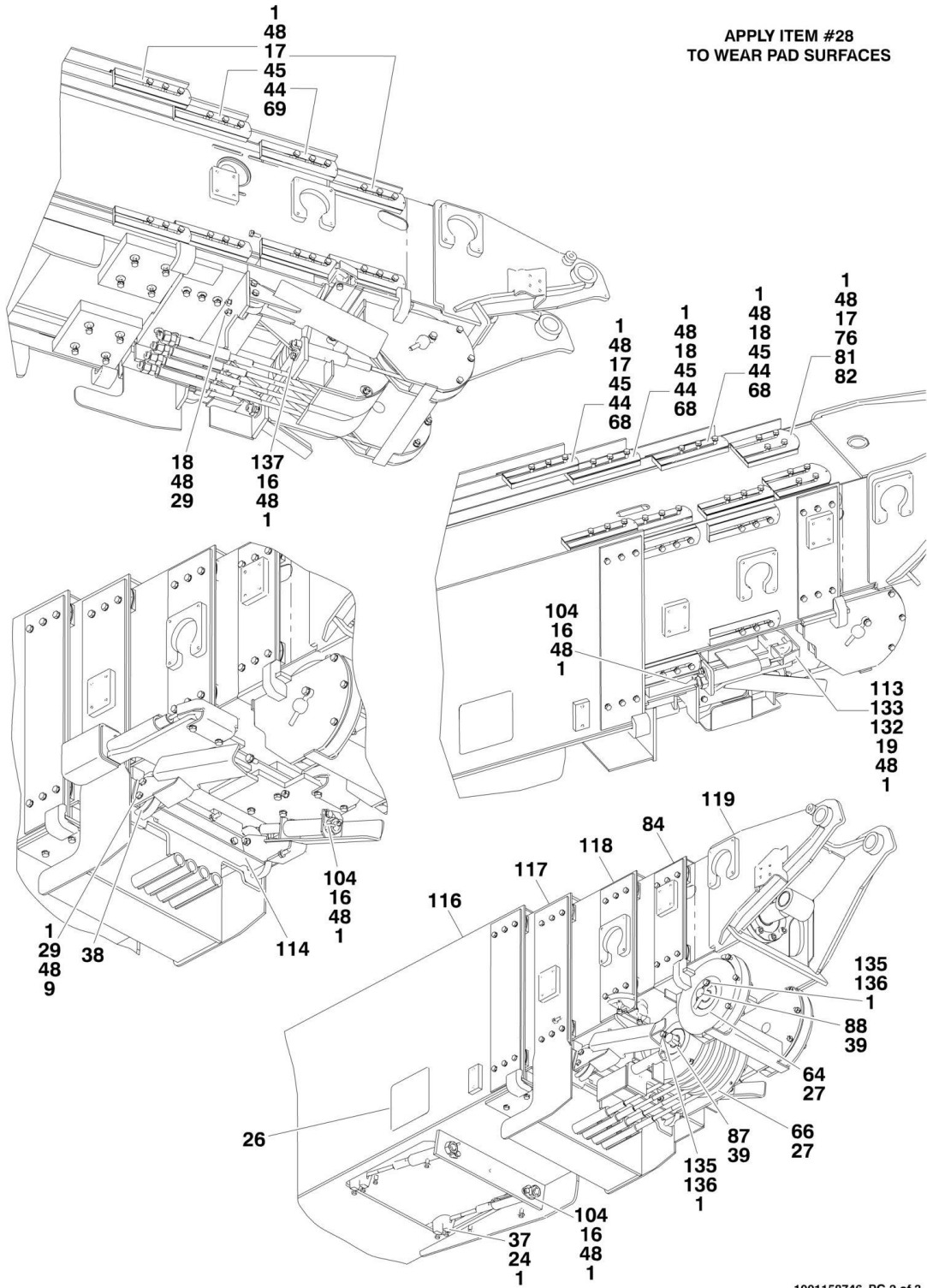
## FIGURE 4-2. BOOM ASSEMBLY



1001158746\_PG 1 of 3

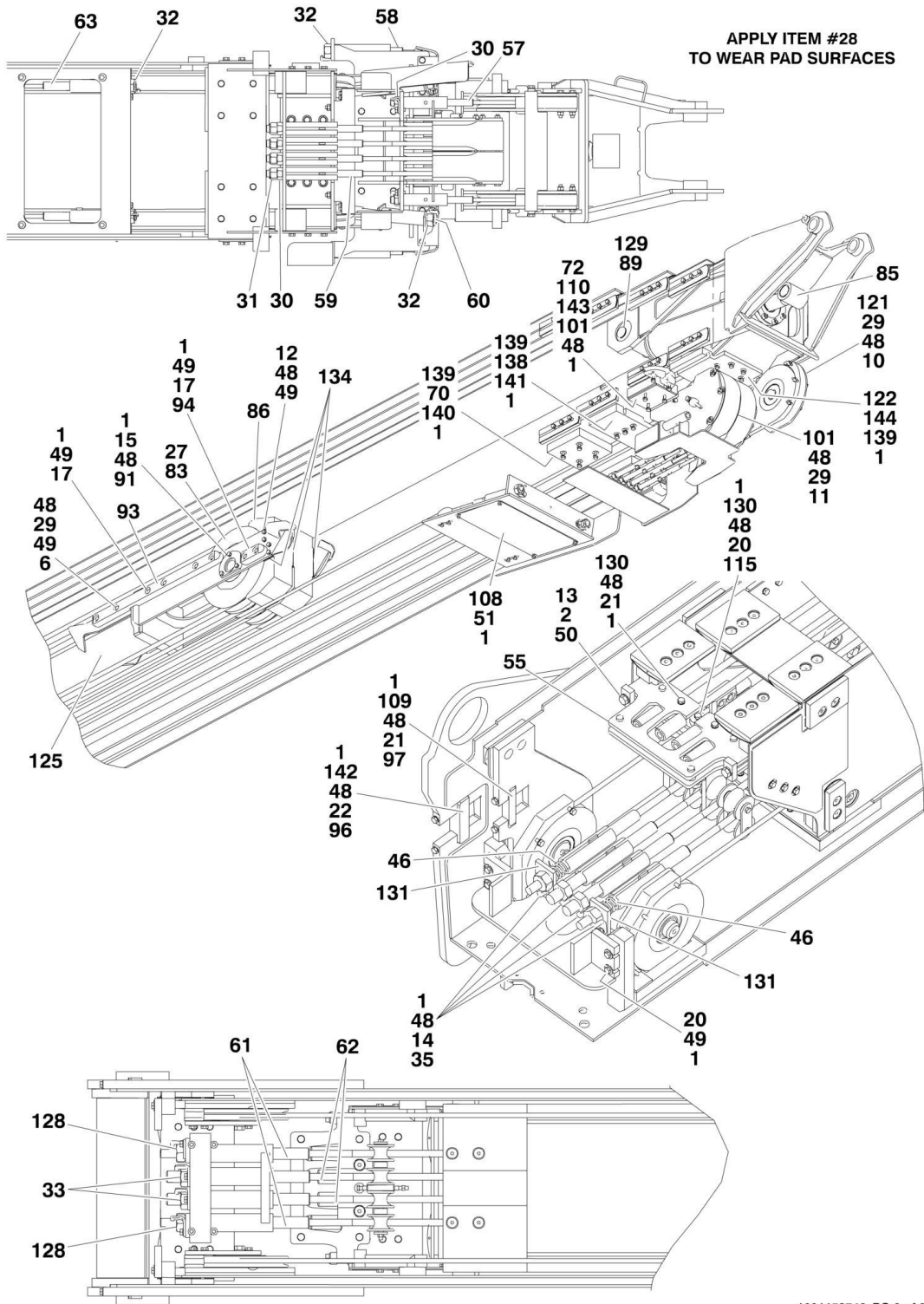


# SECTION 4 - BOOM



1001158746\_PG 2 of 3

# SECTION 4 - BOOM



1001158746\_PG 3 of 3

# SECTION 4 - BOOM

## FIGURE 4-2. BOOM ASSEMBLY

ITEM	PART NUMBER	QTY	DESCRIPTION	REV
	1001158746	Ref	BOOM ASSEMBLY	L
1	0100011	AR	Compound, Locking	
2	0100019	AR	Compound, Locking	
3	0363066	2	Bar, Stabilizer	
4	0641644	1	Bolt 3/8 X 5-1/2	
5	0641688	2	Bolt 3/8 X 11	
6	0701017	4	Bolt M10 x 45	
7	0701018	10	Bolt M10 x 50	
8	0701021	6	Bolt M10 X 65	
9	0701022001	4	Bolt M10 X 70	
10	0701024001	6	Bolt M10 X 80	
11	0701039	3	Bolt M10 X 220	
12	0701047	4	Bolt M10 X 300	
13	0701628	2	Bolt M16 X 110	
14	0761009	24	Bolt M10 X 18	
15	0761011001	27	Bolt M10 X 22	
16	0761012001	32	Bolt M10 x 25	
17	0761014001	74	Bolt M10 X 30	
18	0761015001	16	Bolt M10 x 35	
19	0761016001	8	Bolt M10 X 40	
20	0761018001	5	Bolt M10 X 50	
21	0761020	6	Bolt M10 X 60	
22	0761027	4	Bolt M10 X 100	
23	0761616	6	Bolt M16 X 40	
24	0811607001	4	Screw 3/8 X 7/8	
25	0962447	2	Bearing, Flanged	
26	1671033	1	Cover	
27	3020039	AR	Lubricant	
28	3020042	AR	Lubricant	
29	3291005001	25	Nut M10	
30	3292201	6	Nut M22	
31	3292205	4	Nut M22	
32	3292701	6	Nut M27	
33	3293301	2	Nut M33	
34	3311605	3	Nut 3/8	
35	3573444	4	Plate, Lock	
36	3580306	8	Pulley	
37	3580341	2	Deflector	
38	3580342	2	Deflector	
39	3841203	3	Keeper, Pin	
40	4070863	4	Shim 11Ga	
41	4070864	4	Shim 18Ga	
42	4070897	10	Shim .05	
43	4070898	10	Shim .12	
44	4071028	22	Shim 16Ga	
45	4071029	22	Shim 11Ga	
46	4160197	2	Spring, Proximity Switch	
47	4568423	8	Tube, Spacer	
48	1001172358	AR	Washer M10	
49	4812002	AR	Washer M10	

## SECTION 4 - BOOM

ITEM	PART NUMBER	QTY	DESCRIPTION	REV
50	4812300	AR	Washer M16	
51	5251210001	4	Bolt M12 x 20	
52	1001123044	10	Pad, Wear	
53	1001136583	4	Pad, Wear	
54	1001151117	1	Mount, Switch/Adjuster	
55	1001151124	1	Support, Extend Rope	
57	1001153433	2	Rope, Section 5 Extend	
58	1001153437	2	Rope, Section 5 Retract	
59	1001153443	4	Rope, Section 4 Extend	
60	1001153450	2	Rope, Section 4 Retract	
61	1001153452	2	Rope, Section 3 Extend	
62	1001153453	2	Rope, Section 3 Extend	
63	1001153465	2	Rope, Section 3 Retract	
64	1001153760	2	Sheave	B
64	1001153692	2	Bearing, Bronze (1 Per Assembly)	
64	1001153710	2	Bearing, Composite (1 Per Assembly)	
65	1001153797	4	Sheave	B
65	1001153786	4	Bearing, Bronze (1 Per Assembly)	
65	1001153785	4	Bearing, Composite (1 Per Assembly)	
66	1001153817	4	Sheave	B
66	1001153815	4	Bearing, Bronze (1 Per Assembly)	
66	1001153816	4	Bearing, Composite (1 Per Assembly)	
66	1001154247	4	Ring, Retaining (1 Per Assembly)	
67	1001153846	2	Sheave	B
67	1001153828	2	Bearing, Bronze (1 Per Assembly)	
67	1001153827	2	Bearing, Composite (1 Per Assembly)	
68	1001154086	6	Pad	
69	1001154087	16	Pad	
70	1001154088	2	Pad	
72	1001154091	2	Pad	
73	1001154092	1	Pad	
74	1001154093	8	Pad	
75	1001154094	1	Pad	
76	1001154095	2	Pad	
77	1001154097	2	Pad	
78	1001154099	2	Pad	
79	1001154232	8	Shim 18Ga	
80	1001154233	8	Shim 11Ga	
81	1001154234	2	Shim 18Ga	
82	1001154235	2	Shim 11Ga	
83	1001154260	4	Sheave	C
83	1001154306	4	Bearing, Bronze (1 Per Assembly)	
83	1001154304	4	Bearing, Composite (1 Per Assembly)	
83	1001154294	4	Ring, Retaining (1 Per Assembly)	
84	1001155523	1	Boom, Section 4	
85	1001228064	1	Jib Level (Slave) Cylinder Assembly (See Separate Breakdown in CYLINDER Section)	
86	1001155900	2	Block, Rope Retainer	
87	1001156549	1	Pin	
88	1001156562	2	Pin	
89	1001156565	1	Pin	
90	1001156613	4	Bushing, Sheave	

## SECTION 4 - BOOM

ITEM	PART NUMBER	QTY	DESCRIPTION	REV
91	1001157097	1	Pin	
92	1001157412	1	Plate	
93	1001157453	2	Pad, Wear	
94	1001157454	2	Pad, Wear	
95	1001157459	2	Plate, Spacer	
96	1001177591	2	Block, Trunnion Keeper	
97	1001157872	2	Block, Trunnion Keeper	
98	1001157873	2	Block, Cable Retainer	
99	1001157874	2	Block, Rope Retainer	
100	1001157875	2	Block, Cable Keeper	
101	1001157876	2	Block, Rope Retainer	
102	1001157878	2	Block, Rope Retainer	
103	1001157879	2	Plate, Sheave	
104	1001157880	6	Plate, Keeper	
105	1001157881	2	Plate, Sheave	
106	1001157882	1	Plate, Sheave	
107	1001157883	1	Plate, heave	
108	1001157884	1	Panel, Adjuster	
109	1001157885	4	Shim, Trunnion Block	
110	1001157886	2	Shim, Wear Pad	
111	1001157887	2	Bearing, Boom Pivot	
112	1001157888	2	Socket, Sheave	
113	1001157889	2	Shield, Sheave	
114	1001158355	1	Bracket, Rope Adjustment	
115	1001158517	1	Pad, Wear	
116	1001158757	1	Boom, Section 1	
117	1001158771	1	Boom, Section 2	
118	1001158772	1	Boom, Section 3	
119	1001158774	1	Boom, Section 5	
120	1001159061	2	Pad, Wear	
121	1001159167	2	Block, Rope Retainer	
122	1001159168	1	Pad, Wear	
123	1001159169	2	Shim 18Ga	
124	1001159170	2	Shim 11Ga	
125	1001228082	1	Boom Telescope Cylinder Assembly (See Separate Breakdown in CYLINDER Section)	
126	1001159245	2	Pad, Wear	
127	1001159875	2	Pad, Wear	
128	1001160138	2	Nut M24	
129	1001160589	1	Capscrew M12 X 20	
130	1001160743	3	Disc, Rope Spacer	
131	1001160744	2	Block, Switch Adjuster	
132	1001160989	2	Sheave, Deflector	
133	1001160990	2	Sheave, Deflector	
134	1001163429	3	Plate, Spacer	
135	0761212001	3	Bolt M12 X 25	
136	4812100001	3	Washer M12	
137	1001167497	2	Plate, Keeper	
138	1001169679	1	Pad, Wear	
139	5241000001	AR	Washer M10	
140	0771016001	8	Bolt M10 x 40 Grade 10.9	
141	0771014001	6	Bolt M10 X 30 Grade 10.9	

## SECTION 4 - BOOM

ITEM	PART NUMBER	QTY	DESCRIPTION	REV
142	1001173662	2	Shim	
143	0771018001	6	Bolt M10 X 50 Grade 10.9	
144	0771012001	22	Bolt M10 X 25 Grade 10.9	







FIGURE 4-3. JIB INSTALLATION

ITEM	PART NUMBER	QTY	DESCRIPTION	REV
	1001158944	Ref	JIB INSTALLATION	L
1	0100011	AR	Compound, Locking	
2	0100019	AR	Compound, Locking	
3	0100063	AR	Compound, Locking	
4	0641606001	1	Bolt 3/8 X 3/4	
5	0641808001	2	Bolt 1/2 X 1	
6	0642010001	2	Bolt 5/8 X 1-1/4	
7	0642014001	1	Bolt 5/8 X 1-3/4	
8	0682022001	2	Bolt, 5/8 X 2-3/4	
9	0683020001	1	Bolt 1-1/4 X 2-1/2	
10	0811608001	2	Screw 3/8 X 1	
11	0961950	2	Bearing, Composite	
12	0962181	2	Bushing, Composite	
13	3272001001	2	Nut 5/8	
14	3312001001	1	Nut 5/8	
15	3841143	1	Keeper	
16	3841203	2	Keeper	
17	3841258	3	Keeper	
18	3932016	10	Capscrew 5/8 X 1	
19	3932224	10	Capscrew 3/4 X 1-1/2	
20	1001172356	4	Washer 5/8	
21	1001251058	1	Jib Lift Cylinder Assembly (See Separate Breakdown in CYLINDER Section)	
22	1001118369	1	Pad, Wear	
23	1001118564	1	Pivot, Jib	
24	1001119042	1	Cap	
25	1001251046	1	Jib Lock Cylinder Assembly (See Separate Breakdown in CYLINDER Section)	
26	1001181063	1	Jib Rotator Assembly (See Separate Breakdown in this Section)	
27	1001119985	1	Pin	
28	1001119990	1	Pin	
29	1001119991	1	Pin	
30	1001119998	1	Pin	
31	1001120000	2	Pin	
32	1001120014	1	Shim 11Ga	
33	1001120015	1	Shim 18Ga	
34	1001120037	1	Bearing	
35	1001120038	1	Bearing	
36	1001120039	1	Bearing	
37	1001251057	1	Platform Level (Slave) Cylinder Assembly (See Separate Breakdown in CYLINDER Section)	
38	1001158923	1	Jib Assembly (See Separate Breakdown in this Section)	
39	1001181062	1	Platform Rotator Assembly (See Separate Breakdown in this Section)	
40	91471226	1	Shim 16Ga	
41	91471227	2	Shim 20Ga	
42	0100081	AR	Adhesive	
44	0791516001	2	Screw 5/16 X 2	
45	0791609001	2	Screw 3/8 X 1-1/8	
46	0791622001	2	Screw 3/8 X 2-3/4	

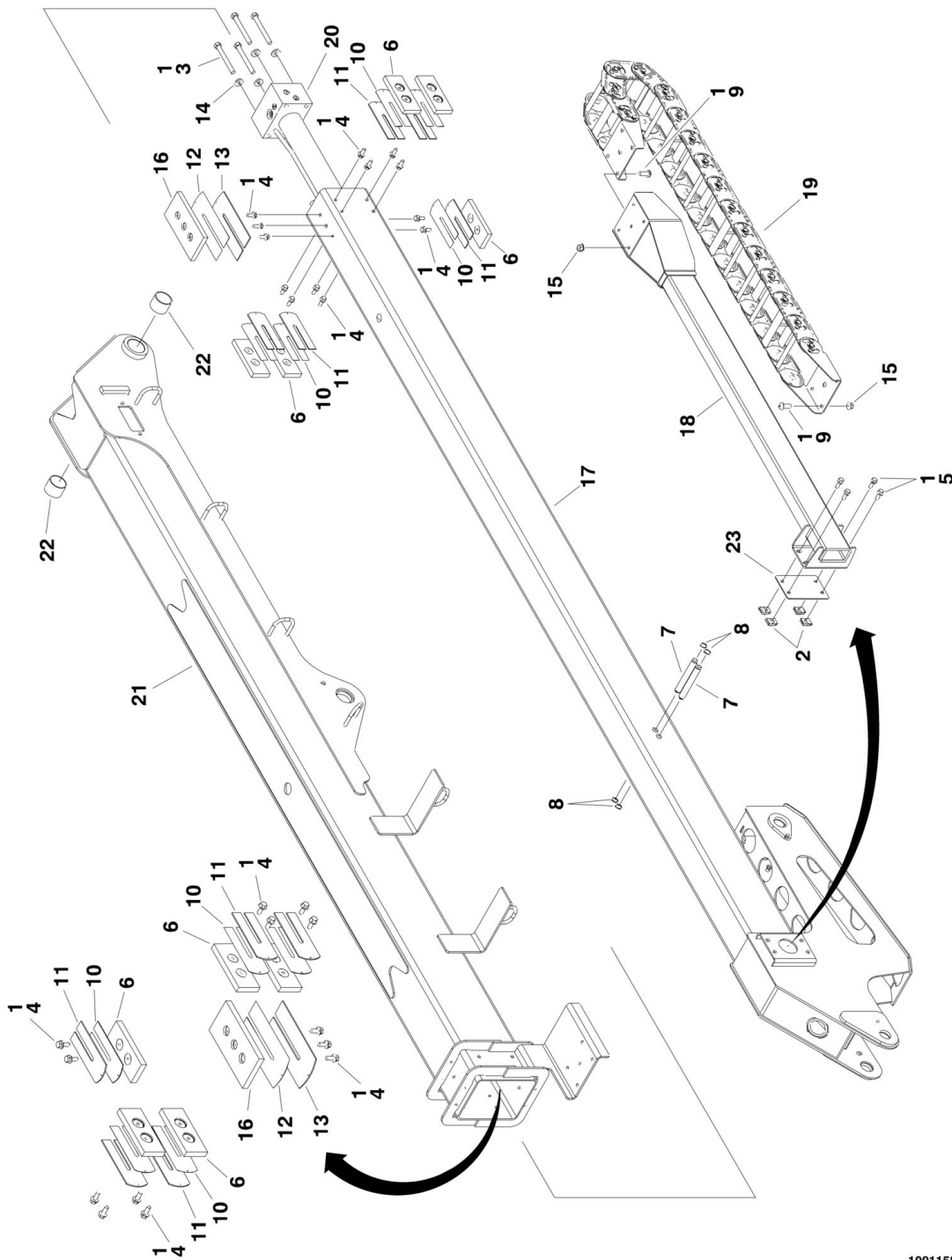
## SECTION 4 - BOOM

ITEM	PART NUMBER	QTY	DESCRIPTION	REV
47	1320294	1	Clamp, Bar	
48	1320298	1	Clamp, Hose	
50	3271601001	1	Nut 3/8	
51	1001173663	2	Nut 3/8	
52	3311508001	2	Nut 5/16	
53	3311608001	2	Nut 3/8	
54	3340939	2	Pad, Rubber	
55	3340942	2	Pad, Rubber	
57	4711800001	1	Washer 1/2	
58	1001173666	1	Washer	
59	4891600001	AR	Washer 3/8	
60	1001173680	1	Setscrew 1/2 X 3/8	
61	1001120209	1	Bracket, Guide Block	
62	1001120257	2	Pad	
63	1001225266	1	Shim	



# SECTION 4 - BOOM

## FIGURE 4-4. JIB ASSEMBLY



1001158923

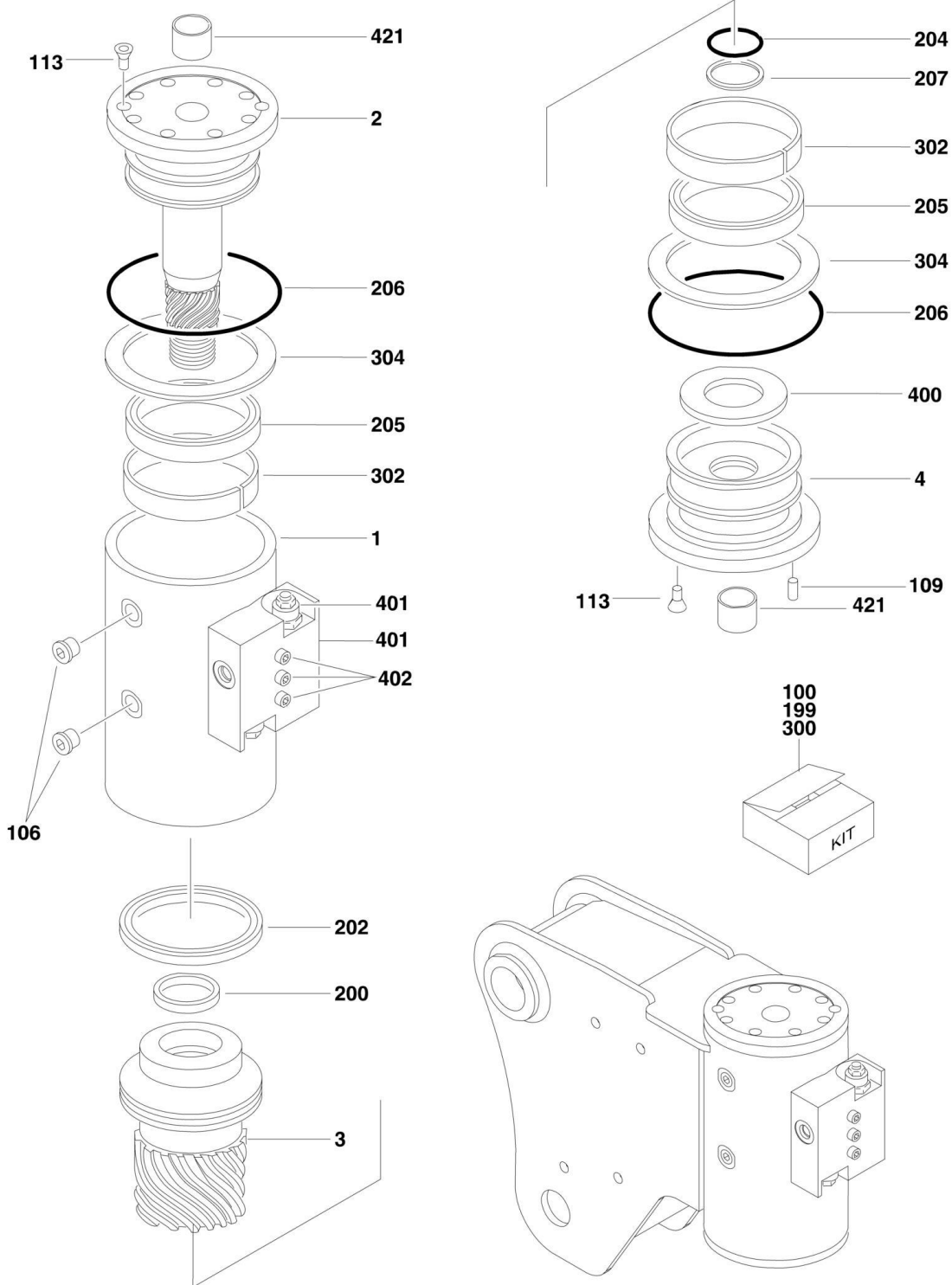
# SECTION 4 - BOOM

## FIGURE 4-4. JIB ASSEMBLY

ITEM	PART NUMBER	QTY	DESCRIPTION	REV
	1001158923	Ref	JIB ASSEMBLY	Q
1	0100011	AR	Compound, Locking	
2	88662523	4	Nut, Retainer	
3	0681836001	4	Bolt 1/2 X 4-1/2	
4	0811607001	26	Bolt 3/8 X 7/8	
5	0811608001	4	Bolt 3/8 X 1	
6	3340881	10	Pad, Wear	
7	3423161	2	Pin	
8	3760351	4	Ring, Retaining	
9	1001173763	8	Screw M10 X 25	
10	4070897	10	Shim 18Ga	
11	4070898	10	Shim 11Ga	
12	4071039	2	Shim 18Ga	
13	4071040	2	Shim 11Ga	
14	4891800001	4	Washer 1/2	
15	5261012	8	Nut M10 Grade 10.9	
16	1001129961	2	Pad, Wear	
17	1001158933	1	Boom, Fly	
18	1001158993	1	Tube, Push	
19	1001158992	1	Power Track Assembly	D
19	70004409	AR	Repair Section	
19	70004410	2	Mounting Feet Kit	
20	1001158991	1	Jib Telescope Cylinder Assembly (See Separate Breakdown in CYLINDER SECTION)	
21	1001158925	1	Boom, Base	
22	0961950	2	Bearing	
23	1001119710	1	Shim .125	

# SECTION 4 - BOOM

## FIGURE 4-5. PLATFORM ROTATOR ASSEMBLY



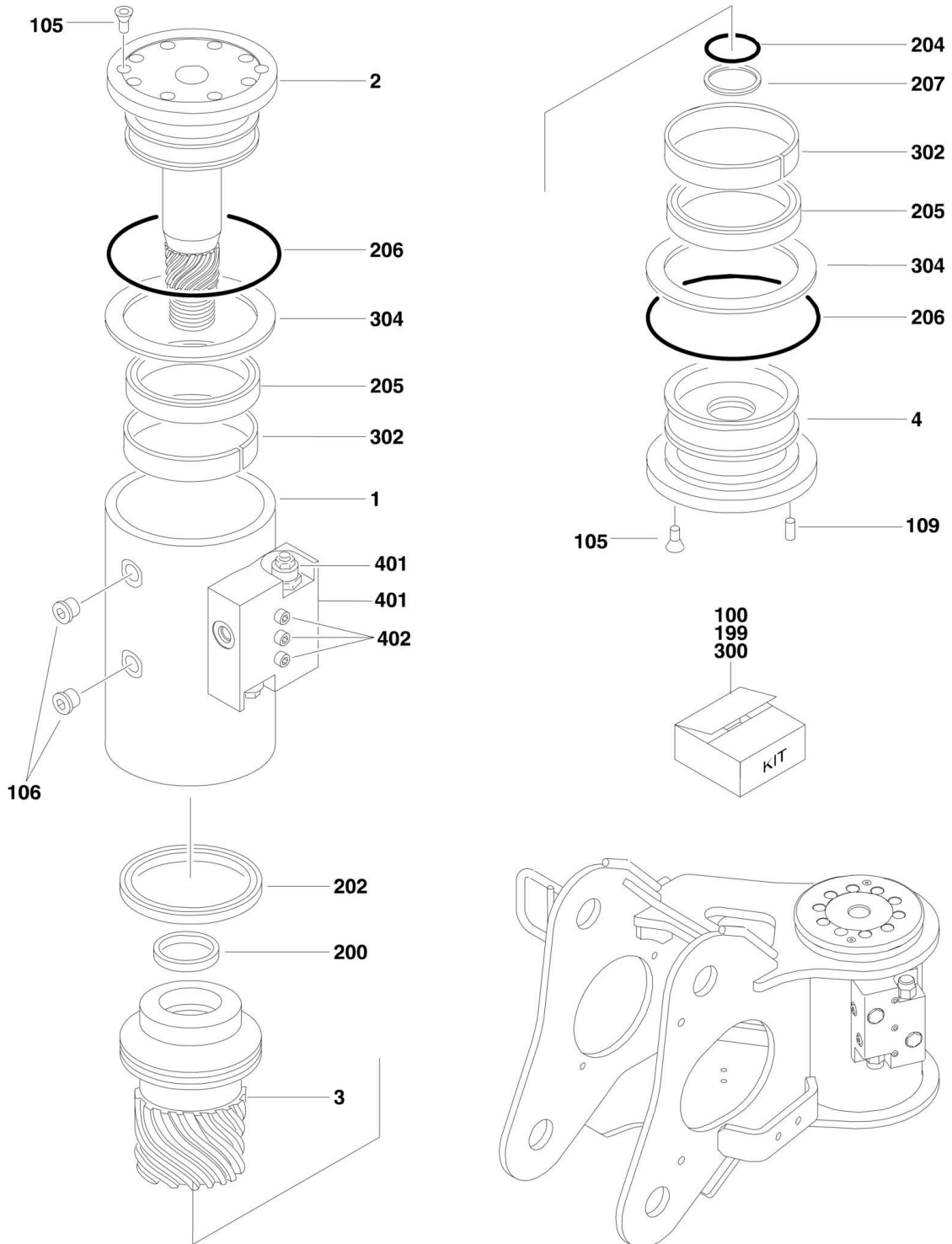
ART\_1001181062

FIGURE 4-5. PLATFORM ROTATOR ASSEMBLY

ITEM	PART NUMBER	QTY	DESCRIPTION	REV
	1001181062	Ref	PLATFORM ROTATOR ASSEMBLY	A
1	See Note	NSS	Housing/Ring Gear (Note: Purchase Complete Assembly)	
2	7017162	1	Shaft	
3	7017163	1	Piston	
4	7017164	1	Cap	
100	7017142	1	Hardware Kit (Includes Items 106-109)	
106	See Note	NSS	Plug (Note: Use p/n 7017142)	
109	See Note	NSS	Pin, Dowel (Note: Use p/n 7017142)	
113	70001697	6	Screw 1/4 x 3/8	
199	70000342	1	Seal Kit - Low Temperature (Includes Items 200-207)	
200	See Note	NSS	T-Seal (Note: Use p/n 70000342)	
202	See Note	NSS	T-Seal (Note: Use p/n 70000342)	
204	See Note	NSS	O-Ring (Note: Use p/n 770000342)	
205	See Note	NSS	Seal (Note: Use p/n 70000342)	
206	See Note	NSS	O-Ring (Note: Use p/n 70000342)	
207	See Note	1	Ring, Back-up (Note: Use p/n 70000342)	
300	7017159	1	Bearing Kit (Includes Item 302-304)	
302	See Note	NSS	Bearing (Note: Use p/n 7017159)	
304	See Note	NSS	Washer, Thrust (Note: Use p/n 7017159)	
400	70004402	1	Tube, Stop	
401	7017183	1	Valve, Control	
401	7017193	2	Cartridge, Valve	
401	See Note	NSS	Seal Kit - 7017193 Cartridge (Note: Use p/n 7017193)	
402	See Note	NSS	Capscrew 1/4 x 1-1/2 Grade 8 (Note: Purchase Locally)	
421	7017195	2	Bushing	

# SECTION 4 - BOOM

## FIGURE 4-6. JIB ROTATOR ASSEMBLY



ART\_1001181063

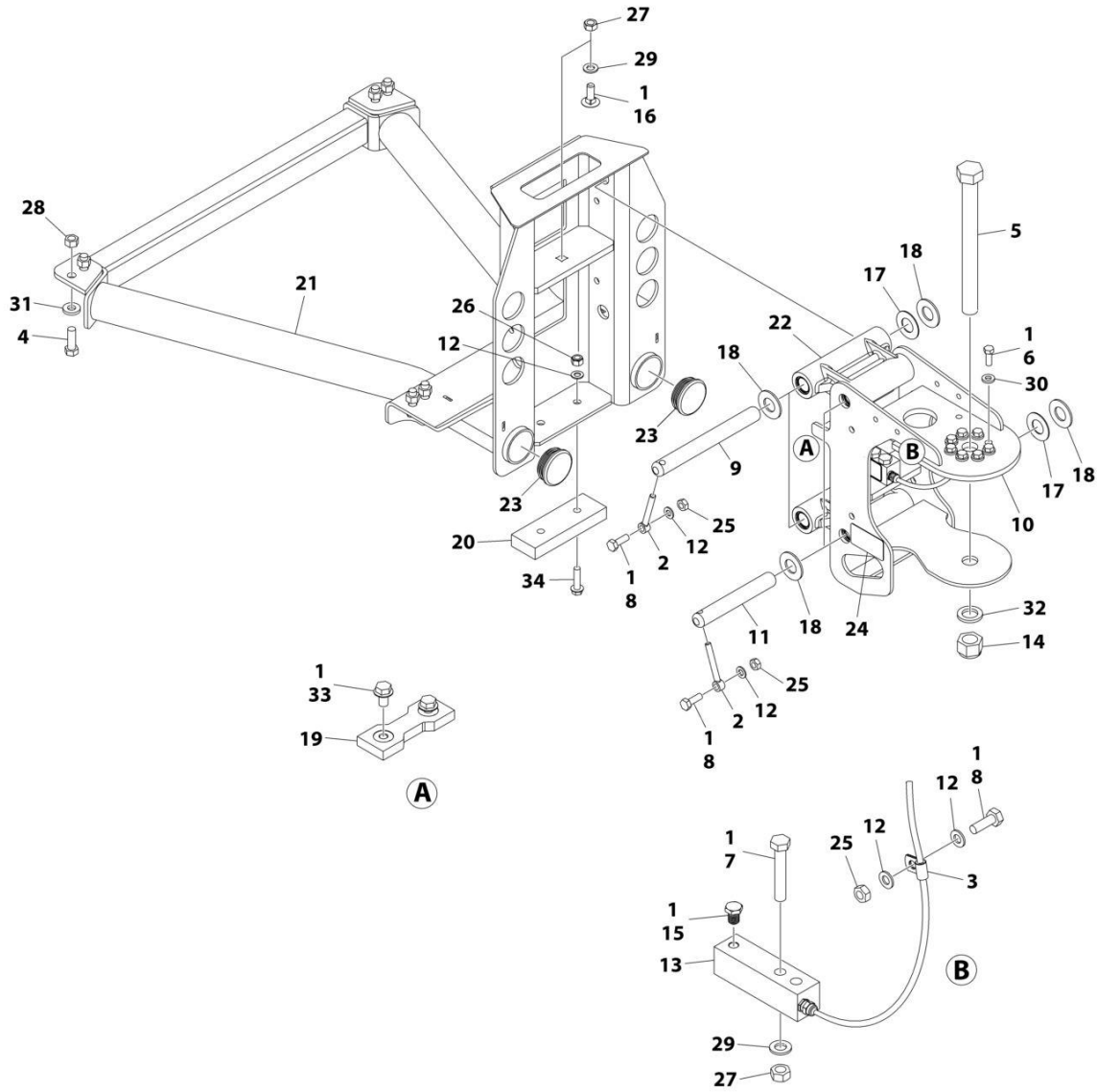


FIGURE 4-6. JIB ROTATOR ASSEMBLY

ITEM	PART NUMBER	QTY	DESCRIPTION	REV
	1001181063	Ref	JIB ROTATOR ASSEMBLY	A
1	See Note	NSS	Housing/Ring Gear (Note: Purchase Complete Assembly)	
2	70002853	1	Shaft	
3	70002854	1	Piston	
4	70002855	1	Cap	
5	70004403	1	Nut	
100	70002858	1	Hardware Kit (Includes Items 105-109)	
105	See Note	NSS	Screw (Note: Use p/n 70002858)	
106	See Note	NSS	Plug (Note: Use p/n 70002858)	
109	See Note	NSS	Setscrew (Note: Use p/n 70002858)	
199	70005170	1	Seal Kit - Low Temperature (Includes Items 200-207)	
200	See Note	NSS	T-Seal (Note: Use p/n 70005170)	
202	See Note	NSS	T-Seal (Note: Use p/n 70005170)	
204	See Note	NSS	O-Ring (Note: Use p/n 70005170)	
205	See Note	NSS	Seal (Note: Use p/n 70005170)	
206	See Note	NSS	O-Ring (Note: Use p/n 70005170)	
207	See Note	NSS	Ring, Back-up (Note: Use p/n 70005170)	
300	70002857	1	Bearing Kit (Includes Items 302-304)	
302	See Note	NSS	Bearing (Note: Use p/n 70002857)	
304	See Note	2	Washer, Thrust (Note: Use p/n 70002857)	
401	70002859	1	Valve, Control	
401	See Note	NSS	Cartridge, Valve (Note: Use p/n 70002859)	
401	See Note	NSS	Seal Kit - Cartridge (Note: Use p/n 70002859)	
402	See Note	NSS	Capscrew 1/4 x 1-1/2 Grade 8 (Note: Purchase Locally)	

# SECTION 4 - BOOM

## FIGURE 4-7. PLATFORM SUPPORT INSTALLATION



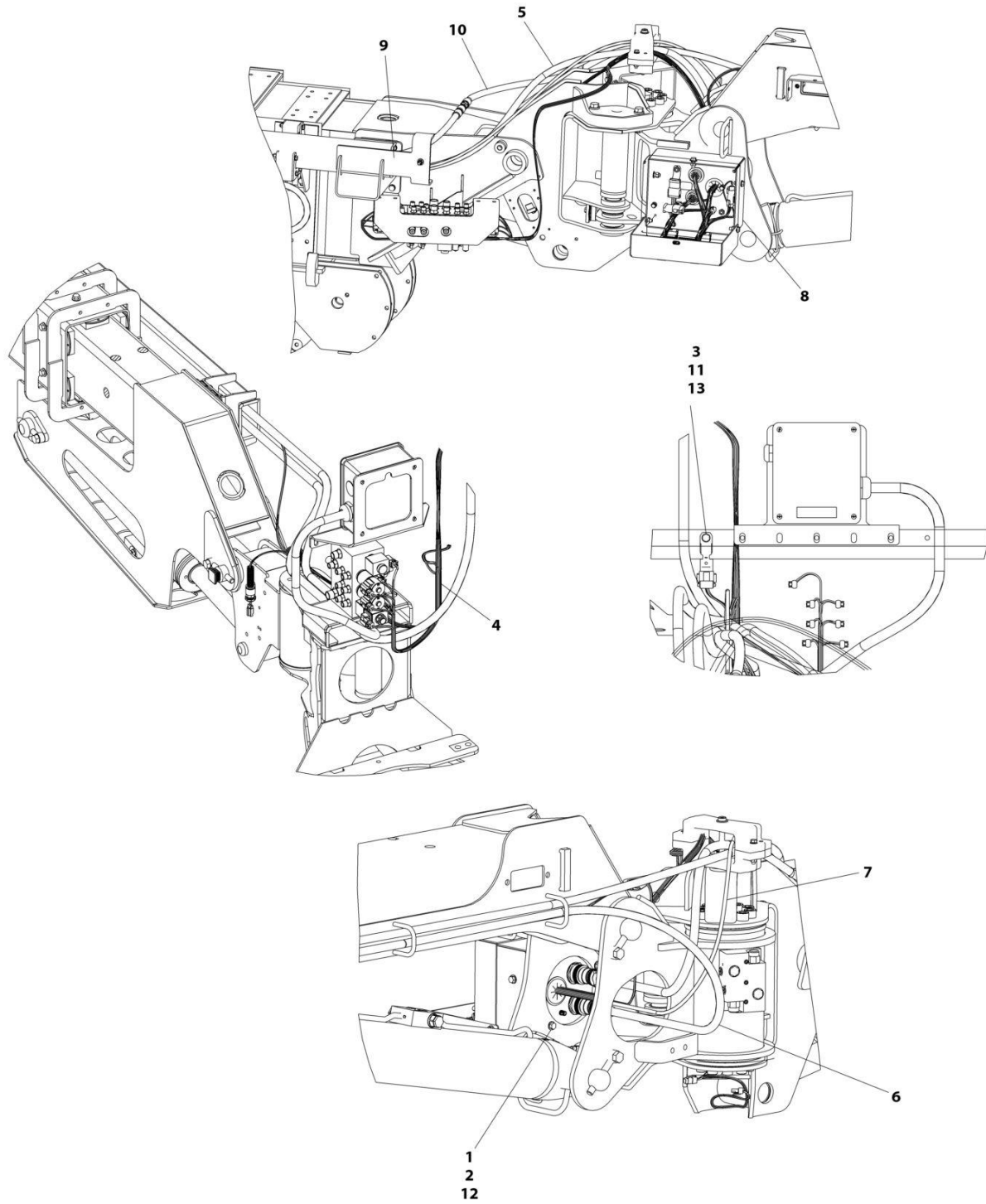
ART\_1001219996\_F

FIGURE 4-7. PLATFORM SUPPORT INSTALLATION

ITEM	PART NUMBER	QTY	DESCRIPTION	REV
	1001219996	Ref	PLATFORM SUPPORT INSTALLATION - WITH 1 CELL LSS	F
1	0100011	AR	Compound, Locking	
2	3841143	4	Keeper	
3	91203039	1	Clamp	
4	0761216001	8	Bolt M12 x 40	
5	1001255133	1	Bolt 1 x 11	
6	0681608001	8	Bolt 3/8 x 1 Grade 8	
7	0711222001	2	Bolt M12 x 70 Grade 10.9	
8	0761014001	5	Bolt M10 x 30	
9	1001167565	2	Pin	
10	1001167567	1	Support, Rotary Side	
11	1001168402	2	Pin	
12	1001172358	8	Washer M10	
13	1001247468	1	Cell, Load Sensing	
14	1001174040	1	Nut 1	
15	1001188622	1	Screw	
16	1001188844	1	Bolt M12 x 35	
17	1001189001	4	Bearing	
18	1001189002	8	Bearing	
19	1001190985	1	Wear Pad	
20	1001200491	1	Plate	
21	1001200494	1	Support	
22	1001201351	2	Link, LSS Assembly	
22	1001187382	4	Bearing	
22	1001187383	4	Seal	
23	1001204725	2	Plug	
24	1001216630	2	Decal - Tie Down/No Lift	
25	3291001001	5	Nut M10	
26	3291005001	2	Nut M10	
27	3291201001	3	Nut M12	
28	3291205001	8	Nut M12	
29	4812100001	3	Washer M12	
30	4891600001	8	Washer 3/8	
31	5241200001	8	Washer M12	
32	4892600001	1	Washer 1	
33	5251008001	2	Bolt M10 x 16	
34	5251016001	2	Bolt M10 x 40	

# SECTION 4 - BOOM

FIGURE 4-8. BOOM CABLES INSTALLATION - 4000W 50HZ GENERATOR (ANSI EXPORT, AUSTRALIAN, CHINA, JAPANESE, CE & UK CA SPECS)



ART\_1001211129

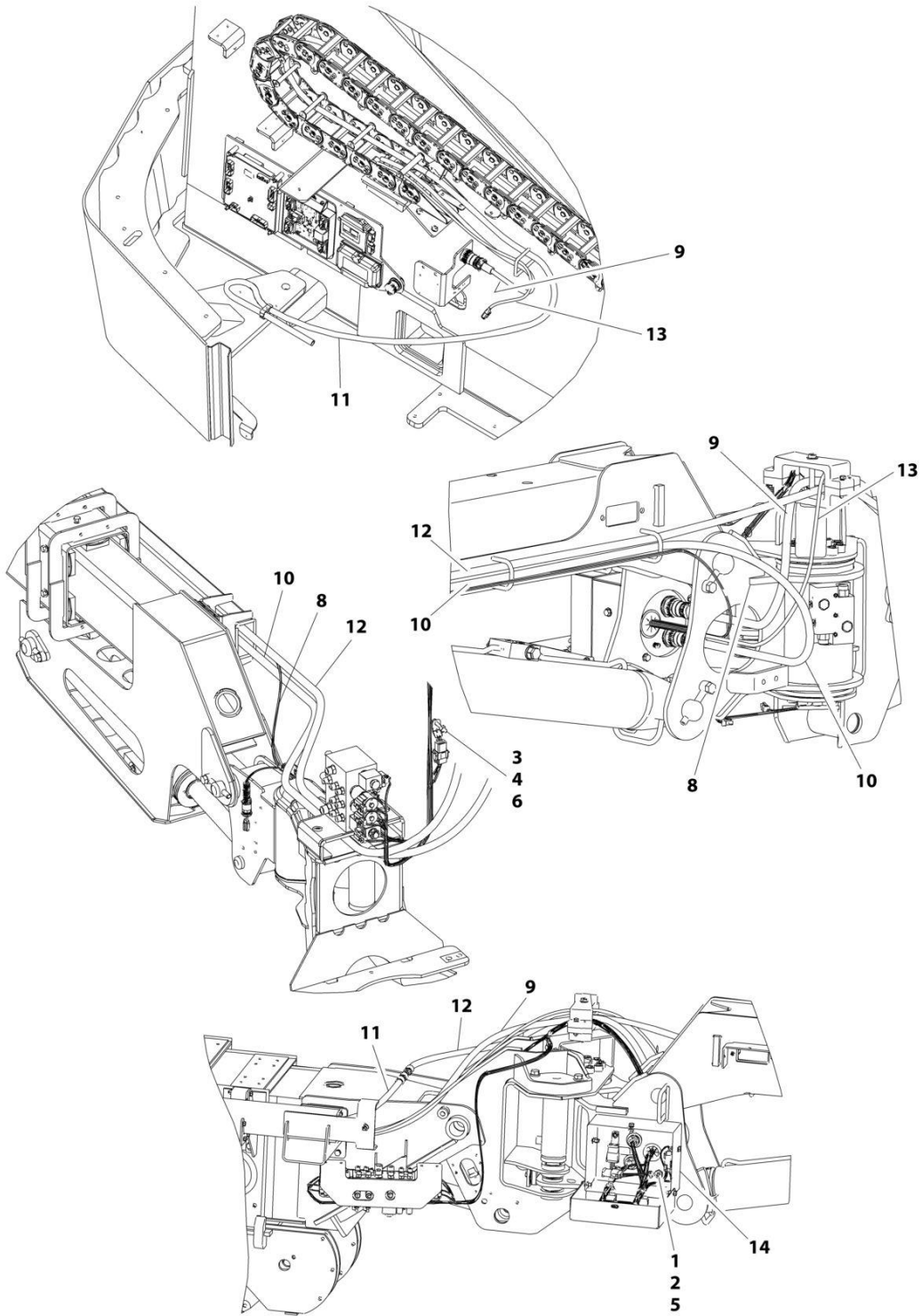
## SECTION 4 - BOOM

**FIGURE 4-8. BOOM CABLES INSTALLATION - 4000W 50HZ GENERATOR (ANSI EXPORT, AUSTRALIAN, CHINA, JAPANESE, CE & UK CA SPECS)**

ITEM	PART NUMBER	QTY	DESCRIPTION	REV
	1001211129	Ref	BOOM CABLES INSTALLATION - 4000W 50HZ GENERATOR	A
1	0100011	AR	Compound, Locking	
2	0641608001	2	Bolt 3/8 x 1	
3	0700818001	1	Bolt M8 x 50	
4	1001149977	1	Harness, Platform Valve (See Separate Breakdown in ELECTRICAL SECTION)	
5	1001156893	1	Cable, Main Boom Control (See Separate Breakdown in ELECTRICAL SECTION)	
6	1001156897	1	Cable, Jib Control (See Separate Breakdown in ELECTRICAL SECTION)	
7	1001158207	1	Cable, Main Boom 16/4 (See Separate Breakdown in ELECTRICAL SECTION)	
8	1001159621	1	Box, Jib Enclosure (See Separate Breakdown in this Section)	
9	1001211130	1	Cable, Main Boom AC (See Separate Breakdown in ELECTRICAL SECTION)	
10	1001211131	1	Cable, Jib AC (See Separate Breakdown in ELECTRICAL SECTION)	
11	3290805001	1	Nut M8	
12	4711600001	2	Washer 3/8	
13	4811900001	2	Washer M8	

# SECTION 4 - BOOM

## FIGURE 4-9. BOOM CABLES (AUSTRALIAN, CHINA, CE & UK CA SPECS)



ART\_1001156217

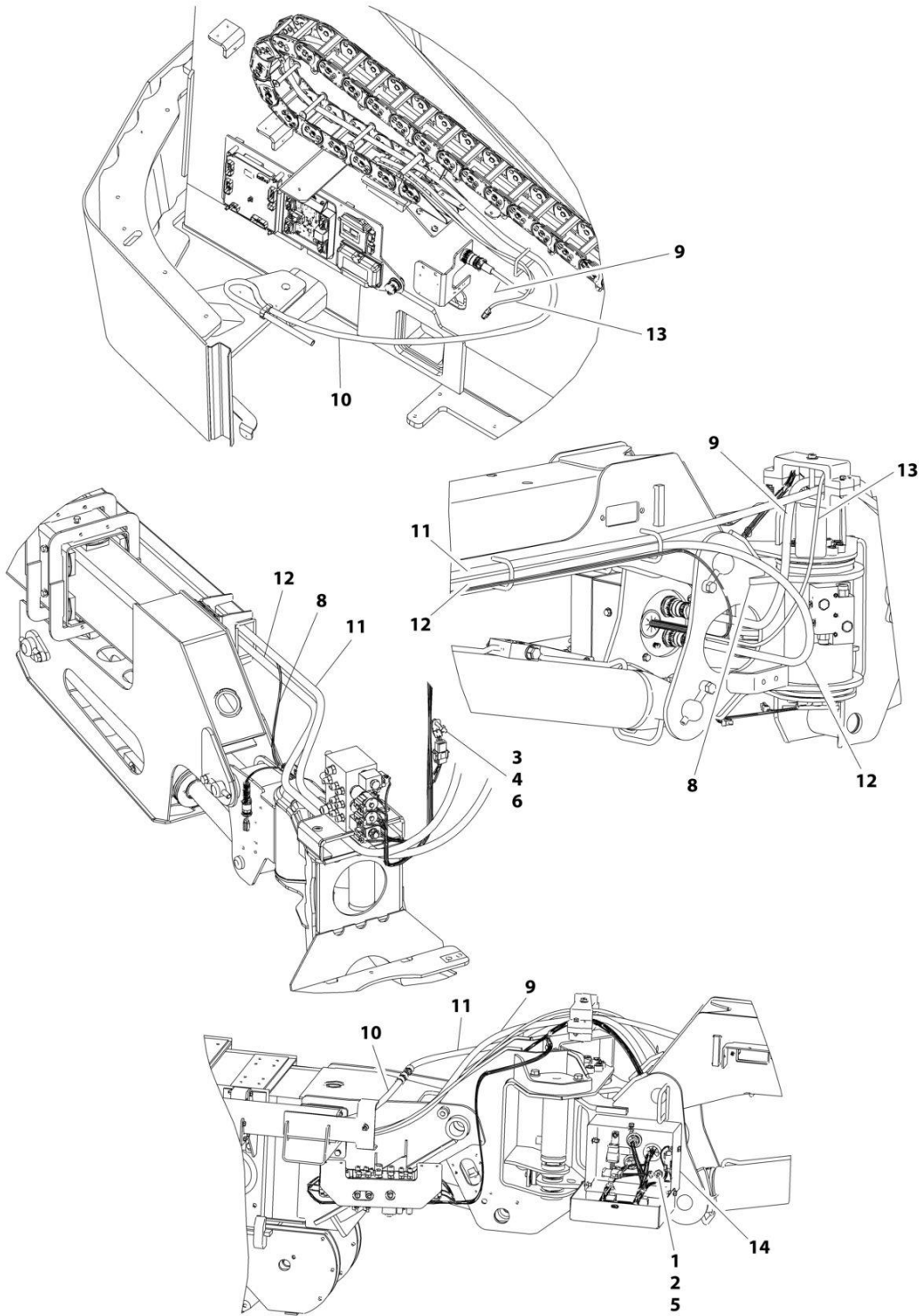
## SECTION 4 - BOOM

**FIGURE 4-9. BOOM CABLES (AUSTRALIAN, CHINA, CE & UK CA SPECS)**

ITEM	PART NUMBER	QTY	DESCRIPTION	REV
	1001156217	Ref	BOOM CABLES INSTALLATION	D
1	0100011	AR	Compound, Locking	
2	0641608001	2	Bolt 3/8-16 x 1	
3	0700818001	1	Bolt M8 x 50	
4	3290805001	1	Nut M8	
5	4711600001	2	Washer 3/8	
6	4811900001	2	Washer M8	
8	1001149977	1	Harness, Platform Valve (See Separate Breakdown in ELECTRICAL SECTION)	
9	1001156893	1	Cable, Main Boom Control (See Separate Breakdown in ELECTRICAL SECTION)	
10	1001156897	1	Cable, Jib Control (See Separate Breakdown in ELECTRICAL SECTION)	
11	1001157636	1	Cable, Main Boom AC (See Separate Breakdown in ELECTRICAL SECTION)	
12	1001157637	1	Cable, Jib AC (See Separate Breakdown in ELECTRICAL SECTION)	
13	1001158207	1	Cable, Main Boom 16/4 (See Separate Breakdown in ELECTRICAL SECTION)	
14	1001159621	1	Box, Jib Enclosure (See Separate Breakdown in this Section)	

# SECTION 4 - BOOM

## FIGURE 4-10. BOOM CABLES - ANSI, ANSI EXPORT, CSA AND JAPANESE SPECS



ART\_1001156216



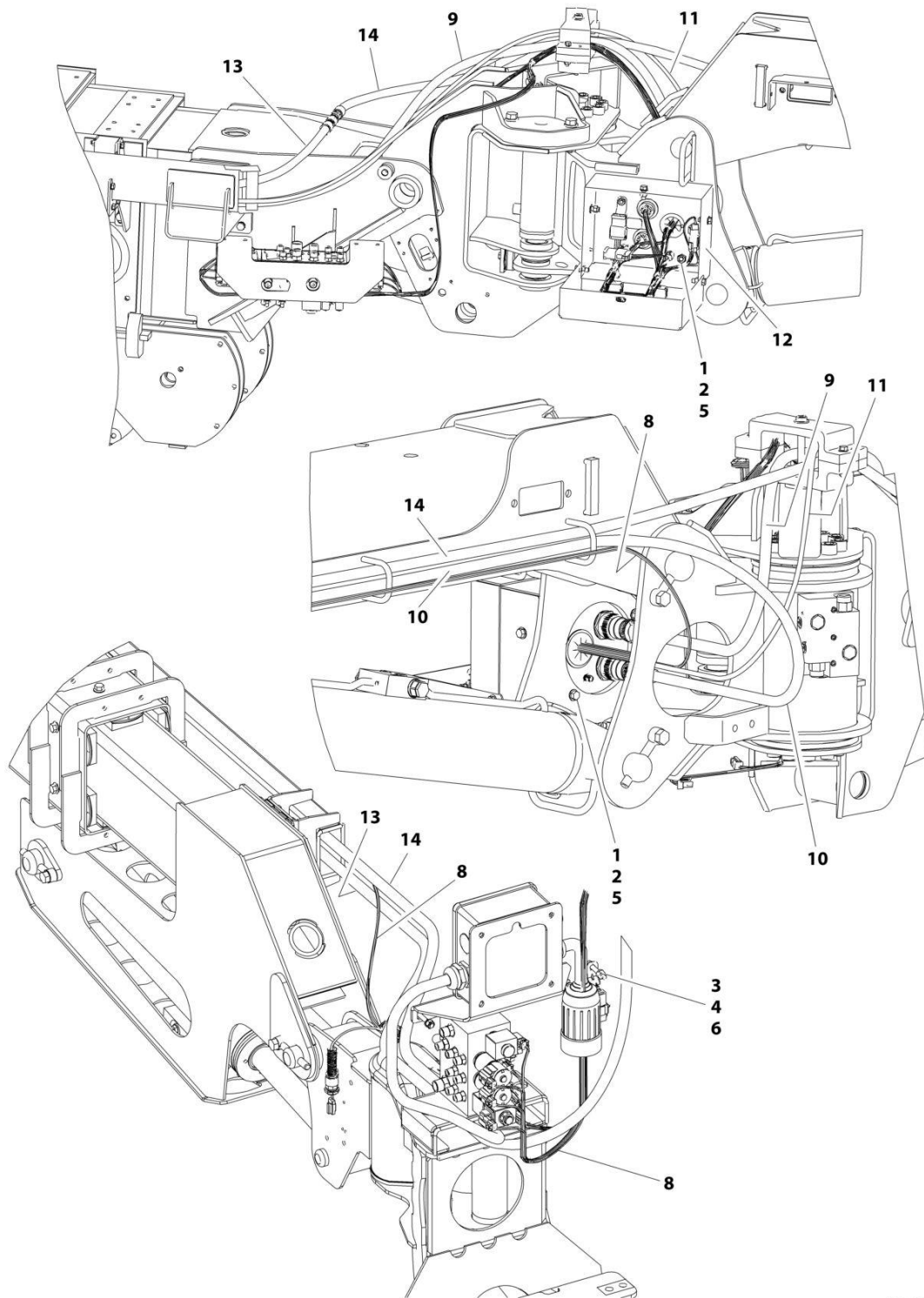
## SECTION 4 - BOOM

**FIGURE 4-10. BOOM CABLES - ANSI, ANSI EXPORT, CSA AND JAPANESE SPECS**

ITEM	PART NUMBER	QTY	DESCRIPTION	REV
	1001156216	Ref	BOOM CABLES INSTALLATION	D
1	0100011	AR	Compound, Locking	
2	0641608001	2	Bolt 3/8 x 1	
3	0700818001	1	Bolt M8 x 50	
4	3290805001	1	Nut M8	
5	4711600001	2	Washer 3/8	
6	4811900001	2	Washer M8	
8	1001149977	1	Harness, Platform Valve (See Separate Breakdown in ELECTRICAL SECTION)	
9	1001156893	1	Cable, Main Boom Control (See Separate Breakdown in ELECTRICAL SECTION)	
10	1001156894	1	Cable, Main Boom AC (See Separate Breakdown in ELECTRICAL SECTION)	
11	1001156896	1	Cable, Jib AC (See Separate Breakdown in ELECTRICAL SECTION)	
12	1001156897	1	Cable, Jib Control (See Separate Breakdown in ELECTRICAL SECTION)	
13	1001158207	1	Cable, Main Boom 16/4 (See Separate Breakdown in ELECTRICAL SECTION)	
14	1001159621	1	Box, Jib Enclosure (See Separate Breakdown in this Section)	

# SECTION 4 - BOOM

## FIGURE 4-11. BOOM CABLES - SKYPOWER



ART\_1001161729

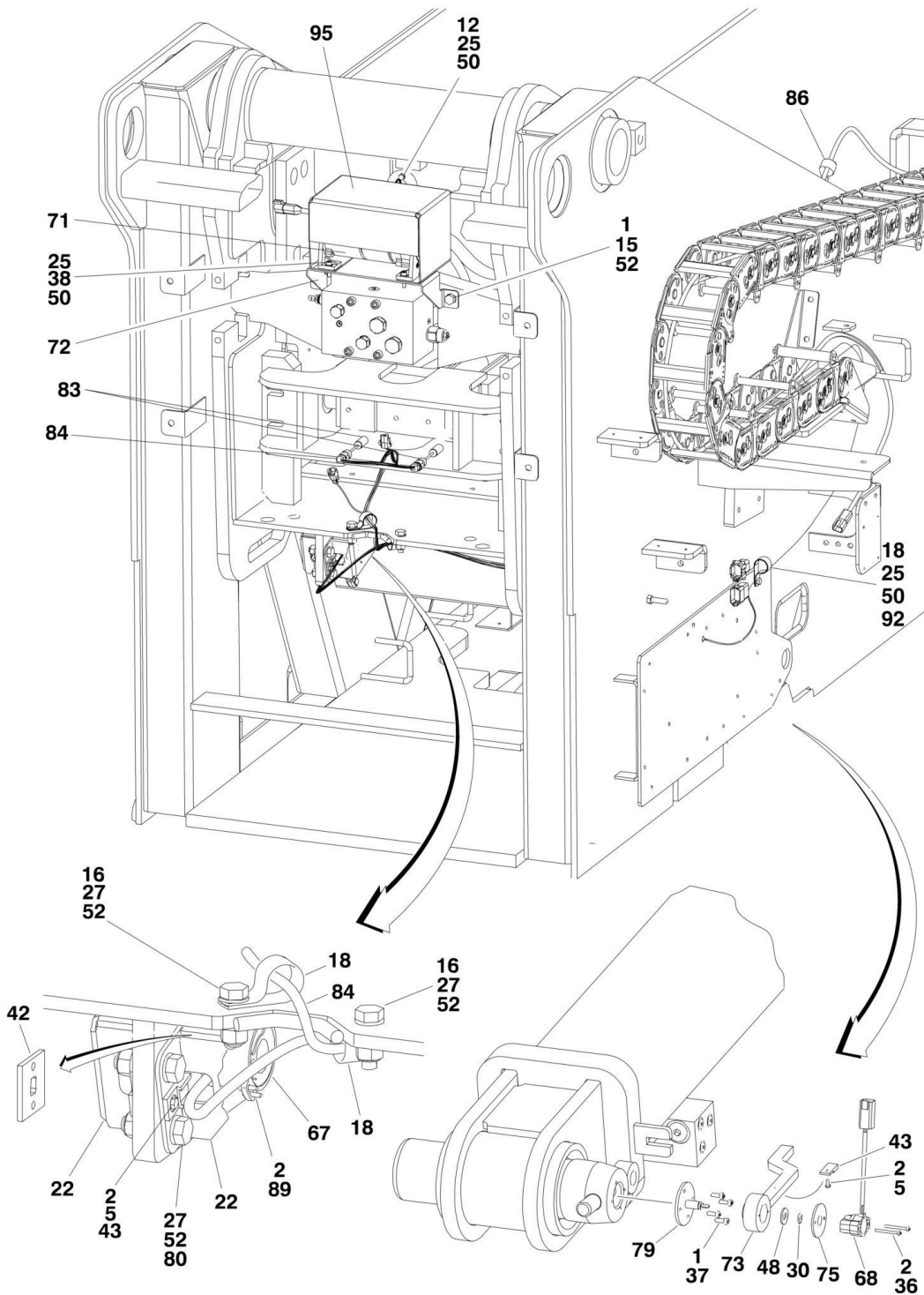
## SECTION 4 - BOOM

**FIGURE 4-11. BOOM CABLES - SKYPOWER**

ITEM	PART NUMBER	QTY	DESCRIPTION	REV
	1001161729	Ref	BOOM CABLES INSTALLATION - SKYPOWER	D
1	0100011	AR	Compound, Locking	
2	0641608001	2	Bolt 3/8 x 1	
3	0700818001	1	Bolt M8 x 50	
4	3290805001	1	Nut M8	
5	4711600001	2	Washer 3/8	
6	4811900001	2	Washer M8	
8	1001149977	1	Harness, Platform Valve (See Separate Breakdown in ELECTRICAL SECTION)	
9	1001156893	1	Cable, Main Boom Control (See Separate Breakdown in ELECTRICAL SECTION)	
10	1001156897	1	Cable, Jib Control (See Separate Breakdown in ELECTRICAL SECTION)	
11	1001158207	1	Cable, Main Boom 16/4 (See Separate Breakdown in ELECTRICAL SECTION)	
12	1001159621	1	Box, Jib Enclosure (See Separate Breakdown in this Section)	
13	1001226287	1	Cable, Main Boom Generator Power (See Separate Breakdown in ELECTRICAL SECTION)	
14	1001226288	1	Cable, Jib Generator Power (See Separate Breakdown in ELECTRICAL SECTION)	

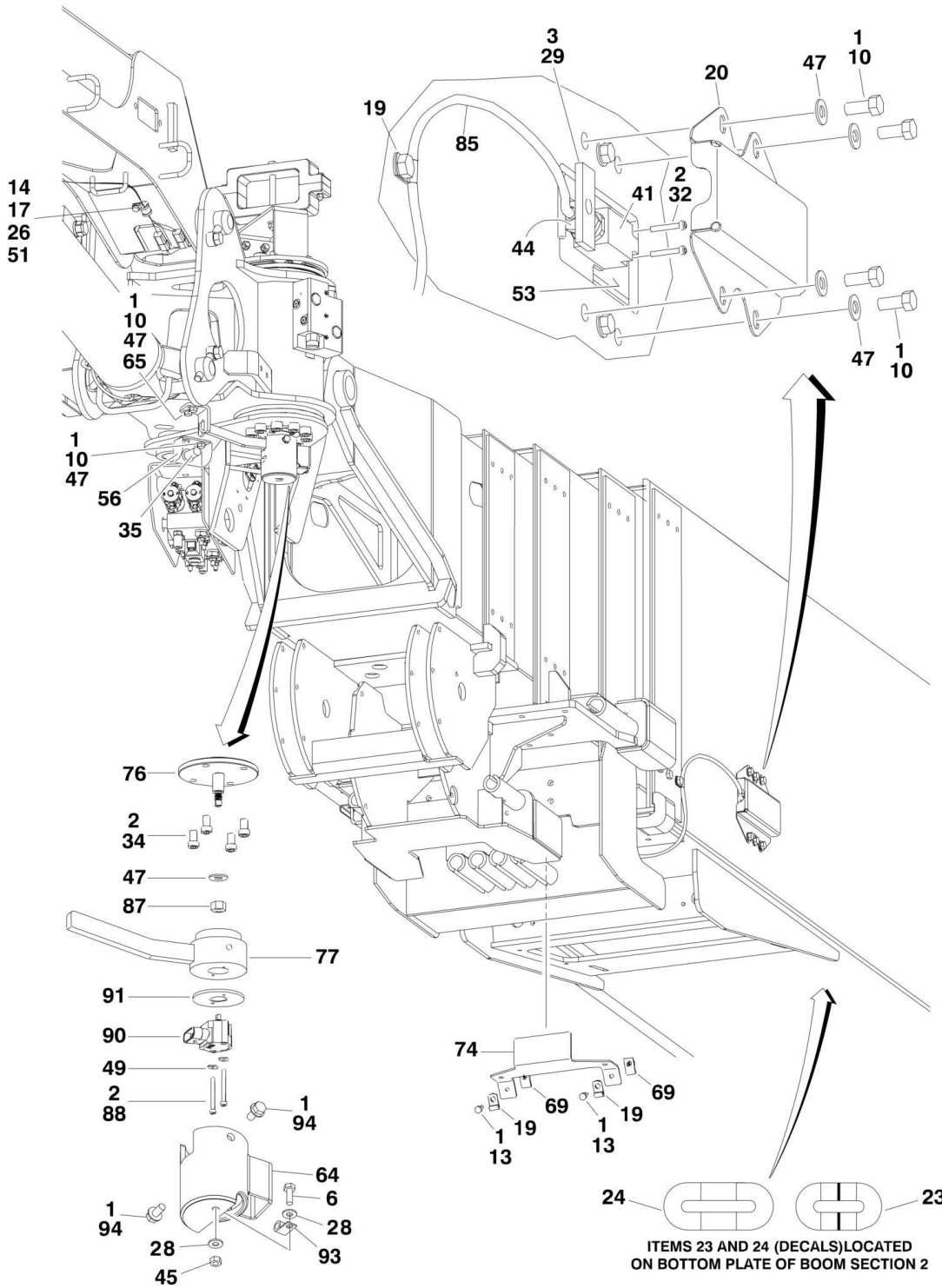
# SECTION 4 - BOOM

## FIGURE 4-12. BOOM SENSORS AND SWITCHES INSTALLATION



ART\_1001155440\_10F3

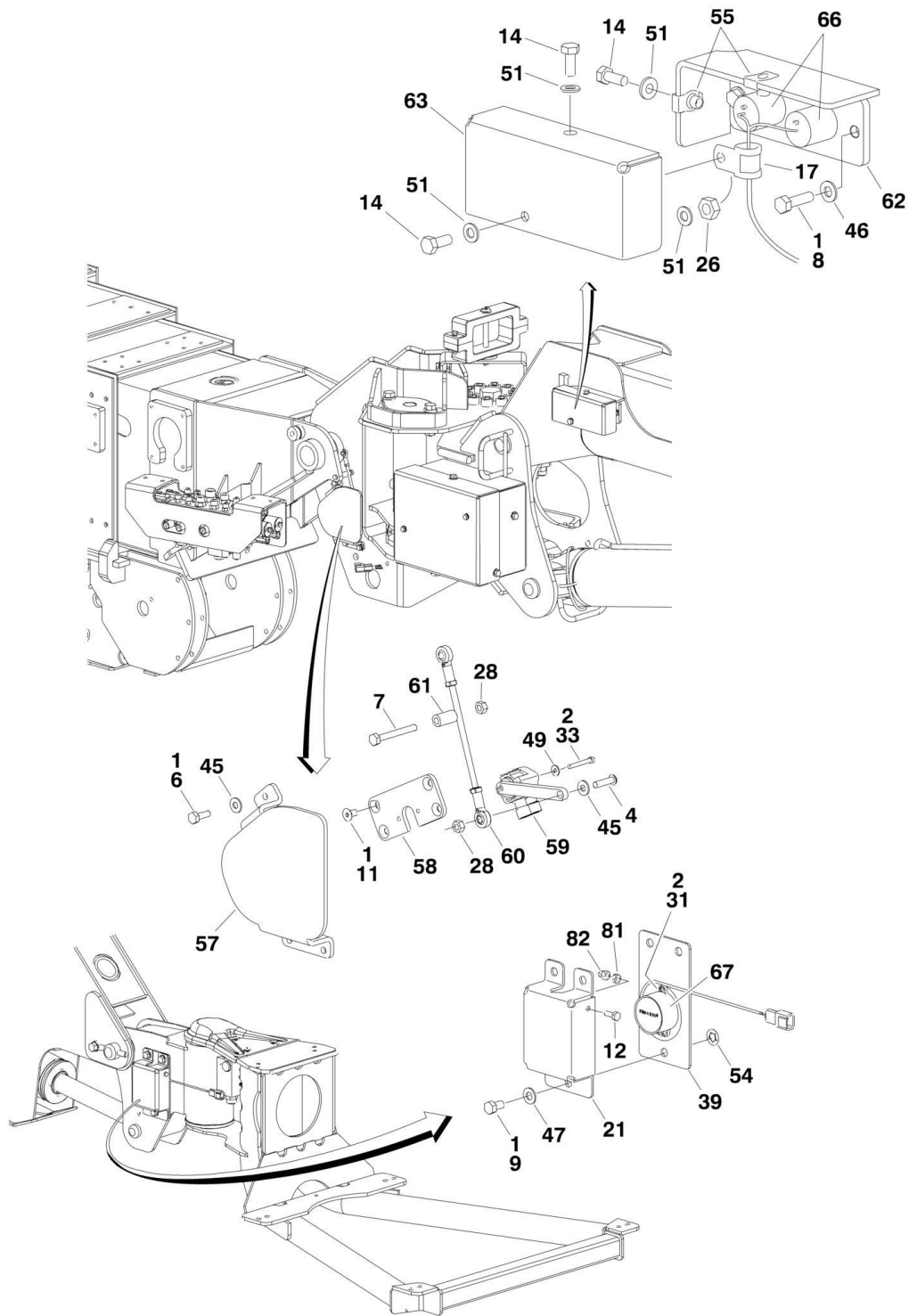
# SECTION 4 - BOOM



ITEMS 23 AND 24 (DECALS) LOCATED ON BOTTOM PLATE OF BOOM SECTION 2

ART\_1001155440\_2OF3

# SECTION 4 - BOOM



ART\_1001155440\_3OF3

## SECTION 4 - BOOM

**FIGURE 4-12. BOOM SENSORS AND SWITCHES INSTALLATION**

ITEM	PART NUMBER	QTY	DESCRIPTION	REV
	1001155440	Ref	BOOM SENSORS AND SWITCHES INSTALLATIONS	P
1	0100011	AR	Compound, Locking	
2	0100035	AR	Compound, Locking	
3	0100081	AR	Adhesive	
4	0630457	1	Screw 1/4 X 1	
5	0760405	3	Bolt M4 X 10	
6	0641406001	4	Bolt 1/4 x 3/4	
7	0641418001	1	Bolt 1/4 x 2-1/4	
8	0641509	2	Bolt 5/16 X 1-1/8	
9	0641605001	6	Bolt 3/8 x 5/8	
10	0641607001	10	Bolt 3/8 x 7/8	
11	1001177609	4	Screw 1/4 X 1/2	
12	0760608001	3	Bolt M6 X 16	
13	0760808001	2	Bolt M8 X 16	
14	0760810001	4	Bolt M8 x 20	
15	0761010	2	Bolt M10 X 20	
16	0761015	2	Bolt M10 x 35	
17	1320061	2	Clamp, Hose	
18	1320130	3	Clamp, Hose	
19	1320301	3	Clamp, Cable	
20	1671031	1	Cover	
21	1671044	2	Cover	
22	1001167262	2	Plate	
23	1705366	1	Decal - Boom Length (500lb Cap)	
24	1705367	1	Decal - Boom Length (1000lb Cap)	
25	3290605	6	Nut M6	
26	3290805001	2	Nut M8	
27	3291005	5	Nut M10	
28	3311405001	3	Nut 1/4	
29	3340941	1	Pad	
30	3760383	1	Ring	
31	3930606	6	Capscrew #6 X 3/8	
32	3930816	2	Capscrew #8 x 1	
33	3930820	2	Capscrew #8- X 1-1/4	
34	3931508	4	Capscrew 5/16 x 1/2	
35	4000008	1	Proximity Sensor Assembly (Note: Control System must be recalibrated when Switch is replaced.)	
35	4461076	1	Connector - 4 Position	
35	4460917	4	Pin, Male	
36	4031512	2	Capscrew M4 x 40	
37	4031707	4	Capscrew M6 x 16	
38	4031709	4	Capscrew M6 X 25	
39	4341158	2	Mount, Sensor	
41	4360578	1	Limit Switch Assembly (Note: Control System must be recalibrated when Switch is replaced.)	
42	4460234	2	Mount, Cable Tie	
43	4460914	3	Terminal, Base	
44	4460968	1	Connector, Strain Relief	
45	4711400001	6	Washer 1/4	
46	4711500	2	Washer 5/16	

## SECTION 4 - BOOM

ITEM	PART NUMBER	QTY	DESCRIPTION	REV
47	471160001	17	Washer 3/8	
48	4711800	1	Washer 1/2	
49	4750800	4	Washer #8	
50	4811700	12	Washer M6	
51	481190001	6	Washer M8	
52	4812000	13	Washer M10	
53	4846484	1	Mount, Switch	
54	8310070	6	Pushnut 3/8	
55	1001118274	2	Nut, Tinnerman M8	
56	1001118373	1	Bracket	
57	1001118930	1	Cover	
58	1001118931	1	Mount	
59	1001118971	1	Sensor, Angle (Note: Control System must be recalibrated when Switch is replaced.)	
60	1001119033	1	Link, Sensor	
61	1001119137	1	Sleeve, Spacer	
62	1001120028	1	Mount, Sensor	
63	1001120048	1	Cover	
64	1001179510	1	Cover	
65	1001120084	1	Bracket	
66	1001285878	1	Proximity Sensor Assembly (Note: Control System must be recalibrated when Switch is replaced.)	
66	4460932	1	Connector - 4 Position	
66	4460464	4	Socket, Female	
67	1001147479	4	Angle Sensor Switch Assembly (Note: Control System must be recalibrated when Switch is replaced.)	
67	4460910	1	Connector - 3 Position	
67	4460917	3	Pin, Male	
67	4460913	1	Lock, Wedge	
68	1001146963	1	BEI Angle Sensor Assembly (Note: Control System must be recalibrated when Switch is replaced.)	
68	4460899	1	Connector - 6 Position	
68	4460464	6	Socket, Female	
69	1001149160	2	Nut, Tinnerman M8	
71	1001150999	1	Boom Length Sensor Assembly (Note: Control System must be recalibrated when Switch is replaced.)	
71	4460536	1	Receptacle, Female - 3 Position	
71	4460464	1	Pin, Male	
72	1001151000	1	Mount, Switch	
73	1001155262	1	Link, Angle Sensor (Note: Control System must be recalibrated when Switch is replaced.)	
74	1001155835	1	Plate	
75	1001155836	1	Adapter, Sensor	
76	1001135483	1	Pin	
77	1001120076	1	Mount, Sensor	
79	1001156778	1	Pin	
80	0761016	3	Bolt M10 X 40	
81	3290601	2	Nut M6	
82	3290606	2	Nut M6	
83	1001196517	2	Cable, Sensor	
83	1001097051	2	Connector - 4 Position	
83	1001116695	6	Socket, Female	
83	4460518	2	Plug, Socket	

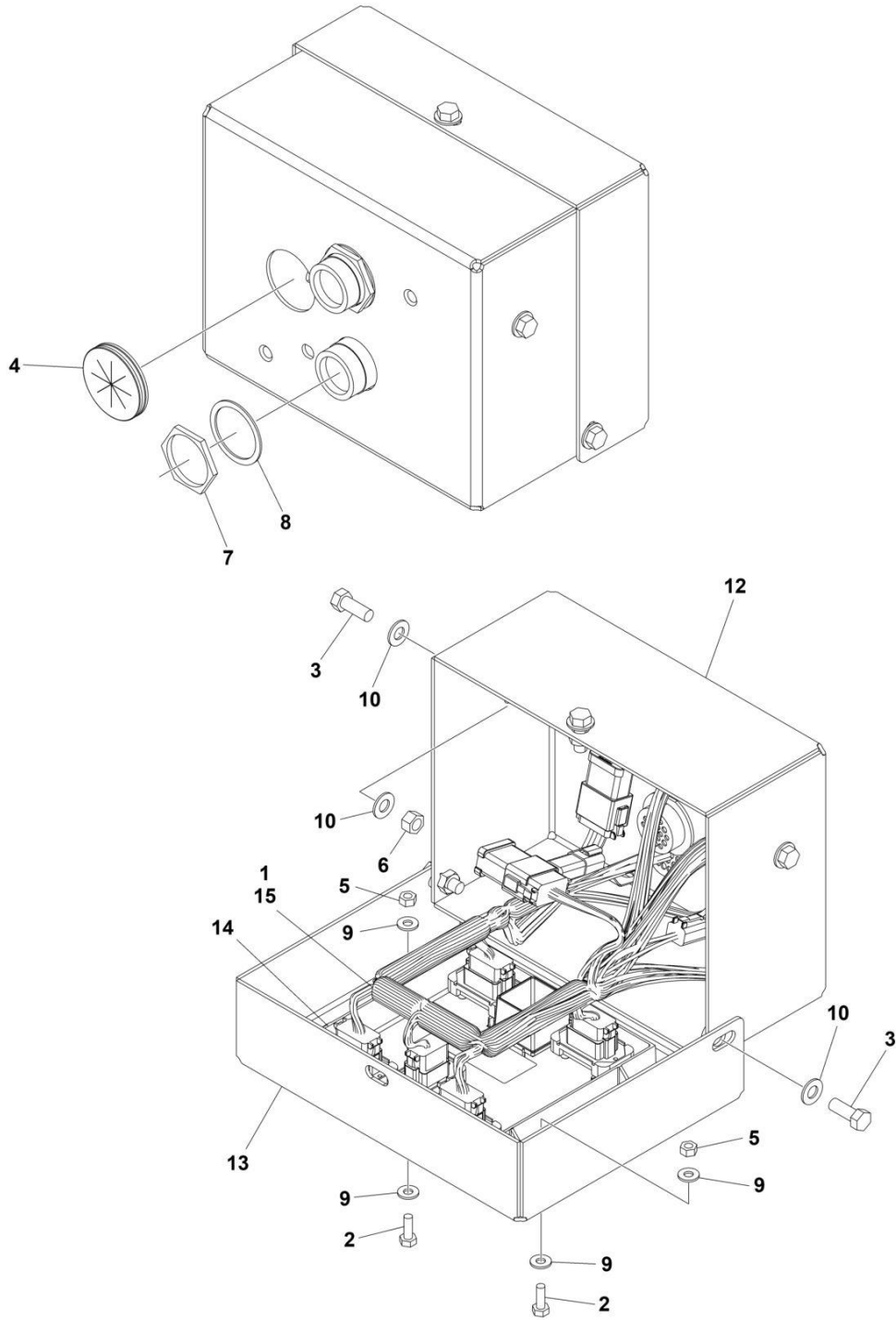


**SECTION 4 - BOOM**

<b>ITEM</b>	<b>PART NUMBER</b>	<b>QTY</b>	<b>DESCRIPTION</b>	<b>REV</b>
84	1001215949	1	Harness, Base Boom (See Separate Breakdown in ELECTRICAL SECTION)	
85	1001159363	1	Cable, Transport Switch (See Separate Breakdown in ELECTRICAL SECTION)	
86	1321385	3	Clamp	
87	3281601	1	Nut 3/8	
88	3930824	2	Capscrew #8 X 1-1/2	
89	4031205	6	Capscrew M3 X 10	
90	1001135479	1	Sensor, Angle (Note: Control System must be recalibrated when Switch is replaced.)	
91	1001135484	1	Adapter, Sensor	
92	0760612	1	Bolt, M6 x 25	
93	1321293	1	Clamp, Cable	
94	0791505001	2	Screw, 5/16 x 5/8	
95	1001216790	1	Cover	

# SECTION 4 - BOOM

## FIGURE 4-13. JIB ENCLOSURE BOX ASSEMBLY (Prior to SN 0300298210)



ART\_1001159621\_D

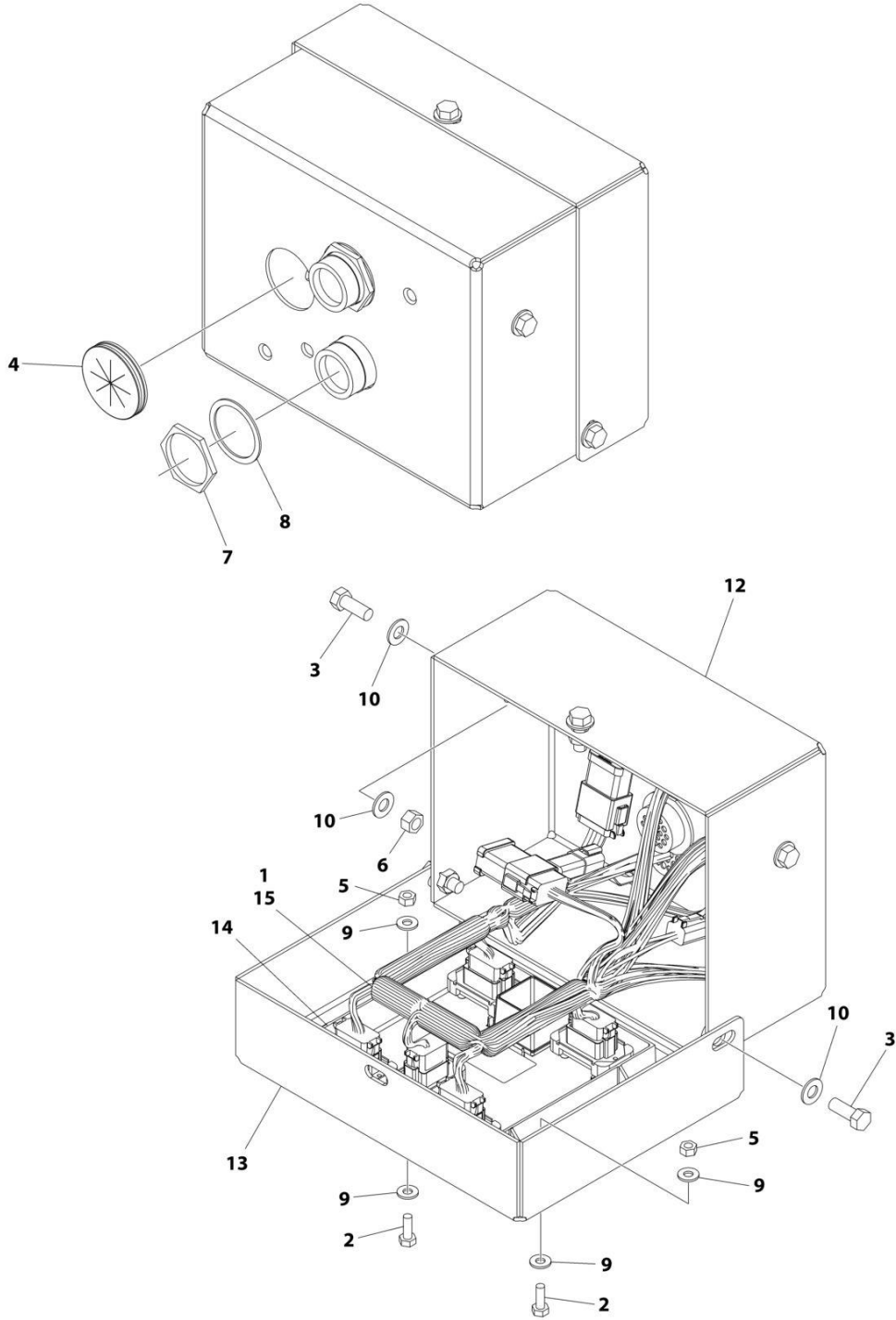
## SECTION 4 - BOOM

**FIGURE 4-13. JIB ENCLOSURE BOX ASSEMBLY (Prior to SN 0300298210)**

ITEM	PART NUMBER	QTY	DESCRIPTION	REV
	1001159621	Ref	JIB ENCLOSURE BOX ASSEMBLY	D
1	0100048	AR	Compound, Silicone	
2	0641406001	2	Bolt 1/4-20 x 3/4	
3	0641608001	5	Bolt 3/8-16 x 1	
4	1001227254	1	Grommet	
5	3311405001	2	Nut 1/4-20	
6	3311605001	2	Nut 3/8-16	
7	4460470	2	Nut, Terminal	
8	4460471	2	Washer, Terminal	
9	4711400001	4	Washer	
10	4711600001	7	Washer	
12	1001119214	1	Box	
13	1001119215	1	Cover	
14	1001119262	1	Module, Jib Control (Note: Control System Must Be Recalibrated When Controller is Replaced.)	
15	1001149978	1	Harness - Jib Valve (See Separate Breakdown in ELECTRICAL SECTION)	

# SECTION 4 - BOOM

FIGURE 4-14. JIB ENCLOSURE BOX ASSEMBLY (Prior to SN 0300298210)



ART\_1001159621\_E

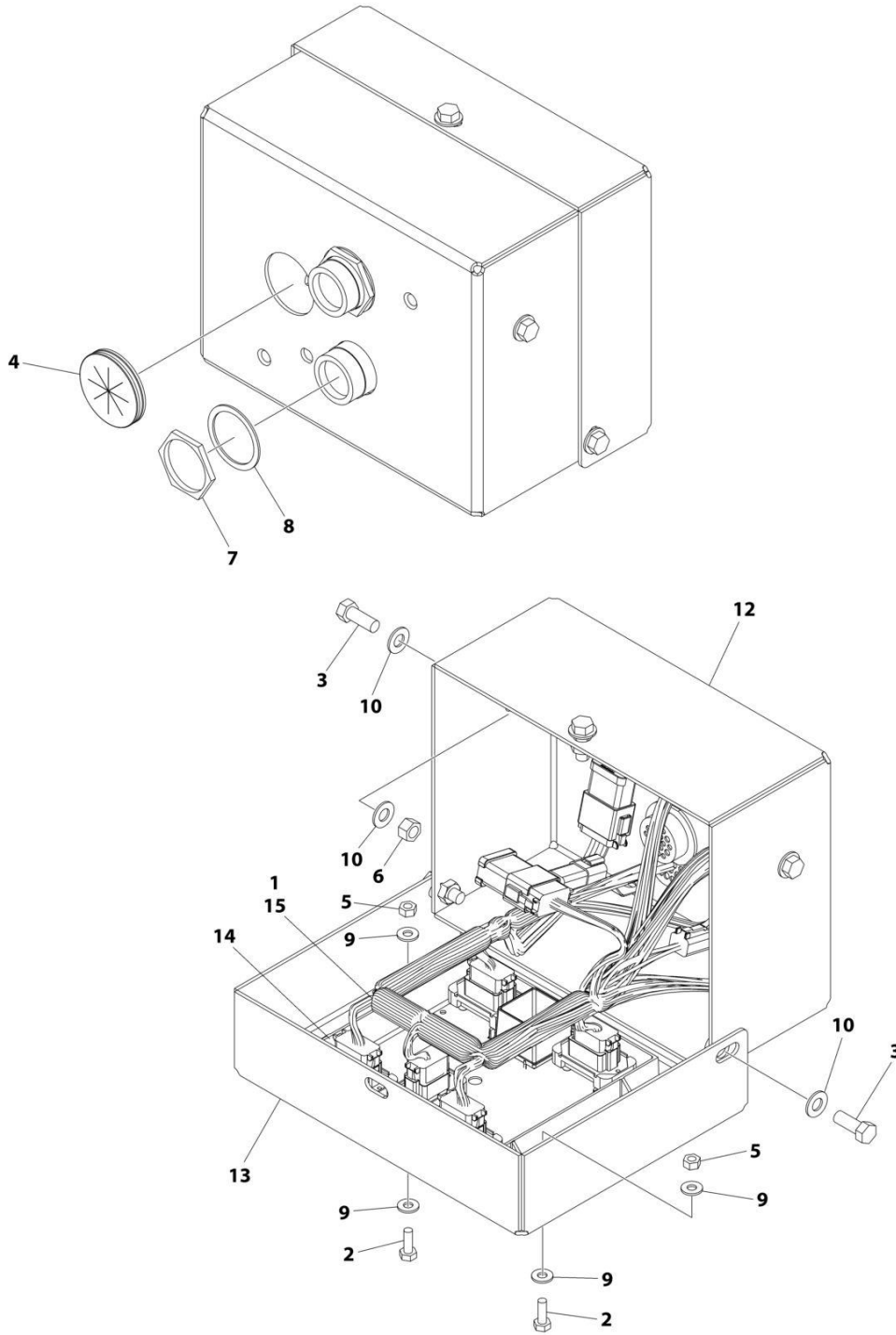
## SECTION 4 - BOOM

**FIGURE 4-14. JIB ENCLOSURE BOX ASSEMBLY (Prior to SN 0300298210)**

ITEM	PART NUMBER	QTY	DESCRIPTION	REV
	1001159621	Ref	JIB ENCLOSURE BOX ASSEMBLY	E
1	0100048	AR	Compound, Silicone	
2	0641406001	2	Bolt 1/4-20 x 3/4	
3	0641608001	5	Bolt 3/8-16 x 1	
4	1001227254	1	Grommet	
5	3311405001	2	Nut 1/4-20	
6	3311605001	2	Nut 3/8-16	
7	4460470	2	Nut, Terminal	
8	4460471	2	Washer, Terminal	
9	4711400001	4	Washer	
10	4711600001	7	Washer	
12	1001119214	1	Box	
13	1001119215	1	Cover	
14	1001277211	1	Module, Jib Control (Note: Control System Must Be Recalibrated When Controller is Replaced.)	
15	1001149978	1	Harness - Jib Valve (See Separate Breakdown in ELECTRICAL SECTION)	

# SECTION 4 - BOOM

## FIGURE 4-15. JIB ENCLOSURE BOX ASSEMBLY (SN 0300298210 to Present)



ART\_1001159621\_G

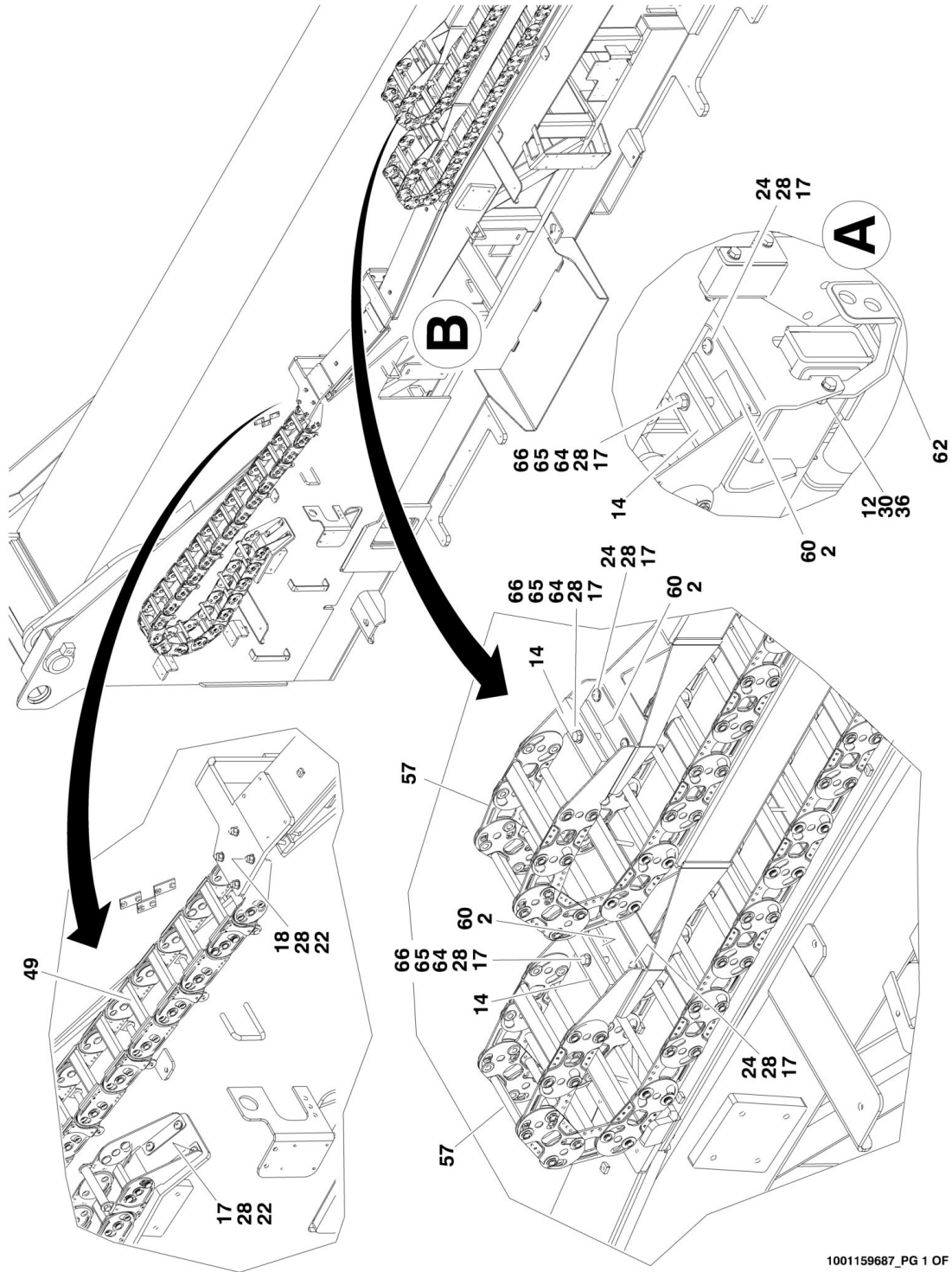
## SECTION 4 - BOOM

**FIGURE 4-15. JIB ENCLOSURE BOX ASSEMBLY (SN 0300298210 to Present)**

ITEM	PART NUMBER	QTY	DESCRIPTION	REV
	1001159621	Ref	JIB ENCLOSURE BOX ASSEMBLY	G
1	0100048	AR	Grease, Dielectric	
2	0641406001	2	Bolt 1/4 x 3/4	
3	0641608001	5	Bolt 3/8 x 1	
4	1001227254	1	Grommet	
5	3311405001	2	Nut 1/4	
6	3311605001	2	Nut 3/8	
7	4460470	2	Nut, Terminal	
8	4460471	2	Washer, Terminal	
9	4711400001	4	Washer 1/4	
10	4711600001	7	Washer 3/8	
12	1001119214	1	Box	
13	1001119215	1	Cover	
14	1001119262	1	Module, Jib Control (Note: Control System Must Be Recalibrated When Controller is Replaced)	
15	1001149978	1	Harness - Jib Valve (See Separate Breakdown in ELECTRICAL Section)	

# SECTION 4 - BOOM

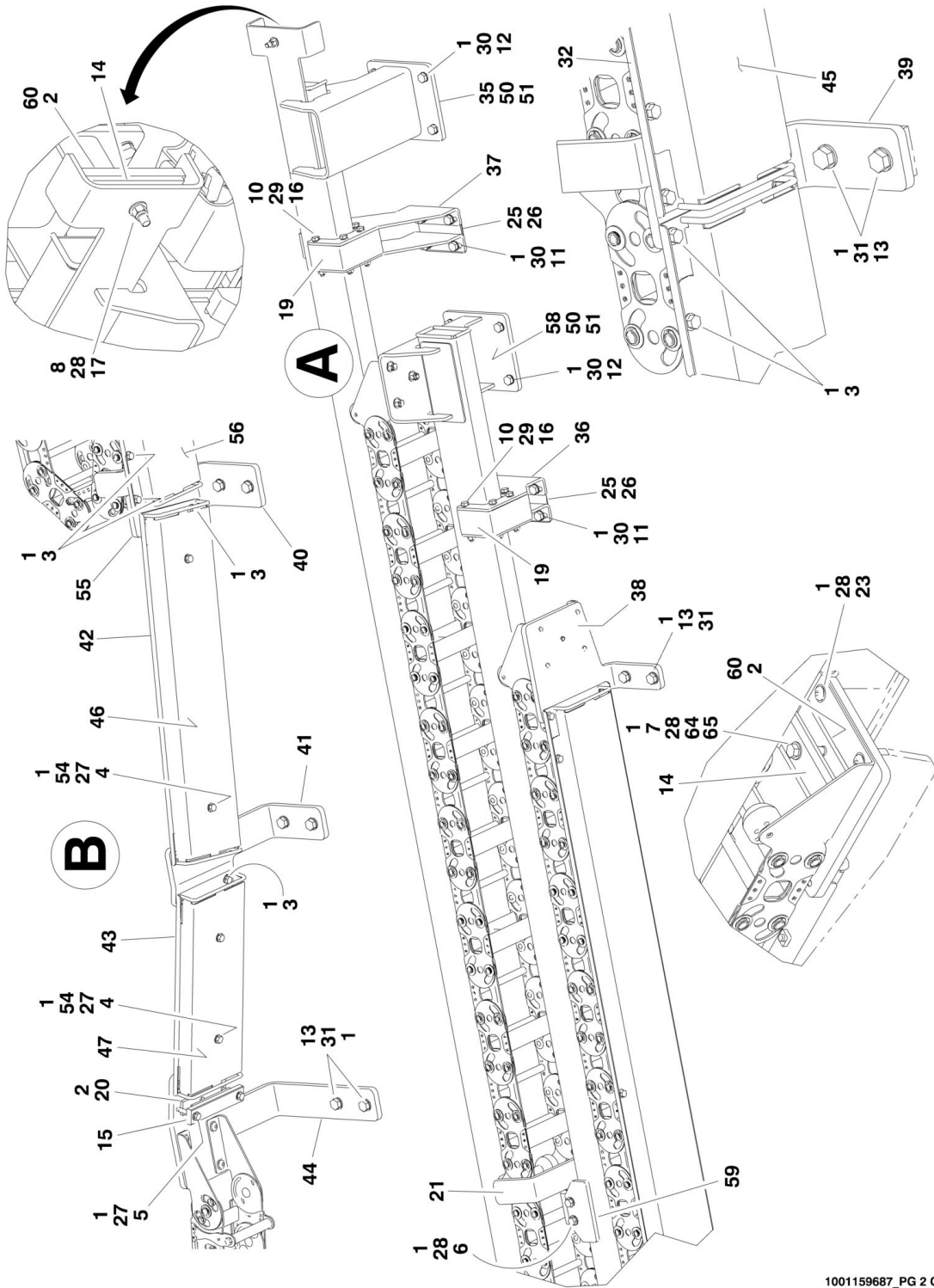
## FIGURE 4-16. POWER TRACK INSTALLATION - BOOM



1001159687\_PG 1 OF 2



# SECTION 4 - BOOM



1001159687\_PG 2 OF 2

## SECTION 4 - BOOM

FIGURE 4-16. POWER TRACK INSTALLATION - BOOM

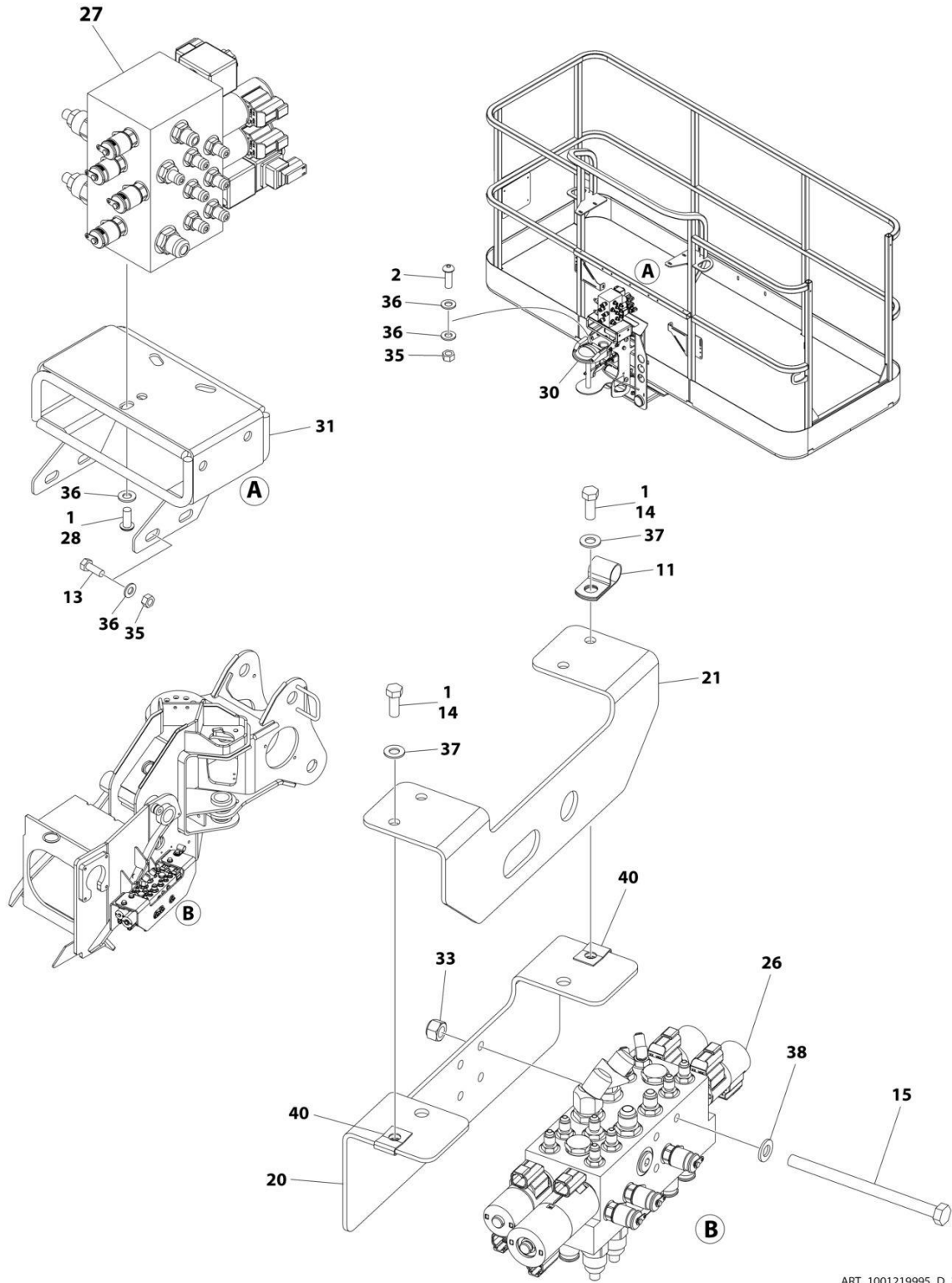
ITEM	PART NUMBER	QTY	DESCRIPTION	REV
	1001159687	Ref	POWER TRACK INSTALLATION - BOOM	L
1	0100011	AR	Compound, Locking	
2	0100019	AR	Compound, Locking	
3	0791504001	66	Screw 5/16 X 1/2	
4	0641516001	4	Bolt 5/16 X 2	
5	0641520001	2	Bolt 5/16 X 2-1/2	
6	0641607001	10	Bolt 3/8 X 7/8	
7	0641626001	2	Bolt, 3/8 X 3-1/4	
8	0641622001	1	Bolt 3/8 X 2-3/4	
10	0700823001	12	Bolt M8 X 75	
11	0761012001	8	Bolt M10 x 25	
12	0761014001	10	Bolt M10 X 30	
13	0761214001	18	Bolt M12 X 30	
14	1001162869	1	Plate, Clamp	
15	1320295	1	Clamp, Bar	
16	3290805001	12	Nut M8	
17	1001173663	17	Nut 3/8	
18	3311605001	4	Nut 3/8	
19	3340925	2	Pad	
20	3340940	2	Pad	
21	1001175817	5	Plate, Support	
22	3900232001	8	Screw 3/8 X 1-1/4	
23	1001173846	2	Screw 3/8 X 3/4	
24	3900316001	6	Screw 3/8 X 1	
25	4071021	AR	Shim 16Ga	
26	4071022	AR	Shim 11Ga	
27	4711500001	6	Washer 5/16	
28	4711600001	56	Washer 3/8	
29	4811900001	24	Washer M8	
30	1001172358	20	Washer M10	
31	4812100001	18	Washer M12	
32	4846423	5	Cover	
35	1001154751	1	Tube, Push (Upper)	
36	1001154768	2	Plate, Mounting	
37	1001154769	2	Plate, Mounting	
	1001180825	1	Bracket, Support	
39	1001154816	5	Bracket, Support	
40	1001154817	1	Bracket, Support	
41	1001154818	1	Bracket, Support	
42	1001154824	1	Support, Power Track	
43	1001154825	1	Support, Power Track	
44	1001154826	1	Bracket, Support	
45	1001154869	5	Cover	
46	1001154871	1	Cover	
47	1001154872	1	Cover	
49	1001155142	1	Power Track Assembly	
49	70004454	1	Section, 6 Link Repair	
49	70004455	1	Mounting Feet Kit	
50	1001156103	AR	Shim 16Ga	
51	1001156104	AR	Shim 11Ga	

## SECTION 4 - BOOM

ITEM	PART NUMBER	QTY	DESCRIPTION	REV
54	1001157665	4	Tube, Spacer	
55	1001154823	1	Support, Power Track	
56	1001154870	1	Cover	
57	1001162745	Ref	Power Track Assembly	
57	70004649	2	Repair Section	
57	70004650	2	Mounting Feet Kit	
58	1001159255	1	Tube, Push (Lower)	
59	0100040	AR	Adhesive	
60	1001167907	10	Pad, Rubber	
61	9141453	AR	Shim	
62	1001182134	1	Bracket, Bulkhead	
63	3291005001	2	Nut M10	
64	1001180947	4	Plate, Clamp	
65	1001180816	4	Clamp, Powertrack hoses	
66	0641628001	6	Bolt 3/8 X 3 1/2	

# SECTION 4 - BOOM

## FIGURE 4-17. VALVES INSTALLATION - BOOM (WITH LSS)



ART\_1001219995\_D\_30F3

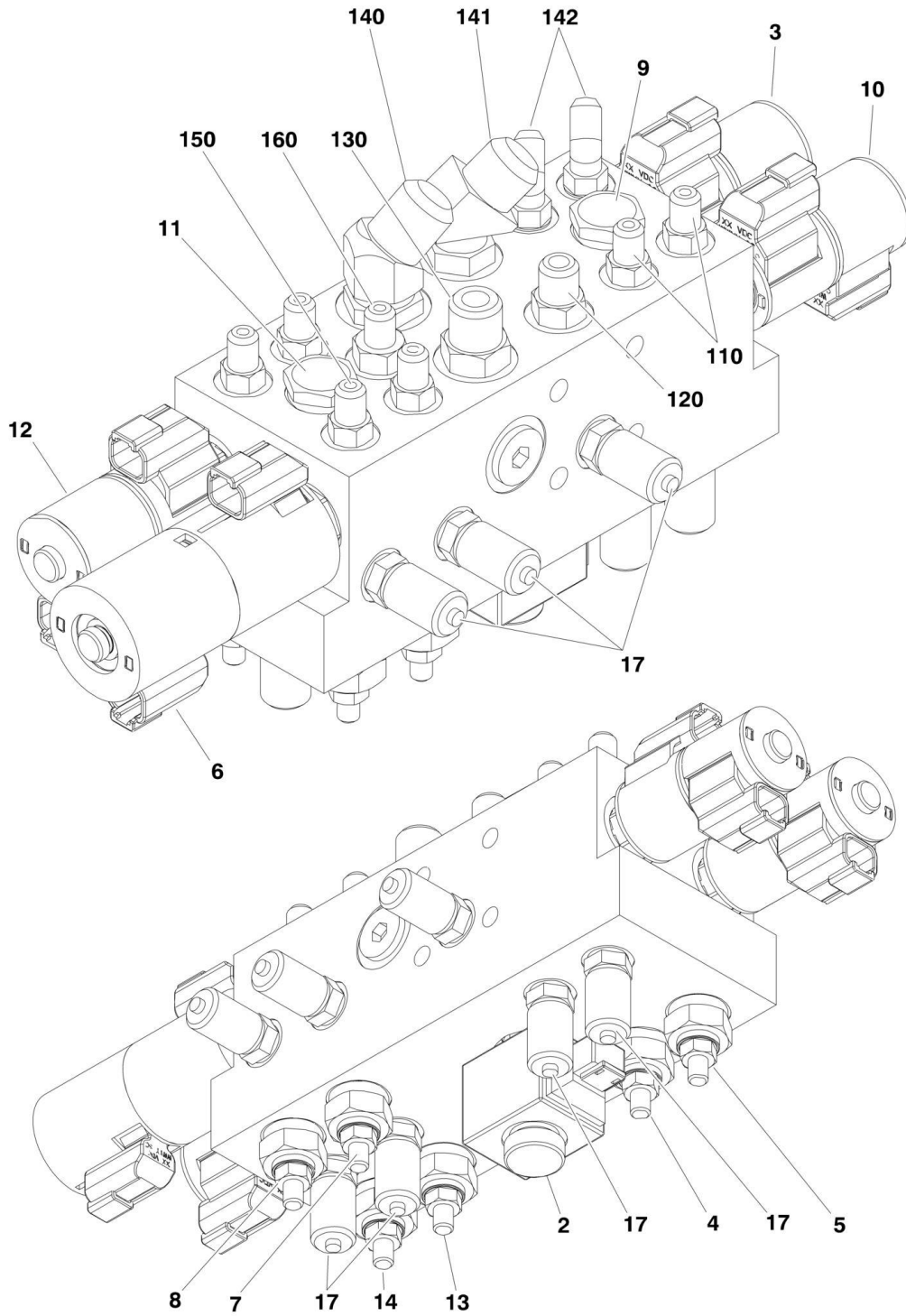
## SECTION 4 - BOOM

**FIGURE 4-17. VALVES INSTALLATION - BOOM (WITH LSS)**

ITEM	PART NUMBER	QTY	DESCRIPTION	REV
	1001219995	Ref	VALVES INSTALLATION - BOOM (WITH LSS)	D
1	0100011	AR	Compound, Locking	
2	0630468	2	Screw 5/16 x 1	
11	8406105	1	Clip	
13	0641507001	4	Bolt 5/16 x 7/8	
14	0641608001	4	Bolt 1/2 x 1	
15	0700829001	4	Bolt M8 x 120	
20	1001119703	1	Plate	
21	1001119704	1	Plate	
26	1001168283	1	Jib Valve Assembly (See Separate Breakdown in this Section)	
27	1001168284	1	Platform Valve Assembly (See Separate Breakdown in this Section)	
28	1001173845	3	Screw 5/16 x 3/4	
30	1001207969	1	Cover	
31	1001208994	1	Mount	
33	3290805001	4	Nut M8	
35	3311505001	6	Nut 5/16	
36	4711500001	15	Washer 5/16	
37	4711600001	4	Washer 3/8	
38	4811900001	8	Washer M8	
40	88662523	4	Nut, Retainer	

# SECTION 4 - BOOM

## FIGURE 4-18. JIB VALVE ASSEMBLY



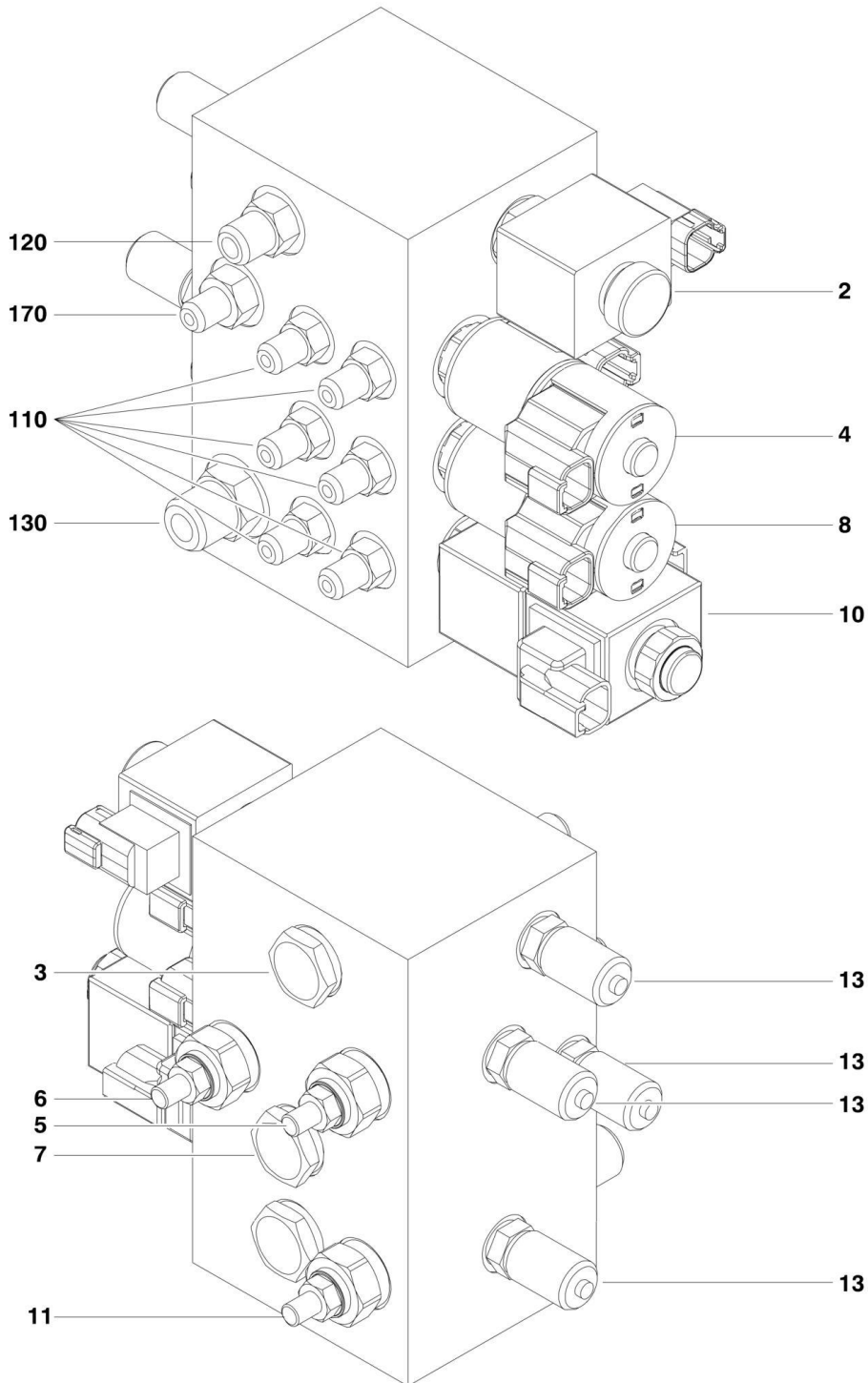
1001168283

FIGURE 4-18. JIB VALVE ASSEMBLY

ITEM	PART NUMBER	QTY	DESCRIPTION	REV
	1001168283	Ref	JIB VALVE ASSEMBLY	D
2	70003017	1	Valve, Solenoid (Inlet)	
2	70004055	1	Kit, Seal - Valve	
2	70022147	1	Coil	
2	70004051	1	Nut, Coil	
3	7023922	1	Valve, Solenoid (Level Up/Down)	
3	7017402	1	Kit, Seal - Valve	
3	7024885	2	Coil	
3	7022390	1	Nut, Coil	
3	70003023	1	Spacer, Coil	
4	70003019	1	Valve, Relief	
4	70004052	1	Kit, Seal - Valve	
5	70003019	1	Valve, Relief	
5	70004052	1	Kit, Seal - Valve	
6	70003022	1	Valve, Solenoid (Tele In/Out)	
6	7012903	1	Kit, Seal - Valve	
6	7024883	2	Coil	
6	70003024	1	Spacer, Coil	
6	70003019	1	Valve, Relief	
7	70003019	1	Valve, Relief	
7	70004052	1	Kit, Seal - Valve	
8	70003019	1	Valve, Relief	
8	70004052	1	Kit, Seal - Valve	
9	70003020	1	Valve, Flow Control	
9	70004052	1	Kit, Seal - Valve	
10	7024899	1	Valve, Solenoid (Swing Left/Right)	
10	7017402	1	Kit, Seal - Valve	
10	7024885	2	Coil	
10	7022390	1	Nut, Coil	
10	70003023	1	Spacer, Coil	
11	70003021	1	Valve, Flow Control	
11	70004052	1	Kit, Seal - Valve	
12	7023922	1	Valve, Solenoid (Lift Up/Down)	
12	7017402	1	Kit, Seal - Valve	
12	7024885	2	Coil	
12	7022390	1	Nut, Coil	
12	70003023	1	Spacer, Coil	
13	70003019	1	Valve, Relief	
13	70004052	1	Kit, Seal - Valve	
14	70003019	1	Valve, Relief	
14	70004052	1	Kit, Seal - Valve	
17	2221086	7	Valve, Check, Pressure	
110	2220415	2	Fitting, Straight JIC/ORB	
120	2220371	1	Fitting, Straight JIC/ORB	
130	2220373	1	Fitting, Straight JIC/ORB	
140	2221050	1	Fitting, 45 JIC/ORB	
141	2220950	1	Fitting, 45 JIC/ORB	
142	2220502	2	Fitting, 45 JIC/ORB	
150	2220415	4	Fitting, Straight JIC/ORB	
160	2220582	1	Fitting, Straight JIC/ORB	

# SECTION 4 - BOOM

## FIGURE 4-19. PLATFORM VALVE ASSEMBLY



1001168284



FIGURE 4-19. PLATFORM VALVE ASSEMBLY

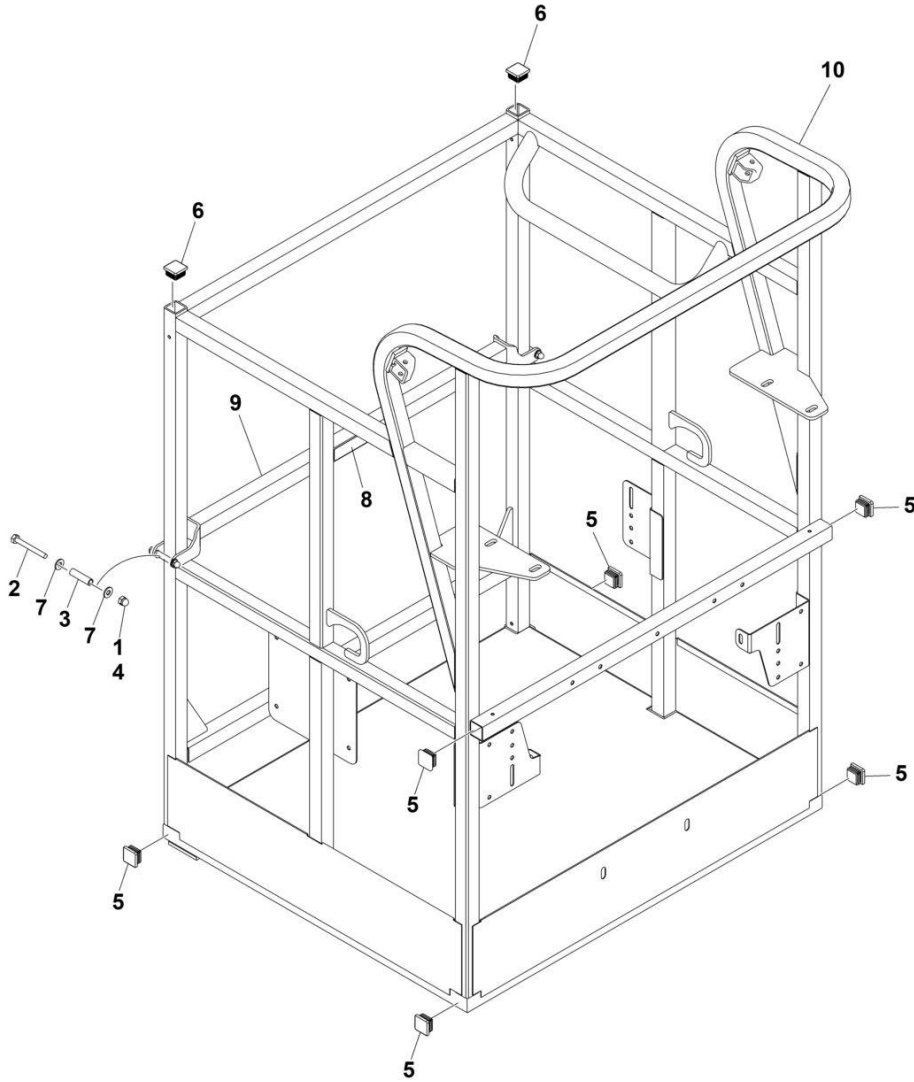
ITEM	PART NUMBER	QTY	DESCRIPTION	REV
	1001168284	Ref	PLATFORM VALVE ASSEMBLY	C
2	70004457	1	Valve, Solenoid (Inlet)	
2	70004050	1	Seal Kit - Valve	
2	70003026	1	Coil	
2	70004051	1	Nut, Coil	
3	70003021	1	Valve, Flow Control	
3	70004052	1	Seal Kit - Valve	
4	7024899	1	Valve, Solenoid (Level Up/Down)	
4	7017402	1	Seal Kit - Valve	
4	7024885	2	Coil	
4	7022390	1	Nut, Coil	
4	70003023	1	Spacer, Coil	
5	70003019	1	Valve, Relief	
5	70004052	1	Seal Kit - Valve	
6	70003019	1	Valve, Relief	
6	70004052	1	Seal Kit - Valve	
7	70003027	1	Valve, Flow Control	
7	70004052	1	Seal Kit - Valve	
8	7024899	1	Valve, Solenoid (Rotate Left/Right)	
8	7017402	1	Seal Kit - Valve	
8	7024885	2	Coil	
8	7022390	1	Nut, Coil	
8	70003023	1	Spacer, Coil	
10	70003028	1	Valve, Solenoid (Jib Lock In/Out)	
10	70004053	1	Seal Kit - Valve	
10	70003026	2	Coil	
10	70004051	1	Nut, Coil	
11	70003019	1	Valve, Relief	
11	70004052	1	Seal Kit - Valve	
13	2221086	4	Valve, Check, Pressure	
110	2220415	6	Fitting, Straight JIC/ORB	
120	2220371	1	Fitting, Straight JIC/ORB	
130	2220373	1	Fitting, Straight JIC/ORB	
170	2220582	1	Fitting, Straight JIC/ORB	



**SECTION 5 - PLATFORM**

# SECTION 5 - PLATFORM

FIGURE 5-1. PLATFORM ASSEMBLY - 30IN X 3FT (76CM X 91.5CM) DROP BAR ENTRY



ART\_1001228215

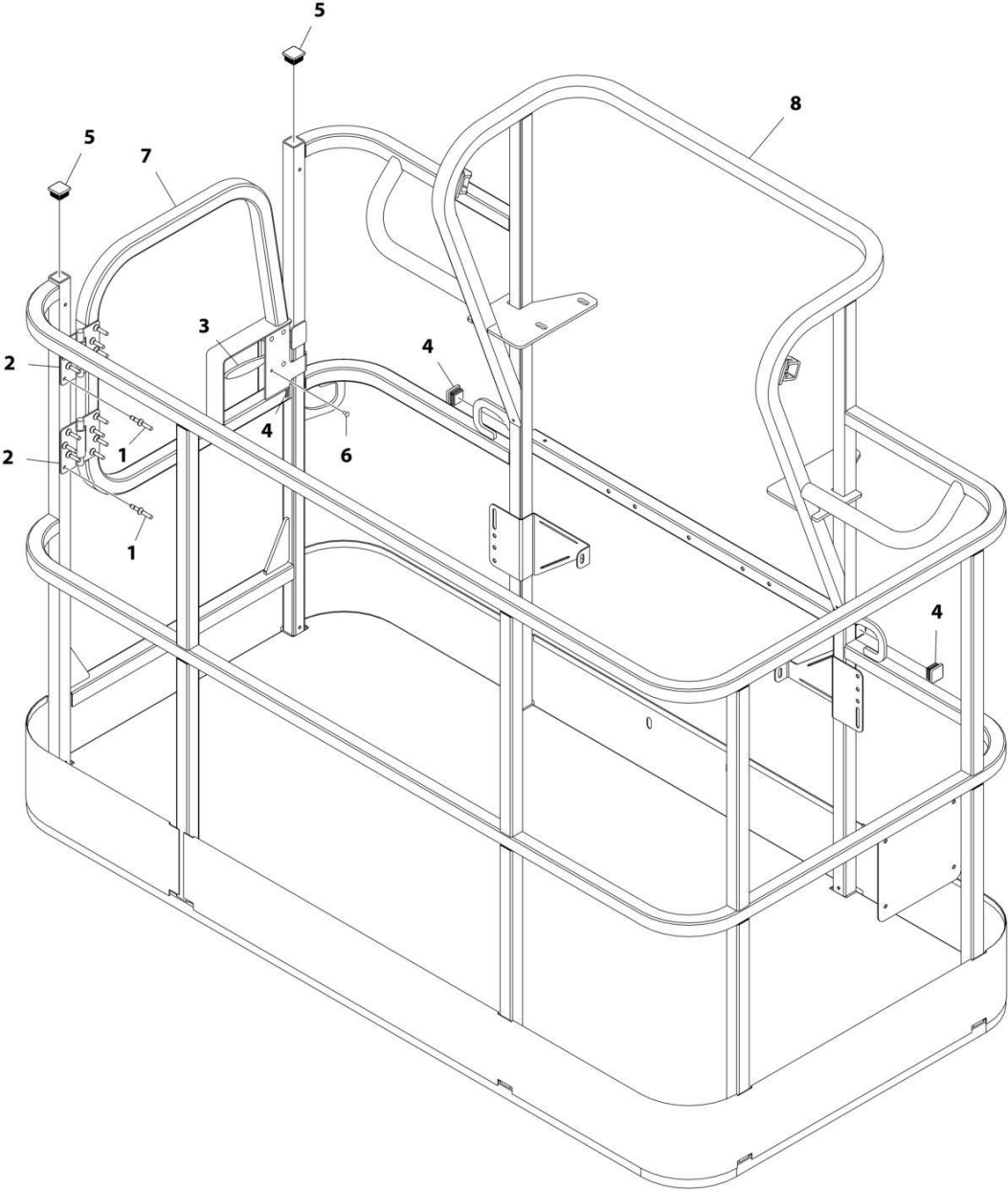
## SECTION 5 - PLATFORM

**FIGURE 5-1. PLATFORM ASSEMBLY - 30IN X 3FT (76CM X 91.5CM) DROP BAR ENTRY**

ITEM	PART NUMBER	QTY	DESCRIPTION	REV
	1001228215	Ref	PLATFORM ASSEMBLY	A
	See Note	Ref	Note: Platform and Mesh must be ordered separately for Platforms with Mesh. See SPECIAL OPTIONS SECTION for Mesh Installations.	
	See Note	Ref	Note: Replacement Decals Must be Ordered Separately - See DECAL SECTION.	
1	0100011	AR	Compound, Locking	
2	0641418	2	Bolt 1/4 x 2-1/4	
3	0961845	2	Bushing	
4	3300151	2	Nut 1/4	
5	3520072	6	Cap, Plug	
6	3520198	2	Cap, Plug	
7	4711400	4	Washer 1/4	
8	1001140429	1	Decal - Drop Bar	
9	1001226872	1	Bar, Drop	
10	See Note	NSS	Platform (Note: Not Available - Purchase Platform Assembly)	

# SECTION 5 - PLATFORM

FIGURE 5-2. PLATFORM ASSEMBLY - 36IN X 6FT (91.5CM X 1.83M) SIDE GATE ENTRY



ART\_1001186384

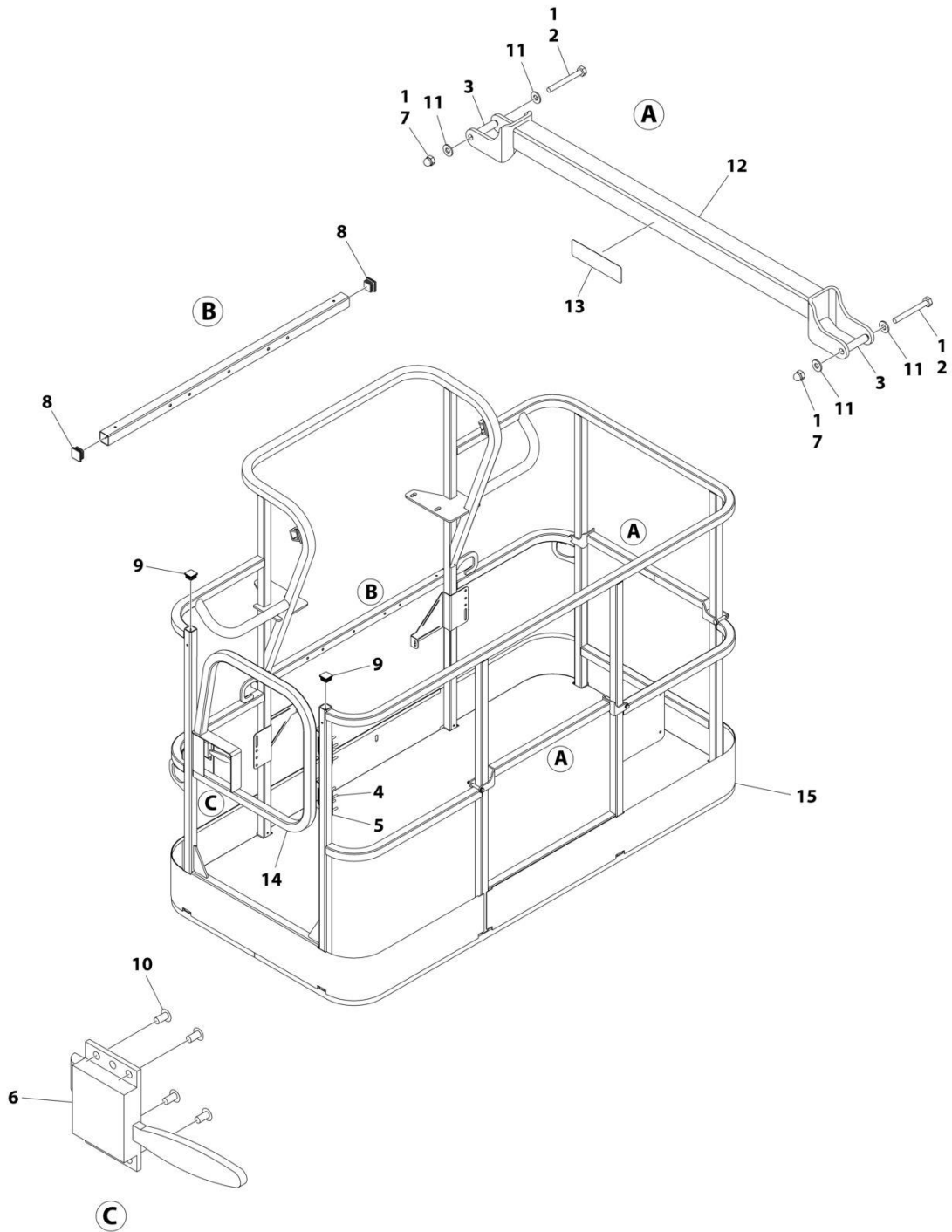
## SECTION 5 - PLATFORM

**FIGURE 5-2. PLATFORM ASSEMBLY - 36IN X 6FT (91.5CM X 1.83M) SIDE GATE ENTRY**

ITEM	PART NUMBER	QTY	DESCRIPTION	REV
	1001186384	Ref	PLATFORM ASSEMBLY - 36IN X 6FT (91.5CM X 1.83M) WITH SWING GATE	C
	See Note	Ref	Note: Platform and Mesh must be ordered separately for Platforms with Mesh. See SPECIAL OPTIONS SECTION for Mesh Installations.	
	See Note	Ref	Note: Replacement Decals Must be Ordered Separately - See DECALS SECTION.	
1	2080040	16	Fastener, Huck	
2	2600281	2	Hinge	
3	2940074	1	Latch	
4	3520072	3	Plug	
5	3520198	2	Plug	
6	3820020	4	Rivet	
7	1001144629	1	Gate	
8	See Note	NSS	Platform (Note: Not Available - Purchase Platform Assembly)	

# SECTION 5 - PLATFORM

FIGURE 5-3. PLATFORM ASSEMBLY - 36IN X 6FT (91.5CM X 1.83M) SIDE GATE/DROP BAR TRI-ENTRY



ART\_1001228376



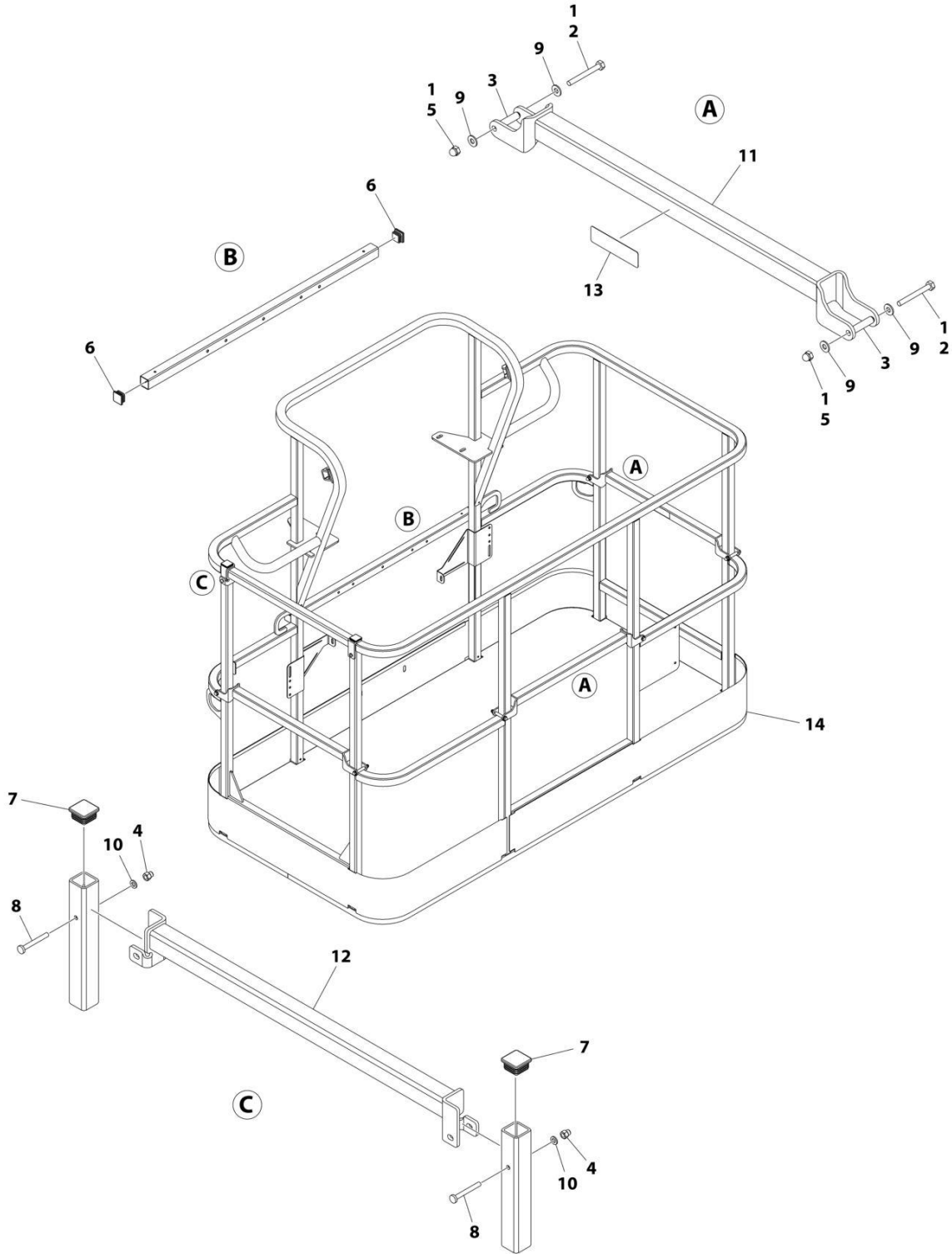
## SECTION 5 - PLATFORM

**FIGURE 5-3. PLATFORM ASSEMBLY - 36IN X 6FT (91.5CM X 1.83M) SIDE GATE/DROP BAR TRI-ENTRY**

ITEM	PART NUMBER	QTY	DESCRIPTION	REV
	1001228376	Ref	PLATFORM ASSEMBLY - 36IN x 6FT (91.5CM x 1.83M)	B
		Ref	Note: Platform and Mesh must be ordered separately for Platforms with Mesh. See SPECIAL OPTIONS SECTION for Mesh Installations.	
		Ref	Note: Replacement Decals Must be Ordered Separately - See DECAL SECTION.	
1	0100011	AR	Compound, Locking	
2	0641418	4	Bolt 1/4 x 2-1/4	
3	0961845	4	Bushing	
4	2080040	16	Fastener	
5	2600281	2	Hinge	
6	2940074	1	Latch	
7	3300151	4	Nut 1/4	
8	3520072	3	Plug	
9	3520198	2	Plug	
10	3820020	4	Rivet	
11	4711400	8	Washer 1/4	
12	1001138494	2	Bar, Drop	
13	1001140429	2	Decal - Drop Bar	
14	1001144629	1	Gate	
15	See Note	NSS	Platform (Note: Not Available - Purchase Platform Assembly)	

# SECTION 5 - PLATFORM

FIGURE 5-4. PLATFORM ASSEMBLY - 36IN X 6FT (91.5CM X 1.83M) DROP BAR TRI-ENTRY



ART\_1001228377

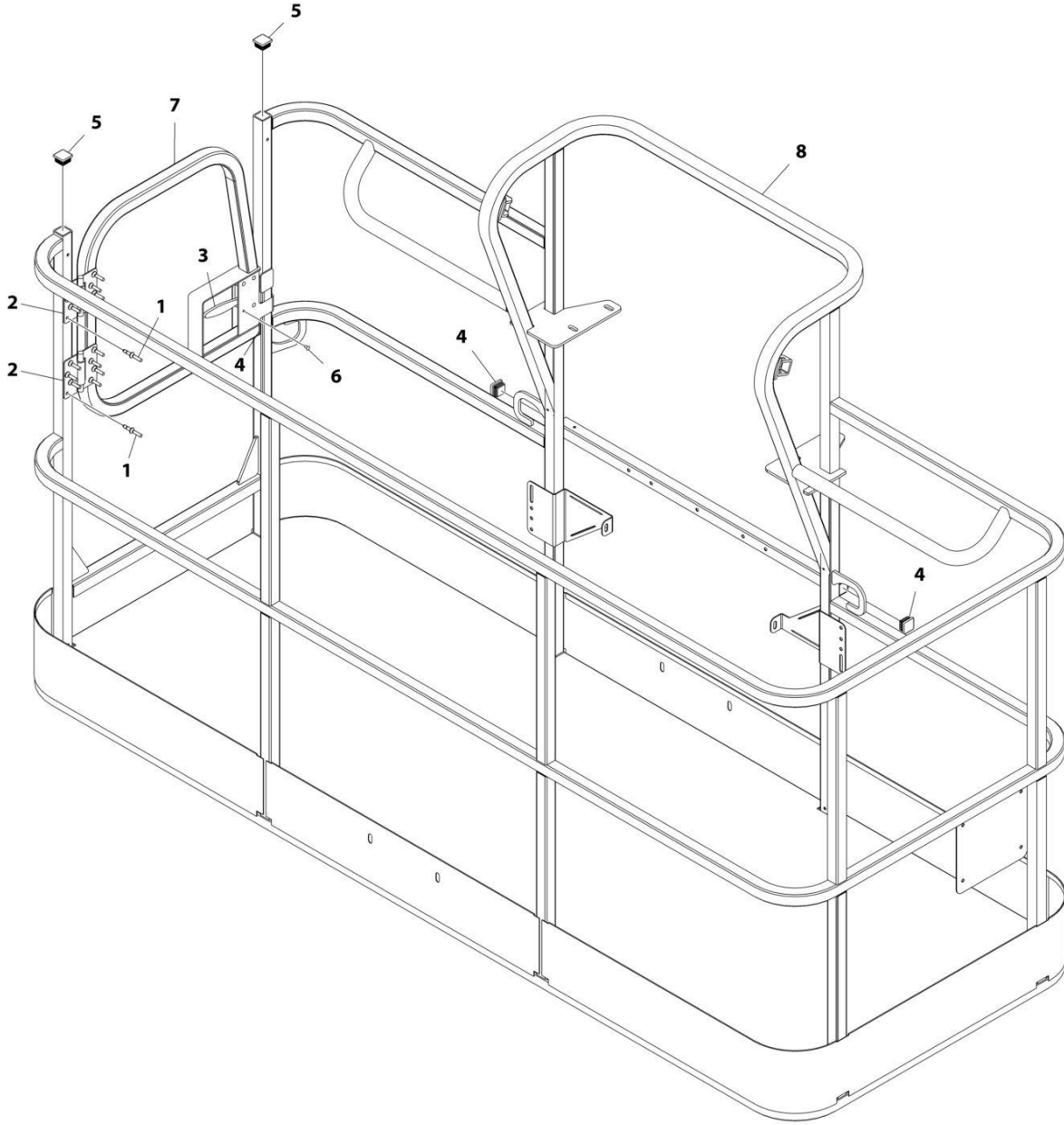
## SECTION 5 - PLATFORM

**FIGURE 5-4. PLATFORM ASSEMBLY - 36IN X 6FT (91.5CM X 1.83M) DROP BAR TRI-ENTRY**

ITEM	PART NUMBER	QTY	DESCRIPTION	REV
	1001228377	Ref	PLATFORM ASSEMBLY - 36IN x 6FT (91.5CM x 1.83M)	B
		Ref	Note: Platform and Mesh must be ordered separately for Platforms with Mesh. See SPECIAL OPTIONS SECTION for Mesh Installations.	
		Ref	Note: Replacement Decals Must be Ordered Separately - See DECAL SECTION.	
1	0100011	1	Compound, Locking	
2	0641418	6	Bolt 1/4 x 2-1/4	
3	0961845	6	Bushing	
4	3290606	2	Nut M6	
5	3300151	6	Nut 1/4	
6	3520072	2	Plug	
7	3520198	2	Plug	
8	4010618	2	Screw M6 x 50	
9	4711400	12	Washer 1/4	
10	4811700	2	Washer M6	
11	1001138494	3	Bar, Drop	
12	1001138514	1	Rail (Top)	
13	1001140429	3	Decal - Drop Bar	
14	See Note	NSS	Platform, Weldment (Note: Not Available - Purchase Platform Assembly)	

# SECTION 5 - PLATFORM

FIGURE 5-5. PLATFORM ASSEMBLY - 36IN X 8FT (91.5CM X 2.44M) SIDE GATE ENTRY



ART\_1001186383

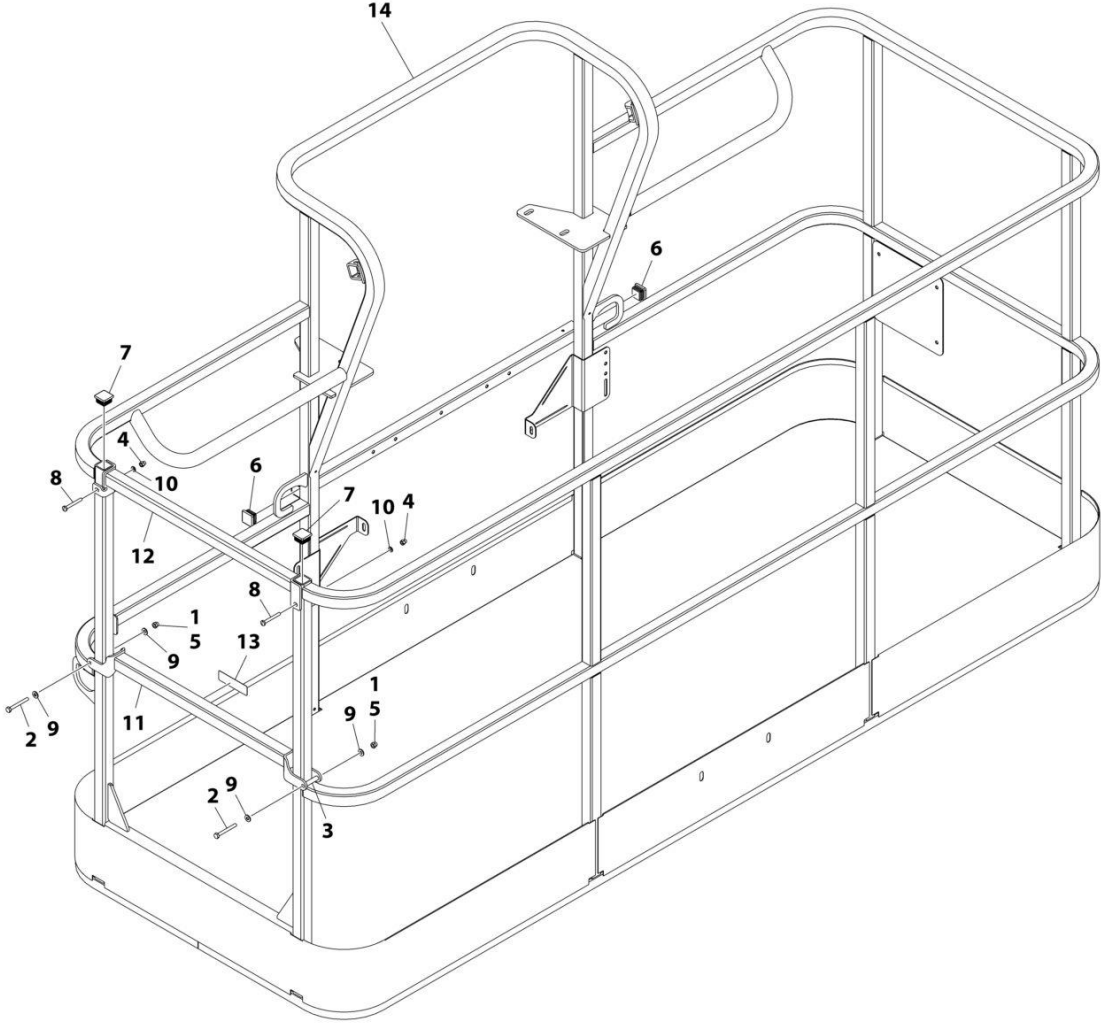
## SECTION 5 - PLATFORM

**FIGURE 5-5. PLATFORM ASSEMBLY - 36IN X 8FT (91.5CM X 2.44M) SIDE GATE ENTRY**

ITEM	PART NUMBER	QTY	DESCRIPTION	REV
	1001186383	Ref	PLATFORM ASSEMBLY - 36IN X 8FT (91.5CM X 2.44M) WITH SWING GATE	D
		Ref	Note: Platform and Mesh must be ordered separately for Platforms with Mesh. See SPECIAL OPTIONS SECTION for Mesh Installations.	
		Ref	Note: Replacement Decals Must be Ordered Separately - See DECALS SECTION.	
1	2080040	16	Fastener, Huck	
2	2600281	2	Hinge	
3	2940074	1	Latch	
4	3520072	3	Plug	
5	3520198	2	Plug	
6	3820020	4	Rivet	
7	1001144629	1	Gate	
8	See Note	NSS	Platform (Note: Not Available - Purchase Platform Assembly)	

**SECTION 5 - PLATFORM**

**FIGURE 5-6. PLATFORM ASSEMBLY - 36IN X 8FT (91.5CM X 2.44M) DROP BAR ENTRY**



ART\_1001186382

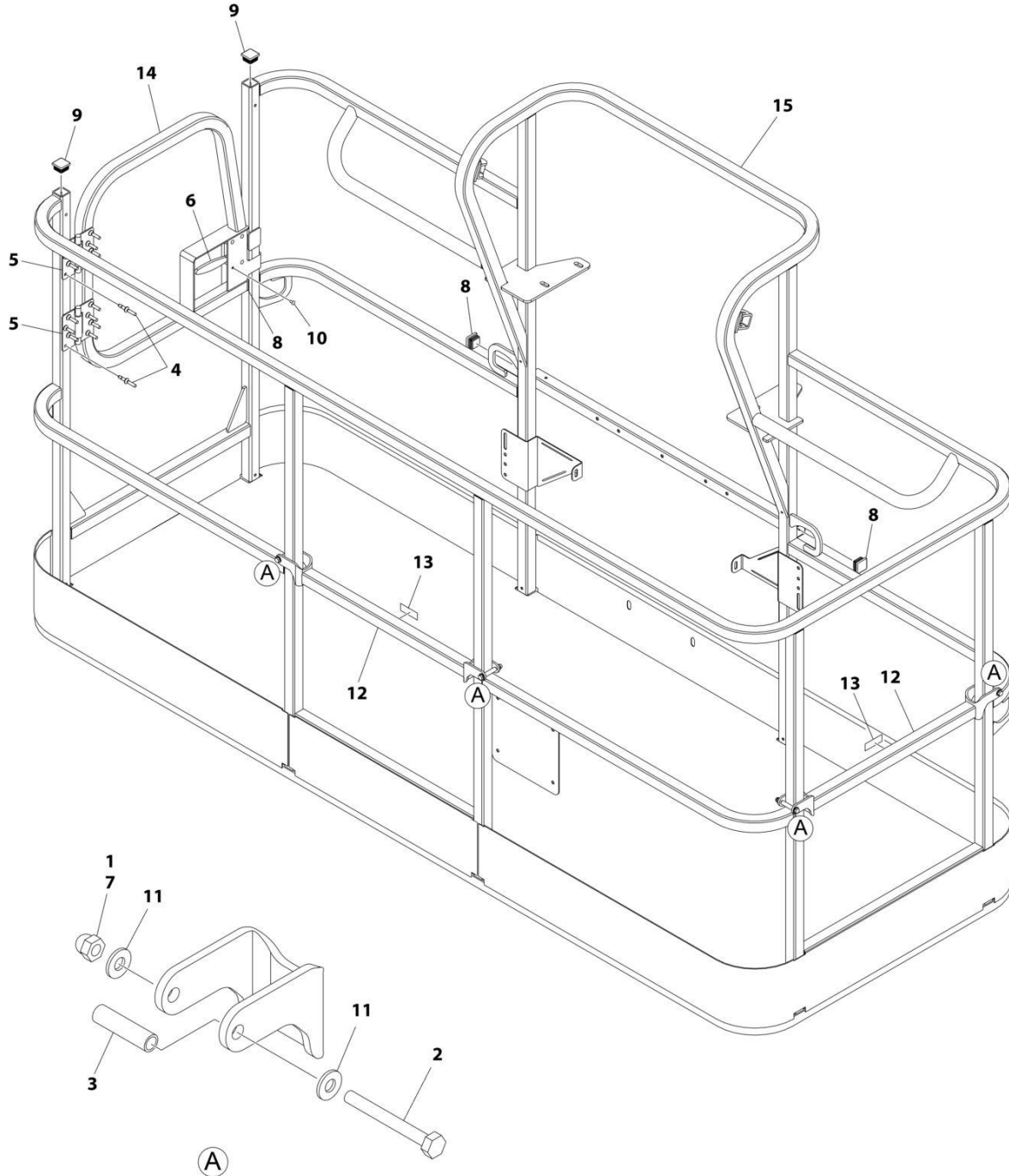
## SECTION 5 - PLATFORM

**FIGURE 5-6. PLATFORM ASSEMBLY - 36IN X 8FT (91.5CM X 2.44M) DROP BAR ENTRY**

ITEM	PART NUMBER	QTY	DESCRIPTION	REV
	1001186382	Ref	PLATFORM ASSEMBLY - 36IN X 8FT (91.5CM X 2.44M) WITH DROP BAR	C
		Ref	Note: Platform and Mesh must be ordered separately for Platforms with Mesh. See SPECIAL OPTIONS SECTION for Mesh Installations.	
		Ref	Note: Replacement Decals Must be Ordered Separately - See DECALS SECTION.	
1	0100011	AR	Compound, Locking	
2	0641418	2	Bolt 1/4 x 2-1/4	
3	0961845	2	Bushing	
4	3290606	2	Nut M6	
5	3300151	2	Nut 1/4	
6	3520072	2	Plug	
7	3520198	2	Plug	
8	4010618	2	Screw M6 x 50	
9	4711400	4	Washer 1/4	
10	4811700	2	Washer M6	
11	1001138494	1	Bar, Drop	
12	1001138514	1	Rail (Top)	
13	1001140429	1	Decal - Drop Bar	
14	See Note	NSS	Platform (Note: Not Available - Purchase Platform Assembly)	

# SECTION 5 - PLATFORM

FIGURE 5-7. PLATFORM ASSEMBLY - 36IN X 8FT (91.5CM X 2.44M) WITH TRI-ENTRY (1 GATE/2 DROP BARS)



ART\_1001228243



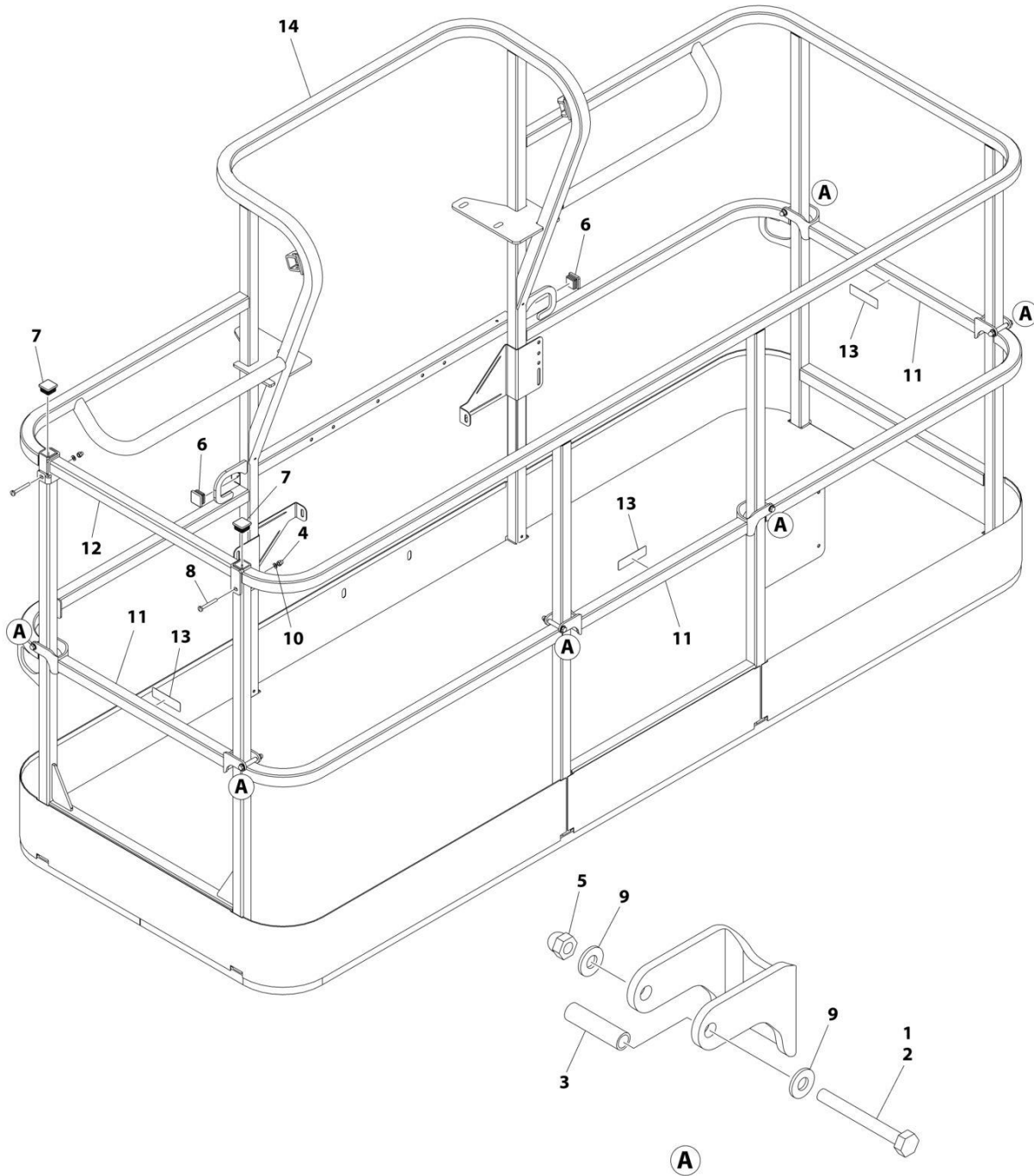
## SECTION 5 - PLATFORM

**FIGURE 5-7. PLATFORM ASSEMBLY - 36IN X 8FT (91.5CM X 2.44M) WITH TRI-ENTRY (1 GATE/2 DROP BARS)**

ITEM	PART NUMBER	QTY	DESCRIPTION	REV
	1001228243	Ref	PLATFORM ASSEMBLY - 36IN X 8FT (91.5CM X 2.44M) WITH TRI-ENTRY	A
		Ref	Note: Platform and Mesh must be ordered separately for Platforms with Mesh. See SPECIAL OPTIONS SECTION for Mesh Installations.	
1	0100011	AR	Compound, Locking	
2	0641418	4	Bolt 1/4 x 2-1/4	
3	0961845	4	Bushing	
4	2080040	16	Fastener, Huck	
5	2600281	2	Hinge, Self-Closing	
6	2940074	1	Latch	
7	3300151	4	Nut 1/4	
8	3520072	3	Cap, Plug	
9	3520198	2	Cap, Plug	
10	3820020	4	Rivet	
11	4711400	8	Washer 1/4	
12	1001138494	2	Bar, Drop	
13	1001140429	2	Decal - Drop Bar	
14	1001144629	1	Gate, Weldment	
15	See Note	1	Platform (Note: Not Available - Purchase Platform Assembly)	

# SECTION 5 - PLATFORM

FIGURE 5-8. PLATFORM ASSEMBLY - 36IN X 8FT (91.5CM X 2.44M) WITH TRI-ENTRY (3 DROP BARS)



ART\_1001228375

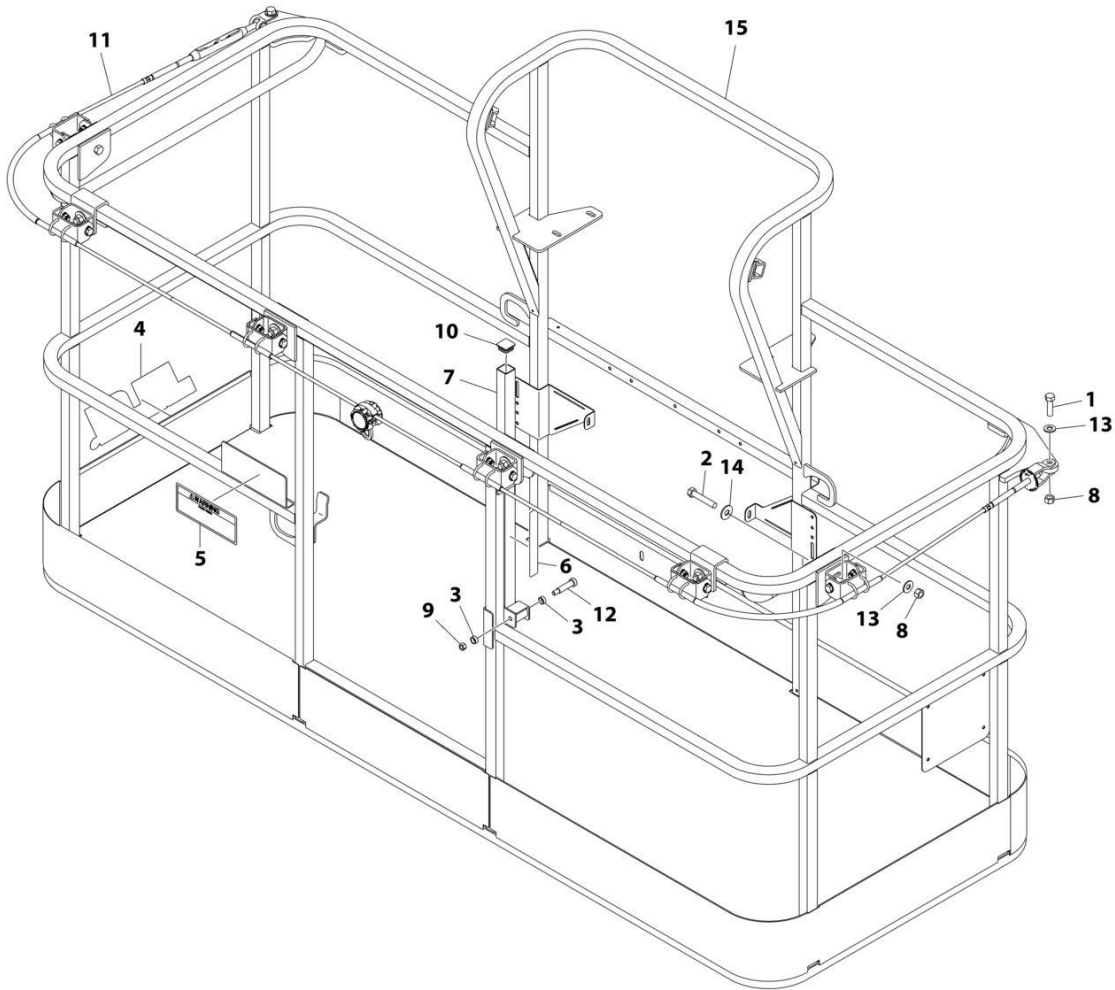
## SECTION 5 - PLATFORM

**FIGURE 5-8. PLATFORM ASSEMBLY - 36IN X 8FT (91.5CM X 2.44M) WITH TRI-ENTRY (3 DROP BARS)**

ITEM	PART NUMBER	QTY	DESCRIPTION	REV
	1001228375	Ref	PLATFORM ASSEMBLY - 36IN X 8FT (91.5CM X 2.44M) WITH TRI-ENTRY	A
		Ref	Note: Platform and Mesh must be ordered separately for Platforms with Mesh. See SPECIAL OPTIONS SECTION for Mesh Installations.	
		Ref	Note: Replacement Decals Must be Ordered Separately - See DECAL SECTION.	
1	0100011	AR	Compound, Locking	
2	0641418	6	Bolt 1/4 x 2-1/4	
3	0961845	6	Bushing	
4	3290606	2	Nut M6 x 1	
5	3300151	6	Nut 1/4	
6	3520072	2	Cap, Plug	
7	3520198	2	Cap, Plug	
8	4010618	2	Screw M6 x 50	
9	4711400	12	Washer 1/4	
10	4811700	2	Washer M6	
11	1001138494	3	Bar, Drop	
12	1001138514	1	Rail (Top)	
13	1001140429	3	Decal - Drop Bar	
14	See Note	1	Platform (Note: Not Available - Purchase Platform Assembly)	

# SECTION 5 - PLATFORM

FIGURE 5-9. PLATFORM ASSEMBLY - 36IN X 8FT (91.5CM X 2.44M) FALL ARREST - ANSI SPEC



ART\_1001186334

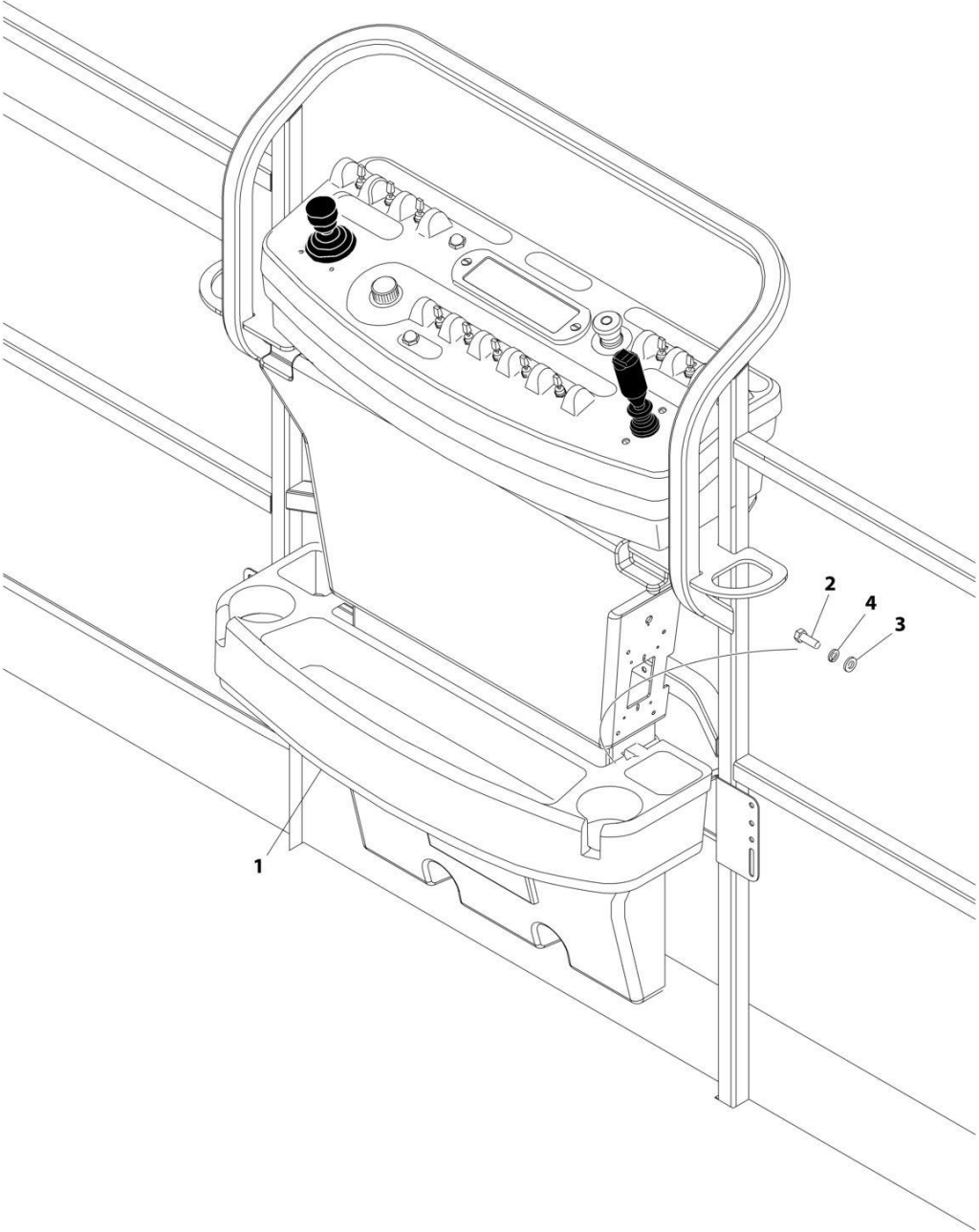
## SECTION 5 - PLATFORM

**FIGURE 5-9. PLATFORM ASSEMBLY - 36IN X 8FT (91.5CM X 2.44M) FALL ARREST - ANSI SPEC**

ITEM	PART NUMBER	QTY	DESCRIPTION	REV
	1001186334	Ref	PLATFORM ASSEMBLY	D
		Ref	Note: Replacement Decals Must be Ordered Separately - See DECALS SECTION.	
1	0681814	2	Bolt 1/2 x 1-3/4 Grade 8	
2	0681822	6	Bolt 1/2 x 2-3/4 Grade 8	
3	0962270	2	Bearing	
4	1702773	1	Decal - JLG	
5	1705014	1	Decal - Safety	
6	1706385	1	Decal - Drop Bar	
7	2410014	1	Bar, Drop	
8	3271805	8	Nut 1/2 Grade 8	
9	3311605	1	Nut 3/8	
10	3520072	1	Plug	
11	1001203656	1	Cable	
12	3900054	1	Bolt 1/2 x 1-3/4	
13	4711800	2	Washer 1/2	
14	4751800	6	Washer 1/2	
15	See Note	NSS	Platform (Note: Purchase Platform Assembly)	

**SECTION 5 - PLATFORM**

**FIGURE 5-10. TRAY INSTALLATION**



ART\_1580012

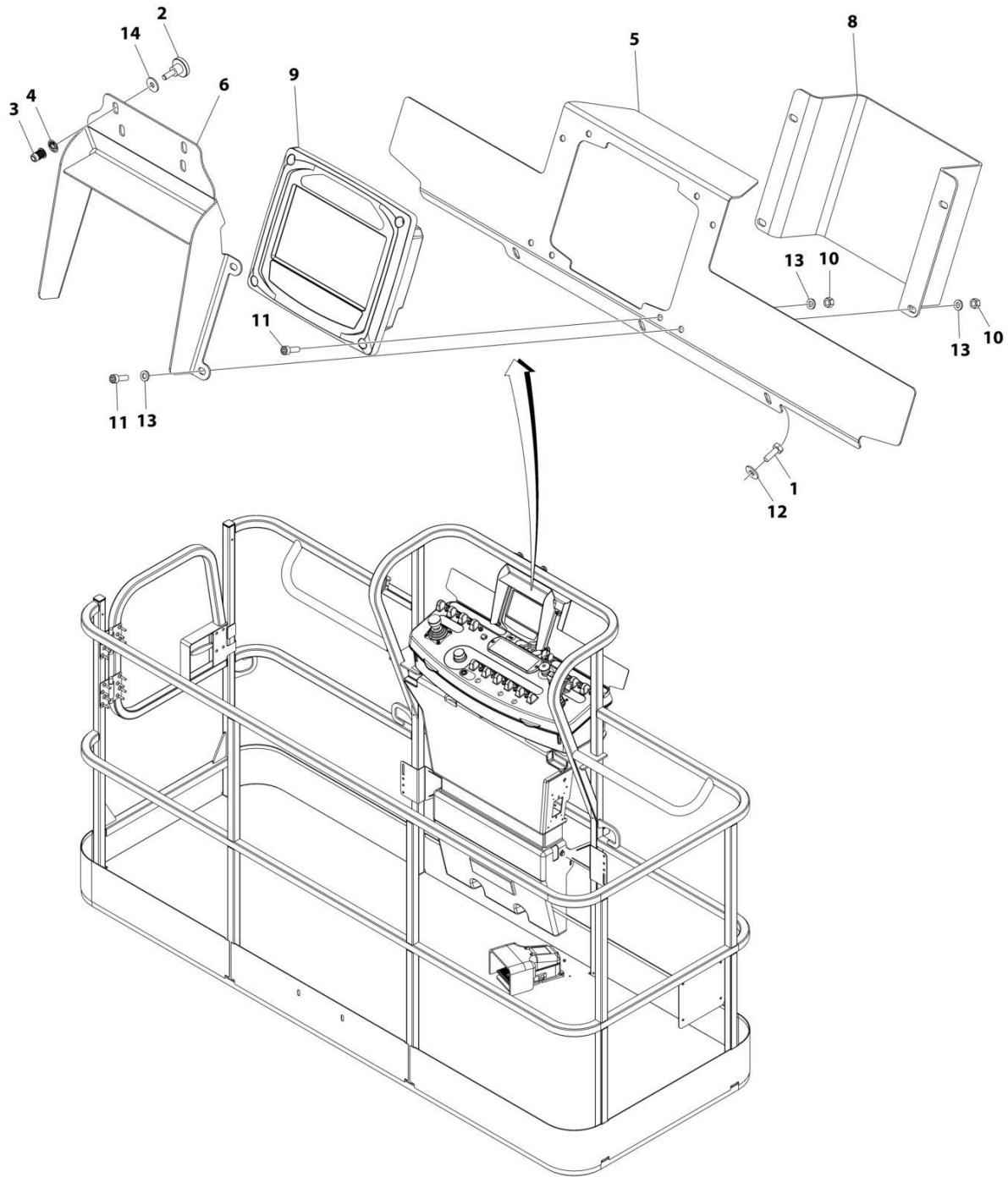
## SECTION 5 - PLATFORM

### FIGURE 5-10. TRAY INSTALLATION

ITEM	PART NUMBER	QTY	DESCRIPTION	REV
	1580012	Ref	TRAY ASSEMBLY	C
1	See Note	NSS	Tray, Storage (Center) (Note: Purchase p/n 1580012)	
2	0641406	2	Bolt 1/4 x 3/4	
3	4751400	2	Washer 1/4	
4	4761400	2	Washer 1/4	

# SECTION 5 - PLATFORM

## FIGURE 5-11. LCD DISPLAY INSTALLATION



ART\_1001215375



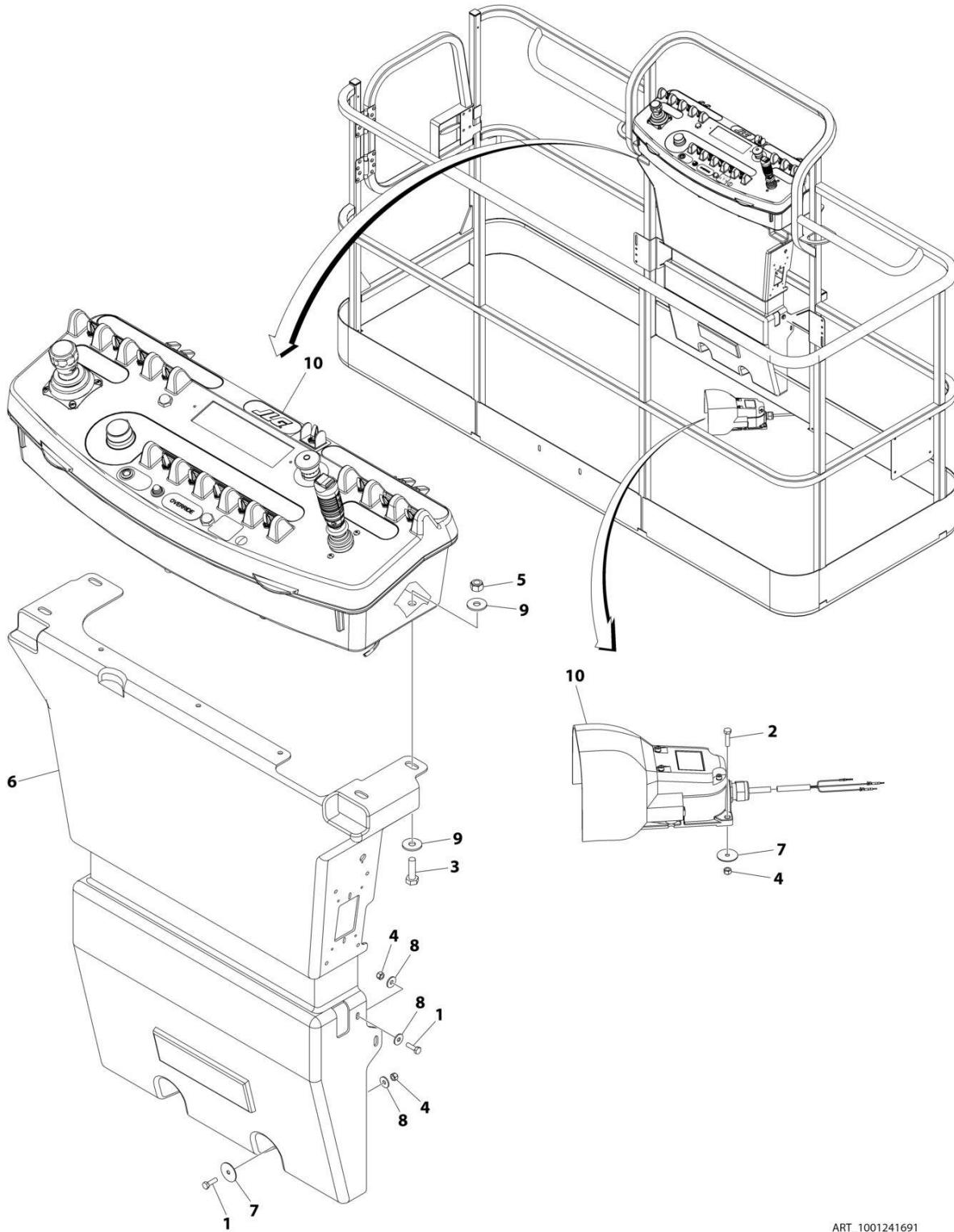
## SECTION 5 - PLATFORM

**FIGURE 5-11. LCD DISPLAY INSTALLATION**

ITEM	PART NUMBER	QTY	DESCRIPTION	REV
	1001215375	Ref	LCD DISPLAY INSTALLATION	A
1	0641406001	3	Bolt 1/4 x 3/4	
2	1001173609	2	Screw, Thumb M6 x 16	
3	1001176636	2	Rivet, Nut M6	
4	1001177635	2	Nut M6	
5	1001215379	1	Bracket, Mounting	
6	1001215380	1	Bracket, Visor	
7	1001220482	1	Harness, LCD Display (Not Shown - See Separate Breakdown in ELECTRICAL SECTION)	
8	1001228976	1	Cover	
9	1001229485	1	Electrical Assembly	
9	1001220955	1	Gauge, LCD Display	
9	1001176582	1	Decal - Platform Display	
9	1001180491	4	Screw #10	
9	1001229922	1	Screen Protector, LCD Display	
10	3290605001	8	Nut M6	
11	4031708001	8	Bolt M6 x 20	
12	4751400001	3	Washer 1/4	
13	4811700001	12	Washer M6	
14	4811702001	2	Washer M6	

# SECTION 5 - PLATFORM

## FIGURE 5-12. PLATFORM CONTROLS INSTALLATION - WITH SKYGUARD



ART\_1001241691

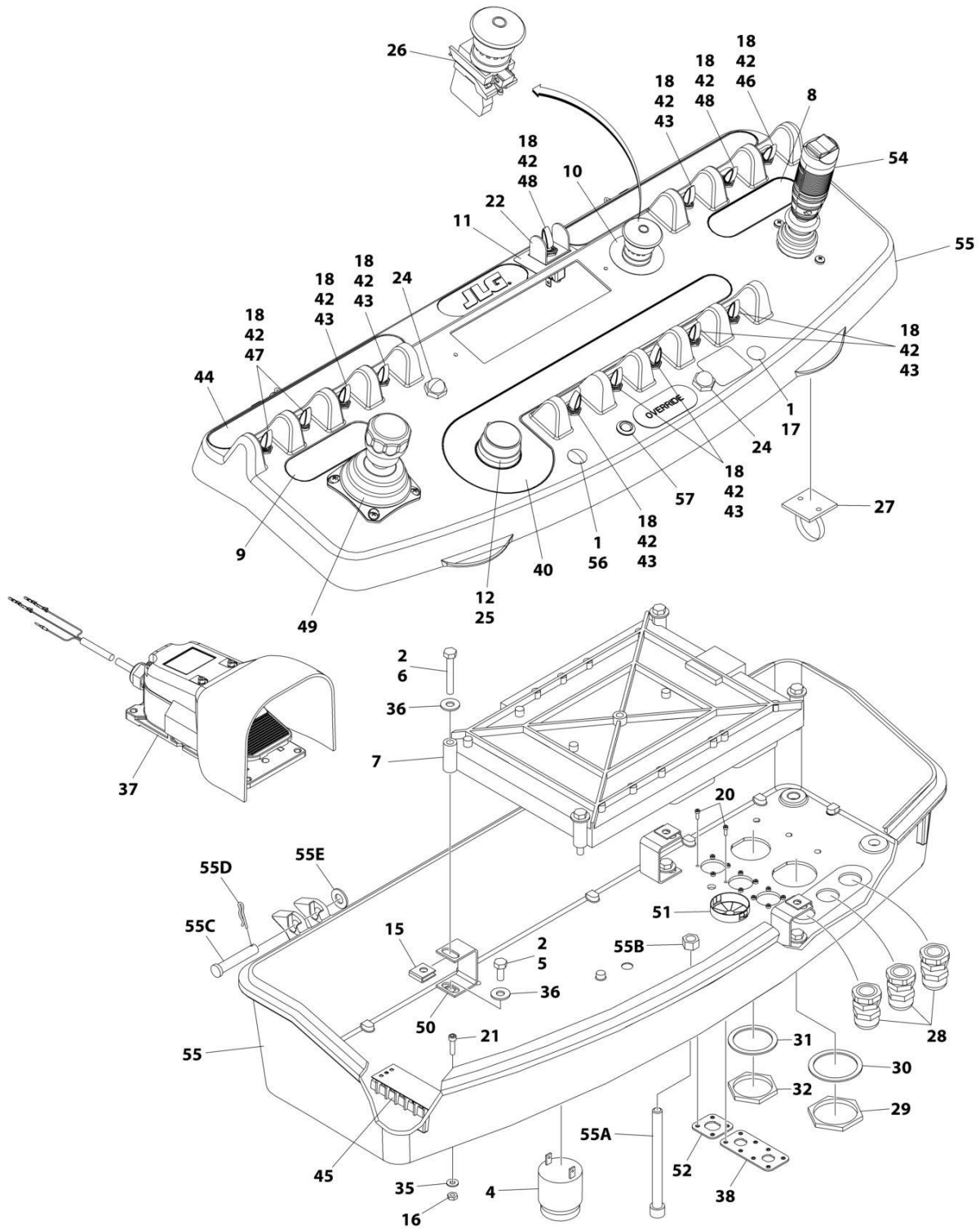
## SECTION 5 - PLATFORM

**FIGURE 5-12. PLATFORM CONTROLS INSTALLATION - WITH SKYGUARD**

ITEM	PART NUMBER	QTY	DESCRIPTION	REV
	1001241691	Ref	PLATFORM CONTROLS INSTALLATION - WITH SKYGUARD	A
1	0760610	4	Bolt M6 x 20	
2	0760612	4	Bolt M6 x 25	
3	0761015	4	Bolt M10 x 35	
4	3290605	8	Locknut M6	
5	3291005	4	Locknut M10	
6	3380434	1	Panel, Molded	
7	4740362	6	Washer, Fender	
8	4811702	6	Flatwasher M6	
9	4812002	8	Washer M10	
10	1001241690	1	Platform Console Assembly - With SkyGuard (See Separate Breakdown in this Section)	

# SECTION 5 - PLATFORM

## FIGURE 5-13. PLATFORM CONSOLE ASSEMBLY - WITH SKYGUARD



ART\_1001241690\_E

## SECTION 5 - PLATFORM

**FIGURE 5-13. PLATFORM CONSOLE ASSEMBLY - WITH SKYGUARD**

ITEM	PART NUMBER	QTY	DESCRIPTION	REV
	1001241690	Ref	PLATFORM CONSOLE ASSEMBLY - WITH SKYGUARD	E
1	0100009	AR	Sealant	
2	0100035	AR	Compound, Locking	
4	0140011	1	Alarm	
5	0641405	4	Bolt 1/4 x 5/8	
6	0641414	4	Bolt 1/4 x 1-3/4	
7	1600343	1	Module, Control (Note: Control System needs recalibrated when replaced)	
8	1702565	1	Decal - Drive and Steer	
9	1702566	1	Decal - Lift and Swing	
10	1704260	1	Decal - EMS	
11	1706741	1	Decal - Boom Control Select	
12	2560136	1	Handle, Knob	
15	3300353	4	Nut, Tinnerman	
16	3311005	2	Nut #10	
17	3520026	1	Plug	
18	3790012	13	O-Ring	
20	3900349	12	Capscrew M2.5	
21	3931012	2	Bolt #10 x 3/4	
22	4060906	1	Guard, Switch	
24	4360387	2	Switch, Push Button	
25	4360407	1	Switch, Flow Control	
26	1001274559	1	Switch, Emergency Stop	
27	4460234	AR	Mount, Tie-Strap	
28	4460428	3	Connector, Strain Relief	
29	4460470	1	Nut, Terminal	
30	4460471	1	Washer, Terminal	
31	4460496	1	Washer, Terminal	
32	4460497	1	Nut, Terminal	
35	4751000	2	Washer #10	
36	4751400	8	Washer 1/4	
37	1001117174	1	Footswitch Assembly (See Separate Breakdown in this Section)	
38	1001120338	1	Mount, Connector	
40	1001125195	1	Decal - Function Speed	
42	1001155044	13	Nut 15/32	
43	1001155045	8	Switch, Toggle	
44	1001156926	1	Decal - Horn	
45	1001157292	1	Bussbar	
46	1001159256	1	Switch, Toggle	
47	1001161709	2	Switch, Toggle	
48	1001161710	2	Switch, Toggle	
49	1001166539	NLA	Lift and Swing Controller Assembly (See LIFT AND SWING CONTROLLER ASSEMBLY for Breakdown) (Note: Use p/n 1001129555 as Replacement)	
50	1001172760	4	Bracket	
51	1001185281	1	Plug, Bushing	
52	1001220929	1	Connector	
53	1001241864	1	Harness, Console Box (Not Shown - See Separate Breakdown in ELECTRICAL Section)	
54	1001166538	NLA	Drive and Steer Controller Assembly (Note: Use p/n 1001212415) (See Separate Breakdown in this Section)	

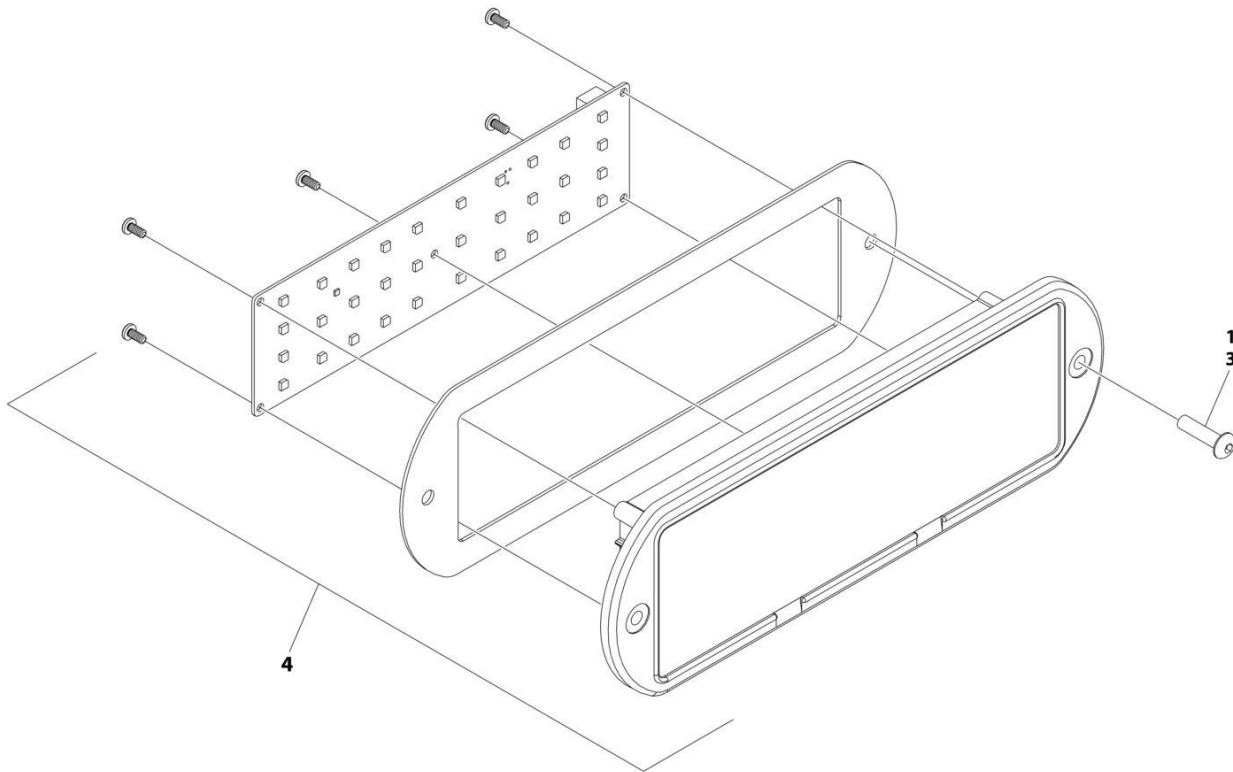
## SECTION 5 - PLATFORM

ITEM	PART NUMBER	QTY	DESCRIPTION	REV
55	1001245916	1	Box, Console Assembly	C
55A	0630568	1	Bolt 3/8 x 4-1/2	
55B	3311601	1	Nut 3/8	
55C	3430616	2	Pin	
55D	3470003	2	Pin	
55E	4711600	2	Washer 3/8	
56	3520027	1	Plug, Hole	
57	1001206532	1	Light, Indicator	
58	4240099	AR	Tie-strap (Not Shown)	



# SECTION 5 - PLATFORM

## FIGURE 5-14. LIGHT PANEL



ART\_1001245176\_2OF2



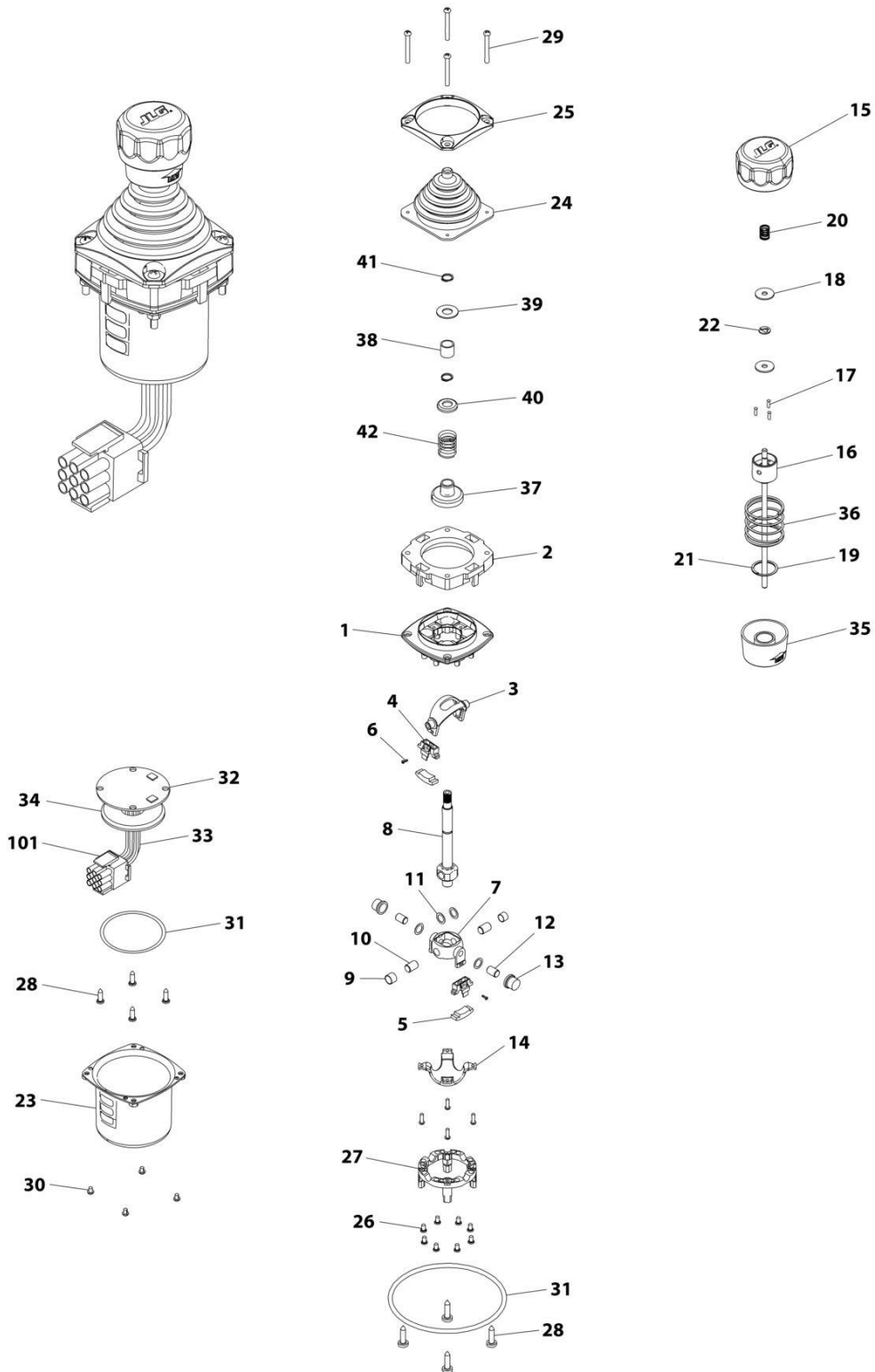
## SECTION 5 - PLATFORM

### FIGURE 5-14. LIGHT PANEL

ITEM	PART NUMBER	QTY	DESCRIPTION	REV
	1001245176	Ref	LIGHT PANEL INSTALLATION	C
1	0100035	AR	Compound, Locking	
3	0630518	2	Screw #10 x 3/4	
	1001284588	1	Light Panel Electrical Assembly	
4	1001282106	1	Housing and Seal	
4	1001284587	1	Light Panel (LED)	

# SECTION 5 - PLATFORM

## FIGURE 5-15. CONTROLLER ASSEMBLY (LIFT AND SWING)



ART\_1001166539

## SECTION 5 - PLATFORM

**FIGURE 5-15. CONTROLLER ASSEMBLY (LIFT AND SWING)**

ITEM	PART NUMBER	QTY	DESCRIPTION	REV
	1001166539	Ref	CONTROLLER ASSEMBLY	E
		Ref	Note: Original Equipment Controller May Have Been Replaced with Service Replacement Controller. Visually Identify Controller Before Ordering Parts.	
		Ref	Note: For Replacement, Use p/n 1001129555	
1	See Note	NSS	Main Cast Body (Note: Not Available - Purchase Complete Assembly)	
2	70004752	1	Adapter	
3	See Note	NSS	Pivot Arm, Plastic (Note: Not Available - Purchase Complete Assembly)	
4	See Note	NSS	Holder, Magnet (Note: Not Available - Purchase Complete Assembly)	
5	See Note	NSS	Arc, Magnet (Note: Not Available - Purchase Complete Assembly)	
6	See Note	NSS	Screw (Note: Not Available for Purchase)	
7	See Note	NSS	Pivot Arm, Cast (Note: Not Available - Purchase Complete Assembly)	
8	See Note	NSS	Shaft, Main (Note: Not Available - Purchase Complete Assembly)	
9	See Note	NSS	Bearing (Note: Not Available - Purchase Complete Assembly)	
10	See Note	NSS	Pin (Note: Not Available - Purchase Complete Assembly)	
11	See Note	NSS	Shim (Note: Not Available - Purchase Complete Assembly)	
12	See Note	NSS	Pin (Note: Not Available - Purchase Complete Assembly)	
13	See Note	NSS	Bearing (Note: Not Available - Purchase Complete Assembly)	
14	See Note	NSS	Dome, Centering (Note: Not Available - Purchase Complete Assembly)	
15	70004753	1	Cap	
16	70004754	1	Insert, Cap	
17	70004755	3	Pin	
18	70004756	2	Washer	
19	70004757	1	Pin, Centering	
20	70004758	1	Spring	
21	70004759	1	Ring, Retaining	
22	70004760	1	E-Ring	
23	70004761	1	Can, Enclosure	
24	70004762	1	Boot	
25	70004763	1	Bezel	
26	See Note	NSS	Screw (Note: Not Available for Purchase)	
27	See Note	NSS	Base Mounting (Note: Not Available - Purchase Complete Assembly)	
28	See Note	NSS	Screw (Note: Not Available for Purchase)	
29	70004764	4	Screw	
30	70004765	4	Screw	
31	70004766	1	O-Ring	
32	See Note	NSS	Plate (Note: Not Available - Purchase Complete Assembly)	
33	See Note	NSS	Harness (Note: Not Available - Purchase Complete Assembly)	
34	70004767	1	Grommet, Rubber	
35	70004768	1	Housing	
36	70004769	1	Spring	
37	70004770	1	Stopper	
38	70004771	1	Spacer	
39	70004772	1	Washer	
40	70004773	1	Disc	

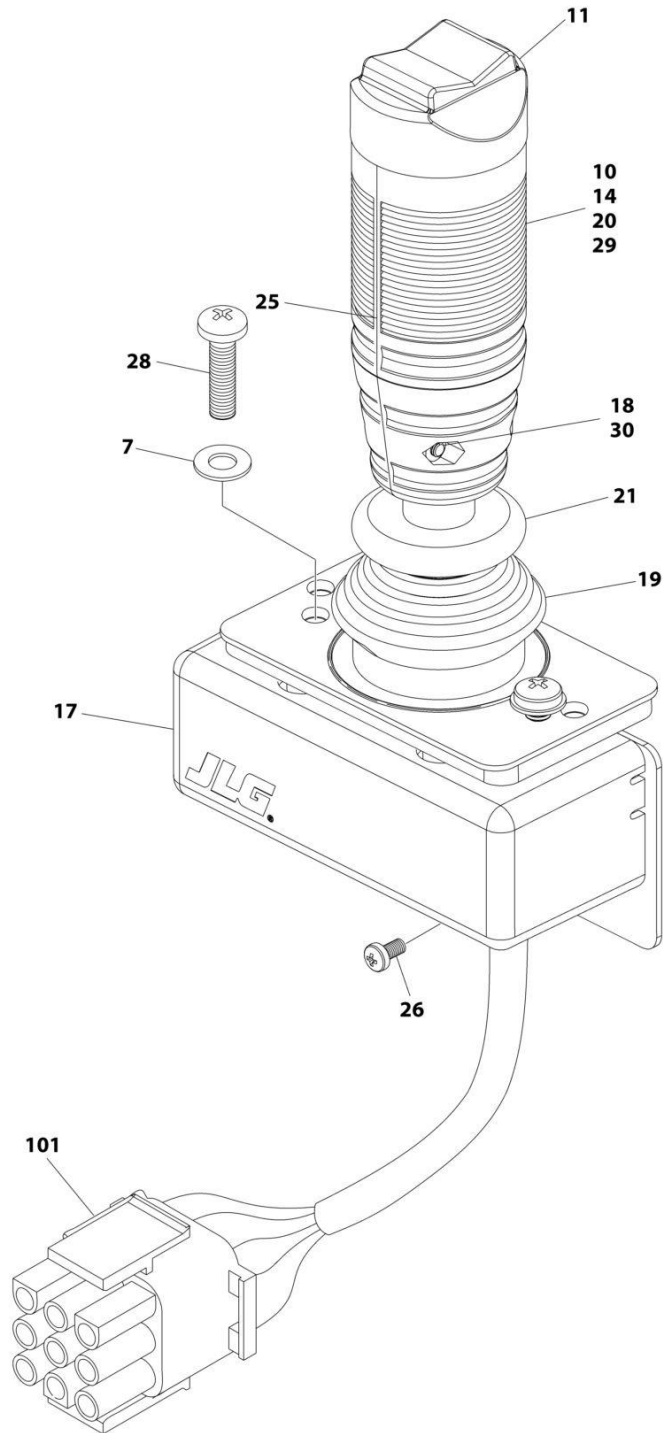
## SECTION 5 - PLATFORM

ITEM	PART NUMBER	QTY	DESCRIPTION	REV
41	70004774	2	Ring, Retaining	
42	70004775	1	Spring	
101	4460265	1	Connector - 9 Position	
101	4460226	6	Socket, Female	



# SECTION 5 - PLATFORM

## FIGURE 5-16. CONTROLLER ASSEMBLY (DRIVE AND STEER)



ART\_1001166538

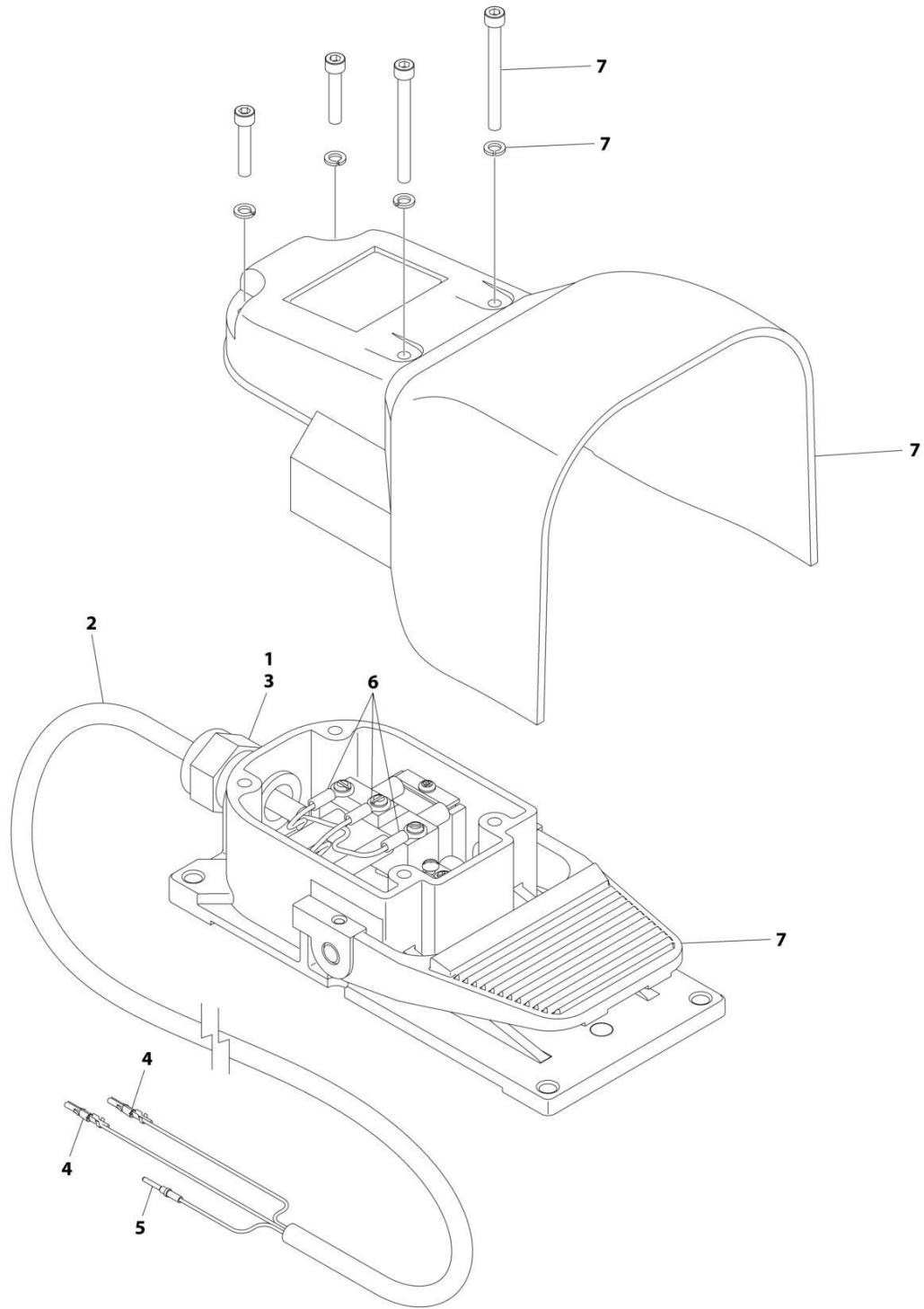
## SECTION 5 - PLATFORM

**FIGURE 5-16. CONTROLLER ASSEMBLY (DRIVE AND STEER)**

ITEM	PART NUMBER	QTY	DESCRIPTION	REV
	1001166538	Ref	CONTROLLER ASSEMBLY - DRIVE AND STEER	G
		Ref	Note: For Replacement, Use p/n 1001212415.	
7	70004738	2	Washer	
10	70004739	1	Roller	
11	70004740	1	Boot, Switch	
14	70004741	2	Half, Handle	
17	70004742	1	Enclosure	
18	70004743	4	Nut	
19	70004744	NLA	Boot, Controller (Use p/n 70005230 Boot/Base Assembly)	
20	70004745	NLA	Tube, Locking (Use p/n 70005230 Boot/Base Assembly)	
21	70004746	NLA	Disc, Locking (Use p/n 70005230 Boot/Base Assembly)	
25	70004747	2	Seal, Rope	
26	70004748	1	Screw M3 x 6	
28	70004749	2	Screw M5 x 20	
29	70004750	1	Pin, Dowel	
30	70004751	4	Screw M3 x 16	
101	4460265	1	Connector - 9 Position	
101	4460226	7	Socket, Female	

# SECTION 5 - PLATFORM

## FIGURE 5-17. FOOTSWITCH ASSEMBLY



ART\_100117174



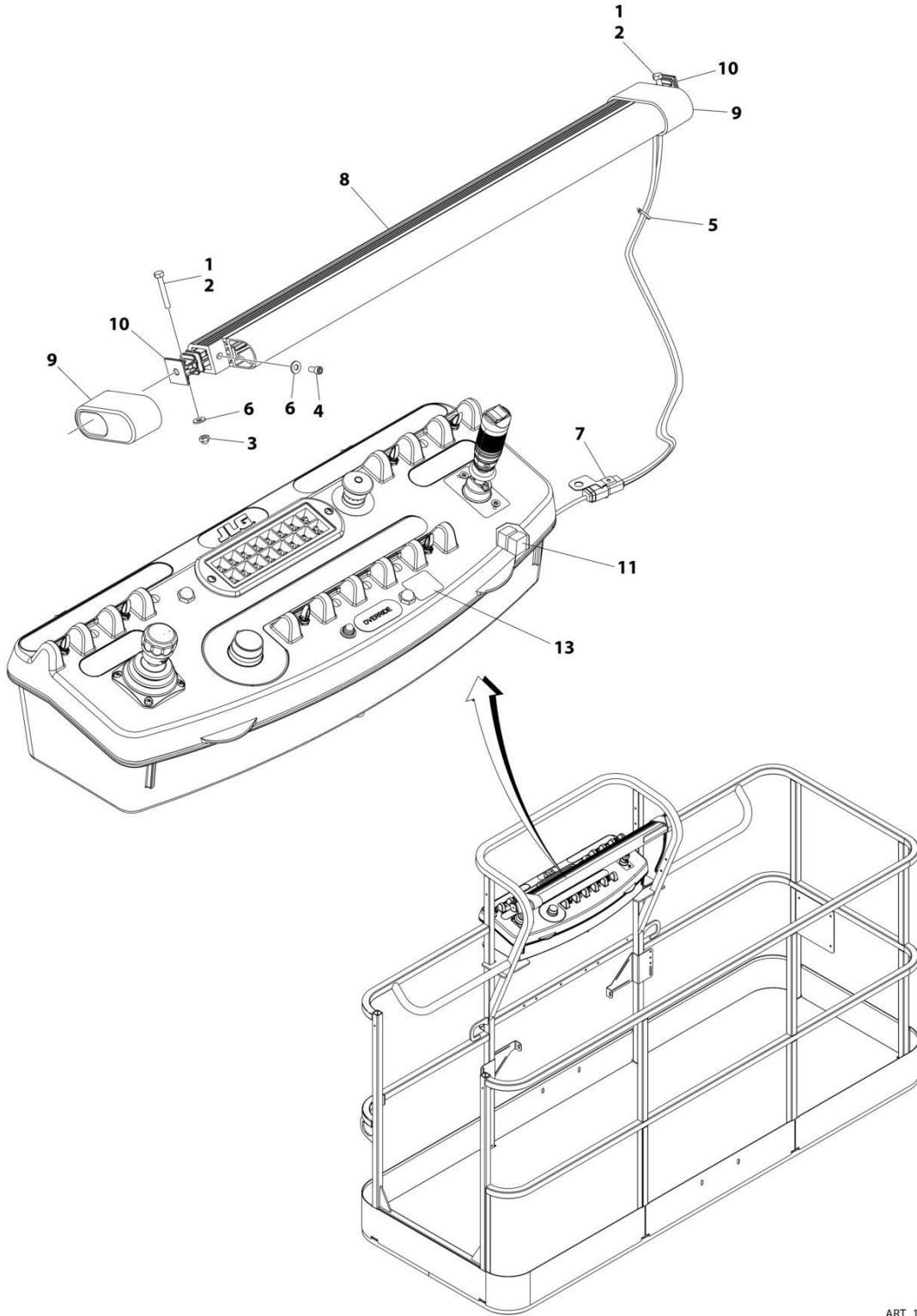
## SECTION 5 - PLATFORM

### FIGURE 5-17. FOOTSWITCH ASSEMBLY

ITEM	PART NUMBER	QTY	DESCRIPTION	REV
	1001117174	Ref	FOOTSWITCH ASSEMBLY	C
1	0100020	AR	Sealant	
2	1060918	7.5 ft/ 2.3m	Cable, Electrical - 18/3	
3	4460071	1	Connector, Strain Relief	
4	4460226	2	Socket, Female	
5	4460464	1	Pin, Male	
6	1001098122	3	Terminal	
7	1001117172	1	Footswitch	
7	70002902	1	Switch, 20Amp	
7	70002903	1	Gasket	
7	70002905	1	Cover	
7	70002904	1	Kit, Replacement Bolt	

# SECTION 5 - PLATFORM

## FIGURE 5-18. SKYGUARD BAR INSTALLATION



ART\_1001238495

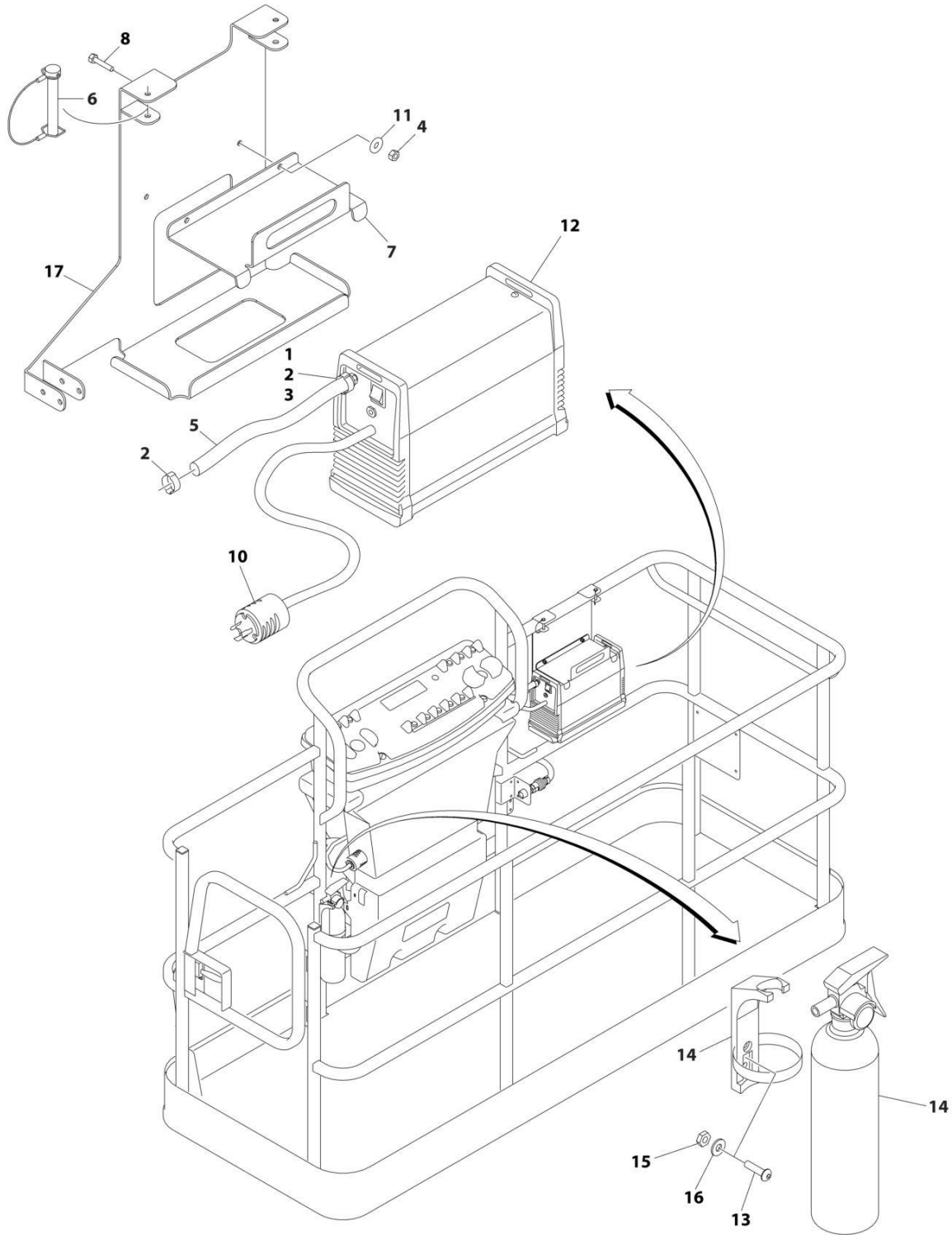
## SECTION 5 - PLATFORM

**FIGURE 5-18. SKYGUARD BAR INSTALLATION**

ITEM	PART NUMBER	QTY	DESCRIPTION	REV
	1001238495	Ref	SKYGUARD BAR INSTALLATION	A
1	0100011	AR	Compound, Locking	
2	0641414	2	Bolt 1/4 x 1-3/4	
3	3300430	2	Nut 1/4	
4	3931408	2	Capscrew 1/4 x 1/2	
5	4240033	8	Tie-Strap	
6	4711400	6	Washer 1/4	
7	1001120328	1	Mount	
8	1001137673	1	SkyGuard Switch Assembly	
9	1001186517	2	Cover, Platform Sensor	
10	1001209664	2	Support, Block	
11	1001186431	2	Relay	
12	1001225580	1	Interface Harness Assembly (Not Shown - Located Inside Console Box) (See Separate Breakdown in ELECTRICAL Section)	
13	1001144433	1	Decal - No Weight SkyGuard	

# SECTION 5 - PLATFORM

## FIGURE 5-19. SKYCUTTER INSTALLATION (ANSI, ANSI EXPORT, CHINA, CSA AND JAPANESE SPECS)



ART\_1001098149\_D

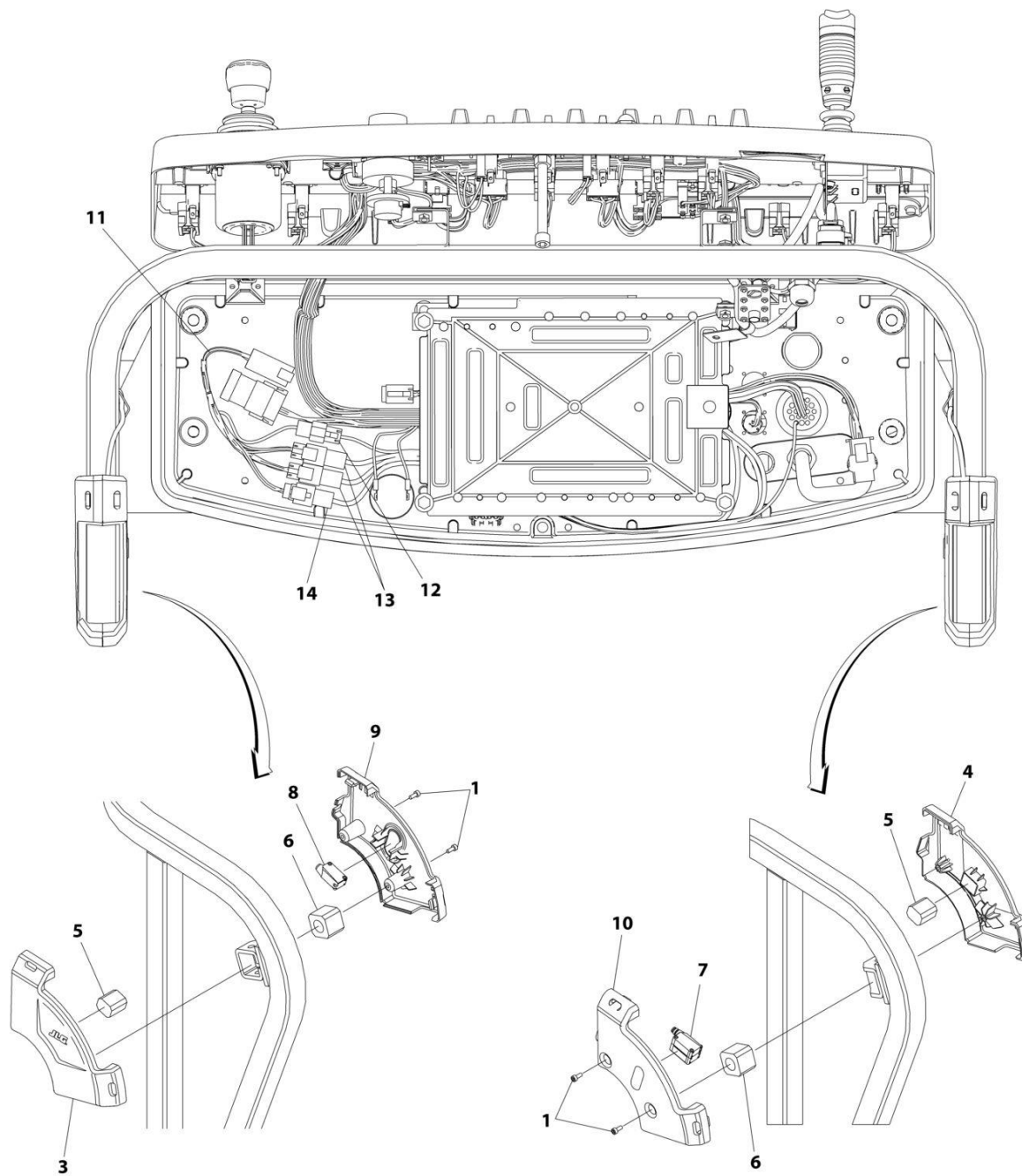
## SECTION 5 - PLATFORM

**FIGURE 5-19. SKYCUTTER INSTALLATION (ANSI, ANSI EXPORT, CHINA, CSA AND JAPANESE SPECS)**

ITEM	PART NUMBER	QTY	DESCRIPTION	REV
	1001098149	Ref	SKYCUTTER INSTALLATION	D
		Ref	Note: When replacing platform on machines with SkyCutter option, new bracket p/n 1001145405 must be purchased to accommodate SkyCutter components.	
1	0100020	AR	Sealant	
2	1320177	2	Clamp, Hose	
3	2180832	1	Fitting, NPT/Barbed	
4	3290605	2	Nut M6	
5	2720160	3 ft /.9m	Hose	
6	3421453	3	Pin	
7	3576799	1	Plate, Hold-Down	
8	4010608	2	Screw M6 x 16	
10	4460971	1	Plug, Twistlock	
11	4811700	2	Washer M6	
12	1001098012	1	Plasma Cutter Assembly (See Separate Breakdown in this Section)	
13	0630518	2	Screw #10 x 3/4	
14	2030010	1	Extinguisher, Fire	
15	3311005	2	Nut #10	
16	4751000	2	Washer #10	
17	1001145405	1	Support	

# SECTION 5 - PLATFORM

## FIGURE 5-20. SKYEYE INSTALLATION



ART\_1001229341

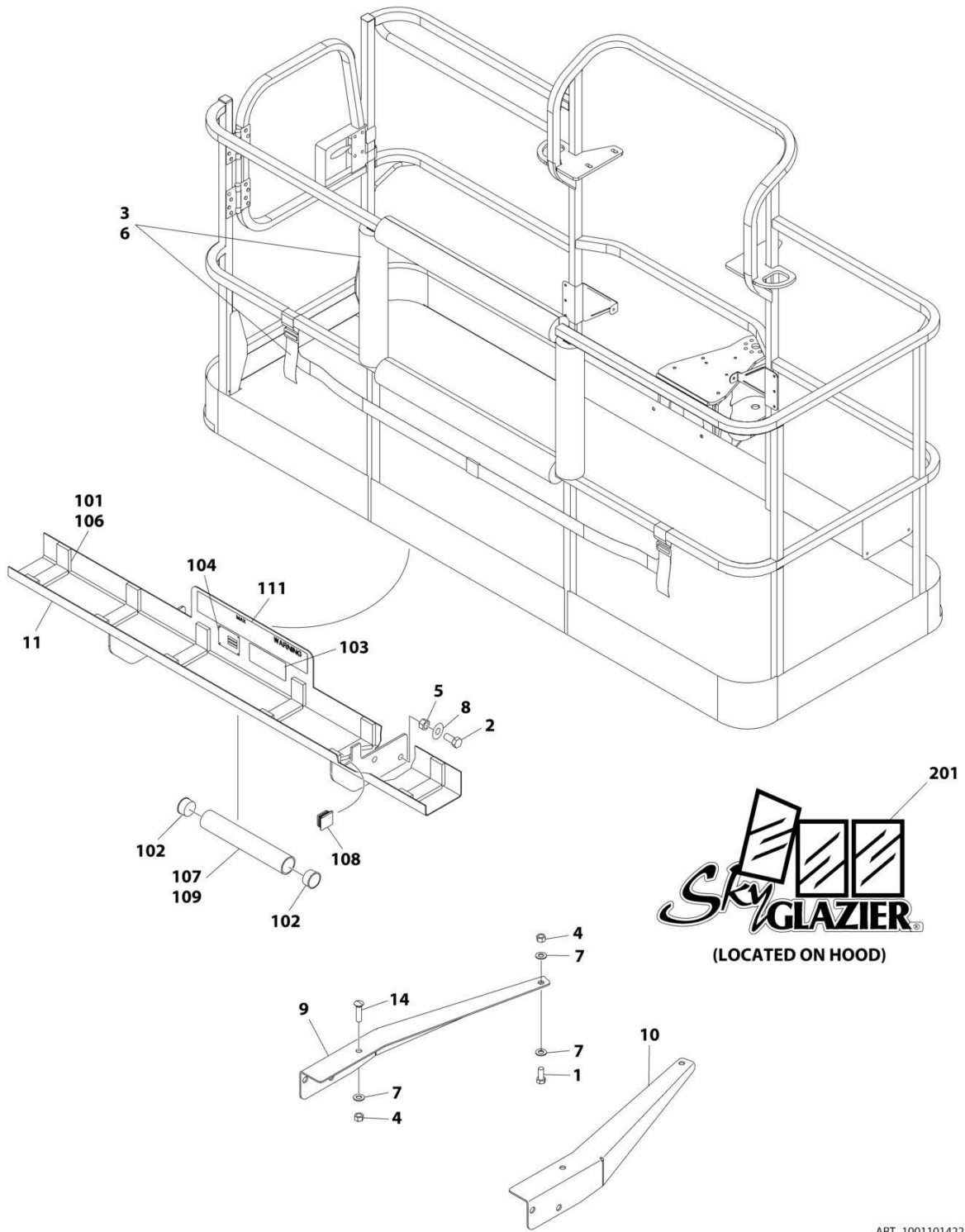
## SECTION 5 - PLATFORM

### FIGURE 5-20. SKYEYE INSTALLATION

ITEM	PART NUMBER	QTY	DESCRIPTION	REV
	1001229341	Ref	SKYEYE INSTALLATION	B
1	4031505	4	Bolt M4 x 10	
2	4240033	AR	Tie-Strap (Not Shown)	
3	1001227633	1	Housing, LH Outer	
4	1001227634	1	Housing, RH Outer	
5	1001227985	2	Shim	
6	1001227987	2	Shim	
7	1001228224	2	Sensor, Receiver	
8	1001228225	1	Sensor, Emitter	
9	1001232164	1	Housing, LH Inner	
10	1001232165	1	Housing, RH Inner	
11	1001237865	1	Harness, Skyeeye Intermediate (See Separate Breakdown in ELECTRICAL Section)	
12	1001238319	NLA	Harness, Skyeeye Drain Jumper	
12	1001187674	1	Plug, Male - 2 Position	
12	4460942	1	Terminal	
12	4460466	1	Plug, Terminal	
12	4460508	1	Pin, Male	
13	1001237863	2	Harness, Skyeeye Receiver (See Separate Breakdown in ELECTRICAL Section)	
14	1001237864	1	Harness, Skyeeye Emitter (See Separate Breakdown in ELECTRICAL Section)	

# SECTION 5 - PLATFORM

## FIGURE 5-21. SKYGLAZIER INSTALLATION (ANSI AND CSA SPECS)



ART\_1001101422



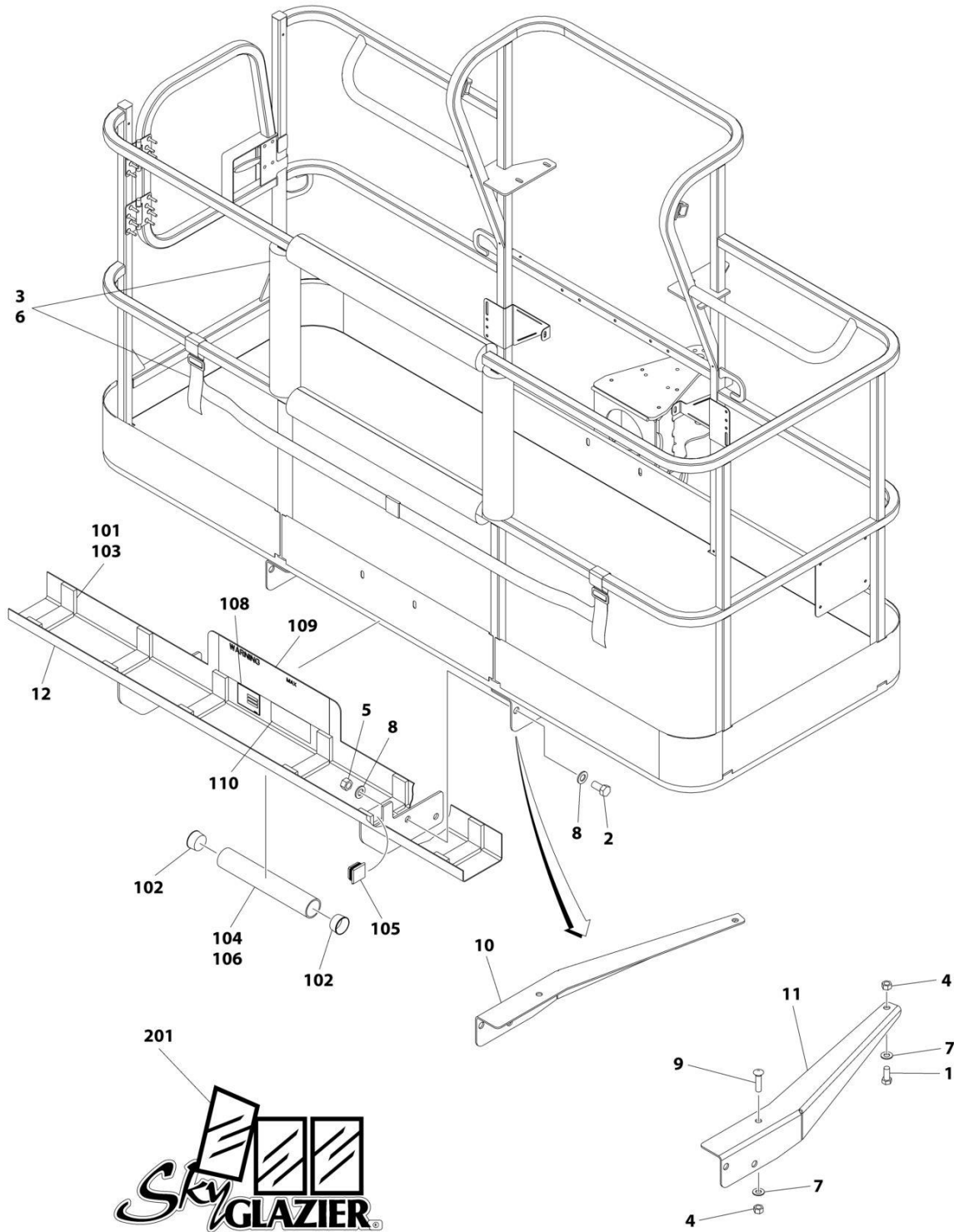
## SECTION 5 - PLATFORM

**FIGURE 5-21. SKYGLAZIER INSTALLATION (ANSI AND CSA SPECS)**

ITEM	PART NUMBER	QTY	DESCRIPTION	REV
	1001101422	Ref	SKYGLAZIER INSTALLATION	C
1	0642012	2	Bolt 5/8 x 1-1/2	
2	0642212	4	Bolt 3/4 x 1-1/2	
3	2902212	1	Bumpers and Strap Kit	
3	0940102	1	Bumper Only	
3	4240149	1	Strap Only	
4	3312005	4	Nut 5/8	
5	3312205	4	Nut 3/4	
6	4420014	AR	Tape	
7	4712000	6	Washer 5/8	
8	4712200	8	Washer 3/4	
9	1001099366	1	Support	
10	1001099367	1	Support	
11	1001101421	1	Tray Assembly (See Items 101-111 for Breakdown)	
14	8310129	2	Bolt 3/4 x 2-1/2	
	1001101421	Ref	TRAY ASSEMBLY	F
101	0100081	AR	Adhesive	
102	1120555	2	Cap, Tube	
103	1701509	1	Decal - Manual	
104	See Note	NSS	Nameplate - Serial Number (Note: Not Available for Purchase)	
106	3340956	1	Pad Kit	
107	3460334	1	Tube	
108	3520071	2	Plug	
109	4420066	AR	Tape, Double Sided	
111	1001163131	2	Decal - Glazier Capacity	
	0272418	Ref	SKYGLAZIER DECAL INSTALLATION	4
201	1705358	2	Decal - SkyGlazier	

# SECTION 5 - PLATFORM

## FIGURE 5-22. SKYGLAZIER INSTALLATION (DANISH SPECS)



ART\_1001238462

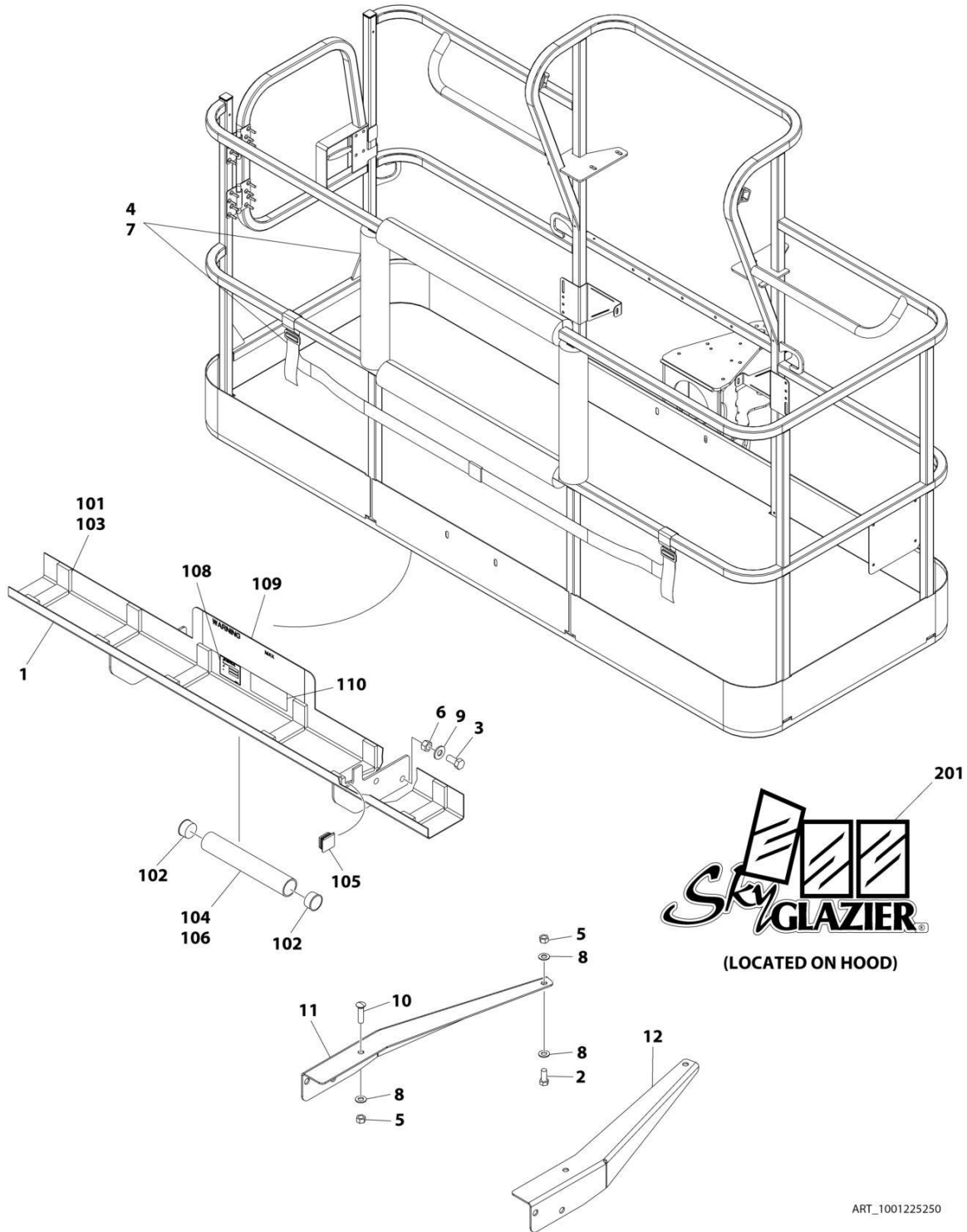
## SECTION 5 - PLATFORM

**FIGURE 5-22. SKYGLAZIER INSTALLATION (DANISH SPECS)**

ITEM	PART NUMBER	QTY	DESCRIPTION	REV
	1001238462	Ref	SKYGLAZIER INSTALLATION	A
1	0642012	2	Bolt 5/8 x 1-1/2	
2	0642212	4	Bolt 3/4 x 1-1/2	
3	2902212	1	Bumpers and Strap Kit	
3	0940102	1	Bumper Only	
3	4240149	1	Strap Only	
4	3312005	4	Nut 5/8	
5	3312205	4	Nut 3/4	
6	4420014	AR	Tape	
7	4712000	4	Washer 5/8	
8	4712200	8	Washer 3/4	
9	8310129	2	Bolt 5/8 x 2-1/2	
10	1001099366	1	Support	
11	1001099367	1	Support	
12	1001238423	1	Tray Assembly (See Items 101-110 for Breakdown)	
	1001238423	Ref	TRAY ASSEMBLY	B
101	0100081	AR	Adhesive	
102	1120555	2	Cap, Tube	
103	3340956	1	Pad Kit	
104	3460334	1	Tube	
105	3520071	2	Plug	
106	4420066	AR	Tape, Double Sided	
108	See Note	NSS	Nameplate - Serial Number (Note: Not Available for Purchase)	
109	1001237705	2	Decal - Glazier Capacity	
110	1701509	1	Decal - Manual	
	0272418	Ref	SKYGLAZIER DECAL INSTALLATION	4
201	1705358	2	Decal - SkyGlazier	

# SECTION 5 - PLATFORM

## FIGURE 5-23. SKYGLAZIER INSTALLATION (ENGLISH/FRENCH SPECS)



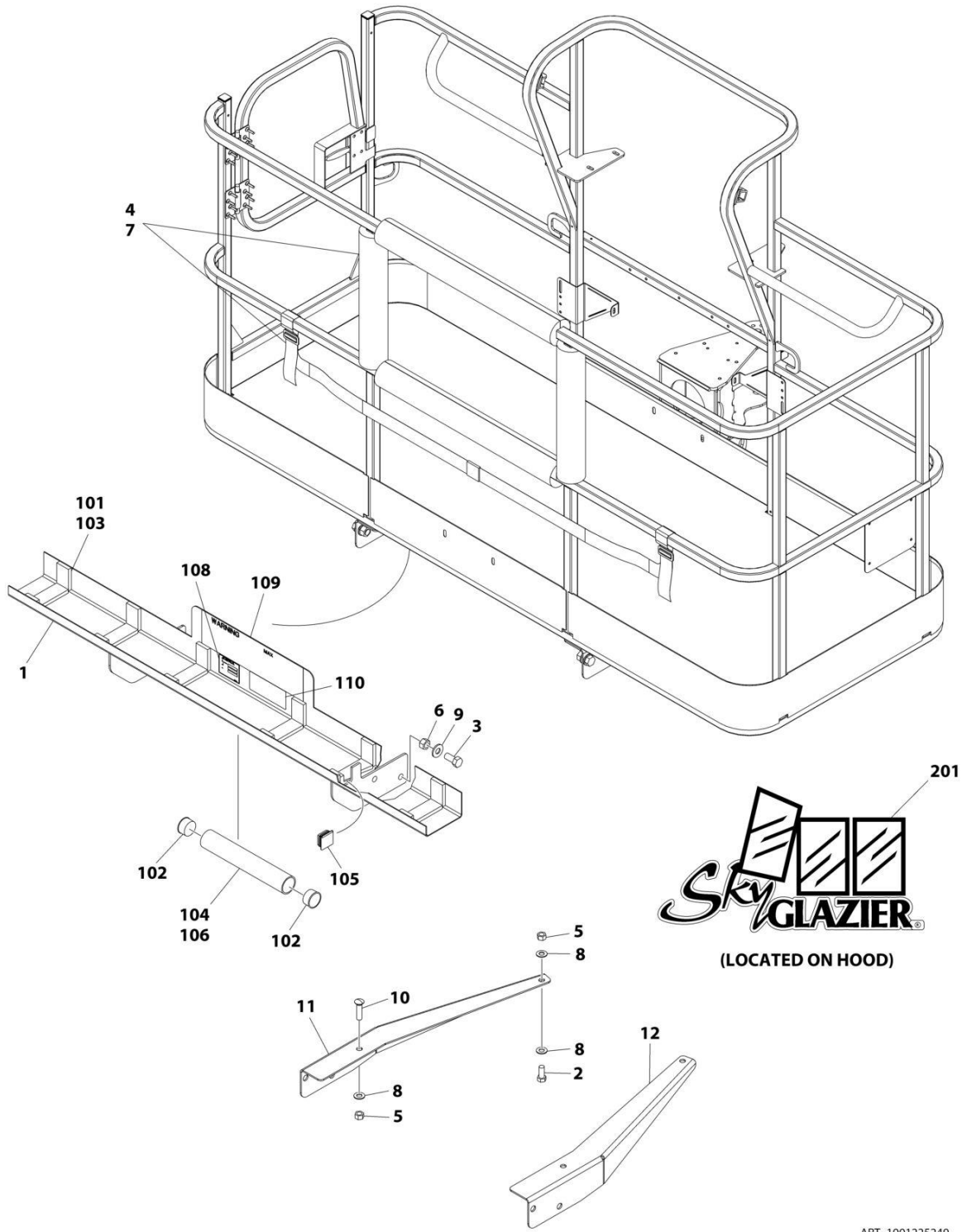
## SECTION 5 - PLATFORM

**FIGURE 5-23. SKYGLAZIER INSTALLATION (ENGLISH/FRENCH SPECS)**

ITEM	PART NUMBER	QTY	DESCRIPTION	REV
	1001225250	Ref	SKYGLAZIER INSTALLATION	A
1	0272949	1	Tray Assembly (See Items 101-110 for Breakdown)	
2	0642012	2	Bolt 5/8 x 1-1/2	
3	0642212	4	Bolt 3/4 x 1-1/2	
4	2902212	1	Bumpers and Strap Kit	
4	0940102	1	Bumper Only	
4	4240149	1	Strap Only	
5	3312005	4	Nut 5/8	
6	3312205	4	Nut 3/4	
7	4420014	AR	Tape	
8	4712000	6	Washer 5/8	
9	4712200	8	Washer 3/4	
10	8310129	2	Bolt 5/8 x 2-1/2	
11	1001099366	1	Support	
12	1001099367	1	Support	
	0272949	Ref	TRAY ASSEMBLY	E
101	0100081	AR	Adhesive	
102	1120555	2	Cap, Tube	
103	3340956	1	Pad Kit	
104	3460334	1	Tube	
105	3520071	2	Plug	
106	4420066	AR	Tape, Double Sided	
108	See Note	NSS	Nameplate - Serial Number (Note: Not Available for Purchase)	
109	1001163293	2	Decal - Glazier Capacity	
110	1701509	1	Decal - Manual	
	0272418	Ref	SKYGLAZIER DECAL INSTALLATION	4
201	1705358	2	Decal - SkyGlazier	

# SECTION 5 - PLATFORM

## FIGURE 5-24. SKYGLAZIER INSTALLATION (GERMAN SPECS)



ART\_1001225249

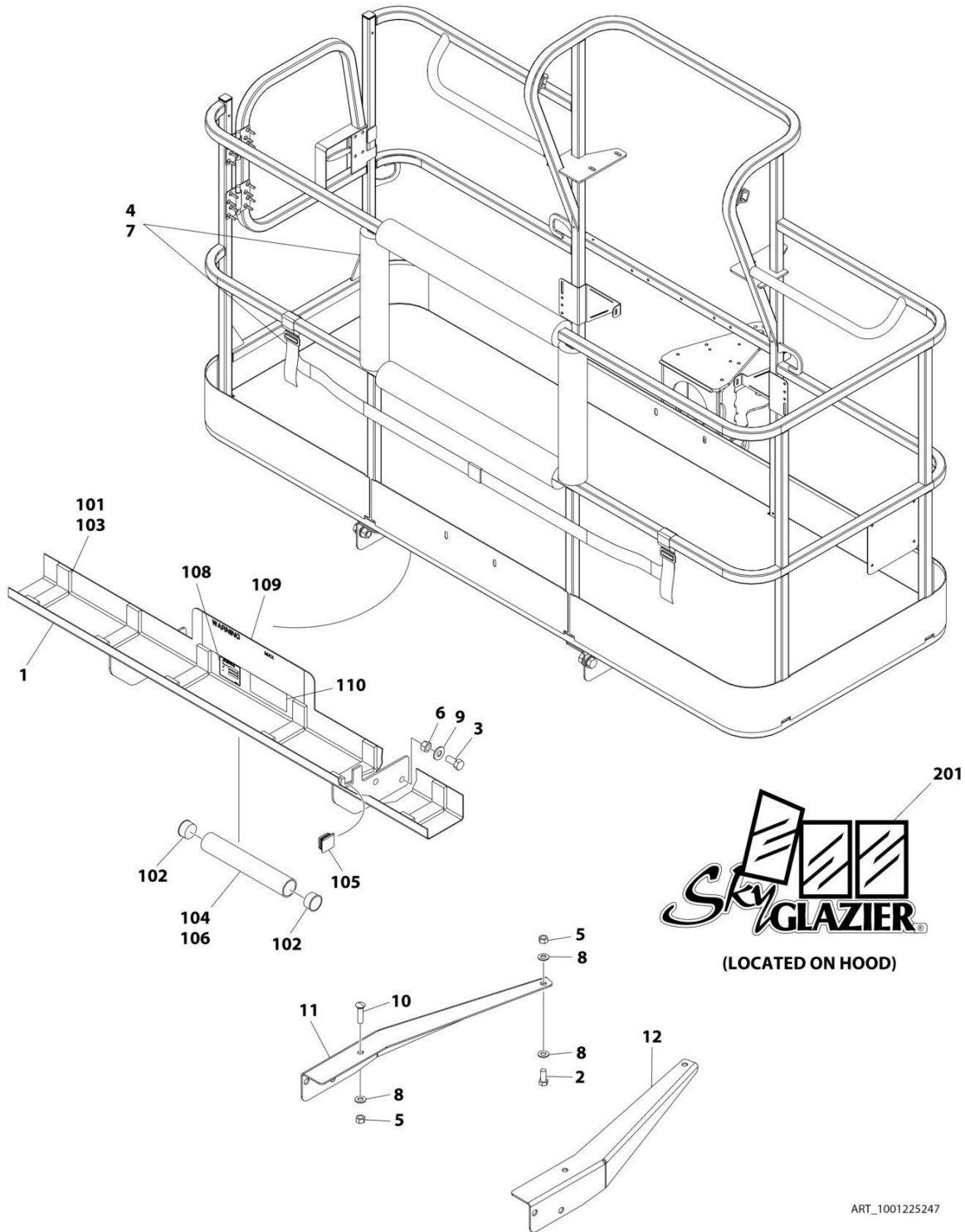
## SECTION 5 - PLATFORM

**FIGURE 5-24. SKYGLAZIER INSTALLATION (GERMAN SPECS)**

ITEM	PART NUMBER	QTY	DESCRIPTION	REV
	1001225249	Ref	SKYGLAZIER INSTALLATION	A
1	0272950	1	Tray Assembly (See Items 101-110 for Breakdown)	
2	0642012	2	Bolt 5/8 x 1-1/2	
3	0642212	4	Bolt 3/4 x 1-1/2	
4	2902212	1	Bumpers and Strap Kit	
4	0940102	1	Bumper Only	
4	4240149	1	Strap Only	
5	3312005	4	Nut 5/8	
6	3312205	4	Nut 3/4	
7	4420014	AR	Tape	
8	4712000	6	Washer 5/8	
9	4712200	8	Washer 3/4	
10	8310129	2	Bolt 5/8 x 2-1/2	
11	1001099366	1	Support	
12	1001099367	1	Support	
	0272950	Ref	TRAY ASSEMBLY	E
101	0100081	AR	Adhesive	
102	1120555	2	Cap, Tube	
103	3340956	1	Pad Kit	
104	3460334	1	Tube	
105	3520071	2	Plug	
106	4420066	AR	Tape, Double Sided	
108	See Note	NSS	Nameplate - Serial Number (Note: Not Available for Purchase)	
109	1001163298	2	Decal - Glazier Capacity	
110	1701509	1	Decal - Manual	
	0272418	Ref	SKYGLAZIER DECAL INSTALLATION	4
201	1705358	2	Decal - SkyGlazier	

# SECTION 5 - PLATFORM

## FIGURE 5-25. SKYGLAZIER INSTALLATION (ITALIAN SPECS)



ART\_1001225247



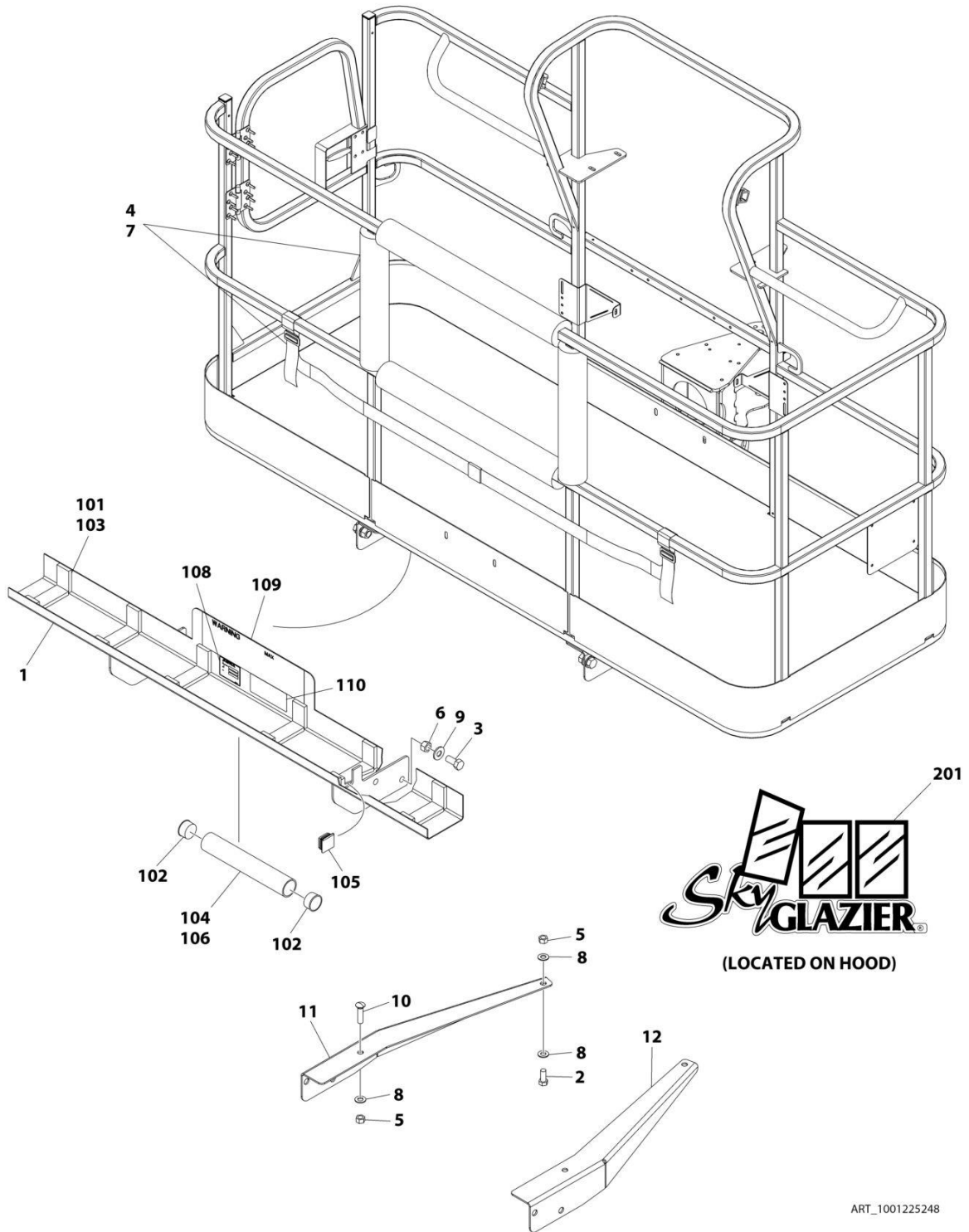
## SECTION 5 - PLATFORM

**FIGURE 5-25. SKYGLAZIER INSTALLATION (ITALIAN SPECS)**

ITEM	PART NUMBER	QTY	DESCRIPTION	REV
	1001225247	Ref	SKYGLAZIER INSTALLATION	A
1	0272952	1	Tray Assembly (See Items 101-110 for Breakdown)	
2	0642012	2	Bolt 5/8 x 1-1/2	
3	0642212	4	Bolt 3/4 x 1-1/2	
4	2902212	1	Bumpers and Strap Kit	
4	0940102	1	Bumper Only	
4	4240149	1	Strap Only	
5	3312005	4	Nut 5/8	
6	3312205	4	Nut 3/4	
7	4420014	AR	Tape	
8	4712000	6	Washer 5/8	
9	4712200	8	Washer 3/4	
10	8310129	2	Bolt 5/8 x 2-1/2	
11	1001099366	1	Support	
12	1001099367	1	Support	
	0272952	Ref	TRAY ASSEMBLY	E
101	0100081	AR	Adhesive	
102	1120555	2	Cap, Tube	
103	3340956	1	Pad Kit	
104	3460334	1	Tube	
105	3520071	2	Plug	
106	4420066	AR	Tape, Double Sided	
108	See Note	NSS	Nameplate - Serial Number (Note: Not Available for Purchase)	
109	1001163287	2	Decal - Glazier Capacity	
110	1701509	1	Decal - Manual	
	0272418	Ref	SKYGLAZIER DECAL INSTALLATION	4
201	1705358	2	Decal - SkyGlazier	

# SECTION 5 - PLATFORM

## FIGURE 5-26. SKYGLAZIER INSTALLATION (PORTUGUESE SPECS)



ART\_1001225248

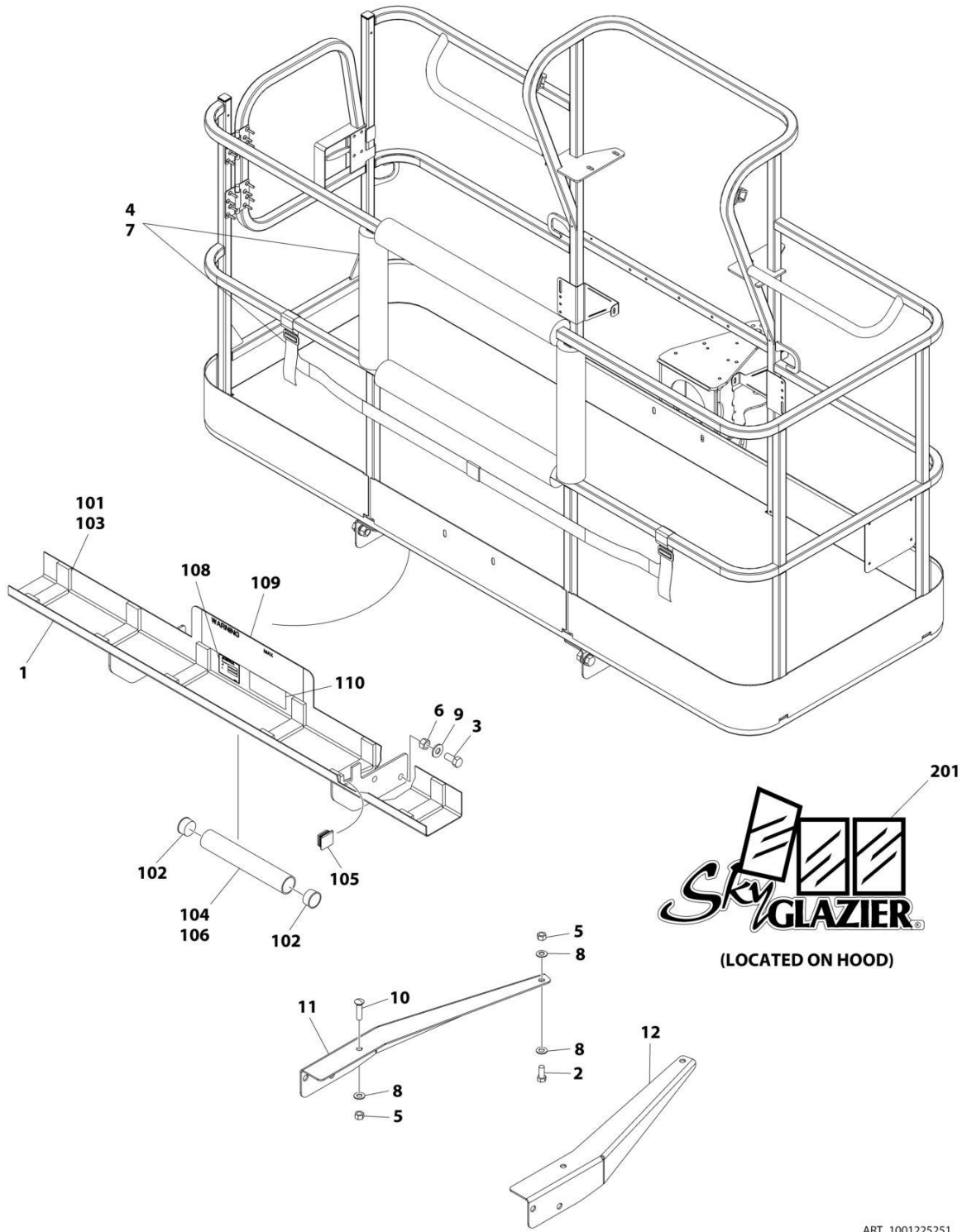
## SECTION 5 - PLATFORM

**FIGURE 5-26. SKYGLAZIER INSTALLATION (PORTUGUESE SPECS)**

ITEM	PART NUMBER	QTY	DESCRIPTION	REV
	1001225248	Ref	SKYGLAZIER INSTALLATION	A
1	0273406	1	Tray Assembly (See Items 101-110 for Breakdown)	
2	0642012	2	Bolt 5/8 x 1-1/2	
3	0642212	4	Bolt 3/4 x 1-1/2	
4	2902212	1	Bumpers and Strap Kit	
4	0940102	1	Bumper Only	
4	4240149	1	Strap Only	
5	3312005	4	Nut 5/8	
6	3312205	4	Nut 3/4	
7	4420014	AR	Tape	
8	4712000	6	Washer 5/8	
9	4712200	8	Washer 3/4	
10	8310129	2	Bolt 5/8 x 2-1/2	
11	1001099366	1	Support	
12	1001099367	1	Support	
	0273406	Ref	TRAY ASSEMBLY	E
101	0100081	AR	Adhesive	
102	1120555	2	Cap, Tube	
103	3340956	1	Pad Kit	
104	3460334	1	Tube	
105	3520071	2	Plug	
106	4420066	AR	Tape, Double Sided	
108	See Note	NSS	Nameplate - Serial Number (Note: Not Available for Purchase)	
109	1001163289	2	Decal - Glazier Capacity	
110	1701509	1	Decal - Manual	
	0272418	Ref	SKYGLAZIER DECAL INSTALLATION	4
201	1705358	2	Decal - SkyGlazier	

# SECTION 5 - PLATFORM

## FIGURE 5-27. SKYGLAZIER INSTALLATION (SPANISH SPECS)



ART\_1001225251

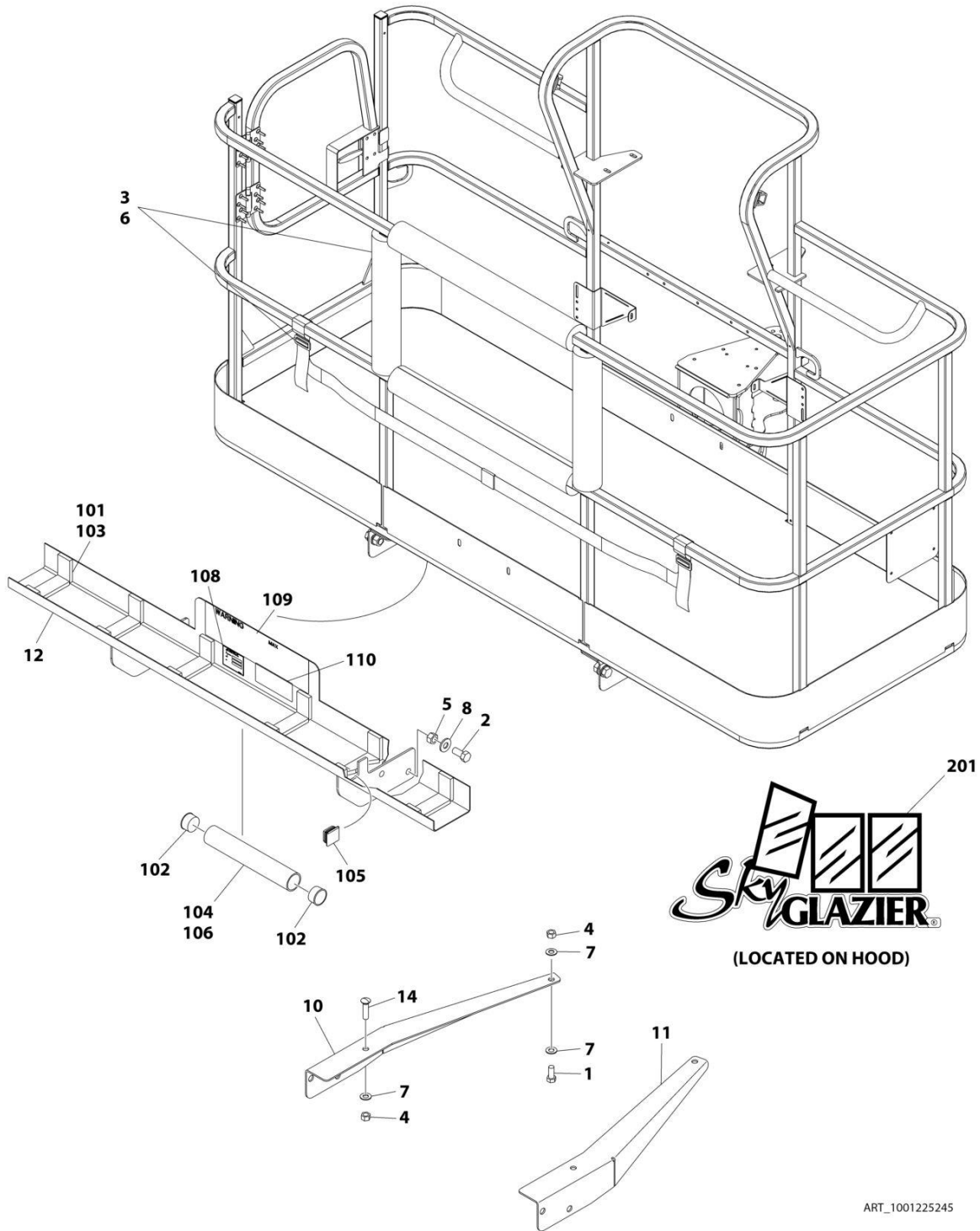
## SECTION 5 - PLATFORM

**FIGURE 5-27. SKYGLAZIER INSTALLATION (SPANISH SPECS)**

ITEM	PART NUMBER	QTY	DESCRIPTION	REV
	1001225251	Ref	SKYGLAZIER INSTALLATION	A
1	0273405	1	Tray Assembly (See Items 101-110 for Breakdown)	
2	0642012	2	Bolt 5/8 x 1-1/2	
3	0642212	4	Bolt 3/4 x 1-1/2	
4	2902212	1	Bumpers and Strap Kit	
4	0940102	1	Bumper Only	
4	4240149	1	Strap Only	
5	3312005	4	Nut 5/8	
6	3312205	4	Nut 3/4	
7	4420014	AR	Tape	
8	4712000	6	Washer 5/8	
9	4712200	8	Washer 3/4	
10	8310129	2	Bolt 5/8 x 2-1/2	
11	1001099366	1	Support	
12	1001099367	1	Support	
	0273405	Ref	TRAY ASSEMBLY	E
101	0100081	AR	Adhesive	
102	1120555	2	Cap, Tube	
103	3340956	1	Pad Kit	
104	3460334	1	Tube	
105	3520071	2	Plug	
106	4420066	AR	Tape, Double Sided	
108	See Note	NSS	Nameplate - Serial Number (Note: Not Available for Purchase)	
109	1001163288	2	Decal - Glazier Capacity	
110	1701509	1	Decal - Manual	
	0272418	Ref	SKYGLAZIER DECAL INSTALLATION	4
201	1705358	2	Decal - SkyGlazier	

# SECTION 5 - PLATFORM

## FIGURE 5-28. SKYGLAZIER INSTALLATION (SWEDISH SPECS)



ART\_1001225245

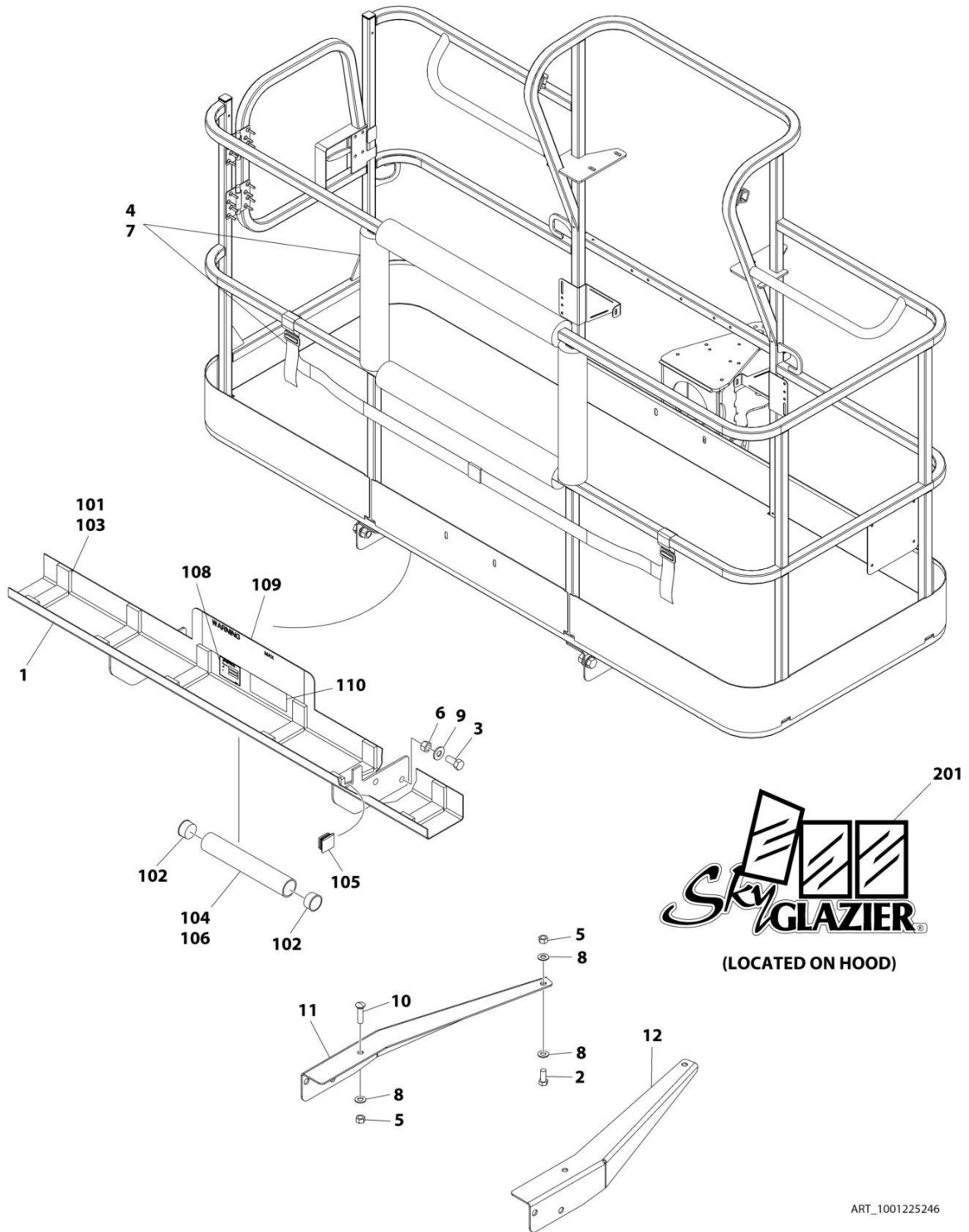
## SECTION 5 - PLATFORM

**FIGURE 5-28. SKYGLAZIER INSTALLATION (SWEDISH SPECS)**

ITEM	PART NUMBER	QTY	DESCRIPTION	REV
	1001225245	Ref	SKYGLAZIER INSTALLATION	B
1	0642012	2	Bolt 5/8 x 1-1/2	
2	0642212	4	Bolt 3/4 x 1-1/2	
3	2902212	1	Bumpers and Strap Kit	
3	0940102	1	Bumper Only	
3	4240149	1	Strap Only	
4	3312005	4	Nut 5/8	
5	3312205	4	Nut 3/4	
6	4420014	AR	Tape	
7	4712000	6	Washer 5/8	
8	4712200	8	Washer 3/4	
9	8310129	2	Bolt 5/8 x 2-1/2	
10	1001099366	1	Support	
11	1001099367	1	Support	
12	1001115603	1	Tray Assembly (See Items 101-110 for Breakdown)	
	1001115603	Ref	TRAY ASSEMBLY	D
101	0100081	AR	Adhesive	
102	1120555	2	Cap, Tube	
103	3340956	1	Pad Kit	
104	3460334	1	Tube	
105	3520071	2	Plug	
106	4420066	AR	Tape, Double Sided	
108	See Note	NSS	Nameplate - Serial Number (Note: Not Available for Purchase)	
109	1001163292	2	Decal - Glazier Capacity	
110	1701509	1	Decal - Manual	
	0272418	Ref	SKYGLAZIER DECAL INSTALLATION	4
201	1705358	2	Decal - SkyGlazier	

# SECTION 5 - PLATFORM

## FIGURE 5-29. SKYGLAZIER INSTALLATION (UK SPECS)



ART\_1001225246



## SECTION 5 - PLATFORM

**FIGURE 5-29. SKYGLAZIER INSTALLATION (UK SPECS)**

ITEM	PART NUMBER	QTY	DESCRIPTION	REV
	1001225246	Ref	SKYGLAZIER INSTALLATION	A
1	0273404	1	Tray Assembly (See Items 101-110 for Breakdown)	
2	0642012	2	Bolt 5/8 x 1-1/2	
3	0642212	4	Bolt 3/4 x 1-1/2	
4	2902212	1	Bumpers and Strap Kit	
4	0940102	1	Bumper Only	
4	4240149	1	Strap Only	
5	3312005	4	Nut 3/4	
6	3312205	4	Nut 3/4	
7	4420014	AR	Tape	
8	4712000	6	Washer 5/8	
9	4712200	8	Washer 3/4	
10	8310129	2	Bolt 5/8 x 2-1/2	
11	1001099366	1	Support	
12	1001099367	1	Support	
	0273404	Ref	TRAY ASSEMBLY	F
101	0100081	AR	Adhesive	
102	1120555	2	Cap, Tube	
103	3340956	1	Pad Kit	
104	3460334	1	Tube	
105	3520071	2	Plug	
106	4420066	AR	Tape, Double Sided	
108	See Note	NSS	Nameplate - Serial Number (Note: Not Available for Purchase)	
109	1001163295	2	Decal - Glazier Capacity	
110	1701509	1	Decal - Manual	
	0272418	Ref	SKYGLAZIER DECAL INSTALLATION	4
201	1705358	2	Decal - SkyGlazier	



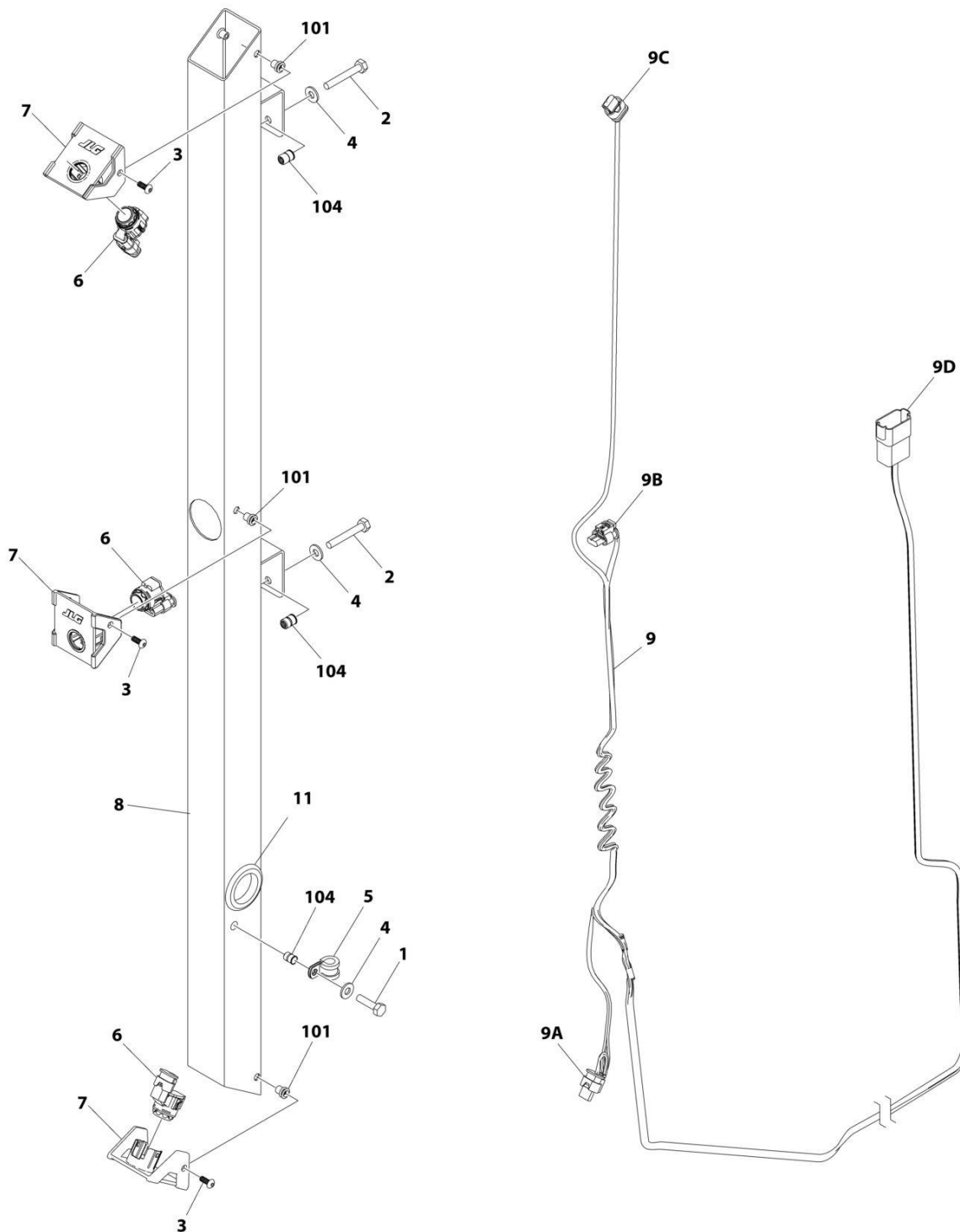
## SECTION 5 - PLATFORM

### FIGURE 5-30. SKYLINE INSTALLATION

ITEM	PART NUMBER	QTY	DESCRIPTION	REV
	1001238559	Ref	SKYLINE INSTALLATION	D
1	0641404	2	Bolt 1/4 x 1/2	
2	0641405	2	Bolt 1/4 x 5/8	
3	3311405	2	Nut 1/4	
4	3311601	2	Nut 3/8	
5	4031516	2	Capscrew M4 x 60	
6	4240033	AR	Tie-Strap (Not Shown)	
7	4711400	4	Washer 1/4	
8	1001120328	1	Mount	
9	1001232642	1	Bracket	
11	1001232667	1	Sensor, Proximity	
11	1001311034	1	Sensor, Proximity	
14	1001236552	1	Block	
15	1001238418	1	Harness, Skyline (See Separate Breakdown in ELECTRICAL Section)	
16	1001238472	1	Mount	
17	1001254473	1	Housing, LH	
18	1001241965	1	Housing, RH	
19	1001254472	1	Rod	
20	0100011	AR	Compound, Locking	

# SECTION 5 - PLATFORM

## FIGURE 5-31. SKYSENSE MID TUBE SENSOR ASSEMBLY



ART\_1001243205

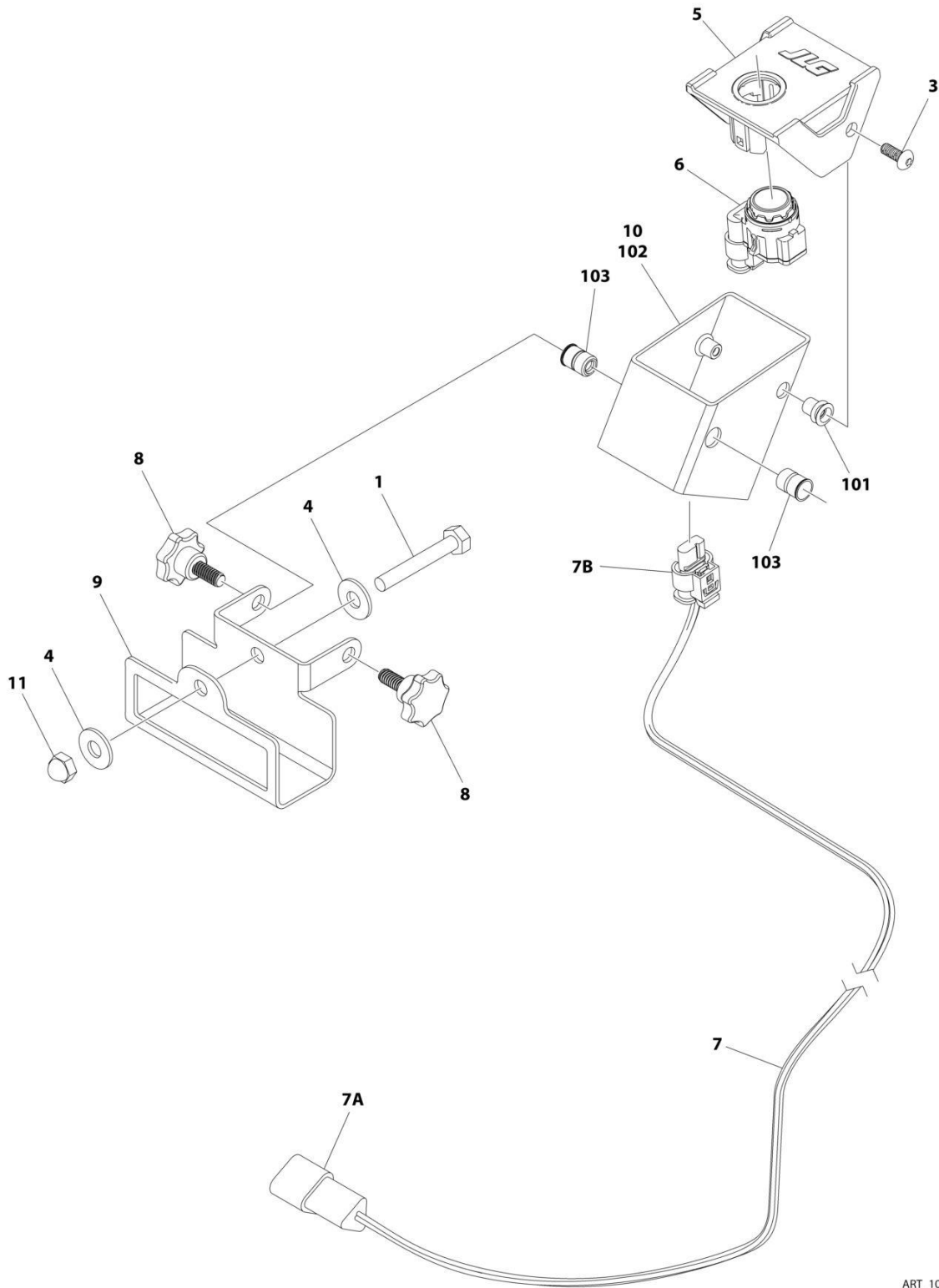
## SECTION 5 - PLATFORM

**FIGURE 5-31. SKYSENSE MID TUBE SENSOR ASSEMBLY**

ITEM	PART NUMBER	QTY	DESCRIPTION	REV
	1001243205	Ref	SKYSENSE MID TUBE SENSOR ASSEMBLY	C
1	0641408	1	Bolt 1/4 x 1	
2	0641414	2	Bolt 1/4 x 1-3/4	
3	1001260525	6	Screw #10 x 1/2	
4	4711400	3	Washer 1/4	
5	1001260524	1	Clamp	
6	1001237902	3	Sensor, SkySense	
7	1001241162	3	Mount, Sensor	
8	1001243092	1	Tube Assembly (Includes items 101 through 104)	C
9	1001244336	1	Harness, SkySense Mid Tube	D
9A	1001237898	1	Connector	
9A	1001237888	3	Terminal	
9B	1001237898	1	Connector	
9B	1001237888	3	Terminal	
9C	1001237898	1	Connector	
9C	1001237888	3	Terminal	
9D	4460931	1	Connector	
9D	4460943	7	Pin	
9D	4460466	1	Plug	
10	1001246389	1	Decal (Not Shown)	
11	1001247252	1	Grommet	
101	2080069	6	Fastener	
104	1001258730	3	Rivnut	

# SECTION 5 - PLATFORM

## FIGURE 5-32. SKYSENSE OVERHEAD SENSOR ASSEMBLY



ART\_1001244733

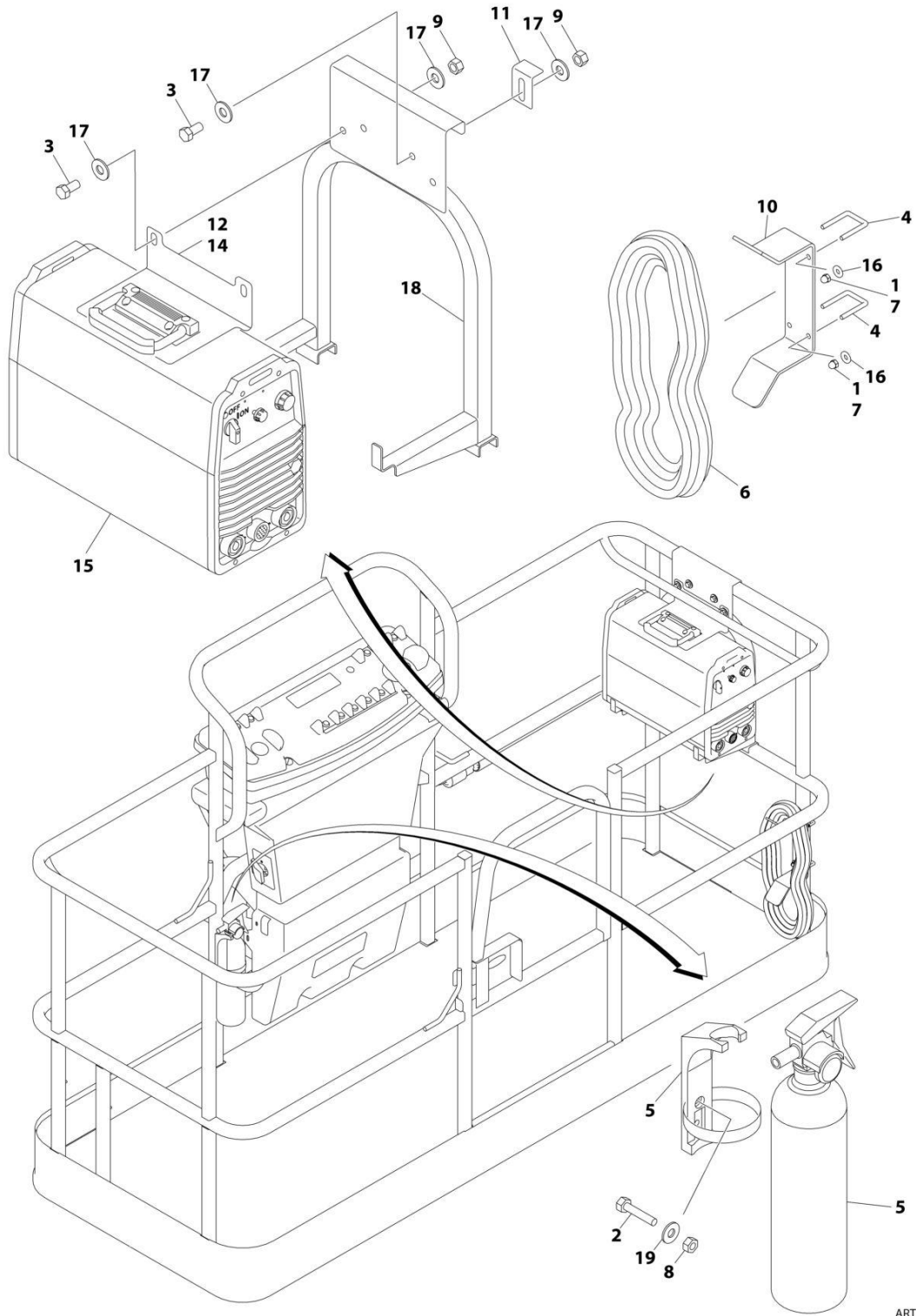
## SECTION 5 - PLATFORM

**FIGURE 5-32. SKYSENSE OVERHEAD SENSOR ASSEMBLY**

ITEM	PART NUMBER	QTY	DESCRIPTION	REV
	1001244733	Ref	SKYSENSE OVERHEAD SENSOR ASSEMBLY	D
1	0641414	1	Bolt 1/4 x 1-3/4	
3	1001260525	2	Screw #10 x 1/2	
4	4751400	2	Washer 1/4	
5	1001237891	1	Mount, Sensor	
6	1001237902	1	Sensor, SkySense	
7	1001244335	1	Harness, SkySense Overhead	D
7A	4460536	1	Connector	
7A	4460943	3	Pin	
7B	1001237898	1	Connector	
7B	1001237888	1	Terminal	
8	1001244671	2	Knob	
9	1001244709	1	Bracket, Mounting	
10	1001244732	1	Housing Assembly (Includes items 101 through 103)	B
11	3300430	1	Nut	
101	2080069	2	Fastener	
102	1001244710	1	Housing, Sensor	
103	1001258730	2	Rivnut	

# SECTION 5 - PLATFORM

## FIGURE 5-33. SKYWELDER INSTALLATION (50HZ)



ART\_0272521\_F



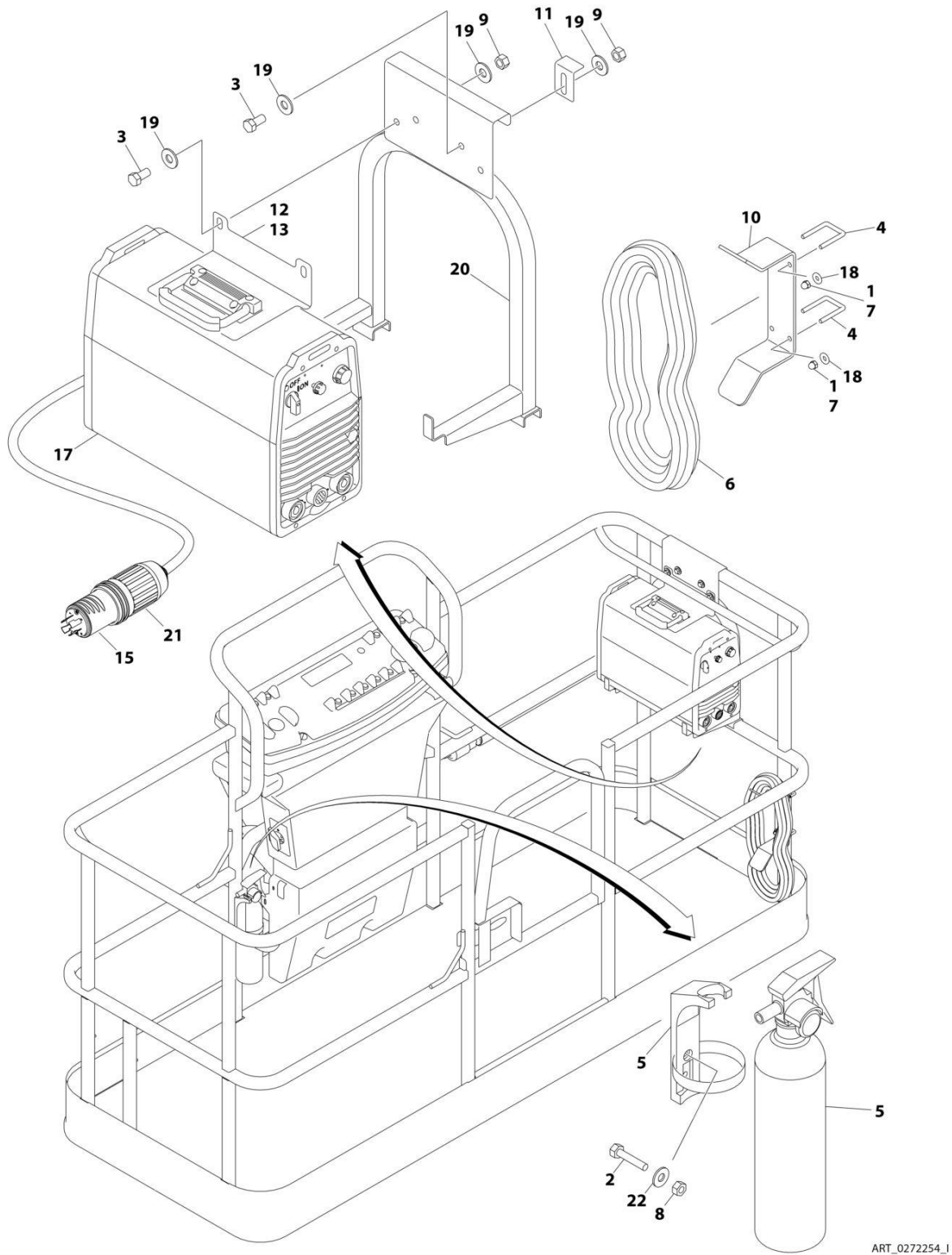
## SECTION 5 - PLATFORM

**FIGURE 5-33. SKYWELDER INSTALLATION (50HZ)**

ITEM	PART NUMBER	QTY	DESCRIPTION	REV
	0272521	Ref	SKYWELDER INSTALLATION	F
1	0100011	AR	Compound, Locking	
2	0630518	2	Screw #10 x 3/4	
3	0641606	4	Bolt 3/8 x 3/4	
4	1320302	2	U-Clamp	
5	2030010	1	Extinguisher, Fire	
6	2902217	1	Weld Leads Kit	
7	3300151	4	Nut 1/4	
8	3311005	2	Nut #10	
9	3311605	4	Nut 3/8	
10	3573400	1	Bracket	
11	3577121	2	Angle	
12	3573642	1	Plate	
13	4240099	AR	Tie-Strap (Not Shown)	
14	4420037	AR	Tape	
15	4530028	1	Welder Assembly (See Separate Breakdown in this Section)	
16	4751400	4	Washer 1/4	
17	4751600	8	Washer 3/8	
18	4846627	1	Support	
19	4751000	2	Washer #10	

# SECTION 5 - PLATFORM

## FIGURE 5-34. SKYWELDER INSTALLATION (60HZ)



ART\_0272254\_I

## SECTION 5 - PLATFORM

**FIGURE 5-34. SKYWELDER INSTALLATION (60HZ)**

ITEM	PART NUMBER	QTY	DESCRIPTION	REV
	0272254	Ref	SKYWELDER INSTALLATION	1
1	0100011	AR	Compound, Locking	
2	0630518	2	Screw #10 x 3/4	
3	0641606	4	Bolt 3/8 x 3/4	
4	1320302	2	U-Clamp	
5	2030010	1	Extinguisher, Fire	
6	2902217	1	Weld Leads Kit	
7	3300151	4	Nut 1/4	
8	3311005	2	Nut #10	
9	3311605	4	Nut 3/8	
10	3573400	1	Bracket	
11	3577121	2	Angle	
12	3573642	1	Plate	
13	4420037	AR	Tape	
14	4240099	AR	Tie-Strap (Not Shown)	
15	4460962	1	Plug, Male Twistlock	
17	4530028	1	Welder Assembly (See Separate Breakdown in this Section)	
18	4751400	4	Washer 1/4	
19	4751600	8	Washer 3/8	
20	4846627	1	Support	
21	1671093	1	Cover, Plug	
22	4751000	2	Washer #10	



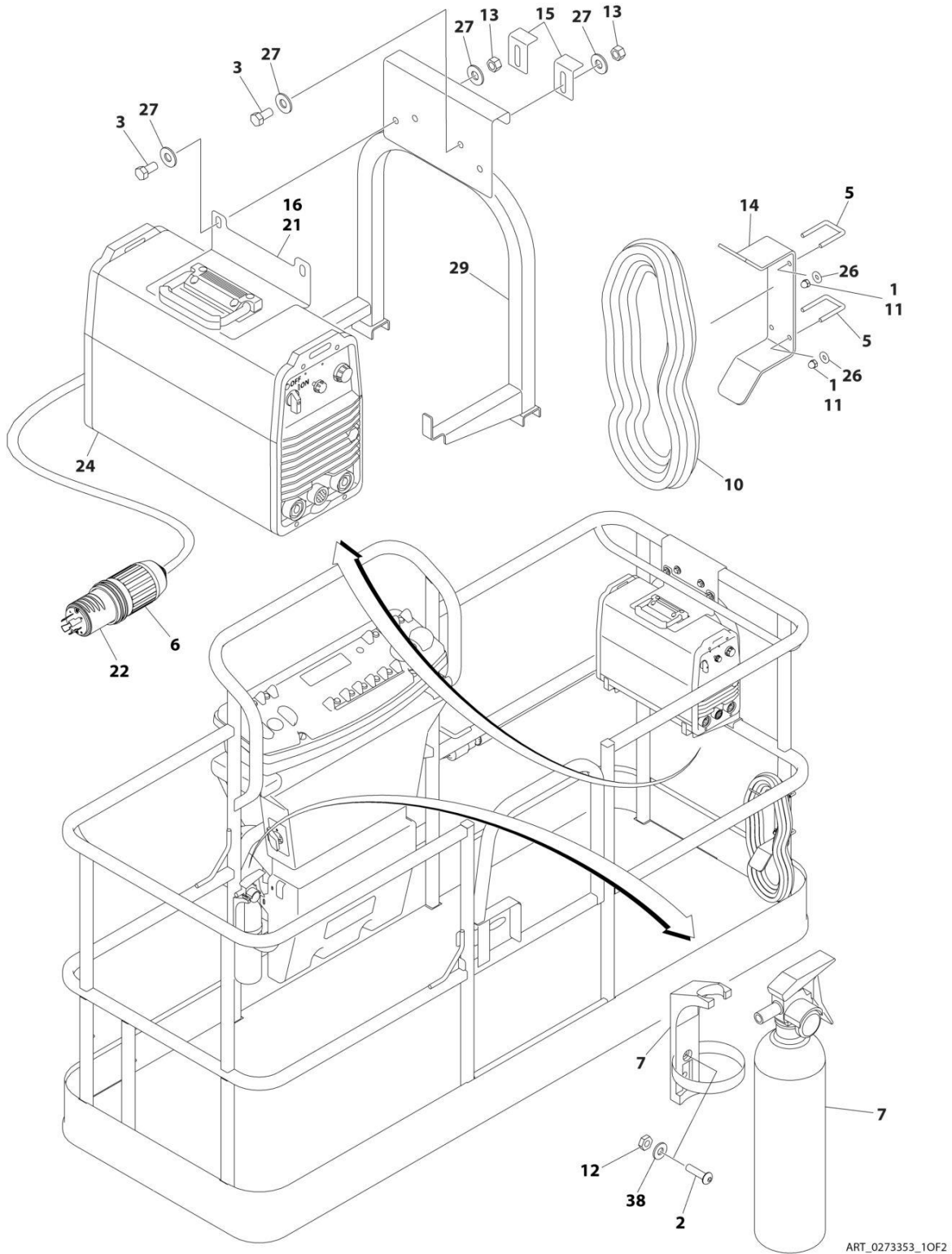
## SECTION 5 - PLATFORM

**FIGURE 5-35. SKYWELDER PREP PACKAGE (60HZ)**

ITEM	PART NUMBER	QTY	DESCRIPTION	REV
	1001128527	Ref	SKYWELDER PREP PACKAGE	B
1	0100011	AR	Compound, Locking	
2	0630518	2	Screw #10 x 3/4	
3	0641606	4	Bolt 3/8 x 3/4	
4	1320302	2	U-Clamp	
5	2030010	1	Extinguisher, Fire	
6	3300151	4	Nut 1/4	
7	3311005	2	Nut #10	
8	3311605	4	Nut 3/8	
9	3573400	1	Bracket	
10	3573642	1	Plate	
11	3577121	2	Angle	
12	4420037	AR	Tape	
13	4751000	2	Washer #10	
14	4751400	4	Washer 1/4	
15	4751600	8	Washer 3/8	
16	4846627	1	Support	
	1001128556	Ref	SKYWELDER DECAL INSTALLATION	C
101	1702868	1	Decal - No Hands	
102	1705305	1	Decal - Weld Lead	
103	1705375	1	Decal - 240V - 3 Phase - 60Hz	
104	1001228988	1	Decal - Weight	

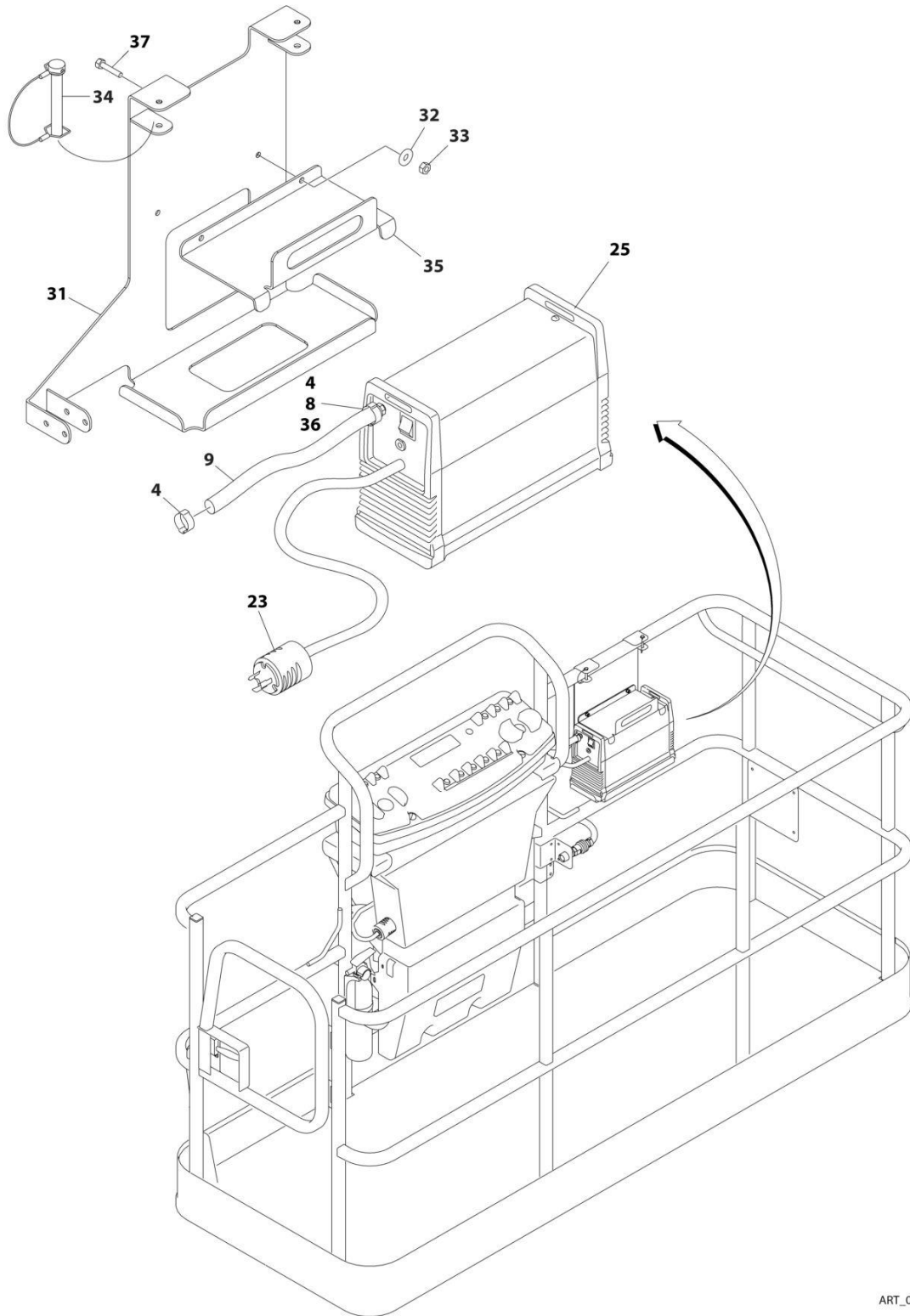
# SECTION 5 - PLATFORM

FIGURE 5-36. SKYWELDER/SKYCUTTER COMBO INSTALLATION (60HZ) (ANSI, ANSI EXPORT, CHINA, CSA & JAPANESE SPECS)



ART\_0273353\_10F2

# SECTION 5 - PLATFORM



ART\_0273353\_20F2

## SECTION 5 - PLATFORM

**FIGURE 5-36. SKYWELDER/SKYCUTTER COMBO INSTALLATION (60HZ) (ANSI, ANSI EXPORT, CHINA, CSA & JAPANESE SPECS)**

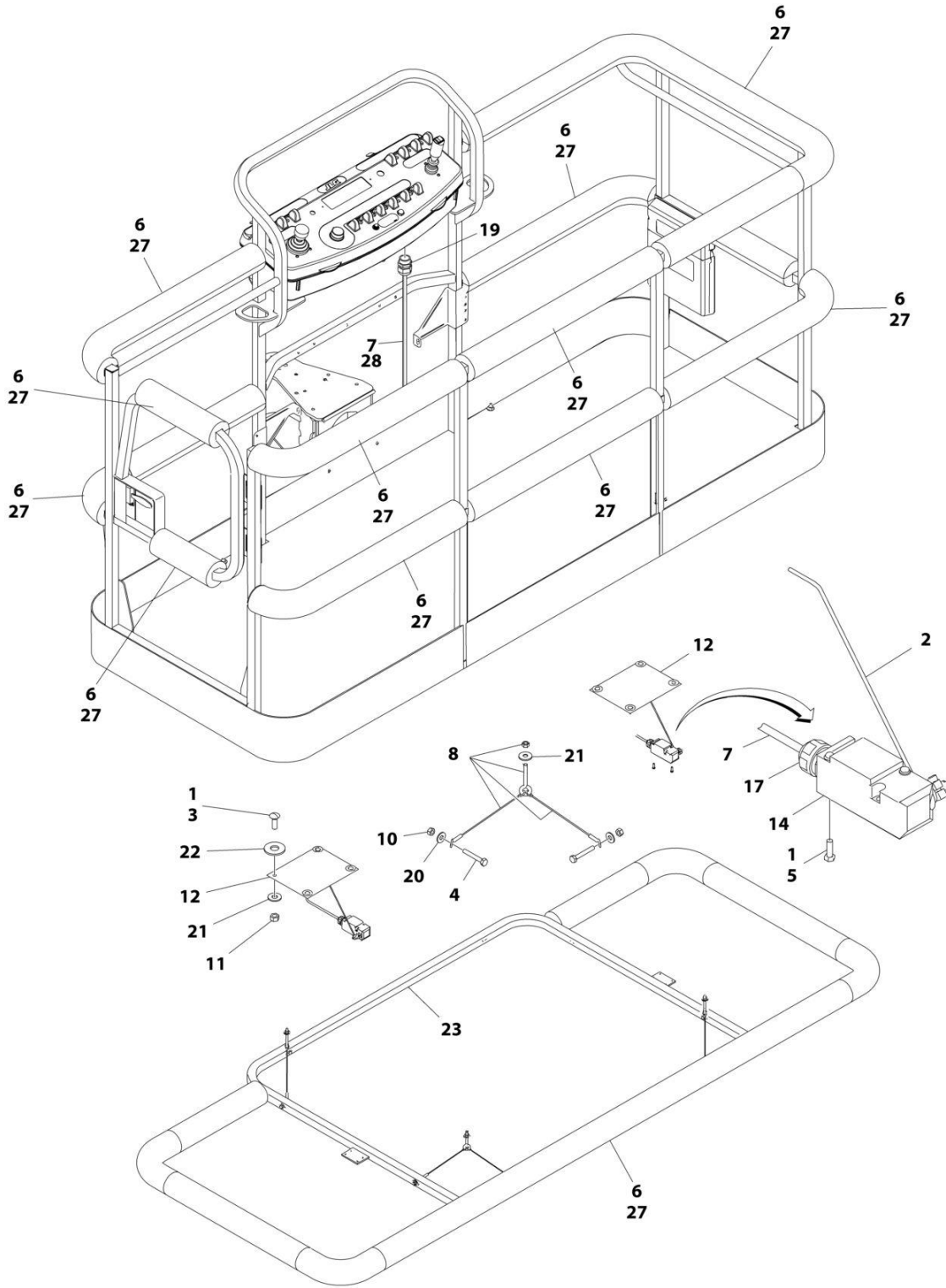
ITEM	PART NUMBER	QTY	DESCRIPTION	REV
	0273353	Ref	SKYWELDER/SKYCUTTER COMBO INSTALLATION (60HZ)	G
1	0100011	AR	Compound, Locking	
2	0630518	2	Screw #10 x 3/4	
3	0641606	4	Bolt 3/8 x 3/4	
4	1320177	2	Clamp	
5	1320302	2	Clamp	
6	1671093	1	Cover, Plug	
7	2030010	1	Extinguisher, Fire	
8	2180832	1	Fitting, Barbed/NPT	
9	2720160	4.5 ft /1.37m	Hose	
10	2902217	1	Weld Leads Kit	
11	3300151	4	Nut 1/4	
12	3311005	2	Nut #10	
13	3311605	4	Nut 3/8	
14	3573400	1	Bracket	
15	3577121	2	Angle	
16	3573642	1	Plate	
20	4240099	AR	Tie-Strap (Not Shown)	
21	4420037	2.36 ft /.71m	Tape	
22	4460962	1	Plug, Twist Lock	
23	4460971	1	Plug, Twist Lock	
24	4530028	1	Welder Assembly (See Separate Breakdown in this section)	
25	1001098012	1	Plasma Cutter Assembly (See Separate Breakdown in this Section)	
26	4751400	4	Washer 1/4	
27	4751600	8	Washer 3/8	
29	4846627	1	Support	
31	1001145405	1	Bracket	
32	4811700	2	Washer M6	
33	3290605	2	Nut M6	
34	3421453	3	Pin	
35	3576799	1	Plate, Hold-Down	
36	0100020	1	Sealant	
37	4010608	2	Screw M6 x 16	
38	4751000	2	Washer #10	





# SECTION 5 - PLATFORM

## FIGURE 5-37. SOFT TOUCH INSTALLATION - 8FT (2.4M) PLATFORM (OPTIONAL)



ART\_0272427\_H

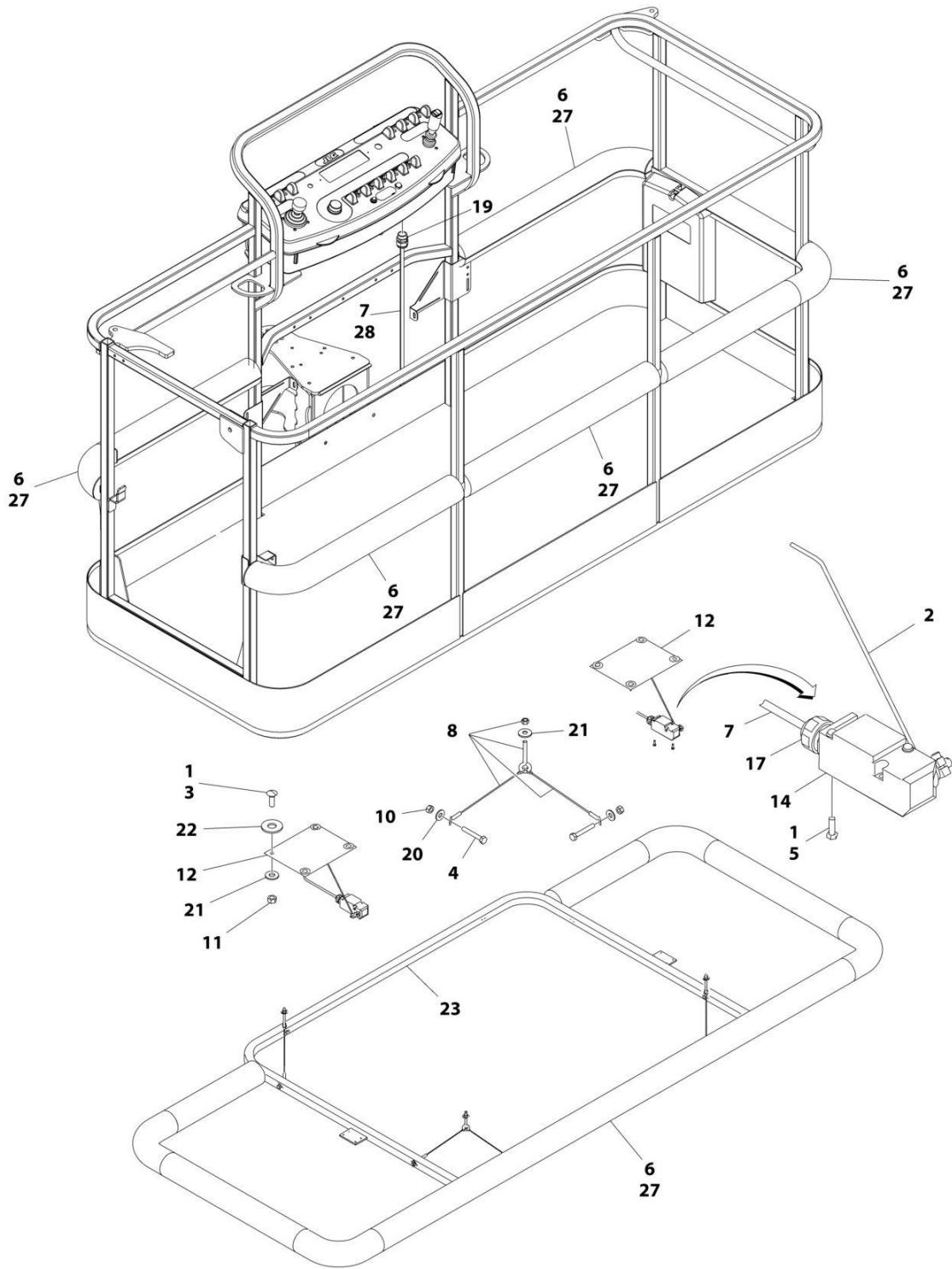
## SECTION 5 - PLATFORM

**FIGURE 5-37. SOFT TOUCH INSTALLATION - 8FT (2.4M) PLATFORM (OPTIONAL)**

ITEM	PART NUMBER	QTY	DESCRIPTION	REV
	0272427	Ref	SOFT TOUCH INSTALLATION - 36IN X 8FT (91.5CM X 2.44M) PLATFORM	H
1	0100011	AR	Compound, Locking	
2	0200048	2	Arm, Switch	
3	0630462	8	Bolt	
4	0641414	8	Bolt 1/4 x 1-3/4	
5	0721005	4	Bolt #10 x 5/8	
6	0940103	1	Bumper Kit (Includes Corners and Enough Straight Material for One Platform)	
6	0940092	12	Bumper (Corner)	
6	0940094	AR	Bumper (12ft Length)	
7	1060341	23 ft/7m	Cable, Soft Touch - 16/2	
8	1060903	4	Wire Rope and Eyebolt Assembly	
10	3311401	8	Nut 1/4	
11	3311501	8	Nut 5/16	
12	3574091	2	Plate, Switch Strike	
13	4240099	7	Tie-Strap (Not Shown)	
14	4360057	2	Switch, Limit	
17	4460049	2	Connector, Strain Relief	
18	4460234	7	Tie-Strap (Not Shown)	
19	4460425	1	Connector, Strain Relief	
20	4751400	8	Washer 1/4	
21	4751500	12	Washer 5/16	
22	4751800	8	Washer 1/2	
23	4846673	1	Rail, Soft Touch	
27	1001197017	AR	Tie-Strap	
28	4460226	1	Socket	

# SECTION 5 - PLATFORM

## FIGURE 5-38. SOFT TOUCH INSTALLATION - 8FT (2.4M) FALL ARREST PLATFORM (OPTIONAL)



ART\_0273706\_E

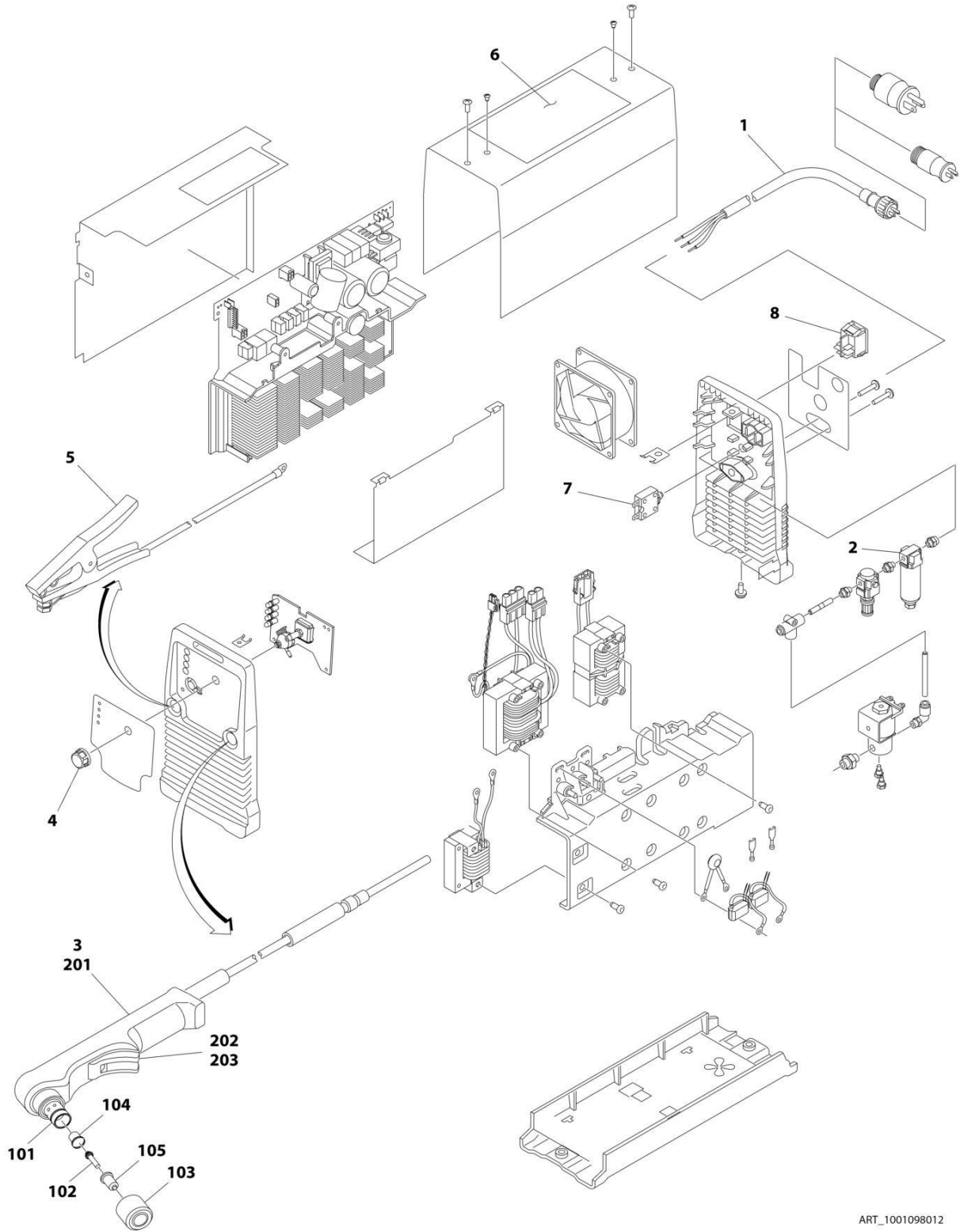
## SECTION 5 - PLATFORM

**FIGURE 5-38. SOFT TOUCH INSTALLATION - 8FT (2.4M) FALL ARREST PLATFORM (OPTIONAL)**

ITEM	PART NUMBER	QTY	DESCRIPTION	REV
	0273706	Ref	SOFT TOUCH INSTALLATION	E
1	0100011	AR	Compound, Locking	
2	0200048	2	Arm, Switch	
3	0630462	8	Bolt	
4	0641414	8	Bolt 1/4 x 1-3/4	
5	0721005	4	Bolt #10 x 5/8	
6	0940133	1	Bumper Kit (Includes Corners and Enough Straight Material for One Platform)	
6	0940092	8	Bumper (Corner)	
6	0940094	AR	Bumper (12ft Length)	
7	1060341	23 ft/7m	Cable, Soft Touch - 16/2	
8	1060903	4	Wire Rope and Eyebolt Assembly	
10	3311401	8	Nut 1/4	
11	3311501	8	Nut 5/16	
12	3574091	2	Plate, Switch Strike	
13	4240099	7	Tie-Strap (Not Shown)	
14	4360057	2	Switch, Limit	
17	4460049	2	Connector, Strain Relief	
18	4460234	7	Tie-Strap (Not Shown)	
19	4460425	1	Connector, Strain Relief	
20	4751400	8	Washer 1/4	
21	4751500	12	Washer 5/16	
22	4751800	8	Washer 1/2	
23	4846673	1	Rail, Soft Touch	
27	1001197017	AR	Tie-Strap	
28	4460226	4	Socket	

# SECTION 5 - PLATFORM

## FIGURE 5-39. PLASMA CUTTER ASSEMBLY



ART\_1001098012

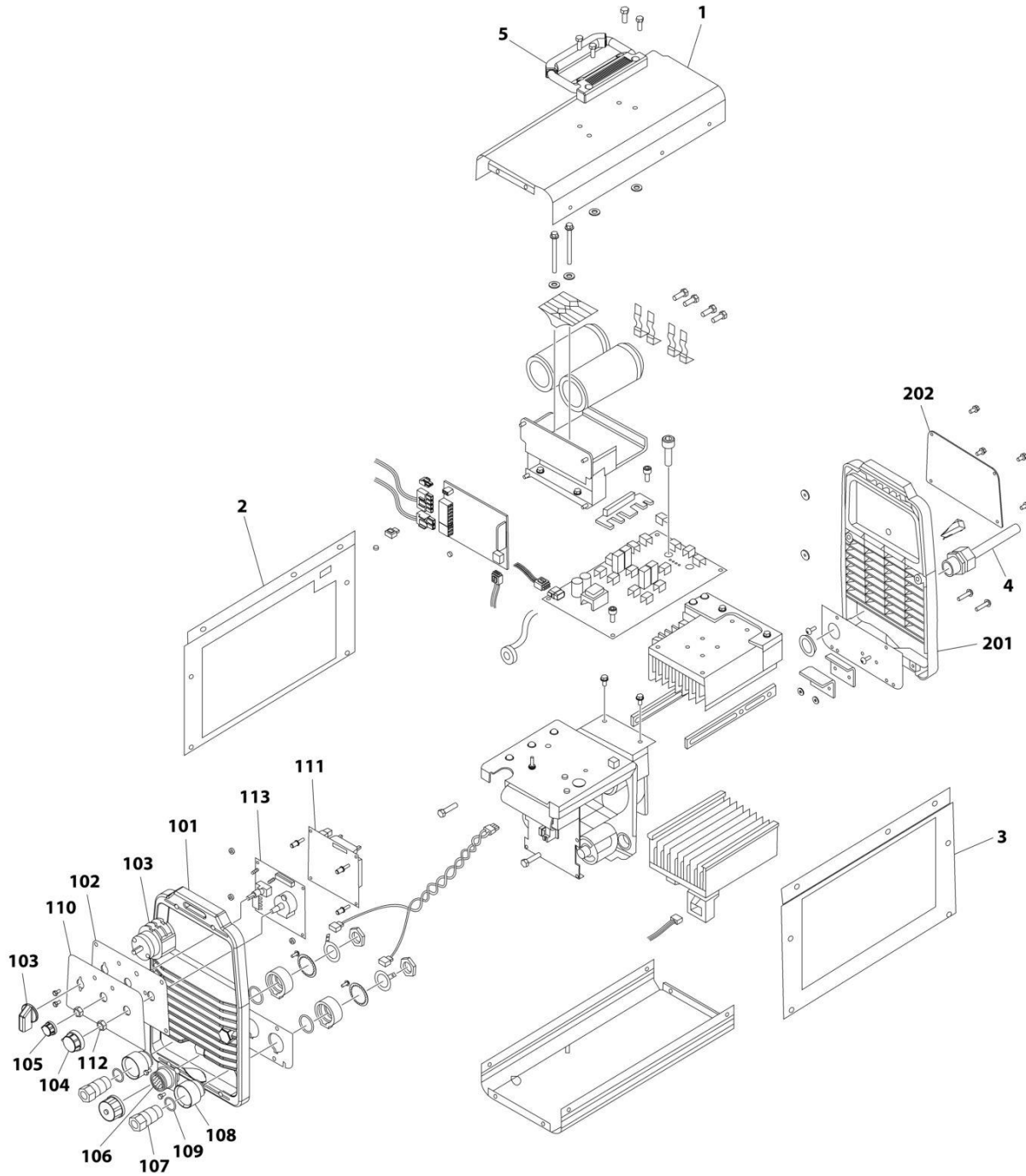
## SECTION 5 - PLATFORM

### FIGURE 5-39. PLASMA CUTTER ASSEMBLY

ITEM	PART NUMBER	QTY	DESCRIPTION	REV
	1001098012	Ref	PLASMA CUTTER ASSEMBLY	A
		Ref	Note: For Other Components, contact your Miller Welder Dealer.	
1	70001424	1	Cable, Power	
1	70001425	1	Decal - Voltage Warning	
2	70001427	1	Filter, Regulator	
3	70001428	1	Torch Assembly (See Items 101-203 for Breakdown)	
4	7024471	1	Knob	
5	70001429	1	Clamp with Cable	
6	70001430	1	Decal - Caution	
7	70001431	1	Breaker, Circuit	
8	70001432	1	Switch, Rocker	
	70001428	Ref	TORCH ASSEMBLY	
101	7024530	1	O-Ring	
102	7024531	1	Electrode	
103	7024532	1	Cup, Retaining	
104	7024533	1	Swirl Ring	
105	7024534	1	Tip	
201	7024535	1	Handle, Torch	
202	7024536	1	Switch	
203	7024537	1	Trigger	

# SECTION 5 - PLATFORM

## FIGURE 5-40. WELDER ASSEMBLY



ART\_4530028



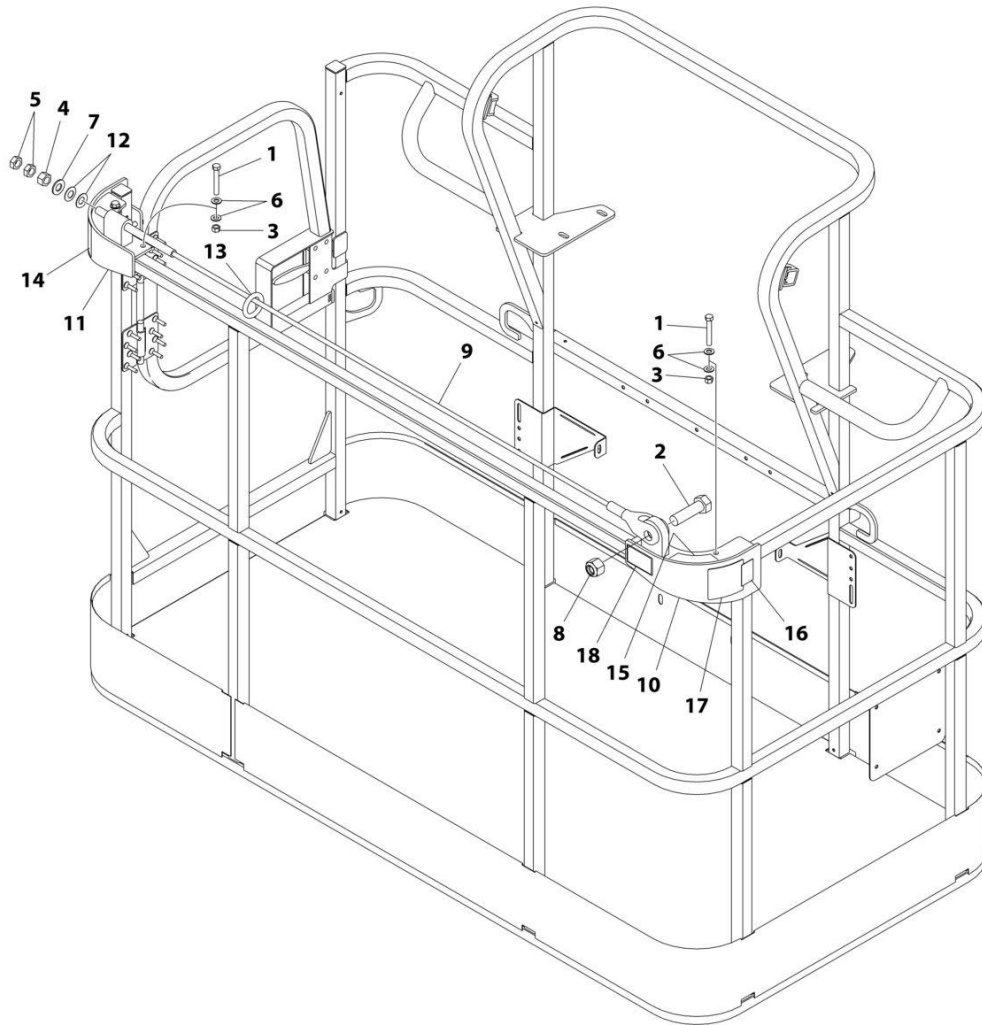
## SECTION 5 - PLATFORM

### FIGURE 5-40. WELDER ASSEMBLY

ITEM	PART NUMBER	QTY	DESCRIPTION	REV
	4530028	Ref	WELDER ASSEMBLY	B
		Ref	Note: For Other Components, contact your Miller Welder Dealer.	
1	7027773	1	Cover, Top	
1	7027774	1	Decal - Static Precautionary Warning	
2	See Note	NSS	Panel, LH Side (Note: Part of Item 1. Purchase Item 1)	
3	See Note	NSS	Panel, RH Side (Note: Part of Item 1. Purchase Item 1)	
4	7024467	1	Cable, Power	
4	7027775	1	Decal - Electrical Shock Warning (Not Shown)	
5	7027776	1	Handle, Carrying	
101	7024462	1	Panel, Front	
102	7024463	1	Panel, Console	
103	7024469	1	Switch with Lead	
104	7024470	1	Knob	
105	7024471	1	Knob	
106	7024472	1	Receptacle with Leads and Plugs	
107	7024473	2	Receptacle, Twistlock Female	
108	7024474	2	Insulator	
109	7024475	2	O-Ring	
110	7027777	1	Nameplate	
111	7027779	1	Circuit Card Assembly (Process Control)	
112	7024478	2	Nut	
113	7027778	1	Circuit Card Assembly (Operator Interface)	
201	7024462	1	Panel, Rear	
202	7027780	1	Panel, Cover	

# SECTION 5 - PLATFORM

## FIGURE 5-41. FALL ARREST INSTALLATION (BOLT - ON) (6FT/1.82M PLATFORM)



ART\_1001236747

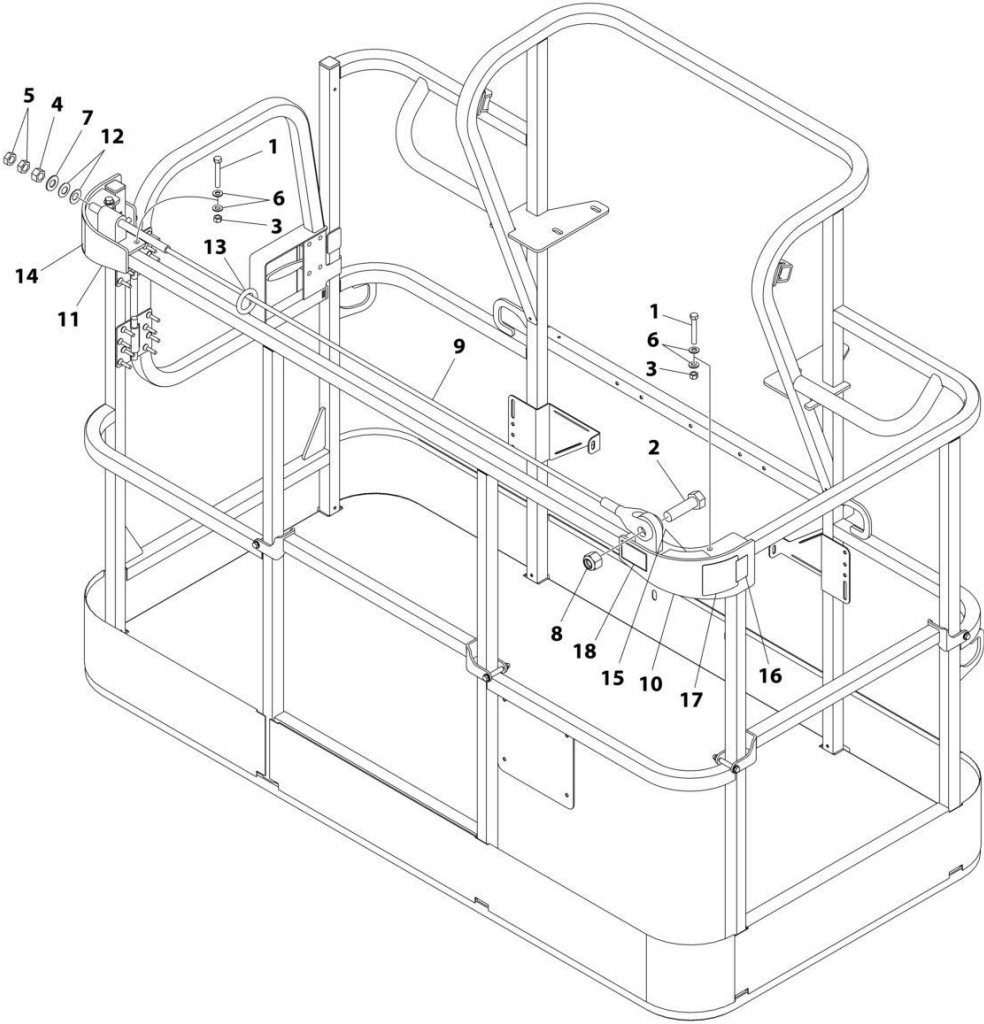
## SECTION 5 - PLATFORM

**FIGURE 5-41. FALL ARREST INSTALLATION (BOLT - ON) (6FT/1.82M PLATFORM)**

ITEM	PART NUMBER	QTY	DESCRIPTION	REV
	1001236747	Ref	FALL ARREST INSTALLATION (BOLT - ON) 6FT/1.82M PLATFORM	C
1	0681620	6	Bolt 3/8 x 2-1/2	
2	0682424	1	Bolt 7/8 x 3	
3	3271605	6	Nut 3/8	
4	3272001	1	Nut 5/8	
5	3312002	2	Nut 5/8	
6	4711600	12	Washer 3/8	
7	4712000	1	Washer 5/8	
8	88521214	1	Nut 7/8	
9	1001231950	1	Rope	
10	1001232010	1	Bracket (RH)	
11	1001232011	1	Bracket (LH)	
12	1001236891	2	Washer	
13	1001236895	1	Ring	
14	1001238263	1	Decal - Warning Falling Hazard	
15	1001252629	1	Decal - Weight	
16	1001248140	1	Decal - Bolt Fall Arrest Re-Cert	
17	1001248141	1	Decal - Inscription	

**SECTION 5 - PLATFORM**

**FIGURE 5-42. FALL ARREST INSTALLATION (BOLT-ON) (6FT/1.82M TRI-ENTRY PLATFORM)**



ART\_1001238463

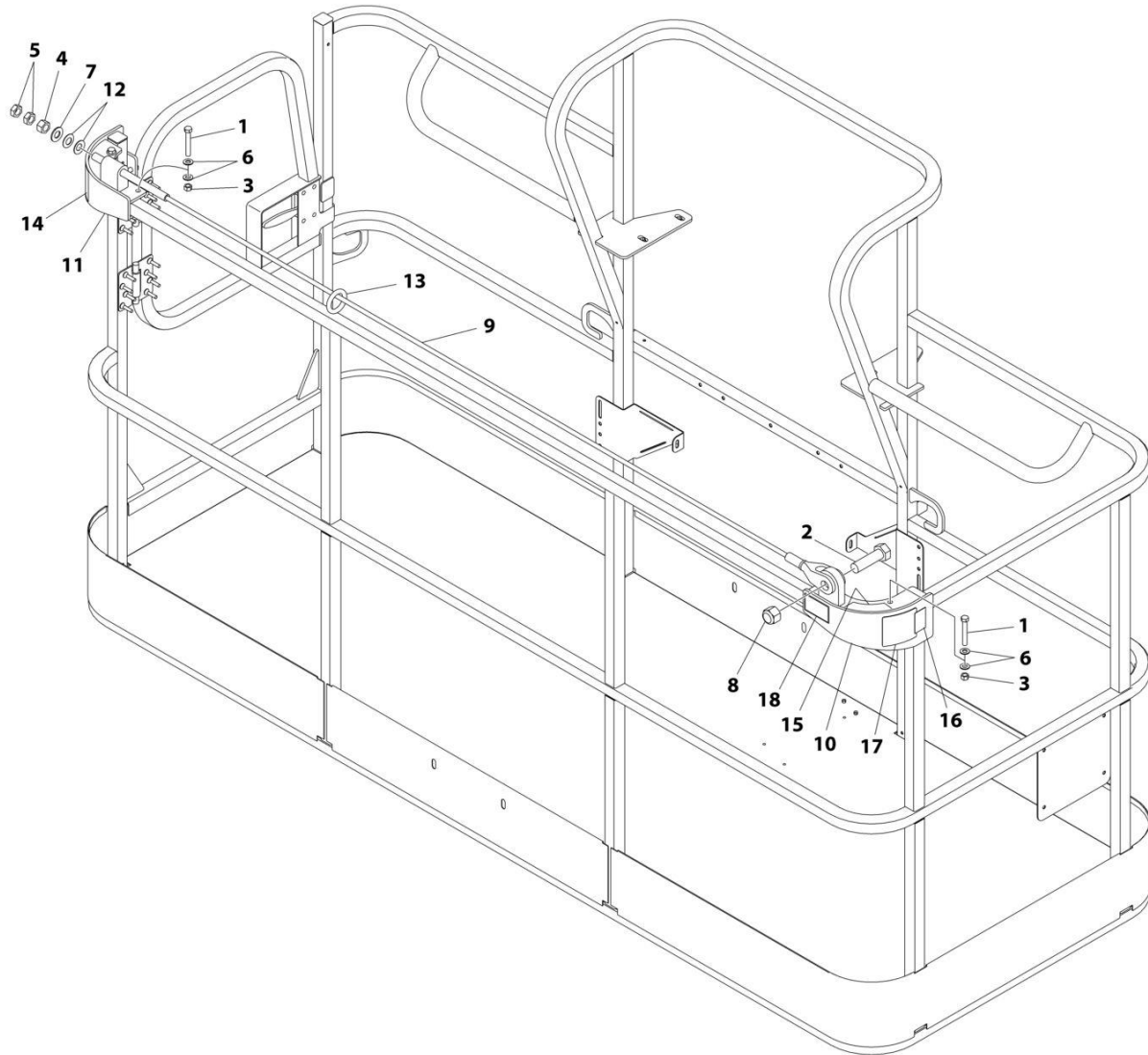
## SECTION 5 - PLATFORM

**FIGURE 5-42. FALL ARREST INSTALLATION (BOLT-ON) (6FT/1.82M TRI-ENTRY PLATFORM)**

ITEM	PART NUMBER	QTY	DESCRIPTION	REV
	1001238463	Ref	FALL ARREST INSTALLATION (BOLT - ON) 6FT/1.82M PLATFORM	C
1	0681620	6	Bolt 3/8 x 2-1/2	
2	0682424	1	Bolt 7/8 x 3	
3	3271605	6	Nut 3/8	
4	3272001	1	Nut 5/8	
5	3312002	2	Nut 5/8	
6	4711600	12	Washer 3/8	
7	4712000	1	Washer 5/8	
8	88521214	1	Nut 7/8	
9	1001231950	1	Rope	
10	1001232010	1	Bracket (RH)	
11	1001232011	1	Bracket (LH)	
12	1001236891	2	Washer	
13	1001236895	1	Ring	
14	1001238263	1	Decal - Warning Falling Hazard	
15	1001252629	1	Decal - Weight	
16	1001248140	1	Decal - Bolt Fall Arrest Re-Cert	
17	1001248141	1	Decal - Inscription	

# SECTION 5 - PLATFORM

## FIGURE 5-43. FALL ARREST INSTALLATION (BOLT - ON) (8FT/2.4M PLATFORM)



ART\_1001236746

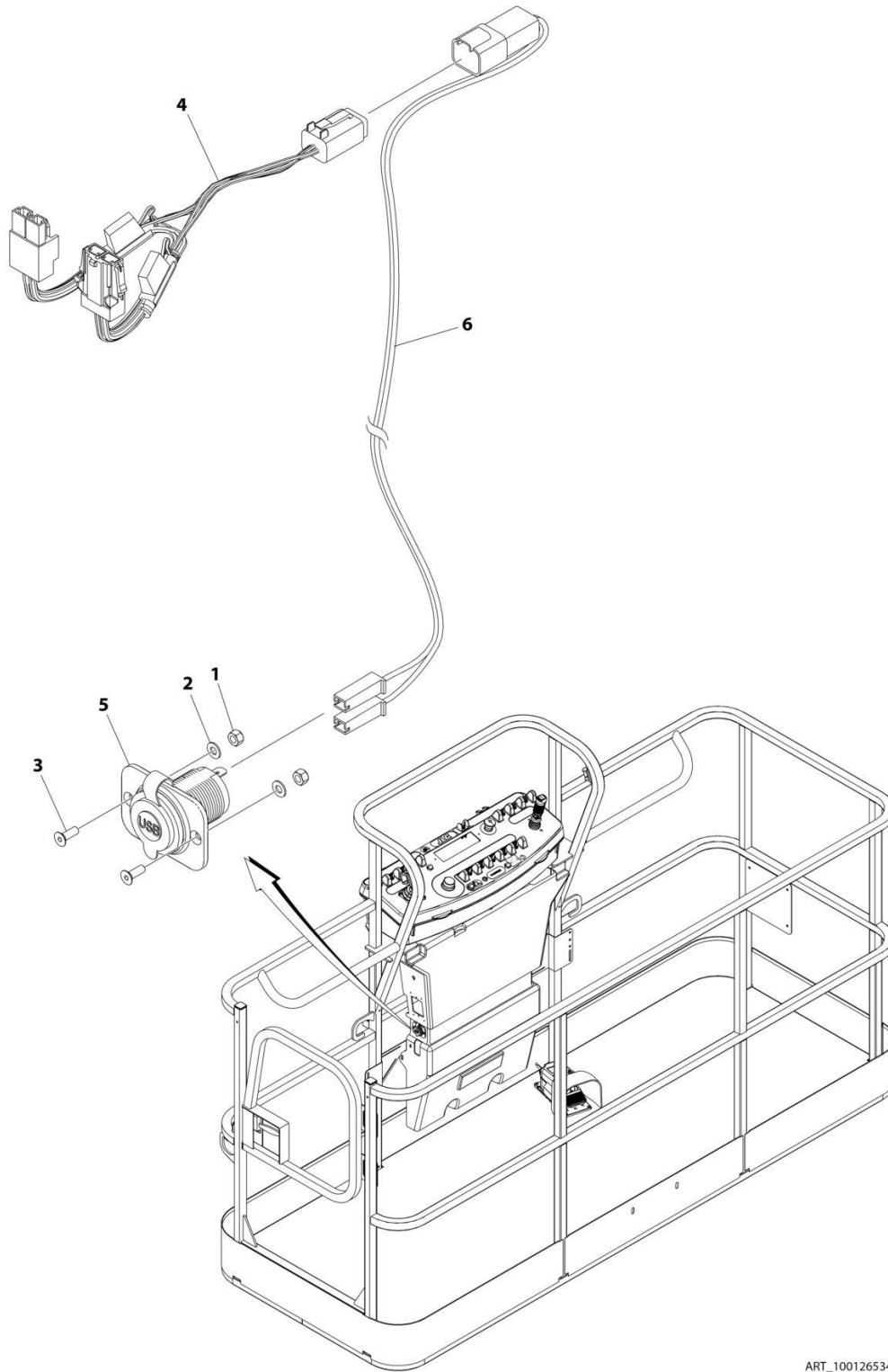
## SECTION 5 - PLATFORM

**FIGURE 5-43. FALL ARREST INSTALLATION (BOLT - ON) (8FT/2.4M PLATFORM)**

ITEM	PART NUMBER	QTY	DESCRIPTION	REV
	1001236746	Ref	FALL ARREST INSTALLATION (BOLT - ON) 8FT/2.4M PLATFORM	C
1	0681620	6	Bolt 3/8 x 2-1/2	
2	0682424	1	Bolt 7/8 x 3	
3	3271605	6	Nut 3/8	
4	3272001	1	Nut 5/8	
5	3312002	2	Nut 5/8	
6	4711600	12	Washer 3/8	
7	4712000	1	Washer 5/8	
8	88521214	1	Nut 7/8	
9	1001231949	1	Rope	
10	1001232010	1	Bracket (RH)	
11	1001232011	1	Bracket (LH)	
12	1001236891	2	Washer	
13	1001236895	1	Ring	
14	1001238263	1	Decal - Warning Falling Hazard	
15	1001252629	1	Decal - Weight 23LBS/10.4KG	
16	1001248140	1	Decal - Bolt Fall Arrest Re-Cert	
17	1001248141	1	Decal - Inscription	

# SECTION 5 - PLATFORM

## FIGURE 5-44. USB CHARGER INSTALLATION



ART\_1001265342



## SECTION 5 - PLATFORM

**FIGURE 5-44. USB CHARGER INSTALLATION**

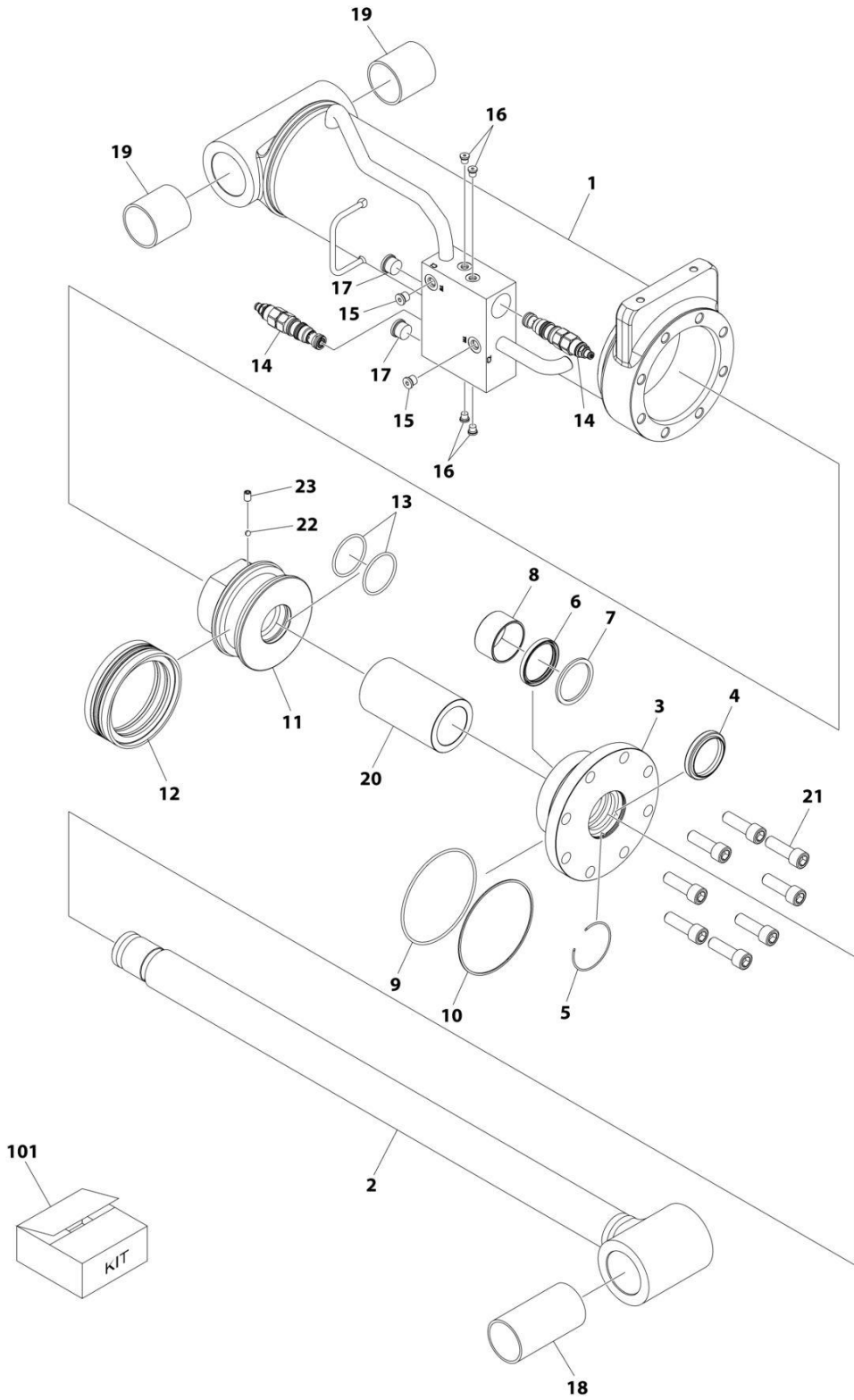
ITEM	PART NUMBER	QTY	DESCRIPTION	REV
	1001265342	Ref	USB CHARGER INSTALLATION	A
1	3290405	2	Nut M4	
2	4811400	2	Washer M4	
3	1001097244	2	Screw M4 x 12	
4	1001120484	1	Harness, Work Lights	
4	4460879	1	Plug, Male - 2 Position	
4	4460887	2	Terminal	
4	2400060	2	Fuseholder Includes Cover	
4	8229249	2	Fuse, 3 Amp	
4	4460884	1	Connector - 4 Position	
4	4460465	4	Socket, Female	
4	1001120471	1	Connector - 2 Position	
4	1001120477	2	Terminal	
5	1001210636	1	Receptacle, USB	
6	1001265163	1	Harness, USB	A
6	4460260	2	Cover, Terminal	
6	4460259	2	Terminal	
6	4460932	1	Receptacle, Bussbar - 4 Position	
6	4460464	2	Pin, Male	
6	4460466	2	Plug, Terminal	



**SECTION 6 - CYLINDER**

# SECTION 6 - CYLINDER

## FIGURE 6-1. AXLE EXTEND CYLINDER ASSEMBLY



ART\_1001251066

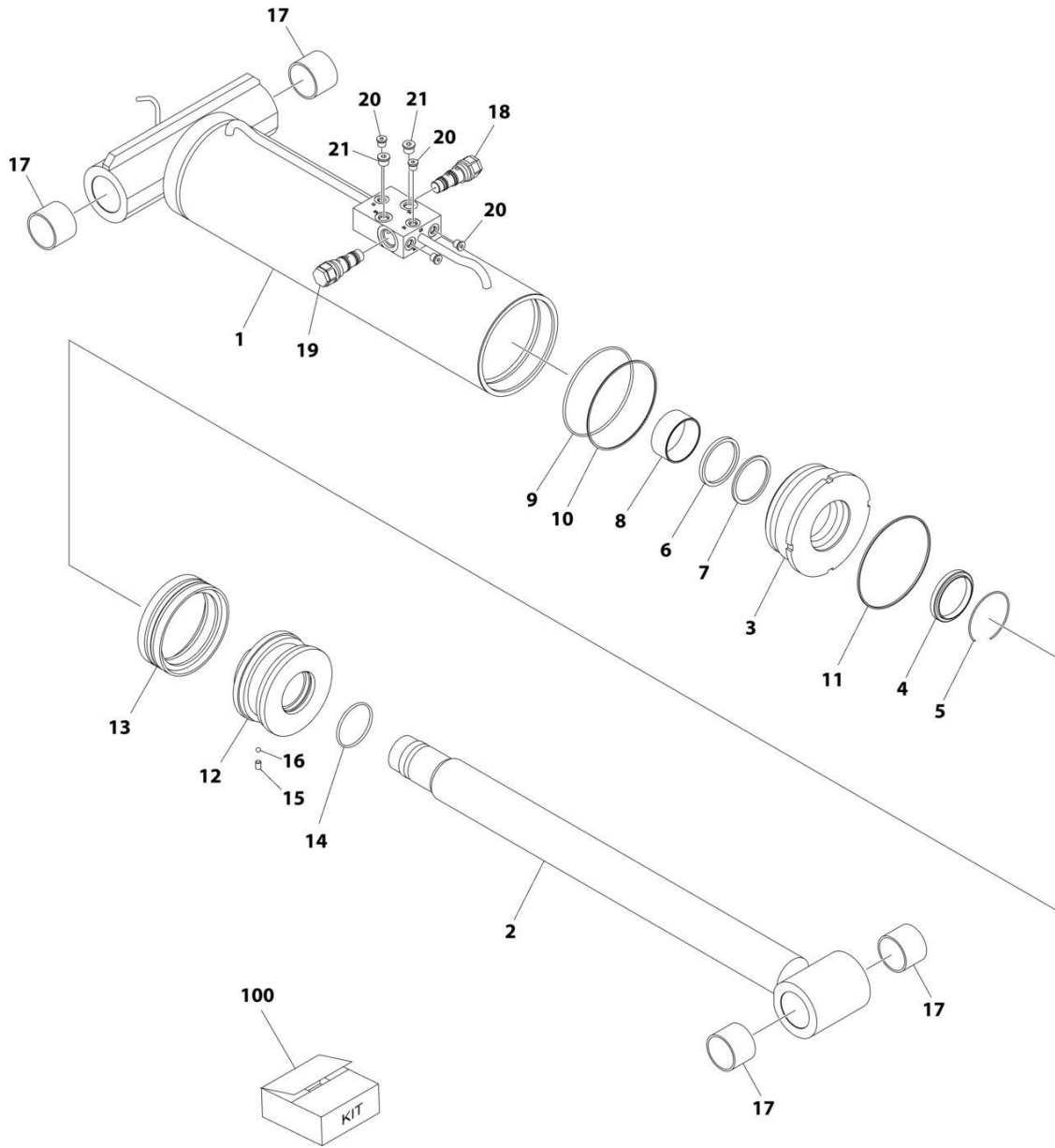
## SECTION 6 - CYLINDER

**FIGURE 6-1. AXLE EXTEND CYLINDER ASSEMBLY**

ITEM	PART NUMBER	QTY	DESCRIPTION	REV
	1001251066	Ref	AXLE EXTEND CYLINDER ASSEMBLY	A
		Ref	Note: Original Cylinder May Have Been Replaced with Service Replacement. Identify PN Stamped on Cylinder Before Ordering Parts.	
1	See Note	NSS	Barrel (Note: Not Available for Purchase)	
2	70008014	1	Rod	
3	70008015	1	Head	
4	See Note	NSS	Wiper (Note: Use Item 101)	
5	7002412	1	Ring, Retaining	
6	See Note	NSS	Seal, Rod (Note: Use Item 101)	
7	See Note	NSS	Ring, Backup (Note: Use Item 101)	
8	70052577	1	Bushing	
9	See Note	NSS	O-Ring (Note: Use Item 101)	
10	See Note	NSS	Ring, Backup (Note: Use Item 101)	
11	70008016	1	Piston	
12	See Note	NSS	Seal, Piston (Note: Use Item 101)	
13	See Note	NSS	O-Ring (Note: Use Item 101)	
14	1001156016	2	Valve, Counterbalance	
14	7011376	2	Seal Kit (Use with 1001156016)	
15	2220883	2	Plug - 7/16	
16	2220881	4	Plug - 5/16	
17	2220886	2	Plug - 3/4	
18	1001157080	1	Bushing	
19	0962561	2	Bushing	
20	70008017	1	Spacer	
21	70008018	8	Bolt M14 x 45	
22	70022564	1	Ball, Steel	
23	70029468	1	Setscrew M8 x 14	
101	70008019	1	Seal Kit (Includes Items 4, 6-7, 9-10 & 12-13)	

# SECTION 6 - CYLINDER

## FIGURE 6-2. LEVEL CYLINDER ASSEMBLY - JIB SLAVE



ART\_1001228064

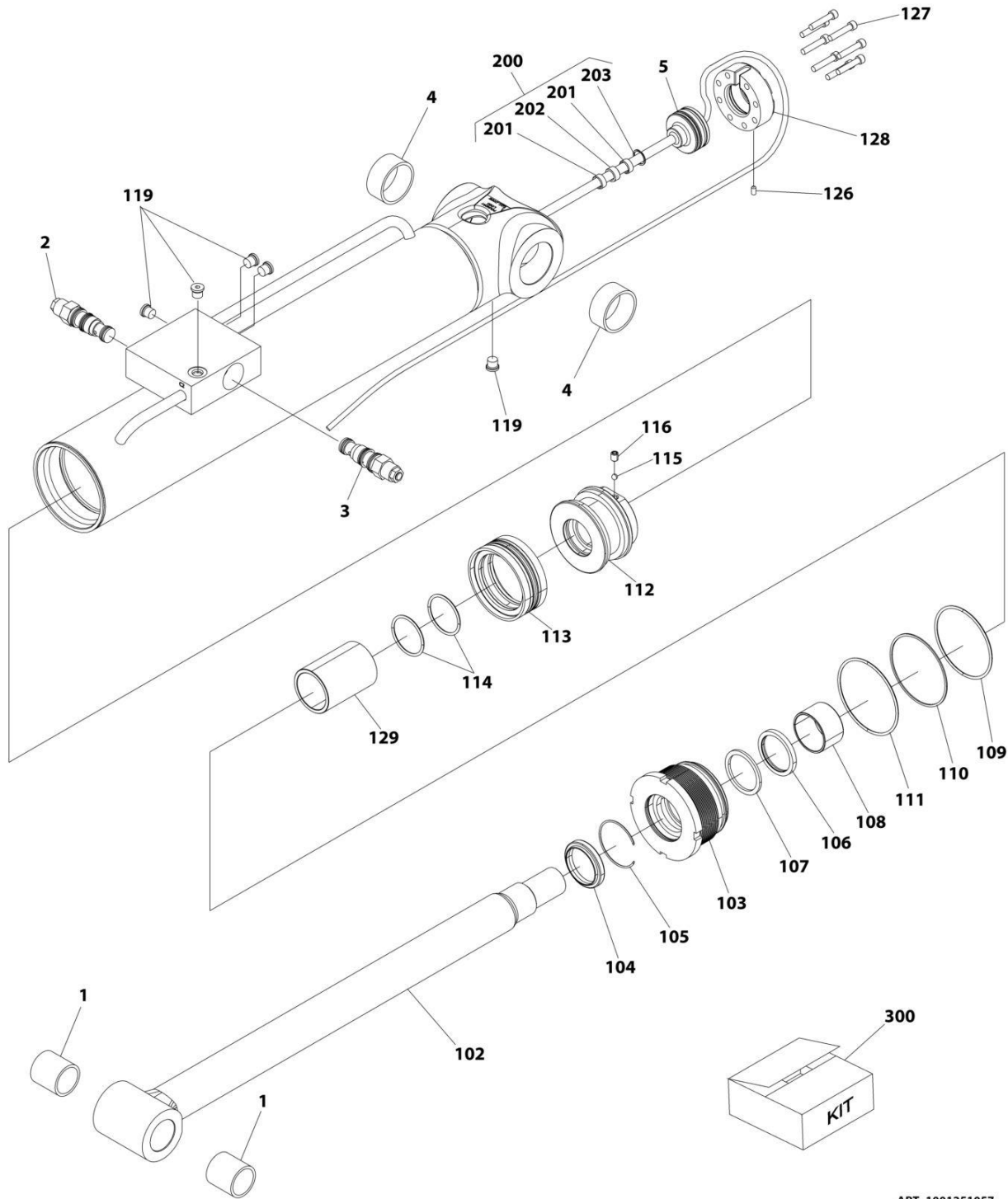
## SECTION 6 - CYLINDER

**FIGURE 6-2. LEVEL CYLINDER ASSEMBLY - JIB SLAVE**

ITEM	PART NUMBER	QTY	DESCRIPTION	REV
	1001228064	Ref	LEVEL CYLINDER ASSEMBLY - JIB SLAVE	C
		Ref	Note: Original Cylinder May Have Been Replaced with Service Replacement. Identify PN Stamped on Cylinder Before Ordering Parts.	
1	See Note	NSS	Barrel Weldment (Note: Not Available for Purchase)	
2	70006634	1	Rod Weldment	
3	70006635	1	Head	
4	See Note	NSS	Wiper, Rod (Note: Use Item 100)	
5	70050795	1	Retainer	
6	See Note	NSS	Seal, Rod (Note: Use Item 100)	
7	See Note	NSS	Ring, Back-up (Note: Use Item 100)	
8	See Note	NSS	Ring, Wear (Note: Use Item 100)	
9	See Note	NSS	O-Ring (Note: Use Item 100)	
10	See Note	NSS	Ring, Back-up (Note: Use Item 100)	
11	See Note	NSS	O-Ring (Note: Use Item 100)	
12	70006637	1	Piston	
13	See Note	NSS	Seal, Piston (Note: Use Item 100)	
14	See Note	NSS	O-Ring (Note: Use Item 100)	
15	70006596	1	Setscrew M8 x 12	
16	70022564	1	Ball, Steel	
17	0961950	4	Bushing	
18	4640999	1	Valve, Counterbalance Non-Vented	
18	2900792	1	Seal Kit - 4640999 Valve	
19	4641248	1	Valve, Counterbalance Non-Vented	
19	70004186	1	Seal Kit - 4641248 Valve	
20	2220883	4	Plug	
21	2220885	2	Plug	
100	2900792	1	Seal Kit (Includes Items 4-11, 13 & 14)	

# SECTION 6 - CYLINDER

## FIGURE 6-3. LEVEL CYLINDER ASSEMBLY - PLATFORM SLAVE



ART\_1001251057



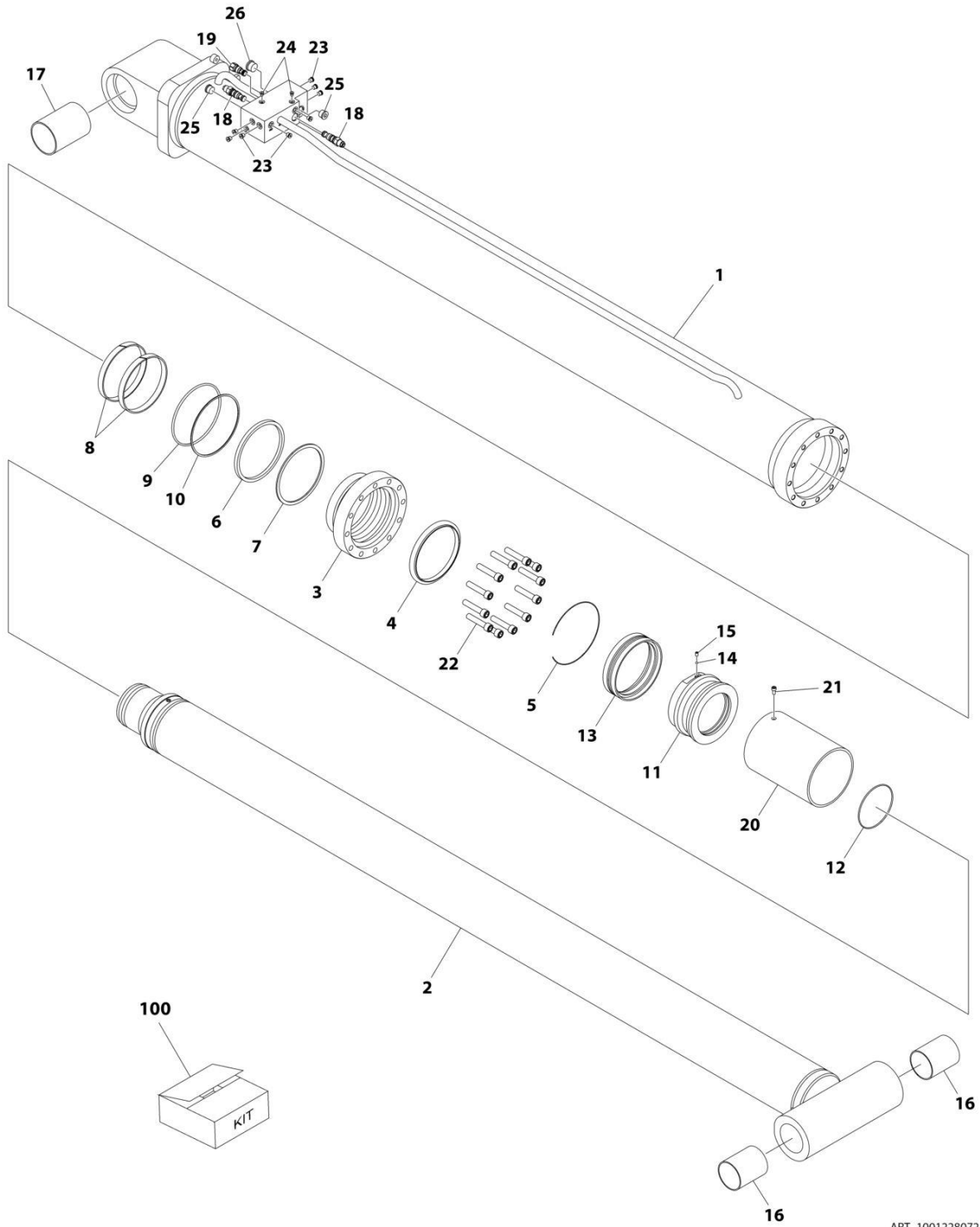
## SECTION 6 - CYLINDER

**FIGURE 6-3. LEVEL CYLINDER ASSEMBLY - PLATFORM SLAVE**

ITEM	PART NUMBER	QTY	DESCRIPTION	REV
	1001251057	Ref	LEVEL (PLATFORM) CYLINDER ASSEMBLY	A
		Ref	Note: Original Cylinder May Have Been Replaced with Service Replacement. Identify PN Stamped on Cylinder Before Ordering Parts.	
1	0962006	2	Bushing	
2	4640489	1	Cartridge, Counterbalance Valve	
2	2900770	1	Seal Kit - For 4640489 Counterbalance Valve	
3	4641260	1	Cartridge, Counterbalance Valve	
3	2900770	1	Seal Kit - For 4641260 Counterbalance Valve	
4	1001117969	2	Bushing	
5	1001117990	1	Sensor, Cylinder Length	
102	70008028	1	Rod	
103	70008029	1	Head	
104	See Note	NSS	Wiper (Note: Use Item 300)	
105	70002410	1	Ring, Retaining	
106	See Note	NSS	Seal (Note: Use Item 300)	
107	See Note	NSS	Ring (Note: Use Item 300)	
108	70004237	1	Bearing	
109	See Note	NSS	O-Ring (Note: Use Item 300)	
110	See Note	NSS	Ring (Note: Use Item 300)	
111	See Note	NSS	O-Ring (Note: Use Item 300)	
112	70008030	1	Piston	
113	See Note	NSS	Seal (Note: Use Item 300)	
114	See Note	NSS	O-Ring (Note: Use Item 300)	
115	70022564	1	Ball, Steel	
116	70023369	1	Setscrew M8 x 1-1/4	
119	2220883	5	Plug	
126	70006464	1	Setscrew M5 x 10	
127	70008031	8	Bolt M6 x 35	
128	70008024	1	Cover	
129	70008032	1	Spacer	
200	1001119105	1	Sensor Magnet Kit (Includes Items 201-203)	
201	1001117994	2	Sleeve, Spacer	
202	1001118066	1	Magnet, Sensor	
203	1001118069	1	Ring, Internal Retaining	
300	70008033	1	Seal Kit (Includes Items 104, 106, 107, 109-111, 113 & 114)	

# SECTION 6 - CYLINDER

## FIGURE 6-4. LIFT CYLINDER ASSEMBLY - BOOM



ART\_1001228072

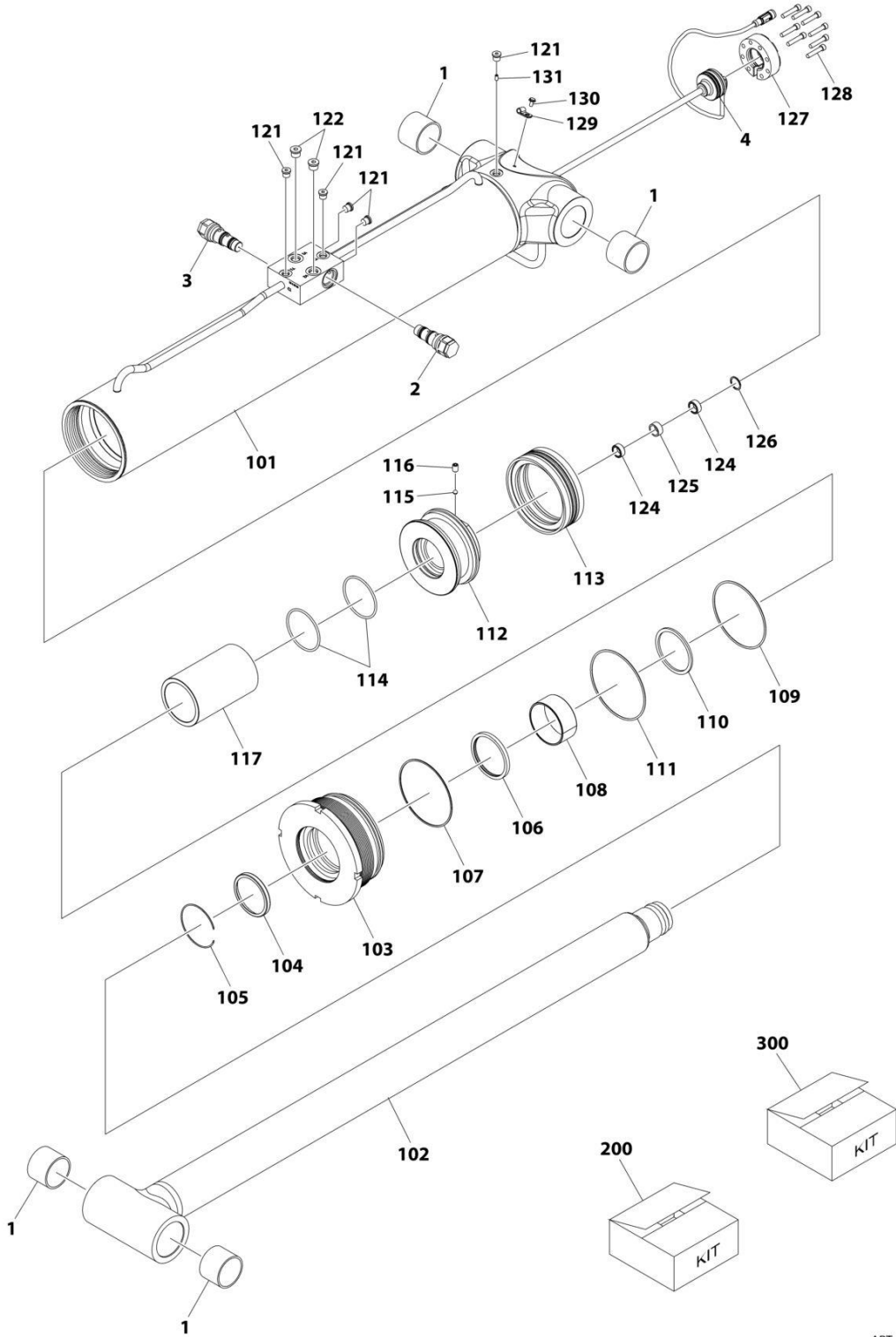
## SECTION 6 - CYLINDER

### FIGURE 6-4. LIFT CYLINDER ASSEMBLY - BOOM

ITEM	PART NUMBER	QTY	DESCRIPTION	REV
	1001228072	Ref	LIFT CYLINDER ASSEMBLY - BOOM	B
		Ref	Note: Original Cylinder May Have Been Replaced with Service Replacement. Identify PN Stamped on Cylinder Before Ordering Parts.	
1	See Note	NSS	Barrel Weldment (Note: Not Available for Purchase)	
2	70006624	1	Rod Weldment	
3	70006625	1	Head	
4	See Note	NSS	Wiper (Note: Use Item 100)	
5	70006626	1	Retainer	
6	See Note	NSS	Seal, Rod (Note: Use Item 100)	
7	See Note	NSS	Ring, Back-up (Note: Use Item 100)	
8	See Note	NSS	Ring, Wear (Note: Use Item 100)	
9	See Note	NSS	O-Ring (Note: Use Item 100)	
10	See Note	NSS	Ring, Back-up (Note: Use Item 100)	
11	70006627	1	Piston	
12	See Note	NSS	O-Ring (Note: Use Item 100)	
13	See Note	NSS	Seal, Piston (Note: Use Item 100)	
14	70006628	1	Ball, Steel	
15	70006629	1	Setscrew	
16	1001150942	2	Bushing	
17	1001150887	1	Bushing	
18	1001156016	2	Valve, Counterbalance	
18	7011376	1	Seal Kit - 1001156016 Cartridge	
19	4641285	1	Valve, Shuttle	
19	7011311	1	Seal Kit - 4641285 Cartridge	
20	70006630	1	Spacer	
21	70006631	1	Capscrew M8 x 16	
22	70006632	12	Capscrew M16 x 80	
23	2220883	9	Plug	
24	2220881	2	Plug	
25	2220887	2	Plug	
26	2220888	1	Plug	
100	70006633	1	Seal Kit (Includes Items 4, 6-10, 12 & 13)	

# SECTION 6 - CYLINDER

## FIGURE 6-5. LIFT CYLINDER ASSEMBLY - JIB



ART\_1001251058

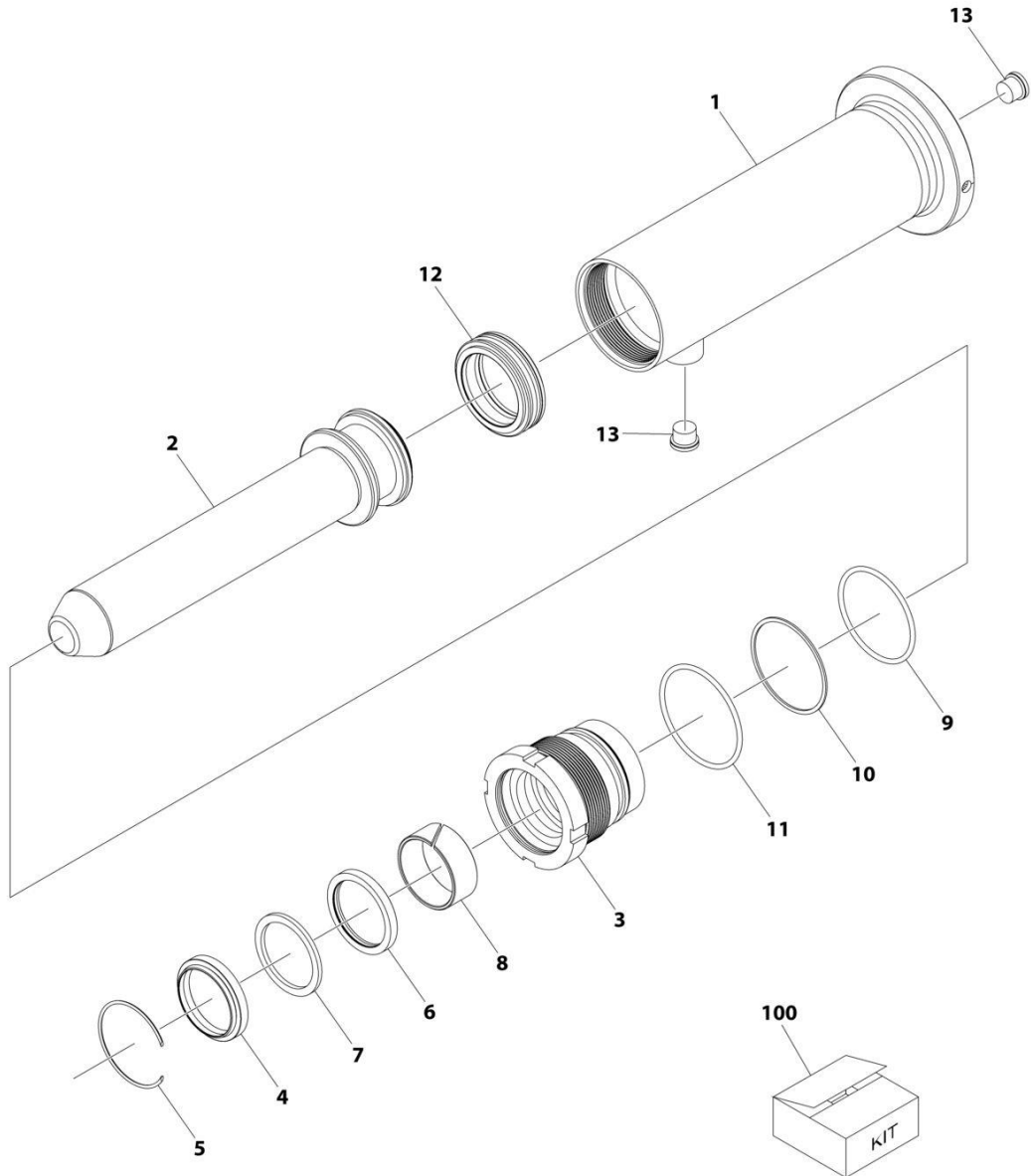
## SECTION 6 - CYLINDER

### FIGURE 6-5. LIFT CYLINDER ASSEMBLY - JIB

ITEM	PART NUMBER	QTY	DESCRIPTION	REV
	1001251058	Ref	LIFT (JIB) CYLINDER ASSEMBLY	A
		Ref	Note: Original Cylinder May Have Been Replaced with Service Replacement. Identify PN Stamped on Cylinder Before Ordering Parts.	
1	0961950	4	Bushing	
2	4641248	1	Cartridge, Counterbalance Valve	
2	70004186	1	Seal Kit - 4641248 Counterbalance Valve	
3	4640999	1	Cartridge, Holding Valve	
3	2900792	1	Seal Kit - 4640999 Cartridge Valve	
4	1001117991	1	Sensor	
101	See Note	NSS	Barrel (Note: Not available for Purchase)	
102	70008020	1	Rod	
103	70008021	1	Head	
104	See Note	NSS	Wiper (Note: Use Item 200)	
105	70050795	1	Ring, Retaining	
106	See Note	NSS	Seal, Rod (Note: Use Item 200)	
107	See Note	NSS	Ring, Backup (Note: Use Item 200)	
108	70006636	1	Bushing	
109	See Note	NSS	O-Ring (Note: Use Item 200)	
110	See Note	NSS	Ring, Backup (Note Use Item 200)	
111	See Note	NSS	O-Ring (Note: Use Item 200)	
112	70008022	1	Piston	
113	See Note	NSS	Seal, Piston (Note: Use Item 200)	
114	See Note	NSS	O-Ring (Note: Use Item 200)	
115	70022564	1	Ball, Steel	
116	70006596	1	Setscrew M8 x 12	
117	70008023	1	Spacer	
121	2220883	5	Plug 7/16	
122	2220885	2	Plug 9/16	
124	See Note	2	Sleeve (Note: Use Item 300)	
125	See Note	1	Magnet (Note: Use Item 300)	
126	See Note	1	Ring, Retaining (Note: Use Item 300)	
127	70008024	1	Cover	
128	70008025	8	Bolt M6 x 35	
129	70008026	1	Clamp	
130	70006462	1	Bolt M5 x 8	
131	70006464	1	Set Screw M5 X 10	
200	70008027	1	Seal Kit (Includes Items 104, 106-107, 109-111, 113-114)	
300	1001119105	1	Magnet Kit (Includes Items 124-126)	

# SECTION 6 - CYLINDER

## FIGURE 6-6. LOCK CYLINDER ASSEMBLY - JIB



ART\_1001251046

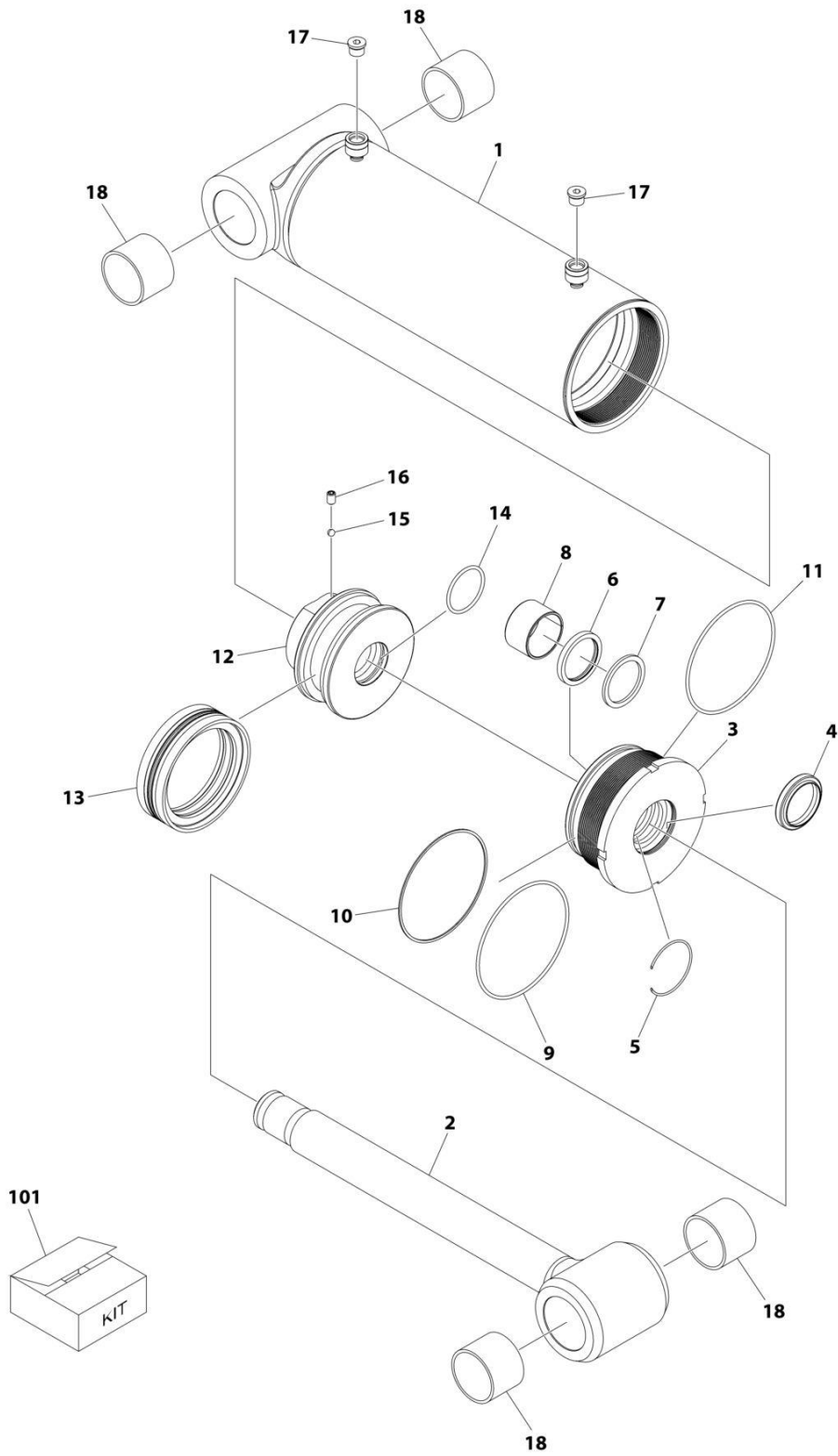
## SECTION 6 - CYLINDER

**FIGURE 6-6. LOCK CYLINDER ASSEMBLY - JIB**

ITEM	PART NUMBER	QTY	DESCRIPTION	REV
	1001251046	Ref	LOCK (JIB) CYLINDER ASSEMBLY	A
		Ref	Note: Original Cylinder May Have Been Replaced with Service Replacement. Identify PN Stamped on Cylinder Before Ordering Parts.	
1	See Note	NSS	Barrel (Note: Not Available for Purchase)	
2	70008036	1	Rod	
3	70008037	1	Gland	
4	See Note	1	Dust Wiper (Note: Use Item 100)	
5	70002410	1	Ring, Retaining	
6	See Note	1	Rod Seal (Note: Use Item 100)	
7	See Note	1	Ring, Backup (Note: Use Item 100)	
8	See Note	1	Ring, Wear (Note: Use Item 100)	
9	See Note	1	O-Ring (Note: Use Item 100)	
10	See Note	1	Ring, Backup (Note: Use Item 100)	
11	See Note	1	O-Ring (Note: Use Item 100)	
12	See Note	1	Seal, Piston (Note: Use Item 100)	
13	2220885	2	Plug 9/16	
100	70008038	1	Seal Kit (Includes Items 4 & 6-12)	

# SECTION 6 - CYLINDER

## FIGURE 6-7. STEER CYLINDER ASSEMBLY



ART\_1001251065



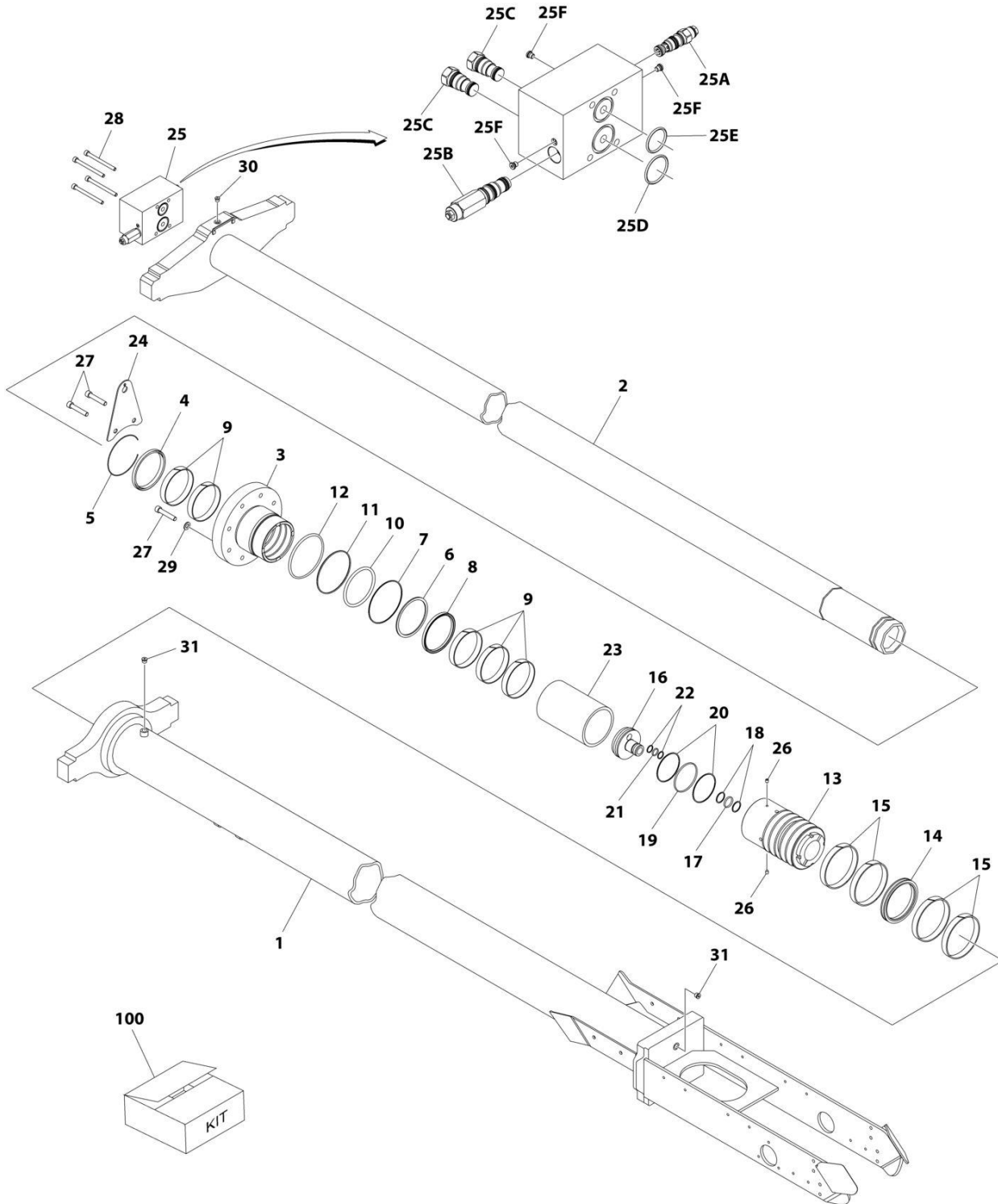
## SECTION 6 - CYLINDER

### FIGURE 6-7. STEER CYLINDER ASSEMBLY

ITEM	PART NUMBER	QTY	DESCRIPTION	REV
	1001251065	Ref	STEER CYLINDER ASSEMBLY	A
		Ref	Note: Original Cylinder May Have Been Replaced with Service Replacement. Identify PN Stamped on Cylinder Before Ordering Parts.	
1	See Note	NSS	Barrel (Note: Not Available for Purchase)	
2	7008010	1	Rod	
3	7008011	1	Head	
4	See Note	NSS	Wiper (Note: Use Item 101)	
5	70002410	1	Ring, Retaining	
6	See Note	NSS	Seal, Rod (Note: Use Item 101)	
7	See Note	NSS	Ring, Backup (Note: Use Item 101)	
8	7004237	1	Bushing	
9	See Note	NSS	O-Ring (Note: Use Item 101)	
10	See Note	NSS	Ring, Backup (Note: Use Item 101)	
11	See Note	NSS	O-Ring (Note: Use Item 101)	
12	70008012	1	Piston	
13	See Note	NSS	Seal, Piston (Note: Use Item 101)	
14	See Note	NSS	O-Ring (Note: Use Item 101)	
15	70022564	1	Ball, Steel	
16	70006596	1	Setscrew M8 x 12	
17	2220885	2	Plug 9/16	
18	0961950	4	Bushing	
101	70008013	1	Seal Kit (Includes Items 4, 6-7, 9-11 & 13-14)	

# SECTION 6 - CYLINDER

## FIGURE 6-8. TELESCOPE CYLINDER ASSEMBLY - BOOM



ART\_1001228082

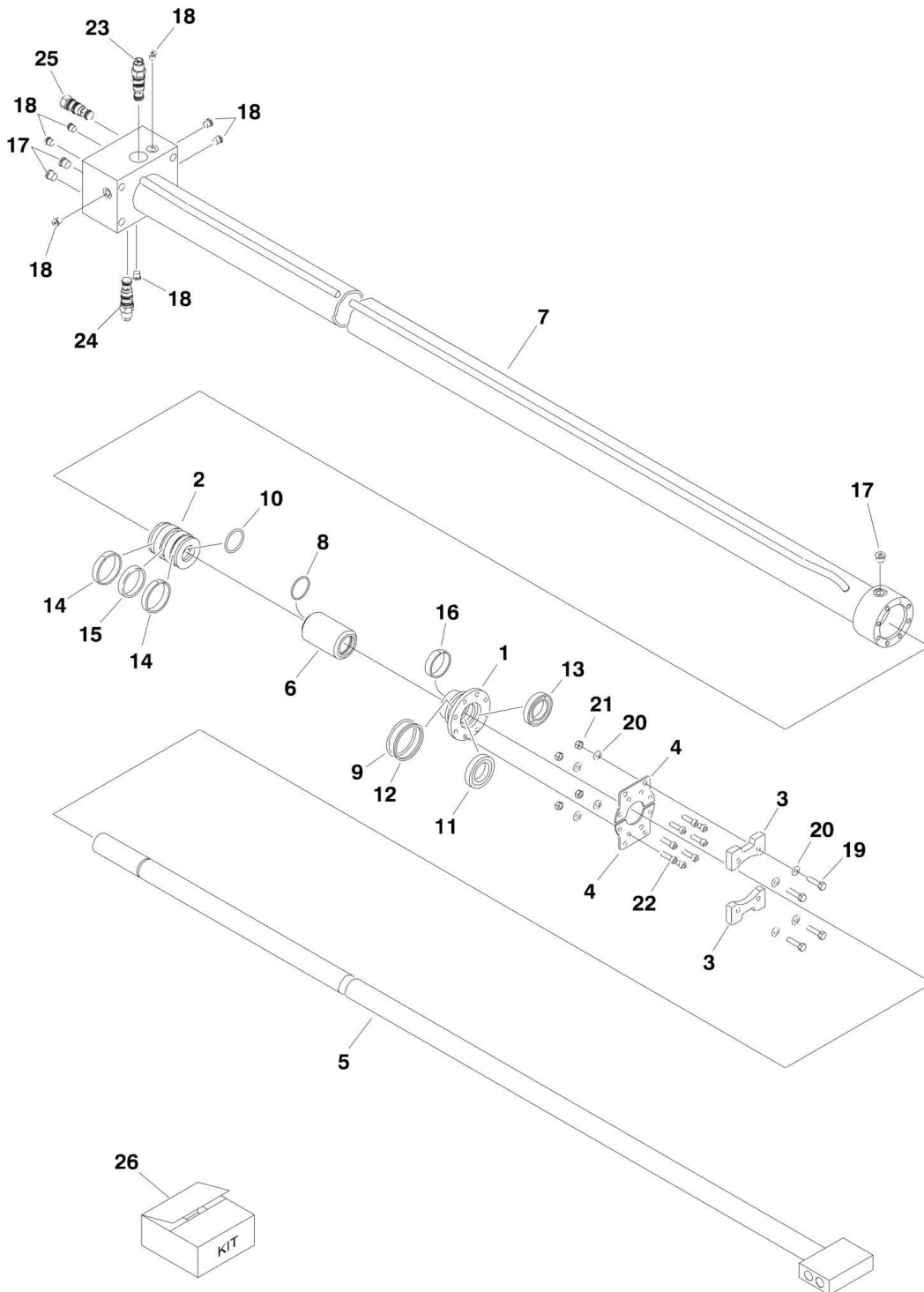
## SECTION 6 - CYLINDER

**FIGURE 6-8. TELESCOPE CYLINDER ASSEMBLY - BOOM**

ITEM	PART NUMBER	QTY	DESCRIPTION	REV
	1001228082	Ref	TELESCOPE CYLINDER ASSEMBLY - BOOM	D
		Ref	Note: Original Cylinder May Have Been Replaced with Service Replacement. Identify PN Stamped on Cylinder Before Ordering Parts.	
1	See Note	NSS	Barrel Weldment (Note: Not Available for Purchase)	
2	70006834	1	Rod Weldment	
3	70006835	1	Head	
4	See Note	NSS	Wiper (Note: Use Item 100)	
5	70006836	1	Ring, Retaining	
6	See Note	NSS	Seal, Rod (Note: Use Item 100)	
7	See Note	NSS	Ring, Back-up (Note: Use Item 100)	
8	See Note	NSS	Ring, Buffer (Note: Use Item 100)	
9	See Note	NSS	Ring, Wear (Note: Use Item 100)	
10	See Note	NSS	O-Ring (Note: Use Item 100)	
11	See Note	NSS	Ring, Back-up (Note: Use Item 100)	
12	See Note	NSS	O-Ring (Note: Use Item 100)	
13	70006837	1	Piston	
14	See Note	NSS	Seal, Piston (Note: Use Item 100)	
15	See Note	NSS	Ring, Wear (Note: Use Item 100)	
16	70006838	1	End, Rod	
17	See Note	NSS	O-Ring (Note: Use Item 100)	
18	See Note	NSS	Ring, Back-up (Note: Use Item 100)	
19	See Note	NSS	O-Ring (Note: Use Item 100)	
20	See Note	NSS	Ring, Back-up (Note: Use Item 100)	
21	See Note	NSS	O-Ring (Note: Use Item 100)	
22	See Note	NSS	Ring, Back-up (Note: Use Item 100)	
23	70006839	1	Spacer	
24	70006840	1	Bracket	
25	1001155378	1	Valve	D
25A	70004404	1	Cartridge, Counterbalance	
25A	2900770	1	Seal Kit - 70004404 Cartridge	
25B	1001182256	1	Cartridge, Counterbalance	
25B	7011367	1	Seal Kit - 1001182256 Cartridge	
25C	70004406	2	Cartridge, Check	
25C	2900770	2	Seal Kit - 70004406 Cartridge	
25D	70004407	1	O-Ring	
25E	70004408	1	O-Ring	
25F	70003031	3	Plug	
26	3951405	2	Setscrew	
27	70005882	8	Plug	
28	70006841	4	Bolt	
29	70005883	6	Washer	
30	2220883	1	Plug	
31	2220885	2	Plug	
100	70006842	1	Seal Kit - Cylinder (Includes Items 4, 6-12, 14, 15 & 17-22)	

# SECTION 6 - CYLINDER

## FIGURE 6-9. TELESCOPE CYLINDER ASSEMBLY - JIB



1001158991

## SECTION 6 - CYLINDER

**FIGURE 6-9. TELESCOPE CYLINDER ASSEMBLY - JIB**

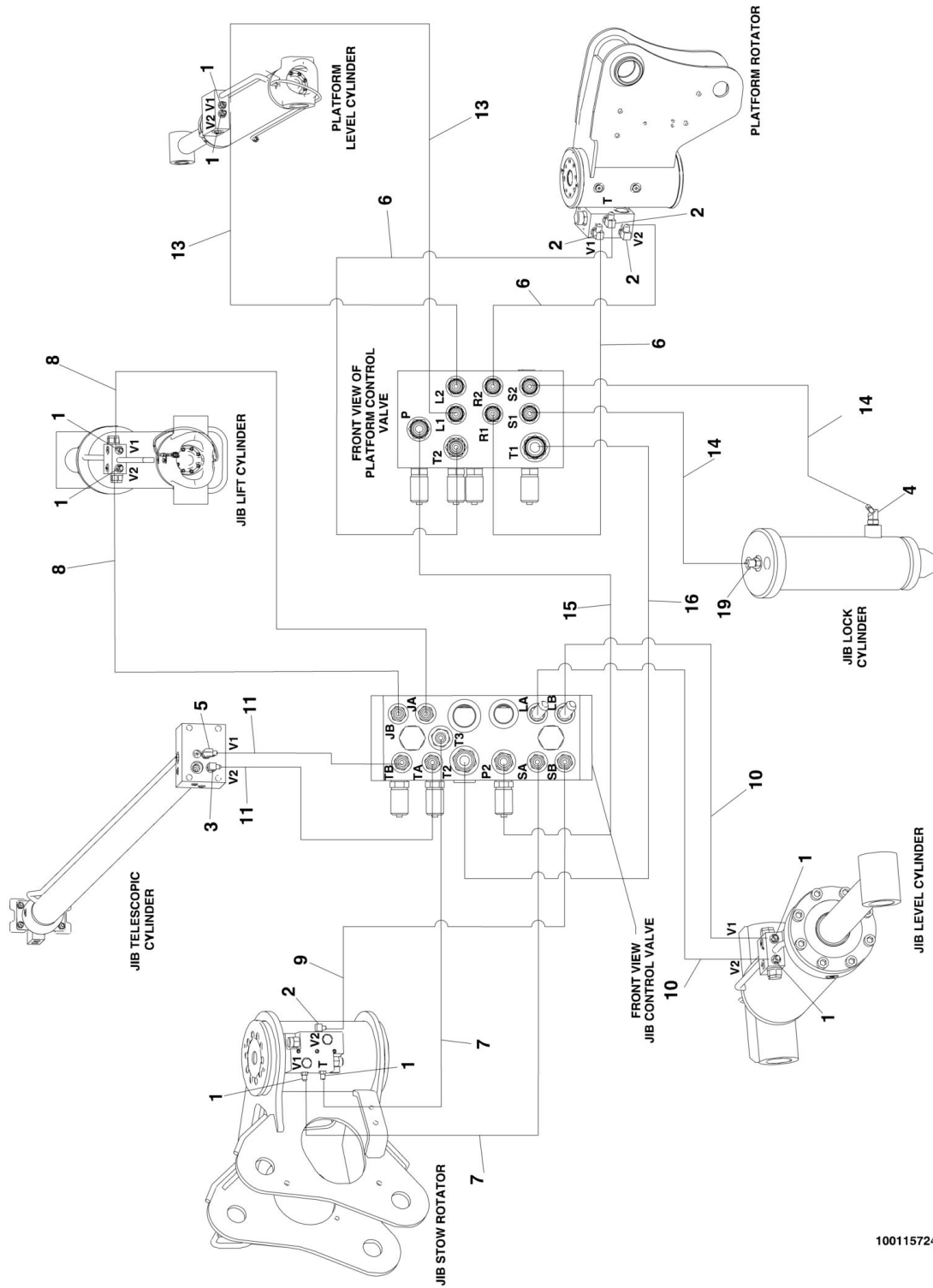
ITEM	PART NUMBER	QTY	DESCRIPTION	REV
	1001158991	Ref	TELESCOPE CYLINDER ASSEMBLY - JIB	D
		Ref	Note: Original Cylinder May Have Been Replaced with Service Replacement. Identify PN Stamped on Cylinder Before Ordering Parts.	
1	70003050	1	Head	
2	70003046	1	Piston	
2	0100011	AR	Compound, Locking	
3	70003047	2	Pad, Wear	
4	70004498	2	Support, Pad	
5	70004497	1	Rod	
6	70004496	1	Spacer	
7	70004495	1	Barrel	
8	See Note	NSS	O-Ring (Note: Use Item 26)	
9	See Note	NSS	O-Ring (Note: Use Item 26)	
10	See Note	NSS	O-Ring (Note: Use Item 26)	
11	See Note	NSS	Seal (Note: Use Item 26)	
12	See Note	NSS	Ring, Back-up (Note: Use Item 26)	
13	See Note	NSS	Wiper (Note: Use Item 26)	
14	See Note	NSS	Ring, Wear (Note: Use Item 26)	
15	See Note	NSS	Seal (Note: Use Item 26)	
16	See Note	1	Ring, Wear (Note: Use Item 26)	
17	See Note	NSS	Plug #6 (Note: Not Available for Purchase)	
18	See Note	NSS	Plug #4 (Note: Not Available for Purchase)	
19	0641510	4	Bolt 5/16 x 1-1/4	
20	4711500	8	Washer 5/16	
21	3311505	4	Nut 5/16	
22	3931516	8	Capscrew 5/16 x 1	
22	0100011	AR	Compound, Locking	
23	4640771	1	Valve, Cartridge	
23	2900770	1	Seal Kit - 4640771 Valve	
24	70003045	1	Valve, Cartridge	
24	2900770	1	Seal Kit- 70003045 Valve	
25	10837580	1	Valve, Cartridge	
25	7010543	1	Seal Kit - 10837580 Valve	
26	70004499	1	Seal Kit - Cylinder (Includes Items 8-16)	



**SECTION 7 - HYDRAULIC**

# SECTION 7 - HYDRAULIC

## FIGURE 7-1. BOOM AND JIB HYDRAULIC DIAGRAM



1001157243



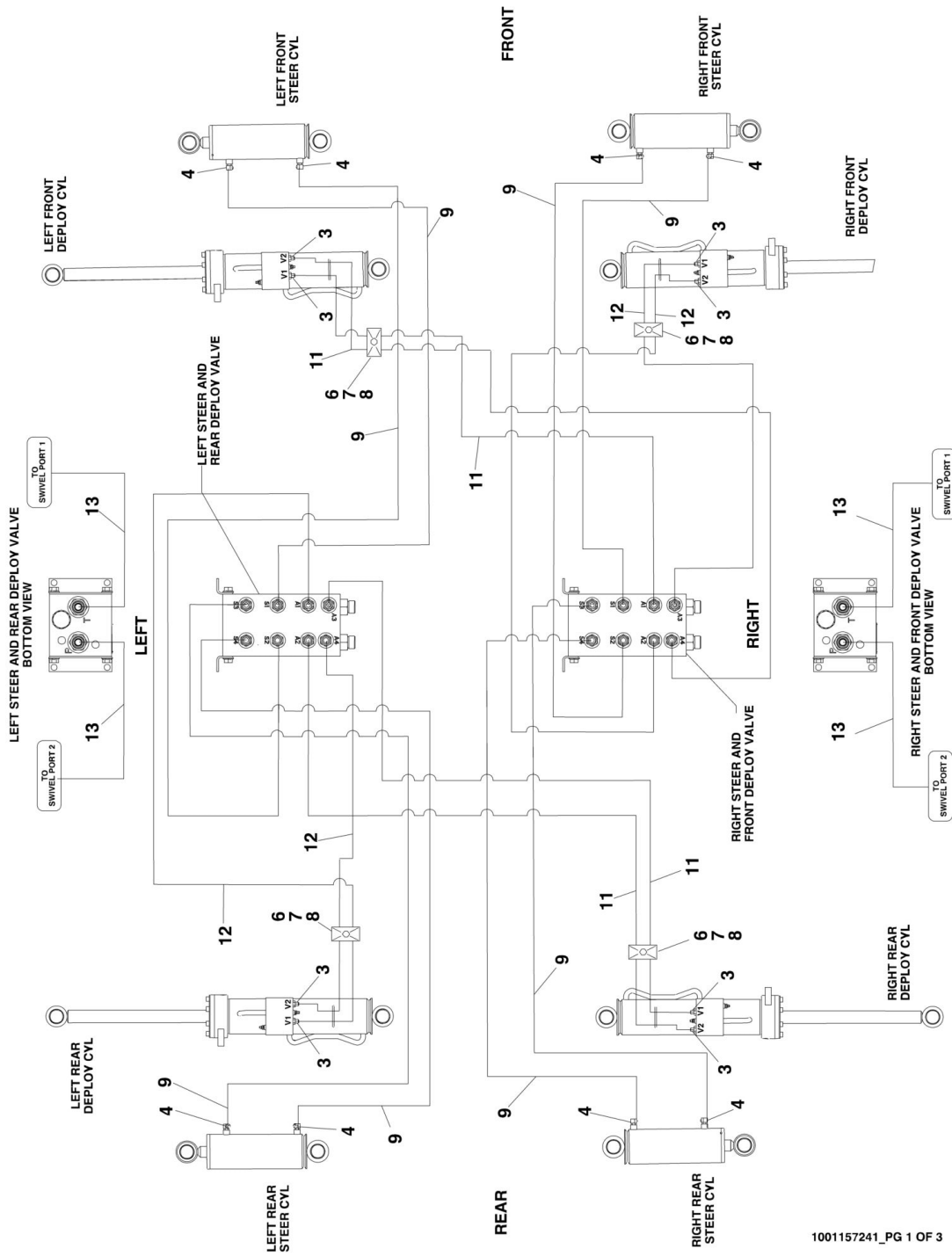
## SECTION 7 - HYDRAULIC

**FIGURE 7-1. BOOM AND JIB HYDRAULIC DIAGRAM**

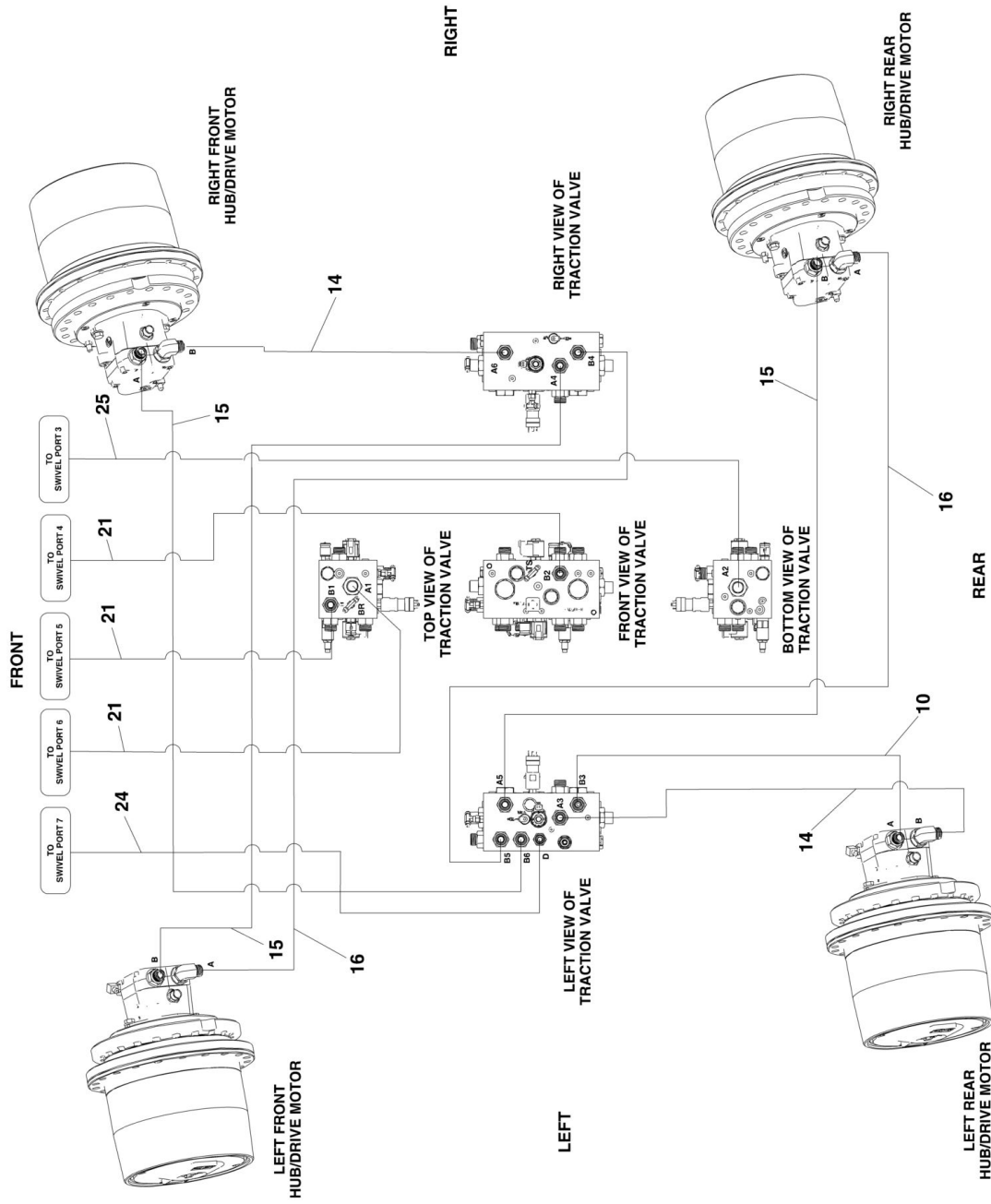
ITEM	PART NUMBER	QTY	DESCRIPTION	REV
	1001157243	Ref	HYDRAULIC DIAGRAM - BOOM AND JIB	C
1	2220415	8	Fitting, Straight JIC/ORB	
2	2220466	4	Fitting, 90 JIC/ORB	
3	2220472	1	Fitting, 90 JIC/ORB	
4	2221040	1	Fitting, 45 JIC/ORB	
5	1001160955	1	Fitting, 90 JIC/ORB	
6	1001161626	3	Hose	
7	1001161627	2	Hose	
8	1001161628	2	Hose	
9	1001161629	1	Hose	
10	1001161630	2	Hose	
11	1001161631	2	Hose	
13	1001161633	2	Hose	
14	1001161634	2	Hose	
15	1001161635	1	Hose	
16	1001161636	1	Hose	
17	4240018	2	Tie-Strap (Not Shown)	
18	4240155	15	Strap, Cinch (Not Shown)	
19	2220582	1	Fitting, Straight JIC/ORB	

# SECTION 7 - HYDRAULIC

## FIGURE 7-2. CHASSIS HYDRAULIC DIAGRAM

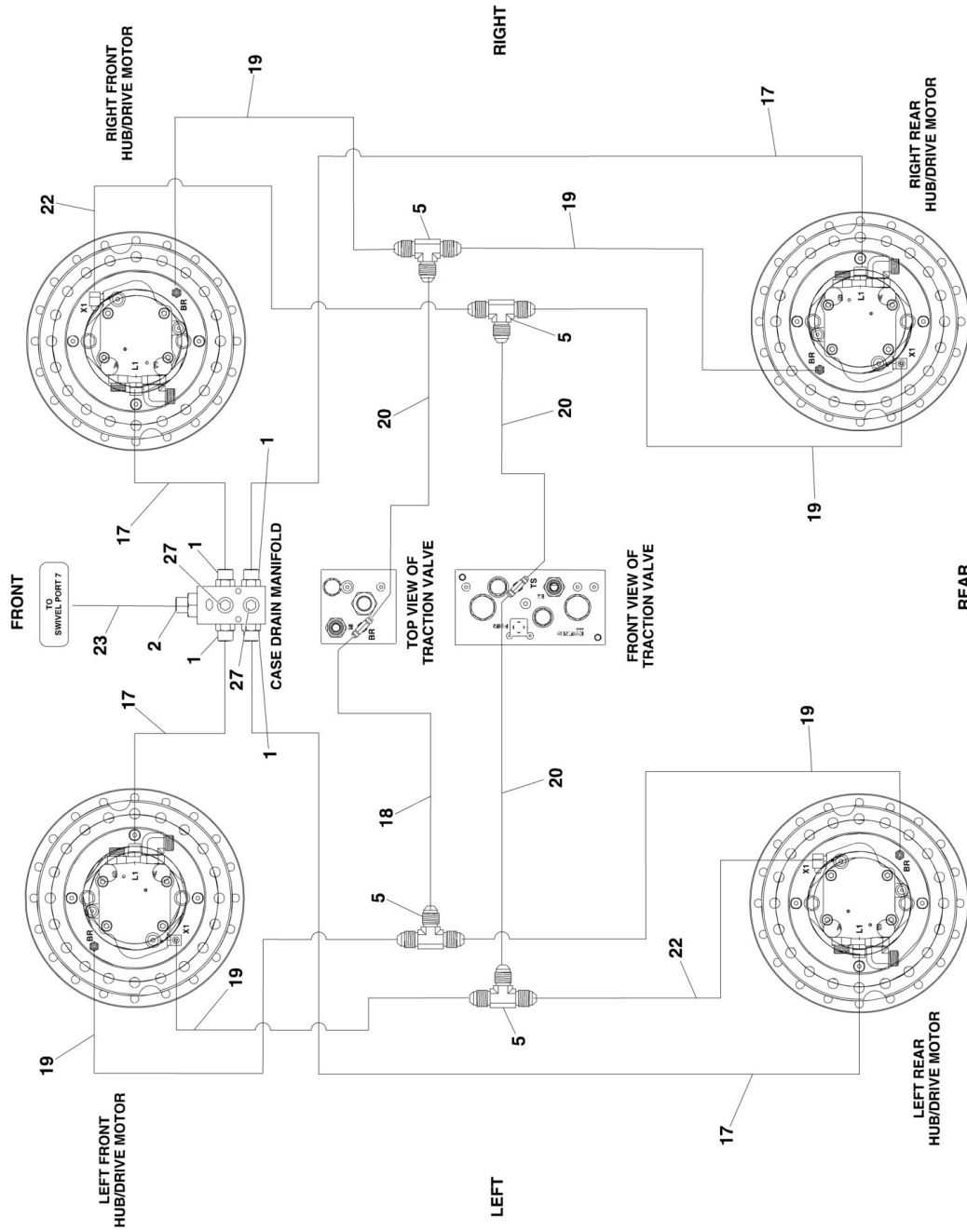


# SECTION 7 - HYDRAULIC



1001157241\_PG 2 OF 3

# SECTION 7 - HYDRAULIC



1001157241\_PG 3 OF 3

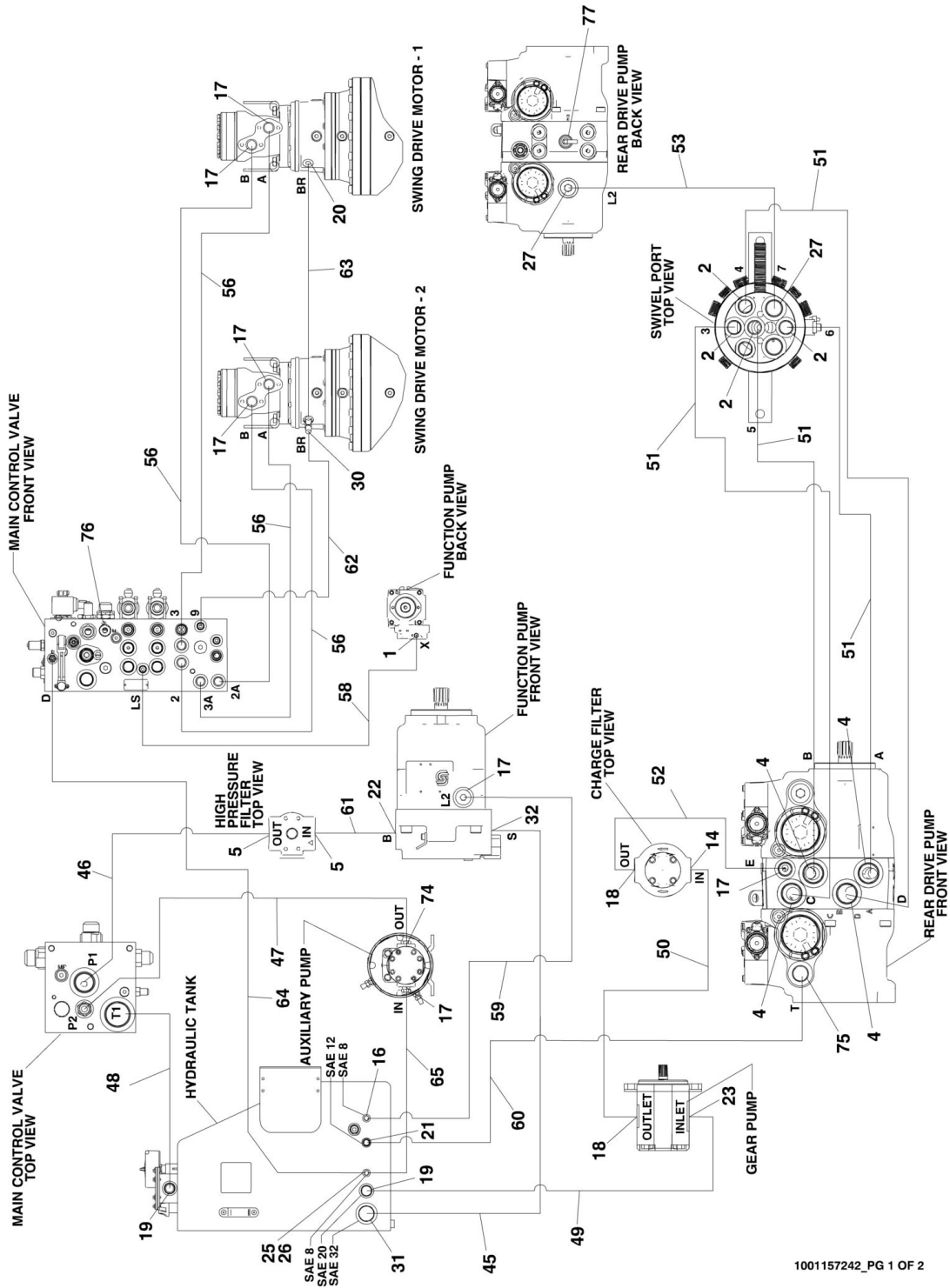
## SECTION 7 - HYDRAULIC

### FIGURE 7-2. CHASSIS HYDRAULIC DIAGRAM

ITEM	PART NUMBER	QTY	DESCRIPTION	REV
	1001157241	Ref	CHASSIS HYDRAULIC DIAGRAM	D
1	2110808	4	Fitting, Straight ORFS/ORB	
2	2110812	1	Fitting, Straight ORFS/ORB	
3	2220372	8	Fitting, Straight JIC/ORB	
4	2220473	8	Fitting, 90 JIC/ORB	
5	2220504	4	Fitting, Tee JIC/JIC/JIC	
6	8769122	4	Clamp Set	
7	8769128	4	Cover	
8	0641511001	4	Bolt 5/16 x 1-3/8	
9	1001161269	8	Hose	
10	1001161270	1	Hose	
11	1001161271	4	Hose	
12	1001161272	4	Hose	
13	1001161273	4	Hose	
14	1001161274	2	Hose	
15	1001161275	3	Hose	
16	1001161276	2	Hose	
17	1001161277	4	Hose	
18	1001161278	1	Hose	
19	1001161279	6	Hose	
20	1001161280	3	Hose	
21	1001161281	3	Hose	
22	1001161282	2	Hose	
23	1001161283	1	Hose	
24	1001161289	1	Hose	
25	1001161290	1	Hose	
26	4240018	18	Tie-Strap (Not Shown)	
27	2220235	2	Fitting, O-Ring	

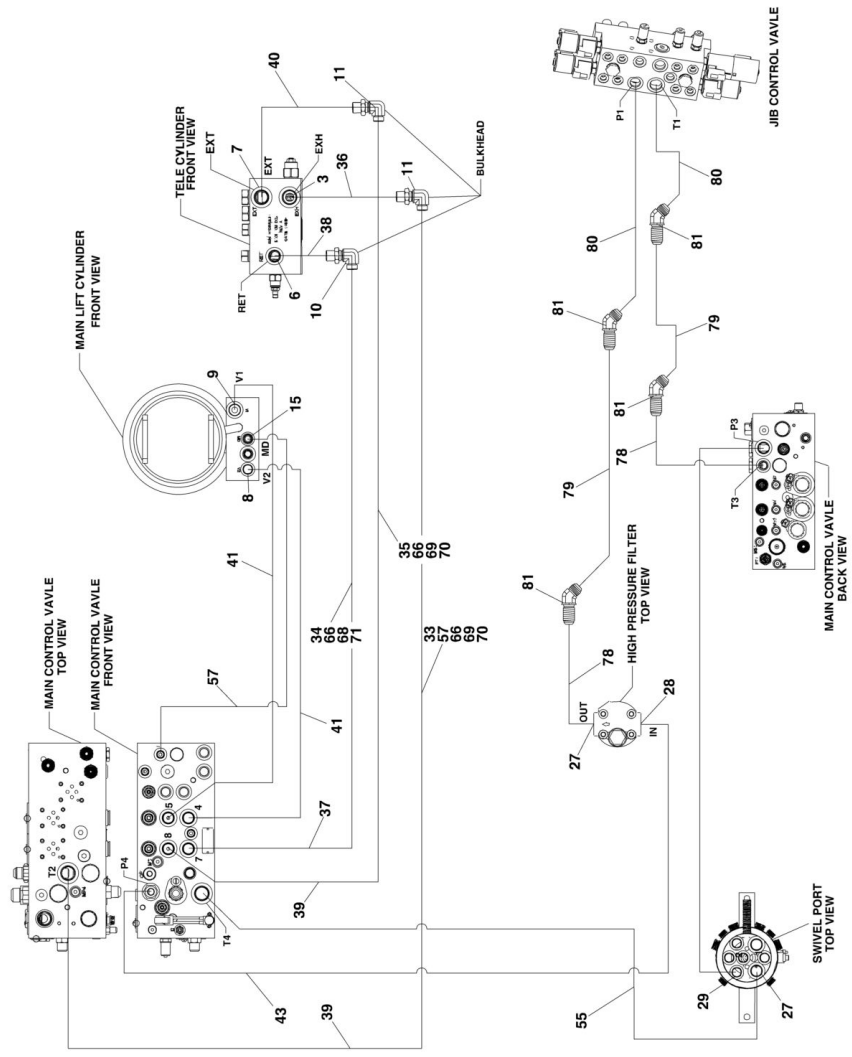
# SECTION 7 - HYDRAULIC

## FIGURE 7-3. TURNTABLE HYDRAULIC DIAGRAM



1001157242\_PG 1 OF 2

# SECTION 7 - HYDRAULIC



1001157242\_PG 2 OF 2

# SECTION 7 - HYDRAULIC

## FIGURE 7-3. TURNTABLE HYDRAULIC DIAGRAM

ITEM	PART NUMBER	QTY	DESCRIPTION	REV
	1001157242	Ref	HYDRAULIC DIAGRAM - TURNTABLE	H
1	2110404	1	Fitting, Straight ORFS/ORB	
2	2111010	4	Fitting, Straight ORFS/ORB	
3	2111012	1	Fitting, Straight ORFS/ORB	
4	2111016	4	Fitting, Straight ORFS/ORB	
5	2111620	2	Fitting, Straight ORFS/ORB	
6	2130810	1	Fitting, 90 ORFS/ORB	
7	2131012	1	Fitting, 90 ORFS/ORB	
8	2151010	1	Fitting, 45 ORFS/ORB	
9	2151012	1	Fitting, 45 ORFS/ORB	
10	2171208	1	Fitting, 90 ORFS/ORFS	
11	2171210	2	Fitting, 90 ORFS/ORFS	
14	2220366	1	Fitting, 90 JIC/ORB	
15	2220603	1	Fitting, Straight JIC/ORB	
16	2220373	1	Fitting, Straight JIC/ORB	
17	2220374	7	Fitting, Straight JIC/ORB	
18	2220375	2	Fitting, Straight JIC/ORB	
19	2220380	2	Fitting, Straight JIC/ORB	
20	2220415	1	Fitting, Straight JIC/ORB	
21	2220451	1	Fitting, Straight JIC/ORB	
22	2220478	1	Kit, Split Flange	
23	2220479	1	Fitting, Straight JIC/ORB	
25	2220602	1	Fitting, Tee JIC/ORB/JIC	
26	2220618	1	Fitting, Straight JIC/FSJIC	
27	2220865	4	Fitting, Straight JIC/ORB	
28	2220906	1	Fitting, 90 JIC/ORB	
29	2220947	1	Fitting, Straight JIC/ORB	
30	2221034	1	Fitting, Tee JIC/ORB/JIC	
31	88662013	1	Fitting, Straight JIC/ORB	
32	1001110604	1	Kit, Split Flange	
33	1001158817	1	Pipe, Low Pressure	
34	1001158818	1	Pipe, High Pressure	
35	1001158819	1	Pipe, High Pressure	
36	1001161609	1	Hose	
37	1001161610	1	Hose	
38	1001161611	1	Hose	
39	1001161612	2	Hose	
40	1001161613	1	Hose	
41	1001161614	2	Hose	
43	1001161616	1	Hose	
45	1001161618	1	Hose	
46	1001161619	1	Hose	
47	1001161620	1	Hose	
48	1001161621	1	Hose	
49	1001161622	1	Hose	
50	1001161623	1	Hose	
51	1001161624	4	Hose	
52	1001161625	1	Hose	
53	1001161637	1	Hose	
54	1001161638	1	Hose	



## SECTION 7 - HYDRAULIC

ITEM	PART NUMBER	QTY	DESCRIPTION	REV
55	1001161639	1	Hose	
56	1001161640	4	Hose	
57	1001161641	1	Hose	
58	1001161642	1	Hose	
59	1001161643	1	Hose	
60	1001161644	1	Hose	
61	1001161645	1	Hose	
62	1001161646	1	Hose	
63	1001161647	1	Hose	
64	1001161837	1	Hose	
65	1001161869	1	Hose	
66	0641412001	17	Bolt 1/4 x 1-1/2	
67	0641413001	3	Bolt 1/4 X 1-5/8	
68	8769146	3	Cover	
69	8769153	7	Cover	
70	8769154	7	Clamp Set	
71	8769199	3	Clamp Set	
72	4240018	AR	Tie-Strap (Not Shown)	
73	4240155	1	Strap, Cinch (Not Shown)	
74	2220500	1	Fitting, 45 S JIC/ORB	
75	2220578	1	Fitting, 90 S JIC/ORB	
76	1001119455	1	Valve, Oil Sampling	
77	77133089	1	Mini-Check	
78	1001184111	2	Hose	
79	1001184112	2	Hose	
80	1001184113	2	Hose	
81	2230035	4	Fitting, BH 45, JIC/JIC	

## SECTION 7 - HYDRAULIC

FIGURE 7-4. HYDRAULIC DIAGRAM LIST

ITEM	PART NUMBER	QTY	DESCRIPTION	REV
		Ref	Note: Diagrams are available from JLG Service/Parts Department.	
	1001157243	Ref	Hydraulic Diagram - Boom and Jib	
	1001157241	Ref	Hydraulic Diagram - Chassis	
	1001157242	Ref	Hydraulic Diagram - Turntable	
	1001149709	Ref	Hydraulic Schematic	

**SECTION 8 - ELECTRICAL**

## SECTION 8 - ELECTRICAL

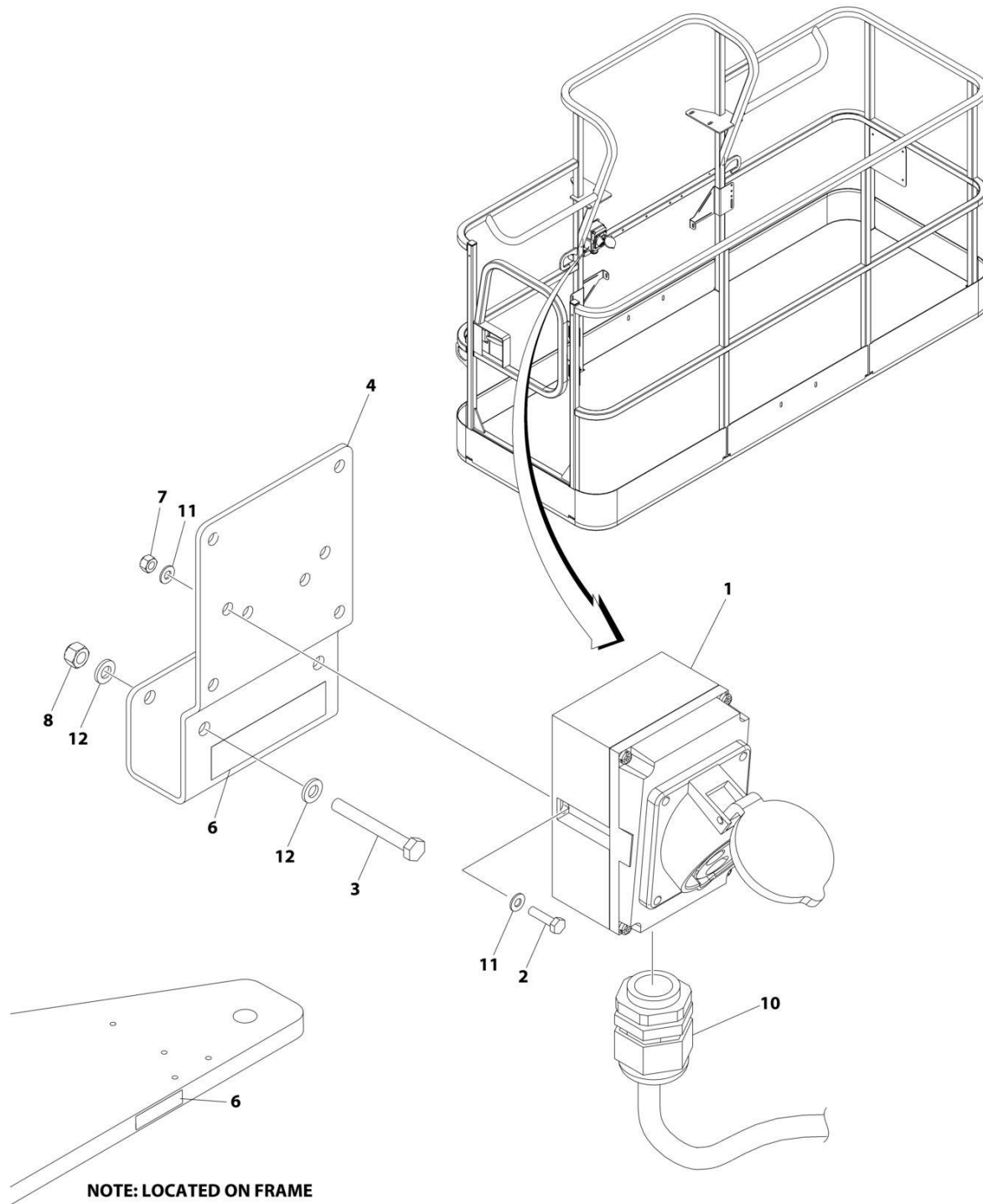
**FIGURE 8-1. ELECTRICAL DIAGRAM LIST**

ITEM	PART NUMBER	QTY	DESCRIPTION	REV
		Ref	Note: Diagrams are available from JLG Service/Parts Departments.	
	1001205405	Ref	GENERATOR ELECTRICAL DIAGRAM - 4000W (ANSI Export, CE, China and Japanese Specs)	
	1001205406	Ref	GENERATOR ELECTRICAL DIAGRAM - 4000W (Australian Specs)	
	1001205407	Ref	GENERATOR ELECTRICAL DIAGRAM - 4000W (CE/UK Specs)	
	1001156083	Ref	GENERATOR ELECTRICAL DIAGRAM - 7500W	
	4933218	Ref	SOFT-TOUCH PLATFORM ELECTRICAL DIAGRAM	
	1001241868	Ref	STANDARD ELECTRICAL SCHEMATIC	



# SECTION 8 - ELECTRICAL

FIGURE 8-2. AC BOX AT PLATFORM INSTALLATION - 110V IEC 60309 YELLOW WITHOUT 4000W GENERATOR (CE & UK CA SPECS)



ART\_1001161667

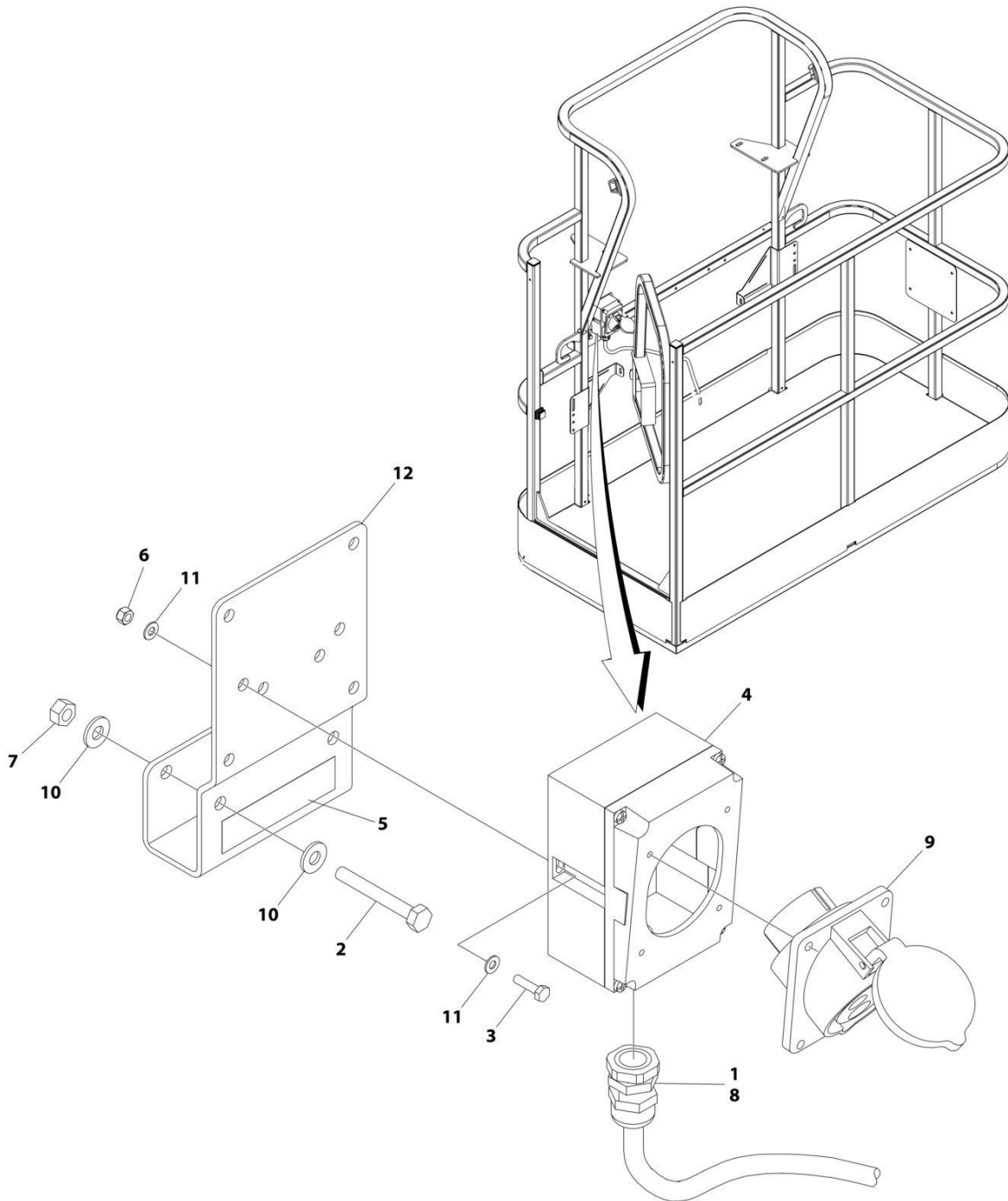
## SECTION 8 - ELECTRICAL

**FIGURE 8-2. AC BOX AT PLATFORM INSTALLATION - 110V IEC 60309 YELLOW WITHOUT 4000W GENERATOR (CE & UK CA SPECS)**

ITEM	PART NUMBER	QTY	DESCRIPTION	REV
	1001161667	Ref	AC BOX AT PLATFORM INSTALLATION	C
1	0275216	1	Receptacle Box Kit - 110V IEC Yellow (See Separate Breakdown in this Section)	
2	0700408	2	Bolt M4 x 16	
3	0700618	2	Bolt M6 x 50	
4	1001193018	1	Bracket	
6	1705325	2	Decal - 110V	
7	3290405	2	Nut M4	
8	3290605	2	Nut M6	
10	1001101191	1	Connector, Strain Relief	
11	4811400	4	Washer M4	
12	4811700	4	Washer M6	

# SECTION 8 - ELECTRICAL

FIGURE 8-3. AC BOX AT PLATFORM INSTALLATION - 110V IEC 60309 YELLOW WITH 4000W GENERATOR (CE & UK CA SPECS)



ART\_1001194203



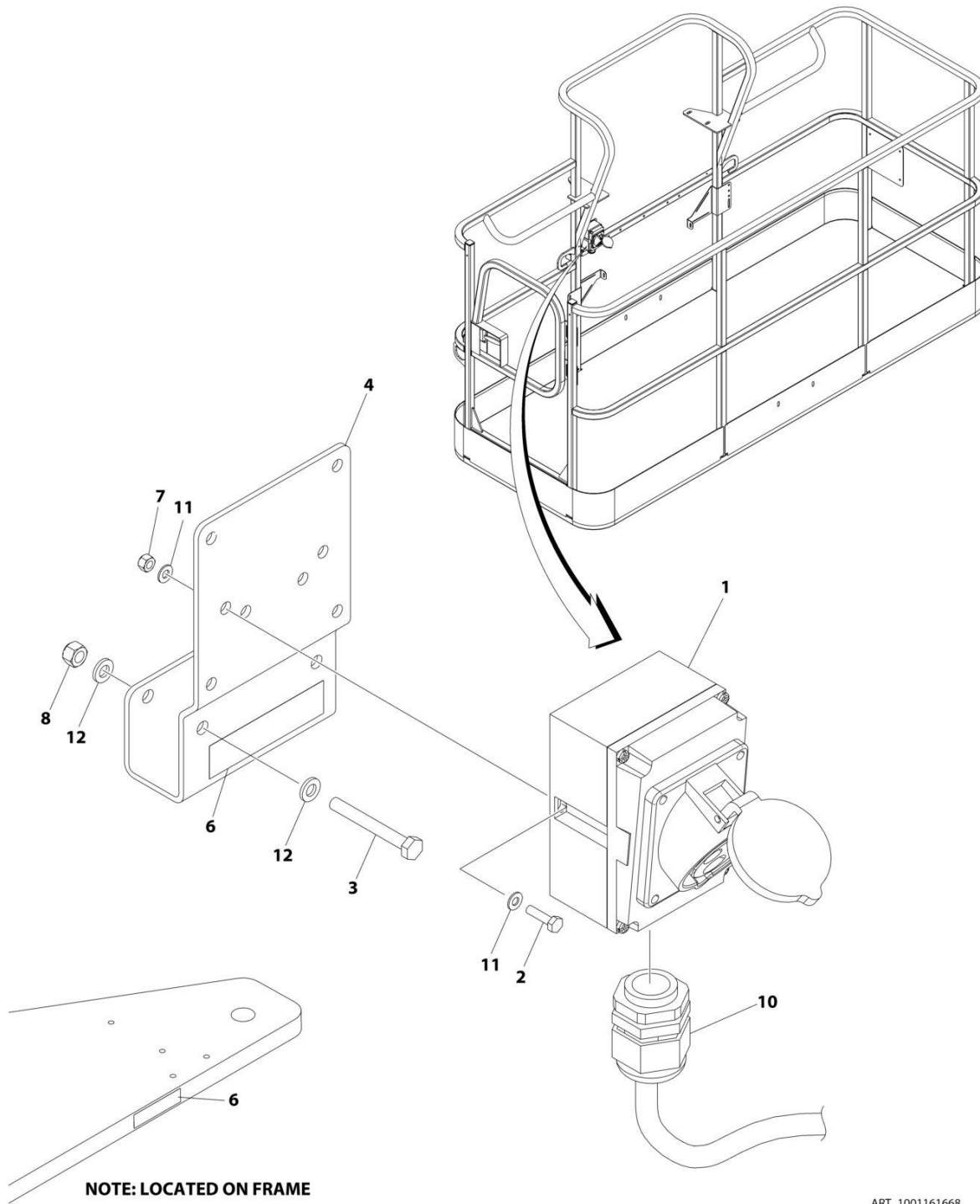
## SECTION 8 - ELECTRICAL

**FIGURE 8-3. AC BOX AT PLATFORM INSTALLATION - 110V IEC 60309 YELLOW WITH 4000W GENERATOR (CE & UK CA SPECS)**

ITEM	PART NUMBER	QTY	DESCRIPTION	REV
	1001194203	Ref	AC BOX AT PLATFORM INSTALLATION	B
1	0100020	AR	Sealant, Pipe	
2	0641416	2	Bolt 1/4 x 2	
3	0700408	2	Bolt M4 x 16	
4	0861781	1	Box, Switch	
5	1705325	1	Decal - 110V	
6	3290405	2	Nut M4	
7	3311405	2	Nut 1/4	
8	4460968	1	Connector, Strain Relief	
9	4461198	1	Receptacle	
10	4711400	4	Washer 1/4	
11	4811400	4	Washer M4	
12	1001193018	1	Bracket, AC Receptacle	

# SECTION 8 - ELECTRICAL

FIGURE 8-4. AC BOX AT PLATFORM INSTALLATION - 220V IEC 60309 BLUE WITHOUT 4000W GENERATOR (CE & UK CA SPECS)



ART\_1001161668

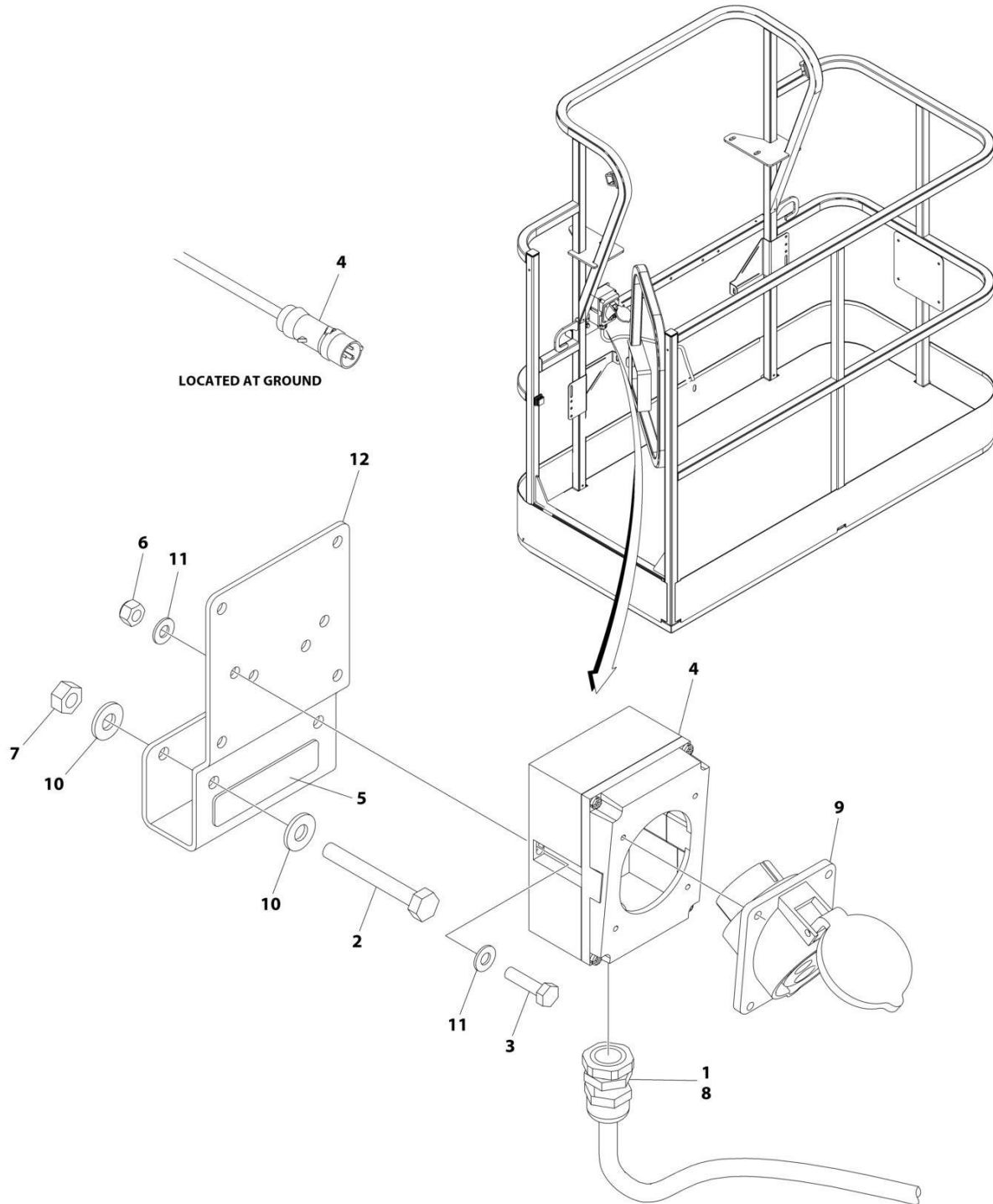
## SECTION 8 - ELECTRICAL

**FIGURE 8-4. AC BOX AT PLATFORM INSTALLATION - 220V IEC 60309 BLUE WITHOUT 4000W GENERATOR (CE & UK CA SPECS)**

ITEM	PART NUMBER	QTY	DESCRIPTION	REV
	1001161668	Ref	AC BOX AT PLATFORM INSTALLATION	C
1	0275217	1	Receptacle Box Kit (See Separate Breakdown in this Section)	
2	0700408	2	Bolt M4 x 16	
3	0700618	2	Bolt M6 x 50	
4	1001193018	1	Bracket	
6	3252507	2	Decal - 110V	
7	3290405	2	Nut M4	
8	3290605	2	Nut M6	
10	1001101191	1	Connector, Strain Relief	
11	4811400	4	Washer M4	
12	4811700	4	Washer M6	

# SECTION 8 - ELECTRICAL

FIGURE 8-5. AC BOX AT PLATFORM INSTALLATION - 220V IEC 60309 BLUE WITH 4000W GENERATOR (CE & UK CA SPECS)



ART\_1001194204

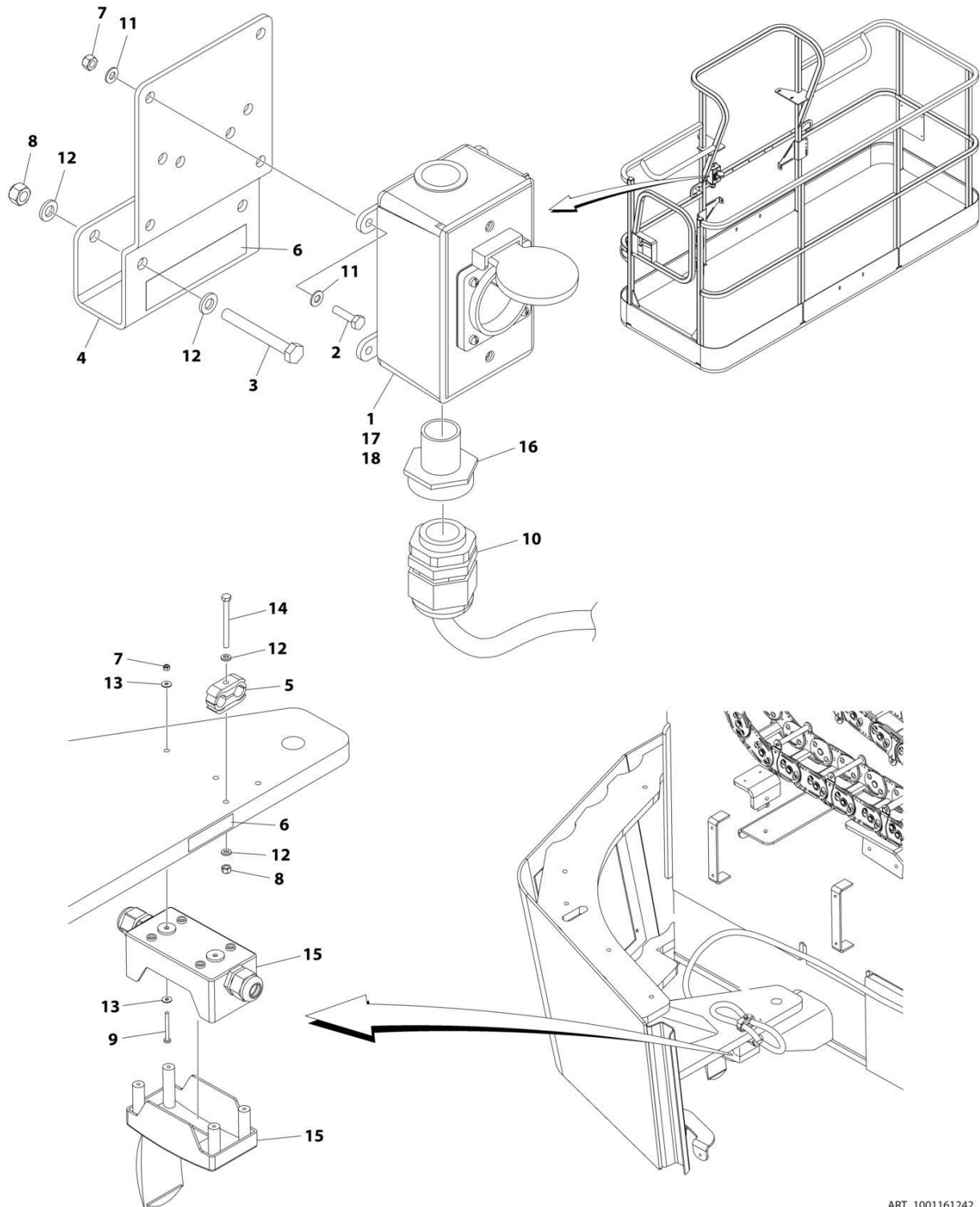
## SECTION 8 - ELECTRICAL

**FIGURE 8-5. AC BOX AT PLATFORM INSTALLATION - 220V IEC 60309 BLUE WITH 4000W GENERATOR (CE & UK CA SPECS)**

ITEM	PART NUMBER	QTY	DESCRIPTION	REV
	1001194204	Ref	AC BOX AT PLATFORM INSTALLATION	B
1	0100020	AR	Sealant, Pipe	
2	0641416	2	Bolt 1/4 x 2	
3	0700408	2	Bolt M4 x 16	
4	0861781	1	Box, Switch	
5	3251242	1	Decal - 240V/50Hz	
6	3290405	2	Nut M4	
7	3311405	2	Nut 1/4	
8	4460968	1	Connector, Strain Relief	
9	4461201	1	Receptacle	
10	4711400	4	Washer 1/4	
11	4811400	4	Washer M4	
12	1001193018	1	Bracket, AC Receptacle	

# SECTION 8 - ELECTRICAL

FIGURE 8-6. AC BOX AT PLATFORM INSTALLATION - 220V CEE7 POST GROUND (2X4 BOX) WITHOUT 4000W GENERATOR (CE & UK CA SPECS)



ART\_1001161242

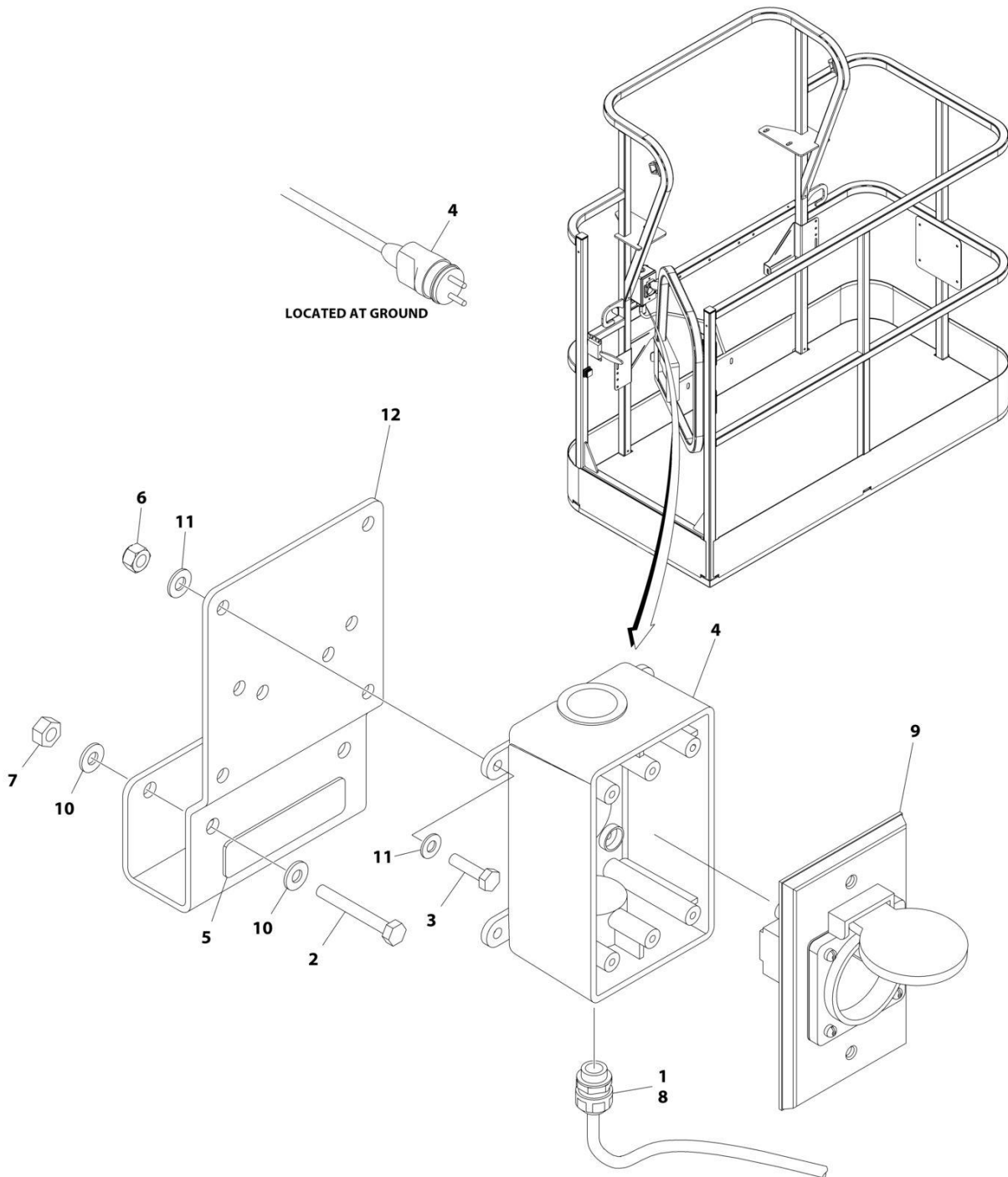
## SECTION 8 - ELECTRICAL

**FIGURE 8-6. AC BOX AT PLATFORM INSTALLATION - 220V CEE7 POST GROUND (2X4 BOX)  
WITHOUT 4000W GENERATOR (CE & UK CA SPECS)**

ITEM	PART NUMBER	QTY	DESCRIPTION	REV
	1001161242	Ref	AC BOX AT PLATFORM INSTALLATION	D
1	0275452	1	Receptacle Box Kit (See Separate Breakdown in this Section)	
2	0700408	2	Bolt M4 x 16	
3	0700618	2	Bolt M6 x 50	
4	1001193018	1	Bracket	
5	1320146	1	Clamp	
6	3252507	2	Decal - 240V-50Hz	
7	3290405	2	Nut M4	
8	3290605	2	Nut M6	
9	4010416	2	Screw M4 x 40	
10	1001101191	1	Connector, Strain Relief	
11	4811400	4	Washer M4	
12	4811700	4	Washer M6	
13	1001091102	4	Washer M4	
14	1001096653	1	Bolt M6 x 70	
15	1001158080	1	Kit, Breaker Box (See Separate Breakdown in this Section)	
16	1001101197	1	Adapter	
17	4460806	2	Terminal, Fork	
18	1001205958	1	Terminal	

# SECTION 8 - ELECTRICAL

FIGURE 8-7. AC BOX AT PLATFORM INSTALLATION - 220V CEE7 POST GROUND (2X4 BOX) WITH 4000W GENERATOR (CE & UK CA SPECS)



ART\_1001194197



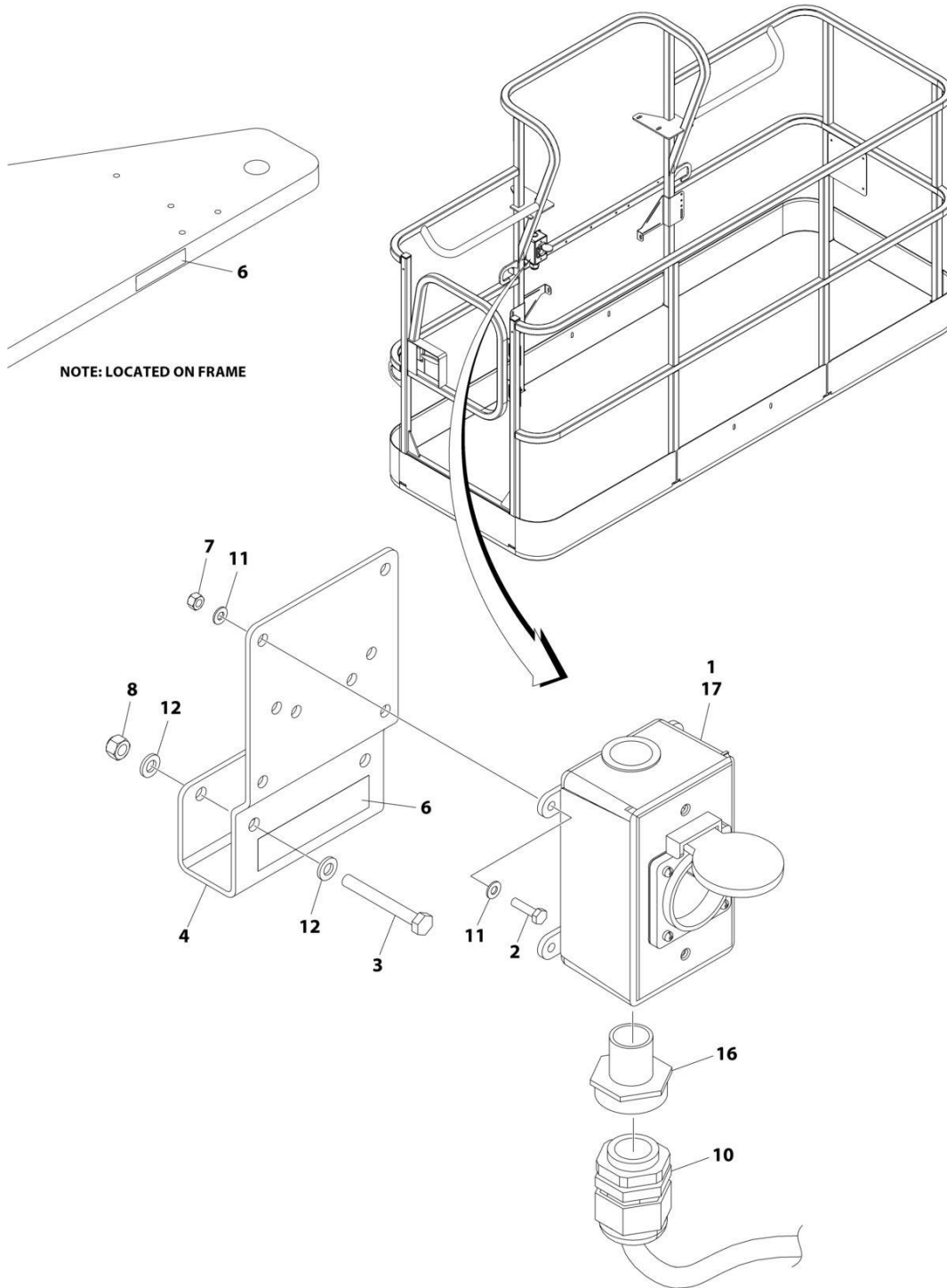
## SECTION 8 - ELECTRICAL

**FIGURE 8-7. AC BOX AT PLATFORM INSTALLATION - 220V CEE7 POST GROUND (2X4 BOX) WITH  
4000W GENERATOR (CE & UK CA SPECS)**

ITEM	PART NUMBER	QTY	DESCRIPTION	REV
	1001194197	Ref	AC BOX AT PLATFORM INSTALLATION	B
1	0100020	AR	Sealant, Pipe	
2	0641416	2	Bolt 1/4 x 2	
3	0700408	4	Bolt M4 x 16	
4	0861731	1	Box, Switch	
5	3251242	1	Decal - 240V/50Hz	
6	3290405	4	Nut M4	
7	3311405	2	Nut 1/4	
8	4460662	1	Connector, Strain Relief	
9	4461244	1	Receptacle	
10	4711400	4	Washer 1/4	
11	4811400	8	Washer M4	
12	1001193018	1	Bracket, AC Receptacle	
13	4460806	2	Terminal, Fork (Not Shown)	
14	1001205958	1	Terminal (Not Shown)	

# SECTION 8 - ELECTRICAL

**FIGURE 8-8. AC BOX AT PLATFORM INSTALLATION - 220V AFSINT 107 KEYED GROUND (2X4 BOX) WITHOUT 4000W GENERATOR (CE & UK CA SPECS)**



ART\_1001161244

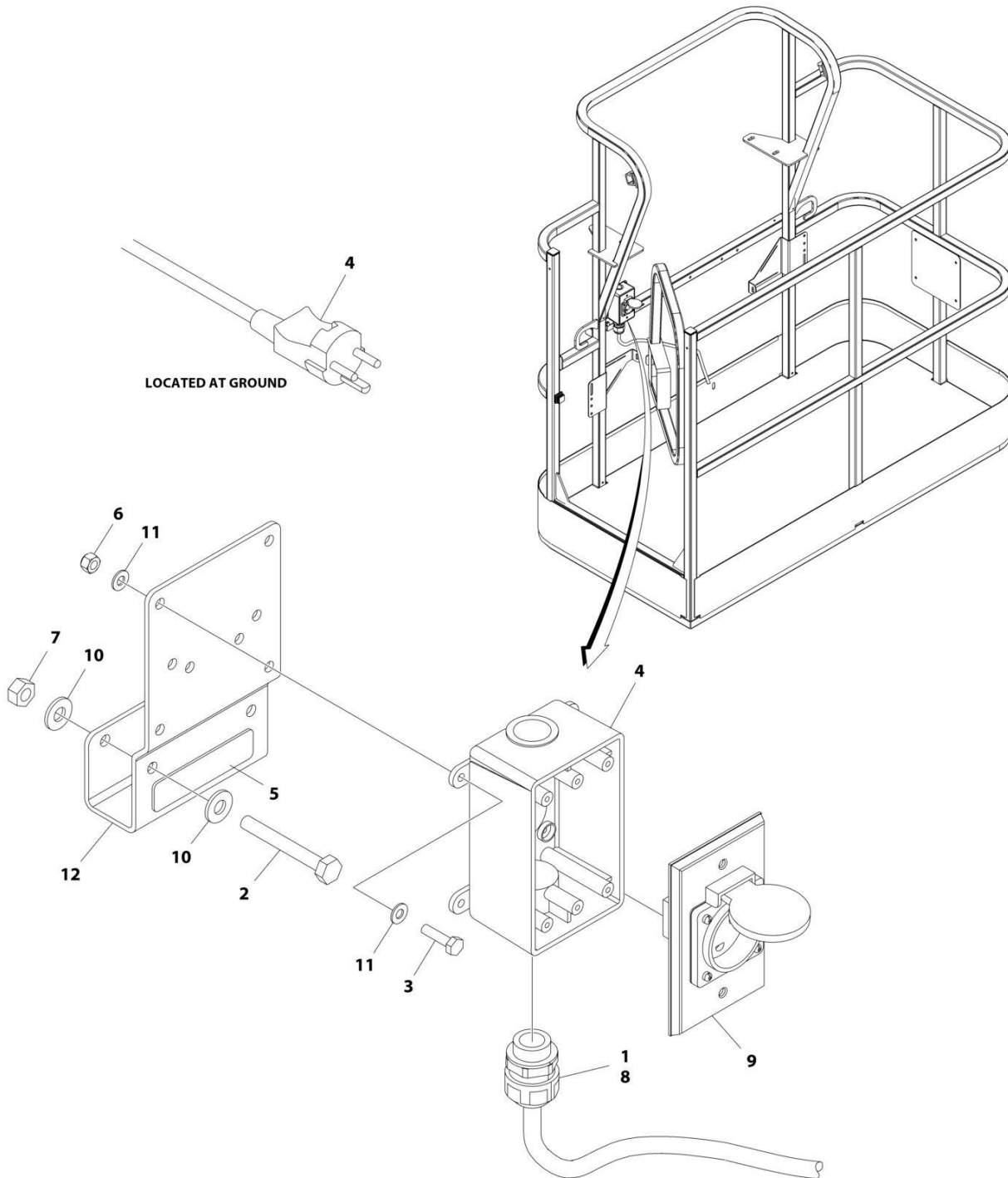
## SECTION 8 - ELECTRICAL

**FIGURE 8-8. AC BOX AT PLATFORM INSTALLATION - 220V AFSINT 107 KEYED GROUND (2X4 BOX)  
WITHOUT 4000W GENERATOR (CE & UK CA SPECS)**

ITEM	PART NUMBER	QTY	DESCRIPTION	REV
	1001161244	Ref	AC BOX AT PLATFORM INSTALLATION	E
1	0275454	1	Receptacle Box Kit (See Separate Breakdown in this Section)	
2	0700408	4	Bolt M4 x 16	
3	0700618	2	Bolt M6 x 50	
4	1001193018	1	Bracket	
6	3252507	2	Decal - 240V-50Hz	
7	3290405	4	Nut M4	
8	3290605	2	Nut M6	
10	1001101191	1	Connector, Strain Relief	
11	4811400	8	Washer M4	
12	4811700	4	Washer M6	
16	1001101197	1	Adapter	
17	1001205958	3	Terminal	

# SECTION 8 - ELECTRICAL

**FIGURE 8-9. AC BOX AT PLATFORM INSTALLATION - 220V AFSINT 107 KEYED GROUND (2X4 BOX) WITH 4000W GENERATOR (CE & UK CA SPECS)**



ART\_1001194200

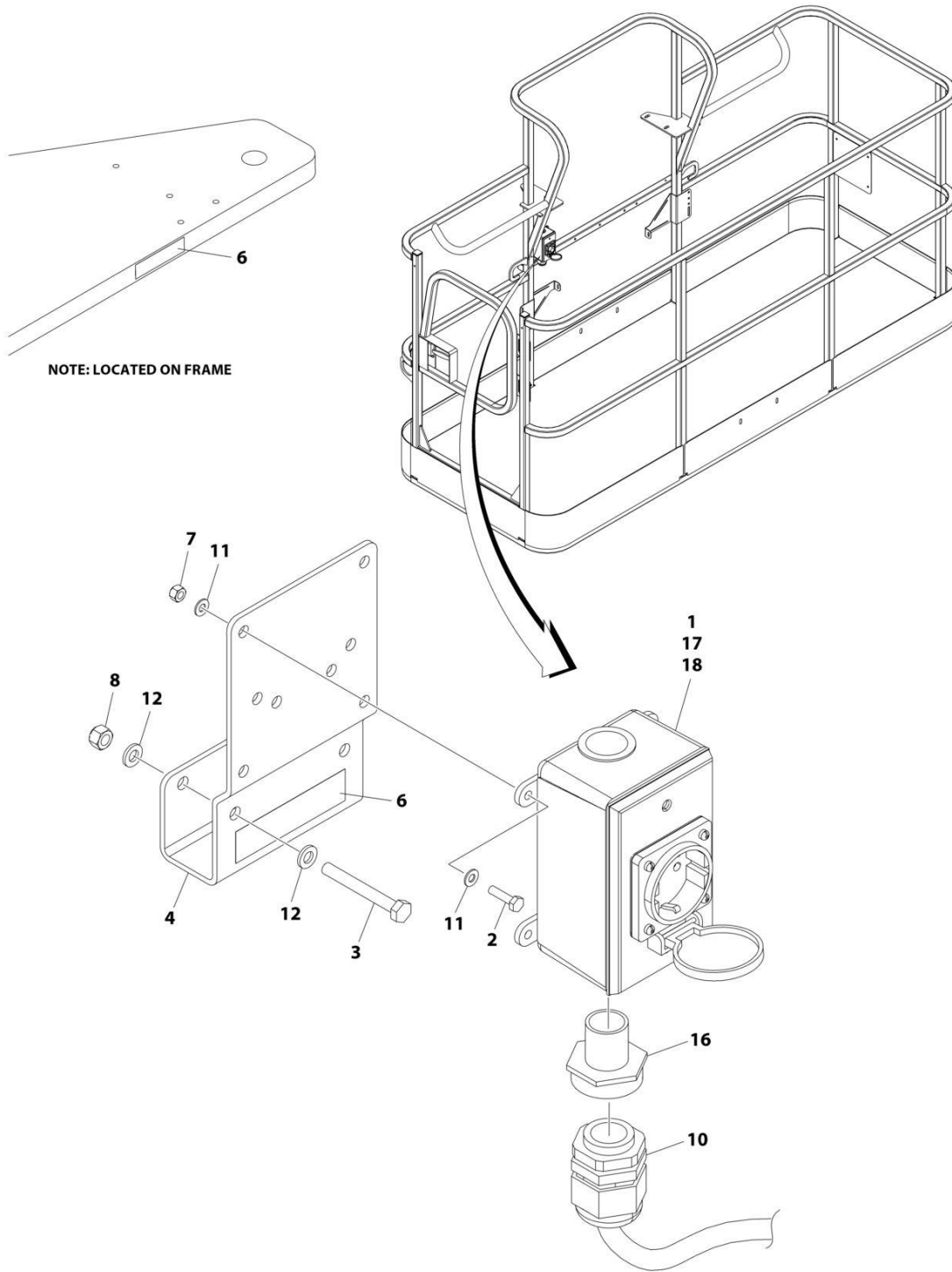
## SECTION 8 - ELECTRICAL

**FIGURE 8-9. AC BOX AT PLATFORM INSTALLATION - 220V AFSINT 107 KEYED GROUND (2X4 BOX)  
WITH 4000W GENERATOR (CE & UK CA SPECS)**

ITEM	PART NUMBER	QTY	DESCRIPTION	REV
	1001194200	Ref	AC BOX AT PLATFORM INSTALLATION	B
1	0100020	AR	Sealant, Pipe	
2	0641416	2	Bolt 1/4 x 2	
3	0700408	4	Bolt M4 x 16	
4	0861731	1	Box, Switch	
5	3251242	1	Decal - 240V/50Hz	
6	3290405	4	Nut M4	
7	3311405	2	Nut 1/4	
8	4460662	1	Connector, Strain Relief	
9	4461246	1	Receptacle	
10	4711400	4	Washer 1/4	
11	4811400	8	Washer M4	
12	1001193018	1	Bracket, AC Receptacle	
13	1001205958	1	Terminal (Not Shown)	

# SECTION 8 - ELECTRICAL

FIGURE 8-10. AC BOX AT PLATFORM INSTALLATION - 220V CEE7 SIDE GROUND (2X4 BOX) WITHOUT 4000W GENERATOR (CE & UK CA SPECS)



ART\_1001161243

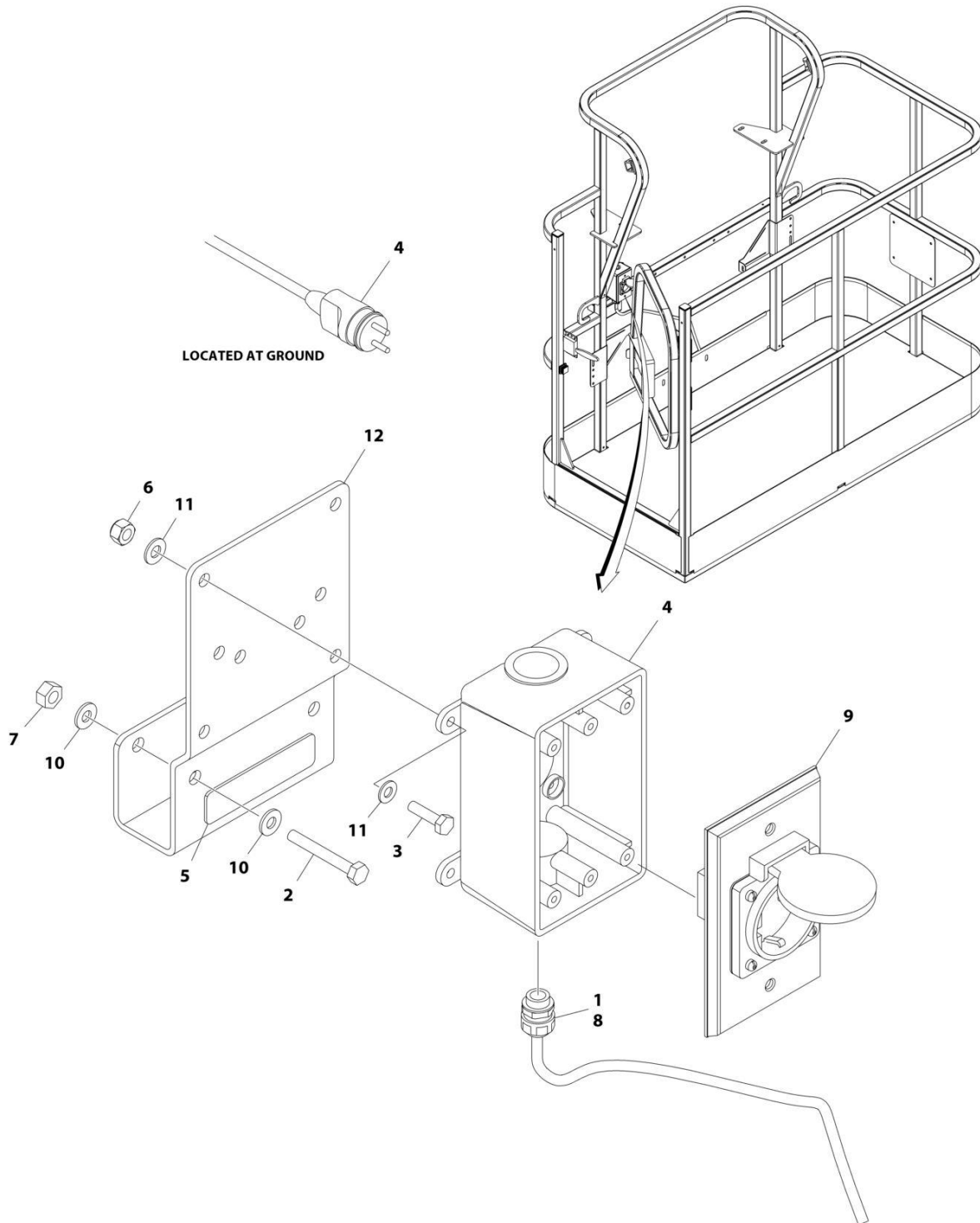
## SECTION 8 - ELECTRICAL

**FIGURE 8-10. AC BOX AT PLATFORM INSTALLATION - 220V CEE7 SIDE GROUND (2X4 BOX)  
WITHOUT 4000W GENERATOR (CE & UK CA SPECS)**

ITEM	PART NUMBER	QTY	DESCRIPTION	REV
	1001161243	Ref	AC BOX AT PLATFORM INSTALLATION	E
1	0275453	1	Receptacle Box Kit (See Separate Breakdown in this Section)	
2	0700408	4	Bolt M4 x 16	
3	0700618	2	Bolt M6 x 50	
4	1001193018	1	Bracket	
6	3252507	2	Decal - 240V-50Hz	
7	3290405	4	Nut M4	
8	3290605	2	Nut M6	
10	1001101191	1	Connector, Strain Relief	
11	4811400	8	Washer M4	
12	4811700	4	Washer M6	
16	1001101197	1	Adapter	
17	4460806	2	Terminal, Fork	
18	1001205958	1	Terminal	

# SECTION 8 - ELECTRICAL

FIGURE 8-11. AC BOX AT PLATFORM INSTALLATION - 220V CEE7 SIDE GROUND (2X4 BOX) WITH 4000W GENERATOR (CE & UK CA SPECS)



ART\_1001194198



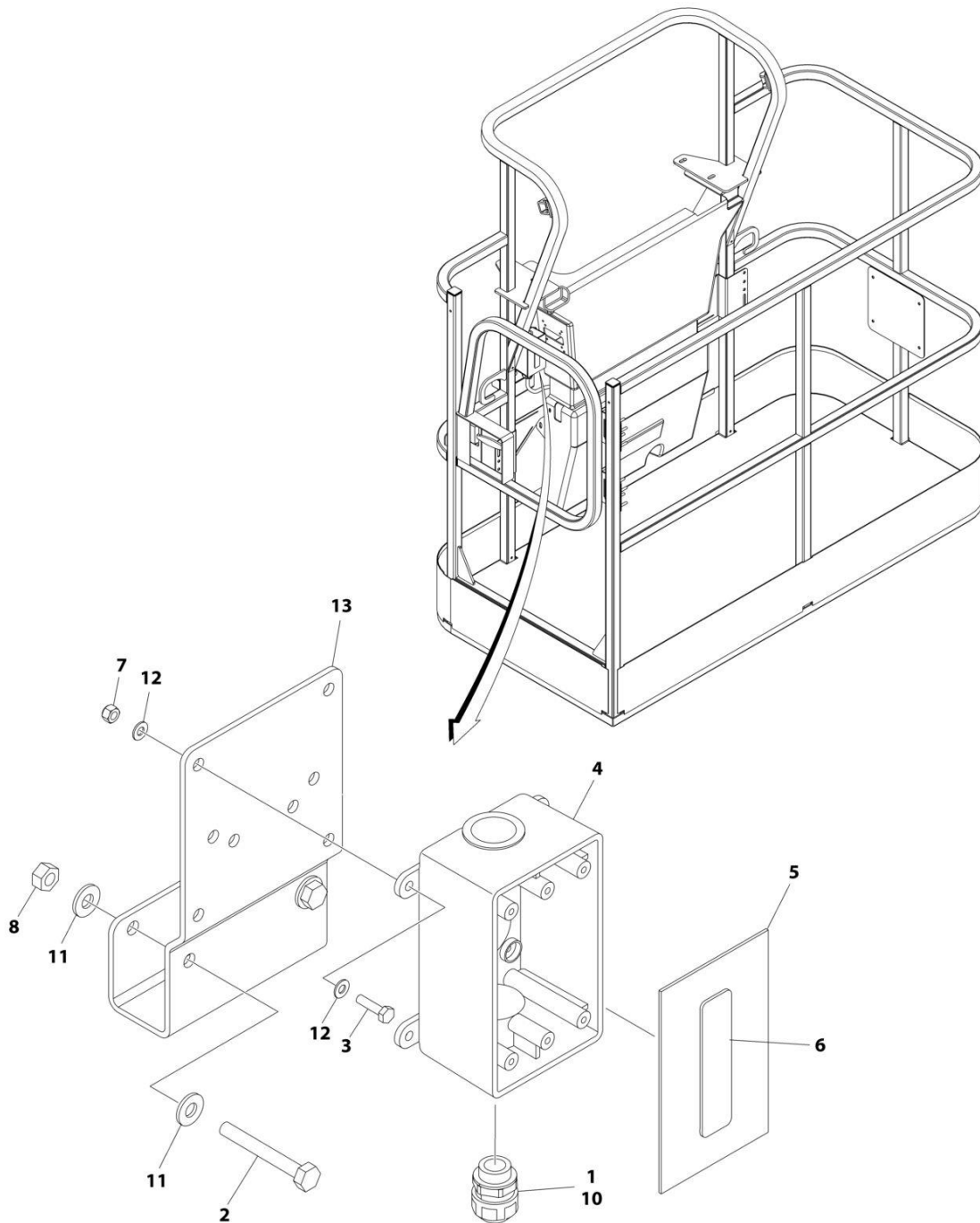
## SECTION 8 - ELECTRICAL

**FIGURE 8-11. AC BOX AT PLATFORM INSTALLATION - 220V CEE7 SIDE GROUND (2X4 BOX) WITH 4000W GENERATOR (CE & UK CA SPECS)**

ITEM	PART NUMBER	QTY	DESCRIPTION	REV
	1001194198	Ref	AC BOX AT PLATFORM INSTALLATION	B
1	0100020	AR	Sealant, Pipe	
2	0641416	2	Bolt 1/4 x 2	
3	0700408	4	Bolt M4 x 16	
4	0861731	1	Box, Switch	
5	3251242	1	Decal - 240V/50Hz	
6	3290405	4	Nut M4	
7	3311405	2	Nut 1/4	
8	4460662	1	Connector, Strain Relief	
9	4461245	1	Receptacle	
10	4711400	4	Washer 1/4	
11	4811400	8	Washer M4	
12	1001193018	1	Bracket, AC Receptacle	
13	4460806	2	Terminal, Fork (Not Shown)	
14	1001205958	1	Terminal (Not Shown)	

## SECTION 8 - ELECTRICAL

**FIGURE 8-12. AC BOX AT PLATFORM INSTALLATION - BOX WITH COVER (2X4 BOX) WITH 4000W GENERATOR (ANSI EXPORT, AUSTRALIAN, CHINA, JAPANESE, CE & UK CA SPECS)**



ART\_1001194365

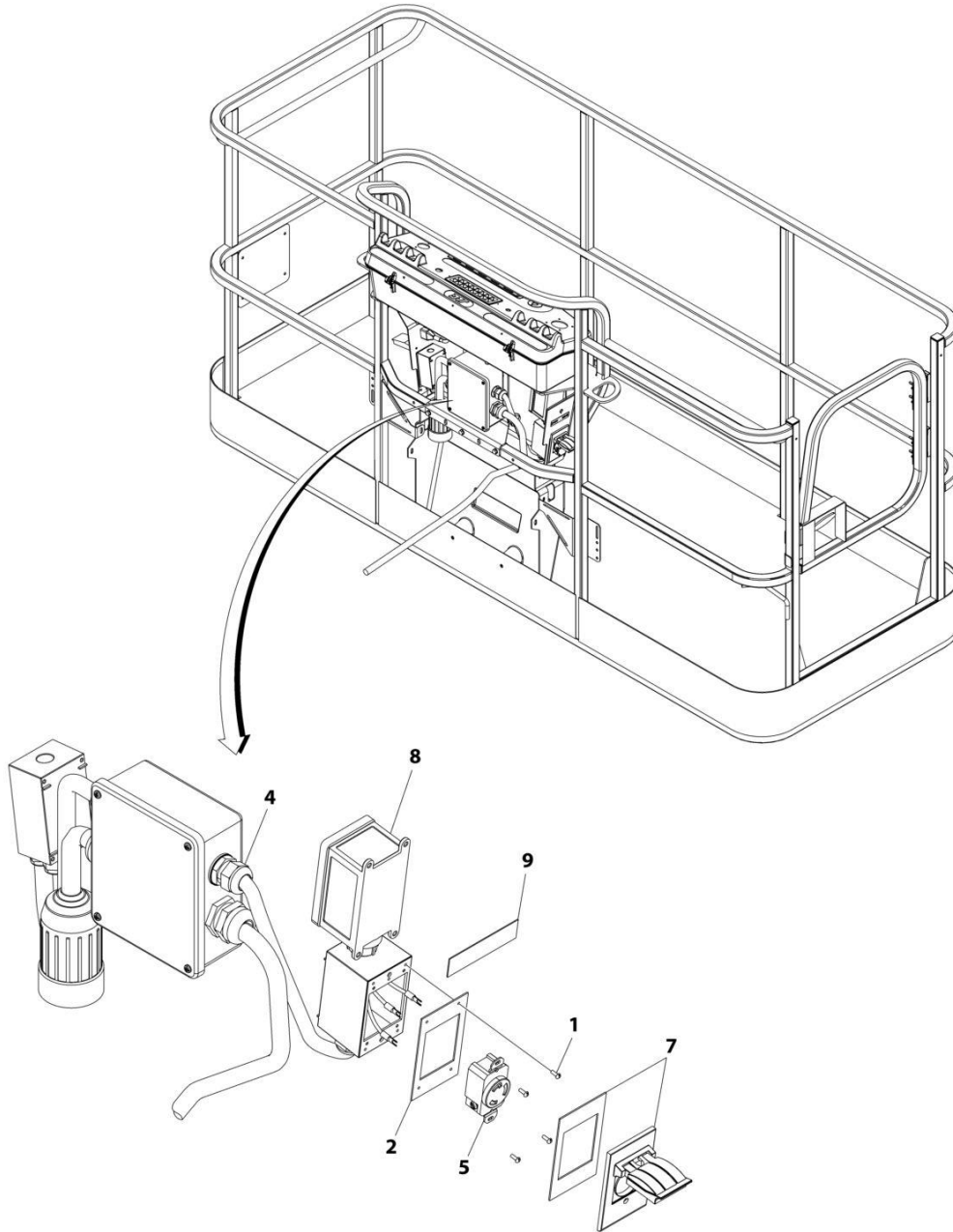
## SECTION 8 - ELECTRICAL

**FIGURE 8-12. AC BOX AT PLATFORM INSTALLATION - BOX WITH COVER (2X4 BOX) WITH 4000W GENERATOR (ANSI EXPORT, AUSTRALIAN, CHINA, JAPANESE, CE & UK CA SPECS)**

ITEM	PART NUMBER	QTY	DESCRIPTION	REV
	1001194365	Ref	AC BOX AT PLATFORM INSTALLATION - BOX WITH COVER (2X4 BOX)	A
1	0100020	AR	Sealant	
2	0641416	2	Bolt 1/4 x 2	
3	0700408	4	Bolt M4 x 16	
4	0861731	1	Box, Switch	
5	1670603	1	Cover	
6	3251242	1	Decal - 240V/50Hz	
7	3290405	4	Nut M4	
8	3311405	2	Nut 1/4	
9	4460384	3	Terminal (Not Shown)	
10	4460662	1	Connector, Strain Relief	
11	4711400	4	Washer 1/4	
12	4811400	8	Washer M4	
13	1001193018	1	Bracket, AC Receptacle	

## SECTION 8 - ELECTRICAL

FIGURE 8-13. AC BOX AT PLATFORM INSTALLATION - 240V (WITH 7500W SKYPOWER GENERATOR) (ALL SPECS EXCEPT AUSTRALIAN, CE & UK CA SPECS)



ART\_1001159121

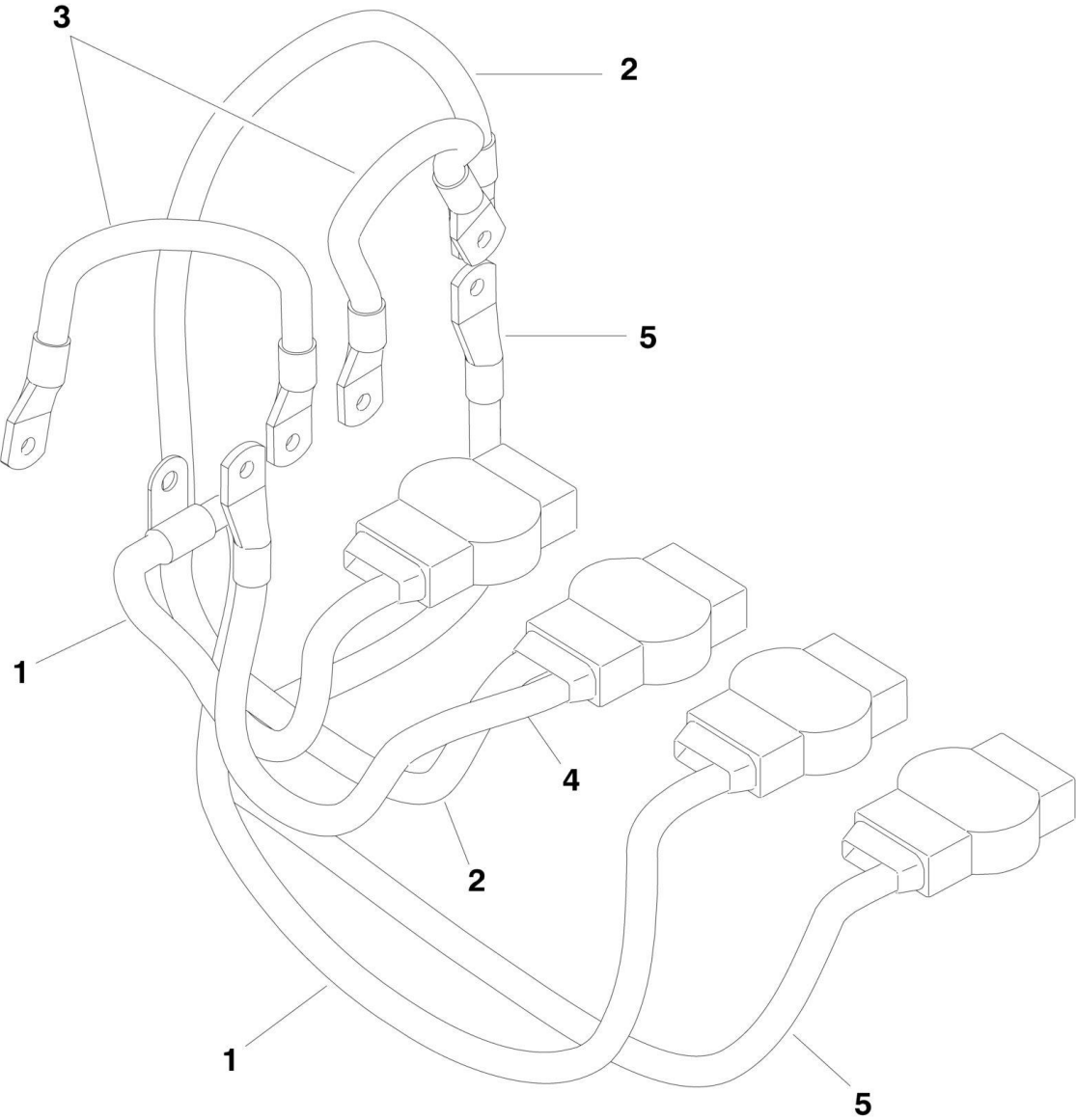
## SECTION 8 - ELECTRICAL

**FIGURE 8-13. AC BOX AT PLATFORM INSTALLATION - 240V (WITH 7500W SKYPOWER GENERATOR) (ALL SPECS EXCEPT AUSTRALIAN, CE & UK CA SPECS)**

ITEM	PART NUMBER	QTY	DESCRIPTION	REV
	1001159121	Ref	AC BOX AT PLATFORM INSTALLATION - 240V RECEPTACLE	B
1	3910606	4	Screw 6 x 3/8	
2	3960422	1	Gasket	
3	4240018	AR	Tie-Strap (Not Shown)	
4	4460425	1	Connector, Strain Relief	
5	4460958	1	Receptacle	
7	1001110872	1	Cover, Receptacle	
8	1001159120	1	Receptacle/Breaker Box Assembly	
8	1001148675	1	Box, Receptacle	
8	1001159118	1	Breaker Box Assembly	
8	4460612	1	Connector, Strain Relief	
8	1001159119	1	Connector (Between Boxes)	
9	1705374	1	Decal - 240V/60Hz	

**SECTION 8 - ELECTRICAL**

**FIGURE 8-14. BATTERY CABLE KIT - DEUTZ LRC ENGINES**



1001158922

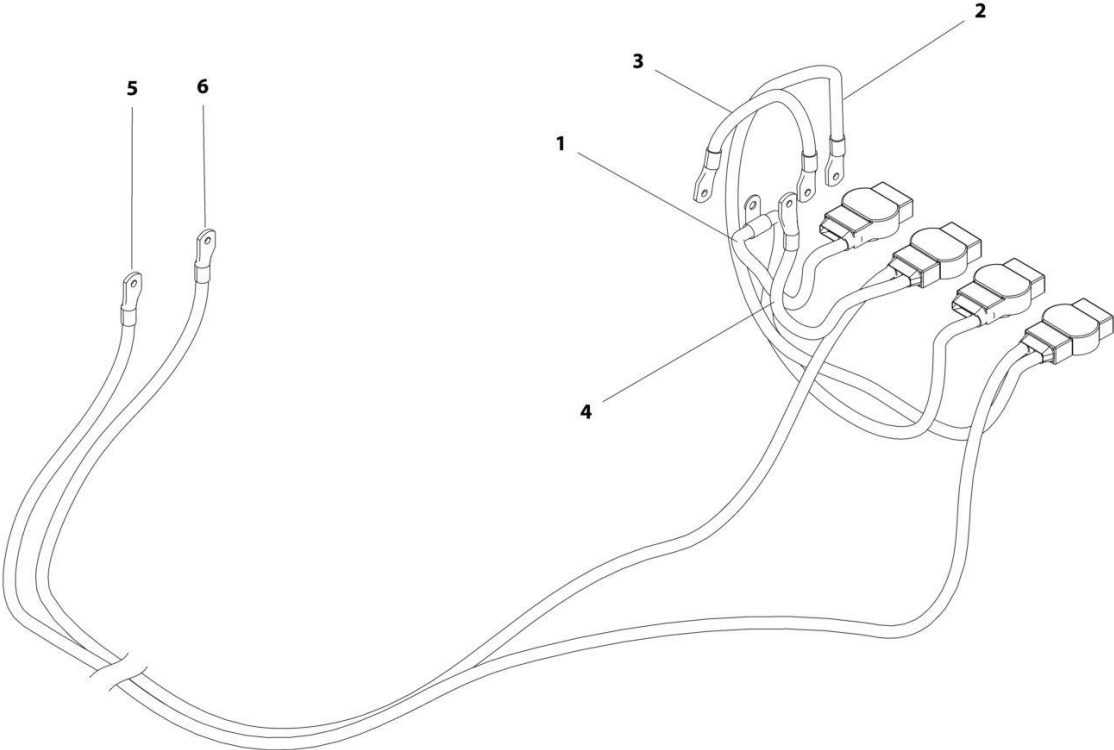
## SECTION 8 - ELECTRICAL

### FIGURE 8-14. BATTERY CABLE KIT - DEUTZ LRC ENGINES

ITEM	PART NUMBER	QTY	DESCRIPTION	REV
	1001158922	Ref	BATTERY CABLE KIT	B
1	7027096	1	Cable, Negative Battery	
2	7027097	1	Cable, Positive Battery	
3	7027098	2	Cable, Battery	
4	7027099	1	Cable, Battery	
5	70009000	1	Cable, Battery	

**SECTION 8 - ELECTRICAL**

**FIGURE 8-15. BATTERY CABLE KIT - DEUTZ HRC ENGINES**



ART\_1001197442



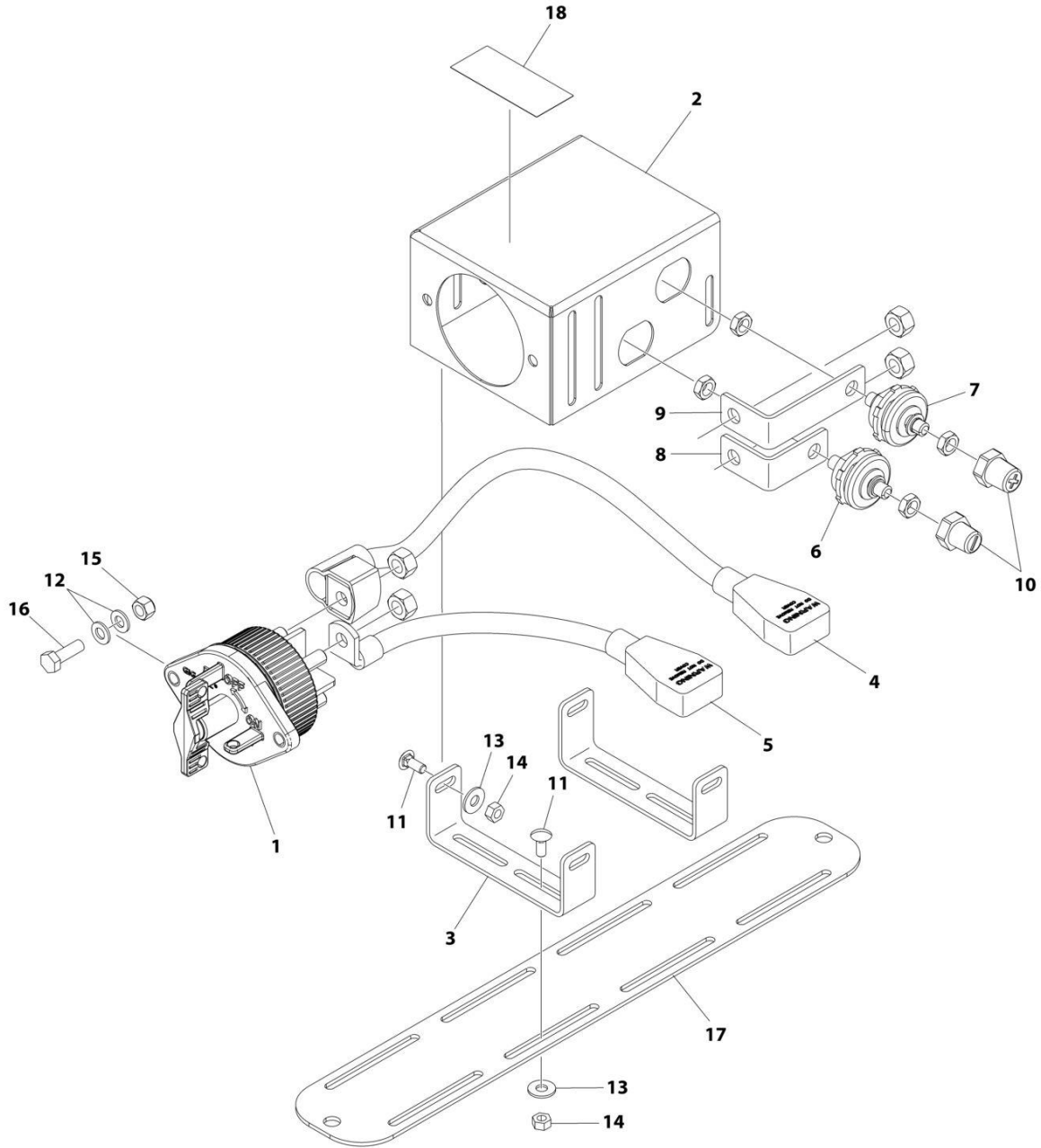
## SECTION 8 - ELECTRICAL

### FIGURE 8-15. BATTERY CABLE KIT - DEUTZ HRC ENGINES

ITEM	PART NUMBER	QTY	DESCRIPTION	REV
	1001197442	Ref	BATTERY CABLE KIT	B
1	70009012	1	Cable, Negative Battery	
2	70009013	1	Cable, Positive Battery	
3	70009014	1	Cable, Battery	
4	70009015	1	Cable, Battery	
5	70009016	1	Cable, Battery	
6	70009017	1	Cable, Battery	

# SECTION 8 - ELECTRICAL

## FIGURE 8-16. BATTERY DISCONNECT INSTALLATION



ART\_1001239874

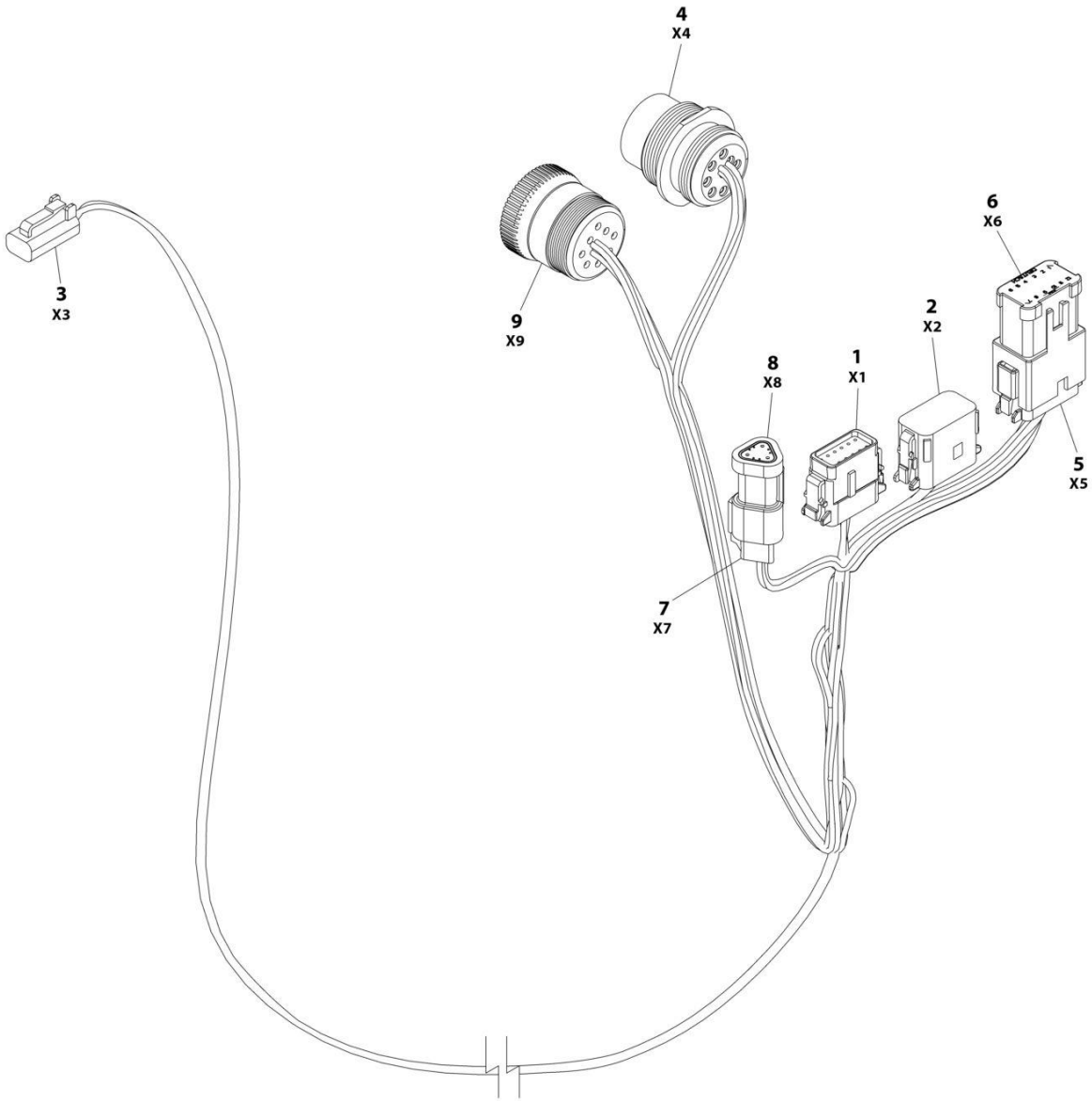
## SECTION 8 - ELECTRICAL

**FIGURE 8-16. BATTERY DISCONNECT INSTALLATION**

ITEM	PART NUMBER	QTY	DESCRIPTION	REV
	1001239874	Ref	BATTERY DISCONNECT INSTALLATION	A
1	1001225346	1	Switch, Disconnect	
2	1001226531	1	Mount	
3	1001239805	2	Mount	
4	1001236504	1	Cable (Positive)	
5	1001236505	1	Cable (Negative)	
6	1001214571	1	Connector (Black)	
7	1001214570	1	Connector (Red)	
8	1001209474	1	Buss bar	
9	1001209432	1	Buss bar	
10	1001206476	1	Connector	
11	88411013	8	Bolt 1/4 x 3/4	
12	4811900	4	Washer M8	
13	4751400	8	Washer 1/4	
14	3311405	8	Nut 1/4	
15	3290805	2	Nut M8	
16	0760812	2	Bolt M8 x 25	
17	1001241586	1	Plate	
18	1001239957	1	Decal - Battery Disconnect	

# SECTION 8 - ELECTRICAL

## FIGURE 8-17. BEACON CONTROL HARNESS



ART\_1001142736

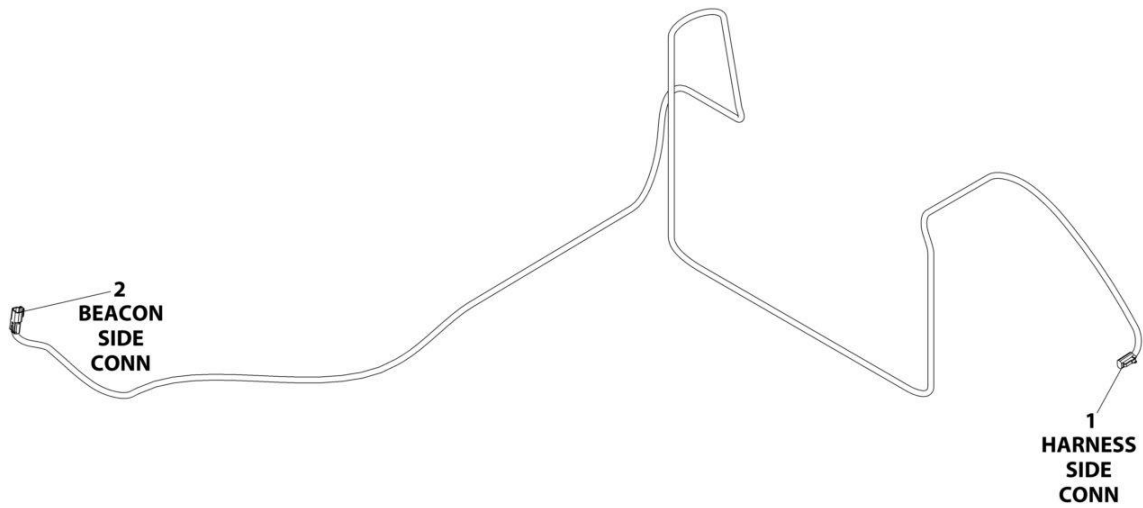
## SECTION 8 - ELECTRICAL

### FIGURE 8-17. BEACON CONTROL HARNESS

ITEM	PART NUMBER	QTY	DESCRIPTION	REV
	1001142736	Ref	STROBE LIGHT HARNESS	F
1	1001116808	1	Plug, Male - 12 Position	
1	4460928	3	Socket, Female	
1	4460518	9	Plug, Terminal	
2	1001116774	1	Plug, Male - 12 Position	
2	4460928	3	Socket, Female	
2	4460518	9	Plug, Terminal	
3	4460891	1	Plug, Male - 2 Position	
3	4460465	2	Socket, Female	
4	1001112612	1	Connector - 9 Position	
4	4460464	6	Pin, Male	
4	4460466	3	Plug, Terminal	
5	4460933	1	Plug, Male - 12 Position	
5	4460465	12	Socket, Female	
6	1001119020	1	Bussbar - 12 Position	
7	4461095	1	Plug, Male - 3 Position	
7	4460465	3	Socket, Female	
8	4461070	1	Bussbar - 3 Position	
9	1001112796	1	Connector - 9 Position	
9	4460465	6	Socket, Female	
9	4460466	3	Plug, Terminal	

# SECTION 8 - ELECTRICAL

## FIGURE 8-18. BEACON HARNESS - AMBER



ART\_1001158989

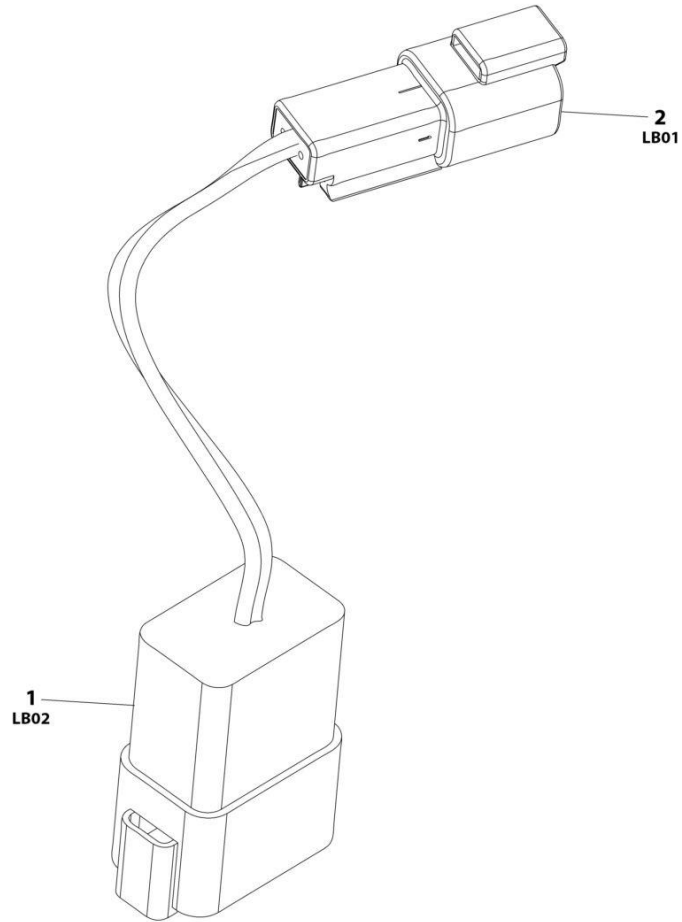
## SECTION 8 - ELECTRICAL

### FIGURE 8-18. BEACON HARNESS - AMBER

ITEM	PART NUMBER	QTY	DESCRIPTION	REV
	1001158989	Ref	BEACON HARNESS	A
1	4460891	1	Connector	
1	4460465	2	Socket	
2	4460897	1	Connector	
2	4460464	2	Pin	

# SECTION 8 - ELECTRICAL

## FIGURE 8-19. BEACON JUMPER HARNESS - AMBER



ART\_1001283776



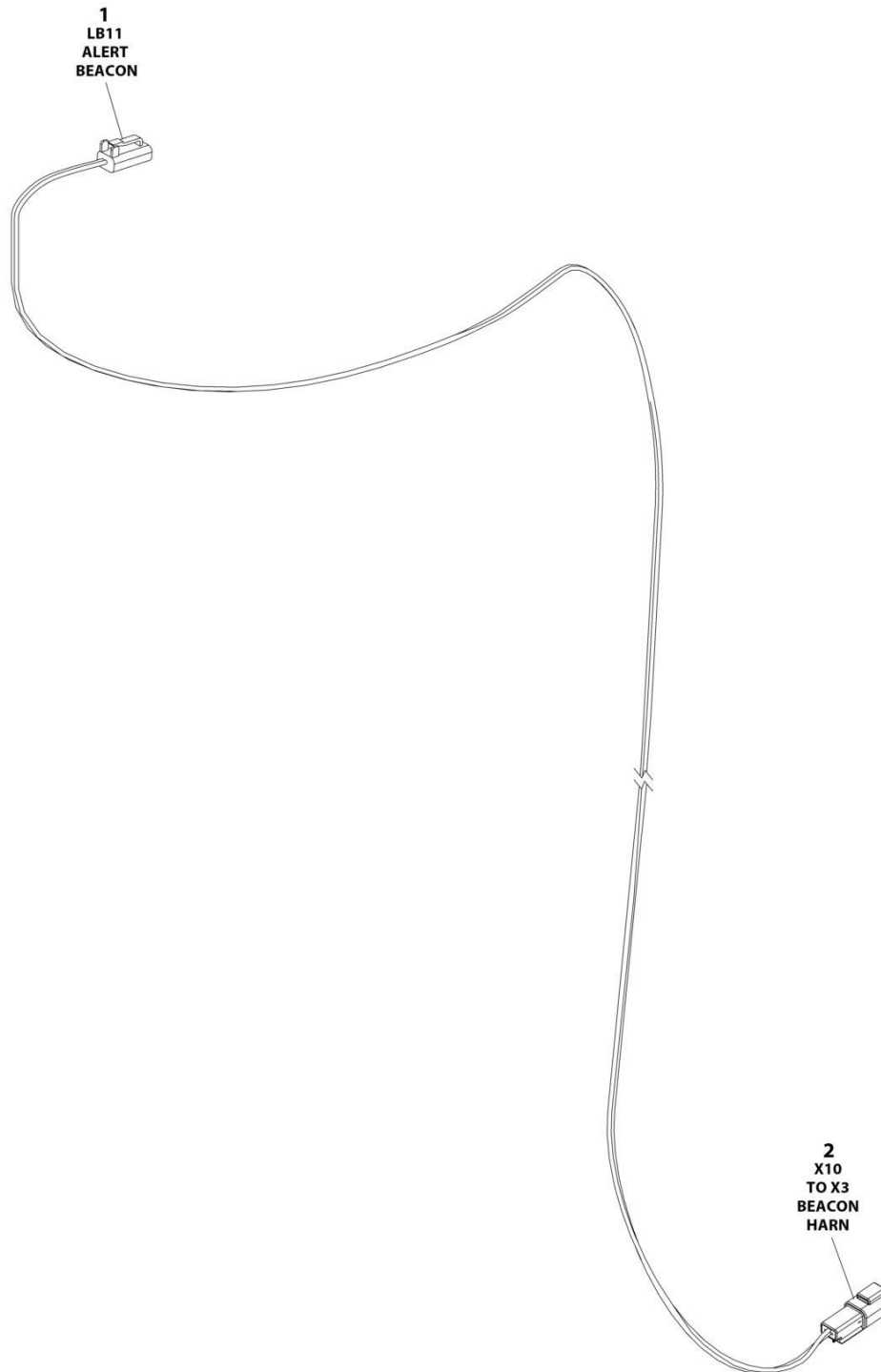
## SECTION 8 - ELECTRICAL

### FIGURE 8-19. BEACON JUMPER HARNESS - AMBER

ITEM	PART NUMBER	QTY	DESCRIPTION	REV
	1001283776	Ref	STROBE LIGHT HARNESS (AMBER)	A
1	4460931	1	Connector	
1	4460464	2	Pin	
1	4460466	6	Plug	
2	4460897	1	Connector	
2	4460464	2	Pin	

# SECTION 8 - ELECTRICAL

## FIGURE 8-20. BEACON JUMPER HARNESS - BLUE & RED



ART\_1001285733

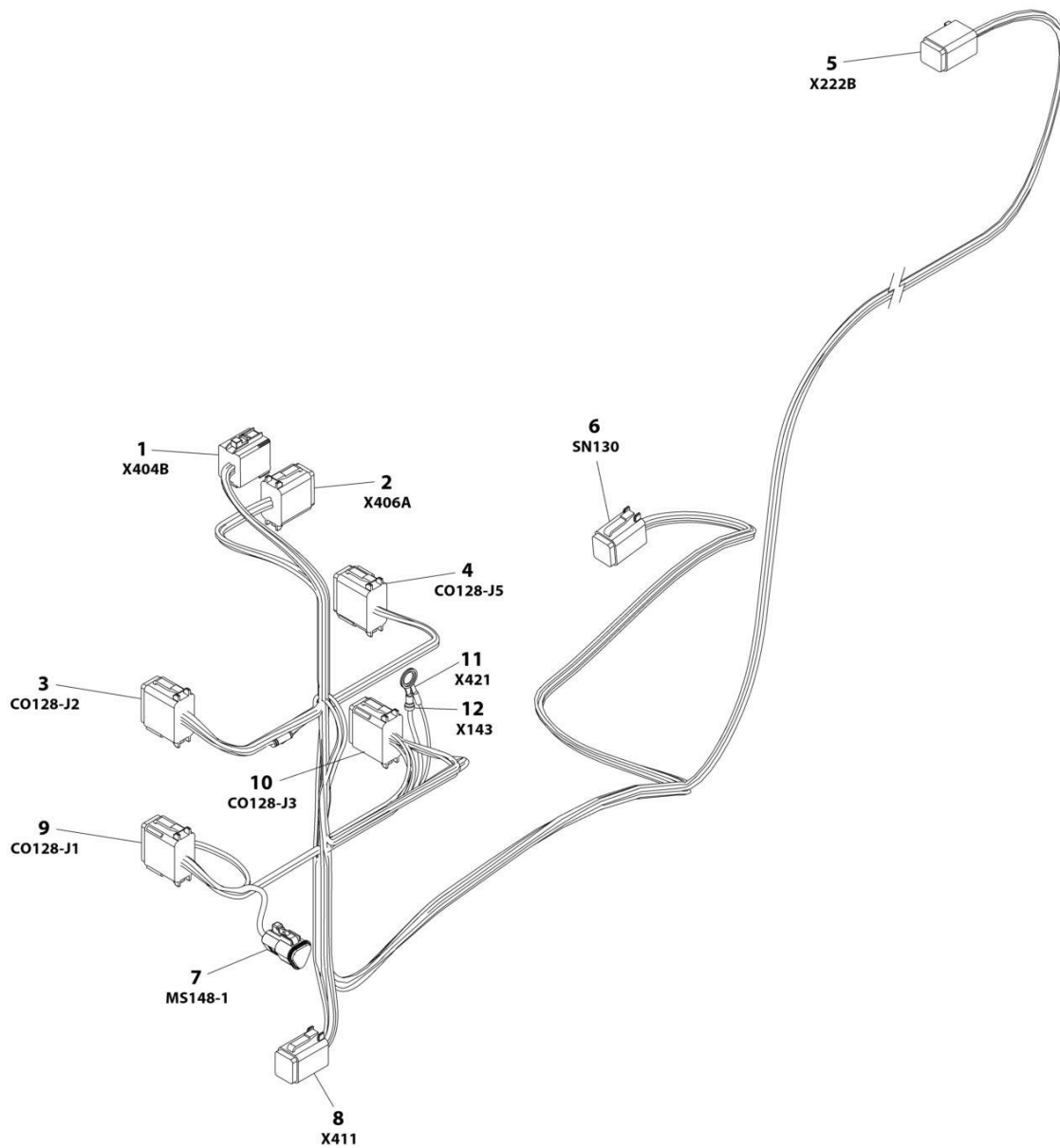
## SECTION 8 - ELECTRICAL

### FIGURE 8-20. BEACON JUMPER HARNESS - BLUE & RED

ITEM	PART NUMBER	QTY	DESCRIPTION	REV
	1001285733	Ref	BEACON JUMPER HARNESS	A
1	4460891	1	Connector	
1	4460465	2	Socket	
2	4460897	1	Connector	
2	4460464	2	Pin	

# SECTION 8 - ELECTRICAL

## FIGURE 8-21. BLAM HARNESS



ART\_1001241865

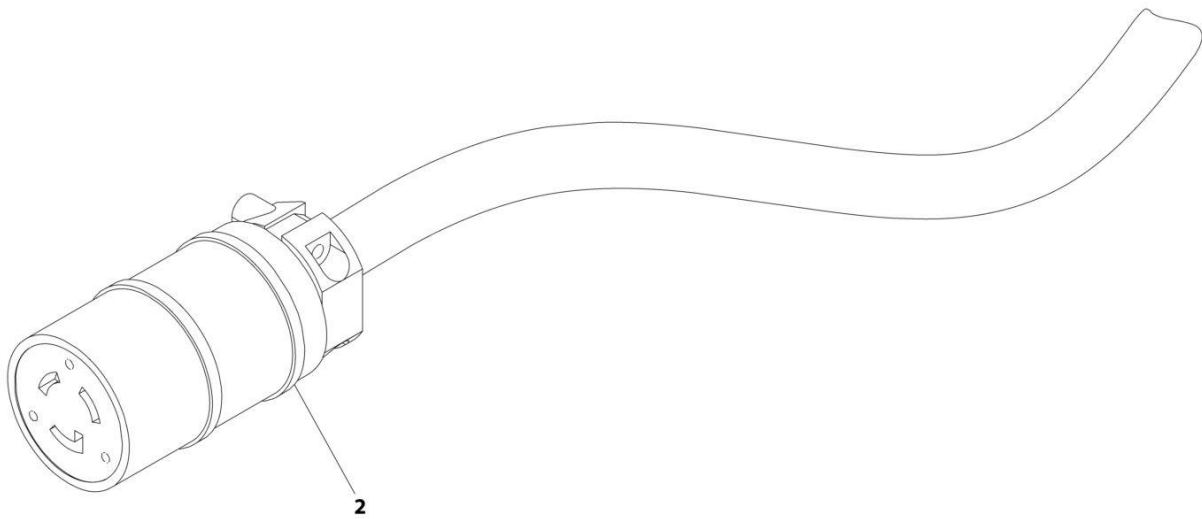
## SECTION 8 - ELECTRICAL

### FIGURE 8-21. BLAM HARNESS

ITEM	PART NUMBER	QTY	DESCRIPTION	REV
	1001241865	Ref	BLAM HARNESS	C
1	4460851	1	Connector - 8 Position	
1	4460465	7	Socket, Female	
1	4460466	1	Plug, Socket	
2	4460930	1	Connector - 8 Position	
2	4460465	6	Socket, Female	
2	4460466	2	Plug, Socket	
3	1001270340	1	Connector - 12 Position	
3	4460465	8	Socket, Female	
3	4460466	4	Plug, Socket	
4	1001239345	1	Connector - 12 Position	
4	4460465	4	Socket, Female	
4	4460466	8	Plug, Socket	
5	4460894	1	Connector - 6 Position	
5	4460465	5	Socket, Female	
5	4460466	1	Plug, Socket	
6	4460894	1	Connector - 6 Position	
6	4460465	6	Socket, Female	
7	1001116812	1	Connector - 3 Position	
7	4460944	2	Socket, Female	
7	4460466	1	Plug, Socket	
8	4460894	1	Connector - 6 Position	
8	4460465	4	Socket, Female	
8	4460942	2	Socket, Female	
9	1001270339	1	Connector - 12 Position	
9	4460465	6	Socket, Female	
9	4460942	2	Socket, Female	
9	4460466	4	Plug, Socket	
10	1001239344	1	Connector - 12 Position	
10	4460465	11	Socket, Female	
10	4460466	1	Plug, Socket	
11	4460703	1	Terminal, Ring	
12	4460670	1	Terminal, Ring	

## SECTION 8 - ELECTRICAL

FIGURE 8-22. BOOM AC CABLE - ANSI, ANSI EXPORT, CSA AND JAPANESE SPECS



ART\_1001156894

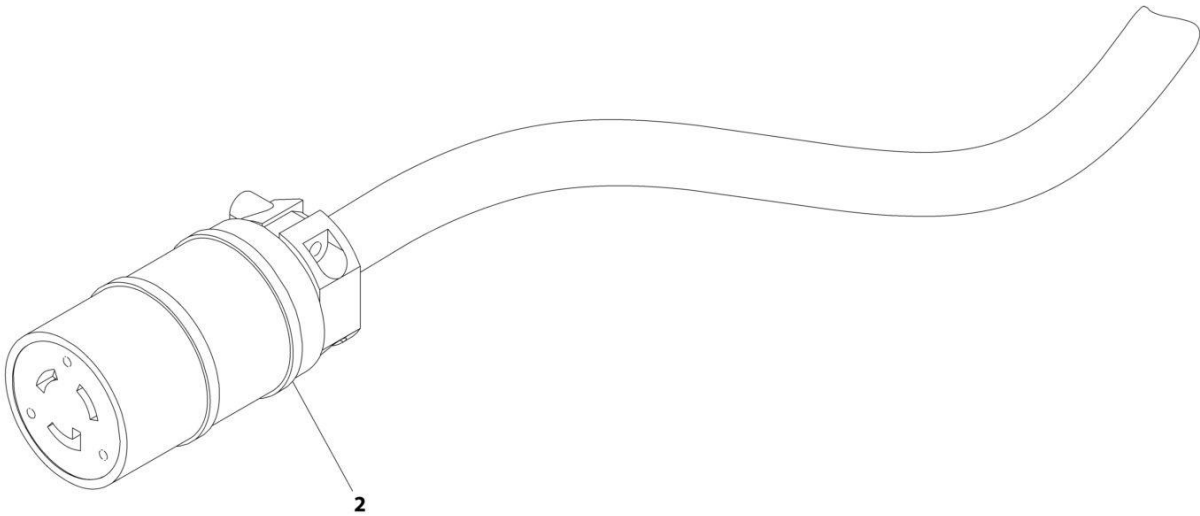
## SECTION 8 - ELECTRICAL

**FIGURE 8-22. BOOM AC CABLE - ANSI, ANSI EXPORT, CSA AND JAPANESE SPECS**

ITEM	PART NUMBER	QTY	DESCRIPTION	REV
2	1001156894 4460134	Ref 1	BOOM AC CABLE Receptacle	A

**SECTION 8 - ELECTRICAL**

**FIGURE 8-23. BOOM AC CABLE – AUSTRALIAN, CHINA, CE & UK CA SPECS**



ART\_1001157636



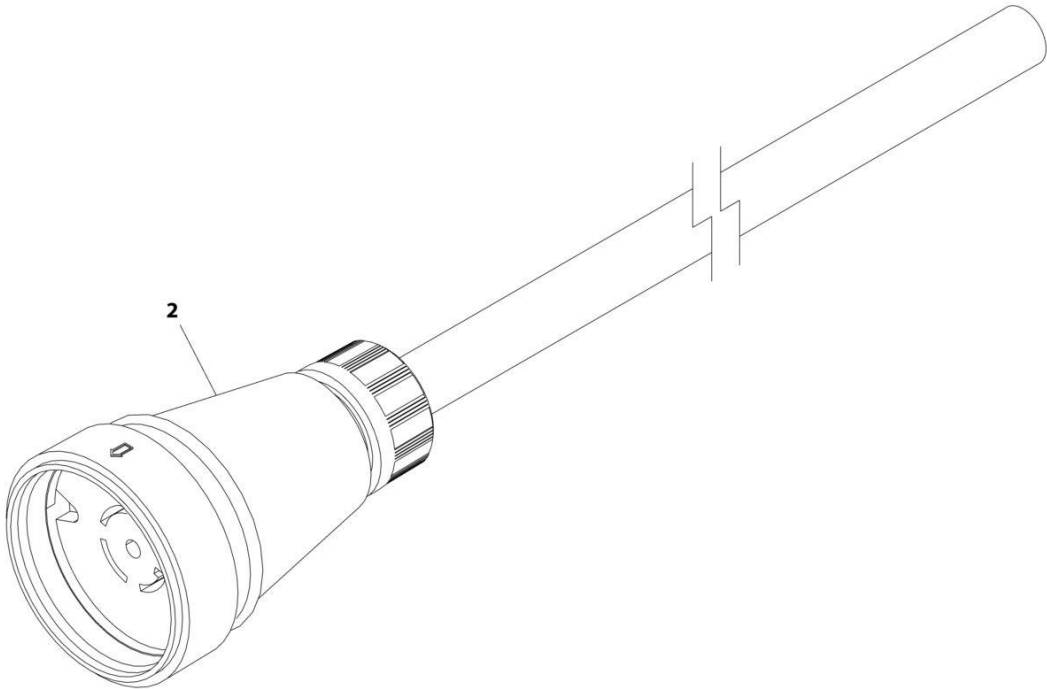
## SECTION 8 - ELECTRICAL

**FIGURE 8-23. BOOM AC CABLE – AUSTRALIAN, CHINA, CE & UK CA SPECS**

ITEM	PART NUMBER	QTY	DESCRIPTION	REV
2	1001157636 4460134	Ref 1	BOOM AC CABLE Receptacle	A

**SECTION 8 - ELECTRICAL**

**FIGURE 8-24. BOOM AC CABLE - SKYPOWER**



ART\_1001226287

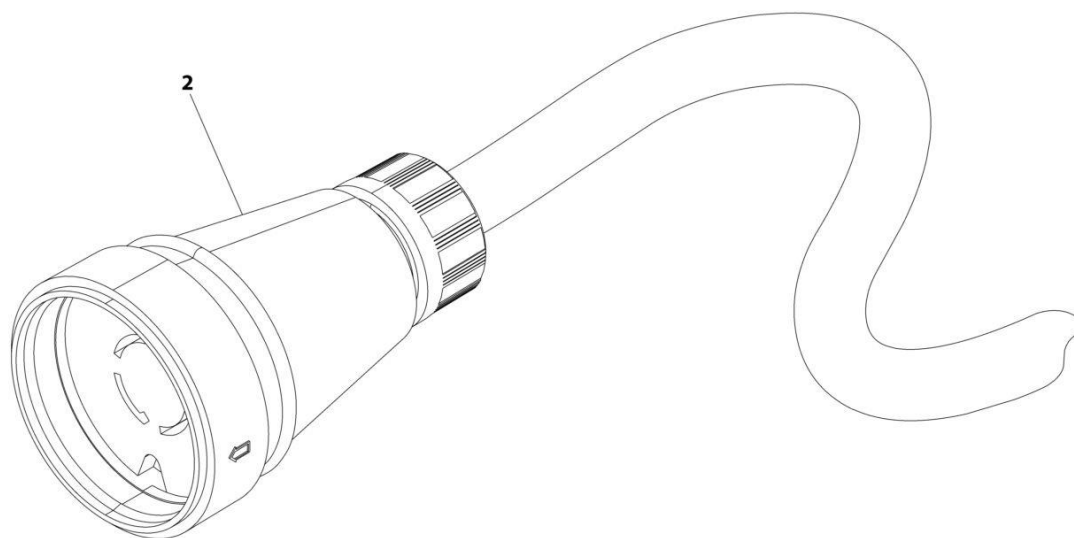
## SECTION 8 - ELECTRICAL

### FIGURE 8-24. BOOM AC CABLE - SKYPOWER

ITEM	PART NUMBER	QTY	DESCRIPTION	REV
2	1001226287	Ref	BOOM AC CABLE - SKYPOWER	A
	1001218623	1	Receptacle	

## SECTION 8 - ELECTRICAL

FIGURE 8-25. BOOM AC CABLE - MAIN BOOM WITH 4000W 50HZ GENERATOR (ANSI EXPORT, AUSTRALIAN, CHINA, JAPANESE, CE & UK CA SPECS)



ART\_1001211130

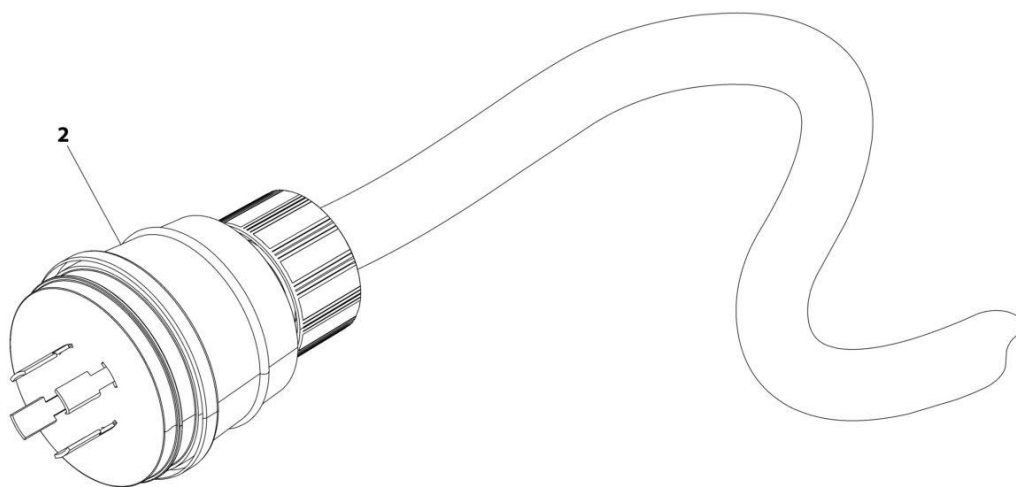
## SECTION 8 - ELECTRICAL

**FIGURE 8-25. BOOM AC CABLE - MAIN BOOM WITH 4000W 50HZ GENERATOR (ANSI EXPORT, AUSTRALIAN, CHINA, JAPANESE, CE & UK CA SPECS)**

ITEM	PART NUMBER	QTY	DESCRIPTION	REV
	1001211130	Ref	BOOM AC CABLE - MAIN BOOM WITH 4000W 50HZ GENERATOR	A
2	1001211315	1	Receptacle	

## SECTION 8 - ELECTRICAL

FIGURE 8-26. BOOM AC CABLE - JIB BOOM WITH 4000W 50HZ GENERATOR (ANSI EXPORT, AUSTRALIAN, CHINA, JAPANESE, CE & UK CA SPECS)



ART\_1001211131

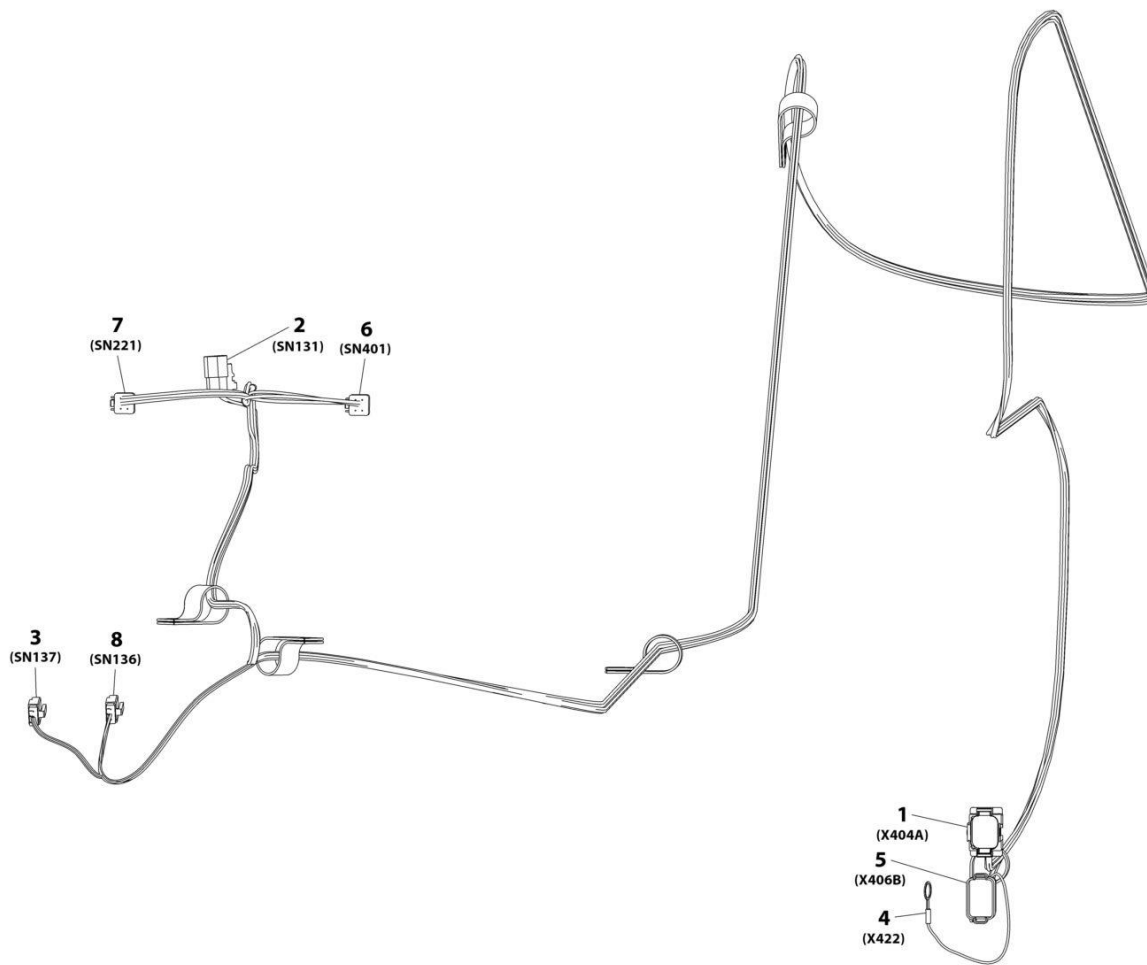
## SECTION 8 - ELECTRICAL

**FIGURE 8-26. BOOM AC CABLE - JIB BOOM WITH 4000W 50HZ GENERATOR (ANSI EXPORT, AUSTRALIAN, CHINA, JAPANESE, CE & UK CA SPECS)**

ITEM	PART NUMBER	QTY	DESCRIPTION	REV
2	1001211131	Ref	BOOM AC CABLE - JIB BOOM WITH 4000W 50HZ GENERATOR	A
	1001211314	1	Receptacle	

# SECTION 8 - ELECTRICAL

## FIGURE 8-27. BOOM SENSOR HARNESS



ART\_1001215949



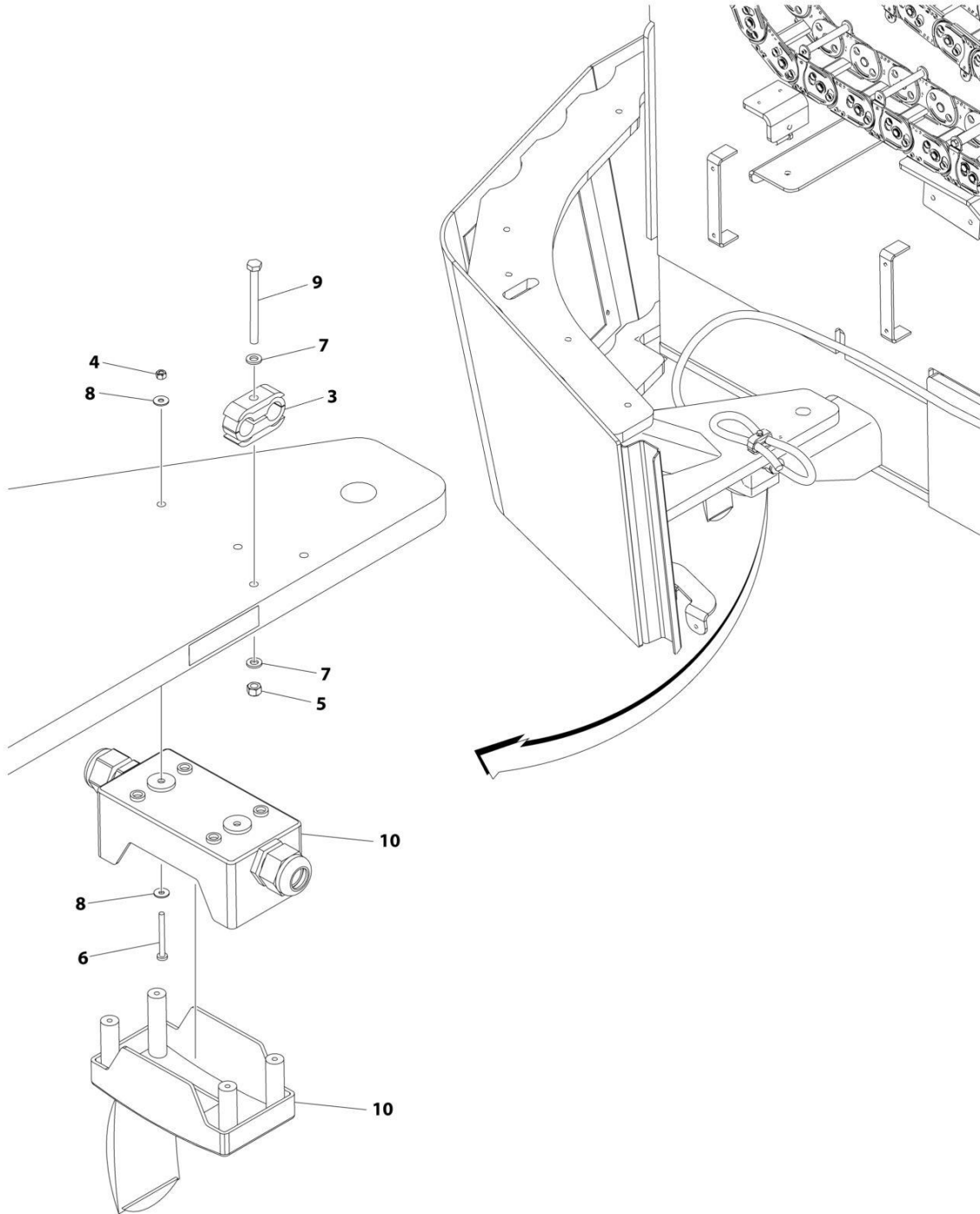
## SECTION 8 - ELECTRICAL

### FIGURE 8-27. BOOM SENSOR HARNESS

ITEM	PART NUMBER	QTY	DESCRIPTION	REV
	1001215949	Ref	BOOM SENSOR HARNESS	E
1	1001116813	1	Connector - 8 Position	
1	4460464	4	Pin, Male	
1	4460943	3	Pin, Male	
1	4460941	1	Pin, Male	
2	4460539	1	Connector - 3 Position	
2	4460944	3	Socket, Female	
3	4460911	1	Connector - 3 Position	
3	1001126008	3	Socket, Female	
3	4460912	1	Wedge, Locking	
4	4460703	1	Ring, Terminal	
5	4460931	1	Connector - 8 Position	
5	4460464	6	Pin, Male	
5	4460466	2	Seal, Plug	
6	4461077	1	Connector - 4 Position	
6	1001126008	3	Socket, Female	
7	4461077	1	Connector - 4 Position	
7	1001126008	3	Socket, Female	
8	4460911	1	Connector - 3 Position	
8	1001126008	3	Socket, Female	
8	4460912	1	Wedge, Locking	

# SECTION 8 - ELECTRICAL

## FIGURE 8-28. BREAKER BOX ASSEMBLY - AC CABLE (CE & UK CA SPEC)



ART\_1001156221

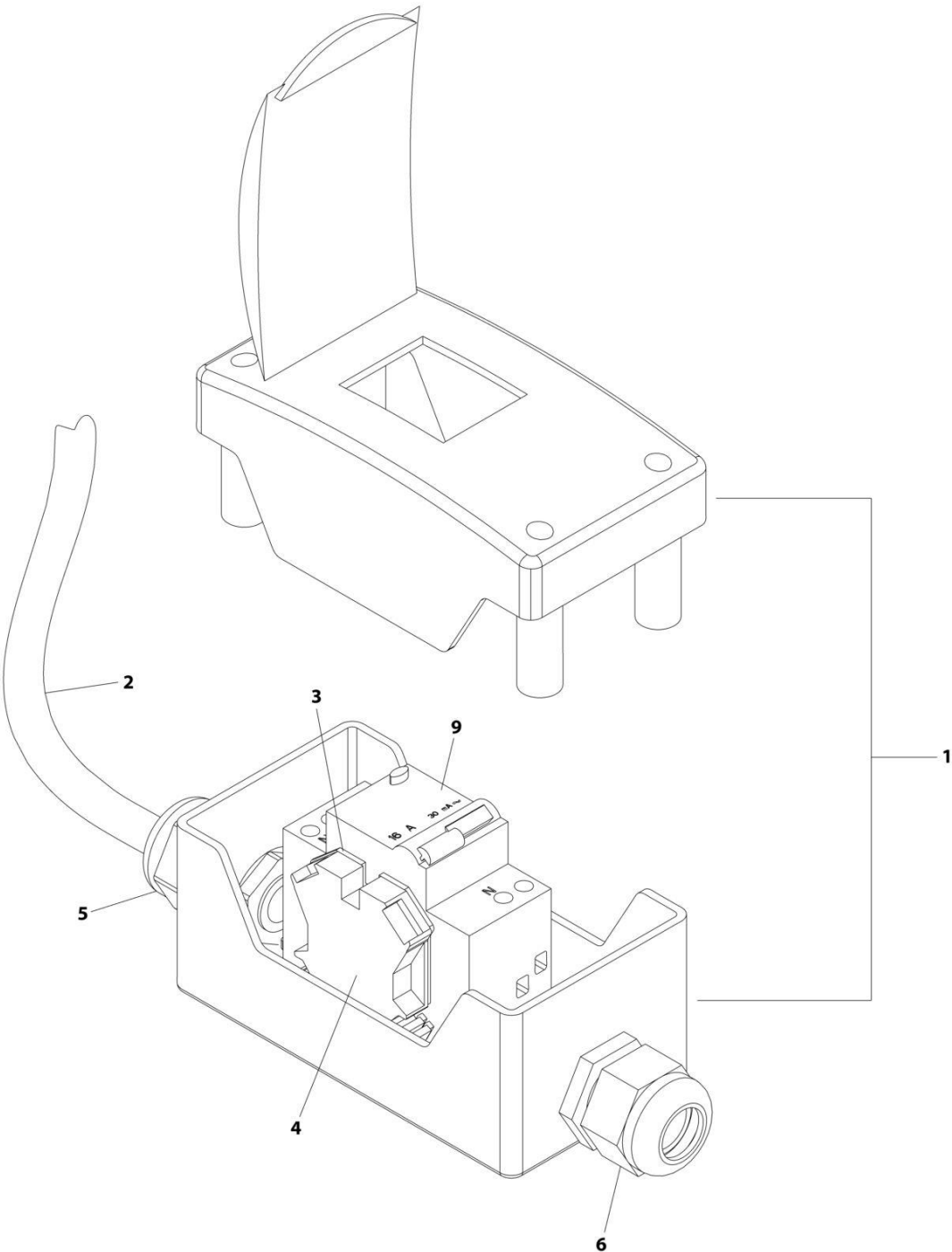
## SECTION 8 - ELECTRICAL

**FIGURE 8-28. BREAKER BOX ASSEMBLY - AC CABLE (CE & UK CA SPEC)**

ITEM	PART NUMBER	QTY	DESCRIPTION	REV
	1001156221	Ref	BREAKER BOX ASSEMBLY - AC CABLE	B
3	1320146	1	Clamp	
4	3290405	2	Locknut M4	
5	3290605	AR	Locknut M6	
6	4010416	2	Screw M4 x 40	
7	4811700	AR	Washer M6	
8	1001091102	4	Washer M4	
9	1001096653	1	Bolt M6 x 70	
10	1001158080	1	Kit, Breaker Box (See Separate Breakdown in this Section)	

**SECTION 8 - ELECTRICAL**

**FIGURE 8-29. BREAKER BOX KIT - AC CABLE**



ART\_1001158080

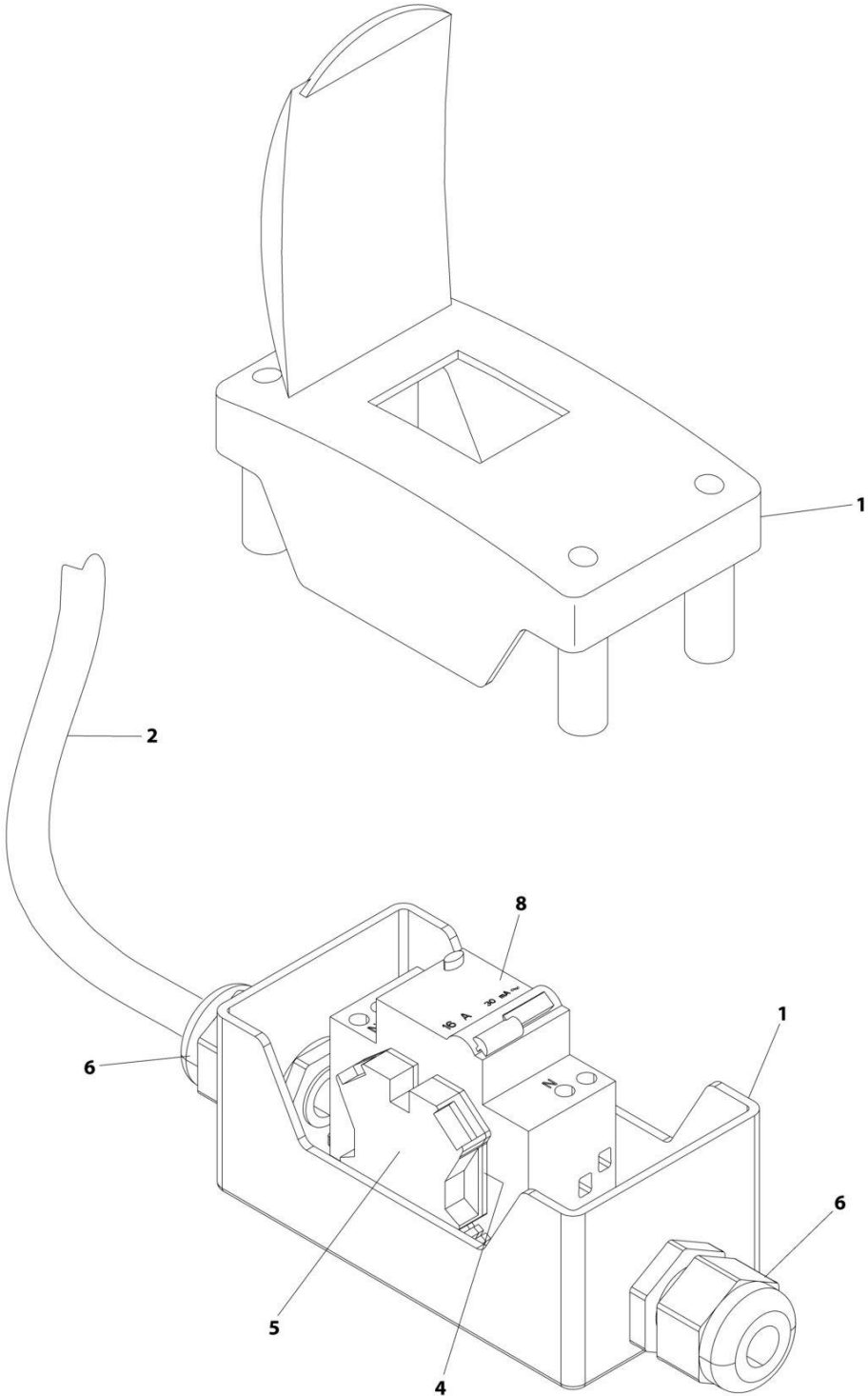
## SECTION 8 - ELECTRICAL

### FIGURE 8-29. BREAKER BOX KIT - AC CABLE

ITEM	PART NUMBER	QTY	DESCRIPTION	REV
	1001158080	Ref	BREAKER BOX KIT - AC CABLE	B
1	0861880	1	Box	
2	1060908	39 in/1m	Cable, 12/3	
3	4460956	1	Barrier, Terminal	
4	4460957	1	Block, Terminal	
5	1001097150	1	Connector, Strain Relief	
6	1001101191	1	Connector, Strain Relief	
9	1001181045	1	Breaker, Double 30mAmp/16Amp	

**SECTION 8 - ELECTRICAL**

**FIGURE 8-30. BREAKER BOX KIT - 4000W 50HZ GENERATOR**



ART\_1001096612

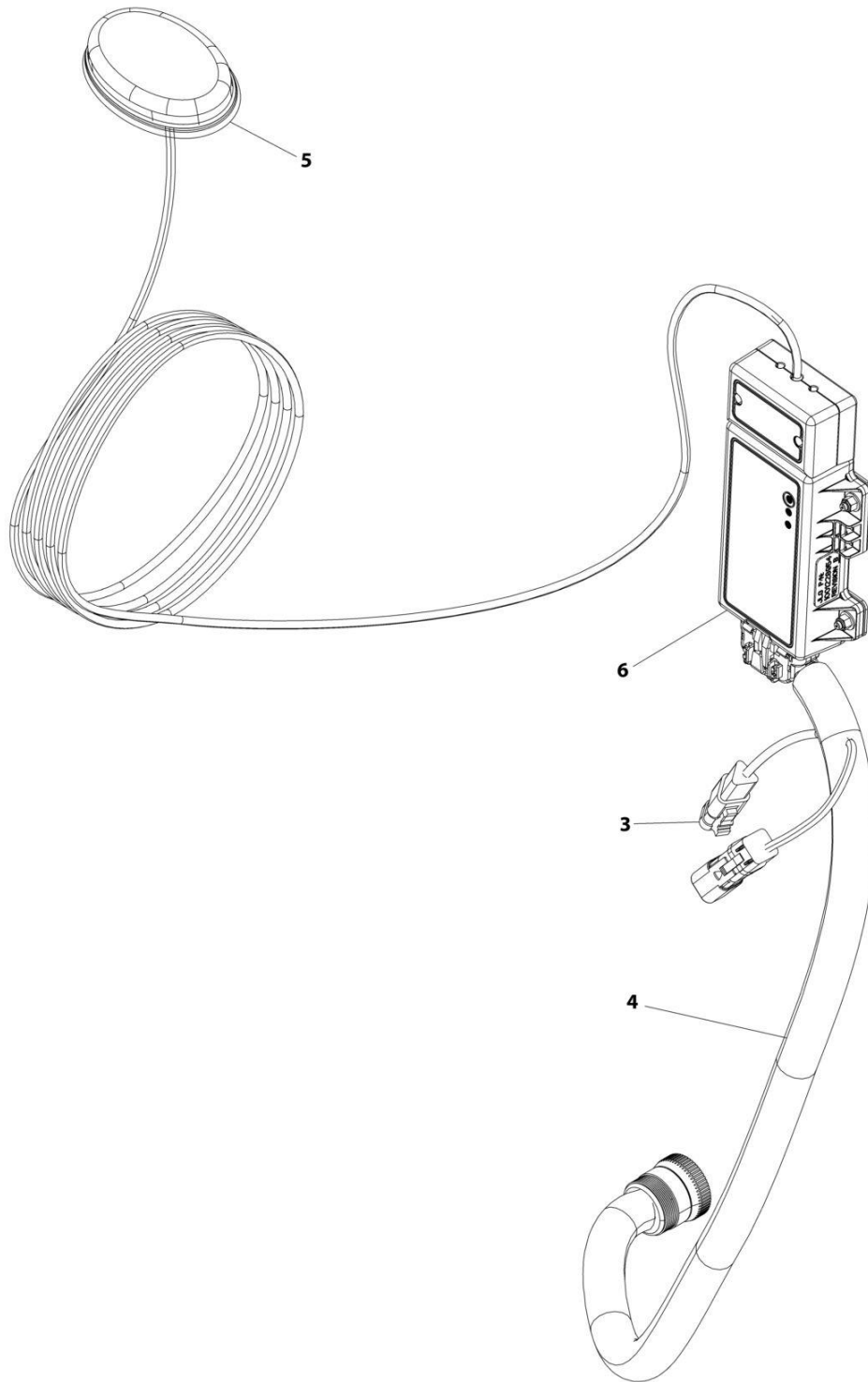
## SECTION 8 - ELECTRICAL

### FIGURE 8-30. BREAKER BOX KIT - 4000W 50HZ GENERATOR

ITEM	PART NUMBER	QTY	DESCRIPTION	REV
	1001096612	Ref	BREAKER BOX ASSEMBLY	C
1	0861880	1	Box	
2	1060908	4.5 ft /1.4m	Cable, 12/3	
4	4460956	1	Barrier, Terminal	
5	4460957	1	Block, Terminal	
6	1001097150	2	Connector, Strain Relief	
8	1001181045	1	Breaker, Double 30mAmp/16Amp	

## SECTION 8 - ELECTRICAL

FIGURE 8-31. CLEARSKY INSTALLATION - 3G CANBUS CONNECTION (ANSI EXPORT, CE & UK CA SPECS)



ART\_1001228958



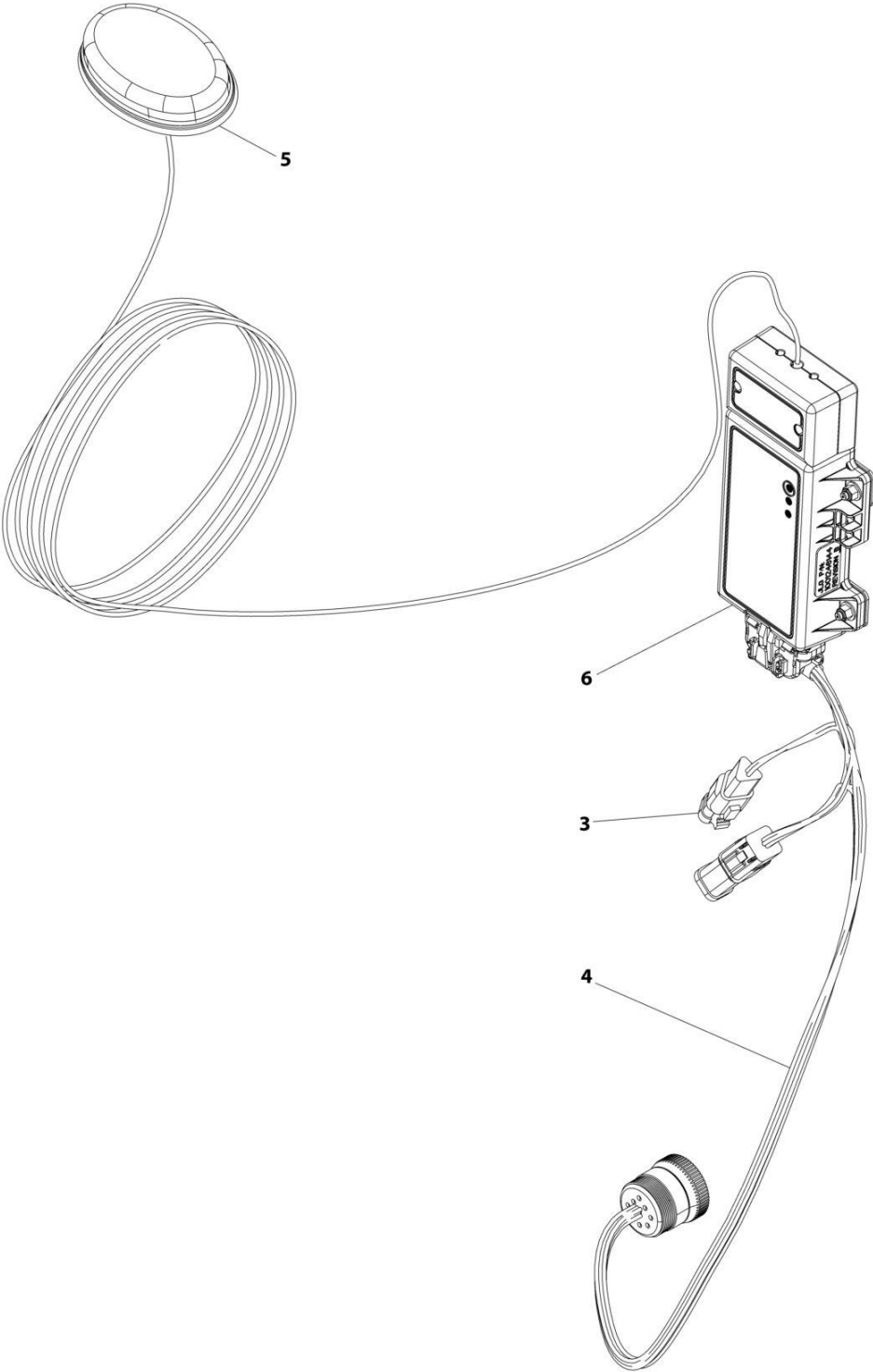
## SECTION 8 - ELECTRICAL

**FIGURE 8-31. CLEARSKY INSTALLATION - 3G CANBUS CONNECTION (ANSI EXPORT, CE & UK CA SPECS)**

ITEM	PART NUMBER	QTY	DESCRIPTION	REV
	1001228958	Ref	CLEARSKY INSTALLATION CANBUS CONNECTION	A
1	4240032	AR	Tie-Strap (Not Shown)	
2	4460234	AR	Strap, Cable Tie (Not Shown)	
3	1001129408	1	Connector	
4	1001226739	1	ClearSky Harness (See Separate Breakdown in this Section)	
5	1001226799	1	Antenna	
6	1001228954	1	Telematics Control Module (Note: Re-calibration Required when Replaced)	

**SECTION 8 - ELECTRICAL**

**FIGURE 8-32. CLEARSKY INSTALLATION - 3G CANBUS CONNECTION (AUSTRALIAN SPECS)**



ART\_1001246437

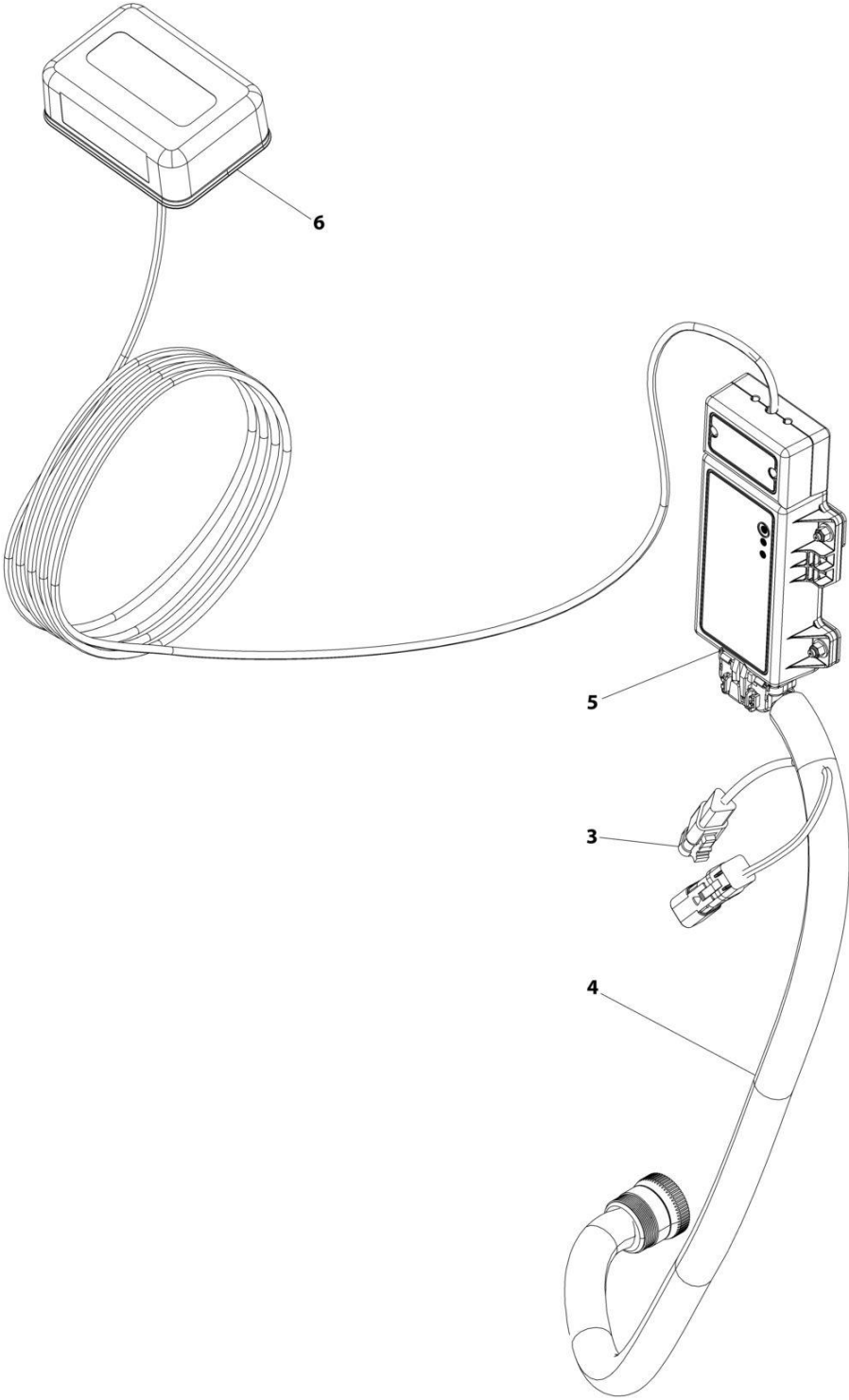
## SECTION 8 - ELECTRICAL

**FIGURE 8-32. CLEARSKY INSTALLATION - 3G CANBUS CONNECTION (AUSTRALIAN SPECS)**

ITEM	PART NUMBER	QTY	DESCRIPTION	REV
	1001246437	Ref	CLEARSKY INSTALLATION CANBUS CONNECTION	A
1	4240032	AR	Tie-Strap (Not Shown)	
2	4460234	AR	Strap, Cable Tie (Not Shown)	
3	1001129408	1	Connector	
4	1001226739	1	ClearSky Harness (See Separate Breakdown in this Section)	
5	1001226799	1	Antenna	
6	1001246144	1	Telematics Control Module (Note: Re-calibration Required when Replaced)	

**SECTION 8 - ELECTRICAL**

**FIGURE 8-33. CLEARSKY INSTALLATION - 4G CANBUS CONNECTION (ALL SPECS EXCEPT CHINA SPECS)**



ART\_1001227456

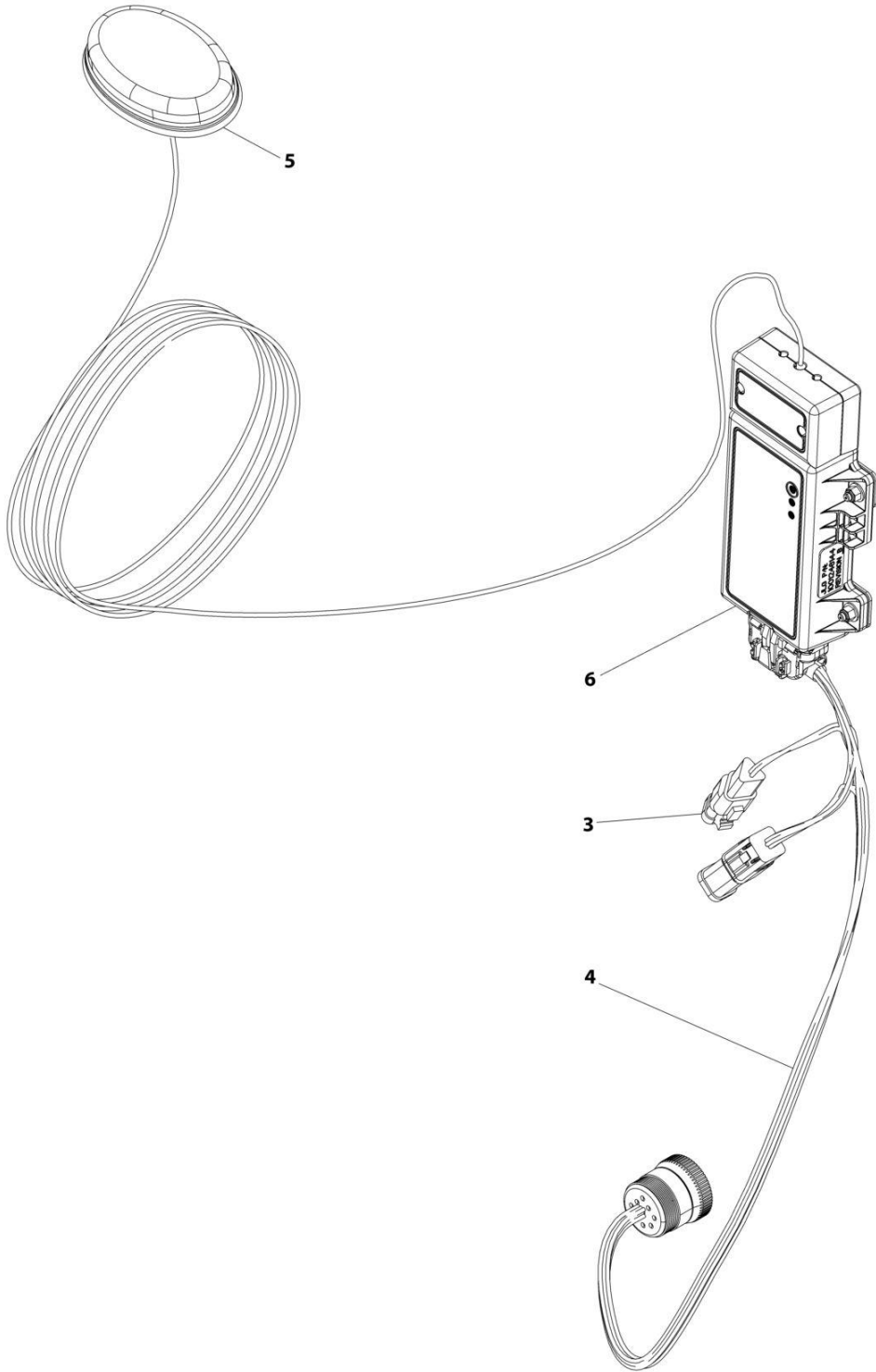
## SECTION 8 - ELECTRICAL

**FIGURE 8-33. CLEARSKY INSTALLATION - 4G CANBUS CONNECTION (ALL SPECS EXCEPT CHINA SPECS)**

ITEM	PART NUMBER	QTY	DESCRIPTION	REV
	1001227456	Ref	CLEARSKY INSTALLATION CANBUS CONNECTION	B
1	4240032	AR	Tie-Strap (Not Shown)	
2	4460234	AR	Strap, Cable Tie (Not Shown)	
3	1001129408	1	Connector	
4	1001226739	1	ClearSky Harness (See Separate Breakdown in this Section)	
5	1001262322	1	Telematics Control Module (Note: Re-calibration Required when Replaced)	
6	1001262326	1	Antenna	

**SECTION 8 - ELECTRICAL**

**FIGURE 8-34. CLEARSKY INSTALLATION - 4G CANBUS CONNECTION (CHINA SPECS)**



ART\_1001246438

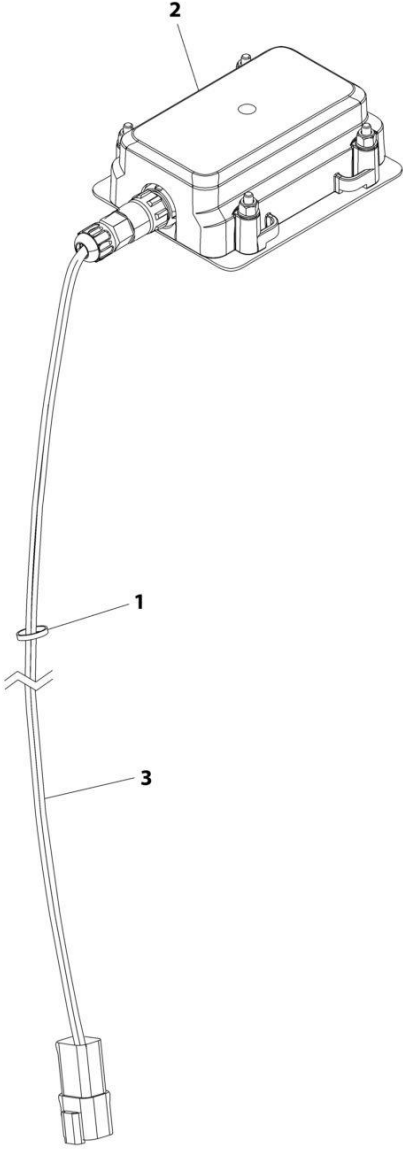
## SECTION 8 - ELECTRICAL

**FIGURE 8-34. CLEARSKY INSTALLATION - 4G CANBUS CONNECTION (CHINA SPECS)**

ITEM	PART NUMBER	QTY	DESCRIPTION	REV
	1001246438	Ref	CLEARSKY INSTALLATION CANBUS CONNECTION	A
1	4240032	AR	Tie-Strap (Not Shown)	
2	4460234	AR	Strap, Cable Tie (Not Shown)	
3	1001129408	1	Connector	
4	1001226739	1	ClearSky Harness (See Separate Breakdown in this Section)	
5	1001226799	1	Antenna	
6	1001246145	1	Telematics Control Module (Note: Re-calibration Required when Replaced)	

**SECTION 8 - ELECTRICAL**

**FIGURE 8-35. CLEARSKY INSTALLATION 3-WIRE CONNECTION (ALL SPECS EXCEPT CHINA SPECS)**



ART\_1001276610



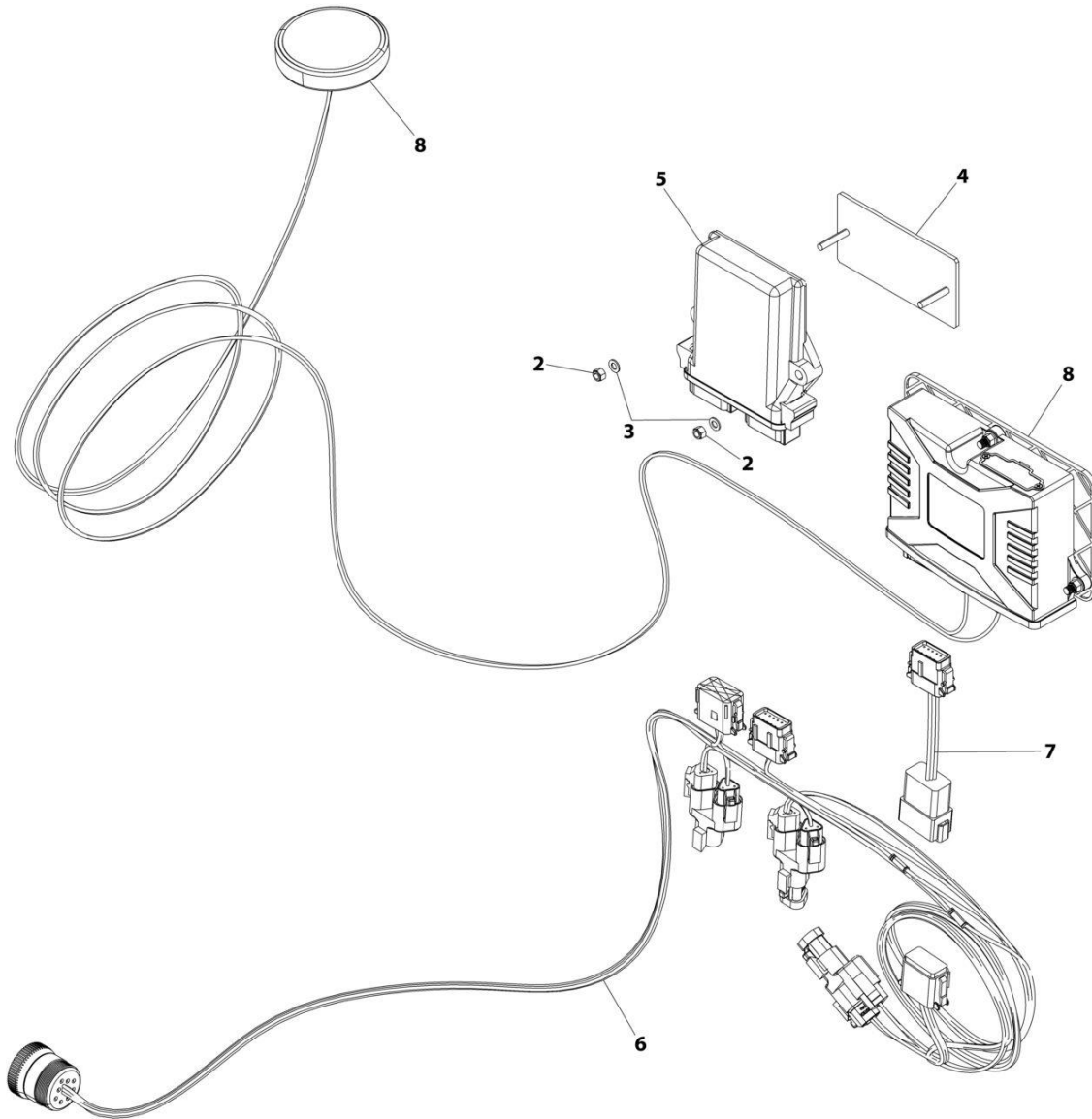
## SECTION 8 - ELECTRICAL

**FIGURE 8-35. CLEARSKY INSTALLATION 3-WIRE CONNECTION (ALL SPECS EXCEPT CHINA SPECS)**

ITEM	PART NUMBER	QTY	DESCRIPTION	REV
	1001276610	Ref	CLEARSKY INSTALLATION 3-WIRE CONNECTION	A
1	4240032	AR	Tie-Strap	
2	1001272659	1	Telematics Control Module Assembly (Note: Re-calibration Required when Replaced)	
3	1001273012	1	ClearSky Harness (See Separate Breakdown in this Section)	

# SECTION 8 - ELECTRICAL

FIGURE 8-36. CLEARSKY INSTALLATION - WITH DEUTZ TD2.9L4 (CHINA IV) ENGINES (CHINA SPECS)



ART\_1001289786

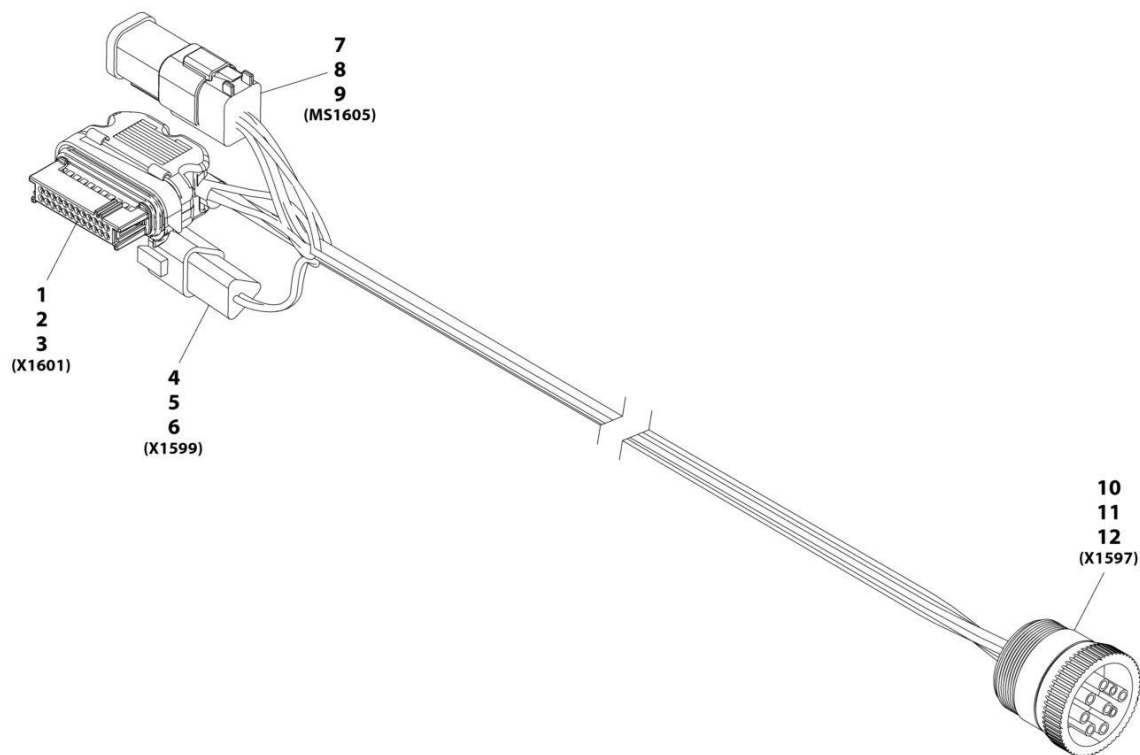
## SECTION 8 - ELECTRICAL

**FIGURE 8-36. CLEARSKY INSTALLATION - WITH DEUTZ TD2.9L4 (CHINA IV) ENGINES (CHINA SPECS)**

ITEM	PART NUMBER	QTY	DESCRIPTION	REV
	1001289786	Ref	CLEARSKY INSTALLATION	B
1	1062255	AR	Tie-Strap (Not Shown)	
2	3290505	2	Nut, Lock M5	
3	4811600	2	Washer M5	
4	1001219082	1	Bracket	
5	1001229458	1	Gateway Controller	
6	1001226831	1	ClearSky Harness (See Separate Breakdown in this Section)	
7	1001282406	1	Telematics Jumper Harness (See Separate Breakdown in this Section)	

# SECTION 8 - ELECTRICAL

## FIGURE 8-37. CLEARSKY HARNESS - 3G & 4G CANBUS CONNECTIONS



ART\_1001226739-A

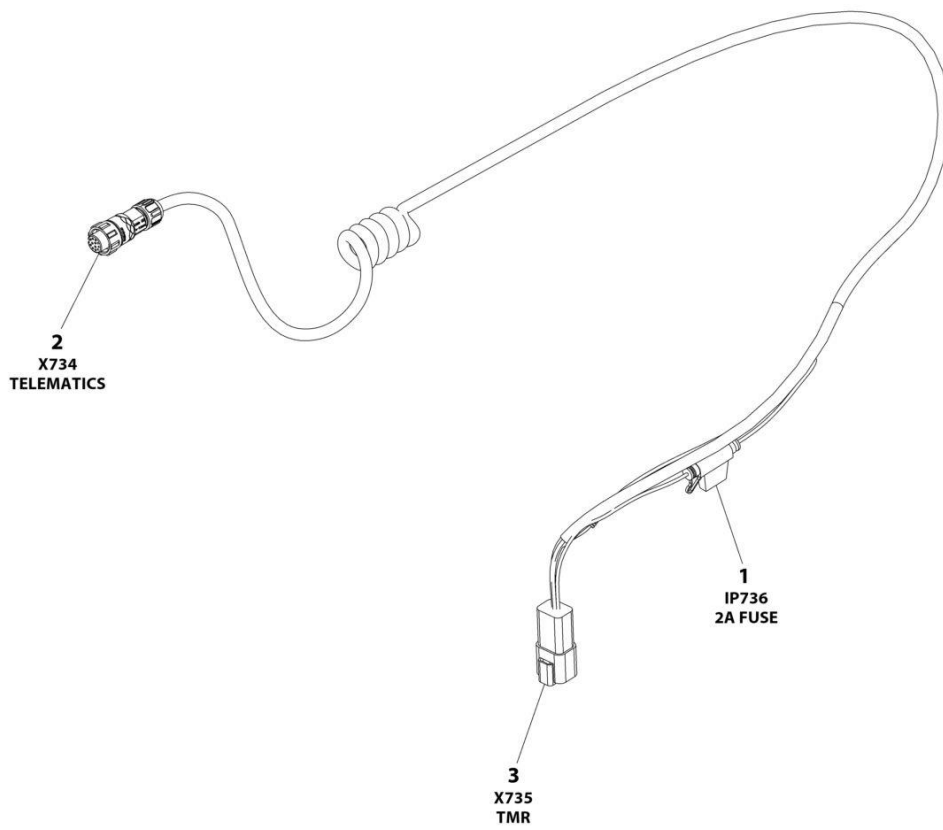
## SECTION 8 - ELECTRICAL

### FIGURE 8-37. CLEARSKY HARNESS - 3G & 4G CANBUS CONNECTIONS

ITEM	PART NUMBER	QTY	DESCRIPTION	REV
	1001226739	Ref	Clearsky Harness	A
1	1001226636	1	Connector	
2	1001116731	16	Plug, Terminal	
3	1001226637	8	Terminal	
4	1001144147	1	Connector	
5	4460464	2	Terminal	
6	4460466	1	Plug, Terminal	
7	4460894	1	Connector	
8	4460465	6	Terminal	
9	1001226541	1	Connector- 6 Pin Bussbar	
10	1001112796	1	Connector	
11	4460465	8	Terminal	
12	4460466	1	Plug, Terminal	

# SECTION 8 - ELECTRICAL

## FIGURE 8-38. CLEARSKY HARNESS - 3 WIRE GT1030



ART\_1001273012

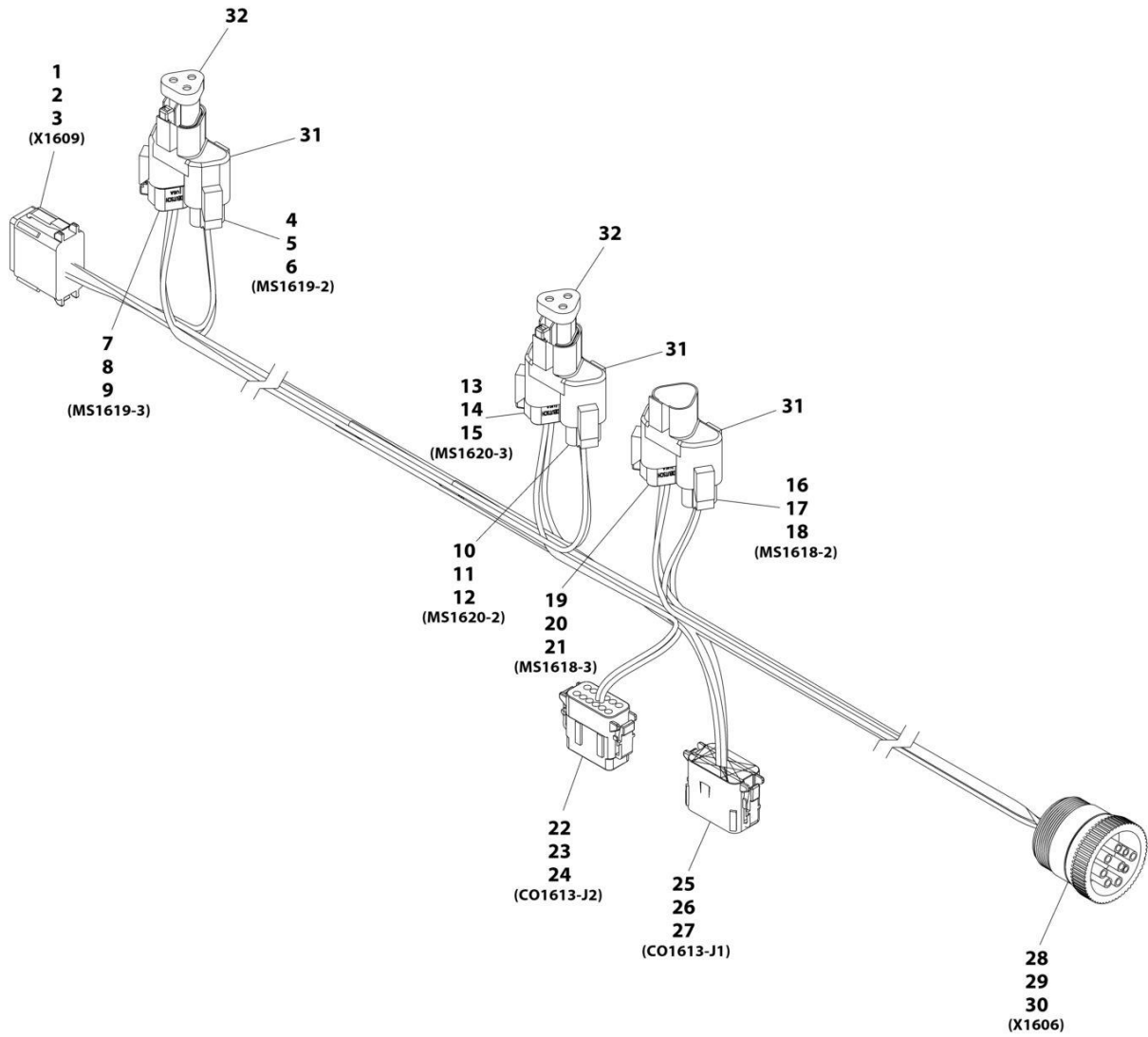
## SECTION 8 - ELECTRICAL

### FIGURE 8-38. CLEARSKY HARNESS - 3 WIRE GT1030

ITEM	PART NUMBER	QTY	DESCRIPTION	REV
	1001273012	Ref	CLEARSKY TELEMATICS HARNESS - GT1030	D
1	1001255901	1	Fuseholder	
1	1001196634	1	Fuse - 2Amp	
2	1001272997	1	Connector - 12 Position	
2		Ref	Terminal	
3	4460932	1	Receptacle, Female - 4 Position	
3	4460464	4	Pin, Male	

# SECTION 8 - ELECTRICAL

## FIGURE 8-39. CLEARSKY HARNESS - WITH DEUTZ TD2.9L4 (CHINA IV) ENGINES



ART\_1001226831-A



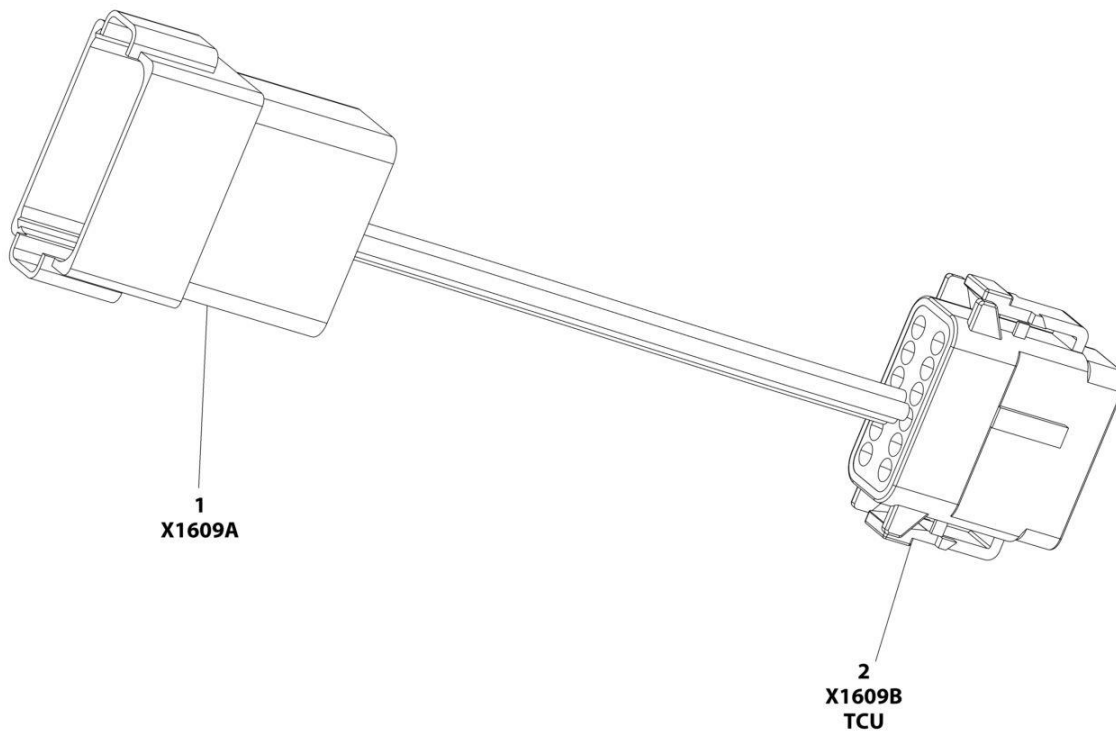
## SECTION 8 - ELECTRICAL

**FIGURE 8-39. CLEARSKY HARNESS - WITH DEUTZ TD2.9L4 (CHINA IV) ENGINES**

ITEM	PART NUMBER	QTY	DESCRIPTION	REV
	1001226831	Ref	Telematics Gateway Harness	A
1	4460933	1	Connector	
2	1001116692	5	Terminal	
3	4460466	7	Plug	
4	4460539	1	Connector	
5	4460465	2	Terminal	
6	4460466	1	Plug	
7	1001116812	1	Connector	
8	4460465	2	Terminal	
9	4460466	1	Plug	
10	4460539	1	Connector	
11	4460465	2	Terminal	
12	4460466	1	Plug	
13	1001116812	1	Connector	
14	4460465	2	Terminal	
15	4460466	1	Plug	
16	4460539	1	Connector	
17	4460465	2	Terminal	
18	4460466	1	Plug	
19	1001116812	1	Connector	
20	4460465	2	Terminal	
21	4460466	1	Plug	
22	1001116808	1	Connector	
23	1001116694	2	Terminal	
24	4460518	10	Plug	
25	1001116774	1	Connector	
26	1001116694	4	Terminal	
27	4460518	8	Plug	
28	1001112796	1	Connector	
29	1001116692	5	Terminal	
30	4460466	3	Plug	
31	4460945	3	Terminal, 3 Way "T" Receptacle	
32	1001116815	2	Connector, Plug 3-Pin	

## SECTION 8 - ELECTRICAL

FIGURE 8-40. CLEARSKY TELEMATICS JUMPER HARNESS



ART\_1001282406

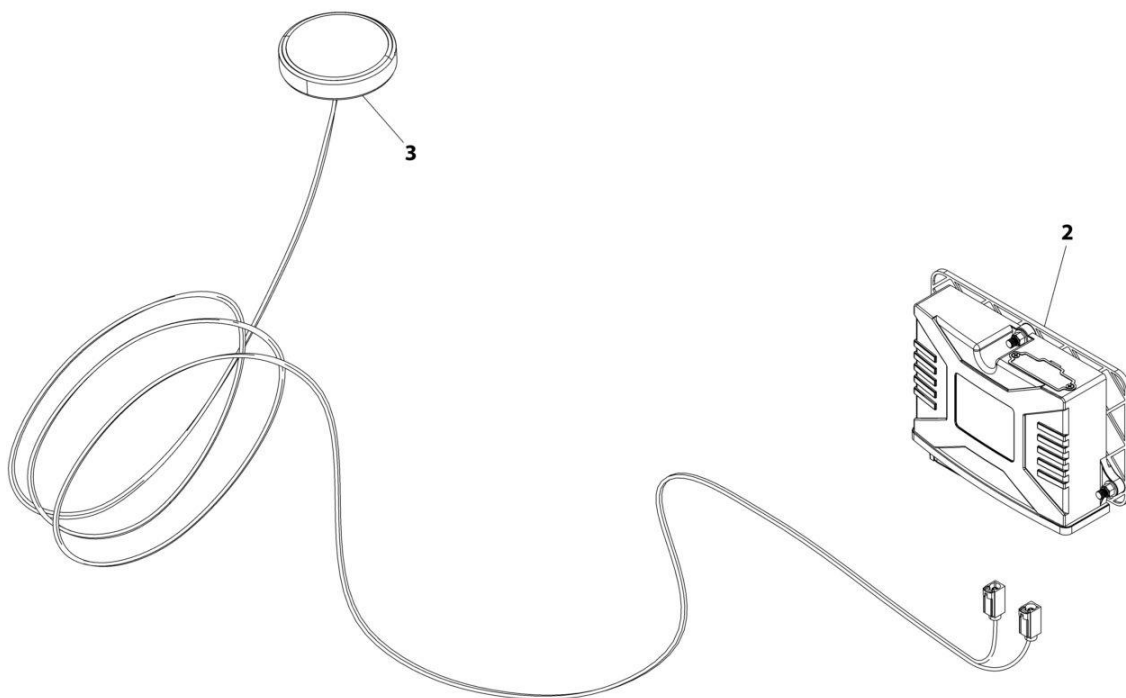
## SECTION 8 - ELECTRICAL

### FIGURE 8-40. CLEARSKY TELEMATICS JUMPER HARNESS

ITEM	PART NUMBER	QTY	DESCRIPTION	REV
	1001282406	REF	TELEMATICS JUMPER HARNESS	B
1	4460970	1	Connector	
1	1001116693	5	Socket	
1	4460466	7	Plug, Sealing	
2	1001116774	1	Connector	
2	4460518	5	Plug Sealing	
2	1001116694	7	Socket	

# SECTION 8 - ELECTRICAL

## FIGURE 8-41. TELEMATICS CONTROL MODULE ASSEMBLY



ART\_1001289138

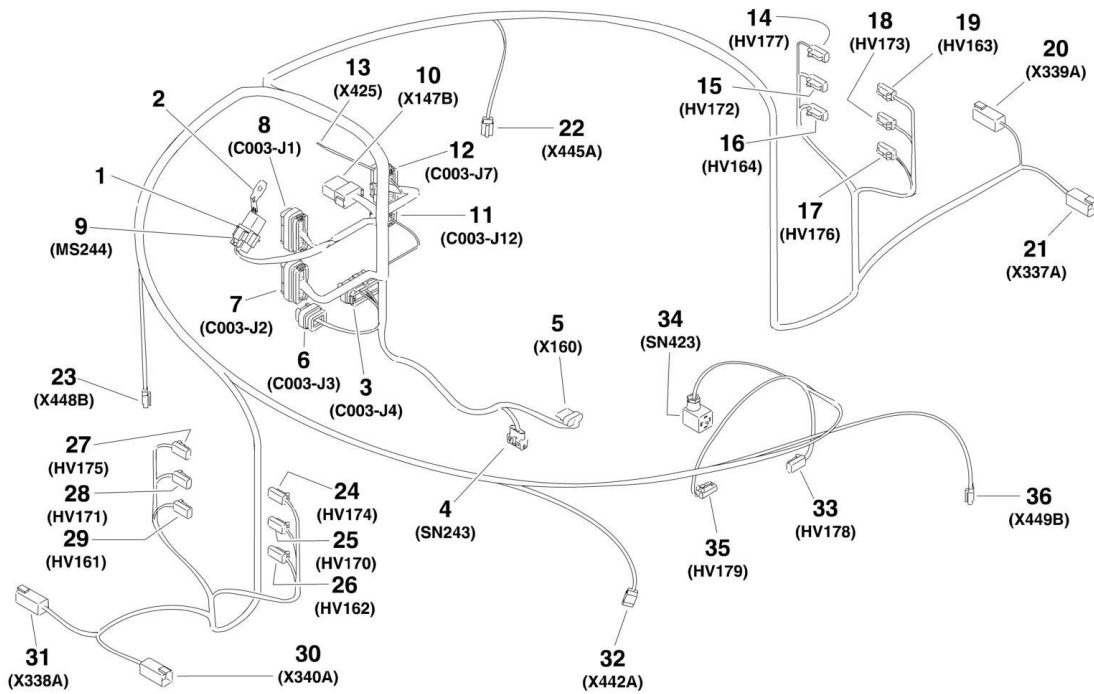
## SECTION 8 - ELECTRICAL

**FIGURE 8-41. TELEMATICS CONTROL MODULE ASSEMBLY**

ITEM	PART NUMBER	QTY	DESCRIPTION	REV
	1001289138	Ref	CLEARSKY CONTROL MODULE ASSEMBLY	A
2	1001289140	1	ClearSky Control Module	
3	1001289199	1	Antenna	

# SECTION 8 - ELECTRICAL

## FIGURE 8-42. CHASSIS HARNESS



1001149975

## SECTION 8 - ELECTRICAL

### FIGURE 8-42. CHASSIS HARNESS

ITEM	PART NUMBER	QTY	DESCRIPTION	REV
	1001149975	Ref	CHASSIS HARNESS	I
1	4460852	1	Connector - 8 Position	
2	1001155743	1	Holder	
3	4460876	1	Connector - 35 Position	
3	4460871	4	Socket, Female	
3	4460905	31	Seal, Plug	
4	1001230931	1	Connector - 6 Position	
4	1001116748	6	Terminal	
5	4460761	1	Connector - 4 Position	
5	4460227	4	Pin, Male	
6	4460872	1	Connector - 14 Position	
6	4460871	5	Socket, Female	
6	4460905	9	Seal, Plug	
7	4460875	1	Connector - 35 Position	
7	4460871	21	Socket, Female	
7	4460905	14	Seal, Plug	
8	4460874	1	Connector - 35 Position	
8	4460871	10	Socket, Female	
8	4460905	25	Seal, Plug	
9	4460851	1	Connector - 8 Position	
9	4460465	7	Socket, Female	
9	4460466	1	Seal, Plug	
10	4460950	1	Connector - 12 Position	
10	4460943	3	Pin, Male (Gold)	
10	4460464	3	Pin, Male	
10	4460466	6	Seal, Plug	
11	1001113961	1	Connector - 8 Position	
11	4460871	1	Socket, Female	
11	4460905	7	Seal, Plug	
12	4460873	1	Connector - 35 Position	
12	4460871	22	Socket, Female	
12	4460905	13	Seal, Plug	
13	4461271	1	Connector - 1 Position	
14	4460891	1	Connector - 2 Position	
14	4460465	2	Socket, Female	
15	4460891	1	Connector - 2 Position	
15	4460465	2	Socket, Female	
16	4460891	1	Connector - 2 Position	
16	4460465	2	Socket, Female	
17	4460891	1	Connector - 2 Position	
17	4460465	2	Socket, Female	
18	4460891	1	Connector - 2 Position	
18	4460465	2	Socket, Female	
19	4460891	1	Connector - 2 Position	
19	4460465	2	Socket, Female	
20	4460899	1	Connector - 6 Position	
20	4460464	4	Pin, Male	
20	4460466	2	Plug, Seal	
21	4460899	1	Connector - 6 Position	
21	4460464	4	Pin, Male	

## SECTION 8 - ELECTRICAL

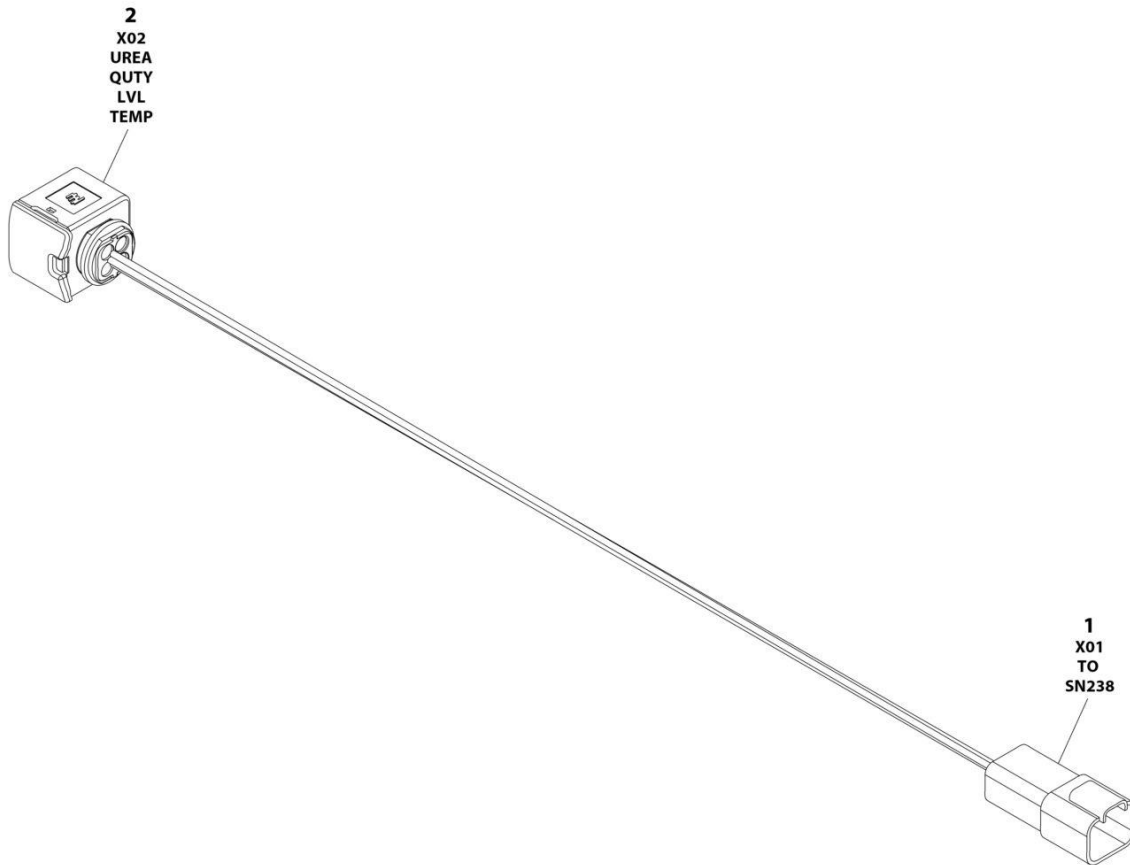
ITEM	PART NUMBER	QTY	DESCRIPTION	REV
21	4460466	2	Plug, Seal	
22	4460911	1	Connector - 3 Position	
23	4460911	1	Connector - 3 Position	
24	4460891	1	Connector - 2 Position	
24	4460465	2	Socket, Female	
25	4460891	1	Connector - 2 Position	
25	4460465	2	Socket, Female	
26	4460891	1	Connector - 2 Position	
26	4460465	2	Socket, Female	
27	4460891	1	Connector - 2 Position	
27	4460465	2	Socket, Female	
28	4460891	1	Connector - 2 Position	
28	4460465	2	Socket, Female	
29	4460891	1	Connector - 2 Position	
29	4460465	2	Socket, Female	
30	4460899	1	Connector - 6 Position	
30	4460464	4	Pin, Male	
30	4460466	2	Plug, Seal	
31	4460899	1	Connector - 6 Position	
31	4460464	4	Pin, Male	
31	4460466	2	Plug, Seal	
32	4460911	1	Connector - 3 Position	
33	4460891	1	Connector - 2 Position	
33	4460465	2	Socket, Female	
34	1001263923	1	Connector - 3 Position	
35	4460891	1	Connector - 2 Position	
35	4460465	2	Socket, Female	
36	4460911	1	Connector - 3 Position	





# SECTION 8 - ELECTRICAL

## FIGURE 8-43. DEF TANK EXTENSION HARNESS



ART\_1001238483

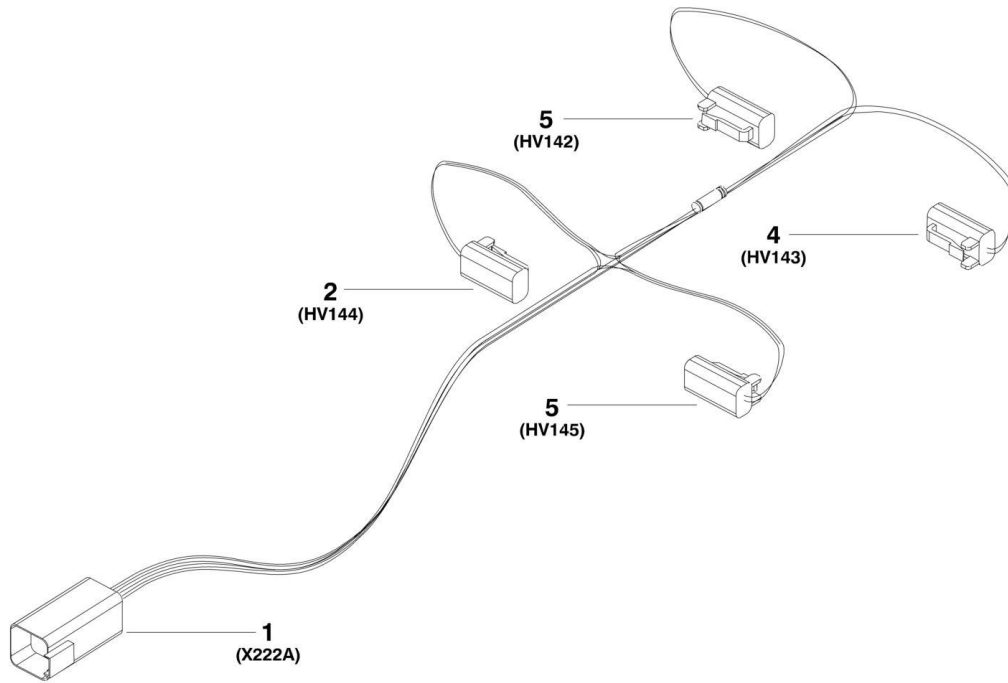
## SECTION 8 - ELECTRICAL

### FIGURE 8-43. DEF TANK EXTENSION HARNESS

ITEM	PART NUMBER	QTY	DESCRIPTION	REV
	1001238483	Ref	DEF TANK EXTENSION HARNESS	A
1	4460932	1	Receptacle, Female - 4 Position	
1	4460464	2	Pin, Male	
1	4460943	2	Pin, Male	
2	1001167528	1	Connector - 4 Position	
2	1001167632	2	Terminal	
2	1001166704	2	Terminal	
2	1001137578	4	Seal	

# SECTION 8 - ELECTRICAL

## FIGURE 8-44. DRIVE PUMP HARNESS



1001149970

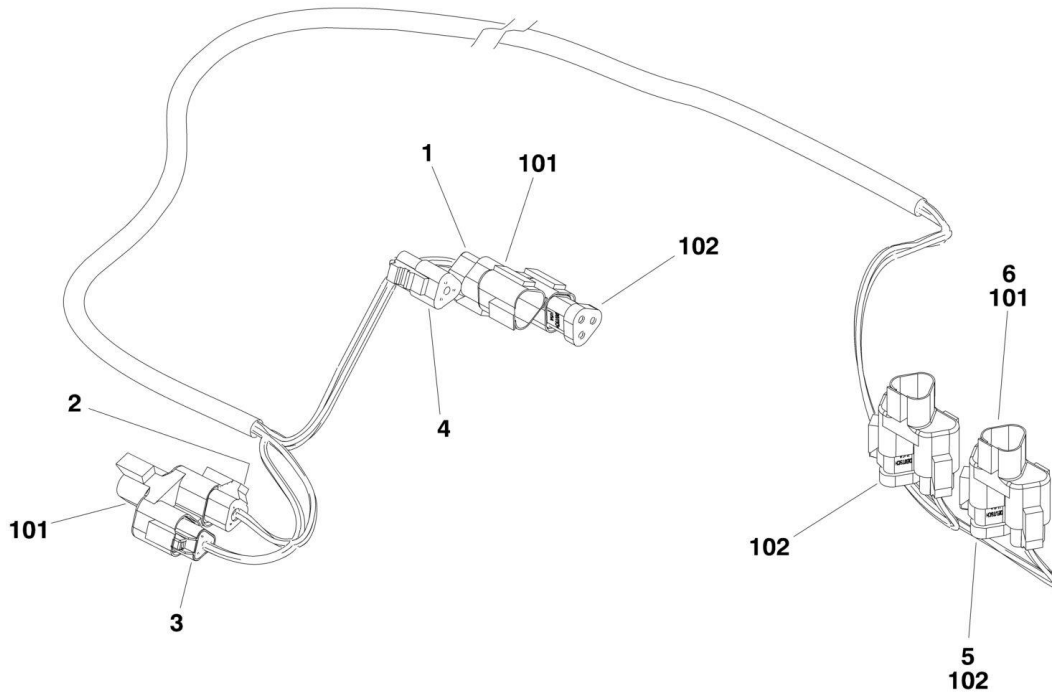
## SECTION 8 - ELECTRICAL

### FIGURE 8-44. DRIVE PUMP HARNESS

ITEM	PART NUMBER	QTY	DESCRIPTION	REV
	1001149970	Ref	DRIVE PUMP HARNESS	B
1	4460899	1	Connector - 6 Position	
1	4460464	5	Pin, Male	
1	4460466	1	Plug, Seal	
2	4460891	1	Connector - 2 Position	
2	4460465	2	Socket, Female	
3	4460891	1	Connector - 2 Position	
3	4460465	2	Socket, Female	
4	4460891	1	Connector - 2 Position	
4	4460465	2	Socket, Female	
5	4460891	1	Connector - 2 Position	
5	4460465	2	Socket, Female	

# SECTION 8 - ELECTRICAL

## FIGURE 8-45. ENGINE CAN HARNESS



1001156001

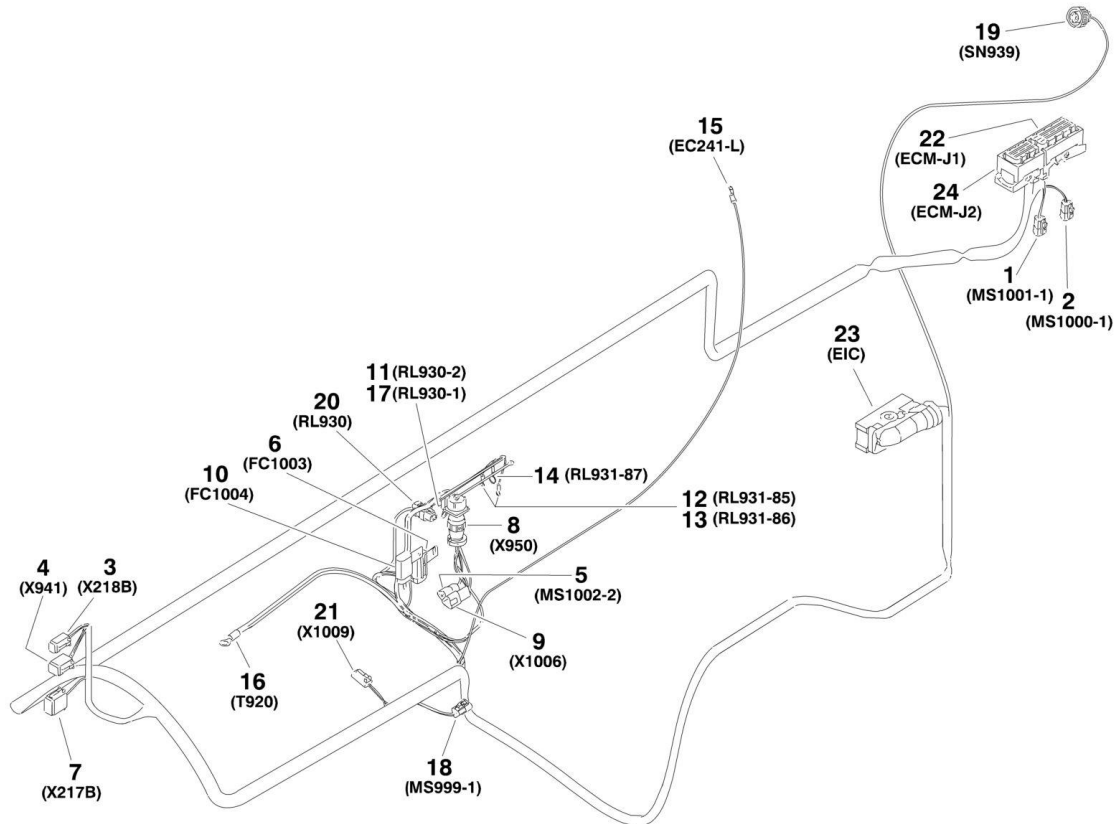
## SECTION 8 - ELECTRICAL

### FIGURE 8-45. ENGINE CAN HARNESS

ITEM	PART NUMBER	QTY	DESCRIPTION	REV
	1001156001	Ref	ENGINE CAN HARNESS	B
1	1001116812	1	Connector - 3 Position	
1	4460944	3	Socket, Female	
2	4460539	1	Connector - 3 Position	
2	4460944	3	Socket, Female	
3	1001116812	1	Connector - 3 Position	
3	4460944	3	Socket, Female	
4	4460539	1	Connector - 3 Position	
4	4460944	3	Socket, Female	
5	4460539	1	Connector - 3 Position	
5	4460944	3	Socket, Female	
6	4460539	1	Connector - 3 Position	
6	4460944	3	Socket, Female	
101	4460945	4	Connector, Tee	
102	1001116815	3	Connector - 3 Position	

# SECTION 8 - ELECTRICAL

## FIGURE 8-46. ENGINE HARNESS - DEUTZ LRC ENGINES



1001149971



## SECTION 8 - ELECTRICAL

**FIGURE 8-46. ENGINE HARNESS - DEUTZ LRC ENGINES**

ITEM	PART NUMBER	QTY	DESCRIPTION	REV
	1001149971	Ref	ENGINE HARNESS	F
1	1001116812	1	Connector - 3 Position	
1	4460944	2	Socket, Female	
1	4460466	1	Plug, Socket	
2	1001116812	1	Connector - 3 Position	
2	4460944	2	Socket, Female	
2	4460466	1	Plug, Socket	
3	4460894	1	Connector - 6 Position	
3	4460944	3	Socket, Female	
3	4460466	3	Plug, Socket	
4	1001220379	1	Connector - 4 Position	
4	4460942	2	Socket, Female	
4	4460465	2	Socket, Female	
4	4460466	4	Plug, Socket	
5	4460539	1	Connector - 3 Position	
5	4460944	2	Socket, Female	
5	4460466	1	Plug, Socket	
6	1001119412	1	Fuseholder	
6	See Note	NSS	Fuse 5A (Note: Purchase Locally)	
6	1001116732	1	Terminal	
6	1001128128	1	Plug, Socket	
7	4460930	1	Connector, Female - 8 Position	
7	4460944	1	Socket, Female	
7	4460466	7	Plug, Seal	
8	2902443	1	Kit, Receptacle	
8	4461071	8	Socket, Female	
8	4461072	1	Connector	
8	4461043	1	Cap, Dust	
8	4461074	1	Shell, Back	
9	4460536	1	Connector - 3 Position	
9	4460943	2	Pin, Male	
9	4460466	1	Plug, Socket	
10	1001117023	1	Fuseholder	
10	See Note	NSS	Fuse 10A (Note: Purchase Locally)	
10	1001116732	1	Terminal	
10	1001128128	1	Plug, Socket	
11	1001117106	1	Ring, Terminal	
12	4460247	1	Ring, Terminal	
13	4460247	1	Ring, Terminal	
14	4460703	1	Ring, Terminal	
15	4460042	1	Ring, Terminal	
16	8220115	1	Ring, Terminal	
17	4460043	1	Ring, Terminal	
18	1001116812	1	Connector - 3 Position	
18	4460944	3	Socket, Female	
19	1001133714	1	Connector - 4 Position	
19	1001133715	3	Socket, Female	
20	1001116952	1	Connector - 2 Position	
20	4460465	1	Socket, Female	
20	4460466	1	Seal, Plug	

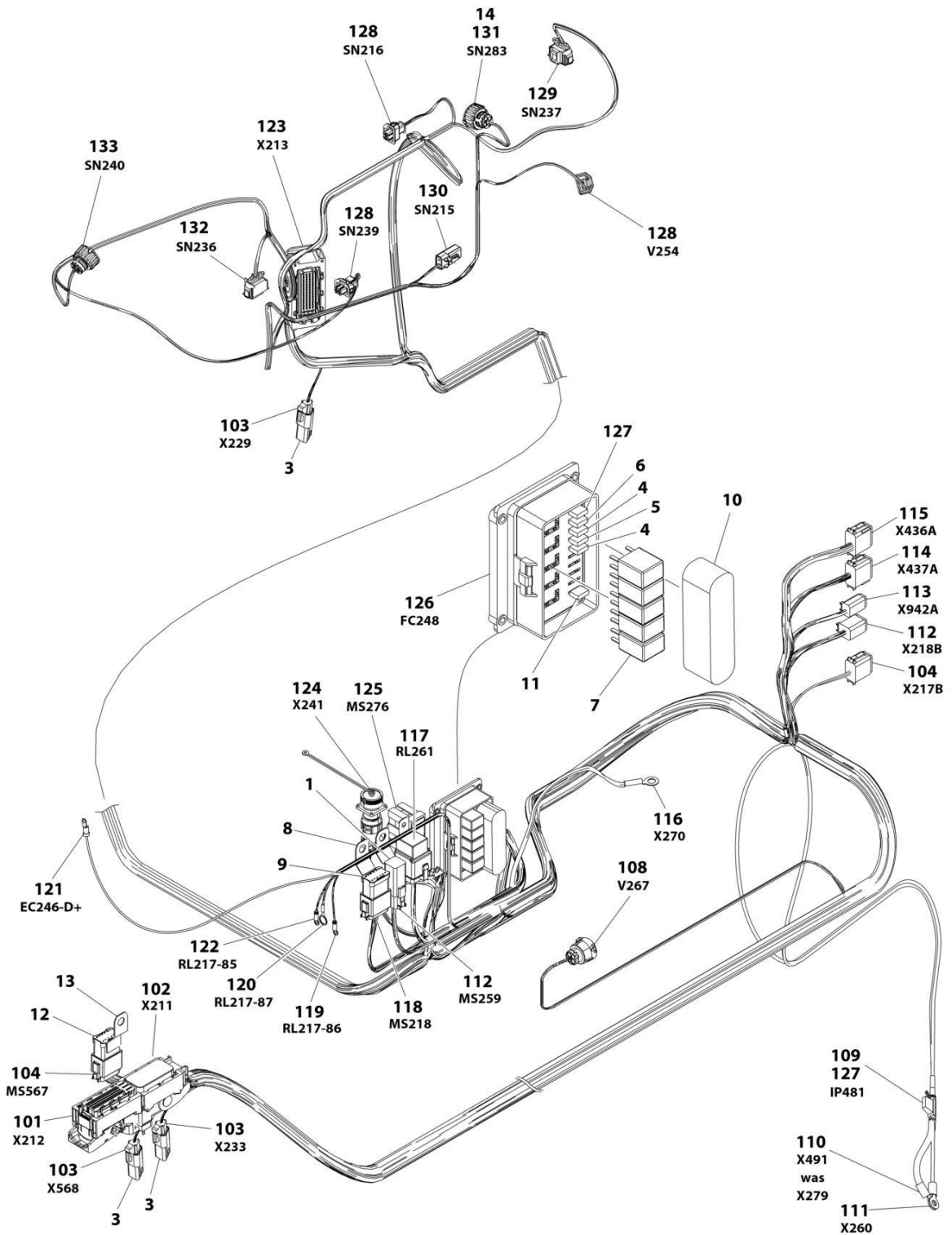
## SECTION 8 - ELECTRICAL

ITEM	PART NUMBER	QTY	DESCRIPTION	REV
21	4460891	1	Connector, Male - 2 Position	
21	4460465	2	Socket, Female	
21	4460897	1	Connector, Female - 2 Position	
21	4460464	2	Pin, Male	
21	See Note	NSS	Resistor 1.5ohm (Note: Not Available for Purchase)	
21	1001156692	AR	Heat Shrink	
22	1001133956	1	Connector - 94 Position	
22	1001126352	6	Terminal 13-17Ga	
22	1001126384	21	Terminal 18-20Ga	
22	1001126351	2	Terminal 15-18Ga	
22	1001126357	2	Plug, Socket	
22	1001126356	63	Plug, Socket	
23	1001126362	1	Connector - 62 Position	
23	1001126365	2	Terminal 17-20Ga	
23	1001126363	35	Terminal 17-20Ga (Gold)	
23	1001126391	21	Plug, Socket	
23	4461008	4	Plug, Socket	
24	1001133957	1	Connector - 60 Position	
24	1001126351	13	Terminal 15-18Ga	
24	1001126384	17	Terminal 18-20Ga	
24	1001126357	11	Plug, Socket	
24	1001126356	19	Plug, Socket	



# SECTION 8 - ELECTRICAL

## FIGURE 8-47. ENGINE HARNESS - DEUTZ HRC ENGINES



ART\_1001188922

## SECTION 8 - ELECTRICAL

### FIGURE 8-47. ENGINE HARNESS - DEUTZ HRC ENGINES

ITEM	PART NUMBER	QTY	DESCRIPTION	REV
	1001188922	Ref	ENGINE HARNESS	K
1	4460892	1	Buss Bar - 6 Position	
3	4461070	3	Connector, Terminating - 3 Position	
4	8229242	2	Fuse, 5 Amp	
5	8229244	1	Fuse, 15 Amp	
6	8229247	1	Fuse, 25 Amp	
7	1001095704	5	Relay	
8	1001120328	2	Mount	
9	1001125677	1	Connector, Bussbar	
10	1001190921	1	Seal	
11	1001197719	1	Resistor 620ohm	
12	4460984	1	Receptacle, Female - 8 Position	
13	1001155743	1	Mount	
14	1001216318	1	Cover	
101	1001167615	1	Connector - 91 Position	
101	1001166551	6	Terminal	
101	1001167621	20	Terminal	
101	1001167622	65	Plug, Terminal	
101	1001126353	6	Seal	
102	1001167625	1	Connector - 105 Position	
102	1001166555	13	Terminal	
102	1001167621	50	Terminal	
102	1001167622	36	Plug, Terminal	
102	1001167623	6	Seal	
103	4461095	3	Connector - 3 Position	
103	4460944	4	Socket, Female	
103	4460465	2	Socket, Female	
103	4460466	3	Plug, Terminal	
104	4460930	2	Connector - 8 Position	
104	4460465	10	Socket, Female	
104	4460466	6	Plug, Terminal	
108	1001167620	1	Connector - 4 Position	
108	1001176004	2	Socket, Female	
108	1001167624	2	Plug, Terminal	
108	1001176002	2	Seal	
109	2400066	1	Fuseholder with Leads	
110	1001117107	1	Terminal, Ring	
111	8220045	1	Terminal, Ring	
112	4460894	2	Plug, Male - 6 Position	
112	4460465	7	Socket, Female	
112	4460944	2	Socket, Female	
112	4460942	1	Socket, Female	
112	4460466	2	Plug, Socket	
113	4460884	1	Plug, Male - 4 Position	
113	4460465	2	Socket, Female	
113	4460942	2	Socket, Female	
114	4460934	1	Plug, Male - 12 Position	
114	4460942	2	Socket, Female	
114	4460465	8	Socket, Female	
114	4460466	2	Plug, Socket	

## SECTION 8 - ELECTRICAL

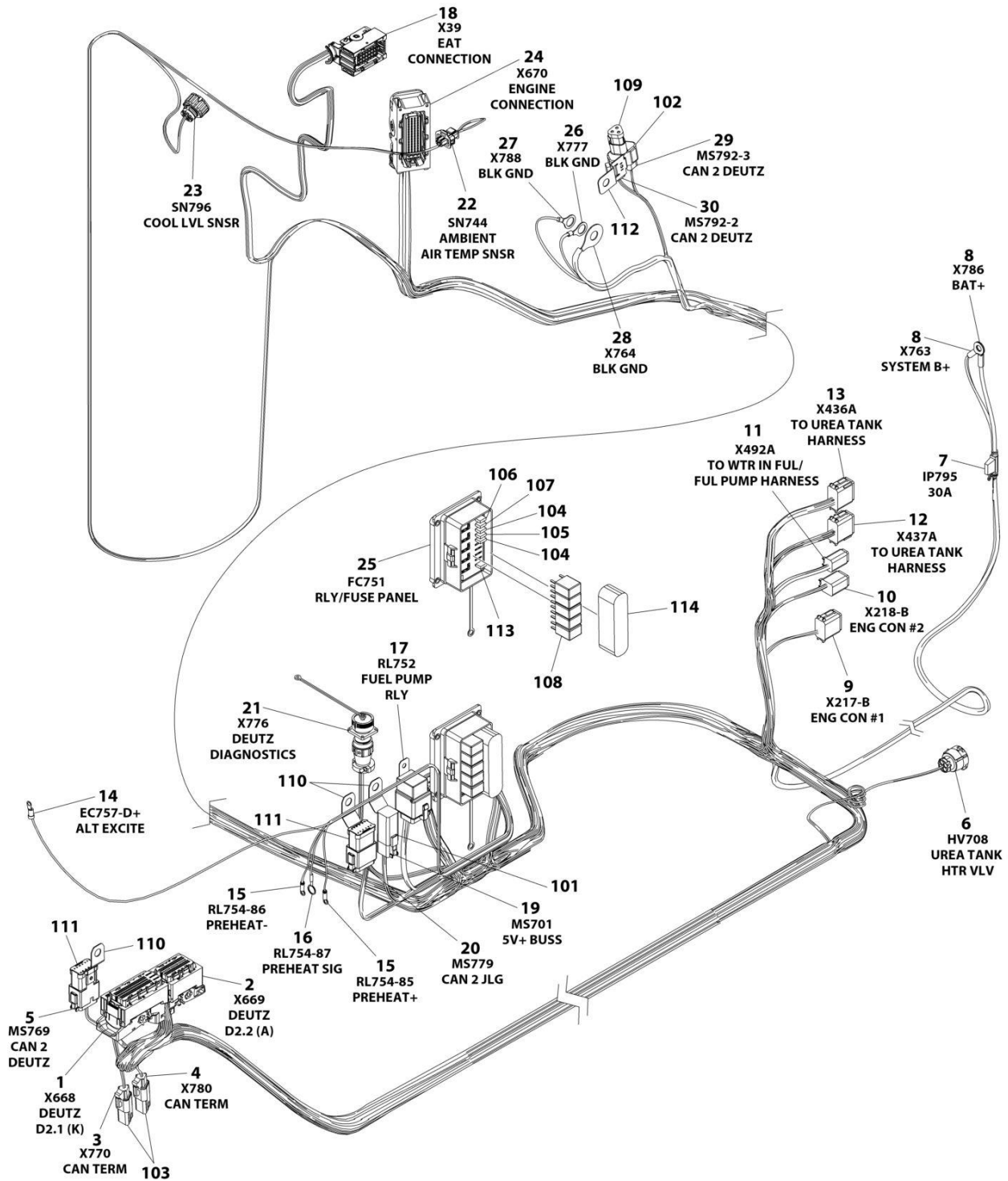
ITEM	PART NUMBER	QTY	DESCRIPTION	REV
115	4460935	1	Plug, Male - 12 Position	
115	1001157890	6	Socket, Female	
115	4460465	2	Socket, Female	
115	4460944	2	Socket, Female	
115	4460466	2	Plug, Socket	
116	1001117108	1	Ring, Terminal	
117	1001118282	1	Connector - 5 Position	
117	1001116734	2	Terminal	
117	1001116733	2	Terminal	
117	1001128128	1	Plug, Socket	
118	4460933	1	Plug, Male - 12 Position	
118	4460944	12	Socket, Female	
119	4460247	1	Terminal, Ring	
120	4460703	1	Terminal, Ring	
121	4460042	1	Terminal, Ring	
122	4460247	1	Terminal, Ring	
123	1001126362	1	Connector - 62 Position	
123	1001166556	30	Socket, Female	
123	1001166774	10	Socket, Female	
123	1001166541	2	Socket, Female	
123	1001166543	2	Socket, Female	
123	1001126391	16	Plug, Terminal	
123	4461008	2	Plug, Terminal	
123	1001166701	30	Seal, Terminal	
123	1001126393	10	Seal, Terminal	
123	4461006	2	Seal, Terminal (Blue)	
123	4461054	2	Seal, Terminal (White)	
124	2902443	1	Kit, Receptacle	
124	4461071	8	Socket, Female	
124	4461072	1	Connector	
124	4461043	1	Cap, Dust	
124	4461074	1	Shell, Back	
125	1001184846	1	Plug, Male - 10 Position	
125	4460509	10	Socket, Female	
126	1001167616	1	Main Fuse Box Assembly	
126	1001116725	6	Socket, Female	
126	8220097	19	Terminal	
126	8220098	7	Terminal	
126	4460748	13	Plug, Terminal	
126	80963067	6	Seal (Blue)	
126	1001175265	12	Seal, Terminal	
126	4460458	14	Seal, Terminal	
127	8229245	2	Fuse, 30 Amp	
128	1001126487	3	Connector - 2 Position	
128	1001167634	4	Socket, Female	
128	1001167635	2	Socket, Female	
128	1001126485	3	Seal, Terminal	
129	1001167629	1	Connector - 4 Position	
129	1001167630	4	Socket, Female	
129	1001126485	4	Seal, Terminal	
130	1001126245	1	Plug, Male - 2 Position	

## SECTION 8 - ELECTRICAL

ITEM	PART NUMBER	QTY	DESCRIPTION	REV
130	1001126008	2	Socket, Female	
131	1001167633	1	Connector - 3 Position	
131	1001133715	3	Socket, Female	
131	1001135650	3	Seal, Terminal	
132	1001167631	1	Connector - 4 Position	
132	1001167630	4	Socket, Female	
132	1001126485	4	Seal, Terminal	
133	1001133714	1	Connector - 4 Position	
133	1001133715	3	Socket, Female	
133	1001135650	3	Seal, Terminal	

# SECTION 8 - ELECTRICAL

## FIGURE 8-48. ENGINE HARNESS - DEUTZ HRC STAGE V ENGINES



ART\_1001262056



## SECTION 8 - ELECTRICAL

**FIGURE 8-48. ENGINE HARNESS - DEUTZ HRC STAGE V ENGINES**

ITEM	PART NUMBER	QTY	DESCRIPTION	REV
	1001262056	Ref	ENGINE HARNESS	E
1	1001133956	1	Connector - 94 Position	
1	1001182361	6	Terminal	
1	1001126351	3	Terminal	
1	1001230934	42	Terminal	
1	1001230935	43	Plug	
1	1001182365	6	Seal	
2	1001133957	1	Connector - 60 Position	
2	1001230936	10	Plug	
2	1001126351	14	Terminal	
2	1001230935	7	Plug	
2	1001230934	27	Terminal	
3	4461095	1	Connector - 3 Position	
3	4460465	2	Socket, Female	
3	4460466	1	Plug, Socket	
4	4461095	1	Connector - 3 Position	
4	4460465	2	Socket, Female	
4	4460466	1	Plug, Socket	
5	4460933	1	Connector - 12 Position	
5	4460465	10	Socket, Female	
5	4460466	2	Plug, Socket	
6	1001167620	1	Connector - 4 Position	
6	1001176004	2	Socket, Female	
6	1001167624	2	Plug, Terminal	
6	1001176002	2	Seal	
7	2400066	1	Fuseholder with Leads	
8	8220045	2	Terminal, Ring	
9	4460930	1	Connector - 8 Position	
9	4460465	1	Socket, Female	
9	4460466	6	Plug, Terminal	
9	4460942	1	Socket, Female	
10	4460894	1	Plug, Male - 6 Position	
10	4460942	1	Socket, Female	
10	4460465	2	Socket, Female	
10	4460944	2	Socket, Female	
10	4460466	1	Plug, Terminal	
11	4460884	1	Plug, Male - 4 Position	
11	4460465	2	Socket, Female	
11	1001157890	2	Socket, Female	
12	4460934	1	Plug, Male - 12 Position	
12	4460465	8	Socket, Female	
12	4460942	2	Terminal	
12	4460466	2	Plug, Terminal	
13	4460935	1	Plug, Male - 12 Position	
13	1001157890	6	Socket, Female	
13	4460465	2	Socket, Female	
13	4460944	2	Socket, Female	
13	4460466	2	Plug, Socket	
14	4460042	1	Terminal, Ring	
15	4460247	2	Terminal, Ring	

## SECTION 8 - ELECTRICAL

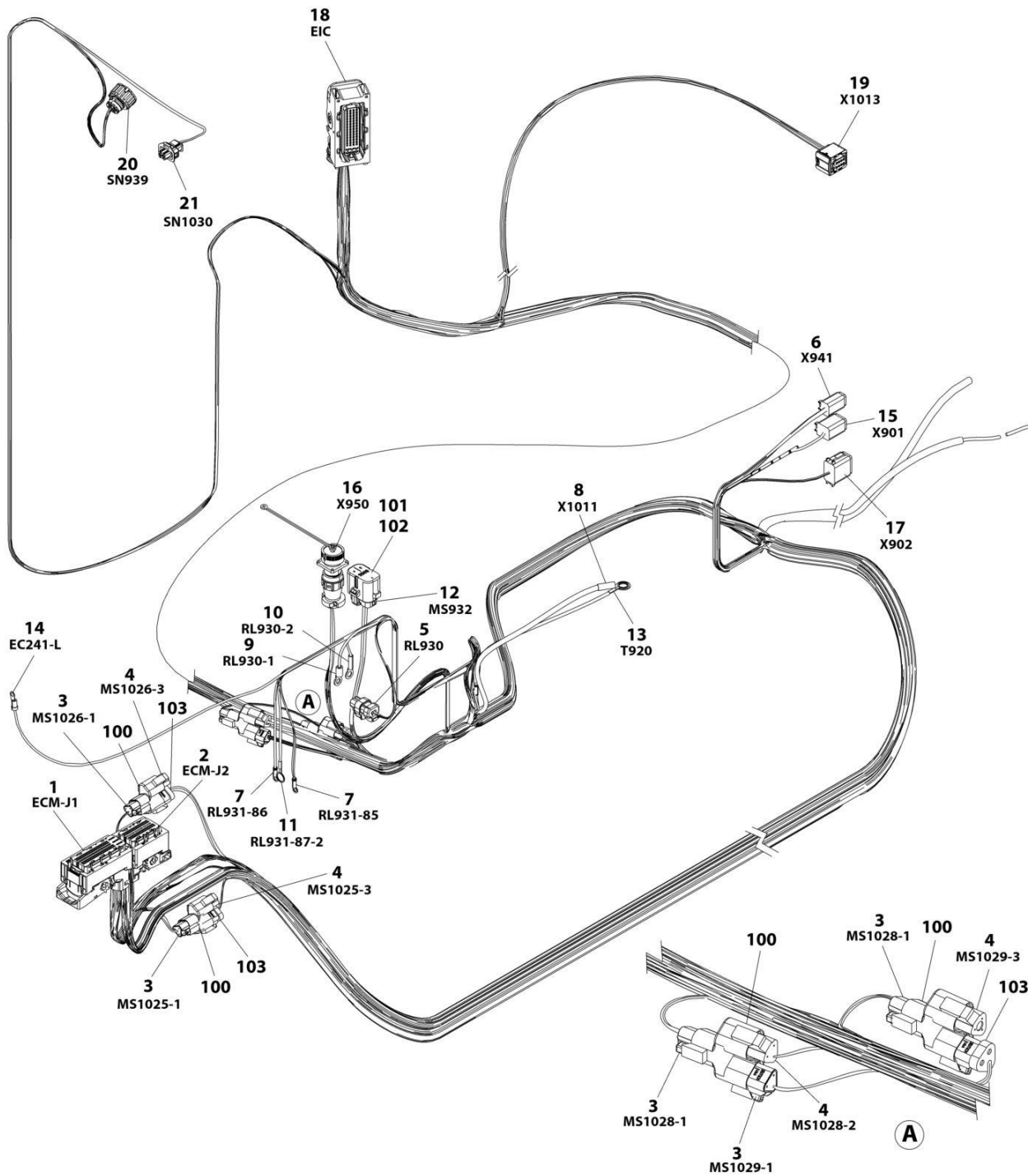
ITEM	PART NUMBER	QTY	DESCRIPTION	REV
16	4460703	1	Terminal, Ring	
17	1001118282	1	Connector - 5 Position	
17	1001116734	2	Terminal	
17	1001116733	2	Terminal	
17	1001128128	1	Plug, Socket	
18	1001268946	1	Connector - 21 Position	
18	1001167632	15	Terminal	
18	4461008	6	Plug	
18	4461054	15	Seal	
19	4460894	1	Plug, Male - 6 Position	
19	4460465	6	Socket, Female	
20	4460933	1	Plug, Male - 12 Position	
20	4460465	8	Socket, Female	
20	4460466	4	Plug, Socket	
21	2902443	1	Kit, Receptacle	
21	4461071	6	Socket, Female	
22	1001126487	1	Connector - 2 Position	
22	1001167634	2	Socket, Female	
22	1001126485	2	Seal, Terminal	
23	1001133714	1	Connector - 4 Position	
23	1001133715	3	Socket, Female	
23	1001135650	3	Seal, Terminal	
24	1001126362	1	Connector - 62 Position	
24	1001126363	36	Terminal	
24	1001126391	8	Plug, Socket	
24	1001126392	12	Terminal	
24	1001126365	2	Terminal	
24	4461008	4	Plug, Socket	
25	1001167616	1	Main Fuse Box Assembly	
25	1001116725	6	Socket, Female	
25	8220097	19	Terminal	
25	4460748	13	Plug, Terminal	
25	8220098	7	Terminal	
26	1001275151	1	Terminal, Ring	
27	1001275153	1	Terminal, Ring	
28	1001275152	1	Terminal, Ring	
29	1001116812	1	Connector - 3 Position	
29	4460465	2	Socket, Female	
29	4460466	1	Plug, Socket	
30	4460539	1	Connector - 3 Position	
30	4460465	2	Socket, Female	
30	4460466	1	Plug, Socket	
101	4460892	1	Receptacle, Female Buss Bar - 6 Position	
102	4460945	1	Receptacle, Female Bussbar - 6 Position	
103	4461070	2	Connector, Terminating - 3 Position	
104	8229242	2	Connector - 3 Position	
105	8229244	1	Fuse 15Amp	
106	8229245	1	Fuse, 30 Amp	
107	8229247	1	Fuse, 25 Amp	
108	1001095704	5	Relay	
109	1001116815	1	Connector - 3 Position	

## SECTION 8 - ELECTRICAL

ITEM	PART NUMBER	QTY	DESCRIPTION	REV
110	1001120328	3	Mount	
111	1001125677	2	Connector, Bussbar	
112	1001155967	1	Mount	

# SECTION 8 - ELECTRICAL

FIGURE 8-49. ENGINE HARNESS - DEUTZ TCD3.6L (CHINA IV) (Prior to SN 0300298210)



ART\_1001285004

## SECTION 8 - ELECTRICAL

**FIGURE 8-49. ENGINE HARNESS - DEUTZ TCD3.6L (CHINA IV) (Prior to SN 0300298210)**

ITEM	PART NUMBER	QTY	DESCRIPTION	REV
	1001285004	Ref	ENGINE HARNESS	A
1	1001133956	1	Connector	
1	1001182361	6	Socket	
1	1001126351	3	Socket	
1	1001230934	23	Socket	
1	1001230935	57	Pin	
1	1001230936	1	Pin	
1	1001252527	4	Socket	
1	1001182365	6	Seal	
2	1001133957	1	Connector	
2	1001230936	11	Pin	
2	1001126351	13	Socket	
2	1001230935	10	Pin	
2	1001230934	26	Socket	
3	1001116812	5	Connector	
3	4460944	10	Socket	
3	4460466	5	Plug, Terminal	
4	4460539	4	Connector	
4	4460944	8	Socket	
4	4460466	4	Plug, Terminal	
5	1001116952	1	Connector	
5	4460465	2	Socket	
6	4460884	1	Connector	
6	4460465	2	Socket	
6	4460942	2	Socket	
7	4460247	2	Terminal, Ring	
8	8220164	1	Connector	
9	4460043	1	Terminal, Ring	
10	1001117106	1	Terminal, Ring	
11	4460703	1	Terminal, Ring	
12	80484084	1	Connector	
12	4460748	7	Plug, Socket	
12	1001234800	1	Socket	
12	4460458	4	Seal	
13	4460019	1	Terminal, Ring	
14	4460042	1	Terminal, Ring	
15	4460894	1	Connector	
15	4460466	2	Plug, Terminal	
15	4460465	2	Socket	
15	4460944	2	Socket	
16	2902443	1	Connector	
16	4461071	6	Socket	
17	4460930	1	Connector	
17	4460465	1	Socket	
17	4460466	7	Plug, Terminal	
18	1001126362	1	Connector	
18	1001126363	37	Socket	
18	1001126391	7	Plug, Terminal	
18	1001126392	12	Socket	
18	4461008	4	Plug, Terminal	

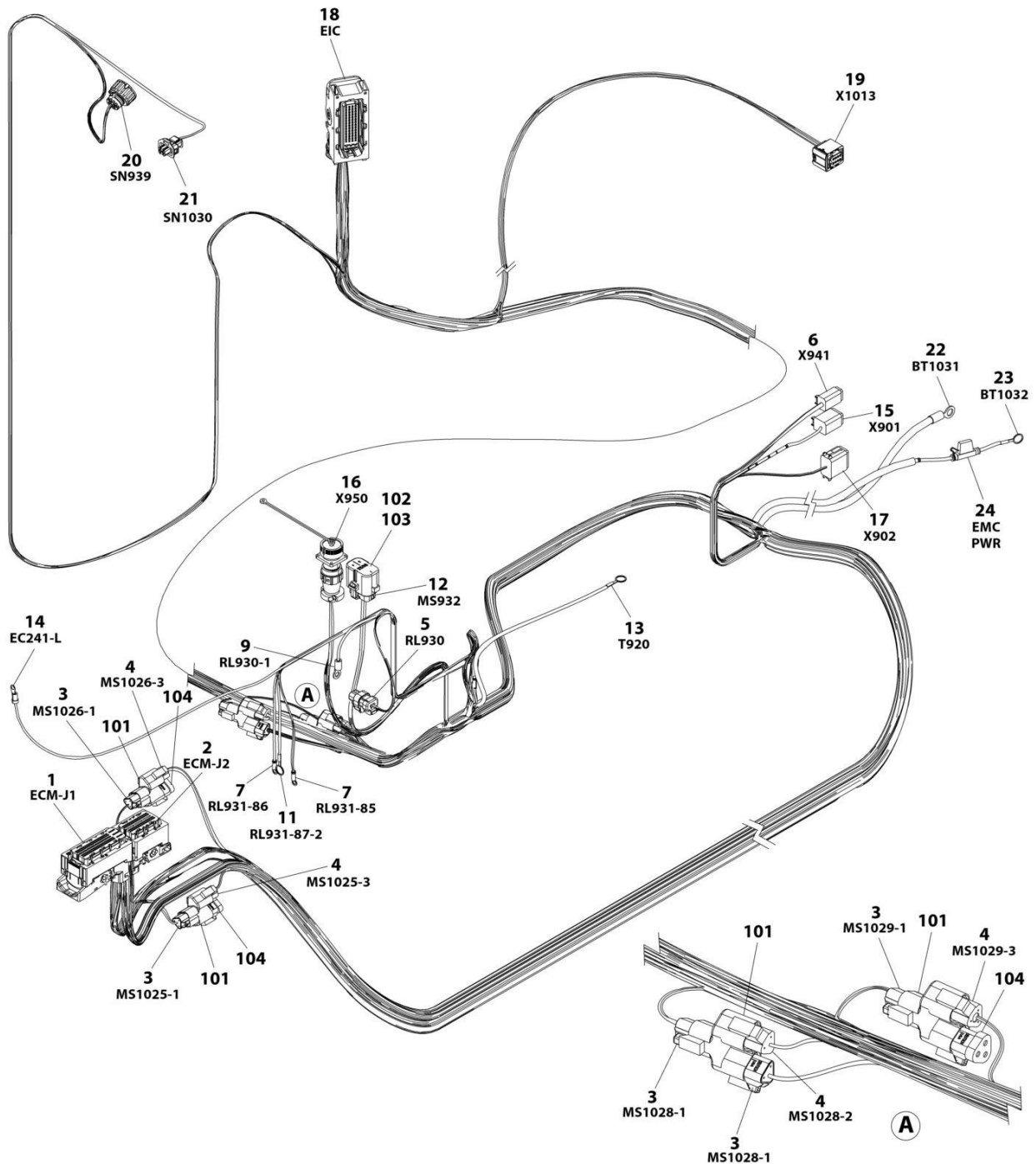
## SECTION 8 - ELECTRICAL

ITEM	PART NUMBER	QTY	DESCRIPTION	REV
18	1001167632	2	Connector	
18	1001126364	37	Plug, Terminal	
18	1001223459	12	Seal	
18	4461054	2	Seal	
19	1001239202	1	Connector	
19	1001126363	7	Socket	
19	1001135651	1	Plug, Terminal	
19	1001126364	7	Plug, Terminal	
20	1001133714	1	Connector	
20	1001133715	3	Socket	
20	1001135651	1	Plug, Terminal	
20	1001135650	3	Seal	
21	1001126487	1	Connector	
21	1001167635	2	Socket	
21	1001126485	2	Seal	
100	4460945	4	Socket	
101	8229242	1	Fuse 5 Amp	
102	80983191	1	Fuse 10 Amp	
103	1001116815	3	Connector	



# SECTION 8 - ELECTRICAL

FIGURE 8-50. ENGINE HARNESS - DEUTZ TCD3.6L (CHINA IV) (SN 0300298210 to Present)



ART\_1001285004\_B



## SECTION 8 - ELECTRICAL

**FIGURE 8-50. ENGINE HARNESS - DEUTZ TCD3.6L (CHINA IV) (SN 0300298210 to Present)**

ITEM	PART NUMBER	QTY	DESCRIPTION	REV
	1001285004	Ref	ENGINE HARNESS	B
1	1001133956	1	Connector	
1	1001182361	6	Socket	
1	1001126351	3	Socket	
1	1001230934	23	Socket	
1	1001230935	57	Pin	
1	1001230936	1	Pin	
1	1001252527	4	Socket	
1	1001182365	6	Seal	
2	1001133957	1	Connector	
2	1001230936	11	Pin	
2	1001126351	13	Socket	
2	1001230935	10	Pin	
2	1001230934	26	Socket	
3	1001116812	5	Connector	
3	4460944	10	Socket	
3	4460466	5	Plug, Terminal	
4	4460539	4	Connector	
4	4460944	8	Socket	
4	4460466	4	Plug, Terminal	
5	1001116952	1	Connector	
5	4460465	2	Socket	
6	4460884	1	Connector	
6	4460465	2	Socket	
6	4460942	2	Socket	
7	4460247	2	Terminal, Ring	
9	4460043	1	Terminal, Ring	
11	4460703	1	Terminal, Ring	
12	80484084	1	Connector	
12	4460748	7	Plug, Socket	
12	1001234800	1	Socket	
12	4460458	4	Seal	
13	4460019	1	Terminal, Ring	
14	4460042	1	Terminal, Ring	
15	4460894	1	Connector	
15	4460466	2	Plug, Terminal	
15	4460465	2	Socket	
15	4460944	2	Socket	
16	2902443	1	Connector	
16	4461071	6	Socket	
17	4460930	1	Connector	
17	4460465	1	Socket	
17	4460466	7	Plug, Terminal	
18	1001126362	1	Connector	
18	1001126363	37	Socket	
18	1001126391	7	Plug, Terminal	
18	1001126392	12	Socket	
18	4461008	4	Plug, Terminal	
18	1001167632	2	Connector	
18	1001126364	37	Plug, Terminal	

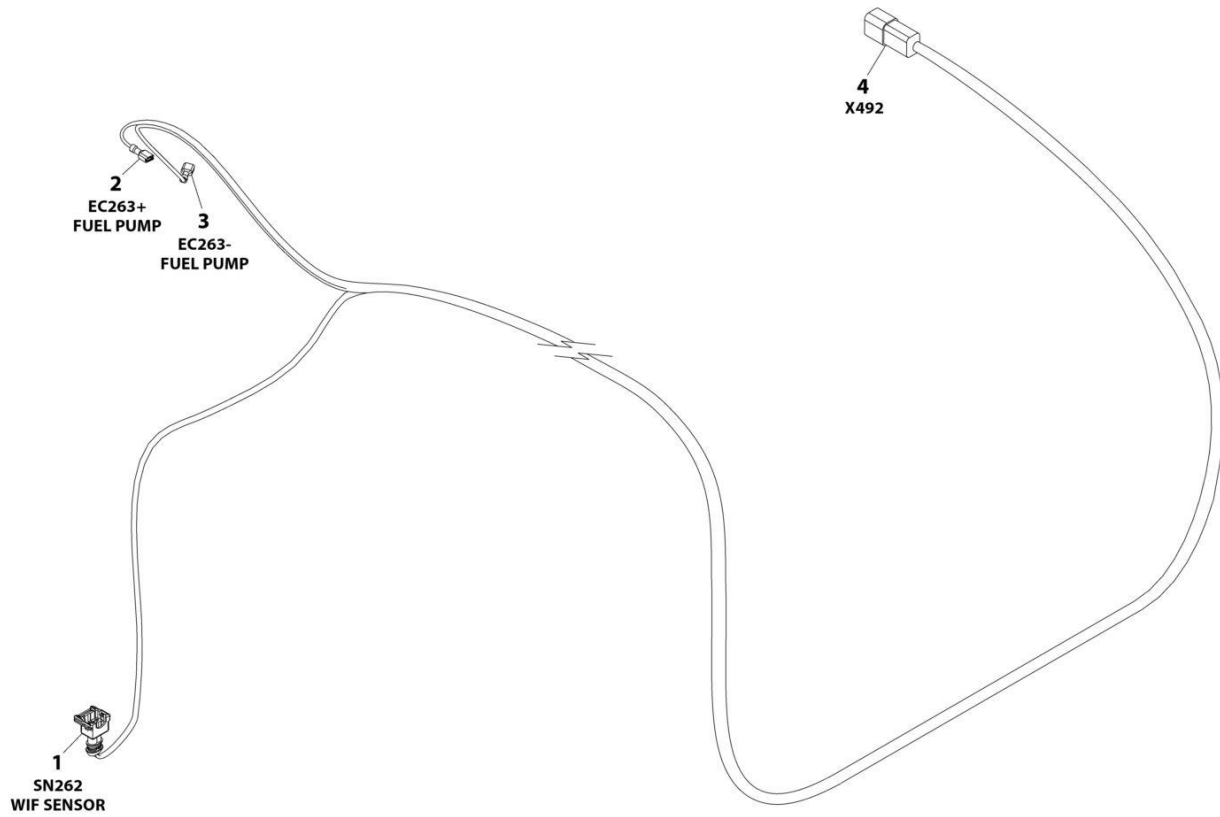
## SECTION 8 - ELECTRICAL

ITEM	PART NUMBER	QTY	DESCRIPTION	REV
18	1001223459	12	Seal	
18	4461054	2	Seal	
19	1001239202	1	Connector	
19	1001126363	7	Socket	
19	1001135651	1	Plug, Terminal	
19	1001126364	7	Plug, Terminal	
20	1001133714	1	Connector	
20	1001133715	3	Socket	
20	1001135651	1	Plug, Terminal	
20	1001135650	3	Seal	
21	1001126487	1	Connector	
21	1001167635	2	Socket	
21	1001126485	2	Seal	
22	8220115	1	Terminal, Ring	
23	4460019	1	Terminal, Ring	
24	1001172064	1	Fuseholder	
24	1001172065	1	Fuse 30 Amp	
101	4460945	4	Socket	
102	8229242	1	Fuse 5 Amp	
103	80983191	1	Fuse 10 Amp	
104	1001116815	3	Connector	



# SECTION 8 - ELECTRICAL

## FIGURE 8-51. FUEL PUMP AND WIF HARNESS



ART\_1001211885

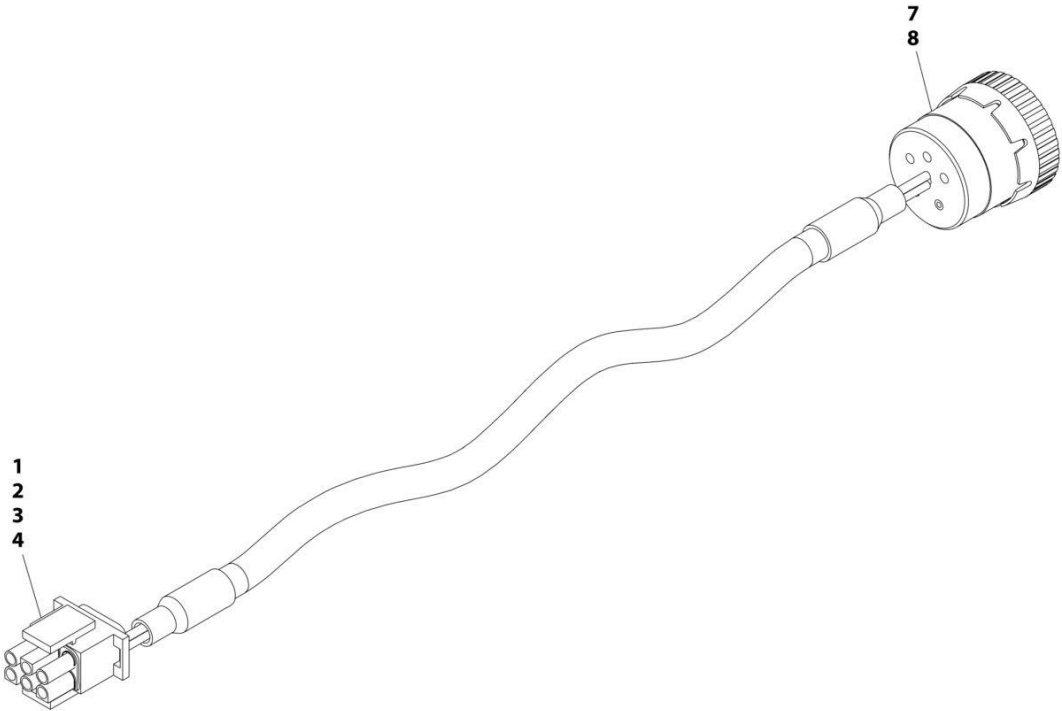
## SECTION 8 - ELECTRICAL

### FIGURE 8-51. FUEL PUMP AND WIF HARNESS

ITEM	PART NUMBER	QTY	DESCRIPTION	REV
	1001211885	Ref	FUEL PUMP AND WIF HARNESS	B
1	1001116983	1	Connector - 2 Position	
1	4461060	2	Pin, Male	
2	8220051	1	Terminal, Ring	
3	8220051	1	Terminal, Ring	
4	4460932	1	Connector - 4 Position	
4	4460464	2	Pin, Male	
4	4460941	2	Pin, Male	

**SECTION 8 - ELECTRICAL**

**FIGURE 8-52. GENERATOR HARNESS - 4000W GENERATOR**



ART\_1001152532

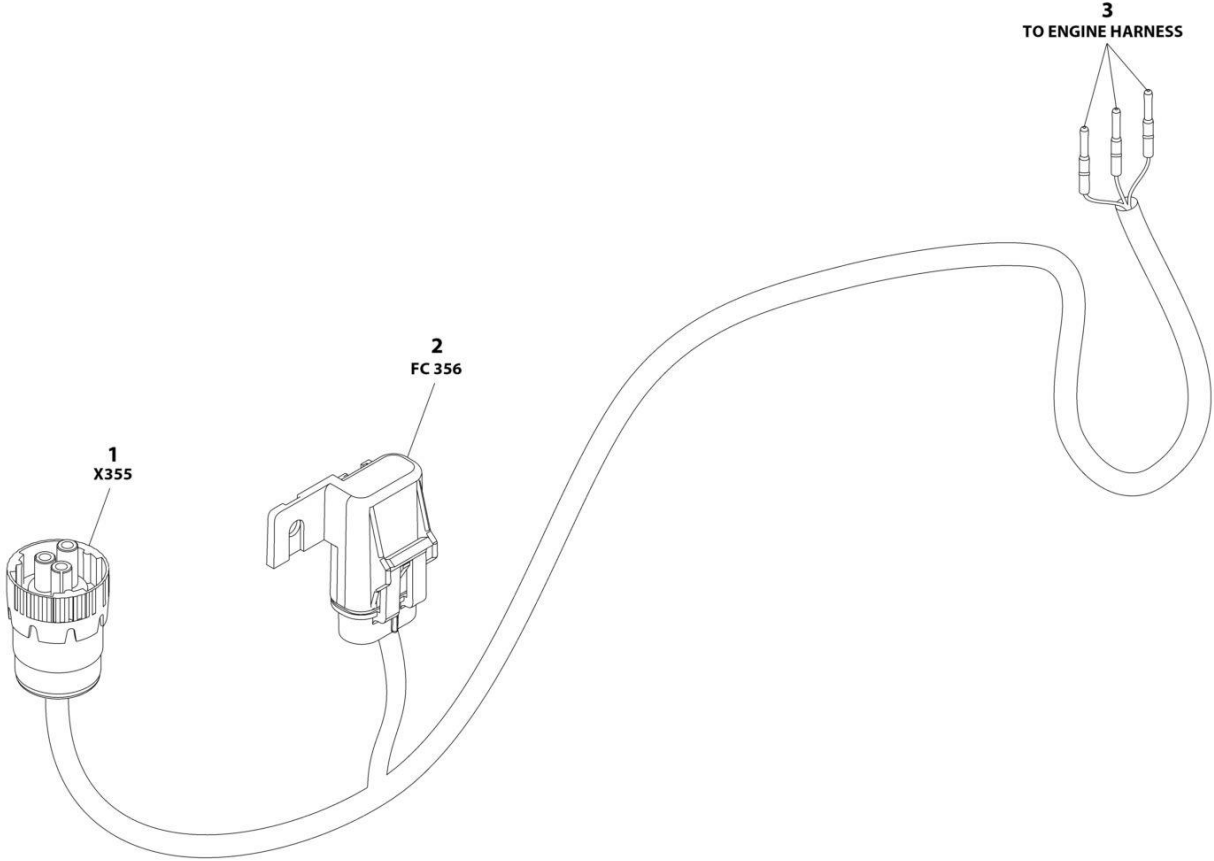
## SECTION 8 - ELECTRICAL

### FIGURE 8-52. GENERATOR HARNESS - 4000W GENERATOR

ITEM	PART NUMBER	QTY	DESCRIPTION	REV
	1001152532	Ref	GENERATOR HARNESS	A
1	4460225	1	Connector - 6 Position	
2	4460268	2	Socket, Female	
3	4460807	1	Seal	
4	4460808	1	Seal	
7	4460465	2	Socket, Female	
8	77363233	1	Connector - 6 Position	

**SECTION 8 - ELECTRICAL**

**FIGURE 8-53. GENERATOR ENABLE HARNESS - 7500W GENERATOR**



ART\_1001156030



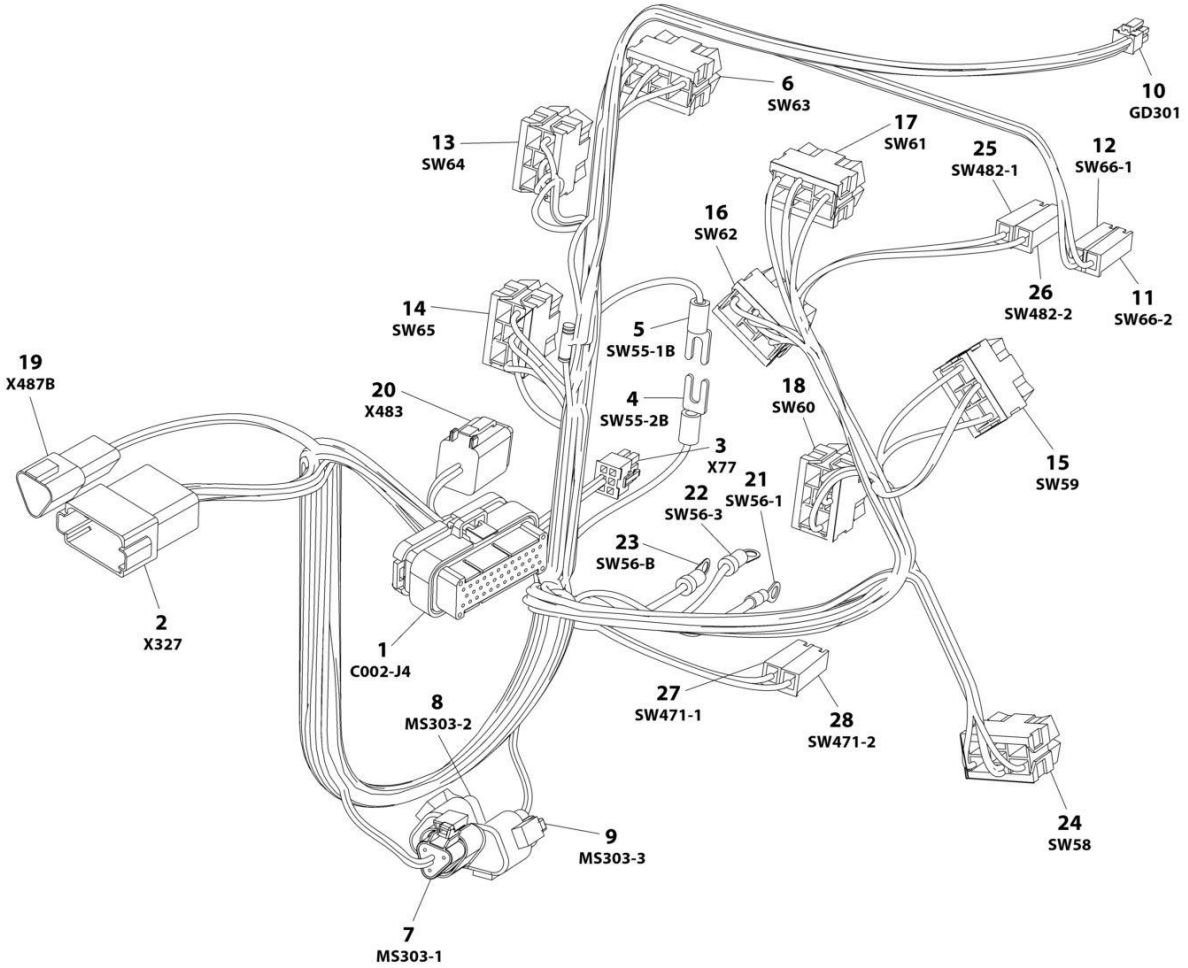
## SECTION 8 - ELECTRICAL

**FIGURE 8-53. GENERATOR ENABLE HARNESS - 7500W GENERATOR**

ITEM	PART NUMBER	QTY	DESCRIPTION	REV
	1001156030	Ref	GENERATOR ENABLE HARNESS - 7500W GENERATOR	B
1	4460967	1	Connector - 3 Position	
1	4460465	3	Socket, Female	
2	1001119412	1	Connector, Metri-Pack with 5Amp Fuse	
2	1001116733	2	Terminal	
3	4460465	3	Socket, Female	

# SECTION 8 - ELECTRICAL

## FIGURE 8-54. GROUND CONTROL PANEL HARNESS



ART\_1001241884

## SECTION 8 - ELECTRICAL

### FIGURE 8-54. GROUND CONTROL PANEL HARNESS

ITEM	PART NUMBER	QTY	DESCRIPTION	REV
	1001241884	Ref	GROUND CONTROL PANEL HARNESS	A
1	4460876	1	Connector - 35 Position	
1	4460871	20	Socket, Female	
1	4460905	15	Plug	
2	4460970	1	Connector - 12 Position	
2	4460464	11	Pin, Male	
2	4460466	1	Plug, Socket	
3	4460868	1	Connector - 6 Position	
3	4460877	4	Socket, Female	
4	4460144	1	Terminal	
5	4460144	1	Terminal	
6	4460418	1	Connector - 3 Position	
6	1001159186	2	Terminal	
6	4460419	2	Terminal	
7	1001116812	1	Connector - 4 Position	
7	4460944	1	Socket, Female	
7	4460466	2	Plug, Socket	
8	4460539	1	Connector - 4 Position	
8	4460944	1	Socket, Female	
8	4460466	2	Plug, Socket	
9	1001116812	1	Connector - 4 Position	
9	4460944	2	Socket, Female	
9	4460466	1	Plug, Socket	
10	1001237667	1	Connector - 6 Position	
10	1001237668	5	Socket, Female	
11	4460260	1	Connector - 1 Position	
11	4460259	1	Terminal	
12	4460260	1	Connector - 1 Position	
12	4460259	2	Terminal	
13	4460418	1	Connector - 3 Position	
13	1001159186	2	Terminal	
13	4460419	2	Terminal	
14	4460418	1	Connector - 3 Position	
14	1001159186	2	Terminal	
14	4460419	2	Terminal	
15	4460418	1	Connector - 3 Position	
15	1001159186	2	Terminal	
15	4460419	2	Terminal	
16	4460418	1	Connector - 3 Position	
16	1001159186	2	Terminal	
16	4460419	2	Terminal	
17	4460418	1	Connector - 3 Position	
17	1001159186	2	Terminal	
17	4460419	2	Terminal	
18	4460418	1	Connector - 3 Position	
18	1001159186	2	Terminal	
18	4460419	2	Terminal	
19	4460536	1	Connector - 3 Position	
19	4460464	2	Pin, Male	
19	4460466	1	Plug, Socket	

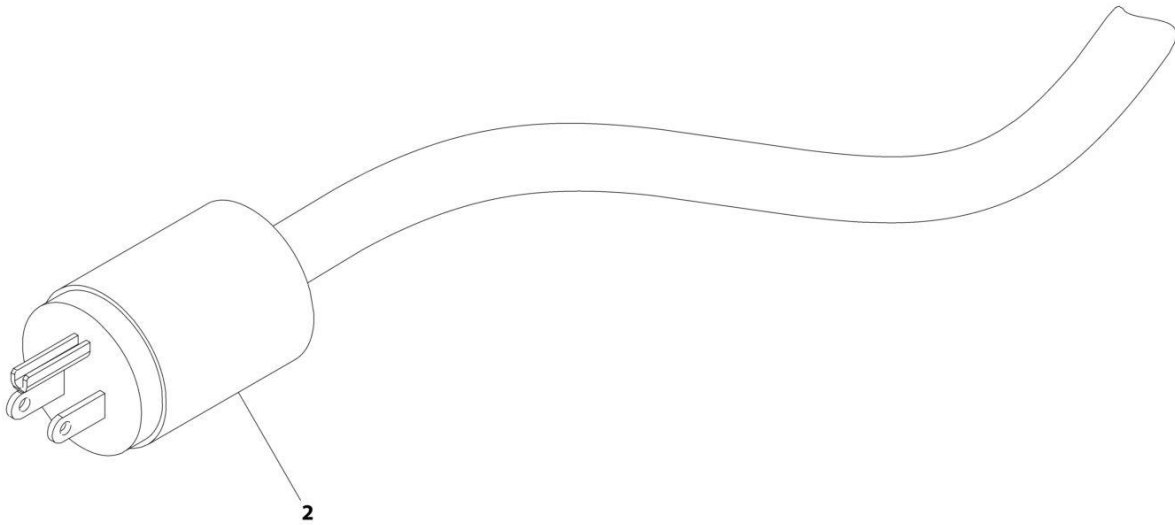
## SECTION 8 - ELECTRICAL

ITEM	PART NUMBER	QTY	DESCRIPTION	REV
20	4460894	1	Connector - 6 Position	
20	4460465	4	Socket, Female	
21	4460313	1	Ring, Terminal	
22	4460042	1	Ring, Terminal	
23	4460042	1	Ring, Terminal	
24	4460418	1	Connector - 3 Position	
24	1001159186	2	Terminal	
24	4460419	2	Terminal	
25	4460260	1	Connector - 1 Position	
26	4460260	1	Connector - 1 Position	
27	4460260	1	Connector - 1 Position	
28	4460260	1	Connector - 1 Position	



## SECTION 8 - ELECTRICAL

FIGURE 8-55. JIB AC CABLE - ANSI, ANSI EXPORT, CSA AND JAPANESE SPECS



ART\_1001156896

## SECTION 8 - ELECTRICAL

**FIGURE 8-55. JIB AC CABLE - ANSI, ANSI EXPORT, CSA AND JAPANESE SPECS**

ITEM	PART NUMBER	QTY	DESCRIPTION	REV
2	1001156896 4460205	Ref 1	JIB AC CABLE Plug	A

**SECTION 8 - ELECTRICAL**

**FIGURE 8-56. JIB AC CABLE – AUSTRALIAN, CHINA, CE & UK CA SPECS**



ART\_1001157637



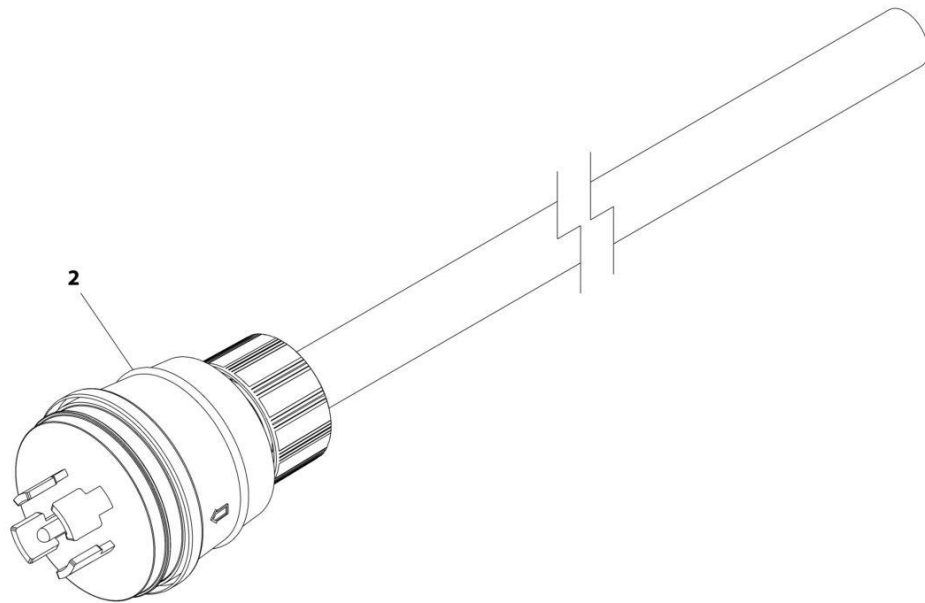
## SECTION 8 - ELECTRICAL

**FIGURE 8-56. JIB AC CABLE – AUSTRALIAN, CHINA, CE & UK CA SPECS**

ITEM	PART NUMBER	QTY	DESCRIPTION	REV
2	1001157637 4460205	Ref 1	JIB AC CABLE Plug	A

## SECTION 8 - ELECTRICAL

FIGURE 8-57. JIB AC CABLE - SKYPOWER



ART\_1001226288

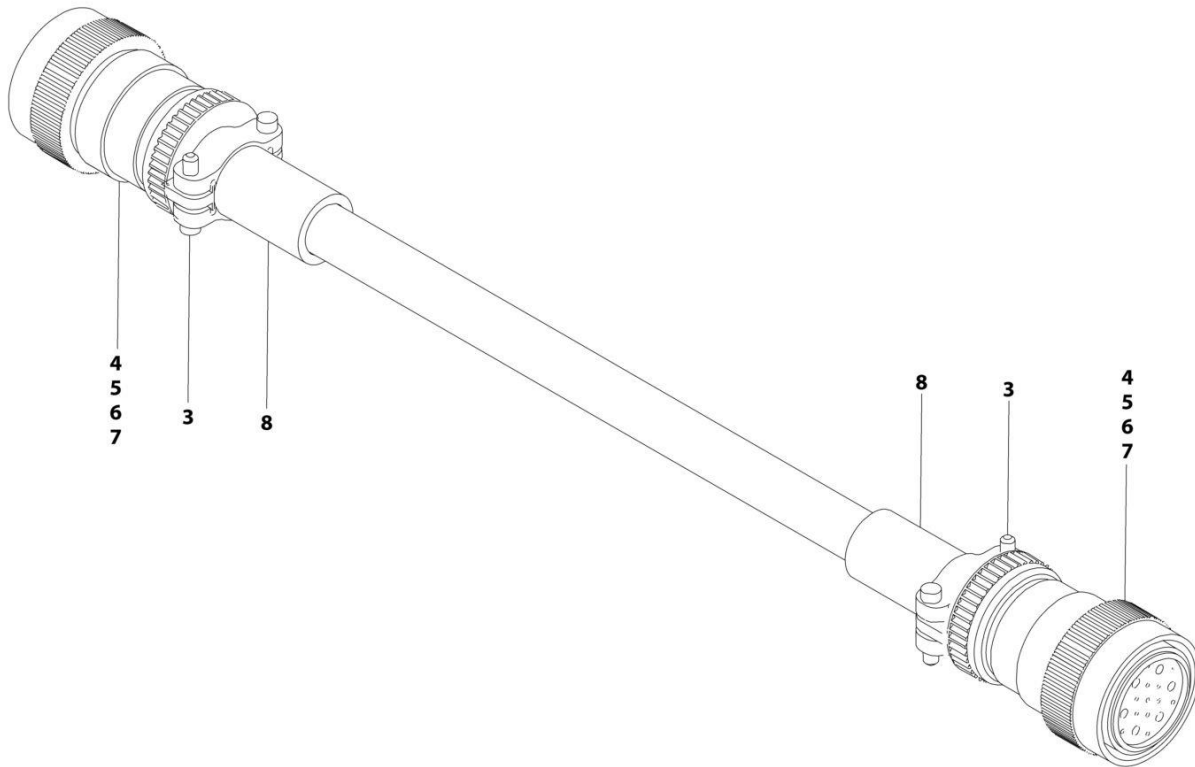
## SECTION 8 - ELECTRICAL

### FIGURE 8-57. JIB AC CABLE - SKYPOWER

ITEM	PART NUMBER	QTY	DESCRIPTION	REV
2	1001226288 1001218622	Ref 1	JIB AC CABLE - SKYPOWER Plug	A

# SECTION 8 - ELECTRICAL

## FIGURE 8-58. JIB CONTROL CABLE



ART\_1001156897

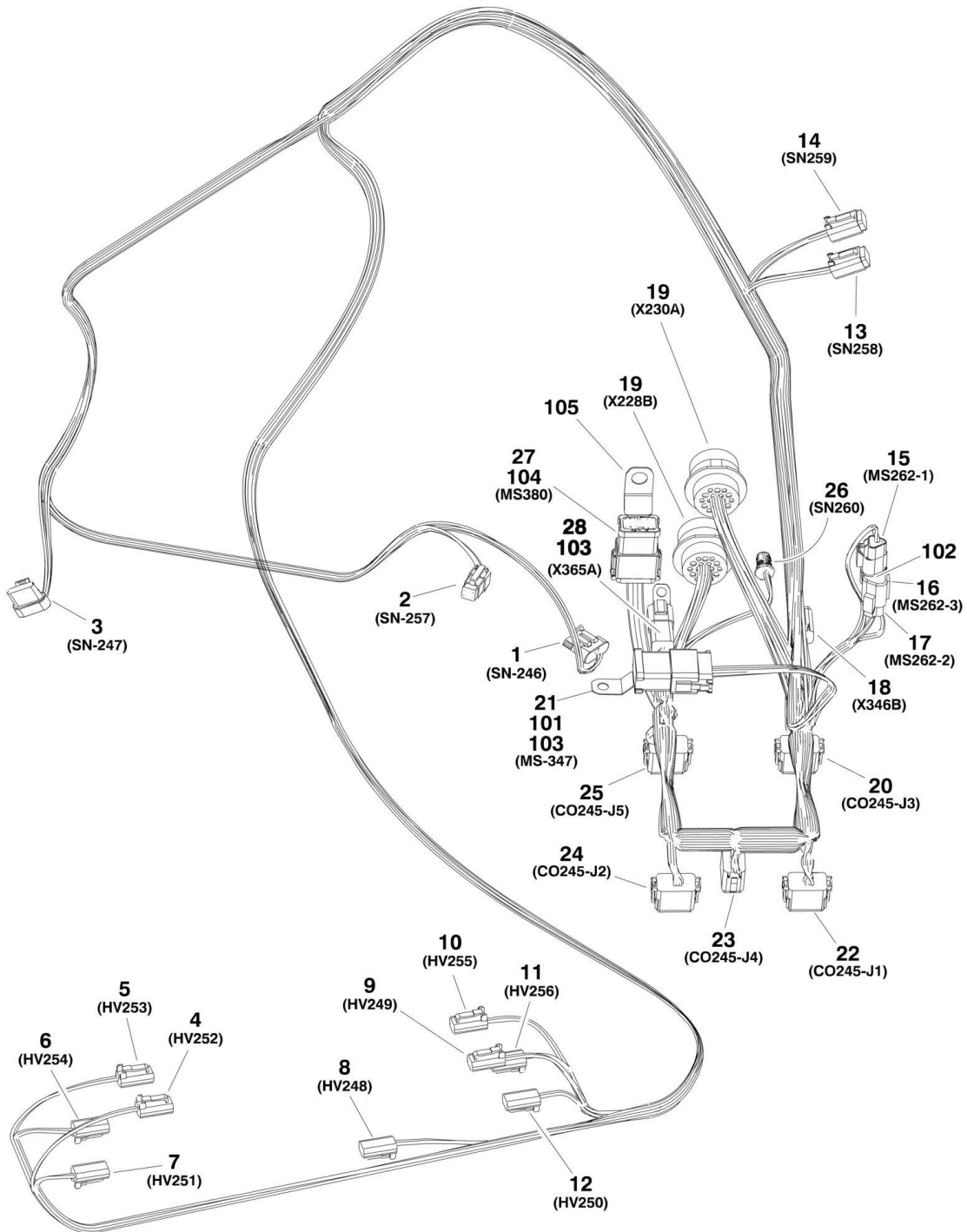
## SECTION 8 - ELECTRICAL

### FIGURE 8-58. JIB CONTROL CABLE

ITEM	PART NUMBER	QTY	DESCRIPTION	REV
	1001156897	Ref	JIB CONTROL CABLE	C
3	4460473	2	Clamp	
4	4460509	8	Socket, Female	
5	4460865	2	Connector - 19 Position	
6	4460465	20	Socket, Female	
7	4460466	10	Plug, Socket	
8	1001226400	2	Insulator, Heat Shrink	

# SECTION 8 - ELECTRICAL

## FIGURE 8-59. JIB VALVE HARNESS



1001149978

## SECTION 8 - ELECTRICAL

### FIGURE 8-59. JIB VALVE HARNESS

ITEM	PART NUMBER	QTY	DESCRIPTION	REV
	1001149978	Ref	JIB VALVE HARNESS	H
1	1001117064	1	Connector - 6 Position	
1	91554014	6	Terminal	
2	4461077	1	Connector - 4 Position	
2	1001116694	4	Socket, Female	
3	1001230931	1	Connector - 6 Position	
3	1001116748	6	Terminal	
4	4460891	1	Connector - 2 Position	
4	4460465	2	Socket, Female	
5	4460891	1	Connector - 2 Position	
5	4460465	2	Socket, Female	
6	4460891	1	Connector - 2 Position	
6	4460465	2	Socket, Female	
7	4460891	1	Connector - 2 Position	
7	4460465	2	Socket, Female	
8	4460891	1	Connector - 2 Position	
8	4460465	2	Socket, Female	
9	4460891	1	Connector - 2 Position	
9	4460465	2	Socket, Female	
10	4460891	1	Connector - 2 Position	
10	4460465	2	Socket, Female	
11	4460891	1	Connector - 2 Position	
11	4460465	2	Socket, Female	
12	4460891	1	Connector - 2 Position	
12	4460465	2	Socket, Female	
13	4460884	1	Connector - 4 Position	
13	4460465	4	Socket, Female	
14	4460884	1	Connector - 4 Position	
14	4460465	4	Socket, Female	
15	1001116812	1	Connector - 4 Position	
15	4460944	4	Socket, Female	
16	1001116812	1	Connector - 4 Position	
16	4460944	4	Socket, Female	
17	4460539	1	Connector - 4 Position	
17	4460944	4	Socket, Female	
18	4460884	1	Connector - 4 Position	
18	4460465	4	Socket, Female	
19	4460866	19	Connector - 19 Position	
19	4460508	4	Pin, Male	
19	4460464	11	Pin, Male	
19	4460466	4	Plug, Socket	
20	4460935	1	Connector - 12 Position	
20	4460465	12	Socket, Female	
21	4460836	1	Connector - 12 Position	
21	4460465	10	Socket, Female	
21	4460466	2	Plug, Socket	
22	4460933	1	Connector - 12 Position	
22	4460465	4	Socket, Female	
22	4460944	3	Socket, Female	
22	4460942	2	Socket, Female	

## SECTION 8 - ELECTRICAL

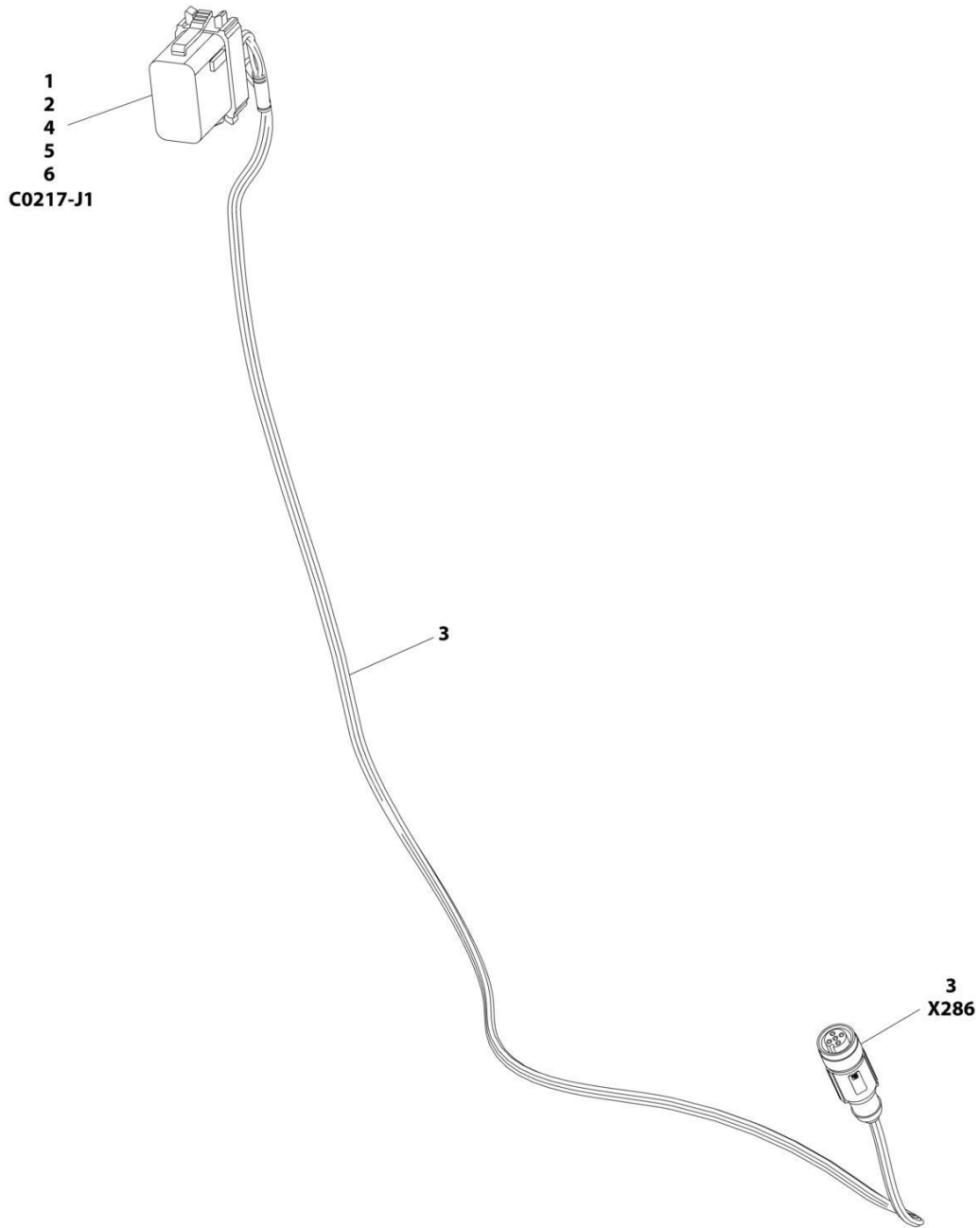
ITEM	PART NUMBER	QTY	DESCRIPTION	REV
22	4460466	3	Plug, Socket	
23	4460930	1	Connector - 8 Position	
23	4460465	4	Socket, Female	
23	4460944	3	Socket, Female	
23	4460466	1	Plug, Socket	
24	4460836	1	Connector - 12 Position	
24	4460465	11	Socket, Female	
24	4460466	3	Plug, Socket	
25	4460935	1	Connector - 12 Position	
25	4460465	7	Socket, Female	
25	4460466	5	Plug, Socket	
26	1001120055	1	Connector - 5 Position	
26	4460944	3	Socket, Female	
27	4460933	1	Connector - 12 Position	
27	4460465	2	Socket, Female	
27	1001157890	8	Socket, Female	
27	4460942	2	Socket, Female	
28	4460932	1	Connector - 4 Position	
28	4460464	3	Pin, Male	
28	4460466	1	Plug, Socket	
29	4460866	19	Connector - 19 Position	
29	4460508	4	Pin, Male	
29	4460464	11	Pin, Male	
29	4460466	4	Plug, Socket	
101	1001249244	1	Connector, Housing	
102	4460945	1	Connector, 3 Way	
103	1001120328	2	Mount, Connector	
104	1001125677	1	Connector, Bussbar	
105	1001157028	1	Holder, Connector	





# SECTION 8 - ELECTRICAL

## FIGURE 8-60. LCD DISPLAY HARNESS



ART\_1001220482

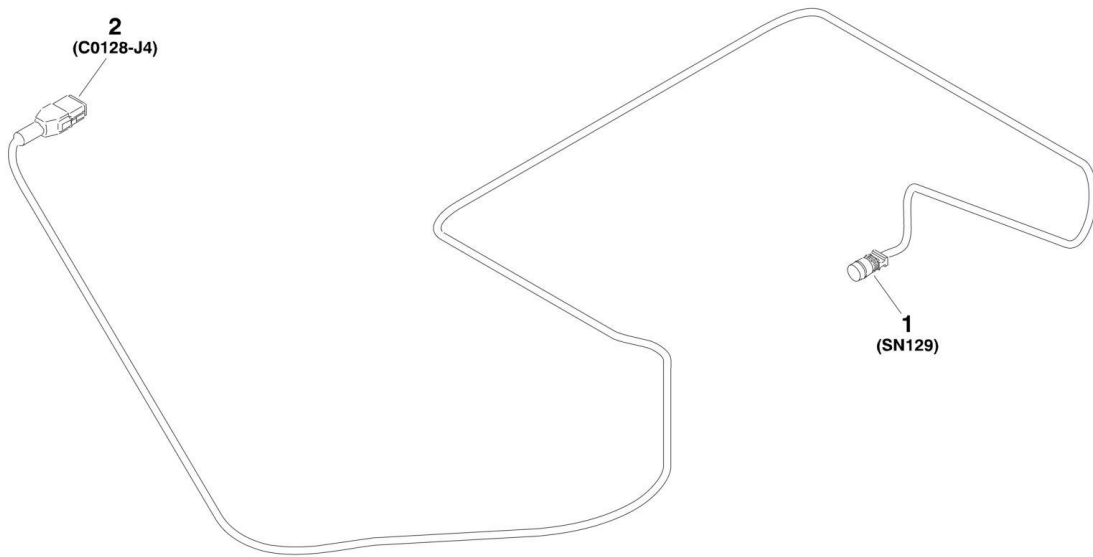
## SECTION 8 - ELECTRICAL

### FIGURE 8-60. LCD DISPLAY HARNESS

ITEM	PART NUMBER	QTY	DESCRIPTION	REV
	1001220482	Ref	LCD DISPLAY HARNESS	A
1	4460465	3	Socket, Female	
2	4460944	2	Socket, Female (Gold)	
3	1001125295	1	Connector with Cable	
4	1001176333	1	Connector - 12 Position	
5	4460466	13	Plug, Seal	
6	2820171	3	Tube, Heat Shrink	

# SECTION 8 - ELECTRICAL

## FIGURE 8-61. LOAD SENSOR CABLE



1001157646

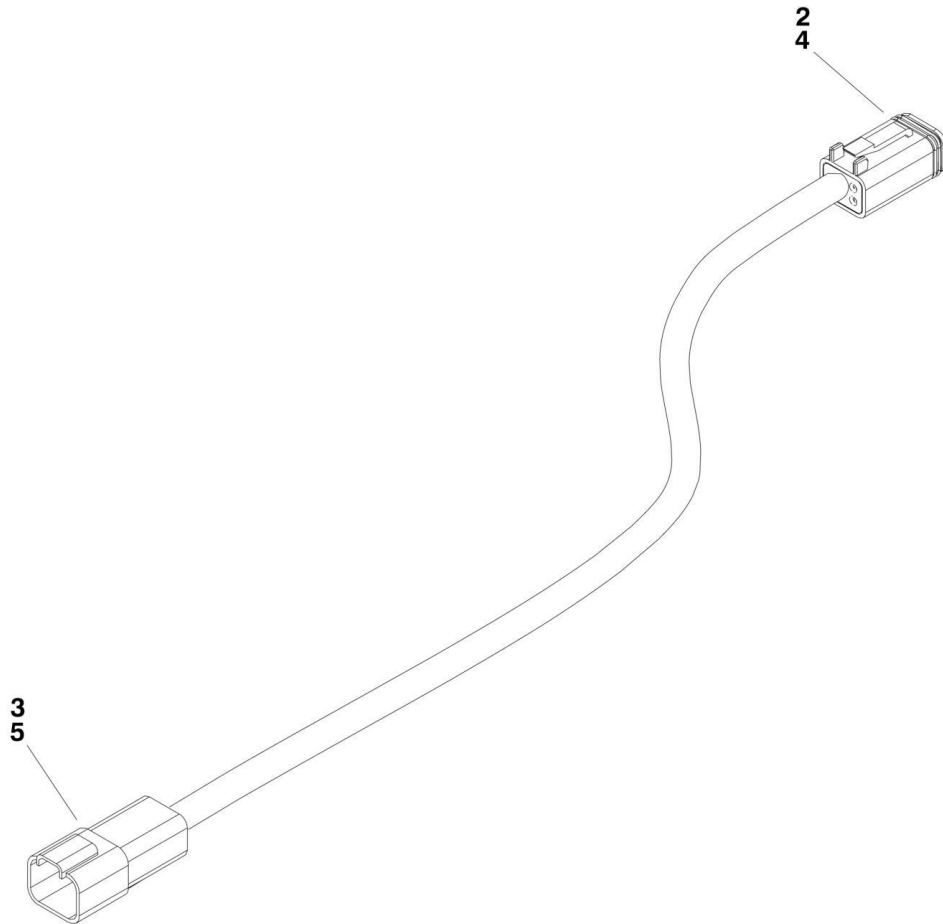
## SECTION 8 - ELECTRICAL

### FIGURE 8-61. LOAD SENSOR CABLE

ITEM	PART NUMBER	QTY	DESCRIPTION	REV
	1001157646	Ref	LOAD SENSOR CABLE	A
1	1001157649	1	Connector - 6 Position	
1	1001157723	2	Terminal	
2	4460930	1	Connector - 8 Position	
2	4460465	2	Socket, Female	
2	4460944	3	Socket, Female	
2	4460466	3	Plug, Socket	
2	0840062	1	Boot	

# SECTION 8 - ELECTRICAL

## FIGURE 8-62. MAIN BOOM 16/4 CABLE



1001158207

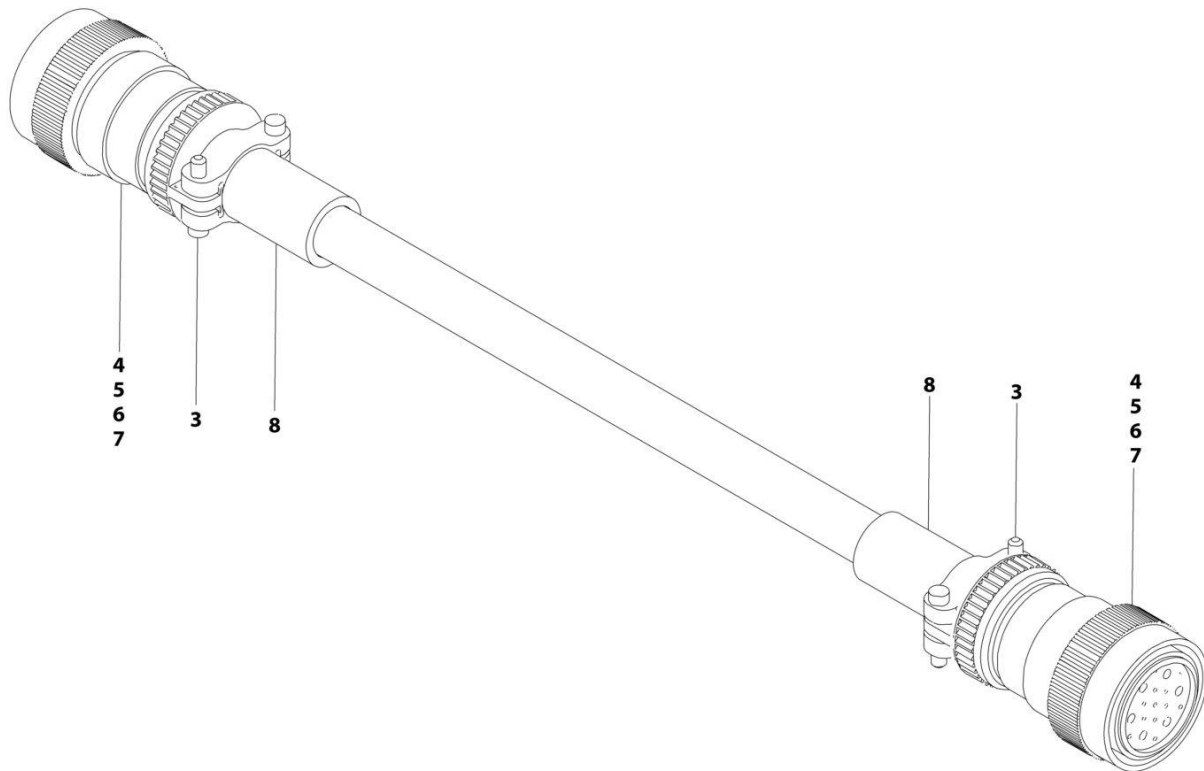
## SECTION 8 - ELECTRICAL

### FIGURE 8-62. MAIN BOOM 16/4 CABLE

ITEM	PART NUMBER	QTY	DESCRIPTION	REV
	1001158207	Ref	MAIN BOOM 16/4 CABLE	B
2	4460884	1	Connector - 4 Position	
3	4460932	1	Connector - 4 Position	
4	4460465	4	Socket, Female	
5	4460464	4	Pin, Male	

# SECTION 8 - ELECTRICAL

## FIGURE 8-63. MAIN BOOM CONTROL CABLE



ART\_1001156893



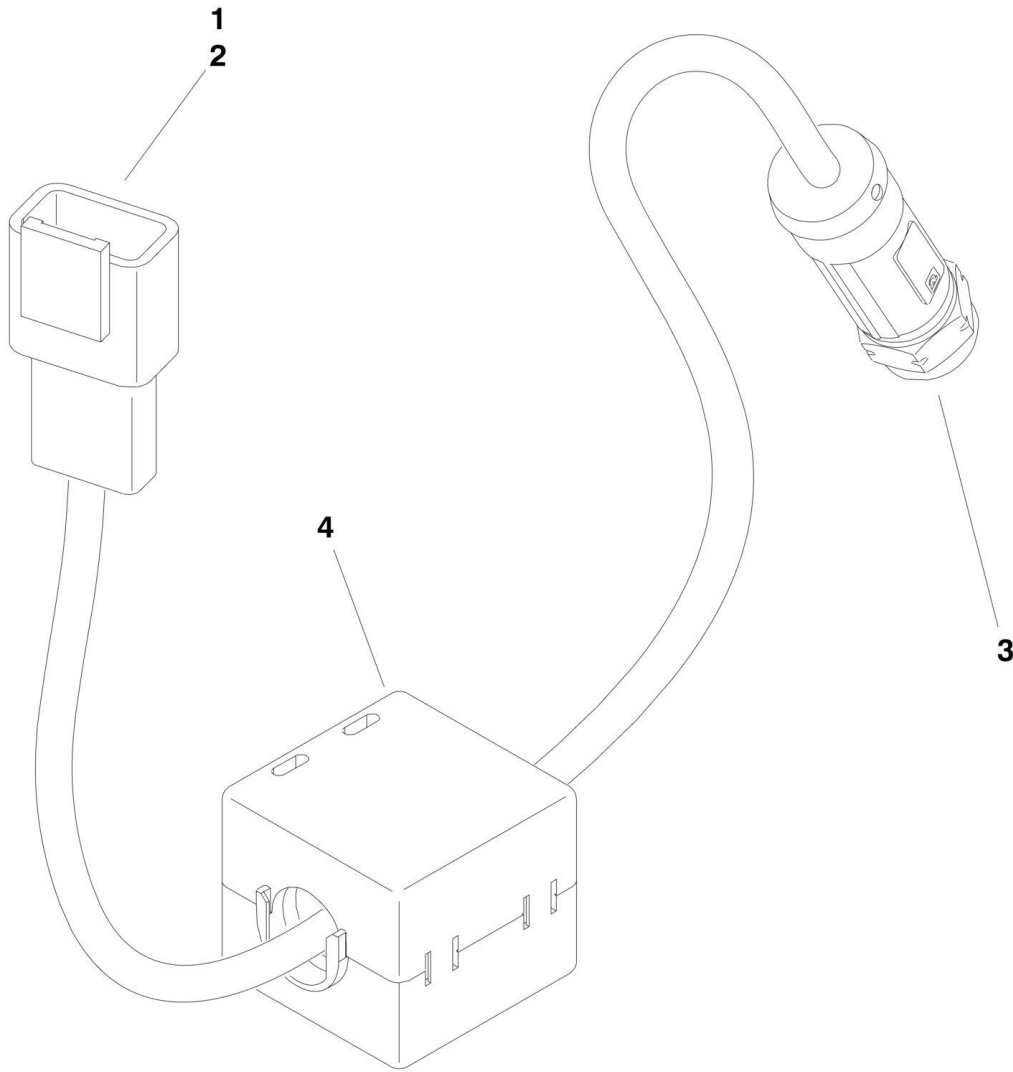
## SECTION 8 - ELECTRICAL

### FIGURE 8-63. MAIN BOOM CONTROL CABLE

ITEM	PART NUMBER	QTY	DESCRIPTION	REV
	1001156893	Ref	MAIN BOOM CONTROL CABLE	C
3	4460473	2	Clamp	
4	4460509	8	Socket, Female	
5	4460865	2	Connector - 19 Position	
6	4460465	20	Socket, Female	
7	4460466	10	Plug, Socket	
8	1001226400	2	Insulator, Heat Shrink	

# SECTION 8 - ELECTRICAL

## FIGURE 8-64. MTS CONNECTION CABLE



1001163631

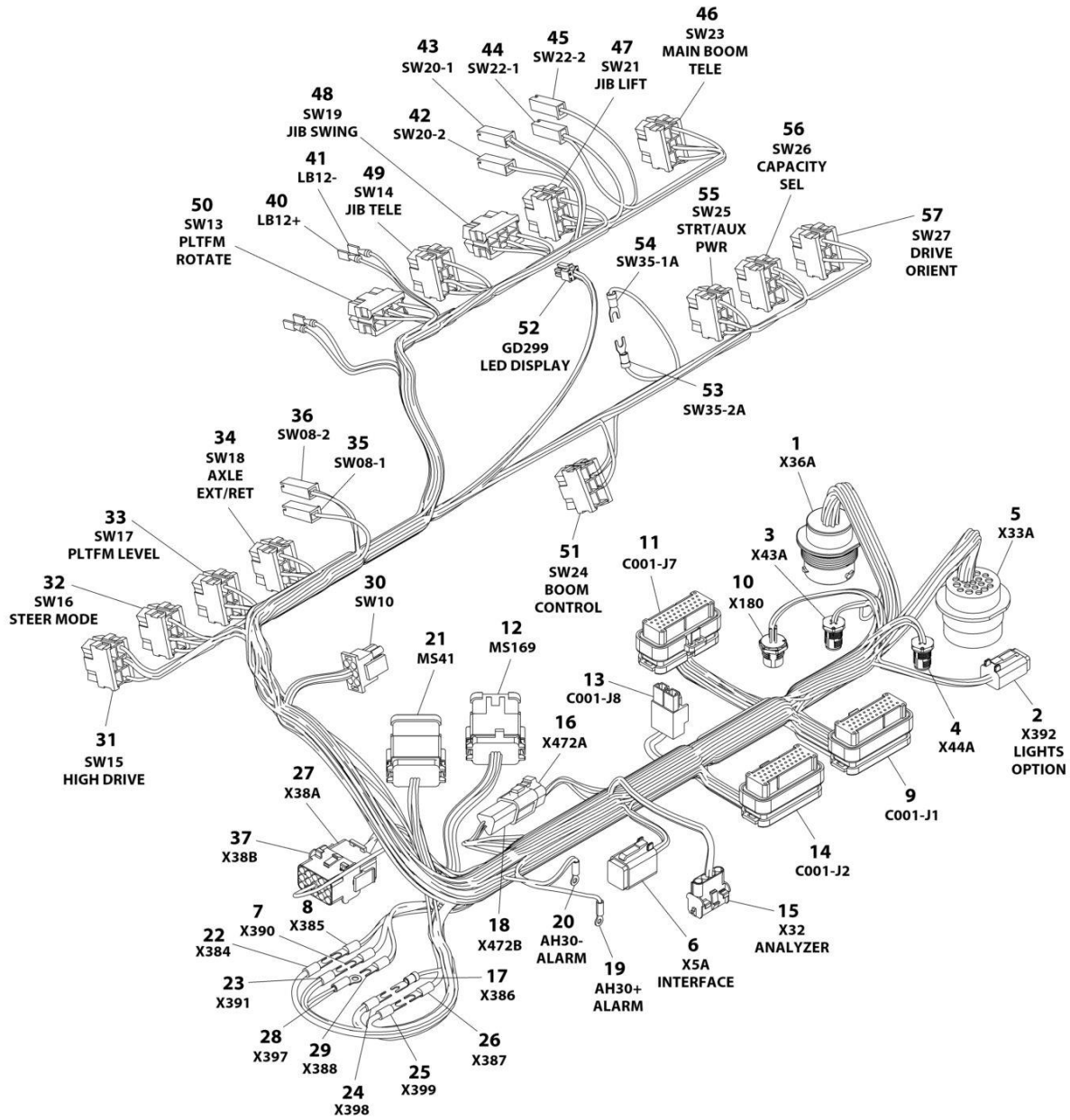
## SECTION 8 - ELECTRICAL

### FIGURE 8-64. MTS CONNECTION CABLE

ITEM	PART NUMBER	QTY	DESCRIPTION	REV
	1001163631	Ref	MTS CONNECTION CABLE	B
1	4460910	1	Connector - 3 Position	
2	4460929	3	Pin, Male	
3	See Note	NSS	Sensor with Cable (Note: Purchase p/n 1001163631)	
4	1001102594	1	Ferrite, LMI	

# SECTION 8 - ELECTRICAL

## FIGURE 8-65. PLATFORM CONSOLE HARNESS - WITH SKYGUARD



ART\_1001241864

## SECTION 8 - ELECTRICAL

**FIGURE 8-65. PLATFORM CONSOLE HARNESS - WITH SKYGUARD**

ITEM	PART NUMBER	QTY	DESCRIPTION	REV
	1001241864	Ref	PLATFORM CONSOLE HARNESS - WITH SKYGUARD	F
1	4460925	1	Connector - 21 Position	
1	1001126011	20	Pin, Male	
1	4460518	1	Plug, Socket	
2	4460884	1	Connector - 4 Position	
2	4460465	4	Socket, Female	
3	1001120055	1	Connector - 5 Position with Cable	
4	1001120055	1	Connector - 5 Position with Cable	
5	4460866	1	Connector - 19 Position	
5	4460943	3	Pin, Male	
5	4460508	4	Pin, Male	
5	4460464	8	Pin, Male	
5	4460466	4	Plug, Socket	
6	4460894	1	Connector - 6 Position	
6	4460465	5	Socket, Female	
6	4460466	1	Seal, Plug	
7	4460315	1	Terminal, Spade	
8	4460315	1	Terminal, Spade	
9	4460874	1	Connector - 35 Position	
9	4460871	34	Socket, Female	
9	4460905	1	Plug, Socket	
10	10011213447	1	Connector - 5 Position with Cable	
11	4460873	1	Connector - 35 Position	
11	4460871	24	Socket, Female	
11	4460905	11	Plug, Socket	
12	4460933	1	Connector - 12 Position	
12	4460465	10	Socket, Female	
12	4460466	2	Seal, Plug	
13	4460879	1	Connector - 2 Position	
13	4460887	2	Terminal	
14	4460876	1	Connector - 35 Position	
14	4460871	12	Socket, Female	
14	4460905	23	Plug, Socket	
15	4460761	1	Connector - 4 Position	
15	4460227	4	Pin, Male	
16	4460539	1	Plug, Male - 3 Position	
16	4460944	3	Socket, Female	
17	4460314	1	Terminal, Spade (16-14AWG)	
17	4460183	1	Terminal, Spade (22-16AWG)	
18	4460536	1	Receptacle, Female - 3 Position	
18	4460943	3	Pin, Male	
19	1001098122	1	Terminal, Ring	
20	8220035	1	Terminal, Ring	
21	4460933	1	Connector - 12 Position	
21	4460465	12	Socket, Female	
22	4460315	1	Terminal, Spade	
23	4460315	1	Terminal, Spade	
24	4460315	1	Terminal, Spade	
25	4460315	1	Terminal, Spade	
26	4460315	1	Terminal, Spade	

## SECTION 8 - ELECTRICAL

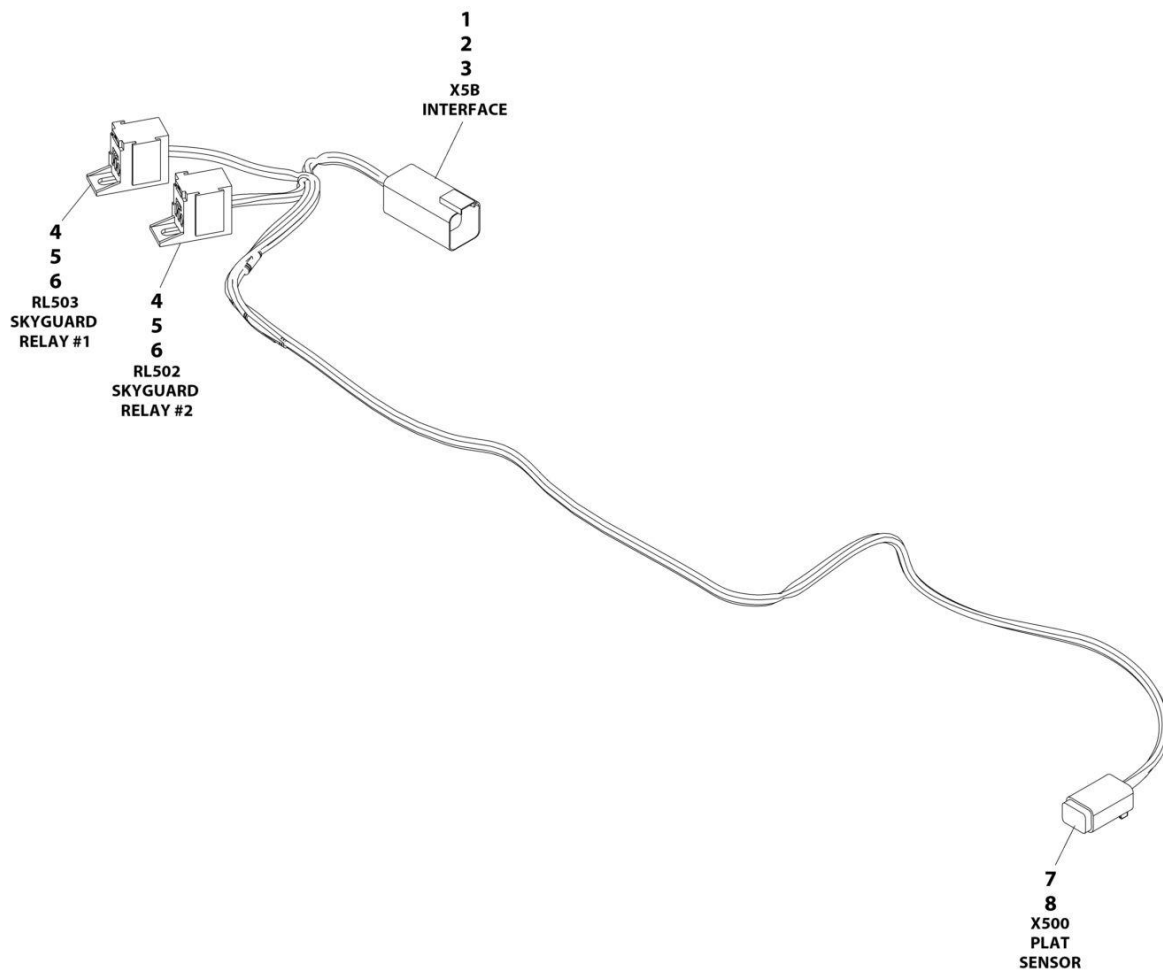
ITEM	PART NUMBER	QTY	DESCRIPTION	REV
27	4460434	1	Connector - 15 Position	
27	4460227	9	Pin, Male	
27	4460267	2	Pin, Male	
28	8220007	1	Terminal, Ring	
29	4460315	1	Terminal, Spade	
30	4460225	1	Connector - 6 Position	
30	4460227	4	Pin, Male	
30	4460267	2	Pin, Male	
31	4460418	1	Connector - 6 Position	
31	1001159186	2	Terminal	
31	4460419	2	Terminal	
32	4460418	1	Connector - 6 Position	
32	1001159186	2	Terminal	
32	4460419	2	Terminal	
33	4460418	1	Connector - 6 Position	
33	1001159186	2	Terminal	
33	4460419	2	Terminal	
34	4460418	1	Connector - 6 Position	
34	1001159186	2	Terminal	
34	4460419	2	Terminal	
35	4460260	1	Connector - 1 Position	
35	4460259	1	Terminal	
36	4460260	1	Connector - 1 Position	
36	4460259	1	Terminal	
37	4460708	1	Connector - 15 Position	
37	4460226	2	Socket, Female	
40	4460016	1	Terminal	
41	4460016	1	Terminal	
42	4460260	1	Connector - 1 Position	
42	4460259	1	Terminal	
43	4460260	1	Connector - 1 Position	
43	4460259	1	Terminal	
44	4460260	1	Connector - 1 Position	
44	4460259	1	Terminal	
45	4460260	1	Connector - 1 Position	
45	4460259	1	Terminal	
46	4460418	1	Connector - 6 Position	
46	1001159186	2	Terminal	
46	4460419	2	Terminal	
47	4460418	1	Connector - 6 Position	
47	1001159186	2	Terminal	
47	4460419	2	Terminal	
48	4460418	1	Connector - 6 Position	
48	1001159186	2	Terminal	
48	4460419	2	Terminal	
49	4460418	1	Connector - 6 Position	
49	1001159186	2	Terminal	
49	4460419	2	Terminal	
50	4460418	1	Connector - 6 Position	
50	1001159186	2	Terminal	
50	4460419	2	Terminal	

## SECTION 8 - ELECTRICAL

ITEM	PART NUMBER	QTY	DESCRIPTION	REV
51	4460418	1	Connector - 6 Position	
51	1001159186	1	Terminal	
51	4460419	2	Terminal	
52	1001237668	4	Socket, Female	
52	1001237667	1	Connector - 6 Position	
53	4460183	1	Terminal, Spade	
54	4460183	1	Terminal, Spade	
55	4460418	1	Connector - 6 Position	
55	1001159186	2	Terminal	
55	4460419	2	Terminal	
56	4460418	1	Connector - 6 Position	
56	1001159186	1	Terminal	
56	4460419	2	Terminal	
57	4460418	1	Connector - 6 Position	
57	1001159186	2	Terminal	

# SECTION 8 - ELECTRICAL

## FIGURE 8-66. PLATFORM INTERFACE HARNESS



ART\_1001225580



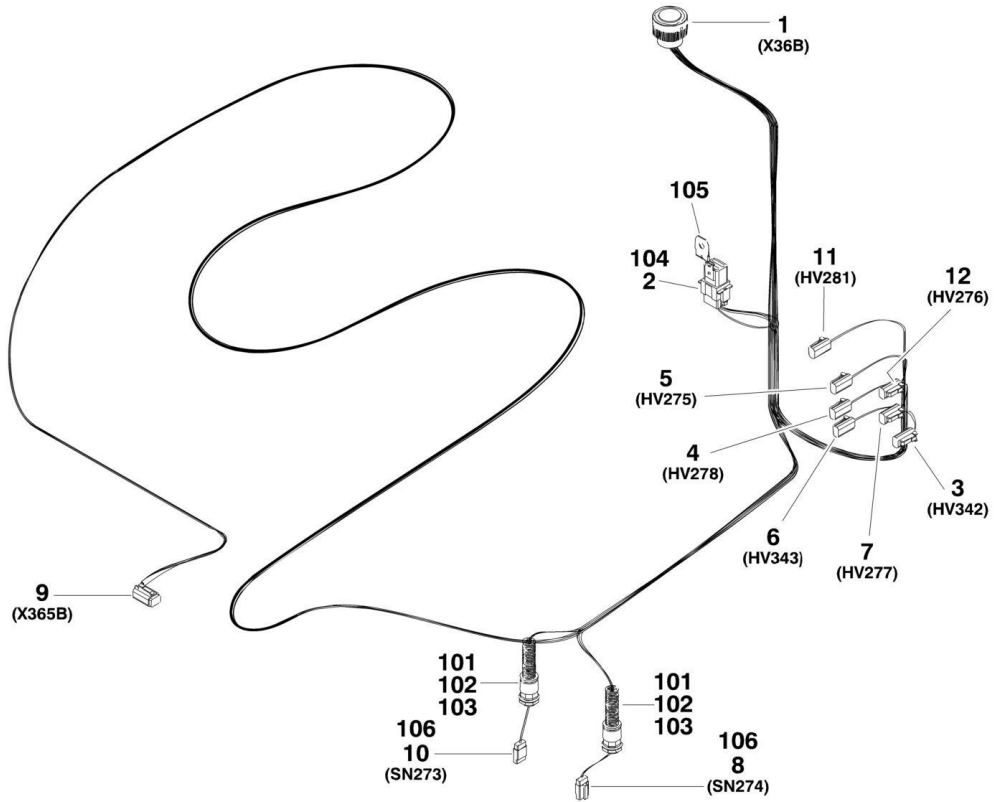
## SECTION 8 - ELECTRICAL

### FIGURE 8-66. PLATFORM INTERFACE HARNESS

ITEM	PART NUMBER	QTY	DESCRIPTION	REV
	1001225580	Ref	INTERFACE HARNESS - WITH 1 CELL LSS	D
1	4460899	1	Connector	
2	4460464	4	Terminal	
3	4460466	2	Plug	
4	1001186432	2	Connector	
5	1001116720	4	Terminal	
6	1001118388	4	Terminal	
7	4460884	1	Connector	
8	4460465	4	Terminal	

# SECTION 8 - ELECTRICAL

## FIGURE 8-67. PLATFORM VALVE HARNESS



1001149977

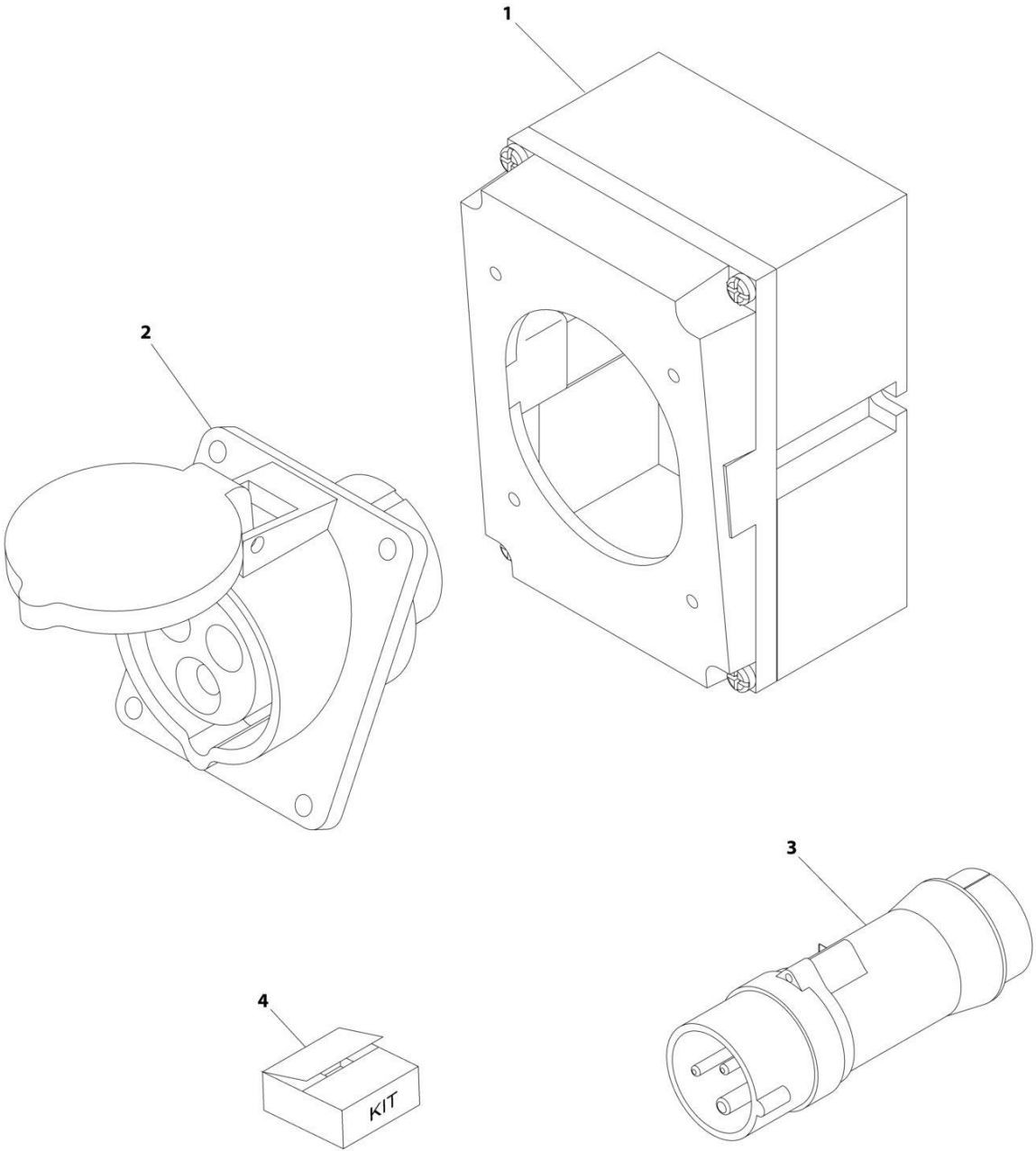
## SECTION 8 - ELECTRICAL

### FIGURE 8-67. PLATFORM VALVE HARNESS

ITEM	PART NUMBER	QTY	DESCRIPTION	REV
	1001149977	Ref	PLATFORM VALVE HARNESS	F
1	4460926	1	Connector - 21 Position	
1	1001126008	16	Socket, Female	
1	1001249206	4	Socket, Female	
1	4460518	1	Plug, Socket	
2	4460458	1	Connector - 8 Position	
2	4460465	3	Socket, Female	
2	4460466	1	Plug, Socket	
3	4460891	1	Connector - 2 Position	
3	4460465	2	Socket, Female	
4	4460891	1	Connector - 2 Position	
4	4460465	2	Socket, Female	
5	4460891	1	Connector - 2 Position	
5	4460465	2	Socket, Female	
6	4460891	1	Connector - 2 Position	
6	4460465	2	Socket, Female	
7	4460891	1	Connector - 2 Position	
7	4460465	2	Socket, Female	
8	4460911	1	Connector - 3 Position	
8	1001126008	3	Socket, Female	
9	4460884	1	Connector - 3 Position	
9	4460465	3	Socket, Female	
10	4460911	1	Connector - 3 Position	
10	1001126008	3	Socket, Female	
11	4460891	1	Connector - 2 Position	
11	4460465	2	Socket, Female	
12	4460891	1	Connector - 2 Position	
12	4460465	2	Socket, Female	
101	1560010	2	Conduit	
102	1560011	2	Connector, Conduit	
103	1560012	2	Nut, Conduit	
104	4460852	1	Connector - 8 Position	
105	1001155743	1	Clip, Mounting	
106	4460912	AR	Wedge, Locking	

**SECTION 8 - ELECTRICAL**

**FIGURE 8-68. RECEPTACLE BOX KIT - 110V IEC YELLOW (CE & UK CA SPEC)**



ART\_0275216

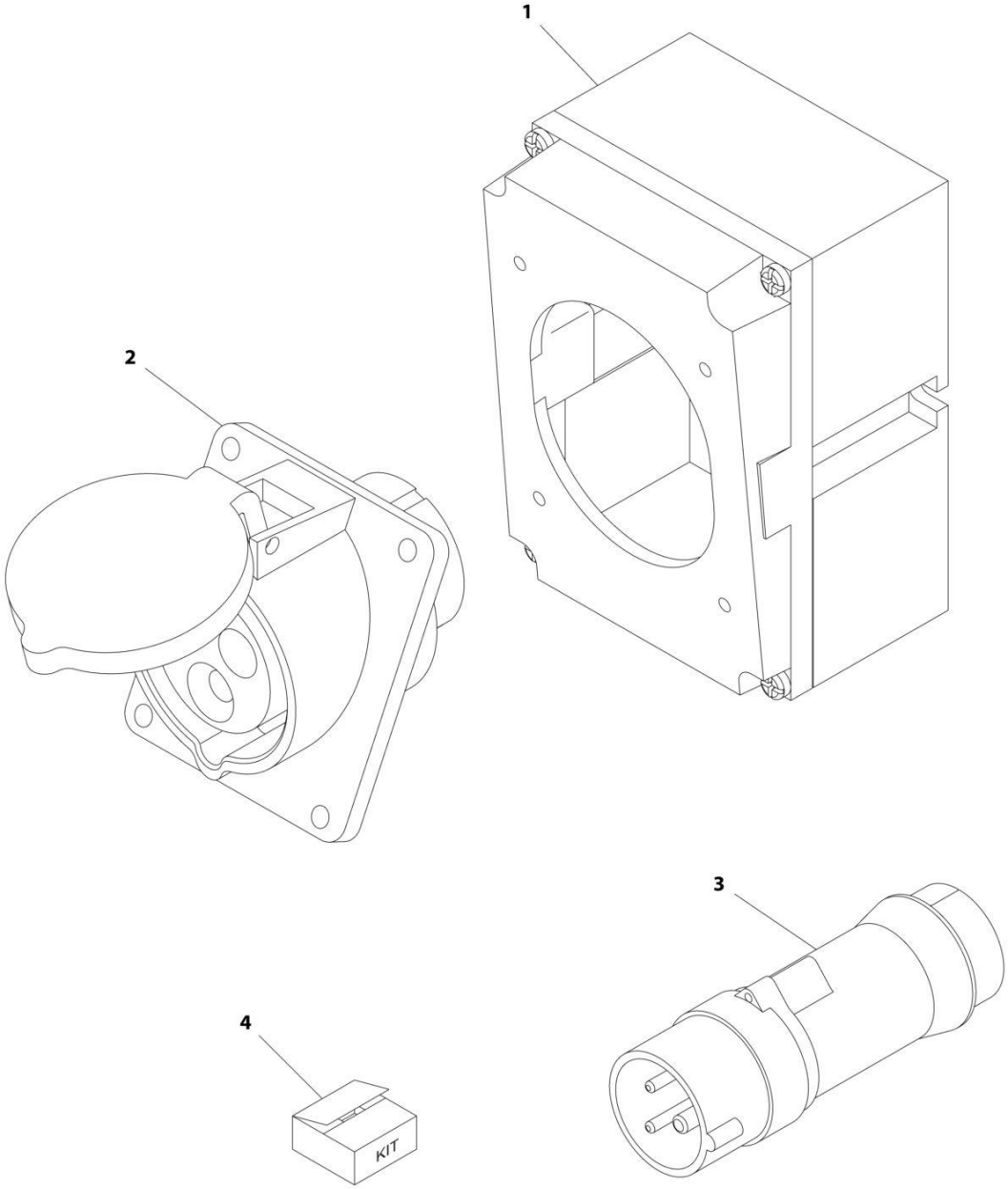
## SECTION 8 - ELECTRICAL

**FIGURE 8-68. RECEPTACLE BOX KIT - 110V IEC YELLOW (CE & UK CA SPEC)**

ITEM	PART NUMBER	QTY	DESCRIPTION	REV
	0275216	Ref	RECEPTACLE BOX KIT - 110V IEC YELLOW	B
1	0861781	1	Box, Switch	
2	4461198	1	Receptacle	
3	4461196	1	Plug, Male	
4	1001100341	1	Plug and Socket Kit (Includes Items 1-3 and Female Plug p/n 4461197)	

**SECTION 8 - ELECTRICAL**

**FIGURE 8-69. RECEPTACLE BOX KIT - 220V IEC BLUE (CE & UK CA SPEC)**



ART\_0275217

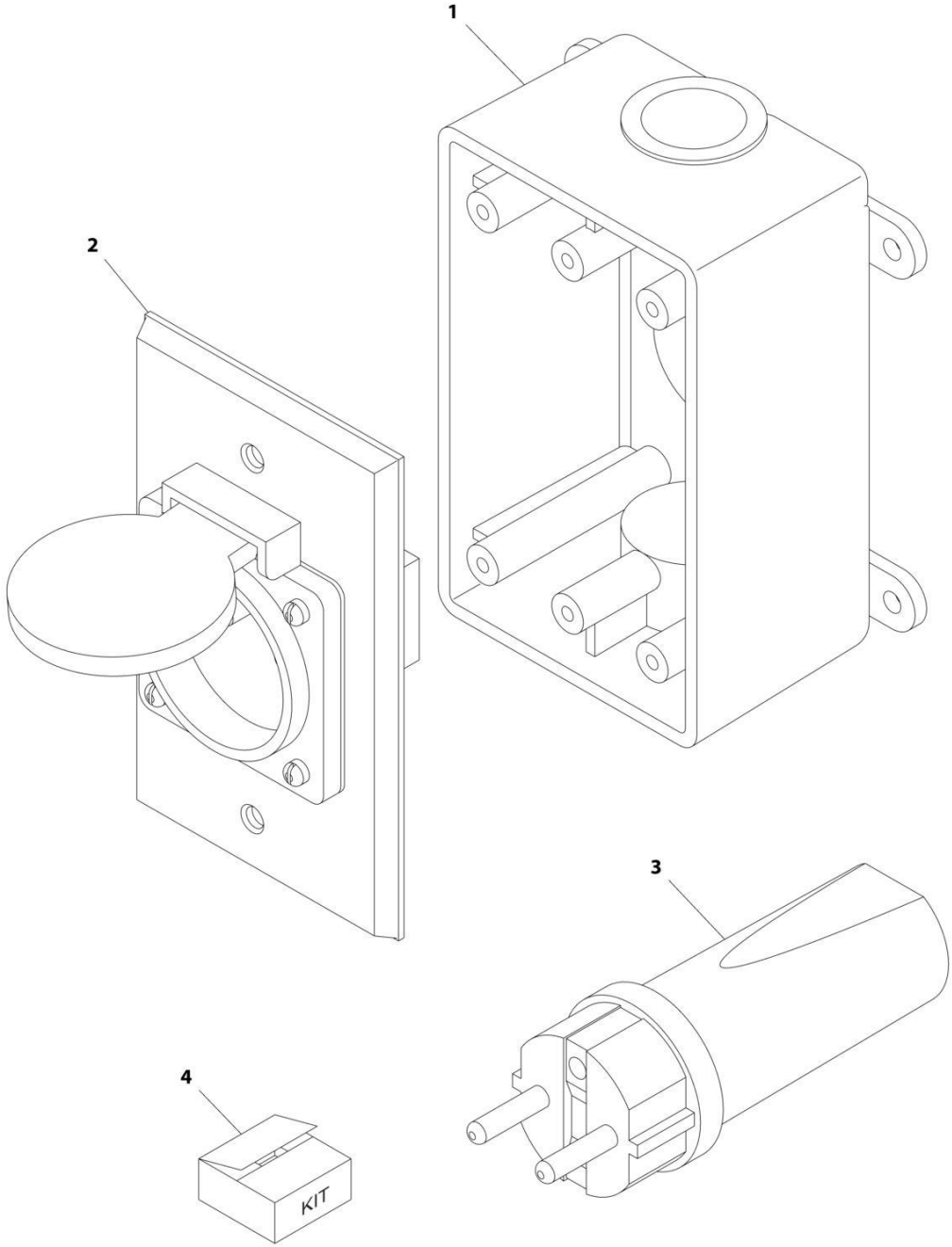
## SECTION 8 - ELECTRICAL

**FIGURE 8-69. RECEPTACLE BOX KIT - 220V IEC BLUE (CE & UK CA SPEC)**

ITEM	PART NUMBER	QTY	DESCRIPTION	REV
	0275217	Ref	RECEPTACLE BOX KIT - 220V IEC BLUE	B
1	0861781	1	Box, Switch	
2	4461201	1	Receptacle	
3	4461199	1	Plug, Male	
4	1001100342	1	Plug and Socket Kit (Includes Items 1-3 and Female Plug p/n 4461200)	

**SECTION 8 - ELECTRICAL**

**FIGURE 8-70. RECEPTACLE BOX KIT - 220V CEE7 POST GROUND 2IN X 4IN (CE & UK CA SPEC)**



ART\_0275452



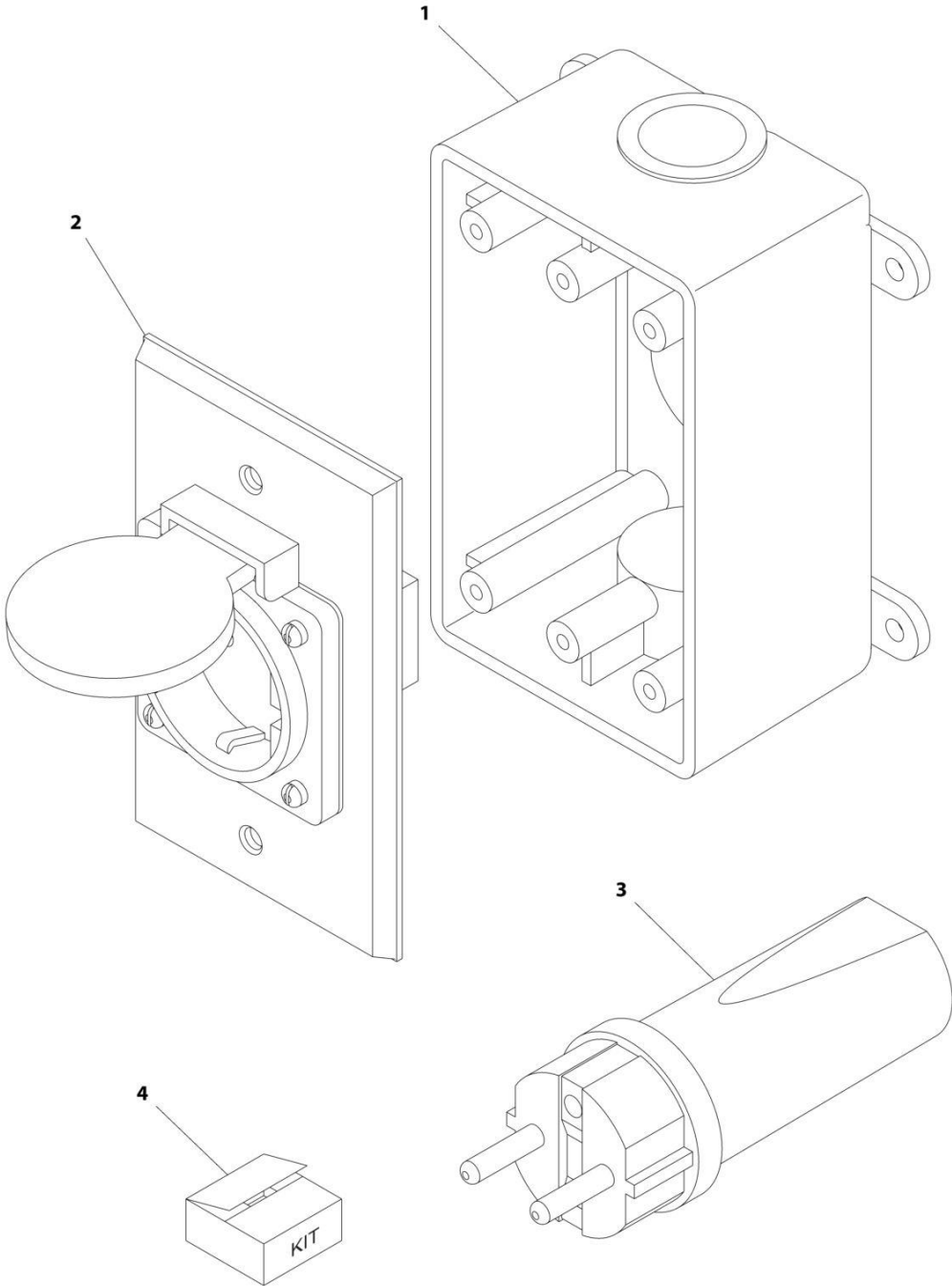
## SECTION 8 - ELECTRICAL

**FIGURE 8-70. RECEPTACLE BOX KIT - 220V CEE7 POST GROUND 2IN X 4IN (CE & UK CA SPEC)**

ITEM	PART NUMBER	QTY	DESCRIPTION	REV
	0275452	Ref	RECEPTACLE BOX KIT - 220V CEE7 POST GROUND	C
1	0861731	1	Box, Switch	
2	4461244	1	Receptacle	
3	4461205	1	Plug, Male	
4	1001100345	1	Plug and Socket Kit (Includes Items 1-3 and Female Plug p/n 4461206)	

**SECTION 8 - ELECTRICAL**

**FIGURE 8-71. RECEPTACLE BOX KIT - 220V CEE7 SIDE GROUND 2IN X 4IN (CE & UK CA SPEC)**



ART\_0275453

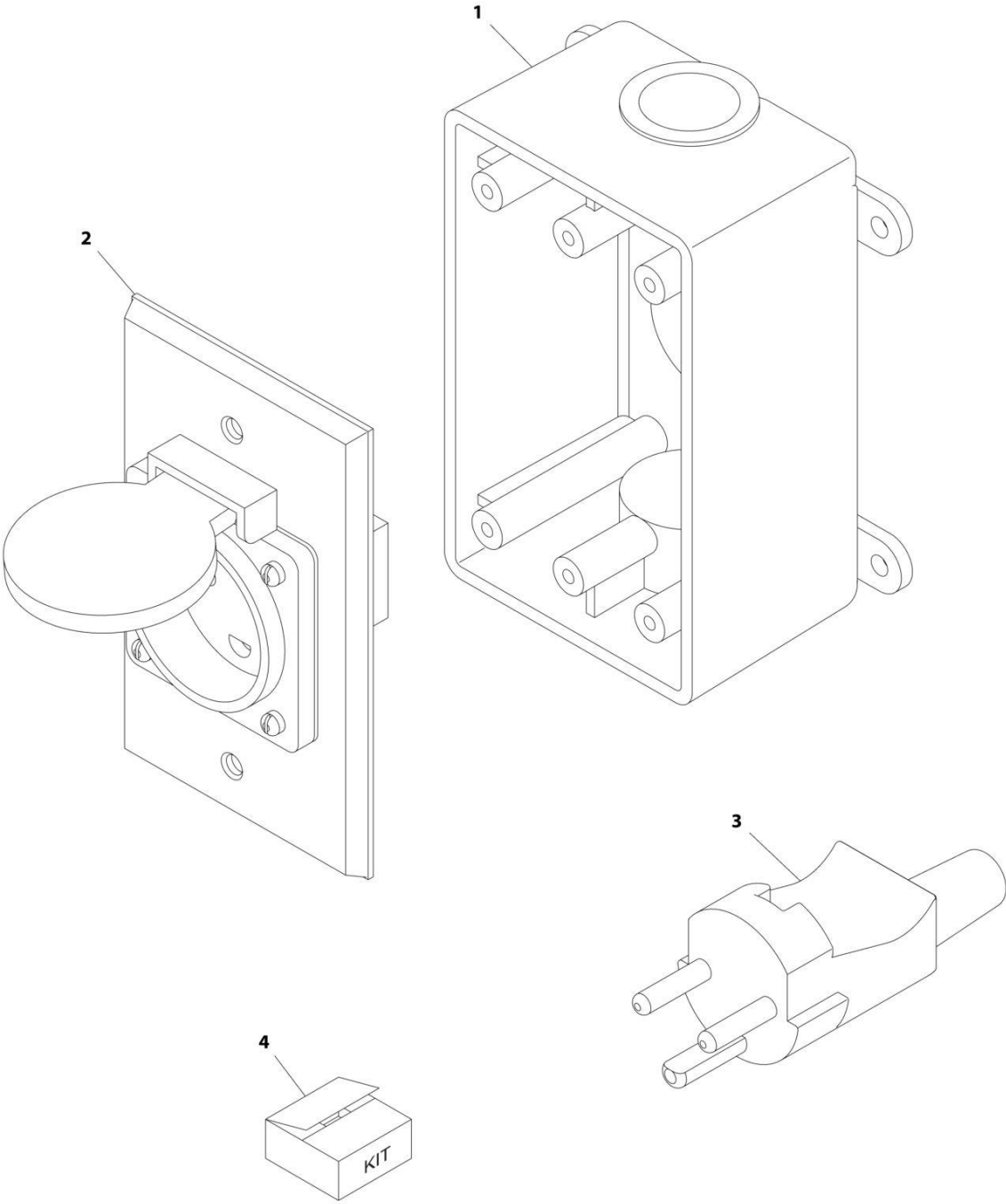
## SECTION 8 - ELECTRICAL

**FIGURE 8-71. RECEPTACLE BOX KIT - 220V CEE7 SIDE GROUND 2IN X 4IN (CE & UK CA SPEC)**

ITEM	PART NUMBER	QTY	DESCRIPTION	REV
	0275453	Ref	RECEPTACLE BOX KIT - 220V CEE7 SIDE GROUND	B
1	0861731	1	Box, Switch	
2	4461245	1	Receptacle	
3	4461205	1	Plug, Male	
4	1001100347	1	Plug and Socket Kit (Includes Items 1-3 and Female Plug p/n 4461206)	

**SECTION 8 - ELECTRICAL**

**FIGURE 8-72. RECEPTACLE BOX KIT - 220V AFSINT 107 (CE & UK CA SPEC)**



ART\_0275454

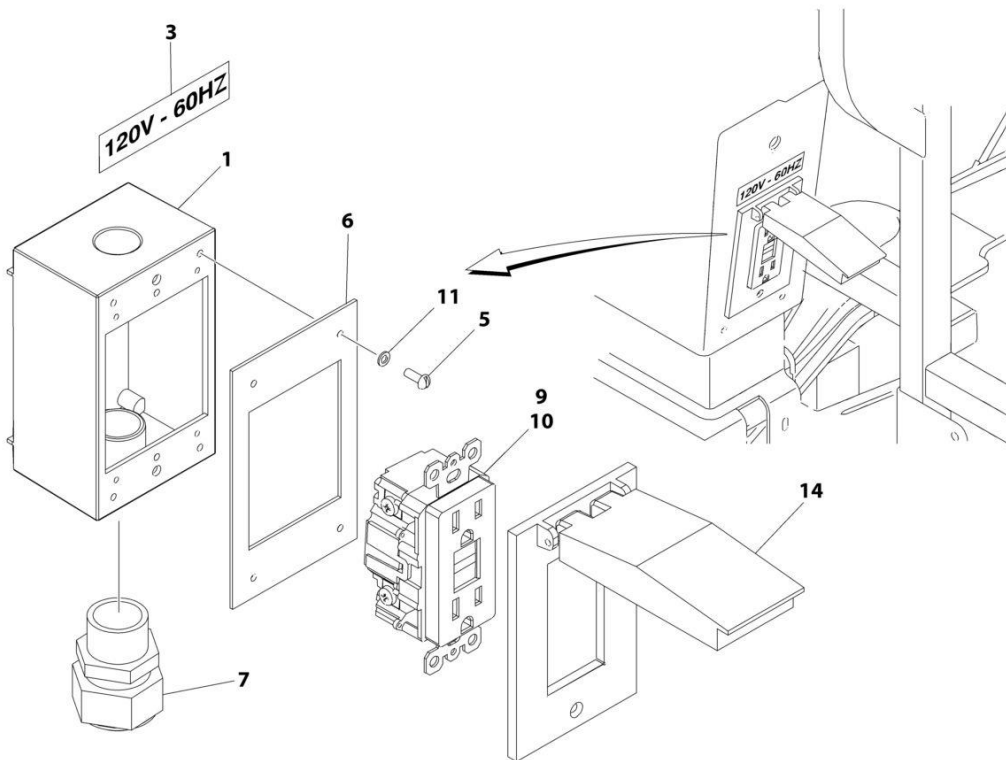
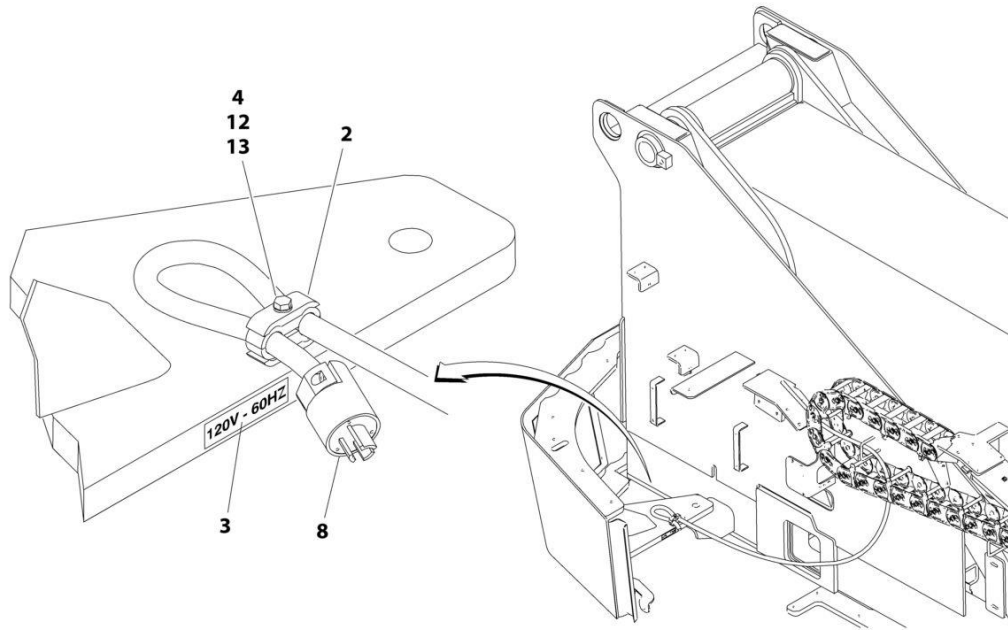
## SECTION 8 - ELECTRICAL

**FIGURE 8-72. RECEPTACLE BOX KIT - 220V AFSINT 107 (CE & UK CA SPEC)**

ITEM	PART NUMBER	QTY	DESCRIPTION	REV
	0275454	Ref	RECEPTACLE BOX KIT - 220V AFSINT 107	B
1	0861731	1	Box, Switch	
2	4461246	1	Receptacle	
3	4461249	1	Plug, Male	
4	1001100346	1	Plug and Socket Kit (Includes Items 1-3 and Female Plug p/n 4461250)	

# SECTION 8 - ELECTRICAL

## FIGURE 8-73. RECEPTACLE AND CLAMP INSTALLATION - 110V - ANSI, CSA AND JAPANESE SPECS



ART\_1001156219

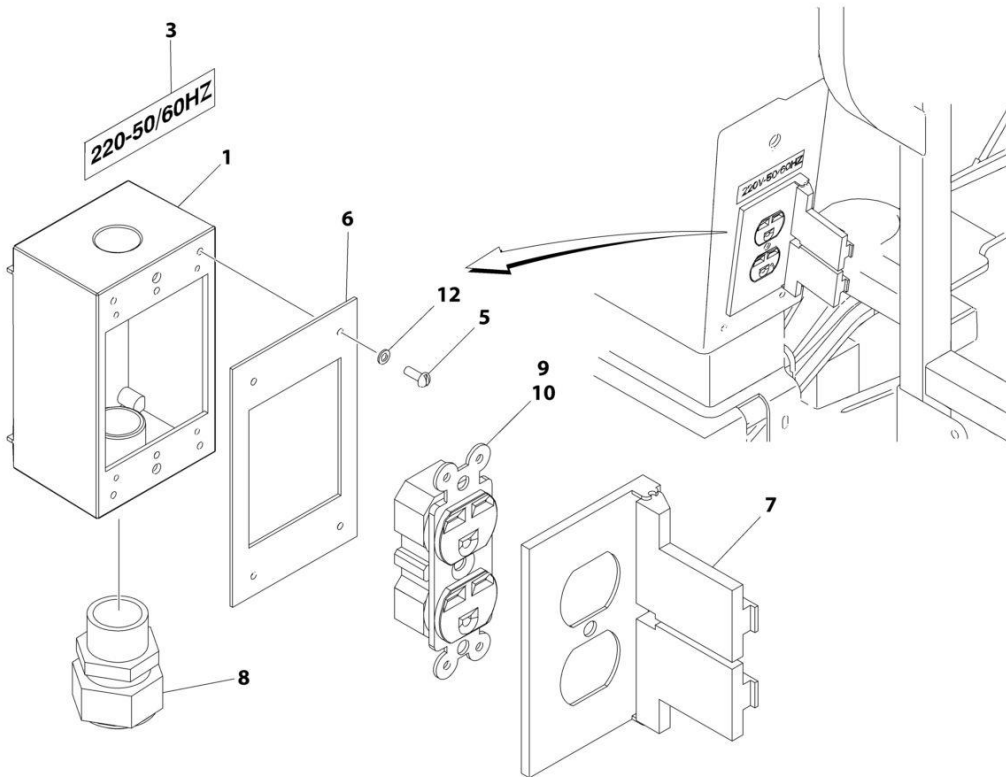
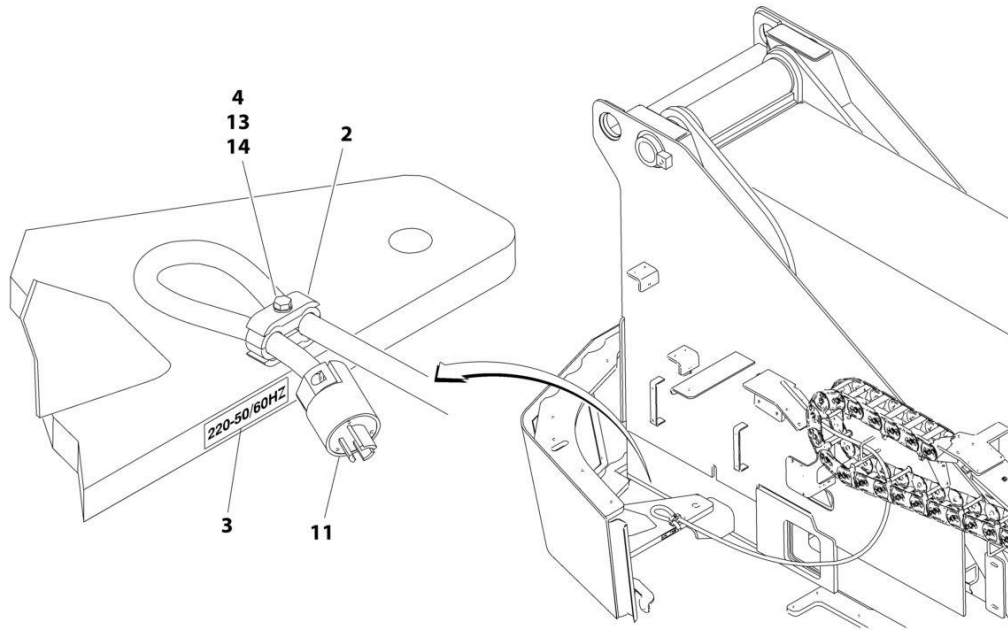
## SECTION 8 - ELECTRICAL

**FIGURE 8-73. RECEPTACLE AND CLAMP INSTALLATION - 110V - ANSI, CSA AND JAPANESE SPECS**

ITEM	PART NUMBER	QTY	DESCRIPTION	REV
	1001156219	Ref	RECEPTACLE AND CLAMP INSTALLATION - 110V	A
1	0860038	1	Box, Switch	
2	1320146	1	Clamp	
3	3251243	2	Decal - 120V-60HZ	
4	3290605	1	Nut M6	
5	3910606	4	Screw #6 x 3/8	
6	3960422	1	Gasket, Receptacle Cover	
7	4460051	1	Connector, Strain Relief	
8	4460205	1	Plug	
9	4460315	3	Terminal, Spade	
10	4460346	1	Receptacle, GFI	
11	4760600	4	Washer #6	
12	4811700	2	Washer M6	
13	1001096653	1	Bolt M6 x 70	
14	1001110873	1	Cover, Receptacle Box	

# SECTION 8 - ELECTRICAL

## FIGURE 8-74. RECEPTACLE AND CLAMP INSTALLATION - 220V – ANSI, CSA AND JAPANESE SPECS



ART\_1001156224



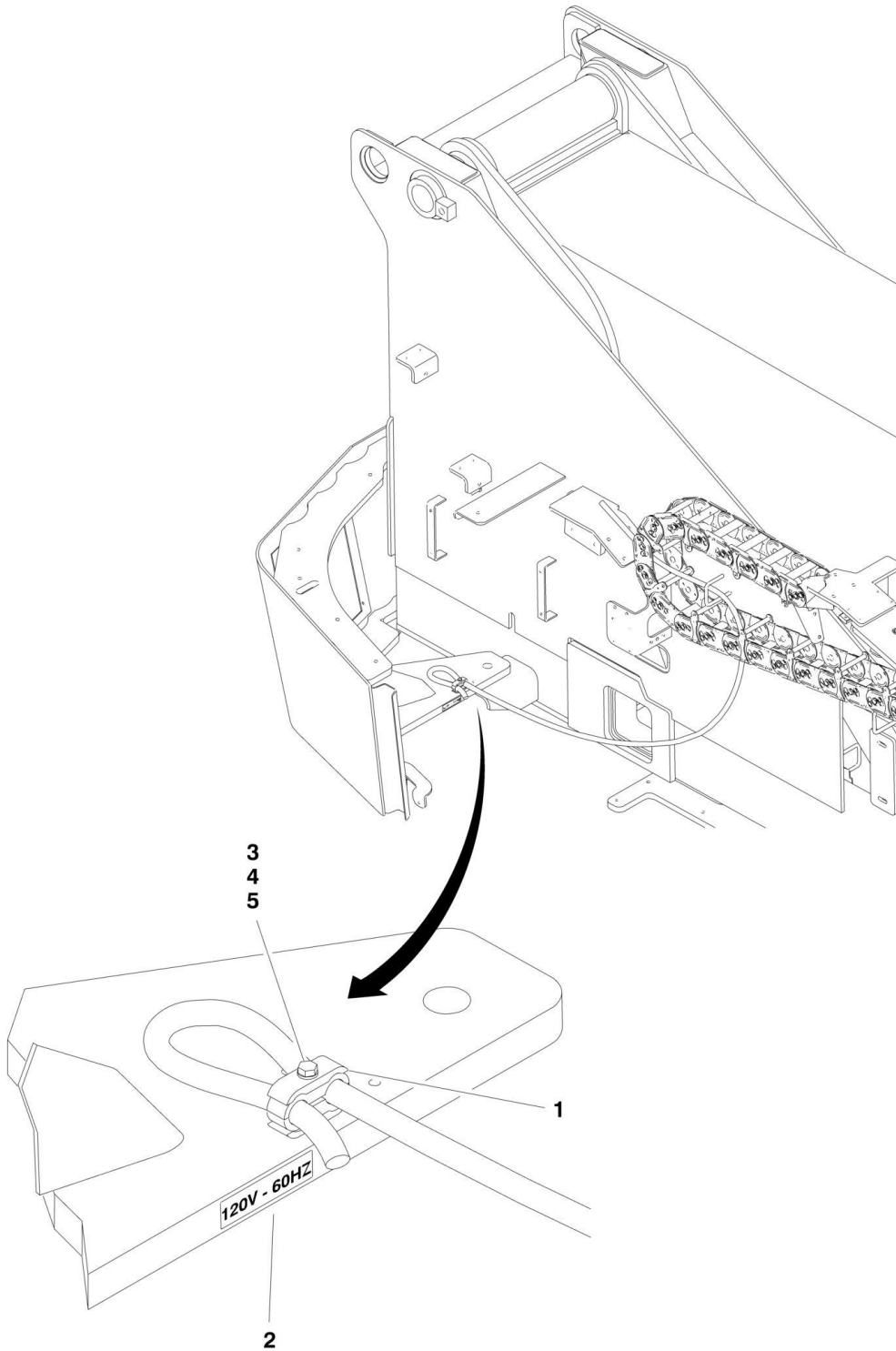
## SECTION 8 - ELECTRICAL

**FIGURE 8-74. RECEPTACLE AND CLAMP INSTALLATION - 220V – ANSI, CSA AND JAPANESE SPECS**

ITEM	PART NUMBER	QTY	DESCRIPTION	REV
	1001156224	Ref	RECEPTACLE AND CLAMP INSTALLATION - 220V	A
1	0860038	1	Box, Switch	
2	1320146	1	Clamp	
3	3252507	2	Decal - 220V-50/60Hz	
4	3290605	1	Nut M6	
5	3910606	4	Screw #6 x 3/8	
6	3960422	1	Gasket, Receptacle Cover	
7	4060092	1	Cover, Receptacle Box	
8	4460051	1	Connector, Strain Relief	
9	4460125	1	Receptacle	
10	4460315	3	Terminal, Spade	
11	4460709	1	Plug	
12	4760600	4	Washer #6	
13	4811700	2	Washer M6	
14	1001096653	1	Bolt M6 x 70	

# SECTION 8 - ELECTRICAL

FIGURE 8-75. RECEPTACLE AND CLAMP INSTALLATION - SUPPLIED LOCALLY



1001156218

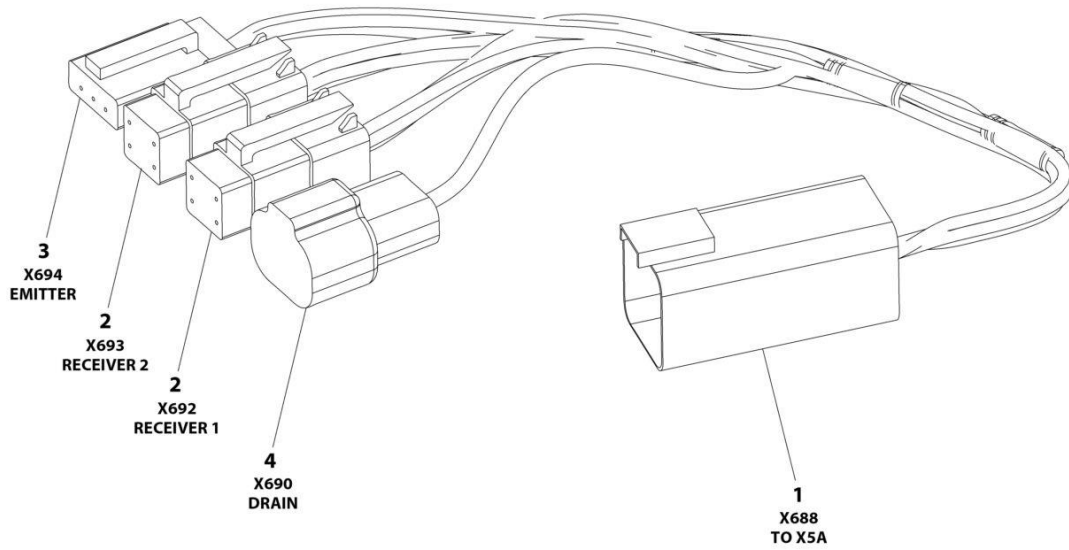
## SECTION 8 - ELECTRICAL

**FIGURE 8-75. RECEPTACLE AND CLAMP INSTALLATION - SUPPLIED LOCALLY**

ITEM	PART NUMBER	QTY	DESCRIPTION	REV
	1001156218	Ref	RECEPTACLE AND CLAMP INSTALLATION	A
1	1320146	1	Clamp	
2	3251243	1	Decal - 120V-60HZ	
3	3290605	1	Nut M6	
4	4811700	2	Washer M6	
5	1001096653	1	Bolt M6 x 70	

# SECTION 8 - ELECTRICAL

## FIGURE 8-76. SKYEYE INTERMEDIATE HARNESS



ART\_1001237865

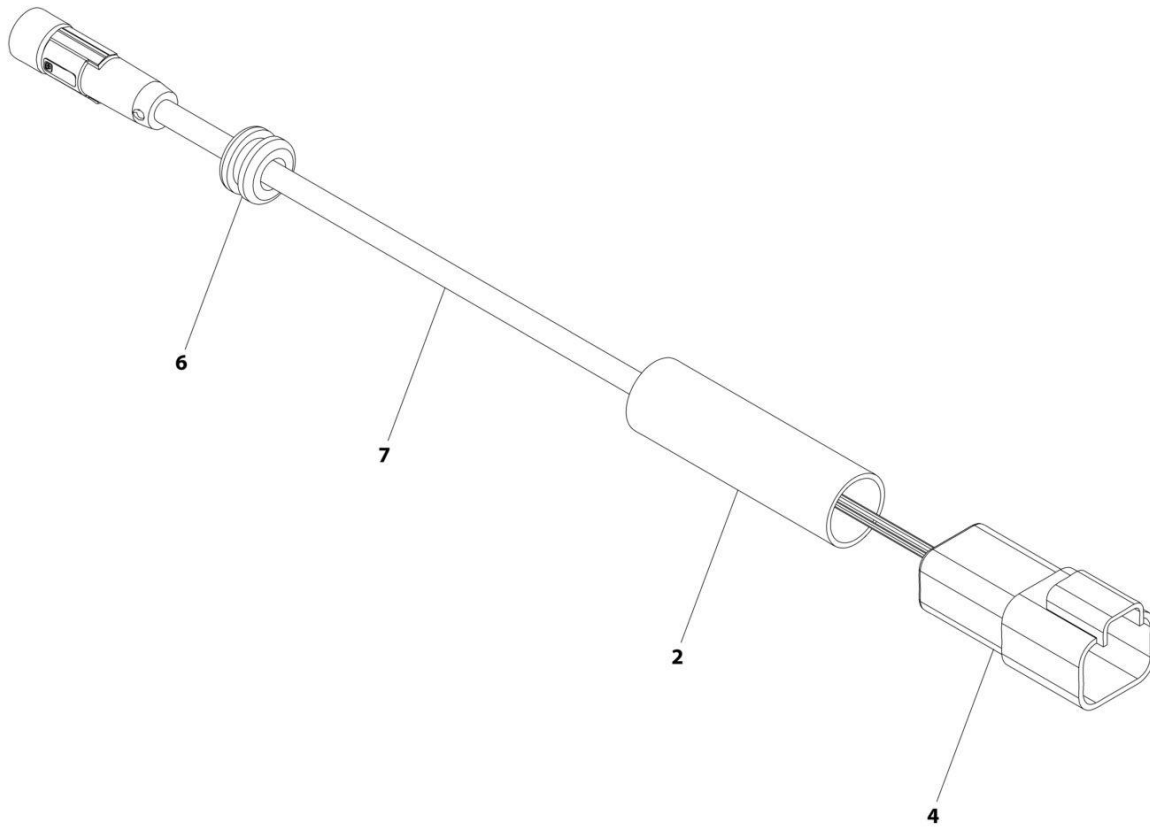
## SECTION 8 - ELECTRICAL

### FIGURE 8-76. SKYEYE INTERMEDIATE HARNESS

ITEM	PART NUMBER	QTY	DESCRIPTION	REV
	1001237865	Ref	SKYEYE INTERMEDIATE HARNESS	A
1	4460899	1	Connector - 6 Position	
1	4460943	4	Pin, Male	
1	4460466	2	Plug, Terminal	
2	4461077	2	Connector - 4 Position	
2	1001119619	8	Socket, Female	
3	4460911	1	Connector - 3 Position	
3	1001119619	3	Socket, Female	
4	1001187681	1	Connector - 2 Position	
4	4460941	1	Pin, Male	
4	4460466	1	Plug, Terminal	

# SECTION 8 - ELECTRICAL

## FIGURE 8-77. SKYEYE RECEIVER HARNESS



ART\_1001237863

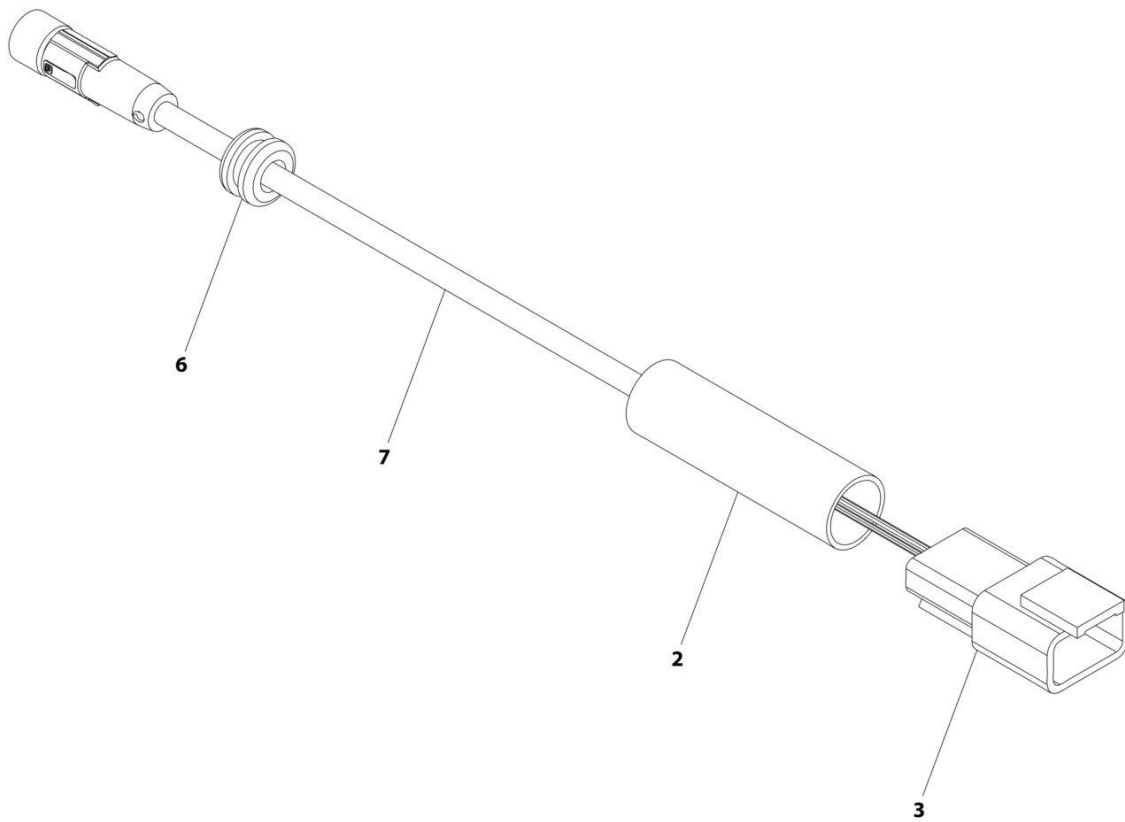
## SECTION 8 - ELECTRICAL

### FIGURE 8-77. SKYEYE RECEIVER HARNESS

ITEM	PART NUMBER	QTY	DESCRIPTION	REV
	1001237863	Ref	SKYEYE RECEIVER HARNESS	A
2	2820247	AR	Tubing, Heat Shrink	
4	1001097051	1	Connector - 4 Position	
4	1001119620	4	Pin, Male	
6	1001227996	1	Grommet	
7	1001237862	1	Cable, M8 Female Cordset	

# SECTION 8 - ELECTRICAL

## FIGURE 8-78. SKYEYE EMITTER HARNESS



ART\_1001237864



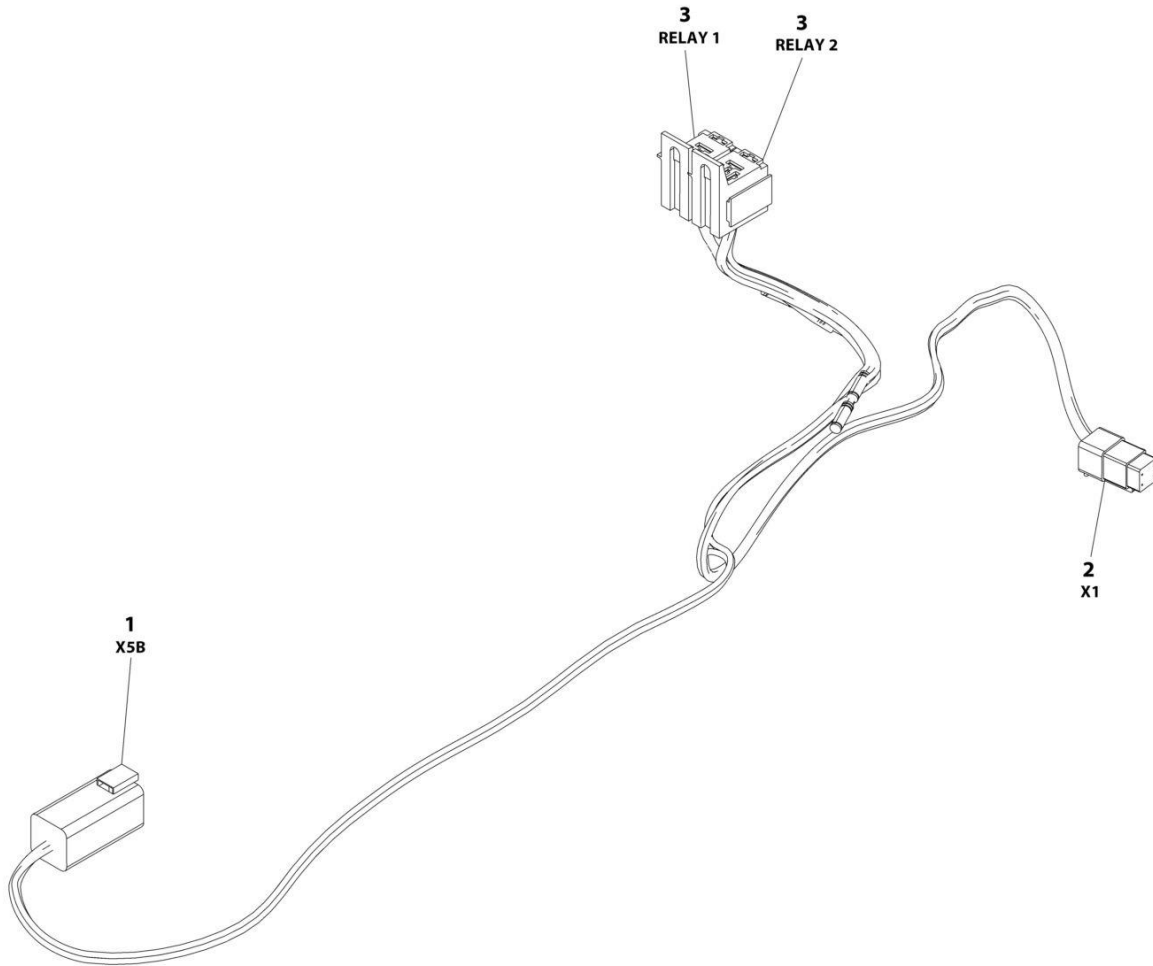
## SECTION 8 - ELECTRICAL

### FIGURE 8-78. SKYEYE EMITTER HARNESS

ITEM	PART NUMBER	QTY	DESCRIPTION	REV
	1001237864	Ref	SKYEYE EMITTER HARNESS	A
2	2820247	AR	Tubing, Heat Shrink	
3	4460910	1	Connector - 3 Position	
3	1001119620	3	Pin, Male	
6	1001227996	1	Grommet	
7	1001237862	1	Cable, M8 Female Cordset	

# SECTION 8 - ELECTRICAL

## FIGURE 8-79. SKYLINE HARNESS



ART\_1001238418

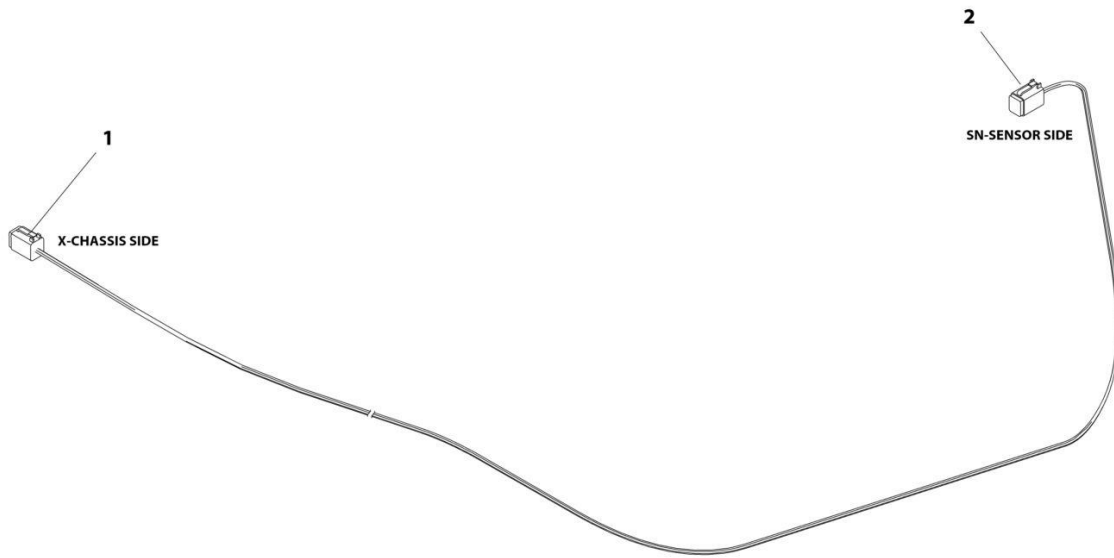
## SECTION 8 - ELECTRICAL

### FIGURE 8-79. SKYLINE HARNESS

ITEM	PART NUMBER	QTY	DESCRIPTION	REV
	1001238418	Ref	SKYLINE HARNESS	B
1	4460899	1	Connector - 6 Position	
1	4460464	4	Pin, Male	
1	4460466	2	Plug, Terminal	
2	4461077	1	Connector - 4 Position	
2	1001126009	4	Socket, Female	
3	1001186432	2	Plug, Relay	
3	1001118388	5	Terminal	
3	1001118384	3	Terminal	
3	3740086	2	Relay	

# SECTION 8 - ELECTRICAL

## FIGURE 8-80. STEER HARNESS



ART\_1001155817

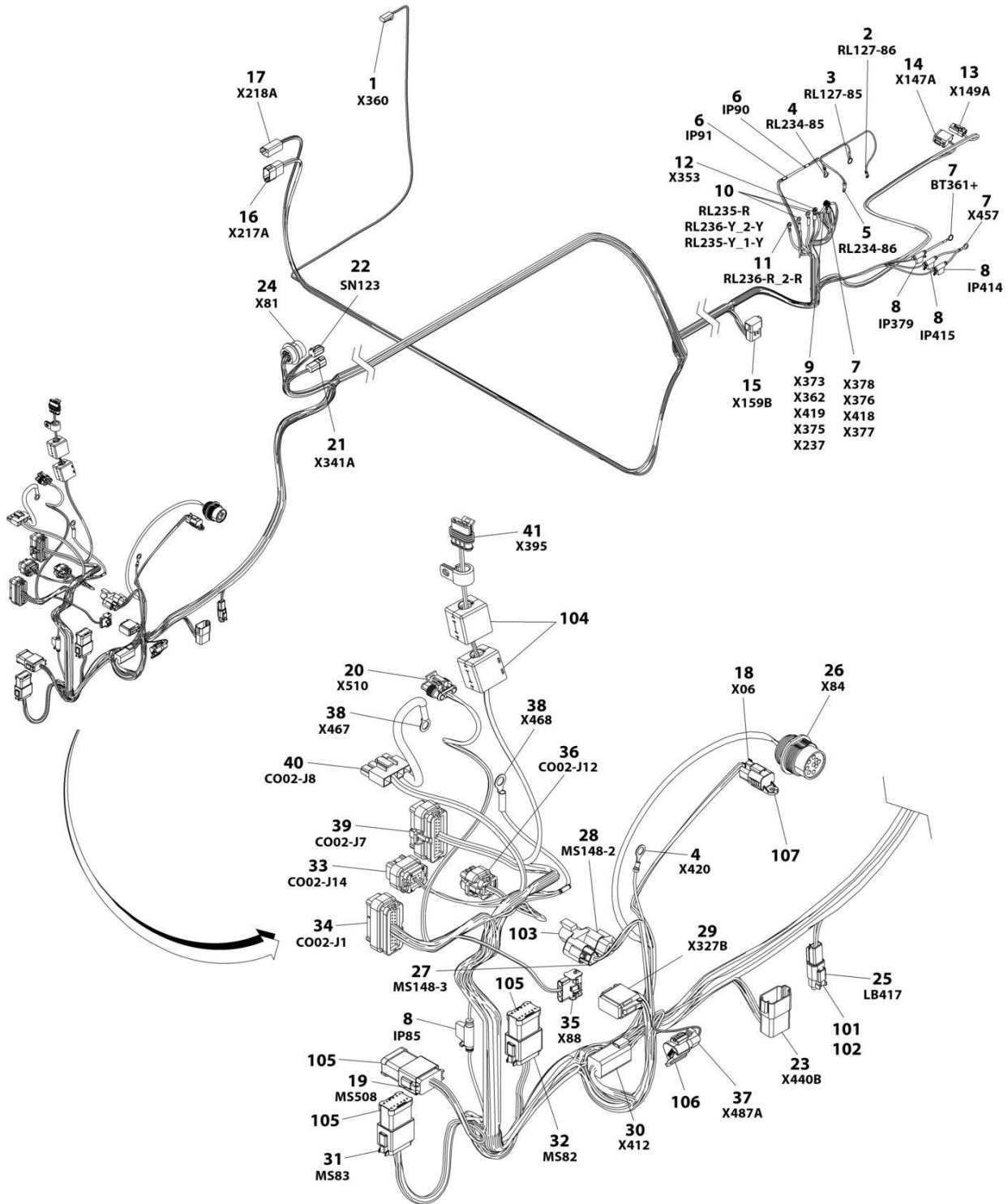
## SECTION 8 - ELECTRICAL

### FIGURE 8-80. STEER HARNESS

ITEM	PART NUMBER	QTY	DESCRIPTION	REV
	1001155817	Ref	STEER HARNESS	B
1	4460894	1	Connector - 6 Position	
1	4460465	4	Socket, Female	
1	4460466	2	Seal, Plug	
2	4460894	1	Connector - 6 Position	
2	4460465	3	Socket, Female	
2	4460466	3	Seal, Plug	

# SECTION 8 - ELECTRICAL

## FIGURE 8-81. TURNTABLE HARNESS (Prior to SN 0300298210)



ART\_1001279152

## SECTION 8 - ELECTRICAL

**FIGURE 8-81. TURNTABLE HARNESS (Prior to SN 0300298210)**

ITEM	PART NUMBER	QTY	DESCRIPTION	REV
	1001279152	Ref	TURNTABLE HARNESS	A
1	4460891	1	Connector - 2 Position	
1	4460465	2	Socket, Female	
2	4460247	1	Ring, Terminal	
3	4460703	1	Ring, Terminal	
4	4460670	2	Ring, Terminal	
5	4460042	1	Ring, Terminal	
6	IN4004	2	Diode 6A	
7	4460019	6	Ring, Terminal	
8	2400066	1	Fuseholder with Leads	
8	2400066	3	Fuseholder with Leads	
9	4460256	5	Ring, Terminal	
10	1001117106	3	Ring, Terminal	
11	4460312	1	Ring, Terminal	
12	4460043	1	Ring, Terminal	
13	4461018	1	Connector - 2 Position	
13	4460509	2	Socket, Female	
14	4460836	1	Connector - 12 Position	
14	4460944	3	Socket, Female	
14	4460466	8	Plug, Socket	
14	4460465	1	Socket, Female	
15	4460950	1	Connector, Female - 12 Position	
15	4460464	9	Pin, Male	
15	4460466	3	Plug, Socket	
16	4460931	1	Connector - 8 Position	
16	4460464	7	Pin, Male	
16	4460466	1	Plug, Socket	
17	4460899	1	Connector, Female - 6 Position	
17	4460464	3	Pin, Male	
17	4460943	3	Pin, Male (Gold)	
18	4460884	1	Connector - 4 Position	
18	4460465	4	Socket, Female	
19	4460933	1	Connector - 12 Position	
19	4460944	8	Socket, Female	
19	4460466	4	Plug, Socket	
20	1001103012	1	Connector - 4 Position	
20	1001107854	4	Terminal	
20	1001104498	4	Seal	
21	4460932	1	Connector - 4 Position	
21	4460464	4	Pin, Male	
22	4460884	1	Connector - 4 Position	
22	4460465	3	Socket, Female	
22	4460466	1	Seal, Plug	
23	4460931	1	Connector	
23	4460464	8	Pin, Male	
24	4460866	1	Connector - 19 Position	
24	4460943	3	Pin, Male	
24	4460464	8	Pin, Male	
24	4460466	4	Plug, Socket	
24	4460508	4	Pin, Male	

## SECTION 8 - ELECTRICAL

ITEM	PART NUMBER	QTY	DESCRIPTION	REV
25	4460897	1	Connector - 2 Position	
25	4460464	2	Pin, Male	
26	1001112612	1	Connector - 3 Position	
26	4460464	3	Pin, Male	
26	4460943	3	Pin, Male (Gold)	
26	4460466	3	Plug, Socket	
27	1001116812	1	Connector - 3 Position	
27	4460944	3	Socket, Female	
28	4460539	1	Connector - 3 Position	
28	4460944	3	Socket, Female	
29	4460933	1	Connector - 12 Position	
29	4460465	11	Socket, Female	
29	4460466	1	Plug, Socket	
30	4460899	1	Connector, Female - 6 Position	
30	4460464	6	Pin, Male	
31	4460933	1	Connector - 12 Position	
31	4460944	11	Socket, Female	
31	4460466	1	Plug, Socket	
32	4460933	1	Connector - 12 Position	
32	4460944	11	Socket, Female	
32	4460466	1	Plug, Socket	
33	1001246859	1	Connector	
33	4460905	12	Plug	
33	4460871	2	Socket, Female	
34	4460874	1	Connector - 35 Position	
34	4460871	18	Socket, Female	
34	4460905	17	Plug	
35	4460761	1	Connector - 4 Position	
35	4460267	4	Pin, Male	
36	1001113961	1	Connector - 8 Position	
36	4460905	2	Plug	
36	4460871	6	Socket, Female	
37	4460539	1	Connector - 3 Position	
37	4460465	2	Socket, Female	
37	4460466	1	Plug, Socket	
38	1001187079	2	Ring, Terminal	
39	4460873	1	Connector - 35 Position	
39	4460871	25	Socket, Female	
39	4460905	10	Plug	
40	4460878	1	Connector - 4 Position	
40	4460887	3	Terminal	
41	1001103012	1	Connector - 4 Position	
41	1001107854	4	Terminal	
41	1001104498	4	Seal	
101	4460466	2	Plug, Socket	
102	4460891	1	Connector - 2 Position	
103	4460945	1	Connector, Tee	
104	1001102594	2	Ferrite, LMI	
105	1001119020	3	Connector - LMI Harness	
106	1001144296	1	Cap	
107	1001192401	1	Cap, Dust	







## SECTION 8 - ELECTRICAL

**FIGURE 8-82. TURNTABLE HARNESS (SN 0300298210 to Present)**

ITEM	PART NUMBER	QTY	DESCRIPTION	REV
	1001285582	Ref	TURNTABLE HARNESS	A
1	4460891	1	Connector	
1	4460465	2	Socket	
2	4460247	1	Terminal, Ring (3/16)	
3	4460703	1	Terminal, Ring (5/16)	
4	4460670	2	Terminal, Ring (5/16)	
5	4460042	1	Terminal, Ring (3/16)	
6	IN4004	2	Diode 6Amp	
7	4460019	6	Terminal, Ring (3/8)	
8	2400066	4	Fuse Holder	
9	4460256	5	Terminal, Ring (3/8)	
10	1001117106	3	Terminal, Ring (1/4)	
11	4460312	1	Terminal, Ring (1/4)	
12	4460043	1	Terminal, Ring (1/4)	
13	4461018	1	Connector	
13	4460509	2	Socket	
14	4460836	1	Connector	
14	4460944	3	Socket (Gold)	
14	4460465	1	Socket (Nickel)	
14	4460466	8	Plug	
15	4460950	1	Connector	
15	4460464	10	Pin	
15	4460466	2	Plug	
16	4460931	1	Connector	
16	4460464	1	Pin	
16	4460466	1	Plug	
17	4460899	1	Connector	
17	4460464	3	Pin (Nickel)	
17	4460943	3	Pin (Gold)	
18	4460884	1	Connector	
18	4460465	4	Socket	
19	4460933	1	Connector	
19	4460944	10	Socket	
19	4460466	2	Plug	
20	1001103012	2	Connector	
20	1001107854	4	Socket	
20	1001104498	4	Seal	
21	4460932	1	Connector	
21	4460465	4	Socket	
22	4460884	1	Connector	
22	4460465	3	Pin	
22	4460466	1	Plug	
23	4460931	1	Connector	
23	4460464	8	Pin	
24	1001144147	1	Connector	
24	4460943	2	Pin	
24	4460466	1	Plug	
25	4460894	1	Connector	
25	4460465	6	Socket	
26	4460930	1	Connector	

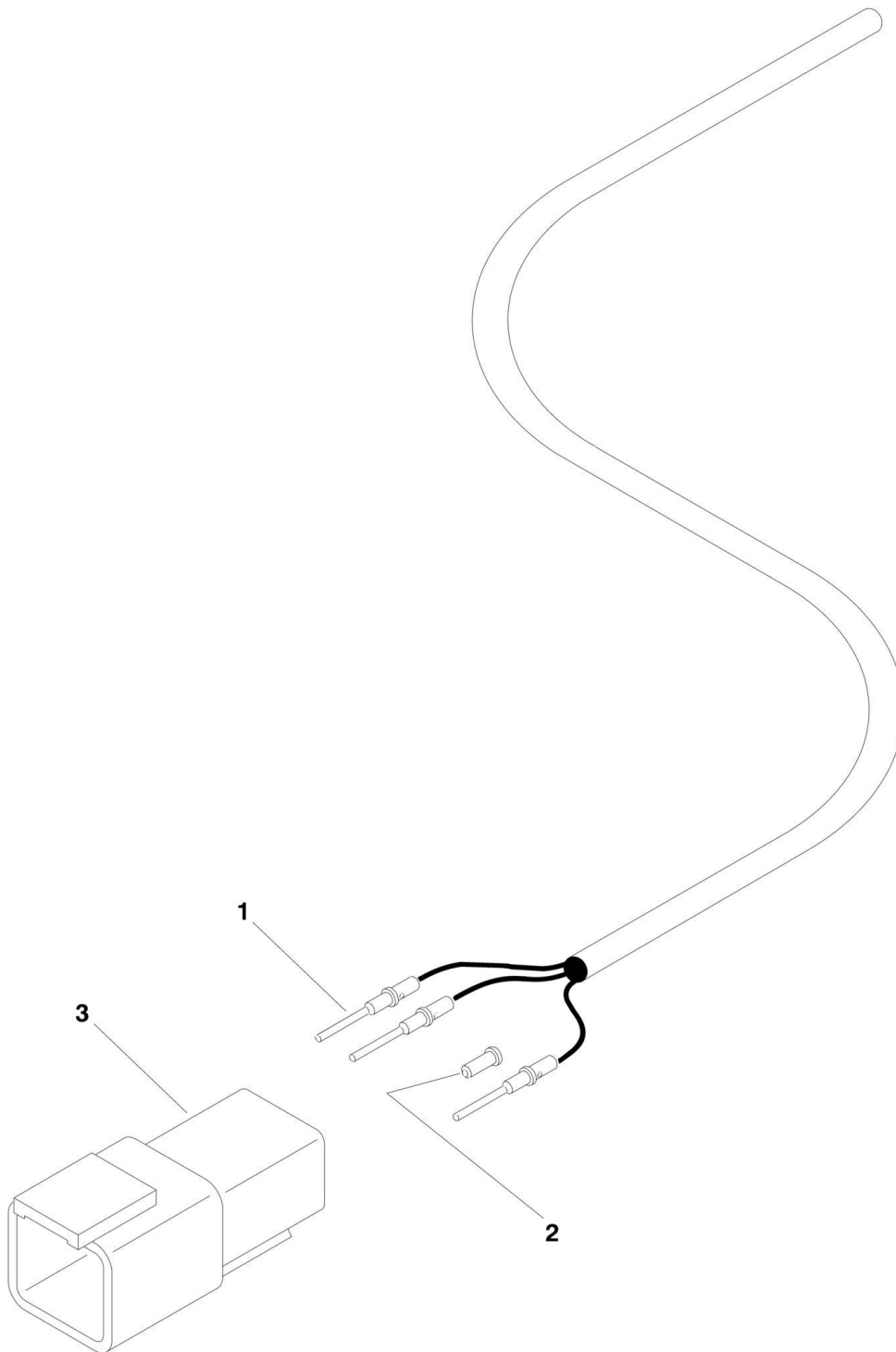
## SECTION 8 - ELECTRICAL

ITEM	PART NUMBER	QTY	DESCRIPTION	REV
26	4460465	8	Socket	
27	4460866	1	Connector	
27	4460943	3	Pin (Gold 20-16 AWG)	
27	4460464	8	Pin (Nickel 20-16 AWG)	
27	4460508	4	Pin (Nickel 14-12 AWG)	
27	4460466	4	Plug	
28	1001112612	1	Connector	
28	4460464	3	Pin (Nickel)	
28	4460943	3	Pin (Gold)	
28	4460466	3	Plug	
29	1001116812	1	Connector	
29	4460944	3	Socket	
30	4460539	1	Connector	
30	4460944	3	Socket	
31	4460933	3	Connector	
31	4460465	33	Socket	
31	4460466	3	Plug	
32	4460899	1	Connector	
32	4460464	11	Pin	
33	4460874	1	Connector	
33	4460871	18	Socket	
33	4460905	16	Plug	
34	4460761	1	Connector	
34	4460267	4	Pin	
35	1001113961	1	Connector	
35	4460871	6	Socket	
35	4460905	2	Plug	
36	1001246859	1	Connector	
36	4460871	6	Socket	
36	4460905	8	Plug	
37	4460539	1	Connector	
37	4460465	2	Socket	
37	4460466	1	Plug	
38	1001187079	2	Terminal, Ring	
39	4460873	1	Connector	
39	4460871	25	Socket	
39	4460905	10	Plug	
40	4460878	1	Connector	
40	4460887	3	Socket	
101	4460945	1	Connector	
102	1001102594	2	Ferrite	
103	1001116815	1	Connector	
104	1001119020	3	Connector	
105	1001144296	1	Cap	
106	1001192401	1	Cap, Dust	
107	1001226541	1	Connector	
108	8229249	1	Fuse 3Amp	
109	8229242	3	Fuse 5Amp	



# SECTION 8 - ELECTRICAL

## FIGURE 8-83. TRANSPORT SWITCH HARNESS



1001159363

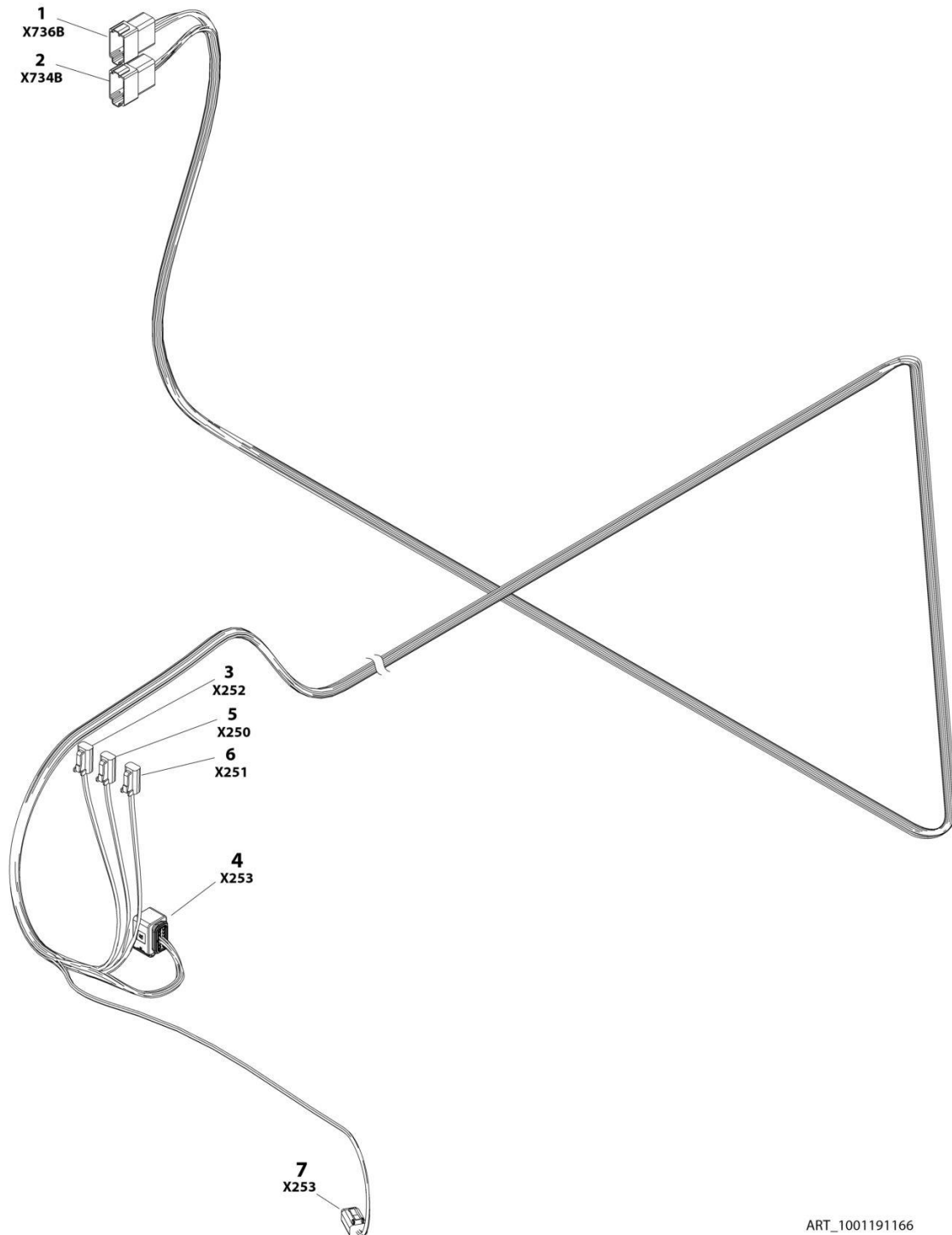
## SECTION 8 - ELECTRICAL

### FIGURE 8-83. TRANSPORT SWITCH HARNESS

ITEM	PART NUMBER	QTY	DESCRIPTION	REV
	1001159363	Ref	TRANSPORT CABLE HARNESS	B
1	4460464	3	Pin, Male	
2	4460466	1	Plug, Socket	
3	4460932	1	Connector - 4 Position	

# SECTION 8 - ELECTRICAL

## FIGURE 8-84. UREA TANK HARNESS



ART\_1001191166



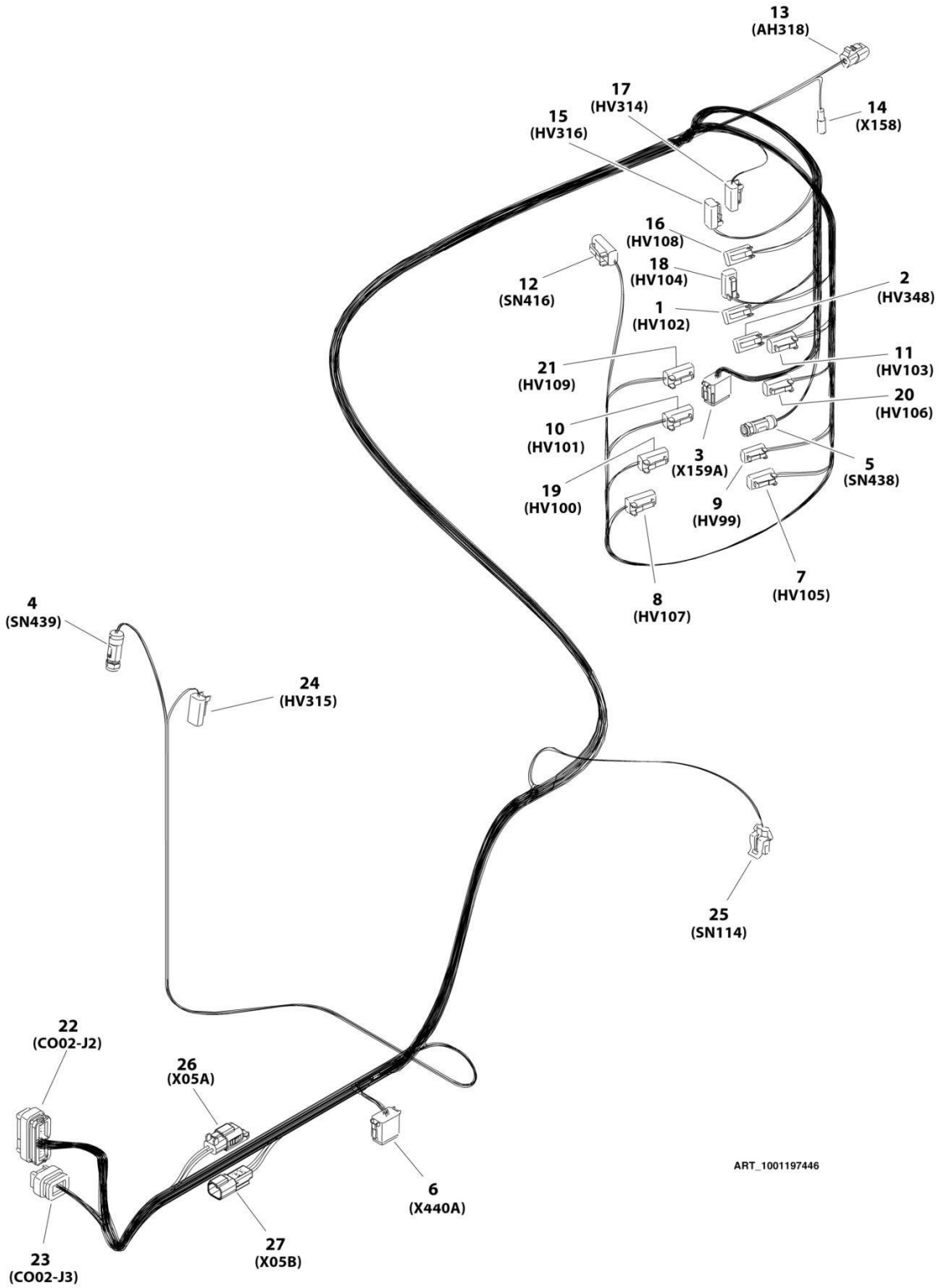
## SECTION 8 - ELECTRICAL

### FIGURE 8-84. UREA TANK HARNESS

ITEM	PART NUMBER	QTY	DESCRIPTION	REV
	1001191166	Ref	UREA TANK HARNESS	C
1	4460982	1	Connector - 12 Position	
1	1001157891	6	Pin, Male	
1	4460464	2	Pin, Male	
1	4460943	2	Pin, Male (Gold)	
1	4460466	2	Seal, Plug	
2	1001152742	1	Connector - 12 Position	
2	4460941	2	Pin, Male 14-16GA	
2	4460464	8	Pin, Male	
2	4460466	2	Plug, Socket	
3	4460891	1	Connector - 2 Position	
3	4460942	2	Socket, Female	
4	1001165194	1	Connector - 12 Position	
4	1001166556	8	Socket, Female	
4	1001166774	2	Socket, Female	
4	1001126391	2	Seal, Plug	
5	4460891	1	Connector - 2 Position	
5	4460942	2	Socket, Female	
6	4460891	1	Connector - 2 Position	
6	4460942	2	Socket, Female	
7	4460884	1	Connector - 4 Position	
7	4460944	2	Socket, Female	
7	4460465	2	Socket, Female	

# SECTION 8 - ELECTRICAL

## FIGURE 8-85. VALVE BANK HARNESS (Prior to SN 0300298210)



## SECTION 8 - ELECTRICAL

**FIGURE 8-85. VALVE BANK HARNESS (Prior to SN 0300298210)**

ITEM	PART NUMBER	QTY	DESCRIPTION	REV
	1001197446	Ref	VALVE BANK HARNESS	B
1	4460891	1	Connector - 2 Position	
1	4460465	2	Socket, Female	
2	4460891	1	Connector - 2 Position	
2	4460465	2	Socket, Female	
3	4460836	1	Connector - 12 Position	
3	4460465	9	Socket, Female	
3	4460466	3	Plug, Socket	
4	1001163747	1	Connector - 4 Position (Includes Cable)	
5	1001163747	1	Connector - 4 Position (Includes Cable)	
6	4460930	1	Connector - 8 Position	
6	4460465	8	Socket, Female	
7	4460891	1	Connector - 2 Position	
7	4460465	2	Socket, Female	
8	4460891	1	Connector - 2 Position	
8	4460465	2	Socket, Female	
9	4460891	1	Connector - 2 Position	
9	4460465	2	Socket, Female	
10	4460891	1	Connector - 2 Position	
10	4460465	2	Socket, Female	
11	4460891	1	Connector - 2 Position	
11	4460465	2	Socket, Female	
12	4460891	1	Connector - 2 Position	
12	4460465	2	Socket, Female	
13	4460539	1	Connector - 3 Position	
13	4460465	3	Socket, Female	
14	8220068	1	Connector - 1 Position	
15	4460891	1	Connector - 2 Position	
15	4460465	2	Socket, Female	
16	4460891	1	Connector - 2 Position	
16	4460465	2	Socket, Female	
17	4460891	1	Connector - 2 Position	
17	4460465	2	Socket, Female	
18	4460891	1	Connector - 2 Position	
18	4460465	2	Socket, Female	
19	4460891	1	Connector - 2 Position	
19	4460465	2	Socket, Female	
20	4460891	1	Connector - 2 Position	
20	4460465	2	Socket, Female	
21	4460891	1	Connector - 2 Position	
21	4460465	2	Socket, Female	
22	4460875	1	Connector - 35 Position	
22	4460871	28	Socket, Female	
22	4460905	7	Plug	
23	4460872	1	Connector - 14 Position	
23	4460871	8	Socket, Female	
23	4460905	6	Plug	
24	4460891	1	Connector - 2 Position	
24	4460465	2	Socket, Female	
25	4460843	1	Connector - 2 Position	

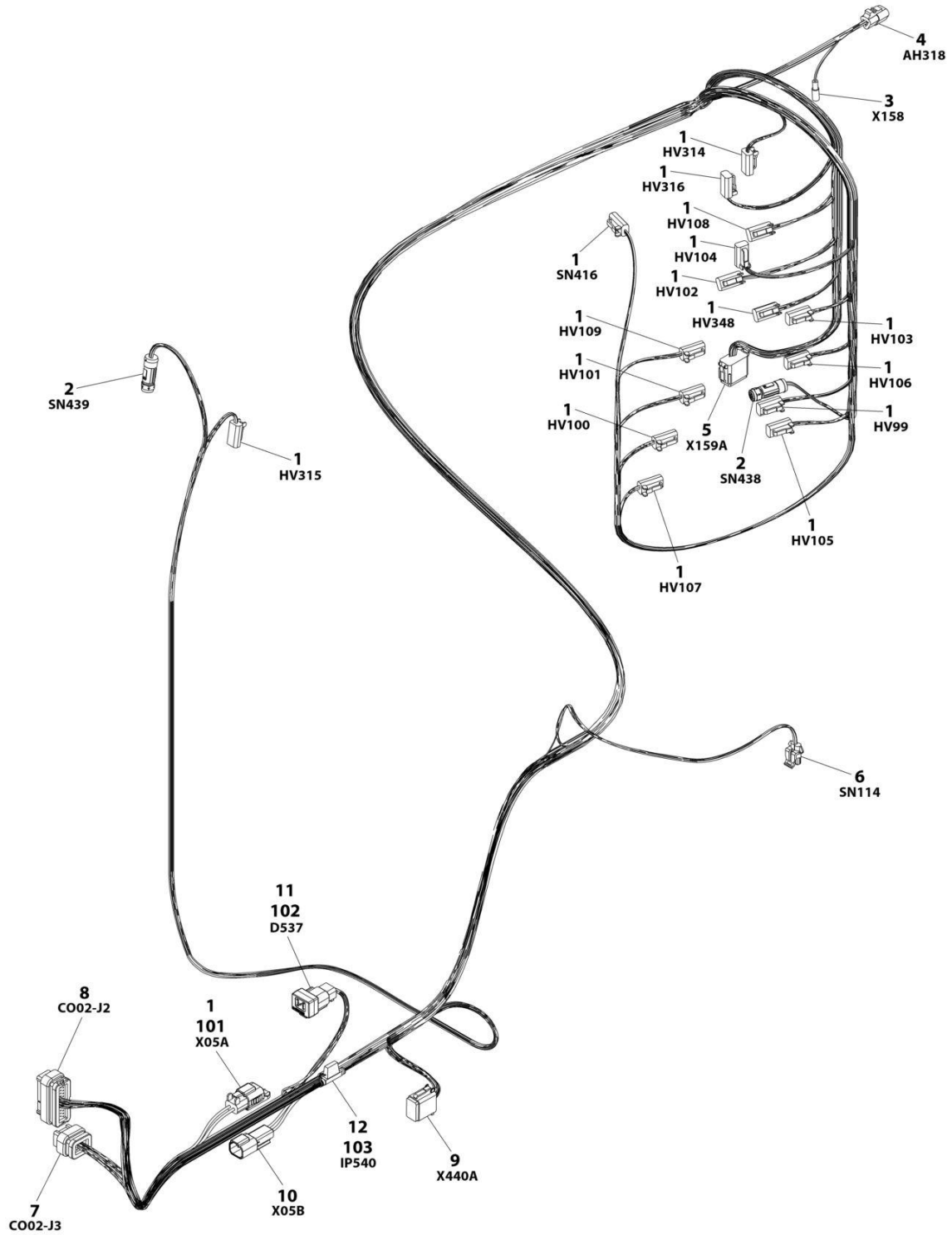
## SECTION 8 - ELECTRICAL

ITEM	PART NUMBER	QTY	DESCRIPTION	REV
25	91554014	2	Socket, Female	
26	4460891	1	Connector - 2 Position	
26	4460465	2	Socket, Female	
27	4460891	1	Connector - 2 Position	
27	4460464	2	Pin, Male	



# SECTION 8 - ELECTRICAL

## FIGURE 8-86. MAIN VALVE HARNESS (SN 0300298210 to Present)



ART\_1001285583

## SECTION 8 - ELECTRICAL

**FIGURE 8-86. MAIN VALVE HARNESS (SN 0300298210 to Present)**

ITEM	PART NUMBER	QTY	DESCRIPTION	REV
	1001285583	Ref	MAIN VALVE HARNESS	A
1	4460891	17	Connector	
1	4460465	34	Socket	
2	1001163747	2	Sensor	
3	8220068	1	Connector	
4	4460539	1	Connector	
4	4460465	3	Socket	
5	4460836	1	Connector	
5	4460465	10	Socket	
5	4460466	2	Plug	
6	4460843	1	Connector	
6	91554014	2	Socket	
7	4460872	1	Connector	
7	4460871	8	Socket	
7	4460905	6	Plug	
8	4460875	1	Connector	
8	4460871	28	Socket	
8	4460905	7	Plug	
9	4460930	1	Connector	
9	4460465	8	Socket	
10	4460897	1	Connector	
10	4460464	2	Socket	
11	4460884	1	Connector	
11	4460465	4	Socket	
12	1001170764	1	Fuse Holder (Includes Fuse)	
101	1001144295	1	Cap	
102	1001152266	1	Connector	
103	1001196636	1	Diode 1 Amp	

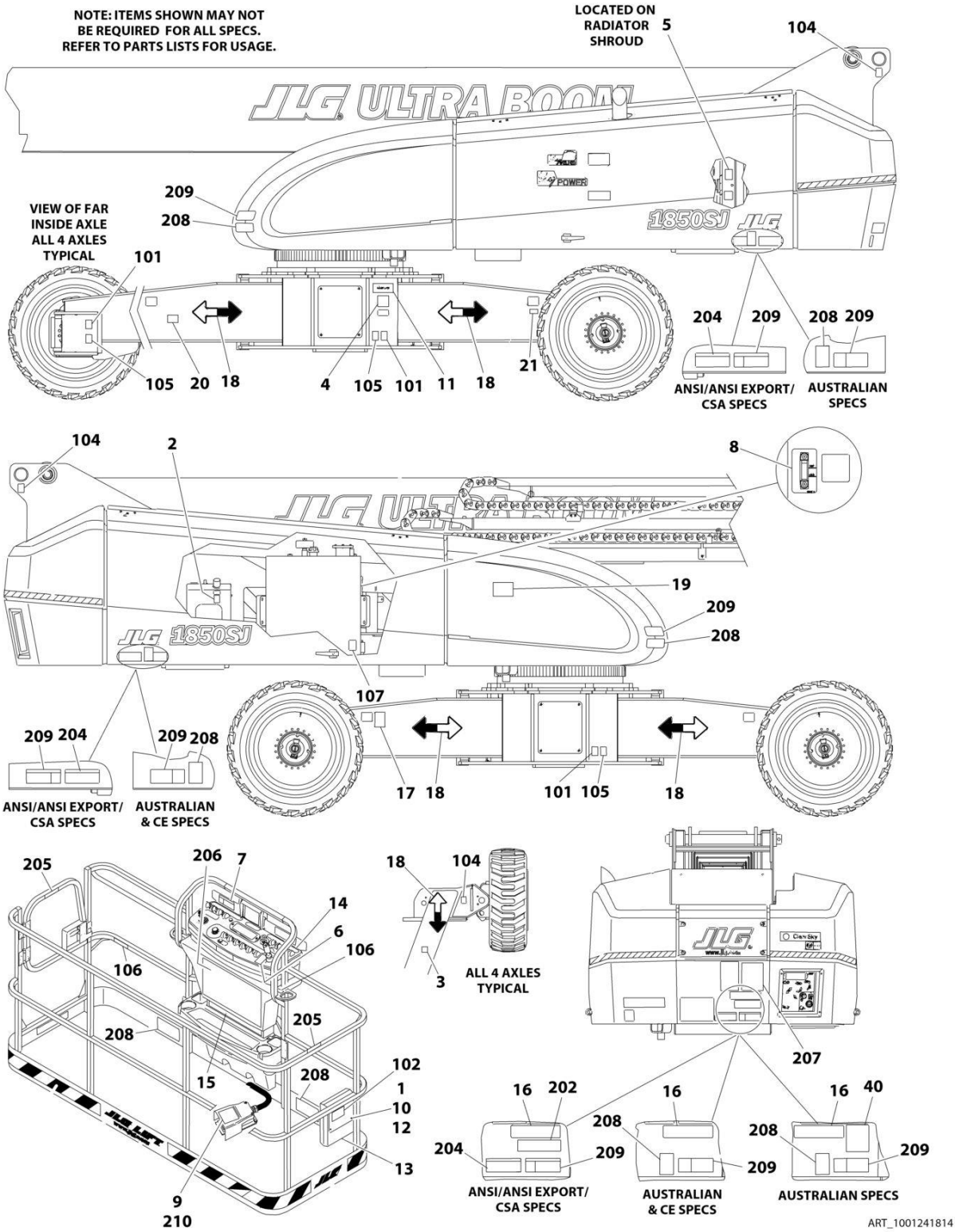




**SECTION 9 - DECALS**

# SECTION 9 - DECALS

## FIGURE 9-1. DECAL INSTALLATION - ANSI SPECS



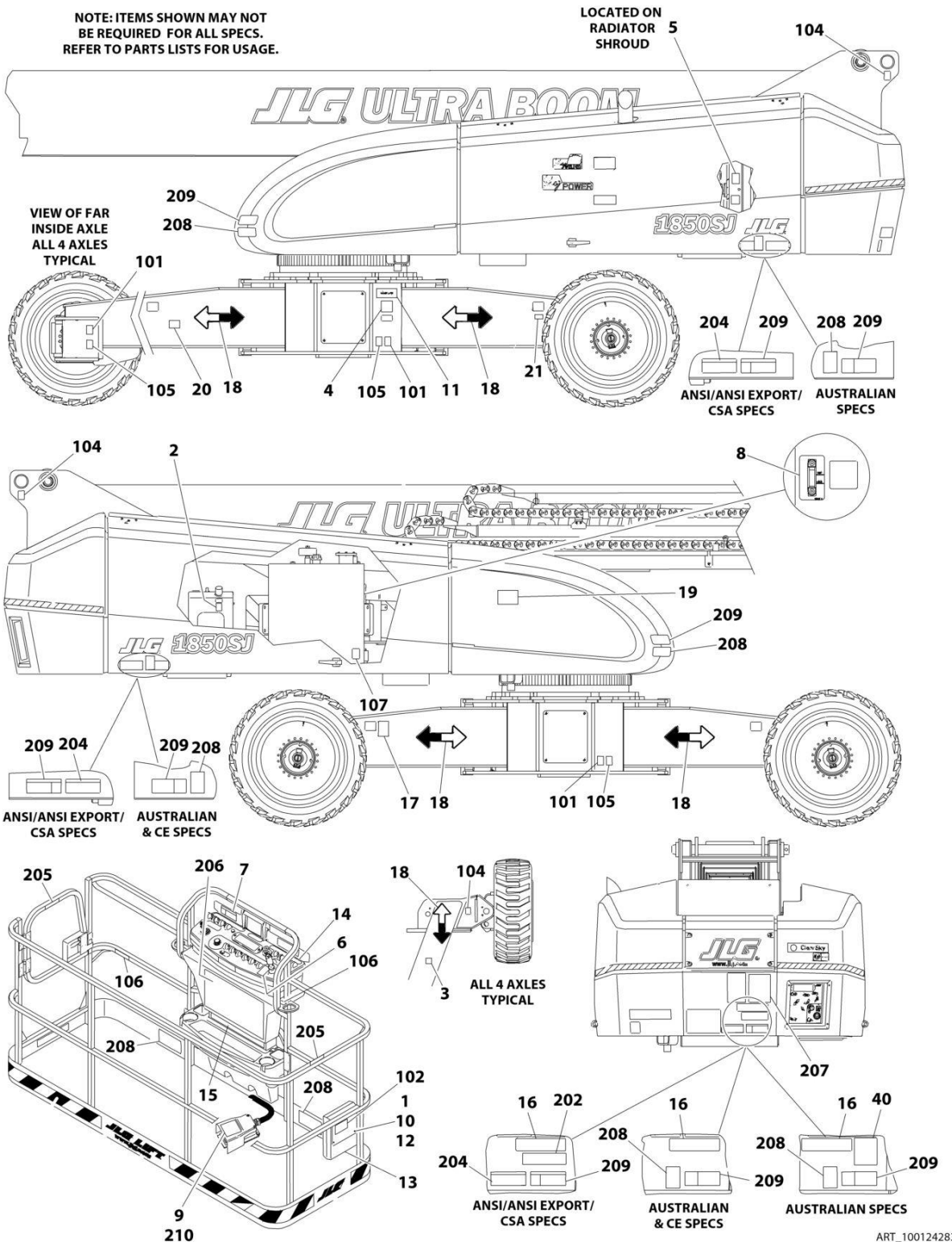
## SECTION 9 - DECALS

**FIGURE 9-1. DECAL INSTALLATION - ANSI SPECS**

ITEM	PART NUMBER	QTY	DESCRIPTION	REV
	1001248556	Ref	DECAL INSTALLATION - REFERENCE CHART	A
	1001241814	Ref	Decal Installation	B
1	0641406	4	Bolt 1/4 x 3/4	
2	1701505	2	Decal - Fuel	
3	1701691	4	Decal - No Step	
4	See Note	NSS	Decal - Bar Code (Note: Not Available for Purchase)	
5	1704972	1	Decal - Warning Explosion/Fire	
6	1705351	1	Decal - Drive/Steer Instruction	
7	1705492	1	Decal - Tip-Over Hazard	
8	1705511	1	Decal - Oil Level	
9	3252347	1	Decal - Footswitch	
10	3311405	4	Nut 1/4	
11	3820001	2	Rivet	
12	4751400	4	Washer 1/4	
13	91403230	1	Box, Manual Storage	
14	1001122611	1	Decal - Stop	
15	1001253543	1	Decal - 500 Lbs/227 kg and 1000 Lbs/454 kg Capacity (Platform)	
16	1001253544	1	Decal - 500 Lbs/227 kg and 1000 Lbs/454 kg Capacity (Ground)	
17	1001131269	1	Decal - Patent	
18	1001160445	8	Decal - Arrow	
19	1001178165	1	Decal - Jump Start, Dual Battery	
20	1001223055	1	Decal - Yearly Inspection	
21	1001223453	1	Decal - ICES	
100	1001248541	1	Decal - Master Kit (Not Shown - Includes Items 101-107)	D
101	1701499	6	Decal - No Lift	
102	1701509	1	Decal - Manual	
104	1703811	4	Decal - Lift	
105	1703814	6	Decal - Tie Down	
106	1704277	4	Decal - Lanyard Attach	
107	1704412	1	Decal - Hydraulic Oil Chart	
200	1001248547	1	Decal - Kit (Not Shown - Includes Items 204-209)	
204	1703953	7	Decal - Warning Crushing (Rotate)	
205	1702868	2	Decal - No Hands	
206	1001231315	1	Decal - Warning/Danger	
207	1705336	1	Decal - Warning Inspection	
208	1703804	5	Decal - Warning Crushing	
209	1703805	5	Decal - Danger Electrocution	

# SECTION 9 - DECALS

## FIGURE 9-2. DECAL INSTALLATION - ANSI EXPORT SPECS (DUAL LANGUAGE - ENGLISH AND SPANISH)



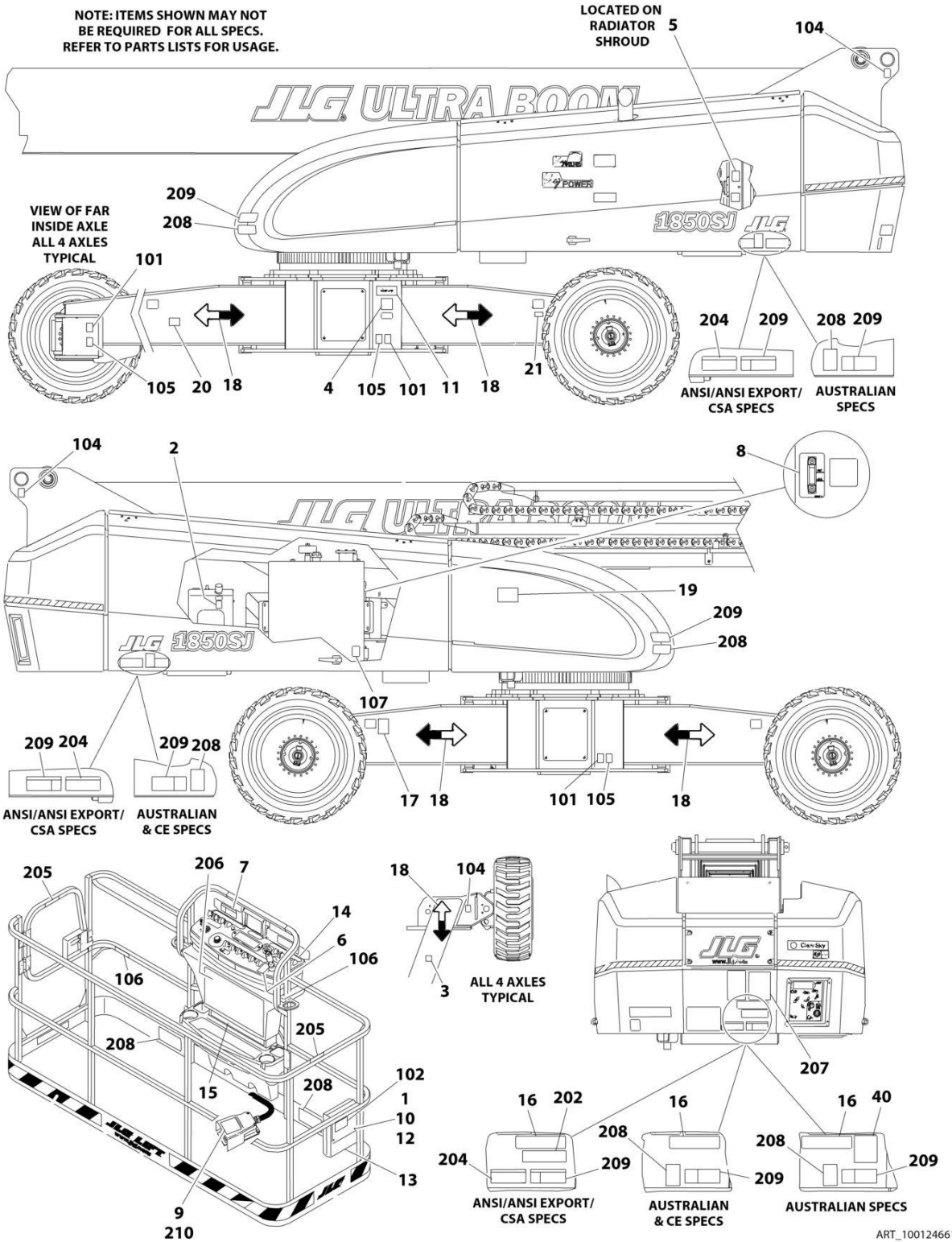
## SECTION 9 - DECALS

**FIGURE 9-2. DECAL INSTALLATION - ANSI EXPORT SPECS (DUAL LANGUAGE - ENGLISH AND SPANISH)**

ITEM	PART NUMBER	QTY	DESCRIPTION	REV
	1001248556	Ref	DECAL INSTALLATION - REFERENCE CHART	A
	1001242831	Ref	Decal Installation	B
1	0641406	4	Bolt 1/4 x 3/4	
2	1701505	2	Decal - Fuel	
3	1701691	4	Decal - No Step	
4	See Note	NSS	Decal - Bar Code (Note: Not Available for Purchase)	
5	1706063	1	Decal - Warning Explosion/Fire	
6	1705910	1	Decal - Drive/Steer	
8	1705511	1	Decal - Oil Level	
9	3252347	1	Decal - Footswitch	
10	3311405	4	Nut 1/4	
11	3820001	2	Rivet	
12	4751400	4	Washer 1/4	
13	91403230	1	Box, Manual Storage	
14	1001122611	1	Decal - Stop	
15	1001253553	1	Decal, 500 Lbs/227 kg and 1000 Lbs/454 kg Capacity (Platform)	
16	1001253554	1	Decal, 500 Lbs/227 kg and 1000 Lbs/454 kg Capacity (Ground)	
18	1001160445	8	Decal - Arrow	
19	1001178165	1	Decal, Jump Start, Dual Battery	
20	1001224049	1	Decal - Yearly Inspection	
100	1001248541	1	Decal - Master Kit (Not Shown - Includes Items 101-107)	D
101	1701499	6	Decal - No Lift	
102	1701509	1	Decal - Manual	
104	1703811	4	Decal - Lift	
105	1703814	6	Decal - Tie Down	
106	1704277	4	Decal - Lanyard Attach	
107	1704412	1	Decal - Hydraulic Oil Chart	
200	1001248550	1	Decal - Kit (Not Shown - Includes Items 204-209)	
202	1705915	1	Decal - Warning Tip Over	
204	1703941	7	Decal - Warning Crushing	
205	1704001	2	Decal - Caution No Hands	
206	1001231318	1	Decal - Warning Platform	
207	1705917	1	Decal - Warning Inspection	
208	1703947	5	Decal - Warning Crushing	
209	1703935	5	Decal - Danger Electrocution	
210	1703983	1	Decal - Footswitch	

# SECTION 9 - DECALS

## FIGURE 9-3. DECAL INSTALLATION - AUSTRALIAN SPECS



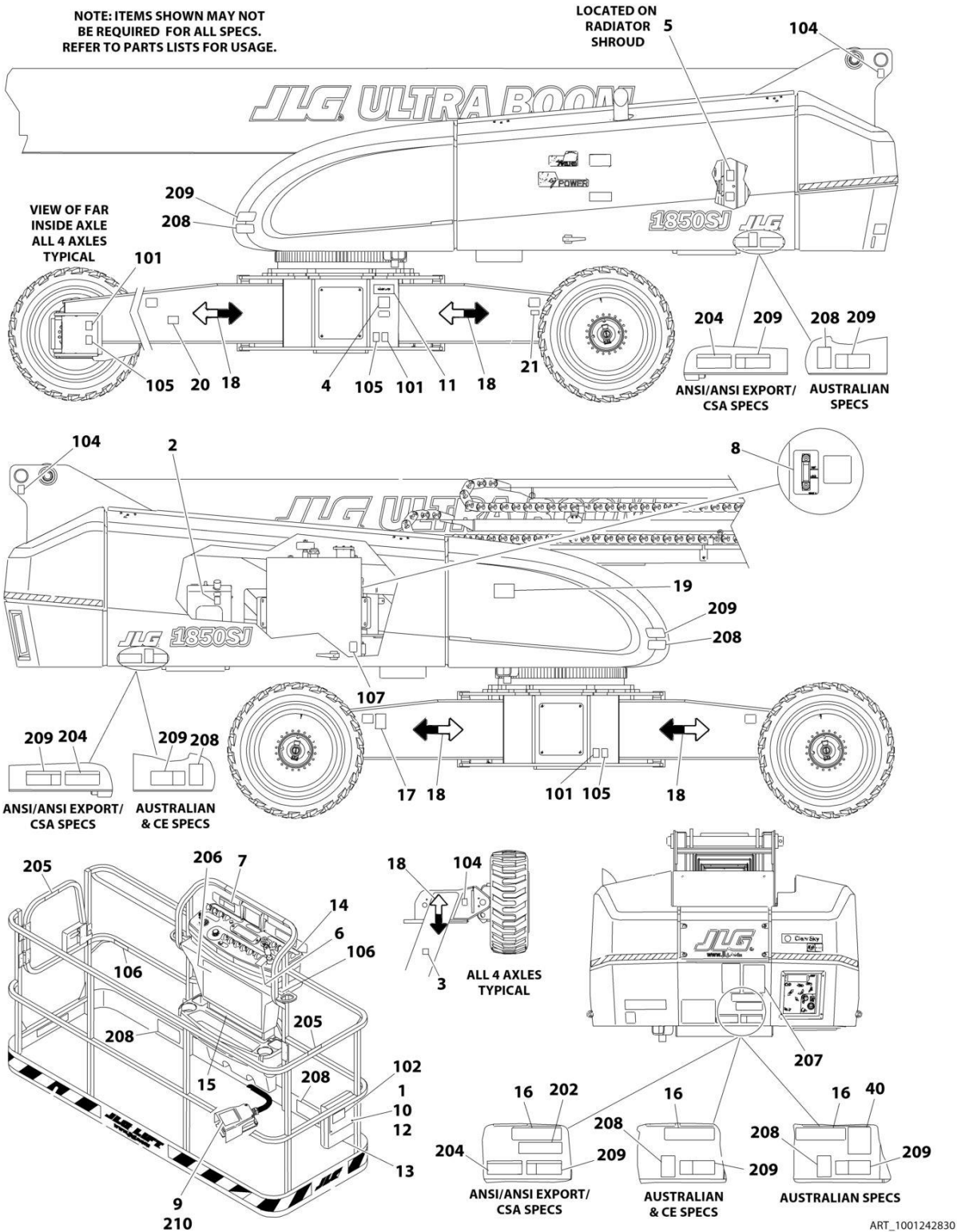
## SECTION 9 - DECALS

**FIGURE 9-3. DECAL INSTALLATION - AUSTRALIAN SPECS**

ITEM	PART NUMBER	QTY	DESCRIPTION	REV
	1001248556	Ref	DECAL INSTALLATION - REFERENCE CHART	A
	1001246617	Ref	Decal Installation	A
1	0641406	4	Bolt 1/4 x 3/4	
2	1701505	2	Decal - Fuel	
3	1701691	4	Decal - No Step	
4	See Note	NSS	Decal - Bar Code (Note: Not Available for Purchase)	
5	1706098	1	Decal - Warning Explosion/Fire	
8	1705511	1	Decal - Oil Level	
10	3311405	4	Nut 1/4	
11	3820001	2	Rivet	
12	4751400	4	Washer 1/4	
13	91403230	1	Box, Manual Storage	
14	1001122611	1	Decal - Stop	
15	1001125177	1	Decal - 230 kg and 450 kg Capacity (Platform)	
16	1001125178	1	Decal - 230 kg and 450 kg Capacity (Ground)	
18	1001160445	8	Decal - Arrow	
19	1001178165	1	Decal - Jump Start, Dual Battery	
40	1001112551	1	Decal - Emergency Controls (Aus)	
100	1001248541	1	Decal - Master Kit (Not Shown - Includes Items 101-107)	D
101	1701499	6	Decal - No Lift	
102	1701509	1	Decal - Manual	
104	1703811	4	Decal - Lift	
105	1703814	6	Decal - Tie Down	
106	1704277	4	Decal - Lanyard Attach	
107	1704412	1	Decal - Hydraulic Oil Chart	
200	1001248546	1	Decal - Kit (Not Shown - Includes Items 206-2010)	
206	1705921	1	Decal - Tipping/Electrocution	
207	1705822	1	Decal - Safety Manual	
208	1701518	10	Decal - Crushing	
209	1705961	5	Decal - Electrocution	
210	1705828	1	Decal - Footswitch	

# SECTION 9 - DECALS

## FIGURE 9-4. DECAL INSTALLATION - BRAZIL SPECS (DUAL LANGUAGE - ENGLISH AND PORTUGUESE)





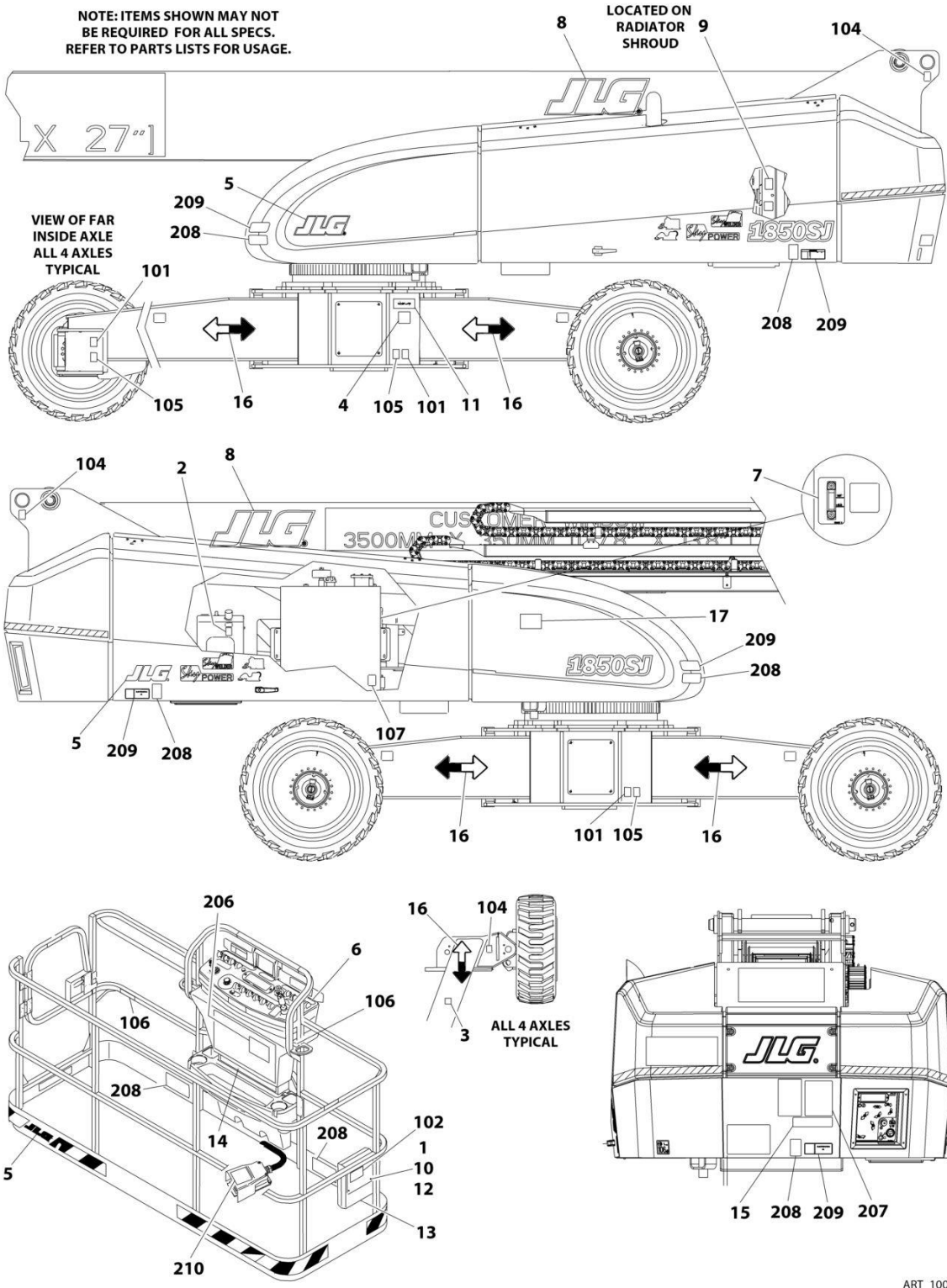
## SECTION 9 - DECALS

**FIGURE 9-4. DECAL INSTALLATION - BRAZIL SPECS (DUAL LANGUAGE - ENGLISH AND PORTUGUESE)**

ITEM	PART NUMBER	QTY	DESCRIPTION	REV
	1001248556	Ref	DECAL INSTALLATION - REFERENCE CHART	A
	1001242830	Ref	Decal Installation	B
1	0641406	4	Bolt 1/4 x 3/4	
2	1701505	2	Decal - Fuel	
3	1701691	4	Decal - No Step	
4	See Note	NSS	Decal - Bar Code (Note: Not Available for Purchase)	
5	1706059	1	Decal, Warning Explosion/Fire	
8	1705511	1	Decal - Oil Level	
10	3311405	4	Nut 1/4	
11	3820001	2	Rivet	
12	4751400	4	Washer 1/4	
13	91403230	1	Box, Manual Storage	
14	1001122611	1	Decal - Stop	
15	1001253551	1	Decal, 500 Lbs/227 kg and 1000 Lbs/454 kg Capacity (Platform)	
16	1001253552	1	Decal, 500 Lbs/227 kg and 1000 Lbs/454 kg Capacity (Ground)	
18	1001160445	8	Decal - Arrow	
19	1001178165	1	Decal - Jump Start, Dual Battery	
20	1001224052	1	Decal - Yearly Inspection	
100	1001248541	1	Decal - Master Kit (Not Shown - Includes Items 101-107)	D
101	1701499	6	Decal - No Lift	
102	1701509	1	Decal - Manual	
104	1703811	4	Decal - Lift	
105	1703814	6	Decal - Tie Down	
106	1704277	4	Decal - Lanyard Attach	
107	1704412	1	Decal - Hydraulic Oil Chart	
200	1001248551	1	Decal - Kit (Not Shown - Includes Items 202-210)	
202	1705906	1	Decal, Tip-Over Hazard	
204	1705903	7	Decal, Warning - Crushing	
205	1705967	2	Decal, No Hands	
206	1001231319	1	Decal, Danger/Warning	
207	1705896	1	Decal, Warning - Inspection	
208	1705898	5	Decal, Warning/Crushing	
209	1705897	5	Decal, Danger/Electrocution	
210	1705902	1	Decal, Footswitch	

# SECTION 9 - DECALS

## FIGURE 9-5. DECAL INSTALLATION - CE & UK CA SPECS



ART\_1001246616

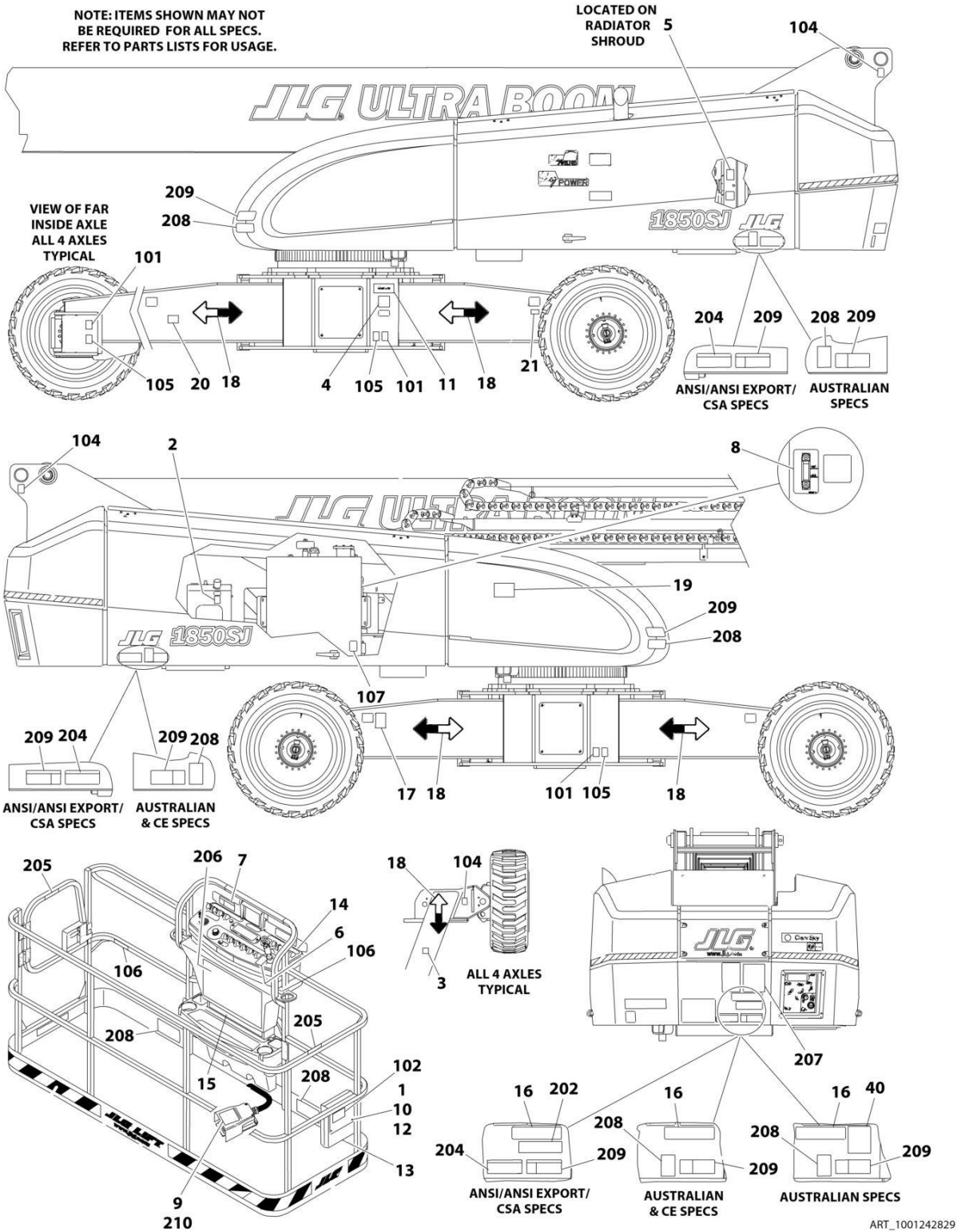
## SECTION 9 - DECALS

**FIGURE 9-5. DECAL INSTALLATION - CE & UK CA SPECS**

ITEM	PART NUMBER	QTY	DESCRIPTION	REV
	1001248560	Ref	DECAL INSTALLATION - REFERENCE CHART	A
	1001246616	Ref	Decal Installation	A
1	0641406	4	Bolt 1/4 x 3/4	
2	1701505	2	Decal - Fuel	
3	1701691	4	Decal - No Step	
4	See Note	NSS	Decal - Bar Code (Note: Not Available for Purchase)	
5	1702773	3	Decal, JLG	
6	1705174	1	Decal - Stop	
7	1705511	1	Decal - Oil Level	
8	1705864	2	Decal - JLG	
9	1706098	1	Decal - Warning Explosion/Fire	
10	3311405	4	Nut 1/4	
11	3820001	2	Rivet	
12	4751400	4	Washer 1/4	
13	91403230	1	Box, Manual Storage	
14	1001125177	1	Decal - 230 kg and 450 kg Capacity (Platform)	
15	1001125178	1	Decal - 230 kg and 450 kg Capacity (Ground)	
16	1001160445	8	Decal - Arrow	
17	1001178165	1	Decal - Jump Start, Dual Battery	
100	1001248541	1	Decal - Master Kit (Not Shown - Includes Items 101-107)	D
101	1701499	6	Decal - No Lift	
102	1701509	1	Decal - Manual	
104	1703811	4	Decal - Lift	
105	1703814	6	Decal - Tie Down	
106	1704277	4	Decal - Lanyard Attach	
107	1704412	1	Decal - Hydraulic Oil Chart	
200	1001248546	1	Decal - Kit (Not Shown - Includes Items 206-2010)	
206	1705921	1	Decal - Tipping/Electrocution	
207	1705822	1	Decal - Safety Manual	
208	1701518	10	Decal - Crushing	
209	1705961	5	Decal - Electrocution	
210	1705828	1	Decal - Footswitch	

# SECTION 9 - DECALS

FIGURE 9-6. DECAL INSTALLATION - CHINA SPECS (DUAL LANGUAGE - ENGLISH AND CHINESE)



## SECTION 9 - DECALS

**FIGURE 9-6. DECAL INSTALLATION - CHINA SPECS (DUAL LANGUAGE - ENGLISH AND CHINESE)**

ITEM	PART NUMBER	QTY	DESCRIPTION	REV
	1001248556	Ref	DECAL INSTALLATION - REFERENCE CHART	A
	1001242829	Ref	Decal Installation	B
1	0641406	4	Bolt 1/4 x 3/4	
2	1701505	2	Decal - Fuel	
3	1701691	4	Decal - No Step	
4	See Note	NSS	Decal - Bar Code (Note: Not Available for Purchase)	
5	1706060	1	Decal, Warning Explosion/Fire	
6	1705430	1	Decal, Drive/Steer Instructions	
8	1705511	1	Decal - Oil Level	
10	3311405	4	Nut 1/4	
11	3820001	2	Rivet	
12	4751400	4	Washer 1/4	
13	91403230	1	Box, Manual Storage	
14	1001122611	1	Decal - Stop	
15	1001253549	1	Decal, 500 Lbs/227 kg and 1000 Lbs/454 kg Capacity (Platform)	
16	1001253550	1	Decal, 500 Lbs/227 kg and 1000 Lbs/454 kg Capacity (Ground)	
18	1001160445	8	Decal - Arrow	
19	1001178165	1	Decal - Jump Start, Dual Battery	
20	1001224050	1	Decal - Yearly Inspection	
100	1001248541	1	Decal - Master Kit (Not Shown - Includes Items 101-107)	D
101	1701499	6	Decal - No Lift	
102	1701509	1	Decal - Manual	
104	1703811	4	Decal - Lift	
105	1703814	6	Decal - Tie Down	
106	1704277	4	Decal - Lanyard Attach	
107	1704412	1	Decal - Hydraulic Oil Chart	
200	1001248553	1	Decal - Kit (Not Shown - Includes Items 202-210)	
202	1001117035	1	Decal, Warning Tip Over	
204	1703943	7	Decal, Warning/Crushing	
205	1001116846	2	Decal, No Hands	
206	1001231321	1	Decal, Warning/Danger	
207	1001116849	2	Decal, Warning Inspection	
208	1703949	5	Decal, Crushing	
209	1001116851	5	Decal, Electrocution	
210	1703982	1	Decal, Footswitch	



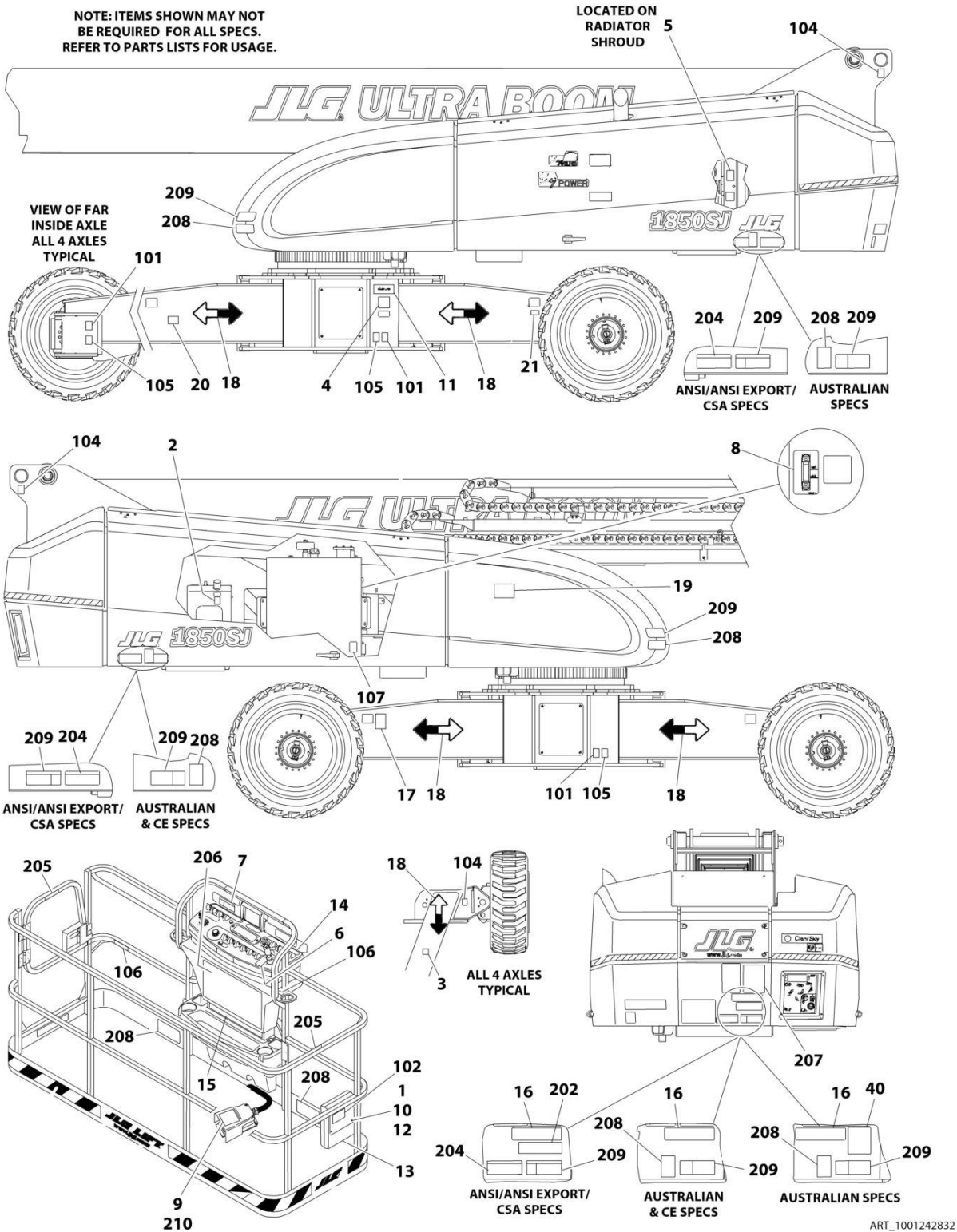
## SECTION 9 - DECALS

**FIGURE 9-7. DECAL INSTALLATION - CSA SPECS (DUAL LANGUAGE - ENGLISH AND FRENCH)**

ITEM	PART NUMBER	QTY	DESCRIPTION	REV
	1001248556	Ref	DECAL INSTALLATION - REFERENCE CHART	A
	1001241816	Ref	Decal Installation	C
1	0641406	4	Bolt 1/4 x 3/4	
2	1701505	2	Decal - Fuel	
3	1701691	4	Decal - No Step	
4	See Note	NSS	Decal - Bar Code (Note: Not Available for Purchase)	
5	1706064	1	Decal, Warning Explosion/fire	
6	1705429	1	Decal, Drive/Steer Instruction	
8	1705511	1	Decal - Oil Level	
10	3311405	4	Nut 1/4	
11	3820001	2	Rivet	
12	4751400	4	Washer 1/4	
13	91403230	1	Box, Manual Storage	
14	1001122611	1	Decal - Stop	
15	1001253545	1	Decal, 500 Lbs/227 kg and 1000 Lbs/454 kg Capacity (Platform)	
16	1001253546	1	Decal, 500 Lbs/227 kg and 1000 Lbs/454 kg Capacity (Ground)	
17	1001131269	1	Decal - Patent	
18	1001160445	8	Decal - Arrow	
19	1001178165	1	Decal - Jump Start, Dual Battery	
20	1001223971	1	Decal - Yearly Inspection	
21	1001223453	1	Decal - ICES	
100	1001248541	1	Decal - Master Kit (Not Shown - Includes Items 101-107)	D
101	1701499	6	Decal - No Lift	
102	1701509	1	Decal - Manual	
104	1703811	4	Decal - Lift	
105	1703814	6	Decal - Tie Down	
106	1704277	4	Decal - Lanyard Attach	
107	1704412	1	Decal - Hydraulic Oil Chart	
200	1001248548	1	Decal - Kit (Not Shown - Includes Items 202-210)	
202	1705505	1	Decal, Tip-Over Hazard	
204	1703942	7	Decal, Warning/Crushing	
205	1704000	2	Decal, No Hands	
206	1001231316	1	Decal, Warning/Danger	
207	1705347	1	Decal, Warning Inspection	
208	1703948	5	Decal, Warning Crushing	
209	1703936	5	Decal, Danger Electrocution	
210	1703984	1	Decal, Footswitch	

# SECTION 9 - DECALS

## FIGURE 9-8. DECAL INSTALLATION - JAPANESE SPECS (DUAL LANGUAGE – ENGLISH AND JAPANESE)





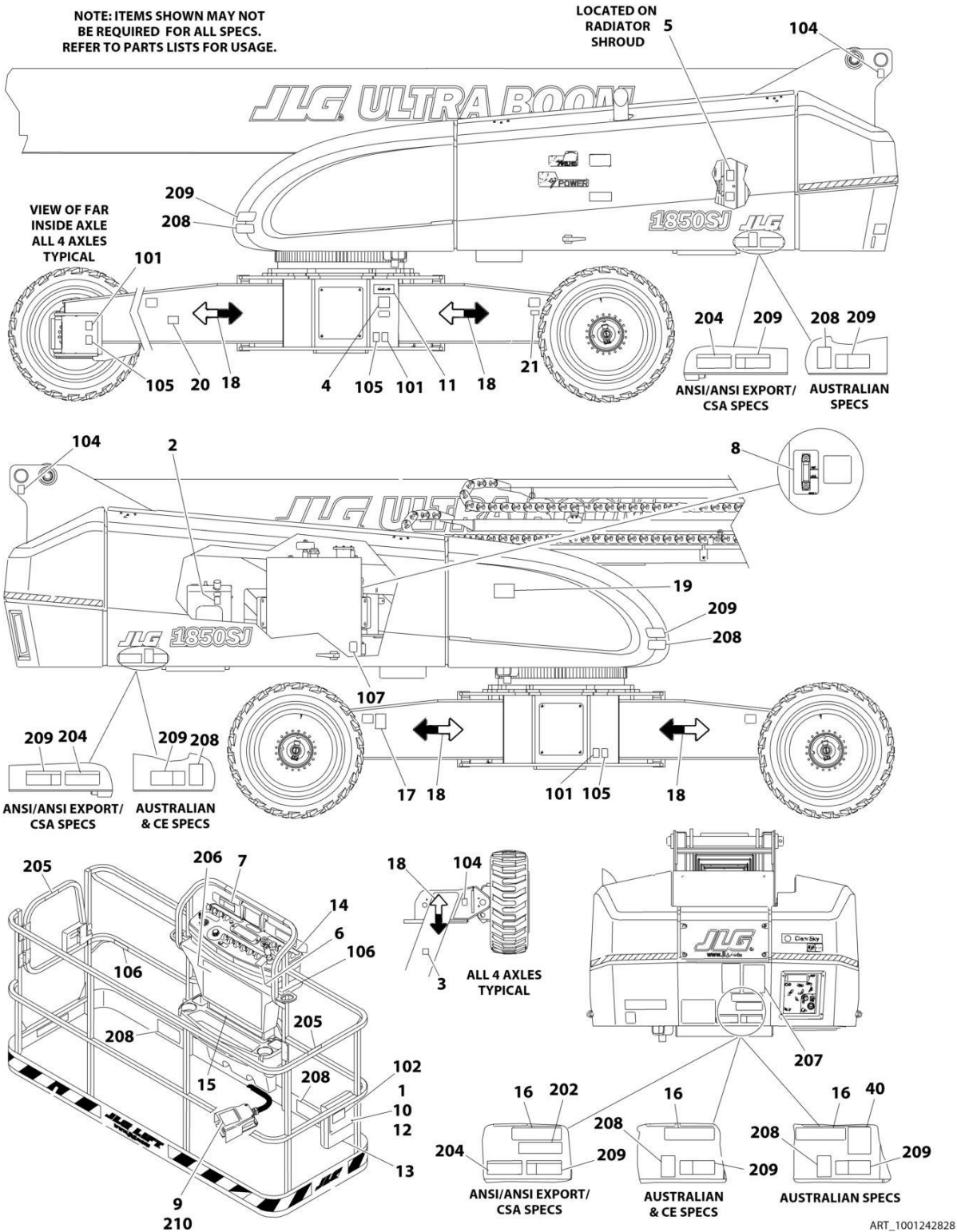
## SECTION 9 - DECALS

**FIGURE 9-8. DECAL INSTALLATION - JAPANESE SPECS (DUAL LANGUAGE – ENGLISH AND JAPANESE)**

ITEM	PART NUMBER	QTY	DESCRIPTION	REV
	1001248556	Ref	DECAL INSTALLATION - REFERENCE CHART	A
	1001242832	Ref	Decal Installation	B
1	0641406	4	Bolt 1/4 x 3/4	
2	1701505	2	Decal - Fuel	
3	1701691	4	Decal - No Step	
4	See Note	NSS	Decal - Bar Code (Note: Not Available for Purchase)	
5	1704972	1	Decal, Warning Explosion/fire	
6	1705426	1	Decal, Drive/Steer Instructions	
8	1705511	1	Decal - Oil Level	
10	3311405	4	Nut 1/4-20	
11	3820001	2	Rivet	
12	4751400	4	Washer 1/4	
13	91403230	1	Box, Manual Storage	
14	1001122611	1	Decal - Stop	
15	1001253555	1	Decal, 500 Lbs/227 kg and 1000 Lbs/454 kg Capacity (Platform)	
16	1001253556	1	Decal, 500 Lbs/227 kg and 1000 Lbs/454 kg Capacity (Ground)	
18	1001160445	8	Decal - Arrow	
19	1001178165	1	Decal - Jump Start, Dual Battery	
20	1001224053	1	Decal - Yearly Inspection	
100	1001248541	1	Decal - Master Kit (Not Shown - Includes Items 101-107)	D
101	1701499	6	Decal - No Lift	
102	1701509	1	Decal - Manual	
104	1703811	4	Decal - Lift	
105	1703814	6	Decal - Tie Down	
106	1704277	4	Decal - Lanyard Attach	
107	1704412	1	Decal - Hydraulic Oil Chart	
200	1001248552	1	Decal - Kit (Not Shown – Includes Items 202-210)	
202	1705493	1	Decal, Warning Tip Over	
204	1703944	7	Decal, Warning/Crushing	
206	1001231320	1	Decal, Warning/Danger	
207	1705344	1	Decal, Warning Inspection	
208	1703950	5	Decal, Crushing	
209	1703938	5	Decal, Electrocution	
210	1703980	1	Decal, Footswitch	

# SECTION 9 - DECALS

## FIGURE 9-9. DECAL INSTALLATION - KOREAN SPECS (DUAL LANGUAGE - ENGLISH AND KOREAN)



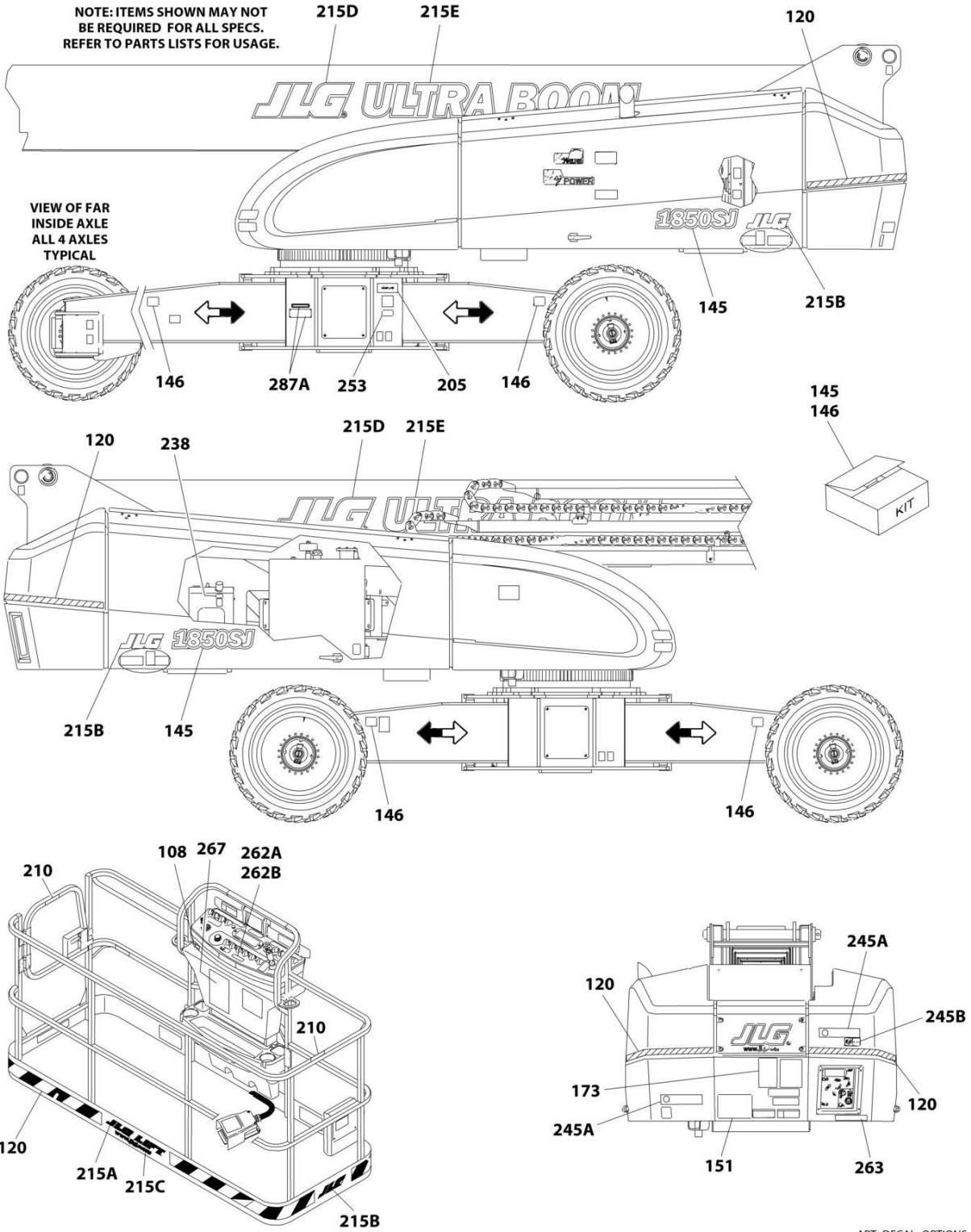
## SECTION 9 - DECALS

**FIGURE 9-9. DECAL INSTALLATION - KOREAN SPECS (DUAL LANGUAGE - ENGLISH AND KOREAN)**

ITEM	PART NUMBER	QTY	DESCRIPTION	REV
	1001248556	Ref	DECAL INSTALLATION - REFERENCE CHART	A
	1001242828	Ref	Decal Installation	B
1	0641406	4	Bolt 1/4 x 3/4	
2	1701505	2	Decal - Fuel	
3	1701691	4	Decal - No Step	
4	See Note	NSS	Decal - Bar Code (Note: Not Available for Purchase)	
5	1706061	1	Decal, Warning Explosion/Fire	
6	1705427	1	Decal, Drive/Steer Instructions	
8	1705511	1	Decal - Oil Level	
10	3311405	4	Nut 1/4-20	
11	3820001	2	Rivet	
12	4751400	4	Washer 1/4	
13	91403230	1	Box, Manual Storage	
14	1001122611	1	Decal - Stop	
15	1001253547	1	Decal, 500 Lbs/227 kg and 1000 Lbs/454 kg Capacity (Platform)	
16	1001253548	1	Decal, 500 Lbs/227 kg and 1000 Lbs/454 kg Capacity (Ground)	
18	1001160445	8	Decal - Arrow	
19	1001178165	1	Decal - Jump Start, Dual Battery	
20	1001224048	1	Decal - Yearly Inspection	
100	1001248541	1	Decal - Master Kit (Not Shown - Includes Items 101-107)	D
101	1701499	6	Decal - No Lift	
102	1701509	1	Decal - Manual	
104	1703811	4	Decal - Lift	
105	1703814	6	Decal - Tie Down	
106	1704277	4	Decal - Lanyard Attach	
107	1704412	1	Decal - Hydraulic Oil Chart	
200	1001248549	1	Decal - Kit (Not Shown - Includes Items 202-210)	
202	1705503	1	Decal, Warning Tip Over	
204	1703945	7	Decal, Warning/Crushing	
205	1705969	2	Decal, No Hands	
206	1001231317	1	Decal, Warning/Danger	
207	1705345	1	Decal, Warning Inspection	
208	1703951	5	Decal, Crushing	
209	1703939	5	Decal, Electrocution	
210	1703981	1	Decal, Footswitch	

# SECTION 9 - DECALS

## FIGURE 9-10. DECALS INSTALLATION - OPTIONS



## SECTION 9 - DECALS

### FIGURE 9-10. DECALS INSTALLATION - OPTIONS

ITEM	PART NUMBER	QTY	DESCRIPTION	REV
	1001248556	Ref	DECAL INSTALLATION - REFERENCE CHART	A
	1001261850	Ref	Decal Installation - Options	
108	1001231801	1	Decal - Warning Prop 65 Diesel (ANSI Specs)	
120	4420051	20 ft /6m	Tape, Warning Stripes	
145	1001159981	Ref	Kit, Decal Model Designation	
145	1001159980	2	Decal, 1850SJ ( <b>Prior to SN 0300280594</b> )	
145	1001267322	2	Decal, 1850SJ ( <b>SN 0300280594 to Present</b> )	
146	1001160443	Ref	Kit, Decal Max Tire Load	
146	1001159855	4	Decal, Max Tire Load	
151	1001159983	1	Decal, Lift Diagram	
173	1001125209	1	Decal, Daily Check List (Danish Language)	
173	1001125203	1	Decal, Daily Check List (Dutch Language)	
173	1001125198	1	Decal, Daily Check List (English and Chinese Languages)	
173	1001125196	1	Decal, Daily Check List (English Language)	
173	1001125201	1	Decal, Daily Check List (English and French Languages)	
173	1001125202	1	Decal, Daily Check List (English and Japanese Languages)	
173	1001125197	1	Decal, Daily Check List (English and Korean Languages)	
173	1001125199	1	Decal, Daily Check List (English and Spanish Languages)	
173	1001125207	1	Decal, Daily Check List (Finnish Languages)	
173	1001125204	1	Decal, Daily Check List (French Languages)	
173	1001125211	1	Decal, Daily Check List (German Languages)	
173	1001125205	1	Decal, Daily Check List (Italian Languages)	
173	1001125210	1	Decal, Daily Check List (Norwegian Languages)	
173	1001125212	1	Decal, Daily Check List (Polish Language)	
173	1001125200	1	Decal, Daily Check List (Portuguese Language)	
173	1001125206	1	Decal, Daily Check List (Spanish Languages)	
173	1001125208	1	Decal, Daily Check List (Swedish Languages)	
205	See Note	NSS	Nameplate, Serial Number (Note: Not Available for Purchase)	
210	1702868	2	Decal - No Hands (English Language)	
210	1001116846	2	Decal - No Hands (English and Chinese Languages)	
210	1704000	2	Decal - No Hands (English and French Languages)	
210	1705969	2	Decal - No Hands (English and Korean Languages)	
210	1705967	2	Decal - No Hands (English and Portuguese Languages)	
210	1704001	2	Decal - No Hands (English and Spanish Languages)	
215	1001116025	Ref	Kit, JLG Decal (Includes items 215A - 215E)	
215A	1702774	1	Decal, JLG Lift	
215B	1702773	3	Decal, JLG	
215C	1704885	1	Decal, WWW.JLG.COM	
215D	1705864	2	Decal, JLG	
215E	1705865	2	Decal, Ultra Boom	
238	1001125387	1	Decal, Ultra Low Sulfur Fuel (ANSI and CSA Specs)	
238	1001139654	1	Decal, Ultra Low Sulfur Fuel (ANSI Export, Australian, China, Japanese, CE & UK CA Specs)	
245	1001160444	Ref	Decal - ClearSky	
245A	1001116208	2	Decal - ClearSky	
245B	1001120989	1	Decal - Radio Frequency	
253	1001143852	1	Decal, LRC EPA (ANSI Export, China, Australian, CE and UK CA Specs Only)	
262A	1001141300	1	Decal - SkyGuard Override	
262B	1001141302	1	Decal - SkyGuard Soft Touch Override	

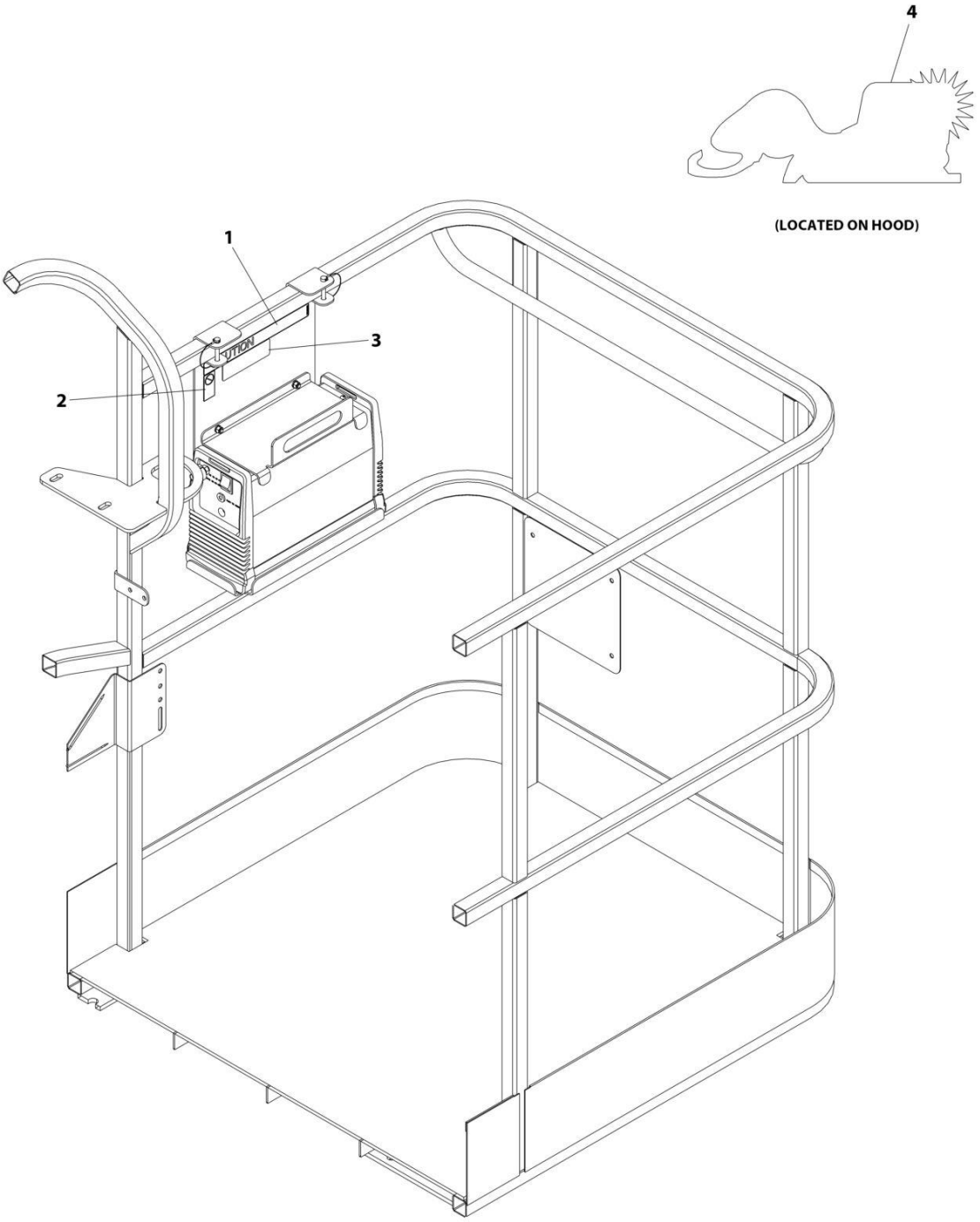
## SECTION 9 - DECALS

ITEM	PART NUMBER	QTY	DESCRIPTION	REV
263	1001197408	1	Decal - MSSO	
267	1001200065	1	Decal - Quick Reference (Dutch) (Lomax Rentals)	
267	1001200067	1	Decal - Quick Reference (Danish) (Lomax Rentals)	
267	1001177562	1	Decal - Quick Reference (English) (Lomax Rentals)	
267	1001200064	1	Decal - Quick Reference (French) (Lomax Rentals)	
267	1001200066	1	Decal - Quick Reference (German) (Lomax Rentals)	
267	1001200071	1	Decal - Quick Reference (Norwegian) (Lomax Rentals)	
267	1001200070	1	Decal - Quick Reference (Spanish) (Lomax Rentals)	
267	1001200069	1	Decal - Quick Reference (Swedish) (Lomax Rentals)	
287A	1001292241	1	Decal Installation - ECO	
287A	3820001	8	Rivet	
287A	See Note	NSS	Plate - Mein Code (Note: Not available for purchase)	
287A	See Note	NSS	Plate - Environmental Protection (Note: Not Available for purchase)	



**SECTION 9 - DECALS**

**FIGURE 9-11. SKYCUTTER DECAL INSTALLATION**



ART\_0272599



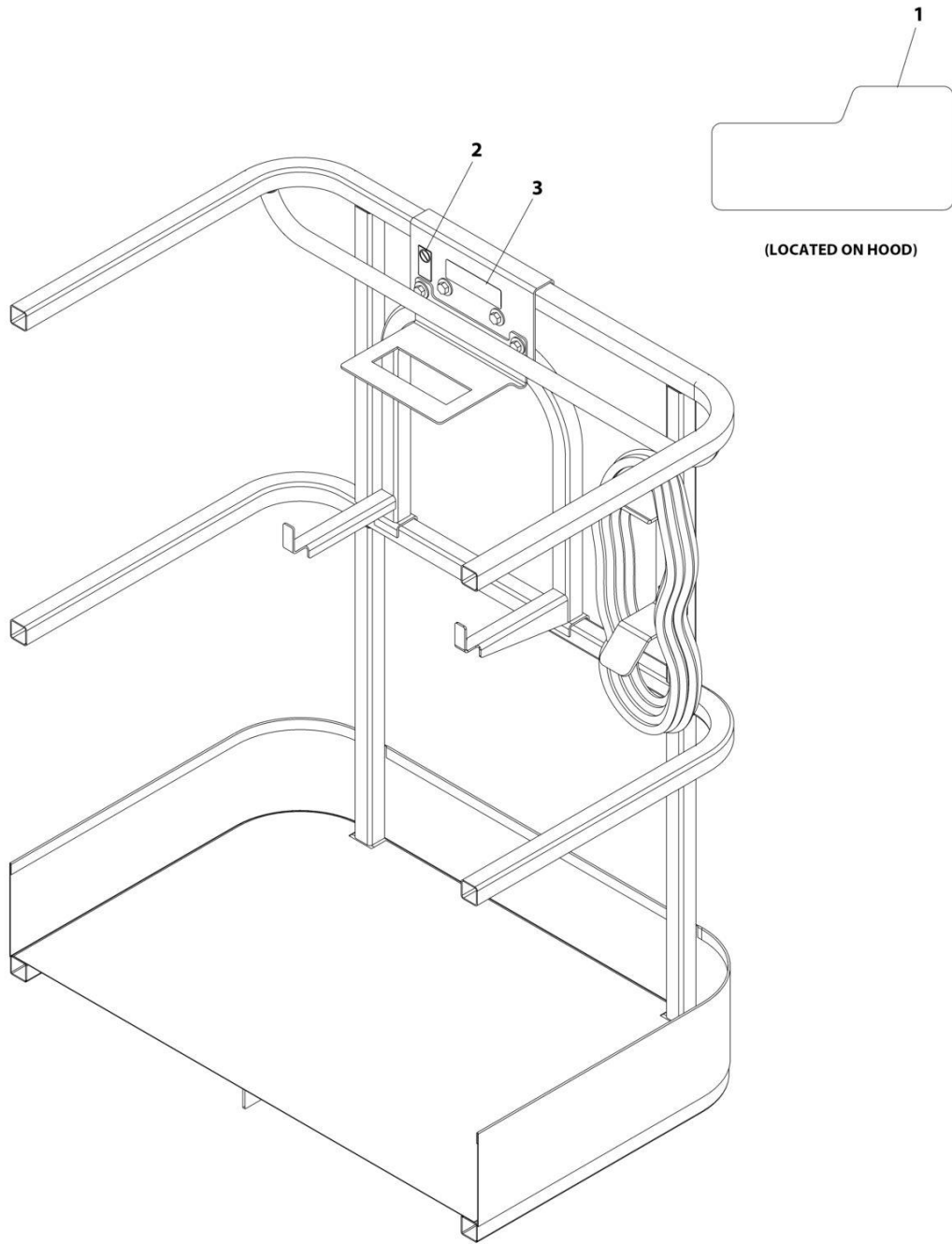
## SECTION 9 - DECALS

### FIGURE 9-11. SKYCUTTER DECAL INSTALLATION

ITEM	PART NUMBER	QTY	DESCRIPTION	REV
	0272599	Ref	SKYCUTTER DECAL INSTALLATION	C
1	1702868	1	Decal - No Hands	
2	1705305	1	Decal - Weld Leads	
3	1001252627	1	Decal - Weight	
4	1705490	2	Decal - SkyCutter	

# SECTION 9 - DECALS

## FIGURE 9-12. SKYWELDER DECAL INSTALLATION - 50HZ



ART\_0272588

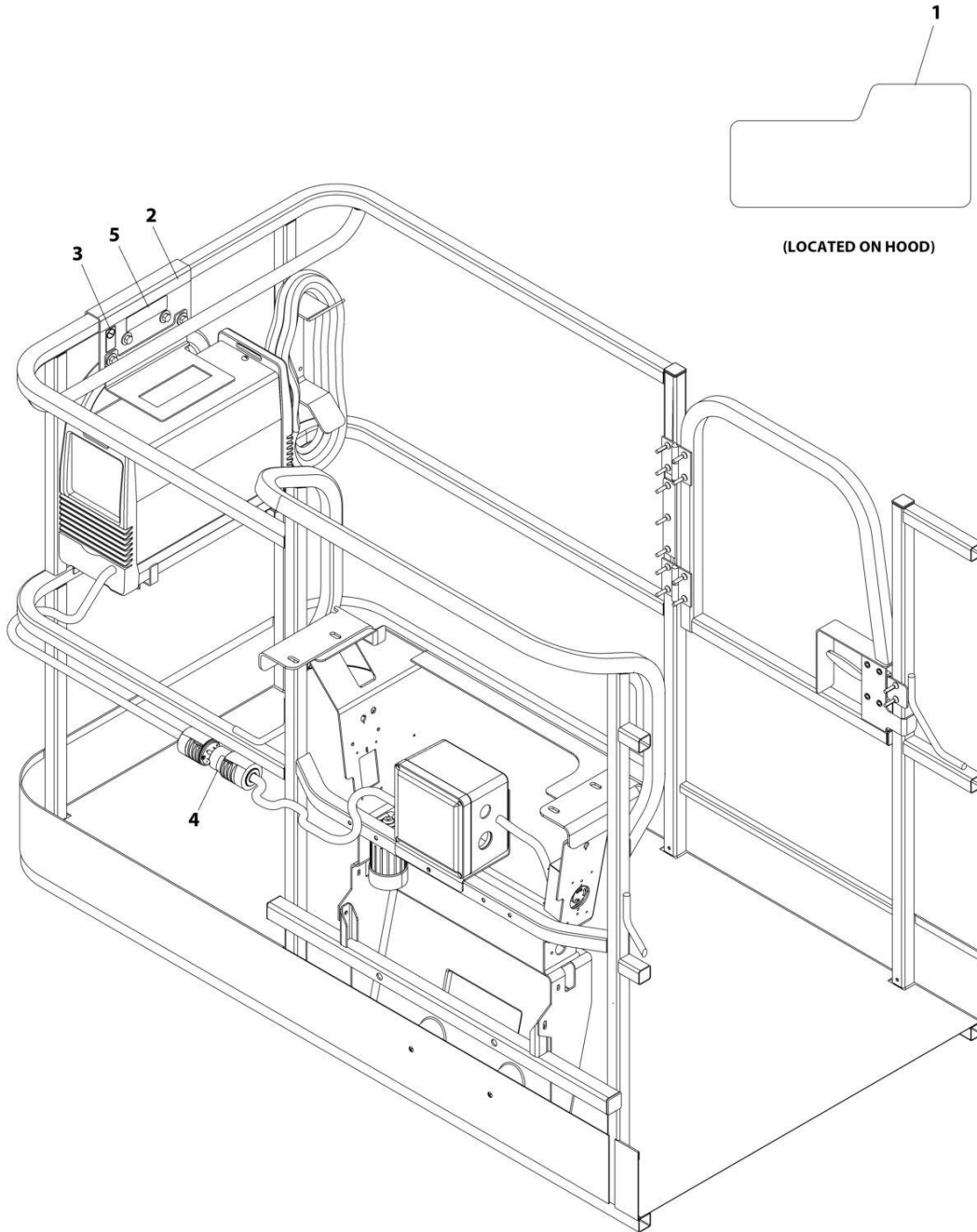
## SECTION 9 - DECALS

**FIGURE 9-12. SKYWELDER DECAL INSTALLATION - 50HZ**

ITEM	PART NUMBER	QTY	DESCRIPTION	REV
	0272588	Ref	SKYWELDER DECAL INSTALLATION - 50Hz	B
1	1705355	2	Decal - SkyWelder	
2	1705305	1	Decal - Weld Lead	
3	1001228988	1	Decal - Weight	

# SECTION 9 - DECALS

## FIGURE 9-13. SKYWELDER DECAL INSTALLATION - 60HZ



ART\_0272448

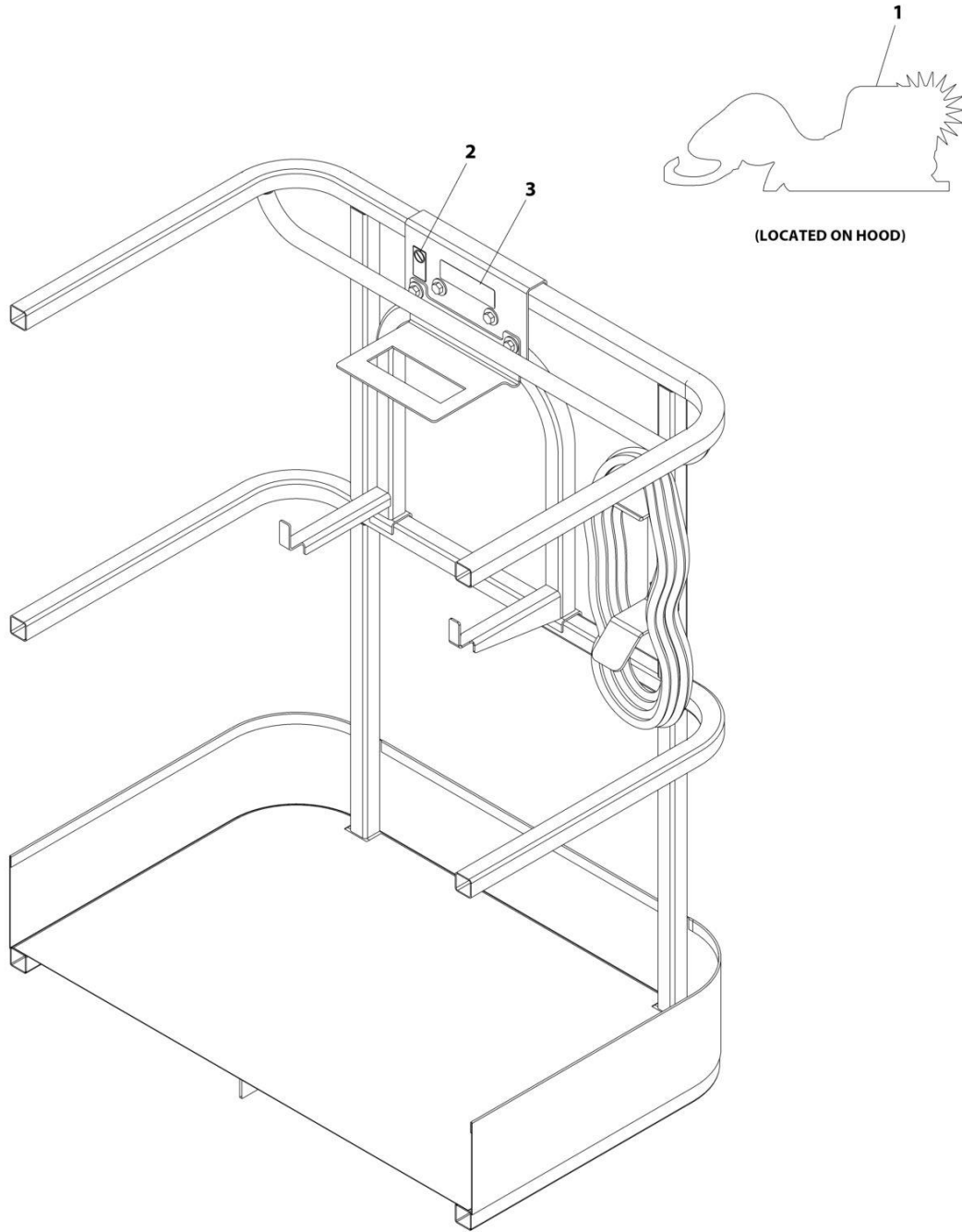
## SECTION 9 - DECALS

**FIGURE 9-13. SKYWELDER DECAL INSTALLATION - 60HZ**

ITEM	PART NUMBER	QTY	DESCRIPTION	REV
	0272448	Ref	SKYWELDER DECAL INSTALLATION - 60Hz	B
1	1705355	2	Decal - SkyWelder	
2	1702868	1	Decal - No Hands	
3	1705305	1	Decal - Weld Lead	
4	1705375	1	Decal - 240V - 3 Phase - 60Hz	
5	1001228988	1	Decal - Weight	

# SECTION 9 - DECALS

## FIGURE 9-14. SKYCUTTER DECAL INSTALLATION



ART\_0272588

## SECTION 9 - DECALS

### FIGURE 9-14. SKYCUTTER DECAL INSTALLATION

ITEM	PART NUMBER	QTY	DESCRIPTION	REV
	0272607	1	SKYCUTTER DECAL INSTALLATION	B
1	1705490	2	Decal - SkyCutter	
2	1705305	1	Decal - Weld Lead	
3	1001228988	1	Decal - Weight	





## **SECTION 10 - RECOMMENDED SERVICE PARTS STOCK**

## **SECTION 10 - RECOMMENDED SERVICE PARTS STOCK**

# SECTION 10 - RECOMMENDED SERVICE PARTS STOCK

FIGURE 10-1. RECOMMENDED SERVICE PARTS STOCK

ITEM	PART NUMBER	QTY	DESCRIPTION	REV
		Ref	Note: The following list will service one machine (built to current production per date on the front cover) with emergency repair parts which can be installed in the field. Parts from the list should be replaced when inventory is depleted to keep service parts stock supplied. For further information, contact your JLG dealer or the JLG Industries Parts Department.	
	70001431	1	Breaker, Circuit (Plasma Cutter)	
	4360070	1	Breaker, Circuit 15Amp (7500W Generators)	
	7024485	1	Breaker, Circuit 30Amp (7500W Generators)	
	1001181045	1	Breaker, Double 30mAmp/16Amp (4000W Generator and AC Box at Platform (CE & UK CA Specs))	
	70003788	1	Coil (Boom Installation)	
	70022147	1	Coil (Jib Valve)	
	7024883	1	Coil (Jib Valve)	
	7024885	1	Coil (Jib Valve & Platform Valve)	
	70004588	1	Coil (Main Control Valve)	
	70004595	1	Coil (Main Control Valve)	
	70004599	1	Coil (Main Control Valve)	
	70003026	1	Coil (Platform Valve)	
	70004460	1	Coil (Steer/Axle Extend Valve & Main Control Valve)	
	70004463	1	Coil (Steer/Axle Extend Valve & Main Control Valve)	
	70002386	1	Coil (Traction Valve)	
	70003485	1	Contactora, Circuit (Coupler/Collector Ring)	
	1001138566	1	Control, Generator Box (4000w Generator)	
	0861538	1	Control, Generator Box (7500w 60Hz Generator)	
	0861572	1	Control, Generator Box (7500w 50Hz Generator)	
	1001166538	1	Controller, Drive/Steer (Note: Use p/n 1001212415)	
	1001166539	1	Controller, Lift/Swing (Note: Use p/n 1001129555)	
	70006405	12	Element, Fuel Filter (Fuel Filter Assembly)	
	70008358	12	Element, Hydraulic Filter (Donaldson) (Valves & Filters - Turntable)	
	70002231	12	Element, Hydraulic Filter (Parker) (Valves & Filters - Turntable)	
	1001161232	12	Element, Hydraulic High Pressure Filter (Engine Side) (Valves & Filters - Turntable)	
	70002097	12	Element, Hydraulic High Pressure Filter (Tank Side) (Valves & Filters - Turntable)	
	70023809	12	Element, Primary Air	
	70023872	12	Element, Secondary Air	
	8229249	2	Fuse, 3A (USB Charger)	
	8229242	2	Fuse 5A (HRC Engine Harness)	
	8229244	2	Fuse, 15A (HRC Engine Harness)	
	70023592	2	Fuse 20A (Deutz LRC Engine)	
	8229247	2	Fuse, 25A (HRC Engine Harness)	
	70023593	2	Fuse 30A (Deutz LRC Engine)	
	8229245	2	Fuse, 30A (HRC Engine Harness)	
	1001174871	2	Fuse, Power Module (Turntable Electrical Installation)	
	2860030	1	Key, Replacement	
	2940074	1	Latch (Platforms with Gate)	
	1001247468	1	Loadcell (Platform Support)	
	1001277132	1	Module, Control (Electrical Components - Frame)	
	1001227960	1	Module, Controller (Electrical Panel)	

## SECTION 10 - RECOMMENDED SERVICE PARTS STOCK

ITEM	PART NUMBER	QTY	DESCRIPTION	REV
	1001281100	1	Module, Controller (Electrical Panel)	
	1001142683	1	Module, Control Beacon (Blue and Red Beacons)	
	1001277211	1	Module, Jib Control (Jib Enclosure Box)	
	1001261326	1	Module, Control (Platform Console Box)	
	3740067	1	Relay (Aux Power/Batteries & Turntable Electrical)	
	1001117308	1	Relay (Deutz Engines)	
	1001216021	1	Relay (Deutz HRC and StageV Engines)	
	1001186431	1	Relay (SkyGuard)	
	1001095704	1	Relay (Deutz HRC and StageV Engines)	
	3740086	1	Relay (SkyLine)	
	1001138228	1	Relay, Module (Deutz LRC Engine)	
	1001118971	1	Sensor, Angle (Boom Sensors & Switches)	
	1001135479	1	Sensor, Angle (Boom Sensors & Switches)	
	1001133759	1	Sensor, Angle (Coupler/Collector Ring)	
	1001157084	1	Sensor, Axle (Axle Installation)	
	1001146963	1	Sensor, BEI Angle (Boom Sensors & Switches)	
	1001150999	1	Sensor, Boom Length (Boom Sensors & Switches)	
	1001138827	1	Sensor, Coolant (All Deutz Engines)	
	1001117990	1	Sensor, Cylinder Length (Level Cylinder)	
	1001117991	1	Sensor, Cylinder Length (Lift Cylinder)	
	1001228225	1	Sensor, Emitter (SkyEye)	
	4000008	1	Sensor, Proximity (Boom Sensors & Switches)	
	1001232667	1	Sensor, Proximity (SkyLine)	
	1001228224	1	Sensor, Receiver (SkyEye)	
	1001237902	1	Sensor, SkySense	
	1001146963	1	Sensor, Steer	
	70004614	1	Sensor, Thermostat (Main Valve)	
	1001151895	1	Sensor, Tilt (Turntable Electrical Components)	
	1001219601	1	Sensor, Tilt Dual Axis CAN	
	1001225346	1	Switch, Disconnect (Battery Disconnect)	
	4360407	1	Switch, Flow Control (Platform Control Box)	
	1001117172	1	Switch, Foot (Footswitch Assembly)	
	4360469	1	Switch, Key	
	4360274	1	Switch, Pushbutton Gray (Ground Control)	
	4360387	1	Switch, Pushbutton Yellow (Ground Control, Platform Control Box & Soft Touch)	
	4360475	1	Switch, Emergency Stop	
	70004282	1	Switch, Reset (4000w Generator)	
	70001432	1	Switch, Rocker (Plasma Cutter)	
	1001137673	1	Switch, SkyGuard Bar	
	4360328	1	Switch, Toggle (Ground Control)	
	4360336	1	Switch, Toggle (Generator)	
	1001155045	1	Switch, Toggle (Platform Control Box)	
	1001159256	1	Switch, Toggle (Platform Control Box)	
	1001161709	1	Switch, Toggle (Platform Control Box)	
	1001161710	1	Switch, Toggle (Platform Control Box)	



**SECTION 11 - SPECIAL OPTIONS/ACCESSORIES/KITS**

**SECTION 11 - SPECIAL OPTIONS/ACCESSORIES/KITS**

# SECTION 11 - SPECIAL OPTIONS/ACCESSORIES/KITS

FIGURE 11-1. SPECIAL OPTIONS/ACCESSORIES/KITS

ITEM	PART NUMBER	QTY	DESCRIPTION	REV
		Ref	Note: This list is to accommodate machines ordered with special equipment. Options may not be applicable to all models. For more specific parts information contact JLG Parts Department.	
	1001156330	Ref	Airline Installation	
	1001202401	Ref	Air Intake Shut-off Valve (Deutz HRC Engines) (ANSI and CSA Specs)	
	1001232865	Ref	Battery Isolator Replacement Kit	
	1001158180	Ref	Bellows Installations - Boom Cylinders	
	1001158014	Ref	Bellows Installations - Chassis Cylinders	
	1001206793	Ref	Belt and Fan Shield Kit - Deutz T4I Engine	
	1001206795	Ref	Belt and Fan Shield Kit - Deutz T4F Engine	
	1001208900	Ref	Boom Rest Replacement Kit	
	1001187507	Ref	Boom Wear Pad Kit (ANSI Specs)	
	1001160266	Ref	Boom Wipers Installation - Boom Only	
	1001156271	Ref	Boom Wipers Installation - Jib Only	
	1001187506	Ref	Boom Wire Rope Kit (ANSI Specs)	
	1001261338	Ref	Bolt-On Fall Arrest - 30in X 4ft (76cm x 1.22m)	
	1001261339	Ref	Bolt-On Fall Arrest - 30in X 6ft (76cm x 1.83m)	
	1001236746	Ref	Bolt-On Fall Arrest - 36in X 8ft (91cm x 2.44m)	
	1001236747	Ref	Bolt-On Fall Arrest - 36in X 6ft (91cm x 1.83m)	
	1001237883	Ref	Bolt-On Fall Arrest (6FT x 1.83M) (ANSI, ANSI Export, China, CSA, and Japanese Specs) (Fits Platform p/ns1001228376)	
	1001237882	Ref	Bolt-On Fall Arrest (8FT x 2.44M) (ANSI, ANSI Export, China, CSA, and Japanese Specs) (Fits Platform p/ns 1001186383 & 1001144023)	
	1001238463	Ref	Bolt-On Fall Arrest - 36in X 6ft (91cm x 1.83m) Tri-Entry	
	1001232149	Ref	Capping Service Kit (Used to cap Turntable Harness unused connector RL 360-85 and RL 360-86)	
		Ref	ClearSky Telematics Add-on Kits (Dealer Installed):	
	1001246142	Ref	ClearSky Telematics Add-on Kit (Australian Spec)	
	1001276923	Ref	ClearSky (Telematics) Add-on Kit (Contact JLG for Approved Countries)	
	1001243183	Ref	ClearSky Telematics Access Control Add-on Kit (ANSI, ANSI Export and CSA Specs)	
	1001243184	Ref	ClearSky Telematics Access Control Add-on Kit (CE & UK CA Specs)	
	1001242192	Ref	ClearSky Telematics Access Control Add-on Kit (ANSI, ANSI Export, CE and CSA Specs)	
	1001180171	Ref	Cold Weather/Cold Weather Plus Package	
	1001233047	Ref	Crankcase Breather Heater Kit - Deutz T4F Engine	
	1001216361	Ref	Cribbing Enable Installation	
		Ref	Decal Kits	
	1001248541	Ref	Decal Kit- Master (All Specs)	
	1001248547	Ref	Decal Kit - Country Spec (ANSI Spec)	
	1001248550	Ref	Decal Kit - Country Spec (ANSI Export Spec)	
	1001248546	Ref	Decal Kit- Country Spec (Australian Spec)	
	1001248551	Ref	Decal Kit- Country Spec (Brazil Spec)	
	1001248546	Ref	Decal Kit - Country Spec (CE & UK CA Spec)	
	1001248553	Ref	Decal Kit - Country Spec (Chinese Spec)	
	1001248548	Ref	Decal Kit - Country Spec (CSA Spec)	
	1001248552	Ref	Decal Kit - Country Spec (Japanese Spec)	

## SECTION 11 - SPECIAL OPTIONS/ACCESSORIES/KITS

ITEM	PART NUMBER	QTY	DESCRIPTION	REV
	1001248549	Ref	Decal Kit - Country Spec (Korean Spec)	
	1001270522	Ref	Decal Kit - Machine (ANSI Specs)	
	1001272092	Ref	Decal Kit - Console Box (ANSI Specs)	
	1001272204	Ref	Decal Kit - Platform (ANSI Specs)	
	1001244863	Ref	DEF Tank Replacement Kit	
	1001233763	Ref	Deutz Breather Heater Installation (ANSI, ANSI Export (HRC), CE, CSA and Japanese Specs)	
		Ref	Electrical Connector Kits	
	1001148902	Ref	Electrical Connector Kit - Amp/Tyco Electrical Connectors	
	1001148903	Ref	Electrical Connector Kit - Deutsch DT Electrical Connectors	
	1001148904	Ref	Electrical Connector Kit - Deutsch HD Electrical Connectors	
	1001148905	Ref	Electrical Connector Kit - Packard Electrical Connectors	
	1001148906	Ref	Electrical Connector Kit - Various Electrical Connectors	
	1001253618	Ref	Electrical Assembly Module Box 4/8 Kit	
	1001253619	Ref	Electrical Assembly Module Box 12 Kit	
	1001235962	Ref	Engine Coolant Strainer Kit	
	1001155069	Ref	Fan Guard Installation - Deutz LRC Engine	
	1001197775	Ref	Fan Guard Installation - Deutz HRC Engine	
	1001225639	Ref	Filter Combined Kit – Deutz T4I Engine (Hydraulic/Air and Fuel/Engine Oil)	
	1001139099	Ref	Fire Extinguisher Installation	
	1001274830	Ref	Floor Mat Add-on Kit (36x72 Platform) (Dealer Installed)	
	1001274829	Ref	Floor Mat Add-on Kit (36x96 Platform) (Dealer Installed)	
	1001117294	Ref	Footswitch Shield (ANSI, ANSI Export and CSA Specs)	
	1001191395	Ref	Fuel Cap Cover - Lockable (Green) (Note: p/n 1001102157 must be Purchase Separately)	
	1001202749	Ref	Fuel Cap Cover - Lockable (Black) (Note: p/n 1001102157 must be Purchase Separately)	
	1001230650	Ref	Fuel Filter/Water Separator Kit (China Specs)	
	1001187505	Ref	Hose Kit - Boom (Upper)	
	1001239640	Ref	Hose Kit - Jib Valve	
	1001239638	Ref	Hose Kit - Platform Valve	
	1001241422	Ref	Hostile Environment Kit	
	1001148971	Ref	Lanyard (Bolt-On) Add-on Kit	
	1001158083	Ref	Lights Installation - Chassis Illumination Lights	
	1001202453	Ref	Lights Installation - Headlights and Taillights	
	1001220136	Ref	Lights Installation - Platform Work Lights	
	1001220137	Ref	Lights Installation - Platform Floodlights	
	1001236951	Ref	Low Temperature Cutout Installation (Russian Specs)	
	1001237930	Ref	Main Control Valve Kit	
	1001155064	Ref	Oil Cooler Installation - Deutz Engines	
	1001272166	Ref	Pipe Rack Kit	
	1001197436	Ref	Platform Console Cover Installation	
	1580013	Ref	Platform Corner Storage Tray	
	1001142504	Ref	Platform Entry Kit - Drop Bar (Replaces Swing Gate with Drop Bar)	
	1001142505	Ref	Platform Entry Kit - Swing Gate (Replaces Drop Bar with Swing Gate)	
	1001269389	Ref	Platform Mesh to Mid Rail Installation - 36in X 6ft (91.5cm x 1.83m) (ANSI, ANSI Export, Australian and China Specs)	
	1001269187	Ref	Platform Mesh to Top Rail Installation - 36in X 6ft (91.5cm x 1.83m) (ANSI, ANSI Export, CSA and China Specs)	
	1001266098	Ref	Platform Plastic Mesh to Mid Rail Installation - 36in X 6ft (91.5cm x 1.83m) (ANSI, ANSI Export, CSA and China Specs)	

## SECTION 11 - SPECIAL OPTIONS/ACCESSORIES/KITS

ITEM	PART NUMBER	QTY	DESCRIPTION	REV
	1001266056	Ref	Platform Plastic Mesh to Top Rail Installation - 36in X 6ft (91.5cm x 1.83m) (ANSI, ANSI Export, Australian and China Specs)	
	1001281457	Ref	Platform Mesh (Steel) to Top Rail Add-On Kit - 36in x 8ft (91.5cm x 2.44m) with Gate (ANSI, ANSI EXPORT, CSA, AND CHINA SPECS)	
	1001281452	Ref	Platform Mesh (Steel) to Top Rail Add-On Kit - 36in x 8ft (91.5cm x 2.44m) with Gate ( ANSI, ANSI EXPORT, AUSTRALIAN, AND CHINA SPECS)	
	1001149730	Ref	Platform Mid Rail Repair Kit	
	0272725	Ref	Platform Rail Extensions Installation (8ft Platform)	
	1001209059	Ref	Platform Work Surface	
	1001190894	Ref	Service Kits	X
	1001247073	Ref	SkyEye Retrofit Kit	
	1001241547	Ref	SkyEye Housing Repair Kit - LH	
	1001241548	Ref	SkyEye Housing Repair Kit - RH	
	1001206825	Ref	SkyGuard Installation Add-on Kit - Complete (Blue Beacon) (Dealer Installed)	
	1001210031	Ref	SkyGuard Installation Add-on Kit - Complete (Red Beacon) (Dealer Installed)	
	1001206884	Ref	SkyGuard Blue Beacon Add-on Kit (Dealer Installed)	
	1001210030	Ref	SkyGuard Red Beacon Add-on Kit (Dealer Installed)	
	1001249052	Ref	SkyGuard Retrofit Kit	
	1001250035	Ref	SkyGuard Platform Sensor Retrofit Kit	
	1001137672	Ref	SkyGuard Platform Sensor Add-on Kit (Dealer Installed)	
	1001137440	Ref	Platform Sensor Harness	
	1001186431	Ref	Relay	
	1001250595	Ref	6 Pin SkyGuard Retrofit Kit	
	1001232643	Ref	SkyLine Add-on Kit	
	1001262016	Ref	SkyLine Installation Kit	
	1001250465	Ref	SkySense (EDS) Level 1 Booms Installation (Factory Installed)	
	1001250466	Ref	SkySense (EDS) Level 2 Booms Installation (Factory Installed)	
	1001246867	Ref	SkySense (EDS) Level 1 Booms Add-on Kit (Dealer Installed)	
	1001246860	Ref	SkySense (EDS) Level 2 Booms Add-on Kit (Dealer Installed)	
	1001275642	Ref	SkySense Padding Installation - For 36 x 72 Platforms equipped with SkySense	
	1001275650	Ref	SkySense Pre-cut Bumper Kit (use with 1001275642)	
	1001269655	Ref	SkySense Padding Installation - For 36 x 96 Platforms equipped with SkySense	
	1001276062	Ref	SkySense Pre-cut Bumper Kit (use with 1001269655)	
	1001231235	Ref	SkyWelder Locking Bracket Installation	
	1001284520	Ref	Telematics Gateway (Dealer Installed)	
		Ref	Tools for Service	
	2901443	Ref	Analyzer Kit	
	1001249941	Ref	Analyzer Kit (Battery Powered)	
	1001249695	Ref	Analyzer & Cable Kit	
	1001162227	Ref	Boom Cable Adjustment Tools Installation	
	1001137005	Ref	Cable Kit, Software (Not Shown)	
	7002821	Ref	Crimper, Wire	
	4460510	Ref	Pin Extractor - 12-14 Gauge (For Removal of Pin/Sockets from Deutsch Connectors)	
	4460467	Ref	Pin Extractor - 16-18 Gauge (For Removal of Pin/Sockets from Deutsch Connectors)	
	7002823	Ref	Pin Extractor - Universal (For Electrical Connectors with Pins and Sockets)	



## SECTION 11 - SPECIAL OPTIONS/ACCESSORIES/KITS

ITEM	PART NUMBER	QTY	DESCRIPTION	REV
	7016654	Ref	Screwdriver, Magnetic	
	7002822	Ref	Screwdriver, Potentiometer	
	7004275	Ref	Seal Tool 1in (For Cylinders)	
	7004276	Ref	Seal Tool 1-1/2in (For Cylinders)	
	1001162216	Ref	Socket 32mm	
	1001162217	Ref	Socket 41mm	
	1001162218	Ref	Socket 55mm	
	7002828	Ref	Stripper, Wire	
	4921850	Ref	Throttle Service Harness	
	70004185	Ref	Torque Multiplier	
	7016655	Ref	Wire Rope Sheave Gauge	
	1001193630	Ref	Turntable Bearing Kit	
	1001278007	Ref	UCM Retrofit Kit	
	1001277847	Ref	UGM2 Retrofit Kit	
	1001274249	Ref	USB Charger Add-on Kit (Dealer Installed)	
	1001262959	Ref	Voltage Regulator Clearsky Locate Kit	
	1001232037	Ref	White Noise Alarm (Factory Installed)	
	1001232038	Ref	White Noise Ambient Alarm (Factory Installed)	
	1001277398	1	White Noise Alarm Kit (Dealer Installed)	
	1001277420	1	White Noise Ambient Alarm Kit (Dealer Installed)	



# SECTION 11 - SPECIAL OPTIONS/ACCESSORIES/KITS

## PART NUMBER INDEX

## SECTION 11 - SPECIAL OPTIONS/ACCESSORIES/KITS

0100009 .....	381	0440162 179, 191, 205, 217,	0683020001 .....	313	0711218 188, 200, 212, 224,	
0100011 ..17, 19, 21, 31, 37,		233, 251	0700408 487, 489, 491, 493,		242, 260	
61, 63, 79, 85, 163, 164,		0440273 .....	495, 497, 499, 501, 503,		0711222001 .....	323
165, 169, 170, 171, 179,		17	505, 507		0711419 .....	242, 260
183, 186, 191, 195, 198,		0630457 .....	0700510 .....	183, 195	0712426 .....	163, 169
205, 209, 212, 217, 221,		335	0700610 85, 89, 93, 97, 101,		0712435 .....	69
224, 233, 238, 242, 251,		0630462 .....	105, 109, 113, 117, 121,		0721005 .....	435, 437
255, 260, 267, 291, 295,		435, 437	125, 129, 212, 224, 242,		0731007 .....	83, 85
299, 303, 307, 313, 317,		0630568 .....	260		0741607 .....	291, 295, 299
323, 325, 327, 329, 331,		0630615001 .....	0700612 147, 186, 198, 212,		0760405 .....	335
335, 346, 349, 357, 361,		163, 169	224, 242, 260		0760408 179, 191, 205, 217,	
363, 367, 369, 371, 395,		0641404 .....	0700615 .153, 155, 157, 159		233, 251	
419, 425, 427, 429, 432,		419	0700616 .164, 165, 170, 171		0760507 .....	269
435, 437, 469		0641405 .....	0700618 ....93, 97, 101, 105,		0760508 .209, 221, 238, 255	
0100019 19, 21, 69, 73, 291,		381, 419	109, 113, 117, 121, 125,		0760512 .....	269
295, 299, 307, 313, 346		0641406 375, 683, 685, 687,	129, 487, 491, 495, 499,		0760514 .....	269
0100020 179, 186, 191, 198,		689, 691, 693, 695, 697,	503		0760516 .....	205, 217, 233
205, 212, 217, 224, 233,		699	0700620 .....	145	0760604 .212, 224, 242, 260	
242, 251, 260, 295, 393,		0641406001 .. 335, 339, 341,	0700810 .....	205, 217	0760606 205, 217, 233, 291,	
397, 432, 489, 493, 497,		343, 377	0700812 .....	205, 217	296, 300	
501, 505, 507		0641408 164, 165, 170, 171,	0700815 186, 198, 212, 224,		0760608 .205, 212, 217, 224	
0100035 .....19, 93, 97, 101,		421	242, 260		0760608001 .....	335
105, 109, 113, 117, 121,		0641412001 .....	0700818 179, 191, 251, 295,		0760610 179, 183, 191, 195,	
125, 129, 183, 195, 209,		481	299		209, 221, 238, 251, 255,	
221, 238, 255, 335, 381,		0641413001 .....	0700818001 ..325, 327, 329,		291, 295, 299, 379	
385		481	331		0760612.... 93, 97, 101, 105,	
0100040 .....	347	06414141001 .....	0700819001 .....	291	109, 113, 117, 121, 125,	
0100048 ..81, 291, 295, 299,		481	0700820 .....	205, 217, 233	129, 145, 164, 170, 337,	
339, 341, 343		064141416 489, 493, 497, 501,	0700823001 .....	346	379	
0100063 .....	313	505, 507	0700827 .....	205, 217, 233	0760613 179, 191, 205, 217,	
0100071 .....	17, 303	0641418 357, 361, 363, 367,	0700829001 .....	349	233, 251	
0100081 188, 200, 212, 224,		369, 371	0701013 186, 198, 212, 224,		0760614..... 85, 93, 97, 101,	
242, 260, 313, 335, 401,		0641418001 .....	242, 260		105, 109, 113, 117, 121,	
403, 405, 407, 409, 411,		335	0701014001 ..163, 169, 173,		125, 129, 188, 199, 212,	
413, 415, 417		0641504 .....	175		224, 242, 260, 269	
0140011 .....	381	0641507001 .....	0701015 ....83, 85, 163, 169,		0760807 .205, 217, 238, 255	
0140043 .....	147	0641509 .....	186, 198, 212, 224, 242,		0760808001 .... 19, 163, 169,	
0200048 .....	435, 437	0641510 .....	260		335	
0236768 .....	89	0641511001 .....	0701016 186, 198, 212, 224,		0760810 186, 198, 205, 212,	
0259666 .....	141	0641516001 .....	242, 260		217, 224, 242, 260	
0272254 .....	427	0641520001 .....	0701017 ....83, 85, 186, 198,		0760810001 ..... 93, 97, 101,	
0272418 401, 403, 405, 407,		0641605001 .....	212, 224, 242, 260, 307		105, 109, 113, 117, 121,	
409, 411, 413, 415, 417		0641606 186, 198, 212, 224,	0701018 ....73, 89, 291, 295,		125, 129, 163, 169, 335	
0272427 .....	435	425, 427, 429, 432	299, 307		0760812..... 31, 93, 97, 101,	
0272435 .....	297	0641606001 .....	0701019 186, 198, 212, 224,		105, 109, 113, 117, 121,	
0272448 .....	709	0641607 .....	242, 260		125, 129, 179, 186, 191,	
0272521 .....	425	0641607001 .....	0701020 .....	163, 169	198, 205, 212, 217, 224,	
0272588 .....	707	0641608 .....	0701021 .....	307	242, 260, 515	
0272589 .....	300	0641608001 .. 325, 327, 329,	0701022001 .....	307	0760812001 .....	163, 169
0272599 .....	705	331, 339, 341, 343, 349	0701024001 .....	307	0760814..... 85, 205, 217	
0272607 .....	711	0641622001 .....	0701039 .....	307	0760815.... 93, 97, 101, 105,	
0272725 .....	720	0641626001 .....	0701047 .....	307	109, 113, 117, 121, 125,	
0272949 .....	405	0641628001 .....	0701220 .....	83, 85	129	
0272950 .....	407	0641644 .....	0701224 .....	79	0760815001 .....	19
0272952 .....	409	0641688 .....	0701420001 .....	17	0761008 .186, 198, 212, 224	
0273353 .....	432	0641808001 .....	0701422001 .....	19	0761009..... 307	
0273404 .....	417	0641812..... 238, 255	0701616 .....	303	0761010..... 335	
0273405 .....	413	0642010001 .....	0701618 .....	303	0761011001..... 307	
0273406 .....	411	0642012 401, 403, 405, 407,	0701619001 .....	29	0761012..... 31, 61, 63, 163,	
0273706 .....	437	409, 411, 413, 415, 417	0701627 186, 198, 212, 224,		164, 169, 186, 198, 212,	
0275216 .....	487, 637	0642014001 .....	242, 260		224, 242, 260	
0275217 .....	491, 639	0642212 401, 403, 405, 407,	0701628 .....	307	0761012001 .... 63, 164, 165,	
0275452 .....	495, 641	409, 411, 413, 415, 417	0711015 179, 191, 205, 217,		170, 171, 307, 346	
0275453 .....	503, 643	0642220 180, 192, 205, 217,	233, 251		0761014.... 93, 97, 101, 105,	
0275454 .....	499, 645	233, 251	0711214 186, 198, 212, 224,		109, 113, 117, 121, 125,	
0363066 .....	307	0681608001 .....	242, 260		129	
0400020 .....	89	0681620..... 443, 445, 447	0701628 .....	307	0761014001... 307, 323, 346	
		0681814..... 373				
		0681822..... 373				
		0681836001 .....				
		317				
		0682022001 .....				
		313				
		0682220..... 73				
		0682424..... 443, 445, 447				

## SECTION 11 - SPECIAL OPTIONS/ACCESSORIES/KITS

0761015 179, 183, 191, 195, 205, 209, 217, 221, 233, 238, 251, 255, 303, 335, 379	0961950 313, 317, 455, 461, 465	1001113961 ... 567, 664, 668	1001119042 .....313
0761015001 ..... 17, 307	0961951 186, 198, 212, 224, 242, 260	1001114999 ..... 94, 98, 110, 114, 125, 129	1001119105 .....457, 461
0761016 .....336	0962006 ..... 457	1001115603 ..... 415	1001119137 .....336
0761016001 .... 17, 164, 170, 307	0962051 179, 191, 205, 217, 233, 251	1001116025 ..... 701	1001119214 ...339, 341, 343
0761018 .....283	0962181 ..... 313	1001116208 ..... 701	1001119215 ...339, 341, 343
0761018001 ... 163, 169, 307	0962270 ..... 373	1001116692 ..... 561	1001119262 .....339, 343
0761020 ..... 307	0962423 ..... 19	1001116693 ..... 563	1001119412 .....577, 601
0761027 .....307	0962447 ..... 307	1001116694... 561, 563, 615	1001119455 .....481
0761210 183, 186, 195, 198, 209, 212, 221, 224, 238, 255	0962520 .....291, 295, 299	1001116695 ..... 336	1001119614 .....303
0761212 ..... 291, 295, 299	0962561 ..... 453	1001116720 ..... 633	1001119619 .....653
0761212001 .....309	1001091102.....495, 539	1001116725 ..... 582, 586	1001119620 .....655, 657
0761214 ..... 21, 163, 169	1001095136.....163, 169	1001116731 ..... 557	1001119703 .....349
0761214001 .....346	1001095704.....581, 586, 715	1001116732 ..... 577	1001119704 .....349
0761215 183, 195, 209, 221, 238, 255	1001096612.....291, 543	1001116733... 582, 586, 601	1001119710 .....317
0761216.. 79, 163, 169, 238, 255	1001096653.....31, 495, 539, 647, 649, 651	1001116734 ..... 582, 586	1001119727 .....187, 199
0761216001 .....323	1001097051.....336, 655	1001116748 ..... 567, 615	1001119899 .....303
0761218001 ... 31, 39, 41, 43, 45, 47, 49, 51, 53, 55, 57	1001097150.....541, 543	1001116774... 517, 561, 563	1001119985 .....313
0761222 ..... 163, 169	1001097244..... 449	1001116808 ..... 517, 561	1001119990 .....313
0761616 .....307	1001097587..... 69	1001116812.. 525, 561, 575, 577, 586, 589, 593, 603, 615, 664, 668	1001119991 .....313
0762018001 ..... 21	1001097588...213, 225, 238, 243	1001116813 ..... 537	1001119998 .....313
0762418 .....303	1001098012...397, 432, 439	1001116815 .. 561, 575, 586, 590, 594, 668	1001119999 .....303
0762418001 ..... 17	1001098122.....393, 629	1001116846 ..... 693, 701	1001120000 ..... 17, 313
0771012001 ..... 310	1001098149..... 397	1001116849 ..... 693	1001120014 .....313
0771014001 .....309	1001099366...401, 403, 405, 407, 409, 411, 413, 415, 417	1001116851 ..... 693	1001120015 .....313
0771015001 .....303	1001099367...401, 403, 405, 407, 409, 411, 413, 415, 417	1001116952... 577, 589, 593	1001120028 .....336
0771016001 .....309	1001100319..... 244	1001116983 ..... 597	1001120037 .....313
0771018001 ..... 310	1001100341..... 637	1001117023 ..... 577	1001120038 .....313
0771415 186, 198, 212, 224, 242, 260	1001100342..... 639	1001117035 ..... 693	1001120039 .....313
0771416 179, 191, 205, 217, 233, 251	1001100345..... 641	1001117064 ..... 615	1001120048 .....336
0791504001 .....346	1001100346..... 645	1001117106.. 577, 589, 663, 667	1001120055 .....616, 629
0791505001 .....337	1001100347..... 643	1001117107 ..... 581	1001120076 .....336
0791516001 ..... 313	1001101191...487, 491, 495, 499, 503, 541	1001117108 ..... 582	1001120084 .....336
0791609001 ..... 313	1001101197...495, 499, 503	1001117172 ..... 393, 715	1001120209 .....314
0791622001 ..... 313	1001101421..... 401	1001117174 ..... 381, 393	1001120257 .....314
0811607001 ..... 307, 317	1001101422..... 401	1001117244 .. 213, 225, 243, 261	1001120328 ...98, 106, 114, 122, 130, 145, 395, 419, 581, 587, 616
0811608001 ..... 313, 317	1001101580...180, 192, 206, 218	1001117294 ..... 719	1001120338 .....381
0811610001 ..... 303	1001102594...627, 664, 668	1001117308.. 180, 187, 192, 199, 213, 225, 243, 252, 261, 715	1001120471 .....449
0840062 ..... 621	1001103012...663, 664, 667	1001117969 ..... 457	1001120477 .....449
0841812 183, 195, 209, 221	100110342..... 639	1001117990 ..... 457, 715	1001120484 .....449
0860038 ..... 295, 647, 649	100110345..... 641	1001117991 ..... 461, 715	1001120989 .....701
0861538 .....295, 714	100110346..... 645	1001117994 ..... 457	10011213447 .....629
0861572 .....299, 714	100110347..... 643	1001118066 ..... 457	1001122611 ..683, 685, 687, 689, 693, 695, 697, 699
0861731 497, 501, 505, 507, 641, 643, 645	1001104498...663, 664, 667	1001118069 ..... 457	1001123044 .....308
0861781 489, 493, 637, 639	1001106736..... 145	1001118074 31, 93, 97, 101, 105, 109, 113, 117, 121, 125, 129, 163, 169, 336	1001125177 .....687, 691
0861880 ..... 541, 543	1001107854...663, 664, 667	1001118282 ..... 582, 586	1001125178 .....687, 691
0902888 ..... 291, 295, 299	1001108616...183, 195, 209, 221, 238, 255, 274	1001118369 ..... 303, 313	1001125195 .....381
0940049 ..... 163, 169	1001108617..... 61	1001118373 ..... 336	1001125196 .....701
0940092 ..... 435, 437	1001109048..... 83, 85	1001118384 ..... 659	1001125197 .....701
0940094 ..... 435, 437	1001110544.....180, 192	1001118388 ..... 633, 659	1001125198 .....701
0940102 401, 403, 405, 407, 409, 411, 413, 415, 417	1001110604..... 480	1001118564 ..... 313	1001125199 .....701
0940103 .....435	1001110853.....163, 169	1001118878.. 39, 41, 43, 45, 47, 49, 51, 53, 55, 57	1001125200 .....701
0940133 .....437	1001110872..... 509	1001118930 ..... 336	1001125201 .....701
0961845 357, 361, 363, 367, 369, 371	1001110873.....296, 647	1001118931 ..... 336	1001125202 .....701
	1001111116.....187, 199	1001118971 ..... 336, 715	1001125203 .....701
	1001112551..... 687	1001119020... 517, 664, 668	1001125204 .....701
	1001112612...517, 664, 668	1001119033 ..... 336	1001125205 .....701
	1001112796...517, 557, 561		1001125206 .....701
	1001112927...183, 195, 209, 221, 238, 255, 281		1001125207 .....701
			1001125208 .....701
			1001125209 .....701
			1001125210 .....701
			1001125211 .....701
			1001125212 .....701
			1001125295 .....619

## SECTION 11 - SPECIAL OPTIONS/ACCESSORIES/KITS

1001125387..... 701	1001137578.....571	1001148641 ..187, 199, 213, 225, 243, 261	1001153433..... 308
1001125677....581, 587, 616	1001137672..... 720	1001148675 .....509	1001153437..... 308
1001126008....537, 583, 635	1001137673 ..... 395, 715	1001148902 .....719	1001153443..... 308
1001126009..... 659	1001138173 .. 187, 199, 213, 225, 243, 261	1001148903 .....719	1001153450..... 308
1001126011..... 629	1001138175.. 187, 199, 213, 225, 243, 261	1001148904 .....719	1001153452..... 308
1001126245..... 582	1001138228 .. 187, 199, 261, 715	1001148905 .....719	1001153453..... 308
1001126351...578, 585, 589, 593	1001138248 .. 187, 199, 213, 225, 243, 261	1001148906 .....719	1001153465..... 308
1001126352..... 578	1001138253 ..... 243, 261	1001148971 .....719	1001153710..... 308
1001126353..... 581	1001138494 .. 361, 363, 367, 369, 371	1001148972 .....303	1001153760..... 308
1001126356..... 578	1001138514 ... 363, 367, 371	1001149160 ...163, 169, 336	1001153785..... 308
1001126357..... 578	1001138559 .. 187, 199, 213, 225, 243, 261	1001149517 ..187, 199, 213, 225, 243, 261	1001153786..... 308
1001126362...578, 582, 586, 589, 593	1001138566 ..... 291, 714	1001149709 .....482	1001153797..... 308
1001126363...578, 586, 589, 590, 593, 594	1001138827 .. 187, 199, 213, 225, 243, 261, 715	1001149711 .....29	1001153815..... 308
1001126364....590, 593, 594	1001139099 ..... 719	1001149730 .....720	1001153816..... 308
1001126365..... 578, 586	1001139240 .. 187, 199, 213, 225, 243, 261	1001149746 ..187, 199, 213, 225, 243	1001153827..... 308
1001126384..... 578	1001139654 .....701	1001149823 .....69	1001153828..... 308
1001126391...578, 582, 586, 589, 593, 673	1001140429 .. 357, 361, 363, 367, 369, 371	1001149867 .....183, 186	1001153846..... 308
1001126392...586, 589, 593	1001140564 .. 187, 199, 213, 225, 243, 261	1001149921 .....21, 25	1001153979..... 69
1001126393..... 582	1001141300 ..... 701	1001149970 .....93, 97, 101, 105, 109, 113, 117, 121, 125, 129, 573	1001153981..... 73
1001126485...582, 583, 586, 590, 594	1001141302 ..... 701	1001149971 ...183, 195, 577	1001153983..... 73
1001126487...582, 586, 590, 594	1001141304 .. 183, 195, 209, 221, 255	1001149975 ..39, 41, 43, 45, 47, 49, 51, 53, 55, 57, 567	1001153984..... 73, 75
1001128128....577, 582, 586	1001141995 .. 187, 199, 213, 225, 243, 261	1001149977 ..325, 327, 329, 331, 635	1001154030..... 147
1001128527..... 429	1001142501 .. 180, 187, 192, 199, 206, 213, 218, 225, 234, 252	1001149978 ..339, 341, 343, 615	1001154034..... 89
1001128556..... 429	1001142504 ..... 719	1001150162 .....55, 57	1001154035..... 89
1001129408...545, 547, 549, 551	1001142505 ..... 719	1001150174 .....295	1001154085..... 303
1001129961..... 317	1001142683 .. 153, 155, 157, 159, 715	1001150498 ...187, 199, 261	1001154086..... 308
1001131269..... 683, 695	1001142736 .. 153, 155, 157, 159, 517	1001150499 .....187, 199	1001154087..... 308
1001133714...577, 583, 586, 590, 594	1001143390 .. 187, 199, 213, 225, 243, 261	1001150504 ..187, 213, 244, 262	1001154091..... 308
1001133715...577, 583, 586, 590, 594	1001143852 ..... 701	1001150505 .....187, 199	1001154092..... 308
1001133759..... 715	1001144147 ..... 557, 667	1001150553 ..187, 199, 213, 225, 244, 262	1001154093..... 308
1001133956...578, 585, 589, 593	1001144295 ..... 679	1001150725 .....73	1001154094..... 308
1001133957...578, 585, 589, 593	1001144296 ..... 664, 668	1001150887 .....459	1001154095..... 308
1001134488...187, 199, 213, 225, 243, 261	1001144433 ..... 395	1001150942 .....459	1001154097..... 308
1001135027.....93, 97, 101, 105, 109, 113, 117, 121, 125, 129, 183	1001144629 .. 359, 361, 365, 369	1001150999 .....336, 715	1001154099..... 308
1001135196...180, 192, 206, 218, 234, 252	1001145405 ..... 397, 432	1001151000 .....336	1001154119..... 71
1001135479..... 337, 715	1001146588 ..... 238, 255	1001151117 .....308	1001154121..... 292
1001135483..... 336	1001146896 ..... 303	1001151124 .....308	1001154142... 183, 195, 255
1001135484..... 337	1001146940 ..... 303	1001151393 .....141	1001154143.. 183, 195, 209, 221, 238, 255
1001135497...180, 192, 206, 218, 234, 252	1001146963 ..... 19, 336, 715	1001151432 .....187, 199	1001154144..... 89
1001135650...583, 586, 590, 594	1001147479 ..... 336	1001151491 ..187, 200, 213, 225, 244, 262	1001154145..... 89
1001135651..... 590, 594	1001147567 .. 213, 225, 243, 261	1001151749 ..188, 200, 213, 225, 244, 262	1001154192..... 79
1001135943...187, 199, 213, 225, 243, 261	1001147616 ..... 29	1001151761 .....188, 200	1001154196..... 79
1001136583..... 308	1001147617 ..... 29	1001151895 .....93, 97, 101, 105, 109, 113, 117, 121, 125, 129, 715	1001154232..... 308
1001136834...187, 199, 213, 225, 243, 261	1001147618 ..... 29	1001152112 .....200, 225	1001154233..... 308
1001136975...206, 218, 234, 252	1001147847 .. 187, 199, 213, 225, 243, 261	1001152266 .....679	1001154234..... 308
1001137005..... 720	1001147879 ..... 83, 85, 87	1001152456 .....292	1001154235..... 308
1001137440..... 720	1001148059 ..... 291, 300	1001152458 .....291	1001154247..... 308
		1001152489 ..188, 200, 213, 225, 244, 262	1001154260..... 308
		1001152525 ...292, 296, 300	1001154262... 206, 218, 234
		1001152530 .....292	1001154294..... 308
		1001152532 .....291, 599	1001154304..... 308
		1001152742 .....673	1001154306..... 308
			1001154377..... 73
			1001154405.. 179, 188, 191, 200, 206, 214, 218, 226, 234, 244, 252, 262, 283
			1001154706..... 180, 183
			1001154707..... 179
			1001154751..... 346
			1001154759..... 21
			1001154768..... 346
			1001154769..... 346
			1001154772..... 21

## SECTION 11 - SPECIAL OPTIONS/ACCESSORIES/KITS

1001154816.....346	1001155836.....19, 336	1001156893.. 325, 327, 329,	1001157889 .....309
1001154817.....346	1001155900..... 308	331, 625	1001157890 ...582, 585, 616
1001154818.....346	1001155902.....163, 169	1001156894..... 329, 527	1001157891 .....673
1001154823.....347	1001155908.....163, 169	1001156896..... 329, 607	1001157906 .....164, 170
1001154824.....346	1001155909.....163, 169	1001156897.. 325, 327, 329,	1001157907 .....165, 170
1001154825.....346	1001155918.....163, 169	331, 613	1001158007 .....297, 300
1001154826.....346	1001155939...180, 192, 206,	1001156926..... 381	1001158008 ...292, 297, 300
1001154869.....346	218, 234, 252	1001156991..... 19	1001158014 .....718
1001154870.....347	1001155967.....93, 97, 101,	1001156996..... 19	1001158017 .....17
1001154871.....346	105, 109, 113, 117, 121,	1001157007..... 17	1001158080 ...495, 539, 541
1001154872.....346	125, 129, 587	1001157028..... 616	1001158083 .....719
1001155023.. 188, 200, 213,	1001156001....183, 195, 575	1001157031..... 149, 151	1001158180 .....718
225, 244, 262	1001156016.....453, 459	1001157073.. 183, 195, 209,	1001158207 ..325, 327, 329,
1001155041... 291, 295, 299	1001156030...292, 296, 300,	221, 238, 255	331, 623
1001155044.....381	601	1001157080..... 453	1001158262 .....188, 200
1001155045..... 381, 715	1001156034...188, 200, 214,	1001157084..... 17, 715	1001158263 .....287
1001155064..... 719	226, 244, 262	1001157097.....309	1001158289 .....188, 200
1001155066.....295	1001156035...188, 200, 214,	1001157207..... 31, 35	1001158355 .....309
1001155067.....299	226, 244, 262	1001157216..... 29	1001158363 .....292
1001155069..... 719	1001156062...188, 200, 214,	1001157217..... 163, 169	1001158412 .....61, 63
1001155133..... 17	226, 244, 262	1001157218..... 163, 169	1001158517 .....309
1001155142.....346	1001156083..... 484	1001157224..... 163, 169	1001158529 .....195, 198
1001155262.....336	1001156091...188, 200, 214,	1001157241..... 477, 482	1001158530 .....192, 195
1001155303.....296	226, 244, 262	1001157242..... 480, 482	1001158531 .....191
1001155338... 291, 295, 299	1001156103..... 346	1001157243..... 473, 482	1001158607 .....287
1001155348..... 295, 299	1001156104..... 346	1001157292..... 381	1001158746 .....303, 307
1001155363..... 17	1001156107.....93, 97, 101,	1001157300..... 200, 226	1001158757 .....309
1001155378.....467	105, 109, 113, 117, 121,	1001157301..... 200, 226	1001158771 .....309
1001155437..... 164	125, 129, 183, 195, 209,	1001157412..... 309	1001158772 .....309
1001155438..... 163, 164	221, 238, 255	1001157453..... 309	1001158817 .....480
1001155440.....335	1001156112.....188, 200	1001157454..... 309	1001158818 .....480
1001155454..... 165	1001156216..... 329	1001157459..... 309	1001158819 .....480
1001155456..... 163, 165	1001156217..... 327	1001157467..... 29	1001158922 .....93, 97, 109,
1001155496.. 188, 200, 214,	1001156218..... 651	1001157520..... 296, 300	113, 125, 129, 511
226, 244, 262	1001156219..... 647	1001157521..... 296, 300	1001158923 .....313, 317
1001155498.. 188, 200, 214,	1001156221..... 539	1001157525..... 299, 300	1001158925 .....317
226, 244, 262	1001156224..... 649	1001157528..... 297, 300	1001158933 .....317
1001155523.....308	1001156271..... 718	1001157592..... 295, 296	1001158944 .....313
1001155525.. 188, 200, 214,	1001156330..... 718	1001157636..... 327, 529	1001158989 .....149, 519
226, 244, 262	1001156347...164, 165, 170,	1001157637..... 327, 609	1001158991 .....317, 469
1001155527..... 173	171	1001157646..... 93, 97, 101,	1001158992 .....317
1001155540.. 188, 200, 214,	1001156456.....163, 169	105, 109, 113, 117, 121,	1001158993 .....317
226, 244, 262	1001156457.....163, 169	125, 129, 621	1001159061 .....309
1001155557.. 188, 200, 214,	1001156520.....163, 169	1001157649..... 621	1001159118 .....509
226, 244, 262	1001156549..... 308	1001157665..... 347	1001159119 .....509
1001155561.....37	1001156562..... 308	1001157670..... 37	1001159120 .....509
1001155563.. 188, 200, 214,	1001156565..... 308	1001157723..... 621	1001159121 .....509
226, 244, 262	1001156606..... 19	1001157849..... 21	1001159162 ..145, 180, 192,
1001155564.. 188, 200, 214,	1001156613..... 308	1001157850..... 21	206, 218, 234, 252
226, 244, 262	1001156644...188, 200, 214,	1001157862.. 188, 200, 214,	1001159167 .....309
1001155565.. 188, 200, 214,	226, 244, 262	226, 244, 262	1001159168 .....309
226, 244, 262	1001156650..... 303	1001157872..... 309	1001159169 .....309
1001155566.. 188, 200, 214,	1001156678..... 19	1001157873..... 309	1001159170 .....309
226, 244, 262	1001156679..... 19	1001157874..... 309	1001159186 ..603, 604, 630,
1001155584.. 164, 165, 170,	1001156692..... 578	1001157875..... 309	631
171	1001156718...183, 195, 209,	1001157876..... 309	1001159245 .....309
1001155591 ..... 163, 169	221, 238, 255	1001157878..... 309	1001159255 .....347
1001155728.. 188, 200, 214,	1001156719...180, 183, 192,	1001157879..... 309	1001159256 .....381, 715
226, 244, 262	195, 206, 209, 218, 221,	1001157880..... 309	1001159257 .....337, 671
1001155734..... 163, 169	234, 238, 252, 255	1001157881..... 309	1001159621 ..325, 327, 329,
1001155743... 567, 581, 635	1001156778.....19, 336	1001157882..... 309	331, 339, 341, 343
1001155813..... 292	1001156785..... 19	1001157883..... 309	1001159652 .....163, 169
1001155817..... 19, 661	1001156815..... 19	1001157884..... 309	1001159653 .....164, 170
1001155823.. 206, 218, 234,	1001156859.....93, 97, 101,	1001157885..... 309	1001159687 .....346
252	105, 109, 113, 117, 121,	1001157886..... 309	1001159855 .....701
1001155832..... 163, 169	125, 129, 145	1001157887..... 309	1001159875 .....309
1001155835.....336	1001156867..... 37	1001157888..... 309	

## SECTION 11 - SPECIAL OPTIONS/ACCESSORIES/KITS

1001159980.....	701	1001161637.....	480	1001167615.....	581	1001176582.....	377
1001159981.....	701	1001161638.....	480	1001167616.....	582, 586	1001176636.....	377
1001159983.....	701	1001161639.....	481	1001167620.....	581, 585	1001177134.....	187, 199
1001160138.....	309	1001161640.....	481	1001167621.....	581	1001177137.....	187, 199
1001160266.....	718	1001161641.....	481	1001167622.....	581	1001177562.....	702
1001160443.....	701	1001161642.....	481	1001167623.....	581	1001177591.....	309
1001160444.....	701	1001161643.....	481	1001167624.....	581, 585	1001177609.....	335
1001160445...683, 685, 687, 689, 691, 693, 695, 697, 699		1001161644.....	481	1001167625.....	581	1001177635.....	377
1001160505....165, 170, 171		1001161645.....	481	1001167629.....	582	1001178165.. 683, 685, 687, 689, 691, 693, 695, 697, 699	
1001160518...188, 200, 214, 226, 244, 262		1001161646.....	481	1001167630.....	582, 583		
1001160589.....	309	1001161647.....	481	1001167631.....	583	1001178797.....	283
1001160743.....	309	1001161667.....	487	1001167632..571, 586, 590, 593		1001179154.....	296
1001160744.....	309	1001161668.....	491	1001167633.....	583	1001179510.....	336
1001160955.....	473	1001161709.....	381, 715	1001167634.....	582, 586	1001180153.....	303
1001160989.....	309	1001161710.....	381, 715	1001167635..582, 590, 594		1001180171.....	718
1001160990.....	309	1001161729.....	331	1001167907.....	347	1001180491.....	377
1001161232.....61, 63, 714		1001161837.....	481	1001168283.....	349, 351	1001180816.....	347
1001161242.....	495	1001161869.....	481	1001168284.....	349, 353	1001180825.....	346
1001161243.....	503	1001162212... 206, 218, 234		1001168402.....	323	1001180947.....	347
1001161244.....	499	1001162216.....	721	1001168734..183, 195, 256		1001181045... 541, 543, 714	
1001161269.....	477	1001162217.....	721	1001169081.....	164, 170	1001181062.....	313, 319
1001161270.....	477	1001162218.....	721	1001169085.....	149, 151	1001181063.....	313, 321
1001161271.....	477	1001162227.....	720	1001169409.....	234	1001181625... 206, 218, 234	
1001161272.....	477	1001162745.....	347	1001169679.....	309	1001181899.. 214, 226, 234, 239, 244, 256	
1001161273.....	477	1001162869.....	346	1001169892.. 183, 195, 209, 221, 238, 256, 277		1001182134.....	347
1001161274.....	477	1001163131.....	401	1001170764.....	679	1001182256.....	467
1001161275.....	477	1001163287.....	409	1001170982.. 188, 200, 214, 226, 244, 262		1001182361... 585, 589, 593	
1001161276.....	477	1001163288.....	413	1001171482.. 133, 135, 137, 139		1001182365... 585, 589, 593	
1001161277.....	477	1001163289.....	411	1001172064.....	594	1001182833.....	244
1001161278.....	477	1001163292.....	415	1001172065.....	594	1001183003.....	164, 170
1001161279.....	477	1001163293.....	405	1001172356.....	29, 313	1001183022.....	164, 170
1001161280.....	477	1001163295.....	417	1001172358.....	17, 63, 164, 165, 170, 171, 173, 175, 307, 323, 346	1001183047.....	164, 170
1001161281.....	477	1001163298.....	407	1001172760.....	381	1001184111.....	481
1001161282.....	477	1001163429.....	309	1001172781.....	164, 170	1001184112.....	481
1001161283.....	477	1001163631..... 93, 97, 101, 105, 109, 113, 117, 121, 125, 129, 627		1001173609.....	377	1001184113.....	481
1001161289.....	477	1001163747.....	675, 679	1001173662.....	310	1001184846.....	582
1001161290.....	477	1001164056.....	89	1001173663.....	314, 346	1001185281.....	381
1001161470.....	175	1001164091.....	292	1001173666.....	314	1001186334.....	373
1001161488.....	173	1001164354.. 31, 39, 41, 43, 45, 47, 49, 51, 53, 55, 57		1001173680.....	314	1001186342.. 179, 191, 206, 218, 234, 252	
1001161609.....	480	1001164726..... 93, 97, 101, 105, 109, 113, 117, 121, 125, 129		1001173763.....	317	1001186382.....	367
1001161610.....	480	1001165035.. 179, 186, 191, 198, 206, 212, 218, 224, 234, 244, 252, 262		1001173845.....	349	1001186383.....	365
1001161611.....	480	1001165194.....	673	1001173846.....	61, 346	1001186384.....	359
1001161612.....	480	1001165306.....	164, 170	1001174040.....	323	1001186431... 395, 715, 720	
1001161613.....	480	1001166393.. 187, 199, 214, 226, 244, 262		1001174345.....	19	1001186432.....	633, 659
1001161614.....	480	1001166538... 381, 391, 714		1001174514.....	164, 170	1001186517.....	395
1001161616.....	480	1001166539... 381, 387, 714		1001174516.....	164, 170	1001187079.....	664, 668
1001161618.....	480	1001166541.....	582	1001174520.....	164, 170	1001187382.....	323
1001161619.....	480	1001166543.....	582	1001174596.....	164, 170	1001187383.....	323
1001161620.....	480	1001166544.....	581	1001174597.....	164, 170	1001187505.....	719
1001161621.....	480	1001166551.....	581	1001174871..... 93, 97, 101, 105, 109, 113, 117, 121, 125, 129, 714		1001187506.....	718
1001161622.....	480	1001166555.....	581	1001175201.....	85	1001187507.....	718
1001161623.....	480	1001166556.....	582, 673	1001175265.....	582	1001187674.....	399
1001161624.....	480	1001166701.....	582	1001175568.. 214, 226, 244, 262		1001187681.....	653
1001161625.....	480	1001166704.....	571	1001175817.....	346	1001187744..... 93, 97, 101, 105, 109, 113, 117, 121, 125, 129	
1001161626.....	473	1001166774.....	582, 673	1001176002.....	581, 585	1001188491.....	83, 85
1001161627.....	473	1001167262.....	335	1001176004.....	581, 585	1001188622.....	323
1001161628.....	473	1001167497.....	309	1001176333.....	619	1001188844.....	323
1001161629.....	473	1001167528.....	571	1001176469.....	137, 139	1001188922... 209, 221, 581	
1001161630.....	473	1001167565.....	323			1001189001.....	323
1001161631.....	473	1001167567.....	323			1001189002.....	323
1001161633.....	473					1001189008.....	83, 85
1001161634.....	473					1001189291.....	214, 226
1001161635.....	473						
1001161636.....	473						



## SECTION 11 - SPECIAL OPTIONS/ACCESSORIES/KITS

1001190032.....	175	1001200071.....	702	1001216790.....	337	1001226541.....	557, 668
1001190418..	214, 226, 244, 262	1001200491.....	323	1001217007.....	303	1001226636.....	557
1001190475.....	206, 218	1001200494.....	323	1001218572.....	164, 170	1001226637.....	557
1001190894.....	720	1001201351.....	323	1001218622.....	611	1001226739..	545, 547, 549, 551, 557
1001190921.....	581	1001202401.....	718	1001218623.....	531	1001226799...	545, 547, 551
1001190927.....	173, 175	1001202453.....	719	1001219082.....	555	1001226831.....	555, 561
1001190985.....	323	1001202749.....	719	1001219110.....	31, 33	1001226872.....	357
1001191122..	187, 199, 214, 226, 244, 262	1001203653.....	303	1001219601.....	94, 98, 102, 106, 110, 114, 118, 122, 126, 130, 715	1001226923.....	283
1001191166..	101, 105, 117, 121, 673	1001203656.....	373	1001219995..	31, 61, 63, 349	1001227254...	339, 341, 343
1001191215.....	83	1001204650.....	291	1001219996.....	323	1001227456.....	549
1001191368.....	289	1001204725.....	323	1001219999.....	719	1001227633.....	399
1001191390.....	289	1001205405.....	484	1001220136.....	719	1001227634.....	399
1001191395.....	719	1001205406.....	484	1001220137.....	719	1001227704.....	145
1001191464.....	163, 169	1001205407.....	484	1001220379.....	577	1001227710.....	163, 169
1001191620..	234, 239, 256, 262	1001205958..	495, 497, 499, 501, 503, 505	1001220482.....	377, 619	1001227913.....	283
1001192138..	187, 199, 214, 226, 244, 262	1001206119.....	291, 292	1001220929.....	381	1001227948.....	283
1001192401.....	664, 668	1001206476.....	515	1001220955.....	377	1001227960.....	145, 714
1001193018..	487, 489, 491, 493, 495, 497, 499, 501, 503, 505, 507	1001206532.....	382	1001221445.....	135	1001227985.....	399
1001193599.....	214, 226	1001206793.....	718	1001221446.....	139	1001227987.....	399
1001193630.....	721	1001206795.....	718	1001222817.....	283, 285	1001227996.....	655, 657
1001193980...	206, 218, 234	1001206825.....	720	1001223055.....	683	1001228064.....	308, 455
1001194197.....	497	1001206884.....	720	1001223167.....	94, 98, 102, 106, 110, 114, 118, 122, 126, 130	1001228072.....	303, 459
1001194198.....	505	1001207004.....	157, 159	1001223168.....	94, 98, 102, 106, 110, 114, 118, 122, 126, 130	1001228082.....	309, 467
1001194200.....	501	1001207969.....	349	1001223169.....	94, 98, 102, 106, 110, 114, 118, 122, 126, 130	1001228215.....	357
1001194203.....	489	1001208297..	188, 200, 214, 226, 244, 262	1001223248...	102, 106, 126, 130, 135	1001228224.....	399, 715
1001194204.....	493	1001208298..	188, 200, 214, 226, 244, 262	1001223249...	118, 122, 139	1001228225.....	399, 715
1001194365.....	507	1001208299..	188, 200, 214, 226, 244, 262	1001223250...	39, 41, 93, 97	1001228243.....	369
1001195541.....	17	1001208900.....	718	100122325147,	49, 109, 113	1001228375.....	371
1001196517.....	336	1001208994.....	349	1001223453.....	683, 695	1001228376.....	361
1001196553.....	163, 169	1001209059.....	720	1001223459.....	590, 594	1001228377.....	363
1001196634.....	559	1001209432.....	515	1001223971.....	695	1001228872...	206, 218, 234
1001196636.....	679	1001209474.....	515	1001224046...	206, 218, 234	1001228954.....	545
1001196806.....	85	1001209664.....	395	1001224048.....	699	1001228958.....	545
1001197017.....	435, 437	1001210030.....	720	1001224049.....	685	1001228976.....	377
1001197317..	214, 226, 244, 262	1001210031.....	720	1001224050.....	693	1001228988..	429, 707, 709, 711
1001197408.....	702	1001210636.....	449	1001224052.....	689	1001229341.....	399
1001197436.....	719	1001211079.....	291	1001224053.....	697	1001229458.....	555
1001197442..	101, 105, 117, 121, 513	1001211129.....	325	1001224066.....	89, 91	1001229485.....	377
1001197443...	209, 221, 239	1001211130.....	325, 533	1001225245.....	415	1001229922.....	377
1001197445.....	209, 221	1001211131.....	325, 535	1001225246.....	417	1001230650.....	719
1001197446...	93, 102, 109, 118, 125, 675	1001211134.....	535	1001225247.....	409	1001230931.....	567, 615
1001197553.....	17	1001211315.....	533	1001225248.....	411	1001230934...	585, 589, 593
1001197554.....	17	1001211885.....	94, 98, 102, 106, 110, 114, 118, 122, 126, 130, 252, 597	1001225249.....	407	1001230935...	585, 589, 593
1001197555.....	17	1001212056....	206, 218, 234	1001225250.....	405	1001230936...	585, 589, 593
1001197556.....	17	1001212810.....	214, 226	1001225251.....	413	1001231235.....	720
1001197719.....	581	1001212817..	188, 200, 214, 226, 244, 262	1001225266.....	314	1001231315.....	683
1001197775.....	719	1001212825.....	206, 218	1001225279.....	94, 98, 102, 106, 110, 114, 118, 122, 126, 130	1001231316.....	695
1001197969.....	303	1001212826.....	214, 226	1001225346.....	515, 715	1001231317.....	699
1001198628..	133, 135, 137, 139	1001213643.....	206, 218	1001225346.....	515, 715	1001231318.....	685
1001199670...	206, 218, 234	1001214570.....	515	1001225580.....	395, 633	1001231319.....	689
1001200064.....	702	1001214571.....	515	1001225639.....	719	1001231320.....	697
1001200065.....	702	1001215375.....	377	1001226287.....	331, 531	1001231321.....	693
1001200066.....	702	1001215379.....	377	1001226288.....	331, 611	1001231801.....	701
1001200067.....	702	1001215380.....	377	1001226400.....	613, 625	1001231949.....	447
1001200069.....	702	1001215949.....	337, 537	1001226531.....	515	1001231950.....	443, 445
1001200070.....	702	1001216021..	206, 218, 234, 715			1001232010...	443, 445, 447
		1001216318.....	581			1001232011...	443, 445, 447
		1001216361.....	718			1001232037.....	721
		1001216630.....	323			1001232038.....	721

## SECTION 11 - SPECIAL OPTIONS/ACCESSORIES/KITS

1001232865..... 718	1001241865..... 94, 98, 102,	1001248550 ..... 685, 718	1001261338..... 718
1001233047..... 718	106, 110, 114, 118, 122,	1001248551 ..... 689, 718	1001261339..... 718
1001233763..... 719	126, 130, 525	1001248552 ..... 697, 718	1001261850..... 701
1001234548..... 61, 63, 65	1001241868..... 484	1001248553 ..... 693, 718	1001262016..... 720
1001234800..... 589, 593	1001241884..... 94, 98, 102,	1001248556 .. 683, 685, 687,	1001262056..... 239, 585
1001235962..... 719	106, 110, 114, 118, 122,	689, 693, 695, 697, 699,	1001262322..... 549
1001236504..... 515	126, 130, 603	701	1001262326..... 549
1001236505..... 515	1001241965..... 419	1001248560 ..... 691	1001262959..... 721
1001236552..... 419	1001242192..... 718	1001249052 ..... 720	1001263923..... 568
1001236746..... 447, 718	1001242374..... 205	1001249206 ..... 635	1001265163..... 449
1001236747..... 443, 718	1001242378..... 209, 212	1001249244 ..... 616	1001265342..... 449
1001236891..... 443, 445, 447	1001242379..... 206, 209	1001249695 ..... 720	1001266006..... 94, 98, 133
1001236895..... 443, 445, 447	1001242380..... 221, 224	1001249941 ..... 720	1001266007... 110, 114, 137
1001236951..... 719	1001242381..... 218, 221	1001250035 ..... 720	1001266008..... 133
1001237667..... 603, 631	1001242385..... 217	1001250302 ..... 164, 170	1001266009..... 137
1001237668..... 603, 631	1001242389..... 85	1001250304 ..... 164, 170	1001266056..... 720
1001237705..... 403	1001242681 43, 45, 101, 105	1001250465 ..... 720	1001266098..... 719
1001237862..... 655, 657	1001242828..... 699	1001250466 ..... 720	1001267322..... 701
1001237863..... 399, 655	1001242829..... 693	1001250595 ..... 720	1001268946..... 586
1001237864..... 399, 657	1001242830..... 689	1001251046 ..... 313, 463	1001269187..... 719
1001237865..... 399, 653	1001242831..... 685	1001251057 ..... 313, 457	1001269389..... 719
1001237882..... 718	1001242832..... 697	1001251058 ..... 313, 461	1001269655..... 720
1001237883..... 718	1001242861 51, 53, 117, 121	1001251065 ..... 19, 465	1001270339..... 525
1001237888..... 421, 423	1001243092..... 421	1001251066 ..... 17, 453	1001270340..... 525
1001237891..... 423	1001243183..... 718	1001251857 ... 187, 199, 203	1001270522..... 719
1001237898..... 421, 423	1001243184..... 718	1001251858 ... 214, 226, 229	1001270594..... 149, 151
1001237902..... 421, 423, 715	1001243205..... 421	1001252527 ..... 589, 593	1001272092..... 719
1001237930..... 719	1001243414..... 164, 170	1001252627 ..... 705	1001272166..... 719
1001238158..... 85	1001244335..... 423	1001252629 ... 443, 445, 447	1001272204..... 719
1001238236..... 61	1001244336..... 421	1001253543 ..... 683	1001272659..... 553
1001238262..... 85	1001244453 ..... 153, 155	1001253544 ..... 683	1001272681..... 153, 155
1001238263... 443, 445, 447	1001244454 ..... 157, 159	1001253545 ..... 695	1001272997..... 559
1001238319..... 399	1001244671 ..... 423	1001253546 ..... 695	1001273012..... 553, 559
1001238401... 206, 218, 234	1001244709..... 423	1001253547 ..... 699	1001274249..... 721
1001238402... 206, 218, 234	1001244710..... 423	1001253548 ..... 699	1001274559..... 381
1001238418..... 419, 659	1001244732..... 423	1001253549 ..... 693	1001274829..... 719
1001238423..... 403	1001244733..... 423	1001253550 ..... 693	1001274830..... 719
1001238462..... 403	1001244863..... 719	1001253551 ..... 689	1001274992..... 239
1001238463..... 445, 718	1001245160..... 143	1001253552 ..... 689	1001275151..... 586
1001238470... 206, 218, 234	1001245176..... 143, 385	1001253553 ..... 685	1001275152..... 586
1001238472..... 419	1001245206..... 143	1001253554 ..... 685	1001275153..... 586
1001238483... 102, 106, 118,	1001245916..... 382	1001253555 ..... 697	1001275642..... 720
122, 571	1001246142..... 718	1001253556 ..... 697	1001275650..... 720
1001238495..... 395	1001246144..... 547	1001253618 ..... 719	1001276062..... 720
1001238559..... 419	1001246145..... 551	1001253619 ..... 719	1001276610..... 553
1001238732..... 143	1001246389..... 421	1001254472 ..... 419	1001276923..... 718
1001239202..... 590, 594	1001246437..... 547	1001254473 ..... 419	1001277132... 39, 41, 43, 45,
1001239344..... 525	1001246438..... 551	1001255133 ..... 323	47, 49, 51, 53, 714
1001239345..... 525	1001246616..... 691	1001255901 ..... 559	1001277211..... 341, 715
1001239638..... 719	1001246617..... 687	1001256823 ..... 244, 247	1001277398..... 721
1001239640..... 719	1001246859 .. 39, 41, 43, 45,	1001256862 .. 187, 199, 214,	1001277420..... 721
1001239805..... 515	47, 49, 51, 53, 55, 57,	226, 244, 262	1001277847..... 721
1001239874..... 515	664, 668	1001258730 ..... 421, 423	1001278007..... 721
1001239957..... 515	1001246860..... 720	1001259191 ..... 239, 242	1001278610..... 79, 81
1001241162..... 421	1001246867..... 720	1001259194 ..... 234, 238	1001279152... 94, 102, 110,
1001241422..... 719	1001247073..... 720	1001259195 ..... 233	118, 126, 663
1001241547..... 720	1001247252..... 421	1001259203 ..... 244, 262	1001281100..... 145, 715
1001241548..... 720	1001247468..... 323, 714	1001259204 ..... 234	1001281452..... 720
1001241586..... 515	1001248140 ... 443, 445, 447	1001259208 ..... 244, 262	1001281457..... 720
1001241631..... 85	1001248141 ... 443, 445, 447	1001259278 ..... 244	1001282106..... 385
1001241690..... 379, 381	1001248541 .. 683, 685, 687,	1001259281 ..... 244, 262	1001282406..... 555, 563
1001241691..... 379	689, 691, 693, 695, 697,	1001260307 ... 239, 244, 262	1001282834..... 262, 265
1001241814..... 683	699, 718	1001260524 ..... 421	1001282835..... 256, 260
1001241816..... 695	1001248546 ... 687, 691, 718	1001260525 ..... 421, 423	1001282836..... 252, 255
1001241864..... 381, 629	1001248547..... 683, 718	1001260889 ..... 244, 262	1001282837..... 251
	1001248548..... 695, 718	1001260943 ..... 235	1001283776..... 151, 521
	1001248549..... 699, 719	1001261326 ..... 715	1001284520..... 720



## SECTION 11 - SPECIAL OPTIONS/ACCESSORIES/KITS

2221114 179, 191, 205, 217, 233, 251	3290605..39, 41, 43, 45, 47, 49, 51, 53, 55, 57, 85, 93, 97, 101, 105, 109, 113, 117, 121, 125, 129, 145, 147, 164, 170, 205, 217, 233, 251, 269, 335, 379, 397, 432, 487, 491, 495, 499, 503, 539, 647, 649, 651	3300464001 .....19	3520192..... 300
2230035 ..... 481	3290605001 ..... 377	3310401 183, 195, 209, 221, 238, 255	3520198 357, 359, 361, 363, 365, 367, 369, 371
2400060 ..... 449	3290606. 336, 363, 367, 371	3311001 .....291, 296, 300	3573400. 425, 427, 429, 432
2400066 .581, 585, 663, 667	3290607.... 31, 89, 153, 155, 157, 159, 179, 183, 186, 191, 195, 198, 209, 212, 221, 224, 238, 242, 251, 255, 260, 291, 295, 299	3311005 157, 291, 295, 299, 381, 397, 425, 427, 429, 432	3573444..... 307
2410014 ..... 373	3290805 .... 93, 97, 101, 105, 109, 113, 117, 121, 125, 129, 163, 169, 186, 198, 205, 212, 217, 224, 233, 242, 251, 260, 295, 299, 515	3311401 .....435, 437	3573642. 425, 427, 429, 432
24861170..... 243, 261	3290805001 .... 19, 291, 325, 327, 329, 331, 335, 346, 349	3311405 260, 419, 489, 493, 497, 501, 505, 507, 515, 683, 685, 687, 689, 691, 693, 695, 697, 699	3574091..... 435, 437
2540020 .153, 155, 157, 159	3290807 .... 93, 97, 101, 105, 109, 113, 117, 121, 125, 129, 179, 186, 191, 198, 205, 212, 217, 224, 242, 260	3311501 .....435, 437	3576799..... 397, 432
2560136 ..... 381	3291001001 ..... 323	3311505 .....469	3577121. 425, 427, 429, 432
2560187 .164, 165, 170, 171	3291005..... 73, 83, 85, 186, 198, 212, 224, 242, 260, 335, 379	3311505001 .....349	3580306..... 307
2600281 .359, 361, 365, 369	3291005001 .. 164, 170, 173, 175, 307, 323, 347	3311508001 .....314	3580317..... 291, 295, 299
2720015 186, 198, 212, 224, 242, 260	3291007.. 83, 85, 89, 93, 97, 101, 105, 109, 113, 117, 121, 125, 129, 163, 169, 179, 183, 186, 191, 195, 198, 205, 209, 212, 217, 221, 224, 233, 238, 242, 251, 255, 260, 303	3311601 ....93, 97, 101, 105, 109, 113, 117, 121, 125, 129, 164, 170, 382, 419	3580318..... 291, 299
2720160 ..... 397, 432	3291201 ..... 291, 295, 299	3311605 283, 307, 373, 425, 427, 429, 432	3580341..... 307
2750532 180, 192, 205, 217, 233, 251	3291201001 ..... 323	3311605001 ..339, 341, 343, 346	3580342..... 307
2751032 ..... 69	329120579, 83, 85, 163, 169	3311608001 .....314	3740067..... 89, 93, 97, 101, 105, 109, 113, 117, 121, 125, 129, 715
2820031 .....291, 295, 299	3291205001 .. 31, 39, 41, 43, 45, 47, 49, 51, 53, 55, 57, 323	3312001001 .....313	3740086..... 659, 715
2820171 ..... 619	3291207..... 238, 255	3312002 ...73, 443, 445, 447	3760170..... 71
2820247 ..... 655, 657	3291407..... 242, 260	3312005 401, 403, 405, 407, 409, 411, 413, 415, 417	3760351..... 317
2840016 179, 191, 205, 217, 233, 251	3291407001 ..... 17, 19	3312205 401, 403, 405, 407, 409, 411, 413, 415, 417	3760383..... 19, 335
2860030 ..... 141, 714	3291601 186, 198, 212, 224, 242, 260	3322201 .....79	3790012..... 381
2900770 .....457, 467, 469	3291605 ..... 303	3331411 179, 191, 205, 217, 233, 251	3790152 183, 195, 209, 221, 238, 255
2900792 ..... 455, 461	3292201 ..... 307	3331411001 ..... 314	3790155 183, 195, 209, 221, 238, 255
2901443 ..... 720	3292205 ..... 307	3340881 .....317	3790158..... 21
2902065 186, 198, 212, 224, 242, 260, 271	3292405 ..... 163, 169	3340925 .....346	3820001 683, 685, 687, 689, 691, 693, 695, 697, 699, 702
2902212 401, 403, 405, 407, 409, 411, 413, 415, 417	3292701 ..... 307	3340939 .....314	3820020. 359, 361, 365, 369
2902217 .....425, 427, 432	3293301 ..... 307	3340940 .....346	3820032 186, 198, 212, 224, 242, 260
2902443 577, 582, 586, 589, 593	3300151 357, 361, 363, 367, 369, 371, 425, 427, 429, 432	3340941 .....335	3841143 179, 191, 205, 217, 233, 251, 313, 323
2940074 359, 361, 365, 369, 714	3300353 ..... 381	3340942 .....314	3841203..... 307, 313
2940173 .164, 165, 170, 171	3300396..... 296, 300	3340956 401, 403, 405, 407, 409, 411, 413, 415, 417	3841258.... 17, 19, 303, 313
3020037 ..... 238	3300408..... 143	3380434 .....379	3841356..... 17, 303
3020039 .....17, 303, 307	3300430..... 395, 423	3421453 .....397, 432	3900054..... 373
3020042 ..... 307		3421563 .....71	3900232001..... 346
3160339 ..... 21, 23		3421565 .....71	3900267..... 292
3251102 .....291, 295, 299		3422912 .....17	3900300..... 292
3251242 493, 497, 501, 505, 507		3423161 .....317	3900316..... 61, 63
3251243 .....297, 647, 651		3430616 .....382	3900316001 ..... 346
3252347 ..... 683, 685		3430816 179, 191, 205, 217, 233, 251	3900349 ..... 381
3252507 491, 495, 499, 503, 649		3450404 179, 191, 205, 217, 233, 251	3900363. 164, 165, 170, 171
3271501 ..... 163, 169		3451214 .....19	3900393001..... 164, 170
3271601001..... 314		3460334 401, 403, 405, 407, 409, 411, 413, 415, 417	3910408 183, 195, 209, 221, 238, 255
3271605 .....443, 445, 447		3470003 .....382	3910606. 295, 509, 647, 649
3271805 ..... 373		3520026 .....381	3910804..... 141
3272001 .....443, 445, 447		3520027 .....382	3911010..... 157
3272001001..... 313		3520032 .....164, 165	3930606..... 335
3281601 ..... 337		3520071 401, 403, 405, 407, 409, 411, 413, 415, 417	3930816..... 335
3290301 179, 191, 205, 217, 233, 251		3520072 357, 359, 361, 363, 365, 367, 369, 371, 373	3930820..... 335
3290405 149, 151, 153, 155, 159, 179, 191, 205, 217, 233, 251, 449, 487, 489, 491, 493, 495, 497, 499, 501, 503, 505, 507, 539		3520173 .....164, 165, 171	3930824..... 337
3290405001..... 291		3520189 .....300	3931012..... 381
3290501 .205, 217, 233, 255			3931016..... 291, 295, 299
3290505 ..... 269, 555			3931408..... 395
3290507 ..... 183, 195			3931432..... 260
3290601 164, 165, 170, 171, 336			3931508..... 335

## SECTION 11 - SPECIAL OPTIONS/ACCESSORIES/KITS

3951405.....467	4360469.....141, 715	561, 567, 568, 573, 577,	4460873 .567, 629, 664, 668
3952020.....73	4360475 133, 135, 137, 139,	578, 581, 582, 585, 586,	4460874 .567, 629, 664, 668
3960422 .295, 509, 647, 649	715	589, 593, 599, 601, 604,	4460875 .....567, 675, 679
3960525.....83, 85	4360476 .133, 135, 137, 139	613, 615, 616, 619, 621,	4460876 .....567, 603, 629
3960551.....19	4360578 .....335	623, 625, 629, 633, 635,	4460877 .....603
3980006.....89	4420014 401, 403, 405, 407,	661, 663, 664, 667, 668,	4460878 .....81, 664, 668
4000008.....335, 715	409, 411, 413, 415, 417	673, 675, 676, 679	4460879 .....449, 629
4010308 179, 191, 205, 217,	4420037 .425, 427, 429, 432	4460466..81, 399, 421, 449,	4460884 ..81, 449, 581, 585,
233, 251	4420038 .....89	517, 521, 525, 537, 557,	589, 593, 615, 623, 629,
4010408.....291	4420051 .....701	561, 563, 567, 568, 573,	633, 635, 663, 667, 673,
4010416.....495, 539	4420066 401, 403, 405, 407,	577, 581, 582, 585, 586,	679
4010608.....397, 432	409, 411, 413, 415, 417	589, 593, 603, 613, 615,	4460887 ..81, 449, 629, 664,
4010618.....363, 367, 371	4460016 .....630	616, 619, 621, 625, 629,	668
4031205.....337	4460019 589, 593, 594, 663,	633, 635, 653, 659, 661,	4460891 149, 151, 517, 519,
4031505.....399	667	663, 664, 667, 668, 671,	523, 567, 568, 573, 578,
4031509 149, 151, 153, 155,	4460042 577, 582, 585, 589,	673, 675, 679	615, 635, 663, 664, 667,
159	593, 604, 663, 667	4460467.....720	673, 675, 676, 679
4031512.....19, 335	4460043 577, 589, 593, 663,	4460470....93, 97, 101, 105,	4460892 .....581, 586
4031516.....419	667	109, 113, 117, 121, 125,	4460894 525, 557, 577, 581,
4031707.....19, 335	4460049 .....435, 437	129, 339, 341, 343, 381	585, 586, 589, 593, 604,
4031708001.....377	4460051 .....647, 649	4460471....93, 97, 101, 105,	629, 661, 667
4031709.....335	4460071 .....295, 393	109, 113, 117, 121, 125,	4460897 153, 155, 519, 521,
4031710.....85	4460125 .....649	129, 339, 341, 343, 381	523, 578, 664, 679
4031909.....267	4460134 .....527, 529	4460473.....613, 625	4460899 ..19, 336, 567, 568,
4031910.....267	4460144 .....603	4460496....93, 97, 101, 105,	573, 633, 653, 659, 663,
4031912.....186, 198	4460183 .....629, 631	109, 113, 117, 121, 125,	664, 667, 668
4032311001.....19	4460205 .....607, 609, 647	129, 381	4460905 567, 603, 629, 664,
4060092.....649	4460225 .296, 300, 599, 630	4460497....93, 97, 101, 105,	668, 675, 679
4060802.....291, 295, 299	4460226 388, 391, 393, 435,	109, 113, 117, 121, 125,	4460910 ...17, 336, 627, 657
4060807 188, 200, 212, 224,	437, 630	129, 381	4460911 .537, 568, 635, 653
242, 260	4460227 .....567, 629, 630	4460508..81, 399, 615, 616,	4460912 .....537, 635
4060906.....381	4460234 ..98, 106, 114, 122,	629, 663, 668	4460913 .....336
4070863.....307	130, 335, 381, 435, 437,	4460509 582, 613, 625, 663,	4460914 .....19, 335
4070864.....307	545, 547, 549, 551	667	4460917 .....17, 335, 336
4070897.....307, 317	4460247 577, 582, 585, 589,	4460510.....720	4460925 .....629
4070898.....307, 317	593, 663, 667	4460518 336, 517, 561, 563,	4460926 .....635
4071021.....346	4460256 .....663, 667	629, 635	4460928 .....517
4071022.....346	4460259 .....449, 603, 630	4460536 147, 336, 423, 577,	4460929 .....627
4071028.....307	4460260 .449, 603, 604, 630	603, 629	4460930 525, 577, 581, 585,
4071029.....307	4460265 .....388, 391	4460539 537, 561, 575, 577,	589, 593, 616, 621, 667,
4071039.....317	4460267 .....630, 664, 668	586, 589, 593, 603, 615,	675, 679
4071040.....317	4460268 .....599	629, 664, 668, 675, 679	4460931 421, 521, 537, 663,
4160197.....307	4460312 .....663, 667	4460612.....509	667
4240018 291, 295, 299, 473,	4460313 .....604	4460662 .497, 501, 505, 507	4460932 336, 449, 559, 571,
477, 481, 509	4460314 .....629	4460670.....525, 663, 667	597, 616, 623, 663, 667,
4240032 ..98, 106, 114, 122,	4460315 296, 629, 630, 647,	4460703 525, 537, 577, 582,	671
130, 545, 547, 549, 551,	649	586, 589, 593, 663, 667	4460933 517, 561, 582, 585,
553	4460346 .....295, 647	4460708.....630	586, 615, 616, 629, 663,
4240033.....395, 399, 419	4460384 .....507	4460709.....649	664, 667, 668
4240099 179, 186, 191, 198,	4460418 .603, 604, 630, 631	4460748 .582, 586, 589, 593	4460934 .....581, 585
205, 212, 217, 224, 233,	4460419 .603, 604, 630, 631	4460761 .567, 629, 664, 668	4460935 .582, 585, 615, 616
238, 251, 255, 269, 382,	4460425 292, 296, 300, 435,	4460806 .495, 497, 503, 505	4460941 .537, 597, 653, 673
425, 427, 432, 435, 437	437, 509	4460807.....599	4460942 399, 525, 577, 581,
4240149 401, 403, 405, 407,	4460426 .....292, 296, 300	4460808.....599	585, 589, 593, 615, 616,
409, 411, 413, 415, 417	4460428 .....381	4460836..81, 615, 616, 663,	673
4240155.....473, 481	4460434 .....630	667, 675, 679	4460943 ..81, 147, 157, 159,
4341158.....335	4460458 .582, 589, 593, 635	4460837.....81	421, 423, 537, 567, 571,
4360057.....435, 437	4460464 ....19, 81, 153, 155,	4460843.....675, 679	577, 629, 653, 663, 664,
4360070.....296, 300, 714	336, 393, 449, 517, 519,	4460851.....525, 567	667, 668, 673
4360274 133, 135, 137, 139,	521, 523, 537, 557, 559,	4460852.....567, 635	4460944 ..81, 525, 537, 575,
715	567, 568, 571, 573, 578,	4460865.....613, 625	577, 581, 582, 585, 589,
4360328 133, 135, 137, 139,	597, 603, 615, 616, 623,	4460866 615, 616, 629, 663,	593, 603, 615, 616, 619,
715	629, 633, 659, 663, 664,	668	621, 629, 663, 664, 667,
4360336 .291, 295, 299, 715	667, 668, 671, 673, 676,	4460868.....603	668, 673
4360387 135, 137, 139, 381,	679	4460871 567, 603, 629, 664,	4460945 561, 575, 586, 590,
715	4460465 ..81, 149, 151, 449,	668, 675, 679	594, 616, 664, 668
4360407.....381, 715	517, 519, 523, 525, 557,	4460872.....567, 675, 679	4460950 .....567, 663, 667

## SECTION 11 - SPECIAL OPTIONS/ACCESSORIES/KITS

4460956 .....	541, 543	4712000	401, 403, 405, 407, 409, 411, 413, 415, 417, 443, 445, 447	129, 163, 164, 165, 169, 170, 171, 179, 186, 191, 198, 206, 212, 218, 224, 233, 238, 242, 251, 255, 260, 267, 296, 300, 515	5250608.....	234, 242, 255	
4460957 .....	541, 543	4712200	180, 192, 205, 217, 233, 251, 401, 403, 405, 407, 409, 411, 413, 415, 417	4811900001 .....	19, 31, 291, 325, 327, 329, 331, 336, 346, 349	5250611.....	243, 261
4460958 .....	509	4740057.....	73	4811902 .....	85, 186, 198, 206, 212, 218, 224, 233, 242, 260	5250808.....	234, 255
4460962 .....	427, 432	4740171	183, 195, 209, 221, 238, 255	4811902001 .....	94, 98, 102, 106, 110, 114, 118, 122, 126, 130, 164, 170	5250810	234, 238, 243, 251, 261
4460963 .....	296	4740229.....	17, 19	4812000 .....	31, 61, 63, 73, 83, 85, 89, 93, 97, 101, 105, 109, 113, 117, 121, 125, 129, 164, 179, 183, 186, 191, 195, 198, 206, 209, 212, 218, 221, 224, 233, 238, 242, 251, 255, 260, 291, 295, 299, 303, 336	5250812.....	238, 243, 261
4460967 .....	601	4740362.....	379	4812002 .....	83, 85, 186, 198, 212, 224, 242, 260, 307, 379	5250814.....	234, 251
4460968 .....	335, 489, 493	4740505.....	19	4812002001 .....	164, 170	5250816.....	243
4460970 .....	563, 603	4740572.....	163, 169	4812100 .....	83, 85, 183, 186, 195, 198, 209, 213, 221, 225, 238, 242, 255, 260	5251008.....	261
4460971 .....	397, 432	4750400	183, 195, 209, 221, 238, 255	4812100001 .....	31, 39, 41, 43, 45, 47, 49, 51, 53, 55, 57, 164, 170, 309, 323, 346	5251008001.....	323
4460982 .....	673	4750800.....	336	4812102 .....	79	5251010.....	243
4460984 .....	581	4751000.....	83, 85, 291, 295, 299, 381, 397, 425, 427, 429, 432	4812200	179, 186, 191, 198, 206, 213, 218, 225, 233, 242, 251, 261	5251016.....	243, 261
4461006 .....	582	4751400.....	66, 375, 381, 423, 425, 427, 429, 432, 435, 437, 515, 683, 685, 687, 689, 691, 693, 695, 697, 699	4812200001 .....	17, 19	5251016001.....	323
4461008	578, 582, 586, 589, 593	4751500.....	435, 437	4812200001 .....	308	5251022	186, 198, 213, 225, 243
4461017 .....	81	4751600.....	425, 427, 429, 432	4812300 .....	308	5251210.....	243, 261
4461018 .....	663, 667	4751800.....	373, 435, 437	4846423 .....	346	5251215.....	234, 238, 255
4461043 .....	577, 582	4755000001 .....	19	4846484 .....	336	5260600.....	234, 243, 255, 261
4461054 .....	582, 586, 590, 594	4760600.....	647, 649	4846627 .....	425, 427, 429, 432	5260800	234, 238, 243, 251, 261
4461060 .....	597	4761400.....	375	4846673 .....	435, 437	5261000.....	243, 261
4461070 .....	517, 581, 586	4761600.....	89	4871200	179, 191, 206, 218, 233, 251	5261012.....	317
4461071	577, 582, 586, 589, 593	4791400.....	89, 93, 97, 101, 105, 109, 113, 117, 121, 125, 129, 179, 191, 251	4871700 .....	291, 296, 300	5261200	163, 169, 234, 238, 255
4461072 .....	577, 582	4811400	149, 151, 153, 155, 159, 179, 191, 205, 217, 233, 251, 449, 487, 489, 491, 493, 495, 497, 499, 501, 503, 505, 507	4891600	164, 170, 183, 195, 209, 221, 238, 255	5271614.....	186, 198
4461074 .....	577, 582	4811600	183, 186, 195, 198, 205, 209, 212, 217, 221, 224, 233, 238, 242, 260, 269, 555	4891600001 .....	314, 323	6611172.....	94, 98, 101, 105, 110, 114, 117, 121, 125, 129
4461076 .....	335	4811700.....	31, 39, 41, 43, 45, 47, 49, 51, 53, 55, 57, 85, 89, 93, 97, 101, 105, 109, 113, 117, 121, 125, 129, 145, 147, 153, 155, 157, 159, 164, 170, 179, 183, 186, 191, 195, 198, 206, 209, 212, 218, 221, 224, 233, 238, 242, 251, 255, 260, 269, 291, 295, 299, 336, 363, 367, 371, 397, 432, 487, 491, 495, 499, 503, 539, 647, 649, 651	4891800	179, 183, 191, 195, 206, 209, 218, 221, 233, 238, 251, 255	70000342.....	319
4461077	537, 615, 653, 659	4811700001 .....	377	4891800001 .....	323	70000619.....	295, 299
4461095 .....	517, 581, 585	4811702.....	85, 93, 97, 101, 105, 109, 113, 117, 121, 125, 129, 186, 198, 212, 224, 242, 260, 379	4921850 .....	721	70000781.....	66
4461196 .....	637	4811702001 .....	377	4922641 .....	292, 297, 300	70000793.....	271
4461198 .....	489, 637	4811900.....	93, 97, 101, 105, 109, 113, 117, 121, 125,	4922925 .....	296, 300	70000803.....	33
4461199 .....	639	4811900001 .....	21	4933218 .....	484	70000804.....	33
4461201 .....	493, 639	5241000	179, 186, 191, 198, 206, 213, 218, 225, 233, 251	5241000001 .....	303, 309	70000805.....	33
4461205 .....	641, 643	5241200 .....	21, 291, 295, 299	5241200001 .....	323	70000852.....	23
4461244 .....	497, 641	5241600	186, 198, 213, 225, 242, 261	5242000001 .....	21	70000854.....	23
4461245 .....	505, 643	5242400 .....	69, 163, 169			70000855.....	23
4461246 .....	501, 645					70000856.....	23
4461249 .....	645					70000857.....	23
4461271 .....	567					70000858.....	23
4530028	425, 427, 432, 441					70000859.....	23
4568423 .....	307					70000860.....	23
4640489 .....	457					70000861.....	23
4640751	186, 198, 212, 224, 242, 260					70000862.....	23
4640771 .....	469					70000863.....	295, 299
4640999 .....	455, 461					70001000.....	91
4641155 .....	31					70001001.....	91
4641248 .....	455, 461					70001100.....	295, 299
4641260 .....	457					70001384.....	295, 299
4641285 .....	459					70001424.....	439
4711000	157, 292, 296, 300					70001425.....	439
4711400	164, 165, 170, 171, 260, 357, 361, 363, 367, 369, 371, 395, 419, 421, 489, 493, 497, 501, 505, 507					70001427.....	439
4711400001.....	335, 339, 341, 343					70001428.....	439
4711500	163, 169, 335, 469					70001429.....	439
4711500001.....	346, 349					70001430.....	439
4711600 .....	89, 164, 170, 186, 198, 212, 224, 283, 382, 443, 445, 447					70001431.....	439, 714
4711600001.....	61, 63, 325, 327, 329, 331, 336, 339, 341, 343, 346, 349					70001432.....	439, 715
4711800 .....	19, 179, 191, 205, 217, 233, 251, 336, 373					70001499.....	61, 63
4711800001.....	314					70001696.....	296, 300

## SECTION 11 - SPECIAL OPTIONS/ACCESSORIES/KITS

70001966.....	292, 296, 299	70002602.....	274	70004150.....	87	70004465.....	35
70001973.....	296, 300	70002604.....	275	70004164.....	35	70004466.....	75
70001974.....	296, 300	70002605.....	275	70004171.....	292, 299	70004467.....	75
70002028.....	25	70002606.....	275	70004185.....	721	70004468.....	75
70002031.....	25	70002607.....	275	70004186.....	455, 461	70004469.....	75
70002032.....	25	70002608.....	275	70004237.....	457	70004470.....	75
70002036.....	25	70002609.....	275	70004282.....	292, 715	70004471.....	75
70002052.....	25	70002610.....	275	70004324.....	81	70004472.....	75
70002057.....	25, 75	70002612.....	275	70004325.....	81	70004473.....	75
70002097.....	61, 63, 714	70002616.....	275	70004363.....	25	70004474.....	75
70002132.....	274	70002617.....	275	70004383.....	33	70004475.....	75
70002133.....	274, 277	70002618.....	274	70004384.....	33	70004476.....	75
70002134.....	274	70002619.....	274	70004386.....	33	70004477.....	75
70002135.....	274	70002620.....	274	70004402.....	319	70004478.....	75
70002136.....	274	70002621.....	275	70004403.....	321	70004479.....	75
70002137.....	274	70002622.....	275	70004404.....	467	70004480.....	75
70002138.....	274	70002623.....	275	70004406.....	467	70004481.....	75
70002139.....	274	70002758.....	66	70004407.....	467	70004482.....	75
70002140.....	274	70002759.....	66	70004408.....	467	70004483.....	75
70002141.....	274	70002838.....	87	70004409.....	317	70004484.....	75
70002142.....	274	70002853.....	321	70004410.....	317	70004485.....	75
70002145.....	274	70002854.....	321	70004411.....	87	70004486.....	75
70002148.....	274	70002855.....	321	70004412.....	87	70004487.....	75
70002150.....	274	70002857.....	321	70004416.....	277	70004488.....	76
70002151.....	274	70002858.....	321	70004417.....	277	70004489.....	76
70002152.....	274	70002859.....	321	70004418.....	277	70004490.....	76
70002153.....	274	70002902.....	393	70004419.....	277	70004491.....	75
70002154.....	274	70002903.....	393	70004420.....	277	70004492.....	76
70002155.....	274	70002904.....	393	70004422.....	277	70004493.....	76
70002156.....	274	70002905.....	393	70004423.....	278	70004494.....	76
70002157.....	274	70002962.....	66	70004424.....	278	70004495.....	469
70002158.....	274	70003017.....	351	70004425.....	278	70004496.....	469
70002159.....	274	70003019.....	351, 353	70004426.....	278	70004497.....	469
70002160.....	274	70003020.....	351	70004429.....	25	70004498.....	469
70002161.....	274	70003021.....	351, 353	70004430.....	25	70004499.....	469
70002162.....	274	70003022.....	351	70004431.....	25	70004508.....	247
70002163.....	274	70003023.....	351, 353	70004432.....	25	70004511.....	247
70002164.....	274	70003024.....	351	70004433.....	25	70004512.....	203, 229, 247
70002165.....	274	70003026.....	353, 714	70004434.....	25	70004515.....	203, 229, 247
70002168.....	275	70003027.....	353	70004435.....	25	70004517.....	203
70002174.....	275	70003028.....	353	70004436.....	25	70004518.....	203
70002175.....	275	70003031.....	467	70004437.....	25	70004519.....	203
70002177.....	275	70003045.....	469	70004438.....	25	70004520.....	203, 229, 247
70002178.....	275	70003046.....	469	70004439.....	25	70004583.....	65
70002179.....	275	70003047.....	469	70004440.....	25	70004584.....	65
70002231.....	61, 714	70003050.....	469	70004441.....	25	70004585.....	65
70002297.....	296, 299	70003408.....	33	70004442.....	25	70004586.....	65
70002386.....	33, 714	70003485.....	714	70004443.....	25	70004587.....	65
70002401.....	303	70003628.....	23	70004444.....	25	70004588.....	65, 714
70002410.....	457, 463, 465	70003631.....	296, 299	70004445.....	25	70004589.....	65
70002460.....	296, 300	70003708.....	292, 296, 300	70004446.....	25	70004590.....	65
70002576.....	281	70003709.....	292, 296, 299	70004447.....	25	70004591.....	65
70002578.....	278	70003788.....	303, 714	70004448.....	25	70004592.....	65
70002580.....	277	70004017.....	33	70004449.....	26	70004593.....	65
70002582.....	277	70004050.....	353	70004450.....	26	70004594.....	65
70002583.....	277	70004051.....	351, 353	70004451.....	26	70004595.....	65, 714
70002585.....	278	70004052.....	65, 351, 353	70004452.....	26	70004598.....	65
70002588.....	277	70004053.....	65, 353	70004453.....	26	70004599.....	65, 714
70002589.....	277	70004055.....	35, 65, 351	70004454.....	346	70004600.....	65
70002590.....	277	70004092.....	292, 296, 300	70004455.....	346	70004601.....	65
70002592.....	277	70004093.....	296	70004457.....	353	70004602.....	65
70002593.....	277	70004094.....	296, 300	70004459.....	35, 65	70004604.....	65
70002595.....	278	70004095.....	296	70004460.....	35, 65, 714	70004605.....	65
70002596.....	277	70004096.....	296, 300	70004461.....	35	70004606.....	65
70002599.....	278	70004097.....	296, 300	70004462.....	35	70004607.....	65
70002600.....	274	70004098.....	296, 300	70004463.....	35, 65, 714	70004608.....	65
70002601.....	274	70004099.....	296	70004464.....	35	70004609.....	65

## SECTION 11 - SPECIAL OPTIONS/ACCESSORIES/KITS

70004610.....	65	70005544.....	229	70008022.....	461	70024328.....	187, 199, 213, 225, 243, 261
70004611.....	65	70005548.....	230, 247	70008023.....	461	70024329.....	187, 199, 213, 225, 243, 261
70004612.....	65	70005549.....	230	70008024.....	457, 461	70024472.....	203
70004613.....	66	70005556.....	229	70008025.....	461	70024474.....	203, 229, 247
70004614.....	66, 715	70005559.....	229, 247	70008026.....	461	70024480.....	229, 247
70004615.....	66	70005564.....	203	70008027.....	461	70024481.....	203, 230
70004616.....	66	70005565.....	83, 85	70008028.....	457	70024485.....	203, 229, 247
70004617.....	66	70005624.....	292	70008029.....	457	70024487.....	203, 229
70004618.....	66	70005651.....	299	70008030.....	457	70024494.....	203, 230, 248
70004619.....	66	70005652.....	300	70008031.....	457	70024495.....	248
70004649.....	347	70005882.....	467	70008032.....	457	70024504.....	203, 229, 247
70004650.....	347	70005883.....	467	70008033.....	457	70024507.....	203, 229, 247
70004668.....	66	70005958.....	66	70008036.....	463	70024513.....	247
70004676.....	292	70005961.....	66	70008037.....	463	70024961.....	247
70004678.....	292	70006137.....	61, 63	70008038.....	463	70025088.....	203, 230, 248
70004680.....	292	70006144.....	203, 229, 247	70008358.....	63, 714	70025153.....	203, 229, 247
70004681.....	292	70006403.....	285	70008360.....	81	70025707.....	230, 248
70004683.....	292	70006404.....	285	70008361.....	81	70025745.....	203, 230, 248
70004738.....	391	70006405.....	285, 714	70008362.....	81	70025780.....	203, 229, 247
70004739.....	391	70006406.....	285	70008363.....	81	70025789.....	203, 230
70004740.....	391	70006407.....	285	70008364.....	81	70026210.....	203, 229, 247
70004741.....	391	70006408.....	285	70008365.....	81	70027405.....	229
70004742.....	391	70006409.....	285	70008366.....	81	70027420.....	229
70004743.....	391	70006410.....	285	70008368.....	63	70027425.....	247
70004744.....	391	70006462.....	461	70008369.....	63	70027460.....	229
70004745.....	391	70006464.....	457, 461	70008612.....	229, 247	70027463.....	229, 247
70004746.....	391	70006552.....	291	70008613.....	229, 247	70027464.....	229, 247
70004747.....	391	70006553.....	291	70008629.....	81	70027467.....	229, 247
70004748.....	391	70006596.....	455, 461, 465	70009000.....	511	70027495.....	229, 247
70004749.....	391	70006624.....	459	70009012.....	513	70027569.....	203
70004750.....	391	70006625.....	459	70009013.....	513	7002821.....	720
70004751.....	391	70006626.....	459	70009014.....	513	7002822.....	721
70004752.....	387	70006627.....	459	70009015.....	513	7002823.....	720
70004753.....	387	70006628.....	459	70009016.....	513	7002828.....	721
70004754.....	387	70006629.....	459	70009017.....	513	70028540.....	203, 229
70004755.....	387	70006630.....	459	70022147.....	351, 714	70029401.....	203, 229, 247
70004756.....	387	70006631.....	459	70022286.....	277	70029407.....	247
70004757.....	387	70006632.....	459	70022287.....	277	70029468.....	453
70004758.....	387	70006633.....	459	70022564.....	453, 455, 457, 461, 465	7004237.....	465
70004759.....	387	70006634.....	455	70023351.....	277	7004275.....	721
70004760.....	387	70006635.....	455	70023352.....	277	7004276.....	721
70004761.....	387	70006636.....	461	70023353.....	277	70050795.....	455, 461
70004762.....	387	70006637.....	455	70023354.....	277	70052577.....	453
70004763.....	387	70006653.....	203, 229, 247	70023355.....	277	7007207.....	274, 277
70004764.....	387	70006834.....	467	70023357.....	277	7007415.....	275, 277, 278
70004765.....	387	70006835.....	467	70023358.....	277	7007418.....	274
70004766.....	387	70006836.....	467	70023359.....	277	7007419.....	274
70004767.....	387	70006837.....	467	70023361.....	277	7007420.....	23
70004768.....	387	70006838.....	467	70023362.....	277	7007437.....	23
70004769.....	387	70006839.....	467	70023363.....	277	7007438.....	23
70004770.....	387	70006840.....	467	70023364.....	277	7007439.....	23, 275
70004771.....	387	70006841.....	467	70023369.....	457	7007446.....	23, 274, 277
70004772.....	387	70006842.....	467	70023592.....	187, 199, 714	7007489.....	281
70004773.....	387	70007083.....	229, 247	70023593.....	187, 199, 714	7008010.....	465
70004774.....	388	70007085.....	229	70023809.....	187, 199, 213, 225, 243, 261, 714	7008011.....	465
70004775.....	388	70007093.....	229	70023859.....	65	7010543.....	33, 469
70005170.....	321	70007510.....	81	70023860.....	65	7010639.....	91
70005492.....	229	70008012.....	465	70023862.....	65	7010640.....	91
70005498.....	230, 248	70008013.....	465	70023866.....	65	7010924.....	91
70005504.....	229	70008014.....	453	70023867.....	65	7011044.....	91
70005511.....	229, 247	70008015.....	453	70023872.....	187, 199, 213, 225, 243, 261, 714	7011311.....	459
70005513.....	229	70008016.....	453	70024039.....	277	7011367.....	467
70005516.....	230, 248	70008017.....	453	70024040.....	277	7011376.....	453, 459
70005517.....	229, 247	70008018.....	453	7002412.....	453	7012773.....	35, 65
70005522.....	229	70008019.....	453			7012903.....	351
70005523.....	229	70008020.....	461				
70005524.....	229	70008021.....	461				



## SECTION 11 - SPECIAL OPTIONS/ACCESSORIES/KITS

7012941.....33	7024467.....441	77363233.....599	8406109 187, 199, 213, 225, 243, 261
7012973.....33	7024469.....441	80484084.....589, 593	8406110 188, 200, 213, 225
7012998.....33	7024470.....441	80604015.....81	8406201 ....93, 97, 101, 105, 109, 113, 117, 121, 125, 129, 206, 218
7016322 179, 191, 205, 217, 233, 251	7024471.....439, 441	80604016.....81	8406303 187, 199, 206, 218, 234, 255
7016331.....203, 230, 248	7024472.....441	80604021.....81	8410009 .....206, 218, 234
7016374 179, 191, 205, 217, 233, 251	7024473.....441	80963067.....582	8410011 187, 199, 213, 225, 243, 261
7016654.....721	7024474.....441	80983191.....590, 594	8410012 188, 200, 213, 225, 243, 261
7016655.....721	7024475.....441	82033995.....206, 218, 234	8410013 179, 187, 191, 199, 206, 213, 218, 225, 234, 243, 261
7017142.....319	7024478.....441	8220007.....630	8750014 180, 192, 206, 218, 234, 252
7017159.....319	7024485 .....296, 300, 714	8220035.....629	8750031 180, 192, 206, 218, 234, 252
7017162.....319	7024488 .....295, 299	8220045.....581, 585	8769122 .....477
7017163.....319	7024489 .....295, 299	8220051.....597	8769123 .....207, 219, 234
7017164.....319	7024530.....439	8220068.....675, 679	8769127 .....206, 218, 234
7017183.....319	7024531.....439	8220097.....582, 586	8769128 180, 192, 252, 477
7017183.....319	7024532.....439	8220098.....582, 586	8769146 .....481
7017193.....319	7024533.....439	8220115.....577, 594	8769153 .....481
7017195.....319	7024534.....439	8220164.....589	8769154 .....481
7017402.....351, 353	7024535.....439	8229242 581, 586, 590, 594, 668, 714	8769199 .....481
7017493.....33	7024536.....439	8229244.....581, 586, 714	88261128 .....61, 63
7017496.....303	7024537.....439	8229245.....582, 586, 714	88411013 .....515
7018942.....66	7024598 179, 191, 205, 217, 233, 251	8229247.....581, 586, 714	88521214 .....443, 445, 447
7020175 133, 135, 137, 139	7024800.....275	8229249.....449, 668, 714	88662013 .....480
7020176 133, 135, 137, 139	7024865.....23	8278020 186, 199, 213, 225, 243, 261	88662070 .....66
7020404.....203, 230, 248	7024867.....23	8305401 187, 199, 213, 225, 243, 261	88662523 .....317, 349
7020465.....203, 230, 248	7024868.....23	8307109 187, 199, 213, 225, 243, 261	91043147 .....238, 255
7021249.....23	7024883.....351, 714	8310067 180, 192, 206, 218, 234, 251	91203039 .....323
7021256.....275	7024885.....351, 353, 714	8310070.....336	91403230 .....683, 685, 687, 689, 691, 693, 695, 697, 699
7021265.....275	7024899.....351, 353	8310129 401, 403, 405, 407, 409, 411, 413, 415, 417	9141453 .....347
7021275.....23, 274, 277	7026597.....296, 300	8310548 187, 199, 213, 225, 243, 261	91471226 .....303, 313
7021293.....275	7026626.....296, 300	8310643001.....164, 170	91471227 .....303, 313
7021375.....35, 65	7027096.....511	8310686....93, 97, 101, 105, 109, 113, 117, 121, 125, 129	91554014 .....615, 676, 679
7021625.....33	7027097.....511	8405006.....283	91563070 .....187, 199, 213, 225, 243, 261
7022300.....275	7027098.....511	8405007 187, 199, 213, 225, 243, 261	IN4004 .....663, 667
7022301.....274	7027099.....511	8405009.....213, 225, 243	SEE NOTE.....265
7022311.....23	7027740.....23	8405104 187, 199, 213, 225, 243, 261	
7022314.....23	7027773.....441	8405211 213, 225, 243, 261	
7022321.....23	7027774.....441	8406101..85, 179, 191, 206, 218, 234, 252	
7022340.....277	7027775.....441	8406102.....206, 218, 234	
7022368.....23	7027776.....441	8406105.....349	
7022371.....23	7027777.....441		
7022390.....351, 353	7027778.....441		
7022399.....33	7027779.....441		
7023377.....277	7027780.....441		
7023821.....66	7027799.....296, 300		
7023922.....351	7028909 .....157, 159		
7023962.....277	7300435 186, 198, 213, 225, 243, 261		
7023964.....277, 278	77133089 .....481		
7024441.....87	77133137 .....206, 218, 234		
7024462.....441	77363232 .....295, 299		
7024463.....441			



**Corporate Office  
JLG Industries, Inc.  
1 JLG Drive  
McConnellsburg, PA 17233-9533 USA  
☎ (717) 485-5161 (Corporate)  
☎ (877) 554-5438 (Customer Support)  
📠 (717) 485-6417**

**Visit our website for JLG Worldwide Locations.  
[www.jlg.com](http://www.jlg.com)**



**OSHKOSH™**