



---

# Illustrated Parts Manual

***Model***  
***400S***  
***460SJ***

**PVC**  
**2207**

**P/N**  
**31220367**

**November 15, 2022 - Rev B**

**ANSI**

**CE**



**UK**  
**CA**

**AS/NZS**



**An Oshkosh Corporation Company**



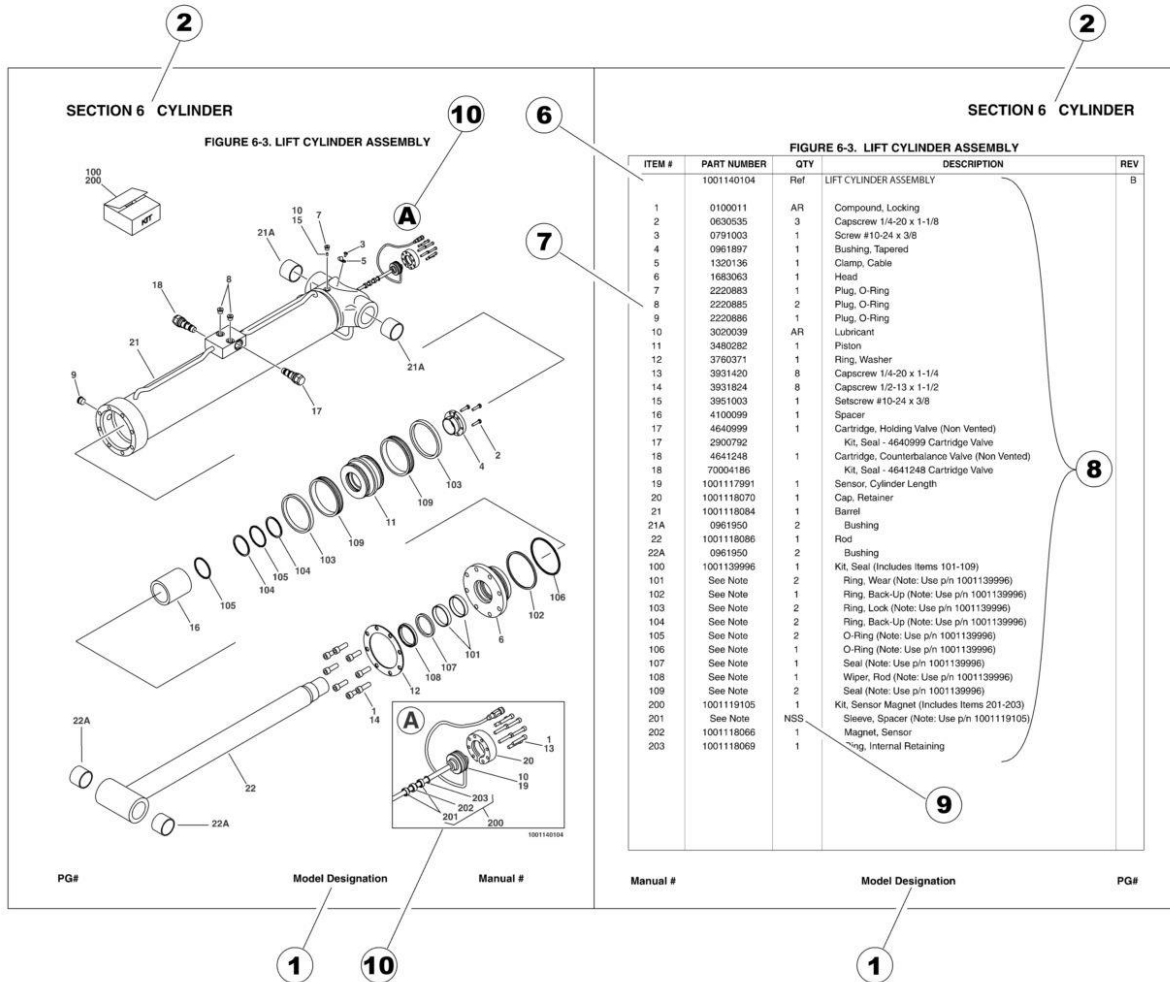


## **REVISION LOG**

July 1, 2022 - A - Original Issue of Manual (Edited to B/M 1001245658 Revision U)

November 15, 2022 - B - Revised Manual (Edited to B/M 1001245658 Revision Z)

# GENERAL INFORMATION



## 1) MACHINE IDENTIFICATION

Machines are identified by model and in some cases a combination of models, serial number (SN) or regional standard (i.e ANSI, CE, CSA). Components may also be identified by SN or manufacturer. Common components that may be identified by these characteristics are engines and hydraulic components.

## 2) PARTS MANUAL ORGANIZATION

Product information in this manual is organized under section titles. Frame, Cylinder, Hydraulic and Electrical are a few examples. Each section is organized by figure and page number. The information within the Figure is then organized by item number, part number, description and corresponding illustration (s).

## 3) TABLE OF CONTENTS (NOT SHOWN)

A table of contents is found toward the beginning of the manual. Figure number, description and page number are provided for quick reference to the page containing the related information.

## 4) RECOMMENDED SPARE PARTS (NOT SHOWN)

The Recommended Spare Parts List, located near the end of the manual, reference most frequently used maintenance parts.

## 5) PART NUMBER INDEX (NOT SHOWN)

A numerical index listing all part numbers and the corresponding page number(s) appears at the back of the manual.

## GENERAL INFORMATION

### 6) NON-SERVICED PARTS

In some instances, it is necessary to display non-serviced parts, assemblies or installations. In the case of assemblies and installations there will be a Ref in the Qty. column. In case of parts that are not available for service within assemblies or components, there will be a NSS (Not Sold Separately) or NLA (No Longer Available) listed in the Qty. column of the manual.

### 7) PARTS LIST ITEM NUMBERS

Numbers shown in the item# column correspond to numbers used in the associated illustration (s). Item numbers which are missing from the sequence in the parts list are not used on that page.

### 8) INDENTED PARTS DESCRIPTION

An indented part description is included in the item under which it is indented.

### 9) ABBREVIATION AND SYMBOLS

AC.....	Alternating Current	L.....	Liter
ADE.....	Advanced Design Electronics	LB(LBS).....	Pounds
AG.....	Agricultural	LCD.....	Liquid Crystal Display
ANSI.....	American National Standards Institute	LED.....	Light Emitting Diodes
AR.....	As Required	LH.....	Left Hand
ASSY.....	Assembly	LRC.....	Low Rated Countries
AUS.....	Australia	LSS.....	Load Sensing System
AUX.....	Auxiliary	M(m).....	Metric/Meter
AWG.....	American Wire Gauge	MM(mm).....	Milimeter
B/M.....	Bill of Material	mA.....	Miliamps
CAC.....	Charge Air Cooler	NLA.....	No Longer Available
CE.....	European Conformity	NPT.....	National Pipe Threads
CCW.....	Counter Clockwise	NSS.....	Not Sold Separately
CM.....	Centimeter	OD.....	Outside Diameter
CW.....	Clockwise	ORB.....	O-Ring Boss
CSA.....	Canadian Standards Association	ORFS.....	O-Ring Face Seal
CYL.....	Cylinder	OZ (oz).....	Ounces
DIA.....	Diameter	PG.....	Page
DC.....	Direct Current	PN.....	Part Number
DEF.....	Diesel Exhaust Fluid	QT(qt.).....	Quarts
EMS.....	Emergency Stop	QTY.....	Quantity
ENG.....	Engine	REF.....	Reference
FT(ft).....	Feet	REV.....	Revision Level
GA(Ga).....	Gauge	RH.....	Right Hand
HRC.....	High Rated Countries	SAE.....	Society of Automotive Engineers
HVAC.....	Heating, Ventilating, and Air Conditioning	SN.....	Serial Number
HYD.....	Hydraulic	SPEC(S).....	Specifications
Hz.....	Hertz	T/T.....	Turntable
ID.....	Inside Diameter	UGM.....	Universal Ground Module
IN.....	inches	V.....	Volts
ISO.....	International Organization for Standards	W.....	Watts
JIC.....	Joint Industry Council	#.....	Number
KG.....	Kilogram		

### 10) ILLUSTRATION REFERENCE LETTERS

When necessary, illustrations may contain reference letters that are intended to track information (i. e. hoses, harnesses) from one point to another or to track visual enlargement of components to show details that may be located in another area on the illustration.

*Note: Due to continuous product improvements, JLG Industries, Inc. reserves the right to make specification changes without prior notification. Contact JLG Industries, Inc. for updated information.*



# TABLE OF CONTENTS

SECTION 1 - FRAME.....	15
FIGURE 1-1. AXLE INSTALLATION .....	16
FIGURE 1-2. STEER INSTALLATION WITHOUT TOW PACKAGE .....	18
FIGURE 1-3. STEER INSTALLATION WITH TOW PACKAGE.....	20
FIGURE 1-4. WHEEL DRIVE INSTALLATION (2WD).....	22
FIGURE 1-5. WHEEL DRIVE INSTALLATION (4WD).....	24
FIGURE 1-6. DRIVE HUB AND BRAKE ASSEMBLY - REAR .....	26
FIGURE 1-7. DRIVE HUB ASSEMBLY - FRONT.....	30
FIGURE 1-8. HUB - SPINDLE ASSEMBLY (2WD) .....	32
FIGURE 1-9. DRIVE MOTOR ASSEMBLY (2WD) .....	34
FIGURE 1-10. DRIVE MOTOR ASSEMBLY (4WD) .....	36
FIGURE 1-11. TRACTION VALVE ASSEMBLY (2WD).....	38
FIGURE 1-12. TRACTION VALVE ASSEMBLY (4WD).....	40
FIGURE 1-13. TIRE AND WHEEL INSTALLATION - 12 X 16.5 FOAM FILLED (AVAILABLE ON ALL SPECS).....	42
FIGURE 1-14. TIRE AND WHEEL INSTALLATION - 12 X 16.5 FF NON-MARKING (AVAILABLE ON ALL SPECS) .....	44
FIGURE 1-15. TIRE AND WHEEL INSTALLATION - 14 X 17.5 FOAM FILLED (AVAILABLE ON ALL SPECS).....	46
FIGURE 1-16. TIRE AND WHEEL INSTALLATION - 33/16LL X 16.1 FOAM FILLED TURF (ANSI AND ANSI EXPORT SPECS) .....	48
FIGURE 1-17. TOW BAR INSTALLATION.....	50
FIGURE 1-18. TOW BAR ASSEMBLY .....	52
FIGURE 1-19. FRAME SHIELD INSTALLATION - WITHOUT TOW BAR.....	54
FIGURE 1-20. FRAME SHIELD INSTALLATION - WITH TOW BAR .....	56
FIGURE 1-21. LP TANK BRACKETS INSTALLATION .....	58
SECTION 2 - TURNTABLE.....	61
FIGURE 2-1. CONTROL VALVES INSTALLATION - 400S.....	62
FIGURE 2-2. CONTROL VALVES INSTALLATION - 460SJ.....	64
FIGURE 2-3. MAIN VALVE ASSEMBLY - 400S.....	66
FIGURE 2-4. MAIN VALVE ASSEMBLY - 460SJ.....	70
FIGURE 2-5. AXLE VALVE ASSEMBLY .....	74
FIGURE 2-6. AUXILIARY PUMP AND BATTERY WITH DISCONNECT SWITCH INSTALLATION.....	76
FIGURE 2-7. AUXILIARY PUMP AND BATTERY INSTALLATION.....	78
FIGURE 2-8. AUXILIARY PUMP ASSEMBLY.....	80
FIGURE 2-9. ROTARY COUPLING INSTALLATION .....	82
FIGURE 2-10. SWING DRIVE INSTALLATION .....	84
FIGURE 2-11. SWING HUB/MOTOR ASSEMBLY.....	86
FIGURE 2-12. TURNTABLE BEARING INSTALLATION .....	90
FIGURE 2-13. BEARING LUBE INSTALLATION .....	92
FIGURE 2-14. TURNTABLE LOCK INSTALLATION.....	94
FIGURE 2-15. TURNTABLE COVERS INSTALLATION .....	96
FIGURE 2-16. TANKS INSTALLATION - DIESEL MACHINES (WITH 17.3 GAL HYDRAULIC TANK) .....	98
FIGURE 2-17. TANKS INSTALLATION - DIESEL MACHINES (WITH 36 GAL HYDRAULIC TANK) .....	100
FIGURE 2-18. TANKS INSTALLATION - GAS MACHINES (WITH 17.3 GAL HYDRAULIC TANK) .....	102
FIGURE 2-19. TANKS INSTALLATION - GAS MACHINES (WITH 36 GAL HYDRAULIC TANK) .....	104
FIGURE 2-20. HYDRAULIC TANK ASSEMBLY - 17.3 GALLON.....	106

# TABLE OF CONTENTS

FIGURE 2-21. HYDRAULIC TANK ASSEMBLY - 36 GALLON .....	108
FIGURE 2-22. ELECTRICAL INSTALLATION - 400S.....	110
FIGURE 2-23. ELECTRICAL INSTALLATION - 460SJ.....	112
FIGURE 2-24. ELECTRICAL INSTALLATION – 460SJ WITH DEUTZ (STAGE V) .....	114
FIGURE 2-25. ELECTRICAL PANEL ASSEMBLY .....	116
FIGURE 2-26. GROUND CONTROL MOUNTING - 400S .....	118
FIGURE 2-27. GROUND CONTROL MOUNTING - 460SJ .....	120
FIGURE 2-28. GROUND CONTROL MOUNTING - DEUTZ (STAGE V) (460SJ) (CE & UK CA SPECS).....	122
FIGURE 2-29. GROUND CONTROL ASSEMBLY - 400S .....	124
FIGURE 2-30. GROUND CONTROL ASSEMBLY - 460SJ.....	126
FIGURE 2-31. GROUND CONTROL ASSEMBLY - DEUTZ (STAGE V) (460SJ) (CE & UK CA SPECS).....	128
FIGURE 2-32. GROUND CONTROL DECAL AND KEYSWITCH INSTALLATION - 400S (ALL SPECS EXCEPT AUSTRALIAN, CE & UK CA SPECS).....	130
FIGURE 2-33. GROUND CONTROL DECAL AND KEYSWITCH INSTALLATION - 460SJ (ALL SPECS EXCEPT CE & UK CA SPEC) .....	132
FIGURE 2-34. GROUND CONTROL DECAL AND KEYSWITCH INSTALLATION - 460SJ (CE(LRC) & UK CA SPEC) .....	134
FIGURE 2-35. GROUND CONTROL DECAL AND KEYSWITCH INSTALLATION - 460SJ (STAGE V) (CE & UK CA SPECS) .....	136
FIGURE 2-36. LIGHT PANEL INSTALLATION.....	138
FIGURE 2-37. BEACON LIGHT INSTALLATION - AMBER (Prior to SN 0300298263) .....	140
FIGURE 2-38. BEACON LIGHT INSTALLATION - AMBER (SN 0300298263 to Present) .....	142
FIGURE 2-39. BEACON LIGHT INSTALLATION - BLUE .....	144
FIGURE 2-40. BEACON LIGHT INSTALLATION - RED.....	146
FIGURE 2-41. WHITE NOISE ALARM INSTALLATION (AMBIENT).....	148
FIGURE 2-42. WHITE NOISE ALARM INSTALLATION (CONSTANT) .....	150
FIGURE 2-43. HOOD INSTALLATION - ABS (DEUTZ ENGINES) (Prior to SN 0300298263) .....	152
FIGURE 2-44. HOOD INSTALLATION - ABS (DEUTZ ENGINES) (SN 0300298263 to Present) .....	156
FIGURE 2-45. HOOD INSTALLATION - ABS (KUBOTA ENGINES) (Prior to SN 0300298263) .....	160
FIGURE 2-46. HOOD INSTALLATION - ABS (KUBOTA ENGINES) (SN 0300298263 to Present) .....	164
FIGURE 2-47. HOOD INSTALLATION - STEEL (Prior to SN 0300298263) .....	168
FIGURE 2-48. HOOD INSTALLATION - STEEL (SN 0300298263 to Present) .....	172
FIGURE 2-49. ABS HOOD ASSEMBLY - ENGINE SIDE .....	176
FIGURE 2-50. ABS HOOD ASSEMBLY - TANK SIDE (Prior to SN 0300298263).....	178
FIGURE 2-51. ABS HOOD ASSEMBLY - TANK SIDE (SN 0300298263 to Present).....	180
FIGURE 2-52. STEEL HOOD ASSEMBLY - ENGINE SIDE .....	182
FIGURE 2-53. STEEL HOOD ASSEMBLY - TANK SIDE (Prior to SN 0300298263).....	184
FIGURE 2-54. STEEL HOOD ASSEMBLY - TANK SIDE (SN 0300298263 to Present).....	186
FIGURE 2-55. SOUND REDUCTION INSTALLATION - KUBOTA ENGINE MACHINES WITH STEEL HOODS .....	188
FIGURE 2-56. HOOD PLUGS INSTALLATION (HOODS WITHOUT STROBE LIGHT) .....	190
SECTION 3 - ENGINE.....	193
FIGURE 3-1. ENGINE INSTALLATION - DEUTZ D2011 ENGINE (WITHOUT ARCTIC PACKAGE) (ANSI EXPORT(LRC), AUSTRALIAN, CE(LRC), CHINA & UK CA SPECS).....	194
FIGURE 3-2. ENGINE AND PUMP SUB-ASSEMBLY - DEUTZ D2011 (WITHOUT ARCTIC PACKAGE) (AUSTRALIAN AND CHINA SPECS).....	200
FIGURE 3-3. ENGINE ASSEMBLY - DEUTZ D2011 ENGINE (WITHOUT ARCTIC PACKAGE) (AUSTRALIAN AND CHINA SPECS).....	202
FIGURE 3-4. ENGINE INSTALLATION - DEUTZ D2011 ENGINE (WITH ARCTIC PACKAGE) (ANSI EXPORT(LRC), AUSTRALIAN, CE(LRC), CHINA & UK CA SPECS).....	206

# TABLE OF CONTENTS

FIGURE 3-5. ENGINE AND PUMP SUB-ASSEMBLY - DEUTZ D2011 (WITH ARCTIC PACKAGE) (ANSI EXPORT AND CHINA SPECS) .....	212
FIGURE 3-6. ENGINE ASSEMBLY - DEUTZ D2011 ENGINE (WITH ARCTIC PACKAGE) (ANSI EXPORT AND CHINA SPECS) .....	214
FIGURE 3-7. ENGINE COMPONENTS - DEUTZ D2011 .....	218
FIGURE 3-8. ENGINE INSTALLATION - DEUTZ D2.9L4 ENGINE (WITHOUT ARCTIC PACKAGE) (ANSI, ANSI EXPORT(HRC), CSA AND JAPANESE SPECS).....	222
FIGURE 3-9. ENGINE AND PUMP SUB-ASSEMBLY - DEUTZ D2.9L4 (WITHOUT ARCTIC PACKAGE) (ANSI, ANSI EXPORT AND CSA SPECS) .....	226
FIGURE 3-10. ENGINE ASSEMBLY - DEUTZ D2.9L4 ENGINE (WITHOUT ARCTIC PACKAGE) (ANSI, ANSI EXPORT AND CSA SPECS).....	228
FIGURE 3-11. ENGINE INSTALLATION - DEUTZ D2.9L4 ENGINE (WITH ARCTIC PACKAGE) (ANSI AND CSA SPECS).....	234
FIGURE 3-12. ENGINE AND PUMP SUB-ASSEMBLY - DEUTZ D2.9L4 (WITH ARCTIC PACKAGE) (ANSI, ANSI EXPORT AND CSA SPECS).....	238
FIGURE 3-13. ENGINE ASSEMBLY - DEUTZ D2.9L4 ENGINE (WITH ARCTIC PACKAGE) (ANSI, ANSI EXPORT AND CSA SPECS) .....	240
FIGURE 3-14. ENGINE COMPONENTS - DEUTZ D2.9L4 ENGINE (ANSI, ANSI EXPORT AND CSA SPECS).....	246
FIGURE 3-15. ENGINE INSTALLATION - DEUTZ D2.9L4 ENGINE (STAGE V) (CE & UK CA SPECS) .....	250
FIGURE 3-16. ENGINE AND PUMP SUB-ASSEMBLY - DEUTZ D2.9L4 ENGINE (STAGE V) (CE & UK CA SPECS).....	256
FIGURE 3-17. ENGINE ASSEMBLY – DEUTZ D2.9L4 ENGINE (STAGE V) (CE & UK CA SPECS) .....	258
FIGURE 3-18. ENGINE COMPONENTS - DEUTZ D2.9L4 ENGINE (STAGE V) (CE & UK CA SPECS).....	264
FIGURE 3-19. BREATHER HEATER INSTALLATION - DEUTZ D2.9L4 ENGINE WITH ARCTIC PACKAGE .....	268
FIGURE 3-20. BRACKET ASSEMBLY - FUEL PUMP AND FILTER (DEUTZ D2.9L4 ENGINE).....	270
FIGURE 3-21. BRACKET ASSEMBLY - FUEL PUMP AND FILTER (DEUTZ D2.9L4 ENGINE) (STAGE V) .....	272
FIGURE 3-22. PUMP COUPLING KIT (DEUTZ ENGINES) .....	274
FIGURE 3-23. ENGINE INSTALLATION - DEUTZ D2.9L4 ENGINE (CHINA IV).....	276
FIGURE 3-24. ENGINE AND PUMP SUB-ASSEMBLY - DEUTZ D2.9L4 ENGINE (CHINA IV) .....	280
FIGURE 3-25. ENGINE ASSEMBLY - DEUTZ D2.9L4 (CHINA IV) .....	282
FIGURE 3-26. ENGINE COMPONENTS - DEUTZ D2.9L4 (CHINA IV) .....	288
FIGURE 3-27. QUICKFIT OIL DRAIN INSTALLATION (DEUTZ D2.9L4 ENGINES) .....	290
FIGURE 3-28. ENGINE INSTALLATION - KUBOTA ENGINE (WITHOUT ARCTIC PACKAGE).....	292
FIGURE 3-29. ENGINE AND PUMP SUB-ASSEMBLY - KUBOTA ENGINE (WITHOUT ARCTIC PACKAGE) .....	298
FIGURE 3-30. ENGINE ASSEMBLY - KUBOTA ENGINE (WITHOUT ARCTIC PACKAGE).....	300
FIGURE 3-31. ENGINE INSTALLATION - KUBOTA ENGINE (WITH ARCTIC PACKAGE) .....	306
FIGURE 3-32. ENGINE AND PUMP SUB-ASSEMBLY - KUBOTA ENGINE (WITH ARCTIC PACKAGE) .....	312
FIGURE 3-33. ENGINE ASSEMBLY - KUBOTA ENGINE (WITH ARCTIC PACKAGE) .....	314
FIGURE 3-34. ENGINE COMPONENTS - KUBOTA.....	320
FIGURE 3-35. PUMP COUPLING KIT - KUBOTA ENGINE .....	324
FIGURE 3-36. PISTON PUMP ASSEMBLY .....	326
FIGURE 3-37. SPARK ARRESTOR INSTALLATION - DEUTZ D2011 ENGINE .....	330
FIGURE 3-38. ENGINE BAFFLE INSTALLATION - ABS HOODS (DEUTZ & GM ENGINES) .....	332
FIGURE 3-39. ENGINE BAFFLE INSTALLATION - ABS HOODS (KUBOTA ENGINES).....	334
FIGURE 3-40. ENGINE BAFFLE INSTALLATION - STEEL HOODS.....	336
FIGURE 3-41. FUEL/WATER SEPARATOR INSTALLATION DUETZ D2.9L4 (CHINA IV) ENGINE.....	338
FIGURE 3-42. FUEL PUMP AND FILTER INSTALLATION DUETZ D2.9L4 (CHINA IV) ENGINE .....	340
FIGURE 3-43. ENGINE MOUNT (WITH GENERATOR) - DEUTZ D2.9L4 AND DEUTZ D2.9L4 (STAGE V) ENGINES.....	342
FIGURE 3-44. ENGINE MOUNT (WITHOUT GENERATOR) - DEUTZ D2.9L4, DEUTZ D2.9L4 (STAGE V) AND DEUTZ D2.9L4 (CHINA IV) ENGINES.....	344

# TABLE OF CONTENTS

FIGURE 3-45. ENGINE TRAY JACK INSTALLATION.....	346
FIGURE 3-46. GENERATOR INSTALLATION - 2500W/60HZ (DEUTZ D2011 ENGINE).....	348
FIGURE 3-47. GENERATOR INSTALLATION - 2500W/60HZ (DEUTZ D2.9L4 ENGINE).....	352
FIGURE 3-48. GENERATOR INSTALLATION - 2500W/60HZ (KUBOTA ENGINE) .....	356
FIGURE 3-49. GENERATOR INSTALLATION - 4000W/50HZ (DEUTZ D2011 ENGINES) .....	360
FIGURE 3-50. GENERATOR INSTALLATION - 4000W/60HZ (DEUTZ D2011 ENGINE).....	364
FIGURE 3-51. GENERATOR INSTALLATION - 4000W/60HZ (DEUTZ D2.9L4 ENGINE).....	368
FIGURE 3-52. GENERATOR INSTALLATION - 4000W/50HZ (DEUTZ STAGE V ENGINE).....	372
FIGURE 3-53. GENERATOR INSTALLATION - 7500W/50HZ (DEUTZ D2011 ENGINE).....	376
FIGURE 3-54. GENERATOR INSTALLATION - 7500W/60HZ (DEUTZ D2011 ENGINE).....	380
FIGURE 3-55. GENERATOR INSTALLATION - 7500W/60HZ (DEUTZ D2.9L4 ENGINE).....	384
FIGURE 3-56. GENERATOR INSTALLATION - 7500W/60HZ (KUBOTA ENGINE) .....	388
<b>SECTION 4 - BOOM.....</b>	<b>393</b>
FIGURE 4-1. BOOM AND CYLINDERS INSTALLATION - 400S.....	394
FIGURE 4-2. BOOM AND CYLINDERS INSTALLATION - 460SJ.....	396
FIGURE 4-3. MAIN BOOM ASSEMBLY - 400S.....	398
FIGURE 4-4. MAIN BOOM ASSEMBLY - 460SJ.....	400
FIGURE 4-5. JIB BOOM ASSEMBLY - 460SJ.....	402
FIGURE 4-6. ROTATOR ASSEMBLY - 400S .....	404
FIGURE 4-7. ROTATOR ASSEMBLY - 460SJ .....	406
FIGURE 4-8. POWER TRACK INSTALLATION .....	408
FIGURE 4-9. CAPACITY SWITCH INSTALLATION .....	410
FIGURE 4-10. TRANSPORT SWITCHES INSTALLATION .....	412
FIGURE 4-11. PLATFORM SUPPORT INSTALLATION .....	414
<b>SECTION 5 - PLATFORM.....</b>	<b>417</b>
FIGURE 5-1. PLATFORM ASSEMBLY - 30IN X 5FT (76.2CM X 1.52M) WITH SWING GATE .....	418
FIGURE 5-2. PLATFORM ASSEMBLY - 36IN X 6FT (91.5CM X 1.83M) WITH SWING GATE .....	420
FIGURE 5-3. PLATFORM ASSEMBLY - 36IN X 8FT (91.5CM X 2.44M) WITH SWING GATE .....	422
FIGURE 5-4. PLATFORM ASSEMBLY - 30IN X 5FT (76.2CM X 1.52M) WITH DROP BAR .....	424
FIGURE 5-5. PLATFORM ASSEMBLY - 36IN X 6FT (91.5CM X 1.83M) WITH DROP BAR .....	426
FIGURE 5-6. PLATFORM ASSEMBLY - 36IN X 8FT (91.5CM X 2.44M) WITH DROP BAR .....	428
FIGURE 5-7. PLATFORM ASSEMBLY - 36IN X 6FT (91.5CM X 1.83M) WITH FALL ARREST (ALL SPECS EXCEPT CE AND AUSTRALIAN SPECS) .....	430
FIGURE 5-8. PLATFORM ASSEMBLY - 36IN X 6FT (91.5CM X 1.83M) TRI-ENTRY WITH GATE .....	432
FIGURE 5-9. PLATFORM ASSEMBLY - 36IN X 6FT (91.5CM X 1.83M) TRI-ENTRY WITH DROPBAR .....	434
FIGURE 5-10. PLATFORM ASSEMBLY - 36IN X 8FT (91.5CM X 2.44M) WITH TRI-ENTRY (1 GATE/2 DROP BARS).....	436
FIGURE 5-11. PLATFORM ASSEMBLY - 36IN X 8FT (91.5CM X 2.44M) WITH TRI-ENTRY (3 DROP BARS).....	438
FIGURE 5-12. PLATFORM ASSEMBLY - 30IN X 3FT (76CM X .91M) - DROP BAR ENTRY .....	440
FIGURE 5-13. PLATFORM CONSOLE BOX INSTALLATION.....	442
FIGURE 5-14. PLATFORM CONSOLE BOX ASSEMBLY.....	444
FIGURE 5-15. CONTROLLER ASSEMBLY (DRIVE AND STEER).....	446
FIGURE 5-16. CONTROLLER ASSEMBLY (LIFT AND SWING) .....	448
FIGURE 5-17. FOOTSWITCH ASSEMBLY .....	452
FIGURE 5-18. LIGHT PANEL INSTALLATION.....	454



# TABLE OF CONTENTS

FIGURE 5-19. FALL ARREST (BOLT-ON) INSTALLATION - 5FTX3FT PLATFORM (ALL SPECS EXCEPT CE & UK CA SPECS) (OPTIONAL) .....	456
FIGURE 5-20. FALL ARREST (BOLT-ON) INSTALLATION - 6FTX3FT PLATFORM (ALL SPECS EXCEPT CE & UK CA SPECS) (OPTIONAL) .....	458
FIGURE 5-21. FALL ARREST (BOLT-ON) INSTALLATION - 6FTX3FT TRI-ENTRY PLATFORM (ALL SPECS EXCEPT CE & UK CA SPECS) (OPTIONAL) .....	460
FIGURE 5-22. FALL ARREST (BOLT-ON) INSTALLATION - 8FTX3FT PLATFORM (ALL SPECS EXCEPT CE & UK CA SPECS) (OPTIONAL) .....	462
FIGURE 5-23. SOFT TOUCH INSTALLATION - 6FT (1.83M) FALL ARREST PLATFORM (OPTIONAL).....	464
FIGURE 5-24. SOFT TOUCH INSTALLATION - 8FT (2.4M) PLATFORM (OPTIONAL).....	466
FIGURE 5-25. SKYGUARD BAR INSTALLATION .....	468
FIGURE 5-26. SKYEYE INSTALLATION .....	470
FIGURE 5-27. SKYLINE INSTALLATION .....	472
FIGURE 5-28. SKYGLAZIER INSTALLATION .....	474
FIGURE 5-29. SKYSENSE MID TUBE SENSOR ASSEMBLY .....	476
FIGURE 5-30. SKYSENSE OVERHEAD SENSOR ASSEMBLY .....	478
FIGURE 5-31. SKYWELDER INSTALLATION (50HZ) .....	480
FIGURE 5-32. SKYWELDER INSTALLATION (60HZ) .....	482
FIGURE 5-33. SKYWELDER PREP PACKAGE (60HZ) .....	484
FIGURE 5-34. TRAY INSTALLATION .....	486
FIGURE 5-35. USB CHARGER INSTALLATION .....	488
FIGURE 5-36. WELDER ASSEMBLY .....	490
SECTION 6 - CYLINDER .....	493
FIGURE 6-1. AXLE LOCKOUT CYLINDER ASSEMBLY .....	494
FIGURE 6-2. LEVEL (PLATFORM SLAVE) CYLINDER ASSEMBLY .....	496
FIGURE 6-3. LIFT CYLINDER ASSEMBLY - MAIN BOOM .....	498
FIGURE 6-4. LIFT CYLINDER ASSEMBLY - JIB.....	500
FIGURE 6-5. MASTER CYLINDER ASSEMBLY.....	502
FIGURE 6-6. STEER CYLINDER ASSEMBLY.....	504
FIGURE 6-7. TELESCOPE CYLINDER ASSEMBLY .....	506
SECTION 7 - HYDRAULIC .....	509
FIGURE 7-1. 400S 2WD HYDRAULIC SYSTEM INSTALLATION.....	510
FIGURE 7-2. 400S 4WD HYDRAULIC SYSTEM INSTALLATION (ALL MACHINES) .....	518
FIGURE 7-3. 460SJ 2WD HYDRAULIC SYSTEM INSTALLATION .....	526
FIGURE 7-4. 460SJ 4WD HYDRAULIC SYSTEM INSTALLATION (ALL MACHINES).....	534
SECTION 8 - ELECTRICAL .....	543
FIGURE 8-1. AC BOX AT PLATFORM INSTALLATION - 110V (ANSI, ANSI EXPORT(HRC), CSA AND JAPANESE SPECS) .....	544
FIGURE 8-2. AC BOX AT PLATFORM INSTALLATION - 110V IEC YELLOW (CE & UK CA SPECS WITH 4000W/50HZ GENERATOR).....	546
FIGURE 8-3. AC BOX AT PLATFORM - 110V IEC YELLOW (CE & UK CA SPEC WITHOUT GENERATOR) .....	548
FIGURE 8-4. AC BOX AT PLATFORM INSTALLATION - 220V IEC BLUE (CE & UK CA SPECS WITH 4000W/50HZ GENERATOR).....	550
FIGURE 8-5. AC BOX AT PLATFORM - 220V IEC BLUE (CE & UK CA SPEC WITHOUT GENERATOR) .....	552
FIGURE 8-6. AC BOX AT PLATFORM - 220V CEE7 2IN X 4IN POST GROUND (CE & UK CA SPEC WITHOUT GENERATOR) .....	554

# TABLE OF CONTENTS

FIGURE 8-7. AC BOX AT PLATFORM - 220V CEE7 2IN X 4IN SIDE GROUND (CE & UK CA SPEC WITHOUT GENERATOR) .....	556
FIGURE 8-8. AC BOX AT PLATFORM INSTALLATION - 220V CEE7 2IN X 4IN POST GROUND (CE & UK CA SPECS WITH 4000W/50HZ GENERATOR) .....	558
FIGURE 8-9. AC BOX AT PLATFORM INSTALLATION - 220V CEE7 2IN X 4IN SIDE GROUND (CE & UK CA SPECS WITH 4000W/50HZ GENERATOR) .....	560
FIGURE 8-10. AC BOX AT PLATFORM INSTALLATION - 220V AFSINT107 (CE & UK CA SPECS WITH 4000W/50HZ GENERATOR) .....	562
FIGURE 8-11. AC BOX AT PLATFORM - 220V AFSINT107 (CE & UK CA SPEC WITHOUT GENERATOR) .....	564
FIGURE 8-12. AC BOX AT PLATFORM INSTALLATION - 220V CUSTOMER SUPPLIED COMPONENTS (ALL SPECS EXCEPT CSA SPECS) .....	566
FIGURE 8-13. AC BOX AT PLATFORM INSTALLATION - 240V (WITH 4000W GENERATOR) (ANSI, ANSI EXPORT(HRC), CSA AND JAPANESE SPECS) .....	568
FIGURE 8-14. AC BOX AT PLATFORM INSTALLATION - 240V (WITH 7500W SKYPOWER GENERATOR) (ANSI, ANSI EXPORT(HRC), CSA AND JAPANESE SPECS).....	570
FIGURE 8-15. AC CABLE INSTALLATION - WITH THREE BREAKERS (CE & UK CA SPECS).....	572
FIGURE 8-16. BATTERY DISCONNECT SWITCH .....	574
FIGURE 8-17. BEACON HARNESS (AMBER LIGHT) (Prior to SN 0300298263).....	576
FIGURE 8-18. BEACON HARNESS (AMBER LIGHT) (SN 0300298263 to Present) .....	578
FIGURE 8-19. BEACON HARNESS (BLUE/RED BEACON LIGHT) .....	580
FIGURE 8-20. BOOM HARNESS - 400S.....	582
FIGURE 8-21. BOOM HARNESS - 460SJ .....	584
FIGURE 8-22. BOOM CAPACITY PROXIMITY SWITCH HARNESS (400S ONLY) .....	586
FIGURE 8-23. BOOM TELE IN PROXIMITY SWITCH HARNESS .....	588
FIGURE 8-24. BREAKER BOX INSTALLATION - 110/220V 16AMP BREAKER (CE & UK CA SPEC).....	590
FIGURE 8-25. BREAKER BOX KIT - 110/220V 16AMP BREAKER (CE & UK CA SPEC).....	592
FIGURE 8-26. BREAKER BOX KIT - 30MA/16 AMP .....	594
FIGURE 8-27. BREAKER BOX KIT WITH THREE BREAKERS.....	596
FIGURE 8-28. CABLES AND CLAMPS INSTALLATION - 400S (2500W GENERATOR OR NO GENERATOR) (ALL SPECS) .....	598
FIGURE 8-29. CABLES AND CLAMPS INSTALLATION - 400S (4000W GENERATOR 60HZ) (ANSI, ANSI EXPORT, CSA AND JAPANESE SPECS) .....	600
FIGURE 8-30. CABLES AND CLAMPS INSTALLATION - 400S (4000W GENERATOR 50HZ) (ANSI, ANSI EXPORT, CSA, CHINA AND JAPANESE SPECS).....	602
FIGURE 8-31. CABLES AND CLAMPS INSTALLATION - 400S (7500W GENERATOR) (ANSI, ANSI EXPORT, CSA, CHINA AND JAPANESE SPECS).....	604
FIGURE 8-32. CABLES AND CLAMPS INSTALLATION - 460SJ (2500W GENERATOR OR NO GENERATOR) (ALL SPECS) .....	606
FIGURE 8-33. CABLES AND CLAMPS INSTALLATION - 460SJ (4000W GENERATOR 60HZ) (ANSI, ANSI EXPORT, CSA AND JAPANESE SPECS) .....	608
FIGURE 8-34. CABLES AND CLAMPS INSTALLATION - 460SJ (4000W GENERATOR 50HZ) (ALL SPECS).....	610
FIGURE 8-35. CABLES AND CLAMPS INSTALLATION - 460SJ (7500W GENERATOR) (ALL SPECS EXCEPT CE & UK CA SPECS).....	612
FIGURE 8-36. CLEARSKY (TELEMATICS) INSTALLATION - CANBUS 4G (ALL SPECS EXCEPT CHINA SPECS) .....	614
FIGURE 8-37. CLEARSKY (TELEMATICS) INSTALLATION - CANBUS 4G (CHINA SPECS).....	616
FIGURE 8-38. CLEARSKY (TELEMATICS) INSTALLATION - CANBUS 3G (ANSI EXPORT, CE, JAPANESE & UK CA SPECS) .....	618
FIGURE 8-39. CLEARSKY (TELEMATICS) INSTALLATION - CANBUS 3G (AUSTRALIAN SPECS).....	620
FIGURE 8-40. CLEARSKY (TELEMATICS) INSTALLATION - 3 WIRE GT1030.....	622
FIGURE 8-41. CLEARSKY HARNESS - CANBUS .....	624
FIGURE 8-42. ENGINE HARNESS - DEUTZ D2011 .....	626

# TABLE OF CONTENTS

FIGURE 8-43. ENGINE HARNESS - DEUTZ D2.9L4 .....	628
FIGURE 8-44. ENGINE HARNESS - DEUTZ D2.9L4 (STAGE V).....	632
FIGURE 8-45. ENGINE HARNESS - DEUTZ D2.9L4 (CHINA IV) .....	636
FIGURE 8-46. ENGINE HARNESS - KUBOTA .....	640
FIGURE 8-47. FUEL HARNESS - DEUTZ D2.9L4 ENGINE .....	642
FIGURE 8-48. FUEL HARNESS - KUBOTA ENGINE .....	644
FIGURE 8-49. GENERATOR HARNESS - 2500W.....	646
FIGURE 8-50. GENERATOR HARNESS - 4000W.....	648
FIGURE 8-51. GROUND CONTROL BOX HARNESS.....	650
FIGURE 8-52. INTERFACE HARNESS - WITH 1 CELL LSS .....	652
FIGURE 8-53. PLATFORM CONSOLE BOX HARNESS .....	654
FIGURE 8-54. RECEPTACLE BOX KIT - 110V IEC YELLOW (CE & UK CA SPEC) .....	656
FIGURE 8-55. RECEPTACLE BOX KIT - 220V IEC BLUE (CE & UK CA SPEC).....	658
FIGURE 8-56. RECEPTACLE BOX KIT - 220V CEE7 POST GROUND 2IN X 4IN (CE & UK CA SPEC).....	660
FIGURE 8-57. RECEPTACLE BOX KIT - 220V CEE7 SIDE GROUND 2IN X 4IN (CE & UK CA SPEC) .....	662
FIGURE 8-58. RECEPTACLE BOX KIT - 220V AFSINT 107 (CE & UK CA SPEC).....	664
FIGURE 8-59. TURNTABLE HARNESS .....	666
FIGURE 8-60. VALVE HARNESS - MAIN VALVE.....	670
FIGURE 8-61. SKYLINE HARNESS.....	672
FIGURE 8-62. SKYEYE INTERMEDIATE HARNESS.....	674
FIGURE 8-63. SKYEYE RECEIVER HARNESS .....	676
FIGURE 8-64. SKYEYE EMITTER HARNESS.....	678
SECTION 9 - DECAL .....	681
FIGURE 9-1. DECAL INSTALLATION - ANSI, ANSI EXPORT AND CSA SPECS - ENGLISH (400S).....	682
FIGURE 9-2. DECAL INSTALLATION - ANSI, ANSI EXPORT AND CSA SPECS - ENGLISH (460SJ).....	684
FIGURE 9-3. DECAL INSTALLATION - AUSTRALIAN SPEC (460SJ).....	686
FIGURE 9-4. DECAL INSTALLATION - CE & UK CA SPEC (460SJ).....	688
FIGURE 9-5. INSTALLATION - BRAZIL SPEC (DUAL LANGUAGE - PORTUGUESE/SPANISH) (400S).....	690
FIGURE 9-6. DECAL INSTALLATION - BRAZIL SPEC (DUAL LANGUAGE - PORTUGUESE/SPANISH) (460SJ).....	692
FIGURE 9-7. DECAL INSTALLATION - CHINESE SPEC (DUAL LANGUAGE - ENGLISH/CHINESE) (400S).....	694
FIGURE 9-8. DECAL INSTALLATION - CHINESE SPEC (DUAL LANGUAGE - ENGLISH/CHINESE) (460SJ).....	696
FIGURE 9-9. DECAL INSTALLATION - CSA SPEC (DUAL LANGUAGE - ENGLISH/FRENCH) (400S) .....	698
FIGURE 9-10. DECAL INSTALLATION - CSA SPEC (DUAL LANGUAGE - ENGLISH/FRENCH) (460SJ) .....	700
FIGURE 9-11. DECAL INSTALLATION - JAPANESE SPEC (DUAL LANGUAGE - ENGLISH/JAPANESE) (400S) .....	702
FIGURE 9-12. DECAL INSTALLATION - JAPANESE SPEC (DUAL LANGUAGE - ENGLISH/JAPANESE) (460SJ) .....	704
FIGURE 9-13. DECAL INSTALLATION - KOREAN SPEC (DUAL LANGUAGE - ENGLISH/KOREAN) (400S) .....	706
FIGURE 9-14. DECAL INSTALLATION - KOREAN SPEC (DUAL LANGUAGE - ENGLISH/KOREAN) (460SJ) .....	708
FIGURE 9-15. DECAL INSTALLATION - LATIN AMERICAN SPEC (DUAL LANGUAGE - ENGLISH/SPANISH) (400S).....	710
FIGURE 9-16. DECAL INSTALLATION - LATIN AMERICAN SPEC (DUAL LANGUAGE - ENGLISH/SPANISH) (460SJ).....	712
FIGURE 9-17. DECAL INSTALLATION - OPTIONS .....	714
FIGURE 9-18. SKYWELDER DECAL INSTALLATION - 50HZ .....	718
FIGURE 9-19. SKYWELDER DECAL INSTALLATION - 60HZ .....	720
SECTION 10 - RECOMMENDED SERVICE PARTS STOCK .....	723
FIGURE 10-1. RECOMMENDED SERVICE PARTS STOCK .....	724

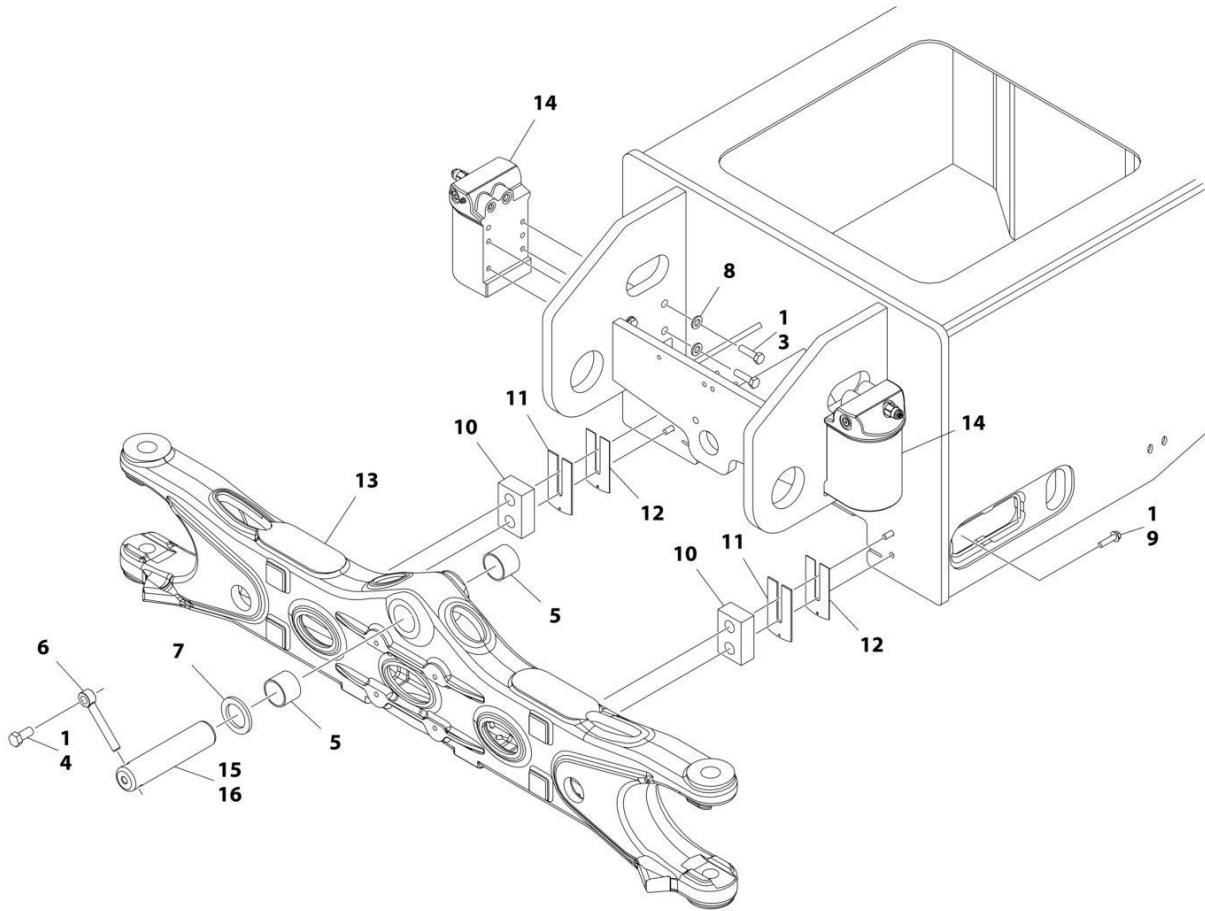
# TABLE OF CONTENTS

SECTION 11 - SPECIAL OPTIONS/ACCESSORIES/KITS.....	727
FIGURE 11-1. SPECIAL OPTIONS/ACCESSORIES/KITS.....	728
PART NUMBER INDEX.....	733

**SECTION 1 - FRAME**

# SECTION 1 - FRAME

## FIGURE 1-1. AXLE INSTALLATION



ART\_1001164094

## SECTION 1 - FRAME

### FIGURE 1-1. AXLE INSTALLATION

ITEM	PART NUMBER	QTY	DESCRIPTION	REV
	1001164094	Ref	AXLE INSTALLATION	C
1	0100011	AR	Compound, Locking	
3	0701217	8	Bolt M12 x 45	
4	0761615	1	Bolt M16 x 35	
5	0961950	2	Bearing	
6	3841258	1	Keeper, Pin	
7	4740158	1	Washer	
8	5241200	8	Washer M12	
9	5251016	4	Bolt M10 x 40	
10	1001166563	2	Pad, Wear	
11	1001150324	2	Shim, 3	
12	1001150326	2	Shim, 1.2	
13	1001162995	1	Axle	
14	1001163580	2	Axle Lockout Cylinder Assembly (See Separate Breakdown in CYLINDER SECTION)	
15	1001164552	1	Pin	
16	3020039	AR	Lube	





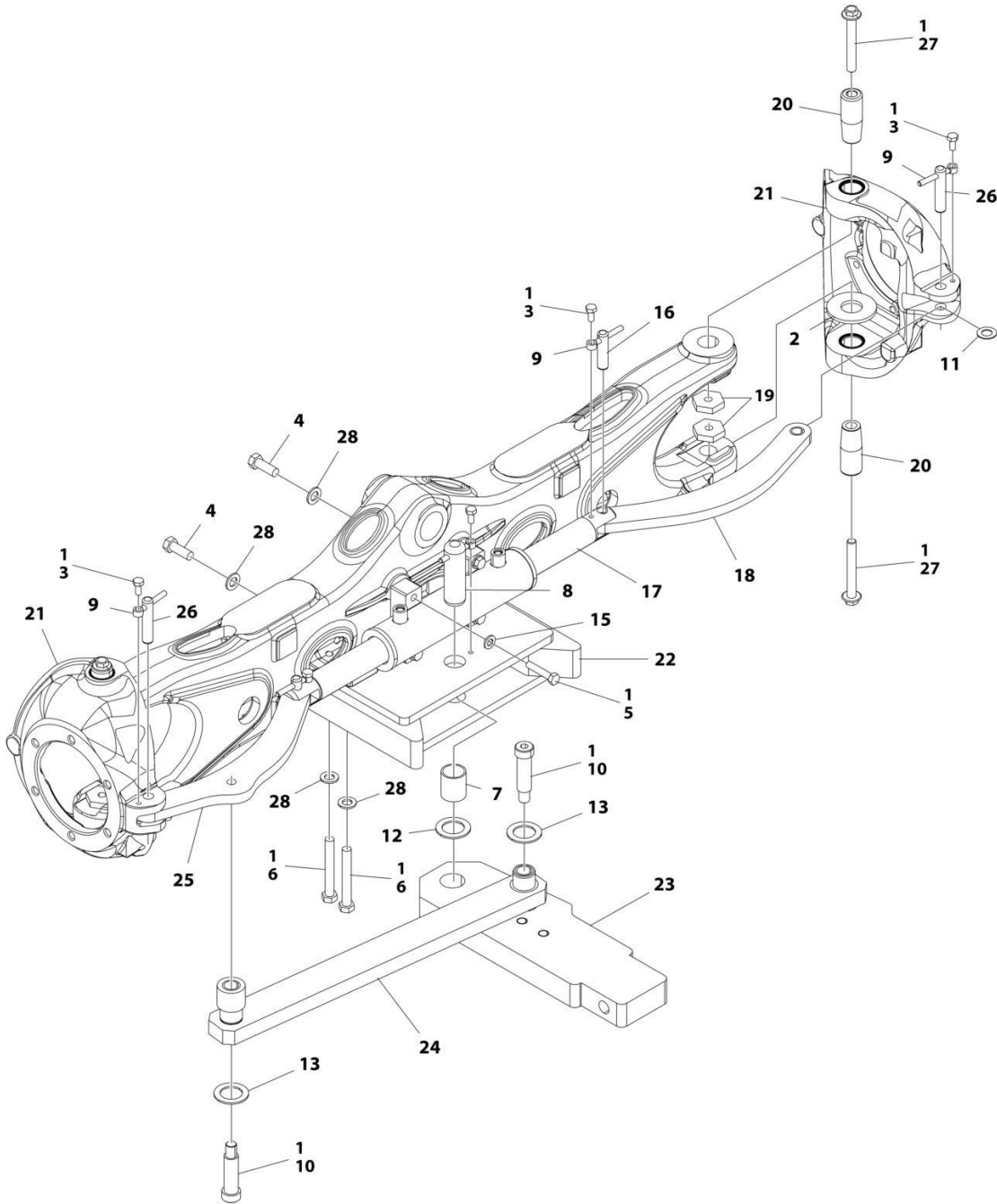
## SECTION 1 - FRAME

**FIGURE 1-2. STEER INSTALLATION WITHOUT TOW PACKAGE**

ITEM	PART NUMBER	QTY	DESCRIPTION	REV
	1001164092	Ref	STEER INSTALLATION WITHOUT TOW PACKAGE	F
1	0100011	AR	Compound, Locking	
2	1001233139	2	Bearing, Thrust	
3	0761011	4	Bolt M10 x 22	
4	0711220	4	Bolt M12 x 60 Grade 10.9	
5	1001190368	4	Bolt M16 x 120	
6	3841143	4	Keeper, Pin	
7	4740086	4	Washer	
8	5241200	4	Washer M12	
10	1001163178	1	Steer Cylinder Assembly (See Separate Breakdown in CYLINDER SECTION)	
11	1001163179	2	Link	
11	1001164209	4	Bearing (2 Per Link)	
12	1001176848	4	Nut M16	
13	1001163405	4	Kingpin	
14	1001163715	2	Spindle	
14	0961948	4	Bearing (2 Per Spindle)	
14	1001163716	8	Seal (4 Per Spindle)	
15	3423304	4	Pin	

# SECTION 1 - FRAME

## FIGURE 1-3. STEER INSTALLATION WITH TOW PACKAGE



ART\_1001164095

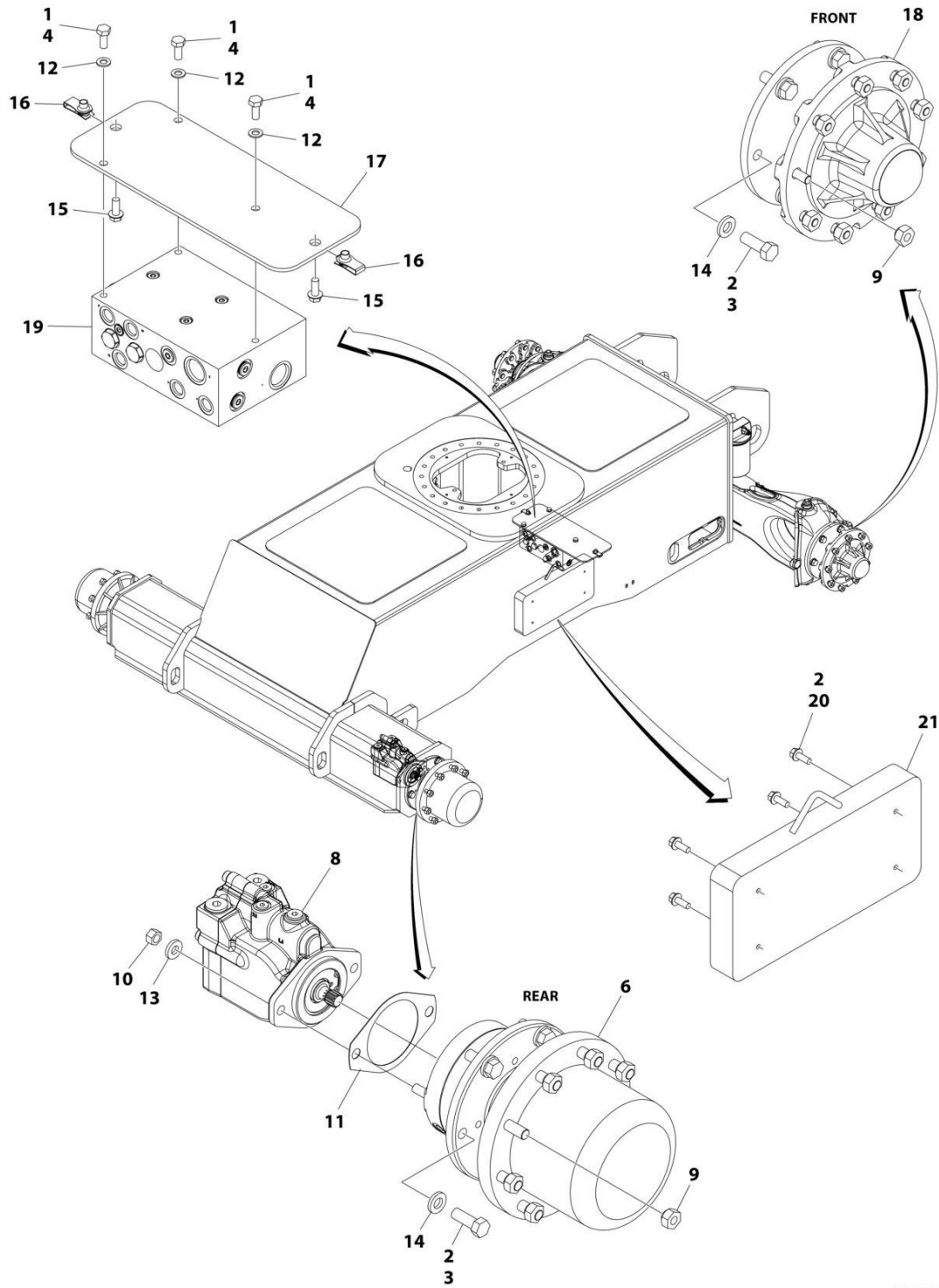
## SECTION 1 - FRAME

### FIGURE 1-3. STEER INSTALLATION WITH TOW PACKAGE

ITEM	PART NUMBER	QTY	DESCRIPTION	REV
	1001164095	Ref	STEER INSTALLATION WITH TOW PACKAGE	D
1	0100011	AR	Compound, Locking	
2	0440271	2	Bearing, Thrust	
3	0761011	5	Bolt M10 x 22	
4	0701617	2	Bolt M16 x 45	
5	0711220	4	Bolt M12 x 60 Grade 10.9	
6	0711629	4	Bolt M16 x 120	
7	0962348	1	Bearing	
8	3422848	1	Pin	
9	3841143	5	Keeper, Pin	
10	3900295	2	Bolt 1 X 3	
11	4740086	4	Washer	
12	4740155	1	Washer	
13	4740491	2	Washer	
15	5241200	4	Washer M12	
16	1001139586	2	Pin	
17	1001163178	1	Steer Cylinder Assembly (See Separate Breakdown in CYLINDER SECTION)	
18	1001163179	1	Link	
18	1001164209	2	Bearing	
19	1001176848	4	Nut M16	
20	1001163405	4	Kingpin	
21	1001163715	2	Spindle	
21	0961948	4	Bearing (2 per Spindle)	
21	1001163716	8	Seal (4 per Spindle)	
22	1001163717	1	Bracket, Tow	
23	1001163722	1	Plate	
24	1001163724	1	Link	
24	0962292	4	Bearing	
25	1001163726	1	Link	
25	1001164209	2	Bearing	
26	3423304	2	Pin	
27	1001190368	4	Bolt M16 x 120	
28	5241600	6	Washer M16	

# SECTION 1 - FRAME

## FIGURE 1-4. WHEEL DRIVE INSTALLATION (2WD)



ART\_1001214162

## SECTION 1 - FRAME

**FIGURE 1-4. WHEEL DRIVE INSTALLATION (2WD)**

ITEM	PART NUMBER	QTY	DESCRIPTION	REV
	1001214162	Ref	WHEEL DRIVE INSTALLATION (2WD)	D
1	0100011	AR	Compound, Locking	
2	0100019	AR	Compound, Locking	
3	0682014	24	Bolt, 5/8 x 1-3/4 (Grade 8)	
4	0761012	3	Bolt, M10 x 25	
6	2780267	2	Drive Hub Assembly - Rear (See Separate Breakdown in this Section)	
8	3160351	2	Drive Motor Assembly (See Separate Breakdown in this Section)	
9	3300106	36	Lugnut	
10	3311801	4	Nut, 1/2	
11	3960526	2	Gasket, Brake	
12	4812000	3	Washer, M10	
13	4891800	4	Washer, 1/2	
14	4892000	24	Washer, 5/8	
15	5251012	2	Bolt, M10 x 25	
16	1001118972	2	Nut, M10 x 1.5	
17	1001163959	1	Plate, Mounting	
18	1001214174	2	Hub Spindle Assembly - Front (See Separate Breakdown in this Section)	
19	1001214317	1	Traction Valve Assembly - 2WD (See Separate Breakdown in this Section)	
20	0811608	8	Bolt 3/8 x 1	
21	1001215509	2	Weight	



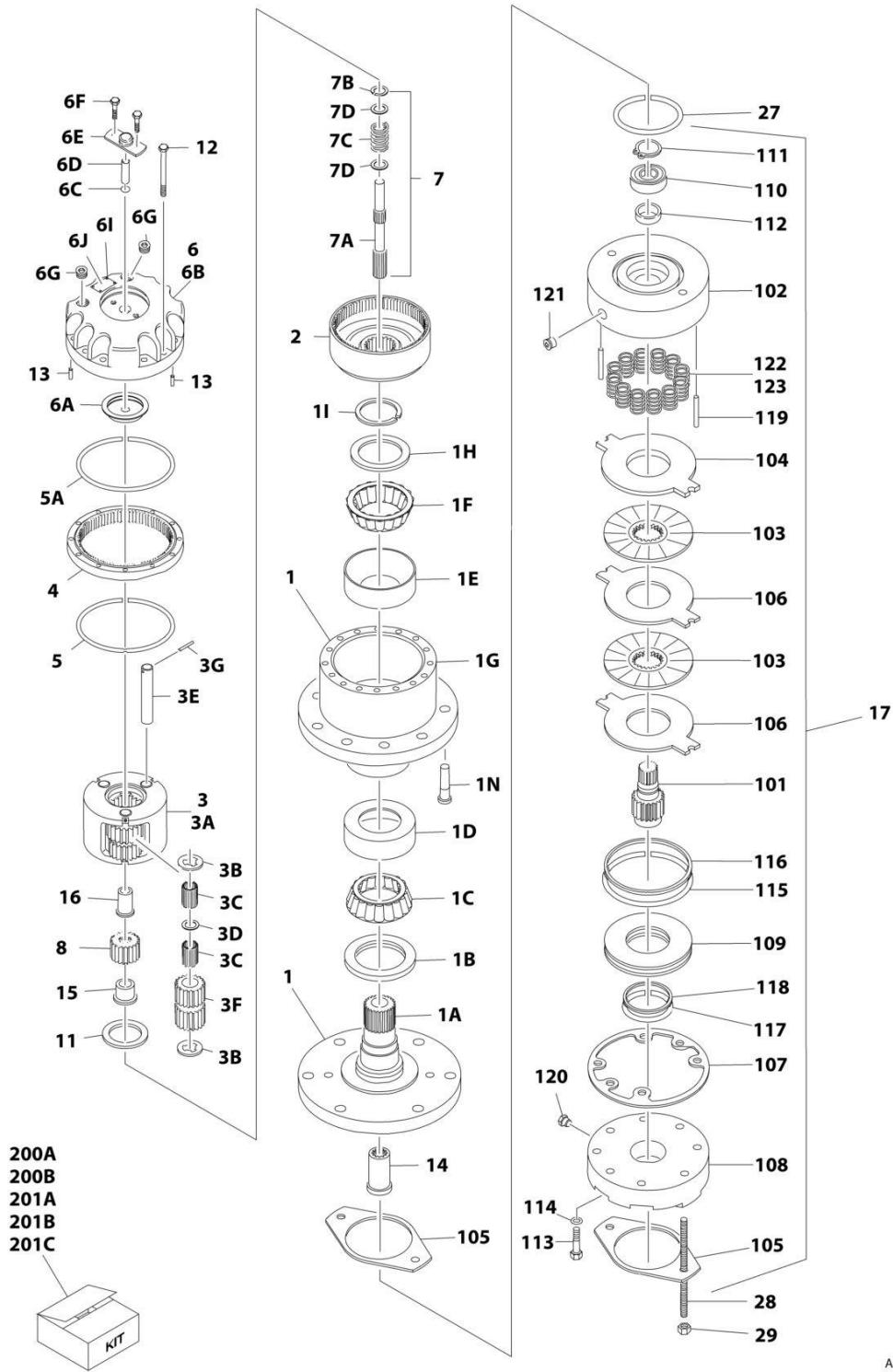
## SECTION 1 - FRAME

**FIGURE 1-5. WHEEL DRIVE INSTALLATION (4WD)**

ITEM	PART NUMBER	QTY	DESCRIPTION	REV
	1001285010	Ref	WHEEL DRIVE INSTALLATION (4WD)	A
1	0100011	AR	Compound, Locking	
2	0100019	AR	Compound, Locking	
3	0681810	4	Bolt 1/2 x 1-1/4 (Grade 8)	
4	0682014	24	Bolt 5/8 x 1-3/4 (Grade 8)	
5	0761012	3	Bolt M10 x 25	
6	2780267	2	Drive Hub Assembly - Rear (See Separate Breakdown in this Section)	
7	2780268	2	Drive Hub Assembly - Front (See Separate Breakdown in this Section)	
8	3300106	36	Lugnut	
9	3311801	4	Nut 1/2	
10	3960526	4	Gasket, Brake	
11	4812000	3	Washer M10	
12	4891800	8	Washer 1/2	
13	4892000	24	Washer 5/8	
14	5251012	2	Bolt M10 x 25	
15	1001118972	2	Nut M10	
16	1001162537	1	Traction Valve Assembly (See Separate Breakdown in this Section)	
17	1001163959	1	Plate, Mounting	
18	1001278022	4	Drive Motor Assembly (See Separate Breakdown in this Section)	

# SECTION 1 - FRAME

## FIGURE 1-6. DRIVE HUB AND BRAKE ASSEMBLY - REAR



ART\_2780267



# SECTION 1 - FRAME

## FIGURE 1-6. DRIVE HUB AND BRAKE ASSEMBLY - REAR

ITEM	PART NUMBER	QTY	DESCRIPTION	REV
	2780267	Ref	DRIVE HUB AND BRAKE ASSEMBLY - REAR	I
1	See Note	1	Spindle/Housing Assembly (Note: Purchase Individual Components)	
1A	7017059	1	Spindle	
1B	7001998	1	Seal	
1C	7010429	1	Cone, Bearing (Includes Item 1D)	
1D	7010429	1	Cup, Bearing (Includes Item 1C)	
1E	7000257	1	Cup, Bearing	
1F	7000258	1	Cone, Bearing	
1G	7007601	1	Housing/Ring Gear	
1H	7000232	1	Washer, Thrust	
1I	7000229	1	Ring, Retaining	
1N	7007640	9	Stud, Wheel	
2	7000246	1	Gear, Internal	
3	7024712	1	Carrier Assembly	
3A	See Note	1	Carrier (Note: Use Item 3)	
3B	See Note	6	Ring, Retaining (Note: Use Item 3)	
3C	See Note	AR	Bearing, Needle (Note: Use Item 3)	
3D	See Note	3	Washer, Thrust (Note: Use Item 3)	
3E	See Note	3	Shaft, Planet (Note: Use Item 3)	
3F	See Note	3	Gear, Planet (Note: Use Item 3)	
3G	See Note	3	Roll Pin (Note: Use Item 3)	
4	7000248	1	Ring Gear	
5	7000230	1	O-Ring	
5A	7017070	1	O-Ring	
6	70001349	1	Cover Assembly Kit	
6A	See Note	1	Spacer, Thrust (Note: Use Item 6)	
6B	See Note	1	Plate, Cover (Note: Use Item 6)	
6C	See Note	1	O-Ring (Note: Use Item 6)	
6D	See Note	1	Rod, Disconnect (Note: Use Item 6)	
6E	See Note	1	Cap, Disengage (Note: Use Item 6)	
6F	See Note	2	Bolt (Note: Use Item 6)	
6G	See Note	1	Plug, Pipe (Note: Use Item 6)	
6I	See Note	4	Rivet (Note: Not Available for Purchase)	
6J	See Note	1	Plate, ID (Note: Not Available for Purchase)	
7		Ref	Input Shaft Assembly	
7A	7024714	1	Shaft	
7B	7000261	1	Ring, Retaining	
7C	7000262	1	Spring	
7D	7000263	2	Spacer, Thrust	
8	7024713	1	Gear, Sun	
11	7000253	1	Washer, Thrust	
12	7017067	12	Bolt	
13	7017080	4	Pin, Dowel	
14	7000206	1	Coupling	
15	7024715	1	Spacer, Input	
16	7024716	1	Spacer, Input	
17	7024182	1	Brake Assembly (See Items 101-123 for Breakdown)	
27	7024705	1	O-Ring	
28	7024717	2	Rod, Threaded	

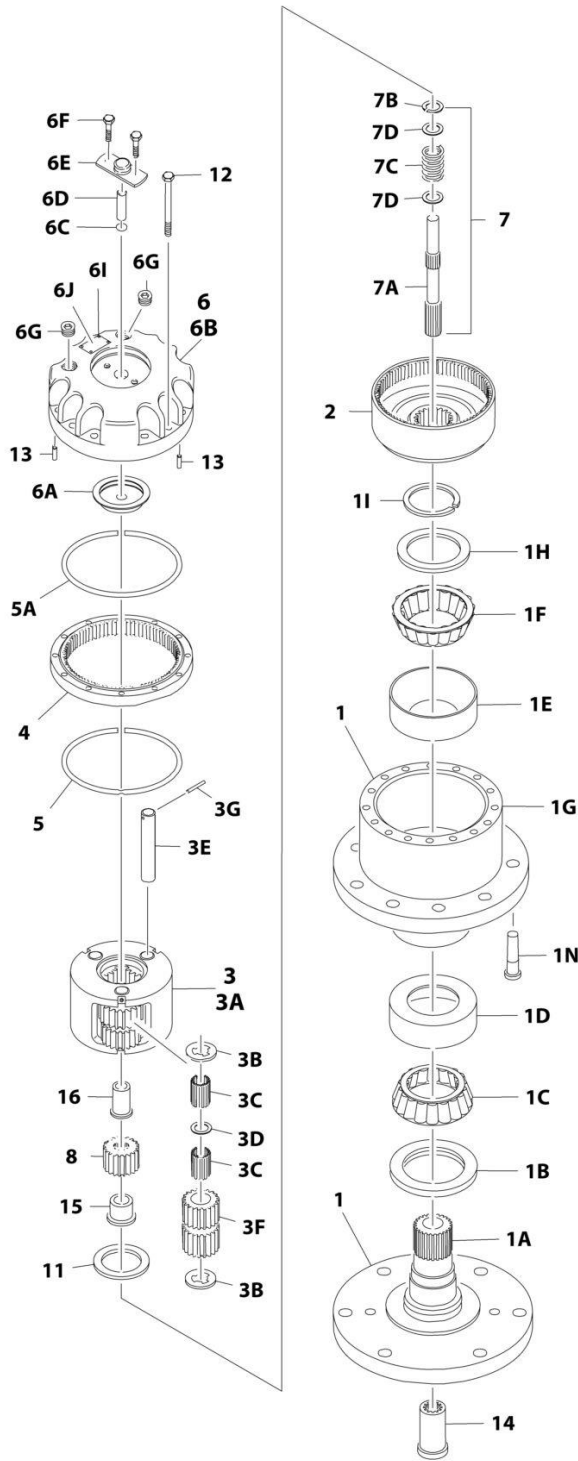
## SECTION 1 - FRAME

ITEM	PART NUMBER	QTY	DESCRIPTION	REV
29	7024718	2	Nut 1/2in-13NC	
	7024182	Ref	BRAKE ASSEMBLY	
101	7024189	1	Shaft	
102	See Note	1	Housing (Note: Use Item 17)	
103	See Note	2	Plate, Friction (Note: Use Item 201B)	
104	See Note	1	Plate, Pressure (Note: Use Item 201B)	
105	7000731	2	Gasket	
106	See Note	2	Plate, Outer (Note: Use Item 201B)	
107	See Note	1	Gasket (Note: Use Item 200A, 201B or 201C)	
108	7024191	1	Cylinder	
109	7024192	1	Piston	
110	See Note	1	Bearing, Ball (Note: Use Item 201C)	
111	See Note	1	Ring, Retaining (Note: Use Item 201C)	
112	See Note	1	Seal, Shaft (Note: Use Item 201C)	
113	See Note	6	Capscrew (Note: Use Item 17)	
114	See Note	6	Lockwasher (Note: Use Item 17)	
115	See Note	1	O-Ring (Note: Use Item 200B)	
116	See Note	1	Ring, Back-up (Note: Use Item 200B)	
117	See Note	1	O-Ring (Note: Use Item 200B)	
118	See Note	1	Ring, Back-up (Note: Use Item 200B)	
119	7024190	2	Pin, Dowel	
120	See Note	1	Plug (Note: Use Item 17)	
121	See Note	2	Plug (Note: Use Item 17)	
122	See Note	12	Spring Kit (Natural) (Note: Use Item 201A)	
123	See Note	2	Spring Kit (Blue) (Note: Use Item 201A)	
		Ref	Kit Options	
200		Ref	Seal Kit Options:	
200A	See Note	1	Hub Seal Kit (Note: Purchase Individual Components)	
200B	7024194	1	Brake Seal Kit (Includes Items 105, 107 & 115-118)	
201		Ref	Repair Kit Options:	
201A	7024196	1	Brake Spring Kit (Includes 12 Natural Colored and 2 Blue Colored Springs Items 122 & 123)	
201B	7024193	1	Brake Friction Disc Kit (Includes Items 103, 104, 106 & 107)	
201C	7024197	1	Brake Bearing Kit (Includes Items 107 & 110-112)	



# SECTION 1 - FRAME

## FIGURE 1-7. DRIVE HUB ASSEMBLY - FRONT



ART\_2780268

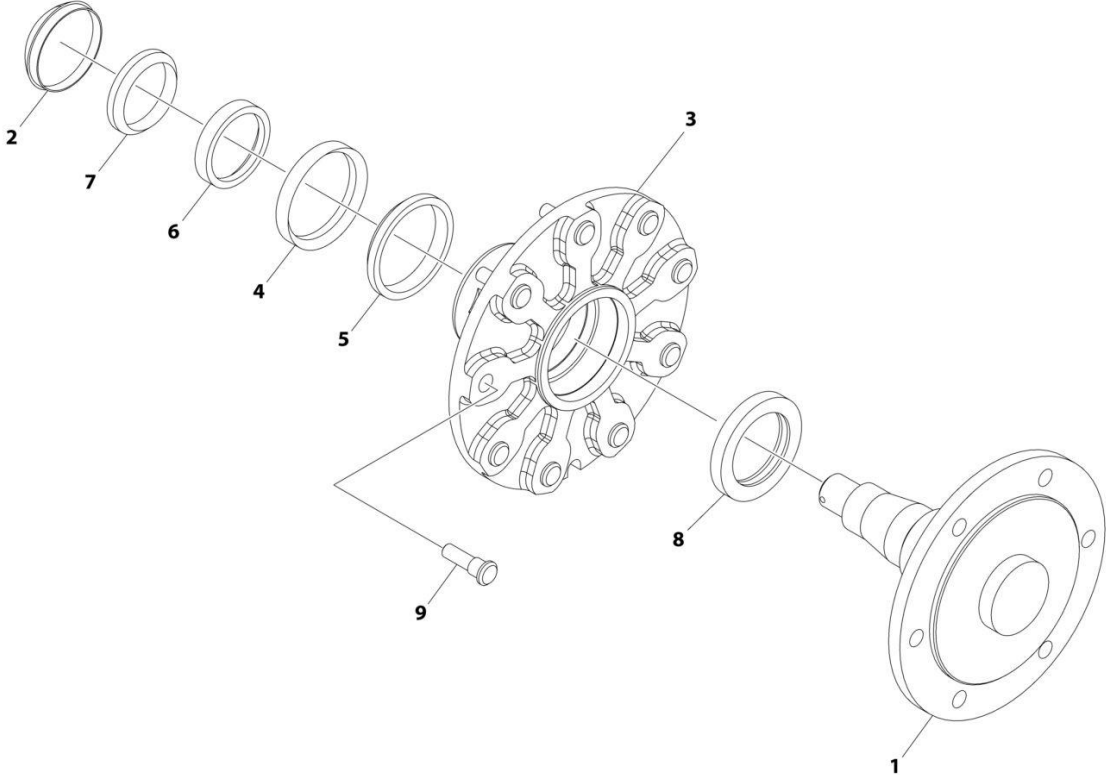
# SECTION 1 - FRAME

## FIGURE 1-7. DRIVE HUB ASSEMBLY - FRONT

ITEM	PART NUMBER	QTY	DESCRIPTION	REV
	2780268	Ref	DRIVE HUB ASSEMBLY - FRONT	F
1	See Note	1	Spindle/Housing Assembly (Note: Purchase Individual Components)	
1A	7017059	1	Spindle	
1B	7001998	1	Seal	
1C	7010429	1	Cone, Bearing (Includes Item 1D)	
1D	7010429	1	Cup, Bearing (Includes Item 1C)	
1E	7000257	1	Cup, Bearing	
1F	7000258	1	Cone, Bearing	
1G	7007601	1	Housing/Ring Gear	
1H	7000232	1	Washer, Thrust	
1I	7000229	1	Ring, Retaining	
1N	7007640	9	Stud, Wheel	
2	7000246	1	Gear, Internal	
3	7024712	1	Carrier Assembly	
3A	See Note	1	Carrier (Note: Use Item 3)	
3B	See Note	6	Ring, Retaining (Note: Use Item 3)	
3C	See Note	AR	Bearing, Needle (Note: Use Item 3)	
3D	See Note	3	Washer, Thrust (Note: Use Item 3)	
3E	See Note	3	Shaft, Planet (Note: Use Item 3)	
3F	See Note	3	Gear, Planet (Note: Use Item 3)	
3G	See Note	3	Roll Pin (Note: Use Item 3)	
4	7000248	1	Ring Gear	
5	7000230	1	O-Ring	
5A	7017070	1	O-Ring	
6	70001349	1	Cover Assembly Kit	
6A	See Note	1	Spacer, Thrust (Note: Use Item 6)	
6B	See Note	1	Plate, Cover (Note: Use Item 6)	
6C	See Note	1	O-Ring (Note: Use Item 6)	
6D	See Note	1	Rod, Disconnect (Note: Use Item 6)	
6E	See Note	1	Cap, Disengage (Note: Use Item 6)	
6F	See Note	2	Bolt (Note: Use Item 6)	
6G	See Note	1	Plug, Pipe (Note: Use Item 6)	
6I	See Note	4	Rivet (Note: Not Available for Purchase)	
6J	See Note	1	Plate, ID (Note: Not Available for Purchase)	
7		Ref	Input Shaft Assembly	
7A	7024714	1	Shaft	
7B	7000261	1	Ring, Retaining	
7C	7000262	1	Spring	
7D	7000263	2	Spacer, Thrust	
8	7024713	1	Gear, Sun	
11	7000253	1	Washer, Thrust	
12	7017067	12	Bolt	
13	7017080	4	Pin, Dowel	
14	7000206	1	Coupling	
15	7024715	1	Spacer, Input	
16	7024716	1	Spacer, Input	

**SECTION 1 - FRAME**

**FIGURE 1-8. HUB - SPINDLE ASSEMBLY (2WD)**



ART\_1001214174

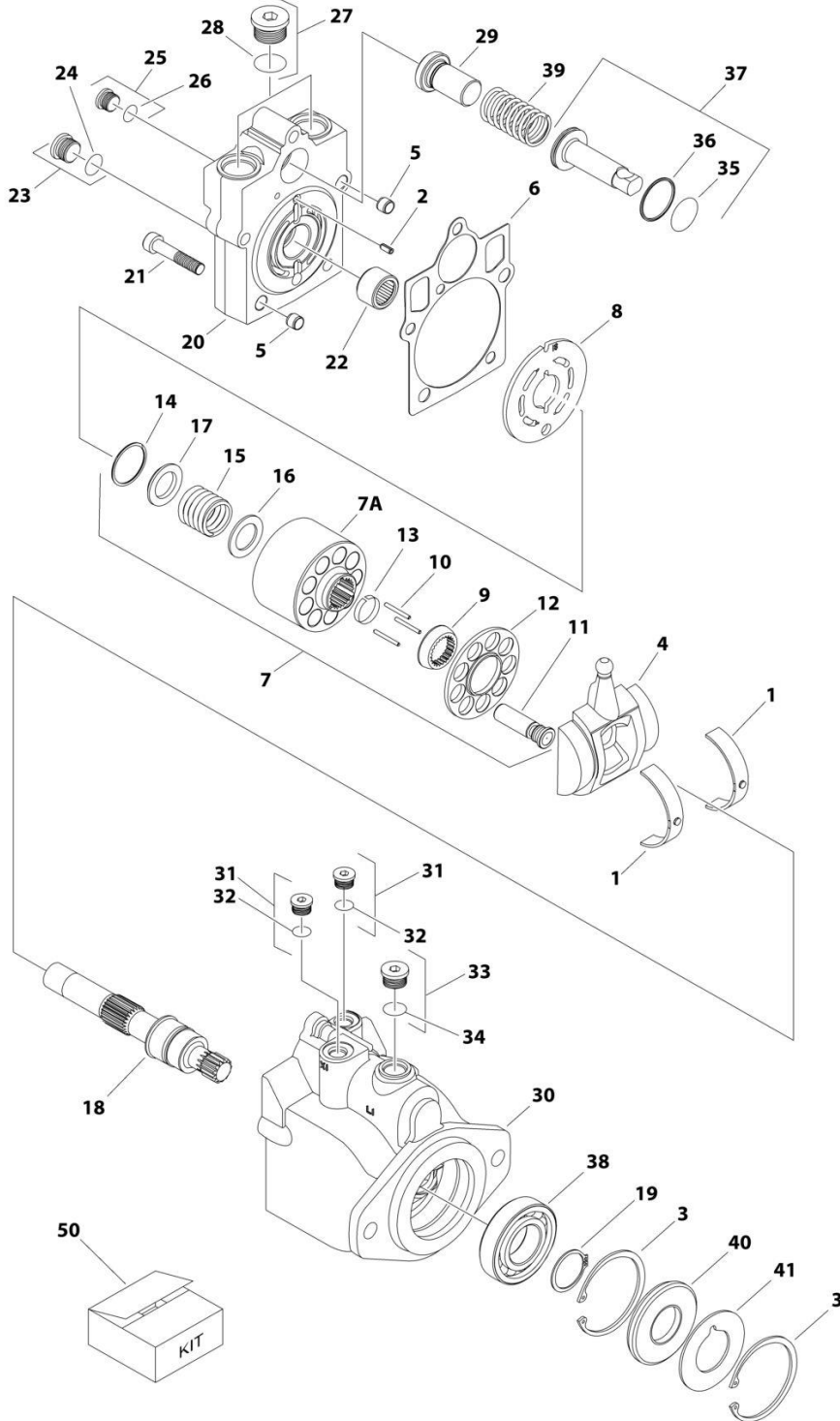
## SECTION 1 - FRAME

### FIGURE 1-8. HUB - SPINDLE ASSEMBLY (2WD)

ITEM	PART NUMBER	QTY	DESCRIPTION	REV
	1001214174	Ref	HUB - SPINDLE ASSEMBLY (2WD)	C
1	See Note	NSS	Spindle, Adapter (Note: Not Available for Purchase)	
2	7020033	1	Cap, Dust	
3	7020035	1	Hub, Casting	
4	7020036	1	Cup, Bearing	
5	7020037	1	Cone, Bearing	
6	7020038	1	Cup, Bearing	
7	7020039	1	Cone, Bearing	
8	7020040	1	Seal	
9	7020041	9	Stud	

# SECTION 1 - FRAME

## FIGURE 1-9. DRIVE MOTOR ASSEMBLY (2WD)



ART\_3160351



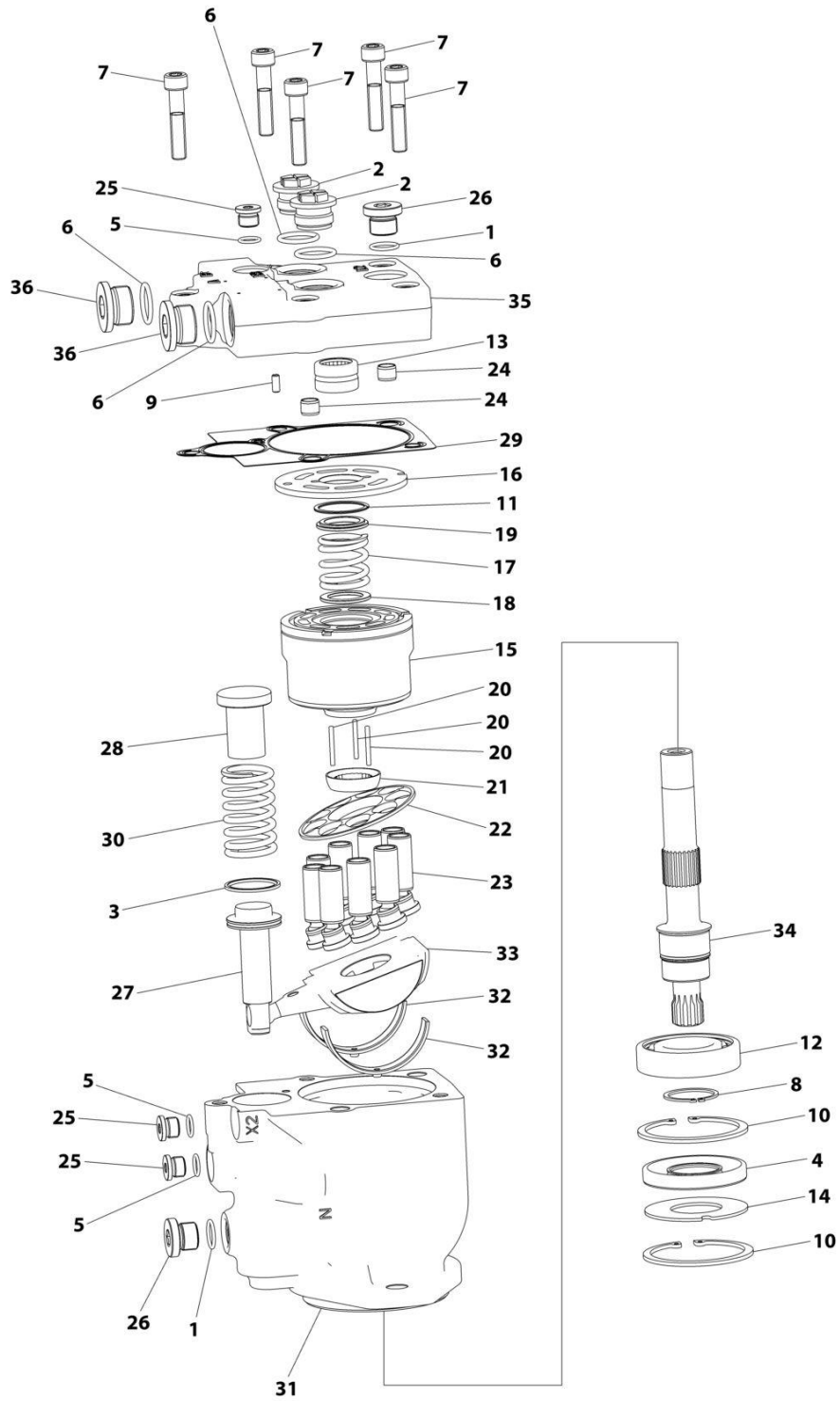
## SECTION 1 - FRAME

**FIGURE 1-9. DRIVE MOTOR ASSEMBLY (2WD)**

ITEM	PART NUMBER	QTY	DESCRIPTION	REV
	3160351	Ref	DRIVE MOTOR ASSEMBLY (2WD)	D
1	7022302	2	Bearing, Journal	
2	7007446	1	Pin	
3	7007438	2	Ring, Retaining	
4	7022305	1	Swashplate	
5	See Note	2	Pin (Note: Not Available for Purchase)	
6	7022328	1	Gasket	
7	7023907	1	Cylinder Block Kit (Includes Items 7A & 9-17)	
7A	7023907	1	Block, Cylinder	
8	7023908	1	Plate, Valve	
9	7021277	1	Guide, Slipper Retainer	
10	7021275	3	Pin, Slipper Hold Down	
11	7023907	9	Piston Assembly	
12	7021276	1	Retainer, Hold Down Pin	
13	7023907	1	Retainer, Slipper	
14	7022311	1	Ring, Retaining	
15	7022312	1	Spring	
16	7024868	1	Washer	
17	7022314	1	Retainer, Spring	
18	7023910	1	Shaft	
19	7007439	1	Ring, Retaining	
20	70000797	1	Cap, End - Axial	
21	7022368	5	Screw	
22	7021249	1	Bearing, Needle	
23	2220886	1	Plug (Includes Item 24)	
24	7022328	1	O-Ring	
25	2220883	1	Plug (Includes Item 26)	
26	7022328	1	O-Ring	
27	7027419	2	Plug (Includes Item 28)	
28	7022328	2	O-Ring	
29	7024853	1	Seat, Spring	
30	See Note	NSS	Housing (Note: Not Available for Purchase – Purchase complete motor)	
31	2220883	2	Plug (Includes Item 32)	
32	7022328	2	O-Ring	
33	2220886	1	Plug (Includes Item 34)	
34	7022328	1	O-Ring	
35	7022328	1	O-Ring	
36	7022328	1	Ring, Seal	
37	7024854	1	Piston, Servo (Includes Items 35 & 36)	
38	7007437	1	Bearing	
39	7022326	1	Spring	
40	7022328	1	Seal, Lip	
41	7022371	1	Washer, Support	
50	7022328	1	Seal Kit (Includes Items 6, 24, 26, 28, 32, 34, 35, 36 & 40)	

# SECTION 1 - FRAME

## FIGURE 1-10. DRIVE MOTOR ASSEMBLY (4WD)



ART\_1001278022

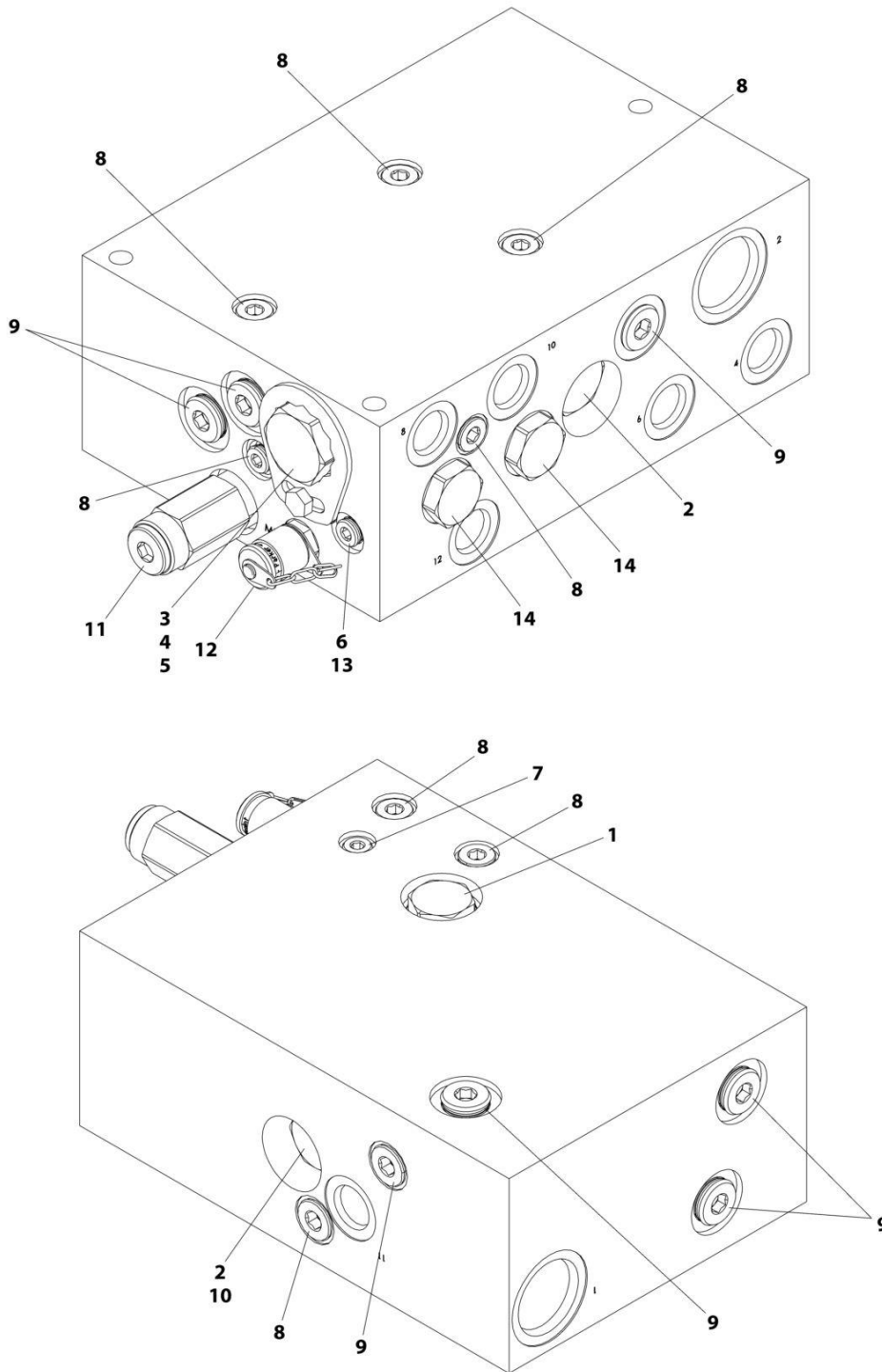
# SECTION 1 - FRAME

## FIGURE 1-10. DRIVE MOTOR ASSEMBLY (4WD)

ITEM	PART NUMBER	QTY	DESCRIPTION	REV
	1001278022	Ref	DRIVE MOTOR ASSEMBLY	B
1	70007847	2	O-Ring	
2	70007848	2	Plug	
3	70007849	1	Ring, Sealing	
4	70007850	1	Bearing	
5	70007851	3	O-Ring	
6	70007852	4	O-Ring	
7	70007853	5	Capscrew M10 x 50	
8	70007854	1	Circlip	
9	70007855	1	Pin	
10		Ref	Circlip	
11	70007856	1	Ring, Retaining	
12	70007857	1	Bearing	
13	70007858	1	Bearing	
14	70007859	1	Gasket	
15	70007860	1	Cylinder	
16	70007861	1	Plate, Valve	
17	70007862	1	Spring	
18	70007863	1	Gasket	
19	70007864	1	Gasket	
20	70007865	3	Pin	
21	70007866	1	Bushing	
22	70007867	1	Retainer	
23	70007868	9	Piston	
24	70007869	2	Pin	
25	70007870	3	Plug	
26	70007871	2	Plug	
27	70007872	1	Piston	
28	70007873	1	Seat, Spring	
29	70007874	1	Gasket	
30	70007875	1	Spring	
31	See Note	NSS	Housing (Note: Purchase Complete Assembly)	
32	70007876	2	Bushing	
33	70007877	1	Plate, Swash	
34	70007878	1	Shaft	
35	See Note	NSS	Cover (Note: Purchase Complete Assembly)	
36	See Note	Ref	Plug (Note: Shipping Use Only)	

# SECTION 1 - FRAME

## FIGURE 1-11. TRACTION VALVE ASSEMBLY (2WD)



ART\_1001214317

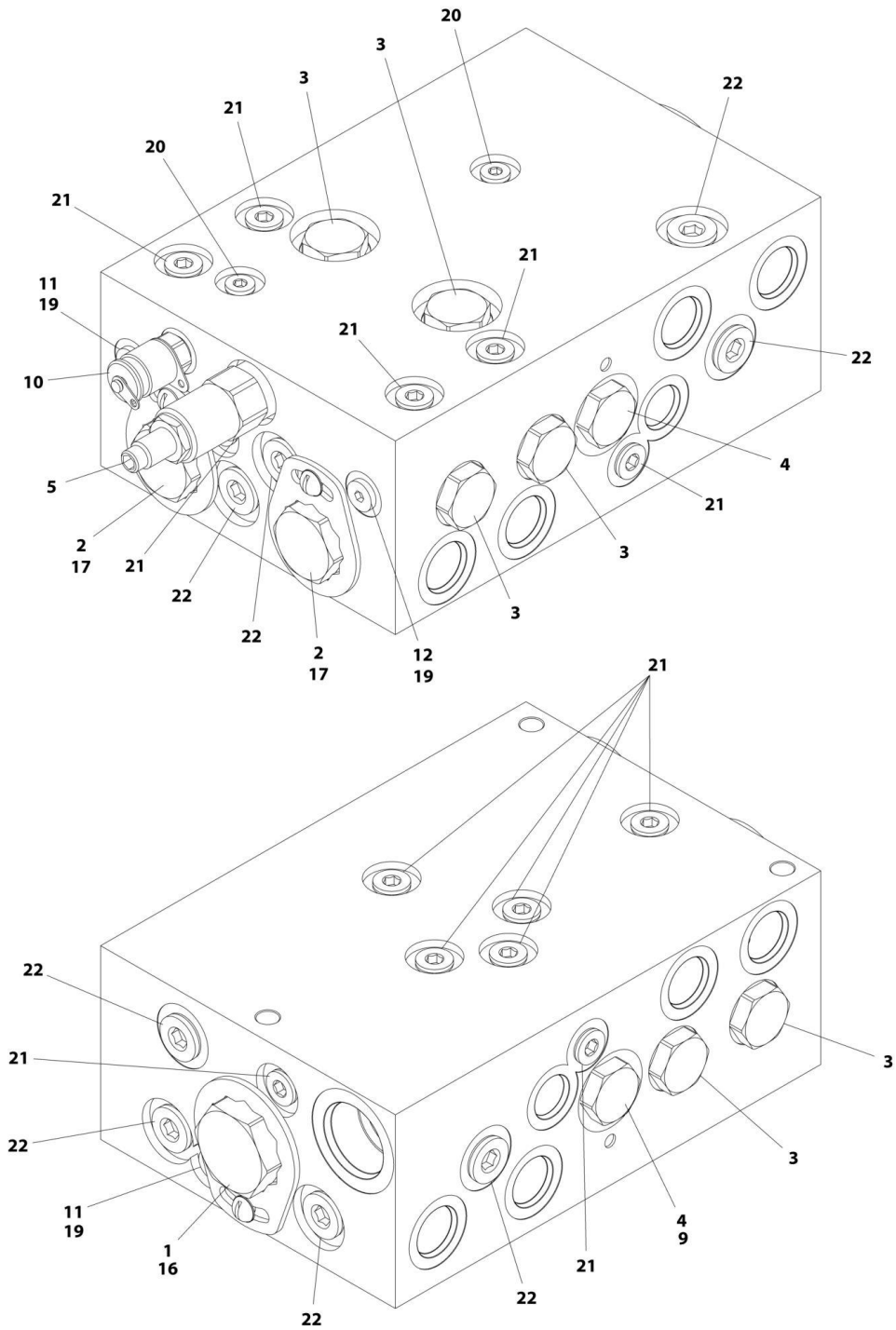
# SECTION 1 - FRAME

**FIGURE 1-11. TRACTION VALVE ASSEMBLY (2WD)**

ITEM	PART NUMBER	QTY	DESCRIPTION	REV
	1001214317	Ref	TRACTION VALVE ASSEMBLY (2WD)	D
1	7022397	1	Cartridge, Check Valve	
1	7022399	1	Seal Kit - 7022397 Valve	
2	70002390	2	Cartridge, Check Valve	
2	7022399	2	Seal Kit - 70002390 Valve	
3	70004885	1	Cartridge, Flow Divider Valve	
3	70004577	1	Seal Kit - 70004885 Valve	
4	70000781	1	Lockdown Kit	
5	70005827	1	Screw	
6	7024810	1	Orifice	
7	70005833	1	Plug #4	
8	70005830	8	Plug #6	
9	70005834	7	Plug	
10	7024881	1	Piston, Pilot	
11	70005831	1	Cartridge, Relief Valve	
11	7017496	1	Seal Kit - 70005831 Valve	
12	70005832	1	Fitting, Diagnostic	
13	2220883	1	Plug #4	
14	70026444	2	Cartridge, Check Valve	
14	7022399	2	Seal Kit - 70026444 Valve	

# SECTION 1 - FRAME

## FIGURE 1-12. TRACTION VALVE ASSEMBLY (4WD)



ART\_1001162537

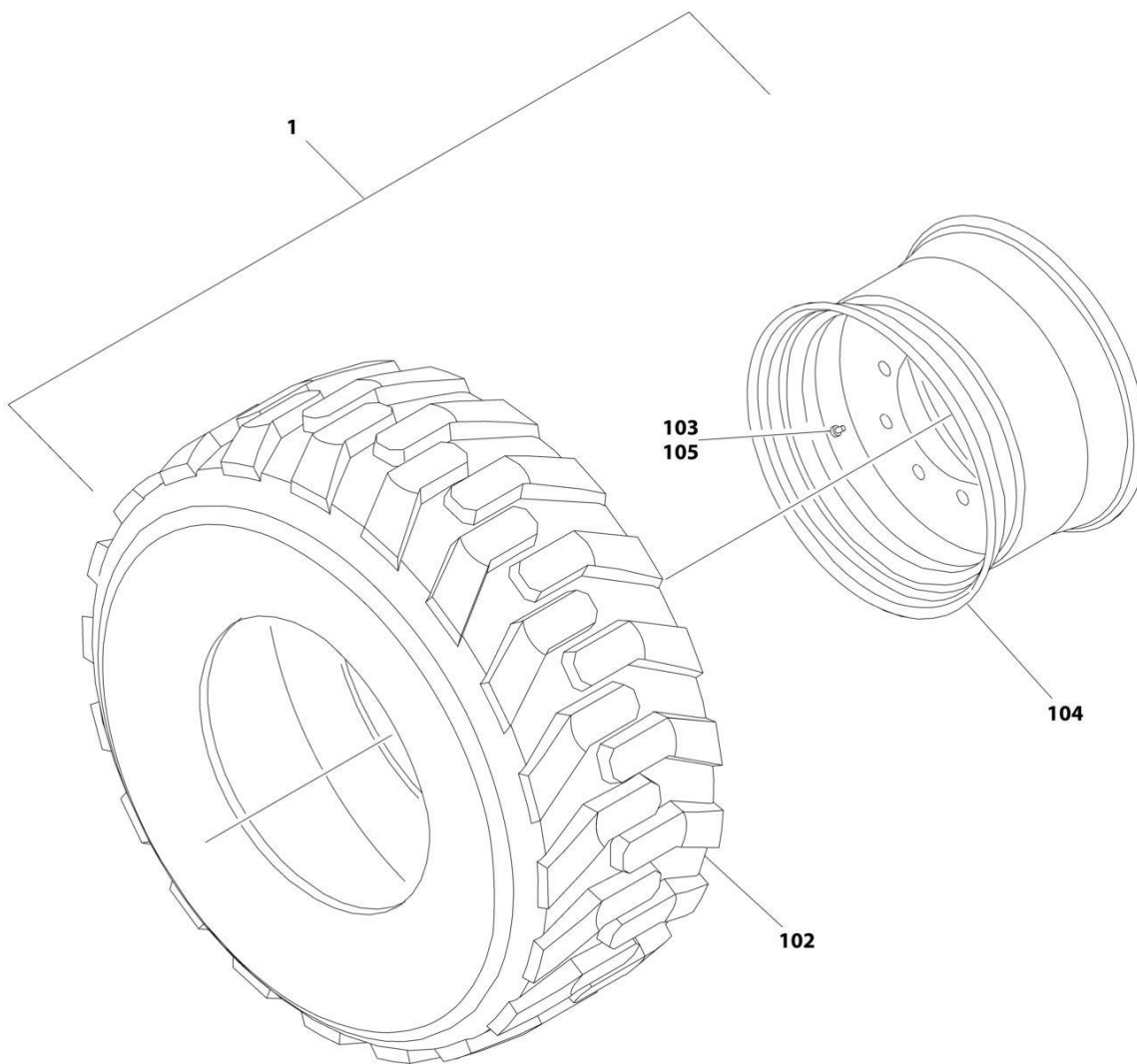
## SECTION 1 - FRAME

**FIGURE 1-12. TRACTION VALVE ASSEMBLY (4WD)**

ITEM	PART NUMBER	QTY	DESCRIPTION	REV
	1001162537	Ref	TRACTION VALVE ASSEMBLY (4WD)	E
1	70004017	1	Cartridge, Flow Divider Valve	
1	7021625	1	Seal Kit - 70004017 Valve	
2	70004885	2	Cartridge, Flow Divider Valve	
2	70004577	2	Seal Kit - 70004885 Valve	
3	7022397	6	Cartridge, Check Valve	
3	7022399	6	Seal Kit - 7022397 Valve	
4	7021639	2	Cartridge, Check Valve	
4	2900756	2	Seal Kit - 7021639 Valve	
5	70004886	1	Cartridge, Relief Valve	
5	7017496	1	Seal Kit - 70004886 Valve	
9	7024881	1	Piston, Pilot	
10	2221086	1	Fitting, Test Port	
11	70004884	2	Orifice	
12	70002209	1	Orifice	
16	70000781	1	Lockdown Kit	
17	70002962	2	Lockdown Kit	
19	2220883	3	Plug, #4	
20	See Note	NSS	Plug (Note: Not Available for Purchase)	
21	91164079	13	Plug	
22	91164057	8	Plug	

# SECTION 1 - FRAME

FIGURE 1-13. TIRE AND WHEEL INSTALLATION - 12 X 16.5 FOAM FILLED (AVAILABLE ON ALL SPECS)



ART\_0270092



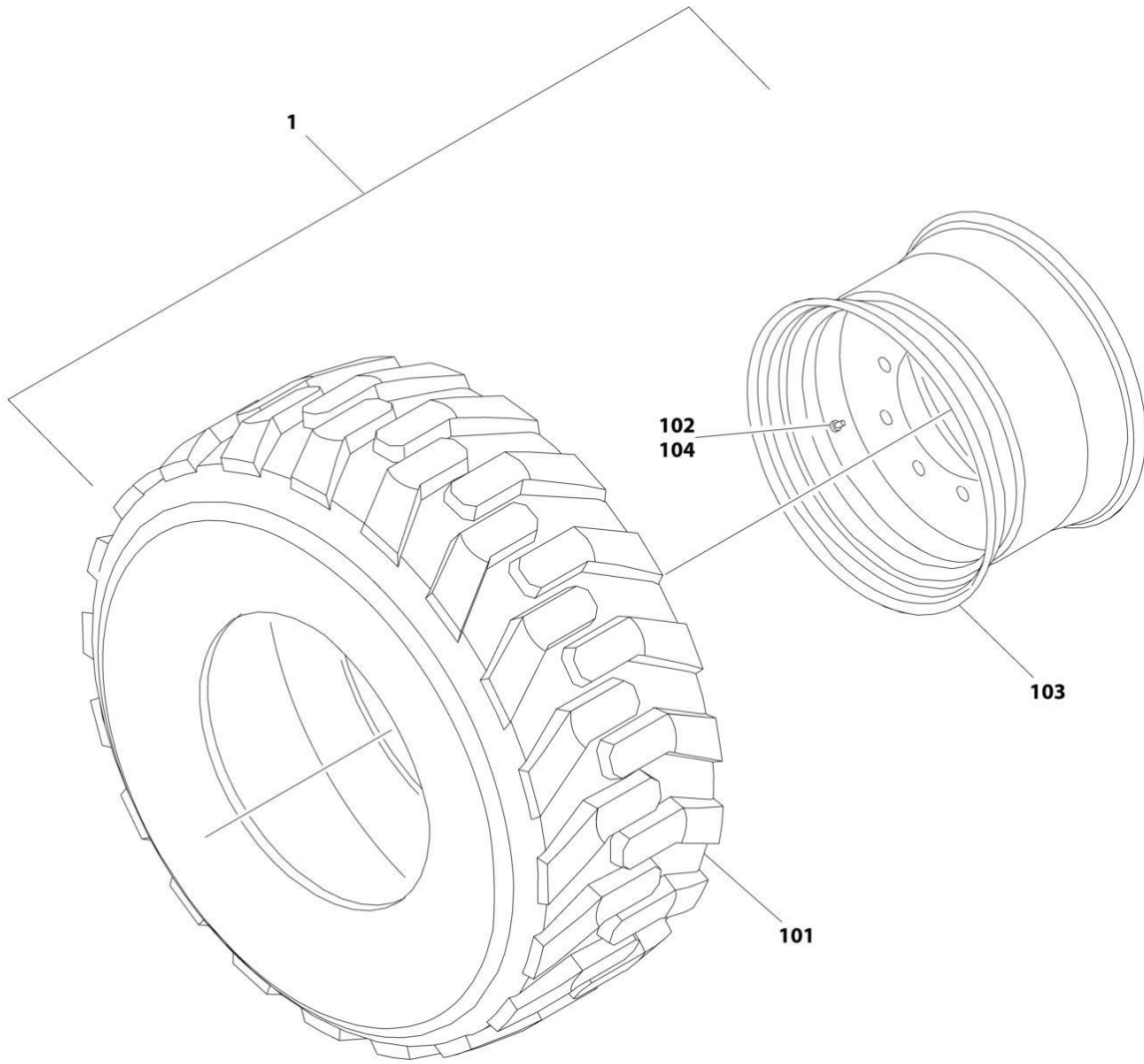
## SECTION 1 - FRAME

**FIGURE 1-13. TIRE AND WHEEL INSTALLATION - 12 X 16.5 FOAM FILLED (AVAILABLE ON ALL SPECS)**

ITEM	PART NUMBER	QTY	DESCRIPTION	REV
	0270092	Ref	TIRE AND WHEEL INSTALLATION - 12 X 16.5 FOAM FILLED  Note: Assemblies may require ballast/foam filling to manufacturer's specifications prior to installing on a machine. Refer to Operation and Safety or Service and Maintenance Manuals. Purchase individual tire and/or rim only if able to foam fill tire and wheel assembly, otherwise, purchase complete assembly.	C
		Ref		
1	1001148865	2	Tire and Wheel Assembly - 12 x 16.5 (RH Side)	G
1	1001148866	2	Tire and Wheel Assembly - 12 x 16.5 (LH Side)	G
102	4520216	4	Tire - 12 x 16.5	
103	4641122	4	Valve	
104	1001147274	4	Rim, Wheel	
105	1001149953	4	Cap, Valve Stem	

# SECTION 1 - FRAME

FIGURE 1-14. TIRE AND WHEEL INSTALLATION - 12 X 16.5 FF NON-MARKING (AVAILABLE ON ALL SPECS)



ART\_0270653

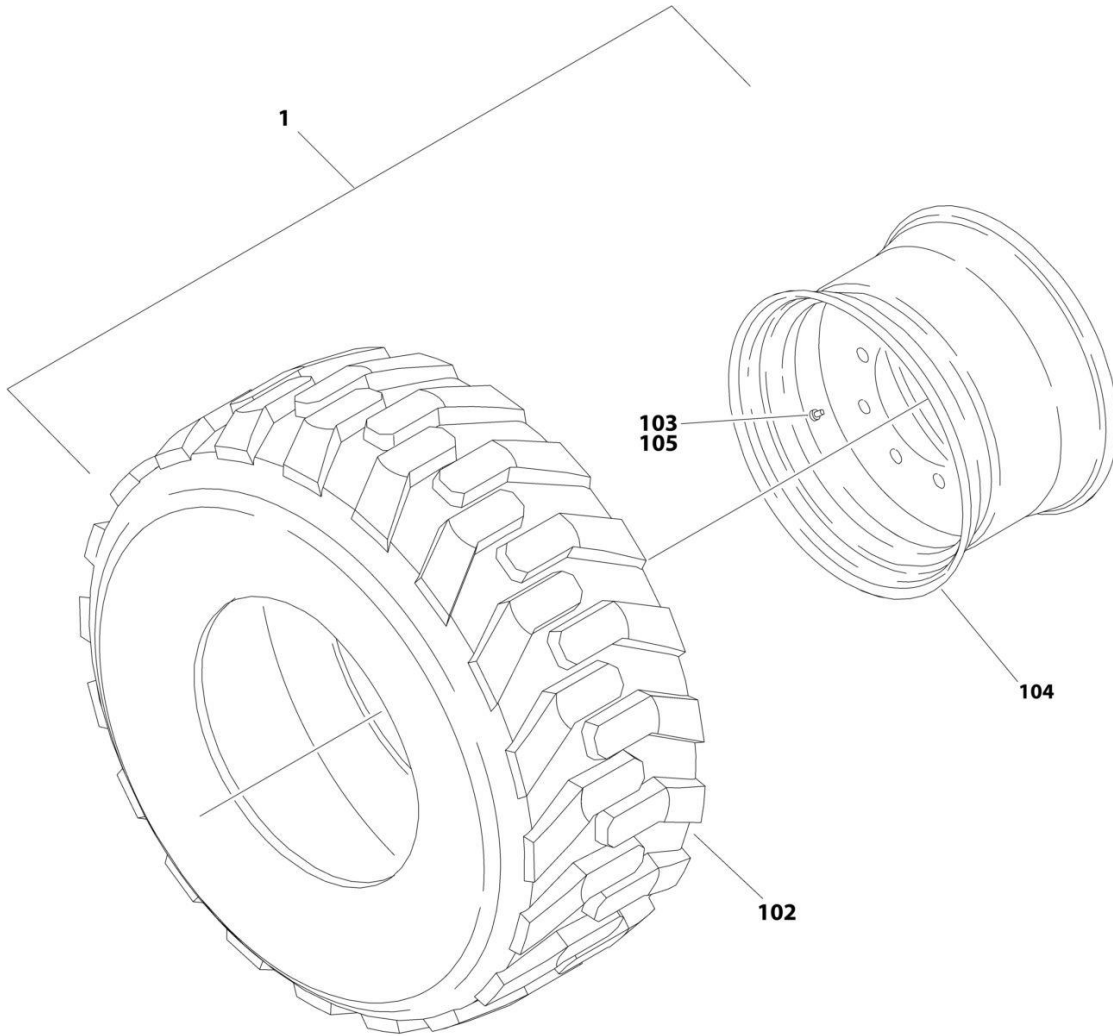
## SECTION 1 - FRAME

**FIGURE 1-14. TIRE AND WHEEL INSTALLATION - 12 X 16.5 FF NON-MARKING (AVAILABLE ON ALL SPECS)**

ITEM	PART NUMBER	QTY	DESCRIPTION	REV
	0270653	Ref Ref	TIRE AND WHEEL INSTALLATION - 12 X 16.5 FOAM FILLED  Note: Assemblies may require ballast/foam filling to manufacturer's specifications prior to installing on a machine. Refer to Operation and Safety or Service and Maintenance Manuals. Purchase individual tire and/or rim only if able to foam fill tire and wheel assembly, otherwise, purchase complete assembly.	B
1	1001148869	1	Tire and Wheel Assembly - Right Side	H
1	1001148870	1	Tire and Wheel Assembly - Left Side	H
101	4520240	1	Tire 12 x 16.5 Non-Marking	
102	4641122	1	Valve	
103	1001147274	1	Rim, Wheel	
104	1001149953	1	Cap, Valve Stem	

# SECTION 1 - FRAME

FIGURE 1-15. TIRE AND WHEEL INSTALLATION - 14 X 17.5 FOAM FILLED (AVAILABLE ON ALL SPECS)



ART\_0271998

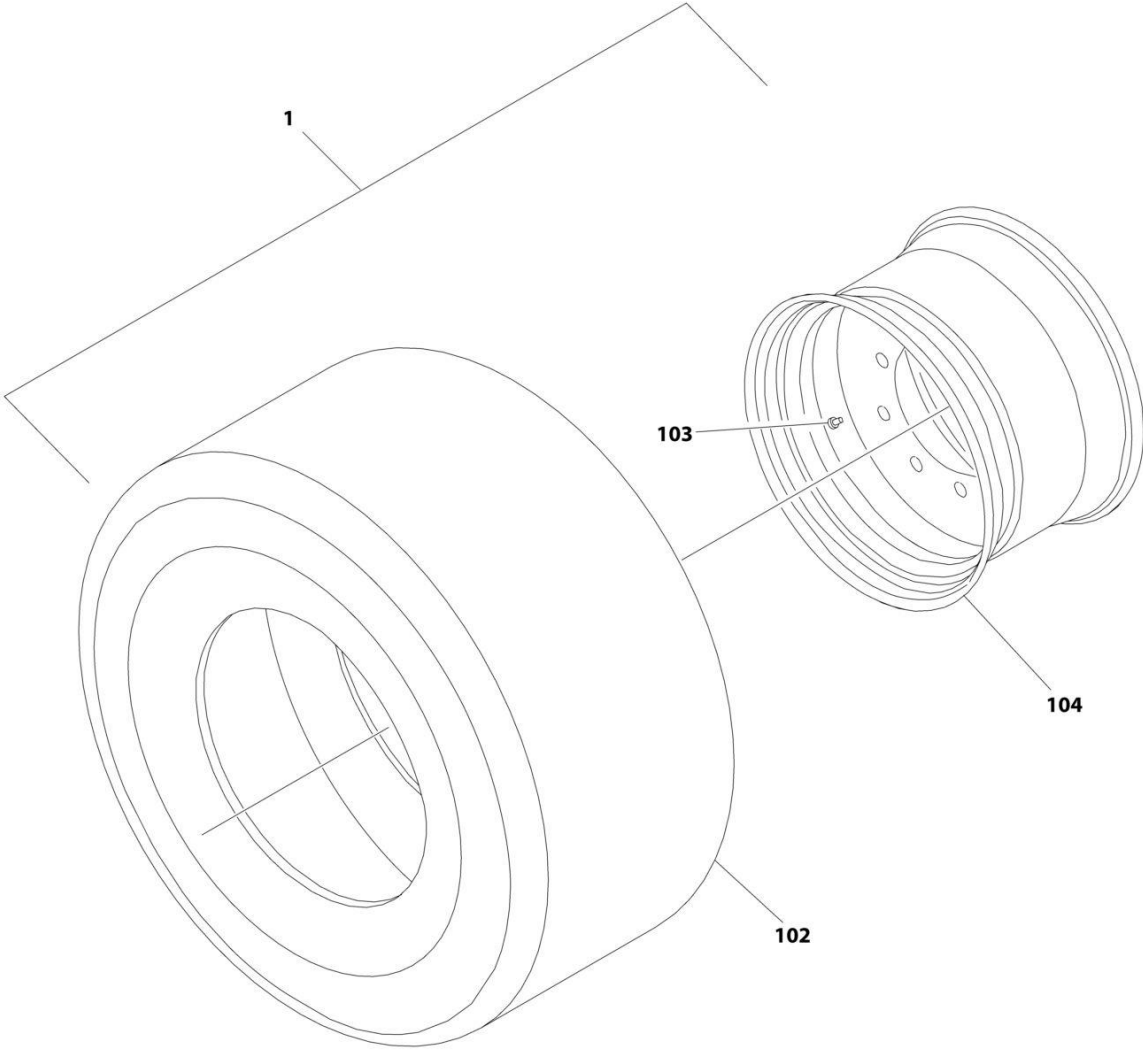
## SECTION 1 - FRAME

**FIGURE 1-15. TIRE AND WHEEL INSTALLATION - 14 X 17.5 FOAM FILLED (AVAILABLE ON ALL SPECS)**

ITEM	PART NUMBER	QTY	DESCRIPTION	REV
	0271998	Ref	TIRE AND WHEEL INSTALLATION - 14 X 17.5 FOAM FILLED  Note: Assemblies may require ballast/foam filling to manufacturer's specifications prior to installing on a machine. Refer to Operation and Safety or Service and Maintenance Manuals. Purchase individual tire and/or rim only if able to foam fill tire and wheel assembly, otherwise, purchase complete assembly.	B
		Ref		
1	1001148875	Ref	Tire and Wheel Assembly - 14 x 17.5 (RH Side)	F
1	1001148876	Ref	Tire and Wheel Assembly - 14 x 17.5 (LH Side)	F
102	4520259	4	Tire - 14 x 17.5	
103	4641122	4	Valve	
104	1001146397	4	Rim, Wheel	
105	1001149953	4	Cap, Valve Stem	

# SECTION 1 - FRAME

FIGURE 1-16. TIRE AND WHEEL INSTALLATION - 33/16LL X 16.1 FOAM FILLED TURF (ANSI AND ANSI EXPORT SPECS)



ART\_1001269298

## SECTION 1 - FRAME

**FIGURE 1-16. TIRE AND WHEEL INSTALLATION - 33/16LL X 16.1 FOAM FILLED TURF (ANSI AND ANSI EXPORT SPECS)**

ITEM	PART NUMBER	QTY	DESCRIPTION	REV
	1001269298	Ref	TIRE AND WHEEL INSTALLATION - 33/16LL X 16.1 FOAM FILLED TURF	A
		Ref	Note: Assemblies may require ballast/foam filling to manufacturer's specifications prior to installing on a machine. Refer to Operation and Safety or Service and Maintenance Manuals. Purchase individual tire and/or rim only if able to foam fill tire and wheel assembly, otherwise, purchase complete assembly.	
1	1001269297	2	Tire and Wheel Assembly 33/16LL X 16.1	A
102	1300018	4	Tire - 33/16LL X 16.1	
103	4641122	4	Valve	
104	4860214	4	Rim, Wheel	





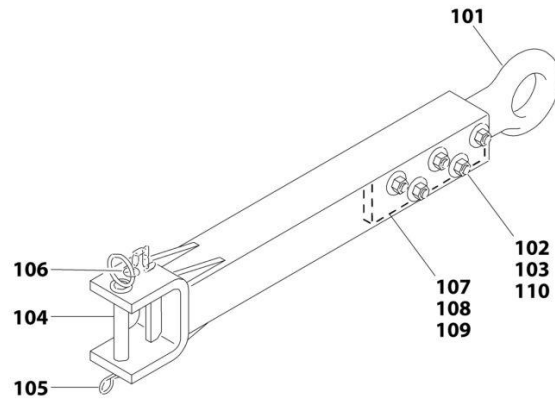
# SECTION 1 - FRAME

## FIGURE 1-17. TOW BAR INSTALLATION

ITEM	PART NUMBER	QTY	DESCRIPTION	REV
	1001170736	Ref	TOW BAR INSTALLATION	D
1	0363019	1	Tow Bar Assembly (See Separate Breakdown in this Section)	
2	0641504	2	Bolt 5/16 x 1/2	
4	0641612	4	Bolt 3/8 x 1-1/2	
5	0761210	4	Bolt M12 x 20	
6	0902733	1	Bracket, Storage (Front)	
7	0902734	1	Bracket, Storage (Rear)	
8	3311605	4	Nut 3/8	
9	4640261	1	Steer/Tow Select Valve	
10	4811900	6	Washer M8	
11	4891600	8	Washer 3/8	
12	4812102	4	Washer M12	
13	1001166478	1	Plate, Tow Bar Mount	
15	0760816	2	Bolt M8 x 40	
16	1702968	1	Decal - Towing Instructions	
17	1704578	3	Decal - Crushing	
18	2220238	1	Plug ORB	
19	2220372	1	Fitting, Straight JIC/ORB	
20	2220579	1	Fitting, Tee JIC/FSJIC/JIC	
21	2221052	1	Fitting, Tee JIC/ORB/JIC	
22	3250872	1	Nameplate, Steer/Tow Select Valve	
23	3290805	2	Nut M8 x 1.25	
24	3820001	4	Rivet	
25	4420051	48 in /1.21m	Tape, Safety	
26	1001181913	2	Hose	
27	1001182155	1	Bracket, Valve Mounting	

# SECTION 1 - FRAME

## FIGURE 1-18. TOW BAR ASSEMBLY



ART\_0363019

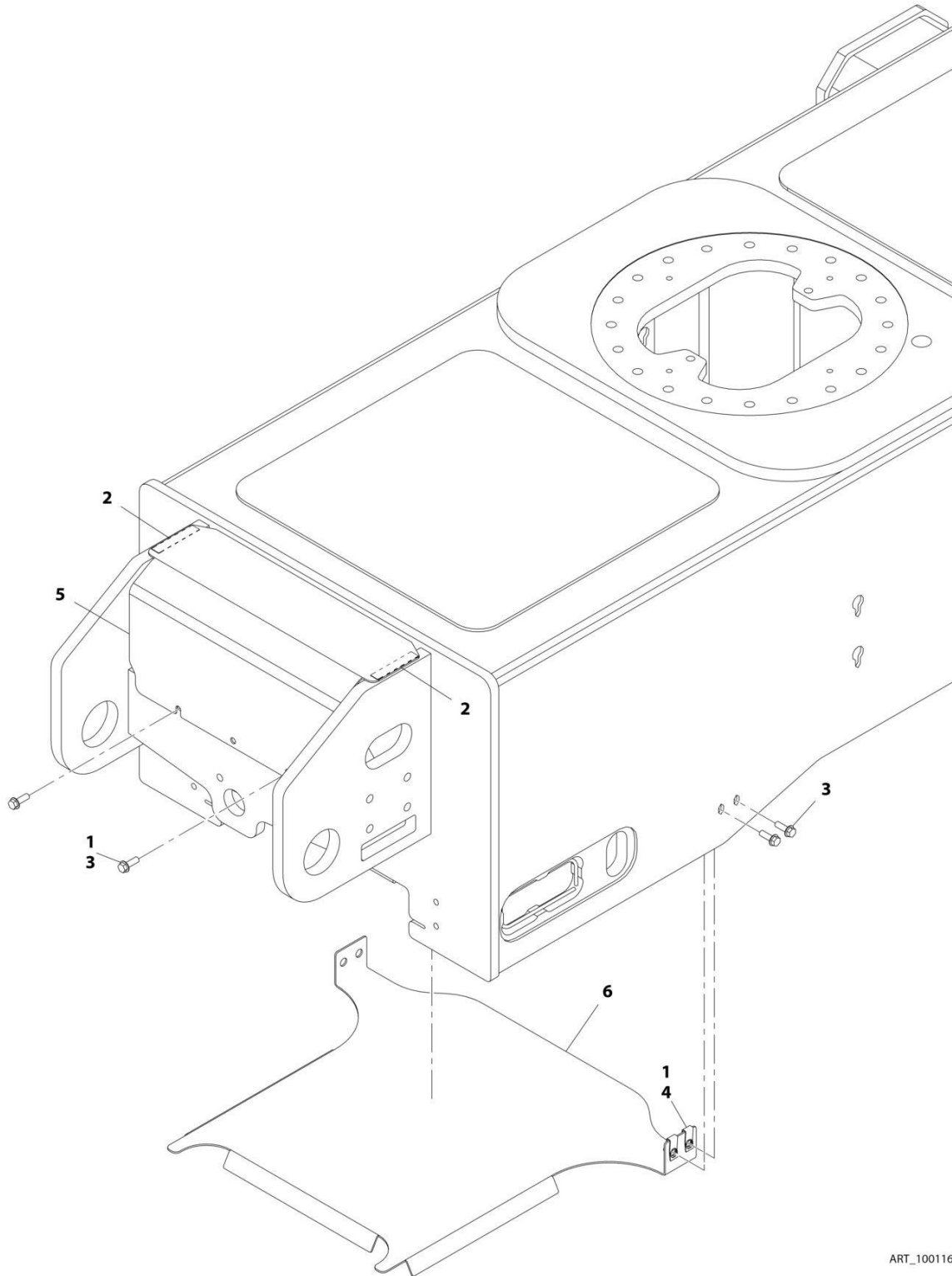
# SECTION 1 - FRAME

## FIGURE 1-18. TOW BAR ASSEMBLY

ITEM	PART NUMBER	QTY	DESCRIPTION	REV
	0363019	Ref	TOW BAR ASSEMBLY	B
101	0360406	1	Pintle, Draw Eye	
102	0682040	5	Bolt 5/8 x 5	
103	3312005	5	Nut 5/8	
104	3420352	1	Pin, Towing	
105	3420372	1	Hairpin	
106	3760170	1	Ring, Split	
107	4070450	2	Shim (.07)	
108	4070560	2	Shim (.88)	
109	4070561	2	Shim (.12)	
110	4752000	10	Washer 5/8	

# SECTION 1 - FRAME

FIGURE 1-19. FRAME SHIELD INSTALLATION - WITHOUT TOW BAR



ART\_1001169973

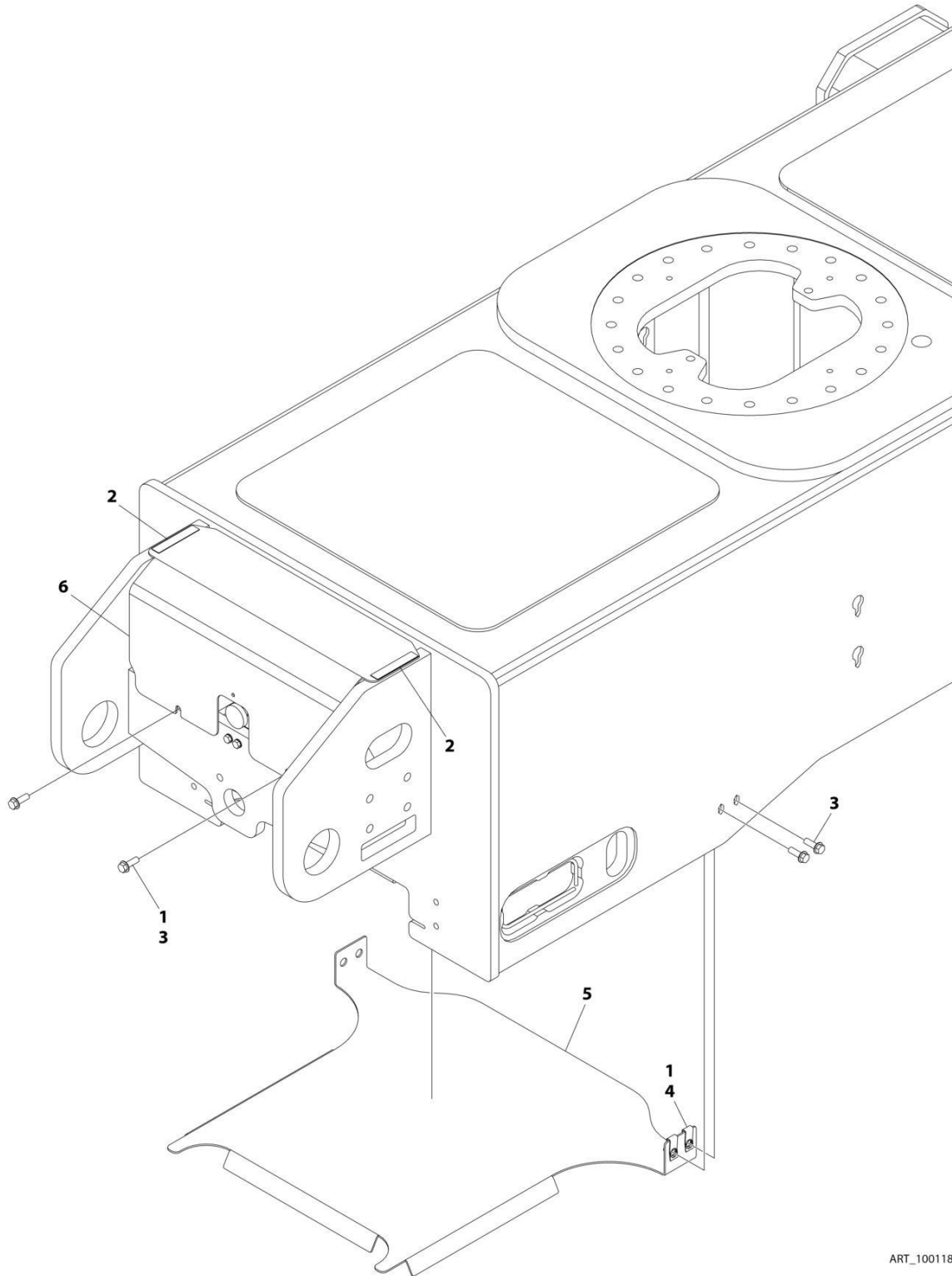
## SECTION 1 - FRAME

**FIGURE 1-19. FRAME SHIELD INSTALLATION - WITHOUT TOW BAR**

ITEM	PART NUMBER	QTY	DESCRIPTION	REV
	1001169973	Ref	FRAME SHIELD INSTALLATION - WITHOUT TOW BAR	E
1	0100011	AR	Compound, Locking	
2	4280296	8 in / 20.3cm	Strip, Wear	
3	5251014	6	Bolt M10 x 30	
4	1001118972	4	Nut M10 x 1.5	
5	1001169086	1	Plate, Cover	
6	1001169955	1	Plate, Valve Cover	

# SECTION 1 - FRAME

FIGURE 1-20. FRAME SHIELD INSTALLATION - WITH TOW BAR



ART\_1001182245

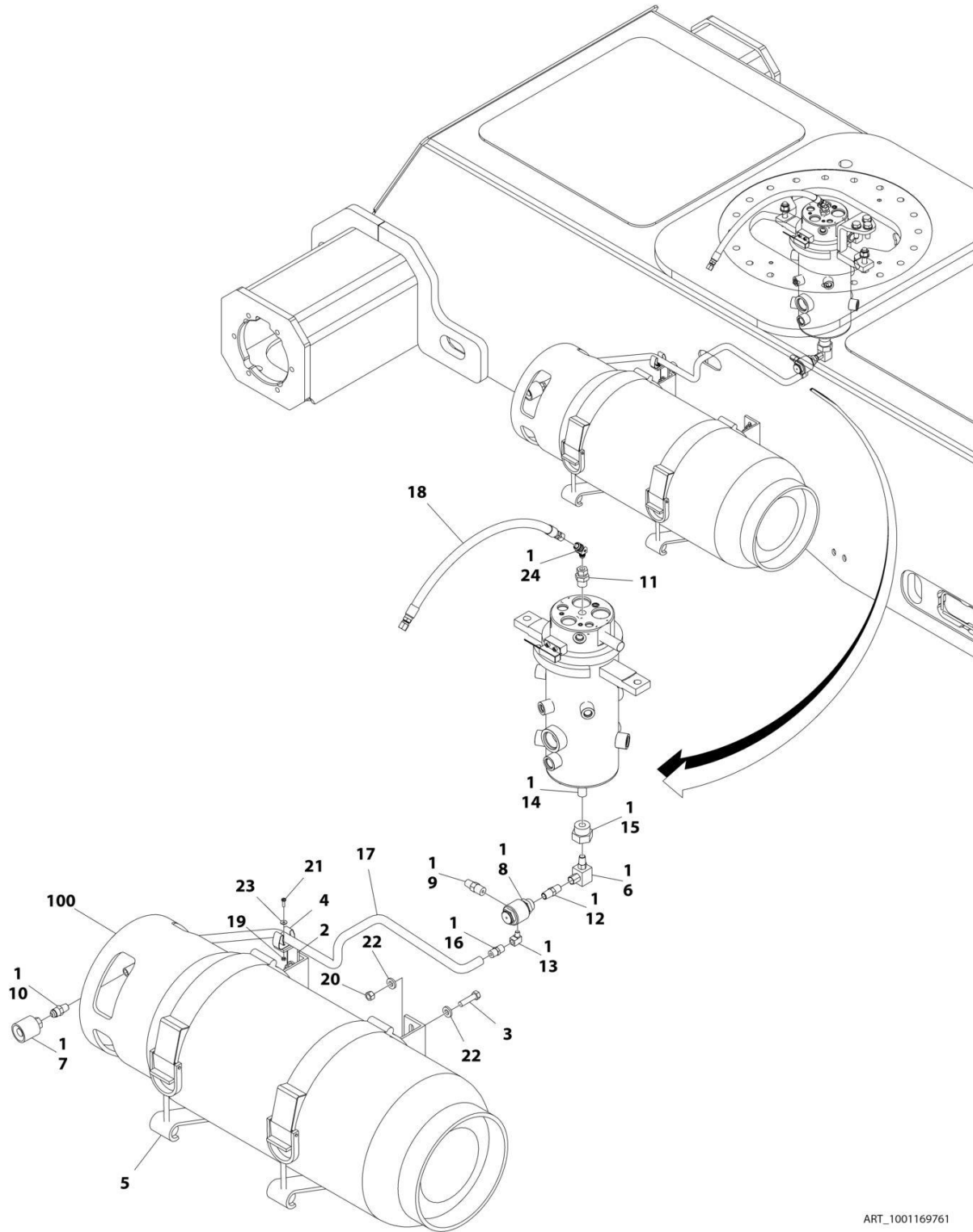
## SECTION 1 - FRAME

**FIGURE 1-20. FRAME SHIELD INSTALLATION - WITH TOW BAR**

ITEM	PART NUMBER	QTY	DESCRIPTION	REV
	1001182245	Ref	FRAME SHIELD INSTALLATION - WITH TOW BAR	C
1	0100011	AR	Compound, Locking	
2	4280296	8 in / 20.3cm	Strip, Wear	
3	5251014	6	Bolt M10 x 30	
4	1001118972	4	Nut M10 x 1.5	
5	1001169955	1	Plate, Valve Cover	
6	1001182250	1	Plate, Cover	

# SECTION 1 - FRAME

## FIGURE 1-21. LP TANK BRACKETS INSTALLATION



ART\_1001169761



## SECTION 1 - FRAME

**FIGURE 1-21. LP TANK BRACKETS INSTALLATION**

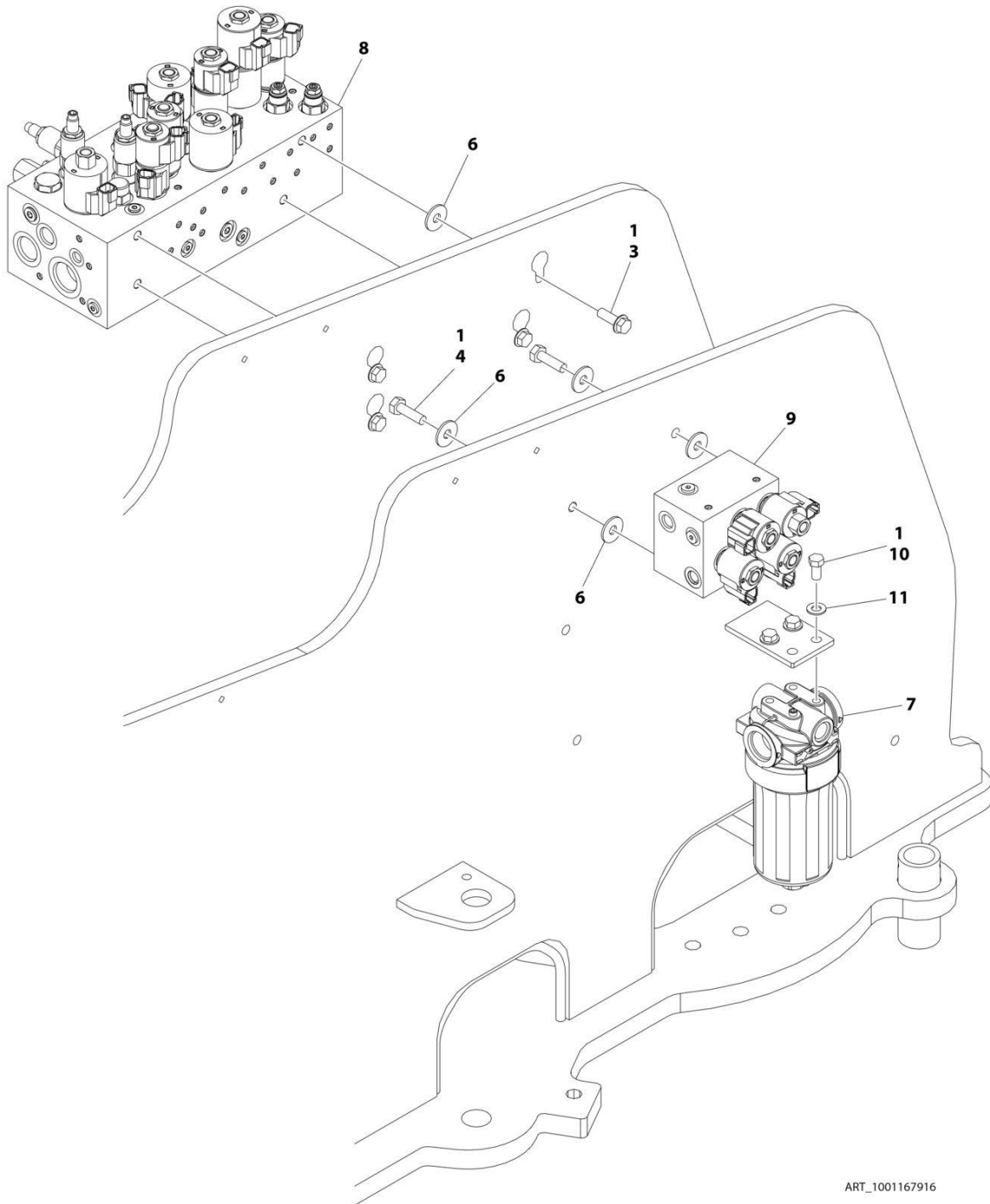
ITEM	PART NUMBER	QTY	DESCRIPTION	REV
	1001169761	Ref	LP TANK BRACKETS INSTALLATION	E
1	0100020	AR	Sealant, Pipe	
2	0181949	1	Angle, Support	
4	1320218	1	Clamp	
5	1320220	1	Clamp	
6	2180125	1	Fitting, Swivel 90	
7	2180387	1	Fitting, Straight	
8	2180388	1	Fitting, Bulkhead	
9	2180389	1	Valve, Relief	
10	2180418	1	Fitting, Straight	
11	2220005	1	Fitting, Straight	
12	2220261	1	Fitting, Nipple	
13	2220648	1	Fitting, 90 FNPTF/NPTF	
14	2221018	1	Nipple, Pipe	
15	2221019	1	Fitting, Reducer	
16	2221024	1	Fitting, Nipple	
17	2720144	1	Hose	
18	2720392	1	Hose	
19	3290401	1	Nut M4 x 0.7	
21	3900332	1	Screw M4 x 14	
23	1001091102	1	Washer	
24	1001239802	1	Fitting, 45	
25	3311601	4	Nut 3/8	
26	4891600	8	Washer 3/8	
27	0641612	4	Bolt 3/8 x 1-1/2	
100	4400275	1	Tank, LP 43.5 Lbs (Aluminum)	



**SECTION 2 - TURNTABLE**

# SECTION 2 - TURNTABLE

## FIGURE 2-1. CONTROL VALVES INSTALLATION - 400S



ART\_1001167916

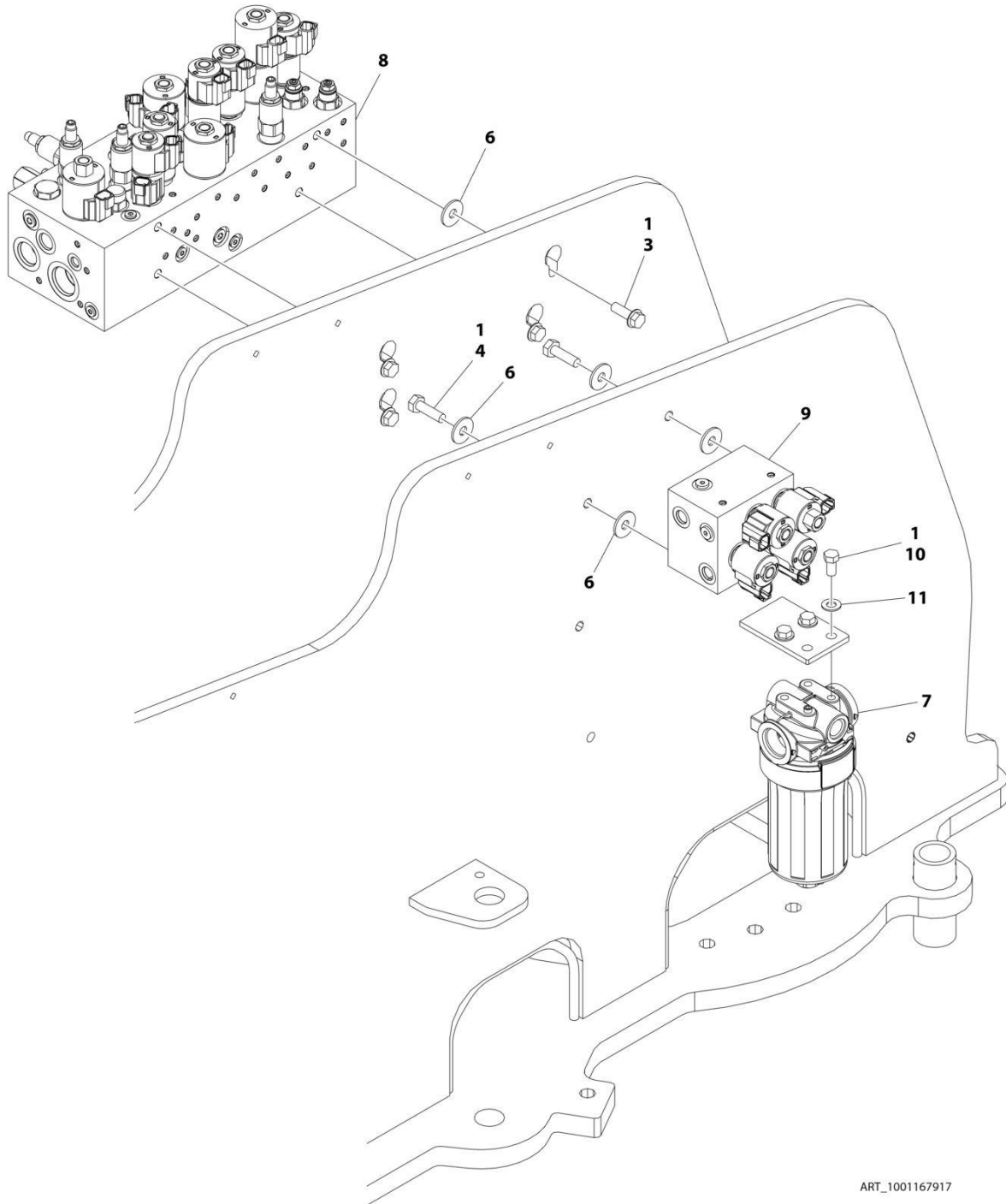
**SECTION 2 - TURNTABLE**

**FIGURE 2-1. CONTROL VALVES INSTALLATION - 400S**

<b>ITEM</b>	<b>PART NUMBER</b>	<b>QTY</b>	<b>DESCRIPTION</b>	<b>REV</b>
	1001167916	Ref	CONTROL VALVES INSTALLATION	F
1	0100011	AR	Compound, Locking	
3	5251014	4	Bolt M10 x 30	
4	0761015	2	Bolt M10 x 35	
6	4812002	8	Washer M10	
7	1001208874	1	Filter, Charge Pump	
7	70010383	1	Element, Filter (Includes O-Ring)	
8	1001162531	1	Main Valve Assembly (See Separate Breakdown in this Section)	
9	1001162538	1	Axle Valve Assembly (See Separate Breakdown in this Section)	
10	0761010	3	Bolt M10 x 20	
11	4812000	3	Washer M10	

# SECTION 2 - TURNTABLE

## FIGURE 2-2. CONTROL VALVES INSTALLATION - 460SJ



ART\_1001167917

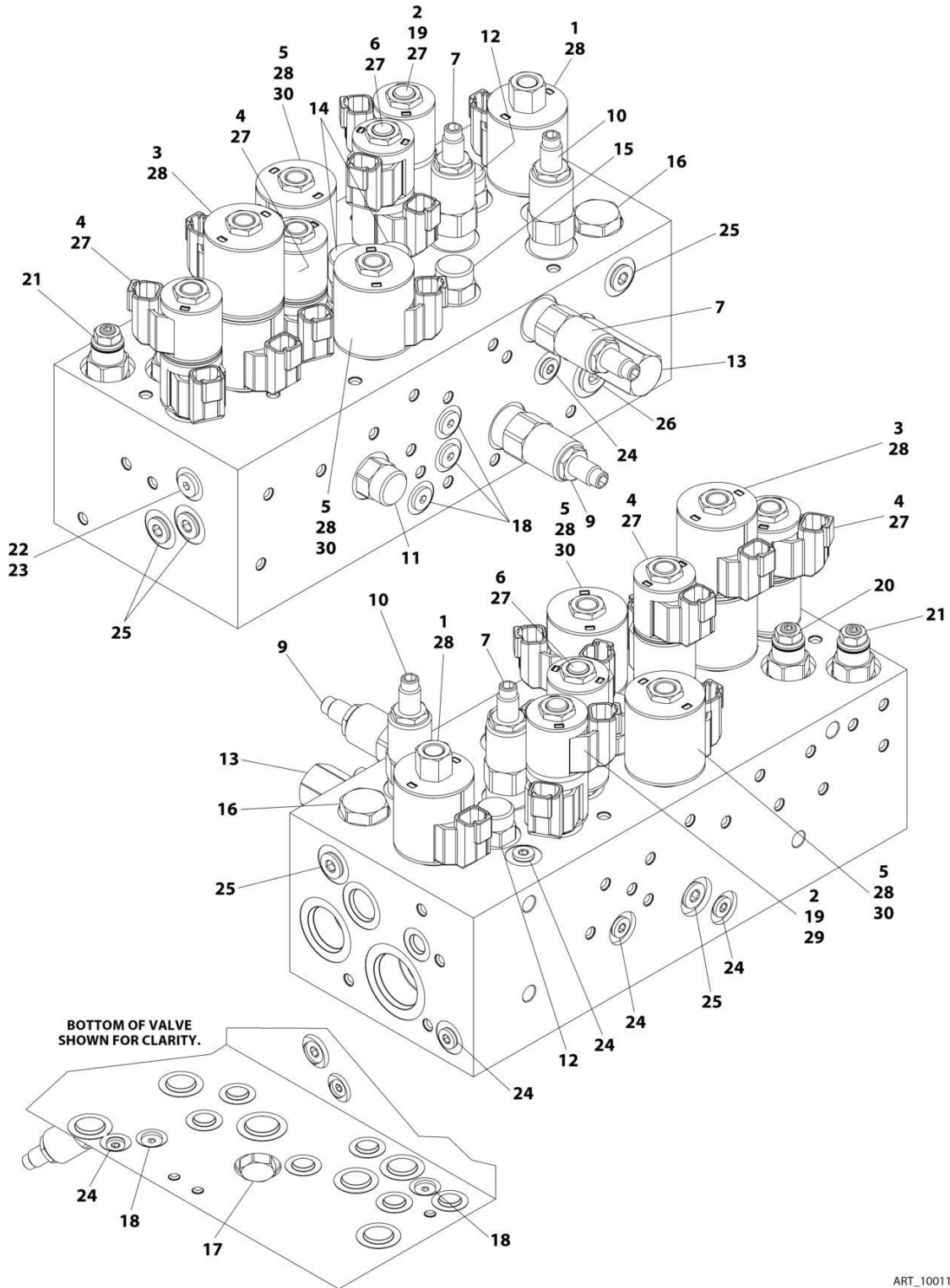
# SECTION 2 - TURNTABLE

**FIGURE 2-2. CONTROL VALVES INSTALLATION - 460SJ**

ITEM	PART NUMBER	QTY	DESCRIPTION	REV
	1001167917	Ref	CONTROL VALVES INSTALLATION	F
1	0100011	AR	Compound, Locking	
3	5251014	4	Bolt M10 x 30	
4	0761015	2	Bolt M10 x 35	
6	4812002	8	Washer M10	
7	1001208874	1	Filter, Charge Pump	
7	70010383	1	Element, Filter (Includes O-Ring)	
8	1001162532	1	Main Valve Assembly (See Separate Breakdown in this Section)	
9	1001162538	1	Axle Valve Assembly (See Separate Breakdown in this Section)	
10	0761010	3	Bolt M10 x 20	
11	4812000	3	Washer M10	

# SECTION 2 - TURNTABLE

## FIGURE 2-3. MAIN VALVE ASSEMBLY - 400S



ART\_1001162531



## SECTION 2 - TURNTABLE

### FIGURE 2-3. MAIN VALVE ASSEMBLY - 400S

ITEM	PART NUMBER	QTY	DESCRIPTION	REV
	1001162531	Ref	MAIN VALVE ASSEMBLY	F
1	70005069	1	Cartridge, Solenoid Less Coil (Main Dump)	
1	7022399	1	Seal Kit - 70005069 Valve	
1	70003977	1	Nut, Coil	
2	70005217	1	Cartridge, Solenoid Less Coil (Steer)	
2	70005071	1	Seal Kit - 70005217 Valve	
2	7022390	1	Nut, Coil	
3	70005072	1	Cartridge, Solenoid Less Coil (Tele)	
3	70005073	1	Seal Kit - 70005072 Valve	
3	7022390	1	Nut, Coil	
3	70003024	1	Spacer, Coil	
4	70005074	2	Cartridge, Solenoid Valve Less Coil (Platform Level and Rotate)	
4	70005075	2	Seal Kit - 70005074 Valve	
4	7022390	2	Nut, Coil	
4	70003023	2	Spacer, Coil	
5	70005076	2	Cartridge, Solenoid Less Coil (Lift Up and Flow Control)	
5	7022399	2	Seal Kit - 70005076 Valve	
5	7022390	2	Nut, Coil	
6	70005077	1	Cartridge, Solenoid Valve Less Coil (Swing)	
6	70005071	1	Seal Kit - 70005077 Valve	
6	7022390	1	Nut, Coil	
6	70003023	1	Spacer, Coil	
7	70005078	2	Cartridge, Relief Valve	
7	7023936	2	Seal Kit - 70005078 Valve	
9	70005079	1	Cartridge, Relief Valve	
9	7023936	1	Seal Kit - 70005079 Valve	
10	70005080	1	Cartridge, Relief Valve	
10	7022399	1	Seal Kit - 70005080 Valve	
11	70005081	1	Cartridge, Valve	
11	70005082	1	Seal Kit - 70005081 Valve	
12	70005218	1	Cartridge, Valve	
12	70005082	1	Seal Kit - 70005218 Valve	
13	70005084	1	Cartridge, Valve	
13	70005085	1	Seal Kit - 70005084 Valve	
14	70005086	2	Cartridge, Valve	
14	70005087	2	Seal Kit - 70005086 Valve	
15	70005088	1	Cartridge, Valve	
15	7023900	1	Seal Kit - 70005088 Valve	
16	70003408	1	Cartridge, Valve	
16	7022399	1	Seal Kit - 70005100 Valve	
17	70005089	1	Cartridge, Check Valve	
17	7023936	1	Seal Kit - 70005089 Valve	
18	70005090	5	Cartridge, Check Valve	
18	70005092	5	Seal Kit - 70005090 Valve	
19	70002974	1	Disc, Check Valve	
20	70005108	1	Cartridge, Valve	
20	2900770	1	Seal Kit - 70005108 Valve	
21	70005109	1	Cartridge, Valve	
21	2900770	1	Seal Kit - 70005109 Valve	
22	70005091	1	Orifice	

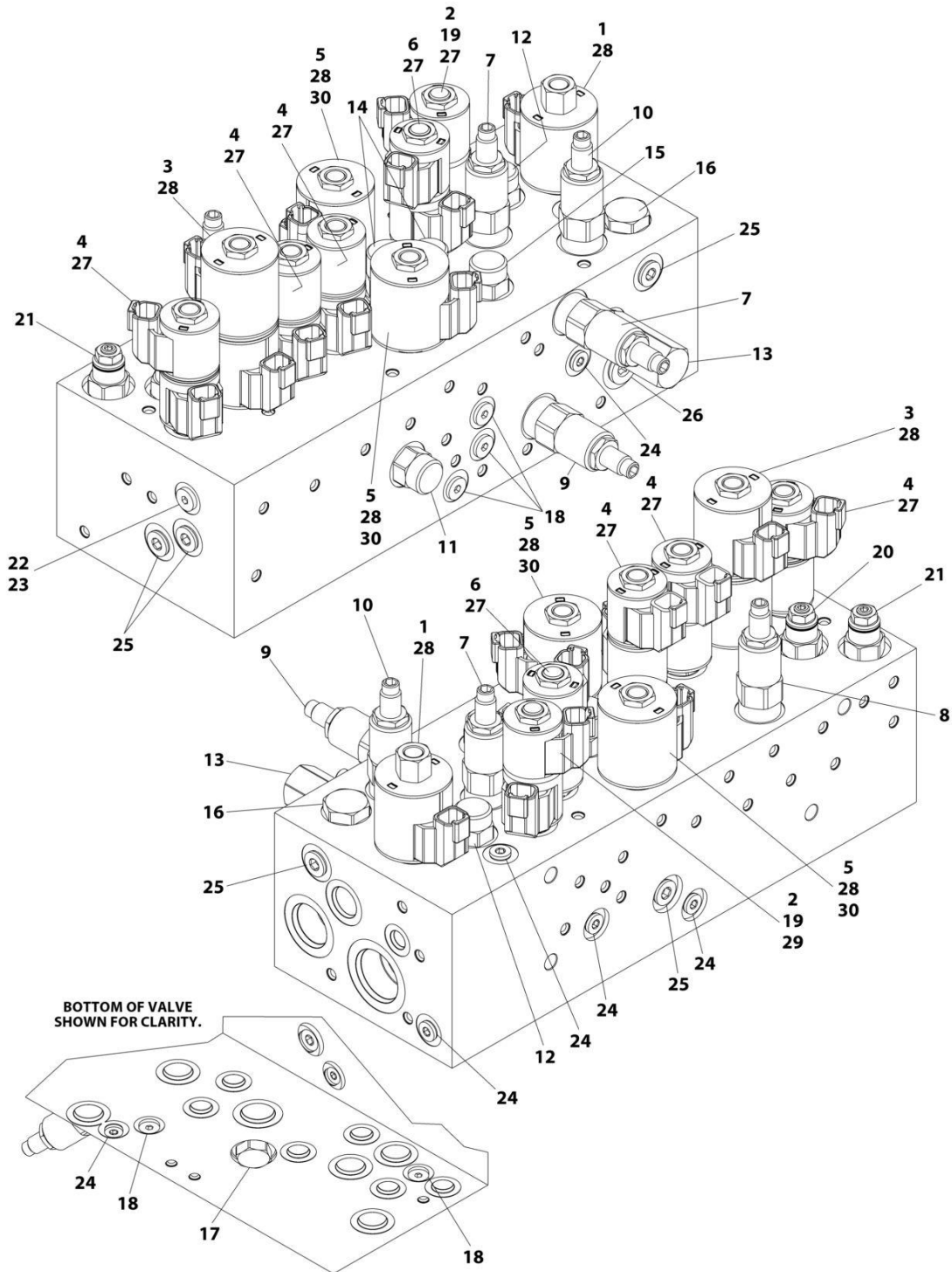
## SECTION 2 - TURNTABLE

ITEM	PART NUMBER	QTY	DESCRIPTION	REV
23	2220883	1	Plug, O-Ring #4	
24	91164059	6	Plug	
25	91164079	6	Plug	
26	91164057	1	Plug	
27	70002386	6	Coil	
28	70003788	5	Coil	
29	70005219	2	Coil	
30	70005724	2	Lockdown Kit	



# SECTION 2 - TURNTABLE

## FIGURE 2-4. MAIN VALVE ASSEMBLY - 460SJ



ART\_1001162532

**SECTION 2 - TURNTABLE**

**FIGURE 2-4. MAIN VALVE ASSEMBLY - 460SJ**

ITEM	PART NUMBER	QTY	DESCRIPTION	REV
	1001162532	Ref	MAIN VALVE ASSEMBLY	F
1	70005069	1	Cartridge, Solenoid Less Coil (Main Dump)	
1	7022399	1	Seal Kit - 70005069 Valve	
1	70003977	1	Nut, Coil	
2	70005217	1	Cartridge, Solenoid Less Coil (Steer)	
2	70005071	1	Seal Kit - 70005217 Valve	
2	7022390	1	Nut, Coil	
3	70005072	1	Cartridge, Solenoid Less Coil (Tele)	
3	70005073	1	Seal Kit - 70005072 Valve	
3	7022390	1	Nut, Coil	
3	70003024	1	Spacer, Coil	
4	70005074	3	Cartridge, Solenoid Valve Less Coil (Platform Level, Platform Rotate and Jib Lift)	
4	70005075	3	Seal Kit - 70005074 Valve	
4	7022390	3	Nut, Coil	
4	70003023	3	Spacer, Coil	
5	70005076	2	Cartridge, Solenoid Less Coil (Lift Up and Flow Control)	
5	7022399	2	Seal Kit - 70005076 Valve	
5	7022390	2	Nut, Coil	
6	70005077	1	Cartridge, Solenoid Valve Less Coil (Swing)	
6	70005071	1	Seal Kit - 70005077 Valve	
6	7022390	1	Nut, Coil	
6	70003023	1	Spacer, Coil	
7	70005078	2	Cartridge, Relief Valve	
7	7023936	2	Seal Kit - 70005078 Valve	
8	70005093	1	Cartridge, Valve	
8	7023936	1	Seal Kit - 70005093 Valve	
9	70005079	1	Cartridge, Relief Valve	
9	7023936	1	Seal Kit - 70005079 Valve	
10	70005080	1	Cartridge, Relief Valve	
10	7022399	1	Seal Kit - 70005080 Valve	
11	70005081	1	Cartridge, Valve	
11	70005082	1	Seal Kit - 70005081 Valve	
12	70005218	1	Cartridge, Valve	
12	70005082	1	Seal Kit - 70005218 Valve	
13	70005084	1	Cartridge, Valve	
13	70005085	1	Seal Kit - 70005084 Valve	
14	70005086	2	Cartridge, Valve	
14	70005087	2	Seal Kit - 70005086 Valve	
15	70005088	1	Cartridge, Valve	
15	7023900	1	Seal Kit - 70005088 Valve	
16	70003408	1	Cartridge, Valve	
16	7022399	1	Seal Kit - 70005100 Valve	
17	70005089	1	Cartridge, Check Valve	
17	7023936	1	Seal Kit - 70005089 Valve	
18	70005090	5	Cartridge, Check Valve	
18	70005092	5	Seal Kit - 70005090 Valve	
19	70002974	1	Disc, Check Valve	
20	70005108	1	Cartridge, Valve	
20	2900770	1	Seal Kit - 70005108 Valve	

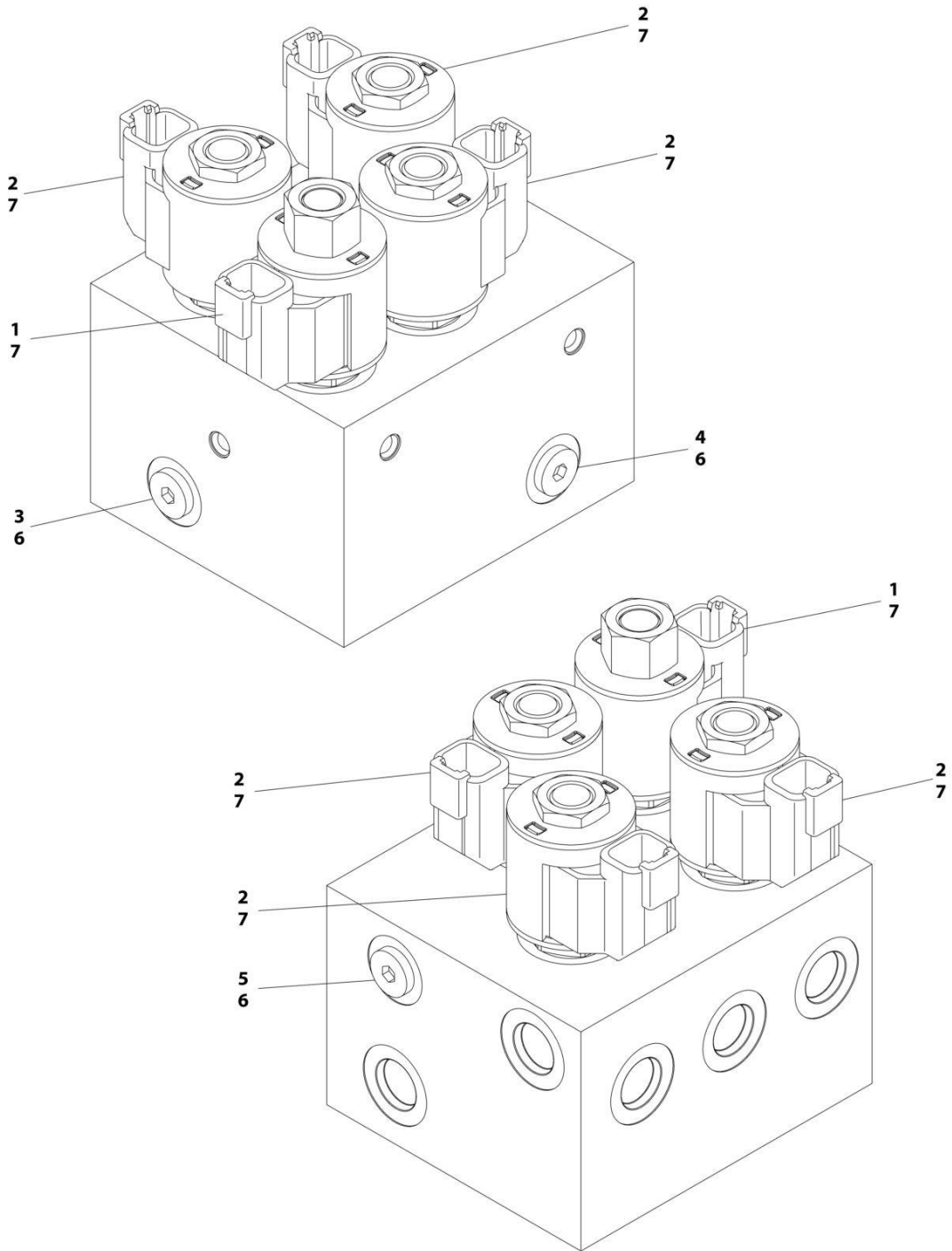
## SECTION 2 - TURNTABLE

ITEM	PART NUMBER	QTY	DESCRIPTION	REV
21	70005109	1	Cartridge, Valve	
21	2900770	1	Seal Kit - 70005109 Valve	
22	70005091	1	Orifice	
23	2220883	1	Plug, O-Ring #4	
24	91164059	6	Plug	
25	91164079	6	Plug	
26	91164057	1	Plug	
27	70002386	8	Coil	
28	70003788	5	Coil	
29	70005219	2	Coil	
30	70005724	2	Lockdown Kit	



# SECTION 2 - TURNTABLE

## FIGURE 2-5. AXLE VALVE ASSEMBLY



ART\_1001162538



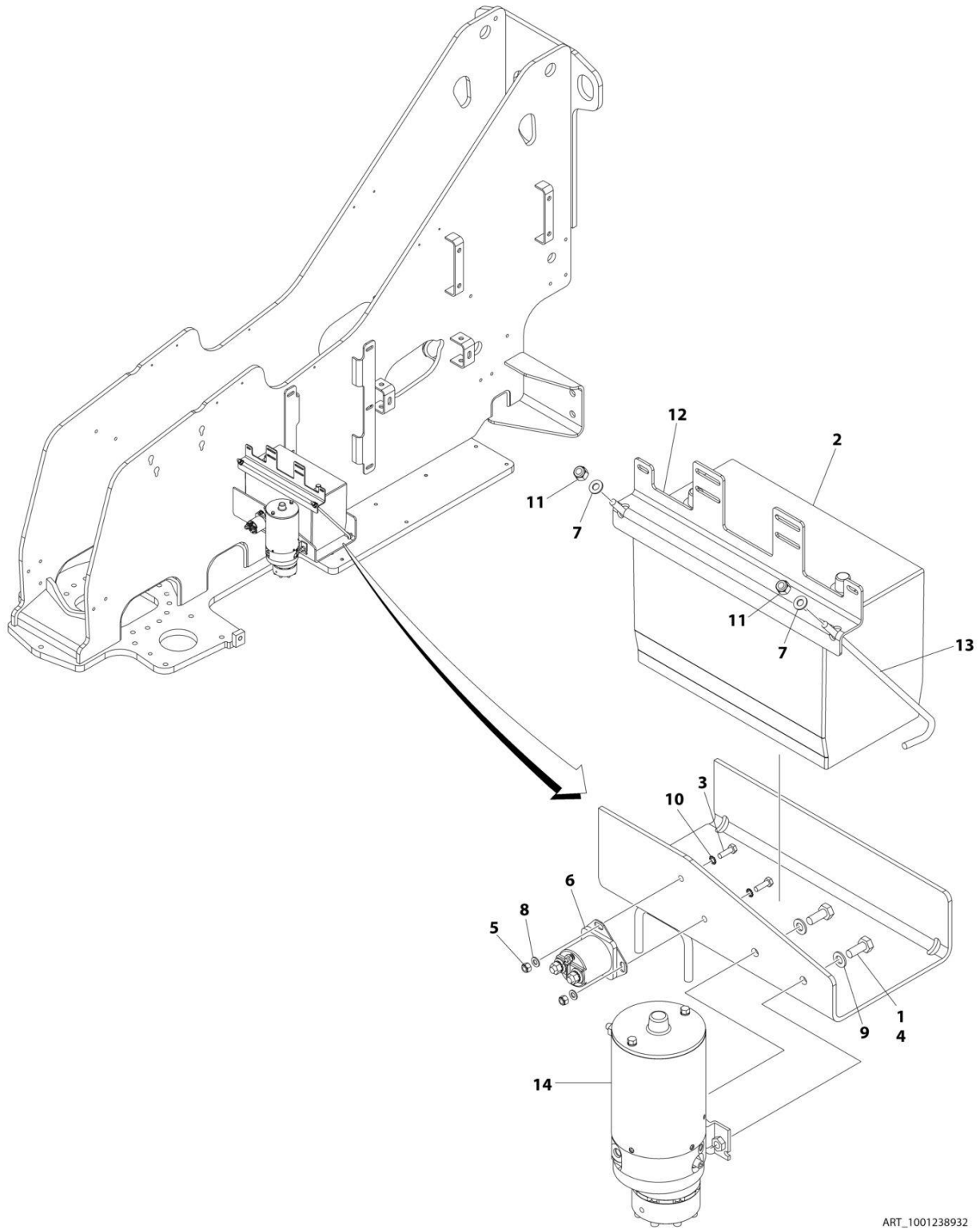
**SECTION 2 - TURNTABLE**

**FIGURE 2-5. AXLE VALVE ASSEMBLY**

ITEM	PART NUMBER	QTY	DESCRIPTION	REV
	1001162538	Ref	AXLE VALVE ASSEMBLY	D
1	7017410	1	Cartridge, Solenoid Valve Less Coil (Secondary Axle Release)	
1	7012967	1	Seal Kit - 7017410 Valve	
2	7012941	3	Cartridge, Solenoid Valve Less Coil (Brake Release, Primary Axle Release and 2 Speed)	
2	7010543	3	Seal Kit - 7012941 Valve	
3	70004883	1	Orifice	
4	70004884	1	Orifice	
5	70002063	1	Orifice	
6	2220883	3	Plug, O-Ring #4	
7	70002386	4	Coil	

# SECTION 2 - TURNTABLE

## FIGURE 2-6. AUXILIARY PUMP AND BATTERY WITH DISCONNECT SWITCH INSTALLATION



ART\_1001238932

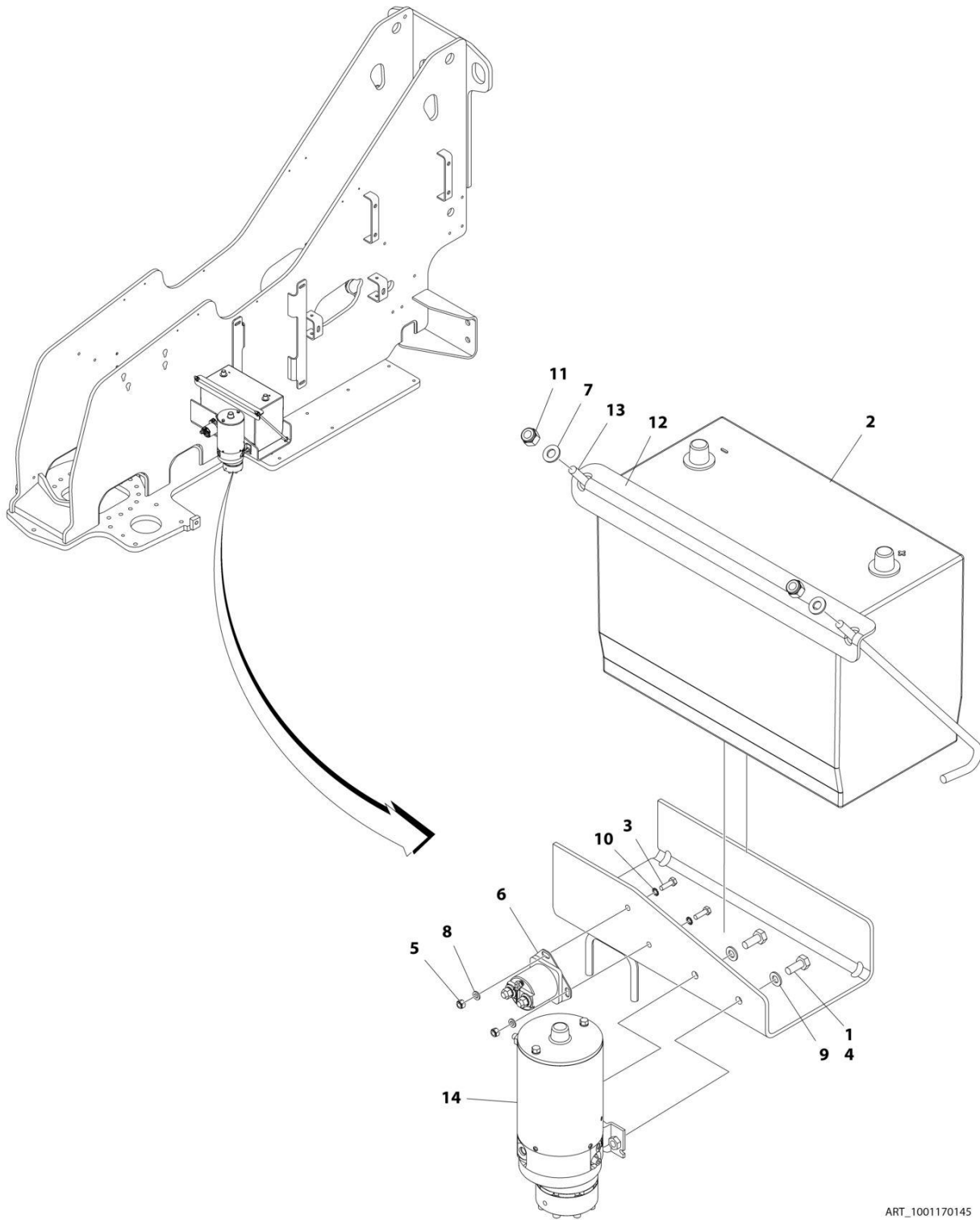
## SECTION 2 - TURNTABLE

**FIGURE 2-6. AUXILIARY PUMP AND BATTERY WITH DISCONNECT SWITCH INSTALLATION**

ITEM	PART NUMBER	QTY	DESCRIPTION	REV
	1001238932	Ref	AUXILIARY PUMP AND BATTERY INSTALLATION WITH DISCONNECT	A
1	0100011	AR	Compound, Locking	
2	0400075	1	Battery	
3	0760610	2	Bolt M6 x 20	
4	0761012	2	Bolt M10 x 25	
5	3290605	2	Nut M6	
6	3740067	1	Relay	
6	3300220	2	Nut 3/8	
6	3321001	1	Nut #10	
6	4761000	1	Washer #10	
6	1001111424	2	Washer 3/8	
7	4711500	2	Washer 5/16	
8	4811700	2	Washer M6	
9	4812000	2	Washer M10	
10	4871700	2	Washer M6	
11	88521205	2	Nut 5/16	
12	1001236303	1	Bracket	
13	1001093382	2	J-Bolt	
14	1001185821	1	Auxiliary Pump Assembly (See Separate Breakdown in this Section)	

# SECTION 2 - TURNTABLE

## FIGURE 2-7. AUXILIARY PUMP AND BATTERY INSTALLATION



ART\_1001170145

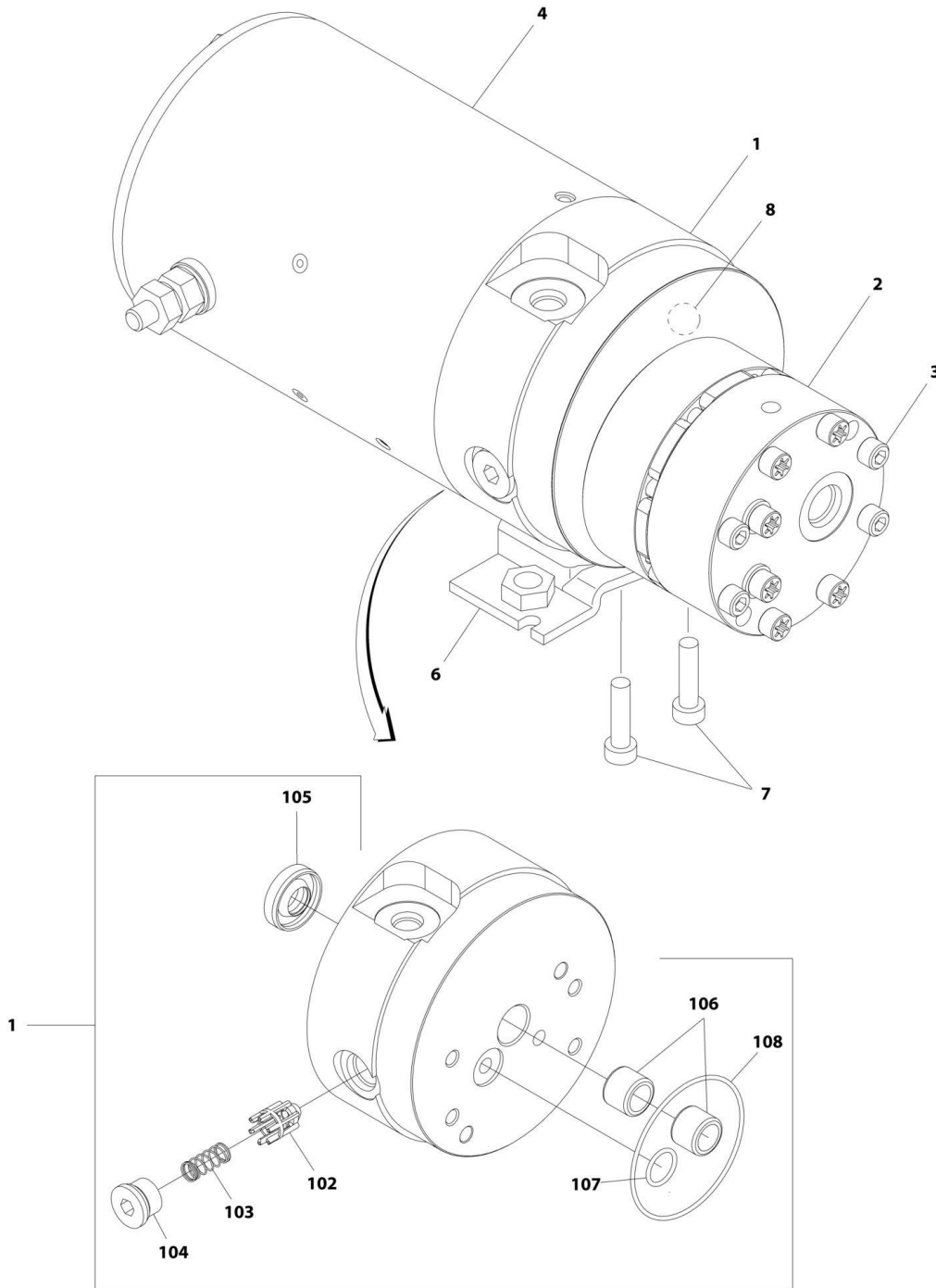
# SECTION 2 - TURNTABLE

**FIGURE 2-7. AUXILIARY PUMP AND BATTERY INSTALLATION**

ITEM	PART NUMBER	QTY	DESCRIPTION	REV
	1001170145	Ref	AUXILIARY PUMP AND BATTERY INSTALLATION	C
1	0100011	AR	Compound, Locking	
2	0400075	1	Battery	
3	0760610	2	Bolt M6 x 20	
4	0761012	2	Bolt M10 x 25	
5	3290605	2	Nut M6	
6	3740067	1	Relay	
6	3300220	2	Nut 3/8	
6	3321001	1	Nut #10	
6	4761000	1	Washer #10	
6	1001111424	2	Washer 3/8	
7	4711500	2	Washer 5/16	
8	4811700	2	Washer M6	
9	4812000	2	Washer M10	
10	4871700	2	Washer M6	
11	88521205	2	Nut 5/16	
12	91401281	1	Bracket	
13	1001093382	2	J-Bolt	
14	1001185821	1	Auxiliary Pump Assembly (See Separate Breakdown in this Section)	

# SECTION 2 - TURNTABLE

## FIGURE 2-8. AUXILIARY PUMP ASSEMBLY



ART\_1001185821

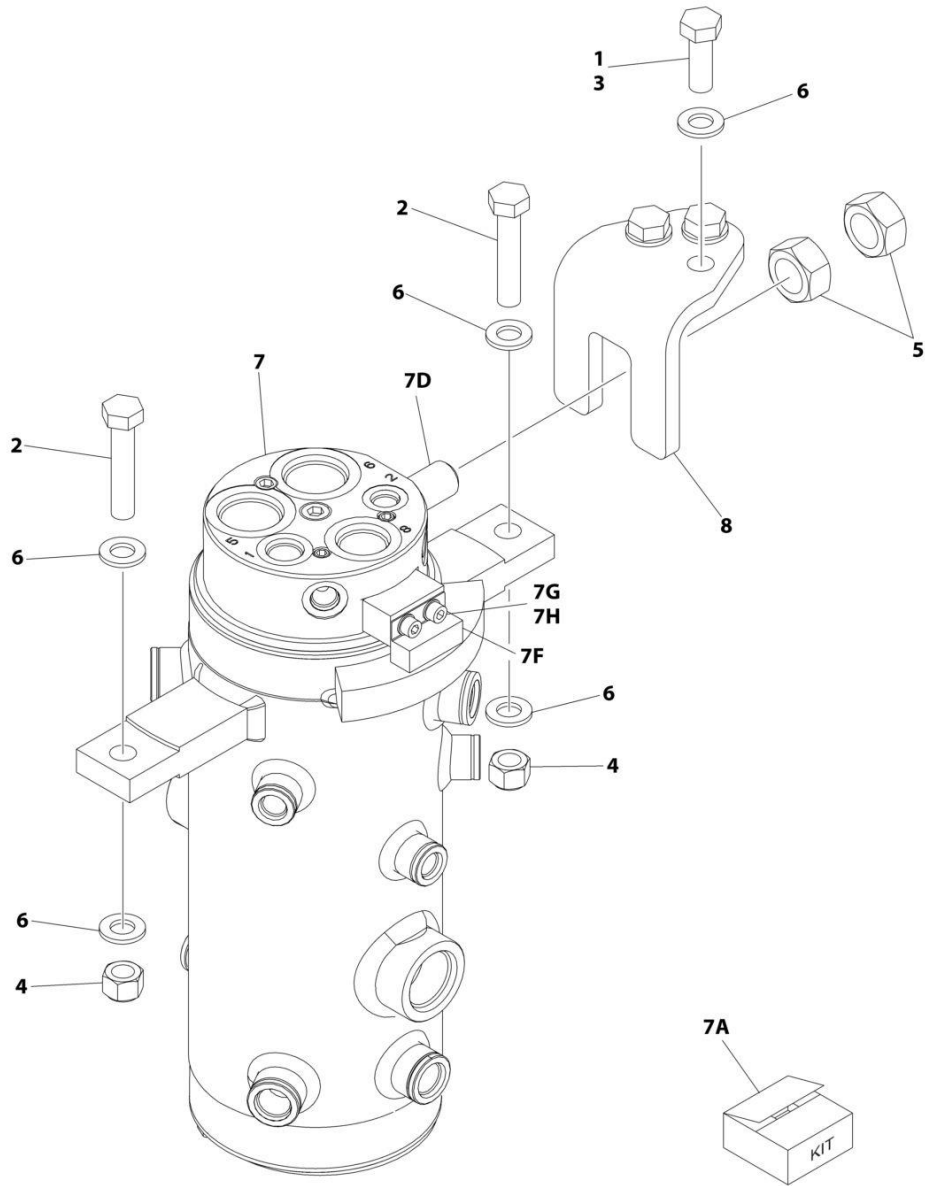
**SECTION 2 - TURNTABLE**

**FIGURE 2-8. AUXILIARY PUMP ASSEMBLY**

ITEM	PART NUMBER	QTY	DESCRIPTION	REV
	1001185821	Ref	AUXILIARY PUMP ASSEMBLY	B
1	70005065	1	Base Assembly (See Items 102-108 for Breakdown)	
2	70005066	1	Pump Assembly (Note: No Seal Kit or Internal Components are Available - Purchase Complete Pump Assembly)	
3	70005067	4	Capscrew 1/4 x 2-3/4	
4	70004013	1	Motor Assembly (Note: No Internal Components are Available - Purchase Complete Motor Assembly)	
6	70004014	1	Bracket	
7	70004000	2	Capscrew 3/8 x 1	
8	70005068	1	Relief Valve Assembly	
	70005065	Ref	BASE ASSEMBLY	
102	See Note	NSS	Poppet, Check (Note: Use p/n 70005065)	
103	See Note	NSS	Spring (Note: Use p/n 70005065)	
104	See Note	NSS	Plug (Note: Use p/n 70005065)	
105	7026330	1	Seal, Shaft	
106	70005139	2	Bearing	
107	70003612	1	O-Ring	
108	70004267	1	O-Ring	

# SECTION 2 - TURNTABLE

## FIGURE 2-9. ROTARY COUPLING INSTALLATION



ART\_1001168855



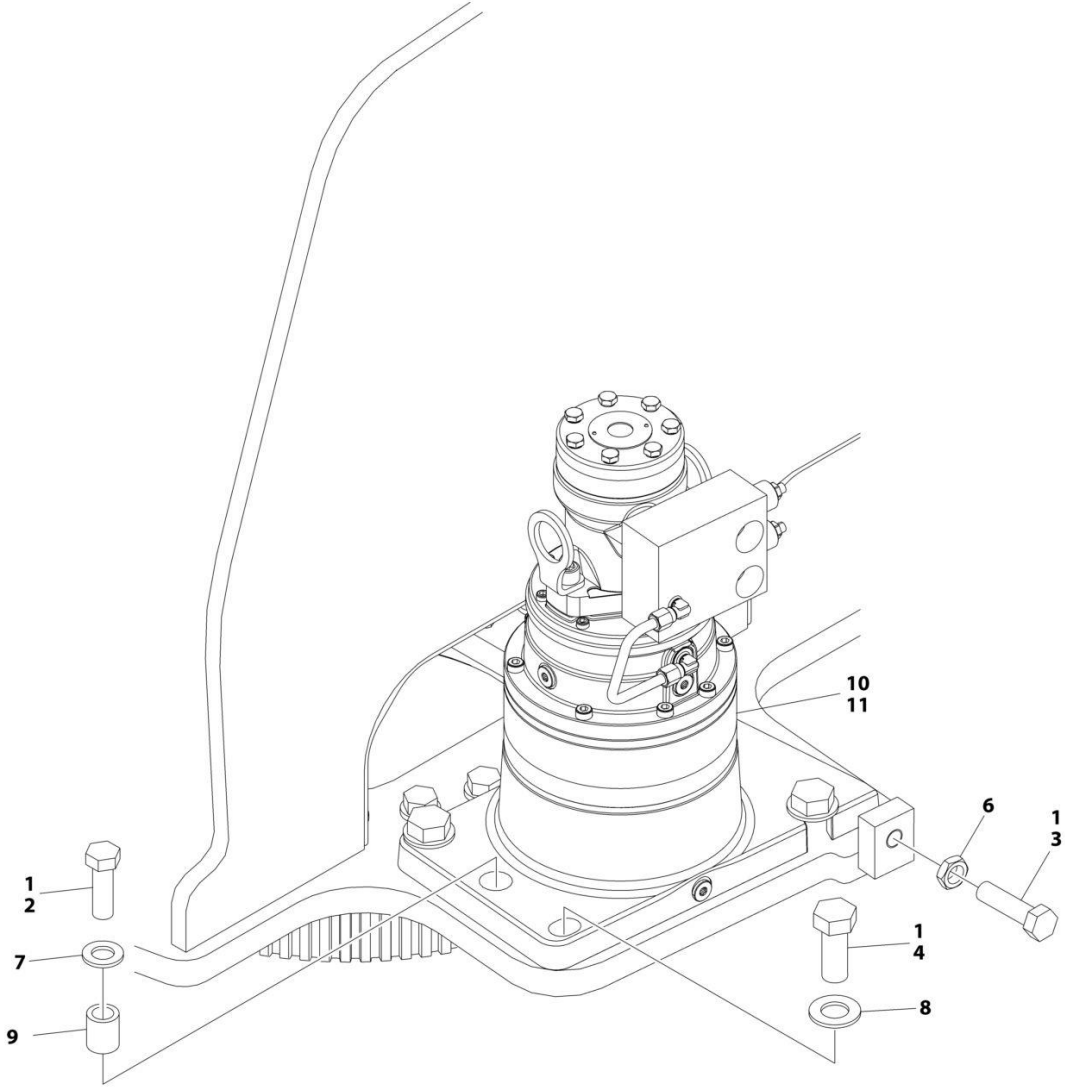
**SECTION 2 - TURNTABLE**

**FIGURE 2-9. ROTARY COUPLING INSTALLATION**

ITEM	PART NUMBER	QTY	DESCRIPTION	REV
	1001168855	Ref	ROTARY COUPLING INSTALLATION	C
1	0100011	AR	Compound, Locking	
2	0701220	2	Bolt M12 x 60	
3	0761215	3	Bolt M12 x 35	
4	3291201	2	Nut M12	
5	3292001	2	Nut M20	
6	4812100	7	Washer M12	
7	1001188334	1	Rotary Coupling Assembly	
7A	70005716	1	Seal Kit - 1001188334 Coupling	
7B	70005710	1	Spacer (Not Shown)	
7C	70005711	1	Spacer (Not Shown)	
7D	70005712	1	Threaded Spigot	
7E	70005713	1	Circlip (Not Shown)	
7F	4360517	1	Switch, Proximity	
7G	70005714	1	Bolt	
7H	70005715	1	Washer	
8	1001169185	1	Mount	
9	2220238	1	Fitting, Plug ORB (Not Shown)	

**SECTION 2 - TURNTABLE**

**FIGURE 2-10. SWING DRIVE INSTALLATION**



ART\_1001228492

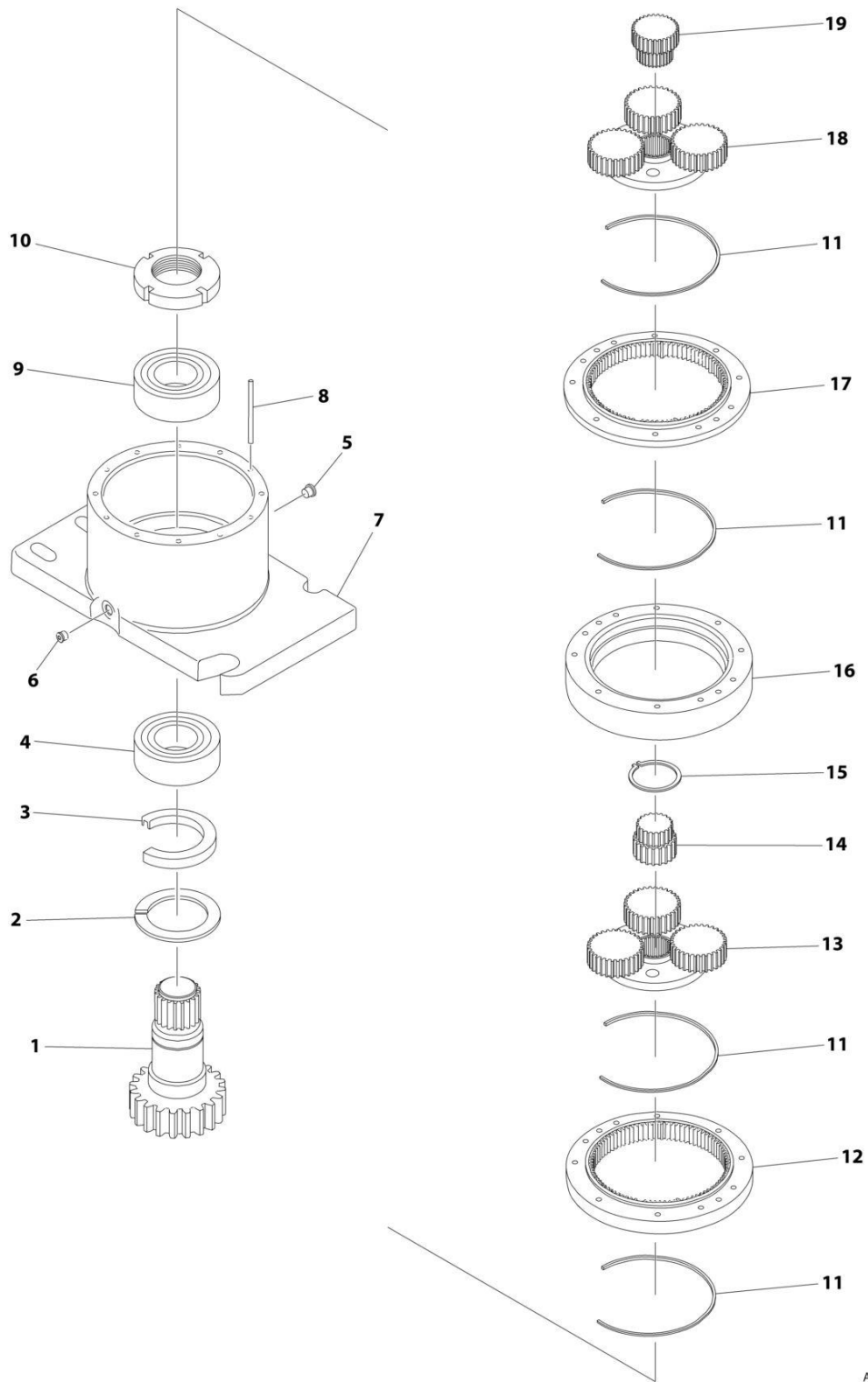
**SECTION 2 - TURNTABLE**

**FIGURE 2-10. SWING DRIVE INSTALLATION**

ITEM	PART NUMBER	QTY	DESCRIPTION	REV
	1001228492	Ref	SWING DRIVE INSTALLATION	C
1	0100019	AR	Compound, Locking	
2	0701618	1	Bolt M16 x 50	
3	0761620	1	Bolt M16 x 60	
4	0772018	4	Bolt M20 x 50 Grade 10.9	
6	3291602	1	Nut M16	
7	5241600	1	Washer M16	
8	5242000	4	Washer M20	
9	1001134543	1	Sleeve, Spacer	
10	4071009	1	Shim	
11	1001228487	1	Swing Hub/Motor Assembly (See Separate Breakdown in this Section)	

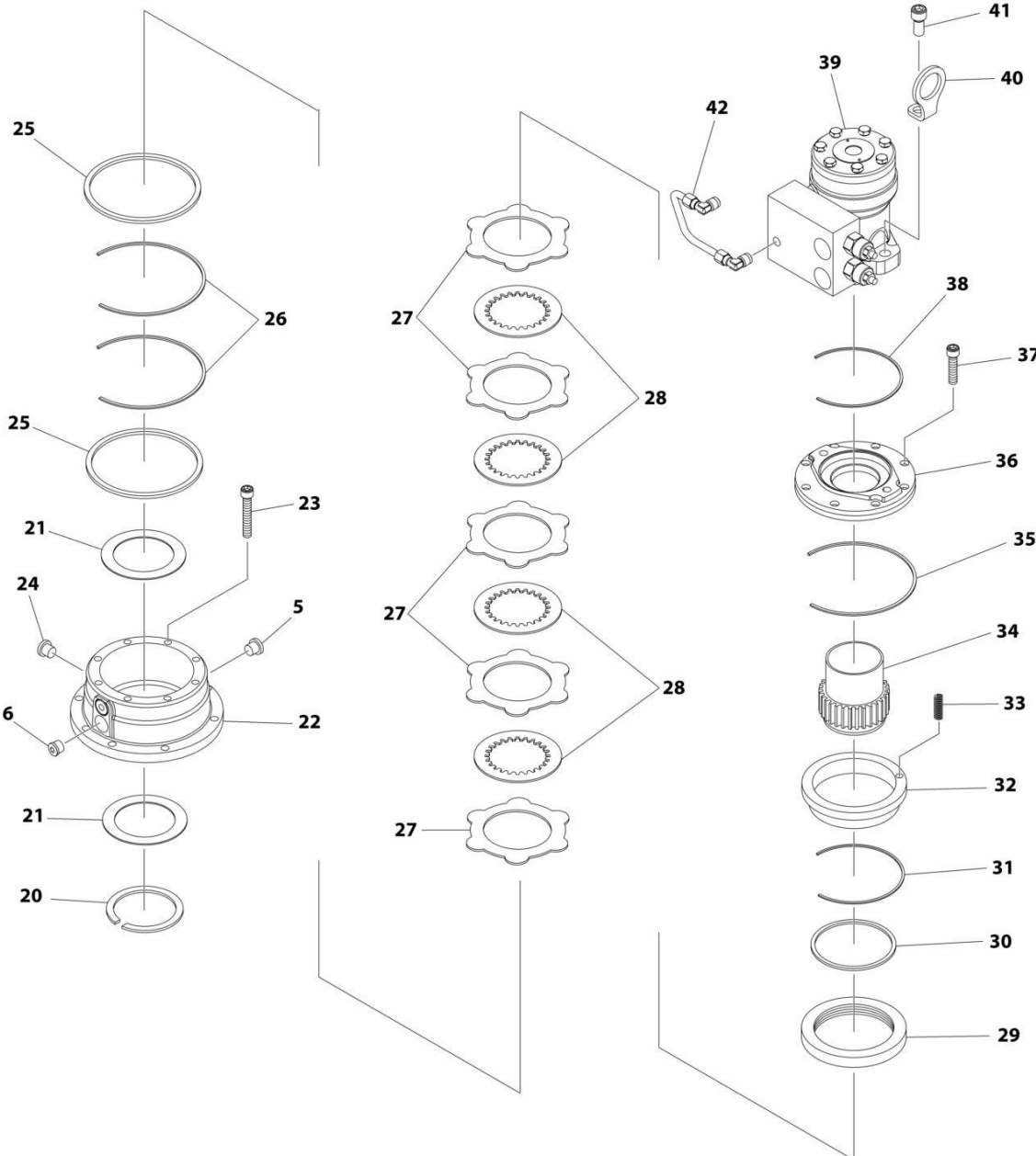
# SECTION 2 - TURNTABLE

## FIGURE 2-11. SWING HUB/MOTOR ASSEMBLY



ART\_1001228487\_10F2

**SECTION 2 - TURNTABLE**



ART\_1001228487\_2OF2

## SECTION 2 - TURNTABLE

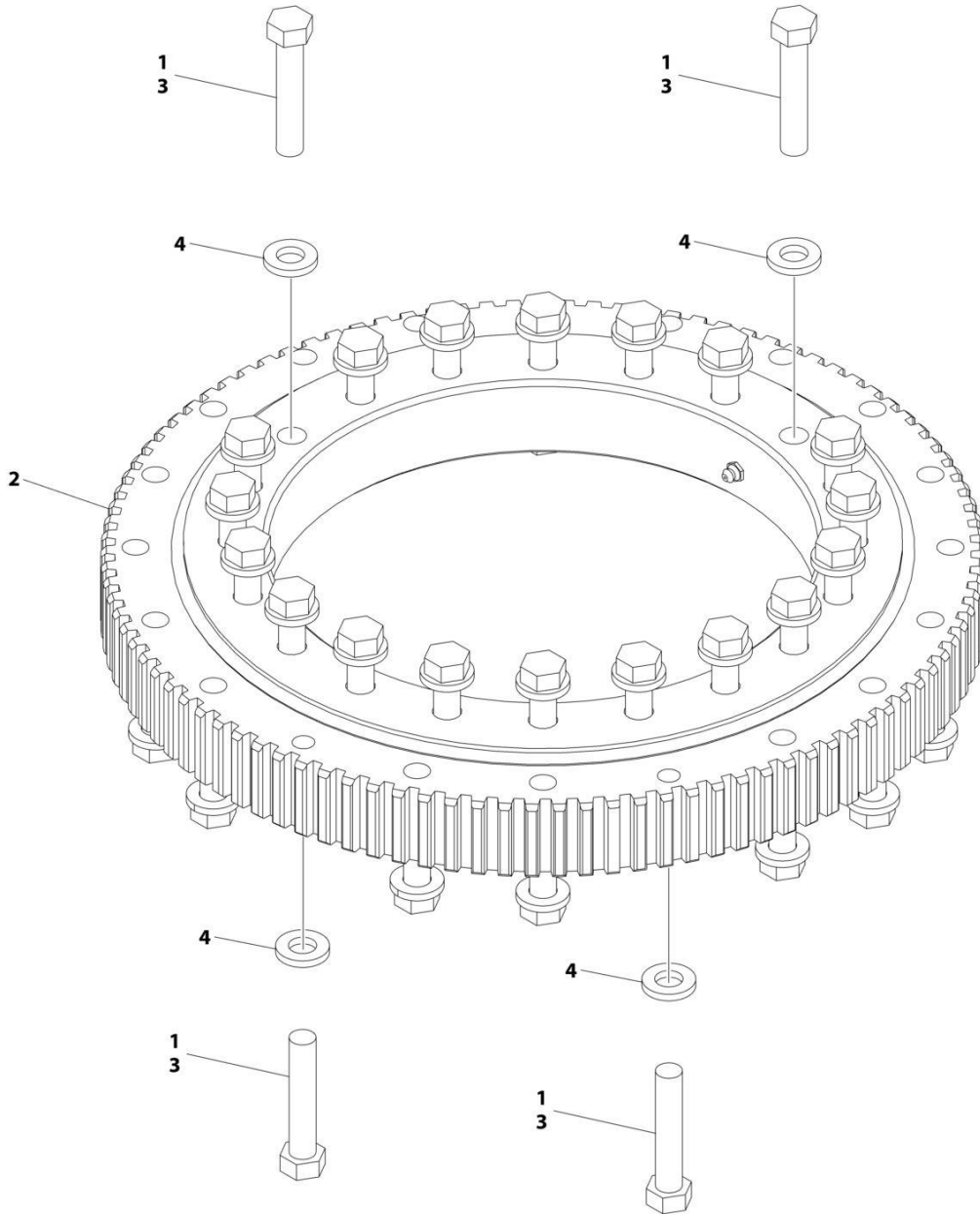
FIGURE 2-11. SWING HUB/MOTOR ASSEMBLY

ITEM	PART NUMBER	QTY	DESCRIPTION	REV
	1001228487	Ref	SWING HUB/MOTOR ASSEMBLY	C
1	70007022	1	Output Shaft	
2	70007023	1	Ring	
3		Ref	Oil Seal	
4	70007024	1	Tapered Roller Bearing	
5	70004469	2	Magnetic Plug with O-Ring	
6	70002057	4	Plug with O-Ring	
7	NSS	1	Output Support	
8	70007025	2	Spring Pin	
9	70007026	1	Tapered Roller Bearing	
10	70007027	1	Ring Nut	
11		Ref	O-Ring	
12	70006990	1	Planetary Ring	
13	70007028	1	Complete Reduction	
14	70007029	1	Pinion	
15	70007030	1	Seeger	
16	70006994	1	Spacer	
17	70004481	1	Planetary Ring	
18	70004482	1	Complete Reduction	
19	70007031	1	Pinion	
20	70006997	1	Ring	
21	70006998	2	Washer	
22	NSS	1	Brake Housing	
23	70007032	8	Screw	
24	70006999	1	Level Oil Plug	
25		Ref	Parbak	
26		Ref	O-Ring	
27		Ref	Iron Disc	
28		Ref	Sintered Disc	
29	70005317	1	Brake Spacer	
30		Ref	Parbak	
31		Ref	O-Ring	
32	70005318	1	Brake Piston	
33		Ref	Brake Spring	
34	70007001	1	Input Shaft	
35		Ref	O-Ring	
36	70007002	1	Cover	
37	70007003	8	Screw	
38		Ref	O-Ring	
39		Ref	Motor with Valve	
40	NSS	2	Vertical Lift Support	
41	70004494	2	Screw	
42	70007004	1	Brake/Valve Adapter	
43	70007046	1	Seal Kit	
44	70007006	1	Kit, Brake Repair	



# SECTION 2 - TURNTABLE

## FIGURE 2-12. TURNTABLE BEARING INSTALLATION



ART\_1001168992



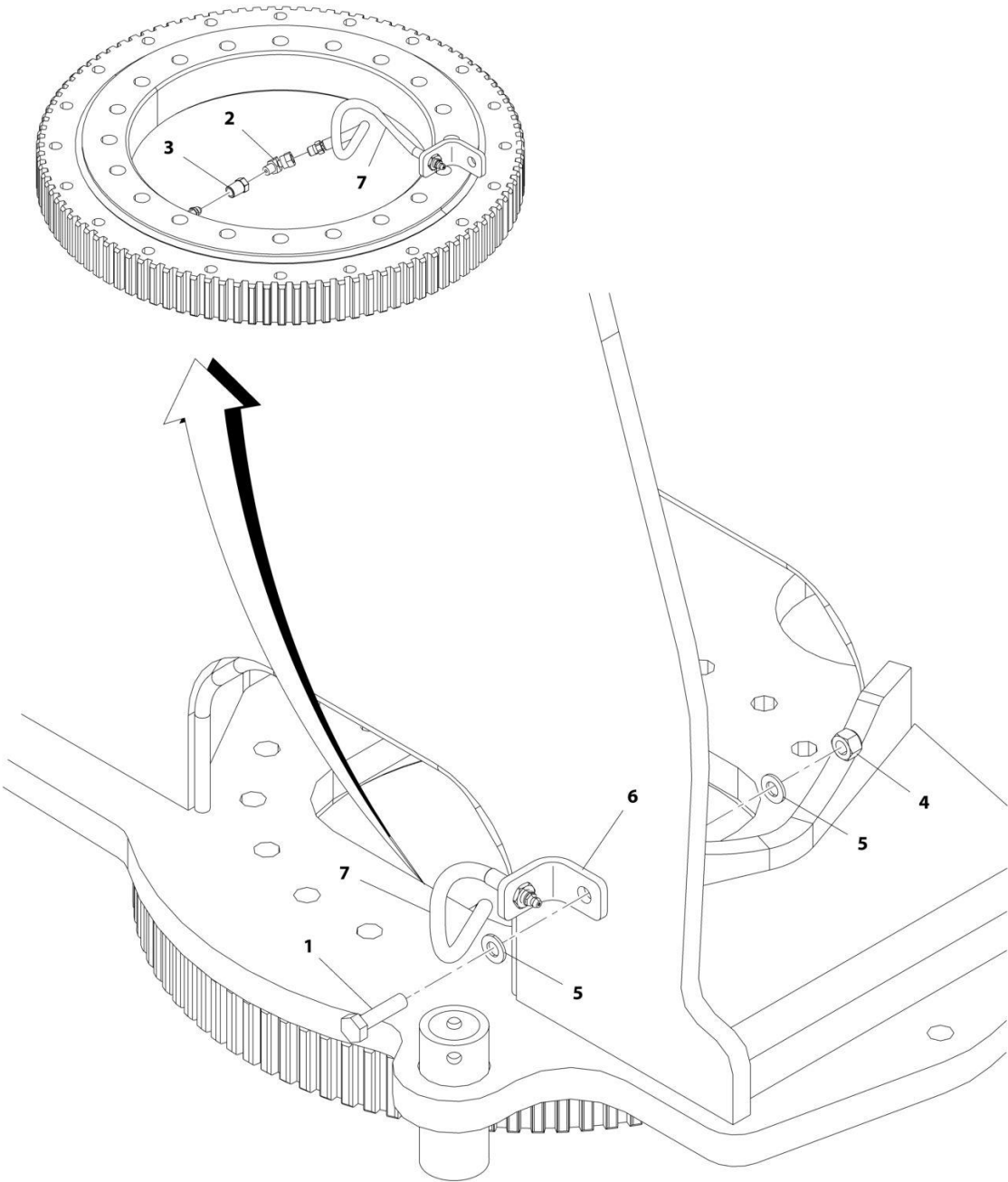
**SECTION 2 - TURNTABLE**

**FIGURE 2-12. TURNTABLE BEARING INSTALLATION**

<b>ITEM</b>	<b>PART NUMBER</b>	<b>QTY</b>	<b>DESCRIPTION</b>	<b>REV</b>
	1001168992	Ref	TURNTABLE BEARING INSTALLATION	A
1	0100019	AR	Compound, Locking	
2	0440240	1	Bearing, Turntable	
3	0682026	40	Bolt 5/8 x 3-1/4 Grade 8	
4	4892000	40	Washer 5/8	

# SECTION 2 - TURNTABLE

## FIGURE 2-13. BEARING LUBE INSTALLATION



ART\_1001169191

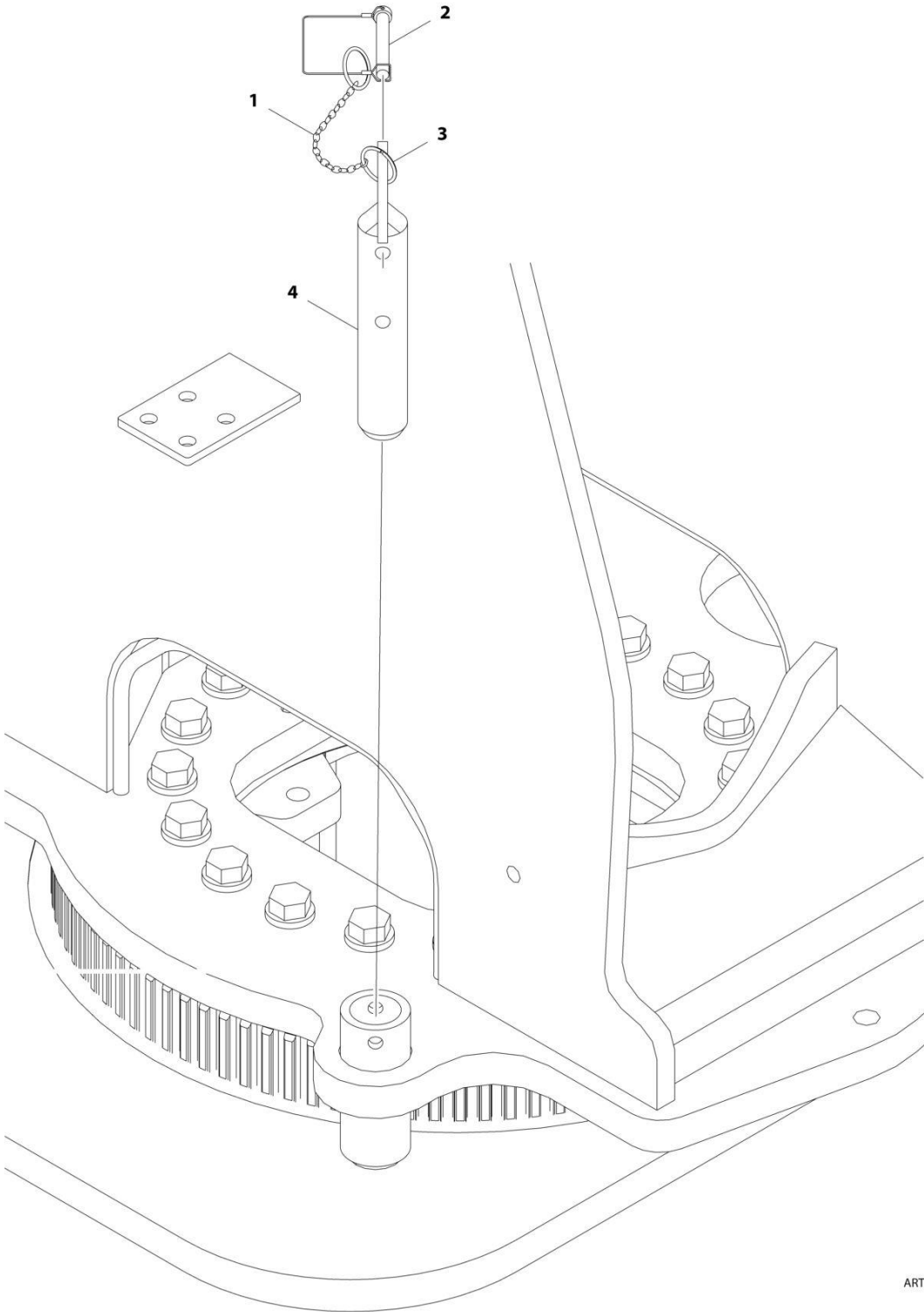
**SECTION 2 - TURNTABLE**

**FIGURE 2-13. BEARING LUBE INSTALLATION**

<b>ITEM</b>	<b>PART NUMBER</b>	<b>QTY</b>	<b>DESCRIPTION</b>	<b>REV</b>
	1001169191	Ref	BEARING LUBE INSTALLATION	A
1	0761016	1	Bolt M10 x 40	
2	2220124	1	Fitting, 45 1/8NPT	
3	2220273	1	Fitting, Straight FNPTF/NPTF	
4	3291005	1	Nut M10	
5	4812000	2	Washer M10	
6	1001169192	1	Mount, Bulkhead	
7	1001169193	1	Hose	

**SECTION 2 - TURNTABLE**

**FIGURE 2-14. TURNTABLE LOCK INSTALLATION**



ART\_1001169496

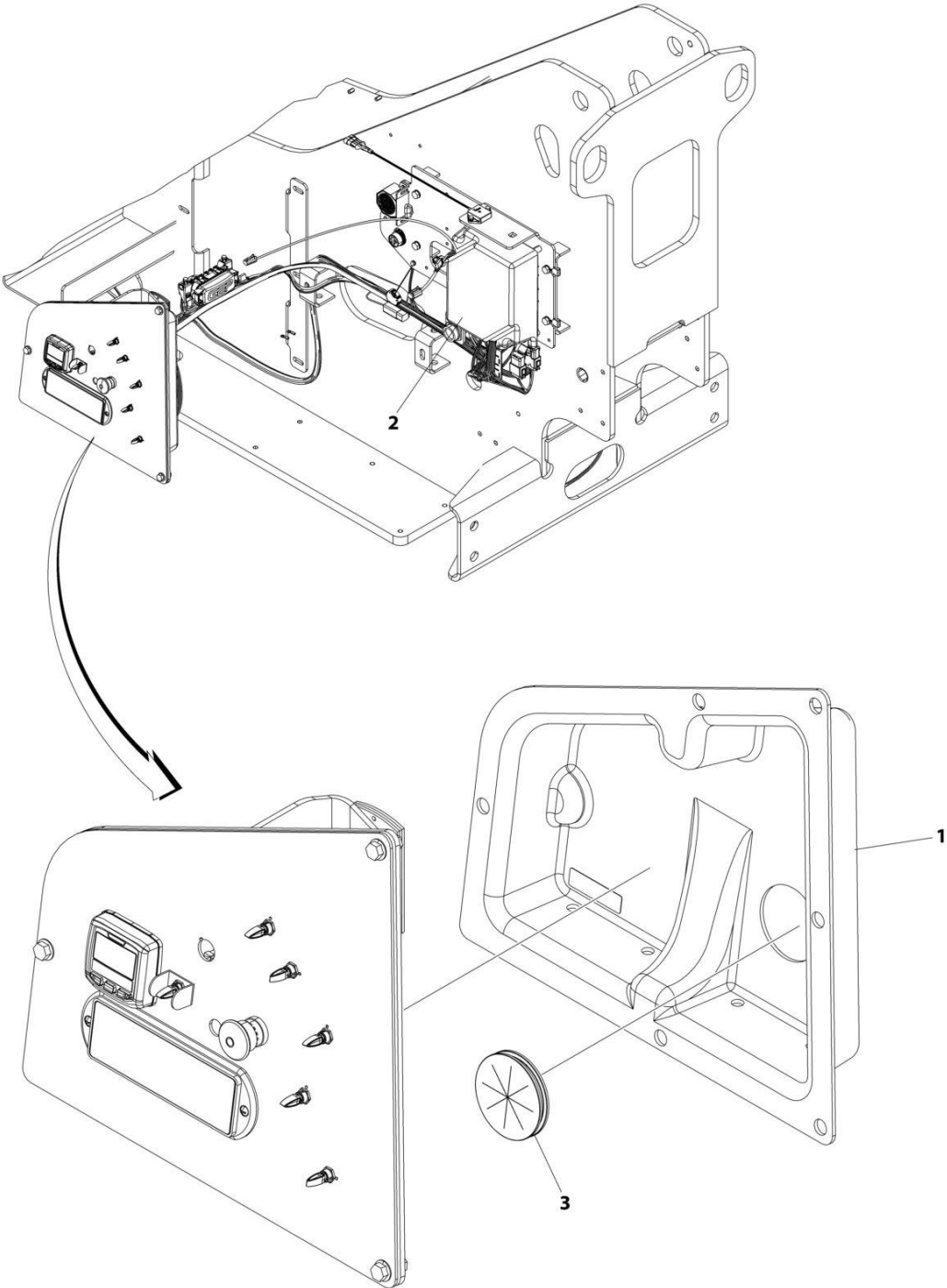
**SECTION 2 - TURNTABLE**

**FIGURE 2-14. TURNTABLE LOCK INSTALLATION**

<b>ITEM</b>	<b>PART NUMBER</b>	<b>QTY</b>	<b>DESCRIPTION</b>	<b>REV</b>
	1001169496	Ref	TURNTABLE LOCK INSTALLATION	B
1	1260017	1	Chain	
2	3421565	1	Pin, Snap	
3	3760170	2	Ring, Split	
4	1001169582	1	Pin	

**SECTION 2 - TURNTABLE**

**FIGURE 2-15. TURNTABLE COVERS INSTALLATION**



ART\_1001219130\_C

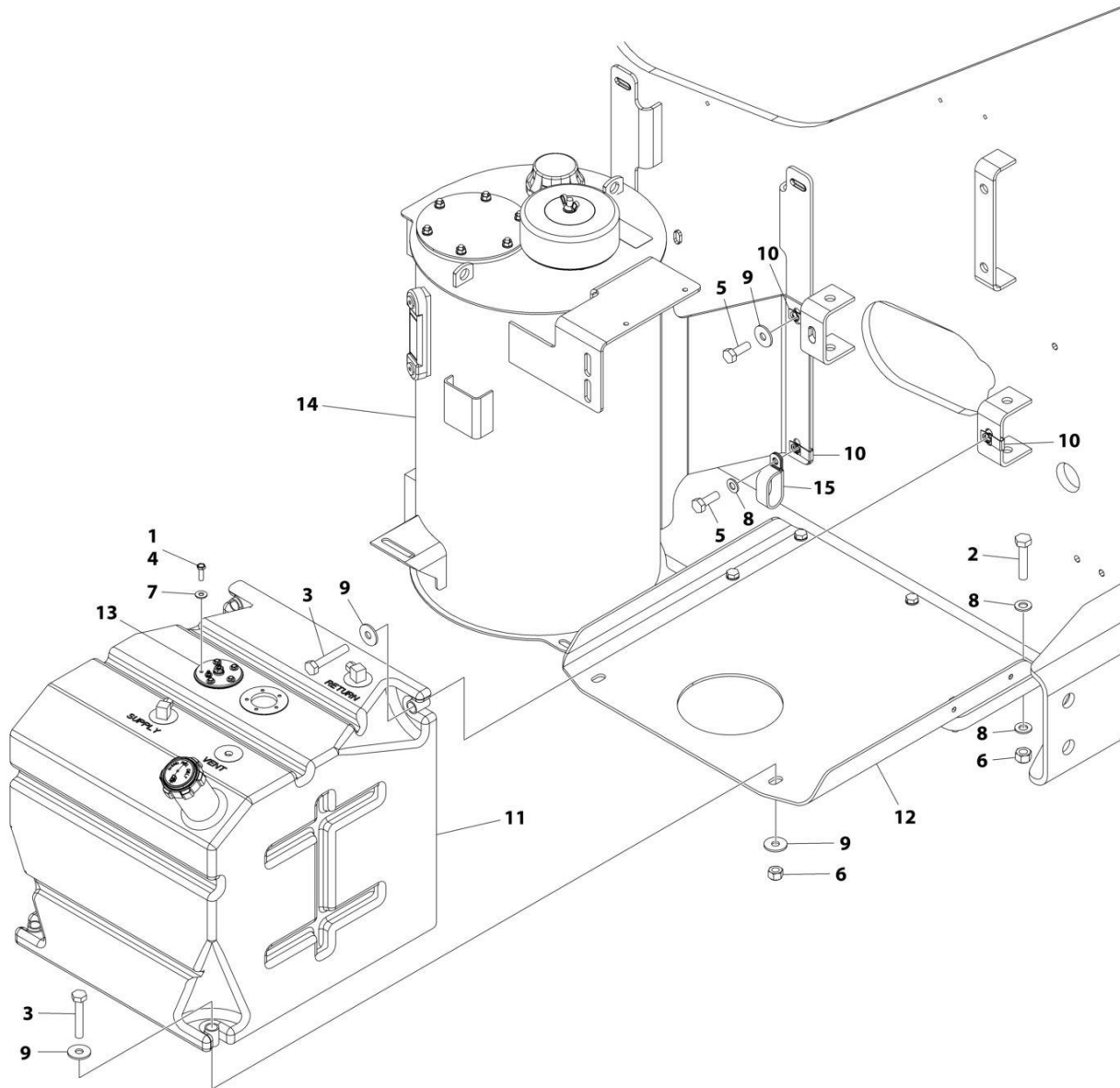
**SECTION 2 - TURNTABLE**

**FIGURE 2-15. TURNTABLE COVERS INSTALLATION**

<b>ITEM</b>	<b>PART NUMBER</b>	<b>QTY</b>	<b>DESCRIPTION</b>	<b>REV</b>
	1001219130	Ref	TURNTABLE COVERS INSTALLATION	B
1	1001246087	1	Cover, Control Panel	
2	1001218538	1	Cover, Controller	
3	1001218676	1	Grommet	

# SECTION 2 - TURNTABLE

## FIGURE 2-16. TANKS INSTALLATION - DIESEL MACHINES (WITH 17.3 GAL HYDRAULIC TANK)



ART\_1001207349



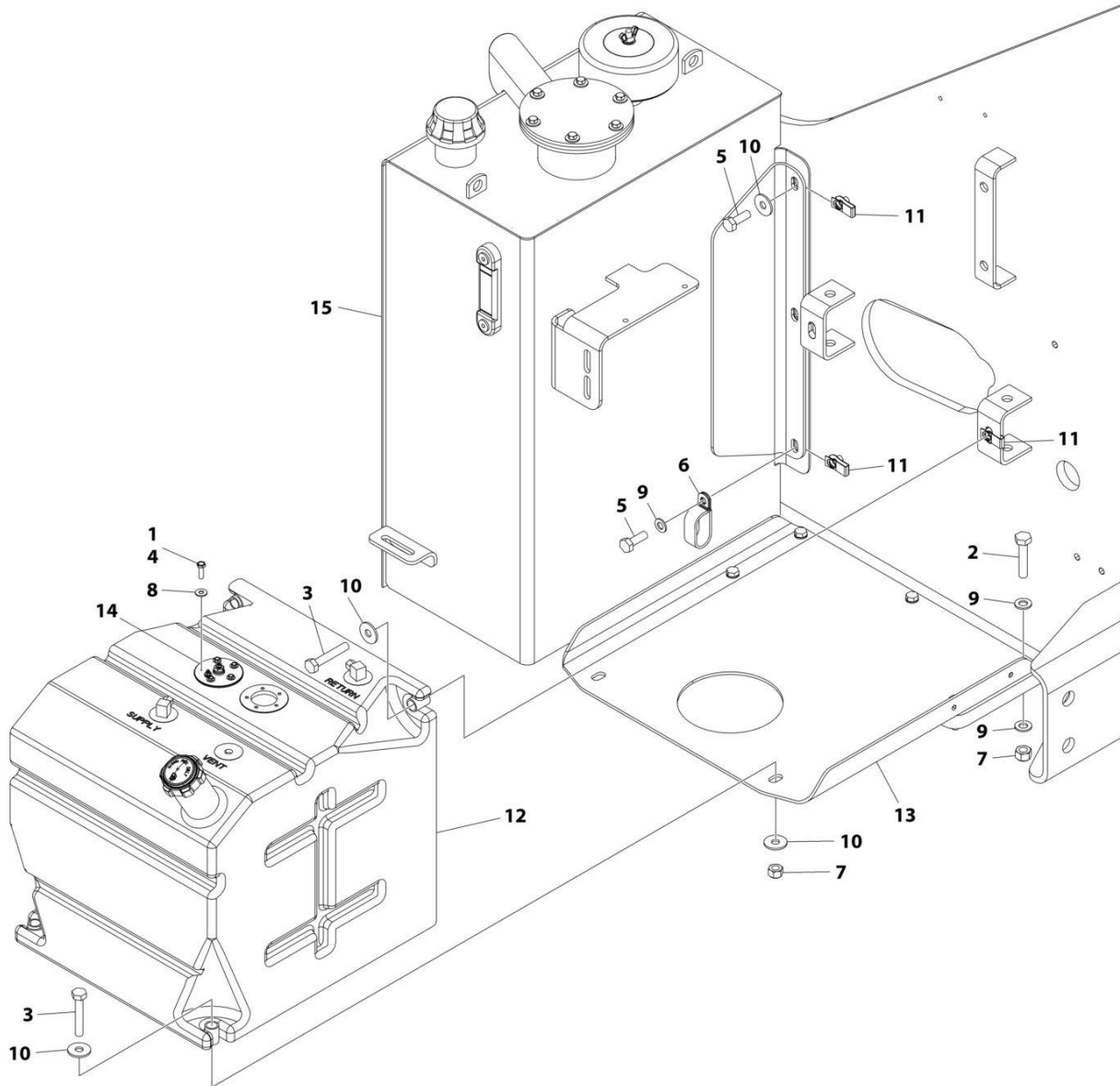
## SECTION 2 - TURNTABLE

**FIGURE 2-16. TANKS INSTALLATION - DIESEL MACHINES (WITH 17.3 GAL HYDRAULIC TANK)**

ITEM	PART NUMBER	QTY	DESCRIPTION	REV
	1001207349	Ref	TANKS INSTALLATION - DIESEL MACHINES	C
1	0100035	AR	Compound, Locking	
2	0701018	5	Bolt M10 x 50	
3	0701020	4	Bolt M10 x 60	
4	0731005	5	Screw #10 x .625	
5	0761014	4	Bolt M10 x 30	
6	3291005	7	Nut M10	
7	4751000	5	Washer #10	
8	4812000	12	Washer M10	
9	4812002	8	Washer M10	
10	1001118972	6	Nut M10	
11	1001163418	1	Tank, Fuel	
11	1001193336	1	Cap, Fill with Chain and Stop Spring	
11	70004794	1	Tube, Pick-up	
12	1001166710	1	Plate	
13	1001231195	1	Sensor, Fuel Level	
14	1001206917	1	Tank, Hydraulic (See Separate Breakdown in this Section)	
15	1321716	2	Clamp	

# SECTION 2 - TURNTABLE

## FIGURE 2-17. TANKS INSTALLATION - DIESEL MACHINES (WITH 36 GAL HYDRAULIC TANK)



ART\_1001286149

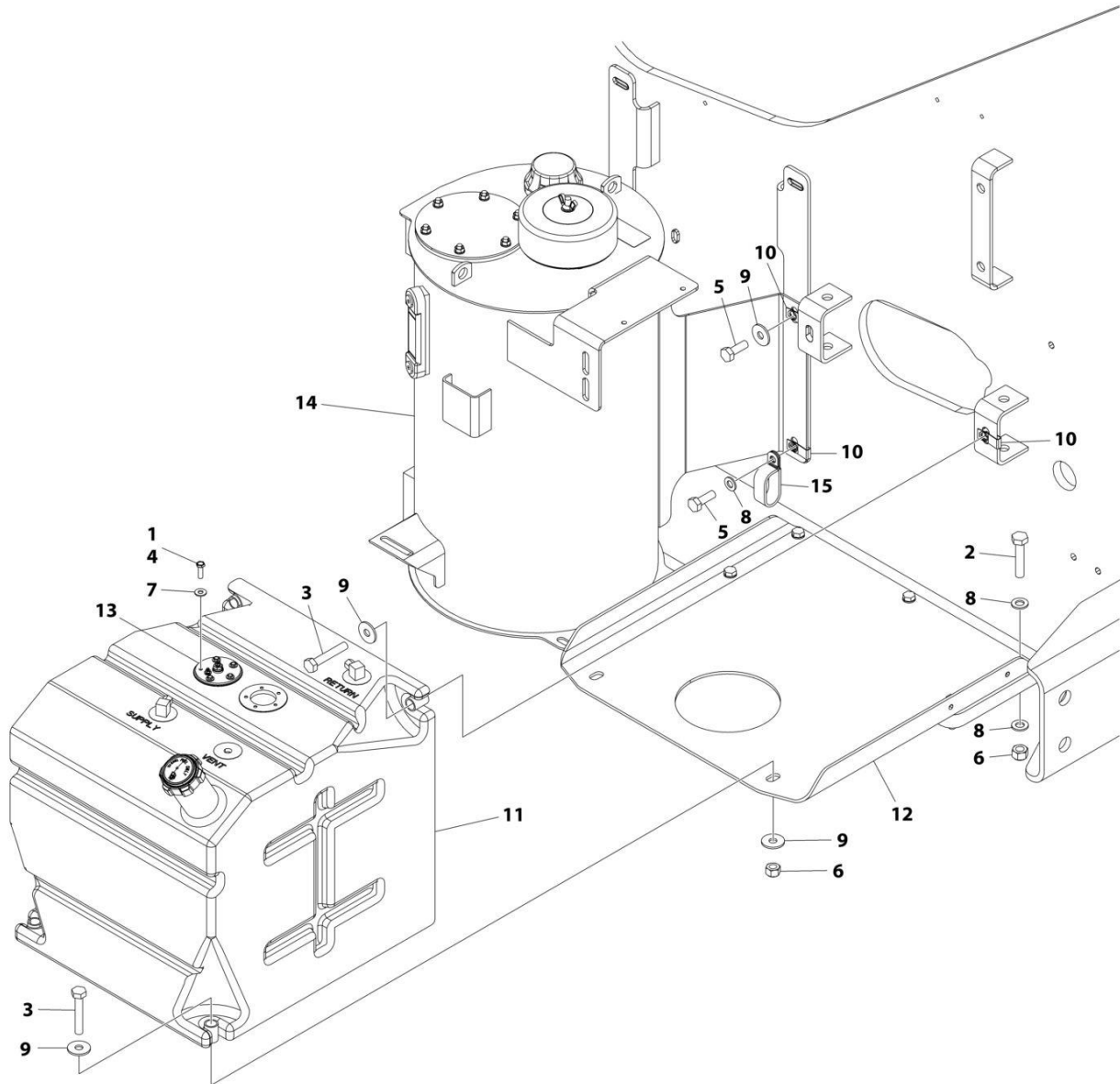
## SECTION 2 - TURNTABLE

**FIGURE 2-17. TANKS INSTALLATION - DIESEL MACHINES (WITH 36 GAL HYDRAULIC TANK)**

ITEM	PART NUMBER	QTY	DESCRIPTION	REV
	1001286149	Ref	TANKS INSTALLATION - GAS MACHINES	A
1	0100035	AR	Compound, Locking	
2	0701018	5	Bolt M10 x 50	
3	0701020	4	Bolt M10 x 60	
4	0731005	5	Screw #10 x .625	
5	0761014	4	Bolt M10 x 30	
6	1321716	2	Clamp	
7	3291005	7	Nut M10	
8	4751000	5	Washer #10	
9	4812000	12	Washer M10	
10	4812002	8	Washer M10	
11	1001118972	6	Nut M10	
12	1001163418	1	Tank, Fuel	
12	1001193336	1	Cap, Fill with Chain and Stop Spring	
12	70004794	1	Tube, Pick-up	
13	1001166710	1	Plate	
14	1001231195	1	Sensor, Fuel Level	
15	1001286148	1	Tank, Hydraulic (See Separate Breakdown in this Section)	

## SECTION 2 - TURNTABLE

FIGURE 2-18. TANKS INSTALLATION - GAS MACHINES (WITH 17.3 GAL HYDRAULIC TANK)



ART\_1001207350

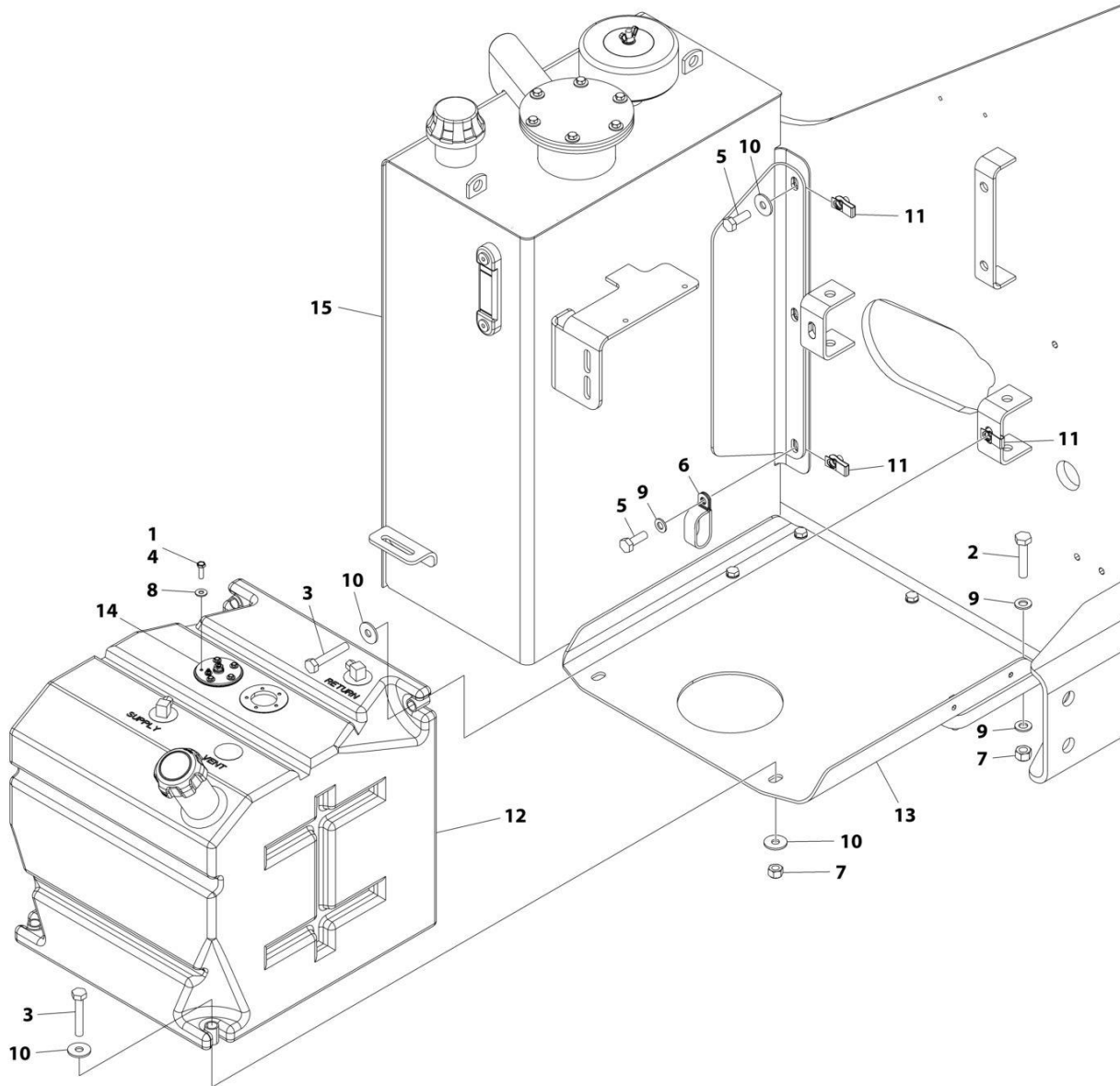
## SECTION 2 - TURNTABLE

**FIGURE 2-18. TANKS INSTALLATION - GAS MACHINES (WITH 17.3 GAL HYDRAULIC TANK)**

ITEM	PART NUMBER	QTY	DESCRIPTION	REV
	1001207350	Ref	TANKS INSTALLATION - GAS MACHINES	D
1	0100035	AR	Compound, Locking	
2	0701018	5	Bolt M10 x 50	
3	0701020	4	Bolt M10 x 60	
4	0731005	5	Screw #10 x 5/8	
5	0761014	4	Bolt M10 x 30	
6	3291005	7	Nut M10	
7	4751000	5	Washer #10	
8	4812000	12	Washer M10	
9	4812002	8	Washer M10	
10	1001118972	6	Nut M10	
11	1001163671	1	Tank, Fuel	
11	1001211336	1	Cap, Fill with Lanyard and Stop	
11	70004794	2	Tube, Pick up	
12	1001166710	1	Plate	
13	1001231195	1	Sensor, Fuel Level	
14	1001206917	1	Tank, Hydraulic (See Separate Breakdown in this Section)	
15	1321716	2	Clamp	

# SECTION 2 - TURNTABLE

## FIGURE 2-19. TANKS INSTALLATION - GAS MACHINES (WITH 36 GAL HYDRAULIC TANK)



ART\_1001286150

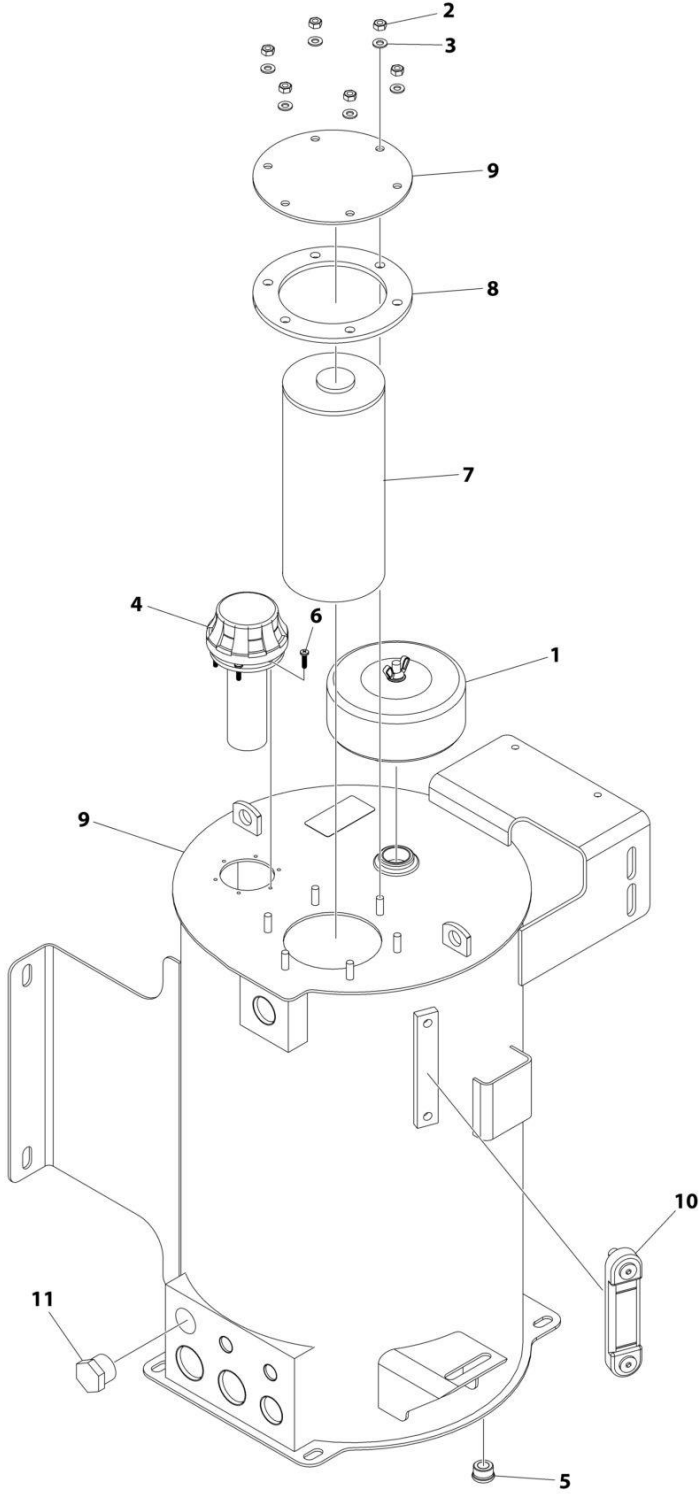
**SECTION 2 - TURNTABLE**

**FIGURE 2-19. TANKS INSTALLATION - GAS MACHINES (WITH 36 GAL HYDRAULIC TANK)**

ITEM	PART NUMBER	QTY	DESCRIPTION	REV
	1001286150	Ref	TANKS INSTALLATION - GAS MACHINES	A
1	0100035	AR	Compound, Locking	
2	0701018	5	Bolt M10 x 50	
3	0701020	4	Bolt M10 x 60	
4	0731005	5	Screw #10 x 5/8	
5	0761014	4	Bolt M10 x 30	
6	1321716	2	Clamp	
7	3291005	7	Nut M10	
8	4751000	5	Washer #10	
9	4812000	12	Washer M10	
10	4812002	8	Washer M10	
11	1001118972	6	Nut M10	
12	1001163671	1	Tank, Fuel	
12	1001211336	1	Cap, Fill with Lanyard and Stop	
12	70004794	2	Tube, Pick up	
13	1001166710	1	Plate	
14	1001231195	1	Sensor, Fuel Level	
15	1001286148	1	Tank, Hydraulic (See Separate Breakdown in this Section)	

# SECTION 2 - TURNTABLE

FIGURE 2-20. HYDRAULIC TANK ASSEMBLY - 17.3 GALLON



ART\_1001206917



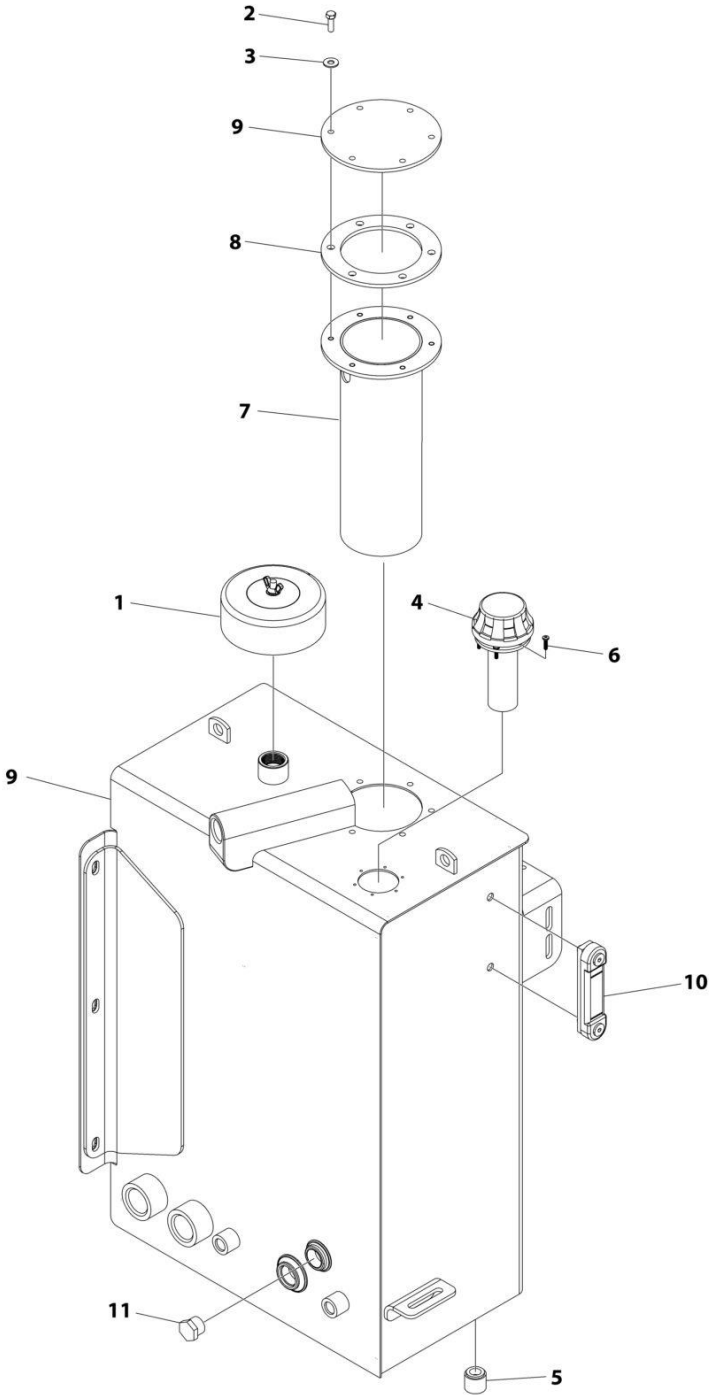
**SECTION 2 - TURNTABLE**

**FIGURE 2-20. HYDRAULIC TANK ASSEMBLY - 17.3 GALLON**

<b>ITEM</b>	<b>PART NUMBER</b>	<b>QTY</b>	<b>DESCRIPTION</b>	<b>REV</b>
	1001206917	Ref	HYDRAULIC TANK ASSEMBLY	A
1	See Note	NSS	Breather Assembly (Note: Use p/n 70003614)	
2	3311501	6	Nut 5/16	
3	4751400	6	Washer 1/4	
4	70002838	1	Cap, Fill	
5	70002112	1	Plug	
6	See Note	NSS	Screw #10 x 3/4 (Note: Not Available for purchase)	
7	See Note	NSS	Element, Filter (Note: Use p/n 70003614)	
8	1001199177	1	Gasket	
9	See Note	NSS	Reservoir (Note: Not Available for purchase)	
10	7024441	1	Gauge, Level	
11	2220887	1	Plug	

**SECTION 2 - TURNTABLE**

**FIGURE 2-21. HYDRAULIC TANK ASSEMBLY - 36 GALLON**



ART\_1001286148

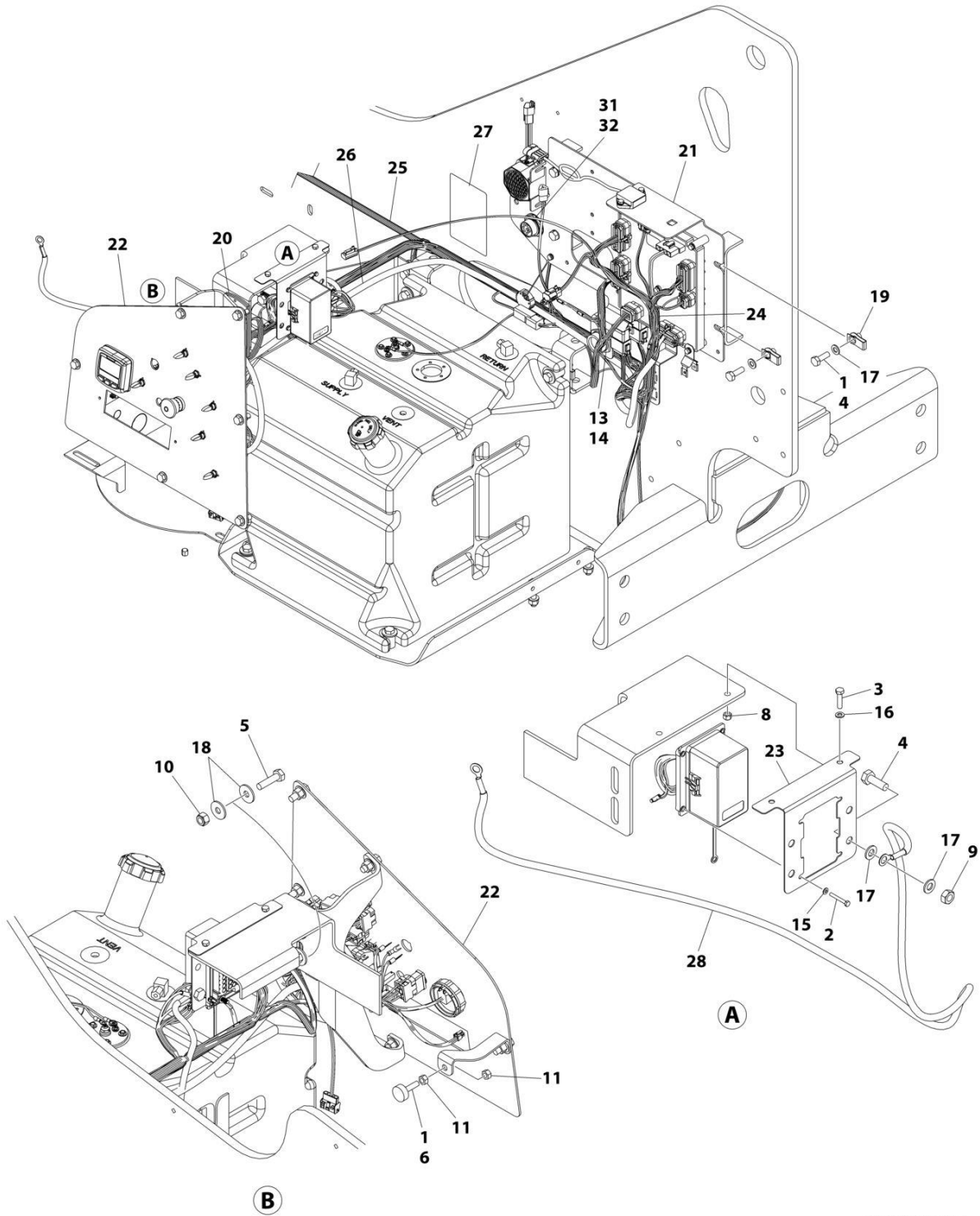
**SECTION 2 - TURNTABLE**

**FIGURE 2-21. HYDRAULIC TANK ASSEMBLY - 36 GALLON**

<b>ITEM</b>	<b>PART NUMBER</b>	<b>QTY</b>	<b>DESCRIPTION</b>	<b>REV</b>
	1001286148	Ref	HYDRAULIC TANK ASSEMBLY	A
1	See Note	NSS	Breather Assembly (Note: Use p/n 70003614)	
2		Ref	Bolt	
3	4751400	6	Washer 1/4	
4	70002838	1	Cap, Fill	
5	70002112	1	Plug	
6	See Note	NSS	Screw #10 x 3/4 (Note: Not Available for purchase)	
7	See Note	NSS	Element, Filter (Note: Use p/n 70003614)	
8	1001199177	1	Gasket	
9	See Note	NSS	Reservoir (Note: Not Available for purchase)	
10	7024441	1	Gauge, Level	
11	2220887	1	Plug	

# SECTION 2 - TURNTABLE

## FIGURE 2-22. ELECTRICAL INSTALLATION - 400S



ART\_1001236965\_E

## SECTION 2 - TURNTABLE

**FIGURE 2-22. ELECTRICAL INSTALLATION - 400S**

ITEM	PART NUMBER	QTY	DESCRIPTION	REV
	1001236965	Ref	ELECTRICAL INSTALLATION - 400S	E
1	0100011	AR	Compound, Locking	
2	0731005	4	Bolt #10 x .625	
3	0760612	2	Bolt M6 x 25	
4	0761014	5	Bolt M10 x 30	
5	0761016	2	Bolt M10 x 40	
6	0940049	1	Stopper, Hood	
8	3290605	2	Nut M6	
9	3291001	1	Nut M10	
10	3291005	2	Nut M10	
11	3311501	2	Nut 5/16	
12	4240099	AR	Tie-Strap (Not Shown)	
13	4460470	1	Nut, Terminal	
14	4460471	1	Washer, Terminal	
15	4711000	4	Washer #10	
16	4811700	4	Washer M6	
17	4812000	6	Washer M10	
18	4812002	4	Washer M10	
19	1001118972	4	Nut M10	
20	1001150324	AR	Shim 3	
21	1001172757	1	Electrical Panel Assembly (See Separate Breakdown in this Section)	
22	1001239294	1	Ground Control Assembly (See Separate Breakdown in this Section)	
23	1001237822	1	Plate	
24	1001237849	1	Turntable Harness (See Separate Breakdown in ELECTRICAL SECTION)	
25	1001238160	1	Valve Harness (See Separate Breakdown in ELECTRICAL SECTION)	
26	1001238161	1	Ground Control Box Harness (See Separate Breakdown in ELECTRICAL SECTION)	
27	1001239512	1	Decal - Fuse Box	
28	1001250681	1	Battery Cable (Negative)	
29	4460466	8	Seal, Terminal (Not Shown)	
30	4460931	1	Connector - 8 Position (Not Shown)	
31	4460496	1	Washer, Lock	
32	4460497	1	Nut	



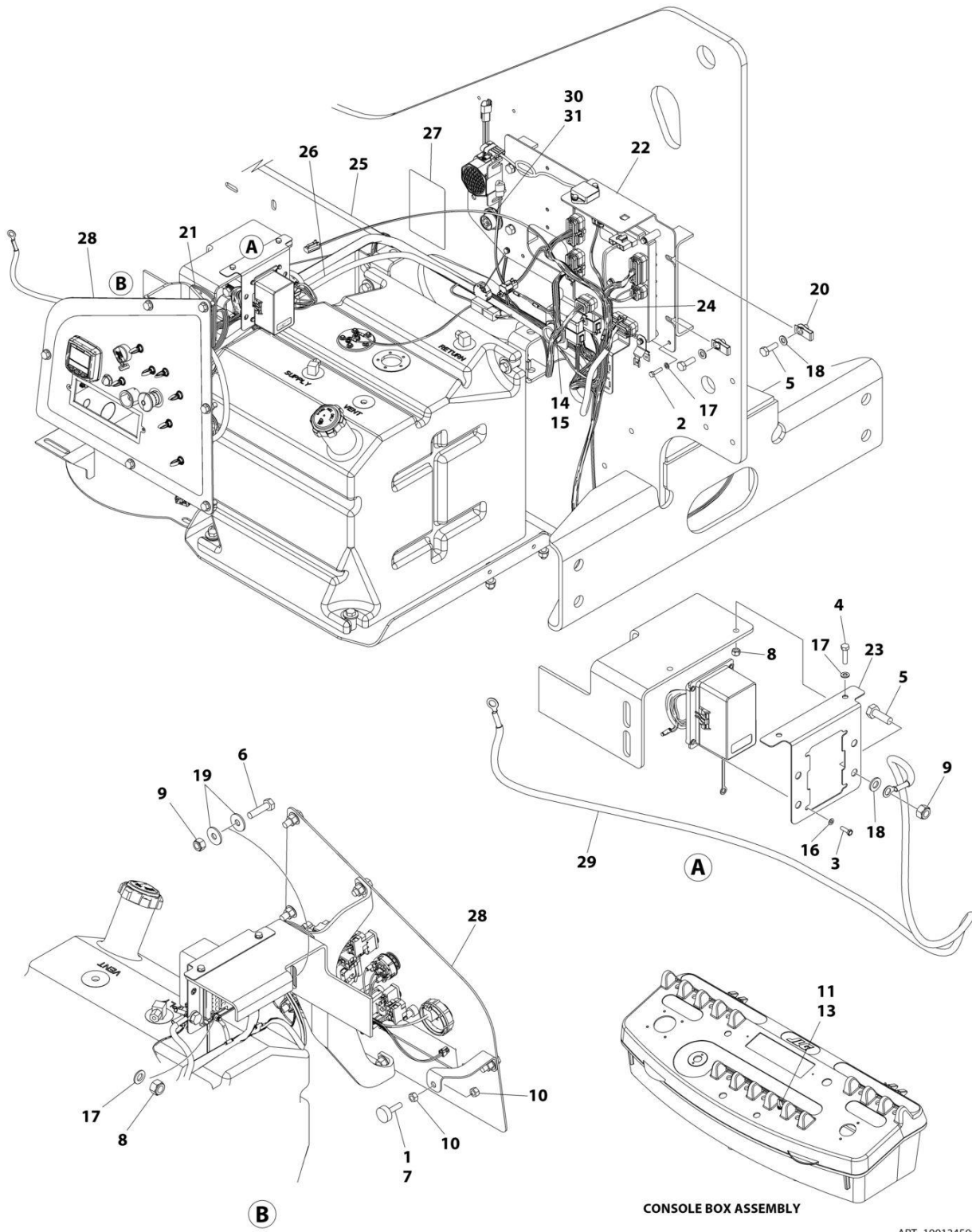
## SECTION 2 - TURNTABLE

**FIGURE 2-23. ELECTRICAL INSTALLATION - 460SJ**

ITEM	PART NUMBER	QTY	DESCRIPTION	REV
	1001242106	Ref	ELECTRICAL INSTALLATION - 460SJ	E
1	0100011	AR	Compound, Locking	
2	0731005	4	Bolt #10 x .625	
3	0760612	2	Bolt M6 x 25	
4	0761014	5	Bolt M10 x 30	
5	0761016	2	Bolt M10 x 40	
6	0940049	1	Stopper, Hood	
8	3290605	2	Nut M6	
9	3291001	1	Nut M10	
10	3291005	2	Nut M10	
11	3311501	2	Nut 5/16	
12	4240099	AR	Tie-Strap (Not Shown)	
13	4460470	1	Nut, Terminal	
14	4460471	1	Washer, Terminal	
15	4711000	4	Washer #10	
16	4811700	4	Washer M6	
17	4812000	6	Washer M10	
18	4812002	4	Washer M10	
19	1001118972	4	Nut M10	
20	1001150324	AR	Shim 3	
21	1001172757	1	Electrical Panel Assembly (See Separate Breakdown in this Section)	
22	1001237822	1	Plate	
23	1001237849	1	Turntable Harness (See Separate Breakdown in ELECTRICAL SECTION)	
24	1001238160	1	Valve Harness (See Separate Breakdown in ELECTRICAL SECTION)	
25	1001238161	1	Ground Control Box Harness (See Separate Breakdown in ELECTRICAL SECTION)	
26	1001239293	1	Ground Control Assembly (See Separate Breakdown in this Section)	
27	1001239512	1	Decal - Fuse Box	
28	3790012	1	O-Ring	
29	4360328	1	Switch, Toggle	
30	4740397	1	Spacer	
31	1001155044	1	Nut 15/32	
32	1001250681	1	Battery Cable (Negative)	
33	4460466	16	Seal, Terminal (Not Shown)	
34	4460930	1	Connector - 8 Position (Not Shown)	
35	4460931	1	Connector - 8 Position (Not Shown)	
36	4460496	1	Washer, Lock	
37	4460497	1	Nut	

# SECTION 2 - TURNTABLE

## FIGURE 2-24. ELECTRICAL INSTALLATION – 460SJ WITH DEUTZ (STAGE V)





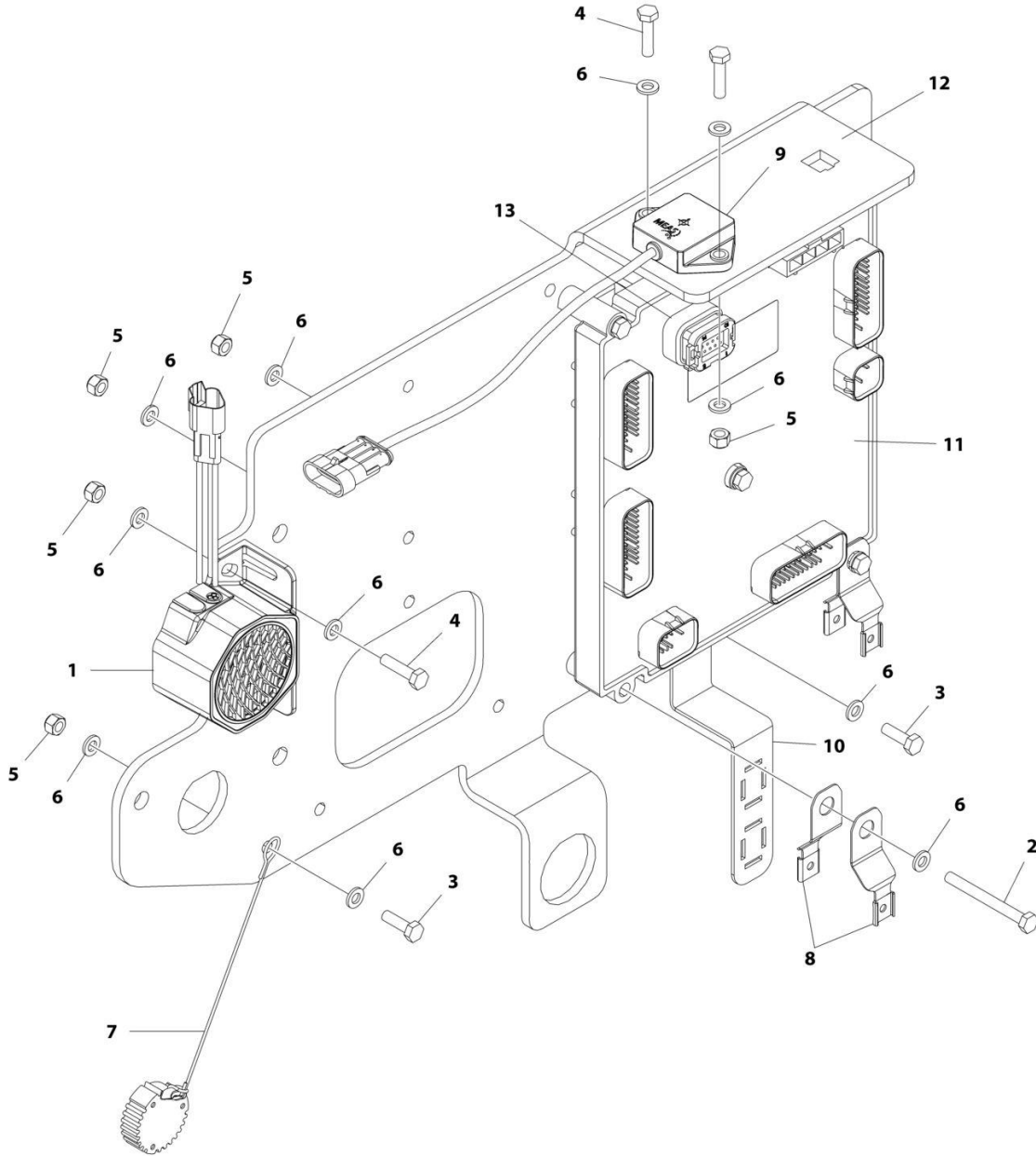
## SECTION 2 - TURNTABLE

**FIGURE 2-24. ELECTRICAL INSTALLATION – 460SJ WITH DEUTZ (STAGE V)**

ITEM	PART NUMBER	QTY	DESCRIPTION	REV
	1001245993	Ref	ELECTRICAL INSTALLATION - DEUTZ (STAGE V)	B
1	0100011	AR	Compound, Locking	
2	0700612	1	Screw M6 x 25	
3	0731005	4	Screw #10 x 5/8	
4	0760610	2	Bolt M6 x 20	
5	0761014	5	Bolt M10 x 30	
6	0761016	2	Bolt M10 x 40	
7	0940049	1	Stopper, Hood	
8	3290605	4	Nut M6	
9	3291005	3	Nut M10	
10	3311501	2	Nut 5/16	
11	3790012	1	O-Ring	
12	4240099	AR	Tie-Strap (Not Shown)	
13	4360328	1	Switch, Toggle	
14	4460470	1	Nut, Terminal	
15	4460471	1	Washer, Terminal	
16	4711000	4	Washer #10	
17	4711700	7	Washer M6	
18	4812000	5	Washer M10	
19	4812002	4	Washer M10	
20	1001118972	4	Nut M10	
21	1001150324	AR	Shim 3	
22	1001172757	1	Electrical Panel Assembly (See Separate Breakdown in this Section)	
23	1001237822	1	Plate	
24	1001237849	1	Turntable Harness (See Separate Breakdown in ELECTRICAL SECTION)	
25	1001238160	1	Valve Harness (See Separate Breakdown in ELECTRICAL SECTION)	
26	1001238161	1	Ground Control Box Harness (See Separate Breakdown in ELECTRICAL SECTION)	
27	1001239512	1	Decal - Fuse Box	
28	1001245380	1	Electrical Assembly, Ground Control Panel (See Separate Breakdown in this Section)	
29	1001250681	1	Battery Cable (Negative)	
30	4460496	1	Washer	
31	4460497	1	Nut	

# SECTION 2 - TURNTABLE

## FIGURE 2-25. ELECTRICAL PANEL ASSEMBLY



ART\_1001172757\_F

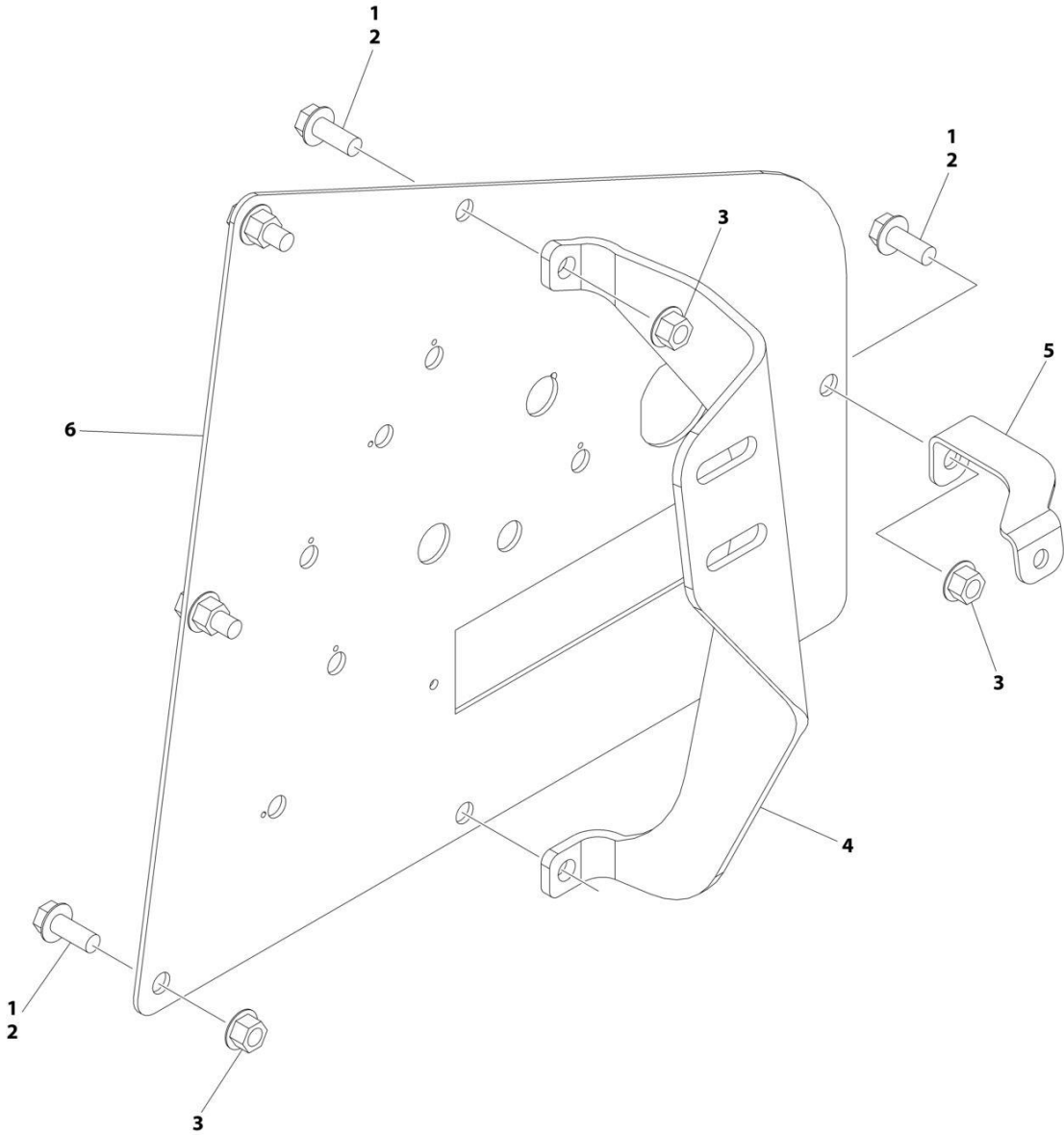
**SECTION 2 - TURNTABLE**

**FIGURE 2-25. ELECTRICAL PANEL ASSEMBLY**

ITEM	PART NUMBER	QTY	DESCRIPTION	REV
	1001172757	Ref	ELECTRICAL PANEL ASSEMBLY	F
1	0140043	1	Alarm	
1	4460536	1	Plug, Male - 3 Position	
1	4460943	3	Terminal	
2	0700620	5	Bolt M6 x 60	
3	0760610	2	Bolt M6 x 20	
4	0760612	4	Bolt M6 x 25	
5	3290605	11	Nut M6	
6	4811700	22	Washer M6	
7	1001106736	1	Cap, Dust	
8	1001120328	4	Clip, Mounting	
9	1001219601	1	Sensor	
10	1001159162	1	Bracket	
11	1001280340	1	Module, Ground Control (Note: Re-calibration Required when Replaced.)	
12	1001215373	1	Plate	
13	1001246859	1	Connector, 14 Position	

# SECTION 2 - TURNTABLE

## FIGURE 2-26. GROUND CONTROL MOUNTING - 400S



ART\_1001238887

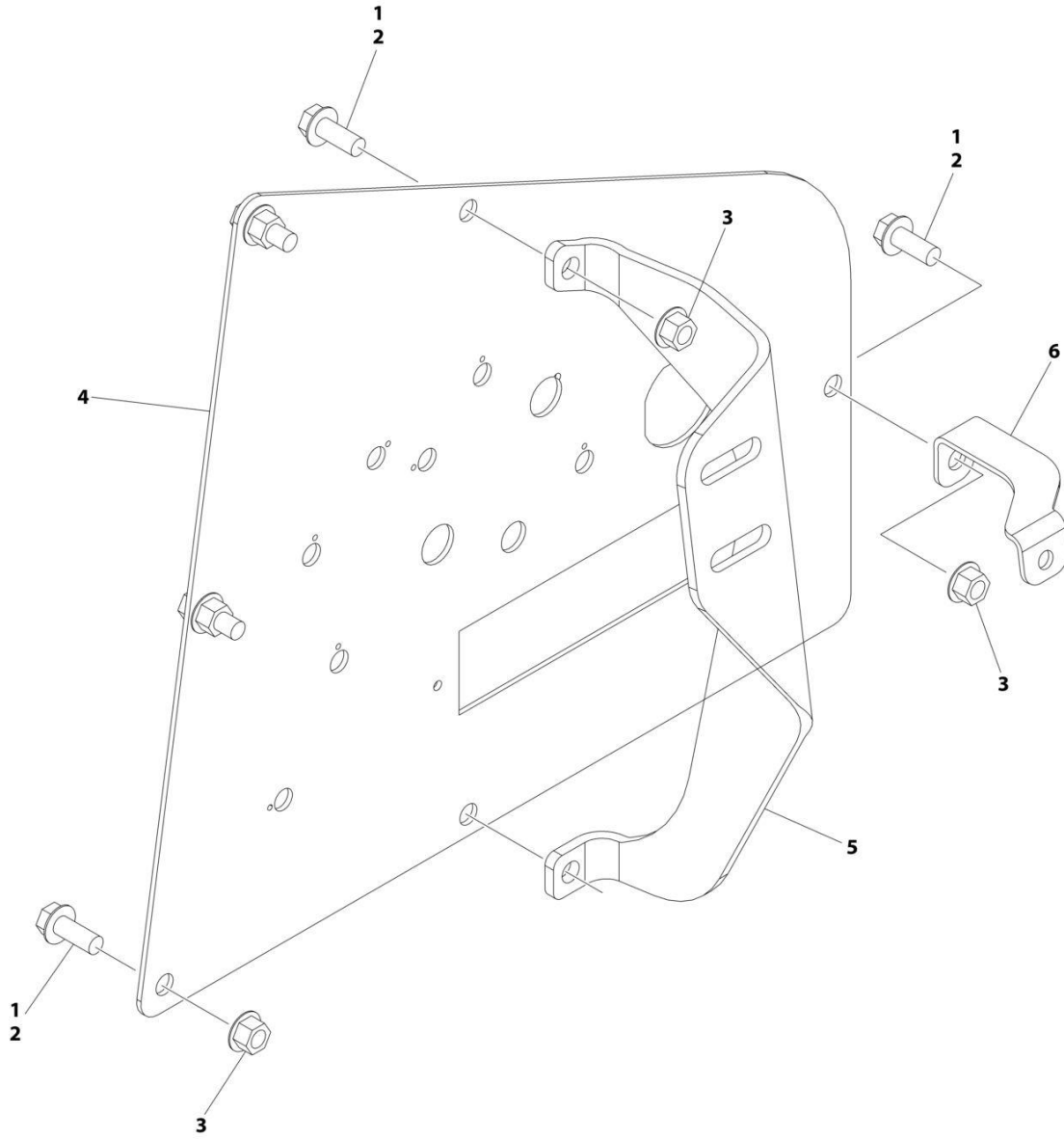
**SECTION 2 - TURNTABLE**

**FIGURE 2-26. GROUND CONTROL MOUNTING - 400S**

<b>ITEM</b>	<b>PART NUMBER</b>	<b>QTY</b>	<b>DESCRIPTION</b>	<b>REV</b>
	1001238887	Ref	GROUND CONTROL PANEL MOUNTING	A
1	0100011	AR	Compound, Locking	
2	5251012	6	Bolt M10 x 25	
3	5261000	6	Nut M10	
4	1001235528	1	Support	
5	1001235529	1	Bracket	
6	1001238886	1	Plate, Ground Control	

# SECTION 2 - TURNTABLE

## FIGURE 2-27. GROUND CONTROL MOUNTING - 460SJ



ART\_1001235531

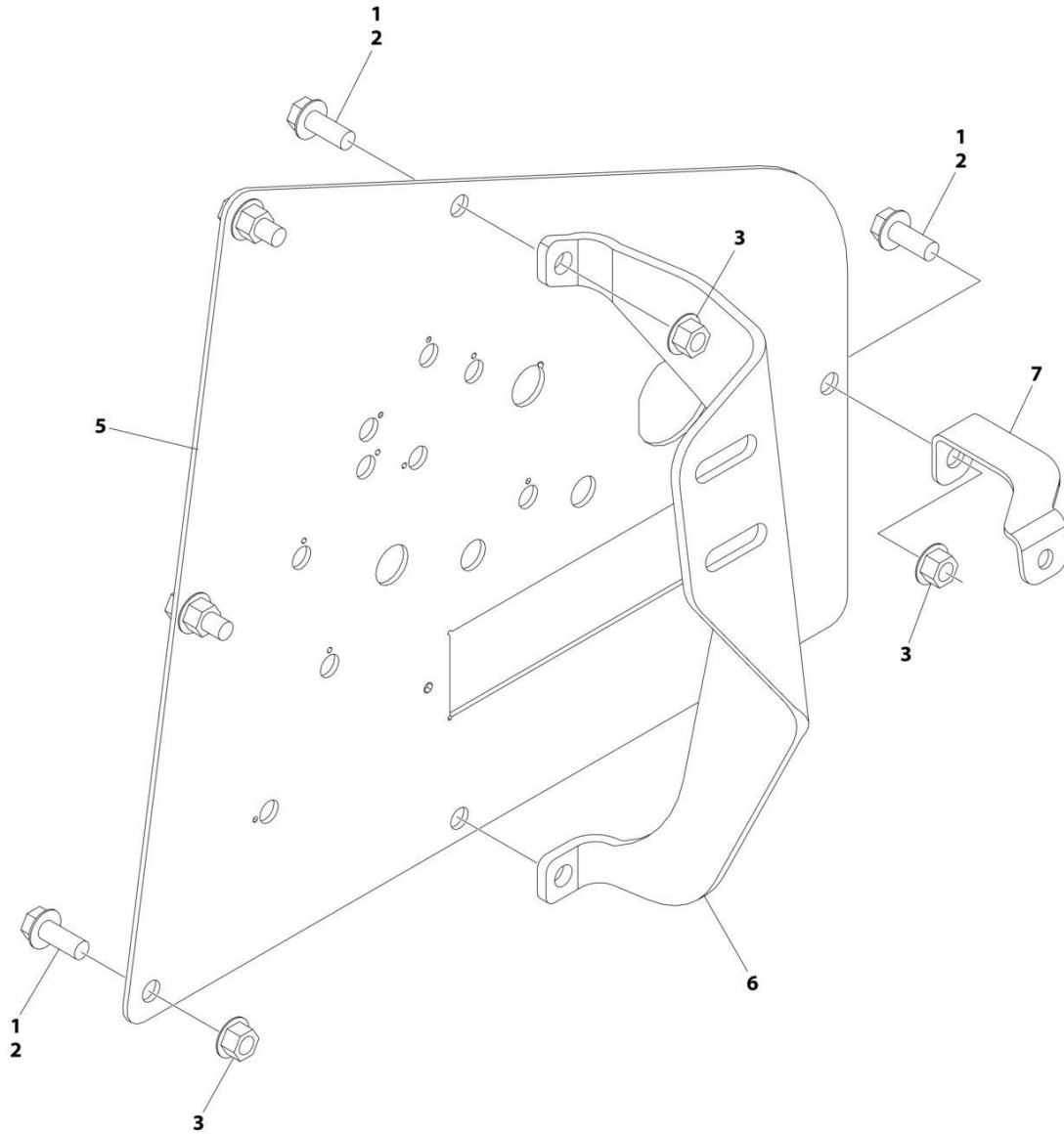
**SECTION 2 - TURNTABLE**

**FIGURE 2-27. GROUND CONTROL MOUNTING - 460SJ**

<b>ITEM</b>	<b>PART NUMBER</b>	<b>QTY</b>	<b>DESCRIPTION</b>	<b>REV</b>
	1001235531	Ref	GROUND CONTORL MOUNTING - 460SJ	B
1	0100011	AR	Compound, Locking	
2	5251012	6	Bolt M10 x 25	
3	5261000	6	Nut M10	
4	1001235527	1	Plate, Ground Control	
5	1001235528	1	Support	
6	1001235529	1	Bracket	

## SECTION 2 - TURNTABLE

FIGURE 2-28. GROUND CONTROL MOUNTING - DEUTZ (STAGE V) (460SJ) (CE & UK CA SPECS)



ART\_1001245379



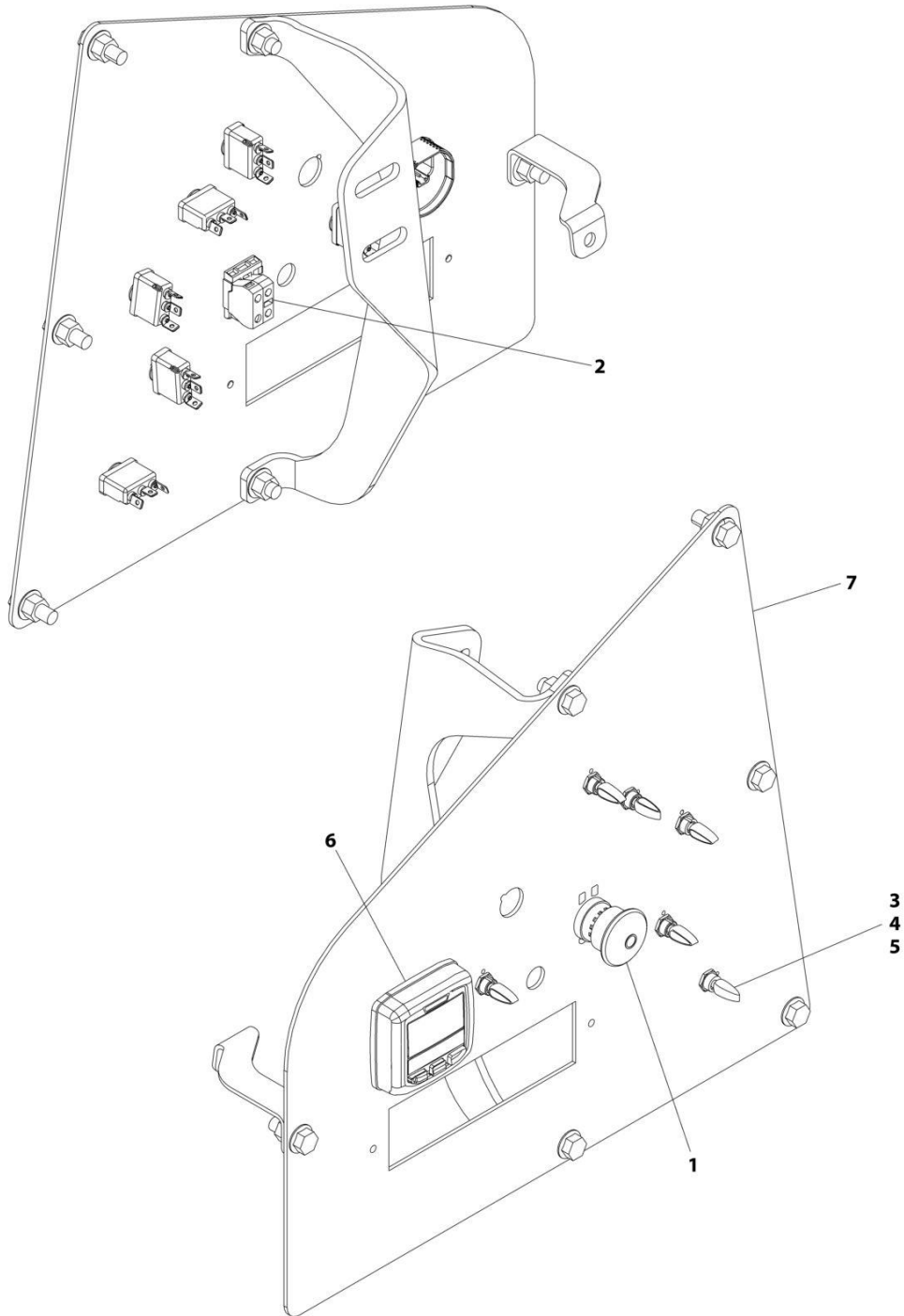
**SECTION 2 - TURNTABLE**

**FIGURE 2-28. GROUND CONTROL MOUNTING - DEUTZ (STAGE V) (460SJ) (CE & UK CA SPECS)**

ITEM	PART NUMBER	QTY	DESCRIPTION	REV
	1001245379	Ref	GROUND CONTORL MOUNTING	B
1	0100035	AR	Compound, Locking	
2	5251012	6	Bolt M10 x 25	
3	5261000	6	Nut M10	
5	1001245317	1	Plate, Ground Control	
6	1001235528	1	Support	
7	1001235529	1	Bracket	

# SECTION 2 - TURNTABLE

## FIGURE 2-29. GROUND CONTROL ASSEMBLY - 400S



ART\_1001239294\_B

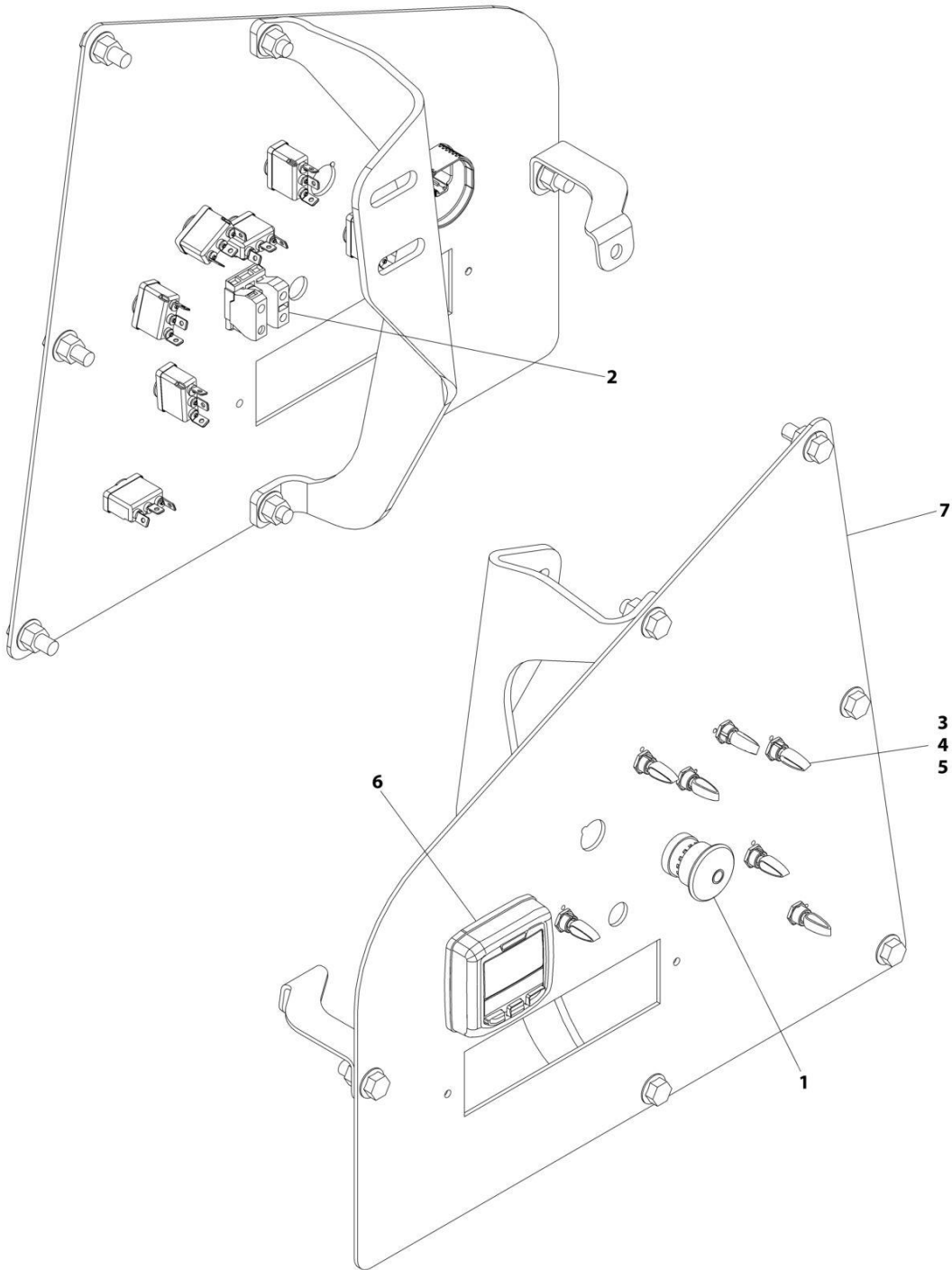
**SECTION 2 - TURNTABLE**

**FIGURE 2-29. GROUND CONTROL ASSEMBLY - 400S**

<b>ITEM</b>	<b>PART NUMBER</b>	<b>QTY</b>	<b>DESCRIPTION</b>	<b>REV</b>
	1001239294	Ref	GROUND CONTROL ASSEMBLY - 400S	B
1	1001274559	1	Switch, Emergency Stop	
2	4360476	1	Block, Contact	
3	1001155043	6	Washer	
4	1001155044	6	Nut 15/32	
5	1001155045	6	Switch, Toggle	
6	1001171482	1	Gauge	
7	1001238887	1	Mount, Ground Control Panel (See Separate Breakdown in this Section)	

# SECTION 2 - TURNTABLE

## FIGURE 2-30. GROUND CONTROL ASSEMBLY - 460SJ



ART\_1001239293\_B

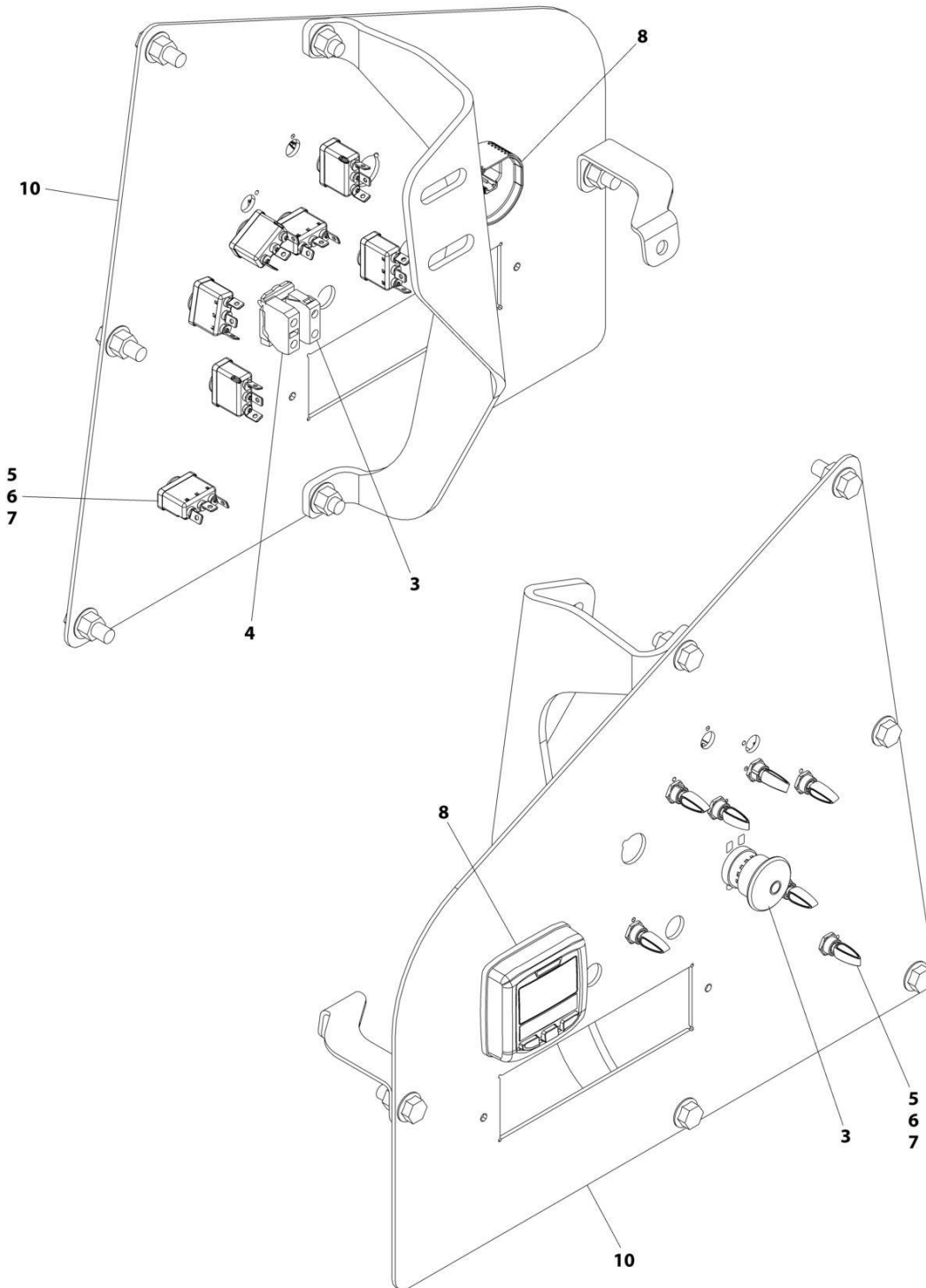
**SECTION 2 - TURNTABLE**

**FIGURE 2-30. GROUND CONTROL ASSEMBLY - 460SJ**

<b>ITEM</b>	<b>PART NUMBER</b>	<b>QTY</b>	<b>DESCRIPTION</b>	<b>REV</b>
	1001239293	Ref	GROUND CONTROL ASSEMBLY - 460SJ	B
1	1001274559	1	Switch, Emergency Stop	
2	4360476	1	Block, Contact	
3	1001155043	7	Washer	
4	1001155044	7	Nut 15/32	
5	1001155045	7	Switch, Toggle	
6	1001171482	1	Gauge	
7	1001235531	1	Mount, Ground Control Panel (See Separate Breakdown in this Section)	

## SECTION 2 - TURNTABLE

FIGURE 2-31. GROUND CONTROL ASSEMBLY - DEUTZ (STAGE V) (460SJ) (CE & UK CA SPECS)



ART\_1001245380\_C

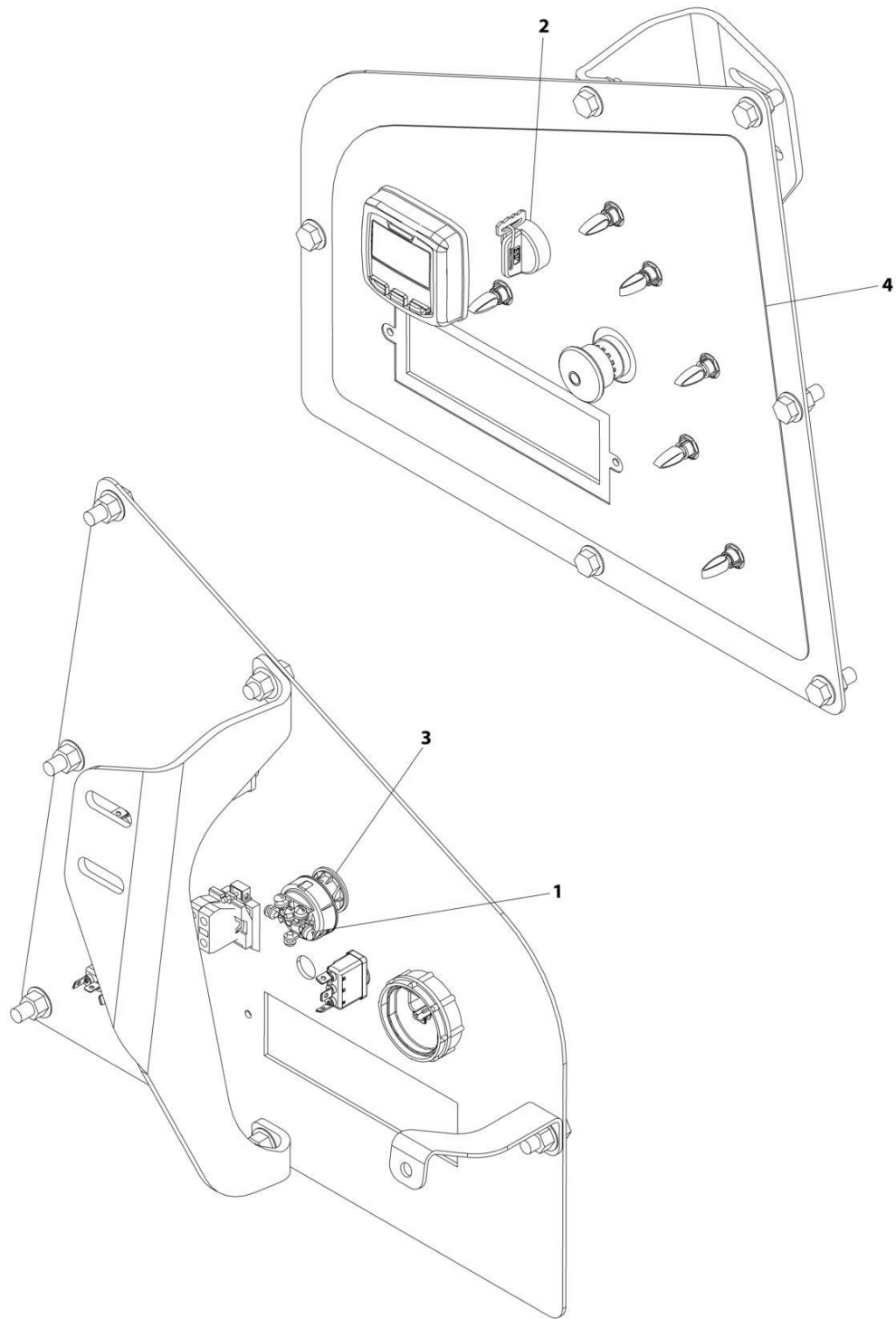
**SECTION 2 - TURNTABLE**

**FIGURE 2-31. GROUND CONTROL ASSEMBLY - DEUTZ (STAGE V) (460SJ) (CE & UK CA SPECS)**

ITEM	PART NUMBER	QTY	DESCRIPTION	REV
	1001245380	Ref	GROUND CONTROL ASSEMBLY	C
3	1001274559	1	Switch, Emergency Stop	
4	4360476	1	Block, Contact	
5	1001155043	7	Washer	
6	1001155044	7	Nut 15/32	
7	1001155045	7	Switch, Toggle	
8	1001171482	1	Gauge	
10	1001245379	1	Ground Control Mounting (See Separate Breakdown in this Section)	

## SECTION 2 - TURNTABLE

FIGURE 2-32. GROUND CONTROL DECAL AND KEYSWITCH INSTALLATION - 400S (ALL SPECS EXCEPT AUSTRALIAN, CE & UK CA SPECS)



ART\_1001222139



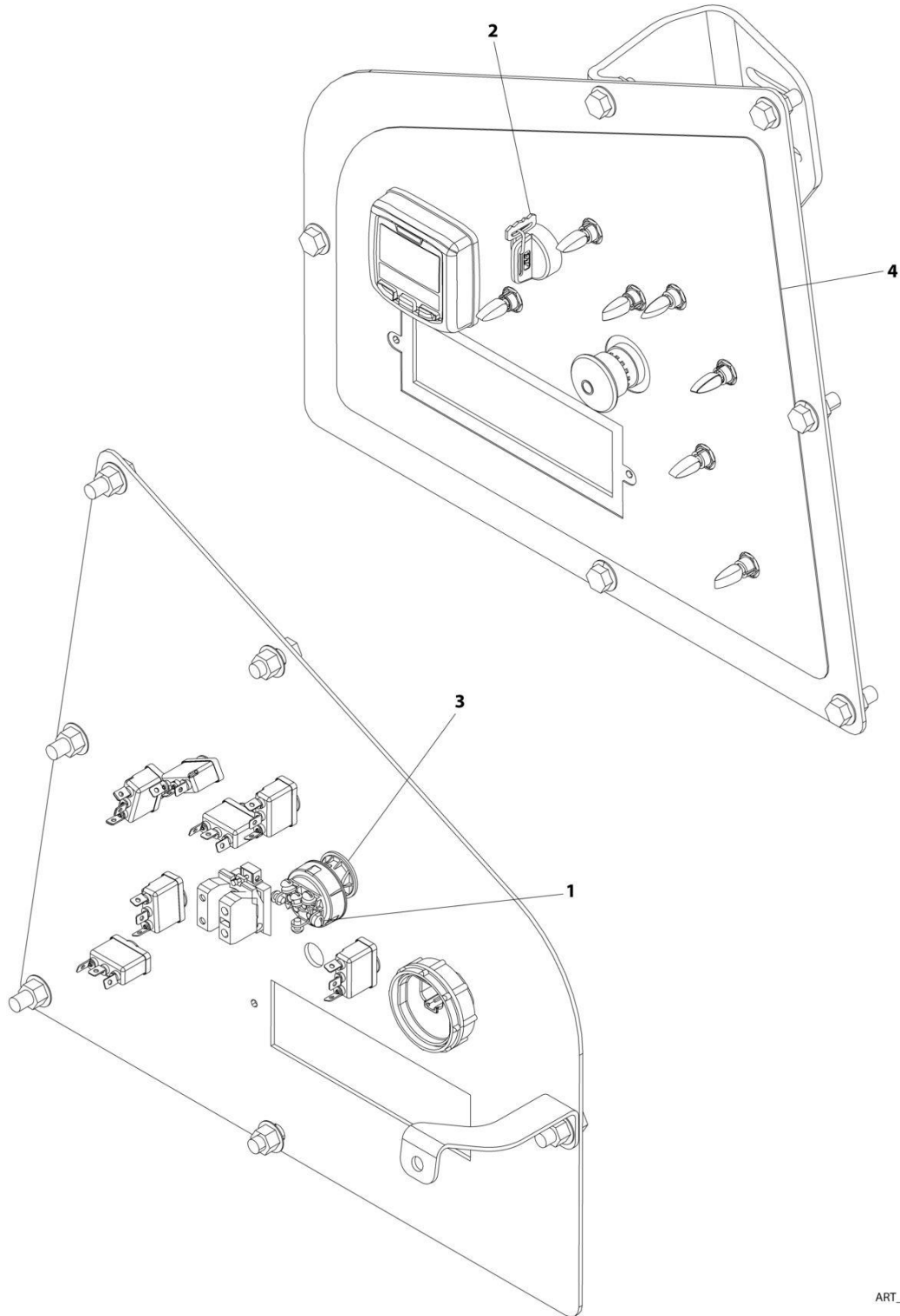
**SECTION 2 - TURNTABLE**

**FIGURE 2-32. GROUND CONTROL DECAL AND KEYSWITCH INSTALLATION - 400S (ALL SPECS EXCEPT AUSTRALIAN, CE & UK CA SPECS)**

ITEM	PART NUMBER	QTY	DESCRIPTION	REV
	1001222139	Ref	GROUND CONTROL DECAL AND KEYSWITCH INSTALLATION - 400S	B
1	3910804	6	Screw #8 x 1/4	
2	4360469	1	Switch, Key	
2	2860030	1	Key, Replacement	
3	1001151393	1	Shim .063	
4	1001221402	1	Decal - Ground Control	

## SECTION 2 - TURNTABLE

FIGURE 2-33. GROUND CONTROL DECAL AND KEYSWITCH INSTALLATION - 460SJ (ALL SPECS EXCEPT CE & UK CA SPEC)



ART\_1001222140

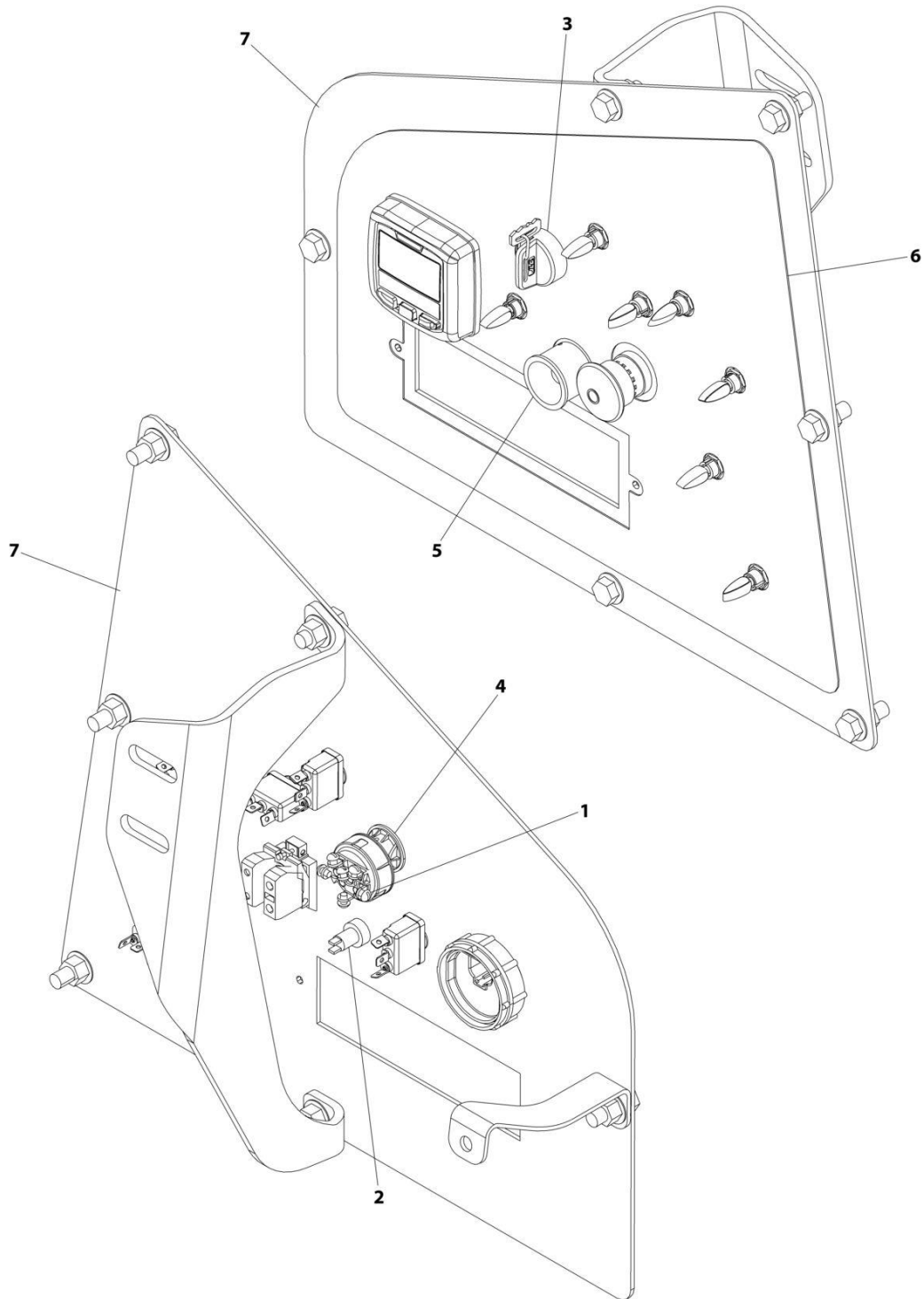
**SECTION 2 - TURNTABLE**

**FIGURE 2-33. GROUND CONTROL DECAL AND KEYSWITCH INSTALLATION - 460SJ (ALL SPECS EXCEPT CE & UK CA SPEC)**

ITEM	PART NUMBER	QTY	DESCRIPTION	REV
	1001222140	Ref	GROUND CONTROL DECAL AND KEYSWITCH INSTALLATION - 460SJ	B
1	3910804	6	Screw #8 x 1/4	
2	4360469	1	Switch, Key	
2	2860030	1	Key, Replacement	
3	1001151393	1	Shim .063	
4	1001221403	1	Decal - Ground Control	

## SECTION 2 - TURNTABLE

FIGURE 2-34. GROUND CONTROL DECAL AND KEYSWITCH INSTALLATION - 460SJ (CE(LRC) & UK CA SPEC)



ART\_1001222142

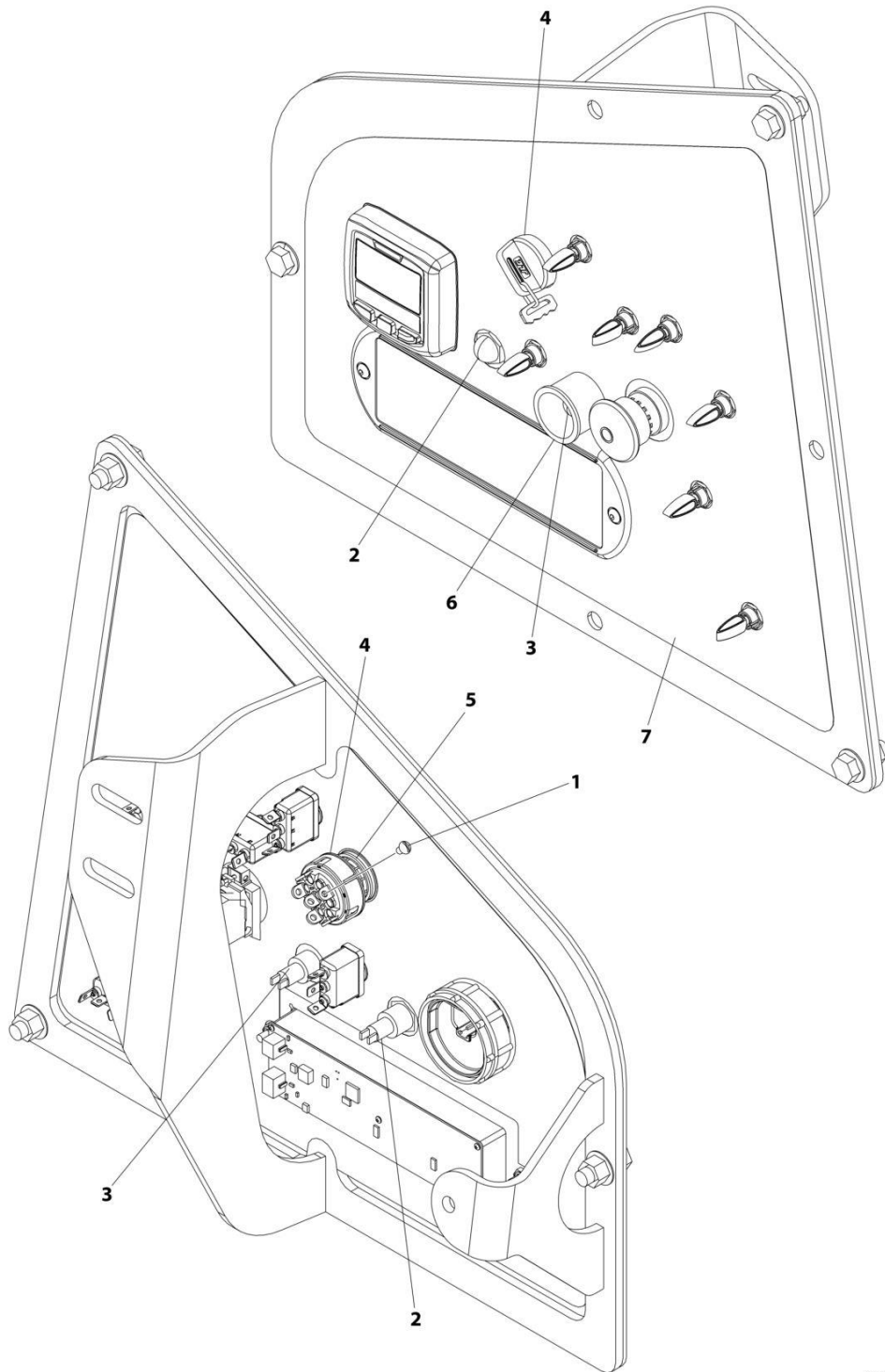
**SECTION 2 - TURNTABLE**

**FIGURE 2-34. GROUND CONTROL DECAL AND KEYSWITCH INSTALLATION - 460SJ (CE(LRC) & UK CA SPEC)**

ITEM	PART NUMBER	QTY	DESCRIPTION	REV
	1001222142	Ref	GROUND CONTROL DECAL AND KEYSWITCH INSTALLATION - 460SJ	C
1	3910804	6	Screw #8 x 1/4	
2	4360387	1	Switch, Push Button	
3	4360469	1	Switch, Key	
3	2860030	1 set	Key, Replacement	
4	1001151393	1	Shim .063	
5	1001176469	1	Shroud, Switch	
6	1001221405	1	Decal - Ground Control	
7	1001239293	1	Mount	

## SECTION 2 - TURNTABLE

FIGURE 2-35. GROUND CONTROL DECAL AND KEYSWITCH INSTALLATION - 460SJ (STAGE V) (CE & UK CA SPECS)



ART\_1001245831

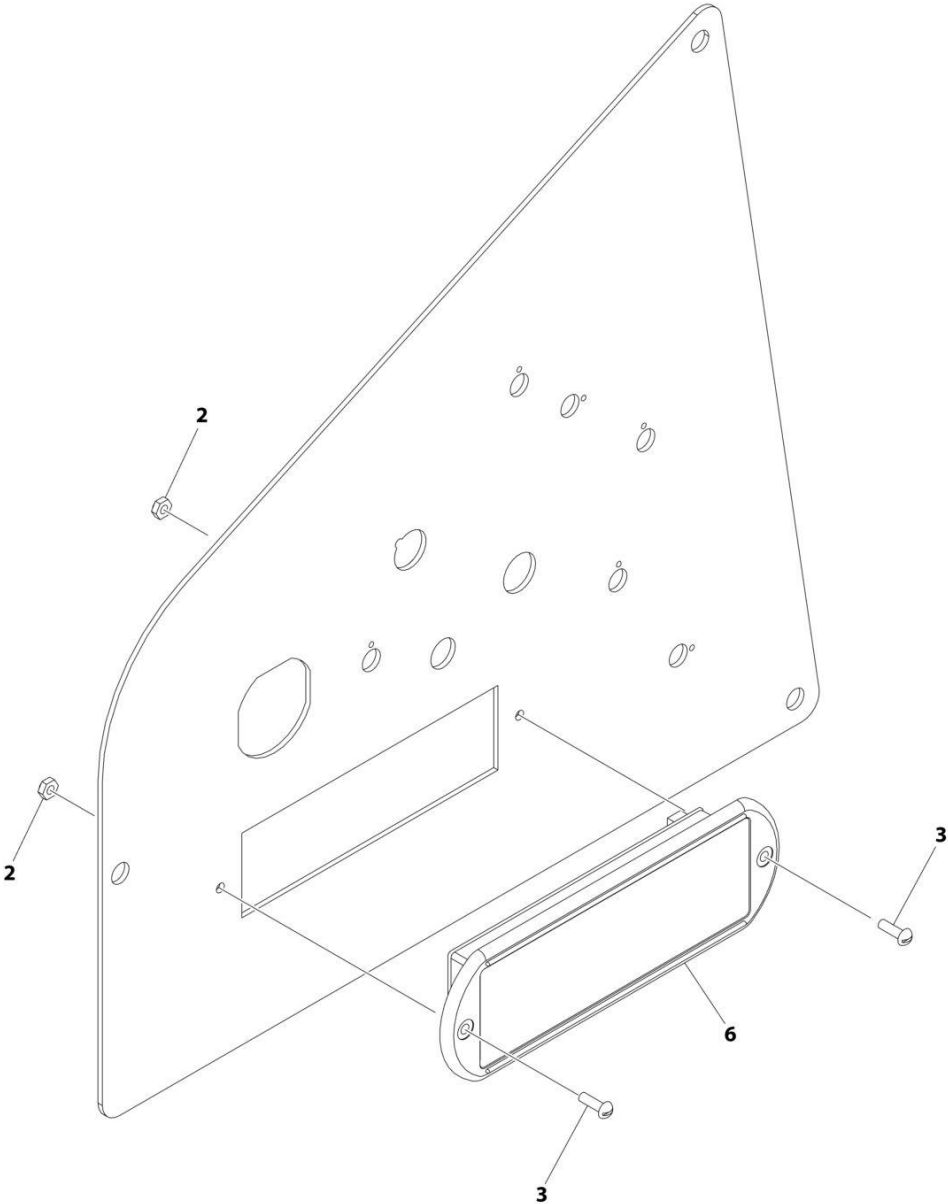
**SECTION 2 - TURNTABLE**

**FIGURE 2-35. GROUND CONTROL DECAL AND KEYSWITCH INSTALLATION - 460SJ (STAGE V) (CE & UK CA SPECS)**

ITEM	PART NUMBER	QTY	DESCRIPTION	REV
	1001245831	Ref	GROUND CONTROL DECAL AND KEYSWITCH INSTALLATION	B
1	3910804	6	Screw #8 x 1/4	
2	4360274	1	Switch, Push Button	
3	4360387	1	Switch, Push Button	
4	4360469	1	Switch, Key	
4	2860030	1	Key, Replacement	
5	1001151393	1	Shim .063	
6	1001176469	1	Shroud, Switch	
7	1001245827	1	Decal, Ground Control	

**SECTION 2 - TURNTABLE**

**FIGURE 2-36. LIGHT PANEL INSTALLATION**



ART\_1001242680\_B\_10F2



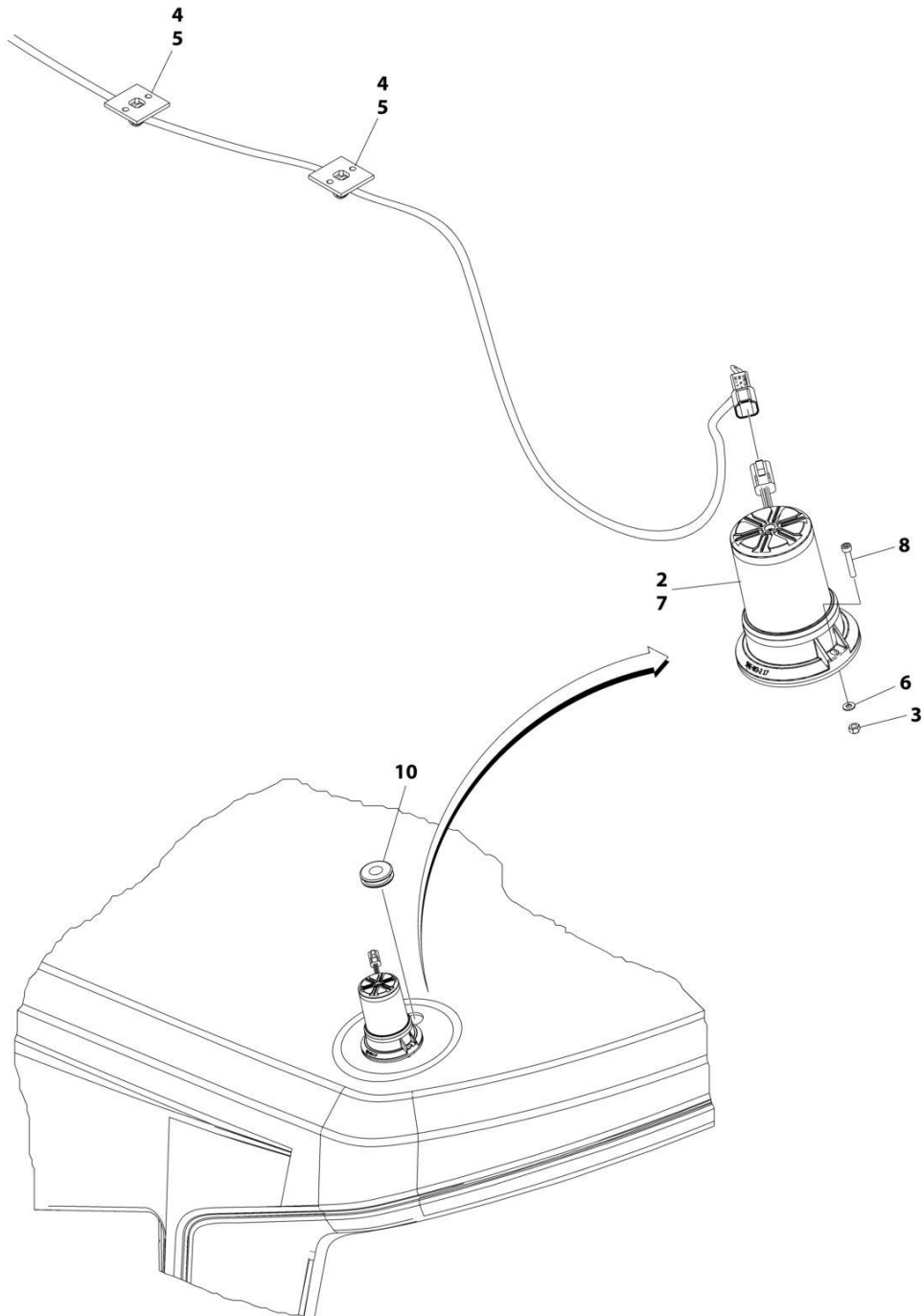
**SECTION 2 - TURNTABLE**

**FIGURE 2-36. LIGHT PANEL INSTALLATION**

<b>ITEM</b>	<b>PART NUMBER</b>	<b>QTY</b>	<b>DESCRIPTION</b>	<b>REV</b>
	1001242680	Ref	LIGHT PANEL INSTALLATION	B
2	3300408	2	Nut, Lock	
3	3911010	2	Screw #10 x 5/8	
6	1001237546	1	Light Panel Electrical Assembly	

## SECTION 2 - TURNTABLE

FIGURE 2-37. BEACON LIGHT INSTALLATION - AMBER (Prior to SN 0300298263)



ART\_1001172816\_D

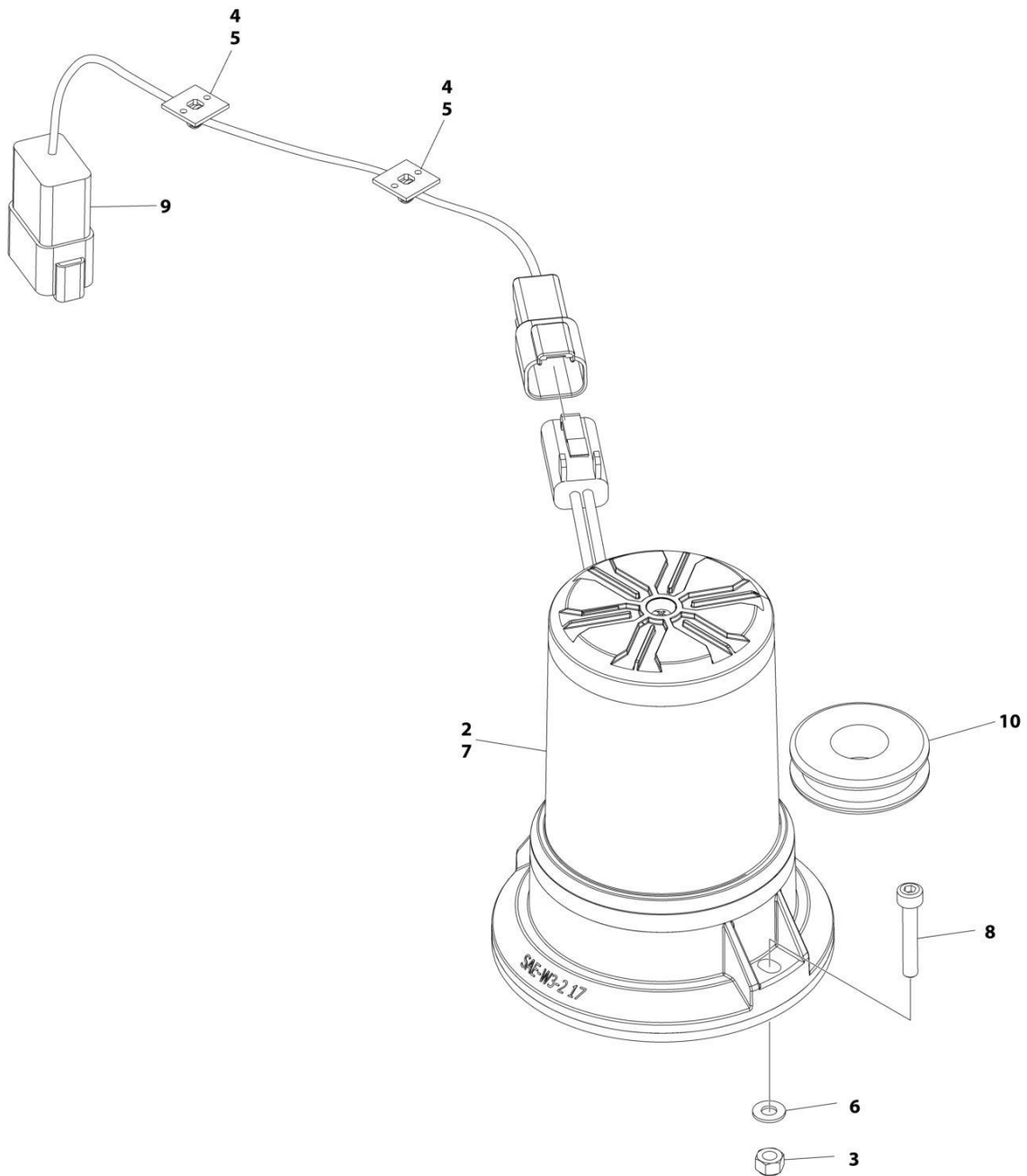
**SECTION 2 - TURNTABLE**

**FIGURE 2-37. BEACON LIGHT INSTALLATION - AMBER (Prior to SN 0300298263)**

ITEM	PART NUMBER	QTY	DESCRIPTION	REV
	1001172816	Ref	BEACON LIGHT INSTALLATION - AMBER	D
2	1001270594	1	Light, Strobe (Amber)	
2	4460891	1	Connector	
2	4460465	2	Socket	
3	3290405	2	Nut M4	
4	4240032	AR	Tie-Strap	
5	4460234	2	Mount, Tie-Strap	
6	4811400	2	Washer M4	
7	0100048	1	Grease, Terminal	
8	4031509	2	Capscrew M4 x 25	
9	1001277185	1	Beacon Harness (Not Shown - See Separate Breakdown in ELECTRICAL Section)	
10	2540020	1	Grommet	

## SECTION 2 - TURNTABLE

FIGURE 2-38. BEACON LIGHT INSTALLATION - AMBER (SN 0300298263 to Present)



ART\_1001172816\_E

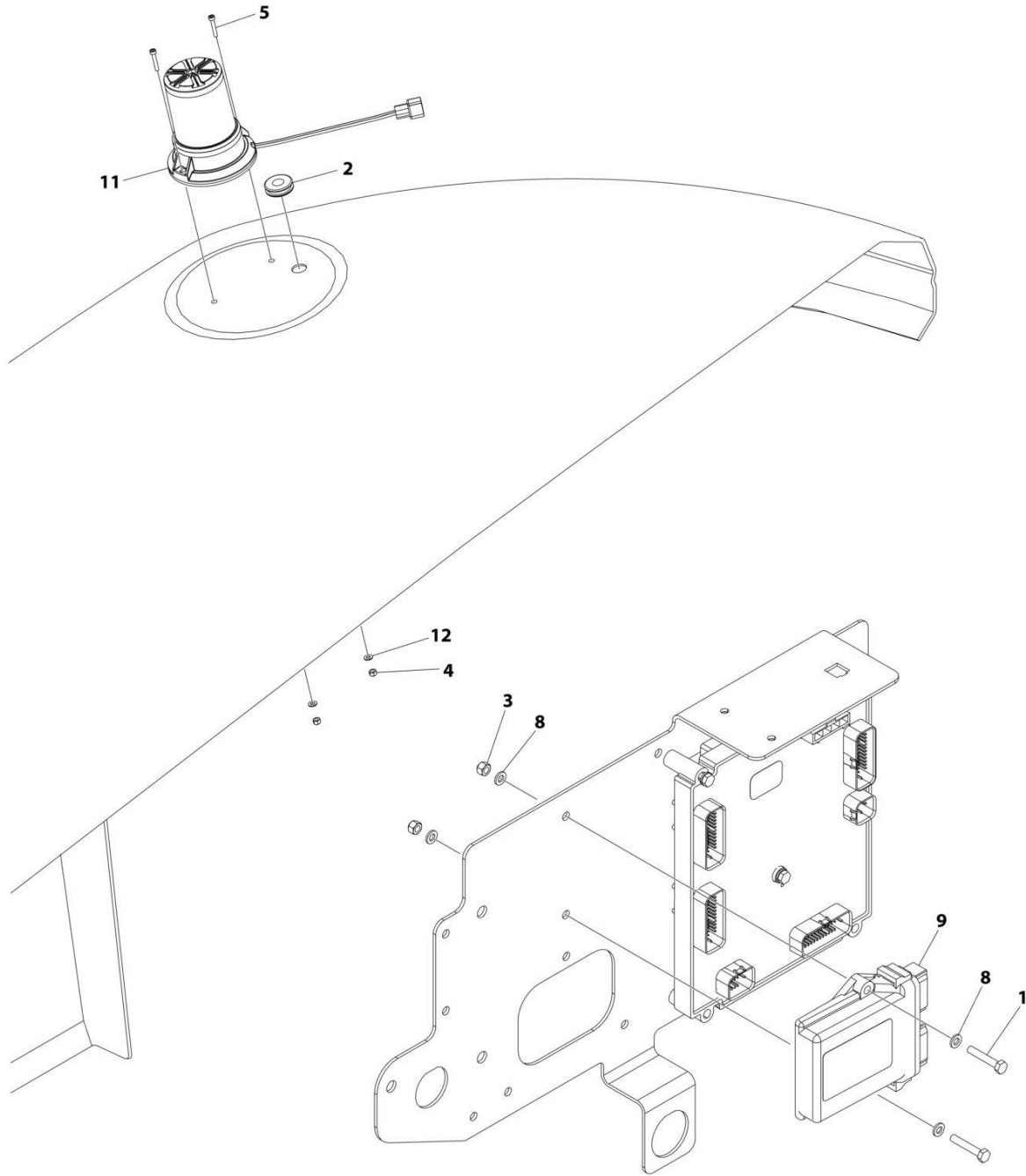
**SECTION 2 - TURNTABLE**

**FIGURE 2-38. BEACON LIGHT INSTALLATION - AMBER (SN 0300298263 to Present)**

ITEM	PART NUMBER	QTY	DESCRIPTION	REV
	1001172816	Ref	BEACON LIGHT INSTALLATION - AMBER	E
2	1001270594	1	Light, Strobe (Amber)	
2	4460891	1	Connector	
2	4460465	2	Socket	
3	3290405	2	Nut M4	
4	4240032	AR	Tie-Strap	
5	4460234	2	Mount, Tie-Strap	
6	4811400	2	Washer M4	
7	0100048	AR	Grease, Terminal	
8	4031509	2	Capscrew M4 x 25	
9	1001283776	1	Beacon Harness (See Separate Breakdown in ELECTRICAL Section)	
10	2540020	1	Grommet	

# SECTION 2 - TURNTABLE

## FIGURE 2-39. BEACON LIGHT INSTALLATION - BLUE



ART\_1001242851\_B

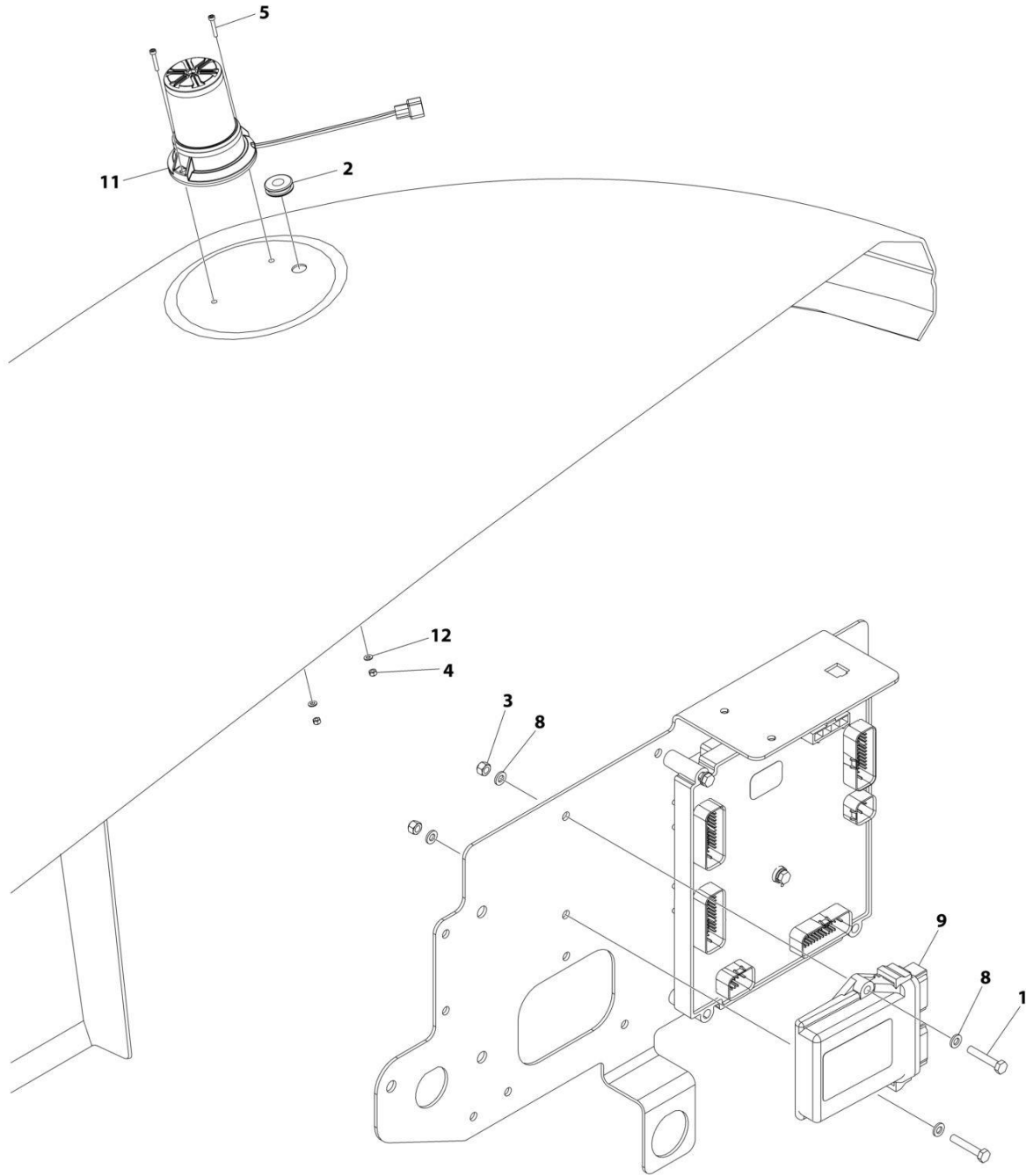
**SECTION 2 - TURNTABLE**

**FIGURE 2-39. BEACON LIGHT INSTALLATION - BLUE**

ITEM	PART NUMBER	QTY	DESCRIPTION	REV
	1001242851	Ref	BEACON LIGHT INSTALLATION - BLUE	B
1	0760615	2	Bolt M6 x 35	
2	2540020	1	Grommet, Insulation	
3	3290605	2	Nut M6	
4	3290405	2	Nut M4	
5	4031509	2	Capscrew M4 x 25	
6	4240099	AR	Tie-Strap (Not Shown)	
8	4811700	4	Washer M6	
9	1001142683	1	Control Module (Note: Re-calibration Required when Replaced)	
10	1001142736	1	Beacon Harness (Not Shown - See Separate Breakdown in ELECTRICAL Section)	
11	1001272681	1	Light, Beacon	
11	4460897	1	Receptacle, Female - 2 Position	
11	4460464	2	Pin, Male	
12	4811400	2	Washer M4	

# SECTION 2 - TURNTABLE

## FIGURE 2-40. BEACON LIGHT INSTALLATION - RED



ART\_1001242852\_B



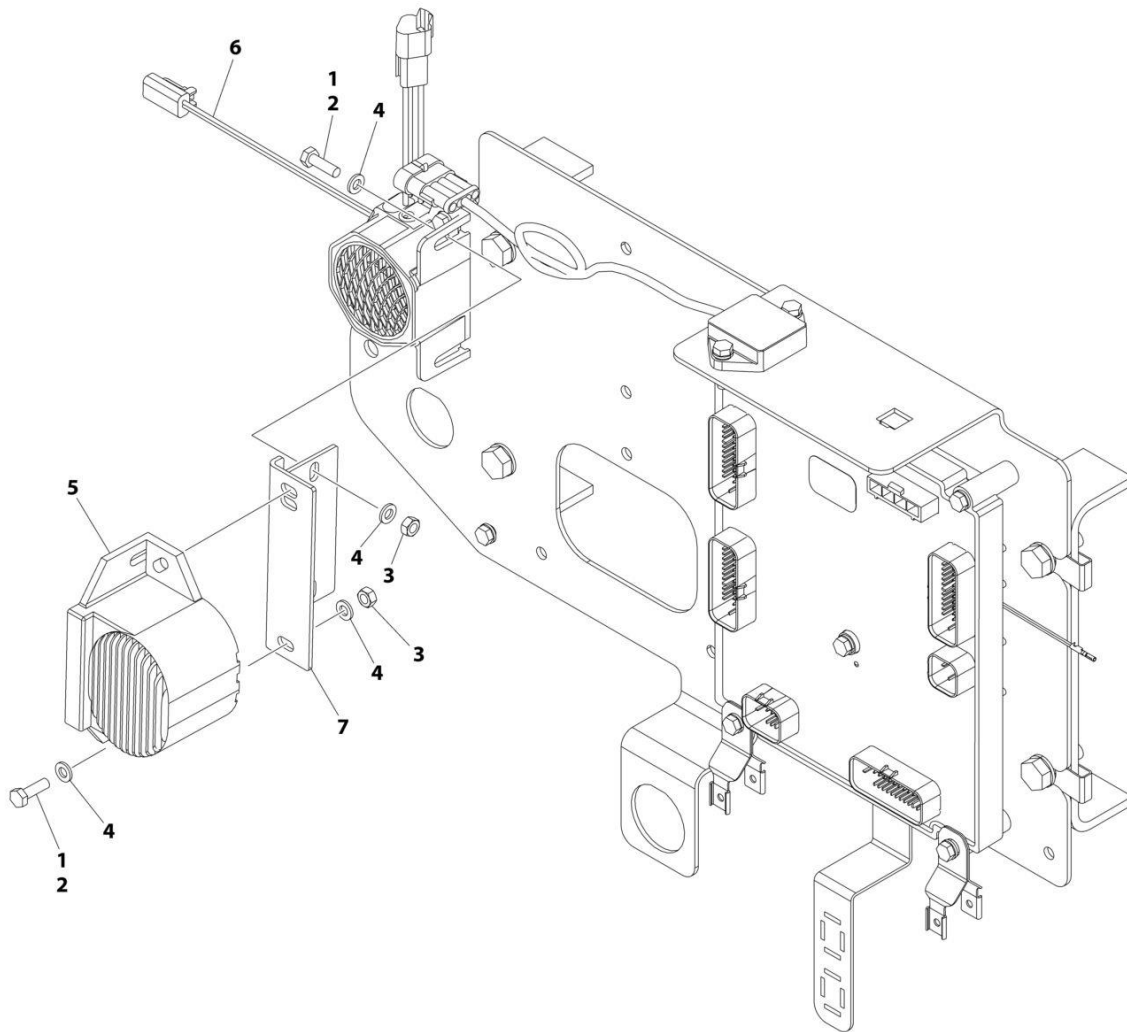
**SECTION 2 - TURNTABLE**

**FIGURE 2-40. BEACON LIGHT INSTALLATION - RED**

ITEM	PART NUMBER	QTY	DESCRIPTION	REV
	1001242852	Ref	BEACON LIGHT INSTALLATION - RED	B
1	0760615	2	Bolt M6 x 35	
2	2540020	1	Grommet, Insulation	
3	3290605	2	Nut M6	
4	3290405	2	Nut M4	
5	4031509	2	Capscrew M4 x 25	
6	4240099	AR	Tie-Strap (Not Shown)	
8	4811700	4	Washer M6	
9	1001142683	1	Control Module (Note: Re-calibration Required when Replaced)	
10	1001142736	1	Beacon Harness (Not Shown - See Separate Breakdown in ELECTRICAL Section)	
11	1001272682	1	Light, Beacon	
11	4460897	1	Receptacle, Female - 2 Position	
11	4460464	2	Pin, Male	
12	4811400	2	Washer M4	

# SECTION 2 - TURNTABLE

## FIGURE 2-41. WHITE NOISE ALARM INSTALLATION (AMBIENT)



ART\_1001209618

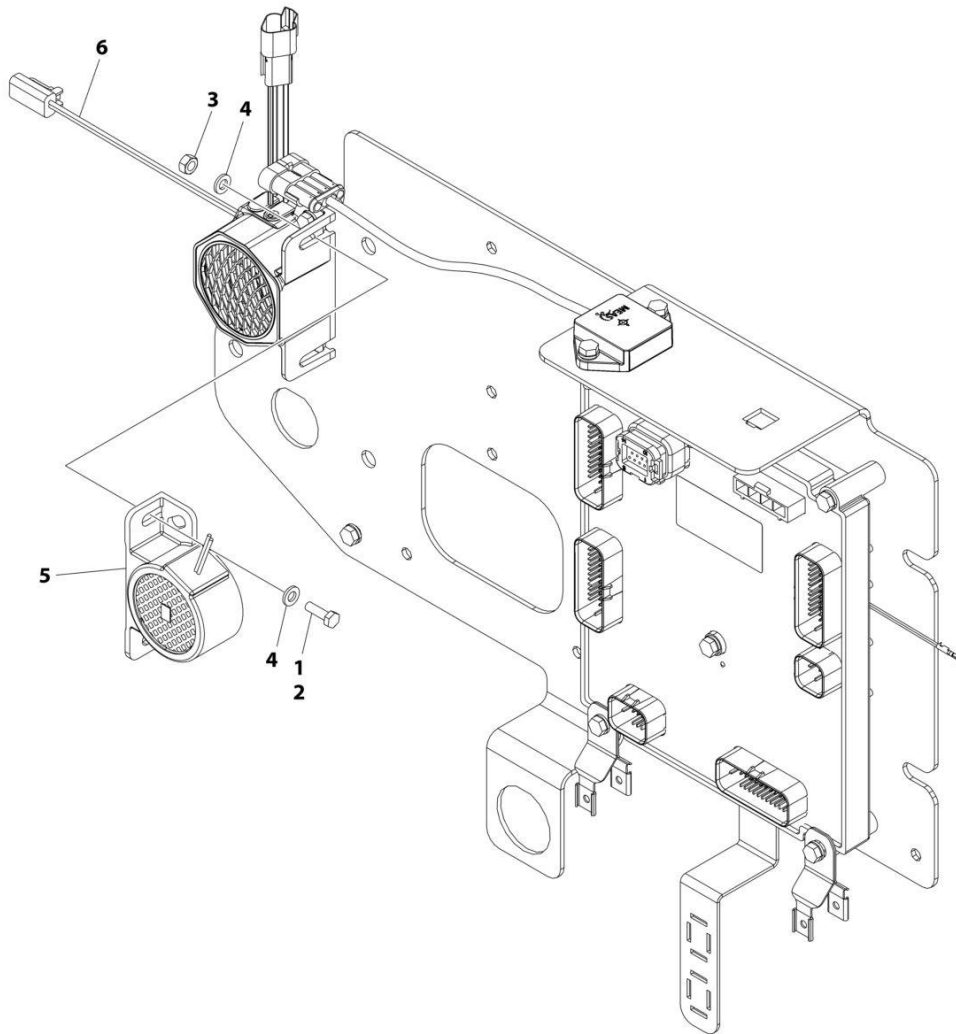
**SECTION 2 - TURNTABLE**

**FIGURE 2-41. WHITE NOISE ALARM INSTALLATION (AMBIENT)**

<b>ITEM</b>	<b>PART NUMBER</b>	<b>QTY</b>	<b>DESCRIPTION</b>	<b>REV</b>
	1001209618	Ref	WHITE NOISE ALARM INSTALLATION	C
1	0100011	AR	Compound, Locking	
2	0760610	4	Bolt M6 x 20	
3	3290601	4	Nut M6	
4	4811700	8	Washer M6	
5	1001182806	1	Alarm	
6	1001190663	1	Harness, Jumper	
6	4460891	1	Connector - 2 Position	
6	4460465	2	Socket, Female	
6	4460871	2	Socket, Female	
7	1001231886	1	Plate	

## SECTION 2 - TURNTABLE

FIGURE 2-42. WHITE NOISE ALARM INSTALLATION (CONSTANT)



ART\_1001263176

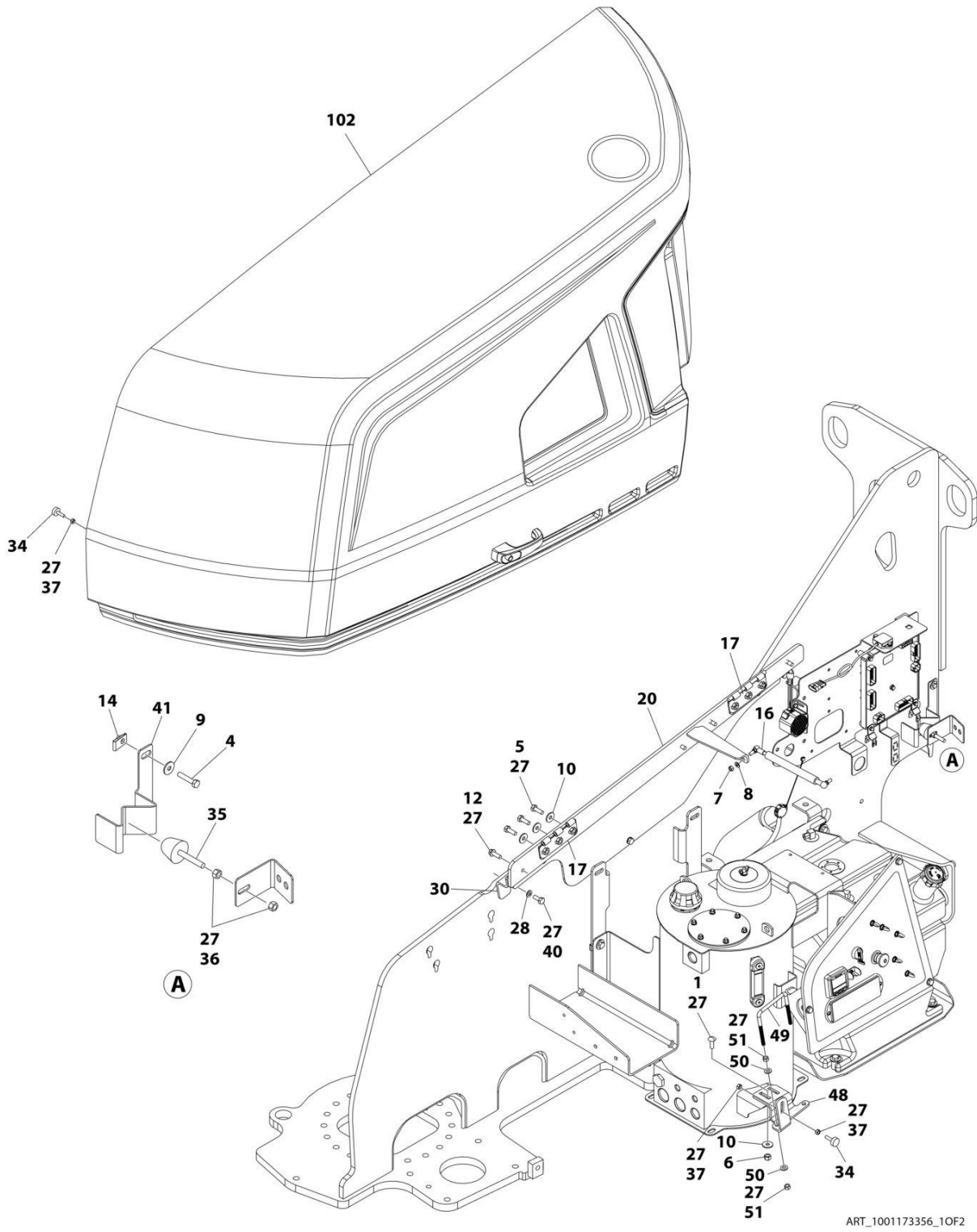
**SECTION 2 - TURNTABLE**

**FIGURE 2-42. WHITE NOISE ALARM INSTALLATION (CONSTANT)**

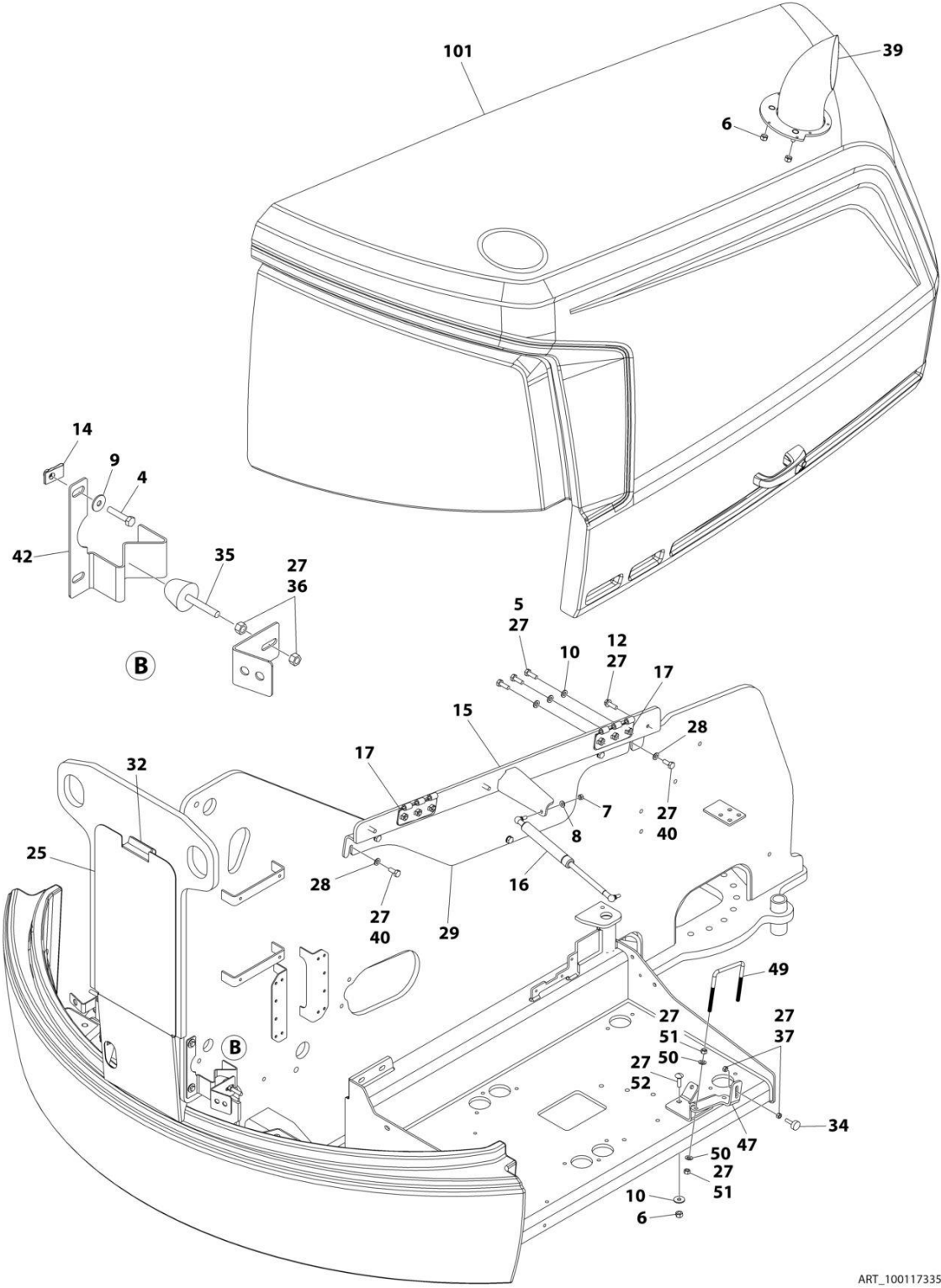
ITEM	PART NUMBER	QTY	DESCRIPTION	REV
	1001263176	Ref	WHITE NOISE ALARM INSTALLATION	A
1	0100011	AR	Compound, Locking	
2	0760610	2	Bolt M6 x 20	
3	3290601	2	Nut M6	
4	4811700	4	Washer M6	
5	1001184682	1	Alarm	
6	1001190663	1	Harness, Jumper	
6	4460891	2	Connector - 2 Position	
6	4460465	2	Socket, Female	
6	4460871	1	Socket, Female	

# SECTION 2 - TURNTABLE

FIGURE 2-43. HOOD INSTALLATION - ABS (DEUTZ ENGINES) (Prior to SN 0300298263)



SECTION 2 - TURNTABLE



ART\_1001173356\_2OF2

## SECTION 2 - TURNTABLE

FIGURE 2-43. HOOD INSTALLATION - ABS (DEUTZ ENGINES) (Prior to SN 0300298263)

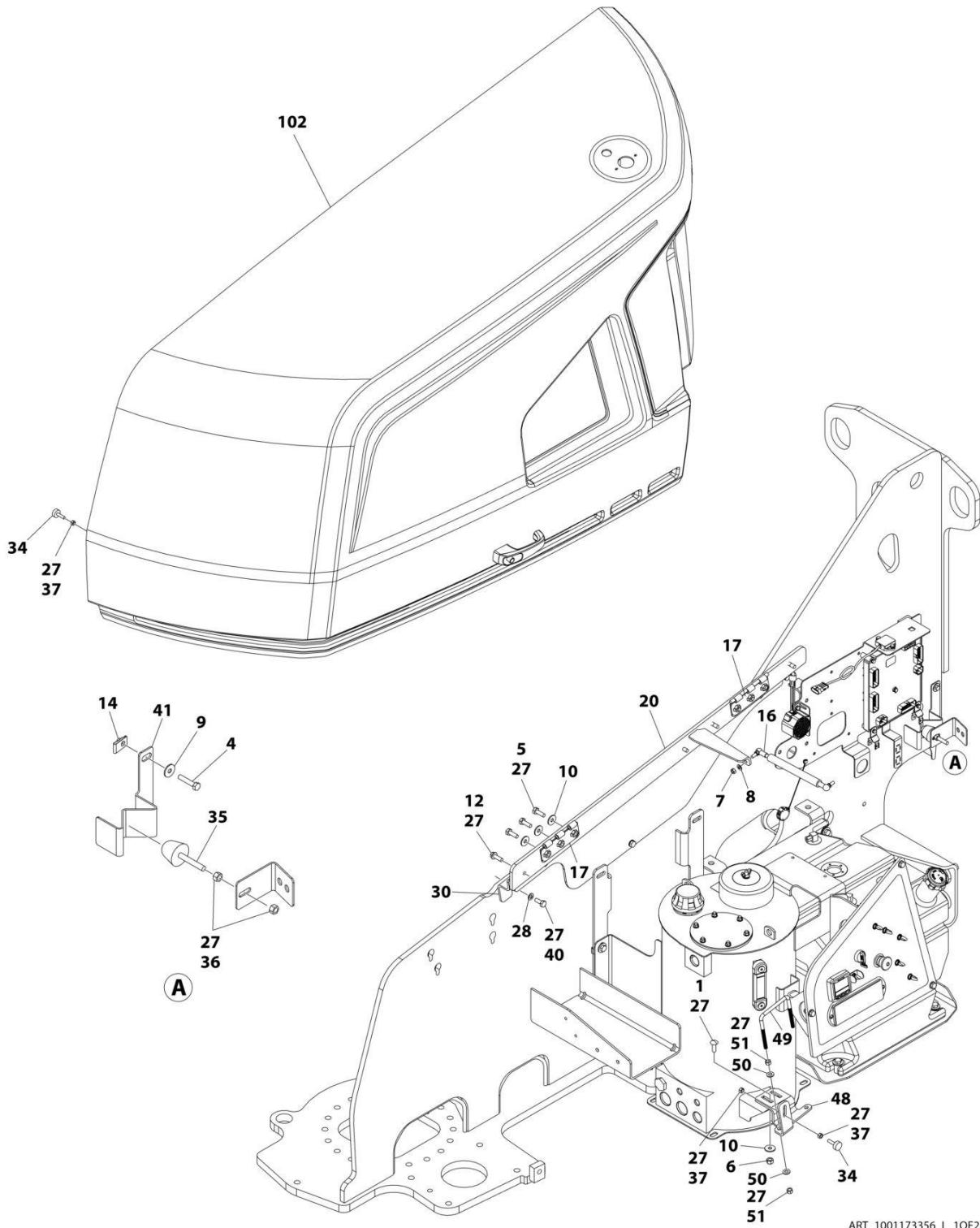
ITEM	PART NUMBER	QTY	DESCRIPTION	REV
	1001173356	Ref	HOOD INSTALLATION	K
1	0630613	2	Bolt M10 x 30	
4	0760816	4	Bolt M8 x 40	
5	0761014	12	Bolt M10 x 30	
6	3291005	7	Nut M10	
7	3311505	2	Nut 5/16	
8	4711500	2	Washer 5/16	
9	4811902	AR	Washer M8	
10	4812002	16	Washer M10	
12	5251014	8	Bolt M10 x 30	
14	1001149160	4	Nut, Tinnerman M8	
15	1001167159	1	Mount, Adjustment	
16	4160182	2	Spring, Gas	
17	1001169046	4	Nut	
20	1001170850	1	Mount, Adjustment	
25	1001173354	1	Cover	
27	0100011	AR	Compound, Locking	
28	4812000	10	Washer M10	
29	1001165060	1	Plate	
30	1001168173	1	Mount, Hinge	
32	90200755	AR	Tape, Gasket	
34	0940049	4	Stopper	
35	1001206314	2	Bumper	
36	3271601	4	Nut 3/8	
37	3311501	8	Nut 5/16	
39	1001174098	1	Outlet, Exhaust	
40	0761012	10	Bolt M10 x 25	
41	1001199207	1	Bracket, Bumper	
42	1001199901	1	Bracket, Bumper	
47	1001250287	1	Bracket, Engine	
48	1001250289	1	Bracket, Tank	
49	1001243414	2	Bolt, U-Bolt	
50	4711600	AR	Washer 3/8	
51	3311601	AR	Nut 3/8	
52	1001228406	2	Bolt M10 x 35	
100	1001202298	1	Hood Kit (Not Shown - Includes Items 101 & 102)	
101	1001170551	1	Hood Assembly - Engine Side (See Separate Breakdown in this Section)	
102	1001170552	1	Hood Assembly - Tank Side (See Separate Breakdown in this Section)	





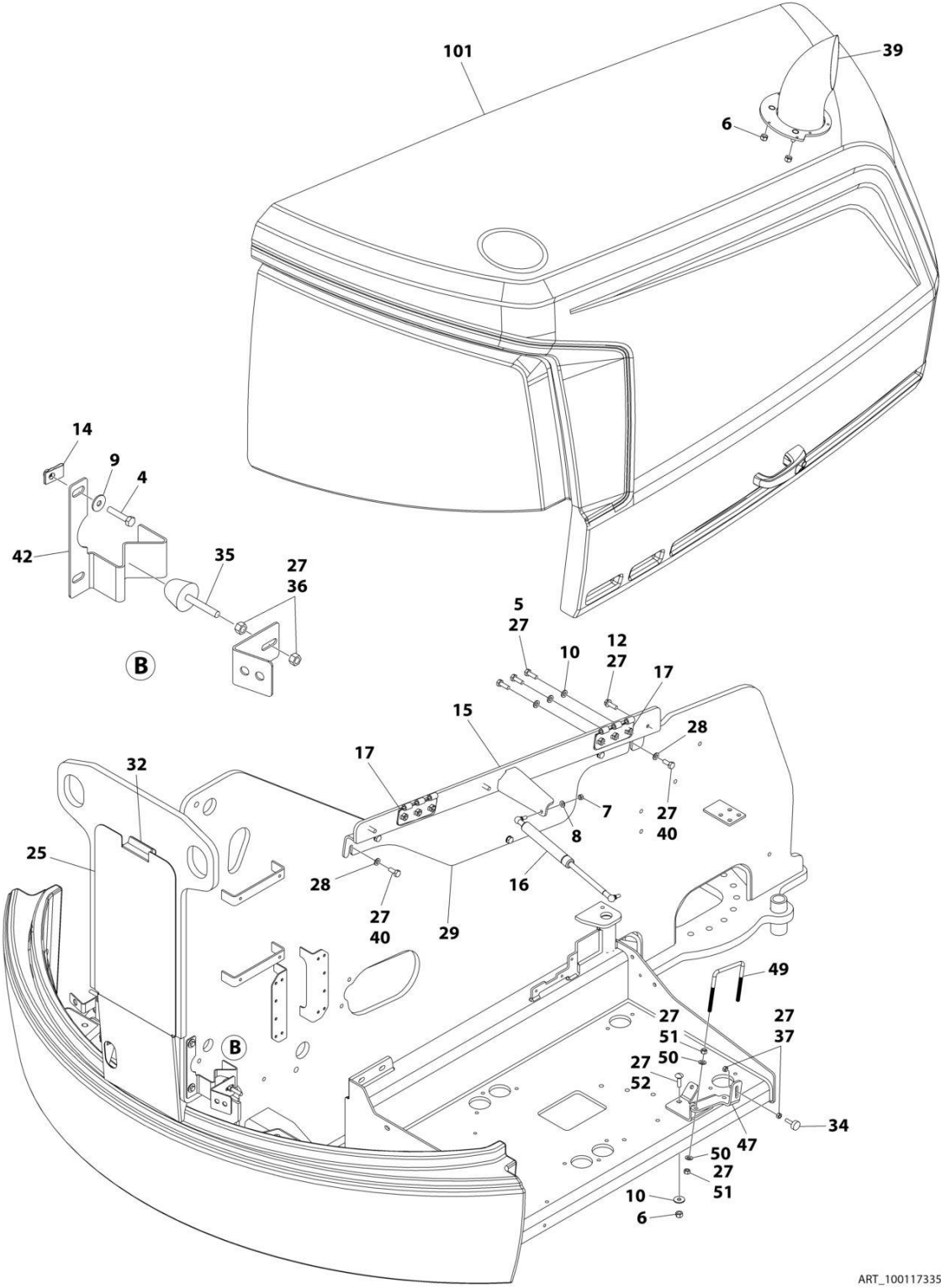
# SECTION 2 - TURNTABLE

FIGURE 2-44. HOOD INSTALLATION - ABS (DEUTZ ENGINES) (SN 0300298263 to Present)



ART\_1001173356\_L\_10F2

SECTION 2 - TURNTABLE



ART\_1001173356\_L\_20F2

## SECTION 2 - TURNTABLE

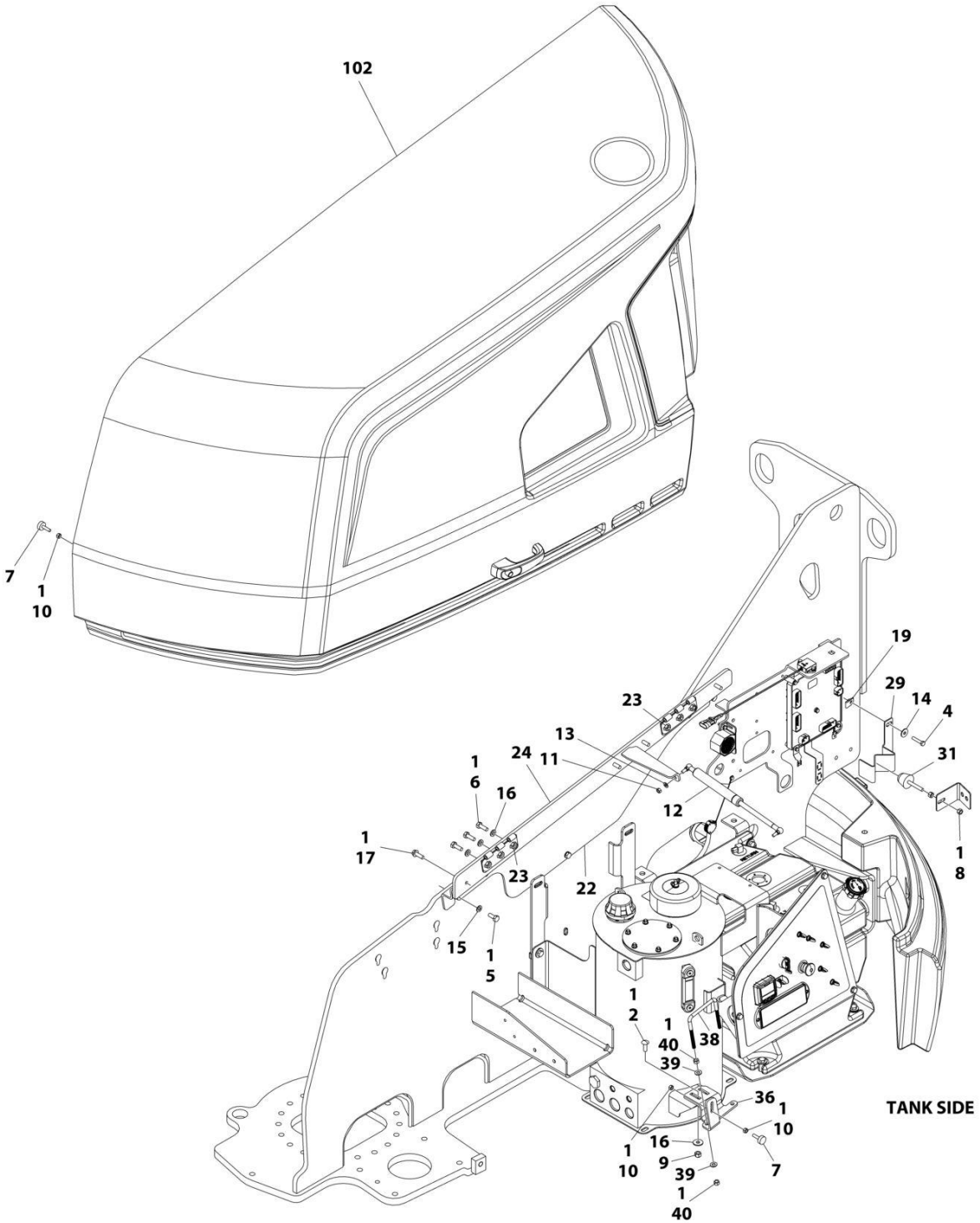
FIGURE 2-44. HOOD INSTALLATION - ABS (DEUTZ ENGINES) (SN 0300298263 to Present)

ITEM	PART NUMBER	QTY	DESCRIPTION	REV
	1001173356	Ref	HOOD INSTALLATION	L
1	0630613	2	Bolt M10 x 30	
4	0760816	4	Bolt M8 x 40	
5	0761014	12	Bolt M10 x 30	
6	3291005	7	Nut M10	
7	3311505	2	Nut 5/16	
8	4711500	2	Washer 5/16	
9	4811902	4	Washer M8	
10	4812002	16	Washer M10	
12	5251014	8	Bolt M10 x 30	
14	1001149160	4	Nut, Tinnerman M8	
15	1001167159	1	Mount, Adjustment	
16	4160182	2	Spring, Gas	
17	1001169046	4	Nut	
20	1001170850	1	Mount, Adjustment	
25	1001173354	1	Cover	
27	0100011	AR	Compound, Locking	
28	4812000	10	Washer M10	
29	1001165060	1	Plate	
30	1001168173	1	Mount, Hinge	
32	90200755	3.35 in/ 8.5cm	Tape, Gasket	
34	0940049	4	Stopper	
35	1001206314	2	Bumper	
36	3271601	4	Nut 3/8	
37	3311501	8	Nut 5/16	
39	1001174098	1	Outlet, Exhaust	
40	0761012	10	Bolt M10 x 25	
41	1001199207	1	Bracket, Bumper	
42	1001199901	1	Bracket, Bumper	
47	1001250287	1	Bracket, Engine	
48	1001250289	1	Bracket, Tank	
49	1001243414	2	Bolt, U-Bolt	
50	4711600	8	Washer 3/8	
51	3311601	8	Nut 3/8	
52	1001228406	2	Bolt M10 x 35	
100	1001285518	1	Hood Kit (Not Shown) (Includes Items 101-102)	
101	1001170551	1	Hood Assembly - Engine Side (See Separate Breakdown in this Section)	
102	1001285517	1	Hood Assembly - Tank Side (See Separate Breakdown in this Section)	



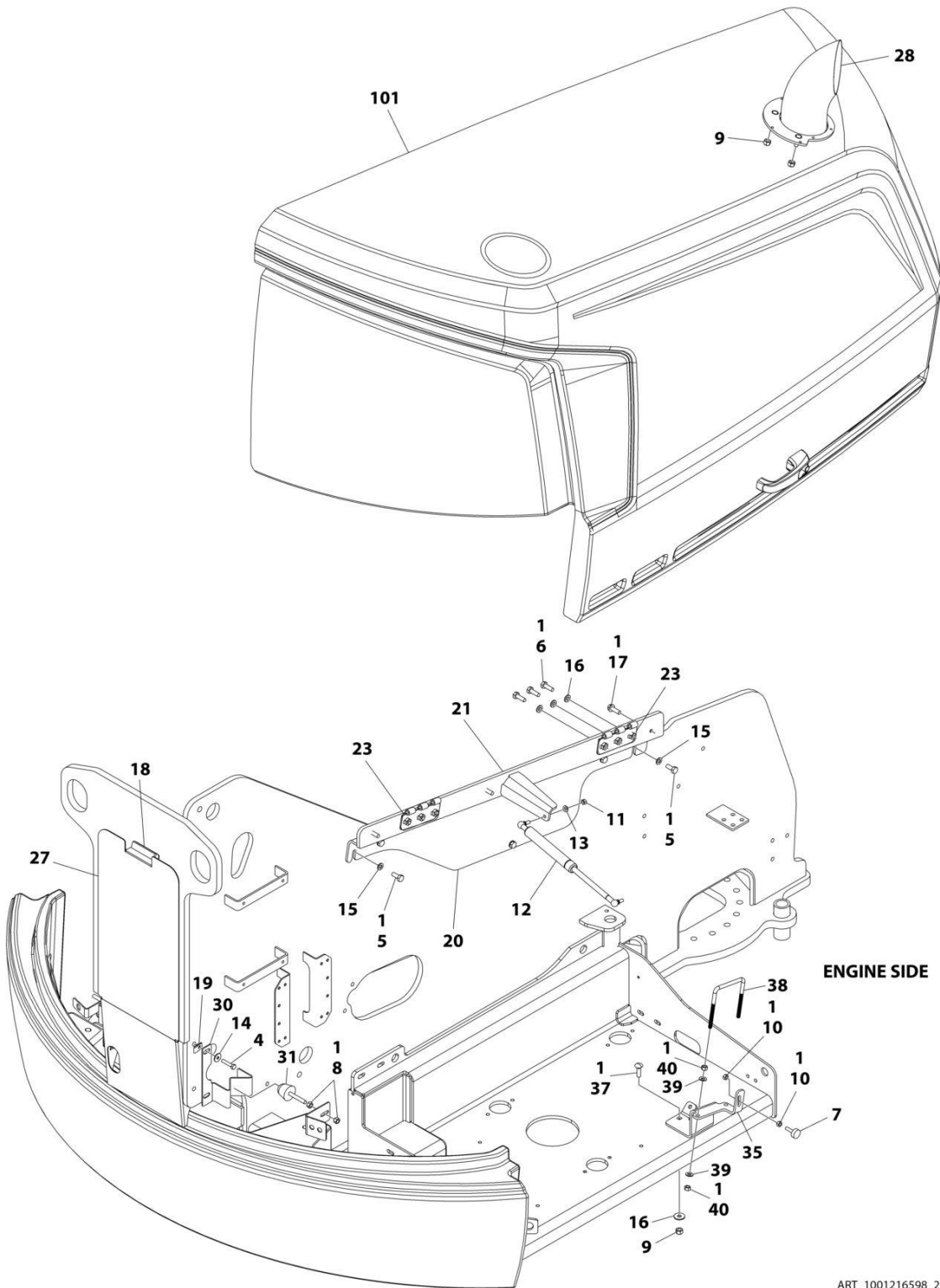
# SECTION 2 - TURNTABLE

FIGURE 2-45. HOOD INSTALLATION - ABS (KUBOTA ENGINES) (Prior to SN 0300298263)



ART\_1001216598\_10F2

**SECTION 2 - TURNTABLE**



ART\_1001216598\_2OF2

## SECTION 2 - TURNTABLE

**FIGURE 2-45. HOOD INSTALLATION - ABS (KUBOTA ENGINES) (Prior to SN 0300298263)**

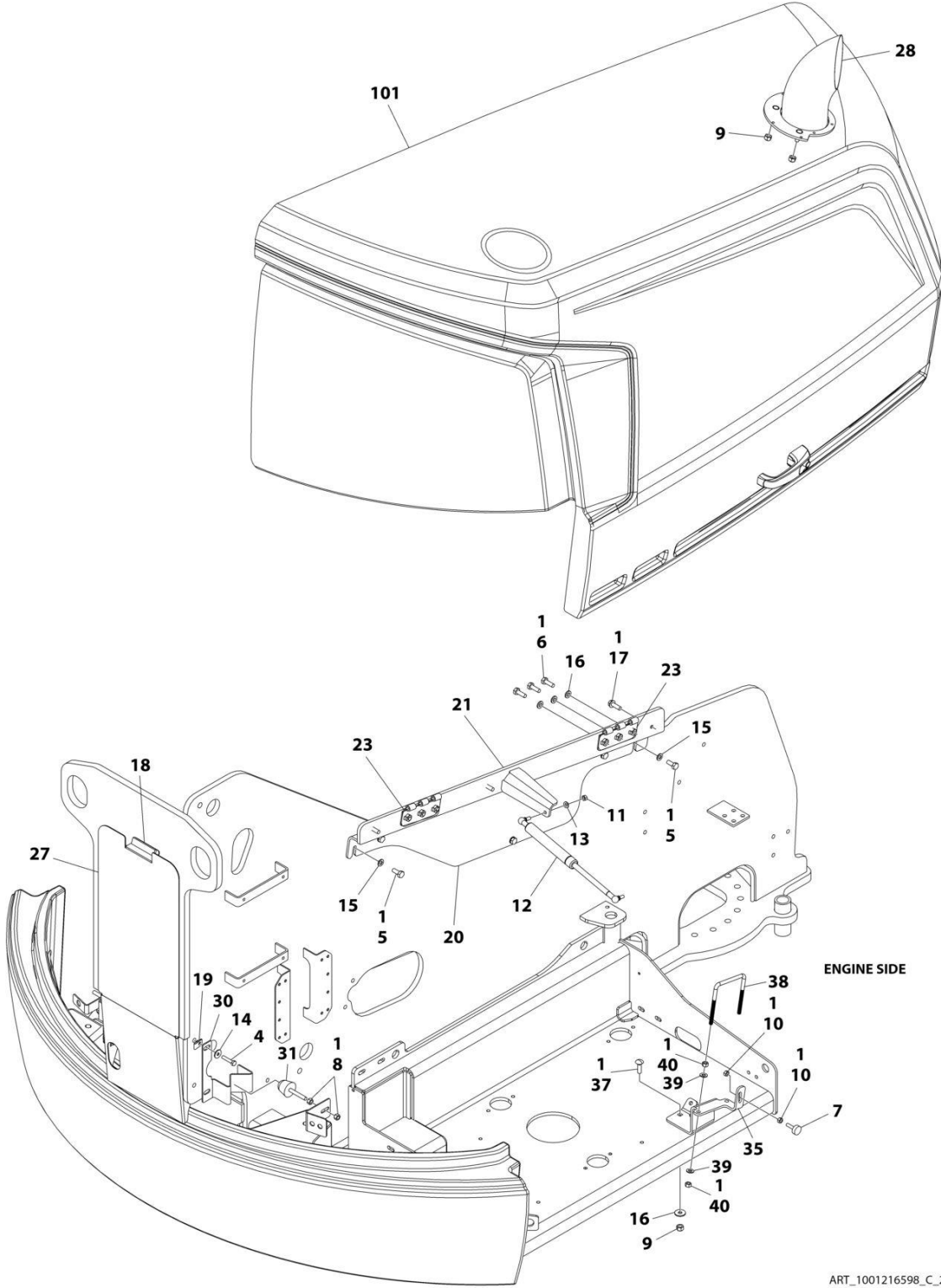
ITEM	PART NUMBER	QTY	DESCRIPTION	REV
	1001216598	Ref	KUBOTA HOOD INSTALLATION	B
1	0100011	AR	Compound, Locking	
2	0630613	2	Bolt M10 x 30	
4	0760816	4	Bolt M8 x 40	
5	0761012	10	Bolt M10 x 25	
6	0761014	12	Bolt M10 x 30	
7	0940049	4	Stopper	
8	3271601	4	Nut 3/8	
9	3291005	7	Nut M10	
10	3311501	8	Nut 5/16	
11	3311505	2	Nut 5/16	
12	4160182	2	Spring, Gas	
13	4711500	2	Washer 5/16	
14	4811902	AR	Washer M8	
15	4812000	10	Washer M10	
16	4812002	16	Washer M10	
17	5251014	8	Bolt M10 x 30	
18	90200755	AR	Tape, Gasket	
19	1001149160	4	Nut, Tinnerman M8	
20	1001165060	1	Plate	
21	1001167159	1	Mount, Adjustment	
22	1001168173	1	Mount, Hinge	
23	1001169046	4	Nut	
24	1001170850	1	Mount, Adjustment	
27	1001173354	1	Cover	
28	1001174098	1	Outlet, Exhaust	
29	1001199207	1	Bracket, Bumper	
30	1001199901	1	Bracket, Bumper	
31	1001206314	2	Bumper	
35	1001250288	1	Bracket, Engine	
36	1001250289	1	Bracket, Tank	
37	1001228406	2	Bolt, Carriage	
38	1001243414	2	Bolt, U-bolt	
39	4711600	AR	Washer 3/8	
40	3311601	AR	Nut 3/8	
100	1001202298	1	Hood Kit (Not Shown - Includes Items 101 & 102)	
101	1001170551	1	Hood Assembly - Engine Side (See Separate Breakdown in this Section)	
102	1001170552	1	Hood Assembly - Tank Side (See Separate Breakdown in this Section)	







**SECTION 2 - TURNTABLE**



ART\_1001216598\_C\_2OF2

## SECTION 2 - TURNTABLE

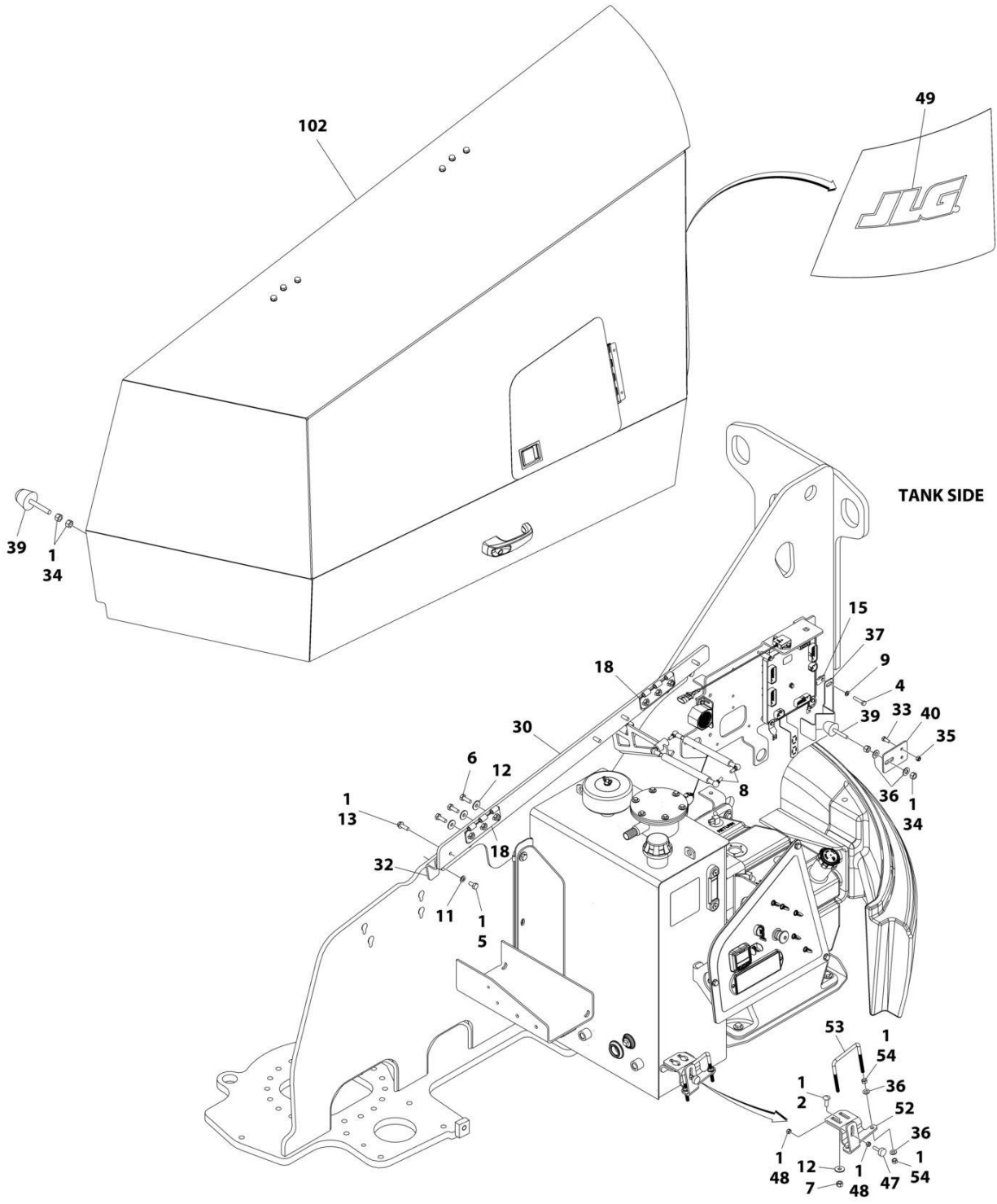
**FIGURE 2-46. HOOD INSTALLATION - ABS (KUBOTA ENGINES) (SN 0300298263 to Present)**

ITEM	PART NUMBER	QTY	DESCRIPTION	REV
	1001216598	Ref	KUBOTA HOOD INSTALLATION	C
1	0100011	AR	Compound, Locking	
2	0630613	2	Bolt M10 x 30	
4	0760816	4	Bolt M8 x 40	
5	0761012	10	Bolt M10 x 25	
6	0761014	12	Bolt M10 x 30	
7	0940049	4	Stopper	
8	3271601	4	Nut 3/8	
9	3291005	7	Nut M10	
10	3311501	8	Nut 5/16	
11	3311505	2	Nut 5/16	
12	4160182	2	Spring, Gas	
13	4711500	2	Washer 5/16	
14	4811902	4	Washer M8	
15	4812000	10	Washer M10	
16	4812002	16	Washer M10	
17	5251014	8	Bolt M10 x 30	
18	90200755	3.35 in/ 8.5cm	Tape, Gasket	
19	1001149160	4	Nut, Tinnerman M8	
20	1001165060	1	Plate	
21	1001167159	1	Mount, Adjustment	
22	1001168173	1	Mount, Hinge	
23	1001169046	4	Nut	
24	1001170850	1	Mount, Adjustment	
27	1001173354	1	Cover	
28	1001174098	1	Outlet, Exhaust	
29	1001199207	1	Bracket, Bumper	
30	1001199901	1	Bracket, Bumper	
31	1001206314	2	Bumper	
35	1001250288	1	Bracket, Engine	
36	1001250289	1	Bracket, Tank	
37	1001228406	2	Bolt, Carriage	
38	1001243414	2	Bolt, U-bolt	
39	4711600	8	Washer 3/8	
40	3311601	8	Nut 3/8	
100	1001285518	1	Hood Kit (Not Shown - Includes Items 101 & 102)	
101	1001170551	1	Hood Assembly - Engine Side (See Separate Breakdown in this Section)	
102	1001285517	1	Hood Assembly - Tank Side (See Separate Breakdown in this Section)	



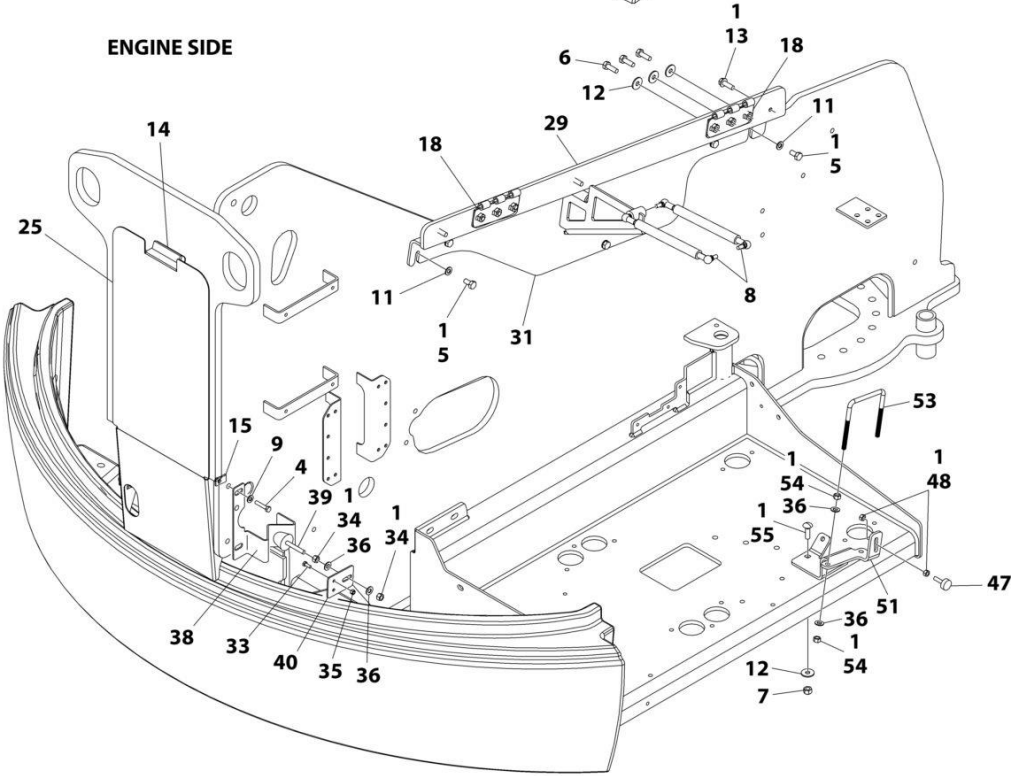
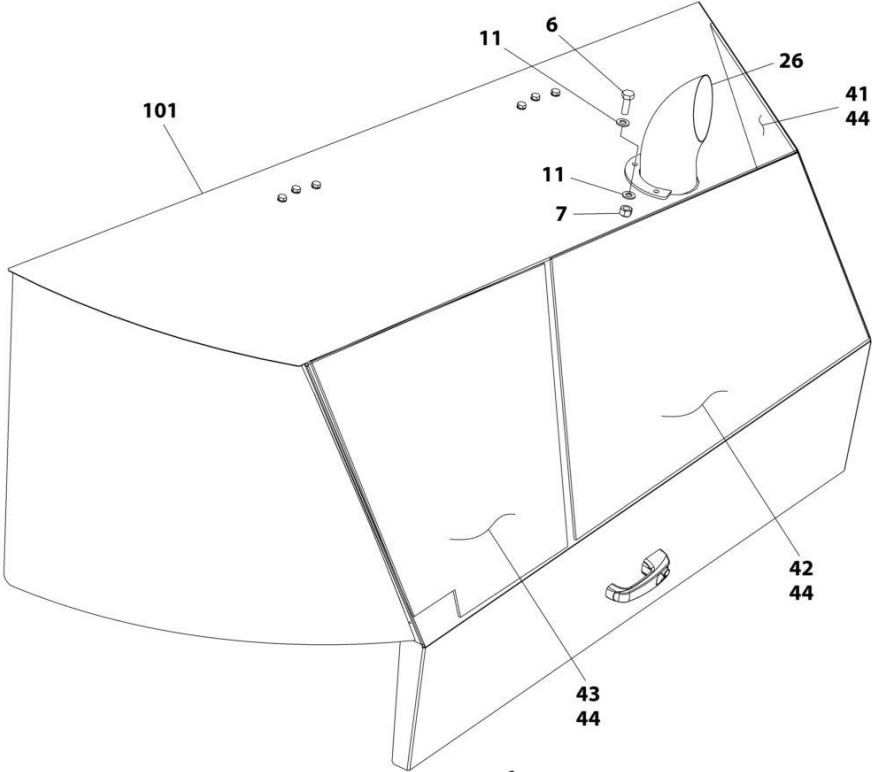
# SECTION 2 - TURNTABLE

## FIGURE 2-47. HOOD INSTALLATION - STEEL (Prior to SN 0300298263)



ART\_1001206402\_1OF2

# SECTION 2 - TURNTABLE



ART\_1001206402\_20F2

## SECTION 2 - TURNTABLE

**FIGURE 2-47. HOOD INSTALLATION - STEEL (Prior to SN 0300298263)**

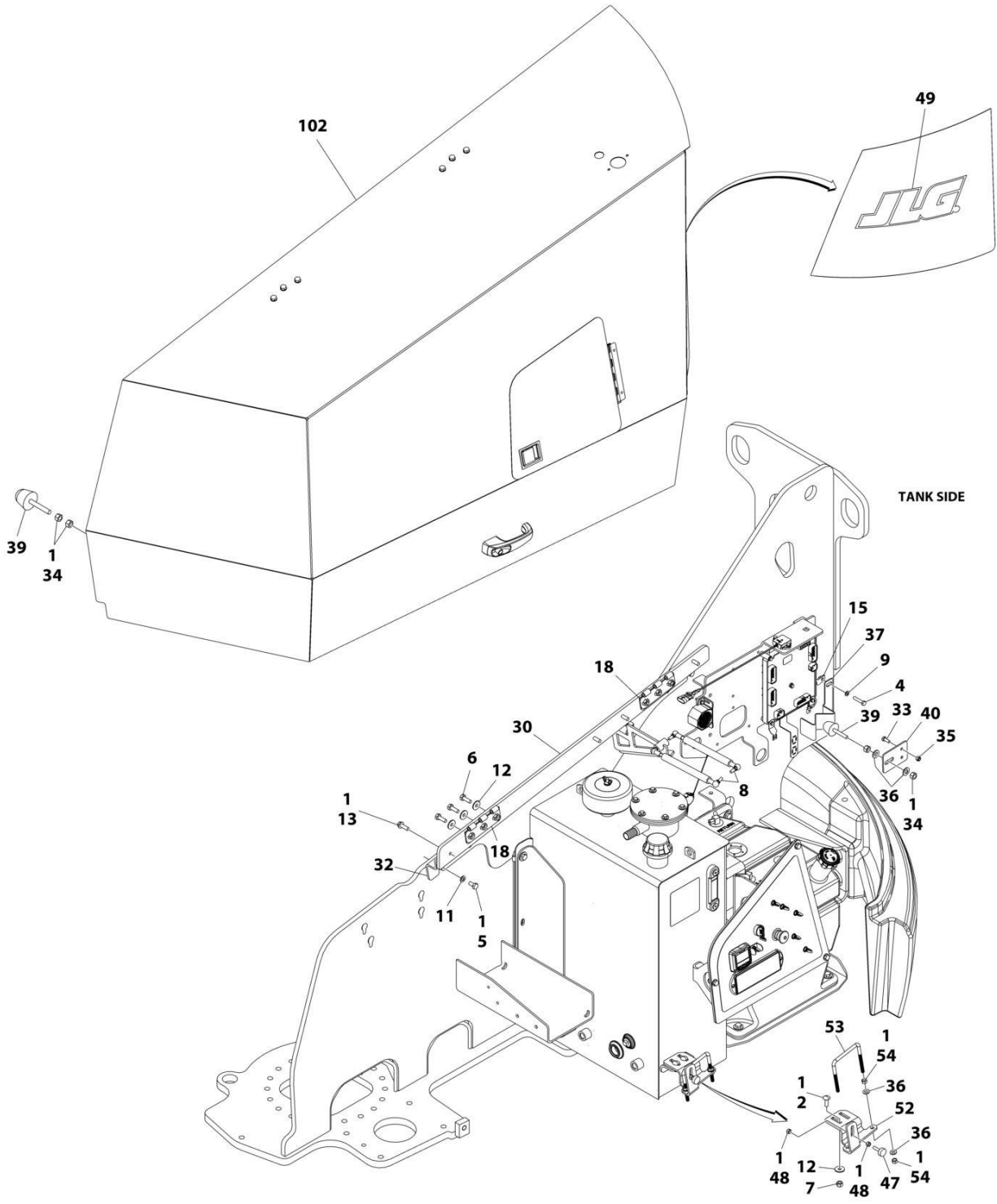
ITEM	PART NUMBER	QTY	DESCRIPTION	REV
	1001206402	Ref	STEEL HOOD INSTALLATION	H
1	0100011	AR	Compound, Locking	
2	0630613	2	Bolt M10 x 30	
4	0760816	4	Bolt M8 x 40	
5	0761012	10	Bolt M10 x 25	
6	0761014	15	Bolt M10 x 30	
7	3291005	7	Nut M10	
8	1001167918	4	Spring, Gas	
9	4811900	4	Washer M8	
11	4812000	16	Washer M10	
12	4812002	16	Washer M10	
13	5251012	8	Bolt M10 x 25	
14	90200755	85 mm	Tape, Gasket	
15	1001149160	4	Nut, Tinnerman M8	
18	1001169046	4	Nut	
25	1001173354	1	Cover	
26	1001174098	1	Outlet, Exhaust	
29	1001211633	1	Plate	
30	1001211636	1	Plate	
31	1001212819	1	Mount, Hinge	
32	1001212822	1	Mount, Hinge	
33	0760608	4	Bolt M6 x 16	
34	3271601	8	Nut 3/8	
35	3290605	4	Nut M6	
36	4711600	4	Washer 3/8	
37	1001199207	1	Bracket, Bumper	
38	1001199901	1	Bracket, Bumper	
39	1001206314	4	Bumper	
40	1001219134	2	Plate, Bumper Mount	
41	1001222043	1	Insulate, Heat Shield	
42	1001222044	1	Insulate, Heat Shield	
43	1001223387	1	Insulate, Heat Shield	
44	1001117140	AR	Tape	
47	0940049	2	Stopper	
48	3311501	4	Nut	
49	1001159323	1	Decal - JLG	
50	1001113047	AR	Adhesive (Not Shown)	
51	1001250287	1	Bracket, Engine	
52	1001250289	1	Bracket, Tank	
53	1001243414	2	Bolt, U-Bolt	
54	3311601	8	Nut 3/8	
55	1001228406	2	Bolt, Carriage	
100	1001206403	1	Hood Kit (Not Shown - Includes Items 101 & 102)	
101	1001206404	1	Steel Hood Assembly - Engine Side (See Separate Breakdown in this Section)	
102	1001206418	1	Steel Hood Assembly - Tank Side (See Separate Breakdown in this Section)	





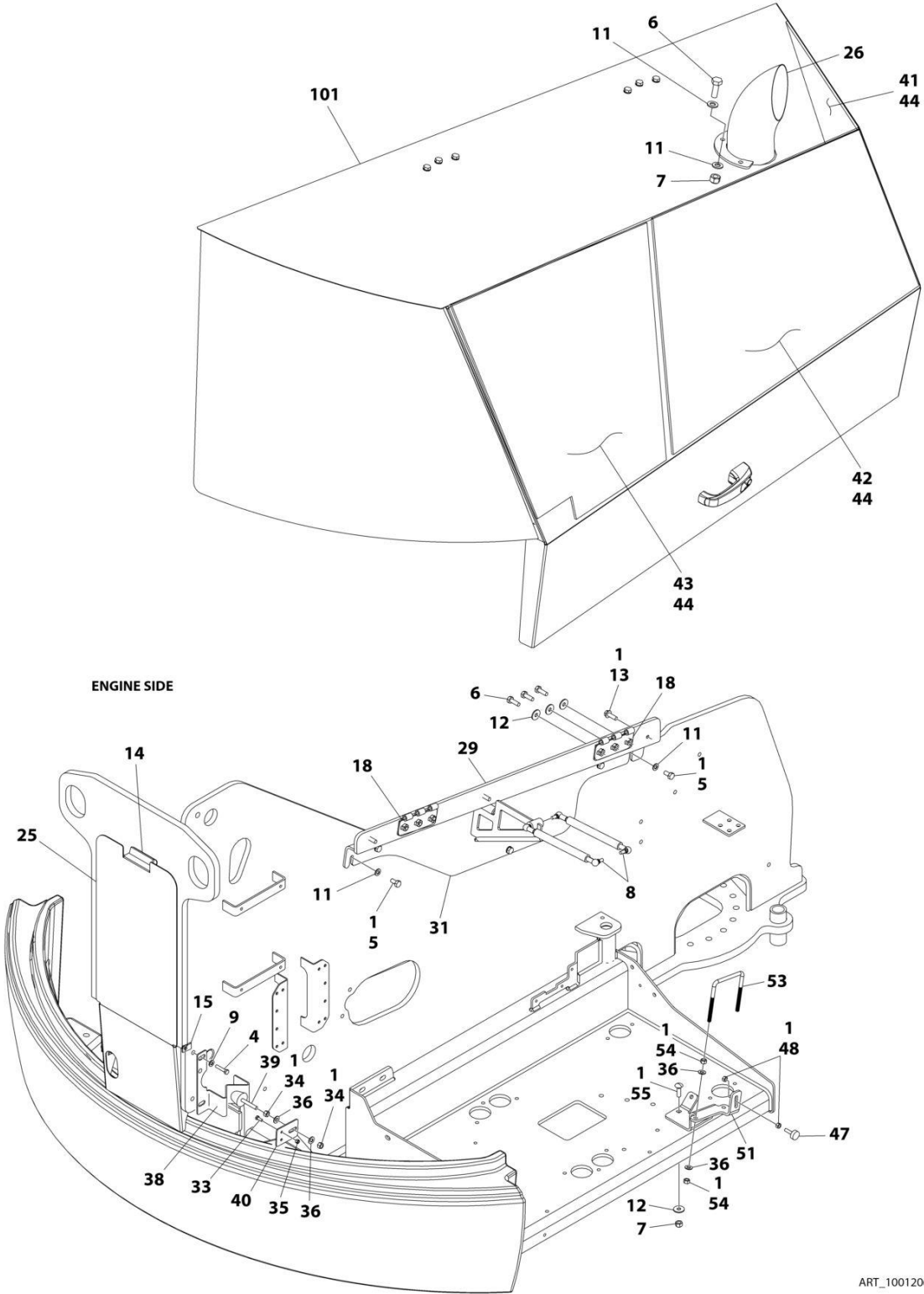
# SECTION 2 - TURNTABLE

## FIGURE 2-48. HOOD INSTALLATION - STEEL (SN 0300298263 to Present)



ART\_1001206402\_L\_10F2

SECTION 2 - TURNTABLE



ART\_1001206402\_L\_20F2

## SECTION 2 - TURNTABLE

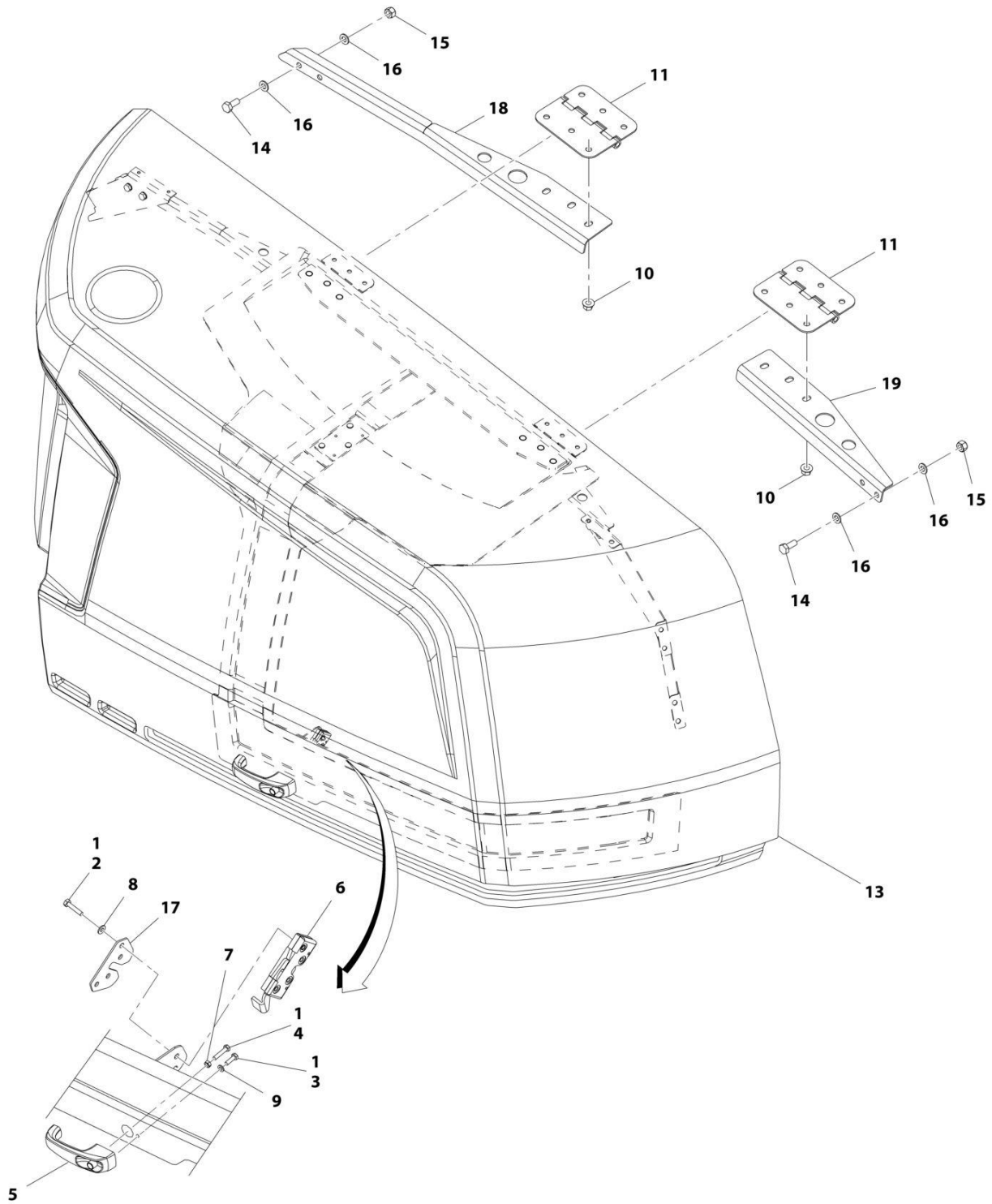
FIGURE 2-48. HOOD INSTALLATION - STEEL (SN 0300298263 to Present)

ITEM	PART NUMBER	QTY	DESCRIPTION	REV
	1001206402	Ref	STEEL HOOD INSTALLATION	I
1	0100011	AR	Compound, Locking	
2	0630613	2	Bolt M10 x 30	
4	0760816	4	Bolt M8 x 40	
5	0761012	10	Bolt M10 x 25	
6	0761014	15	Bolt M10 x 30	
7	3291005	7	Nut M10	
8	1001167918	4	Spring, Gas	
9	4811900	4	Washer M8	
11	4812000	16	Washer M10	
12	4812002	16	Washer M10	
13	5251012	8	Bolt M10 x 25	
14	90200755	85 mm	Tape, Gasket	
15	1001149160	4	Nut, Tinnerman M8	
18	1001169046	4	Nut	
25	1001173354	1	Cover	
26	1001174098	1	Outlet, Exhaust	
29	1001211633	1	Plate	
30	1001211636	1	Plate	
31	1001212819	1	Mount, Hinge	
32	1001212822	1	Mount, Hinge	
33	0760608	4	Bolt M6 x 16	
34	3271601	8	Nut 3/8	
35	3290605	4	Nut M6	
36	4711600	12	Washer 3/8	
37	1001199207	1	Bracket, Bumper	
38	1001199901	1	Bracket, Bumper	
39	1001206314	4	Bumper	
40	1001219134	2	Plate, Bumper Mount	
41	1001222043	1	Insulate, Heat Shield	
42	1001222044	1	Insulate, Heat Shield	
43	1001223387	1	Insulate, Heat Shield	
44	1001117140	AR	Tape	
47	0940049	2	Stopper	
48	3311501	4	Nut	
49	1001159323	1	Decal - JLG	
50	1001113047	AR	Adhesive (Not Shown)	
51	1001250287	1	Bracket, Engine	
52	1001250289	1	Bracket, Tank	
53	1001243414	2	Bolt, U-Bolt	
54	3311601	8	Nut 3/8	
55	1001228406	2	Bolt, Carriage	
100	1001285143	1	Hood Kit (Not Shown - Includes Items 101 & 102)	
101	1001206404	1	Steel Hood Assembly - Engine Side (See Separate Breakdown in this Section)	
102	1001285142	1	Steel Hood Assembly - Tank Side (See Separate Breakdown in this Section)	



# SECTION 2 - TURNTABLE

## FIGURE 2-49. ABS HOOD ASSEMBLY - ENGINE SIDE



ART\_1001170551

**SECTION 2 - TURNTABLE**

**FIGURE 2-49. ABS HOOD ASSEMBLY - ENGINE SIDE**

ITEM	PART NUMBER	QTY	DESCRIPTION	REV
	1001170551	Ref	HOOD ASSEMBLY - ENGINE SIDE	F
1	0100011	AR	Compound, Locking	
2	0641410	4	Bolt 1/4 x 1-1/4	
3	0760610	2	Bolt M6 x 20	
4	0760614	1	Bolt M6 x 30	
5	2560187	1	Handle, Push Button	
6	2940173	1	Latch, Rotary	
7	3290601	1	Nut M6	
8	4711400	4	Washer 1/4	
9	4811700	2	Washer M6	
10	5261018	6	Nut M10 Grade 10.9	
11	1001139384	2	Hinge	
13	See Note	NSS	Hood - Engine Side (Note: Purchase pn 1001170551)	
14	0761012	4	Bolt M10 x 25	
15	3291005	4	Nut M10	
16	4812000	8	Washer M10	
17	1001200458	1	Plate	
18	1001201636	1	Hood Support	
19	1001201635	1	Hood Support	





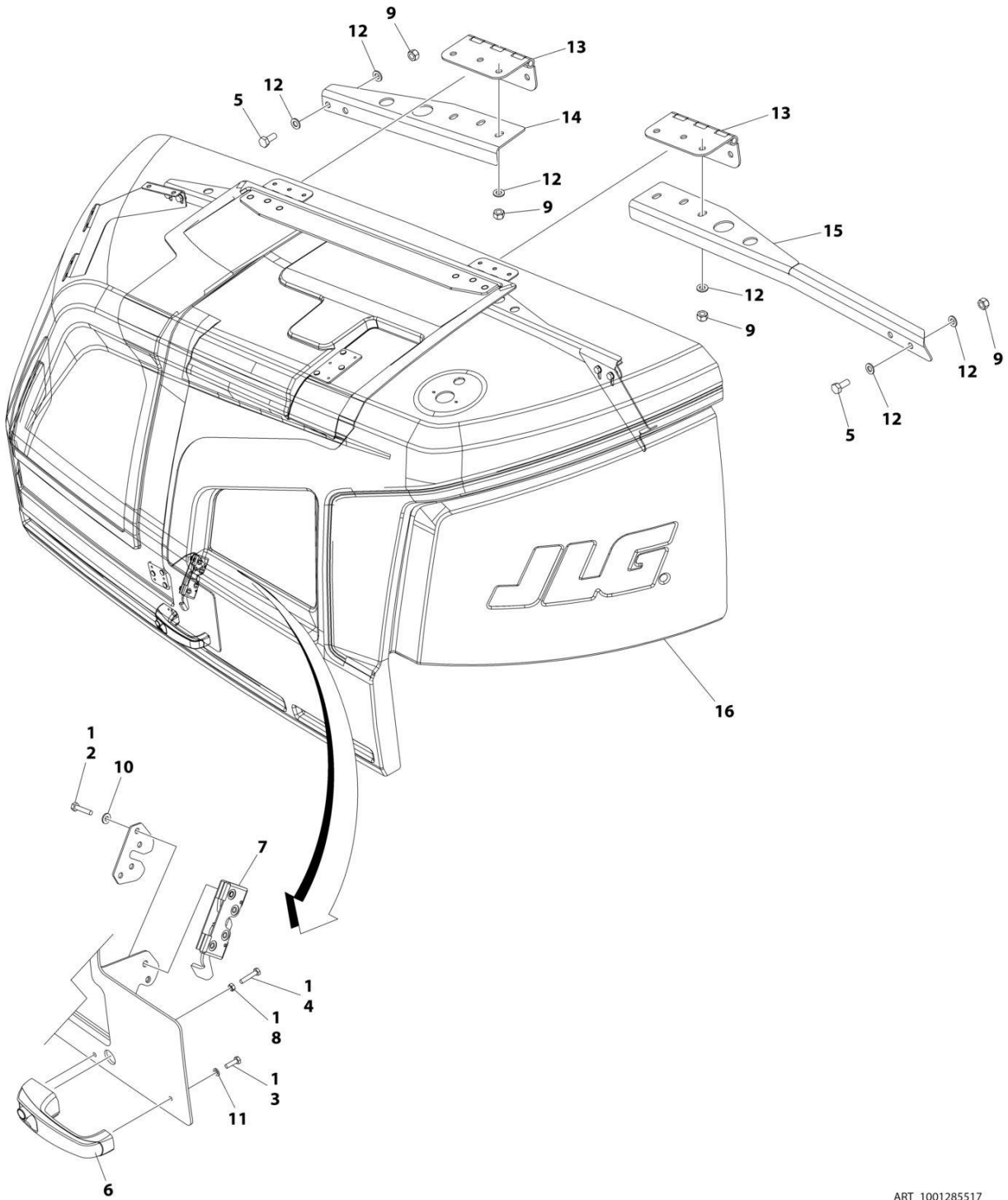
**SECTION 2 - TURNTABLE**

**FIGURE 2-50. ABS HOOD ASSEMBLY - TANK SIDE (Prior to SN 0300298263)**

ITEM	PART NUMBER	QTY	DESCRIPTION	REV
	1001170552	Ref	HOOD ASSEMBLY - TANK SIDE	F
1	0100011	AR	Compound, Locking	
2	0641410	4	Bolt 1/4 x 1-1/4	
3	0760610	2	Bolt M6 x 20	
4	0760614	1	Bolt M6 x 30	
5	2560187	1	Handle, Push Button	
6	2940173	1	Latch, Rotary	
7	3290601	1	Nut M6	
8	4711400	4	Washer 1/4	
9	4811700	2	Washer M6	
10	5261018	6	Nut M10 Grade 10.9	
11	1001139384	2	Hinge	
12	See Note	NSS	Hood (Note: Use PN 1001170552)	
13	0761012	4	Bolt M10 x 25	
14	3291005	4	Nut M10	
15	4812000	8	Washer M10	
16	1001200458	AR	Plate	
17	1001201633	1	Hood Support	
18	1001201634	1	Hood Support	

# SECTION 2 - TURNTABLE

## FIGURE 2-51. ABS HOOD ASSEMBLY - TANK SIDE (SN 0300298263 to Present)



ART\_1001285517

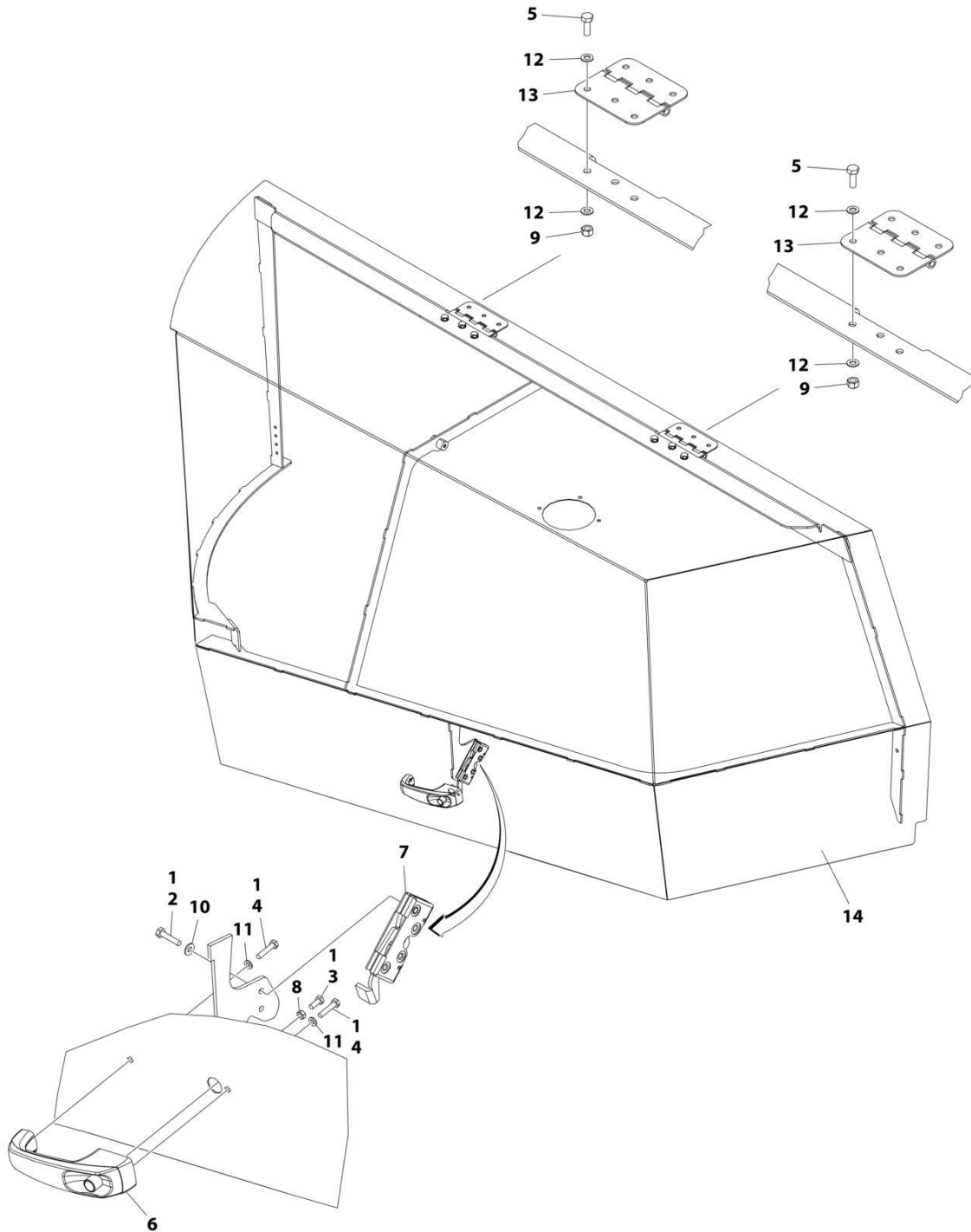
## SECTION 2 - TURNTABLE

**FIGURE 2-51. ABS HOOD ASSEMBLY - TANK SIDE (SN 0300298263 to Present)**

ITEM	PART NUMBER	QTY	DESCRIPTION	REV
	1001285517	Ref	ABS HOOD ASSEMBLY - TANK SIDE	A
1	0100011	AR	Compound, Locking	
2	0641410	4	Bolt 1/4 x 1-1/4	
3	0760610	2	Bolt M6 x 20	
4	0760614	1	Bolt M6 x 30	
5	0761012	4	Bolt M10 x 25	
6	2560187	1	Handle, Push Button	
7	2940173	1	Latch, Rotary	
8	3290601	1	Nut M6	
9	3291005	10	Nut M10	
10	4711400	4	Washer 1/4	
11	4811700	2	Washer M6	
12	4812000	14	Washer M10	
13	1001139384	2	Hinge	
14	1001201633	1	Hood Support	
15	1001201634	1	Hood Support	
16	See Note	NSS	Hood (Note: Use PN 1001285517)	

# SECTION 2 - TURNTABLE

## FIGURE 2-52. STEEL HOOD ASSEMBLY - ENGINE SIDE



ART\_1001206404

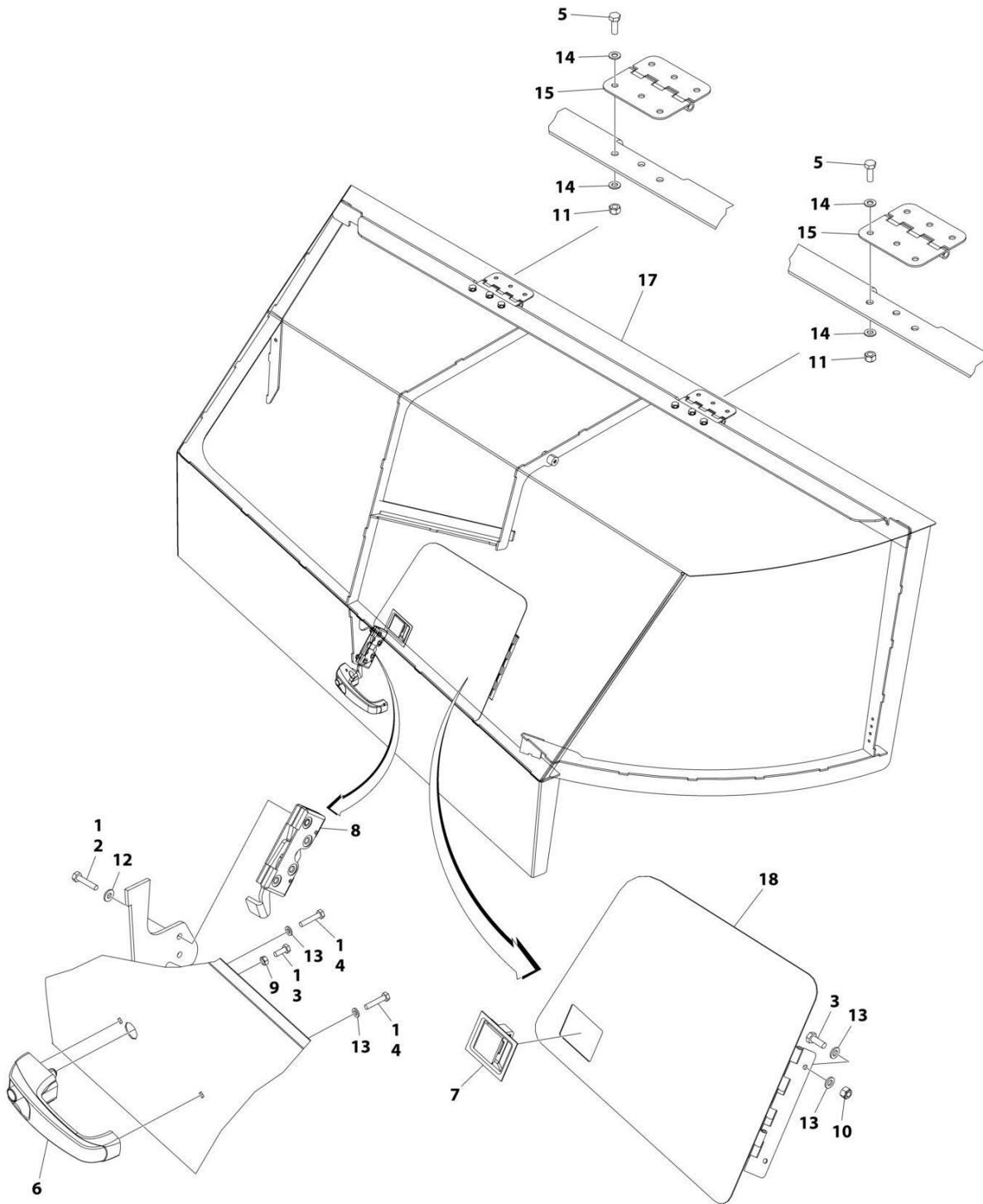
## SECTION 2 - TURNTABLE

**FIGURE 2-52. STEEL HOOD ASSEMBLY - ENGINE SIDE**

ITEM	PART NUMBER	QTY	DESCRIPTION	REV
	1001206404	Ref	STEEL HOOD ASSEMBLY - ENGINE SIDE	E
1	0100011	AR	Compound, Locking	
2	0641410	4	Bolt 1/4 x 1-1/4	
3	0760608	1	Bolt M6 x 16	
4	0760614	2	Bolt M6 x 30	
5	0761014	6	Bolt M10 x 30	
6	2560187	1	Handle, Push Button	
7	2940173	1	Latch, Rotary	
8	3290601	1	Nut M6	
9	3291005	6	Nut M10	
10	4711400	4	Washer 1/4	
11	4811700	2	Washer M6	
12	4812000	12	Washer M10	
13	1001139384	2	Hinge	
14	1001206405	1	Hood, Engine Side	

# SECTION 2 - TURNTABLE

FIGURE 2-53. STEEL HOOD ASSEMBLY - TANK SIDE (Prior to SN 0300298263)



ART\_1001206418

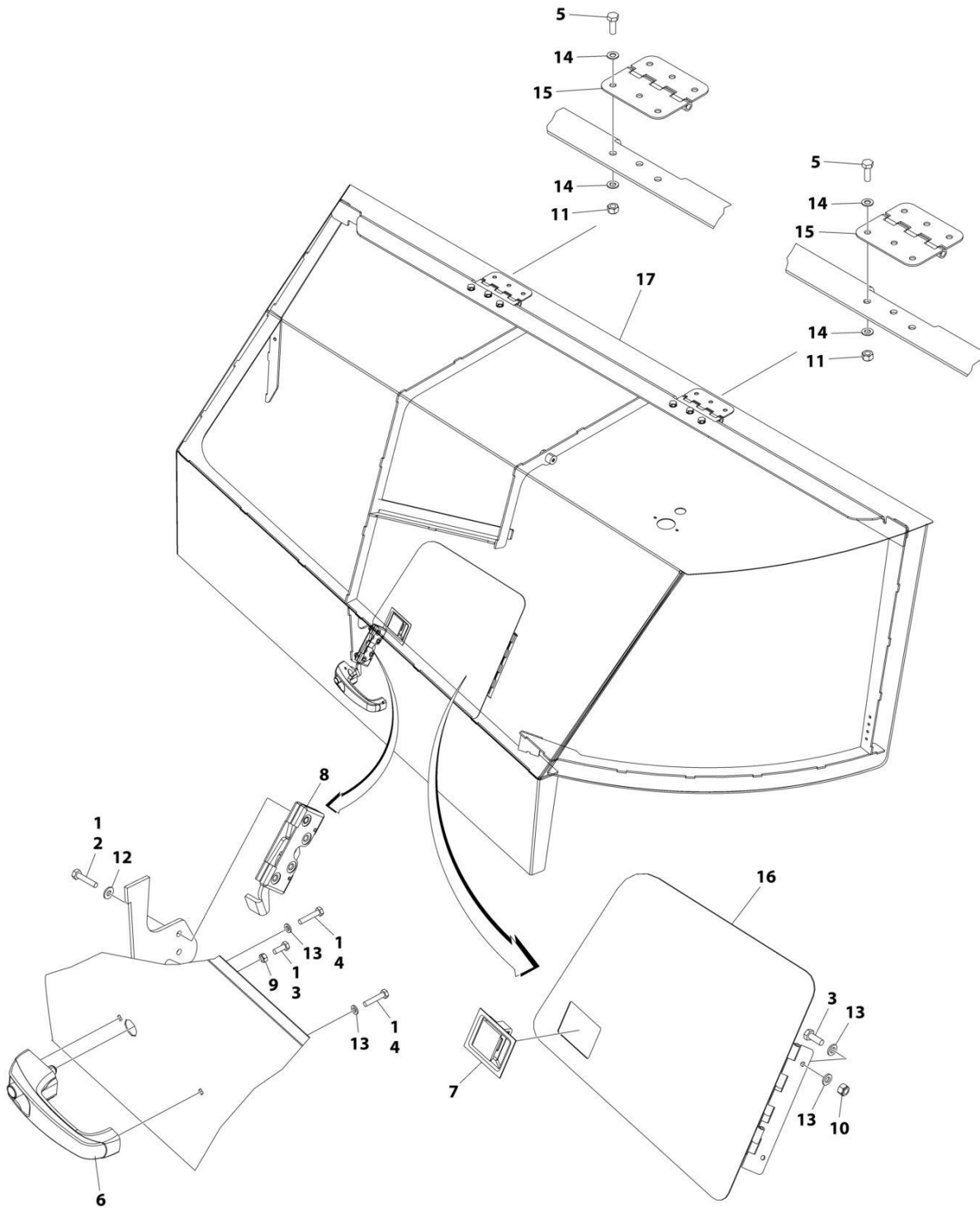
**SECTION 2 - TURNTABLE**

**FIGURE 2-53. STEEL HOOD ASSEMBLY - TANK SIDE (Prior to SN 0300298263)**

ITEM	PART NUMBER	QTY	DESCRIPTION	REV
	1001206418	Ref	STEEL HOOD ASSEMBLY - TANK SIDE	F
1	0100011	AR	Compound, Locking	
2	0641410	4	Bolt 1/4 x 1-1/4	
3	0760608	3	Bolt M6 x 16	
4	0760614	2	Bolt M6 x 30	
5	0761014	6	Bolt M10 x 30	
6	2560187	1	Handle, Push Button	
7	2940045	1	Latch, Paddle	
8	2940173	1	Latch, Rotary	
9	3290601	1	Nut M6	
10	3290605	2	Nut M6	
11	3291005	6	Nut M10	
12	4711400	4	Washer 1/4	
13	4811700	6	Washer M6	
14	4812000	12	Washer M10	
15	1001139384	2	Hinge	
17	See Note	NSS	Hood - Tank Side (Note: Use PN 1001206418)	
18	1001207726	1	Door, Ground Control Panel	

# SECTION 2 - TURNTABLE

FIGURE 2-54. STEEL HOOD ASSEMBLY - TANK SIDE (SN 0300298263 to Present)



ART\_1001285142



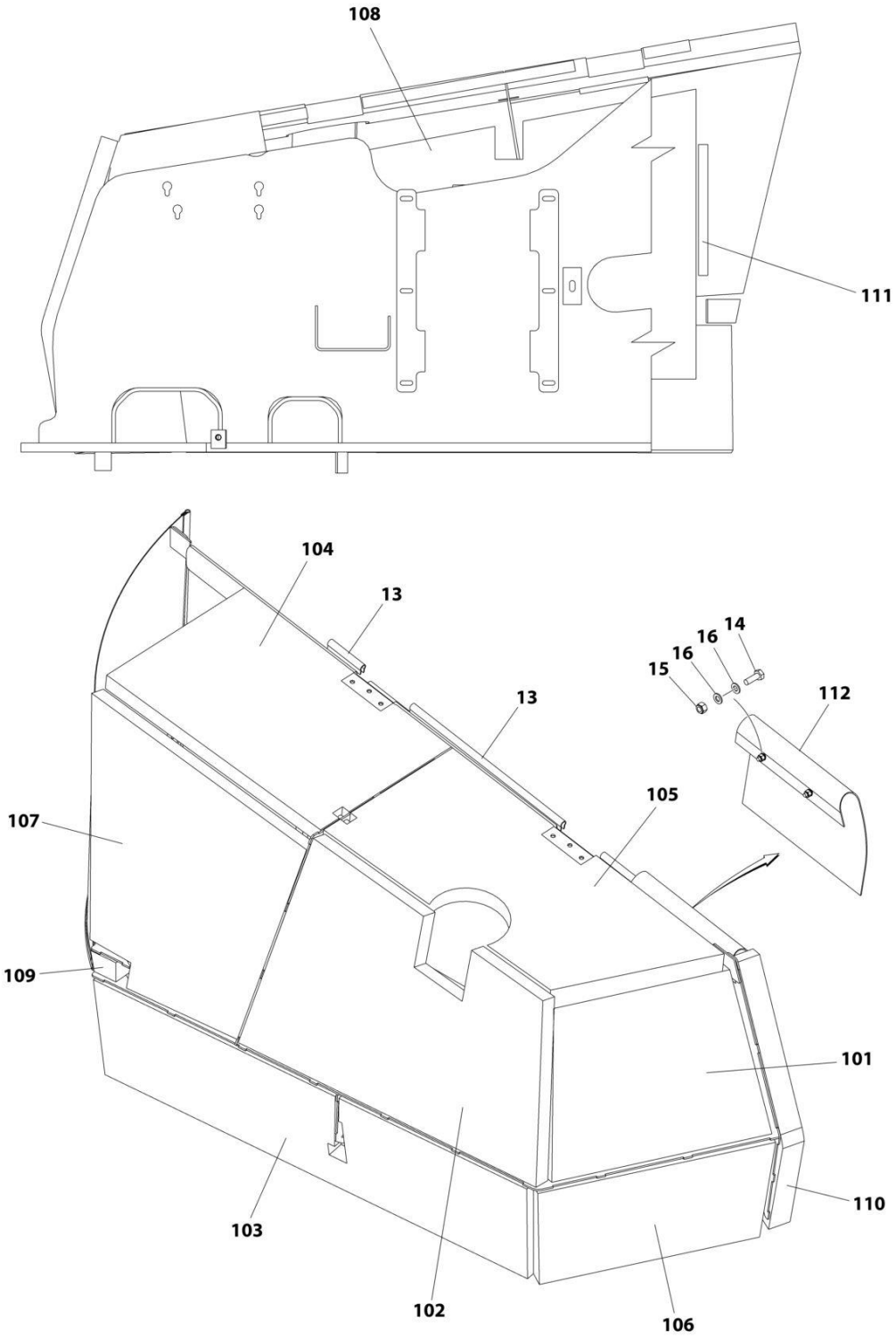
**SECTION 2 - TURNTABLE**

**FIGURE 2-54. STEEL HOOD ASSEMBLY - TANK SIDE (SN 0300298263 to Present)**

ITEM	PART NUMBER	QTY	DESCRIPTION	REV
	1001285142	Ref	STEEL HOOD ASSEMBLY - TANK SIDE	B
1	0100011	AR	Compound, Locking	
2	0641410	4	Bolt 1/4 x 1-1/4	
3	0760608	3	Bolt M6 x 16	
4	0760614	2	Bolt M6 x 30	
5	0761014	6	Bolt M10 x 30	
6	2560187	1	Handle, Push Button	
7	2940045	1	Latch, Paddle	
8	2940173	1	Latch, Rotary	
9	3290601	1	Nut M6	
10	3290605	2	Nut M6	
11	3291005	6	Nut M10	
12	4711400	4	Washer 1/4	
13	4811700	6	Washer M6	
14	4812000	12	Washer M10	
15	1001139384	2	Hinge	
16	1001207726	1	Door, Ground Control Panel	
17	See Note	NSS	Hood (Note: Use PN 1001285142)	

# SECTION 2 - TURNTABLE

## FIGURE 2-55. SOUND REDUCTION INSTALLATION - KUBOTA ENGINE MACHINES WITH STEEL HOODS



ART\_1001233048

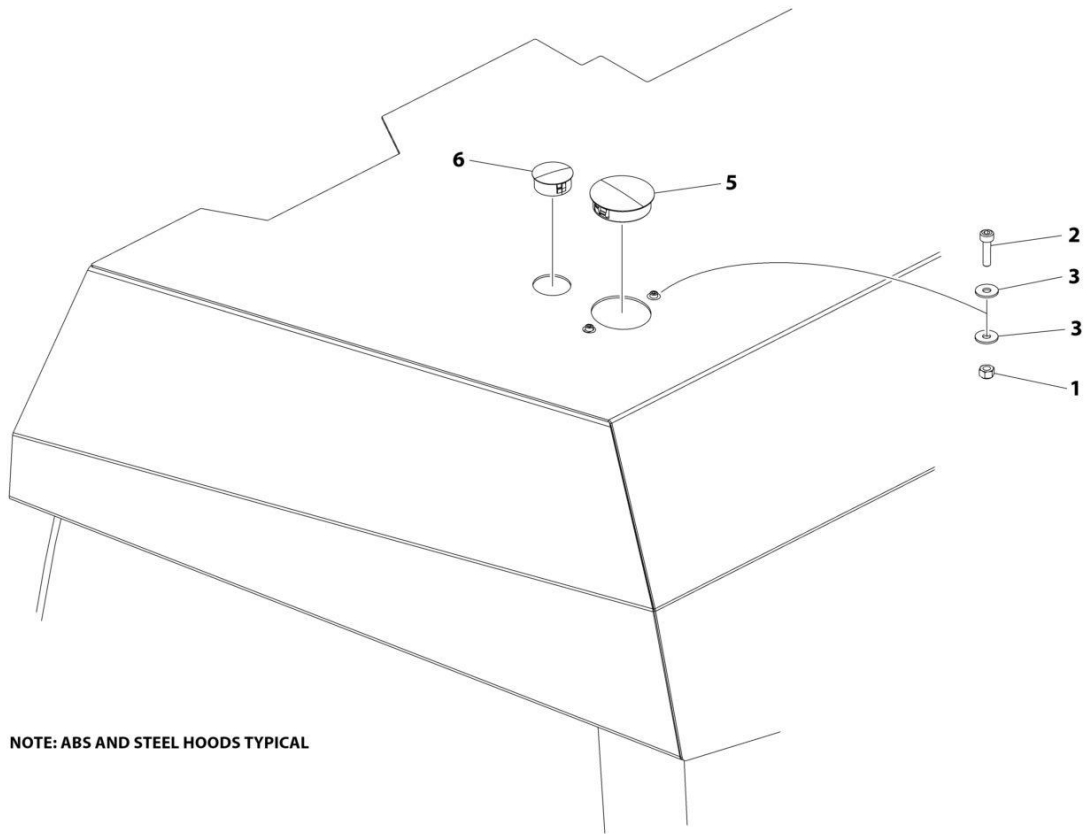
## SECTION 2 - TURNTABLE

**FIGURE 2-55. SOUND REDUCTION INSTALLATION - KUBOTA ENGINE MACHINES WITH STEEL HOODS**

ITEM	PART NUMBER	QTY	DESCRIPTION	REV
	1001233048	Ref	SOUND REDUCTION INSTALLATION	C
13	3960389	11 ft/ 3.4m	Flex-Trim	
14	0761014	2	Bolt M10 x 30	
15	3291005	2	Nut M10	
16	4812000	4	Washer M10	
100	1001237549	Ref	Sound Insulation Kit (Includes Item 101-112)	
101	1001232907	1	Shield, Sound	
102	1001232908	1	Shield, Sound	
103	1001232913	1	Shield, Sound	
104	1001232915	1	Shield, Sound	
105	1001232916	1	Shield, Sound	
106	1001232917	1	Shield, Sound	
107	1001233075	1	Shield, Sound	
108	1001233076	1	Shield, Sound	
109	1001233077	1	Shield, Sound	
110	1001233412	1	Shield, Sound	
111	1001233413	2	Shield, Sound	
112	1001233436	1	Baffle Rubber	

# SECTION 2 - TURNTABLE

FIGURE 2-56. HOOD PLUGS INSTALLATION (HOODS WITHOUT STROBE LIGHT)



ART\_1001285811

**SECTION 2 - TURNTABLE**

**FIGURE 2-56. HOOD PLUGS INSTALLATION (HOODS WITHOUT STROBE LIGHT)**

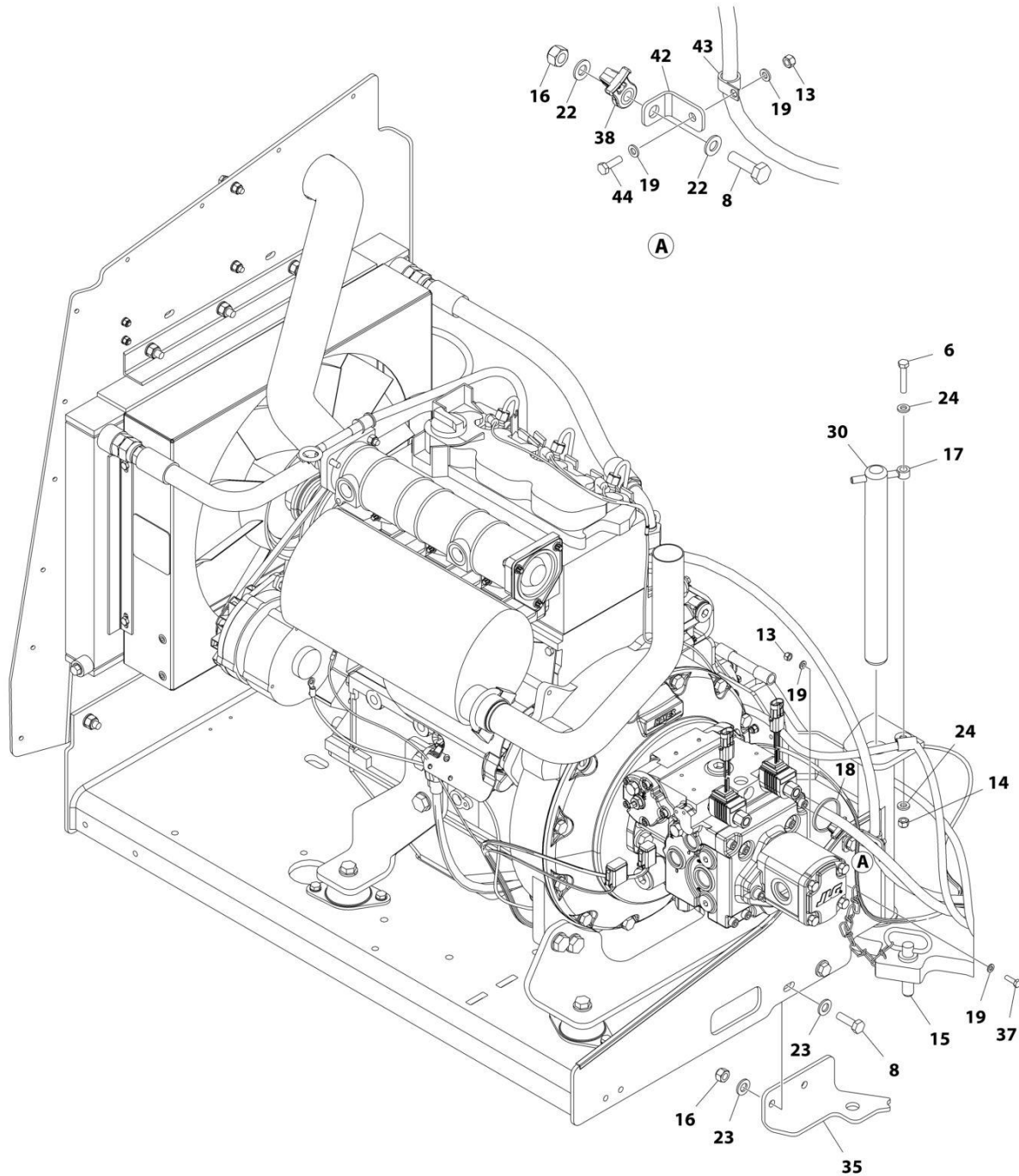
<b>ITEM</b>	<b>PART NUMBER</b>	<b>QTY</b>	<b>DESCRIPTION</b>	<b>REV</b>
	1001285811	Ref	HOOD PLUGS INSTALLATION	A
1	3290405	2	Nut M4	
2	4031507	2	Capscrew M4 x 16	
3	1001091102	4	Washer M6	
4	1001244462	1	Cap, Dust (Not Shown)	
5	1001285891	1	Plug	
6	1001285892	1	Plug	



**SECTION 3 - ENGINE**

# SECTION 3 - ENGINE

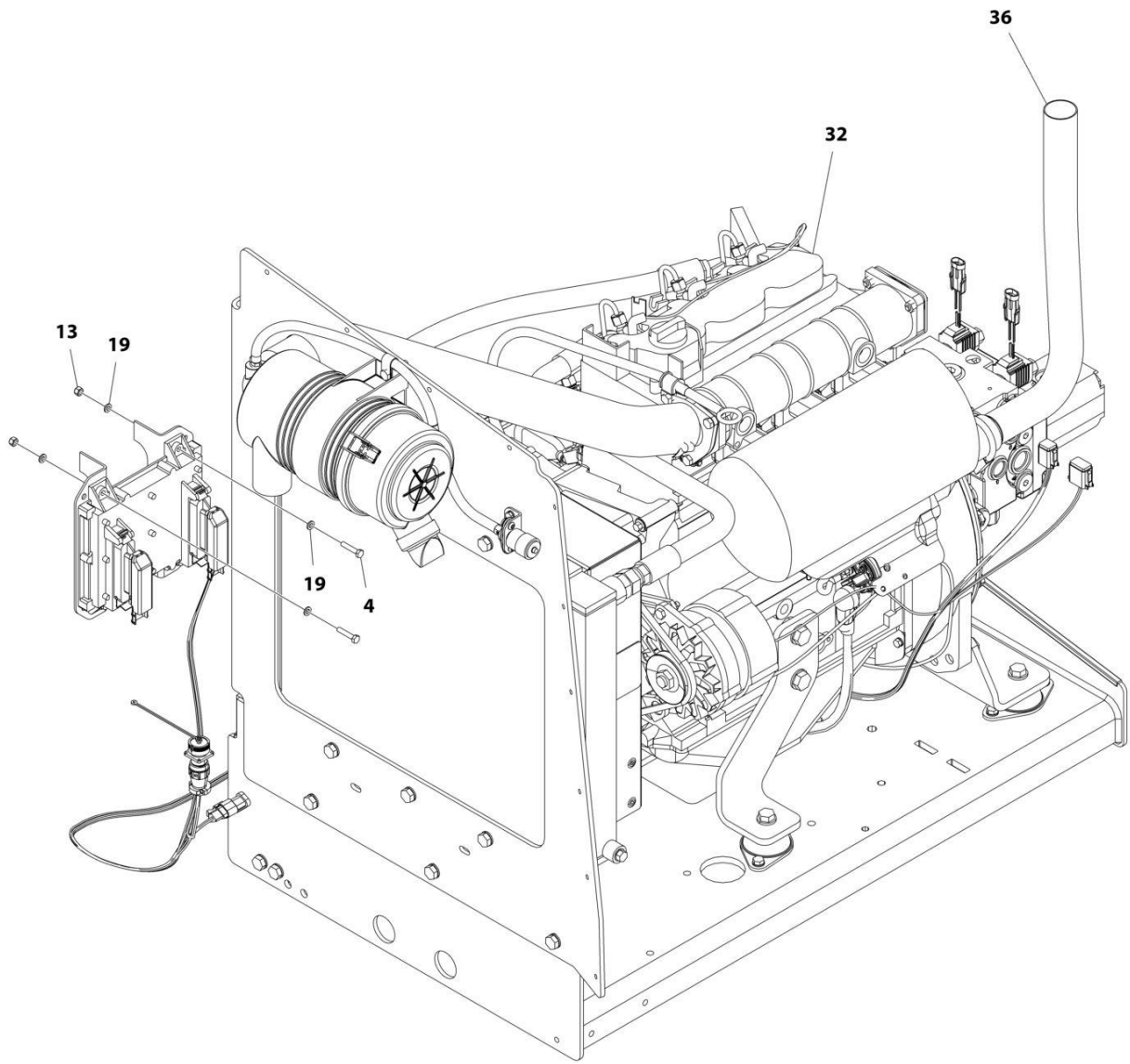
FIGURE 3-1. ENGINE INSTALLATION - DEUTZ D2011 ENGINE (WITHOUT ARCTIC PACKAGE) (ANSI EXPORT(LRC), AUSTRALIAN, CE(LRC), CHINA & UK CA SPECS)



ART\_1001166022\_10F3

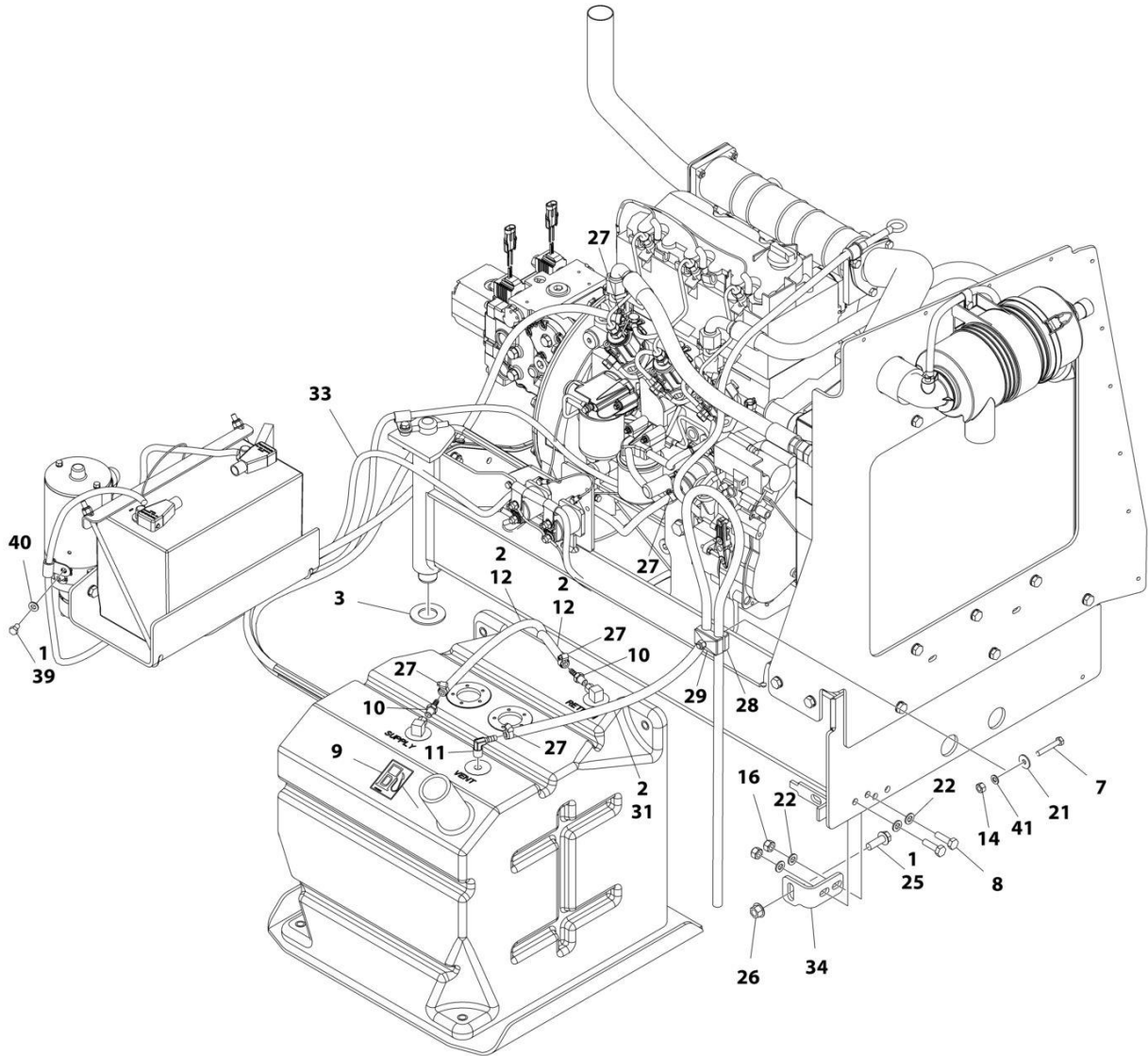


# SECTION 3 - ENGINE



ART\_1001166022\_2OF3

# SECTION 3 - ENGINE



ART\_1001166022\_30F3

## SECTION 3 - ENGINE

**FIGURE 3-1. ENGINE INSTALLATION - DEUTZ D2011 ENGINE (WITHOUT ARCTIC PACKAGE) (ANSI EXPORT(LRC), AUSTRALIAN, CE(LRC), CHINA & UK CA SPECS)**

ITEM	PART NUMBER	QTY	DESCRIPTION	REV
	1001166022	Ref	ENGINE INSTALLATION - DEUTZ D2011 ENGINE (WITHOUT ARCTIC PACKAGE)	I
1	0100011	AR	Compound, Locking	
2	0100020	AR	Sealant, Pipe	
3	0440162	1	Bearing	
4	0700614	4	Bolt M6 x 30	
6	0700817	1	Bolt M8 x 45	
7	0700821	1	Bolt M8 x 65	
8	0761015	5	Bolt M10 x 35	
9	1701505	1	Decal - Diesel Fuel	
10	2180348	2	Fitting, Barbed	
11	2220313	1	Fitting, Barbed 90	
12	2720058	17 ft / 5.18m	Hose	
13	3290605	5	Nut M6	
14	3290805	2	Nut M8	
15	3422532	1	Pin	
16	3291005	5	Nut M10	
17	3841143	1	Pin	
18	4240099	AR	Tie-Strap	
19	4811700	12	Washer M6	
21	4811902	1	Washer M8	
22	4812000	6	Washer M10	
23	4812100	4	Washer M12	
24	5240800	2	Washer M8 Hardened	
25	5251215	1	Bolt M12 x 35	
26	5261200	1	Nut, Flange M12 Class10	
27	8405009	5	Clamp	
28	1320187	1	Clamp	
29	1320190	1	Clamp	
30	1001135196	1	Pin	
31	2750532	6 ft/ 1.83m	Hose	
32	1001166021	1	Engine and Pump Sub-Assembly - Deutz D2011 (Without Arctic Package) (See Separate Breakdown in this Section)	
33	1001167038	1	Battery Cable Kit	G
33	70009004	1	Cable, Battery (Black) (Battery Negative, Auxiliary Power Pump, Turntable Ground to Engine Ground)	
33	70009005	1	Cable, Battery (Red) (Battery Positive, Auxiliary Power Relay, Starter Relay to Starter)	
33	70009002	1	Cable, Battery (Red) (Auxiliary Power Relay to Auxiliary Power Pump)	
34	1001167512	1	Bracket, Engine	
35	1001169823	1	Plate, Engine Lock	
36	1001172195	1	Pipe, Exhaust	
37	0760610	1	Bolt M6 x 20	
38	1001156107	1	Holder, Cable	
39	0641504	1	Bolt 5/16 x 1/2	
40	4711500	1	Washer 5/16	
41	4811900	AR	Washer M8	

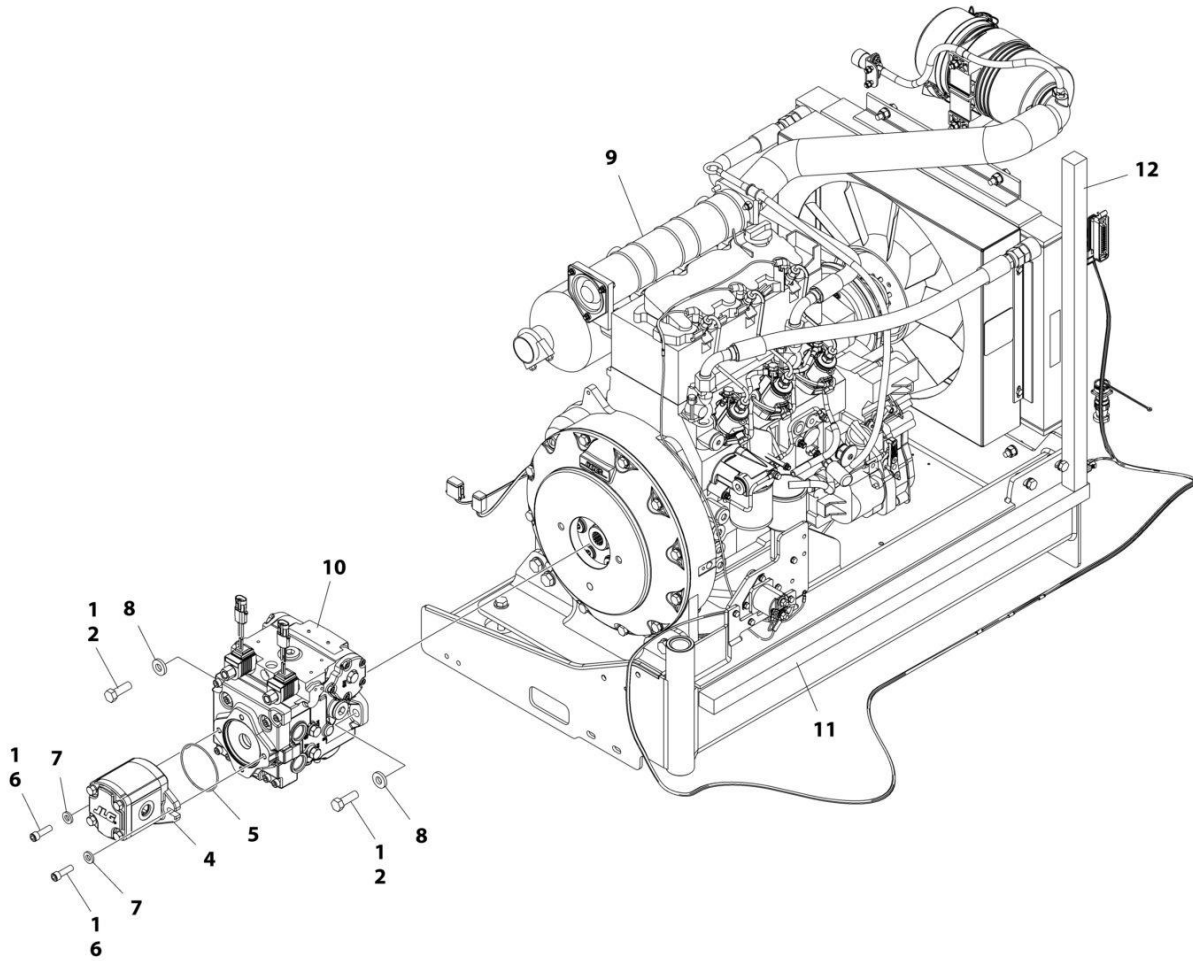
### SECTION 3 - ENGINE

ITEM	PART NUMBER	QTY	DESCRIPTION	REV
42	1001148641	1	Bracket, Clamp Mounting	
43	1320224	1	Clamp, Cable	
44	0700610	1	Bolt M6 x 20	



# SECTION 3 - ENGINE

FIGURE 3-2. ENGINE AND PUMP SUB-ASSEMBLY - DEUTZ D2011 (WITHOUT ARCTIC PACKAGE)  
(AUSTRALIAN AND CHINA SPECS)



ART\_1001166021\_G

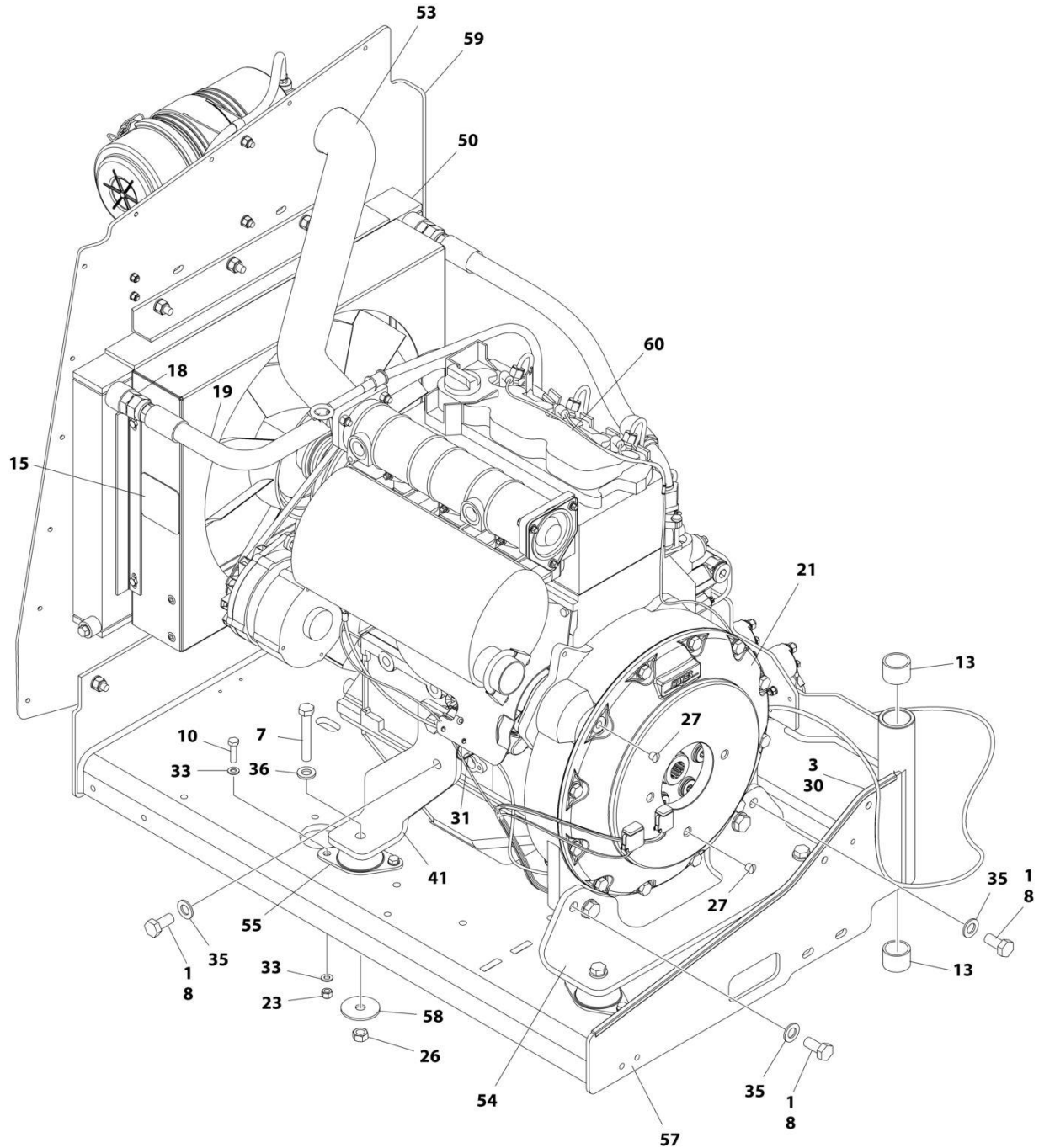
## SECTION 3 - ENGINE

**FIGURE 3-2. ENGINE AND PUMP SUB-ASSEMBLY - DEUTZ D2011 (WITHOUT ARCTIC PACKAGE)  
(AUSTRALIAN AND CHINA SPECS)**

ITEM	PART NUMBER	QTY	DESCRIPTION	REV
	1001166021	Ref	ENGINE AND PUMP SUB-ASSEMBLY - DEUTZ D2011 (WITHOUT ARCTIC PACKAGE)	G
1	0100011	AR	Compound, Locking	
2	0641812	2	Bolt 1/2 x 1-1/2	
4	1001214207	1	Gear Pump Assembly	
4	70006356	1	Seal Kit	
5	3790152	1	O-Ring	
6	3931618	2	Capscrew 3/8 x 1-1/8	
7	4891600	2	Washer 3/8 Hardened	
8	4891800	2	Washer 1/2 Hardened	
9	1001166020	1	Engine Assembly - Deutz D2011 Engine (Without Arctic Package) (See Separate Breakdown in this Section)	
10	1001167036	1	Piston Pump Assembly (See Separate Breakdown in this Section)	
11	1001171953	1	Seal	
12	1001171954	1	Seal	

# SECTION 3 - ENGINE

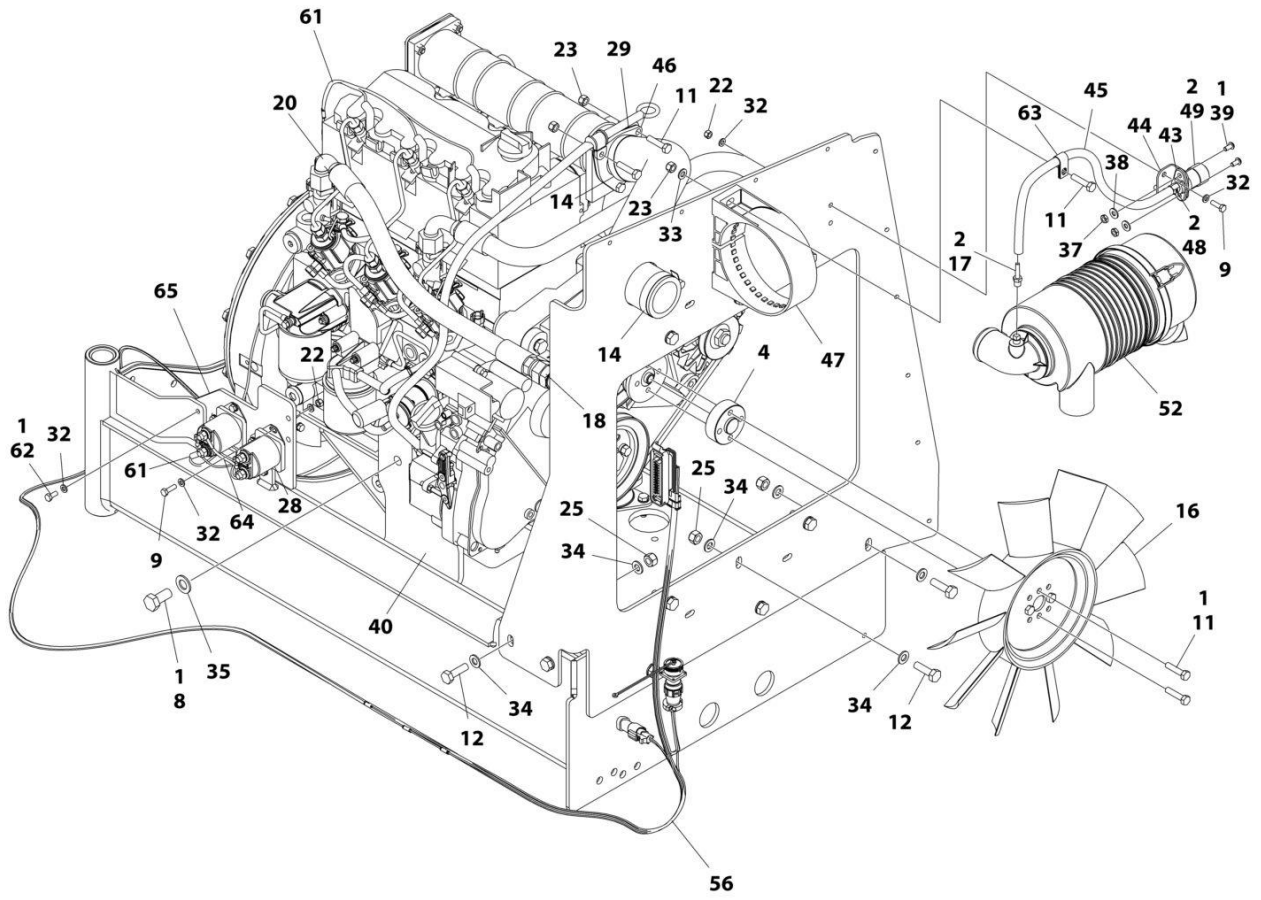
FIGURE 3-3. ENGINE ASSEMBLY - DEUTZ D2011 ENGINE (WITHOUT ARCTIC PACKAGE)  
(AUSTRALIAN AND CHINA SPECS)



ART\_1001166020\_10F2



# SECTION 3 - ENGINE



ART\_1001166020\_20F2

## SECTION 3 - ENGINE

**FIGURE 3-3. ENGINE ASSEMBLY - DEUTZ D2011 ENGINE (WITHOUT ARCTIC PACKAGE)  
(AUSTRALIAN AND CHINA SPECS)**

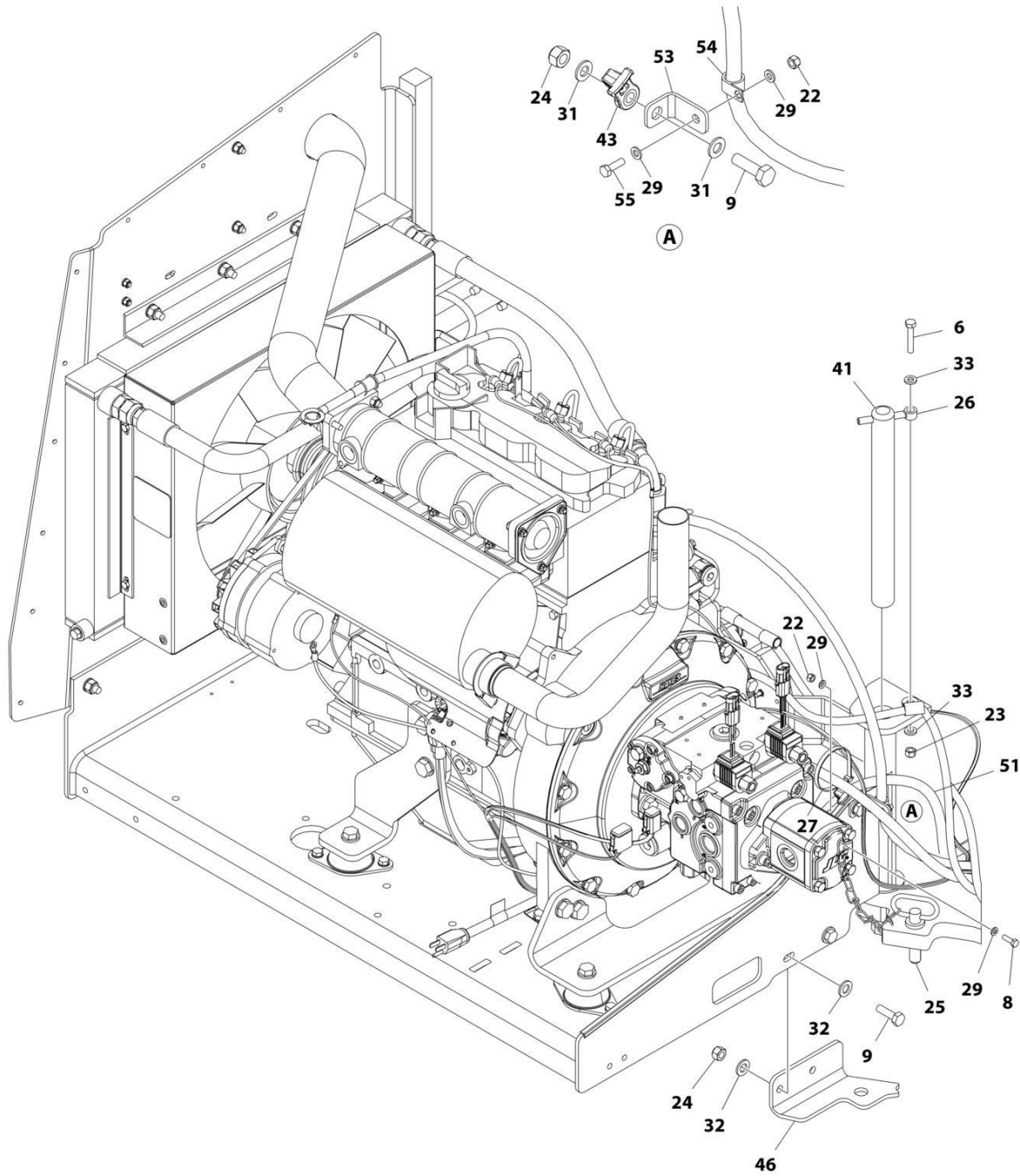
ITEM	PART NUMBER	QTY	DESCRIPTION	REV
	1001166020	Ref	ENGINE ASSEMBLY - DEUTZ D2011 ENGINE (WITHOUT ARCTIC PACKAGE)	O
1	0100011	AR	Compound, Locking	
2	0100020	AR	Sealant, Pipe	
3	0100081	AR	Adhesive	
4	0080231	1	Spacer, Fan	
7	0711224	4	Bolt M12 x 80 Grade 10.9	
8	0771414	8	Bolt M14 x 30 Grade 10.9	
9	0760610	6	Bolt M6 x 20	
10	0760814	8	Bolt M8 x 30	
11	0760815	9	Bolt M8 x 35	
12	0761015	11	Bolt M10 x 35	
13	0961951	2	Bushing	
14	1320016	2	Clamp	
15	1703162	2	Decal - Caution Fan	
16	2060025	1	Fan	
17	2220315	1	Fitting, Barbed	
18	2220451	2	Fitting, Straight JIC/ORB	
19	2720398	1	Hose	
20	2720447	1	Hose	
21	2902065	1	Pump Coupling Kit (See Separate Breakdown in this Section)	
22	3290605	6	Nut M6 x 1	
23	3290805	13	Nut M8 x 1-1/4	
25	3291005	11	Nut M10 x 1-1/2	
26	3331215	4	Nut M12 x 1-3/4	
27	3520054	2	Plug	
28	3740067	2	Relay Assembly	
28	3300220	2	Nut	
28	3321001	1	Nut #10	
28	3740140	1	Relay	
28	4761000	1	Washer #10	
28	1001111424	2	Washer	
29	3960407	1	Gasket	
30	4060805	2.25 ft/ 0.69m	Trim-Flex	
31	4240099	AR	Tie-Strap	
32	4811700	15	Washer M6	
33	4811900	20	Washer M8	
34	4812000	22	Washer M10	
35	4812200	8	Washer M14	
36	5241200	4	Washer M12	
37	8305401	2	Nut, Jam	
38	8307109	2	Washer, .250	
39	8310548	2	Screw 1/4 x 1/2	
40	1001132195	1	Bracket, Engine Mount	
41	1001132196	1	Bracket, Engine Mount	
43	1001138173	1	Support, Service Indicator	
44	1001138175	1	Bracket, Service Indicator	

## SECTION 3 - ENGINE

ITEM	PART NUMBER	QTY	DESCRIPTION	REV
45	1001138248	2 ft/ 0.61m	Tube	
46	1001139819	1	Adapter, Air Intake	
47	1001141694	1	Clamp, Air Cleaner	
48	1001141995	1	Fitting, Barbed	
49	1001143390	1	Indicator	
50	1001150998	1	Radiator	
52	1001165388	1	Air Cleaner Assembly	
52	70003783	1	Element, Air Cleaner	
53	1001165389	1	Hose	
54	1001166717	1	Bracket, Engine Mount	
55	1001166718	4	Isolator, Engine Mount	
56	1001167111	1	Harness Engine - Deutz D2011 (See Separate Breakdown in ELECTRICAL SECTION)	
57	1001167520	1	Tray, Engine	
58	1001168018	4	Washer, Snubbing	
59	1001168059	1	Plate, Radiator Mounting	
60	1001170693	1	Engine, Deutz D2011 (See Separate Breakdown in this Section)	
61	4923451	1	Harness, Glow Plugs	
62	0760614	3	Bolt M6 x 30	
63	8406109	1	Clip	
64	1001178859	1	Cable, Alternator	
65	1001214975	1	Bracket	

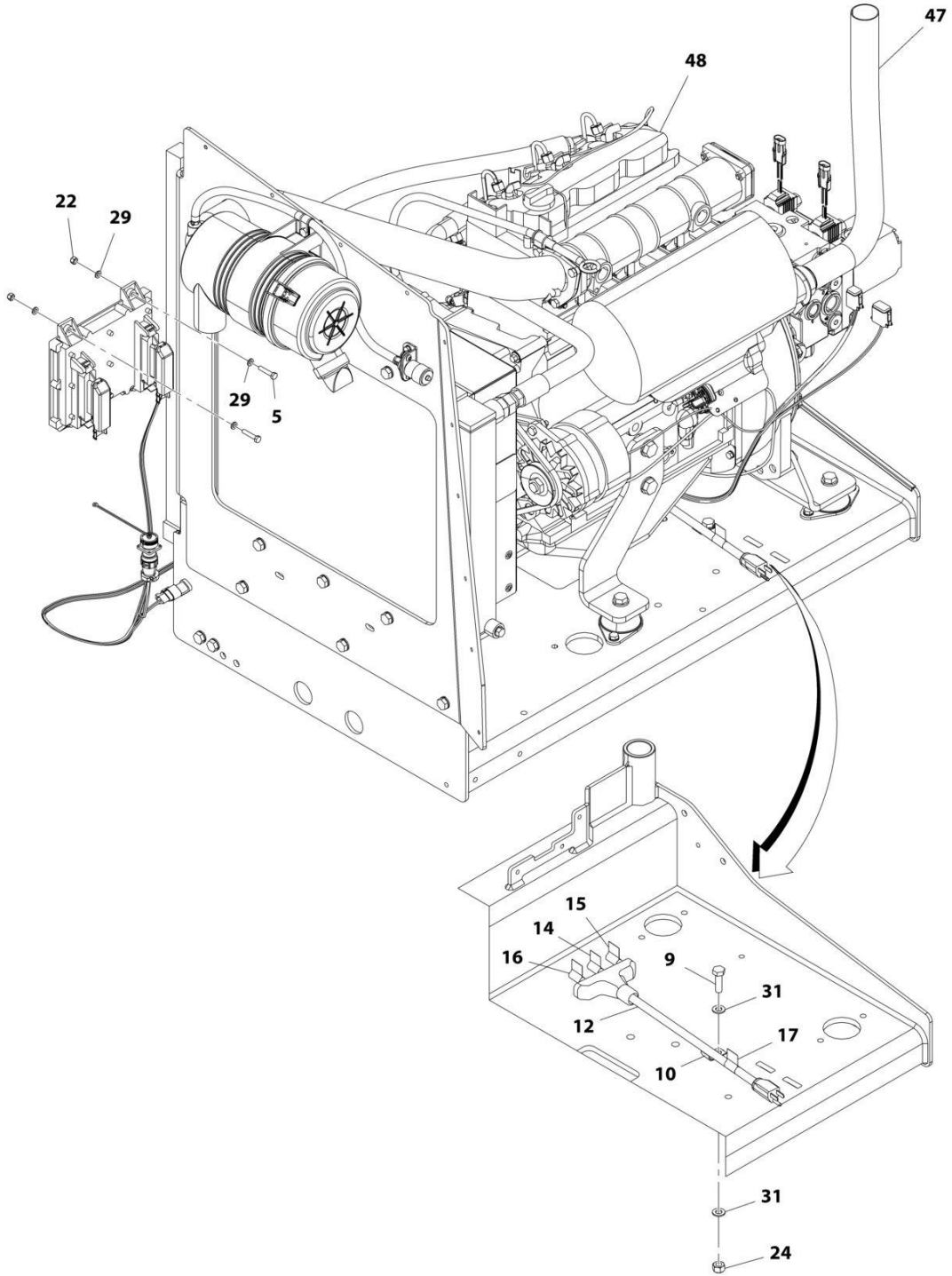
# SECTION 3 - ENGINE

FIGURE 3-4. ENGINE INSTALLATION - DEUTZ D2011 ENGINE (WITH ARCTIC PACKAGE) (ANSI EXPORT(LRC), AUSTRALIAN, CE(LRC), CHINA & UK CA SPECS)



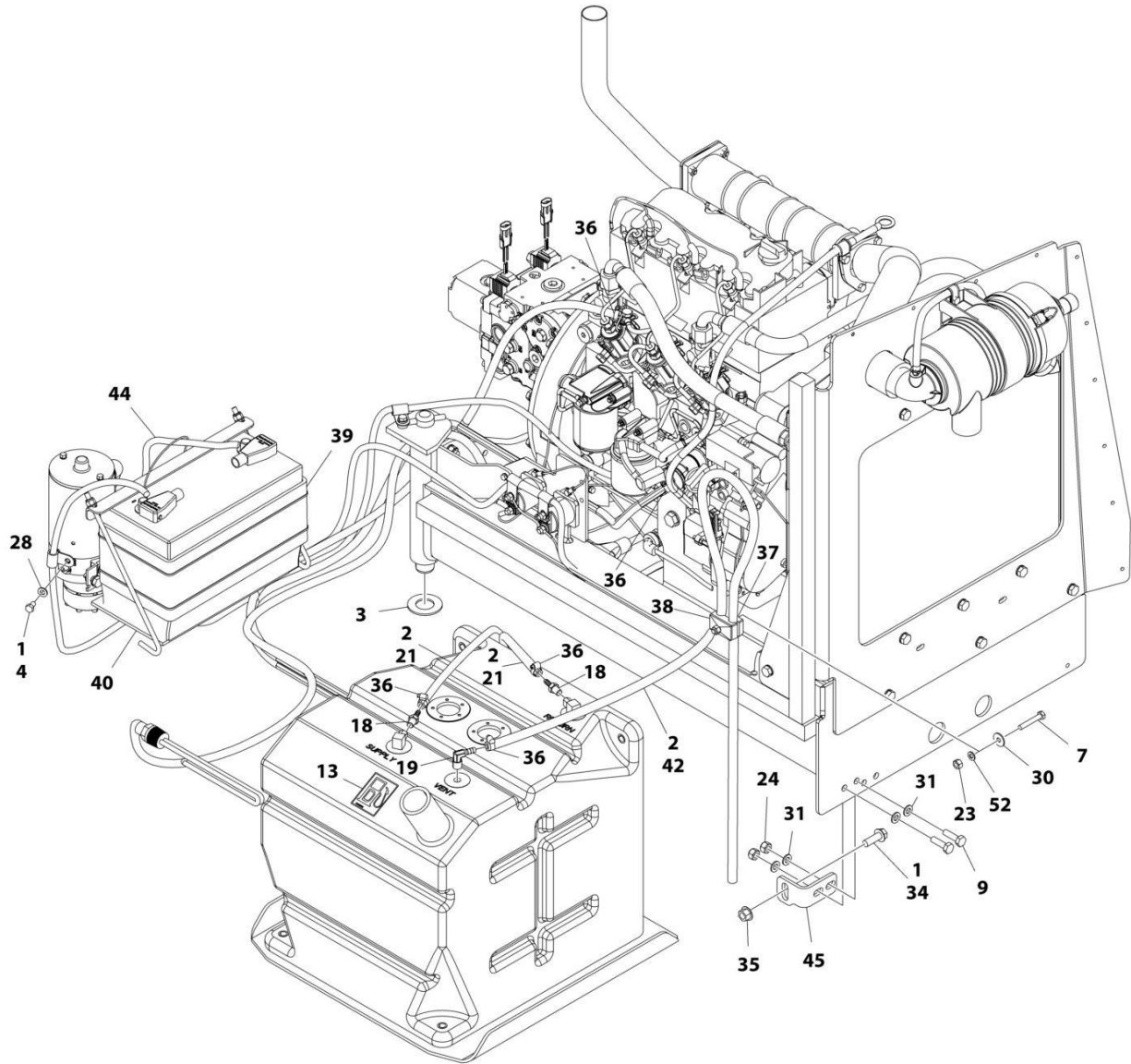
ART\_1001166023\_10F3

# SECTION 3 - ENGINE



ART\_1001166023\_2OF3

# SECTION 3 - ENGINE



ART\_1001166023\_30F3

## SECTION 3 - ENGINE

**FIGURE 3-4. ENGINE INSTALLATION - DEUTZ D2011 ENGINE (WITH ARCTIC PACKAGE) (ANSI EXPORT(LRC), AUSTRALIAN, CE(LRC), CHINA & UK CA SPECS)**

ITEM	PART NUMBER	QTY	DESCRIPTION	REV
	1001166023	Ref	ENGINE INSTALLATION - DEUTZ D2011 ENGINE (WITH ARCTIC PACKAGE)	G
1	0100011	AR	Compound, Locking	
2	0100020	AR	Sealant, Pipe	
3	0440162	1	Bearing	
4	0641504	1	Bolt 5/16 x 1/2	
5	0700614	4	Bolt M6 x 30	
6	0700817	1	Bolt M8 x 45	
7	0700821	1	Bolt M8 x 65	
8	0760610	1	Bolt M6 x 20	
9	0761015	6	Bolt M10 x 35	
10	1320223	1	Clip	
12	1060626	1	Plug, 3 Way	
13	1701505	1	Decal - Diesel Fuel	
14	1702941	1	Decal - Battery Heater	
15	1702942	1	Decal - Engine Block Heater	
16	1702943	1	Decal - Hydraulic Tank Heater	
17	1702944	1	Decal - Heater Cord	
18	2180348	2	Fitting, Barbed	
19	2220313	1	Fitting, Barbed 90	
20	1001188972	1	Heater, Hydraulic Tank	
21	2720058	17 ft / 5.18m	Hose	
22	3290605	6	Nut, Lock M6 x 1	
23	3290805	2	Nut, Lock M8	
24	3291005	6	Nut M10	
25	3422532	1	Pin	
26	3841143	1	Keeper, Pin	
27	4240099	AR	Tie-Strap	
28	4711500	1	Washer, 5/16	
29	4811700	12	Washer, M6	
30	4811902	1	Washer, M8	
31	4812000	8	Washer, M10	
32	4812100	4	Washer, M12	
33	5240800	2	Washer, M8 Hardened	
34	5251215	1	Bolt M12 x 35	
35	5261200	1	Nut, Flange M12 Class10	
36	8405009	5	Clamp	
37	1320187	1	Clamp	
38	1320190	1	Clamp	
39	2580024	1	Heater, Battery	
40	1001119278	1	Insulate	
41	1001135196	1	Pin	
42	2750532	6 ft/ 1.83m	Hose	
43	1001156107	1	Holder, Cable	
44	1001167038	1	Battery Cable Kit	G
44	70009004	1	Cable, Battery (Black) (Battery Negative, Auxiliary Power Pump, Turntable Ground to Engine Ground)	

## SECTION 3 - ENGINE

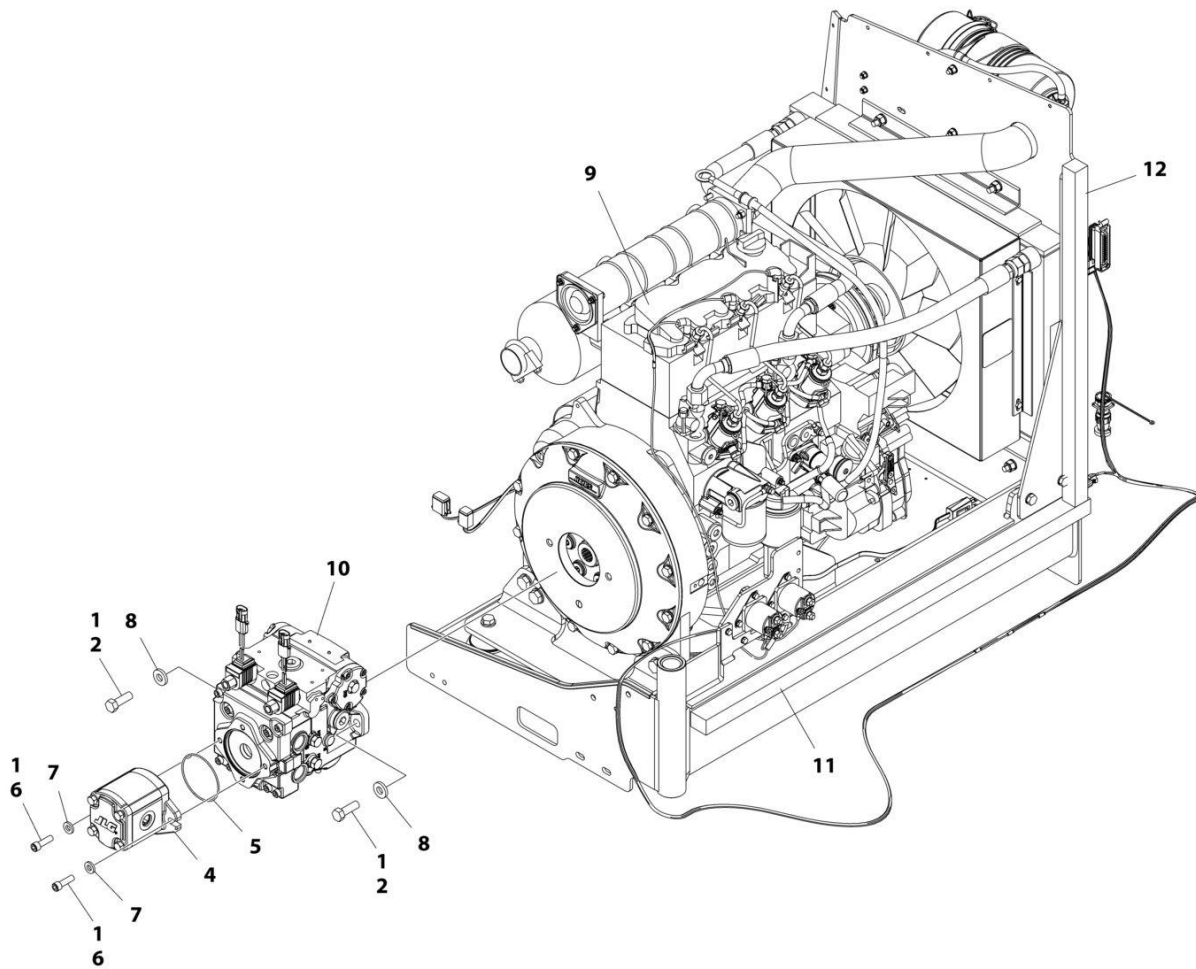
ITEM	PART NUMBER	QTY	DESCRIPTION	REV
44	70009005	1	Cable, Battery (Red) (Battery Positive, Auxiliary Power Relay, Starter Relay to Starter)	
44	70009002	1	Cable, Battery (Red) (Auxiliary Power Relay to Auxiliary Power Pump)	
45	1001167512	1	Bracket, Engine	
46	1001169823	1	Plate, Engine Lock	
47	1001172195	1	Pipe, Exhaust	
48	1001174784	1	Engine and Pump Sub-Assembly - Deutz D2011 (With Arctic Package) (See Separate Breakdown in this Section)	
51	1001150918	1	Cable, Extension Cord	
52	4811900	1	Washer M8	
53	1001148641	1	Bracket, Clamp Mounting	
54	1320224	1	Clamp, Cable	
55	0700610	1	Bolt M6 x 20	





# SECTION 3 - ENGINE

FIGURE 3-5. ENGINE AND PUMP SUB-ASSEMBLY - DEUTZ D2011 (WITH ARCTIC PACKAGE) (ANSI EXPORT AND CHINA SPECS)



ART\_1001174784\_G

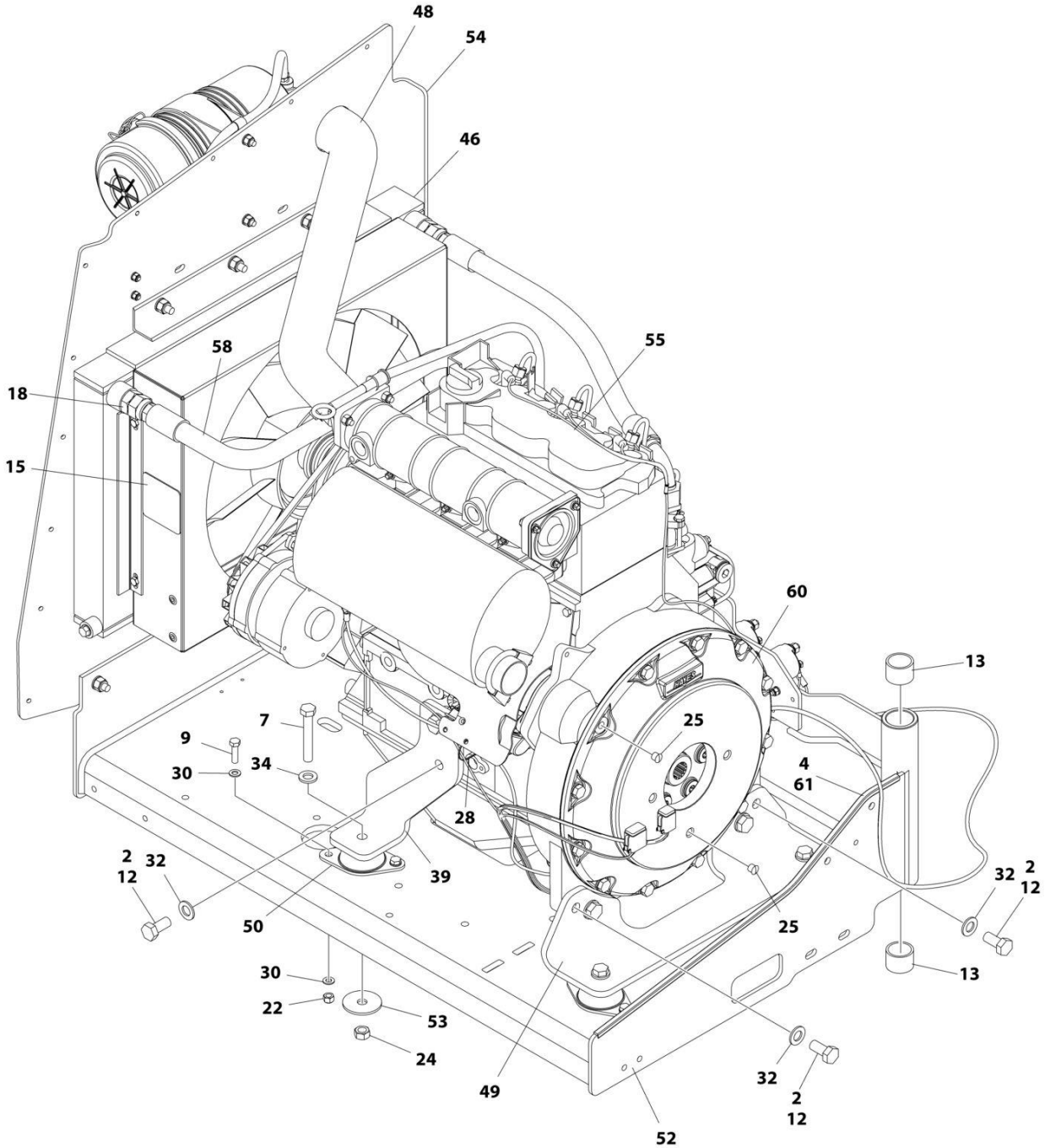
## SECTION 3 - ENGINE

**FIGURE 3-5. ENGINE AND PUMP SUB-ASSEMBLY - DEUTZ D2011 (WITH ARCTIC PACKAGE) (ANSI EXPORT AND CHINA SPECS)**

ITEM	PART NUMBER	QTY	DESCRIPTION	REV
	1001174784	Ref	ENGINE AND PUMP SUB-ASSEMBLY - DEUTZ D2011 (WITH ARCTIC PACKAGE)	G
1	0100011	AR	Compound, Locking	
2	0641812	2	Bolt 1/2 x 1-1/2	
4	1001214207	1	Gear Pump Assembly	
4	70006356	1	Seal Kit - 1001214207 Pump	
5	3790152	1	O-Ring	
6	3931618	2	Capscrew 3/8 x 1 1/8	
7	4891600	2	Washer 3/8 Hardened	
8	4891800	2	Washer 1/2 Hardened	
9	1001174783	1	Engine Assembly - Deutz D2011 Engine (With Arctic Package) (See Separate Breakdown in this Section)	
10	1001167036	1	Piston Pump Assembly (See Separate Breakdown in this Section)	
11	1001171953	1	Seal	
12	1001171954	1	Seal	

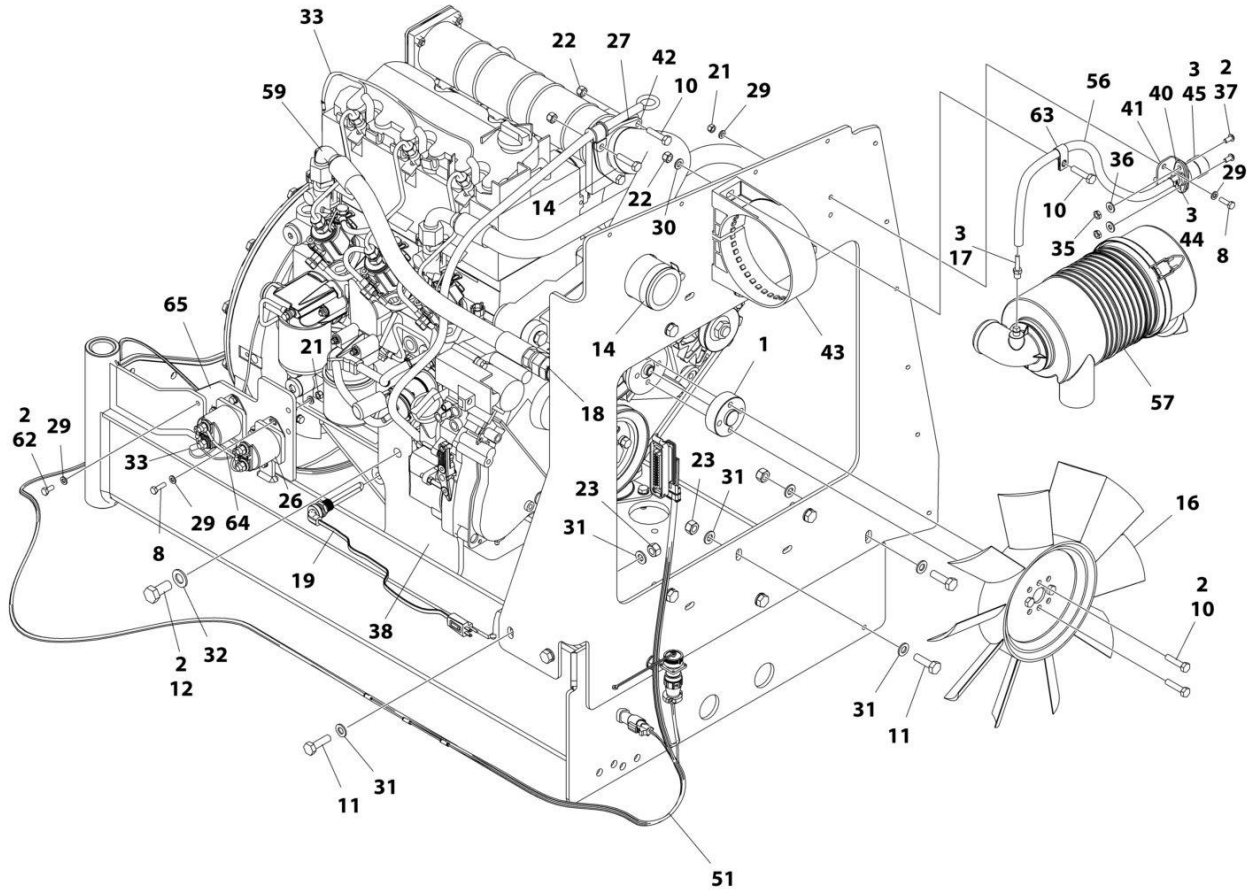
# SECTION 3 - ENGINE

## FIGURE 3-6. ENGINE ASSEMBLY - DEUTZ D2011 ENGINE (WITH ARCTIC PACKAGE) (ANSI EXPORT AND CHINA SPECS)



ART\_1001174783\_10F2

# SECTION 3 - ENGINE



ART\_1001174783\_2OF2

## SECTION 3 - ENGINE

**FIGURE 3-6. ENGINE ASSEMBLY - DEUTZ D2011 ENGINE (WITH ARCTIC PACKAGE) (ANSI EXPORT AND CHINA SPECS)**

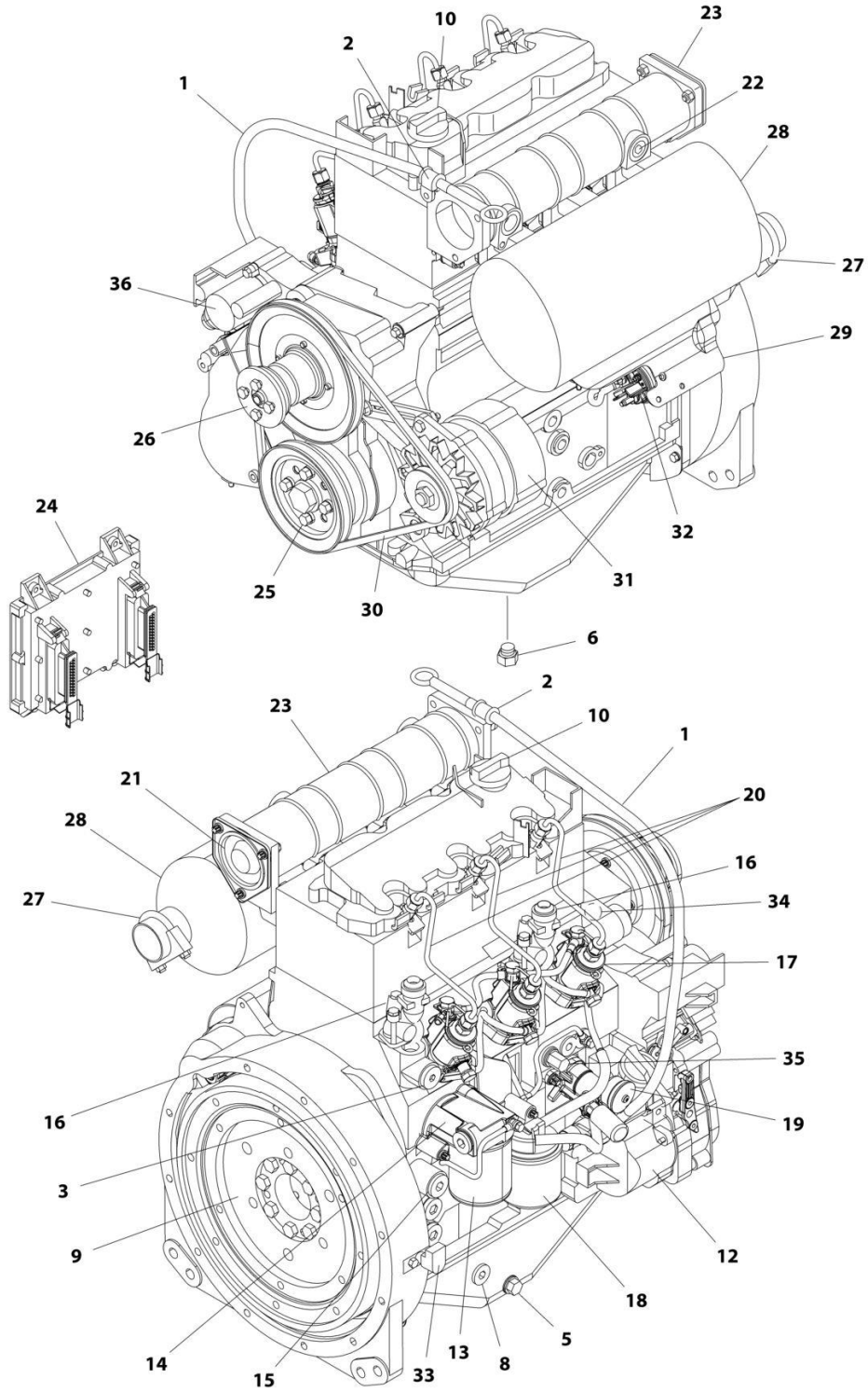
ITEM	PART NUMBER	QTY	DESCRIPTION	REV
	1001174783	Ref	ENGINE ASSEMBLY - DEUTZ D2011 ENGINE (WITH ARCTIC PACKAGE)	N
1	0080231	1	Spacer, Fan	
2	0100011	AR	Compound, Locking	
3	0100020	AR	Sealant, Pipe	
4	0100081	AR	Adhesive	
7	0711224	4	Bolt M12 x 80 Grade 10.9	
8	0760610	6	Bolt M6 x 20	
9	0760814	8	Bolt M8 x 30	
10	0760815	9	Bolt M8 x 35	
11	0761015	11	Bolt M10 x 35	
12	0771414	8	Bolt M14 x 30 Grade 10.9	
13	0961951	2	Bushing	
14	1320016	2	Clamp	
15	1703162	2	Decal - Caution Fan	
16	2060025	1	Fan	
17	2220315	1	Fitting, Barbed	
18	2220451	2	Fitting, Straight JIC/ORB	
19	2580062	1	Heater, Engine Block	
21	3290605	6	Nut M6	
22	3290805	13	Nut M8	
23	3291005	11	Nut M10	
24	3331215	4	Nut M12	
25	3520054	2	Plug	
26	3740067	2	Relay Assembly	
26	3300220	2	Nut	
26	3321001	1	Nut #10	
26	3740140	1	Relay	
26	4761000	1	Washer #10	
26	1001111424	2	Washer	
27	3960407	1	Gasket	
28	4240099	AR	Tie-Strap (Not Shown)	
29	4811700	15	Washer M6	
30	4811900	20	Washer M8	
31	4812000	22	Washer M10	
32	4812200	8	Washer M14	
33	4923451	1	Harness, Glow Plugs	
34	5241200	4	Washer M12	
35	8305401	2	Nut, Jam	
36	8307109	2	Washer	
37	8310548	2	Screw 1/4 x 1/2	
38	1001132195	1	Bracket, Engine Mount	
39	1001132196	1	Bracket, Engine Mount	
40	1001138173	1	Support, Service Indicator	
41	1001138175	1	Bracket, Service Indicator	
42	1001139819	1	Adapter, Air Intake	
43	1001141694	1	Clamp, Air Cleaner	
44	1001141995	1	Fitting, Barbed	
45	1001143390	1	Indicator	

## SECTION 3 - ENGINE

ITEM	PART NUMBER	QTY	DESCRIPTION	REV
46	1001150998	1	Radiator	
48	1001165389	1	Hose	
49	1001166717	1	Bracket, Engine Mount	
50	1001166718	4	Isolator, Engine Mount	
51	1001167111	1	Harness Engine - Deutz D2011 (See Separate Breakdown in ELECTRICAL SECTION)	
52	1001167520	1	Tray, Engine	
53	1001168018	4	Washer, Snubbing	
54	1001168059	1	Plate, Radiator Mounting	
55	1001170693	1	Engine, Deutz D2011 (See Separate Breakdown in this Section)	
56	1001138248	2 ft/ 0.61m	Tube	
57	1001165388	1	Air Cleaner Assembly	
57	70003783	1	Element, Air Cleaner	
58	2720398	1	Hose	
59	2720447	1	Hose	
60	2902065	1	Pump Coupling Kit (See Separate Breakdown in this Section)	
61	4060805	2.25 ft/ 0.69m	Flex-Trim	
62	0760614	3	Bolt M6 x 30	
63	8406109	1	Clip	
64	1001178859	1	Cable, Alternator	
65	1001214975	1	Bracket	

# SECTION 3 - ENGINE

## FIGURE 3-7. ENGINE COMPONENTS - DEUTZ D2011



ART\_1001170693



## SECTION 3 - ENGINE

**FIGURE 3-7. ENGINE COMPONENTS - DEUTZ D2011**

ITEM	PART NUMBER	QTY	DESCRIPTION	REV
	1001170693	Ref	ENGINE COMPONENTS - DEUTZ D2011	C
1	70001002	1	Tube, Dipstick	
1	7020403	1	Seal, Tube	
1	7020026	1	Dipstick	
2	70001654	1	Clamp	
2	70001655	1	Bolt	
3	70003475	1	Thermostat	
3	7020460	1	Spring	
4		Ref	Seal and Gasket Options (Not Shown):	
4	70002718	1	Seal, Rear Main	
4	7020430	1	Gasket, Valve Cover	
4	70003479	1	Gasket, Head - 1 Notch	
4	70003480	1	Gasket, Head - 2 Notch	
4	70003481	1	Gasket, Head - 3 Notch	
5	70025088	1	Plug	
6	70025667	1	Plug	
7	70025123	22	Bolt, Torx (Oil Pan Bolts) (Not Shown)	
8	7020492	1	Seal	
8	70025084	1	Plug	
9	70001870	1	Flywheel	
9	7024579	1	Ring Gear (Part of Flywheel)	
9	70025139	8	Bolt	
10	7020465	1	Cap, Oil Fill	
11	70000800	1	Timing Belt/Idler Kit (Includes Timing Belt, Tensioner and Tensioner Bolt) (Not Shown)	
12	70001850	1	Pump, Lubricating	
12	7020468	1	Seal, Pump to Engine Block (Not Shown)	
13	7016331	1	Filter, Oil	
14	70003472	1	Bracket, Oil Filter (Includes Plug with Seal, Temperature Sensor, Control Valve and Compression Spring)	
14	7027236	1	Sensor, Temperature	
14	70025082	1	Seal, Plug	
14	70025091	1	Plug	
14	70003473	1	Gasket, Bracket to Engine Block (Not Shown)	
15	70001181	1	Valve	
15	70025091	1	Plug	
15	70025082	1	Seal, Plug	
16	70004268	2	Connector, Radiator Neck	
16	70004269	2	Seal, Radiator Neck to Engine Block	
17	70000912	3	Pump, Fuel Injector - A Spec	
17	70000913	3	Pump, Fuel Injector - B Spec	
17	70000914	3	Pump, Fuel Injector - C Spec	
17	70000915	3	Pump, Fuel Injector - D Spec	
17	70003464	3	O-Ring, Pump to Engine Block	
18	7020023	1	Filter, Fuel	
18	70003463	1	Filter, Fuel - RME Resistant	
18	70001423	1	Bracket, Fuel Filter	
19	70000916	1	Pump Fuel Supply	
19	70000917	1	O-Seal Between Fuel Pump and Engine Block	
19	70000918	1	Sealing Ring Between Hand Pump and Supply Pump	

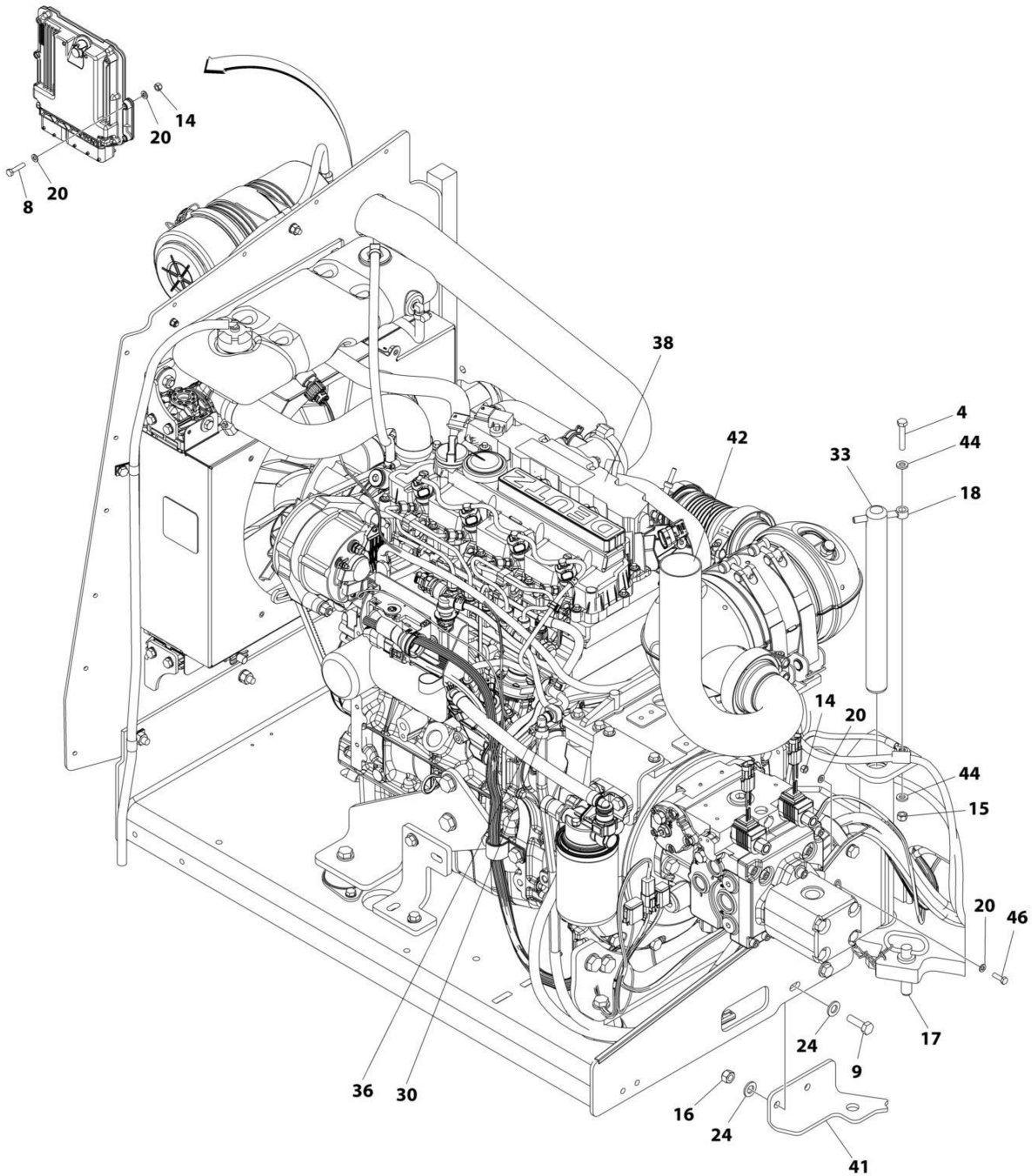
## SECTION 3 - ENGINE

ITEM	PART NUMBER	QTY	DESCRIPTION	REV
19	70000919	1	Pump, Hand	
19	70001435	1	Repair Kit	
19	70025694	2	Bolt, Torx	
20	70000931	3	Pipe, High Pressure	
21	70003469	1	Flange, Intake	
21	70003468	1	Seal	
22	70025084	1	Plug	
22	7020492	1	Seal, Plug	
23	7027903	1	Manifold, Air Intake	
23	70001871	3	Gasket Between Manifold and Engine Block	
24	See Note	1	Module, Engine Control (Note: Not Currently Available)	
24	7027796	1	Cable, Electrical Between Module and Engine Harness (Not Shown)	
24	70001872	1	Harness, Engine (Connects to p/n 70004060) (Not Shown)	
24	70004060	1	Plug, Connector Located on Cable Near Module (Not Shown)	
24	70004059	1	Plug, Analyzer (Not Shown)	
25	70025123	4	Bolt, Torx	
26	70000787	1	Support, Fan (Includes Support, Internal Shaft, Bearings and Circlip)	
27	70001844	1	Clamp	
28	See Note	1	Muffler (Note: See Separate Breakdown in this Section)	
28	7020471	3	Gasket, Exhaust Between Muffler and Engine Block	
28	70004270	6	Stud, Muffler	
29	70001498	1	Shield, Starter	
29	70025693	3	Bolt	
30	70004102	1	V-Belt	
31	70004056	1	Alternator (Includes Voltage Regulator and Gaskets, Fan and Fan Mounting Hardware)	
31	70001868	1	Regulator, Voltage	
31	70001866	1	Gasket Set, Voltage Regulator	
31	70025131	1	Fan	
31	70025086	1	Nut, Fan	
31	70000851	1	Bracket, Alternator Mounting	
31	70002234	1	Bracket, Alternator Adjustment	
31	70004103	1	Harness, Alternator (Not Shown)	
32	7020479	1	Starter	
32	70025121	2	Bolt, Starter Mounting	
32	70004058	1	Relay	
32	70004062	1	Harness, Starter (Not Shown)	
33	7024565	1	Sensor, Speed	
33	70003931	1	Bolt	
33	70003932	1	Spacer, Sleeve	
34	7027791	1	Sensor, Temperature	
35	7027790	1	Sensor, Oil Pressure	
36	7027792	1	Actuator	
37	70000345	3	Plug, Glow (Not Shown)	



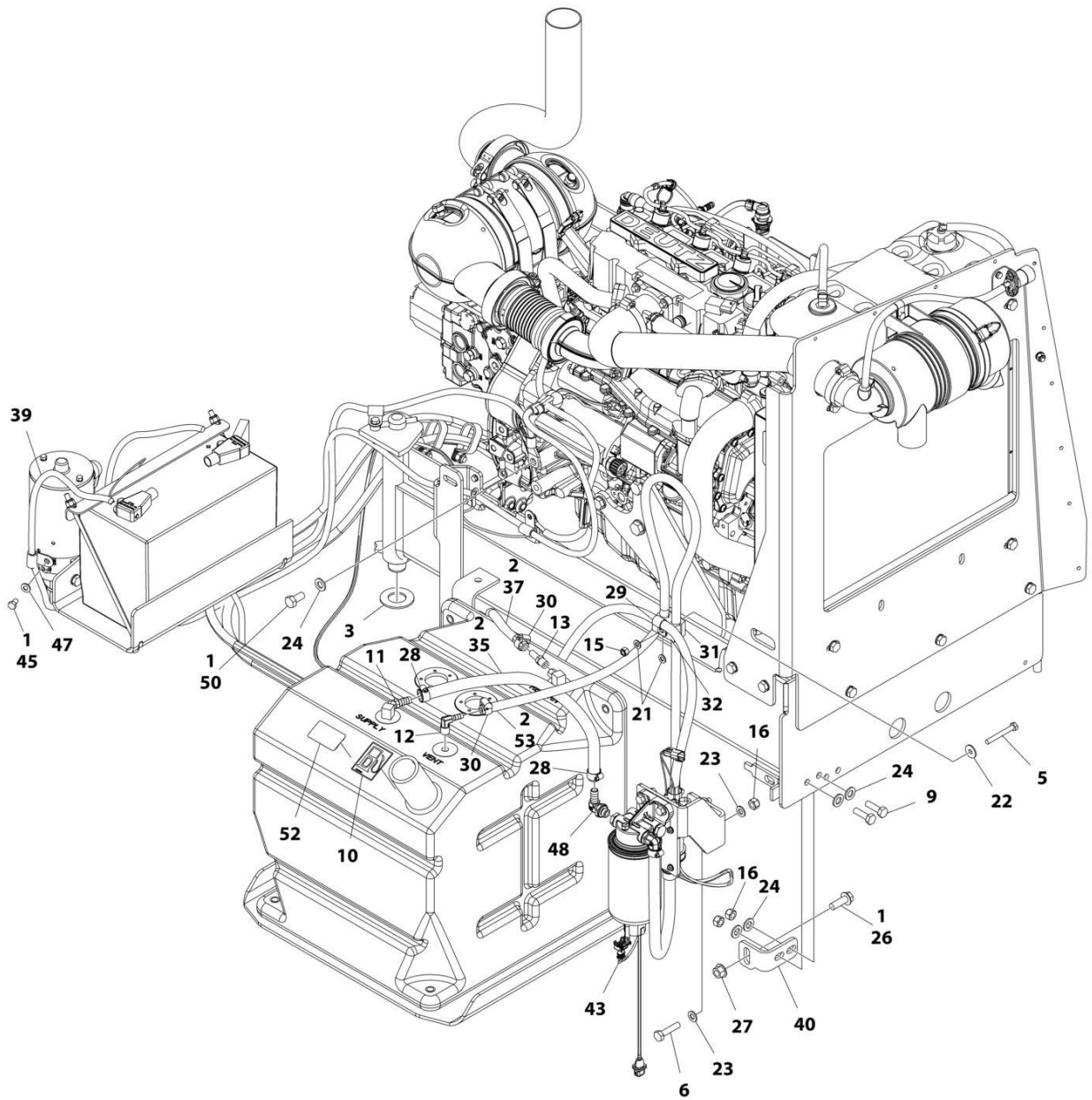
# SECTION 3 - ENGINE

FIGURE 3-8. ENGINE INSTALLATION - DEUTZ D2.9L4 ENGINE (WITHOUT ARCTIC PACKAGE) (ANSI, ANSI EXPORT(HRC), CSA AND JAPANESE SPECS)



ART\_1001166002\_L\_10F2

# SECTION 3 - ENGINE



ART\_1001166002\_L\_20F2

## SECTION 3 - ENGINE

**FIGURE 3-8. ENGINE INSTALLATION - DEUTZ D2.9L4 ENGINE (WITHOUT ARCTIC PACKAGE) (ANSI, ANSI EXPORT(HRC), CSA AND JAPANESE SPECS)**

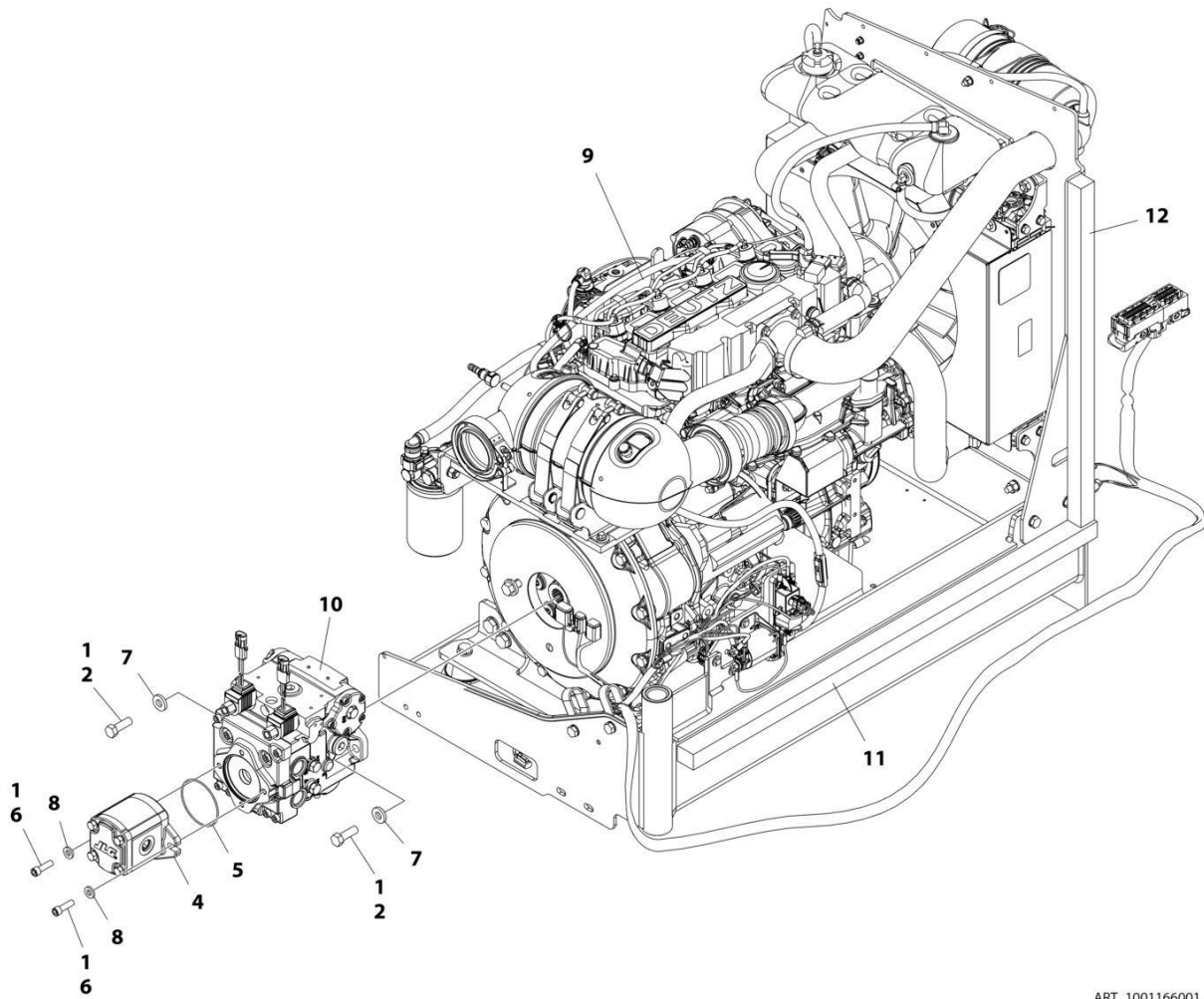
ITEM	PART NUMBER	QTY	DESCRIPTION	REV
	1001166002	Ref	ENGINE INSTALLATION - DEUTZ D2.9L4 ENGINE (WITHOUT ARCTIC PACKAGE)	L
1	0100011	AR	Compound, Locking	
2	0100020	AR	Sealant, Pipe	
3	0440162	1	Bearing	
4	0700817	1	Bolt M8 x 45	
5	0700821	1	Bolt M8 x 65	
6	0701017	2	Bolt M10 x 45	
8	0760613	4	Bolt M6 x 28	
9	0761015	4	Bolt M10 x 35	
10	1701505	2	Decal - Diesel Fuel	
11	2180832	1	Fitting, Barbed	
12	2220313	1	Fitting, Barbed 90	
13	2220767	1	Fitting, Barbed	
14	3290605	5	Nut, Lock M6 x 1	
15	3290805	2	Bolt, M8 x 1.25	
16	3291005	6	Nut, Lock M10 x 1.5	
17	3422532	1	Pin	
18	3841143	1	Keeper, Pin	
19	4240099	AR	Tie-Strap	
20	4811700	10	Washer, M6	
21	4811900	2	Washer, M8	
22	4811902	1	Washer, M8	
23	4812000	4	Washer, M10	
24	4812100	9	Washer, M12	
26	5251215	1	Bolt M12 x 35	
27	5261200	1	Nut, Flange M12	
28	8405006	3	Clamp	
29	8406101	1	Clip	
30	8410013	4	Clamp	
31	1320187	1	Clamp	
32	1320190	1	Clamp	
33	1001135196	1	Pin	
35	1001154405	27.56 in /70cm	Hose	
36	1001155823	1	Coupling, Quick Disconnect 90	
37	1001165035	21 ft /6.42m	Hose	
38	1001166001	1	Engine and Pump Sub-Assembly - Deutz D2.9L4 (Without Arctic Package) (See Separate Breakdown in this Section)	
39	1001166970	1	Battery and Auxiliary Power Pump Cable Kit	E
39	70009006	1	Cable, Battery (Black) (Battery to Ground)	
39	70009002	1	Cable, Battery (Red) (Auxiliary Power Relay to Auxiliary Power Pump)	
39	70009007	1	Cable, Battery (Red) (Battery to Auxiliary Power Relay)	
40	1001167512	1	Bracket, Engine Tray	
41	1001169823	1	Plate, Engine Lock	
42	1001172594	1	Pipe, Exhaust	
43	1001173342	1	Harness, Fuel Pump (See Separate Breakdown in ELECTRICAL SECTION)	

## SECTION 3 - ENGINE

ITEM	PART NUMBER	QTY	DESCRIPTION	REV
44	5240800	2	Washer, M8 Hardened	
45	0641504	1	Bolt 5/16 x 1/2	
46	0760610	1	Bolt M6 x 20	
47	4711500	1	Washer, 5/16	
48	1001142501	1	Fitting, Barbed 90	
50	0771212	1	Bolt M12 x 25	
52	1001125387	1	Decal - Ultra Low Sulfur Fuel	
53	2750532	5.54 ft /1.69m	Hose	

# SECTION 3 - ENGINE

FIGURE 3-9. ENGINE AND PUMP SUB-ASSEMBLY - DEUTZ D2.9L4 (WITHOUT ARCTIC PACKAGE)  
(ANSI, ANSI EXPORT AND CSA SPECS)



ART\_1001166001\_J



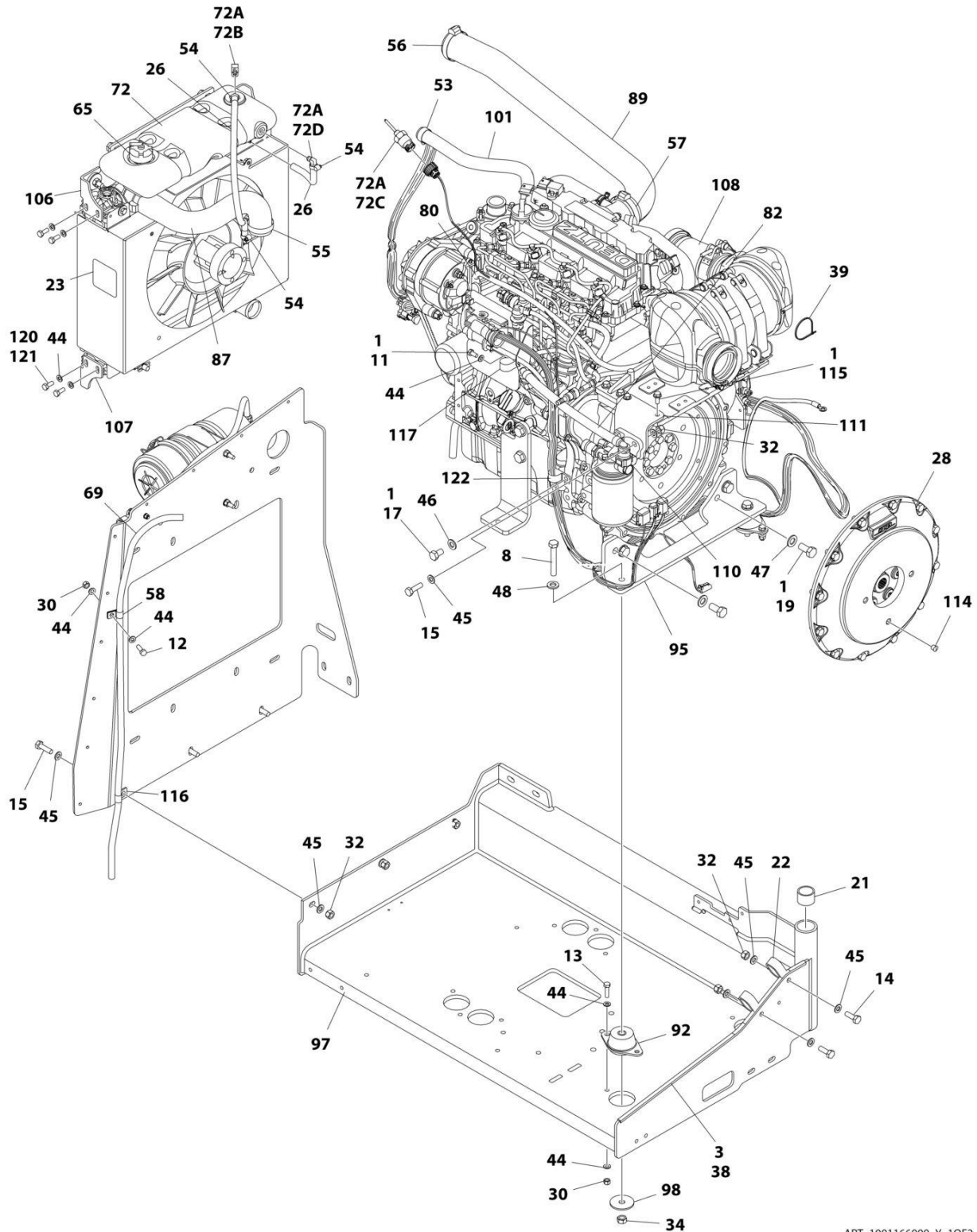
## SECTION 3 - ENGINE

**FIGURE 3-9. ENGINE AND PUMP SUB-ASSEMBLY - DEUTZ D2.9L4 (WITHOUT ARCTIC PACKAGE)  
(ANSI, ANSI EXPORT AND CSA SPECS)**

ITEM	PART NUMBER	QTY	DESCRIPTION	REV
	1001166001	Ref	ENGINE AND PUMP SUB-ASSEMBLY - DEUTZ D2.9L4 (WITHOUT ARCTIC PACKAGE)	J
1	0100011	AR	Compound, Locking	
2	0641812	2	Bolt 1/2 x 1-1/2	
4	1001214207	1	Gear Pump Assembly	
4	70006356	1	Seal Kit - 1001214207 Pump	
5	3790152	1	O-Ring	
6	3931618	2	Capscrew 3/8 x 1-1/8	
7	4891800	2	Washer 1/2 Hardened	
8	4891600	2	Washer 3/8 Hardened	
9	1001166000	1	Engine Assembly - Deutz D2.9L4 Engine (Without Arctic Package) (See Separate Breakdown in this Section)	
10	1001167036	1	Piston Pump Assembly (See Separate Breakdown in this Section)	
11	1001171953	1	Seal	
12	1001171954	1	Seal	

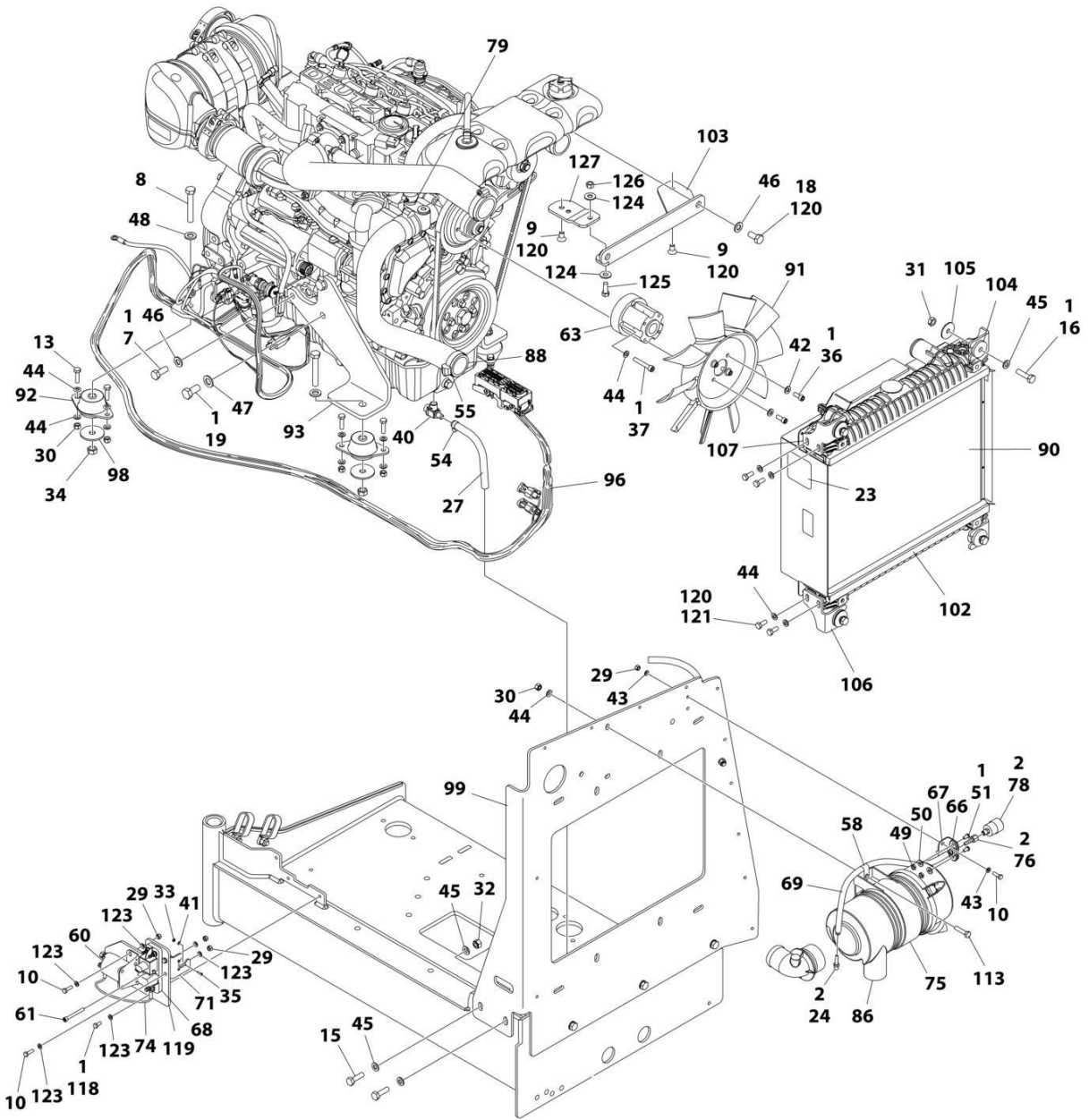
# SECTION 3 - ENGINE

FIGURE 3-10. ENGINE ASSEMBLY - DEUTZ D2.9L4 ENGINE (WITHOUT ARCTIC PACKAGE) (ANSI, ANSI EXPORT AND CSA SPECS)



ART\_1001166000\_Y\_10F2

# SECTION 3 - ENGINE



ART\_1001166000\_Y\_20F2

## SECTION 3 - ENGINE

**FIGURE 3-10. ENGINE ASSEMBLY - DEUTZ D2.9L4 ENGINE (WITHOUT ARCTIC PACKAGE) (ANSI, ANSI EXPORT AND CSA SPECS)**

ITEM	PART NUMBER	QTY	DESCRIPTION	REV
	1001166000	Ref	ENGINE ASSEMBLY - DEUTZ D2.9L4 ENGINE (WITHOUT ARCTIC PACKAGE)	Z
1	0100011	AR	Compound, Locking	
2	0100020	AR	Sealant, Pipe	
3	0100081	AR	Adhesive	
7	0711214	1	Bolt M12 x 30	
8	0711224	3	Bolt M12 x 80 Grade 10.9	
9	0741606	2	Screw 3/8 x 3/4	
10	0760610	6	Bolt M6 x 20	
11	0760808	1	Bolt M8 x 16	
12	0760812	1	Bolt M8 x 25	
13	0760814	6	Bolt M8 x 30	
14	0761014	2	Bolt M10 x 30	
15	0761015	7	Bolt M10 x 35	
16	0761016	4	Bolt M10 x 40	
17	0761210	1	Bolt M12 x 20	
18	0761212	2	Bolt M12 x 25	
19	0771414	6	Bolt M14 x 30 Grade 10.9	
21	0961951	2	Bushing	
22	1321716	2	Clamp	
23	1703162	2	Decal - Caution Fan	
24	2220315	1	Fitting, Straight Barbed	
26	2720015	2 ft/ 0.61m	Hose	
27	2720340	8 in/ 20.3cm	Hose	
28	2902065	1	Pump Coupling Kit (See Separate Breakdown in this Section)	
29	3290605	7	Nut M6	
30	3290805	9	Nut M8	
31	3291001	4	Nut M10	
32	3291005	9	Nut M10	
33	3310401	3	Nut #4	
34	3331215	3	Nut M12	
35	3910408	3	Screw #4- x 1/2	
36	3931512	4	Capscrew, 5/16 x 3/4	
37	4031914	4	Bolt M8 x 50	
38	4060805	2.25 ft/ 0.69m	Flex-Trim	
39	4240099	AR	Tie-Strap	
40	4640751	1	Valve, Oil Drain	
41	4710400	3	Washer #4	
42	4711500	4	Washer 5/16	
43	4811700	4	Washer M6	
44	4811900	31	Washer M8	
45	4812000	22	Washer M10	
46	4812100	4	Washer M12	
47	4812200	6	Washer M14	
48	5241200	3	Washer M12 Hardened	
49	8305401	2	Nut, Jam	
50	8307109	2	Washer	

## SECTION 3 - ENGINE

ITEM	PART NUMBER	QTY	DESCRIPTION	REV
51	8310548	2	Screw, 1/4 x 1/2	
53	8405007	2	Clamp	
54	8405009	5	Clamp	
55	8405104	4	Clamp	
56	8405202	1	Clamp	
57	8405204	1	Clamp	
58	8406109	2	Clip	
60	1001117308	1	Relay, 200Amp	
60	3300220	2	Nut	
60	3321001	2	Nut #10	
60	4761000	2	Washer #10	
60	1001111424	2	Washer	
61	1001118878	1	Bolt M6 x 55	
63	1001144116	1	Spacer, Fan	
65	1001136834	1	Cap, Tank	
66	1001138173	1	Support, Service Indicator	
67	1001138175	1	Bracket, Service Indicator	
68	1001138228	1	Relay, Power Module	
68	70023592	1	Fuse 20Amp	
68	70023593	1	Fuse 30Amp	
69	1001138248	5.25 ft/ 1.6m	Tube	
71	1001139240	1	Bracket	
72	1001230635	1	Tank, Surge (Includes Items 72A-72D)	
72A	0100020	AR	Sealant, Pipe	
72B	1001134488	1	Fitting, Barbed	
72C	1001138827	1	Sensor, Coolant Level	
72D	1001140564	1	Fitting, Barbed 90	
74	1001141304	1	Harness, Glow Plug	
75	1001141694	1	Clamp, Air Cleaner	
76	1001141995	1	Fitting, Barbed	
78	1001143390	1	Indicator	
79	1001143797	1	Fitting, Barbed	
80	1001178788	1	Cable, Alternator	
82	1001152489	1	Fitting, Barbed 90	
86	1001165388	1	Air Cleaner Assembly	
86	70003783	1	Element, Air Cleaner	
87	1001165405	1	Hose, Upper Radiator	
88	1001165406	1	Hose, Lower Radiator	
89	1001165721	1	Hose, Air Intake	
90	1001165722	1	Radiator	
91	1001165849	1	Fan	
92	1001166718	3	Mount, Motor	
93	1001166921	1	Plate, Engine Mount	
95	1001166924	1	Plate, Engine Mount	
96	1001167108	1	Harness Engine - Deutz D2.9L4 (See Separate Breakdown in ELECTRICAL SECTION)	
97	1001167520	1	Tray, Engine	
98	1001168018	3	Washer, Special	
99	1001168026	1	Plate, Radiator Mounting	
101	1001168099	1	Hose	
102	1001168166	2	Seal	

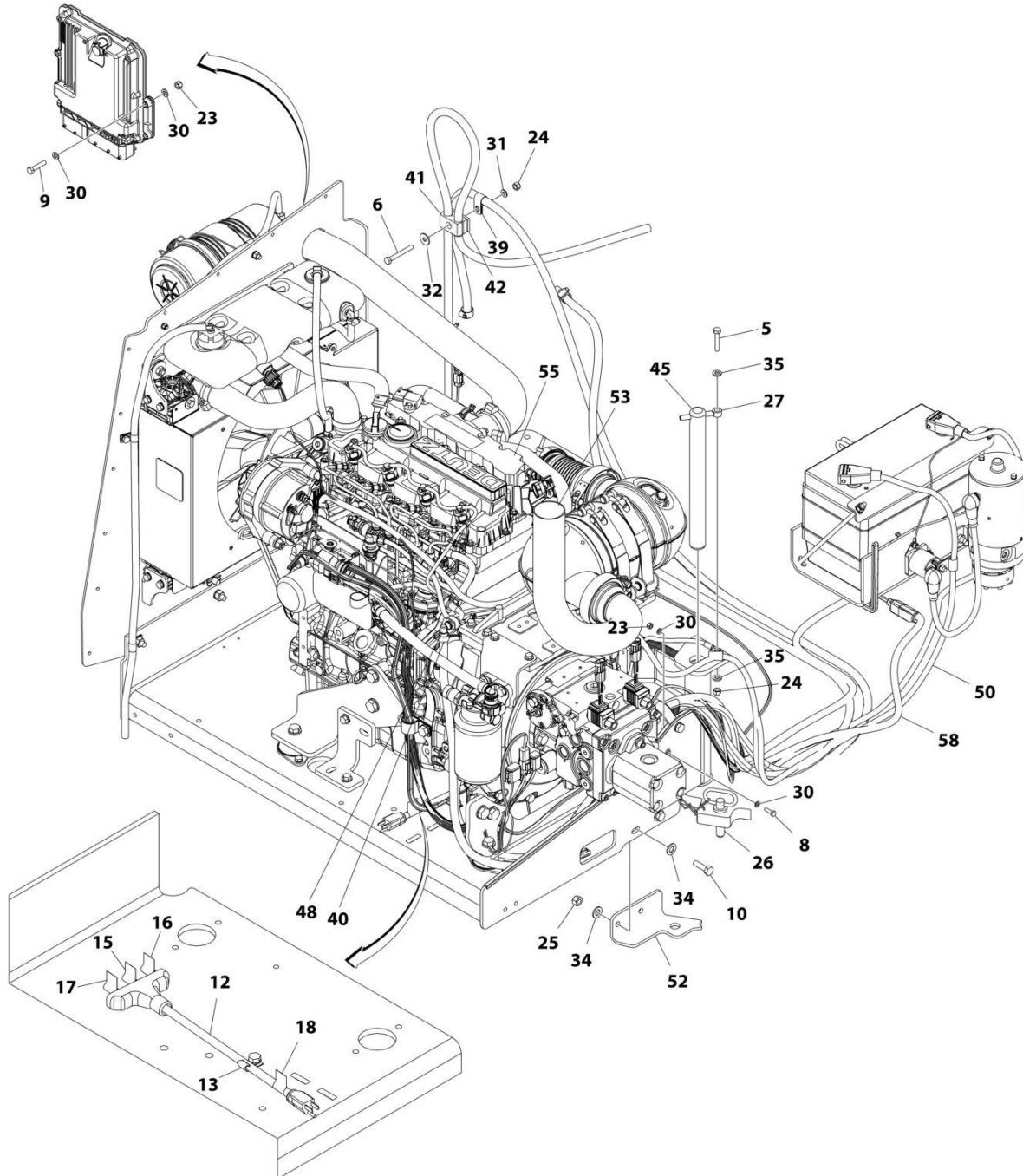
## SECTION 3 - ENGINE

ITEM	PART NUMBER	QTY	DESCRIPTION	REV
103	1001260420	1	Bracket	
104	1001169054	4	Isolator	
105	1001169138	4	Washer, Snubbing	
106	1001169967	2	Bracket	
107	1001170035	2	Bracket	
108	1001249965	1	Engine, Deutz D2.9L4 (See Separate Breakdown in this Section)	
110	1001177359	1	Hose	
111	1001178876	1	Mount, Fuel Filter	
113	0760815	2	Bolt M8 x 35	
114	3520054	1	Plug	
115	5250810	2	Bolt M8 x 20	
116	8406110	1	Clip	
117	8406201	1	Clip	
118	0760607	3	Bolt M6 x 14	
119	1001179903	1	Bracket	
120	1001180620	AR	Adhesive	
121	0760810	8	Bolt M8 x 20	
122	1001191620	1	Clamp	
123	4811702	12	Washer M6	
124	4751600	2	Washer 3/8	
125	0681608	1	Bolt 3/8 x 1	
126	3311605	1	Nut 3/8	
127	1001260412	1	Bracket	
128	1001162335	1	Bracket Assembly - Fuel Pump/Filter (Not Shown - See Separate Breakdown in this Section)	



# SECTION 3 - ENGINE

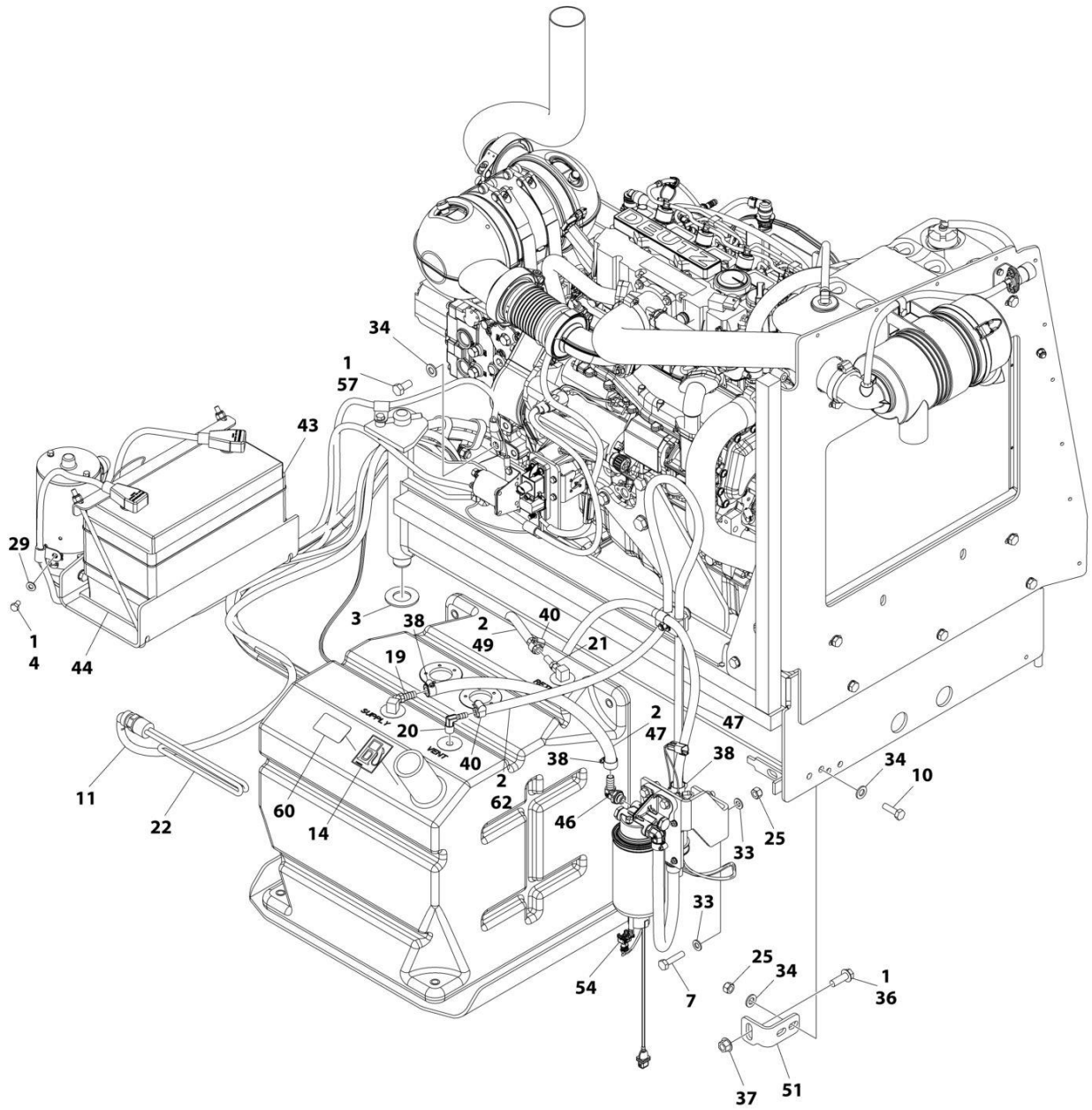
FIGURE 3-11. ENGINE INSTALLATION - DEUTZ D2.9L4 ENGINE (WITH ARCTIC PACKAGE) (ANSI AND CSA SPECS)



ART\_1001166003\_K\_10F2



# SECTION 3 - ENGINE



ART\_1001166003\_K\_20F2

## SECTION 3 - ENGINE

**FIGURE 3-11. ENGINE INSTALLATION - DEUTZ D2.9L4 ENGINE (WITH ARCTIC PACKAGE) (ANSI AND CSA SPECS)**

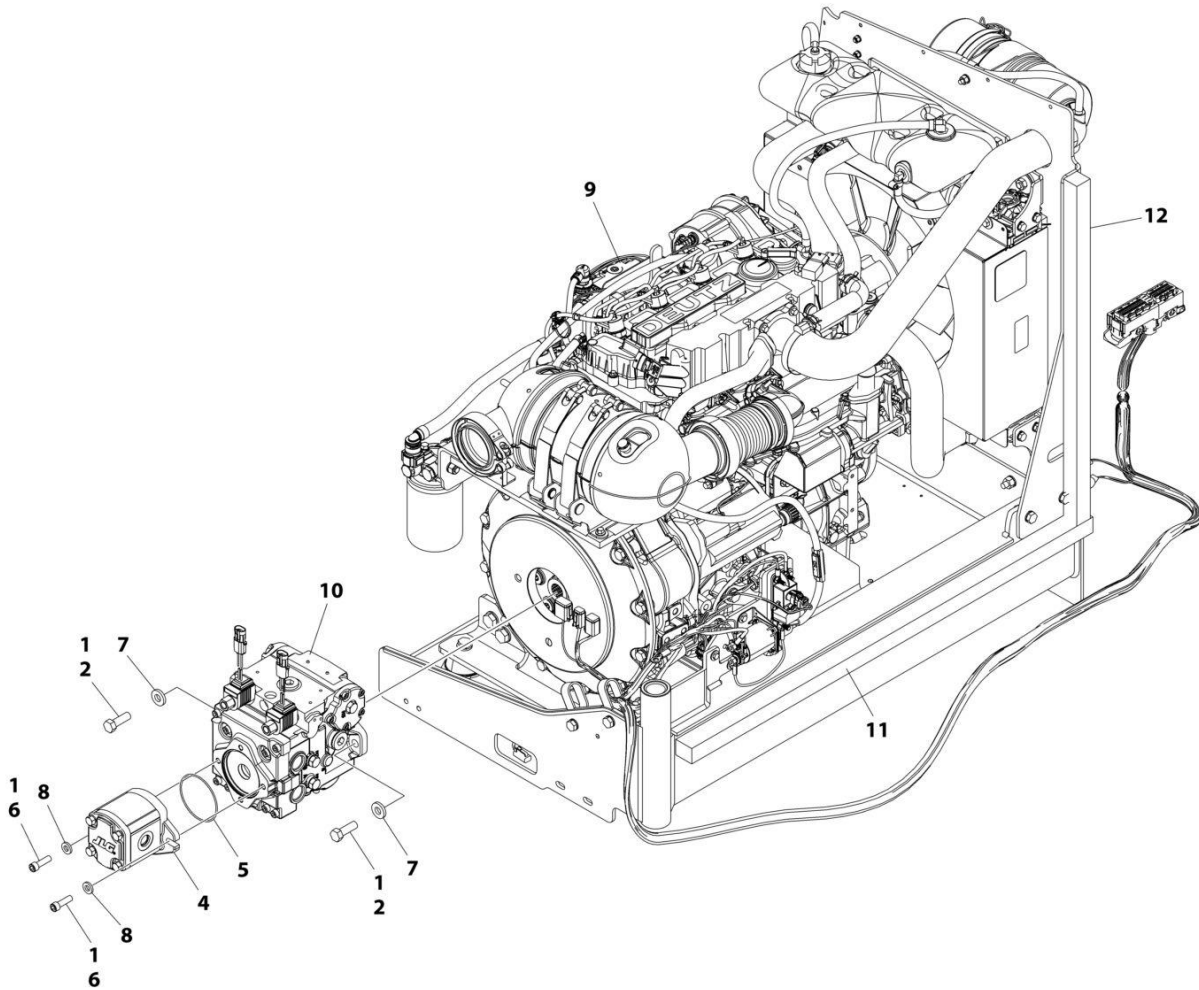
ITEM	PART NUMBER	QTY	DESCRIPTION	REV
	1001166003	Ref	ENGINE INSTALLATION - DEUTZ D2.9L4 ENGINE (WITH ARCTIC PACKAGE)	K
1	0100011	AR	Compound, Locking	
2	0100020	AR	Sealant, Pipe	
3	0440162	1	Bearing	
4	0641504	1	Bolt 5/16 x 1/2	
5	0700817	1	Bolt M8 x 45	
6	0700821	1	Bolt M8 x 65	
7	0701017	2	Bolt M10 x 45	
8	0760610	1	Bolt M6 x 20	
9	0760613	4	Bolt M6 x 28	
10	0761015	5	Bolt M10 x 35	
12	1060626	1	Plug, 3 Way	
13	1320223	1	Clamp	
14	1701505	2	Decal - Diesel Fuel	
15	1702941	1	Decal - Battery Heater	
16	1702942	1	Decal - Engine Block Heater	
17	1702943	1	Decal - Hydraulic Tank Heater	
18	1702944	1	Decal - Heater Cord	
19	2180832	1	Fitting, Barbed	
20	2220313	1	Fitting, Barbed 90	
21	2220767	1	Fitting, Barbed	
22	1001188972	1	Heater, Hydraulic Tank	
23	3290605	5	Nut, Lock M6 x 1	
24	3290805	2	Nut, Lock M8 x 1.25	
25	3291005	7	Nut, Lock M10 x 1.5	
26	3422532	1	Pin	
27	3841143	1	Keeper, Pin	
28	4240099	AR	Tie-Strap	
29	4711500	1	Washer, 5/16	
30	4811700	10	Washer, M6	
31	4811900	1	Washer, M8	
32	4811902	1	Washer, M8	
33	4812000	6	Washer, M10	
34	4812100	9	Washer, M12	
35	5240800	2	Washer, M8 Hardened	
36	5251215	1	Bolt M12 x 35	
37	5261200	1	Nut, Flange M12 Class10	
38	8405006	3	Clamp	
39	8406101	1	Clip	
40	8410013	4	Clamp	
41	1320187	1	Clamp	
42	1320190	1	Clamp	
43	2580024	1	Heater, Battery	
44	1001119278	1	Insulate	
45	1001135196	1	Pin	
46	1001142501	1	Fitting, Barbed 90	
47	1001154405	28 in/.7m	Hose	
48	1001155823	1	Coupling, Quick Disconnect 90	

## SECTION 3 - ENGINE

ITEM	PART NUMBER	QTY	DESCRIPTION	REV
49	1001165035	21 ft /6.42m	Hose	
50	1001166970	1	Battery and Auxiliary Power Pump Cable Kit	E
50	70009006	1	Cable, Battery (Black) (Battery to Ground)	
50	70009002	1	Cable, Battery (Red) (Auxiliary Power Relay to Auxiliary Power Pump)	
50	70009007	1	Cable, Battery (Red) (Battery to Auxiliary Power Relay)	
51	1001167512	1	Bracket, Engine Tray	
52	1001169823	1	Plate, Engine Lock	
53	1001172594	1	Pipe, Exhaust	
54	1001173342	1	Harness, Fuel Pump (See Separate Breakdown in ELECTRICAL SECTION)	
55	1001174778	1	Engine and Pump Sub-Assembly - Deutz D2.9L4 (With Arctic Package) (See Separate Breakdown in this Section)	
57	0771212	1	Bolt M12 x 25	
58	1001150918	1	Cable, Extension Cord	
60	1001125387	1	Decal - Ultra Low Sulfur Fuel	
62	2750532	5.54 ft /1.69m	Hose	
63	1001233763	1	Breather Heater Installation (Not Shown - See Separate Breakdown in this Section)	

# SECTION 3 - ENGINE

FIGURE 3-12. ENGINE AND PUMP SUB-ASSEMBLY - DEUTZ D2.9L4 (WITH ARCTIC PACKAGE)  
(ANSI, ANSI EXPORT AND CSA SPECS)



ART\_1001174778\_I

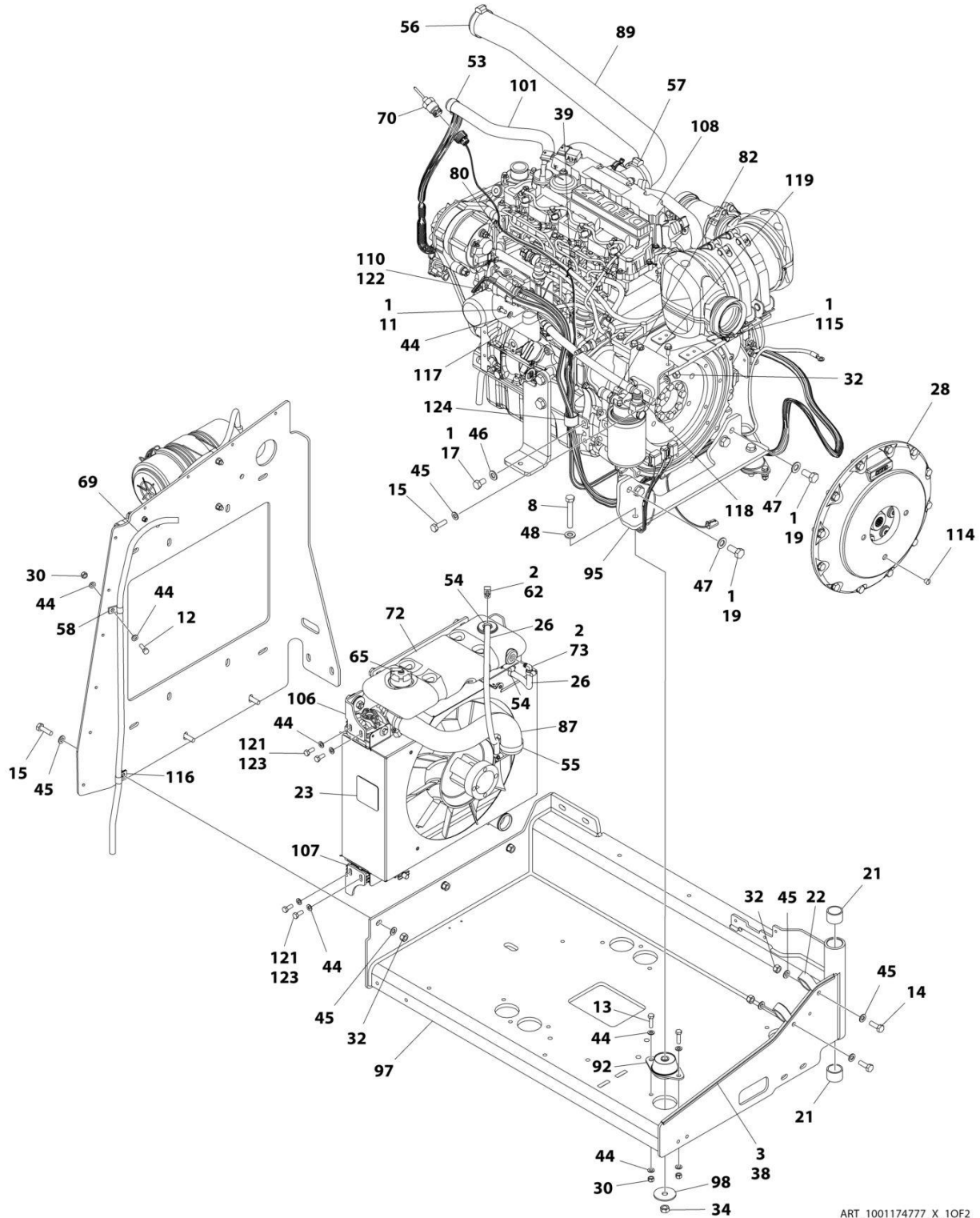
## SECTION 3 - ENGINE

**FIGURE 3-12. ENGINE AND PUMP SUB-ASSEMBLY - DEUTZ D2.9L4 (WITH ARCTIC PACKAGE)  
(ANSI, ANSI EXPORT AND CSA SPECS)**

ITEM	PART NUMBER	QTY	DESCRIPTION	REV
	1001174778	Ref	ENGINE AND PUMP SUB-ASSEMBLY - DEUTZ D2.9L4 (WITH ARCTIC PACKAGE)	I
1	0100011	AR	Compound, Locking	
2	0641812	2	Bolt 1/2 x 1-1/2	
4	1001214207	1	Gear Pump Assembly	
4	70006356	1	Seal Kit - 1001214207 Pump	
5	3790152	1	O-Ring	
6	3931618	2	Capscrew 3/8 x 1 1/8	
7	4891800	2	Washer 1/2 Hardened	
8	4891600	2	Washer 3/8 Hardened	
9	1001174777	1	Engine Assembly - Deutz D2.9L4 Engine (With Arctic Package) (See Separate Breakdown in this Section)	
10	1001167036	1	Piston Pump Assembly (See Separate Breakdown in this Section)	
11	1001171953	1	Seal	
12	1001171954	1	Seal	

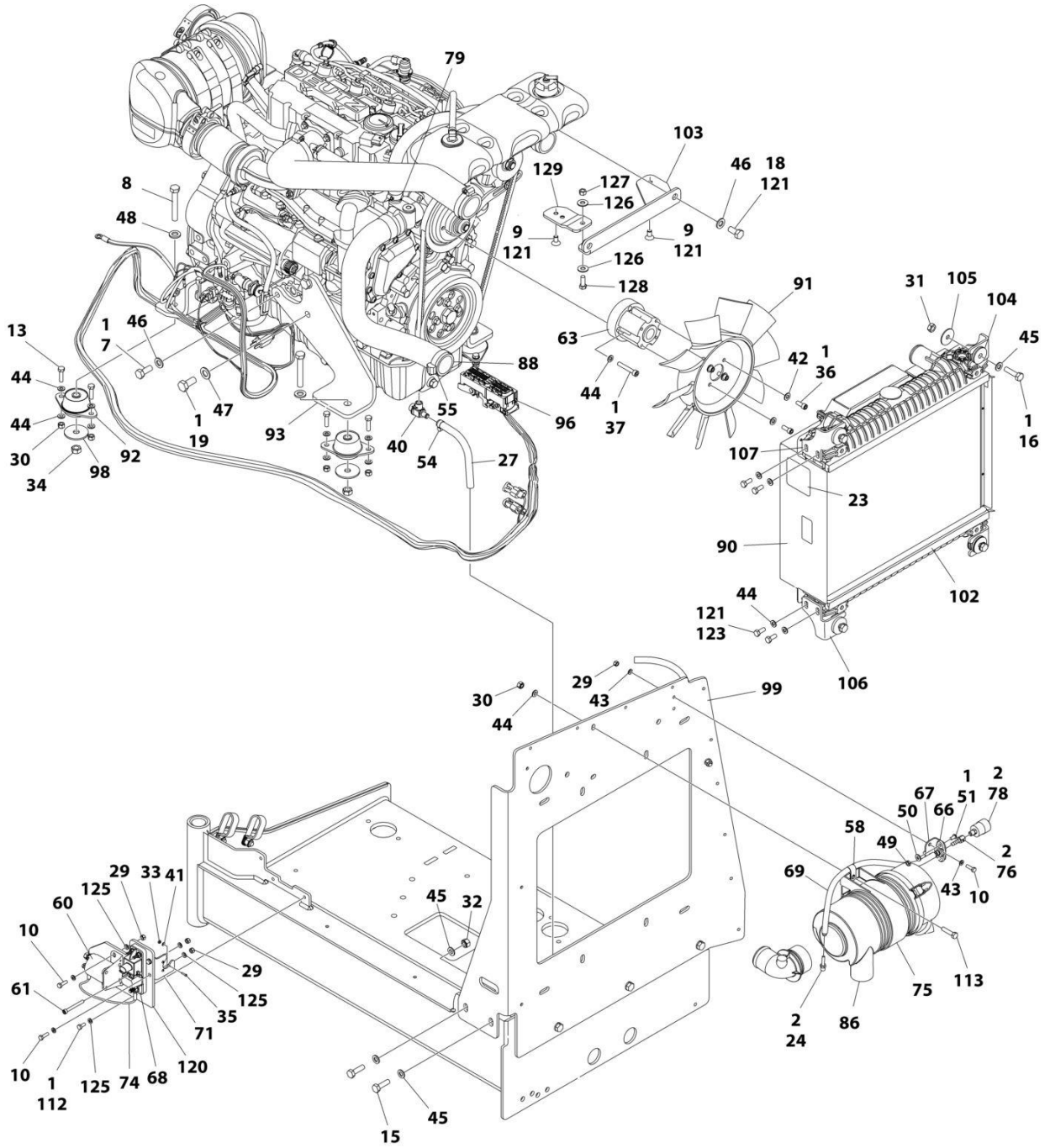
# SECTION 3 - ENGINE

FIGURE 3-13. ENGINE ASSEMBLY - DEUTZ D2.9L4 ENGINE (WITH ARCTIC PACKAGE) (ANSI, ANSI EXPORT AND CSA SPECS)



ART\_1001174777\_X\_10F2

# SECTION 3 - ENGINE



ART\_1001174777\_X\_20F2

## SECTION 3 - ENGINE

**FIGURE 3-13. ENGINE ASSEMBLY - DEUTZ D2.9L4 ENGINE (WITH ARCTIC PACKAGE) (ANSI, ANSI EXPORT AND CSA SPECS)**

ITEM	PART NUMBER	QTY	DESCRIPTION	REV
	1001174777	Ref	ENGINE ASSEMBLY - DEUTZ D2.9L4 ENGINE (WITH ARCTIC PACKAGE)	Y
1	0100011	AR	Compound, Locking	
2	0100020	AR	Sealant, Pipe	
3	0100081	AR	Adhesive	
7	0711214	1	Bolt M12 x 30	
8	0711224	3	Bolt M12 x 80	
9	0741606	2	Screw 3/8 x 3/4	
10	0760610	6	Bolt M6 x 20	
11	0760808	1	Bolt M8 x 16	
12	0760812	1	Bolt M8 x 25	
13	0760814	6	Bolt M8 x 30	
14	0761014	2	Bolt M10 x 30	
15	0761015	7	Bolt M10 x 35	
16	0761016	4	Bolt M10 x 40	
17	0761210	1	Bolt M12 x 20	
18	0761212	2	Bolt M12 x 25	
19	0771414	6	Bolt M14 x 30 Grade 10.9	
21	0961951	2	Bushing	
22	1321716	2	Clamp	
23	1703162	2	Decal - Caution Fan	
24	2220315	1	Fitting, Barbed	
26	2720015	2 ft/0.61m	Hose	
27	2720340	8 in /0.2m	Hose	
28	2902065	1	Pump Coupling Kit (See Separate Breakdown in this Section)	
29	3290605	7	Nut M6	
30	3290805	9	Nut M8	
31	3291001	4	Nut M10	
32	3291005	9	Nut M10	
33	3310401	3	Nut #4	
34	3331215	3	Nut M12 x 1.75	
35	3910408	3	Screw #4- x 1/2	
36	3931512	4	Capscrew 5/16 x 3/4	
37	4031914	4	Bolt M8 x 50	
38	4060805	2.25 ft/ 0.69m	Flex-Trim	
39	4240099	AR	Tie-Strap	
40	4640751	1	Valve, Oil Drain	
41	4710400	3	Washer #4	
42	4711500	4	Washer 5/16	
43	4811700	4	Washer M6	
44	4811900	31	Washer M8	
45	4812000	22	Washer M10	
46	4812100	4	Washer M12	
47	4812200	6	Washer M14	
48	5241200	3	Washer M12	
49	8305401	2	Nut Jam	
50	8307109	2	Washer, .250	
51	8310548	2	Screw 1/4 x 1/2	



## SECTION 3 - ENGINE

ITEM	PART NUMBER	QTY	DESCRIPTION	REV
53	8405007	2	Clamp	
54	8405009	5	Clamp	
55	8405104	4	Clamp	
56	8405202	1	Clamp	
57	8405204	1	Clamp	
58	8406109	2	Clip	
60	1001117308	1	Relay, 200Amp	
60	3300220	2	Nut	
60	3321001	2	Nut #10	
60	4761000	2	Washer #10	
60	1001111424	2	Washer	
61	1001118878	1	Bolt M6 x 55	
62	1001134488	1	Fitting, Barbed 90	
63	1001144116	1	Spacer, Fan	
65	1001136834	1	Cap, Tank	
66	1001138173	1	Support, Service Indicator	
67	1001138175	1	Bracket, Service Indicator	
68	1001138228	1	Relay, Power Module	
68	70023592	1	Fuse 20Amp	
68	70023593	1	Fuse 30Amp	
69	1001138248	5.25 ft/ 1.6m	Tube	
70	1001138827	1	Sensor, Coolant Level	
71	1001139240	1	Bracket	
72	1001230635	1	Tank, Surge (Includes Items 62, 70 & 73)	
73	1001140564	1	Fitting, Barbed 90	
74	1001141304	1	Harness, Glow Plug	
75	1001141694	1	Clamp, Air Cleaner	
76	1001141995	1	Fitting, Barbed	
78	1001143390	1	Indicator	
79	1001143797	1	Fitting, Barbed	
80	1001178788	1	Cable, Alternator	
82	1001152489	1	Fitting, Barbed 90	
86	1001165388	1	Air Cleaner Assembly	
86	70003783	1	Element, Air Cleaner	
87	1001165405	1	Hose, Upper Radiator	
88	1001165406	1	Hose, Lower Radiator	
89	1001165721	1	Hose, Air Intake	
90	1001165722	1	Radiator	
91	1001165849	1	Fan	
92	1001166718	3	Mount, Motor	
93	1001166921	1	Plate, Engine Mount	
95	1001166924	1	Plate, Engine Mount	
96	1001167108	1	Harness Engine - Deutz D2.9L4 (See Separate Breakdown in ELECTRICAL SECTION)	
97	1001167520	1	Tray, Engine	
98	1001168018	3	Washer, Special	
99	1001168026	1	Plate, Radiator Mounting	
101	1001168099	1	Hose	
102	1001168166	2	Seal	
103	1001260420	1	Bracket	
104	1001169054	4	Isolator	

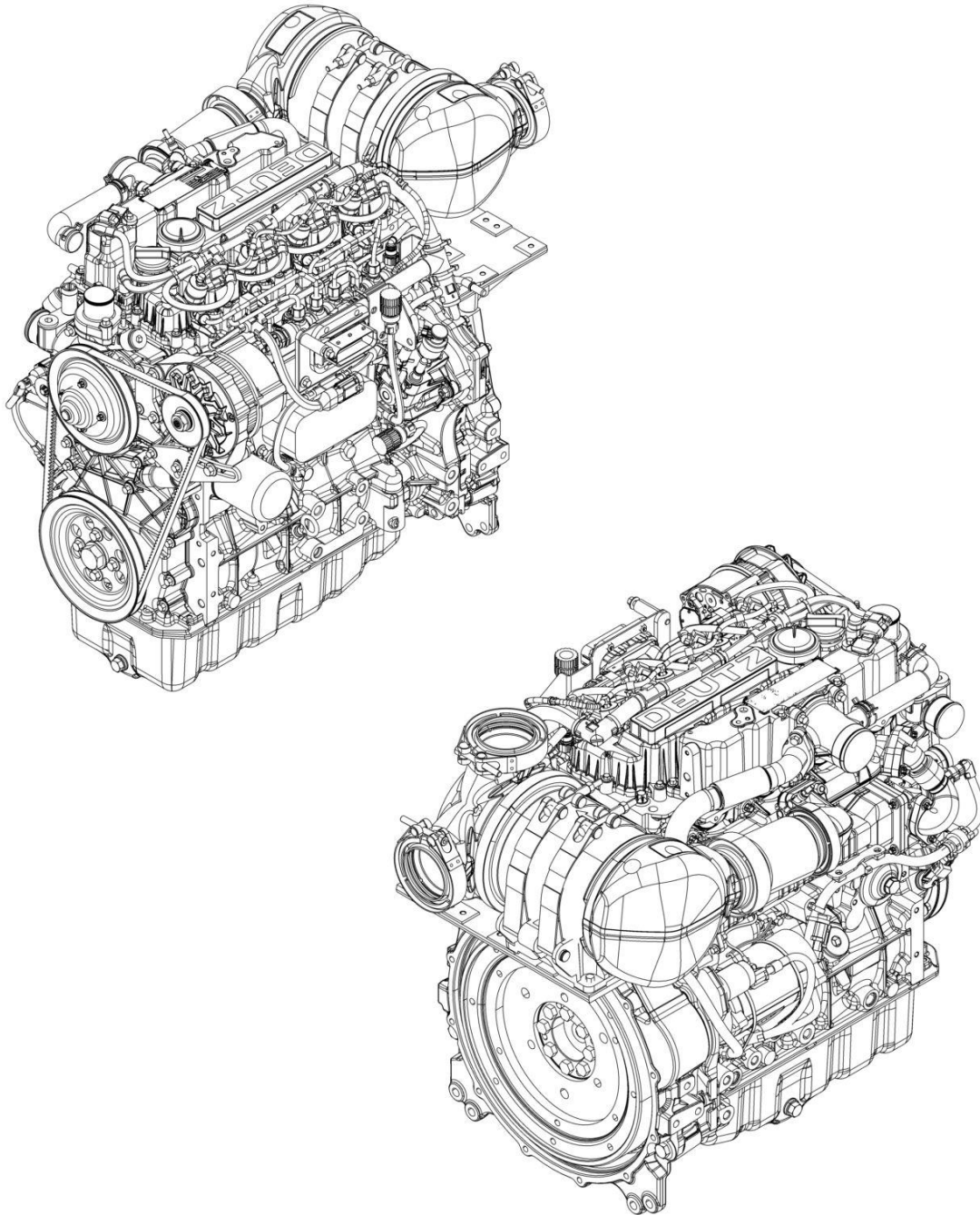
## SECTION 3 - ENGINE

ITEM	PART NUMBER	QTY	DESCRIPTION	REV
105	1001169138	4	Washer, Snubbing	
106	1001169967	2	Bracket	
107	1001170035	2	Bracket	
108	1001249965	1	Engine, Deutz D2.9L4 (See Separate Breakdown in this Section)	
110	1001140312	1	Heater, Engine Block	
112	0760607	3	Bolt M6 x 14	
113	0760815	2	Bolt M8 x 35	
114	3520054	1	Plug	
115	5250810	2	Bolt M8 x 20	
116	8406110	1	Clip	
117	8406201	1	Clip	
118	1001177359	1	Hose	
119	1001178876	1	Mount, Fuel Filter	
120	1001179903	1	Bracket	
121	1001180620	AR	Adhesive	
122	1001181895	AR	Adhesive	
123	0760810	8	Bolt M8 x 20	
124	1001191620	1	Clamp	
125	4811702	12	Washer M6	
126	4751600	2	Washer 3/8	
127	3311605	1	Nut 3/8	
128	0681608	1	Bolt 3/8 x 1	
129	1001260412	1	Bracket	
130	1001162335	1	Bracket Assembly - Fuel Pump/Filter (Not Shown) (See Separate Breakdown in this Section)	



## SECTION 3 - ENGINE

FIGURE 3-14. ENGINE COMPONENTS - DEUTZ D2.9L4 ENGINE (ANSI, ANSI EXPORT AND CSA SPECS)



ART\_1001249965

## SECTION 3 - ENGINE

**FIGURE 3-14. ENGINE COMPONENTS - DEUTZ D2.9L4 ENGINE (ANSI, ANSI EXPORT AND CSA SPECS)**

ITEM	PART NUMBER	QTY	DESCRIPTION	REV
	1001249965	Ref	DEUTZ D2.9L4 - EMR4 (49HP) ENGINE COMPONENTS	B
	See Note	Ref	Note: Contact JLG Customer Service for Availability of Additional Components.	
		Ref	Air Intake System	
	70005182	1	Charge Air Elbow	
	70005183	1	Breather Line	
		Ref	Cooling System Components	
	70030360	1	Pump, Coolant	
	70007603	1	Thermostat	
		Ref	Electrical Components	
	70025210	1	Module, Engine Control (ECM/ECU)	
	70024513	1	Harness, Fuel Filter Sensor	
	70024504	1	Sensor, Fuel Pressure	
	70006652	1	Generator	
	70024915	1	Starter	
	70025231	1	Harness, Glow Plug	
	70028540	1	Sensor, Temperature	
	70026210	1	Sensor, Speed	
	70024507	1	Sensor, Pressure (Air Intake)	
	70031145	4	Plug, Glow	
		Ref	Exhaust Components	
	70031136	1	Pipe, Exhaust	
	70004282	1	Exhaust Manifold	
		Ref	Fuel System Components	
	70030381	1	Pump, High Pressure	
	700004508	1	Valve, Volume Control	
	70004281	1	Injector, Fuel	
	70006144	1	Pump, Fuel Supply (Includes Qty 2 Mounting Clamps)	
	1001225430	1	Filter, Fuel (Pre-Filter) Assembly	
	70024961	1	Filter, Fuel	
	70025239	1	Seal	
	70024513	1	Cable, Sensor	
	70029451	1	Filter, Fuel	
		Ref	Gasket & Seal Components	
	70024905	1	Seal, Dipstick	
	70005942	2	Seal, Oil Plug	
	70024906	1	Gasket, Head	
	70005171	1	Gasket, Valve Cover	
	70002718	1	Seal, Rear Main	
	70025135	1	O-Ring, Oil Lube Pump	
	70005173	1	Gasket, Oil Lube Pump	
	70024925	1	Seal, Oil Cooler	
	70005177	1	Gasket, Charge Air Housing	
	70025200	1	O-Ring, Coolant Pump	
	70007325	1	Seal, Coolant Pump	
	70005184	1	O-Ring, Thermostat	
	70005931	1	Seal, Thermostat	
	70025164	1	Gasket, Exhaust Manifold to Head	
	70007354	1	Gasket, Short Exhaust Pipe to JLG supplied Exhaust	

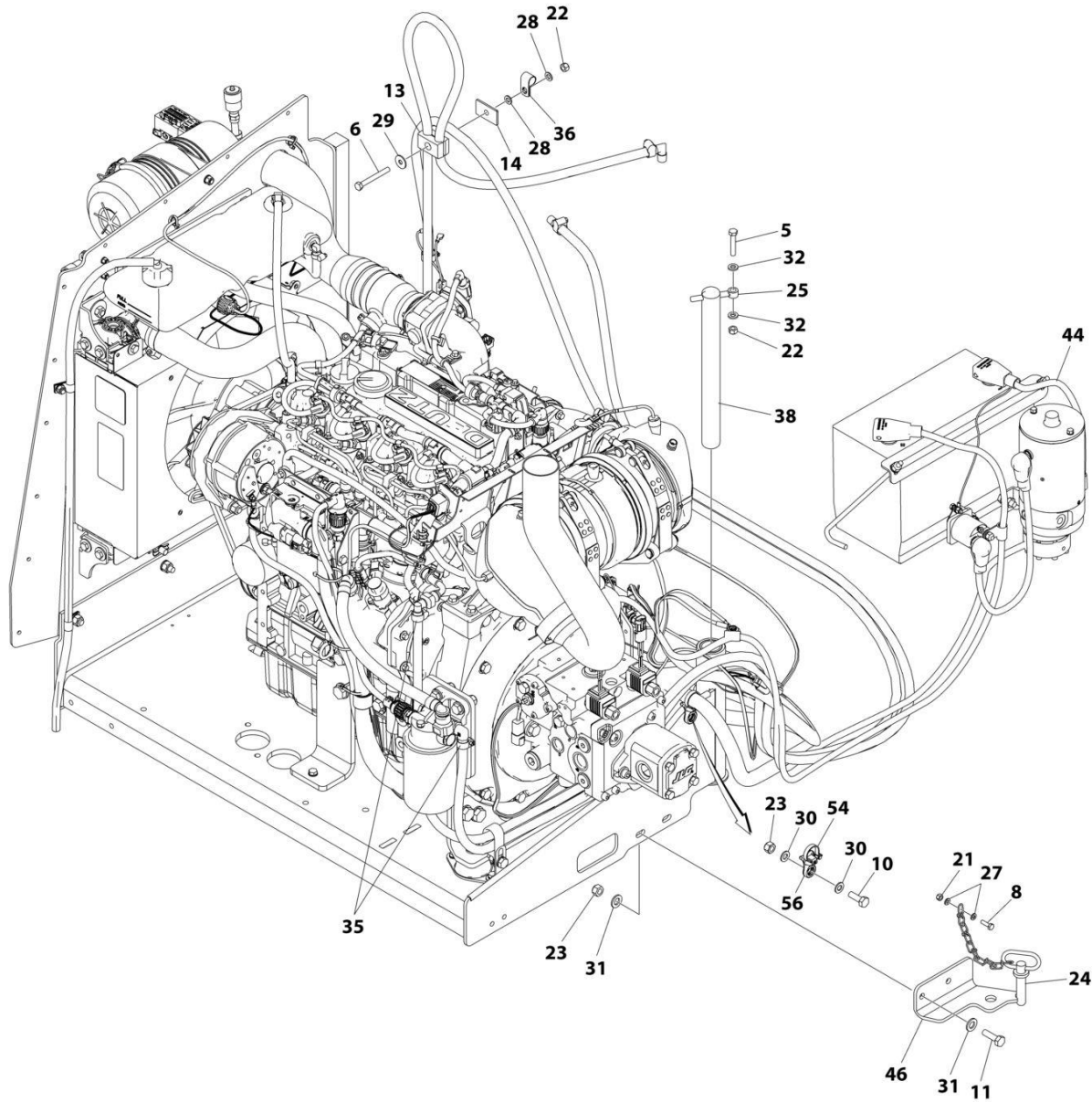
## SECTION 3 - ENGINE

ITEM	PART NUMBER	QTY	DESCRIPTION	REV
	70007326	1	Gasket EGR Valve	
	70031095	1	Gasket, Exhaust Return Pipe (to Air Intake Housing)	
		Ref	Other Components	
	70001870	1	Flywheel	
	7024579	1	Gear, Ring	
		Ref	Oil Lube System	
	7020465	1	Cap, Oil Fill	
	70024904	1	Dipstick	
	70005941	2	Plug, Oil (Includes Seal)	
	70005172	1	Pump, Oil Lube (Includes O-Ring & Gasket)	
	70024494	1	Oil Cooler	
	7016331	1	Filter, Oil	



# SECTION 3 - ENGINE

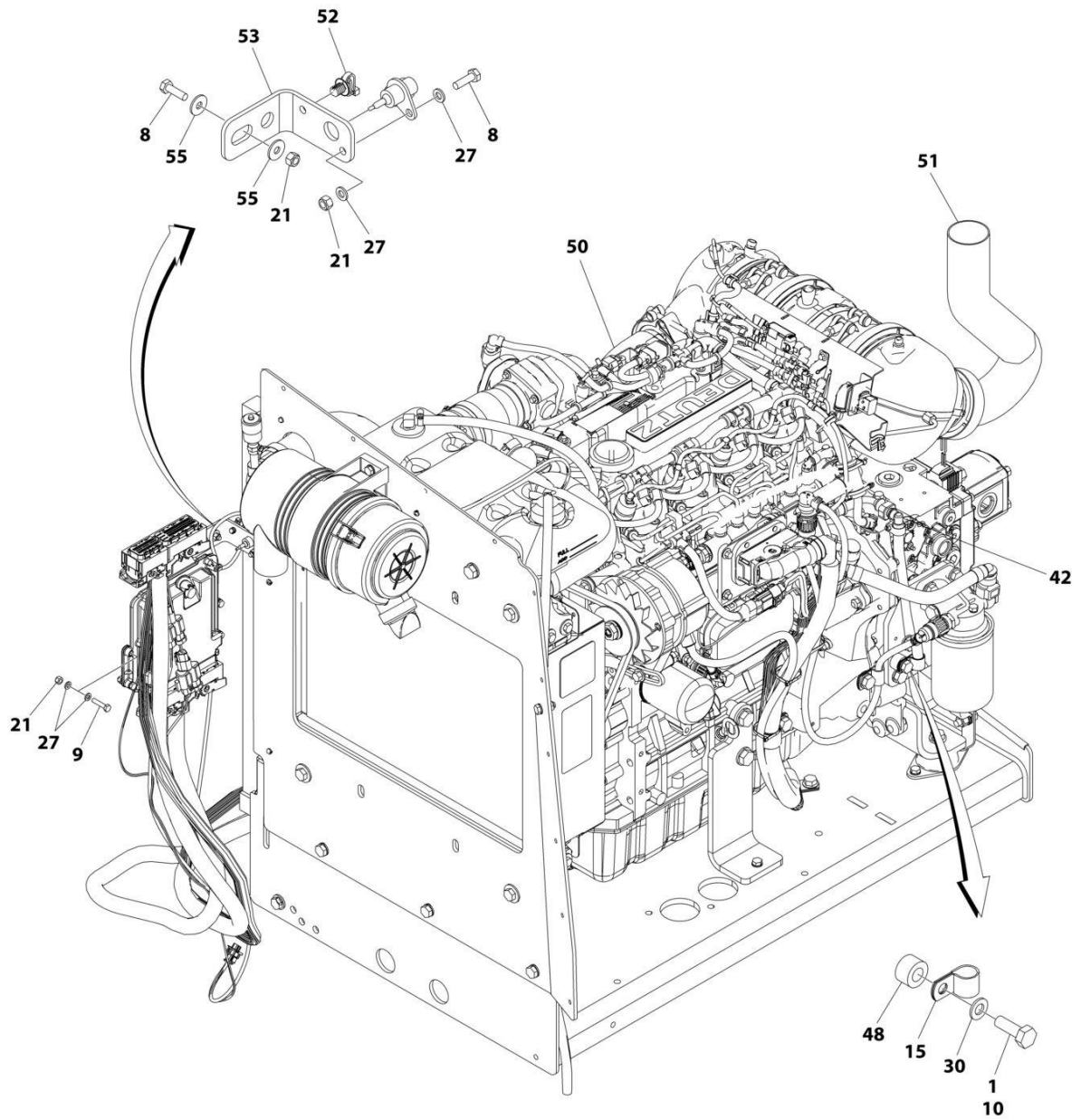
## FIGURE 3-15. ENGINE INSTALLATION - DEUTZ D2.9L4 ENGINE (STAGE V) (CE & UK CA SPECS)



ART\_1001244283\_H\_10F3

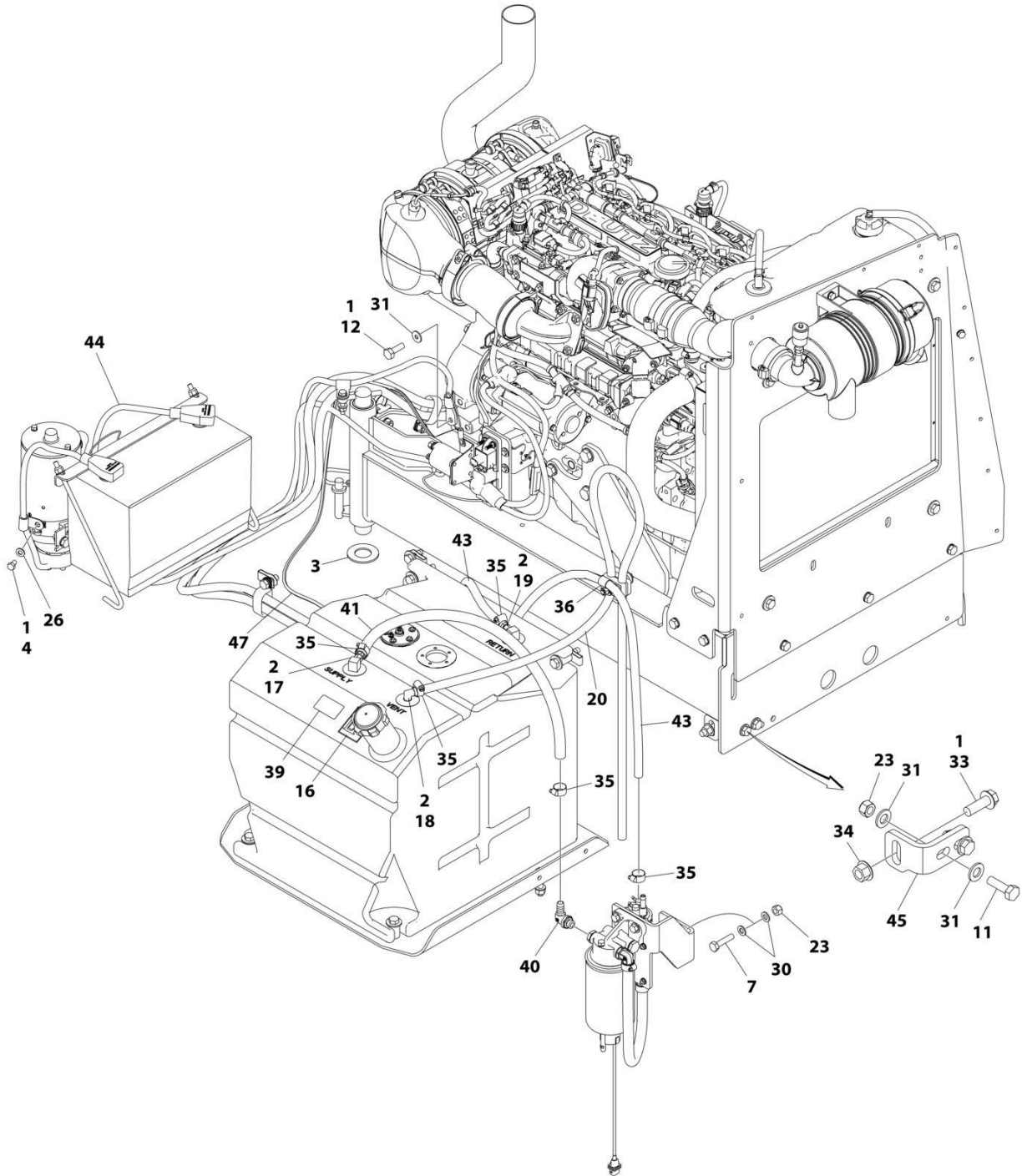


# SECTION 3 - ENGINE



ART\_1001244283\_H\_20F3

# SECTION 3 - ENGINE



ART\_1001244283\_H\_30F3

## SECTION 3 - ENGINE

**FIGURE 3-15. ENGINE INSTALLATION - DEUTZ D2.9L4 ENGINE (STAGE V) (CE & UK CA SPECS)**

ITEM	PART NUMBER	QTY	DESCRIPTION	REV
	1001244283	Ref	ENGINE INSTALLATION - DEUTZ STAGE V ENGINE	H
1	0100011	AR	Compound, Locking	
2	0100020	1	Sealant, Pipe	
3	0440162	1	Bearing	
4	0641504	1	Bolt 5/16 x 1/2	
5	0700817	1	Bolt M8 x 45	
6	0700822	1	Bolt M8 x 70	
7	0701017	2	Bolt M10 x 45	
8	0760610	4	Bolt M6 x 20	
9	0760613	4	Bolt M6 x 28	
10	0761014	4	Bolt M10 x 30	
11	0761015	2	Bolt M10 x 35	
12	0771212	1	Bolt M12 x 25	
13	1320187	1	Clamp	
14	1320190	1	Clamp	
15	1320061	1	Clamp	
16	1701505	1	Decal - Diesel Fuel	
17	2180832	1	Fitting, Barbed	
18	2220313	1	Fitting, Barbed 90 3/8 NPTF / 3/8	
19	8430007	AR	Coupling	
20	2750532	5.5 ft /1.69m	Hose	
21	3290605	8	Nut M6	
22	3290805	2	Nut M8	
23	3291005	7	Nut M10	
24	3422532	1	Pin	
25	3841143	1	Keeper, Pin	
26	4711500	1	Washer, 5/16	
27	4811700	12	Washer, M6	
28	4811900	2	Washer, M8	
29	4811902	1	Washer, M8	
30	4812000	7	Washer, M10	
31	4812100	9	Washer, M12	
32	5240800	2	Washer, M8 Hardened	
33	5251215	1	Bolt M12 x 35	
34	5261200	1	Nut, Flange M12 Class10	
35	8405006	7	Clamp	
36	8406101	1	Clip	
38	1001135196	1	Pin	
39	1001139654	1	Decal, Ultra Low Sulfur Fuel	
40	1001142501	1	Fitting, Barbed 90	
41	1001154405	2.29 ft /0.70m	Hose	
42	1001155823	1	Coupling, Quick Disconnect 90	
43	1001165035	21.06 ft /6.42m	Hose	
44	1001166970	1	Battery and Auxiliary Power Pump Cable Kit	
45	1001167512	1	Bracket, Engine Tray	
46	1001169823	1	Plate, Engine Lock	

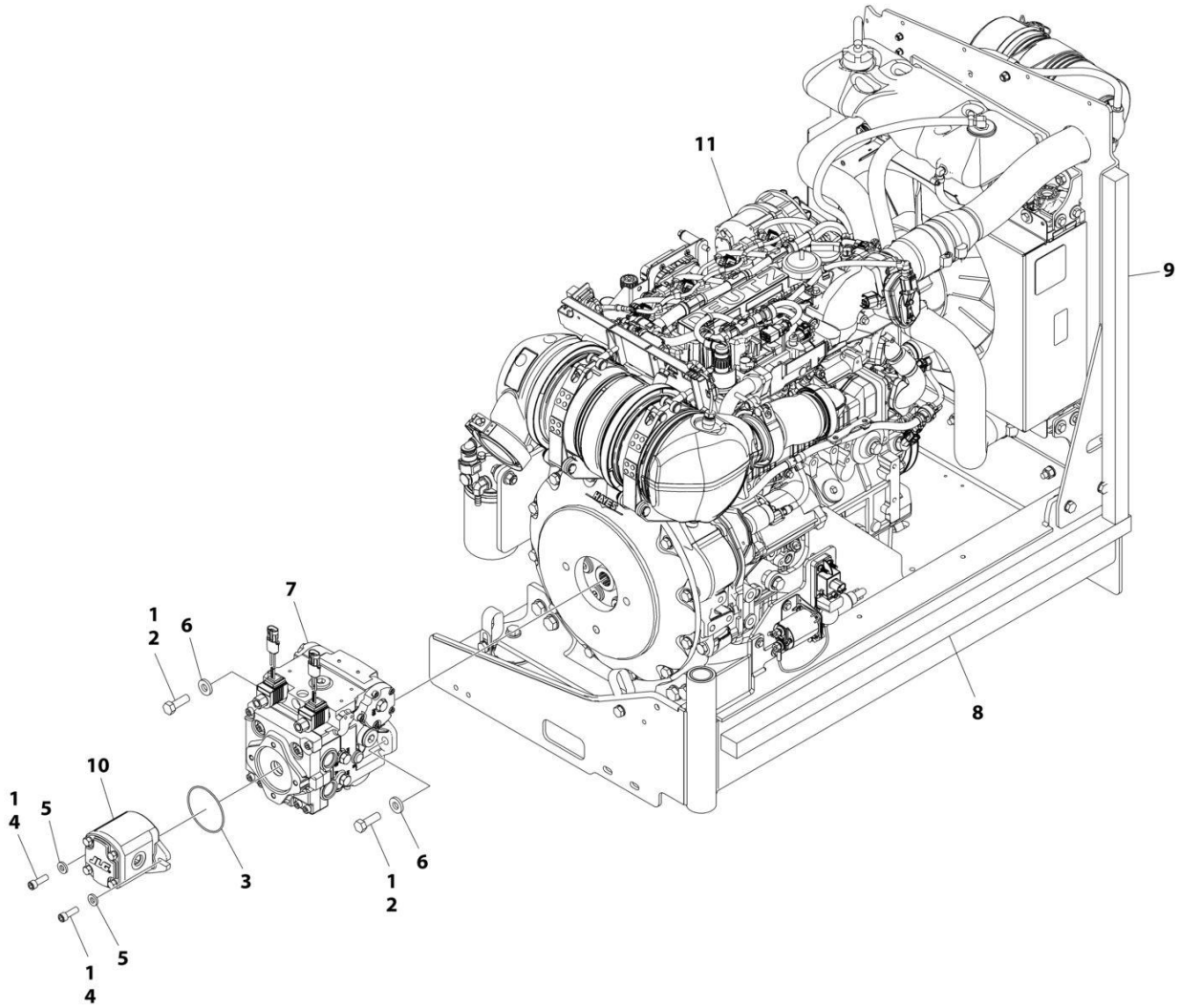
## SECTION 3 - ENGINE

ITEM	PART NUMBER	QTY	DESCRIPTION	REV
47	1001173342	1	Harness, Fuel Pump (See Separate Breakdown in ELECTRICAL Section)	
48	1001220266	1	Bar, Spacer M12 x 12	
50	1001277600	1	Engine Assy, Deutz Stage V W/Pumps (See Separate Breakdown in this Section)	
51	1001245305	1	Pipe, Exhaust	
52	1001146588	2	Strap	
53	1001256879	1	Bracket	
54	1062255	AR	Tie-Strap (Not Shown)	
55	4811702	4	Washer M6	
56	1001156107	1	Holder	



# SECTION 3 - ENGINE

FIGURE 3-16. ENGINE AND PUMP SUB-ASSEMBLY - DEUTZ D2.9L4 ENGINE (STAGE V) (CE & UK CA SPECS)



ART\_1001277600

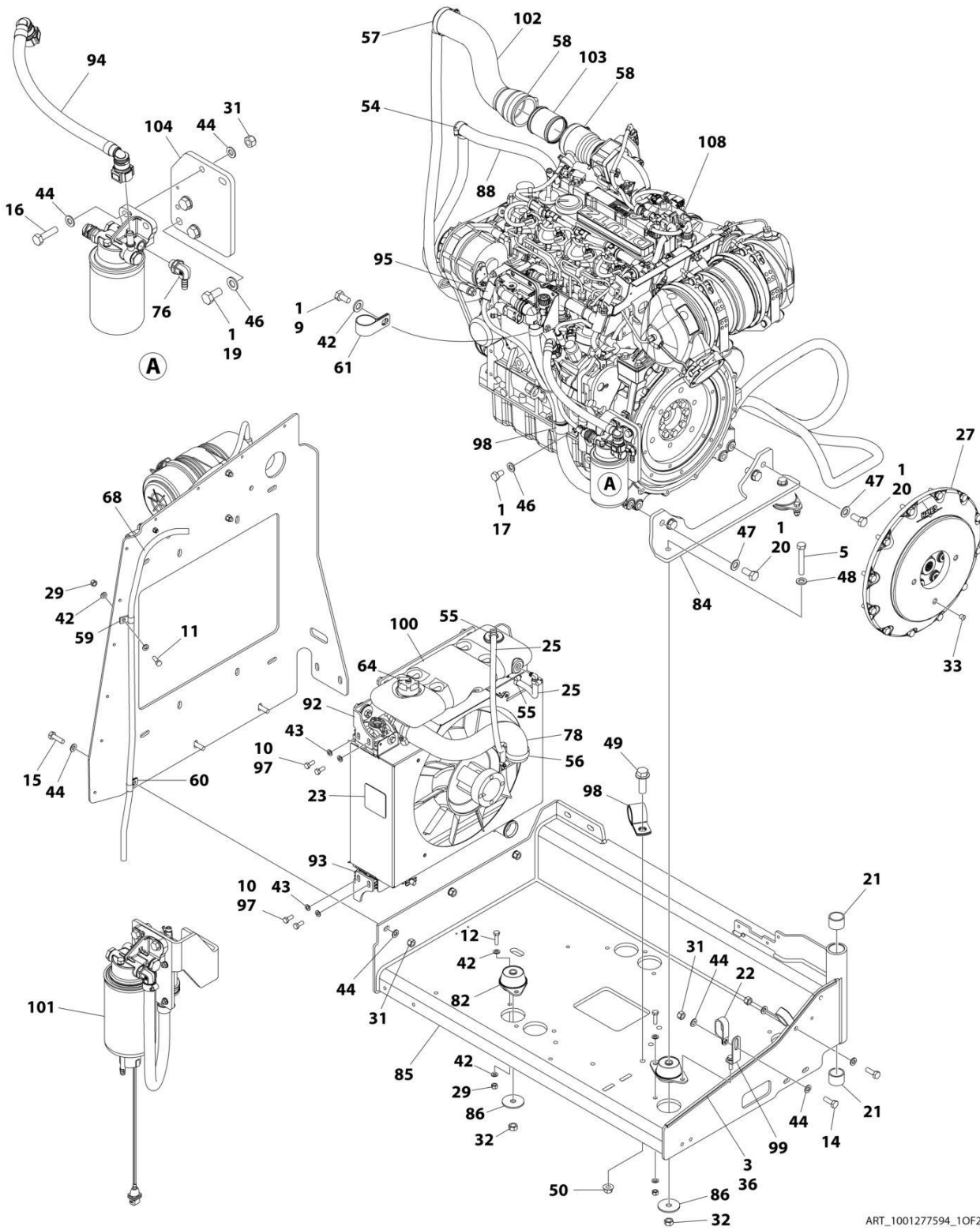
## SECTION 3 - ENGINE

**FIGURE 3-16. ENGINE AND PUMP SUB-ASSEMBLY - DEUTZ D2.9L4 ENGINE (STAGE V) (CE & UK CA SPECS)**

ITEM	PART NUMBER	QTY	DESCRIPTION	REV
	1001277600	Ref	ENGINE AND PUMP SUB-ASSEMBLY - DEUTZ (STAGE V) ENGINE	B
1	0100011	AR	Compound, Locking	
2	0641812	2	Bolt 1/2 x 1-1/2	
3	3790152	1	O-Ring	
4	3931618	2	Capscrew 3/8 x 1-1/8	
5	4891600	2	Washer 3/8 Hardened	
6	4891800	2	Washer 1/2 Hardened	
7	1001167036	1	Piston Pump Assembly (See Separate Breakdown in this Section)	
8	1001171953	1	Seal	
9	1001171954	1	Seal	
10	1001214207	1	Gear Pump Assembly	
10	70006356	1	Seal Kit - 1001214207 Pump	
11	1001277594	1	Engine Assembly, Deutz (Stage V) Engine (See Separate Breakdown in this Section)	

# SECTION 3 - ENGINE

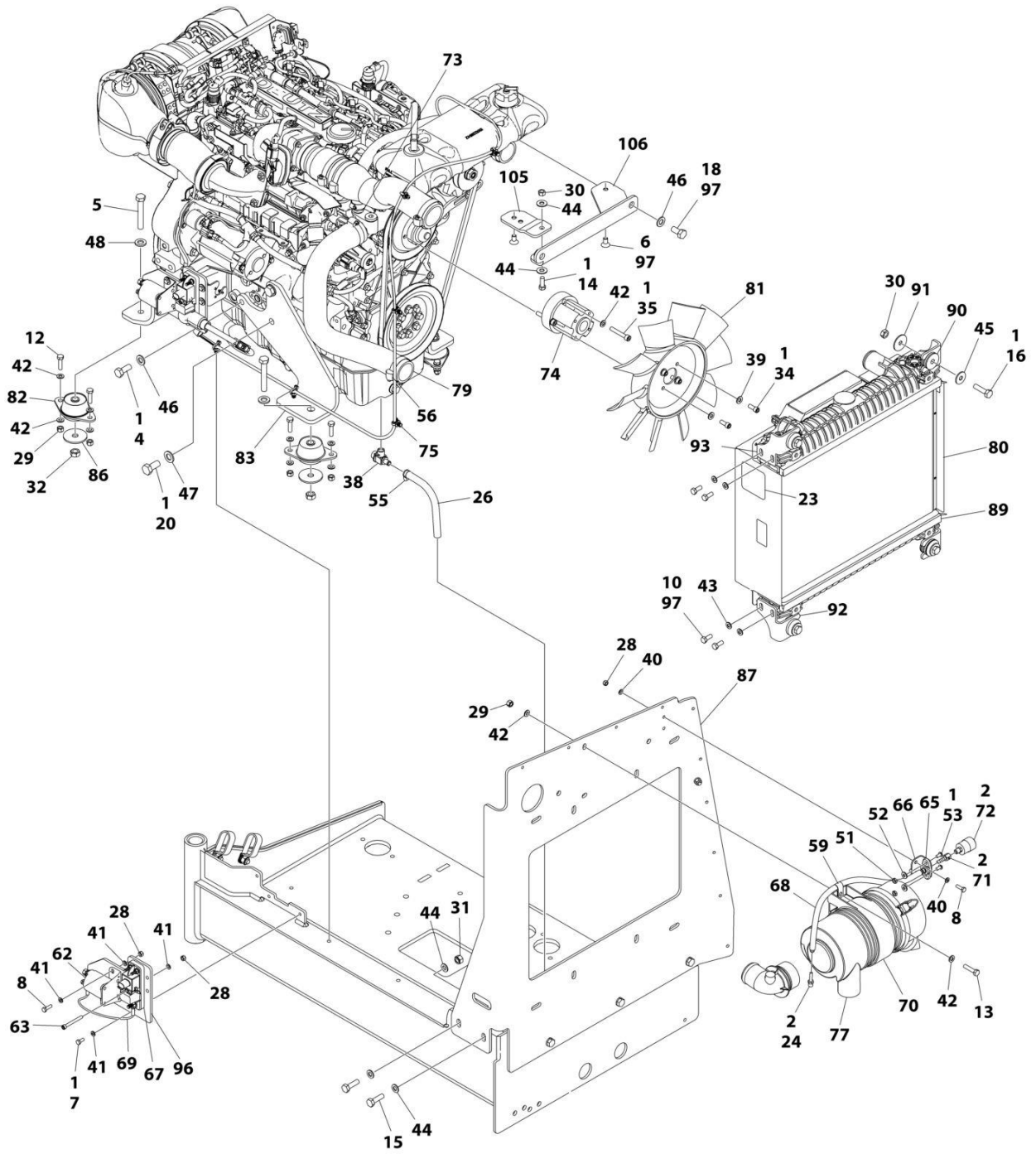
## FIGURE 3-17. ENGINE ASSEMBLY – DEUTZ D2.9L4 ENGINE (STAGE V) (CE & UK CA SPECS)



ART\_1001277594\_10F2



# SECTION 3 - ENGINE



ART\_1001277594\_2OF2

## SECTION 3 - ENGINE

FIGURE 3-17. ENGINE ASSEMBLY – DEUTZ D2.9L4 ENGINE (STAGE V) (CE & UK CA SPECS)

ITEM	PART NUMBER	QTY	DESCRIPTION	REV
	1001277594	Ref	ENGINE ASSEMBLY, DEUTZ (STAGE V)	C
1	0100011	AR	Compound, Locking	
2	0100020	AR	Sealant, Pipe	
3	0100081	AR	Adhesive	
4	0711214	1	Bolt M12 x 30	
5	0711224	3	Bolt M12 x 80	
6	0741606	2	Screw 3/8 x 3/4	
7	0760607	3	Bolt M6 x 14	
8	0760610	4	Bolt M6 x 20	
9	0760808	1	Bolt M8 x 16	
10	0760810	8	Bolt M8 x 20	
11	0760812	1	Bolt M8 x 25	
12	0760814	6	Bolt M8 x 30	
13	0760815	2	Bolt M8 x 35	
14	0761014	3	Bolt M10 x 30	
15	0761015	5	Bolt M8 x 35	
16	0761016	6	Bolt M10 x 40	
17	0761210	1	Bolt M12 x 20	
18	0761212	2	Bolt M12 x 25	
19	0771212	3	Bolt M12 x 25	
20	0771414	6	Bolt M14 x 30	
21	0961951	2	Bushing	
22	1321716	2	Clamp	
23	1703162	2	Decal - Caution Fan	
24	2220315	1	Fitting, Barbed	
25	2720015	1.94 ft /0.59m	Hose	
26	2720340	0.66 ft/ 0.20m	Hose	
27	2902065	1	Pump Coupling Kit (See Separate Breakdown in this Section)	
28	3290605	5	Nut M6	
29	3290805	9	Nut M8	
30	3291001	5	Nut M10	
31	3291005	9	Nut M10	
32	3331215	3	Nut M12 x 1.75	
33	3520054	1	Plug	
34	3931512	4	Capscrew, 5/16 x 3/4	
35	4031914	4	Bolt M8 x 50	
36	4060805	2.03 ft /0.62m	Flex-Trim	
37	4240099	AR	Tie-Strap (Not Shown)	
38	4640751	1	Valve, Oil Drain	
39	4711500	4	Washer 5/16	
40	4811700	4	Washer M6	
41	4811702	8	Washer M6	
42	4811900	23	Washer M8	
43	4811902	8	Washer M8	
44	4812000	20	Washer M10	
45	4812002	4	Washer M10	
46	4812100	7	Washer M12	

## SECTION 3 - ENGINE

ITEM	PART NUMBER	QTY	DESCRIPTION	REV
47	4812200	6	Washer M14	
48	5241200	3	Washer M12	
49	5251215	1	Bolt M12 x 35	
50	5261200	1	Nut, Flange M12 Class10	
51	8305401	2	Nut Jam	
52	8307109	2	Washer 1/4	
53	8310548	2	Screw 1/4 x 1/2	
54	8405007	2	Clamp	
55	8405009	5	Clamp	
56	8405104	4	Clamp	
57	8405202	1	Clamp	
58	8405204	2	Clamp	
59	8406109	2	Clip	
60	8406110	1	Clip	
61	8406201	1	Clip	
62	1001117308	1	Relay, 200Amp	
63	1001118878	1	Bolt M6 x 55	
64	1001136834	1	Cap, Tank	
65	1001138173	1	Support, Service Indicator	
66	1001138175	1	Bracket, Service Indicator	
67	1001138228	1	Relay, Power Module	
68	1001138248	5.09 ft /1.55m	Tube	
69	1001141304	1	Harness, Glow Plug	
70	1001141694	1	Clamp, Air Cleaner	
71	1001141995	1	Fitting, Barbed	
72	1001143390	1	Indicator	
73	1001143797	1	Fitting, Barbed	
74	1001144116	1	Spacer, Fan	
75	1001146588	AR	Tie-Strap (Not Shown)	
76	1001152489	1	Fitting, Barbed 90	
77	1001165388	1	Air Cleaner Assembly	
78	1001165405	1	Hose, Upper Radiator	
79	1001165406	1	Hose, Lower Radiator	
80	1001165722	1	Radiator	
81	1001165849	1	Fan	
82	1001166718	3	Mount, Motor	
83	1001166921	1	Plate, Engine Mount	
84	1001166924	1	Plate, Engine Mount	
85	1001167520	1	Tray, Engine	
86	1001168018	3	Washer, Special	
87	1001168026	1	Plate, Radiator Mounting	
88	1001168099	1	Hose	
89	1001168166	2	Seal	
90	1001169054	4	Isolator	
91	1001169138	4	Washer, Snubbing	
92	1001169967	2	Bracket	
93	1001170035	2	Bracket	
94	1001177359	1	Hose	
95	1001178788	1	Cable, Alternator	
96	1001179903	1	Bracket	
97	1001180620	AR	Adhesive	

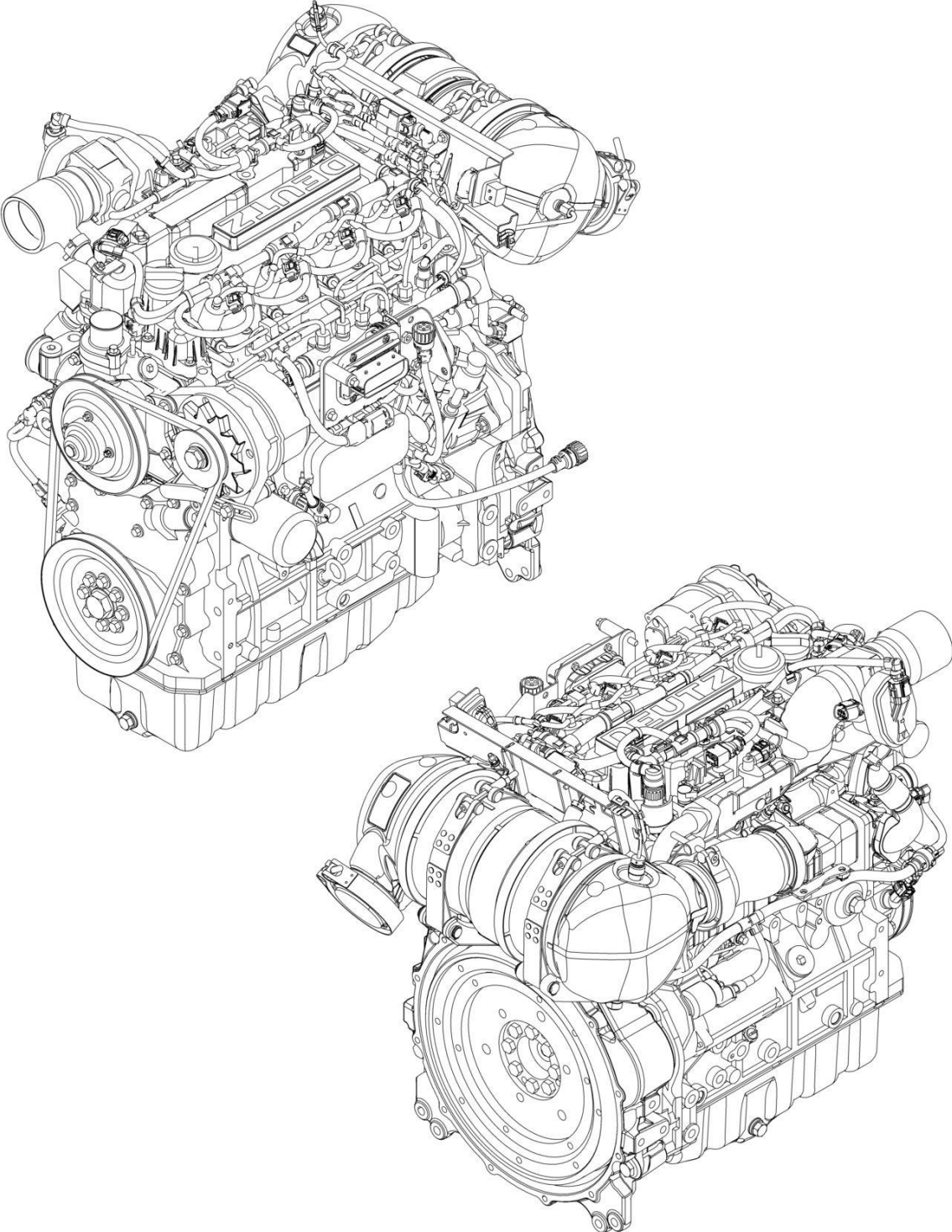
## SECTION 3 - ENGINE

ITEM	PART NUMBER	QTY	DESCRIPTION	REV
98	1001191620	2	Clamp	
99	1001223122	1	Support	
100	1001230635	1	Tank, Surge (Includes Items 62, 70, & 73)	
101	1001235949	1	Bracket (See Separate Breakdown in this Section)	
102	1001236780	1	Hose, Air Intake	
103	1001238911	1	Pipe, Air Intake	
104	1001258804	1	Mount, Fuel Filter	
105	1001260412	1	Bracket	
106	1001260420	1	Bracket (note: may require P/N 1001260412)	
107	1001276643	1	Harness, Engine (Not Shown - See Separate Breakdown in ELECTRICAL Section)	
108	1001277589	1	Engine, Deutz 2.9L4 (Stage V) (See Separate Breakdown in this Section)	



**SECTION 3 - ENGINE**

**FIGURE 3-18. ENGINE COMPONENTS - DEUTZ D2.9L4 ENGINE (STAGE V) (CE & UK CA SPECS)**



ART\_1001277589

## SECTION 3 - ENGINE

**FIGURE 3-18. ENGINE COMPONENTS - DEUTZ D2.9L4 ENGINE (STAGE V) (CE & UK CA SPECS)**

ITEM	PART NUMBER	QTY	DESCRIPTION	REV
	1001277589	Ref	DEUTZ ENGINE COMPONENTS	B
		Ref	<b>COOLING SYSTEM COMPONENTS</b>	
	70031474	1	Cooler, Oil	
	70031388	1	Seal, Oil Cooler	
	70030360	1	Pump, Coolant (Includes Gaskets & Seals)	
	70031055	1	O-Ring, Coolant Pump	
	70007325	1	Gasket	
	70007603	1	Thermostat	
	70005184	1	O-Ring, Thermostat	
	70005931	1	Gasket, Thermostat	
		Ref	<b>ELECTRICAL SYSTEM COMPONENTS</b>	
	70024513	1	Cable, Primary Fuel Filter Sensor (Includes Seal)	
	70025239	1	Seal	
	70028538	1	Sensor, Fuel Pressure (at Filter) (Includes Seal)	
	70024920	1	Seal	
	70029512	1	Module, ECU/ECM	
	70027405	1	Sensor, Exhaust Temperature	
	70031144	1	Starter	
	70008435	1	Generator (includes Regulator)	
	70031143	1	Regulator	
	70000345	4	Plug, Glow	
	70025231	1	Harness, Glow Pug	
	70008553	1	Cable, Interconnect	
	70008558	1	Harness, Engine	
	1001211556	1	Sensor, Temperature (Includes O-Seal)	
	70005507	1	O-Seal	
	70028540	1	Sensor, Temperature (in Cylinder Head)	
	70024504	1	Sensor, Oil Pressure (Side of Block) (Includes Seal)	
	70024920	1	Seal	
	70026210	2	Sensor, Speed (Includes O-Ring/Seal)	
	70005191	1	O-Ring	
	70024917	1	Seal	
	70008559	1	Sensor, Air Pressure (Air Exchange Manifold) (Includes O-Ring)	
	70008561	1	Sensor, Air Pressure (Air Exchange Manifold) (Includes O-Ring)	
	70024505	1	Sender, Exhaust Temperature	
	70029409	1	Sender, Exhaust Temperature	
	70008431	1	Sensor, Exhaust Pressure	
		Ref	<b>EXHAUST SYSTEM COMPONENTS</b>	
	70025130	8	Bolt, Exhaust Manifold	
	70025164	1	Gasket, Exhaust Manifold to Head	
	70005505	2	O-Seal	
	70008543	1	Pipe, Exhaust	
	70008544	1	O-Seal, Exhaust (Venturi Tube to Exhaust Pipe)	
	70008545	1	Gasket, Square Exhaust	
	70005504	1	Sensor, Exhaust Pressure (Includes O-Seals)	
	70031136	1	Gasket, Exhaust (Upper)	
	70007354	1	Gasket, Exhaust (Lower)	
	70008547	1	Module, EGR (Includes Gasket)	
	70007326	1	Gasket	
	70025242	2	Gasket, Compensator	

## SECTION 3 - ENGINE

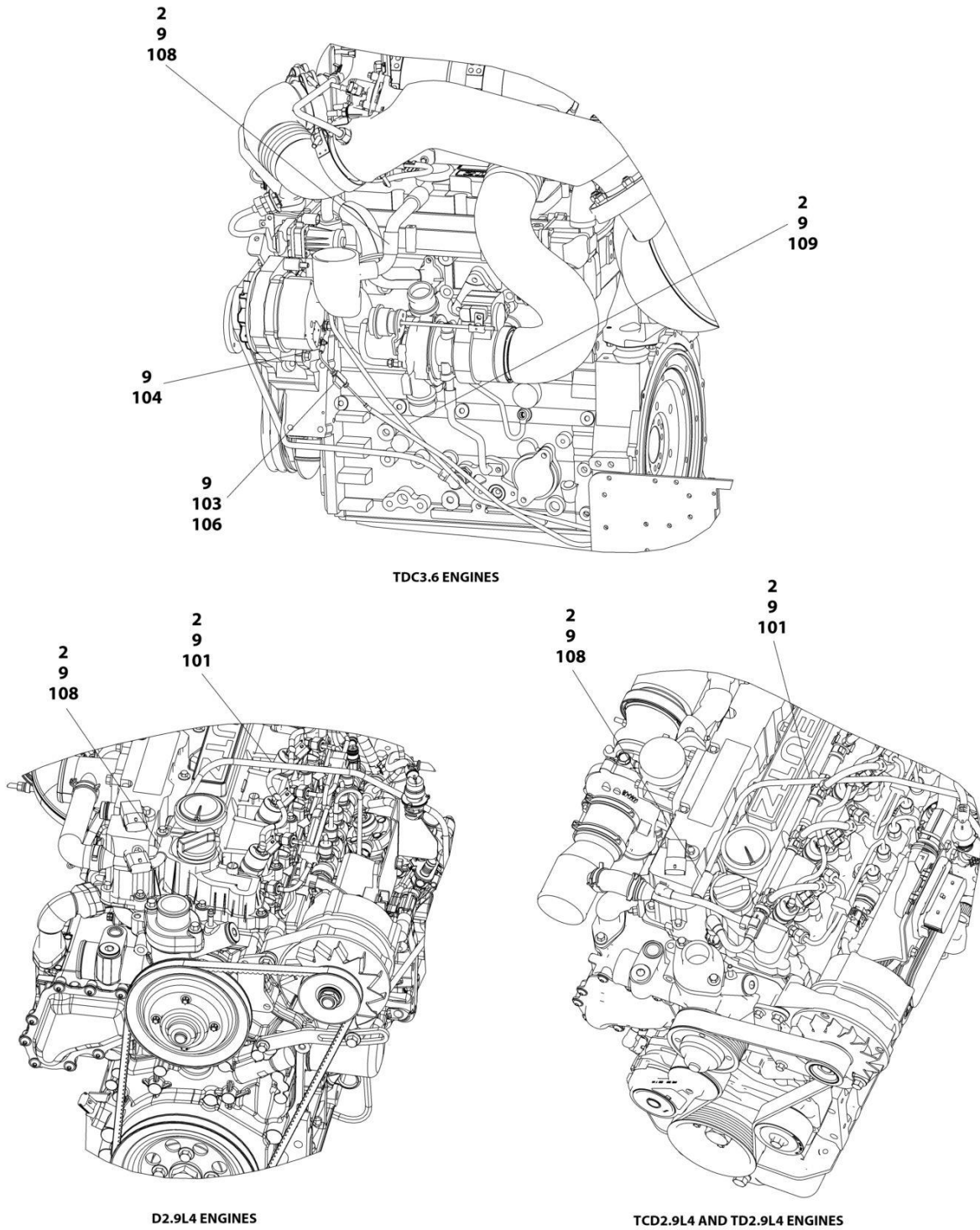
ITEM	PART NUMBER	QTY	DESCRIPTION	REV
	70004504	1	Compensator	
	70008564	1	Catalyst	
		Ref	<b>FUEL SYSTEM COMPONENTS</b>	
	1001225430	1	Filter, Primary Fuel	
	1001225431	1	Filter, Fuel	
	70030381	1	Pump, High Pressure	
	70025152	1	O-Ring (Between Pump AND Spacer)	
	70004505	1	Valve, Overflow (Includes O-Rings)	
	70004506	1	O-Ring	
	70004507	1	O-Ring	
	70004508	1	Valve, Volume Control (Includes O-Ring & Gasket)	
	70004509	1	O-Ring	
	70004510	1	Gasket	
	70004281	4	Injector, Fuel (Includes Sealing Washer & O-Ring)	
	70025140	1	Washer, Sealing	
	70025145	1	O-Rin	
	70008422	1	Pump, Fuel Supply (Includes Clamps)	
	70025144	2	Clamp	
	70008537	1	Valve, Throttle (Includes Gasket)	
	70008538	1	Gasket	
		Ref	<b>GASKETS &amp; SEAL &amp; KITS</b>	
	70024906	1	Gasket, Head	
	70005171	1	Gasket, Valve Cover	
	70002718	1	Seal, Rear Main	
	70028185	1	Gasket, Front Cover	
	70008296	1	Seal, Front Main	
	70025235	1	Kit, Repair - Fuel Rail	
	70005176	1	O-Ring, Charge Exchange Manifold	
	70005177	1	Gasket, Charge Exchange Manifold	
	70005938	1	Gasket Kit	
		Ref	<b>LUBRICATION SYSTEM COMPONENTS</b>	
	7016331	1	Filter, Oil	
	70024904	1	Dipstick (Includes O-Ring)	
	70024905	1	O-Ring, Dipstick	
	7020465	2	Cap, Oil Fill	
	70005941	1	Plug, Oil Drain	
	70005942	1	Washer, Oil Drain Plug	
	70005172	1	Pump, Oil Lube (Includes Gasket & O-Ring)	
		Ref	<b>MECHANICAL COMPONENTS</b>	
	70001870	1	Flywheel (Includes Ring Gear)	
	7024579	1	Gear, Ring	
	70024913	1	V-Belt	





# SECTION 3 - ENGINE

## FIGURE 3-19. BREATHER HEATER INSTALLATION - DEUTZ D2.9L4 ENGINE WITH ARCTIC PACKAGE



ART\_1001233763

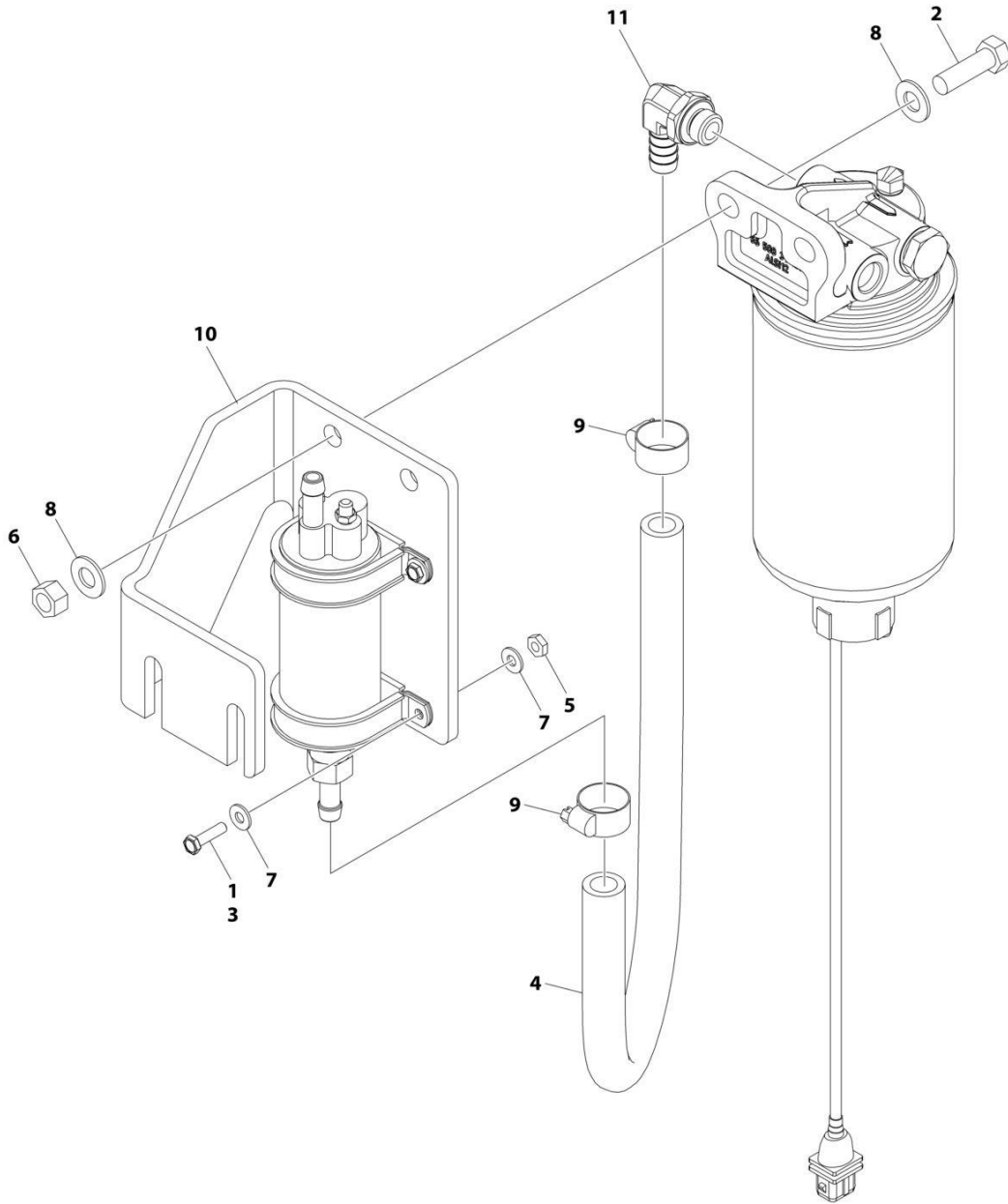
## SECTION 3 - ENGINE

**FIGURE 3-19. BREATHER HEATER INSTALLATION - DEUTZ D2.9L4 ENGINE WITH ARCTIC PACKAGE**

ITEM	PART NUMBER	QTY	DESCRIPTION	REV
	1001233763	Ref	BREATHER HEATER INSTALLATION - DEUTZ ENGINES	D
2	4240099	AR	Tie-Strap	
9	1001243895	1	Breather Heater Harness	C
101	2820035	AR	Insulation	
103	2400060	1	Fuseholder with Cover	
104	4460043	1	Terminal, Ring	
105	4460722	1	Terminal, Ring (Not Shown)	
106	1001196634	1	Fuse - 2 Amp	
108	1001232842	1	Breather Heater Kit	

# SECTION 3 - ENGINE

## FIGURE 3-20. BRACKET ASSEMBLY - FUEL PUMP AND FILTER (DEUTZ D2.9L4 ENGINE)



ART\_1001162335

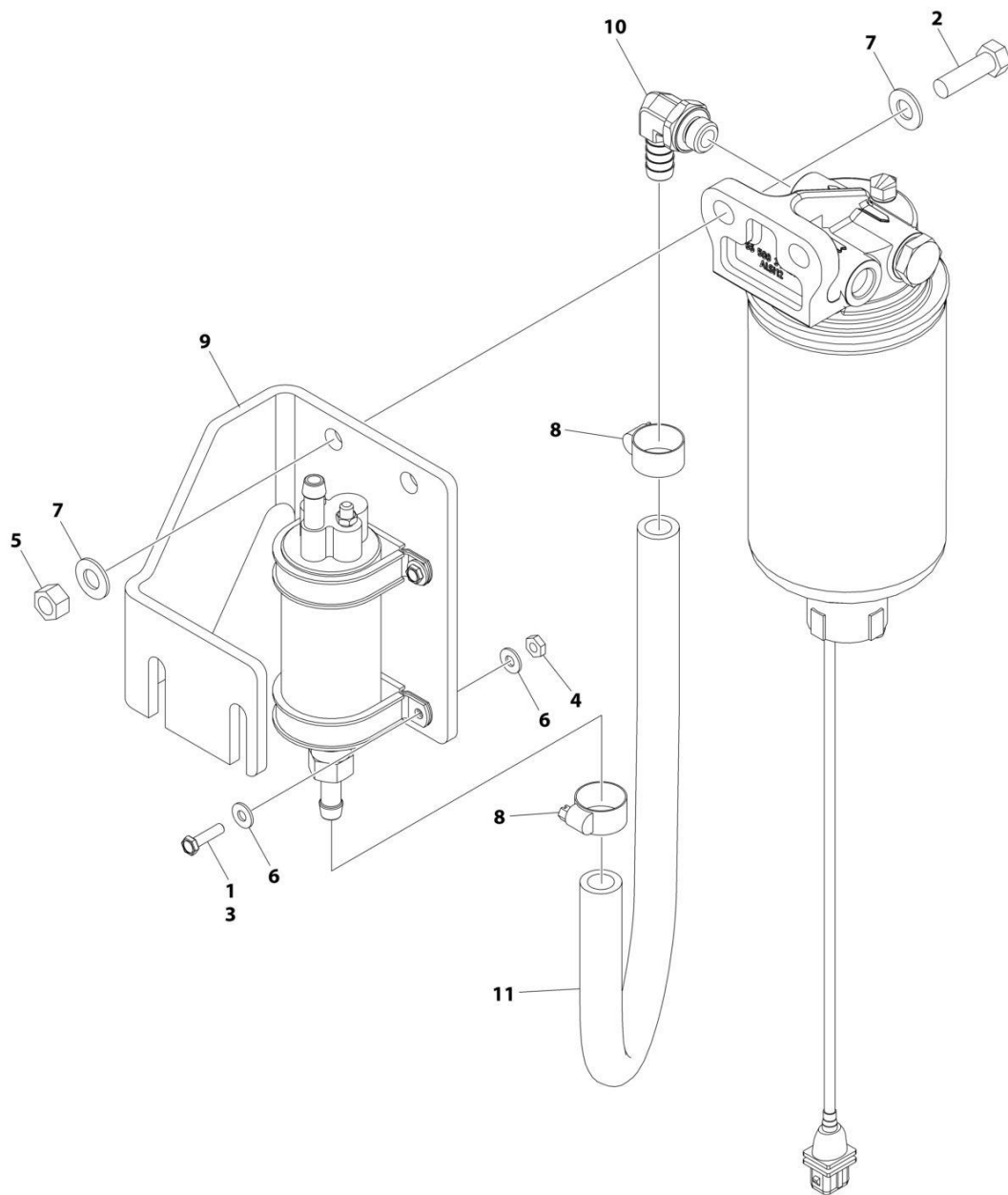
## SECTION 3 - ENGINE

**FIGURE 3-20. BRACKET ASSEMBLY - FUEL PUMP AND FILTER (DEUTZ D2.9L4 ENGINE)**

ITEM	PART NUMBER	QTY	DESCRIPTION	REV
	1001162335	Ref	BRACKET ASSEMBLY - FUEL PUMP AND FILTER (DEUTZ D2.9L4 ENGINE)	E
1	0100011	AR	Compound, Locking	
2	0641610	2	Bolt 3/8 x 1-1/4	
3	0721006	4	Bolt #10 x 3/4	
4	1001154405	AR	Hose	
5	3311001	4	Nut #10	
6	3311605	2	Nut 3/8	
7	4711000	8	Washer #10	
8	4711600	4	Washer 3/8	
9	8405006	2	Clamp	
10	1001141870	1	Plate, Fuel Pump Mount	
11	1001142501	1	Fitting, Elbow Barbed	

## SECTION 3 - ENGINE

FIGURE 3-21. BRACKET ASSEMBLY - FUEL PUMP AND FILTER (DEUTZ D2.9L4 ENGINE) (STAGE V)



ART\_1001235949

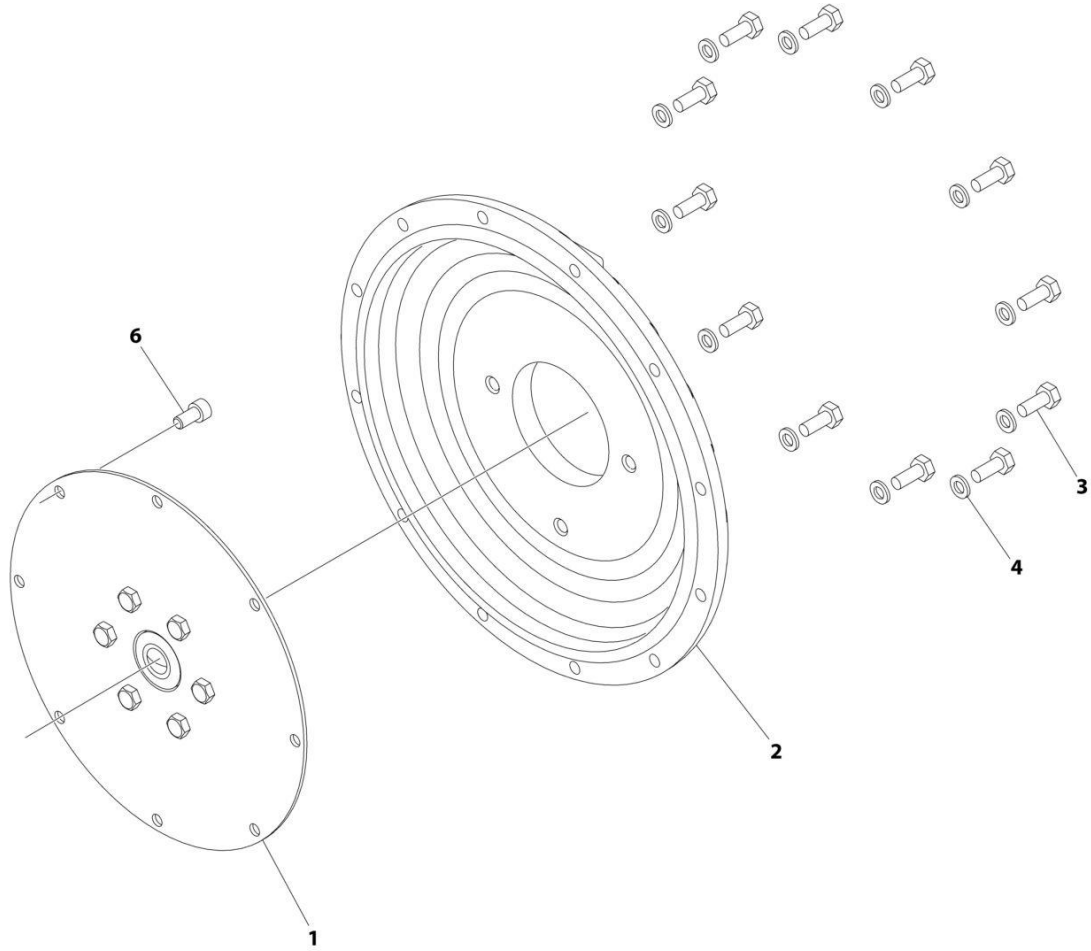
## SECTION 3 - ENGINE

**FIGURE 3-21. BRACKET ASSEMBLY - FUEL PUMP AND FILTER (DEUTZ D2.9L4 ENGINE) (STAGE V)**

ITEM	PART NUMBER	QTY	DESCRIPTION	REV
	1001235949	Ref	BRACKET ASSEMBLY - FUEL PUMP AND FILTER (DEUTZ D2.9L4 (STAGE V) ENGINE)	A
1	0100035	AR	Compound, Locking	
2	0641610	2	Bolt 3/8 x 1-1/4	
3	0721006	4	Bolt #10 x 3/4	
4	3311001	4	Nut #10	
5	3311605	2	Nut 3/8	
6	4711000	8	Washer #10	
7	4711600	4	Washer 3/8	
8	8405006	2	Clamp	
9	1001141870	1	Plate, Fuel Pump Mount	
10	1001142501	1	Fitting, Elbow Barbed	
11	1001154405	1.5 ft /0.4m	Hose	

# SECTION 3 - ENGINE

## FIGURE 3-22. PUMP COUPLING KIT (DEUTZ ENGINES)



ART\_2902065



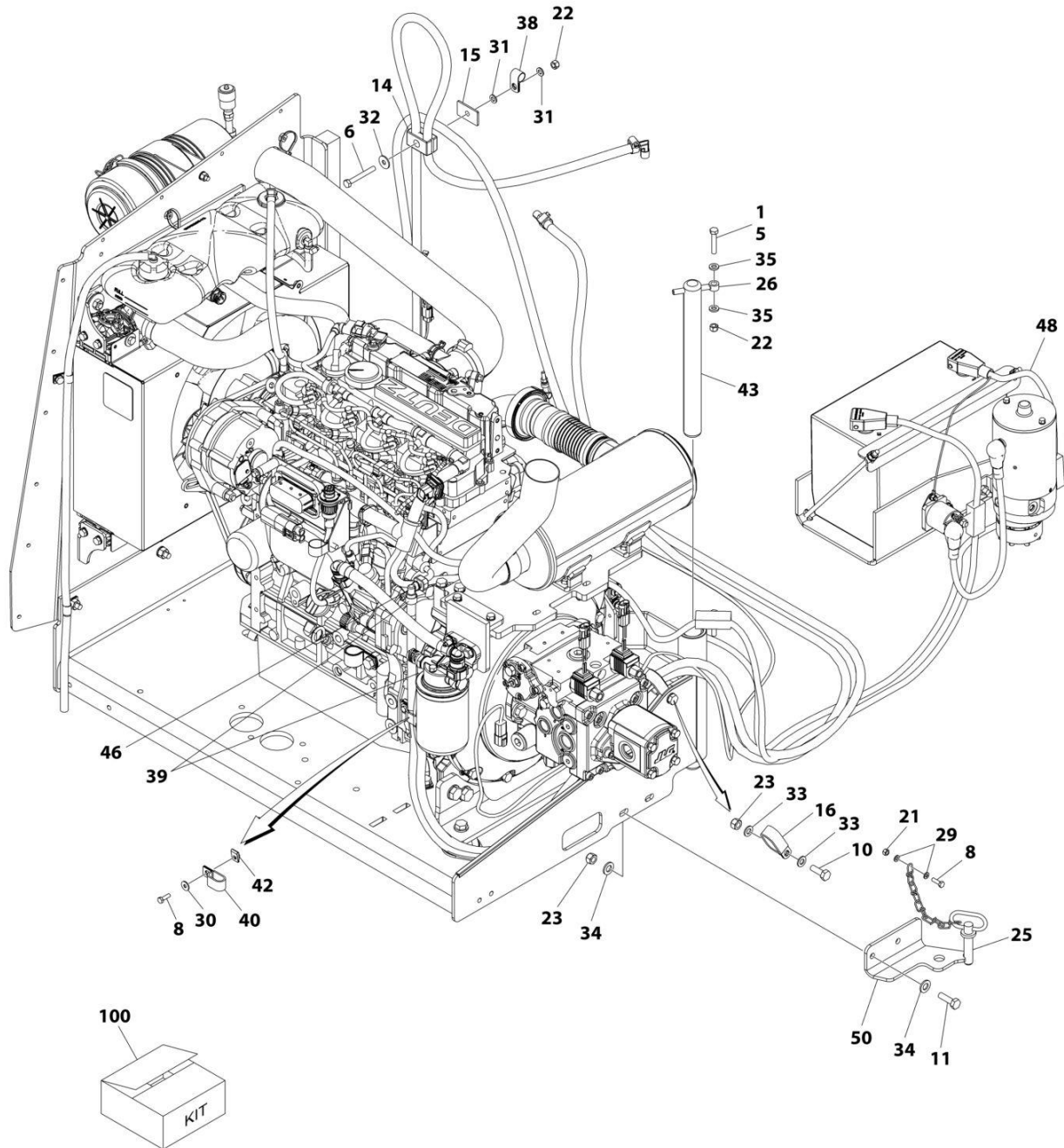
## SECTION 3 - ENGINE

### FIGURE 3-22. PUMP COUPLING KIT (DEUTZ ENGINES)

ITEM	PART NUMBER	QTY	DESCRIPTION	REV
	2902065	Ref	PUMP COUPLING KIT	L
1	70000793	1	Coupling, Hayes	
2	See Note	NSS	Plate, Pump Adapter (Note: Use p/n 2902065)	
3	See Note	NSS	Bolt M10 x 30 Grade 10.9 (Note: Use p/n 2902065)	
4	See Note	NSS	Washer M10 (Note: Use p/n 2902065)	
6	See Note	NSS	Bolt M10 x 20 Grade 10.9 (Note: Use p/n 2902065)	

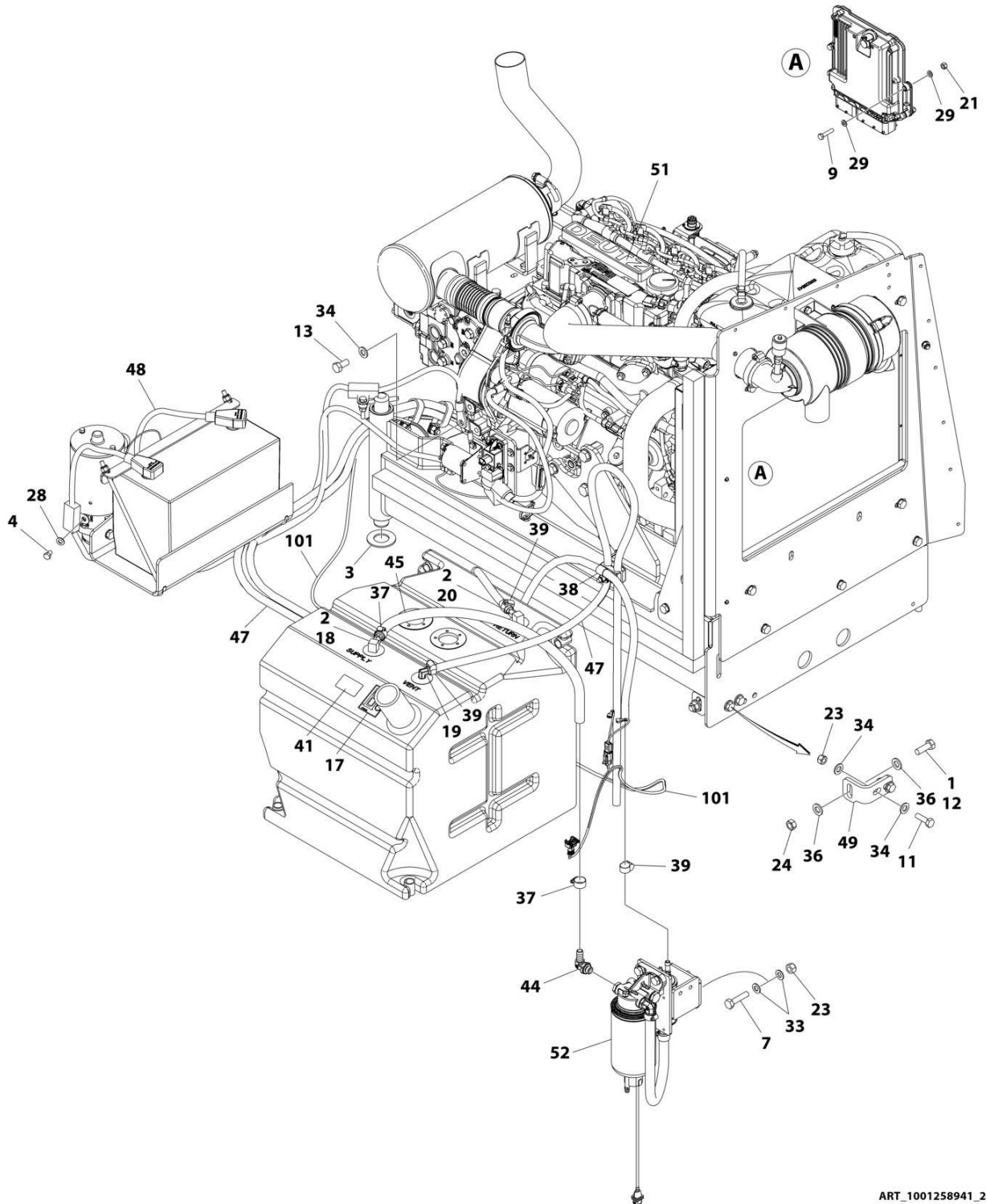
# SECTION 3 - ENGINE

## FIGURE 3-23. ENGINE INSTALLATION - DEUTZ D2.9L4 ENGINE (CHINA IV)



ART\_1001258941\_10F2

# SECTION 3 - ENGINE



ART\_1001258941\_20F2

## SECTION 3 - ENGINE

FIGURE 3-23. ENGINE INSTALLATION - DEUTZ D2.9L4 ENGINE (CHINA IV)

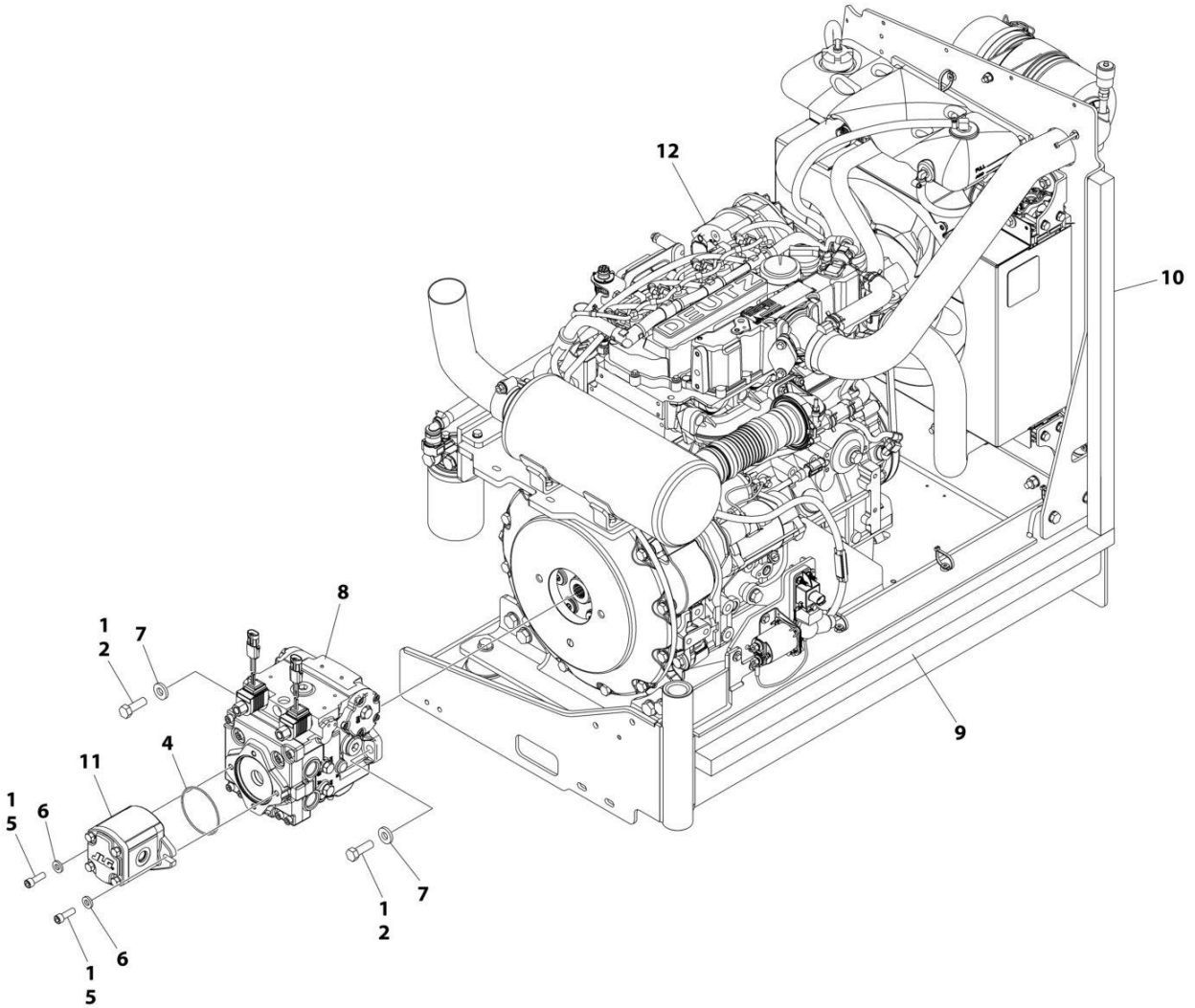
ITEM	PART NUMBER	QTY	DESCRIPTION	REV
	1001258941	Ref	DEUTZ D2.9L4 ENGINE INSTALLATION	A
1	0100011	AR	Compound, Locking	
2	0100020	AR	Sealant, Pipe	
3	0440162	1	Bearing	
4	0641504	1	Bolt 5/16 x 1/2	
5	0700817	1	Bolt M8 x 45	
6	0700821	1	Bolt M8 x 65	
7	0701017	2	Bolt M10 x 45	
8	0760610	2	Bolt M6 x 20	
9	0760613	4	Bolt M6 x 28	
10	0761014	2	Bolt M10 x 30	
11	0761015	4	Bolt M10 x 35	
12	0761215	1	Bolt M12 x 35	
13	0771212	1	Bolt M12 x 25 Class 10.9	
14	1320187	1	Clamp	
15	1320190	1	Clamp	
16	1321716	2	Clamp	
17	1701505	1	Decal - Diesel Fuel	
18	2180832	1	Fitting, Barbed	
19	2220313	1	Fitting, Barbed 90 3/8 NPTF / 3/8	
20	2220767	1	Fitting, Barbed 90	
21	3290605	5	Nut, Lock M8	
22	3290805	2	Nut, Lock M8	
23	3291005	8	Nut, Lock M10	
24	3331215	1	Nut, Lock M12	
25	3422532	1	Pin	
26	3841143	1	Keeper, Pin	
27	4240099	AR	Tie-Strap (Not Shown)	
28	4711500	1	Washer 5/16	
29	4811700	10	Washer M6	
30	4811702	1	Washer M6	
31	4811900	2	Washer M8	
32	4811902	1	Washer M8	
33	4812000	8	Washer M10	
34	4812100	9	Washer M12	
35	5240800	2	Washer M8 Hardened	
36	5241200	2	Washer M12	
37	8405006	2	Clamp	
38	8406101	1	Clip	
39	8410013	5	Clamp	
40	1001026127	1	Clamp	
41	1001125387	1	Decal - Ultra Low Sulfur	
42	1001130220	1	Nut, Tinnerman M6	
43	1001135196	1	Pin	
44	1001142501	1	Fitting, Barbed 90	
45	1001154405	2.29 ft / 0.70m	Hose	
46	1001155823	1	Coupling, Quick Disconnect 90	
47	1001165035	27 ft / 8.3 cm	Hose	

## SECTION 3 - ENGINE

ITEM	PART NUMBER	QTY	DESCRIPTION	REV
48	1001166970	1	Battery and Auxiliary Power Pump Cable Kit	
49	1001167512	1	Bracket, Engine Tray	
50	1001169823	1	Plate, Engine Lock	
51	1001258942	1	Deutz D2.9L4 (China IV) Engine Sub-Assembly (See Separate Breakdown in this Section)	
52	1001259087	1	Fuel Pump & Filter Assembly (See Separate Breakdown in this Section)	
100	1001222660	1	Deutz Fuel Pump Harness Kit (Includes Items 101-103)	
101	1001173342	1	Harness, Fuel Pump (See Separate Breakdown in ELECTRICAL Section)	
103	4460042	1	Terminal (Not Shown)	

# SECTION 3 - ENGINE

FIGURE 3-24. ENGINE AND PUMP SUB-ASSEMBLY - DEUTZ D2.9L4 ENGINE (CHINA IV)



ART\_1001258942

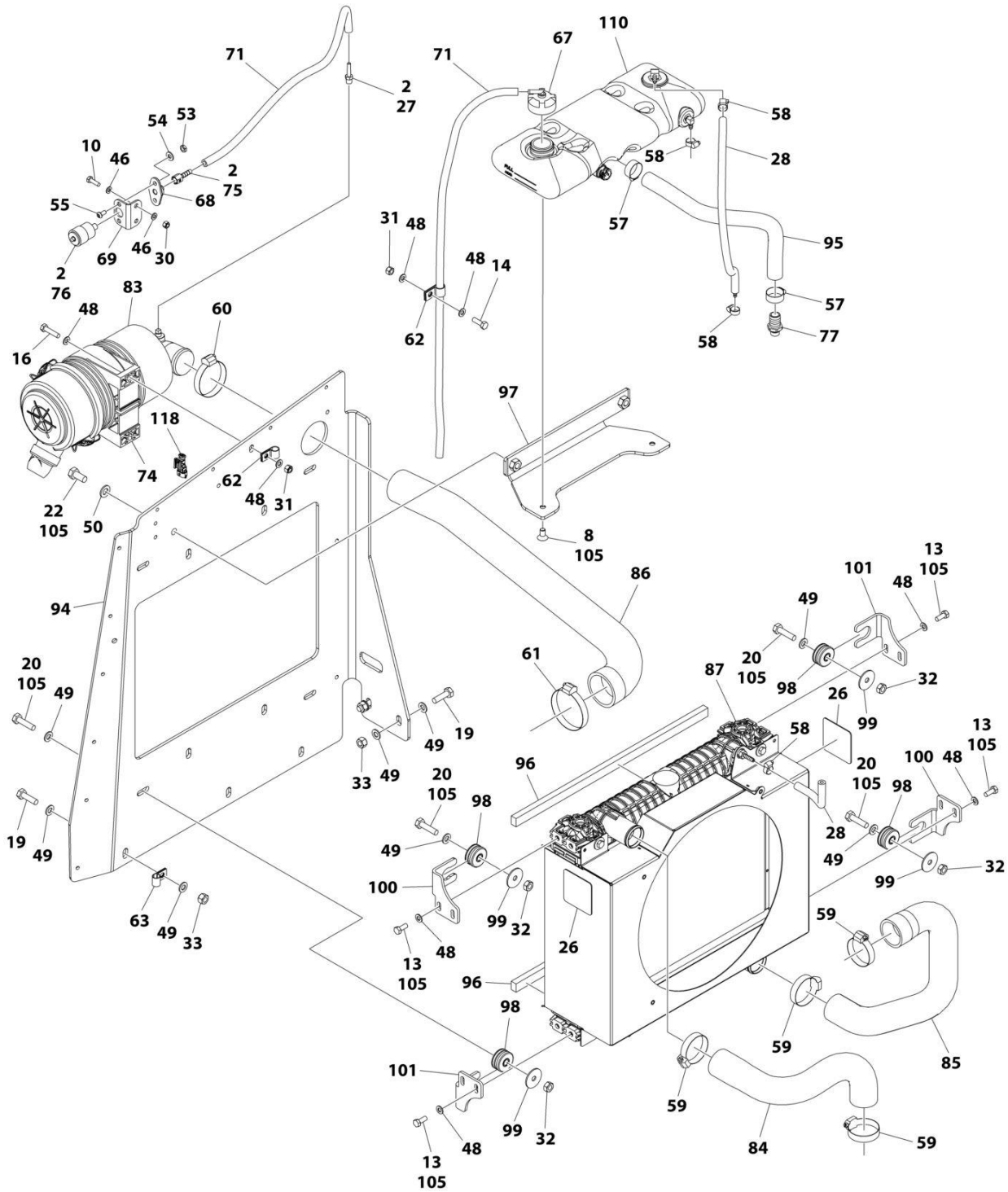
## SECTION 3 - ENGINE

**FIGURE 3-24. ENGINE AND PUMP SUB-ASSEMBLY - DEUTZ D2.9L4 ENGINE (CHINA IV)**

ITEM	PART NUMBER	QTY	DESCRIPTION	REV
	1001258942	Ref	ENGINE AND PUMP SUB-ASSEMBLY	G
1	0100011	AR	Compound, Locking	
2	0641812	2	Bolt 1/2 x 1-1/2	
4	3790152	1	O-Ring	
5	3931618	2	Capscrew 3/8 x 1-1/8	
6	4891600	2	Washer 3/8 Hardened	
7	4891800	2	Washer 1/2 Hardened	
8	1001167036	1	Piston Pump Assembly (See Separate Breakdown in this Section)	
9	1001171953	1	Seal	
10	1001171954	1	Seal	
11	1001214207	1	Gear Pump Assembly	
11	70006356	1	Seal Kit - 1001214207 Pump	
12	1001258943	1	Engine Assembly, Deutz (China IV) Engine (See Separate Breakdown in this Section)	

# SECTION 3 - ENGINE

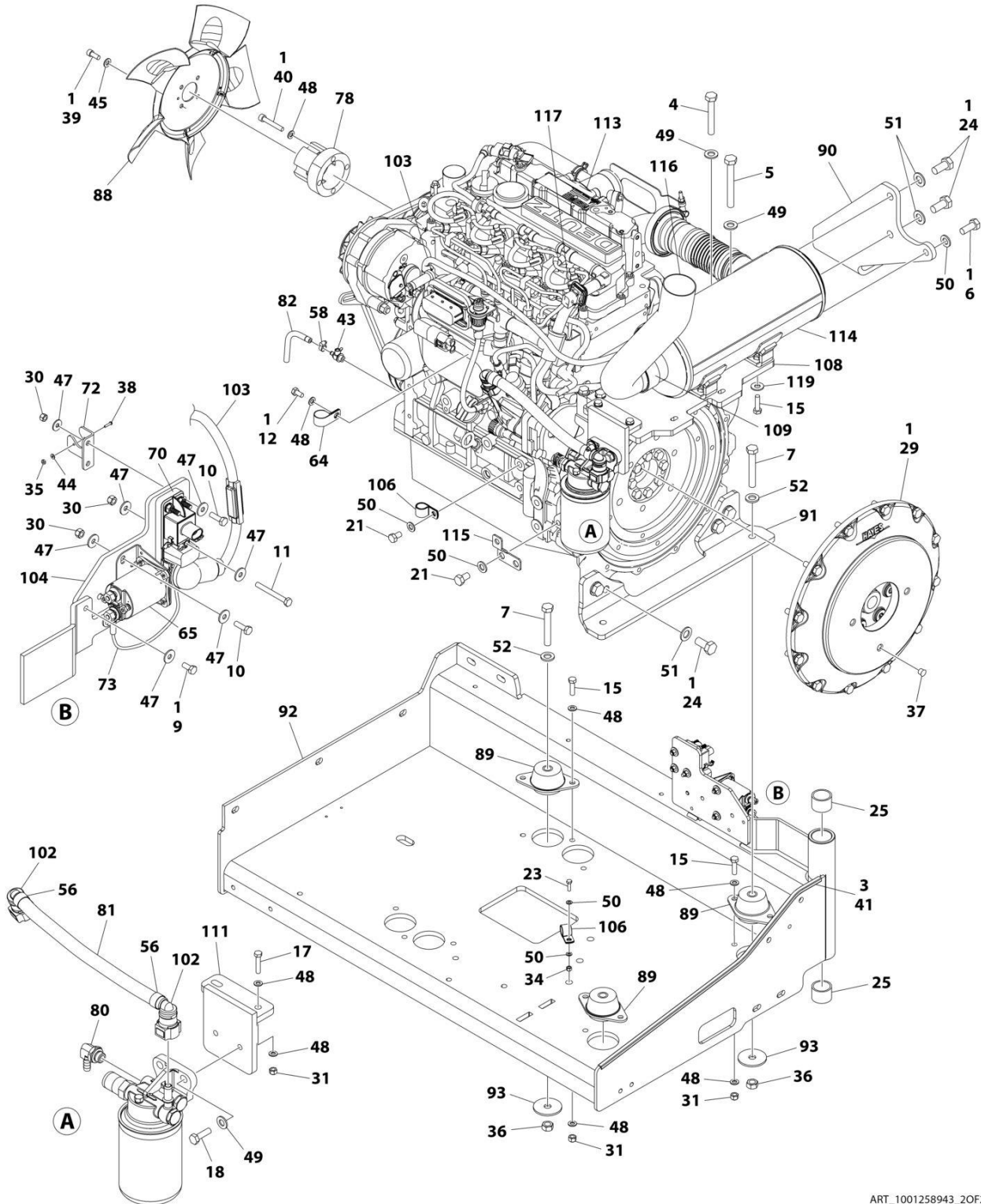
## FIGURE 3-25. ENGINE ASSEMBLY - DEUTZ D2.9L4 (CHINA IV)



ART\_1001258943\_10F2



# SECTION 3 - ENGINE



ART\_1001258943\_2OF2

## SECTION 3 - ENGINE

FIGURE 3-25. ENGINE ASSEMBLY - DEUTZ D2.9L4 (CHINA IV)

ITEM	PART NUMBER	QTY	DESCRIPTION	REV
	1001258943	Ref	DEUTZ D2.9L4 ENGINE ASSEMBLY	E
1	0100011	AR	Compound, Locking	
2	0100020	AR	Sealant	
3	0100081	AR	Compound, Locking	
4	0701022	2	Bolt M10 x 70	
5	0701025	2	Bolt M10 x 85	
6	0711214	1	Bolt M12 x 30 Class 10.9	
7	0711224	3	Bolt M12 x 80 Class 10.9	
8	0741606	2	Screw 3/8 x 3/4	
9	0760607	3	Bolt M6 x 14	
10	0760610	6	Bolt M6 x 20	
11	0760619	1	Bolt M6 x 55	
12	0760808	1	Bolt M8 x 16	
13	0760810	8	Bolt M8 x 20	
14	0760812	1	Bolt M8 x 25	
15	0760814	10	Bolt M8 x 30	
16	0760815	2	Bolt M8 x 35	
17	0760816	2	Bolt M8 x 40	
18	0761012	2	Bolt M10 x 25	
19	0761015	5	Bolt M10 x 35	
20	0761016	4	Bolt M10 x 40	
21	0761210	3	Bolt M12 x 20	
22	0761212	2	Bolt M12 x 25	
23	0761216	1	Bolt M12 x 40	
24	0771414	6	Bolt M14 x 30 Class 10.9	
25	0961951	2	Bushing	
26	1703162	2	Decal - Fan Blade	
27	2220315	1	Fitting, Straight Barbed	
28	2720015	26 in/ 65cm	Hose	
29	2902065	1	Pump Coupling Kit (See Separate Breakdown in this Section)	
30	3290605	7	Nut, Lock M6	
31	3290805	11	Nut, Lock M8	
32	3291001	4	Nut M10	
33	3291005	5	Nut, Lock M10	
34	3291205	1	Nut, Lock M12	
35	3310401	3	Nut #4	
36	3331215	3	Nut, Lock M12 Class 10	
37	3520054	1	Plug	
38	3910408	3	Bolt #4 x 1/2	
39	3931512	4	Capscrew 5/16 x 3/4	
40	4031914	4	Capscrew M8 x 50	
41	4060805	2 ft/ 0.62m	Trim	
42	4240099	AR	Tie-Strap (Not Shown)	
43	4640751	1	Valve, Oil Drain	
44	4710400	3	Washer #4	
45	4711500	4	Washer 5/16	
46	4811700	4	Washer M6	
47	4811702	12	Washer M6	

## SECTION 3 - ENGINE

ITEM	PART NUMBER	QTY	DESCRIPTION	REV
48	4811900	35	Washer M8	
49	4812000	20	Washer M10	
50	4812100	8	Washer M12	
51	4812200	6	Washer M14	
52	5241200	3	Washer M12	
53	8305401	2	Nut, Jam 1/4	
54	8307109	2	Washer 1/4	
55	8310548	2	Bolt 1/4 x 1/2	
56	8405006	2	Clamp	
57	8405007	2	Clamp	
58	8405009	5	Clamp	
59	8405104	4	Clamp	
60	8405202	1	Clamp	
61	8405204	1	Clamp	
62	8406109	2	Clip	
63	8406110	1	Clip	
64	8406201	1	Clip	
65	1001117308	1	Contactora	
67	1001136834	1	Cap, Tank	
68	1001138173	1	Bracket	
69	1001138175	1	Bracket	
70	1001138228	1	Relay	
71	1001138248	5.2 ft / 1.6m	Tube	
72	1001139240	1	Bracket	
73	1001141304	1	Harness, Glow Fuse	
74	1001141694	1	Clamp	
75	1001141995	1	Fitting, Straight Barbed	
76	1001143390	1	Indicator, Air Filter Service	
77	1001143797	1	Fitting, Straight Barbed	
78	1001286568	1	Adapter	
79	1001146588	AR	Fir Tree (Not Shown)	
80	1001152489	1	Fitting, 90 Barbed	
81	1001154405	10 in/ 25cm	Hose	
82	1001165035	8 in/ 20cm	Hose	
83	1001165388	1	Filter, Air Cleaner	
83	70003783	1	Element, Filter	
84	1001165405	1	Hose, Radiator (Top)	
85	1001165406	1	Hose, Radiator (Bottom)	
86	1001165721	1	Hose	
87	1001287643	1	Radiator	
88	1001288266	1	Fan	
89	1001166718	3	Isolator	
90	1001166921	1	Bracket, Engine - Right	
91	1001166924	1	Bracket, Engine - Rear	
92	1001167520	1	Tray, Engine	
93	1001168018	3	Washer	
94	1001168026	1	Support, Radiator	
95	1001168099	1	Hose	
96	1001168166	2	Seal	
97	1001168950	1	Bracket, Surge Tank	

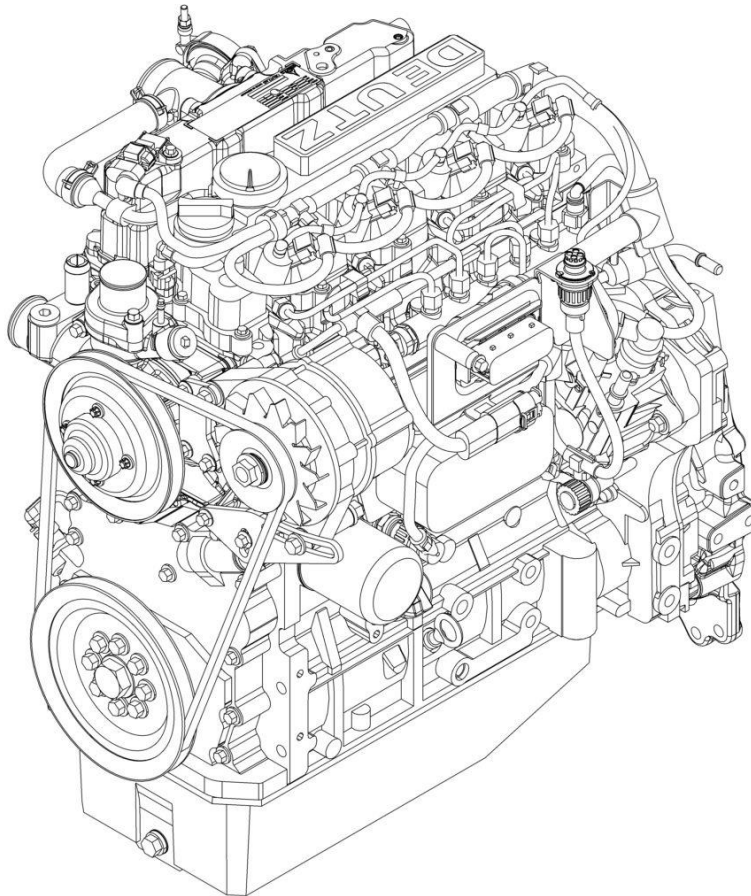
## SECTION 3 - ENGINE

ITEM	PART NUMBER	QTY	DESCRIPTION	REV
98	1001169054	4	Isolator	
99	1001169138	4	Pad, Snubbing	
100	1001169967	2	Bracket	
101	1001170035	2	Bracket	
102	1001170982	2	Adapter	
103	1001178788	1	Cable, Alternator Power	
104	1001179903	1	Bracket	
105	1001180620	AR	Compound, Locking	
106	1001191620	2	Clamp	
108	1001221203	1	Bracket, Muffler	
109	1001221212	1	Clamp	
110	1001230635	1	Tank, Surge	
110	1001134488	1	Fitting, 90 Barbed	
110	1001138827	1	Sensor, Coolant Level	
110	1001140564	1	Fitting, 90 Barbed	
111	1001288366	1	Bracket, Fuel Filter	
112	1001276643	1	Engine Harness - Deutz D2.9L4 (China IV) (Not Shown) (See Separate Breakdown in ELECTRICAL Section)	
113	1001258112	1	Deutz D2.9L4 (China IV) Engine (See Separate Breakdown in ELECTRICAL Section)	
114	1001280270	1	Muffler	
115	1001258502	1	Bracket	
116	1001260576	1	Pipe, Exhaust	
117	1001281985	1	Connector	
118	1001281986	1	Connector	
119	4811902	4	Washer M8	



## SECTION 3 - ENGINE

FIGURE 3-26. ENGINE COMPONENTS - DEUTZ D2.9L4 (CHINA IV)



ART\_1001258112

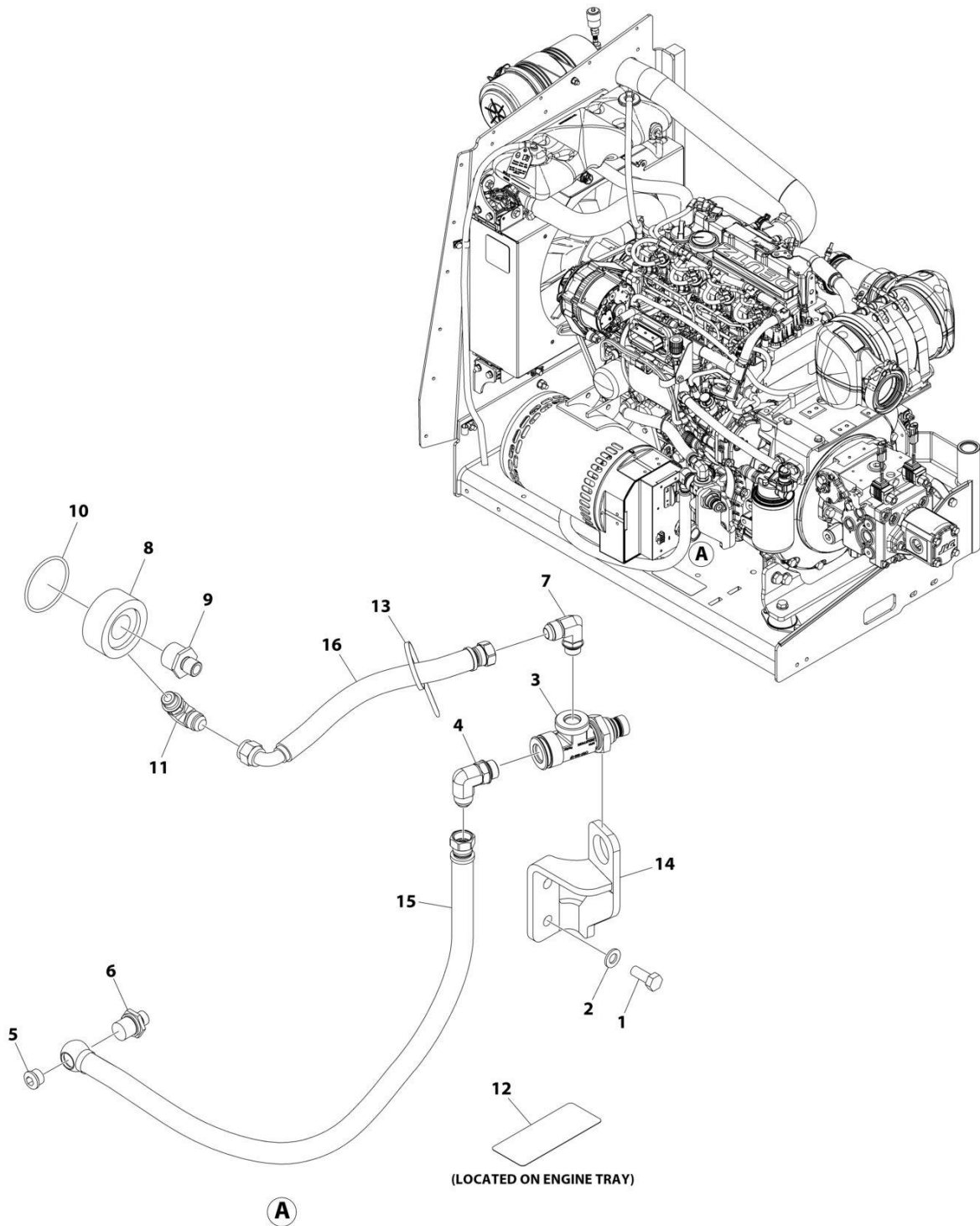
## SECTION 3 - ENGINE

**FIGURE 3-26. ENGINE COMPONENTS - DEUTZ D2.9L4 (CHINA IV)**

ITEM	PART NUMBER	QTY	DESCRIPTION	REV
	1001258112	Ref	DEUTZ D2.9L4 ENGINE COMPONENTS	B
	See Note	Ref	Note: No Service Parts Available at Time of Printing.	

# SECTION 3 - ENGINE

## FIGURE 3-27. QUICKFIT OIL DRAIN INSTALLATION (DEUTZ D2.9L4 ENGINES)



ART\_1001285636



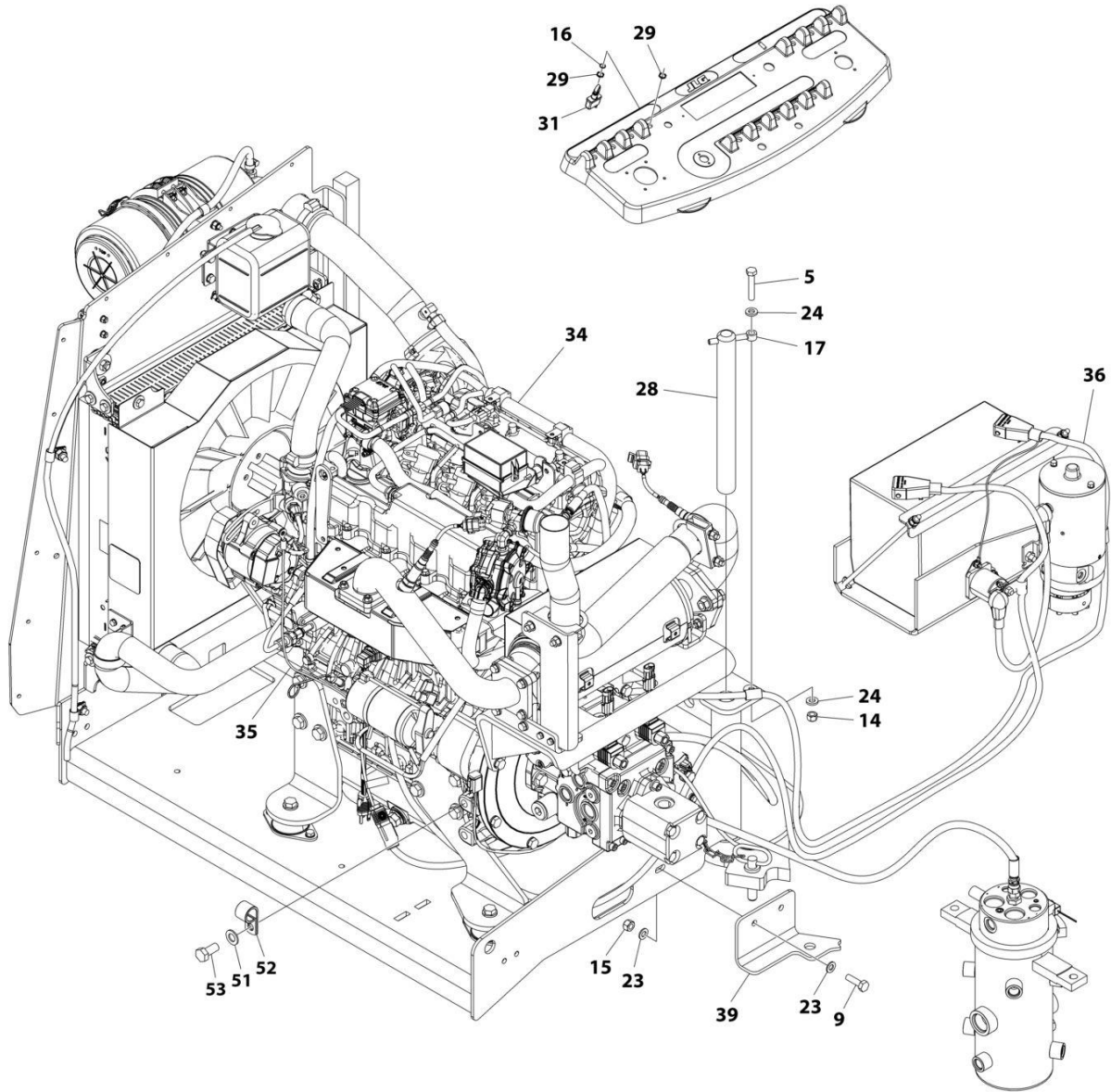
## SECTION 3 - ENGINE

**FIGURE 3-27. QUICKFIT OIL DRAIN INSTALLATION (DEUTZ D2.9L4 ENGINES)**

ITEM	PART NUMBER	QTY	DESCRIPTION	REV
	1001285636	Ref	QUICKFIT OIL DRAIN INSTALLATION	A
1	0761214	2	Bolt M12 x 30	
2	4812100	2	Washer M12	
3	1001281298	1	Valve, Quickfit	
4	1001281301	1	Fitting, 90	
5	1001281304	1	Plug	
6	1001281305	1	Fitting, Banjo	
7	1001281307	1	Fitting, 90	
8	1001281309	1	Filter, Ring	
9	1001281310	1	Fitting, Straight	
10	1001281311	1	O-Ring	
11	1001281359	1	Valve, Check	
12	1001281360	1	Decal - RPM Quickfit	
13	1001281656	1	Tie-Strap	
14	1001287536	1	Bracket	
15	1001287552	1	Hose	
16	1001288113	1	Hose	

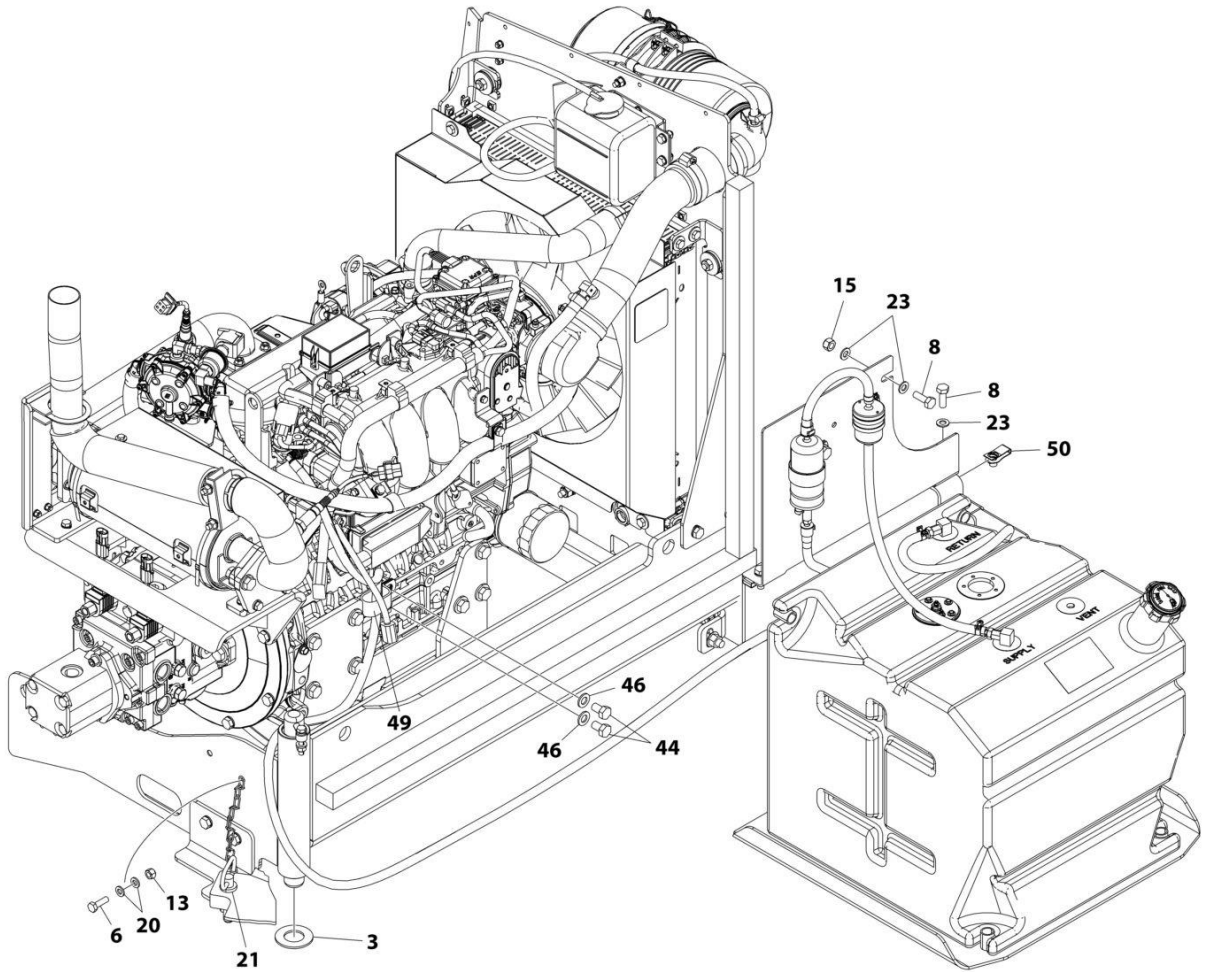
# SECTION 3 - ENGINE

## FIGURE 3-28. ENGINE INSTALLATION - KUBOTA ENGINE (WITHOUT ARCTIC PACKAGE)



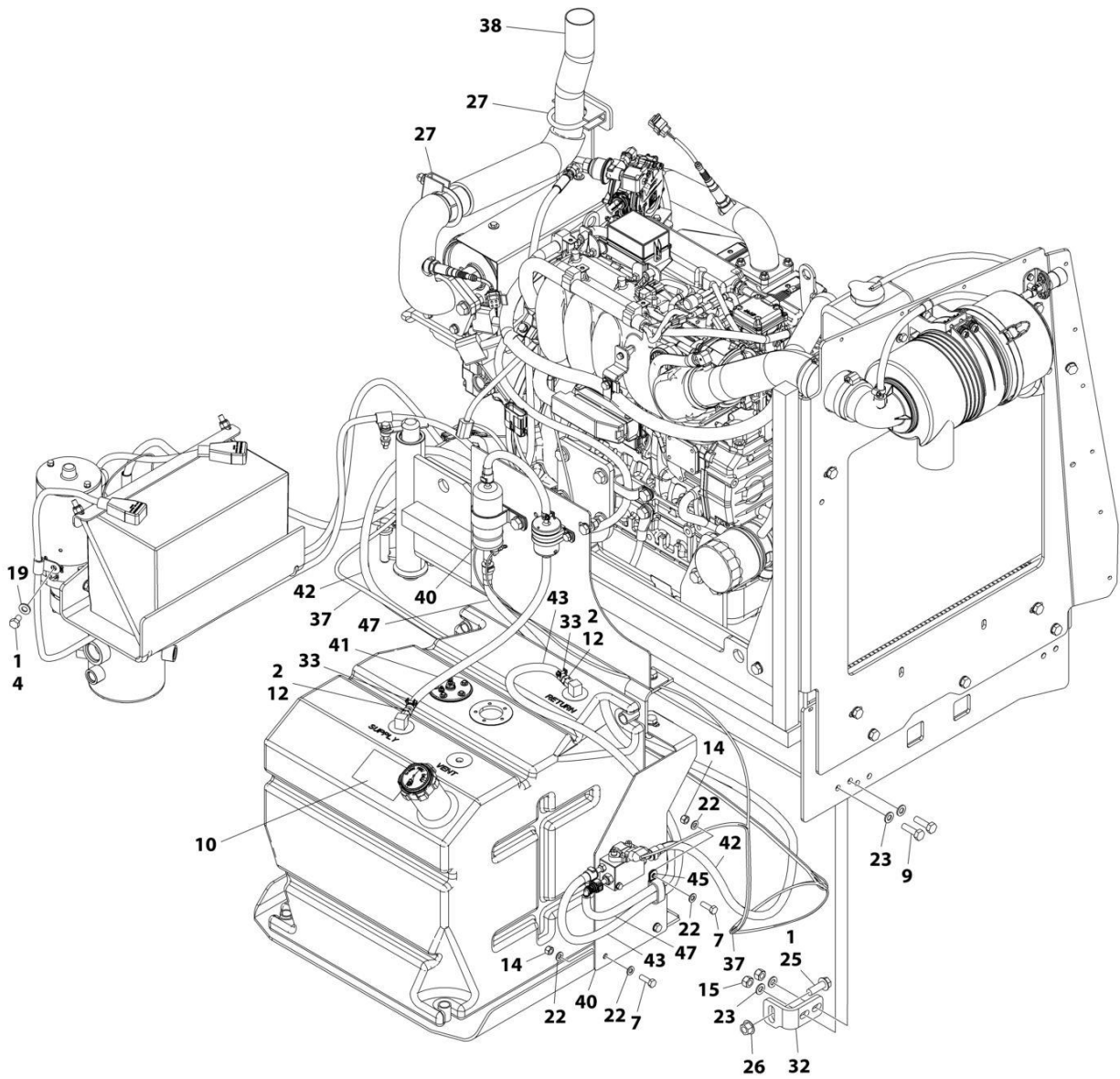
ART\_1001236250\_10F3

# SECTION 3 - ENGINE



ART\_1001236250\_20F3

# SECTION 3 - ENGINE



ART\_1001236250\_30F3

## SECTION 3 - ENGINE

**FIGURE 3-28. ENGINE INSTALLATION - KUBOTA ENGINE (WITHOUT ARCTIC PACKAGE)**

ITEM	PART NUMBER	QTY	DESCRIPTION	REV
	1001236250	Ref	ENGINE INSTALLATION - KUBOTA ENGINE (WITHOUT ARCTIC PACKAGE)	A
1	0100011	AR	Compound, Locking	
2	0100020	AR	Sealant, Pipe	
3	0440162	1	Bearing	
4	0641504	1	Bolt 5/16 x 1/2	
5	0700817	1	Bolt M8 x 45	
6	0760610	1	Bolt M6 x 20	
7	0760812	3	Bolt M8 x 25	
8	0761014	4	Bolt M10 x 30	
9	0761015	4	Bolt M10 x 35	
10	1701542	2	Decal - Gas	
11	1701543	1	Decal - LPG (Not Shown)	
12	2180348	2	Fitting, Barbed	
13	3290605	1	Nut M6	
14	3290805	4	Nut M8	
15	3291005	5	Nut M10	
16	3790012	1	O-Ring	
17	3841143	1	Keeper, Pin	
18	4240099	AR	Tie-Strap (Not Shown)	
19	4711500	1	Washer 5/16	
20	4811700	2	Washer M6	
21	3422532	1	Pin	
22	4811900	6	Washer M8	
23	4812000	13	Washer M10	
24	5240800	2	Washer M8	
25	5251215	1	Bolt M12 x 35	
26	5261200	1	Nut M12 (Grade 10.9)	
27	1001217785	2	Clamp, Muffler	
28	1001135196	1	Pin	
29	1001155044	2	Nut 15/32	
31	1001161710	1	Switch, Toggle	
32	1001167512	1	Bracket, Engine Tray Stow	
33	1001174486	2	Clamp	
34	1001236254	1	Engine and Pump Sub-Assembly - Kubota Engine (Without Arctic Package) (See Separate Breakdown in this Section)	
35	1001212257	1	Cable, Kubota Alternator	
36	1001213062	1	Cable, Battery Cable Kit	
37	1001213599	1	Harness Engine - Kubota Engine (See Separate Breakdown in ELECTRICAL SECTION)	
38	1001214502	1	Pipe, Tail Pipe	
39	1001215259	1	Plate, Engine Lock	
40	1001215801	1	Mount, Fuel System	
41	1001156819	20 in/ 53cm	Hose	
42	1001216396	1	Hose	
43	1001216397	1	Hose	
44	1001217494	2	Bolt M12 x 20	
45	1321283	1	Clamp	
46	4812100	2	Washer M12	

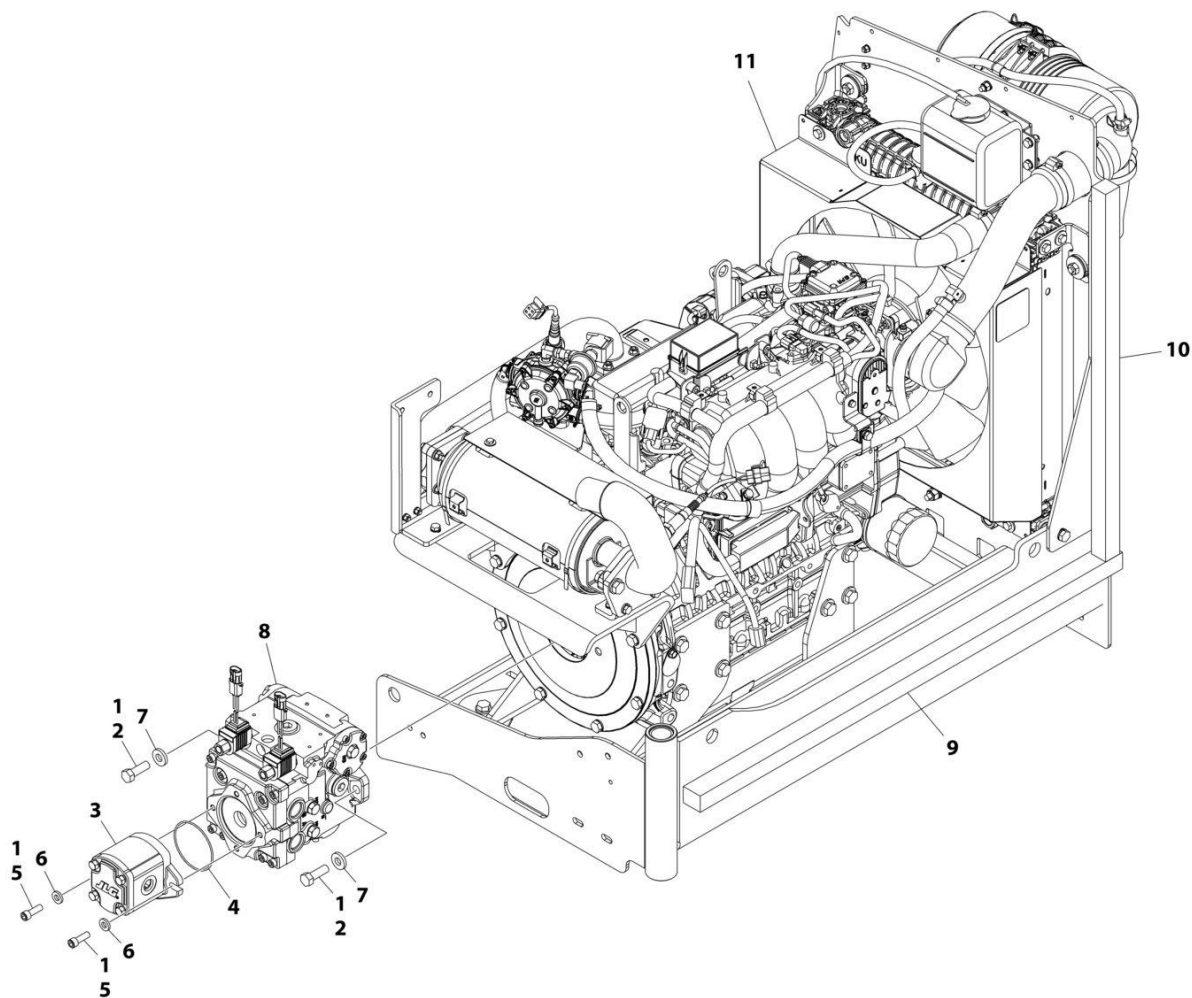
## SECTION 3 - ENGINE

ITEM	PART NUMBER	QTY	DESCRIPTION	REV
47	1001216399	1	Hose	
49	1001195039	1	Clamp	
50	1001118972	3	Nut M10	
51	4812200	1	Washer M14	
52	24431386	1	Support Clamp 15/16	
53	1001217345	1	Bolt M14 x 30	
54	1001229798	1	Harness - Kubota Dual Fuel Power (Not Shown - See Separate Breakdown in ELECTRICAL SECTION)	
55	4460466	8	Terminal, Sealing Plug (Not Shown)	
56	4460930	1	Plug, Male - 8 Position (Deutsch) (Not Shown)	



# SECTION 3 - ENGINE

## FIGURE 3-29. ENGINE AND PUMP SUB-ASSEMBLY - KUBOTA ENGINE (WITHOUT ARCTIC PACKAGE)



ART\_1001236254



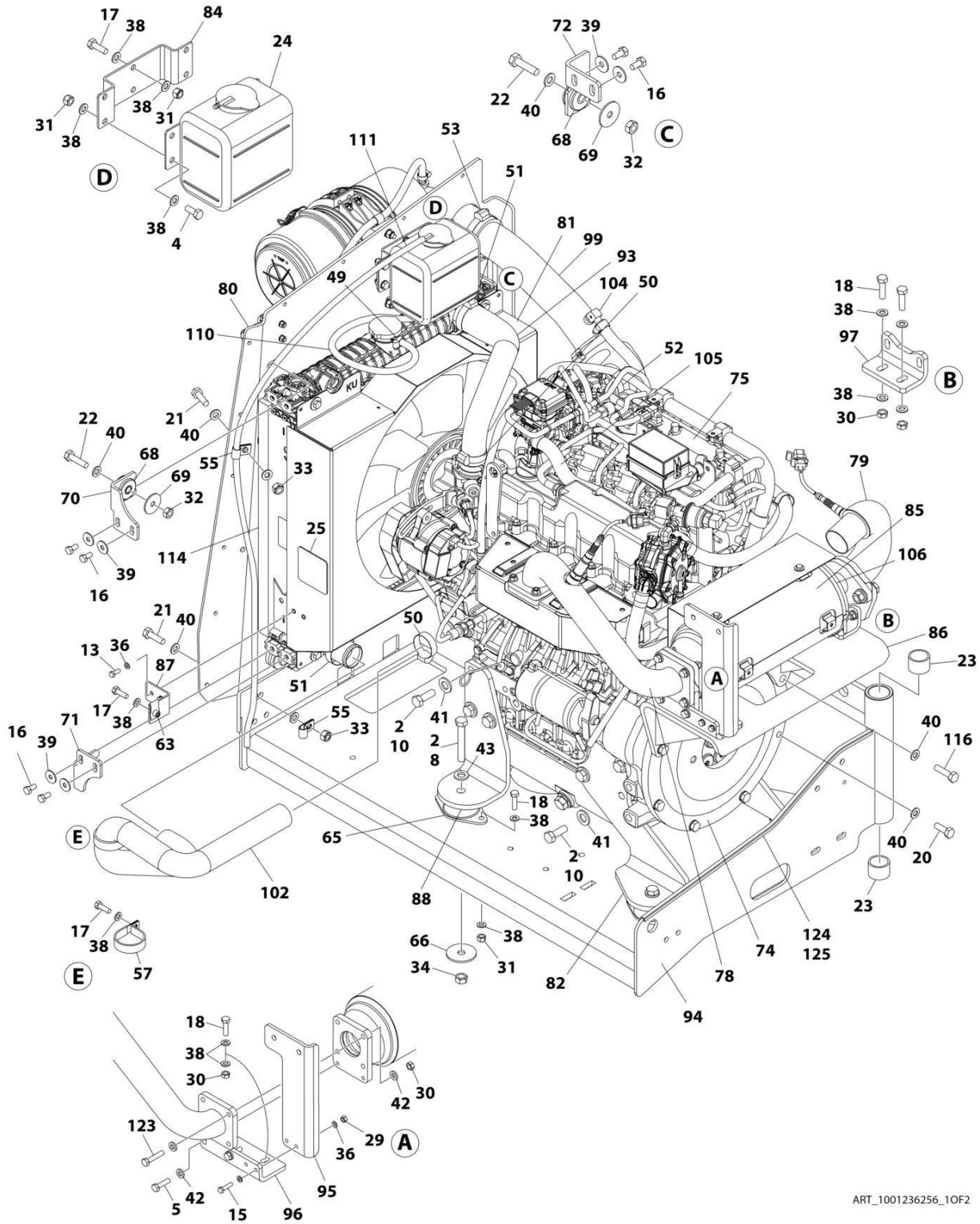
## SECTION 3 - ENGINE

**FIGURE 3-29. ENGINE AND PUMP SUB-ASSEMBLY - KUBOTA ENGINE (WITHOUT ARCTIC PACKAGE)**

ITEM	PART NUMBER	QTY	DESCRIPTION	REV
	1001236254	Ref	ENGINE AND PUMP SUB-ASSEMBLY - KUBOTA ENGINE (WITHOUT ARCTIC PACKAGE)	A
1	0100011	AR	Compound, Locking	
2	0641812	2	Bolt 1/2 x 1-1/2	
3	1001214207	1	Pump, Gear	
3	70006356	1	Seal Kit - 1001214207 Pump	
4	3790152	1	O-Ring	
5	3931618	2	Bolt 3/8 x 1-1/8	
6	4891600	2	Washer 3/8	
7	4891800	2	Washer 1/2	
8	1001167036	1	Piston Pump Assembly (See Separate Breakdown in this Section)	
9	1001171953	1	Seal, Gasket	
10	1001171954	1	Seal, Gasket	
11	1001236256	1	Engine Assembly - Kubota Engine (Without Arctic Package) (See Separate Breakdown in this Section)	

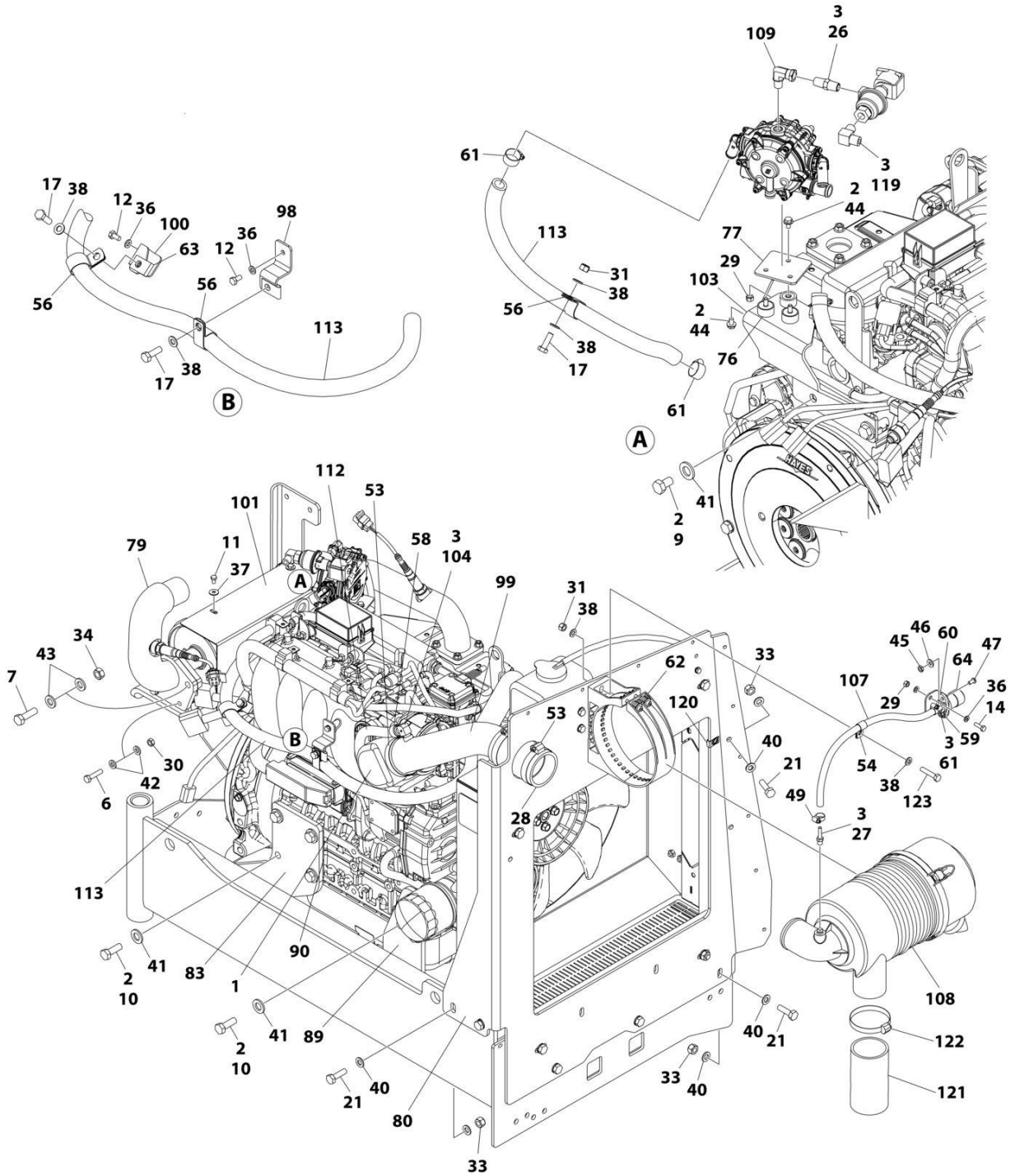
# SECTION 3 - ENGINE

## FIGURE 3-30. ENGINE ASSEMBLY - KUBOTA ENGINE (WITHOUT ARCTIC PACKAGE)



ART\_1001236256\_10F2

# SECTION 3 - ENGINE



ART\_1001236256\_20F2

## SECTION 3 - ENGINE

FIGURE 3-30. ENGINE ASSEMBLY - KUBOTA ENGINE (WITHOUT ARCTIC PACKAGE)

ITEM	PART NUMBER	QTY	DESCRIPTION	REV
	1001236256	Ref	ENGINE ASSEMBLY - KUBOTA ENGINE (WITHOUT ARCTIC PACKAGE)	E
1	0080201	1	Adapter, 90	
2	0100011	AR	Compound, Locking	
3	0100020	AR	Sealant, Pipe	
4	0700810	4	Bolt M8 x 20	
5	0700814	2	Bolt M8 x 30	
6	0700815	2	Bolt M8 x 35	
7	0701216	2	Bolt M12 x 40	
8	0701224	4	Bolt M12 x 80	
9	1001217494	2	Bolt M12 x 20	
10	1001217343	14	Bolt M12 x 35	
11	0760605	4	Bolt M6 x 10	
12	0760606	2	Bolt M6 x 12	
13	0760608	2	Bolt M6 x 16	
14	0760610	2	Bolt M6 x 20	
15	0760612	2	Bolt M6 x 25	
16	0760808	8	Bolt M8 x 16	
17	0760812	6	Bolt M8 x 25	
18	0760814	12	Bolt M8 x 30	
19	0760815	1	Bolt M8 x 35	
20	0761014	4	Bolt M10 x 30	
21	0761015	6	Bolt M10 x 35	
22	0761016	4	Bolt M10 x 40	
23	0961951	2	Bushing	
24	1580011	1	Container, Coolant Overflow	
25	1703162	2	Decal - Caution Fan	
26	2220261	1	Fitting, Nipple NPTF/NPTF	
27	2220315	1	Fitting, Barbed	
28	2720644	1	Hose	
29	3290607	5	Nut M6	
30	3290801	10	Nut M8	
31	3290805	17	Nut M8	
32	3291001	4	Nut M10	
33	3291005	6	Nut M10	
34	3291201	6	Nut M12	
35	4240099	AR	Tie-Strap (Not Shown)	
36	4811700	12	Washer M6	
37	4811702	4	Washer M6	
38	4811900	45	Washer M8	
39	4811902	8	Washer M8	
40	4812000	24	Washer M10	
41	5241400	16	Washer M14	
42	5240800	14	Washer M8	
43	5241200	8	Washer M12	
44	5250605	3	Bolt M6 x 10	
45	8305401	2	Nut 1/4	
46	8307109	2	Washer 1/4	
47	8310548	2	Screw 1/4 NC x 1/2	
48	1001173535	2	Clamp	

## SECTION 3 - ENGINE

ITEM	PART NUMBER	QTY	DESCRIPTION	REV
49	8405009	4	Clamp	
50	8405102	2	Clamp	
51	8405104	2	Clamp	
52	8405202	1	Clamp	
53	8405203	3	Clamp	
54	8406109	1	Clip	
55	8406110	2	Clip	
56	8406201	3	Clip	
57	8410001	1	Clamp	
58	8410009	6	Clamp	
59	1001138173	1	Support, Service Indicator	
60	1001138175	1	Bracket, Service Indicator	
61	1001141995	1	Fitting, Barbed	
62	1001147812	1	Clamp, Air Cleaner	
63	1001149160	3	Nut M8	
64	1001149639	1	Indicator, Air Intake	
65	1001166718	4	Isolator, Engine Mount	
66	1001168018	4	Washer, Snubbing	
67	1001168166	2	Seal	
68	1001169054	4	Isolator, Radiator	
69	1001169138	4	Washer, Snubbing	
70	1001169967	2	Bracket	
71	1001170035	1	Bracket	
72	1001176330	1	Bracket	
73	1001180620	AR	Adhesive	
74	1001209844	1	Pump Coupling Kit (See Separate Breakdown in this Section)	
75	1001236393	1	Engine, Kubota (See Separate Breakdown in this Section)	
76	1001211794	3	Mount	
77	1001211797	1	Mount	
78	1001212989	1	Pipe, Exhaust (Inlet)	
79	1001212993	1	Pipe Exhaust (Outlet)	
80	1001213305	1	Plate, Mounting	
81	1001236257	1	Radiator	
82	1001213425	1	Plate, Engine Mount (Left Rear)	
83	1001213426	1	Plate, Engine Mount (Right Rear)	
84	1001213482	1	Bracket	
85	1001213824	1	Insulation	
86	1001214138	1	Bracket	
87	1001214205	1	Support	
88	1001214233	1	Plate (Front Left)	
89	1001214234	1	Plate (Front Right)	
90	1001214276	1	Shim	
91	1001214277	1	Shim	
92	1001214278	2	Shim	
93	1001214307	1	Hose	
94	1001214508	1	Support	
95	1001214553	1	Support	
96	1001214555	1	Bracket	
97	1001214556	1	Bracket	
98	1001214558	1	Bracket	
99	1001214598	1	Tube	

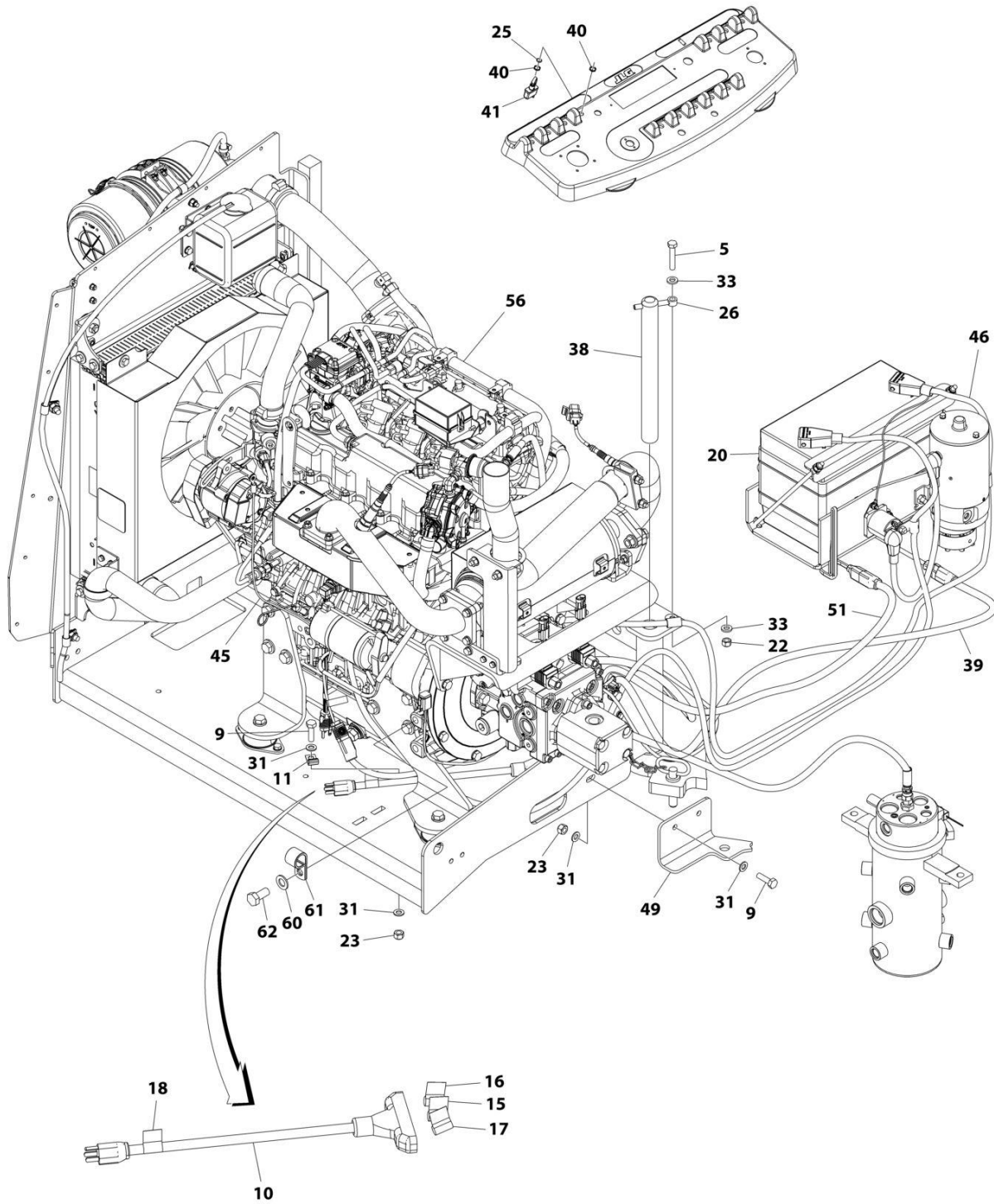
## SECTION 3 - ENGINE

ITEM	PART NUMBER	QTY	DESCRIPTION	REV
100	1001214599	1	Bracket	
101	1001214664	1	Cover	
102	1001214694	1	Hose	
103	1001214841	1	Bracket	
104	1001215125	1	Fitting, 90	
105	1001215869	1	Hose	
106	1001137336	2	Strap	
107	1001138248	2 ft/ 0.61m	Tube	
108	1001147813	1	Air Cleaner Assembly Including Filter Element	
108	70004020	1	Element, Air Filter	
109	1001247359	1	Fitting, 90	
110	2720058	1.75 ft/ 0.53m	Hose	
111	2720271	4 ft/ 1.22m	Hose	
112	2720615	1.25 ft/ 0.38m	Hose	
113	82033995	5.5 ft/ 1.68m	Hose	
114	1001216825	2	Seal	
115	0700816	4	Bolt M8 x 40	
116	0701016	4	Bolt M10 x 40	
119	2180504	1	Fitting, Barbed	
120	1001118274	1	Nut, Special M8	
121	1001001939	1	Tube, Flex	
122	8410011	1	Clamp	
123	0760816	1	Bolt M8 x 40	
124	4060805	1.94 ft/ 0.59m	Flex-Trim	
125	0100081	AR	Adhesive	



# SECTION 3 - ENGINE

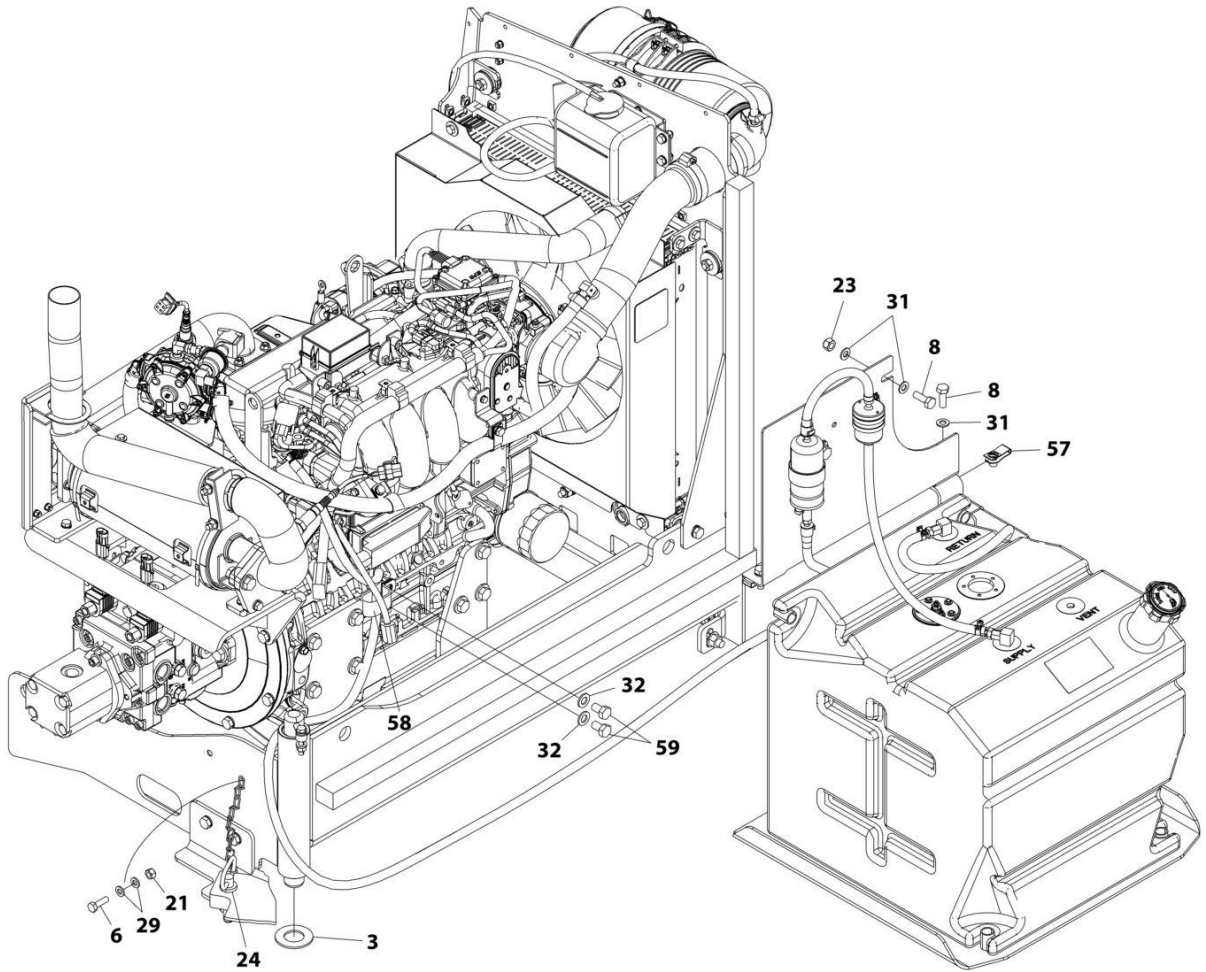
## FIGURE 3-31. ENGINE INSTALLATION - KUBOTA ENGINE (WITH ARCTIC PACKAGE)



ART\_1001236252\_10F3

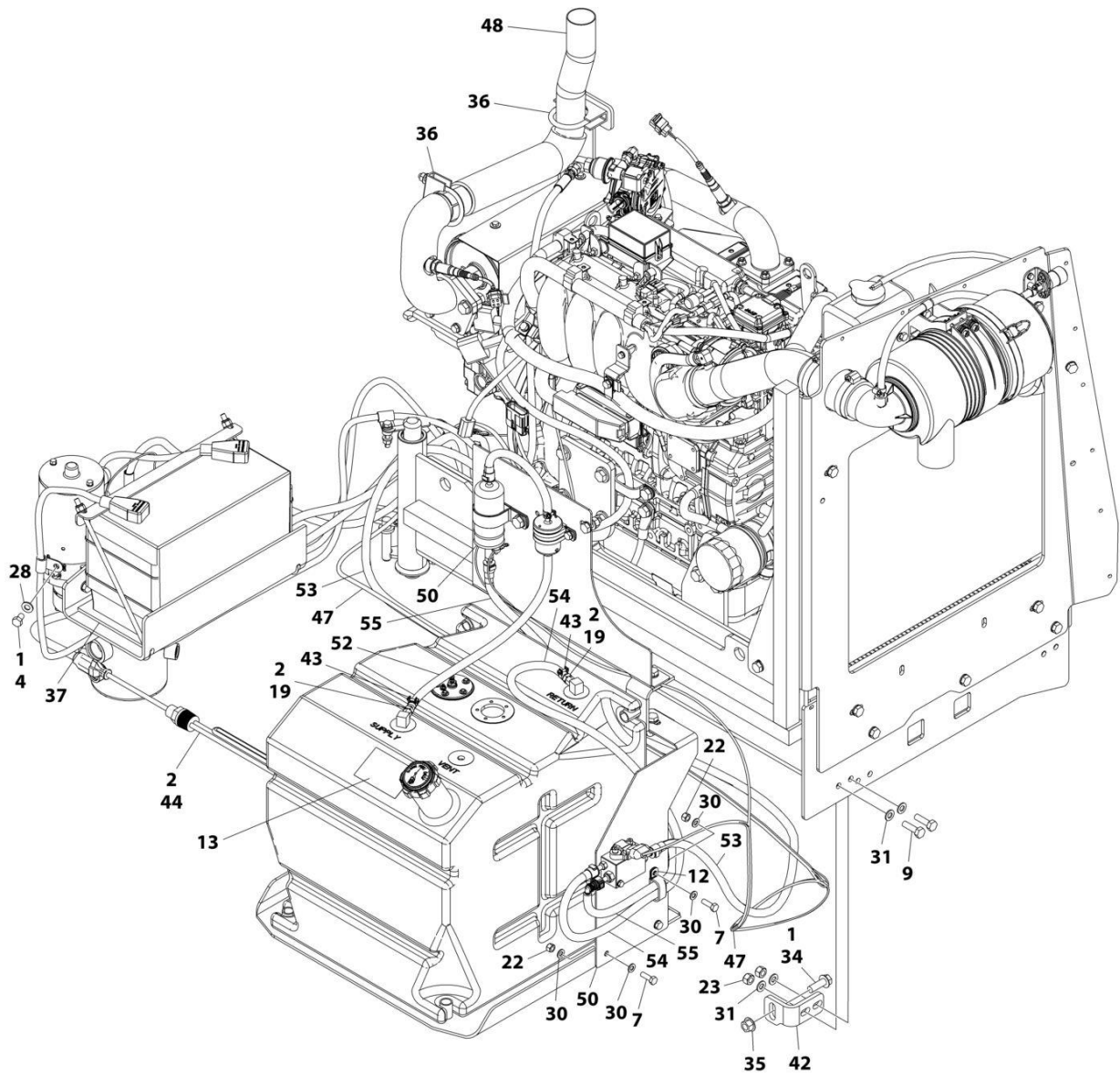


# SECTION 3 - ENGINE



ART\_1001236252\_20F3

# SECTION 3 - ENGINE



ART\_1001236252\_30F3

## SECTION 3 - ENGINE

**FIGURE 3-31. ENGINE INSTALLATION - KUBOTA ENGINE (WITH ARCTIC PACKAGE)**

ITEM	PART NUMBER	QTY	DESCRIPTION	REV
	1001236252	Ref	ENGINE INSTALLATION - KUBOTA ENGINE (WITH ARCTIC PACKAGE)	B
1	0100011	AR	Compound, Locking	
2	0100020	AR	Sealant, Pipe	
3	0440162	1	Bearing	
4	0641504	1	Bolt 5/16 x 1/2	
5	0700817	1	Bolt M8 x 45	
6	0760610	1	Bolt M6 x 20	
7	0760812	3	Bolt M8 x 25	
8	0761014	4	Bolt M10 x 30	
9	0761015	5	Bolt M10 x 35	
10	1060626	1	Plug, 3 Way	
11	1320223	1	Clamp	
12	1321283	1	Clamp	
13	1701542	2	Decal - Gas	
14	1701543	1	Decal - LPG (Not Shown)	
15	1702941	1	Decal - Battery Heater	
16	1702942	1	Decal - Engine Block Heater	
17	1702943	1	Decal - Hydraulic Tank Heater	
18	1702944	1	Decal - Heater Cord	
19	2180348	2	Fitting, Barbed	
20	2580024	1	Heater, Battery	
21	3290605	1	Nut M6	
22	3290805	4	Nut M8	
23	3291005	6	Nut M10	
24	3422532	1	Pin	
25	3790012	1	O-Ring	
26	3841143	1	Keeper, Pin	
27	4240099	AR	Tie-Strap (Not Shown)	
28	4711500	1	Washer 5/16	
29	4811700	2	Washer M6	
30	4811900	6	Washer M8	
31	4812000	15	Washer M10	
32	4812100	2	Washer M12	
33	5240800	2	Washer M8	
34	5251215	1	Bolt M12 x 35	
35	5261200	1	Nut M12 Class10	
36	1001217785	2	Clamp, Muffler	
37	1001119278	1	Insulate	
38	1001135196	1	Pin	
39	1001150918	1	Cable, Extension Cord	
40	1001155044	2	Nut 15/32	
41	1001161710	1	Switch, Toggle	
42	1001167512	1	Bracket, Engine Tray Stow	
43	1001174486	2	Clamp	
44	1001188972	1	Heater, Hydraulic Tank	
45	1001212257	1	Cable, Kubota Alternator	
46	1001213062	1	Cable, Battery Cable Kit Kubota	
47	1001213599	1	Harness Engine - Kubota Engine (See Separate Breakdown in ELECTRICAL SECTION)	

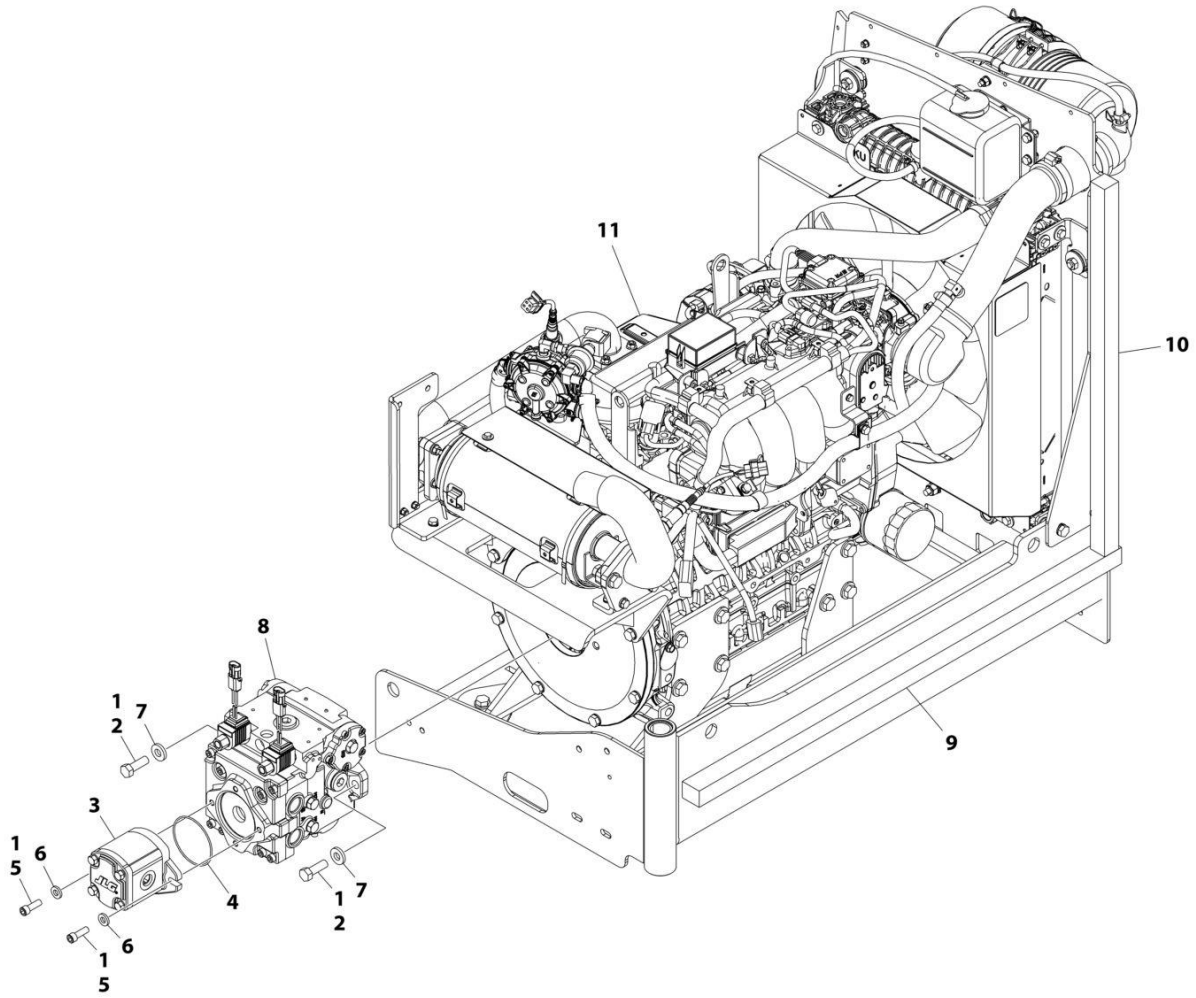
## SECTION 3 - ENGINE

ITEM	PART NUMBER	QTY	DESCRIPTION	REV
48	1001214502	1	Pipe, Tail Pipe	
49	1001215259	1	Plate, Engine Lock	
50	1001215801	1	Mount, Fuel System (Kubota)	
51	1001216080	2	Cable, Extension Cord	
52	1001156819	20.9 in/ 53cm	Hose	
53	1001216396	1	Hose	
54	1001216397	1	Hose	
55	1001216399	1	Hose	
56	1001236258	1	Engine and Pump Sub-Assembly - Kubota Engine (With Arctic Package) (See Separate Breakdown in this Section)	
57	1001118972	3	Nut M10	
58	1001195039	1	Clamp	
59	1001217494	2	Capscrew M12	
60	4812200	1	Washer M14	
61	24431386	1	Support, Clamp	
62	1001217345	1	Bolt M14 x 30	
63	1001229798	1	Harness - Kubota B6 D/F Power (Not Shown - See Separate Breakdown in ELECTRICAL SECTION)	
64	4460466	8	Terminal, Sealing Plug (Not Shown)	
65	4460930	1	Plug, Male - 8 Position (Deutsch) (Not Shown)	



# SECTION 3 - ENGINE

FIGURE 3-32. ENGINE AND PUMP SUB-ASSEMBLY - KUBOTA ENGINE (WITH ARCTIC PACKAGE)



ART\_1001236258

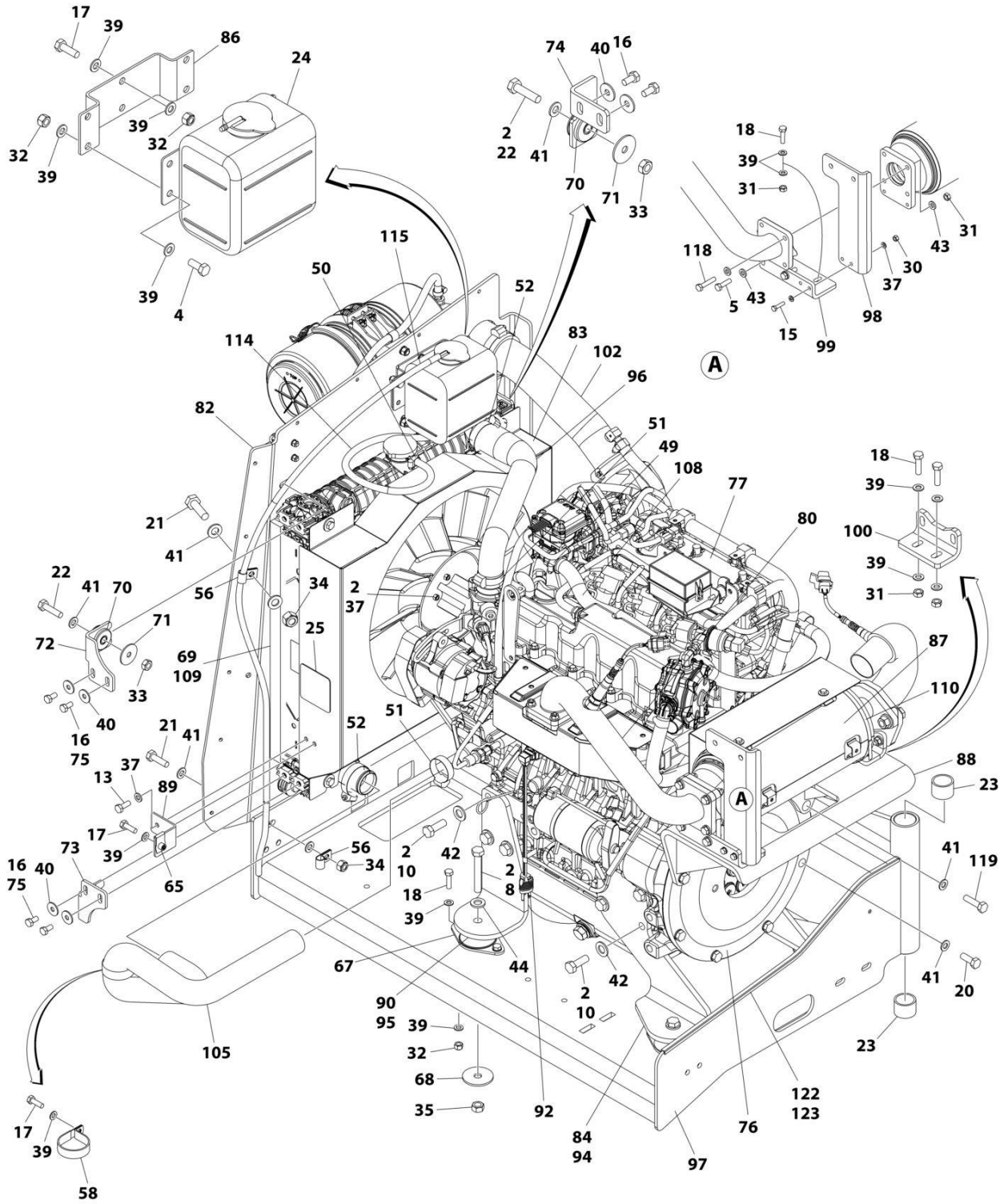
## SECTION 3 - ENGINE

**FIGURE 3-32. ENGINE AND PUMP SUB-ASSEMBLY - KUBOTA ENGINE (WITH ARCTIC PACKAGE)**

ITEM	PART NUMBER	QTY	DESCRIPTION	REV
	1001236258	Ref	ENGINE AND PUMP SUB-ASSEMBLY - KUBOTA ENGINE (WITH ARCTIC PACKAGE)	A
1	0100011	AR	Compound, Locking	
2	0641812	2	Bolt 1/2 x 1-1/2	
3	1001214207	1	Gear Pump Assembly	
3	70006356	1	Seal Kit - 1001214207 Pump	
4	3790152	1	O-Ring	
5	3931618	2	Capscrew 3/8 x 1-1/8	
6	4891600	2	Washer 3/8	
7	4891800	2	Washer 1/2	
8	1001167036	1	Piston Pump Assembly (See Separate Breakdown in this Section)	
9	1001171953	1	Seal	
10	1001171954	1	Seal	
11	1001236259	1	Engine Assembly - Kubota Engine (With Arctic Package) (See Separate Breakdown in this Section)	

# SECTION 3 - ENGINE

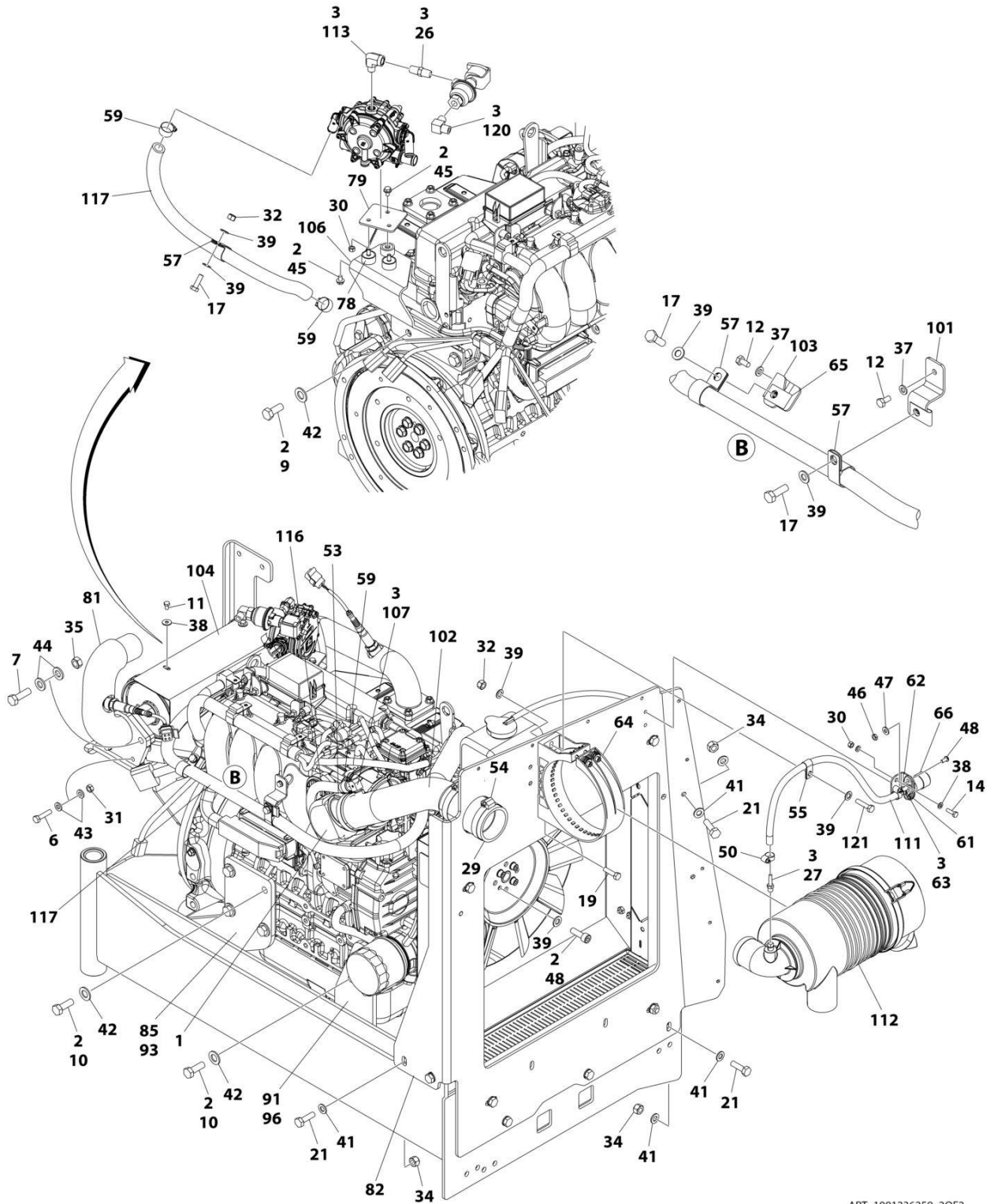
## FIGURE 3-33. ENGINE ASSEMBLY - KUBOTA ENGINE (WITH ARCTIC PACKAGE)



ART\_1001236259\_10F2



# SECTION 3 - ENGINE



ART\_1001236259\_2OF2

## SECTION 3 - ENGINE

FIGURE 3-33. ENGINE ASSEMBLY - KUBOTA ENGINE (WITH ARCTIC PACKAGE)

ITEM	PART NUMBER	QTY	DESCRIPTION	REV
	1001236259	Ref	ENGINE ASSEMBLY - KUBOTA ENGINE (WITH ARCTIC PACKAGE)	E
1	0080201	1	Adapter, 90	
2	0100011	AR	Compound, Locking	
3	0100020	AR	Sealant, Pipe	
4	0700810	4	Bolt M8 x 20	
5	0700814	2	Bolt M8 x 30	
6	0700815	2	Bolt M8 x 35	
7	0701216	2	Bolt M12 x 40	
8	0701224	4	Bolt M12 x 80	
9	1001217494	2	Bolt M12 x 20	
10	1001217343	14	Bolt M12 x 35	
11	0760605	4	Bolt M6 x 10	
12	0760606	2	Bolt M6 x 12	
13	0760608	2	Bolt M6 x 16	
14	0760610	2	Bolt M6 x 20	
15	0760612	2	Bolt M6 x 25	
16	0760808	8	Bolt M8 x 16	
17	0760812	6	Bolt M8 x 25	
18	0760814	12	Bolt M8 x 30	
19	0760815	1	Bolt M8 x 35	
20	0761014	4	Bolt M10 x 30	
21	0761015	6	Bolt M10 x 35	
22	0761016	4	Bolt M10 x 40	
23	0961951	2	Bushing	
24	1580011	1	Container, Coolant Overflow	
25	1703162	2	Decal - Caution Fan	
26	2220261	1	Fitting, Nipple NPTF/NPTF	
27	2220315	1	Fitting, Barbed	
29	2720644	1	Hose	
30	3290607	5	Nut M6	
31	3290801	10	Nut M8	
32	3290805	17	Nut M8	
33	3291001	4	Nut M10	
34	3291005	6	Nut M10	
35	3291201	6	Nut M12	
36	4240099	AR	Tie-Strap (Not Shown)	
37	4811700	16	Washer M6	
38	4811702	4	Washer M6	
39	4811900	45	Washer M8	
40	4811902	8	Washer M8	
41	4812000	24	Washer M10	
42	5241400	16	Washer M14	
43	5240800	14	Washer M8	
44	5241200	8	Washer M12	
45	5250605	3	Bolt M6 x 10	
46	8305401	2	Nut 1/4	
47	8307109	2	Washer 1/4	
48	8310548	2	Screw 1/4 x 1/2	
49	1001173535	2	Clamp	

## SECTION 3 - ENGINE

ITEM	PART NUMBER	QTY	DESCRIPTION	REV
50	8405009	4	Clamp	
51	8405102	2	Clamp	
52	8405104	2	Clamp	
53	8405202	1	Clamp	
54	8405203	3	Clamp	
55	8406109	1	Clip	
56	8406110	2	Clip	
57	8406201	3	Clip	
58	8410001	1	Clamp	
59	8410009	6	Clamp	
61	1001138173	1	Support, Service Indicator	
62	1001138175	1	Bracket, Service Indicator	
63	1001141995	1	Fitting, Barbed	
64	1001147812	1	Clamp, Air Cleaner	
65	1001149160	3	Nut M8	
66	1001149639	1	Indicator, Air Intake	
67	1001166718	4	Isolator, Engine Mount	
68	1001168018	4	Washer, Snubbing	
69	1001168166	2	Seal	
70	1001169054	4	Isolator, Radiator	
71	1001169138	4	Washer, Snubbing	
72	1001169967	2	Bracket	
73	1001170035	1	Bracket	
74	1001176330	1	Bracket	
75	1001180620	AR	Adhesive	
76	1001209844	1	Pump Coupling Kit (See Separate Breakdown in this Section)	
77	1001236393	1	Engine, Kubota (See Separate Breakdown in this Section)	
78	1001211794	3	Mount	
79	1001211797	1	Mount	
80	1001212989	1	Pipe, Exhaust (Inlet)	
81	1001212993	1	Pipe, Exhaust (Outlet)	
82	1001213305	1	Plate, Mounting	
83	1001236257	1	Radiator	
84	1001213425	1	Plate, Engine Mount (Left Rear)	
85	1001213426	1	Plate, Engine Mount (Right Rear)	
86	1001213482	1	Bracket	
87	1001213824	1	Insulation	
88	1001214138	1	Bracket	
89	1001214205	1	Support	
90	1001214233	1	Plate (Front Left)	
91	1001214234	1	Plate (Front Right)	
92	1001214269	1	Heater, Block	
93	1001214276	1	Shim	
94	1001214277	1	Shim	
95	1001214278	2	Shim	
96	1001214307	1	Hose	
97	1001214508	1	Support	
98	1001214553	1	Support	
99	1001214555	1	Bracket	
100	1001214556	1	Bracket	
101	1001214558	1	Bracket	

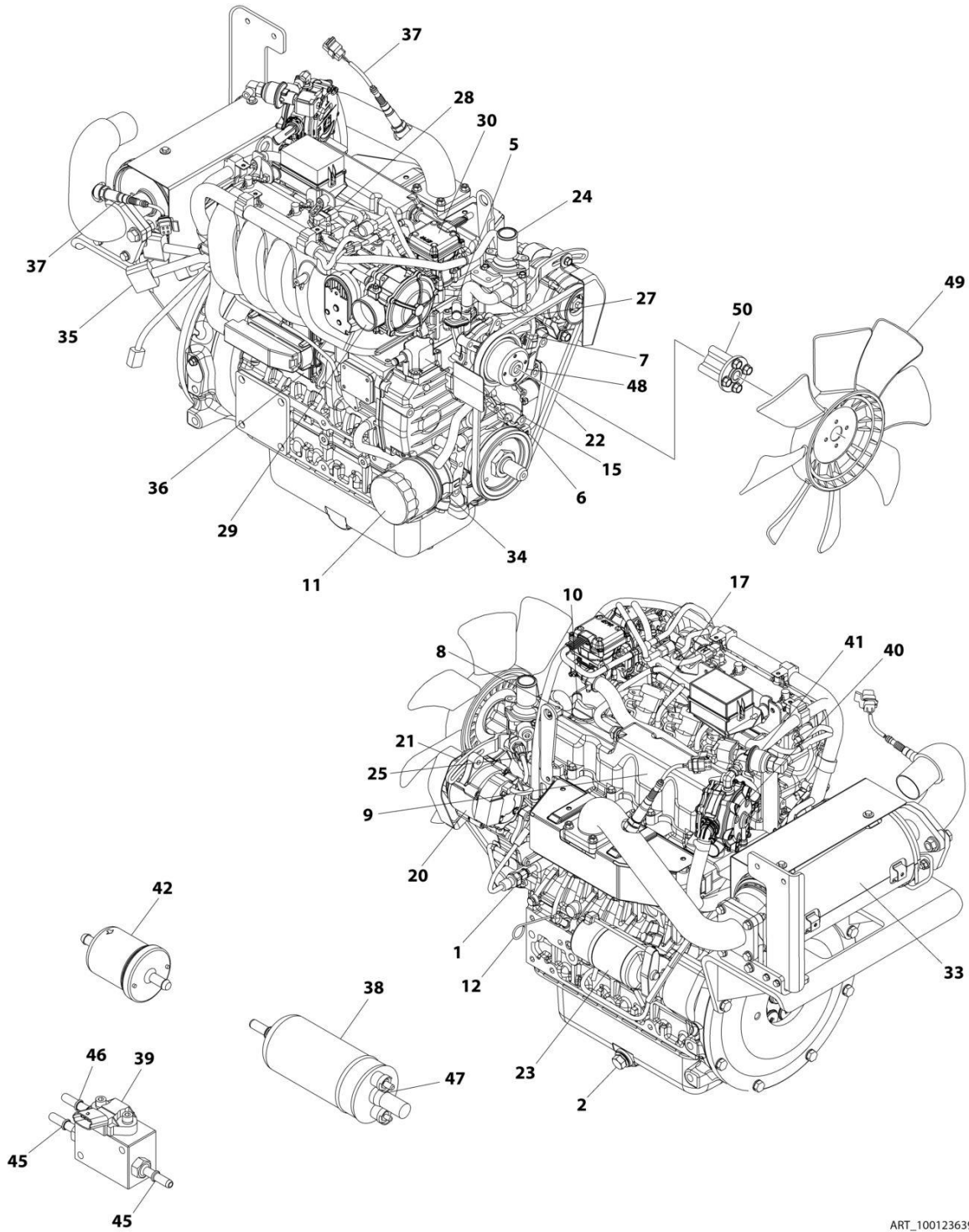
## SECTION 3 - ENGINE

ITEM	PART NUMBER	QTY	DESCRIPTION	REV
102	1001214598	1	Tube	
103	1001214599	1	Bracket	
104	1001214664	1	Cover	
105	1001214694	1	Hose	
106	1001214841	1	Bracket	
107	1001215125	1	Fitting, 90	
108	1001215869	1	Hose	
109	1001216825	2	Seal	
110	1001137336	2	Strap	
111	1001138248	2 ft/ 0.6m	Tube	
112	1001147813	1	Air Cleaner Assembly Including Filter Element	
112	70004020	1	Element, Filter (Not Shown)	
113	1001247359	1	Fitting, Street Elbow	
114	2720058	1.8 ft/ 0.5m	Hose	
115	2720271	4 ft/ 1.2m	Hose	
116	2720615	1.2 ft/ 0.4m	Hose	
117	82033995	5.5 ft/ 1.7m	Hose	
118	0700816	4	Bolt M8 x 40	
119	0701016	4	Bolt M10 x 40	
120	2180504	1	Fitting, Barbed	
121	0760816	1	Bolt M8 x 40	
122	4060805	1.94 ft/ 59m	Flex-Trim	
123	0100081	AR	Adhesive	



# SECTION 3 - ENGINE

## FIGURE 3-34. ENGINE COMPONENTS - KUBOTA



ART\_1001236393

## SECTION 3 - ENGINE

**FIGURE 3-34. ENGINE COMPONENTS - KUBOTA**

ITEM	PART NUMBER	QTY	DESCRIPTION	REV
	1001236393	Ref	ENGINE COMPONENTS - KUBOTA	D
1	70005745	1	Switch, Oil	
1	70006013	1	Adapter	
2	7023154	1	Plug, Drain	
2	7017904	1	Gasket, Oil Pan Drain	
3	70006014	1	Gasket, Cylinder Head (Not Shown)	
4	70006015	1	Sensor (Knock) (Not Shown - Located on Left Side of Engine)	
5	70006016	1	Flange Assembly (Water Return)	
5	70002316	1	Pipe	
5	70006017	1	Gasket	
6	70005737	1	Sensor Stick Assembly	
7	70006018	1	Sensor	
8	70006019	1	Valve (PCV)	
8	70006020	1	Seal	
9	7017932	3	Element, Breather	
9	70006021	1	Gasket	
10	70002318	1	Oil Filler Cap	
10	70006022	1	O-Ring	
11	70006023	1	Filter, Oil	
12	70006024	1	Dipstick	
13	70006025	1	Pump Assembly, Oil (Not Shown - Located Under Front Cover)	
13	70006026	1	Gasket	
13	70006027	1	Key	
14	70006028	1	Flywheel (Not Shown - Located Behind Coupling Plate)	
14	70006029	1	Ring Gear (Part of Flywheel)	
15	70006030	1	Flange Assembly (Breather)	
15	70002316	1	Pipe	
15	70006031	1	Gasket	
16	70006035	1	Pipe Assembly (Not Shown)	
16	70005727	1	Gasket	
17	70006034	4	Coil	
17	70006033	4	Spark Plug	
18	70006032	1	Gasket (Not Shown)	
19	70005751	4	Injector (Not Shown)	
20	70006036	1	Alternator (Includes Voltage Regulator and Gaskets, Fan and Fan Mounting Hardware)	
21	70006037	1	Bracket	
22	70006038	1	Belt	
23	70006039	1	Starter	
24	70006041	1	Thermostat	
24	70002326	1	Gasket	
25	70005726	1	Sensor	
25	70006042	1	O-Ring	
26	70006040	1	Gasket (Not Shown - Located Between Engine Head and Water Flange)	
27	70006043	1	Water Pump Assembly	
27	70004829	1	Pipe	
27	70006044	1	Gasket	
28	70005746	1	Sensor (TMAP)	
28	70005747	1	O-Ring	

## SECTION 3 - ENGINE

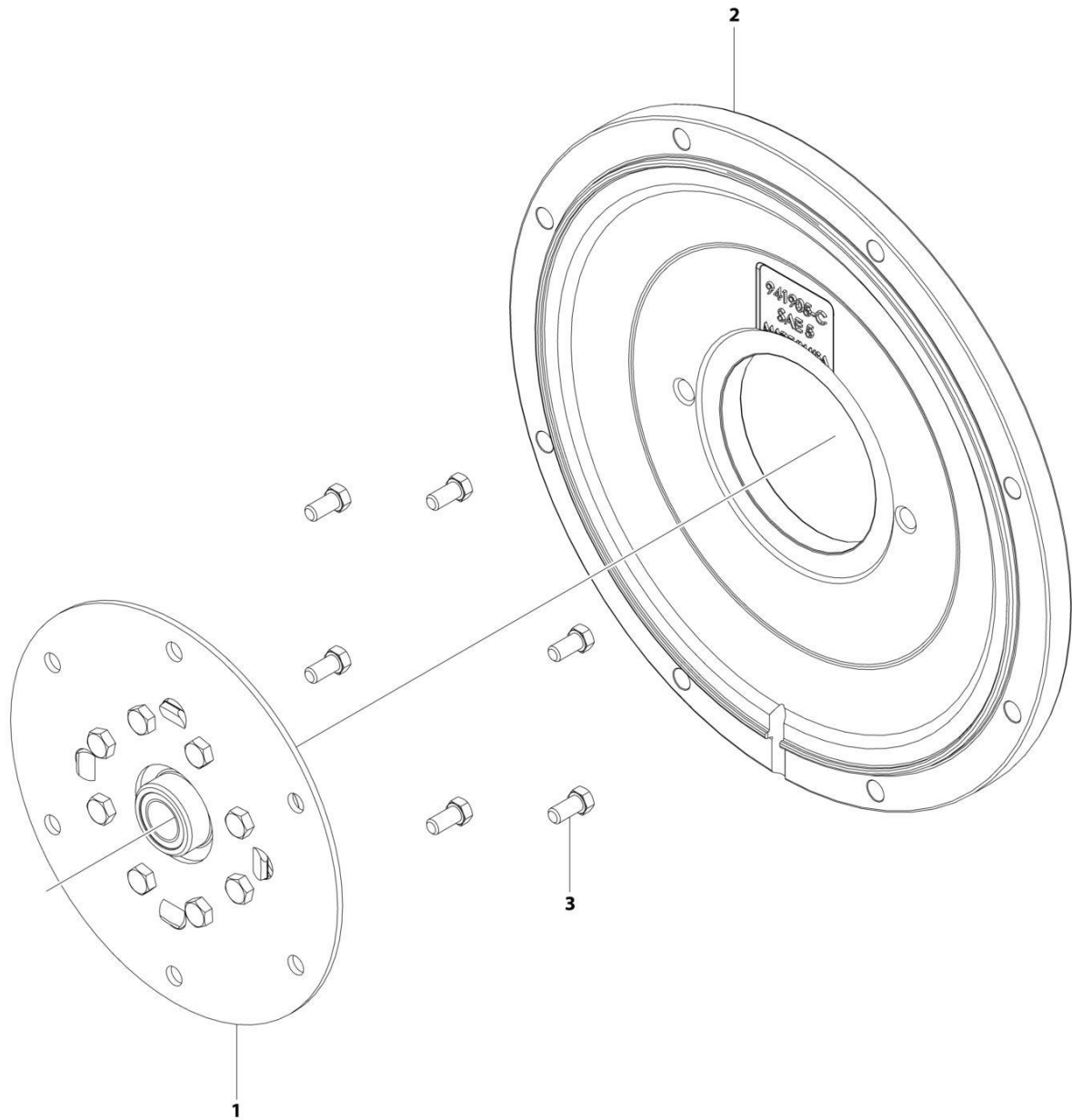
ITEM	PART NUMBER	QTY	DESCRIPTION	REV
29	70006049	1	Mixer Assembly	
29	70006050	1	Seal, Rubber	
29	70006045	1	Throttle Body	
29	70006046	1	Gasket	
29	70006047	1	Adapter	
29	70006048	1	O-Ring	
30	70006051	1	Regulator Assembly	
30	70006052	1	Seal, Rubber	
30	70006053	1	Seal, Rubber	
30	70006054	1	Seal, Rubber	
31	70006055	1	Gasket (Not Shown - Located Between Intake Manifold and Engine Head)	
32	70006056	1	Gasket (Not Shown - Located Between Exhaust Manifold and Engine Head)	
33	70006057	1	Muffler	
33	70006065	1	Gasket	
33	70006066	1	Gasket	
33	70006072	1	Gasket	
34	70006058	1	Oil Cooler Assembly	
34	70006059	1	Seal	
34	7017959	2	Clamp	
35	70006060	1	Engine Harness	
36	70006061	1	Module, Engine Control	
37	70006062	2	Sensor (O2)	
38	70006063	1	Pump, Fuel	
39	70006064	1	Manifold (FPM)	
40	70006067	1	Regulator Assembly	
40	70006068	1	Connector	
40	70006069	3	Clip	
40	70006070	2	Connector	
41	70006071	1	Valve, Lockoff	
41	70006078	1	Valve, Lockoff Kit	
42	7017992	1	Filter, Fuel	
43	70006079	1	Gasket Kit (Upper) (Not Shown)	
44	70006080	1	Gasket Kit (Lower) (Not Shown)	
45	70006074	2	Joint (Includes O-Ring)	
46	70006075	1	Joint (Includes O-Ring)	
47	70006076	1	Joint (Includes O-Ring)	
47	70006077	1	Gasket	
48	70006379	1	Pulley	
49	70006639	1	Fan	
50	70006640	1	Collar, Fan	





# SECTION 3 - ENGINE

## FIGURE 3-35. PUMP COUPLING KIT - KUBOTA ENGINE



ART\_1001209844

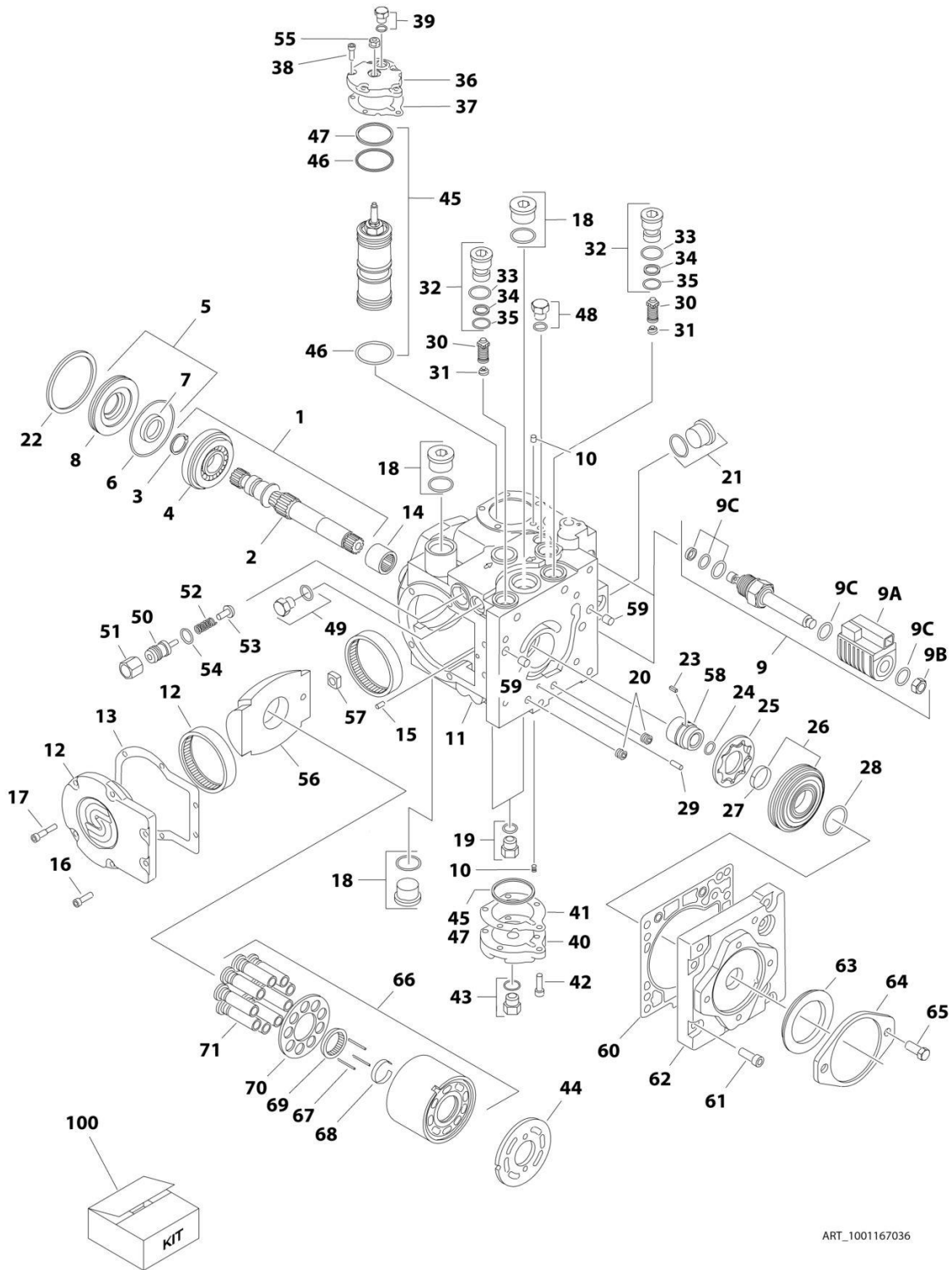
## SECTION 3 - ENGINE

### FIGURE 3-35. PUMP COUPLING KIT - KUBOTA ENGINE

ITEM	PART NUMBER	QTY	DESCRIPTION	REV
	1001209844	Ref	PUMP COUPLING KIT - KUBOTA ENGINE	C
1	70006010	1	Coupling Assembly, Hayes	
2	70006011	1	Plate, Pump Adapter	
3	70006012	1	Bolt Kit	

# SECTION 3 - ENGINE

## FIGURE 3-36. PISTON PUMP ASSEMBLY



ART\_1001167036

## SECTION 3 - ENGINE

### FIGURE 3-36. PISTON PUMP ASSEMBLY

ITEM	PART NUMBER	QTY	DESCRIPTION	REV
	1001167036	Ref	PISTON PUMP ASSEMBLY	B
1	7021240	1	Shaft Assembly (Includes Items 2-4)	
2	7021237	1	Shaft	
3	7021238	1	Ring, Retaining	
4	7021239	1	Bearing, Roller	
5	70004896	1	Shaft Seal Kit (Includes Items 6-8)	
6	7021241	1	O-Ring	
7	7021242	1	Seal, Lip	
8	7021243	1	Carrier, Seal Shaft	
9	7024855	2	Solenoid Assembly	
9A	70004897	2	Coil (1 Per Assembly)	
9B	7024857	2	Nut (1 Per Assembly)	
9C	7024858	2	Seal Kit - 7024855 Cartridge (1 Per Assembly)	
10	70004889	2	Orifice	
11	See Note	NSS	Housing Assembly (Note: Not Available for Purchase)	
12	7021248	1	Side Cover Assembly (Includes Item 13)	
13	70004891	1	Gasket	
14	7021249	1	Bearing, Needle	
15	See Note	NSS	Pin (Note: Not Available for Purchase)	
16	70004890	2	Screw	
17	70004892	4	Screw	
18	7007419	2	Plug Assembly (Includes O-Ring)	
19	7007420	2	Plug Assembly (Includes O-Ring)	
20	See Note	NSS	Plug (Note: Not Available for Purchase)	
21	7007419	1	Plug Assembly (Includes O-Ring)	
22	7021257	1	Ring, Retaining	
23	70004893	1	Key	
24	7022341	1	Ring, Retaining	
25	7021258	1	Gerotor	
26	70004894	1	Gerotor Cover Assembly (Includes Item 27)	
27	7021259	1	Bearing, Journal	
28	7021262	1	O-Ring	
29	See Note	NSS	Pin (Note: Not Available for Purchase)	
30	7021263	2	Bypass Valve Assembly	
31	7024800	2	Spring	
32	7021265	2	Bypass Valve Assembly (Includes Items 32-34)	
33	7007415	2	O-Ring	
34	7021293	2	Ring, Back-up	
35	7022300	2	O-Ring	
36	70004895	1	Cover, Servo	
37	7021253	1	Gasket	
38	70004892	5	Screw	
39	7007420	1	Plug Assembly (Includes O-Ring)	
40	7021268	1	Cover, Servo	
41	7021253	1	Gasket	
42	70004892	5	Screw	
43	7007420	1	Plug Assembly (Includes O-Ring)	
44	7021281	1	Plate, Valve	
45	70004898	1	Servo Piston Kit (Includes Items 46 & 47)	
46	7007495	2	O-Ring	

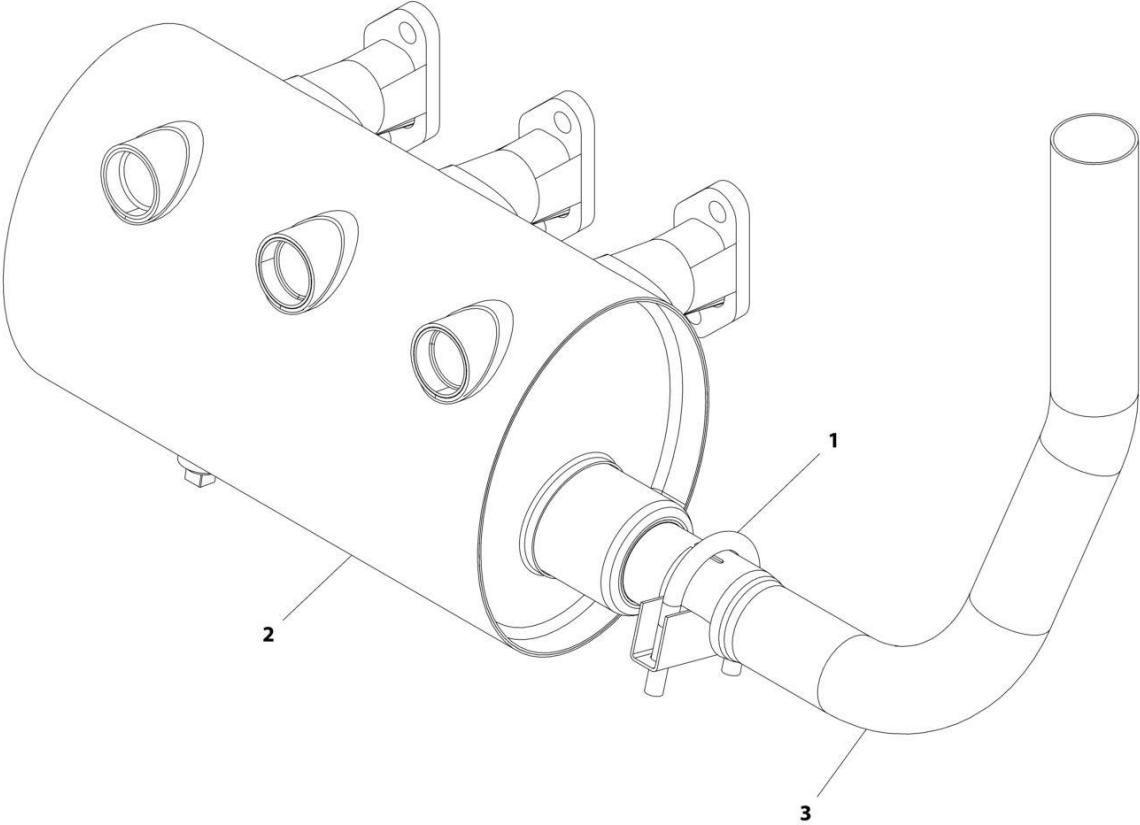
## SECTION 3 - ENGINE

ITEM	PART NUMBER	QTY	DESCRIPTION	REV
47	7007493	2	O-Ring	
48	7007420	1	Plug Assembly (Includes O-Ring)	
49	70004900	1	Plug Assembly (Includes O-Ring)	
50	7022346	1	Adjuster	
51	7021290	1	Nut	
52	7022347	1	Spring	
53	70004901	1	Poppet	
54	7007415	1	O-Ring	
55	70004902	1	Nut, Seal	
56	70004903	1	Swash Plate	
57	70004904	1	Bearing Assembly	
58	70004905	1	Coupling	
59	7001481	2	Pin	
60	70002257	1	Gasket	
61	70004906	8	Screw	
62	70004907	1	Cover, Charge Pump	
63	70004908	1	Seal	
64	7021299	1	Plate, Cover	
65	7007289	2	Screw	
66	70004909	1	Cylinder Block Assembly (Includes Items 67-71)	
67	70004910	3	Pin, Slipper Hold Down	
68	7021276	1	Retainer, Hold Down Pin	
69	7021277	1	Guide, Slipper Retainer	
70	7021278	1	Retainer, Slipper	
71	70004911	1	Piston Assembly	
100	70004899	1	Seal Kit (Includes Items 5-8, 33-35, 37, 41, 46, 47 & 54)	



**SECTION 3 - ENGINE**

**FIGURE 3-37. SPARK ARRESTOR INSTALLATION - DEUTZ D2011 ENGINE**



ART\_1001175071



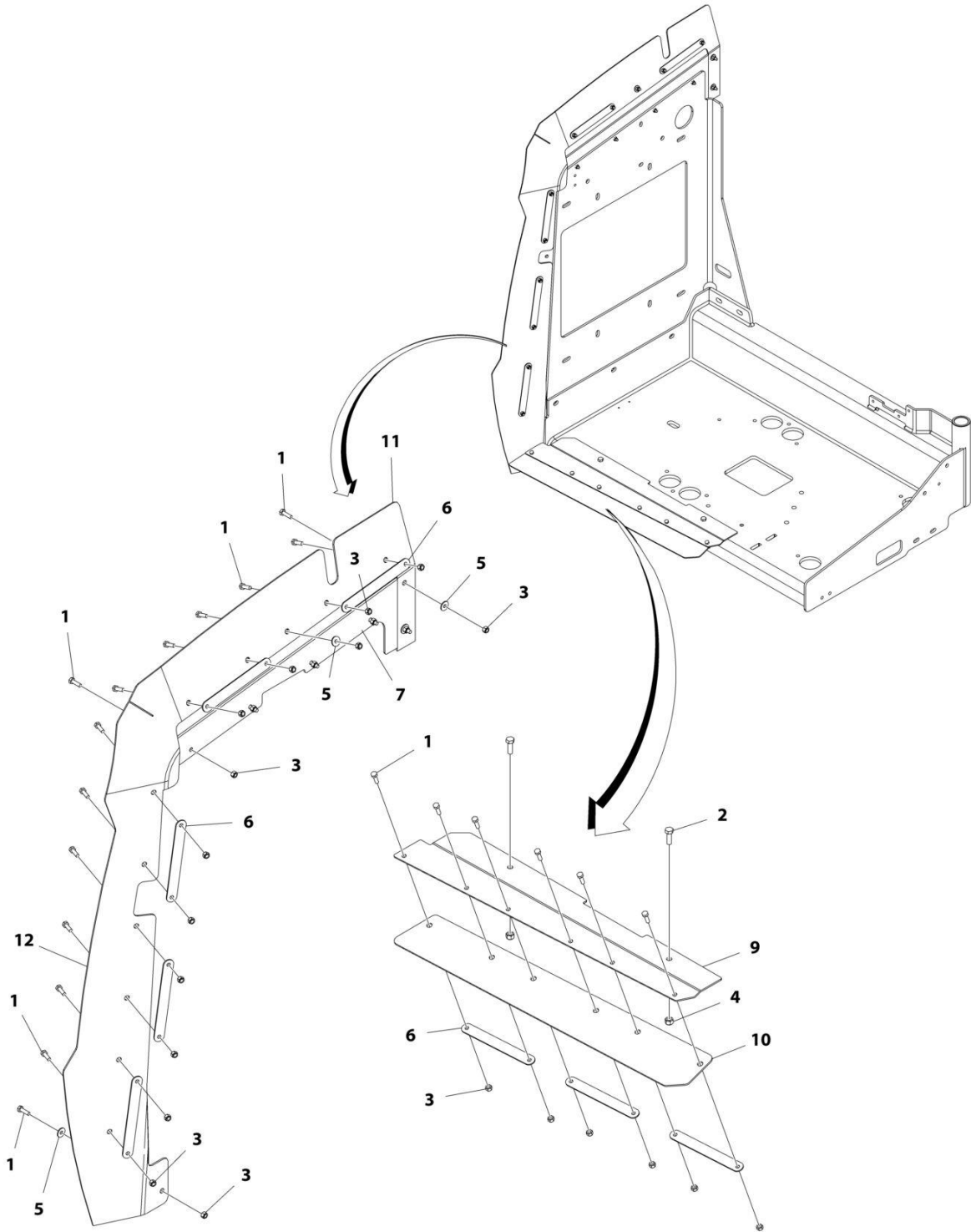
## SECTION 3 - ENGINE

**FIGURE 3-37. SPARK ARRESTOR INSTALLATION - DEUTZ D2011 ENGINE**

ITEM	PART NUMBER	QTY	DESCRIPTION	REV
	1001175071	Ref	SPARK ARRESTOR INSTALLATION	A
1	1320176	1	Clamp	
2	1001170224	1	Muffler, Spark Arresting	
3	1001175068	1	Pipe, Exhaust	

# SECTION 3 - ENGINE

## FIGURE 3-38. ENGINE Baffle INSTALLATION - ABS HOODS (DEUTZ & GM ENGINES)



ART\_1001170662

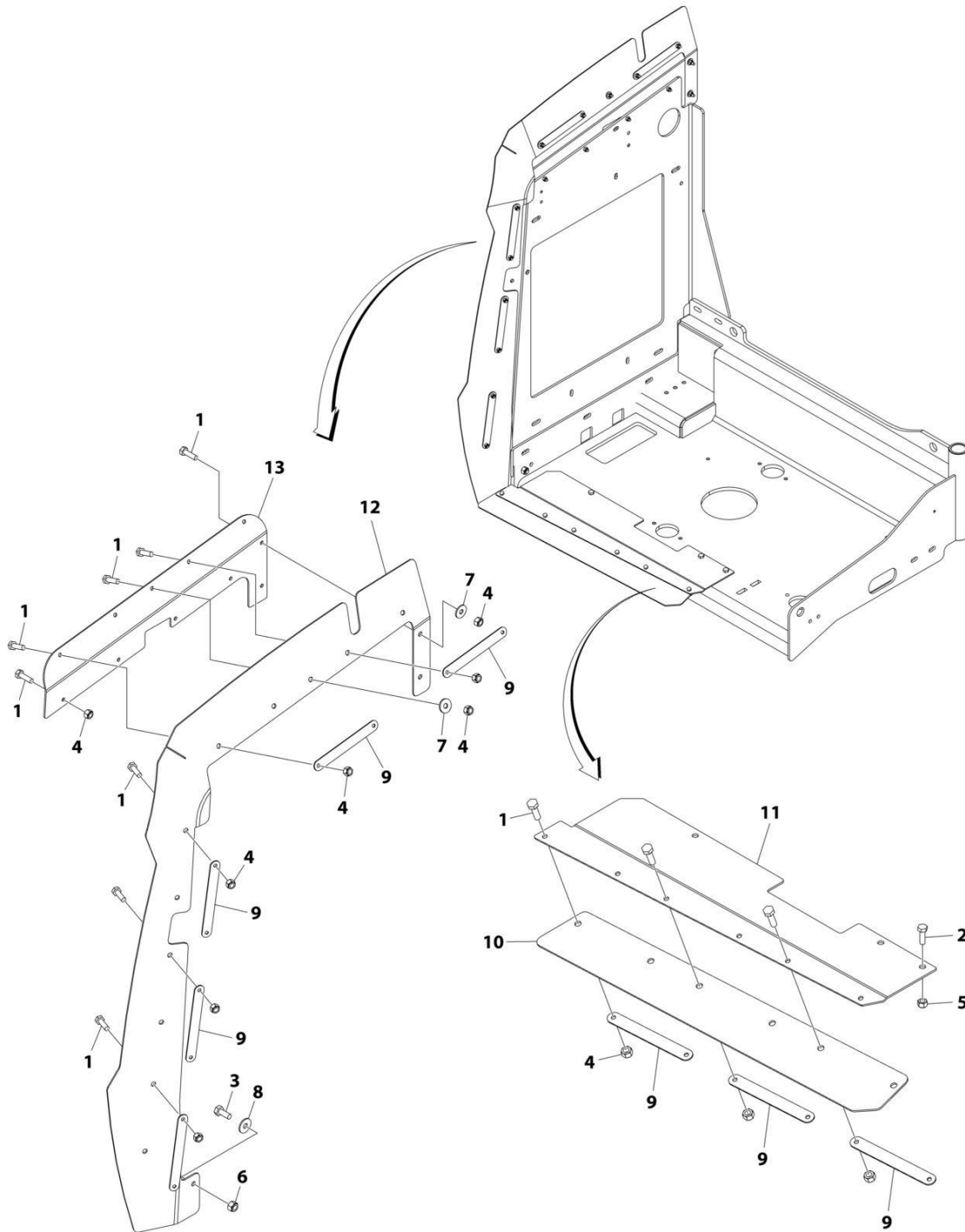
## SECTION 3 - ENGINE

**FIGURE 3-38. ENGINE BAFFLE INSTALLATION - ABS HOODS (DEUTZ & GM ENGINES)**

ITEM	PART NUMBER	QTY	DESCRIPTION	REV
	1001170662	Ref	ENGINE BAFFLE INSTALLATION	F
1	0760610	24	Bolt M6 x 20	
2	0760812	2	Bolt M8 x 25	
3	3290605	24	Nut M6 x 1	
4	3290805	2	Nut M8 x 1.25	
5	4811702	4	Washer M6	
6	1001167164	8	Plate, Support	
7	1001170650	1	Bracket	
9	1001170663	1	Bracket	
10	1001170664	1	Seal	
11	1001211877	1	Seal	
12	1001211878	1	Seal	

# SECTION 3 - ENGINE

## FIGURE 3-39. ENGINE Baffle INSTALLATION - ABS HOODS (KUBOTA ENGINES)



ART\_1001216547

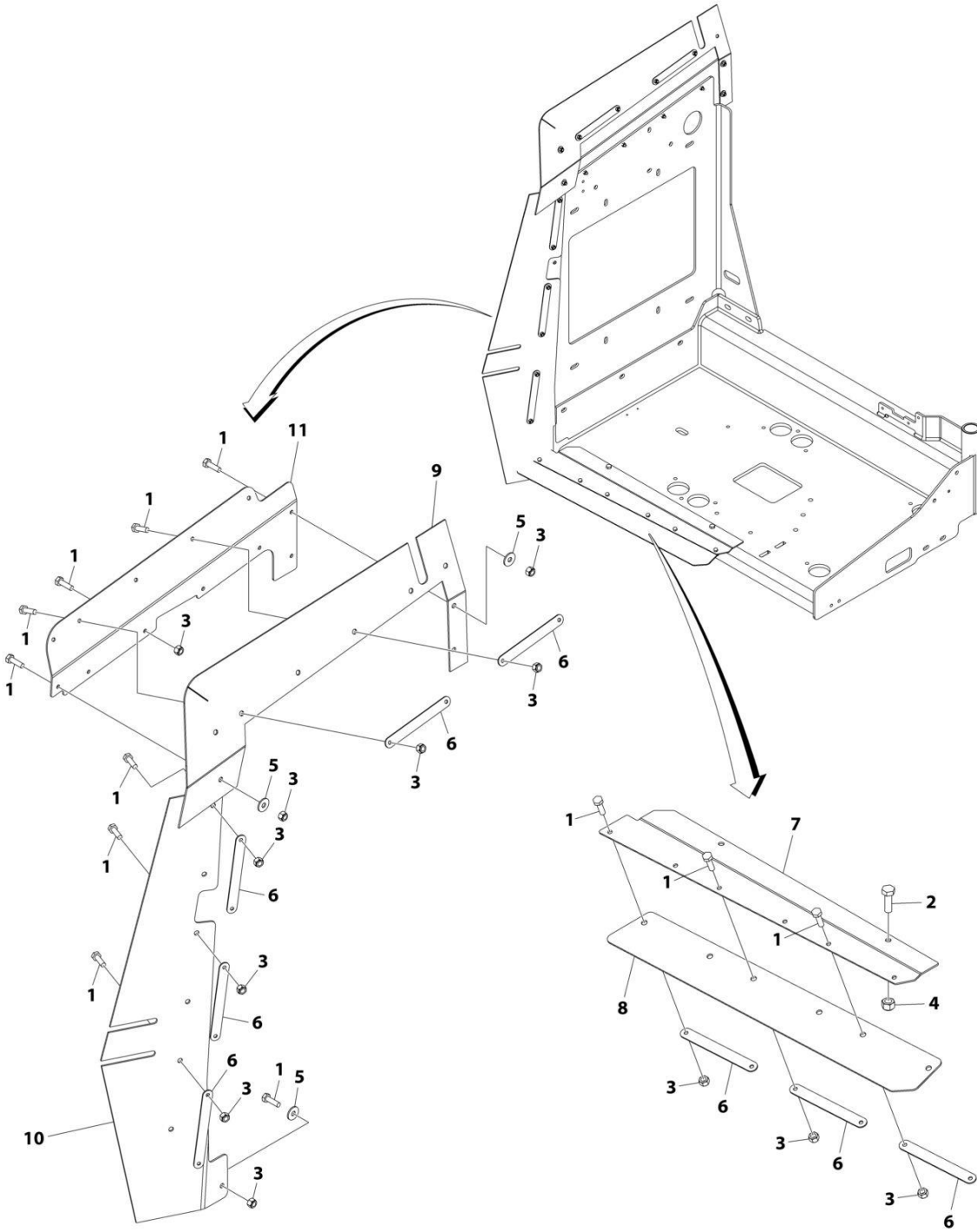
## SECTION 3 - ENGINE

**FIGURE 3-39. ENGINE BAFFLE INSTALLATION - ABS HOODS (KUBOTA ENGINES)**

ITEM	PART NUMBER	QTY	DESCRIPTION	REV
	1001216547	Ref	KUBOTA ENGINE BAFFLE INSTALLATION	B
1	0760610	24	Bolt M6 x 20	
2	0760812	3	Bolt M8 x 25	
3	0761012	1	Bolt M10 x 25	
4	3290605	23	Nut M6 x 1	
5	3290805	3	Nut M8 x 1.25	
6	3291005	1	Nut M10	
7	4811702	3	Washer M6	
8	4812002	1	Washer M10	
9	1001167164	8	Plate, Support	
10	1001170664	1	Seal	
11	1001216512	1	Bracket	
12	1001216548	1	Seal	
13	1001216549	1	Bracket	

# SECTION 3 - ENGINE

## FIGURE 3-40. ENGINE Baffle INSTALLATION - STEEL HOODS



ART\_1001223454

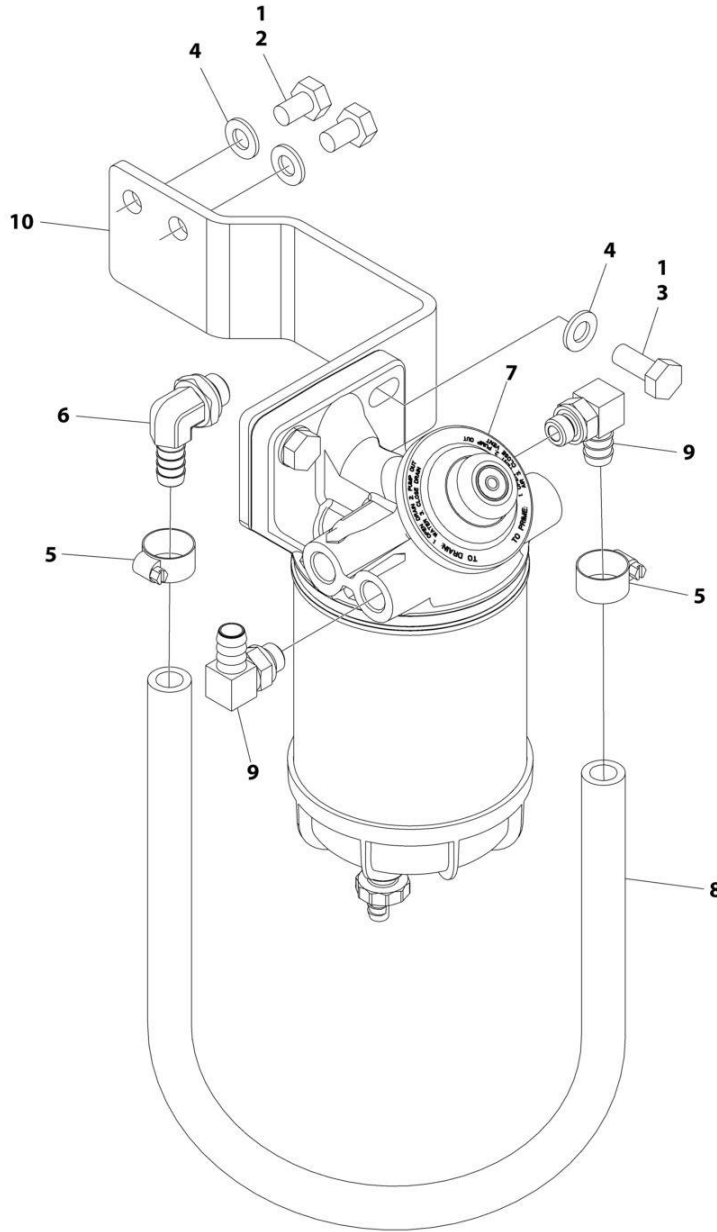
## SECTION 3 - ENGINE

### FIGURE 3-40. ENGINE BAFFLE INSTALLATION - STEEL HOODS

ITEM	PART NUMBER	QTY	DESCRIPTION	REV
	1001223454	Ref	STEEL HOOD ENGINE BAFFLE INSTALLATION	A
1	0760610	25	Bolt M6 x 20	
2	0760812	2	Bolt M8 x 25	
3	3290605	25	Nut M6 x 1	
4	3290805	2	Nut M8 x 1.25	
5	4811702	5	Washer M6	
6	1001167164	8	Plate, Support	
7	1001170663	1	Bracket	
8	1001170664	1	Seal	
9	1001223309	1	Seal	
10	1001223310	1	Seal	
11	1001223328	1	Bracket	

# SECTION 3 - ENGINE

## FIGURE 3-41. FUEL/WATER SEPARATOR INSTALLATION DUETZ D2.9L4 (CHINA IV) ENGINE



ART\_1001259088



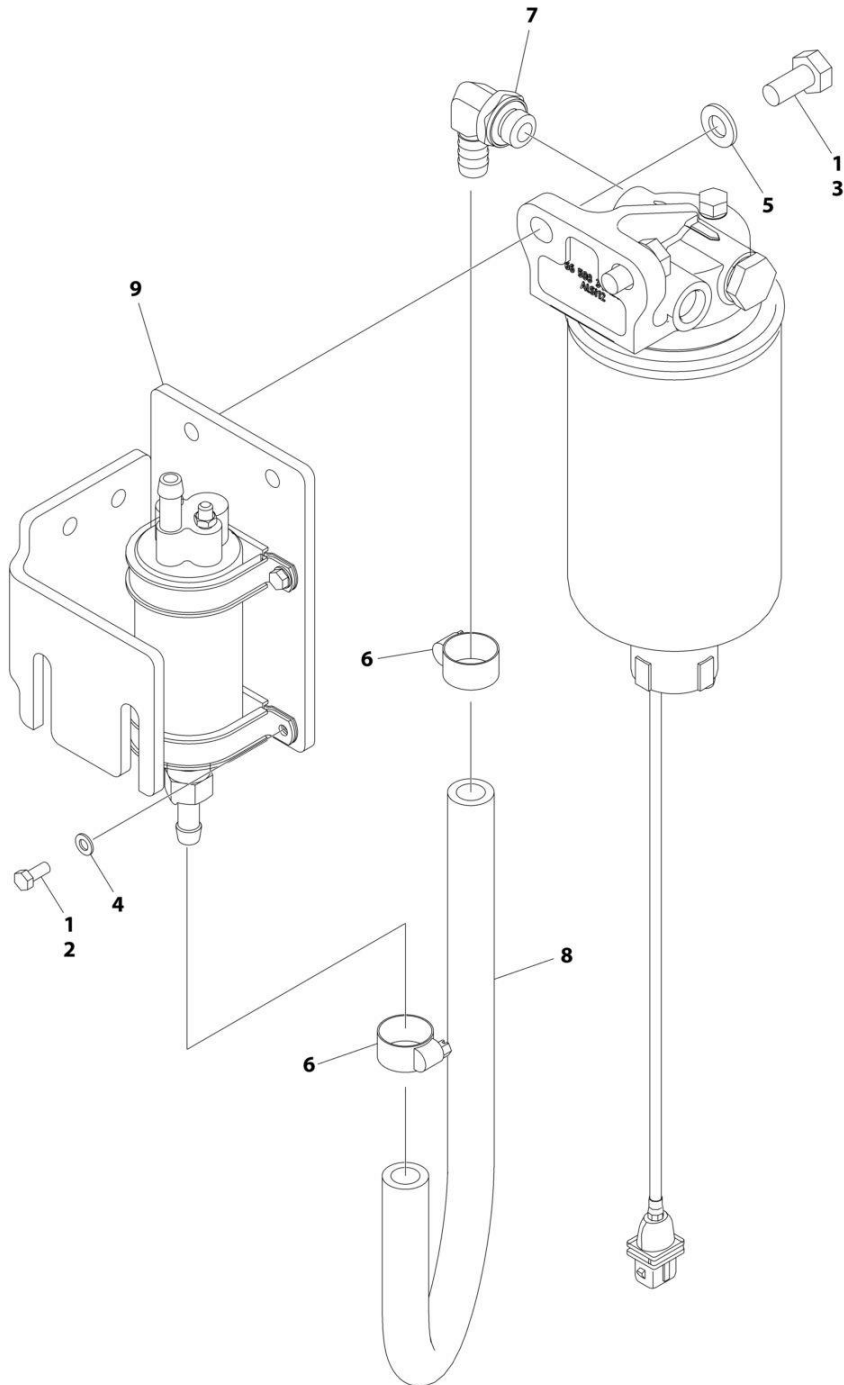
## SECTION 3 - ENGINE

**FIGURE 3-41. FUEL/WATER SEPARATOR INSTALLATION DUETZ D2.9L4 (CHINA IV) ENGINE**

ITEM	PART NUMBER	QTY	DESCRIPTION	REV
	1001259088	Ref	FUEL WATER SEPARATOR INSTALLATION	A
1	0100011	AR	Compound, Locking	
2	0761008	2	Bolt M10 x 16	
3	0761012	2	Bolt M10 x 25	
4	4812000	4	Washer M10	
5	8405006	2	Clamp	
6	1001142501	1	Fitting 90 Barbed	
7	1001149452	1	Filter	
8	1001154405	27 in /67 cm	Hose	
9	1001258505	2	Fitting 90 Barbed	
10	1001259086	1	Bracket	

# SECTION 3 - ENGINE

## FIGURE 3-42. FUEL PUMP AND FILTER INSTALLATION DUETZ D2.9L4 (CHINA IV) ENGINE



ART\_1001259087

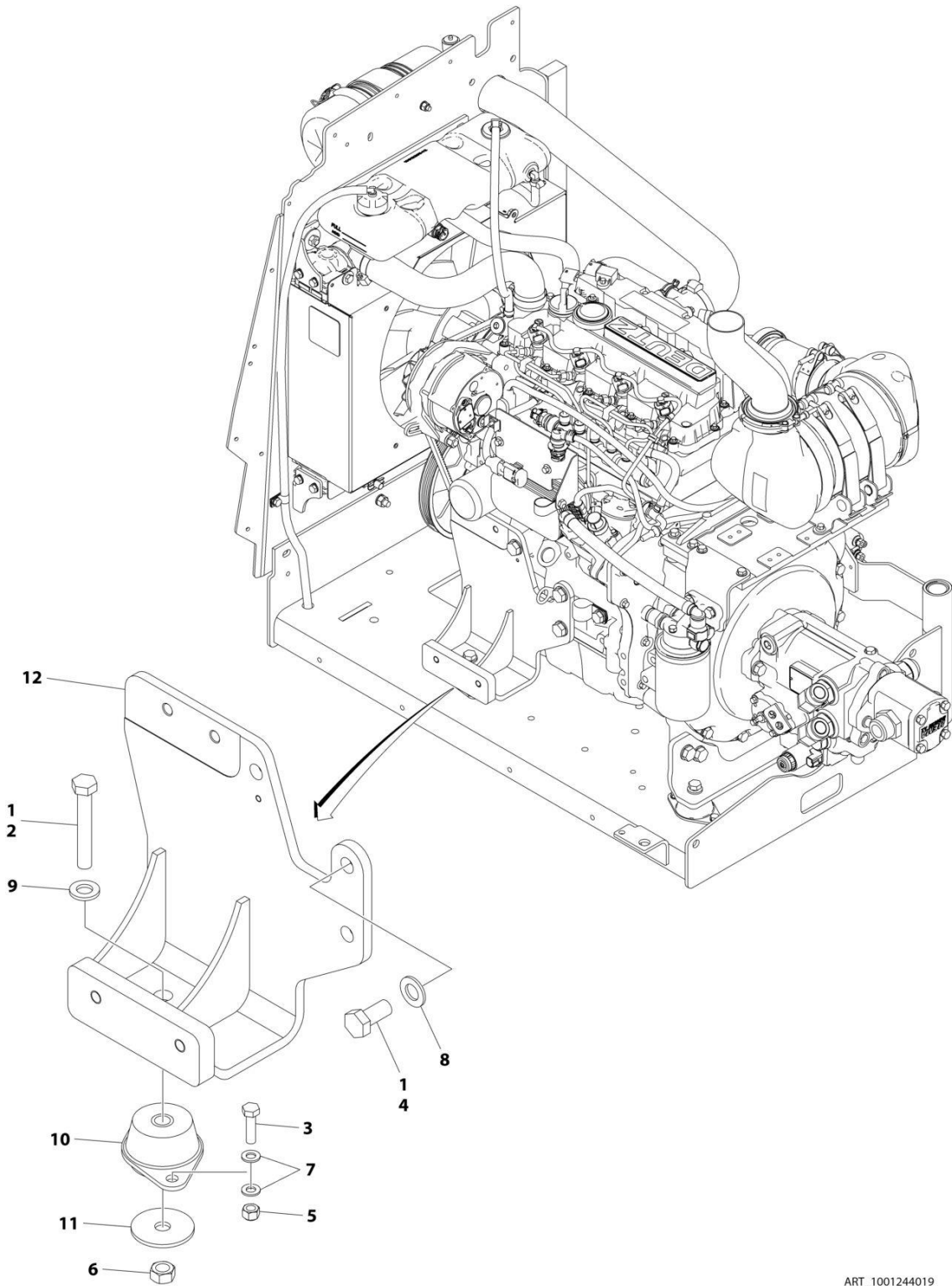
## SECTION 3 - ENGINE

**FIGURE 3-42. FUEL PUMP AND FILTER INSTALLATION DUETZ D2.9L4 (CHINA IV) ENGINE**

ITEM	PART NUMBER	QTY	DESCRIPTION	REV
	1001259087	Ref	FUEL PUMP AND FILTER INSTALLATION	A
1	0100011	AR	Compound, Locking	
2	0760506	4	Bolt M5 x 12	
3	0761011	2	Bolt M10 x 22	
4	4811600	4	Washer M5	
5	4812000	2	Washer M10	
6	8405006	2	Clamp	
7	1001142501	1	Fitting 90 Barbed	
8	1001154405	17.75 in /45 cm	Hose	
9	1001259083	1	Bracket	

# SECTION 3 - ENGINE

FIGURE 3-43. ENGINE MOUNT (WITH GENERATOR) - DEUTZ D2.9L4 AND DEUTZ D2.9L4 (STAGE V) ENGINES



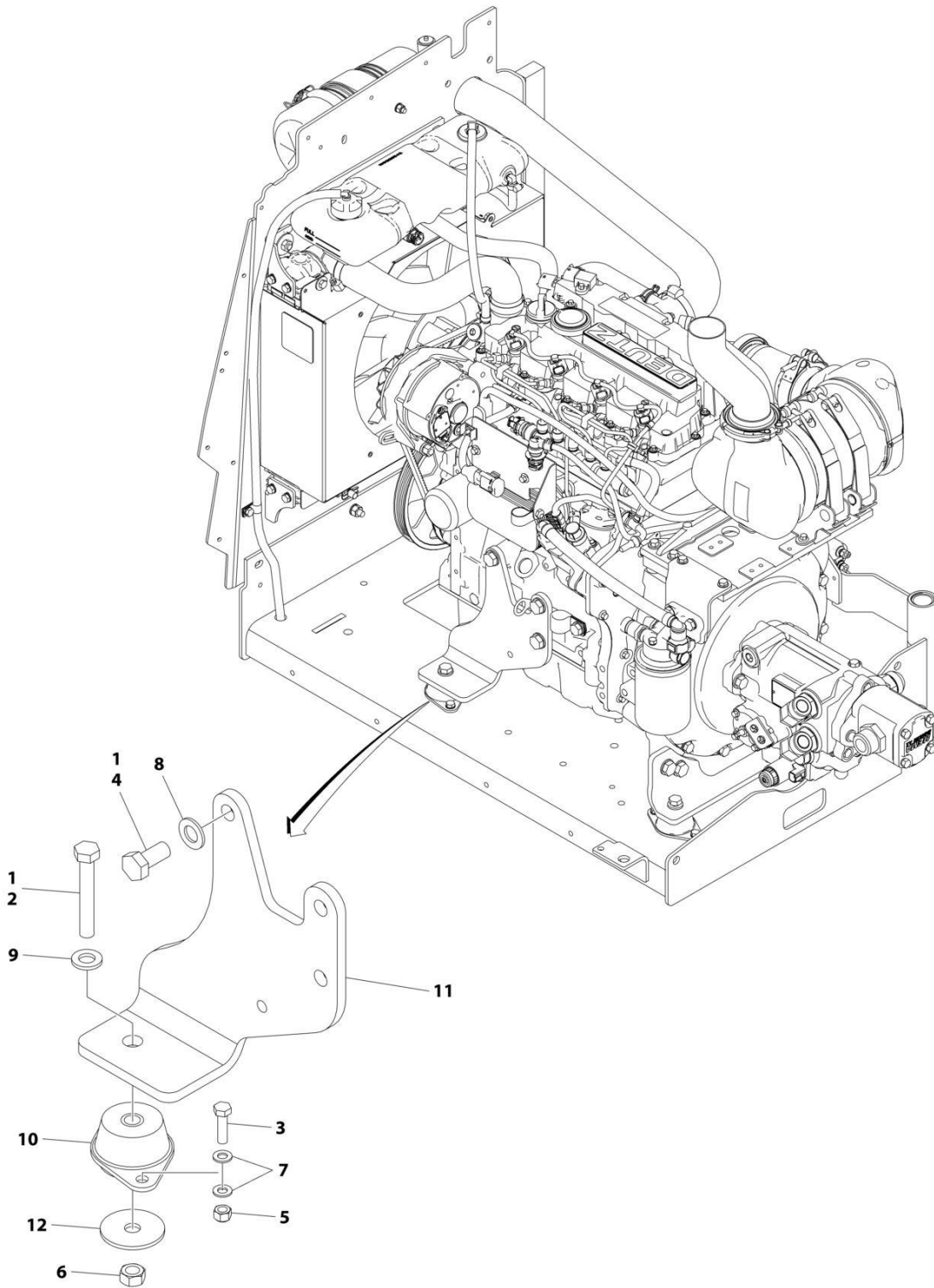
## SECTION 3 - ENGINE

**FIGURE 3-43. ENGINE MOUNT (WITH GENERATOR) - DEUTZ D2.9L4 AND DEUTZ D2.9L4 (STAGE V) ENGINES**

ITEM	PART NUMBER	QTY	DESCRIPTION	REV
	1001244019	Ref	MOTOR MOUNT INSTALLATION	A
1	0100011	AR	Compound, Locking	
2	0711224	1	Bolt M12 x 80	
3	0760814	2	Bolt M8 x 30	
4	0771414	3	Bolt M14 x 30	
5	3290805	2	Nut M8	
6	3331211	1	Nut M12	
7	4811900	4	Washer M8	
8	4812200	3	Washer M14	
9	5241200	1	Washer M12	
10	1001166718	1	Mount, Motor	
11	1001168018	1	Washer	
12	1001168207	1	Mount	

# SECTION 3 - ENGINE

FIGURE 3-44. ENGINE MOUNT (WITHOUT GENERATOR) - DEUTZ D2.9L4, DEUTZ D2.9L4 (STAGE V) AND DEUTZ D2.9L4 (CHINA IV) ENGINES



ART\_1001244024

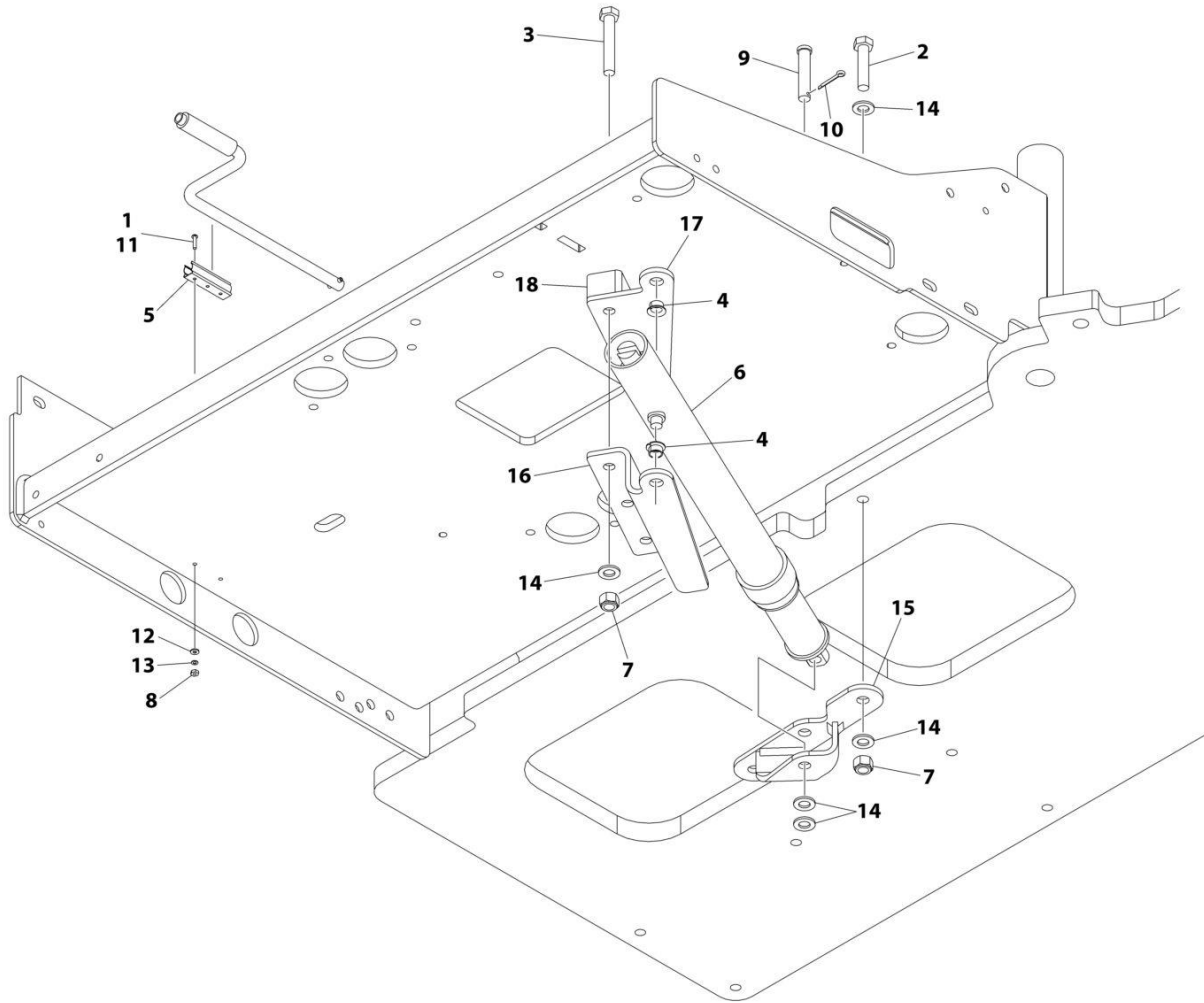
## SECTION 3 - ENGINE

**FIGURE 3-44. ENGINE MOUNT (WITHOUT GENERATOR) - DEUTZ D2.9L4, DEUTZ D2.9L4 (STAGE V)  
AND DEUTZ D2.9L4 (CHINA IV) ENGINES**

ITEM	PART NUMBER	QTY	DESCRIPTION	REV
	1001244024	Ref	MOTOR MOUNT INSTALLATION	A
1	0100011	AR	Compound, Locking	
2	0711224	1	Bolt M12 x 80	
3	0760814	2	Bolt M8 x 30	
4	0771414	3	Bolt M14 x 30	
5	3290805	2	Nut M8	
6	3331211	1	Nut M12	
7	4811900	4	Washer M8	
8	4812200	3	Washer M14	
9	5241200	1	Washer M12	
10	1001166718	1	Mount, Motor	
11	1001166922	1	Mount	
12	1001168018	1	Washer	

# SECTION 3 - ENGINE

## FIGURE 3-45. ENGINE TRAY JACK INSTALLATION



ART\_1001243870



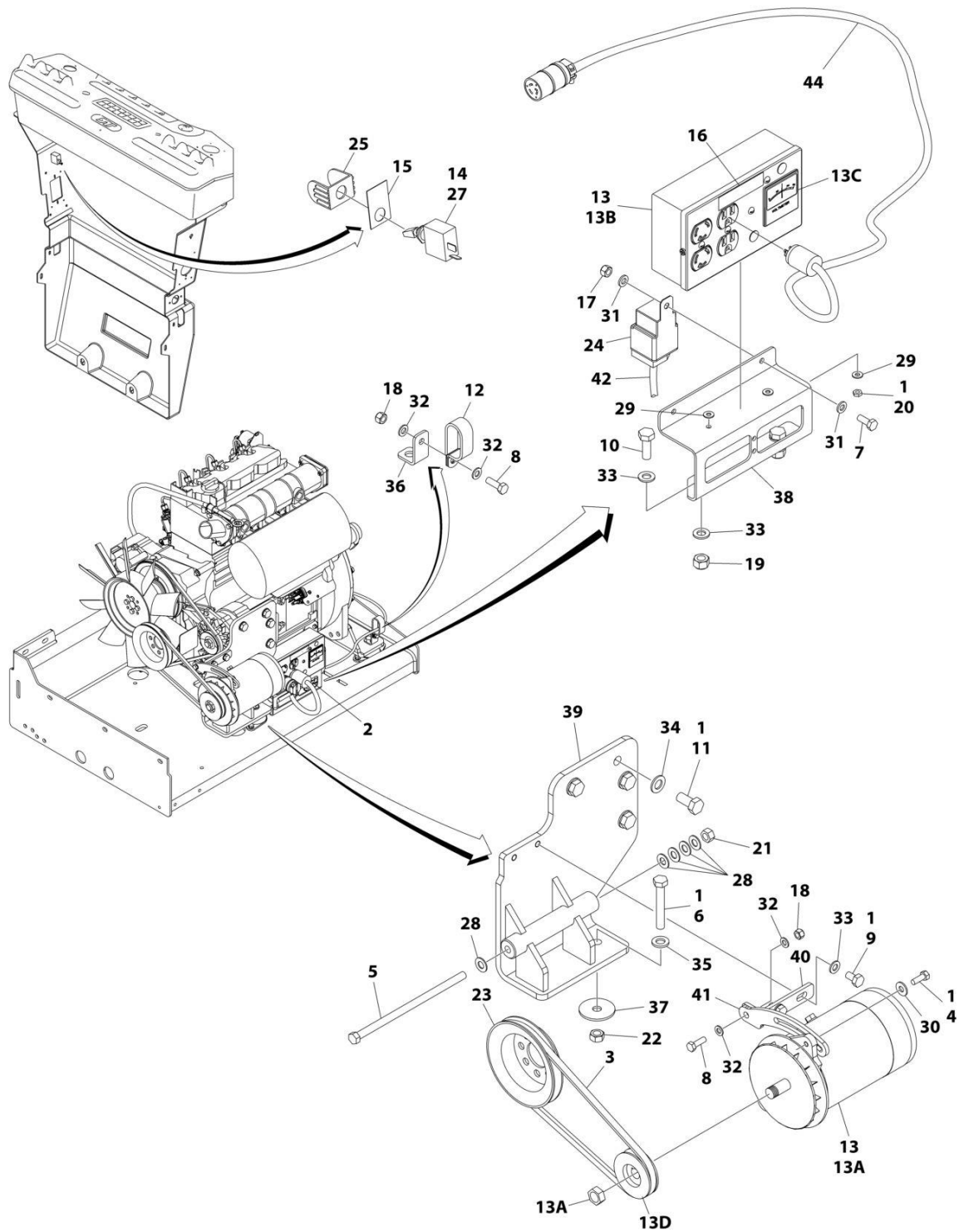
## SECTION 3 - ENGINE

**FIGURE 3-45. ENGINE TRAY JACK INSTALLATION**

ITEM	PART NUMBER	QTY	DESCRIPTION	REV
	1001243870	Ref	ENGINE TRAY JACK	B
1	0100011	AR	Compound, Locking	
2	0701219	2	Bolt M12 x 55	
3	0701223	3	Bolt	
4	0962051	2	Bearing	
5	1380147	1	Clip	
6	2840016	1	Screw Jack Assembly	
6	7024598	1	Handle	
6	7016322	1	Wiper	
7	3291205	5	Nut M12 x 1.75	
8	3310601	2	Nut #6	
9	3430820	1	Pin, Clevis	
10	3450404	1	Pin, Cotter	
11	3910610	2	Screw 6 x 5/8	
12	4750600	2	Washer #6	
13	4770600	2	Washer #6	
14	4812100	9	Washer M12	
15	1001166894	1	Support, Engine Tray Jack	
16	1001175073	1	Support, Engine Tray Jack	
17	1001175074	1	Support, Engine Tray Jack	
18	1001243869	1	Shim	

# SECTION 3 - ENGINE

## FIGURE 3-46. GENERATOR INSTALLATION - 2500W/60HZ (DEUTZ D2011 ENGINE)



ART\_1001180798

## SECTION 3 - ENGINE

**FIGURE 3-46. GENERATOR INSTALLATION - 2500W/60HZ (DEUTZ D2011 ENGINE)**

ITEM	PART NUMBER	QTY	DESCRIPTION	REV
	1001180798	Ref	GENERATOR INSTALLATION - 2500W/60HZ (DEUTZ D2011 ENGINE)	B
1	0100011	AR	Compound, Locking	
2	0100048	AR	Grease, Dielectric	
3	0480122	1	Belt	
4	0641507	1	Bolt 5/16 x 7/8	
5	0641772	1	Bolt 7/16 x 9	
6	0711224	1	Bolt M12 x 80 Grade 10.9	
7	0760608	1	Bolt M6 x 16	
8	0760812	2	Bolt M8 x 25	
9	0761009	2	Bolt M10 x 18	
10	0761014	2	Bolt M10 x 30	
11	0771414	4	Bolt M14 x 30 Grade 10.9	
12	1321716	1	Clamp	
13	2460055	1	Generator and Control Box Assembly	
13A	7012558	1	Generator	
	See Note	Ref	Note: Replacement Generators come standard with p/n 3580134 pulley. This pulley may not be correct for all applications. Refer to pulley options below.	
13A	7026199	1	Armature with Slip Rings	
13A	7012513	3	Cap, Brush Holder	
13A	7020108	4	Brush	
13A	7020109	4	Holder, Brush	
13A	7012514	1	Fan	
13A	7020110	1	Bell, Front	
13A	7020111	1	Bell, Rear	
13A	7020190	1	Bearing	
13B	7019680	1	Box, Control	
13B	4460190	1	Receptacle, Standard	
13B	4460027	1	Receptacle, Twistlock	
13B	4360542	1	Breaker, Circuit	
13B	3520028	1	Plug, Hole	
13B	4460961	1	Connector - 4 Position	
13B	4460705	4	Pin, Male	
13B	4460321	1	Connector - 4 Position (Note: Mate to p/n 4460961 Purchase Separately)	
13B	4460268	3	Socket, Female (Note: Mate to p/n 4460705 Purchase Separately)	
13C	2420203	1	Voltmeter	
13D	3580276	1	Pulley	
13D	7027887	1	Key, Woodruff	
14	2820031	AR	Heat Shrink	
15	See Note	1	Nameplate (Note: Not Available for Purchase)	
16	3251243	1	Nameplate 120V-60Hz	
17	3290605	1	Nut M6	
18	3290805	2	Nut M8	
19	3291005	2	Nut M10	
20	3311001	2	Nut #10	
21	3311705	1	Nut 7/16	
22	3331211	1	Nut M12	
23	3580158	1	Pulley	

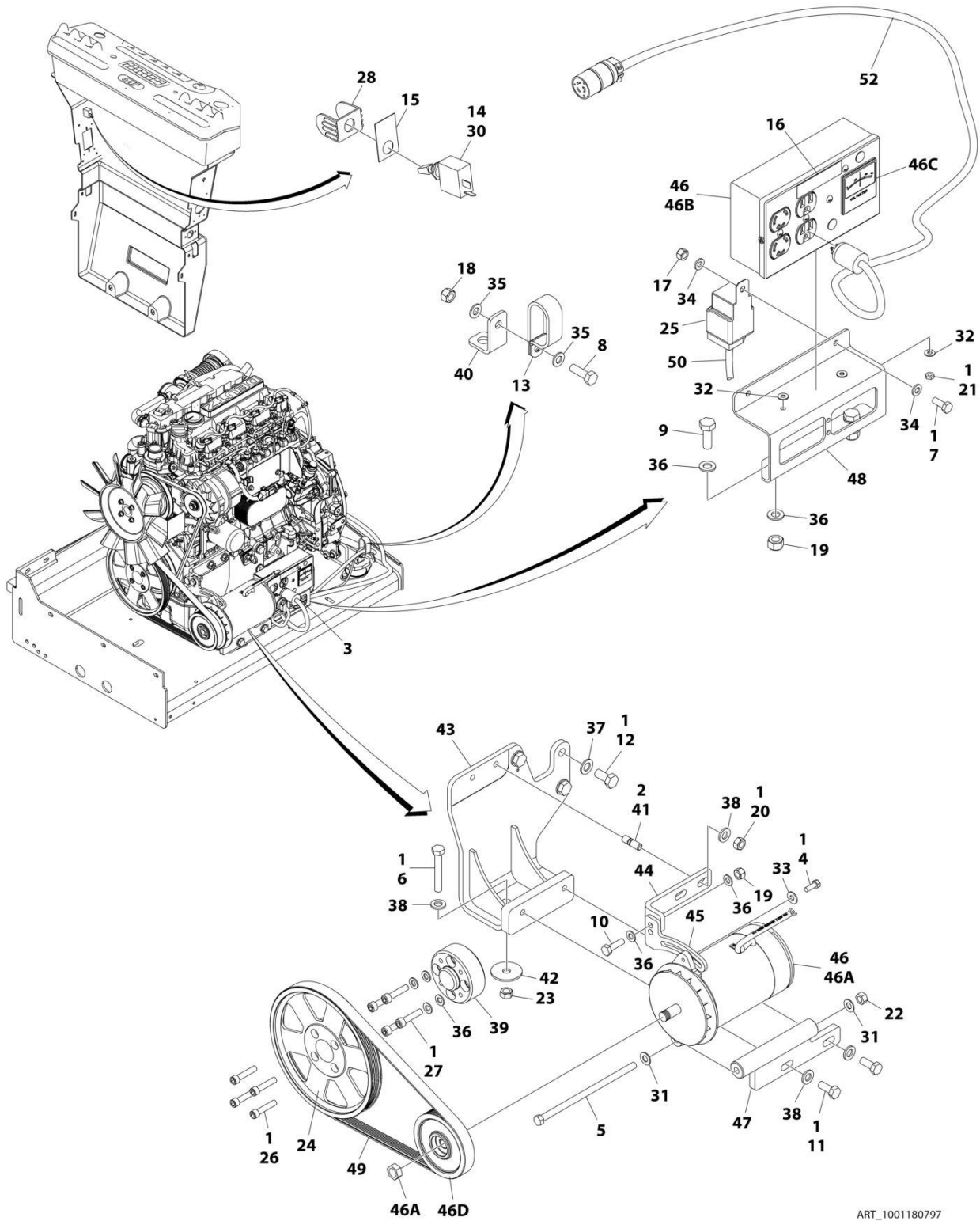
## SECTION 3 - ENGINE

ITEM	PART NUMBER	QTY	DESCRIPTION	REV
24	3740080	1	Relay	
25	4060802	1	Guard, Switch	
26	4240099	AR	Tie-Strap (Not Shown)	
27	4360336	1	Switch, Toggle	
28	4711700	5	Washer 7/16	
29	4751000	4	Washer #10	
30	4751500	1	Washer 5/16	
31	4811700	2	Washer M6	
32	4811900	4	Washer M8	
33	4812000	6	Washer M10	
34	4812200	4	Washer M14	
35	5241200	1	Washer M12 Hardened	
36	1001148641	1	Bracket	
37	1001168018	1	Washer, Snubbing	
38	1001183477	1	Support	
39	1001184637	1	Mount, Engine	
40	1001184644	1	Support	
41	1001184645	1	Bracket	
42	1001187522	1	Harness, Generator (See Separate Breakdown in ELECTRICAL SECTION)	
43	1001188731	1	Wiring Diagram (Not Shown)	
43	4922641	1	Harness, On/Off Switch (Not Shown - Located at Platform)	
44	1001182296	1	Harness, Inverter	
44	1060494	10 ft/3.5m	Cable, Electrical - 12/3	
44	4460134	1	Receptacle, Female	
44	4460138	1	Plug, Male	



# SECTION 3 - ENGINE

## FIGURE 3-47. GENERATOR INSTALLATION - 2500W/60HZ (DEUTZ D2.9L4 ENGINE)



ART\_1001180797

## SECTION 3 - ENGINE

**FIGURE 3-47. GENERATOR INSTALLATION - 2500W/60HZ (DEUTZ D2.9L4 ENGINE)**

ITEM	PART NUMBER	QTY	DESCRIPTION	REV
	1001180797	Ref	GENERATOR INSTALLATION - 2500W/60HZ (DEUTZ D2.9L4 ENGINE)	F
1	0100011	AR	Compound, Locking	
2	0100019	AR	Compound, Locking	
3	0100048	AR	Grease, Dielectric	
4	0641507	1	Bolt 5/16 x 7/8	
5	0641772	1	Bolt 7/16 x 9	
6	0711224	AR	Bolt M12 x 80 Grade 10.9	
7	0760608	1	Bolt M6 x 16	
8	0760812	1	Bolt M8 x 25	
9	0761014	2	Bolt M10 x 30	
10	0761015	1	Bolt M10 x 35	
11	0761214	2	Bolt M12 x 30	
12	0771414	3	Bolt M14 x 30 Grade 10.9	
13	1321716	1	Clamp	
14	2820031	AR	Heat Shrink	
15	See Note	1	Nameplate (Note: Not Available for Purchase)	
16	3251243	1	Nameplate 120V-60Hz	
17	3290605	1	Nut M6	
18	3290805	1	Nut M8	
19	3291005	3	Nut M10	
20	3291201	2	Nut M12	
21	3311001	2	Nut #10	
22	3311705	1	Nut 7/16	
23	3331211	AR	Nut M12	
24	3580320	1	Pulley	
25	3740080	1	Relay	
26	3931628	4	Capscrew 3/8 x 1-3/4	
27	4032014	4	Bolt M10 x 50	
28	4060802	1	Guard, Switch	
29	4240099	AR	Tie-Strap (Not Shown)	
30	4360336	1	Switch, Toggle	
31	4711700	2	Washer 7/16	
32	4751000	4	Washer #10	
33	4751500	1	Washer 5/16	
34	4811700	2	Washer M6	
35	4811900	2	Washer M8	
36	4812000	AR	Washer M10	
37	4812200	AR	Washer M14	
38	5241200	AR	Washer M12 Hardened	
39	1001135679	1	Adapter	
40	1001148641	1	Bracket	
41	1001155041	2	Stud	
42	1001168018	AR	Washer, Snubbing	
43	1001168207	Ref	Support	
44	1001179836	1	Mount, Upper Generator	
45	1001179837	1	Arm Adjustment	
46	1001180001	1	Generator	
46A	7026199	1	Armature with Slip Rings	
46A	7012513	3	Cap, Brush Holder	

## SECTION 3 - ENGINE

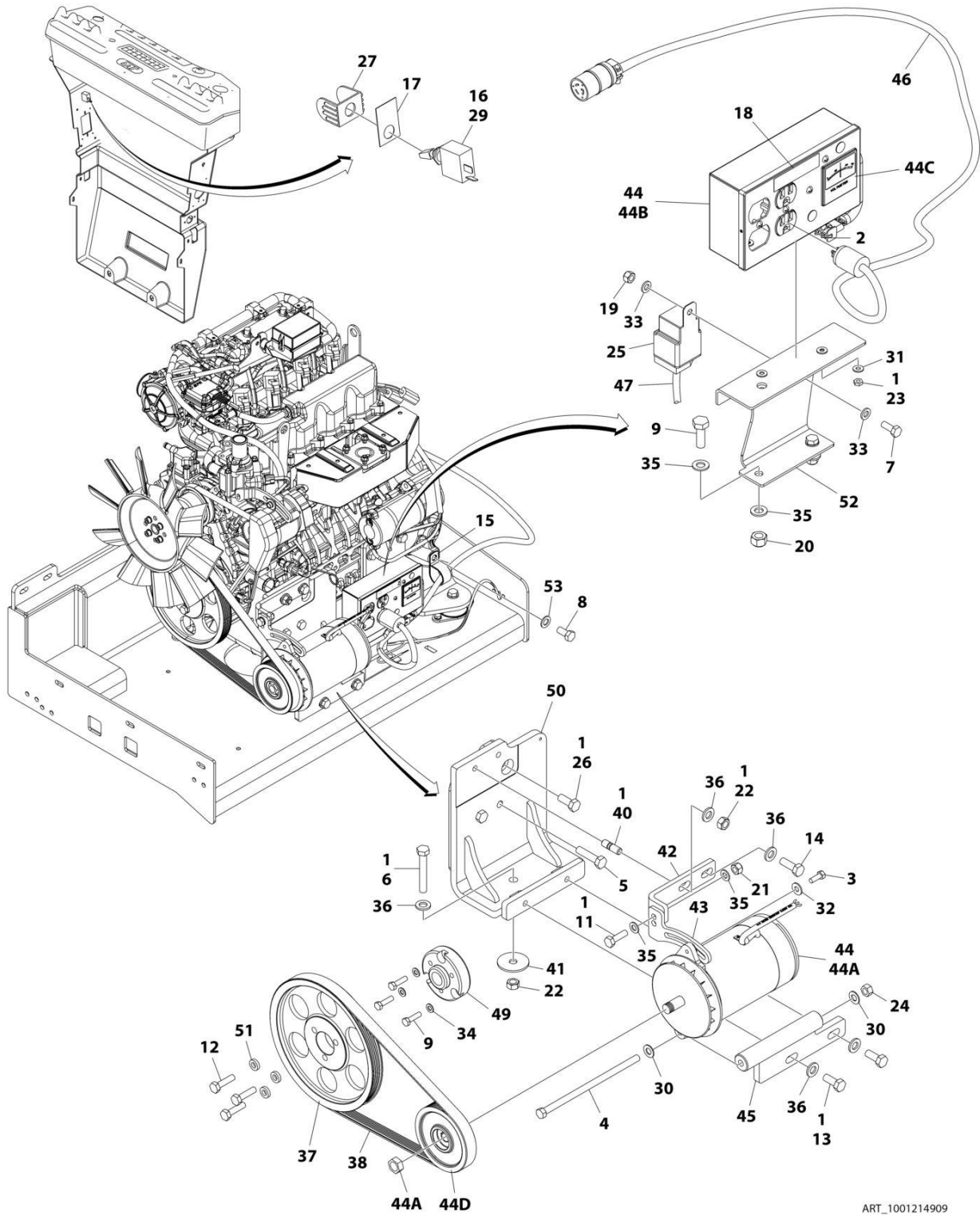
ITEM	PART NUMBER	QTY	DESCRIPTION	REV
46A	7020108	4	Brush	
46A	7020109	4	Holder, Brush	
46A	7012514	1	Fan	
46A	7020110	1	Bell, Front	
46A	7020111	1	Bell, Rear	
46A	7020190	1	Bearing	
46B	7019680	1	Box, Control	
46B	4460190	1	Receptacle, Standard	
46B	4460027	1	Receptacle, Twistlock	
46B	4360542	1	Breaker, Circuit	
46B	3520028	1	Plug, Hole	
46B	4460961	1	Connector - 4 Position	
46B	4460705	4	Pin, Male	
46B	4460321	1	Connector - 4 Position (Note: Mate to p/n 4460961 Purchase Separately)	
46B	4460268	3	Socket, Female (Note: Mate to p/n 4460705 Purchase Separately)	
46C	2420203	1	Voltmeter	
46D	1001179893	1	Pulley	
46D	7027887	1	Key, Woodruff	
47	1001181243	1	Mount, Lower Generator	
48	1001183477	1	Support	
49	1001148138	1	Belt	
50	1001187522	1	Harness, Generator (See Separate Breakdown in ELECTRICAL SECTION)	
51	1001188731	1	Wiring Diagram (Not Shown)	
51	4922641	1	Harness, On/Off Switch (Not Shown - Located at Platform)	
52	1001182296	1	Harness, Inverter	
52	1060494	10 ft/3.5m	Cable, Electrical - 12/3	
52	4460134	1	Receptacle, Female	
52	4460138	1	Plug, Male	





# SECTION 3 - ENGINE

## FIGURE 3-48. GENERATOR INSTALLATION - 2500W/60HZ (KUBOTA ENGINE)



ART\_1001214909

## SECTION 3 - ENGINE

**FIGURE 3-48. GENERATOR INSTALLATION - 2500W/60HZ (KUBOTA ENGINE)**

ITEM	PART NUMBER	QTY	DESCRIPTION	REV
	1001214909	Ref	GENERATOR INSTALLATION - 2500W/60Hz (KUBOTA ENGINE)	E
1	0100011	AR	Compound, Locking	
2	0100048	AR	Grease, Dielectric	
3	0641507	1	Bolt 5/16 x 7/8	
4	0641772	1	Bolt 7/16 x 9	
5	1001217344	2	Bolt M12 x 50	
6	0711224	AR	Bolt M12 x 80 Grade 10.9	
6	0701224	AR	Bolt M12 x 80	
7	0760608	1	Bolt M6 x 16	
8	1001217345	1	Bolt M14 x 30	
9	0760814	5	Bolt M8 x 30	
11	0761015	1	Bolt M10 x 35	
12	0761016	3	Bolt M10 x 40	
13	0761214	2	Bolt M12 x 30	
14	0761215	1	Bolt M12 x 35	
15	84521061	1	Clamp	
16	2820031	AR	Heat Shrink	
17	See Note	1	Nameplate (Note: Not Available for Purchase)	
18	3251243	1	Nameplate 120V-60Hz	
19	3290605	1	Nut M6	
20	3290805	2	Nut M8	
21	3291005	1	Nut M10	
22	3291201	2	Nut M12	
23	3311001	2	Nut #10	
24	3311705	1	Nut 7/16	
25	3740080	1	Relay	
26	1001217342	1	Bolt M12 x 30	
27	4060802	1	Guard, Switch	
28	4240099	AR	Tie-Strap (Not Shown)	
29	4360336	1	Switch, Toggle	
30	4711700	2	Washer 7/16	
31	4751000	4	Washer #10	
32	4751500	1	Washer 5/16	
33	4811700	2	Washer M6	
34	4811900	5	Washer M8	
35	4812000	4	Washer M10	
36	5241200	1	Washer M12 Hardened	
37	1001147233	1	Pulley	
38	1001148138	1	Belt	
40	1001155041	1	Stud	
41	1001168018	1	Washer, Snubbing	
42	1001179836	1	Mount, Upper Generator	
43	1001179837	1	Arm Adjustment	
44	1001180001	1	Generator	
44A	7026199	1	Armature with Slip Rings	
44A	7012513	3	Cap, Brush Holder	
44A	7020108	4	Brush	
44A	7020109	4	Holder, Brush	
44A	7012514	1	Fan	
44A	7020110	1	Bell, Front	

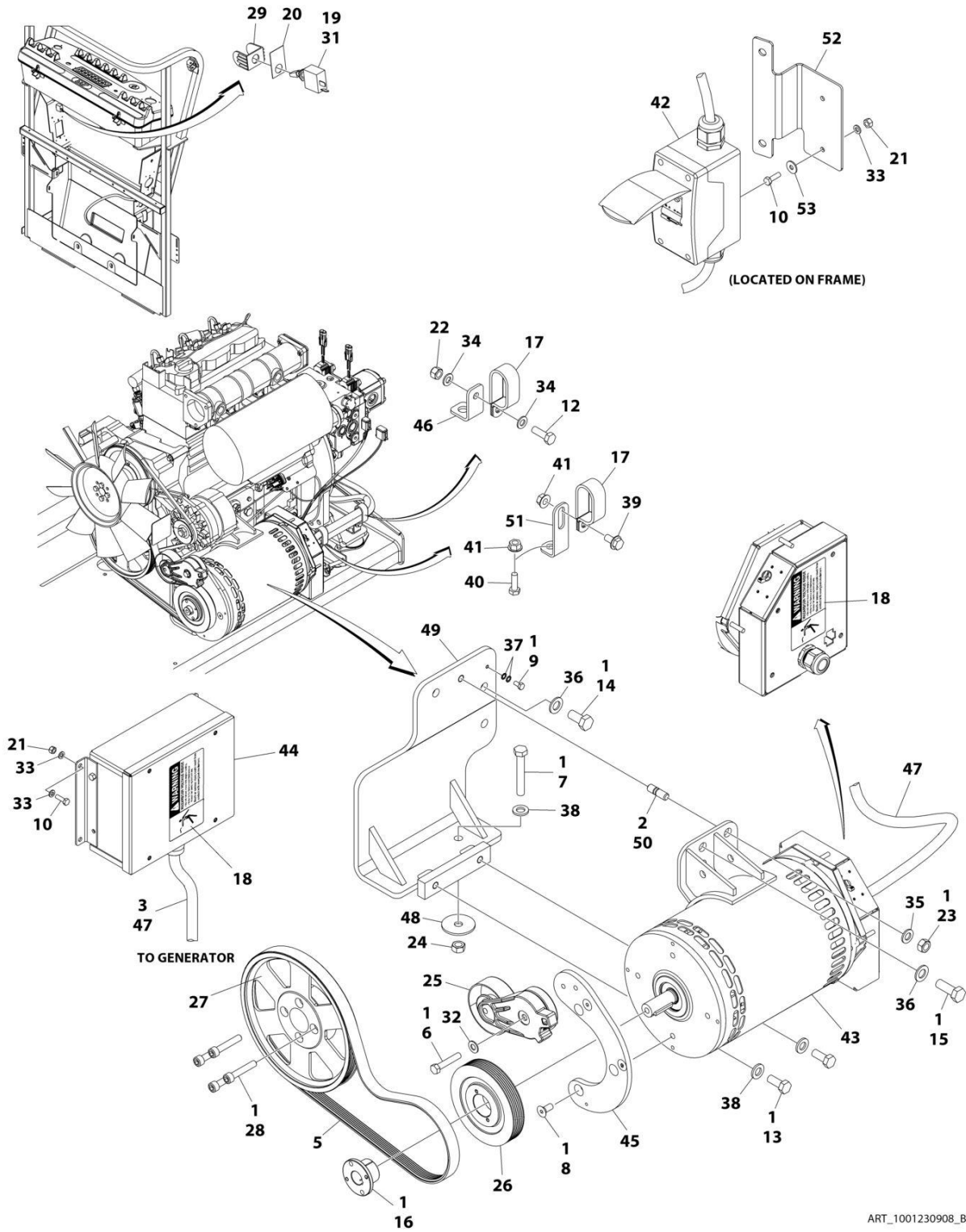
## SECTION 3 - ENGINE

ITEM	PART NUMBER	QTY	DESCRIPTION	REV
44A	7020111	1	Bell, Rear	
44A	7020190	1	Bearing	
44B	7019680	1	Box, Control	
44B	4460190	1	Receptacle, Standard	
44B	4460027	1	Receptacle, Twistlock	
44B	4360542	1	Breaker, Circuit	
44B	3520028	1	Plug, Hole	
44B	4460961	1	Connector - 4 Position	
44B	4460705	4	Pin, Male	
44B	4460321	1	Connector - 4 Position (Note: Mate to p/n 4460961 Purchase Separately)	
44B	4460268	3	Socket, Female (Note: Mate to p/n 4460705 Purchase Separately)	
44C	2420203	1	Voltmeter	
44D	1001179893	1	Pulley	
44D	7027887	1	Key, Woodruff	
45	1001181243	1	Mount, Lower Generator	
46	1001182296	1	Harness, Inverter	
46	1060494	10 ft/ 3.5m	Cable, Electrical - 12/3	
46	4460134	1	Receptacle, Female	
46	4460138	1	Plug, Male	
47	1001187522	1	Harness, Generator (See Separate Breakdown in ELECTRICAL SECTION)	
48	1001188731	1	Wiring Diagram (Not Shown)	
48	4922641	1	Harness, On/Off Switch (Not Shown - Located at Platform)	
49	1001213029	1	Adapter, Pulley	
50	1001214546	1	Support	
51	1001216805	1	Spacer	
52	1001216840	1	Support	
53	4812200	1	Washer M14	



# SECTION 3 - ENGINE

## FIGURE 3-49. GENERATOR INSTALLATION - 4000W/50HZ (DEUTZ D2011 ENGINES)



ART\_1001230908\_B

## SECTION 3 - ENGINE

**FIGURE 3-49. GENERATOR INSTALLATION - 4000W/50HZ (DEUTZ D2011 ENGINES)**

ITEM	PART NUMBER	QTY	DESCRIPTION	REV
	1001230908	Ref	4000W/50Hz GENERATOR INSTALLATION - DEUTZ D2011 ENGINES	B
1	0100011	AR	Compound, Locking	
2	0100019	AR	Compound, Locking	
3	0100048	AR	Grease, Dielectric	
4	0100079	AR	Sealant (Not Shown)	
5	0480126	1	Belt	
6	0641616	1	Bolt 3/8 x 2	
7	0711224	1	Bolt M12 x 80 Grade 10.9	
8	0741607	3	Screw 3/8 x 7/8	
9	0760606	1	Bolt M6 x 12	
10	0760610	6	Bolt M6 x 20	
12	0760812	1	Bolt M8 x 25	
13	0761214	2	Bolt M12 x 30	
14	0771414	2	Bolt M14 x 30 Grade 10.9	
15	0771416	1	Bolt M14 x 40	
16	0962520	1	Bushing	
17	1321716	2	Clamp	
18	1705489	2	Decal - Hazardous Voltage	
19	2820031	0.3 ft/ 0.1m	Heat Shrink	
20	3251102	1	Nameplate, Generator	
21	3290605	6	Nut M6	
22	3290805	1	Nut M8	
23	3291201	1	Nut M12	
24	3331211	1	Nut M12	
25	3580317	1	Pulley	
26	3580319	1	Pulley	
27	3580320	1	Pulley	
28	4032015	4	Bolt M10 x 55	
29	4060802	1	Guard, Switch	
30	4240099	AR	Tie-Strap (Not Shown)	
31	4360336	1	Switch, Toggle	
32	4711600	1	Washer 3/8	
33	4811700	10	Washer M6	
34	4811900	2	Washer M8	
35	4812100	1	Washer M12	
36	4812200	3	Washer M14	
37	4871700	2	Washer M6	
38	5241200	3	Washer M12 Hardened	
39	5250808	1	Bolt M8 x 16	
40	5250810	1	Bolt M8 x 20	
41	5260800	2	Flange Nut M8	
42	1001096070	1	Breaker Box Kit (50Hz) (See Separate Breakdown in ELECTRICAL Section)	
43	1001138565	1	Generator Assembly	
43	70003709	1	Ring, Retaining (External)	
43	70003708	1	Ring, Retaining (Internal)	
43	70001966	1	Bearing	
43	70004092	1	Endbell (Shaft End)	

## SECTION 3 - ENGINE

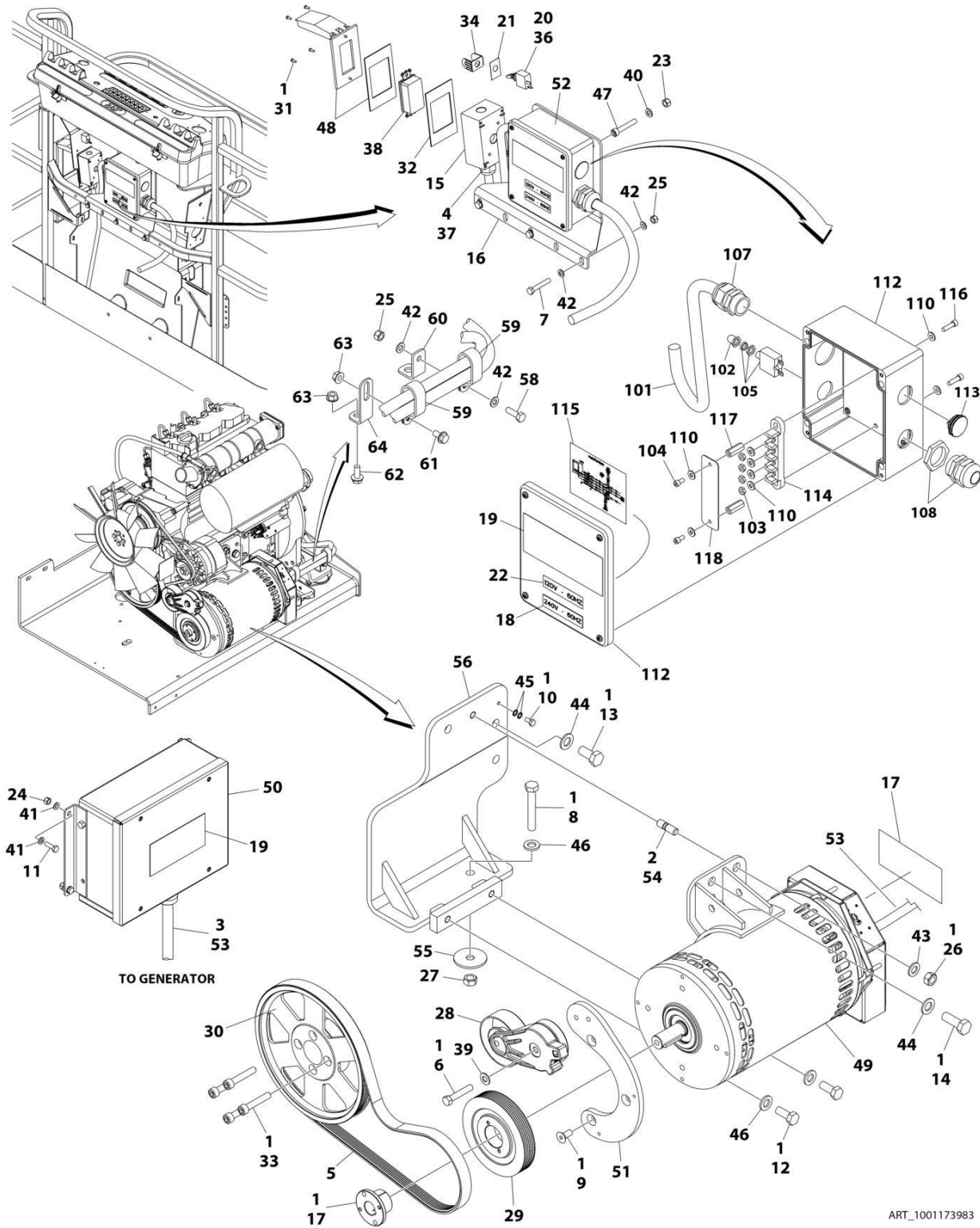
ITEM	PART NUMBER	QTY	DESCRIPTION	REV
43	70004171	1	Key	
43	70004676	1	Rotor	
43	70004677	1	Stator	
43	70004678	1	Endbell (Rear)	
43	70004679	1	Cover, Endbell (Rear)	
43	70004680	1	Enclosure, Wiring	
43	70004681	1	Cover, Enclosure	
43	70004682	1	Switch, Reset (Located on Enclosure Cover)	
43	70004683	1	Connector, Strain Relief (Located on Enclosure Cover)	
44	1001138566	1	Box, Control	
45	1001139357	1	Mount, Tensioner	
46	1001148641	1	Bracket	
47	1001152532	1	Harness, Generator (See Separate Breakdown in ELECTRICAL Section)	
48	1001168018	1	Washer, Snubbing	
49	1001173925	1	Mount	
50	1001196382	1	Stud	
51	1001223122	1	Support, P-Clamp	
52	1001230784	1	Bracket	
53	4811702	2	Washer M6	
		Ref	ELECTRICAL DIAGRAM COMPONENTS	
101	4922641	1	Generator Switch Harness (Not Shown)	





# SECTION 3 - ENGINE

## FIGURE 3-50. GENERATOR INSTALLATION - 4000W/60HZ (DEUTZ D2011 ENGINE)



ART\_1001173983

## SECTION 3 - ENGINE

**FIGURE 3-50. GENERATOR INSTALLATION - 4000W/60HZ (DEUTZ D2011 ENGINE)**

ITEM	PART NUMBER	QTY	DESCRIPTION	REV
	1001173983	Ref	GENERATOR INSTALLATION - 4000W/60HZ (DEUTZ D2011 ENGINE)	F
1	0100011	AR	Compound, Locking	
2	0100019	AR	Compound, Locking	
3	0100048	AR	Grease, Dielectric	
4	0100079	AR	Sealant	
5	0480128	1	Belt	
6	0641616	1	Bolt 3/8 x 2	
7	0700818	3	Bolt M8 x 50	
8	0711224	1	Bolt M12 x 80 Grade 10.9	
9	0741607	3	Screw 3/8 x 7/8	
10	0760606	1	Bolt M6 x 12	
11	0760610	4	Bolt M6 x 20	
12	0761214	2	Bolt M12 x 30	
13	0771414	2	Bolt M14 x 30 Grade 10.9	
14	0771416	1	Bolt M14 x 40	
15	0860038	1	Box, Switch	
16	0902888	1	Bracket	
17	0962520	1	Bushing	
18	1705374	1	Decal - 240V-60Hz	
19	1705387	3	Decal - Hazardous Voltage	
20	2820031	AR	Heat Shrink	
21	See Note	1	Nameplate (Note: Not Available for Purchase)	
22	3251243	1	Nameplate 120V-60Hz	
23	3290505	4	Nut M5	
24	3290605	4	Nut M6	
25	3290805	4	Nut M8	
26	3291201	2	Nut M12	
27	3331211	1	Nut M12	
28	3580317	1	Pulley	
29	3580318	1	Pulley	
30	3580320	1	Pulley	
31	3910606	4	Screw #6 x 3/8	
32	3960422	1	Gasket	
33	4032015	4	Bolt M10 x 55	
34	4060802	1	Guard, Switch	
35	4240099	AR	Tie-Strap (Not Shown)	
36	4360336	1	Switch, Toggle	
37	4460071	1	Connector, Strain Relief	
38	4460346	1	Receptacle	
39	4711600	1	Washer 3/8	
40	4811600	4	Washer M5	
41	4811700	8	Washer M6	
42	4811900	8	Washer M8	
43	4812100	1	Washer M12	
44	4812200	3	Washer M14	
45	4871700	2	Washer M6	
46	5241200	3	Washer M12 Hardened	
47	1001104029	4	Screw M5 x 30	
48	1001110873	1	Shield, Cover	

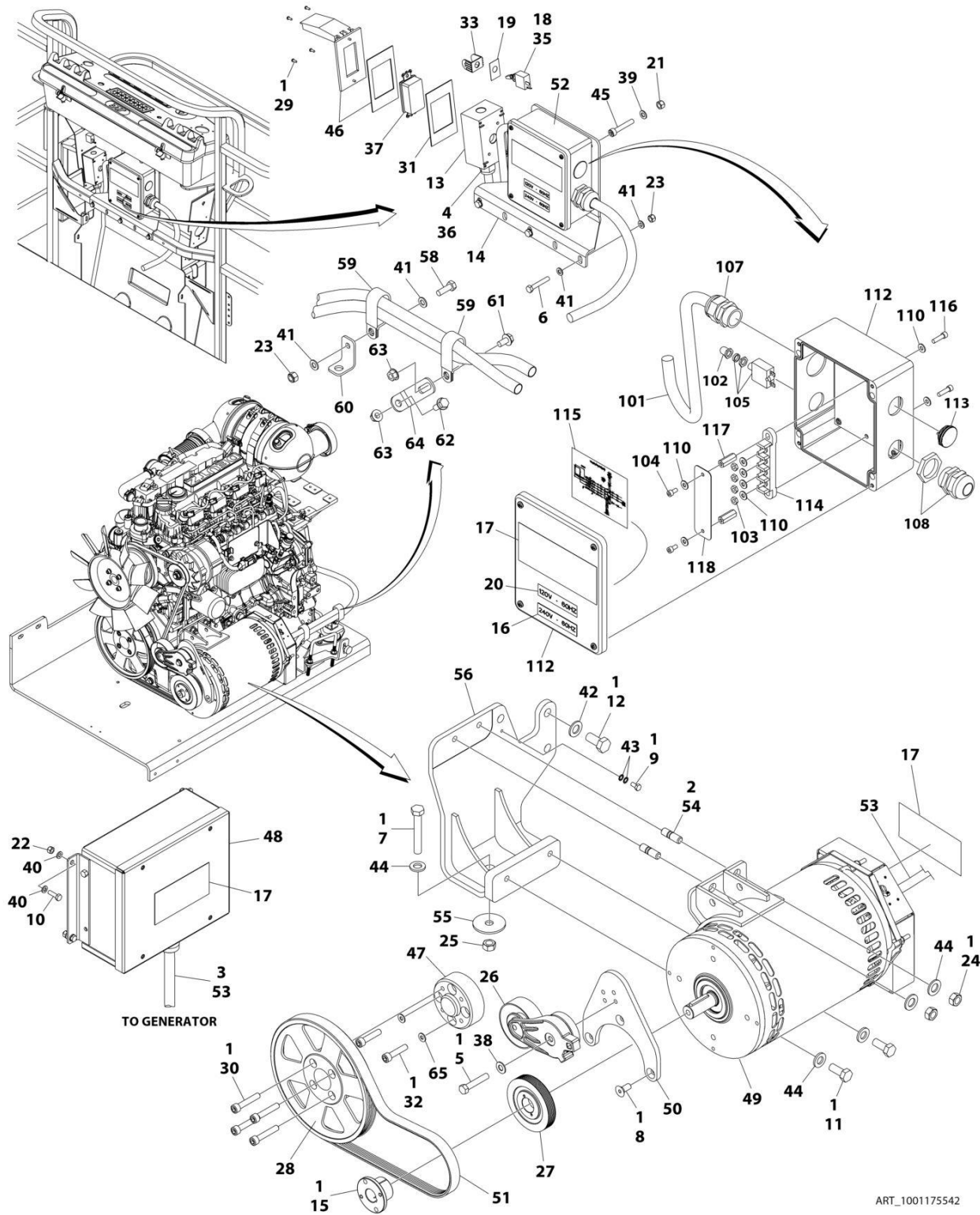
## SECTION 3 - ENGINE

ITEM	PART NUMBER	QTY	DESCRIPTION	REV
49	1001129858	1	Generator	
49	70003709	1	Ring, Retaining (External)	
49	70003708	1	Ring, Retaining (Internal)	
49	70001966	1	Bearing	
49	70004092	1	Endbell (Shaft End)	
49	70004171	1	Key	
49	70004676	1	Rotor	
49	70004684	1	Stator	
49	70004678	1	Endbell (Rear)	
49	70004679	1	Cover, Endbell (Rear)	
49	70004680	1	Enclosure, Wiring	
49	70004685	1	Cover, Enclosure	
49	70004682	1	Switch, Reset (Located on Enclosure Cover)	
49	70004098	1	Connector, Strain Relief (Located on Enclosure Cover)	
50	1001138566	1	Box, Control	
50	70006552	1	Capacitor	
50	70006553	1	Relay	
51	1001139357	1	Mount, Tensioner	
52	1001152457	1	Generator Junction Box Assembly (See Items 101-118 for Breakdown)	
53	1001152532	1	Harness, Generator (See Separate Breakdown in ELECTRICAL SECTION)	
54	1001196382	1	Stud	
55	1001168018	1	Washer, Snubbing	
56	1001173925	1	Mount	
57	1001175631	1	Wiring Diagram (Not Shown)	
57	4922641	1	Harness, On/Off Switch (Not Shown - Located at Platform)	
58	0760812	1	Bolt M8 x 25	
59	1321716	2	Clamp	
60	1001148641	1	Bracket	
61	5250808	1	Bolt M8 x 16	
62	5250810	1	Bolt M8 x 20	
63	5260800	2	Nut M8	
64	1001223122	1	Support	
	1001152457	Ref	GENERATOR JUNCTION BOX COMPONENTS	
101	1001179154	2.5 ft/ 0.8m	Cable, Electrical - 12/3	
102	3300396	1	Cover, Breaker	
103	3311001	4	Nut #10	
104	3900300	2	Screw	
105	4360070	1	Breaker, Circuit - 15Amp	
107	4460425	1	Connector, Strain Relief (LH Side)	
108	4460426	1	Connector, Strain Relief (RH Side)	
110	4711000	8	Washer #10	
112	1001152456	1	Box, Junction	
113	1001152525	1	Plug	
114	1001152530	1	Terminal, Block	
115	1001153260	1	Decal - Wiring Diagram	
116	3900267	2	Screw	
117	1001158008	2	Stand-Off	
118	1001158363	1	Cover, Terminal Block	



# SECTION 3 - ENGINE

## FIGURE 3-51. GENERATOR INSTALLATION - 4000W/60HZ (DEUTZ D2.9L4 ENGINE)



ART\_1001175542

## SECTION 3 - ENGINE

**FIGURE 3-51. GENERATOR INSTALLATION - 4000W/60HZ (DEUTZ D2.9L4 ENGINE)**

ITEM	PART NUMBER	QTY	DESCRIPTION	REV
	1001175542	Ref	GENERATOR INSTALLATION - 4000W/60HZ (DEUTZ D2.9L4 ENGINE)	J
1	0100011	AR	Compound, Locking	
2	0100019	AR	Compound, Locking	
3	0100048	AR	Grease, Dielectric	
4	0100079	AR	Sealant	
5	0641616	1	Bolt 3/8 x 2	
6	0700818	3	Bolt M8 x 50	
7	0711224	AR	Bolt M12 x 80 Grade 10.9	
8	0741607	3	Screw 3/8 x 7/8	
9	0760606	1	Bolt M6 x 12	
10	0760610	4	Bolt M6 x 20	
11	0761212	2	Bolt M12 x 25	
12	0771414	AR	Bolt M14 x 30 Grade 10.9	
13	0860038	1	Box, Switch	
14	0902888	1	Bracket	
15	0962520	1	Bushing	
16	1705374	1	Decal - 240V-60Hz	
17	1705387	3	Decal - Hazardous Voltage	
18	2820031	AR	Heat Shrink	
19	See Note	1	Nameplate (Note: Not Available for Purchase)	
20	3251243	1	Nameplate 120V-60Hz	
21	3290505	4	Nut M5	
22	3290605	4	Nut M6	
23	3290805	4	Nut M8	
24	3291201	2	Nut M12	
25	3331211	AR	Nut M12	
26	3580317	1	Pulley	
27	3580318	1	Pulley	
28	3580320	1	Pulley	
29	3910606	4	Screw #6 x 3/8	
30	3931628	4	Capscrew 3/8 x 1-3/4	
31	3960422	1	Gasket	
32	4032014	4	Capscrew M10 x 50	
33	4060802	1	Guard, Switch	
34	4240099	AR	Tie-Strap (Not Shown)	
35	4360336	1	Switch, Toggle	
36	4460071	1	Connector, Strain Relief	
37	4460346	1	Receptacle	
38	4711600	1	Washer 3/8	
39	4811600	4	Washer M5	
40	4811700	8	Washer M6	
41	4811900	8	Washer M8	
42	4812200	AR	Washer M14	
43	4871700	2	Washer M6	
44	5241200	AR	Washer M12 Hardened	
45	1001104029	4	Screw M5 x 30	
46	1001110873	1	Shield, Cover	
47	1001135679	1	Adapter	
48	1001138566	1	Box, Control	

## SECTION 3 - ENGINE

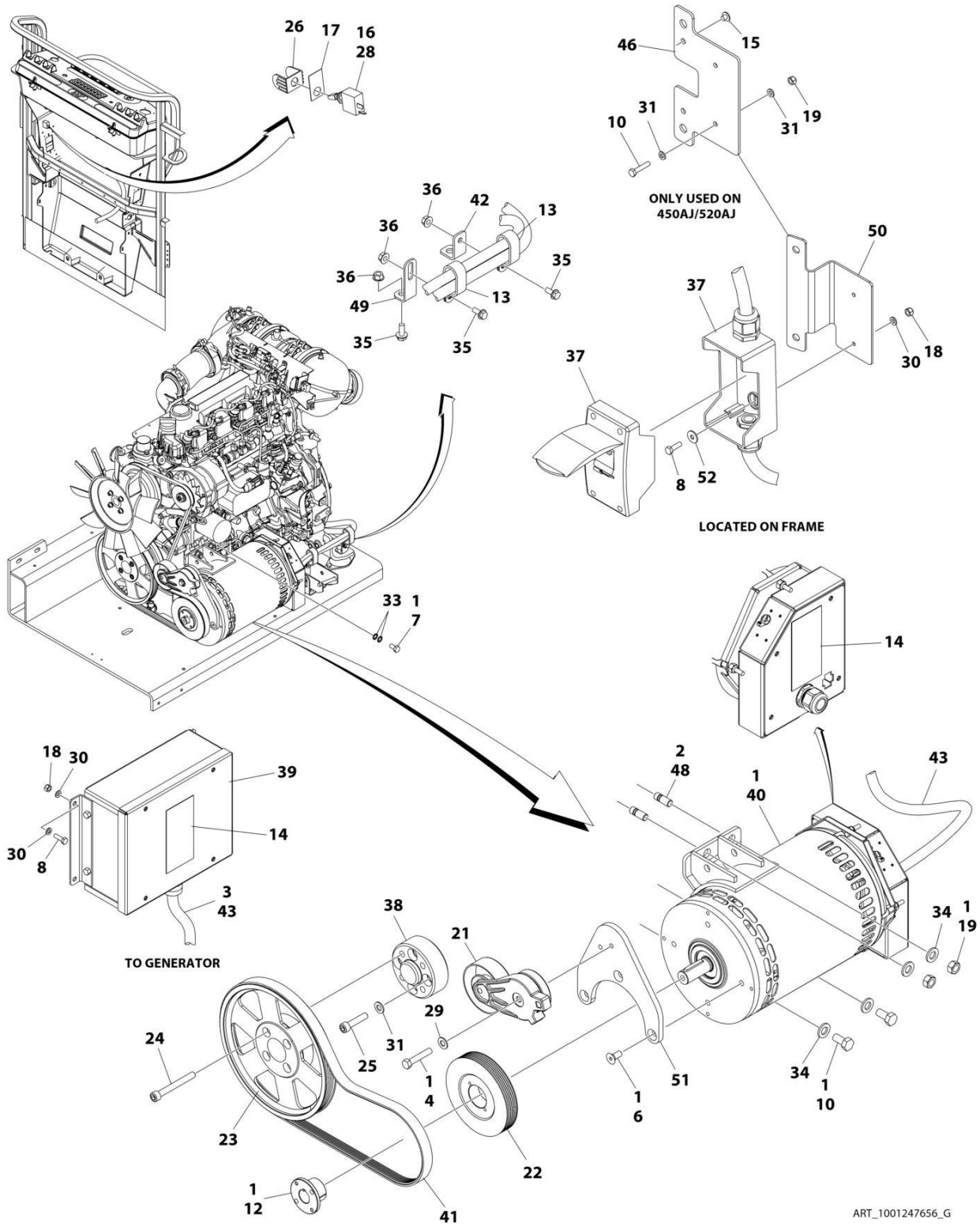
ITEM	PART NUMBER	QTY	DESCRIPTION	REV
49	1001140346	1	Generator Assembly	
49	70003709	1	Ring, Retaining (External)	
49	70003708	1	Ring, Retaining (Internal)	
49	70001966	1	Bearing	
49	70004092	1	Endbell (Shaft End)	
49	70004099	1	Key	
49	70004676	1	Rotor	
49	70004687	1	Stator	
49	70004678	1	Endbell (Rear)	
49	70004679	1	Cover, Endbell (Rear)	
49	70004680	1	Enclosure, Wiring	
49	70004685	1	Cover, Enclosure	
49	70004682	1	Switch, Reset (Located on Enclosure Cover)	
49	70004098	1	Connector, Strain Relief (Located on Enclosure Cover)	
50	1001142643	1	Support	
51	1001142646	1	Belt	
52	1001152457	1	Generator Junction Box Assembly (See Items 101-118 for Breakdown)	
53	1001152532	1	Harness, Generator (See Separate Breakdown in ELECTRICAL SECTION)	
54	1001196382	2	Stud	
55	1001168018	AR	Washer, Snubbing	
56	1001168207	Ref	Support	
57	1001175631	1	Wiring Diagram (Not Shown)	
57	4922641	1	Harness, On/Off Switch (Not Shown - Located at Platform)	
58	0760812	1	Bolt M8 x 25	
59	1321716	2	Clamp	
60	1001148641	1	Bracket	
61	5250808	1	Bolt M8 x 16	
62	5250810	1	Bolt M8 x 20	
63	5260800	2	Nut M8	
64	1001223122	1	Support	
65	4812000	4	Washer M10	
	1001152457	Ref	GENERATOR JUNCTION BOX COMPONENTS	
101	1001179154	2.5 ft/ 0.8m	Cable, Electrical - 12/3	
102	3300396	1	Cover, Breaker	
103	3311001	4	Nut #10	
104	3900300	2	Screw	
105	4360070	1	Breaker, Circuit - 15Amp	
107	4460425	1	Connector, Strain Relief (LH Side)	
108	4460426	1	Connector, Strain Relief (RH Side)	
110	4711000	8	Washer #10	
112	1001152456	1	Box, Junction	
113	1001152525	1	Plug	
114	1001152530	1	Terminal, Block	
115	1001153260	1	Decal - Wiring Diagram	
116	3900267	2	Screw	
117	1001158008	2	Stand-Off	
118	1001158363	1	Cover, Terminal Block	





# SECTION 3 - ENGINE

## FIGURE 3-52. GENERATOR INSTALLATION - 4000W/50HZ (DEUTZ STAGE V ENGINE)



## SECTION 3 - ENGINE

**FIGURE 3-52. GENERATOR INSTALLATION - 4000W/50HZ (DEUTZ STAGE V ENGINE)**

ITEM	PART NUMBER	QTY	DESCRIPTION	REV
	1001247656	Ref	GENERATOR INSTALLATION - 4000W/50HZ	G
1	0100011	AR	Compound, Locking	
2	0100019	AR	Compound, Locking	
3	0100048	AR	Grease, Dielectric	
4	0641616	1	Bolt 3/8 x 2	
6	0741607	3	Screw 3/8 x 7/8	
7	0760606	1	Bolt M6 x 12	
8	0760610	AR	Bolt M6 x 20	
10	0761212	2	Bolt M12 x 25	
12	0962520	1	Bushing	
13	1321716	2	Clamp	
14	1705489	2	Decal - Hazardous Voltage	
15	2080040	2	Fastener, Huck	
16	2820031	0.33 ft /0.10m	Heat Shrink	
17	3251102	1	Nameplate, Generator	
18	3290605	AR	Nut M6	
19	3291201	2	Nut M12	
21	3580317	1	Pulley	
22	3580319	1	Pulley	
23	1001281192	1	Pulley	
24	1001261085	4	Capscrew M10 x 85	
25	1001261045	4	Capscrew M10 x 45	
26	4060802	1	Guard, Switch	
27	4240099	AR	Tie-Strap (Not Shown)	
28	4360336	1	Switch, Toggle	
29	4711600	1	Washer 3/8	
30	4811700	AR	Washer M6	
31	4812000	4	Washer M14	
33	4871700	2	Washer M6	
34	5241200	4	Washer M12 Hardened	
35	5250810	3	Bolt M8 x 20	
36	5260800	3	Nut M8	
37	1001096070	1	Breaker Box Kit (50Hz) (See Separate Breakdown in ELECTRICAL Section)	
38	1001258800	1	Adapter	
39	1001138566	1	Box, Control	
40	1001140347	1	Generator, 4000W/ 50HZ - Deutz Engine	
40	70003709	1	Ring, Retaining (External)	
40	70003708	1	Ring, Retaining (Internal)	
40	70001966	1	Bearing	
40	70004092	1	Endbell (Shaft End)	
40	70004099	1	Key	
40	70004676	1	Rotor	
40	70004686	1	Stator	
40	70004678	1	Endbell (Rear)	
40	70004679	1	Cover, Endbell (Rear)	
40	70004680	1	Enclosure, Wiring	
40	70004681	1	Cover, Enclosure	
40	70004682	1	Switch, Reset (Located on Enclosure Cover)	

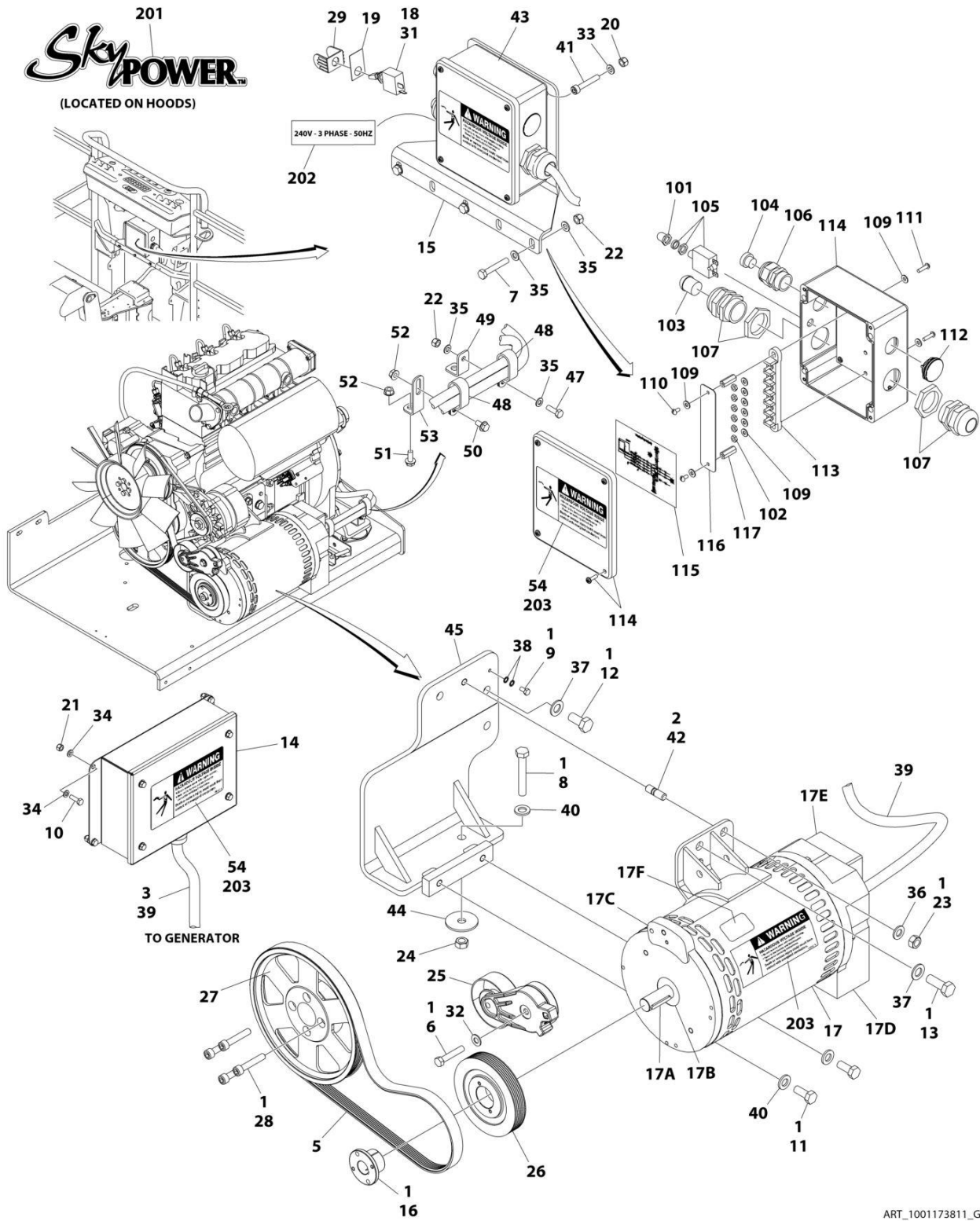
## SECTION 3 - ENGINE

ITEM	PART NUMBER	QTY	DESCRIPTION	REV
40	70004683	1	Connector, Strain Relief (Located on Enclosure Cover)	
41	1001148059	1	Belt, Generator	
42	1001148641	1	Bracket	
43	1001152532	1	Harness, Generator (See Separate Breakdown in ELECTRICAL Section)	
46	1001174158	1	Mount	
47	1001174675	1	Wiring Diagram (Not Shown)	
48	1001196382	2	Stud	
49	1001223122	1	Support	
50	1001230784	1	Bracket	
51	1001248190	1	Support	
52	4811702	AR	Washer M6	
		Ref	ELECTRICAL DIAGRAM COMPONENTS	
101	4922641	1	Generator Switch Harness (Not Shown)	



# SECTION 3 - ENGINE

## FIGURE 3-53. GENERATOR INSTALLATION - 7500W/50HZ (DEUTZ D2011 ENGINE)



ART\_1001173811\_G

## SECTION 3 - ENGINE

**FIGURE 3-53. GENERATOR INSTALLATION - 7500W/50HZ (DEUTZ D2011 ENGINE)**

ITEM	PART NUMBER	QTY	DESCRIPTION	REV
	1001173811	Ref	GENERATOR INSTALLATION - 7500W/50HZ (DEUTZ D2011 ENGINE)	G
1	0100011	AR	Compound, Locking	
2	0100019	AR	Compound, Locking	
3	0100048	AR	Grease, Dielectric	
4	0100079	AR	Sealant (Not Shown)	
5	0480126	1	Belt	
6	0641616	1	Bolt 3/8 x 2	
7	0700818	3	Bolt M8 x 50	
8	0711224	1	Bolt M12 x 80 Grade 10.9	
9	0760606	1	Bolt M6 x 12	
10	0760610	4	Bolt M6 x 20	
11	0761214	2	Bolt M12 x 30	
12	0771414	2	Bolt M14 x 30 Grade 10.9	
13	0771416	1	Bolt M14 x 40	
14	0861572	1	Control Box Assembly	
14	7024488	1	Card, Circuit - Generator Power	
14	See Note	NSS	Fuse (Note: Not Available - Purchase Locally)	
14	7024489	1	Card, Circuit - Control	
14	70000619	1	Harness, Control Box (Internal)	
15	0902888	1	Bracket	
16	0962520	1	Bushing	
17	2460048	1	Generator Assembly	
17	70001100	1	Rotor (Includes p/n 70001384 & 70000863) (Not Shown)	
17	70001384	1	Bearing, Ball Radial (Not Shown)	
17	70000863	1	Fan (Not Shown)	
17	70002088	1	Stator (Not Shown)	
17	70002297	1	Stud	
17	70003631	1	Brushholder Assembly (Not Shown)	
17A	70004171	1	Key	
17B	70001966	1	Bearing, Ball Radial (Located in Belt Tensioner Endbell)	
17B	70003708	1	Ring, Internal Retaining (Located in Belt Tensioner Endbell)	
17B	70003709	1	Ring, External Retaining (Located in Belt Tensioner Endbell)	
17C	70001953	1	Endbell, Belt Tensioner	
17D	70004169	1	Endbell, Brush Block	
17E	70004169	1	Shroud	
17E	See Note	NSS	Insulator, Endbell (Note: Not Available for Purchase)	
17E	7027799	1	Block, Connector 6 Position (Not Shown)	
17E	70002460	1	Nut, Brass (Attaches p/n 7027799 to Cover) (Not Shown)	
17E	7024485	1	Breaker, Circuit 30Amp (Not Shown)	
17E	70001696	1	Boot, Breaker (Not Shown)	
17E	7026626	1	Connector, 6 Position (Includes Seal) (Not Shown - Plugs into Item 39)	
17E	7026597	1	Connector, with Leads (Not Shown)	
17E	7026188	1	Clamp, Cable Options (Not Shown)	
17E	70004169	1	Plate, End Panel	
17E	70001974	1	Decal - Terminal Connections	
17F	70001973	1	Decal - Warning Moving Parts	
18	2820031	AR	Heat Shrink	
19	3252764	1	Nameplate	

## SECTION 3 - ENGINE

ITEM	PART NUMBER	QTY	DESCRIPTION	REV
20	3290505	4	Nut M5	
21	3290605	4	Nut M6	
22	3290805	4	Nut M8	
23	3291201	1	Nut M12	
24	3331211	1	Nut M12	
25	3580317	1	Pulley	
26	3580319	1	Pulley	
27	3580320	1	Pulley	
28	4032015	4	Bolt M10 x 55	
29	4060802	1	Guard, Switch	
30	4240099	AR	Tie-Strap (Not Shown)	
31	4360336	1	Switch, Toggle	
32	4711600	1	Washer 3/8	
33	4811600	4	Washer M5	
34	4811700	8	Washer M6	
35	4811900	8	Washer M8	
36	4812100	1	Washer M12	
37	4812200	3	Washer M14	
38	4871700	2	Washer M6	
39	4922925	1	Harness, Generator	
39	4460225	1	Plug, Male 6 Position (Plugs into Generator)	
39	See Note	NSS	Socket, Female (Use with 4460225)	
39	See Note	NSS	Seal, Plug (Use with 4460225)	
39	See Note	NSS	Seal, Interface (Use with 4460225)	
40	5241200	3	Washer M12 Hardened	
41	1001104029	4	Screw M5 x 30	
42	1001196382	1	Stud	
43	1001157525	1	Junction Box Assembly (See Items 101-117 for Breakdown)	
44	1001168018	1	Washer, Snubbing	
45	1001173925	1	Mount	
46	1001174675	1	Wiring Diagram (Not Shown)	
46	4922641	1	Harness, On/Off Switch (Not Shown - Located at Platform)	
47	0760812	1	Bolt M8 x 25	
48	1321716	2	Clamp	
49	1001148641	1	Bracket	
50	5250808	1	Bolt M8 x 16	
51	5250810	1	Bolt M8 x 20	
52	5260800	2	Nut M8	
53	1001223122	1	Support	
54	1705489	2	Decal - Hazardous Voltage	
	1001157525	Ref	JUNCTION BOX ASSEMBLY	B
101	3300396	1	Cover, Fuse	
102	3311001	6	Nut #10	
103	3520189	1	Plug	
104	3520192	1	Plug	
105	4360070	1	Circuit Breaker - 15Amp	
106	4460425	1	Connector, Strain Relief	
107	4460426	2	Connector, Strain Relief	
109	4711000	10	Flatwasher #10	
110	10702077	2	Screw #10 x 3/8	
111	10702082	2	Screw #10 x 3/4	

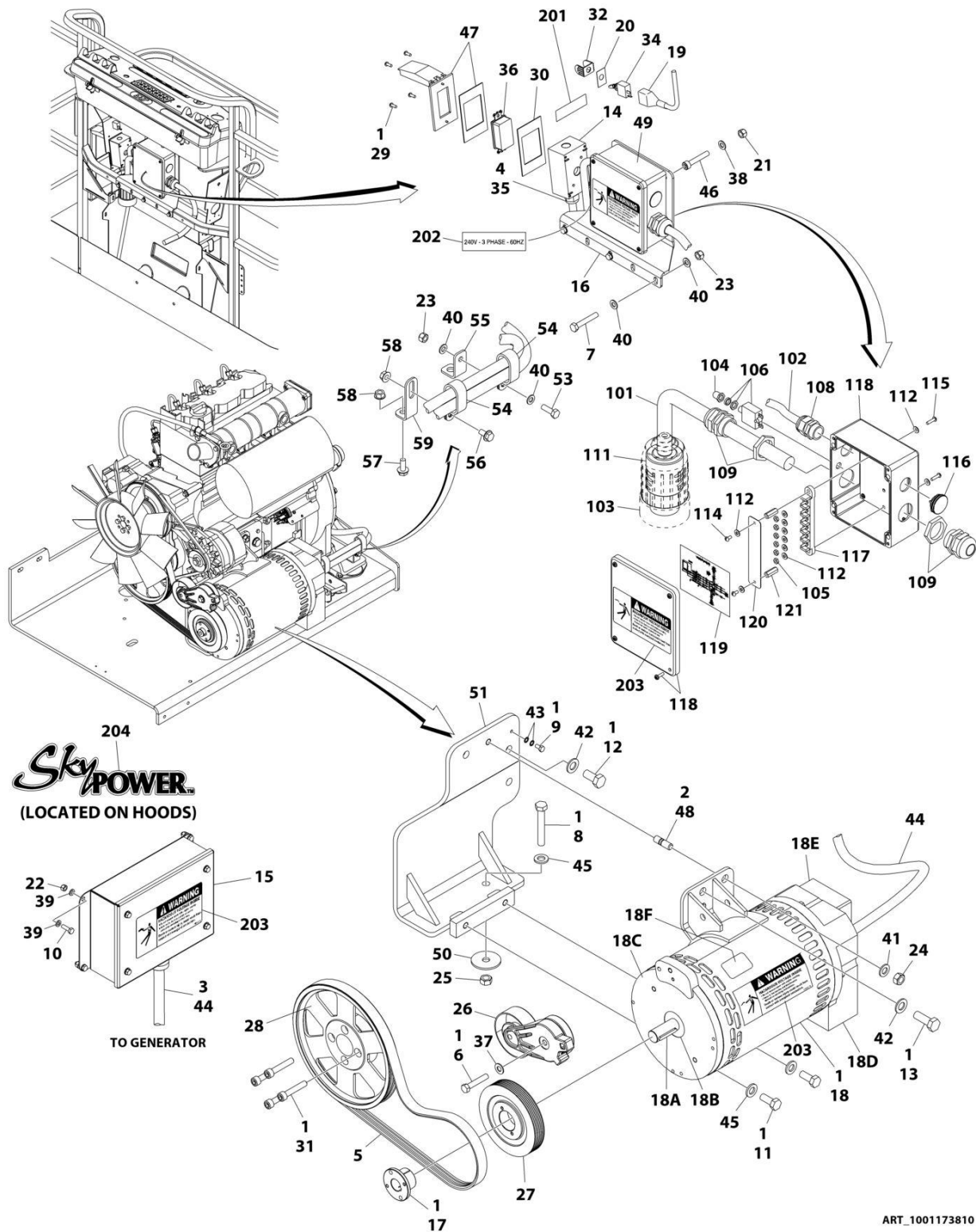


## SECTION 3 - ENGINE

ITEM	PART NUMBER	QTY	DESCRIPTION	REV
112	1001152525	1	Plug	
113	1001157520	1	Block, Terminal	
114	1001157521	1	Box, Junction	
115	1001157528	1	Decal - Wiring Schematic	
116	1001158007	1	Cover, PVC	
117	1001158008	2	Stand-Off	
	0272589	Ref	DECAL INSTALLATION	A
201	1705460	2	Decal - SkyPower	
202	1705461	1	Decal - 240V - 3 Phase - 50Hz	
203	1705489	3	Decal - Hazardous Voltage	

# SECTION 3 - ENGINE

## FIGURE 3-54. GENERATOR INSTALLATION - 7500W/60HZ (DEUTZ D2011 ENGINE)



ART\_1001173810

## SECTION 3 - ENGINE

**FIGURE 3-54. GENERATOR INSTALLATION - 7500W/60HZ (DEUTZ D2011 ENGINE)**

ITEM	PART NUMBER	QTY	DESCRIPTION	REV
	1001173810	Ref	GENERATOR INSTALLATION - 7500W/60Hz (DEUTZ D2011 ENGINE)	F
1	0100011	AR	Compound, Locking	
2	0100019	AR	Compound, Locking	
3	0100048	AR	Grease, Dielectric	
4	0100079	AR	Sealant	
5	0480128	1	Belt	
6	0641616	1	Bolt 3/8 x 2	
7	0700818	3	Bolt M8 x 50	
8	0711224	1	Bolt M12 x 80 Grade 10.9	
9	0760606	1	Bolt M6 x 12	
10	0760610	4	Bolt M6 x 20	
11	0761214	2	Bolt M12 x 30	
12	0771414	2	Bolt M14 x 30 Grade 10.9	
13	0771416	1	Bolt M14 x 40	
14	0860038	1	Box, Switch	
15	0861538	1	Control Box Assembly	
15	7024488	1	Card, Circuit - Generator Power	
15	See Note	NSS	Fuse (Note: Not Available - Purchase Locally)	
15	7024489	1	Card, Circuit - Control	
15	70000619	1	Harness, Control Box (Internal)	
16	0902888	1	Bracket	
17	0962520	1	Bushing	
18	2460048	1	Generator Assembly	
18	70001100	1	Rotor (Includes p/n 70001384 & 70000863) (Not Shown)	
18	70001384	1	Bearing, Ball Radial (Not Shown)	
18	70000863	1	Fan (Not Shown)	
18	70002088	1	Stator (Not Shown)	
18	70002297	1	Stud	
18	70003631	1	Brushholder Assembly (Not Shown)	
18A	70004171	1	Key	
18B	70001966	1	Bearing, Ball Radial (Located in Belt Tensioner Endbell)	
18B	70003708	1	Ring, Internal Retaining (Located in Belt Tensioner Endbell)	
18B	70003709	1	Ring, External Retaining (Located in Belt Tensioner Endbell)	
18C	70001953	1	Endbell, Belt Tensioner	
18D	70004169	1	Endbell, Brush Block	
18E	70004169	1	Shroud	
18E	See Note	NSS	Insulator, Endbell (Note: Not Available for Purchase)	
18E	7027799	1	Block, Connector 6 Position (Not Shown)	
18E	70002460	1	Nut, Brass (Attaches p/n 7027799 to Cover) (Not Shown)	
18E	7024485	1	Breaker, Circuit 30Amp (Not Shown)	
18E	70001696	1	Boot, Breaker (Not Shown)	
18E	7026626	1	Connector, 6 Position (Includes Seal) (Not Shown - Plugs into Item 39)	
18E	7026597	1	Connector, with Leads (Not Shown)	
18E	7026188	1	Clamp, Cable Options (Not Shown)	
18E	70004169	1	Plate, End Panel	
18E	70001974	1	Decal - Terminal Connections	
18F	70001973	1	Decal - Warning Moving Parts	
19	2820031	AR	Heat Shrink	

## SECTION 3 - ENGINE

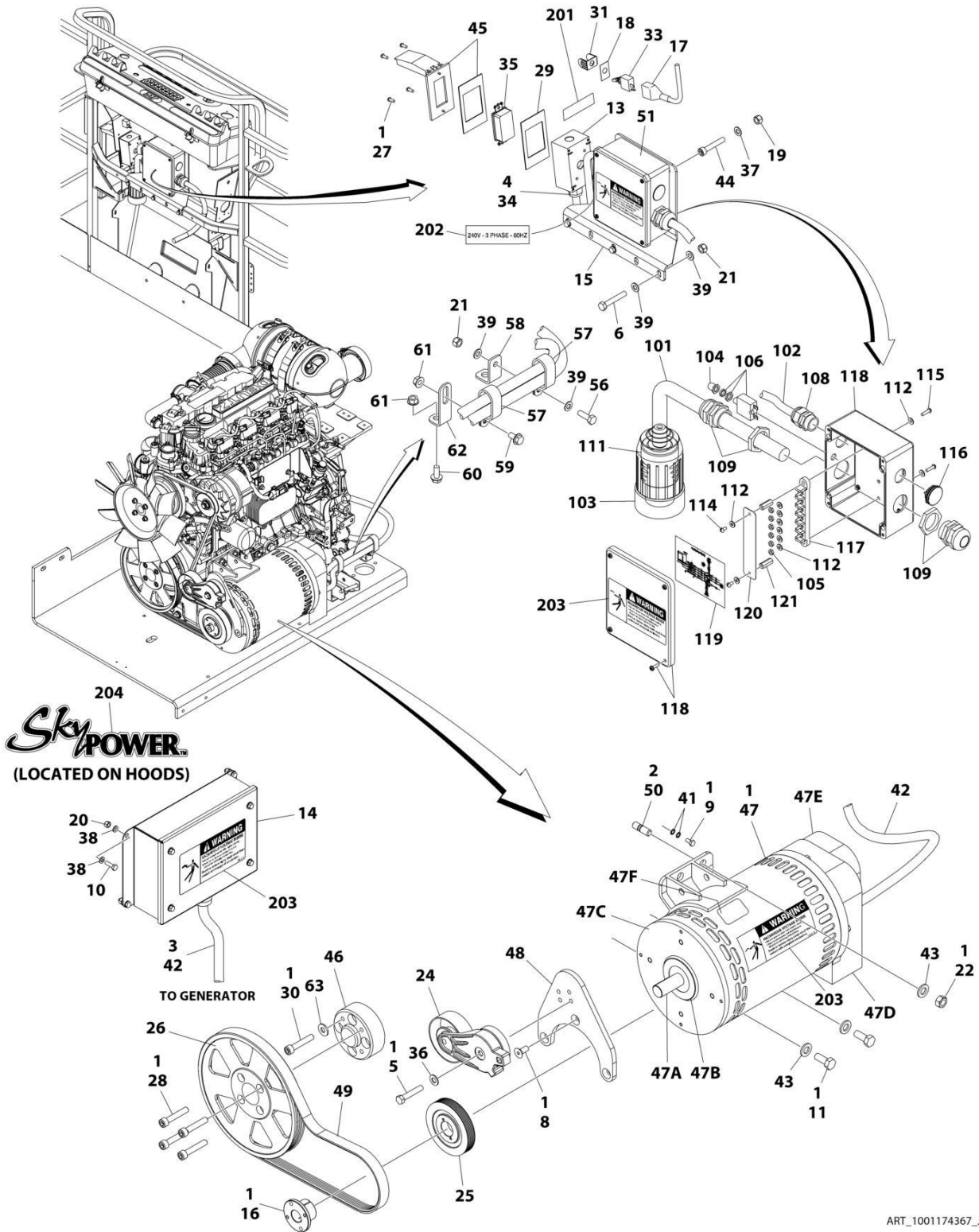
ITEM	PART NUMBER	QTY	DESCRIPTION	REV
20	3252764	1	Nameplate	
21	3290505	4	Nut M5	
22	3290605	4	Nut M6	
23	3290805	4	Nut M8	
24	3291201	1	Nut M12	
25	3331211	1	Nut M12	
26	3580317	1	Pulley	
27	3580318	1	Pulley	
28	3580320	1	Pulley	
29	3910606	4	Screw #6 x 3/8	
30	3960422	1	Gasket	
31	4032015	4	Bolt M10 x 55	
32	4060802	1	Guard, Switch	
33	4240099	AR	Tie-Strap (Not Shown)	
34	4360336	1	Switch, Toggle	
35	4460071	1	Connector, Strain Relief	
36	4460346	1	Receptacle	
37	4711600	1	Washer 3/8	
38	4811600	4	Washer M5	
39	4811700	8	Washer M6	
40	4811900	8	Washer M8	
41	4812100	1	Washer M12	
42	4812200	3	Washer M14	
43	4871700	2	Washer M6	
44	4922925	1	Harness, Generator	
44	4460225	1	Plug, Male 6 Position (Plugs into Generator)	
44	See Note	NSS	Socket, Female (Use with 4460225)	
44	See Note	NSS	Seal, Plug (Use with 4460225)	
44	See Note	NSS	Seal, Interface (Use with 4460225)	
45	5241200	3	Washer M12 Hardened	
46	1001104029	4	Screw M5 x 30	
47	1001110873	1	Shield, Cover	
48	1001196382	1	Stud	
49	1001157592	1	Junction Box Assembly Options (See Items 101-121 for Breakdown)	
50	1001168018	1	Washer, Snubbing	
51	1001173925	1	Mount	
52	1001174675	1	Wiring Diagram (Not Shown)	
52	4922641	1	Harness, On/Off Switch (Not Shown - Located at Platform)	
53	0760812	1	Bolt M8 x 25	
54	1321716	2	Clamp	
55	1001148641	1	Bracket	
56	5250808	1	Bolt M8 x 16	
57	5250810	1	Bolt M8 x 20	
58	5260800	2	Nut M8	
59	1001223122	1	Support	
	1001157592	Ref	JUNCTION BOX ASSEMBLY	C
101	1060343	1.5 ft /0.5m	Cable, Electrical 10/4	
102	1001179154	2.5 ft /0.8m	Cable, Electrical 12/3	
103	1671092	1	Cover	

## SECTION 3 - ENGINE

ITEM	PART NUMBER	QTY	DESCRIPTION	REV
104	3300396	1	Cover, Fuse	
105	3311001	6	Nut #10	
106	4360070	1	Circuit Breaker - 15Amp	
108	4460425	1	Connector, Strain Relief	
109	4460426	2	Connector, Strain Relief	
111	4460963	1	Connector	
112	4711000	10	Flatwasher #10	
114	10702077	2	Screw #10 x 3/8	
115	10702082	2	Screw #10 x 3/4	
116	1001152525	1	Plug	
117	1001157520	1	Block, Terminal	
118	1001157521	1	Box, Junction	
119	1001157528	1	Decal - Wiring Schematic	
120	1001158007	1	Cover, PVC	
121	1001158008	2	Stand-Off	
	0272435	Ref	DECAL INSTALLATION	D
	0273380	Ref	DECAL INSTALLATION	B
201	3251243	1	Decal - 120V - 60Hz	
202	1705375	1	Decal - 240V - 3 Phase - 60Hz	
203	1705387	3	Decal - Hazardous Voltage	
204	1705460	2	Decal - SkyPower	

# SECTION 3 - ENGINE

## FIGURE 3-55. GENERATOR INSTALLATION - 7500W/60HZ (DEUTZ D2.9L4 ENGINE)



ART\_1001174367\_J

## SECTION 3 - ENGINE

**FIGURE 3-55. GENERATOR INSTALLATION - 7500W/60HZ (DEUTZ D2.9L4 ENGINE)**

ITEM	PART NUMBER	QTY	DESCRIPTION	REV
	1001174367	Ref	GENERATOR INSTALLATION - 7500W/60Hz (DEUTZ D2.9L4 ENGINE)	J
1	0100011	AR	Compound, Locking	
2	0100019	AR	Compound, Locking	
3	0100048	AR	Grease, Dielectric	
4	0100079	AR	Sealant	
5	0641616	1	Bolt 3/8 x 2	
6	0700818	3	Bolt M8 x 50	
8	0741607	3	Screw 3/8 x 7/8	
9	0760606	1	Bolt M6 x 12	
10	0760610	4	Bolt M6 x 20	
11	0761212	2	Bolt M12 x 25	
13	0860038	1	Box, Switch	
14	0861538	1	Control Box Assembly	
14	7024488	1	Card, Circuit - Generator Power	
14	See Note	NSS	Fuse (Note: Not Available - Purchase Locally)	
14	7024489	1	Card, Circuit - Control	
14	70000619	1	Harness, Control Box (Internal)	
15	0902888	1	Bracket	
16	0962520	1	Bushing	
17	2820031	AR	Heat Shrink	
18	3252764	1	Nameplate	
19	3290505	4	Nut M5	
20	3290605	4	Nut M6	
21	3290805	4	Nut M8	
22	3291201	2	Nut M12	
24	3580317	1	Pulley	
25	3580318	1	Pulley	
26	3580320	1	Pulley	
27	3910606	4	Screw #6 x 3/8	
28	3931628	4	Capscrew 3/8 x 1-3/4	
29	3960422	1	Gasket	
30	4032014	4	Bolt M10 x 50	
31	4060802	1	Guard, Switch	
32	4240099	AR	Tie-Strap (Not Shown)	
33	4360336	1	Switch, Toggle	
34	4460071	1	Connector, Strain Relief	
35	4460346	1	Receptacle	
36	4711600	1	Washer 3/8	
37	4811600	4	Washer M5	
38	4811700	8	Washer M6	
39	4811900	8	Washer M8	
41	4871700	2	Washer M6	
42	4922925	1	Harness, Generator	
42	4460225	1	Plug, Male 6 Position (Plugs into Generator)	
42	See Note	NSS	Socket, Female (Use with 4460225)	
42	See Note	NSS	Seal, Plug (Use with 4460225)	
42	See Note	NSS	Seal, Interface (Use with 4460225)	
43	5241200	4	Washer M12 Hardened	
44	1001104029	4	Screw M5 x 30	

## SECTION 3 - ENGINE

ITEM	PART NUMBER	QTY	DESCRIPTION	REV
45	1001110873	1	Shield, Cover	
46	1001135679	1	Adapter	
47	1001212223	1	Generator Assembly	
47	70001100	1	Rotor (Includes p/n 70001384 & 70000863) (Not Shown)	
47	70001384	1	Bearing, Ball Radial (Not Shown)	
47	70000863	1	Fan (Not Shown)	
47	70006093	1	Stator (Not Shown)	
47	70002297	1	Stud	
47	70003631	1	Brushholder Assembly (Not Shown)	
47A	70004099	1	Key	
47B	70001966	1	Bearing, Ball Radial (Located in Belt Tensioner Endbell)	
47B	70003708	1	Ring, Internal Retaining (Located in Belt Tensioner Endbell)	
47B	70003709	1	Ring, External Retaining (Located in Belt Tensioner Endbell)	
47C	70004092	1	Endbell, Belt Tensioner	
47D	70004094	1	Endbell, Brush Block	
47E	70006094	1	Shroud	
47E	70002291	1	Insulator, Endbell	
47E	7027799	1	Block, Connector 6 Position (Not Shown)	
47E	70002460	1	Nut, Brass (Attaches p/n 7027799 to Cover) (Not Shown)	
47E	70006095	1	Breaker, Circuit 30Amp (Not Shown)	
47E	70006096	1	Guard, Breaker (Not Shown)	
47E	7026626	1	Connector, 6 Position (Includes Seal) (Not Shown - Plugs into Item 36)	
47E	7026597	1	Connector, with Leads (Not Shown)	
47E	70004098	1	Clamp, Cable (Not Shown)	
47E	70006097	1	Plate, End Panel	
47E	70001974	1	Decal - Terminal Connections	
47F	70001973	1	Decal - Warning Moving Parts	
48	1001142643	1	Support	
49	1001142646	1	Belt	
50	1001196382	2	Stud	
51	1001157592	1	Junction Box Assembly Options (See Items 101-121 for Breakdown)	
55	1001174675	1	Wiring Diagram (Not Shown)	
55	4922641	1	Harness, On/Off Switch (Not Shown - Located at Platform)	
56	0760812	1	Bolt M8 x 25	
57	1321716	2	Clamp	
58	1001148641	1	Bracket	
59	5250808	1	Bolt M8 x 16	
60	5250810	1	Bolt M8 x 20	
61	5260800	2	Nut M8	
62	1001223122	1	Support	
63	4812000	4	Washer M10	
	1001157592	Ref	JUNCTION BOX ASSEMBLY	C
101	1060343	1.5 ft/ 0.5m	Cable, Electrical 10/4	
102	1001179154	2.5 ft/ 0.8m	Cable, Electrical 12/3	
103	1671092	1	Cover	
104	3300396	1	Cover, Fuse	
105	3311001	6	Nut #10	
106	4360070	1	Circuit Breaker - 15Amp	

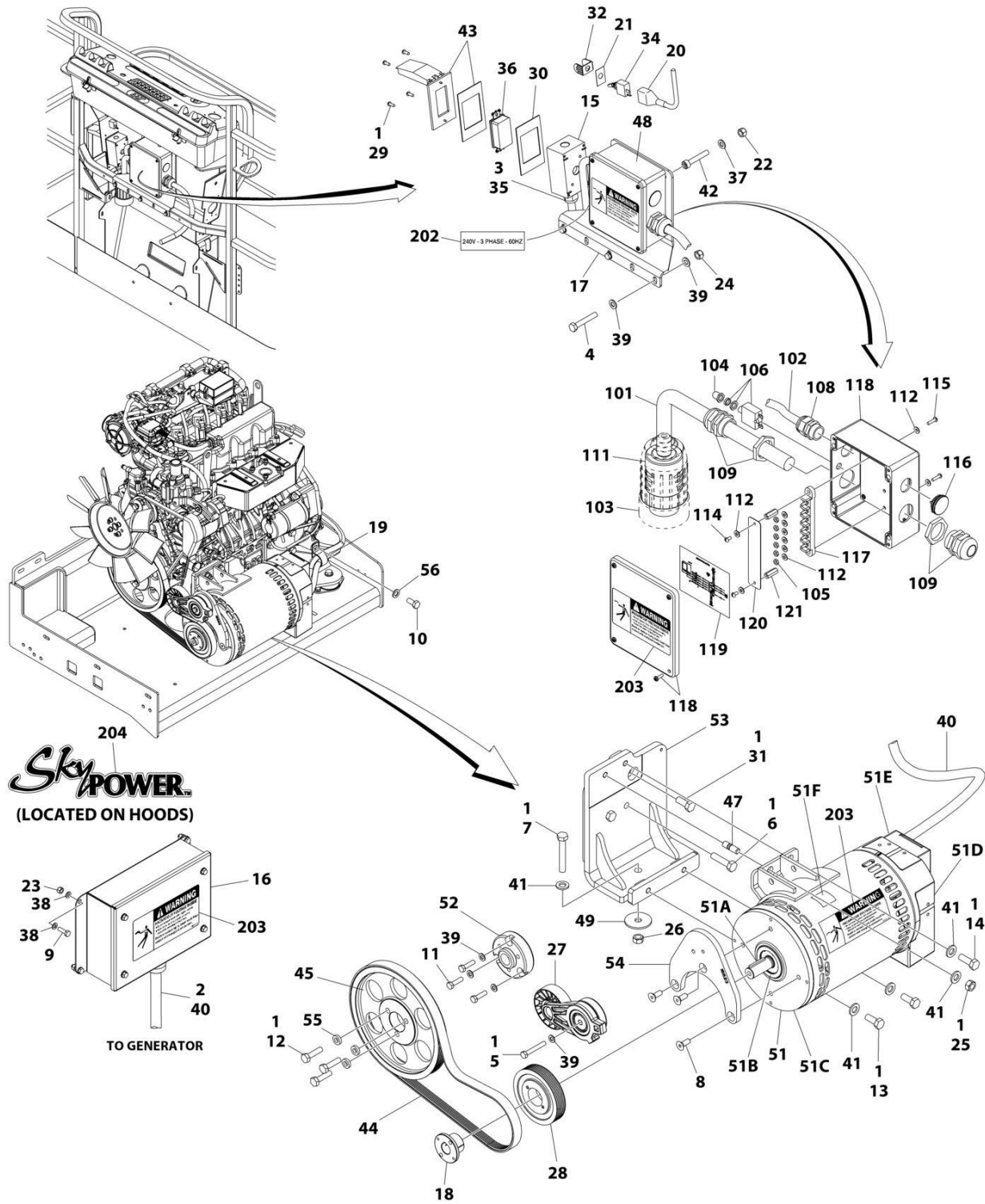


## SECTION 3 - ENGINE

ITEM	PART NUMBER	QTY	DESCRIPTION	REV
108	4460425	1	Connector, Strain Relief	
109	4460426	2	Connector, Strain Relief	
111	4460963	1	Connector	
112	4711000	10	Flatwasher #10	
114	10702077	2	Screw #10 x 3/8	
115	10702082	2	Screw #10 x 3/4	
116	1001152525	1	Plug	
117	1001157520	1	Block, Terminal	
118	1001157521	1	Box, Junction	
119	1001157528	1	Decal - Wiring Schematic	
120	1001158007	1	Cover, PVC	
121	1001158008	2	Stand-Off	
	0272435	Ref	DECAL INSTALLATION	D
	0273380	Ref	DECAL INSTALLATION	B
201	3251243	1	Decal - 120V - 60Hz	
202	1705375	1	Decal - 240V - 3 Phase - 60Hz	
203	1705387	3	Decal - Hazardous Voltage	
204	1705460	2	Decal - SkyPower	

# SECTION 3 - ENGINE

## FIGURE 3-56. GENERATOR INSTALLATION - 7500W/60HZ (KUBOTA ENGINE)



ART\_1001214910

## SECTION 3 - ENGINE

**FIGURE 3-56. GENERATOR INSTALLATION - 7500W/60HZ (KUBOTA ENGINE)**

ITEM	PART NUMBER	QTY	DESCRIPTION	REV
	1001214910	Ref	GENERATOR INSTALLATION - 7500W/60HZ (KUBOTA ENGINE)	C
1	0100011	AR	Compound, Locking	
2	0100048	AR	Grease, Dielectric	
3	0100079	AR	Sealant	
4	0700818	3	Bolt M8 x 50	
5	0700819	1	Bolt M8 x 55	
6	1001217344	2	Bolt M12 x 50	
7	0711224	AR	Bolt M12 x 80 Grade 10.9	
7	0701224	AR	Bolt M12 x 80	
8	0741608	3	Screw 3/8 x 1	
9	0760610	4	Bolt M6 x 20	
10	1001217345	1	Bolt M14 x 30	
11	0760814	3	Bolt M8 x 30	
12	0701016	3	Bolt M10 x 40	
13	0761214	2	Bolt M12 x 30	
14	0761215	1	Bolt M12 x 35	
15	0860038	1	Box, Switch	
16	0861538	1	Control Box Assembly	
16	7024488	1	Card, Circuit - Generator Power	
16	See Note	NSS	Fuse (Note: Not Available - Purchase Locally)	
16	7024489	1	Card, Circuit - Control	
16	70000619	1	Harness, Control Box (Internal)	
17	0902888	1	Bracket	
18	0962520	1	Bushing	
19	84521062	1	Clamp	
20	2820031	AR	Heat Shrink	
21	3252764	1	Nameplate	
22	3290505	4	Nut M5	
23	3290605	4	Nut M6	
24	3290805	3	Nut M8	
25	3291201	AR	Nut M12	
26	3331211	AR	Nut M12	
27	3580317	1	Pulley	
28	3580318	1	Pulley	
29	3910606	4	Screw #6 x 3/8	
30	3960422	1	Gasket	
31	1001217342	1	Bolt M12 x 30	
32	4060802	1	Guard, Switch	
33	4240099	AR	Tie-Strap (Not Shown)	
34	4360336	1	Switch, Toggle	
35	4460071	1	Connector, Strain Relief	
36	4460346	1	Receptacle	
37	4811600	4	Washer M5	
38	4811700	8	Washer M6	
39	4811900	10	Washer M8	
40	4922925	1	Harness, Generator	
40	4460225	1	Plug, Male - 6 Position (Plugs into Generator)	
40	See Note	NSS	Socket, Female (Use with 4460225)	
40	See Note	NSS	Seal, Plug (Use with 4460225)	
40	See Note	NSS	Seal, Interface (Use with 4460225)	

## SECTION 3 - ENGINE

ITEM	PART NUMBER	QTY	DESCRIPTION	REV
41	5241200	5	Washer M12 Hardened	
42	1001104029	4	Screw M5 x 30	
43	1001110873	1	Shield, Cover	
44	0480129	1	Belt	
45	1001147233	1	Pulley	
47	1001155041	1	Stud	
48	1001157592	1	Junction Box Assembly (See Items 101-121 for Breakdown)	
49	1001168018	1	Washer, Snubbing	
50	1001174675	1	Wiring Diagram (Not Shown)	
50	4922641	1	Harness, On/Off Switch (Not Shown - Located at Platform)	
51	1001212223	1	Generator Assembly	
51	70001100	1	Rotor (Includes p/n 70001384 & 70000863) (Not Shown)	
51	70001384	1	Bearing, Ball Radial (Not Shown)	
51	70000863	1	Fan (Not Shown)	
51	70006093	1	Stator (Not Shown)	
51	70002297	1	Stud	
51	70003631	1	Brushholder Assembly (Not Shown)	
51A	70004099	1	Key	
51B	70001966	1	Bearing, Ball Radial (Located in Belt Tensioner Endbell)	
51B	70003708	1	Ring, Internal Retaining (Located in Belt Tensioner Endbell)	
51B	70003709	1	Ring, External Retaining (Located in Belt Tensioner Endbell)	
51C	70004092	1	Endbell, Belt Tensioner	
51D	70004094	1	Endbell, Brush Block	
51E	70006094	1	Shroud	
51E	70002291	1	Insulator, Endbell	
51E	7027799	1	Block, Connector 6 Position (Not Shown)	
51E	70002460	1	Nut, Brass (Attaches p/n 7027799 to Cover) (Not Shown)	
51E	70006095	1	Breaker, Circuit 30Amp (Not Shown)	
51E	70006096	1	Guard, Breaker (Not Shown)	
51E	7026626	1	Connector, 6 Position (Includes Seal) (Not Shown - Plugs into Item 36)	
51E	70004098	1	Clamp, Cable (Not Shown)	
51E	70006097	1	Plate, End Panel	
51E	70001974	1	Decal - Terminal Connections	
51F	70001973	1	Decal - Warning Moving Parts	
52	1001213029	1	Adapter, Pulley	
53	1001214546	1	Support	
54	1001215523	1	Support	
55	1001216805	3	Spacer	
56	4812200	1	Washer M14	
	1001157592	Ref	JUNCTION BOX ASSEMBLY	C
101	1060343	1.5 ft/ 0.5m	Cable, Electrical 10/4	
102	1001179154	2.5 ft/ 0.8m	Cable, Electrical 12/3	
103	1671092	1	Cover	
104	3300396	1	Cover, Fuse	
105	3311001	6	Nut #10	
106	4360070	1	Circuit Breaker - 15Amp	
108	4460425	1	Connector, Strain Relief	
109	4460426	2	Connector, Strain Relief	
111	4460963	1	Connector	

## SECTION 3 - ENGINE

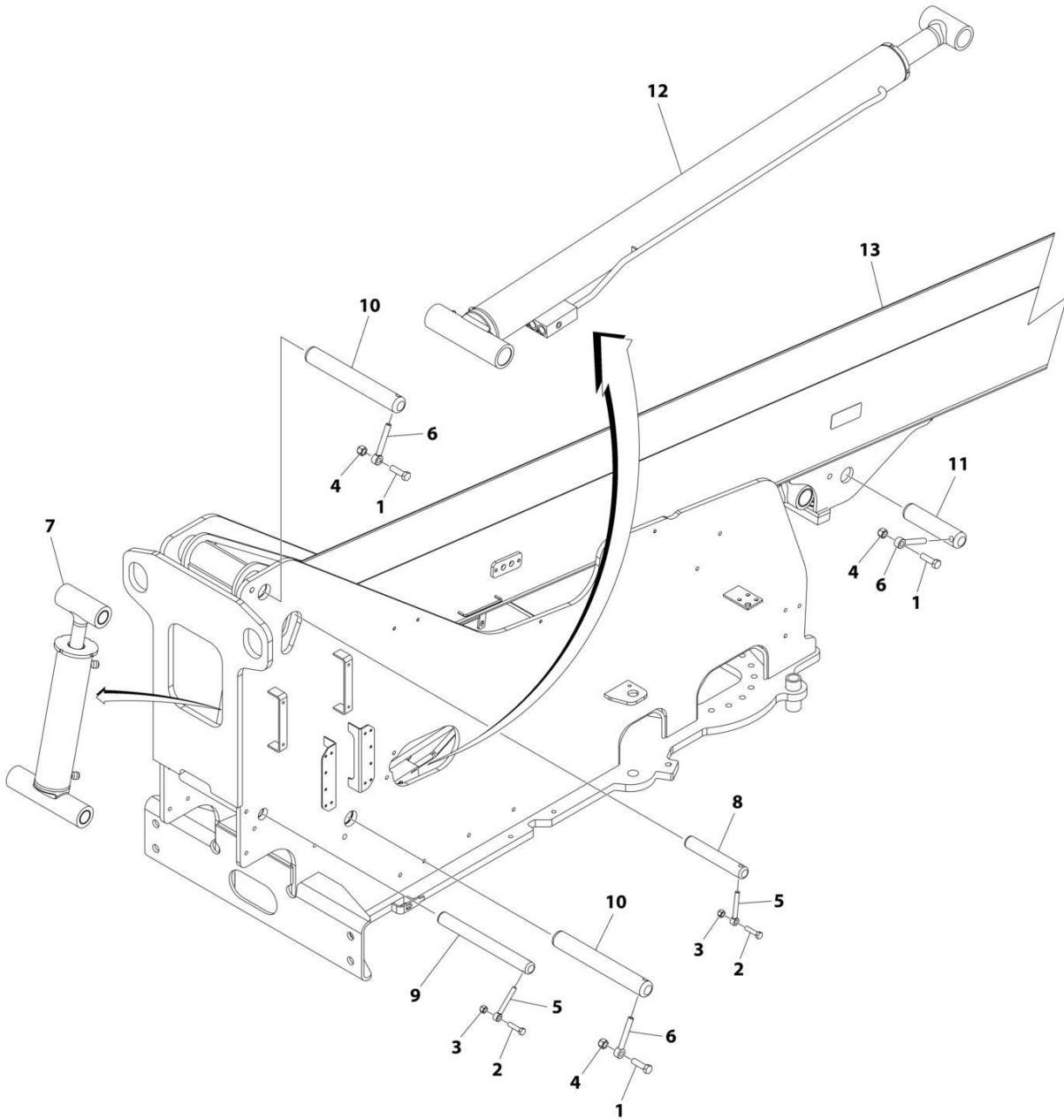
ITEM	PART NUMBER	QTY	DESCRIPTION	REV
112	4711000	10	Washer #10	
114	10702077	2	Screw #10 x 3/8	
115	10702082	2	Screw #10 x 3/4	
116	1001152525	1	Plug	
117	1001157520	1	Block, Terminal	
118	1001157521	1	Box, Junction	
119	1001157528	1	Decal - Wiring Schematic	
120	1001158007	1	Cover, PVC	
121	1001158008	2	Stand-Off	
	0272435	Ref	DECAL INSTALLATION	D
	0273380	Ref	DECAL INSTALLATION	B
201	3251243	1	Decal - 120V - 60Hz	
202	1705375	1	Decal - 240V-3 Phase-60Hz	
203	1705387	3	Decal - Hazardous Voltage	
204	1705460	2	Decal - SkyPower	



**SECTION 4 - BOOM**

# SECTION 4 - BOOM

## FIGURE 4-1. BOOM AND CYLINDERS INSTALLATION - 400S



ART\_1001244873



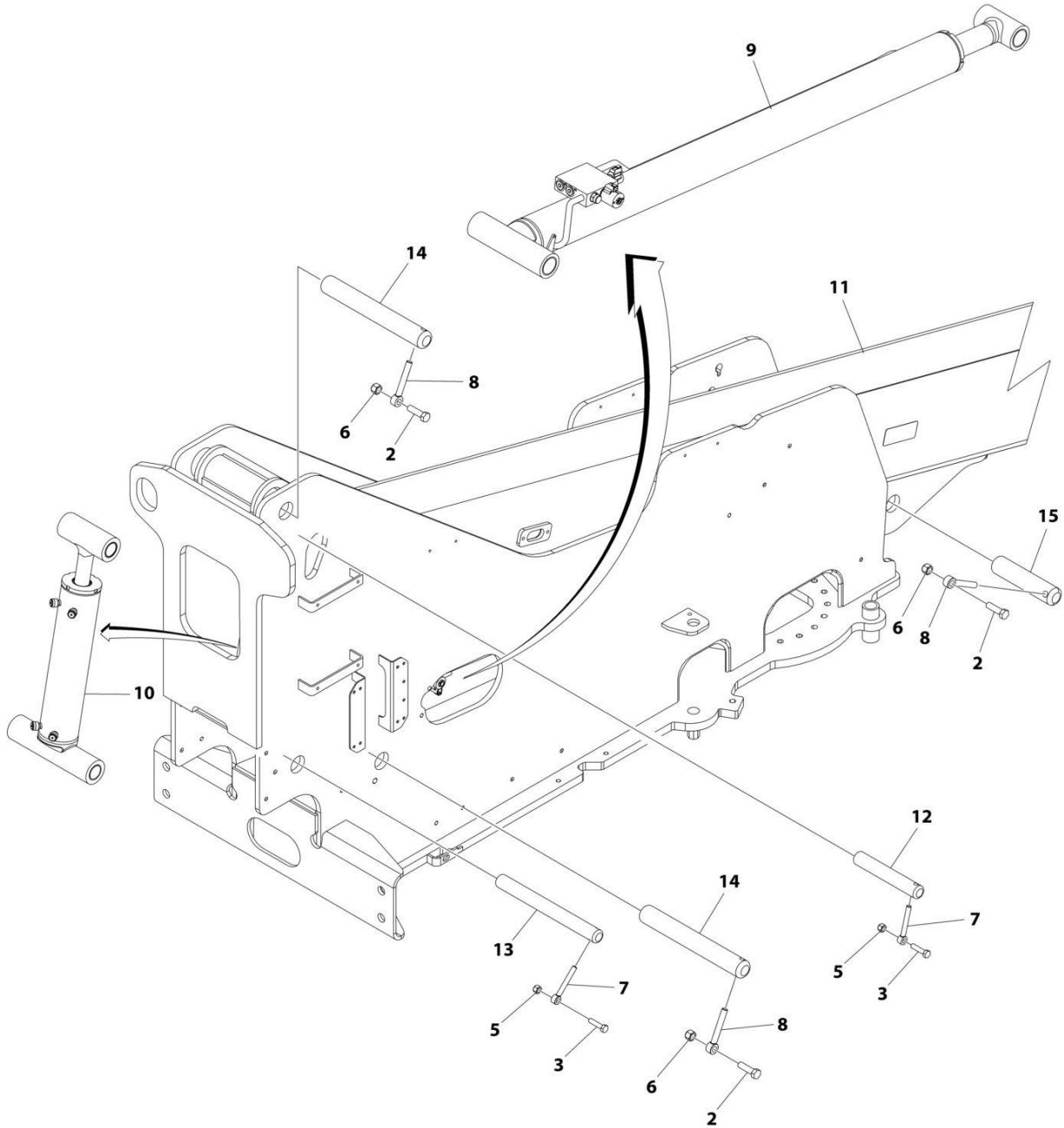
## SECTION 4 - BOOM

**FIGURE 4-1. BOOM AND CYLINDERS INSTALLATION - 400S**

ITEM	PART NUMBER	QTY	DESCRIPTION	REV
	1001244873	Ref	BOOM AND CYLINDERS INSTALLATION	A
1	0701619	3	Bolt, M16 x 55	
2	0761218	2	Bolt, M12 x 50	
3	3291205	2	Nut, Lock M12 x 1.75	
4	3291605	3	Nut, Lock M16 x 2	
5	3841203	2	Keeper, Pin	
6	3841258	3	Keeper, Pin	
7	1001163385	1	Master Cylinder Assembly (See Separate Breakdown in CYLINDER SECTION)	
8	1001168843	1	Pin	
9	1001168844	1	Pin	
10	1001168845	2	Pin	
11	1001168854	1	Pin	
12	1001228092	1	Lift Cylinder Assembly (See Separate Breakdown in CYLINDER SECTION)	
13	1001244874	1	Main Boom Assembly (See Separate Breakdown in this Section)	

# SECTION 4 - BOOM

## FIGURE 4-2. BOOM AND CYLINDERS INSTALLATION - 460SJ



ART\_1001169669

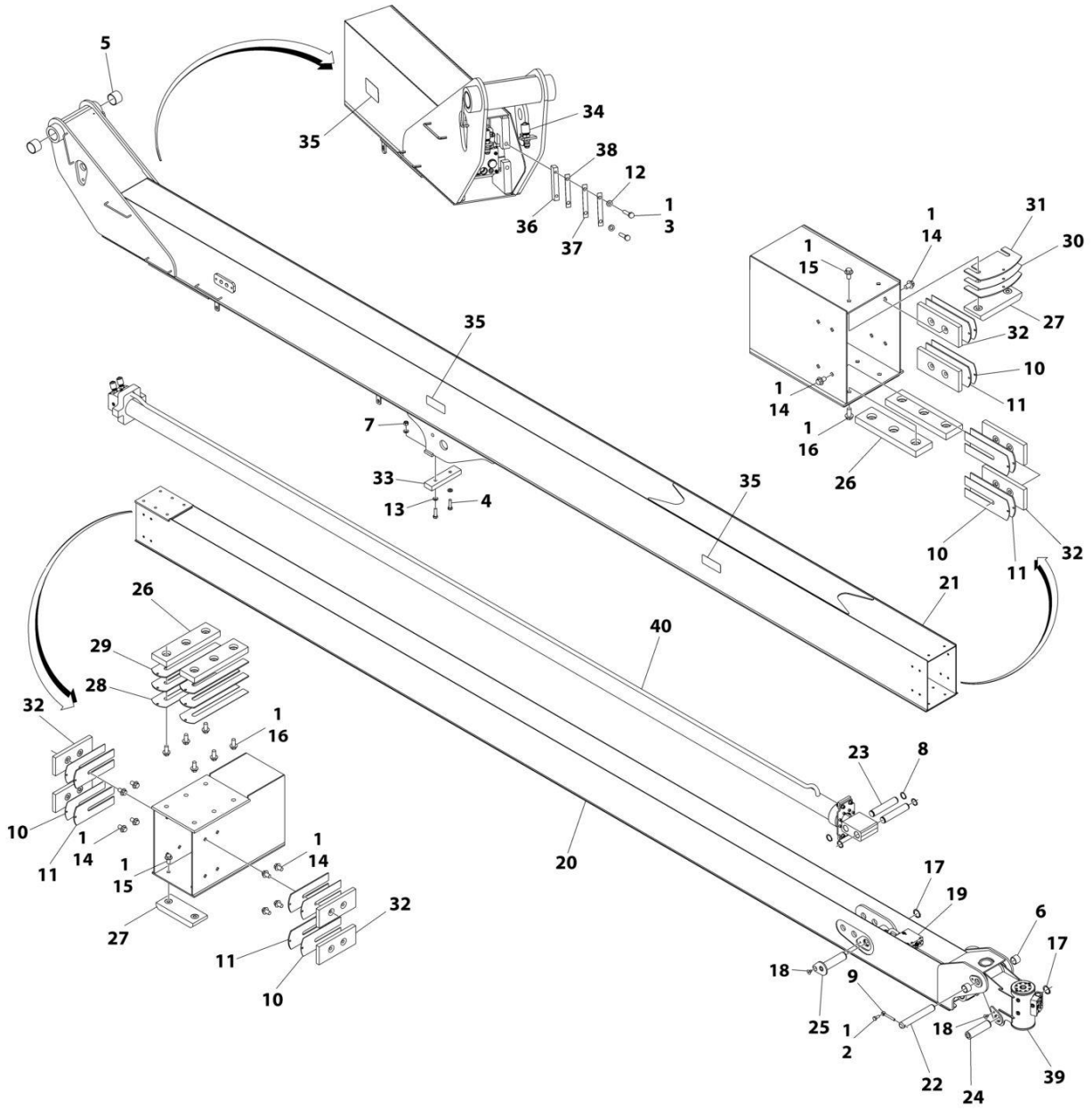
## SECTION 4 - BOOM

**FIGURE 4-2. BOOM AND CYLINDERS INSTALLATION - 460SJ**

ITEM	PART NUMBER	QTY	DESCRIPTION	REV
	1001169669	Ref	BOOM AND CYLINDERS INSTALLATION	H
2	0701619	3	Bolt M16 x 55	
3	0761218	2	Bolt M12 x 50	
5	3291205	2	Nut M12 x 1.75	
6	3291605	3	Nut M16 x 2	
7	3841203	2	Keeper, Pin	
8	3841258	3	Keeper, Pin	
9	1001228092	1	Lift Cylinder Assembly (See Separate Breakdown in CYLINDER SECTION)	
10	1001163385	1	Master Cylinder Assembly (See Separate Breakdown in CYLINDER SECTION)	
11	1001163482	1	Main Boom Assembly (See Separate Breakdown in this Section)	
12	1001168843	1	Pin	
13	1001168844	1	Pin	
14	1001168845	2	Pin	
15	1001168854	1	Pin	

# SECTION 4 - BOOM

## FIGURE 4-3. MAIN BOOM ASSEMBLY - 400S



ART\_1001244874

## SECTION 4 - BOOM

**FIGURE 4-3. MAIN BOOM ASSEMBLY - 400S**

ITEM	PART NUMBER	QTY	DESCRIPTION	REV
	1001244874	Ref	MAIN BOOM ASSEMBLY	B
1	0100011	AR	Compound, Locking	
2	0761012	1	Bolt M10 x 25	
3	0761019	4	Bolt M10 x 55	
4	0761217	2	Bolt M12 x 45	
5	0961950	2	Bearing	
6	0961951	2	Bushing	
7	3291205	2	Nut M12	
8	3760133	4	Ring	
9	3841143	1	Keeper, Pin	
10	4070897	AR	Shim 18 Ga	
11	4070898	AR	Shim 11 Ga	
12	4812000	4	Washer M10	
13	4812100	4	Washer M12	
14	5251008	16	Bolt M10 x 16	
15	5251009	4	Bolt M10 x 18	
16	5251011	12	Bolt M10 x 22	
17	1001099560	2	Ring, Retaining	
18	1001137032	2	Screw M10 x 16	
19	1001163386	1	Level (Platform Slave) Cylinder Assembly (See Separate Breakdown in CYLINDER SECTION)	
20	1001163459	1	Fly, Boom	
21	1001163470	1	Base, Boom	
22	1001168841	1	Pin	
23	1001168842	2	Pin	
24	1001168848	1	Pin	
25	1001168849	1	Pin	
26	1001169284	4	Pad	
27	1001169285	2	Pad	
28	1001169286	AR	Shim	
29	1001169287	AR	Shim	
30	1001169288	AR	Shim	
31	1001169289	AR	Shim	
32	1001169380	8	Pad	
33	1001171067	1	Pad	
34	1001171112	2	Hose	
35	1001171324	6	Cover	
36	1001171667	2	Bar	
37	1001171966	AR	Shim 20Ga	
38	1001171967	AR	Shim 16Ga	
39	1001221927	1	Platform Rotator Assembly (See Separate Breakdown in this Section)	
40	1001251075	1	Telescope Cylinder Assembly (See Separate Breakdown in CYLINDER SECTION)	



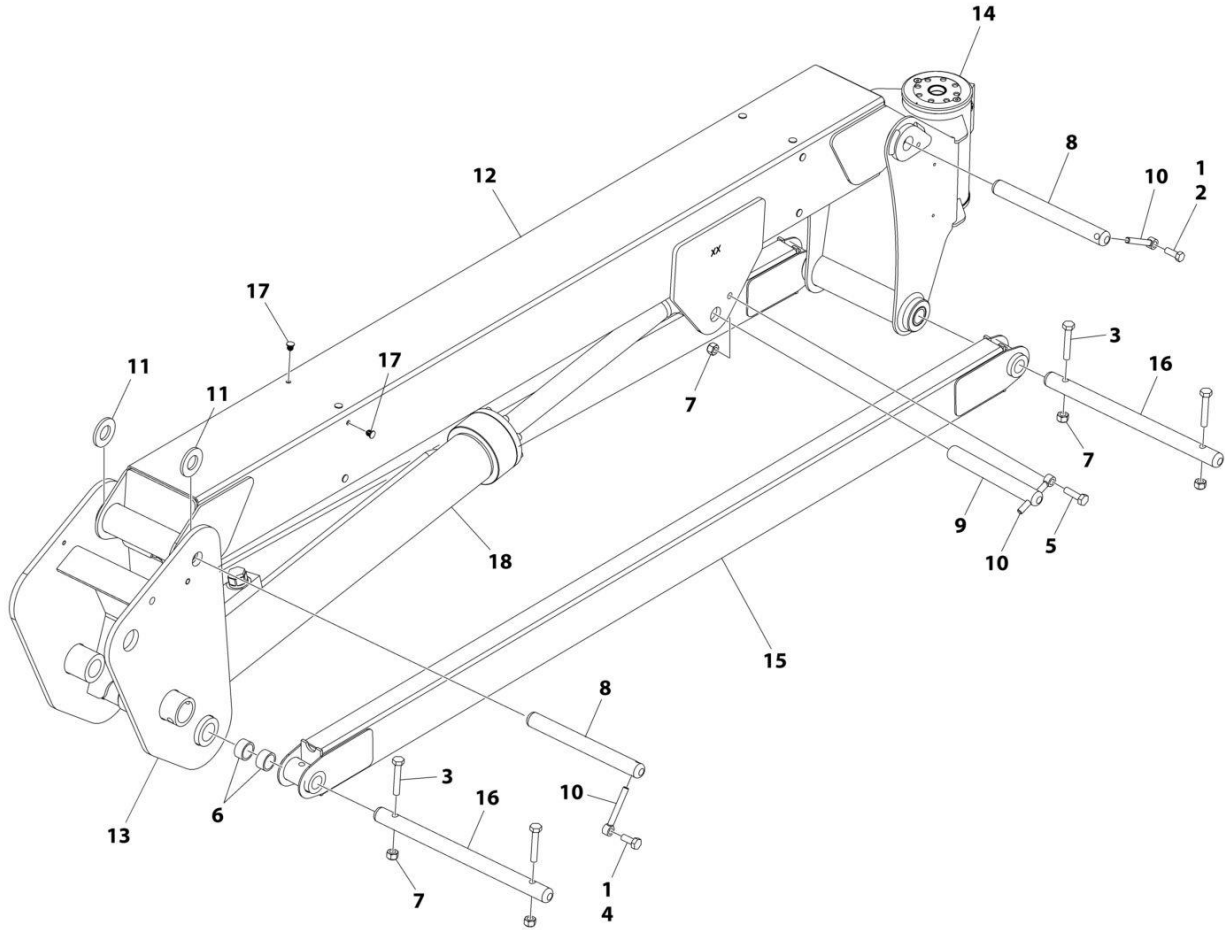
## SECTION 4 - BOOM

**FIGURE 4-4. MAIN BOOM ASSEMBLY - 460SJ**

ITEM	PART NUMBER	QTY	DESCRIPTION	REV
	1001163482	Ref	MAIN BOOM ASSEMBLY	J
1	0100011	AR	Compound, Locking	
2	0701222	1	Bolt M12 x 70	
3	5251008	16	Bolt M10 x 16	
4	5251011	12	Bolt M10 x 22	
5	0761019	4	Bolt M10 x 55	
6	0761217	3	Bolt M12 x 45	
7	0961950	2	Bearing	
8	0962348	2	Bearing	
9	3291205	4	Nut M12 x 1.75	
10	3760133	4	Ring, Retaining	
11	3841203	1	Keeper, Pin	
12	4070897	AR	Shim, 18Ga	
13	4070898	AR	Shim, 11Ga	
14	4812000	4	Washer, M10	
15	4812100	5	Washer, M12	
16	1001099560	1	Ring, Retaining	
17	1001137032	1	Screw M10 x 16	
18	1001169380	8	Pad	
19	1001251075	1	Telescope Cylinder Assembly (See Separate Breakdown in CYLINDER SECTION)	
20	1001163386	1	Level (Platform Slave) Cylinder Assembly (See Separate Breakdown in CYLINDER SECTION)	
21	1001163483	1	Fly, Boom	
22	1001163492	1	Base, Boom	
23	1001247048	1	Jib Boom Assembly (See Separate Breakdown in this Section)	
24	1001168842	2	Pin	
25	3422793	1	Pin	
26	1001168847	1	Pin	
27	1001168849	1	Pin	
28	1001169284	4	Pad	
29	1001169285	2	Pad	
30	1001169286	AR	Shim	
31	1001169287	AR	Shim	
32	1001169288	AR	Shim	
33	1001169289	AR	Shim	
34	1001171067	1	Pad	
36	1001171112	2	Hose	
37	1001171324	2	Cover	
38	1001171667	2	Bar	
39	1001171966	AR	Shim, 20Ga	
40	1001171967	AR	Shim, 16Ga	
41	5251009	4	Bolt M10 x 18	

# SECTION 4 - BOOM

## FIGURE 4-5. JIB BOOM ASSEMBLY - 460SJ



ART\_1001247048



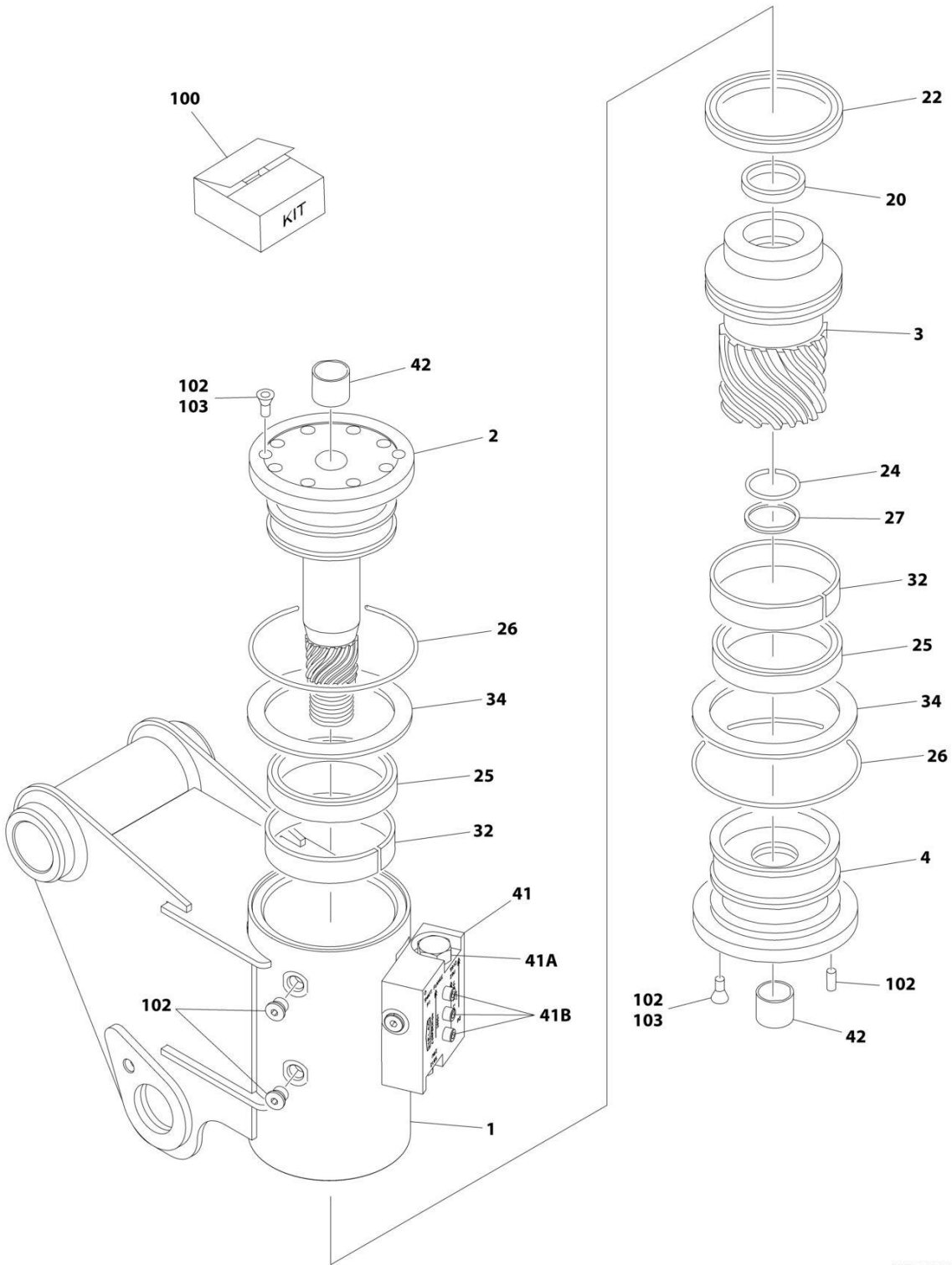
## SECTION 4 - BOOM

**FIGURE 4-5. JIB BOOM ASSEMBLY - 460SJ**

ITEM	PART NUMBER	QTY	DESCRIPTION	REV
	1001247048	Ref	JIB BOOM ASSEMBLY	B
1	0100011	AR	Compound, Locking	
2	0641608	1	Bolt 3/8 x 1	
3	0701020	4	Bolt M10 x 60	
4	0761012	1	Bolt M10 x 25	
5	0761015	1	Bolt M10 x 35	
6	0961947	4	Bearing	
7	3291005	5	Nut M10	
8	3422860	2	Pin	
9	3422867	1	Pin	
10	3841143	3	Keeper, Pin	
11	4740439	2	Washer, Thrust	
12	4844816	1	Tube (Upper)	
12	0962335	4	Bushing	
13	1001165567	1	Pivot	
14	1001181051	1	Rotator Assembly (See Separate Breakdown in this Section)	
15	4844817	2	Tube, Lower	
16	3422861	2	Pin	
17	1001223899	8	Fastener	
18	1001248012	1	Lift Cylinder Assembly - Jib (See Separate Breakdown in CYLINDER SECTION)	

# SECTION 4 - BOOM

## FIGURE 4-6. ROTATOR ASSEMBLY - 400S



ART\_1001221927

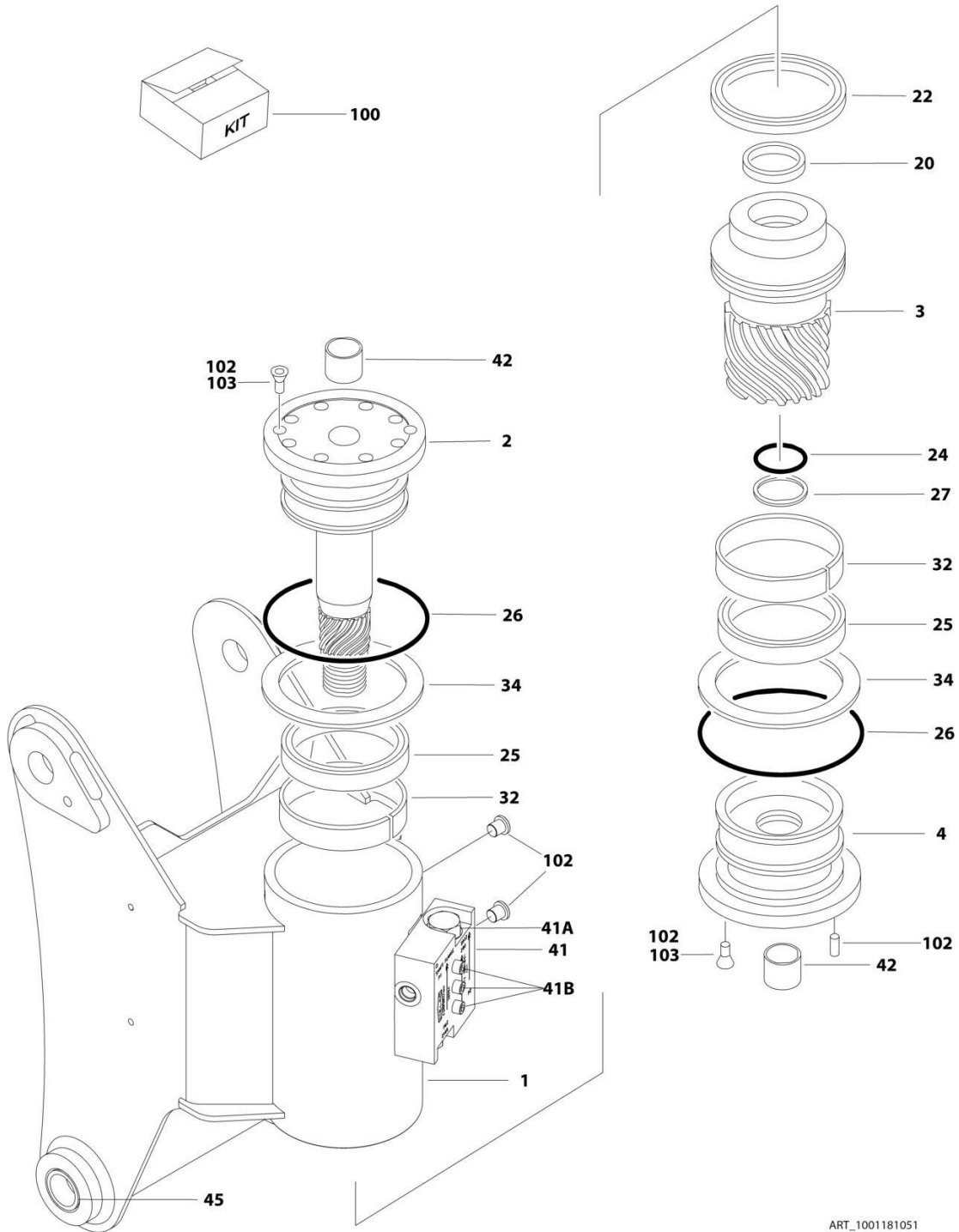
## SECTION 4 - BOOM

**FIGURE 4-6. ROTATOR ASSEMBLY - 400S**

ITEM	PART NUMBER	QTY	DESCRIPTION	REV
	1001221927	Ref	ROTATOR ASSEMBLY - 400SC	A
1	See Note	NSS	Housing/Ring Gear Assembly (Note: Not Available - Purchase Complete Rotator Assembly)	
2	7017162	1	Shaft Weldment	
3	7017163	1	Piston/Sleeve Assembly	
4	7017164	1	Cap, End	
20	See Note	NSS	T-Seal (Note: Use Item 100)	
22	See Note	NSS	T-Seal (Note: Use Item 100)	
24	See Note	NSS	O-Ring (Note: Use Item 100)	
25	See Note	NSS	Seal (Note: Use Item 100)	
26	See Note	NSS	O-Ring (Note: Use Item 100)	
27	See Note	NSS	Ring, Back-up (Note: Use Item 100)	
32	See Note	NSS	Ring, Wear (Note: Use Item 101)	
34	See Note	NSS	Washer, Thrust (Note: Use Item 101)	
40	70006580	1	Tube, Stop (Not Shown)	
41	7017172	AR	Valve Assembly	
41A	7017192	2	Cartridge, Valve	
41A	See Note	NSS	Seal Kit - 7017192 Valve (Note: Not Available for Purchase)	
41B	See Note	3	Bolt 1/4 x 1-1/2 (Grade 8) (Note: Not Available - Purchase Locally)	
42	7017195	2	Bushing	
100	70000342	1	Seal Kit (Includes Items 20, 22, 24, 25, 27)	
101	7017159	1	Bearing Kit (Includes Items 32 & 34)	
102	7017142	1	Hardware Kit	
103	70001697	4	Screw, Countersunk 1/4 x 3/8 Grade 8	

# SECTION 4 - BOOM

## FIGURE 4-7. ROTATOR ASSEMBLY - 460SJ



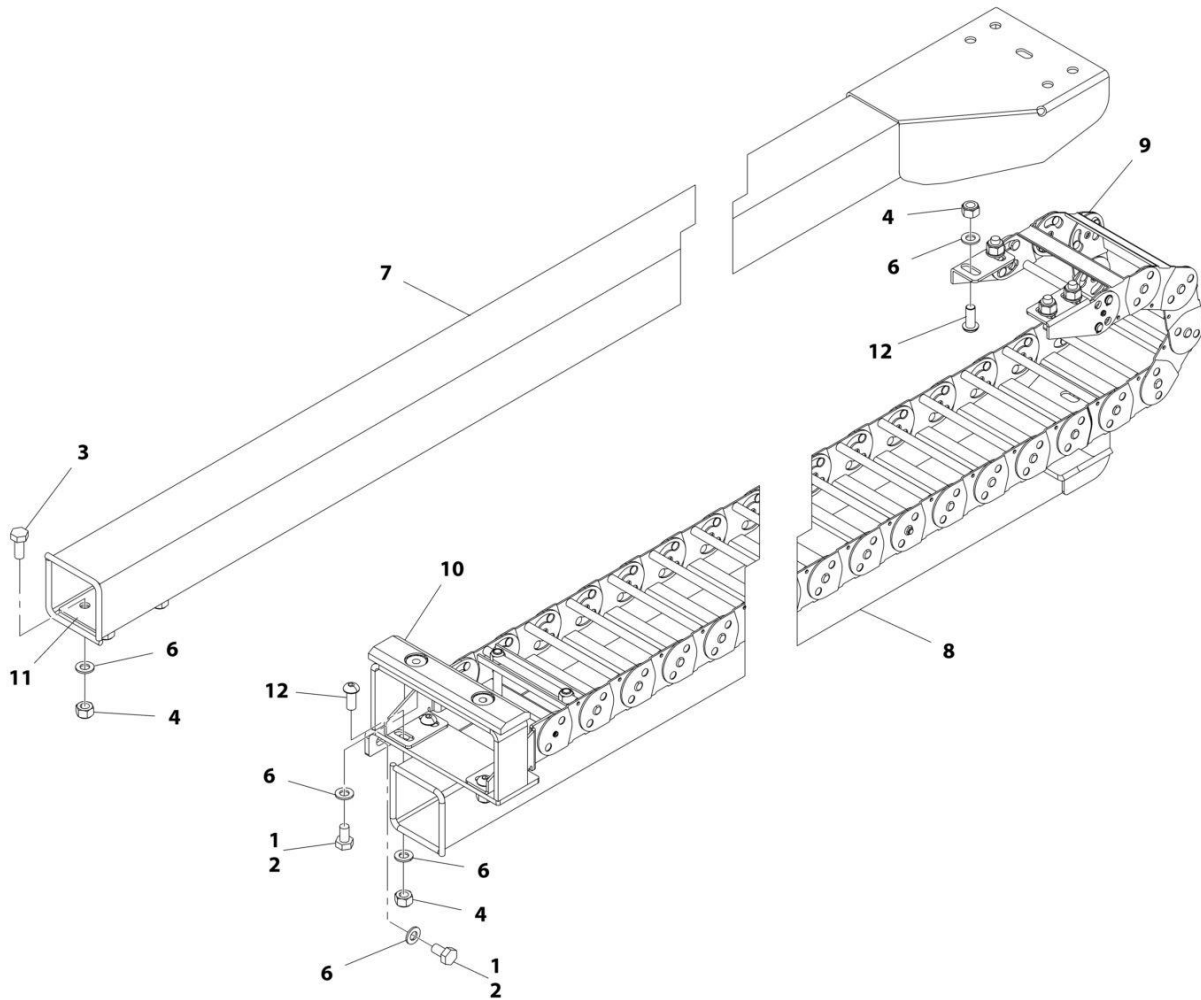
## SECTION 4 - BOOM

### FIGURE 4-7. ROTATOR ASSEMBLY - 460SJ

ITEM	PART NUMBER	QTY	DESCRIPTION	REV
	1001181051	Ref	ROTATOR ASSEMBLY	A
1	See Note	NSS	Housing/Ring Gear Assembly (Note: Not Available - Purchase Complete Rotator Assembly)	
2	7017162	1	Shaft Weldment	
3	7017163	1	Piston/Sleeve Assembly	
4	7017164	1	Cap, End	
20	See Note	NSS	T-Seal (Note: Use Item 100)	
22	See Note	NSS	T-Seal (Note: Use Item 100)	
24	See Note	NSS	O-Ring (Note: Use Item 100)	
25	See Note	NSS	Seal (Note: Use Item 100)	
26	See Note	NSS	O-Ring (Note: Use Item 100)	
27	See Note	NSS	Ring, Back-up (Note: Use Item 100)	
32	See Note	NSS	Ring, Wear (Note: Use Item 101)	
34	See Note	NSS	Washer, Thrust (Note: Use Item 101)	
41	7017172	AR	Valve Assembly	
41A	7017192	2	Cartridge, Valve	
41A	See Note	NSS	Seal Kit - 7017192 Valve (Note: Not Available for Purchase)	
41B	See Note	3	Bolt 1/4-20NC x 1-1/2 Grade 8 (Note: Not Available - Purchase Locally)	
42	7017195	2	Bushing	
45	7017150	2	Bushing	
100	70000342	1	Seal Kit (Includes Items 20, 22, 24, 25, 27 & 33)	
101	7017159	1	Bearing Kit (Includes Items 32 & 34)	
102	7017142	1	Hardware Kit	
103	70001697	4	Screw, Countersunk 1/4 x 3/8 Grade 8	

# SECTION 4 - BOOM

## FIGURE 4-8. POWER TRACK INSTALLATION



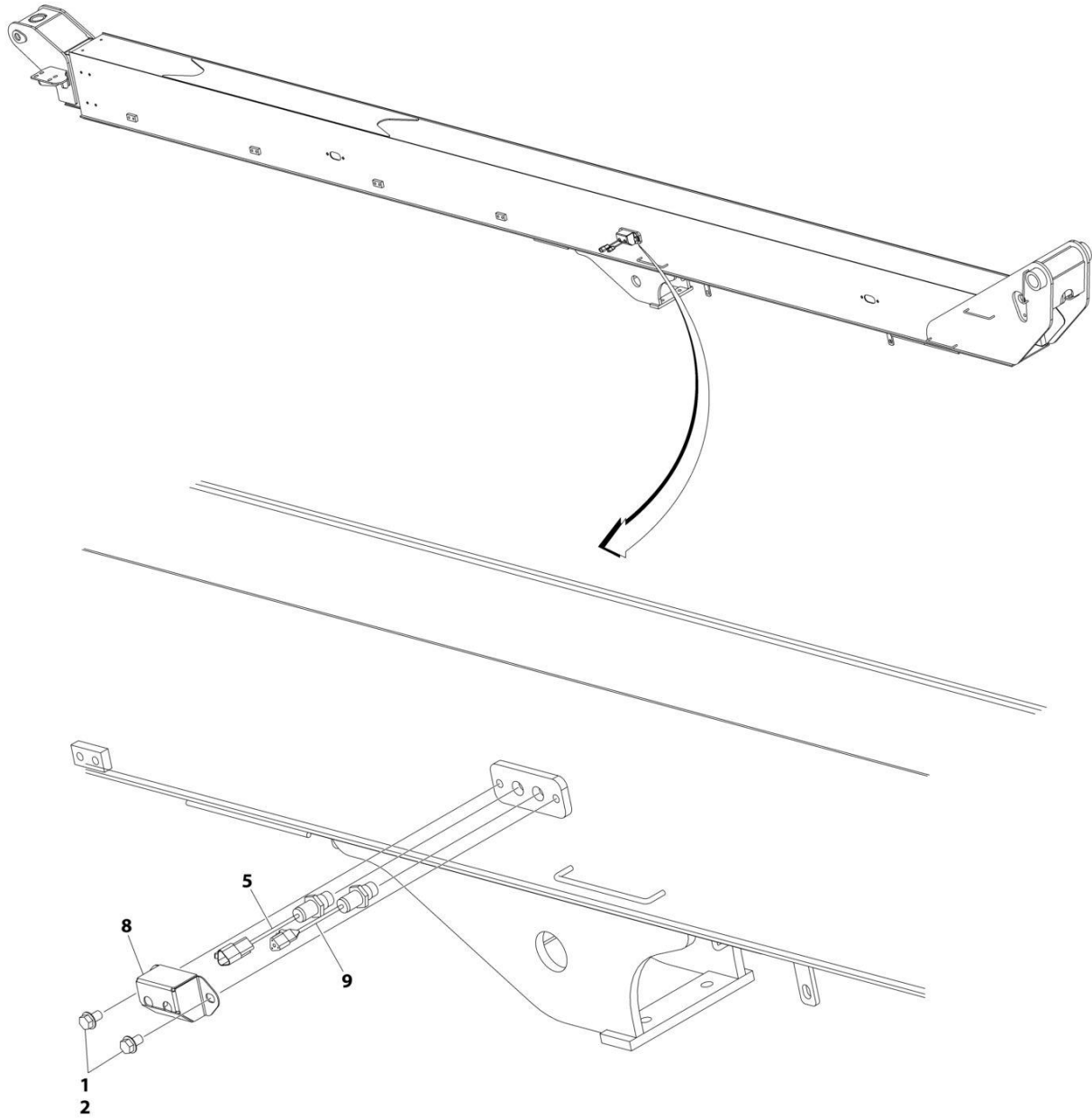
ART\_1001165538

FIGURE 4-8. POWER TRACK INSTALLATION

ITEM	PART NUMBER	QTY	DESCRIPTION	REV
	1001165538	Ref	POWER TRACK INSTALLATION	E
1	0100011	AR	Compound, Locking	
2	0761009	10	Bolt M10 x 18	
3	0761012	4	Bolt M10 x 25	
4	3291005	12	Nut M10	
6	4812000	22	Washer M10	
7	1001165531	1	Tube, Push	
8	1001165534	1	Tube, Carrier	
9	1001224888	1	Power Track	
9	70006255	1	Repair Section without Clamp - 10 Links	
9	70006270	1	Feet, Mounting (Includes 1 each Left and Right Mounting Feet)	
10	1001169611	1	Pad, Wear	
11	1001176899	1	Plate, Support	
12	1001173763	8	Screw M10 x 25	

# SECTION 4 - BOOM

## FIGURE 4-9. CAPACITY SWITCH INSTALLATION



ART\_1001173233

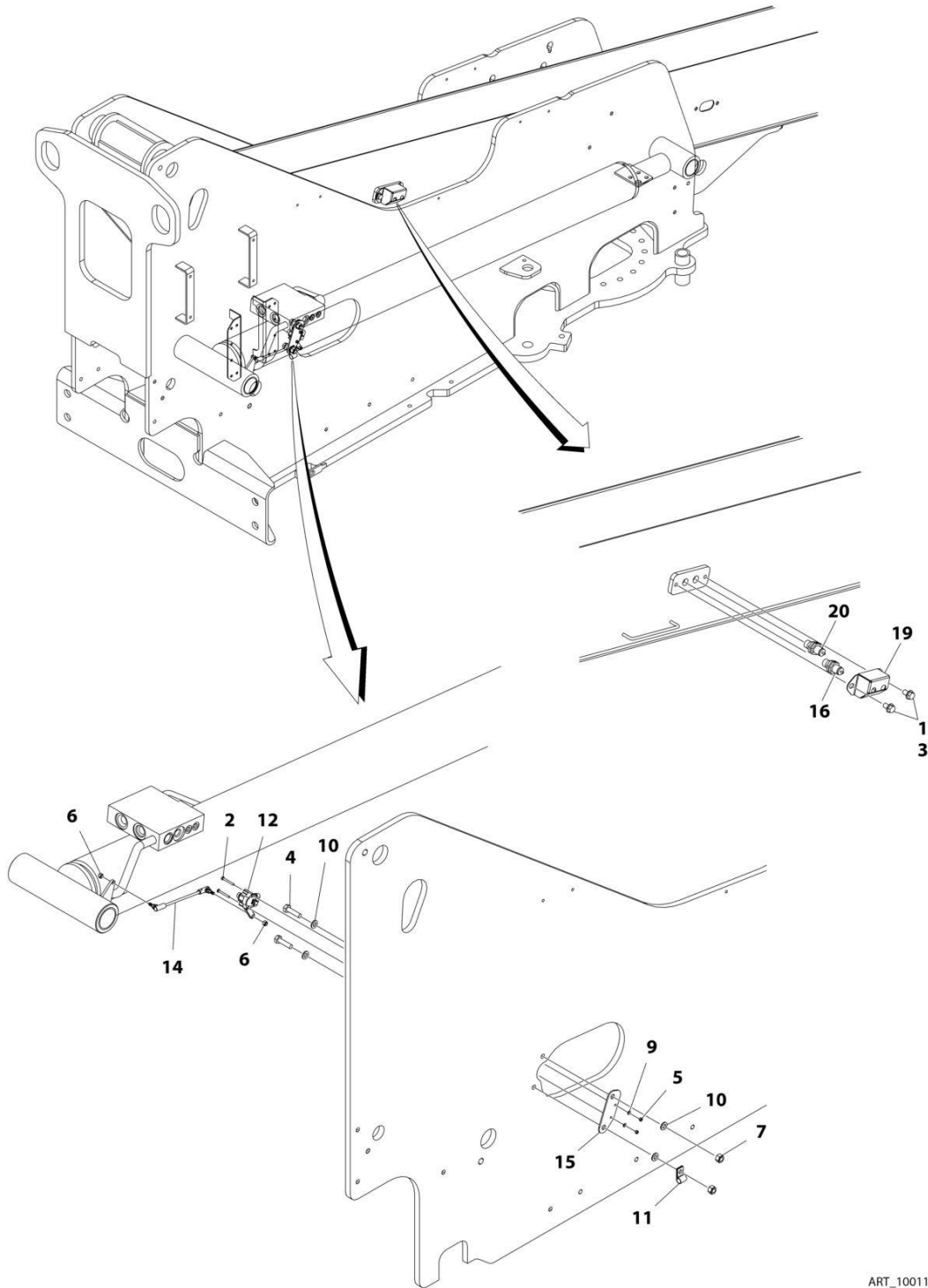


FIGURE 4-9. CAPACITY SWITCH INSTALLATION

ITEM	PART NUMBER	QTY	DESCRIPTION	REV
	1001173233	Ref	CAPACITY SWITCH INSTALLATION	D
1	0100011	AR	Compound, Locking	
2	5251008	2	Bolt, M10 x 16	
5	1001170847	1	Sensor, Proximity	
5	4460536	1	Connector - 3 Position	
5	4460464	3	Pin, Male	
8	1001204715	1	Bracket, Cover	
9	1001182570	1	Sensor, Proximity	
9	4460539	1	Connector 3 Position	
9	4460465	3	Socket, Female	

# SECTION 4 - BOOM

## FIGURE 4-10. TRANSPORT SWITCHES INSTALLATION



ART\_1001170642

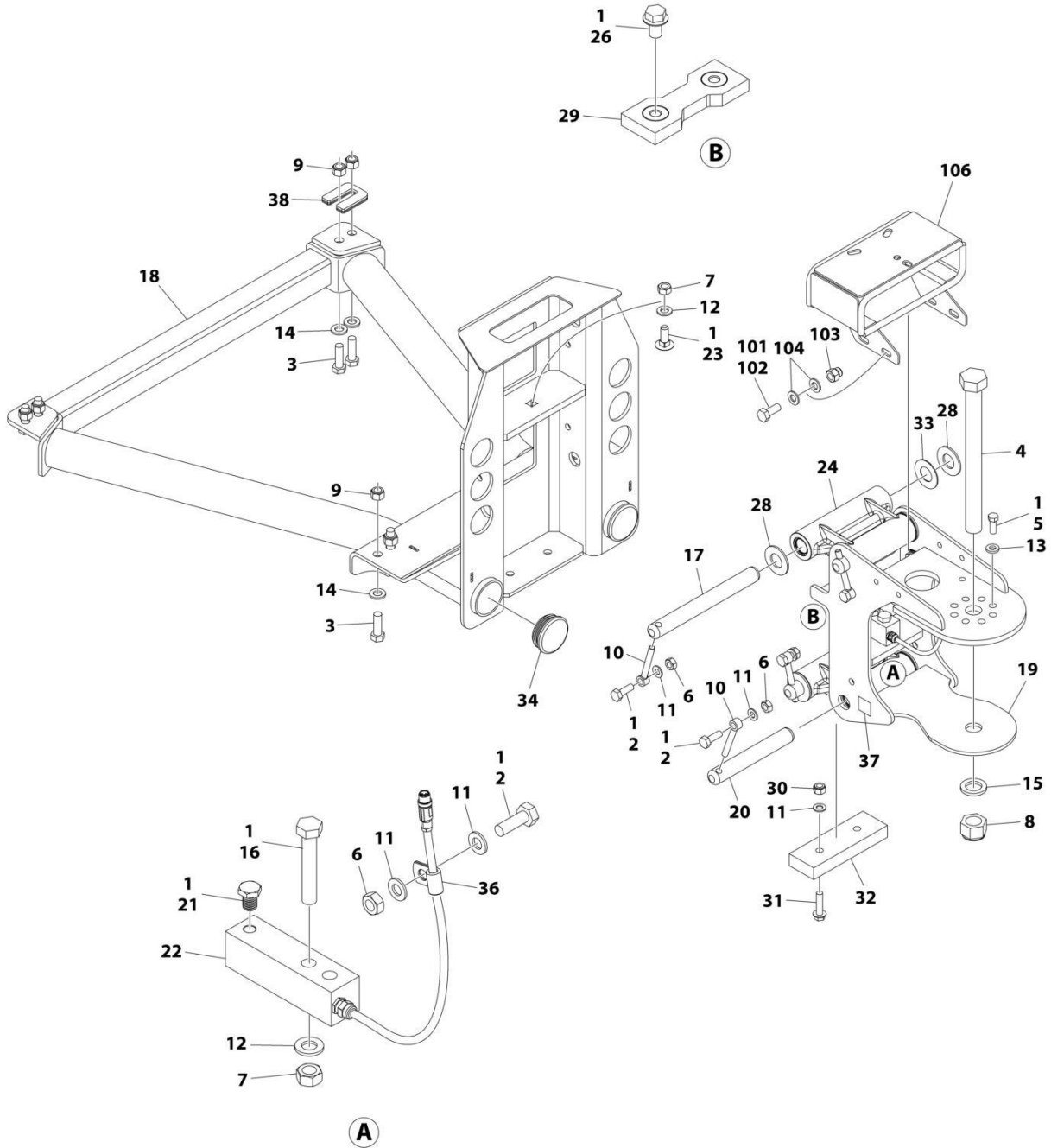
## SECTION 4 - BOOM

**FIGURE 4-10. TRANSPORT SWITCHES INSTALLATION**

ITEM	PART NUMBER	QTY	DESCRIPTION	REV
	1001170642	Ref	TRANSPORT SWITCHES INSTALLATION	I
1	0100011	AR	Compound, Locking	
2	0760415	2	Bolt M4 x 35	
3	5251008	2	Bolt M10 x 16	
4	0761016	2	Bolt M10 x 40	
5	3290405	2	Nut M4 x 0.7	
6	3290605	2	Nut M6 x 1	
7	3291005	2	Nut M10 x 1.5	
9	4811400	2	Washer M4	
10	4812000	4	Washer M10	
11	8406110	1	Clip	
12	1001118971	1	Angle, Sensor	
14	1001170564	1	Link, Sensor	
15	1001170565	1	Bracket	
16	1001170847	1	Sensor, Proximity	
16	4460536	1	Connector - 3 Position	
16	4460464	3	Pin, Male	
19	1001204715	1	Bracket, Switch Cover	
20	1001182570	1	Sensor, Proximity	
20	4460539	1	Connector - 3 Position	
20	4460465	3	Socket, Female	
21	1001288195	1	Boom Angle Sensr Jumper Harness	

# SECTION 4 - BOOM

## FIGURE 4-11. PLATFORM SUPPORT INSTALLATION



ART\_1001167596\_N

## SECTION 4 - BOOM

**FIGURE 4-11. PLATFORM SUPPORT INSTALLATION**

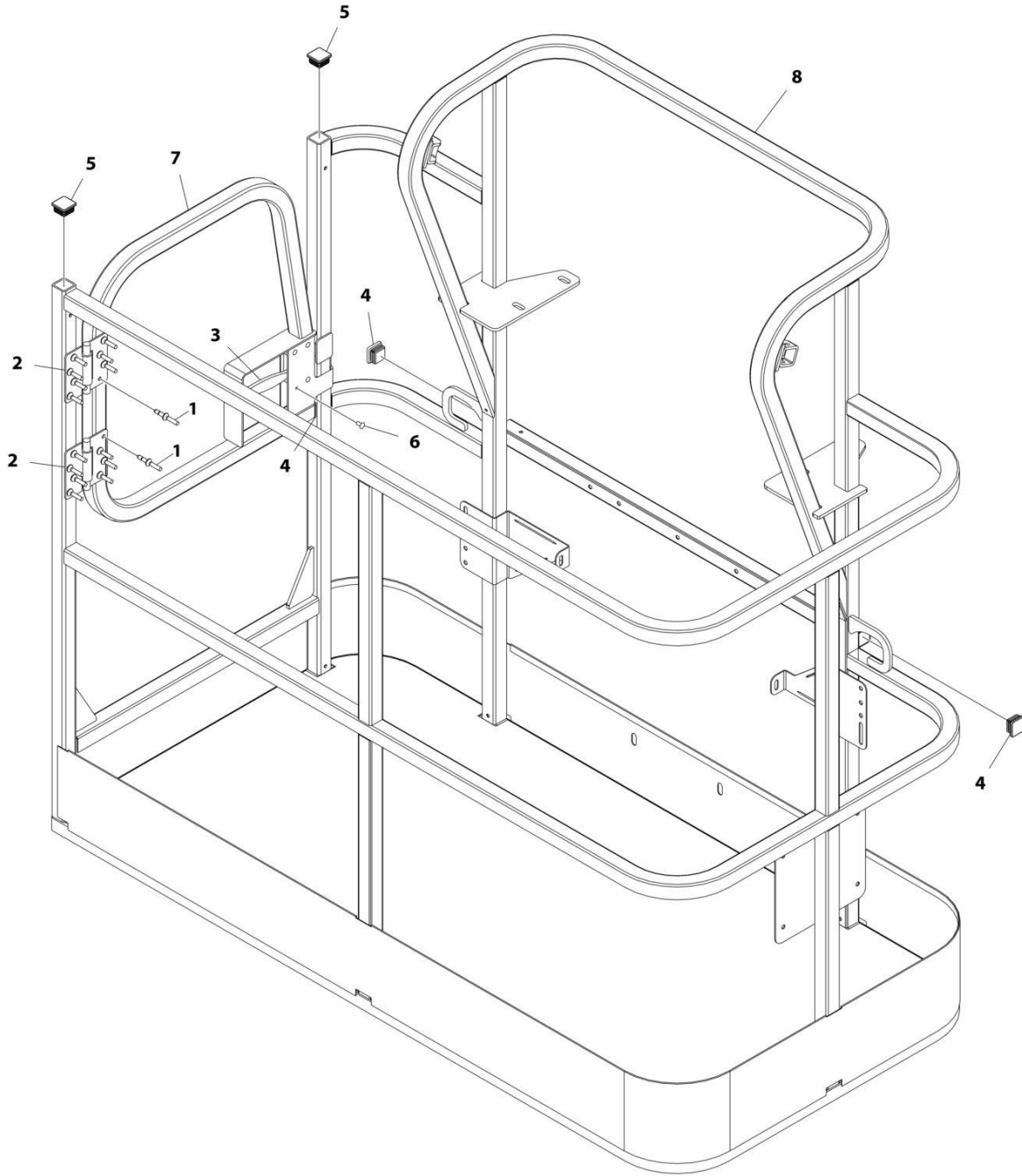
ITEM	PART NUMBER	QTY	DESCRIPTION	REV
	1001167596	Ref	PLATFORM SUPPORT INSTALLATION	N
1	0100011	AR	Compound, Locking	
2	0761014	5	Bolt M10 x 30	
3	0761216	8	Bolt M12 x 40	
4	1001255133	1	Bolt 1 x 11 GRD8	
5	0681608	8	Bolt 3/8 x 1 GRD8	
6	3291001	5	Nut M10	
7	3291201	3	Nut M12	
8	1001174040	1	Nut 1	
9	3291205	8	Nut M12	
10	3841143	4	Keeper, Pin	
11	4812000	8	Washer M10	
12	4812100	3	Washer M12	
13	4891600	8	Washer 3/8	
14	5241200	8	Washer M12	
15	4892600001	1	Washer 1	
16	1001098828	2	Bolt M12 x 70 CL10.9	
17	1001167565	2	Pin	
18	1001200494	1	Support, Platform	
19	1001167567	1	Support, Rotator	
20	1001168402	2	Pin	
21	1001188622	1	Screw	
22	1001247468	1	Loadcell	
23	1001188844	1	Bolt M12 x 35	
24	1001201351	2	Link	
24	1001187382	4	Bearing	
24	1001187383	4	Seal	
26	5251008	2	Bolt M10 x 16 CL10.9	
28	1001189002	8	Bearing	
29	1001190985	1	Pad, Wear	
30	3291005	2	Nut M10	
31	5251016	2	Bolt M10 x 40 CL10.9	
32	1001200491	1	Pad, Wear	
33	1001189001	4	Bearing	
34	1001204725	2	Plug	
36	91203039	1	Clamp	
37	1001216630	2	Decal - Tie Down/No Lift	
38	1001238421	Ref	Kit, Platform Leveling (Not Shown)	
	1001202687	Ref	VALVE MOUNT INSTALLATION	B
101	0100011	AR	Compound, Locking	
102	0760810	4	Bolt M8 x 20	
103	3290806	4	Nut M8	
104	4811900	8	Washer M8	
106	1001208994	1	Mount, Valve	



**SECTION 5 - PLATFORM**

# SECTION 5 - PLATFORM

FIGURE 5-1. PLATFORM ASSEMBLY - 30IN X 5FT (76.2CM X 1.52M) WITH SWING GATE



ART\_1001186386



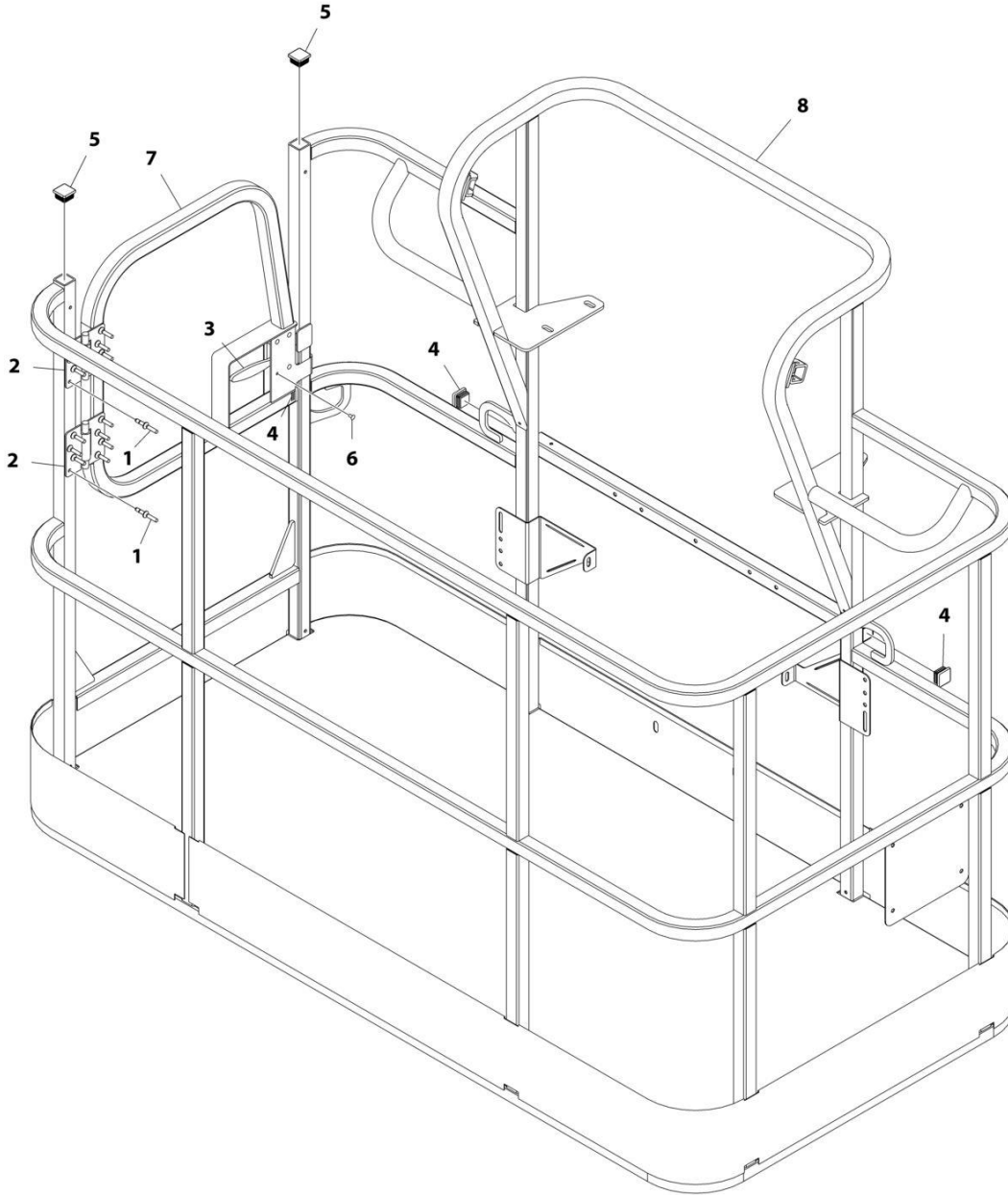
## SECTION 5 - PLATFORM

**FIGURE 5-1. PLATFORM ASSEMBLY - 30IN X 5FT (76.2CM X 1.52M) WITH SWING GATE**

ITEM	PART NUMBER	QTY	DESCRIPTION	REV
	1001186386	Ref	PLATFORM ASSEMBLY	C
		Ref	Note: Platform and Mesh must be ordered separately for Platforms with Mesh. See SPECIAL OPTIONS SECTION for Mesh Installations.	
		Ref	Note: Replacement Decals Must be Ordered Separately - See DECALS SECTION.	
1	2080040	16	Fastener, Huck	
2	2600281	2	Hinge, Self-Closing	
3	2940074	1	Latch	
4	3520072	3	Plug	
5	3520198	2	Plug	
6	3820020	4	Rivet	
7	1001144629	1	Gate	
8	See Note	NSS	Platform (Note: Not Available - Purchase Platform Assembly)	

# SECTION 5 - PLATFORM

FIGURE 5-2. PLATFORM ASSEMBLY - 36IN X 6FT (91.5CM X 1.83M) WITH SWING GATE



ART\_1001186384

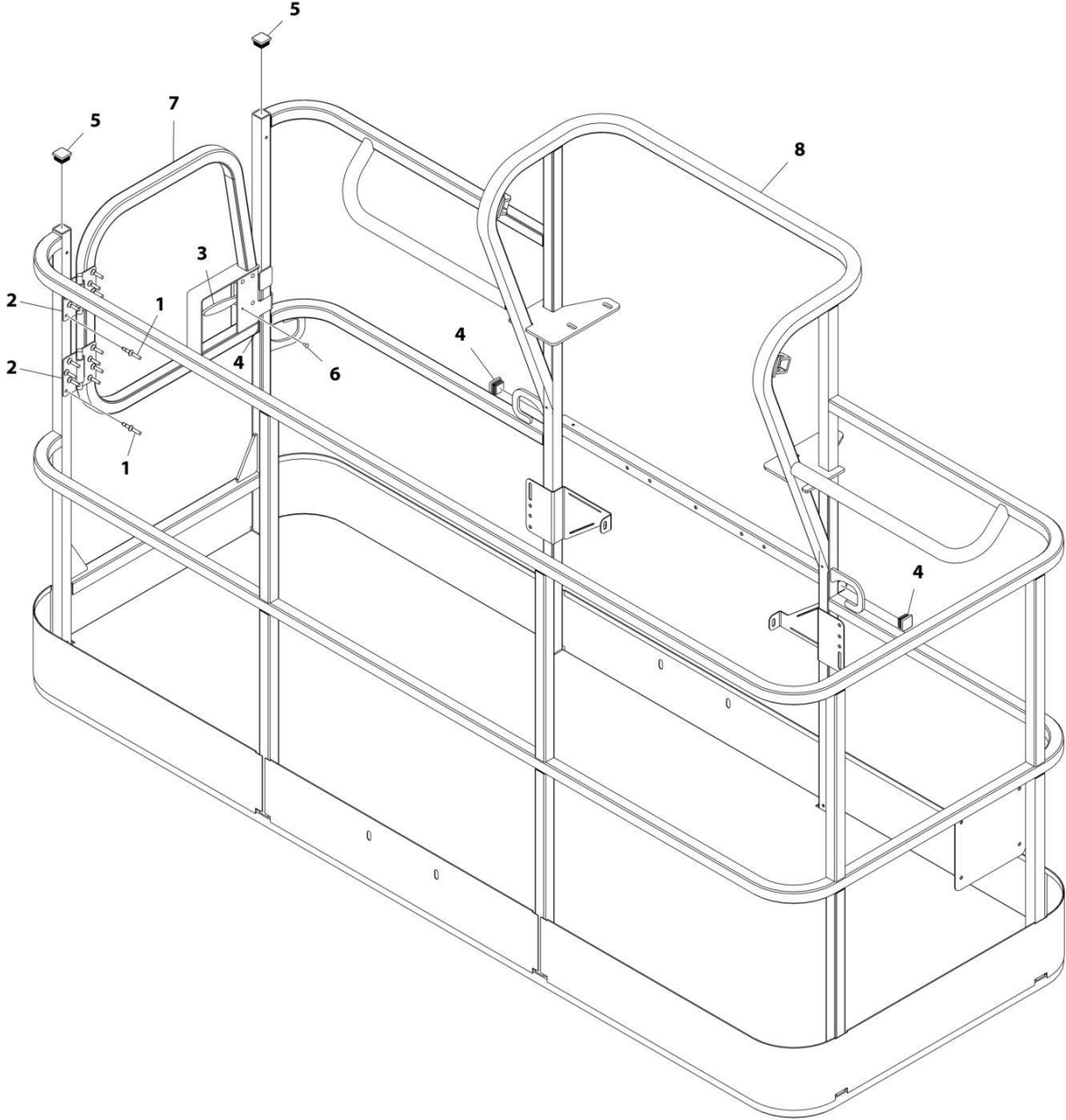
## SECTION 5 - PLATFORM

**FIGURE 5-2. PLATFORM ASSEMBLY - 36IN X 6FT (91.5CM X 1.83M) WITH SWING GATE**

ITEM	PART NUMBER	QTY	DESCRIPTION	REV
	1001186384	Ref	PLATFORM ASSEMBLY - 36IN X 6FT (91.5CM X 1.83M) WITH SWING GATE	C
	See Note	Ref	Note: Platform and Mesh must be ordered separately for Platforms with Mesh. See SPECIAL OPTIONS SECTION for Mesh Installations.	
	See Note	Ref	Note: Replacement Decals Must be Ordered Separately - See DECALS SECTION.	
1	2080040	16	Fastener, Huck	
2	2600281	2	Hinge	
3	2940074	1	Latch	
4	3520072	3	Plug	
5	3520198	2	Plug	
6	3820020	4	Rivet	
7	1001144629	1	Gate	
8	See Note	NSS	Platform (Note: Not Available - Purchase Platform Assembly)	

# SECTION 5 - PLATFORM

FIGURE 5-3. PLATFORM ASSEMBLY - 36IN X 8FT (91.5CM X 2.44M) WITH SWING GATE



ART\_1001186383

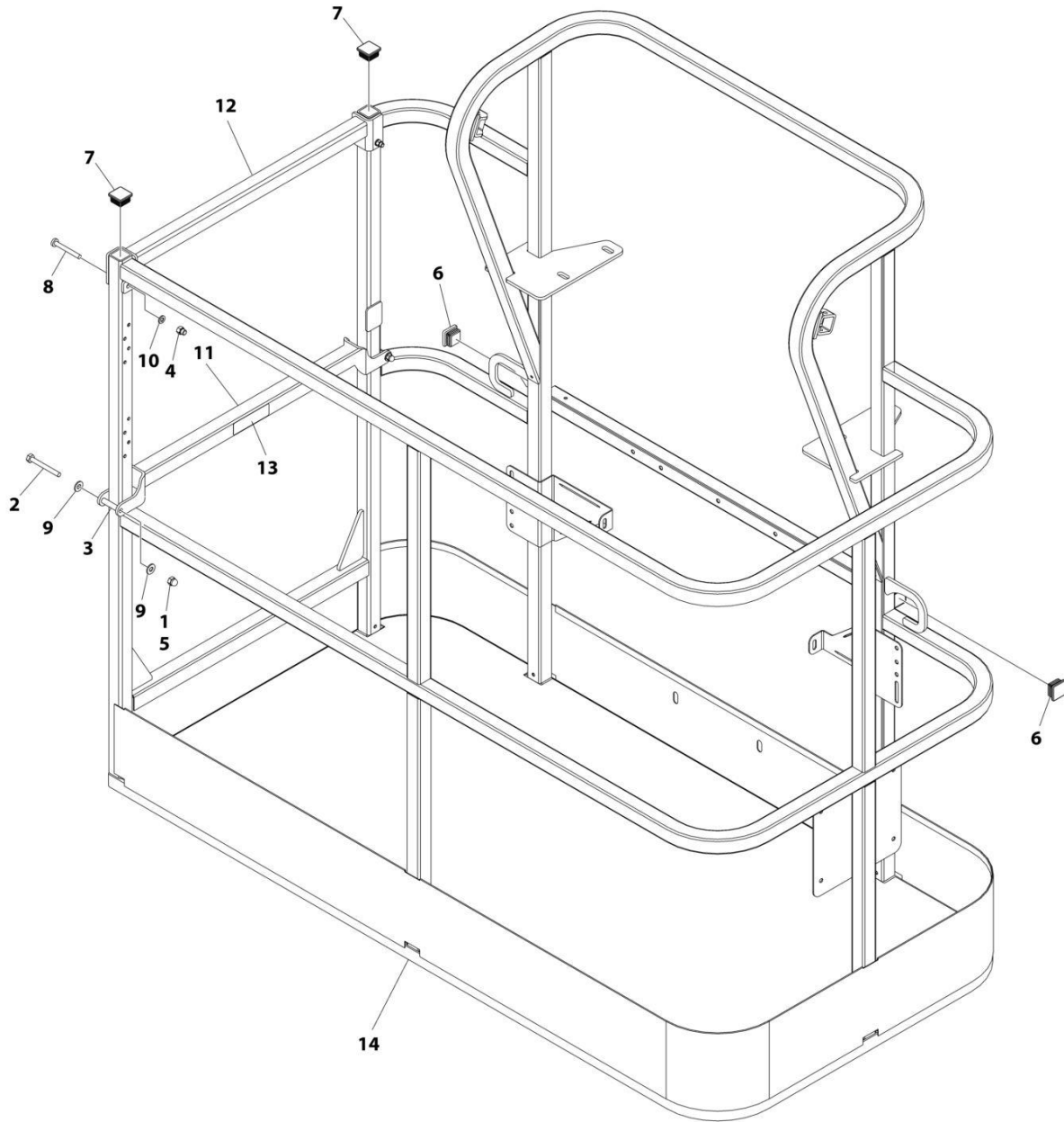
## SECTION 5 - PLATFORM

**FIGURE 5-3. PLATFORM ASSEMBLY - 36IN X 8FT (91.5CM X 2.44M) WITH SWING GATE**

ITEM	PART NUMBER	QTY	DESCRIPTION	REV
	1001186383	Ref	PLATFORM ASSEMBLY - 36IN X 8FT (91.5CM X 2.44M) WITH SWING GATE	D
		Ref	Note: Platform and Mesh must be ordered separately for Platforms with Mesh. See SPECIAL OPTIONS SECTION for Mesh Installations.	
		Ref	Note: Replacement Decals Must be Ordered Separately - See DECALS SECTION.	
1	2080040	16	Fastener, Huck	
2	2600281	2	Hinge	
3	2940074	1	Latch	
4	3520072	3	Plug	
5	3520198	2	Plug	
6	3820020	4	Rivet	
7	1001144629	1	Gate	
8	See Note	NSS	Platform (Note: Not Available - Purchase Platform Assembly)	

# SECTION 5 - PLATFORM

FIGURE 5-4. PLATFORM ASSEMBLY - 30IN X 5FT (76.2CM X 1.52M) WITH DROP BAR



ART\_1001186377

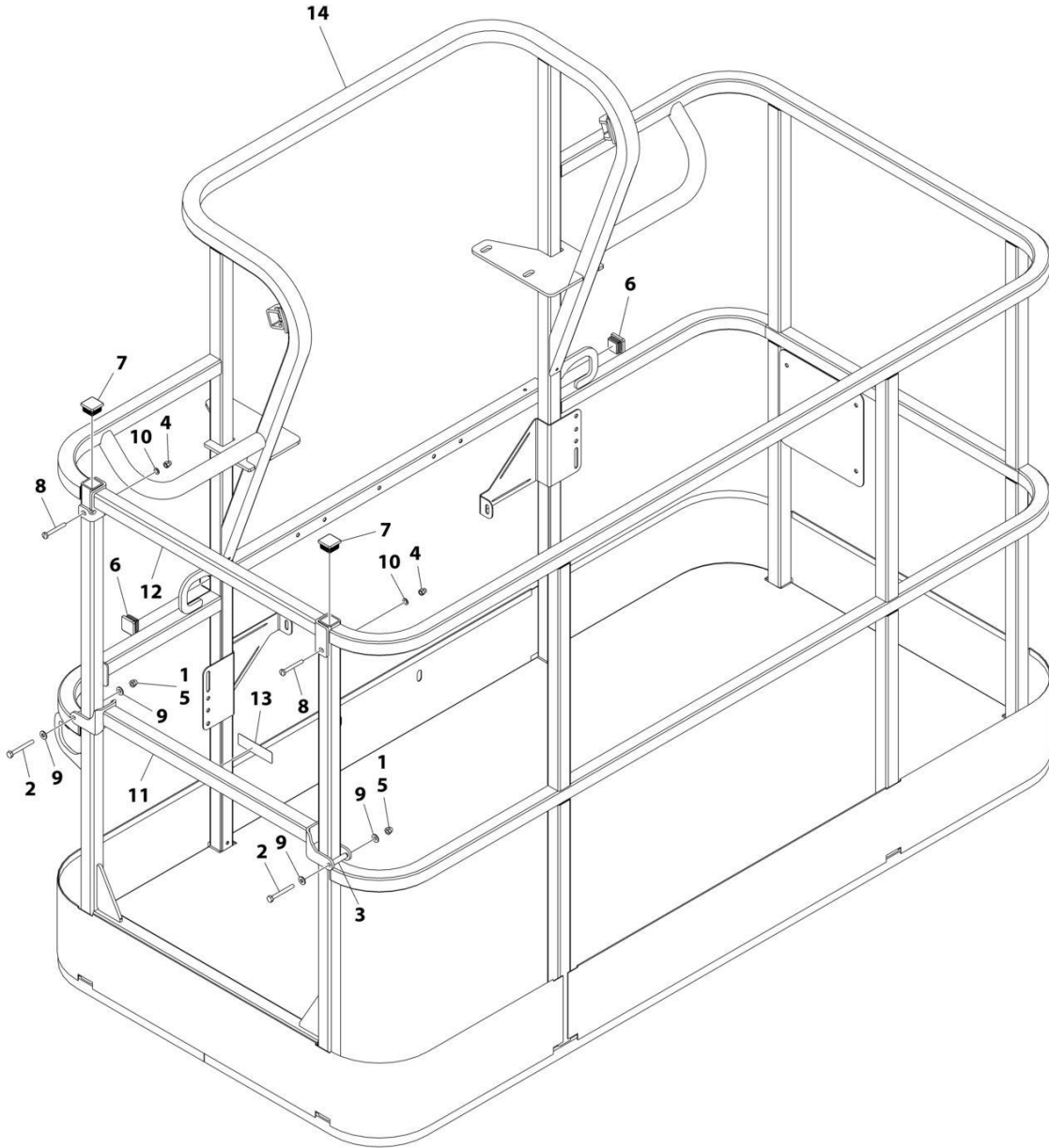
## SECTION 5 - PLATFORM

**FIGURE 5-4. PLATFORM ASSEMBLY - 30IN X 5FT (76.2CM X 1.52M) WITH DROP BAR**

ITEM	PART NUMBER	QTY	DESCRIPTION	REV
	1001186377	Ref	PLATFORM ASSEMBLY	C
		Ref	Note: Platform and Mesh must be ordered separately for Platforms with Mesh. See SPECIAL OPTIONS SECTION for Mesh Installations.	
		Ref	Note: Replacement Decals Must be Ordered Separately - See DECALS SECTION.	
1	0100011	AR	Compound, Locking	
2	0641420	2	Bolt 1/4 x 2-1/2	
3	0961845	2	Bushing	
4	3290606	2	Nut M6	
5	3300151	2	Nut 1/4	
6	3520072	2	Plug	
7	3520198	2	Plug	
8	4010618	2	Screw M6 x 50	
9	4711400	4	Washer 1/4	
10	4811700	2	Washer M6	
11	1001138494	1	Bar, Drop	
12	1001138514	1	Rail (Top)	
13	1001140429	1	Decal - Drop Bar	
14	See Note	NSS	Platform (Note: Not Available - Purchase Platform Assembly)	

# SECTION 5 - PLATFORM

FIGURE 5-5. PLATFORM ASSEMBLY - 36IN X 6FT (91.5CM X 1.83M) WITH DROP BAR



ART\_1001186379



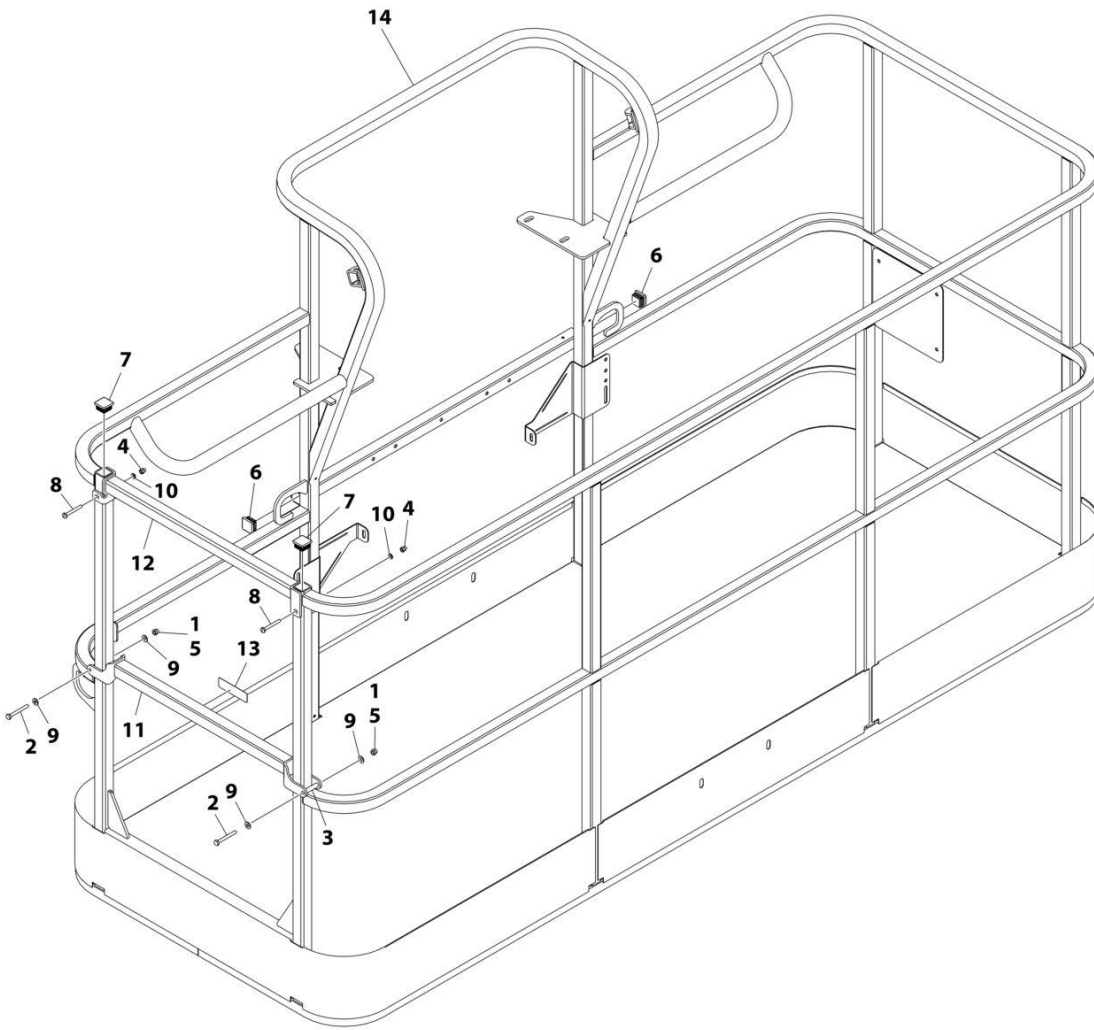
## SECTION 5 - PLATFORM

**FIGURE 5-5. PLATFORM ASSEMBLY - 36IN X 6FT (91.5CM X 1.83M) WITH DROP BAR**

ITEM	PART NUMBER	QTY	DESCRIPTION	REV
	1001186379	Ref	PLATFORM ASSEMBLY - 36IN X 6FT (91.5CM X 1.83M) WITH DROP BAR	B
		Ref	Note: Platform and Mesh must be ordered separately for Platforms with Mesh. See SPECIAL OPTIONS SECTION for Mesh Installations.	
		Ref	Note: Replacement Decals Must be Ordered Separately - See DECALS SECTION.	
1	0100011	AR	Compound, Locking	
2	0641418	2	Bolt 1/4 x 2-1/4	
3	0961845	2	Bushing	
4	3290606	2	Nut M6	
5	3300151	2	Nut 1/4	
6	3520072	2	Plug	
7	3520198	2	Plug	
8	4010618	2	Screw M6 x 50	
9	4711400	4	Washer 1/4	
10	4811700	2	Washer M6	
11	1001138494	1	Bar, Drop	
12	1001138514	1	Rail (Top)	
13	1001140429	1	Decal - Drop Bar	
14	See Note	NSS	Platform (Note: Not Available - Purchase Platform Assembly)	

# SECTION 5 - PLATFORM

FIGURE 5-6. PLATFORM ASSEMBLY - 36IN X 8FT (91.5CM X 2.44M) WITH DROP BAR



ART\_1001186382

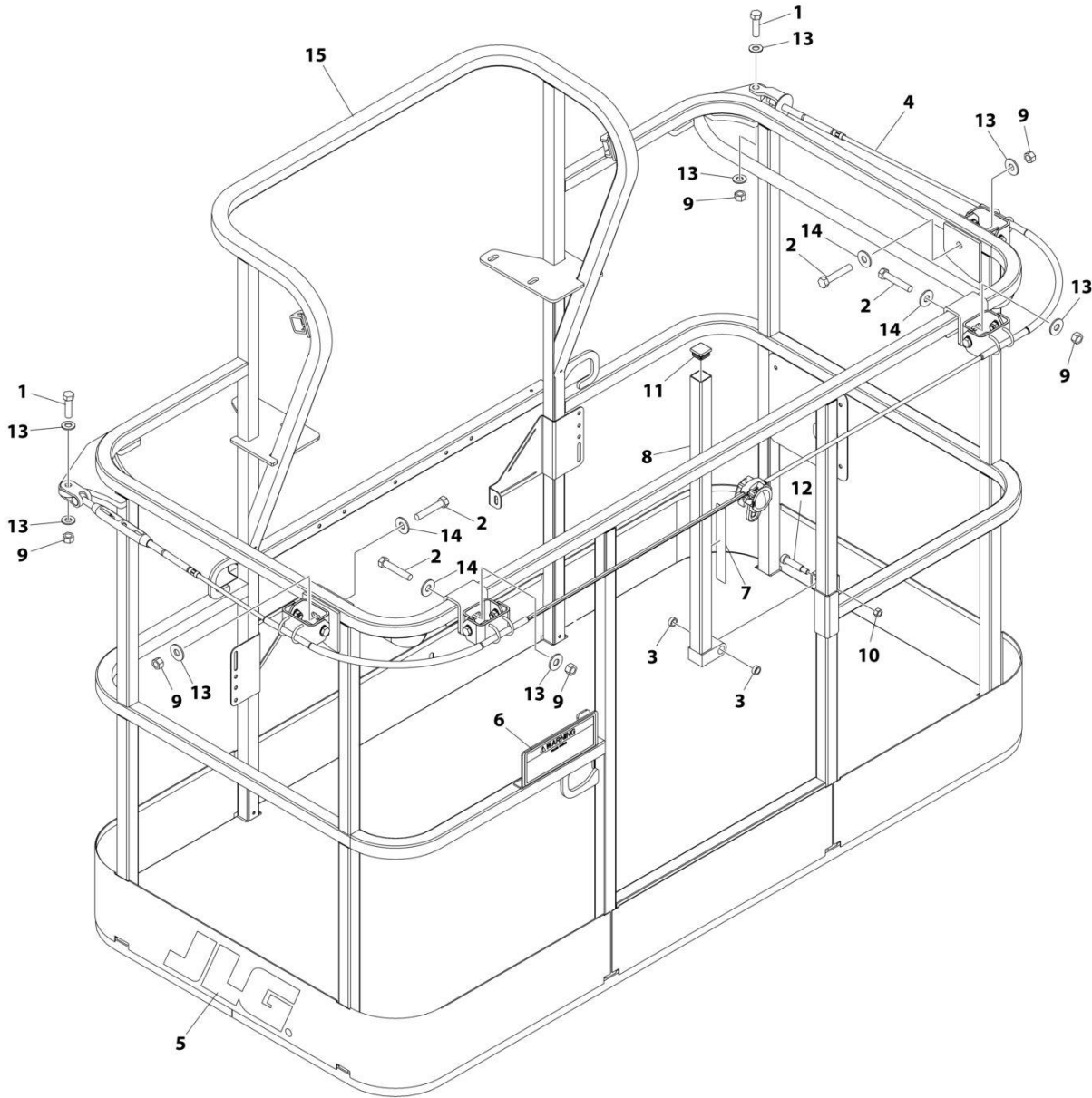
## SECTION 5 - PLATFORM

**FIGURE 5-6. PLATFORM ASSEMBLY - 36IN X 8FT (91.5CM X 2.44M) WITH DROP BAR**

ITEM	PART NUMBER	QTY	DESCRIPTION	REV
	1001186382	Ref	PLATFORM ASSEMBLY - 36IN X 8FT (91.5CM X 2.44M) WITH DROP BAR	C
		Ref	Note: Platform and Mesh must be ordered separately for Platforms with Mesh. See SPECIAL OPTIONS SECTION for Mesh Installations.	
		Ref	Note: Replacement Decals Must be Ordered Separately - See DECALS SECTION.	
1	0100011	AR	Compound, Locking	
2	0641418	2	Bolt 1/4 x 2-1/4	
3	0961845	2	Bushing	
4	3290606	2	Nut M6	
5	3300151	2	Nut 1/4	
6	3520072	2	Plug	
7	3520198	2	Plug	
8	4010618	2	Screw M6 x 50	
9	4711400	4	Washer 1/4	
10	4811700	2	Washer M6	
11	1001138494	1	Bar, Drop	
12	1001138514	1	Rail (Top)	
13	1001140429	1	Decal - Drop Bar	
14	See Note	NSS	Platform (Note: Not Available - Purchase Platform Assembly)	

# SECTION 5 - PLATFORM

FIGURE 5-7. PLATFORM ASSEMBLY - 36IN X 6FT (91.5CM X 1.83M) WITH FALL ARREST (ALL SPECS EXCEPT CE AND AUSTRALIAN SPECS)



ART\_1001186333

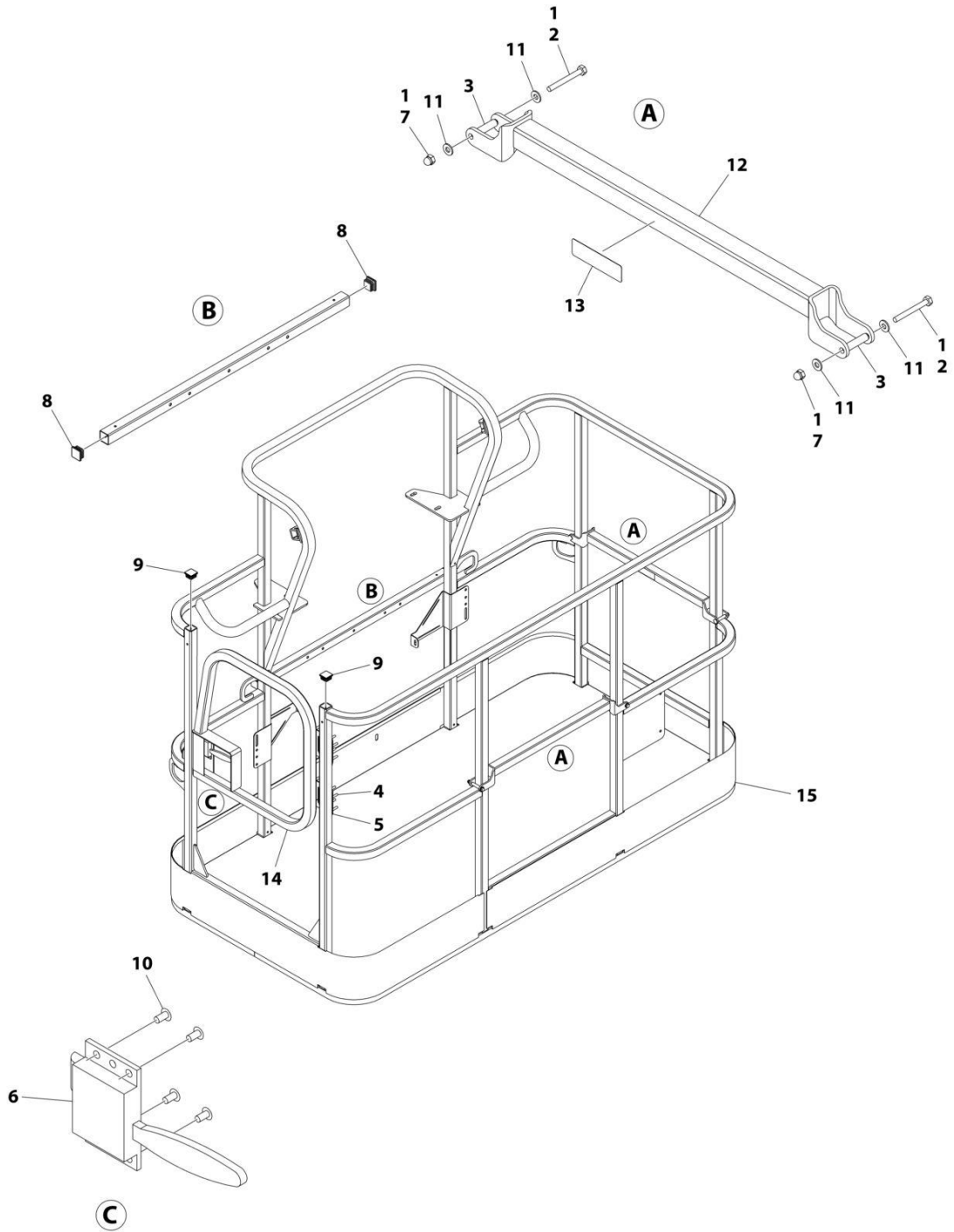
## SECTION 5 - PLATFORM

**FIGURE 5-7. PLATFORM ASSEMBLY - 36IN X 6FT (91.5CM X 1.83M) WITH FALL ARREST (ALL SPECS EXCEPT CE AND AUSTRALIAN SPECS)**

ITEM	PART NUMBER	QTY	DESCRIPTION	REV
	1001186333	Ref	PLATFORM ASSEMBLY	C
		Ref	Note: Replacement Decals Must be Ordered Separately - See DECALS SECTION.	
1	0681814	2	Bolt 1/2 x 1-3/4 Grade 8	
2	0681822	4	Bolt 1/2 x 2-3/4 Grade 8	
3	0962270	2	Bearing	
4	1001203655	1	Cable	
5	1702773	1	Decal - JLG	
6	1705014	1	Decal - Safety	
7	1706385	1	Decal - Drop Bar	
8	2410014	1	Bar, Drop	
9	3271805	6	Nut 1/2 Grade 8	
10	3311605	1	Nut 3/8	
11	3520072	1	Plug	
12	3900054	1	Bolt 1/2 x 1-3/4	
13	4711800	8	Washer 1/2	
14	4751800	4	Washer 1/2	
15	See Note	NSS	Platform (Note: Not Available - Purchase Platform Assembly)	

# SECTION 5 - PLATFORM

FIGURE 5-8. PLATFORM ASSEMBLY - 36IN X 6FT (91.5CM X 1.83M) TRI-ENTRY WITH GATE



ART\_1001228376

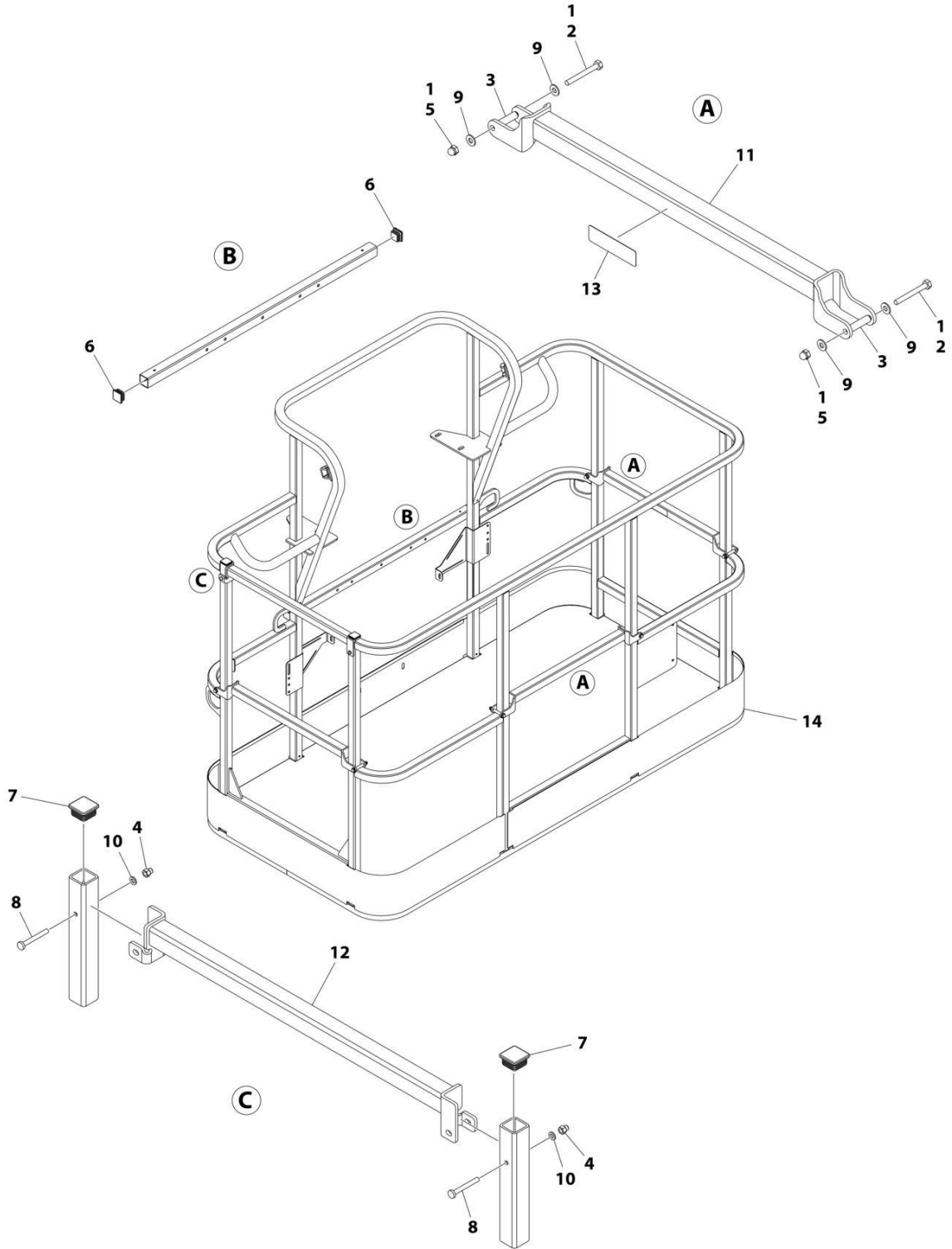
## SECTION 5 - PLATFORM

**FIGURE 5-8. PLATFORM ASSEMBLY - 36IN X 6FT (91.5CM X 1.83M) TRI-ENTRY WITH GATE**

ITEM	PART NUMBER	QTY	DESCRIPTION	REV
	1001228376	Ref	PLATFORM ASSEMBLY - 36IN x 6FT (91.5CM x 1.83M)	B
		Ref	Note: Platform and Mesh must be ordered separately for Platforms with Mesh. See SPECIAL OPTIONS SECTION for Mesh Installations.	
		Ref	Note: Replacement Decals Must be Ordered Separately - See DECAL SECTION.	
1	0100011	AR	Compound, Locking	
2	0641418	4	Bolt 1/4 x 2-1/4	
3	0961845	4	Bushing	
4	2080040	16	Fastener	
5	2600281	2	Hinge	
6	2940074	1	Latch	
7	3300151	4	Nut 1/4	
8	3520072	3	Plug	
9	3520198	2	Plug	
10	3820020	4	Rivet	
11	4711400	8	Washer 1/4	
12	1001138494	2	Bar, Drop	
13	1001140429	2	Decal - Drop Bar	
14	1001144629	1	Gate	
15	See Note	NSS	Platform (Note: Not Available - Purchase Platform Assembly)	

# SECTION 5 - PLATFORM

FIGURE 5-9. PLATFORM ASSEMBLY - 36IN X 6FT (91.5CM X 1.83M) TRI-ENTRY WITH DROPBAR



ART\_1001228377



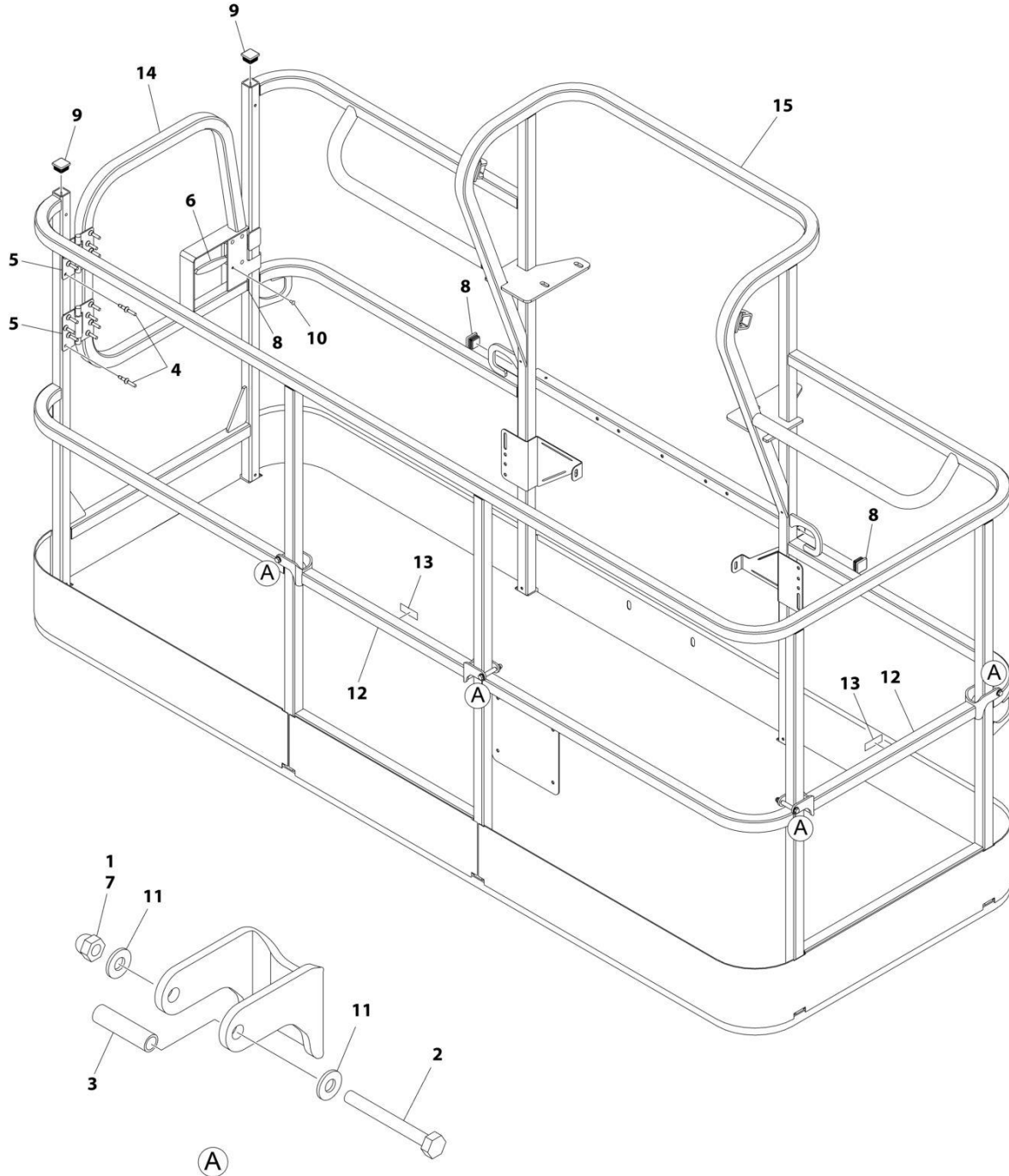
## SECTION 5 - PLATFORM

**FIGURE 5-9. PLATFORM ASSEMBLY - 36IN X 6FT (91.5CM X 1.83M) TRI-ENTRY WITH DROPBAR**

ITEM	PART NUMBER	QTY	DESCRIPTION	REV
	1001228377	Ref	PLATFORM ASSEMBLY - 36IN x 6FT (91.5CM x 1.83M)	B
		Ref	Note: Platform and Mesh must be ordered separately for Platforms with Mesh. See SPECIAL OPTIONS SECTION for Mesh Installations.	
		Ref	Note: Replacement Decals Must be Ordered Separately - See DECAL SECTION.	
1	0100011	1	Compound, Locking	
2	0641418	6	Bolt 1/4 x 2-1/4	
3	0961845	6	Bushing	
4	3290606	2	Nut M6	
5	3300151	6	Nut 1/4	
6	3520072	2	Plug	
7	3520198	2	Plug	
8	4010618	2	Screw M6 x 50	
9	4711400	12	Washer 1/4	
10	4811700	2	Washer M6	
11	1001138494	3	Bar, Drop	
12	1001138514	1	Rail (Top)	
13	1001140429	3	Decal - Drop Bar	
14	See Note	NSS	Platform, Weldment (Note: Not Available - Purchase Platform Assembly)	

# SECTION 5 - PLATFORM

FIGURE 5-10. PLATFORM ASSEMBLY - 36IN X 8FT (91.5CM X 2.44M) WITH TRI-ENTRY (1 GATE/2 DROP BARS)



ART\_1001228243

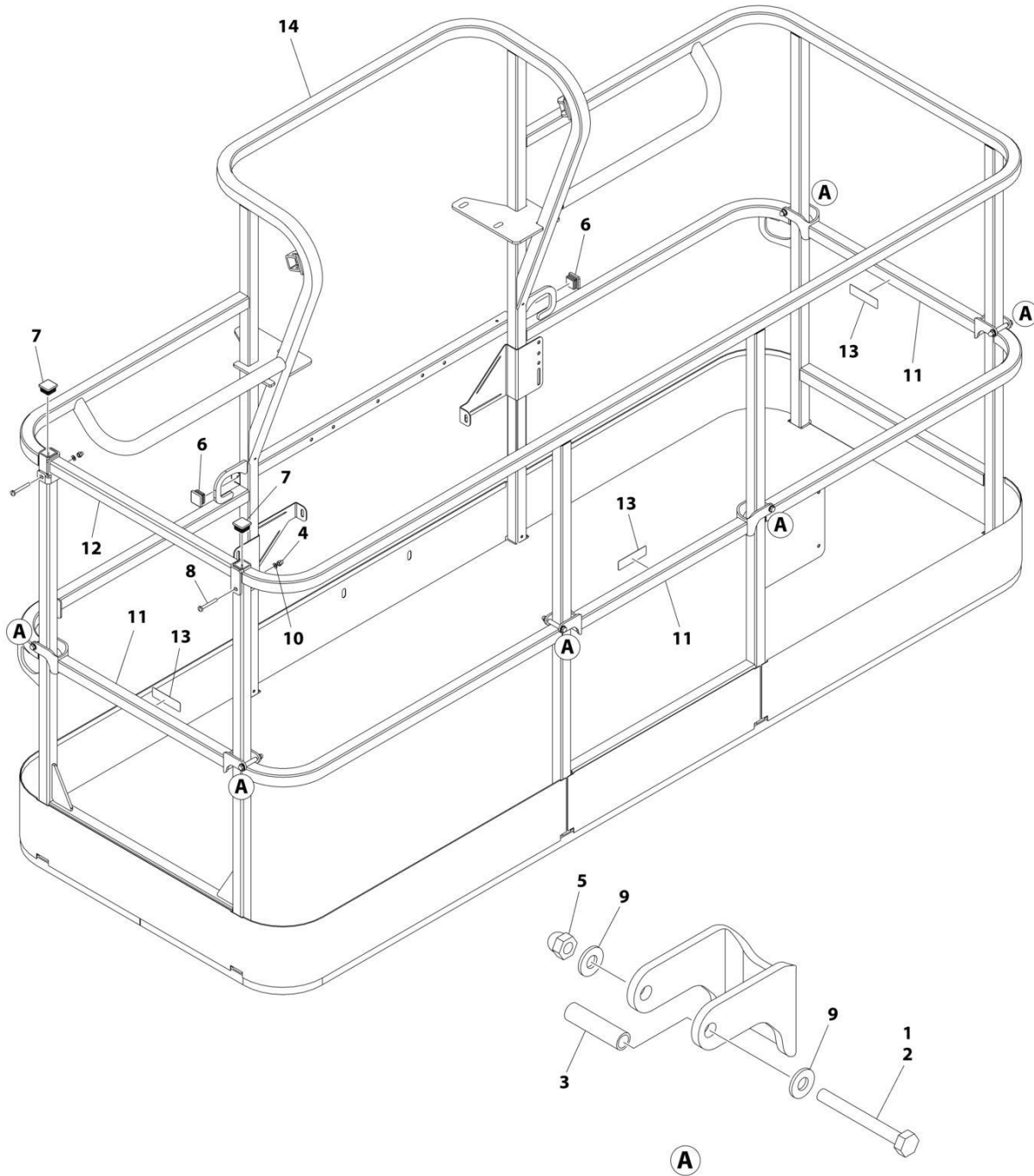
## SECTION 5 - PLATFORM

**FIGURE 5-10. PLATFORM ASSEMBLY - 36IN X 8FT (91.5CM X 2.44M) WITH TRI-ENTRY (1 GATE/2 DROP BARS)**

ITEM	PART NUMBER	QTY	DESCRIPTION	REV
	1001228243	Ref	PLATFORM ASSEMBLY - 36IN X 8FT (91.5CM X 2.44M) WITH TRI-ENTRY	A
		Ref	Note: Platform and Mesh must be ordered separately for Platforms with Mesh. See SPECIAL OPTIONS SECTION for Mesh Installations.	
1	0100011	AR	Compound, Locking	
2	0641418	4	Bolt 1/4 x 2-1/4	
3	0961845	4	Bushing	
4	2080040	16	Fastener, Huck	
5	2600281	2	Hinge, Self-Closing	
6	2940074	1	Latch	
7	3300151	4	Nut 1/4	
8	3520072	3	Cap, Plug	
9	3520198	2	Cap, Plug	
10	3820020	4	Rivet	
11	4711400	8	Washer 1/4	
12	1001138494	2	Bar, Drop	
13	1001140429	2	Decal - Drop Bar	
14	1001144629	1	Gate, Weldment	
15	See Note	1	Platform (Note: Not Available - Purchase Platform Assembly)	

# SECTION 5 - PLATFORM

FIGURE 5-11. PLATFORM ASSEMBLY - 36IN X 8FT (91.5CM X 2.44M) WITH TRI-ENTRY (3 DROP BARS)



ART\_1001228375

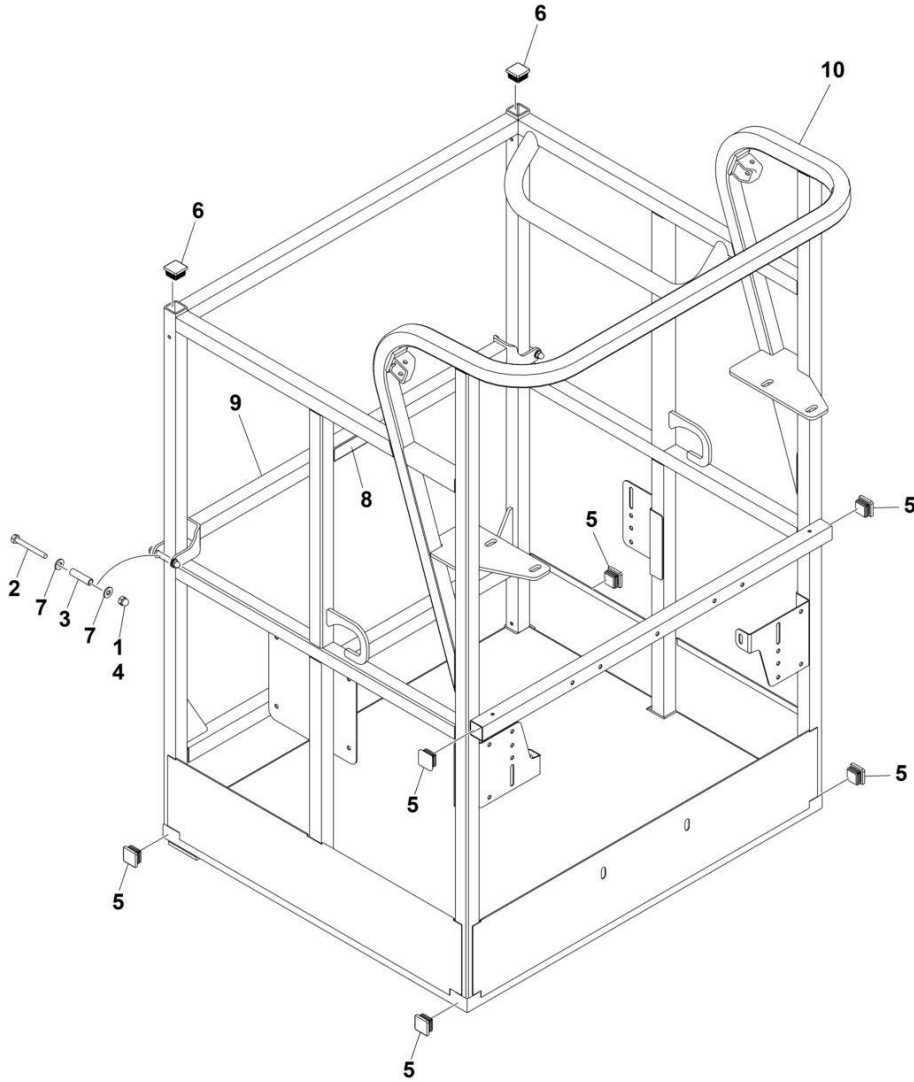
## SECTION 5 - PLATFORM

**FIGURE 5-11. PLATFORM ASSEMBLY - 36IN X 8FT (91.5CM X 2.44M) WITH TRI-ENTRY (3 DROP BARS)**

ITEM	PART NUMBER	QTY	DESCRIPTION	REV
	1001228375	Ref	PLATFORM ASSEMBLY - 36IN X 8FT (91.5CM X 2.44M) WITH TRI-ENTRY	A
		Ref	Note: Platform and Mesh must be ordered separately for Platforms with Mesh. See SPECIAL OPTIONS SECTION for Mesh Installations.	
		Ref	Note: Replacement Decals Must be Ordered Separately - See DECAL SECTION.	
1	0100011	AR	Compound, Locking	
2	0641418	6	Bolt 1/4 x 2-1/4	
3	0961845	6	Bushing	
4	3290606	2	Nut M6 x 1	
5	3300151	6	Nut 1/4	
6	3520072	2	Cap, Plug	
7	3520198	2	Cap, Plug	
8	4010618	2	Screw M6 x 50	
9	4711400	12	Washer 1/4	
10	4811700	2	Washer M6	
11	1001138494	3	Bar, Drop	
12	1001138514	1	Rail (Top)	
13	1001140429	3	Decal - Drop Bar	
14	See Note	1	Platform (Note: Not Available - Purchase Platform Assembly)	

# SECTION 5 - PLATFORM

FIGURE 5-12. PLATFORM ASSEMBLY - 30IN X 3FT (76CM X .91M) - DROP BAR ENTRY



ART\_1001228215

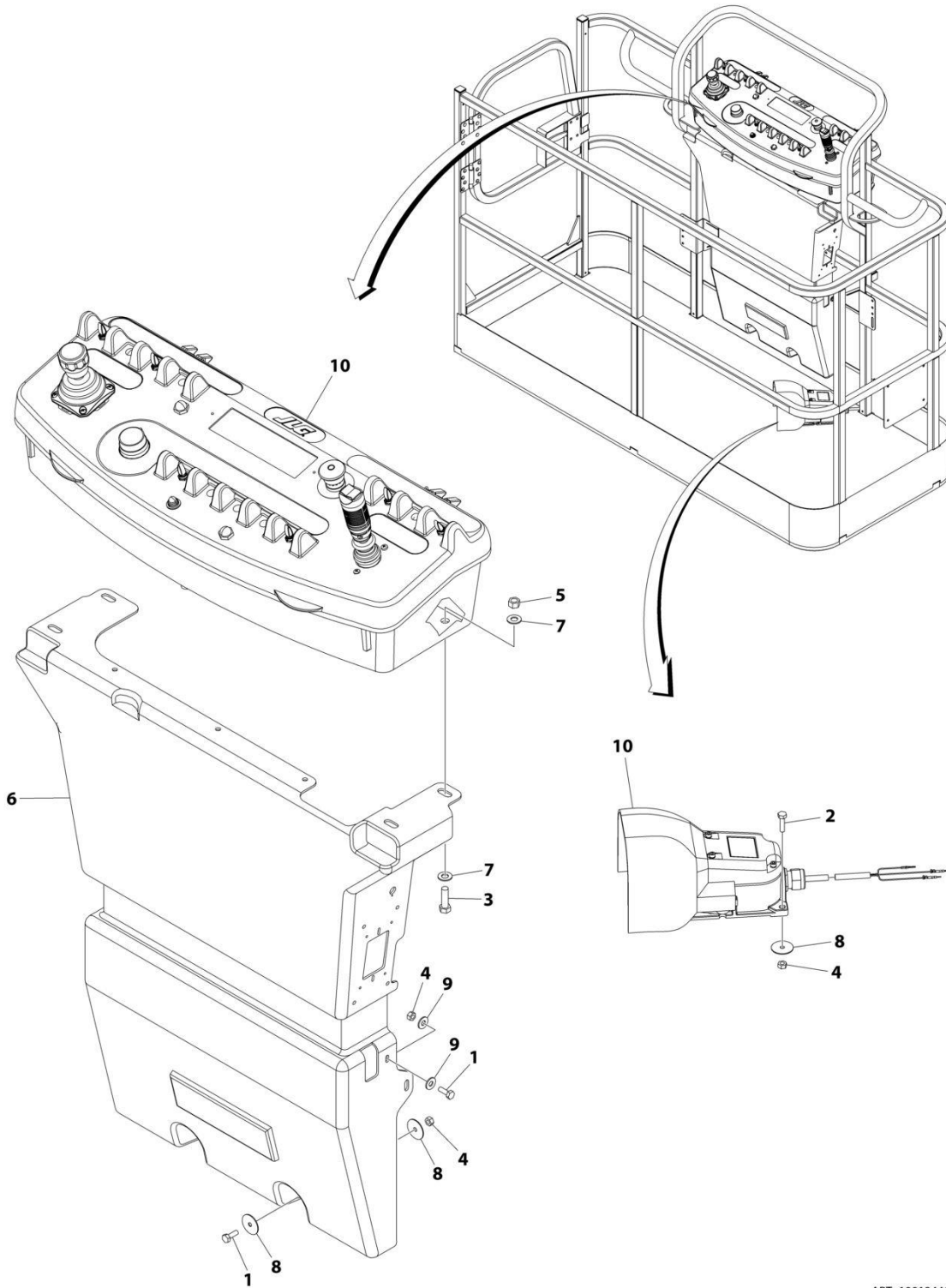
## SECTION 5 - PLATFORM

**FIGURE 5-12. PLATFORM ASSEMBLY - 30IN X 3FT (76CM X .91M) - DROP BAR ENTRY**

ITEM	PART NUMBER	QTY	DESCRIPTION	REV
	1001228215	Ref	PLATFORM ASSEMBLY	A
	See Note	Ref	Note: Platform and Mesh must be ordered separately for Platforms with Mesh. See SPECIAL OPTIONS SECTION for Mesh Installations.	
	See Note	Ref	Note: Replacement Decals Must be Ordered Separately - See DECAL SECTION.	
1	0100011	AR	Compound, Locking	
2	0641418	2	Bolt 1/4 x 2-1/4	
3	0961845	2	Bushing	
4	3300151	2	Nut 1/4	
5	3520072	6	Cap, Plug	
6	3520198	2	Cap, Plug	
7	4711400	4	Washer 1/4	
8	1001140429	1	Decal - Drop Bar	
9	1001226872	1	Bar, Drop	
10	See Note	NSS	Platform (Note: Not Available - Purchase Platform Assembly)	

# SECTION 5 - PLATFORM

## FIGURE 5-13. PLATFORM CONSOLE BOX INSTALLATION



ART\_1001244975



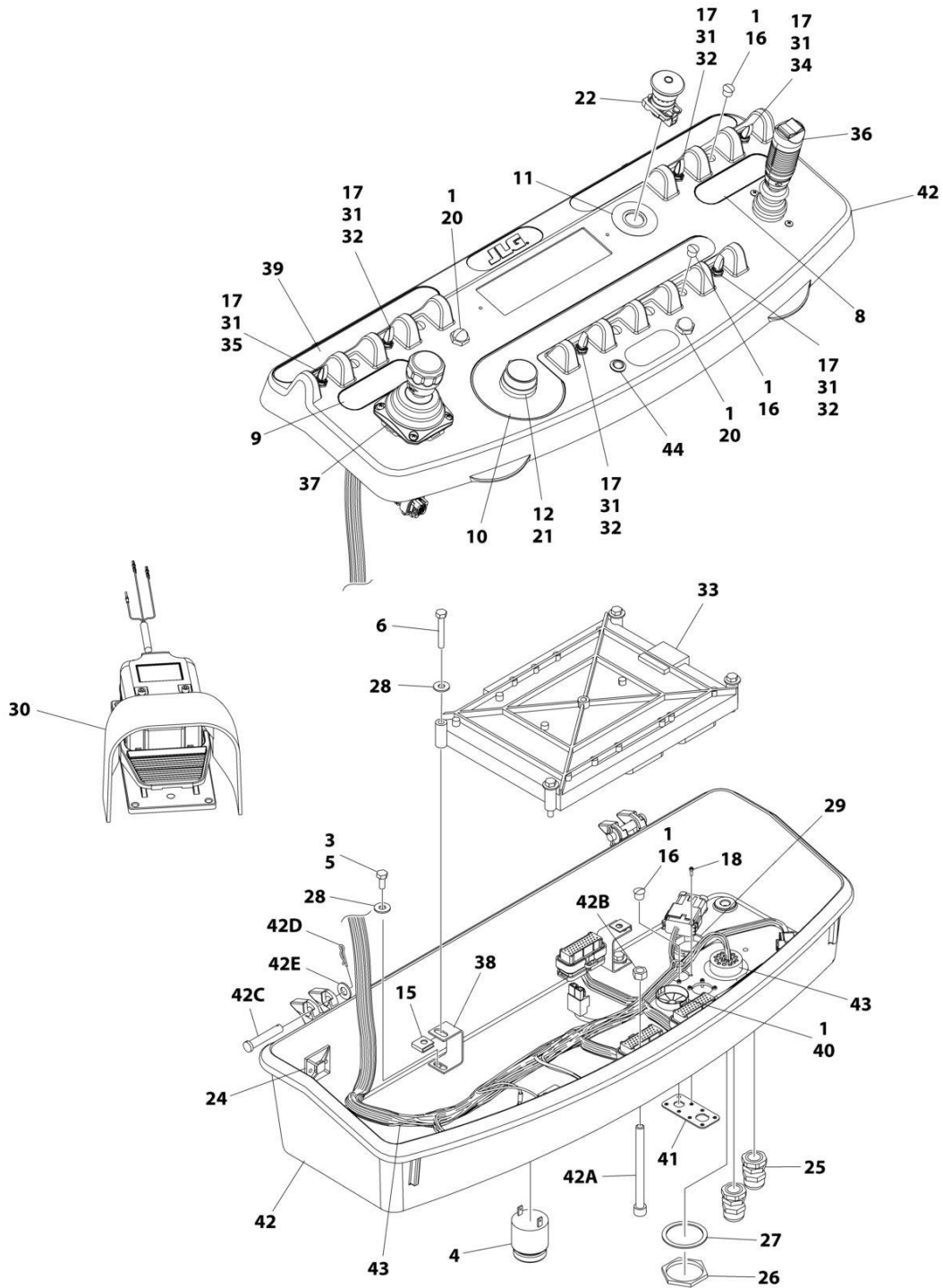
## SECTION 5 - PLATFORM

### FIGURE 5-13. PLATFORM CONSOLE BOX INSTALLATION

ITEM	PART NUMBER	QTY	DESCRIPTION	REV
	1001244975	Ref	PLATFORM CONSOLE BOX INSTALLATION	A
1	0641406	4	Bolt, 1/4 x 3/4	
2	0641408	3	Bolt, 1/4 x 1	
3	0641610	4	Bolt, 3/8 x 1-1/4	
4	3311405	7	Nut, Lock 1/4	
5	3311605	4	Nut, Lock 3/8	
6	3380434	1	Panel, Decal Mount	
7	4751600	8	Washer, 3/8	
8	4740362	7	Washer, 1/4	
9	4751400	4	Washer, 1/4	
10	1001244976	1	Platform Console Box Assembly (See Separate Breakdown in this Section)	

# SECTION 5 - PLATFORM

## FIGURE 5-14. PLATFORM CONSOLE BOX ASSEMBLY



ART\_1001244976\_B

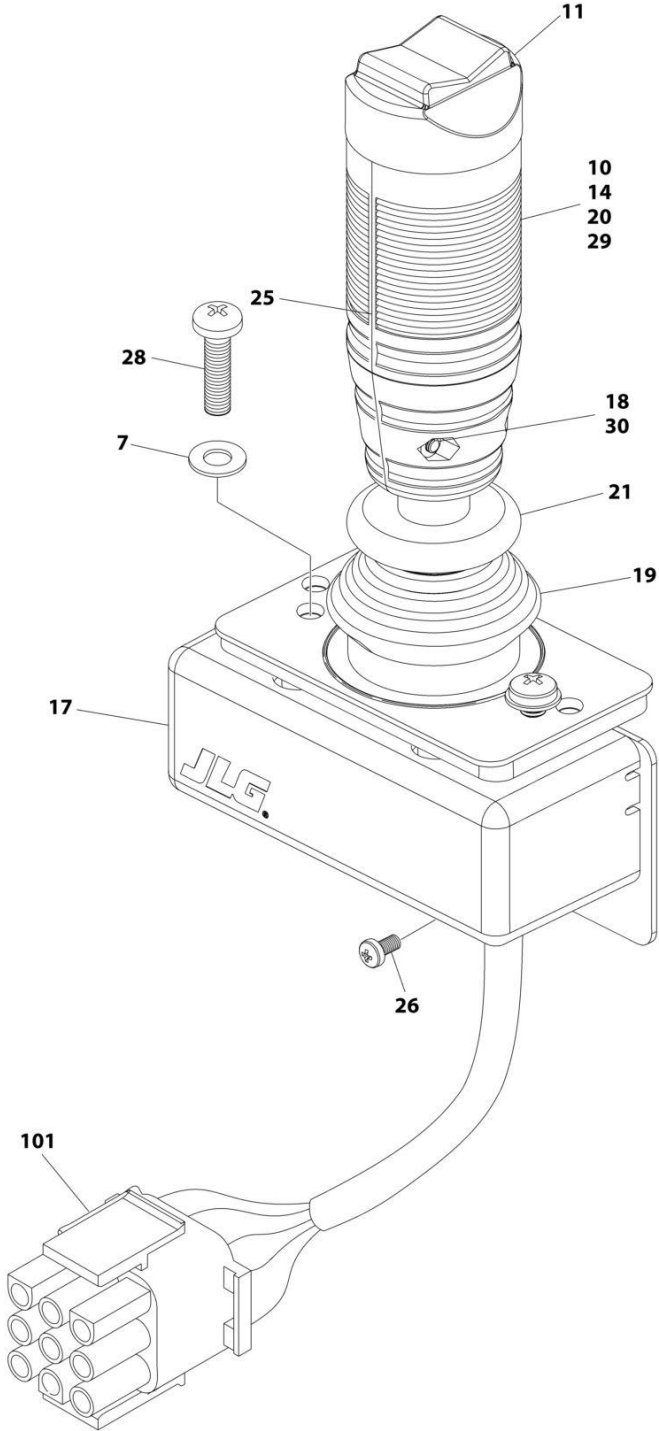
## SECTION 5 - PLATFORM

**FIGURE 5-14. PLATFORM CONSOLE BOX ASSEMBLY**

ITEM	PART NUMBER	QTY	DESCRIPTION	REV
	1001244976	Ref	PLATFORM CONSOLE BOX ASSEMBLY	B
1	0100009	AR	Sealant	
3	0100035	AR	Compound, Locking	
4	0140011	1	Alarm	
5	0641405	4	Bolt 1/4 x 5/8	
6	0641414	4	Bolt 1/4 x 1-3/4	
8	1702565	1	Decal - Drive and Steer	
9	1702566	1	Decal - Lift and Swing	
10	1702567	1	Decal - Function Speed	
11	1704260	1	Decal - EMS	
12	2560136	1	Handle, Knob	
15	3300353	4	Nut, Tinnerman	
16	3520054	7	Plug	
17	3790012	6	O-Ring	
18	3900349	8	Screw M2.5	
19	4240099	AR	Tie-Strap (Not Shown)	
20	4360387	2	Switch, Pushbutton	
21	4360407	1	Switch, Potentiometer	
22	1001274559	1	Switch, Emergency	
24	4460234	6	Terminal	
25	4460428	2	Connector, Strain Relief	
26	4460470	1	Nut, Terminal	
27	4460471	1	Washer	
28	4751400	8	Washer 1/4	
29	1001110434	1	Plug	
30	1001117174	1	Footswitch Assembly (See Separate Breakdown in this Section)	
31	1001155044	6	Nut 15/32	
32	1001155045	4	Switch, Toggle	
33	1001157196	1	Controller, Module (Note: Re-calibration Required when Replaced)	
34	1001159256	1	Switch, Toggle	
35	1001161709	1	Switch, Toggle	
36	1001166538	NLA	Controller Assembly (Drive and Steer) (Use p/n 1001212415) (See Separate Breakdown in this Section)	
37	1001166539	1	Controller Assembly (Lift and Swing) (See Separate Breakdown in this Section)	
38	1001172760	4	Bracket	
39	1001184626	1	Decal - Horn	
40	1001185281	1	Plug	
41	1001213882	1	Connector Mount	
42	1001215228	1	Platform Console Box	
42A	0630568	1	Capscrew 3/8 x 4-1/2	
42B	3311601	1	Nut 3/8	
42C	3430616	2	Pin	
42D	3470003	2	Hairpin	
42E	4711600	2	Washer 3/8	
43	1001238254	1	Harness, Platform Console Box (See Separate Breakdown in ELECTRICAL Section)	
44	1001206532	1	Lamp, LED Indicator Yellow	

**SECTION 5 - PLATFORM**

**FIGURE 5-15. CONTROLLER ASSEMBLY (DRIVE AND STEER)**



ART\_1001166538

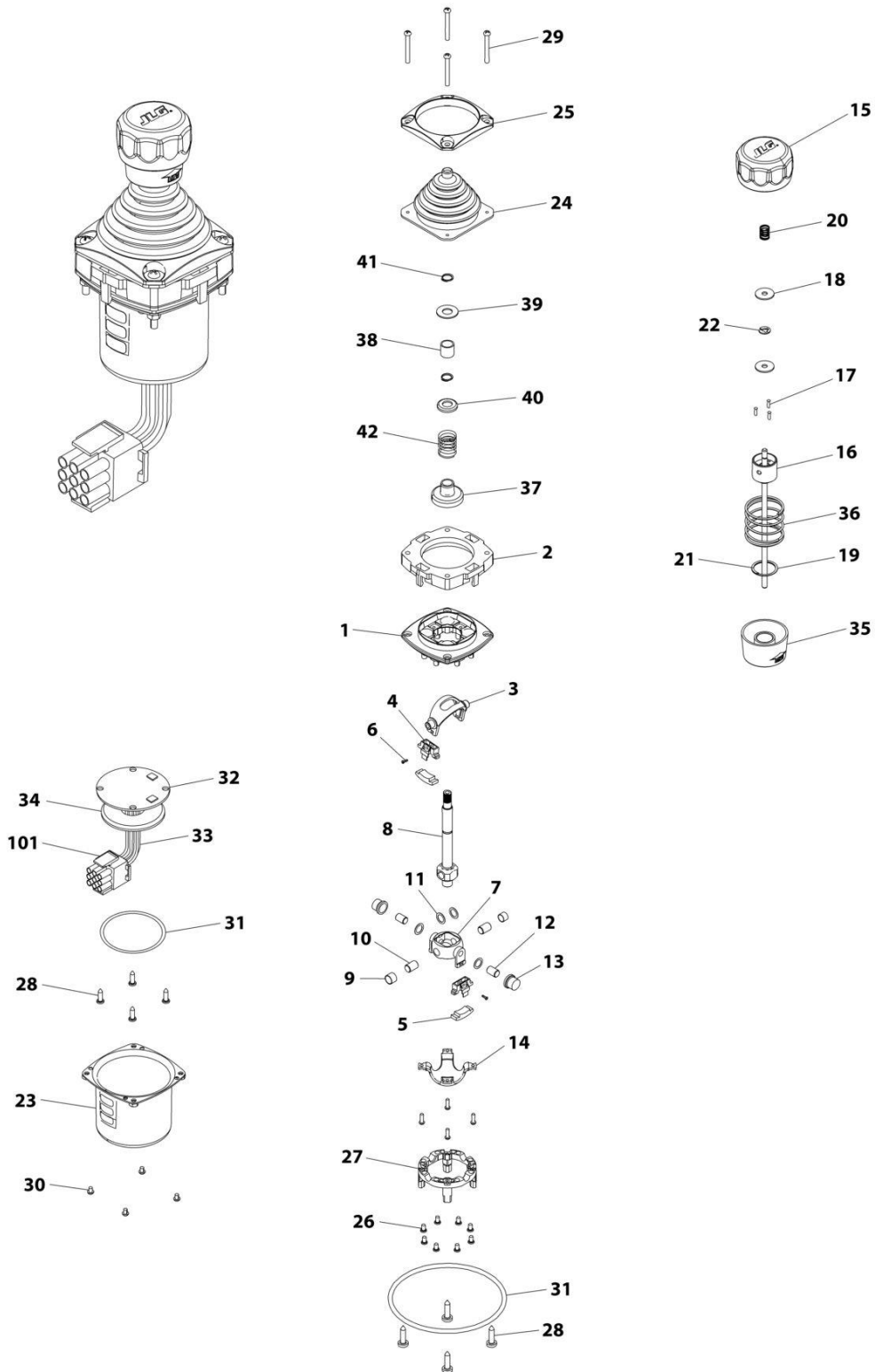
## SECTION 5 - PLATFORM

**FIGURE 5-15. CONTROLLER ASSEMBLY (DRIVE AND STEER)**

ITEM	PART NUMBER	QTY	DESCRIPTION	REV
	1001166538	Ref	CONTROLLER ASSEMBLY - DRIVE AND STEER	G
		Ref	Note: For Replacement, Use p/n 1001212415.	
7	70004738	2	Washer	
10	70004739	1	Roller	
11	70004740	1	Boot, Switch	
14	70004741	2	Half, Handle	
17	70004742	1	Enclosure	
18	70004743	4	Nut	
19	70004744	NLA	Boot, Controller (Use p/n 70005230 Boot/Base Assembly)	
20	70004745	NLA	Tube, Locking (Use p/n 70005230 Boot/Base Assembly)	
21	70004746	NLA	Disc, Locking (Use p/n 70005230 Boot/Base Assembly)	
25	70004747	2	Seal, Rope	
26	70004748	1	Screw M3 x 6	
28	70004749	2	Screw M5 x 20	
29	70004750	1	Pin, Dowel	
30	70004751	4	Screw M3 x 16	
101	4460265	1	Connector - 9 Position	
101	4460226	7	Socket, Female	

# SECTION 5 - PLATFORM

## FIGURE 5-16. CONTROLLER ASSEMBLY (LIFT AND SWING)



ART\_1001166539

## SECTION 5 - PLATFORM

**FIGURE 5-16. CONTROLLER ASSEMBLY (LIFT AND SWING)**

ITEM	PART NUMBER	QTY	DESCRIPTION	REV
	1001166539	Ref	CONTROLLER ASSEMBLY	E
		Ref	Note: Original Equipment Controller May Have Been Replaced with Service Replacement Controller. Visually Identify Controller Before Ordering Parts.	
		Ref	Note: For Replacement, Use p/n 1001129555	
1	See Note	NSS	Main Cast Body (Note: Not Available - Purchase Complete Assembly)	
2	70004752	1	Adapter	
3	See Note	NSS	Pivot Arm, Plastic (Note: Not Available - Purchase Complete Assembly)	
4	See Note	NSS	Holder, Magnet (Note: Not Available - Purchase Complete Assembly)	
5	See Note	NSS	Arc, Magnet (Note: Not Available - Purchase Complete Assembly)	
6	See Note	NSS	Screw (Note: Not Available for Purchase)	
7	See Note	NSS	Pivot Arm, Cast (Note: Not Available - Purchase Complete Assembly)	
8	See Note	NSS	Shaft, Main (Note: Not Available - Purchase Complete Assembly)	
9	See Note	NSS	Bearing (Note: Not Available - Purchase Complete Assembly)	
10	See Note	NSS	Pin (Note: Not Available - Purchase Complete Assembly)	
11	See Note	NSS	Shim (Note: Not Available - Purchase Complete Assembly)	
12	See Note	NSS	Pin (Note: Not Available - Purchase Complete Assembly)	
13	See Note	NSS	Bearing (Note: Not Available - Purchase Complete Assembly)	
14	See Note	NSS	Dome, Centering (Note: Not Available - Purchase Complete Assembly)	
15	70004753	1	Cap	
16	70004754	1	Insert, Cap	
17	70004755	3	Pin	
18	70004756	2	Washer	
19	70004757	1	Pin, Centering	
20	70004758	1	Spring	
21	70004759	1	Ring, Retaining	
22	70004760	1	E-Ring	
23	70004761	1	Can, Enclosure	
24	70004762	1	Boot	
25	70004763	1	Bezel	
26	See Note	NSS	Screw (Note: Not Available for Purchase)	
27	See Note	NSS	Base Mounting (Note: Not Available - Purchase Complete Assembly)	
28	See Note	NSS	Screw (Note: Not Available for Purchase)	
29	70004764	4	Screw	
30	70004765	4	Screw	
31	70004766	1	O-Ring	
32	See Note	NSS	Plate (Note: Not Available - Purchase Complete Assembly)	
33	See Note	NSS	Harness (Note: Not Available - Purchase Complete Assembly)	
34	70004767	1	Grommet, Rubber	
35	70004768	1	Housing	
36	70004769	1	Spring	
37	70004770	1	Stopper	
38	70004771	1	Spacer	
39	70004772	1	Washer	
40	70004773	1	Disc	

## SECTION 5 - PLATFORM

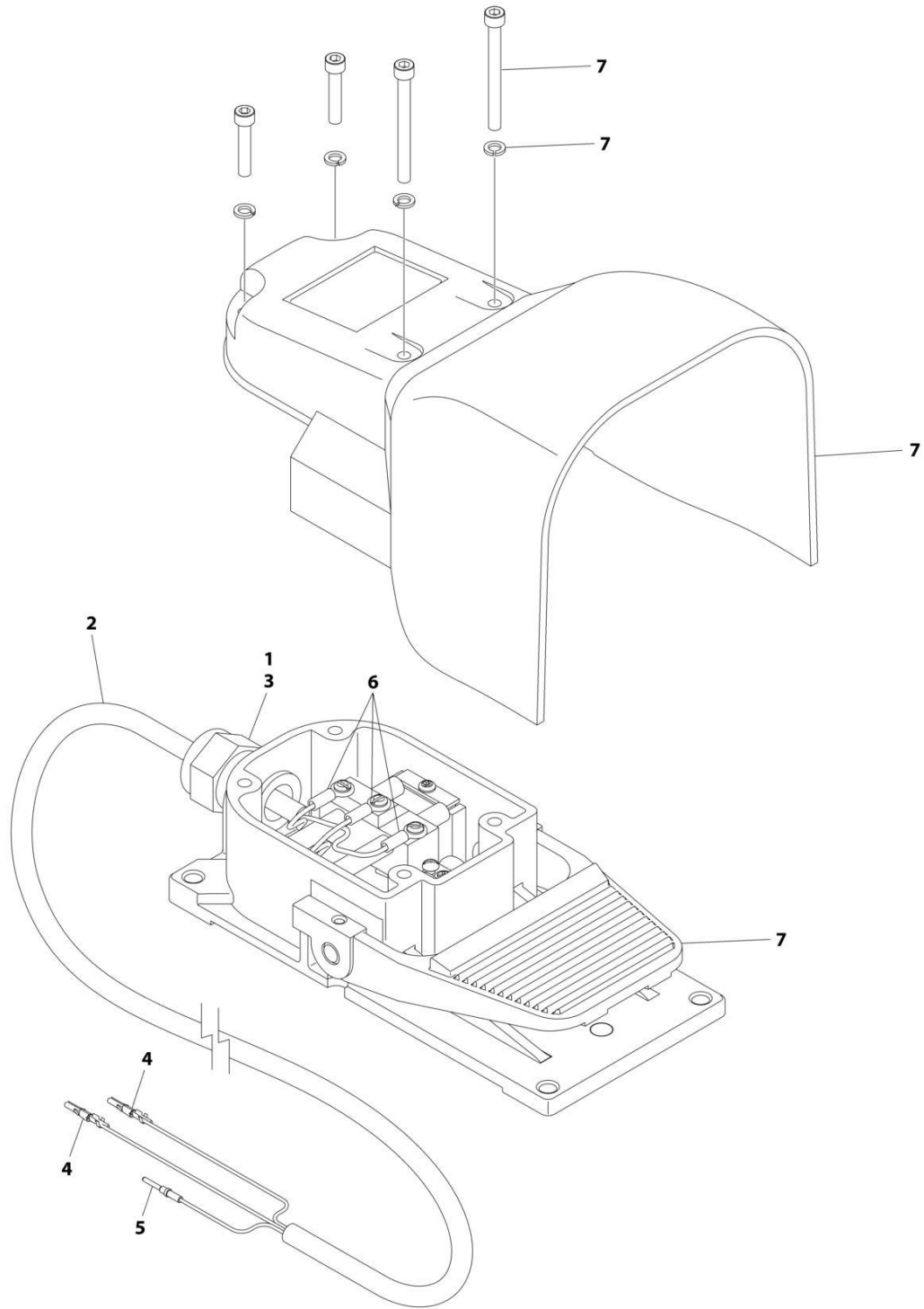
ITEM	PART NUMBER	QTY	DESCRIPTION	REV
41	70004774	2	Ring, Retaining	
42	70004775	1	Spring	
101	4460265	1	Connector - 9 Position	
101	4460226	6	Socket, Female	





# SECTION 5 - PLATFORM

## FIGURE 5-17. FOOTSWITCH ASSEMBLY



ART\_100117174

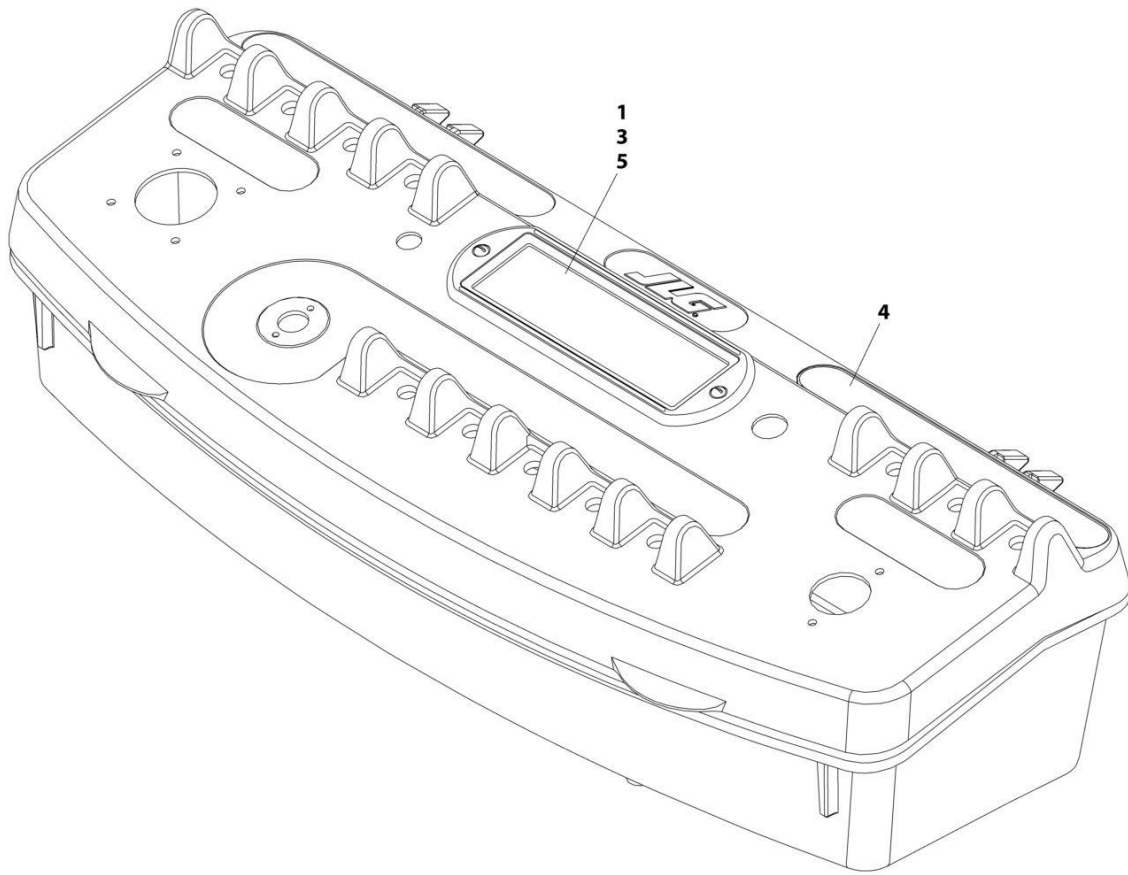
## SECTION 5 - PLATFORM

### FIGURE 5-17. FOOTSWITCH ASSEMBLY

ITEM	PART NUMBER	QTY	DESCRIPTION	REV
	1001117174	Ref	FOOTSWITCH ASSEMBLY	C
1	0100020	AR	Sealant	
2	1060918	7.5 ft/ 2.3m	Cable, Electrical - 18/3	
3	4460071	1	Connector, Strain Relief	
4	4460226	2	Socket, Female	
5	4460464	1	Pin, Male	
6	1001098122	3	Terminal	
7	1001117172	1	Footswitch	
7	70002902	1	Switch, 20Amp	
7	70002903	1	Gasket	
7	70002905	1	Cover	
7	70002904	1	Kit, Replacement Bolt	

# SECTION 5 - PLATFORM

## FIGURE 5-18. LIGHT PANEL INSTALLATION



ART\_1001242680\_B\_2OF2

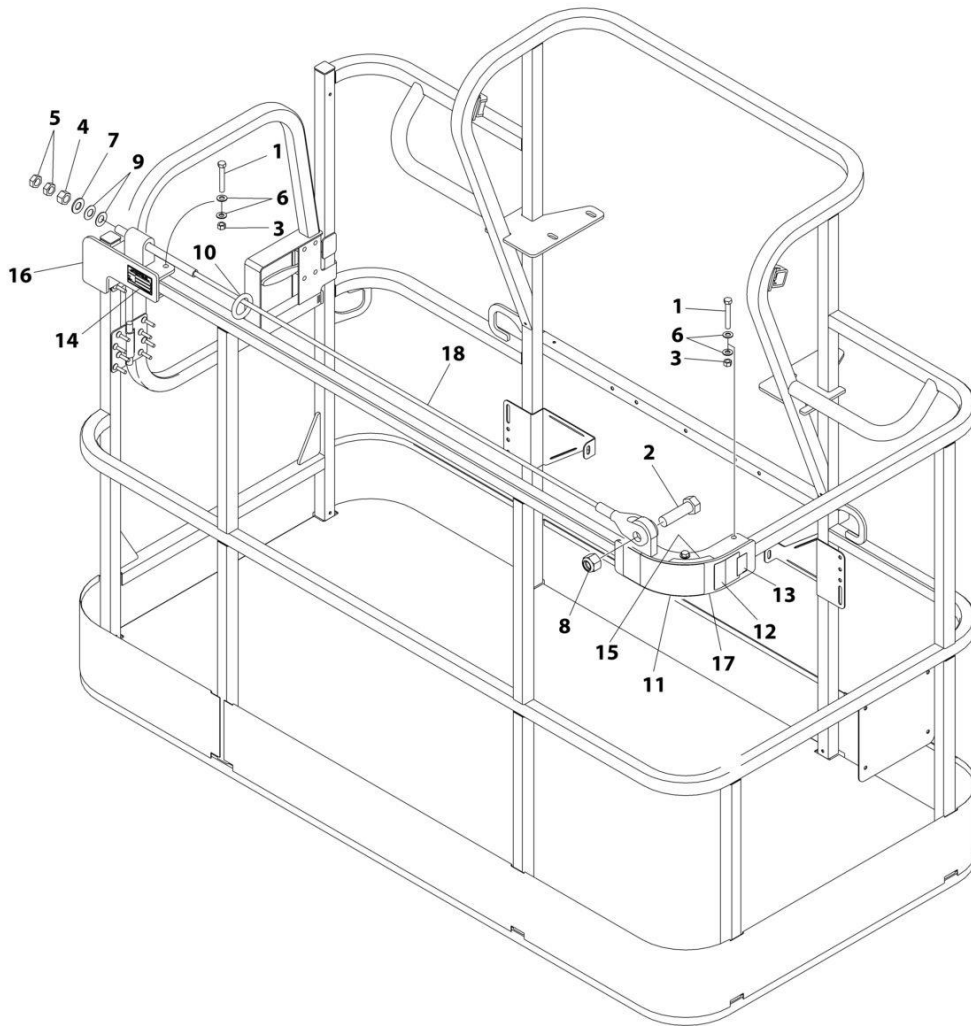
## SECTION 5 - PLATFORM

### FIGURE 5-18. LIGHT PANEL INSTALLATION

ITEM	PART NUMBER	QTY	DESCRIPTION	REV
	1001242680	Ref	LIGHT PANEL INSTALLATION	B
1	0100035	AR	Compound, Locking	
3	3911010	2	Screw #10 x 5/8	
4	1001184618	1	Decal - Stop and Auxiliary Power	
5	1001284583	1	Light Panel Electrical Assembly	

# SECTION 5 - PLATFORM

FIGURE 5-19. FALL ARREST (BOLT-ON) INSTALLATION - 5FTX3FT PLATFORM (ALL SPECS EXCEPT CE & UK CA SPECS) (OPTIONAL)



ART\_1001257275

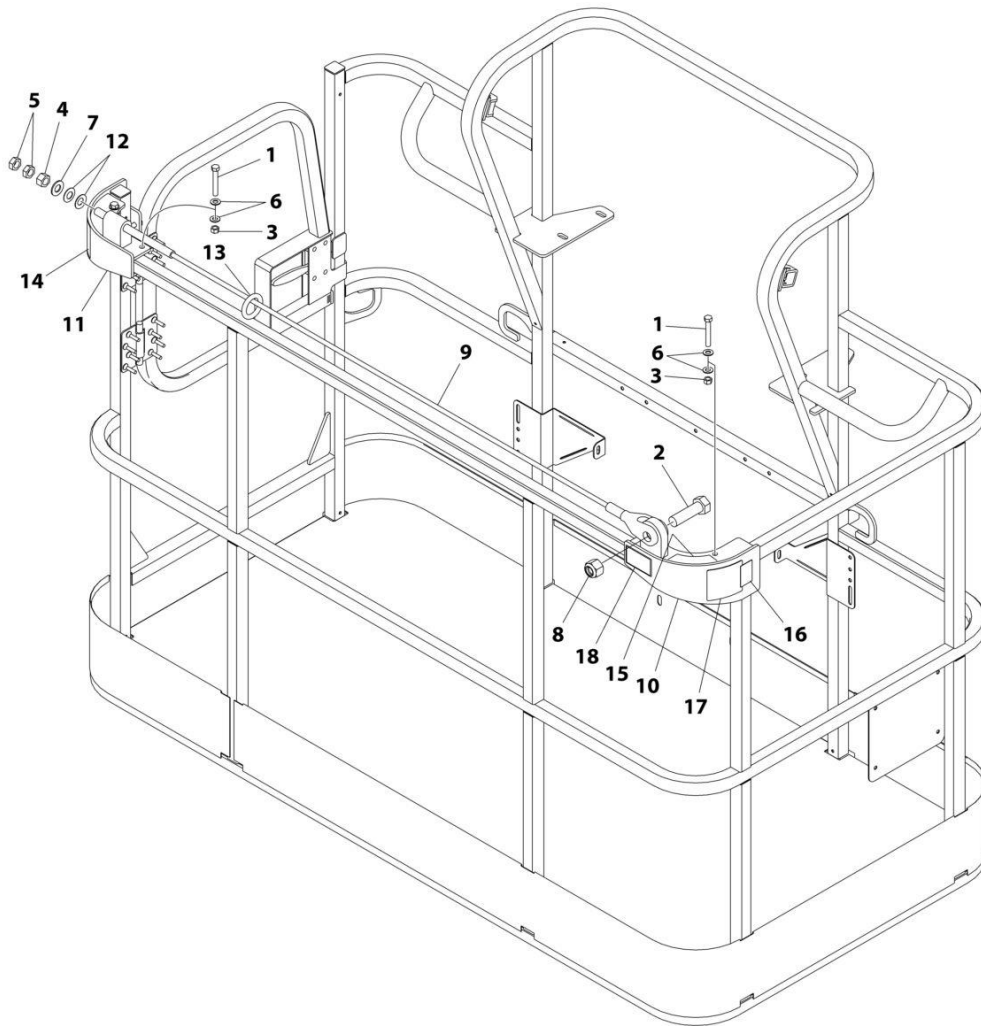
## SECTION 5 - PLATFORM

**FIGURE 5-19. FALL ARREST (BOLT-ON) INSTALLATION - 5FTX3FT PLATFORM (ALL SPECS EXCEPT CE & UK CA SPECS) (OPTIONAL)**

ITEM	PART NUMBER	QTY	DESCRIPTION	REV
	1001257275	Ref	FALL ARREST INSTALLATION (BOLT - ON) 6FT/1.82M PLATFORM	A
1	0681620	6	Bolt 3/8 x 2-1/2	
2	0682424	1	Bolt 7/8 x 3	
3	3271605	6	Nut 3/8	
4	3272001	1	Nut 5/8	
5	3312002	2	Nut 5/8	
6	4711600	12	Washer 3/8	
7	4712000	1	Washer 5/8	
8	88521214	1	Nut 7/8	
9	1001236891	2	Washer	
10	1001236895	1	Ring	
11	1001238263	1	Decal - Warning Falling Hazard	
12	1001248140	1	Decal - Bolt Fall Arrest Re-Cert	
13	1001248141	1	Decal - Incription	
14	See Note	NSS	Nameplate - Manufacturers Serial Number (Note: Not Available for Purchase)	
15	1001252629	1	Decal - Weight	
16	1001257271	1	Bracket (RH)	
17	1001257274	1	Bracket (LH)	
18	1001258005	1	Rope	

# SECTION 5 - PLATFORM

FIGURE 5-20. FALL ARREST (BOLT-ON) INSTALLATION - 6FTX3FT PLATFORM (ALL SPECS EXCEPT CE & UK CA SPECS) (OPTIONAL)



ART\_1001236747



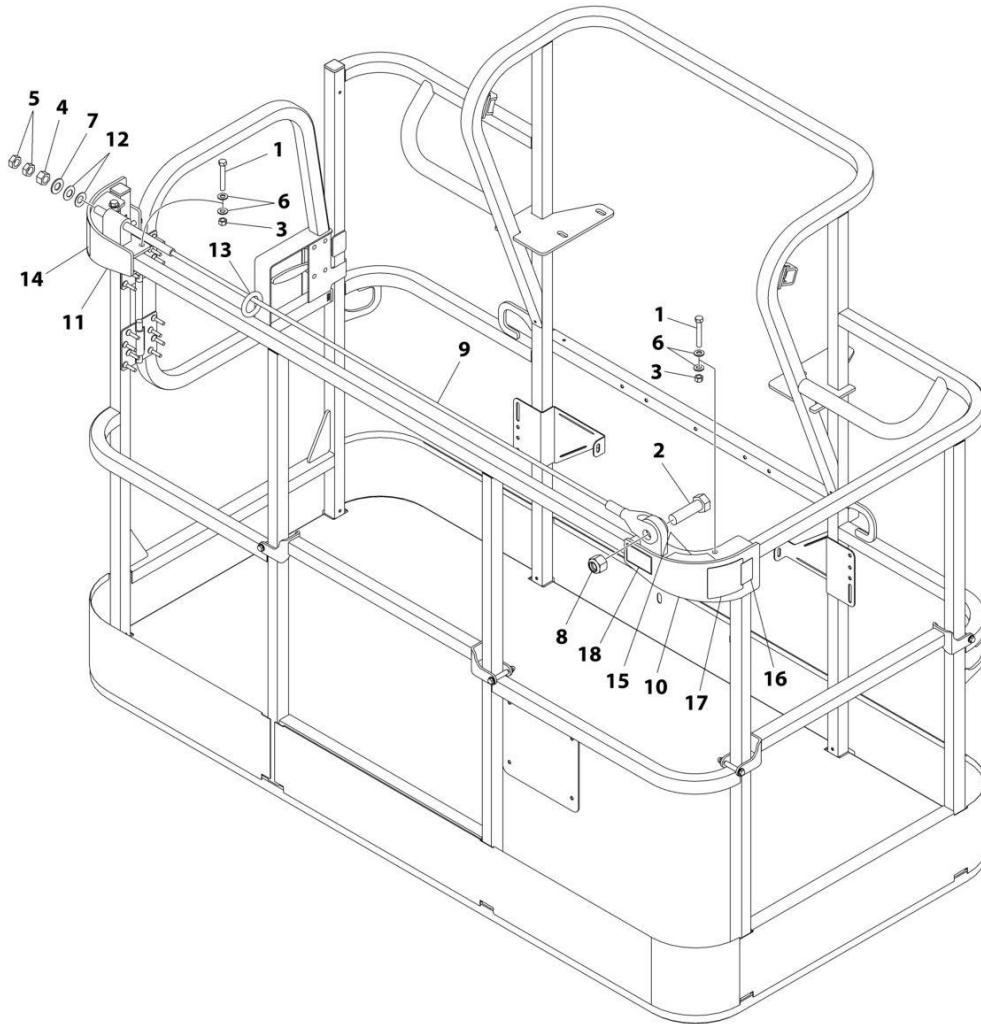
## SECTION 5 - PLATFORM

**FIGURE 5-20. FALL ARREST (BOLT-ON) INSTALLATION - 6FTX3FT PLATFORM (ALL SPECS EXCEPT CE & UK CA SPECS) (OPTIONAL)**

ITEM	PART NUMBER	QTY	DESCRIPTION	REV
	1001236747	Ref	FALL ARREST INSTALLATION (BOLT - ON) 6FT/1.82M PLATFORM	C
1	0681620	6	Bolt 3/8 x 2-1/2	
2	0682424	1	Bolt 7/8 x 3	
3	3271605	6	Nut 3/8	
4	3272001	1	Nut 5/8	
5	3312002	2	Nut 5/8	
6	4711600	12	Washer 3/8	
7	4712000	1	Washer 5/8	
8	88521214	1	Nut 7/8	
9	1001231950	1	Rope	
10	1001232010	1	Bracket (RH)	
11	1001232011	1	Bracket (LH)	
12	1001236891	2	Washer	
13	1001236895	1	Ring	
14	1001238263	1	Decal - Warning Falling Hazard	
15	1001252629	1	Decal - Weight	
16	1001248140	1	Decal - Bolt Fall Arrest Re-Cert	
17	1001248141	1	Decal - Inscription	

# SECTION 5 - PLATFORM

FIGURE 5-21. FALL ARREST (BOLT-ON) INSTALLATION - 6FTX3FT TRI-ENTRY PLATFORM (ALL SPECS EXCEPT CE & UK CA SPECS) (OPTIONAL)



ART\_1001238463

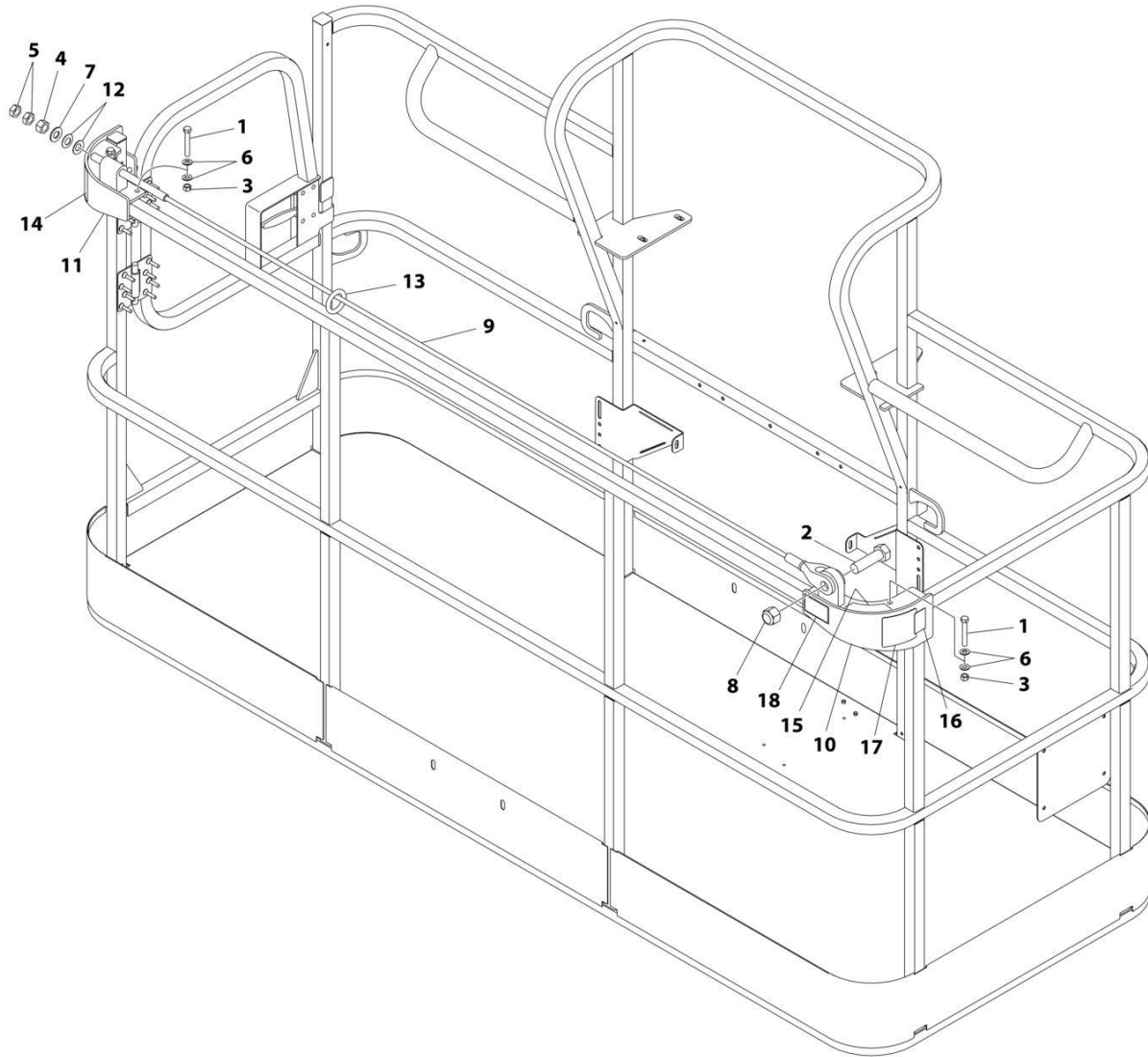
## SECTION 5 - PLATFORM

**FIGURE 5-21. FALL ARREST (BOLT-ON) INSTALLATION - 6FTX3FT TRI-ENTRY PLATFORM (ALL SPECS EXCEPT CE & UK CA SPECS) (OPTIONAL)**

ITEM	PART NUMBER	QTY	DESCRIPTION	REV
	1001238463	Ref	FALL ARREST INSTALLATION (BOLT - ON) 6FT/1.82M PLATFORM	C
1	0681620	6	Bolt 3/8 x 2-1/2	
2	0682424	1	Bolt 7/8 x 3	
3	3271605	6	Nut 3/8	
4	3272001	1	Nut 5/8	
5	3312002	2	Nut 5/8	
6	4711600	12	Washer 3/8	
7	4712000	1	Washer 5/8	
8	88521214	1	Nut 7/8	
9	1001231950	1	Rope	
10	1001232010	1	Bracket (RH)	
11	1001232011	1	Bracket (LH)	
12	1001236891	2	Washer	
13	1001236895	1	Ring	
14	1001238263	1	Decal - Warning Falling Hazard	
15	1001252629	1	Decal - Weight	
16	1001248140	1	Decal - Bolt Fall Arrest Re-Cert	
17	1001248141	1	Decal - Inscription	

# SECTION 5 - PLATFORM

FIGURE 5-22. FALL ARREST (BOLT-ON) INSTALLATION - 8FTX3FT PLATFORM (ALL SPECS EXCEPT CE & UK CA SPECS) (OPTIONAL)



ART\_1001236746

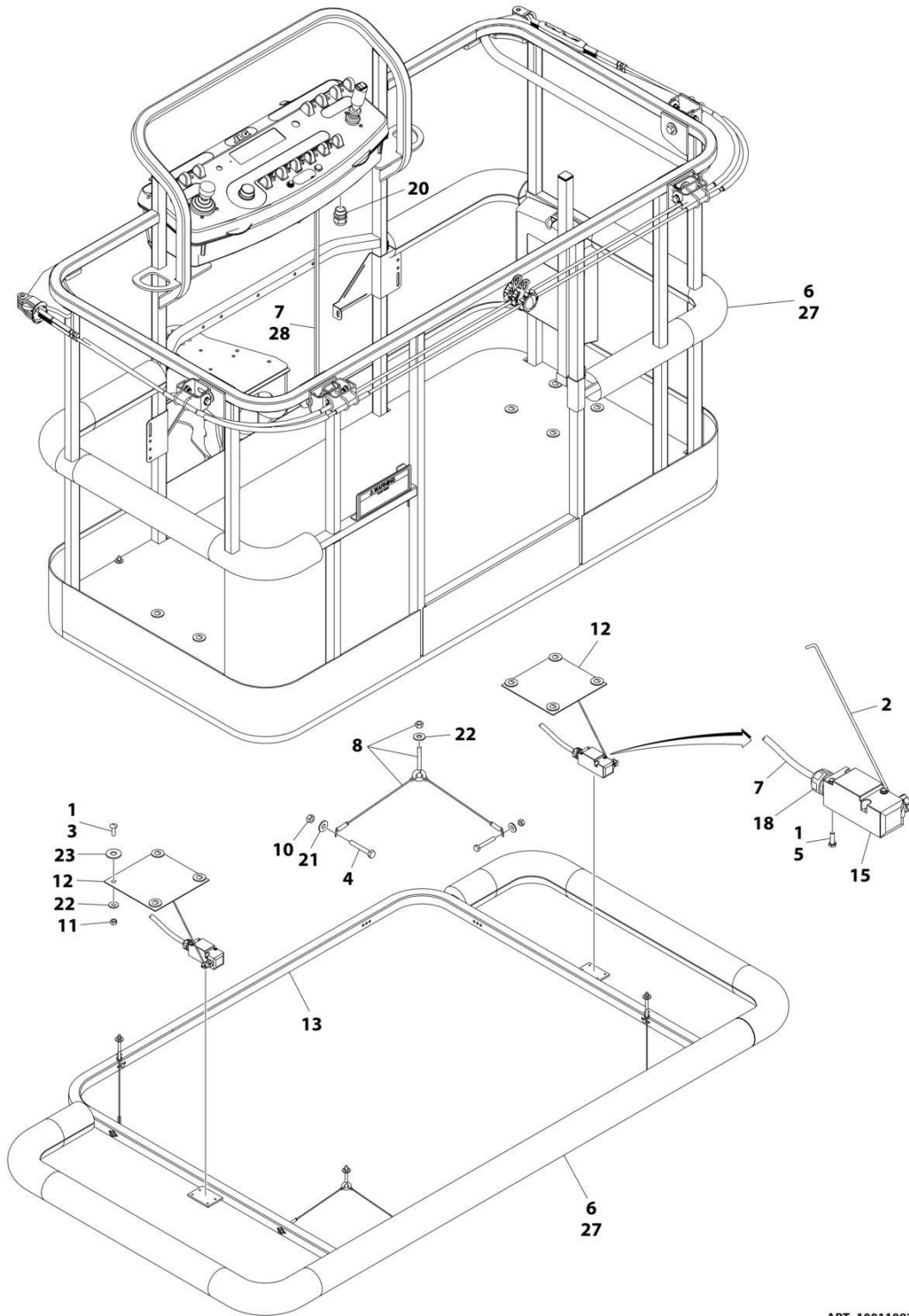
## SECTION 5 - PLATFORM

**FIGURE 5-22. FALL ARREST (BOLT-ON) INSTALLATION - 8FTX3FT PLATFORM (ALL SPECS EXCEPT CE & UK CA SPECS) (OPTIONAL)**

ITEM	PART NUMBER	QTY	DESCRIPTION	REV
	1001236746	Ref	FALL ARREST INSTALLATION (BOLT - ON) 8FT/2.4M PLATFORM	C
1	0681620	6	Bolt 3/8 x 2-1/2	
2	0682424	1	Bolt 7/8 x 3	
3	3271605	6	Nut 3/8	
4	3272001	1	Nut 5/8	
5	3312002	2	Nut 5/8	
6	4711600	12	Washer 3/8	
7	4712000	1	Washer 5/8	
8	88521214	1	Nut 7/8	
9	1001231949	1	Rope	
10	1001232010	1	Bracket (RH)	
11	1001232011	1	Bracket (LH)	
12	1001236891	2	Washer	
13	1001236895	1	Ring	
14	1001238263	1	Decal - Warning Falling Hazard	
15	1001252629	1	Decal - Weight 23LBS/10.4KG	
16	1001248140	1	Decal - Bolt Fall Arrest Re-Cert	
17	1001248141	1	Decal - Inscription	

# SECTION 5 - PLATFORM

FIGURE 5-23. SOFT TOUCH INSTALLATION - 6FT (1.83M) FALL ARREST PLATFORM (OPTIONAL)



ART\_1001108256\_D

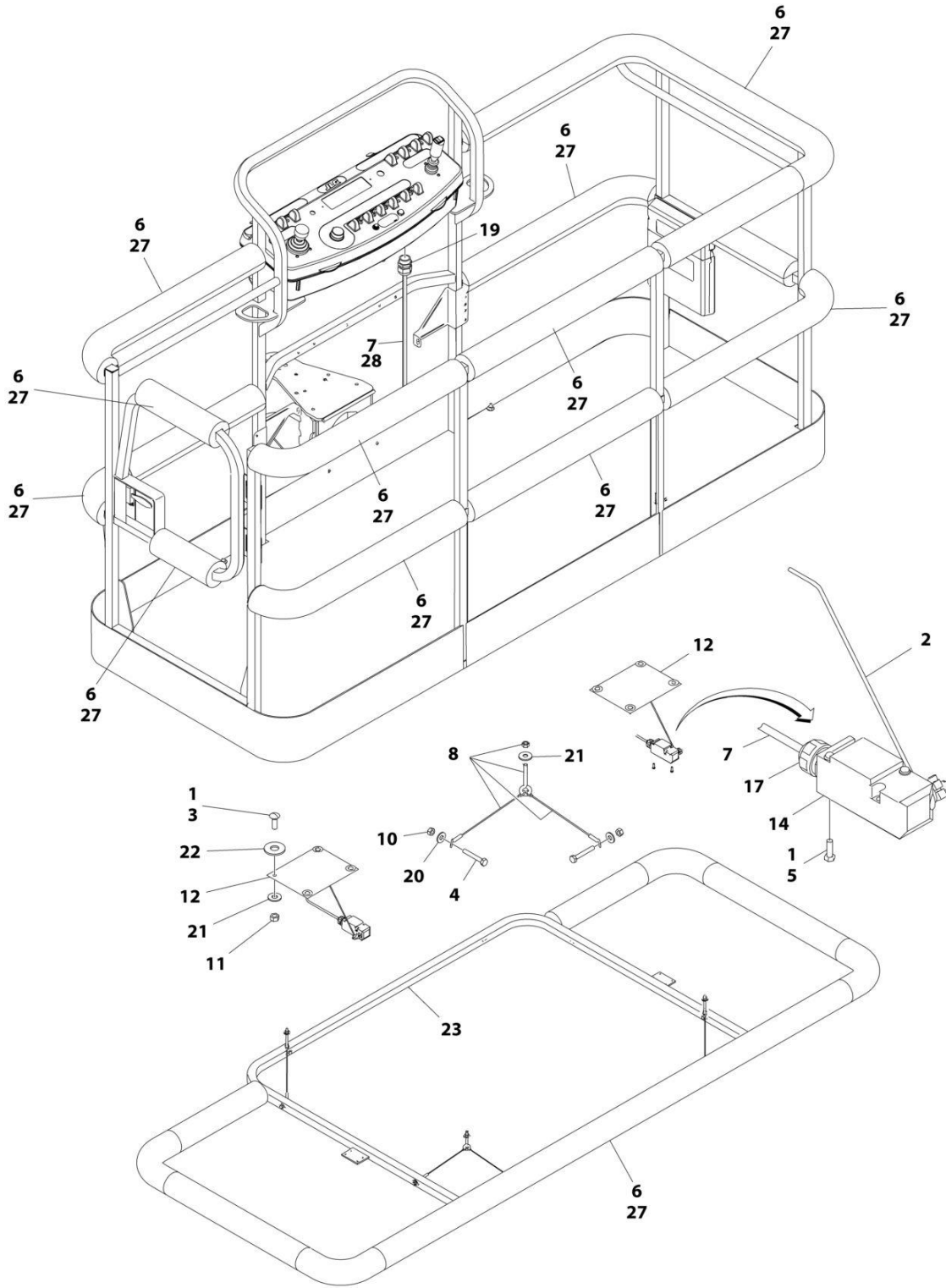
## SECTION 5 - PLATFORM

**FIGURE 5-23. SOFT TOUCH INSTALLATION - 6FT (1.83M) FALL ARREST PLATFORM (OPTIONAL)**

ITEM	PART NUMBER	QTY	DESCRIPTION	REV
	1001108256	Ref	SOFT TOUCH INSTALLATION	D
1	0100011	AR	Compound, Locking	
2	0200048	2	Arm, Switch	
3	0630462	8	Bolt	
4	0641414	8	Bolt 1/4 x 1-3/4	
5	0731005	4	Bolt #10 x 5/8	
6	0940177	1	Bumper Kit (Includes Corners and Enough Straight Material for One Platform)	
6	0940092	8	Bumper (Corner)	
6	0940094	AR	Bumper (12ft Length)	
7	1060341	23 ft/7m	Cable, Soft Touch - 16/2	
8	1060903	4	Wire Rope and Eyebolt Assembly	
10	3311401	8	Nut 1/4	
11	3311501	8	Nut 5/16	
12	3575359	2	Plate, Switch Strike	
13	3641569	1	Rail, Soft Touch	
14	4240099	7	Tie-Strap (Not Shown)	
15	4360057	2	Switch, Limit	
18	4460049	2	Connector, Strain Relief	
19	4460234	7	Tie-Strap (Not Shown)	
20	4460425	1	Connector, Strain Relief	
21	4751400	8	Washer 1/4	
22	4751500	9	Washer 5/16	
23	4751800	8	Washer 1/2	
27	1001197017	AR	Strap, Cable Tie (Yellow)	
28	4460226	4	Socket	

# SECTION 5 - PLATFORM

## FIGURE 5-24. SOFT TOUCH INSTALLATION - 8FT (2.4M) PLATFORM (OPTIONAL)



ART\_0272427\_H



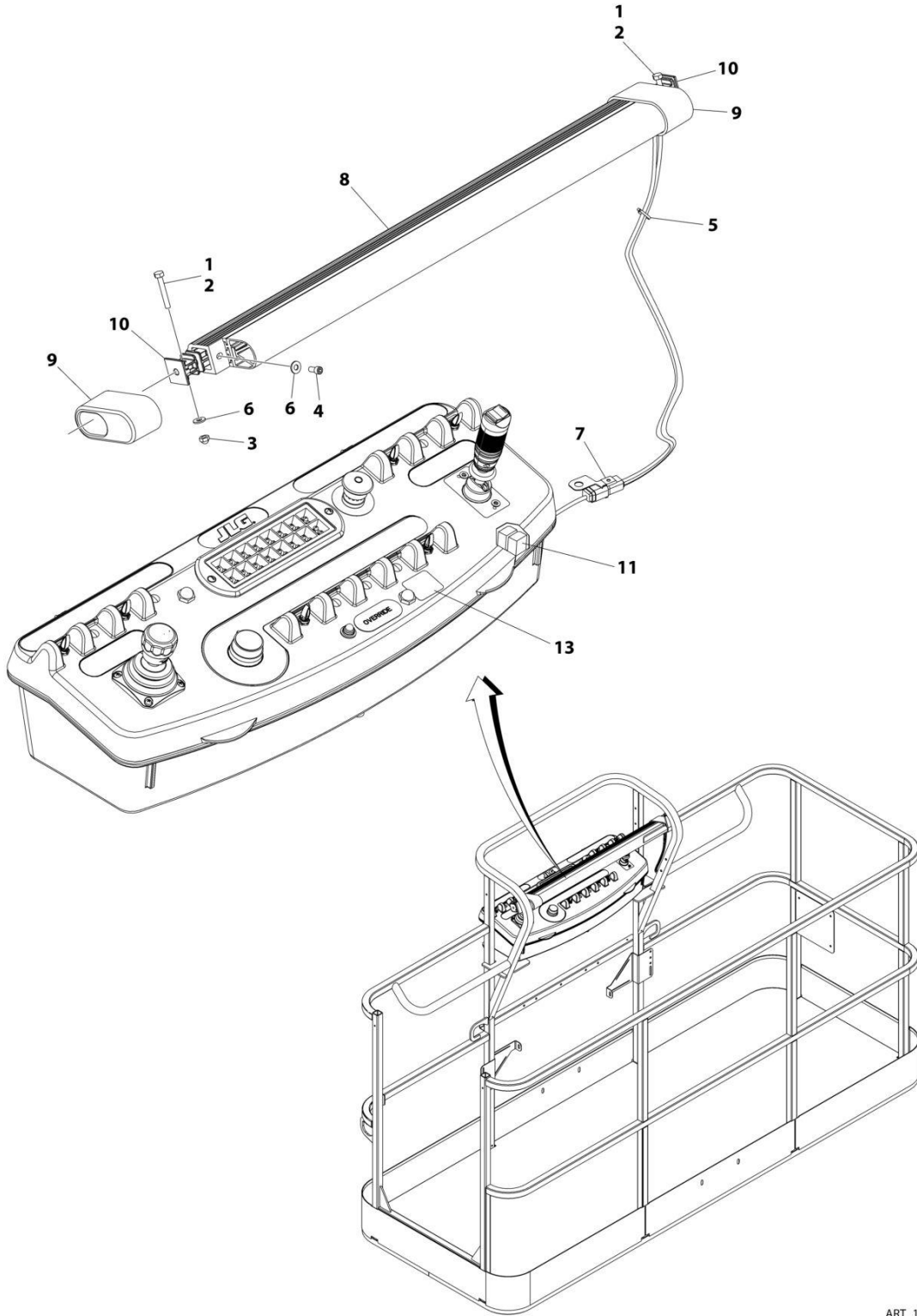
## SECTION 5 - PLATFORM

**FIGURE 5-24. SOFT TOUCH INSTALLATION - 8FT (2.4M) PLATFORM (OPTIONAL)**

ITEM	PART NUMBER	QTY	DESCRIPTION	REV
	0272427	Ref	SOFT TOUCH INSTALLATION - 36IN X 8FT (91.5CM X 2.44M) PLATFORM	H
1	0100011	AR	Compound, Locking	
2	0200048	2	Arm, Switch	
3	0630462	8	Bolt	
4	0641414	8	Bolt 1/4 x 1-3/4	
5	0721005	4	Bolt #10 x 5/8	
6	0940103	1	Bumper Kit (Includes Corners and Enough Straight Material for One Platform)	
6	0940092	12	Bumper (Corner)	
6	0940094	AR	Bumper (12ft Length)	
7	1060341	23 ft/7m	Cable, Soft Touch - 16/2	
8	1060903	4	Wire Rope and Eyebolt Assembly	
10	3311401	8	Nut 1/4	
11	3311501	8	Nut 5/16	
12	3574091	2	Plate, Switch Strike	
13	4240099	7	Tie-Strap (Not Shown)	
14	4360057	2	Switch, Limit	
17	4460049	2	Connector, Strain Relief	
18	4460234	7	Tie-Strap (Not Shown)	
19	4460425	1	Connector, Strain Relief	
20	4751400	8	Washer 1/4	
21	4751500	12	Washer 5/16	
22	4751800	8	Washer 1/2	
23	4846673	1	Rail, Soft Touch	
27	1001197017	AR	Tie-Strap	
28	4460226	1	Socket	

# SECTION 5 - PLATFORM

## FIGURE 5-25. SKYGUARD BAR INSTALLATION



ART\_1001238495

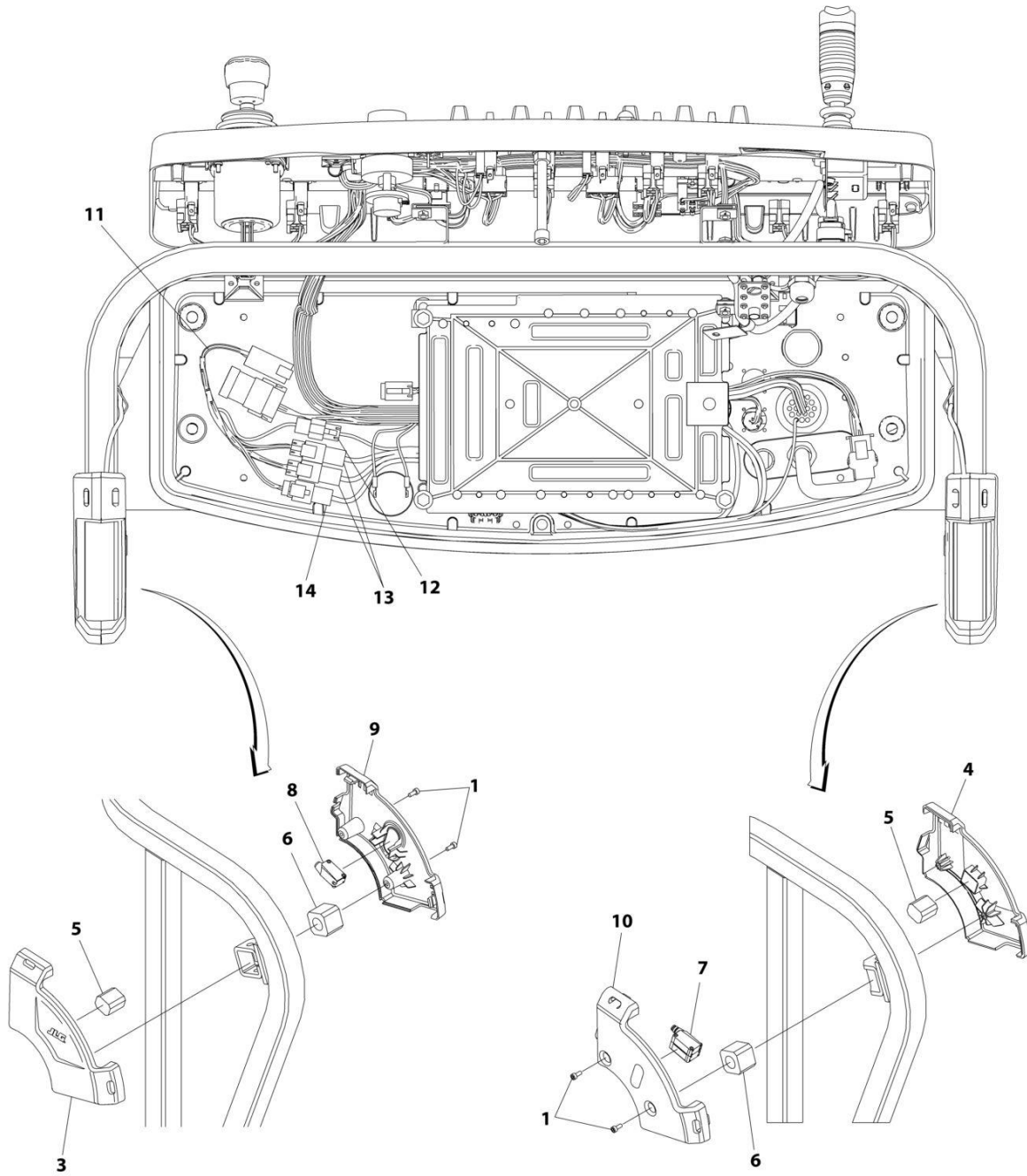
## SECTION 5 - PLATFORM

**FIGURE 5-25. SKYGUARD BAR INSTALLATION**

ITEM	PART NUMBER	QTY	DESCRIPTION	REV
	1001238495	Ref	SKYGUARD BAR INSTALLATION	A
1	0100011	AR	Compound, Locking	
2	0641414	2	Bolt 1/4 x 1-3/4	
3	3300430	2	Nut 1/4	
4	3931408	2	Capscrew 1/4 x 1/2	
5	4240033	8	Tie-Strap	
6	4711400	6	Washer 1/4	
7	1001120328	1	Mount	
8	1001137673	1	SkyGuard Switch Assembly	
9	1001186517	2	Cover, Platform Sensor	
10	1001209664	2	Support, Block	
11	1001186431	2	Relay	
12	1001225580	1	Interface Harness Assembly (Not Shown - Located Inside Console Box) (See Separate Breakdown in ELECTRICAL Section)	
13	1001144433	1	Decal - No Weight SkyGuard	

# SECTION 5 - PLATFORM

## FIGURE 5-26. SKYEYE INSTALLATION



ART\_1001229341

## SECTION 5 - PLATFORM

### FIGURE 5-26. SKYEYE INSTALLATION

ITEM	PART NUMBER	QTY	DESCRIPTION	REV
	1001229341	Ref	SKYEYE INSTALLATION	B
1	4031505	4	Bolt M4 x 10	
2	4240033	AR	Tie-Strap (Not Shown)	
3	1001227633	1	Housing, LH Outer	
4	1001227634	1	Housing, RH Outer	
5	1001227985	2	Shim	
6	1001227987	2	Shim	
7	1001228224	2	Sensor, Receiver	
8	1001228225	1	Sensor, Emitter	
9	1001232164	1	Housing, LH Inner	
10	1001232165	1	Housing, RH Inner	
11	1001237865	1	Harness, Skyeeye Intermediate (See Separate Breakdown in ELECTRICAL Section)	
12	1001238319	NLA	Harness, Skyeeye Drain Jumper	
12	1001187674	1	Plug, Male - 2 Position	
12	4460942	1	Terminal	
12	4460466	1	Plug, Terminal	
12	4460508	1	Pin, Male	
13	1001237863	2	Harness, Skyeeye Receiver (See Separate Breakdown in ELECTRICAL Section)	
14	1001237864	1	Harness, Skyeeye Emitter (See Separate Breakdown in ELECTRICAL Section)	



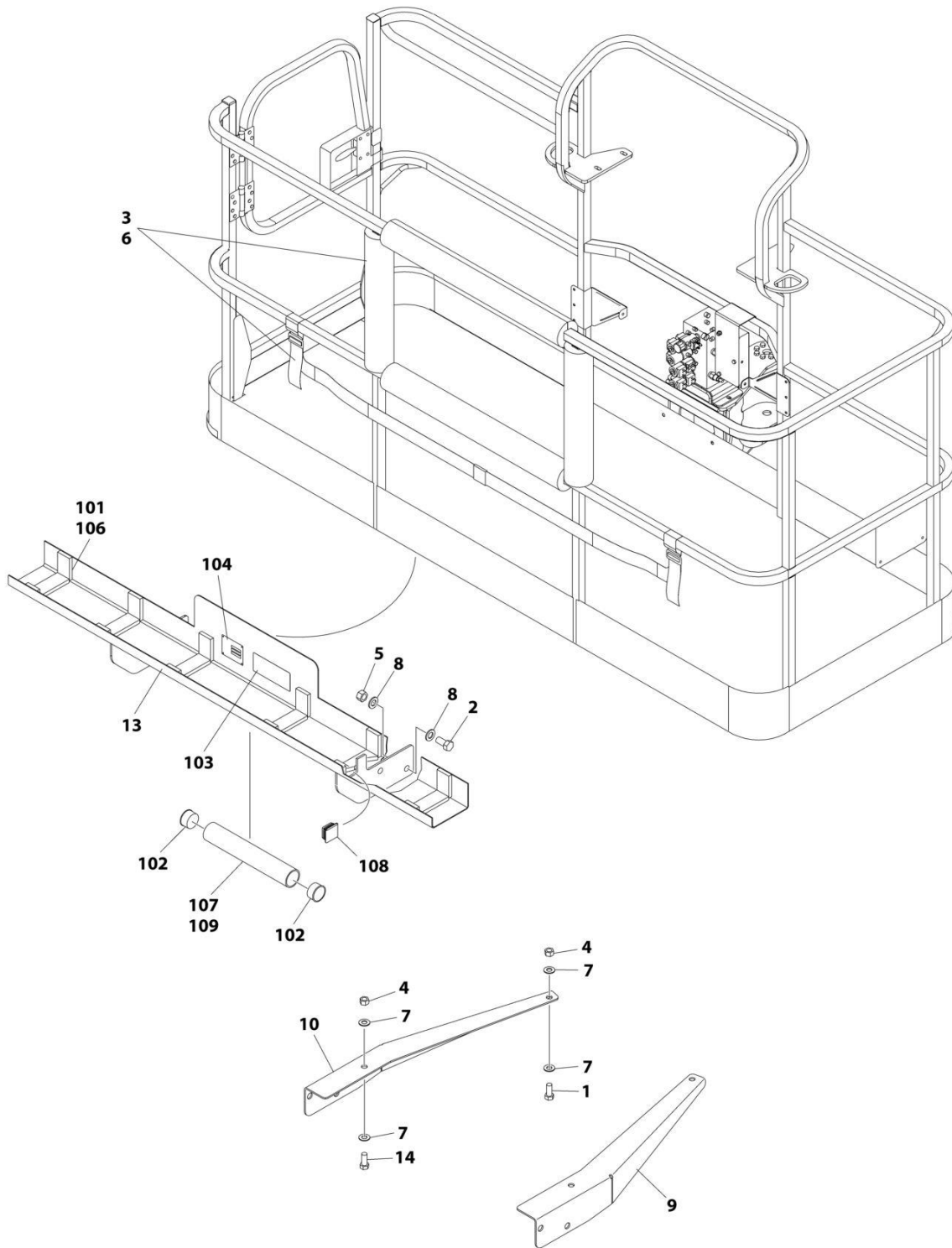
## SECTION 5 - PLATFORM

**FIGURE 5-27. SKYLINE INSTALLATION**

ITEM	PART NUMBER	QTY	DESCRIPTION	REV
	1001238559	Ref	SKYLINE INSTALLATION	D
1	0641404	2	Bolt 1/4 x 1/2	
2	0641405	2	Bolt 1/4 x 5/8	
3	3311405	2	Nut 1/4	
4	3311601	2	Nut 3/8	
5	4031516	2	Capscrew M4 x 60	
6	4240033	AR	Tie-Strap (Not Shown)	
7	4711400	4	Washer 1/4	
8	1001120328	1	Mount	
9	1001232642	1	Bracket	
11	1001232667	1	Sensor, Proximity	
14	1001236552	1	Block	
15	1001238418	1	Harness, Skyline (See Separate Breakdown in ELECTRICAL Section)	
16	1001238472	1	Mount	
17	1001254473	1	Housing, LH	
18	1001241965	1	Housing, RH	
19	1001254472	1	Rod	
20	0100011	AR	Compound, Locking	

# SECTION 5 - PLATFORM

## FIGURE 5-28. SKYGLAZIER INSTALLATION



ART\_1001172578\_C



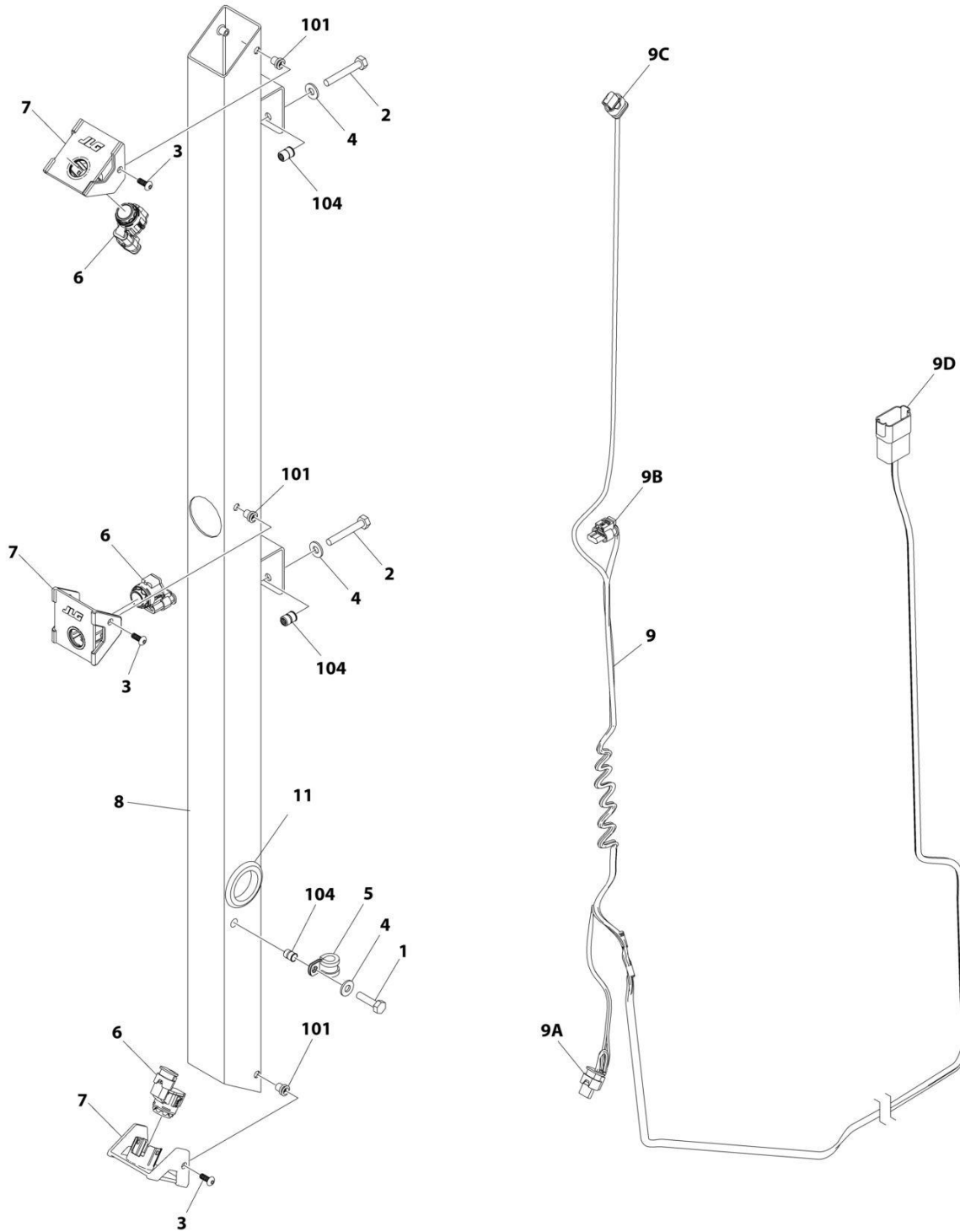
## SECTION 5 - PLATFORM

**FIGURE 5-28. SKYGLAZIER INSTALLATION**

ITEM	PART NUMBER	QTY	DESCRIPTION	REV
	1001172578	Ref	SKYGLAZIER INSTALLATION	C
1	0642012	2	Bolt 5/8 x 1-1/2	
2	0642212	4	Bolt 3/4 x 1-1/2	
3	2902212	1	Bumpers and Strap Kit	
3	0940102	1	Bumper Only	
3	4240149	1	Strap Only	
4	3312005	1	Nut 5/8	
5	3312205	4	Nut 3/4	
6	4420014	AR	Tape	
7	4712000	6	Washer 5/8	
8	4712200	8	Washer 3/4	
9	1001099366	1	Support	
10	1001099367	1	Support	
13	1001172577	1	Tray Assembly (See Items 101-109 for Breakdown)	
14	8310129	2	Bolt 3/4 x 2-1/2	
	1001172577	Ref	TRAY ASSEMBLY	C
101	0100081	AR	Adhesive	
102	1120555	2	Cap, Tube	
103	1701509	1	Decal - Manual	
104	See Note	NSS	Nameplate - Serial Number (Note: Not Available for Purchase)	
106	3340956	1	Pad Kit	
107	3460334	1	Tube	
108	3520071	2	Plug	
109	4420066	AR	Tape, Double Sided	

# SECTION 5 - PLATFORM

## FIGURE 5-29. SKYSENSE MID TUBE SENSOR ASSEMBLY



ART\_1001243205

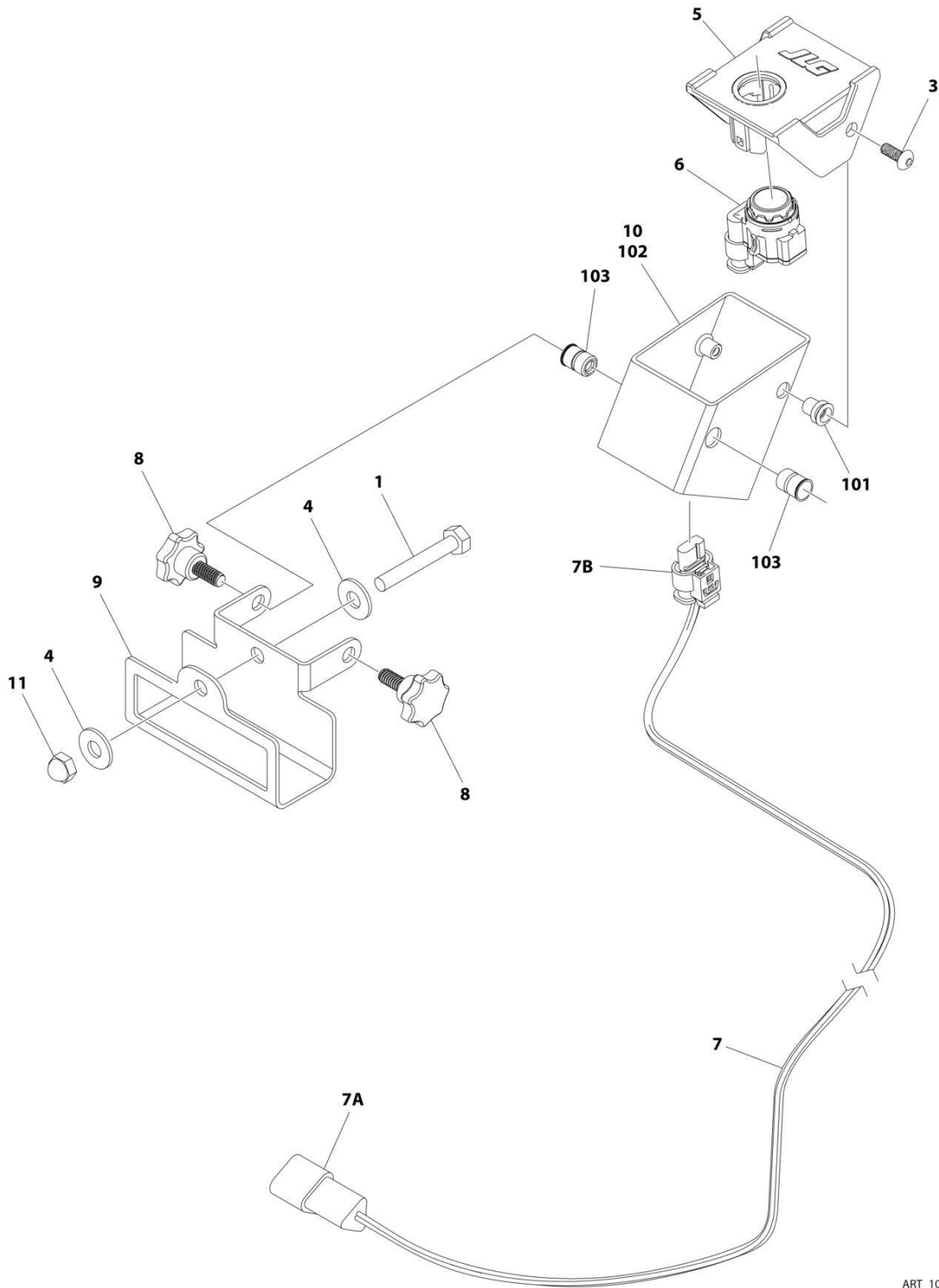
## SECTION 5 - PLATFORM

**FIGURE 5-29. SKYSENSE MID TUBE SENSOR ASSEMBLY**

ITEM	PART NUMBER	QTY	DESCRIPTION	REV
	1001243205	Ref	SKYSENSE MID TUBE SENSOR ASSEMBLY	C
1	0641408	1	Bolt 1/4 x 1	
2	0641414	2	Bolt 1/4 x 1-3/4	
3	1001260525	6	Screw #10 x 1/2	
4	4711400	3	Washer 1/4	
5	1001260524	1	Clamp	
6	1001237902	3	Sensor, SkySense	
7	1001241162	3	Mount, Sensor	
8	1001243092	1	Tube Assembly (Includes items 101 through 104)	C
9	1001244336	1	Harness, SkySense Mid Tube	D
9A	1001237898	1	Connector	
9A	1001237888	3	Terminal	
9B	1001237898	1	Connector	
9B	1001237888	3	Terminal	
9C	1001237898	1	Connector	
9C	1001237888	3	Terminal	
9D	4460931	1	Connector	
9D	4460943	7	Pin	
9D	4460466	1	Plug	
10	1001246389	1	Decal (Not Shown)	
11	1001247252	1	Grommet	
101	2080069	6	Fastener	
104	1001258730	3	Rivnut	

# SECTION 5 - PLATFORM

## FIGURE 5-30. SKYSENSE OVERHEAD SENSOR ASSEMBLY



ART\_1001244733

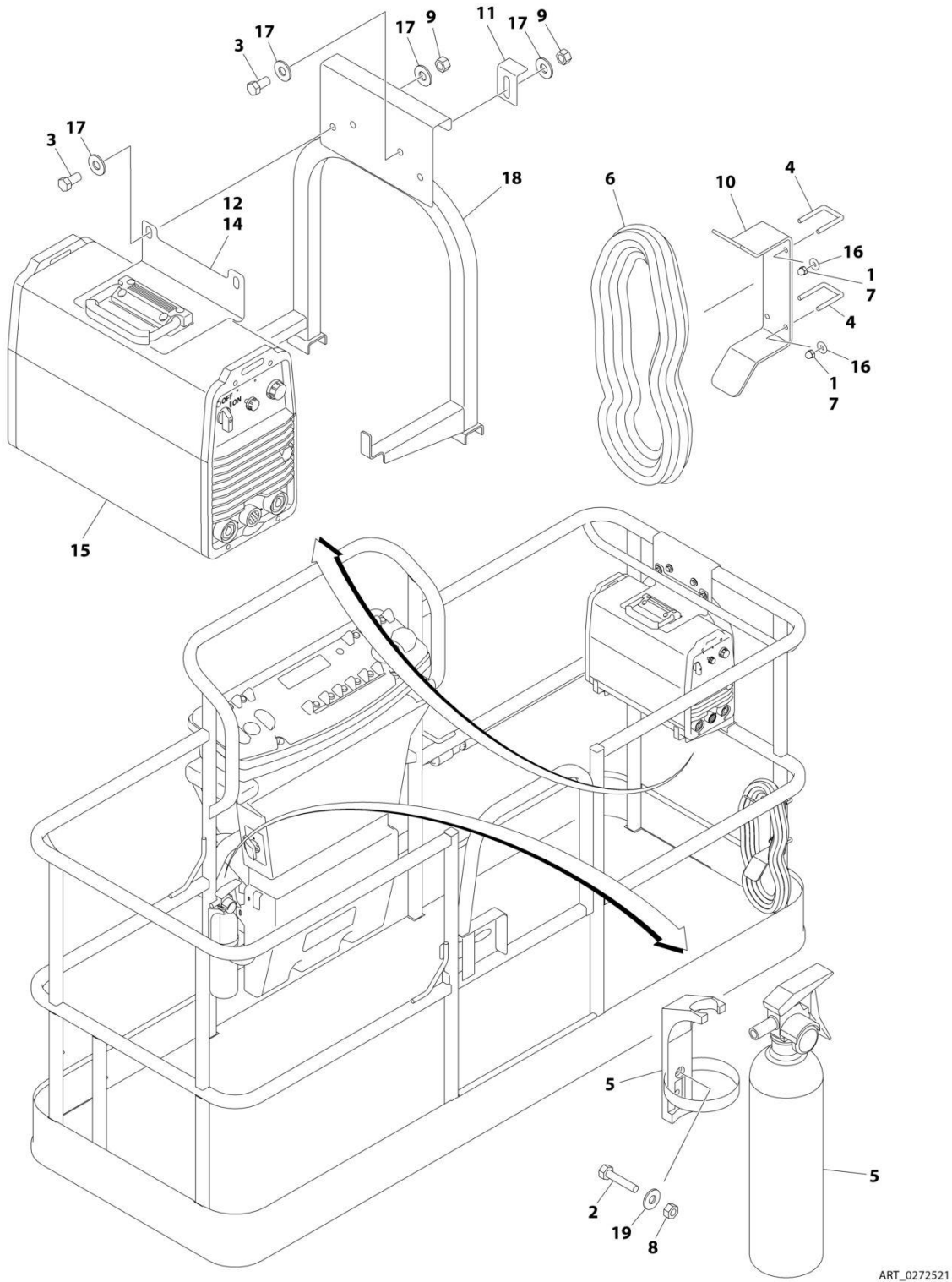
## SECTION 5 - PLATFORM

**FIGURE 5-30. SKYSENSE OVERHEAD SENSOR ASSEMBLY**

ITEM	PART NUMBER	QTY	DESCRIPTION	REV
	1001244733	Ref	SKYSENSE OVERHEAD SENSOR ASSEMBLY	D
1	0641414	1	Bolt 1/4 x 1-3/4	
3	1001260525	2	Screw #10 x 1/2	
4	4751400	2	Washer 1/4	
5	1001237891	1	Mount, Sensor	
6	1001237902	1	Sensor, SkySense	
7	1001244335	1	Harness, SkySense Overhead	D
7A	4460536	1	Connector	
7A	4460943	3	Pin	
7B	1001237898	1	Connector	
7B	1001237888	1	Terminal	
8	1001244671	2	Knob	
9	1001244709	1	Bracket, Mounting	
10	1001244732	1	Housing Assembly (Includes items 101 through 103)	B
11	3300430	1	Nut	
101	2080069	2	Fastener	
102	1001244710	1	Housing, Sensor	
103	1001258730	2	Rivnut	

# SECTION 5 - PLATFORM

## FIGURE 5-31. SKYWELDER INSTALLATION (50HZ)



ART\_0272521

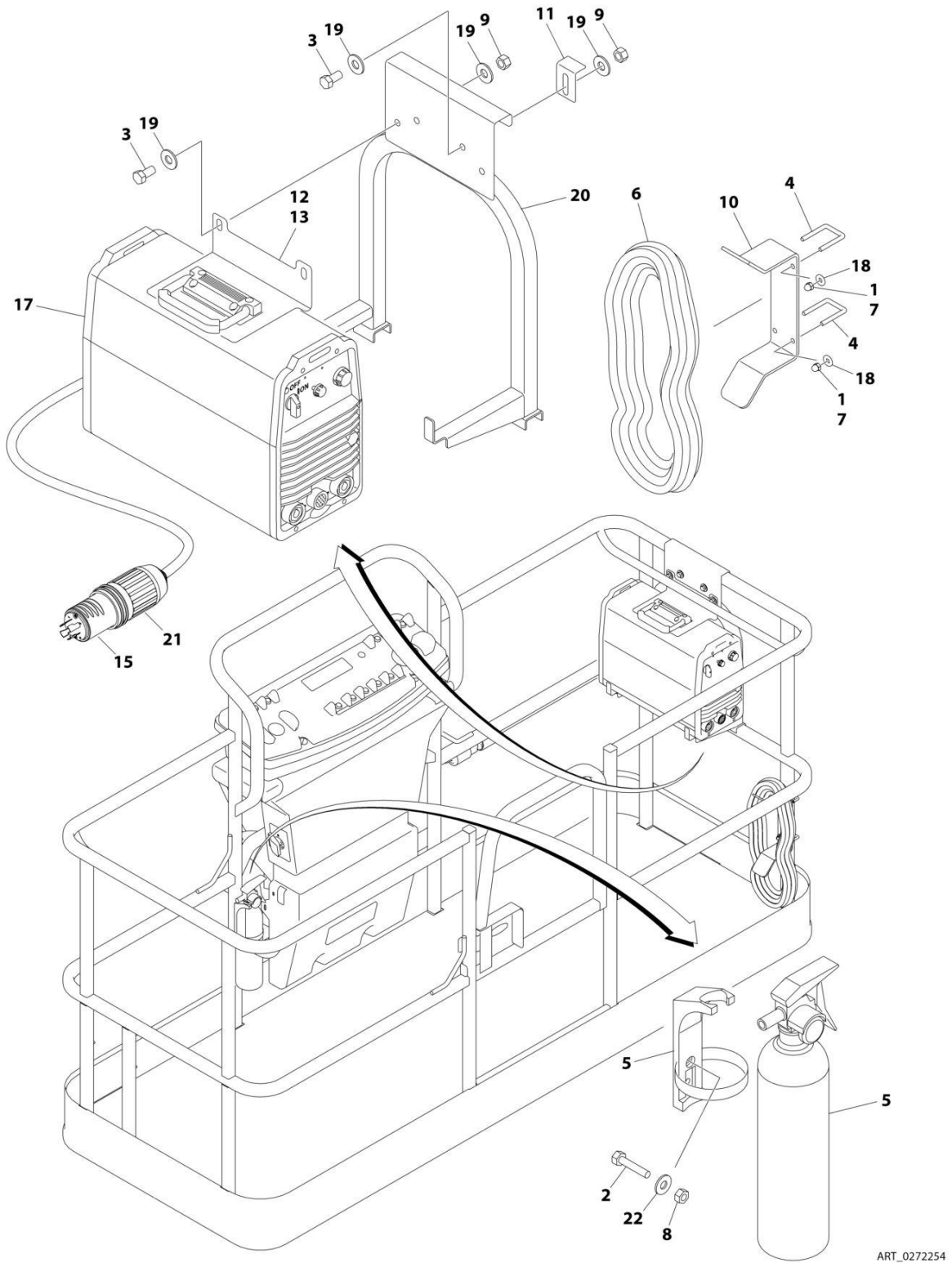
## SECTION 5 - PLATFORM

**FIGURE 5-31. SKYWELDER INSTALLATION (50HZ)**

ITEM	PART NUMBER	QTY	DESCRIPTION	REV
	0272521	Ref	SKYWELDER INSTALLATION	F
1	0100011	AR	Compound, Locking	
2	0630518	2	Screw #10 x 3/4	
3	0641606	4	Bolt 3/8 x 3/4	
4	1320302	2	U-Clamp	
5	2030010	1	Extinguisher, Fire	
6	2902217	1	Weld Leads Kit	
7	3300151	4	Nut 1/4	
8	3311005	2	Nut #10	
9	3311605	4	Nut 3/8	
10	3573400	1	Bracket	
11	3577121	2	Angle	
12	3573642	1	Plate	
13	4240099	AR	Tie-Strap (Not Shown)	
14	4420037	AR	Tape	
15	4530028	1	Welder Assembly (See Separate Breakdown in this Section)	
16	4751400	4	Washer 1/4	
17	4751600	8	Washer 3/8	
18	4846627	1	Support	
19	4751000	2	Washer #10	

# SECTION 5 - PLATFORM

## FIGURE 5-32. SKYWELDER INSTALLATION (60HZ)



ART\_0272254



## SECTION 5 - PLATFORM

**FIGURE 5-32. SKYWELDER INSTALLATION (60HZ)**

ITEM	PART NUMBER	QTY	DESCRIPTION	REV
	0272254	Ref	SKYWELDER INSTALLATION	1
1	0100011	AR	Compound, Locking	
2	0630518	2	Screw #10 x 3/4	
3	0641606	4	Bolt 3/8 x 3/4	
4	1320302	2	U-Clamp	
5	2030010	1	Extinguisher, Fire	
6	2902217	1	Weld Leads Kit	
7	3300151	4	Nut 1/4	
8	3311005	2	Nut #10	
9	3311605	4	Nut 3/8	
10	3573400	1	Bracket	
11	3577121	2	Angle	
12	3573642	1	Plate	
13	4420037	AR	Tape	
14	4240099	AR	Tie-Strap (Not Shown)	
15	4460962	1	Plug, Male Twistlock	
17	4530028	1	Welder Assembly (See Separate Breakdown in this Section)	
18	4751400	4	Washer 1/4	
19	4751600	8	Washer 3/8	
20	4846627	1	Support	
21	1671093	1	Cover, Plug	
22	4751000	2	Washer #10	



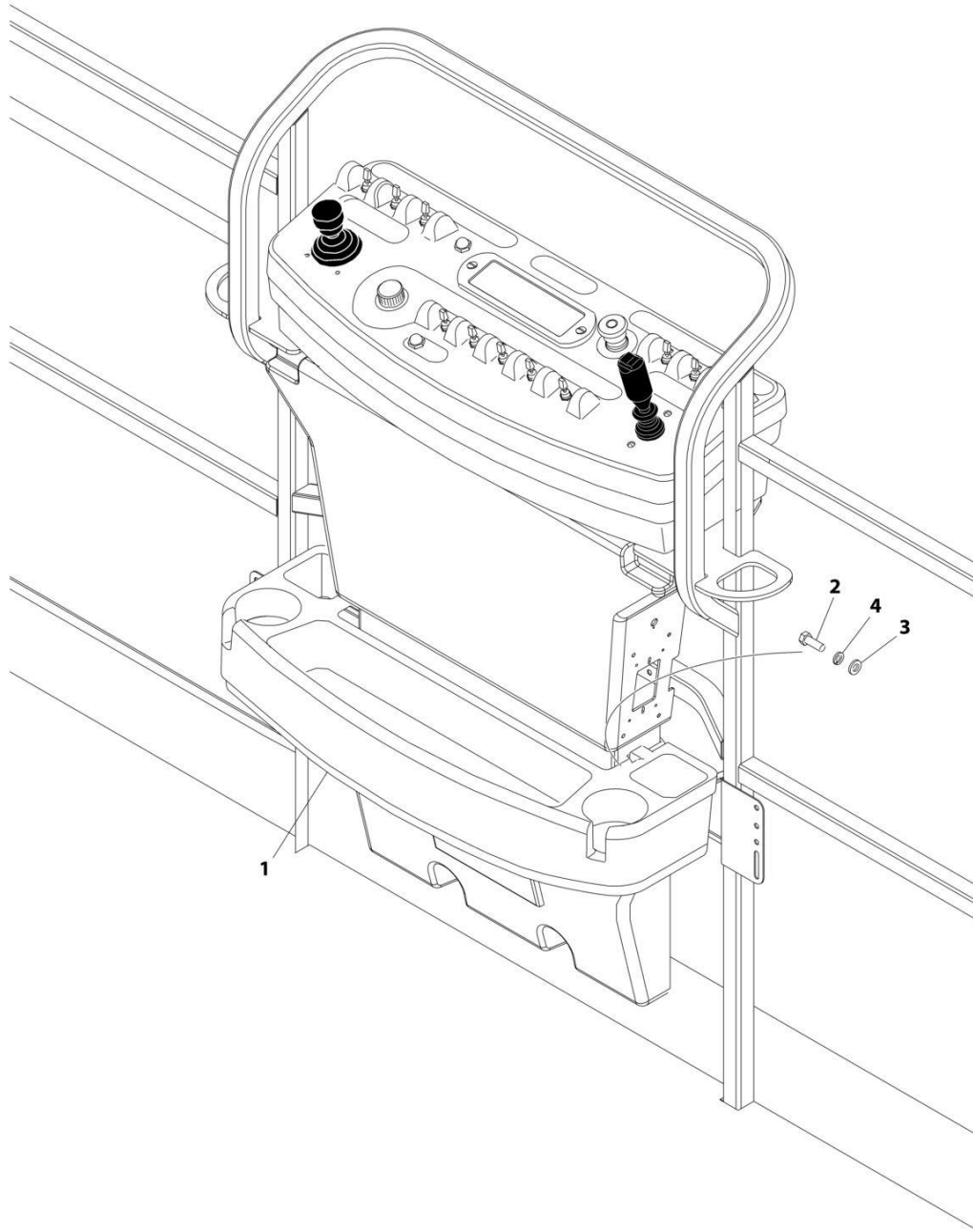
## SECTION 5 - PLATFORM

**FIGURE 5-33. SKYWELDER PREP PACKAGE (60HZ)**

ITEM	PART NUMBER	QTY	DESCRIPTION	REV
	1001128527	Ref	SKYWELDER PREP PACKAGE	B
1	0100011	AR	Compound, Locking	
2	0630518	2	Screw #10 x 3/4	
3	0641606	4	Bolt 3/8 x 3/4	
4	1320302	2	U-Clamp	
5	2030010	1	Extinguisher, Fire	
6	3300151	4	Nut 1/4	
7	3311005	2	Nut #10	
8	3311605	4	Nut 3/8	
9	3573400	1	Bracket	
10	3573642	1	Plate	
11	3577121	2	Angle	
12	4420037	AR	Tape	
13	4751000	2	Washer #10	
14	4751400	4	Washer 1/4	
15	4751600	8	Washer 3/8	
16	4846627	1	Support	
	1001128556	Ref	SKYWELDER DECAL INSTALLATION	C
101	1702868	1	Decal - No Hands	
102	1705305	1	Decal - Weld Lead	
103	1705375	1	Decal - 240V - 3 Phase - 60Hz	
104	1001228988	1	Decal - Weight	

# SECTION 5 - PLATFORM

## FIGURE 5-34. TRAY INSTALLATION



ART\_1580012

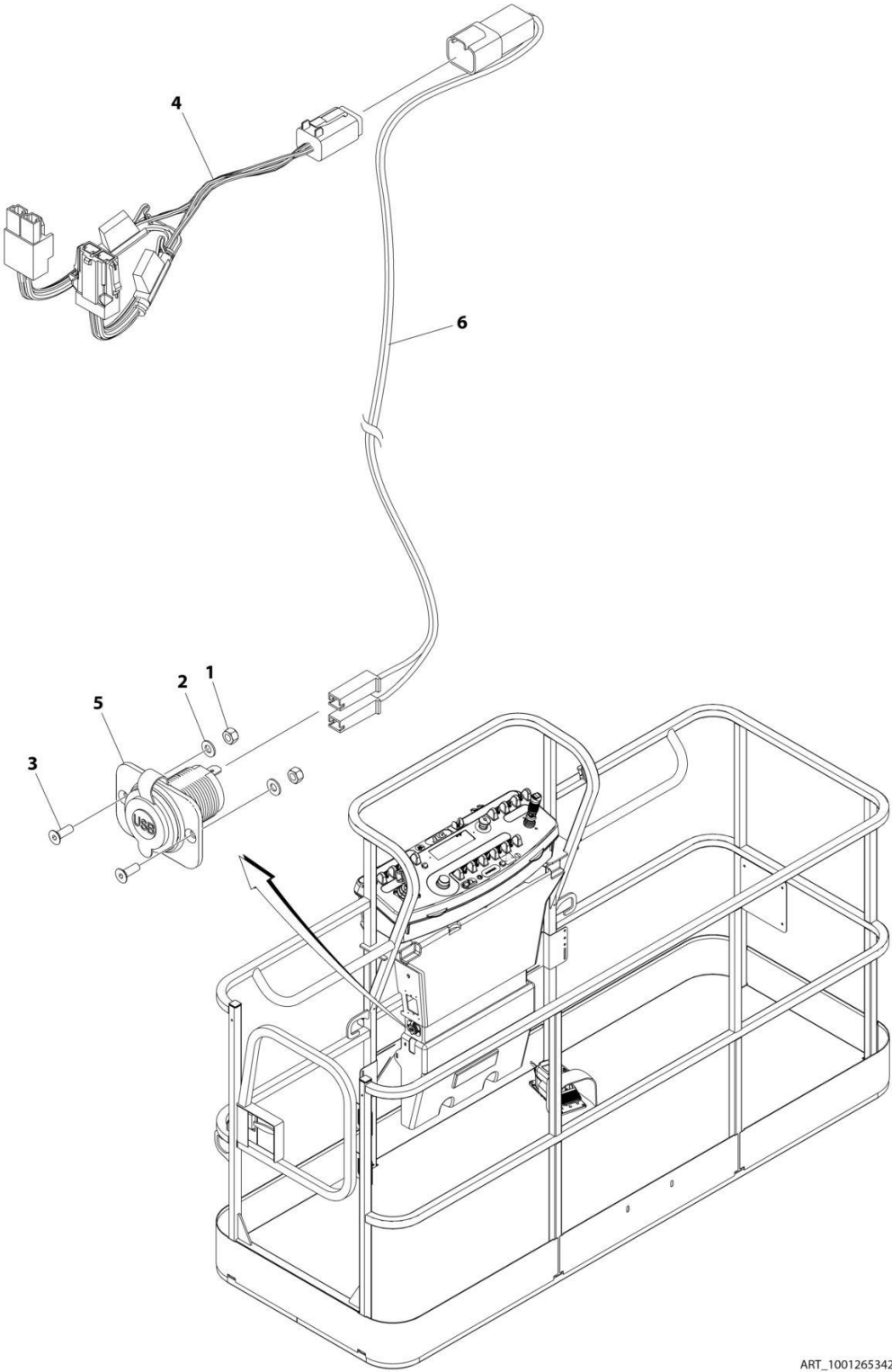
## SECTION 5 - PLATFORM

### FIGURE 5-34. TRAY INSTALLATION

ITEM	PART NUMBER	QTY	DESCRIPTION	REV
	1580012	Ref	TRAY ASSEMBLY	C
1	See Note	NSS	Tray, Storage (Center) (Note: Purchase p/n 1580012)	
2	0641406	2	Bolt 1/4 x 3/4	
3	4751400	2	Washer 1/4	
4	4761400	2	Washer 1/4	

**SECTION 5 - PLATFORM**

**FIGURE 5-35. USB CHARGER INSTALLATION**



ART\_1001265342

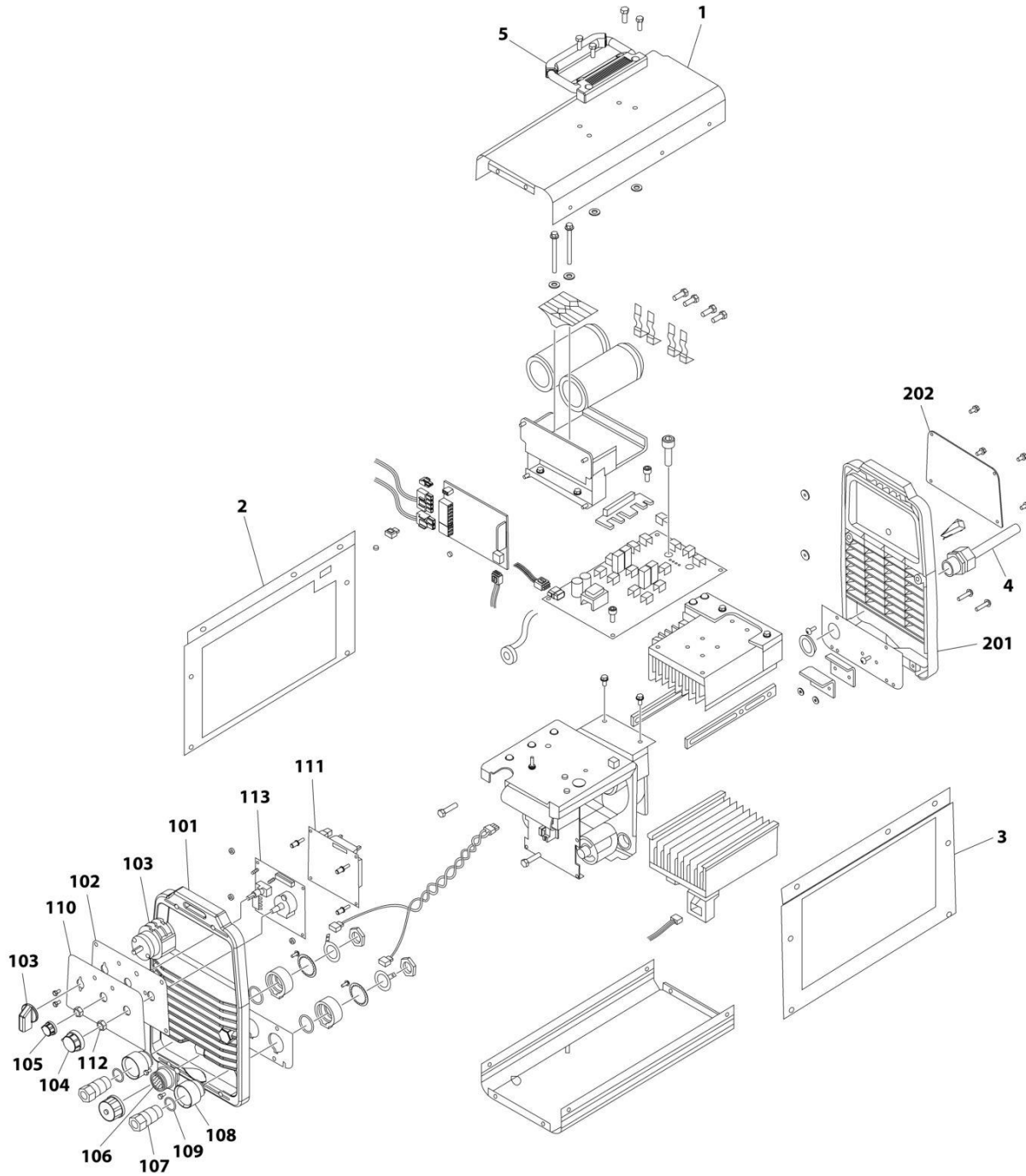
## SECTION 5 - PLATFORM

### FIGURE 5-35. USB CHARGER INSTALLATION

ITEM	PART NUMBER	QTY	DESCRIPTION	REV
	1001265342	Ref	USB CHARGER INSTALLATION	A
1	3290405	2	Nut M4	
2	4811400	2	Washer M4	
3	1001097244	2	Screw M4 x 12	
4	1001120484	1	Harness, Work Lights	
4	4460879	1	Plug, Male - 2 Position	
4	4460887	2	Terminal	
4	2400060	2	Fuseholder Includes Cover	
4	8229249	2	Fuse, 3 Amp	
4	4460884	1	Connector - 4 Position	
4	4460465	4	Socket, Female	
4	1001120471	1	Connector - 2 Position	
4	1001120477	2	Terminal	
5	1001210636	1	Receptacle, USB	
6	1001265163	1	Harness, USB	A
6	4460260	2	Cover, Terminal	
6	4460259	2	Terminal	
6	4460932	1	Receptacle, Bussbar - 4 Position	
6	4460464	2	Pin, Male	
6	4460466	2	Plug, Terminal	

# SECTION 5 - PLATFORM

## FIGURE 5-36. WELDER ASSEMBLY



ART\_4530028



## SECTION 5 - PLATFORM

### FIGURE 5-36. WELDER ASSEMBLY

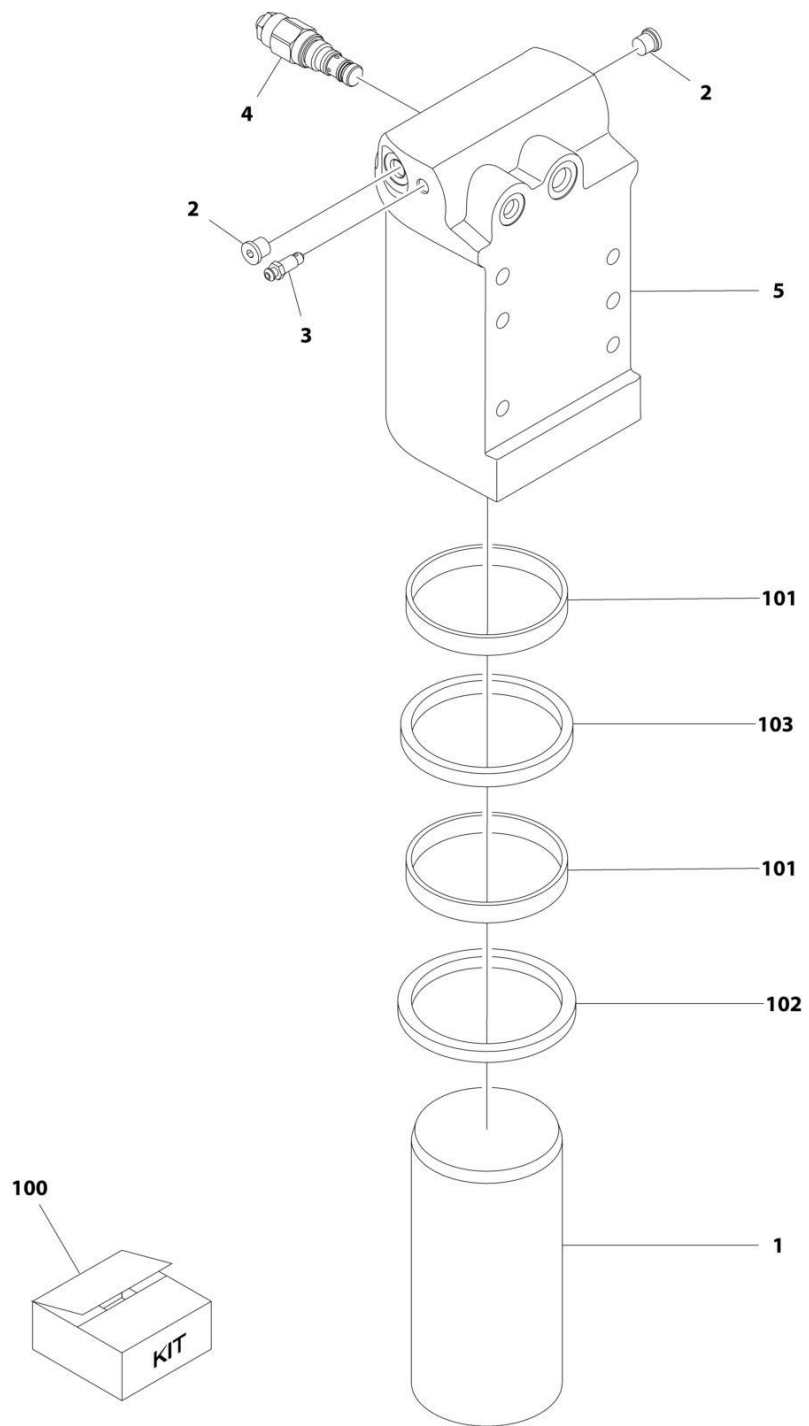
ITEM	PART NUMBER	QTY	DESCRIPTION	REV
	4530028	Ref	WELDER ASSEMBLY	B
		Ref	Note: For Other Components, contact your Miller Welder Dealer.	
1	7027773	1	Cover, Top	
1	7027774	1	Decal - Static Precautionary Warning	
2	See Note	NSS	Panel, LH Side (Note: Part of Item 1. Purchase Item 1)	
3	See Note	NSS	Panel, RH Side (Note: Part of Item 1. Purchase Item 1)	
4	7024467	1	Cable, Power	
4	7027775	1	Decal - Electrical Shock Warning (Not Shown)	
5	7027776	1	Handle, Carrying	
101	7024462	1	Panel, Front	
102	7024463	1	Panel, Console	
103	7024469	1	Switch with Lead	
104	7024470	1	Knob	
105	7024471	1	Knob	
106	7024472	1	Receptacle with Leads and Plugs	
107	7024473	2	Receptacle, Twistlock Female	
108	7024474	2	Insulator	
109	7024475	2	O-Ring	
110	7027777	1	Nameplate	
111	7027779	1	Circuit Card Assembly (Process Control)	
112	7024478	2	Nut	
113	7027778	1	Circuit Card Assembly (Operator Interface)	
201	7024462	1	Panel, Rear	
202	7027780	1	Panel, Cover	



**SECTION 6 - CYLINDER**

# SECTION 6 - CYLINDER

## FIGURE 6-1. AXLE LOCKOUT CYLINDER ASSEMBLY



ART\_1001163580

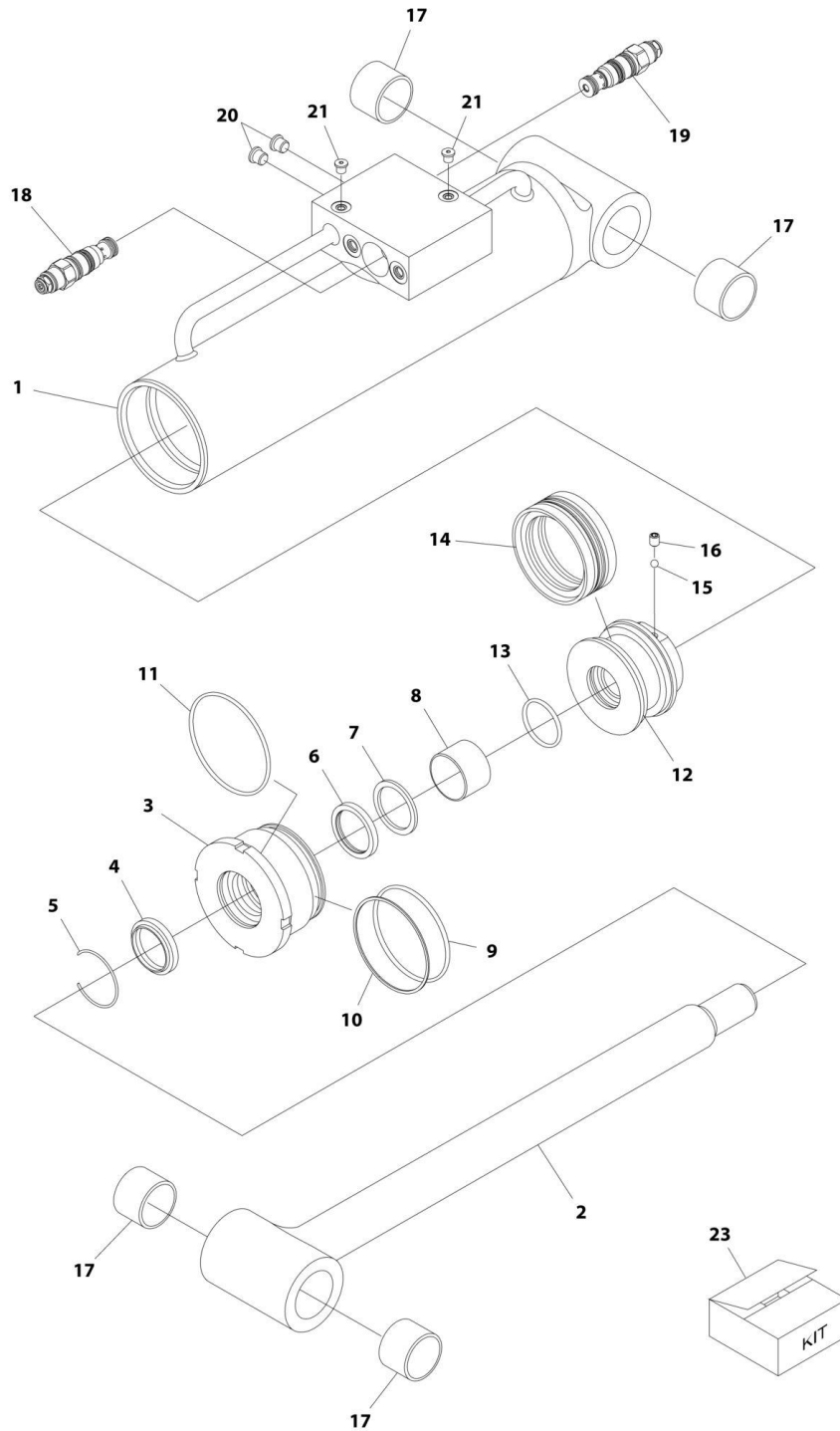
## SECTION 6 - CYLINDER

**FIGURE 6-1. AXLE LOCKOUT CYLINDER ASSEMBLY**

ITEM	PART NUMBER	QTY	DESCRIPTION	REV
	1001163580	Ref	AXLE LOCKOUT CYLINDER ASSEMBLY	1
		Ref	Note: Original Cylinder May Have Been Replaced with Service Replacement. Identify PN Stamped on Cylinder Before Ordering Parts.	
1	1684290	1	Rod	
2	2220883	2	Plug #4	
3	4640858	1	Valve, Bleeder	
4	1001117372	1	Cartridge, Valve	
4	70002842	1	Seal Kit - 1001117372 Valve	
5	1001164817	1	Barrel	
100	2902266	NLA	Seal Kit - 1001163590 Cylinder (Includes Items 101-103)	
101	See Note	NSS	Ring, Wear (Note: Use Item 100)	
102	See Note	NSS	Seal (Note: Use Item 100)	
103	See Note	NSS	Wiper (Note: Use Item 100)	

# SECTION 6 - CYLINDER

## FIGURE 6-2. LEVEL (PLATFORM SLAVE) CYLINDER ASSEMBLY



ART\_1001163386

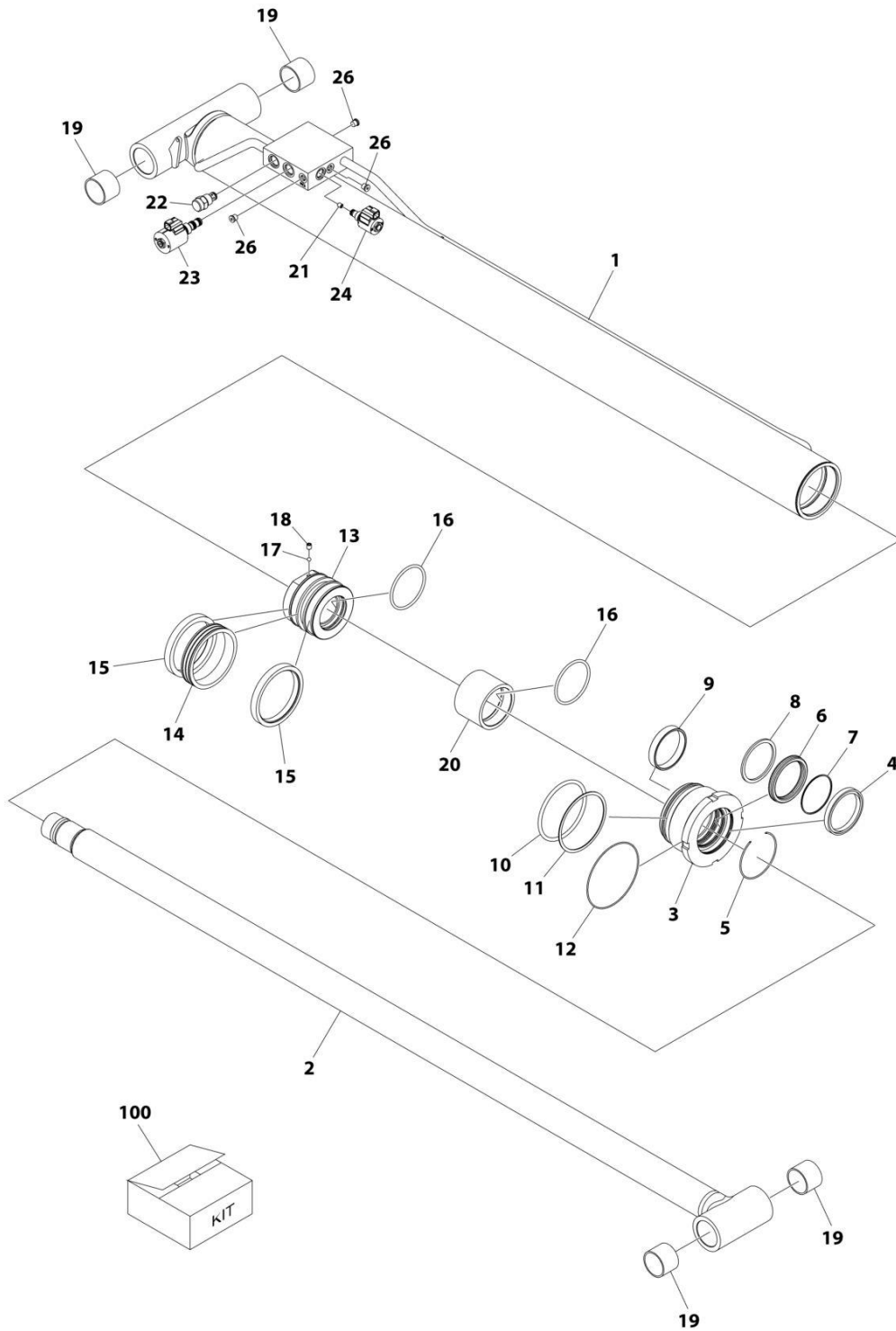
## SECTION 6 - CYLINDER

**FIGURE 6-2. LEVEL (PLATFORM SLAVE) CYLINDER ASSEMBLY**

ITEM	PART NUMBER	QTY	DESCRIPTION	REV
	1001163386	Ref	LEVEL (PLATFORM SLAVE) CYLINDER ASSEMBLY	G
		Ref	Note: Original Cylinder May Have Been Replaced with Service Replacement. Identify PN Stamped on Cylinder Before Ordering Parts.	
1	70005147	1	Barrel	
2	70005148	1	Rod	
3	70005142	1	Head	
4	See Note	NSS	Wiper (Note: Use Item 23)	
5	70002373	1	Ring, Retaining	
6	See Note	NSS	Seal, Rod (Note: Use Item 23)	
7	See Note	NSS	Ring, Back-up (Note: Use Item 23)	
8	70005143	1	Bearing, Dry	
9	See Note	NSS	O-Ring (Note: Use Item 23)	
10	See Note	NSS	Ring, Back-up (Note: Use Item 23)	
11	See Note	NSS	O-Ring (Note: Use Item 23)	
12	70005144	1	Piston	
13	See Note	NSS	O-Ring (Note: Use Item 23)	
14	See Note	NSS	Seal, Piston (Note: Use Item 23)	
15	70022564	1	Ball	
16	70023369	1	Setscrew	
17	70005145	4	Bearing	
18	1001168209	1	Cartridge, Valve	
18	2900770	1	Seal Kit - 1001168209 Valve	
19	1001168210	1	Cartridge, Valve	
19	2900770	1	Seal Kit - 1001168210 Valve	
20	70023370	1	Plug 7/16	
21	2220881	1	Plug, O-Ring 5/16	
23	70005149	1	Seal Kit - 1001163386 Cylinder (Includes Items 4, 6, 7, 9, 10, 11, 13 & 14)	

# SECTION 6 - CYLINDER

## FIGURE 6-3. LIFT CYLINDER ASSEMBLY - MAIN BOOM



ART\_1001228092



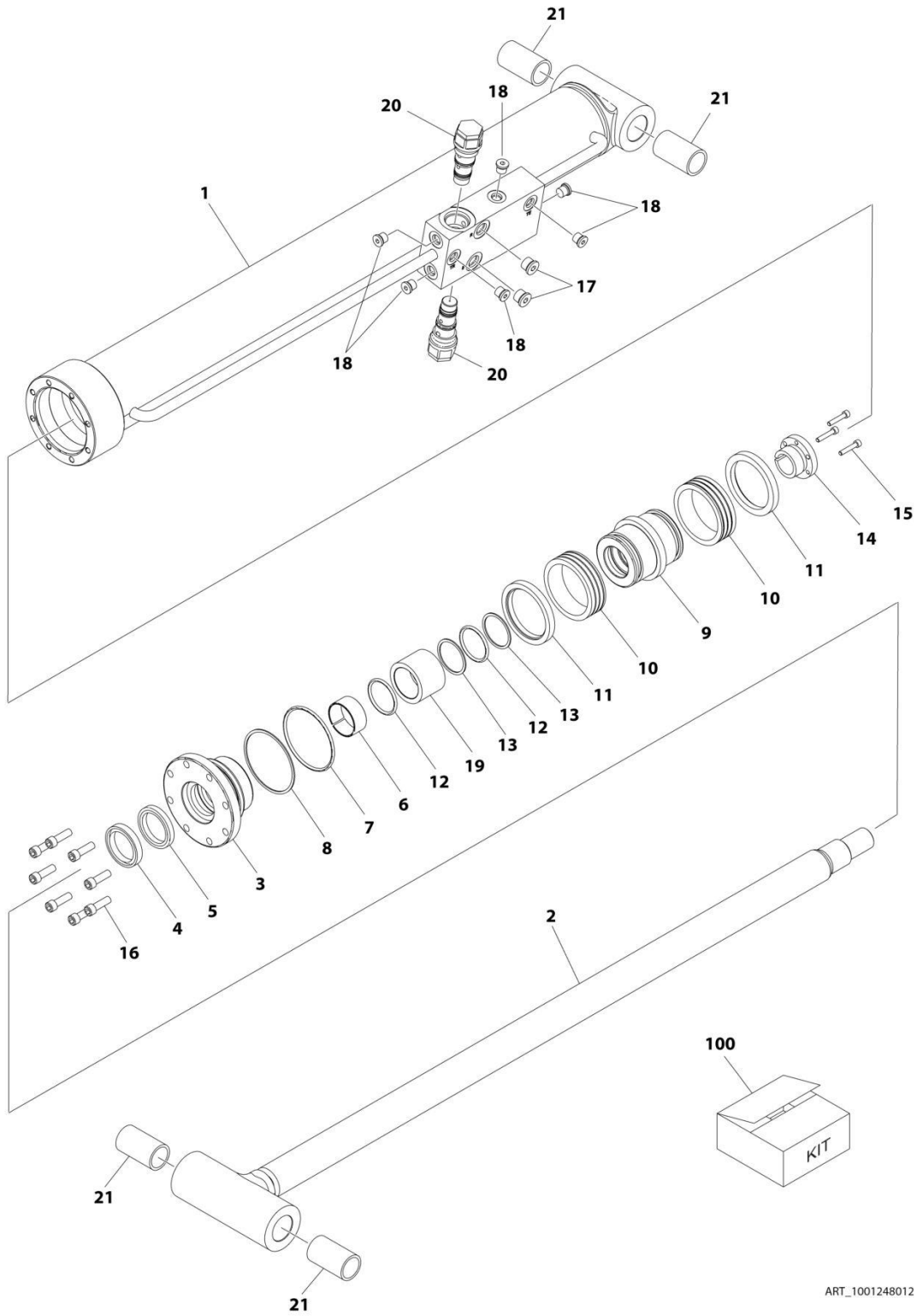
## SECTION 6 - CYLINDER

**FIGURE 6-3. LIFT CYLINDER ASSEMBLY - MAIN BOOM**

ITEM	PART NUMBER	QTY	DESCRIPTION	REV
	1001228092	Ref	LIFT CYLINDER ASSEMBLY - MAIN BOOM	B
		Ref	Note: Original Cylinder May Have Been Replaced with Service Replacement. Identify PN Stamped on Cylinder Before Ordering Parts.	
1	See Note	NSS	Barrel (Use p/n 1001228092)	
2	70006702	1	Rod	
3	70006703	1	Head	
4	See Note	NSS	Wiper (Note: Use Item 100)	
5	70050795	1	Ring, Retainer	
6	See Note	NSS	Seal, Rod (Note: Use Item 100)	
7	See Note	NSS	O-Ring (Note: Use Item 100)	
8	See Note	NSS	Ring (Note: Use Item 100)	
9	70006636	1	Ring, Wear	
10	See Note	NSS	O-Ring (Note: Use Item 100)	
11	See Note	NSS	Ring, Back-up (Note: Use Item 100)	
12	See Note	NSS	O-Ring (Note: Use Item 100)	
13	70006704	1	Piston	
14	See Note	NSS	Seal (Note: Use Item 100)	
15	See Note	NSS	Ring, Wear (Note: Use Item 100)	
16	See Note	NSS	Seal (Note: Use Item 100)	
17	70022564	1	Ball	
18	70023369	1	Setscrew M8 x 10	
19	0961950	4	Bearing	
20	70006705	1	Spacer	
21	70004231	1	Orifice	
22	4641390	1	Cartridge, Check Valve	
22	7017496	1	Seal Kit - 4641390 Valve	
23	1001206625	1	Cartridge, Valve (Includes Coil)	
23	70006104	1	Cartridge, Less Coil	
23	70006105	1	Seal Kit - 70006104 & 1001206625 Cartridges	
23	70003788	1	Coil	
23	7022390	1	Nut, Coil	
24	1001164709	1	Cartridge, Valve (Includes Coil)	
24	7017467	1	Cartridge, Less Coil	
24	7012998	1	Seal Kit - 7017467 & 1001164709 Cartridges	
24	70002386	1	Coil	
26	2220883	3	Plug #4	
100	70006706	1	Seal Kit - 1001228092 Cylinder (Includes Item 4, 6-8, 10-12 & 14-16)	

# SECTION 6 - CYLINDER

## FIGURE 6-4. LIFT CYLINDER ASSEMBLY - JIB



ART\_1001248012

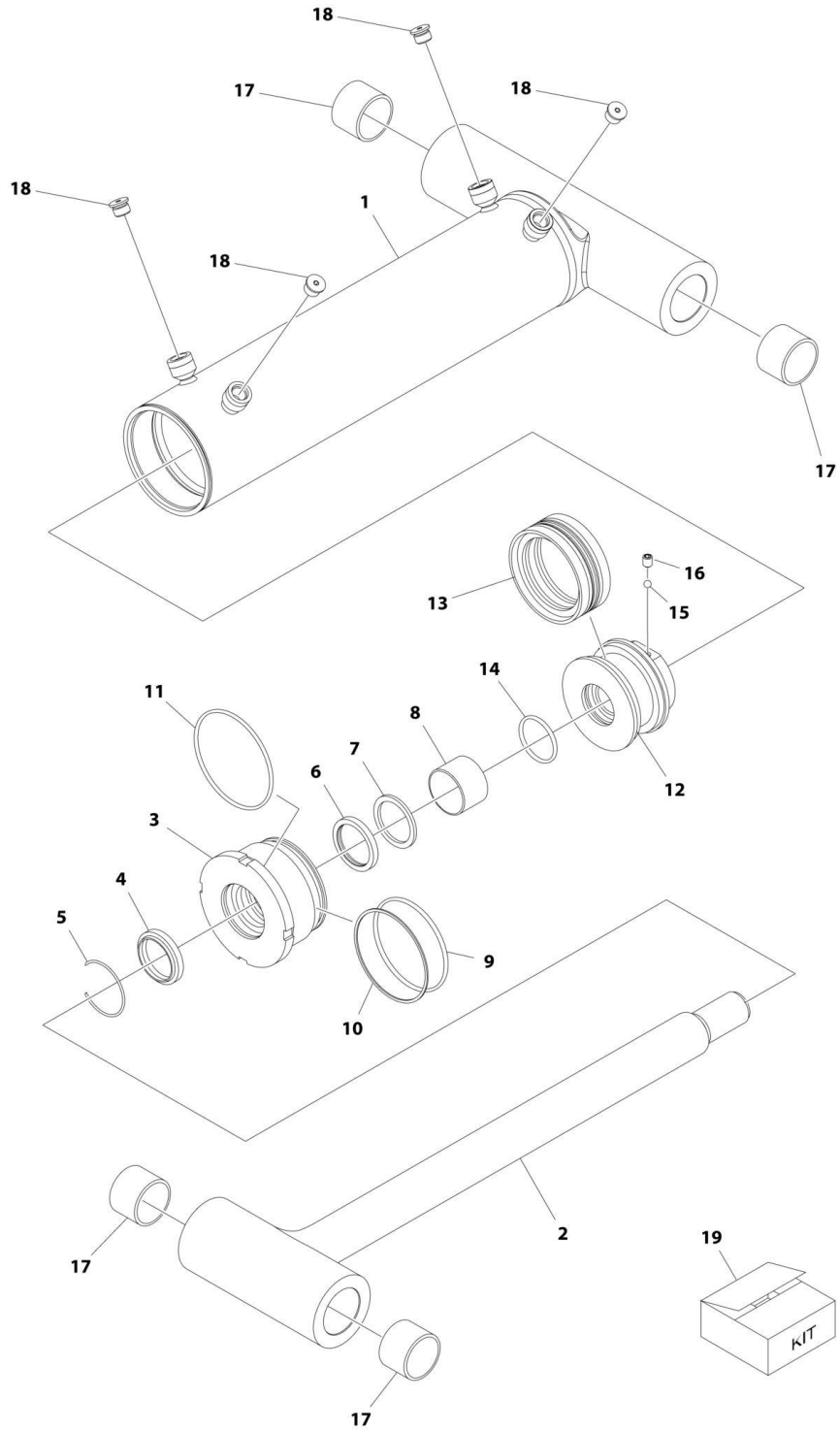
## SECTION 6 - CYLINDER

**FIGURE 6-4. LIFT CYLINDER ASSEMBLY - JIB**

ITEM	PART NUMBER	QTY	DESCRIPTION	REV
	1001248012	Ref	LIFT CYLINDER ASSEMBLY - JIB	C
		Ref	Note: Original Cylinder May Have Been Replaced with Service Replacement. Identify PN Stamped on Cylinder Before Ordering Parts.	
1	See Note	NSS	Barrel (Note: Not Available for Purchase)	
2	70006734	1	Rod	
3	70006649	1	Head	
4	See Note	NSS	Wiper (Note: Use Item 100)	
5	See Note	NSS	Seal, Rod (Note: Use Item 100)	
6	See Note	NSS	Ring, Wear (Note: Use Item 100)	
7	See Note	NSS	O-Ring (Note: Use Item 100)	
8	See Note	NSS	Ring, Back-up (Note: Use Item 100)	
9	70006650	1	Piston	
10	See Note	NSS	Seal (Note: Use Item 100)	
11	See Note	NSS	Ring, Lock (Note: Use Item 100)	
12	See Note	NSS	O-Ring (Note: Use Item 100)	
13	See Note	NSS	Ring, Back-up (Note: Use Item 100)	
14	0961893	1	Bushing, Tapered	
15	0630534	3	Capscrew, Socket Head #10 x 1	
16	70006735	8	Capscrew 5/16	
17	2220885	2	Plug, O-Ring	
18	2220883	6	Plug, O-Ring	
19	70006736	1	Spacer	
20	4640509	2	Cartridge, Valve	
20	2900792	2	Seal Kit - 4640509 Valve	
21	0962336	4	Bushing	
100	1001138795	1	Seal Kit (Includes Items 4-8 & 10-13)	

# SECTION 6 - CYLINDER

## FIGURE 6-5. MASTER CYLINDER ASSEMBLY



ART\_1001163385

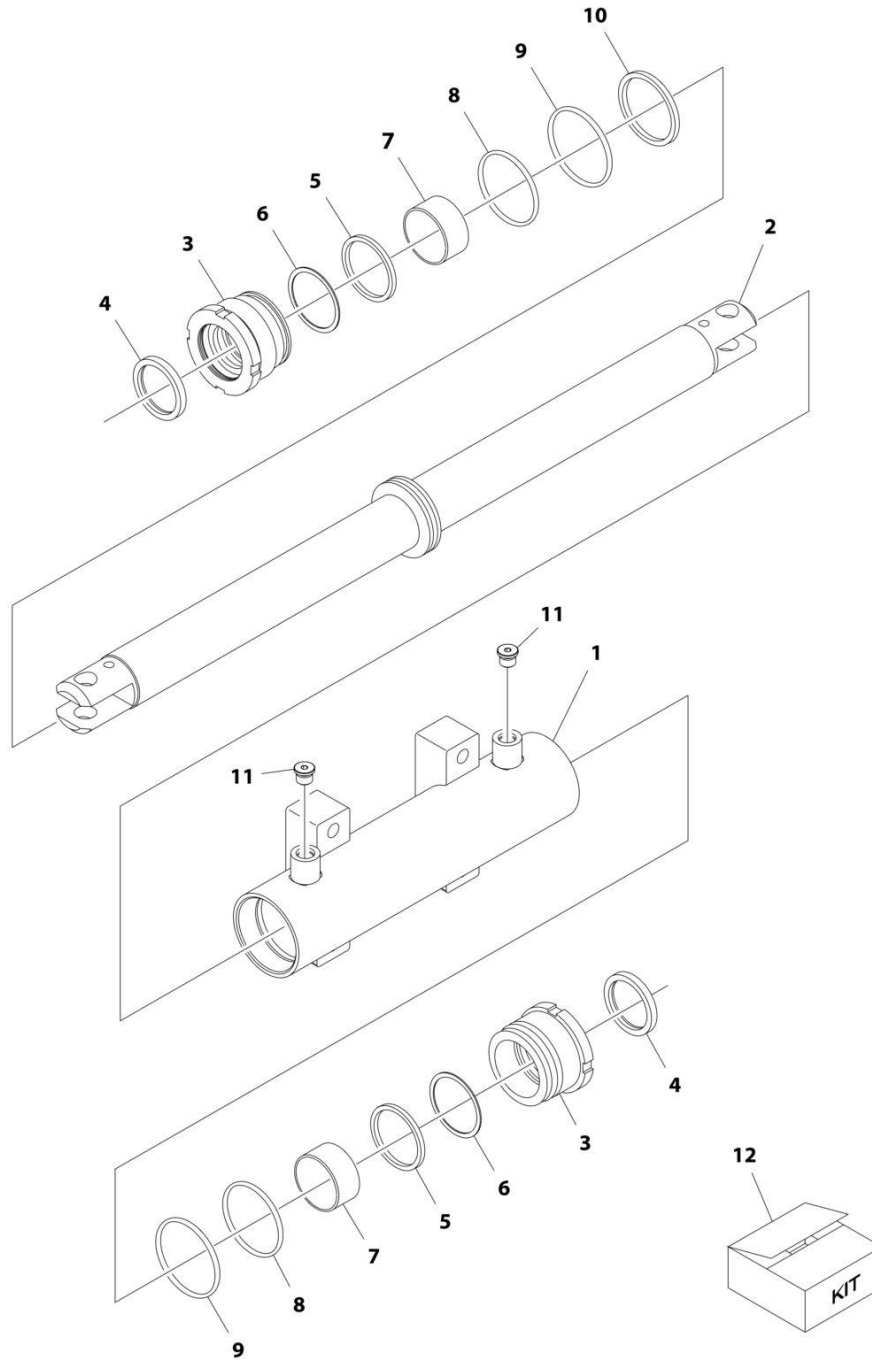
## SECTION 6 - CYLINDER

### FIGURE 6-5. MASTER CYLINDER ASSEMBLY

ITEM	PART NUMBER	QTY	DESCRIPTION	REV
	1001163385	Ref	MASTER CYLINDER ASSEMBLY	F
		Ref	Note: Original Cylinder May Have Been Replaced with Service Replacement. Identify PN Stamped on Cylinder Before Ordering Parts.	
1	70005140	1	Barrel	
2	70005141	1	Rod	
3	70005142	1	Head, Cylinder	
4	See Note	NSS	Wiper (Note: Use Item 19)	
5	70002373	1	Ring, Retaining	
6	See Note	NSS	Seal, Rod (Note: Use Item 19)	
7	See Note	NSS	Ring, Back-up (Note: Use Item 19)	
8	70005143	1	Bearing, Dry	
9	See Note	NSS	O-Ring (Note: Use Item 19)	
10	See Note	NSS	Ring, Back-up (Note: Use Item 19)	
11	See Note	NSS	O-Ring (Note: Use Item 19)	
12	70005144	1	Piston	
13	See Note	NSS	Seal, Piston	
14	See Note	NSS	O-Ring (Note: Use Item 19)	
15	70022564	1	Ball	
16	70023369	1	Setscrew M8 x 31.75	
17	70005145	4	Bearing	
18	700023371	4	Plug 9/16	
19	70005146	1	Seal Kit - 1001163385 Cylinder (Includes Items 4, 6, 7, 9, 10, 11, 13 & 14)	

# SECTION 6 - CYLINDER

## FIGURE 6-6. STEER CYLINDER ASSEMBLY



ART\_1001163178

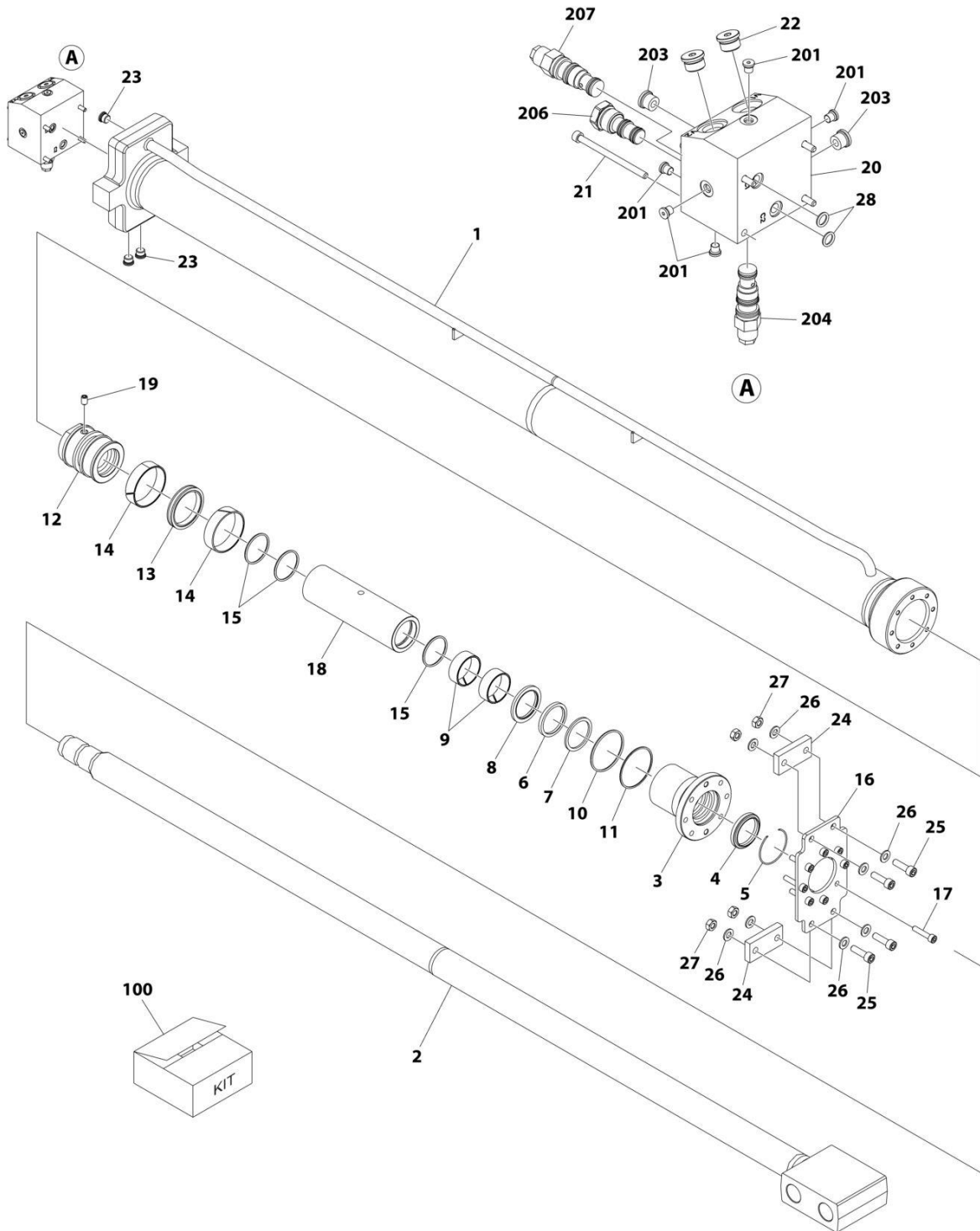
## SECTION 6 - CYLINDER

**FIGURE 6-6. STEER CYLINDER ASSEMBLY**

ITEM	PART NUMBER	QTY	DESCRIPTION	REV
	1001163178	Ref	STEER CYLINDER ASSEMBLY	E
		Ref	Note: Original Cylinder May Have Been Replaced with Service Replacement. Identify PN Stamped on Cylinder Before Ordering Parts.	
1	70005150	1	Barrel	
2	70005151	1	Rod	
3	70005152	2	Head	
4	See Note	NSS	Wiper (Note: Use Item 12)	
5	See Note	NSS	Seal, Rod (Note: Use Item 12)	
6	See Note	NSS	Ring, Back-up (Note: Use Item 12)	
7	70005153	2	Bearing, Dry	
8	See Note	NSS	O-Ring (Note: Use Item 12)	
9	See Note	NSS	O-Ring (Note: Use Item 12)	
10	See Note	NSS	Seal, Piston (Note: Use Item 12)	
11	See Note	2	Plug 9/16 (Note: Not Available for Purchase)	
12	70005154	1	Seal Kit - 1001163178 Cylinder (Includes Items 4-6 & 8-10)	

# SECTION 6 - CYLINDER

## FIGURE 6-7. TELESCOPE CYLINDER ASSEMBLY



ART\_1001251075



## SECTION 6 - CYLINDER

### FIGURE 6-7. TELESCOPE CYLINDER ASSEMBLY

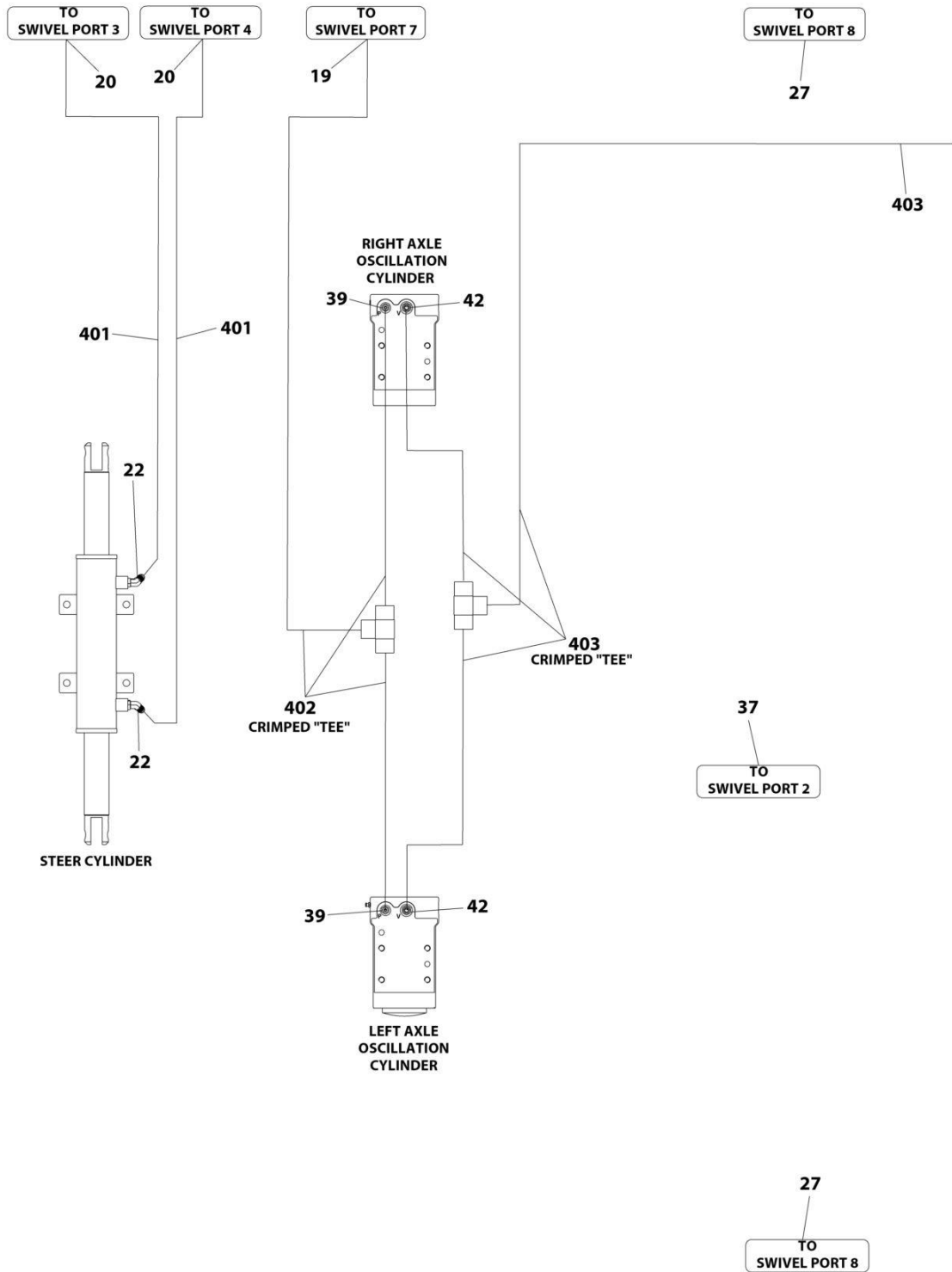
ITEM	PART NUMBER	QTY	DESCRIPTION	REV
	1001251075	Ref	TELESCOPE CYLINDER ASSEMBLY	B
		Ref	Note: Original Cylinder May Have Been Replaced with Service Replacement. Identify PN Stamped on Cylinder Before Ordering Parts.	
1	See Note	NSS	Barrel (Note: Purchase Complete Assembly)	
2	70007062	1	Rod	
3	70007063	1	Head	
4	See Note	NSS	Wiper (Note: Use Item 100)	
5	70002412	1	Ring, Retaining	
6	See Note	NSS	Seal (Note: Use Item 100)	
7	See Note	NSS	Ring, Back-up (Note: Use Item 100)	
8	See Note	NSS	Ring, Wear (Note: Use Item 100)	
9	See Note	NSS	Ring, Wear (Note: Use Item 100)	
10	See Note	NSS	O-Ring (Note: Use Item 100)	
11	See Note	NSS	Ring, Back-up (Note: Use Item 100)	
12	70007064	1	Piston	
13	See Note	NSS	Seal (Note: Use Item 100)	
14	See Note	NSS	Ring, Wear (Note: Use Item 100)	
15	See Note	NSS	O-Ring (Note: Use Item 100)	
16	70007065	1	Plate	
17	70007066	8	Capscrew	
18	70007067	1	Spacer	
19	70006817	1	Set Screw	
20	1001166997	1	Valve Block Assembly (See Items 201-207 for Breakdown)	
21	70007068	4	Capscrew	
22	2220886	2	Plug, O-Ring	
23	2220885	3	Plug	
24	70007069	2	Pad, Wear	
25	70007070	4	Bolt	
26	70006344	8	Washer	
27	70007071	4	Nut	
28	See Note	NSS	O-Ring (Note: Use Item 100)	
100	70007072	1	Seal Kit - 1001251075 Cylinder (Includes Items 4, 6-11, 13-15 & 28)	
	1001166997	Ref	VALVE BLOCK ASSEMBLY	
201	2220881	5	Plug	
203	2220885	2	Plug	
204	4640452	1	Cartridge, Counterbalance Valve	
204	2900770	1	Seal Kit - 4640452 Valve	
206	1001165363	1	Cartridge, Shuttle Valve	
206	7012518	1	Seal Kit - 1001165363 Valve	
207	1001168209	1	Cartridge, Counterbalance Valve	
207	2900770	1	Seal Kit - 1001168209 Valve	



**SECTION 7 - HYDRAULIC**

# SECTION 7 - HYDRAULIC

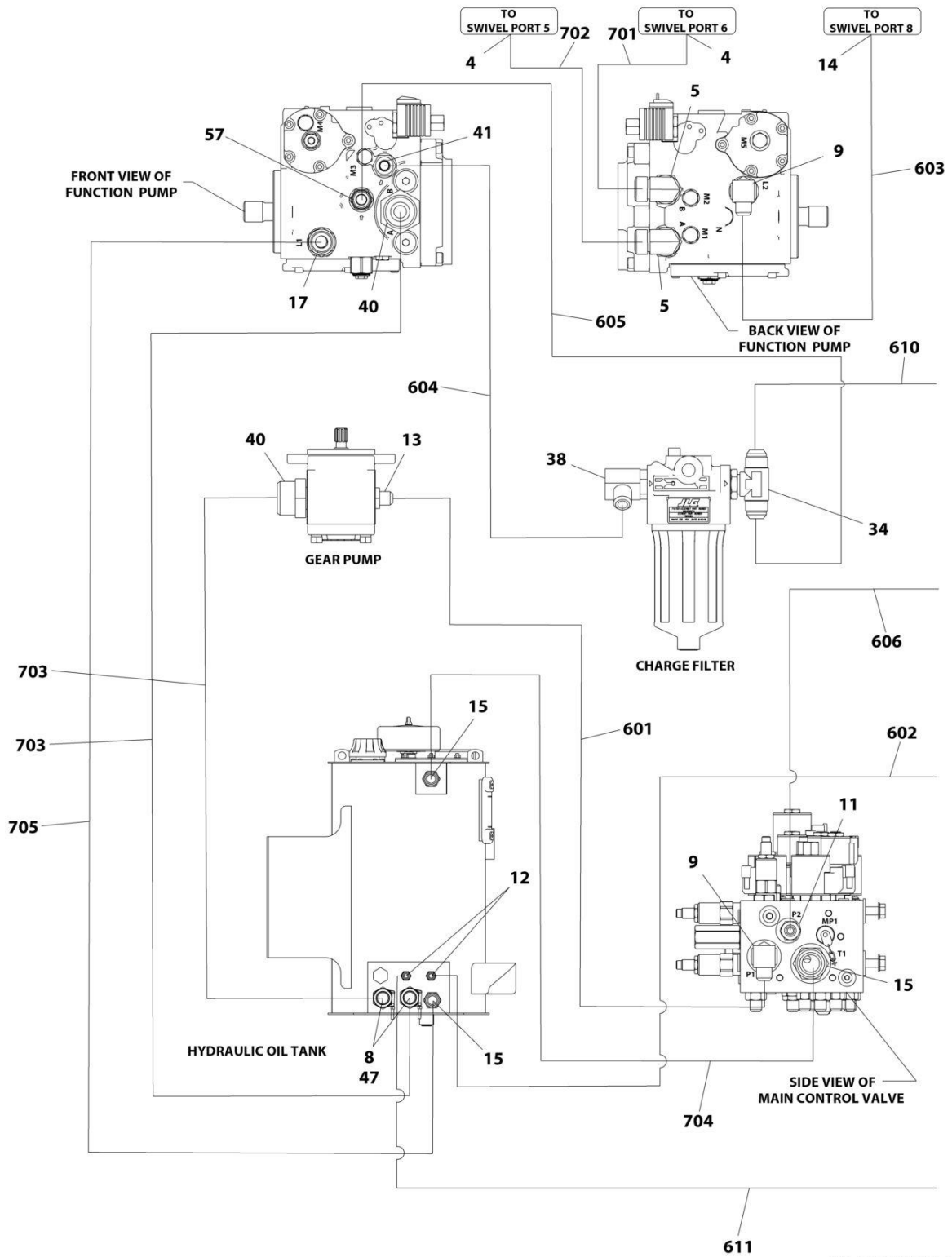
## FIGURE 7-1. 400S 2WD HYDRAULIC SYSTEM INSTALLATION



ART\_1001216801\_G\_10F6

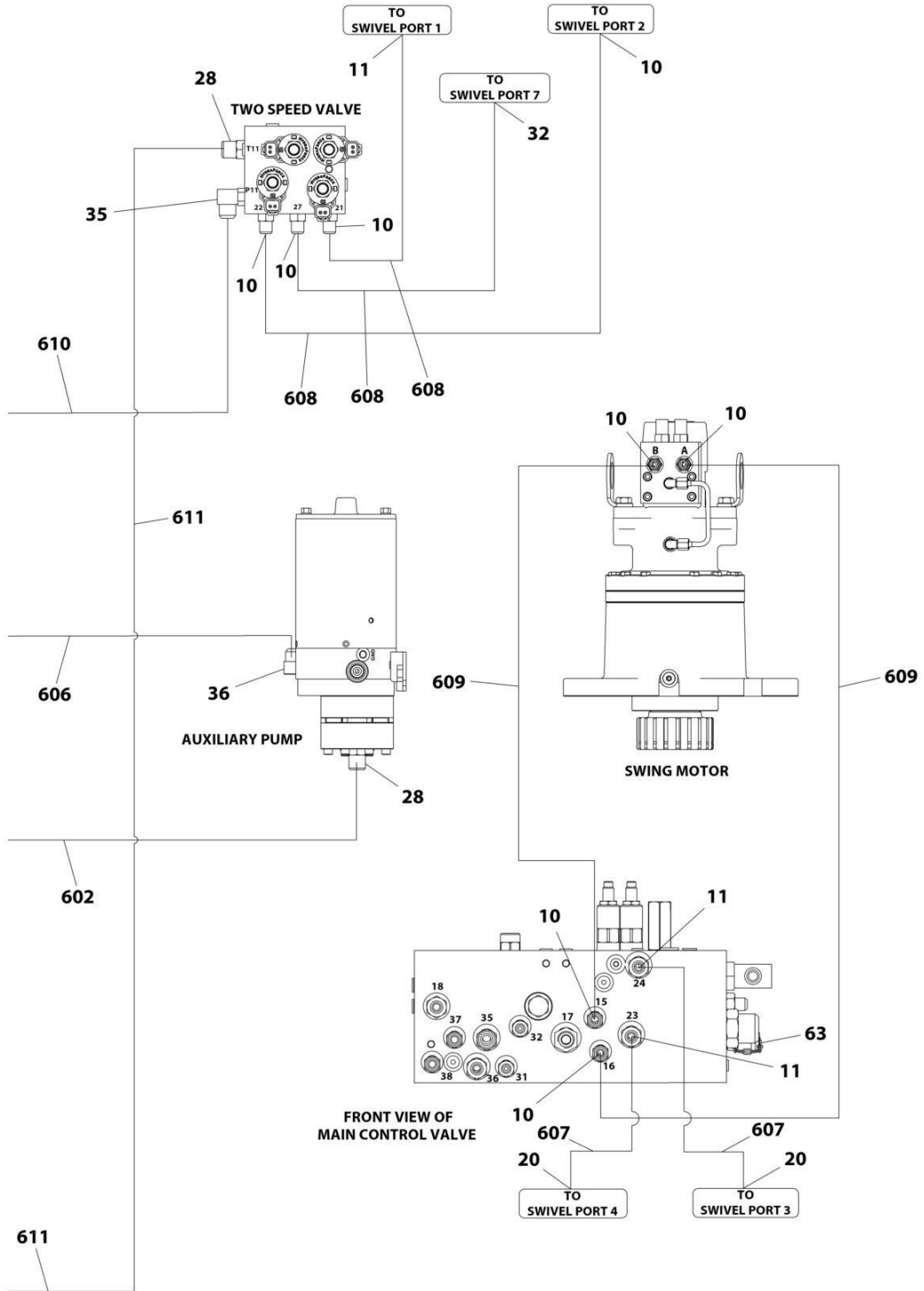


# SECTION 7 - HYDRAULIC



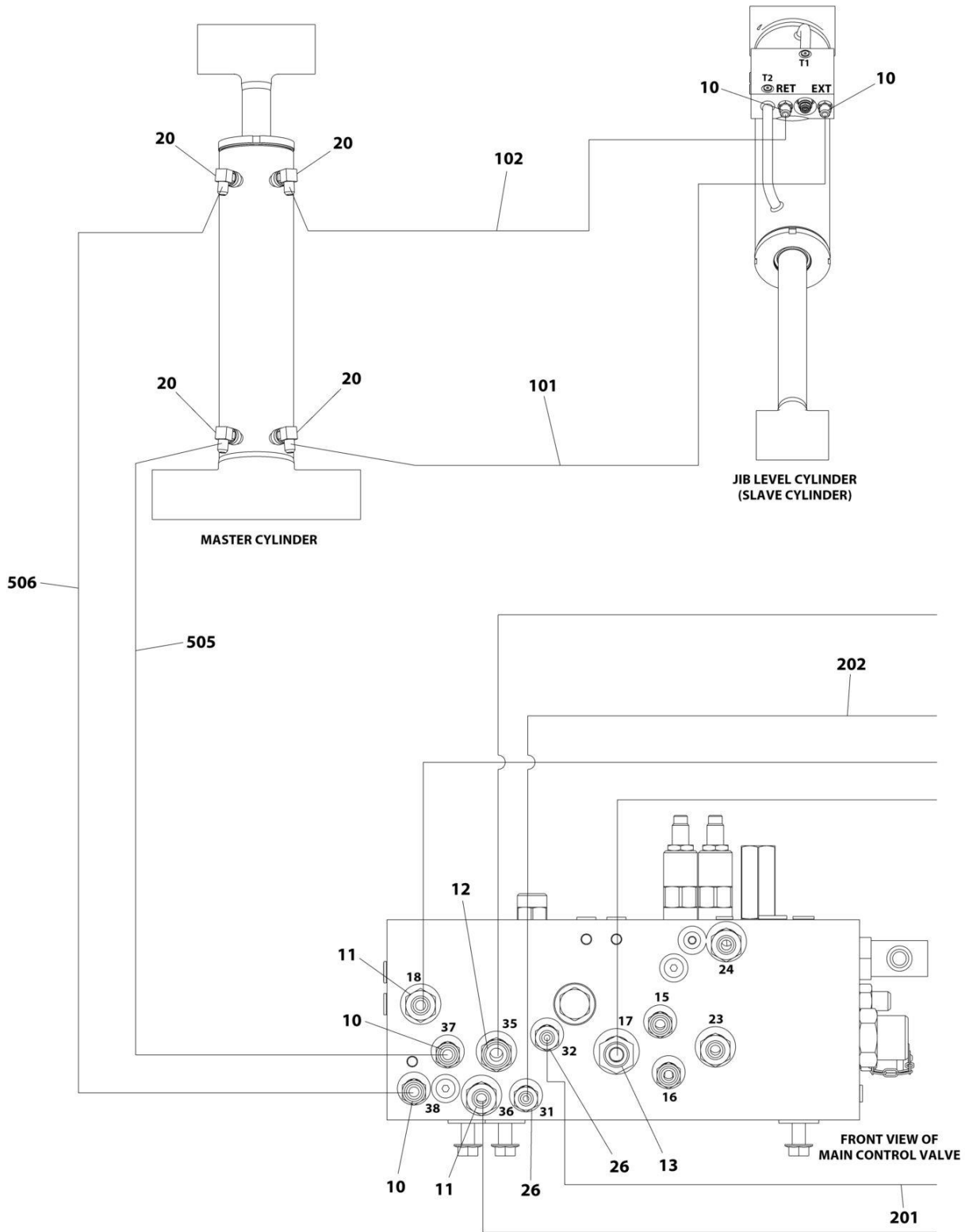
ART\_1001216801\_G\_30F6

# SECTION 7 - HYDRAULIC



ART\_1001216801\_G\_40F6

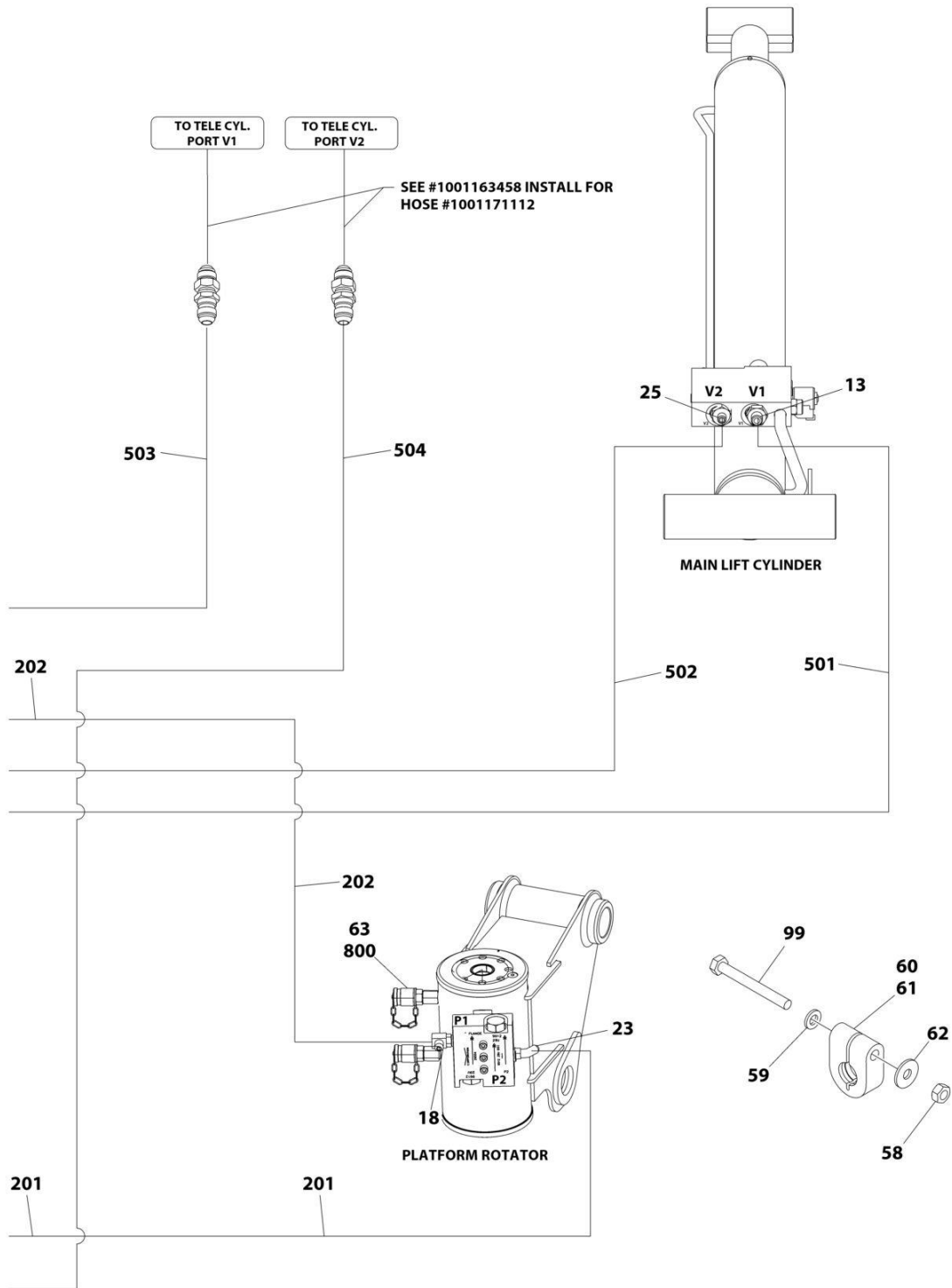
# SECTION 7 - HYDRAULIC



ART\_1001216801\_G\_50F6



# SECTION 7 - HYDRAULIC



ART\_1001216801\_G\_60F6

# SECTION 7 - HYDRAULIC

## FIGURE 7-1. 400S 2WD HYDRAULIC SYSTEM INSTALLATION

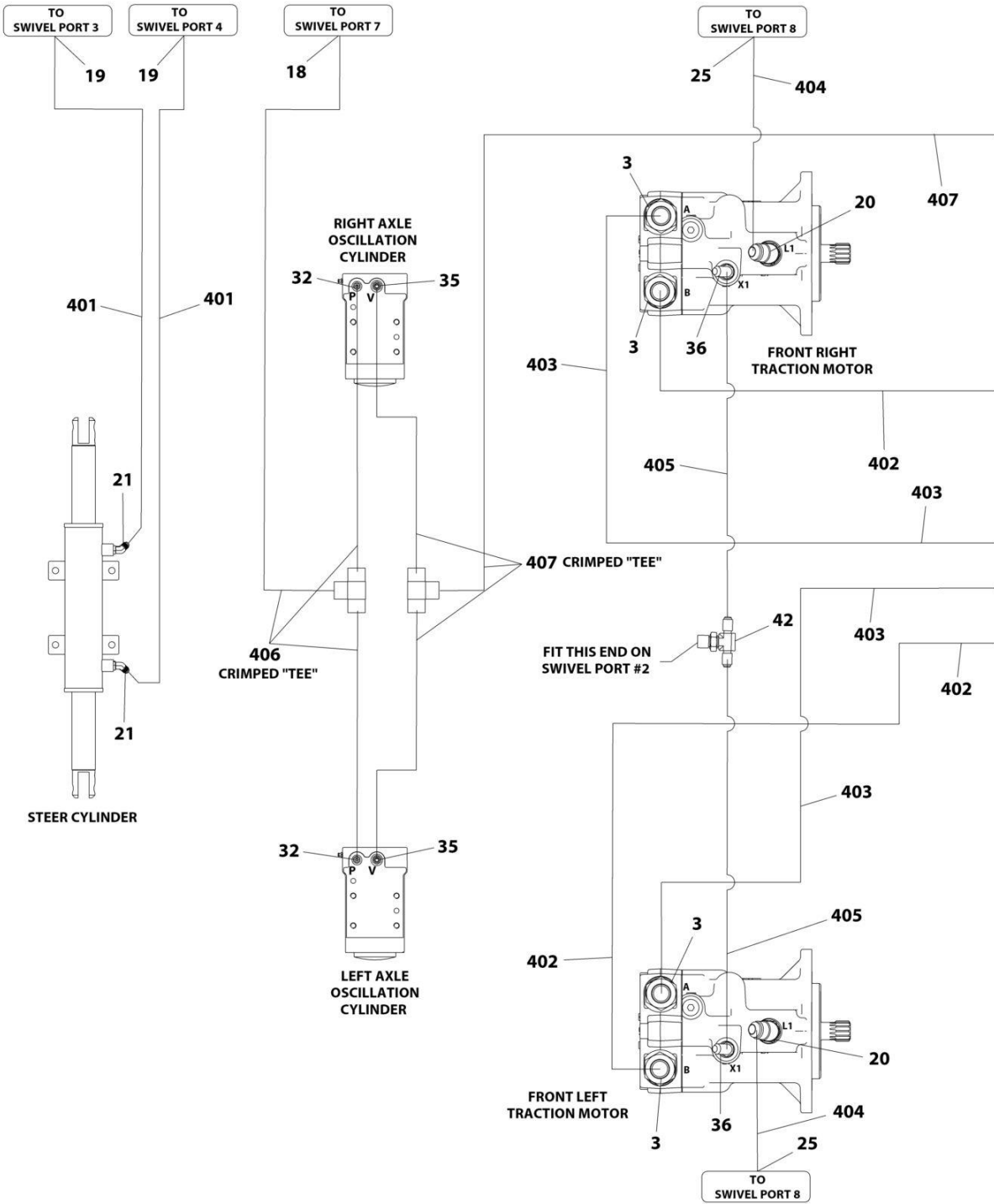
ITEM	PART NUMBER	QTY	DESCRIPTION	REV
	1001216801	Ref	2WD HYDRAULIC SYSTEM INSTALLATION	G
2	2110810	4	Fitting, Straight ORFS/ORB	
3	2110812	4	Fitting, Straight ORFS/ORB	
4	2111216	5	Fitting, Straight ORFS/ORB	
5	2131212	2	Fitting, 90 ORFS/ORB	
6	2131216	1	Fitting, 90 ORFS/ORB	
8	1001202910	2	Fitting, Straight MORB	
9	2220366	2	Fitting, 90 JIC/ORB	
10	2220371	12	Fitting, Straight JIC/ORB	
11	2220372	8	Fitting, Straight JIC/ORB	
12	2220373	5	Fitting, Straight JIC/ORB	
13	2220374	3	Fitting, Straight JIC/ORB	
14	2220375	1	Fitting, Straight JIC/ORB	
15	2220377	3	Fitting, Straight JIC/ORB	
16	2220415	2	Fitting, Straight JIC/ORB	
17	2220451	1	Fitting, Straight JIC/ORB	
18	2220466	3	Fitting, 90 JIC/ORB	
19	2220468	2	Fitting, Straight JIC/ORB	
20	2220473	8	Fitting, 90 JIC/ORB	
22	2220501	2	Fitting, 45 JIC/ORB	
23	2220502	1	Fitting, 45 JIC/ORB	
25	2220497	1	Fitting, Straight JIC/ORB	
26	2220582	3	Fitting, Straight JIC/ORB	
27	2220238	2	Plug ORB	
28	2220600	2	Fitting, Straight JIC/ORB	
29	1001197272	1	Fitting, Tee JIC/ORB/JIC	
32	2220628	1	Fitting, 90 JIC/ORB	
34	2220695	1	Fitting, Tee JIC/ORB/JIC	
35	2220726	1	Fitting, 90 JIC/ORB	
36	2220775	1	Fitting, 90 JIC/ORB	
37	2220237	1	Plug ORB	
38	2220906	1	Fitting, 90 JIC/ORB	
39	2220923	2	Fitting, Straight JIC/ORB	
40	2220946	2	Fitting, Straight JIC/ORB	
41	2220947	1	Fitting, Straight JIC/ORB	
42	2220998	2	Fitting, Straight JIC/ORB	
44	4240018	13	Tie-Strap (Not Shown)	
47	1001275635	2	Clamp	
49	1001098928	1	Clamp (Not Shown)	
57	88662037	1	Fitting, Straight JIC/ORB	
58	3290601	2	Nut M6 x 1	
59	4811700	2	Washer M6	
60	1001191275	1	Clamp	
61	1001191276	1	Clamp	
62	4811702	2	Washer M6	
63	2221086	3	Fitting, Diagnostic Test Port	
99	0700619	2	Bolt M6 x 55	
100	1001202940	1	Kit, Upper Boom (Not Shown)	
101	1001173909	1	Hose	
102	1001173937	1	Hose	

## SECTION 7 - HYDRAULIC

ITEM	PART NUMBER	QTY	DESCRIPTION	REV
200	1001202941	1	Kit, S Boom (Not Shown)	
201	1001172694	1	Hose	
202	1001172696	1	Hose	
300	1001202943	1	Kit, Chassis Rear Hose (Not Shown)	
301	1001172695	2	Hose	
302	1001172697	4	Hose	
303	1001184561	1	Hose	
304	1001184562	1	Hose	
305	1001184563	1	Hose	
306	1001197284	1	Hose	
400	1001214614	1	Kit, Chassis Front Hose (Not Shown)	
401	1001172692	2	Hose	
402	1001184542	1	Hose	
403	1001184543	1	Hose	
500	1001202946	1	Kit, Turntable Hosing (Not Shown)	
501	1001173901	1	Hose	
502	1001173902	1	Hose	
503	1001173903	1	Hose	
504	1001173904	1	Hose	
505	1001173907	1	Hose	
506	1001173908	1	Hose	
600	1001252922	1	Kit, Turntable Hosing (Not Shown)	
601	2752500	1	Hose	
602	1001172716	1	Hose	
603	1001172717	1	Hose	
604	1001172718	1	Hose	
605	1001172719	1	Hose	
606	1001172721	1	Hose	
607	1001172722	2	Hose	
608	1001172723	3	Hose	
609	1001173900	1	Hose	
610	1001181075	1	Hose	
611	1001193654	1	Hose	
700	1001252923	1	Kit, Turntable Hosing (Not Shown)	
701	1001173898	1	Hose	
702	1001181074	1	Hose	
703	1001207332	1	Hose	
704	1001207333	1	Hose	
705	1001216655	1	Hose	
800	2060404	2	Fitting, Straight FORB/ORB	

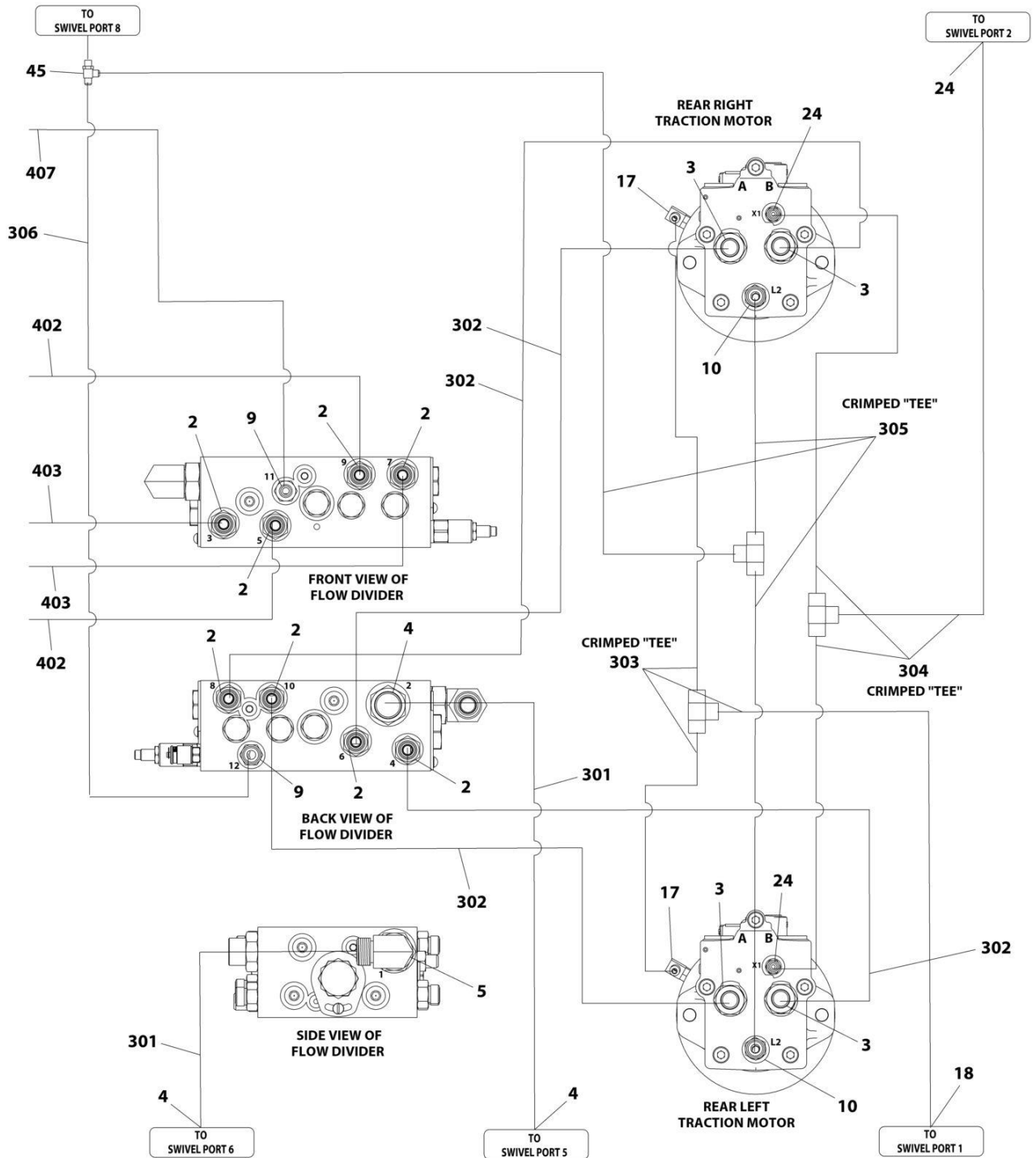
# SECTION 7 - HYDRAULIC

## FIGURE 7-2. 400S 4WD HYDRAULIC SYSTEM INSTALLATION (ALL MACHINES)



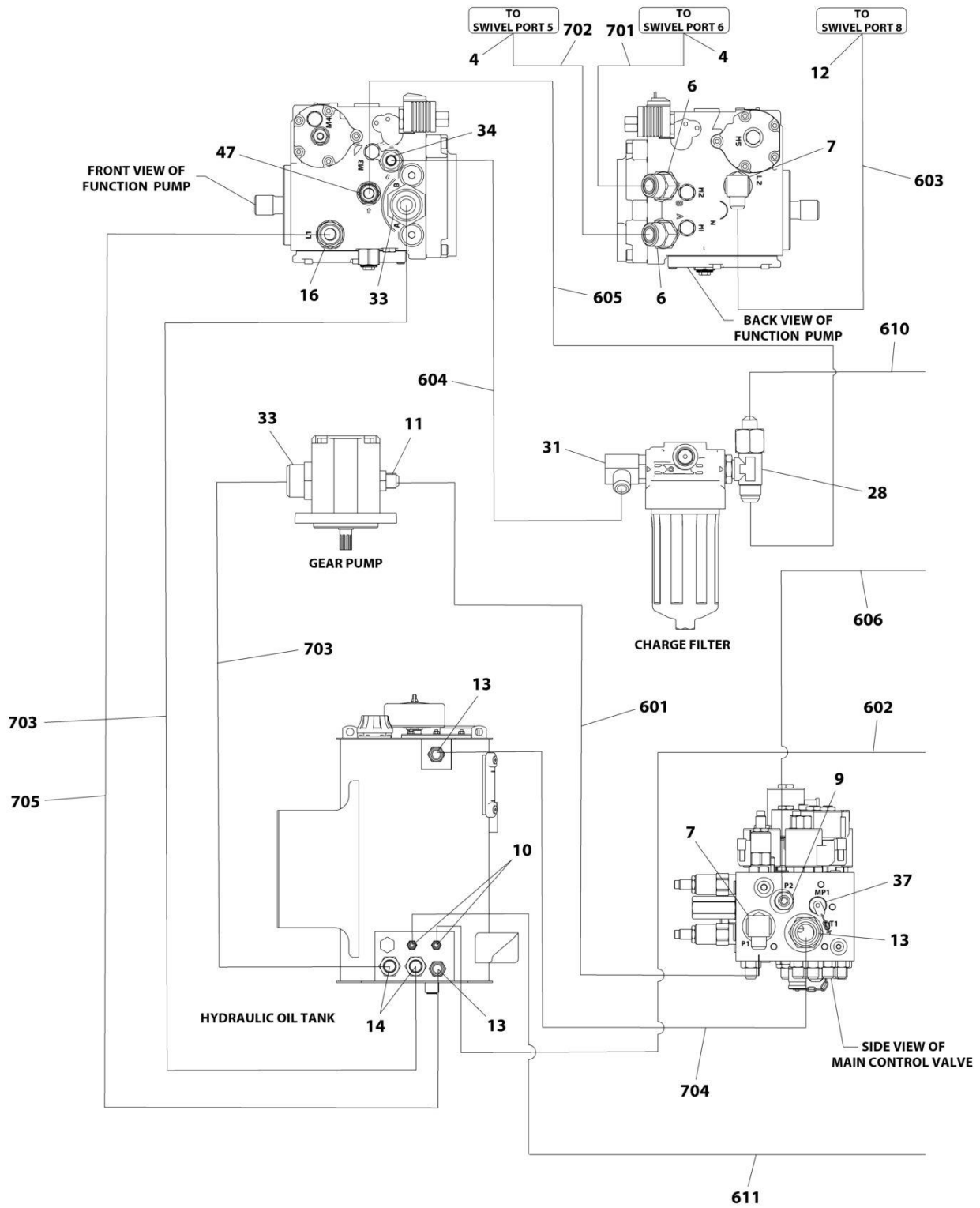
ART\_1001207340\_I\_10F6

# SECTION 7 - HYDRAULIC



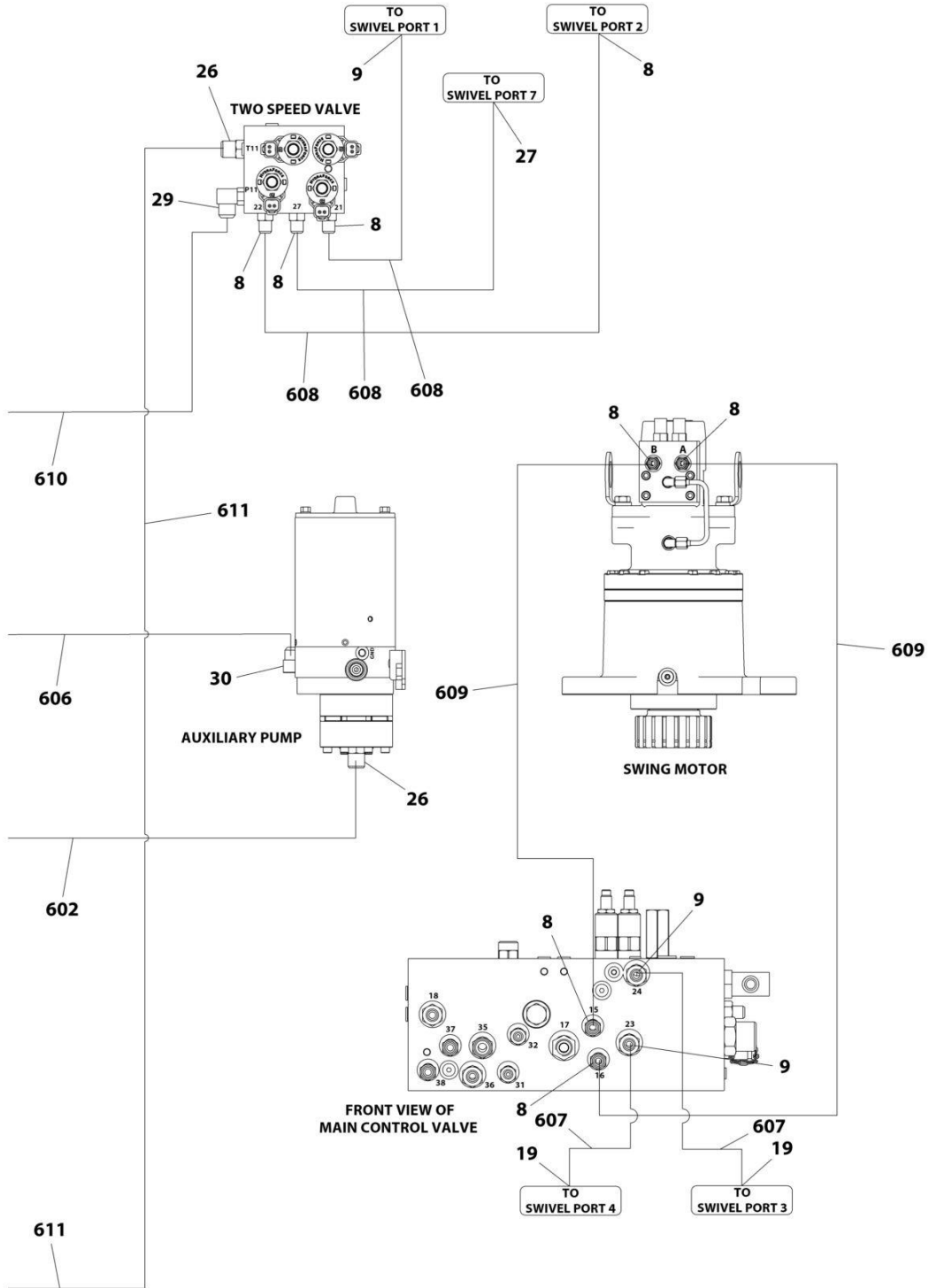
ART\_1001207340\_I\_20F6

# SECTION 7 - HYDRAULIC



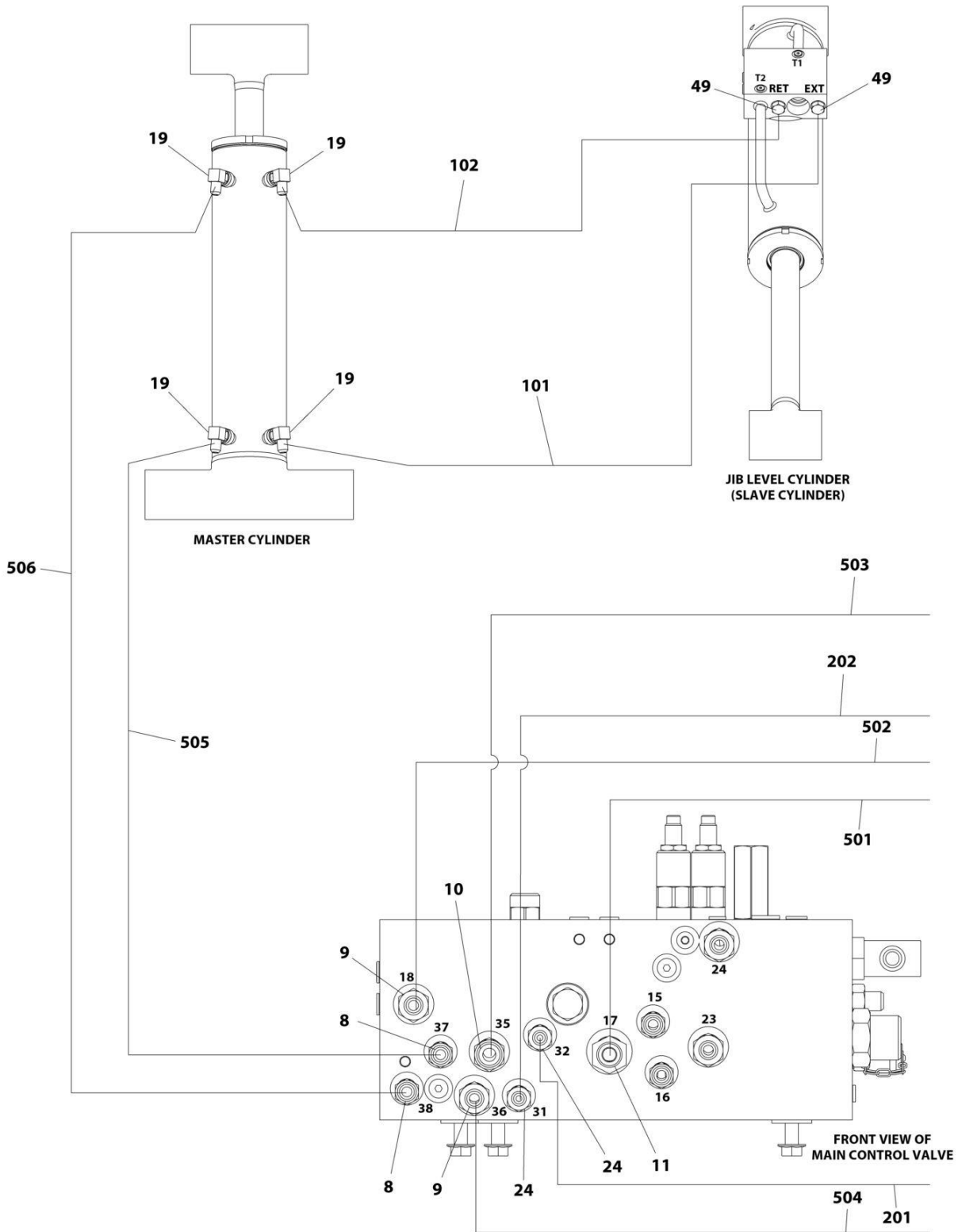
ART\_1001207340\_I\_30F6

# SECTION 7 - HYDRAULIC



ART\_1001207340\_I\_40F6

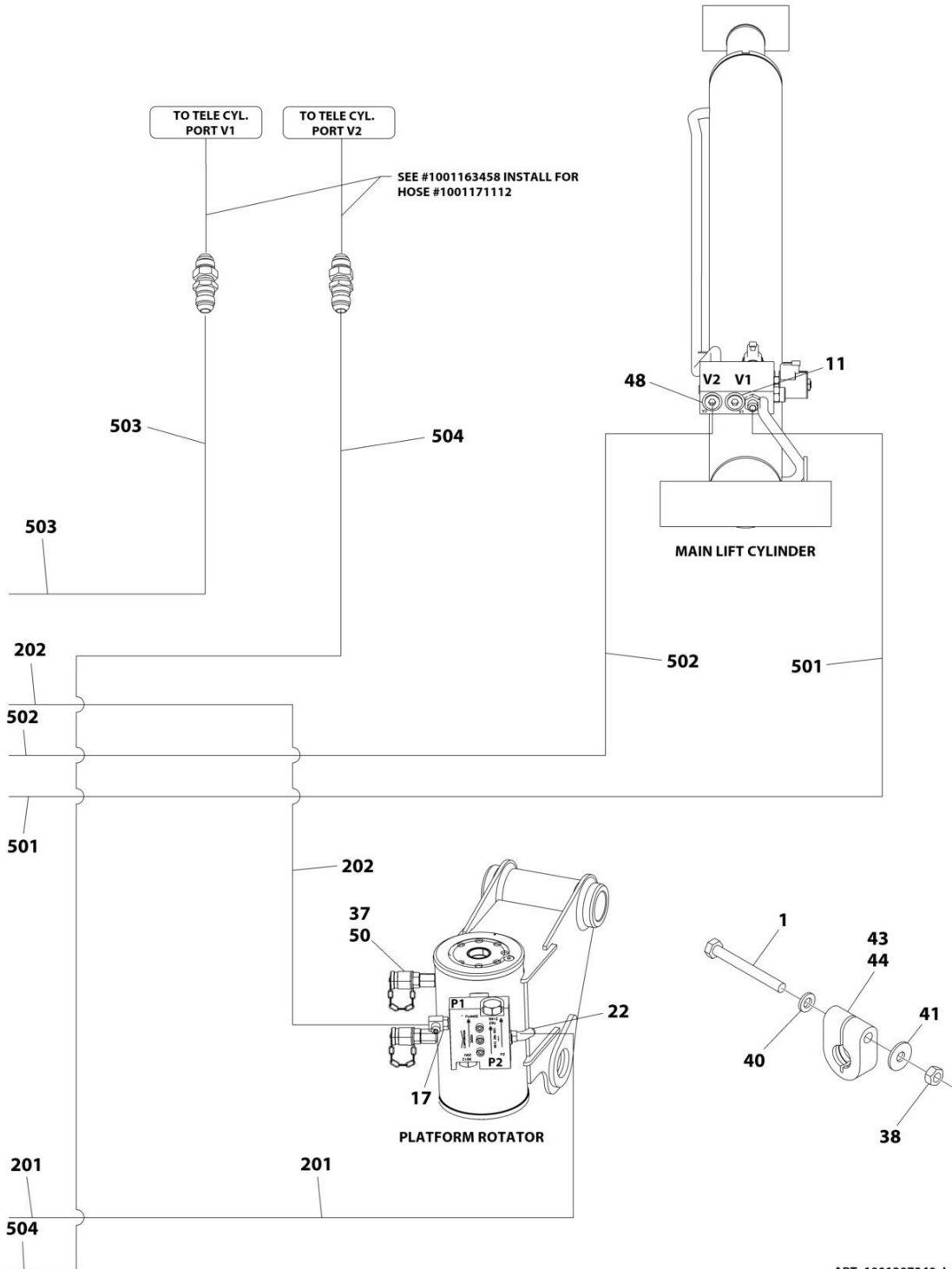
# SECTION 7 - HYDRAULIC



ART\_1001207340\_I\_50F6



# SECTION 7 - HYDRAULIC



ART\_1001207340\_I\_60F6

# SECTION 7 - HYDRAULIC

## FIGURE 7-2. 400S 4WD HYDRAULIC SYSTEM INSTALLATION (ALL MACHINES)

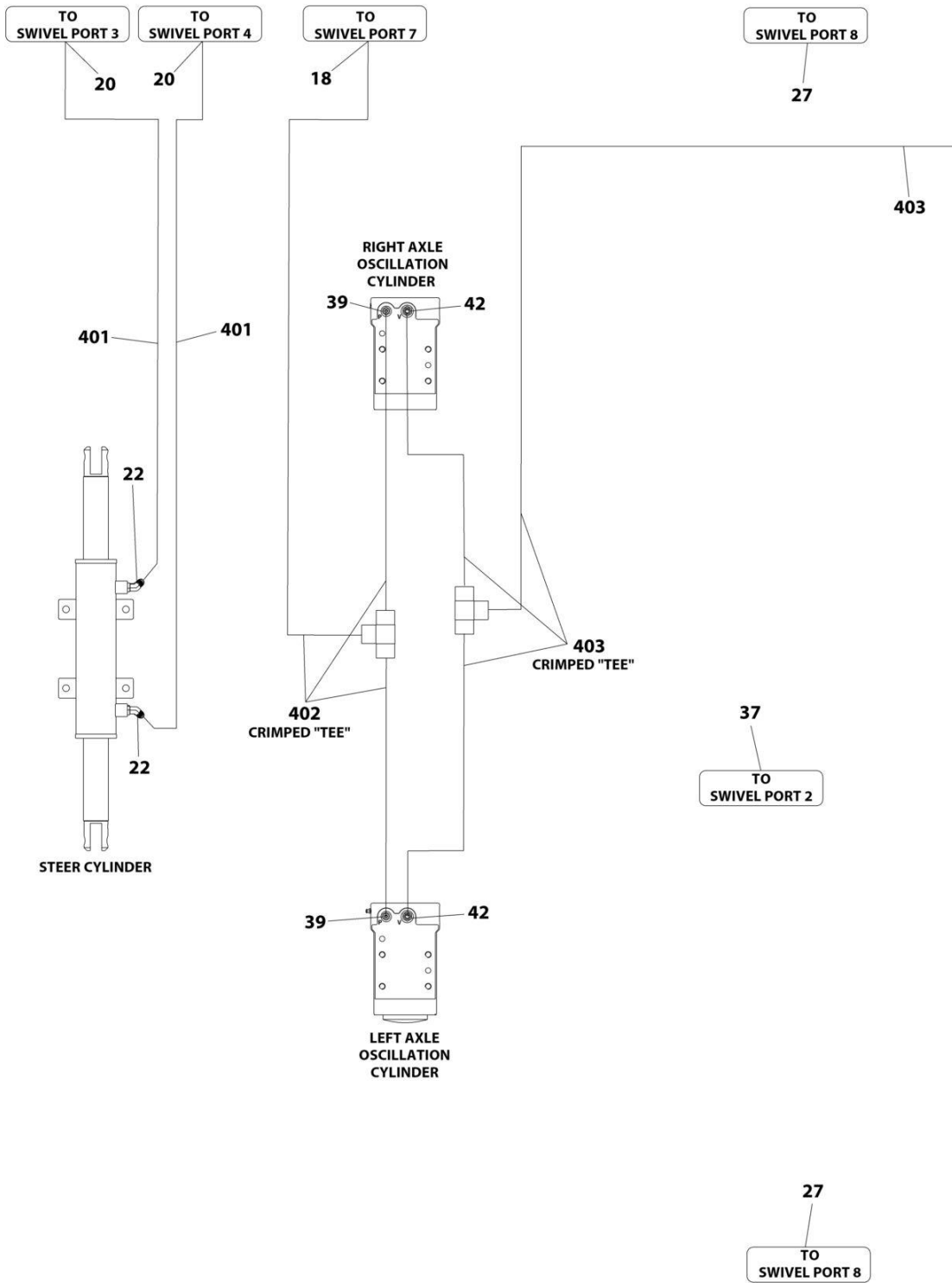
ITEM	PART NUMBER	QTY	DESCRIPTION	REV
	1001207340	Ref	HYDRAULIC SYSTEM INSTALLATION	I
1	0700619	2	Bolt M6 x 55	
2	2110810	8	Fitting, Straight ORFS/ORB	
3	2110812	8	Fitting, Straight ORFS/ORB	
4	2111216	5	Fitting, Straight ORFS/ORB	
5	2131216	1	Fitting, 90 ORFS/ORB	
6	2131212	2	Fitting, 90 ORFS/ORB	
7	2220366	2	Fitting, 90 JIC/ORB	
8	2220371	10	Fitting, Straight JIC/ORB	
9	2220372	8	Fitting, Straight JIC/ORB	
10	2220373	5	Fitting, Straight JIC/ORB	
11	2220374	3	Fitting, Straight JIC/ORB	
12	2220375	1	Fitting, Straight JIC/ORB	
13	2220377	3	Fitting, Straight JIC/ORB	
14	1001202910	2	Fitting, Straight MORB	
16	2220451	1	Fitting, Straight JIC/ORB	
17	2220466	3	Fitting, 90 JIC/ORB	
18	2220468	2	Fitting, Straight JIC/ORB	
19	2220473	8	Fitting, 90 JIC/ORB	
20	2220500	2	Fitting, 45 JIC/ORB	
21	2220501	2	Fitting, 45 JIC/ORB	
22	2220502	1	Fitting, 45 JIC/ORB	
24	2220582	5	Fitting, Straight JIC/ORB	
25	2220596	2	Fitting, 90 JIC/ORB	
26	2220600	2	Fitting, Straight JIC/ORB	
27	2220628	1	Fitting, 90 JIC/ORB	
28	2220695	1	Fitting, Tee JIC/ORB/JIC	
29	2220726	1	Fitting, 90 JIC/ORB	
30	2220775	1	Fitting, 90 JIC/ORB	
31	2220906	1	Fitting, 90 JIC/ORB	
32	2220923	2	Fitting, Straight JIC/ORB	
33	2220946	2	Fitting, Straight JIC/ORB	
34	2220947	1	Fitting, Straight JIC/ORB	
35	2220998	2	Fitting, Straight JIC/ORB	
36	2221040	2	Fitting, 45 JIC/ORB	
37	2221086	3	Fitting, Diagnostic Test Port	
38	3290601	2	Nut M6 x 1	
39	4240018	AR	Tie-Strap (Not Shown)	
40	4811700	2	Washer M6	
41	4811702	2	Washer M6	
42	1001175024	1	Fitting, Tee JIC/JIC/ORB	
43	1001191275	1	Clamp	
44	1001191276	1	Clamp	
45	1001197272	1	Fitting, Tee JIC/ORB/JIC	
46	1001275635	2	Clamp, Hose (Not Shown)	
47	88662037	1	Fitting, Straight JIC/ORB	
48	2220497	1	Fitting, Straight JIC/ORB	
49	2220603	2	Fitting, Straight JIC/ORB	
50	2060404	2	Fitting, Straight FORB/ORB	
100	1001202940	1	Kit, Upper Boom (Not Shown)	

## SECTION 7 - HYDRAULIC

ITEM	PART NUMBER	QTY	DESCRIPTION	REV
101	1001173909	1	Hose	
102	1001173937	1	Hose	
200	1001202941	1	Kit, S Boom (Not Shown)	
201	1001172694	1	Hose	
202	1001172696	1	Hose	
300	1001202943	1	Kit, Chassis Rear Hose (Not Shown)	
301	1001172695	2	Hose	
302	1001172697	4	Hose	
303	1001184561	1	Hose	
304	1001184562	1	Hose	
305	1001184563	1	Hose	
306	1001197284	1	Hose	
400	1001202944	1	Kit, Chassis Front Hose (Not Shown)	
401	1001172692	2	Hose	
402	1001172698	2	Hose	
403	1001172699	2	Hose	
404	1001172703	2	Hose	
405	1001172707	2	Hose	
406	1001184542	1	Hose	
407	1001184543	1	Hose	
500	1001202946	1	Kit, Turntable Hosing (Not Shown)	
501	1001173901	1	Hose	
502	1001173902	1	Hose	
503	1001173903	1	Hose	
504	1001173904	1	Hose	
505	1001173907	1	Hose	
506	1001173908	1	Hose	
600	1001252922	1	Kit, Turntable Hosing (Not Shown)	
601	2752500	1	Hose	
602	1001172716	1	Hose	
603	1001172717	1	Hose	
604	1001172718	1	Hose	
605	1001172719	1	Hose	
606	1001172721	1	Hose	
607	1001172722	2	Hose	
608	1001172723	3	Hose	
609	1001173900	2	Hose	
610	1001181075	1	Hose	
611	1001193654	1	Hose	
700	1001252923	1	Kit, Turntable Hosing (Not Shown)	
701	1001173898	1	Hose	
702	1001181074	1	Hose	
703	1001207332	1	Hose	
704	1001207333	1	Hose	
705	1001216655	1	Hose	

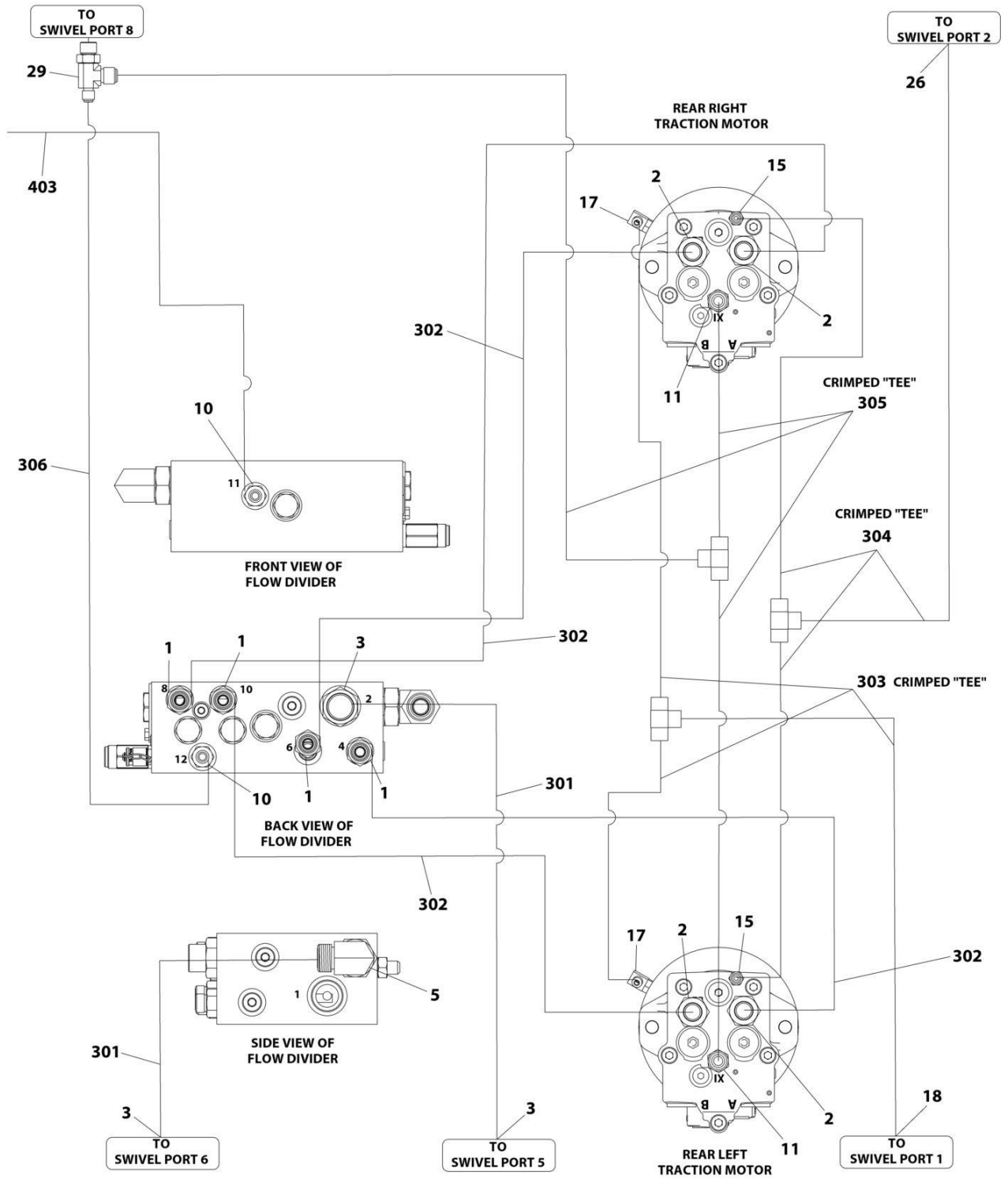
# SECTION 7 - HYDRAULIC

## FIGURE 7-3. 460SJ 2WD HYDRAULIC SYSTEM INSTALLATION



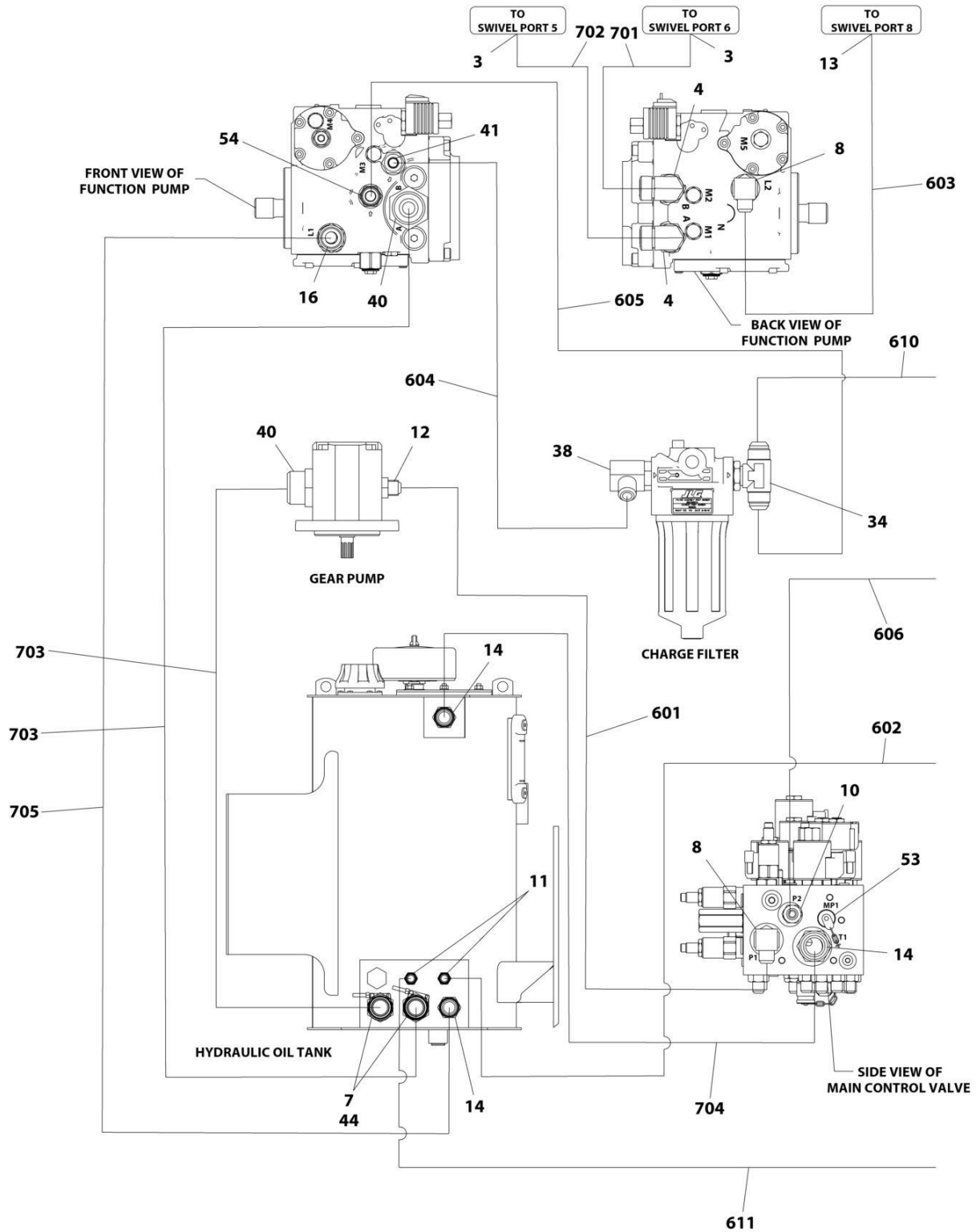
ART\_1001216800\_G\_10F6

# SECTION 7 - HYDRAULIC



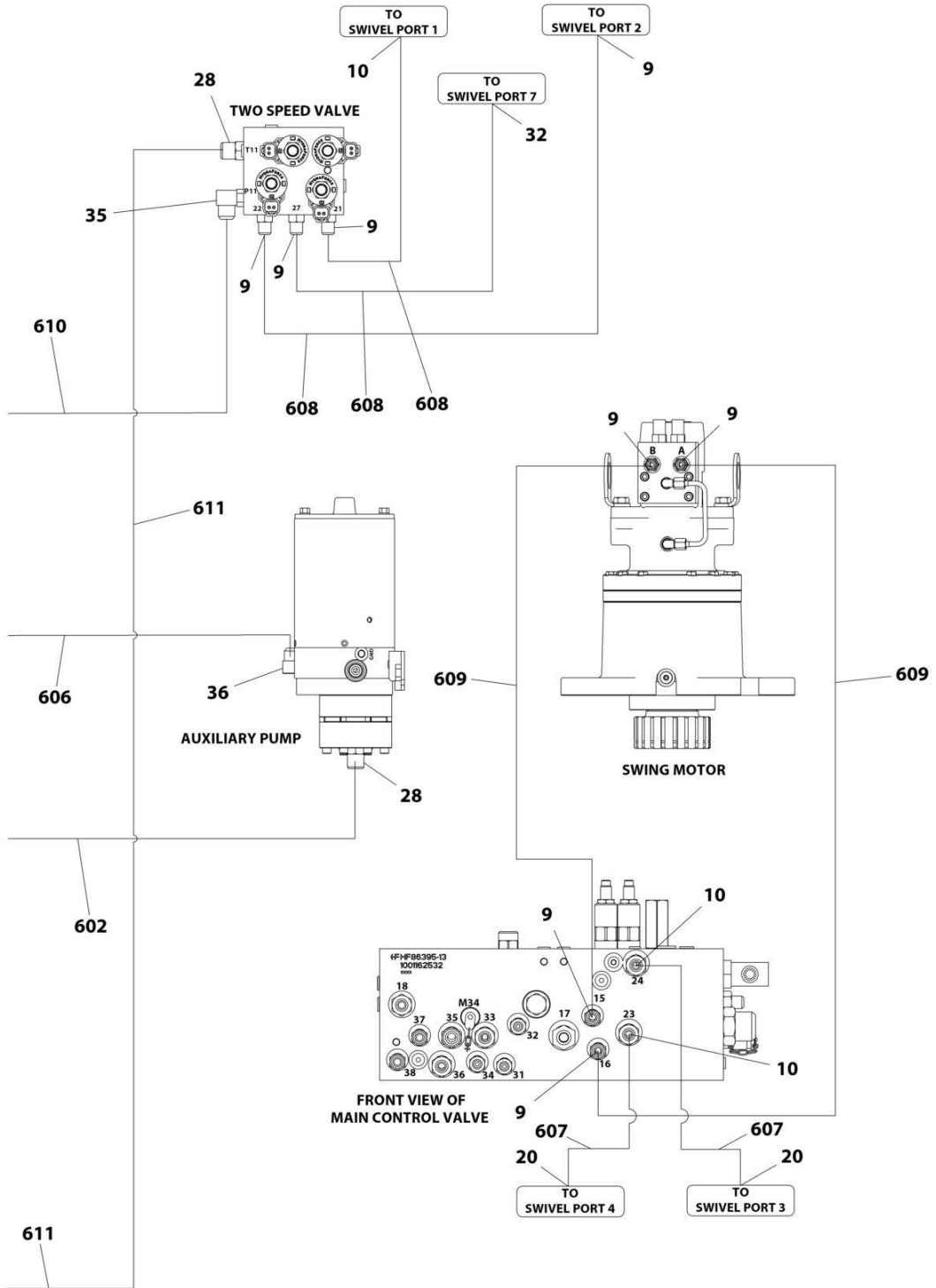
ART\_1001216800\_G\_20F6

# SECTION 7 - HYDRAULIC



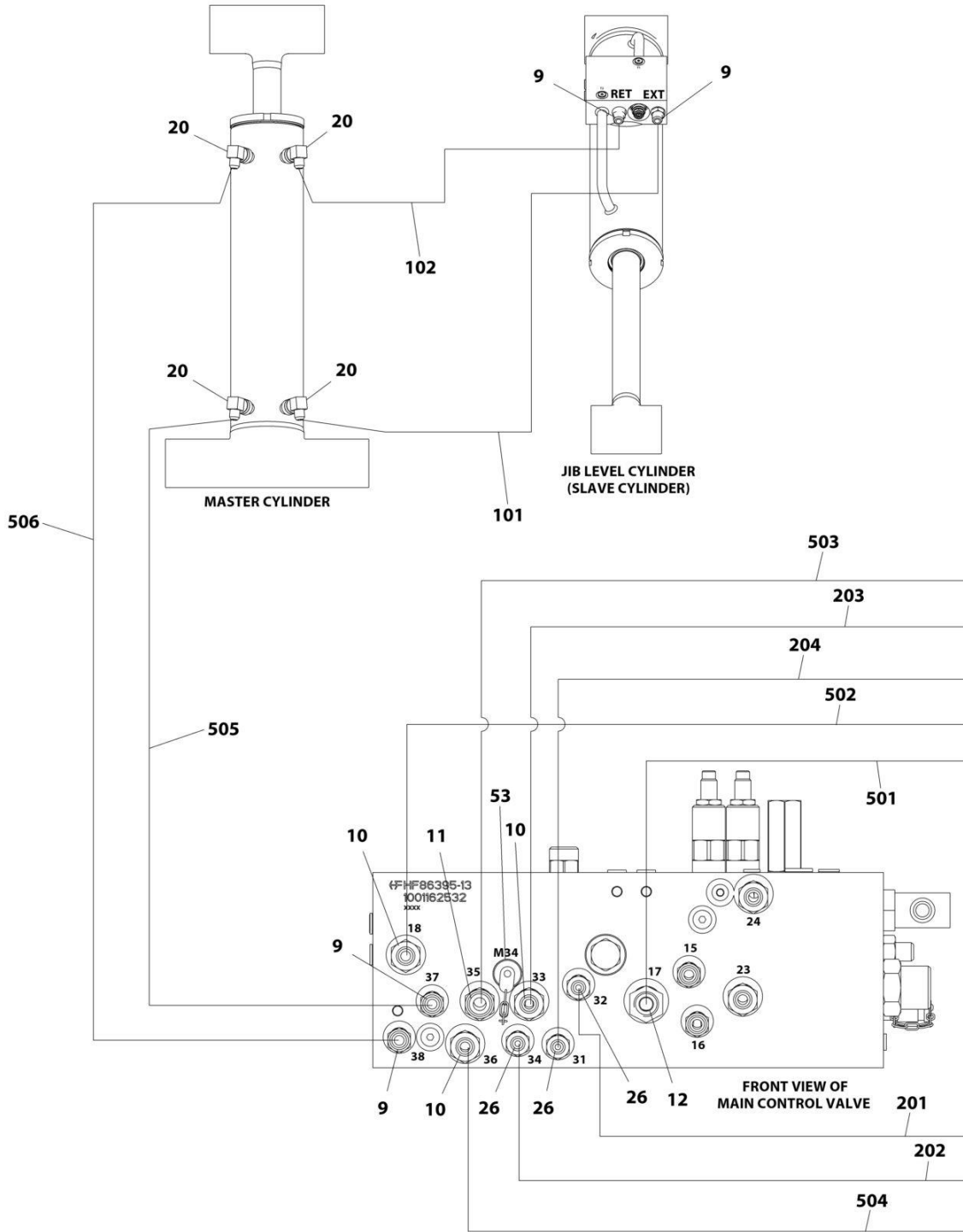
ART\_1001216800\_G\_30F6

# SECTION 7 - HYDRAULIC



ART\_1001216800\_G\_40F6

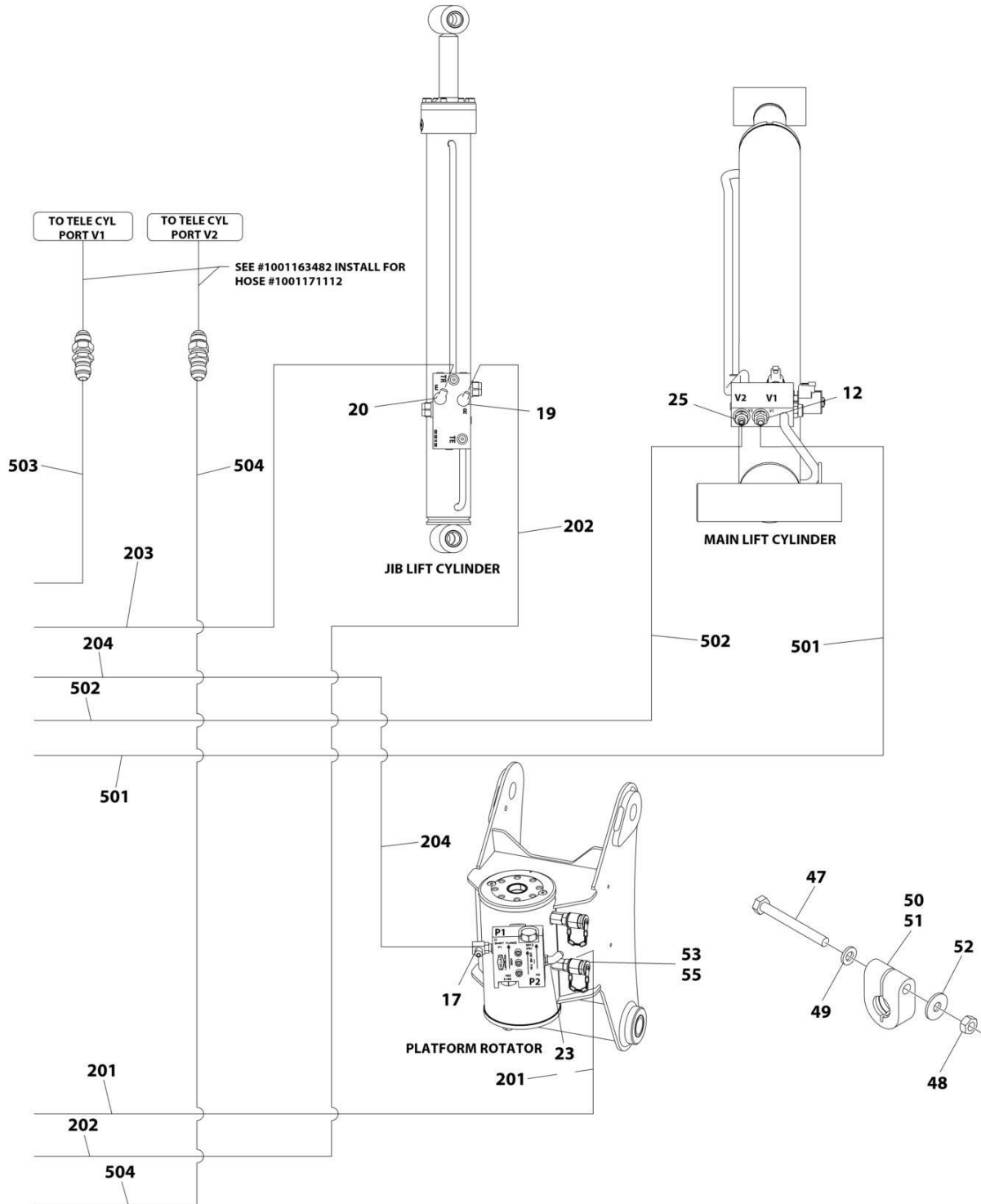
# SECTION 7 - HYDRAULIC



ART\_1001216800\_G\_50F6



# SECTION 7 - HYDRAULIC



ART\_1001216800\_G\_60F6

# SECTION 7 - HYDRAULIC

## FIGURE 7-3. 460SJ 2WD HYDRAULIC SYSTEM INSTALLATION

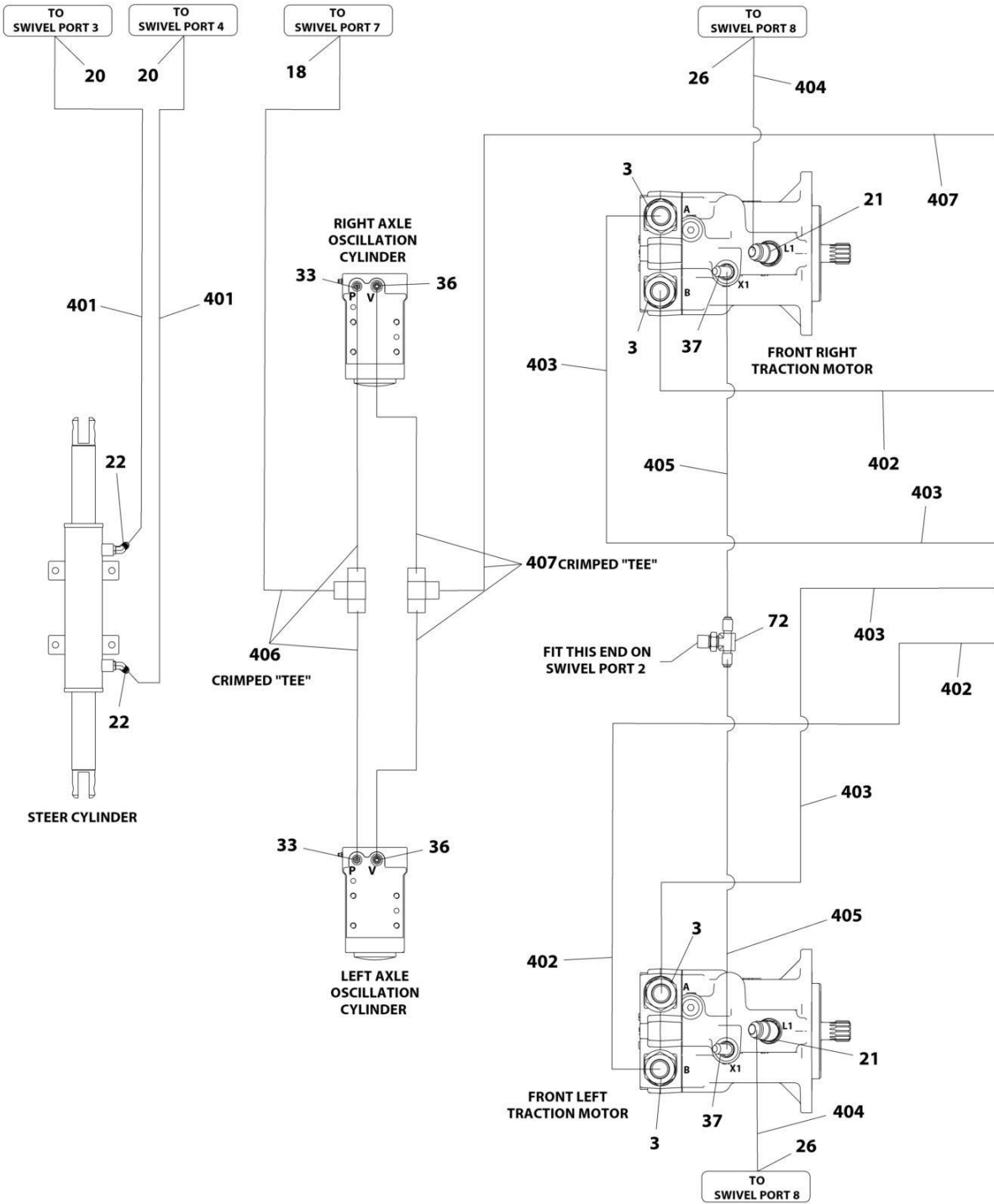
ITEM	PART NUMBER	QTY	DESCRIPTION	REV
	1001216800	Ref	2WD HYDRAULIC SYSTEM INSTALLATION	G
1	2110810	4	Fitting, Straight ORFS/ORB	
2	2110812	4	Fitting, Straight ORFS/ORB	
3	2111216	5	Fitting, Straight ORFS/ORB	
4	2131212	2	Fitting, 90 ORFS/ORB	
5	2131216	1	Fitting, 90 ORFS/ORB	
7	1001202910	2	Fitting, Straight MORB	
8	2220366	2	Fitting, 90 JIC/ORB	
9	2220371	12	Fitting, Straight JIC/ORB	
10	2220372	9	Fitting, Straight JIC/ORB	
11	2220373	5	Fitting, Straight JIC/ORB	
12	2220374	3	Fitting, Straight JIC/ORB	
13	2220375	1	Fitting, Straight JIC/ORB	
14	2220377	3	Fitting, Straight JIC/ORB	
15	2220415	2	Fitting, Straight JIC/ORB	
16	2220451	1	Fitting, Straight JIC/ORB	
17	2220466	3	Fitting, 90 JIC/ORB	
18	2220468	2	Fitting, Straight JIC/ORB	
19	2220472	1	Fitting, 90 JIC/ORB	
20	2220473	9	Fitting, 90 JIC/ORB	
22	2220501	2	Fitting, 45 JIC/ORB	
23	2220502	1	Fitting, 45 JIC/ORB	
25	2220497	1	Fitting, Straight JIC/ORB	
26	2220582	4	Fitting, Straight JIC/ORB	
27	2220238	2	Plug	
28	2220600	2	Fitting, Straight JIC/ORB	
29	1001197272	1	Fitting, Tee JIC/ORB/JIC	
32	2220628	1	Fitting, 90 JIC/ORB	
34	2220695	1	Fitting, Tee JIC/ORB/JIC	
35	2220726	1	Fitting, 90 JIC/ORB	
36	2220775	1	Fitting, 90 JIC/ORB	
37	2220237	1	Plug #6	
38	2220906	1	Fitting, 90 JIC/ORB	
39	2220923	2	Fitting, Straight JIC/ORB	
40	2220946	2	Fitting, Straight JIC/ORB	
41	2220947	1	Fitting, Straight JIC/ORB	
42	2220998	2	Fitting, Straight JIC/ORB	
43	4240018	15	Tie-Strap (Not Shown)	
44	1001275635	2	Clamp	
46	1001098928	1	Clamp (Not Shown)	
47	0700619	2	Bolt M6 x 55	
48	3290601	2	Nut M6	
49	4811700	2	Washer M6	
50	1001191275	1	Clamp	
51	1001191276	1	Clamp	
52	4811702	1	Washer M6	
53	2221086	4	Fitting, Diagnostic Test Port	
54	88662037	1	Fitting, Straight JIC/ORB	
55	2060404	2	Fitting, Straight FORB/ORB	
100	1001202940	1	Kit, Upper Boom (Not Shown)	

## SECTION 7 - HYDRAULIC

ITEM	PART NUMBER	QTY	DESCRIPTION	REV
101	1001173909	1	Hose	
102	1001173937	1	Hose	
200	1001202942	1	Kit, S Boom (Not Shown)	
201	1001173905	1	Hose	
202	1001173906	1	Hose	
203	1001181076	1	Hose	
204	1001181077	1	Hose	
300	1001202943	1	Kit, Chassis Rear Hose (Not Shown)	
301	1001172695	2	Hose	
302	1001172697	4	Hose	
303	1001184561	1	Hose	
304	1001184562	1	Hose	
305	1001184563	1	Hose	
306	1001197284	1	Hose	
400	1001214614	1	Kit, Chassis Front Hose (Not Shown)	
401	1001172692	2	Hose	
402	1001184542	1	Hose	
403	1001184543	1	Hose	
500	1001202946	1	Kit, Turntable Hosing (Not Shown)	
501	1001173901	1	Hose	
502	1001173902	1	Hose	
503	1001173903	1	Hose	
504	1001173904	1	Hose	
505	1001173907	1	Hose	
506	1001173908	1	Hose	
600	1001252922	1	Kit, Turntable Hosing (Not Shown)	
601	2752500	1	Hose	
602	1001172716	1	Hose	
603	1001172717	1	Hose	
604	1001172718	1	Hose	
605	1001172719	1	Hose	
606	1001172721	1	Hose	
607	1001172722	2	Hose	
608	1001172723	3	Hose	
609	1001173900	2	Hose	
610	1001181075	1	Hose	
611	1001193654	1	Hose	
700	1001252923	1	Kit, Turntable Hosing (Not Shown)	
701	1001173898	1	Hose	
702	1001181074	1	Hose	
703	1001207332	1	Hose	
704	1001207333	1	Hose	
705	1001216655	1	Hose	

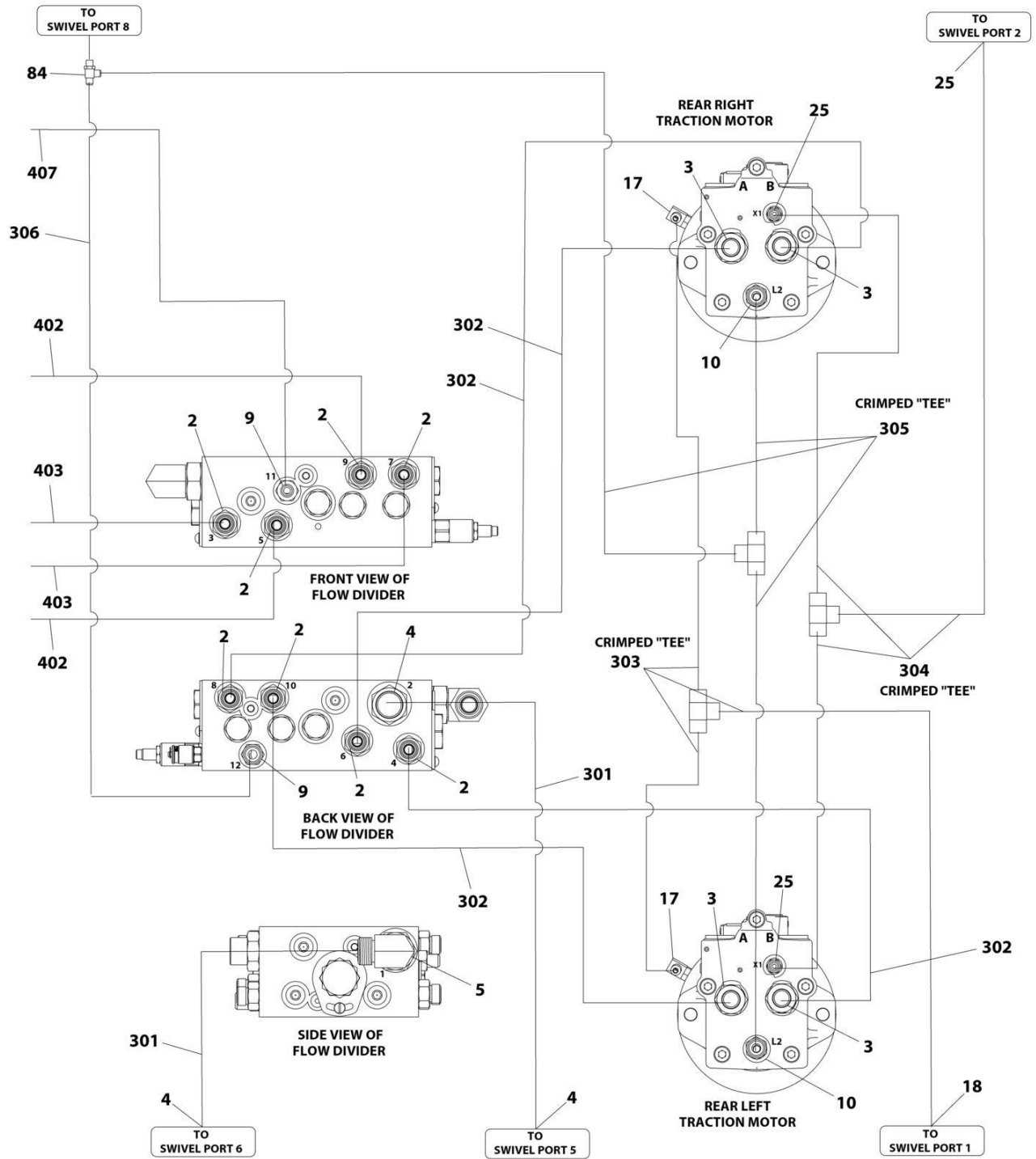
# SECTION 7 - HYDRAULIC

## FIGURE 7-4. 460SJ 4WD HYDRAULIC SYSTEM INSTALLATION (ALL MACHINES)



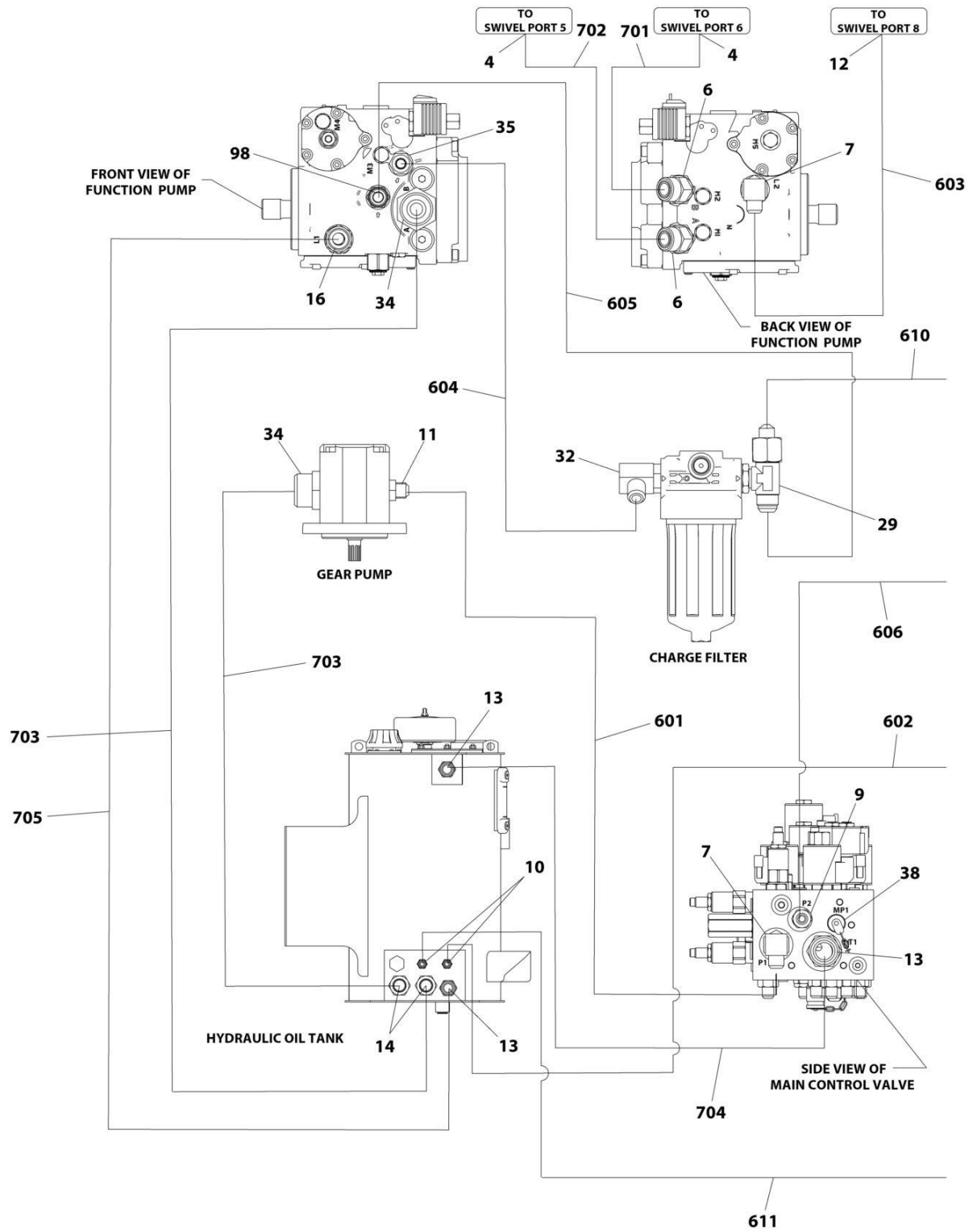
ART\_1001207341\_I\_10F6

# SECTION 7 - HYDRAULIC



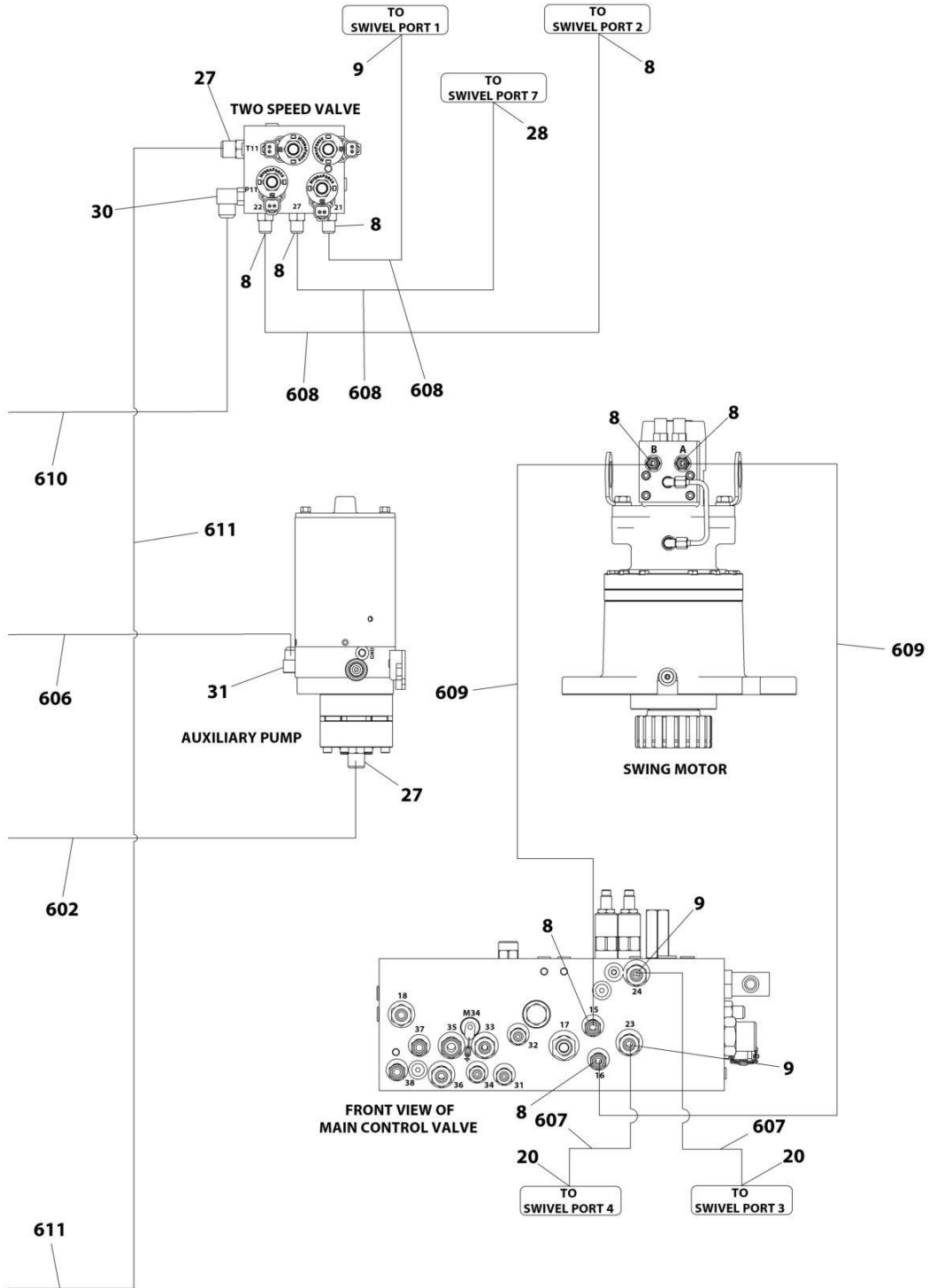
ART\_1001207341\_I\_20F6

# SECTION 7 - HYDRAULIC



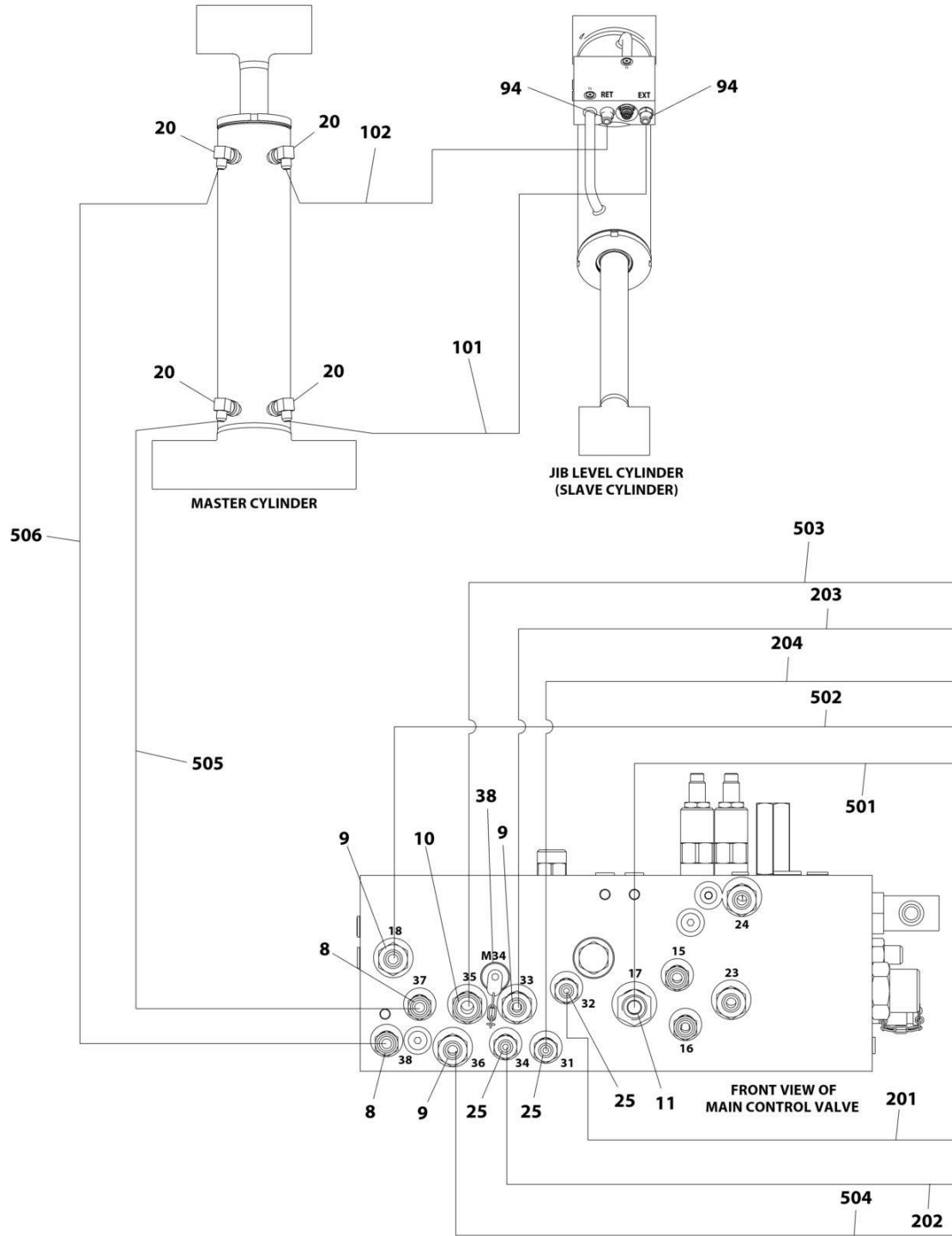
ART\_1001207341\_I\_30F6

# SECTION 7 - HYDRAULIC



ART\_1001207341\_I\_40F6

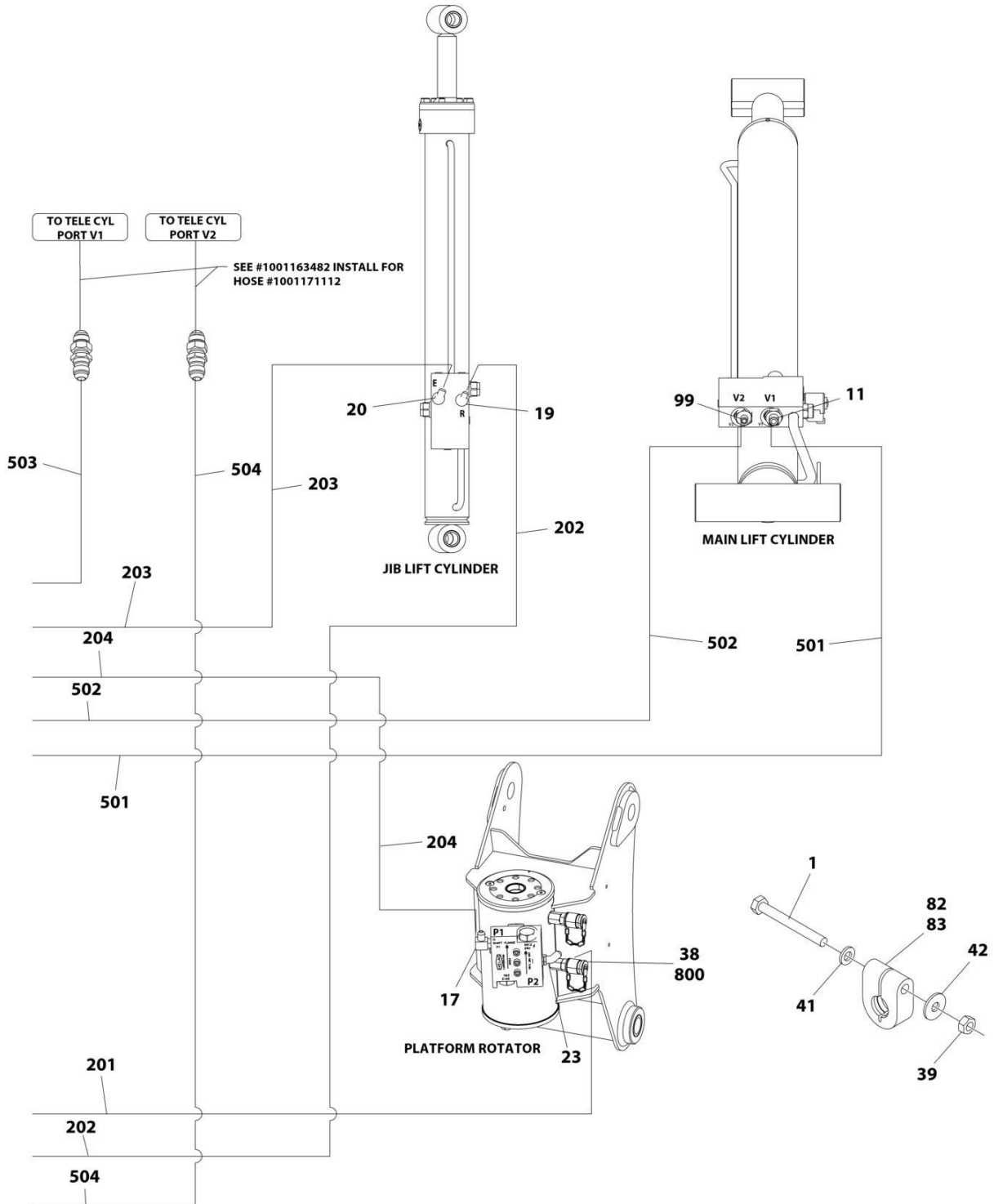
# SECTION 7 - HYDRAULIC



ART\_1001207341\_I\_50F6



# SECTION 7 - HYDRAULIC



ART\_1001207341\_I\_60F6

# SECTION 7 - HYDRAULIC

**FIGURE 7-4. 460SJ 4WD HYDRAULIC SYSTEM INSTALLATION (ALL MACHINES)**

ITEM	PART NUMBER	QTY	DESCRIPTION	REV
	1001207341	Ref	460SJ 4WD HYDRAULIC SYSTEM INSTALLATION	I
1	0760619	2	Bolt, M6 x 55	
2	2110810	8	Fitting, Straight ORFS/ORB	
3	2110812	8	Fitting, Straight ORFS/ORB	
4	2111216	5	Fitting, Straight ORFS/ORB	
5	2131216	1	Fitting, 90 ORFS/ORB	
6	2131212	2	Fitting, 90 ORFS/ORB	
7	2220366	2	Fitting, 90 JIC/ORB	
8	2220371	10	Fitting, Straight JIC/ORB	
9	2220372	9	Fitting, Straight JIC/ORB	
10	2220373	5	Fitting, Straight JIC/ORB	
11	2220374	AR	Fitting, Straight JIC/ORB	
12	2220375	AR	Fitting, Straight JIC/ORB	
13	2220377	3	Fitting, Straight JIC/ORB	
14	1001202910	2	Fitting, Straight MORB	
16	2220451	1	Fitting, Straight JIC/ORB	
17	2220466	3	Fitting, 90 JIC/ORB	
18	2220468	2	Fitting, Straight JIC/ORB	
19	2220472	1	Fitting, 90 JIC/ORB	
20	2220473	9	Fitting, 90 JIC/ORB	
21	2220500	2	Fitting, 45 JIC/ORB	
22	2220501	2	Fitting, 45 JIC/ORB	
23	2220502	1	Fitting, 45 JIC/ORB	
25	2220582	6	Fitting, Straight JIC/ORB	
26	2220596	2	Fitting, 90 JIC/ORB	
27	2220600	2	Fitting, Straight JIC/ORB	
28	2220628	1	Fitting, 90 JIC/ORB	
29	2220695	1	Fitting, Tee JIC/ORB/JIC	
30	2220726	1	Fitting, 90 JIC/ORB	
31	2220775	1	Fitting, 90 JIC/ORB	
32	2220906	1	Fitting, 90 JIC/ORB	
33	2220923	2	Fitting, Straight JIC/ORB	
34	2220946	2	Fitting, Straight JIC/ORB	
35	2220947	AR	Fitting, Straight JIC/ORB	
36	2220998	2	Fitting, Straight JIC/ORB	
37	2221040	2	Fitting, 45 JIC/ORB	
38	2221086	4	Fitting, Diagnostic Test Port	
39	3290601	2	Nut, M6 x 1	
40	4240018	23	Tie-Strap (Not Shown)	
41	4811700	2	Washer, M6	
42	4811702	2	Washer, M6	
72	1001175024	1	Fitting, Tee JIC/JIC/ORB	
82	1001191275	1	Clamp	
83	1001191276	1	Clamp	
84	1001197272	1	Fitting, Tee JIC/ORB/JIC	
94	2220603	AR	Fitting, Straight JIC/ORB	
97	1001275635	2	Clamp (Not Shown)	
98	88662037	1	Fitting, Straight JIC/ORB	
99	2220497	1	Fitting, Straight JIC/ORB	
100	1001202940	1	Kit, Upper Boom (Not Shown)	

## SECTION 7 - HYDRAULIC

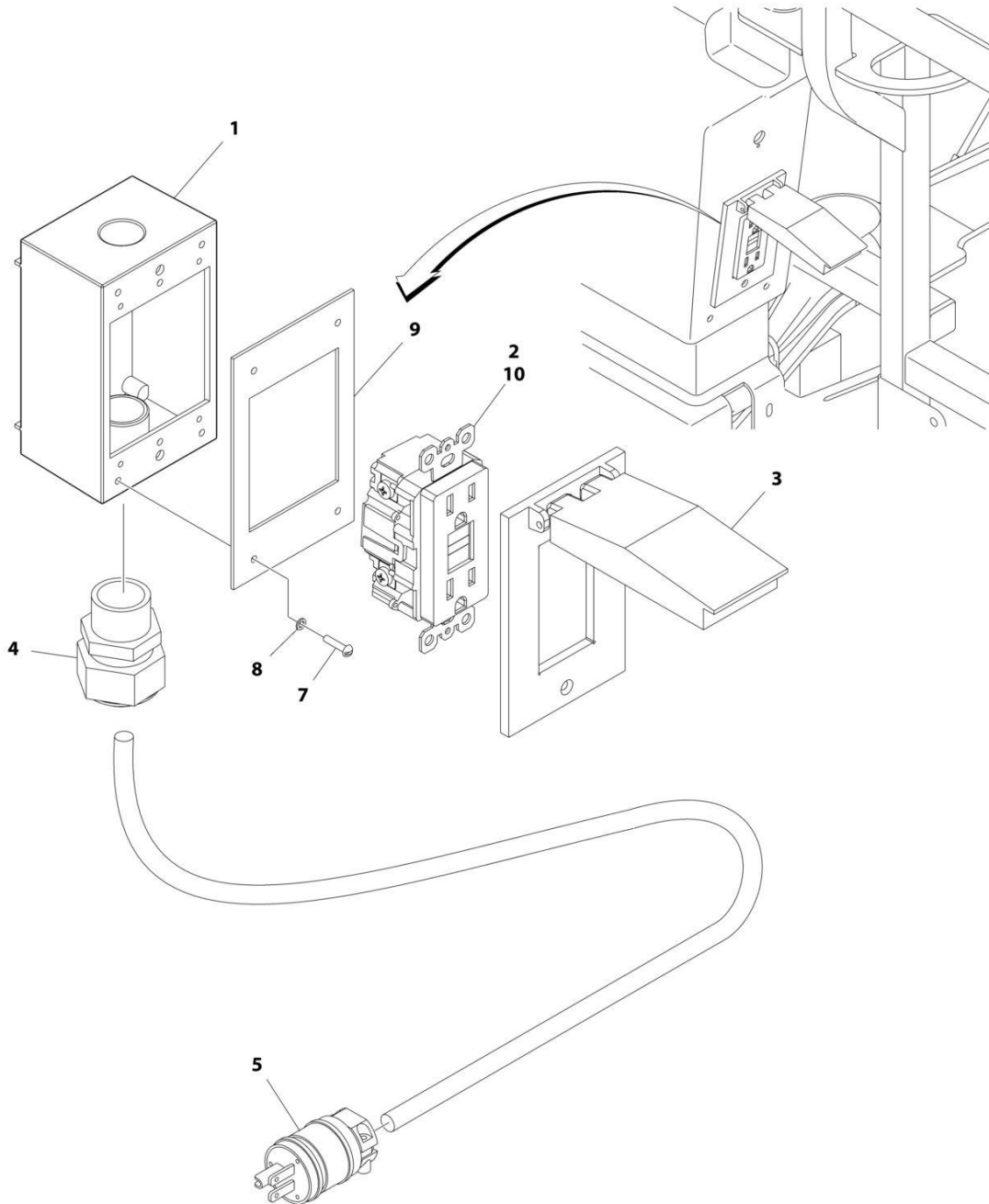
ITEM	PART NUMBER	QTY	DESCRIPTION	REV
101	1001173909	1	Hose	
102	1001173937	1	Hose	
200	1001202942	1	Kit, S Boom (Not Shown)	
201	1001173905	1	Hose	
202	1001173906	1	Hose	
203	1001181076	1	Hose	
204	1001181077	1	Hose	
300	1001202943	1	Kit, Chassis Rear Hose (Not Shown)	
301	1001172695	2	Hose	
302	1001172697	4	Hose	
303	1001184561	1	Hose	
304	1001184562	1	Hose	
305	1001184563	1	Hose	
306	1001197284	1	Hose	
400	1001202944	1	Kit, Chassis Front Hose (Not Shown)	
401	1001172692	2	Hose	
402	1001172698	2	Hose	
403	1001172699	2	Hose	
404	1001172703	2	Hose	
405	1001172707	2	Hose	
406	1001184542	1	Hose	
407	1001184543	1	Hose	
500	1001202946	1	Kit, Turntable Hosing (Not Shown)	
501	1001173901	1	Hose	
502	1001173902	1	Hose	
503	1001173903	1	Hose	
504	1001173904	1	Hose	
505	1001173907	1	Hose	
506	1001173908	1	Hose	
600	1001252922	1	Kit, Turntable Hosing (Not Shown)	
601	2752500	1	Hose	
602	1001172716	1	Hose	
603	1001172717	1	Hose	
604	1001172718	1	Hose	
605	1001172719	1	Hose	
606	1001172721	1	Hose	
607	1001172722	2	Hose	
608	1001172723	3	Hose	
609	1001173900	2	Hose	
610	1001181075	1	Hose	
611	1001193654	1	Hose	
700	1001252923	1	Kit, Turntable Hosing (Not Shown)	
701	1001173898	1	Hose	
702	1001181074	1	Hose	
703	1001207332	1	Hose	
704	1001207333	1	Hose	
705	1001216655	1	Hose	
800	2060404	2	Fitting, Straight FORB/ORB	



**SECTION 8 - ELECTRICAL**

# SECTION 8 - ELECTRICAL

FIGURE 8-1. AC BOX AT PLATFORM INSTALLATION - 110V (ANSI, ANSI EXPORT(HRC), CSA AND JAPANESE SPECS)



ART\_0270022

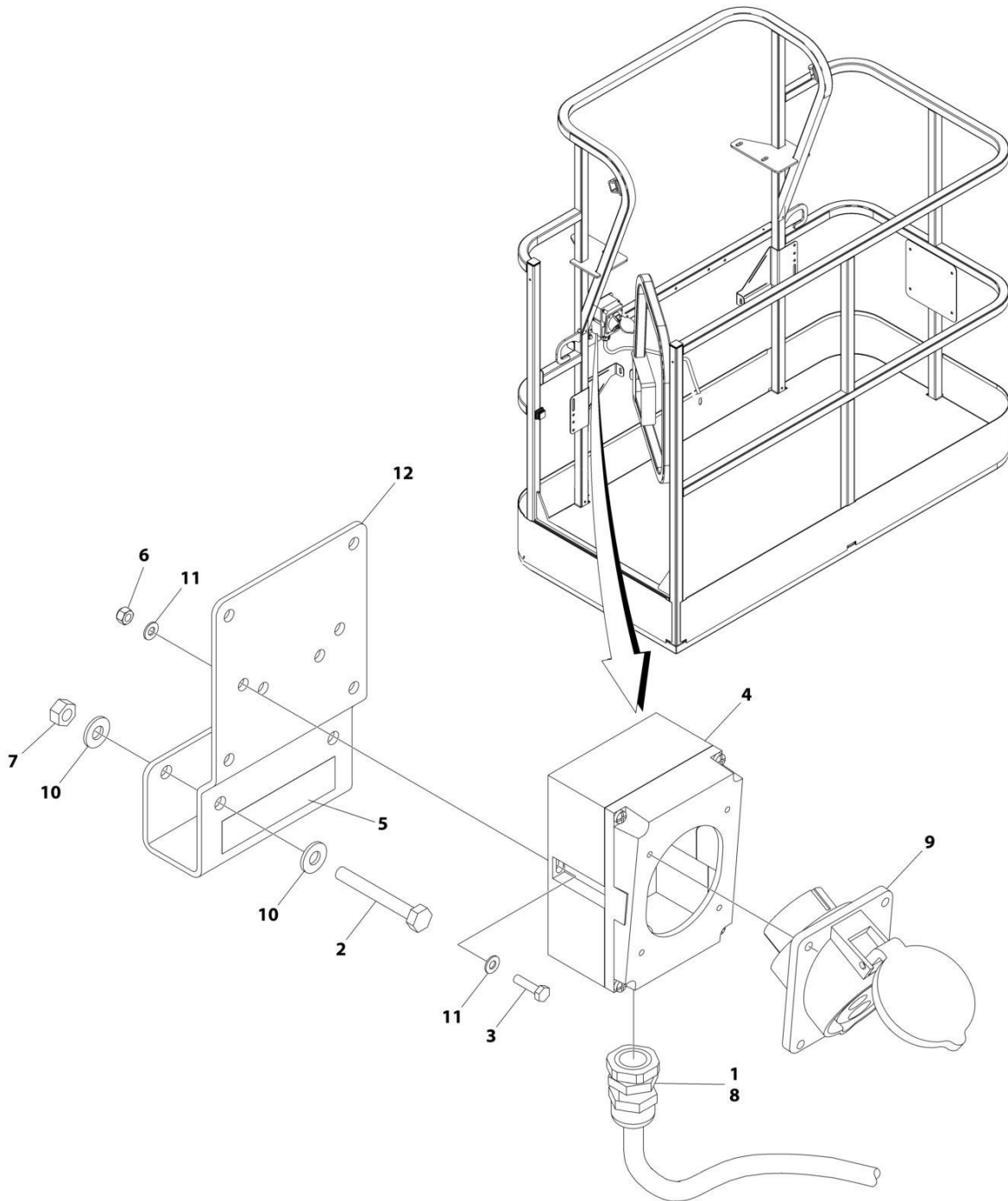
## SECTION 8 - ELECTRICAL

**FIGURE 8-1. AC BOX AT PLATFORM INSTALLATION - 110V (ANSI, ANSI EXPORT(HRC), CSA AND JAPANESE SPECS)**

ITEM	PART NUMBER	QTY	DESCRIPTION	REV
	0270022	Ref	AC BOX AT PLATFORM INSTALLATION - 110V	4-B
1	0860038	1	Box, Switch	
2	4460346	1	Receptacle	
3	1001110873	1	Shield, Cover	
4	4460071	1	Connector, Strain Relief	
5	4460205	1	Plug, Male	
7	3910610	4	Screw #6 x 5/8	
8	4760600	4	Washer #6	
9	3960422	1	Gasket	
10	4460315	1	Terminal, Spade	

# SECTION 8 - ELECTRICAL

FIGURE 8-2. AC BOX AT PLATFORM INSTALLATION - 110V IEC YELLOW (CE & UK CA SPECS WITH 4000W/50HZ GENERATOR)



ART\_1001194203



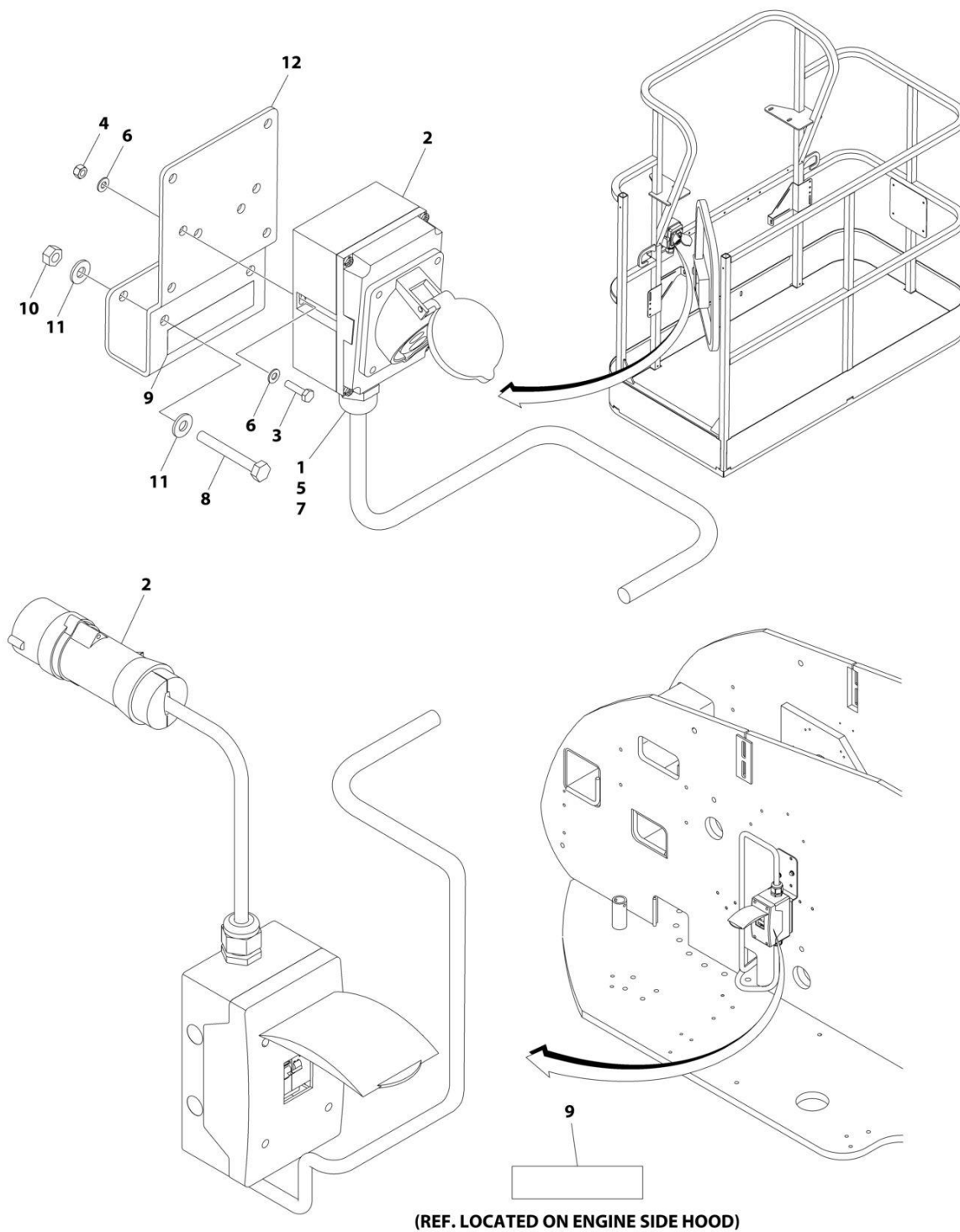
## SECTION 8 - ELECTRICAL

**FIGURE 8-2. AC BOX AT PLATFORM INSTALLATION - 110V IEC YELLOW (CE & UK CA SPECS WITH 4000W/50HZ GENERATOR)**

ITEM	PART NUMBER	QTY	DESCRIPTION	REV
	1001194203	Ref	AC BOX AT PLATFORM INSTALLATION	B
1	0100020	AR	Sealant, Pipe	
2	0641416	2	Bolt 1/4 x 2	
3	0700408	2	Bolt M4 x 16	
4	0861781	1	Box, Switch	
5	1705325	1	Decal - 110V	
6	3290405	2	Nut M4	
7	3311405	2	Nut 1/4	
8	4460968	1	Connector, Strain Relief	
9	4461198	1	Receptacle	
10	4711400	4	Washer 1/4	
11	4811400	4	Washer M4	
12	1001193018	1	Bracket, AC Receptacle	

# SECTION 8 - ELECTRICAL

## FIGURE 8-3. AC BOX AT PLATFORM - 110V IEC YELLOW (CE & UK CA SPEC WITHOUT GENERATOR)



ART\_1001091969

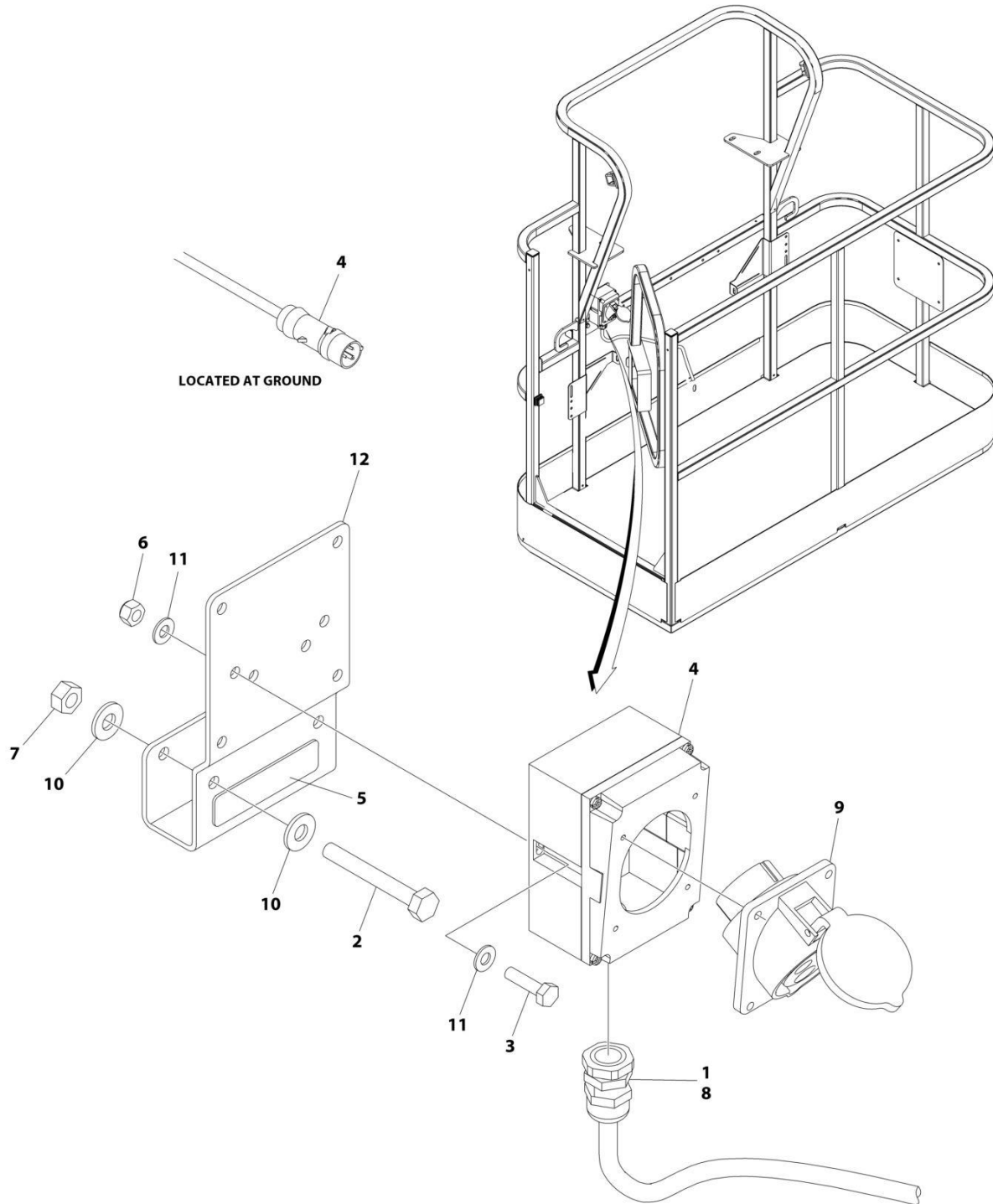
## SECTION 8 - ELECTRICAL

**FIGURE 8-3. AC BOX AT PLATFORM - 110V IEC YELLOW (CE & UK CA SPEC WITHOUT GENERATOR)**

ITEM	PART NUMBER	QTY	DESCRIPTION	REV
	1001091969	Ref	AC BOX AT PLATFORM INSTALLATION - 110V IEC YELLOW	D
1	0100020	AR	Sealant, Pipe	
2	0275216	1	Receptacle Box Kit (See Separate Breakdown in this Section)	
3	0700408	2	Bolt M4 x 16	
4	3290405	2	Nut M4	
5	1001101196	1	Adapter	
6	4811400	4	Washer M4	
7	1001101191	1	Connector, Strain Relief	
8	0641416	2	Bolt 1/4 x 2	
9	1705325	2	Decal - 110V	
10	3311405	2	Nut 1/4	
11	4711400	4	Washer 1/4	
12	1001193018	1	Bracket	

# SECTION 8 - ELECTRICAL

FIGURE 8-4. AC BOX AT PLATFORM INSTALLATION - 220V IEC BLUE (CE & UK CA SPECS WITH 4000W/50HZ GENERATOR)



ART\_1001194204

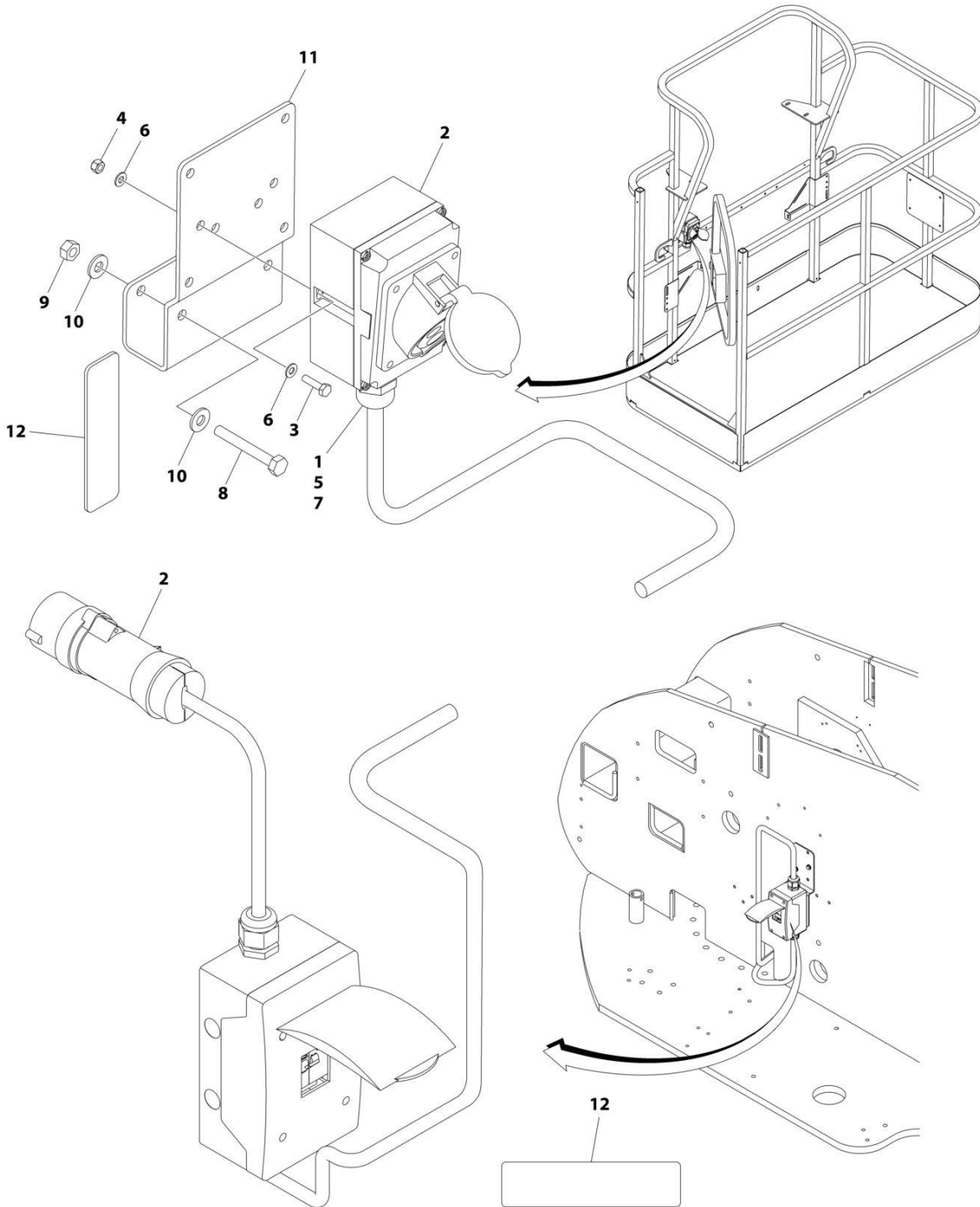
## SECTION 8 - ELECTRICAL

**FIGURE 8-4. AC BOX AT PLATFORM INSTALLATION - 220V IEC BLUE (CE & UK CA SPECS WITH 4000W/50HZ GENERATOR)**

ITEM	PART NUMBER	QTY	DESCRIPTION	REV
	1001194204	Ref	AC BOX AT PLATFORM INSTALLATION	B
1	0100020	AR	Sealant, Pipe	
2	0641416	2	Bolt 1/4 x 2	
3	0700408	2	Bolt M4 x 16	
4	0861781	1	Box, Switch	
5	3251242	1	Decal - 240V/50Hz	
6	3290405	2	Nut M4	
7	3311405	2	Nut 1/4	
8	4460968	1	Connector, Strain Relief	
9	4461201	1	Receptacle	
10	4711400	4	Washer 1/4	
11	4811400	4	Washer M4	
12	1001193018	1	Bracket, AC Receptacle	

# SECTION 8 - ELECTRICAL

FIGURE 8-5. AC BOX AT PLATFORM - 220V IEC BLUE (CE & UK CA SPEC WITHOUT GENERATOR)



(REF. LOCATED ON ENGINE SIDE HOOD)

ART\_1001091970

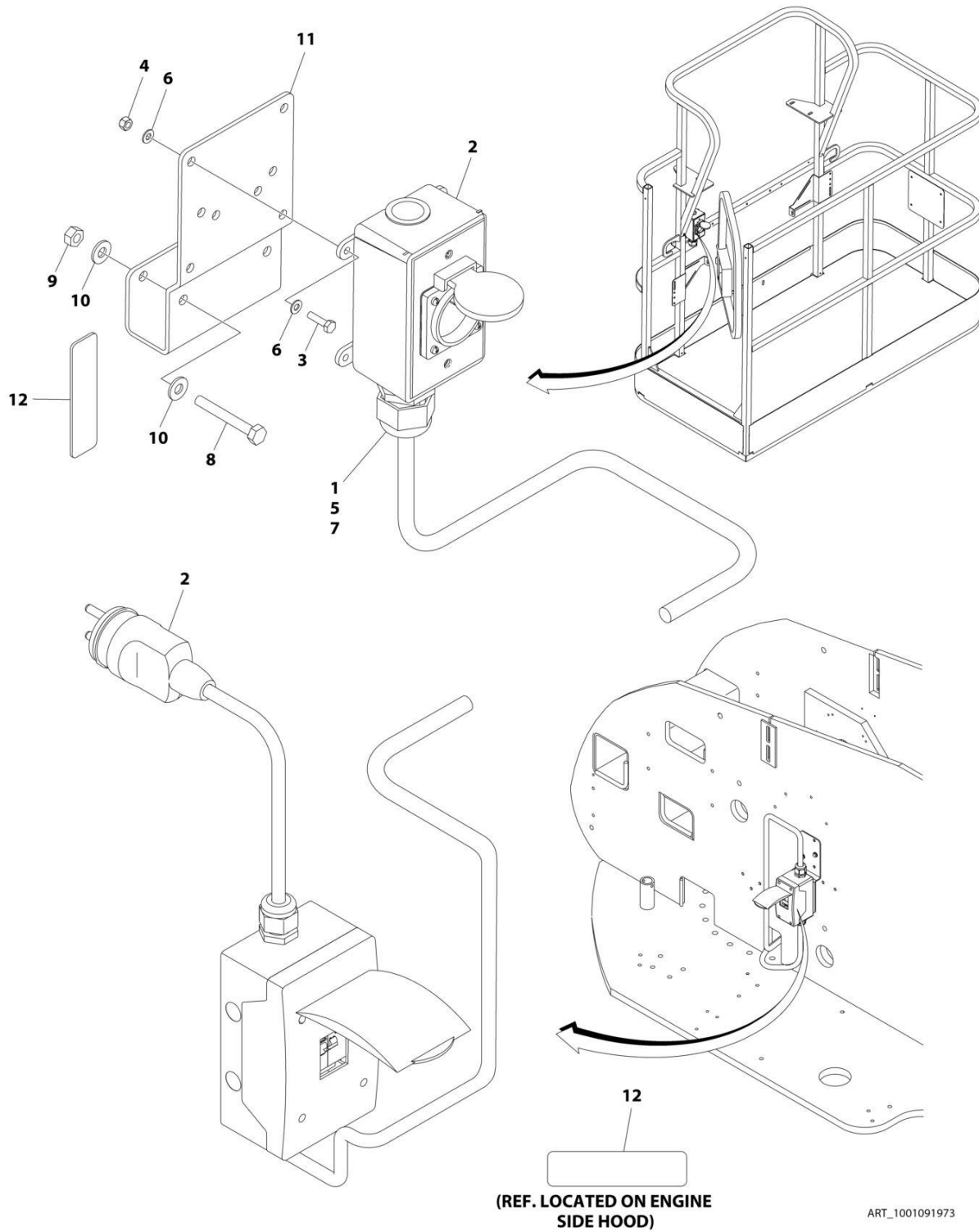
## SECTION 8 - ELECTRICAL

**FIGURE 8-5. AC BOX AT PLATFORM - 220V IEC BLUE (CE & UK CA SPEC WITHOUT GENERATOR)**

ITEM	PART NUMBER	QTY	DESCRIPTION	REV
	1001091970	Ref	AC BOX AT PLATFORM INSTALLATION - 220V IEC BLUE	D
1	0100020	AR	Sealant, Pipe	
2	0275217	1	Receptacle Box Kit (See Separate Breakdown in this Section)	
3	0700408	2	Bolt M4 x 16	
4	3290405	2	Nut M4	
5	1001101196	1	Adapter	
6	4811400	4	Washer M4	
7	1001101191	1	Connector, Strain Relief	
8	0641416	2	Bolt 1/4 x 2	
9	3311405	2	Nut 1/4	
10	4711400	4	Washer 1/4	
11	1001193018	1	Bracket	
12	3251242	2	Decal - 240V/50Hz	

# SECTION 8 - ELECTRICAL

FIGURE 8-6. AC BOX AT PLATFORM - 220V CEE7 2IN X 4IN POST GROUND (CE & UK CA SPEC WITHOUT GENERATOR)





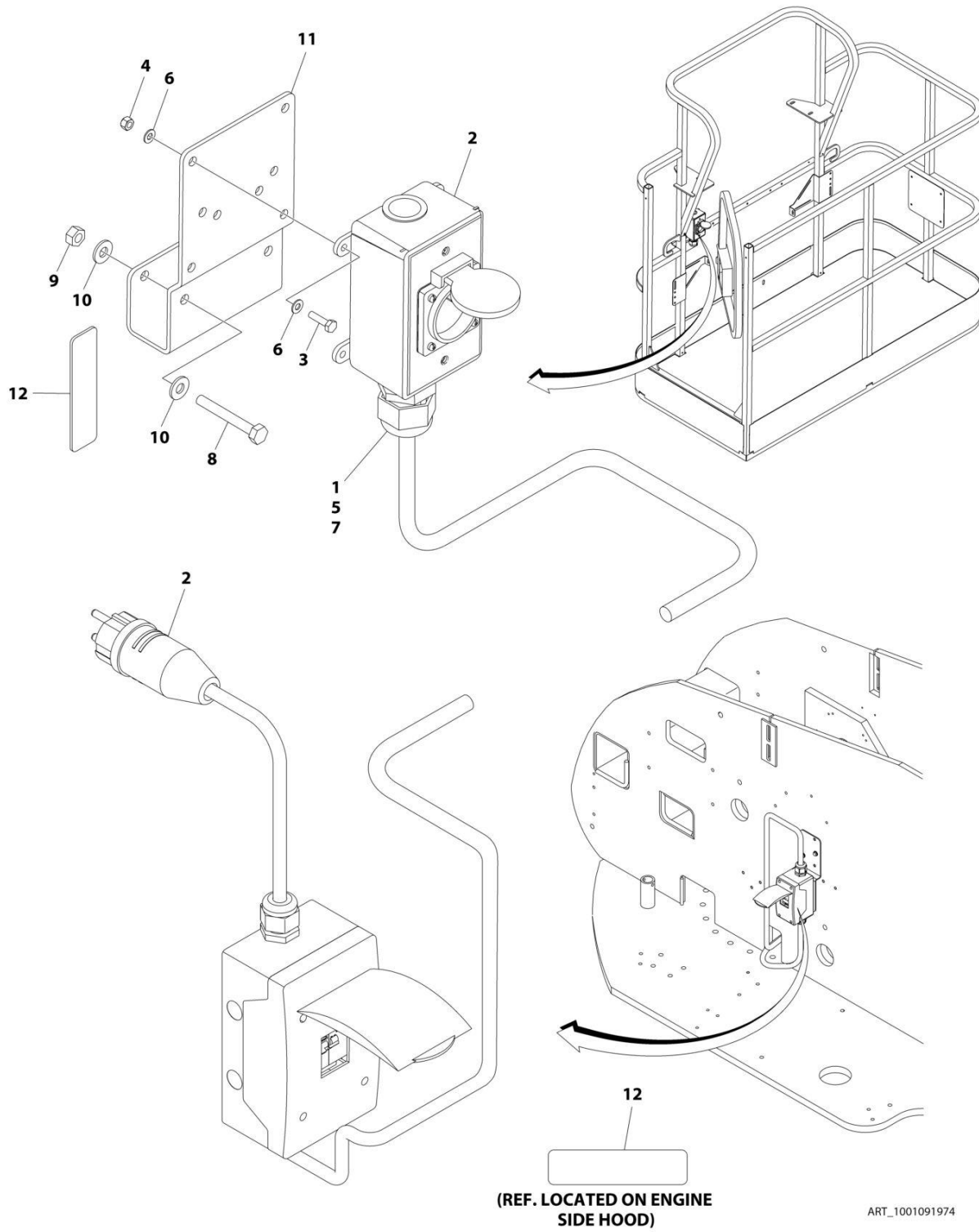
## SECTION 8 - ELECTRICAL

**FIGURE 8-6. AC BOX AT PLATFORM - 220V CEE7 2IN X 4IN POST GROUND (CE & UK CA SPEC WITHOUT GENERATOR)**

ITEM	PART NUMBER	QTY	DESCRIPTION	REV
	1001091973	Ref	AC BOX AT PLATFORM INSTALLATION - 220V CEE7 2X4 BOX POST GROUND	F
1	0100020	AR	Sealant, Pipe	
2	0275452	1	Receptacle Box Kit (See Separate Breakdown in this Section)	
3	0700408	4	Bolt M4 x 16	
4	3290405	4	Nut M4	
5	1001101197	1	Adapter	
6	4811400	8	Washer M4	
7	1001101191	1	Connector, Strain Relief	
8	0641416	2	Bolt 1/4 x 2	
9	3311405	2	Nut 1/4	
10	4711400	4	Washer 1/4	
11	1001193018	1	Bracket	
12	3251242	2	Decal - 240V/50Hz	
13	4460806	2	Terminal, Fork (Not Shown)	
14	1001205958	1	Terminal (Not Shown)	

# SECTION 8 - ELECTRICAL

FIGURE 8-7. AC BOX AT PLATFORM - 220V CEE7 2IN X 4IN SIDE GROUND (CE & UK CA SPEC WITHOUT GENERATOR)



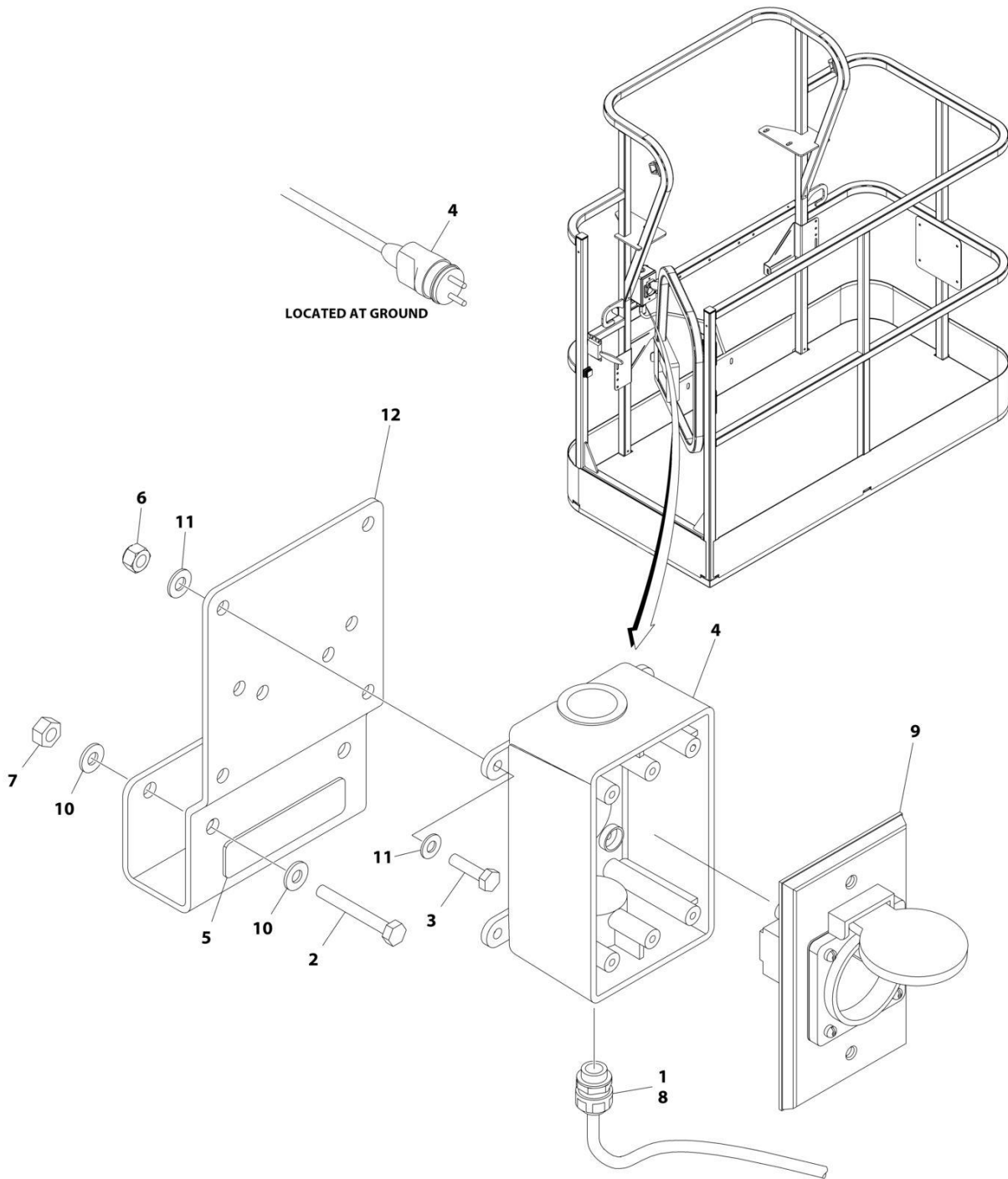
## SECTION 8 - ELECTRICAL

**FIGURE 8-7. AC BOX AT PLATFORM - 220V CEE7 2IN X 4IN SIDE GROUND (CE & UK CA SPEC WITHOUT GENERATOR)**

ITEM	PART NUMBER	QTY	DESCRIPTION	REV
	1001091974	Ref	AC BOX AT PLATFORM INSTALLATION - 220V CEE7 2X4 BOX SIDE GROUND	F
1	0100020	AR	Sealant, Pipe	
2	0275453	1	Receptacle Box Kit (See Separate Breakdown in this Section)	
3	0700408	4	Bolt M4 x 16	
4	3290405	4	Nut M4	
5	1001101197	1	Adapter	
6	4811400	8	Washer M4	
7	1001101191	1	Connector, Strain Relief	
8	0641416	2	Bolt 1/4 x 2	
9	3311405	2	Nut 1/4	
10	4711400	4	Washer 1/4	
11	1001193018	1	Bracket	
12	3251242	2	Decal - 240V/50Hz	
13	4460806	2	Terminal, Fork (Not Shown)	
14	1001205958	1	Terminal (Not Shown)	

# SECTION 8 - ELECTRICAL

FIGURE 8-8. AC BOX AT PLATFORM INSTALLATION - 220V CEE7 2IN X 4IN POST GROUND (CE & UK CA SPECS WITH 4000W/50HZ GENERATOR)



ART\_1001194197

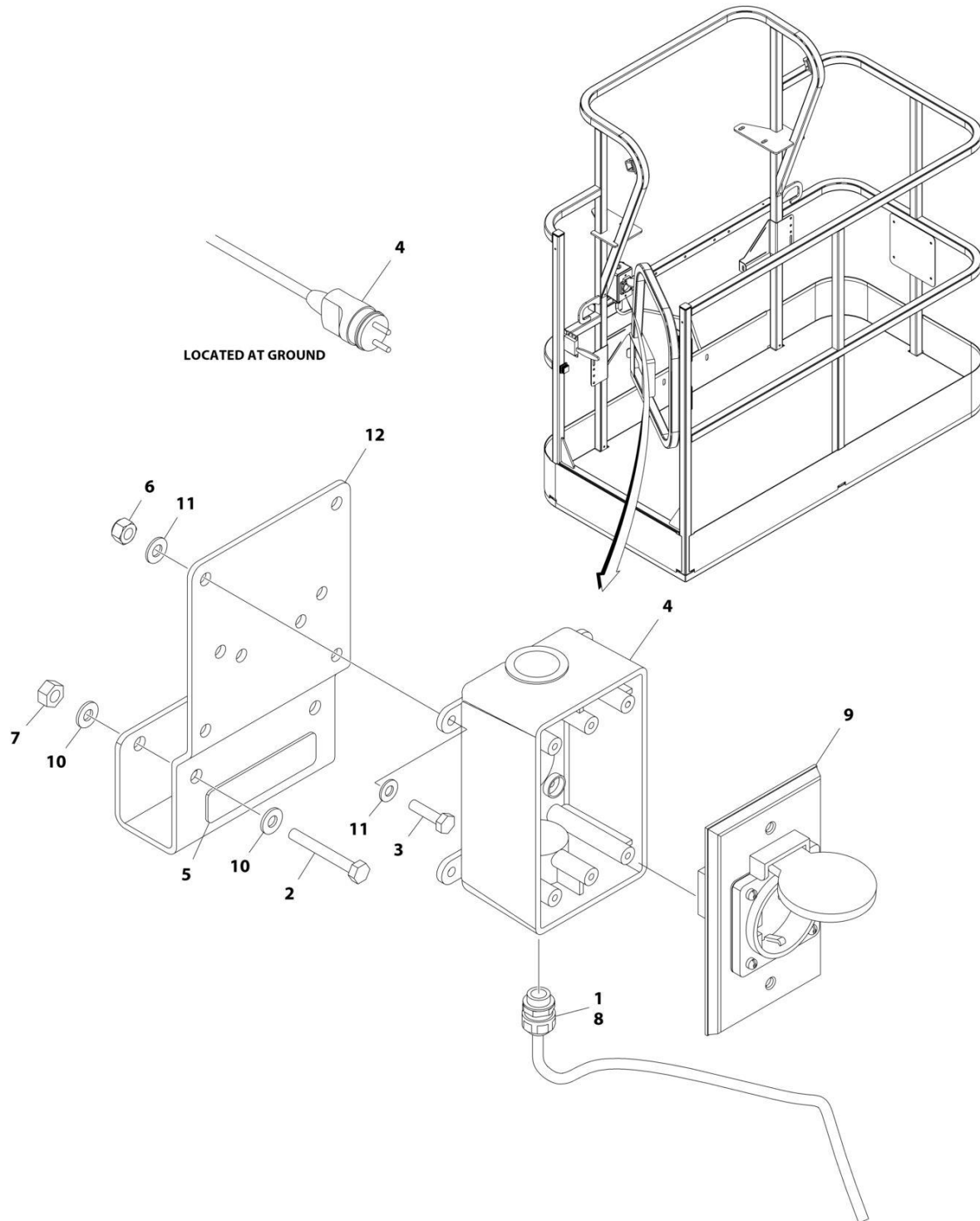
## SECTION 8 - ELECTRICAL

**FIGURE 8-8. AC BOX AT PLATFORM INSTALLATION - 220V CEE7 2IN X 4IN POST GROUND (CE & UK CA SPECS WITH 4000W/50HZ GENERATOR)**

ITEM	PART NUMBER	QTY	DESCRIPTION	REV
	1001194197	Ref	AC BOX AT PLATFORM INSTALLATION	B
1	0100020	AR	Sealant, Pipe	
2	0641416	2	Bolt 1/4 x 2	
3	0700408	4	Bolt M4 x 16	
4	0861731	1	Box, Switch	
5	3251242	1	Decal - 240V/50Hz	
6	3290405	4	Nut M4	
7	3311405	2	Nut 1/4	
8	4460662	1	Connector, Strain Relief	
9	4461244	1	Receptacle	
10	4711400	4	Washer 1/4	
11	4811400	8	Washer M4	
12	1001193018	1	Bracket, AC Receptacle	
13	4460806	2	Terminal, Fork (Not Shown)	
14	1001205958	1	Terminal (Not Shown)	

# SECTION 8 - ELECTRICAL

FIGURE 8-9. AC BOX AT PLATFORM INSTALLATION - 220V CEE7 2IN X 4IN SIDE GROUND (CE & UK CA SPECS WITH 4000W/50HZ GENERATOR)



ART\_1001194198

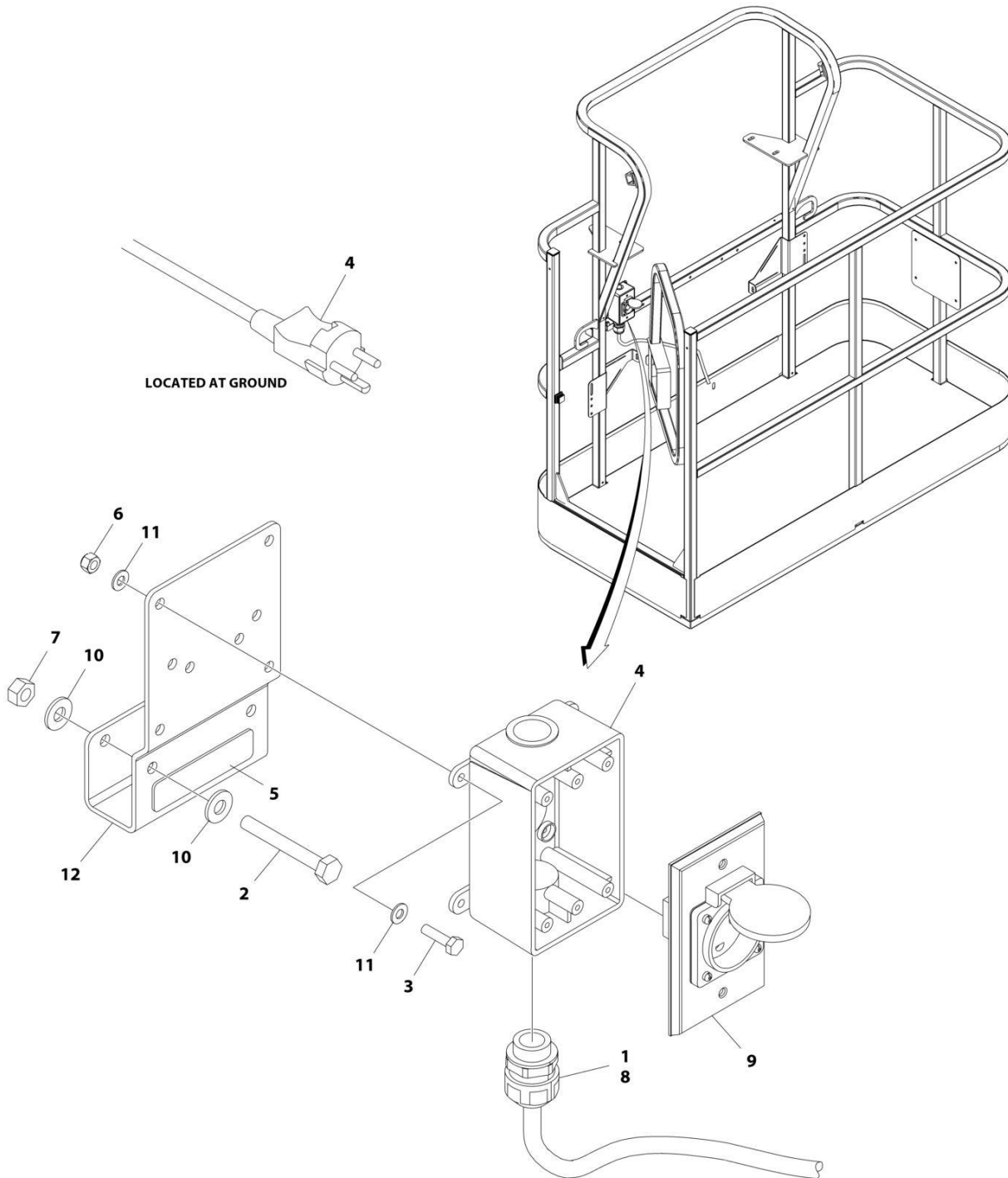
## SECTION 8 - ELECTRICAL

**FIGURE 8-9. AC BOX AT PLATFORM INSTALLATION - 220V CEE7 2IN X 4IN SIDE GROUND (CE & UK CA SPECS WITH 4000W/50HZ GENERATOR)**

ITEM	PART NUMBER	QTY	DESCRIPTION	REV
	1001194198	Ref	AC BOX AT PLATFORM INSTALLATION	B
1	0100020	AR	Sealant, Pipe	
2	0641416	2	Bolt 1/4 x 2	
3	0700408	4	Bolt M4 x 16	
4	0861731	1	Box, Switch	
5	3251242	1	Decal - 240V/50Hz	
6	3290405	4	Nut M4	
7	3311405	2	Nut 1/4	
8	4460662	1	Connector, Strain Relief	
9	4461245	1	Receptacle	
10	4711400	4	Washer 1/4	
11	4811400	8	Washer M4	
12	1001193018	1	Bracket, AC Receptacle	
13	4460806	2	Terminal, Fork (Not Shown)	
14	1001205958	1	Terminal (Not Shown)	

# SECTION 8 - ELECTRICAL

FIGURE 8-10. AC BOX AT PLATFORM INSTALLATION - 220V AFSINT107 (CE & UK CA SPECS WITH 4000W/50HZ GENERATOR)



ART\_1001194200



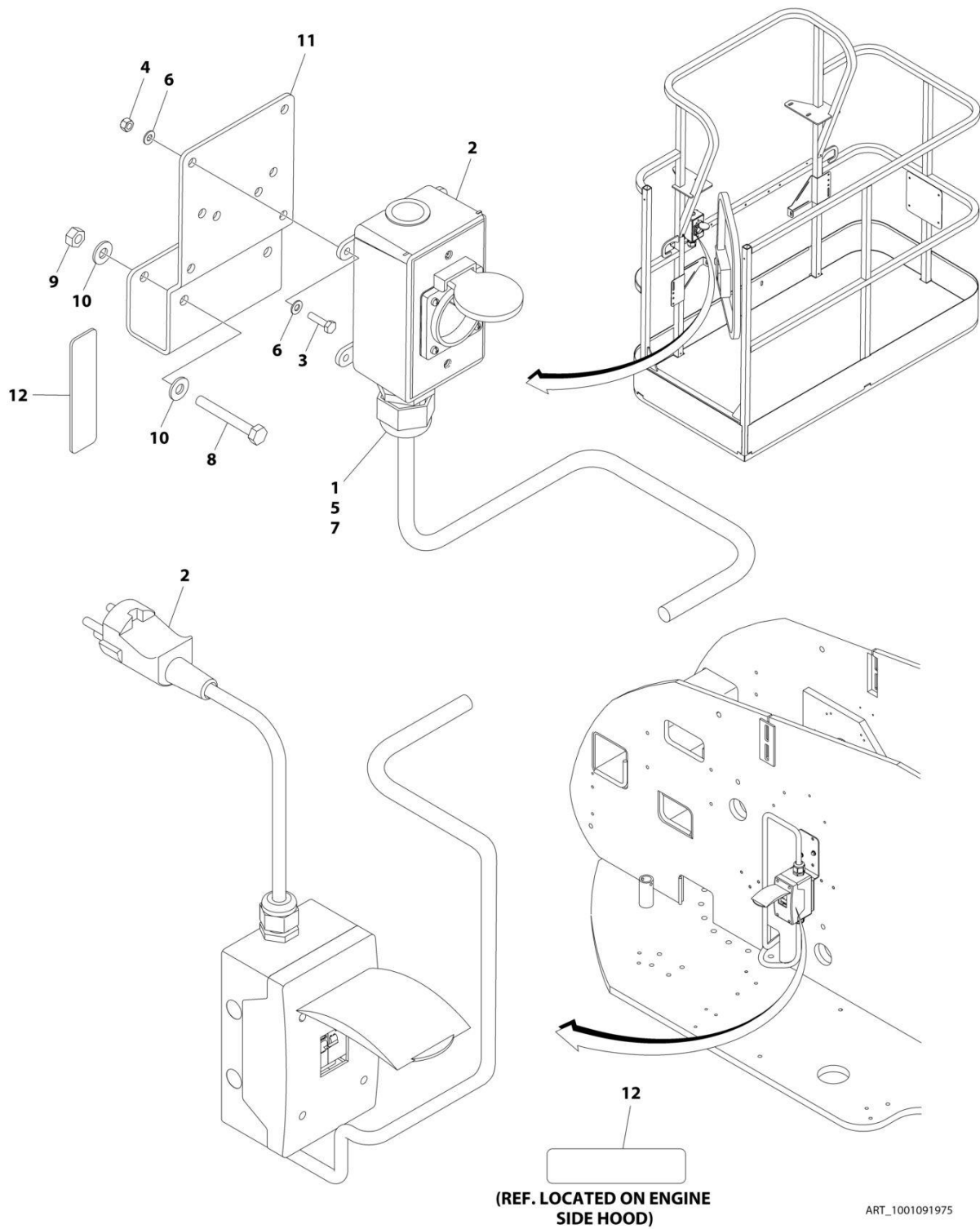
## SECTION 8 - ELECTRICAL

**FIGURE 8-10. AC BOX AT PLATFORM INSTALLATION - 220V AFSINT107 (CE & UK CA SPECS WITH 4000W/50HZ GENERATOR)**

ITEM	PART NUMBER	QTY	DESCRIPTION	REV
	1001194200	Ref	AC BOX AT PLATFORM INSTALLATION	B
1	0100020	AR	Sealant, Pipe	
2	0641416	2	Bolt 1/4 x 2	
3	0700408	4	Bolt M4 x 16	
4	0861731	1	Box, Switch	
5	3251242	1	Decal - 240V/50Hz	
6	3290405	4	Nut M4	
7	3311405	2	Nut 1/4	
8	4460662	1	Connector, Strain Relief	
9	4461246	1	Receptacle	
10	4711400	4	Washer 1/4	
11	4811400	8	Washer M4	
12	1001193018	1	Bracket, AC Receptacle	
13	1001205958	1	Terminal (Not Shown)	

# SECTION 8 - ELECTRICAL

## FIGURE 8-11. AC BOX AT PLATFORM - 220V AFSINT107 (CE & UK CA SPEC WITHOUT GENERATOR)



## SECTION 8 - ELECTRICAL

**FIGURE 8-11. AC BOX AT PLATFORM - 220V AFSINT107 (CE & UK CA SPEC WITHOUT GENERATOR)**

ITEM	PART NUMBER	QTY	DESCRIPTION	REV
	1001091975	Ref	AC BOX AT PLATFORM INSTALLATION - 220V AFSINT 107 2X4 BOX KEYED GROUND	F
1	0100020	AR	Sealant, Pipe	
2	0275454	1	Receptacle Box Kit (See Separate Breakdown in this Section)	
3	0700408	4	Bolt M4 x 16	
4	3290405	4	Nut M4	
5	1001101197	1	Adapter	
6	4811400	8	Washer M4	
7	1001101191	1	Connector, Strain Relief	
8	0641416	2	Bolt 1/4 x 2	
9	3311405	2	Nut 1/4	
10	4711400	4	Washer 1/4	
11	1001193018	1	Bracket	
12	3251242	2	Decal - 240V/50Hz	
13	1001205958	3	Terminal (Not Shown)	



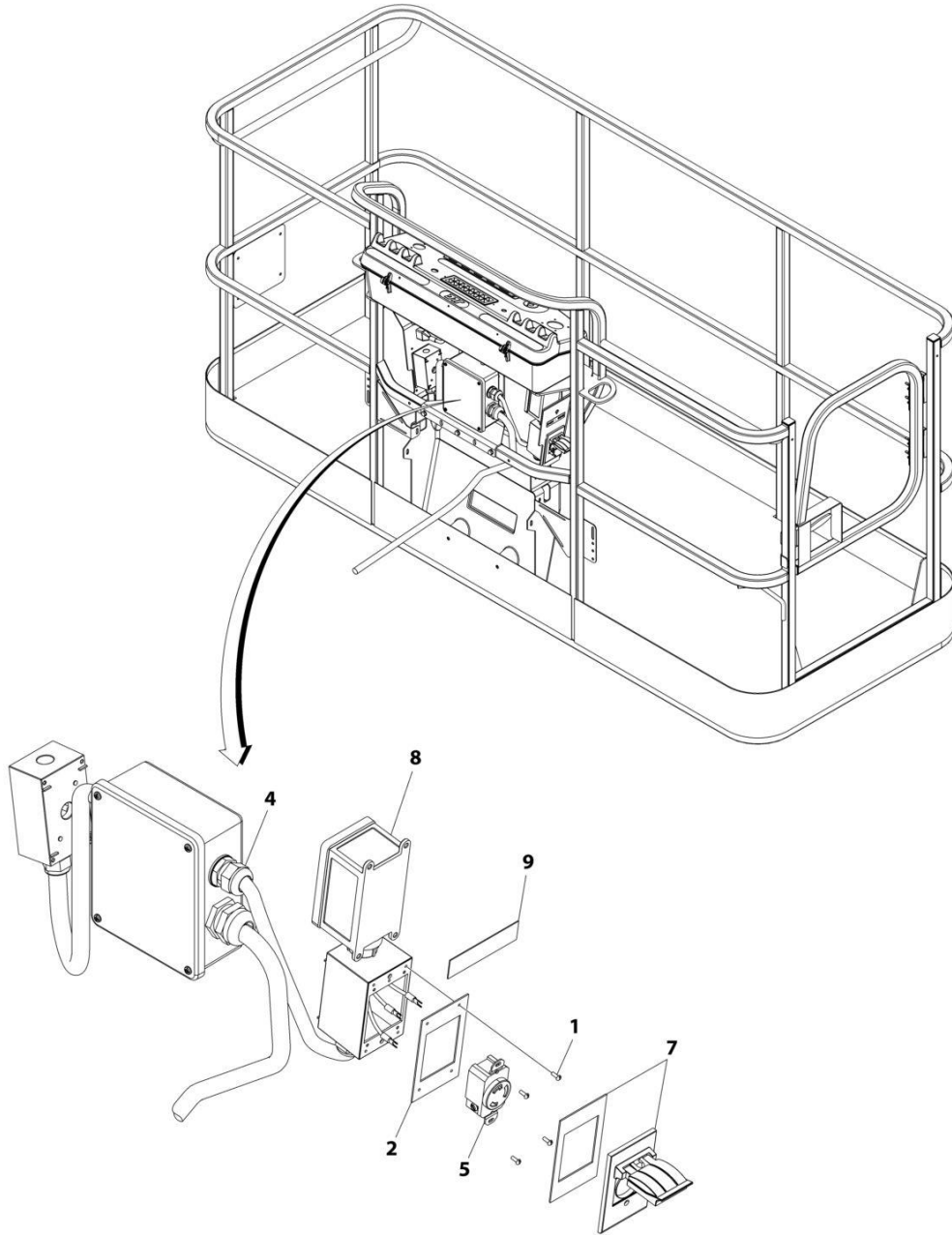
## SECTION 8 - ELECTRICAL

**FIGURE 8-12. AC BOX AT PLATFORM INSTALLATION - 220V CUSTOMER SUPPLIED COMPONENTS  
(ALL SPECS EXCEPT CSA SPECS)**

ITEM	PART NUMBER	QTY	DESCRIPTION	REV
	1001194365	Ref	AC BOX AT PLATFORM INSTALLATION - BOX WITH COVER (2X4 BOX)	A
1	0100020	AR	Sealant	
2	0641416	2	Bolt 1/4 x 2	
3	0700408	4	Bolt M4 x 16	
4	0861731	1	Box, Switch	
5	1670603	1	Cover	
6	3251242	1	Decal - 240V/50Hz	
7	3290405	4	Nut M4	
8	3311405	2	Nut 1/4	
9	4460384	3	Terminal (Not Shown)	
10	4460662	1	Connector, Strain Relief	
11	4711400	4	Washer 1/4	
12	4811400	8	Washer M4	
13	1001193018	1	Bracket, AC Receptacle	

# SECTION 8 - ELECTRICAL

FIGURE 8-13. AC BOX AT PLATFORM INSTALLATION - 240V (WITH 4000W GENERATOR) (ANSI, ANSI EXPORT(HRC), CSA AND JAPANESE SPECS)



ART\_1001171131

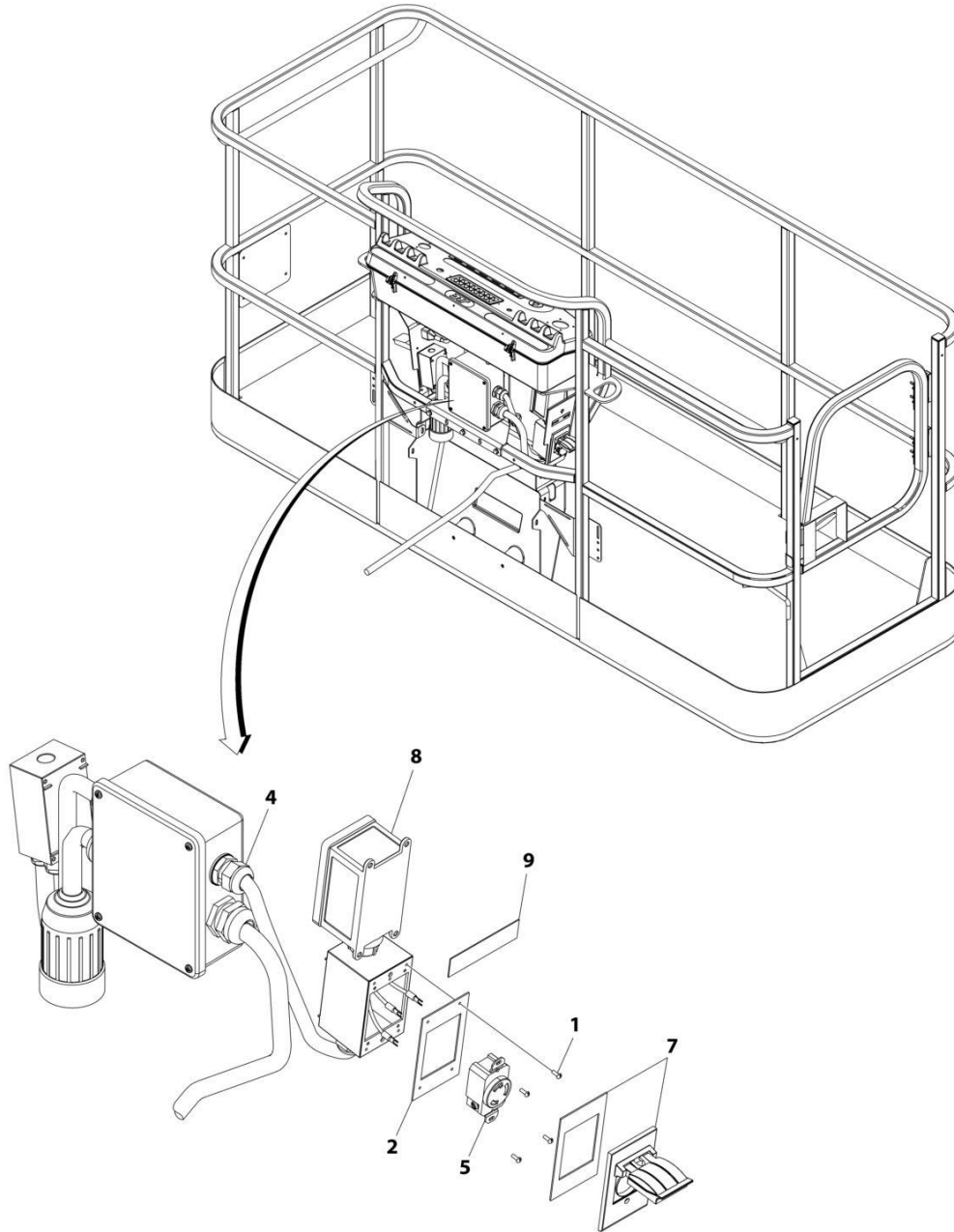
## SECTION 8 - ELECTRICAL

**FIGURE 8-13. AC BOX AT PLATFORM INSTALLATION - 240V (WITH 4000W GENERATOR) (ANSI, ANSI EXPORT(HRC), CSA AND JAPANESE SPECS)**

ITEM	PART NUMBER	QTY	DESCRIPTION	REV
	1001171131	Ref	AC BOX AT PLATFORM INSTALLATION - 240V RECEPTACLE	B
1	3910606	4	Screw 6 x 3/8	
2	3960422	1	Gasket	
3	4240018	AR	Tie-Strap (Not Shown)	
4	4460425	1	Connector, Strain Relief	
5	1001176862	1	Receptacle	
7	1001110872	1	Cover, Receptacle	
8	1001159120	1	Receptacle/Breaker Box Assembly	
8	1001148675	1	Box, Receptacle	
8	1001159118	1	Breaker GFCI 30Amp 240VAC	
8	4460612	1	Connector, Strain Relief	
8	1001159119	1	Connector (Between Boxes)	
9	1705374	1	Decal - 240V/60Hz	

## SECTION 8 - ELECTRICAL

FIGURE 8-14. AC BOX AT PLATFORM INSTALLATION - 240V (WITH 7500W SKYPOWER GENERATOR) (ANSI, ANSI EXPORT(HRC), CSA AND JAPANESE SPECS)



ART\_1001159121



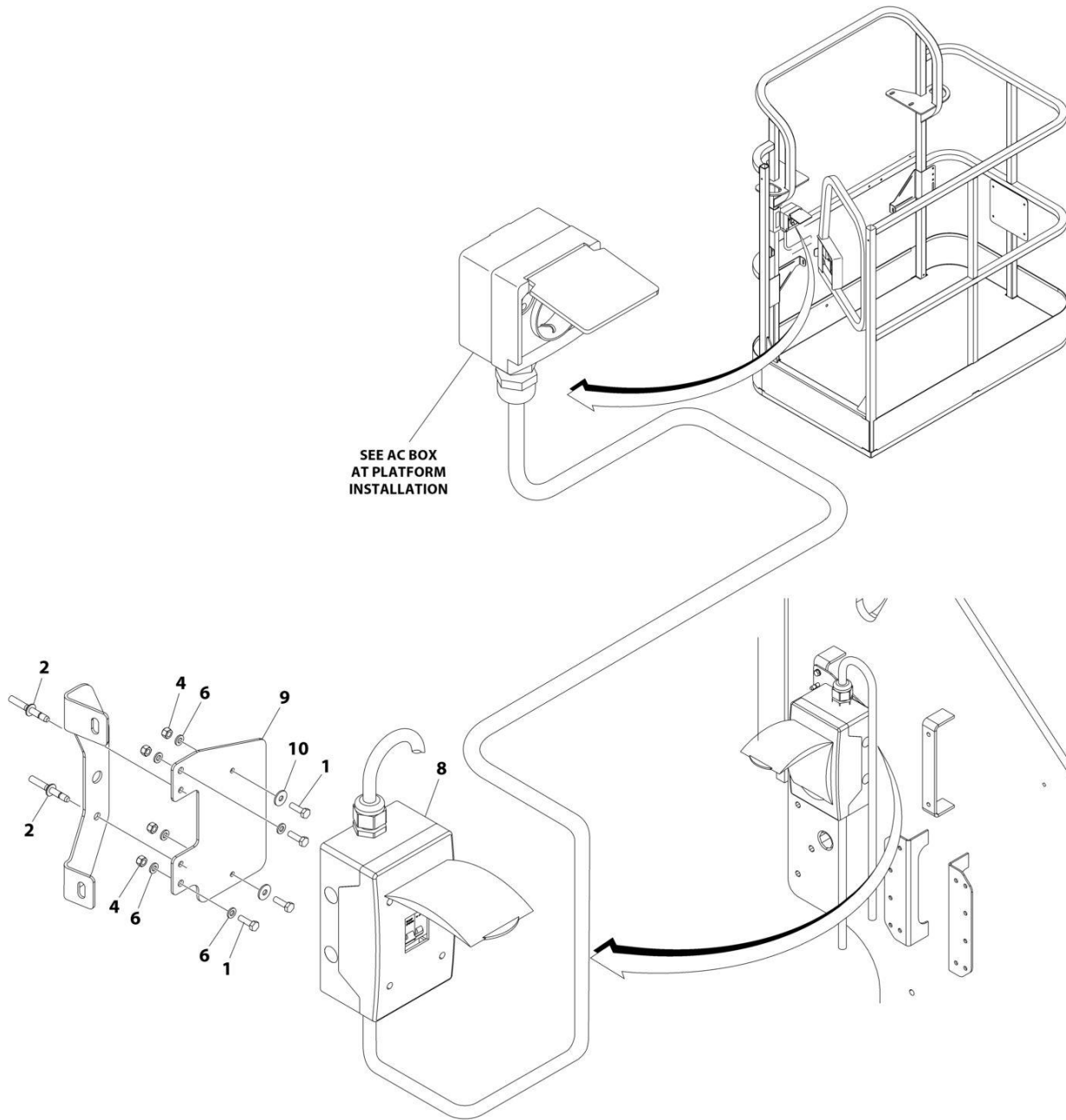
## SECTION 8 - ELECTRICAL

**FIGURE 8-14. AC BOX AT PLATFORM INSTALLATION - 240V (WITH 7500W SKYPOWER GENERATOR) (ANSI, ANSI EXPORT(HRC), CSA AND JAPANESE SPECS)**

ITEM	PART NUMBER	QTY	DESCRIPTION	REV
	1001159121	Ref	AC BOX AT PLATFORM INSTALLATION - 240V RECEPTACLE	B
1	3910606	4	Screw 6 x 3/8	
2	3960422	1	Gasket	
3	4240018	AR	Tie-Strap (Not Shown)	
4	4460425	1	Connector, Strain Relief	
5	4460958	1	Receptacle	
7	1001110872	1	Cover, Receptacle	
8	1001159120	1	Receptacle/Breaker Box Assembly	
8	1001148675	1	Box, Receptacle	
8	1001159118	1	Breaker Box Assembly	
8	4460612	1	Connector, Strain Relief	
8	1001159119	1	Connector (Between Boxes)	
9	1705374	1	Decal - 240V/60Hz	

# SECTION 8 - ELECTRICAL

## FIGURE 8-15. AC CABLE INSTALLATION - WITH THREE BREAKERS (CE & UK CA SPECS)



ART\_1001209677\_B

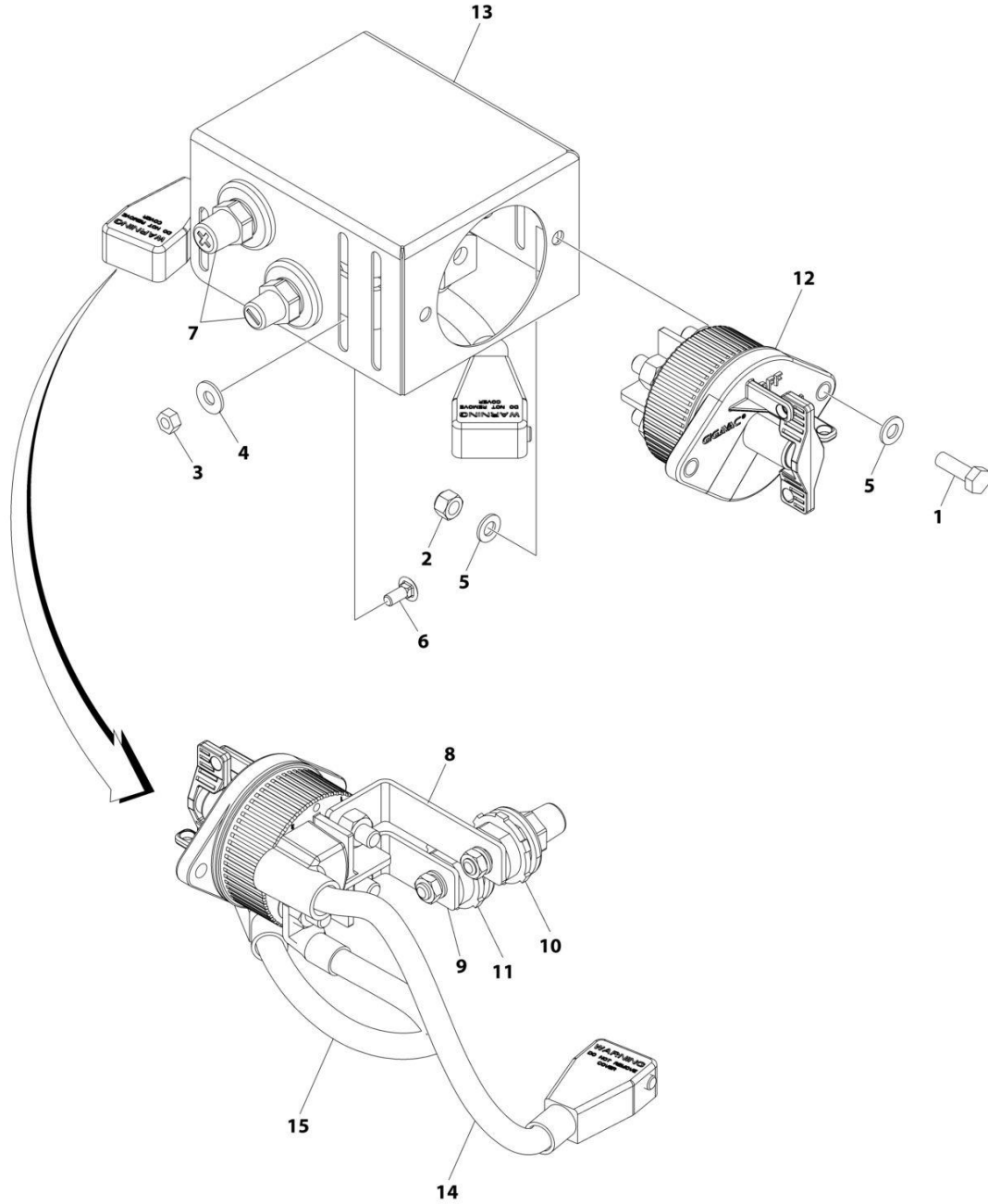
## SECTION 8 - ELECTRICAL

**FIGURE 8-15. AC CABLE INSTALLATION - WITH THREE BREAKERS (CE & UK CA SPECS)**

ITEM	PART NUMBER	QTY	DESCRIPTION	REV
	1001209677	Ref	AC CABLE INSTALLATION - WITH THREE BREAKERS	B
1	0760610	4	Bolt M6 x 20	
2	2080040	2	Fastener, Huck	
4	3290605	4	Nut M6	
6	4811700	6	Washer M6	
8	1001152485	1	Breaker Box Kit (See Separate Breakdown in this Section)	
9	1001209832	1	Bracket	
10	4811702	2	Washer M6	

# SECTION 8 - ELECTRICAL

## FIGURE 8-16. BATTERY DISCONNECT SWITCH



ART\_1001236304

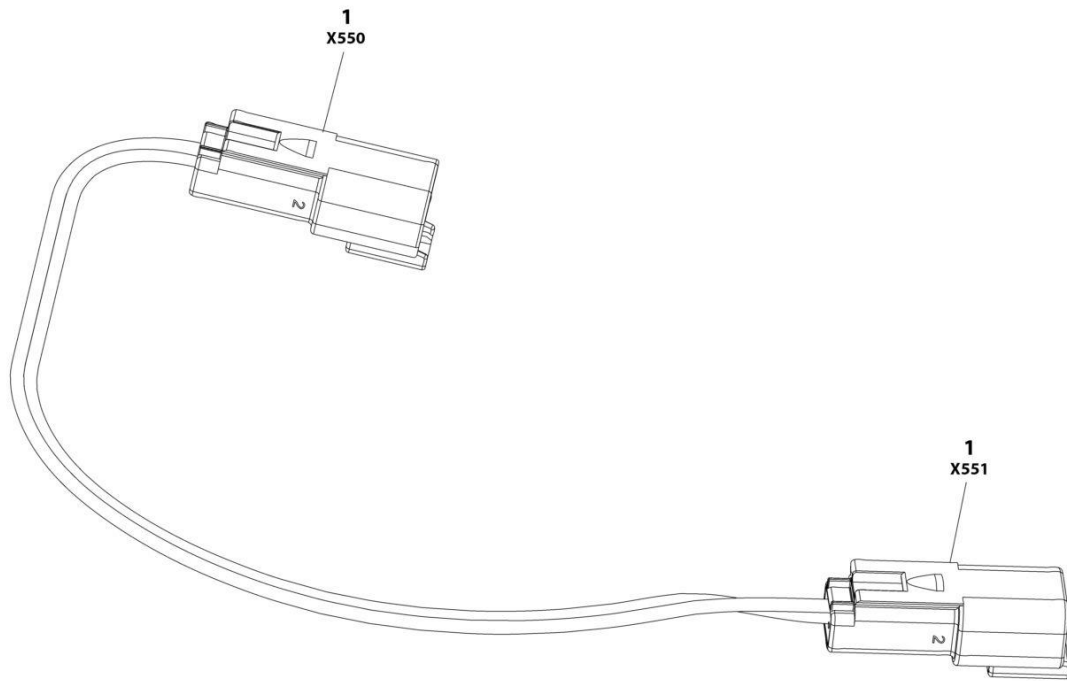
## SECTION 8 - ELECTRICAL

**FIGURE 8-16. BATTERY DISCONNECT SWITCH**

ITEM	PART NUMBER	QTY	DESCRIPTION	REV
	1001236304	Ref	BATTERY DISCONNECT SWITCH INSTALLATION	A
1	0760812	2	Bolt M8 x 25	
2	3290805	2	Nut M8	
3	3311405	3	Nut 1/4	
4	4751400	3	Washer 1/4	
5	4811900	4	Washer M8	
6	88411013	3	Bolt 1/4 x 3/4	
7	1001206476	1	Connectors, Post	
8	1001209432	1	Bussbar	
9	1001209474	1	Bussbar	
10	1001214570	1	Connector (Red)	
11	1001214571	1	Connector (Black)	
12	1001225346	1	Switch, Battery	
13	1001226531	1	Mount	
14	1001236504	1	Cable, Battery (+)	
15	1001236505	1	Cable, Battery (-)	

# SECTION 8 - ELECTRICAL

FIGURE 8-17. BEACON HARNESS (AMBER LIGHT) (Prior to SN 0300298263)



ART\_1001277185

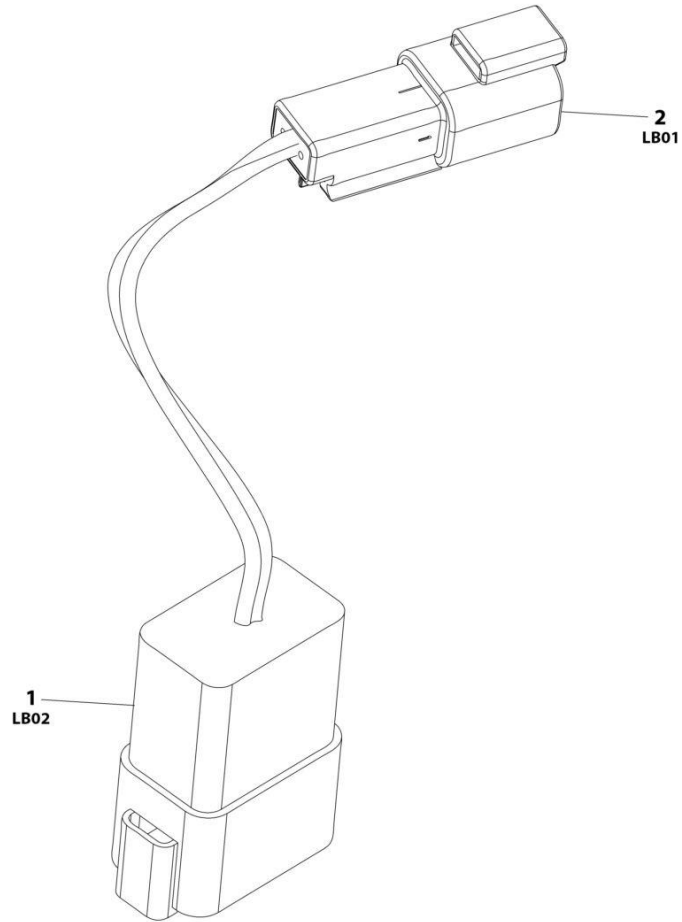
## SECTION 8 - ELECTRICAL

**FIGURE 8-17. BEACON HARNESS (AMBER LIGHT) (Prior to SN 0300298263)**

ITEM	PART NUMBER	QTY	DESCRIPTION	REV
	1001277185	Ref	STROBE LIGHT HARNESS	A
1	4460897	2	Connector	
1	4460464	4	Pin, Male	

## SECTION 8 - ELECTRICAL

FIGURE 8-18. BEACON HARNESS (AMBER LIGHT) (SN 0300298263 to Present)



ART\_1001283776



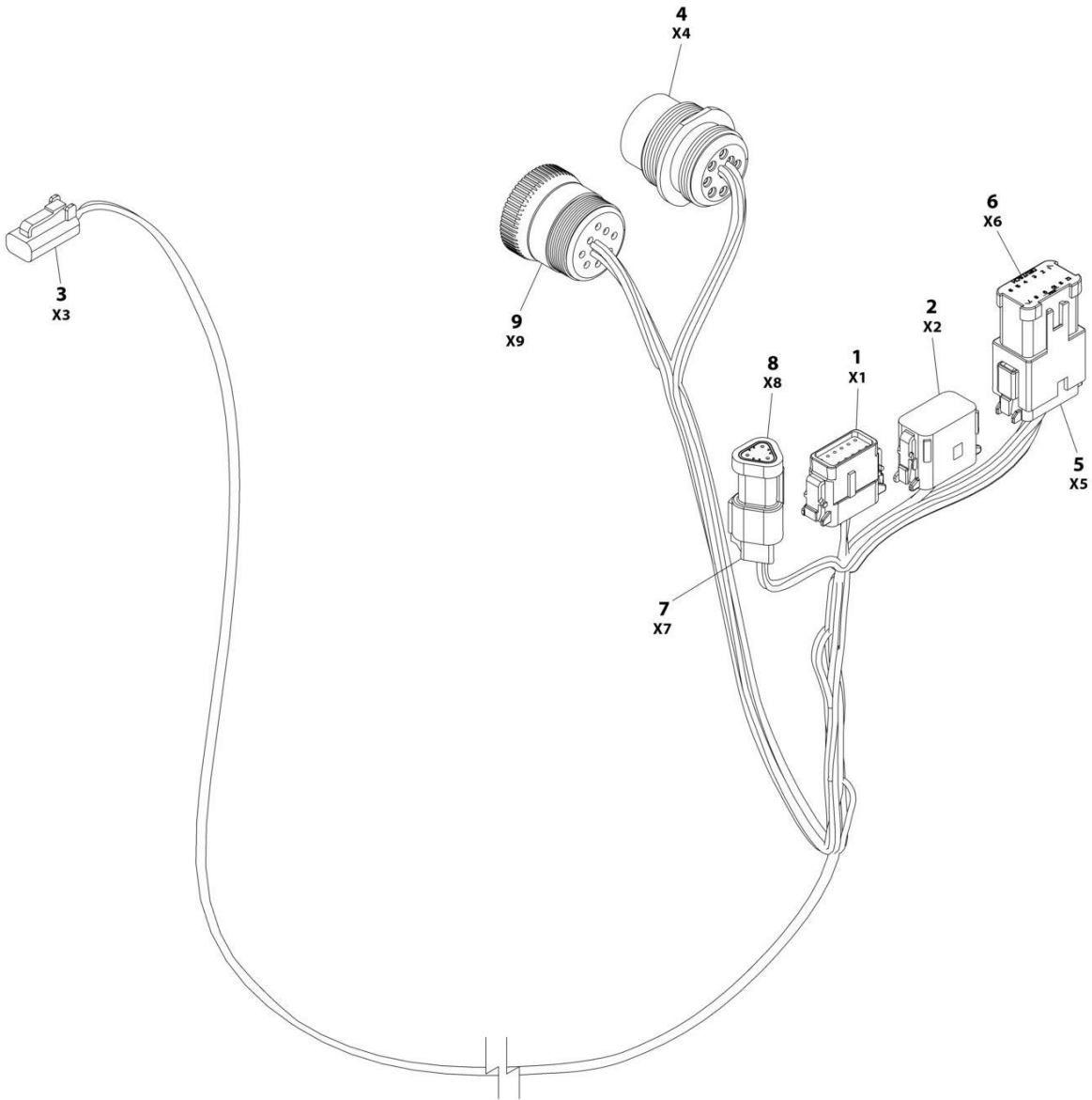
## SECTION 8 - ELECTRICAL

**FIGURE 8-18. BEACON HARNESS (AMBER LIGHT) (SN 0300298263 to Present)**

ITEM	PART NUMBER	QTY	DESCRIPTION	REV
	1001283776	Ref	STROBE LIGHT HARNESS (AMBER)	A
1	4460931	1	Connector	
1	4460464	2	Pin	
1	4460466	6	Plug	
2	4460897	1	Connector	
2	4460464	2	Pin	

# SECTION 8 - ELECTRICAL

## FIGURE 8-19. BEACON HARNESS (BLUE/RED BEACON LIGHT)



ART\_1001142736

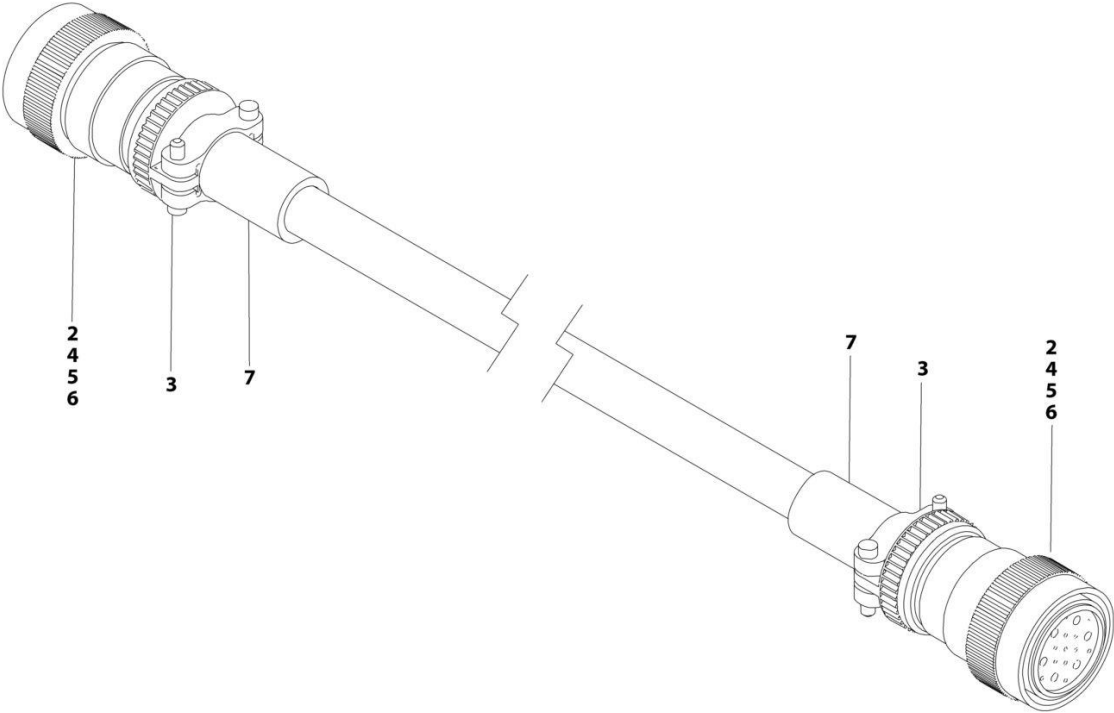
## SECTION 8 - ELECTRICAL

**FIGURE 8-19. BEACON HARNESS (BLUE/RED BEACON LIGHT)**

ITEM	PART NUMBER	QTY	DESCRIPTION	REV
	1001142736	Ref	STROBE LIGHT HARNESS	F
1	1001116808	1	Plug, Male - 12 Position	
1	4460928	3	Socket, Female	
1	4460518	9	Plug, Terminal	
2	1001116774	1	Plug, Male - 12 Position	
2	4460928	3	Socket, Female	
2	4460518	9	Plug, Terminal	
3	4460891	1	Plug, Male - 2 Position	
3	4460465	2	Socket, Female	
4	1001112612	1	Connector - 9 Position	
4	4460464	6	Pin, Male	
4	4460466	3	Plug, Terminal	
5	4460933	1	Plug, Male - 12 Position	
5	4460465	12	Socket, Female	
6	1001119020	1	Bussbar - 12 Position	
7	4461095	1	Plug, Male - 3 Position	
7	4460465	3	Socket, Female	
8	4461070	1	Bussbar - 3 Position	
9	1001112796	1	Connector - 9 Position	
9	4460465	6	Socket, Female	
9	4460466	3	Plug, Terminal	

**SECTION 8 - ELECTRICAL**

**FIGURE 8-20. BOOM HARNESS - 400S**



ART\_1001176952

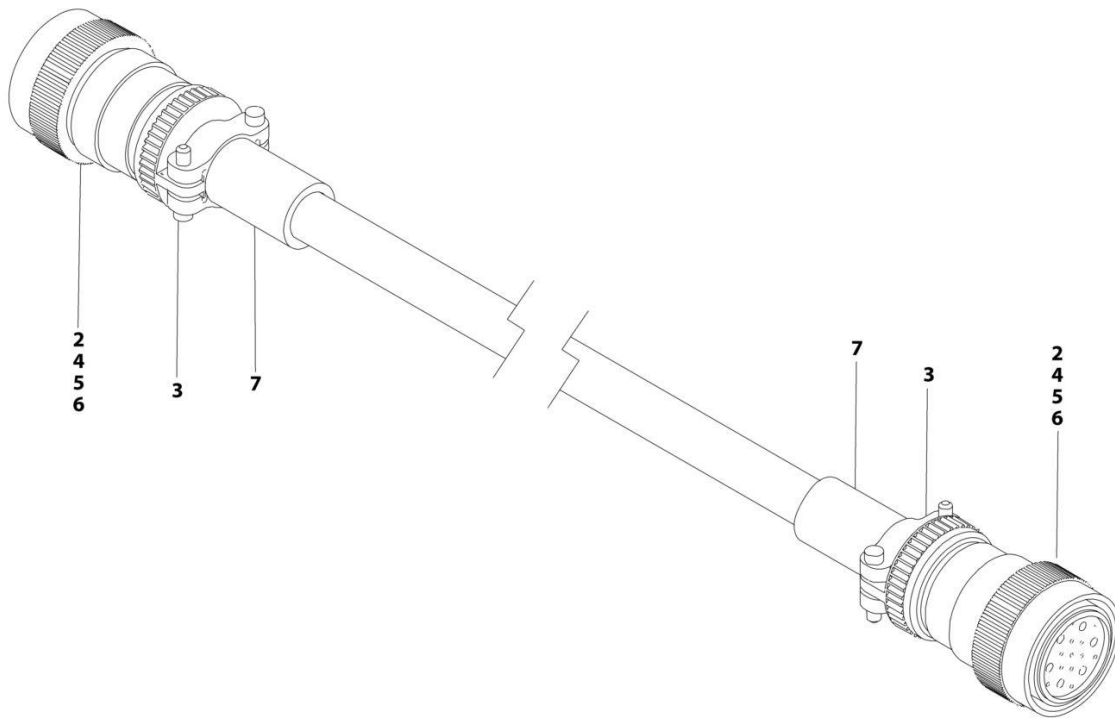
## SECTION 8 - ELECTRICAL

### FIGURE 8-20. BOOM HARNESS - 400S

ITEM	PART NUMBER	QTY	DESCRIPTION	REV
	1001176952	Ref	BOOM HARNESS	C
2	4460865	2	Connector - 19 Position	
3	4460473	2	Clamp	
4	4460465	20	Socket, Female	
5	4460509	8	Socket, Female	
6	4460466	10	Plug, Socket	
7	1001226400	AR	Heat Shrink	

# SECTION 8 - ELECTRICAL

## FIGURE 8-21. BOOM HARNESS - 460SJ



ART\_1001176953

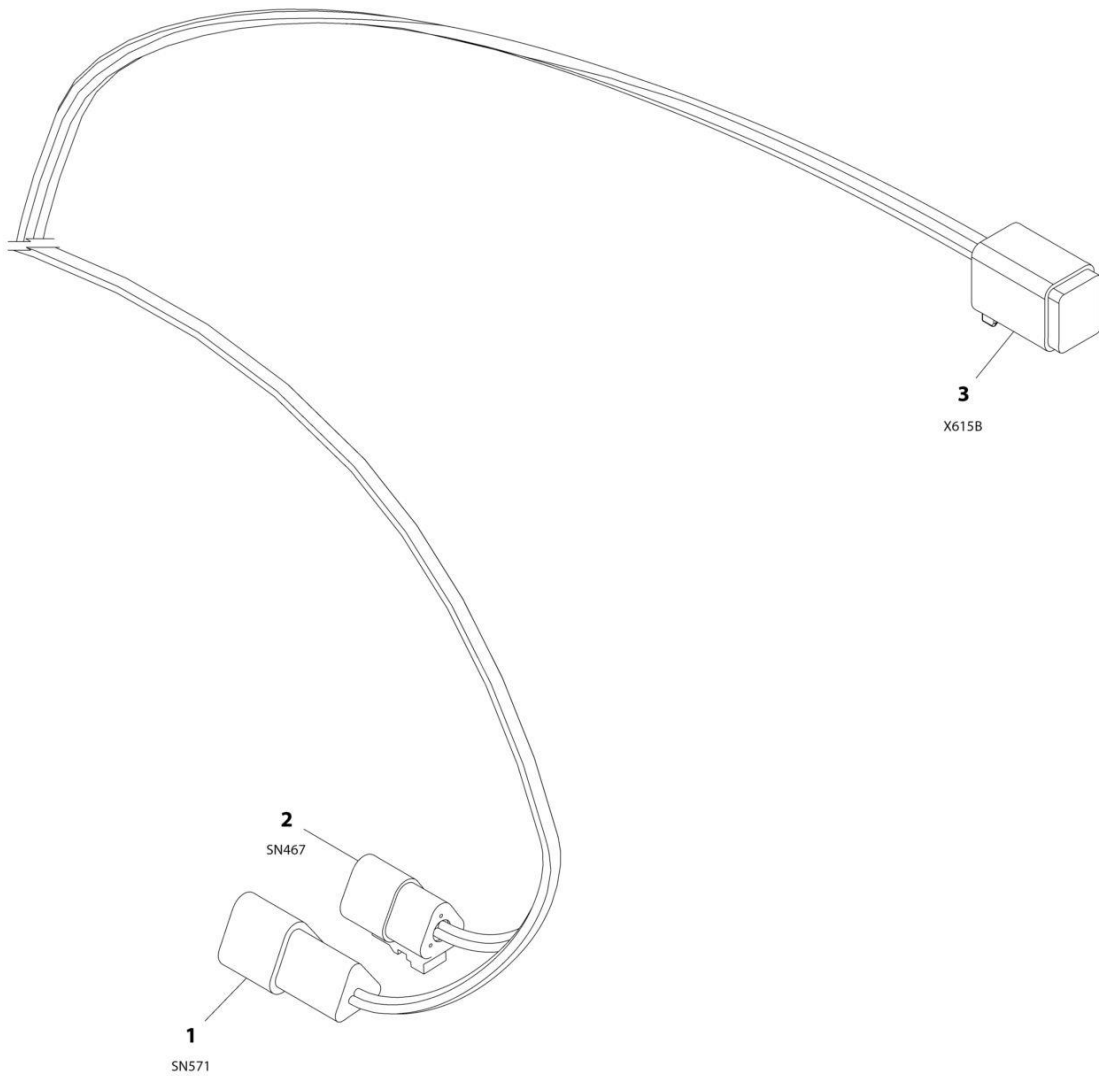
## SECTION 8 - ELECTRICAL

### FIGURE 8-21. BOOM HARNESS - 460SJ

ITEM	PART NUMBER	QTY	DESCRIPTION	REV
	1001176953	Ref	BOOM HARNESS	C
2	4460865	2	Connector - 19 Position	
3	4460473	2	Clamp	
4	4460465	20	Socket, Female	
5	4460509	8	Socket, Female	
6	4460466	10	Plug, Socket	
7	1001226400	AR	Heat Shrink	

# SECTION 8 - ELECTRICAL

## FIGURE 8-22. BOOM CAPACITY PROXIMITY SWITCH HARNESS (400S ONLY)



ART\_1001173807



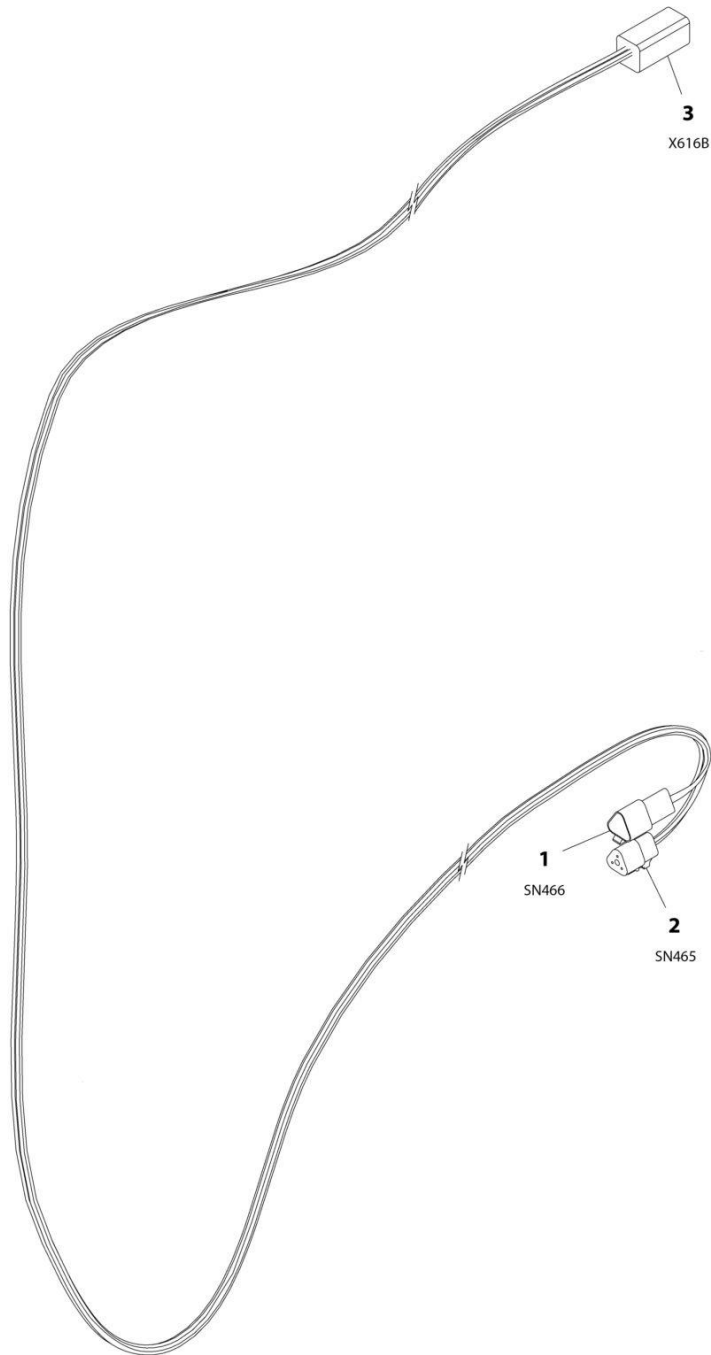
## SECTION 8 - ELECTRICAL

### FIGURE 8-22. BOOM CAPACITY PROXIMITY SWITCH HARNESS (400S ONLY)

ITEM	PART NUMBER	QTY	DESCRIPTION	REV
	1001173807	Ref	BOOM CAPACITY PROXIMITY SWITCH HARNESS	C
1	4460536	1	Receptacle, Female - 3 Position	
1	4460464	3	Pin, Male	
2	4460539	1	Plug, Male - 3 Position	
2	4460465	1	Socket, Female	
3	4460930	1	Plug, Male - 8 Position	
3	4460465	6	Socket, Female	
3	4460466	2	Plug, Terminal	

# SECTION 8 - ELECTRICAL

## FIGURE 8-23. BOOM TELE IN PROXIMITY SWITCH HARNESS



ART\_1001173808

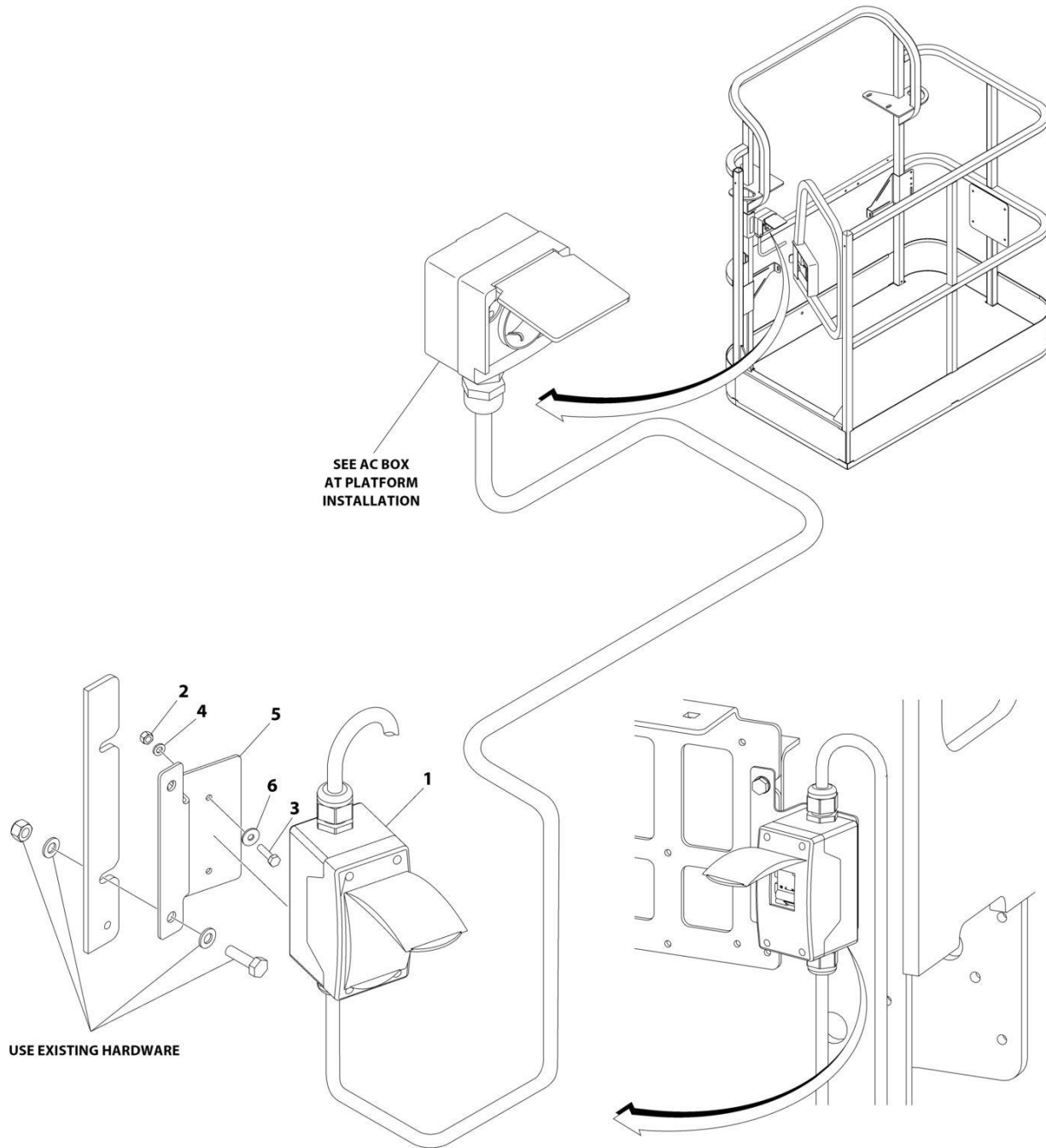
## SECTION 8 - ELECTRICAL

**FIGURE 8-23. BOOM TELE IN PROXIMITY SWITCH HARNESS**

ITEM	PART NUMBER	QTY	DESCRIPTION	REV
	1001173808	Ref	BOOM TELE IN PROXIMITY SWITCH HARNESS	C
1	4460536	1	Receptacle, Female - 3 Position	
1	4460464	3	Pin, Male	
2	4460539	1	Plug, Male - 3 Position	
2	4460465	1	Socket, Female	
3	4460899	1	Receptacle, Female - 6 Position	
3	4460464	1	Pin, Male	

# SECTION 8 - ELECTRICAL

FIGURE 8-24. BREAKER BOX INSTALLATION - 110/220V 16AMP BREAKER (CE & UK CA SPEC)



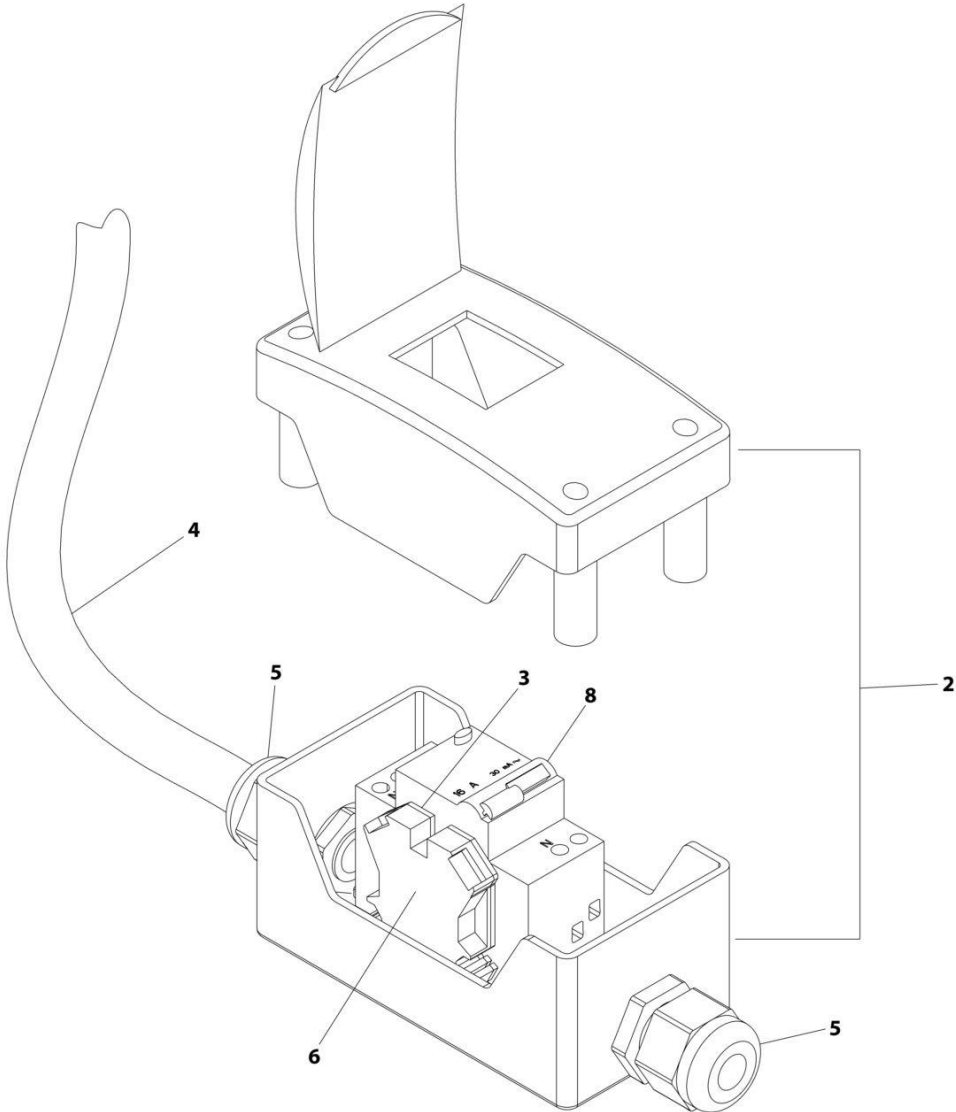
## SECTION 8 - ELECTRICAL

**FIGURE 8-24. BREAKER BOX INSTALLATION - 110/220V 16AMP BREAKER (CE & UK CA SPEC)**

ITEM	PART NUMBER	QTY	DESCRIPTION	REV
	1001230907	Ref	BREAKER BOX INSTALLATION - 110/220V 16AMP BREAKER	C
1	2902549	1	Breaker Box Kit (See Separate Breakdown in this Section)	
2	3290405	2	Nut M4	
2	3290605	2	Nut M6	
3	4010405	2	Screw M4 x 10	
3	0760614	2	Screw M6 x 30	
4	1001091102	2	Washer M4	
4	4811700	2	Washer M6	
5	1001230784	1	Bracket	
6	4811702	2	Washer M6	

**SECTION 8 - ELECTRICAL**

**FIGURE 8-25. BREAKER BOX KIT - 110/220V 16AMP BREAKER (CE & UK CA SPEC)**



ART\_2902549

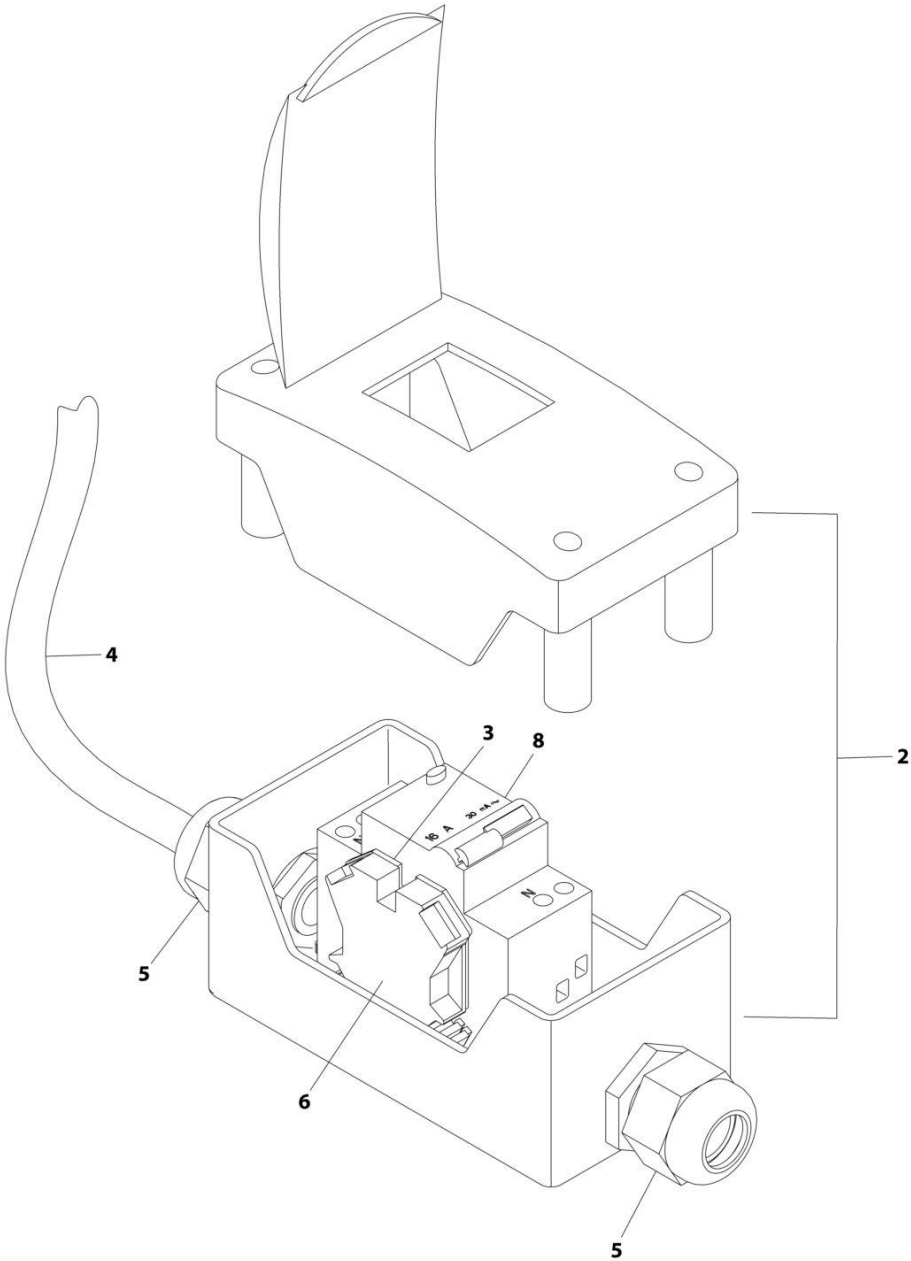
## SECTION 8 - ELECTRICAL

**FIGURE 8-25. BREAKER BOX KIT - 110/220V 16AMP BREAKER (CE & UK CA SPEC)**

ITEM	PART NUMBER	QTY	DESCRIPTION	REV
	2902549	Ref	BREAKER BOX KIT - 110/220V 16AMP BREAKER	F
2	0861880	1	Box	
3	4460956	1	Barrier, Terminal	
4	1060908	6 ft/1.8m	Cable, 12/3	
5	1001097150	2	Connector, Strain Relief	
6	4460957	1	Block, Terminal	
8	1001181045	1	Breaker, Combination 16Amp/30mAmp	

**SECTION 8 - ELECTRICAL**

**FIGURE 8-26. BREAKER BOX KIT - 30MA/16 AMP**



ART\_1001096070



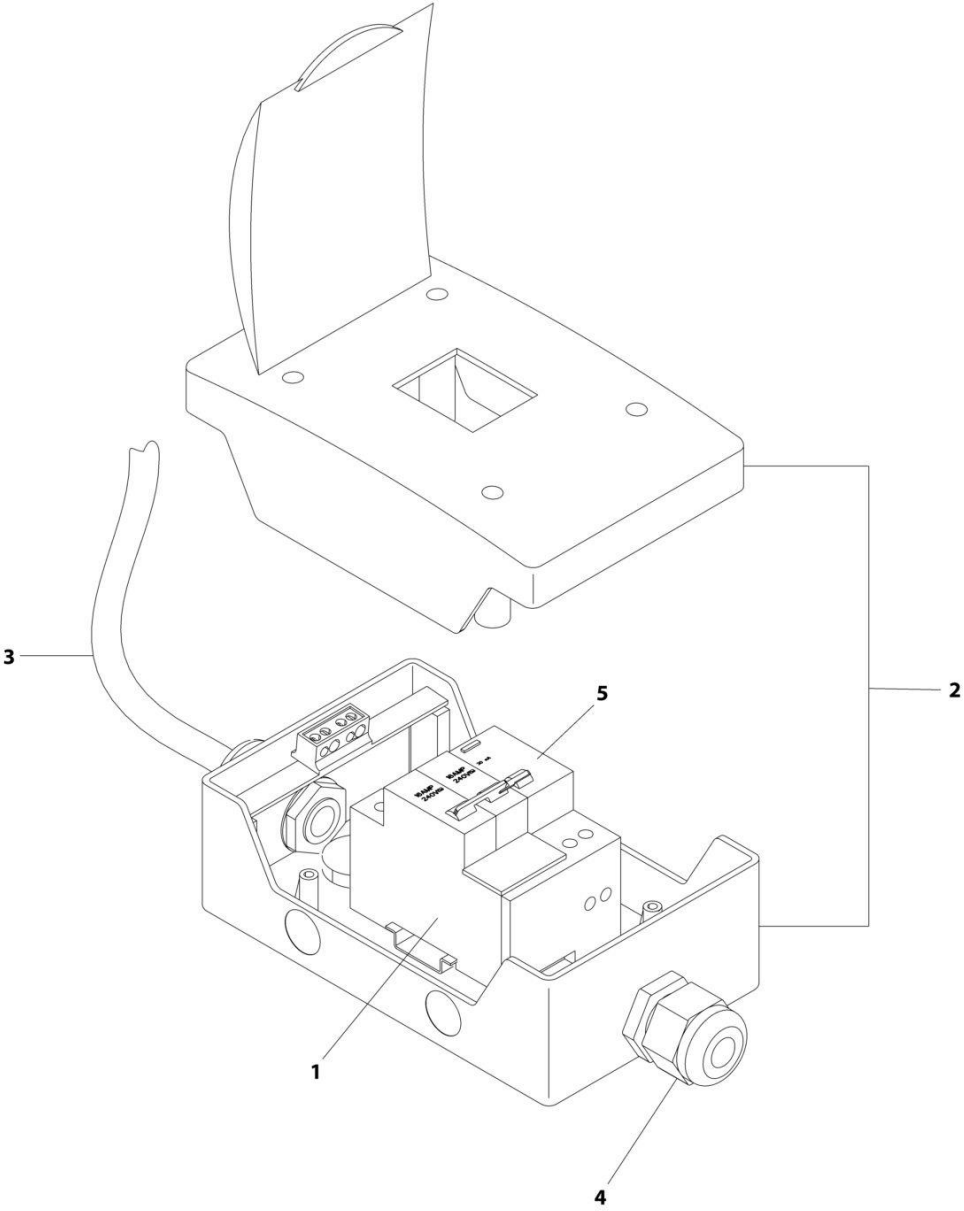
## SECTION 8 - ELECTRICAL

### FIGURE 8-26. BREAKER BOX KIT - 30MA/16 AMP

ITEM	PART NUMBER	QTY	DESCRIPTION	REV
	1001096070	Ref	BREAKER BOX KIT	E
2	0861880	1	Box	
3	4460956	1	Barrier, Terminal Block End	
4	1060908	12 ft/ 3.6m	Cable, 12/3	
5	1001097150	2	Connector, Strain Relief	
6	4460957	1	Block, Terminal	
8	1001181045	1	Breaker, 16Amp	

**SECTION 8 - ELECTRICAL**

**FIGURE 8-27. BREAKER BOX KIT WITH THREE BREAKERS**



ART\_1001152485

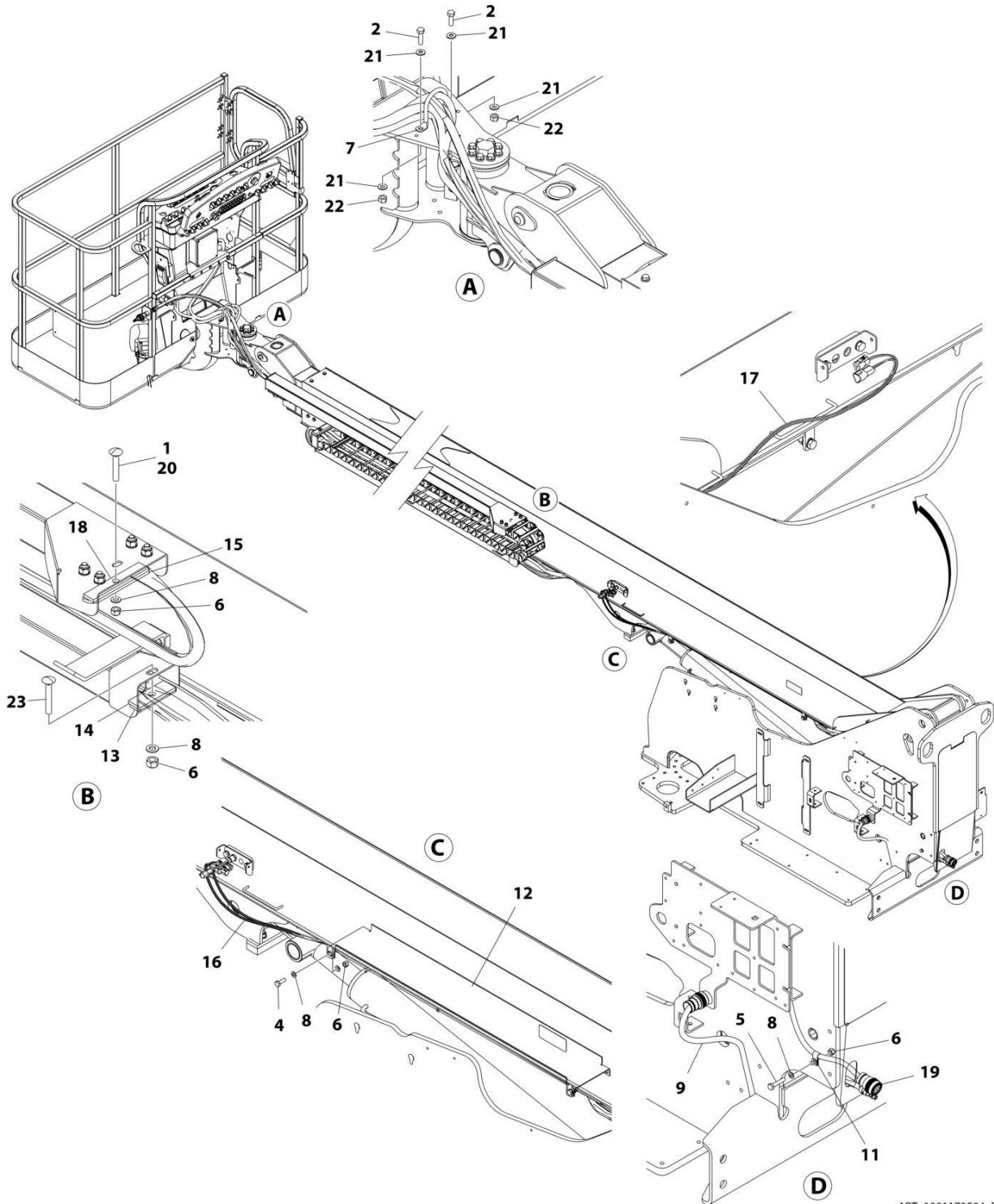
## SECTION 8 - ELECTRICAL

### FIGURE 8-27. BREAKER BOX KIT WITH THREE BREAKERS

ITEM	PART NUMBER	QTY	DESCRIPTION	REV
	1001152485	Ref	BREAKER BOX KIT WITH THREE BREAKERS	F
1	1001189172	1	Breaker 16 Amp Double	
2	1001152483	1	Box	
3	1060908	6 ft/1.8m	Cable, 12/3	
4	1001097150	2	Connector, Strain Relief	
5	1001189171	1	Breaker, 30mA	

# SECTION 8 - ELECTRICAL

## FIGURE 8-28. CABLES AND CLAMPS INSTALLATION - 400S (2500W GENERATOR OR NO GENERATOR) (ALL SPECS)



ART\_1001173594\_E

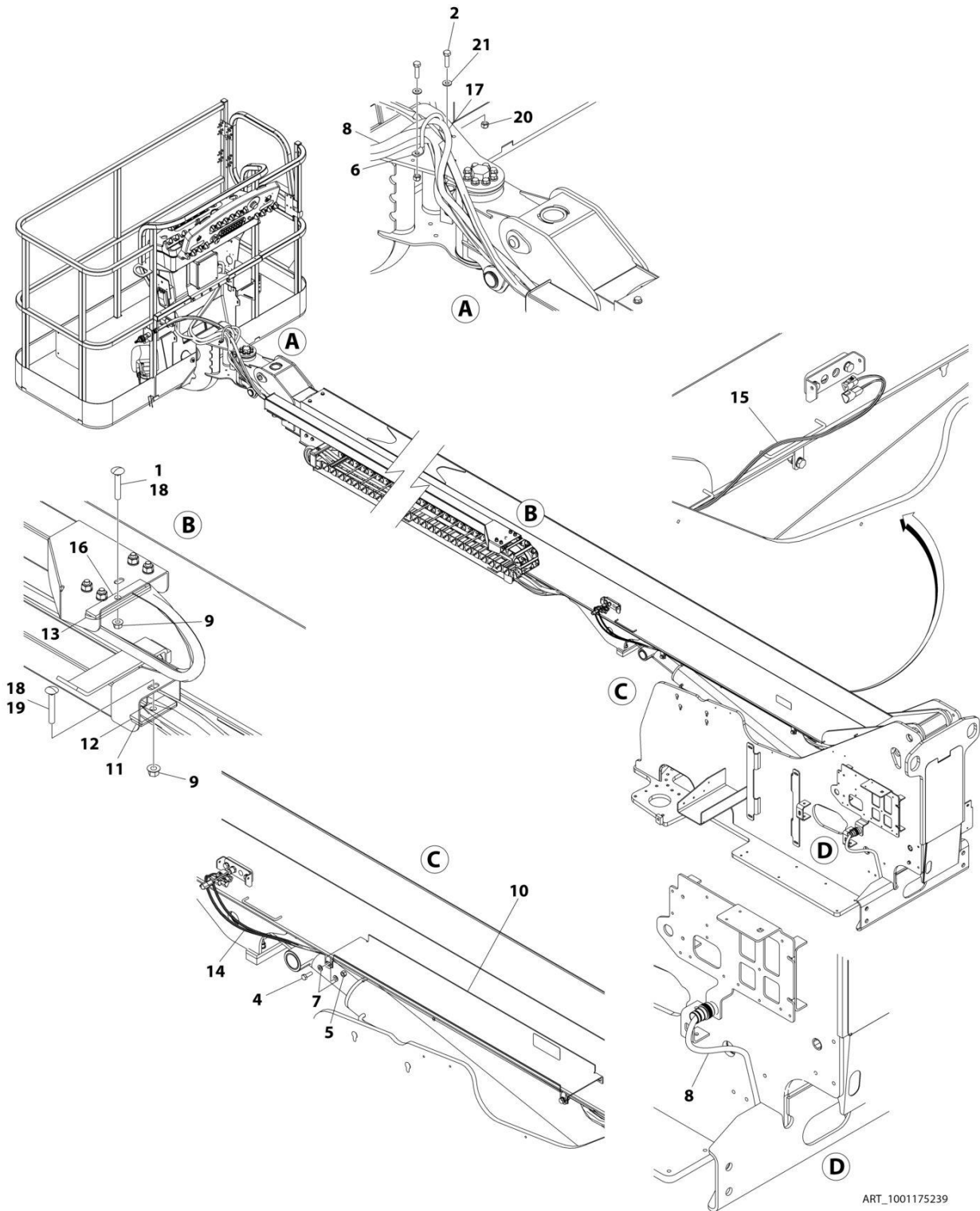
## SECTION 8 - ELECTRICAL

**FIGURE 8-28. CABLES AND CLAMPS INSTALLATION - 400S (2500W GENERATOR OR NO GENERATOR) (ALL SPECS)**

ITEM	PART NUMBER	QTY	DESCRIPTION	REV
	1001173594	Ref	CABLES AND CLAMPS INSTALLATION	E
1	0630563	1	Bolt Carriage M10 x 60	
2	0760814	1	Bolt M8 x 30	
4	0761014	4	Bolt M10 x 30	
5	0761018	1	Bolt M10 x 50	
6	3291005	7	Nut Lock M10 x 1.5	
7	3841340	1	Hose Loop	
8	4812000	12	Washer, M10	
9	1001176952	1	Harness, Main Boom Cable (See Separate Breakdown in this Section)	
11	8406110	1	Clip	
12	1001172128	1	Bracket, Hose Cover	
13	1001173456	1	Clamp	
14	1001173665	1	Clamp	
15	1001173761	1	Bracket	
16	1001173807	1	Harness, Capacity Switch (See Separate Breakdown in this Section)	
17	1001173808	1	Harness, Telescope In Proximity Sensors (See Separate Breakdown in this Section)	
18	1001173927	1	Clamp	
19	1001203434	1	Cable, Electrical 12/3	
20	0100081	AR	Adhesive	
21	4811900	4	Washer M8	
22	3290805	2	Nut M8	
23	1001181329	1	Bolt M10 x 70	

# SECTION 8 - ELECTRICAL

FIGURE 8-29. CABLES AND CLAMPS INSTALLATION - 400S (4000W GENERATOR 60HZ) (ANSI, ANSI EXPORT, CSA AND JAPANESE SPECS)



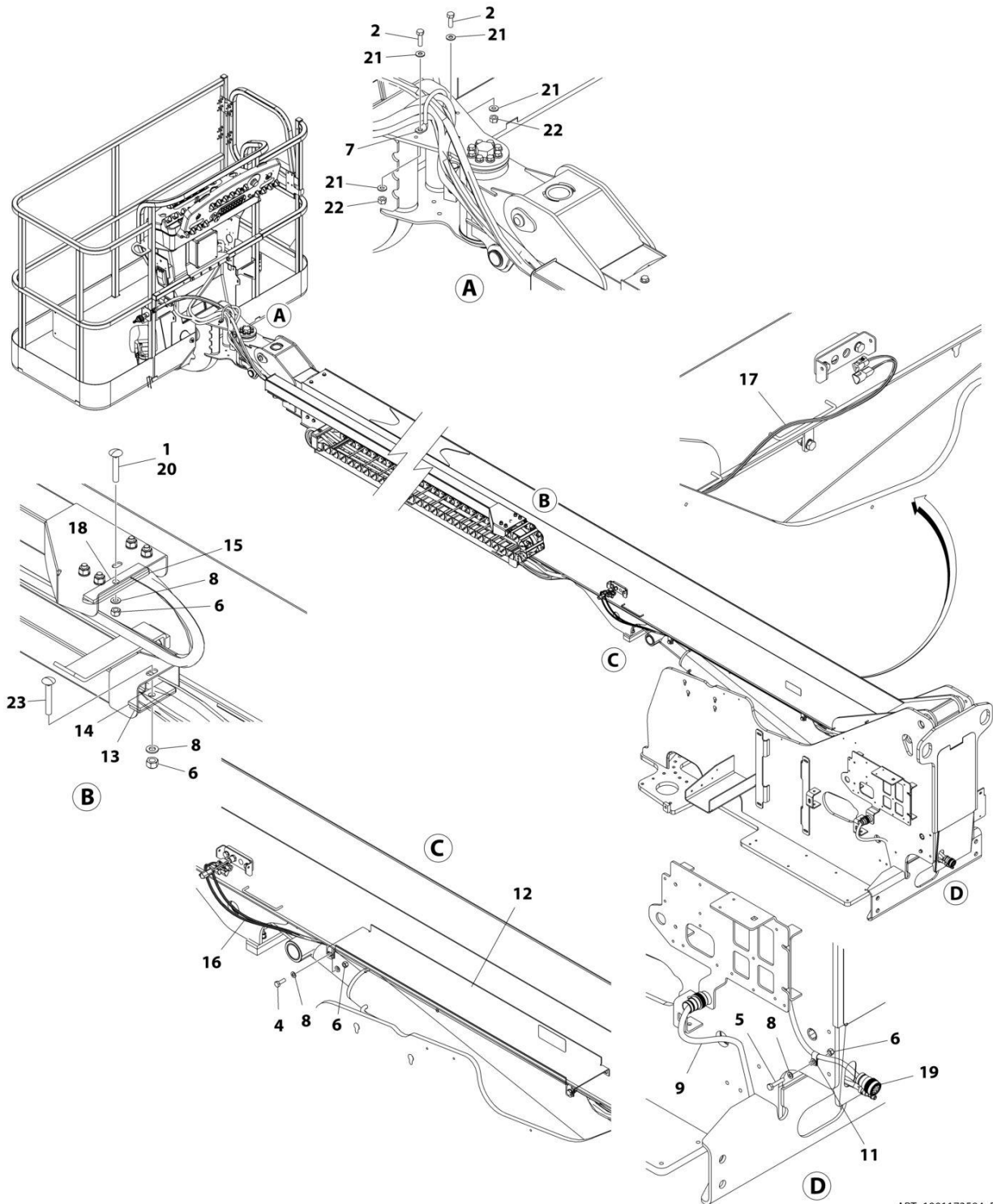
## SECTION 8 - ELECTRICAL

**FIGURE 8-29. CABLES AND CLAMPS INSTALLATION - 400S (4000W GENERATOR 60HZ) (ANSI, ANSI EXPORT, CSA AND JAPANESE SPECS)**

ITEM	PART NUMBER	QTY	DESCRIPTION	REV
	1001175239	Ref	CABLES AND CLAMPS INSTALLATION	D
1	0630563	1	Bolt, Carriage M10 x 60	
2	0760814	2	Bolt, M8 x 30	
4	0761014	4	Bolt M10 x 30	
5	3291005	4	Nut M10	
6	3841340	1	Hose Loop	
7	4812000	8	Washer M10	
8	1001176952	1	Harness, Main Boom Cable - 400SC (See Separate Breakdown in this Section)	
9	5261018	2	Nut M10	
10	1001172128	1	Bracket, Hose Cover	
11	1001173456	1	Clamp	
12	1001173665	1	Clamp	
13	1001173761	1	Bracket	
14	1001173807	1	Harness, Capacity Switch (See Separate Breakdown in this Section)	
15	1001173808	1	Harness, Telescope In Proximity Sensors (See Separate Breakdown in this Section)	
16	1001173927	1	Clamp	
17	1001175170	1	Cable, Electrical 12/3	
18	0100081	AR	Adhesive	
19	1001181329	1	Bolt, Carriage M10 x 70	
20	3290805	3	Nut M8	
21	4811900	4	Washer M8	

# SECTION 8 - ELECTRICAL

FIGURE 8-30. CABLES AND CLAMPS INSTALLATION - 400S (4000W GENERATOR 50HZ) (ANSI, ANSI EXPORT, CSA, CHINA AND JAPANESE SPECS)



ART\_1001173594\_E



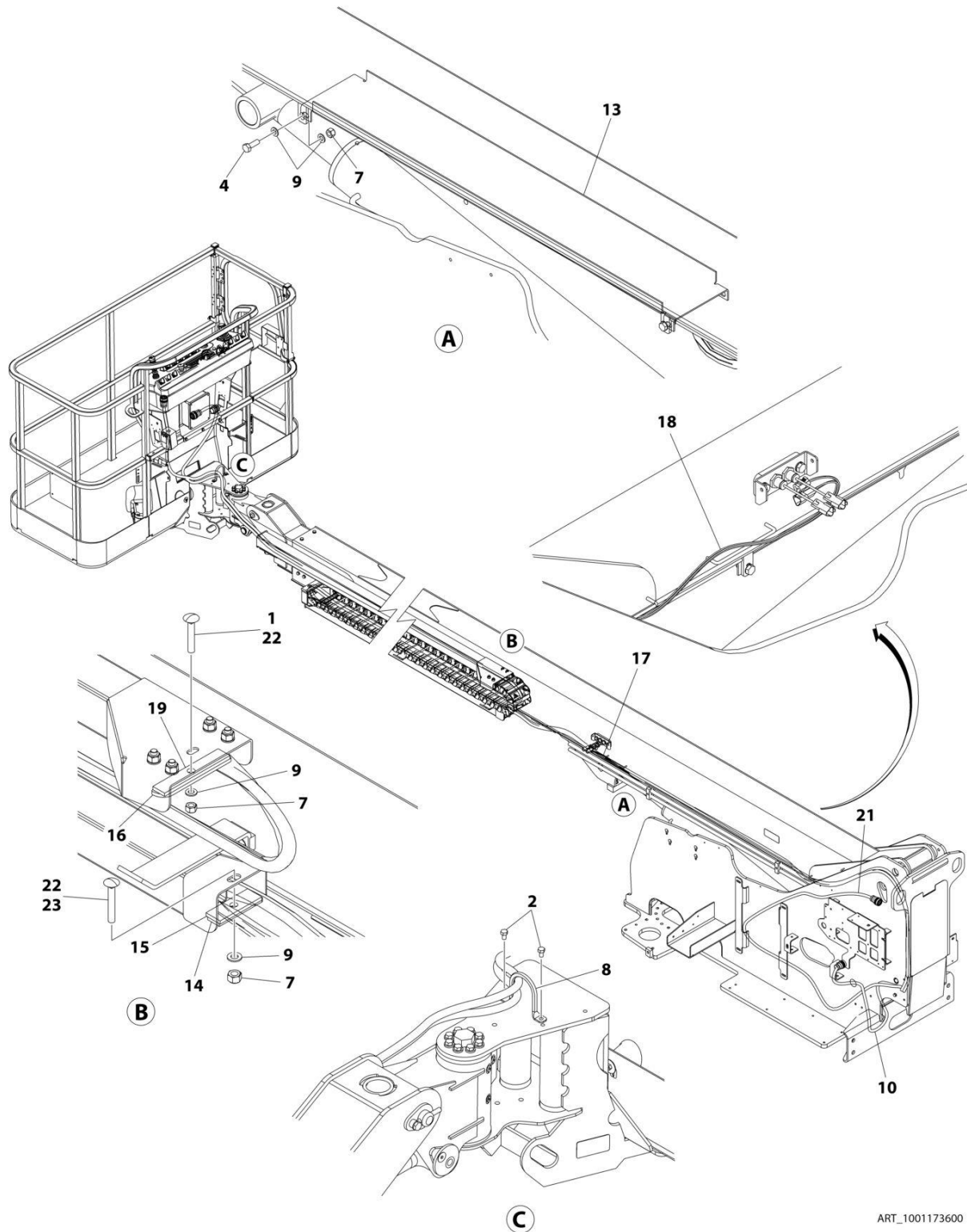
## SECTION 8 - ELECTRICAL

**FIGURE 8-30. CABLES AND CLAMPS INSTALLATION - 400S (4000W GENERATOR 50HZ) (ANSI, ANSI EXPORT, CSA, CHINA AND JAPANESE SPECS)**

ITEM	PART NUMBER	QTY	DESCRIPTION	REV
	1001173594	Ref	CABLES AND CLAMPS INSTALLATION	E
1	0630563	1	Bolt Carriage M10 x 60	
2	0760814	1	Bolt M8 x 30	
4	0761014	4	Bolt M10 x 30	
5	0761018	1	Bolt M10 x 50	
6	3291005	7	Nut Lock M10 x 1.5	
7	3841340	1	Hose Loop	
8	4812000	12	Washer, M10	
9	1001176952	1	Harness, Main Boom Cable (See Separate Breakdown in this Section)	
11	8406110	1	Clip	
12	1001172128	1	Bracket, Hose Cover	
13	1001173456	1	Clamp	
14	1001173665	1	Clamp	
15	1001173761	1	Bracket	
16	1001173807	1	Harness, Capacity Switch (See Separate Breakdown in this Section)	
17	1001173808	1	Harness, Telescope In Proximity Sensors (See Separate Breakdown in this Section)	
18	1001173927	1	Clamp	
19	1001203434	1	Cable, Electrical 12/3	
20	0100081	AR	Adhesive	
21	4811900	4	Washer M8	
22	3290805	2	Nut M8	
23	1001181329	1	Bolt M10 x 70	

# SECTION 8 - ELECTRICAL

FIGURE 8-31. CABLES AND CLAMPS INSTALLATION - 400S (7500W GENERATOR) (ANSI, ANSI EXPORT, CSA, CHINA AND JAPANESE SPECS)



ART\_1001173600

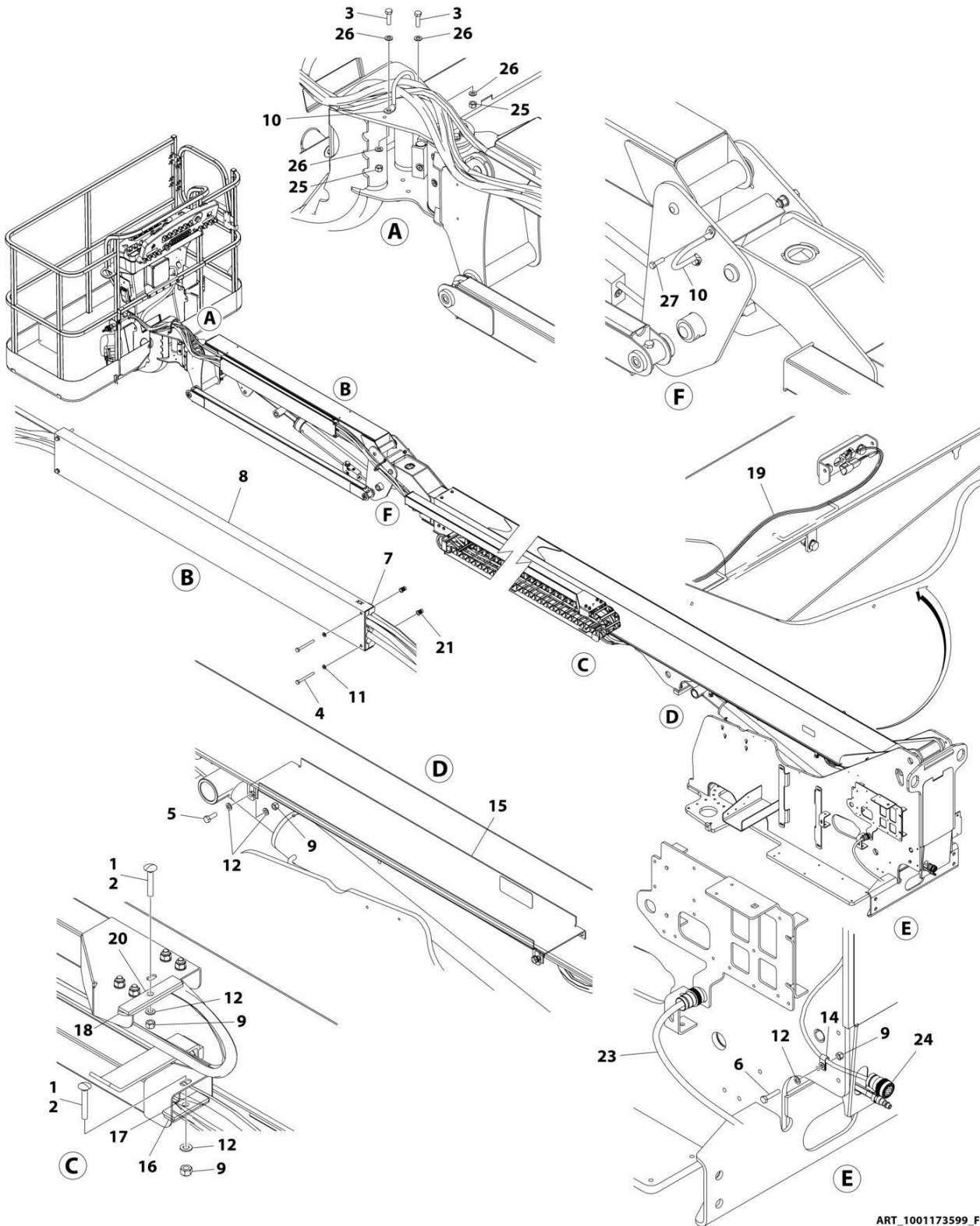
## SECTION 8 - ELECTRICAL

**FIGURE 8-31. CABLES AND CLAMPS INSTALLATION - 400S (7500W GENERATOR) (ANSI, ANSI EXPORT, CSA, CHINA AND JAPANESE SPECS)**

ITEM	PART NUMBER	QTY	DESCRIPTION	REV
	1001173600	Ref	CABLES AND CLAMPS INSTALLATION	E
1	0630563	1	Bolt, Carriage M10 x 60	
2	0641504	2	Bolt, 5/16 x 1/2	
4	0761014	4	Bolt, M10 x 30	
7	3291005	6	Nut, Lock M10 x 1.5	
8	3841340	1	Hose Loop	
9	4812000	10	Washer, M10	
10	1001176952	1	Harness, Main Boom Cable (See Separate Breakdown in this Section)	
13	1001172128	1	Bracket, Hose Cover	
14	1001173456	1	Clamp	
15	1001173665	1	Clamp	
16	1001173761	1	Bracket	
17	1001173807	1	Harness, Capacity Switch (See Separate Breakdown in this Section)	
18	1001173808	1	Harness, Telescope In Proximity Sensors (See Separate Breakdown in this Section)	
19	1001173927	1	Clamp	
21	4922802	1	Cable, Electrical 8/5	
22	0100081	1	Adhesive	
23	1001181319	1	Bolt, Carriage M10 x 70	

# SECTION 8 - ELECTRICAL

## FIGURE 8-32. CABLES AND CLAMPS INSTALLATION - 460SJ (2500W GENERATOR OR NO GENERATOR) (ALL SPECS)



ART\_1001173599\_F

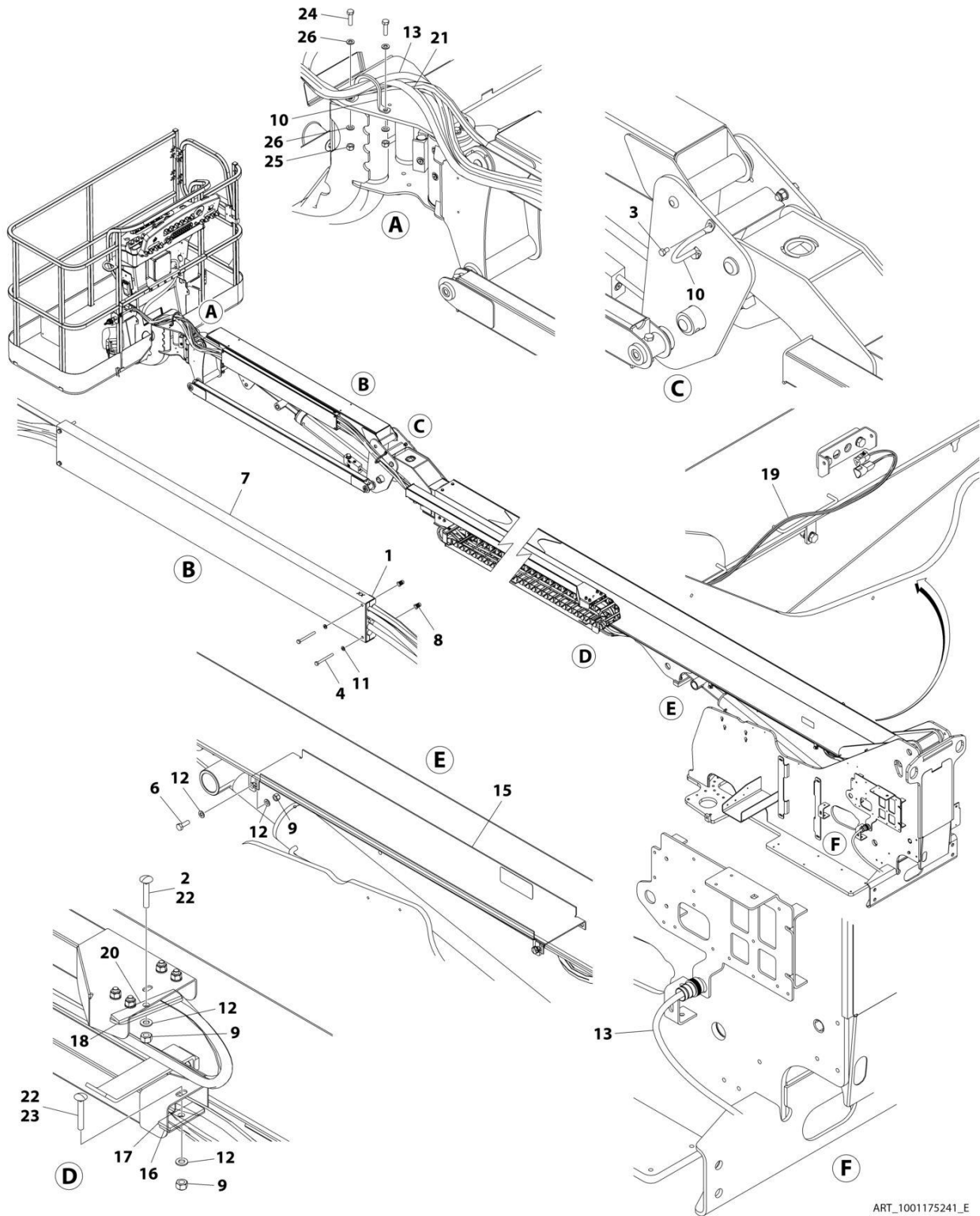
## SECTION 8 - ELECTRICAL

**FIGURE 8-32. CABLES AND CLAMPS INSTALLATION - 460SJ (2500W GENERATOR OR NO GENERATOR) (ALL SPECS)**

ITEM	PART NUMBER	QTY	DESCRIPTION	REV
	1001173599	Ref	CABLES AND CLAMPS INSTALLATION	F
1	0100081	1	Adhesive	
2	0630563	2	Bolt, Carriage M10 x 60	
3	0760814	2	Bolt M8 x 30	
4	0641418	4	Bolt 1/4 x 2-1/4	
4	0700620	4	Bolt M6 x 60	
5	0761014	4	Bolt, M10 x 30	
6	0761018	1	Bolt, M10 x 50	
7	1001203459	2	Block, Clamp	
8	1670769	1	Cover	
9	3291005	7	Nut, Lock M10 x 1.5	
10	3841340	2	Hose Loop	
11	4811700	4	Washer, M6	
12	4812000	12	Washer, M10	
14	8406110	1	Clip	
15	1001172128	1	Bracket, Hose Cover	
16	1001173456	1	Clamp	
17	1001173665	1	Clamp	
18	1001173761	1	Bracket	
19	1001173808	1	Harness, Telescope In Proximity Sensors (See Separate Breakdown in this Section)	
20	1001173927	1	Clamp	
21	1001176636	4	Nut M6	
21	1001260680	4	Rivnut M6	
23	1001176953	1	Harness, Main Boom Cable (See Separate Breakdown in this Section)	
24	1001203435	1	Cable, Electrical 12/3	
25	3290805	2	Nut, Lock M8	
26	4811900	4	Washer M8	
27	0641504	2	Bolt 5/16 x 1/2	

# SECTION 8 - ELECTRICAL

**FIGURE 8-33. CABLES AND CLAMPS INSTALLATION - 460SJ (4000W GENERATOR 60HZ) (ANSI, ANSI EXPORT, CSA AND JAPANESE SPECS)**



ART\_1001175241\_E

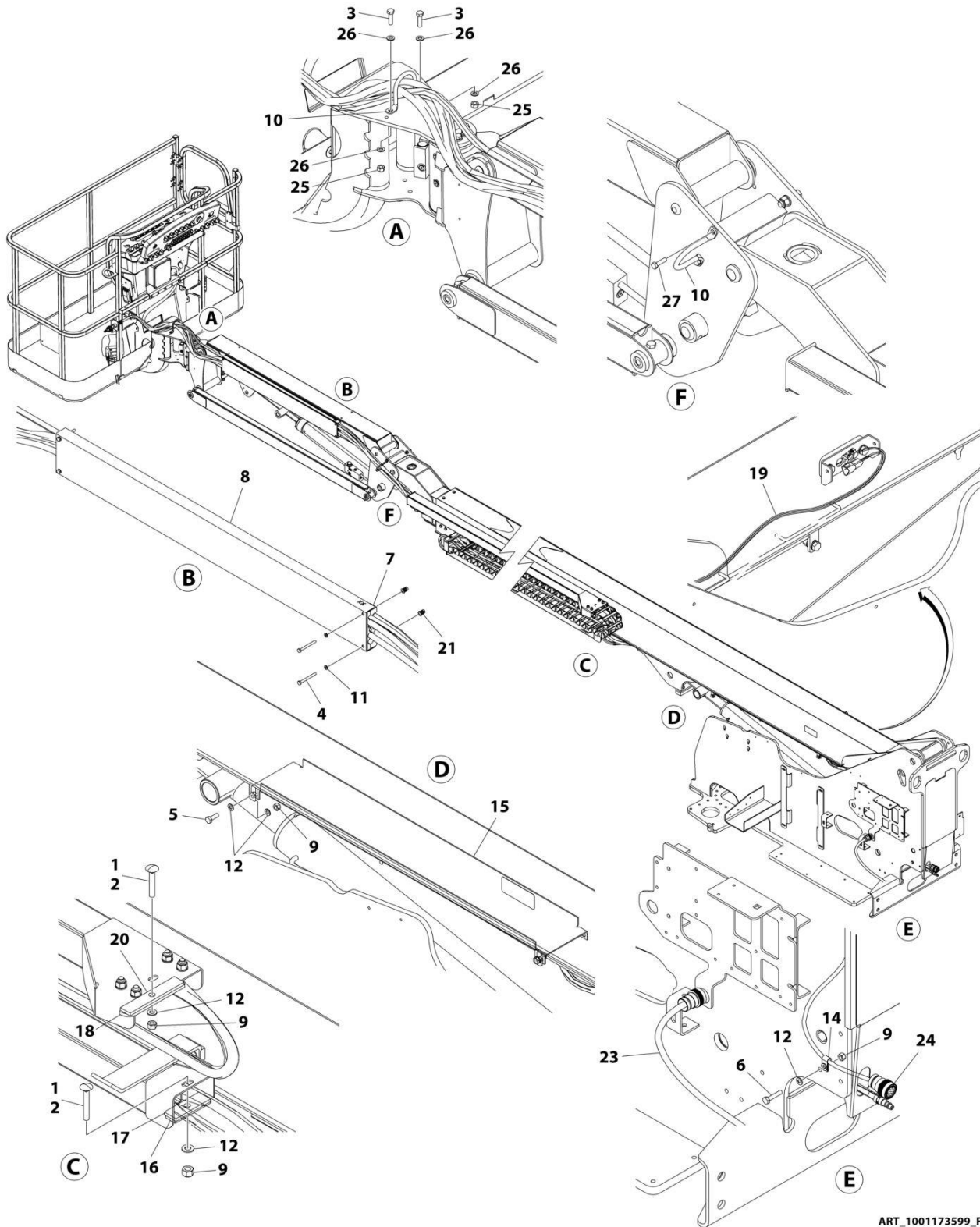
## SECTION 8 - ELECTRICAL

**FIGURE 8-33. CABLES AND CLAMPS INSTALLATION - 460SJ (4000W GENERATOR 60HZ) (ANSI, ANSI EXPORT, CSA AND JAPANESE SPECS)**

ITEM	PART NUMBER	QTY	DESCRIPTION	REV
	1001175241	Ref	CABLES AND CLAMPS INSTALLATION	E
1	0561237	2	Block, Clamp	
2	0630563	1	Bolt, Carriage M10 x 60	
3	0641504	1	Bolt 5/16 x 1/2	
4	0700620	4	Bolt M6 x 60	
6	0761014	4	Bolt M10 x 30	
7	1670769	1	Cover	
8	1001176636	4	Nut M6	
8	1001260680	4	Rivnut M6	
9	3291005	6	Nut M10	
10	3841340	2	Hose Loop	
11	4811700	4	Washer M6	
12	4812000	10	Washer M10	
13	1001176953	1	Harness, Main Boom Cable - 460SJC (See Separate Breakdown in this Section)	
15	1001172128	1	Bracket, Hose Cover	
16	1001173456	1	Clamp	
17	1001173665	1	Clamp	
18	1001173761	1	Bracket	
19	1001173808	1	Harness, Telescope in Proximity Sensors (See Separate Breakdown in this Section)	
20	1001173927	1	Clamp	
21	1001175171	1	Cable, Electrical 12/3	
22	0100081	AR	Adhesive	
23	1001181329	1	Bolt, Carriage M10 x 70	
24	0760814	2	Bolt M8 x 30	
25	3290805	2	Nut M8	
23	4811900	4	Washer M8	

# SECTION 8 - ELECTRICAL

## FIGURE 8-34. CABLES AND CLAMPS INSTALLATION - 460SJ (4000W GENERATOR 50HZ) (ALL SPECS)



ART\_1001173599\_F



## SECTION 8 - ELECTRICAL

**FIGURE 8-34. CABLES AND CLAMPS INSTALLATION - 460SJ (4000W GENERATOR 50HZ) (ALL SPECS)**

ITEM	PART NUMBER	QTY	DESCRIPTION	REV
	1001173599	Ref	CABLES AND CLAMPS INSTALLATION	F
1	0100081	1	Adhesive	
2	0630563	2	Bolt, Carriage M10 x 60	
3	0760814	2	Bolt M8 x 30	
4	0641418	4	Bolt 1/4 x 2-1/4	
4	0700620	4	Bolt M6 x 60	
5	0761014	4	Bolt, M10 x 30	
6	0761018	1	Bolt, M10 x 50	
7	1001203459	2	Block, Clamp	
8	1670769	1	Cover	
9	3291005	7	Nut, Lock M10 x 1.5	
10	3841340	2	Hose Loop	
11	4811700	4	Washer, M6	
12	4812000	12	Washer, M10	
14	8406110	1	Clip	
15	1001172128	1	Bracket, Hose Cover	
16	1001173456	1	Clamp	
17	1001173665	1	Clamp	
18	1001173761	1	Bracket	
19	1001173808	1	Harness, Telescope In Proximity Sensors (See Separate Breakdown in this Section)	
20	1001173927	1	Clamp	
21	1001176636	4	Nut M6	
21	1001260680	4	Rivnut M6	
23	1001176953	1	Harness, Main Boom Cable (See Separate Breakdown in this Section)	
24	1001203435	1	Cable, Electrical 12/3	
25	3290805	2	Nut, Lock M8	
26	4811900	4	Washer M8	
27	0641504	2	Bolt 5/16 x 1/2	



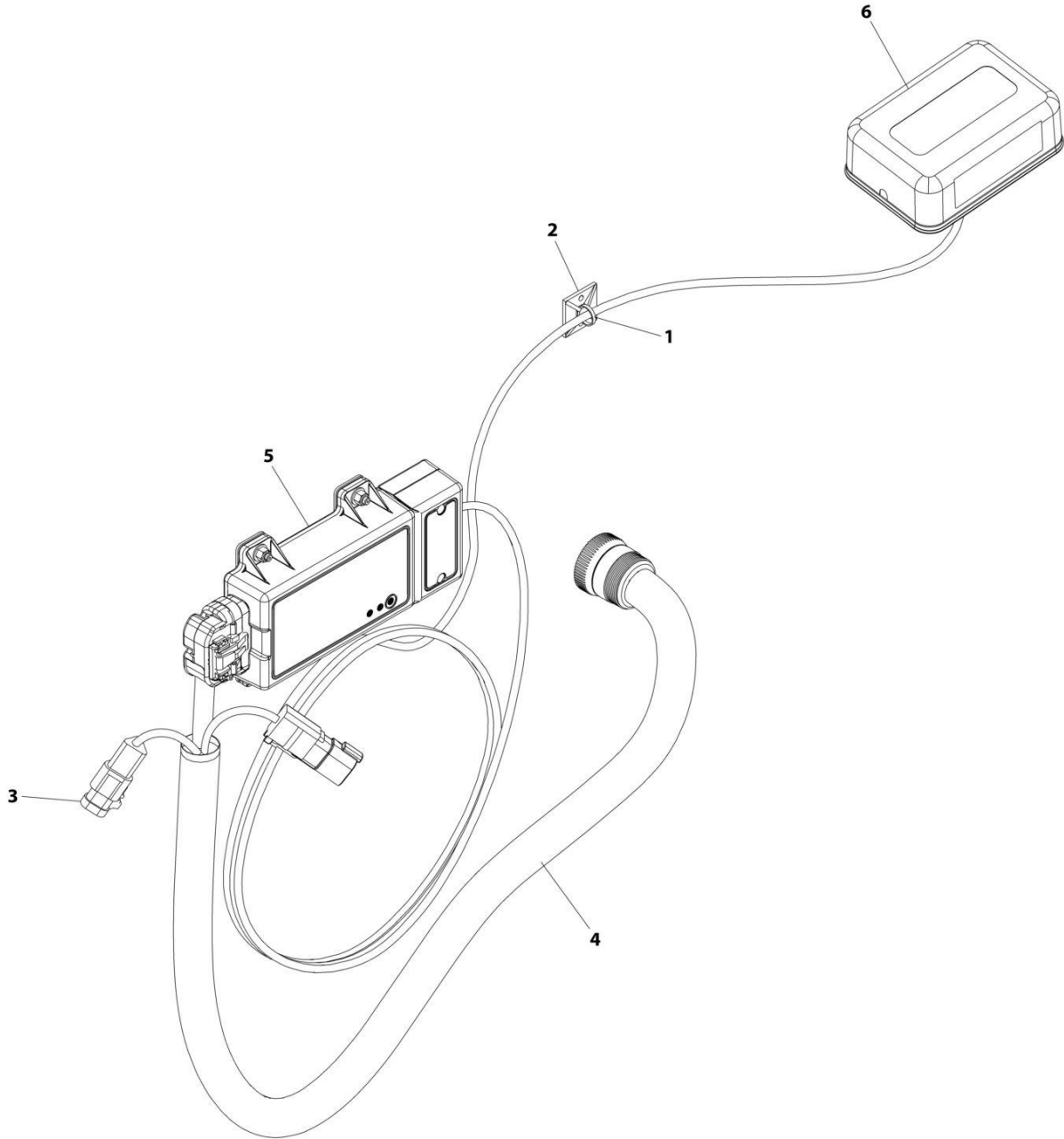
## SECTION 8 - ELECTRICAL

**FIGURE 8-35. CABLES AND CLAMPS INSTALLATION - 460SJ (7500W GENERATOR) (ALL SPECS EXCEPT CE & UK CA SPECS)**

ITEM	PART NUMBER	QTY	DESCRIPTION	REV
	1001173605	Ref	CABLES AND CLAMPS INSTALLATION	G
1	0100081	1	Adhesive	
2	0630563	1	Bolt, Carriage M10 x 60	
3	0760814	2	Bolt M8 x 30	
4	0700620	4	Bolt M6 x 60	
5	0761014	4	Bolt M10 x 30	
6	1001203459	2	Block, Clamp	
7	1670769	1	Cover	
8	3291005	6	Nut M10	
9	3841340	2	Hose Loop	
10	4811700	4	Washer M6	
11	4812000	10	Washer M10	
13	1001172128	1	Bracket, Hose Cover	
14	1001173456	1	Clamp	
15	1001173665	1	Clamp	
16	1001173761	1	Bracket	
17	1001173808	1	Harness, Telescope In Proximity Sensors (See Separate Breakdown in this Section)	
18	1001173927	1	Clamp	
19	4922803	1	Cable, Electrical 8/5	
20	1001176636	4	Nut, Rivet M6	
20	1001260680	4	Rivnut M6	
21	1001181329	1	Bolt, Carriage M10 x 70	
22	1001176953	1	Harness, Main Boom (See Separate Breakdown in this Section)	
23	3290805	2	Nut, Lock M8	
24	4811900	4	Washer M8	
25	0641504	2	Bolt 5/16 x 1/2	

# SECTION 8 - ELECTRICAL

FIGURE 8-36. CLEARSKY (TELEMATICS) INSTALLATION - CANBUS 4G (ALL SPECS EXCEPT CHINA SPECS)



ART\_1001227453

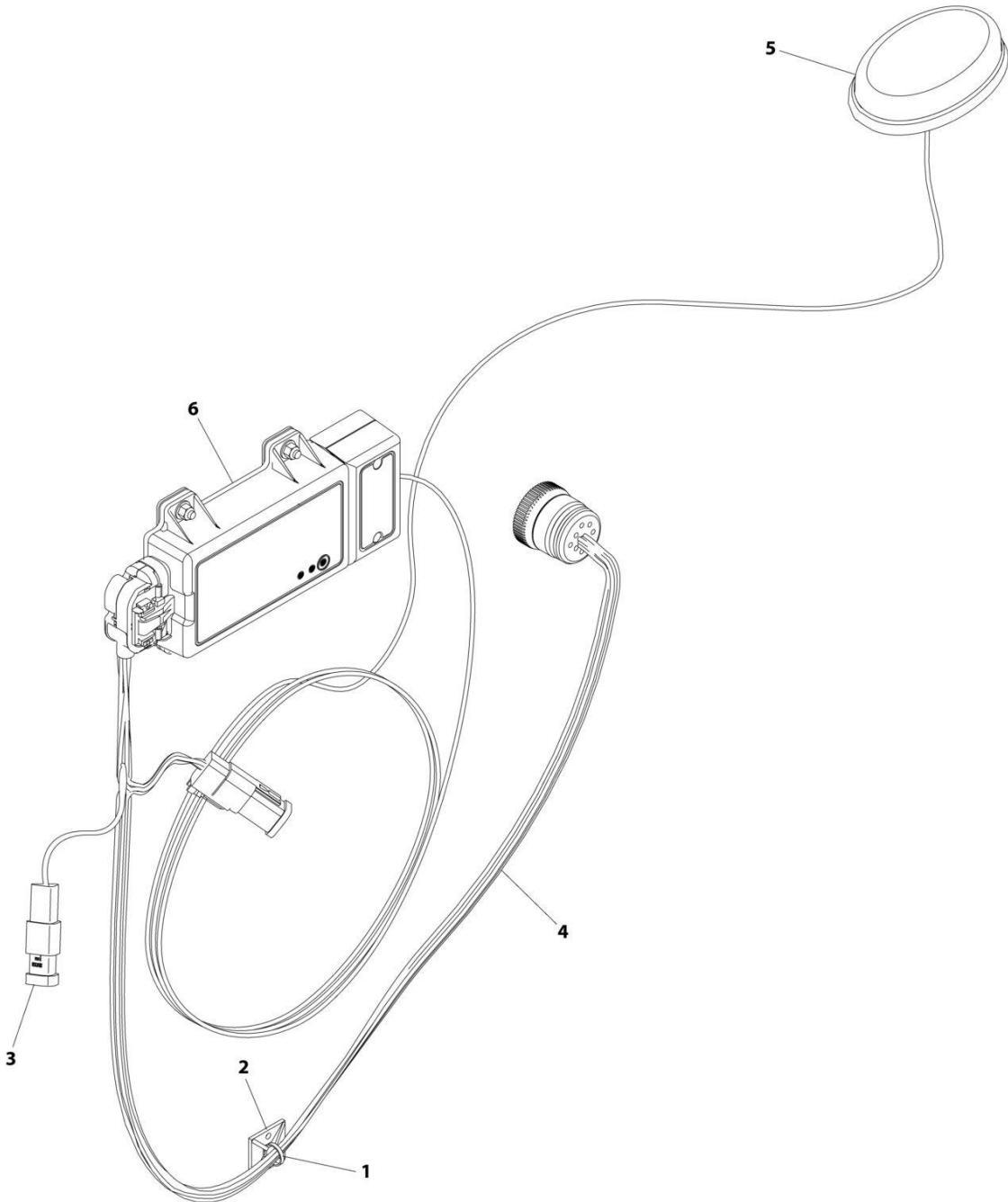
## SECTION 8 - ELECTRICAL

**FIGURE 8-36. CLEARSKY (TELEMATICS) INSTALLATION - CANBUS 4G (ALL SPECS EXCEPT CHINA SPECS)**

ITEM	PART NUMBER	QTY	DESCRIPTION	REV
	1001227453	Ref	CLEARSKY INSTALLATION - CANBUS	C
1	4240032	AR	Tie-Strap	
2	4460234	AR	Cable Tie	
3	1001129408	1	Connector	
4	1001226739	1	ClearSky Harness (See Separate Breakdown in ELECTRICAL Section)	
5	1001262322	1	Telematics Control Module (Note: Re-calibration Required when Replaced)	
6	1001262326	1	Antenna	

**SECTION 8 - ELECTRICAL**

**FIGURE 8-37. CLEARSKY (TELEMATICS) INSTALLATION - CANBUS 4G (CHINA SPECS)**



ART\_1001246457

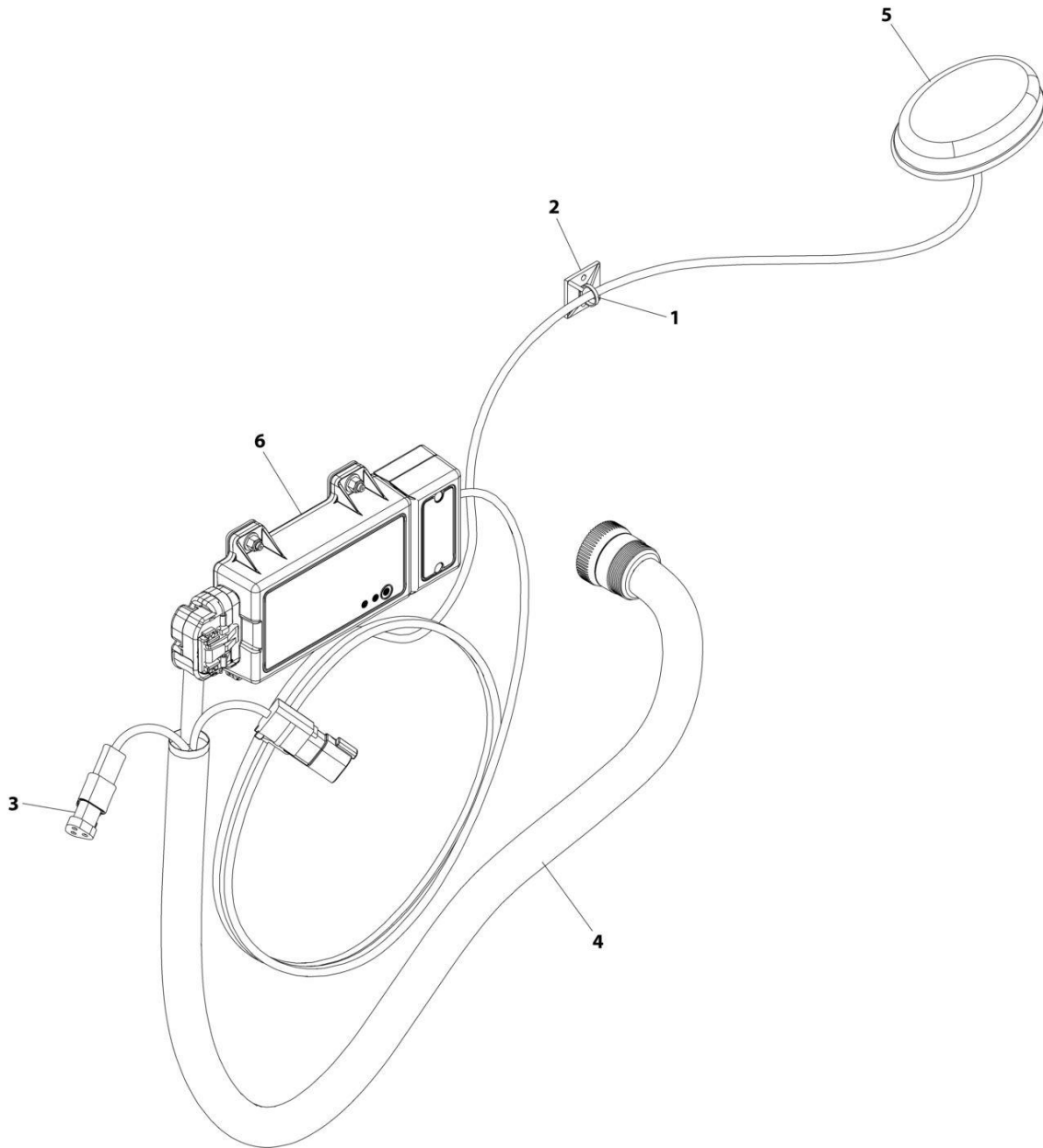
## SECTION 8 - ELECTRICAL

**FIGURE 8-37. CLEARSKY (TELEMATICS) INSTALLATION - CANBUS 4G (CHINA SPECS)**

ITEM	PART NUMBER	QTY	DESCRIPTION	REV
	1001246457	Ref	CLEARSKY INSTALLATION - CANBUS	A
1	4240032	AR	Tie-Strap	
2	4460234	AR	Cable Tie	
3	1001116815	1	Connector	
4	1001226739	1	ClearSky Harness (See Separate Breakdown in ELECTRICAL Section)	
5	1001226799	1	Antenna	
6	1001246145	1	Telematics Control Module (Note: Re-calibration Required when Replaced)	

## SECTION 8 - ELECTRICAL

FIGURE 8-38. CLEARSKY (TELEMATICS) INSTALLATION - CANBUS 3G (ANSI EXPORT, CE, JAPANESE & UK CA SPECS)



ART\_1001228955



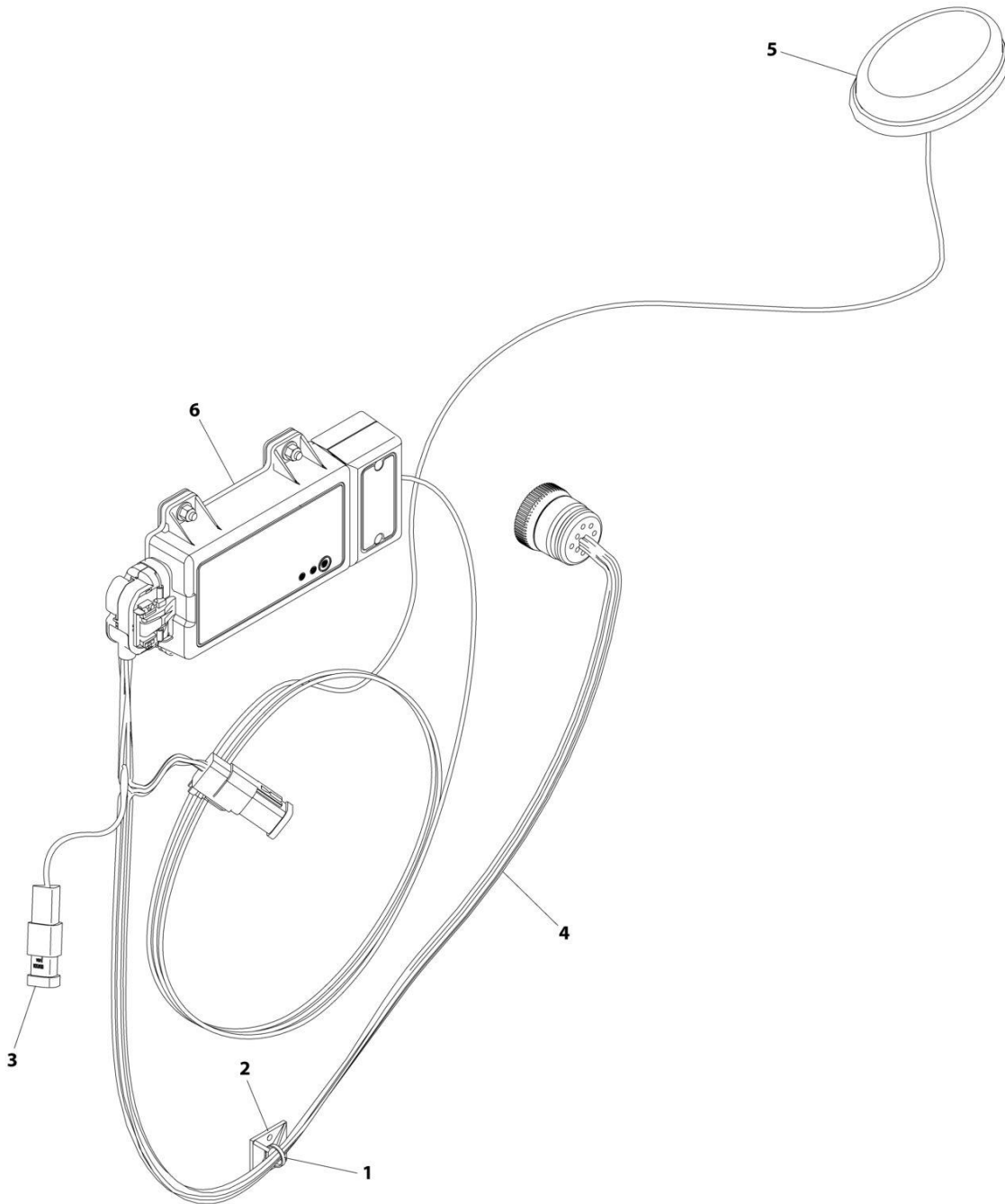
## SECTION 8 - ELECTRICAL

**FIGURE 8-38. CLEARSKY (TELEMATICS) INSTALLATION - CANBUS 3G (ANSI EXPORT, CE, JAPANESE & UK CA SPECS)**

ITEM	PART NUMBER	QTY	DESCRIPTION	REV
	1001228955	Ref	CLEARSKY INSTALLATION - CANBUS	A
1	4240032	AR	Tie-Strap	
2	4460234	AR	Cable Tie	
3	1001116815	1	Connector	
4	1001226739	1	ClearSky Harness (See Separate Breakdown in ELECTRICAL Section)	
5	1001226799	1	Antenna	
6	1001228954	1	Telematics Control Module (Note: Re-calibration Required when Replaced)	

# SECTION 8 - ELECTRICAL

## FIGURE 8-39. CLEARSKY (TELEMATICS) INSTALLATION - CANBUS 3G (AUSTRALIAN SPECS)



ART\_1001246456

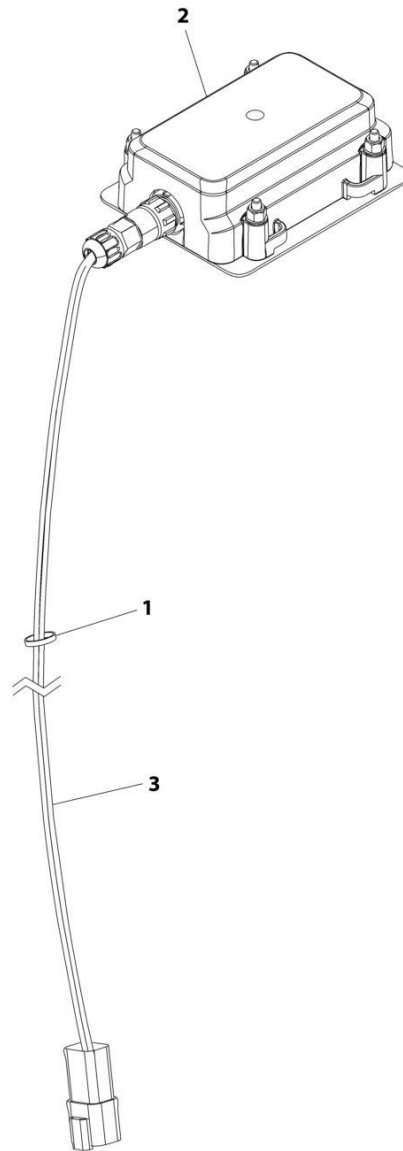
## SECTION 8 - ELECTRICAL

**FIGURE 8-39. CLEARSKY (TELEMATICS) INSTALLATION - CANBUS 3G (AUSTRALIAN SPECS)**

ITEM	PART NUMBER	QTY	DESCRIPTION	REV
	1001246456	Ref	CLEARSKY INSTALLATION - CANBUS	A
1	4240032	AR	Tie-Strap	
2	4460234	AR	Cable Tie	
3	1001116815	1	Connector	
4	1001226739	1	ClearSky Harness (See Separate Breakdown in ELECTRICAL Section)	
5	1001226799	1	Antenna	
6	1001246144	1	Telematics Control Module (Note: Re-calibration Required when Replaced)	

## SECTION 8 - ELECTRICAL

FIGURE 8-40. CLEARSKY (TELEMATICS) INSTALLATION - 3 WIRE GT1030



ART\_1001276610

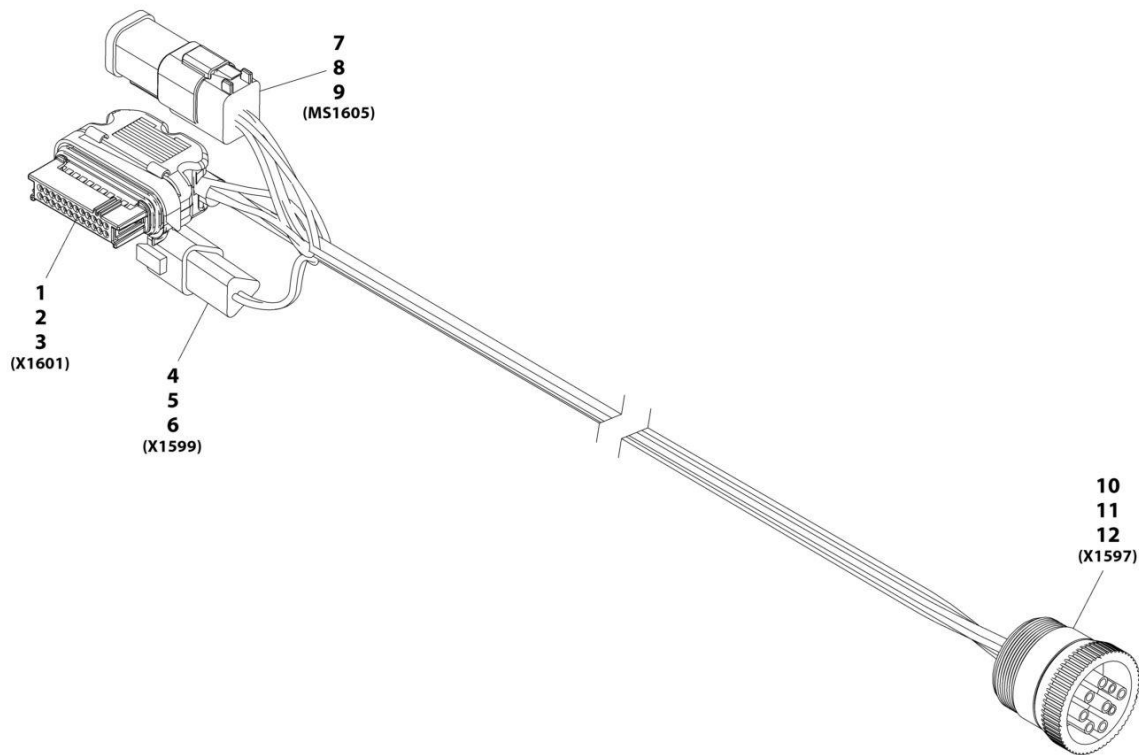
## SECTION 8 - ELECTRICAL

**FIGURE 8-40. CLEARSKY (TELEMATICS) INSTALLATION - 3 WIRE GT1030**

ITEM	PART NUMBER	QTY	DESCRIPTION	REV
	1001276610	Ref	CLEARSKY INSTALLATION 3-WIRE CONNECTION	A
1	4240032	AR	Tie-Strap	
2	1001272659	1	Telematics Control Module Assembly (Note: Re-calibration Required when Replaced)	
3	1001273012	1	ClearSky Harness (See Separate Breakdown in this Section)	

# SECTION 8 - ELECTRICAL

## FIGURE 8-41. CLEARSKY HARNESS - CANBUS



ART\_1001226739-A

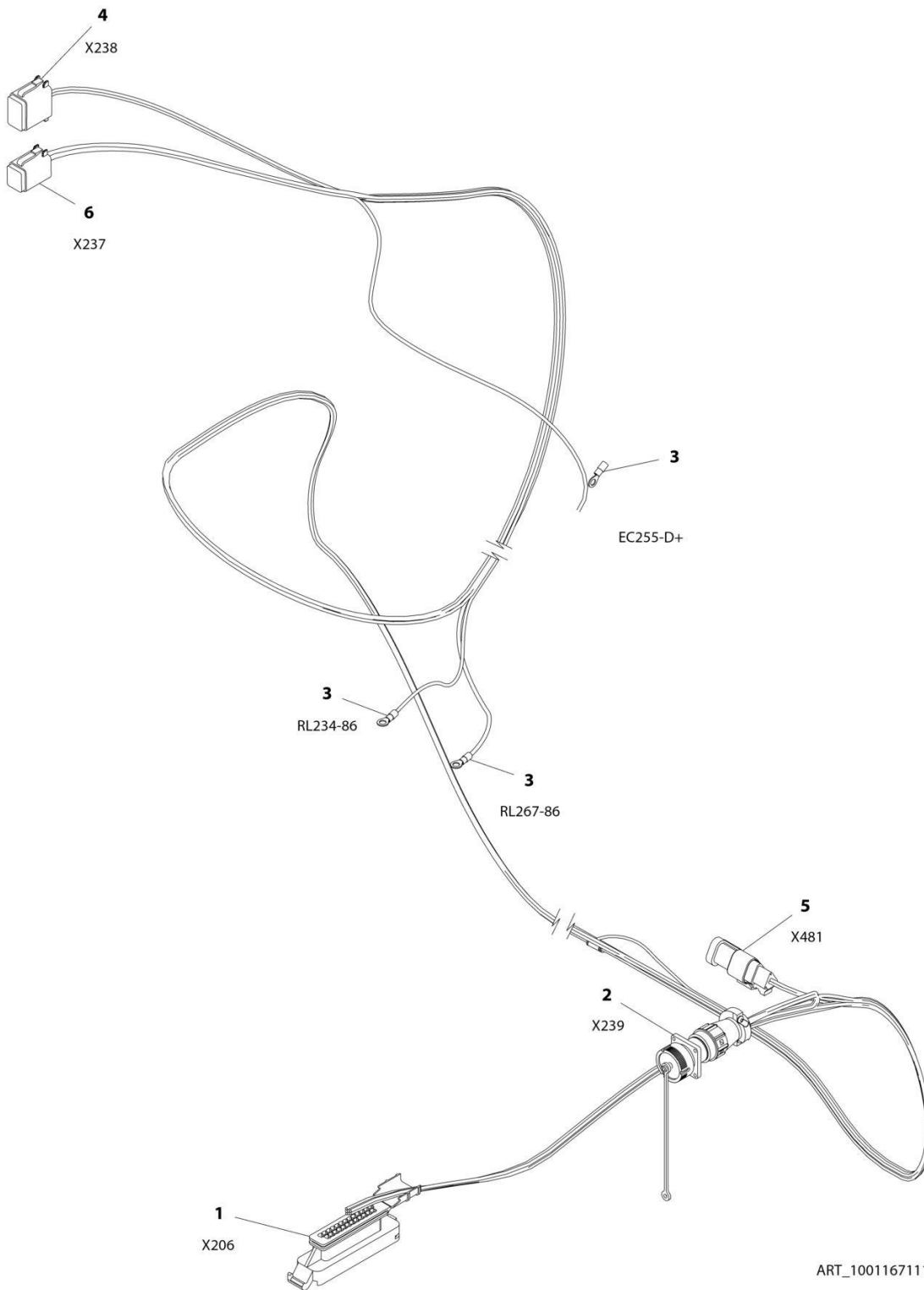
## SECTION 8 - ELECTRICAL

**FIGURE 8-41. CLEARSKY HARNESS - CANBUS**

ITEM	PART NUMBER	QTY	DESCRIPTION	REV
	1001226739	Ref	Clearsky Harness	A
1	1001226636	1	Connector	
2	1001116731	16	Plug, Terminal	
3	1001226637	8	Terminal	
4	1001144147	1	Connector	
5	4460464	2	Terminal	
6	4460466	1	Plug, Terminal	
7	4460894	1	Connector	
8	4460465	6	Terminal	
9	1001226541	1	Connector- 6 Pin Bussbar	
10	1001112796	1	Connector	
11	4460465	8	Terminal	
12	4460466	1	Plug, Terminal	

# SECTION 8 - ELECTRICAL

## FIGURE 8-42. ENGINE HARNESS - DEUTZ D2011



ART\_1001167111



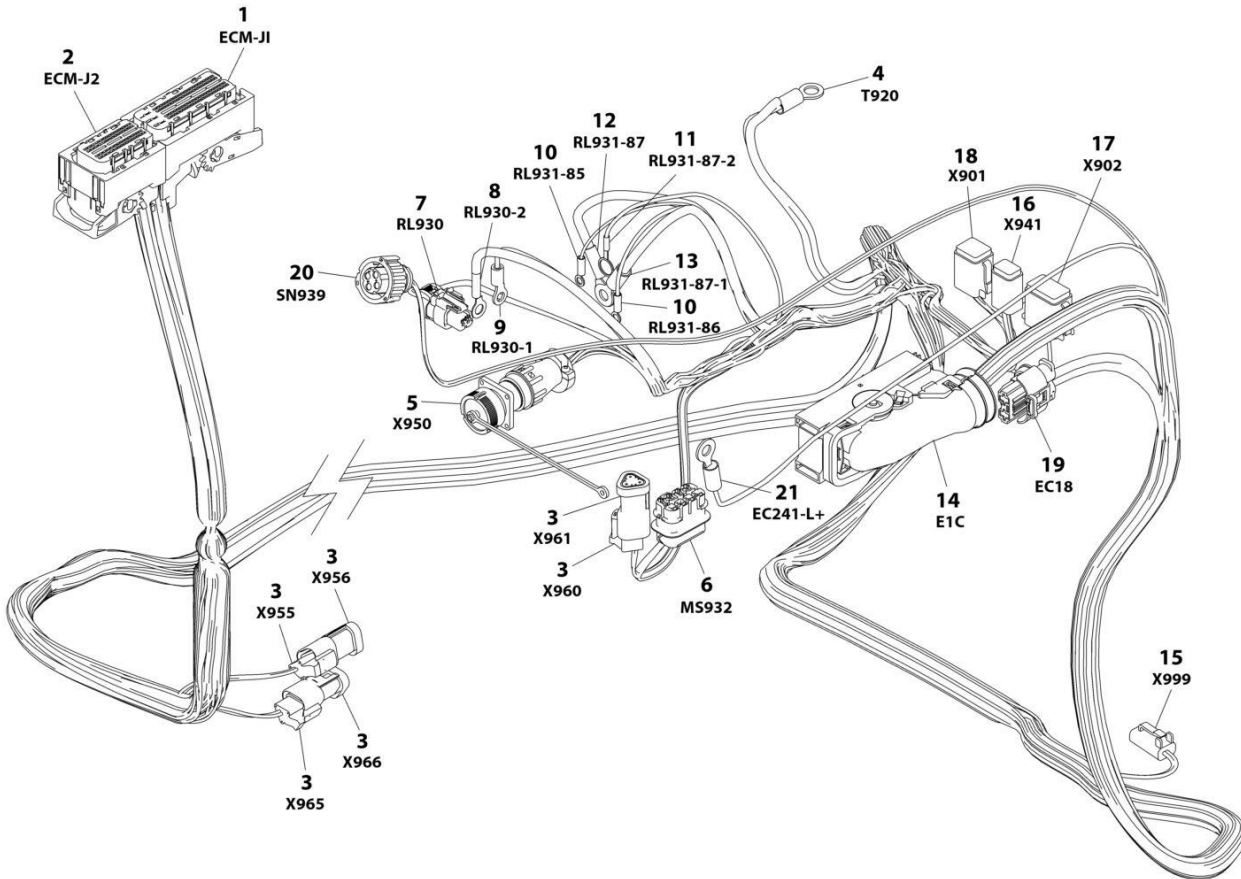
## SECTION 8 - ELECTRICAL

**FIGURE 8-42. ENGINE HARNESS - DEUTZ D2011**

ITEM	PART NUMBER	QTY	DESCRIPTION	REV
	1001167111	Ref	ENGINE HARNESS - DEUTZ D2011	B
1	4461052	1	Connector - 25 Position	
1	4461005	7	Terminal	
1	4461008	18	Plug, Terminal	
2	2902443	1	Receptacle Kit	
2	4461071	8	Socket, Female	
2	4461072	1	Receptacle with Flange - 8 Position	
2	4461073	1	Cap, Dust	
2	4461074	1	Shell, Black	
3	4460313	3	Terminal, Ring	
4	4460930	1	Plug, Male - 8 Position	
4	4460465	2	Socket, Female	
4	4460466	6	Seal, Terminal	
5	4461095	1	Plug, Male - 3 Position	
5	4460465	3	Socket, Female	
6	4460894	1	Plug, Male - 6 Position	
6	4460465	6	Socket, Female	

# SECTION 8 - ELECTRICAL

## FIGURE 8-43. ENGINE HARNESS - DEUTZ D2.9L4



ART\_1001167108\_L

## SECTION 8 - ELECTRICAL

### FIGURE 8-43. ENGINE HARNESS - DEUTZ D2.9L4

ITEM	PART NUMBER	QTY	DESCRIPTION	REV
	1001167108	Ref	ENGINE HARNESS - DEUTZ D2.9L4	L
1	1001133956	1	Connector, 94 Position	
1	1001182361	6	Terminal	
1	1001126351	2	Terminal	
1	1001230934	17	Terminal	
1	1001230935	63	Plug, Terminal	
1	1001256507	4	Terminal	
1	1001230936	2	Plug, Terminal	
1	1001182365	6	Seal	
2	1001133957	1	Connector - 60 Position	
2	1001230936	11	Plug, Terminal	
2	1001126351	13	Terminal	
2	1001230935	19	Plug, Terminal	
2	1001230934	11	Terminal	
2	1001252527	4	Terminal	
2	1001256507	2	Terminal	
3	4461095	3	Plug, Male - 3 Position	
3	4460944	6	Socket, Female	
3	4460466	3	Plug, Terminal	
3	4461070	3	Connector, Female with Resistor 3 Position	
4	8220115	1	Terminal, Ring	
5	2902443	1	Receptacle Kit	
5	4461071	8	Socket, Female	
5	4461072	1	Receptacle with Flange - 8 Position	
5	4461073	1	Cap, Dust	
5	4461074	1	Shell, Black	
6	80484084	1	Connector - 8 Position	
6	4460746	3	Terminal	
6	1001234800	1	Terminal	
6	4460748	4	Plug, Terminal	
6	4460458	4	Seal	
6	8229242	1	Fuse - 5Amp	
6	80983191	1	Fuse - 10Amp	
6	1001147264	1	Cap	
7	1001116952	1	Plug, Male - 2 Position	
7	4460465	2	Socket, Female	
8	1001117106	1	Terminal, Ring	
9	4460043	1	Terminal, Ring	
10	4460247	2	Terminal, Ring	
11	4460703	1	Terminal, Ring	
12	8220164	1	Terminal, Ring	
13	1001117107	1	Terminal, Ring	
14	1001126362	1	Connector - 62 Position	
14	1001126363	25	Terminal	
14	1001126391	21	Seal, Terminal	
14	1001126392	10	Terminal	
14	4461008	4	Seal, Terminal	
14	1001126365	2	Terminal	
14	1001223459	10	Seal, Terminal	
14	1001126364	23	Seal, Terminal	

## SECTION 8 - ELECTRICAL

ITEM	PART NUMBER	QTY	DESCRIPTION	REV
14	1001256506	2	Seal, Terminal	
14	4461054	2	Seal, Terminal	
15	4460891	1	Plug, Male - 2 Position	
15	4460465	2	Socket, Female	
16	1001220379	1	Plug, Male - 4 Position	
16	4460465	2	Socket, Female	
16	4460942	2	Socket, Female	
17	4460930	1	Plug, Male - 8 Position	
17	4460465	1	Socket, Female	
17	4460466	7	Seal, Terminal	
18	4460894	1	Plug, Male - 6 Position	
18	4460465	3	Socket, Female	
18	4460944	2	Socket, Female	
18	4460466	1	Plug, Terminal	
19	1001142938	1	Connector - 2 Position	
19	1001142940	2	Terminal	
19	1001142941	2	Seal, Terminal	
20	1001133714	1	Plug, Male - 4 Position	
20	1001133715	3	Terminal	
20	1001135651	1	Plug, Terminal	
20	1001135650	3	Seal	
21	4460042	1	Terminal, Ring	





## SECTION 8 - ELECTRICAL

**FIGURE 8-44. ENGINE HARNESS - DEUTZ D2.9L4 (STAGE V)**

ITEM	PART NUMBER	QTY	DESCRIPTION	REV
	1001276643	Ref	ENGINE HARNESS - DEUTZ D2.9L4 (STAGE V) ENGINE	B
1	1001126362	1	Connector	
1	1001126363	37	Socket	
1	1001126391	7	Plug, Terminal	
1	1001126392	12	Socket	
1	4461008	4	Plug, Terminal	
1	1001167632	2	Socket	
1	1001126364	37	Plug, Terminal	
1	1001223459	12	Seal	
1	4461054	2	Seal	
2	1001142938	1	Connector	
2	1001142940	2	Socket	
2	1001142941	2	Seal	
3	4460042	1	Terminal, Ring	
4	1001239202	1	Connector	
4	1001126363	7	Socket	
4	1001126391	1	Plug, Terminal	
4	1001126364	7	Plug, Terminal	
5	1001117107	2	Terminal, Ring	
6	1001116952	1	Connector	
6	4460465	2	Socket	
8	4460043	1	Terminal, Ring	
9	1001116812	5	Connector	
9	4460944	10	Socket	
9	4460466	5	Plug, Terminal	
10	4460539	4	Connector	
10	4460944	8	Socket	
10	4460466	4	Plug, Terminal	
12	4460019	2	Terminal, Ring	
13	4460884	1	Connector	
13	4460465	2	Socket	
13	4460942	2	Socket	
14	4460703	1	Terminal, Ring	
15	4460894	1	Connector	
15	4460466	2	Plug, Terminal	
15	4460465	2	Socket	
15	4460944	2	Socket	
16	4460930	1	Connector	
16	4460465	1	Socket	
16	4460466	7	Plug, Terminal	
17	4460247	2	Terminal, Ring	
18	2902443	1	Receptacle Kit	
18	4461071	8	Socket	
18	4461072	1	Receptacle with Flange - 8 Position	
18	4461073	1	Cap, Dust	
18	4461074	1	Shell, Black	
19	80484084	1	Connector	
19	4460748	4	Plug, Socket	
19	4460746	3	Socket	
19	1001234800	1	Socket	

## SECTION 8 - ELECTRICAL

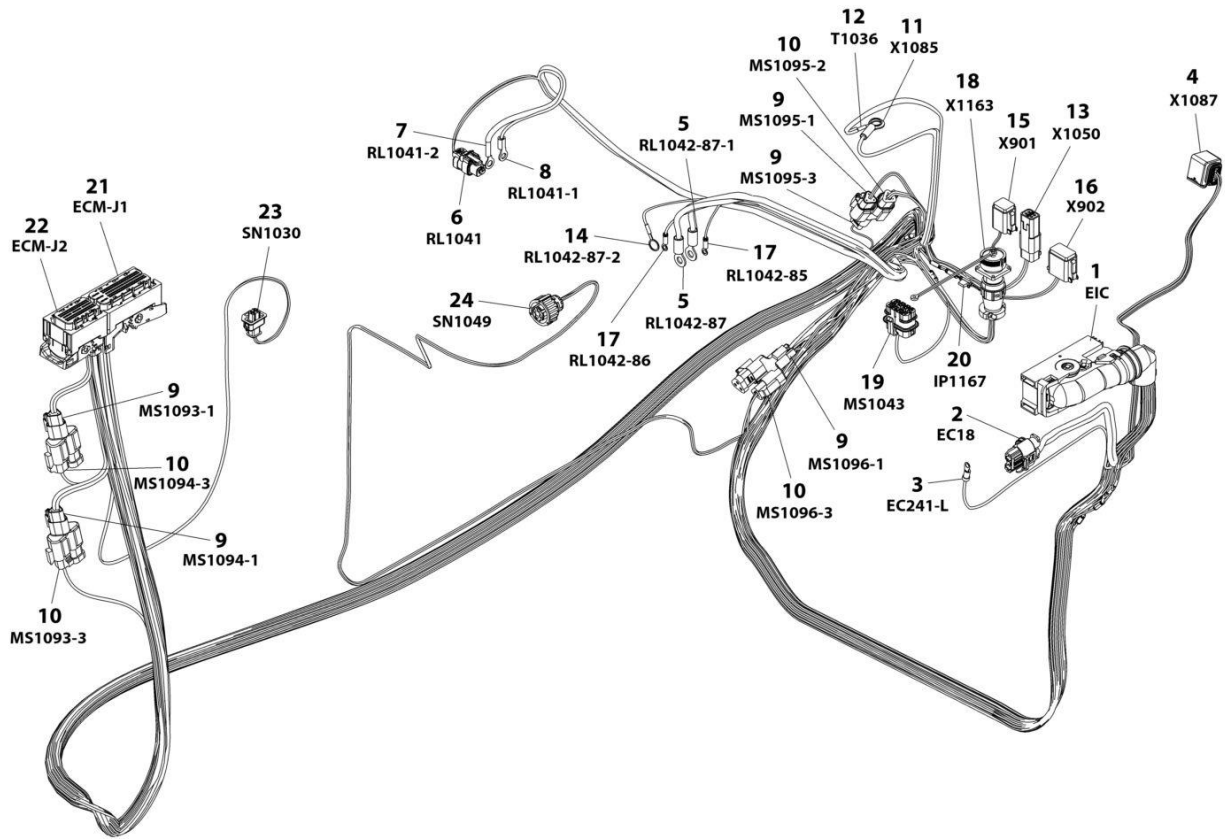
ITEM	PART NUMBER	QTY	DESCRIPTION	REV
19	4460458	4	Seal	
20	1001170764	1	Holder, Fuse	
20	1001197719	1	Fuse 0.5 Watt	
21	1001133956	1	Connector	
21	1001182361	6	Socket	
21	1001126351	3	Socket	
21	1001230934	23	Socket	
21	1001230935	57	Pin	
21	1001230936	1	Pin	
21	1001252527	4	Socket	
21	1001182365	6	Seal	
22	1001133957	1	Connector	
22	1001230936	11	Pin	
22	1001126351	13	Socket	
22	1001230935	10	Pin	
22	1001230934	26	Socket	
23	1001126487	1	Connector	
23	1001167635	2	Socket	
23	1001126485	2	Seal	
24	1001133714	1	Connector	
24	1001133715	3	Socket	
24	1001135651	1	Plug, Terminal	
24	1001135650	2	Seal	
25	4460115	1	Terminal, Ring	
26	1001172064	1	Fuse Holder (Includes Cover)	
26	1001172065	1	Fuse 30Amp	





# SECTION 8 - ELECTRICAL

## FIGURE 8-45. ENGINE HARNESS - DEUTZ D2.9L4 (CHINA IV)



ART\_1001245839

## SECTION 8 - ELECTRICAL

**FIGURE 8-45. ENGINE HARNESS - DEUTZ D2.9L4 (CHINA IV)**

ITEM	PART NUMBER	QTY	DESCRIPTION	REV
	1001245839	Ref	ENGINE HARNESS - DEUTZ (STAGE V)	F
1	1001126362	1	Connector - 62 Position	
1	1001126363	37	Terminal	
1	1001126391	7	Seal, Terminal	
1	1001126392	12	Terminal	
1	4461008	4	Seal, Terminal	
1	1001167632	2	Terminal	
1	1001126364	36	Seal, Terminal	
1	1001223459	12	Seal, Terminal	
1	4461054	2	Seal, Terminal	
2	1001142938	1	Connector - 2 Position	
2	1001142940	2	Terminal	
2	1001142941	2	Seal, Terminal	
3	4460042	1	Terminal, Ring	
4	1001239202	1	Connector - 8 Position	
4	1001126363	7	Terminal	
4	1001126391	1	Seal, Terminal	
4	1001126364	7	Seal, Terminal	
5	1001117107	2	Terminal, Ring	
6	1001116952	1	Plug, Male - 2 Position	
6	4460465	2	Socket, Female	
7	1001117106	1	Terminal, Ring	
8	4460043	1	Terminal, Ring	
9	1001116812	5	Connector, 3 Position	
9	4460944	10	Socket, Female	
9	4460466	5	Plug, Terminal	
10	4460539	4	Plug, Male - 3 Position	
10	4460944	8	Socket, Female	
10	4460466	4	Plug, Terminal	
11	8220164	1	Terminal, Ring	
12	4460019	1	Terminal, Ring	
13	4460884	1	Plug, Male - 4 Position	
13	4460465	2	Socket, Female	
13	4460942	2	Socket, Female	
14	4460703	1	Terminal, Ring	
15	4460894	1	Plug, Male - 6 Position	
15	4460465	2	Socket, Female	
15	4460944	2	Socket, Female	
15	4460465	2	Socket, Female	
16	4460930	1	Plug, Male - 8 Position	
16	4460465	1	Socket, Female	
16	4460466	7	Plug, Terminal	
17	4460247	2	Terminal, Ring	
18	2902443	1	Receptacle Kit	
18	4461071	8	Socket, Female	
18	4461072	1	Receptacle with Flange - 8 Position	
18	4461073	1	Cap, Dust	
18	4461074	1	Shell, Black	
19	80484084	1	Connector - 8 Position	
19	4460746	3	Terminal	

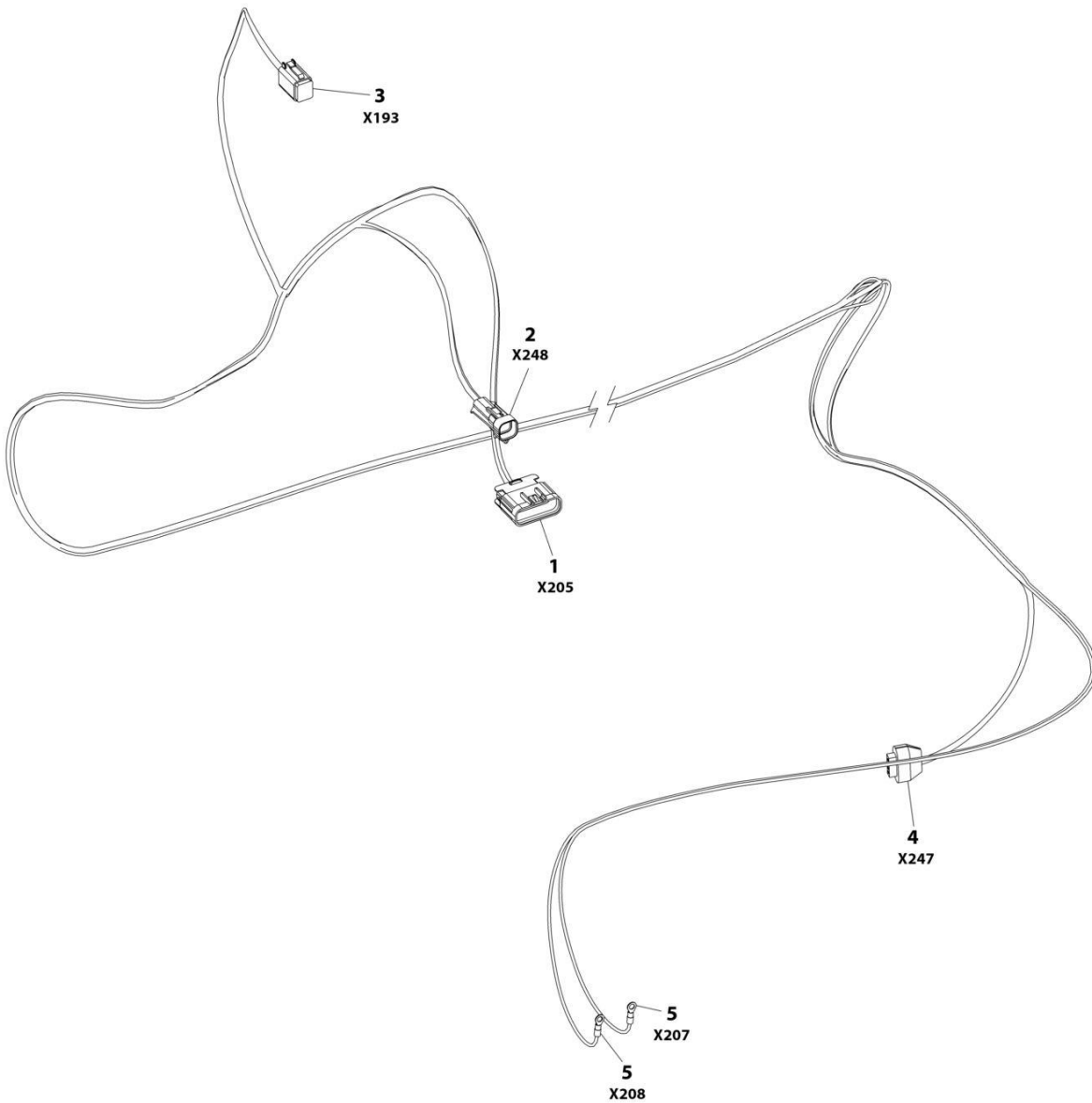
## SECTION 8 - ELECTRICAL

ITEM	PART NUMBER	QTY	DESCRIPTION	REV
19	1001234800	1	Terminal	
19	4460748	4	Plug, Terminal	
19	4460458	4	Seal	
20	1001170764	1	Holder, Fuse	
20	1001197719	1	Fuse 0.5 Watt	
21	1001133956	1	Connector, 94 Position	
21	1001182361	8	Terminal	
21	1001126351	3	Terminal	
21	1001230934	25	Terminal	
21	1001230935	55	Plug, Terminal	
21	1001252527	4	Terminal	
21	1001230936	1	Plug, Terminal	
21	1001182365	8	Seal	
22	1001133957	1	Connector - 60 Position	
22	1001230936	11	Plug, Terminal	
22	1001126351	13	Terminal	
22	1001230935	10	Plug, Terminal	
22	1001230934	26	Terminal	
23	1001126487	1	Connector - 2 Position	
23	1001167635	2	Terminal	
23	1001126485	2	Seal	
24	1001133714	1	Plug, Male - 4 Position	
24	1001133715	3	Terminal	
24	1001135651	1	Plug, Terminal	
24	1001135650	2	Seal	



# SECTION 8 - ELECTRICAL

## FIGURE 8-46. ENGINE HARNESS - KUBOTA



ART\_1001213599

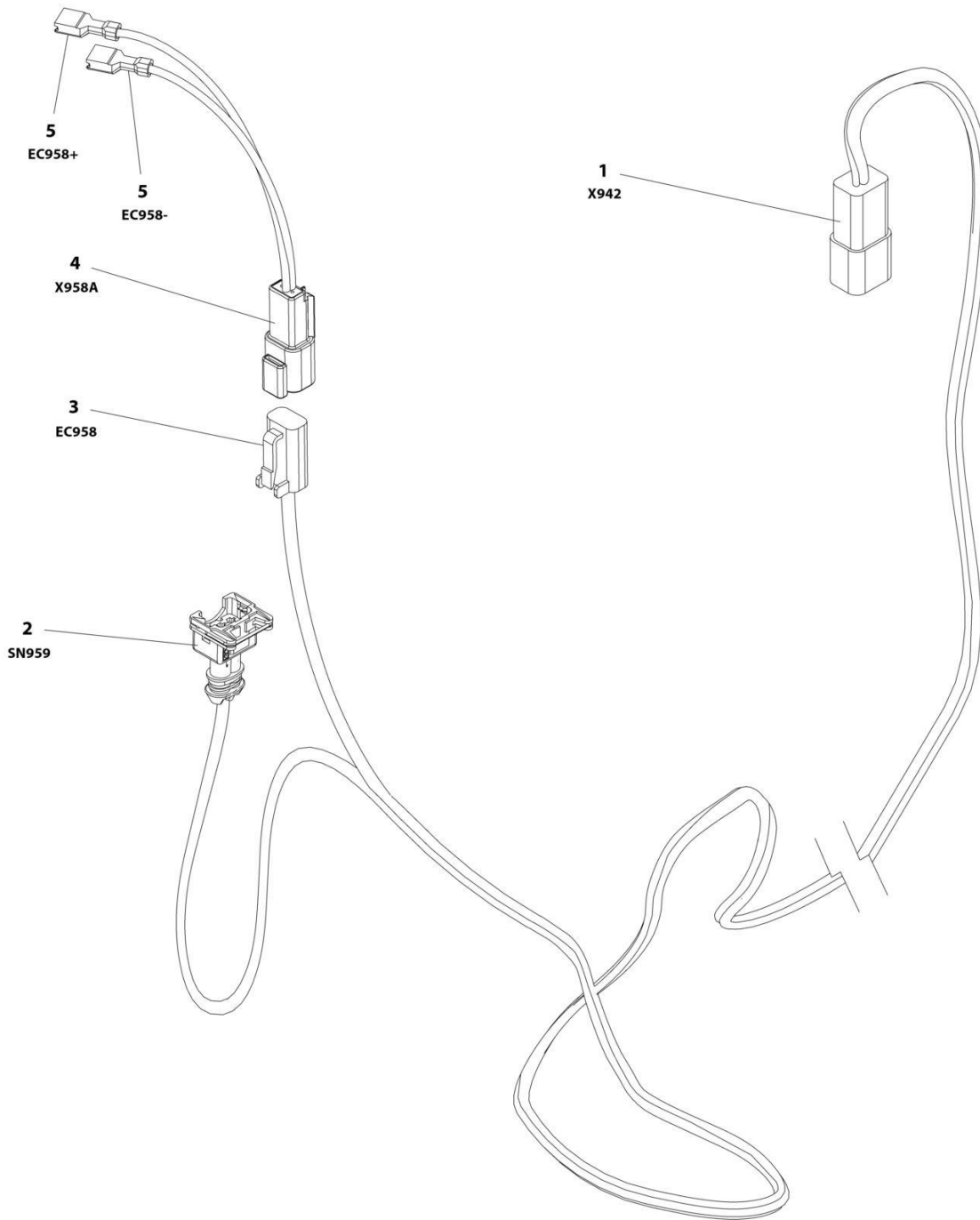
## SECTION 8 - ELECTRICAL

### FIGURE 8-46. ENGINE HARNESS - KUBOTA

ITEM	PART NUMBER	QTY	DESCRIPTION	REV
	1001213599	Ref	ENGINE HARNESS - KUBOTA	C
1	4461109	1	Plug, Male - 16 Position	
1	4461111	7	Terminal	
1	4461113	9	Plug	
2	4461124	1	Connector - 4 Position	
2	4460693	4	Terminal	
3	4460894	1	Plug, Male - 6 Position	
3	4460465	5	Socket, Female	
3	4460466	1	Plug, Terminal	
4	4461121	1	Plug, Male - 4 Position	
4	4461122	4	Terminal	
4	4461123	4	Seal	
5	4460042	2	Terminal, Ring	

# SECTION 8 - ELECTRICAL

## FIGURE 8-47. FUEL HARNESS - DEUTZ D2.9L4 ENGINE



ART\_1001173342



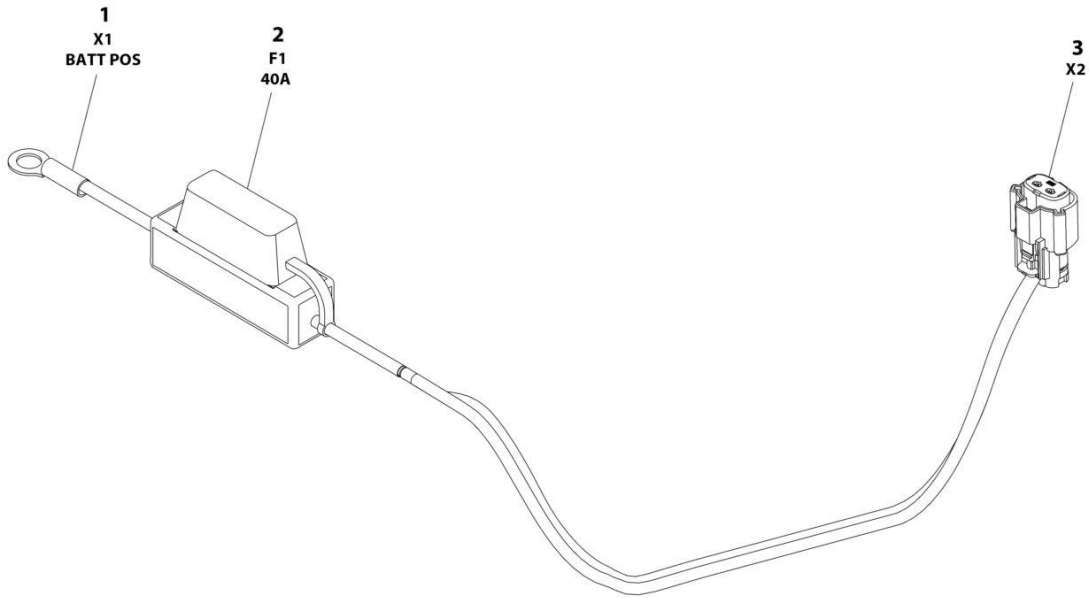
## SECTION 8 - ELECTRICAL

### FIGURE 8-47. FUEL HARNESS - DEUTZ D2.9L4 ENGINE

ITEM	PART NUMBER	QTY	DESCRIPTION	REV
	1001173342	Ref	FUEL HARNESS - DEUTZ D2.9L4 ENGINE	C
1	4460932	1	Receptacle, Female - 4 Position	
1	4460464	2	Pin, Male	
1	4460941	2	Pin, Male	
2	1001116983	1	Plug, Male - 2 Position	
2	1001116710	2	Socket, Female	
3	4460891	1	Plug, Male - 2 Position	
3	4460942	2	Socket, Female	
4	4460897	1	Receptacle, Female - 2 Position	
4	4460941	2	Pin, Male	
5	8220051	2	Coupler, Female	

# SECTION 8 - ELECTRICAL

## FIGURE 8-48. FUEL HARNESS - KUBOTA ENGINE



ART\_1001229798

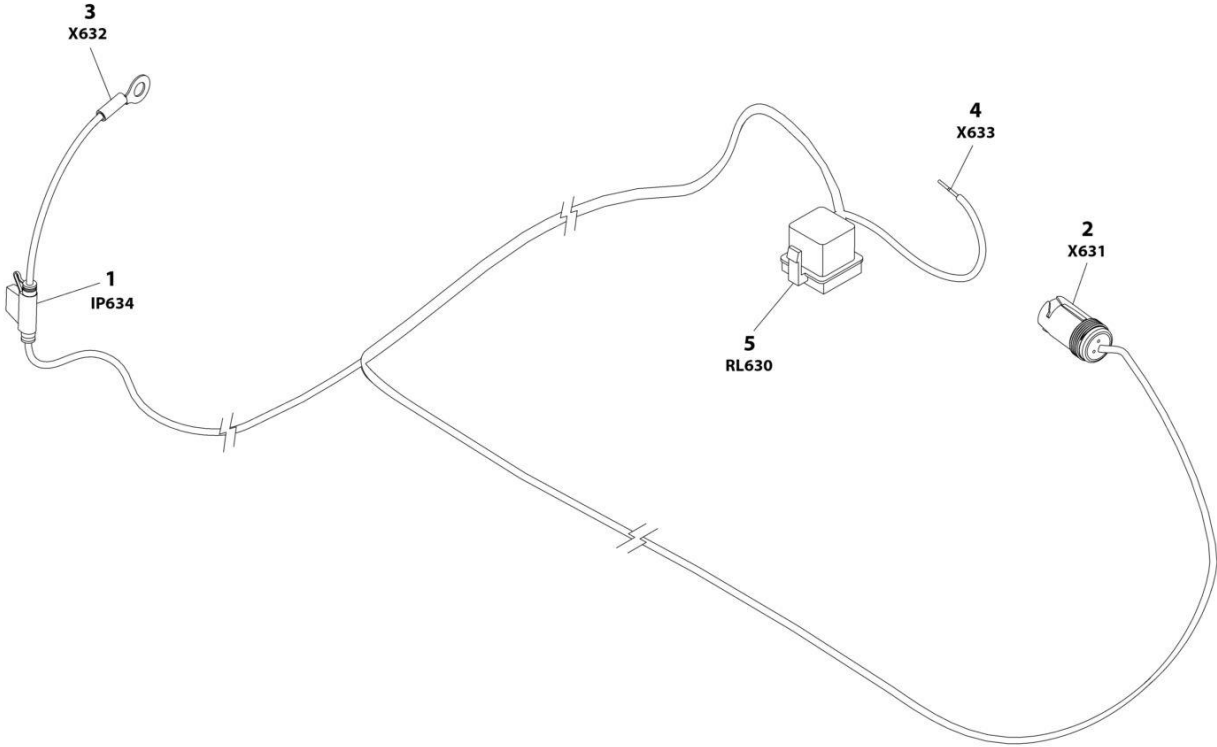
## SECTION 8 - ELECTRICAL

### FIGURE 8-48. FUEL HARNESS - KUBOTA ENGINE

ITEM	PART NUMBER	QTY	DESCRIPTION	REV
	1001229798	Ref	FUEL HARNESS - KUBOTA ENGINE	A
1	4460977	1	Terminal, Ring	
2	2400082	1	Fuse 40Amp	
3	1001229795	1	Connector - 2 Position	
3	1001229796	1	Socket, Female	

**SECTION 8 - ELECTRICAL**

**FIGURE 8-49. GENERATOR HARNESS - 2500W**



ART\_1001187522

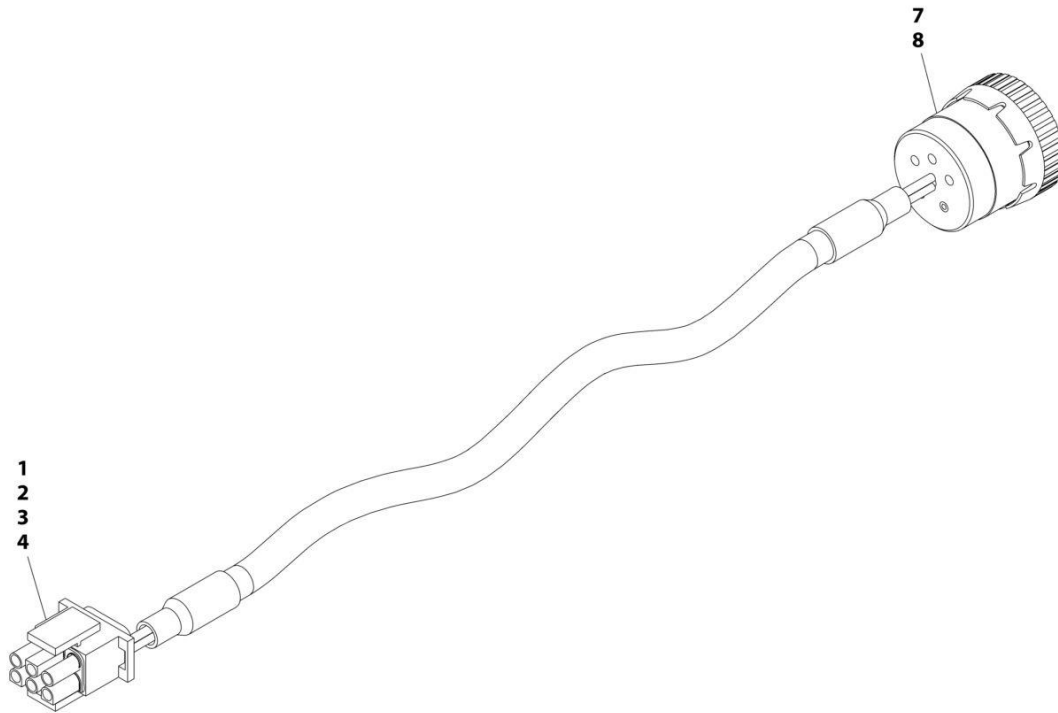
## SECTION 8 - ELECTRICAL

### FIGURE 8-49. GENERATOR HARNESS - 2500W

ITEM	PART NUMBER	QTY	DESCRIPTION	REV
	1001187522	Ref	GENERATOR HARNESS - 2500W	B
1	2400066	1	Fuseholder - 30Amp (Includes Cover)	
1	8229245	1	Fuse 30Amp	
2	1001154726	1	Receptacle, Female - 3 Position	
2	4460464	2	Pin, Male	
2	4460466	1	Plug, Terminal	
3	8220045	1	Terminal, Ring	
4	4460906	1	Socket, Female	
5	1001117057	1	Connector, Relay	
5	1001116734	2	Terminal	
5	1001116732	2	Terminal	
5	3740080	1	Relay	

# SECTION 8 - ELECTRICAL

## FIGURE 8-50. GENERATOR HARNESS - 4000W



ART\_1001152532

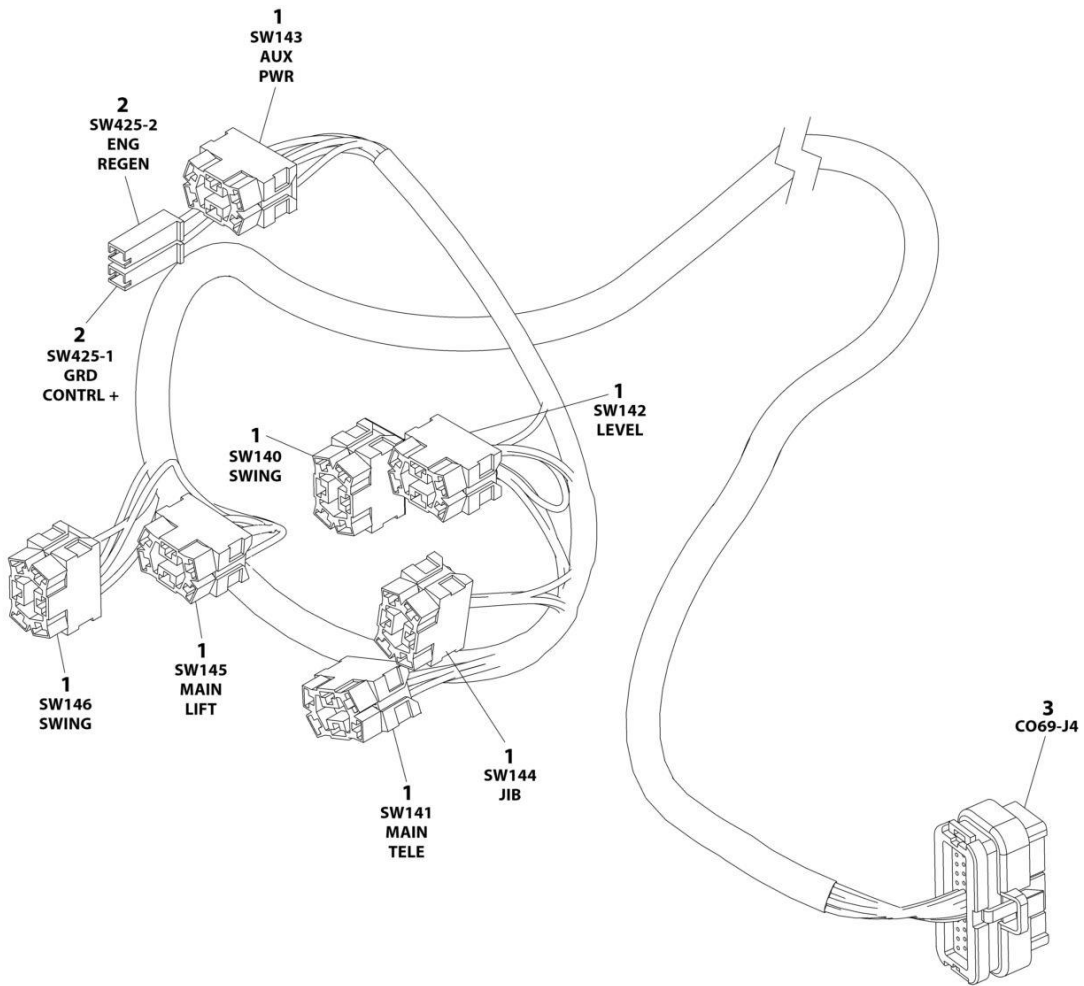
## SECTION 8 - ELECTRICAL

### FIGURE 8-50. GENERATOR HARNESS - 4000W

ITEM	PART NUMBER	QTY	DESCRIPTION	REV
	1001152532	Ref	GENERATOR HARNESS	A
1	4460225	1	Connector - 6 Position	
2	4460268	2	Socket, Female	
3	4460807	1	Seal	
4	4460808	1	Seal	
7	4460465	2	Socket, Female	
8	77363233	1	Connector - 6 Position	

# SECTION 8 - ELECTRICAL

## FIGURE 8-51. GROUND CONTROL BOX HARNESS



ART\_1001238161



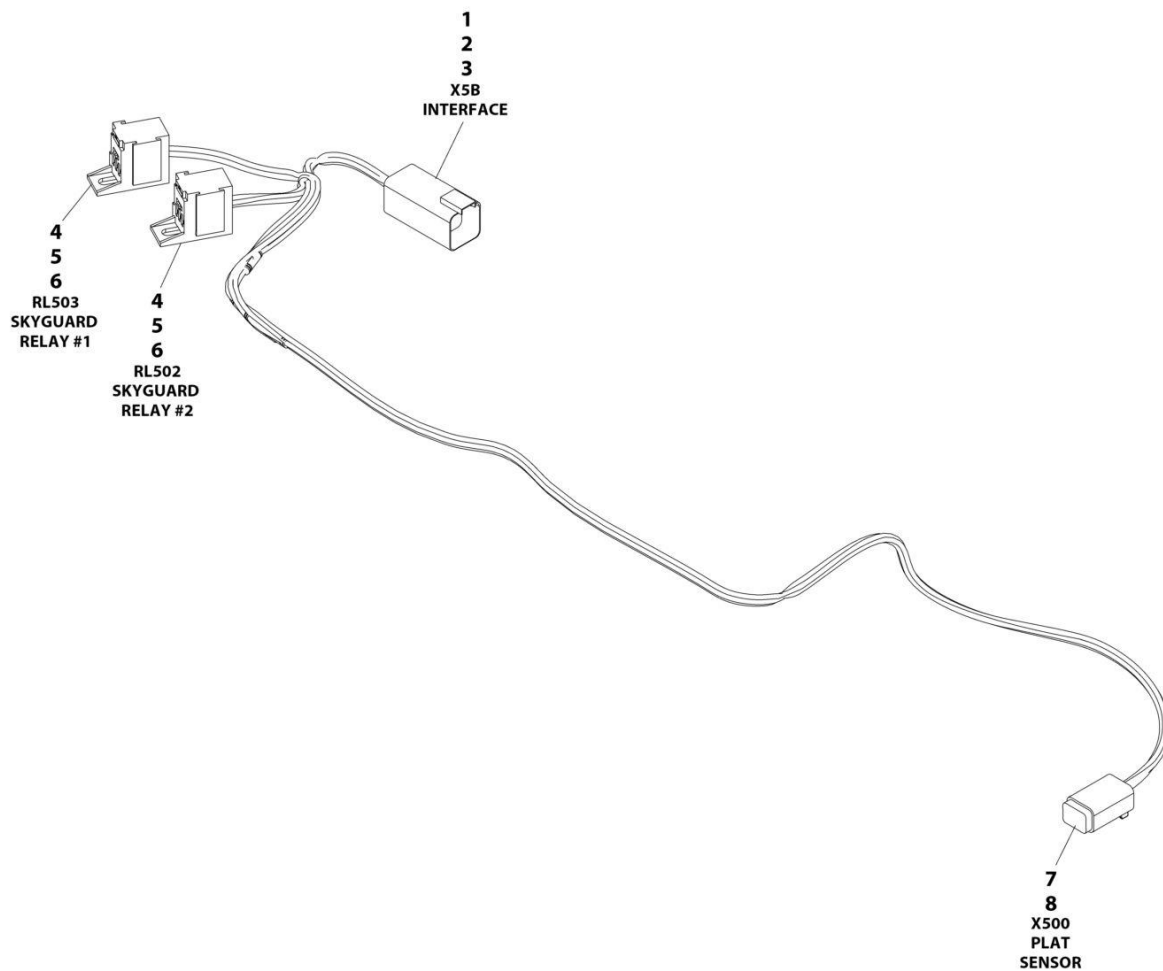
## SECTION 8 - ELECTRICAL

### FIGURE 8-51. GROUND CONTROL BOX HARNESS

ITEM	PART NUMBER	QTY	DESCRIPTION	REV
	1001238161	Ref	GROUND CONTROL BOX HARNESS	C
1	4460418	7	Connector - 6 Position	
1	4460419	27	Terminal	
2	4460260	2	Housing, Terminal	
2	4460259	2	Terminal	
3	4460876	1	Connector - 35 Position	
3	4460871	16	Socket, Female	
3	4460905	19	Plug, Terminal	

# SECTION 8 - ELECTRICAL

## FIGURE 8-52. INTERFACE HARNESS - WITH 1 CELL LSS



ART\_1001225580\_E

## SECTION 8 - ELECTRICAL

**FIGURE 8-52. INTERFACE HARNESS - WITH 1 CELL LSS**

ITEM	PART NUMBER	QTY	DESCRIPTION	REV
	1001225580	Ref	PLATFORM INTERFACE HARNESS - WITH 1 CELL LSS	E
1	4460899	1	Connector	
2	4460464	4	Terminal	
3	4460466	2	Plug	
4	1001186432	2	Connector	
5	1001253375	4	Terminal	
6	1001104519	4	Terminal	
7	4460884	1	Connector	
8	4460465	4	Terminal	



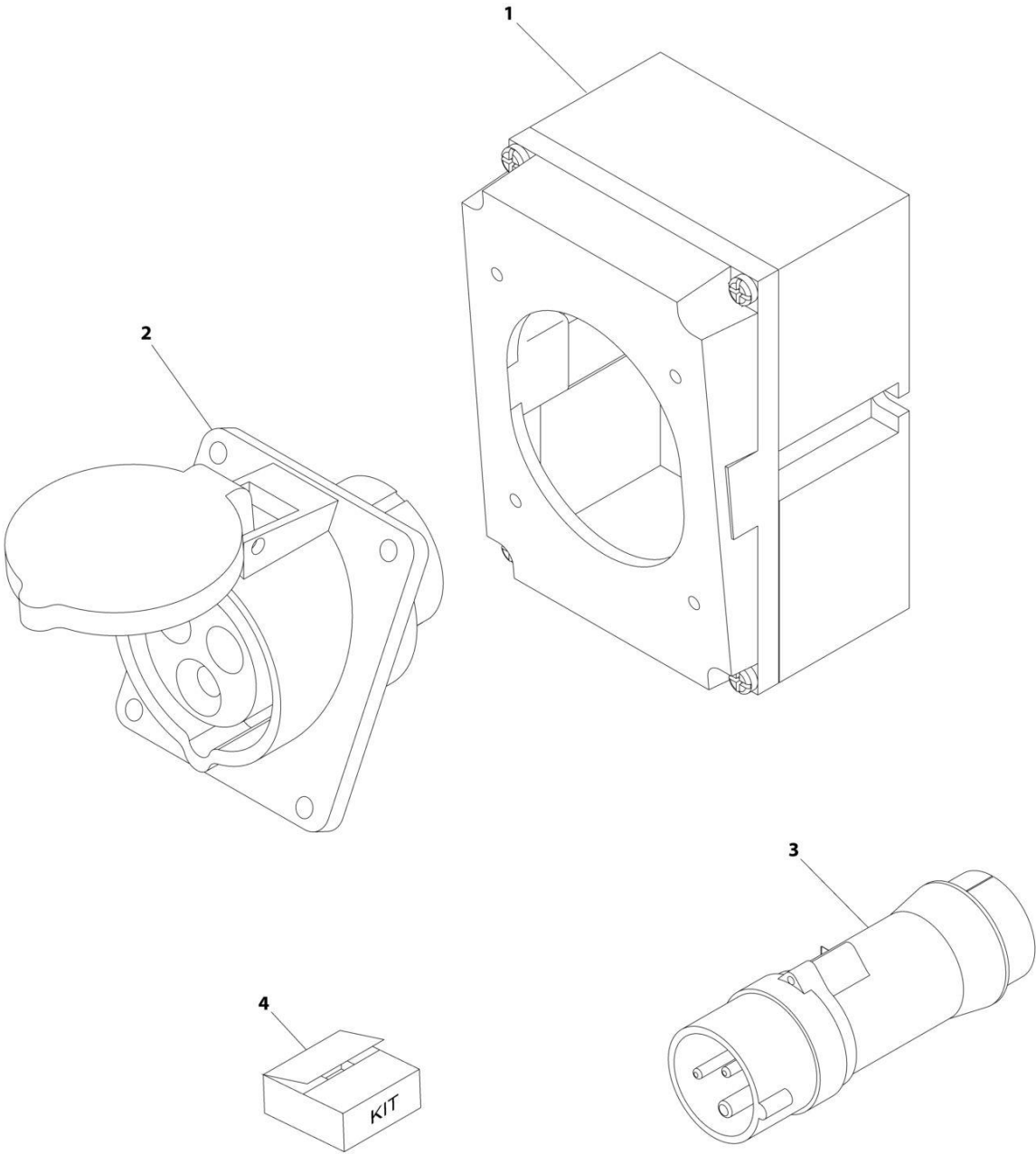
## SECTION 8 - ELECTRICAL

**FIGURE 8-53. PLATFORM CONSOLE BOX HARNESS**

ITEM	PART NUMBER	QTY	DESCRIPTION	REV
	1001238254	Ref	PLATFORM CONSOLE BOX HARNESS	I
1	4460933	1	Plug, Male - 12 Position	
1	4460465	10	Socket, Female	
1	4460466	2	Plug, Terminal	
2	4460536	1	Receptacle, Female - 3 Position	
2	4460464	2	Pin, Male	
2	4460466	1	Plug, Terminal	
3	4460539	1	Plug, Male - 3 Position	
3	4460465	2	Socket, Female	
3	4460466	1	Plug, Terminal	
4	4460873	1	Connector - 35 Position	
4	4460871	21	Socket, Female	
4	4460905	14	Plug, Terminal	
5	4460879	1	Plug, Male - 2 Position	
5	4460887	2	Terminal	
6	4460761	1	Receptacle, Female - 4 Position	
6	4460267	4	Pin, Male	
7	1001098122	2	Terminal, Ring	
8	4460894	1	Plug, Male - 6 Position	
8	4460465	6	Socket, Female	
9	4460970	1	Receptacle, Female - 12 Position	
9	1001116693	11	Pin, Male	
9	4460466	1	Plug, Terminal	
10	4460875	1	Connector - 35 Position	
10	4460871	12	Socket, Female	
10	4460905	23	Plug, Terminal	
11	4460874	1	Connector - 35 Position	
11	4460871	27	Socket, Female	
11	4460905	8	Plug, Terminal	
12	1001213447	1	Connector - 4 Position	
12	See Note	NSS	Terminal (Note: Purchase p/n 1001213447)	
13	4460866	1	Connector - 19 Position	
13	4460464	5	Pin, Male	
13	4460466	11	Plug, Terminal	
13	4460508	1	Pin, Male	
14	4460434	1	Connector - 15 Position	
14	4460267	8	Pin. Male	
15	4460418	10	Connector - 6 Position	
15	4460419	45	Terminal	
16	4460260	6	Housing, Terminal	
16	4460259	8	Terminal	
17	1001271497	2	Terminal	
18	1001237667	1	Plug, Male - 6 Position	
18	1001237668	4	Terminal	
19	4460183	2	Terminal, Fork	
20	4460225	1	Plug, Male - 6 Position	
20	4460227	6	Pin, Male (Note: Used on Pump Potentiometer Connection Only)	
21	2400060	1	Fuse Holder	
102	4460708	1	Connector, Bussbar - 15 Position	
103	1001125677	1	Connector, Bussbar - 12 Position	

**SECTION 8 - ELECTRICAL**

**FIGURE 8-54. RECEPTACLE BOX KIT - 110V IEC YELLOW (CE & UK CA SPEC)**



ART\_0275216

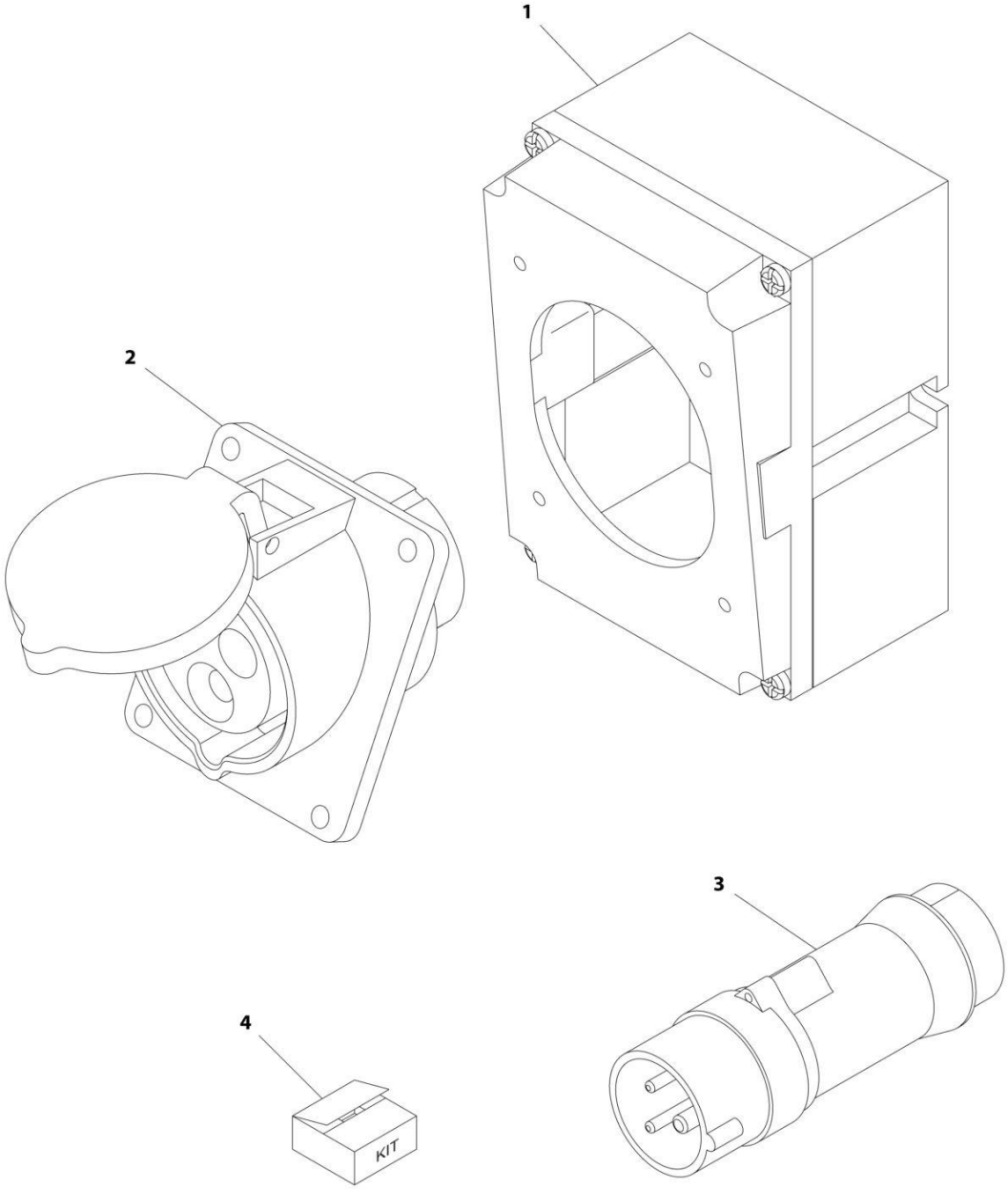
## SECTION 8 - ELECTRICAL

**FIGURE 8-54. RECEPTACLE BOX KIT - 110V IEC YELLOW (CE & UK CA SPEC)**

ITEM	PART NUMBER	QTY	DESCRIPTION	REV
	0275216	Ref	RECEPTACLE BOX KIT - 110V IEC YELLOW	B
1	0861781	1	Box, Switch	
2	4461198	1	Receptacle	
3	4461196	1	Plug, Male	
4	1001100341	1	Plug and Socket Kit (Includes Items 1-3 and Female Plug p/n 4461197)	

**SECTION 8 - ELECTRICAL**

**FIGURE 8-55. RECEPTACLE BOX KIT - 220V IEC BLUE (CE & UK CA SPEC)**



ART\_0275217



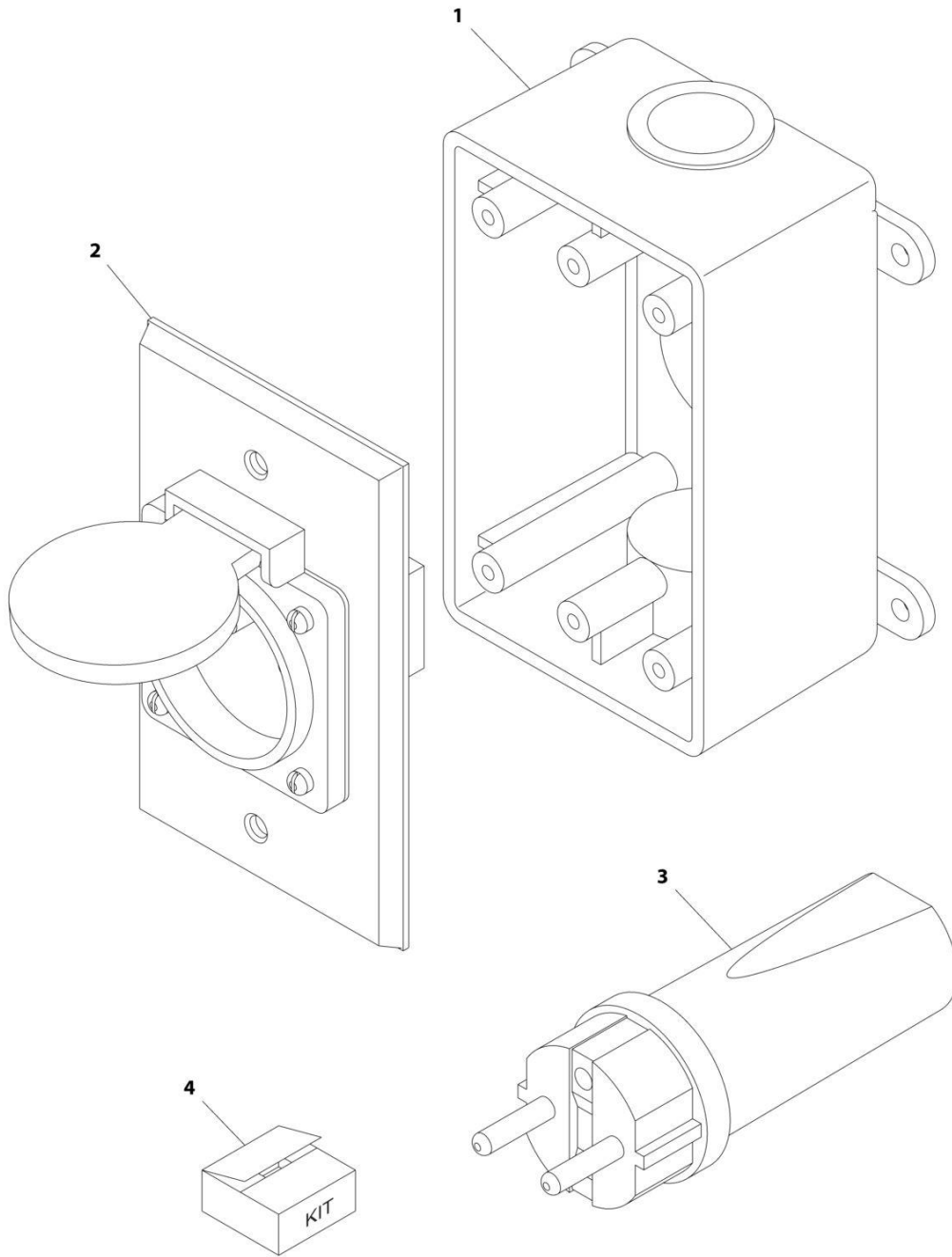
## SECTION 8 - ELECTRICAL

**FIGURE 8-55. RECEPTACLE BOX KIT - 220V IEC BLUE (CE & UK CA SPEC)**

ITEM	PART NUMBER	QTY	DESCRIPTION	REV
	0275217	Ref	RECEPTACLE BOX KIT - 220V IEC BLUE	B
1	0861781	1	Box, Switch	
2	4461201	1	Receptacle	
3	4461199	1	Plug, Male	
4	1001100342	1	Plug and Socket Kit (Includes Items 1-3 and Female Plug p/n 4461200)	

# SECTION 8 - ELECTRICAL

FIGURE 8-56. RECEPTACLE BOX KIT - 220V CEE7 POST GROUND 2IN X 4IN (CE & UK CA SPEC)



ART\_0275452

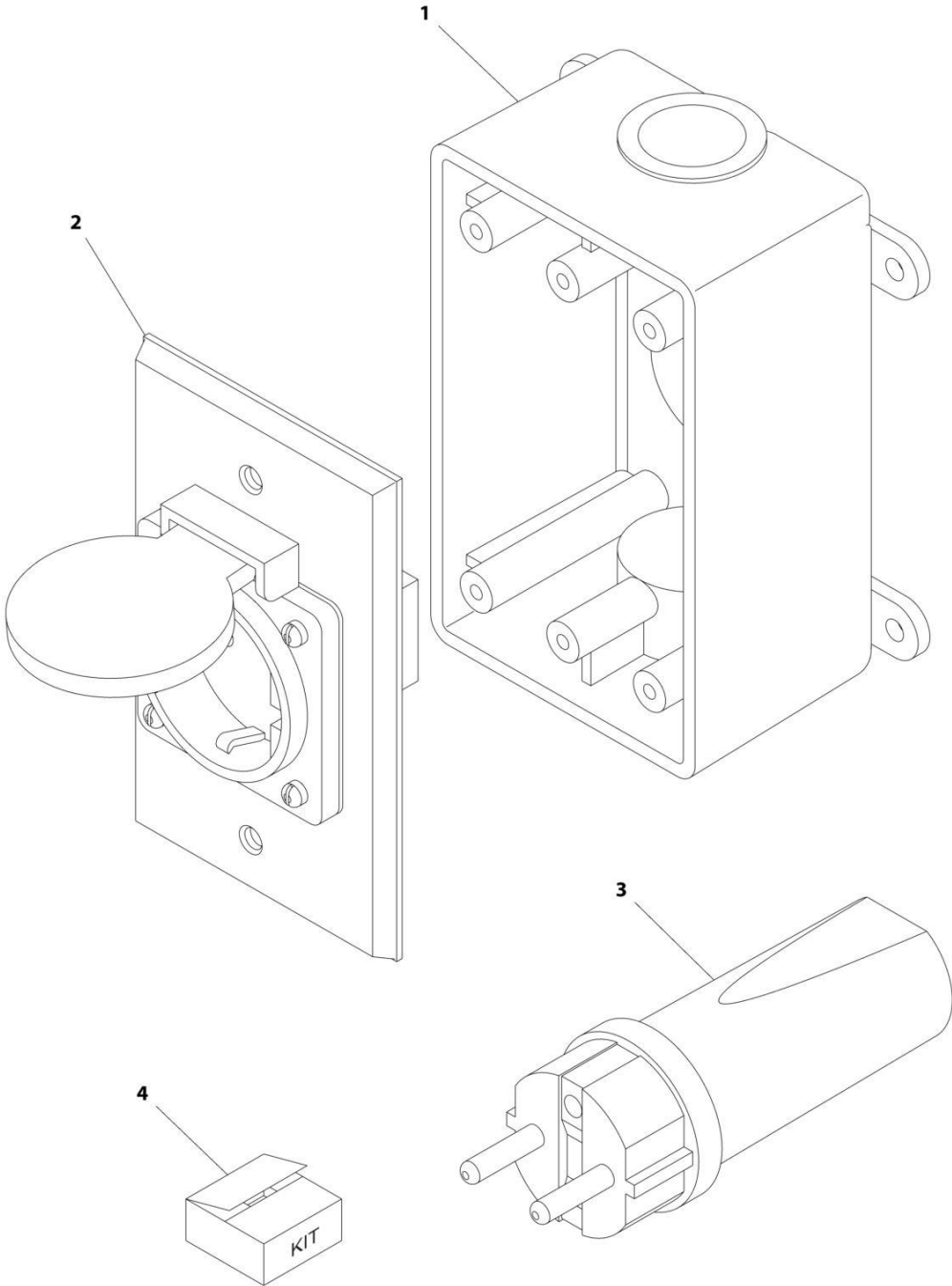
## SECTION 8 - ELECTRICAL

**FIGURE 8-56. RECEPTACLE BOX KIT - 220V CEE7 POST GROUND 2IN X 4IN (CE & UK CA SPEC)**

ITEM	PART NUMBER	QTY	DESCRIPTION	REV
	0275452	Ref	RECEPTACLE BOX KIT - 220V CEE7 POST GROUND	C
1	0861731	1	Box, Switch	
2	4461244	1	Receptacle	
3	4461205	1	Plug, Male	
4	1001100345	1	Plug and Socket Kit (Includes Items 1-3 and Female Plug p/n 4461206)	

**SECTION 8 - ELECTRICAL**

**FIGURE 8-57. RECEPTACLE BOX KIT - 220V CEE7 SIDE GROUND 2IN X 4IN (CE & UK CA SPEC)**



ART\_0275453

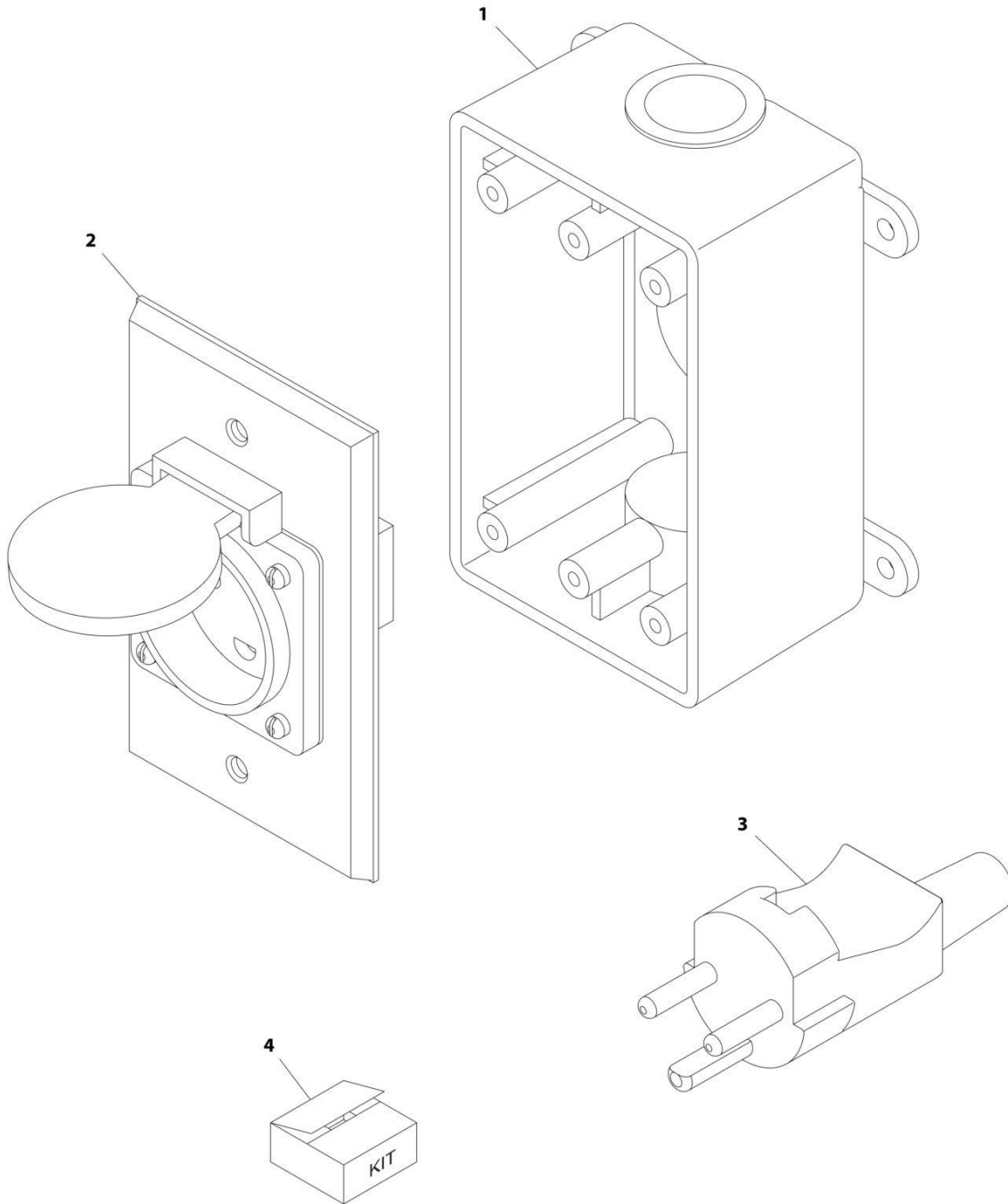
## SECTION 8 - ELECTRICAL

**FIGURE 8-57. RECEPTACLE BOX KIT - 220V CEE7 SIDE GROUND 2IN X 4IN (CE & UK CA SPEC)**

ITEM	PART NUMBER	QTY	DESCRIPTION	REV
	0275453	Ref	RECEPTACLE BOX KIT - 220V CEE7 SIDE GROUND	B
1	0861731	1	Box, Switch	
2	4461245	1	Receptacle	
3	4461205	1	Plug, Male	
4	1001100347	1	Plug and Socket Kit (Includes Items 1-3 and Female Plug p/n 4461206)	

# SECTION 8 - ELECTRICAL

FIGURE 8-58. RECEPTACLE BOX KIT - 220V AFSINT 107 (CE & UK CA SPEC)



ART\_0275454

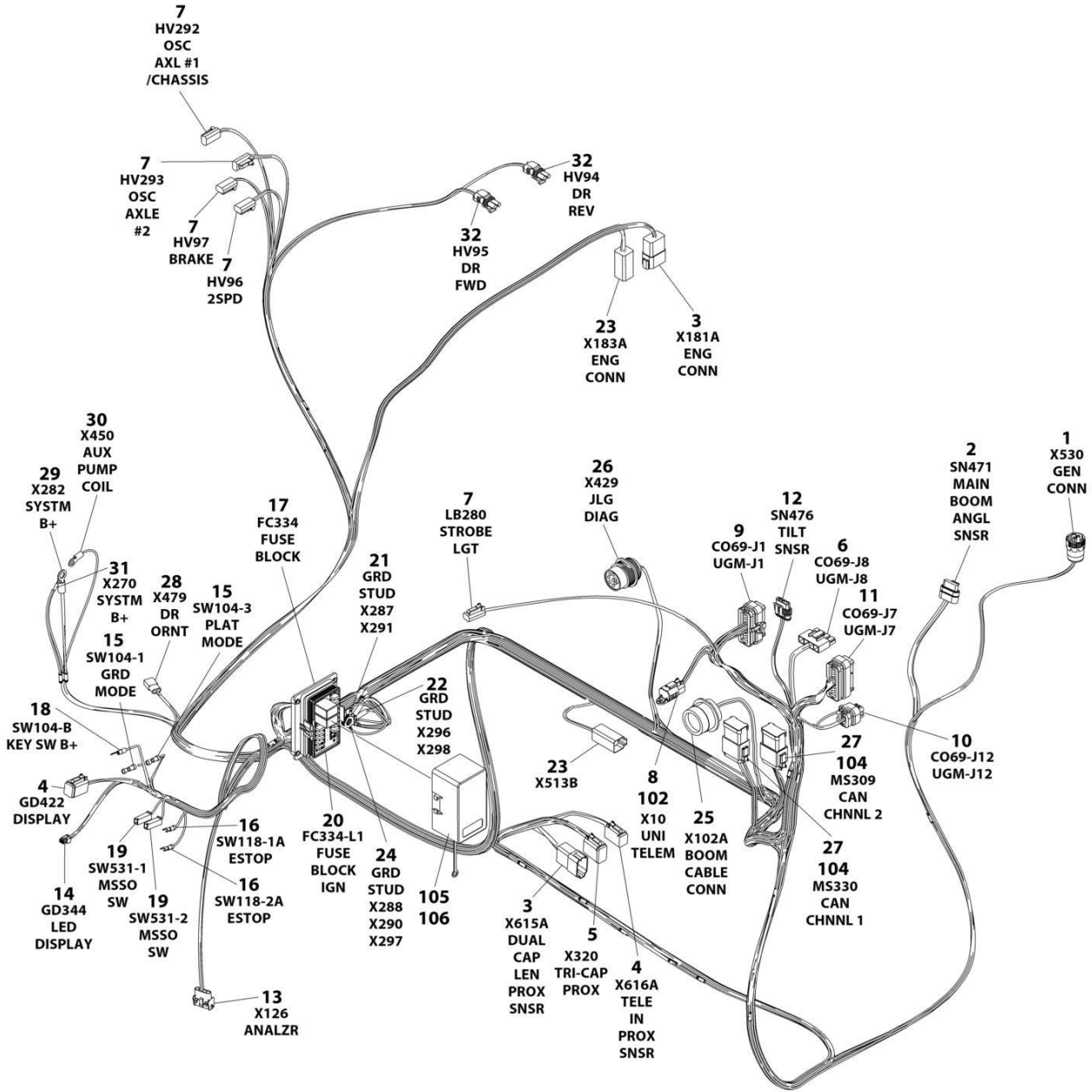
## SECTION 8 - ELECTRICAL

**FIGURE 8-58. RECEPTACLE BOX KIT - 220V AFSINT 107 (CE & UK CA SPEC)**

ITEM	PART NUMBER	QTY	DESCRIPTION	REV
	0275454	Ref	RECEPTACLE BOX KIT - 220V AFSINT 107	B
1	0861731	1	Box, Switch	
2	4461246	1	Receptacle	
3	4461249	1	Plug, Male	
4	1001100346	1	Plug and Socket Kit (Includes Items 1-3 and Female Plug p/n 4461250)	

# SECTION 8 - ELECTRICAL

## FIGURE 8-59. TURNTABLE HARNESS



ART\_1001237849



## SECTION 8 - ELECTRICAL

### FIGURE 8-59. TURNTABLE HARNESS

ITEM	PART NUMBER	QTY	DESCRIPTION	REV
	1001237849	Ref	TURNTABLE HARNESS	G
1	4460967	1	Connector - 3 Position	
1	4460465	3	Socket, Female	
2	1001230931	1	Plug, Male - 6 Position	
2	1001116748	6	Terminal, Female	
3	4460931	2	Receptacle, Female - 8 Position	
3	4460464	11	Pin, Male	
3	4460466	5	Plug, Terminal	
4	4460894	2	Plug, Male - 6 Position	
4	4460465	10	Socket, Female	
4	4460466	2	Plug, Terminal	
5	4460930	1	Plug, Male - 8 Position	
5	4460465	6	Socket, Female	
5	4460466	2	Plug, Terminal	
6	4460878	1	Plug, Male - 4 Position	
6	4460887	AR	Terminal	
7	4460891	5	Plug, Male - 2 Position	
7	4460465	10	Socket, Female	
8	4460884	1	Plug, Male - 4 Position	
8	4460465	4	Socket, Female	
9	4460874	1	Connector - 35 Position	
9	4460871	22	Socket, Female	
9	4460905	13	Plug, Terminal	
10	1001113961	1	Plug, Male - 8 Position	
10	4460871	5	Socket, Female	
10	4460905	3	Plug, Terminal	
11	4460873	1	Connector - 35 Position	
11	4460871	35	Socket, Female	
11	4460905	10	Plug, Terminal	
12	1001103012	1	Plug, Male - 4 Position	
12	1001107854	2	Socket, Female	
12	1001196589	2	Terminal	
12	1001116763	AR	Seal, Red	
12	1001104498	4	Seal, Yellow	
13	1001119032	1	Receptacle, Female - 4 Position	
13	1001118378	4	Pin, Male	
14	1001237667	1	Plug, Male - 6 Position	
14	1001237668	5	Terminal	
15	4460042	2	Terminal, Fork	
16	4460183	2	Terminal, Fork	
17	1001196602	1	Fuse Box Assembly	
17	8220098	AR	Terminal	
17	1001116725	6	Terminal	
17	8220097	18	Terminal	
17	4460748	10	Plug, Terminal	
17	4460458	AR	Seal	
17	80963067	6	Seal (for 1001116725 Terminal)	
17	1001196636	2	Connector with Diode	
17	8229244	3	Fuse 15Amp	
17	8229242	6	Fuse 5Amp	

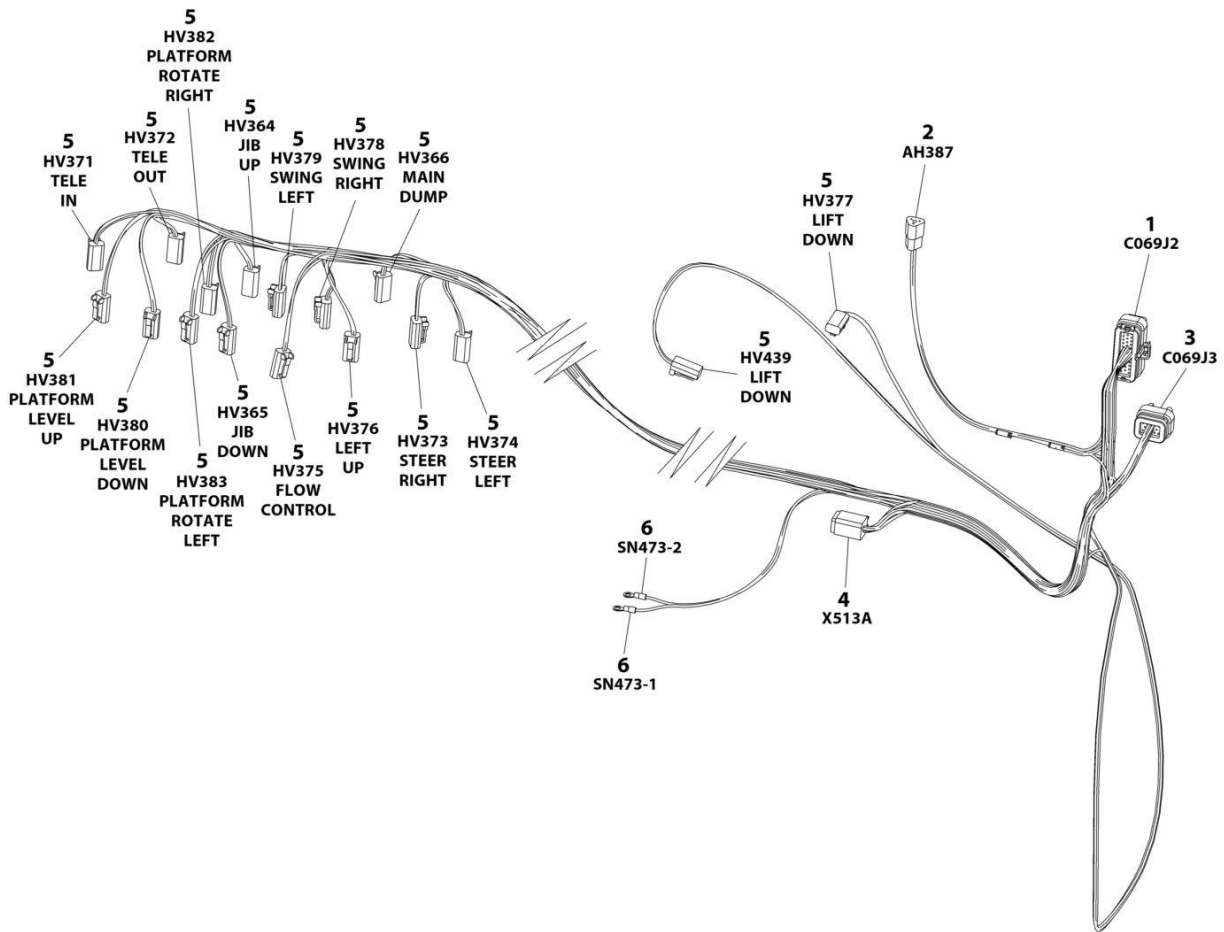
## SECTION 8 - ELECTRICAL

ITEM	PART NUMBER	QTY	DESCRIPTION	REV
17	1001196634	2	Fuse - 2 Amp	
17	1001095704	2	Relay 35Amp	
18	4460313	1	Terminal, Fork	
19	4460260	2	Housing, Terminal	
19	4460259	2	Terminal	
20	1001117106	1	Terminal, Ring	
21	1001187078	2	Terminal, Ring	
22	1001117110	2	Terminal, Ring	
23	4460899	2	Connector - 6 Position	
23	4460464	7	Pin, Male	
23	4460466	5	Plug, Terminal	
24	1001187077	3	Terminal, Ring	
25	4460866	1	Connector - 19 Position	
25	4460464	6	Pin, Male	
25	4460508	2	Pin, Male	
25	4460466	11	Plug, Terminal	
26	1001112612	1	Connector - 9 Position	
26	4460464	5	Pin, Male	
26	4460466	4	Plug, Terminal	
27	4460933	2	Plug, Male - 12 Position	
27	4460465	16	Socket, Female	
27	4460466	8	Plug, Terminal	
27	1001119020	2	Bussbar - 12 Position	
28	4460424	1	Plug, Male - 2 Position	
28	4460226	2	Socket, Female	
29	8220045	1	Terminal, Ring	
30	4460702	1	Terminal, Ring	
31	4460703	1	Terminal, Ring	
32	4460742	2	Plug, Male - 2 Position	
32	4460743	1	Socket, Female	
32	4460458	4	Seal	
102	1001192401	1	Cap, Dust	
104	1001125677	2	Bussbar - 12 Position	
105	1001196604	1	Cover, Fuse Box	
106	1001190921	1	Seal, Cover	



# SECTION 8 - ELECTRICAL

## FIGURE 8-60. VALVE HARNESS - MAIN VALVE



ART\_1001238160

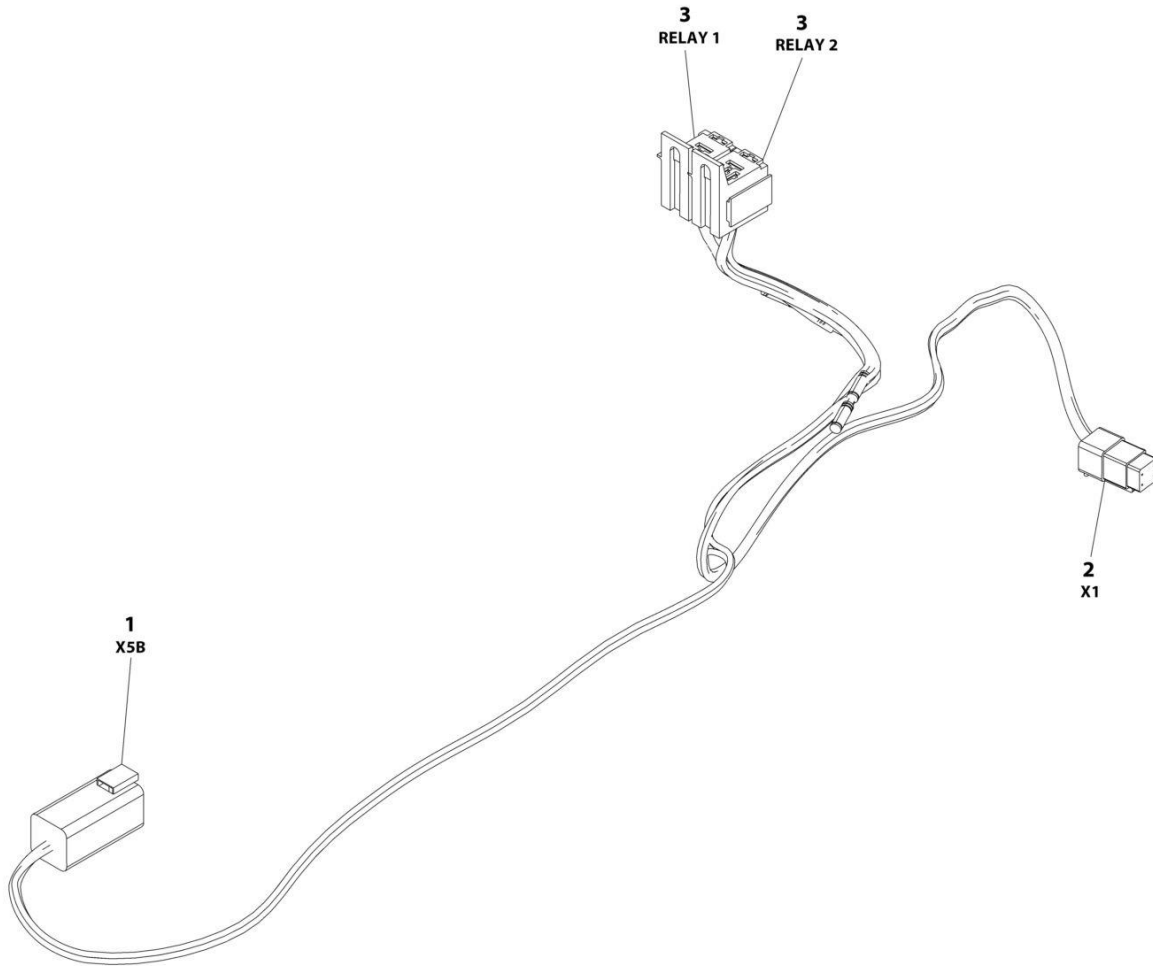
## SECTION 8 - ELECTRICAL

### FIGURE 8-60. VALVE HARNESS - MAIN VALVE

ITEM	PART NUMBER	QTY	DESCRIPTION	REV
	1001238160	Ref	VALVE HARNESS - MAIN VALVE	C
1	4460875	1	Connector - 35 Position	
1	4460871	27	Socket, Female	
1	4460905	8	Plug, Terminal	
2	4460539	1	Plug, Male - 3 Position	
2	4460465	3	Socket, Female	
3	4460872	1	Connector - 14 Position	
3	4460871	8	Socket, Female	
3	4460905	6	Plug, Terminal	
4	4460894	1	Plug, Male - 6 Position	
4	4460465	5	Socket, Female	
4	4460466	1	Plug, Terminal	
5	4460891	17	Plug, Male - 2 Position	
5	4460465	34	Socket, Female	
6	4460313	2	Terminal, Ring	

# SECTION 8 - ELECTRICAL

## FIGURE 8-61. SKYLINE HARNESS



ART\_1001238418

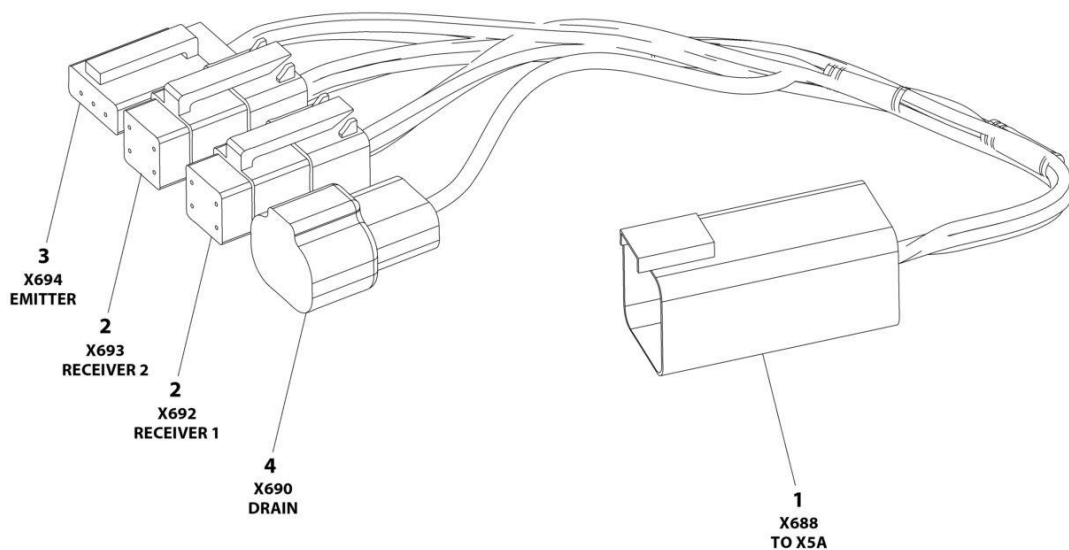
## SECTION 8 - ELECTRICAL

### FIGURE 8-61. SKYLINE HARNESS

ITEM	PART NUMBER	QTY	DESCRIPTION	REV
	1001238418	Ref	SKYLINE HARNESS	B
1	4460899	1	Connector - 6 Position	
1	4460464	4	Pin, Male	
1	4460466	2	Plug, Terminal	
2	4461077	1	Connector - 4 Position	
2	1001126009	4	Socket, Female	
3	1001186432	2	Plug, Relay	
3	1001118388	5	Terminal	
3	1001118384	3	Terminal	
3	3740086	2	Relay	

# SECTION 8 - ELECTRICAL

## FIGURE 8-62. SKYEYE INTERMEDIATE HARNESS



ART\_1001237865



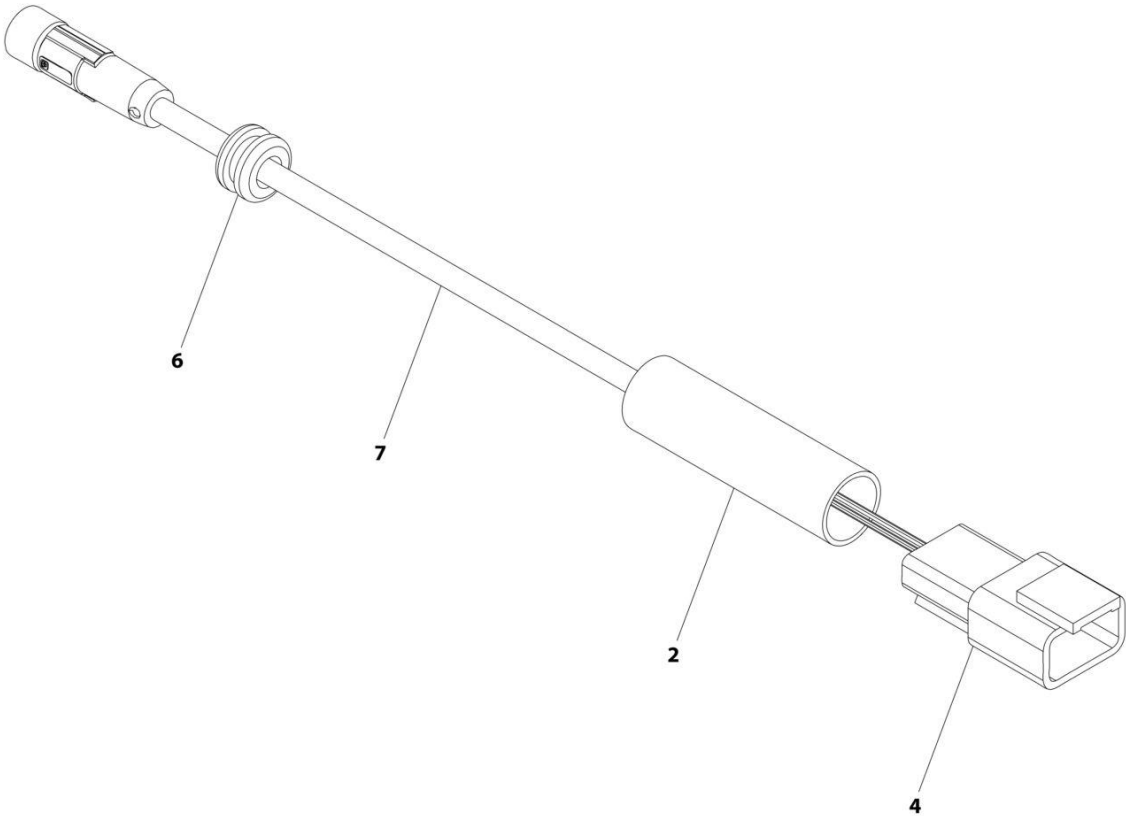
## SECTION 8 - ELECTRICAL

### FIGURE 8-62. SKYEYE INTERMEDIATE HARNESS

ITEM	PART NUMBER	QTY	DESCRIPTION	REV
	1001237865	Ref	SKYEYE INTERMEDIATE HARNESS	A
1	4460899	1	Connector - 6 Position	
1	4460943	4	Pin, Male	
1	4460466	2	Plug, Terminal	
2	4461077	2	Connector - 4 Position	
2	1001119619	8	Socket, Female	
3	4460911	1	Connector - 3 Position	
3	1001119619	3	Socket, Female	
4	1001187681	1	Connector - 2 Position	
4	4460941	1	Pin, Male	
4	4460466	1	Plug, Terminal	

**SECTION 8 - ELECTRICAL**

**FIGURE 8-63. SKYEYE RECEIVER HARNESS**



ART\_1001237863\_B

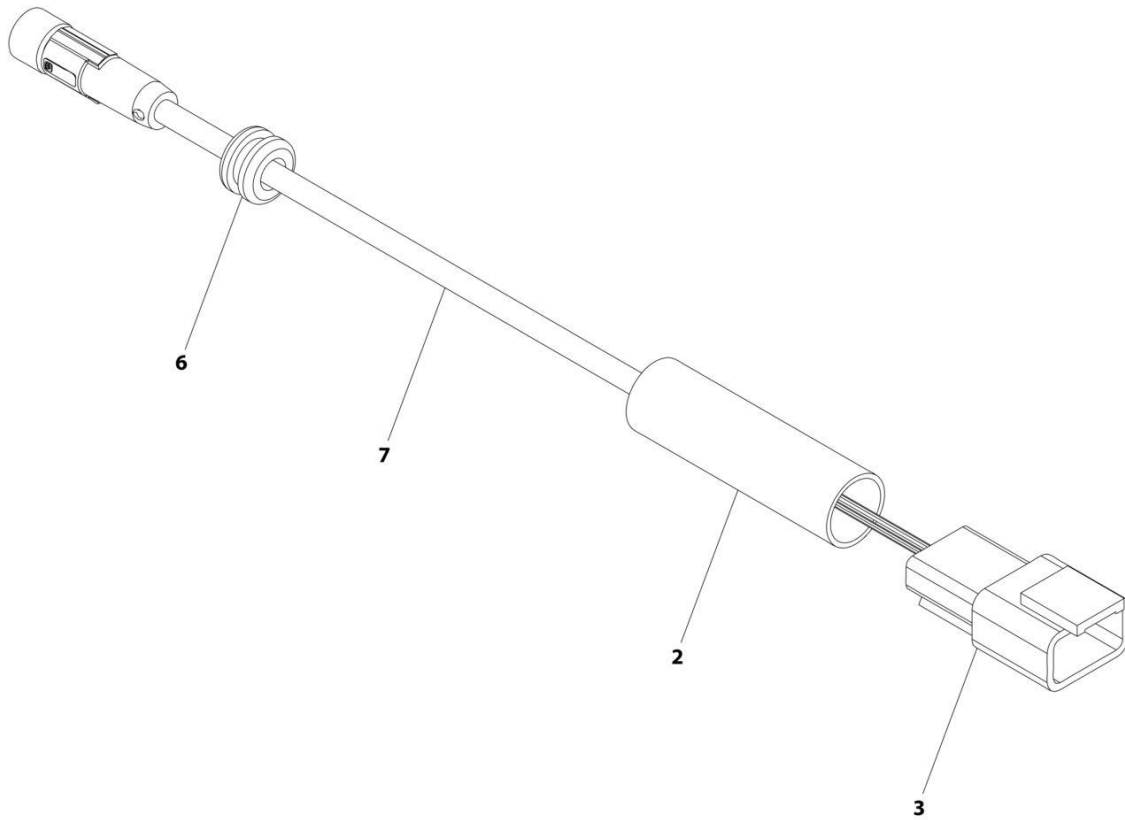
## SECTION 8 - ELECTRICAL

### FIGURE 8-63. SKYEYE RECEIVER HARNESS

ITEM	PART NUMBER	QTY	DESCRIPTION	REV
	1001237863	Ref	SKYEYE RECEIVER HARNESS	B
2	2820247	AR	Tubing, Heat Shrink	
4	1001097051	1	Connector - 4 Position	
4	1001119620	4	Pin, Male	
6	1001227996	1	Grommet	
7	1001258495	1	Cable, M8 Female Cordset	

# SECTION 8 - ELECTRICAL

## FIGURE 8-64. SKYEYE EMITTER HARNESS



ART\_1001237864\_B

## SECTION 8 - ELECTRICAL

### FIGURE 8-64. SKYEYE EMITTER HARNESS

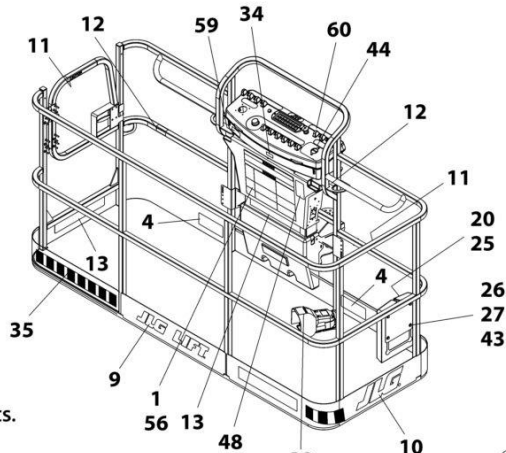
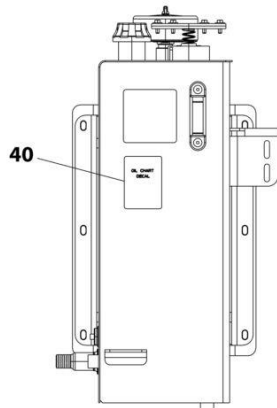
ITEM	PART NUMBER	QTY	DESCRIPTION	REV
	1001237864	Ref	SKYEYE EMITTER HARNESS	B
2	2820247	AR	Tubing, Heat Shrink	
3	4460910	1	Connector - 3 Position	
3	1001119620	3	Pin, Male	
6	1001227996	1	Grommet	
7	1001258495	1	Cable, M8 Female Cordset	



**SECTION 9 - DECAL**

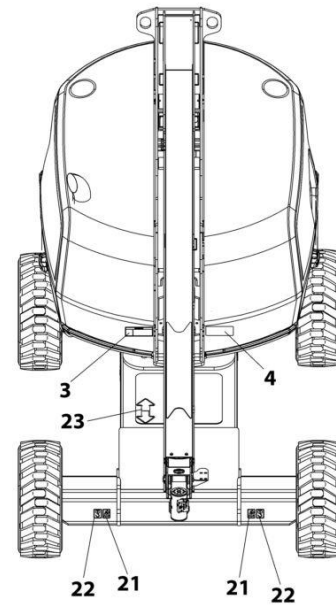
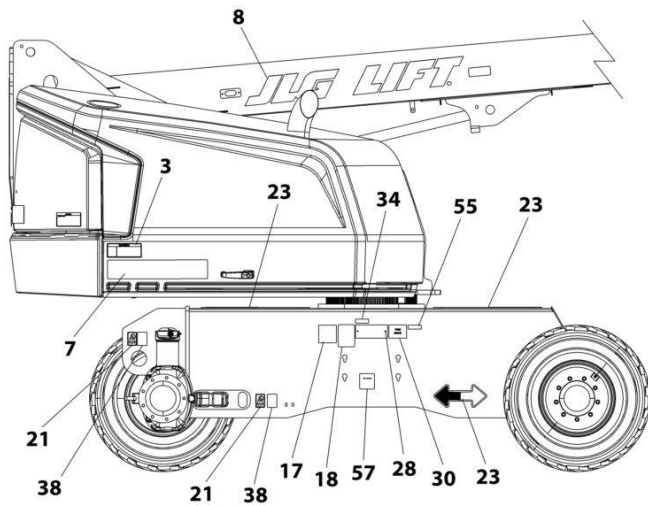
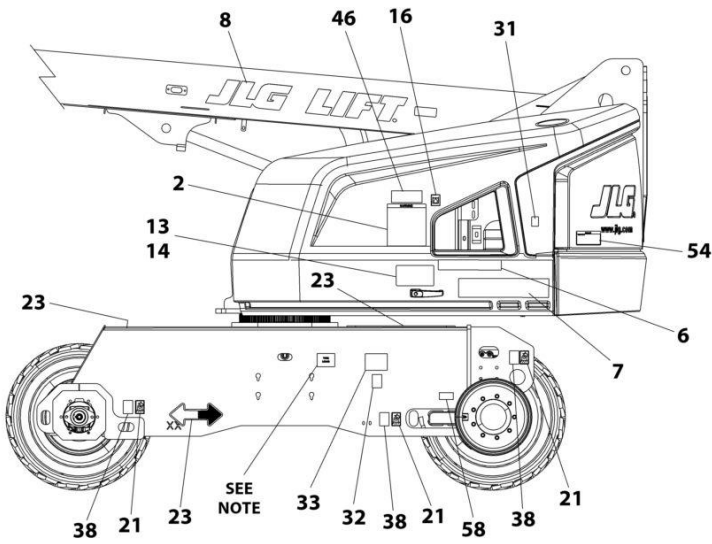
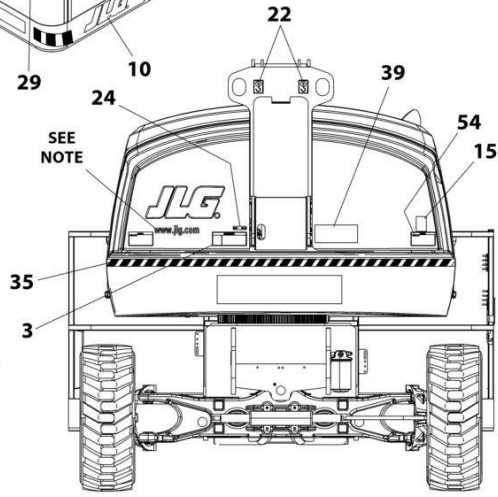
# SECTION 9 - DECAL

FIGURE 9-1. DECAL INSTALLATION - ANSI, ANSI EXPORT AND CSA SPECS - ENGLISH (400S)



NOTE: ITEMS SHOWN MAY NOT BE REQUIRED FOR ALL SPECS. REFER TO PART LIST FOR USAGE.

NOTE: ADDITIONAL DECALS ARE CALLED OUT ON DECALS INSTALLATION - OPTIONS.



ART\_1001242538



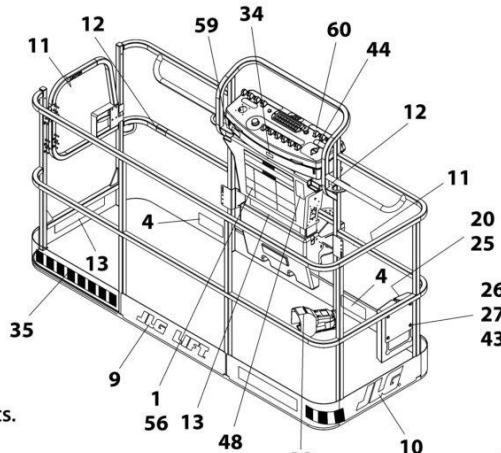
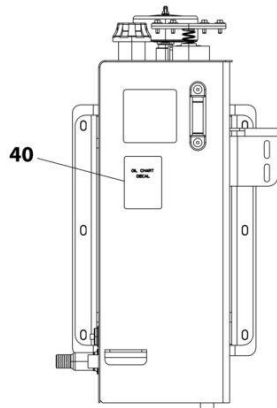
**SECTION 9 - DECAL**

**FIGURE 9-1. DECAL INSTALLATION - ANSI, ANSI EXPORT AND CSA SPECS - ENGLISH (400S)**

ITEM	PART NUMBER	QTY	DESCRIPTION	REV
	1001250764	Ref	DECAL INSTALLATION - REFERENCE CHART	J
	1001242538	Ref	DECAL INSTALLATION - ENGLISH (400S)	E
1	1703797	1	Decal - Danger/Warning (Platform)	
2	1703798	1	Decal - Danger/Warning (Ground Control)	
3	1703805	4	Decal - Danger/Electrocution	
4	1703804	4	Decal - Warning Crushing	
11	1702868	2	Decal - No Hands	
13	1001254665	1	Decal - Capacity (Platform)	
14	1001254666	1	Decal - Capacity (Ground Control)	
16	1701504	1	Decal - Hydraulic Oil	
17	See Note	NSS	Decal - Bar Code (Note: Not Available for Purchase)	
18	1001131269	1	Decal - Patent	
20	1701509	1	Decal - Manual	
21	1702300	8	Decal - Tie Down	
22	1701500	4	Decal - Lift	
23	1701529	4	Decal - Arrow	
24	3251243	1	Nameplate - 120V-60Hz	
25	0860520	1	Box, Manual Storage	
26	4751400	4	Washer, 1/4	
27	3311405	4	Nut, Lock 1/4	
28	3820001	2	Rivet	
29	3252347	1	Decal - Footswitch	
38	1701499	6	Decal - No Lift	
40	1704412	1	Decal - Hydraulic Oil Chart	
43	0641406	4	Bolt, 1/4 x 3/4	
44	1705351	1	Decal - Drive/Steer Instructions	
54	1703953	2	Decal - Warning Crushing	
57	1001223055	1	Decal - Yearly Inspection	
58	1001223453	1	Decal - ICES	

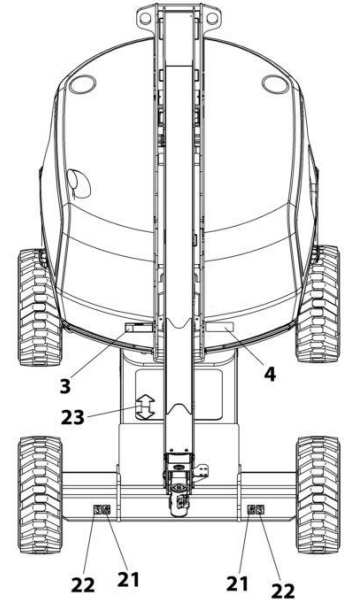
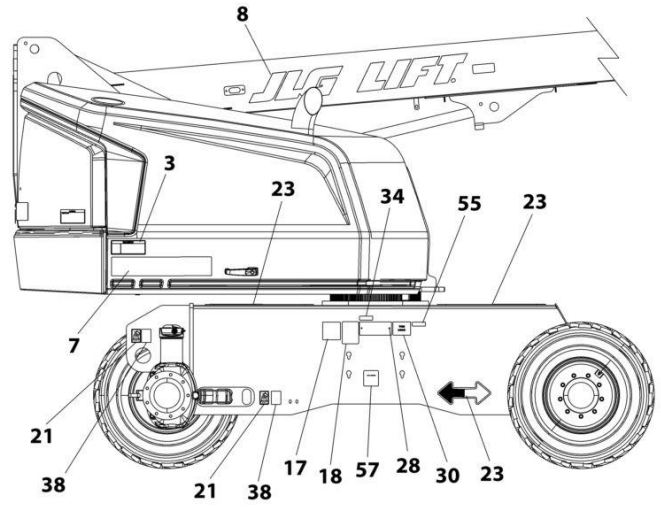
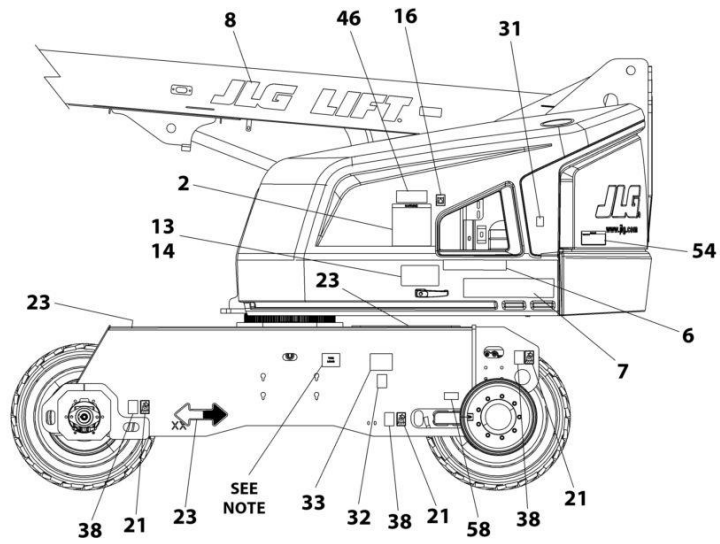
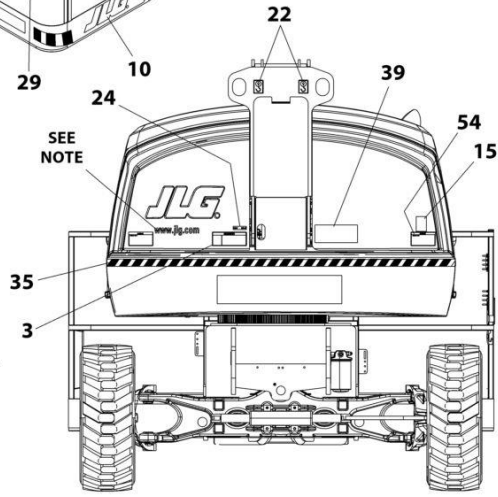
# SECTION 9 - DECAL

FIGURE 9-2. DECAL INSTALLATION - ANSI, ANSI EXPORT AND CSA SPECS - ENGLISH (460SJ)



NOTE: ITEMS SHOWN MAY NOT BE REQUIRED FOR ALL SPECS. REFER TO PART LIST FOR USAGE.

NOTE: ADDITIONAL DECALS ARE CALLED OUT ON DECALS INSTALLATION - OPTIONS.



ART\_1001242559

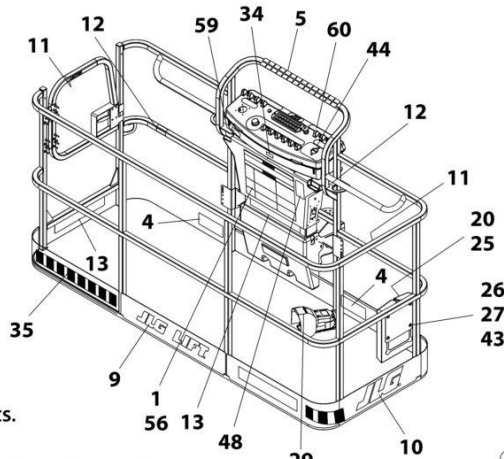
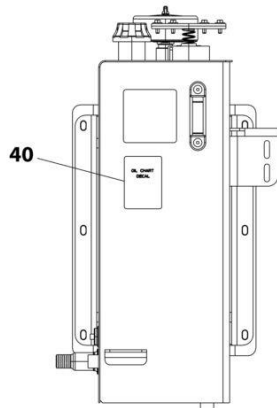
**SECTION 9 - DECAL**

**FIGURE 9-2. DECAL INSTALLATION - ANSI, ANSI EXPORT AND CSA SPECS - ENGLISH (460SJ)**

ITEM	PART NUMBER	QTY	DESCRIPTION	REV
	1001250764	Ref	DECAL INSTALLATION - REFERENCE CHART	J
	1001242559	Ref	DECAL INSTALLATION - ENGLISH (460SJ)	E
1	1703797	1	Decal - Danger/Warning (Platform)	
2	1703798	1	Decal - Danger/Warning (Ground Control)	
3	1703805	3	Decal - Danger/Electrocution	
4	1703804	3	Decal - Warning Crushing	
11	1702868	2	Decal - No Hands	
13	1001254750	2	Decal - Warning Dual Capacity (ANSI)	
16	1701504	1	Decal - Hydraulic Oil	
17	See Note	NSS	Decal - Bar Code (Note: Not Available for Purchase)	
18	1001131269	1	Decal - Patent	
20	1701509	1	Decal - Manual	
21	1702300	8	Decal - Tie Down	
22	1701500	4	Decal - Lift	
23	1701529	4	Decal - Arrow	
24	3251243	1	Nameplate - 120V-60Hz	
25	0860520	1	Box, Manual Storage	
26	4751400	4	Washer, 1/4	
27	3311405	4	Nut, Lock 1/4	
28	3820001	2	Rivet	
29	3252347	1	Decal - Footswitch	
38	1701499	6	Decal - No Lift	
40	1704412	1	Decal - Hydraulic Oil Chart	
43	0641406	4	Bolt, 1/4 x 3/4	
44	1705351	1	Decal - Drive/Steer Instructions	
54	1703953	2	Decal - Warning Crushing	
57	1001223055	1	Decal - Yearly Inspection	
58	1001223453	1	Decal - ICES	

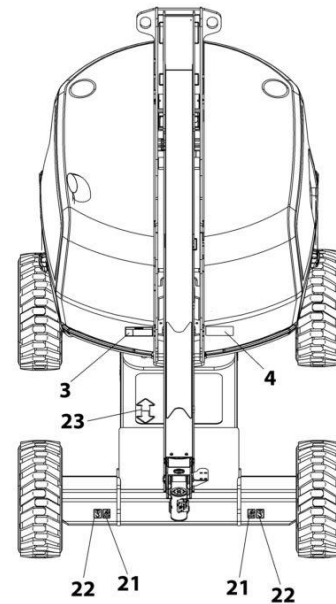
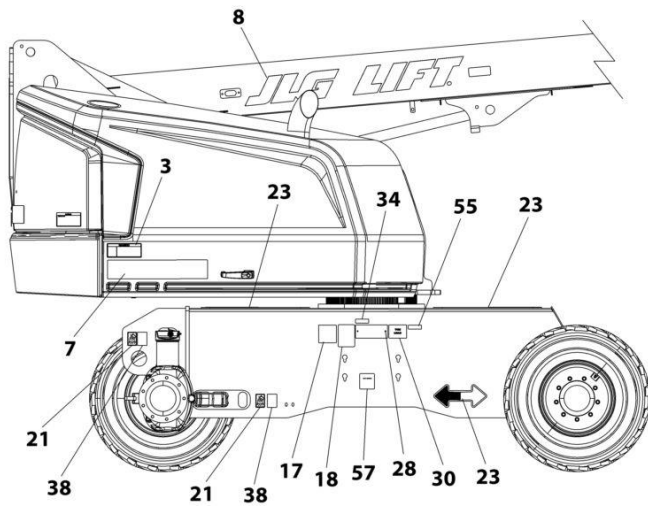
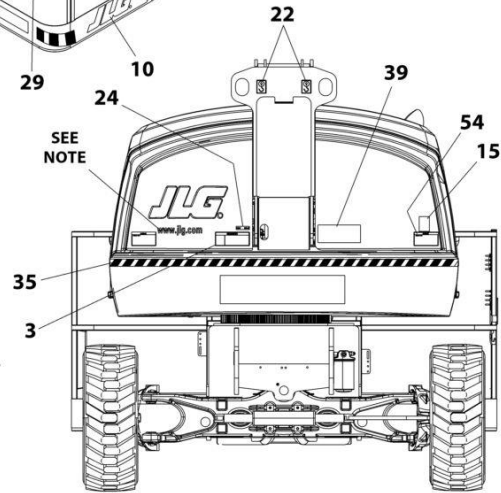
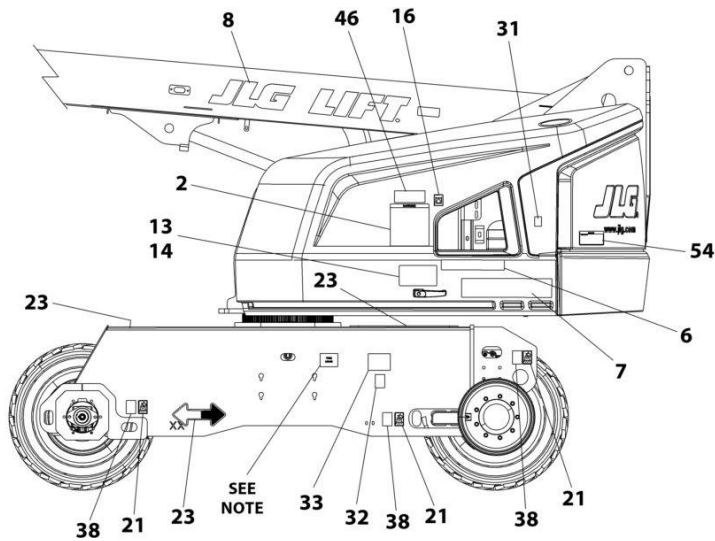
# SECTION 9 - DECAL

## FIGURE 9-3. DECAL INSTALLATION - AUSTRALIAN SPEC (460SJ)



NOTE: ITEMS SHOWN MAY NOT BE REQUIRED FOR ALL SPECS.  
REFER TO PART LIST FOR USAGE.

NOTE: ADDITIONAL DECALS ARE CALLED OUT ON DECALS INSTALLATION - OPTIONS.



ART\_1001171382

**SECTION 9 - DECAL**

**FIGURE 9-3. DECAL INSTALLATION - AUSTRALIAN SPEC (460SJ)**

ITEM	PART NUMBER	QTY	DESCRIPTION	REV
	1001250764	Ref	DECAL INSTALLATION - REFERENCE CHART	J
	1001171382	Ref	DECAL INSTALLATION - AUSTRALIAN SPEC (460SJ)	H
1	1705921	1	Decal - Tipping/Electrocution (Platform)	
2	1705822	1	Decal - Electrocution/Safety Manual	
3	1705961	3	Decal - Electrocution	
13	1001171339	3	Decal - Capacity (Platform)	
15	1001204510	1	Decal - Sound Power Level	
16	1701504	1	Decal - Hydraulic Oil	
17	See Note	NSS	Decal - Bar Code (Note: Not Available for Purchase)	
20	1701509	1	Decal - Manual	
21	1702300	8	Decal - Tie Down	
22	1701500	4	Decal - Lift	
23	1701529	4	Decal - Arrow	
25	0860520	1	Box, Manual Storage	
26	4751400	4	Washer, 1/4	
27	3311405	4	Nut, Lock 1/4	
28	3820001	2	Rivet	
29	1705828	1	Decal - Footswitch	
38	1701499	6	Decal - No Lift	
40	1704412	1	Decal - Hydraulic Oil Chart	
43	0641406	4	Bolt, 1/4 x 3/4	
46	1001112551	1	Decal - Emergency Controls	
54	1701518	5	Decal - Warning Crushing	



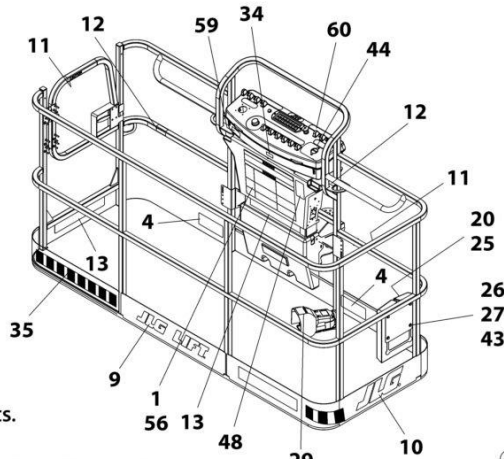
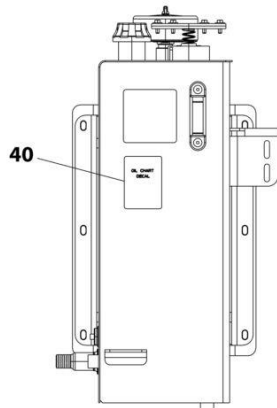
**SECTION 9 - DECAL**

**FIGURE 9-4. DECAL INSTALLATION - CE & UK CA SPEC (460SJ)**

ITEM	PART NUMBER	QTY	DESCRIPTION	REV
	1001217488	Ref	DECAL INSTALLATION - REFERENCE CHART (TURNTABLE)	E
	1001171368	Ref	DECAL INSTALLATION - CE & UK CA Spec (460SJ)	L
1	1705921	1	Decal - Tipping/Electrocution (Platform)	
2	1705822	1	Decal - Electrocution/Safety Manual	
3	1705961	3	Decal - Electrocution	
8	1001159323	1	Decal - JLG 8 in Black	
10	1702773	1	Decal - JLG 5	
13	1001171339	2	Decal - Capacity (Platform)	
16	1701504	1	Decal - Hydraulic Oil	
17	See Note	NSS	Decal - Bar Code (Note: Not Available for Purchase)	
20	1701509	1	Decal - Manual	
21	1702300	8	Decal - Tie Down	
22	1701500	4	Decal - Lift	
23	1701529	4	Decal - Arrow	
25	0860520	1	Box, Manual Storage	
26	4751400	4	Washer, 1/4	
27	3311405	4	Nut, Lock 1/4	
28	3820001	2	Rivet	
29	1705828	1	Decal - Footswitch	
38	1701499	6	Decal - No Lift	
40	1704412	1	Decal - Hydraulic Oil Chart	
43	0641406	4	Bolt, 1/4 x 3/4	
46	1001189882	1	Decal - MSSO	
54	1701518	5	Decal - Warning Crushing	
100	1001232066	1	Decal - Platform Lanyard Kit (Not Shown)	
101	1704277	3	Decal - Attach Lanyard Here	

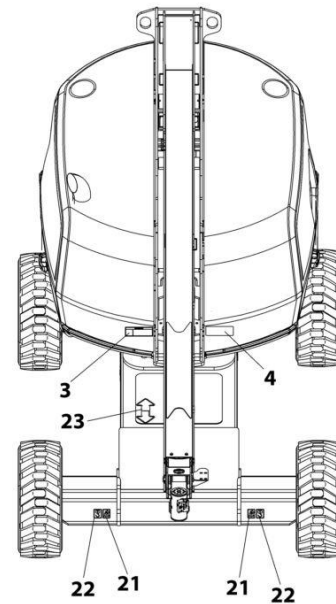
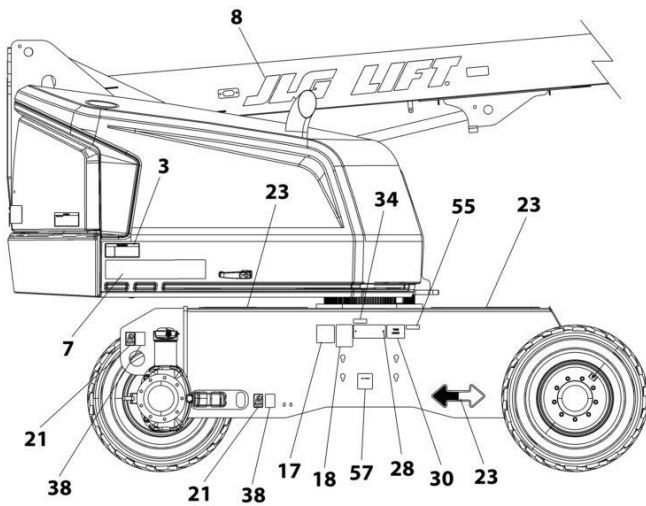
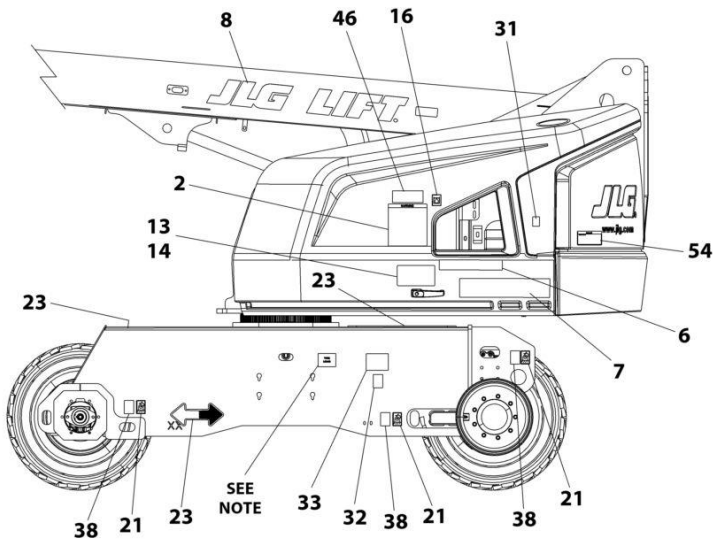
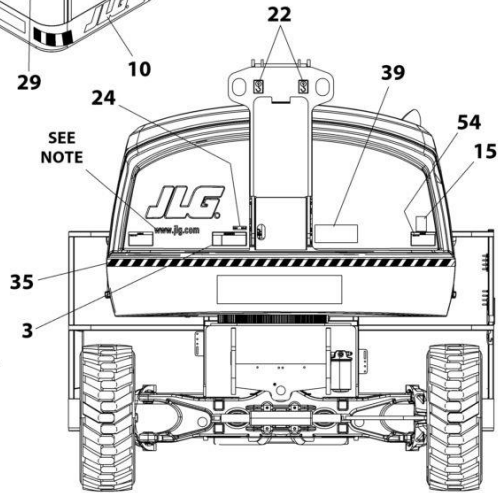
# SECTION 9 - DECAL

FIGURE 9-5. INSTALLATION - BRAZIL SPEC (DUAL LANGUAGE - PORTUGUESE/SPANISH) (400S)



NOTE: ITEMS SHOWN MAY NOT BE REQUIRED FOR ALL SPECS. REFER TO PART LIST FOR USAGE.

NOTE: ADDITIONAL DECALS ARE CALLED OUT ON DECALS INSTALLATION - OPTIONS.



ART\_1001242571\_E



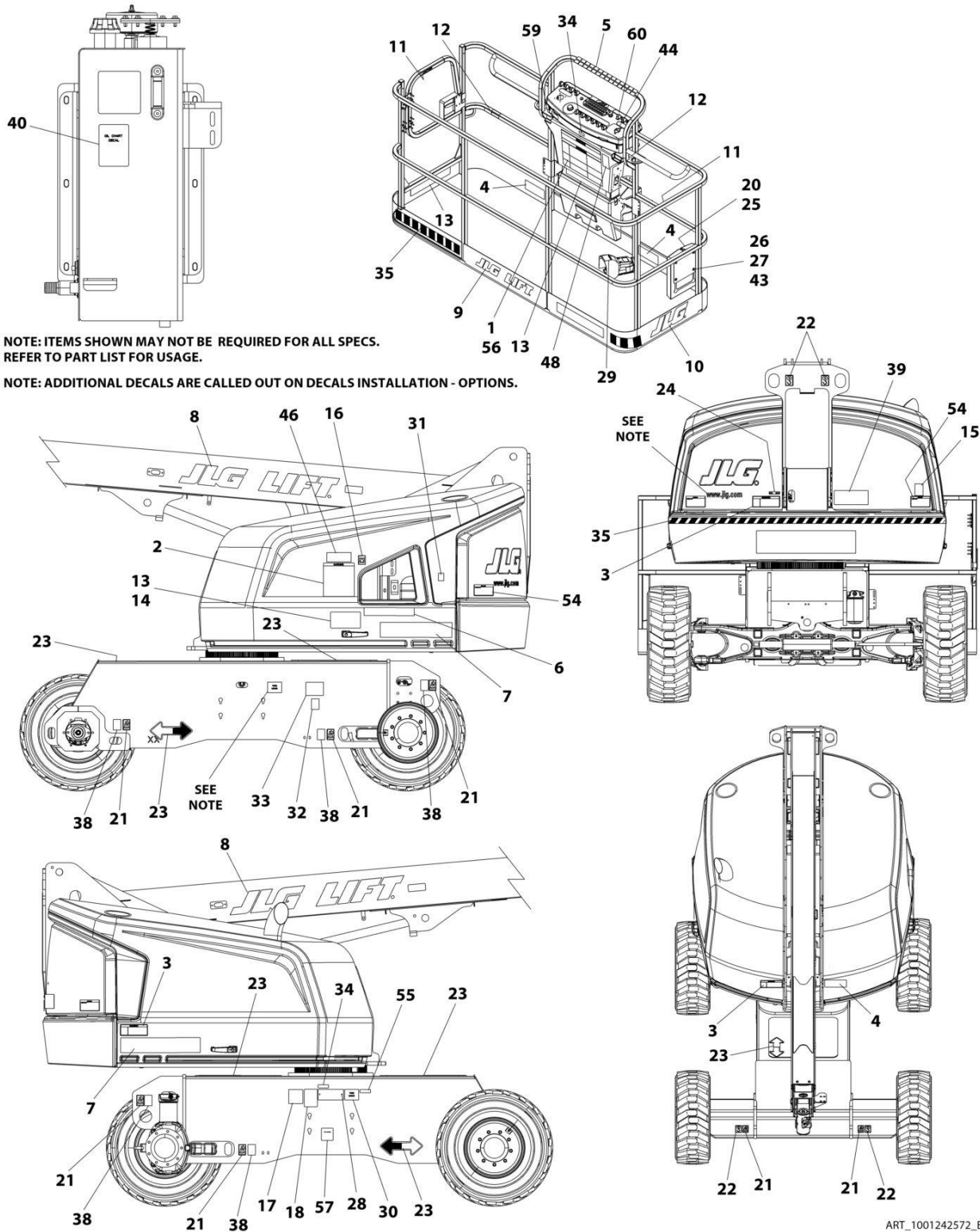
**SECTION 9 - DECAL**

**FIGURE 9-5. INSTALLATION - BRAZIL SPEC (DUAL LANGUAGE - PORTUGUESE/SPANISH) (400S)**

ITEM	PART NUMBER	QTY	DESCRIPTION	REV
	1001250764	Ref	DECAL INSTALLATION - REFERENCE CHART	J
	1001242571	Ref	DECAL INSTALLATION - BRAZIL SPEC (DUAL LANGUAGE - PORTUGUESE/SPANISH) (400S)	E
1	1703928	1	Decal - Danger/Warning (Platform)	
2	1703934	1	Decal - Danger/Warning (Ground Control)	
3	1703940	3	Decal - Danger/Electrocution	
4	1703952	3	Decal - Warning Crushing	
11	1704002	2	Decal - No Hands	
13	1001254673	1	Decal - Warning Dual Capacity	
14	1001254674	1	Decal - Warning Dual Capacity	
16	1701504	1	Decal - Hydraulic Oil	
17	See Note	NSS	Decal - Bar Code (Note: Not Available for Purchase)	
20	1701509	1	Decal - Manual	
21	1702300	8	Decal - Tie Down	
22	1701500	4	Decal - Lift	
23	1701529	4	Decal - Arrow	
24	3251243	1	Nameplate - 120V-60Hz	
25	0860520	1	Box, Manual Storage	
26	4751400	4	Washer, 1/4	
27	3311405	4	Nut, Lock 1/4	
28	3820001	2	Rivet	
29	1703985	1	Decal - Footswitch	
38	1701499	6	Decal - No Lift	
40	1704412	1	Decal - Hydraulic Oil Chart	
43	0641406	4	Bolt, 1/4 x 3/4	
44	1001113680	1	Decal - Drive/Steer Instruction	
54	1703946	2	Decal - Warning Crushing	
57	1001224052	1	Decal - Yearly Inspection	

# SECTION 9 - DECAL

FIGURE 9-6. DECAL INSTALLATION - BRAZIL SPEC (DUAL LANGUAGE - PORTUGUESE/SPANISH) (460SJ)



ART\_1001242572\_E

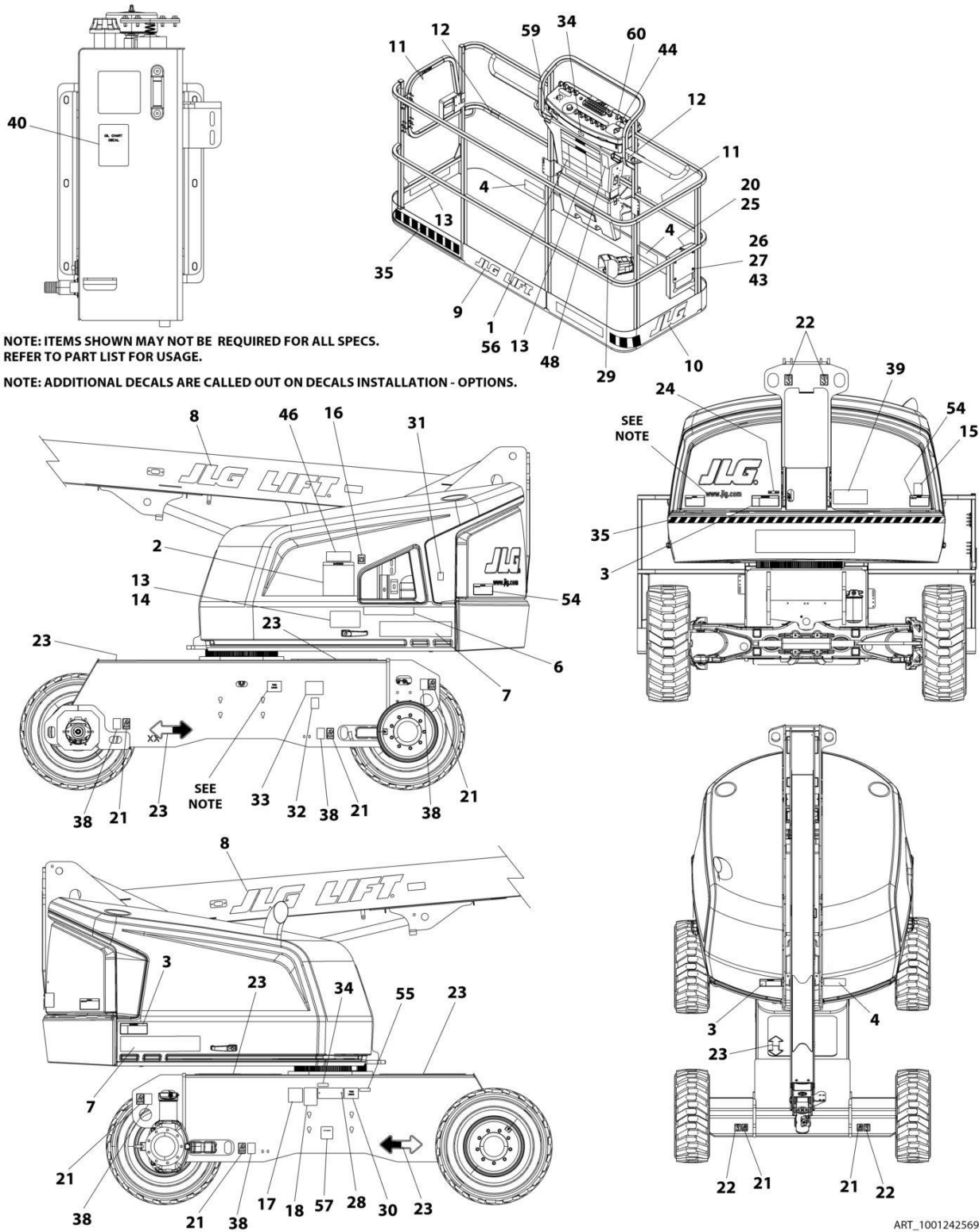
**SECTION 9 - DECAL**

**FIGURE 9-6. DECAL INSTALLATION - BRAZIL SPEC (DUAL LANGUAGE - PORTUGUESE/SPANISH) (460SJ)**

ITEM	PART NUMBER	QTY	DESCRIPTION	REV
	1001250764	Ref	DECAL INSTALLATION - REFERENCE CHART	J
	1001242572	Ref	DECAL INSTALLATION - BRAZIL SPEC (DUAL LANGUAGE - PORTUGUESE/SPANISH) (460SJ)	E
1	1703928	1	Decal - Danger/Warning (Platform)	
2	1703934	1	Decal - Danger/Warning (Ground Control)	
3	1703940	3	Decal - Danger/Electrocution	
4	1703952	3	Decal - Warning Crushing	
11	1704002	2	Decal - No Hands	
13	1001254754	2	Decal - Capacity	
16	1701504	1	Decal - Hydraulic Oil	
17	See Note	NSS	Decal - Bar Code (Note: Not Available for Purchase)	
20	1701509	1	Decal - Manual	
21	1702300	8	Decal - Tie Down	
22	1701500	4	Decal - Lift	
23	1701529	4	Decal - Arrow	
24	3251243	1	Nameplate - 120V-60Hz	
25	0860520	1	Box, Manual Storage	
26	4751400	4	Washer, 1/4	
27	3311405	4	Nut, Lock 1/4	
28	3820001	2	Rivet	
29	1703985	1	Decal - Footswitch	
38	1701499	6	Decal - No Lift	
40	1704412	1	Decal - Hydraulic Oil Chart	
43	0641406	4	Bolt, 1/4 x 3/4	
44	1001113680	1	Decal - Drive/Steer Instruction	
54	1703946	2	Decal - Warning Crushing	
57	1001224052	1	Decal - Yearly Inspection	

# SECTION 9 - DECAL

FIGURE 9-7. DECAL INSTALLATION - CHINESE SPEC (DUAL LANGUAGE - ENGLISH/CHINESE) (400S)



ART\_1001242569

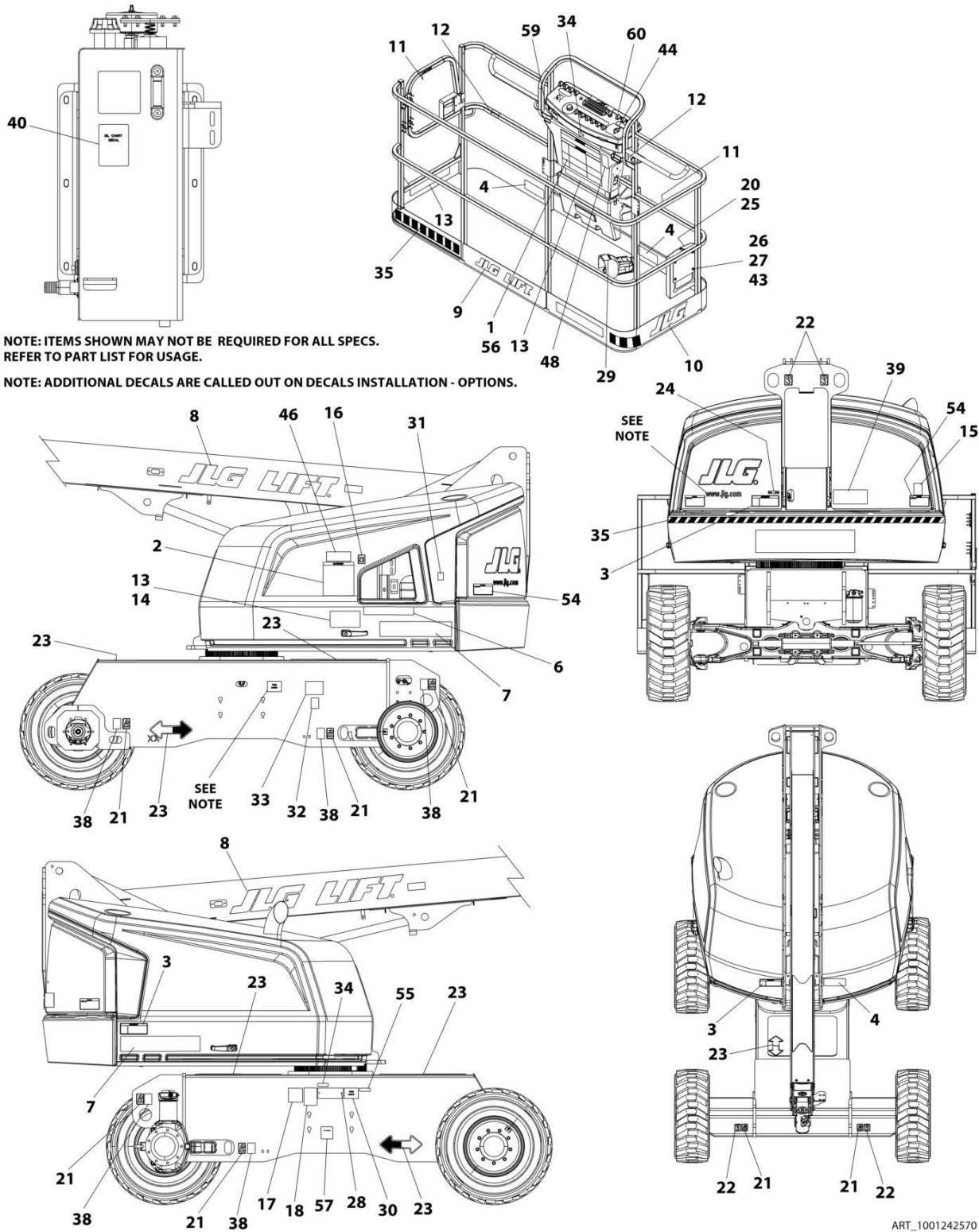
## SECTION 9 - DECAL

**FIGURE 9-7. DECAL INSTALLATION - CHINESE SPEC (DUAL LANGUAGE - ENGLISH/CHINESE)  
(400S)**

ITEM	PART NUMBER	QTY	DESCRIPTION	REV
	1001250764	Ref	DECAL INSTALLATION - REFERENCE CHART	J
	1001242569	Ref	DECAL INSTALLATION - CHINESE SPEC (DUAL LANGUAGE - ENGLISH/CHINESE) (400S)	D
1	1703925	1	Decal - Danger/Warning (Platform)	
2	1703931	1	Decal - Danger/Warning (Ground Control)	
3	1703937	3	Decal - Danger/Electrocution	
4	1703949	3	Decal - Warning Crushing	
13	1001254671	1	Decal - Warning Dual Capacity	
14	1001254672	1	Decal - Warning Dual Capacity	
16	1701504	1	Decal - Hydraulic Oil	
17	See Note	NSS	Decal - Bar Code (Note: Not Available for Purchase)	
20	1701509	1	Decal - Manual	
21	1702300	8	Decal - Tie Down	
22	1701500	4	Decal - Lift	
23	1701529	4	Decal - Arrow	
25	0860520	1	Box, Manual Storage	
26	4751400	4	Washer, 1/4	
27	3311405	4	Nut, Lock 1/4	
28	3820001	2	Rivet	
29	1703982	1	Decal - Footswitch	
38	1701499	6	Decal - No Lift	
40	1704412	1	Decal - Hydraulic Oil Chart	
43	0641406	4	Bolt, 1/4 x 3/4	
44	1705430	1	Decal - Drive/Steer Instruction	
54	1703943	2	Decal - Warning Crushing	
57	1001224050	1	Decal - Yearly Inspection (Not Shown)	

# SECTION 9 - DECAL

FIGURE 9-8. DECAL INSTALLATION - CHINESE SPEC (DUAL LANGUAGE - ENGLISH/CHINESE) (460SJ)



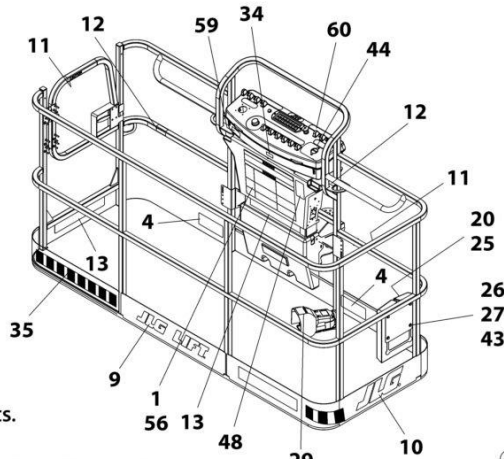
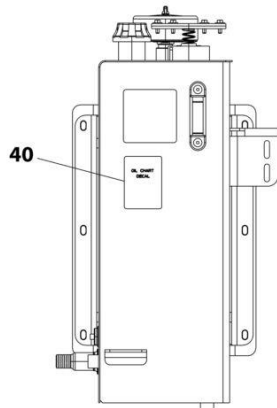
## SECTION 9 - DECAL

**FIGURE 9-8. DECAL INSTALLATION - CHINESE SPEC (DUAL LANGUAGE - ENGLISH/CHINESE)  
(460SJ)**

ITEM	PART NUMBER	QTY	DESCRIPTION	REV
	1001250764	Ref	DECAL INSTALLATION - REFERENCE CHART	J
	1001242570	Ref	DECAL INSTALLATION - CHINESE SPEC (DUAL LANGUAGE - ENGLISH/CHINESE) (460SJ)	D
1	1703925	1	Decal - Danger/Warning (Platform)	
2	1703931	1	Decal - Danger/Warning (Ground Control)	
3	1703937	3	Decal - Danger/Electrocution	
4	1703949	3	Decal - Warning Crushing	
13	1001254753	2	Decal - Warning Dual Capacity	
16	1701504	1	Decal - Hydraulic Oil	
17	See Note	NSS	Decal - Bar Code (Note: Not Available for Purchase)	
20	1701509	1	Decal - Manual	
21	1702300	8	Decal - Tie Down	
22	1701500	4	Decal - Lift	
23	1701529	4	Decal - Arrow	
25	0860520	1	Box, Manual Storage	
26	4751400	4	Washer, 1/4	
27	3311405	4	Nut, Lock 1/4	
28	3820001	2	Rivet	
29	1703982	1	Decal - Footswitch	
38	1701499	6	Decal - No Lift	
40	1704412	1	Decal - Hydraulic Oil Chart	
43	0641406	4	Bolt, 1/4 x 3/4	
44	1705430	1	Decal - Drive/Steer Instruction	
54	1703943	2	Decal - Warning Crushing	
57	1001224050	1	Decal - Yearly Inspection (Not Shown)	

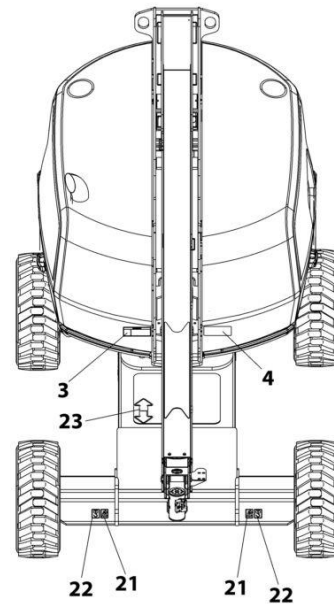
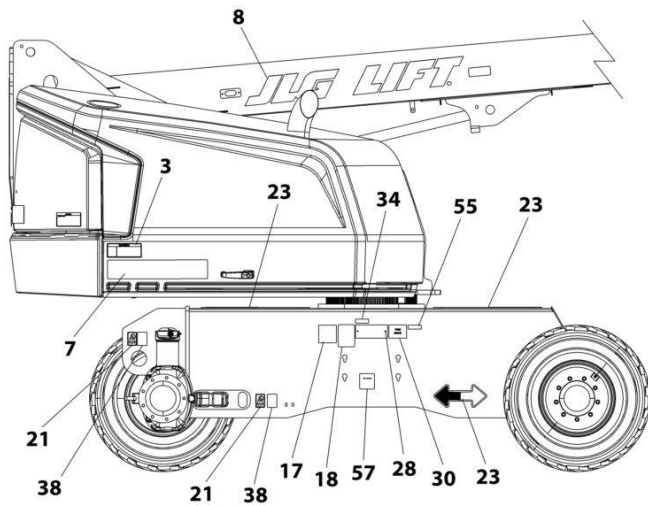
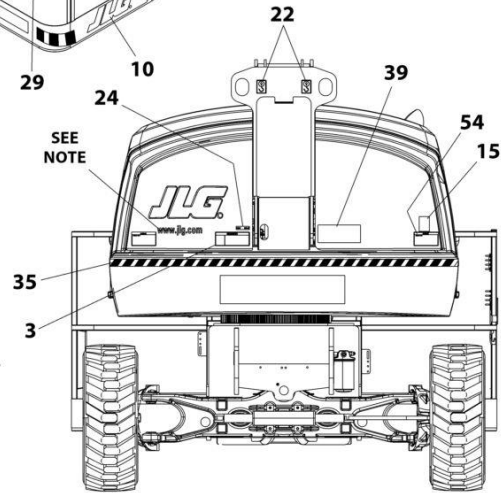
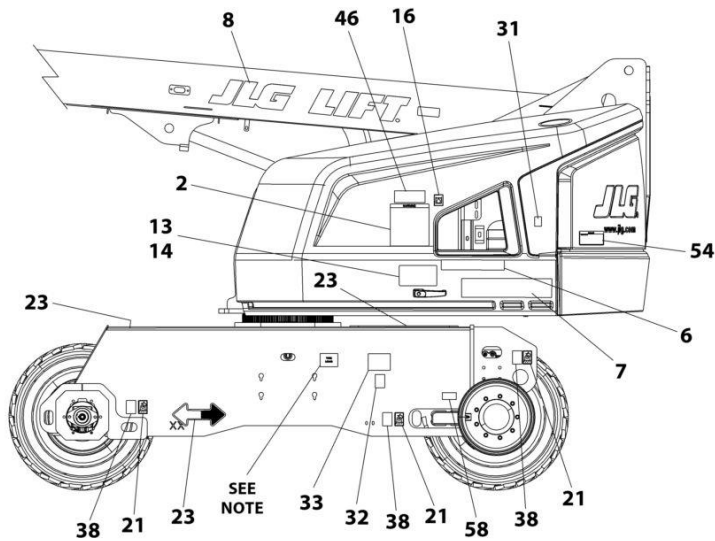
# SECTION 9 - DECAL

## FIGURE 9-9. DECAL INSTALLATION - CSA SPEC (DUAL LANGUAGE - ENGLISH/FRENCH) (400S)



NOTE: ITEMS SHOWN MAY NOT BE REQUIRED FOR ALL SPECS. REFER TO PART LIST FOR USAGE.

NOTE: ADDITIONAL DECALS ARE CALLED OUT ON DECALS INSTALLATION - OPTIONS.



ART\_1001242567



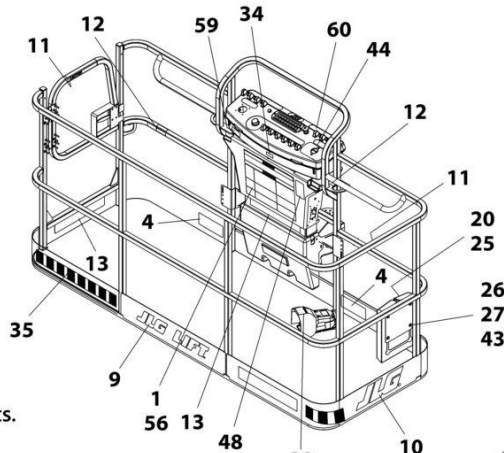
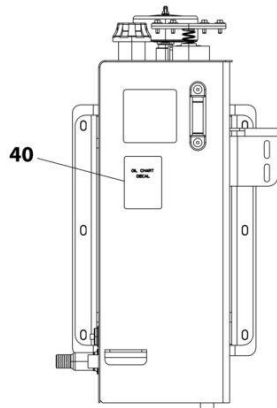
## SECTION 9 - DECAL

**FIGURE 9-9. DECAL INSTALLATION - CSA SPEC (DUAL LANGUAGE - ENGLISH/FRENCH) (400S)**

ITEM	PART NUMBER	QTY	DESCRIPTION	REV
	1001250764	Ref	DECAL INSTALLATION - REFERENCE CHART	J
	1001242567	Ref	DECAL INSTALLATION - CSA SPEC (DUAL LANGUAGE - ENGLISH/FRENCH) (400S)	E
1	1703924	1	Decal - Danger/Warning (Platform)	
2	1703930	1	Decal - Danger/Warning (Ground Control)	
3	1703936	3	Decal - Danger/Electrocution	
4	1703948	3	Decal - Warning Crushing	
11	1704000	2	Decal - No Hands	
13	1001254667	1	Decal - Warning Dual Capacity	
14	1001254668	1	Decal - Warning Dual Capacity	
16	1701504	1	Decal - Hydraulic Oil	
17	See Note	NSS	Decal - Bar Code (Note: Not Available for Purchase)	
18	1001131269	1	Decal - Patent	
20	1701509	1	Decal - Manual	
21	1702300	8	Decal - Tie Down	
22	1701500	4	Decal - Lift	
23	1701529	4	Decal - Arrow	
24	3251243	1	Nameplate - 120V-60Hz	
25	0860520	1	Box, Manual Storage	
26	4751400	4	Washer, 1/4	
27	3311405	4	Nut, Lock 1/4	
28	3820001	2	Rivet	
29	1703984	1	Decal - Footswitch	
38	1701499	6	Decal - No Lift	
40	1704412	1	Decal - Hydraulic Oil Chart	
43	0641406	4	Bolt, 1/4 x 3/4	
44	1705429	1	Decal - Drive/Steer Instruction	
54	1703942	2	Decal - Warning Crushing	
57	1001223971	1	Decal - Yearly Inspection (Not Shown)	
58	1001223453	1	Decal - ICES	

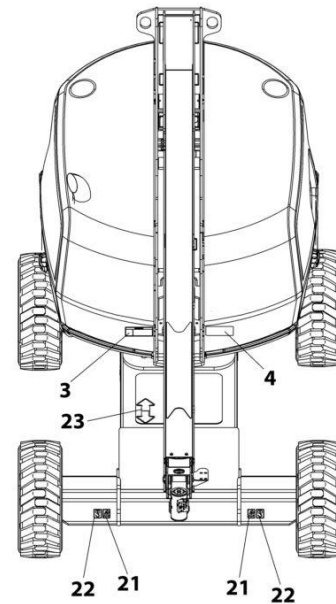
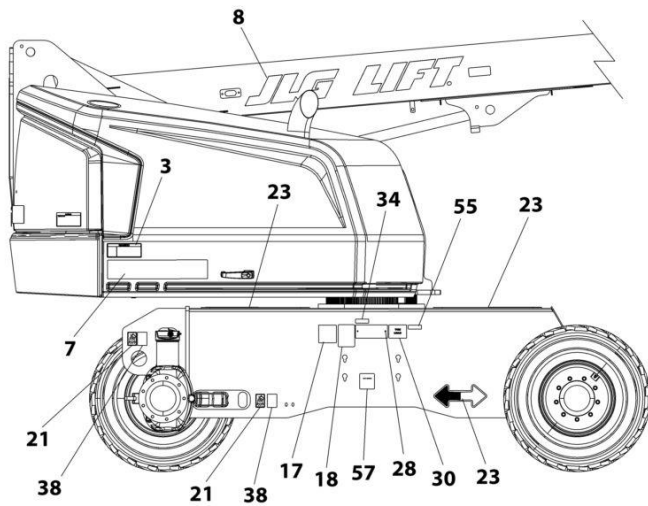
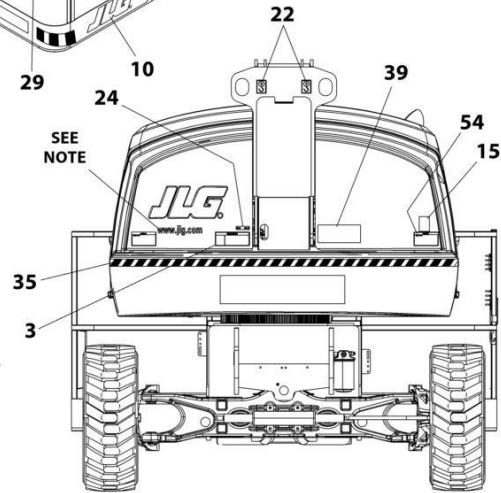
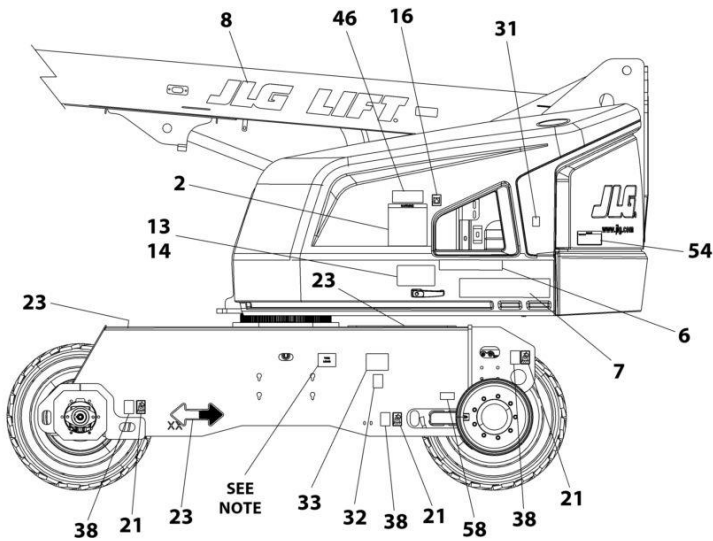
# SECTION 9 - DECAL

FIGURE 9-10. DECAL INSTALLATION - CSA SPEC (DUAL LANGUAGE - ENGLISH/FRENCH) (460SJ)



NOTE: ITEMS SHOWN MAY NOT BE REQUIRED FOR ALL SPECS. REFER TO PART LIST FOR USAGE.

NOTE: ADDITIONAL DECALS ARE CALLED OUT ON DECALS INSTALLATION - OPTIONS.



ART\_1001242568

## SECTION 9 - DECAL

**FIGURE 9-10. DECAL INSTALLATION - CSA SPEC (DUAL LANGUAGE - ENGLISH/FRENCH) (460SJ)**

ITEM	PART NUMBER	QTY	DESCRIPTION	REV
	1001250764	Ref	DECAL INSTALLATION - REFERENCE CHART	J
	1001242568	Ref	DECAL INSTALLATION - CSA SPEC (DUAL LANGUAGE - ENGLISH/FRENCH) (460SJ)	E
1	1703924	1	Decal - Danger/Warning (Platform)	
2	1703930	1	Decal - Danger/Warning (Ground Control)	
3	1703936	3	Decal - Danger/Electrocution	
4	1703948	3	Decal - Warning Crushing	
11	1704000	2	Decal - No Hands	
13	1001254751	2	Decal - Warning Dual Capacity	
16	1701504	1	Decal - Hydraulic Oil	
17	See Note	NSS	Decal - Bar Code (Note: Not Available for Purchase)	
18	1001131269	1	Decal - Patent	
20	1701509	1	Decal - Manual	
21	1702300	8	Decal - Tie Down	
22	1701500	4	Decal - Lift	
23	1701529	4	Decal - Arrow	
24	3251243	1	Nameplate - 120V-60Hz	
25	0860520	1	Box, Manual Storage	
26	4751400	4	Washer, 1/4	
27	3311405	4	Nut, Lock 1/4	
28	3820001	2	Rivet	
29	1703984	1	Decal - Footswitch	
38	1701499	6	Decal - No Lift	
40	1704412	1	Decal - Hydraulic Oil Chart	
43	0641406	4	Bolt, 1/4 x 3/4	
44	1705429	1	Decal - Drive/Steer Instruction	
54	1703942	2	Decal - Warning Crushing	
57	1001223971	1	Decal - Yearly Inspection (Not Shown)	
58	1001223453	1	Decal - ICES	



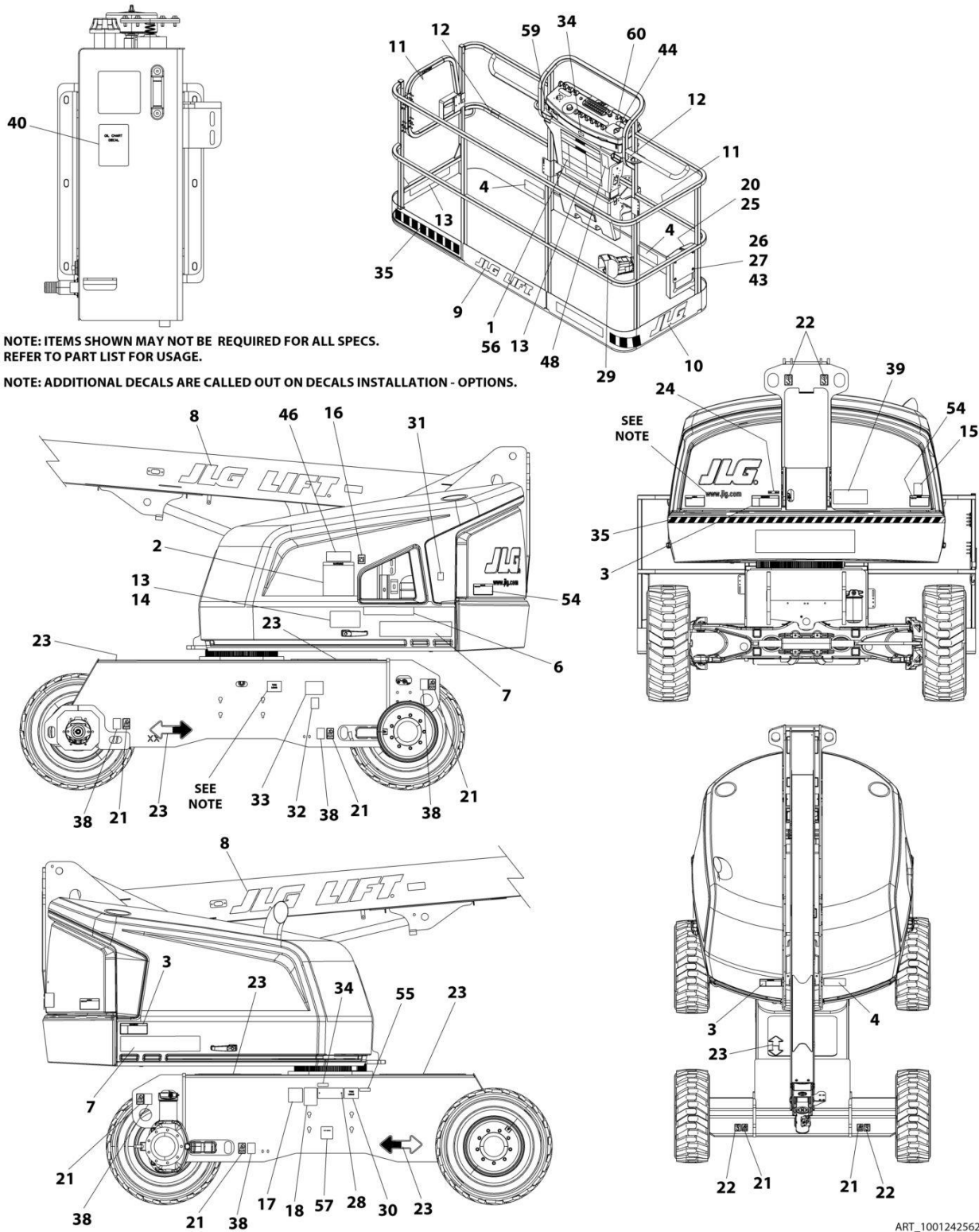
**SECTION 9 - DECAL**

**FIGURE 9-11. DECAL INSTALLATION - JAPANESE SPEC (DUAL LANGUAGE - ENGLISH/JAPANESE) (400S)**

ITEM	PART NUMBER	QTY	DESCRIPTION	REV
	1001250764	Ref	DECAL INSTALLATION - REFERENCE CHART	J
	1001242561	Ref	DECAL INSTALLATION - JAPANESE SPEC (DUAL LANGUAGE - ENGLISH/JAPANESE) (400S)	D
1	1703926	1	Decal - Danger/Warning (Platform)	
2	1703932	1	Decal - Danger/Warning (Ground Control)	
3	1703938	3	Decal - Danger/Electrocution	
4	1703950	3	Decal - Warning Crushing	
13	1001254677	1	Decal - Warning Dual Capacity	
14	1001254678	1	Decal - Warning Dual Capacity	
16	1701504	1	Decal - Hydraulic Oil	
17	See Note	NSS	Decal - Bar Code (Note: Not Available for Purchase)	
20	1701509	1	Decal - Manual	
21	1702300	8	Decal - Tie Down	
22	1701500	4	Decal - Lift	
23	1701529	4	Decal - Arrow	
25	0860520	1	Box, Manual Storage	
26	4751400	4	Washer, 1/4	
27	3311405	4	Nut, Lock 1/4	
28	3820001	2	Rivet	
29	1703980	1	Decal - Footswitch	
38	1701499	6	Decal - No Lift	
40	1704412	1	Decal - Hydraulic Oil Chart	
43	0641406	4	Bolt, 1/4 x 3/4	
44	1705426	1	Decal - Drive/Steer Instruction	
54	1703944	2	Decal - Warning Crushing	
57	1001224053	1	Decal - Yearly Inspection (Not Shown)	

# SECTION 9 - DECAL

## FIGURE 9-12. DECAL INSTALLATION - JAPANESE SPEC (DUAL LANGUAGE - ENGLISH/JAPANESE) (460SJ)



ART\_1001242562

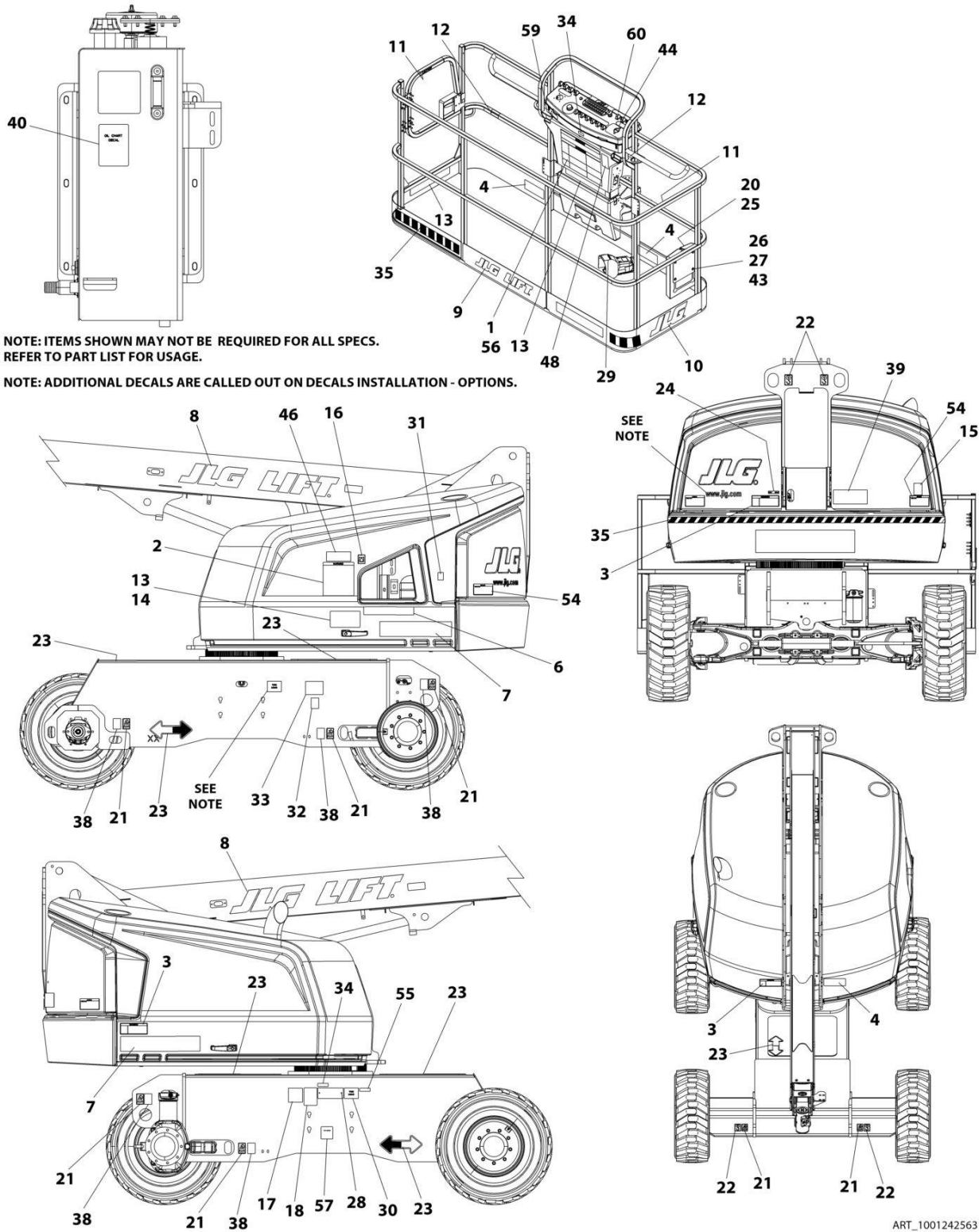
## SECTION 9 - DECAL

**FIGURE 9-12. DECAL INSTALLATION - JAPANESE SPEC (DUAL LANGUAGE - ENGLISH/JAPANESE)  
(460SJ)**

ITEM	PART NUMBER	QTY	DESCRIPTION	REV
	1001250764	Ref	DECAL INSTALLATION - REFERENCE CHART	J
	1001242562	Ref	DECAL INSTALLATION - JAPANESE SPEC (DUAL LANGUAGE - ENGLISH/JAPANESE) (460SJ)	D
1	1703926	1	Decal - Danger/Warning (Platform)	
2	1703932	1	Decal - Danger/Warning (Ground Control)	
3	1703938	3	Decal - Danger/Electrocution	
4	1703950	3	Decal - Warning Crushing	
13	1001254756	2	Decal - Warning Dual Capacity	
16	1701504	1	Decal - Hydraulic Oil	
17	See Note	NSS	Decal - Bar Code (Note: Not Available for Purchase)	
20	1701509	1	Decal - Manual	
21	1702300	8	Decal - Tie Down	
22	1701500	4	Decal - Lift	
23	1701529	4	Decal - Arrow	
25	0860520	1	Box, Manual Storage	
26	4751400	4	Washer, 1/4	
27	3311405	4	Nut, Lock 1/4	
28	3820001	2	Rivet	
29	1703980	1	Decal - Footswitch	
38	1701499	6	Decal - No Lift	
40	1704412	1	Decal - Hydraulic Oil Chart	
43	0641406	4	Bolt, 1/4 x 3/4	
44	1705426	1	Decal - Drive/Steer Instruction	
54	1703944	2	Decal - Warning Crushing	
57	1001224053	1	Decal - Yearly Inspection (Not Shown)	

# SECTION 9 - DECAL

**FIGURE 9-13. DECAL INSTALLATION - KOREAN SPEC (DUAL LANGUAGE - ENGLISH/KOREAN) (400S)**



ART\_1001242563



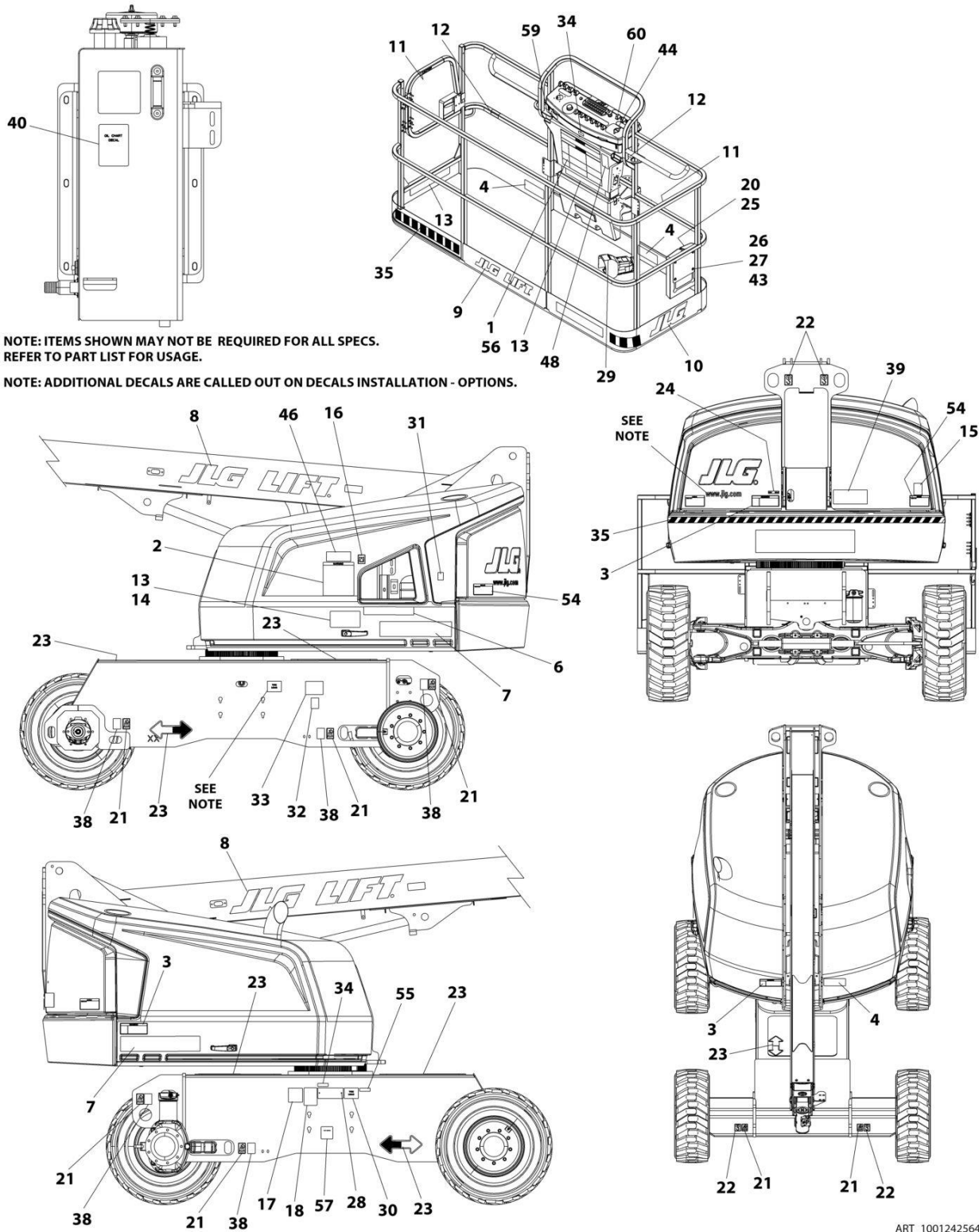
## SECTION 9 - DECAL

**FIGURE 9-13. DECAL INSTALLATION - KOREAN SPEC (DUAL LANGUAGE - ENGLISH/KOREAN)  
(400S)**

ITEM	PART NUMBER	QTY	DESCRIPTION	REV
	1001250764	Ref	DECAL INSTALLATION - REFERENCE CHART	J
	1001242563	Ref	DECAL INSTALLATION - KOREAN SPEC (DUAL LANGUAGE - ENGLISH/KOREAN) (400S)	D
1	1703927	1	Decal - Danger/Warning (Platform)	
2	1703933	1	Decal - Danger/Warning (Ground Control)	
3	1703939	3	Decal - Danger/Electrocution	
4	1703951	3	Decal - Warning Crushing	
13	1001254669	1	Decal - Warning Dual Capacity	
14	1001254670	1	Decal - Warning Dual Capacity	
16	1701504	1	Decal - Hydraulic Oil	
17	See Note	NSS	Decal - Bar Code (Note: Not Available for Purchase)	
20	1701509	1	Decal - Manual	
21	1702300	8	Decal - Tie Down	
22	1701500	4	Decal - Lift	
23	1701529	4	Decal - Arrow	
25	0860520	1	Box, Manual Storage	
26	4751400	4	Washer, 1/4	
27	3311405	4	Nut, Lock 1/4	
28	3820001	2	Rivet	
29	1703981	1	Decal - Footswitch	
38	1701499	6	Decal - No Lift	
40	1704412	1	Decal - Hydraulic Oil Chart	
43	0641406	4	Bolt, 1/4 x 3/4	
44	1705427	1	Decal - Drive/Steer Instruction	
54	1703945	2	Decal - Warning Crushing	
57	1001224048	1	Decal - Yearly Inspection (Not Shown)	

# SECTION 9 - DECAL

FIGURE 9-14. DECAL INSTALLATION - KOREAN SPEC (DUAL LANGUAGE - ENGLISH/KOREAN) (460SJ)



ART\_1001242564

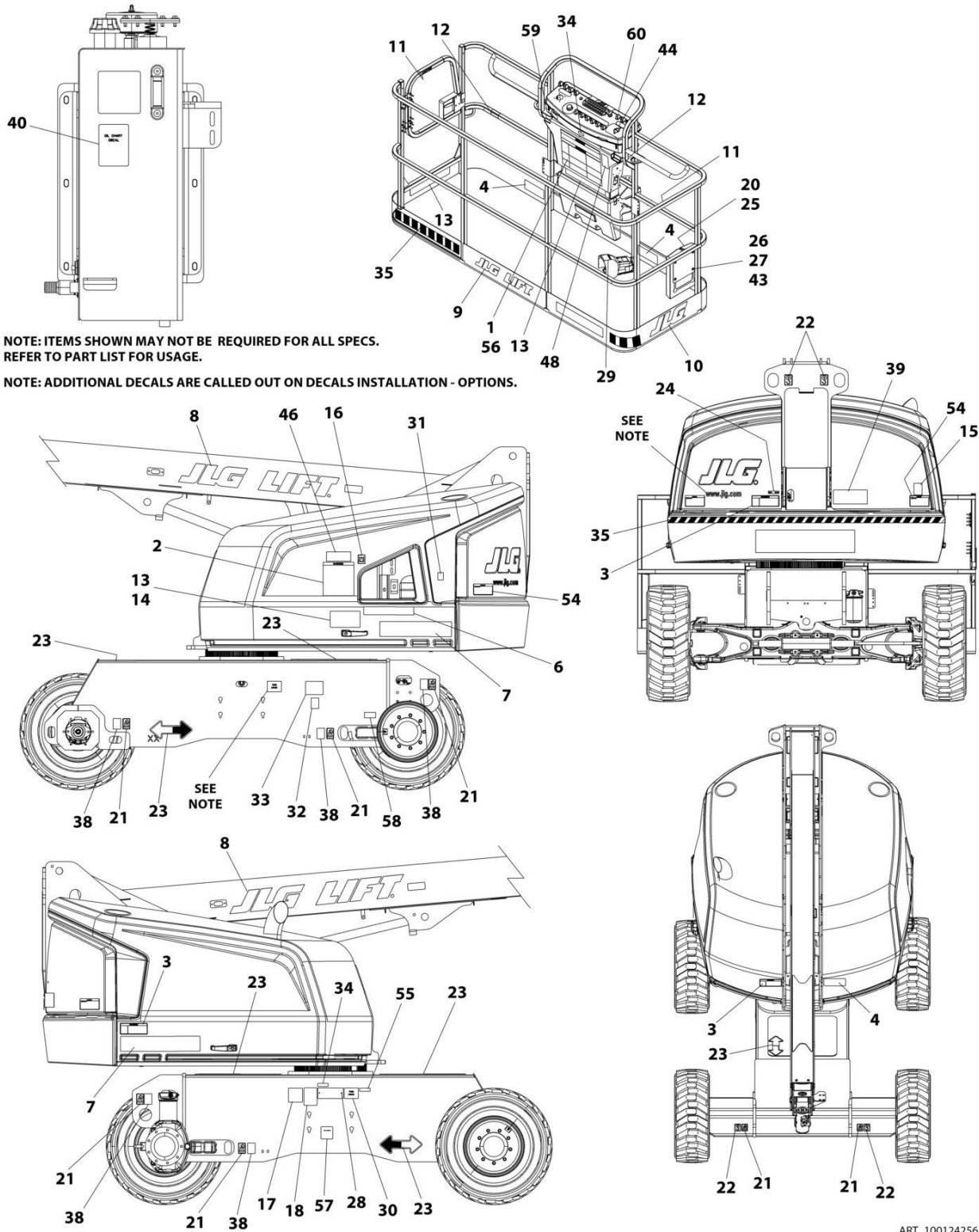
## SECTION 9 - DECAL

**FIGURE 9-14. DECAL INSTALLATION - KOREAN SPEC (DUAL LANGUAGE - ENGLISH/KOREAN)  
(460SJ)**

ITEM	PART NUMBER	QTY	DESCRIPTION	REV
	1001250764	Ref	DECAL INSTALLATION - REFERENCE CHART	J
	1001242564	Ref	DECAL INSTALLATION - KOREAN SPEC (DUAL LANGUAGE - ENGLISH/KOREAN) (460SJ)	D
1	1703927	1	Decal - Danger/Warning (Platform)	
2	1703933	1	Decal - Danger/Warning (Ground Control)	
3	1703939	3	Decal - Danger/Electrocution	
4	1703951	3	Decal - Warning Crushing	
13	1001254752	2	Decal - Warning Dual Capacity	
16	1701504	1	Decal - Hydraulic Oil	
17	See Note	NSS	Decal - Bar Code (Note: Not Available for Purchase)	
20	1701509	1	Decal - Manual	
21	1702300	8	Decal - Tie Down	
22	1701500	4	Decal - Lift	
23	1701529	4	Decal - Arrow	
25	0860520	1	Box, Manual Storage	
26	4751400	4	Washer, 1/4	
27	3311405	4	Nut, Lock 1/4	
28	3820001	2	Rivet	
29	1703981	1	Decal - Footswitch	
38	1701499	6	Decal - No Lift	
40	1704412	1	Decal - Hydraulic Oil Chart	
43	0641406	4	Bolt, 1/4 x 3/4	
44	1705427	1	Decal - Drive/Steer Instruction	
54	1703945	2	Decal - Warning Crushing	
57	1001224048	1	Decal - Yearly Inspection (Not Shown)	

# SECTION 9 - DECAL

## FIGURE 9-15. DECAL INSTALLATION - LATIN AMERICAN SPEC (DUAL LANGUAGE - ENGLISH/SPANISH) (400S)



ART\_1001242565

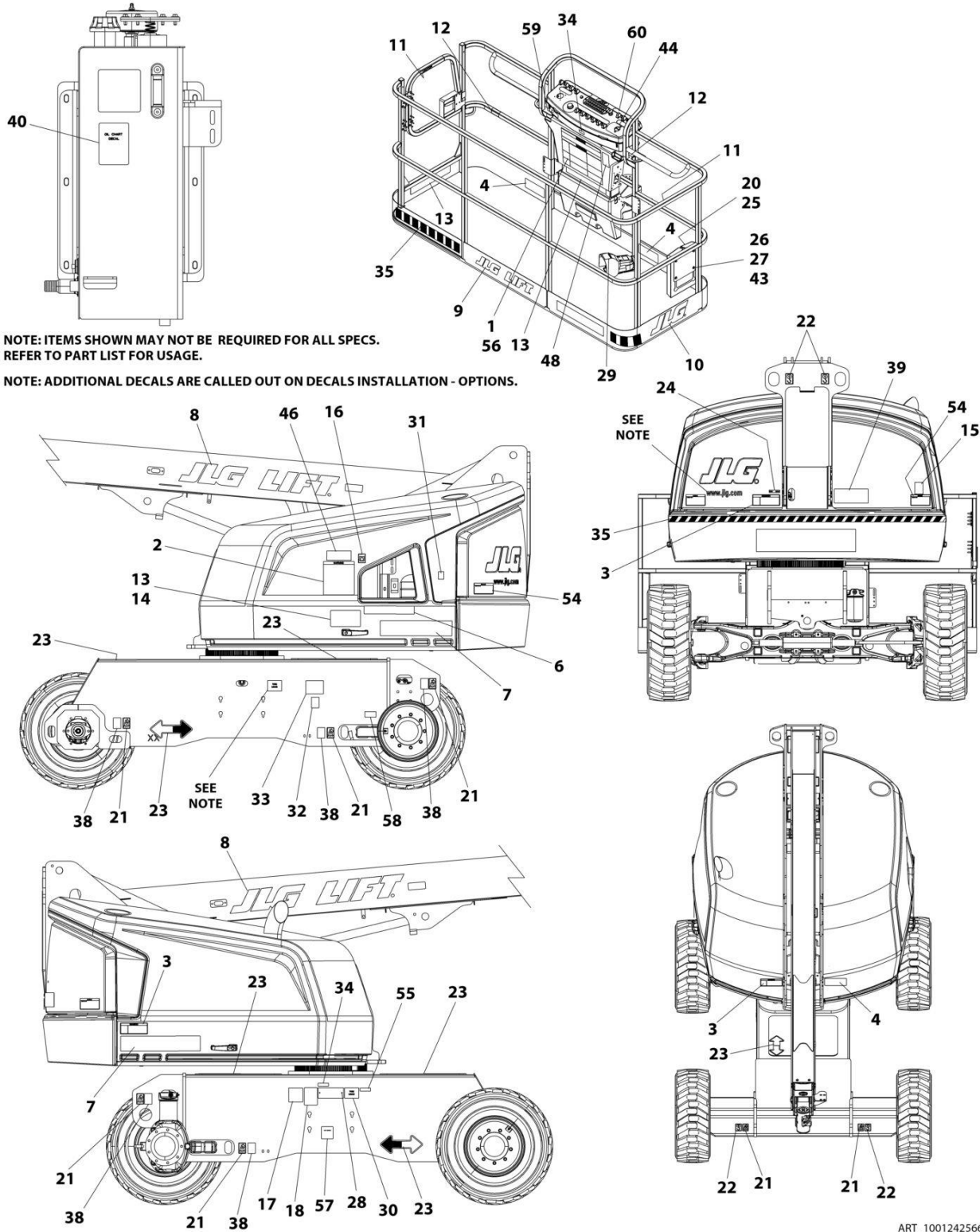
## SECTION 9 - DECAL

**FIGURE 9-15. DECAL INSTALLATION - LATIN AMERICAN SPEC (DUAL LANGUAGE - ENGLISH/SPANISH) (400S)**

ITEM	PART NUMBER	QTY	DESCRIPTION	REV
	1001250764	Ref	DECAL INSTALLATION - REFERENCE CHART	J
	1001242565	Ref	DECAL INSTALLATION - LATIN AMERICAN SPEC (DUAL LANGUAGE - ENGLISH/SPANISH) (400S)	D
1	1703923	1	Decal - Danger/Warning (Platform)	
2	1703929	1	Decal - Danger/Warning (Ground Control)	
3	1703935	3	Decal - Danger/Electrocution	
4	1703947	3	Decal - Warning Crushing	
11	1704001	2	Decal - No Hands	
13	1001254675	2	Decal - Warning Dual Capacity	
14	1001254676	1	Decal - Warning Dual Capacity	
16	1701504	1	Decal - Hydraulic Oil	
17	See Note	NSS	Decal - Bar Code (Note: Not Available for Purchase)	
20	1701509	1	Decal - Manual	
21	1702300	8	Decal - Tie Down	
22	1701500	4	Decal - Lift	
23	1701529	4	Decal - Arrow	
24	3251243	1	Nameplate - 120V-60Hz	
25	0860520	1	Box, Manual Storage	
26	4751400	4	Washer, 1/4	
27	3311405	4	Nut, Lock 1/4	
28	3820001	2	Rivet	
29	1703983	1	Decal - Footswitch	
38	1701499	6	Decal - No Lift	
40	1704412	1	Decal - Hydraulic Oil Chart	
43	0641406	4	Bolt, 1/4 x 3/4	
44	1705910	1	Decal - Drive/Steer Instruction	
54	1703941	2	Decal - Warning Crushing	
57	1001224049	1	Decal - Yearly Inspection (Not Shown)	
58	1001223453	1	Decal - ICES	

# SECTION 9 - DECAL

## FIGURE 9-16. DECAL INSTALLATION - LATIN AMERICAN SPEC (DUAL LANGUAGE - ENGLISH/SPANISH) (460SJ)



ART\_1001242566

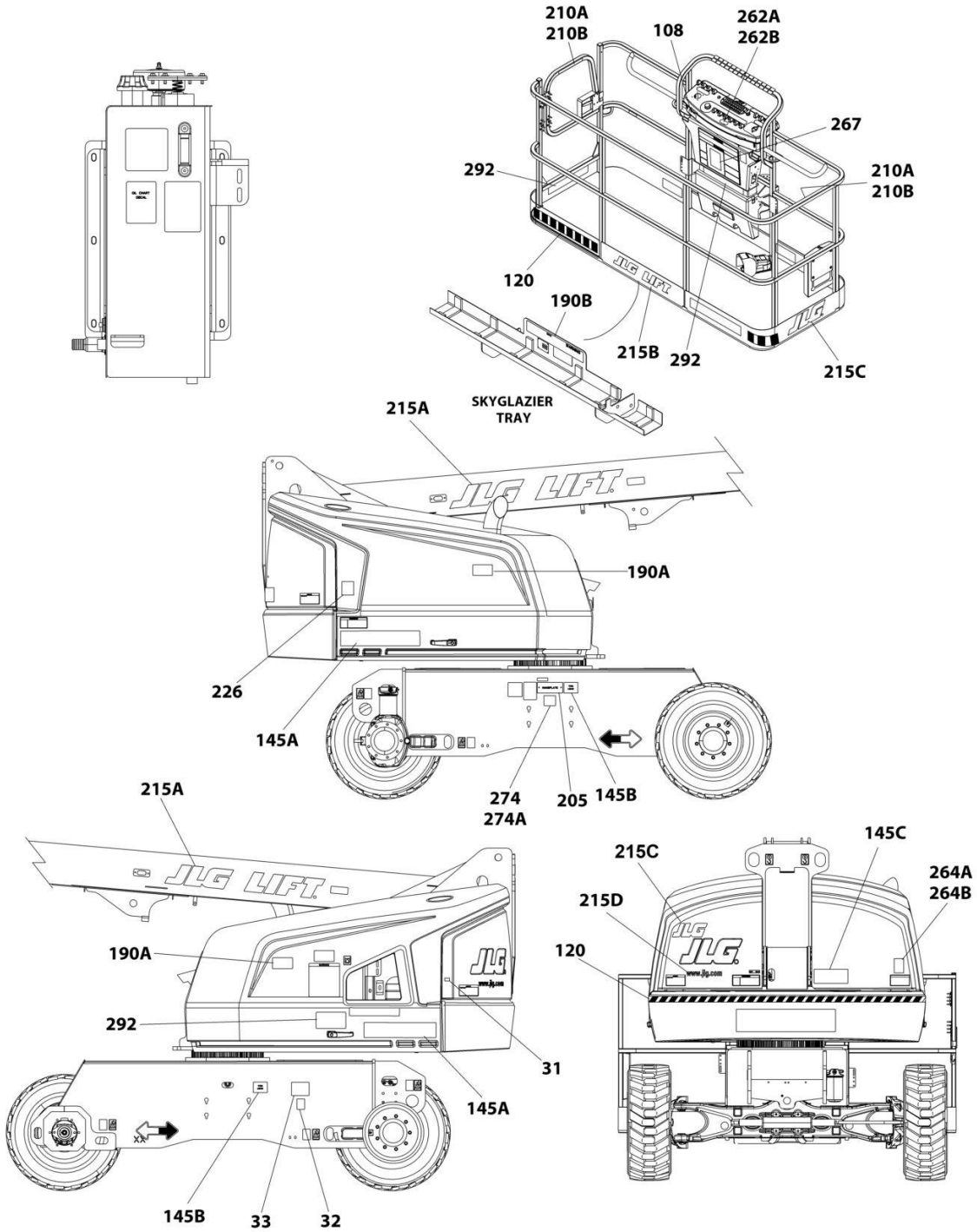
**SECTION 9 - DECAL**

**FIGURE 9-16. DECAL INSTALLATION - LATIN AMERICAN SPEC (DUAL LANGUAGE - ENGLISH/SPANISH) (460SJ)**

ITEM	PART NUMBER	QTY	DESCRIPTION	REV
	1001250764	Ref	DECAL INSTALLATION - REFERENCE CHART	J
	1001242566	Ref	DECAL INSTALLATION - LATIN AMERICAN SPEC (DUAL LANGUAGE - ENGLISH/SPANISH) (460SJ)	D
1	1703923	1	Decal - Danger/Warning (Platform)	
2	1703929	1	Decal - Danger/Warning (Ground Control)	
3	1703935	3	Decal - Danger/Electrocution	
4	1703947	3	Decal - Warning Crushing	
11	1704001	2	Decal - No Hands	
13	1001254755	2	Decal - Warning Dual Capacity	
16	1701504	1	Decal - Hydraulic Oil	
17	See Note	NSS	Decal - Bar Code (Note: Not Available for Purchase)	
20	1701509	1	Decal - Manual	
21	1702300	8	Decal - Tie Down	
22	1701500	4	Decal - Lift	
23	1701529	4	Decal - Arrow	
24	3251243	1	Nameplate - 120V-60Hz	
25	0860520	1	Box, Manual Storage	
26	4751400	4	Washer, 1/4	
27	3311405	4	Nut, Lock 1/4	
28	3820001	2	Rivet	
29	1703983	1	Decal - Footswitch	
38	1701499	6	Decal - No Lift	
40	1704412	1	Decal - Hydraulic Oil Chart	
43	0641406	4	Bolt, 1/4 x 3/4	
44	1705910	1	Decal - Drive/Steer Instruction	
54	1703941	2	Decal - Warning Crushing	
57	1001224049	1	Decal - Yearly Inspection (Not Shown)	
58	1001223453	1	Decal - ICES	

# SECTION 9 - DECAL

## FIGURE 9-17. DECAL INSTALLATION - OPTIONS



ART\_DECAL\_OPTIONS



## SECTION 9 - DECAL

**FIGURE 9-17. DECAL INSTALLATION - OPTIONS**

ITEM	PART NUMBER	QTY	DESCRIPTION	REV
	1001250764	Ref	DECAL INSTALLATION - REFERENCE CHART	G
	1001245658	Ref	DECAL INSTALLATION - OPTIONS	M
31	1701505	1	Decal - Diesel Fuel	
31	1701542	1	Decal - Gas	
32	1701543	1	Decal - LPG	
33	1700818	1	Decal - LP Gas Liquid Withdrawal System (ANSI and CSA Spec)	
33	1704271	1	Decal - LP Gas Liquid Withdrawal System (CSA Spec)	
33	1702720	1	Decal - LP Gas Liquid Withdrawal System (ANSI Export and China Specs)	
33	1001119661	1	Decal - LP Gas Liquid Withdrawal System (ANSI, ANSI Export and China Specs)	
108	1001231801	1	Decal - Proposition 65 (Diesel Machines) (Machines with SN Starting with 03)	
120	1001178415	Ref	Warning Strip Installation (Not Shown)	A
120	4420051	14.5 ft /4.42m	Tape, Safety	
145	1001174349	Ref	Decal - Model Designation (400S) (Not Shown)	D
145	1001174350	Ref	Decal - Model Designation (460SJ) (Not Shown)	D
145A	1001267304	2	Decal - 400S	
145A	1001267305	2	Decal - 460SJ	
145B	1001195745	2	Decal - Max Tire Load (400S)	
145B	1001195746	2	Decal - Max Tire Load (460SJ)	
145C	1001284678	1	Decal - Lift Diagram	
190	1001172570	Ref	Decal - SkyGlazier Installation (ANSI and CSA Specs) (English Decals)	C
190	1001172571	Ref	Decal - SkyGlazier Installation (ANSI Export Specs) (Spanish Decals)	B
190	1001172572	Ref	Decal - SkyGlazier Installation (ANSI Export Specs) (Portuguese Decals)	B
190	1001172620	Ref	Decal - SkyGlazier Installation (Australian Specs) (Australian Decals)	C
190A	1705358	2	Decal - SkyGlazier	
190B	1001199035	2	Decal - SkyGlazier Capacity (ANSI and CSA Specs) (English)	
190B	1001172564	2	Decal - SkyGlazier Capacity (ANSI Export Specs) (Spanish)	
190B	1001172565	2	Decal - SkyGlazier Capacity (ANSI Export Specs) (Portuguese)	
190B	1001199036	2	Decal - SkyGlazier Capacity (Australian Specs) (Australian)	
205	See Note	NSS	Nameplate - Serial Number (Note: Not Available for Purchase)	
210A	1702868	2	Decal - No Hands	
210B	1704000	2	Decal - No Hands	
215	1001178433	Ref	Decal Installation - JLG Logo (Not Shown) (All Specs except Australian, CE & UK CA Specs)	A
215A	1702861	2	Decal - JLG	
215B	1702774	1	Decal - JLG	
215C	1702773	1	Decal - JLG	
215D	1704885	1	Decal - Website	
215	1001243700	Ref	Decal Installation - JLG Logo (Not Shown) (Australian Specs)	
215A	1702861	2	Decal - JLG	
215B	1702774	1	Decal - JLG	
215C	1702773	2	Decal - JLG	
215D	1704885	1	Decal - Website	
215	1001243699	Ref	Decal Installation - JLG Logo (Not Shown) (CE & UK CA Specs)	
215C	1702773	1	Decal - JLG	

## SECTION 9 - DECAL

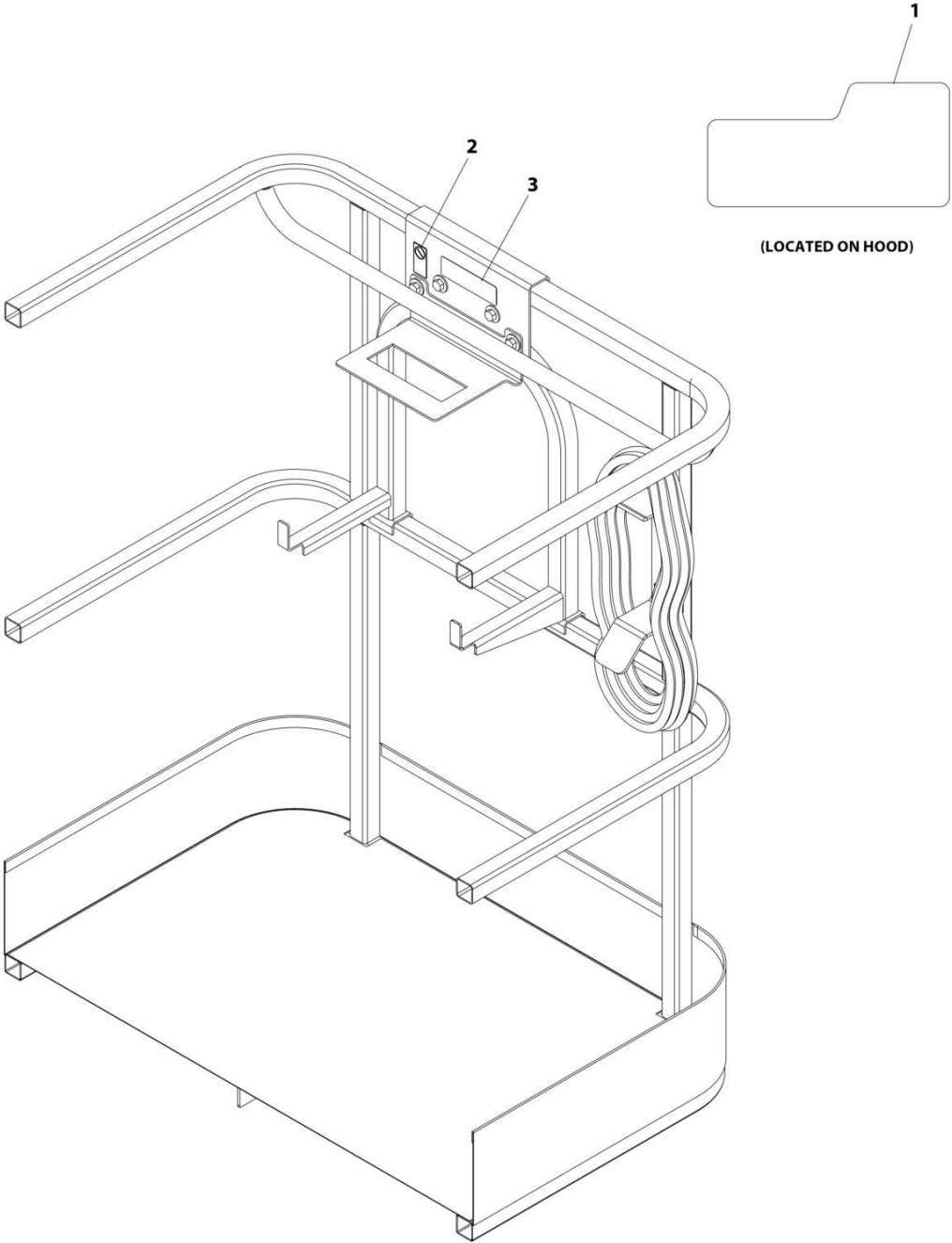
ITEM	PART NUMBER	QTY	DESCRIPTION	REV
226		Ref	Decal - Warning Explosion/Fire (Diesel Machines Only)	
226	1704972	1	Decal - Warning Explosion/Fire (ANSI and CSA Spec)	
226	1706064	1	Decal - Warning Explosion/Fire (CSA Spec - Dual Language English/French)	
226	1706098	1	Decal - Warning Explosion/Fire (Australian, CE & UK CA Specs)	
226	1706059	1	Decal - Warning Explosion/Fire (Brazil Spec - Dual Language English/Portuguese)	
226	1706060	1	Decal - Warning Explosion/Fire (Chinese Spec - Dual Language English/Chinese)	
226	1706061	1	Decal - Warning Explosion/Fire (Korean Spec - Dual Language English/Korean)	
226	1706062	1	Decal - Warning Explosion/Fire (Japanese Spec - Dual Language English/Japanese)	
226	1706063	1	Decal - Warning Explosion/Fire (Latin American - Dual Language English/Spanish)	
253	1001143852	1	Decal - Emission Compliance (Machines with Diesel Engines) (ANSI Export, Australian, CE, China & UK CA Specs) (Not Shown)	
262A	1001141300	Ref	Decal - SkyGuard Override	
262B	1001141302	Ref	Decal - SkyGuard/Soft Touch Override	
264A	1001204510	Ref	Decal - Sound Power Level - 102Db	
264B	1001130492	Ref	Decal - Sound Power Level - 105Db	
267	1001200128	Ref	Decal - Quick Start Guide (CE & UK CA Spec) (French Decal) (For LOXAM Rentals Only)	
267	1001200129	Ref	Decal - Quick Start Guide (CE & UK CA Spec) (Dutch Decal) (For LOXAM Rentals Only)	
267	1001200130	Ref	Decal - Quick Start Guide (CE & UK CA Spec) (German Decal) (For LOXAM Rentals Only)	
267	1001200131	Ref	Decal - Quick Start Guide (CE & UK CA Spec) (Danish Decal) (For LOXAM Rentals Only)	
267	1001200132	Ref	Decal - Quick Start Guide (CE & UK CA Spec) (Swedish Decal) (For LOXAM Rentals Only)	
267	1001200133	Ref	Decal - Quick Start Guide (CE & UK CA Spec) (Spanish Decal) (For LOXAM Rentals Only)	
267	1001200134	Ref	Decal - Quick Start Guide (CE & UK CA Spec) (Norwegian Decal) (For LOXAM Rentals Only)	
267	1001181145	Ref	Decal - Quick Start Guide (CE & UK CA Spec) (English Decal) (For LOXAM Rentals Only)	
274	1001214029	1	Decal - EAC Installation (CIS and Russia Specs)	
274A	1001173703	1	Decal - EAC	
292	1001171335	1	Decal - Dual Capacity (ANSI Spec)	
292	1001171337	1	Decal - Max Capacity (ANSI Spec)	
292	1001171359	1	Decal - Dual Capacity (Brazil Spec - Dual Language Portuguese/Spanish)	
292	1001171361	1	Decal - Max Capacity (Brazil Spec - Dual Language Portuguese/Spanish)	
292	1001171355	1	Decal - Dual Capacity (Chinese Spec - Dual Language English/Chinese)	
292	1001171357	1	Decal - Max Capacity (Chinese Spec - Dual Language English/Chinese)	
292	1001171351	1	Decal - Dual Capacity (CSA Spec - Dual Language English/French)	
292	1001171353	1	Decal - Max Capacity (CSA Spec - Dual Language English/French)	
292	1001171345	1	Decal - Dual Capacity (Korean Spec - Dual Language English/Korean)	

**SECTION 9 - DECAL**

<b>ITEM</b>	<b>PART NUMBER</b>	<b>QTY</b>	<b>DESCRIPTION</b>	<b>REV</b>
292	1001171347	1	Decal - Max Capacity (Korean Spec - Dual Language English/Korean)	
292	1001171349	1	Decal - Dual Capacity (Latin American - Dual Language English/Spanish)	
292	1001171337	1	Decal - Max Capacity (Latin American - Dual Language English/Spanish)	
292	1001171341	1	Decal - Dual Capacity (Japanese Spec - Dual Language English/Japanese)	
292	1001171343	1	Decal - Max Capacity (Japanese Spec - Dual Language English/Japanese)	

**SECTION 9 - DECAL**

**FIGURE 9-18. SKYWELDER DECAL INSTALLATION - 50HZ**



ART\_0272588

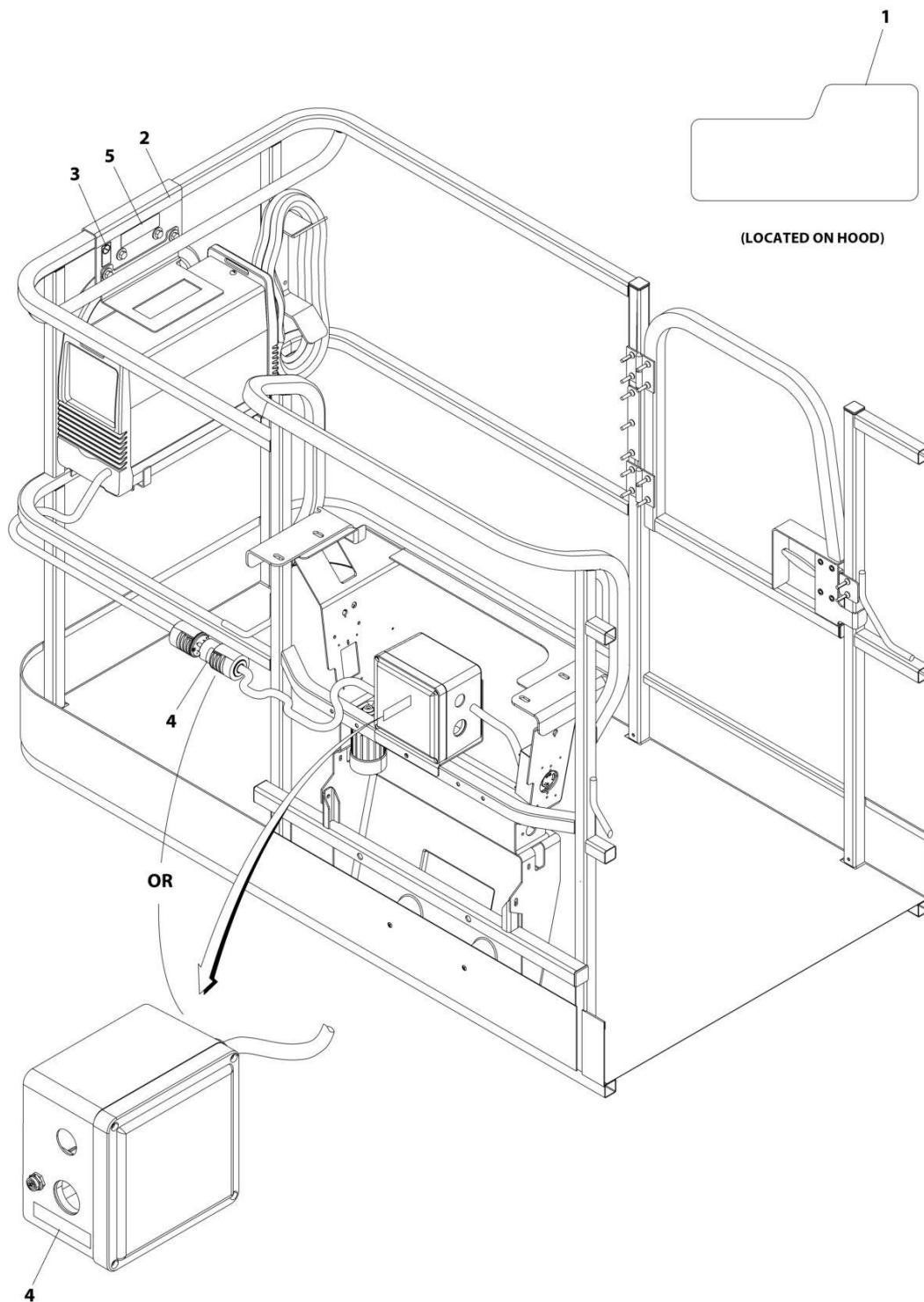
## SECTION 9 - DECAL

**FIGURE 9-18. SKYWELDER DECAL INSTALLATION - 50HZ**

ITEM	PART NUMBER	QTY	DESCRIPTION	REV
	0272588	Ref	SKYWELDER DECAL INSTALLATION - 50Hz	B
1	1705355	2	Decal - SkyWelder	
2	1705305	1	Decal - Weld Lead	
3	1001228988	1	Decal - Weight	

# SECTION 9 - DECAL

## FIGURE 9-19. SKYWELDER DECAL INSTALLATION - 60HZ



ART\_0272448\_C

**SECTION 9 - DECAL**

**FIGURE 9-19. SKYWELDER DECAL INSTALLATION - 60HZ**

<b>ITEM</b>	<b>PART NUMBER</b>	<b>QTY</b>	<b>DESCRIPTION</b>	<b>REV</b>
	0272448	Ref	SKYWELDER DECAL INSTALLATION - 60Hz	C
1	1705355	2	Decal - SkyWelder	
2	1702868	1	Decal - No Hands	
3	1705305	1	Decal - Weld Lead	
4	1705375	1	Decal - 240V - 3 Phase - 60Hz	
5	1001228988	1	Decal - Weight	





## **SECTION 10 - RECOMMENDED SERVICE PARTS STOCK**

## **SECTION 10 - RECOMMENDED SERVICE PARTS STOCK**

# SECTION 10 - RECOMMENDED SERVICE PARTS STOCK

## FIGURE 10-1. RECOMMENDED SERVICE PARTS STOCK

ITEM	PART NUMBER	QTY	DESCRIPTION	REV
		Ref	Note: The following list will service one machine (built to current production per date on the front cover) with emergency repair parts which can be installed in the field. Parts from the list should be replaced when inventory is depleted to keep service parts stock supplied. For further information, contact your JLG dealer or the JLG Industries Parts Department.	
	4360542	1	Breaker, Circuit (2500W Generators)	
	4360070	1	Breaker, Circuit - 15Amp (4000W/60Hz and 7500W Generators)	
	1001189172	1	Breaker 16 Amp Double (Breaker Box with Three Breakers)	
	7024485	1	Breaker, Circuit 30Amp (7500W Generators)	
	70006095	1	Breaker, Circuit 30Amp (7500W/60Hz Generators)	
	1001189171	1	Breaker, 30mA (Breaker Box with Three Breakers)	
	1001181045	1	Breaker, Combination 16Amp (Breaker Box with Single Breaker)	
	1001159118	1	Breaker GFCI 30Amp 240VAC (240V AC Box at Platform)	
	70002386	1	Coil (Main Valve, Axle Valve & Lift Cylinder)	
	70003788	1	Coil (Main Valve & Lift Cylinder)	
	70005219	1	Coil (Main Valve)	
	70004897	1	Coil (Piston Pump)	
	1001166538	1	Controller, Drive/Steer	
	1001166539	1	Controller, Lift/Swing	
	1001196636	2	Diode, 1Amp (Turntable Harness)	
	70010383	12	Element, Charge Pump (Control Valves)	
		Ref	Engine - Deutz D2011	
	70003783	12	Element, Air Cleaner	
	7020023	12	Filter, Fuel	
	70003463	12	Filter, Fuel - RME Resistant	
	7016331	12	Filter, Oil	
	3740140	1	Relay, 100Amp	
		Ref	Engine - Deutz D2.9L4	
	70003783	12	Element, Air Cleaner	
	8229242	2	Fuse, 5A	
	80983191	2	Fuse, 10A	
	70023592	2	Fuse, 20A	
	70023593	2	Fuse, 30A	
	70004058	1	Relay	
	1001117308	1	Relay, 200Amp	
	1001138228	1	Relay, Power Module	
		Ref	Engine - Deutz D2.9L4 (Stage V)	
	1001117308	1	Relay, 200Amp	
	1001138228	1	Relay, Power Module	
		Ref	Engine - Deutz D2.9L4 (China IV)	
	70003783	12	Element, Air Cleaner	
	1001117308	1	Relay, 200Amp	
	1001138228	1	Relay, Power Module	
		Ref	Engine - Kubota	
	70004020	12	Element, Air Filter	
	7017932	12	Element, Breather	
	7017992	12	Filter, Fuel	
	70006023	12	Filter, Oil	

## SECTION 10 - RECOMMENDED SERVICE PARTS STOCK

ITEM	PART NUMBER	QTY	DESCRIPTION	REV
	1001172065	2	Fuse, 30A	
	2400082	2	Fuse, 40A	
	70006061	1	Module, Engine Control	
	1001196634	2	Fuse, 2A (Breather Heater Installation & Turntable Harness)	
	8229249	2	Fuse, 3A (USB Charger)	
	8229242	2	Fuse, 5A (Turntable Harness)	
	8229244	2	Fuse, 15A (Turntable Harness)	
	8229245	2	Fuse, 30A (2500W Generator Harness)	
	2860030	1	Key, Replacement	
	2940074	1	Latch (Platforms with Swing Gate)	
	1001247468	1	Loadcell (Platform Support)	
	1001142683	1	Module, Beacon (Blue and Red Beacons)	
	1001170094	1	Module, Ground Control	
	1001157196	1	Module, Platform	
	70006553	1	Relay (4000W Generator)	
	3740086	1	Relay, 20Amp (SkyLine)	
	3740080	1	Relay, 20/40Amp (2500W Generators)	
	1001095704	1	Relay, 35Amp (Turntable Harness)	
	1001118971	1	Sensor, Angle (Transport Switches)	
	1001228225	1	Sensor, Emitter (SkyEye)	
	1001231195	1	Sensor, Fuel Level	
	4360057	1	Sensor, Limit (Soft Touch)	
	1001232667	1	Sensor, Proximity (SkyLine)	
	1001170847	1	Sensor, Proximity (Boom Switches)	
	1001182570	1	Sensor, Proximity (Boom Switches)	
	4360517	1	Sensor, Proximity (Rotary Coupling)	
	1001228224	1	Sensor, Receiver (SkyEye)	
	1001137673	1	Switch Bar Assembly (SkyGuard)	
	1001237902	1	Sensor, SkySense	
	1001219601	1	Sensor, Tilt (Electrical Panel)	
	1001225346	1	Switch, Battery (Battery Disconnect)	
	1001274559	1	Switch, Emergency Stop	
	1001117174	1	Switch, Foot	
	4360469	1	Switch, Key	
	4360407	1	Switch, Potentiometer	
	4360387	1	Switch, Pushbutton Yellow (Ground Control, Console Box & Soft Touch))	
	1001161710	1	Switch, Toggle (Engine Install)	
	4360336	1	Switch, Toggle (Generator)	
	1001155045	1	Switch, Toggle (Ground Control & Console Box)	
	1001159256	1	Switch, Toggle (Console Box)	
	1001161709	1	Switch, Toggle (Console Box)	
	4360328	1	Switch, Toggle (Jib Switch)	



**SECTION 11 - SPECIAL OPTIONS/ACCESSORIES/KITS**

**SECTION 11 - SPECIAL OPTIONS/ACCESSORIES/KITS**

# SECTION 11 - SPECIAL OPTIONS/ACCESSORIES/KITS

FIGURE 11-1. SPECIAL OPTIONS/ACCESSORIES/KITS

ITEM	PART NUMBER	QTY	DESCRIPTION	REV
		Ref	Note: This list is to accommodate machines ordered with special equipment. Options may not be applicable to all models. For more specific parts information contact JLG Parts Department.	
	1001174347	Ref	Airline Installation - 400S	
	1001174348	Ref	Airline Installation - 460SJ	
	1001204996	Ref	Arctic Package with SkyPower Installation Kit (400S Only)	
	1001204997	Ref	Arctic Package without SkyPower Installation Kit (400S Only)	
	1001205008	Ref	Arctic Package with SkyPower Installation Kit (460SJ Only)	
	1001205009	Ref	Arctic Package without SkyPower Installation Kit (460SJ Only)	
	2915102	Ref	Bearing Kit	
	1001171499	Ref	Boom and Chassis Bellows Installation (400S Only)	
	1001171500	Ref	Boom and Chassis Bellows Installation (460SJ Only)	
	1001206437	Ref	Boom Wear Pad Kit	
	1001172630	Ref	Boom Wiper Installation	
	1001172045	Ref	Cable Carrier Tray Installation (460SJ Machines Only) (Australian Specs)	
	1001243183	Ref	ClearSky (Telematics) Added-on-Kit (Dealer Installed) (ANSI, ANSI Export, CSA Specs)	
	1001243184	Ref	ClearSky (Telematics) Added-on-Kit (Dealer Installed) (CE & UK CA Specs)	
	1001246142	Ref	ClearSky (Telematics) Added-on-Kit (Dealer Installed) (Australian Spec)	
	1001276923	Ref	ClearSky (Telematics) Add-on Kit - 3 Wire GT1030 (Dealer Installed)	
	1001242639	Ref	ClearSky (Telematics)Access Added-on-Kit (Dealer Installed) (ANSI, ANSI Export, CSA, CE & UK CA Specs)	
	1001262959	Ref	ClearSky Voltage Regulator Relocation Kit	
	1001285871	Ref	ClearSky (Telematics) CS550 Installation (Plastic Hood)	
	1001293176	Ref	ClearSky (Telematics) CS550 Installation (Steel Hood)	
	1001183207	Ref	Cold Weather Package - Deutz D2011 Engines	
	1001183206	Ref	Cold Weather Package - Deutz D2.9L4 Engines	
	1001255807	Ref	Cold Weather Package - Deutz D2.9L4 Engines (Stage V)	
	1001216914	Ref	Cold Weather Package - Kubota Engines	
	1001177840	Ref	Container/Transport Wheels Installation - 12 x 16.5 Tires	
	1001177841	Ref	Container/Transport Wheels Installation - 14 x 17.5 Tires	
	0272031	Ref	Container/Transport Wheels Installation - 33/16LI x 16.1 Foam Filled Sand Tires	
	1001276007	Ref	Controller Service Kit - Drive/Steer	
	1001276008	Ref	Controller Service Kit - Lift/Swing	
	1001233047	Ref	Crankcase Breather Heater Kit - Deutz T4F Engine	
	1001177524	Ref	Cribbing Switch Installation (ANSI and CSA Specs)	
		Ref	Decal Installations:	
	1001178435	Ref	Decal - ClearSky	
	1702868	Ref	Decal - No Hands (English Language) (Used with Mesh to Top Rail Platform)	
	1704000	Ref	Decal - No Hands (English and French Dual Language) (Used with Mesh to Top Rail Platform)	
		Ref	Decal Kits:	
	1001270508	Ref	Machine Decal Kit (400S & 460SJ Machines)	
	1001288297	Ref	Machine Decal Kit (460SJ 1K Machines)	
	1001270509	Ref	Platform Decal Kit (400S & 460SJ Machines)	

## SECTION 11 - SPECIAL OPTIONS/ACCESSORIES/KITS

ITEM	PART NUMBER	QTY	DESCRIPTION	REV
	1001288298	Ref	Platform Decal Kit (460SJ 1K Machines)	
	1001270510	Ref	Platform Console Box Decal Kit	
	1001270514	Ref	Machine Decal Kit (ANSI 9220)	
	1001272196	Ref	Platform Decal Kit (ANSI 9220)	
	1001272082	Ref	Platform Console Box Decal Kit (400S) (ANSI 9220)	
	1001272083	Ref	Platform Console Box Decal Kit (460SJ) (ANSI 9220)	
	1001214833	Ref	Engine Block Heater - Kubota Engines	
		Ref	Fall Arrest (Bolt on):	
	1001269630	Ref	Fall Arrest 30x48" Add-on Kit (Bolt on)	
	1001269629	Ref	Fall Arrest 30x60" Add-on Kit (Bolt on)	
	1001269631	Ref	Fall Arrest 30x72" Add-on Kit (Bolt on)	
	1001237883	Ref	Fall Arrest Installation - 72in Standard Platform (Bolt on)	
	1001237882	Ref	Bolt on Fall Arrest - 96in Standard Platform	
	1001172751	Ref	Fan Cover Installation - Deutz D2.9L4 Engines/Deutz D2.9L4 Engines (Stage V)	
	1001204481	Ref	Filter Kit - Combined (Hydraulic Oil/Air & Engine Air/Fuel Oil) (Deutz D2011)	
	1001204482	Ref	Filter Kit - Combined (Hydraulic Oil/Air & Engine Air/Fuel Oil) (Deutz D2.9L4)	
	1001225794	Ref	Filter Kit - Combined (Hydraulic Oil/Air & Engine Air/Fuel Oil) (Deutz D2.3L3)	
	1001117294	Ref	Footswitch Shield Installation	
	1001284515	Ref	Gateway Plus Installation	
	1001220004	Ref	Ground Control Module Cover Kit	
	1001206439	Ref	Hose Kit - Power Track (Upper) (400S)	
	1001206440	Ref	Hose Kit - Power Track (Upper) (460SJ)	
	1001270503	Ref	Hose Kit - Power Track (Upper) (460SJ)	
	1001289884	Ref	Hose Kit - Power Track (Upper) (460SJ 1K)	
	1001241396	Ref	Hostile Environment Kit, 400S	
	1001241402	Ref	Hostile Environment Kit, 460SJ	
	1001258230	Ref	Hydraulic Load Installation (Factory Installed)	
	1001268737	Ref	Jib Link Kit	
		Ref	Light Installations:	
	1001174926	Ref	Chassis Illumination	
	1001174925	Ref	Headlights and Taillights	
	1001120466	Ref	Platform Worklights	
	1001202749	Ref	Lockable Fuel Cap Cover - Black	
	1001191395	Ref	Lockable Fuel Cap Cover - Green (ANSI and ANSI Export Specs)	
	1001191394	Ref	Lockable Fuel Cap Cover - Red (ANSI and ANSI Export Specs)	
	1001183407	Ref	Low Temperature Cutout Installation (Russian Specs)	
	1001253618	Ref	Module Box Assembly Kit (Service Kit for P/N 1001246867)	
	1001253619	Ref	Module Box Assembly Kit (Service Kit for P/N 1001246860)	
	1001173664	Ref	Oil Cooler Installation - Deutz D2011 Engines	
	1001164493	Ref	Oil Cooler Installation - Deutz D2.9L4, Deutz D2.9L4 (Stage V) and Deutz D2.9L4 (China IV) Engines	
	1001216552	Ref	Oil Cooler Installation - Kubota Engines	
	1001272166	Ref	Pipe Rack Add-on Kit (Dealer Installed)	
	1580013	Ref	Platform Corner Storage Tray	
	1001195304	Ref	Platform Cover Installation - Clear	
	1001266290	Ref	Platform Cover Installation - Steel	
	1001270482	Ref	Platform Cover Installation - Steel (Dealer Installed)	
	1001274832	Ref	Platform Floormat Add-On Kit - 30x60 (Dealer Installed)	

## SECTION 11 - SPECIAL OPTIONS/ACCESSORIES/KITS

ITEM	PART NUMBER	QTY	DESCRIPTION	REV
	1001274830	Ref	Platform Floormat Add-On Kit - 36x72 (Dealer Installed)	
	1001274829	Ref	Platform Floormat Add-On Kit - 36x96 (Dealer Installed)	
	1001219794	Ref	Platform Hose and Cable Protection (400S)	
	1001258715	Ref	Platform Hose and Cable Protection (460SJ)	
	1001238421	Ref	Platform Leveling Kit	
		Ref	Platform Mesh to Mid Rail Add-On Kits - Dealer Installed:	
	1001281461	Ref	Platform Mesh to Mid Rail Add-On Kits - Dealer Installed - 30in x 4ft (76cm x 1.22m)	
	1001281460	Ref	Platform Mesh to Mid Rail Add-On Kits - Dealer Installed - 30in x 5ft (76cm x 1.52m)	
	1001281458	Ref	Platform Mesh to Mid Rail Add-On Kits - Dealer Installed - 36in x 6ft (91.5cm x 1.83m)	
	1001281457	Ref	Platform Mesh to Mid Rail Add-On Kits - Dealer Installed - 36in x 8ft (91.5cm x 2.44m)	
		Ref	Platform Mesh to Top Rail Add-On Kits - Dealer Installed:	
	1001281456	Ref	Platform Mesh to Top Rail Add-On Kits - Dealer Installed - 30in x 4ft (76cm x 1.22m)	
	1001281455	Ref	Platform Mesh to Top Rail Add-On Kits - Dealer Installed - 30in x 5ft (76cm x 1.52m)	
	1001281454	Ref	Platform Mesh to Top Rail Add-On Kits - Dealer Installed - 30in x 6ft (76cm x 1.83m)	
	1001281453	Ref	Platform Mesh to Top Rail Add-On Kits - Dealer Installed - 36in x 6ft (91.5cm x 1.83m)	
	1001281452	Ref	Platform Mesh to Top Rail Add-On Kits - Dealer Installed - 36in x 8ft (91.5cm x 2.44m)	
		Ref	Platform Mesh Installation - Factory Installed:	
	1001271642	Ref	Platform Mesh to Toprail Installation - 36 x 72 Platforms (ANSI and CSA Specs)	
	1001269187	Ref	Platform Mesh to Toprail Installation - 36 x 96 Platforms (ANSI and CSA Specs)	
	1001269389	Ref	Platform Mesh to Midrail Installation - 36 x 96 Platforms (ANSI, ANSI Export(LRC), Australian and China Specs)	
		Ref	Platform Plastic Mesh Installation - Factory Installed:	
	1001266489	Ref	Platform Plastic Mesh to Toprail Installation - 36 x 72 Platforms (ANSI and CSA Specs)	
	1001266056	Ref	Platform Plastic Mesh to Toprail Installation - 36 x 96 Platforms (ANSI and CSA Specs)	
	1001266098	Ref	Platform Plastic Mesh to Midrail Installation - 36 x 96 Platforms (ANSI, ANSI Export(LRC), Australian and China Specs)	
		Ref	<b>Platform Padding Options:</b>	
	1001275644	1	Platform Padding Installation - 30 x 60 Platforms	
	1001275643	1	Platform Padding Installation - 30 x 72 Platforms	
	1001275642	Ref	Platform Padding Installation - 36 x 72 Platforms	
	1001269655	Ref	Platform Padding Installation - 36 x 96 Platforms	
		Ref	Platform Rail Extensions:	
	0272733	Ref	Platform Rail Extension Installation - 36 x 72 Platforms	
	0272725	Ref	Platform Rail Extension Installation - 36 x 96 Platforms	
	1001233079	Ref	Pump Rotation Kit	
	1001247800	Ref	Quad Tracks Replacement Kit	
	1001204963	Ref	Service Tools & Kits	
		Ref	SkyGuard Kits:	
	1001247073	Ref	SkyEye Retrofit Kit	
	1001241547	Ref	SkyEye Housing Repair Kit - LH	
	1001241548	Ref	SkyEye Housing Repair Kit - RH	
	1001250595	Ref	SkyGuard 6-Pin Retrofit Installation Kit	

V



## SECTION 11 - SPECIAL OPTIONS/ACCESSORIES/KITS

ITEM	PART NUMBER	QTY	DESCRIPTION	REV
	1001203510	Ref	SkyGuard Kit, Without Beacon	
	1001203512	Ref	SkyGuard Kit, With Blue Beacon	
	1001210037	Ref	SkyGuard Kit, With Red Beacon	
	1001250035	Ref	SkyGuard Platform Sensor Kit	
	1001249052	Ref	SkyGuard Retrofit Kit	
	1001262016	Ref	SkyLine Kit	
		Ref	SkySense Installations:	
	1001250465	Ref	SkySense (EDS) Level 1 Booms (2-Bar) Installation (Factory Installed)	
	1001250466	Ref	SkySense (EDS) Level 2 Booms (3-Bar) Installation (Factory Installed)	
	1001246867	Ref	SkySense (EDS) Level 1 Booms (2-Bar) Installation Kit (Dealer Installed)	
	1001246860	Ref	SkySense (EDS) Level 2 Booms (3-Bar) Installation Kit (Dealer Installed)	
		Ref	Amber Beacon Installations:	
	1001178951	Ref	Platform Mounted (Amber)	
	1001177570	Ref	Platform/Ground Mounted (Amber)	
	1001231235	Ref	Sky Welder Locking Bracket	
		Ref	Tools For Service:	
	1001249695	Ref	Analyzer & Cable Kit	
	1001249941	Ref	Analyzer Kit (Battery Powered)	
	1001137005	Ref	Tools - Cable Kit, Software	
	7002821	Ref	Tools - Crimper, Wire	
	7002823	Ref	Tools - Pin Extractor - Universal (For Electrical Connectors with Pins and Sockets)	
	4460467	Ref	Tools - Pin Extractor - 16-18 Gauge (For Removal of Pin/Sockets from Deutsch Connectors)	
	4460510	Ref	Tools - Pin Extractor - 12-14 Gauge (For Removal of Pin/Sockets from Deutsch Connectors)	
	7016654	Ref	Tools - Screwdriver, Magnetic	
	7002822	Ref	Tools - Screwdriver, Potentiometer	
	7004275	Ref	Tools - Seal Tool 1in (For Cylinders)	
	7004276	Ref	Tools - Seal Tool 1-1/2in (For Cylinders)	
	7002828	Ref	Tools - Stripper, Wire	
	70004185	Ref	Tools - Torque Multiplier	
	1001277839	Ref	UGM Retrofit Kit (1001170094 Module)	
	1001277640	Ref	UGM Retrofit Kit (1001103667 Module)	
	1001277648	Ref	UGM Retrofit Kit (1600327, 1600364, 1600411 Modules)	
	1001274249	Ref	USB Charger Add-on Kit (Dealer Installed)	
	1001236496	Ref	Wet Stacking Prevention Kit	
	1001270716	Ref	White Noise (Constant) Alarm Add-on Kit (Dealer Installed)	
	1001270755	Ref	White Noise (Ambient) Alarm Add-on Kit (Dealer Installed)	
	1001209059	Ref	Work Surface Installation	



# SECTION 11 - SPECIAL OPTIONS/ACCESSORIES/KITS

## PART NUMBER INDEX

## SECTION 11 - SPECIAL OPTIONS/ACCESSORIES/KITS

0080201.....302, 316	0272733 ..... 730	0681822 ..... 431	0760605.....302, 316
0080231 .....204, 216	0273380 .... 383, 387, 391	0682014 ..... 23, 25	0760606....302, 316, 361,
0100009.....445	0275216 ..... 549, 657	0682026 ..... 91	365, 369, 373, 377,
0100011 .... 17, 19, 21, 23,	0275217 ..... 553, 659	0682040 ..... 53	381, 385
25, 55, 57, 63, 65, 77,	0275452 ..... 555, 661	0682424 ... 457, 459, 461,	0760607....232, 244, 260,
79, 83, 111, 113, 115,	0275453 ..... 557, 663	463	284
119, 121, 149, 151,	0275454 ..... 565, 665	0700408 ... 547, 549, 551,	0760608....170, 174, 183,
154, 158, 162, 166,	0360406 ..... 53	553, 555, 557, 559,	185, 187, 302, 316,
170, 174, 177, 179,	0363019 ..... 51, 53	561, 563, 565, 567	349, 353, 357
181, 183, 185, 187,	0400075 ..... 77, 79	0700610 ..... 198, 210	076061077, 79, 115, 117,
197, 201, 204, 209,	0440162 ... 197, 209, 224,	0700612 ..... 115	149, 151, 177, 179,
213, 216, 224, 227,	236, 253, 278, 295, 309	0700614 ..... 197, 209	181, 197, 204, 209,
230, 236, 239, 242,	0440240 ..... 91	0700619 .... 516, 524, 532	216, 225, 230, 236,
253, 257, 260, 271,	0440271 ..... 21	0700620 ... 117, 607, 609,	242, 253, 260, 278,
278, 281, 284, 295,	0480122 ..... 349	611, 613	284, 295, 302, 309,
299, 302, 309, 313,	0480126 ..... 361, 377	0700810 ..... 302, 316	316, 333, 335, 337,
316, 339, 341, 343,	0480128 ..... 365, 381	0700814 ..... 302, 316	361, 365, 369, 373,
345, 347, 349, 353,	0480129 ..... 390	0700815 ..... 302, 316	377, 381, 385, 389, 573
357, 361, 365, 369,	0561237 ..... 609	0700816 ..... 304, 318	0760612....111, 113, 117,
373, 377, 381, 385,	0630462 ..... 465, 467	0700817 ... 197, 209, 224,	302, 316
389, 399, 401, 403,	0630518 .... 481, 483, 485	236, 253, 278, 295, 309	0760613....224, 236, 253,
409, 411, 413, 415,	0630534 ..... 501	0700818 ... 365, 369, 377,	278
425, 427, 429, 433,	0630563 ... 599, 601, 603,	381, 385, 389	0760614....177, 179, 181,
435, 437, 439, 441,	605, 607, 609, 611, 613	0700819 ..... 389	183, 185, 187, 205,
465, 467, 469, 473,	0630568 ..... 445	0700821 ... 197, 209, 224,	217, 591
481, 483, 485	0630613 ... 154, 158, 162,	236, 278	0760615.....145, 147
0100019....23, 25, 85, 91,	166, 170, 174	0700822 ..... 253	0760619.....284, 540
353, 361, 365, 369,	0641404 ..... 473	0701016 .... 304, 318, 389	0760808....230, 242, 260,
373, 377, 381, 385	0641405 ..... 445, 473	0701017 ... 224, 236, 253,	284, 302, 316
0100020.....59, 197, 204,	0641406 ... 443, 487, 683,	278	0760810....232, 244, 260,
209, 216, 224, 230,	685, 687, 689, 691,	0701018 ..... 99, 101, 103,	284, 415
231, 236, 242, 253,	693, 695, 697, 699,	105	0760812....230, 242, 260,
260, 278, 284, 295,	701, 703, 705, 707,	0701020 ..... 99, 101, 103,	284, 295, 302, 309,
302, 309, 316, 453,	709, 711, 713	105, 403	316, 333, 335, 337,
547, 549, 551, 553,	0641408 ..... 443, 477	0701022 ..... 284	349, 353, 361, 366,
555, 557, 559, 561,	0641410 ... 177, 179, 181,	0701025 ..... 284	370, 378, 382, 386, 575
563, 565, 567	183, 185, 187	0701216 ..... 302, 316	0760814....204, 216, 230,
0100035.....99, 101, 103,	0641414 ... 445, 465, 467,	0701217 ..... 17	242, 260, 284, 302,
105, 123, 273, 445, 455	469, 477, 479	0701219 ..... 347	316, 343, 345, 357,
0100048....141, 143, 349,	0641416 ... 547, 549, 551,	0701220 ..... 83	389, 599, 601, 603,
353, 357, 361, 365,	553, 555, 557, 559,	0701222 ..... 401	607, 609, 611, 613
369, 373, 377, 381,	561, 563, 565, 567	0701223 ..... 347	0760815....204, 216, 232,
385, 389	0641418 ... 427, 429, 433,	0701224 ... 302, 316, 357,	244, 260, 284, 302, 316
0100079....361, 365, 369,	435, 437, 439, 441,	389	0760816.....51, 154, 158,
377, 381, 385, 389	607, 611	0701617 ..... 21	162, 166, 170, 174,
0100081 ....204, 216, 230,	0641420 ..... 425	0701618 ..... 85	284, 304, 318
242, 260, 284, 304,	0641504 .... 51, 197, 209,	0701619 ..... 395, 397	0761008.....339
318, 475, 599, 601,	225, 236, 253, 278,	0711214 ... 230, 242, 260,	0761009.....349, 409
603, 605, 607, 609,	295, 309, 605, 607,	284	0761010.....63, 65
611, 613	609, 611, 613	0711220 ..... 19, 21	0761011.....19, 21, 341
0140011 .....445	0641507 ... 349, 353, 357	0711224 ... 204, 216, 230,	0761012....23, 25, 77, 79,
0140043 .....117	0641606 .... 481, 483, 485	242, 260, 284, 343,	154, 158, 162, 166,
0181949 .....59	0641608 ..... 403	345, 349, 353, 357,	170, 174, 177, 179,
0200048.....465, 467	0641610 .... 271, 273, 443	361, 365, 369, 377,	181, 284, 335, 339,
0270022.....545	0641612 ..... 51, 59	381, 389	399, 403, 409
0270092.....43	0641616 ... 361, 365, 369,	0711629 ..... 21	0761014.....99, 101, 103,
0270653.....45	373, 377, 381, 385	0721005 ..... 467	105, 111, 113, 115,
0271998.....47	0641772 .... 349, 353, 357	0721006 ..... 271, 273	154, 158, 162, 166,
0272031 .....728	0641812 ... 201, 213, 227,	0731005 .... 99, 101, 103,	170, 174, 183, 185,
0272254 .....483	239, 257, 281, 299, 313	105, 111, 113, 115, 465	187, 189, 230, 242,
0272427 .....467	0642012 ..... 475	0741606 ... 230, 242, 260,	253, 260, 278, 295,
0272435....383, 387, 391	0642212 ..... 475	284	302, 309, 316, 349,
0272448 .....721	0681608 .... 232, 244, 415	0741607 ... 361, 365, 369,	353, 415, 599, 601,
0272521 .....481	0681620 ... 457, 459, 461,	373, 385	603, 605, 607, 609,
0272588.....719	463	0741608 ..... 389	611, 613
0272589.....379	0681810 ..... 25	0760415 ..... 413	076101563, 65, 197, 204,
0272725.....730	0681814 ..... 431	0760506 ..... 341	209, 216, 224, 230,

## SECTION 11 - SPECIAL OPTIONS/ACCESSORIES/KITS

236, 242, 253, 260, 278, 284, 295, 302, 309, 316, 353, 357, 403 0761016 ..... 93, 111, 113, 115, 230, 242, 260, 284, 302, 316, 357, 413 0761018 ... 599, 603, 607, 611 0761019 ..... 399, 401 0761210 ..... 51, 230, 242, 260, 284 0761212 ... 230, 242, 260, 284, 369, 373, 385 0761214 ... 291, 353, 357, 361, 365, 377, 381, 389 0761215 ..... 83, 278, 357, 389 0761216 ..... 284, 415 0761217 ..... 399, 401 0761218 ..... 395, 397 0761615 ..... 17 0761620 ..... 85 0771212 ... 225, 237, 253, 260, 278 0771414 ... 204, 216, 230, 242, 260, 284, 343, 345, 349, 353, 361, 365, 369, 377, 381 0771416 ... 361, 365, 377, 381 0772018 ..... 85 0811608 ..... 23 0860038 ... 365, 369, 381, 385, 389, 545 0860520 ... 683, 685, 687, 689, 691, 693, 695, 697, 699, 701, 703, 705, 707, 709, 711, 713 0861538 .... 381, 385, 389 0861572 ..... 377 0861731 ... 559, 561, 563, 567, 661, 663, 665 0861781 ... 547, 551, 657, 659 0861880 ..... 593, 595 0902733 ..... 51 0902734 ..... 51 0902888 ... 365, 369, 377, 381, 385, 389 0940049 ... 111, 113, 115, 154, 158, 162, 166, 170, 174 0940092 ..... 465, 467 0940094 ..... 465, 467 0940102 ..... 475 0940103 ..... 467 0940177 ..... 465 0961845 ... 425, 427, 429, 433, 435, 437, 439, 441 0961893 ..... 501 0961947 ..... 403 0961948 ..... 19, 21 0961950 ..... 17, 399, 401, 499 0961951 ... 204, 216, 230, 242, 260, 284, 302, 316, 399 0962051 ..... 347 0962270 ..... 431 0962292 ..... 21 0962335 ..... 403 0962336 ..... 501 0962348 ..... 21, 401 0962520 ... 361, 365, 369, 373, 377, 381, 385, 389 1001001939 ..... 304 1001026127 ..... 278 1001091102.59, 191, 591 1001091969 ..... 549 1001091970 ..... 553 1001091973 ..... 555 1001091974 ..... 557 1001091975 ..... 565 1001093382 ..... 77, 79 1001095704 ..... 668, 725 1001096070 ..... 361, 373, 595 1001097051 ..... 677 1001097150 ..... 593, 595, 597 1001097244 ..... 489 1001098122 ..... 453, 655 1001098828 ..... 415 1001098928 ..... 516, 532 1001099366 ..... 475 1001099367 ..... 475 1001099560 ..... 399, 401 1001100341 ..... 657 1001100342 ..... 659 1001100345 ..... 661 1001100346 ..... 665 1001100347 ..... 663 1001101191 ..... 549, 553, 555, 557, 565 1001101196 ..... 549, 553 1001101197 ..... 555, 557, 565 1001103012 ..... 667 1001104029 ..... 365, 369, 378, 382, 385, 390 1001104498 ..... 667 1001104519 ..... 653 1001106736 ..... 117 1001107854 ..... 667 1001108256 ..... 465 1001110434 ..... 445 1001110872 ..... 569, 571 1001110873 ..... 365, 369, 382, 386, 390, 545 1001111424.77, 79, 204, 216, 231, 243 1001112551 ..... 687 1001112612 ..... 581, 668 1001112796 ..... 581, 625 1001113047 ..... 170, 174 1001113680 ..... 691, 693 1001113961 ..... 667 1001116693 ..... 655 1001116710 ..... 643 1001116725 ..... 667 1001116731 ..... 625 1001116732 ..... 647 1001116734 ..... 647 1001116748 ..... 667 1001116763 ..... 667 1001116774 ..... 581 1001116808 ..... 581 1001116812 ..... 633, 637 1001116815 ..... 617, 619, 621 1001116952 ..... 629, 633, 637 1001116983 ..... 643 1001117057 ..... 647 1001117106 ..... 629, 637, 668 1001117107 ..... 629, 633, 637 1001117110 ..... 668 1001117140 ..... 170, 174 1001117172 ..... 453 1001117174 ..... 445, 453, 725 1001117294 ..... 729 1001117308 ..... 231, 243, 261, 285, 724 1001117372 ..... 495 1001118274 ..... 304 1001118378 ..... 667 1001118384 ..... 673 1001118388 ..... 673 1001118878 ..... 231, 243, 261 1001118971 ..... 413, 725 1001118972 ... 23, 25, 55, 57, 99, 101, 103, 105, 111, 113, 115, 296, 310 1001119020 ..... 581, 668 1001119032 ..... 667 1001119278 ..... 209, 236, 309 1001119619 ..... 675 1001119620 ..... 677, 679 1001119661 ..... 715 1001120328 ..... 117, 469, 473 1001120466 ..... 729 1001120471 ..... 489 1001120477 ..... 489 1001120484 ..... 489 1001125387 ..... 225, 237, 278 1001125677 ..... 655, 668 1001126009 ..... 673 1001126351 ..... 629, 634, 638 1001126362 ..... 629, 633, 637 1001126363 ..... 629, 633, 637 1001126364 ..... 629, 633, 637 1001126365 ..... 629 1001126391 ..... 629, 633, 637 1001126392 ..... 629, 633, 637 1001126485 ..... 634, 638 1001126487 ..... 634, 638 1001128527 ..... 485 1001128556 ..... 485 1001129408 ..... 615 1001129858 ..... 366 1001130220 ..... 278 1001130492 ..... 716 1001131269 ..... 683, 685, 699, 701 1001132195 ..... 204, 216 1001132196 ..... 204, 216 1001133714 ..... 630, 634, 638 1001133715 ..... 630, 634, 638 1001133956 ..... 629, 634, 638 1001133957 ..... 629, 634, 638 1001134488 ..... 231, 243, 286 1001134543 ..... 85 1001135196 ..... 197, 209, 224, 236, 253, 278, 295, 309 1001135650 ..... 630, 634, 638 1001135651 ..... 630, 634, 638 1001135679 ..... 353, 369, 386 1001136834 ..... 231, 243, 261, 285 1001137005 ..... 731 1001137032 ..... 399, 401 1001137336 ..... 304, 318 1001137673 ..... 469, 725 1001138173 ..... 204, 216, 231, 243, 261, 285, 303, 317 1001138175 ..... 204, 216, 231, 243, 261, 285, 303, 317 1001138228 ..... 231, 243, 261, 285, 724 1001138248 ..... 205, 217, 231, 243, 261, 285, 304, 318 1001138494 ..... 425, 427, 429, 433, 435, 437, 439 1001138514 ..... 425, 427, 429, 435, 439 1001138565 ..... 361 1001138566 ..... 362, 366, 369, 373 1001138795 ..... 501 1001138827 ..... 231, 243, 286 1001139240 ..... 231, 243, 285 1001139357 ..... 362, 366 1001139384 ..... 177, 179, 181, 183, 185, 187 1001139586 ..... 21 1001139654 ..... 253 1001139819 ..... 205, 216 1001140312 ..... 244 1001140346 ..... 370 1001140347 ..... 373
--

## SECTION 11 - SPECIAL OPTIONS/ACCESSORIES/KITS

1001140429.....425, 427, 429, 433, 435, 437, 439, 441	1001150324 17, 111, 113, 115	1001162532 ..... 65, 71	1001166539.....445, 449, 724
1001140564.....231, 243, 286	1001150326 ..... 17	1001162537 ..... 25, 41	1001166563..... 17
1001141300.....716	1001150918 ..... 210, 237, 309	1001162538 .... 63, 65, 75	100116671099, 101, 103, 105
1001141302.....716	1001150998 ..... 205, 217	1001162995 ..... 17	1001166717.....205, 217
1001141304.....231, 243, 261, 285	1001151393 .... 131, 133, 135, 137	1001163178 .. 19, 21, 505	1001166718.....205, 217, 231, 243, 261, 285, 303, 317, 343, 345
1001141694.....205, 216, 231, 243, 261, 285	1001152456 ..... 366, 370	1001163179 ..... 19, 21	1001166894.....347
1001141870.....271, 273	1001152457 ..... 366, 370	1001163385 ..... 395, 397, 503	1001166921.....231, 243, 261, 285
1001141995.....205, 216, 231, 243, 261, 285, 303, 317	1001152483 ..... 597	1001163386 ..... 399, 401, 497	1001166922.....345
1001142501.....225, 236, 253, 271, 273, 278, 339, 341	1001152485 ..... 573, 597	1001163405 ..... 19, 21	1001166924.....231, 243, 261, 285
1001142643.....370, 386	1001152489 ..... 231, 243, 261, 285	1001163418 ..... 99, 101	1001166970.....224, 237, 253, 279
1001142646.....370, 386	1001152525 .... 366, 370, 379, 383, 387, 391	1001163459 ..... 399	1001166997.....507
1001142683.....145, 147, 725	1001152530 ..... 366, 370	1001163470 ..... 399	1001167036.....201, 213, 227, 239, 257, 281, 299, 313, 327
1001142736.....145, 147, 581	1001152532 .... 362, 366, 370, 374, 649	1001163482 ..... 397, 401	1001167038.....197, 209
1001142938.....630, 633, 637	1001153260 ..... 366, 370	1001163483 ..... 401	1001167108.....231, 243, 629
1001142940.....630, 633, 637	1001154405 .... 224, 236, 253, 271, 273, 278, 285, 339, 341	1001163492 ..... 401	1001167111.....205, 217, 627
1001142941.....630, 633, 637	1001154726 ..... 647	1001163580 ..... 17, 495	1001167159.....154, 158, 162, 166
1001143390.....205, 216, 231, 243, 261, 285	1001155041 ..... 353, 357, 390	1001163671 ..... 103, 105	1001167164.....333, 335, 337
1001143797.....231, 243, 261, 285	1001155043 .... 125, 127, 129	1001163715 ..... 19, 21	1001167512.....197, 210, 224, 237, 253, 279, 295, 309
1001143852.....716	1001155044 .... 113, 125, 127, 129, 295, 309, 445	1001163716 ..... 19, 21	1001167520.....205, 217, 231, 243, 261, 285
1001144116.....231, 243, 261	1001155045 .... 125, 127, 129, 445, 725	1001163717 ..... 21	1001167565.....415
1001144147.....625	1001155823 .... 224, 236, 253, 278	1001163722 ..... 21	1001167567.....415
1001144433.....469	1001156107 .... 197, 209, 254	1001163724 ..... 21	1001167596.....415
1001144629.....419, 421, 423, 433, 437	1001156819 ..... 295, 310	1001163726 ..... 21	1001167632.....633, 637
1001146397.....47	1001157196 ..... 445, 725	1001163959 ..... 23, 25	1001167635.....634, 638
1001146588.....254, 261, 285	1001157520 .... 379, 383, 387, 391	1001164092 ..... 19	1001167916.....63
1001147233.....357, 390	1001157521 .... 379, 383, 387, 391	1001164094 ..... 17	1001167917.....65
1001147264.....629	1001157525 ..... 378	1001164095 ..... 21	1001167918.....170, 174
1001147274.....43, 45	1001157528 .... 379, 383, 387, 391	1001164209 ..... 19, 21	1001168018.....205, 217, 231, 243, 261, 285, 303, 317, 343, 345, 350, 353, 357, 362, 366, 370, 378, 382, 390
1001147812 ..... 303, 317	1001157592 .... 382, 386, 390	1001164493 ..... 729	1001168026.....231, 243, 261, 285
1001147813 ..... 304, 318	1001158007 .... 379, 383, 387, 391	1001164552 ..... 17	1001168059.....205, 217
1001148059.....374	1001158008 .... 366, 370, 379, 383, 387, 391	1001164709 ..... 499	1001168099.....231, 243, 261, 285
1001148138 ..... 354, 357	1001158363 ..... 366, 370	1001164817 ..... 495	1001168166.....231, 243, 261, 285, 303, 317
1001148641 ..... 198, 210, 350, 353, 362, 366, 370, 374, 378, 382, 386	1001159118 .... 569, 571, 724	1001165035 .... 224, 237, 253, 278, 285	1001168173.....154, 158, 162, 166
1001148675 ..... 569, 571	1001159119 ..... 569, 571	1001165060 .... 154, 158, 162, 166	1001168207.....343, 353, 370
1001148865.....43	1001159120 ..... 569, 571	1001165363 ..... 507	1001168209.....497, 507
1001148866.....43	1001159121 ..... 571	1001165388 .... 205, 217, 231, 243, 261, 285	1001168210.....497
1001148869.....45	1001159162 ..... 117	1001165389 ..... 205, 217	1001168402.....415
1001148870.....45	1001159256 ..... 445, 725	1001165405 .... 231, 243, 261, 285	1001168841.....399
1001148875.....47	1001159323 .... 170, 174, 689	1001165406 .... 231, 243, 261, 285	1001168842.....399, 401
1001148876.....47	1001161709 ..... 445, 725	1001165531 ..... 409	1001168843.....395, 397
1001149160.....154, 158, 162, 166, 170, 174, 303, 317	1001161710 .... 295, 309, 725	1001165534 ..... 409	1001168844.....395, 397
1001149452.....339	1001162335 .... 232, 244, 271	1001165538 ..... 409	1001168845.....395, 397
1001149639.....303, 317	1001162531 ..... 63, 67	1001165567 ..... 403	
1001149953.....43, 45, 47		1001165721 .... 231, 243, 285	
		1001165722 .... 231, 243, 261	
		1001165849 .... 231, 243, 261	
		1001166000 ..... 227, 230	
		1001166001 ..... 224, 227	
		1001166002 ..... 224	
		1001166003 ..... 236	
		1001166020 ..... 201, 204	
		1001166021 ..... 197, 201	
		1001166022 ..... 197	
		1001166023 ..... 209	
		1001166478 ..... 51	
		1001166538 .... 445, 447, 724	

## SECTION 11 - SPECIAL OPTIONS/ACCESSORIES/KITS

1001168847 ..... 401	1001171337..... 716, 717	1001172722.....517, 525,	1001174040 ..... 415
1001168848 ..... 399	1001171339..... 687, 689	533, 541	1001174098 ..... 154, 158,
1001168849 ..... 399, 401	1001171341..... 717	1001172723.....517, 525,	162, 166, 170, 174
1001168854 ..... 395, 397	1001171343..... 717	533, 541	1001174158 ..... 374
1001168855 ..... 83	1001171345..... 716	1001172751 ..... 729	1001174347 ..... 728
1001168950 ..... 285	1001171347..... 717	1001172757 ..... 111, 113,	1001174348 ..... 728
1001168992 ..... 91	1001171349..... 717	115, 117	1001174349 ..... 715
1001169046 ..... 154, 158,	1001171351..... 716	1001172760 ..... 445	1001174350 ..... 715
162, 166, 170, 174	1001171353..... 716	1001172816 ..... 141, 143	1001174367 ..... 385
1001169054 ..... 232, 243,	1001171355..... 716	1001173233 ..... 411	1001174486 ..... 295, 309
261, 286, 303, 317	1001171357..... 716	1001173342 ..... 224, 237,	1001174675 ..... 374, 378,
1001169086 ..... 55	1001171359..... 716	254, 279, 643	382, 386, 390
1001169138 ..... 232, 244,	1001171361..... 716	1001173354 ..... 154, 158,	1001174777 ..... 239, 242
261, 286, 303, 317	1001171368..... 689	162, 166, 170, 174	1001174778 ..... 237, 239
1001169185 ..... 83	1001171382..... 687	1001173356 ..... 154, 158	1001174783 ..... 213, 216
1001169191 ..... 93	1001171482..... 125, 127,	1001173456 ..... 599, 601,	1001174784 ..... 210, 213
1001169192 ..... 93	129	603, 605, 607, 609,	1001174925 ..... 729
1001169193 ..... 93	1001171499..... 728	611, 613	1001174926 ..... 729
1001169284 ..... 399, 401	1001171500..... 728	1001173535 ..... 302, 316	1001175024 ..... 524, 540
1001169285 ..... 399, 401	1001171667..... 399, 401	1001173594 ..... 599, 603	1001175068 ..... 331
1001169286 ..... 399, 401	1001171953..... 201, 213,	1001173599 ..... 607, 611	1001175071 ..... 331
1001169287 ..... 399, 401	227, 239, 257, 281,	1001173600 ..... 605	1001175073 ..... 347
1001169288 ..... 399, 401	299, 313	1001173605 ..... 613	1001175074 ..... 347
1001169289 ..... 399, 401	1001171954..... 201, 213,	1001173664 ..... 729	1001175170 ..... 601
1001169380 ..... 399, 401	227, 239, 257, 281,	1001173665 ..... 599, 601,	1001175171 ..... 609
1001169496 ..... 95	299, 313	603, 605, 607, 609,	1001175239 ..... 601
1001169582 ..... 95	1001171966..... 399, 401	611, 613	1001175241 ..... 609
1001169611 ..... 409	1001171967..... 399, 401	1001173703 ..... 716	1001175542 ..... 369
1001169669 ..... 397	1001172045..... 728	1001173761 ..... 599, 601,	1001175631 ..... 366, 370
1001169761 ..... 59	1001172064..... 634	603, 605, 607, 609,	1001176330 ..... 303, 317
1001169823 ..... 197, 210,	1001172065..... 634, 725	611, 613	1001176469 ..... 135, 137
224, 237, 253, 279	1001172128..... 599, 601,	1001173763 ..... 409	1001176636 ..... 607, 609,
1001169955 ..... 55, 57	603, 605, 607, 609,	1001173807 ..... 587, 599,	611, 613
1001169967 ..... 232, 244,	611, 613	601, 603, 605	1001176848 ..... 19, 21
261, 286, 303, 317	1001172195..... 197, 210	1001173808 ..... 589, 599,	1001176862 ..... 569
1001169973 ..... 55	1001172564..... 715	601, 603, 605, 607,	1001176899 ..... 409
1001170035 ..... 232, 244,	1001172565..... 715	609, 611, 613	1001176952 ..... 583, 599,
261, 286, 303, 317	1001172570..... 715	1001173810 ..... 381	601, 603, 605
1001170094 ..... 725	1001172571..... 715	1001173811 ..... 377	1001176953 ..... 585, 607,
1001170145 ..... 79	1001172572..... 715	1001173898 ..... 517, 525,	609, 611, 613
1001170224 ..... 331	1001172577..... 475	533, 541	1001177359 ..... 232, 244,
1001170551 ..... 154, 158,	1001172578..... 475	1001173900 ..... 517, 525,	261
162, 166, 177	1001172594..... 224, 237	533, 541	1001177524 ..... 728
1001170552 ..... 154, 162,	1001172620..... 715	1001173901 ..... 517, 525,	1001177570 ..... 731
179	1001172630..... 728	533, 541	1001177840 ..... 728
1001170564 ..... 413	1001172692..... 517, 525,	1001173902 ..... 517, 525,	1001177841 ..... 728
1001170565 ..... 413	533, 541	533, 541	1001178415 ..... 715
1001170642 ..... 413	1001172694..... 517, 525	1001173903 ..... 517, 525,	1001178433 ..... 715
1001170650 ..... 333	1001172695..... 517, 525,	533, 541	1001178435 ..... 728
1001170662 ..... 333	533, 541	1001173904 ..... 517, 525,	1001178788 ..... 231, 243,
1001170663 ..... 333, 337	1001172696..... 517, 525	533, 541	261, 286
1001170664 ..... 333, 335,	1001172697..... 517, 525,	1001173905 ..... 533, 541	1001178859 ..... 205, 217
337	533, 541	1001173906 ..... 533, 541	1001178876 ..... 232, 244
1001170693 ..... 205, 217,	1001172698..... 525, 541	1001173907 ..... 517, 525,	1001178951 ..... 731
219	1001172699..... 525, 541	533, 541	1001179154 ..... 366, 370,
1001170736 ..... 51	1001172703..... 525, 541	1001173908 ..... 517, 525,	382, 386, 390
1001170764 ..... 634, 638	1001172707..... 525, 541	533, 541	1001179836 ..... 353, 357
1001170847 ..... 411, 413,	1001172716..... 517, 525,	1001173909 ..... 516, 525,	1001179837 ..... 353, 357
725	533, 541	533, 541	1001179893 ..... 354, 358
1001170850 ..... 154, 158,	1001172717..... 517, 525,	1001173925 ..... 362, 366,	1001179903 ..... 232, 244,
162, 166	533, 541	378, 382	261, 286
1001170982 ..... 286	1001172718..... 517, 525,	1001173927 ..... 599, 601,	1001180001 ..... 353, 357
1001171067 ..... 399, 401	533, 541	603, 605, 607, 609,	1001180620 ..... 232, 244,
1001171112 ..... 399, 401	1001172719..... 517, 525,	611, 613	261, 286, 303, 317
1001171131 ..... 569	533, 541	1001173937 ..... 516, 525,	1001180797 ..... 353
1001171324 ..... 399, 401	1001172721..... 517, 525,	533, 541	1001180798 ..... 349
1001171335 ..... 716	533, 541	1001173983 ..... 365	

## SECTION 11 - SPECIAL OPTIONS/ACCESSORIES/KITS

1001181045.....593, 595, 724	1001187681 ..... 675	1001200132 ..... 716	1001207726..... 185, 187
1001181051.....403, 407	1001188334 ..... 83	1001200133 ..... 716	1001208874..... 63, 65
1001181074.....517, 525, 533, 541	1001188622 ..... 415	1001200134 ..... 716	1001208994.....415
1001181075.....517, 525, 533, 541	1001188731 ..... 350, 354, 358	1001200458 ..... 177, 179	1001209059.....731
1001181076.....533, 541	1001188844 ..... 415	1001200491 ..... 415	1001209432.....575
1001181077.....533, 541	1001188972 ..... 209, 236, 309	1001200494 ..... 415	1001209474.....575
1001181145.....716	1001189001 ..... 415	1001201351 ..... 415	1001209618.....149
1001181243.....354, 358	1001189002 ..... 415	1001201633 ..... 179, 181	1001209664.....469
1001181319.....605	1001189171 ..... 597, 724	1001201634 ..... 179, 181	1001209677.....573
1001181329.....599, 601, 603, 609, 613	1001189172 ..... 597, 724	1001201635 ..... 177	1001209832.....573
1001181895.....244	1001189882 ..... 689	1001201636 ..... 177	1001209844.....303, 317, 325
1001181913.....51	1001190368 ..... 19, 21	1001202298 ..... 154, 162	1001210037.....731
1001182155.....51	1001190663 ..... 149, 151	1001202687 ..... 415	1001210636.....489
1001182245.....57	1001190921 ..... 668	1001202749 ..... 729	1001211336.....103, 105
1001182250.....57	1001190985 ..... 415	1001202910 ..... 516, 524, 532, 540	1001211556.....265
1001182296.....350, 354, 358	1001191275 ..... 516, 524, 532, 540	1001202940 ..... 516, 524, 532, 540	1001211633.....170, 174
1001182361 .....629, 634, 638	1001191276 ..... 516, 524, 532, 540	1001202941 ..... 517, 525	1001211636.....170, 174
1001182365.....629, 634, 638	1001191394 ..... 729	1001202942 ..... 533, 541	1001211794.....303, 317
1001182570.....411, 413, 725	1001191395 ..... 729	1001202943 ..... 517, 525, 533, 541	1001211797.....303, 317
1001182806.....149	1001191620 ..... 232, 244, 262, 286	1001202944 ..... 525, 541	1001211877.....333
1001183206.....728	1001192401 ..... 668	1001202946 ..... 517, 525, 533, 541	1001211878.....333
1001183207.....728	1001193018 ..... 547, 549, 551, 553, 555, 557, 559, 561, 563, 565, 567	1001203434 ..... 599, 603	1001212223.....386, 390
1001183407.....729	1001193336 ..... 99, 101	1001203435 ..... 607, 611	1001212257.....295, 309
1001183477 .....350, 354	1001193654 ..... 517, 525, 533, 541	1001203459 ..... 607, 611, 613	1001212819.....170, 174
1001184542.....517, 525, 533, 541	1001194197 ..... 559	1001203510 ..... 731	1001212822.....170, 174
1001184543.....517, 525, 533, 541	1001194198 ..... 561	1001203512 ..... 731	1001212989.....303, 317
1001184561.....517, 525, 533, 541	1001194200 ..... 563	1001203655 ..... 431	1001212993.....303, 317
1001184562.....517, 525, 533, 541	1001194203 ..... 547	1001204481 ..... 729	1001213029.....358, 390
1001184563.....517, 525, 533, 541	1001194204 ..... 551	1001204482 ..... 729	1001213062.....295, 309
1001184618.....455	1001194365 ..... 567	1001204510 ..... 687, 716	1001213425.....303, 317
1001184626.....445	1001195039 ..... 296, 310	1001204715 ..... 411, 413	1001213426.....303, 317
1001184637.....350	1001195304 ..... 729	1001204725 ..... 415	1001213447.....655
1001184644.....350	1001195745 ..... 715	1001204963 ..... 730	1001213482.....303, 317
1001184645.....350	1001195746 ..... 715	1001204996 ..... 728	1001213599.....295, 309, 641
1001184682.....151	1001196382 ..... 362, 366, 370, 374, 378, 382, 386	1001204997 ..... 728	1001213824.....303, 317
1001185281.....445	1001196589 ..... 667	1001205008 ..... 728	1001213882.....445
1001185821 .....77, 79, 81	1001196602 ..... 667	1001205009 ..... 728	1001214029.....716
1001186333.....431	1001196604 ..... 668	1001205958 ..... 555, 557, 559, 561, 563, 565	1001214138.....303, 317
1001186377.....425	1001196634 ..... 269, 668, 725	1001206314 ..... 154, 158, 162, 166, 170, 174	1001214162.....23
1001186379.....427	1001196636 ..... 667, 724	1001206402 ..... 170, 174	1001214205.....303, 317
1001186382.....429	1001197017 ..... 465, 467	1001206403 ..... 170	1001214207.....201, 213, 227, 239, 257, 281, 299, 313
1001186383.....423	1001197272 ..... 516, 524, 532, 540	1001206404 ..... 170, 174, 183	1001214233.....303, 317
1001186384.....421	1001197284 ..... 517, 525, 533, 541	1001206405 ..... 183	1001214234.....303, 317
1001186386.....419	1001197719 ..... 634, 638	1001206418 ..... 170, 185	1001214269.....317
1001186431.....469	1001199035 ..... 715	1001206437 ..... 728	1001214276.....303, 317
1001186432.....653, 673	1001199036 ..... 715	1001206439 ..... 729	1001214277.....303, 317
1001186517.....469	1001199177 ..... 107, 109	1001206440 ..... 729	1001214307.....303, 317
1001187077.....668	1001199207 ..... 154, 158, 162, 166, 170, 174	1001206476 ..... 575	1001214317.....23, 39
1001187078.....668	1001199901 ..... 154, 158, 162, 166, 170, 174	1001206532 ..... 445	1001214502.....295, 310
1001187382.....415	1001200128 ..... 716	1001206625 ..... 499	1001214508.....303, 317
1001187383.....415	1001200129 ..... 716	1001206917 99, 103, 107	1001214546.....358, 390
1001187522.....350, 354, 358, 647	1001200130 ..... 716	1001207332 ..... 517, 525, 533, 541	1001214553.....303, 317
1001187674.....471	1001200131 ..... 716	1001207333 ..... 517, 525, 533, 541	1001214556.....303, 317
		1001207340 ..... 524	1001214558.....303, 317
		1001207341 ..... 540	1001214570.....575
		1001207349 ..... 99	1001214571.....575
		1001207350 ..... 103	1001214598.....303, 318
			1001214599.....304, 318
			1001214614.....517, 533



## SECTION 11 - SPECIAL OPTIONS/ACCESSORIES/KITS

1001214664 ..... 304, 318	1001223122..... 262, 362, 366, 370, 374, 378, 382, 386	1001230907..... 591	1001236746 ..... 463
1001214694 ..... 304, 318	1001223309..... 337	1001230908..... 361	1001236747 ..... 459
1001214833 ..... 729	1001223310..... 337	1001230931..... 667	1001236780 ..... 262
1001214841 ..... 304, 318	1001223328..... 337	1001230934..... 629, 634, 638	1001236891 ..... 457, 459, 461, 463
1001214909 ..... 357	1001223387..... 170, 174	1001230935..... 629, 634, 638	1001236895 ..... 457, 459, 461, 463
1001214910 ..... 389	1001223453..... 683, 685, 699, 701, 711, 713	1001230936..... 629, 634, 638	1001236965 ..... 111
1001214975 ..... 205, 217	1001223454..... 337	1001231195 99, 101, 103, 105, 725	1001237546 ..... 139
1001215125 ..... 304, 318	1001223459..... 629, 633, 637	1001231235 ..... 731	1001237549 ..... 189
1001215228 ..... 445	1001223899..... 403	1001231801 ..... 715	1001237667 ..... 655, 667
1001215259 ..... 295, 310	1001223971..... 699, 701	1001231886..... 149	1001237668 ..... 655, 667
1001215373 ..... 117	1001224048..... 707, 709	1001231949..... 463	1001237822 ..... 111, 113, 115
1001215509 ..... 23	1001224049..... 711, 713	1001231950..... 459, 461	1001237849 ..... 111, 113, 115, 667
1001215523 ..... 390	1001224050..... 695, 697	1001232010..... 459, 461, 463	1001237863 ..... 471, 677
1001215801 ..... 295, 310	1001224052..... 691, 693	1001232011..... 459, 461, 463	1001237864 ..... 471, 679
1001215869 ..... 304, 318	1001224053..... 703, 705	1001232066..... 689	1001237865 ..... 471, 675
1001216080 ..... 310	1001224888..... 409	1001232164..... 471	1001237882 ..... 729
1001216396 ..... 295, 310	1001225346..... 575, 725	1001232165..... 471	1001237883 ..... 729
1001216397 ..... 295, 310	1001225430..... 247, 266	1001232642..... 473	1001237888 ..... 477, 479
1001216399 ..... 296, 310	1001225431..... 266	1001232667..... 473, 725	1001237891 ..... 479
1001216512 ..... 335	1001225580..... 469, 653	1001232842..... 269	1001237898 ..... 477, 479
1001216547 ..... 335	1001225794..... 729	1001232907..... 189	1001237902 ..... 477, 479, 725
1001216548 ..... 335	1001226400..... 583, 585	1001232908..... 189	1001238160 ..... 111, 113, 115, 671
1001216549 ..... 335	1001226531..... 575	1001232913..... 189	1001238161 ..... 111, 113, 115, 651
1001216552 ..... 729	1001226541..... 625	1001232915..... 189	1001238254 ..... 445, 655
1001216598 ..... 162, 166	1001226636..... 625	1001232916..... 189	1001238263 ..... 457, 459, 461, 463
1001216630 ..... 415	1001226637..... 625	1001232917..... 189	1001238319 ..... 471
1001216655 ..... 517, 525, 533, 541	1001226739..... 615, 617, 619, 621, 625	1001233047..... 728	1001238418 ..... 473, 673
1001216800 ..... 532	1001226799..... 617, 619, 621	1001233048..... 189	1001238421 ..... 415, 730
1001216801 ..... 516	1001226872..... 441	1001233075..... 189	1001238463 ..... 461
1001216805 ..... 358, 390	1001227453..... 615	1001233076..... 189	1001238472 ..... 473
1001216825 ..... 304, 318	1001227633..... 471	1001233077..... 189	1001238495 ..... 469
1001216840 ..... 358	1001227634..... 471	1001233079..... 730	1001238559 ..... 473
1001216840 ..... 358	1001227985..... 471	1001233139..... 19	1001238886 ..... 119
1001216914 ..... 728	1001227987..... 471	1001233412..... 189	1001238887 ..... 119, 125
1001217342 ..... 357, 389	1001227996..... 677, 679	1001233413..... 189	1001238911 ..... 262
1001217343 ..... 302, 316	1001228092..... 395, 397, 499	1001233436..... 189	1001238932 ..... 77
1001217344 ..... 357, 389	1001228215..... 441	1001233763..... 237, 269	1001239202 ..... 633, 637
1001217345 ..... 296, 310, 357, 389	1001228224..... 471, 725	1001234800..... 629, 633, 638	1001239293 ..... 113, 127, 135
1001217488 ..... 689	1001228225..... 471, 725	1001235527 ..... 121	1001239294 ..... 111, 125
1001217494 ..... 295, 302, 310, 316	1001228243..... 437	1001235528..... 119, 121, 123	1001239512 ..... 111, 113, 115
1001217785 ..... 295, 309	1001228375..... 439	1001235529..... 119, 121, 123	1001239802 ..... 59
1001218538 ..... 97	1001228376..... 433	1001235531..... 121, 127	1001241162 ..... 477
1001218676 ..... 97	1001228377..... 435	1001235949..... 262, 273	1001241396 ..... 729
1001219130 ..... 97	1001228406..... 154, 158, 162, 166, 170, 174	1001236250 ..... 295	1001241402 ..... 729
1001219134 ..... 170, 174	1001228487..... 85, 88	1001236252 ..... 309	1001241547 ..... 730
1001219601 ..... 117, 725	1001228492..... 85	1001236254 ..... 295, 299	1001241548 ..... 730
1001219794 ..... 730	1001228954..... 619	1001236256 ..... 299, 302	1001241965 ..... 473
1001220004 ..... 729	1001228955..... 619	1001236257 ..... 303, 317	1001242106 ..... 113
1001220266 ..... 254	1001228988..... 485, 719, 721	1001236258..... 310, 313	1001242538 ..... 683
1001220379 ..... 630	1001229341..... 471	1001236259..... 313, 316	1001242559 ..... 685
1001221203 ..... 286	1001229795..... 645	1001236303..... 77	1001242561 ..... 703
1001221212 ..... 286	1001229796..... 645	1001236304..... 575	1001242562 ..... 705
1001221402 ..... 131	1001229798..... 296, 310, 645	1001236393..... 303, 317, 321	1001242563 ..... 707
1001221403 ..... 133	1001230635..... 231, 243, 262, 286	1001236496..... 731	1001242564 ..... 709
1001221405 ..... 135	1001230784..... 362, 374, 591	1001236504..... 575	1001242565 ..... 711
1001221927 ..... 399, 405		1001236505..... 575	1001242566 ..... 713
1001222043 ..... 170, 174		1001236552..... 473	1001242567 ..... 699
1001222044 ..... 170, 174			
1001222139 ..... 131			
1001222140 ..... 133			
1001222142 ..... 135			
1001222660 ..... 279			
1001223055 ..... 683, 685			

## SECTION 11 - SPECIAL OPTIONS/ACCESSORIES/KITS

1001242568.....701	1001249052.....731	1001258230.....729	1001274249.....731
1001242569.....695	1001249695.....731	1001258495.....677, 679	1001274559.....125, 127, 129, 445, 725
1001242570.....697	1001249941.....731	1001258502.....286	1001274829.....730
1001242571.....691	1001249965.....232, 244, 247	1001258505.....339	1001274830.....730
1001242572.....693	1001250035.....731	1001258715.....730	1001274832.....729
1001242639.....728	1001250287.....154, 158, 170, 174	1001258730.....477, 479	1001275635.....516, 524, 532, 540
1001242680.....139, 455	1001250288.....162, 166	1001258800.....373	1001275642.....730
1001242851.....145	1001250289.....154, 158, 162, 166, 170, 174	1001258804.....262	1001275643.....730
1001242852.....147	1001250465.....731	1001258941.....278	1001275644.....730
1001243092.....477	1001250466.....731	1001258942.....279, 281	1001276007.....728
1001243183.....728	1001250595.....730	1001258943.....281, 284	1001276008.....728
1001243184.....728	1001250681.....111, 113, 115	1001259083.....341	1001276610.....623
1001243205.....477	1001250764.....683, 685, 687, 691, 693, 695, 697, 699, 701, 703, 705, 707, 709, 711, 713, 715	1001259086.....339	1001276643.....262, 286, 633
1001243414.....154, 158, 162, 166, 170, 174	1001251075.....399, 401, 507	1001259087.....279, 341	1001276923.....728
1001243699.....715	1001252527.....629, 634, 638	1001259088.....339	1001277185.....141, 577
1001243700.....715	1001252629.....457, 459, 461, 463	1001260412.....232, 244, 262	1001277589.....262, 265
1001243869.....347	1001252922.....517, 525, 533, 541	1001260420.....232, 243, 262	1001277594.....257, 260
1001243870.....347	1001252923.....517, 525, 533, 541	1001260524.....477	1001277600.....254, 257
1001243895.....269	1001253375.....653	1001260525.....477, 479	1001277640.....731
1001244019.....343	1001253618.....729	1001260576.....286	1001277648.....731
1001244024.....345	1001253619.....729	1001260680.....607, 609, 611, 613	1001277839.....731
1001244283.....253	1001254472.....473	1001261045.....373	1001278022.....25, 37
1001244335.....479	1001254473.....473	1001261085.....373	1001280270.....286
1001244336.....477	1001254665.....683	1001262016.....731	1001280340.....117
1001244462.....191	1001254666.....683	1001262322.....615	1001281192.....373
1001244671.....479	1001254667.....699	1001262326.....615	1001281298.....291
1001244709.....479	1001254668.....699	1001262959.....728	1001281301.....291
1001244710.....479	1001254669.....707	1001263176.....151	1001281304.....291
1001244732.....479	1001254670.....707	1001265163.....489	1001281305.....291
1001244733.....479	1001254671.....695	1001265342.....489	1001281307.....291
1001244873.....395	1001254672.....695	1001266056.....730	1001281309.....291
1001244874.....395, 399	1001254673.....691	1001266098.....730	1001281310.....291
1001244975.....443	1001254674.....691	1001266290.....729	1001281311.....291
1001244976.....443, 445	1001254675.....711	1001266489.....730	1001281359.....291
1001245305.....254	1001254676.....711	1001267304.....715	1001281360.....291
1001245317.....123	1001254677.....703	1001267305.....715	1001281452.....730
1001245379.....123, 129	1001254678.....703	1001268737.....729	1001281453.....730
1001245380.....115, 129	1001254750.....685	1001269187.....730	1001281454.....730
1001245658.....715	1001254751.....701	1001269297.....49	1001281455.....730
1001245827.....137	1001254752.....709	1001269298.....49	1001281456.....730
1001245831.....137	1001254753.....697	1001269389.....730	1001281457.....730
1001245839.....637	1001254754.....693	1001269629.....729	1001281458.....730
1001245993.....115	1001254755.....713	1001269630.....729	1001281460.....730
1001246087.....97	1001254756.....705	1001269631.....729	1001281461.....730
1001246142.....728	1001255133.....415	1001269655.....730	1001281656.....291
1001246144.....621	1001255807.....728	1001270482.....729	1001281985.....286
1001246145.....617	1001256506.....630	1001270503.....729	1001281986.....286
1001246389.....477	1001256507.....629	1001270508.....728	1001283776.....143, 579
1001246456.....621	1001256879.....254	1001270509.....728	1001284515.....729
1001246457.....617	1001257271.....457	1001270510.....729	1001284583.....455
1001246859.....117	1001257274.....457	1001270514.....729	1001284678.....715
1001246860.....731	1001257275.....457	1001270594.....141, 143	1001285010.....25
1001246867.....731	1001258005.....457	1001270716.....731	1001285142.....174, 187
1001247048.....401, 403	1001258112.....286, 289	1001270755.....731	1001285143.....174
1001247073.....730		1001271497.....655	1001285517.....158, 166, 181
1001247252.....477		1001271642.....730	1001285518.....158, 166
1001247359.....304, 318		1001272082.....729	1001285636.....291
1001247468.....415, 725		1001272083.....729	1001285811.....191
1001247656.....373		1001272166.....729	1001285871.....728
1001247800.....730		1001272196.....729	1001285891.....191
1001248012.....403, 501		1001272659.....623	1001285892.....191
1001248140.....457, 459, 461, 463		1001272681.....145	1001286148.....101, 105, 109
1001248141.....457, 459, 461, 463		1001272682.....147	
1001248190.....374		1001273012.....623	

## SECTION 11 - SPECIAL OPTIONS/ACCESSORIES/KITS

1001286149 .....	101	1701504 ...	683, 685, 687, 689, 691, 693, 695, 697, 699, 701, 703, 705, 707, 709, 711, 713	1703948.....	699, 701	2110810 ...	516, 524, 532, 540
1001286150 .....	105	1701505 ...	197, 209, 224, 236, 253, 278, 715	1703949.....	695, 697	2110812 ...	516, 524, 532, 540
1001286568 .....	285	1701509 ...	475, 683, 685, 687, 689, 691, 693, 695, 697, 701, 703, 705, 707, 709, 711, 713	1703950.....	703, 705	2111216 ...	516, 524, 532, 540
1001287536 .....	291	1701518 .....	687, 689	1703951.....	707, 709	2131212 ...	516, 524, 532, 540
1001287552 .....	291	1701529 ...	683, 685, 687, 689, 691, 693, 695, 697, 699, 701, 703, 705, 707, 709, 711, 713	1703952.....	691, 693	2131216 ...	516, 524, 532, 540
1001287643 .....	285	1702565 .....	445	1703953.....	683, 685	2180125 .....	59
1001288113 .....	291	1702566 .....	445	1703980.....	703, 705	2180348 ...	197, 209, 295, 309
1001288195 .....	413	1702567 .....	445	1703981.....	707, 709	2180387 .....	59
1001288266 .....	285	1702720 .....	715	1703982.....	695, 697	2180388 .....	59
1001288297 .....	728	1702773 ...	431, 689, 715	1703983.....	711, 713	2180389 .....	59
1001288298 .....	729	1702774 .....	715	1703984.....	699, 701	2180418 .....	59
1001288366 .....	286	1702861 .....	715	1703985.....	691, 693	2180504 .....	304, 318
1001289884 .....	729	1702868 ...	485, 683, 685, 715, 721, 728	1704000.....	699, 701, 715, 728	2180832 ...	224, 236, 253, 278
1001293176 .....	728	1702941 ...	209, 236, 309	1704001.....	711, 713	2220005 .....	59
1060341 .....	465, 467	1702942 ...	209, 236, 309	1704002.....	691, 693	2220124 .....	93
1060343 ....	382, 386, 390	1702943 ...	209, 236, 309	1704260.....	445	2220237 .....	516, 532
1060494 ....	350, 354, 358	1702944 ...	209, 236, 309	1704271.....	715	2220238.51, 83, 516, 532	
1060626 ....	209, 236, 309	1702968 .....	51	1704277.....	689	2220261 .....	59, 302, 316
1060903 .....	465, 467	1703162 ...	204, 216, 230, 242, 260, 284, 302, 316	1704412.....	683, 685, 687, 689, 691, 693, 695, 697, 699, 701, 703, 705, 707, 709, 711, 713	2220273 .....	93
1060908 ....	593, 595, 597	1703797 .....	683, 685	1704478.....	51	2220313 ...	197, 209, 224, 236, 253, 278
1060918 .....	453	1703798 .....	683, 685	1704885.....	715	2220315 ...	204, 216, 230, 242, 260, 284, 302, 316
1062255 .....	254	1703804 .....	683, 685	1704972.....	716	2220366 ...	516, 524, 532, 540
10702077 .	378, 383, 387, 391	1703805 .....	683, 685	1705014.....	431	2220371 ...	516, 524, 532, 540
10702082 .	378, 383, 387, 391	1703923 .....	711, 713	1705305.....	485, 719, 721	2220372 .....	51, 516, 524, 532, 540
1120555 .....	475	1703924 .....	699, 701	1705325.....	547, 549	2220373 ...	516, 524, 532, 540
1260017 .....	95	1703925 .....	695, 697	1705351.....	683, 685	2220374 ...	516, 524, 532, 540
1300018 .....	49	1703926 .....	703, 705	1705355.....	719, 721	2220375 ...	516, 524, 532, 540
1320016 .....	204, 216	1703927 .....	707, 709	1705358.....	715	2220377 ...	516, 524, 532, 540
1320061 .....	253	1703928 .....	691, 693	1705374.....	365, 369, 569, 571	2220415 .....	516, 532
1320176 .....	331	1703929 .....	711, 713	1705375.....	383, 387, 391, 485, 721	2220451 ...	204, 216, 516, 524, 532, 540
1320187 ...	197, 209, 224, 236, 253, 278	1703930 .....	699, 701	1705387.....	365, 369, 383, 387, 391	2220466 ...	516, 524, 532, 540
1320190 ...	197, 209, 224, 236, 253, 278	1703931 .....	695, 697	1705426.....	703, 705	2220468 ...	516, 524, 532, 540
1320218 .....	59	1703932 .....	703, 705	1705427.....	707, 709	2220472 .....	532, 540
1320220 .....	59	1703933 .....	707, 709	1705429.....	699, 701	2220473 ...	516, 524, 532, 540
1320223 ....	209, 236, 309	1703934 .....	691, 693	1705430.....	695, 697	2220497 ...	516, 524, 532, 540
1320224 .....	198, 210	1703935 .....	711, 713	1705460.....	379, 383, 387, 391	2220500 .....	524, 540
1320302 ....	481, 483, 485	1703936 .....	699, 701	1705461.....	379	2220501 ...	516, 524, 532, 540
1321283 .....	295, 309	1703937 .....	695, 697	1705489.....	361, 373, 378, 379	2220502 ...	516, 524, 532, 540
1321716 .....	99, 101, 103, 105, 230, 242, 260, 278, 349, 353, 361, 366, 370, 373, 378, 382, 386	1703938 .....	703, 705	1705822.....	687, 689	2220579 .....	51
1380147 .....	347	1703939 .....	707, 709	1705828.....	687, 689	2220582 ...	516, 524, 532, 540
1580011 .....	302, 316	1703940 .....	691, 693	1705910.....	711, 713	2220596 .....	524, 540
1580012 .....	487	1703941 .....	711, 713	1705921.....	687, 689	2220600 ...	516, 524, 532, 540
1580013 .....	729	1703942 .....	699, 701	1705961.....	687, 689		
1670603 .....	567	1703943 .....	695, 697	1706059.....	716		
1670769 ...	607, 609, 611, 613	1703944 .....	703, 705	1706060.....	716		
1671092 ....	382, 386, 390	1703945 .....	707, 709	1706061.....	716		
1671093 .....	483	1703946 .....	691, 693	1706062.....	716		
1684290 .....	495	1703947 .....	711, 713	1706063.....	716		
1700818 .....	715			1706064.....	716		
1701499 ...	683, 685, 687, 689, 691, 693, 695, 697, 699, 701, 703, 705, 707, 709, 711, 713			1706098.....	716		
1701500 ...	683, 685, 687, 689, 691, 693, 695, 697, 699, 701, 703, 705, 707, 709, 711, 713			1706385.....	431		
				2030010.....	481, 483, 485		
				2060025.....	204, 216		
				2060404.....	517, 524, 532, 541		
				2080040.....	373, 419, 421, 423, 433, 437, 573		
				2080069.....	477, 479		

## SECTION 11 - SPECIAL OPTIONS/ACCESSORIES/KITS

2220603.....524, 540	2780267 ..... 23, 25, 27	337, 349, 353, 357,	693, 695, 697, 699,
2220628.....516, 524, 532,	2780268 ..... 25, 31	361, 365, 369, 373,	701, 703, 705, 707,
540	2820031 ... 349, 353, 357,	378, 382, 385, 389,	709, 711, 713
2220648.....59	361, 365, 369, 373,	413, 573, 591	3311501.... 107, 111, 113,
2220695.....516, 524, 532,	377, 381, 385, 389	3290606 ... 425, 427, 429,	115, 154, 158, 162,
540	2820035 ..... 269	435, 439	166, 170, 174, 465, 467
2220726.....516, 524, 532,	2820247 ..... 677, 679	3290607 ..... 302, 316	3311505.... 154, 158, 162,
540	2840016 ..... 347	3290801 ..... 302, 316	166
2220767.....224, 236, 278	2860030 ... 131, 133, 135,	3290805 ..... 51, 197, 204,	3311601.....59, 154, 158,
2220775.....516, 524, 532,	137, 725	209, 216, 224, 230,	162, 166, 170, 174,
540	2900756 ..... 41	236, 242, 253, 260,	445, 473
2220881 .....497, 507	2900770 . 67, 71, 72, 497,	278, 284, 295, 302,	3311605.....51, 232, 244,
2220883.....35, 39, 41, 68,	507	309, 316, 333, 335,	271, 273, 431, 443,
72, 75, 495, 499, 501	2900792 ..... 501	337, 343, 345, 349,	481, 483, 485
2220885.....501, 507	2902065 ... 204, 217, 230,	353, 357, 361, 365,	3311705.... 349, 353, 357
2220886.....35, 507	242, 260, 275, 284	369, 378, 382, 385,	3311801.....23, 25
2220887 .....107, 109	2902212 ..... 475	389, 575, 599, 601,	3312002.... 457, 459, 461,
2220906.....516, 524, 532,	2902217 ..... 481, 483	603, 607, 609, 611, 613	463
540	2902266 ..... 495	3290806 ..... 415	3312005.....53, 475
2220923.....516, 524, 532,	2902443 ... 627, 629, 633,	3291001 ... 111, 113, 230,	3312205.....475
540	637	242, 260, 284, 302,	3321001 77, 79, 204, 216,
2220946.....516, 524, 532,	2902549 ..... 591, 593	316, 415	231, 243
540	2915102 ..... 728	3291005 93, 99, 101, 103,	3331211 .... 343, 345, 349,
2220947 .....516, 524, 532,	2940045 ..... 185, 187	105, 111, 113, 115,	353, 361, 365, 369,
540	2940074 ... 419, 421, 423,	154, 158, 162, 166,	378, 382, 389
2220998.....516, 524, 532,	433, 437, 725	170, 174, 177, 179,	3331215.... 204, 216, 230,
540	2940173 ... 177, 179, 181,	181, 183, 185, 187,	242, 260, 278, 284
2221018.....59	183, 185, 187	189, 197, 204, 209,	3340956.....475
2221019.....59	3020039 ..... 17	216, 224, 230, 236,	3380434.....443
2221024.....59	3160351 ..... 23, 35	242, 253, 260, 278,	3420352.....53
2221040.....524, 540	3250872 ..... 51	284, 295, 302, 309,	3420372.....53
2221052.....51	3251102 ..... 361, 373	316, 335, 349, 353,	3421565.....95
2221086.....41, 516, 524,	3251242 ... 551, 553, 555,	357, 403, 409, 413,	3422532.... 197, 209, 224,
532, 540	557, 559, 561, 563,	415, 599, 601, 603,	236, 253, 278, 295, 309
2400060.....269, 489, 655	565, 567	605, 607, 609, 611, 613	3422793.....401
2400066.....647	3251243 ... 349, 353, 357,	3291201 .... 83, 302, 316,	3422848.....21
2400082.....645, 725	365, 369, 383, 387,	353, 357, 361, 365,	3422860.....403
2410014.....431	391, 683, 685, 691,	369, 373, 378, 382,	3422861.....403
2420203.....349, 354, 358	693, 699, 701, 711, 713	385, 389, 415	3422867.....403
24431386.....296, 310	3252347 ..... 683, 685	3291205 ... 284, 347, 395,	3423304..... 19, 21
2460048.....377, 381	3252764 ... 377, 382, 385,	397, 399, 401, 415	3430616.....445
2460055.....349	389	3291602 ..... 85	3430820.....347
2540020.... 141, 143, 145,	3271601 ... 154, 158, 162,	3291605 ..... 395, 397	3450404.....347
147	166, 170, 174	3292001 ..... 83	3460334.....475
2560136.....445	3271605 ... 457, 459, 461,	3300106 ..... 23, 25	3470003.....445
2560187 .... 177, 179, 181,	463	3300151 ... 425, 427, 429,	3520028.... 349, 354, 358
183, 185, 187	3271805 ..... 431	433, 435, 437, 439,	3520054.... 204, 216, 232,
2580024.....209, 236, 309	3272001 ... 457, 459, 461,	441, 481, 483, 485	244, 260, 284, 445
2580062.....216	463	3300220 77, 79, 204, 216,	3520071.....475
2600281 .... 419, 421, 423,	3290401 ..... 59	231, 243	3520072.... 419, 421, 423,
433, 437	3290405 ... 141, 143, 145,	3300353 ..... 445	425, 427, 429, 431,
2720015.... 230, 242, 260,	147, 191, 413, 489,	3300396 ... 366, 370, 378,	433, 435, 437, 439, 441
284	547, 549, 551, 553,	383, 386, 390	3520189.....378
2720058.... 197, 209, 304,	555, 557, 559, 561,	3300408 ..... 139	3520192.....378
318	563, 565, 567, 591	3300430 ..... 469, 479	3520198.... 419, 421, 423,
2720144.....59	3290505 ... 365, 369, 378,	3310401 .... 230, 242, 284	425, 427, 429, 433,
2720271 .....304, 318	382, 385, 389	3310601 ..... 347	435, 437, 439, 441
2720340.... 230, 242, 260	3290601 ... 149, 151, 177,	3311001 ... 271, 273, 349,	3573400.... 481, 483, 485
2720392.....59	179, 181, 183, 185,	353, 357, 366, 370,	3573642.... 481, 483, 485
2720398.....204, 217	187, 516, 524, 532, 540	378, 383, 386, 390	3574091.....467
2720447 .....204, 217	3290605 77, 79, 111, 113,	3311005 .... 481, 483, 485	3575359.....465
2720615.....304, 318	115, 117, 145, 147,	3311401 ..... 465, 467	3577121.... 481, 483, 485
2720644.....302, 316	170, 174, 185, 187,	3311405 ... 443, 473, 547,	3580158.....349
2750532.... 197, 209, 225,	197, 204, 209, 216,	549, 551, 553, 555,	3580276.....349
237, 253	224, 230, 236, 242,	557, 559, 561, 563,	3580317.... 361, 365, 369,
2752500.... 517, 525, 533,	253, 260, 278, 284,	565, 567, 575, 683,	373, 378, 382, 385, 389
541	295, 309, 333, 335,	685, 687, 689, 691,	

## SECTION 11 - SPECIAL OPTIONS/ACCESSORIES/KITS

3580318 ... 365, 369, 382, 385, 389	4032015 ... 361, 365, 378, 382	4460190.....349, 354, 358	4460518 ..... 581
3580319 .... 361, 373, 378	4060802 ... 350, 353, 357, 361, 365, 369, 373, 378, 382, 385, 389	4460205.....545	4460536 ... 117, 411, 413, 479, 587, 589, 655
3580320 ... 353, 361, 365, 369, 378, 382, 385	4060805 ... 204, 217, 230, 242, 260, 284, 304, 318	4460225....378, 382, 385, 389, 649, 655	4460539... 411, 413, 587, 589, 633, 637, 655, 671
3641569 ..... 465	4070450 ..... 53	4460226....447, 450, 453, 465, 467, 668	4460612 ..... 569, 571
3740067 77, 79, 204, 216	4070560 ..... 53	4460227 ..... 655	4460662 ... 559, 561, 563, 567
3740080 ... 350, 353, 357, 647, 725	4070561 ..... 53	4460234....141, 143, 445, 465, 467, 615, 617, 619, 621	4460693 ..... 641
3740086 ..... 673, 725	4070897 ..... 399, 401	4460247....629, 633, 637	4460702 ..... 668
3740140 .... 204, 216, 724	4070898 ..... 399, 401	4460259....489, 651, 655, 668	4460703... 629, 633, 637, 668
3760133 ..... 399, 401	4071009 ..... 85	4460260....489, 651, 655, 668	4460705 .... 349, 354, 358
3760170 ..... 53, 95	4160182 ... 154, 158, 162, 166	4460265.....447, 450	4460708 ..... 655
3790012 ... 113, 115, 295, 309, 445	4240018 ... 516, 524, 532, 540, 569, 571	4460267 ..... 655	4460722 ..... 269
3790152 ... 201, 213, 227, 239, 257, 281, 299, 313	4240032 ... 141, 143, 615, 617, 619, 621, 623	4460268....349, 354, 358, 649	4460742 ..... 668
3820001 ..... 51, 683, 685, 687, 689, 691, 693, 695, 697, 699, 701, 703, 705, 707, 709, 711, 713	4240033 .... 469, 471, 473	4460313.....627, 668, 671	4460743 ..... 668
3820020 ... 419, 421, 423, 433, 437	4240099 ... 111, 113, 115, 145, 147, 197, 204, 209, 216, 224, 230, 236, 242, 260, 269, 278, 284, 295, 302, 309, 316, 350, 353, 357, 361, 365, 369, 373, 378, 382, 385, 389, 445, 465, 467, 481, 483	4460315 ..... 545	4460746 .... 629, 633, 637
3841143 19, 21, 197, 209, 224, 236, 253, 278, 295, 309, 399, 403, 415	4240149 ..... 475	4460321.....349, 354, 358	4460748 ... 629, 633, 638, 667
3841203 .... 395, 397, 401	4280296 ..... 55, 57	4460346....365, 369, 382, 385, 389, 545	4460761 ..... 655
3841258 ..... 17, 395, 397	4360057 ... 465, 467, 725	4460384.....567	4460806... 555, 557, 559, 561
3841340 ... 599, 601, 603, 605, 607, 609, 611, 613	4360070 ... 366, 370, 378, 383, 386, 390, 724	4460418.....651, 655	4460807 ..... 649
3900054 ..... 431	4360274 ..... 137	4460419.....651, 655	4460808 ..... 649
3900267 ..... 366, 370	4360328 .... 113, 115, 725	4460424.....668	4460865 ..... 583, 585
3900295 ..... 21	4360336 ... 350, 353, 357, 361, 365, 369, 373, 378, 382, 385, 389, 725	4460425....366, 370, 378, 383, 387, 390, 465, 467, 569, 571	4460866 ..... 655, 668
3900300 ..... 366, 370	4360387 ... 135, 137, 445, 725	4460426....366, 370, 378, 383, 387, 390	4460871 ... 149, 151, 651, 655, 667, 671
3900332 ..... 59	4360407 ..... 445, 725	4460428.....445	4460872 ..... 671
3900349 ..... 445	4360469 ... 131, 133, 135, 137, 725	4460434.....655	4460873 ..... 655, 667
3910408 .... 230, 242, 284	4360476 .... 125, 127, 129	4460458....629, 634, 638, 667, 668	4460874 ..... 655, 667
3910606 ... 365, 369, 382, 385, 389, 569, 571	4360517 ..... 83, 725	4460464....145, 147, 411, 413, 453, 489, 577, 579, 581, 587, 589, 625, 643, 647, 653, 655, 667, 668, 673	4460875 ..... 655, 671
3910610 ..... 347, 545	4360542 ... 349, 354, 358, 724	4460465....141, 143, 149, 151, 411, 413, 489, 581, 583, 585, 587, 589, 625, 627, 629, 630, 633, 637, 641, 649, 653, 655, 667, 668, 671	4460876 ..... 651
3910804 ... 131, 133, 135, 137	4400275 ..... 59	4460470....111, 113, 115, 445	4460878 ..... 667
3911010 ..... 139, 455	4420014 ..... 475	4460471....111, 113, 115, 445	4460879 ... 489, 655
3931408 ..... 469	4420037 .... 481, 483, 485	4460473.....583, 585	4460884 ... 489, 633, 637, 653, 667
3931512 ... 230, 242, 260, 284	4420051 ..... 51, 715	4460496....111, 113, 115	4460887 .... 489, 655, 667
3931618 ... 201, 213, 227, 239, 257, 281, 299, 313	4420066 ..... 475	4460497....111, 113, 115	4460891... 141, 143, 149, 151, 581, 630, 643, 667, 671
3931628 .... 353, 369, 385	4460019 ..... 633, 637	4460508.....471, 655, 668	4460894 ... 625, 627, 630, 633, 637, 641, 655, 667, 671
3960389 ..... 189	4460027 ... 349, 354, 358	4460509.....583, 585	4460897 ... 145, 147, 577, 579, 643
3960407 ..... 204, 216	4460042 ... 279, 630, 633, 637, 641, 667	4460510.....731	4460899... 589, 653, 668, 673, 675
3960422 ... 365, 369, 382, 385, 389, 545, 569, 571	4460043 ... 269, 629, 633, 637		4460905 ... 651, 655, 667, 671
3960526 ..... 23, 25	4460049 ..... 465, 467		4460906 ..... 647
4010405 ..... 591	4460071 ... 365, 369, 382, 385, 389, 453, 545		4460910 ..... 679
4010618 ... 425, 427, 429, 435, 439	4460115 ..... 634		4460911 ..... 675
4031505 ..... 471	4460134 .... 350, 354, 358		4460928 ..... 581
4031507 ..... 191	4460138 .... 350, 354, 358		4460930 ... 113, 296, 310, 587, 627, 630, 633, 637, 667
4031509 ... 141, 143, 145, 147	4460183 ..... 655, 667		4460931 ... 111, 113, 477, 579, 667
4031516 ..... 473			4460932 ..... 489, 643
4031914 ... 230, 242, 260, 284			4460933 .... 581, 655, 668
4032014 .... 353, 369, 385			4460941 ..... 643, 675

## SECTION 11 - SPECIAL OPTIONS/ACCESSORIES/KITS

4460944.....629, 630, 633, 637	471150077, 79, 154, 158, 162, 166, 197, 209, 225, 230, 236, 242, 253, 260, 278, 284, 295, 309	4811702 ... 232, 244, 254, 260, 278, 284, 302, 316, 333, 335, 337, 362, 374, 516, 524, 532, 540, 573, 591	4922641.....350, 354, 358, 362, 366, 370, 374, 378, 382, 386, 390
4460956.....593, 595	4711600 ... 154, 158, 162, 166, 170, 174, 271, 273, 361, 365, 369, 373, 378, 382, 385, 445, 457, 459, 461, 463	4811900 ..... 51, 170, 174, 197, 204, 210, 216, 224, 230, 236, 242, 253, 260, 278, 285, 295, 302, 309, 316, 343, 345, 350, 353, 357, 361, 365, 369, 378, 382, 385, 389, 415, 575, 599, 601, 603, 607, 609, 611, 613	4922802.....605
4460957.....593, 595	4711800 ..... 431	4811902 ... 154, 158, 162, 166, 197, 209, 224, 236, 253, 260, 278, 286, 302, 316	4922803.....613
4460958.....571	4712000 ... 457, 459, 461, 463, 475	4812000 ... 23, 25, 63, 65, 77, 79, 93, 99, 101, 103, 105, 111, 113, 115, 154, 158, 162, 166, 170, 174, 177, 179, 181, 183, 185, 187, 189, 197, 204, 209, 216, 224, 230, 236, 242, 253, 260, 278, 285, 295, 302, 309, 316, 339, 341, 350, 353, 357, 370, 373, 386, 399, 401, 409, 413, 415, 599, 601, 603, 605, 607, 609, 611, 613	4922925....378, 382, 385, 389
4460961.....349, 354, 358	4712200 ..... 475	4812002 . 63, 65, 99, 101, 103, 105, 111, 113, 115, 154, 158, 162, 166, 170, 174, 260, 335	4923451.....205, 216
4460962.....483	4740086 ..... 19, 21	4812100 ..... 83, 197, 209, 224, 230, 236, 242, 253, 260, 278, 285, 291, 295, 309, 347, 361, 365, 378, 382, 399, 401, 415	5240800....197, 209, 225, 236, 253, 278, 295, 302, 309, 316
4460963.....383, 387, 390	4740155 ..... 21	4812102 ..... 51	5241200..17, 19, 21, 204, 216, 230, 242, 261, 278, 285, 302, 316, 343, 345, 350, 353, 357, 361, 365, 369, 373, 378, 382, 385, 390, 415
4460967.....667	4740158 ..... 17	4812200 ... 204, 216, 230, 242, 261, 285, 296, 310, 343, 345, 350, 353, 358, 361, 365, 369, 378, 382, 390	5242000.....85
4460968.....547, 551	4740362 ..... 443	4844816 ..... 403	5250605.....302, 316
4460970.....655	4740397 ..... 113	4844817 ..... 403	5250808....361, 366, 370, 378, 382, 386
4460977.....645	4740439 ..... 403	4846627 .... 481, 483, 485	5250810....232, 244, 361, 366, 370, 373, 378, 382, 386
4461005.....627	4740491 ..... 21	4846673 ..... 467	5251008....399, 401, 411, 413, 415
4461008....627, 629, 633, 637	4750600 ..... 347	4860214 ..... 49	5251009.....399, 401
4461052.....627	4751000 ..... 99, 101, 103, 105, 350, 353, 357, 481, 483, 485	487170077, 79, 361, 365, 369, 373, 378, 382, 385, 489160051, 59, 201, 213, 227, 239, 257, 281, 299, 313, 415	5251011.....399, 401
4461054.....630, 633, 637	4751400 ... 107, 109, 443, 445, 465, 467, 479, 481, 483, 485, 487, 575, 683, 685, 687, 689, 691, 693, 695, 697, 699, 701, 703, 705, 707, 709, 711, 713	489180023, 25, 201, 213, 227, 239, 257, 281, 299, 313	525101223, 25, 119, 121, 123, 170, 174
4461070.....581, 629	4751500 ... 350, 353, 357, 465, 467	4892000 ..... 23, 25, 91	5251014....55, 57, 63, 65, 154, 158, 162, 166
4461071....627, 629, 633, 637	4751600 ... 232, 244, 443, 481, 483, 485	4892600001 ..... 415	5241400.....302, 316
4461072....627, 629, 633, 637	4751800 .... 431, 465, 467		5241600.....21, 85
4461073....627, 629, 633, 637	4752000 ..... 53		5242000.....85
4461074....627, 629, 633, 637	4760600 ..... 545		5250805.....302, 316
4461077.....673, 675	476100077, 79, 204, 216, 231, 243		5250808....361, 366, 370, 378, 382, 386
4461095.....581, 627, 629	4761400 ..... 487		5250810....232, 244, 361, 366, 370, 373, 378, 382, 386
4461109.....641	4770600 ..... 347		5251008....399, 401, 411, 413, 415
4461111.....641	4811400 ... 141, 143, 145, 147, 413, 489, 547, 549, 551, 553, 555, 557, 559, 561, 563, 565, 567		5251009.....399, 401
4461113.....641	4811600 ... 341, 365, 369, 378, 382, 385, 389		5251011.....399, 401
4461121.....641	481170077, 79, 111, 113, 117, 145, 147, 149, 151, 177, 179, 181, 183, 185, 187, 197, 204, 209, 216, 224, 230, 236, 242, 253, 260, 278, 284, 295, 302, 309, 316, 350, 353, 357, 361, 365, 369, 373, 378, 382, 385, 389, 425, 427, 429, 435, 439, 516, 524, 532, 540, 573, 591, 607, 609, 611, 613		525101223, 25, 119, 121, 123, 170, 174
4461122.....641			5251014....55, 57, 63, 65, 154, 158, 162, 166
4461123.....641			5251016.....17, 415
4461124.....641			5251215....197, 209, 224, 236, 253, 261, 295, 309
4461196.....657			5260800....361, 366, 370, 373, 378, 382, 386
4461198.....547, 657			5261000....119, 121, 123
4461199.....659			5261018....177, 179, 601
4461201.....551, 659			5261200....197, 209, 224, 236, 253, 261, 295, 309
4461205.....661, 663			70000342.....405, 407
4461244.....559, 661			70000345.....220, 265
4461245.....561, 663			700004508.....247
4461246.....563, 665			70000619..377, 381, 385, 389
4461249.....665			70000781.....39, 41
4520216.....43			70000787.....220
4520240.....45			70000793.....275
4520259.....47			70000797.....35
4530028....481, 483, 491			70000800.....219
4640261.....51			70000851.....220
4640452.....507			70000863..377, 381, 386, 390
4640509.....501			70000912.....219
4640751....230, 242, 260, 284			70000913.....219
4640858.....495			70000914.....219
4641122....43, 45, 47, 49			70000915.....219
4641390.....499			70000916.....219
4710400....230, 242, 284			70000917.....219
4711000....111, 113, 115, 271, 273, 366, 370, 378, 383, 387, 391			70000918.....219
4711400....177, 179, 181, 183, 185, 187, 425, 427, 429, 433, 435, 437, 439, 441, 469, 473, 477, 547, 549, 551, 553, 555, 557, 559, 561, 563, 565, 567			70000919.....220
			70000931.....220
			70001002.....219

## SECTION 11 - SPECIAL OPTIONS/ACCESSORIES/KITS

70001100 . 377, 381, 386, 390	70002962 ..... 41	70004508.....266	70004890..... 327
70001181 ..... 219	70002974 ..... 67, 71	70004509.....266	70004891..... 327
70001349 ..... 27, 31	70003023 ..... 67, 71	70004510.....266	70004892..... 327
70001384 . 377, 381, 386, 390	70003024 ..... 67, 71	70004577.....39, 41	70004893..... 327
70001423 ..... 219	70003408 ..... 67, 71	70004676..362, 366, 370, 373	70004894..... 327
70001435 ..... 220	70003463 ..... 219, 724	70004677.....362	70004895..... 327
70001498 ..... 220	70003464 ..... 219	70004678..362, 366, 370, 373	70004896..... 327
70001654 ..... 219	70003468 ..... 220	70004679..362, 366, 370, 373	70004897..... 327, 724
70001655 ..... 219	70003469 ..... 220	70004680..362, 366, 370, 373	70004898..... 327
70001696 ..... 377, 381	70003472 ..... 219	70004681.....362, 373	70004899..... 328
70001697 ..... 405, 407	70003473 ..... 219	70004682..362, 366, 370, 373	70004900..... 328
70001844 ..... 220	70003475 ..... 219	70004683.....362, 374	70004901..... 328
70001850 ..... 219	70003479 ..... 219	70004684.....366	70004902..... 328
70001866 ..... 220	70003480 ..... 219	70004685.....366, 370	70004903..... 328
70001868 ..... 220	70003481 ..... 219	70004686.....373	70004904..... 328
70001870 .. 219, 248, 266	70003612 ..... 81	70004687.....370	70004905..... 328
70001871 ..... 220	70003631 . 377, 381, 386, 390	70004738.....447	70004906..... 328
70001872 ..... 220	70003708 . 361, 366, 370, 373, 377, 381, 386, 390	70004739.....447	70004907..... 328
70001953 ..... 377, 381	70003709 . 361, 366, 370, 373, 377, 381, 386, 390	70004740.....447	70004908..... 328
70001966 . 361, 366, 370, 373, 377, 381, 386, 390	70003783 . 205, 217, 231, 243, 285, 724	70004741.....447	70004909..... 328
70001973 . 377, 381, 386, 390	70003788 ..... 68, 72, 499, 724	70004742.....447	70004910..... 328
70001974 . 377, 381, 386, 390	70003931 ..... 220	70004743.....447	70004911..... 328
70002057 ..... 88	70003932 ..... 220	70004744.....447	70005065..... 81
7000206 ..... 27, 31	70003977 ..... 67, 71	70004745.....447	70005066..... 81
70002063 ..... 75	70004000 ..... 81	70004746.....447	70005067..... 81
70002088 ..... 377, 381	70004013 ..... 81	70004747.....447	70005068..... 81
70002112 ..... 107, 109	70004014 ..... 81	70004748.....447	70005069..... 67, 71
70002209 ..... 41	70004017 ..... 41	70004749.....447	70005071..... 67, 71
70002234 ..... 220	70004020 .. 304, 318, 724	70004750.....447	70005072..... 67, 71
70002257 ..... 328	70004056 ..... 220	70004751.....447	70005073..... 67, 71
7000229 ..... 27, 31	70004058 ..... 220, 724	70004752.....449	70005074..... 67, 71
70002291 ..... 386, 390	70004059 ..... 220	70004753.....449	70005075..... 67, 71
70002297 . 377, 381, 386, 390	70004060 ..... 220	70004754.....449	70005076..... 67, 71
7000230 ..... 27, 31	70004062 ..... 220	70004755.....449	70005077..... 67, 71
70002316 ..... 321	70004092 . 361, 366, 370, 373, 386, 390	70004756.....449	70005078..... 67, 71
70002318 ..... 321	70004094 ..... 386, 390	70004757.....449	70005079..... 67, 71
7000232 ..... 27, 31	70004098 . 366, 370, 386, 390	70004758.....449	70005080..... 67, 71
70002326 ..... 321	70004099 . 370, 373, 386, 390	70004759.....449	70005081..... 67, 71
700023371 ..... 503	70004102 ..... 220	70004760.....449	70005082..... 67, 71
70002373 ..... 497, 503	70004103 ..... 220	70004761.....449	70005083..... 67, 71
70002386 68, 72, 75, 499, 724	70004169 ..... 377, 381	70004762.....449	70005084..... 67, 71
70002390 ..... 39	70004171 . 362, 366, 377, 381	70004763.....449	70005085..... 67, 71
70002412 ..... 507	70004185 ..... 731	70004764.....449	70005086..... 67, 71
7000246 ..... 27, 31	70004231 ..... 499	70004765.....449	70005087..... 67, 71
70002460 . 377, 381, 386, 390	70004267 ..... 81	70004766.....449	70005088..... 67, 71
7000248 ..... 27, 31	70004268 ..... 219	70004767.....449	70005089..... 67, 71
7000253 ..... 27, 31	70004269 ..... 219	70004768.....449	70005090..... 67, 71
7000257 ..... 27, 31	70004270 ..... 220	70004769.....449	70005091..... 67, 72
7000258 ..... 27, 31	70004281 ..... 247, 266	70004770.....449	70005092..... 67, 71
7000261 ..... 27, 31	70004282 ..... 247	70004771.....449	70005093..... 71
7000262 ..... 27, 31	70004469 ..... 88	70004772.....449	70005108..... 67, 71
7000263 ..... 27, 31	70004481 ..... 88	70004773.....449	70005109..... 67, 72
70002718 .. 219, 247, 266	70004482 ..... 88	70004774.....450	70005139..... 81
70002838 ..... 107, 109	70004494 ..... 88	70004775.....450	70005140..... 503
70002842 ..... 495	70004504 ..... 266	70004794....99, 101, 103, 105	70005141..... 503
70002902 ..... 453	70004505 ..... 266	70004829.....321	70005142..... 497, 503
70002903 ..... 453	70004506 ..... 266	70004883.....75	70005143..... 497, 503
70002904 ..... 453	70004507 ..... 266	70004884.....41, 75	70005144..... 497, 503
70002905 ..... 453		70004885.....39, 41	70005145..... 497, 503
		70004886.....41	70005146..... 503
		70004889.....327	70005147..... 497
			70005148..... 497
			70005149..... 497
			70005150..... 505
			70005151..... 505
			70005152..... 505
			70005153..... 505
			70005154..... 505

## SECTION 11 - SPECIAL OPTIONS/ACCESSORIES/KITS

70005171.....	247, 266	70006035.....	321	70006652.....	247	70007866.....	37
70005172.....	248, 266	70006036.....	321	70006702.....	499	70007867.....	37
70005173.....	247	70006037.....	321	70006703.....	499	70007868.....	37
70005176.....	266	70006038.....	321	70006704.....	499	70007869.....	37
70005177.....	247, 266	70006039.....	321	70006705.....	499	70007870.....	37
70005182.....	247	70006040.....	321	70006706.....	499	70007871.....	37
70005183.....	247	70006041.....	321	70006734.....	501	70007872.....	37
70005184.....	247, 265	70006042.....	321	70006735.....	501	70007873.....	37
70005191.....	265	70006043.....	321	70006736.....	501	70007874.....	37
70005217.....	67, 71	70006044.....	321	70006817.....	507	70007875.....	37
70005218.....	67, 71	70006045.....	322	70006990.....	88	70007876.....	37
70005219.....	68, 72, 724	70006046.....	322	70006994.....	88	70007877.....	37
70005317.....	88	70006047.....	322	70006997.....	88	70007878.....	37
70005318.....	88	70006048.....	322	70006998.....	88	70008296.....	266
70005504.....	265	70006049.....	322	70006999.....	88	70008422.....	266
70005505.....	265	70006050.....	322	70007001.....	88	70008431.....	265
70005507.....	265	70006051.....	322	70007002.....	88	70008435.....	265
70005710.....	83	70006052.....	322	70007003.....	88	70008537.....	266
70005711.....	83	70006053.....	322	70007004.....	88	70008538.....	266
70005712.....	83	70006054.....	322	70007006.....	88	70008543.....	265
70005713.....	83	70006055.....	322	70007022.....	88	70008544.....	265
70005714.....	83	70006056.....	322	70007023.....	88	70008545.....	265
70005715.....	83	70006057.....	322	70007024.....	88	70008547.....	265
70005716.....	83	70006058.....	322	70007025.....	88	70008553.....	265
70005724.....	68, 72	70006059.....	322	70007026.....	88	70008558.....	265
70005726.....	321	70006060.....	322	70007027.....	88	70008559.....	265
70005727.....	321	70006061.....	322, 725	70007028.....	88	70008561.....	265
70005737.....	321	70006062.....	322	70007029.....	88	70008564.....	266
70005745.....	321	70006063.....	322	70007030.....	88	70009002..	197, 210, 224, 237
70005746.....	321	70006064.....	322	70007031.....	88	70009004.....	197, 209
70005747.....	321	70006065.....	322	70007032.....	88	70009005.....	197, 210
70005751.....	321	70006066.....	322	70007046.....	88	70009006.....	224, 237
70005827.....	39	70006067.....	322	70007062.....	507	70009007.....	224, 237
70005830.....	39	70006068.....	322	70007063.....	507	70010383.....	63, 65, 724
70005831.....	39	70006069.....	322	70007064.....	507	7001481.....	328
70005832.....	39	70006070.....	322	70007065.....	507	7001998.....	27, 31
70005833.....	39	70006071.....	322	70007066.....	507	70022564..	497, 499, 503
70005834.....	39	70006072.....	322	70007067.....	507	70023369..	497, 499, 503
70005931.....	247, 265	70006074.....	322	70007068.....	507	70023370.....	497
70005938.....	266	70006075.....	322	70007069.....	507	70023592..	231, 243, 724
70005941.....	248, 266	70006076.....	322	70007070.....	507	70023593..	231, 243, 724
70005942.....	247, 266	70006077.....	322	70007071.....	507	70024494.....	248
70006010.....	325	70006078.....	322	70007072.....	507	70024504.....	247, 265
70006011.....	325	70006079.....	322	7000731.....	28	70024505.....	265
70006012.....	325	70006080.....	322	70007325.....	247, 265	70024507.....	247
70006013.....	321	70006093.....	386, 390	70007326.....	248, 265	70024513.....	247, 265
70006014.....	321	70006094.....	386, 390	70007354.....	247, 265	70024904.....	248, 266
70006015.....	321	70006095..	386, 390, 724	70007603.....	247, 265	70024905.....	247, 266
70006016.....	321	70006096.....	386, 390	70007847.....	37	70024906.....	247, 266
70006017.....	321	70006097.....	386, 390	70007848.....	37	70024913.....	266
70006018.....	321	70006104.....	499	70007849.....	37	70024915.....	247
70006019.....	321	70006105.....	499	70007850.....	37	70024917.....	265
70006020.....	321	70006144.....	247	70007851.....	37	70024920.....	265
70006021.....	321	70006255.....	409	70007852.....	37	70024925.....	247
70006022.....	321	70006270.....	409	70007853.....	37	70024961.....	247
70006023.....	321, 724	70006344.....	507	70007854.....	37	70024961.....	247
70006024.....	321	70006356..	201, 213, 227, 239, 257, 281, 299, 313	70007855.....	37	70025082.....	219
70006025.....	321	70006379.....	322	70007856.....	37	70025084.....	219, 220
70006026.....	321	70006552.....	366	70007857.....	37	70025086.....	220
70006027.....	321	70006553.....	366, 725	70007858.....	37	70025088.....	219
70006028.....	321	70006553.....	366, 725	70007859.....	37	70025091.....	219
70006029.....	321	70006580.....	405	70007860.....	37	70025121.....	220
70006030.....	321	70006636.....	499	70007861.....	37	70025123.....	219, 220
70006031.....	321	70006639.....	322	70007862.....	37	70025130.....	265
70006032.....	321	70006640.....	322	70007863.....	37	70025131.....	220
70006033.....	321	70006649.....	501	70007864.....	37	70025135.....	247
70006034.....	321	70006650.....	501	70007865.....	37	70025139.....	219



## SECTION 11 - SPECIAL OPTIONS/ACCESSORIES/KITS

70025140 .....	266	7017070 .....	27, 31	7021625.....	41	7024858 .....	327
70025144 .....	266	7017080 .....	27, 31	7021639.....	41	7024868 .....	35
70025145 .....	266	7017142 .....	405, 407	7022300.....	327	7024881 .....	39, 41
70025152 .....	266	7017150 .....	407	7022302.....	35	7026188 .....	377, 381
70025164 .....	247, 265	7017159 .....	405, 407	7022305.....	35	7026199 ....	349, 353, 357
70025200 .....	247	7017162 .....	405, 407	7022311.....	35	7026330 .....	81
70025210 .....	247	7017163 .....	405, 407	7022312.....	35	7026597 ....	377, 381, 386
70025231 .....	247, 265	7017164 .....	405, 407	7022314.....	35	7026626 ...	377, 381, 386, 390
70025235 .....	266	7017172 .....	405, 407	7022326.....	35	7027236 .....	219
70025239 .....	247, 265	7017192 .....	405, 407	7022328.....	35	7027419 .....	35
70025242 .....	265	7017195 .....	405, 407	7022341.....	327	7027773 .....	491
70025667 .....	219	7017410 .....	75	7022346.....	328	7027774 .....	491
70025693 .....	220	7017467 .....	499	7022347.....	328	7027775 .....	491
70025694 .....	220	7017496 .....	39, 41, 499	7022368.....	35	7027776 .....	491
70026210 .....	247, 265	7017904 .....	321	7022371.....	35	7027777 .....	491
70026444 .....	39	7017932 .....	321, 724	7022390.....	67, 71, 499	7027778 .....	491
70027405 .....	265	7017959 .....	322	7022397.....	39, 41	7027779 .....	491
70028185 .....	266	7017992 .....	322, 724	7022399.....	39, 41, 67, 71	7027780 .....	491
7002821 .....	731	7019680 ...	349, 354, 358	7023154.....	321	7027787 ....	349, 354, 358
7002822 .....	731	7020023 .....	219, 724	7023900.....	67, 71	7027903 .....	220
7002823 .....	731	7020026 .....	219	7023907.....	35	77363233 .....	649
7002828 .....	731	7020033 .....	33	7023908.....	35	80484084 ..	629, 633, 637
70028538 .....	265	7020035 .....	33	7023910.....	35	80963067 .....	667
70028540 .....	247, 265	7020036 .....	33	7023936.....	67, 71	80983191 .....	629, 724
70029409 .....	265	7020037 .....	33	7024182.....	27, 28	82033995 .....	304, 318
70029451 .....	247	7020038 .....	33	7024189.....	28	8220045 .....	647, 668
70029512 .....	265	7020039 .....	33	7024190.....	28	8220051 .....	643
70030360 .....	247, 265	7020040 .....	33	7024191.....	28	8220097 .....	667
70030381 .....	247, 266	7020041 .....	33	7024192.....	28	8220098 .....	667
70031055 .....	265	7020108 ...	349, 354, 357	7024193.....	28	8220115 .....	629
70031095 .....	248	7020109 ...	349, 354, 357	7024194.....	28	8220164 .....	629, 637
70031136 .....	247, 265	7020110 ...	349, 354, 357	7024196.....	28	8229242 ...	629, 667, 724, 725
70031143 .....	265	7020111 ...	349, 354, 358	7024197.....	28	8229244 .....	667, 725
70031144 .....	265	7020190 ...	349, 354, 358	7024441.....	107, 109	8229245 .....	647, 725
70031145 .....	247	7020403 .....	219	7024462.....	491	8229249 .....	489, 725
70031388 .....	265	7020430 .....	219	7024463.....	491	8305401 ...	204, 216, 230, 242, 261, 285, 302, 316
70031474 .....	265	7020460 .....	219	7024467.....	491	8307109 ...	204, 216, 230, 242, 261, 285, 302, 316
7004275 .....	731	7020465 ...	219, 248, 266	7024469.....	491	8310129 .....	475
7004276 .....	731	7020468 .....	219	7024470.....	491	8310548 ...	204, 216, 231, 242, 261, 285, 302, 316
70050795 .....	499	7020471 .....	220	7024471.....	491	8405006 ...	224, 236, 253, 271, 273, 278, 285, 339, 341
7007289 .....	328	7020479 .....	220	7024472.....	491	8405007 ...	231, 243, 261, 285
7007415 .....	327, 328	7020492 .....	219, 220	7024473.....	491	8405009 ...	197, 209, 231, 243, 261, 285, 303, 317
7007419 .....	327	7021237 .....	327	7024474.....	491	8405102 .....	303, 317
7007420 .....	327, 328	7021238 .....	327	7024475.....	491	8405104 ...	231, 243, 261, 285, 303, 317
7007437 .....	35	7021239 .....	327	7024478.....	491	8405202 ...	231, 243, 261, 285, 303, 317
7007438 .....	35	7021240 .....	327	7024485.....	377, 381, 724	8405203 .....	303, 317
7007439 .....	35	7021241 .....	327	7024488.....	377, 381, 385, 389	8405204 ...	231, 243, 261, 285
7007446 .....	35	7021242 .....	327	7024489.....	377, 381, 385, 389	8406101 ...	224, 236, 253, 278
7007493 .....	328	7021243 .....	327	7024565.....	220		
7007495 .....	327	7021248 .....	327	7024579.....	219, 248, 266		
7007601 .....	27, 31	7021249 .....	35, 327	7024598.....	347		
7007640 .....	27, 31	7021253 .....	327	7024705.....	27		
7010429 .....	27, 31	7021257 .....	327	7024712.....	27, 31		
7010543 .....	75	7021258 .....	327	7024713.....	27, 31		
7012513 ...	349, 353, 357	7021259 .....	327	7024714.....	27, 31		
7012514 ...	349, 354, 357	7021262 .....	327	7024715.....	27, 31		
7012518 .....	507	7021263 .....	327	7024716.....	27, 31		
7012558 .....	349	7021265 .....	327	7024717.....	27		
7012941 .....	75	7021268 .....	327	7024718.....	28		
7012967 .....	75	7021275 .....	35	7024800.....	327		
7012998 .....	499	7021276 .....	35, 328	7024810.....	39		
7016322 .....	347	7021277 .....	35, 328	7024853.....	35		
7016331 ...	219, 248, 266, 724	7021278 .....	328	7024854.....	35		
7016654 .....	731	7021281 .....	327	7024855.....	327		
7017059 .....	27, 31	7021290 .....	328	7024857.....	327		
7017067 .....	27, 31	7021293 .....	327				
		7021299 .....	328				

## SECTION 11 - SPECIAL OPTIONS/ACCESSORIES/KITS

8406109....205, 217, 231, 243, 261, 285, 303, 317	8410001 ..... 303, 317	88411013 ..... 575	90200755.. 154, 158, 162, 166, 170, 174
8406110....232, 244, 261, 285, 303, 317, 413, 599, 603, 607, 611	8410009 ..... 303, 317	88521205 ..... 77, 79	91164057..... 41, 68, 72
8406201 ....232, 244, 261, 285, 303, 317	8410011 ..... 304	88521214 . 457, 459, 461, 463	91164059..... 68, 72
	8410013 .... 224, 236, 278	88662037 . 516, 524, 532, 540	91164079..... 41, 68, 72
	8430007 ..... 253		91203039..... 415
	84521061 ..... 357		91401281..... 79
	84521062 ..... 389		





**Corporate Office  
JLG Industries, Inc.  
1 JLG Drive  
McConnellsburg, PA 17233-9533 USA**  
☎ **(717) 485-5161 (Corporate)**  
☎ **(877) 554-5438 (Customer Support)**  
📠 **(717) 485-6417**

**Visit our website for JLG Worldwide Locations.  
[www.jlg.com](http://www.jlg.com)**



**OSHKOSH™**