



---

# Illustrated Parts Manual

## Models 450AJ HC3

PVC  
2207

P/N  
31220650

July 10, 2023 - Rev C

**ANSI**

**CE**

**EAC**



**UK  
CA**

**AS/NZS**



An Oshkosh Corporation Company



## REVISION LOG

July 1, 2022 - A - Original Issue of Manual (Edited to B/M 1001246976 P)  
November 15, 2022 - B - Revised Manual (Edited to B/M 1001246976 W)  
July 10, 2023 - C - Revised Manual (Edited to B/M 1001246976 X)

# GENERAL INFORMATION



## 1) MACHINE IDENTIFICATION

Machines are identified by model and in some cases a combination of models, serial number (SN) or regional standard (i.e ANSI, CE, CSA). Components may also be identified by SN or manufacturer. Common components that may be identified by these characteristics are engines and hydraulic components.

## 2) PARTS MANUAL ORGANIZATION

Product information in this manual is organized under section titles. Frame, Cylinder, Hydraulic and Electrical are a few examples. Each section is organized by figure and page number. The information within the Figure is then organized by item number, part number, description and corresponding illustration (s).

## 3) TABLE OF CONTENTS (NOT SHOWN)

A table of contents is found toward the beginning of the manual. Figure number, description and page number are provided for quick reference to the page containing the related information.

## 4) RECOMMENDED SPARE PARTS (NOT SHOWN)

The Recommended Spare Parts List, located near the end of the manual, reference most frequently used maintenance parts.

## 5) PART NUMBER INDEX (NOT SHOWN)

A numerical index listing all part numbers and the corresponding page number(s) appears at the back of the manual.

## GENERAL INFORMATION

### 6) NON-SERVICED PARTS

In some instances, it is necessary to display non-serviced parts, assemblies or installations. In the case of assemblies and installations there will be a Ref in the Qty. column. In case of parts that are not available for service within assemblies or components, there will be a NSS (Not Sold Separately) or NLA (No Longer Available) listed in the Qty. column of the manual.

### 7) PARTS LIST ITEM NUMBERS

Numbers shown in the item# column correspond to numbers used in the associated illustration (s). Item numbers which are missing from the sequence in the parts list are not used on that page.

### 8) INDENTED PARTS DESCRIPTION

An indented part description is included in the item under which it is indented.

### 9) ABBREVIATION AND SYMBOLS

AC.....	Alternating Current	L.....	Liter
ADE.....	Advanced Design Electronics	LB(LBS).....	Pounds
AG.....	Agricultural	LCD.....	Liquid Crystal Display
ANSI.....	American National Standards Institute	LED.....	Light Emitting Diodes
AR.....	As Required	LH.....	Left Hand
ASSY.....	Assembly	LRC.....	Low Rated Countries
AUS.....	Australia	LSS.....	Load Sensing System
AUX.....	Auxiliary	M(m).....	Metric/Meter
AWG.....	American Wire Gauge	MM(mm).....	Milimeter
B/M.....	Bill of Material	mA.....	Miliamps
CAC.....	Charge Air Cooler	NLA.....	No Longer Available
CE.....	European Conformity	NPT.....	National Pipe Threads
CCW.....	Counter Clockwise	NSS.....	Not Sold Separately
CM.....	Centimeter	OD.....	Outside Diameter
CW.....	Clockwise	ORB.....	O-Ring Boss
CSA.....	Canadian Standards Association	ORFS.....	O-Ring Face Seal
CYL.....	Cylinder	OZ (oz).....	Ounces
DIA.....	Diameter	PG.....	Page
DC.....	Direct Current	PN.....	Part Number
DEF.....	Diesel Exhaust Fluid	QT(qt.).....	Quarts
EMS.....	Emergency Stop	QTY.....	Quantity
ENG.....	Engine	REF.....	Reference
FT(ft).....	Feet	REV.....	Revision Level
GA(Ga).....	Gauge	RH.....	Right Hand
HRC.....	High Rated Countries	SAE.....	Society of Automotive Engineers
HVAC.....	Heating, Ventilating, and Air Conditioning	SN.....	Serial Number
HYD.....	Hydraulic	SPEC(S).....	Specifications
Hz.....	Hertz	T/T.....	Turntable
ID.....	Inside Diameter	UGM.....	Universal Ground Module
IN.....	inches	V.....	Volts
ISO.....	International Organization for Standards	W.....	Watts
JIC.....	Joint Industry Council	#.....	Number
KG.....	Kilogram		

### 10) ILLUSTRATION REFERENCE LETTERS

When necessary, illustrations may contain reference letters that are intended to track information (i. e. hoses, harnesses) from one point to another or to track visual enlargement of components to show details that may be located in another area on the illustration.

*Note: Due to continuous product improvements, JLG Industries, Inc. reserves the right to make specification changes without prior notification. Contact JLG Industries, Inc. for updated information.*



# TABLE OF CONTENTS

SECTION 1 - FRAME.....	15
FIGURE 1-1. AXLE INSTALLATION (MACHINES WITH SN STARTING WITH 03).....	16
FIGURE 1-2. AXLE INSTALLATION (MACHINES WITH SN STARTING WITH B3).....	18
FIGURE 1-3. STEER INSTALLATION WITHOUT TOW PACKAGE .....	20
FIGURE 1-4. STEER INSTALLATION WITH TOW PACKAGE .....	22
FIGURE 1-5. WHEEL DRIVE INSTALLATION (4WD).....	24
FIGURE 1-6. DRIVE HUB AND BRAKE ASSEMBLY - REAR .....	26
FIGURE 1-7. DRIVE HUB ASSEMBLY - FRONT.....	30
FIGURE 1-8. DRIVE MOTOR ASSEMBLY (4WD) .....	32
FIGURE 1-9. FRAME SHIELD INSTALLATION .....	34
FIGURE 1-10. TIRE AND WHEEL INSTALLATION - 12 X 16.5 FOAM FILLED (AVAILABLE ON ANSI, ANSI EXPORT, CSA AND JAPANESE SPECS).....	36
FIGURE 1-11. TIRE AND WHEEL INSTALLATION - 12 X 16.5 FOAM FILLED NON MARKING (AVAILABLE ON ANSI, ANSI EXPORT, CSA AND JAPANESE SPECS).....	38
FIGURE 1-12. TIRE AND WHEEL INSTALLATION - 14 X17.5 FOAM FILLED .....	40
FIGURE 1-13. TIRE AND WHEEL INSTALLATION - 14 X17.5 FOAM FILLED NON-MARKING .....	42
FIGURE 1-14. TIRE AND WHEEL INSTALLATION - 33 X 12-20 FOAM-FILLED (AVAILABLE ON ALL SPECS) .....	44
FIGURE 1-15. TIRE AND WHEEL INSTALLATION - 33 X 12-20 SOLID NON-MARKING (AVAILABLE ON ANSI EXPORT, AUSTRALIAN, CE, CIS/EAC & UK CA SPECS) .....	46
FIGURE 1-16. TIRE AND WHEEL INSTALLATION - 33/1550 X 16.5 FOAM-FILLED (AVAILABLE ON ALL SPECS).....	48
FIGURE 1-17. TIRE AND WHEEL INSTALLATION - 33 X 16L500 TURF AND SAND FOAM-FILLED (AVAILABLE ON ANSI, ANSI EXPORT & CSA SPECS).....	50
FIGURE 1-18. TIRE AND WHEEL INSTALLATION - 315/55 D20 FOAM FILLED (AVAILABLE ON ANSI EXPORT, AUSTRALIAN, CE, CHINA, CIS/EAC & UK CA SPECS).....	52
FIGURE 1-19. TIRE AND WHEEL INSTALLATION - 315/55 D20 FOAM FILLED NON-MARKING (AVAILABLE ON ANSI EXPORT, AUSTRALIAN, CE, CHINA, CIS/EAC & UK CA SPECS).....	54
FIGURE 1-20. VALVES INSTALLATION - FRAME MOUNTED (MACHINES WITH SN STARTING WITH 03) .....	56
FIGURE 1-21. VALVES INSTALLATION - FRAME MOUNTED (MACHINES WITH SN STARTING WITH B3) .....	58
FIGURE 1-22. TRACTION VALVE ASSEMBLY - 4WD.....	60
FIGURE 1-23. TOW PACKAGE INSTALLATION (OPTIONAL) .....	62
FIGURE 1-24. TOW BAR ASSEMBLY .....	64
SECTION 2 - TURNTABLE .....	67
FIGURE 2-1. VALVES INSTALLATION - TURNTABLE (MACHINES WITH SN STARTING WITH 03).....	68
FIGURE 2-2. VALVES INSTALLATION - TURNTABLE (MACHINES WITH SN STARTING WITH B3) .....	70
FIGURE 2-3. MAIN VALVE ASSEMBLY .....	72
FIGURE 2-4. AUXILIARY PUMP ASSEMBLY (MACHINES WITH SN STARTING WITH 03) .....	74
FIGURE 2-5. AUXILIARY PUMP ASSEMBLY (MACHINES WITH SN STARTING WITH B3).....	76
FIGURE 2-6. SWING DRIVE AND TURNTABLE BEARING INSTALLATION (MACHINES WITH SN STARTING WITH 03) .....	78
FIGURE 2-7. SWING DRIVE AND TURNTABLE BEARING INSTALLATION (MACHINES WITH SN STARTING WITH B3) (Prior to SN B300018389, Including B300018404).....	80
FIGURE 2-8. SWING DRIVE AND TURNTABLE BEARING INSTALLATION (MACHINES WITH SN STARTING WITH B3) (SN B300018389 to Present, Excluding B300018404) .....	82
FIGURE 2-9. SWING MOTOR ASSEMBLY (MACHINES WITH SN STARTING WITH 03).....	84
FIGURE 2-10. SWING MOTOR ASSEMBLY (MACHINES WITH SN STARTING WITH B3) (Prior to SN B300018389, Including B300018404) .....	86
FIGURE 2-11. SWING MOTOR ASSEMBLY (MACHINES WITH SN STARTING WITH B3) (SN B300018389 to Present, Excluding B300018404).....	88

# TABLE OF CONTENTS

FIGURE 2-12. TURNTABLE BEARING ASSEMBLY .....	90
FIGURE 2-13. TURNTABLE COVERS INSTALLATION.....	92
FIGURE 2-14. TURNTABLE LOCK INSTALLATION .....	94
FIGURE 2-15. TANKS INSTALLATION - DIESEL MACHINES (17 GAL HYDRAULIC TANK WITH 4 INCH BREATHER).....	96
FIGURE 2-16. TANKS INSTALLATION - DIESEL MACHINES (17 GAL HYDRAULIC TANK WITH 6 INCH BREATHER).....	98
FIGURE 2-17. TANKS INSTALLATION - DIESEL MACHINES (36 GAL HYDRAULIC TANK).....	100
FIGURE 2-18. TANKS INSTALLATION - GAS MACHINES.....	102
FIGURE 2-19. HYDRAULIC TANK ASSEMBLY - 17 GAL WITH 4 INCH BREATHER (DIESEL MACHINES).....	104
FIGURE 2-20. DRIVE ORIENTATION INSTALLATION.....	106
FIGURE 2-21. GROUND CONTROL ASSEMBLY (ALL SPECS EXCEPT CE, CIS/EAC & UK CA SPECS) .....	108
FIGURE 2-22. GROUND CONTROL ASSEMBLY (CE, CIS/EAC & UK CA SPECS).....	110
FIGURE 2-23. GROUND CONTROL ASSEMBLY (STAGE V ONLY) (CE & UK CA SPECS).....	112
FIGURE 2-24. LIGHT PANEL INSTALLATION – GROUND CONTROL.....	114
FIGURE 2-25. ELECTRICAL SYSTEM INSTALLATION (Prior to SN 0300298674, Prior to SN B300017693) .....	116
FIGURE 2-26. ELECTRICAL SYSTEM INSTALLATION (SN 0300298674 to Present, SN B300017693 to Present) .....	120
FIGURE 2-27. BEACON LIGHT INSTALLATION - AMBER (Prior to SN 0300298674, Prior to SN B300017693) .....	124
FIGURE 2-28. BEACON LIGHT INSTALLATION - AMBER (SN 0300298674 to Present, SN B300017693 to Present).....	126
FIGURE 2-29. BEACON LIGHT INSTALLATION - ORANGE.....	128
FIGURE 2-30. BEACON LIGHT INSTALLATION - BLUE.....	130
FIGURE 2-31. BEACON LIGHT INSTALLATION - RED.....	132
FIGURE 2-32. BATTERY AND CABLE INSTALLATION .....	134
FIGURE 2-33. HOODS INSTALLATION (ABS) - DEUTZ ENGINES (MACHINES WITH SN STARTING WITH 03).....	136
FIGURE 2-34. HOODS INSTALLATION (ABS) - DEUTZ ENGINES (MACHINES WITH SN STARTING WITH B3 FOR ANSI EXPORT, CHINA, RUSSIA & JAPANESE SPECS).....	140
FIGURE 2-35. HOODS INSTALLATION (ABS) - DEUTZ ENGINES (MACHINES WITH SN STARTING WITH B3 FOR AUSTRALIAN, CE & UK CA SPECS) .....	144
FIGURE 2-36. HOODS INSTALLATION (ABS) - KUBOTA ENGINE .....	148
FIGURE 2-37. HOODS INSTALLATION (STEEL) .....	152
FIGURE 2-38. HOOD ASSEMBLY (ABS) - ENGINE SIDE (MACHINES WITH SN STARTING WITH 03) .....	156
FIGURE 2-39. HOOD ASSEMBLY (ABS) - ENGINE SIDE (MACHINES WITH SN STARTING WITH B3 FOR ANSI EXPORT, CHINA, RUSSIA & JAPANESE SPECS) .....	158
FIGURE 2-40. HOOD ASSEMBLY (ABS) - ENGINE SIDE (MACHINES WITH SN STARTING WITH B3 FOR AUSTRALIAN, CE & UK CA SPECS).....	160
FIGURE 2-41. HOOD ASSEMBLY (ABS) - TANK SIDE (MACHINES WITH SN STARTING WITH 03).....	162
FIGURE 2-42. HOOD ASSEMBLY (ABS) - TANK SIDE (MACHINES WITH SN STARTING WITH B3 FOR ANSI EXPORT, CHINA, CIS/EAC & JAPANESE SPECS) .....	164
FIGURE 2-43. HOOD ASSEMBLY (ABS) - TANK SIDE (MACHINES WITH SN STARTING WITH B3 FOR AUSTRALIAN, CE & UK CA SPECS).....	166
FIGURE 2-44. HOOD ASSEMBLY (STEEL) - ENGINE SIDE.....	168
FIGURE 2-45. HOOD ASSEMBLY (STEEL) - TANK SIDE.....	170
FIGURE 2-46. WHITE NOISE ALARM AMBIENT INSTALLATION .....	172
FIGURE 2-47. WHITE NOISE ALARM INSTALLATION .....	174
SECTION 3 - ENGINE .....	177
FIGURE 3-1. ENGINE INSTALLATION - DEUTZ D2011 ENGINE (WITHOUT ARCTIC PACKAGE) (ANSI EXPORT, AUSTRALIAN, CE (LRC), CHINA CIS/EAC & UK CA SPECS) .....	178
FIGURE 3-2. ENGINE AND PUMP SUB-ASSEMBLY - DEUTZ D2011 (WITHOUT ARCTIC PACKAGE) (ANSI EXPORT, AUSTRALIAN, CE (LRC), CHINA, CIS/EAC & UK CA SPECS) .....	182



# TABLE OF CONTENTS

FIGURE 3-3. ENGINE ASSEMBLY - DEUTZ D2011 ENGINE (WITHOUT ARCTIC PACKAGE) (ANSI EXPORT, AUSTRALIAN, CE (LRC), CHINA, CIS/EAC & UK CA SPECS) .....	184
FIGURE 3-4. ENGINE INSTALLATION - DEUTZ D2011 ENGINE (WITH 17GAL HYDRAULIC TANK & ARCTIC PACKAGE) (ANSI EXPORT, CHINA & RUSSIA SPECS) .....	188
FIGURE 3-5. ENGINE INSTALLATION - DEUTZ D2011 ENGINE (WITH 36GAL HYDRAULIC TANK & ARCTIC PACKAGE) (ANSI EXPORT & RUSSIA SPECS) .....	192
FIGURE 3-6. ENGINE AND PUMP SUB-ASSEMBLY - DEUTZ D2011 (WITH ARCTIC PACKAGE) (ANSI EXPORT, CHINA, CIS/EAC & UK CA SPECS).....	196
FIGURE 3-7. ENGINE ASSEMBLY - DEUTZ D2011 ENGINE (WITH ARCTIC PACKAGE) (ANSI EXPORT, CHINA, CIS/EAC & UK CA SPECS) .....	198
FIGURE 3-8. ENGINE COMPONENTS - DEUTZ D2011 .....	202
FIGURE 3-9. ENGINE INSTALLATION - DEUTZ D2.9L4 ENGINE (WITHOUT ARCTIC PACKAGE) (ANSI, ANSI EXPORT, CSA AND JAPANESE SPECS) .....	206
FIGURE 3-10. ENGINE AND PUMP SUB-ASSEMBLY - DEUTZ D2.9L4 (WITHOUT ARCTIC PACKAGE) (ANSI, ANSI EXPORT, CSA AND JAPANESE SPECS).....	210
FIGURE 3-11. ENGINE ASSEMBLY - DEUTZ D2.9L4 ENGINE (WITHOUT ARCTIC PACKAGE) (ANSI, ANSI EXPORT, CSA AND JAPANESE SPECS) .....	212
FIGURE 3-12. ENGINE INSTALLATION - DEUTZ D2.9L4 ENGINE (WITH 17GAL HYDRAULIC TANK & ARCTIC PACKAGE) (ANSI AND CSA SPECS).....	218
FIGURE 3-13. ENGINE INSTALLATION - DEUTZ D2.9L4 ENGINE (WITH 36GAL HYDRAULIC TANK & ARCTIC PACKAGE) (ANSI AND CSA SPECS).....	224
FIGURE 3-14. ENGINE AND PUMP SUB-ASSEMBLY - DEUTZ D2.9L4 (WITH ARCTIC PACKAGE) (ANSI AND CSA SPECS) .....	230
FIGURE 3-15. ENGINE ASSEMBLY - DEUTZ D2.9L4 ENGINE (WITH ARCTIC PACKAGE) (ANSI AND CSA SPECS).....	232
FIGURE 3-16. ENGINE COMPONENTS - DEUTZ D2.9L4 ENGINE (ANSI, ANSI EXPORT, CSA AND JAPANESE SPECS).....	238
FIGURE 3-17. ENGINE INSTALLATION - DEUTZ D2.9L4 ENGINE (STAGE V) (CE & UK CA SPECS) .....	242
FIGURE 3-18. ENGINE AND PUMP SUB-ASSEMBLY - DEUTZ D2.9L4 ENGINE (STAGE V) (CE & UK CA SPECS).....	248
FIGURE 3-19. ENGINE ASSEMBLY - DEUTZ D2.9L4 ENGINE (STAGE V) (CE & UK CA SPECS) .....	250
FIGURE 3-20. ENGINE COMPONENTS - DEUTZ D2.9L4 ENGINE (STAGE V) (CE & UK CA SPECS).....	256
FIGURE 3-21. MOTOR MOUNT INSTALLATION - DEUTZ D2.9L4 ENGINE (STAGE V) WITHOUT GENERATOR.....	260
FIGURE 3-22. MOTOR MOUNT INSTALLATION - DEUTZ D2.9L4 ENGINE (STAGE V) WITH GENERATOR .....	262
FIGURE 3-23. BRACKET ASSEMBLY - FUEL PUMP AND FILTER (DEUTZ D2.9L4 ENGINE).....	264
FIGURE 3-24. BRACKET ASSEMBLY - FUEL PUMP AND FILTER (DEUTZ D2.9L4 ENGINE) (STAGE V) .....	266
FIGURE 3-25. BREATHER HEATER INSTALLATION - DEUTZ D2.9L4 ENGINE WITH ARCTIC PACKAGE.....	268
FIGURE 3-26. PUMP COUPLING KIT – DEUTZ ENGINES .....	270
FIGURE 3-27. ENGINE INSTALLATION - KUBOTA ENGINE (WITHOUT ARCTIC PACKAGE).....	272
FIGURE 3-28. ENGINE AND PUMP SUB-ASSEMBLY - KUBOTA ENGINE (WITHOUT ARCTIC PACKAGE) .....	278
FIGURE 3-29. ENGINE ASSEMBLY - KUBOTA ENGINE (WITHOUT ARCTIC PACKAGE).....	280
FIGURE 3-30. ENGINE INSTALLATION - KUBOTA ENGINE (WITH ARCTIC PACKAGE) .....	286
FIGURE 3-31. ENGINE AND PUMP SUB-ASSEMBLY - KUBOTA ENGINE (WITH ARCTIC PACKAGE) .....	292
FIGURE 3-32. ENGINE ASSEMBLY - KUBOTA ENGINE (WITH ARCTIC PACKAGE) .....	294
FIGURE 3-33. ENGINE COMPONENTS - KUBOTA.....	300
FIGURE 3-34. PUMP COUPLING KIT - KUBOTA ENGINE.....	304
FIGURE 3-35. PISTON PUMP ASSEMBLY .....	306
FIGURE 3-36. SPARK ARRESTOR INSTALLATION - DEUTZ D2011 ENGINE .....	310
FIGURE 3-37. ENGINE BAFFLE INSTALLATION - WITH DEUTZ ENGINES .....	312
FIGURE 3-38. ENGINE BAFFLE INSTALLATION – WITH KUBOTA ENGINE.....	314
FIGURE 3-39. GENERATOR INSTALLATION - 2500W/50HZ (DEUTZ D2011 ENGINE) .....	316
FIGURE 3-40. GENERATOR INSTALLATION - 2500W/60HZ (DEUTZ D2011 ENGINE) .....	320

# TABLE OF CONTENTS

FIGURE 3-41. GENERATOR INSTALLATION - 2500W/60HZ (DEUTZ D2.9L4 ENGINE).....	324
FIGURE 3-42. GENERATOR INSTALLATION - 2500W/60HZ (KUBOTA ENGINE) .....	328
FIGURE 3-43. GENERATOR INSTALLATION - 4000W/50HZ (DEUTZ D2011 ENGINE).....	332
FIGURE 3-44. GENERATOR INSTALLATION - 4000W/60HZ (DEUTZ D2011 ENGINE).....	336
FIGURE 3-45. GENERATOR INSTALLATION - 4000W/60HZ (DEUTZ D2.9L4 ENGINE).....	340
FIGURE 3-46. GENERATOR INSTALLATION - 4000W/50HZ (DEUTZ ENGINE) (STAGE V) .....	344
FIGURE 3-47. GENERATOR INSTALLATION - 7500W/50HZ (DEUTZ D2011 ENGINE).....	348
FIGURE 3-48. GENERATOR INSTALLATION - 7500W/60HZ (DEUTZ D2011 ENGINE).....	352
FIGURE 3-49. GENERATOR INSTALLATION - 7500W/60HZ (DEUTZ D2.9L4 ENGINE).....	356
FIGURE 3-50. GENERATOR INSTALLATION - 7500W/60HZ (KUBOTA ENGINE) .....	360
FIGURE 3-51. QUICKFIT OIL DRAIN INSTALLATION.....	364
SECTION 4 - BOOM.....	367
FIGURE 4-1. BOOM INSTALLATION .....	368
FIGURE 4-2. MAIN BOOM ASSEMBLY .....	370
FIGURE 4-3. TOWER BOOM ASSEMBLY .....	372
FIGURE 4-4. JIB INSTALLATION (MACHINES WITH SN STARTING WITH 03).....	374
FIGURE 4-5. JIB INSTALLATION (MACHINES WITH SN STARTING WITH B3) .....	376
FIGURE 4-6. ROTATOR ASSEMBLY.....	378
FIGURE 4-7. PLATFORM SUPPORT INSTALLATION .....	380
FIGURE 4-8. VALVES INSTALLATION - BOOM MOUNTED (MACHINES WITH SN STARTING WITH 03).....	382
FIGURE 4-9. VALVES INSTALLATION - BOOM MOUNTED (MACHINES WITH SN STARTING WITH B3) .....	384
FIGURE 4-10. UPRIGHT VALVE ASSEMBLY.....	386
FIGURE 4-11. BOOM VALVE ASSEMBLY - 450AJ .....	388
SECTION 5 - PLATFORM.....	391
FIGURE 5-1. PLATFORM ASSEMBLY - 30IN X 3FT (76CM X .91M) - DROP BAR ENTRY .....	392
FIGURE 5-2. PLATFORM ASSEMBLY - 30IN X 4FT (76CM X 1.22M) - SIDE GATE ENTRY.....	394
FIGURE 5-3. PLATFORM ASSEMBLY - 30IN X 4FT (76CM X 1.22M) - WITH DROP BAR .....	396
FIGURE 5-4. PLATFORM ASSEMBLY - 30IN X 5FT (76CM X 1.52M) - SIDE GATE ENTRY.....	398
FIGURE 5-5. PLATFORM ASSEMBLY - 30IN X 5FT (76CM X 1.52M) - WITH DROP BAR .....	400
FIGURE 5-6. PLATFORM ASSEMBLY - 30IN X 5FT (76CM X 1.52M) - FALL ARREST.....	402
FIGURE 5-7. PLATFORM ASSEMBLY - 30IN X 6FT (76CM X 1.83M) - SIDE GATE ENTRY.....	404
FIGURE 5-8. PLATFORM ASSEMBLY - 30IN X 6FT (76CM X 1.83M) - WITH DROP BAR .....	406
FIGURE 5-9. PLATFORM CONSOLE BOX INSTALLATION.....	408
FIGURE 5-10. PLATFORM CONSOLE BOX ASSEMBLY.....	410
FIGURE 5-11. LIGHT PANEL INSTALLATION - PLATFORM CONSOLE.....	412
FIGURE 5-12. CONTROLLER ASSEMBLY - DRIVE AND STEER .....	414
FIGURE 5-13. CONTROLLER ASSEMBLY - LIFT AND SWING.....	416
FIGURE 5-14. FOOTSWITCH ASSEMBLY .....	420
FIGURE 5-15. TRAY ASSEMBLY.....	422
FIGURE 5-16. USB CHARGER INSTALLATION.....	424
FIGURE 5-17. SKYEYE INSTALLATION.....	426
FIGURE 5-18. SKYGUARD BAR INSTALLATION.....	428
FIGURE 5-19. SKYLINE INSTALLATION .....	430
FIGURE 5-20. SKYGLAZIER INSTALLATION (ANSI, AUSTRALIAN & CSA SPECS).....	432

# TABLE OF CONTENTS

FIGURE 5-21. SKYWELDER INSTALLATION (50HZ).....	434
FIGURE 5-22. SKYWELDER INSTALLATION (60HZ).....	436
FIGURE 5-23. SKYWELDER PREP PACKAGE INSTALLATION .....	438
FIGURE 5-24. WELDER ASSEMBLY .....	440
FIGURE 5-25. SOFT TOUCH INSTALLATION (WITHOUT FALL ARREST) .....	442
FIGURE 5-26. SOFT TOUCH INSTALLATION (WITH FALL ARREST).....	444
FIGURE 5-27. FALL ARREST INSTALLATION (BOLT-ON) (5FT/1.52M PLATFORM) .....	446
FIGURE 5-28. FALL ARREST INSTALLATION (BOLT-ON) (4FT/1.22M PLATFORM) .....	448
SECTION 6 - CYLINDER.....	451
FIGURE 6-1. AXLE LOCKOUT CYLINDER ASSEMBLY (MACHINES WITH SN STARTING WITH 03).....	452
FIGURE 6-2. AXLE LOCKOUT CYLINDER ASSEMBLY (MACHINES WITH SN STARTING WITH B3) .....	454
FIGURE 6-3. LEVEL (PLATFORM SLAVE) CYLINDER ASSEMBLY .....	456
FIGURE 6-4. LIFT CYLINDER ASSEMBLY - JIB.....	458
FIGURE 6-5. LIFT CYLINDER ASSEMBLY - MAIN LIFT.....	460
FIGURE 6-6. LIFT CYLINDER ASSEMBLY - TOWER BOOM.....	462
FIGURE 6-7. MASTER CYLINDER ASSEMBLY.....	464
FIGURE 6-8. STEER CYLINDER ASSEMBLY.....	466
FIGURE 6-9. TELESCOPE CYLINDER ASSEMBLY .....	468
SECTION 7 - HYDRAULIC .....	471
FIGURE 7-1. 4WD HYDRAULIC SYSTEM INSTALLATION (WITH 17GAL HYDRAULIC TANK) (MACHINES WITH SN STARTING WITH 03) .....	472
FIGURE 7-2. 4WD HYDRAULIC SYSTEM INSTALLATION (WITH 36GAL HYDRAULIC TANK) (MACHINES WITH SN STARTING WITH 03).....	478
FIGURE 7-3. 4WD HYDRAULIC SYSTEM INSTALLATION (MACHINES WITH SN STARTING WITH B3) .....	484
SECTION 8 - ELECTRICAL.....	491
FIGURE 8-1. AC BOX AT PLATFORM INSTALLATION - 110V - ANSI, ANSI EXPORT, CHINA, CSA AND JAPANESE SPECS .....	492
FIGURE 8-2. AC BOX AT PLATFORM INSTALLATION - 110V IEC YELLOW (CE, CIS/EAC & UK CA SPECS WITH 4000W/50HZ GENERATOR).....	494
FIGURE 8-3. AC BOX AT PLATFORM INSTALLATION - 110V IEC 60309 YELLOW WITHOUT 2500W GENERATOR (CE, CIS/EAC & UK CA SPECS).....	496
FIGURE 8-4. AC BOX AT PLATFORM INSTALLATION - 220V IEC BLUE (CE, CIS/EAC & UK CA SPECS WITH 4000W/50HZ GENERATOR).....	498
FIGURE 8-5. AC BOX AT PLATFORM INSTALLATION - 220V IEC 60309 BLUE WITHOUT 2500W GENERATOR (CE, CIS/EAC & UK CA SPECS).....	500
FIGURE 8-6. AC BOX AT PLATFORM INSTALLATION - 220V CEE7 POST GROUND (2X4 BOX) WITHOUT 2500W GENERATOR (CE, CIS/EAC & UK CA SPECS).....	502
FIGURE 8-7. AC BOX AT PLATFORM INSTALLATION - 220V CEE7 SIDE GROUND (2X4 BOX) WITHOUT 2500W GENERATOR (CE, CIS/EAC & UK CA SPECS).....	504
FIGURE 8-8. AC BOX AT PLATFORM INSTALLATION - 220V CEE7 2IN X 4IN POST GROUND (CE, CIS/EAC & UK CA SPECS WITH 4000W/50HZ GENERATOR) .....	506
FIGURE 8-9. AC BOX AT PLATFORM INSTALLATION - 220V CEE7 2IN X 4IN SIDE GROUND (CE, CIS/EAC & UK CA SPECS WITH 4000W/50HZ GENERATOR).....	508
FIGURE 8-10. AC BOX AT PLATFORM INSTALLATION - 220V AFSINT107 (CE, CIS/EAC & UK CA SPECS WITH 4000W/50HZ GENERATOR).....	510
FIGURE 8-11. AC BOX AT PLATFORM INSTALLATION - 220V AFSINT 107 KEYED GROUND (2X4 BOX) WITHOUT 2500W GENERATOR (CE, CIS/EAC & UK CA SPECS).....	512

# TABLE OF CONTENTS

FIGURE 8-12. AC BOX AT PLATFORM INSTALLATION - 220V CUSTOMER SUPPLIED COMPONENTS (AUSTRALIAN, CE & UK CA SPECS).....	514
FIGURE 8-13. AC BOX AT PLATFORM INSTALLATION - 240V (WITH 4000W GENERATOR) (ANSI, ANSI EXPORT, CSA AND JAPANESE SPECS).....	516
FIGURE 8-14. AC BOX AT PLATFORM INSTALLATION - 240V (WITH 7500W SKYPOWER GENERATOR) (ANSI, ANSI EXPORT, CSA AND JAPANESE SPECS).....	518
FIGURE 8-15. AC CABLE INSTALLATION - WITH TWO BREAKERS (CE, CIS/EAC & UK CA SPECS) .....	520
FIGURE 8-16. AC CABLE INSTALLATION - WITH THREE BREAKERS (CE, CIS/EAC & UK CA SPECS).....	522
FIGURE 8-17. AC CABLE AND PLUG INSTALLATION (MACHINES WITH SN STARTING WITH B3) .....	524
FIGURE 8-18. BATTERY DISCONNECT SWITCH .....	526
FIGURE 8-19. BEACON LIGHT HARNESS (BLUE AND RED BEACON LIGHT) .....	528
FIGURE 8-20. BEACON JUMPER HARNESS (AMBER LIGHT) (Prior to SN 0300298674, Prior to SN B300017693) .....	530
FIGURE 8-21. BEACON JUMPER HARNESS (AMBER LIGHT) (SN 0300298674 to Present, SN B300017693 to Present) .....	532
FIGURE 8-22. BEACON JUMPER HARNESS (ORANGE LIGHT) .....	534
FIGURE 8-23. BOOM CABLES AND CLAMPS INSTALLATION (MACHINES WITHOUT GENERATOR & WITHOUT AC CABLES).....	536
FIGURE 8-24. BOOM CABLES AND CLAMPS INSTALLATION (MACHINES WITHOUT GENERATOR & WITH AC CABLES).....	540
FIGURE 8-25. BOOM CABLES AND CLAMPS INSTALLATION (MACHINES WITHOUT GENERATOR AND WITH ARCTIC PACKAGE).....	544
FIGURE 8-26. BOOM CABLES AND CLAMPS INSTALLATION (MACHINES WITH 50HZ 4000W GENERATOR) .....	548
FIGURE 8-27. BOOM CABLES AND CLAMPS INSTALLATION (MACHINES WITH 60HZ 4000W GENERATOR) .....	552
FIGURE 8-28. BOOM CABLES AND CLAMPS INSTALLATION (MACHINES WITH 7500W GENERATOR).....	556
FIGURE 8-29. BOOM CABLES AND CLAMPS INSTALLATION (MACHINES WITH 7500W GENERATOR AND WITH ARCTIC PACKAGE).....	560
FIGURE 8-30. BOOM HARNESS (MAIN BOOM) (WITHOUT ARCTIC PACKAGE).....	564
FIGURE 8-31. BOOM HARNESS (MAIN BOOM) (WITH ARCTIC PACKAGE) .....	566
FIGURE 8-32. BOOM HARNESS (MAIN BOOM AC CABLE) (WITHOUT GENERATOR AND WITHOUT ARCTIC PACKAGE).....	568
FIGURE 8-33. BOOM HARNESS (MAIN BOOM AC CABLE) (WITHOUT GENERATOR AND WITH ARCTIC PACKAGE).....	570
FIGURE 8-34. BOOM HARNESS - TOWER BOOM (WITHOUT ARCTIC PACKAGE) .....	572
FIGURE 8-35. BOOM HARNESS - TOWER BOOM (WITH ARCTIC PACKAGE).....	574
FIGURE 8-36. BOOM HARNESS - TOWER BOOM AC CABLE (WITHOUT ARCTIC PACKAGE).....	576
FIGURE 8-37. BOOM HARNESS - TOWER BOOM AC CABLE (WITH ARCTIC PACKAGE) .....	578
FIGURE 8-38. BOOM SENSORS INSTALLATION.....	580
FIGURE 8-39. BOOM SENSOR HARNESS .....	582
FIGURE 8-40. BREAKER BOX KIT WITH SINGLE DOUBLE POLE BREAKER (CE, CIS/EAC & UK CA SPECS).....	584
FIGURE 8-41. BREAKER BOX KIT WITH THREE BREAKERS (CE, CIS/EAC & UK CA SPECS).....	586
FIGURE 8-42. BREAKER BOX KIT - 30MA/16 AMP .....	588
FIGURE 8-43. CAPACITY HARNESS .....	590
FIGURE 8-44. CHASSIS SOLENOID HARNESS .....	592
FIGURE 8-45. ENGINE HARNESS - DEUTZ D2011 .....	594
FIGURE 8-46. ENGINE HARNESS - DEUTZ D2.9L4.....	596
FIGURE 8-47. ENGINE HARNESS.....	600
FIGURE 8-48. ENGINE HARNESS - KUBOTA.....	604
FIGURE 8-49. FUEL HARNESS - DEUTZ D2.9L4 ENGINE.....	606
FIGURE 8-50. GENERATOR HARNESS - 2500W GENERATOR (60HZ) .....	608
FIGURE 8-51. GENERATOR HARNESS - 2500W GENERATOR (50HZ) .....	610
FIGURE 8-52. GENERATOR HARNESS - 4000W GENERATOR .....	612

# TABLE OF CONTENTS

FIGURE 8-53. GROUND CONTROL PANEL HARNESS.....	614
FIGURE 8-54. KUBOTA D/F POWER HARNESS.....	616
FIGURE 8-55. PLATFORM CONSOLE BOX HARNESS .....	618
FIGURE 8-56. PLATFORM INTERFACE HARNESS .....	620
FIGURE 8-57. RECEPTACLE BOX KIT - 110V IEC YELLOW (CE, CIS/EAC & UK CA SPECS).....	622
FIGURE 8-58. RECEPTACLE BOX KIT - 220V IEC BLUE (CE, CIS/EAC & UK CA SPECS) .....	624
FIGURE 8-59. RECEPTACLE BOX KIT - 220V CEE7 POST GROUND 2IN X 4IN BOX (CE, CIS/EAC & UK CA SPECS).....	626
FIGURE 8-60. RECEPTACLE BOX KIT - 220V CEE7 SIDE GROUND 2IN X 4IN BOX (CE, CIS/EAC & UK CA SPECS).....	628
FIGURE 8-61. RECEPTACLE BOX KIT - 220V AFSINT 107 (CE, CIS/EAC & UK CA SPECS).....	630
FIGURE 8-62. SKYEYE INTERMEDIATE HARNESS.....	632
FIGURE 8-63. SKYEYE RECEIVER HARNESS .....	634
FIGURE 8-64. SKYEYE EMITTER HARNESS.....	636
FIGURE 8-65. SKYLINE HARNESS.....	638
FIGURE 8-66. TRANSPORT HARNESS.....	640
FIGURE 8-67. TURNTABLE HARNESS (Prior to SN 0300298674, Prior to SN B300017693) .....	642
FIGURE 8-68. TURNTABLE HARNESS (SN 0300298674 to Present, SN B300017693 to Present) .....	646
FIGURE 8-69. VALVE HARNESS - BOOM .....	650
FIGURE 8-70. VALVE HARNESS - MAIN VALVE (Prior to SN 0300298674, Prior to SN B300017693) .....	652
FIGURE 8-71. VALVE HARNESS - MAIN VALVE (SN 0300298674 to Present, SN B300017693 to Present).....	654
FIGURE 8-72. VALVE HARNESS - PLATFORM VALVE .....	656
SECTION 9 - DECALS.....	659
FIGURE 9-1. DECAL INSTALLATION - ANSI, ANSI EXPORT AND CSA SPECS WITH DEUTZ ENGINES (ENGLISH LANGUAGE) .....	660
FIGURE 9-2. DECAL INSTALLATION - ANSI AND ANSI EXPORT SPECS WITH KUBOTA ENGINES (ENGLISH LANGUAGE) .....	662
FIGURE 9-3. DECAL INSTALLATION - AUSTRALIAN SPEC (ENGLISH LANGUAGE) .....	664
FIGURE 9-4. DECAL INSTALLATION - BRAZIL SPEC (PORTUGUESE/SPANISH LANGUAGES).....	666
FIGURE 9-5. DECAL INSTALLATION - CE & UK CA SPEC (ENGLISH LANGUAGE).....	668
FIGURE 9-6. DECAL INSTALLATION - CSA SPEC WITH DEUTZ ENGINES (FRENCH/ENGLISH LANGUAGES) .....	670
FIGURE 9-7. DECAL INSTALLATION - CSA SPEC WITH KUBOTA ENGINES (FRENCH/ENGLISH LANGUAGES) .....	672
FIGURE 9-8. DECAL INSTALLATION - CHINESE SPEC (CHINESE/ENGLISH LANGUAGES).....	674
FIGURE 9-9. DECAL INSTALLATION - JAPANESE SPEC (JAPANESE/ENGLISH LANGUAGES) .....	676
FIGURE 9-10. DECAL INSTALLATION - KOREAN SPEC (KOREAN/ENGLISH LANGUAGES) .....	678
FIGURE 9-11. DECAL INSTALLATION - LATIN AMERICA SPEC (SPANISH/ENGLISH LANGUAGES) .....	680
FIGURE 9-12. DECAL INSTALLATION - OPTIONS .....	682
FIGURE 9-13. TOW BAR DECAL INSTALLATION - ENGLISH LANGUAGE (ANSI, ANSI EXPORT, CE, CHINA, CIS/EAC, JAPANESE & UK CA SPECS) .....	686
FIGURE 9-14. TOW BAR DECAL INSTALLATION - ENGLISH/SPANISH LANGUAGE (ANSI EXPORT SPECS) .....	688
FIGURE 9-15. TOW BAR DECAL INSTALLATION - SPANISH LANGUAGE (ANSI EXPORT, CE, CIS/EAC & UK CA SPECS).....	690
FIGURE 9-16. SKYWELDER DECAL INSTALLATION – 50HZ (ANSI EXPORT SPECS).....	692
FIGURE 9-17. SKYWELDER DECAL INSTALLATION - 60HZ (ANSI EXPORT SPECS).....	694
SECTION 10 - RECOMMENDED SERVICE PARTS STOCK .....	697
FIGURE 10-1. RECOMMENDED SERVICE PARTS STOCK .....	698
SECTION 11 - SPECIAL OPTIONS/ACCESSORIES/KITS .....	701

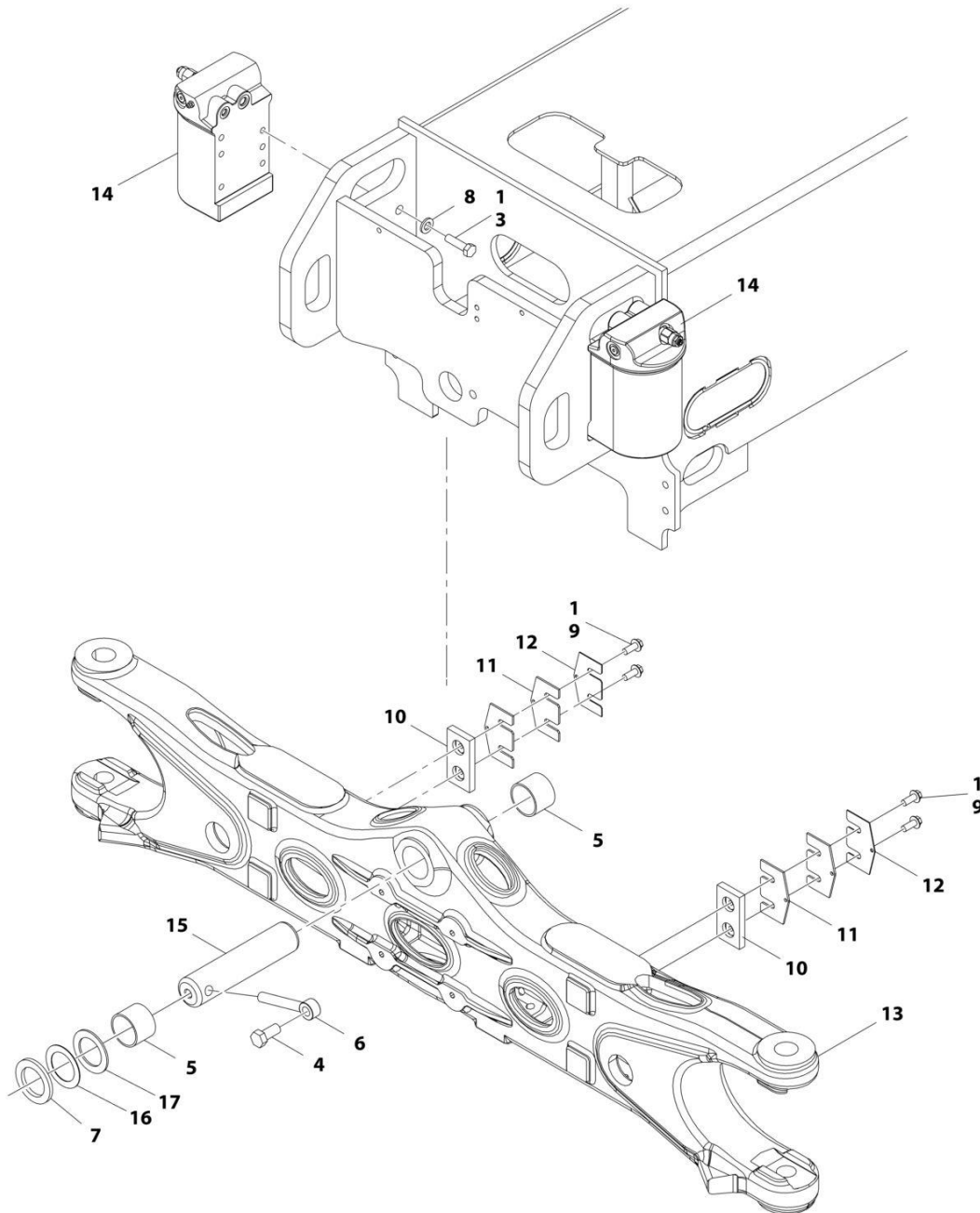
# TABLE OF CONTENTS

FIGURE 11-1. SPECIAL OPTIONS/ACCESSORIES/KITS.....	702
PART NUMBER INDEX.....	707

**SECTION 1 - FRAME**

# SECTION 1 - FRAME

FIGURE 1-1. AXLE INSTALLATION (MACHINES WITH SN STARTING WITH 03)



ART\_1001164093



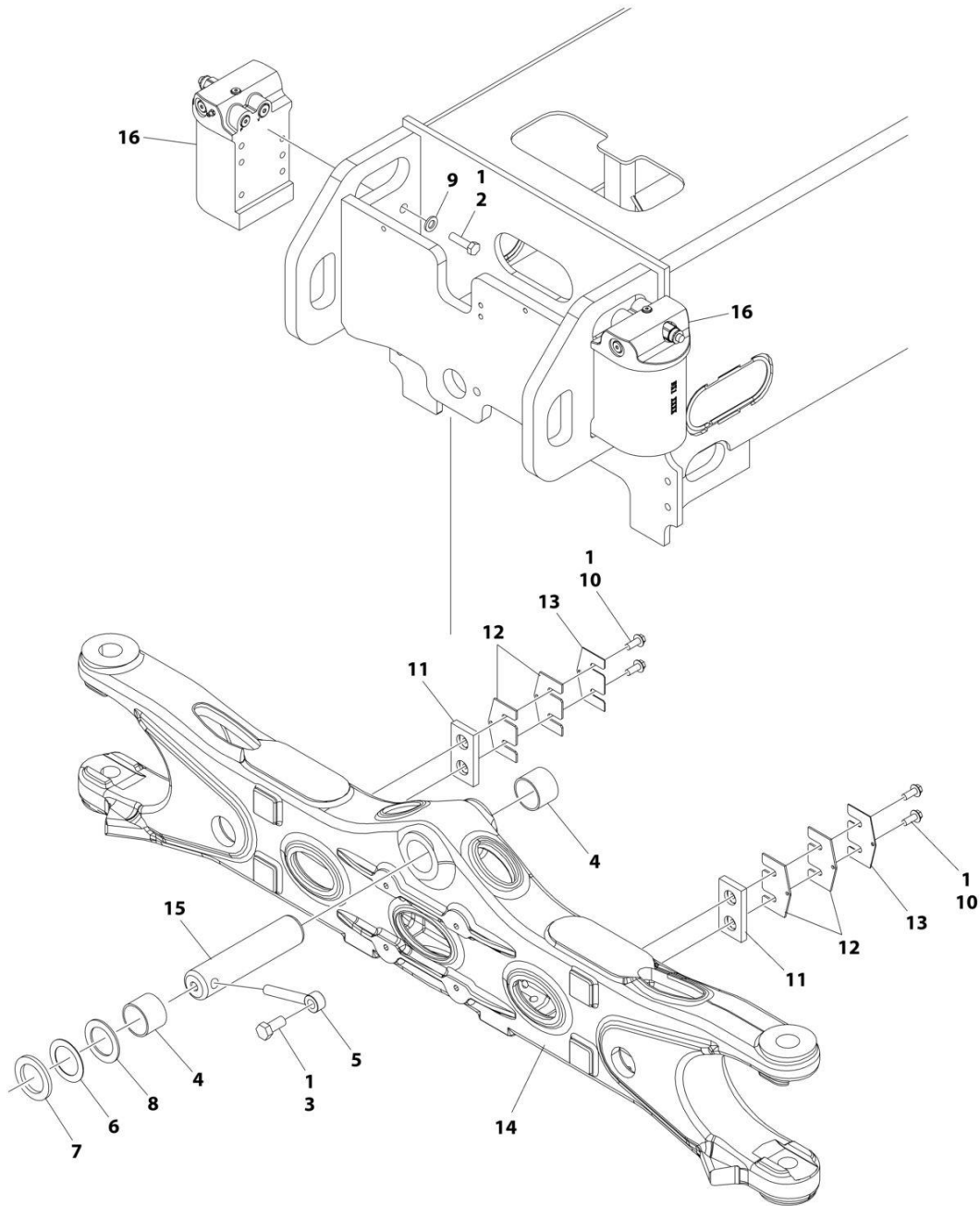
## SECTION 1 - FRAME

**FIGURE 1-1. AXLE INSTALLATION (MACHINES WITH SN STARTING WITH 03)**

ITEM	PART NUMBER	QTY	DESCRIPTION	REV
	1001164093	Ref	AXLE INSTALLATION	D
1	0100011	AR	Compound, Locking	
3	0701217	8	Bolt M12 x 45	
4	0761615	1	Bolt M16 x 35	
5	0961950	2	Bearing	
6	3841258	1	Keeper, Pin	
7	4740158	AR	Washer	
8	5241200	8	Washer M12	
9	5251012	4	Bolt M10 x 25	
10	1001118511	2	Pad, Wear	
11	1001118518	4	Shim 11Ga	
12	1001118519	2	Shim 16Ga	
13	1001162995	1	Axle	
14	1001163580	2	Axle Lockout Cylinder Assembly (See Separate Breakdown in CYLINDER SECTION)	
15	1001185030	1	Pin	
16	4071101	AR	Shim	
17	4740229	AR	Washer	

# SECTION 1 - FRAME

FIGURE 1-2. AXLE INSTALLATION (MACHINES WITH SN STARTING WITH B3)



ART\_1001264981

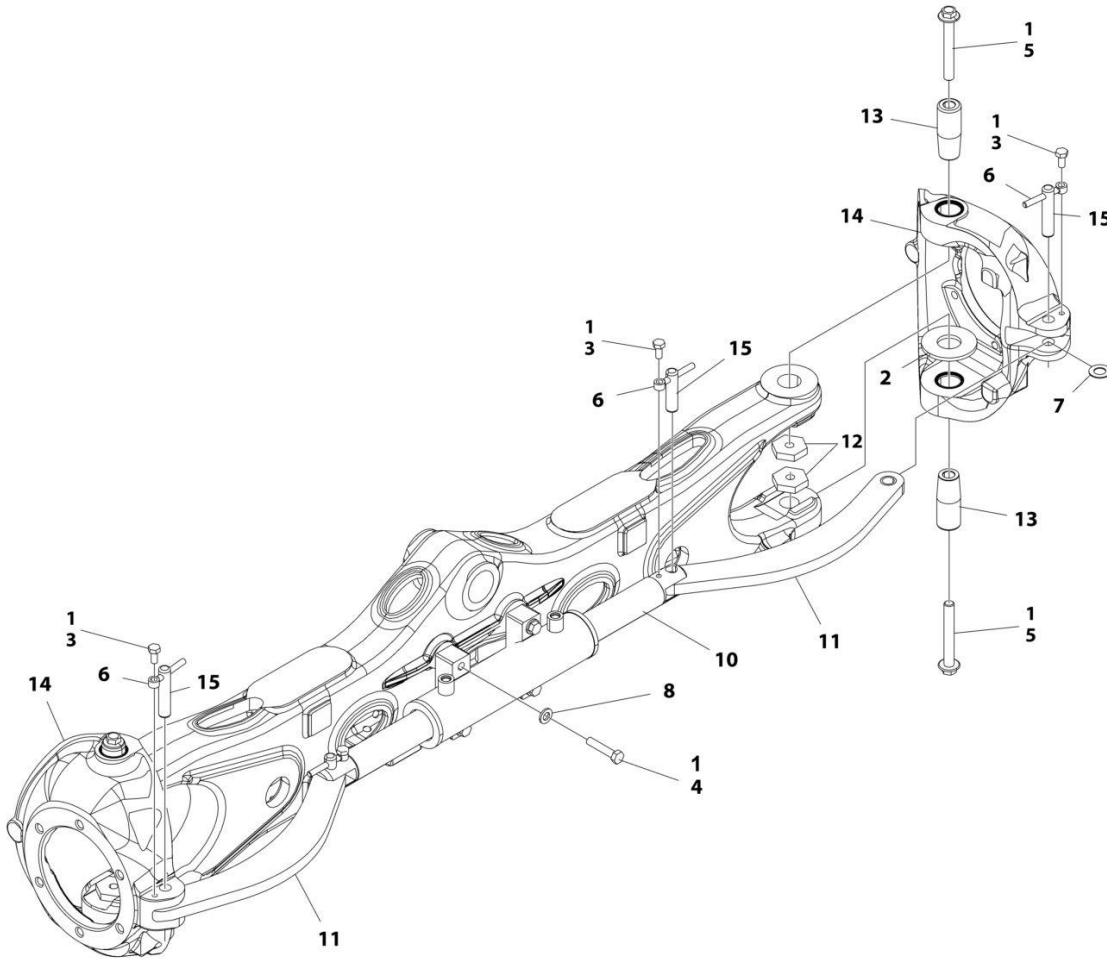
## SECTION 1 - FRAME

**FIGURE 1-2. AXLE INSTALLATION (MACHINES WITH SN STARTING WITH B3)**

ITEM	PART NUMBER	QTY	DESCRIPTION	REV
	1001264981	Ref	AXLE INSTALLATION	B
1	0100011	AR	Compound, Locking	
2	0701217	8	Bolt M12 x 45	
3	0761615	1	Bolt M16 x 35	
4	0961950	2	Bearing	
5	3841258	1	Keeper, Pin	
6	4071101	AR	Shim	
7	4740158	AR	Washer	
8	4740229	AR	Washer	
9	5241200	8	Washer M12	
10	5251012	4	Bolt M10 x 25	
11	1001118511	2	Pad, Wear	
12	1001118518	AR	Shim 11Ga	
13	1001118519	AR	Shim 16Ga	
14	1001162995	1	Axle	
15	1001185030	1	Pin	
16	1001256179	2	Axle Lockout Cylinder Assembly (See Separate Breakdown in CYLINDER Section)	

# SECTION 1 - FRAME

## FIGURE 1-3. STEER INSTALLATION WITHOUT TOW PACKAGE



ART\_1001164092

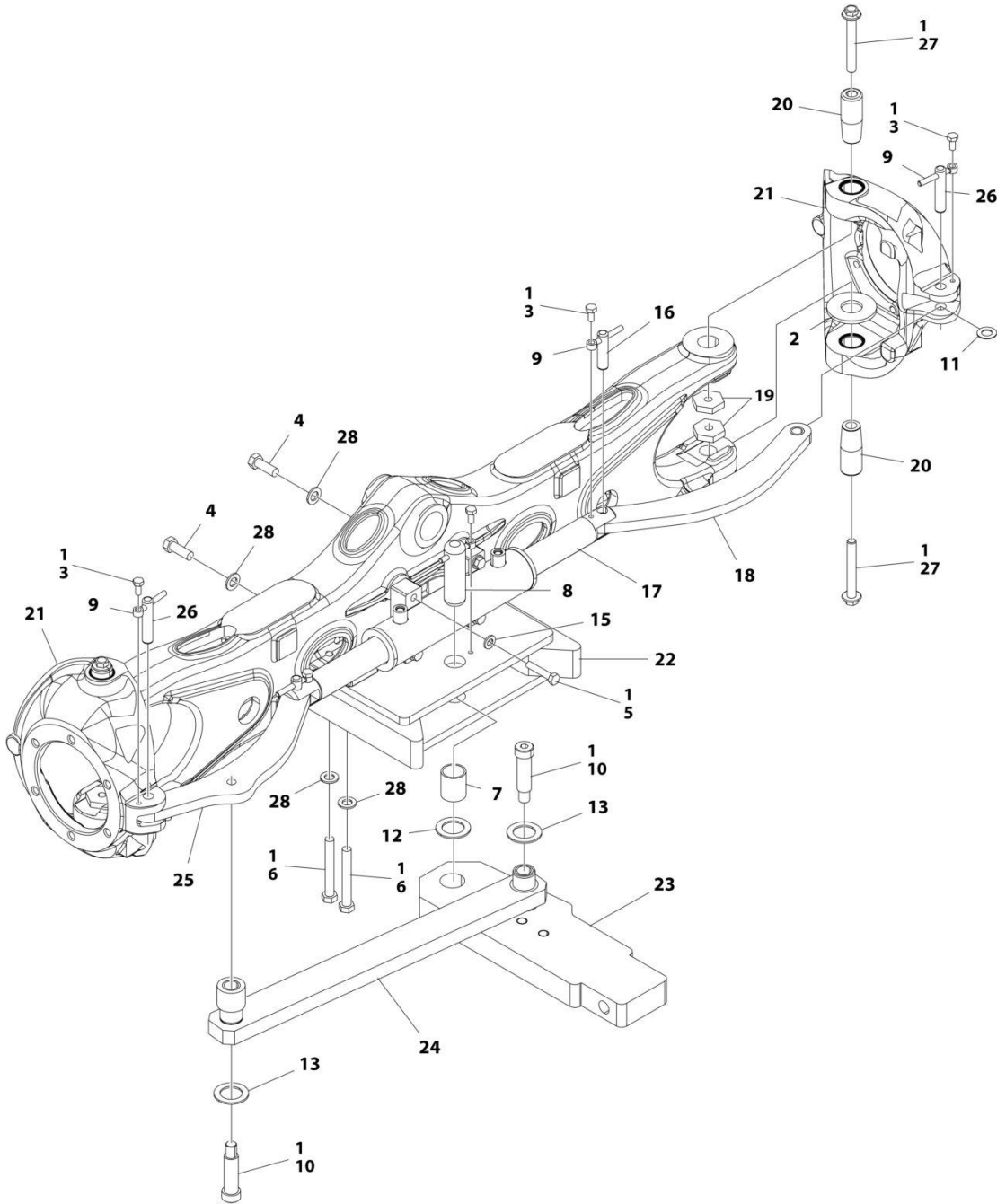
## SECTION 1 - FRAME

**FIGURE 1-3. STEER INSTALLATION WITHOUT TOW PACKAGE**

ITEM	PART NUMBER	QTY	DESCRIPTION	REV
	1001164092	Ref	STEER INSTALLATION WITHOUT TOW PACKAGE	F
1	0100011	AR	Compound, Locking	
2	1001233139	2	Bearing, Thrust	
3	0761011	4	Bolt M10 x 22	
4	0711220	4	Bolt M12 x 60 Grade 10.9	
5	1001190368	4	Bolt M16 x 120	
6	3841143	4	Keeper, Pin	
7	4740086	4	Washer	
8	5241200	4	Washer M12	
10	1001163178	1	Steer Cylinder Assembly (See Separate Breakdown in CYLINDER SECTION)	
11	1001163179	2	Link	
11	1001164209	4	Bearing (2 Per Link)	
12	1001176848	4	Nut M16	
13	1001163405	4	Kingpin	
14	1001163715	2	Spindle	
14	0961948	4	Bearing (2 Per Spindle)	
14	1001163716	8	Seal (4 Per Spindle)	
15	3423304	4	Pin	

# SECTION 1 - FRAME

## FIGURE 1-4. STEER INSTALLATION WITH TOW PACKAGE



ART\_1001164095

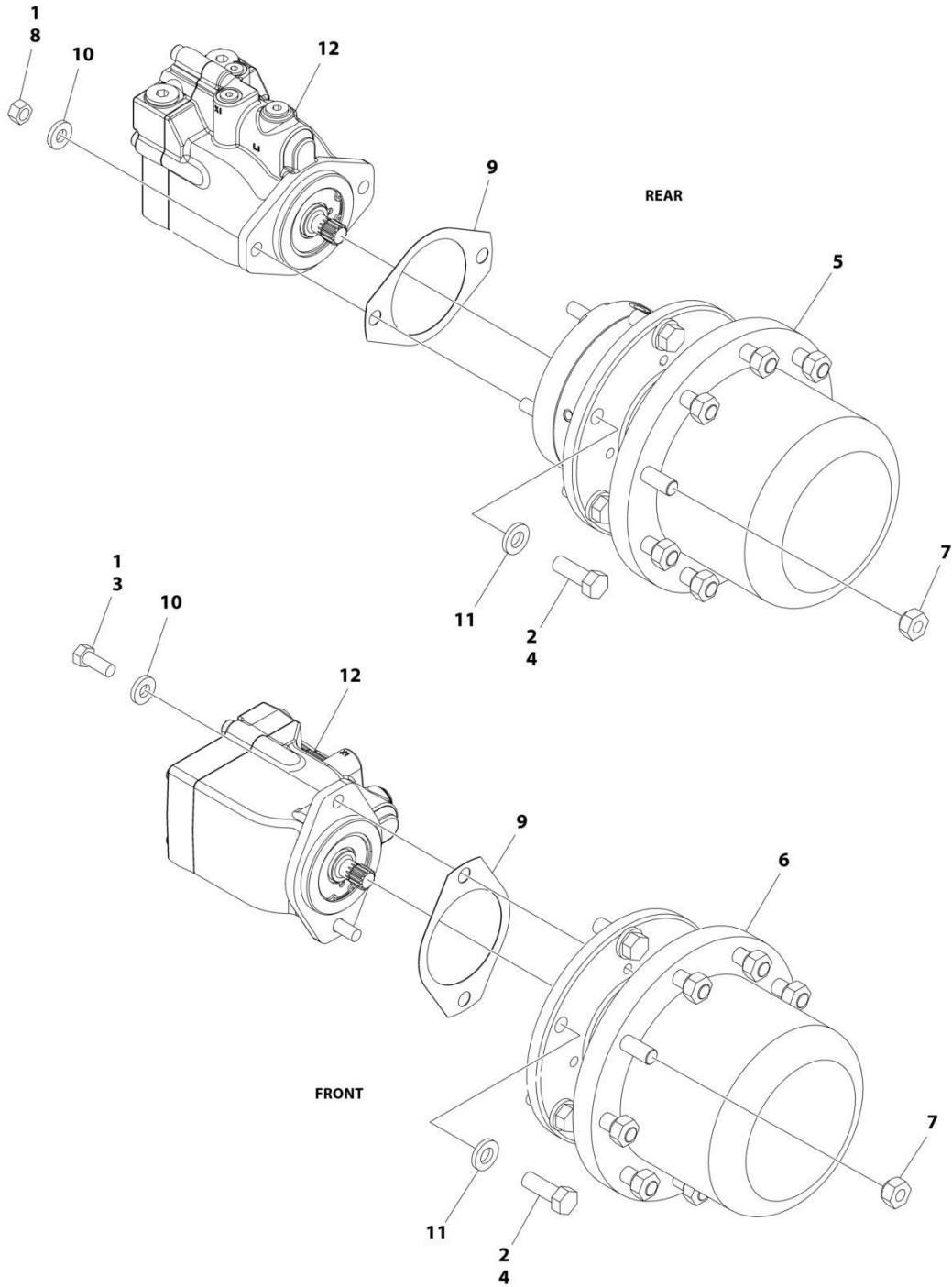
## SECTION 1 - FRAME

### FIGURE 1-4. STEER INSTALLATION WITH TOW PACKAGE

ITEM	PART NUMBER	QTY	DESCRIPTION	REV
	1001164095	Ref	STEER INSTALLATION WITH TOW PACKAGE	D
1	0100011	AR	Compound, Locking	
2	0440271	2	Bearing, Thrust	
3	0761011	5	Bolt M10 x 22	
4	0701617	2	Bolt M16 x 45	
5	0711220	4	Bolt M12 x 60 Grade 10.9	
6	0711629	4	Bolt M16 x 120	
7	0962348	1	Bearing	
8	3422848	1	Pin	
9	3841143	5	Keeper, Pin	
10	3900295	2	Bolt 1 X 3	
11	4740086	4	Washer	
12	4740155	1	Washer	
13	4740491	2	Washer	
15	5241200	4	Washer M12	
16	1001139586	2	Pin	
17	1001163178	1	Steer Cylinder Assembly (See Separate Breakdown in CYLINDER SECTION)	
18	1001163179	1	Link	
18	1001164209	2	Bearing	
19	1001176848	4	Nut M16	
20	1001163405	4	Kingpin	
21	1001163715	2	Spindle	
21	0961948	4	Bearing (2 per Spindle)	
21	1001163716	8	Seal (4 per Spindle)	
22	1001163717	1	Bracket, Tow	
23	1001163722	1	Plate	
24	1001163724	1	Link	
24	0962292	4	Bearing	
25	1001163726	1	Link	
25	1001164209	2	Bearing	
26	3423304	2	Pin	
27	1001190368	4	Bolt M16 x 120	
28	5241600	6	Washer M16	

# SECTION 1 - FRAME

## FIGURE 1-5. WHEEL DRIVE INSTALLATION (4WD)



ART\_1001285012



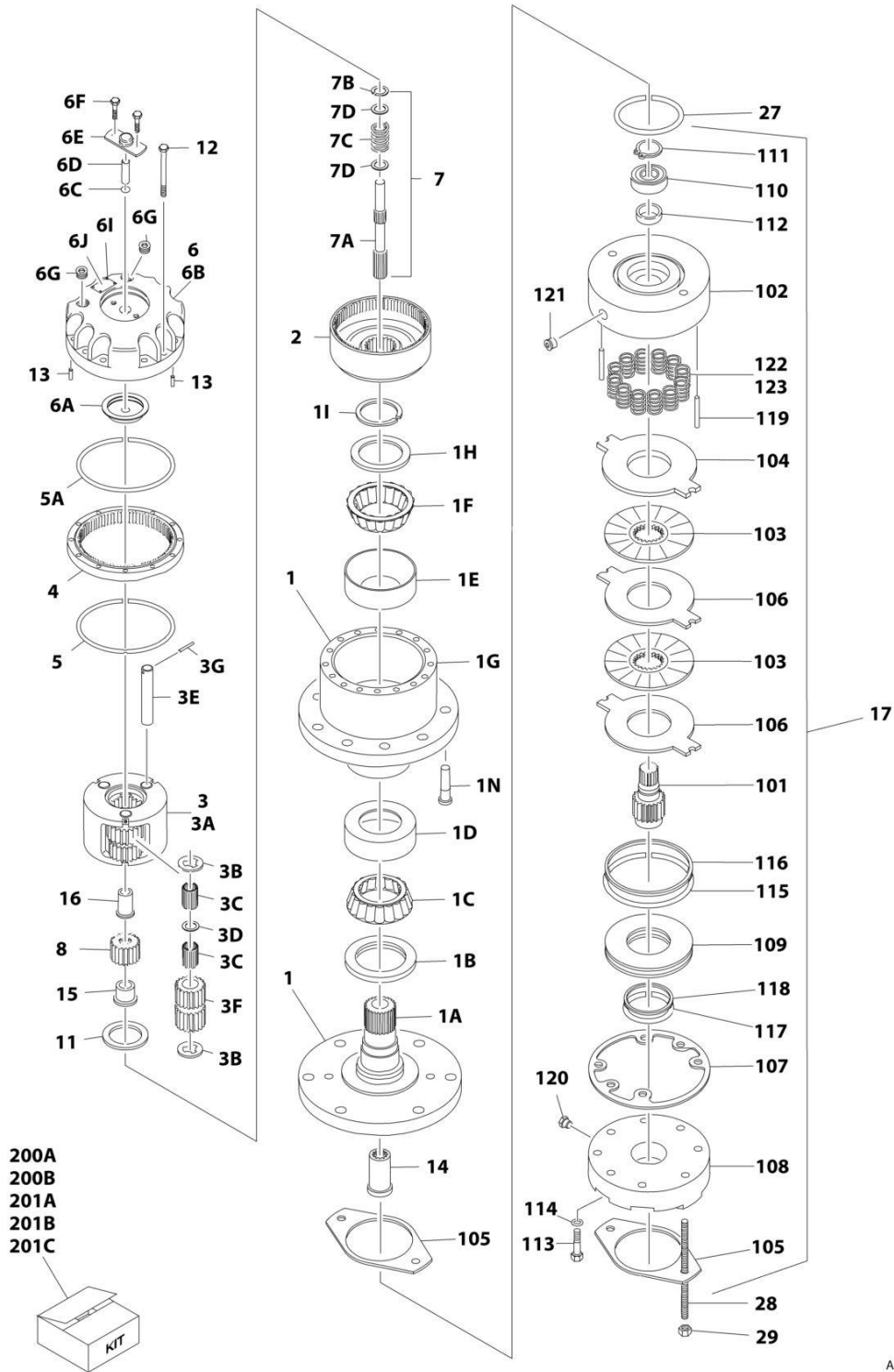
## SECTION 1 - FRAME

**FIGURE 1-5. WHEEL DRIVE INSTALLATION (4WD)**

ITEM	PART NUMBER	QTY	DESCRIPTION	REV
	1001285012	Ref	WHEEL DRIVE INSTALLATION (4WD)	A
1	0100011	AR	Compound, Locking	
2	0100019	AR	Compound, Locking	
3	0681810	4	Bolt 1/2 x 1-1/4 Grade 8	
4	0682014	24	Bolt 5/8 x 1-3/4 Grade 8	
5	2780267	2	Drive Hub Assembly - Rear (See Separate Breakdown in this Section)	
6	2780268	2	Drive Hub Assembly - Front (See Separate Breakdown in this Section)	
7	3300106	36	Lugnut	
8	3311801	4	Nut 1/2	
9	3960526	4	Gasket, Brake	
10	4891800	8	Washer 1/2	
11	4892000	24	Washer 5/8	
12	1001278022	4	Drive Motor Assembly (See Separate Breakdown in this Section)	

# SECTION 1 - FRAME

## FIGURE 1-6. DRIVE HUB AND BRAKE ASSEMBLY - REAR



# SECTION 1 - FRAME

## FIGURE 1-6. DRIVE HUB AND BRAKE ASSEMBLY - REAR

ITEM	PART NUMBER	QTY	DESCRIPTION	REV
	2780267	Ref	DRIVE HUB AND BRAKE ASSEMBLY - REAR	I
1	See Note	1	Spindle/Housing Assembly (Note: Purchase Individual Components)	
1A	7017059	1	Spindle	
1B	7001998	1	Seal	
1C	7010429	1	Cone, Bearing (Includes Item 1D)	
1D	7010429	1	Cup, Bearing (Includes Item 1C)	
1E	7000257	1	Cup, Bearing	
1F	7000258	1	Cone, Bearing	
1G	7007601	1	Housing/Ring Gear	
1H	7000232	1	Washer, Thrust	
1I	7000229	1	Ring, Retaining	
1N	7007640	9	Stud, Wheel	
2	7000246	1	Gear, Internal	
3	7024712	1	Carrier Assembly	
3A	See Note	1	Carrier (Note: Use Item 3)	
3B	See Note	6	Ring, Retaining (Note: Use Item 3)	
3C	See Note	AR	Bearing, Needle (Note: Use Item 3)	
3D	See Note	3	Washer, Thrust (Note: Use Item 3)	
3E	See Note	3	Shaft, Planet (Note: Use Item 3)	
3F	See Note	3	Gear, Planet (Note: Use Item 3)	
3G	See Note	3	Roll Pin (Note: Use Item 3)	
4	7000248	1	Ring Gear	
5	7000230	1	O-Ring	
5A	7017070	1	O-Ring	
6	70001349	1	Cover Assembly Kit	
6A	See Note	1	Spacer, Thrust (Note: Use Item 6)	
6B	See Note	1	Plate, Cover (Note: Use Item 6)	
6C	See Note	1	O-Ring (Note: Use Item 6)	
6D	See Note	1	Rod, Disconnect (Note: Use Item 6)	
6E	See Note	1	Cap, Disengage (Note: Use Item 6)	
6F	See Note	2	Bolt (Note: Use Item 6)	
6G	See Note	1	Plug, Pipe (Note: Use Item 6)	
6I	See Note	4	Rivet (Note: Not Available for Purchase)	
6J	See Note	1	Plate, ID (Note: Not Available for Purchase)	
7		Ref	Input Shaft Assembly	
7A	7024714	1	Shaft	
7B	7000261	1	Ring, Retaining	
7C	7000262	1	Spring	
7D	7000263	2	Spacer, Thrust	
8	7024713	1	Gear, Sun	
11	7000253	1	Washer, Thrust	
12	7017067	12	Bolt	
13	7017080	4	Pin, Dowel	
14	7000206	1	Coupling	
15	7024715	1	Spacer, Input	
16	7024716	1	Spacer, Input	
17	7024182	1	Brake Assembly (See Items 101-123 for Breakdown)	
27	7024705	1	O-Ring	
28	7024717	2	Rod, Threaded	

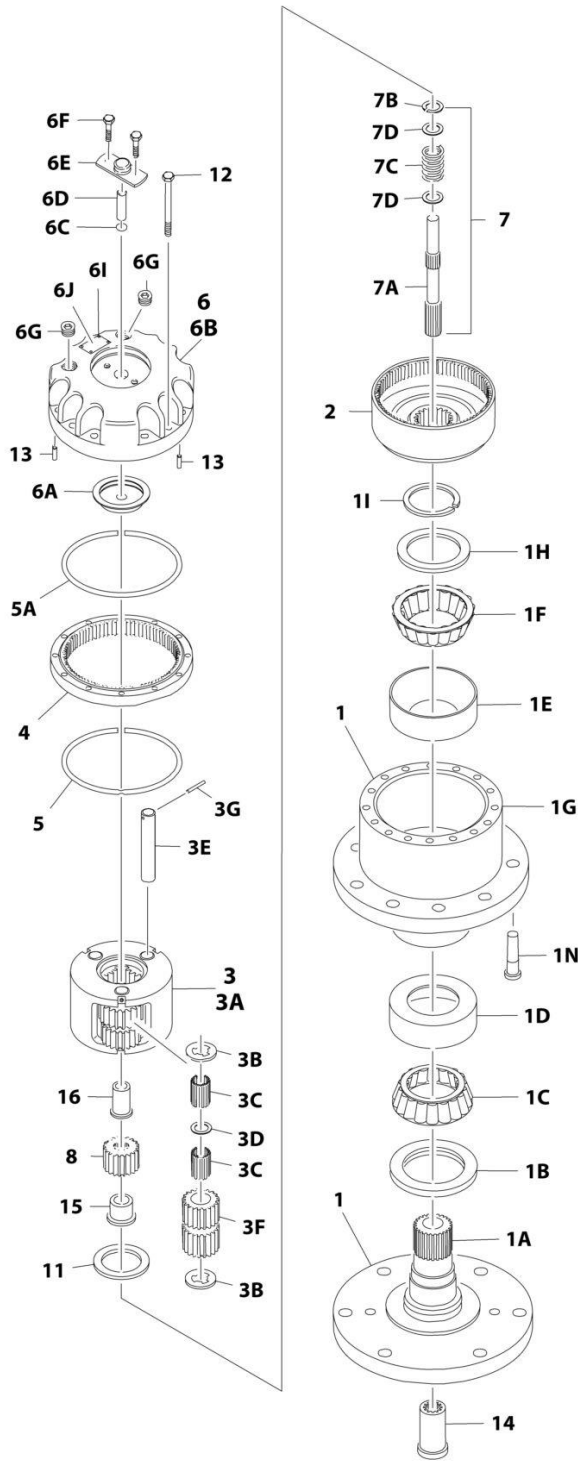
## SECTION 1 - FRAME

ITEM	PART NUMBER	QTY	DESCRIPTION	REV
29	7024718	2	Nut 1/2in-13NC	
	7024182	Ref	BRAKE ASSEMBLY	
101	7024189	1	Shaft	
102	See Note	1	Housing (Note: Use Item 17)	
103	See Note	2	Plate, Friction (Note: Use Item 201B)	
104	See Note	1	Plate, Pressure (Note: Use Item 201B)	
105	7000731	2	Gasket	
106	See Note	2	Plate, Outer (Note: Use Item 201B)	
107	See Note	1	Gasket (Note: Use Item 200A, 201B or 201C)	
108	7024191	1	Cylinder	
109	7024192	1	Piston	
110	See Note	1	Bearing, Ball (Note: Use Item 201C)	
111	See Note	1	Ring, Retaining (Note: Use Item 201C)	
112	See Note	1	Seal, Shaft (Note: Use Item 201C)	
113	See Note	6	Capscrew (Note: Use Item 17)	
114	See Note	6	Lockwasher (Note: Use Item 17)	
115	See Note	1	O-Ring (Note: Use Item 200B)	
116	See Note	1	Ring, Back-up (Note: Use Item 200B)	
117	See Note	1	O-Ring (Note: Use Item 200B)	
118	See Note	1	Ring, Back-up (Note: Use Item 200B)	
119	7024190	2	Pin, Dowel	
120	See Note	1	Plug (Note: Use Item 17)	
121	See Note	2	Plug (Note: Use Item 17)	
122	See Note	12	Spring Kit (Natural) (Note: Use Item 201A)	
123	See Note	2	Spring Kit (Blue) (Note: Use Item 201A)	
		Ref	Kit Options	
200		Ref	Seal Kit Options:	
200A	See Note	1	Hub Seal Kit (Note: Purchase Individual Components)	
200B	7024194	1	Brake Seal Kit (Includes Items 105, 107 & 115-118)	
201		Ref	Repair Kit Options:	
201A	7024196	1	Brake Spring Kit (Includes 12 Natural Colored and 2 Blue Colored Springs Items 122 & 123)	
201B	7024193	1	Brake Friction Disc Kit (Includes Items 103, 104, 106 & 107)	
201C	7024197	1	Brake Bearing Kit (Includes Items 107 & 110-112)	



# SECTION 1 - FRAME

## FIGURE 1-7. DRIVE HUB ASSEMBLY - FRONT



ART\_2780268

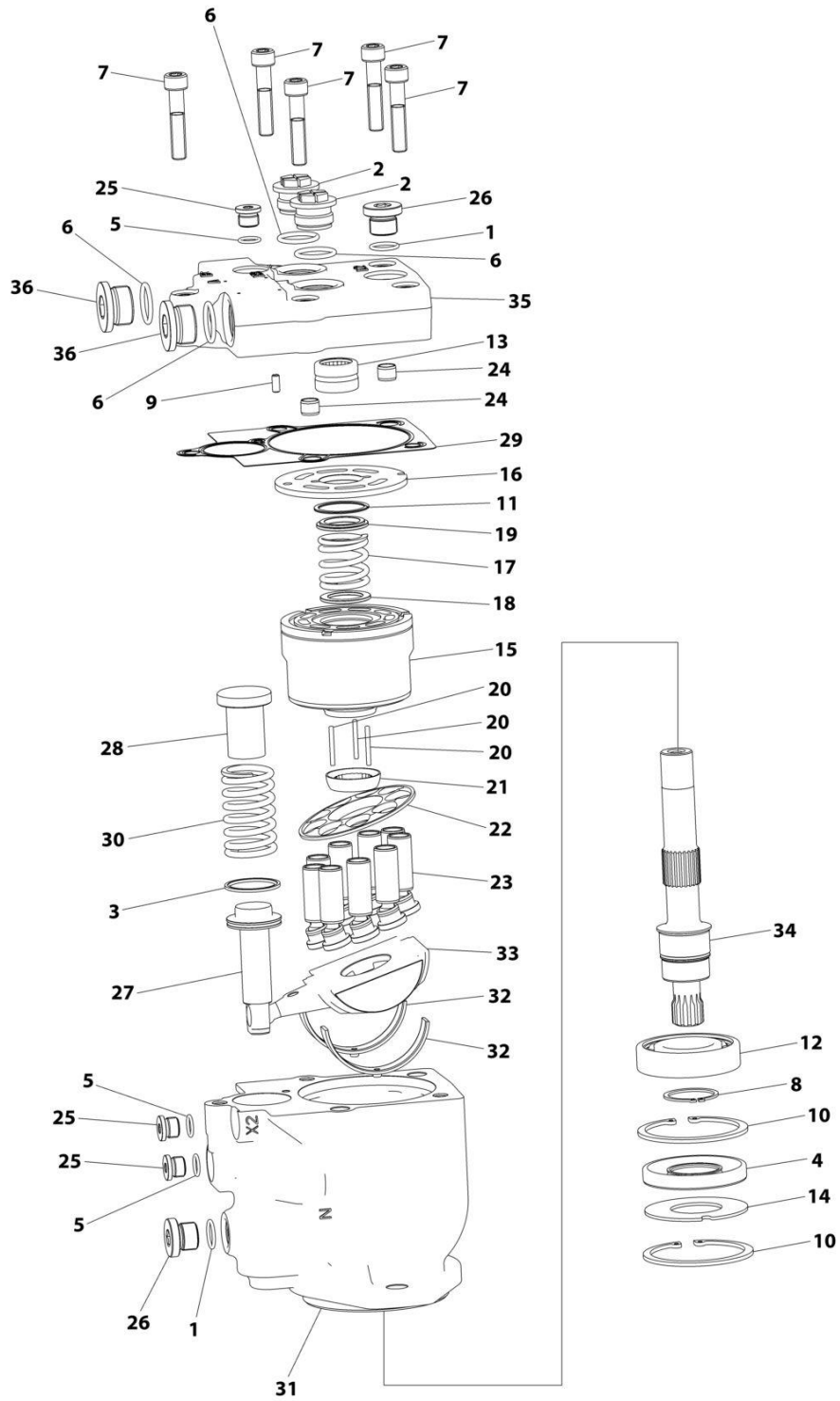
# SECTION 1 - FRAME

## FIGURE 1-7. DRIVE HUB ASSEMBLY - FRONT

ITEM	PART NUMBER	QTY	DESCRIPTION	REV
	2780268	Ref	DRIVE HUB ASSEMBLY - FRONT	F
1	See Note	1	Spindle/Housing Assembly (Note: Purchase Individual Components)	
1A	7017059	1	Spindle	
1B	7001998	1	Seal	
1C	7010429	1	Cone, Bearing (Includes Item 1D)	
1D	7010429	1	Cup, Bearing (Includes Item 1C)	
1E	7000257	1	Cup, Bearing	
1F	7000258	1	Cone, Bearing	
1G	7007601	1	Housing/Ring Gear	
1H	7000232	1	Washer, Thrust	
1I	7000229	1	Ring, Retaining	
1N	7007640	9	Stud, Wheel	
2	7000246	1	Gear, Internal	
3	7024712	1	Carrier Assembly	
3A	See Note	1	Carrier (Note: Use Item 3)	
3B	See Note	6	Ring, Retaining (Note: Use Item 3)	
3C	See Note	AR	Bearing, Needle (Note: Use Item 3)	
3D	See Note	3	Washer, Thrust (Note: Use Item 3)	
3E	See Note	3	Shaft, Planet (Note: Use Item 3)	
3F	See Note	3	Gear, Planet (Note: Use Item 3)	
3G	See Note	3	Roll Pin (Note: Use Item 3)	
4	7000248	1	Ring Gear	
5	7000230	1	O-Ring	
5A	7017070	1	O-Ring	
6	70001349	1	Cover Assembly Kit	
6A	See Note	1	Spacer, Thrust (Note: Use Item 6)	
6B	See Note	1	Plate, Cover (Note: Use Item 6)	
6C	See Note	1	O-Ring (Note: Use Item 6)	
6D	See Note	1	Rod, Disconnect (Note: Use Item 6)	
6E	See Note	1	Cap, Disengage (Note: Use Item 6)	
6F	See Note	2	Bolt (Note: Use Item 6)	
6G	See Note	1	Plug, Pipe (Note: Use Item 6)	
6I	See Note	4	Rivet (Note: Not Available for Purchase)	
6J	See Note	1	Plate, ID (Note: Not Available for Purchase)	
7		Ref	Input Shaft Assembly	
7A	7024714	1	Shaft	
7B	7000261	1	Ring, Retaining	
7C	7000262	1	Spring	
7D	7000263	2	Spacer, Thrust	
8	7024713	1	Gear, Sun	
11	7000253	1	Washer, Thrust	
12	7017067	12	Bolt	
13	7017080	4	Pin, Dowel	
14	7000206	1	Coupling	
15	7024715	1	Spacer, Input	
16	7024716	1	Spacer, Input	

# SECTION 1 - FRAME

## FIGURE 1-8. DRIVE MOTOR ASSEMBLY (4WD)



ART\_1001278022



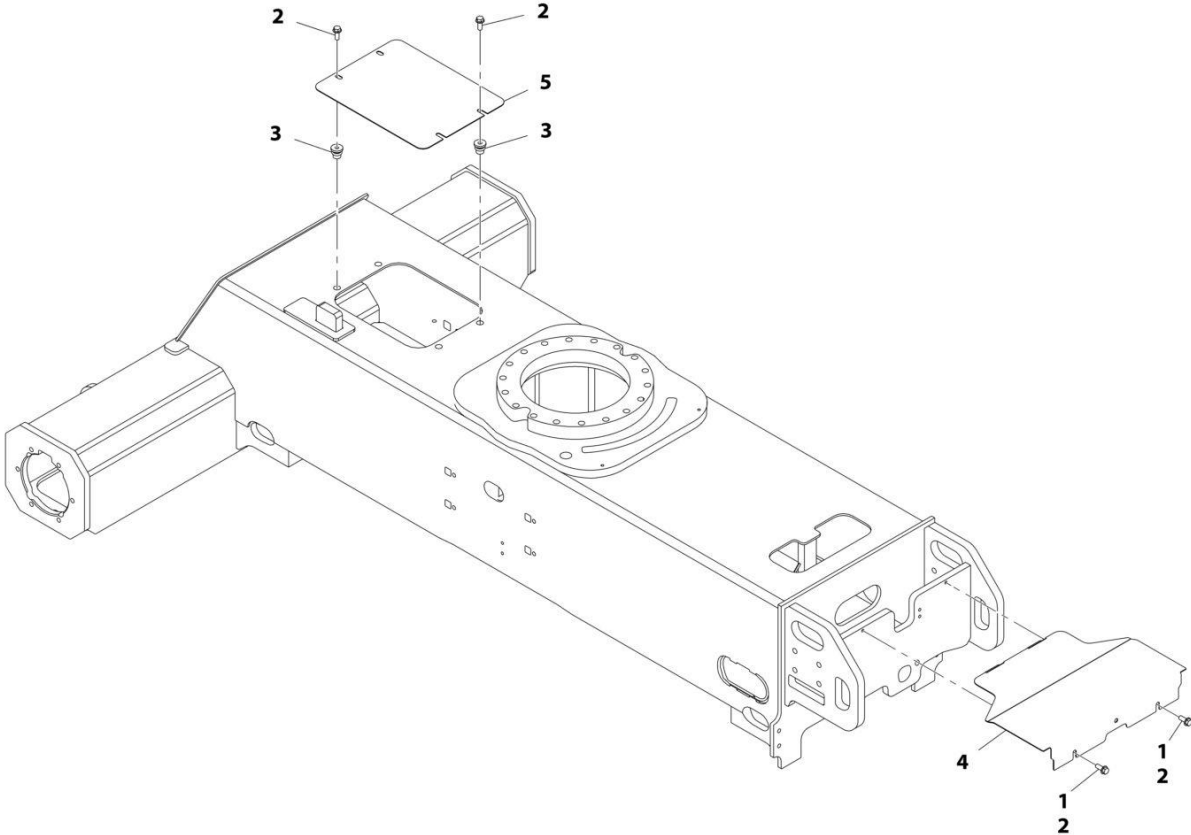
## SECTION 1 - FRAME

### FIGURE 1-8. DRIVE MOTOR ASSEMBLY (4WD)

ITEM	PART NUMBER	QTY	DESCRIPTION	REV
	1001278022	Ref	DRIVE MOTOR ASSEMBLY	B
1	70007847	2	O-Ring	
2	70007848	2	Plug	
3	70007849	1	Ring, Sealing	
4	70007850	1	Bearing	
5	70007851	3	O-Ring	
6	70007852	4	O-Ring	
7	70007853	5	Capscrew M10 x 50	
8	70007854	1	Circlip	
9	70007855	1	Pin	
10		Ref	Circlip	
11	70007856	1	Ring, Retaining	
12	70007857	1	Bearing	
13	70007858	1	Bearing	
14	70007859	1	Gasket	
15	70007860	1	Cylinder	
16	70007861	1	Plate, Valve	
17	70007862	1	Spring	
18	70007863	1	Gasket	
19	70007864	1	Gasket	
20	70007865	3	Pin	
21	70007866	1	Bushing	
22	70007867	1	Retainer	
23	70007868	9	Piston	
24	70007869	2	Pin	
25	70007870	3	Plug	
26	70007871	2	Plug	
27	70007872	1	Piston	
28	70007873	1	Seat, Spring	
29	70007874	1	Gasket	
30	70007875	1	Spring	
31	See Note	NSS	Housing (Note: Purchase Complete Assembly)	
32	70007876	2	Bushing	
33	70007877	1	Plate, Swash	
34	70007878	1	Shaft	
35	See Note	NSS	Cover (Note: Purchase Complete Assembly)	
36	See Note	Ref	Plug (Note: Shipping Use Only)	

**SECTION 1 - FRAME**

**FIGURE 1-9. FRAME SHIELD INSTALLATION**



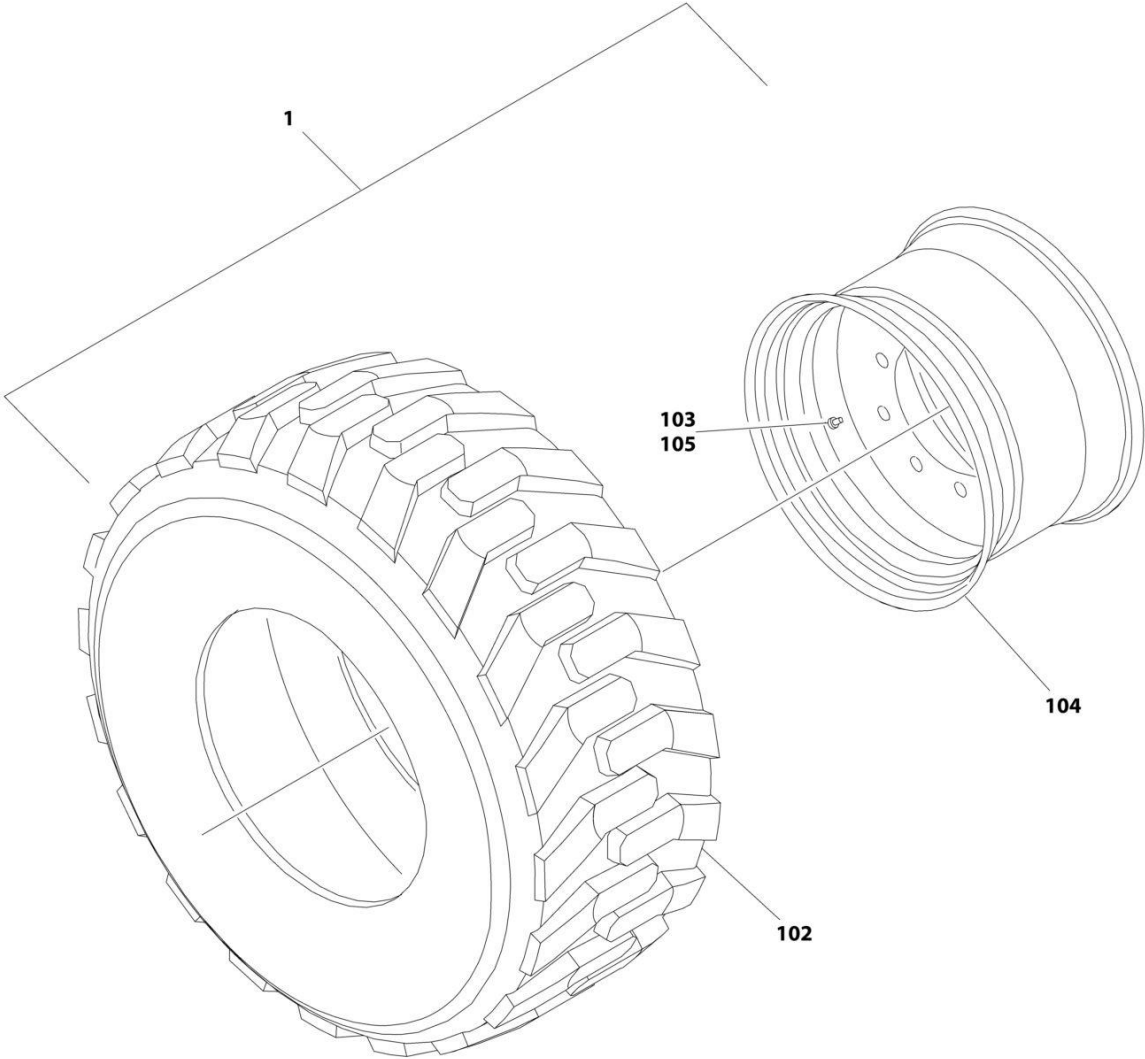
ART\_1001162105

**FIGURE 1-9. FRAME SHIELD INSTALLATION**

<b>ITEM</b>	<b>PART NUMBER</b>	<b>QTY</b>	<b>DESCRIPTION</b>	<b>REV</b>
	1001162105	Ref	FRAME SHIELD INSTALLATION	B
1	0100011	AR	Compound, Locking	
2	5251012	6	Bolt, M10 x 25	
3	1001180916	4	Nut	
4	1001162107	1	Plate, Valve Cover	
5	1001165968	1	Plate, Cover	

**SECTION 1 - FRAME**

**FIGURE 1-10. TIRE AND WHEEL INSTALLATION - 12 X 16.5 FOAM FILLED (AVAILABLE ON ANSI, ANSI EXPORT, CSA AND JAPANESE SPECS)**



ART\_0270092

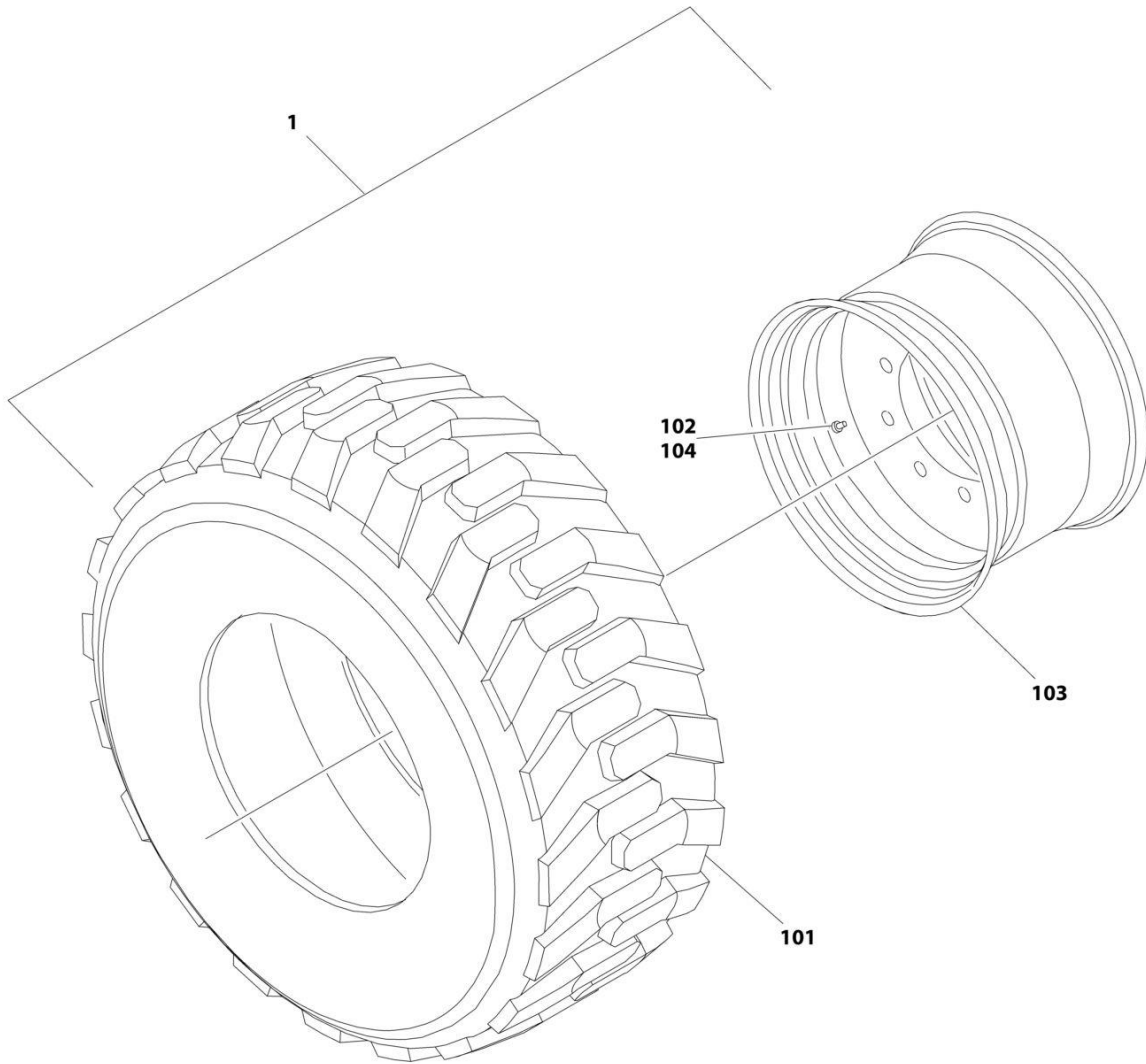
## SECTION 1 - FRAME

**FIGURE 1-10. TIRE AND WHEEL INSTALLATION - 12 X 16.5 FOAM FILLED (AVAILABLE ON ANSI, ANSI EXPORT, CSA AND JAPANESE SPECS)**

ITEM	PART NUMBER	QTY	DESCRIPTION	REV
	0270092	Ref	TIRE AND WHEEL INSTALLATION - 12 X 16.5 FOAM FILLED  Note: Assemblies may require ballast/foam filling to manufacturer's specifications prior to installing on a machine. Refer to Operation and Safety or Service and Maintenance Manuals. Purchase individual tire and/or rim only if able to foam fill tire and wheel assembly, otherwise, purchase complete assembly.	C
		Ref		
1	1001148865	2	Tire and Wheel Assembly - 12 x 16.5 (RH Side)	G
1	1001148866	2	Tire and Wheel Assembly - 12 x 16.5 (LH Side)	G
102	4520216	4	Tire - 12 x 16.5	
103	4641122	4	Valve	
104	1001147274	4	Rim, Wheel	
105	1001149953	4	Cap, Valve Stem	

# SECTION 1 - FRAME

FIGURE 1-11. TIRE AND WHEEL INSTALLATION - 12 X 16.5 FOAM FILLED NON MARKING  
(AVAILABLE ON ANSI, ANSI EXPORT, CSA AND JAPANESE SPECS)



ART\_0270653

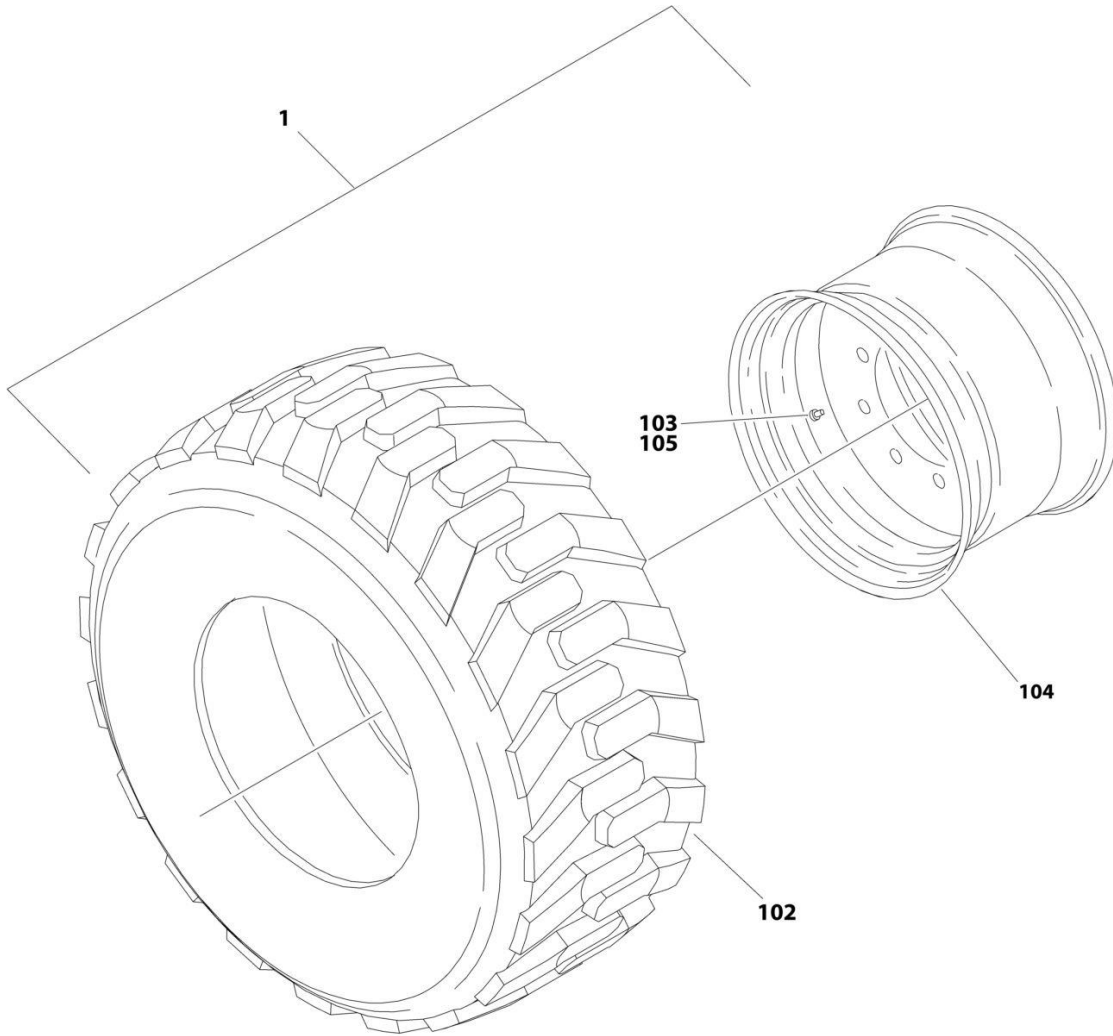
## SECTION 1 - FRAME

**FIGURE 1-11. TIRE AND WHEEL INSTALLATION - 12 X 16.5 FOAM FILLED NON MARKING  
(AVAILABLE ON ANSI, ANSI EXPORT, CSA AND JAPANESE SPECS)**

ITEM	PART NUMBER	QTY	DESCRIPTION	REV
	0270653	Ref Ref	TIRE AND WHEEL INSTALLATION - 12 X 16.5 FOAM FILLED  Note: Assemblies may require ballast/foam filling to manufacturer's specifications prior to installing on a machine. Refer to Operation and Safety or Service and Maintenance Manuals. Purchase individual tire and/or rim only if able to foam fill tire and wheel assembly, otherwise, purchase complete assembly.	B
1	1001148869	1	Tire and Wheel Assembly - Right Side	H
1	1001148870	1	Tire and Wheel Assembly - Left Side	H
101	4520240	1	Tire 12 x 16.5 Non-Marking	
102	4641122	1	Valve	
103	1001147274	1	Rim, Wheel	
104	1001149953	1	Cap, Valve Stem	

# SECTION 1 - FRAME

FIGURE 1-12. TIRE AND WHEEL INSTALLATION - 14 X17.5 FOAM FILLED



ART\_0271998



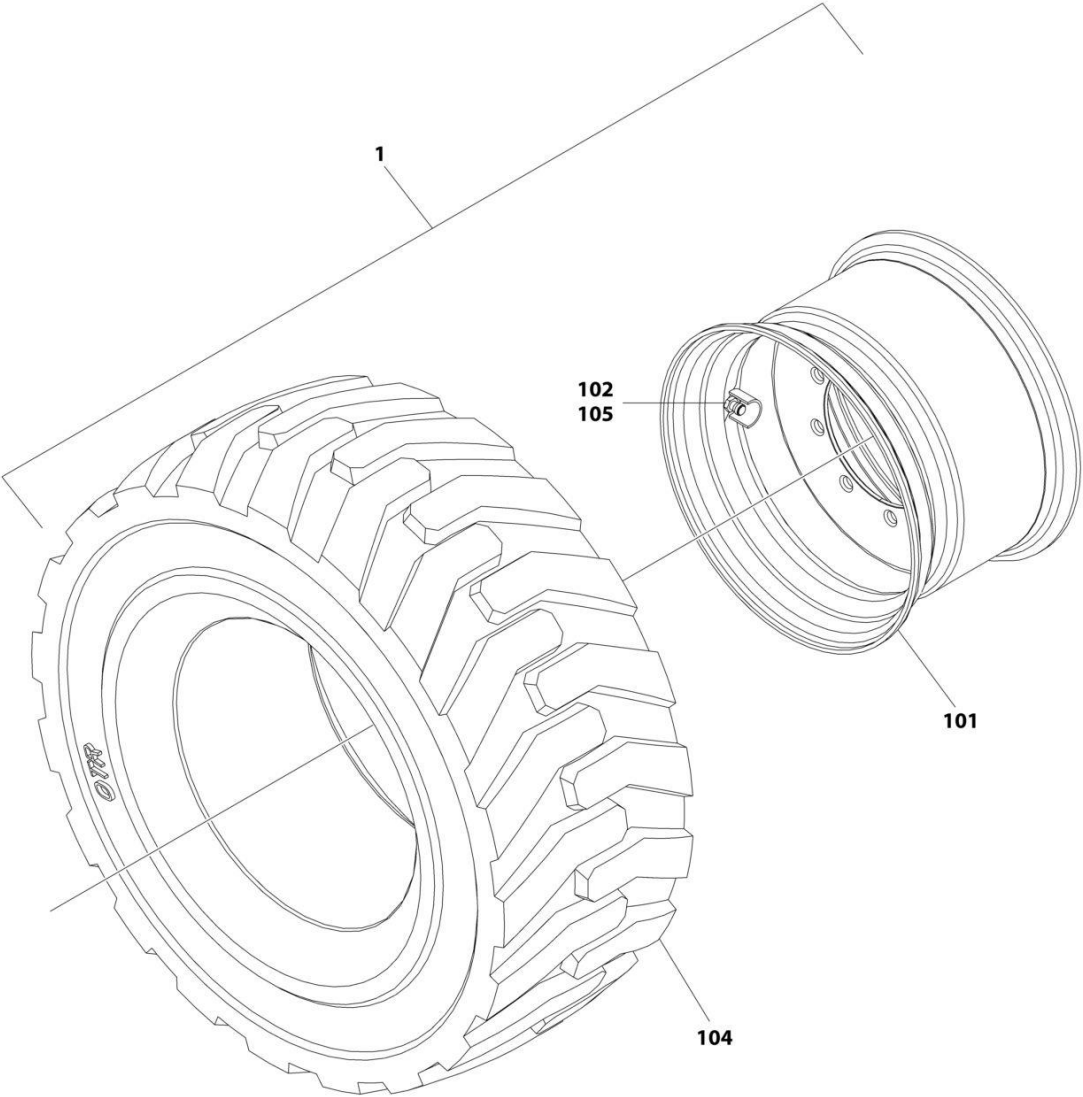
## SECTION 1 - FRAME

**FIGURE 1-12. TIRE AND WHEEL INSTALLATION - 14 X17.5 FOAM FILLED**

ITEM	PART NUMBER	QTY	DESCRIPTION	REV
	0271998	Ref	TIRE AND WHEEL INSTALLATION - 14 X 17.5 FOAM FILLED	B
		Ref	Note: Assemblies may require ballast/foam filling to manufacturer's specifications prior to installing on a machine. Refer to Operation and Safety or Service and Maintenance Manuals. Purchase individual tire and/or rim only if able to foam fill tire and wheel assembly, otherwise, purchase complete assembly.	
1	1001148875	Ref	Tire and Wheel Assembly - 14 x 17.5 (RH Side)	F
1	1001148876	Ref	Tire and Wheel Assembly - 14 x 17.5 (LH Side)	F
102	4520259	4	Tire - 14 x 17.5	
103	4641122	4	Valve	
104	1001146397	4	Rim, Wheel	
105	1001149953	4	Cap, Valve Stem	

**SECTION 1 - FRAME**

**FIGURE 1-13. TIRE AND WHEEL INSTALLATION - 14 X17.5 FOAM FILLED NON-MARKING**



ART\_1001258898

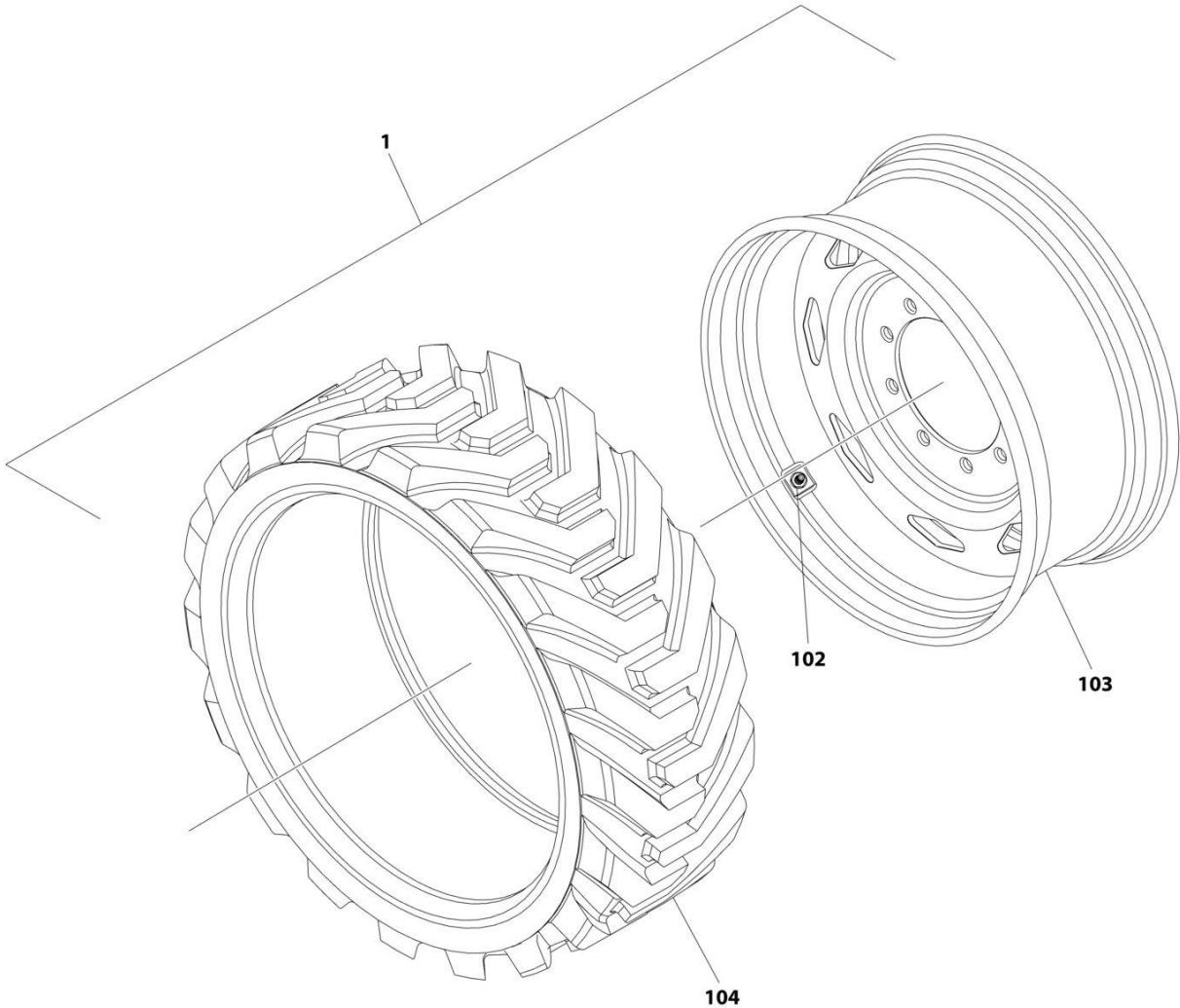
## SECTION 1 - FRAME

**FIGURE 1-13. TIRE AND WHEEL INSTALLATION - 14 X17.5 FOAM FILLED NON-MARKING**

ITEM	PART NUMBER	QTY	DESCRIPTION	REV
	1001258898	Ref Ref	TIRE AND WHEEL INSTALLATION - 14 X 17.5 FF NON-MARKING  Note: Assemblies may require ballast/foam filling to manufacturer's specifications prior to installing on a machine. Refer to Operation and Safety or Service and Maintenance Manuals. Purchase individual tire and/or rim only if able to foam fill tire and wheel assembly, otherwise, purchase complete assembly.	A
1	1001258896	1	Tire and Wheel Assembly - Right Side	H
1	1001258897	1	Tire and Wheel Assembly - Left Side	H
101	1001146397	1	Rim, Wheel	
102	1001149953	1	Cap, Valve Stem	
104	1001258895	1	Tire 14 x 17.5 Non-Marking	
105	4641122	1	Valve	

**SECTION 1 - FRAME**

**FIGURE 1-14. TIRE AND WHEEL INSTALLATION - 33 X 12-20 FOAM-FILLED (AVAILABLE ON ALL SPECS)**



ART\_1001245211

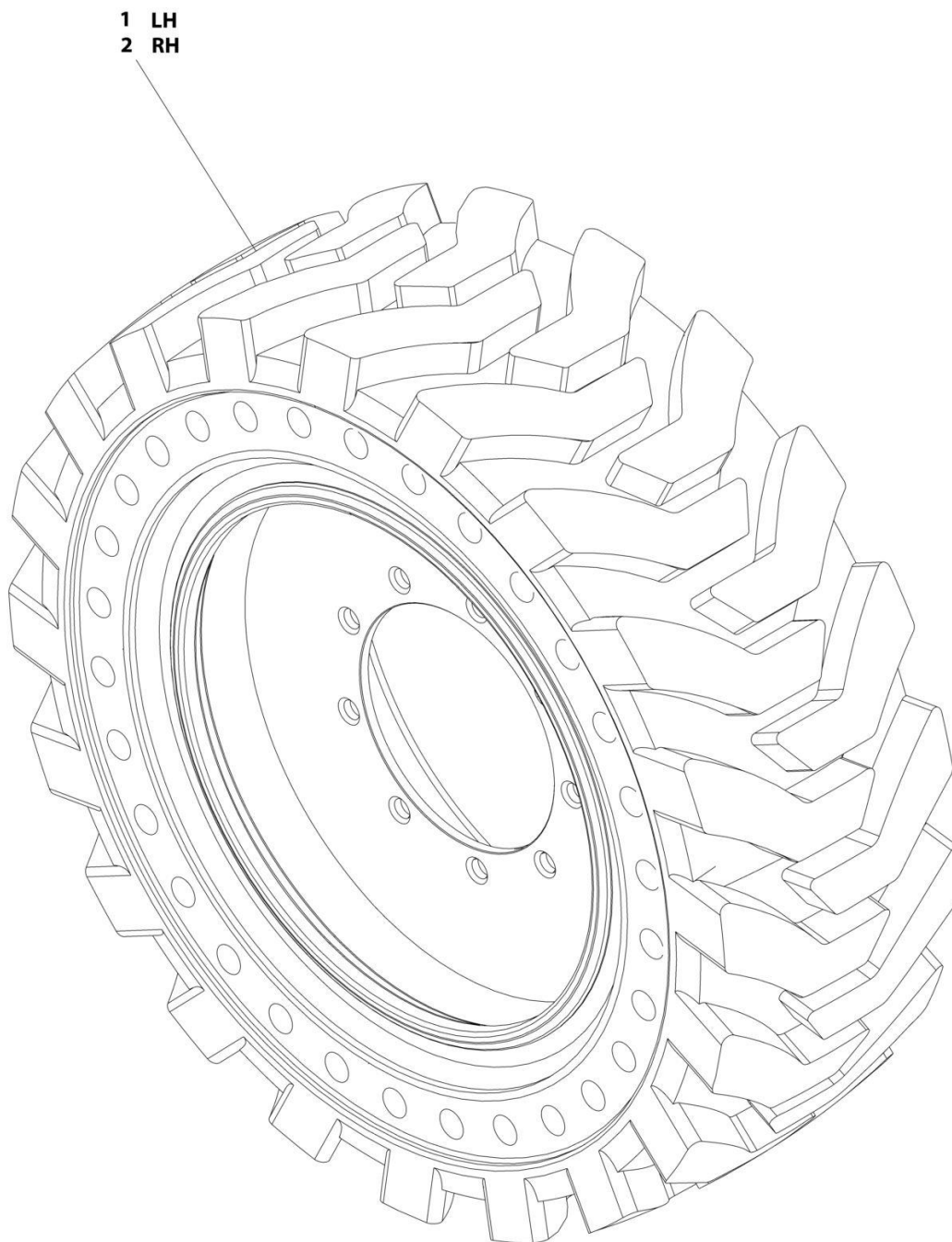
**SECTION 1 - FRAME**

**FIGURE 1-14. TIRE AND WHEEL INSTALLATION - 33 X 12-20 FOAM-FILLED (AVAILABLE ON ALL SPECS)**

ITEM	PART NUMBER	QTY	DESCRIPTION	REV
	1001245211	Ref	TIRE AND WHEEL INSTALLATION - 33 x 12D610 FOAM-FILLED	A
		Ref	Note: Assemblies may require ballast/foam filling to manufacturer's specifications prior to installing on a machine. Refer to Operation and Safety or Service and Maintenance Manuals.	
		Ref	Note: Purchase individual tire and/or rim only if able to foam fill tire and wheel assembly, otherwise, purchase complete assembly.	
1	1001245197	2	Tire and Wheel Assembly - 33 x 12 (RH Side)	
1	1001245198	2	Tire and Wheel Assembly - 33 x 12 (LH Side)	
102	4641122	1	Valve	
103	1001245195	1	Wheel	
104	1001245196	1	Tire - 33 x 12	

## SECTION 1 - FRAME

FIGURE 1-15. TIRE AND WHEEL INSTALLATION - 33 X 12-20 SOLID NON-MARKING (AVAILABLE ON ANSI EXPORT, AUSTRALIAN, CE, CIS/EAC & UK CA SPECS)



ART\_1001169062

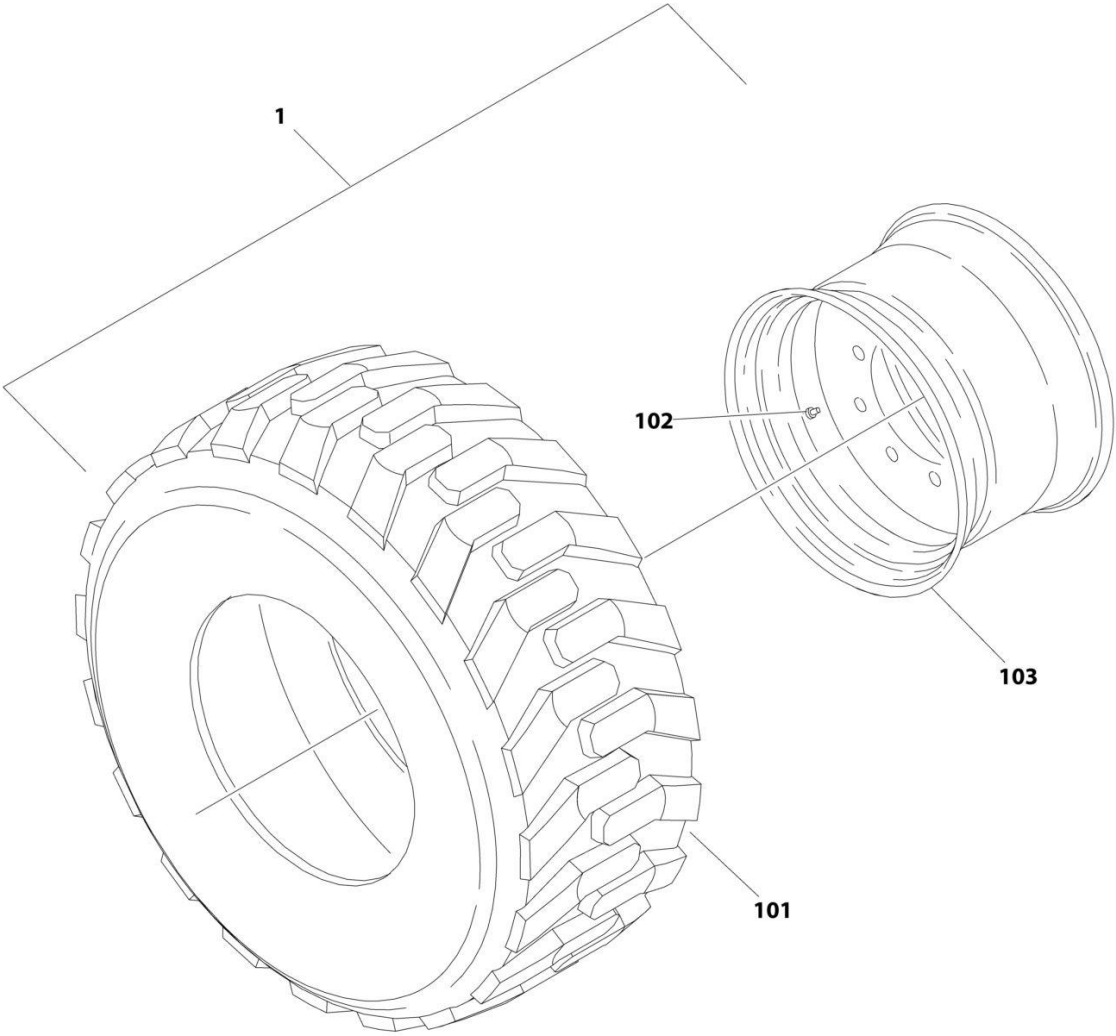
**SECTION 1 - FRAME**

**FIGURE 1-15. TIRE AND WHEEL INSTALLATION - 33 X 12-20 SOLID NON-MARKING (AVAILABLE ON ANSI EXPORT, AUSTRALIAN, CE, CIS/EAC & UK CA SPECS)**

ITEM	PART NUMBER	QTY	DESCRIPTION	REV
	1001169062	Ref	TIRE AND WHEEL INSTALLATION - 33 X 12-20 SOLID NON-MARKING	A
		Ref	Note: Due to critical stable weights, only replace tire and wheel assemblies with like components.	
1	1001170098	2	Tire and Wheel Assembly - 33 x 12-20 Solid Non-Marking (LH Side)	
2	1001170099	2	Tire and Wheel Assembly - 33 x 12-20 Solid Non-Marking (RH Side)	

**SECTION 1 - FRAME**

**FIGURE 1-16. TIRE AND WHEEL INSTALLATION - 33/1550 X 16.5 FOAM-FILLED (AVAILABLE ON ALL SPECS)**



ART\_1001169075



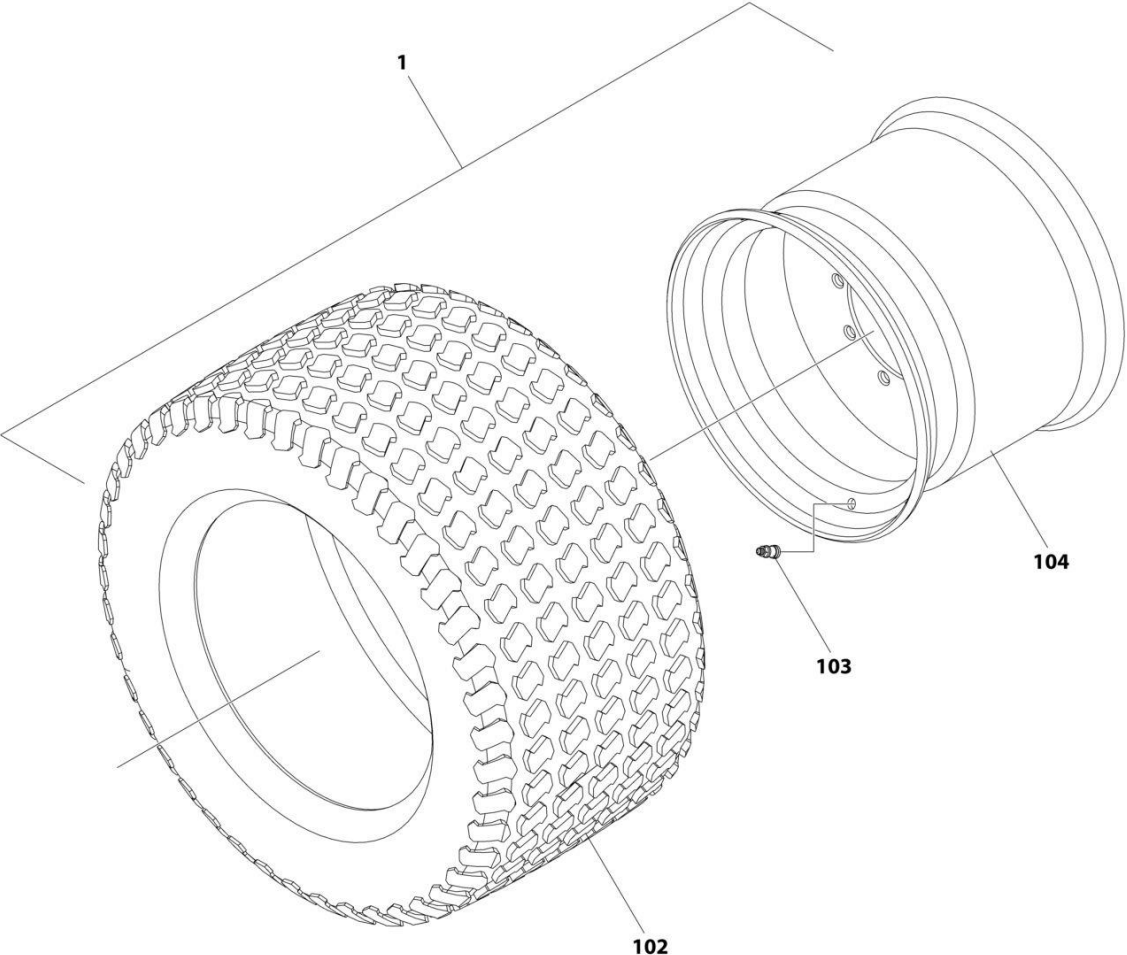
## SECTION 1 - FRAME

**FIGURE 1-16. TIRE AND WHEEL INSTALLATION - 33/1550 X 16.5 FOAM-FILLED (AVAILABLE ON ALL SPECS)**

ITEM	PART NUMBER	QTY	DESCRIPTION	REV
	1001169075	Ref	TIRE AND WHEEL INSTALLATION - 33/1550 X 16.5 FOAM-FILLED	A
		Ref	Note: Assemblies may require ballast/foam filling to manufacturer's specifications prior to installing on a machine. Refer to Operation and Safety or Service and Maintenance Manuals. Purchase individual tire and/or rim only if able to foam fill tire and wheel assembly, otherwise, purchase complete assembly.	
1	0258011	2	Tire and Wheel Assembly (RH Side)	I
1	0258012	2	Tire and Wheel Assembly (LH Side)	I
101	4520217	4	Tire, 33/1550 x 16.5	
102	8786514	4	Valve, Stem	
103	4860179	4	Rim, Wheel	

**SECTION 1 - FRAME**

**FIGURE 1-17. TIRE AND WHEEL INSTALLATION - 33 X 16L500 TURF AND SAND FOAM-FILLED  
(AVAILABLE ON ANSI, ANSI EXPORT & CSA SPECS)**



ART\_1001272447

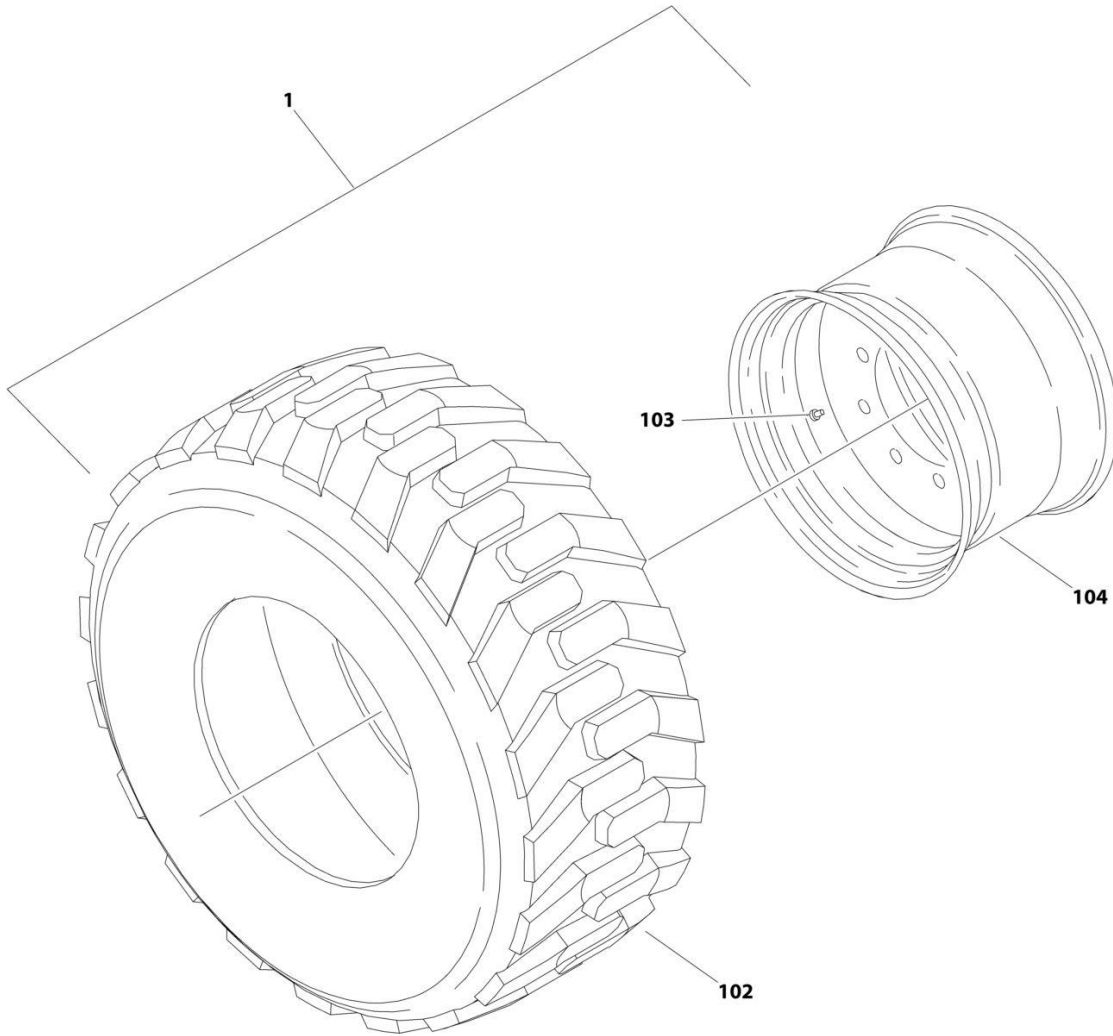
**SECTION 1 - FRAME**

**FIGURE 1-17. TIRE AND WHEEL INSTALLATION - 33 X 16L500 TURF AND SAND FOAM-FILLED  
(AVAILABLE ON ANSI, ANSI EXPORT & CSA SPECS)**

ITEM	PART NUMBER	QTY	DESCRIPTION	REV
	1001272447	Ref	TIRE AND WHEEL INSTALLATION - 33 X 16L500 TURF AND SAND FOAM-FILLED (AVAILABLE ON ANSI, ANSI EXPORT & CSA SPECS)	A
		Ref	Note: Assemblies may require ballast/foam filling to manufacturer's specifications prior to installing on a machine. Refer to Operation and Safety or Service and Maintenance Manuals. Purchase individual tire and/or rim only if able to foam fill tire and wheel assembly, otherwise, purchase complete assembly.	
1	1001272446	4	Tire and Wheel Assembly	A
102	4520262	4	Tire, 33 x 16L500	
103	4640113	4	Valve, Stem	
104	4860237	4	Rim, Wheel	

# SECTION 1 - FRAME

FIGURE 1-18. TIRE AND WHEEL INSTALLATION - 315/55 D20 FOAM FILLED (AVAILABLE ON ANSI EXPORT, AUSTRALIAN, CE, CHINA, CIS/EAC & UK CA SPECS)



ART\_1001166157

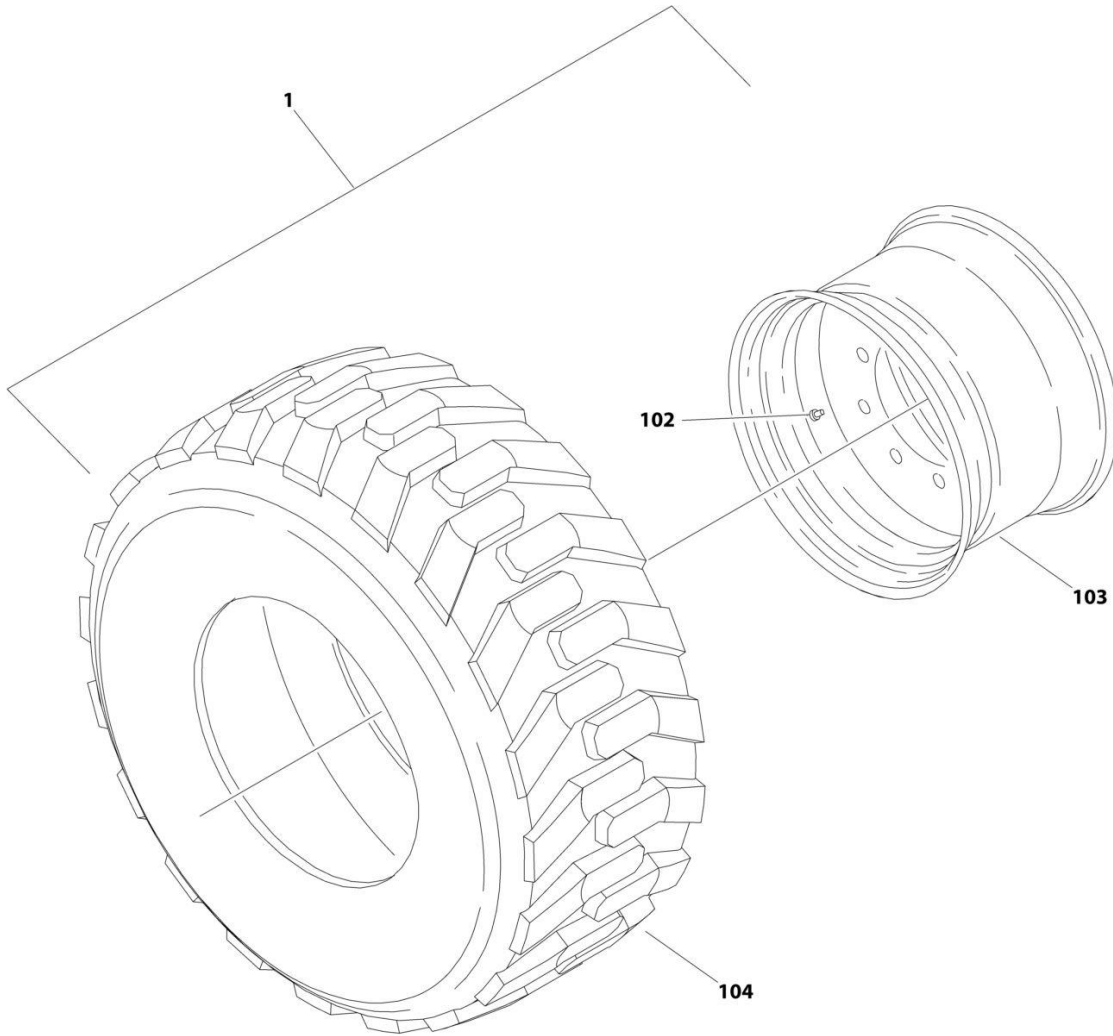
## SECTION 1 - FRAME

**FIGURE 1-18. TIRE AND WHEEL INSTALLATION - 315/55 D20 FOAM FILLED (AVAILABLE ON ANSI EXPORT, AUSTRALIAN, CE, CHINA, CIS/EAC & UK CA SPECS)**

ITEM	PART NUMBER	QTY	DESCRIPTION	REV
	1001166157	Ref Ref	TIRE AND WHEEL INSTALLATION - 315/55 D20 FOAM FILLED  Note: Assemblies may require ballast/foam filling to manufacturer's specifications prior to installing on a machine. Refer to Operation and Safety or Service and Maintenance Manuals. Purchase individual tire and/or rim only if able to foam fill tire and wheel assembly, otherwise, purchase complete assembly.	A
1	1001166155	2	Tire and Wheel Assembly (LH Side)	I
1	1001166156	2	Tire and Wheel Assembly (RH Side)	I
102	4520608	4	Tire IN315/55/D20	
103	4641122	4	Valve, Stem	
104	1001166153	4	Rim, Wheel	

# SECTION 1 - FRAME

FIGURE 1-19. TIRE AND WHEEL INSTALLATION - 315/55 D20 FOAM FILLED NON-MARKING  
(AVAILABLE ON ANSI EXPORT, AUSTRALIAN, CE, CHINA, CIS/EAC & UK CA SPECS)



ART\_1001169058

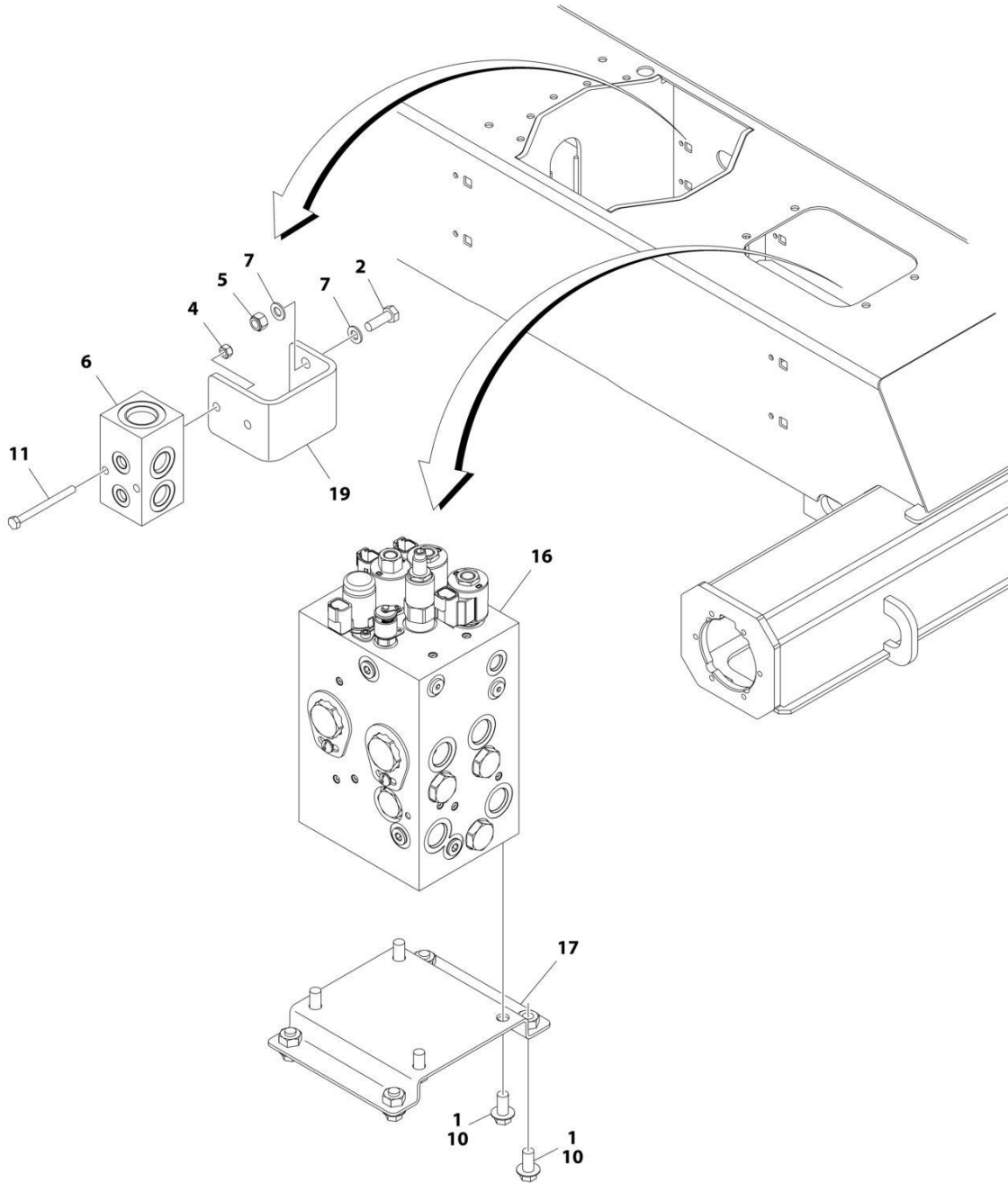
## SECTION 1 - FRAME

**FIGURE 1-19. TIRE AND WHEEL INSTALLATION - 315/55 D20 FOAM FILLED NON-MARKING  
(AVAILABLE ON ANSI EXPORT, AUSTRALIAN, CE, CHINA, CIS/EAC & UK CA SPECS)**

ITEM	PART NUMBER	QTY	DESCRIPTION	REV
	1001169058	Ref	TIRE AND WHEEL INSTALLATION - 315/55 D20 FOAM FILLED NON-MARKING	A
		Ref	Note: Assemblies may require ballast/foam filling to manufacturer's specifications prior to installing on a machine. Refer to Operation and Safety or Service and Maintenance Manuals. Purchase individual tire and/or rim only if able to foam fill tire and wheel assembly, otherwise, purchase complete assembly.	
1	1001170459	2	Tire and Wheel Assembly (RH Side)	F
1	1001170460	2	Tire and Wheel Assembly (LH Side)	F
102	4641122	4	Valve, Stem	
103	1001166153	4	Rim, Wheel	
104	1001170458	4	Tire 315/55 D20 Non Marking	

# SECTION 1 - FRAME

FIGURE 1-20. VALVES INSTALLATION - FRAME MOUNTED (MACHINES WITH SN STARTING WITH 03)



ART\_1001271795\_10F3



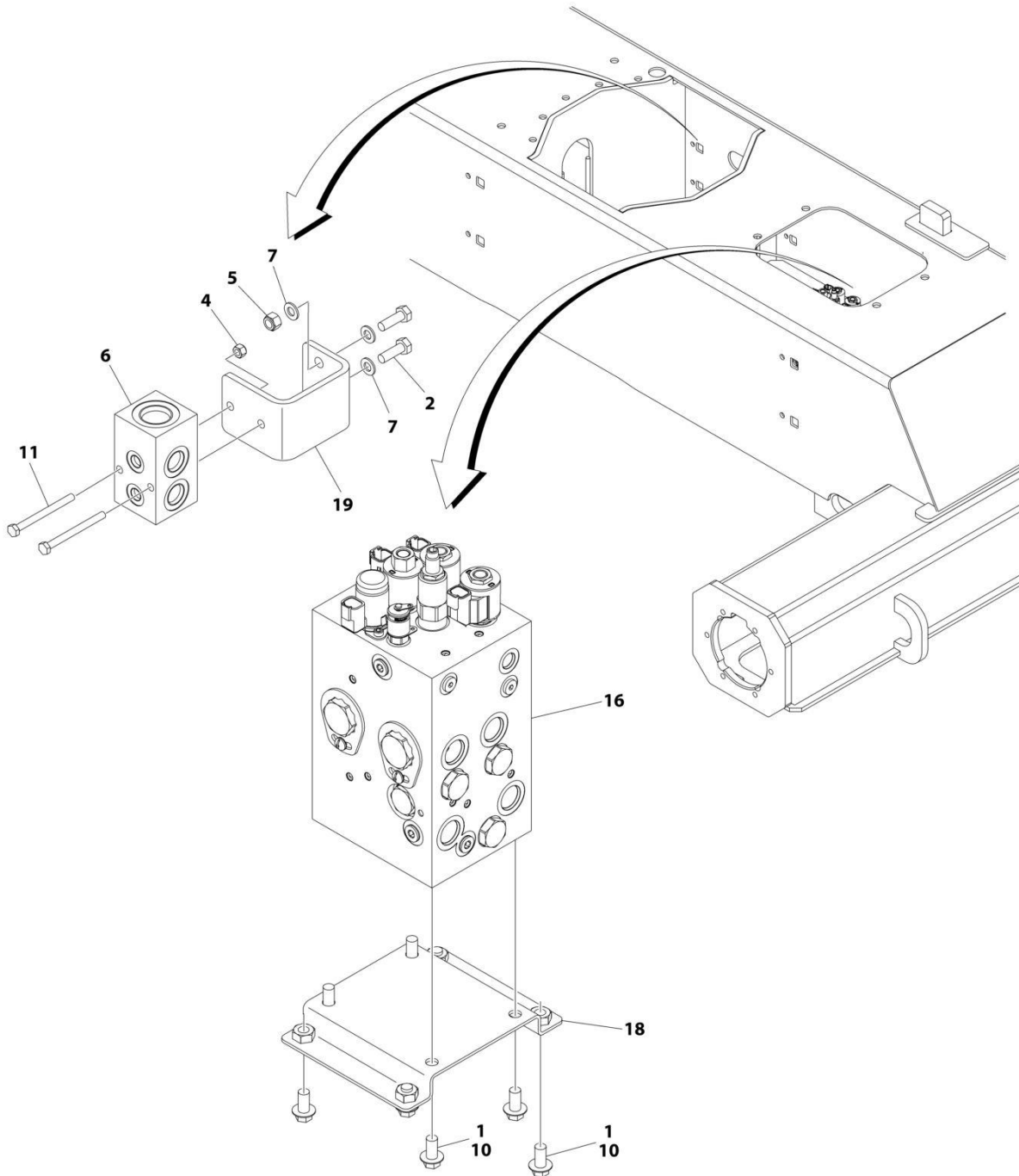
## SECTION 1 - FRAME

**FIGURE 1-20. VALVES INSTALLATION - FRAME MOUNTED (MACHINES WITH SN STARTING WITH 03)**

ITEM	PART NUMBER	QTY	DESCRIPTION	REV
	1001271795	Ref	4WD VALVES INSTALLATION - BOOM MOUNTED	B
1	0100011	AR	Compound, Locking	
2	0760812	2	Bolt M8 x 25	
4	3290605	2	Nut M6	
5	3290805	2	Nut M8	
6	4641155	1	Junction Valve Assembly	
7	4811900	4	Washer M8	
10	5251010	15	Bolt M10 x 25	
11	1001096653	2	Bolt M6 x 70	
16	1001162539	1	Traction Valve Assembly (See Separate Breakdown in this Section)	
17	1001179517	1	Bracket	
19	1001197221	1	Bracket	

# SECTION 1 - FRAME

FIGURE 1-21. VALVES INSTALLATION - FRAME MOUNTED (MACHINES WITH SN STARTING WITH B3)



ART\_1001271413\_1OF3

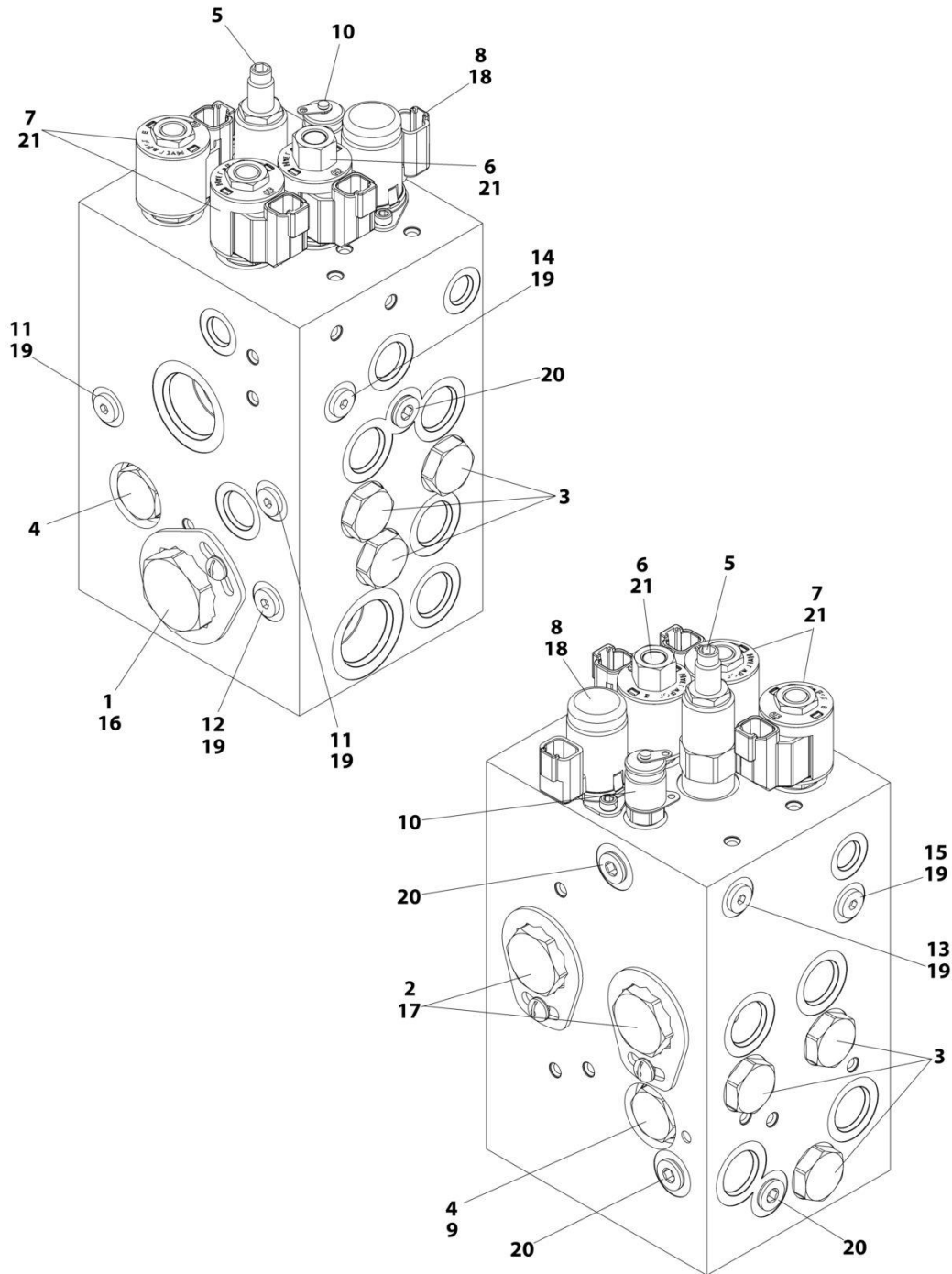
## SECTION 1 - FRAME

**FIGURE 1-21. VALVES INSTALLATION - FRAME MOUNTED (MACHINES WITH SN STARTING WITH B3)**

ITEM	PART NUMBER	QTY	DESCRIPTION	REV
	1001271413	Ref	4WD VALVES INSTALLATION - FRAME MOUNTED	A
1	0100011	AR	Compound, Locking	
2	0760812	2	Bolt M8 x 25	
4	3290605	2	Nut, M6	
5	3290805	2	Nut M8	
6	4641155	1	Junction Valve Assembly	
7	4811900	4	Washer M8	
10	5251010	15	Bolt M10 x 20	
11	1001096653	2	Bolt M6 x 70	
16	1001162539	1	Traction Valve Assembly (See Separate Breakdown in this Section)	
18	1001179517	1	Bracket	
19	1001197221	1	Bracket	

# SECTION 1 - FRAME

## FIGURE 1-22. TRACTION VALVE ASSEMBLY - 4WD



ART\_1001162539

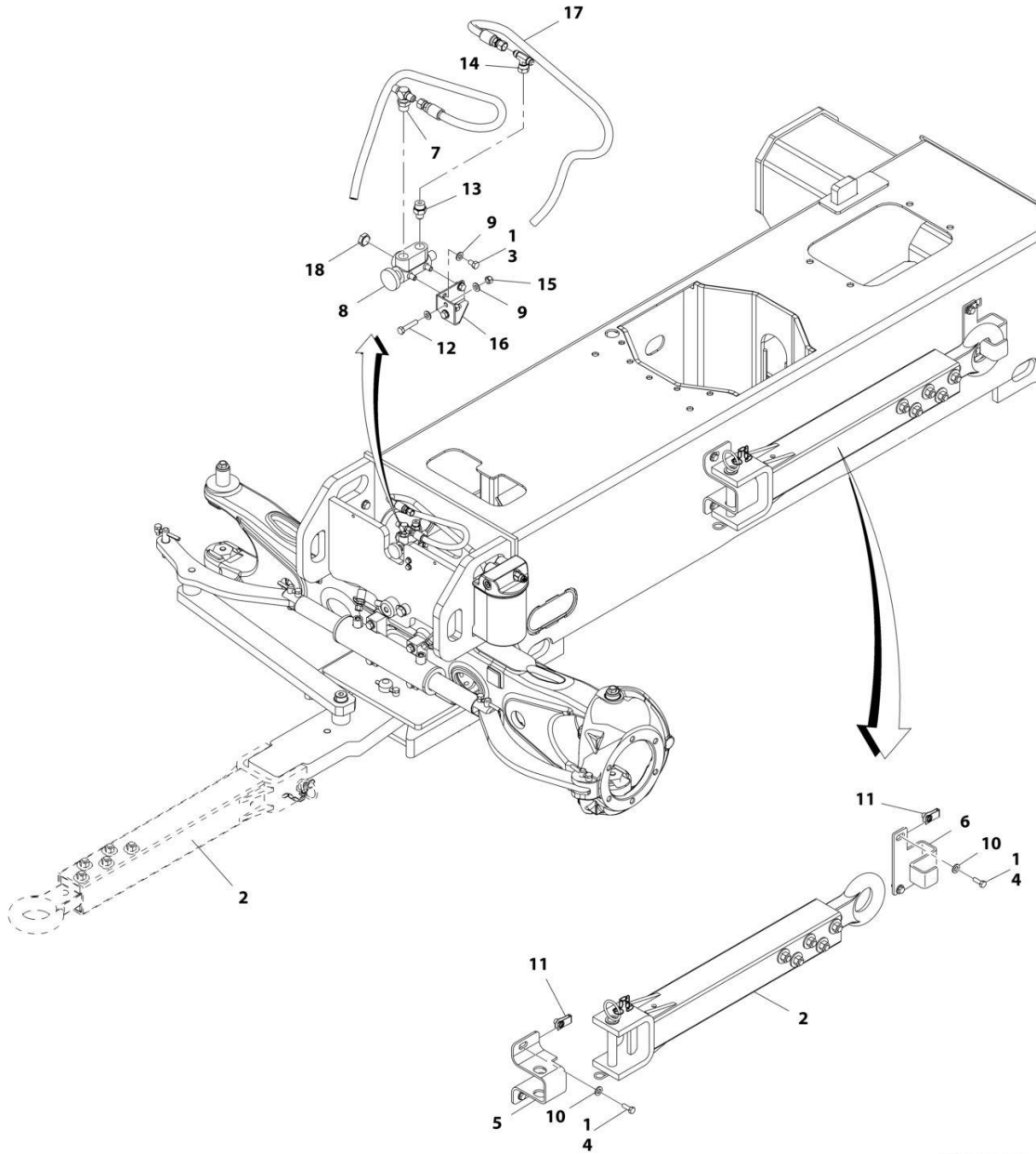
## SECTION 1 - FRAME

**FIGURE 1-22. TRACTION VALVE ASSEMBLY - 4WD**

ITEM	PART NUMBER	QTY	DESCRIPTION	REV
	1001162539	Ref	TRACTION VALVE ASSEMBLY - 4WD	D
1	70004017	1	Cartridge, Flow Divider	
1	7021625	1	Seal Kit - 70004017 Valve	
2	70004885	2	Cartridge, Flow Divider	
2	70004577	2	Seal Kit - 70004885 Valve	
3	7022397	6	Cartridge, Check Valve	
3	7022399	6	Seal Kit - 7022397 Valve	
4	7021639	2	Cartridge, Check Valve	
4	2900756	2	Seal Kit - 7021639 Valve	
5	70004886	1	Cartridge, Relief Valve	
5	7017496	1	Seal Kit - 70004886 Valve	
6	7017410	1	Cartridge, Solenoid Less Coil	
6	7012967	1	Seal Kit - 7017410 Valve	
7	7012974	2	Cartridge, Solenoid Less Coil	
7	7010543	2	Seal Kit - 7012974 Valve	
8	70004887	1	Cartridge, Solenoid Less Coil	
8	70023606	1	Seal Kit - 70004887 Valve	
8	7024885	1	Coil	
9	7024881	1	Piston, Pilot	
10	2221086	1	Fitting, Diagnostic	
11	70003975	2	Orifice	
12	70002209	1	Orifice	
13	70002063	1	Orifice	
14	70004884	1	Orifice	
15	70004883	1	Orifice	
16	70000781	1	Locking Kit	
17	70002962	2	Locking Kit	
18	70004888	2	Screw	
19	2220883	6	Plug #4	
20	2220885	5	Plug #6	
21	70002386	3	Coil	

# SECTION 1 - FRAME

## FIGURE 1-23. TOW PACKAGE INSTALLATION (OPTIONAL)



ART\_1001166232

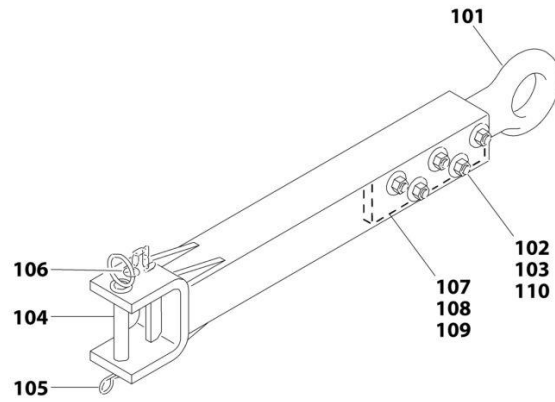
## SECTION 1 - FRAME

**FIGURE 1-23. TOW PACKAGE INSTALLATION (OPTIONAL)**

ITEM	PART NUMBER	QTY	DESCRIPTION	REV
	1001166232	Ref	TOW PACKAGE INSTALLATION (OPTIONAL)	D
1	0100011	AR	Compound, Locking	
2	0363019	1	Tow Bar Assembly (See Separate Breakdown in this Section)	
3	0641504	2	Bolt 5/16 x 1/2	
4	0701014	4	Bolt M10 x 30	
5	0902733	1	Bracket	
6	0902734	1	Bracket	
7	2221052	1	Fitting, Tee JIC/ORB/JIC	
8	4640261	1	Steer/Tow Select Valve Assembly	
9	4711500	6	Washer 5/16	
10	5241200	4	Washer M12	
11	1001118972	4	Nut M10	
12	0700816	2	Bolt M8 x 40	
13	2220372	1	Fitting, Straight JIC/ORB	
14	2220579	1	Fitting, Tee JIC/FSJIC/JIC	
15	3290805	2	Nut M8	
16	1001181527	1	Bracket	
17	1001181913	2	Hose	
18	2220238	1	Plug	

# SECTION 1 - FRAME

## FIGURE 1-24. TOW BAR ASSEMBLY



ART\_0363019



**FIGURE 1-24. TOW BAR ASSEMBLY**

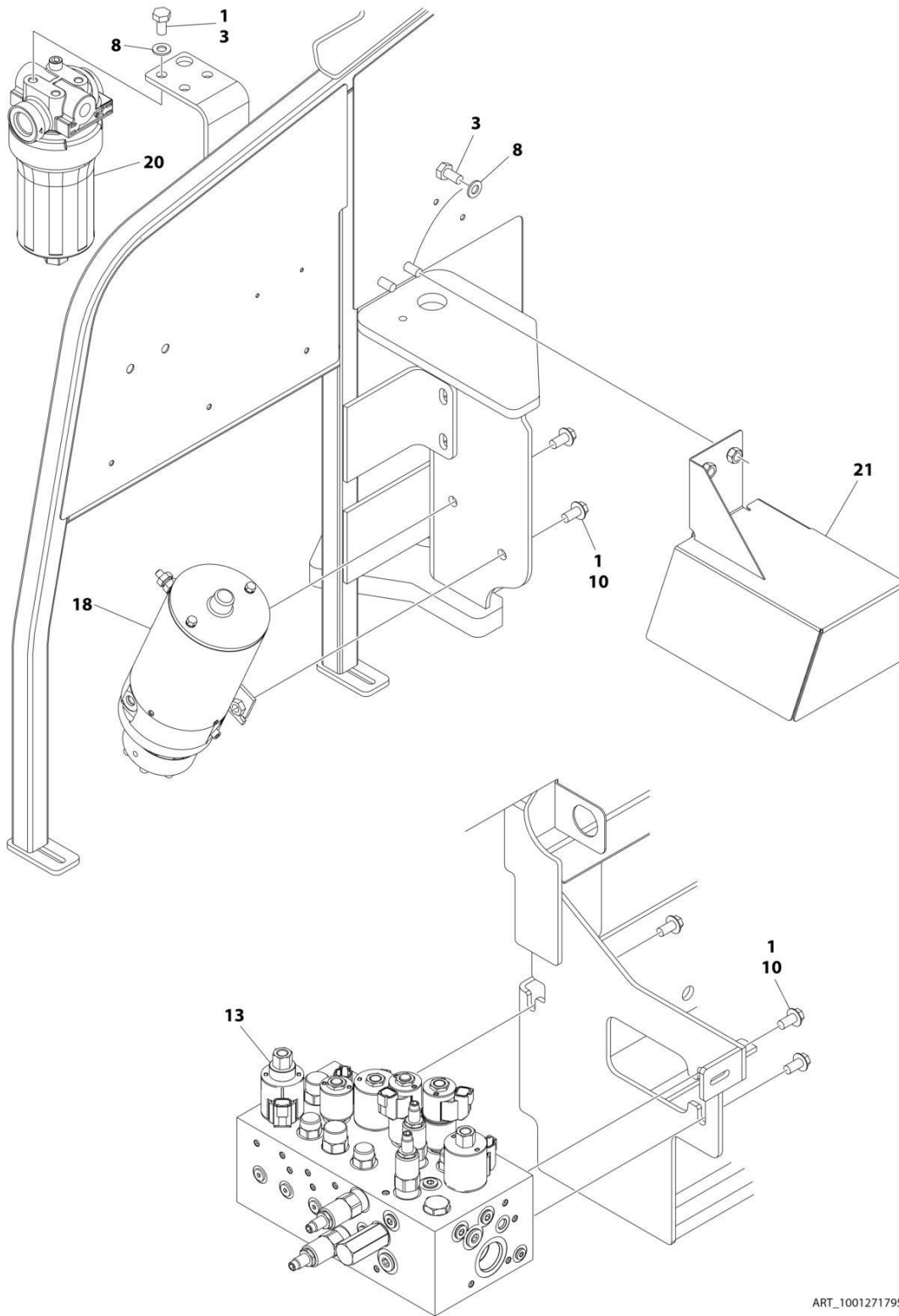
ITEM	PART NUMBER	QTY	DESCRIPTION	REV
	0363019	Ref	TOW BAR ASSEMBLY	B
101	0360406	1	Pintle, Draw Eye	
102	0682040	5	Bolt 5/8 x 5	
103	3312005	5	Nut 5/8	
104	3420352	1	Pin, Towing	
105	3420372	1	Hairpin	
106	3760170	1	Ring, Split	
107	4070450	2	Shim (.07)	
108	4070560	2	Shim (.88)	
109	4070561	2	Shim (.12)	
110	4752000	10	Washer 5/8	



**SECTION 2 - TURNTABLE**

# SECTION 2 - TURNTABLE

FIGURE 2-1. VALVES INSTALLATION - TURNTABLE (MACHINES WITH SN STARTING WITH 03)



ART\_1001271795\_2OF3

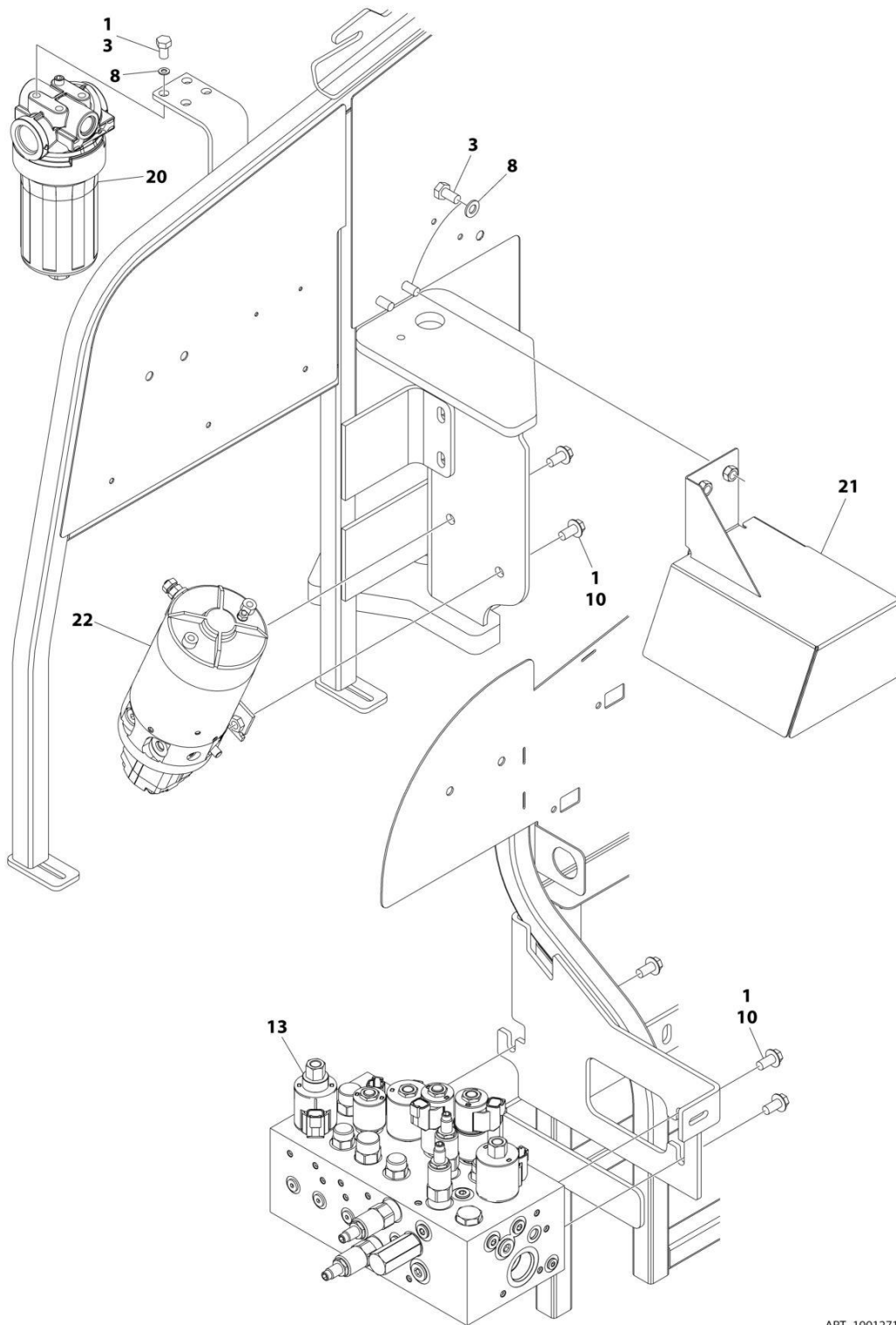
**SECTION 2 - TURNTABLE**

**FIGURE 2-1. VALVES INSTALLATION - TURNTABLE (MACHINES WITH SN STARTING WITH 03)**

ITEM	PART NUMBER	QTY	DESCRIPTION	REV
	1001271795	Ref	4WD VALVES INSTALLATION - BOOM MOUNTED	B
1	0100011	AR	Compound, Locking	
3	0761010	5	Bolt M10 x 20	
8	4812000	5	Washer M10	
10	5251010	15	Bolt M10 x 25	
13	1001162534	1	Main Valve Assembly (See Separate Breakdown in this Section)	
18	1001185821	1	Auxiliary Pump Assembly (See Separate Breakdown in this Section)	
20	1001208874	1	Filter, Charge Pump	
20	70010383	1	Element, Filter (Includes O-Ring)	
21	1001265186	1	Cover	

# SECTION 2 - TURNTABLE

FIGURE 2-2. VALVES INSTALLATION - TURNTABLE (MACHINES WITH SN STARTING WITH B3)



ART\_1001271413\_2OF3

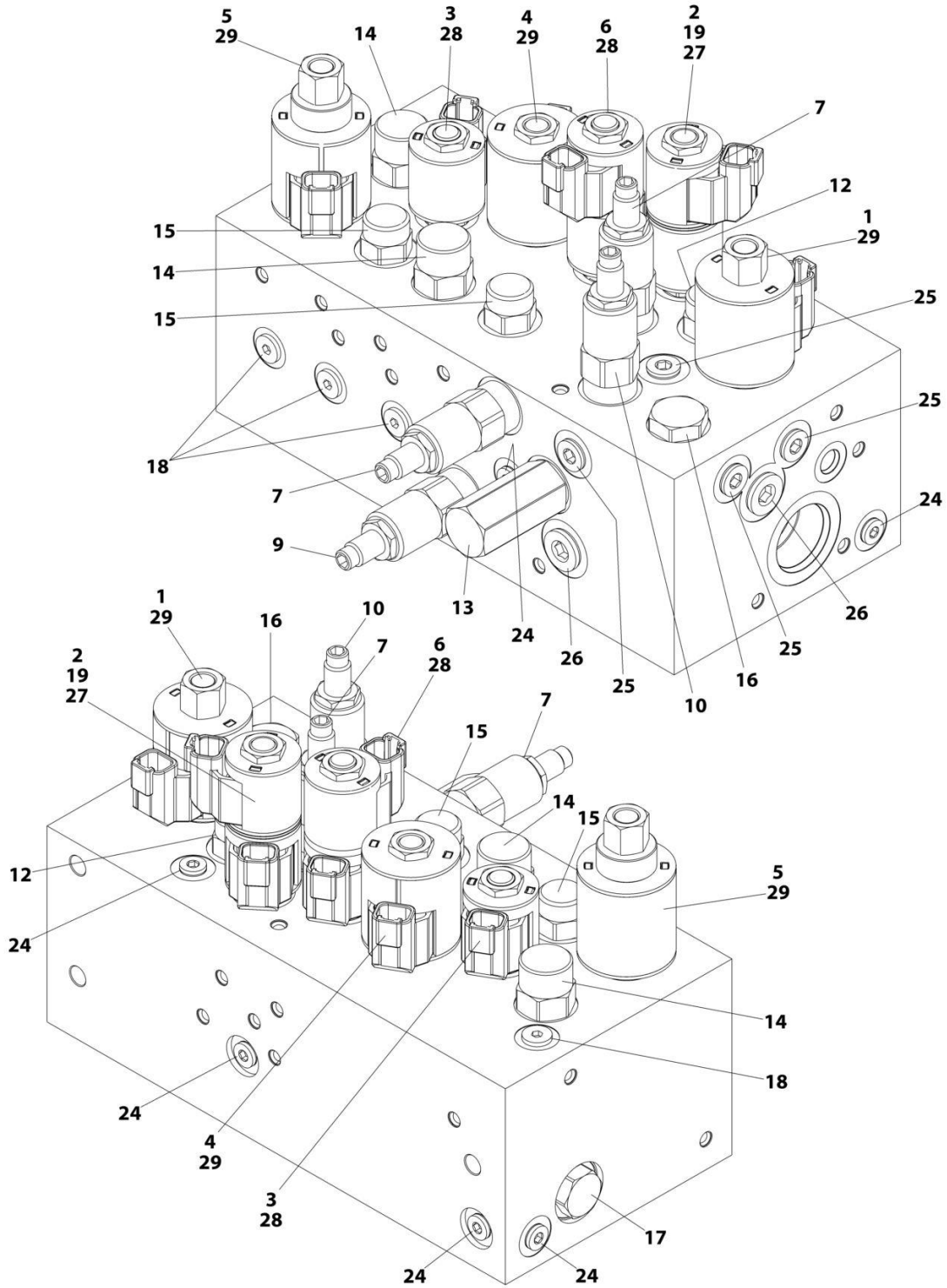
## SECTION 2 - TURNTABLE

**FIGURE 2-2. VALVES INSTALLATION - TURNTABLE (MACHINES WITH SN STARTING WITH B3)**

ITEM	PART NUMBER	QTY	DESCRIPTION	REV
	1001271413	Ref	4WD VALVES INSTALLATION - TURNTABLE MOUNTED	A
1	0100011	AR	Compound, Locking	
3	0761010	AR	Bolt M10 x 20	
8	4812000	AR	Washer M10	
10	5251010	15	Bolt M10 x 20	
13	1001162534	1	Main Valve Assembly (See Separate Breakdown in this Section)	
20	1001208874	1	Filter, Charge Pump	
20	70010383	1	Element, Filter (Includes O-Ring)	
21	1001234295	1	Cover	
22	1001271414	1	Auxiliary Pump Assembly (See Separate Breakdown in this Section)	

# SECTION 2 - TURNTABLE

## FIGURE 2-3. MAIN VALVE ASSEMBLY



ART\_1001162534



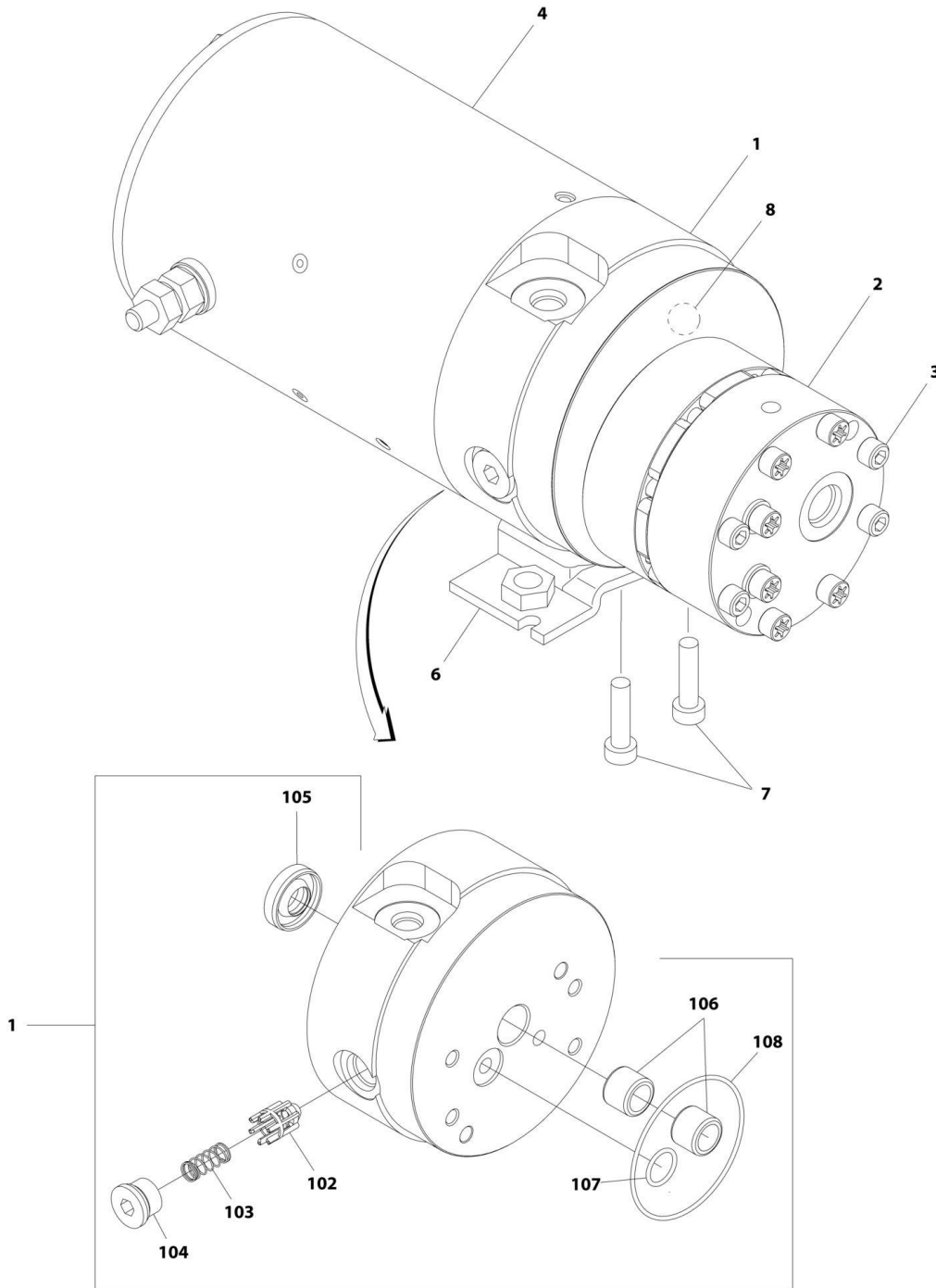
**SECTION 2 - TURNTABLE**

**FIGURE 2-3. MAIN VALVE ASSEMBLY**

ITEM	PART NUMBER	QTY	DESCRIPTION	REV
	1001162534	Ref	MAIN VALVE ASSEMBLY	F
1	70005069	1	Cartridge, Solenoid Less Coil (Main Dump)	
1	7022399	1	Seal Kit - 70005069 Valve	
1	70003977	1	Nut, Coil	
2	70005217	1	Cartridge, Solenoid Less Coil (Steer)	
2	70005071	1	Seal Kit - 70005217 Valve	
2	7022390	1	Nut, Coil	
3	70005094	1	Cartridge, Solenoid Less Coil (Main Lift Up)	
3	7023936	1	Seal Kit - 70005094 Valve	
3	7022390	1	Nut, Coil	
4	70005076	1	Cartridge, Solenoid Less Coil (Tower Lift Up)	
4	7022399	1	Seal Kit - 70005076 Valve	
4	7022390	1	Nut, Coil	
5	70005095	1	Cartridge, Solenoid Less Coil (Flow Control)	
5	7022399	1	Seal Kit - 70005095 Valve	
5	70003977	1	Nut, Coil	
6	70005096	1	Cartridge, Solenoid Less Coil (Swing)	
6	70005071	1	Seal Kit - 70005096 Valve	
7	70005097	1	Cartridge, Solenoid Less Coil	
7	70005082	2	Seal Kit - 70005097 Valve	
9	70005098	1	Cartridge, Relief Valve	
9	7023936	1	Seal Kit - 70005098 Valve	
10	70005080	1	Cartridge, Relief Valve	
10	7022399	1	Seal Kit - 70005080 Valve	
12	70005218	1	Cartridge, Valve	
12	70005082	1	Seal Kit - 70005218 Valve	
13	70005084	1	Cartridge, Valve	
13	70005085	1	Seal Kit - 70005084 Valve	
14	70005099	2	Cartridge, Valve	
14	70005087	2	Seal Kit - 70005099 Valve	
15	70005088	2	Cartridge, Valve	
15	7023900	2	Seal Kit - 70005088 Valve	
16	70005100	1	Cartridge, Check Valve	
16	7022399	1	Seal Kit - 70005100 Valve	
17	70005089	1	Cartridge, Check Valve	
17	7023936	1	Seal Kit - 70005089 Valve	
18	70005090	5	Cartridge, Check Valve	
18	70005092	5	Seal Kit - 70005092 Valve	
19	See Note	1	Disc, Check Valve (Note: Not Available for Purchase)	
24	91164059	7	Plug	
25	91164079	4	Plug	
26	91164057	2	Plug	
27	70005219	2	Coil	
28	70002386	3	Coil	
29	70003788	3	Coil	

# SECTION 2 - TURNTABLE

## FIGURE 2-4. AUXILIARY PUMP ASSEMBLY (MACHINES WITH SN STARTING WITH 03)



ART\_1001185821

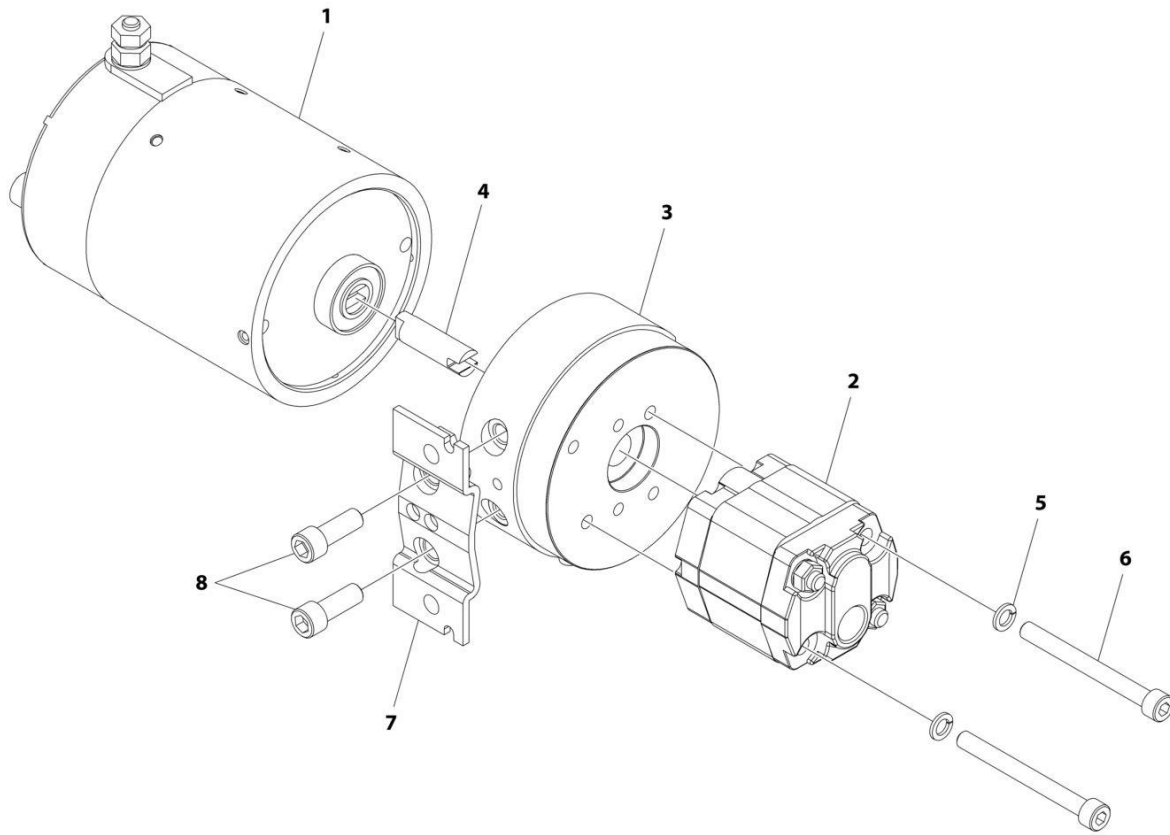
## SECTION 2 - TURNTABLE

**FIGURE 2-4. AUXILIARY PUMP ASSEMBLY (MACHINES WITH SN STARTING WITH 03)**

ITEM	PART NUMBER	QTY	DESCRIPTION	REV
	1001185821	Ref	AUXILIARY PUMP ASSEMBLY	B
1	70005065	1	Base Assembly (See Items 102-108 for Breakdown)	
2	70005066	1	Pump Assembly (Note: No Seal Kit or Internal Components are Available - Purchase Complete Pump Assembly)	
3	70005067	4	Capscrew 1/4 x 2-3/4	
4	70004013	1	Motor Assembly (Note: No Internal Components are Available - Purchase Complete Motor Assembly)	
6	70004014	1	Bracket	
7	70004000	2	Capscrew 3/8 x 1	
8	70005068	1	Relief Valve Assembly	
	70005065	Ref	BASE ASSEMBLY	
102	See Note	NSS	Poppet, Check (Note: Use p/n 70005065)	
103	See Note	NSS	Spring (Note: Use p/n 70005065)	
104	See Note	NSS	Plug (Note: Use p/n 70005065)	
105	7026330	1	Seal, Shaft	
106	70005139	2	Bearing	
107	70003612	1	O-Ring	
108	70004267	1	O-Ring	

## SECTION 2 - TURNTABLE

FIGURE 2-5. AUXILIARY PUMP ASSEMBLY (MACHINES WITH SN STARTING WITH B3)



ART\_1001271414

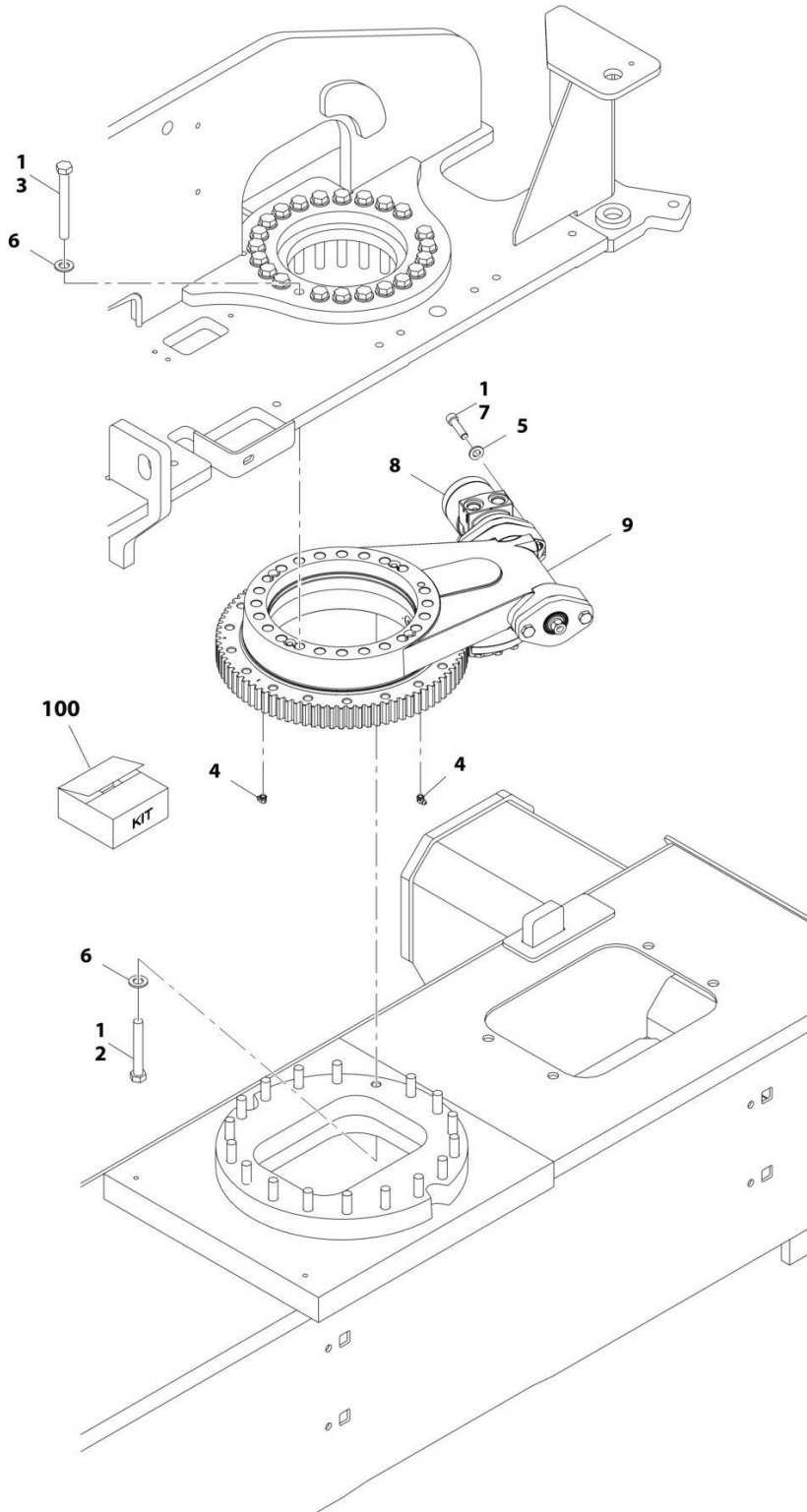
**SECTION 2 - TURNTABLE**

**FIGURE 2-5. AUXILIARY PUMP ASSEMBLY (MACHINES WITH SN STARTING WITH B3)**

<b>ITEM</b>	<b>PART NUMBER</b>	<b>QTY</b>	<b>DESCRIPTION</b>	<b>REV</b>
	1001271414	Ref	AUXILIARY MOTOR/PUMP ASSEMBLY	A
1	70008403	1	Motor	
2	70008404	1	Pump	
3	70008405	1	Block, Valve	
4	70008397	1	Shaft, Connecting	
5	70008400	2	Washer M8	
6	70008406	2	Capscrew M8 x 80	
7	70008407	1	Bracket	
8	70008408	2	Capscrew 3/8 x 1	

## SECTION 2 - TURNTABLE

FIGURE 2-6. SWING DRIVE AND TURNTABLE BEARING INSTALLATION (MACHINES WITH SN STARTING WITH 03)



ART\_1001165946

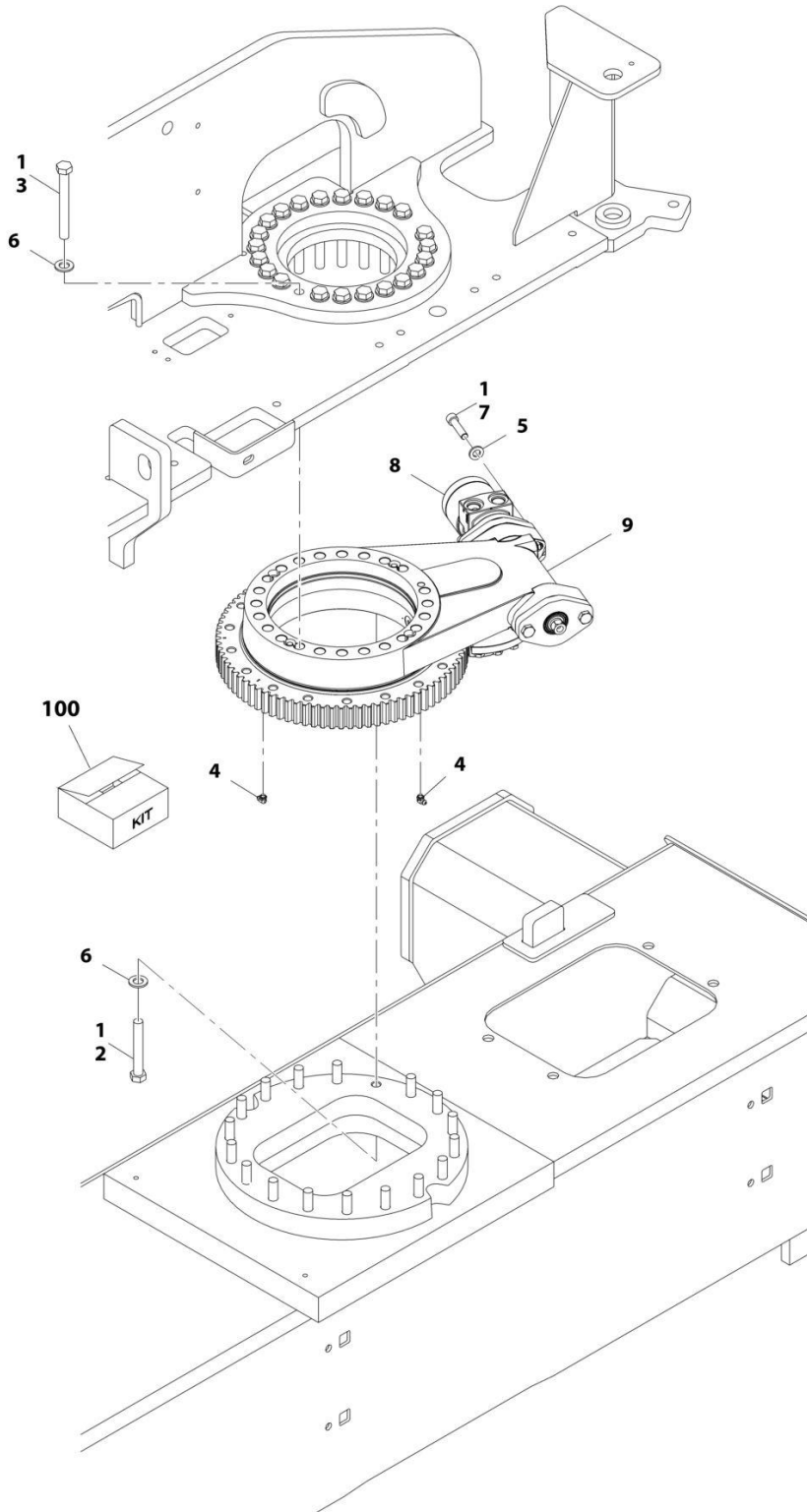
**SECTION 2 - TURNTABLE**

**FIGURE 2-6. SWING DRIVE AND TURNTABLE BEARING INSTALLATION (MACHINES WITH SN STARTING WITH 03)**

<b>ITEM</b>	<b>PART NUMBER</b>	<b>QTY</b>	<b>DESCRIPTION</b>	<b>REV</b>
	1001165946	Ref	SWING DRIVE AND TURNTABLE BEARING INSTALLATION	B
1	0100019	AR	Compound, Locking	
2	0711628	18	Bolt M16 x 110 Grade 10.9	
3	0711631	23	Bolt M16 x 140	
4	2160001	2	Fitting, Grease 90	
5	5241200	2	Washer M12	
6	5241600	41	Washer M16	
7	5272114	2	Capscrew M12 x 50 Grade 12.9	
8	1001104850	1	Swing Motor Assembly (See Separate Breakdown in this Section)	
9	1001133972	1	Turntable Bearing Assembly (See Separate Breakdown in this Section)	
100	1001206436	1	Turntable Bearing Kit (Includes Items 2-7 & 9)	

## SECTION 2 - TURNTABLE

FIGURE 2-7. SWING DRIVE AND TURNTABLE BEARING INSTALLATION (MACHINES WITH SN STARTING WITH B3) (Prior to SN B300018389, Including B300018404)



ART\_1001165946



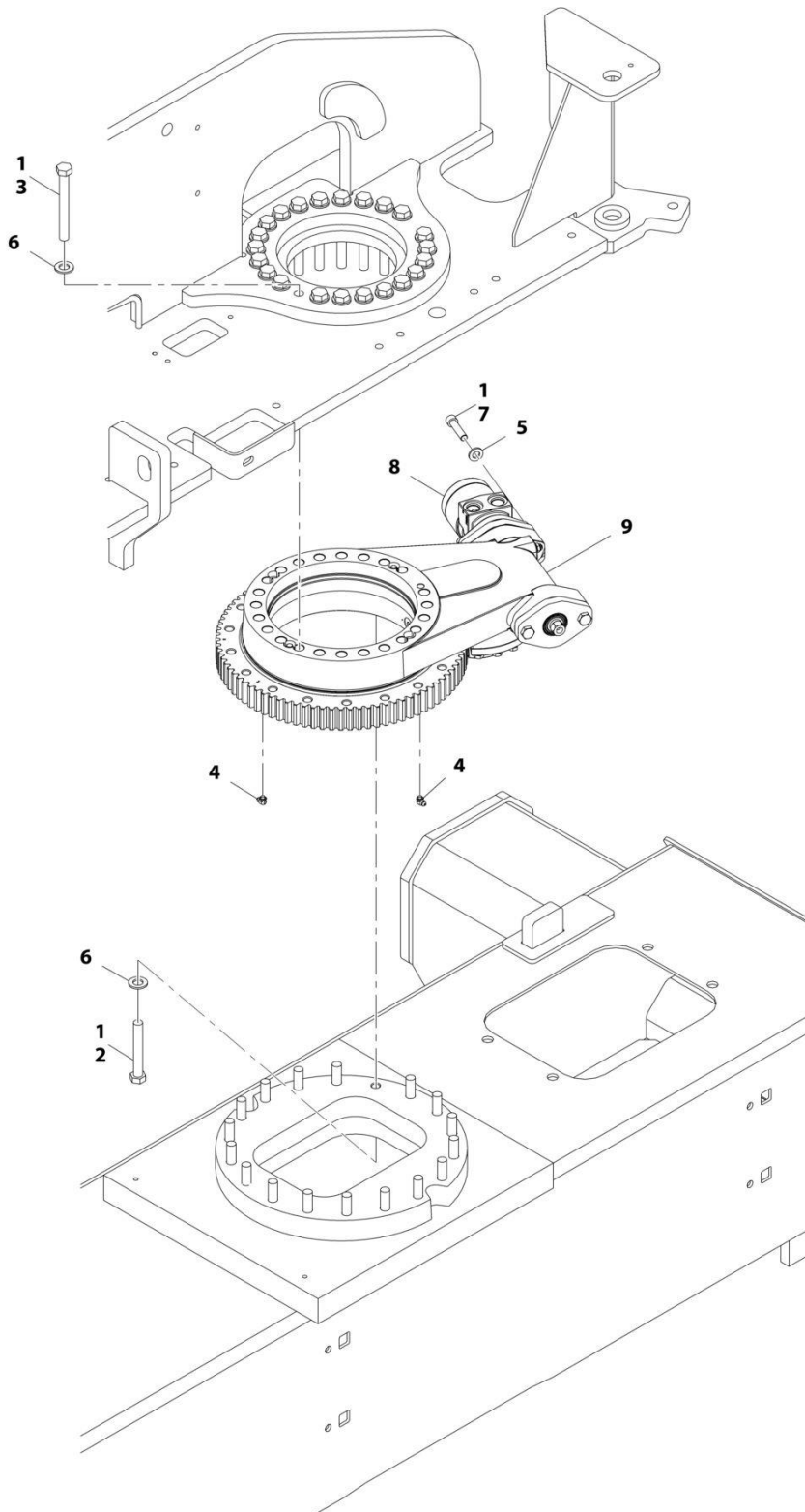
## SECTION 2 - TURNTABLE

**FIGURE 2-7. SWING DRIVE AND TURNTABLE BEARING INSTALLATION (MACHINES WITH SN STARTING WITH B3) (Prior to SN B300018389, Including B300018404)**

ITEM	PART NUMBER	QTY	DESCRIPTION	REV
	1001165946	Ref	SWING DRIVE AND TURNTABLE BEARING INSTALLATION	B
1	0100019	AR	Compound, Locking	
2	0711628	18	Bolt M16 x 110 Grade 10.9	
3	0711631	23	Bolt M16 x 140	
4	2160001	2	Fitting, Grease 90	
5	5241200	2	Washer M12	
6	5241600	41	Washer M16	
7	5272114	2	Capscrew M12 x 50 Grade 12.9	
8	1001104850	1	Swing Motor Assembly (See Separate Breakdown in this Section)	
9	1001133972	1	Turntable Bearing Assembly (See Separate Breakdown in this Section)	
100	1001206436	1	Turntable Bearing Kit (Includes Items 2-7 & 9)	

## SECTION 2 - TURNTABLE

FIGURE 2-8. SWING DRIVE AND TURNTABLE BEARING INSTALLATION (MACHINES WITH SN STARTING WITH B3) (SN B300018389 to Present, Excluding B300018404)



ART\_1001294215

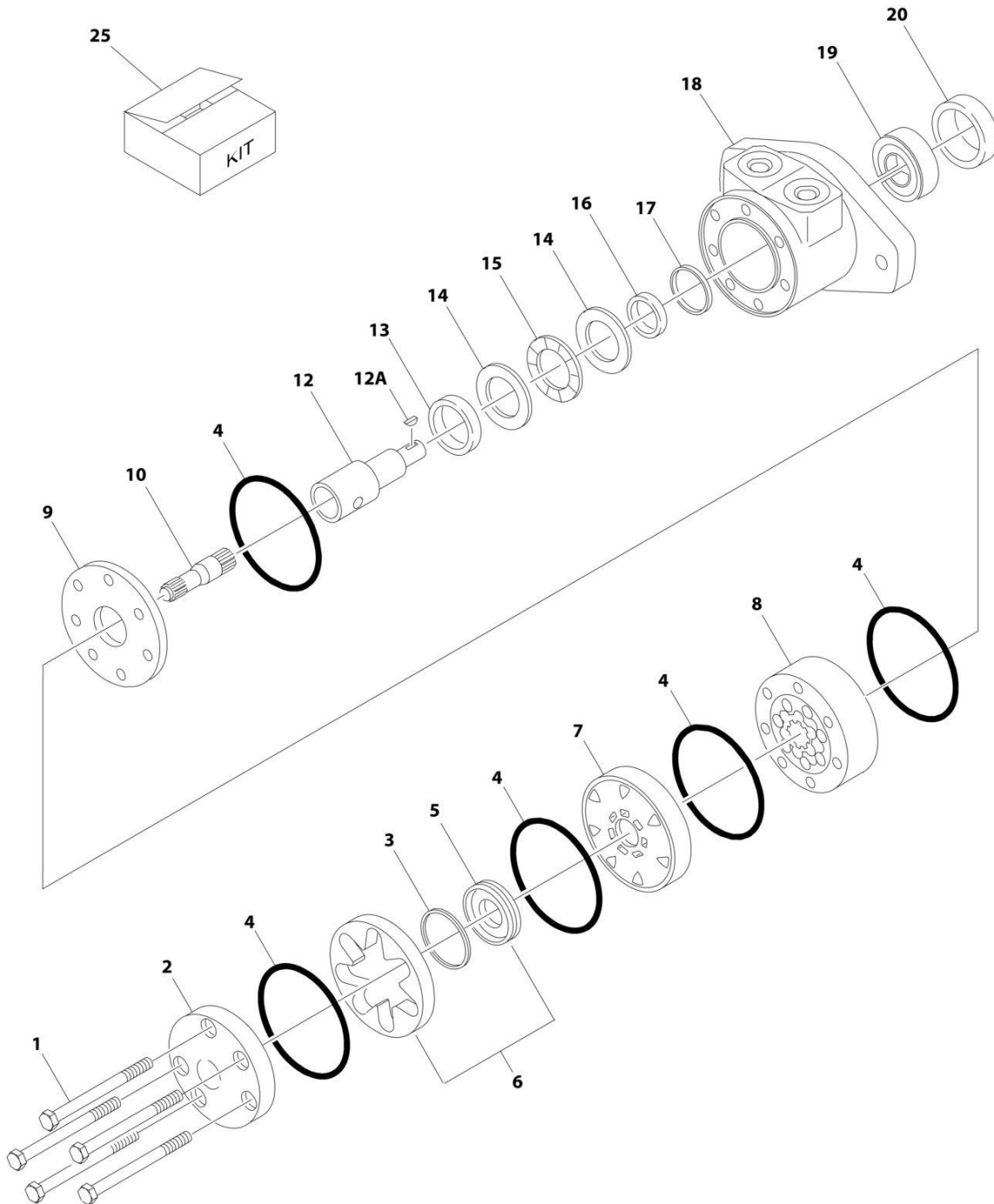
## SECTION 2 - TURNTABLE

**FIGURE 2-8. SWING DRIVE AND TURNTABLE BEARING INSTALLATION (MACHINES WITH SN STARTING WITH B3) (SN B300018389 to Present, Excluding B300018404)**

ITEM	PART NUMBER	QTY	DESCRIPTION	REV
	1001294215	Ref	SWING DRIVE AND TURNTABLE BEARING INSTALLATION	A
1	0100019	AR	Compound, Locking	
2	0711628	18	Bolt M16 x 110 Grade 10.9	
3	0711631	23	Bolt M16 x 140	
4	2160001	2	Fitting, Grease 90	
5	5241200	2	Washer M12	
6	5241600	41	Washer M16	
7	5272114	2	Capscrew M12 x 50 Grade 12.9	
8	1001286019	1	Swing Motor Assembly (See Separate Breakdown in this Section)	
9	1001133972	1	Turntable Bearing Assembly (See Separate Breakdown in this Section)	

# SECTION 2 - TURNTABLE

FIGURE 2-9. SWING MOTOR ASSEMBLY (MACHINES WITH SN STARTING WITH 03)



ART\_1001104850

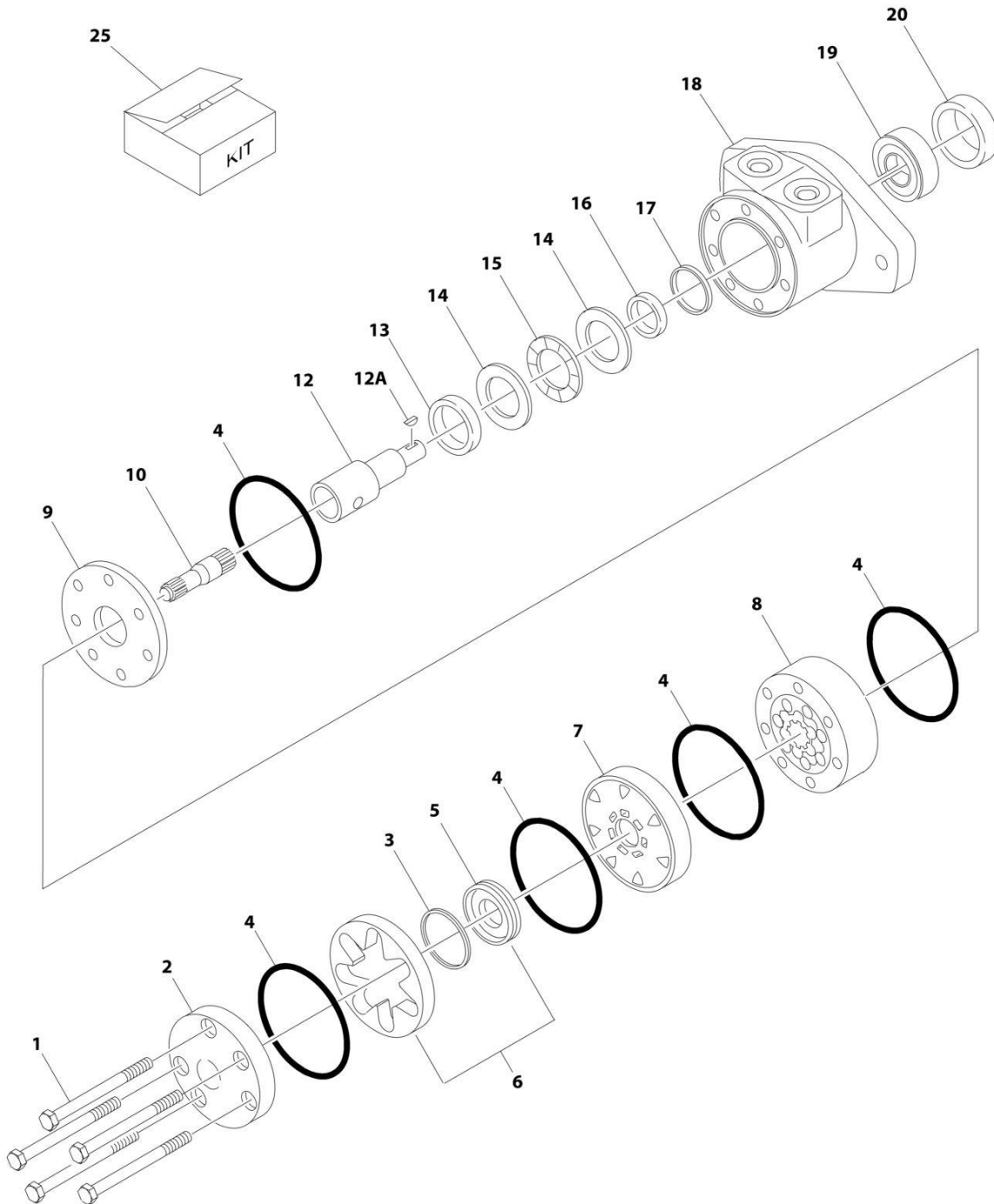
## SECTION 2 - TURNTABLE

**FIGURE 2-9. SWING MOTOR ASSEMBLY (MACHINES WITH SN STARTING WITH 03)**

ITEM	PART NUMBER	QTY	DESCRIPTION	REV
	1001104850	Ref	SWING MOTOR ASSEMBLY	A
1	See Note	5	Bolt (Note: Not Available for Purchase)	
2	7004035	1	Cover, End	
3	7023318	1	Seal, Commutator	
4	7004036	5	O-Ring	
5	See Note	NSS	Commutator (Note: Use Item 6)	
6	7024453	1	Commutator and Ring Assembly (Includes Item 5)	
7	7024379	1	Manifold	
8	70002206	1	Rotor Set	
9	7024380	1	Plate, Wear	
10	70002207	1	Link, Drive	
12	70000088	1	Shaft, Coupling	
12A	70000089	1	Key	
13	7024381	1	Bushing, Inner	
14	7004043	1	Thrustwasher	
15	7004044	1	Bearing, Thrust	
16	7004049	1	Seal, Inner Shaft	
17	7004045	1	Ring, Back-up	
18	See Note	NSS	Housing (Note: Not Available - Purchase Complete Motor)	
19	7024390	1	Bearing	
20	7004047	1	Seal, Outer Shaft	
25	7024389	1	Seal Kit (Includes Items 3, 4, 16, 17 & 20)	

## SECTION 2 - TURNTABLE

FIGURE 2-10. SWING MOTOR ASSEMBLY (MACHINES WITH SN STARTING WITH B3) (Prior to SN B300018389, Including B300018404)



ART\_1001104850

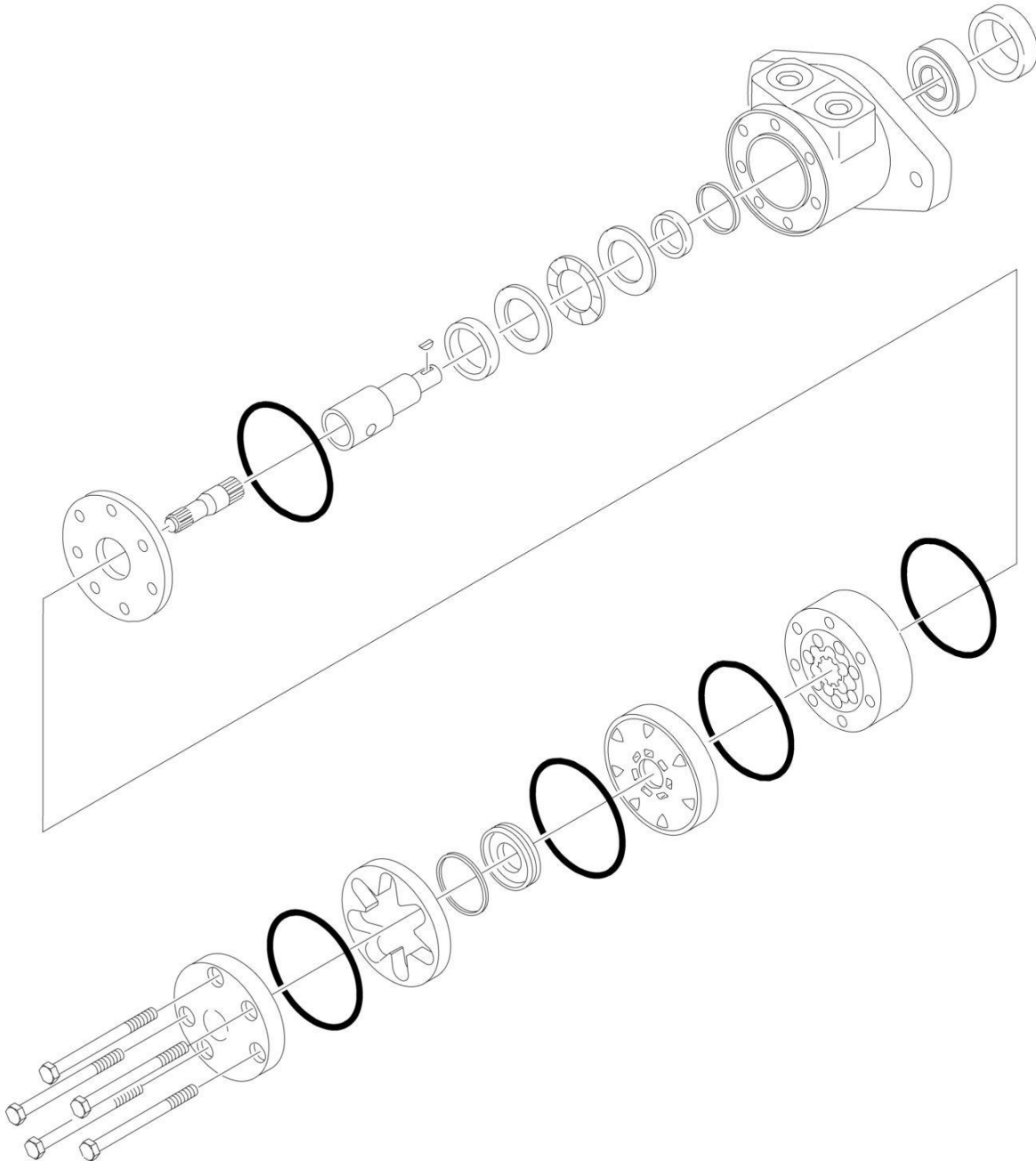
**SECTION 2 - TURNTABLE**

**FIGURE 2-10. SWING MOTOR ASSEMBLY (MACHINES WITH SN STARTING WITH B3) (Prior to SN B300018389, Including B300018404)**

ITEM	PART NUMBER	QTY	DESCRIPTION	REV
	1001104850	Ref	SWING MOTOR ASSEMBLY	A
1	See Note	5	Bolt (Note: Not Available for Purchase)	
2	7004035	1	Cover, End	
3	7023318	1	Seal, Commutator	
4	7004036	5	O-Ring	
5	See Note	NSS	Commutator (Note: Use Item 6)	
6	7024453	1	Commutator and Ring Assembly (Includes Item 5)	
7	7024379	1	Manifold	
8	70002206	1	Rotor Set	
9	7024380	1	Plate, Wear	
10	70002207	1	Link, Drive	
12	70000088	1	Shaft, Coupling	
12A	70000089	1	Key	
13	7024381	1	Bushing, Inner	
14	7004043	1	Thrustwasher	
15	7004044	1	Bearing, Thrust	
16	7004049	1	Seal, Inner Shaft	
17	7004045	1	Ring, Back-up	
18	See Note	NSS	Housing (Note: Not Available - Purchase Complete Motor)	
19	7024390	1	Bearing	
20	7004047	1	Seal, Outer Shaft	
25	7024389	1	Seal Kit (Includes Items 3, 4, 16, 17 & 20)	

## SECTION 2 - TURNTABLE

FIGURE 2-11. SWING MOTOR ASSEMBLY (MACHINES WITH SN STARTING WITH B3) (SN B300018389 to Present, Excluding B300018404)



ART\_1001286019



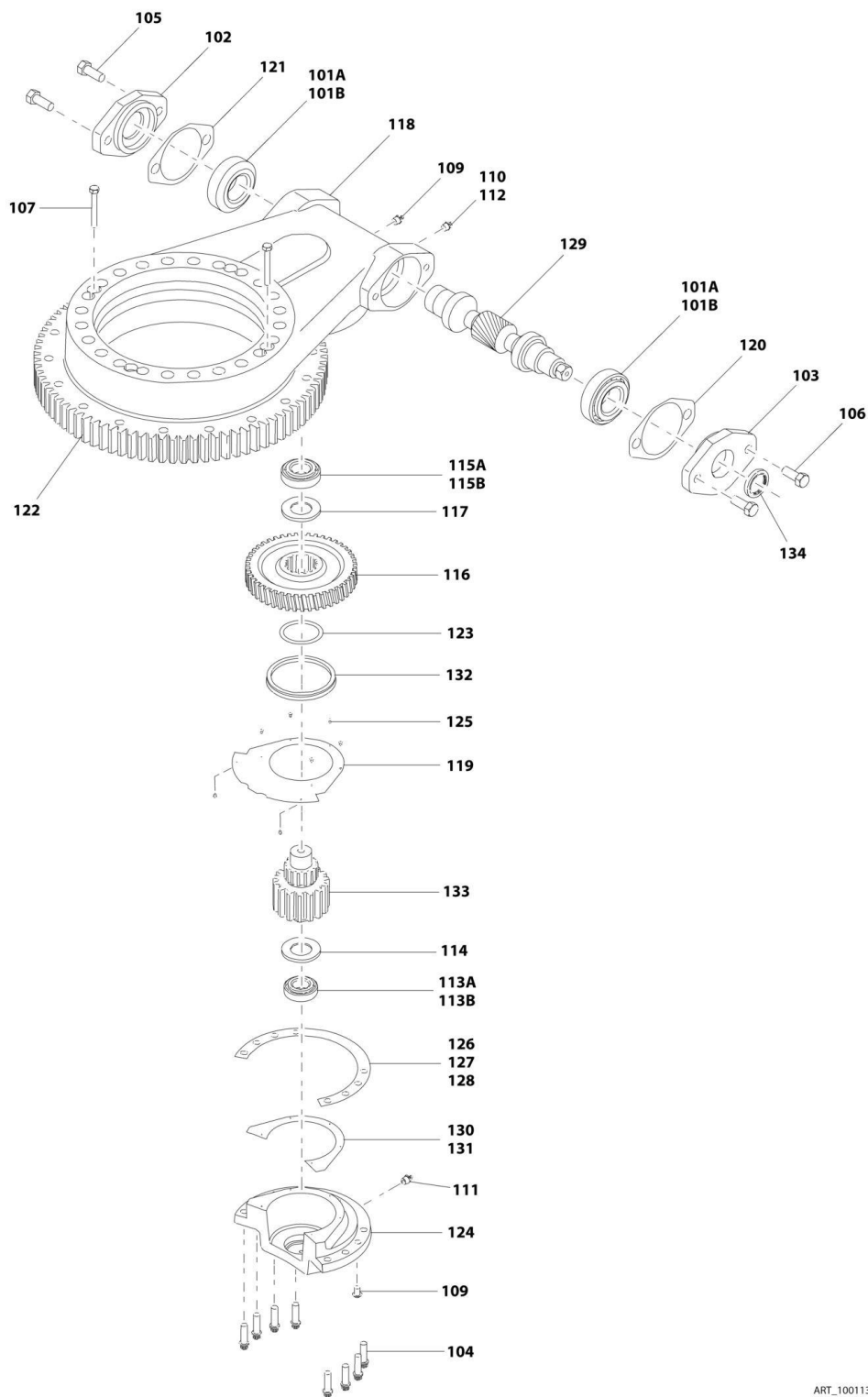
**SECTION 2 - TURNTABLE**

**FIGURE 2-11. SWING MOTOR ASSEMBLY (MACHINES WITH SN STARTING WITH B3) (SN B300018389 to Present, Excluding B300018404)**

ITEM	PART NUMBER	QTY	DESCRIPTION	REV
1	1001286019 See Note	Ref Ref	SWING MOTOR ASSEMBLY Note: No Service Parts Available at Time of Printing	A

# SECTION 2 - TURNTABLE

## FIGURE 2-12. TURNTABLE BEARING ASSEMBLY



ART\_1001133972

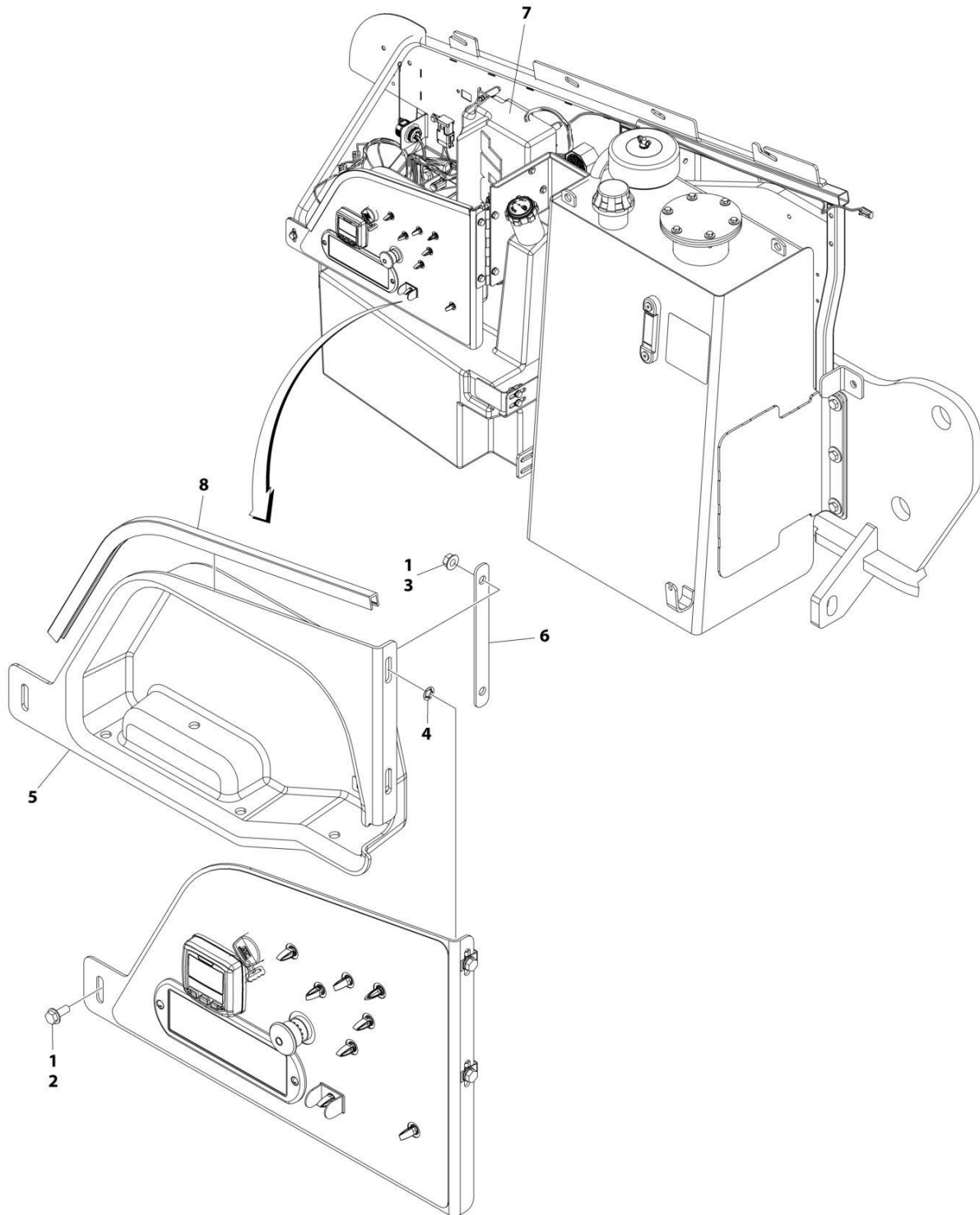
## SECTION 2 - TURNTABLE

### FIGURE 2-12. TURNTABLE BEARING ASSEMBLY

ITEM	PART NUMBER	QTY	DESCRIPTION	REV
	1001133972	Ref	TURNTABLE BEARING ASSEMBLY	D
101A	7026042	2	Cup, Bearing	
101B	7026043	2	Cone, Bearing	
102	7027356	1	Adapter, Motor	
103	7027354	1	Cap, Worm	
104	70004249	8	Bolt M10 x 35 Grade 10.9	
105	70004250	2	Bolt M12 x 30 Grade 10.9	
106	70004251	2	Bolt M12 x 40 Grade 10.9	
107	70004252	2	Bolt M8 x 65mm	
109	70000865	1	Plug	
110	70002649	1	Vent, Pressure	
111	70002651	1	Fitting, Grease	
112	7026044	1	Bushing, Reducer	
113A	7026045	1	Cup, Bearing	
113B	7026047	1	Cone, Bearing	
114	7026046	1	Ring, Grease	
115A	7026048	1	Cup, Bearing	
115B	7026049	1	Cone, Bearing	
116	7026050	1	Worm-Gear	
117	7026052	1	Spacer, Washer	
118	See Note	1	Housing (Note: Not Available - Purchase Complete Assembly)	
119	7026053	1	Cover, Gear	
120	7027350	AR	Shim, Blue (.005in)	
120	7027351	AR	Shim, Clear (.0075in)	
120	7027352	AR	Shim, Brown (.010in)	
121	7027353		Shim, Yellow (.020in)	
122	70004253	1	Bearing, Turntable	
123	70004254	1	O-Ring	
124	70004255	1	Cap, Gear	
125	70004256	8	Bolt M4 x 8	
126	70004257	AR	Shim, Green (.003)	
127	70004258	AR	Shim, Blue (.005)	
128	70004259	AR	Shim, Natural (.0075)	
129	7026057	1	Gear, Worm	
130	70004260	AR	Shim, Blue (.005)	
131	70004261	AR	Shim, Yellow (.020)	
132	70004262	1	Seal, Oil	
133	7026051	1	Pinion, Output	
134	70004263	1	Seal, Oil	

# SECTION 2 - TURNTABLE

## FIGURE 2-13. TURNTABLE COVERS INSTALLATION



ART\_1001219129

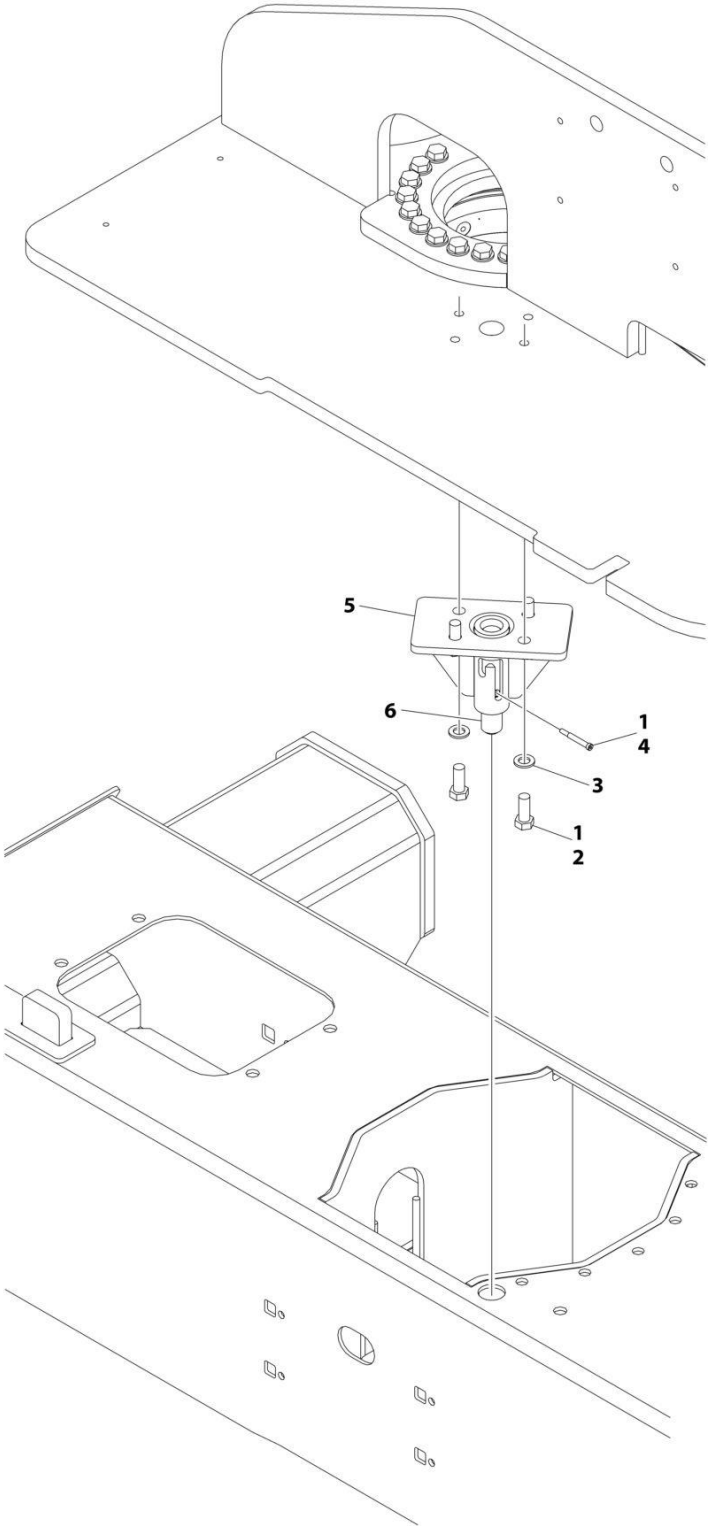
**SECTION 2 - TURNTABLE**

**FIGURE 2-13. TURNTABLE COVERS INSTALLATION**

<b>ITEM</b>	<b>PART NUMBER</b>	<b>QTY</b>	<b>DESCRIPTION</b>	<b>REV</b>
	1001219129	Ref	TURNTABLE COVERS INSTALLATION	A
1	0100011	AR	Compound, Locking	
2	5250812	1	Bolt M8 x 25	
3	5260800	2	Nut M8	
4	1001119228	2	Nut M8	
5	1001218533	1	Cover	
6	1001218535	1	Plate, Mounting	
7	1001218537	1	Cover	
8	4060806	2 ft/0.6m	Shield, Flex	

# SECTION 2 - TURNTABLE

## FIGURE 2-14. TURNTABLE LOCK INSTALLATION



ART\_1001275935

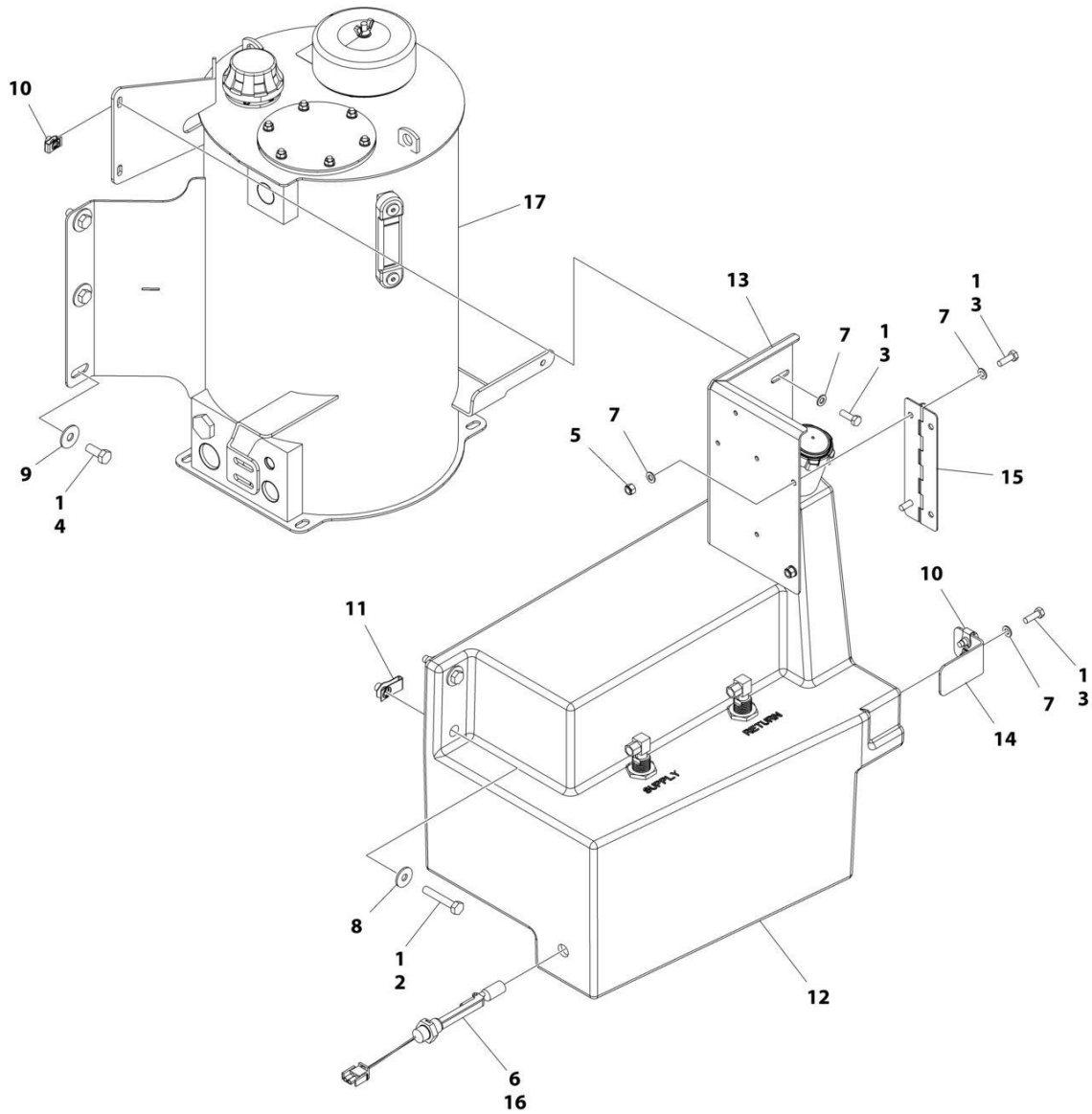
**SECTION 2 - TURNTABLE**

**FIGURE 2-14. TURNTABLE LOCK INSTALLATION**

<b>ITEM</b>	<b>PART NUMBER</b>	<b>QTY</b>	<b>DESCRIPTION</b>	<b>REV</b>
	1001275935	Ref	TURNTABLE LOCK INSTALLATION	A
1	0100011	AR	Compound, Locking	
2	0701616	4	Bolt M16 x 40	
3	4812300	4	Washer M16	
4	1001157466	1	Bolt M10 x 30	
5	1001177821	1	Support, Lock	
6	1001177834	1	Pin, Lock	
7	1001275936	1	Decal - Lift Diagram (Not Shown)	

## SECTION 2 - TURNTABLE

FIGURE 2-15. TANKS INSTALLATION - DIESEL MACHINES (17 GAL HYDRAULIC TANK WITH 4 INCH BREATHER)



ART\_1001282831



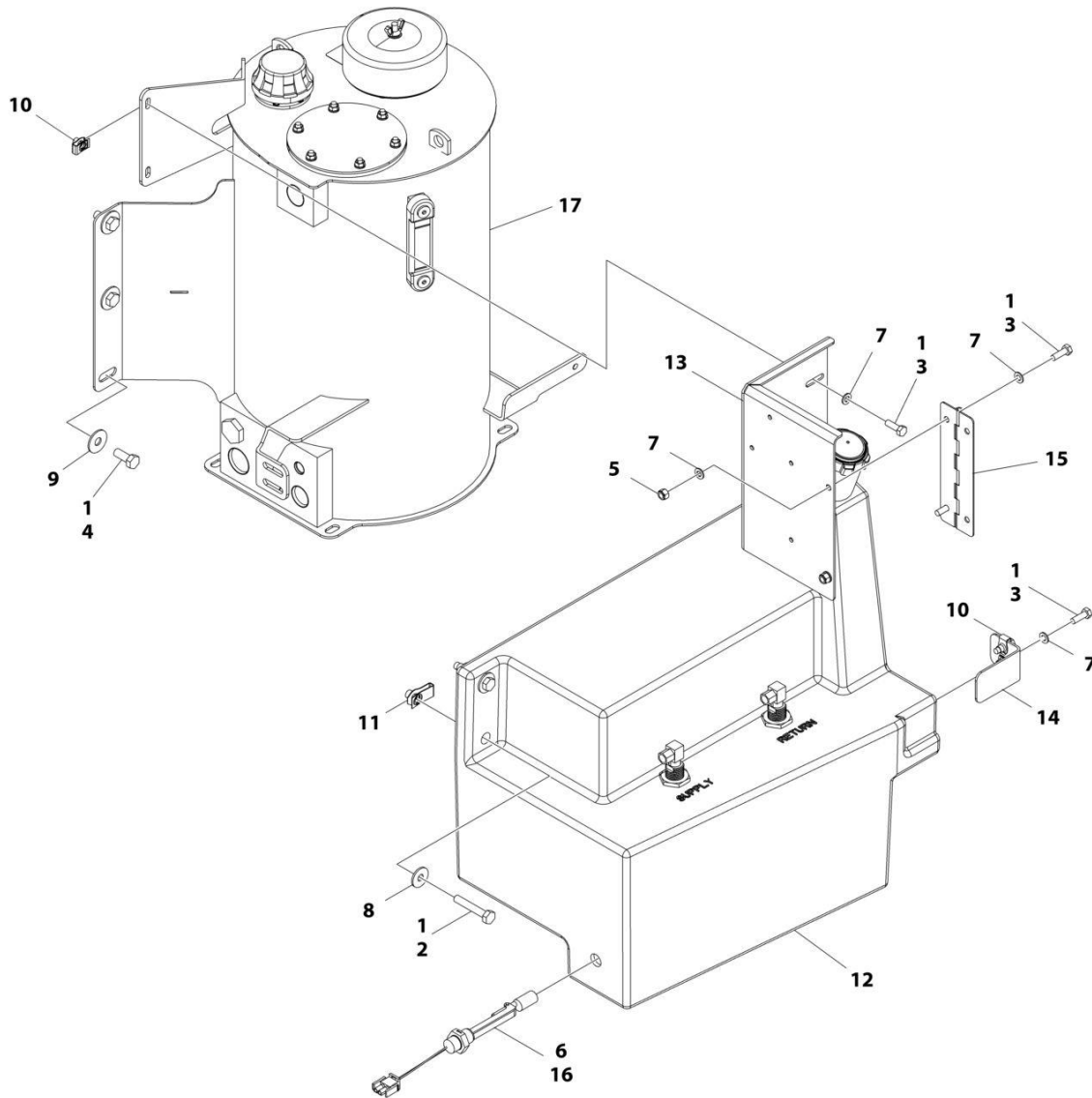
**SECTION 2 - TURNTABLE**

**FIGURE 2-15. TANKS INSTALLATION - DIESEL MACHINES (17 GAL HYDRAULIC TANK WITH 4 INCH BREATHER)**

ITEM	PART NUMBER	QTY	DESCRIPTION	REV
	1001282831	Ref	TANKS INSTALLATION - DIESEL MACHINES	A
1	0100011	AR	Compound, Locking	
2	0701020	2	Bolt M10 x 60	
3	0760812	6	Bolt M8 x 25	
4	0761214	6	Bolt M12 x 30	
5	3290805	2	Nut M8	
6	4360436	1	Switch, Fuel Level	
6	4460320	1	Plug, Male - 2 Position	
6	4460267	1	Pin, Male	
7	4811900	8	Washer M8	
8	4812002	2	Washer M10	
9	4812102	6	Washer M12	
10	1001118274	4	Nut M8	
11	1001118972	2	Nut M10	
12	1001163061	1	Fuel Tank Assembly	
12	1001193336	1	Cap, Fuel	
12	70004876	2	Tube, Pick-up	
12	0100020	AR	Compound, Locking	
13	1001169898	1	Support, Ground Control	
14	1001170480	1	Support, Tank	
15	1001179339	1	Hinge	
16	1001182997	AR	Adhesive	
17	1001274525	1	Hydraulic Tank Assembly (See Separate Breakdown in this Section)	

## SECTION 2 - TURNTABLE

FIGURE 2-16. TANKS INSTALLATION - DIESEL MACHINES (17 GAL HYDRAULIC TANK WITH 6 INCH BREATHER)



ART\_1001207347

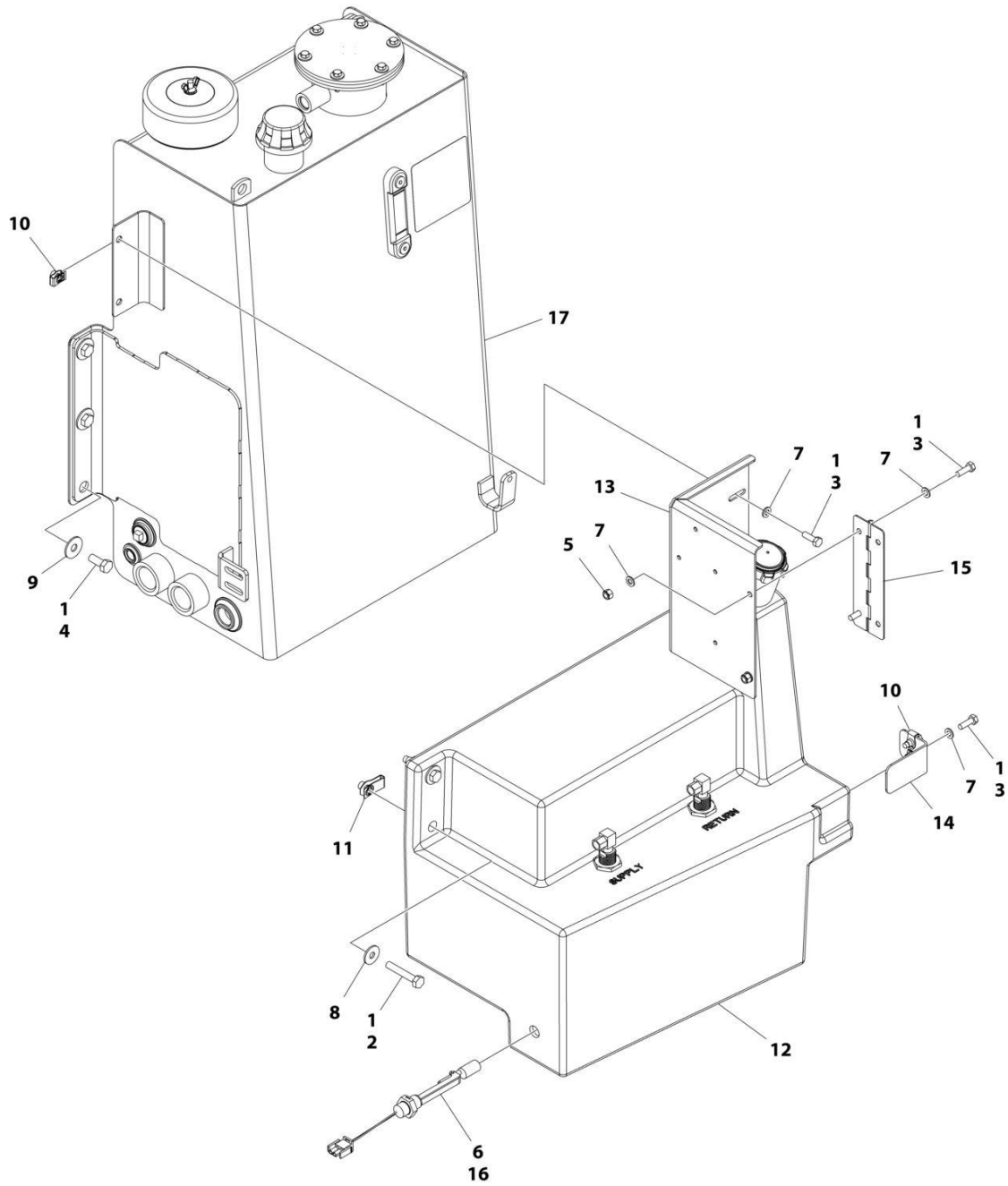
**SECTION 2 - TURNTABLE**

**FIGURE 2-16. TANKS INSTALLATION - DIESEL MACHINES (17 GAL HYDRAULIC TANK WITH 6 INCH BREATHER)**

ITEM	PART NUMBER	QTY	DESCRIPTION	REV
	1001207347	Ref	TANKS INSTALLATION - DIESEL MACHINES	B
1	0100011	AR	Compound, Locking	
2	0701020	2	Bolt M10 x 60	
3	0760812	6	Bolt M8 x 25	
4	0761214	6	Bolt M12 x 30	
5	3290805	2	Nut M8	
6	4360436	1	Switch, Fuel Level	
6	4460320	1	Plug, Male - 2 Position	
6	4460267	1	Pin, Male	
7	4811900	8	Washer M8	
8	4812002	2	Washer M10	
9	4812102	6	Washer M12	
10	1001118274	4	Nut M8	
11	1001118972	2	Nut M10	
12	1001163061	1	Fuel Tank Assembly	
12	1001193336	1	Cap, Fuel	
12	70004876	2	Tube, Pick-up	
12	0100020	AR	Compound, Locking	
13	1001169898	1	Support, Ground Control	
14	1001170480	1	Support, Tank	
15	1001179339	1	Hinge	
16	1001182997	AR	Adhesive	
17	1001206916	1	Hydraulic Tank Assembly	
17	70003614	1	Filter Kit (Includes Hydraulic Element, Breather Element and Gasket)	
17	70002838	1	Fill Cap Assembly (Includes Cap, Chain and Fill Basket)	
17	7024441	1	Gauge, Sight	
17	70002112	1	Plug, Drain	

# SECTION 2 - TURNTABLE

## FIGURE 2-17. TANKS INSTALLATION - DIESEL MACHINES (36 GAL HYDRAULIC TANK)



ART\_1001286651

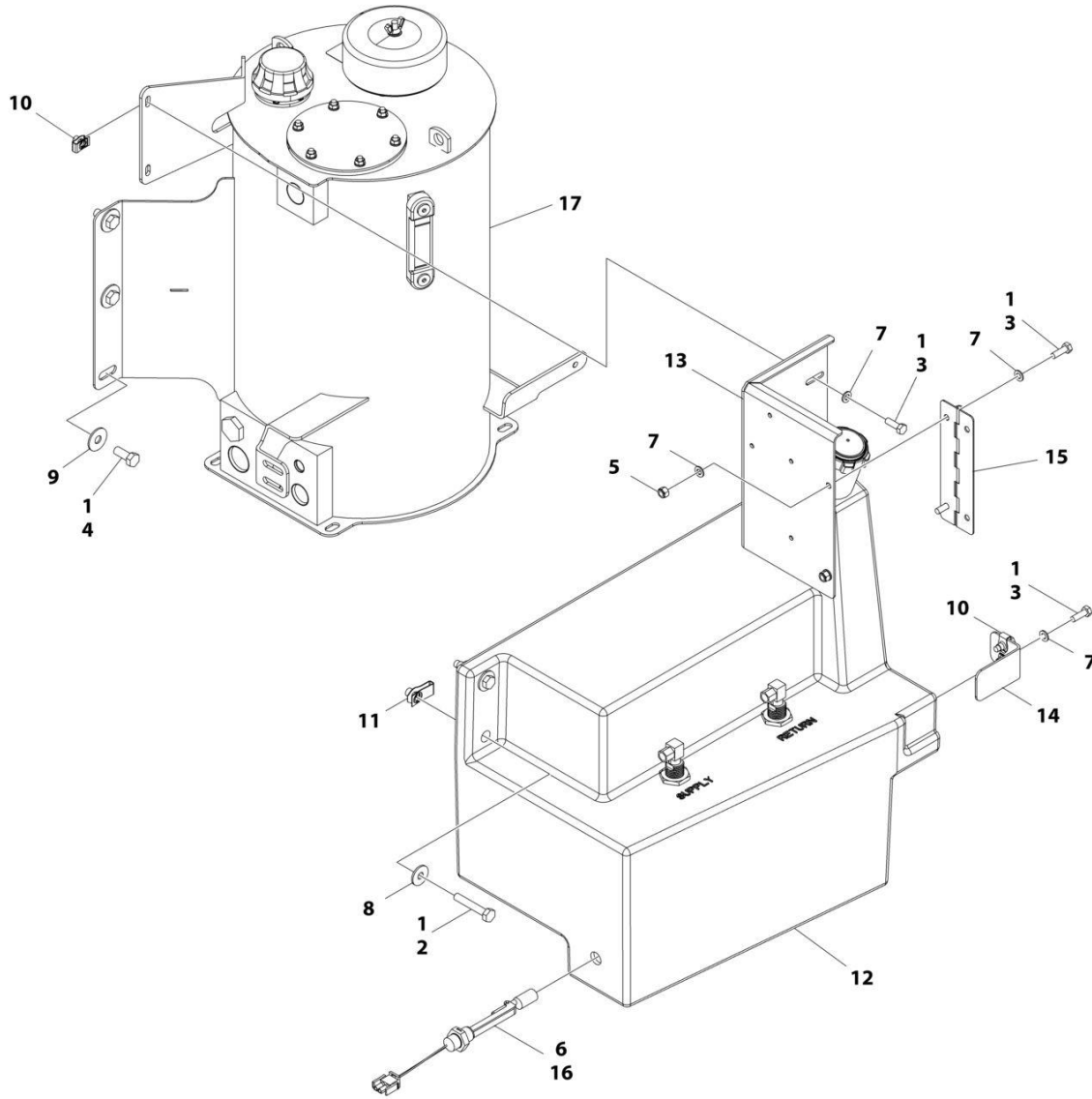
**SECTION 2 - TURNTABLE**

**FIGURE 2-17. TANKS INSTALLATION - DIESEL MACHINES (36 GAL HYDRAULIC TANK)**

ITEM	PART NUMBER	QTY	DESCRIPTION	REV
	1001286651	Ref	TANKS INSTALLATION - DIESEL MACHINES	A
1	0100011	AR	Compound, Locking	
2	0701020	2	Bolt M10 x 60	
3	0760812	6	Bolt M8 x 25	
4	0761214	6	Bolt M12 x 30	
5	3290805	2	Nut M8	
6	4360436	1	Switch, Fuel Level	
6	4460320	1	Plug, Male - 2 Position	
6	4460267	1	Pin, Male	
7	4811900	8	Washer M8	
8	4812002	2	Washer M10	
9	4812102	6	Washer M12	
10	1001118274	4	Nut M8	
11	1001118972	2	Nut M10	
12	1001163061	1	Fuel Tank Assembly	
12	1001193336	1	Cap, Fuel	
12	70004876	2	Tube, Pick-up	
12	0100020	AR	Compound, Locking	
13	1001169898	1	Support, Ground Control	
14	1001170480	1	Support, Tank	
15	1001179339	1	Hinge	
16	1001182997	AR	Adhesive	
17	1001286650	1	Hydraulic Tank Assembly	
17	70003614	1	Filter Kit (Includes Hydraulic Element, Breather Element and Gasket)	

# SECTION 2 - TURNTABLE

## FIGURE 2-18. TANKS INSTALLATION - GAS MACHINES



ART\_1001207348

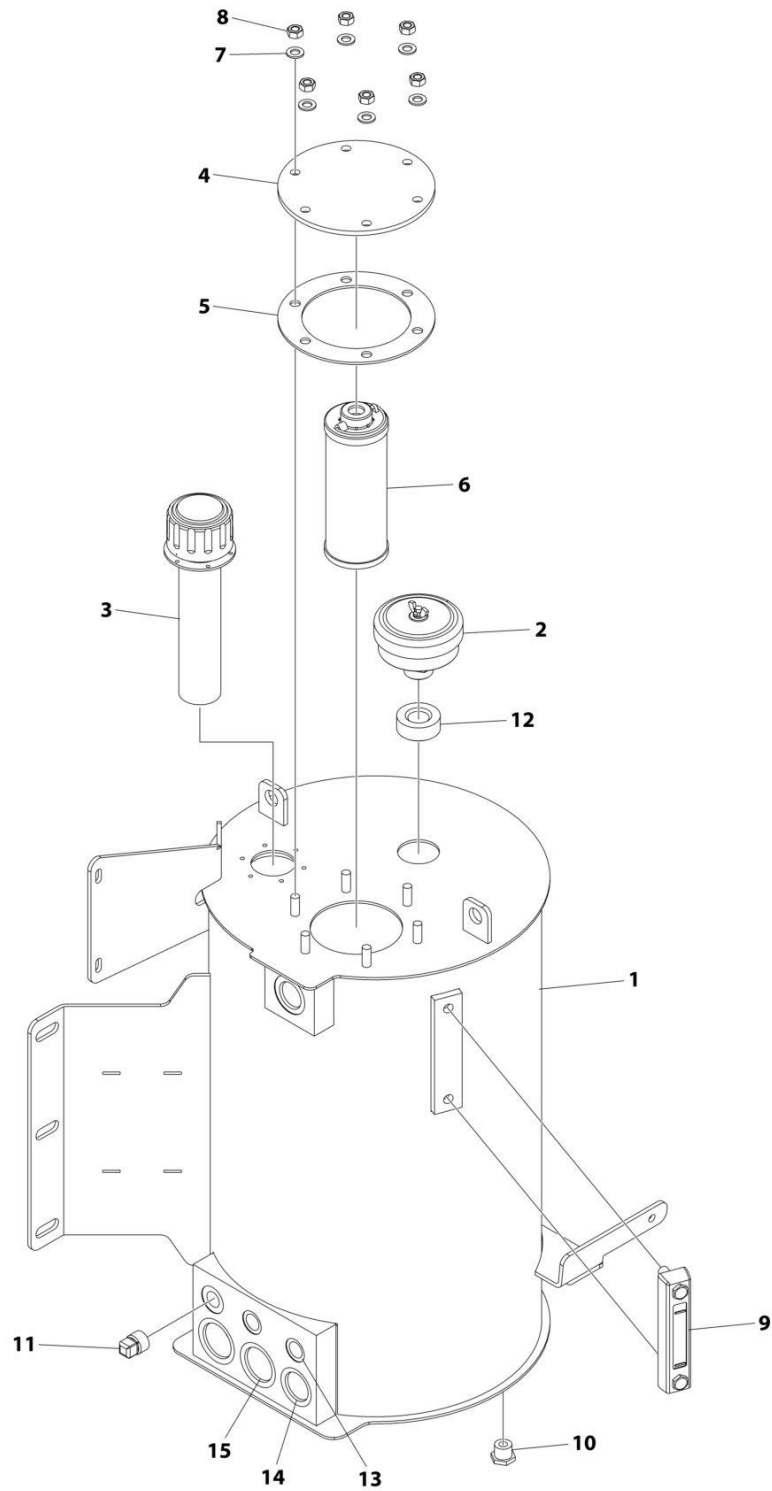
## SECTION 2 - TURNTABLE

### FIGURE 2-18. TANKS INSTALLATION - GAS MACHINES

ITEM	PART NUMBER	QTY	DESCRIPTION	REV
	1001207348	Ref	TANKS INSTALLATION - GAS MACHINES	B
1	0100011	AR	Compound, Locking	
2	0701020	2	Bolt M10 x 60	
3	0760812	6	Bolt M8 x 25	
4	0761214	6	Bolt M12 x 30	
5	3290805	2	Nut M8	
6	4360436	1	Switch, Fuel Level	
6	4460320	1	Plug, Male - 2 Position	
6	4460267	1	Pin, Male	
7	4811900	8	Washer M8	
8	4812002	2	Washer M10	
9	4812102	6	Washer M12	
10	1001118274	4	Nut M8	
11	1001118972	2	Nut M10	
12	1001163062	1	Fuel Tank Assembly	
12	1001211336	1	Cap, Tank	
12	70004877	2	Tube, Pick-up	
12	0100020	AR	Compound, Locking	
13	1001169898	1	Support, Ground Control	
14	1001170480	1	Support, Tank	
15	1001179339	1	Hinge	
16	1001182997	AR	Adhesive	
17	1001206916	1	Hydraulic Tank Assembly	
17	70003614	1	Filter Kit (Includes Hydraulic Element, Breather Element and Gasket)	
17	70002838	1	Fill Cap Assembly (Includes Cap, Chain and Fill Basket)	
17	7024441	1	Gauge, Sight	
17	70002112	1	Plug, Drain	

# SECTION 2 - TURNTABLE

FIGURE 2-19. HYDRAULIC TANK ASSEMBLY - 17 GAL WITH 4 INCH BREATHER (DIESEL MACHINES)



ART\_1001274525



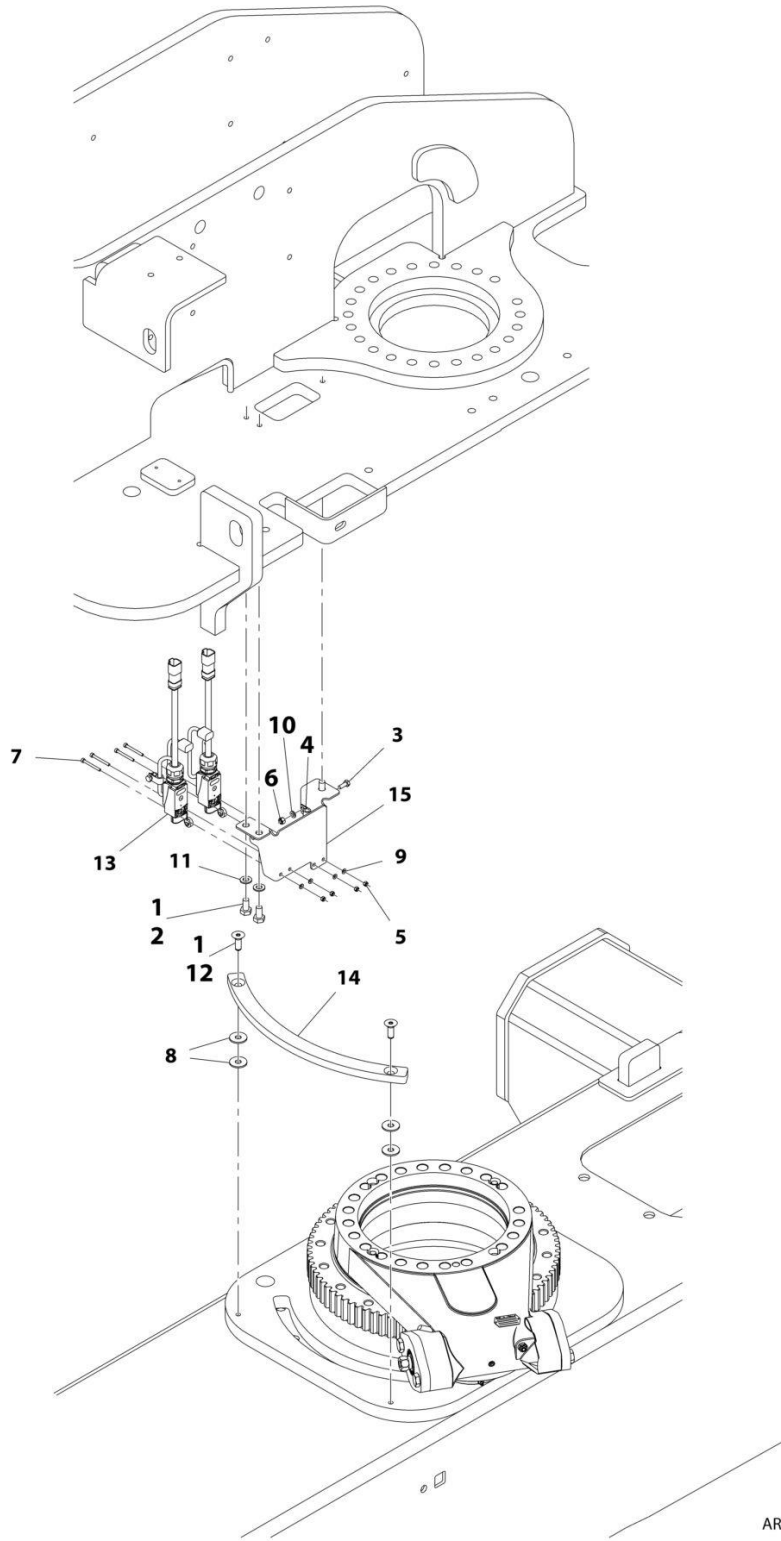
**SECTION 2 - TURNTABLE**

**FIGURE 2-19. HYDRAULIC TANK ASSEMBLY - 17 GAL WITH 4 INCH BREATHER (DIESEL MACHINES)**

ITEM	PART NUMBER	QTY	DESCRIPTION	REV
	1001274525	Ref	HYDRAULIC TANK ASSEMBLY	A
1	See Note	NSS	Tank (Note: Not Available for Purchase)	
2	70008258	1	Breather	
3	70008253	1	Cap, Fill	
4	70008259	1	Cover	
5	70008260	1	Gasket	
6	70008261	1	Filter	
7	70008262	6	Washer	
8	70008263	6	Nut M10	
9	70008264	1	Gauge, Level	
10	70008254	1	Plug 7/8	
11	70008265	1	Plug	
12	70008266	1	O-Ring	
13	70008256	2	Cover 3/4	
14	70008267	2	Cover 1-5/16	
15	70008268	2	Cover 1-5/8	

# SECTION 2 - TURNTABLE

## FIGURE 2-20. DRIVE ORIENTATION INSTALLATION



ART\_1001166767

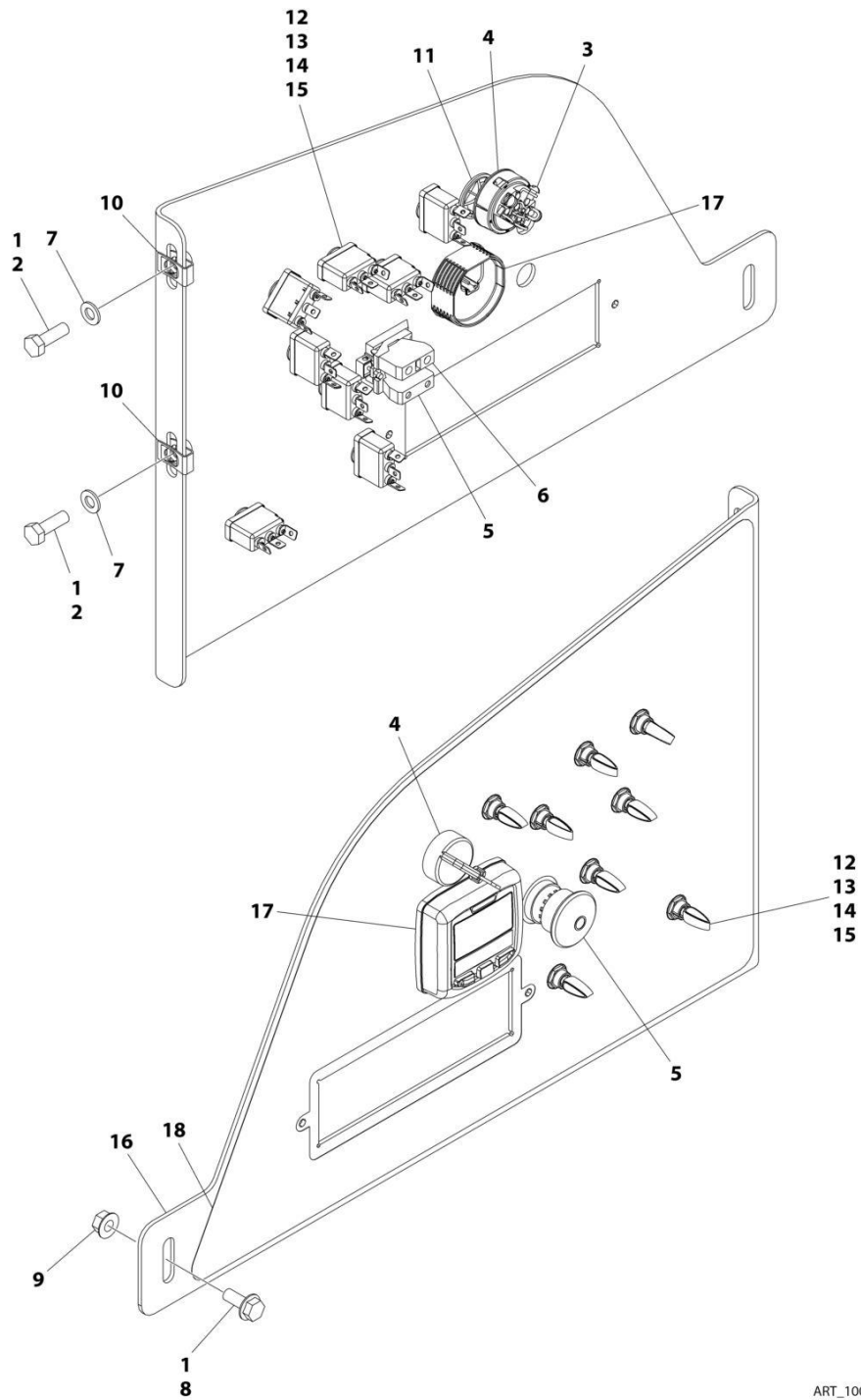
**SECTION 2 - TURNTABLE**

**FIGURE 2-20. DRIVE ORIENTATION INSTALLATION**

ITEM	PART NUMBER	QTY	DESCRIPTION	REV
	1001166767	Ref	DRIVE ORIENTATION INSTALLATION	F
1	0100011	AR	Compound, Locking	
2	0761010	3	Bolt M10 x 20	
3	0760608	2	Bolt M6 x 16	
4	1321293	2	Clamp, Cable	
5	3290405	4	Nut M4	
6	3290605	2	Nut M6	
7	4031512	4	Capscrew M4 x 40	
8	4812002	4	Washer M10	
9	4811400	4	Washer M4	
10	4811700	2	Washer M6	
11	4812000	3	Washer M10	
12	8310614	2	Screw M10 x 30	
13	1001119176	2	Switch, Limit	
13	1001129407	1	Receptacle, Female - 4 Position	
13	4460464	4	Pin, Male	
14	1001162106	1	Cam	
15	1001166768	1	Bracket	
16	8881800	AR	Tie-Strap (Not Shown)	

# SECTION 2 - TURNTABLE

FIGURE 2-21. GROUND CONTROL ASSEMBLY (ALL SPECS EXCEPT CE, CIS/EAC & UK CA SPECS)



ART\_1001246450\_C

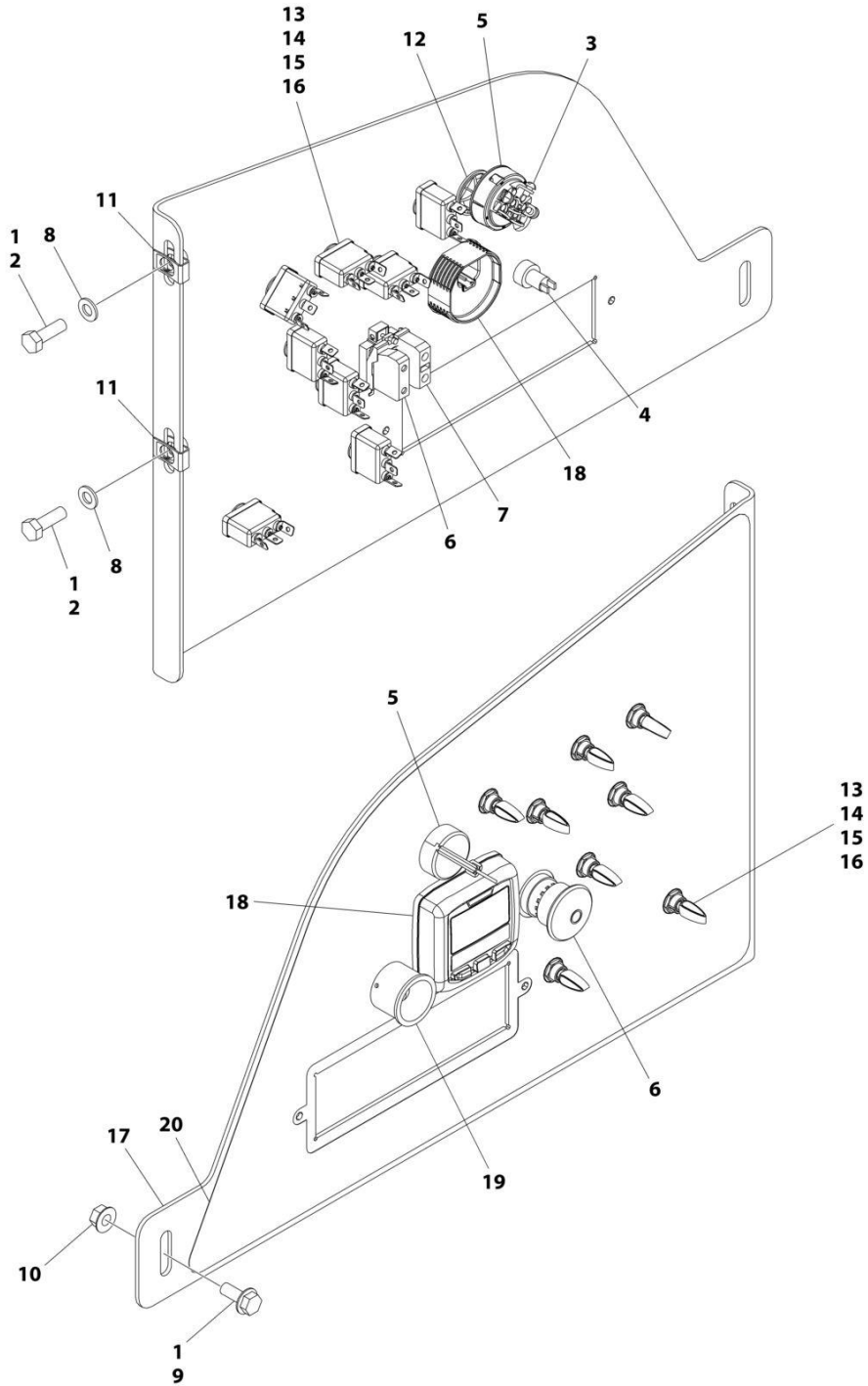
## SECTION 2 - TURNTABLE

**FIGURE 2-21. GROUND CONTROL ASSEMBLY (ALL SPECS EXCEPT CE, CIS/EAC & UK CA SPECS)**

ITEM	PART NUMBER	QTY	DESCRIPTION	REV
	1001246450	Ref	GROUND CONTROL ASSEMBLY	C
1	0100011	AR	Compound, Locking	
2	0760812	2	Bolt M8 x 25	
3	3910804	3	Screw M8 x 1/4	
4	4360469	1	Switch, Key	
4	2860030	1	Key, Replacement	
5	1001274559	1	Switch, Emergency	
6	4360476	1	Block, Contact	
7	4811900	2	Washer M8	
8	5250810	1	Bolt M8 x 20	
9	5260800	1	Nut M8	
10	1001118274	2	Nut M8	
11	1001151393	1	Shim .063	
12	1001155043	8	Washer	
13	1001155044	8	Nut, Special 15/32-32	
14	1001155045	8	Switch, Toggle	
15	1001162807	8	Washer	
16	1001264735	1	Panel, Ground Control	
17	1001171482	1	Gauge, Display	
18	1001264733	1	Decal - Ground Control	

# SECTION 2 - TURNTABLE

FIGURE 2-22. GROUND CONTROL ASSEMBLY (CE, CIS/EAC & UK CA SPECS)



ART\_1001246451\_C

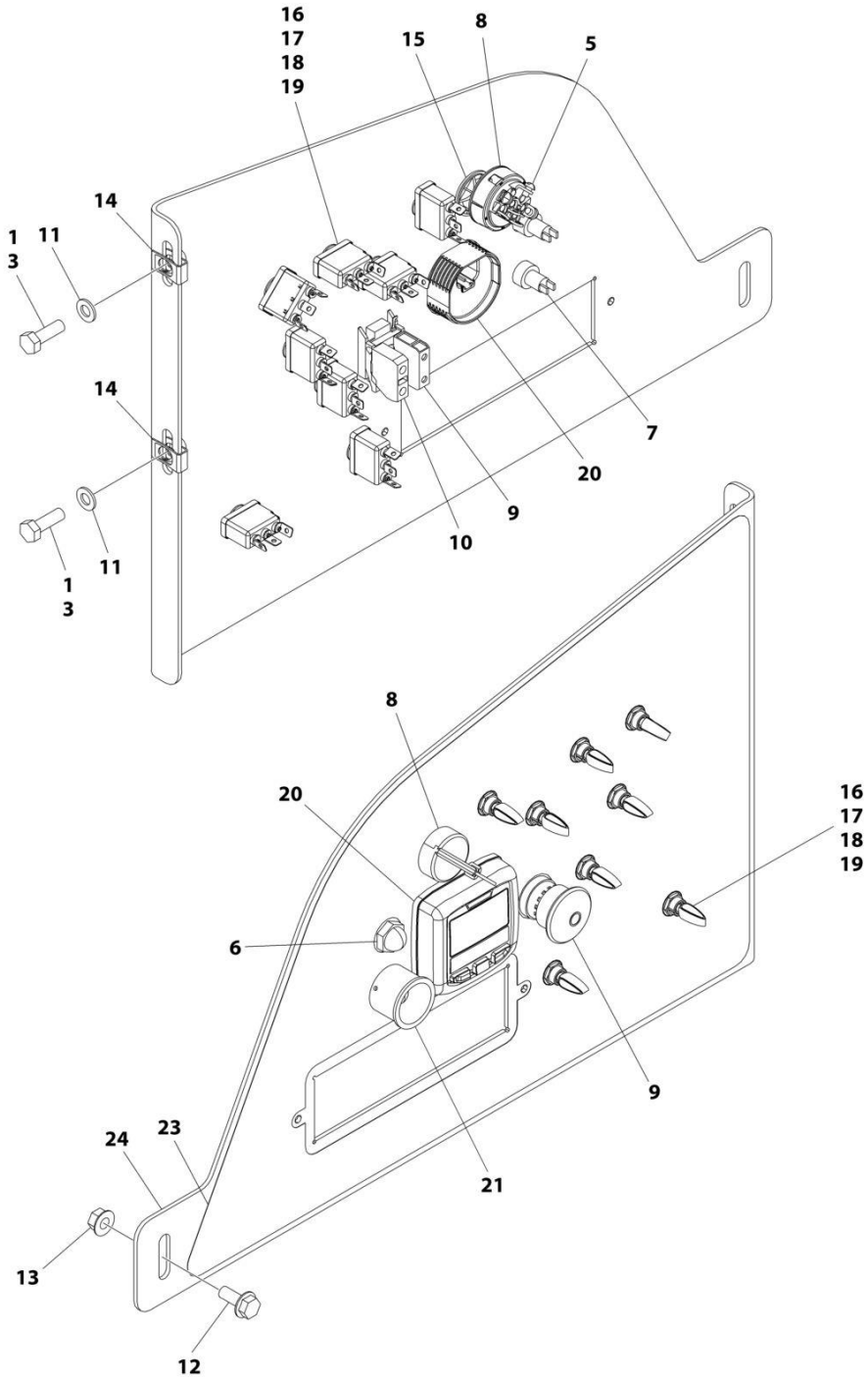
## SECTION 2 - TURNTABLE

**FIGURE 2-22. GROUND CONTROL ASSEMBLY (CE, CIS/EAC & UK CA SPECS)**

ITEM	PART NUMBER	QTY	DESCRIPTION	REV
	1001246451	Ref	GROUND CONTROL ASSEMBLY	C
1	0100011	AR	Compound, Locking	
2	0760812	2	Bolt M8 x 25	
3	3910804	3	Screw M8 x 1/4	
4	4360387	1	Switch, Push Button	
5	4360469	1	Switch, Key	
5	2860030	1	Key, Replacement	
6	1001274559	1	Switch, Emergency	
7	4360476	1	Block, Contact	
8	4811900	2	Washer M8	
9	5250810	1	Bolt M8 x 20	
10	5260800	1	Nut M8	
11	1001118274	2	Nut M8	
12	1001151393	1	Shim .063	
13	1001155043	8	Washer	
14	1001155044	8	Nut, Special 15/32-32	
15	1001155045	8	Switch, Toggle	
16	1001162807	8	Washer	
17	1001264735	1	Panel, Ground Control	
18	1001171482	1	Gauge, Display	
19	1001176469	1	Shroud, Switch	
20	1001264732	1	Decal - Ground Control	

# SECTION 2 - TURNTABLE

FIGURE 2-23. GROUND CONTROL ASSEMBLY (STAGE V ONLY) (CE & UK CA SPECS)



ART\_1001245656\_D



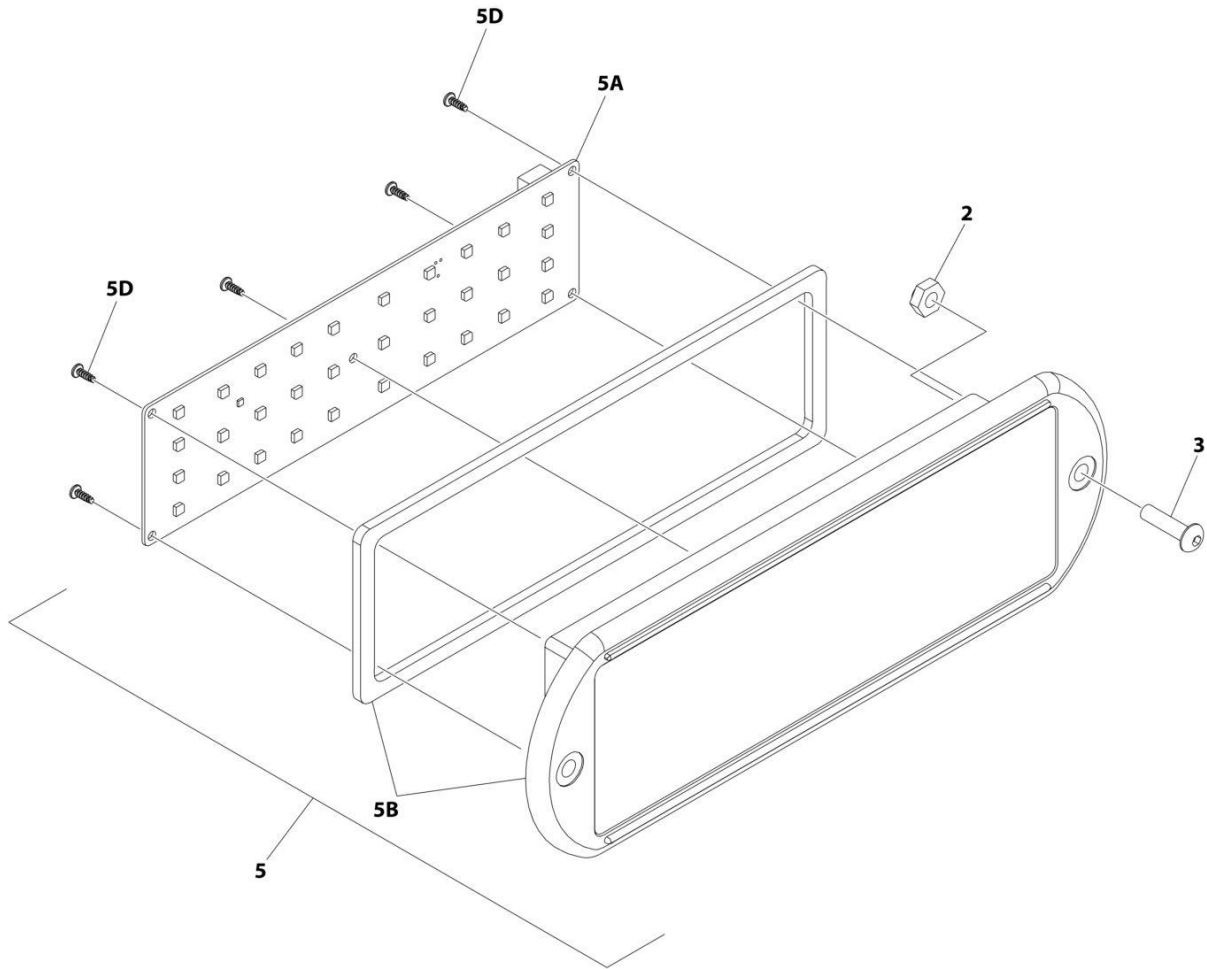
# SECTION 2 - TURNTABLE

**FIGURE 2-23. GROUND CONTROL ASSEMBLY (STAGE V ONLY) (CE & UK CA SPECS)**

ITEM	PART NUMBER	QTY	DESCRIPTION	REV
	1001245656	Ref	GROUND CONTROL ASSEMBLY	D
1	0100011	AR	Compound, Locking	
3	0760812	2	Bolt M8 x 25	
5	3910804	3	Screw M8 x 1/4	
6	4360274	1	Switch, Push Button	
7	4360387	1	Switch, Push Button	
8	4360469	1	Switch, Key	
8	2860030	1	Key, Replacement	
9	1001274559	1	Switch, Emergency	
10	4360476	1	Block, Contact	
11	4811900	2	Washer M8	
12	5250810	1	Bolt M8 x 20	
13	5260800	1	Nut M8	
14	1001118274	2	Nut M8	
15	1001151393	1	Shim .063	
16	1001155043	8	Washer	
17	1001155044	8	Nut, Special 15/32-32	
18	1001155045	8	Switch, Toggle	
19	1001162807	8	Washer	
20	1001171482	1	Gauge, Display	
21	1001176469	1	Shroud, Switch	
23	1001264731	1	Decal - Ground Control	
24	1001264735	1	Panel, Ground Control	

# SECTION 2 - TURNTABLE

## FIGURE 2-24. LIGHT PANEL INSTALLATION – GROUND CONTROL



ART\_1001233959\_D\_10F2

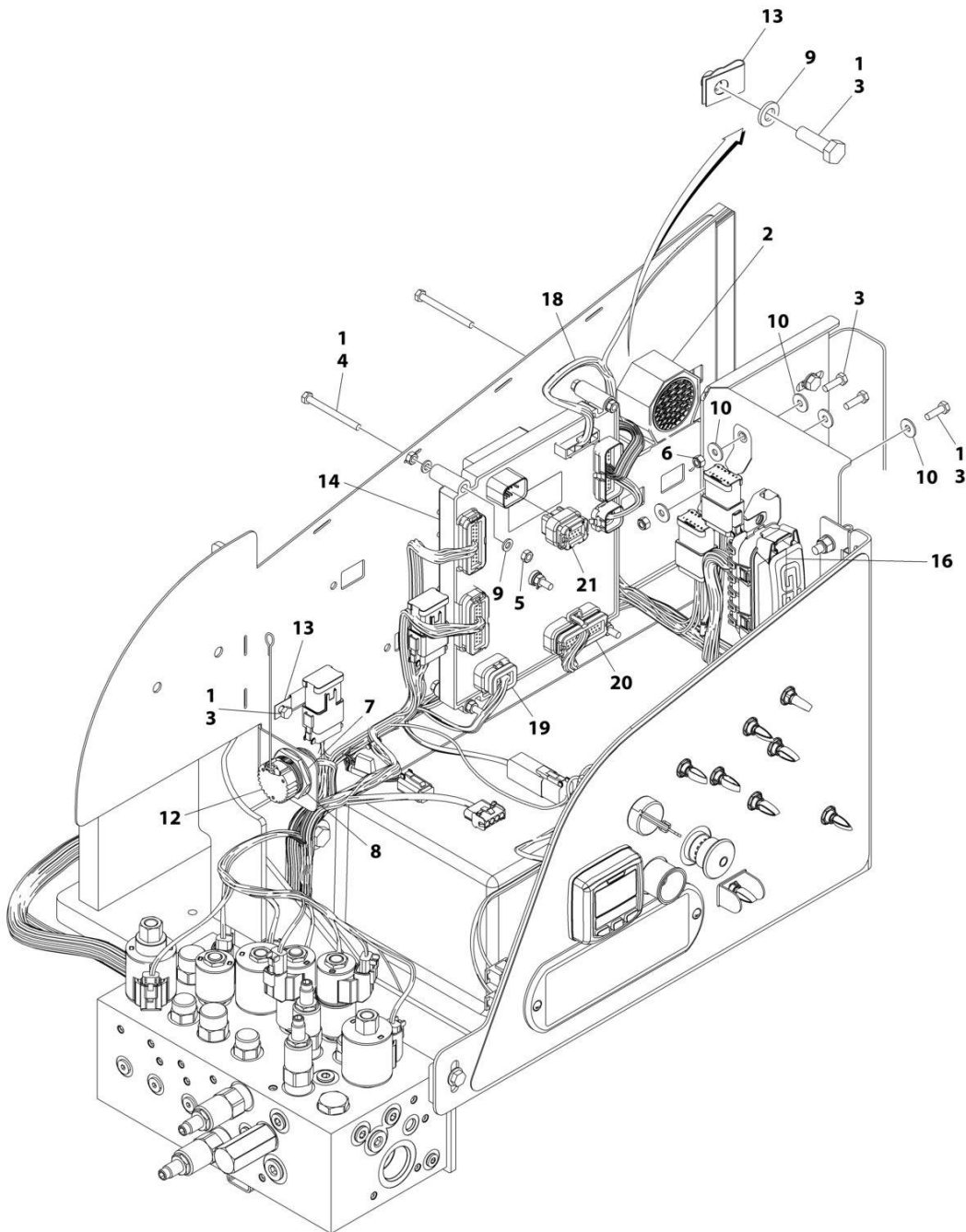
**SECTION 2 - TURNTABLE**

**FIGURE 2-24. LIGHT PANEL INSTALLATION – GROUND CONTROL**

<b>ITEM</b>	<b>PART NUMBER</b>	<b>QTY</b>	<b>DESCRIPTION</b>	<b>REV</b>
	1001233959	Ref	LIGHT PANEL INSTALLATION	D
2	3300408	2	Nut, Nylon Insert	
3	0630518	2	Screw #10 x 3/4	
5	1001237546	1	Light Panel Assembly	J
5A	1001282106	1	Panel, LED Light	
5B	1001236091	1	Lens, Icon (Includes Gasket)	
5D		Ref	Screw	

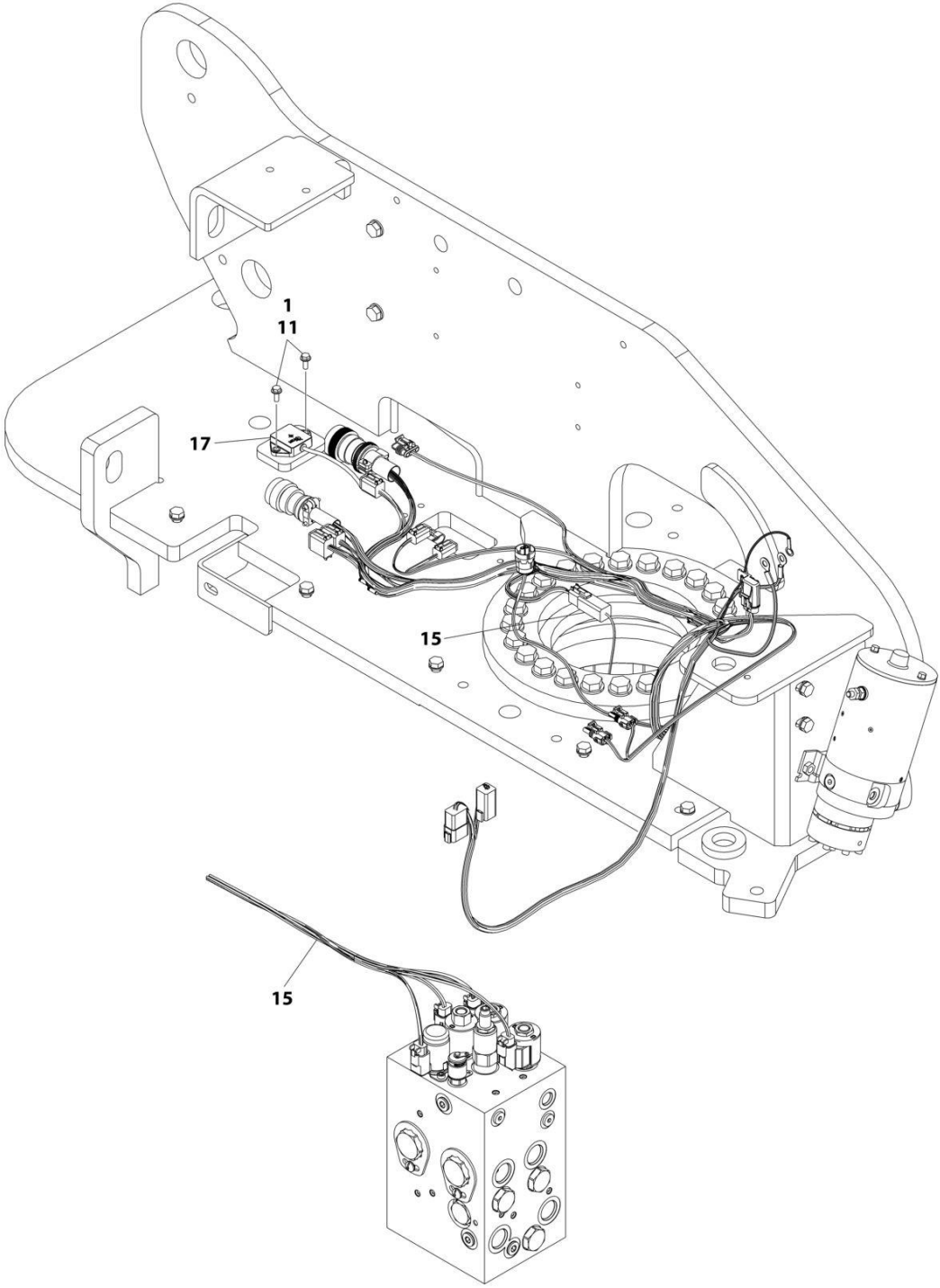
## SECTION 2 - TURNTABLE

FIGURE 2-25. ELECTRICAL SYSTEM INSTALLATION (Prior to SN 0300298674, Prior to SN B300017693)



ART\_1001246369\_B\_10F2

**SECTION 2 - TURNTABLE**



**DETAIL OF TRACTION VALVE**

ART\_1001246369\_B\_2OF2

## SECTION 2 - TURNTABLE

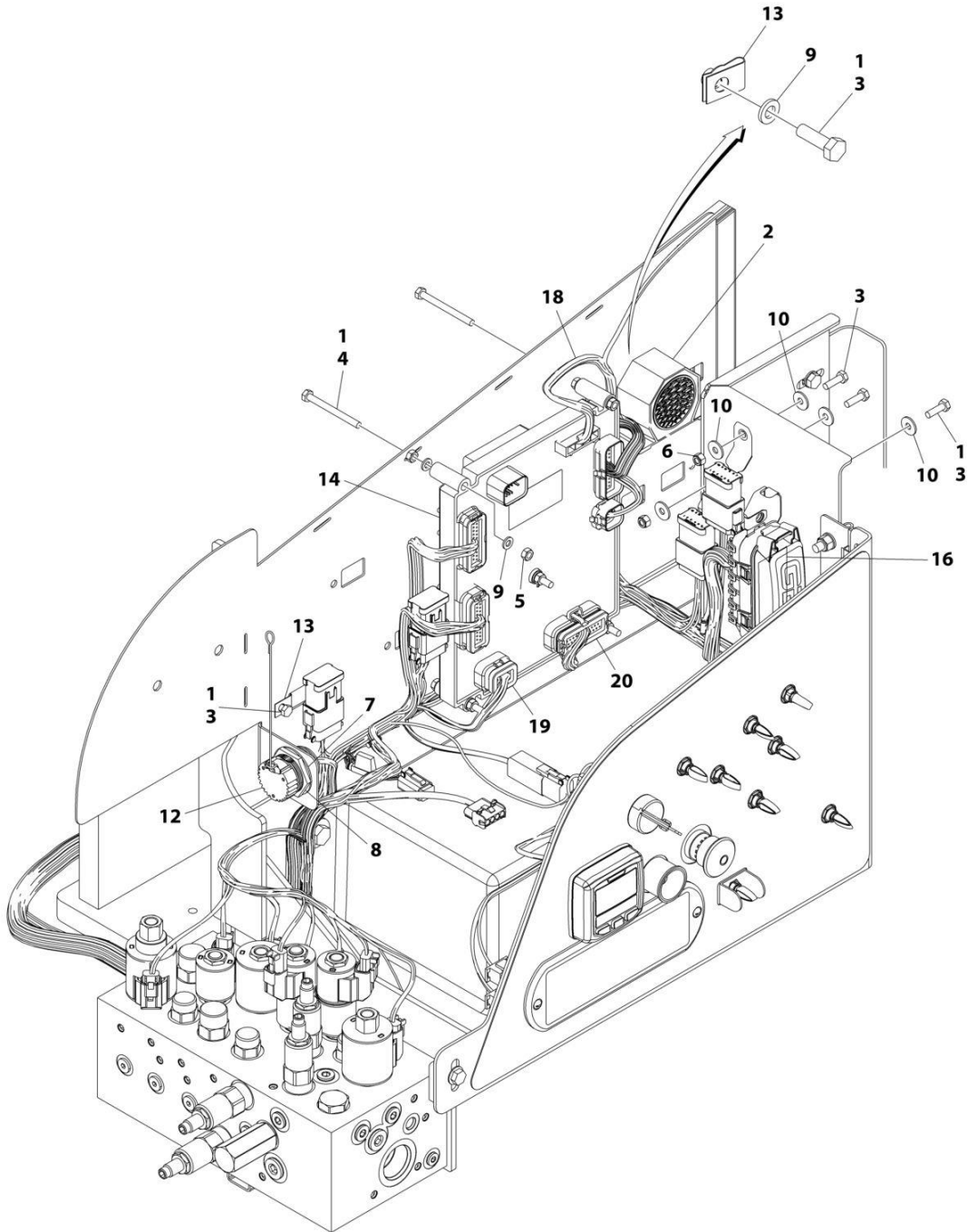
**FIGURE 2-25. ELECTRICAL SYSTEM INSTALLATION (Prior to SN 0300298674, Prior to SN B300017693)**

ITEM	PART NUMBER	QTY	DESCRIPTION	REV
	1001246369	Ref	ELECTRICAL SYSTEM INSTALLATION	B
1	0100011	AR	Compound, Locking	
2	0140043	1	Alarm	
3	0760610	7	Bolt M6 x 20	
4	0760621	5	Bolt M6 x 65	
5	3290601	10	Nut M6	
6	3290605	2	Nut M6	
7	4460496	1	Washer, Terminal	
8	4460497	1	Nut, Terminal	
9	4811700	12	Washer M6	
10	4811702	7	Washer M6	
11	5250608	2	Bolt M6 x 16	
12	1001106736	1	Cap, Dust	
13	1001130220	3	Nut, Tinnerman M6	
14	1001280340	1	Module, Ground Control	
	See Note	Ref	Note: Re-calibration Required when Replaced	
15	1001179236	1	Chassis Solenoid Harness (See Separate Breakdown in ELECTRICAL Section)	
16	1001196637	1	Decal - Fuse Box	
17	1001219601	1	Sensor	
17	See Note	1	Receptacle, Female - 4 Position (Note: Not Available for Purchase)	
17	See Note	4	Pin, Male (Note: Not Available for Purchase)	
18	1001244293	1	Turntable Harness (See Separate Breakdown in ELECTRICAL Section)	
19	1001244294	1	Valve Harness - Main Valve (See Separate Breakdown in ELECTRICAL Section)	
20	1001244295	1	Ground Control Panel Harness (See Separate Breakdown in ELECTRICAL Section)	
21	1001246859	1	Connector	



## SECTION 2 - TURNTABLE

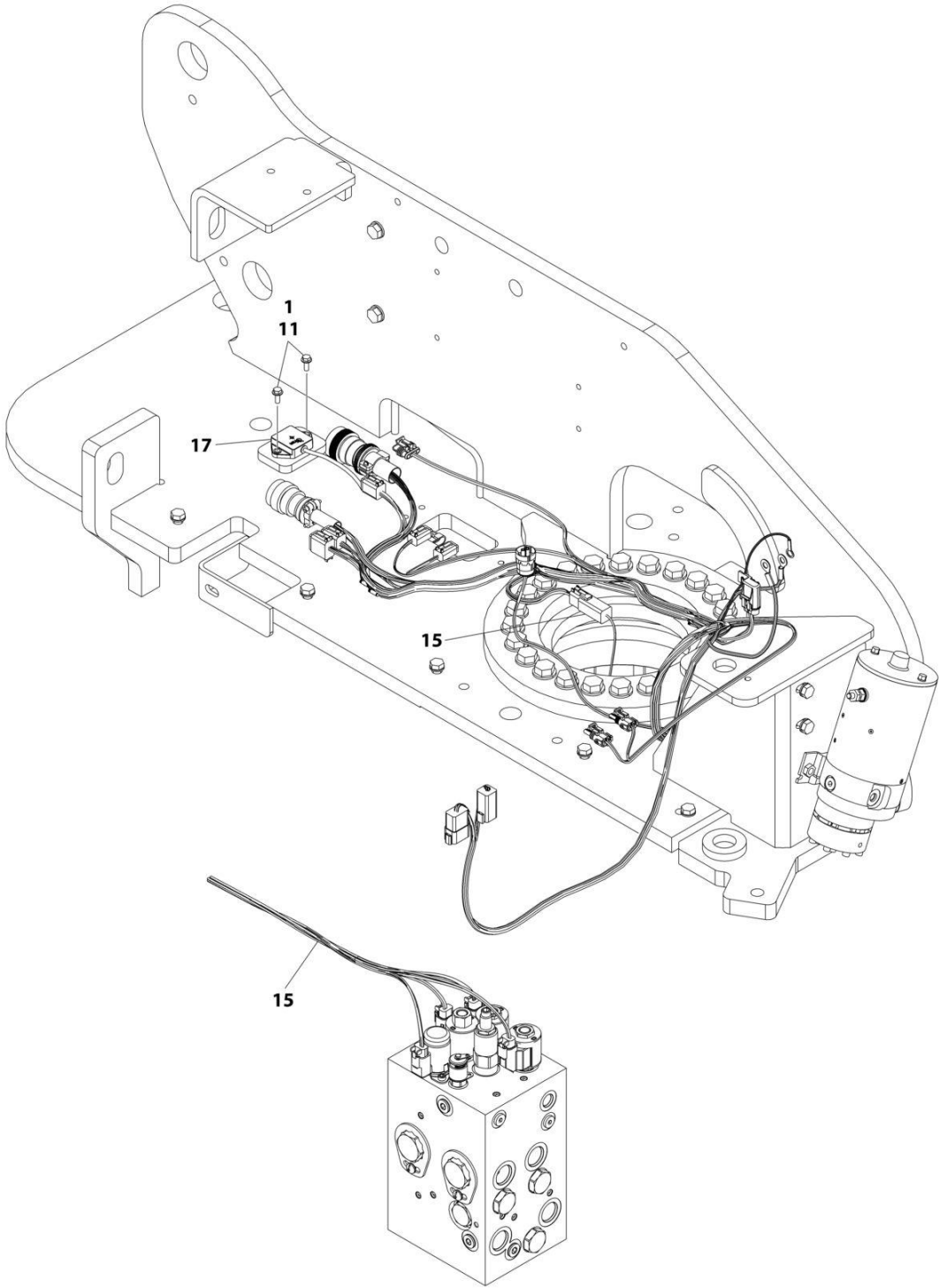
FIGURE 2-26. ELECTRICAL SYSTEM INSTALLATION (SN 0300298674 to Present, SN B300017693 to Present)



ART\_1001246369\_C\_10F2



**SECTION 2 - TURNTABLE**



**DETAIL OF TRACTION VALVE**

ART\_1001246369\_C\_20F2

## SECTION 2 - TURNTABLE

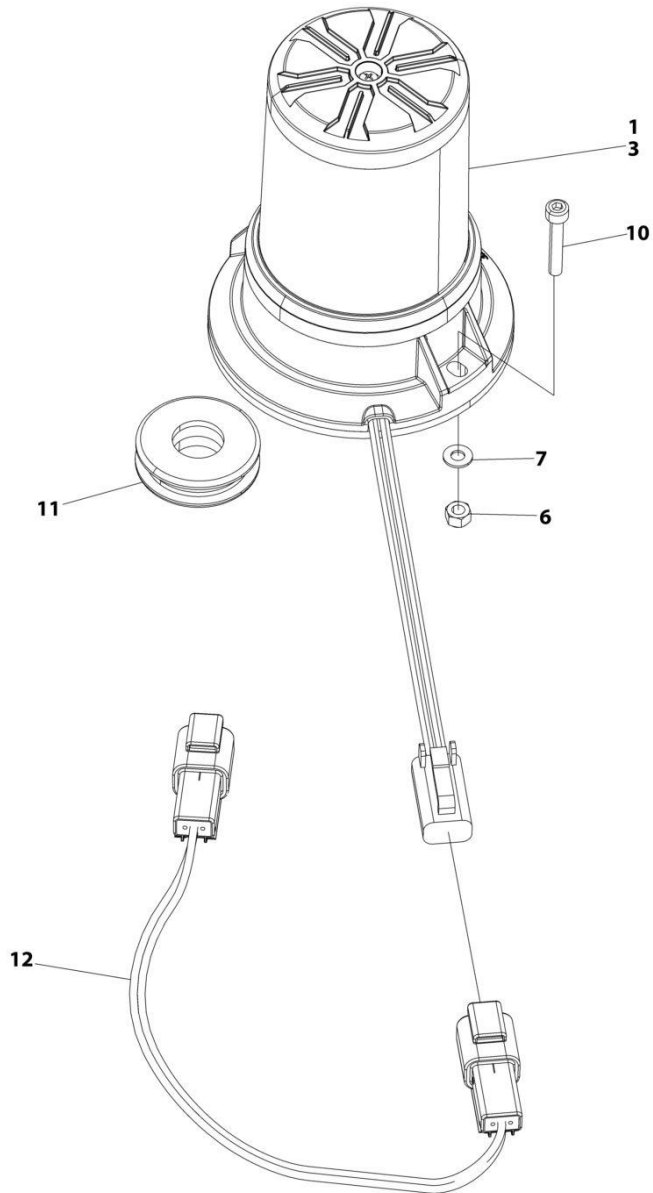
**FIGURE 2-26. ELECTRICAL SYSTEM INSTALLATION (SN 0300298674 to Present, SN B300017693 to Present)**

ITEM	PART NUMBER	QTY	DESCRIPTION	REV
	1001246369	Ref	ELECTRICAL SYSTEM INSTALLATION	C
1	0100011	AR	Compound, Locking	
2	0140043	1	Alarm	
3	0760610	7	Bolt M6 x 20	
4	0760621	5	Bolt M6 x 65	
5	3290601	10	Nut M6	
6	3290605	2	Nut, Lock M6	
7	4460496	1	Washer, Terminal	
8	4460497	1	Nut, Terminal	
9	4811700	12	Washer M6	
10	4811702	7	Washer M6	
11	5250608	2	Bolt M6 x 16	
12	1001106736	1	Cap, Dust	
13	1001130220	3	Nut, Tinnerman M6	
14	1001280340	1	Module, Ground Control (Note: Re-calibration Required when Replaced)	
15	1001179236	1	Chassis Solenoid Harness (See Separate Breakdown in ELECTRICAL Section)	
16	1001196637	1	Decal - Fuse Box	
17	1001219601	1	Sensor	
17	1001103013	1	Connector	
18	1001282492	1	Turntable Harness (See Separate Breakdown in ELECTRICAL Section)	
19	1001282533	1	Valve Harness - Main Valve (See Separate Breakdown in ELECTRICAL Section)	
20	1001244295	1	Ground Control Panel Harness (See Separate Breakdown in ELECTRICAL Section)	
22	4240032	AR	Tie-Strap (Not Shown)	
23	4460234	AR	Mount, Tie-Strap (Not Shown)	



## SECTION 2 - TURNTABLE

FIGURE 2-27. BEACON LIGHT INSTALLATION - AMBER (Prior to SN 0300298674, Prior to SN B300017693)



ART\_1001174976\_E

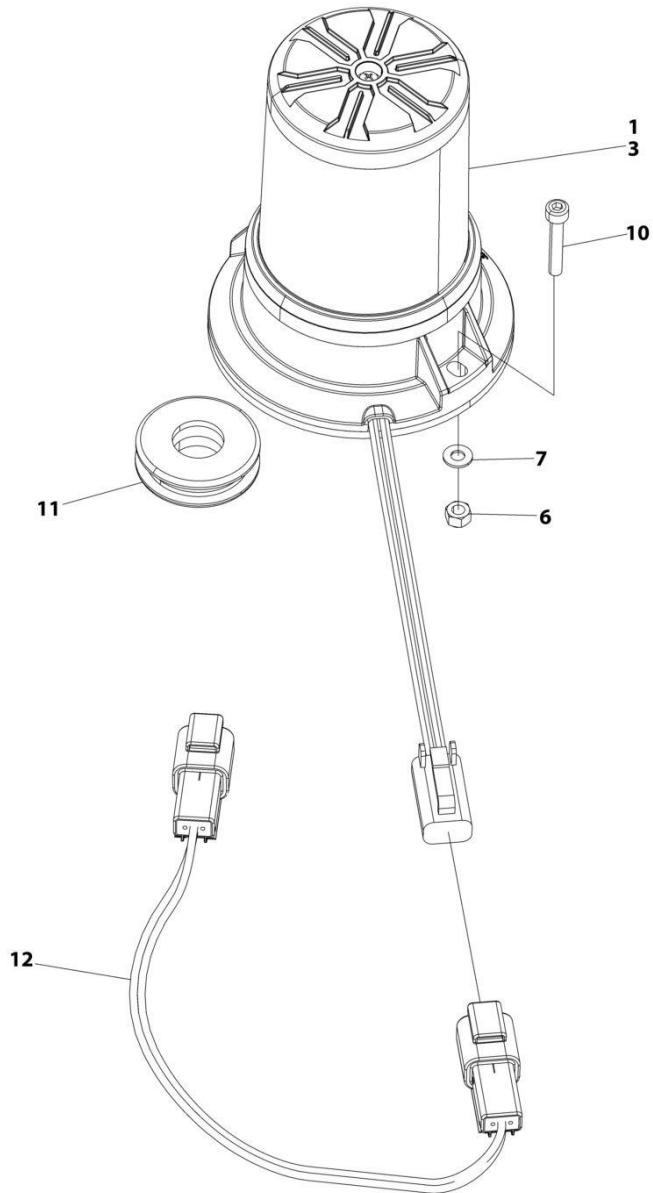
**SECTION 2 - TURNTABLE**

**FIGURE 2-27. BEACON LIGHT INSTALLATION - AMBER (Prior to SN 0300298674, Prior to SN B300017693)**

ITEM	PART NUMBER	QTY	DESCRIPTION	REV
	1001174976	Ref	BEACON LIGHT INSTALLATION - AMBER	E
1	0100048	AR	Compound, Silicone	
3	1001270594	1	Lamp, Strobe	
3	4460891	1	Connector	
3	4460465	2	Socket	
6	3290405	2	Nut, Lock M4	
7	4811400	2	Washer M4	
8	4240032	AR	Tie-Strap (Not Shown)	
9	4460234	AR	Mount, Tie-Strap (Noth Shown)	
10	4031509	2	Capscrew M4 x25	
11	2540020	1	Grommet	
12	1001277185	1	Harness, Beacon Jumper (See Separate Breakdown in ELECTRICAL Section)	

## SECTION 2 - TURNTABLE

FIGURE 2-28. BEACON LIGHT INSTALLATION - AMBER (SN 0300298674 to Present, SN B300017693 to Present)



ART\_1001174976\_F

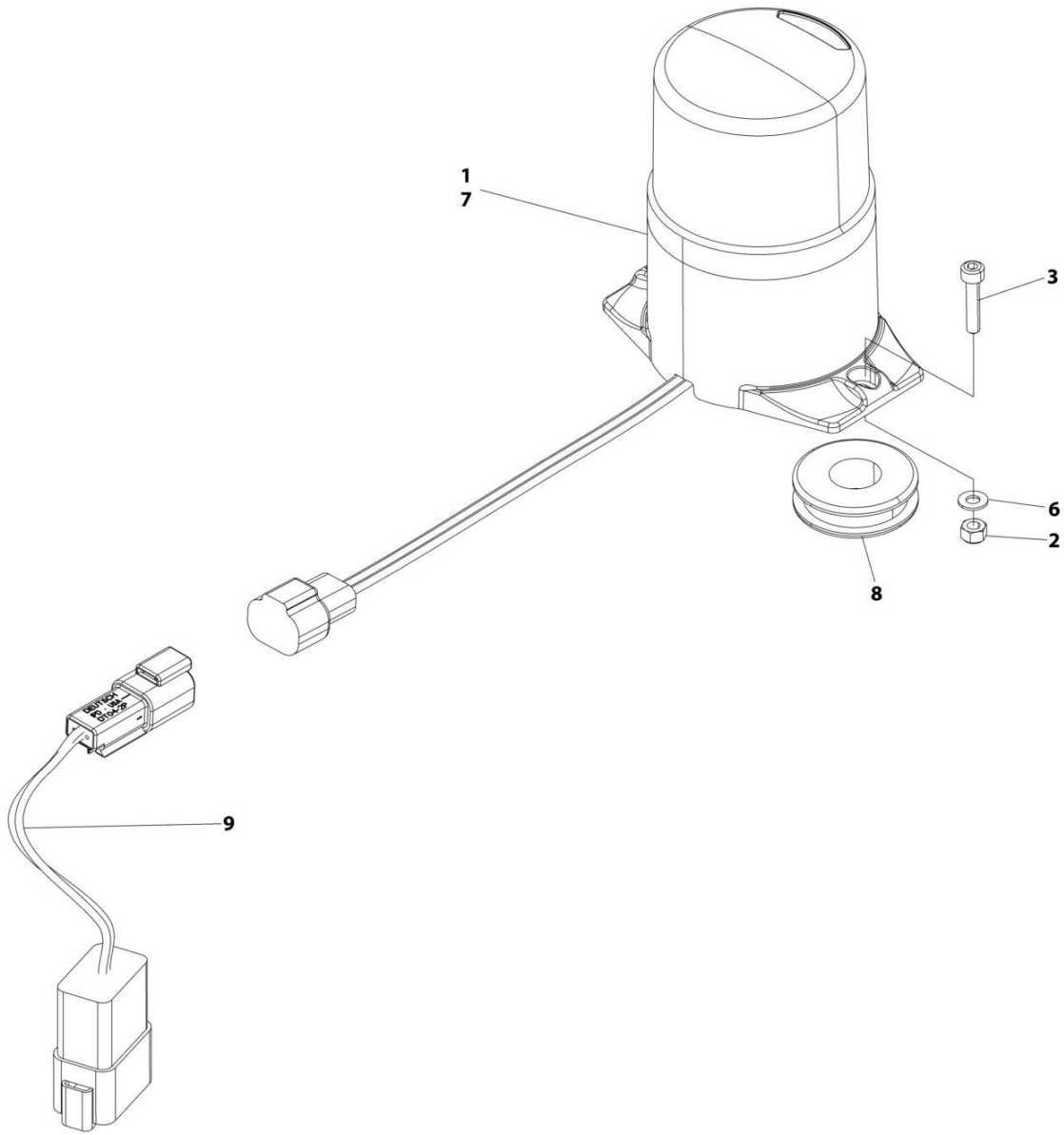
**SECTION 2 - TURNTABLE**

**FIGURE 2-28. BEACON LIGHT INSTALLATION - AMBER (SN 0300298674 to Present, SN B300017693 to Present)**

ITEM	PART NUMBER	QTY	DESCRIPTION	REV
	1001174976	Ref	BEACON LIGHT INSTALLATION - AMBER	F
1	0100048	AR	Compound, Silicone	
3	1001270594	1	Lamp, Strobe	
3	4460891	1	Connector	
3	4460465	2	Socket	
6	3290405	2	Nut, Lock M4	
7	4811400	2	Washer M4	
8	4240032	AR	Tie-Strap (Not Shown)	
9	4460234	AR	Mount, Tie-Strap (Noth Shown)	
10	4031509	1	Capscrew M4 x25	
11	2540020	1	Grommet	
12	1001283776	1	Harness, Beacon Jumper (See Separate Breakdown in ELECTRICAL Section)	

# SECTION 2 - TURNTABLE

## FIGURE 2-29. BEACON LIGHT INSTALLATION - ORANGE



ART\_1001266664



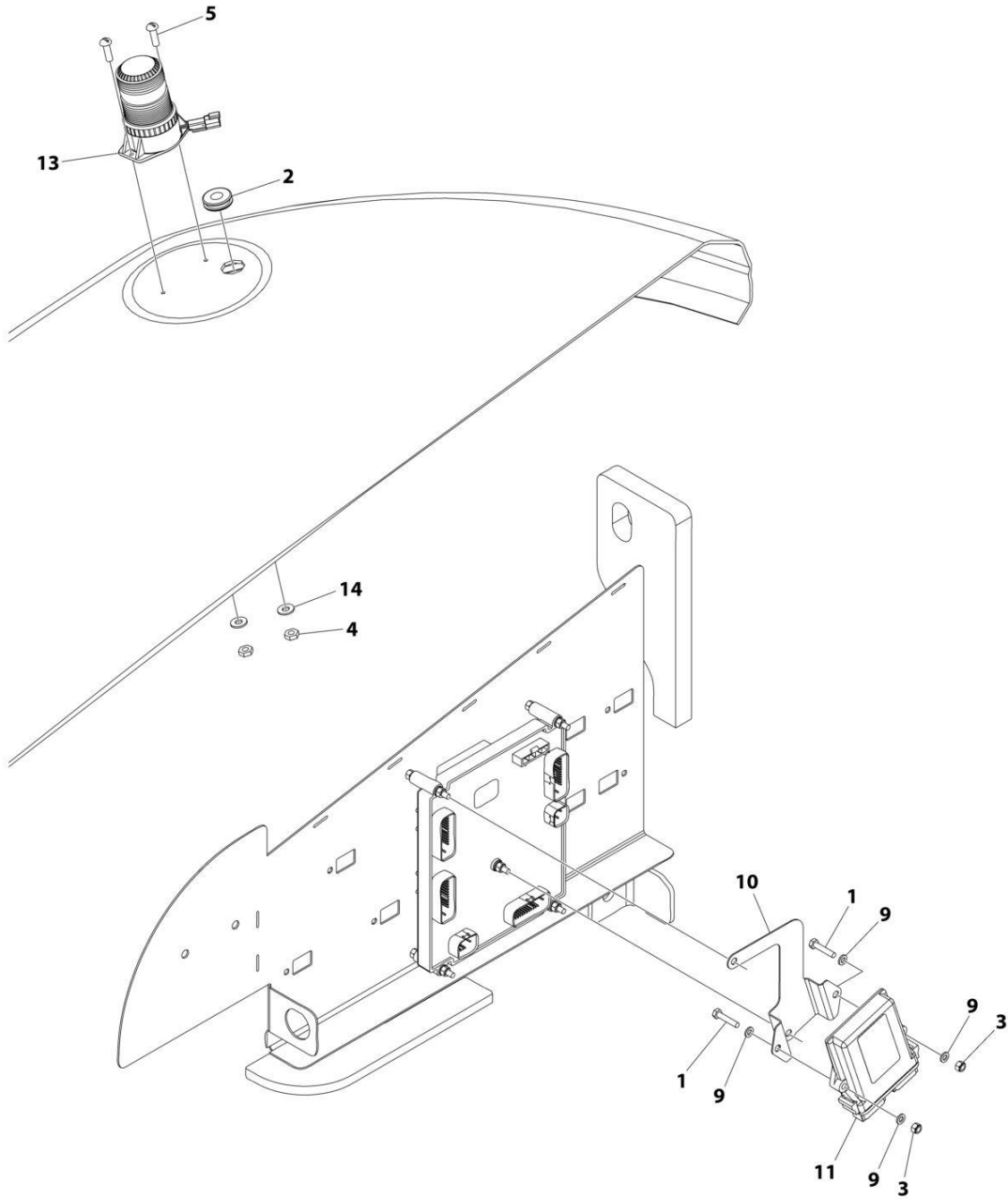
**SECTION 2 - TURNTABLE**

**FIGURE 2-29. BEACON LIGHT INSTALLATION - ORANGE**

ITEM	PART NUMBER	QTY	DESCRIPTION	REV
	1001266664	Ref	BEACON LIGHT INSTALLATION - AMBER	B
1	0100048	AR	Compound, Silicone	
2	3290405	2	Nut, Lock M4	
3	4031508	2	Capscrew M4 x 20	
4	4240032	AR	Tie-Strap (Not Shown)	
5	4460234	AR	Mount, Tie-Strap (Not Shown)	
6	4811400	2	Washer M4	
7	1001233479	1	Lamp, Strobe	
7	4460891	1	Connector	
7	4460465	2	Socket	
8	2540020	1	Grommet	
9	1001283776	1	Harness, Beacon Jumper (See Separate Breakdown in ELECTRICAL Section)	

# SECTION 2 - TURNTABLE

## FIGURE 2-30. BEACON LIGHT INSTALLATION - BLUE



ART\_1001242855\_C

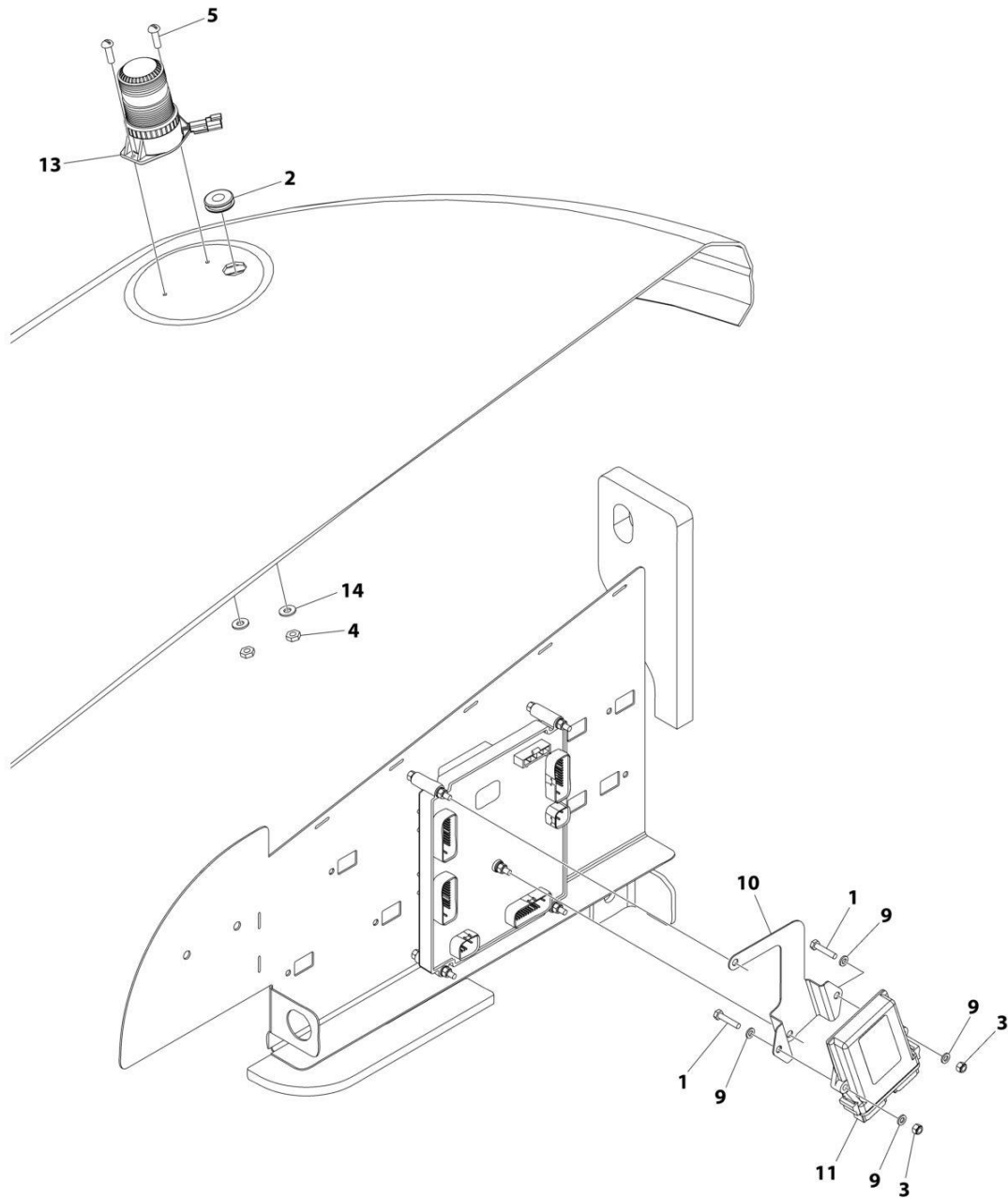
**SECTION 2 - TURNTABLE**

**FIGURE 2-30. BEACON LIGHT INSTALLATION - BLUE**

ITEM	PART NUMBER	QTY	DESCRIPTION	REV
	1001242855	Ref	BEACON LIGHT INSTALLATION - BLUE	C
1	0760614	2	Bolt M6 x 30	
2	2540020	1	Grommet	
3	3290605	2	Nut, Lock M6	
4	3290405	2	Nut, Lock M4	
5	4031509	2	Capscrew M4 x 25	
6	4240032	AR	Tie-Strap (Not Shown)	
7	4460488	AR	Mount, Tie-Strap (Not Shown)	
9	4811700	4	Washer M6	
10	1001276626	1	Mount, Module	
11	1001142683	1	Module, Control	
12	1001142736	1	Harness, Beacon (Not Shown - See Separate Breakdown in ELECTRICAL Section)	
13	1001272681	1	Lamp, Strobe	
13	4460897	1	Connector	
13	4460464	2	Pin	
14	4811400	2	Washer M4	

# SECTION 2 - TURNTABLE

## FIGURE 2-31. BEACON LIGHT INSTALLATION - RED



ART\_1001242856\_C

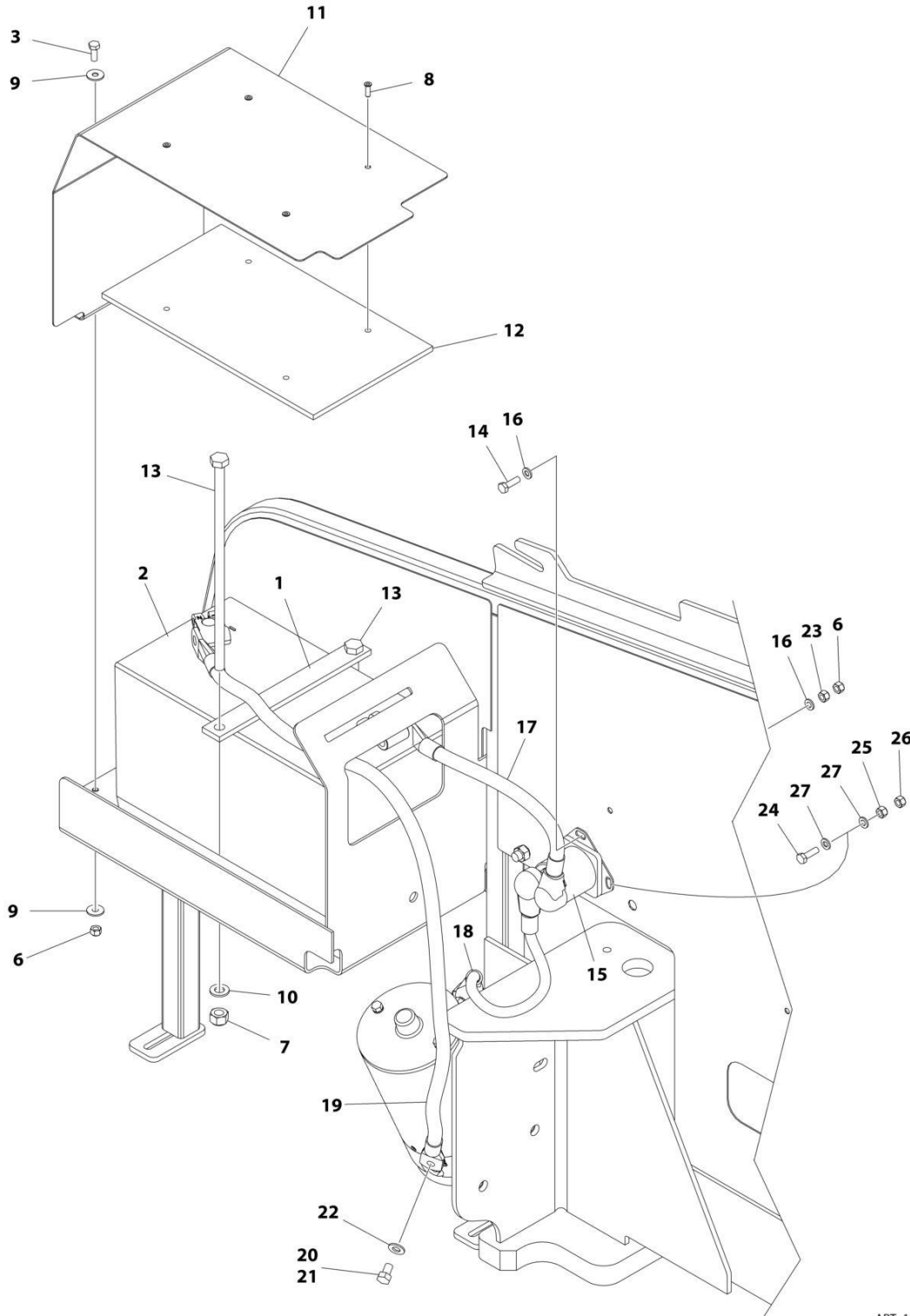
## SECTION 2 - TURNTABLE

**FIGURE 2-31. BEACON LIGHT INSTALLATION - RED**

ITEM	PART NUMBER	QTY	DESCRIPTION	REV
	1001242856	Ref	BEACON LIGHT INSTALLATION - RED	C
1	0760614	2	Bolt M6 x 30	
2	2540020	1	Grommet	
3	3290605	2	Nut, Lock M6	
4	3290405	2	Nut, Lock M4	
5	4031509	2	Capscrew M4 x 25	
6	4240032	AR	Tie-Strap (Not Shown)	
7	4460488	AR	Mount, Tie-Strap (Not Shown)	
9	4811700	4	Washer M6	
10	1001276626	1	Mount, Module	
11	1001142683	1	Module, Control	
12	1001142736	1	Harness, Beacon (Not Shown - See Separate Breakdown in ELECTRICAL Section)	
13	1001272682	1	Lamp, Strobe	
13	4460897	1	Connector	
13	4460464	2	Pin	
14	4811400	2	Washer M4	

# SECTION 2 - TURNTABLE

## FIGURE 2-32. BATTERY AND CABLE INSTALLATION



ART\_1001166316\_H

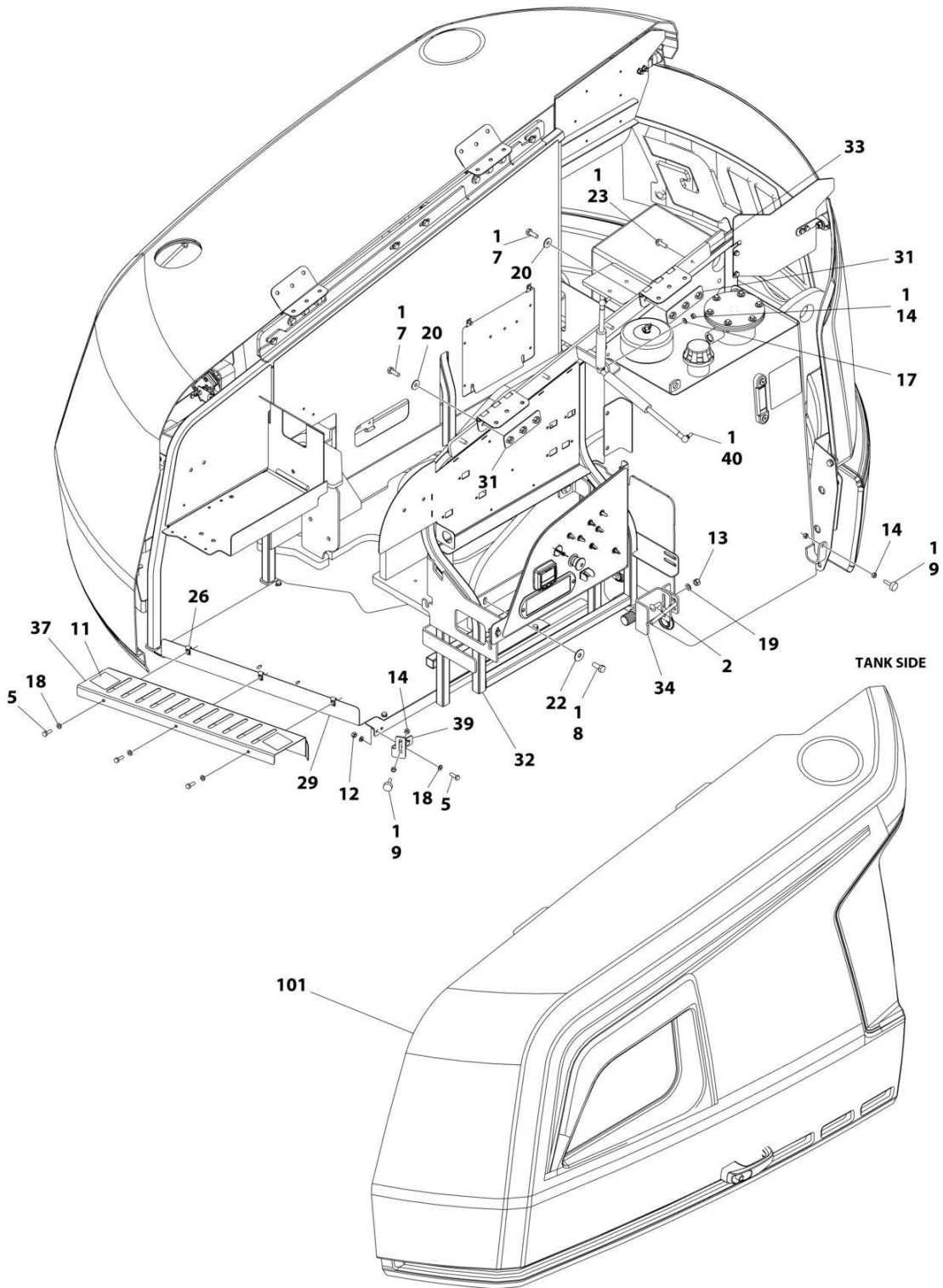
## SECTION 2 - TURNTABLE

**FIGURE 2-32. BATTERY AND CABLE INSTALLATION**

ITEM	PART NUMBER	QTY	DESCRIPTION	REV
	1001166316	Ref	BATTERY AND CABLE INSTALLATION	H
1	0361810	1	Bar, Hold-down	
2	0400075	1	Battery	
3	0760610	2	Bolt M6 x 20	
6	3290605	3	Nut M6	
7	3291005	2	Nut M10	
8	3820032	4	Rivet	
9	4811702	4	Washer M6	
10	4812000	2	Washer M10	
11	1001117240	1	Cover	
12	1001119278	1	Insulation	
13	1001119280	2	Bolt M16 x 260	
14	0760612	1	Bolt M6 x 25	
15	3740067	1	Relay	
15	3300220	2	Nut 3/8	
15	1001111424	2	Washer 3/8	
15	3321001	1	Nut #10	
15	4761000	1	Washer #10	
16	4811700	2	Washer M6	
17	1001171678	1	Cable, Battery (Positive + to Aux Relay)	
18	1001171679	1	Cable, Battery (Aux Relay to Aux Pump)	
19	1001171680	1	Cable, Battery (Negative – to Aux Pump)	
20	0100011	AR	Compound, Locking	
21	0641504	1	Bolt 5/16 x 1/2	
22	4711500	1	Washer 5/16	
23	3290601	2	Nut M6	
24	0760512	1	Bolt M5 x 25	
25	3290501	1	Nut M5	
26	3290505	1	Nut M5	
27	4811600	2	Washer M5	

## SECTION 2 - TURNTABLE

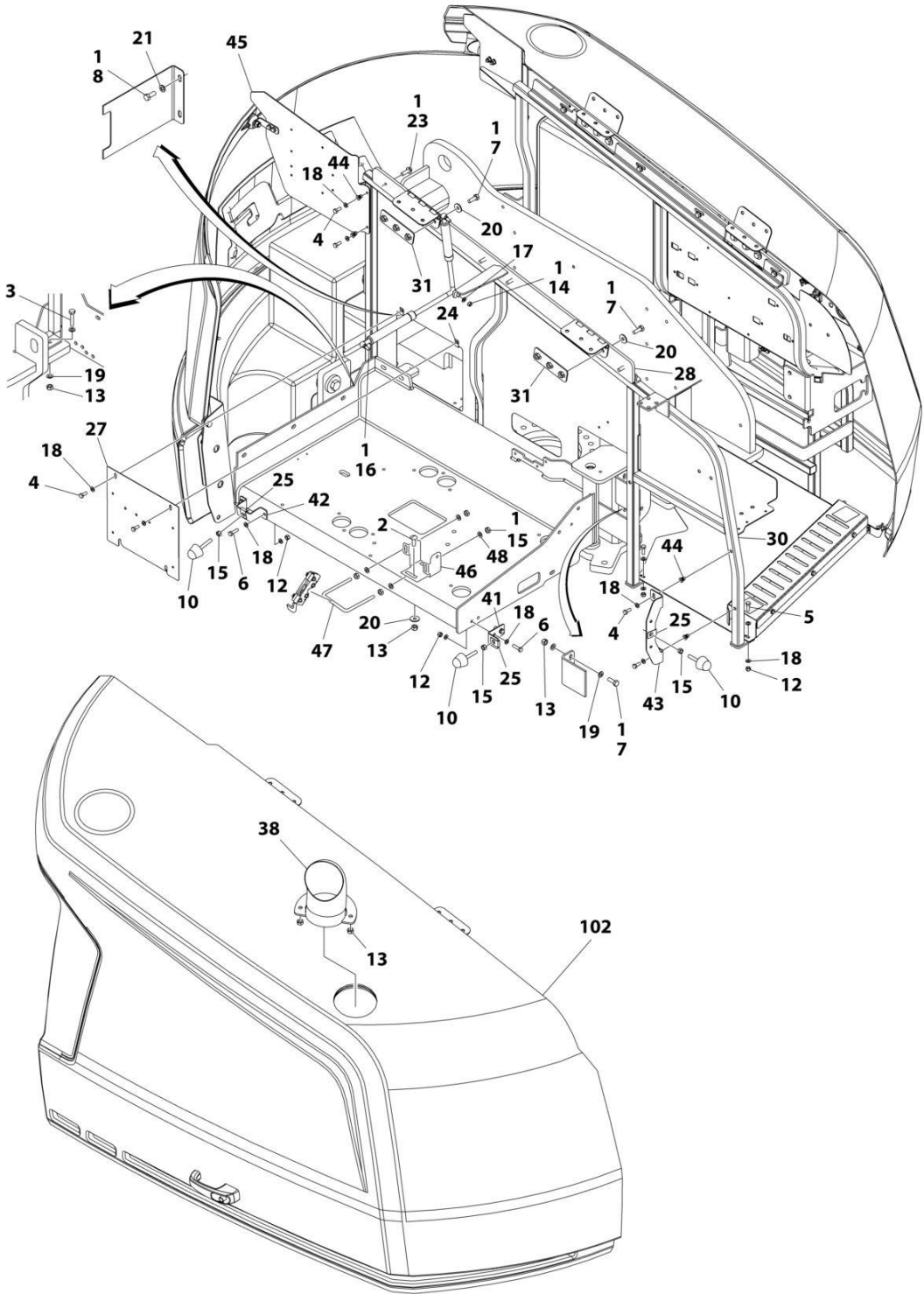
FIGURE 2-33. HOODS INSTALLATION (ABS) - DEUTZ ENGINES (MACHINES WITH SN STARTING WITH 03)



ART\_1001219201\_F\_10F2



SECTION 2 - TURNTABLE



ART\_1001219201\_F\_20F2

## SECTION 2 - TURNTABLE

**FIGURE 2-33. HOODS INSTALLATION (ABS) - DEUTZ ENGINES (MACHINES WITH SN STARTING WITH 03)**

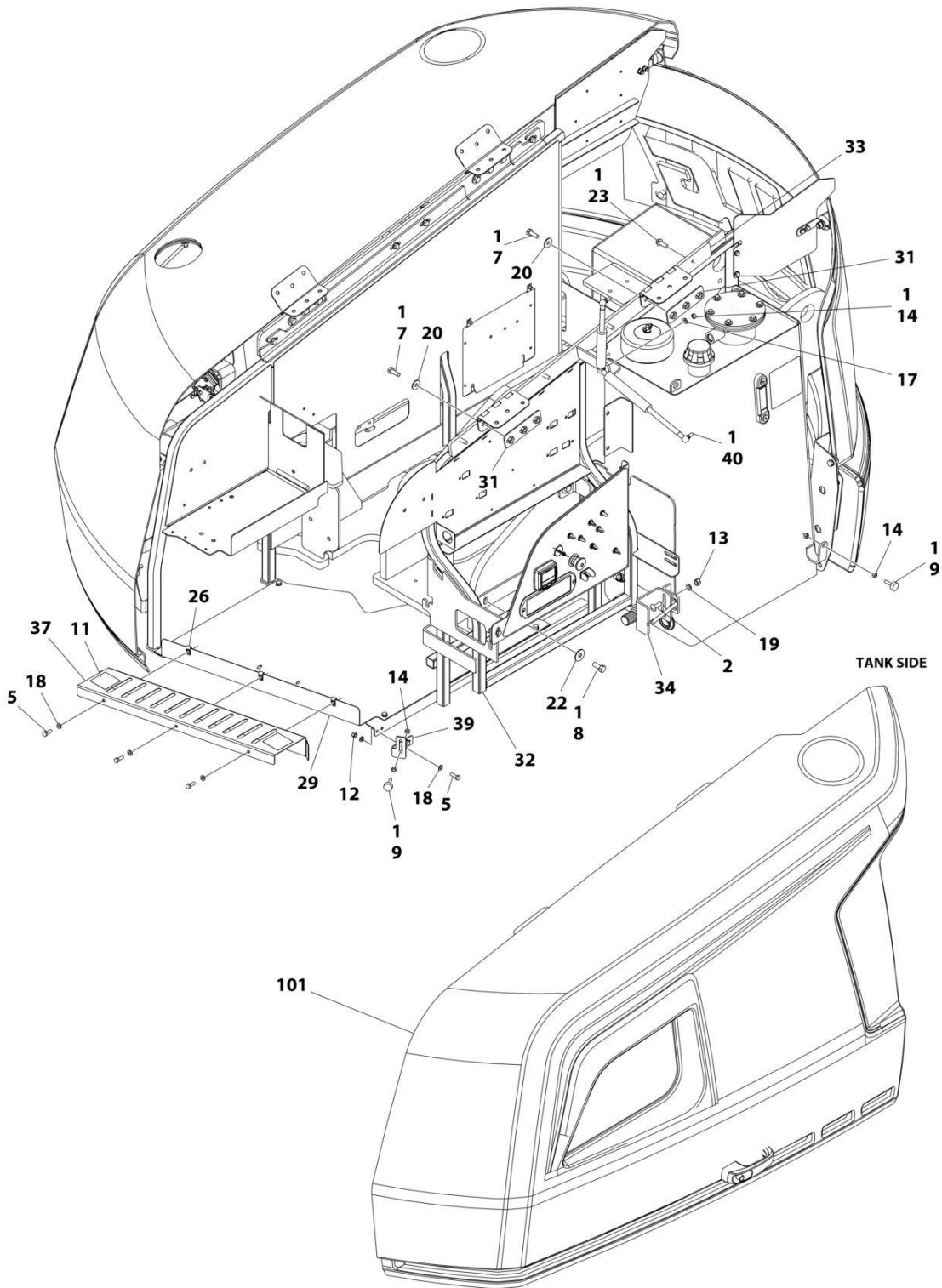
ITEM	PART NUMBER	QTY	DESCRIPTION	REV
	1001219201	Ref	HOODS INSTALLATION	F
1	0100011	AR	Compound, Locking	
2	0630613	4	Bolt M10 x 30	
3	0701018	5	Bolt M10 x 50	
4	0760810	4	Bolt M8 x 20	
5	0760812	11	Bolt M8 x 25	
6	0760814	4	Bolt M8 x 30	
7	0761014	14	Bolt M10 x 30	
8	0761214	6	Bolt M12 x 30	
9	0940049	2	Bumper	
10	0940071	3	Bumper	
11	1701691	2	Decal - No Step	
12	3290805	10	Nut M8	
13	3291005	14	Nut M10	
14	3311501	6	Nut 5/16	
15	3311601	7	Nut 3/8	
16	4160182	1	Spring, Gas	
17	4711500	2	Washer 5/16	
18	4811900	29	Washer M8	
19	4812000	16	Washer M10	
20	4812002	14	Washer M10	
21	4812100	2	Washer M12	
22	4812102	4	Washer M12	
23	5251014	8	Bolt M10 x 30	
24	8310686	2	Nut, Retainer M8	
25	88662523	3	Nut, Tinnerman	
26	1001118274	3	Nut M8	
27	1001167149	1	Panel, Filler	
28	1001167159	1	Mount	
29	1001167163	1	Tray	
30	1001167169	1	Mount	
31	1001169046	4	Nut	
32	1001211716	1	Support, Hood	
33	1001170018	1	Mount	
34	1001170022	1	Mount	
37	1001171216	1	Cover	
38	1001174098	1	Pipe, Exhaust	
39	1001179904	1	Mount	
40	1001182169	1	Spring, Gas	
41	1001182875	1	Mount	
42	1001182877	1	Mount	
43	1001182879	1	Mount	
44	1001191832	4	Rivnut M8	
45	1001211717	1	Support	
46	1001250291	1	Bracket	
47	1001243414	1	U-Bolt	
48	4891600	1	Washer 3/8	
100	1001285598	1	Hood Kit (Includes Items 101-102)	A

**SECTION 2 - TURNTABLE**

<b>ITEM</b>	<b>PART NUMBER</b>	<b>QTY</b>	<b>DESCRIPTION</b>	<b>REV</b>
101	1001285597	1	Hood Assembly - Tank Side (See Separate Breakdown in this Section)	
102	1001172833	1	Hood Assembly - Engine Side (See Separate Breakdown in this Section)	

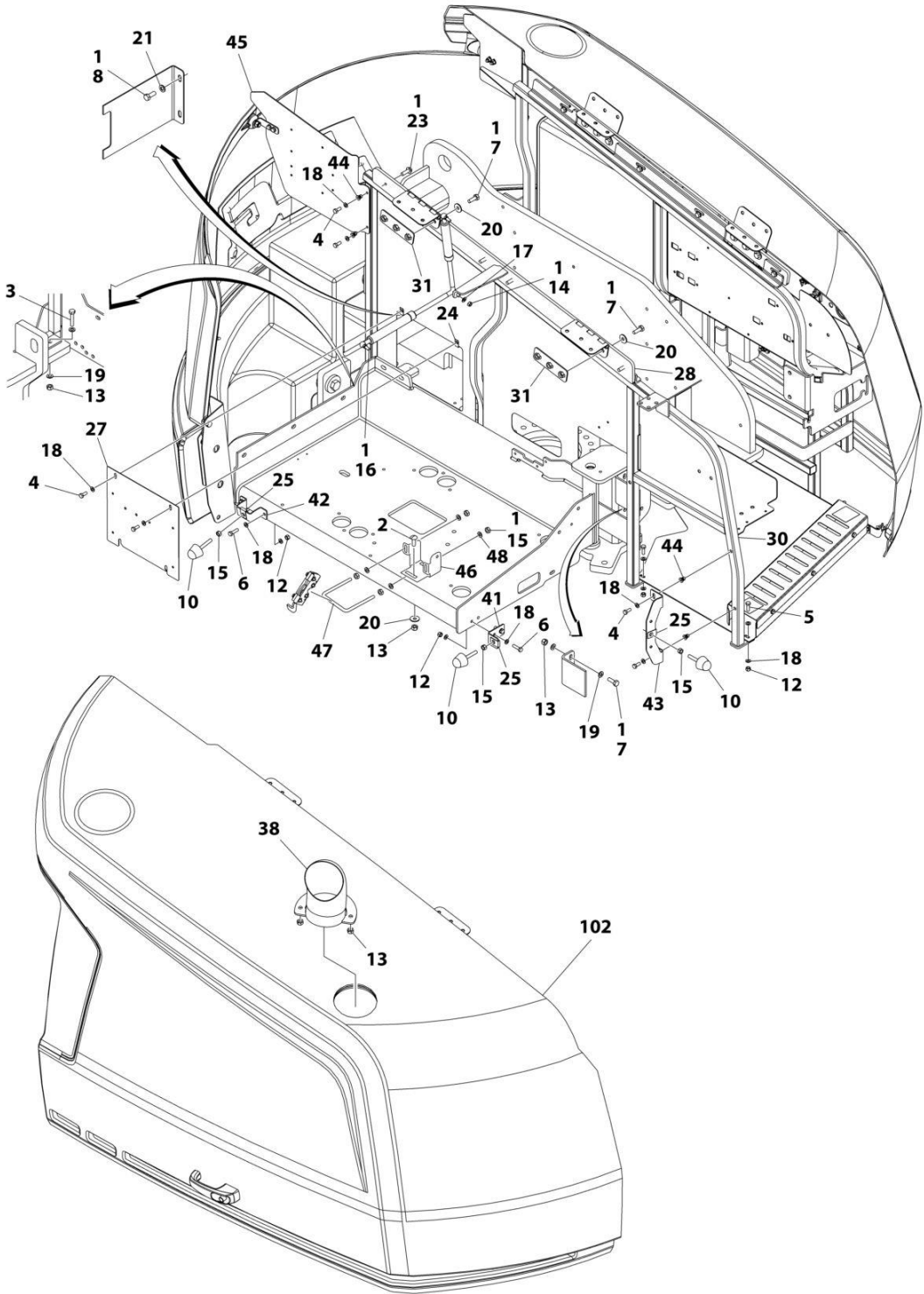
## SECTION 2 - TURNTABLE

FIGURE 2-34. HOODS INSTALLATION (ABS) - DEUTZ ENGINES (MACHINES WITH SN STARTING WITH B3 FOR ANSI EXPORT, CHINA, RUSSIA & JAPANESE SPECS)



ART\_1001219201\_F\_10F2

SECTION 2 - TURNTABLE



ART\_1001219201\_F\_20F2

## SECTION 2 - TURNTABLE

**FIGURE 2-34. HOODS INSTALLATION (ABS) - DEUTZ ENGINES (MACHINES WITH SN STARTING WITH B3 FOR ANSI EXPORT, CHINA, RUSSIA & JAPANESE SPECS)**

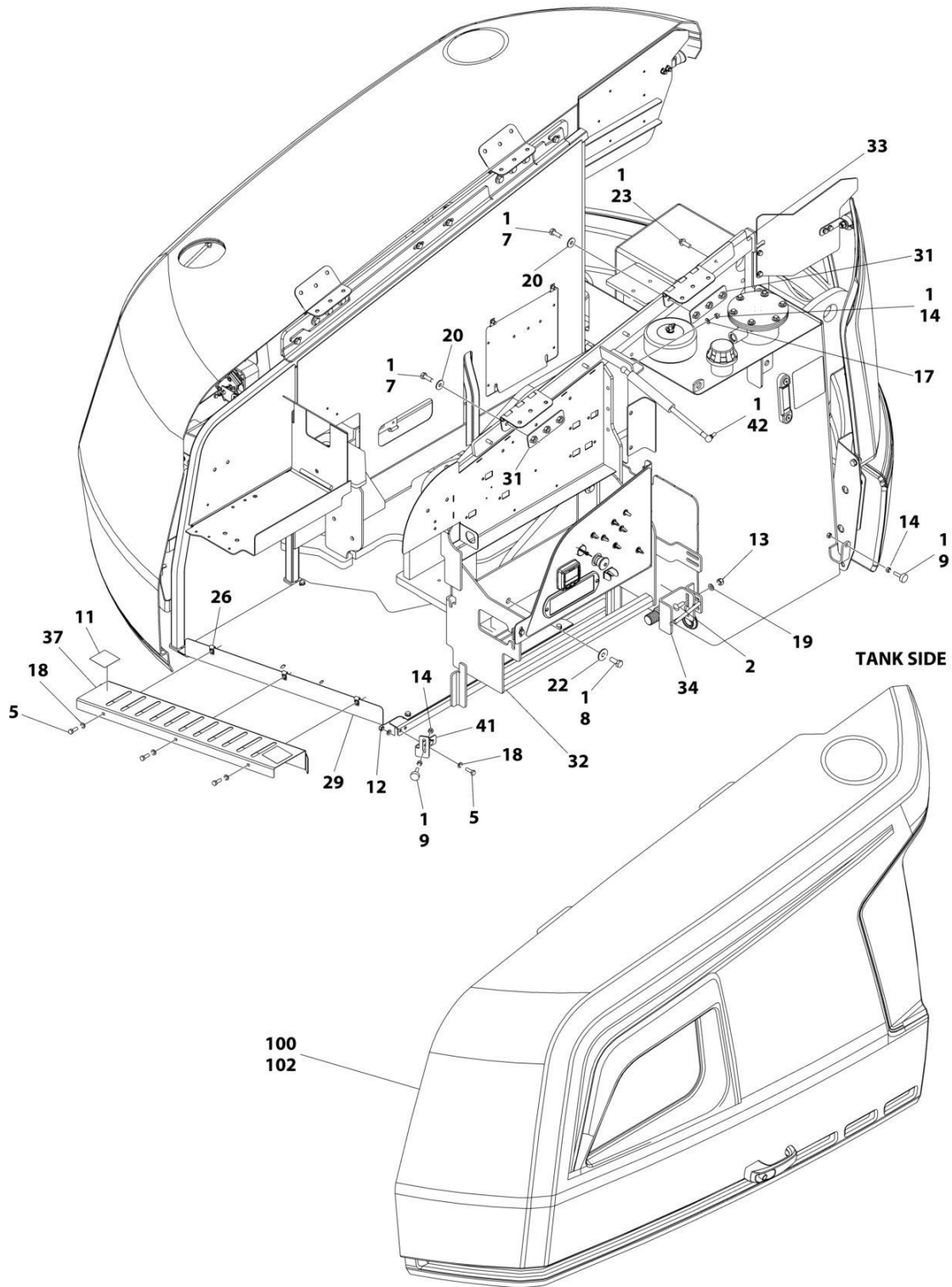
ITEM	PART NUMBER	QTY	DESCRIPTION	REV
	1001219201	Ref	HOODS INSTALLATION	F
1	0100011	AR	Compound, Locking	
2	0630613	4	Bolt M10 x 30	
3	0701018	5	Bolt M10 x 50	
4	0760810	4	Bolt M8 x 20	
5	0760812	11	Bolt M8 x 25	
6	0760814	4	Bolt M8 x 30	
7	0761014	14	Bolt M10 x 30	
8	0761214	6	Bolt M12 x 30	
9	0940049	2	Bumper	
10	0940071	3	Bumper	
11	1701691	2	Decal - No Step	
12	3290805	10	Nut M8	
13	3291005	14	Nut M10	
14	3311501	6	Nut 5/16	
15	3311601	7	Nut 3/8	
16	4160182	1	Spring, Gas	
17	4711500	2	Washer 5/16	
18	4811900	29	Washer M8	
19	4812000	16	Washer M10	
20	4812002	14	Washer M10	
21	4812100	2	Washer M12	
22	4812102	4	Washer M12	
23	5251014	8	Bolt M10 x 30	
24	8310686	2	Nut, Retainer M8	
25	88662523	3	Nut, Tinnerman	
26	1001118274	3	Nut M8	
27	1001167149	1	Panel, Filler	
28	1001167159	1	Mount	
29	1001167163	1	Tray	
30	1001167169	1	Mount	
31	1001169046	4	Nut	
32	1001211716	1	Support, Hood	
33	1001170018	1	Mount	
34	1001170022	1	Mount	
37	1001171216	1	Cover	
38	1001174098	1	Pipe, Exhaust	
39	1001179904	1	Mount	
40	1001182169	1	Spring, Gas	
41	1001182875	1	Mount	
42	1001182877	1	Mount	
43	1001182879	1	Mount	
44	1001191832	4	Rivnut M8	
45	1001211717	1	Support	
46	1001250291	1	Bracket	
47	1001243414	1	U-Bolt	
48	4891600	1	Washer 3/8	
100	1001285598	1	Hood Kit (Includes Items 101-102)	A

**SECTION 2 - TURNTABLE**

<b>ITEM</b>	<b>PART NUMBER</b>	<b>QTY</b>	<b>DESCRIPTION</b>	<b>REV</b>
101	1001285597	1	Hood Assembly - Tank Side (See Separate Breakdown in this Section)	
102	1001172833	1	Hood Assembly - Engine Side (See Separate Breakdown in this Section)	

## SECTION 2 - TURNTABLE

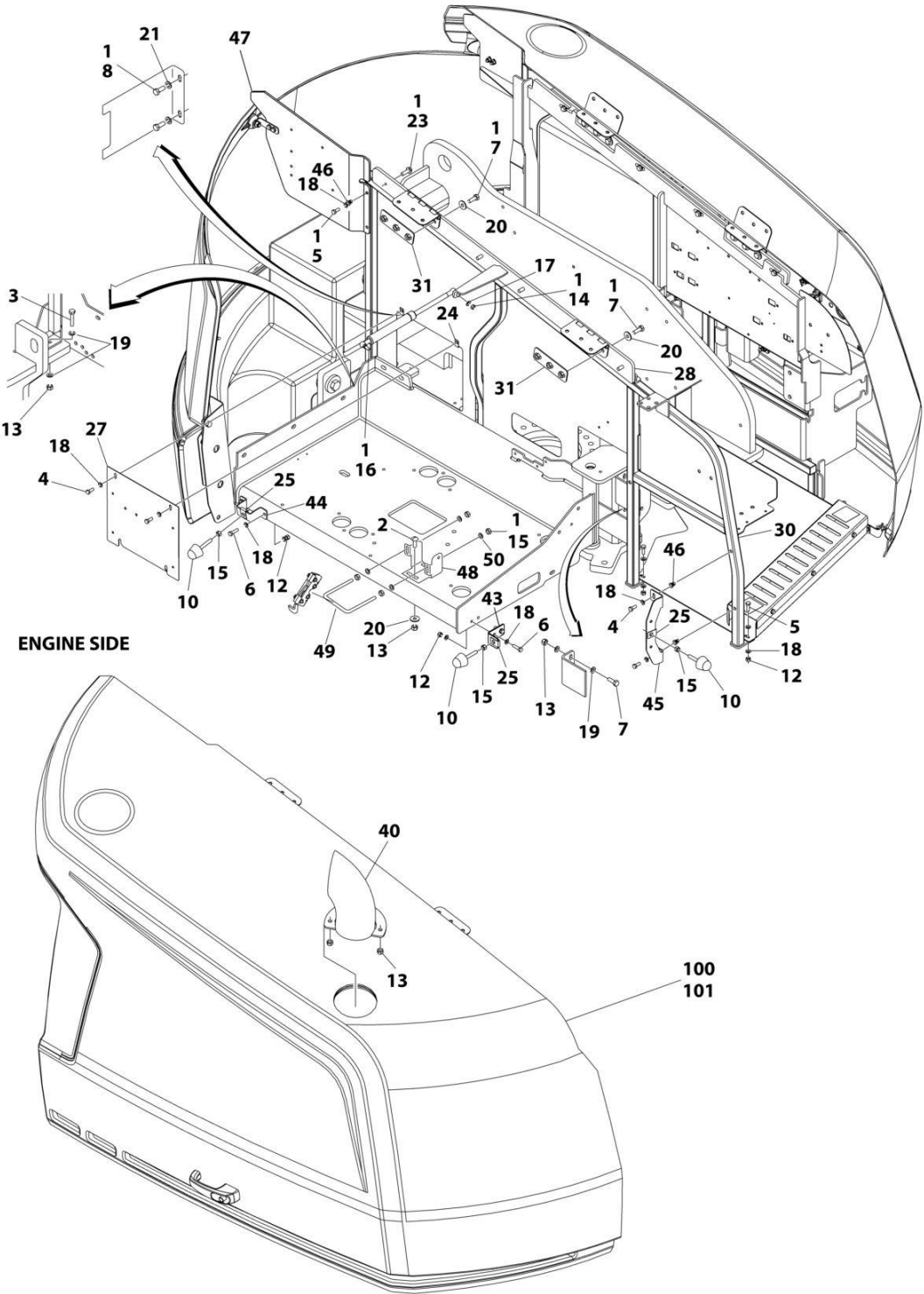
FIGURE 2-35. HOODS INSTALLATION (ABS) - DEUTZ ENGINES (MACHINES WITH SN STARTING WITH B3 FOR AUSTRALIAN, CE & UK CA SPECS)



ART\_1001241286\_D\_10F2



SECTION 2 - TURNTABLE



ART\_1001241286\_D\_20F2

## SECTION 2 - TURNTABLE

**FIGURE 2-35. HOODS INSTALLATION (ABS) - DEUTZ ENGINES (MACHINES WITH SN STARTING WITH B3 FOR AUSTRALIAN, CE & UK CA SPECS)**

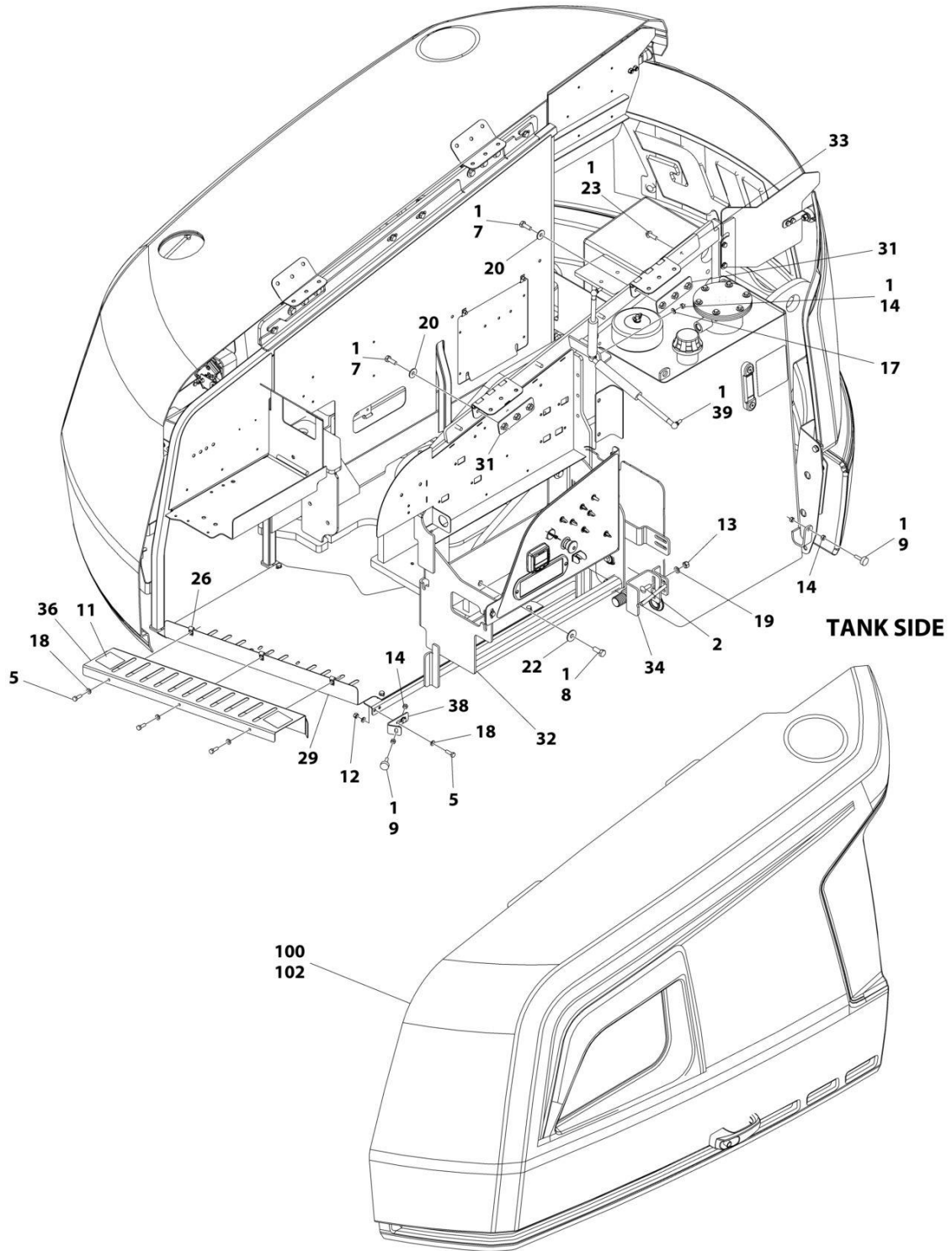
ITEM	PART NUMBER	QTY	DESCRIPTION	REV
	1001241286	Ref	HOODS INSTALLATION	D
1	0100011	AR	Compound, Locking	
2	0630613	4	Bolt M10 x 30	
3	0701018	5	Bolt M10 x 50	
4	0760810	4	Bolt M8 x 20	
5	0760812	11	Bolt M8 x 25	
6	0760814	4	Bolt M8 x 30	
7	0761014	14	Bolt M10 x 30	
8	0761214	6	Bolt M12 x 30	
9	0940049	2	Bumper	
10	0940071	3	Bumper	
11	1701691	2	Decal - No Step	
12	3290805	10	Nut M8	
13	3291005	14	Nut M10	
14	3311501	6	Nut 5/16	
15	3311601	7	Nut 3/8	
16	4160182	1	Spring, Gas	
17	4711500	2	Washer 5/16	
18	4811900	29	Washer M8	
19	4812000	16	Washer M10	
20	4812002	14	Washer M10	
21	4812100	2	Washer M12	
22	4812102	4	Washer M12	
23	5251014	8	Bolt M10 x 30	
24	8310686	2	Nut, Retainer M8	
25	88662523	3	Nut, Tinnerman	
26	1001118274	3	Nut M8	
27	1001167149	1	Panel, Filler	
28	1001167159	1	Mount	
29	1001167163	1	Tray	
30	1001167169	1	Mount	
31	1001169046	4	Nut	
32	1001211716	1	Support, Hood	
33	1001170018	1	Mount	
34	1001170022	1	Mount	
37	1001171216	1	Cover	
40	1001233899	1	Pipe, Exhaust	
41	1001179904	1	Mount	
42	1001182169	1	Spring, Gas	
43	1001182875	1	Mount	
44	1001182877	1	Mount	
45	1001182879	1	Mount	
46	1001191832	4	Rivnut M8	
47	1001211717	1	Panel, Filler	
48	1001250291	1	Bracket	
49	1001243414	1	U-Bolt	
50	4891600	4	Washer 3/8	
100	1001285789	1	Hood Kit (Includes Items 101-102)	A

**SECTION 2 - TURNTABLE**

<b>ITEM</b>	<b>PART NUMBER</b>	<b>QTY</b>	<b>DESCRIPTION</b>	<b>REV</b>
101	1001241295	1	Hood Assembly - Engine Side (See Separate Breakdown in this Section)	
102	1001285788	1	Hood Assembly - Tank Side (See Separate Breakdown in this Section)	

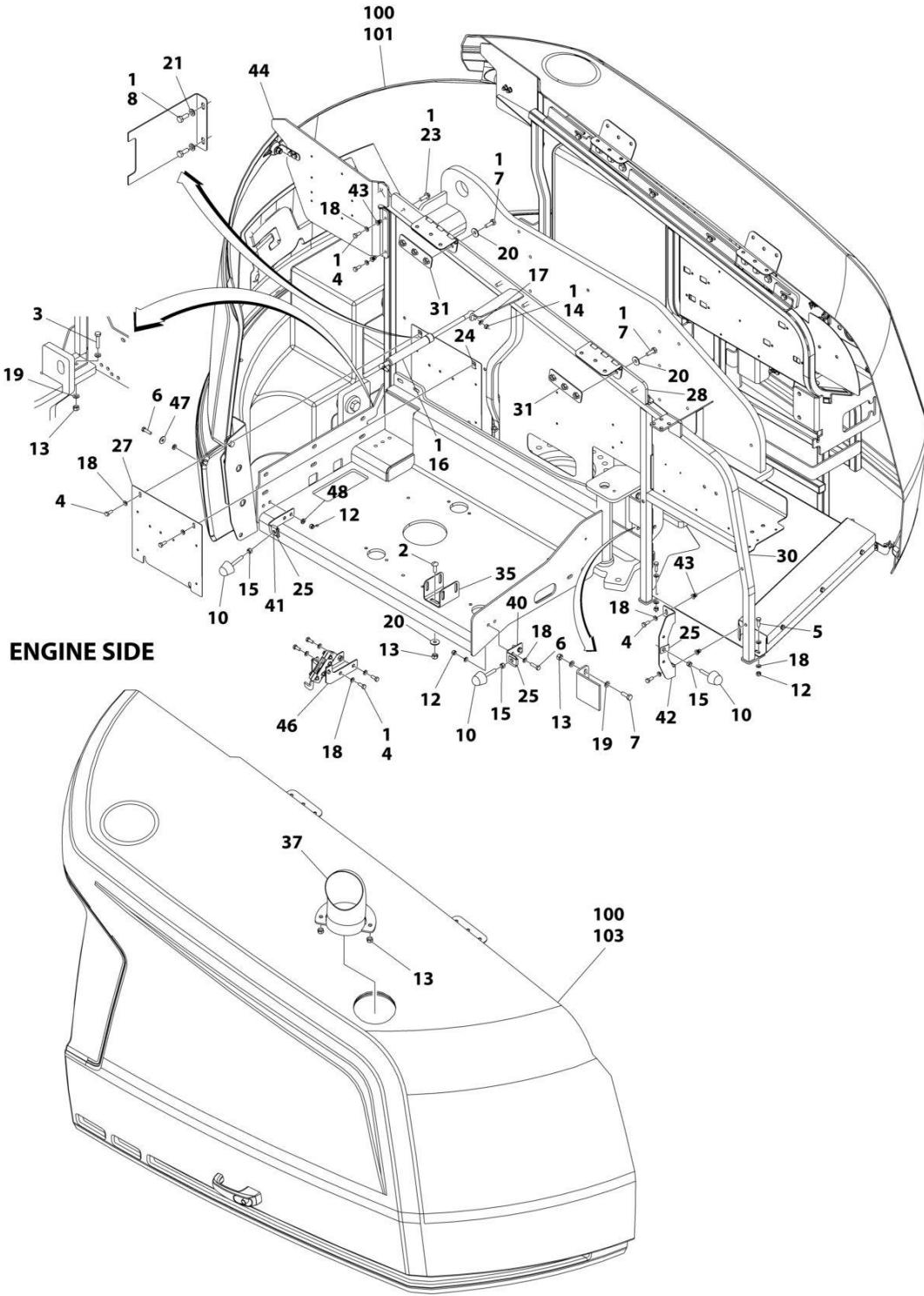
# SECTION 2 - TURNTABLE

## FIGURE 2-36. HOODS INSTALLATION (ABS) - KUBOTA ENGINE



ART\_1001216599\_10F2

# SECTION 2 - TURNTABLE



ART\_1001216599\_2OF2

## SECTION 2 - TURNTABLE

FIGURE 2-36. HOODS INSTALLATION (ABS) - KUBOTA ENGINE

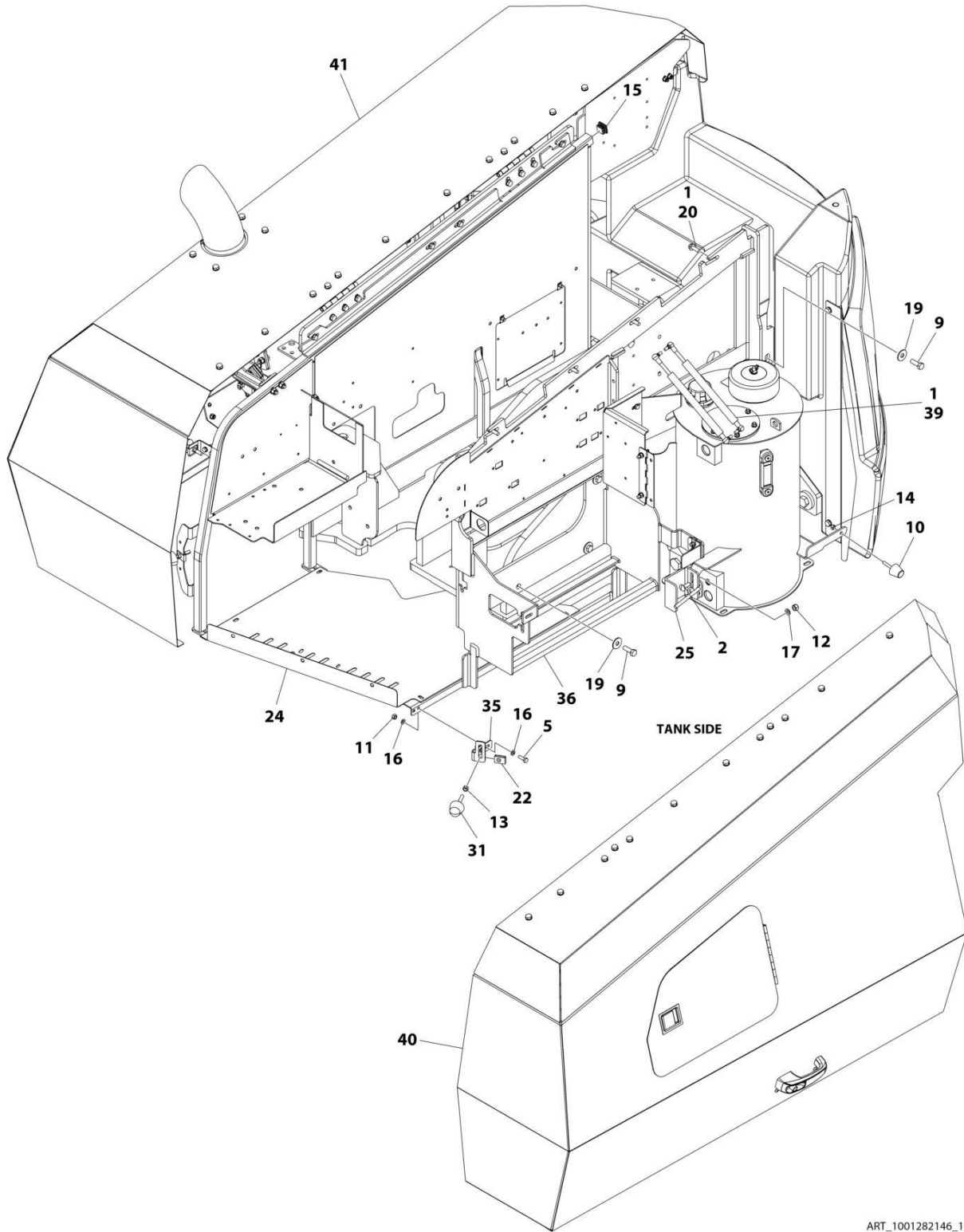
ITEM	PART NUMBER	QTY	DESCRIPTION	REV
	1001216599	Ref	HOODS INSTALLATION - KUBOTA ENGINE	E
1	0100011	AR	Compound, Locking	
2	0630613	4	Bolt M10 x 30	
3	0701018	5	Bolt M10 x 50	
4	0760810	8	Bolt M8 x 20	
5	0760812	11	Bolt M8 x 25	
6	0760814	4	Bolt M8 x 30	
7	0761014	14	Bolt M10 x 30	
8	0761214	6	Bolt M12 x 30	
9	0940049	2	Bumper	
10	0940071	6	Bumper	
11	1701691	2	Decal - No Step	
12	3290805	10	Nut M8	
13	3291005	14	Nut M10	
14	3311501	6	Nut 5/16	
15	3311601	3	Nut 3/8	
16	4160182	1	Spring, Gas	
17	4711500	2	Washer 5/16	
18	4811900	29	Washer M8	
19	4812000	19	Washer M10	
20	4812002	14	Washer M10	
21	4812100	2	Washer M12	
22	4812102	4	Washer M12	
23	5251014	8	Bolt M10 x 30	
24	8310686	2	Nut, Retainer M8	
25	88662523	3	Nut, Tinnerman	
26	1001118274	3	Nut M8	
27	1001167149	1	Panel, Filler	
28	1001167159	1	Mount	
29	1001167163	1	Tray	
30	1001167169	1	Mount	
31	1001169046	4	Nut	
32	1001211716	1	Support, Hood	
33	1001170018	1	Mount	
34	1001170022	1	Mount	
35	1001170859	1	Mount	
36	1001171216	1	Cover	
37	1001174098	1	Pipe, Exhaust	
38	1001179904	1	Mount	
39	1001182169	1	Spring, Gas	
40	1001182875	1	Mount	
41	1001216677	1	Bracket	
42	1001182879	1	Mount	
43	1001191832	4	Rivnut M8	
44	1001211717	1	Support	
46	1001215394	1	Support	
47	4811702	2	Washer M6	
48	5240800	4	Washer M8	
100	1001285691	1	Hood Kit (Includes Items 101-103)	A
101	1001169183	1	Hood, Front	

**SECTION 2 - TURNTABLE**

<b>ITEM</b>	<b>PART NUMBER</b>	<b>QTY</b>	<b>DESCRIPTION</b>	<b>REV</b>
102	1001285597	1	Hood Assembly - Tank Side (See Separate Breakdown in this Section)	
103	1001172833	1	Hood Assembly - Engine Side (See Separate Breakdown in this Section)	

# SECTION 2 - TURNTABLE

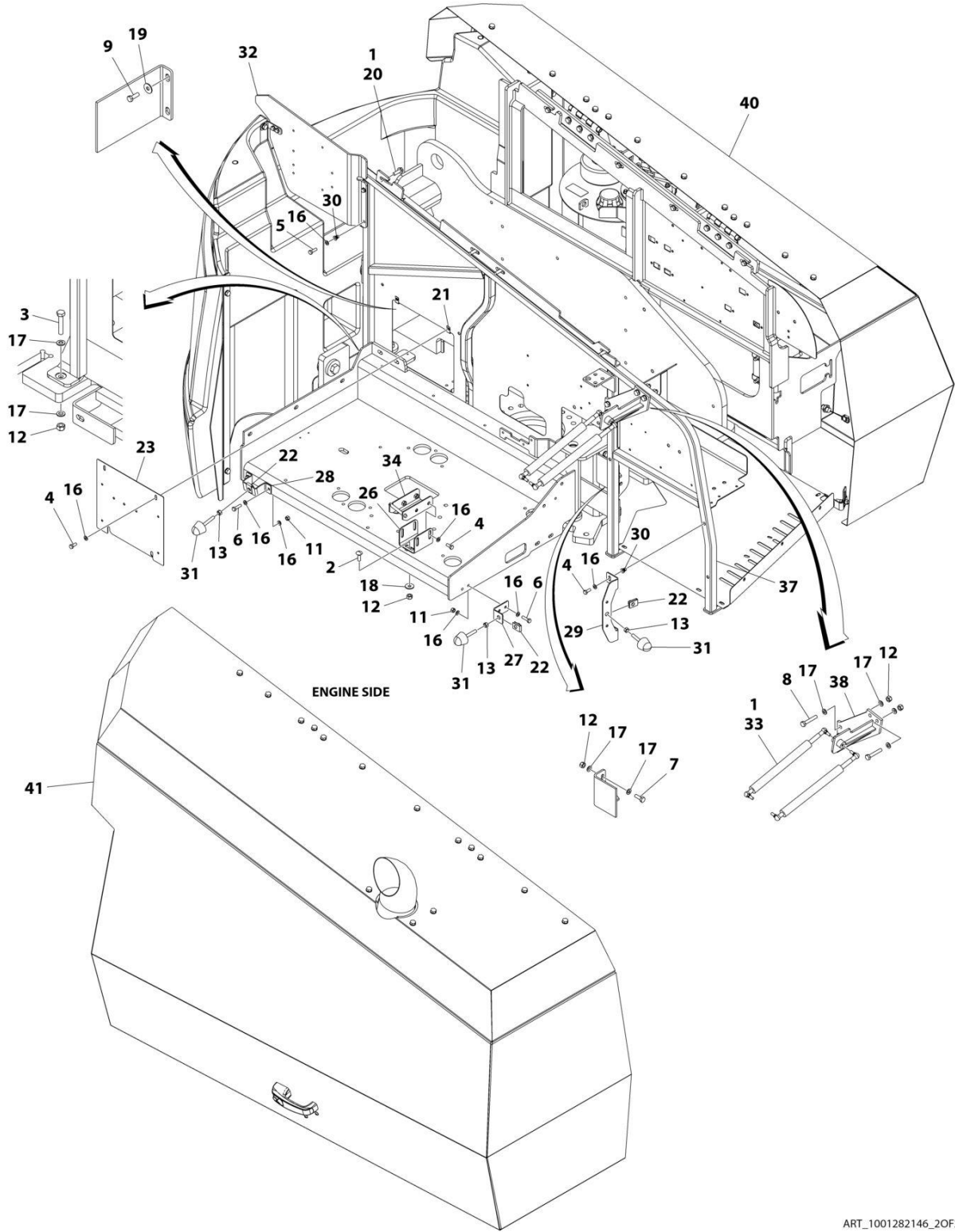
## FIGURE 2-37. HOODS INSTALLATION (STEEL)



ART\_1001282146\_1OF2



SECTION 2 - TURNTABLE



ART\_1001282146\_20F2

## SECTION 2 - TURNTABLE

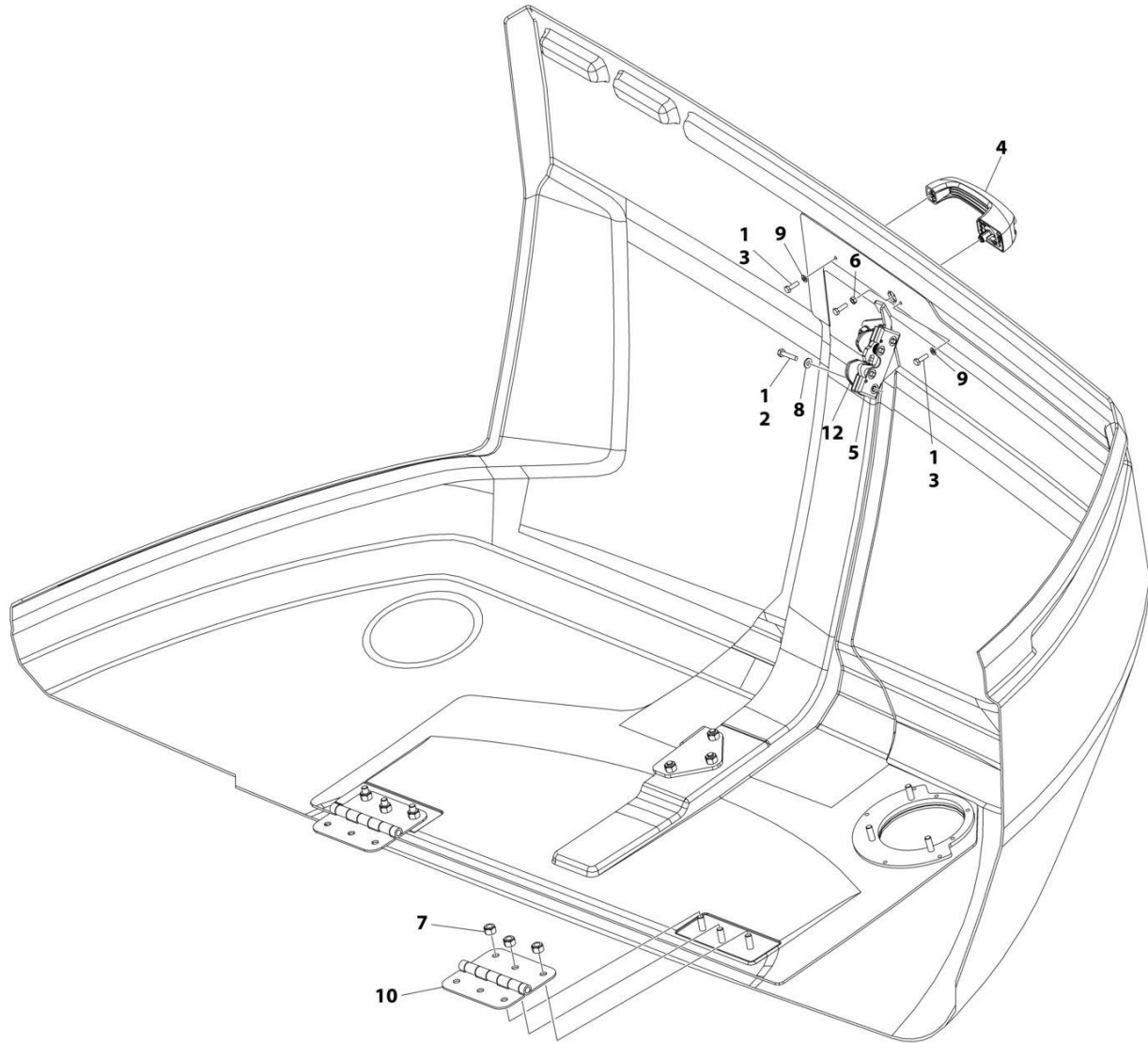
FIGURE 2-37. HOODS INSTALLATION (STEEL)

ITEM	PART NUMBER	QTY	DESCRIPTION	REV
	1001282146	Ref	HOODS INSTALLATION (STEEL)	B
1	0100011	AR	Compound, Locking	
2	0630613	4	Bolt M10 x 30	
3	0701019	5	Bolt M10 x 55	
4	0760810	8	Bolt M8 x 20	
5	0760812	4	Bolt M8 x 25	
6	0760814	4	Bolt M8 x 30	
7	0761014	2	Bolt M10 x 30	
8	0761020	4	Bolt M12 x 60	
9	0761215	6	Bolt M12 x 35	
10	0940088	1	Bumper	
11	3290805	6	Nut M8	
12	3291005	15	Nut M10	
13	3311601	4	Nut 3/8	
14	3321501	1	Nut 5/16	
15	3520072	1	Plug	
16	4811900	22	Washer M8	
17	4812000	24	Washer M10	
18	4812002	2	Washer M10	
19	4812102	6	Washer M12	
20	5251014	8	Bolt M10 x 30	
21	8310686	2	Nut, Retainer M8	
22	88662523	4	Nut, Tinnerman	
23	1001167149	1	Panel, Filler	
24	1001167163	1	Tray	
25	1001170022	1	Mount	
26	1001170859	1	Mount	
27	1001182875	1	Mount	
28	1001182877	1	Mount	
29	1001182879	1	Mount	
30	1001191832	4	Rivnut M8	
31	1001206314	4	Bumper	
32	1001211717	1	Panel, Filler	
33	1001213794	2	Spring, Gas	
34	1001223777	1	Support, Striker	
35	1001269476	1	Mount	
36	1001279651	1	Support, Hood	
37	1001280240	1	Mount	
38	1001280242	1	Mount	
39	1001280549	2	Spring, Gas	
40	1001285988	1	Hood Assembly - Tank Side (See Separate Breakdown in this Section)	
41	1001282143	1	Hood Assembly - Engine Side (See Separate Breakdown in this Section)	



## SECTION 2 - TURNTABLE

FIGURE 2-38. HOOD ASSEMBLY (ABS) - ENGINE SIDE (MACHINES WITH SN STARTING WITH 03)



NOTE: REPLACEMENT DECALS MUST BE ORDERED SEPARATELY - SEE DECAL SECTION.

ART\_1001172833

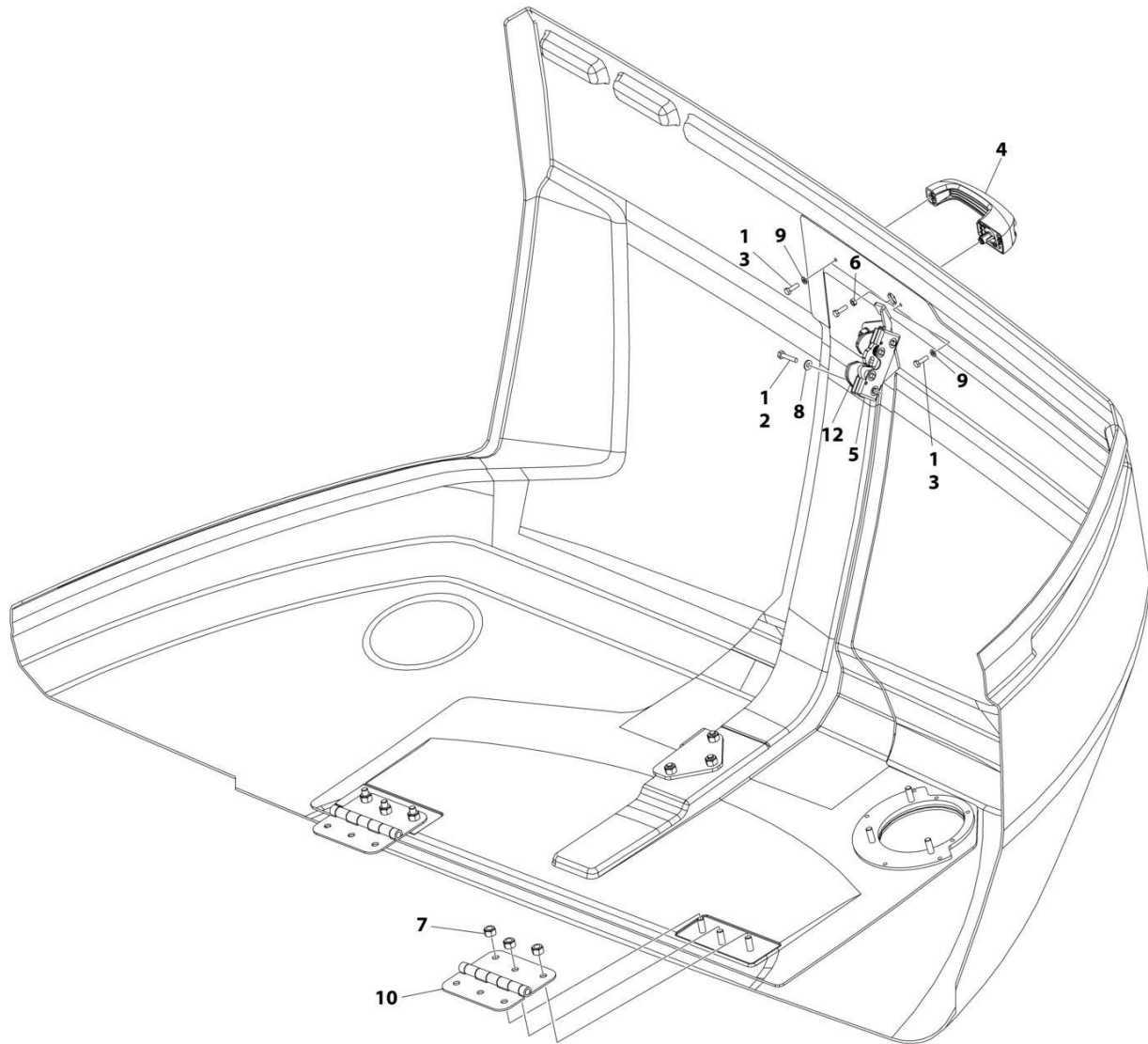
**SECTION 2 - TURNTABLE**

**FIGURE 2-38. HOOD ASSEMBLY (ABS) - ENGINE SIDE (MACHINES WITH SN STARTING WITH 03)**

ITEM	PART NUMBER	QTY	DESCRIPTION	REV
	1001172833	Ref	HOOD ASSEMBLY - ENGINE SIDE	C
1	0100011	AR	Compound, Locking	
2	0641410	4	Bolt 1/4 x 1-1/4	
3	0760610	3	Bolt M6 x 20	
4	2560187	1	Handle	
5	2940173	1	Latch	
6	3290601	1	Nut M6	
7	3291005	6	Nut M10	
8	4711400	4	Washer 1/4	
9	4811700	2	Washer M6	
10	1001139384	2	Hinge	
12	1001200458	1	Plate, Latch Guide	

## SECTION 2 - TURNTABLE

FIGURE 2-39. HOOD ASSEMBLY (ABS) - ENGINE SIDE (MACHINES WITH SN STARTING WITH B3 FOR ANSI EXPORT, CHINA, RUSSIA & JAPANESE SPECS)



NOTE: REPLACEMENT DECALS MUST BE ORDERED SEPARATELY - SEE DECAL SECTION.

ART\_1001172833

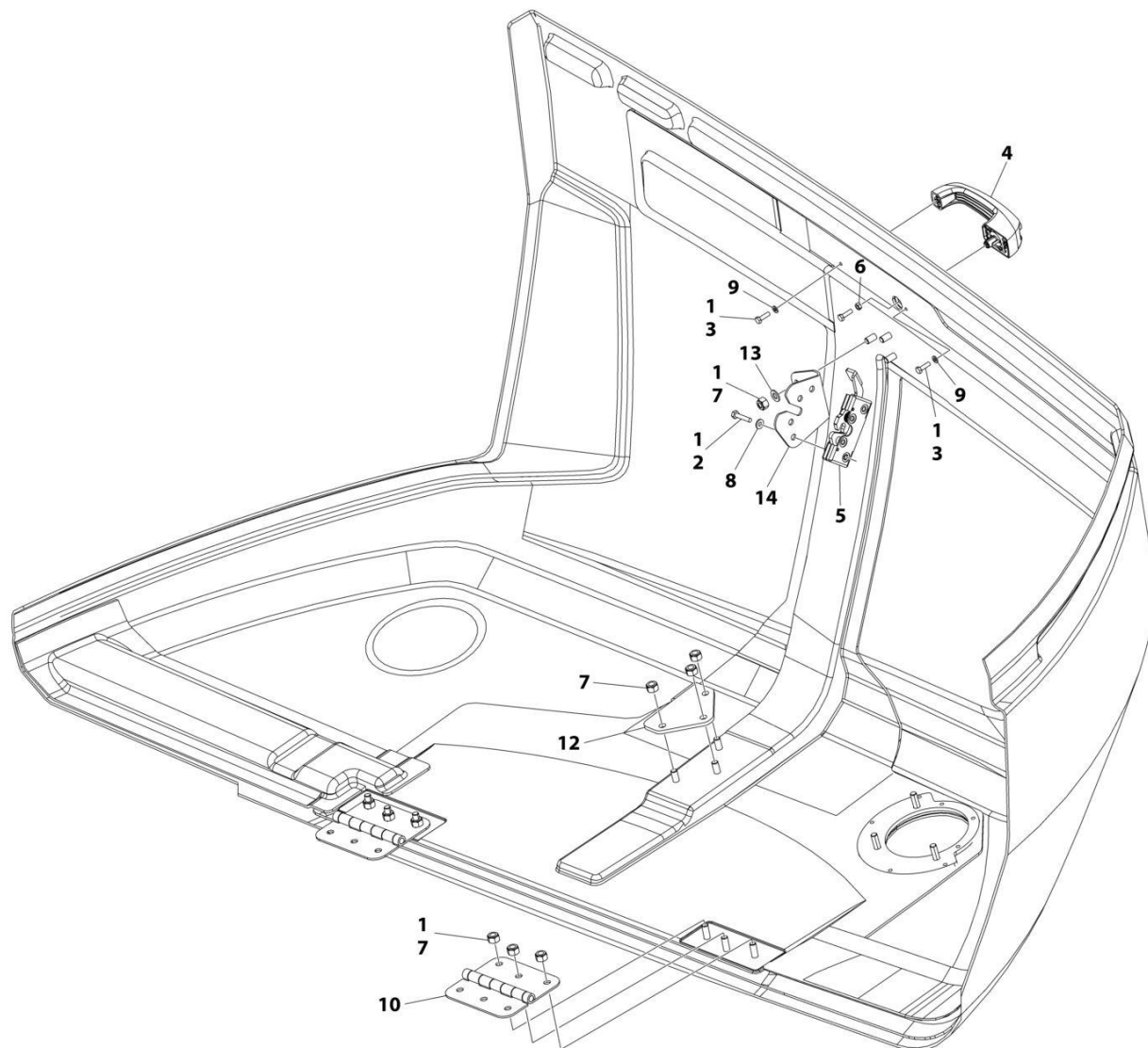
**SECTION 2 - TURNTABLE**

**FIGURE 2-39. HOOD ASSEMBLY (ABS) - ENGINE SIDE (MACHINES WITH SN STARTING WITH B3 FOR ANSI EXPORT, CHINA, RUSSIA & JAPANESE SPECS)**

ITEM	PART NUMBER	QTY	DESCRIPTION	REV
	1001172833	Ref	HOOD ASSEMBLY - ENGINE SIDE	C
1	0100011	AR	Compound, Locking	
2	0641410	4	Bolt 1/4 x 1-1/4	
3	0760610	3	Bolt M6 x 20	
4	2560187	1	Handle	
5	2940173	1	Latch	
6	3290601	1	Nut M6	
7	3291005	6	Nut M10	
8	4711400	4	Washer 1/4	
9	4811700	2	Washer M6	
10	1001139384	2	Hinge	
12	1001200458	1	Plate, Latch Guide	

## SECTION 2 - TURNTABLE

FIGURE 2-40. HOOD ASSEMBLY (ABS) - ENGINE SIDE (MACHINES WITH SN STARTING WITH B3 FOR AUSTRALIAN, CE & UK CA SPECS)



NOTE: REPLACEMENT DECALS MUST BE ORDERED SEPARATELY - SEE DECAL SECTION.

ART\_1001241295



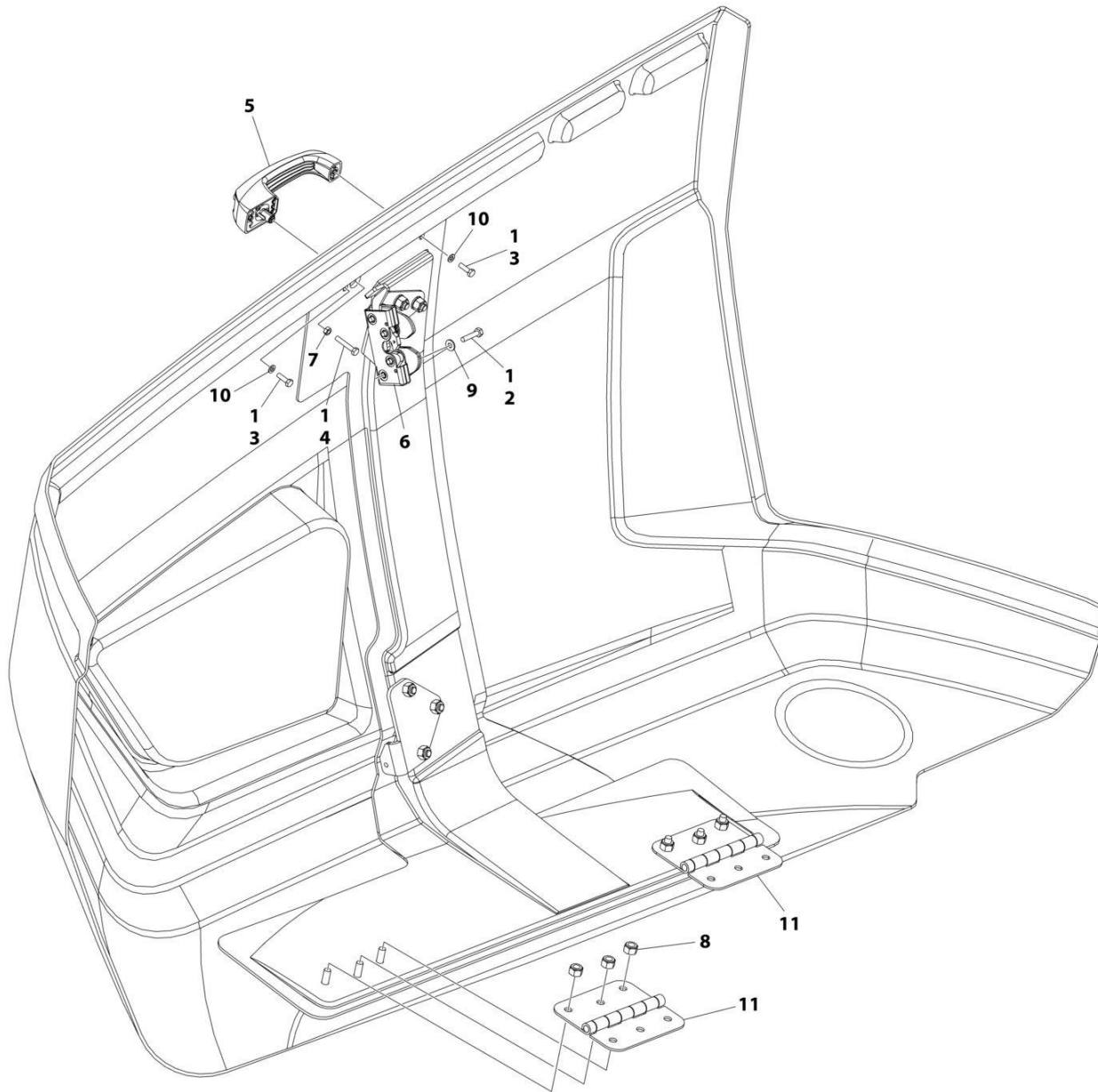
## SECTION 2 - TURNTABLE

**FIGURE 2-40. HOOD ASSEMBLY (ABS) - ENGINE SIDE (MACHINES WITH SN STARTING WITH B3 FOR AUSTRALIAN, CE & UK CA SPECS)**

ITEM	PART NUMBER	QTY	DESCRIPTION	REV
	1001241295	Ref	HOOD ASSEMBLY - ENGINE SIDE	C
1	0100011	AR	Compound, Locking	
2	0641410	4	Bolt 1/4 x 1-1/4	
3	0760610	3	Bolt M6 x 20	
4	2560187	1	Handle	
5	2940173	1	Latch	
6	3290601	1	Nut M6	
7	3291005	12	Nut M10	
8	4711400	4	Washer 1/4	
9	4811700	2	Washer M6	
10	1001259230	2	Hinge	
12	1001178228	1	Bracket	
13	4812000	3	Washer M10	
14	1001202830	1	Support	

## SECTION 2 - TURNTABLE

FIGURE 2-41. HOOD ASSEMBLY (ABS) - TANK SIDE (MACHINES WITH SN STARTING WITH 03)



NOTE: REPLACEMENT DECALS MUST BE ORDERED SEPARATELY - SEE DECAL SECTION.

ART\_1001285597

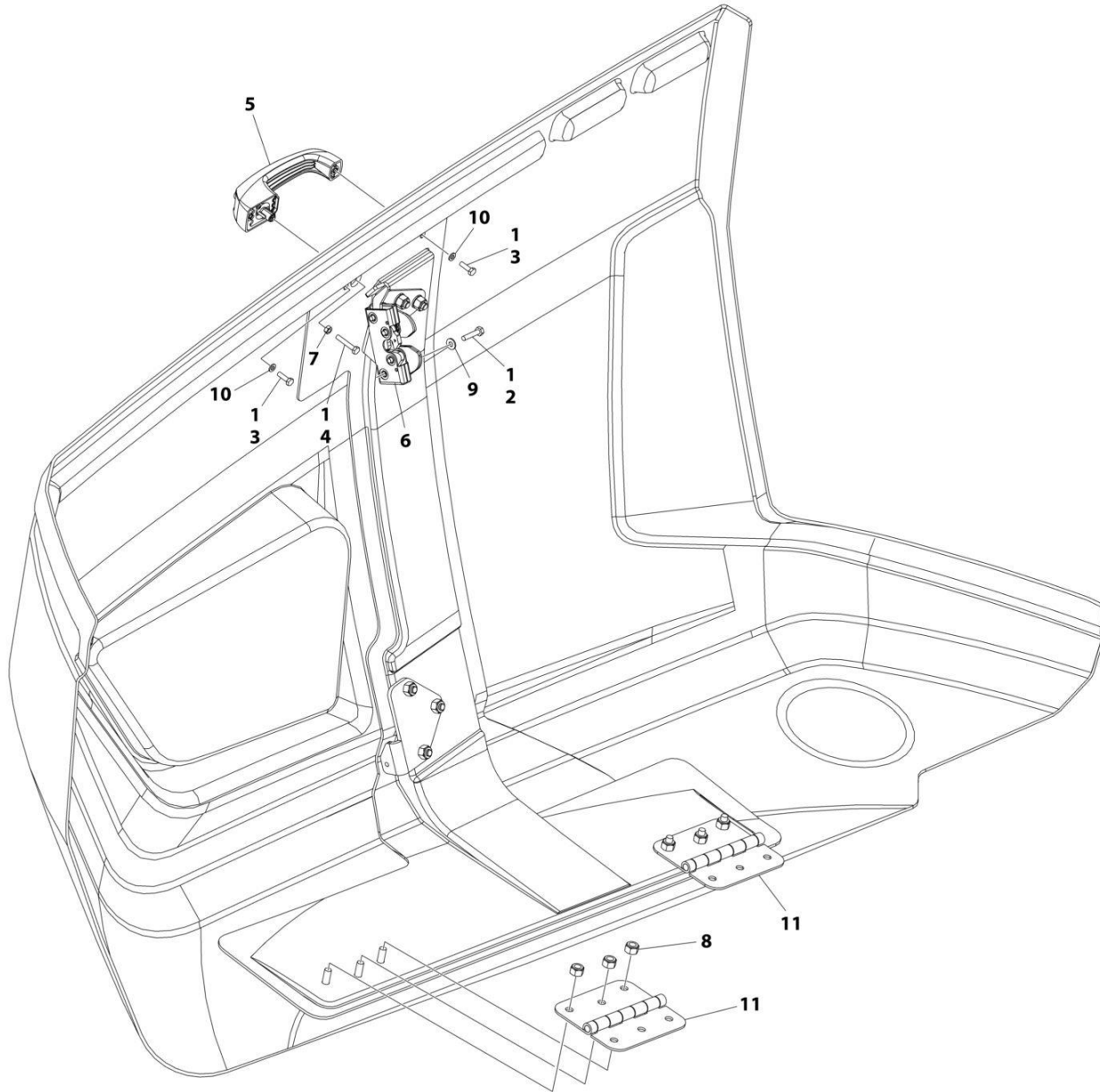
**SECTION 2 - TURNTABLE**

**FIGURE 2-41. HOOD ASSEMBLY (ABS) - TANK SIDE (MACHINES WITH SN STARTING WITH 03)**

ITEM	PART NUMBER	QTY	DESCRIPTION	REV
	1001285597	Ref	HOOD ASSEMBLY - TANK SIDE	A
1	0100011	AR	Compound, Locking	
2	0641410	4	Bolt 1/4 x 1-1/4	
3	0760610	2	Bolt M6 x 20	
4	0760615	1	Bolt M6 x 35	
5	2560187	1	Handle	
6	2940173	1	Latch	
7	3290601	1	Nut M6	
8	3291005	6	Nut, Lock M10	
9	4711400	4	Washer 1/4	
10	4811700	2	Washer M6	
11	1001139384	2	Hinge	

## SECTION 2 - TURNTABLE

FIGURE 2-42. HOOD ASSEMBLY (ABS) - TANK SIDE (MACHINES WITH SN STARTING WITH B3 FOR ANSI EXPORT, CHINA, CIS/EAC & JAPANESE SPECS)



NOTE: REPLACEMENT DECALS MUST BE ORDERED SEPARATELY - SEE DECAL SECTION.

ART\_1001285597

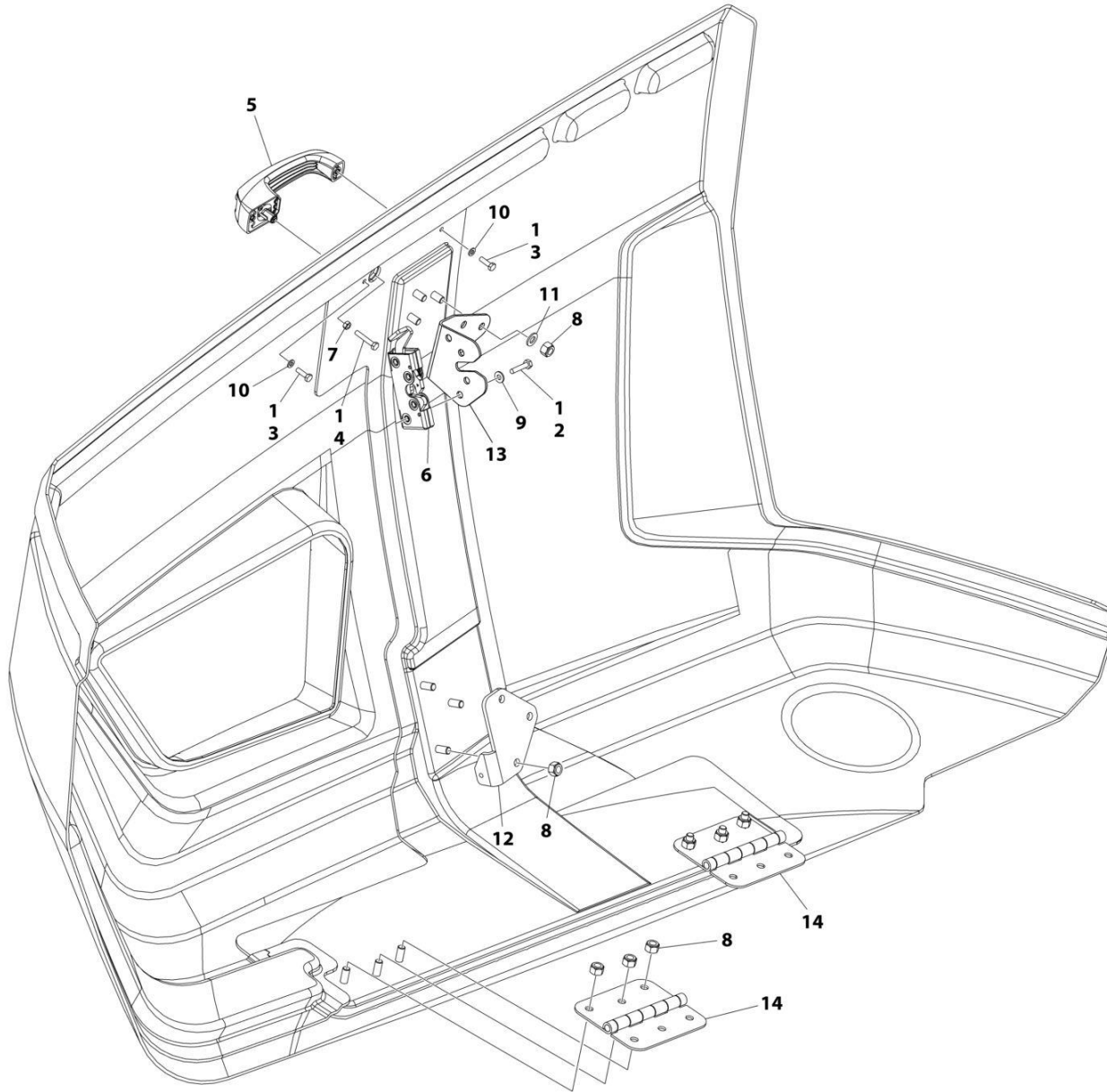
**SECTION 2 - TURNTABLE**

**FIGURE 2-42. HOOD ASSEMBLY (ABS) - TANK SIDE (MACHINES WITH SN STARTING WITH B3 FOR ANSI EXPORT, CHINA, CIS/EAC & JAPANESE SPECS)**

ITEM	PART NUMBER	QTY	DESCRIPTION	REV
	1001285597	Ref	HOOD ASSEMBLY - TANK SIDE	A
1	0100011	AR	Compound, Locking	
2	0641410	4	Bolt 1/4 x 1-1/4	
3	0760610	2	Bolt M6 x 20	
4	0760615	1	Bolt M6 x 35	
5	2560187	1	Handle	
6	2940173	1	Latch	
7	3290601	1	Nut M6	
8	3291005	6	Nut, Lock M10	
9	4711400	4	Washer 1/4	
10	4811700	2	Washer M6	
11	1001139384	2	Hinge	

## SECTION 2 - TURNTABLE

FIGURE 2-43. HOOD ASSEMBLY (ABS) - TANK SIDE (MACHINES WITH SN STARTING WITH B3 FOR AUSTRALIAN, CE & UK CA SPECS)



NOTE: REPLACEMENT DECALS MUST BE ORDERED SEPARATELY - SEE DECAL SECTION.

ART\_1001285788

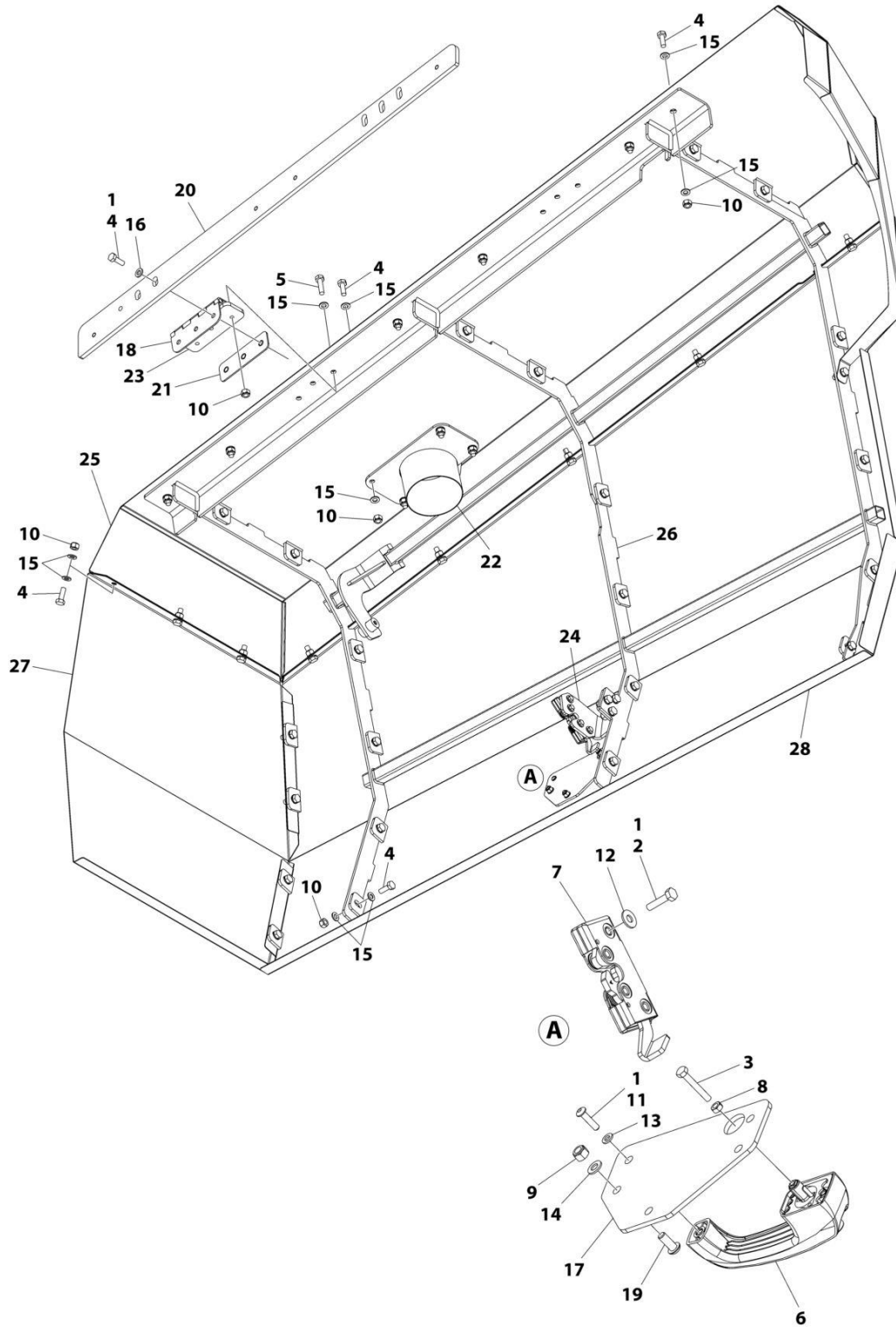
**SECTION 2 - TURNTABLE**

**FIGURE 2-43. HOOD ASSEMBLY (ABS) - TANK SIDE (MACHINES WITH SN STARTING WITH B3 FOR AUSTRALIAN, CE & UK CA SPECS)**

ITEM	PART NUMBER	QTY	DESCRIPTION	REV
	1001285788	Ref	HOOD ASSEMBLY - TANK SIDE	A
1	0100011	AR	Compound, Locking	
2	0641410	4	Bolt 1/4 x 1-1/4	
3	0760610	2	Bolt M6 x 20	
4	0760615	1	Bolt M6 x 35	
5	2560187	1	Handle	
6	2940173	1	Latch	
7	3290601	1	Nut M6	
8	3291005	12	Nut, Lock M10	
9	4711400	4	Washer 1/4	
10	4811700	2	Washer M6	
11	4812000	3	Washer M10	
12	1001170475	1	Bracket	
13	1001203322	1	Support	
14	1001259230	2	Hinge	

# SECTION 2 - TURNTABLE

## FIGURE 2-44. HOOD ASSEMBLY (STEEL) - ENGINE SIDE



ART\_1001282143



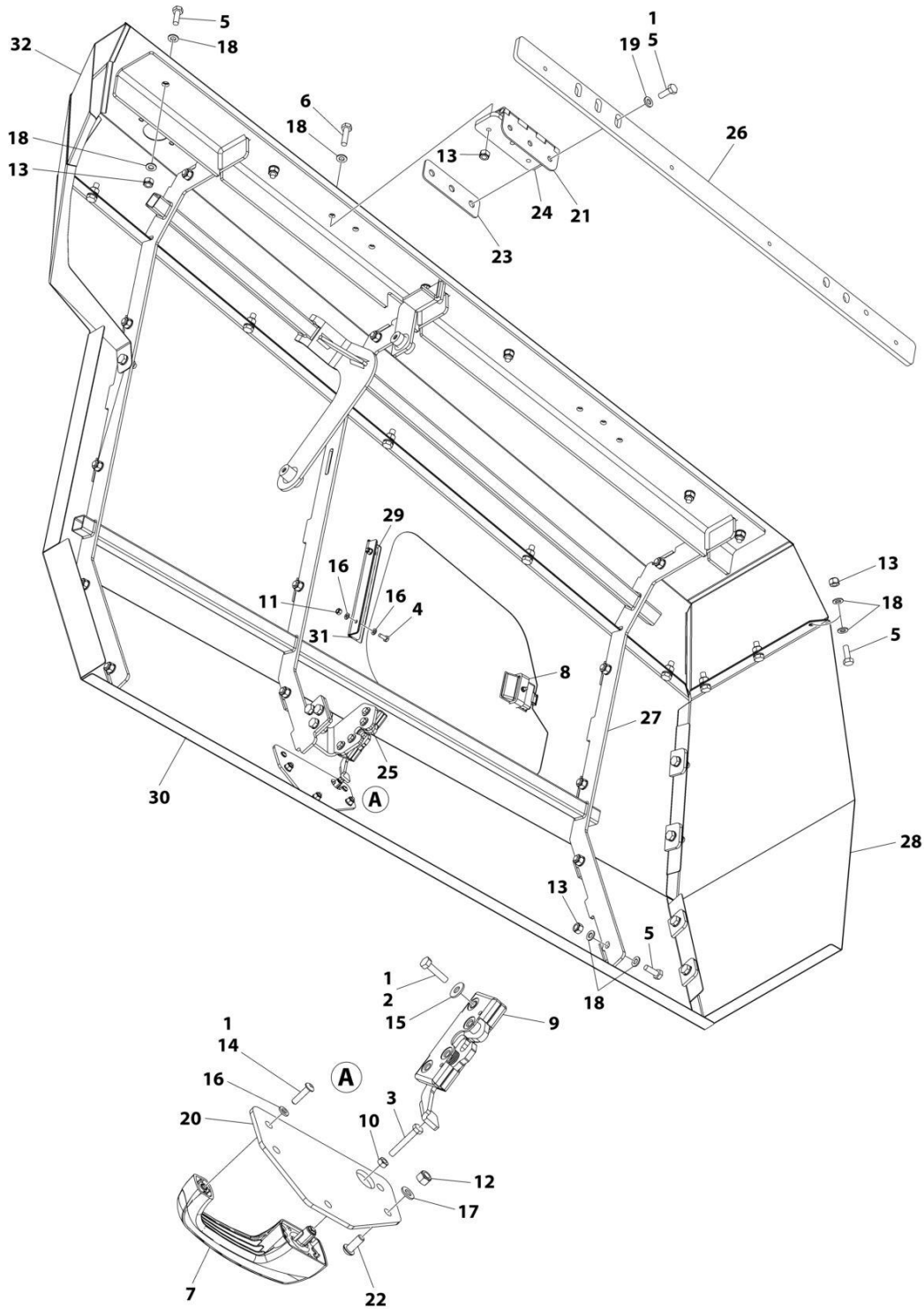
## SECTION 2 - TURNTABLE

### FIGURE 2-44. HOOD ASSEMBLY (STEEL) - ENGINE SIDE

ITEM	PART NUMBER	QTY	DESCRIPTION	REV
	1001282143	Ref	HOOD ASSEMBLY (STEEL) - ENGINE SIDE	A
1	0100011	AR	Compound, Locking	
2	0641409	4	Bolt 1/4 x 1/8	
3	0700616	1	Bolt M6 x 40	
4	0761014	50	Bolt M10 x 30	
5	0761016	6	Bolt M10 x 40	
6	2560187	1	Handle	
7	2940173	1	Latch	
8	3290601	1	Nut M6	
9	3290805	3	Nut M8 x 1-1/4	
10	3291005	50	Nut M10 x 1-1/2	
11	3900363	2	Screw M6 x 25	
12	4751400	4	Washer 1/4	
13	4811700	2	Washer M6	
14	4811900	3	Washer M8	
15	4812000	94	Washer M10	
16	5241000	6	Washer M10	
17	1001116290	1	Plate	
18	1001139384	2	Hinge	
19	1001164726	3	Screw M8 x 20	
20	1001167157	1	Mount, Hood	
21	1001169046	2	Nut	
22	1001194888	1	Pipe, Exhaust	
23	1001202333	2	Plate, Nut	
24	1001263664	1	Bracket	
25	1001263669	1	Panel (Top)	
26	1001263677	1	Bracket	
27	1001263693	1	Panel (End)	
28	1001265389	1	Panel (Side)	

# SECTION 2 - TURNTABLE

## FIGURE 2-45. HOOD ASSEMBLY (STEEL) - TANK SIDE



ART\_1001285988

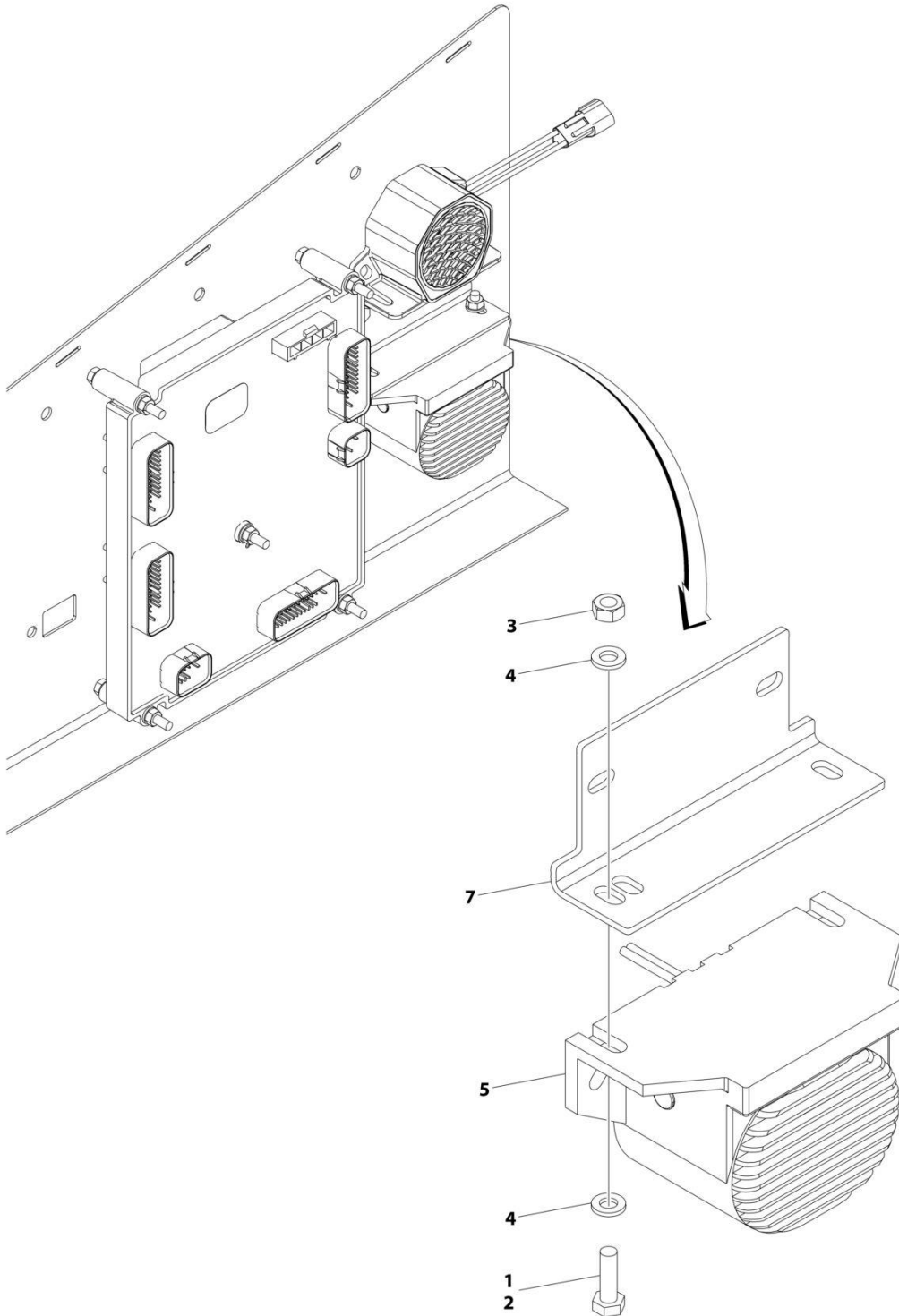
**SECTION 2 - TURNTABLE**

**FIGURE 2-45. HOOD ASSEMBLY (STEEL) - TANK SIDE**

ITEM	PART NUMBER	QTY	DESCRIPTION	REV
	1001285988	Ref	HOOD ASSEMBLY (STEEL) - TANK SIDE	A
1	0100011	AR	Compound, Locking	
2	0641409	4	Bolt 1/4 x 1/8	
3	0700616	1	Bolt M6 x 40	
4	0760608	2	Bolt M6 x 16	
5	0761014	42	Bolt M10 x 30	
6	0761016	6	Bolt M10 x 40	
7	2560187	1	Handle	
8	2940045	1	Latch	
9	2940173	1	Latch	
10	3290601	1	Nut M6	
11	3290605	2	Nut M6	
12	3290805	3	Nut M8 x 1-1/4	
13	3291005	42	Nut M10 x 1-1/2	
14	3900363	2	Screw M6 x 25	
15	4751400	4	Washer 1/4	
16	4811700	6	Washer M6	
17	4811900	3	Washer M8	
18	4812000	78	Washer M10	
19	5241000	6	Washer M10	
20	1001116290	1	Plate	
21	1001139384	2	Hinge	
22	1001164726	3	Screw M8 x 20	
23	1001169046	2	Nut	
24	1001202333	2	Plate, Nut	
25	1001263663	1	Bracket	
26	1001263668	1	Plate, Hinge	
27	1001263678	1	Bracket	
28	1001263694	1	Panel (End)	
29	1001263787	1	Door	
30	1001265390	1	Panel (Side)	
31	1001281623	4.88 ft/1.49m	Seal	
32	1001285640	1	Panel (Top)	

# SECTION 2 - TURNTABLE

## FIGURE 2-46. WHITE NOISE ALARM AMBIENT INSTALLATION



ART\_1001209617

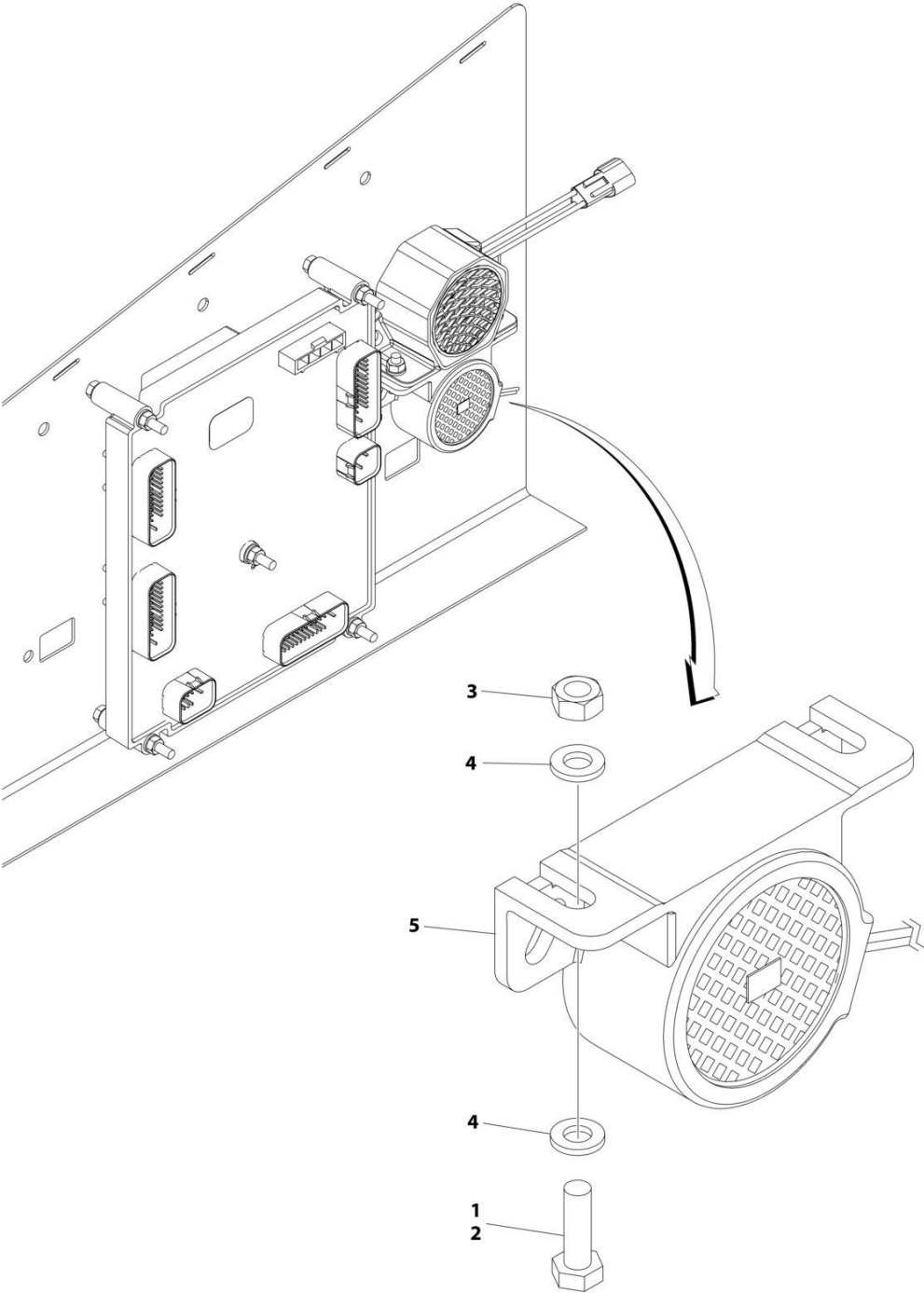
**SECTION 2 - TURNTABLE**

**FIGURE 2-46. WHITE NOISE ALARM AMBIENT INSTALLATION**

<b>ITEM</b>	<b>PART NUMBER</b>	<b>QTY</b>	<b>DESCRIPTION</b>	<b>REV</b>
	1001209617	Ref	WHITE NOISE AMBIENT ALARM INSTALLATION	C
1	0100011	AR	Compound, Locking	
2	0760610	2	Bolt M6 x 20	
3	3290601	2	Nut M6	
4	4811700	4	Washer M6	
5	1001182806	1	Alarm	
6	1001190663	1	Harness, Jumper (Not Shown)	
6	4460891	1	Connector – 2 Position	
6	4460465	2	Socket, Female	
6	4460871	2	Socket, Female	
7	1001231886	1	Plate	

**SECTION 2 - TURNTABLE**

**FIGURE 2-47. WHITE NOISE ALARM INSTALLATION**



ART\_1001263174

**SECTION 2 - TURNTABLE**

**FIGURE 2-47. WHITE NOISE ALARM INSTALLATION**

<b>ITEM</b>	<b>PART NUMBER</b>	<b>QTY</b>	<b>DESCRIPTION</b>	<b>REV</b>
	1001263174	Ref	WHITE NOISE ALARM INSTALLATION	A
1	0100011	AR	Compound, Locking	
2	0760610	2	Bolt M6 x 20	
3	3290601	2	Nut M6	
4	4811700	4	Washer M6	
5	1001184682	1	Alarm	
6	1001190663	1	Harness, Jumper (Not Shown)	
6	4460891	1	Connector – 2 Position	
6	4460465	2	Socket, Female	
6	4460871	2	Socket, Female	

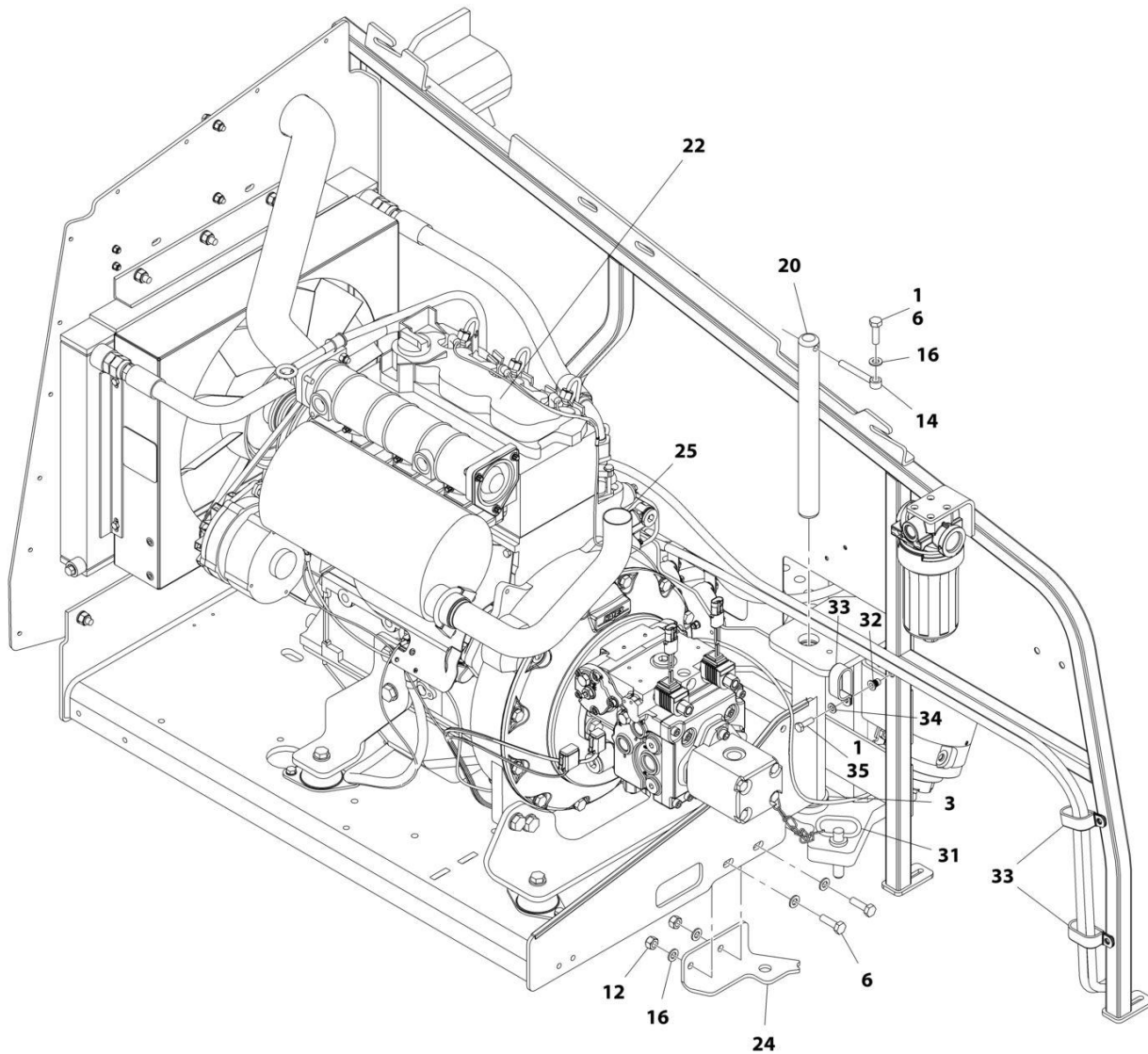




**SECTION 3 - ENGINE**

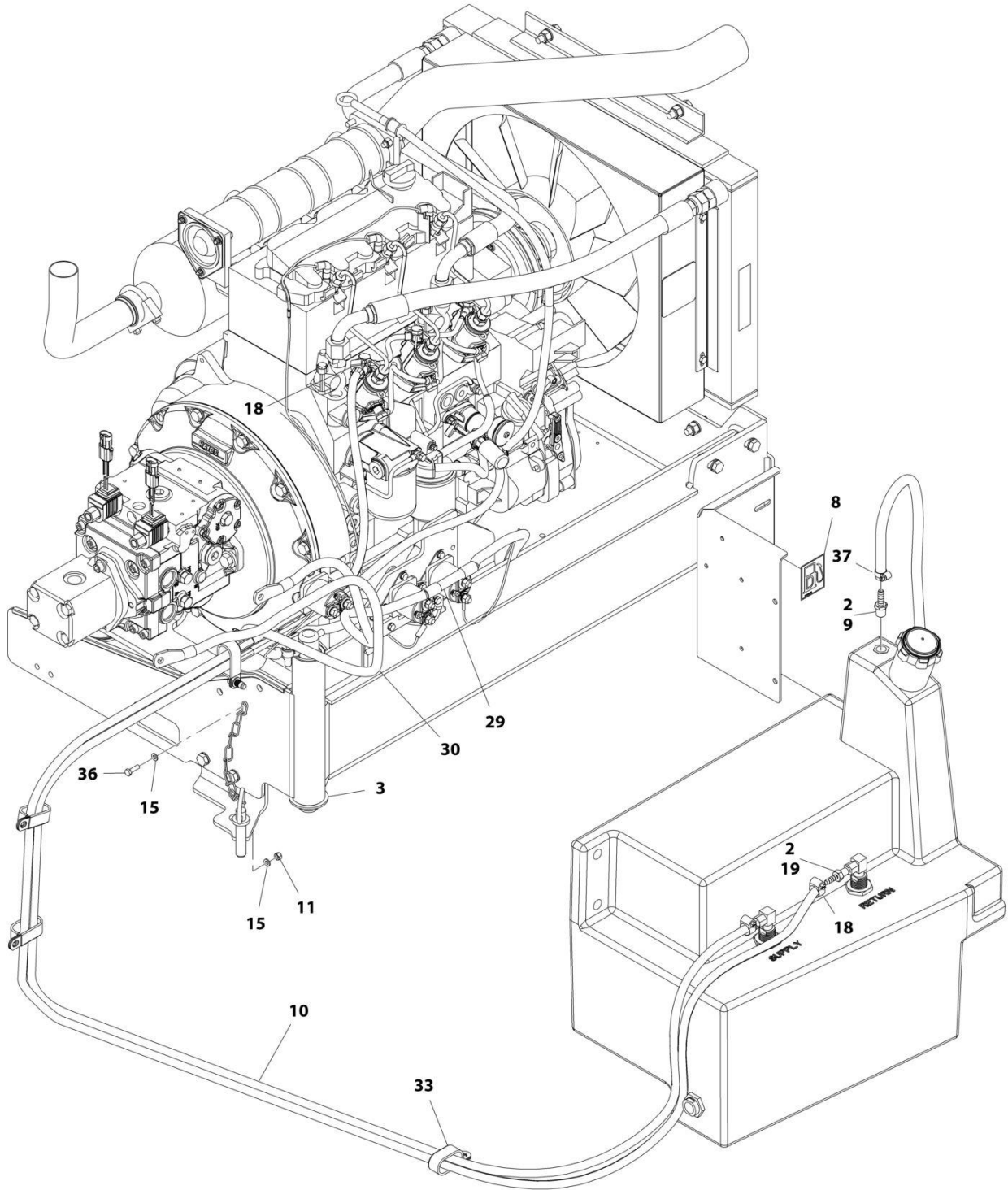
# SECTION 3 - ENGINE

FIGURE 3-1. ENGINE INSTALLATION - DEUTZ D2011 ENGINE (WITHOUT ARCTIC PACKAGE) (ANSI EXPORT, AUSTRALIAN, CE (LRC), CHINA CIS/EAC & UK CA SPECS)



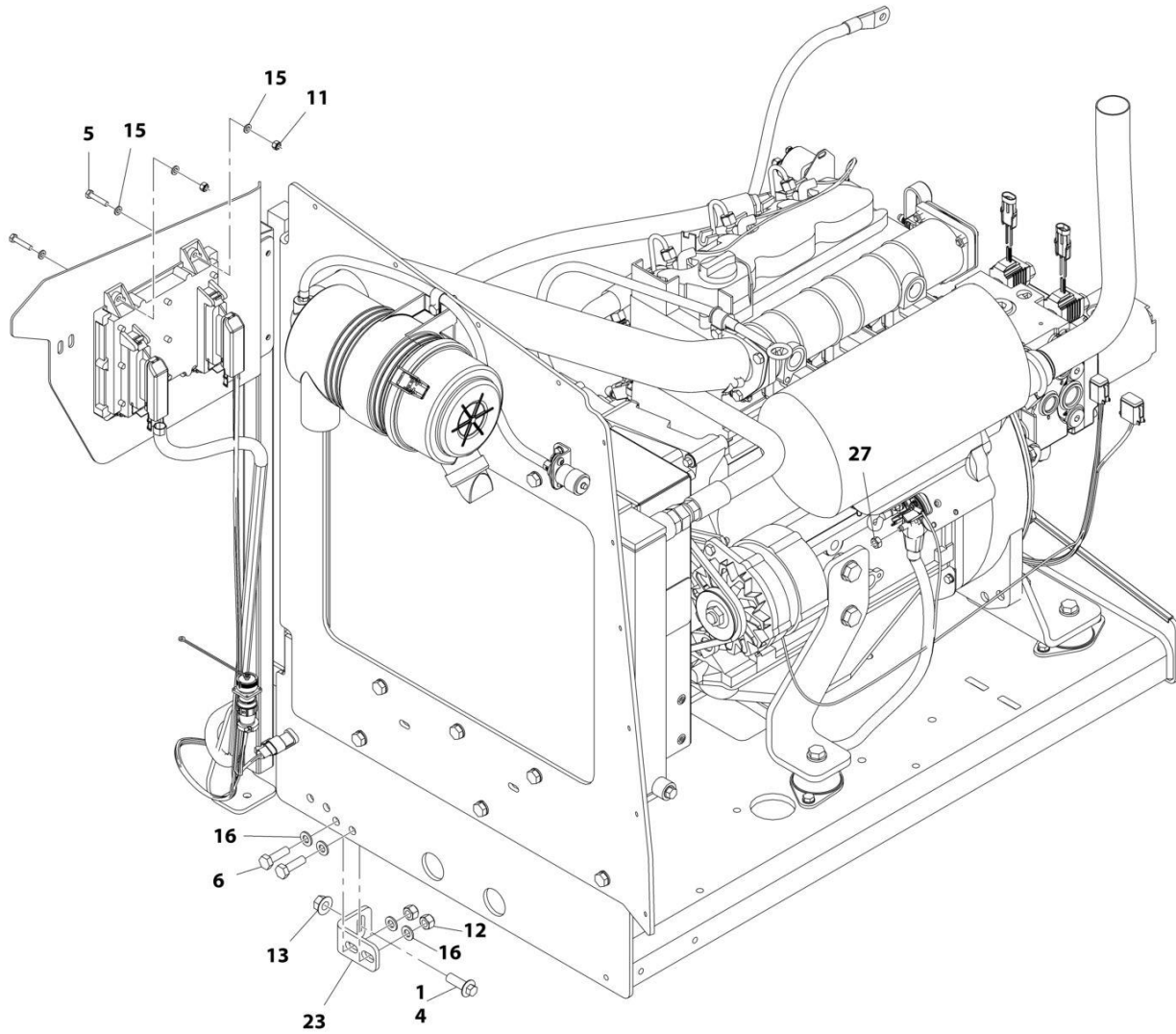
ART\_1001166305\_1OF3

# SECTION 3 - ENGINE



ART\_1001166305\_20F3

# SECTION 3 - ENGINE



ART\_1001166305\_3OF3

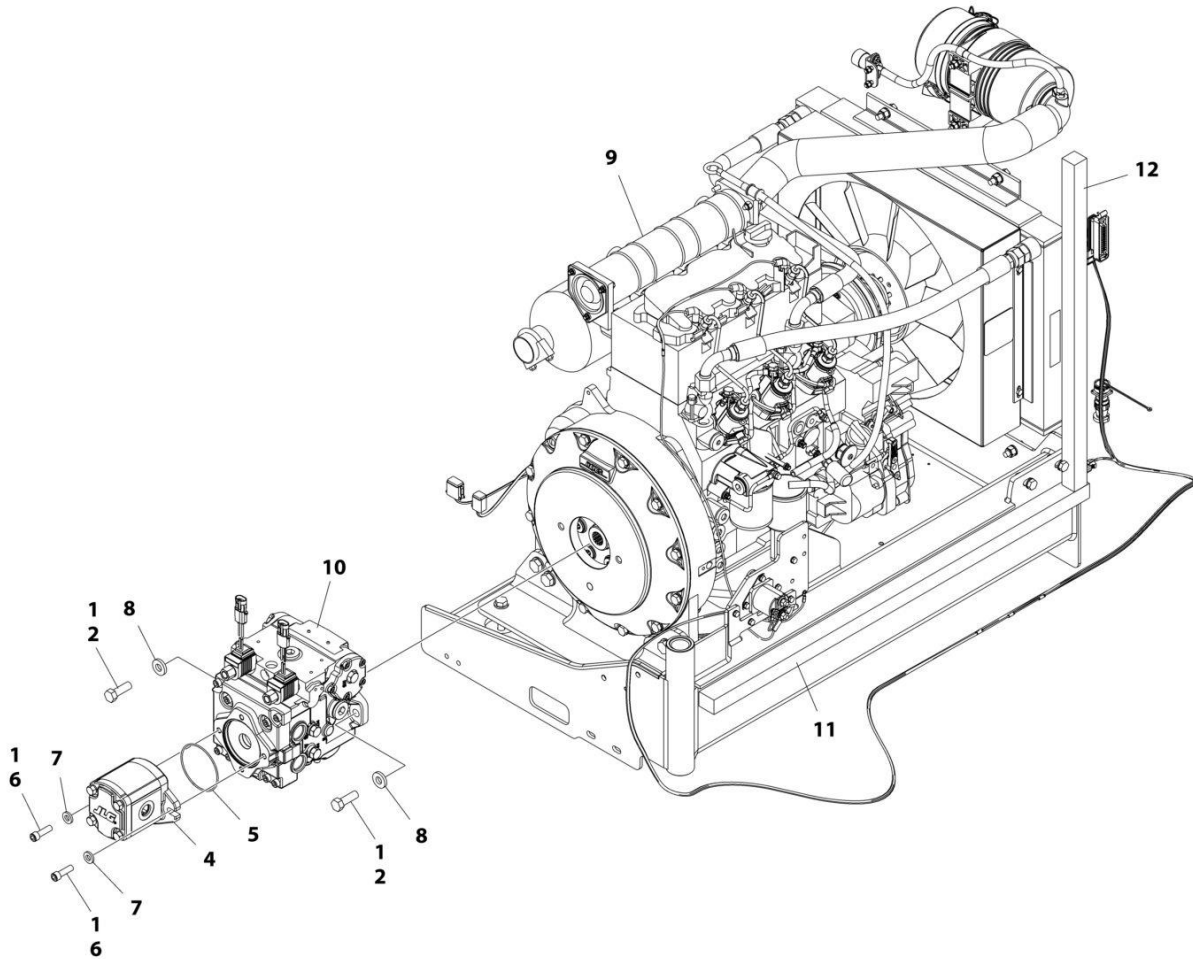
## SECTION 3 - ENGINE

**FIGURE 3-1. ENGINE INSTALLATION - DEUTZ D2011 ENGINE (WITHOUT ARCTIC PACKAGE) (ANSI EXPORT, AUSTRALIAN, CE (LRC), CHINA, CIS/EAC & UK CA SPECS)**

ITEM	PART NUMBER	QTY	DESCRIPTION	REV
	1001166305	Ref	ENGINE INSTALLATION - DEUTZ D2011 ENGINE (WITHOUT ARCTIC PACKAGE)	F
1	0100011	AR	Compound, Locking	
2	0100020	AR	Sealant, Pipe	
3	0440162	1	Bearing	
4	5251215	1	Bolt M12 x 35	
5	0760614	4	Bolt M6 x 30	
6	0761015	5	Bolt M10 x 35	
7	1704972	1	Decal - Warning Explosion/Fire	
8	1701505	1	Decal - Diesel Fuel	
9	2180876	1	Fitting, Barbed	
10	2720058	22 ft /6.7m	Hose	
11	3290605	5	Nut M6	
12	3291005	4	Nut M10	
13	5261200	1	Nut, Flange M12 Grade 10.9	
14	3841143	1	Keeper, Pin	
15	4811700	10	Washer M6	
16	4812000	9	Washer M10	
18	8410013	4	Clamp	
19	2180348	2	Fitting, Barbed	
20	1001135196	1	Pin	
22	1001166021	1	Engine and Pump Sub-Assembly - Deutz D2011 (Without Arctic Package) (See Separate Breakdown in this Section)	
23	1001167512	1	Bracket, Engine	
24	1001169823	1	Bracket, Engine	
25	1001172202	1	Pipe, Exhaust	
27	3290801	1	Nut M8	
29	1001171681	1	Cable, Battery (Red) (Battery Positive to Auxiliary Power Relay)	
30	1001171682	1	Cable, Battery (Black) (Battery Negative to Auxiliary Power Pump)	
31	3422532	1	Pin	
32	1001191832	1	Nut, Rivet, M8	
33	1321716	4	Clamp	
34	4811900	1	Washer M8	
35	0760812	1	Bolt M8 x 25	
36	0760610	1	Bolt M6 x 20	
37	1320022	1	Clamp	

# SECTION 3 - ENGINE

**FIGURE 3-2. ENGINE AND PUMP SUB-ASSEMBLY - DEUTZ D2011 (WITHOUT ARCTIC PACKAGE)  
(ANSI EXPORT, AUSTRALIAN, CE (LRC), CHINA, CIS/EAC & UK CA SPECS)**



ART\_1001166021\_G

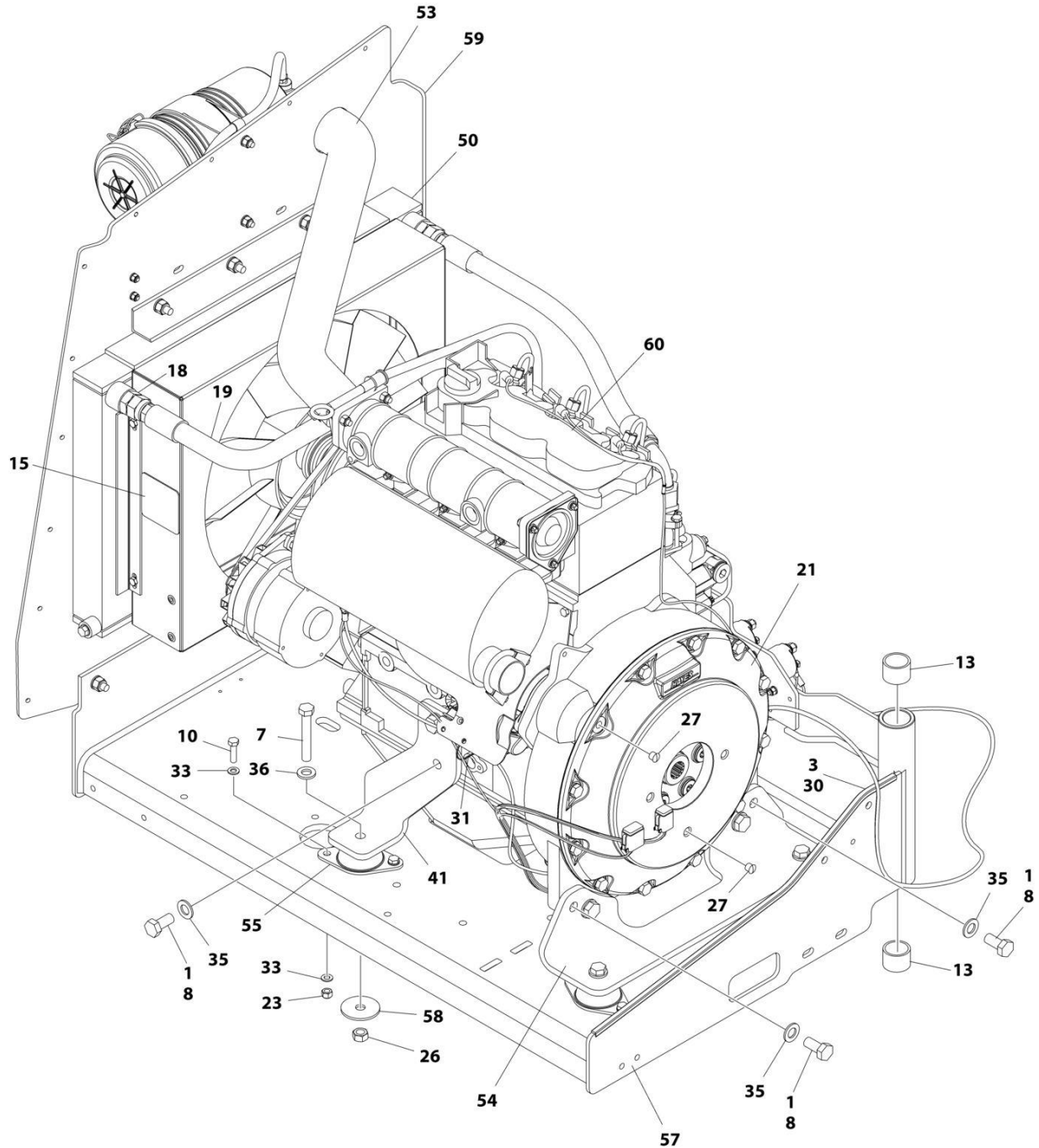
## SECTION 3 - ENGINE

**FIGURE 3-2. ENGINE AND PUMP SUB-ASSEMBLY - DEUTZ D2011 (WITHOUT ARCTIC PACKAGE)  
(ANSI EXPORT, AUSTRALIAN, CE (LRC), CHINA, CIS/EAC & UK CA SPECS)**

ITEM	PART NUMBER	QTY	DESCRIPTION	REV
	1001166021	Ref	ENGINE AND PUMP SUB-ASSEMBLY - DEUTZ D2011 (WITHOUT ARCTIC PACKAGE)	G
1	0100011	AR	Compound, Locking	
2	0641812	2	Bolt 1/2 x 1-1/2	
4	1001214207	1	Gear Pump Assembly	
4	70006356	1	Seal Kit	
5	3790152	1	O-Ring	
6	3931618	2	Capscrew 3/8 x 1-1/8	
7	4891600	2	Washer 3/8 Hardened	
8	4891800	2	Washer 1/2 Hardened	
9	1001166020	1	Engine Assembly - Deutz D2011 Engine (Without Arctic Package) (See Separate Breakdown in this Section)	
10	1001167036	1	Piston Pump Assembly (See Separate Breakdown in this Section)	
11	1001171953	1	Seal	
12	1001171954	1	Seal	

# SECTION 3 - ENGINE

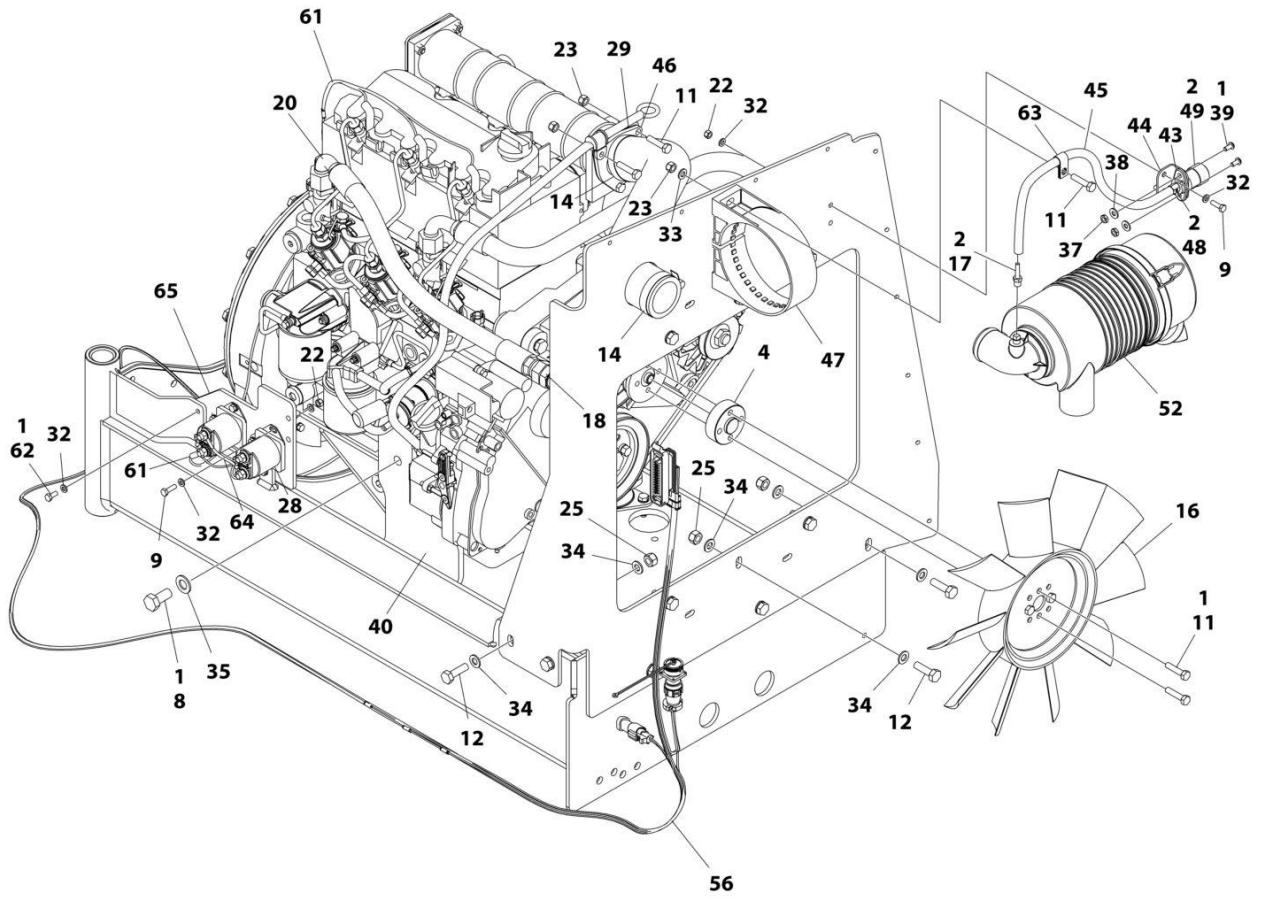
FIGURE 3-3. ENGINE ASSEMBLY - DEUTZ D2011 ENGINE (WITHOUT ARCTIC PACKAGE) (ANSI EXPORT, AUSTRALIAN, CE (LRC), CHINA, CIS/EAC & UK CA SPECS)



ART\_1001166020\_10F2



# SECTION 3 - ENGINE



ART\_1001166020\_20F2

## SECTION 3 - ENGINE

**FIGURE 3-3. ENGINE ASSEMBLY - DEUTZ D2011 ENGINE (WITHOUT ARCTIC PACKAGE) (ANSI EXPORT, AUSTRALIAN, CE (LRC), CHINA, CIS/EAC & UK CA SPECS)**

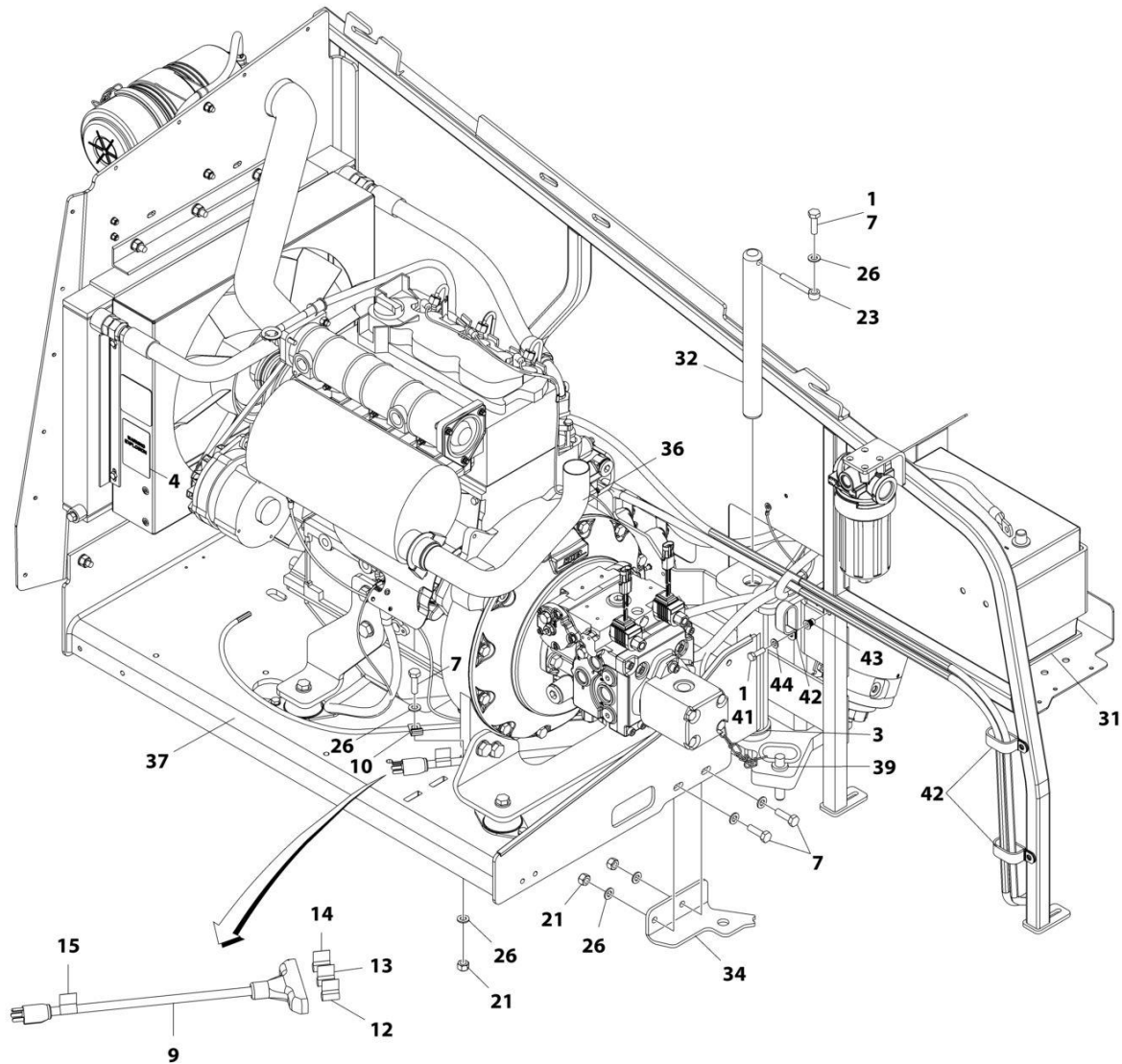
ITEM	PART NUMBER	QTY	DESCRIPTION	REV
	1001166020	Ref	ENGINE ASSEMBLY - DEUTZ D2011 ENGINE (WITHOUT ARCTIC PACKAGE)	O
1	0100011	AR	Compound, Locking	
2	0100020	AR	Sealant, Pipe	
3	0100081	AR	Adhesive	
4	0080231	1	Spacer, Fan	
7	0711224	4	Bolt M12 x 80 Grade 10.9	
8	0771414	8	Bolt M14 x 30 Grade 10.9	
9	0760610	6	Bolt M6 x 20	
10	0760814	8	Bolt M8 x 30	
11	0760815	9	Bolt M8 x 35	
12	0761015	11	Bolt M10 x 35	
13	0961951	2	Bushing	
14	1320016	2	Clamp	
15	1703162	2	Decal - Caution Fan	
16	2060025	1	Fan	
17	2220315	1	Fitting, Barbed	
18	2220451	2	Fitting, Straight JIC/ORB	
19	2720398	1	Hose	
20	2720447	1	Hose	
21	2902065	1	Pump Coupling Kit (See Separate Breakdown in this Section)	
22	3290605	6	Nut M6 x 1	
23	3290805	13	Nut M8 x 1-1/4	
25	3291005	11	Nut M10 x 1-1/2	
26	3331215	4	Nut M12 x 1-3/4	
27	3520054	2	Plug	
28	3740067	2	Relay Assembly	
28	3300220	2	Nut	
28	3321001	1	Nut #10	
28	3740140	1	Relay	
28	4761000	1	Washer #10	
28	1001111424	2	Washer	
29	3960407	1	Gasket	
30	4060805	2.25 ft/ 0.69m	Trim-Flex	
31	4240099	AR	Tie-Strap	
32	4811700	15	Washer M6	
33	4811900	20	Washer M8	
34	4812000	22	Washer M10	
35	4812200	8	Washer M14	
36	5241200	4	Washer M12	
37	8305401	2	Nut, Jam	
38	8307109	2	Washer, .250	
39	8310548	2	Screw 1/4 x 1/2	
40	1001132195	1	Bracket, Engine Mount	
41	1001132196	1	Bracket, Engine Mount	
43	1001138173	1	Support, Service Indicator	
44	1001138175	1	Bracket, Service Indicator	

## SECTION 3 - ENGINE

ITEM	PART NUMBER	QTY	DESCRIPTION	REV
45	1001138248	2 ft/ 0.61m	Tube	
46	1001139819	1	Adapter, Air Intake	
47	1001141694	1	Clamp, Air Cleaner	
48	1001141995	1	Fitting, Barbed	
49	1001143390	1	Indicator	
50	1001150998	1	Radiator	
52	1001165388	1	Air Cleaner Assembly	
52	70003783	1	Element, Air Cleaner	
53	1001165389	1	Hose	
54	1001166717	1	Bracket, Engine Mount	
55	1001166718	4	Isolator, Engine Mount	
56	1001167111	1	Harness Engine - Deutz D2011 (See Separate Breakdown in ELECTRICAL SECTION)	
57	1001167520	1	Tray, Engine	
58	1001168018	4	Washer, Snubbing	
59	1001168059	1	Plate, Radiator Mounting	
60	1001170693	1	Engine, Deutz D2011 (See Separate Breakdown in this Section)	
61	4923451	1	Harness, Glow Plugs	
62	0760614	3	Bolt M6 x 30	
63	8406109	1	Clip	
64	1001178859	1	Cable, Alternator	
65	1001214975	1	Bracket	

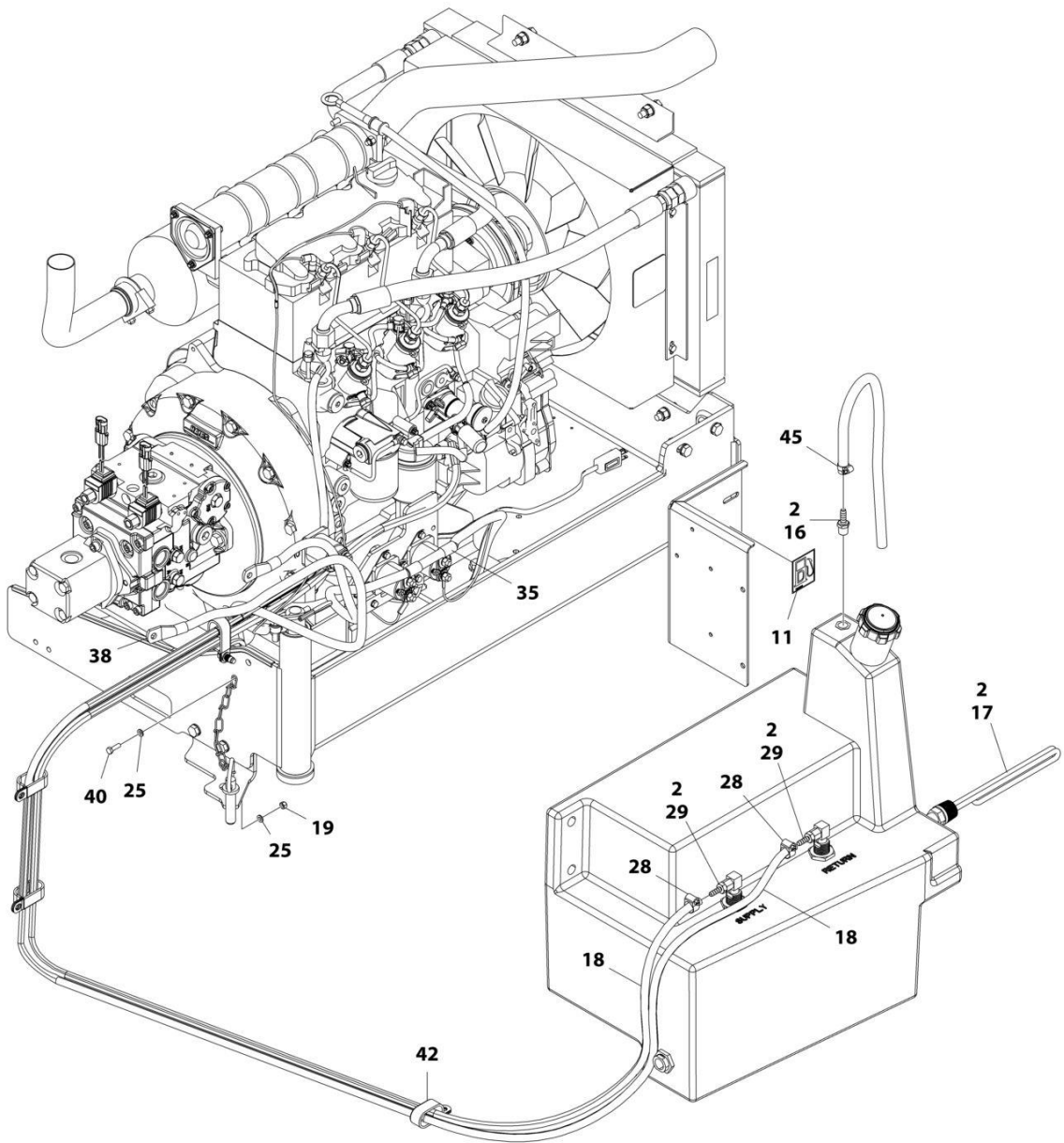
# SECTION 3 - ENGINE

FIGURE 3-4. ENGINE INSTALLATION - DEUTZ D2011 ENGINE (WITH 17GAL HYDRAULIC TANK & ARCTIC PACKAGE) (ANSI EXPORT, CHINA & RUSSIA SPECS)



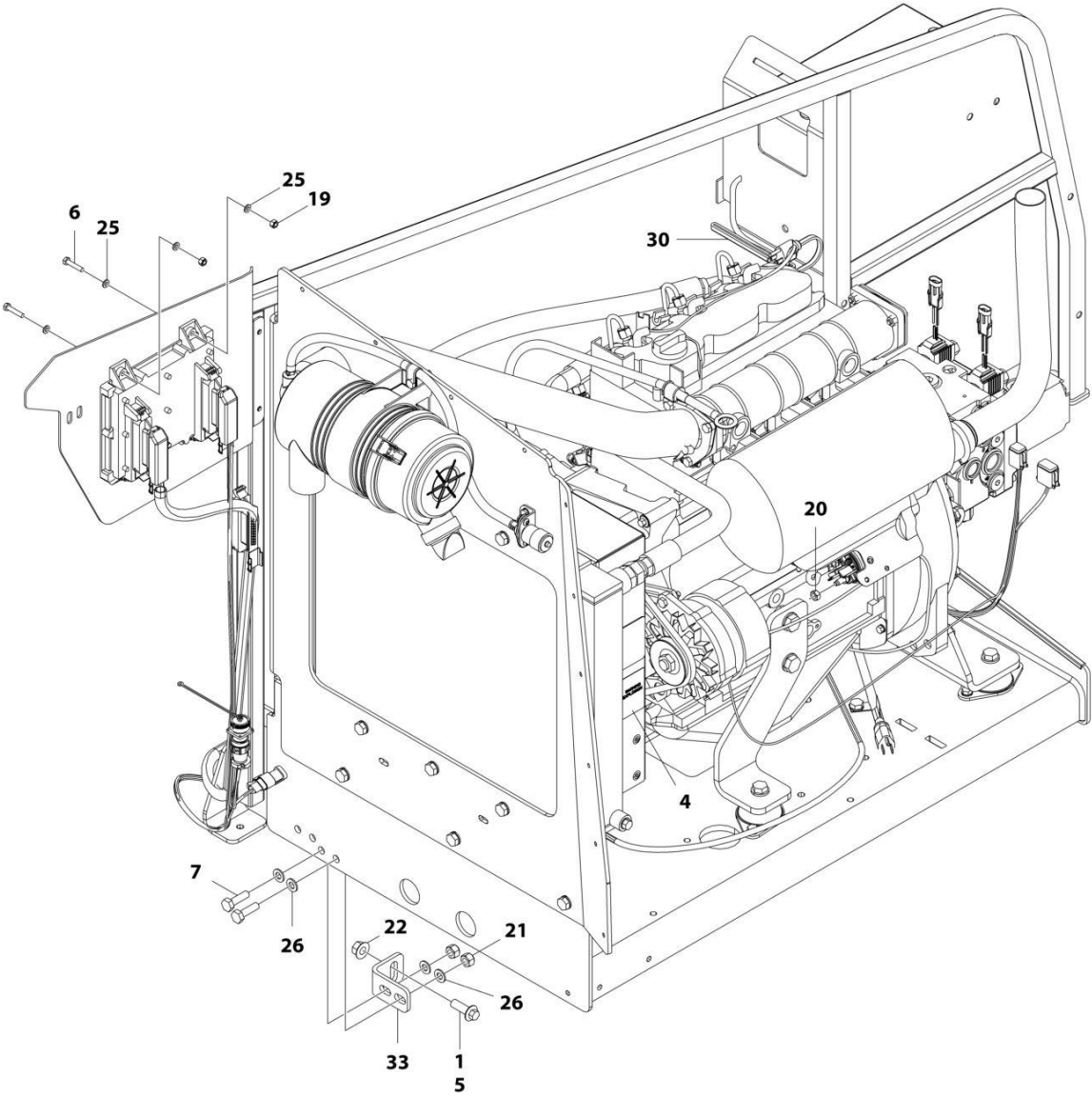
ART\_1001174785\_10F3

# SECTION 3 - ENGINE



ART\_1001174785\_2OF3

**SECTION 3 - ENGINE**



ART\_1001174785\_30F3

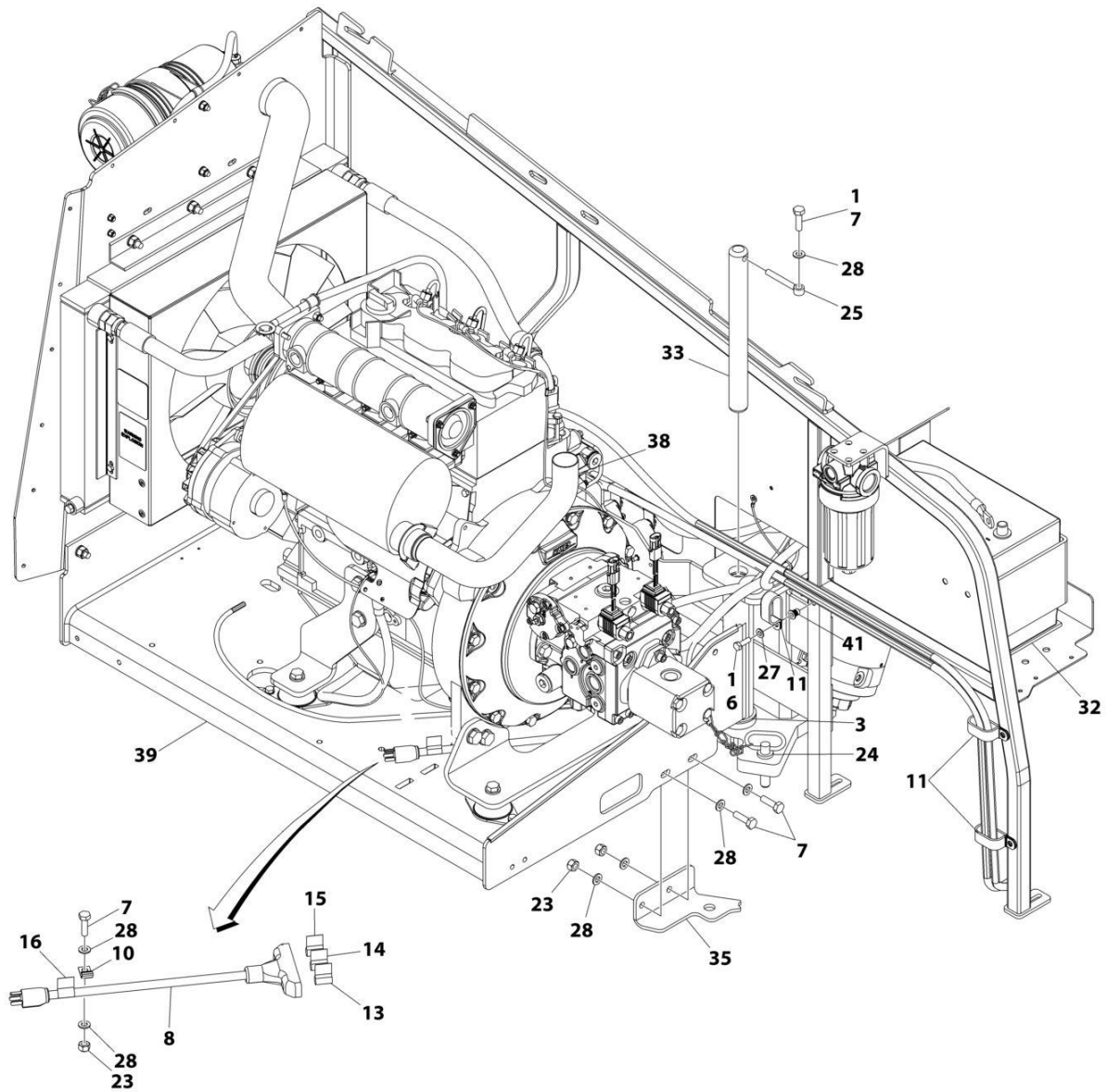
## SECTION 3 - ENGINE

**FIGURE 3-4. ENGINE INSTALLATION - DEUTZ D2011 ENGINE (WITH 17GAL HYDRAULIC TANK & ARCTIC PACKAGE) (ANSI EXPORT, CHINA & RUSSIA SPECS)**

ITEM	PART NUMBER	QTY	DESCRIPTION	REV
	1001174785	Ref	ENGINE INSTALLATION - DEUTZ D2011 ENGINE (WITH ARCTIC PACKAGE)	F
1	0100011	AR	Compound, Locking	
2	0100020	AR	Sealant, Pipe	
3	0440162	1	Bearing	
4	1704972	1	Decal - Warning Explosion/Fire	
5	5251215	1	Bolt M12 x 35	
6	0760614	4	Bolt M6 x 30	
7	0761015	6	Bolt M10 x 35	
9	1060626	1	Plug, 3 Way	
10	1320223	1	Clamp	
11	1701505	1	Decal - Diesel Fuel	
12	1702941	1	Decal - Battery Heater	
13	1702942	1	Decal - Engine Block Heater	
14	1702943	1	Decal - Hydraulic Tank Heater	
15	1702944	1	Decal - Heater Cord	
16	2180876	1	Fitting, Barbed	
17	1001188972	1	Heater, Hydraulic Tank	
18	2720058	22 ft /6.7m	Hose	
19	3290605	5	Nut M6	
20	3290801	1	Nut M8	
21	3291005	5	Nut M10	
22	5261200	1	Nut, Flange M12 Grade 10.9	
23	3841143	1	Keeper, Pin	
25	4811700	10	Washer M6	
26	4812000	11	Washer M10	
28	8410013	4	Clamp	
29	2180348	2	Fitting, Barbed	
30	2580024	1	Heater, Battery	
31	1001119278	1	Insulate	
32	1001135196	1	Pin	
33	1001167512	1	Bracket, Engine	
34	1001169823	1	Plate, Engine Lock	
35	1001171681	1	Cable, Battery (Red) (Battery Positive to Auxiliary Power Relay)	
36	1001172202	1	Pipe, Exhaust	
37	1001174784	1	Engine and Pump Sub-Assembly - Deutz D2011 (With Arctic Package) (See Separate Breakdown in this Section)	
38	1001171682	1	Cable, Battery (Black) (Battery Negative to Auxiliary Power Pump)	
39	3422532	1	Pin	
40	0760610	1	Bolt M6 x 20	
41	0760812	1	Bolt M8 x 25	
42	1321716	4	Clamp	
43	1001191832	1	Nut, Rivet M8	
44	4811900	1	Washer M8	
45	1320022	1	Clamp	

# SECTION 3 - ENGINE

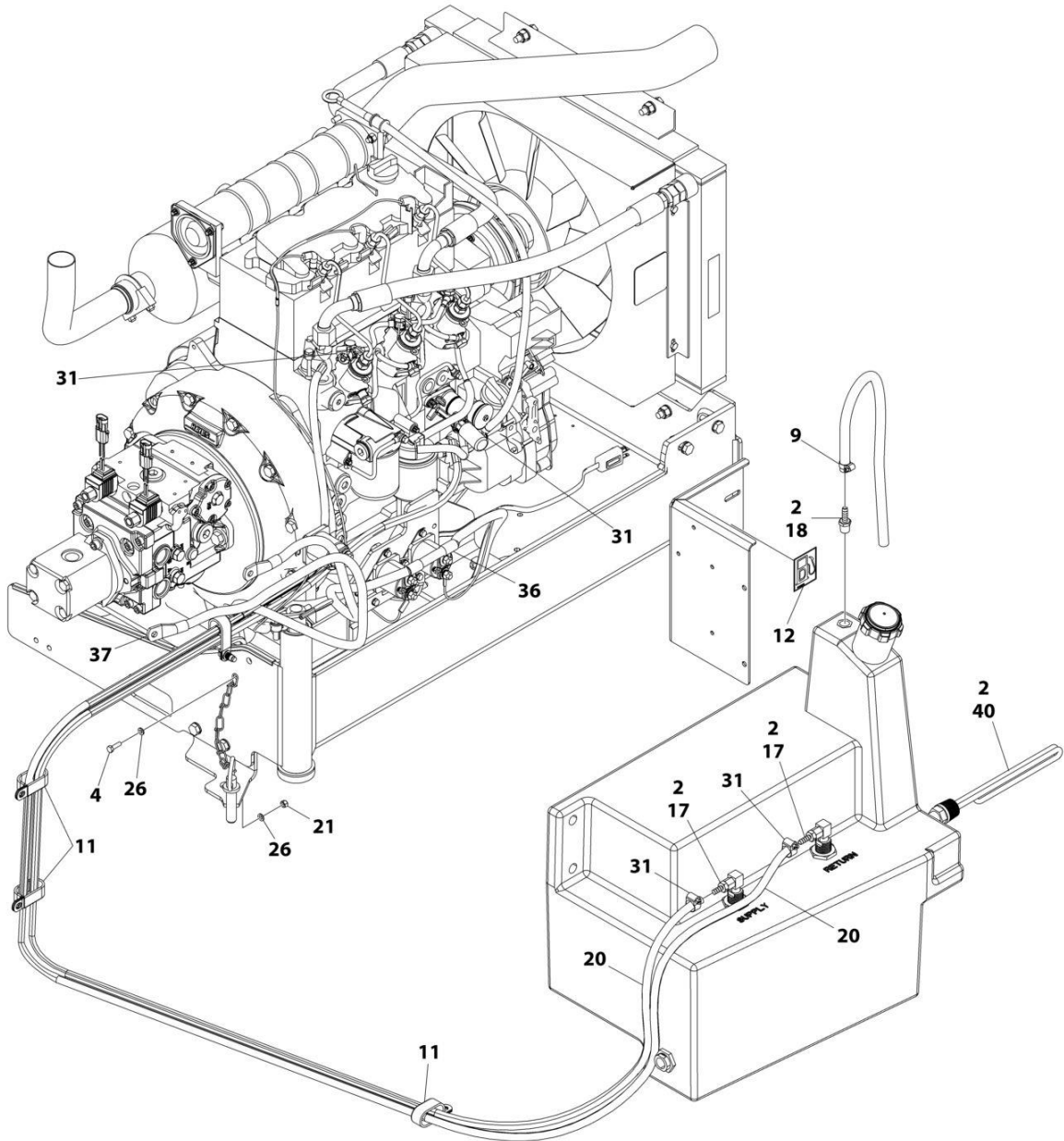
FIGURE 3-5. ENGINE INSTALLATION - DEUTZ D2011 ENGINE (WITH 36GAL HYDRAULIC TANK & ARCTIC PACKAGE) (ANSI EXPORT & RUSSIA SPECS)



ART\_1001287816\_10F3

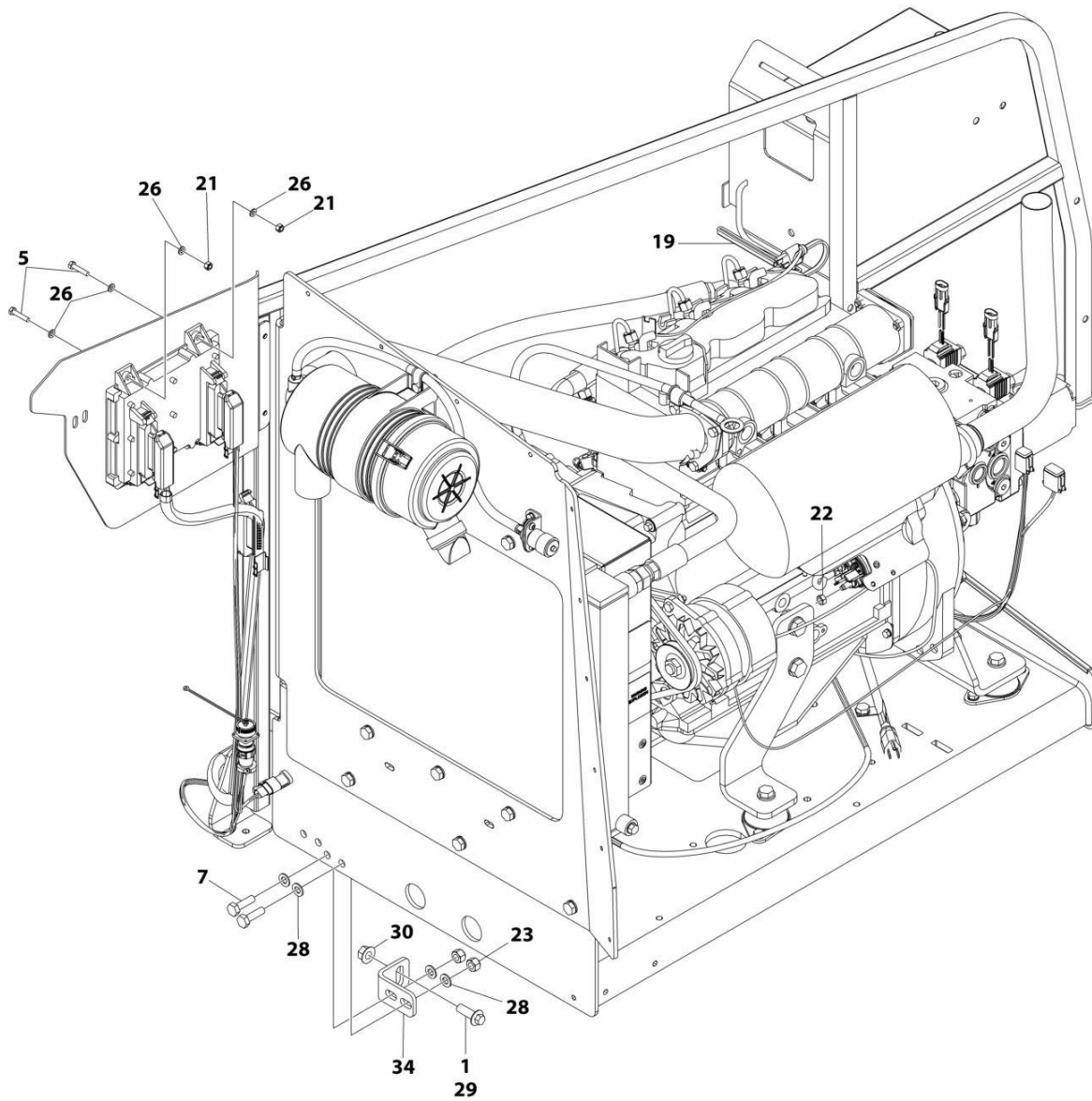


# SECTION 3 - ENGINE



ART\_1001287816\_20F3

# SECTION 3 - ENGINE



ART\_1001287816\_30F3

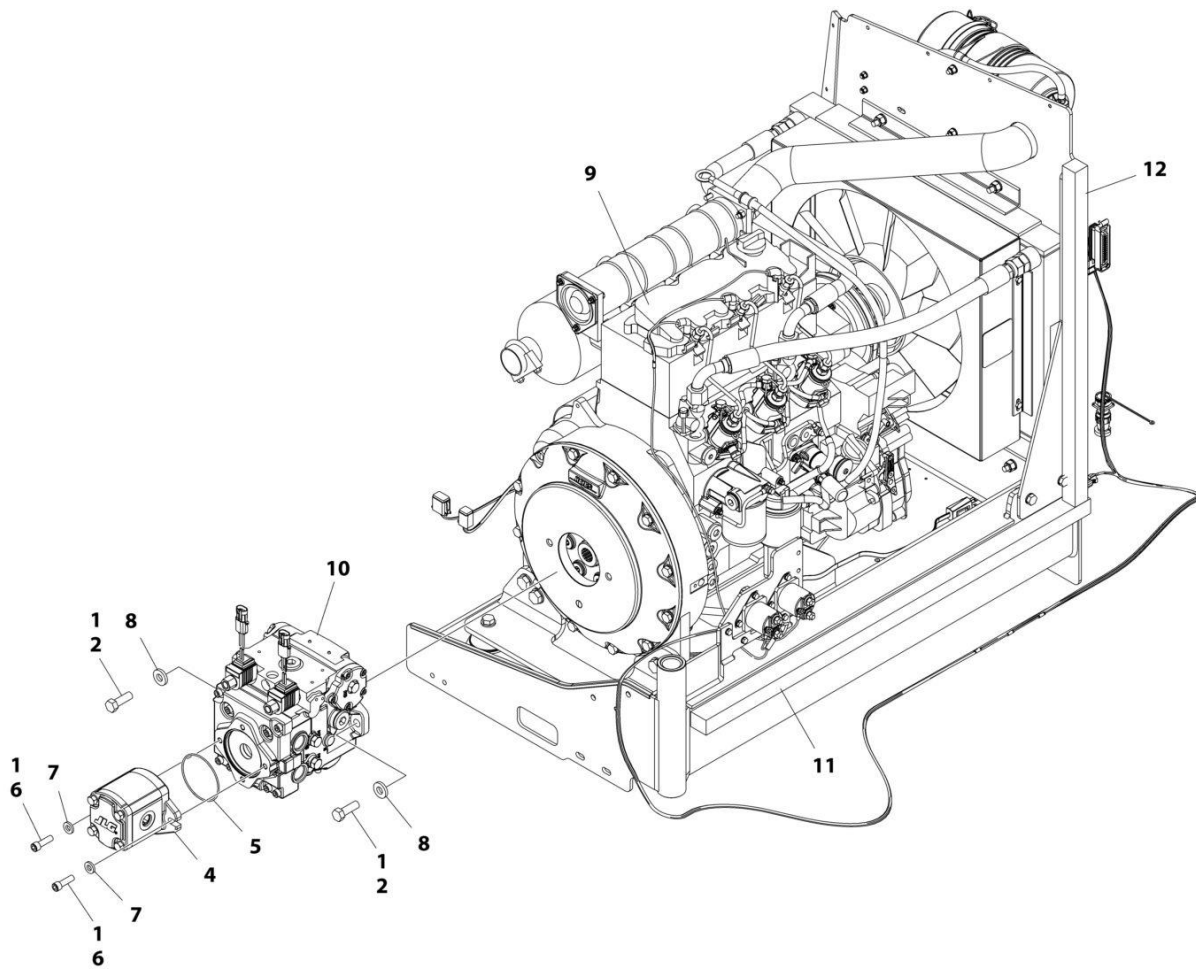
## SECTION 3 - ENGINE

**FIGURE 3-5. ENGINE INSTALLATION - DEUTZ D2011 ENGINE (WITH 36GAL HYDRAULIC TANK & ARCTIC PACKAGE) (ANSI EXPORT & RUSSIA SPECS)**

ITEM	PART NUMBER	QTY	DESCRIPTION	REV
	1001287816	Ref	ENGINE INSTALLATION - DEUTZ D2011	A
1	0100011	AR	Compound, Locking	
2	0100020	AR	Sealant, Pipe	
3	0440162	1	Bearing	
4	0760610	1	Bolt M6 x 20	
5	0760614	4	Bolt M6 x 30	
6	0760812	1	Bolt M8 x 25	
7	0761015	6	Bolt M10 x 35	
8	1060626	1	Plug, 3 Way	
9	1320022	1	Clamp	
10	1320223	1	Clamp	
11	1321716	4	Clamp	
12	1701505	1	Decal - Diesel Fuel	
13	1702941	1	Decal - Battery Heater	
14	1702942	1	Decal - Engine Block Heater	
15	1702943	1	Decal - Hydraulic Tank Heater	
16	1702944	1	Decal - Heater Cord	
17	2180348	2	Fitting, Barbed	
18	2180876	1	Fitting, Barbed	
19	2580024	1	Heater, Battery	
20	2720058	22 ft /6.7m	Hose	
21	3290605	5	Nut, Lock M6	
22	3290801	1	Nut M8	
23	3291005	5	Nut, Lock M10	
24	3422532	1	Pin	
25	3841143	1	Keeper, Pin	
26	4811700	10	Washer M6	
27	4811900	1	Washer M8	
28	4812000	11	Washer M10	
29	5251215	1	Bolt M12 x 35 Class 10.9	
30	5261200	1	Nut, Flange M12 Class 10	
31	8410013	4	Clamp	
32	1001119278	1	Insulate	
33	1001135196	1	Pin	
34	1001167512	1	Bracket, Engine	
35	1001169823	1	Plate, Engine Lock	
36	1001171681	1	Cable, Battery (Red) (Battery Positive to Auxiliary Power Relay)	
37	1001171682	1	Cable, Battery (Black) (Battery Negative to Auxiliary Power Pump)	
38	1001172202	1	Pipe, Exhaust	
39	1001174784	1	Engine and Pump Sub-Assembly - Deutz D2011 (With Arctic Package) (See Separate Breakdown in this Section)	
40	1001188972	1	Heater, Hydraulic Tank	
41	1001191832	1	Nut, Rivet M8	

# SECTION 3 - ENGINE

FIGURE 3-6. ENGINE AND PUMP SUB-ASSEMBLY - DEUTZ D2011 (WITH ARCTIC PACKAGE) (ANSI EXPORT, CHINA, CIS/EAC & UK CA SPECS)



ART\_1001174784\_G

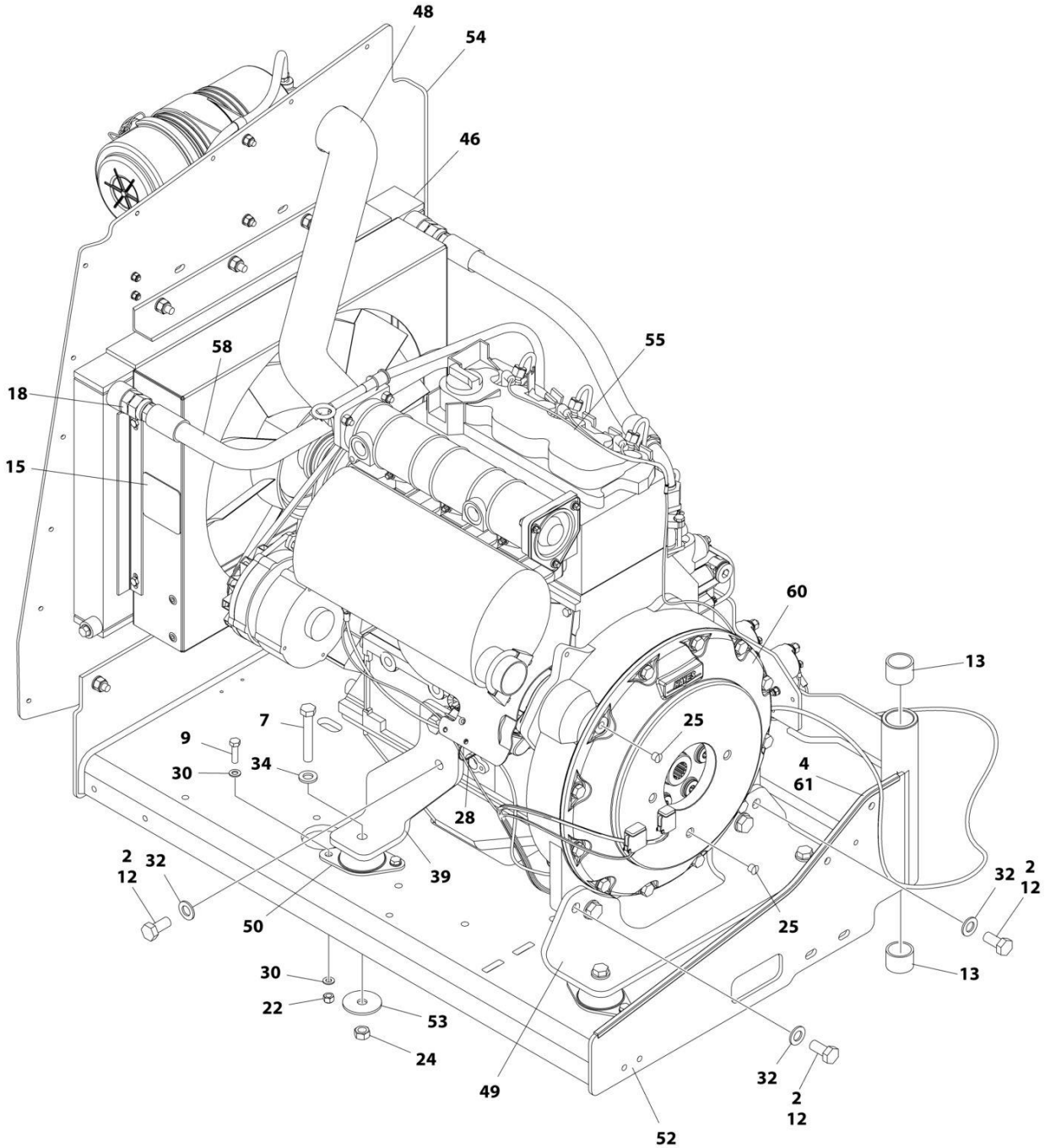
## SECTION 3 - ENGINE

**FIGURE 3-6. ENGINE AND PUMP SUB-ASSEMBLY - DEUTZ D2011 (WITH ARCTIC PACKAGE) (ANSI EXPORT, CHINA, CIS/EAC & UK CA SPECS)**

ITEM	PART NUMBER	QTY	DESCRIPTION	REV
	1001174784	Ref	ENGINE AND PUMP SUB-ASSEMBLY - DEUTZ D2011 (WITH ARCTIC PACKAGE)	G
1	0100011	AR	Compound, Locking	
2	0641812	2	Bolt 1/2 x 1-1/2	
4	1001214207	1	Gear Pump Assembly	
4	70006356	1	Seal Kit - 1001214207 Pump	
5	3790152	1	O-Ring	
6	3931618	2	Capscrew 3/8 x 1 1/8	
7	4891600	2	Washer 3/8 Hardened	
8	4891800	2	Washer 1/2 Hardened	
9	1001174783	1	Engine Assembly - Deutz D2011 Engine (With Arctic Package) (See Separate Breakdown in this Section)	
10	1001167036	1	Piston Pump Assembly (See Separate Breakdown in this Section)	
11	1001171953	1	Seal	
12	1001171954	1	Seal	

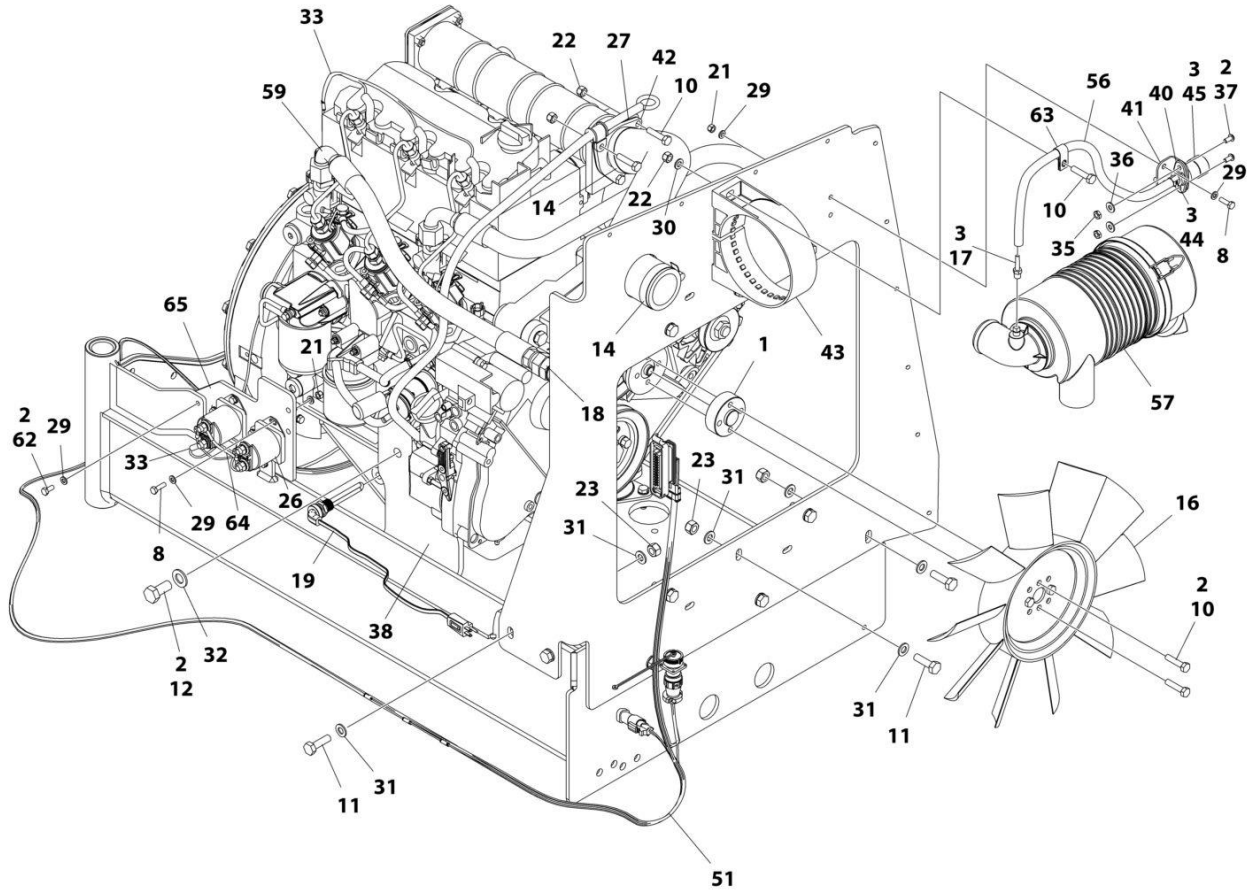
# SECTION 3 - ENGINE

FIGURE 3-7. ENGINE ASSEMBLY - DEUTZ D2011 ENGINE (WITH ARCTIC PACKAGE) (ANSI EXPORT, CHINA, CIS/EAC & UK CA SPECS)



ART\_1001174783\_1OF2

# SECTION 3 - ENGINE



ART\_1001174783\_2OF2

## SECTION 3 - ENGINE

**FIGURE 3-7. ENGINE ASSEMBLY - DEUTZ D2011 ENGINE (WITH ARCTIC PACKAGE) (ANSI EXPORT, CHINA, CIS/EAC & UK CA SPECS)**

ITEM	PART NUMBER	QTY	DESCRIPTION	REV
	1001174783	Ref	ENGINE ASSEMBLY - DEUTZ D2011 ENGINE (WITH ARCTIC PACKAGE)	N
1	0080231	1	Spacer, Fan	
2	0100011	AR	Compound, Locking	
3	0100020	AR	Sealant, Pipe	
4	0100081	AR	Adhesive	
7	0711224	4	Bolt M12 x 80 Grade 10.9	
8	0760610	6	Bolt M6 x 20	
9	0760814	8	Bolt M8 x 30	
10	0760815	9	Bolt M8 x 35	
11	0761015	11	Bolt M10 x 35	
12	0771414	8	Bolt M14 x 30 Grade 10.9	
13	0961951	2	Bushing	
14	1320016	2	Clamp	
15	1703162	2	Decal - Caution Fan	
16	2060025	1	Fan	
17	2220315	1	Fitting, Barbed	
18	2220451	2	Fitting, Straight JIC/ORB	
19	2580062	1	Heater, Engine Block	
21	3290605	6	Nut M6	
22	3290805	13	Nut M8	
23	3291005	11	Nut M10	
24	3331215	4	Nut M12	
25	3520054	2	Plug	
26	3740067	2	Relay Assembly	
26	3300220	2	Nut	
26	3321001	1	Nut #10	
26	3740140	1	Relay	
26	4761000	1	Washer #10	
26	1001111424	2	Washer	
27	3960407	1	Gasket	
28	4240099	AR	Tie-Strap (Not Shown)	
29	4811700	15	Washer M6	
30	4811900	20	Washer M8	
31	4812000	22	Washer M10	
32	4812200	8	Washer M14	
33	4923451	1	Harness, Glow Plugs	
34	5241200	4	Washer M12	
35	8305401	2	Nut, Jam	
36	8307109	2	Washer	
37	8310548	2	Screw 1/4 x 1/2	
38	1001132195	1	Bracket, Engine Mount	
39	1001132196	1	Bracket, Engine Mount	
40	1001138173	1	Support, Service Indicator	
41	1001138175	1	Bracket, Service Indicator	
42	1001139819	1	Adapter, Air Intake	
43	1001141694	1	Clamp, Air Cleaner	
44	1001141995	1	Fitting, Barbed	
45	1001143390	1	Indicator	

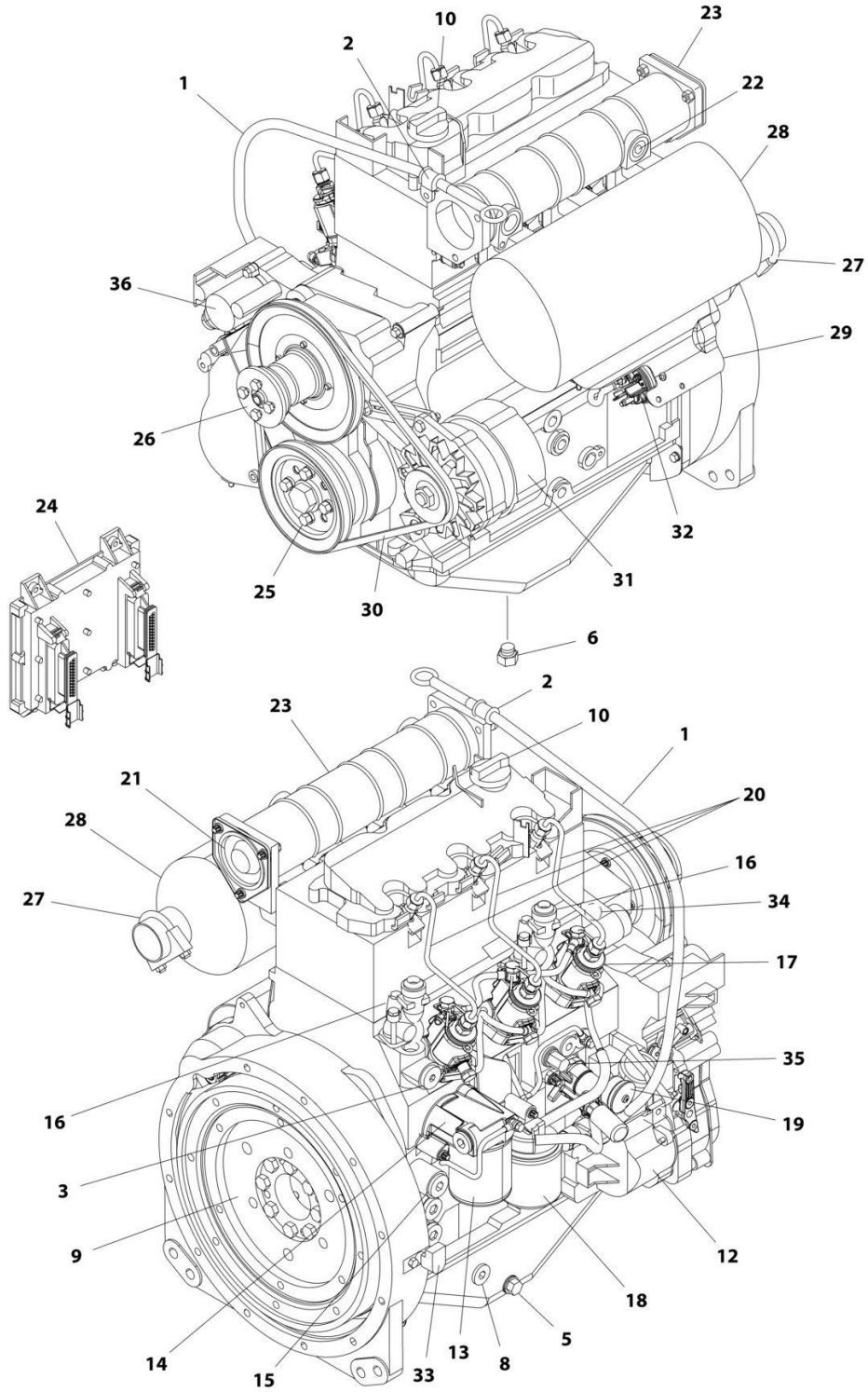


## SECTION 3 - ENGINE

ITEM	PART NUMBER	QTY	DESCRIPTION	REV
46	1001150998	1	Radiator	
48	1001165389	1	Hose	
49	1001166717	1	Bracket, Engine Mount	
50	1001166718	4	Isolator, Engine Mount	
51	1001167111	1	Harness Engine - Deutz D2011 (See Separate Breakdown in ELECTRICAL SECTION)	
52	1001167520	1	Tray, Engine	
53	1001168018	4	Washer, Snubbing	
54	1001168059	1	Plate, Radiator Mounting	
55	1001170693	1	Engine, Deutz D2011 (See Separate Breakdown in this Section)	
56	1001138248	2 ft/ 0.61m	Tube	
57	1001165388	1	Air Cleaner Assembly	
57	70003783	1	Element, Air Cleaner	
58	2720398	1	Hose	
59	2720447	1	Hose	
60	2902065	1	Pump Coupling Kit (See Separate Breakdown in this Section)	
61	4060805	2.25 ft/ 0.69m	Flex-Trim	
62	0760614	3	Bolt M6 x 30	
63	8406109	1	Clip	
64	1001178859	1	Cable, Alternator	
65	1001214975	1	Bracket	

# SECTION 3 - ENGINE

## FIGURE 3-8. ENGINE COMPONENTS - DEUTZ D2011



ART\_1001170693

## SECTION 3 - ENGINE

**FIGURE 3-8. ENGINE COMPONENTS - DEUTZ D2011**

ITEM	PART NUMBER	QTY	DESCRIPTION	REV
	1001170693	Ref	ENGINE COMPONENTS - DEUTZ D2011	C
1	70001002	1	Tube, Dipstick	
1	7020403	1	Seal, Tube	
1	7020026	1	Dipstick	
2	70001654	1	Clamp	
2	70001655	1	Bolt	
3	70003475	1	Thermostat	
3	7020460	1	Spring	
4		Ref	Seal and Gasket Options (Not Shown):	
4	70002718	1	Seal, Rear Main	
4	7020430	1	Gasket, Valve Cover	
4	70003479	1	Gasket, Head - 1 Notch	
4	70003480	1	Gasket, Head - 2 Notch	
4	70003481	1	Gasket, Head - 3 Notch	
5	70025088	1	Plug	
6	70025667	1	Plug	
7	70025123	22	Bolt, Torx (Oil Pan Bolts) (Not Shown)	
8	7020492	1	Seal	
8	70025084	1	Plug	
9	70001870	1	Flywheel	
9	7024579	1	Ring Gear (Part of Flywheel)	
9	70025139	8	Bolt	
10	7020465	1	Cap, Oil Fill	
11	70000800	1	Timing Belt/Idler Kit (Includes Timing Belt, Tensioner and Tensioner Bolt) (Not Shown)	
12	70001850	1	Pump, Lubricating	
12	7020468	1	Seal, Pump to Engine Block (Not Shown)	
13	7016331	1	Filter, Oil	
14	70003472	1	Bracket, Oil Filter (Includes Plug with Seal, Temperature Sensor, Control Valve and Compression Spring)	
14	7027236	1	Sensor, Temperature	
14	70025082	1	Seal, Plug	
14	70025091	1	Plug	
14	70003473	1	Gasket, Bracket to Engine Block (Not Shown)	
15	70001181	1	Valve	
15	70025091	1	Plug	
15	70025082	1	Seal, Plug	
16	70004268	2	Connector, Radiator Neck	
16	70004269	2	Seal, Radiator Neck to Engine Block	
17	70000912	3	Pump, Fuel Injector - A Spec	
17	70000913	3	Pump, Fuel Injector - B Spec	
17	70000914	3	Pump, Fuel Injector - C Spec	
17	70000915	3	Pump, Fuel Injector - D Spec	
17	70003464	3	O-Ring, Pump to Engine Block	
18	7020023	1	Filter, Fuel	
18	70003463	1	Filter, Fuel - RME Resistant	
18	70001423	1	Bracket, Fuel Filter	
19	70000916	1	Pump Fuel Supply	
19	70000917	1	O-Seal Between Fuel Pump and Engine Block	
19	70000918	1	Sealing Ring Between Hand Pump and Supply Pump	

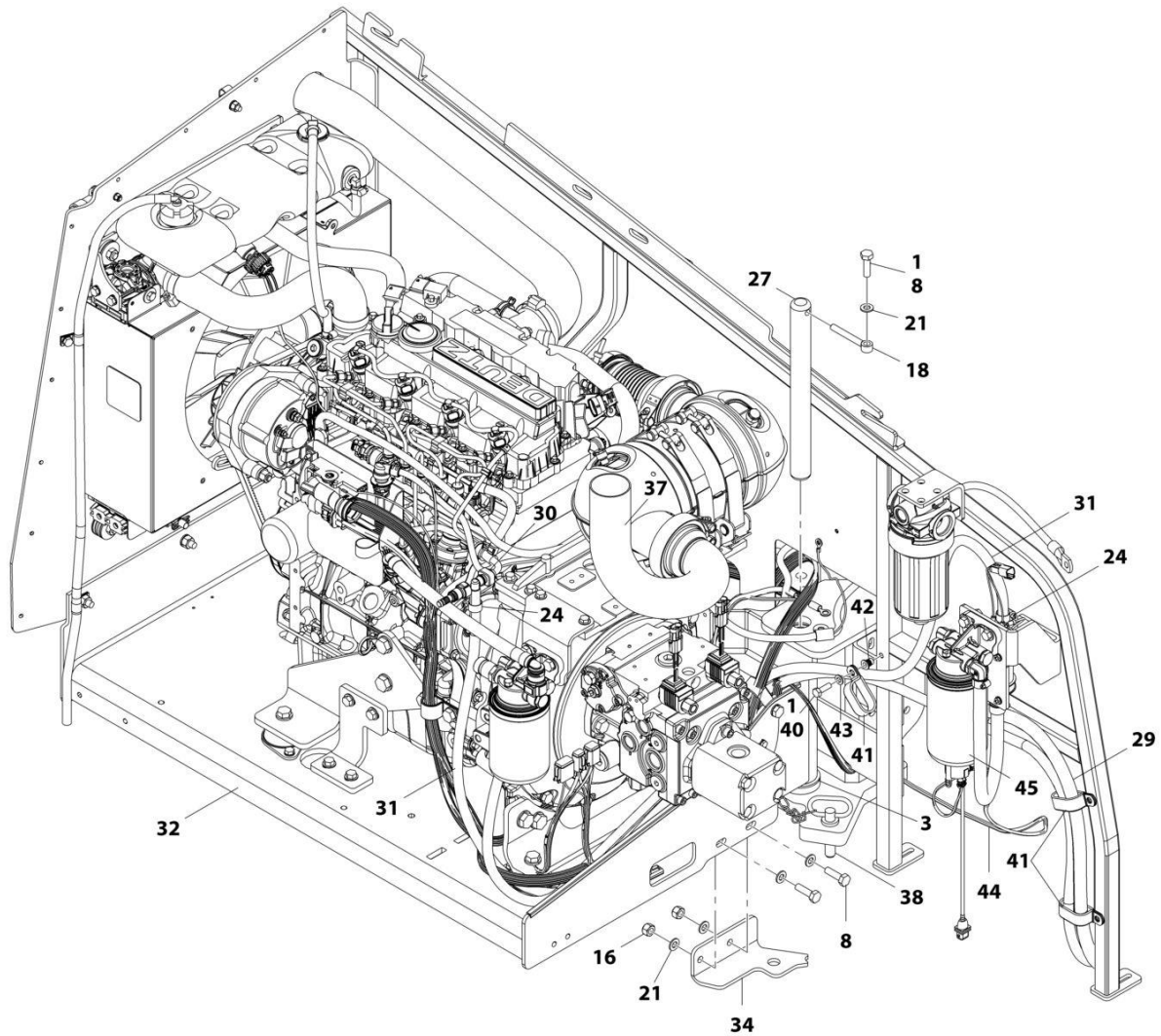
## SECTION 3 - ENGINE

ITEM	PART NUMBER	QTY	DESCRIPTION	REV
19	70000919	1	Pump, Hand	
19	70001435	1	Repair Kit	
19	70025694	2	Bolt, Torx	
20	70000931	3	Pipe, High Pressure	
21	70003469	1	Flange, Intake	
21	70003468	1	Seal	
22	70025084	1	Plug	
22	7020492	1	Seal, Plug	
23	7027903	1	Manifold, Air Intake	
23	70001871	3	Gasket Between Manifold and Engine Block	
24	See Note	1	Module, Engine Control (Note: Not Currently Available)	
24	7027796	1	Cable, Electrical Between Module and Engine Harness (Not Shown)	
24	70001872	1	Harness, Engine (Connects to p/n 70004060) (Not Shown)	
24	70004060	1	Plug, Connector Located on Cable Near Module (Not Shown)	
24	70004059	1	Plug, Analyzer (Not Shown)	
25	70025123	4	Bolt, Torx	
26	70000787	1	Support, Fan (Includes Support, Internal Shaft, Bearings and Circlip)	
27	70001844	1	Clamp	
28	See Note	1	Muffler (Note: See Separate Breakdown in this Section)	
28	7020471	3	Gasket, Exhaust Between Muffler and Engine Block	
28	70004270	6	Stud, Muffler	
29	70001498	1	Shield, Starter	
29	70025693	3	Bolt	
30	70004102	1	V-Belt	
31	70004056	1	Alternator (Includes Voltage Regulator and Gaskets, Fan and Fan Mounting Hardware)	
31	70001868	1	Regulator, Voltage	
31	70001866	1	Gasket Set, Voltage Regulator	
31	70025131	1	Fan	
31	70025086	1	Nut, Fan	
31	70000851	1	Bracket, Alternator Mounting	
31	70002234	1	Bracket, Alternator Adjustment	
31	70004103	1	Harness, Alternator (Not Shown)	
32	7020479	1	Starter	
32	70025121	2	Bolt, Starter Mounting	
32	70004058	1	Relay	
32	70004062	1	Harness, Starter (Not Shown)	
33	7024565	1	Sensor, Speed	
33	70003931	1	Bolt	
33	70003932	1	Spacer, Sleeve	
34	7027791	1	Sensor, Temperature	
35	7027790	1	Sensor, Oil Pressure	
36	7027792	1	Actuator	
37	70000345	3	Plug, Glow (Not Shown)	



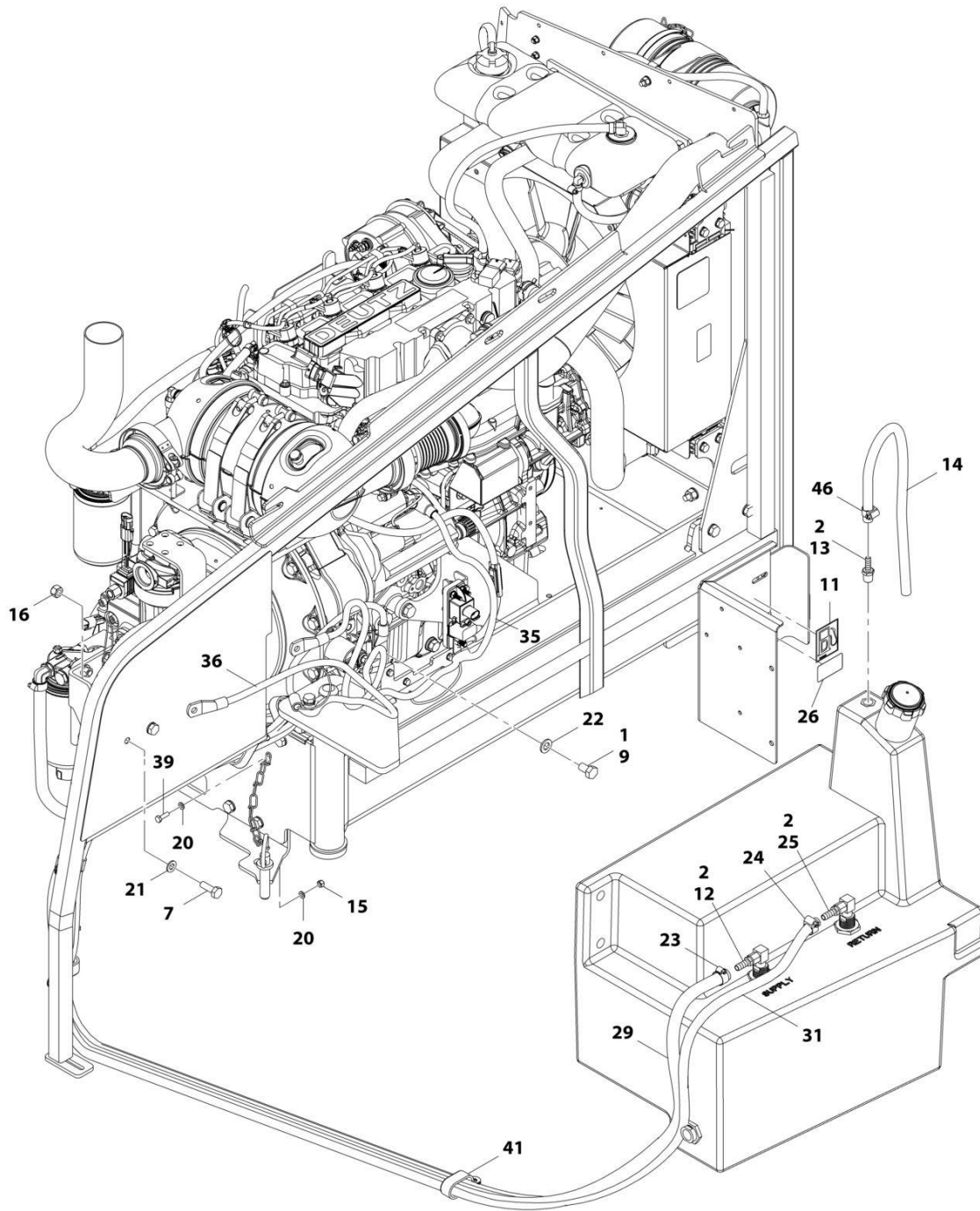
# SECTION 3 - ENGINE

FIGURE 3-9. ENGINE INSTALLATION - DEUTZ D2.9L4 ENGINE (WITHOUT ARCTIC PACKAGE) (ANSI, ANSI EXPORT, CSA AND JAPANESE SPECS)



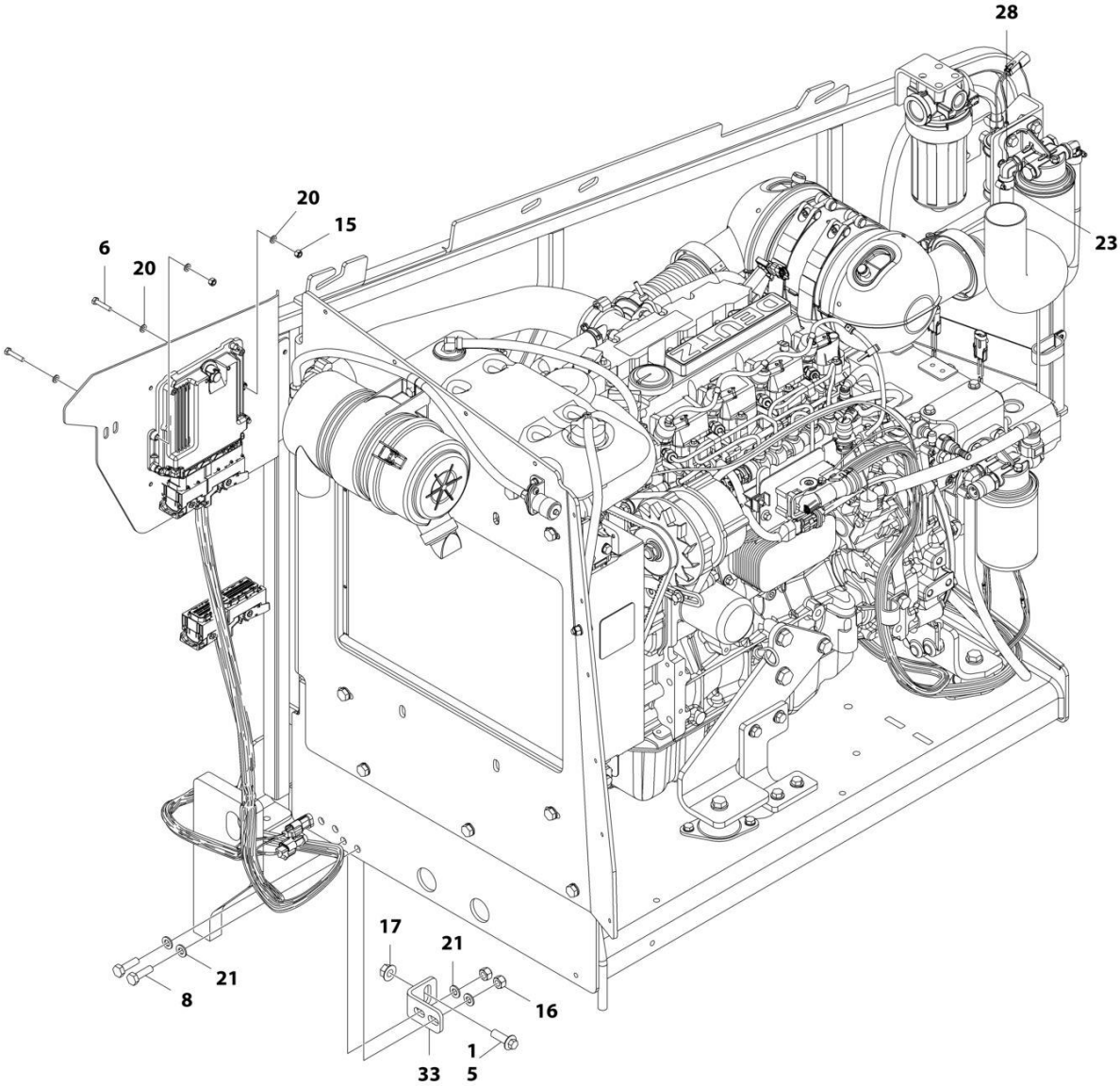
ART\_1001166304\_10F3

# SECTION 3 - ENGINE



ART\_1001166304\_20F3

**SECTION 3 - ENGINE**



ART\_1001166304\_3OF3



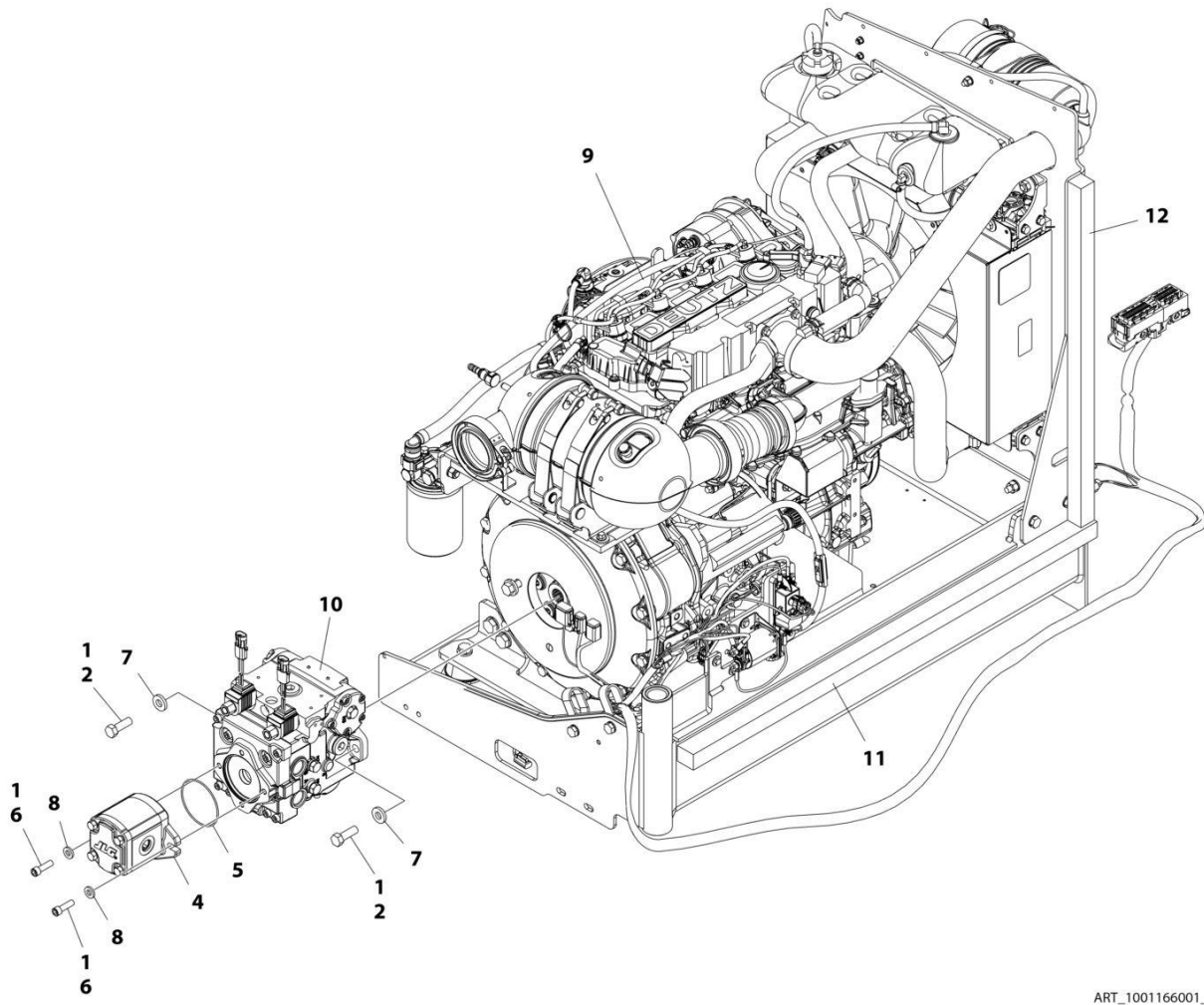
## SECTION 3 - ENGINE

**FIGURE 3-9. ENGINE INSTALLATION - DEUTZ D2.9L4 ENGINE (WITHOUT ARCTIC PACKAGE) (ANSI, ANSI EXPORT, CSA AND JAPANESE SPECS)**

ITEM	PART NUMBER	QTY	DESCRIPTION	REV
	1001166304	Ref	ENGINE INSTALLATION - DEUTZ D2.9L4 ENGINE (WITHOUT ARCTIC PACKAGE)	G
1	0100011	AR	Compound, Locking	
2	0100020	AR	Sealant, Pipe	
3	0440162	1	Bearing	
5	5251215	1	Bolt M12 x 35	
6	0760614	4	Bolt M6 x 30	
7	0761014	2	Bolt M10 x 30	
8	0761015	5	Bolt M10 x 35	
9	0761210	1	Bolt M12 x 20	
11	1701505	1	Decal - Diesel Fuel	
12	2180832	1	Fitting, Barbed	
13	2180876	1	Fitting, Barbed	
14	2720058	2 ft /0.6m	Hose	
15	3290605	5	Nut M6	
16	3291005	6	Nut M10	
17	5261200	1	Nut, Flange M12 Grade 10.9	
18	3841143	1	Keeper, Pin	
20	4811700	10	Washer M6	
21	4812000	11	Washer M10	
22	4812100	1	Washer M12	
23	8405006	2	Clamp	
24	8410013	4	Clamp	
25	8430007	1	Coupling	
26	1001125387	1	Decal - Ultra Low Sulfur Diesel	
27	1001135196	1	Pin	
28	1001142501	1	Fitting, Barbed 90	
29	1001154405	7.25 ft /2.21m	Hose	
30	1001155823	1	Coupling, Quick Disconnect 90	
31	1001165035	17.25 ft /5.26m	Hose	
32	1001166001	1	Engine and Pump Sub-Assembly - Deutz D2.9L4 (Without Arctic Package) (See Separate Breakdown in this Section)	
33	1001167512	1	Bracket	
34	1001169823	1	Plate, Engine Lock	
35	1001171683	1	Cable, Battery (Red) (Battery Positive to Auxiliary Power Relay)	
36	1001171684	1	Cable, Battery (Black) (Battery Negative to Auxiliary Power Pump)	
37	1001172736	1	Pipe, Exhaust	
38	3422532	1	Pin	
39	0760610	1	Bolt M6 x 20	
40	0760812	1	Bolt M8 x 25	
41	1321716	4	Clamp	
42	1001191832	1	Nut, Rivet M8	
43	4811900	1	Washer M8	
44	1001181358	1	Harness, Fuel Pump (See Separate Breakdown in ELECTRICAL SECTION)	
45	1001162335	1	Bracket Assembly - Fuel Pump/Filter (See Separate Breakdown in this Section)	
46	1320022	1	Clamp	

# SECTION 3 - ENGINE

FIGURE 3-10. ENGINE AND PUMP SUB-ASSEMBLY - DEUTZ D2.9L4 (WITHOUT ARCTIC PACKAGE)  
(ANSI, ANSI EXPORT, CSA AND JAPANESE SPECS)



ART\_1001166001\_J

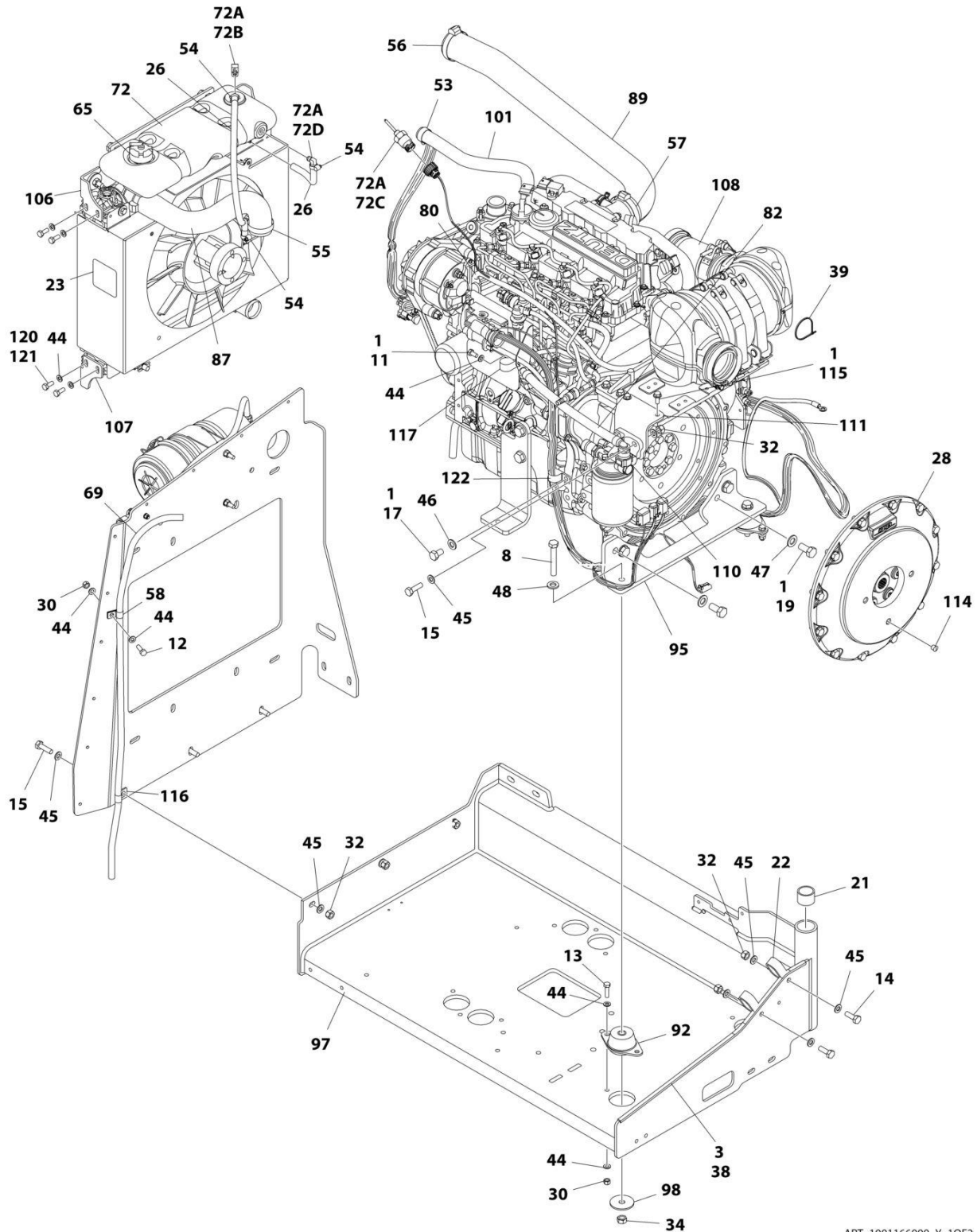
## SECTION 3 - ENGINE

**FIGURE 3-10. ENGINE AND PUMP SUB-ASSEMBLY - DEUTZ D2.9L4 (WITHOUT ARCTIC PACKAGE)  
(ANSI, ANSI EXPORT, CSA AND JAPANESE SPECS)**

ITEM	PART NUMBER	QTY	DESCRIPTION	REV
	1001166001	Ref	ENGINE AND PUMP SUB-ASSEMBLY - DEUTZ D2.9L4 (WITHOUT ARCTIC PACKAGE)	J
1	0100011	AR	Compound, Locking	
2	0641812	2	Bolt 1/2 x 1-1/2	
4	1001214207	1	Gear Pump Assembly	
4	70006356	1	Seal Kit - 1001214207 Pump	
5	3790152	1	O-Ring	
6	3931618	2	Capscrew 3/8 x 1-1/8	
7	4891800	2	Washer 1/2 Hardened	
8	4891600	2	Washer 3/8 Hardened	
9	1001166000	1	Engine Assembly - Deutz D2.9L4 Engine (Without Arctic Package) (See Separate Breakdown in this Section)	
10	1001167036	1	Piston Pump Assembly (See Separate Breakdown in this Section)	
11	1001171953	1	Seal	
12	1001171954	1	Seal	

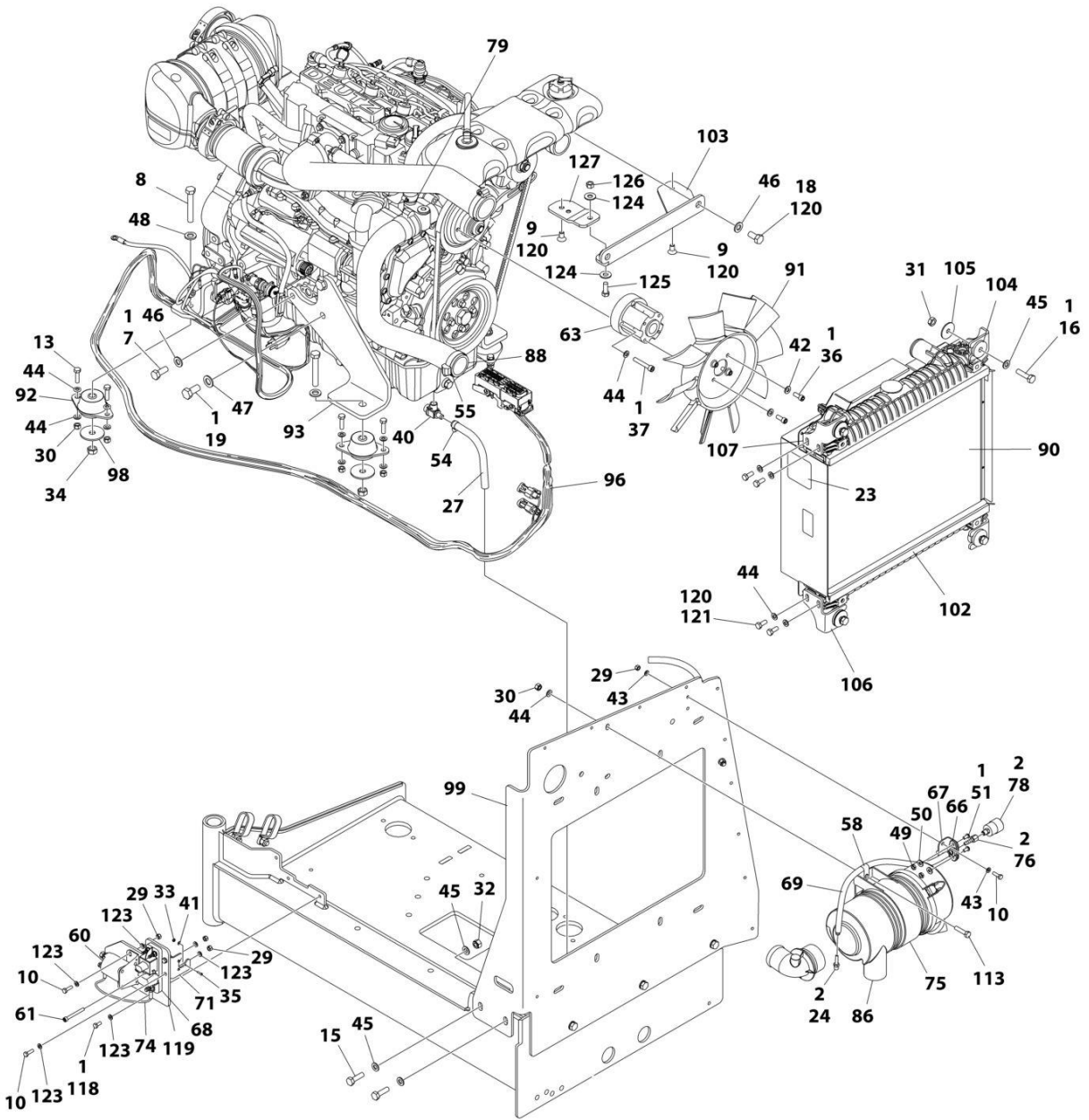
# SECTION 3 - ENGINE

FIGURE 3-11. ENGINE ASSEMBLY - DEUTZ D2.9L4 ENGINE (WITHOUT ARCTIC PACKAGE) (ANSI, ANSI EXPORT, CSA AND JAPANESE SPECS)



ART\_1001166000\_Y\_10F2

# SECTION 3 - ENGINE



ART\_1001166000\_Y\_20F2

## SECTION 3 - ENGINE

**FIGURE 3-11. ENGINE ASSEMBLY - DEUTZ D2.9L4 ENGINE (WITHOUT ARCTIC PACKAGE) (ANSI, ANSI EXPORT, CSA AND JAPANESE SPECS)**

ITEM	PART NUMBER	QTY	DESCRIPTION	REV
	1001166000	Ref	ENGINE ASSEMBLY - DEUTZ D2.9L4 ENGINE (WITHOUT ARCTIC PACKAGE)	Z
1	0100011	AR	Compound, Locking	
2	0100020	AR	Sealant, Pipe	
3	0100081	AR	Adhesive	
7	0711214	1	Bolt M12 x 30	
8	0711224	3	Bolt M12 x 80 Grade 10.9	
9	0741606	2	Screw 3/8 x 3/4	
10	0760610	6	Bolt M6 x 20	
11	0760808	1	Bolt M8 x 16	
12	0760812	1	Bolt M8 x 25	
13	0760814	6	Bolt M8 x 30	
14	0761014	2	Bolt M10 x 30	
15	0761015	7	Bolt M10 x 35	
16	0761016	4	Bolt M10 x 40	
17	0761210	1	Bolt M12 x 20	
18	0761212	2	Bolt M12 x 25	
19	0771414	6	Bolt M14 x 30 Grade 10.9	
21	0961951	2	Bushing	
22	1321716	2	Clamp	
23	1703162	2	Decal - Caution Fan	
24	2220315	1	Fitting, Straight Barbed	
26	2720015	2 ft/ 0.61m	Hose	
27	2720340	8 in/ 20.3cm	Hose	
28	2902065	1	Pump Coupling Kit (See Separate Breakdown in this Section)	
29	3290605	7	Nut M6	
30	3290805	9	Nut M8	
31	3291001	4	Nut M10	
32	3291005	9	Nut M10	
33	3310401	3	Nut #4	
34	3331215	3	Nut M12	
35	3910408	3	Screw #4- x 1/2	
36	3931512	4	Capscrew, 5/16 x 3/4	
37	4031914	4	Bolt M8 x 50	
38	4060805	2.25 ft/ 0.69m	Flex-Trim	
39	4240099	AR	Tie-Strap	
40	4640751	1	Valve, Oil Drain	
41	4710400	3	Washer #4	
42	4711500	4	Washer 5/16	
43	4811700	4	Washer M6	
44	4811900	31	Washer M8	
45	4812000	22	Washer M10	
46	4812100	4	Washer M12	
47	4812200	6	Washer M14	
48	5241200	3	Washer M12 Hardened	
49	8305401	2	Nut, Jam	
50	8307109	2	Washer	

## SECTION 3 - ENGINE

ITEM	PART NUMBER	QTY	DESCRIPTION	REV
51	8310548	2	Screw, 1/4 x 1/2	
53	8405007	2	Clamp	
54	8405009	5	Clamp	
55	8405104	4	Clamp	
56	8405202	1	Clamp	
57	8405204	1	Clamp	
58	8406109	2	Clip	
60	1001117308	1	Relay, 200Amp	
60	3300220	2	Nut	
60	3321001	2	Nut #10	
60	4761000	2	Washer #10	
60	1001111424	2	Washer	
61	1001118878	1	Bolt M6 x 55	
63	1001144116	1	Spacer, Fan	
65	1001136834	1	Cap, Tank	
66	1001138173	1	Support, Service Indicator	
67	1001138175	1	Bracket, Service Indicator	
68	1001138228	1	Relay, Power Module	
68	70023592	1	Fuse 20Amp	
68	70023593	1	Fuse 30Amp	
69	1001138248	5.25 ft/ 1.6m	Tube	
71	1001139240	1	Bracket	
72	1001230635	1	Tank, Surge (Includes Items 72A-72D)	
72A	0100020	AR	Sealant, Pipe	
72B	1001134488	1	Fitting, Barbed	
72C	1001138827	1	Sensor, Coolant Level	
72D	1001140564	1	Fitting, Barbed 90	
74	1001141304	1	Harness, Glow Plug	
75	1001141694	1	Clamp, Air Cleaner	
76	1001141995	1	Fitting, Barbed	
78	1001143390	1	Indicator	
79	1001143797	1	Fitting, Barbed	
80	1001178788	1	Cable, Alternator	
82	1001152489	1	Fitting, Barbed 90	
86	1001165388	1	Air Cleaner Assembly	
86	70003783	1	Element, Air Cleaner	
87	1001165405	1	Hose, Upper Radiator	
88	1001165406	1	Hose, Lower Radiator	
89	1001165721	1	Hose, Air Intake	
90	1001165722	1	Radiator	
91	1001165849	1	Fan	
92	1001166718	3	Mount, Motor	
93	1001166921	1	Plate, Engine Mount	
95	1001166924	1	Plate, Engine Mount	
96	1001167108	1	Harness Engine - Deutz D2.9L4 (See Separate Breakdown in ELECTRICAL SECTION)	
97	1001167520	1	Tray, Engine	
98	1001168018	3	Washer, Special	
99	1001168026	1	Plate, Radiator Mounting	
101	1001168099	1	Hose	
102	1001168166	2	Seal	

## SECTION 3 - ENGINE

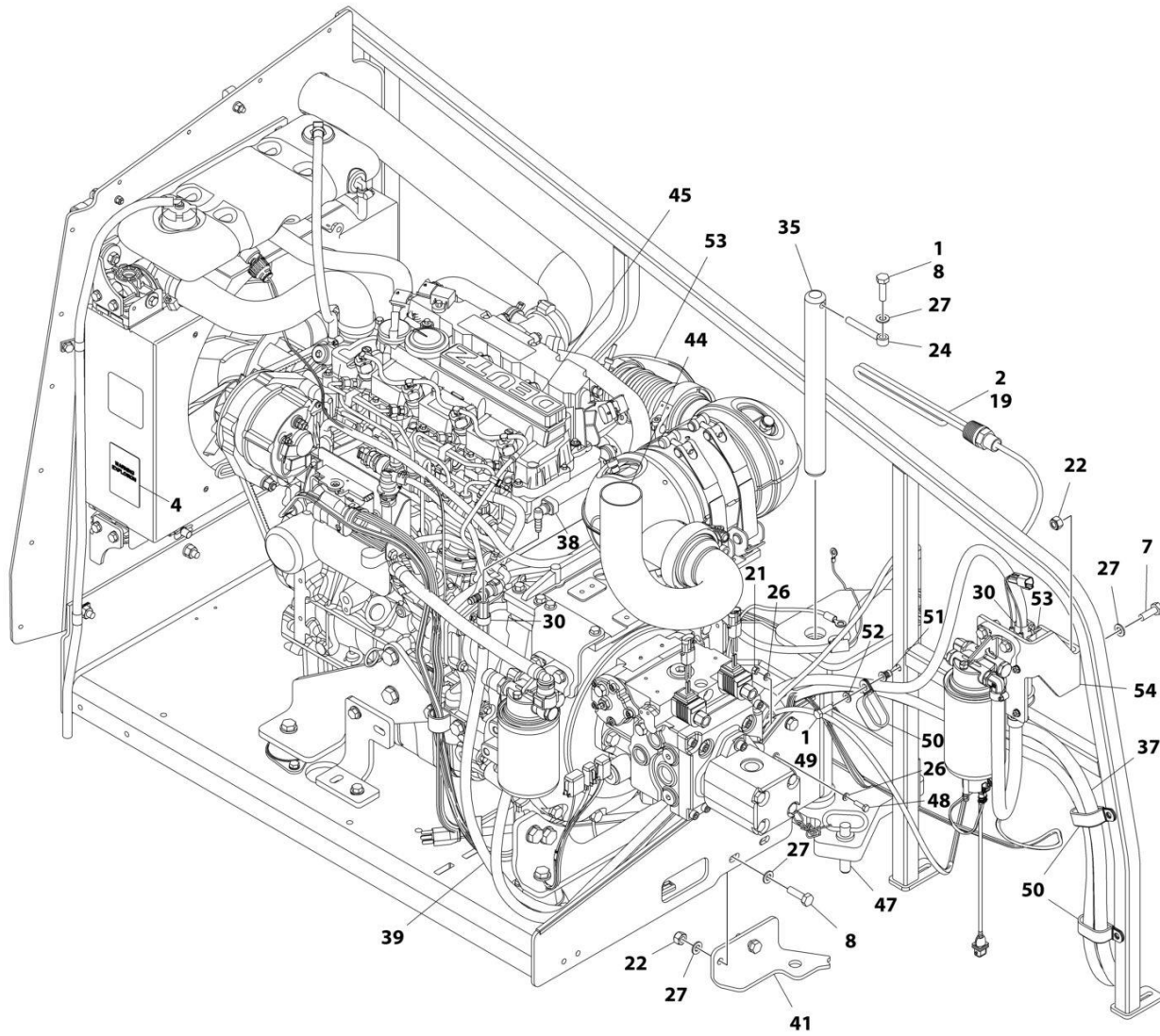
ITEM	PART NUMBER	QTY	DESCRIPTION	REV
103	1001260420	1	Bracket	
104	1001169054	4	Isolator	
105	1001169138	4	Washer, Snubbing	
106	1001169967	2	Bracket	
107	1001170035	2	Bracket	
108	1001249965	1	Engine, Deutz D2.9L4 (See Separate Breakdown in this Section)	
110	1001177359	1	Hose	
111	1001178876	1	Mount, Fuel Filter	
113	0760815	2	Bolt M8 x 35	
114	3520054	1	Plug	
115	5250810	2	Bolt M8 x 20	
116	8406110	1	Clip	
117	8406201	1	Clip	
118	0760607	3	Bolt M6 x 14	
119	1001179903	1	Bracket	
120	1001180620	AR	Adhesive	
121	0760810	8	Bolt M8 x 20	
122	1001191620	1	Clamp	
123	4811702	12	Washer M6	
124	4751600	2	Washer 3/8	
125	0681608	1	Bolt 3/8 x 1	
126	3311605	1	Nut 3/8	
127	1001260412	1	Bracket	
128	1001162335	1	Bracket Assembly - Fuel Pump/Filter (Not Shown - See Separate Breakdown in this Section)	





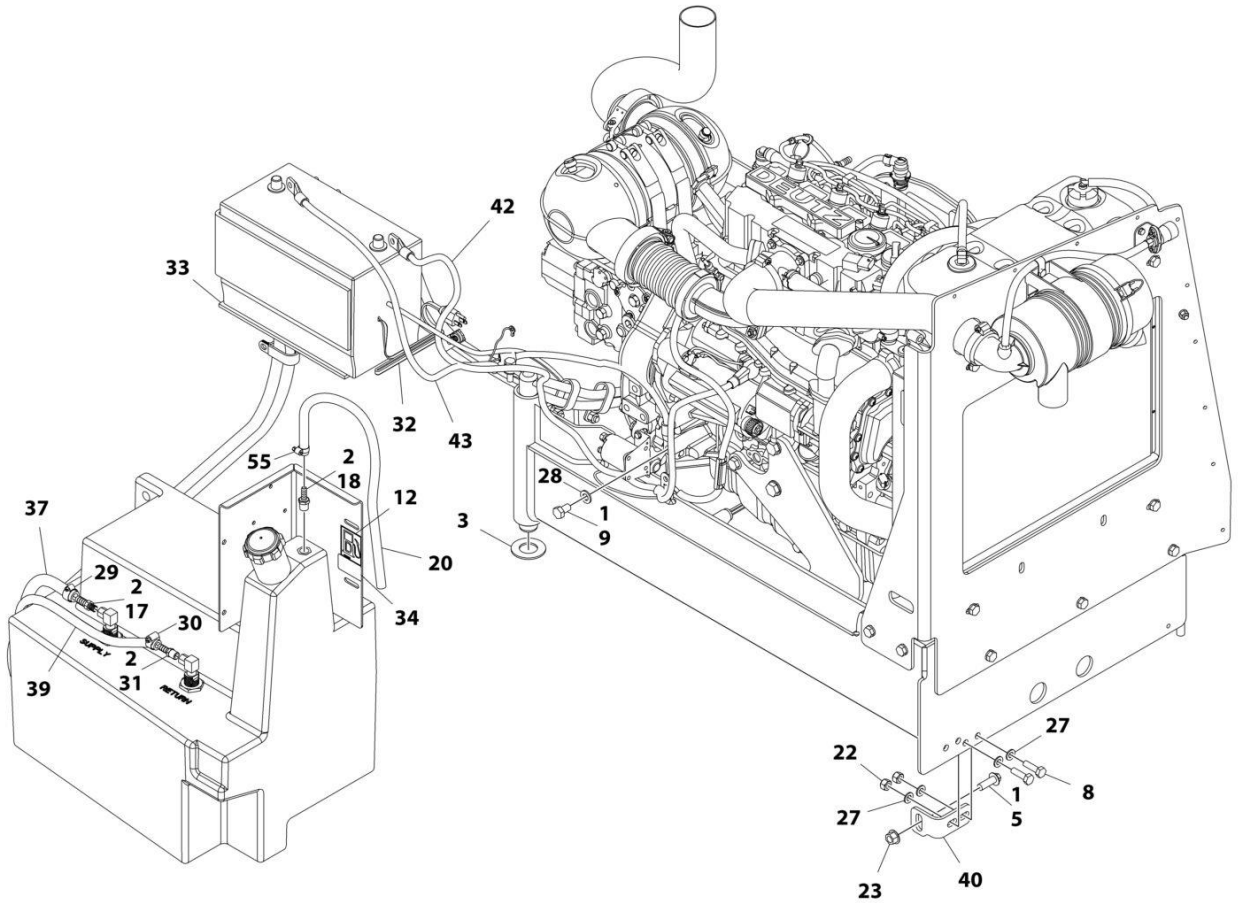
# SECTION 3 - ENGINE

FIGURE 3-12. ENGINE INSTALLATION - DEUTZ D2.9L4 ENGINE (WITH 17GAL HYDRAULIC TANK & ARCTIC PACKAGE) (ANSI AND CSA SPECS)



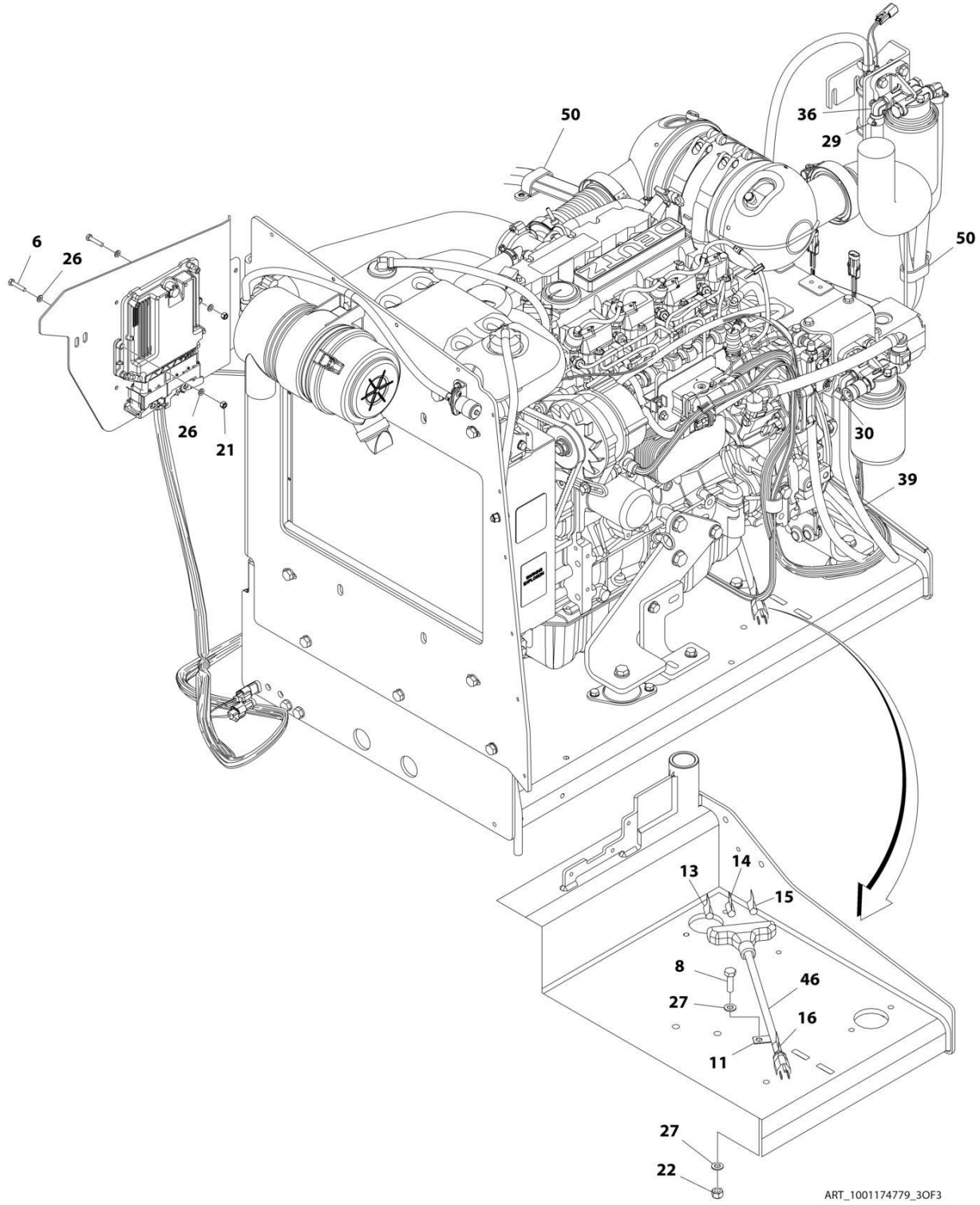
ART\_1001174779\_10F3

# SECTION 3 - ENGINE



ART\_1001174779\_20F3

# SECTION 3 - ENGINE



ART\_1001174779\_3OF3

## SECTION 3 - ENGINE

**FIGURE 3-12. ENGINE INSTALLATION - DEUTZ D2.9L4 ENGINE (WITH 17GAL HYDRAULIC TANK & ARCTIC PACKAGE) (ANSI AND CSA SPECS)**

ITEM	PART NUMBER	QTY	DESCRIPTION	REV
	1001174779	Ref	ENGINE INSTALLATION - DEUTZ D2.9L4 ENGINE (WITH ARCTIC PACKAGE)	H
1	0100011	AR	Compound, Locking	
2	0100020	AR	Sealant, Pipe	
3	0440162	1	Bearing	
5	5251215	1	Bolt, M12 x 35	
6	0760614	4	Bolt M6 x 30	
7	0761014	2	Bolt M10 x 30	
8	0761015	6	Bolt M10 x 35	
9	0761210	1	Bolt M12 x 20	
11	1320223	1	Clamp	
12	1701505	1	Decal - Diesel Fuel	
13	1702941	1	Decal - Battery Heater	
14	1702942	1	Decal - Engine Block Heater	
15	1702943	1	Decal - Hydraulic Tank Heater	
16	1702944	1	Decal - Heater Cord	
17	2180832	1	Fitting, Barbed	
18	2180876	1	Fitting, Barbed	
19	1001188972	1	Heater, Hydraulic Tank	
20	2720058	2 ft /0.61m	Hose	
21	3290605	5	Nut Lock M6	
22	3291005	7	Nut Lock M10	
23	5261200	1	Nut, Flange M12 Grade 10.9	
24	3841143	1	Keeper, Pin	
26	4811700	10	Washer M6	
27	4812000	13	Washer M10	
28	4812100	1	Washer M12	
29	8405006	2	Clamp	
30	8410013	4	Clamp	
31	8430007	1	Coupling	
32	2580024	1	Heater, Battery	
33	1001119278	1	Insulate	
34	1001125387	1	Decal - Ultra Low Sulfur Fuel	
35	1001135196	1	Pin	
36	1001142501	1	Fitting, Barbed 90	
37	1001154405	7.25 ft /2.21m	Hose	
38	1001155823	1	Coupling, Quick Disconnect 90	
39	1001165035	17.25 ft /5.26m	Hose	
40	1001167512	1	Bracket, Engine Tray	
41	1001169823	1	Plate, Engine Lock	
42	1001171683	1	Cable, Battery (Red) (Battery Positive to Auxiliary Power Relay)	
43	1001171684	1	Cable, Battery (Black) (Battery Negative to Auxiliary Power Pump)	
44	1001172736	1	Pipe, Exhaust	
45	1001174778	1	Engine and Pump Sub-Assembly - Deutz D2.9L4 (With Arctic Package) (See Separate Breakdown in this Section)	
46	1060626	1	Plug, 3 Way	
47	3422532	1	Pin	

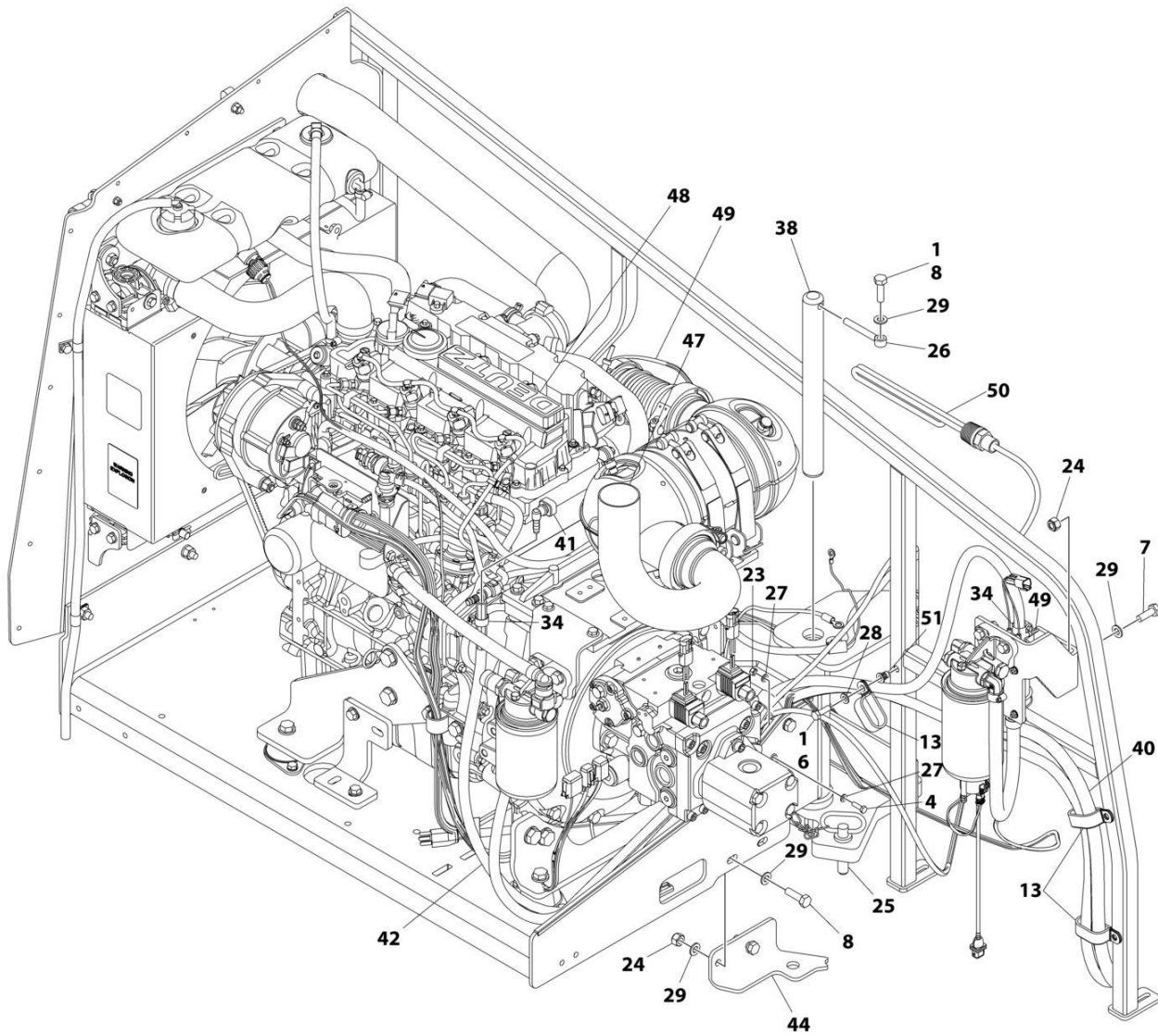
## SECTION 3 - ENGINE

ITEM	PART NUMBER	QTY	DESCRIPTION	REV
48	0760610	1	Bolt M6 x 20	
49	0760812	1	Bolt M8 x 25	
50	1321716	4	Clamp	
51	1001191832	1	Nut, Rivet M8	
52	4811900	1	Washer, M8	
53	1001181358	1	Harness, Fuel Pump (See Separate Breakdown in ELECTRICAL SECTION)	
54	1001162335	1	Bracket Assembly - Fuel Pump/Filter (See Separate Breakdown in this Section)	
55	1320022	1	Clamp	
56	1001233763	Ref	Breather Heater Installation (Not Shown - See Separate Breakdown in this Section)	
56	1001196634	1	Fuse, 2 Amp	
56	1001232842	1	Breather Heater Kit	
56	2400060	1	Holder, Fuse	



# SECTION 3 - ENGINE

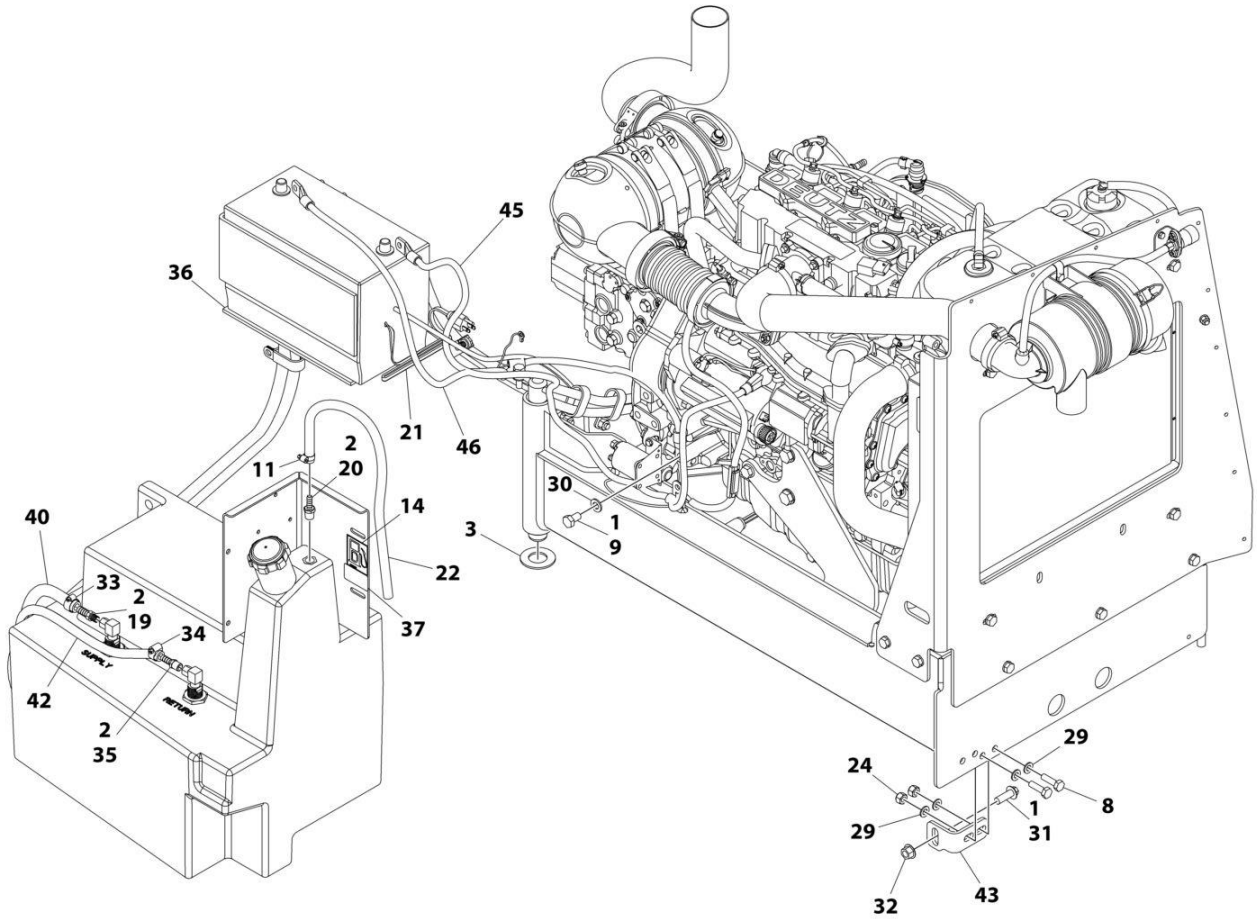
FIGURE 3-13. ENGINE INSTALLATION - DEUTZ D2.9L4 ENGINE (WITH 36GAL HYDRAULIC TANK & ARCTIC PACKAGE) (ANSI AND CSA SPECS)



ART\_1001287815\_10F3

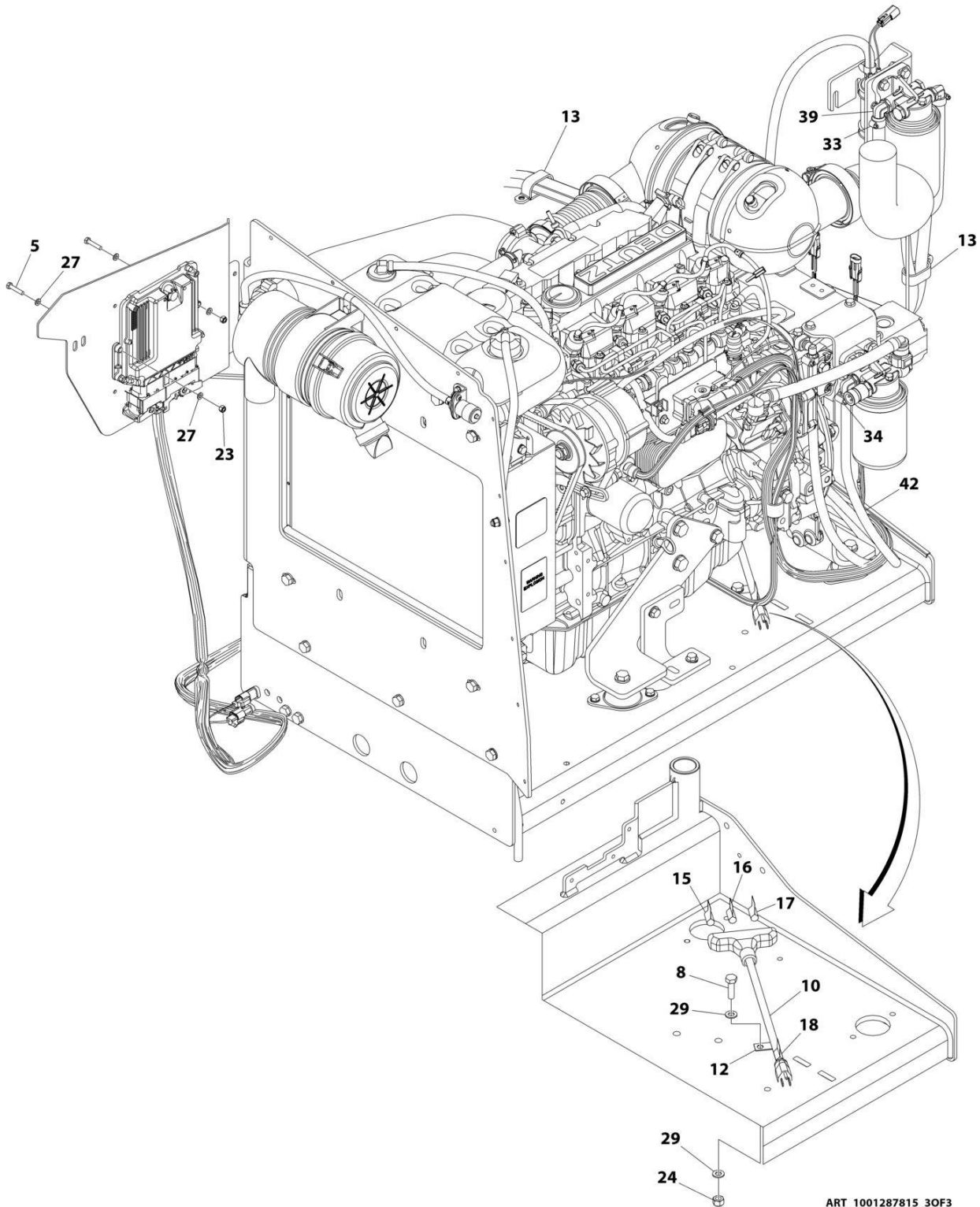


# SECTION 3 - ENGINE



ART\_1001287815\_20F3

# SECTION 3 - ENGINE



ART\_1001287815\_30F3

## SECTION 3 - ENGINE

**FIGURE 3-13. ENGINE INSTALLATION - DEUTZ D2.9L4 ENGINE (WITH 36GAL HYDRAULIC TANK & ARCTIC PACKAGE) (ANSI AND CSA SPECS)**

ITEM	PART NUMBER	QTY	DESCRIPTION	REV
	1001287815	Ref	ENGINE INSTALLATION - DEUTZ D2.9L4	A
1	0100011	AR	Compound, Locking	
2	0100020	AR	Sealant, Pipe	
3	0440162	1	Bearing	
4	0760610	1	Bolt M6 x 20	
5	0760614	4	Bolt M6 x 30	
6	0760812	1	Bolt M8 x 25	
7	0761014	2	Bolt M10 x 30	
8	0761015	6	Bolt M10 x 35	
9	0761210	1	Bolt M12 x 20	
10	1060626	1	Plug, 3 Way	
11	1320022	1	Clamp	
12	1320223	1	Clamp	
13	1321716	4	Clamp	
14	1701505	1	Decal - Diesel Fuel	
15	1702941	1	Decal - Battery Heater	
16	1702942	1	Decal - Engine Block Heater	
17	1702943	1	Decal - Hydraulic Tank Heater	
18	1702944	1	Decal - Heater Cord	
19	2180832	1	Fitting, Barbed	
20	2180876	1	Fitting, Barbed	
21	2580024	1	Heater, Battery	
22	2720058	2 ft /0.61m	Hose	
23	3290605	5	Nut, Lock M6	
24	3291005	7	Nut, Lock M10	
25	3422532	1	Pin	
26	3841143	1	Keeper, Pin	
27	4811700	10	Washer M6	
28	4811900	1	Washer, M8	
29	4812000	13	Washer M10	
30	4812100	1	Washer M12	
31	5251215	1	Bolt, M12 x 35 Class 10.9	
32	5261200	1	Nut, Flange M12 Class 10	
33	8405006	2	Clamp	
34	8410013	4	Clamp	
35	8430007	1	Coupling	
36	1001119278	1	Insulate	
37	1001125387	1	Decal - Ultra Low Sulfur Fuel	
38	1001135196	1	Pin	
39	1001142501	1	Fitting, Barbed 90	
40	1001154405	7.25 ft /2.21m	Hose	
41	1001155823	1	Coupling, Quick Disconnect 90	
42	1001165035	17.25 ft /5.26m	Hose	
43	1001167512	1	Bracket, Engine Tray	
44	1001169823	1	Plate, Engine Lock	
45	1001171683	1	Cable, Battery (Red) (Battery Positive to Auxiliary Power Relay)	

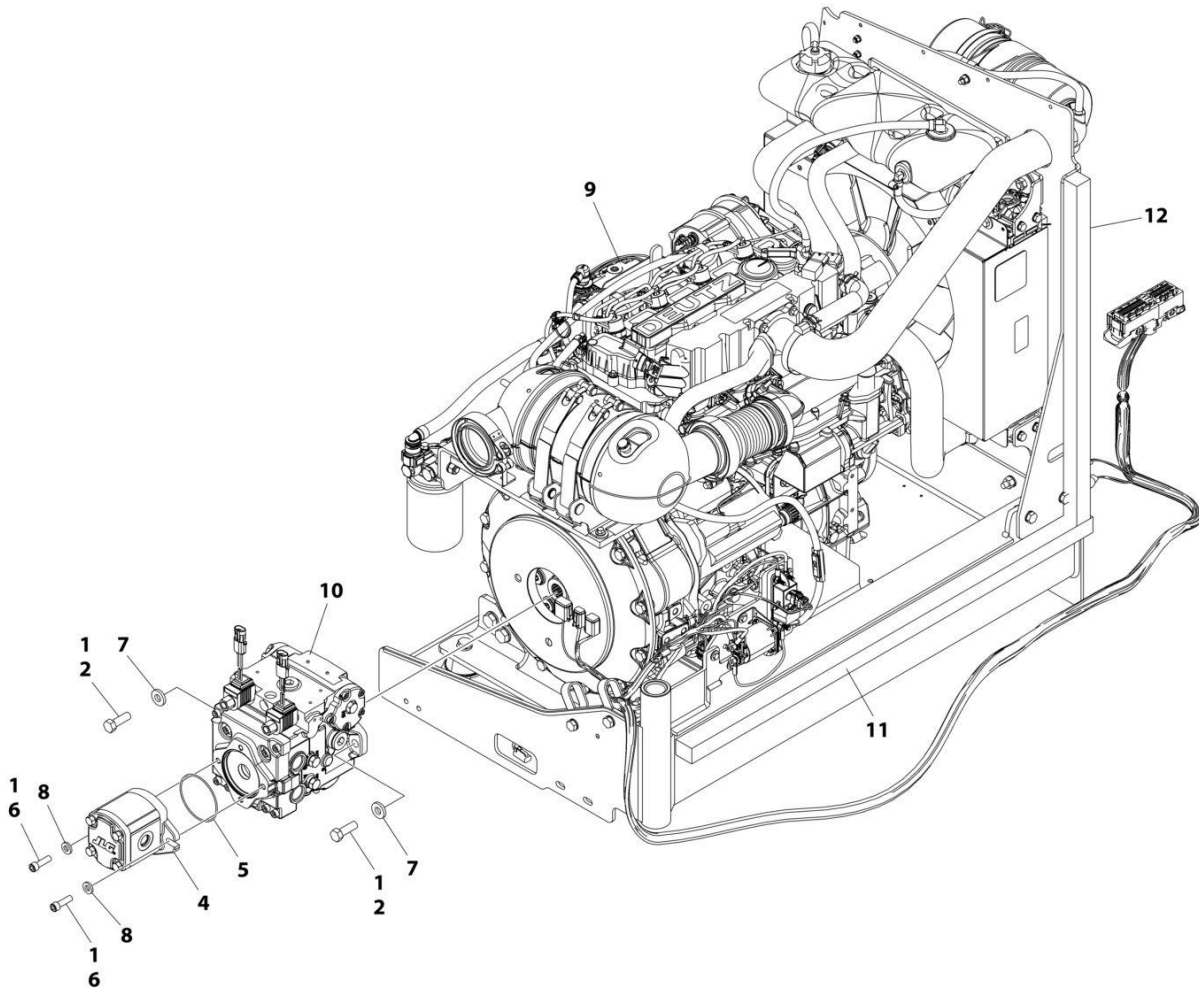
## SECTION 3 - ENGINE

ITEM	PART NUMBER	QTY	DESCRIPTION	REV
46	1001171684	1	Cable, Battery (Black) (Battery Negative to Auxiliary Power Pump)	
47	1001172736	1	Pipe, Exhaust	
48	1001174778	1	Engine and Pump Sub-Assembly - Deutz D2.9L4 (With Arctic Package) (See Separate Breakdown in this Section)	
49	1001181358	1	Harness, Fuel Pump (See Separate Breakdown in ELECTRICAL Section)	
50	1001188972	1	Heater, Hydraulic Tank	
51	1001191832	1	Nut, Rivet M8	
52	1001233763	Ref	Breather Heater Installation (Not Shown - See Separate Breakdown in this Section)	



# SECTION 3 - ENGINE

FIGURE 3-14. ENGINE AND PUMP SUB-ASSEMBLY - DEUTZ D2.9L4 (WITH ARCTIC PACKAGE)  
(ANSI AND CSA SPECS)



ART\_1001174778\_I

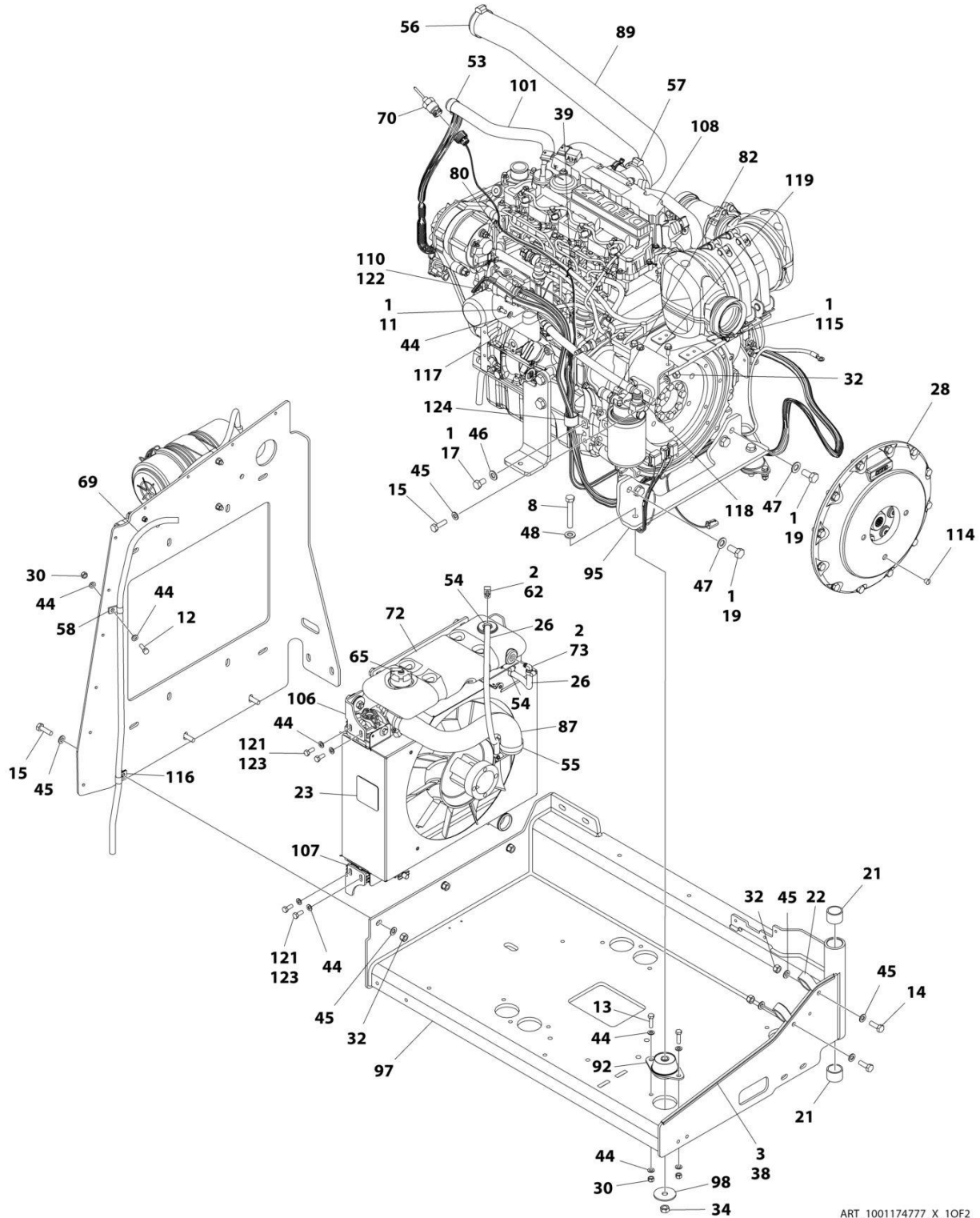
## SECTION 3 - ENGINE

**FIGURE 3-14. ENGINE AND PUMP SUB-ASSEMBLY - DEUTZ D2.9L4 (WITH ARCTIC PACKAGE)  
(ANSI AND CSA SPECS)**

ITEM	PART NUMBER	QTY	DESCRIPTION	REV
	1001174778	Ref	ENGINE AND PUMP SUB-ASSEMBLY - DEUTZ D2.9L4 (WITH ARCTIC PACKAGE)	I
1	0100011	AR	Compound, Locking	
2	0641812	2	Bolt 1/2 x 1-1/2	
4	1001214207	1	Gear Pump Assembly	
4	70006356	1	Seal Kit - 1001214207 Pump	
5	3790152	1	O-Ring	
6	3931618	2	Capscrew 3/8 x 1 1/8	
7	4891800	2	Washer 1/2 Hardened	
8	4891600	2	Washer 3/8 Hardened	
9	1001174777	1	Engine Assembly - Deutz D2.9L4 Engine (With Arctic Package) (See Separate Breakdown in this Section)	
10	1001167036	1	Piston Pump Assembly (See Separate Breakdown in this Section)	
11	1001171953	1	Seal	
12	1001171954	1	Seal	

# SECTION 3 - ENGINE

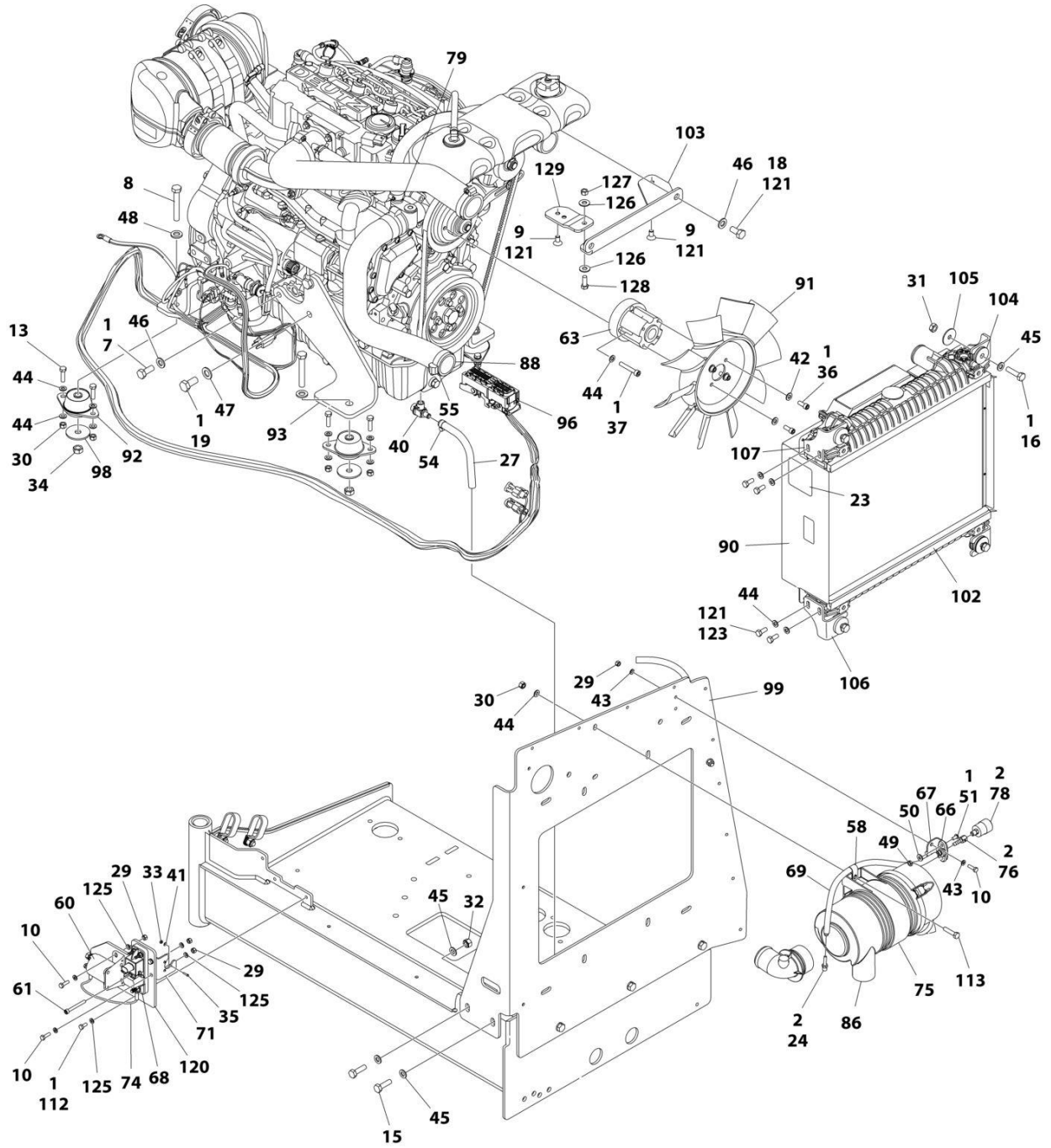
FIGURE 3-15. ENGINE ASSEMBLY - DEUTZ D2.9L4 ENGINE (WITH ARCTIC PACKAGE) (ANSI AND CSA SPECS)



ART\_1001174777\_X\_10F2



# SECTION 3 - ENGINE



ART\_1001174777\_X\_20F2

## SECTION 3 - ENGINE

**FIGURE 3-15. ENGINE ASSEMBLY - DEUTZ D2.9L4 ENGINE (WITH ARCTIC PACKAGE) (ANSI AND CSA SPECS)**

ITEM	PART NUMBER	QTY	DESCRIPTION	REV
	1001174777	Ref	ENGINE ASSEMBLY - DEUTZ D2.9L4 ENGINE (WITH ARCTIC PACKAGE)	Y
1	0100011	AR	Compound, Locking	
2	0100020	AR	Sealant, Pipe	
3	0100081	AR	Adhesive	
7	0711214	1	Bolt M12 x 30	
8	0711224	3	Bolt M12 x 80	
9	0741606	2	Screw 3/8 x 3/4	
10	0760610	6	Bolt M6 x 20	
11	0760808	1	Bolt M8 x 16	
12	0760812	1	Bolt M8 x 25	
13	0760814	6	Bolt M8 x 30	
14	0761014	2	Bolt M10 x 30	
15	0761015	7	Bolt M10 x 35	
16	0761016	4	Bolt M10 x 40	
17	0761210	1	Bolt M12 x 20	
18	0761212	2	Bolt M12 x 25	
19	0771414	6	Bolt M14 x 30 Grade 10.9	
21	0961951	2	Bushing	
22	1321716	2	Clamp	
23	1703162	2	Decal - Caution Fan	
24	2220315	1	Fitting, Barbed	
26	2720015	2 ft/0.61m	Hose	
27	2720340	8 in /0.2m	Hose	
28	2902065	1	Pump Coupling Kit (See Separate Breakdown in this Section)	
29	3290605	7	Nut M6	
30	3290805	9	Nut M8	
31	3291001	4	Nut M10	
32	3291005	9	Nut M10	
33	3310401	3	Nut #4	
34	3331215	3	Nut M12 x 1.75	
35	3910408	3	Screw #4- x 1/2	
36	3931512	4	Capscrew 5/16 x 3/4	
37	4031914	4	Bolt M8 x 50	
38	4060805	2.25 ft/ 0.69m	Flex-Trim	
39	4240099	AR	Tie-Strap	
40	4640751	1	Valve, Oil Drain	
41	4710400	3	Washer #4	
42	4711500	4	Washer 5/16	
43	4811700	4	Washer M6	
44	4811900	31	Washer M8	
45	4812000	22	Washer M10	
46	4812100	4	Washer M12	
47	4812200	6	Washer M14	
48	5241200	3	Washer M12	
49	8305401	2	Nut Jam	
50	8307109	2	Washer, .250	
51	8310548	2	Screw 1/4 x 1/2	

## SECTION 3 - ENGINE

ITEM	PART NUMBER	QTY	DESCRIPTION	REV
53	8405007	2	Clamp	
54	8405009	5	Clamp	
55	8405104	4	Clamp	
56	8405202	1	Clamp	
57	8405204	1	Clamp	
58	8406109	2	Clip	
60	1001117308	1	Relay, 200Amp	
60	3300220	2	Nut	
60	3321001	2	Nut #10	
60	4761000	2	Washer #10	
60	1001111424	2	Washer	
61	1001118878	1	Bolt M6 x 55	
62	1001134488	1	Fitting, Barbed 90	
63	1001144116	1	Spacer, Fan	
65	1001136834	1	Cap, Tank	
66	1001138173	1	Support, Service Indicator	
67	1001138175	1	Bracket, Service Indicator	
68	1001138228	1	Relay, Power Module	
68	70023592	1	Fuse 20Amp	
68	70023593	1	Fuse 30Amp	
69	1001138248	5.25 ft/ 1.6m	Tube	
70	1001138827	1	Sensor, Coolant Level	
71	1001139240	1	Bracket	
72	1001230635	1	Tank, Surge (Includes Items 62, 70 & 73)	
73	1001140564	1	Fitting, Barbed 90	
74	1001141304	1	Harness, Glow Plug	
75	1001141694	1	Clamp, Air Cleaner	
76	1001141995	1	Fitting, Barbed	
78	1001143390	1	Indicator	
79	1001143797	1	Fitting, Barbed	
80	1001178788	1	Cable, Alternator	
82	1001152489	1	Fitting, Barbed 90	
86	1001165388	1	Air Cleaner Assembly	
86	70003783	1	Element, Air Cleaner	
87	1001165405	1	Hose, Upper Radiator	
88	1001165406	1	Hose, Lower Radiator	
89	1001165721	1	Hose, Air Intake	
90	1001165722	1	Radiator	
91	1001165849	1	Fan	
92	1001166718	3	Mount, Motor	
93	1001166921	1	Plate, Engine Mount	
95	1001166924	1	Plate, Engine Mount	
96	1001167108	1	Harness Engine - Deutz D2.9L4 (See Separate Breakdown in ELECTRICAL SECTION)	
97	1001167520	1	Tray, Engine	
98	1001168018	3	Washer, Special	
99	1001168026	1	Plate, Radiator Mounting	
101	1001168099	1	Hose	
102	1001168166	2	Seal	
103	1001260420	1	Bracket	
104	1001169054	4	Isolator	

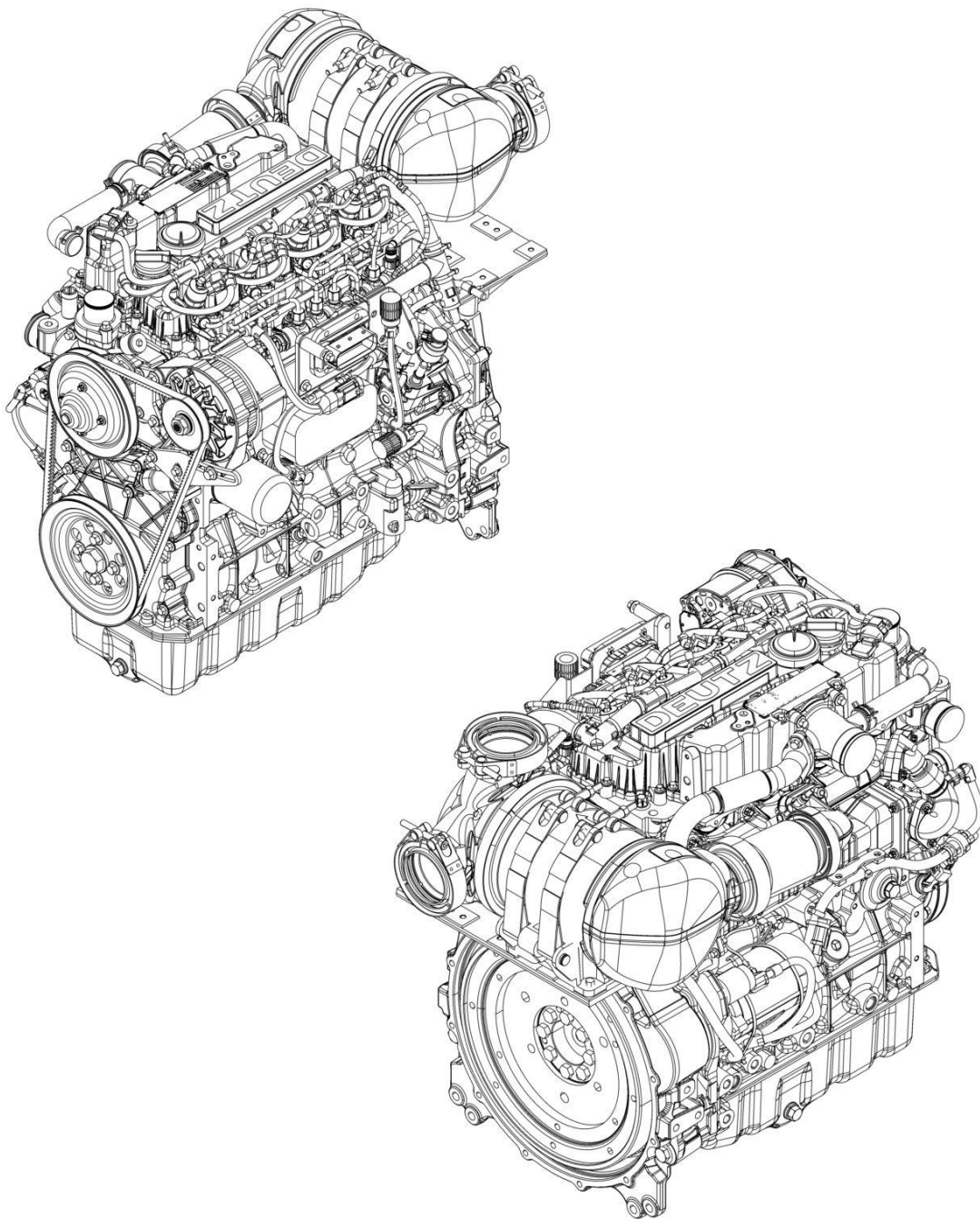
## SECTION 3 - ENGINE

ITEM	PART NUMBER	QTY	DESCRIPTION	REV
105	1001169138	4	Washer, Snubbing	
106	1001169967	2	Bracket	
107	1001170035	2	Bracket	
108	1001249965	1	Engine, Deutz D2.9L4 (See Separate Breakdown in this Section)	
110	1001140312	1	Heater, Engine Block	
112	0760607	3	Bolt M6 x 14	
113	0760815	2	Bolt M8 x 35	
114	3520054	1	Plug	
115	5250810	2	Bolt M8 x 20	
116	8406110	1	Clip	
117	8406201	1	Clip	
118	1001177359	1	Hose	
119	1001178876	1	Mount, Fuel Filter	
120	1001179903	1	Bracket	
121	1001180620	AR	Adhesive	
122	1001181895	AR	Adhesive	
123	0760810	8	Bolt M8 x 20	
124	1001191620	1	Clamp	
125	4811702	12	Washer M6	
126	4751600	2	Washer 3/8	
127	3311605	1	Nut 3/8	
128	0681608	1	Bolt 3/8 x 1	
129	1001260412	1	Bracket	
130	1001162335	1	Bracket Assembly - Fuel Pump/Filter (Not Shown) (See Separate Breakdown in this Section)	



## SECTION 3 - ENGINE

FIGURE 3-16. ENGINE COMPONENTS - DEUTZ D2.9L4 ENGINE (ANSI, ANSI EXPORT, CSA AND JAPANESE SPECS)



ART\_1001249965

## SECTION 3 - ENGINE

**FIGURE 3-16. ENGINE COMPONENTS - DEUTZ D2.9L4 ENGINE (ANSI, ANSI EXPORT, CSA AND JAPANESE SPECS)**

ITEM	PART NUMBER	QTY	DESCRIPTION	REV
	1001249965	Ref	DEUTZ D2.9L4 - EMR4 (49HP) ENGINE COMPONENTS	B
	See Note	Ref	Note: Contact JLG Customer Service for Availability of Additional Components.	
		Ref	Air Intake System	
	70005182	1	Charge Air Elbow	
	70005183	1	Breather Line	
		Ref	Cooling System Components	
	70030360	1	Pump, Coolant	
	70007603	1	Thermostat	
		Ref	Electrical Components	
	70025210	1	Module, Engine Control (ECM/ECU)	
	70024513	1	Harness, Fuel Filter Sensor	
	70024504	1	Sensor, Fuel Pressure	
	70006652	1	Generator	
	70024915	1	Starter	
	70025231	1	Harness, Glow Plug	
	70028540	1	Sensor, Temperature	
	70026210	1	Sensor, Speed	
	70024507	1	Sensor, Pressure (Air Intake)	
	70031145	4	Plug, Glow	
		Ref	Exhaust Components	
	70031136	1	Pipe, Exhaust	
	70004282	1	Exhaust Manifold	
		Ref	Fuel System Components	
	70030381	1	Pump, High Pressure	
	700004508	1	Valve, Volume Control	
	70004281	1	Injector, Fuel	
	70006144	1	Pump, Fuel Supply (Includes Qty 2 Mounting Clamps)	
	1001225430	1	Filter, Fuel (Pre-Filter) Assembly	
	70024961	1	Filter, Fuel	
	70025239	1	Seal	
	70024513	1	Cable, Sensor	
	70029451	1	Filter, Fuel	
		Ref	Gasket & Seal Components	
	70024905	1	Seal, Dipstick	
	70005942	2	Seal, Oil Plug	
	70024906	1	Gasket, Head	
	70005171	1	Gasket, Valve Cover	
	70002718	1	Seal, Rear Main	
	70025135	1	O-Ring, Oil Lube Pump	
	70005173	1	Gasket, Oil Lube Pump	
	70024925	1	Seal, Oil Cooler	
	70005177	1	Gasket, Charge Air Housing	
	70025200	1	O-Ring, Coolant Pump	
	70007325	1	Seal, Coolant Pump	
	70005184	1	O-Ring, Thermostat	
	70005931	1	Seal, Thermostat	
	70025164	1	Gasket, Exhaust Manifold to Head	
	70007354	1	Gasket, Short Exhaust Pipe to JLG supplied Exhaust	

## SECTION 3 - ENGINE

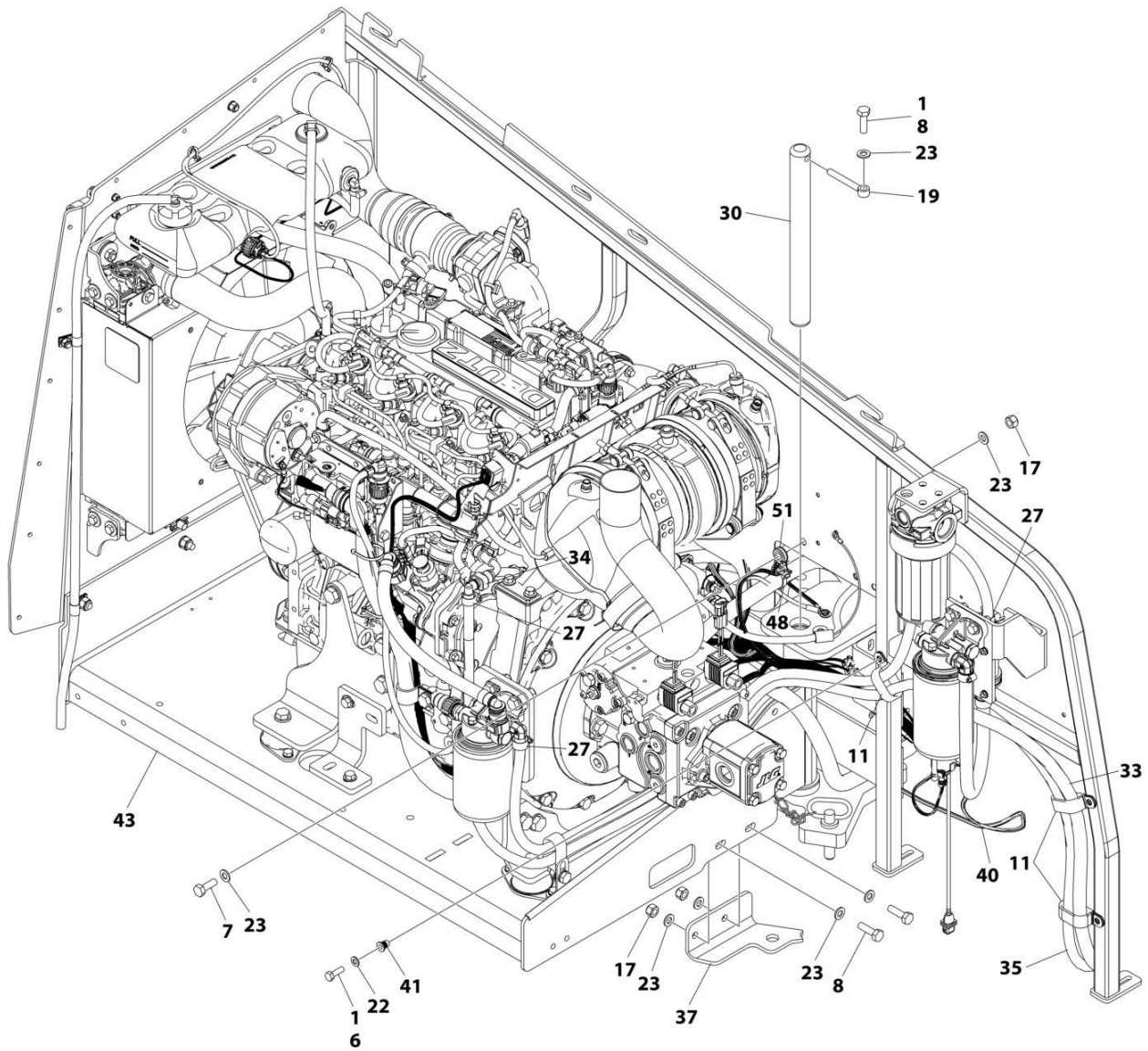
ITEM	PART NUMBER	QTY	DESCRIPTION	REV
	70007326	1	Gasket EGR Valve	
	70031095	1	Gasket, Exhaust Return Pipe (to Air Intake Housing)	
		Ref	Other Components	
	70001870	1	Flywheel	
	7024579	1	Gear, Ring	
		Ref	Oil Lube System	
	7020465	1	Cap, Oil Fill	
	70024904	1	Dipstick	
	70005941	2	Plug, Oil (Includes Seal)	
	70005172	1	Pump, Oil Lube (Includes O-Ring & Gasket)	
	70024494	1	Oil Cooler	
	7016331	1	Filter, Oil	





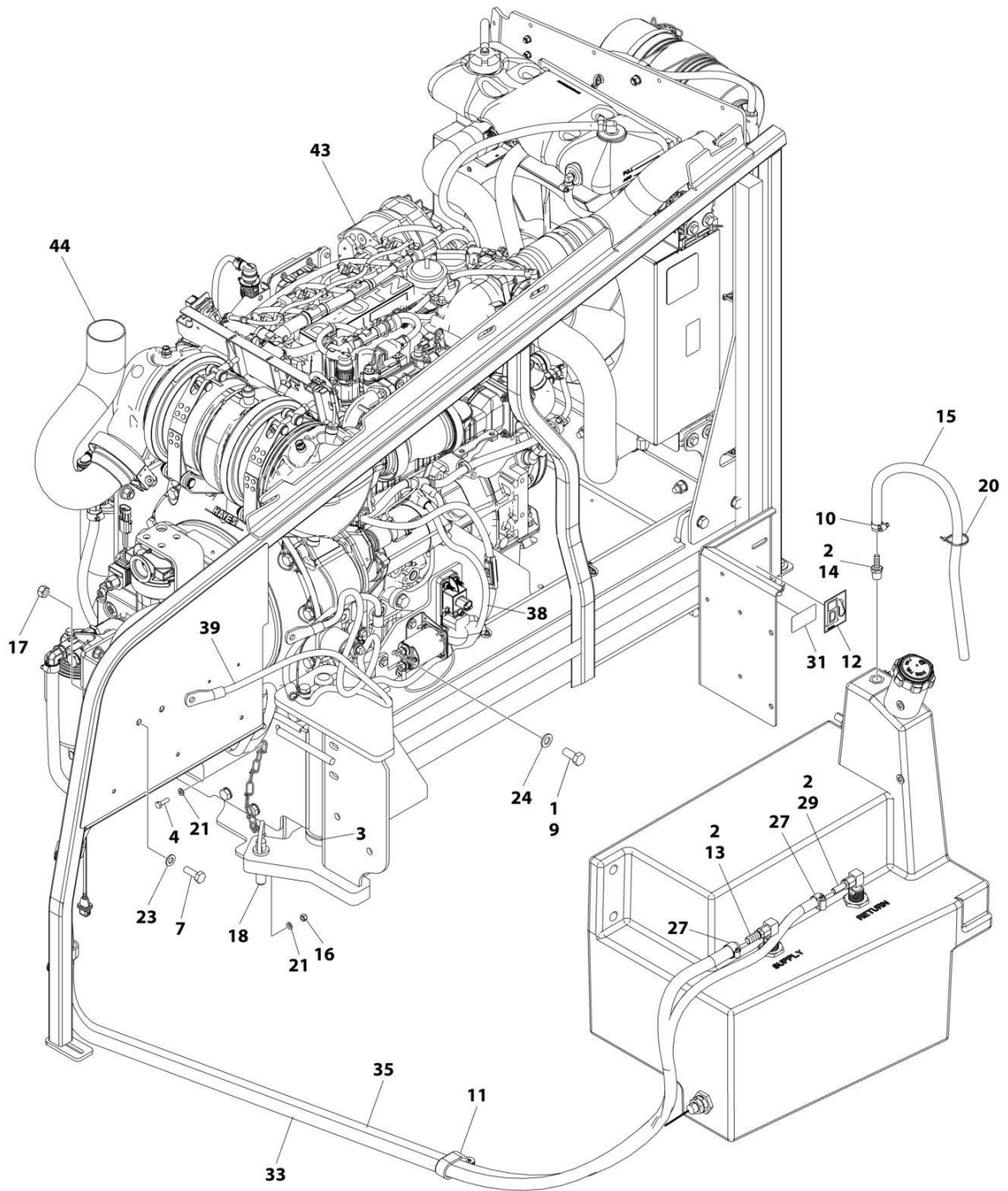
# SECTION 3 - ENGINE

FIGURE 3-17. ENGINE INSTALLATION - DEUTZ D2.9L4 ENGINE (STAGE V) (CE & UK CA SPECS)



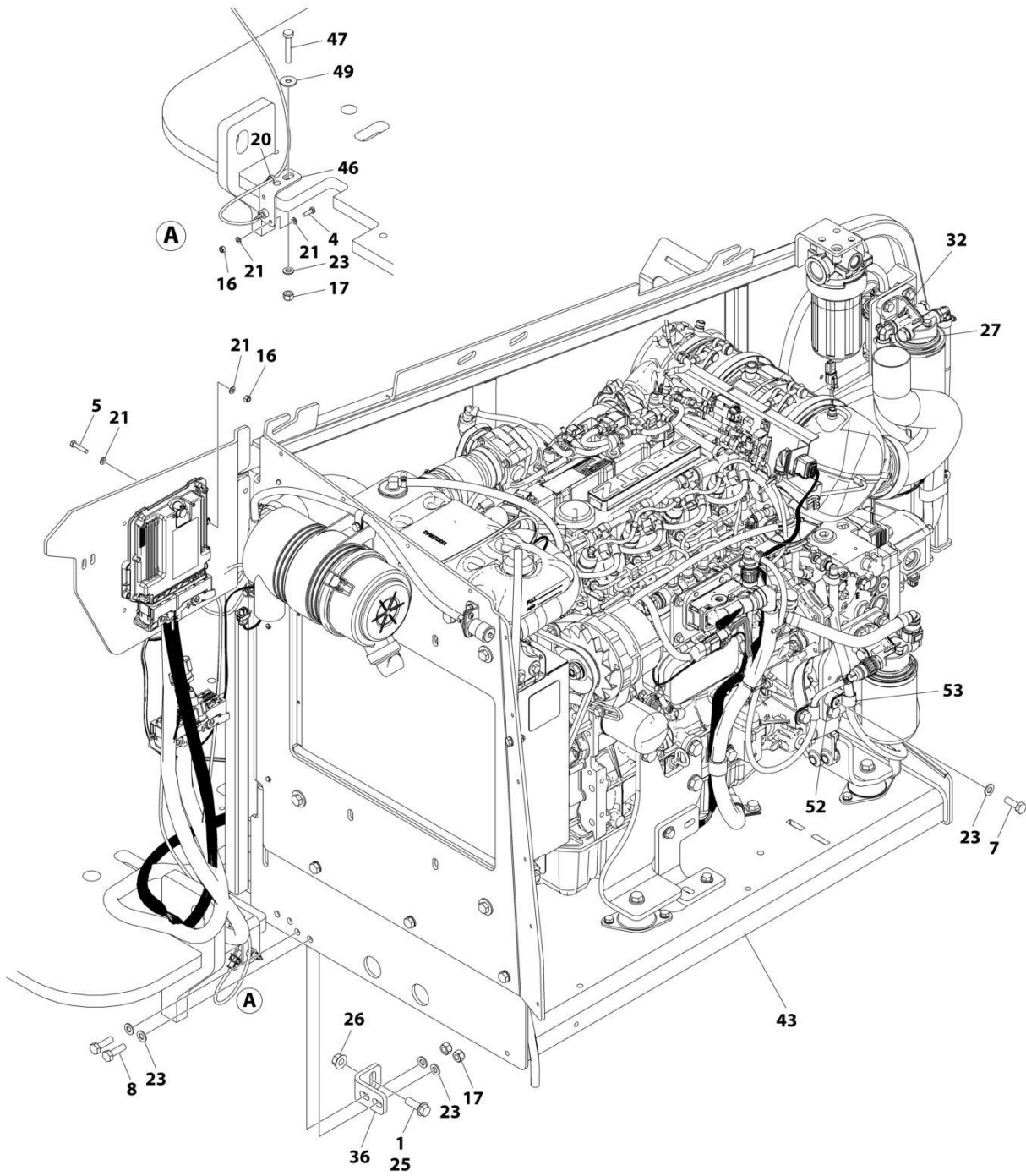
ART\_1001244287\_H\_10F3

# SECTION 3 - ENGINE



ART\_1001244287\_H\_20F3

# SECTION 3 - ENGINE



ART\_1001244287\_H\_30F3

## SECTION 3 - ENGINE

**FIGURE 3-17. ENGINE INSTALLATION - DEUTZ D2.9L4 ENGINE (STAGE V) (CE & UK CA SPECS)**

ITEM	PART NUMBER	QTY	DESCRIPTION	REV
	1001244287	Ref	ENGINE INSTALLATION - DEUTZ D2.9L4 ENGINE (STAGE V)	H
1	0100011	AR	Compound, Locking	
2	0100020	AR	Sealant, Pipe	
3	0440162	1	Bearing	
4	0760610	2	Bolt M6 x 20	
5	0760614	4	Bolt M6 x 30	
6	0760812	1	Bolt M8 x 25	
7	0761014	4	Bolt M10 x 30	
8	0761015	5	Bolt M10 x 35	
9	0771212	1	Bolt M12 x 25	
10	1320022	1	Clamp	
11	1321716	4	Clamp	
12	1701505	1	Decal - Diesel Fuel	
13	2180832	1	Fitting, Barbed	
14	2180876	1	Fitting, Barbed	
15	2720058	2 ft /0.6m	Hose	
16	3290605	6	Nut M6	
17	3291005	8	Nut M10	
18	3422532	1	Pin	
19	3841143	1	Keeper, Pin	
20	4240099	AR	Tie-Strap	
21	4811700	12	Washer M6	
22	4811900	1	Washer M8	
23	4812000	15	Washer M10	
24	4812100	1	Washer M12	
25	5251215	1	Bolt M12 x 35	
26	5261200	1	Nut, Flange M12 Grade 10.9	
27	8405006	6	Clamp	
29	2220767	AR	Fitting, Barbed 90	
29	8430007	AR	Fitting, Barbed	
30	1001135196	1	Pin	
31	1001139654	1	Decal - Ultra Low Sulfur Diesel	
32	1001142501	1	Fitting, Barbed 90	
33	1001154405	7.25 ft /2.21m	Hose	
34	1001155823	1	Coupling, Quick Disconnect 90	
35	1001165035	17.25 ft /5.26m	Hose	
36	1001167512	1	Bracket	
37	1001169823	1	Plate, Engine Lock	
38	1001171683	1	Cable, Battery (Red) (Battery Positive to Auxiliary Power Relay)	
39	1001171684	1	Cable, Battery (Black) (Battery Negative to Auxiliary Power Pump)	
40	1001181358	1	Harness, Fuel Pump (See Separate Breakdown in ELECTRICAL SECTION)	
41	1001191832	1	Nut, Rivet M8	
43	1001277600	1	Engine and Pump Sub-Assembly - Deutz D2.9L4 (Without Arctic Package) (See Separate Breakdown in this Section)	
44	1001247440	1	Pipe, Exhaust	
46	1001256879	1	Bracket	
47	0701020	1	Bolt M10 x 60	

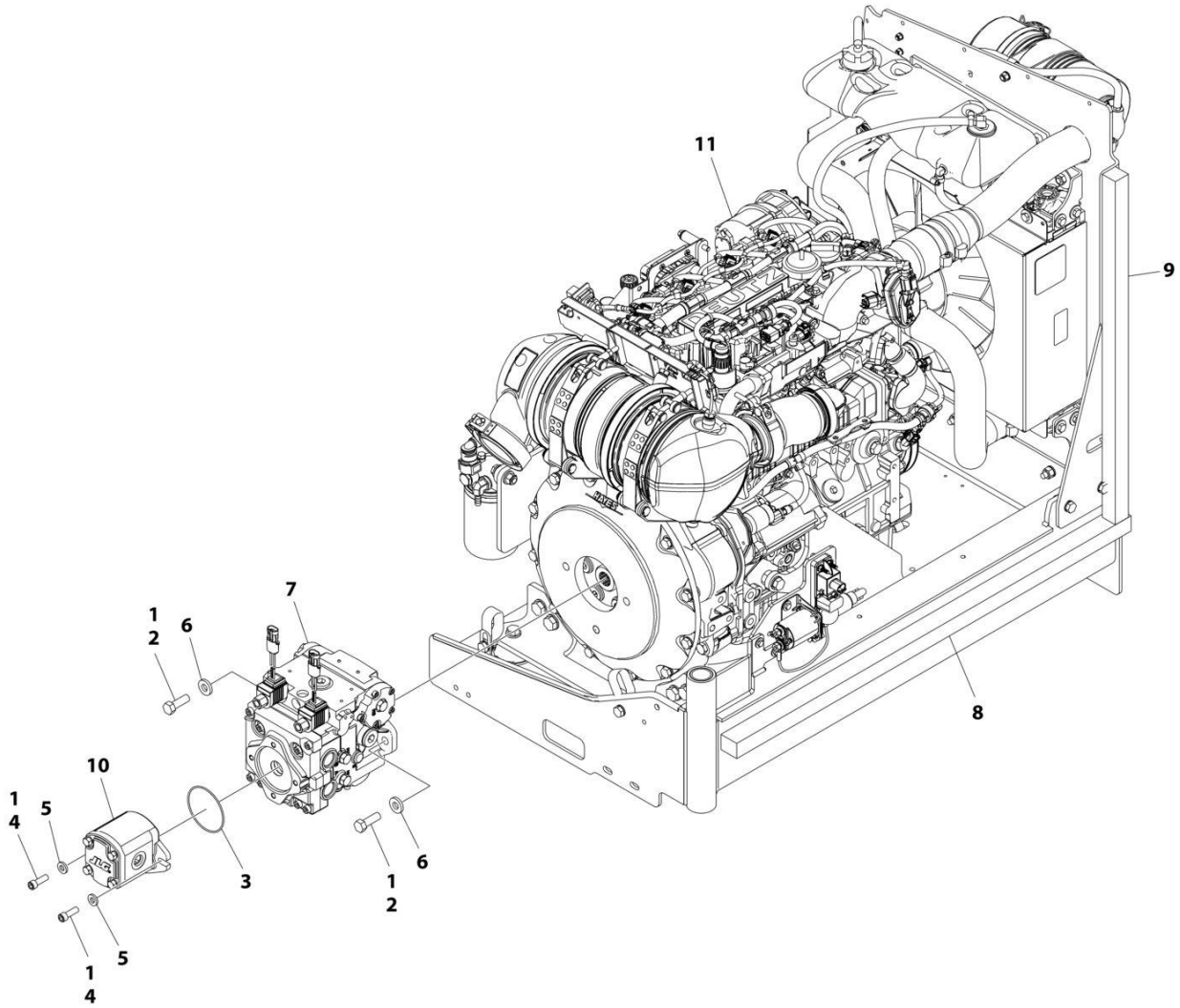
## SECTION 3 - ENGINE

ITEM	PART NUMBER	QTY	DESCRIPTION	REV
48	1062255	1	Tie-Strap	
49	4812002	1	Washer M10	
51	1001156107	1	Holder	
52	1001220266	1	Spacer	
53	1320061	1	Clamp	



# SECTION 3 - ENGINE

FIGURE 3-18. ENGINE AND PUMP SUB-ASSEMBLY - DEUTZ D2.9L4 ENGINE (STAGE V) (CE & UK CA SPECS)



ART\_1001277600



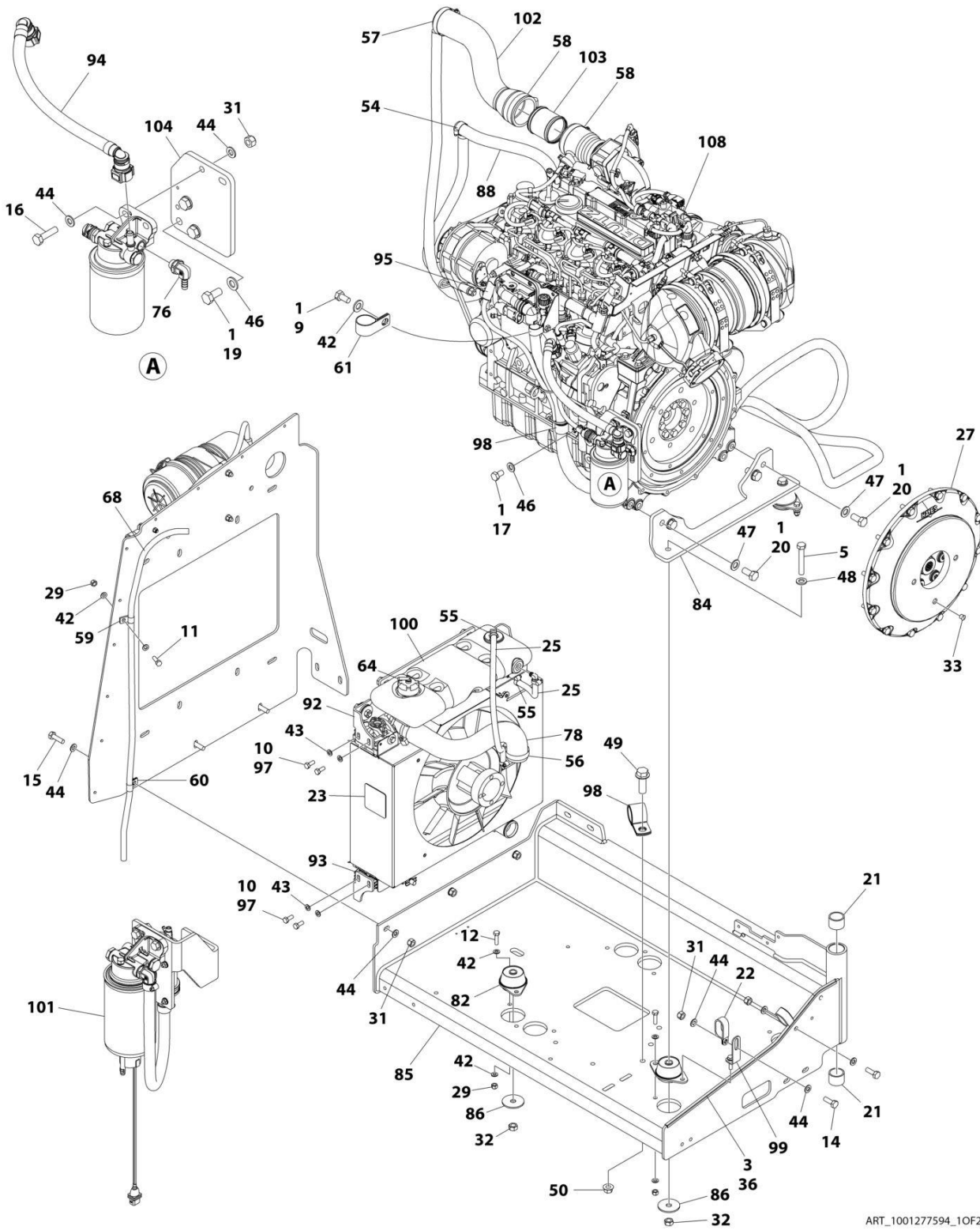
## SECTION 3 - ENGINE

**FIGURE 3-18. ENGINE AND PUMP SUB-ASSEMBLY - DEUTZ D2.9L4 ENGINE (STAGE V) (CE & UK CA SPECS)**

ITEM	PART NUMBER	QTY	DESCRIPTION	REV
	1001277600	Ref	ENGINE AND PUMP SUB-ASSEMBLY - DEUTZ (STAGE V) ENGINE	B
1	0100011	AR	Compound, Locking	
2	0641812	2	Bolt 1/2 x 1-1/2	
3	3790152	1	O-Ring	
4	3931618	2	Capscrew 3/8 x 1-1/8	
5	4891600	2	Washer 3/8 Hardened	
6	4891800	2	Washer 1/2 Hardened	
7	1001167036	1	Piston Pump Assembly (See Separate Breakdown in this Section)	
8	1001171953	1	Seal	
9	1001171954	1	Seal	
10	1001214207	1	Gear Pump Assembly	
10	70006356	1	Seal Kit - 1001214207 Pump	
11	1001277594	1	Engine Assembly, Deutz (Stage V) Engine (See Separate Breakdown in this Section)	

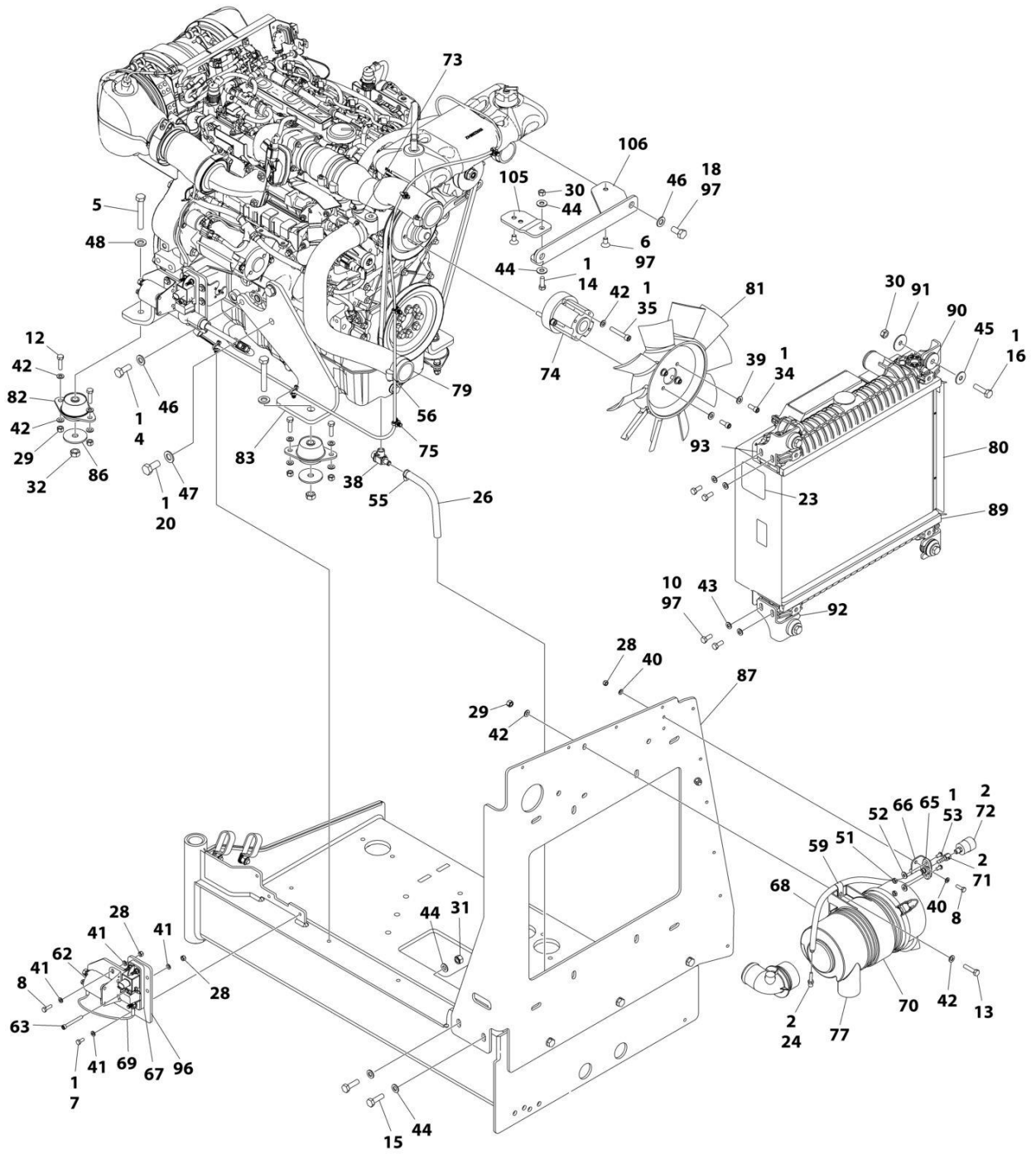
# SECTION 3 - ENGINE

## FIGURE 3-19. ENGINE ASSEMBLY - DEUTZ D2.9L4 ENGINE (STAGE V) (CE & UK CA SPECS)



ART\_1001277594\_10F2

# SECTION 3 - ENGINE



ART\_1001277594\_2OF2

## SECTION 3 - ENGINE

**FIGURE 3-19. ENGINE ASSEMBLY - DEUTZ D2.9L4 ENGINE (STAGE V) (CE & UK CA SPECS)**

ITEM	PART NUMBER	QTY	DESCRIPTION	REV
	1001277594	Ref	ENGINE ASSEMBLY, DEUTZ (STAGE V)	C
1	0100011	AR	Compound, Locking	
2	0100020	AR	Sealant, Pipe	
3	0100081	AR	Adhesive	
4	0711214	1	Bolt M12 x 30	
5	0711224	3	Bolt M12 x 80	
6	0741606	2	Screw 3/8 x 3/4	
7	0760607	3	Bolt M6 x 14	
8	0760610	4	Bolt M6 x 20	
9	0760808	1	Bolt M8 x 16	
10	0760810	8	Bolt M8 x 20	
11	0760812	1	Bolt M8 x 25	
12	0760814	6	Bolt M8 x 30	
13	0760815	2	Bolt M8 x 35	
14	0761014	3	Bolt M10 x 30	
15	0761015	5	Bolt M8 x 35	
16	0761016	6	Bolt M10 x 40	
17	0761210	1	Bolt M12 x 20	
18	0761212	2	Bolt M12 x 25	
19	0771212	3	Bolt M12 x 25	
20	0771414	6	Bolt M14 x 30	
21	0961951	2	Bushing	
22	1321716	2	Clamp	
23	1703162	2	Decal - Caution Fan	
24	2220315	1	Fitting, Barbed	
25	2720015	1.94 ft /0.59m	Hose	
26	2720340	0.66 ft/ 0.20m	Hose	
27	2902065	1	Pump Coupling Kit (See Separate Breakdown in this Section)	
28	3290605	5	Nut M6	
29	3290805	9	Nut M8	
30	3291001	5	Nut M10	
31	3291005	9	Nut M10	
32	3331215	3	Nut M12 x 1.75	
33	3520054	1	Plug	
34	3931512	4	Capscrew, 5/16 x 3/4	
35	4031914	4	Bolt M8 x 50	
36	4060805	2.03 ft /0.62m	Flex-Trim	
37	4240099	AR	Tie-Strap (Not Shown)	
38	4640751	1	Valve, Oil Drain	
39	4711500	4	Washer 5/16	
40	4811700	4	Washer M6	
41	4811702	8	Washer M6	
42	4811900	23	Washer M8	
43	4811902	8	Washer M8	
44	4812000	20	Washer M10	
45	4812002	4	Washer M10	
46	4812100	7	Washer M12	

## SECTION 3 - ENGINE

ITEM	PART NUMBER	QTY	DESCRIPTION	REV
47	4812200	6	Washer M14	
48	5241200	3	Washer M12	
49	5251215	1	Bolt M12 x 35	
50	5261200	1	Nut, Flange M12 Class10	
51	8305401	2	Nut Jam	
52	8307109	2	Washer 1/4	
53	8310548	2	Screw 1/4 x 1/2	
54	8405007	2	Clamp	
55	8405009	5	Clamp	
56	8405104	4	Clamp	
57	8405202	1	Clamp	
58	8405204	2	Clamp	
59	8406109	2	Clip	
60	8406110	1	Clip	
61	8406201	1	Clip	
62	1001117308	1	Relay, 200Amp	
63	1001118878	1	Bolt M6 x 55	
64	1001136834	1	Cap, Tank	
65	1001138173	1	Support, Service Indicator	
66	1001138175	1	Bracket, Service Indicator	
67	1001138228	1	Relay, Power Module	
68	1001138248	5.09 ft /1.55m	Tube	
69	1001141304	1	Harness, Glow Plug	
70	1001141694	1	Clamp, Air Cleaner	
71	1001141995	1	Fitting, Barbed	
72	1001143390	1	Indicator	
73	1001143797	1	Fitting, Barbed	
74	1001144116	1	Spacer, Fan	
75	1001146588	AR	Tie-Strap (Not Shown)	
76	1001152489	1	Fitting, Barbed 90	
77	1001165388	1	Air Cleaner Assembly	
78	1001165405	1	Hose, Upper Radiator	
79	1001165406	1	Hose, Lower Radiator	
80	1001165722	1	Radiator	
81	1001165849	1	Fan	
82	1001166718	3	Mount, Motor	
83	1001166921	1	Plate, Engine Mount	
84	1001166924	1	Plate, Engine Mount	
85	1001167520	1	Tray, Engine	
86	1001168018	3	Washer, Special	
87	1001168026	1	Plate, Radiator Mounting	
88	1001168099	1	Hose	
89	1001168166	2	Seal	
90	1001169054	4	Isolator	
91	1001169138	4	Washer, Snubbing	
92	1001169967	2	Bracket	
93	1001170035	2	Bracket	
94	1001177359	1	Hose	
95	1001178788	1	Cable, Alternator	
96	1001179903	1	Bracket	
97	1001180620	AR	Adhesive	

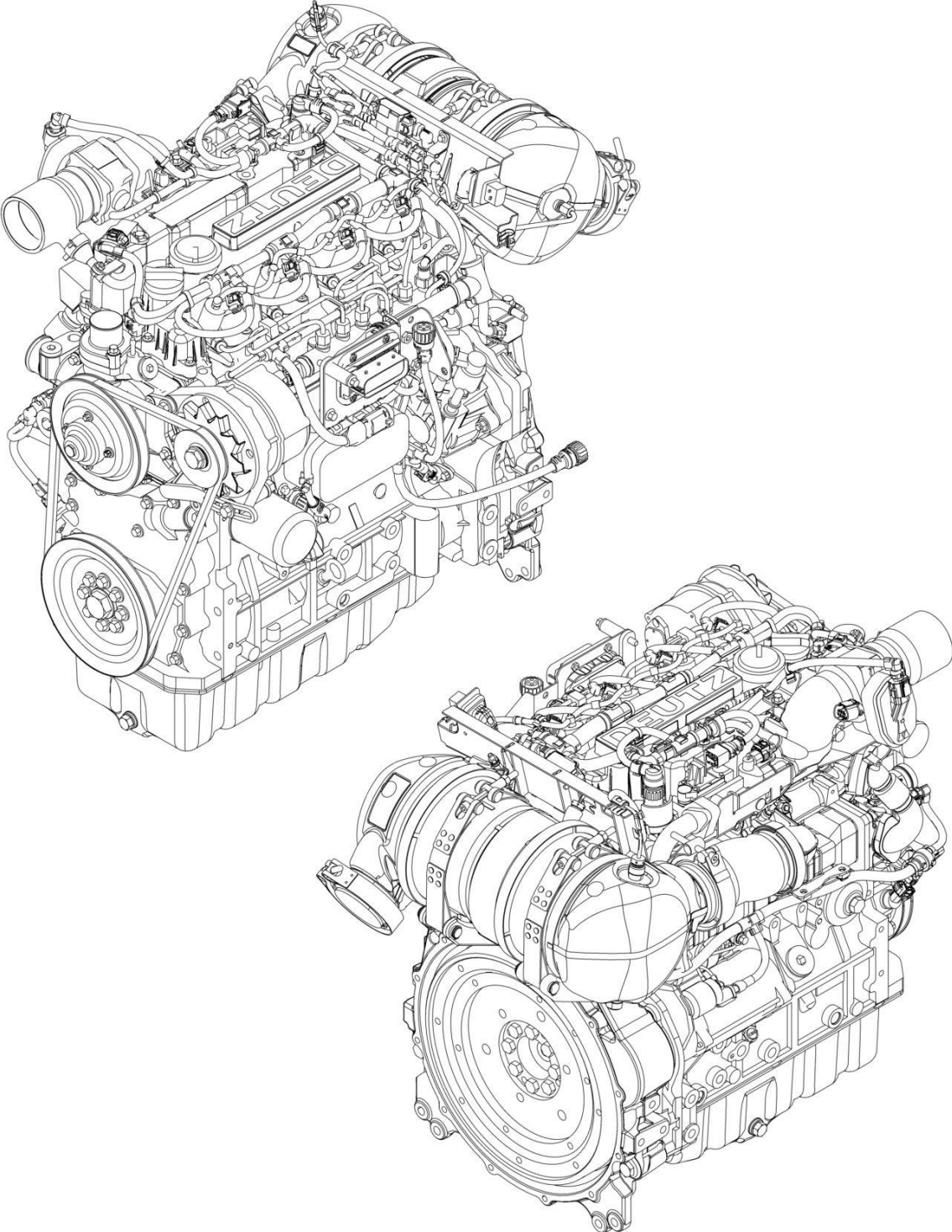
## SECTION 3 - ENGINE

ITEM	PART NUMBER	QTY	DESCRIPTION	REV
98	1001191620	2	Clamp	
99	1001223122	1	Support	
100	1001230635	1	Tank, Surge (Includes Items 62, 70, & 73)	
101	1001235949	1	Bracket (See Separate Breakdown in this Section)	
102	1001236780	1	Hose, Air Intake	
103	1001238911	1	Pipe, Air Intake	
104	1001258804	1	Mount, Fuel Filter	
105	1001260412	1	Bracket	
106	1001260420	1	Bracket (note: may require P/N 1001260412)	
107	1001276643	1	Harness, Engine (Not Shown - See Separate Breakdown in ELECTRICAL Section)	
108	1001277589	1	Engine, Deutz 2.9L4 (Stage V) (See Separate Breakdown in this Section)	



**SECTION 3 - ENGINE**

**FIGURE 3-20. ENGINE COMPONENTS - DEUTZ D2.9L4 ENGINE (STAGE V) (CE & UK CA SPECS)**



ART\_1001277589



## SECTION 3 - ENGINE

**FIGURE 3-20. ENGINE COMPONENTS - DEUTZ D2.9L4 ENGINE (STAGE V) (CE & UK CA SPECS)**

ITEM	PART NUMBER	QTY	DESCRIPTION	REV
	1001277589	Ref	DEUTZ ENGINE COMPONENTS	B
		Ref	<b>COOLING SYSTEM COMPONENTS</b>	
	70031474	1	Cooler, Oil	
	70031388	1	Seal, Oil Cooler	
	70030360	1	Pump, Coolant (Includes Gaskets & Seals)	
	70031055	1	O-Ring, Coolant Pump	
	70007325	1	Gasket	
	70007603	1	Thermostat	
	70005184	1	O-Ring, Thermostat	
	70005931	1	Gasket, Thermostat	
		Ref	<b>ELECTRICAL SYSTEM COMPONENTS</b>	
	70024513	1	Cable, Primary Fuel Filter Sensor (Includes Seal)	
	70025239	1	Seal	
	70028538	1	Sensor, Fuel Pressure (at Filter) (Includes Seal)	
	70024920	1	Seal	
	70029512	1	Module, ECU/ECM	
	70027405	1	Sensor, Exhaust Temperature	
	70031144	1	Starter	
	70008435	1	Generator (includes Regulator)	
	70031143	1	Regulator	
	70000345	4	Plug, Glow	
	70025231	1	Harness, Glow Plug	
	70008553	1	Cable, Interconnect	
	70008558	1	Harness, Engine	
	1001211556	1	Sensor, Temperature (Includes O-Seal)	
	70005507	1	O-Seal	
	70028540	1	Sensor, Temperature (in Cylinder Head)	
	70024504	1	Sensor, Oil Pressure (Side of Block) (Includes Seal)	
	70024920	1	Seal	
	70026210	2	Sensor, Speed (Includes O-Ring/Seal)	
	70005191	1	O-Ring	
	70024917	1	Seal	
	70008559	1	Sensor, Air Pressure (Air Exchange Manifold) (Includes O-Ring)	
	70008561	1	Sensor, Air Pressure (Air Exchange Manifold) (Includes O-Ring)	
	70024505	1	Sender, Exhaust Temperature	
	70029409	1	Sender, Exhaust Temperature	
	70008431	1	Sensor, Exhaust Pressure	
		Ref	<b>EXHAUST SYSTEM COMPONENTS</b>	
	70025130	8	Bolt, Exhaust Manifold	
	70025164	1	Gasket, Exhaust Manifold to Head	
	70005505	2	O-Seal	
	70008543	1	Pipe, Exhaust	
	70008544	1	O-Seal, Exhaust (Venturi Tube to Exhaust Pipe)	
	70008545	1	Gasket, Square Exhaust	
	70005504	1	Sensor, Exhaust Pressure (Includes O-Seals)	
	70031136	1	Gasket, Exhaust (Upper)	
	70007354	1	Gasket, Exhaust (Lower)	
	70008547	1	Module, EGR (Includes Gasket)	
	70007326	1	Gasket	
	70025242	2	Gasket, Compensator	

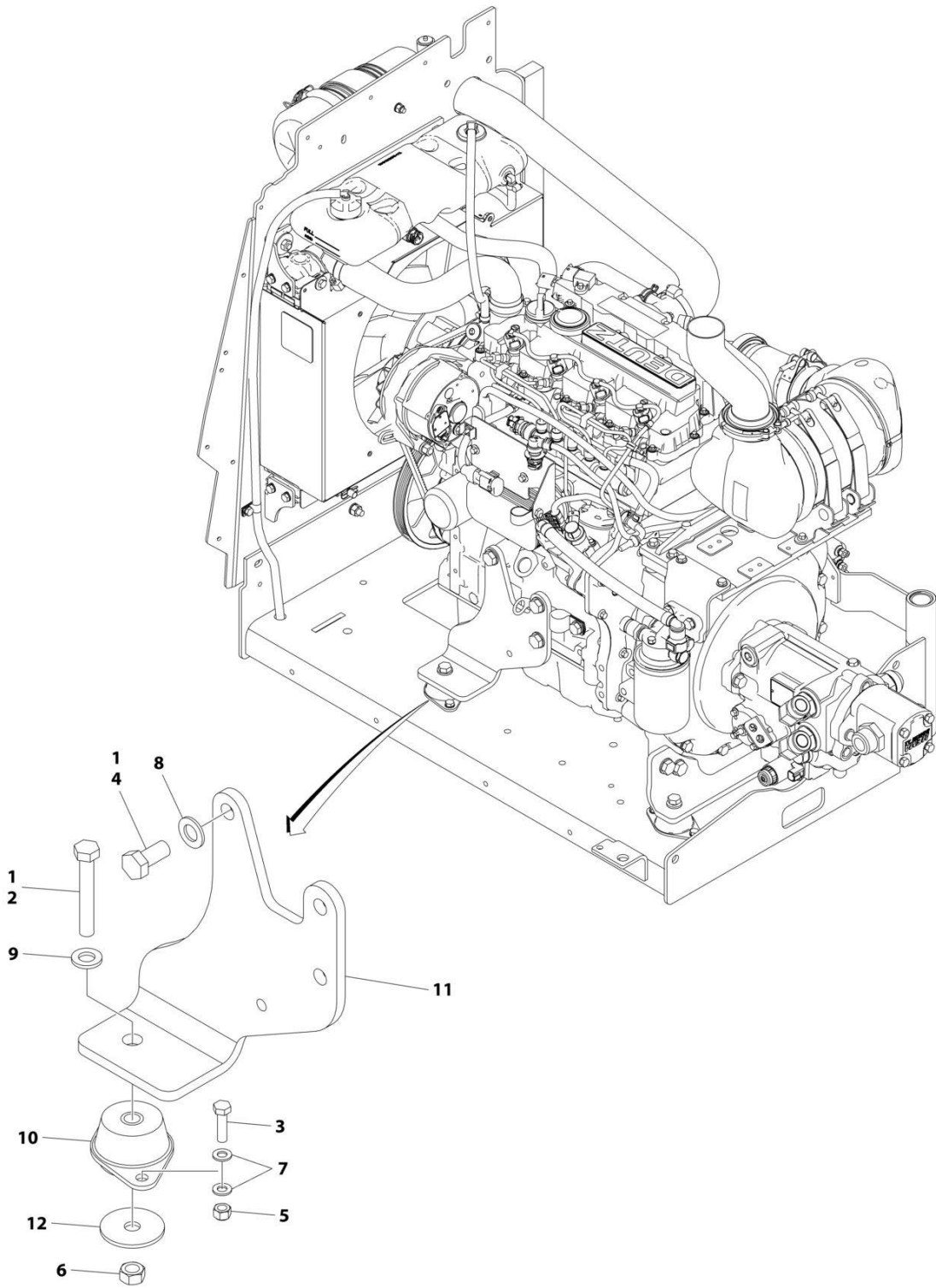
## SECTION 3 - ENGINE

ITEM	PART NUMBER	QTY	DESCRIPTION	REV
	70004504	1	Compensator	
	70008564	1	Catalyst	
		Ref	<b>FUEL SYSTEM COMPONENTS</b>	
	1001225430	1	Filter, Primary Fuel	
	1001225431	1	Filter, Fuel	
	70030381	1	Pump, High Pressure	
	70025152	1	O-Ring (Between Pump AND Spacer)	
	70004505	1	Valve, Overflow (Includes O-Rings)	
	70004506	1	O-Ring	
	70004507	1	O-Ring	
	70004508	1	Valve, Volume Control (Includes O-Ring & Gasket)	
	70004509	1	O-Ring	
	70004510	1	Gasket	
	70004281	4	Injector, Fuel (Includes Sealing Washer & O-Ring)	
	70025140	1	Washer, Sealing	
	70025145	1	O-Rin	
	70008422	1	Pump, Fuel Supply (Includes Clamps)	
	70025144	2	Clamp	
	70008537	1	Valve, Throttle (Includes Gasket)	
	70008538	1	Gasket	
		Ref	<b>GASKETS &amp; SEAL &amp; KITS</b>	
	70024906	1	Gasket, Head	
	70005171	1	Gasket, Valve Cover	
	70002718	1	Seal, Rear Main	
	70028185	1	Gasket, Front Cover	
	70008296	1	Seal, Front Main	
	70025235	1	Kit, Repair - Fuel Rail	
	70005176	1	O-Ring, Charge Exchange Manifold	
	70005177	1	Gasket, Charge Exchange Manifold	
	70005938	1	Gasket Kit	
		Ref	<b>LUBRICATION SYSTEM COMPONENTS</b>	
	7016331	1	Filter, Oil	
	70024904	1	Dipstick (Includes O-Ring)	
	70024905	1	O-Ring, Dipstick	
	7020465	2	Cap, Oil Fill	
	70005941	1	Plug, Oil Drain	
	70005942	1	Washer, Oil Drain Plug	
	70005172	1	Pump, Oil Lube (Includes Gasket & O-Ring)	
		Ref	<b>MECHANICAL COMPONENTS</b>	
	70001870	1	Flywheel (Includes Ring Gear)	
	7024579	1	Gear, Ring	
	70024913	1	V-Belt	



# SECTION 3 - ENGINE

## FIGURE 3-21. MOTOR MOUNT INSTALLATION - DEUTZ D2.9L4 ENGINE (STAGE V) WITHOUT GENERATOR



ART\_1001244024

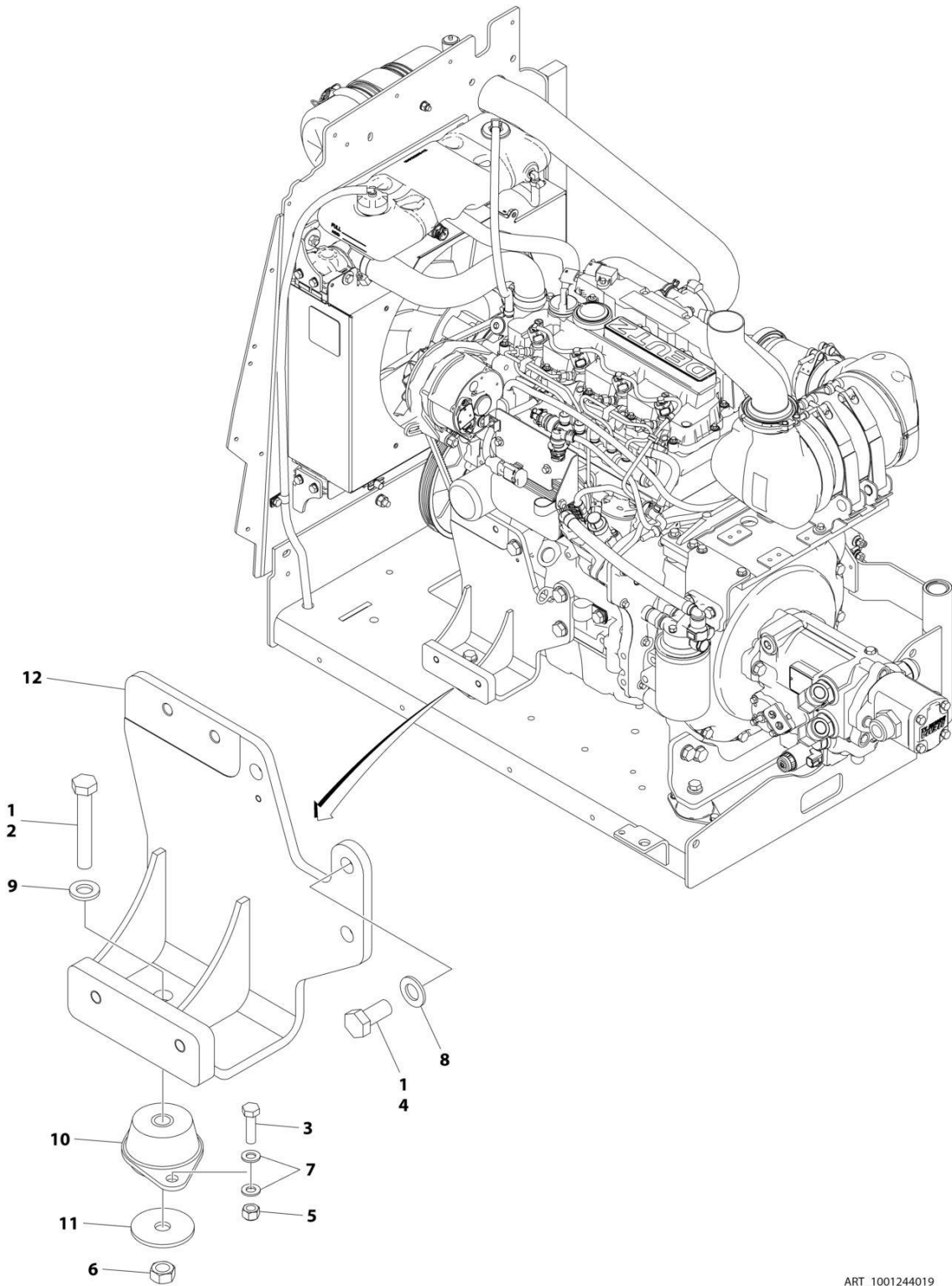
## SECTION 3 - ENGINE

**FIGURE 3-21. MOTOR MOUNT INSTALLATION - DEUTZ D2.9L4 ENGINE (STAGE V) WITHOUT GENERATOR**

ITEM	PART NUMBER	QTY	DESCRIPTION	REV
	1001244024	Ref	MOTOR MOUNT INSTALLATION	A
1	0100011	AR	Compound, Locking	
2	0711224	1	Bolt M12 x 80	
3	0760814	2	Bolt M8 x 30	
4	0771414	3	Bolt M14 x 30	
5	3290805	2	Nut M8	
6	3331211	1	Nut M12	
7	4811900	4	Washer M8	
8	4812200	3	Washer M14	
9	5241200	1	Washer M12	
10	1001166718	1	Mount, Motor	
11	1001166922	1	Mount	
12	1001168018	1	Washer	

# SECTION 3 - ENGINE

## FIGURE 3-22. MOTOR MOUNT INSTALLATION - DEUTZ D2.9L4 ENGINE (STAGE V) WITH GENERATOR



ART\_1001244019

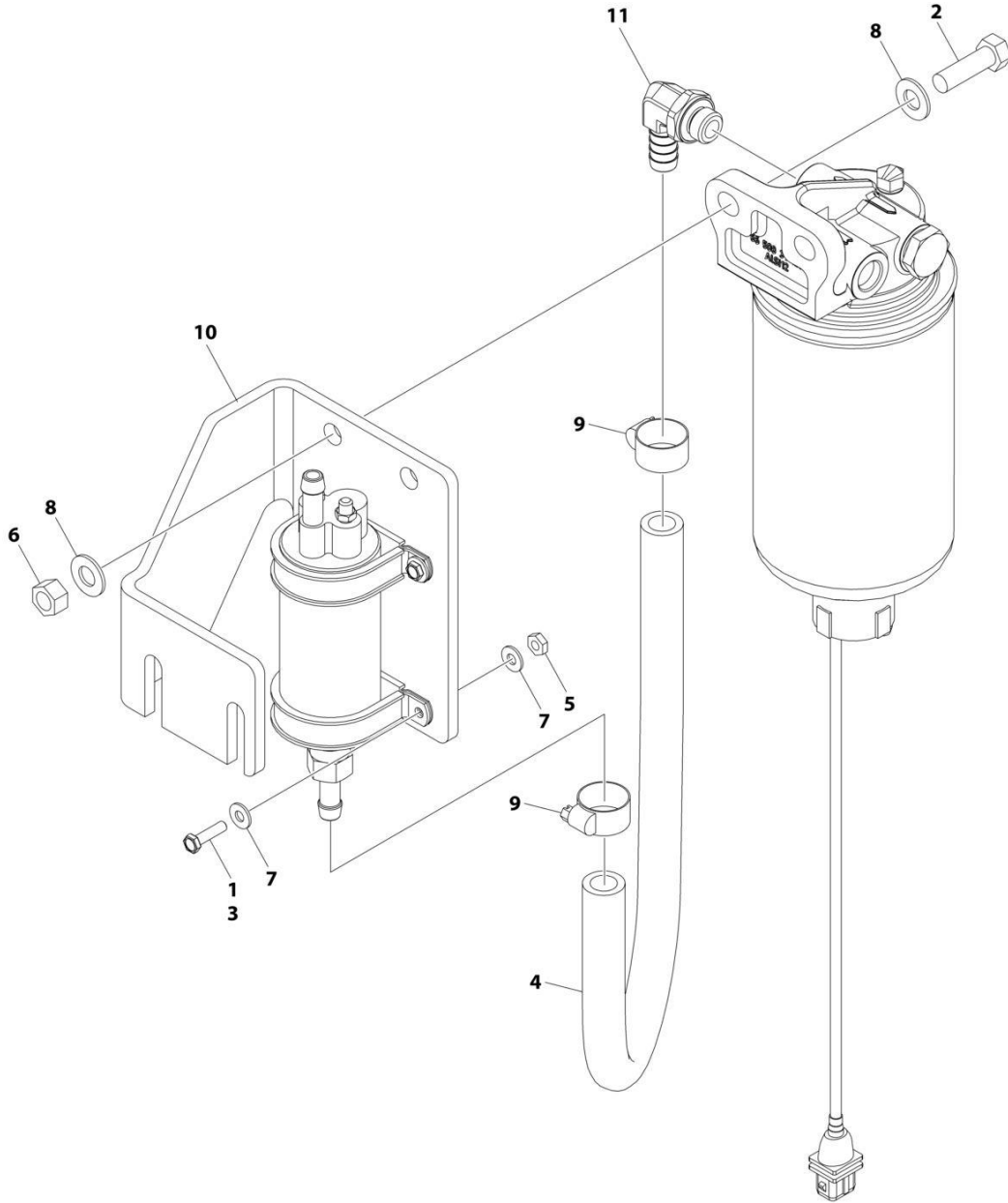
## SECTION 3 - ENGINE

**FIGURE 3-22. MOTOR MOUNT INSTALLATION - DEUTZ D2.9L4 ENGINE (STAGE V) WITH GENERATOR**

ITEM	PART NUMBER	QTY	DESCRIPTION	REV
	1001244019	Ref	MOTOR MOUNT INSTALLATION	A
1	0100011	AR	Compound, Locking	
2	0711224	1	Bolt M12 x 80	
3	0760814	2	Bolt M8 x 30	
4	0771414	3	Bolt M14 x 30	
5	3290805	2	Nut M8	
6	3331211	1	Nut M12	
7	4811900	4	Washer M8	
8	4812200	3	Washer M14	
9	5241200	1	Washer M12	
10	1001166718	1	Mount, Motor	
11	1001168018	1	Washer	
12	1001168207	1	Mount	

# SECTION 3 - ENGINE

## FIGURE 3-23. BRACKET ASSEMBLY - FUEL PUMP AND FILTER (DEUTZ D2.9L4 ENGINE)



ART\_1001162335



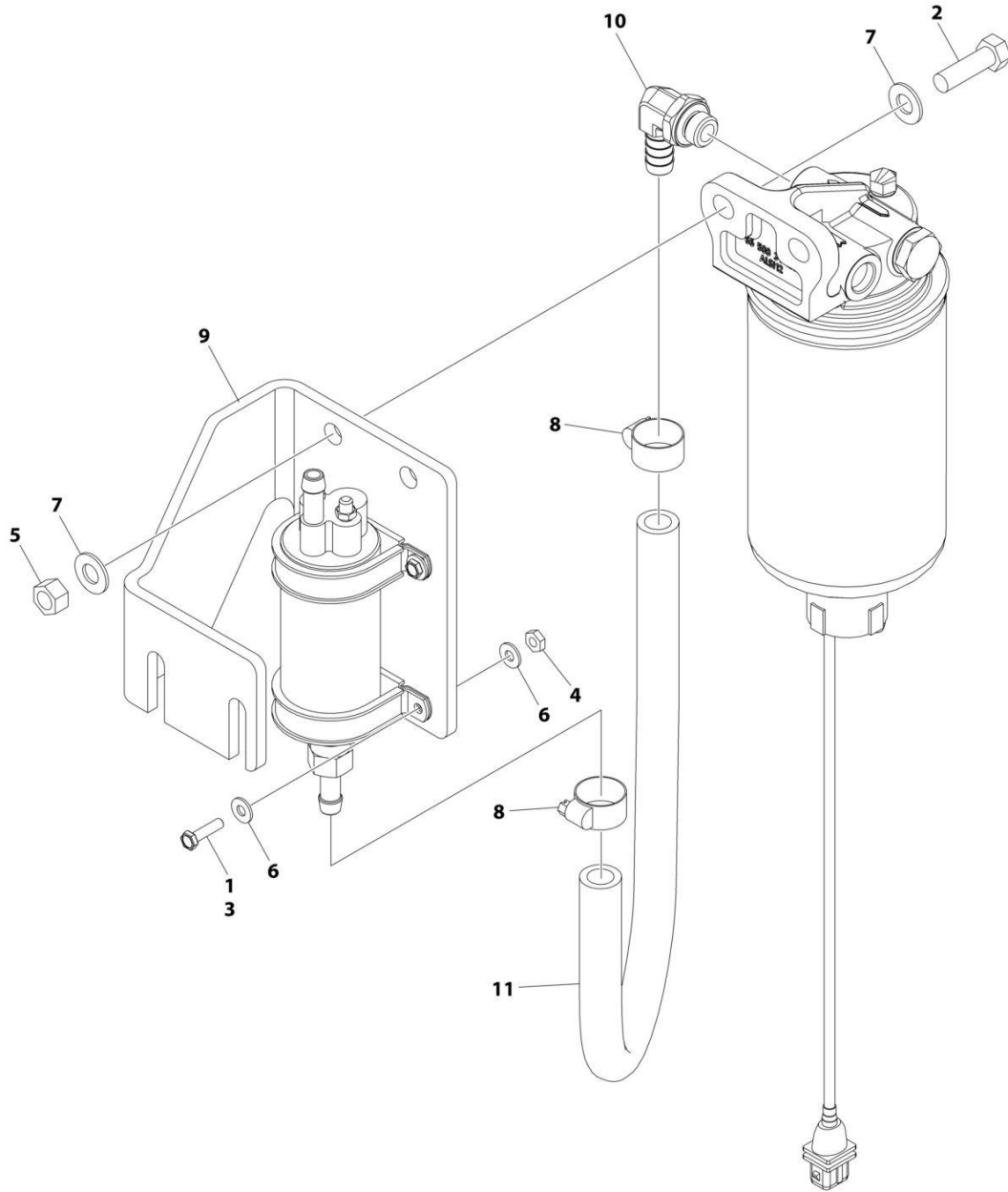
## SECTION 3 - ENGINE

**FIGURE 3-23. BRACKET ASSEMBLY - FUEL PUMP AND FILTER (DEUTZ D2.9L4 ENGINE)**

ITEM	PART NUMBER	QTY	DESCRIPTION	REV
	1001162335	Ref	BRACKET ASSEMBLY - FUEL PUMP AND FILTER (DEUTZ D2.9L4 ENGINE)	E
1	0100011	AR	Compound, Locking	
2	0641610	2	Bolt 3/8 x 1-1/4	
3	0721006	4	Bolt #10 x 3/4	
4	1001154405	AR	Hose	
5	3311001	4	Nut #10	
6	3311605	2	Nut 3/8	
7	4711000	8	Washer #10	
8	4711600	4	Washer 3/8	
9	8405006	2	Clamp	
10	1001141870	1	Plate, Fuel Pump Mount	
11	1001142501	1	Fitting, Elbow Barbed	

# SECTION 3 - ENGINE

## FIGURE 3-24. BRACKET ASSEMBLY - FUEL PUMP AND FILTER (DEUTZ D2.9L4 ENGINE) (STAGE V)



ART\_1001235949

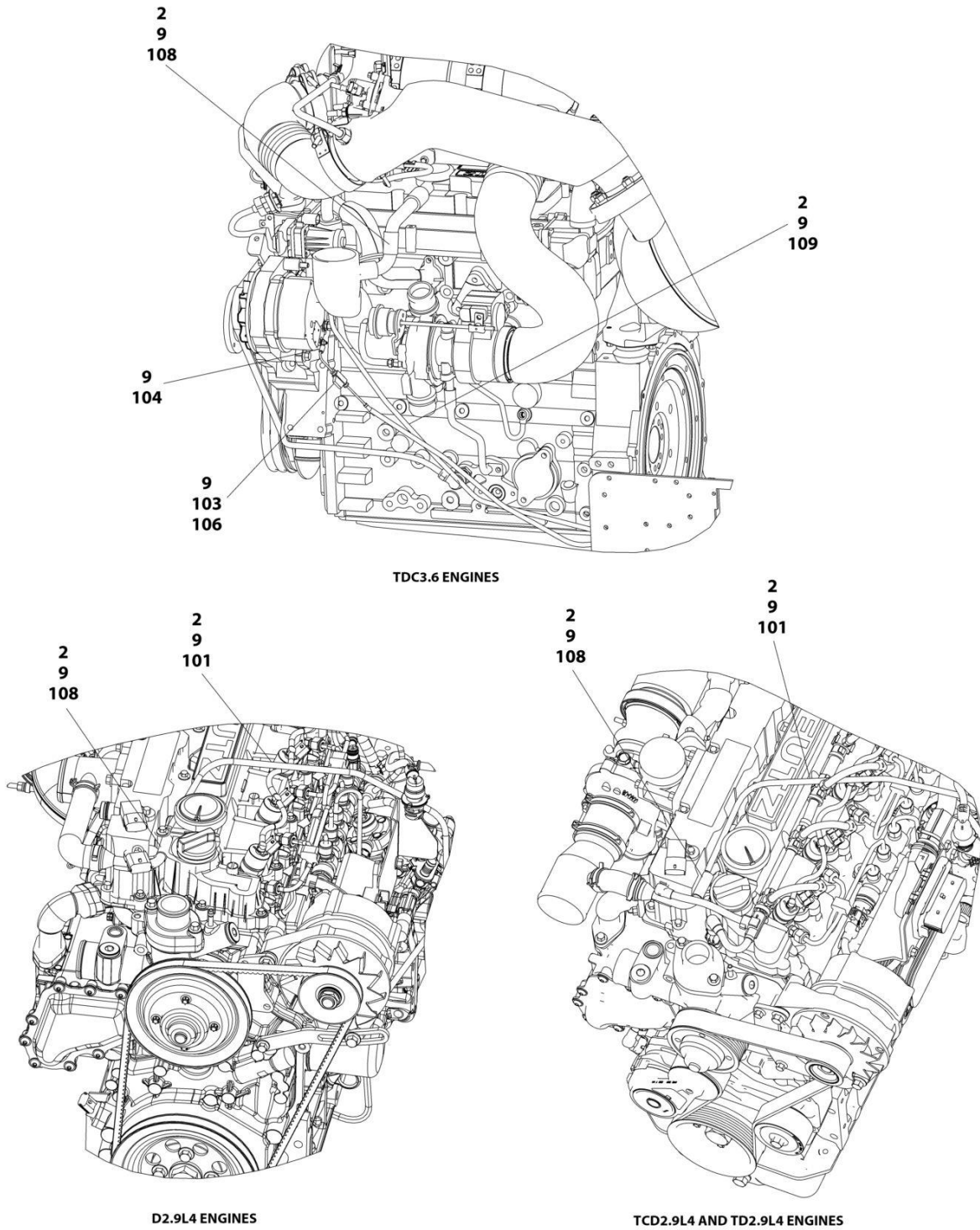
## SECTION 3 - ENGINE

**FIGURE 3-24. BRACKET ASSEMBLY - FUEL PUMP AND FILTER (DEUTZ D2.9L4 ENGINE) (STAGE V)**

ITEM	PART NUMBER	QTY	DESCRIPTION	REV
	1001235949	Ref	BRACKET ASSEMBLY - FUEL PUMP AND FILTER (DEUTZ D2.9L4 (STAGE V) ENGINE)	A
1	0100035	AR	Compound, Locking	
2	0641610	2	Bolt 3/8 x 1-1/4	
3	0721006	4	Bolt #10 x 3/4	
4	3311001	4	Nut #10	
5	3311605	2	Nut 3/8	
6	4711000	8	Washer #10	
7	4711600	4	Washer 3/8	
8	8405006	2	Clamp	
9	1001141870	1	Plate, Fuel Pump Mount	
10	1001142501	1	Fitting, Elbow Barbed	
11	1001154405	1.5 ft /0.4m	Hose	

# SECTION 3 - ENGINE

## FIGURE 3-25. BREATHER HEATER INSTALLATION - DEUTZ D2.9L4 ENGINE WITH ARCTIC PACKAGE



ART\_1001233763

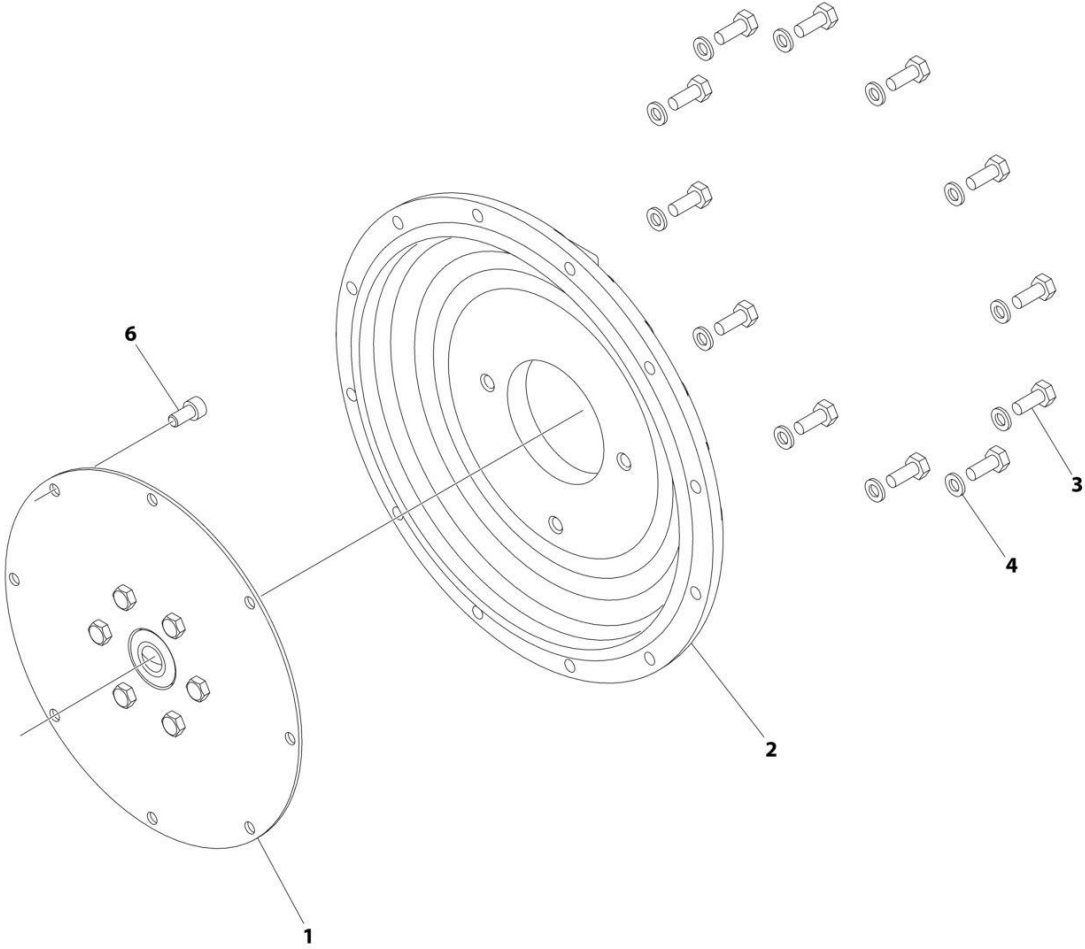
## SECTION 3 - ENGINE

**FIGURE 3-25. BREATHER HEATER INSTALLATION - DEUTZ D2.9L4 ENGINE WITH ARCTIC PACKAGE**

ITEM	PART NUMBER	QTY	DESCRIPTION	REV
	1001233763	Ref	BREATHER HEATER INSTALLATION - DEUTZ ENGINES	D
2	4240099	AR	Tie-Strap	
9	1001243895	1	Breather Heater Harness	C
101	2820035	AR	Insulation	
103	2400060	1	Fuseholder with Cover	
104	4460043	1	Terminal, Ring	
105	4460722	1	Terminal, Ring (Not Shown)	
106	1001196634	1	Fuse - 2 Amp	
108	1001232842	1	Breather Heater Kit	

**SECTION 3 - ENGINE**

**FIGURE 3-26. PUMP COUPLING KIT – DEUTZ ENGINES**



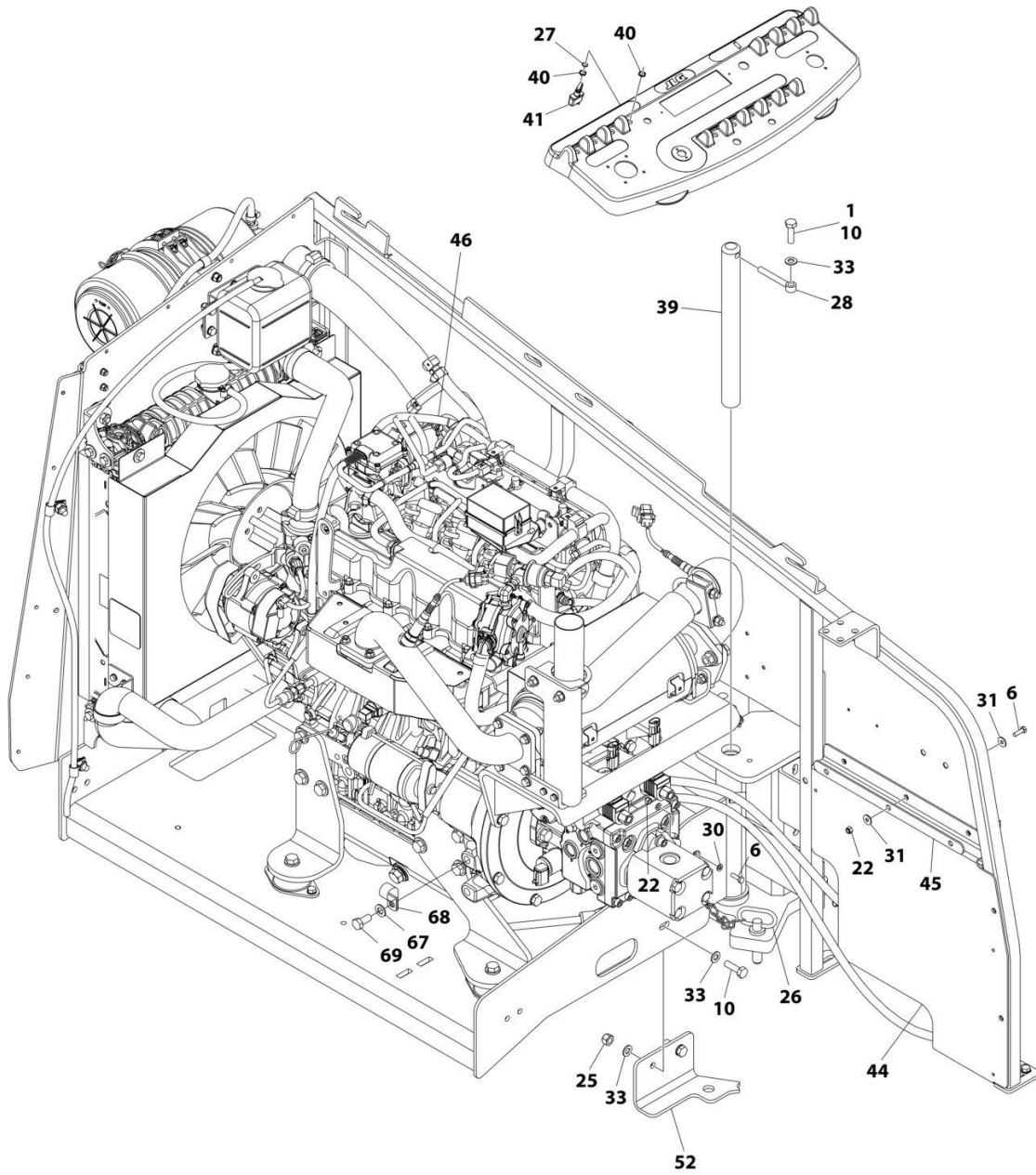
ART\_2902065

**SECTION 3 - ENGINE****FIGURE 3-26. PUMP COUPLING KIT – DEUTZ ENGINES**

<b>ITEM</b>	<b>PART NUMBER</b>	<b>QTY</b>	<b>DESCRIPTION</b>	<b>REV</b>
	2902065	Ref	PUMP COUPLING KIT	L
1	70000793	1	Coupling, Hayes	
2	See Note	NSS	Plate, Pump Adapter (Note: Use p/n 2902065)	
3	See Note	NSS	Bolt M10 x 30 Grade 10.9 (Note: Use p/n 2902065)	
4	See Note	NSS	Washer M10 (Note: Use p/n 2902065)	
6	See Note	NSS	Bolt M10 x 20 Grade 10.9 (Note: Use p/n 2902065)	

# SECTION 3 - ENGINE

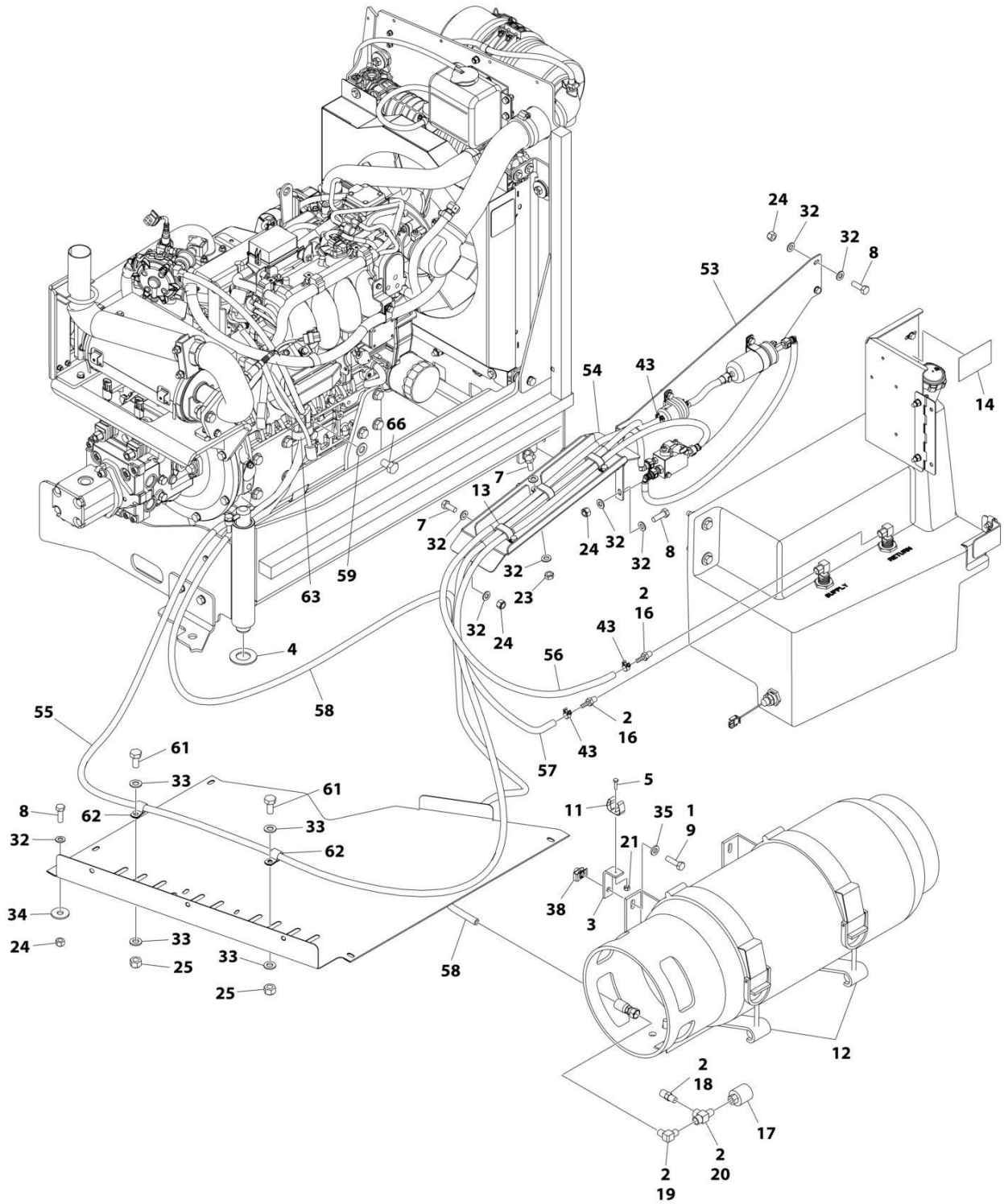
## FIGURE 3-27. ENGINE INSTALLATION - KUBOTA ENGINE (WITHOUT ARCTIC PACKAGE)



ART\_1001236251\_10F3

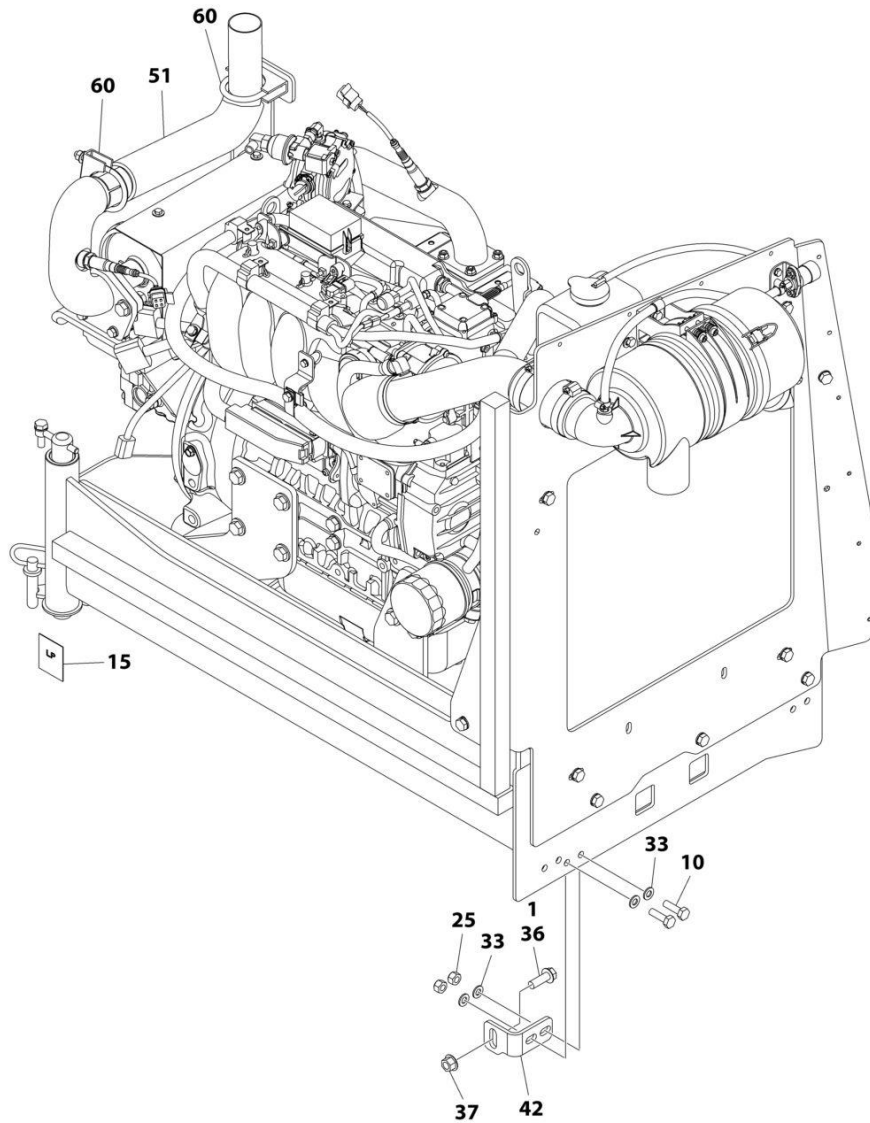


# SECTION 3 - ENGINE



ART\_1001236251\_20F3

# SECTION 3 - ENGINE



ART\_1001236251\_30F3

## SECTION 3 - ENGINE

**FIGURE 3-27. ENGINE INSTALLATION - KUBOTA ENGINE (WITHOUT ARCTIC PACKAGE)**

ITEM	PART NUMBER	QTY	DESCRIPTION	REV
	1001236251	Ref	ENGINE INSTALLATION - KUBOTA ENGINE (WITHOUT ARCTIC PACKAGE)	A
1	0100011	AR	Compound, Locking	
2	0100020	AR	Sealant, Pipe	
3	0181949	1	Angle	
4	0440162	1	Bearing	
5	0760408	1	Bolt M4 x 16	
6	0760610	4	Bolt M6 x 20	
7	0760810	6	Bolt M8 x 20	
8	0760812	4	Bolt M8 x 25	
9	0760814	4	Bolt M8 x 30	
10	0761015	5	Bolt M10 x 35	
11	1320218	1	Clamp	
12	1320220	1	Clamp Kit - LP	
13	1321283	3	Clamp	
14	1701542	1	Decal - Gas	
15	1701543	1	Decal - LPG	
16	2180348	2	Fitting, Barbed	
17	2180387	1	Fitting, LP	
18	2180389	1	Fitting	
19	2180504	1	Fitting, Barbed	
20	2220290	1	Fitting, Tee FNPTF/NPTF/FNPTF	
21	3290405	1	Nut Lock M4	
22	3290605	4	Nut Lock M6	
23	3290801	3	Nut M8	
24	3290805	7	Nut Lock M8	
25	3291005	8	Nut Lock M10	
26	3422532	1	Pin	
27	3790012	1	O-Ring	
28	3841143	1	Keeper, Pin	
29	4240099	AR	Tie-Strap (Not Shown)	
30	4811700	2	Washer M6	
31	4811702	6	Washer M6	
32	4811900	19	Washer M8	
33	4812000	17	Washer M10	
34	4812002	1	Washer M10	
35	5240800	4	Washer M8 Hardened	
36	5251215	1	Bolt M12 x 35	
37	5261200	1	Nut M12 Grade 10.9	
38	1001118274	4	Nut Special M8	
39	1001135196	1	Pin	
40	1001155044	2	Nut Special 15/32	
41	1001161710	1	Switch, Toggle	
42	1001167512	1	Bracket, Engine Tray Stow	
43	1001174486	3	Clamp	
44	1001196376	1	Seal, Rubber	
45	1001204123	1	Plate, Support	
46	1001236254	1	Engine and Pump Sub-Assembly - Kubota Engine (Without Arctic Package) (See Separate Breakdown in this Section)	
47	1001212257	1	Cable, Battery (Red) (Alternator Positive to Starter) (Not Shown)	

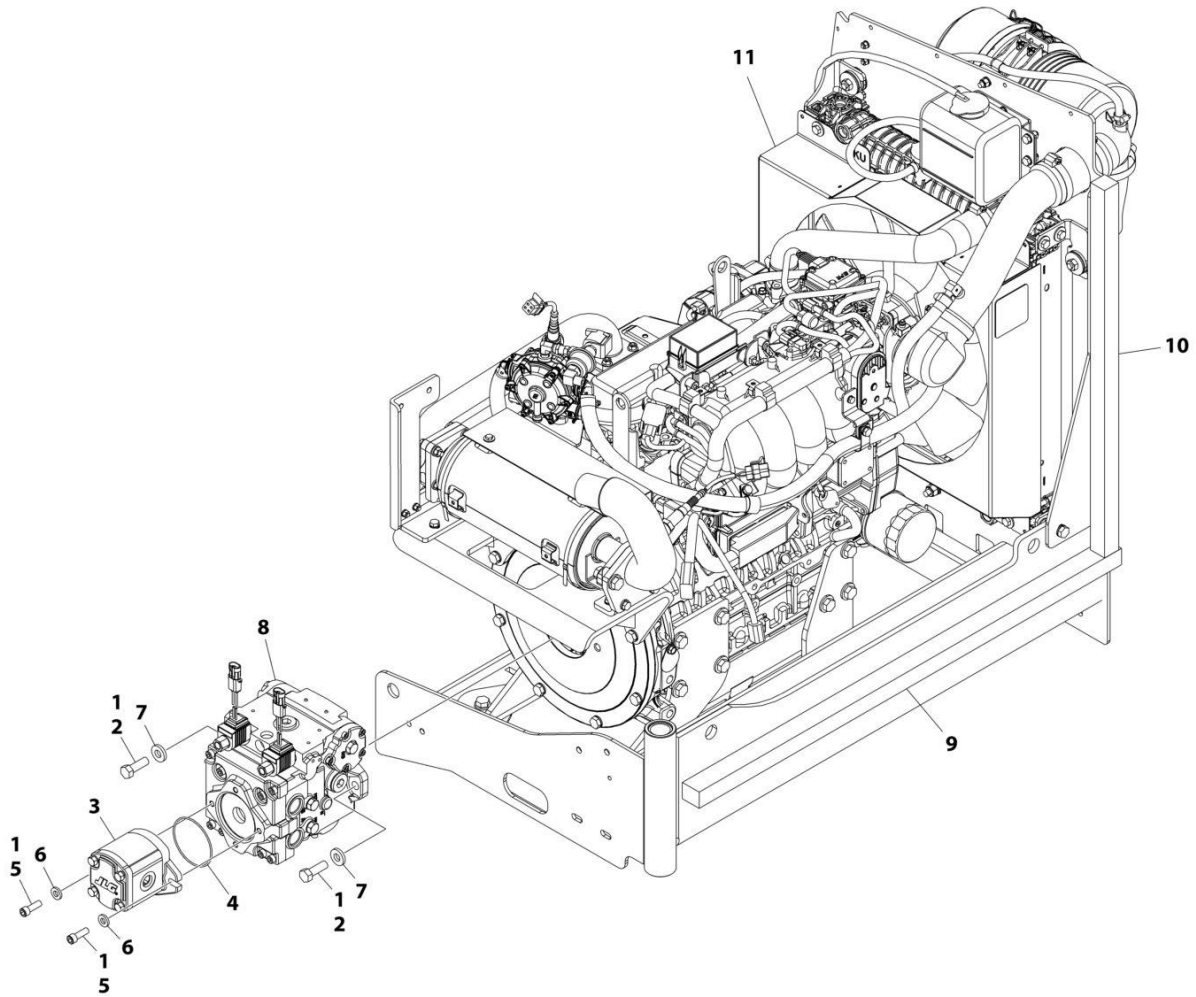
## SECTION 3 - ENGINE

ITEM	PART NUMBER	QTY	DESCRIPTION	REV
48	1001213060	1	Cable, Battery (Red) (Battery Positive to Auxiliary Power Relay) (Not Shown)	
49	1001213061	1	Cable, Battery (Black) (Battery Negative to Pivot Pin to Engine Ground) (Not Shown)	
50	1001213706	1	Harness Engine - Kubota Engine (Not Shown - See Separate Breakdown in ELECTRICAL SECTION)	
51	1001214503	1	Pipe, Tail Pipe	
52	1001215259	1	Plate, Engine Lock	
53	1001215813	1	Mount, Fuel System	
54	1001216308	1	Support, Fuel Lines	
55	1001216400	1	Hose	
56	1001216401	1	Hose	
57	1001156819	4.5 ft/ 1.3m	Hose	
58	1001216405	1	Hose	
59	4812100	2	Washer M12	
60	1001217785	2	Clamp	
61	0761011	2	Bolt M10 x 22	
62	85841094	6	Clamp	
63	1001195039	1	Clamp	
64	4460466	8	Terminal, Sealing Plug (Not Shown)	
65	4460930	1	Plug (Not Shown)	
66	1001217494	2	Bolt M12 x 20	
67	4812200	1	Washer M14	
68	24431386	1	Clamp	
69	1001217345	1	Bolt M14 x 30	
70	1001229797	1	Harness, Kubota D/F Power (Not Shown - See Separate Breakdown in ELECTRICAL SECTION)	



# SECTION 3 - ENGINE

## FIGURE 3-28. ENGINE AND PUMP SUB-ASSEMBLY - KUBOTA ENGINE (WITHOUT ARCTIC PACKAGE)



ART\_1001236254

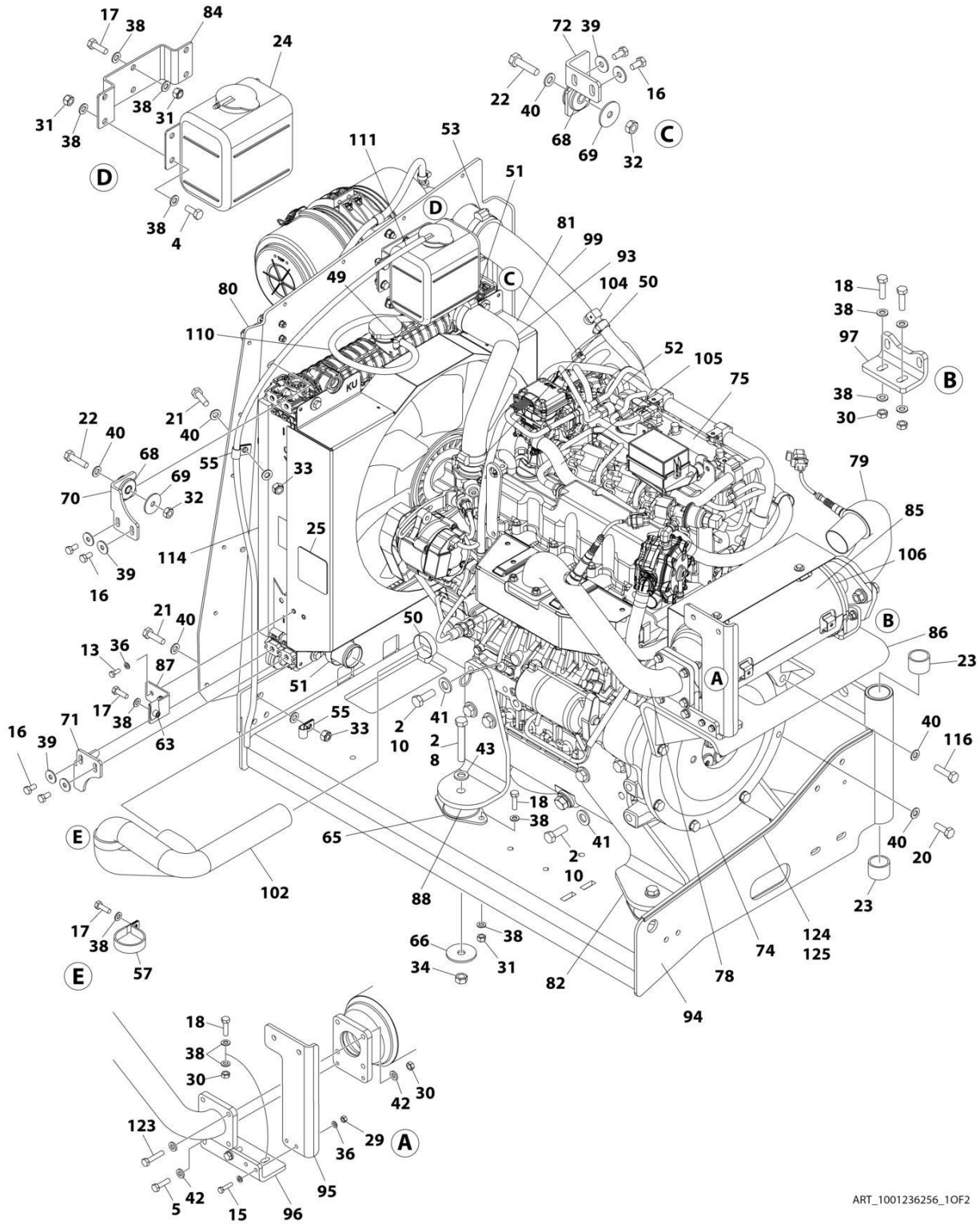
## SECTION 3 - ENGINE

**FIGURE 3-28. ENGINE AND PUMP SUB-ASSEMBLY - KUBOTA ENGINE (WITHOUT ARCTIC PACKAGE)**

ITEM	PART NUMBER	QTY	DESCRIPTION	REV
	1001236254	Ref	ENGINE AND PUMP SUB-ASSEMBLY - KUBOTA ENGINE (WITHOUT ARCTIC PACKAGE)	A
1	0100011	AR	Compound, Locking	
2	0641812	2	Bolt 1/2 x 1-1/2	
3	1001214207	1	Pump, Gear	
3	70006356	1	Seal Kit - 1001214207 Pump	
4	3790152	1	O-Ring	
5	3931618	2	Bolt 3/8 x 1-1/8	
6	4891600	2	Washer 3/8	
7	4891800	2	Washer 1/2	
8	1001167036	1	Piston Pump Assembly (See Separate Breakdown in this Section)	
9	1001171953	1	Seal, Gasket	
10	1001171954	1	Seal, Gasket	
11	1001236256	1	Engine Assembly - Kubota Engine (Without Arctic Package) (See Separate Breakdown in this Section)	

# SECTION 3 - ENGINE

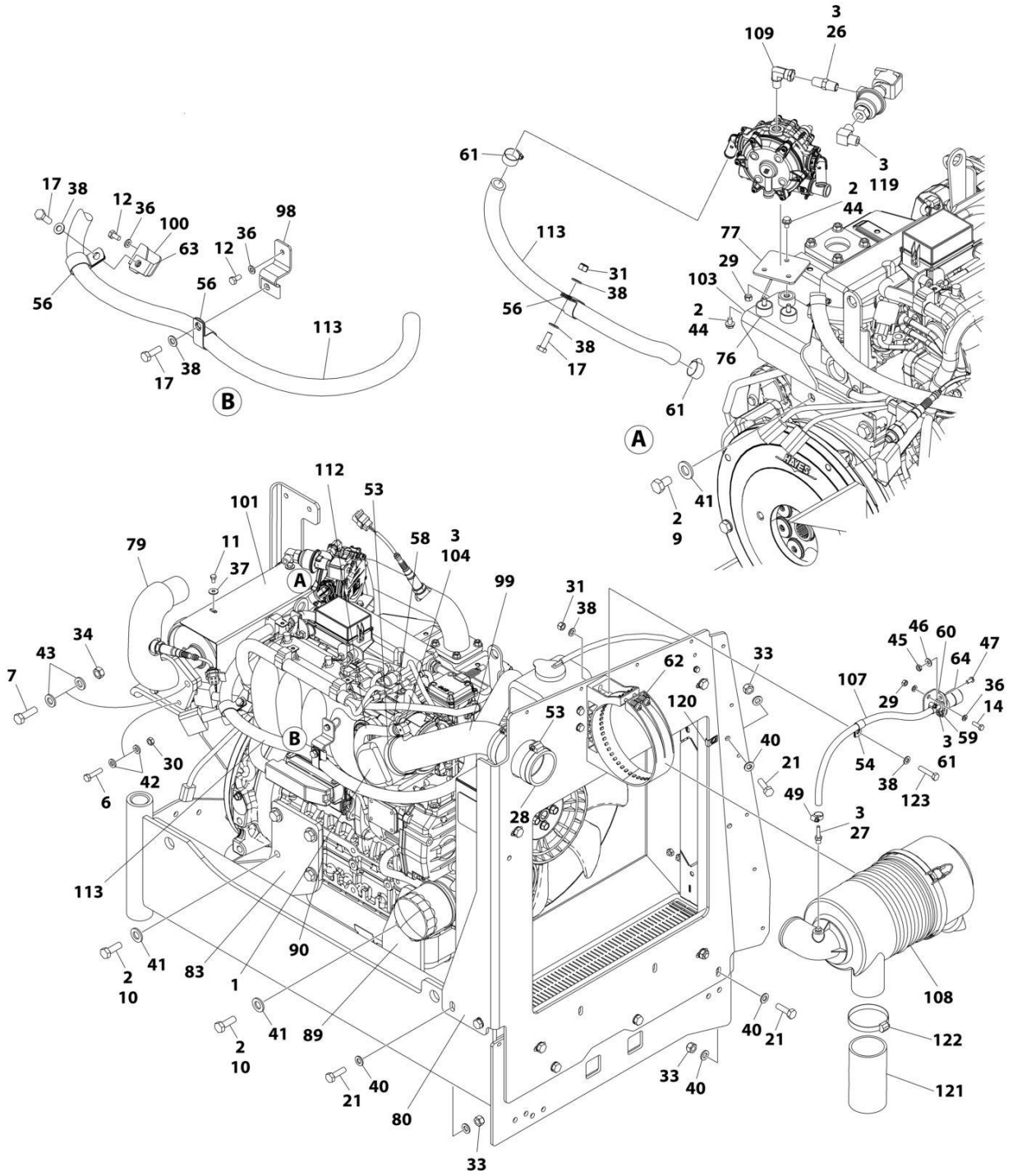
## FIGURE 3-29. ENGINE ASSEMBLY - KUBOTA ENGINE (WITHOUT ARCTIC PACKAGE)



ART\_1001236256\_10F2



# SECTION 3 - ENGINE



ART\_1001236256\_20F2

## SECTION 3 - ENGINE

**FIGURE 3-29. ENGINE ASSEMBLY - KUBOTA ENGINE (WITHOUT ARCTIC PACKAGE)**

ITEM	PART NUMBER	QTY	DESCRIPTION	REV
	1001236256	Ref	ENGINE ASSEMBLY - KUBOTA ENGINE (WITHOUT ARCTIC PACKAGE)	E
1	0080201	1	Adapter, 90	
2	0100011	AR	Compound, Locking	
3	0100020	AR	Sealant, Pipe	
4	0700810	4	Bolt M8 x 20	
5	0700814	2	Bolt M8 x 30	
6	0700815	2	Bolt M8 x 35	
7	0701216	2	Bolt M12 x 40	
8	0701224	4	Bolt M12 x 80	
9	1001217494	2	Bolt M12 x 20	
10	1001217343	14	Bolt M12 x 35	
11	0760605	4	Bolt M6 x 10	
12	0760606	2	Bolt M6 x 12	
13	0760608	2	Bolt M6 x 16	
14	0760610	2	Bolt M6 x 20	
15	0760612	2	Bolt M6 x 25	
16	0760808	8	Bolt M8 x 16	
17	0760812	6	Bolt M8 x 25	
18	0760814	12	Bolt M8 x 30	
19	0760815	1	Bolt M8 x 35	
20	0761014	4	Bolt M10 x 30	
21	0761015	6	Bolt M10 x 35	
22	0761016	4	Bolt M10 x 40	
23	0961951	2	Bushing	
24	1580011	1	Container, Coolant Overflow	
25	1703162	2	Decal - Caution Fan	
26	2220261	1	Fitting, Nipple NPTF/NPTF	
27	2220315	1	Fitting, Barbed	
28	2720644	1	Hose	
29	3290607	5	Nut M6	
30	3290801	10	Nut M8	
31	3290805	17	Nut M8	
32	3291001	4	Nut M10	
33	3291005	6	Nut M10	
34	3291201	6	Nut M12	
35	4240099	AR	Tie-Strap (Not Shown)	
36	4811700	12	Washer M6	
37	4811702	4	Washer M6	
38	4811900	45	Washer M8	
39	4811902	8	Washer M8	
40	4812000	24	Washer M10	
41	5241400	16	Washer M14	
42	5240800	14	Washer M8	
43	5241200	8	Washer M12	
44	5250605	3	Bolt M6 x 10	
45	8305401	2	Nut 1/4	
46	8307109	2	Washer 1/4	
47	8310548	2	Screw 1/4 NC x 1/2	
48	1001173535	2	Clamp	

## SECTION 3 - ENGINE

ITEM	PART NUMBER	QTY	DESCRIPTION	REV
49	8405009	4	Clamp	
50	8405102	2	Clamp	
51	8405104	2	Clamp	
52	8405202	1	Clamp	
53	8405203	3	Clamp	
54	8406109	1	Clip	
55	8406110	2	Clip	
56	8406201	3	Clip	
57	8410001	1	Clamp	
58	8410009	6	Clamp	
59	1001138173	1	Support, Service Indicator	
60	1001138175	1	Bracket, Service Indicator	
61	1001141995	1	Fitting, Barbed	
62	1001147812	1	Clamp, Air Cleaner	
63	1001149160	3	Nut M8	
64	1001149639	1	Indicator, Air Intake	
65	1001166718	4	Isolator, Engine Mount	
66	1001168018	4	Washer, Snubbing	
67	1001168166	2	Seal	
68	1001169054	4	Isolator, Radiator	
69	1001169138	4	Washer, Snubbing	
70	1001169967	2	Bracket	
71	1001170035	1	Bracket	
72	1001176330	1	Bracket	
73	1001180620	AR	Adhesive	
74	1001209844	1	Pump Coupling Kit (See Separate Breakdown in this Section)	
75	1001236393	1	Engine, Kubota (See Separate Breakdown in this Section)	
76	1001211794	3	Mount	
77	1001211797	1	Mount	
78	1001212989	1	Pipe, Exhaust (Inlet)	
79	1001212993	1	Pipe Exhaust (Outlet)	
80	1001213305	1	Plate, Mounting	
81	1001236257	1	Radiator	
82	1001213425	1	Plate, Engine Mount (Left Rear)	
83	1001213426	1	Plate, Engine Mount (Right Rear)	
84	1001213482	1	Bracket	
85	1001213824	1	Insulation	
86	1001214138	1	Bracket	
87	1001214205	1	Support	
88	1001214233	1	Plate (Front Left)	
89	1001214234	1	Plate (Front Right)	
90	1001214276	1	Shim	
91	1001214277	1	Shim	
92	1001214278	2	Shim	
93	1001214307	1	Hose	
94	1001214508	1	Support	
95	1001214553	1	Support	
96	1001214555	1	Bracket	
97	1001214556	1	Bracket	
98	1001214558	1	Bracket	
99	1001214598	1	Tube	

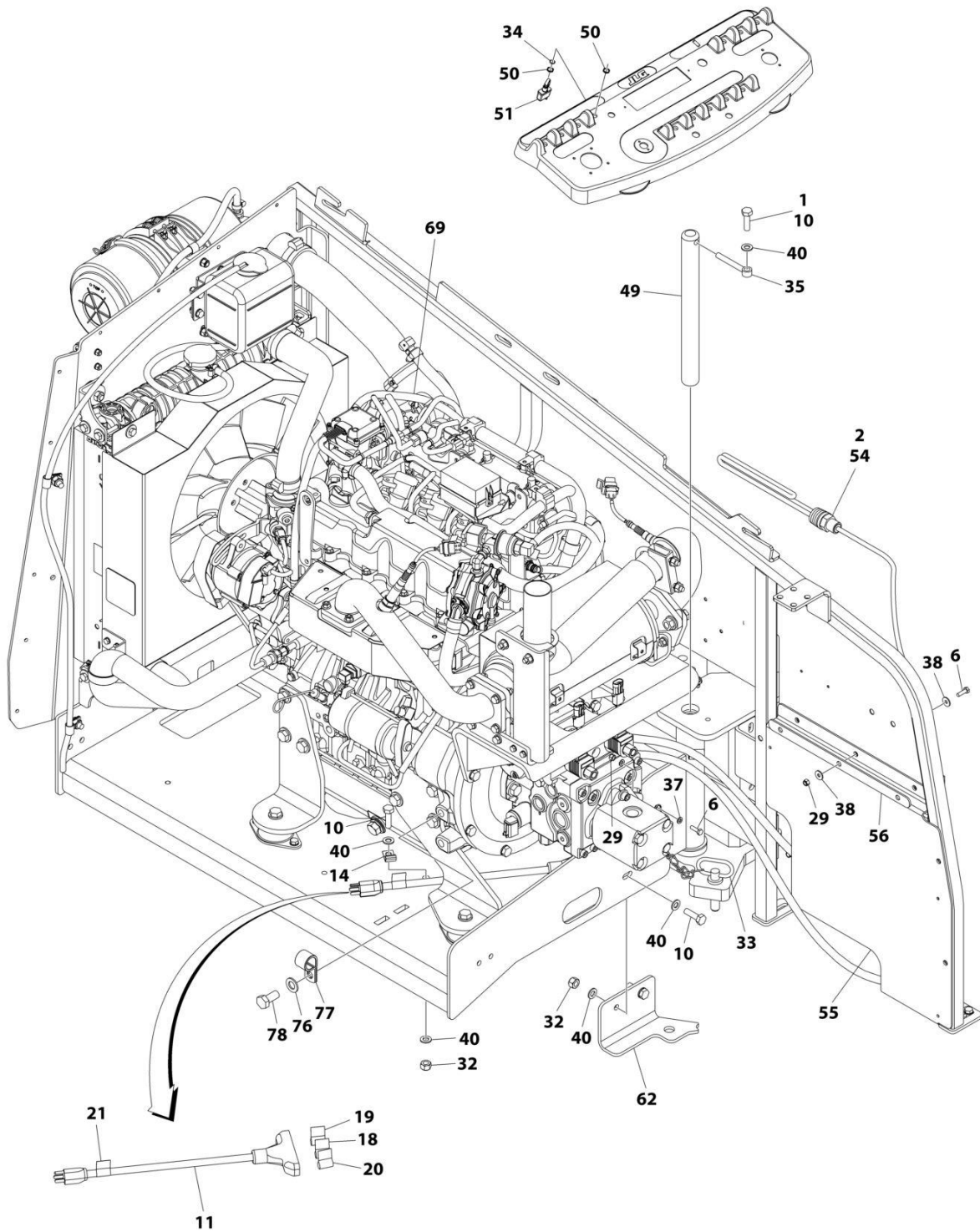
## SECTION 3 - ENGINE

ITEM	PART NUMBER	QTY	DESCRIPTION	REV
100	1001214599	1	Bracket	
101	1001214664	1	Cover	
102	1001214694	1	Hose	
103	1001214841	1	Bracket	
104	1001215125	1	Fitting, 90	
105	1001215869	1	Hose	
106	1001137336	2	Strap	
107	1001138248	2 ft/ 0.61m	Tube	
108	1001147813	1	Air Cleaner Assembly Including Filter Element	
108	70004020	1	Element, Air Filter	
109	1001247359	1	Fitting, 90	
110	2720058	1.75 ft/ 0.53m	Hose	
111	2720271	4 ft/ 1.22m	Hose	
112	2720615	1.25 ft/ 0.38m	Hose	
113	82033995	5.5 ft/ 1.68m	Hose	
114	1001216825	2	Seal	
115	0700816	4	Bolt M8 x 40	
116	0701016	4	Bolt M10 x 40	
119	2180504	1	Fitting, Barbed	
120	1001118274	1	Nut, Special M8	
121	1001001939	1	Tube, Flex	
122	8410011	1	Clamp	
123	0760816	1	Bolt M8 x 40	
124	4060805	1.94 ft/ 0.59m	Flex-Trim	
125	0100081	AR	Adhesive	



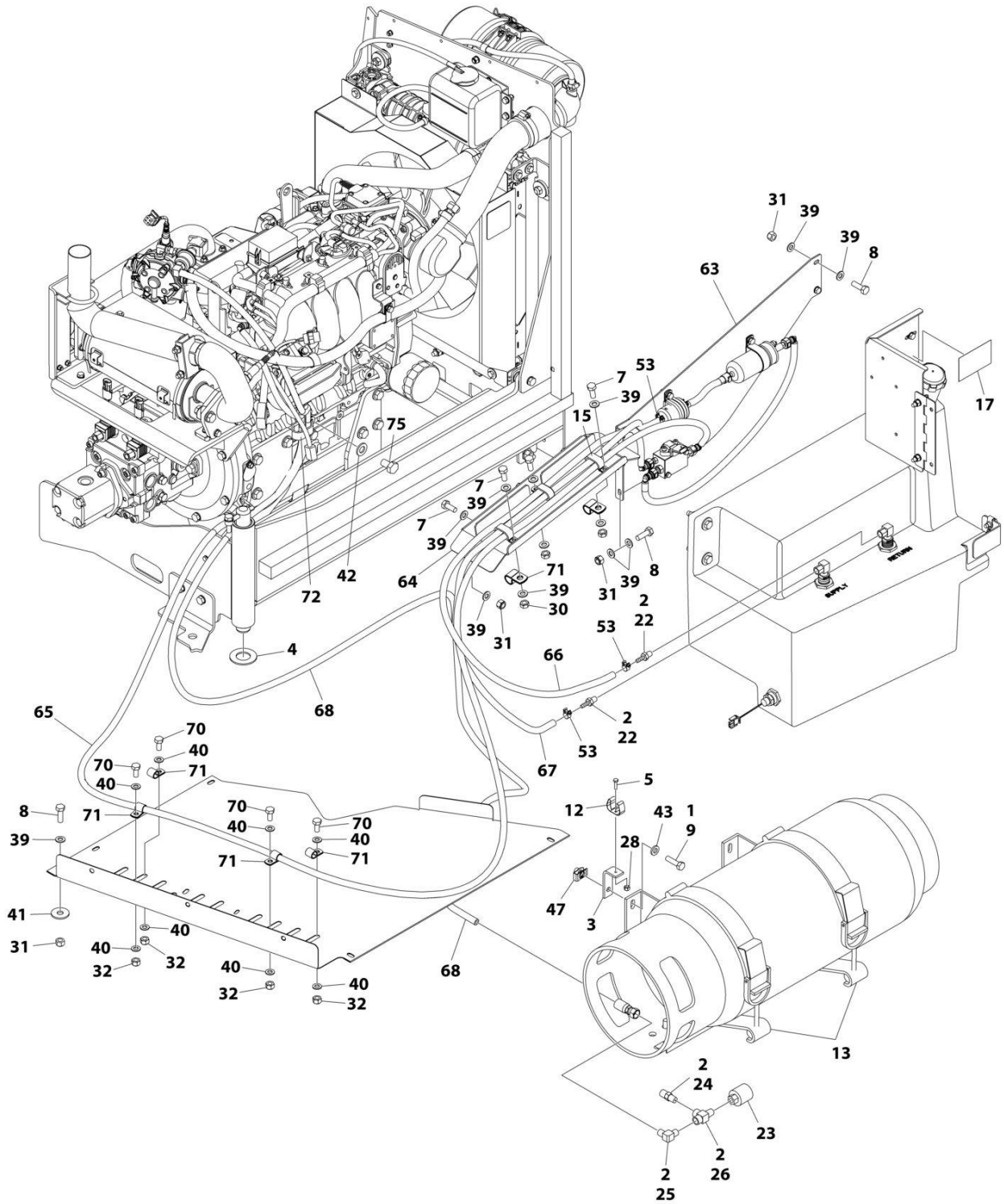
# SECTION 3 - ENGINE

## FIGURE 3-30. ENGINE INSTALLATION - KUBOTA ENGINE (WITH ARCTIC PACKAGE)



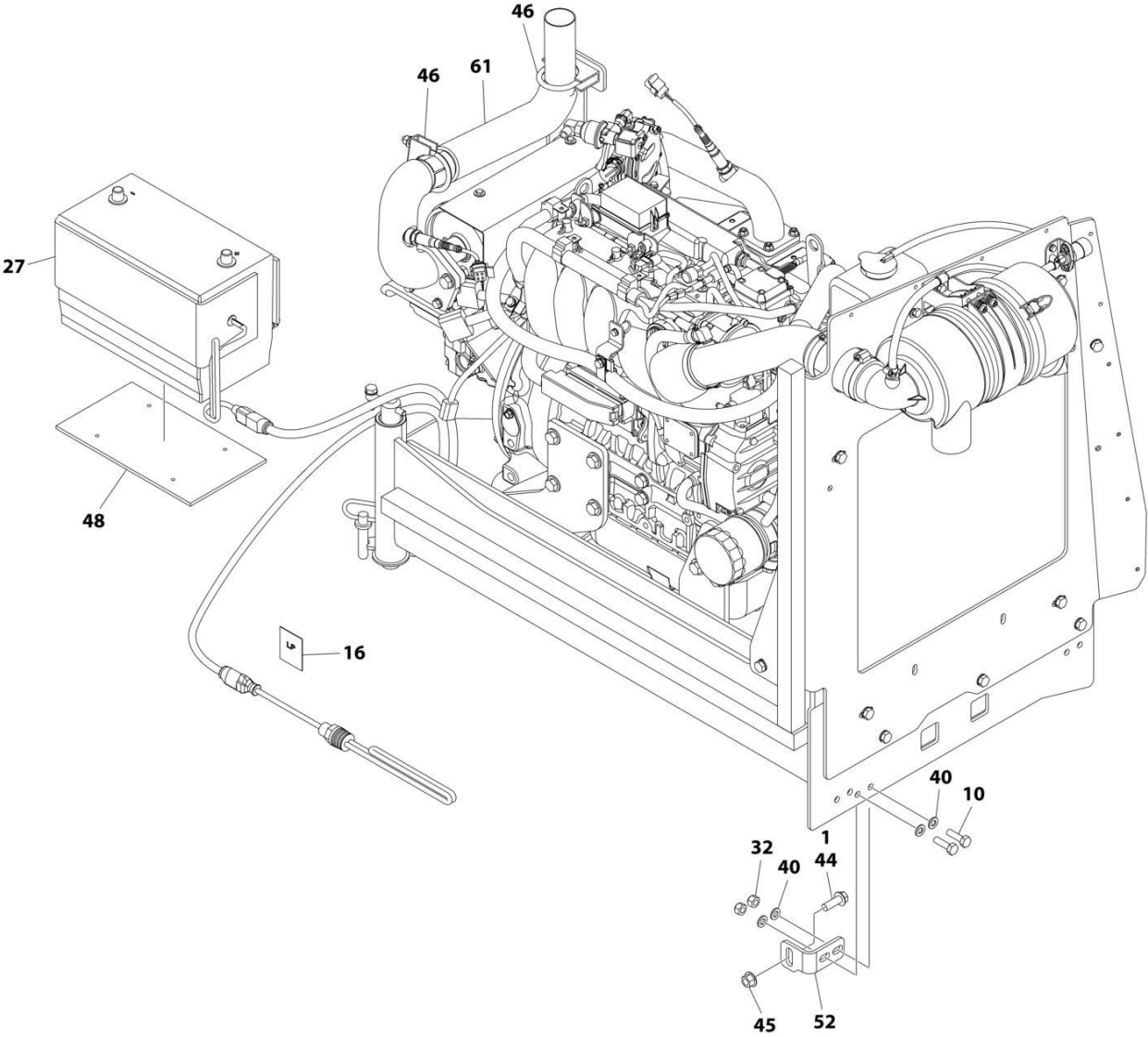
ART\_1001236253\_10F3

# SECTION 3 - ENGINE



ART\_1001236253\_20F3

**SECTION 3 - ENGINE**



ART\_1001236253\_30F3



## SECTION 3 - ENGINE

**FIGURE 3-30. ENGINE INSTALLATION - KUBOTA ENGINE (WITH ARCTIC PACKAGE)**

ITEM	PART NUMBER	QTY	DESCRIPTION	REV
	1001236253	Ref	ENGINE INSTALLATION - KUBOTA ENGINE (WITH ARCTIC PACKAGE)	A
1	0100011	AR	Compound, Locking	
2	0100020	AR	Sealant, Pipe	
3	0181949	1	Angle	
4	0440162	1	Bearing	
5	0760408	1	Bolt M4 x 16	
6	0760610	4	Bolt M6 x 20	
7	0760810	6	Bolt M8 x 20	
8	0760812	4	Bolt M8 x 25	
9	0760814	4	Bolt M8 x 30	
10	0761015	6	Bolt M10 x 35	
11	1060626	1	Cord, 3 Way Extension	
12	1320218	1	Clamp	
13	1320220	1	Clamp Kit - LP	
14	1320223	1	Clamp	
15	1321283	3	Clamp	
16	1701543	1	Decal - LPG	
17	1701542	1	Decal - Gas	
18	1702941	1	Decal - Battery Heater	
19	1702942	1	Decal - Engine Block Heater	
20	1702943	1	Decal - Hydraulic Tank Heater	
21	1702944	1	Decal - Heater Cord	
22	2180348	2	Fitting, Barbed	
23	2180387	1	Fitting, LP	
24	2180389	1	Fitting	
25	2180504	1	Fitting, Barbed	
26	2220290	1	Fitting, Tee FNPTF/NPTF/FNPTF	
27	2580024	1	Heater, Battery	
28	3290405	1	Nut M4	
29	3290605	4	Nut M6	
30	3290801	3	Nut M8	
31	3290805	7	Nut M8	
32	3291005	9	Nut M10	
33	3422532	1	Pin	
34	3790012	1	O-Ring	
35	3841143	1	Keeper, Pin	
36	4240099	AR	Tie-Strap (Not Shown)	
37	4811700	2	Washer M6	
38	4811702	6	Washer M6	
39	4811900	19	Washer M8	
40	4812000	19	Washer M10	
41	4812002	1	Washer M10	
42	4812100	2	Washer M12	
43	5240800	4	Washer M8	
44	5251215	1	Bolt M12 x 35	
45	5261200	1	Nut M12 Grade 10.9	
46	1001217785	2	Clamp	
47	1001118274	4	Nut Special M8	
48	1001119278	1	Insulate	

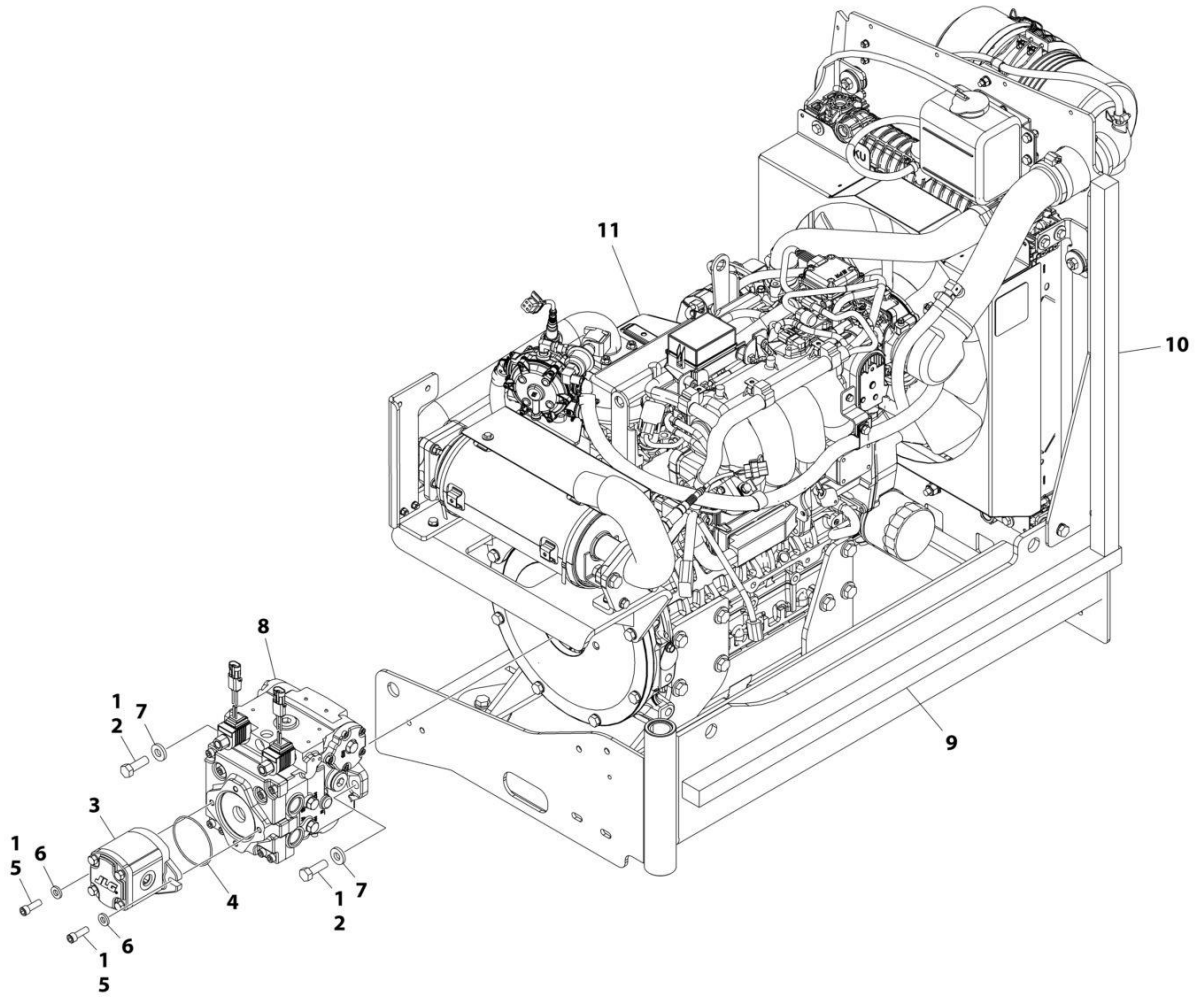
## SECTION 3 - ENGINE

ITEM	PART NUMBER	QTY	DESCRIPTION	REV
49	1001135196	1	Pin	
50	1001155044	2	Nut, Special 15/32	
51	1001161710	1	Switch, Toggle	
52	1001167512	1	Bracket, Engine Tray Stow	
53	1001174486	3	Clamp	
54	1001188972	1	Heater, Hydraulic Tank	
55	1001196376	1	Seal, Rubber	
56	1001204123	1	Plate, Support	
57	1001212257	1	Cable, Battery (Red) (Alternator Positive to Starter) (Not Shown)	
58	1001213060	1	Cable, Battery (Red) (Battery Positive to Auxiliary Power Relay) (Not Shown)	
59	1001213061	1	Cable, Battery (Black) (Battery Negative to Pivot Pin to Engine Ground) (Not Shown)	
60	1001213706	1	Harness Engine - Kubota Engine (Not Shown - See Separate Breakdown in ELECTRICAL SECTION)	
61	1001214503	1	Pipe, Tail Pipe	
62	1001215259	1	Plate, Engine Lock	
63	1001215813	1	Mount, Fuel System	
64	1001216308	1	Support, Fuel Lines	
65	1001216400	1	Hose	
66	1001216401	1	Hose	
67	1001156819	4.5 ft/ 1.4m	Hose	
68	1001216405	1	Hose	
69	1001236258	1	Engine and Pump Sub-Assembly - Kubota Engine (With Arctic Package) (See Separate Breakdown in this Section)	
70	0761011	4	Bolt M10 x 22	
71	85841094	6	Clamp	
72	1001195039	1	Clamp	
73	4460466	8	Seal, Terminal (Not Shown)	
74	4460930	1	Plug (Not Shown)	
75	1001217494	2	Bolt M12 x 20	
76	4812200	1	Washer M14	
77	24431386	1	Clamp	
78	1001217345	1	Bolt M14 x 30	
79	1001229797	1	Harness, Kubota D/F Power (Not Shown - See Separate Breakdown in ELECTRICAL SECTION)	



# SECTION 3 - ENGINE

FIGURE 3-31. ENGINE AND PUMP SUB-ASSEMBLY - KUBOTA ENGINE (WITH ARCTIC PACKAGE)



ART\_1001236258

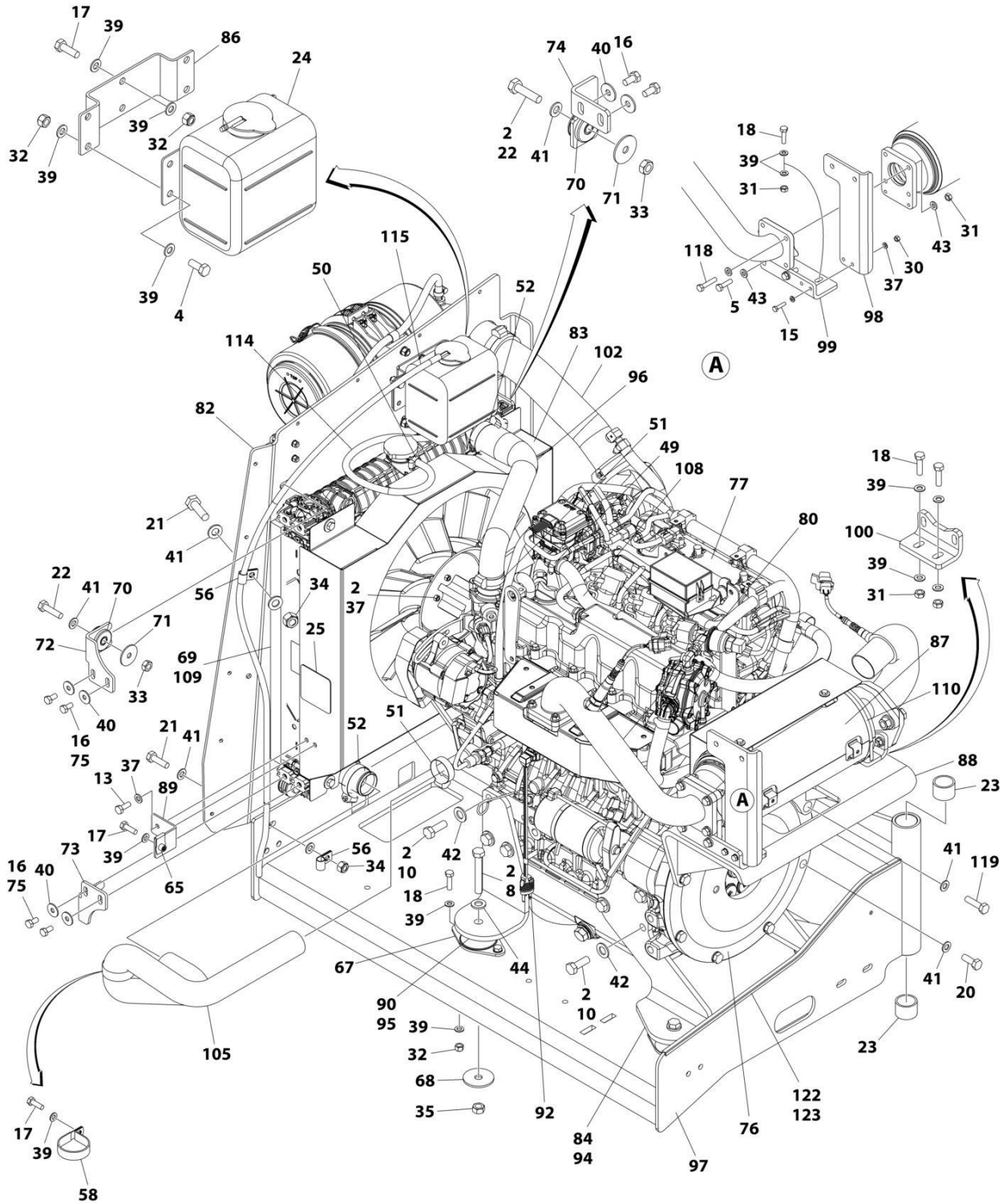
## SECTION 3 - ENGINE

**FIGURE 3-31. ENGINE AND PUMP SUB-ASSEMBLY - KUBOTA ENGINE (WITH ARCTIC PACKAGE)**

ITEM	PART NUMBER	QTY	DESCRIPTION	REV
	1001236258	Ref	ENGINE AND PUMP SUB-ASSEMBLY - KUBOTA ENGINE (WITH ARCTIC PACKAGE)	A
1	0100011	AR	Compound, Locking	
2	0641812	2	Bolt 1/2 x 1-1/2	
3	1001214207	1	Gear Pump Assembly	
3	70006356	1	Seal Kit - 1001214207 Pump	
4	3790152	1	O-Ring	
5	3931618	2	Capscrew 3/8 x 1-1/8	
6	4891600	2	Washer 3/8	
7	4891800	2	Washer 1/2	
8	1001167036	1	Piston Pump Assembly (See Separate Breakdown in this Section)	
9	1001171953	1	Seal	
10	1001171954	1	Seal	
11	1001236259	1	Engine Assembly - Kubota Engine (With Arctic Package) (See Separate Breakdown in this Section)	

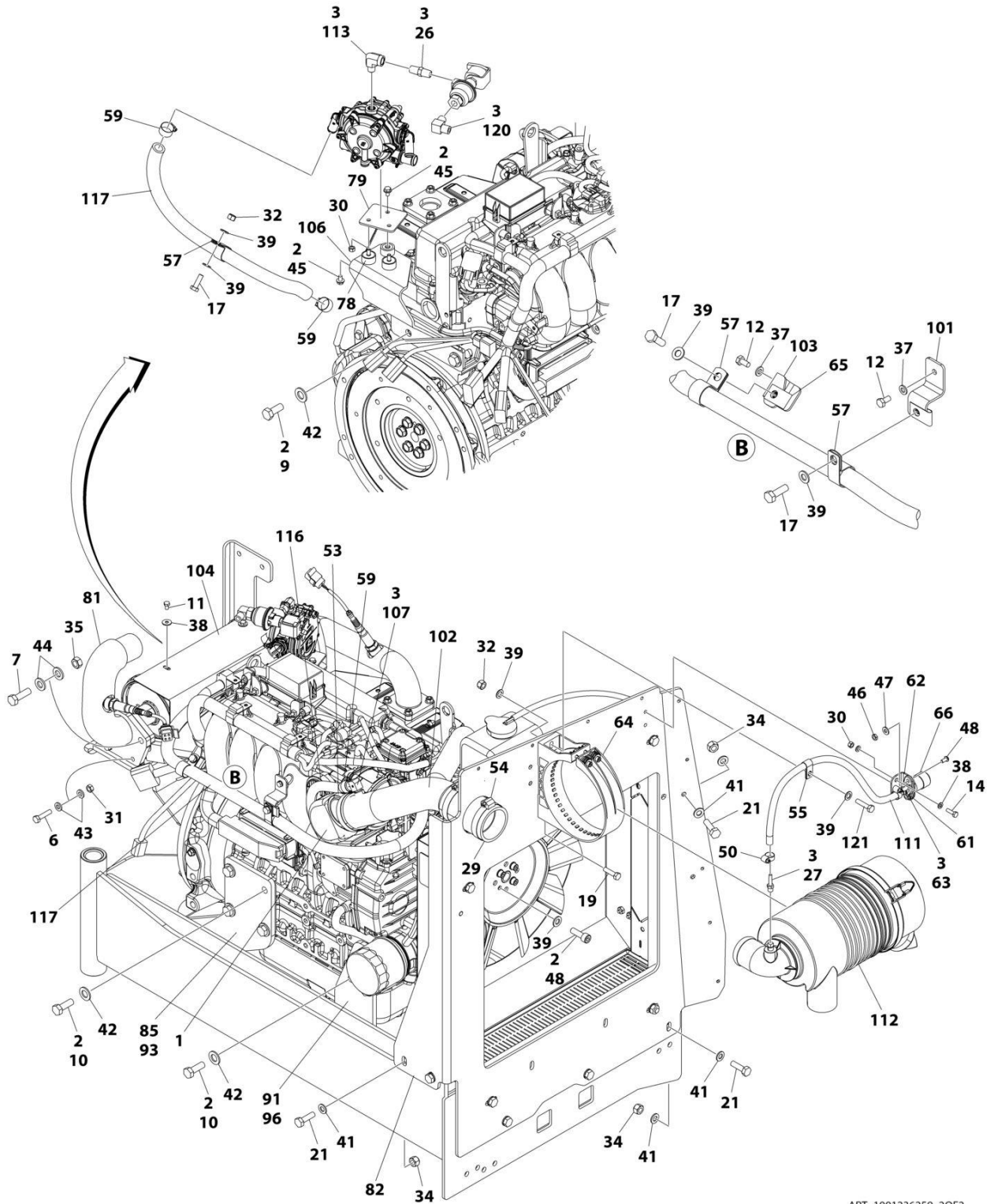
# SECTION 3 - ENGINE

## FIGURE 3-32. ENGINE ASSEMBLY - KUBOTA ENGINE (WITH ARCTIC PACKAGE)



ART\_1001236259\_10F2

# SECTION 3 - ENGINE



ART\_1001236259\_2OF2

## SECTION 3 - ENGINE

FIGURE 3-32. ENGINE ASSEMBLY - KUBOTA ENGINE (WITH ARCTIC PACKAGE)

ITEM	PART NUMBER	QTY	DESCRIPTION	REV
	1001236259	Ref	ENGINE ASSEMBLY - KUBOTA ENGINE (WITH ARCTIC PACKAGE)	E
1	0080201	1	Adapter, 90	
2	0100011	AR	Compound, Locking	
3	0100020	AR	Sealant, Pipe	
4	0700810	4	Bolt M8 x 20	
5	0700814	2	Bolt M8 x 30	
6	0700815	2	Bolt M8 x 35	
7	0701216	2	Bolt M12 x 40	
8	0701224	4	Bolt M12 x 80	
9	1001217494	2	Bolt M12 x 20	
10	1001217343	14	Bolt M12 x 35	
11	0760605	4	Bolt M6 x 10	
12	0760606	2	Bolt M6 x 12	
13	0760608	2	Bolt M6 x 16	
14	0760610	2	Bolt M6 x 20	
15	0760612	2	Bolt M6 x 25	
16	0760808	8	Bolt M8 x 16	
17	0760812	6	Bolt M8 x 25	
18	0760814	12	Bolt M8 x 30	
19	0760815	1	Bolt M8 x 35	
20	0761014	4	Bolt M10 x 30	
21	0761015	6	Bolt M10 x 35	
22	0761016	4	Bolt M10 x 40	
23	0961951	2	Bushing	
24	1580011	1	Container, Coolant Overflow	
25	1703162	2	Decal - Caution Fan	
26	2220261	1	Fitting, Nipple NPTF/NPTF	
27	2220315	1	Fitting, Barbed	
29	2720644	1	Hose	
30	3290607	5	Nut M6	
31	3290801	10	Nut M8	
32	3290805	17	Nut M8	
33	3291001	4	Nut M10	
34	3291005	6	Nut M10	
35	3291201	6	Nut M12	
36	4240099	AR	Tie-Strap (Not Shown)	
37	4811700	16	Washer M6	
38	4811702	4	Washer M6	
39	4811900	45	Washer M8	
40	4811902	8	Washer M8	
41	4812000	24	Washer M10	
42	5241400	16	Washer M14	
43	5240800	14	Washer M8	
44	5241200	8	Washer M12	
45	5250605	3	Bolt M6 x 10	
46	8305401	2	Nut 1/4	
47	8307109	2	Washer 1/4	
48	8310548	2	Screw 1/4 x 1/2	
49	1001173535	2	Clamp	



## SECTION 3 - ENGINE

ITEM	PART NUMBER	QTY	DESCRIPTION	REV
50	8405009	4	Clamp	
51	8405102	2	Clamp	
52	8405104	2	Clamp	
53	8405202	1	Clamp	
54	8405203	3	Clamp	
55	8406109	1	Clip	
56	8406110	2	Clip	
57	8406201	3	Clip	
58	8410001	1	Clamp	
59	8410009	6	Clamp	
61	1001138173	1	Support, Service Indicator	
62	1001138175	1	Bracket, Service Indicator	
63	1001141995	1	Fitting, Barbed	
64	1001147812	1	Clamp, Air Cleaner	
65	1001149160	3	Nut M8	
66	1001149639	1	Indicator, Air Intake	
67	1001166718	4	Isolator, Engine Mount	
68	1001168018	4	Washer, Snubbing	
69	1001168166	2	Seal	
70	1001169054	4	Isolator, Radiator	
71	1001169138	4	Washer, Snubbing	
72	1001169967	2	Bracket	
73	1001170035	1	Bracket	
74	1001176330	1	Bracket	
75	1001180620	AR	Adhesive	
76	1001209844	1	Pump Coupling Kit (See Separate Breakdown in this Section)	
77	1001236393	1	Engine, Kubota (See Separate Breakdown in this Section)	
78	1001211794	3	Mount	
79	1001211797	1	Mount	
80	1001212989	1	Pipe, Exhaust (Inlet)	
81	1001212993	1	Pipe, Exhaust (Outlet)	
82	1001213305	1	Plate, Mounting	
83	1001236257	1	Radiator	
84	1001213425	1	Plate, Engine Mount (Left Rear)	
85	1001213426	1	Plate, Engine Mount (Right Rear)	
86	1001213482	1	Bracket	
87	1001213824	1	Insulation	
88	1001214138	1	Bracket	
89	1001214205	1	Support	
90	1001214233	1	Plate (Front Left)	
91	1001214234	1	Plate (Front Right)	
92	1001214269	1	Heater, Block	
93	1001214276	1	Shim	
94	1001214277	1	Shim	
95	1001214278	2	Shim	
96	1001214307	1	Hose	
97	1001214508	1	Support	
98	1001214553	1	Support	
99	1001214555	1	Bracket	
100	1001214556	1	Bracket	
101	1001214558	1	Bracket	

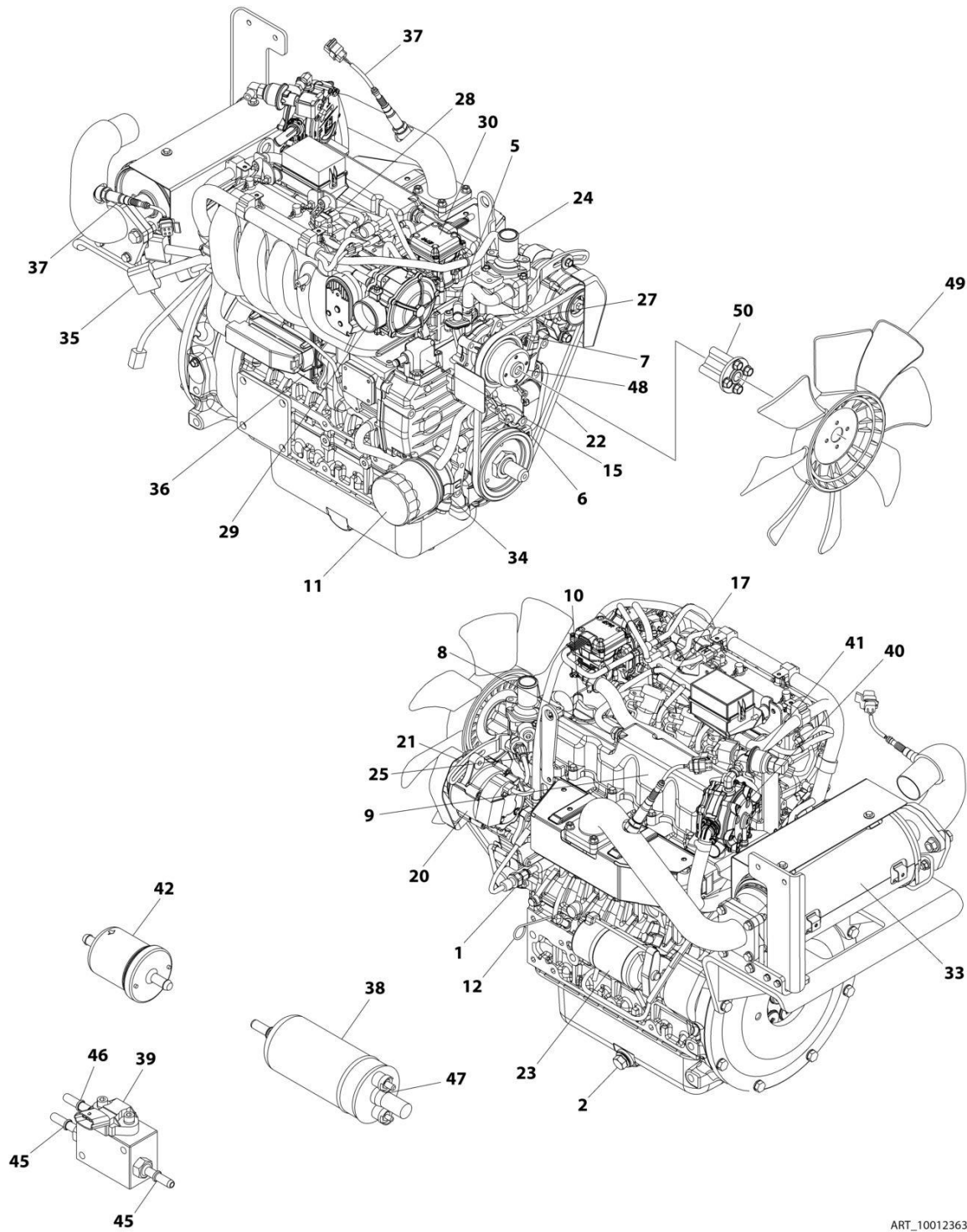
## SECTION 3 - ENGINE

ITEM	PART NUMBER	QTY	DESCRIPTION	REV
102	1001214598	1	Tube	
103	1001214599	1	Bracket	
104	1001214664	1	Cover	
105	1001214694	1	Hose	
106	1001214841	1	Bracket	
107	1001215125	1	Fitting, 90	
108	1001215869	1	Hose	
109	1001216825	2	Seal	
110	1001137336	2	Strap	
111	1001138248	2 ft/ 0.6m	Tube	
112	1001147813	1	Air Cleaner Assembly Including Filter Element	
112	70004020	1	Element, Filter (Not Shown)	
113	1001247359	1	Fitting, Street Elbow	
114	2720058	1.8 ft/ 0.5m	Hose	
115	2720271	4 ft/ 1.2m	Hose	
116	2720615	1.2 ft/ 0.4m	Hose	
117	82033995	5.5 ft/ 1.7m	Hose	
118	0700816	4	Bolt M8 x 40	
119	0701016	4	Bolt M10 x 40	
120	2180504	1	Fitting, Barbed	
121	0760816	1	Bolt M8 x 40	
122	4060805	1.94 ft/ 59m	Flex-Trim	
123	0100081	AR	Adhesive	



# SECTION 3 - ENGINE

## FIGURE 3-33. ENGINE COMPONENTS - KUBOTA



ART\_1001236393

## SECTION 3 - ENGINE

**FIGURE 3-33. ENGINE COMPONENTS - KUBOTA**

ITEM	PART NUMBER	QTY	DESCRIPTION	REV
	1001236393	Ref	ENGINE COMPONENTS - KUBOTA	D
1	70005745	1	Switch, Oil	
1	70006013	1	Adapter	
2	7023154	1	Plug, Drain	
2	7017904	1	Gasket, Oil Pan Drain	
3	70006014	1	Gasket, Cylinder Head (Not Shown)	
4	70006015	1	Sensor (Knock) (Not Shown - Located on Left Side of Engine)	
5	70006016	1	Flange Assembly (Water Return)	
5	70002316	1	Pipe	
5	70006017	1	Gasket	
6	70005737	1	Sensor Stick Assembly	
7	70006018	1	Sensor	
8	70006019	1	Valve (PCV)	
8	70006020	1	Seal	
9	7017932	3	Element, Breather	
9	70006021	1	Gasket	
10	70002318	1	Oil Filler Cap	
10	70006022	1	O-Ring	
11	70006023	1	Filter, Oil	
12	70006024	1	Dipstick	
13	70006025	1	Pump Assembly, Oil (Not Shown - Located Under Front Cover)	
13	70006026	1	Gasket	
13	70006027	1	Key	
14	70006028	1	Flywheel (Not Shown - Located Behind Coupling Plate)	
14	70006029	1	Ring Gear (Part of Flywheel)	
15	70006030	1	Flange Assembly (Breather)	
15	70002316	1	Pipe	
15	70006031	1	Gasket	
16	70006035	1	Pipe Assembly (Not Shown)	
16	70005727	1	Gasket	
17	70006034	4	Coil	
17	70006033	4	Spark Plug	
18	70006032	1	Gasket (Not Shown)	
19	70005751	4	Injector (Not Shown)	
20	70006036	1	Alternator (Includes Voltage Regulator and Gaskets, Fan and Fan Mounting Hardware)	
21	70006037	1	Bracket	
22	70006038	1	Belt	
23	70006039	1	Starter	
24	70006041	1	Thermostat	
24	70002326	1	Gasket	
25	70005726	1	Sensor	
25	70006042	1	O-Ring	
26	70006040	1	Gasket (Not Shown - Located Between Engine Head and Water Flange)	
27	70006043	1	Water Pump Assembly	
27	70004829	1	Pipe	
27	70006044	1	Gasket	
28	70005746	1	Sensor (TMAP)	
28	70005747	1	O-Ring	

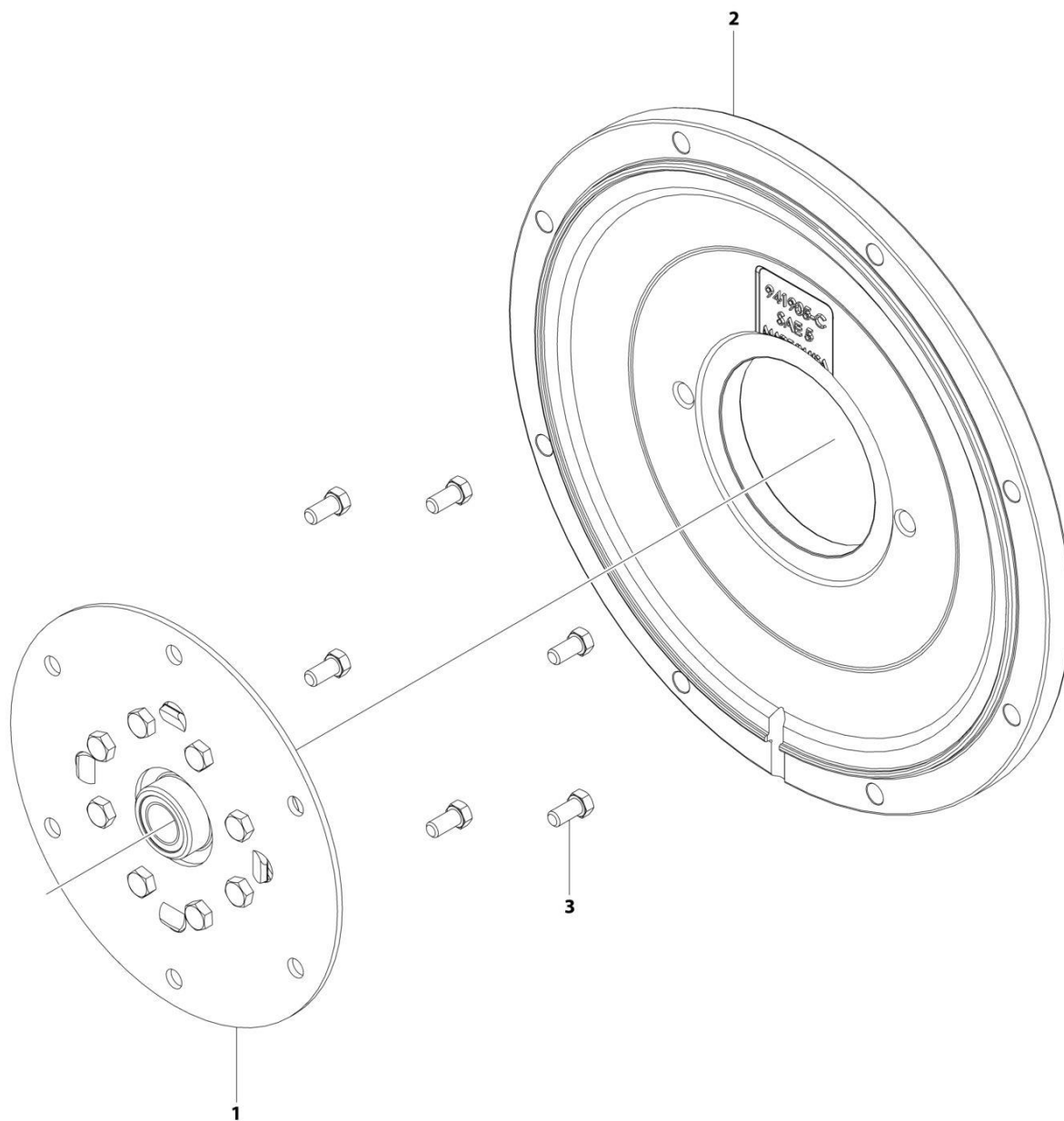
## SECTION 3 - ENGINE

ITEM	PART NUMBER	QTY	DESCRIPTION	REV
29	70006049	1	Mixer Assembly	
29	70006050	1	Seal, Rubber	
29	70006045	1	Throttle Body	
29	70006046	1	Gasket	
29	70006047	1	Adapter	
29	70006048	1	O-Ring	
30	70006051	1	Regulator Assembly	
30	70006052	1	Seal, Rubber	
30	70006053	1	Seal, Rubber	
30	70006054	1	Seal, Rubber	
31	70006055	1	Gasket (Not Shown - Located Between Intake Manifold and Engine Head)	
32	70006056	1	Gasket (Not Shown - Located Between Exhaust Manifold and Engine Head)	
33	70006057	1	Muffler	
33	70006065	1	Gasket	
33	70006066	1	Gasket	
33	70006072	1	Gasket	
34	70006058	1	Oil Cooler Assembly	
34	70006059	1	Seal	
34	7017959	2	Clamp	
35	70006060	1	Engine Harness	
36	70006061	1	Module, Engine Control	
37	70006062	2	Sensor (O2)	
38	70006063	1	Pump, Fuel	
39	70006064	1	Manifold (FPM)	
40	70006067	1	Regulator Assembly	
40	70006068	1	Connector	
40	70006069	3	Clip	
40	70006070	2	Connector	
41	70006071	1	Valve, Lockoff	
41	70006078	1	Valve, Lockoff Kit	
42	7017992	1	Filter, Fuel	
43	70006079	1	Gasket Kit (Upper) (Not Shown)	
44	70006080	1	Gasket Kit (Lower) (Not Shown)	
45	70006074	2	Joint (Includes O-Ring)	
46	70006075	1	Joint (Includes O-Ring)	
47	70006076	1	Joint (Includes O-Ring)	
47	70006077	1	Gasket	
48	70006379	1	Pulley	
49	70006639	1	Fan	
50	70006640	1	Collar, Fan	



# SECTION 3 - ENGINE

## FIGURE 3-34. PUMP COUPLING KIT - KUBOTA ENGINE



ART\_1001209844



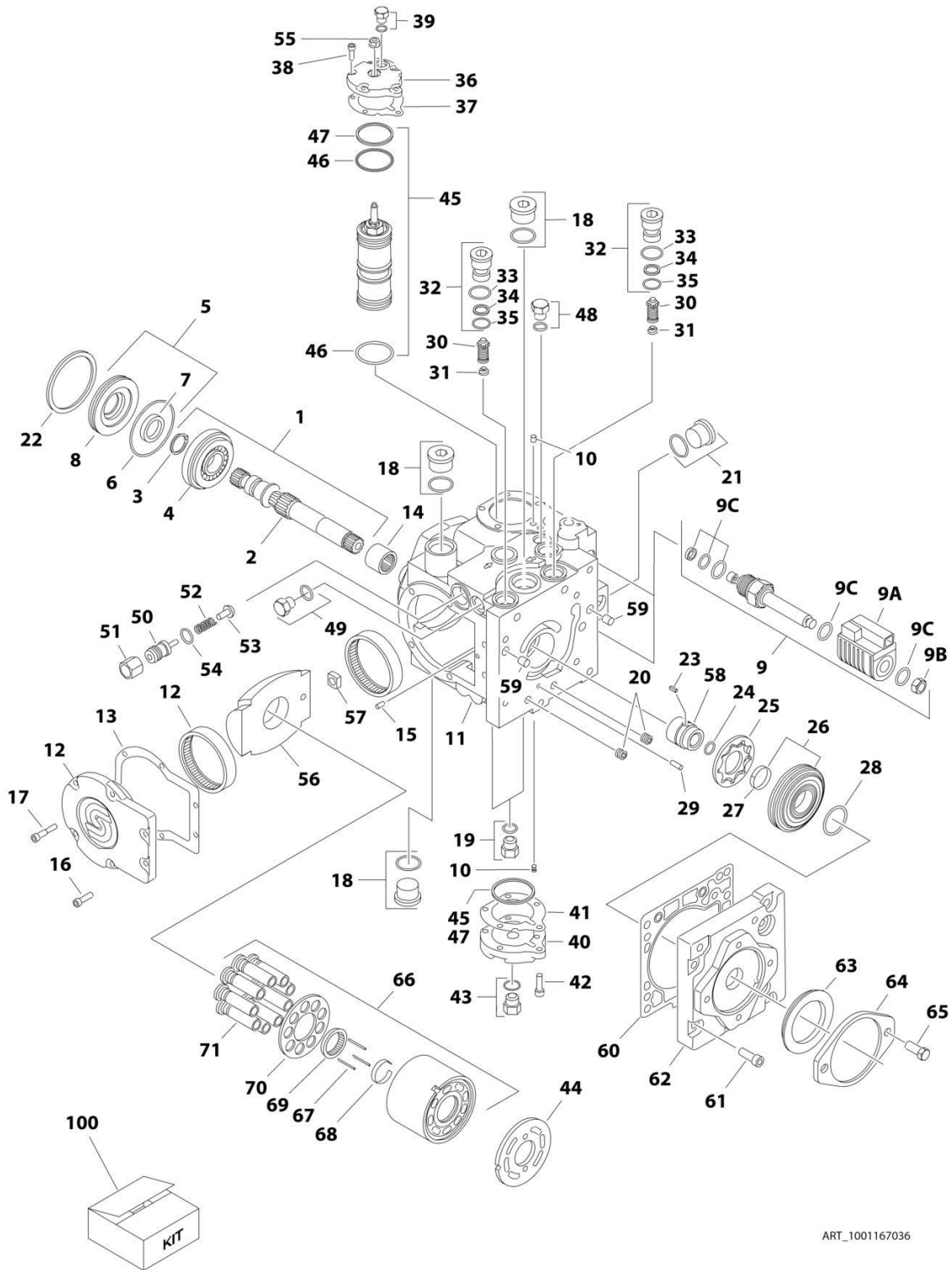
## SECTION 3 - ENGINE

### FIGURE 3-34. PUMP COUPLING KIT - KUBOTA ENGINE

ITEM	PART NUMBER	QTY	DESCRIPTION	REV
	1001209844	Ref	PUMP COUPLING KIT - KUBOTA ENGINE	C
1	70006010	1	Coupling Assembly, Hayes	
2	70006011	1	Plate, Pump Adapter	
3	70006012	1	Bolt Kit	

# SECTION 3 - ENGINE

## FIGURE 3-35. PISTON PUMP ASSEMBLY



ART\_1001167036

## SECTION 3 - ENGINE

### FIGURE 3-35. PISTON PUMP ASSEMBLY

ITEM	PART NUMBER	QTY	DESCRIPTION	REV
	1001167036	Ref	PISTON PUMP ASSEMBLY	B
1	7021240	1	Shaft Assembly (Includes Items 2-4)	
2	7021237	1	Shaft	
3	7021238	1	Ring, Retaining	
4	7021239	1	Bearing, Roller	
5	70004896	1	Shaft Seal Kit (Includes Items 6-8)	
6	7021241	1	O-Ring	
7	7021242	1	Seal, Lip	
8	7021243	1	Carrier, Seal Shaft	
9	7024855	2	Solenoid Assembly	
9A	70004897	2	Coil (1 Per Assembly)	
9B	7024857	2	Nut (1 Per Assembly)	
9C	7024858	2	Seal Kit - 7024855 Cartridge (1 Per Assembly)	
10	70004889	2	Orifice	
11	See Note	NSS	Housing Assembly (Note: Not Available for Purchase)	
12	7021248	1	Side Cover Assembly (Includes Item 13)	
13	70004891	1	Gasket	
14	7021249	1	Bearing, Needle	
15	See Note	NSS	Pin (Note: Not Available for Purchase)	
16	70004890	2	Screw	
17	70004892	4	Screw	
18	7007419	2	Plug Assembly (Includes O-Ring)	
19	7007420	2	Plug Assembly (Includes O-Ring)	
20	See Note	NSS	Plug (Note: Not Available for Purchase)	
21	7007419	1	Plug Assembly (Includes O-Ring)	
22	7021257	1	Ring, Retaining	
23	70004893	1	Key	
24	7022341	1	Ring, Retaining	
25	7021258	1	Gerotor	
26	70004894	1	Gerotor Cover Assembly (Includes Item 27)	
27	7021259	1	Bearing, Journal	
28	7021262	1	O-Ring	
29	See Note	NSS	Pin (Note: Not Available for Purchase)	
30	7021263	2	Bypass Valve Assembly	
31	7024800	2	Spring	
32	7021265	2	Bypass Valve Assembly (Includes Items 32-34)	
33	7007415	2	O-Ring	
34	7021293	2	Ring, Back-up	
35	7022300	2	O-Ring	
36	70004895	1	Cover, Servo	
37	7021253	1	Gasket	
38	70004892	5	Screw	
39	7007420	1	Plug Assembly (Includes O-Ring)	
40	7021268	1	Cover, Servo	
41	7021253	1	Gasket	
42	70004892	5	Screw	
43	7007420	1	Plug Assembly (Includes O-Ring)	
44	7021281	1	Plate, Valve	
45	70004898	1	Servo Piston Kit (Includes Items 46 & 47)	
46	7007495	2	O-Ring	

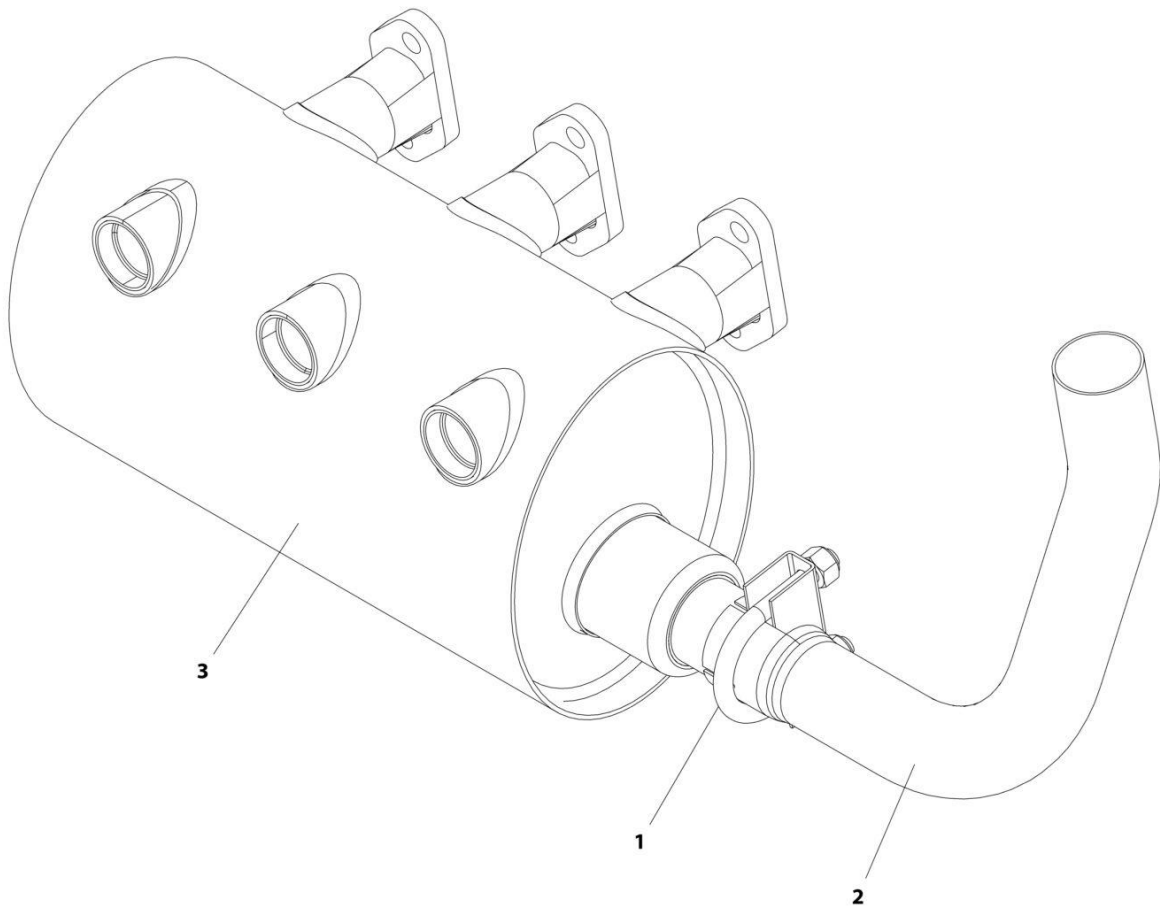
## SECTION 3 - ENGINE

ITEM	PART NUMBER	QTY	DESCRIPTION	REV
47	7007493	2	O-Ring	
48	7007420	1	Plug Assembly (Includes O-Ring)	
49	70004900	1	Plug Assembly (Includes O-Ring)	
50	7022346	1	Adjuster	
51	7021290	1	Nut	
52	7022347	1	Spring	
53	70004901	1	Poppet	
54	7007415	1	O-Ring	
55	70004902	1	Nut, Seal	
56	70004903	1	Swash Plate	
57	70004904	1	Bearing Assembly	
58	70004905	1	Coupling	
59	7001481	2	Pin	
60	70002257	1	Gasket	
61	70004906	8	Screw	
62	70004907	1	Cover, Charge Pump	
63	70004908	1	Seal	
64	7021299	1	Plate, Cover	
65	7007289	2	Screw	
66	70004909	1	Cylinder Block Assembly (Includes Items 67-71)	
67	70004910	3	Pin, Slipper Hold Down	
68	7021276	1	Retainer, Hold Down Pin	
69	7021277	1	Guide, Slipper Retainer	
70	7021278	1	Retainer, Slipper	
71	70004911	1	Piston Assembly	
100	70004899	1	Seal Kit (Includes Items 5-8, 33-35, 37, 41, 46, 47 & 54)	



## SECTION 3 - ENGINE

FIGURE 3-36. SPARK ARRESTOR INSTALLATION - DEUTZ D2011 ENGINE



ART\_1001174378

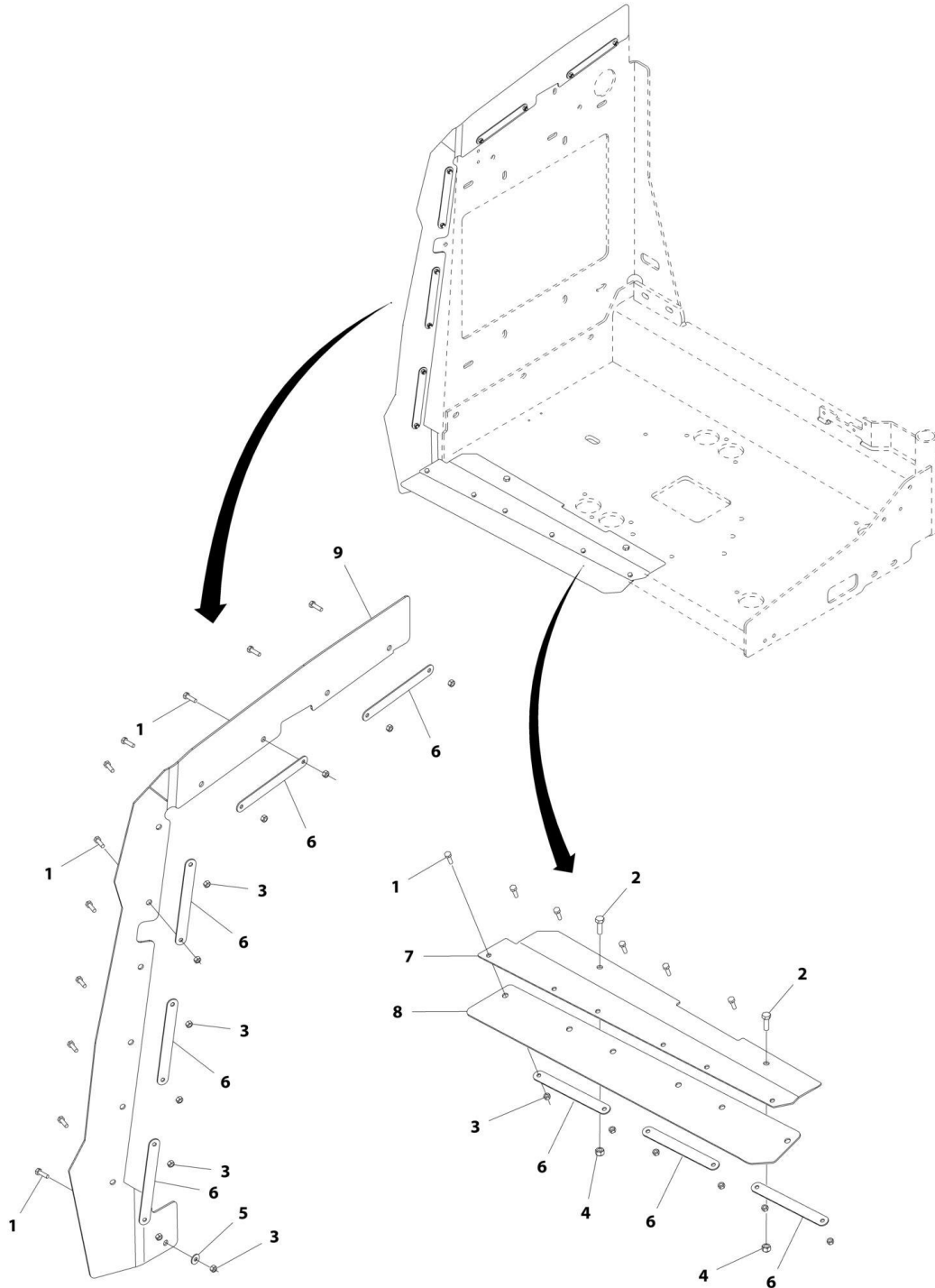
## SECTION 3 - ENGINE

**FIGURE 3-36. SPARK ARRESTOR INSTALLATION - DEUTZ D2011 ENGINE**

ITEM	PART NUMBER	QTY	DESCRIPTION	REV
	1001174378	Ref	SPARK ARRESTOR INSTALLATION - DEUTZ D2011 ENGINE	A
1	1320176	1	Clamp	
2	1001169525	1	Pipe, Exhaust	
3	1001170224	1	Muffler, Spark Arresting	

# SECTION 3 - ENGINE

## FIGURE 3-37. ENGINE Baffle INSTALLATION - WITH DEUTZ ENGINES



ART\_1001172265



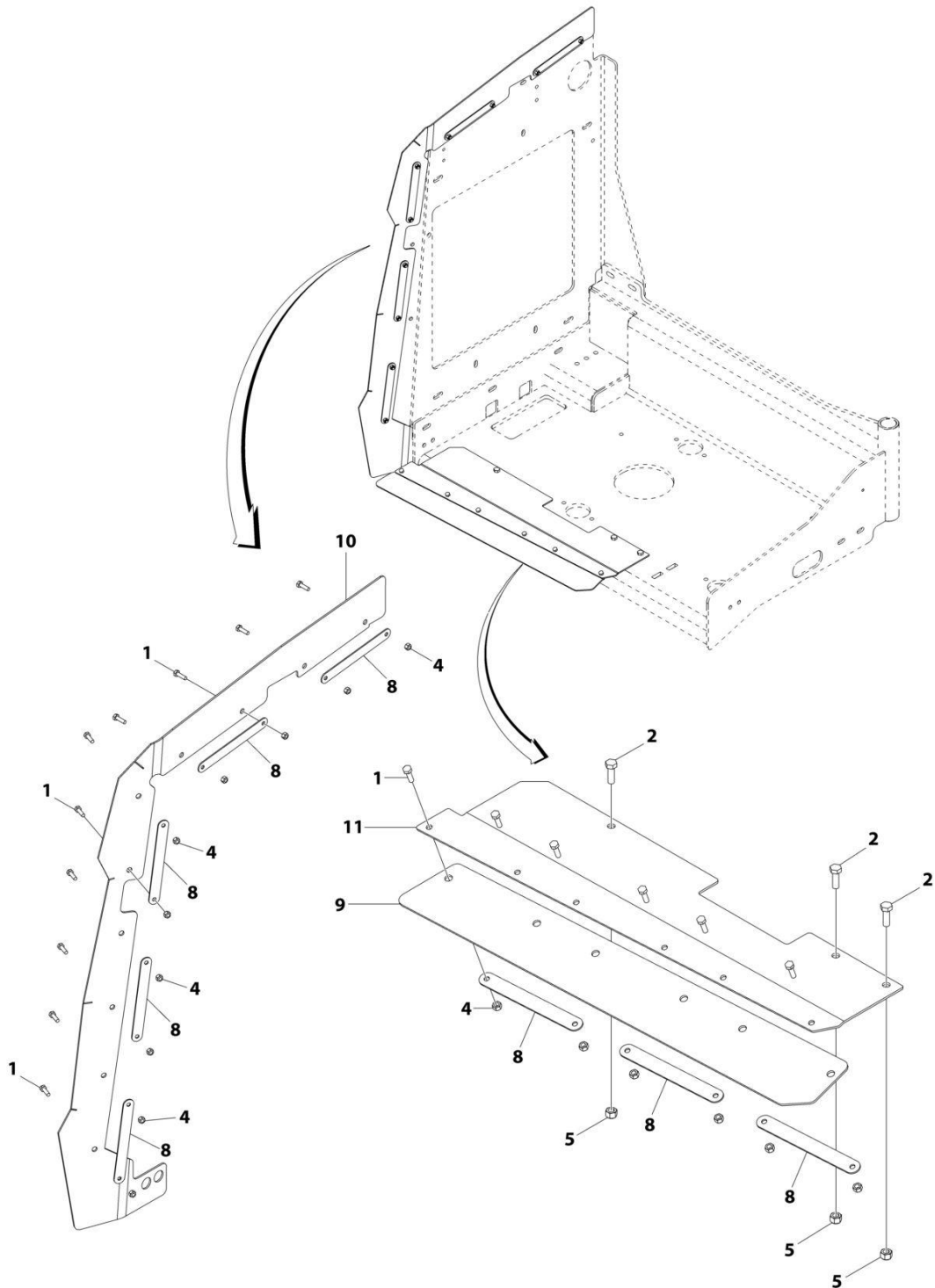
## SECTION 3 - ENGINE

### FIGURE 3-37. ENGINE BAFFLE INSTALLATION - WITH DEUTZ ENGINES

ITEM	PART NUMBER	QTY	DESCRIPTION	REV
	1001172265	Ref	ENGINE BAFFLE INSTALLATION - WITH DEUTZ/GM ENGINES	B
1	0760610	17	Bolt M6 x 20	
2	0760812	2	Bolt M8 x 25	
3	3290605	17	Nut M6	
4	3290805	2	Nut M8	
5	4811702	1	Washer M6	
6	1001167164	8	Plate, Support	
7	1001170663	1	Bracket	
8	1001170664	1	Seal	
9	1001172264	1	Seal	

# SECTION 3 - ENGINE

## FIGURE 3-38. ENGINE Baffle INSTALLATION – WITH KUBOTA ENGINE



ART\_1001216415

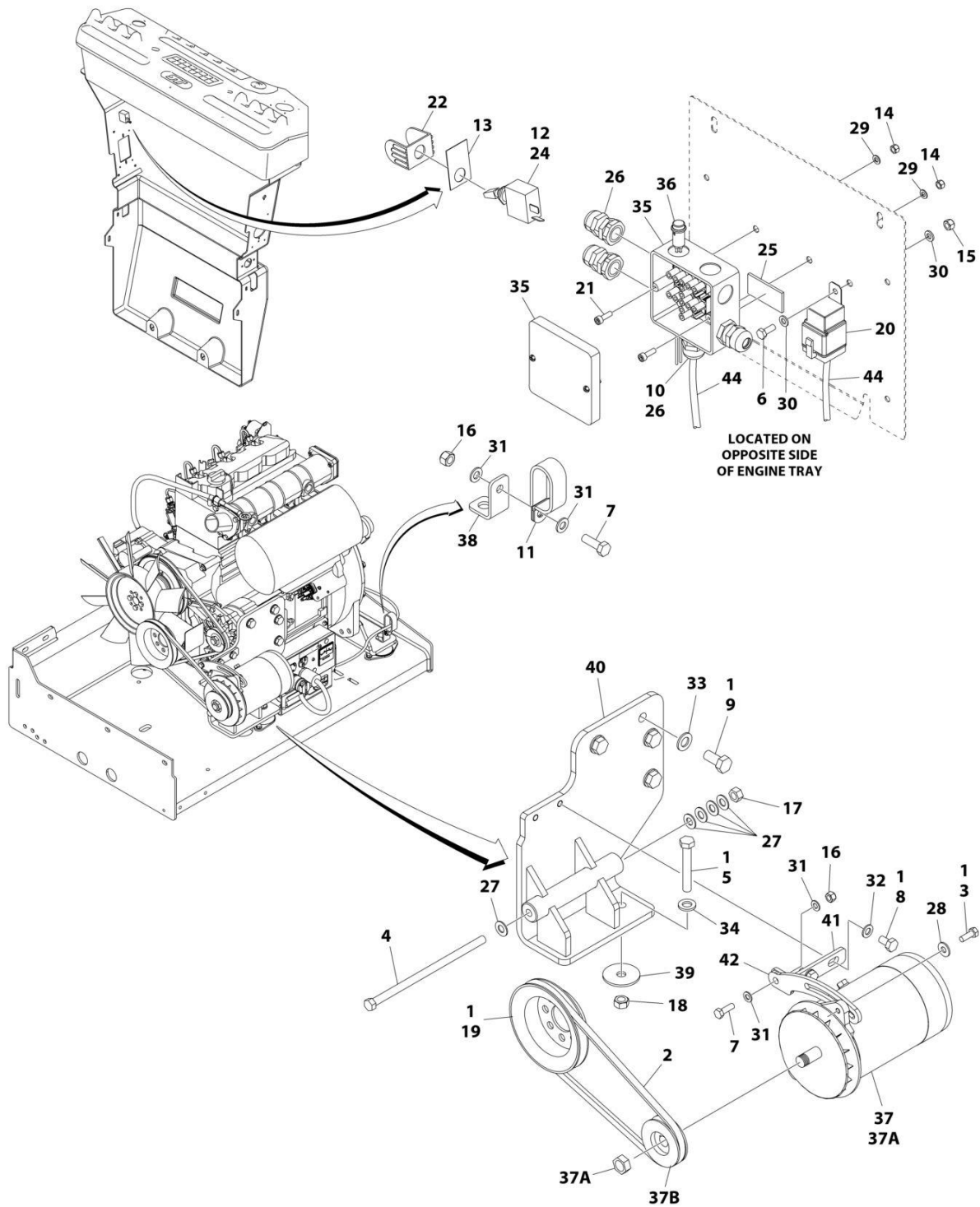
## SECTION 3 - ENGINE

**FIGURE 3-38. ENGINE BAFFLE INSTALLATION – WITH KUBOTA ENGINE**

ITEM	PART NUMBER	QTY	DESCRIPTION	REV
	1001216415	Ref	ENGINE BAFFLE INSTALLATION – WITH KUBOTA ENGINE	C
1	0760610	16	Bolt M6 x 20	
2	0760812	3	Bolt M8 x 25	
4	3290605	16	Nut M6	
5	3290805	3	Nut M8	
8	1001167164	8	Plate, Support	
9	1001170664	1	Seal	
10	1001216416	1	Seal	
11	1001216512	1	Bracket	

# SECTION 3 - ENGINE

## FIGURE 3-39. GENERATOR INSTALLATION - 2500W/50HZ (DEUTZ D2011 ENGINE)



ART\_1001185025

## SECTION 3 - ENGINE

**FIGURE 3-39. GENERATOR INSTALLATION - 2500W/50HZ (DEUTZ D2011 ENGINE)**

ITEM	PART NUMBER	QTY	DESCRIPTION	REV
	1001185025	Ref	GENERATOR INSTALLATION - 2500W/50Hz (DEUTZ D2011 ENGINE)	C
1	0100011	AR	Compound, Locking	
2	0480120	1	Belt	
3	0641507	1	Bolt 5/16 x 7/8	
4	0641772	1	Bolt 7/16 x 9	
5	0711224	1	Bolt M12 x 80 Grade 10.9	
6	0760608	1	Bolt M6 x 16	
7	0760812	2	Bolt M8 x 25	
8	0761009	2	Bolt M10 x 18	
9	0771414	4	Bolt M14 x 30 Grade 10.9	
10	0962449	1	Bushing	
11	1321716	1	Clamp	
12	2820031	AR	Heat Shrink	
13	See Note	1	Nameplate (Note: Not Available for Purchase)	
14	3290505	2	Nut M5	
15	3290605	1	Nut M6	
16	3290805	2	Nut M8	
17	3311705	1	Nut 7/16	
18	3331211	1	Nut M12	
19	3580158	1	Pulley	
20	3740080	1	Relay	
21	4031607	2	Bolt M5 x 16	
22	4060802	1	Guard, Switch	
23	4240099	AR	Tie-Strap (Not Shown)	
24	4360336	1	Switch, Toggle	
25	4420060	AR	Tape, Double Sided	
26	4460968	3	Connector, Strain Relief	
27	4711700	5	Washer 7/16	
28	4751500	1	Washer 5/16	
29	4811600	2	Washer M5	
30	4811700	2	Washer M6	
31	4811900	4	Washer M8	
32	4812000	2	Washer M10	
33	4812200	4	Washer M14	
34	5241200	1	Washer M12 Hardened	
35	1001099869	1	Box, Junction	
36	1001100233	1	Light Red	
37	1001100321	1	Generator and Control Box Assembly	
	See Note	Ref	Note: Replacement Generators come standard with p/n 3580134 pulley. This pulley may not be correct for all applications. Refer to pulley options below.	
37A	70000123	1	Armature with Slip Rings	
37A	7012513	4	Cap, Brush Holder	
37A	7020108	4	Brush	
37A	7020109	4	Holder, Brush	
37A	7012514	1	Fan	
37A	7020110	1	Bell, Front	
37A	7020111	1	Bell, Rear	
37A	7020190	2	Bearing	

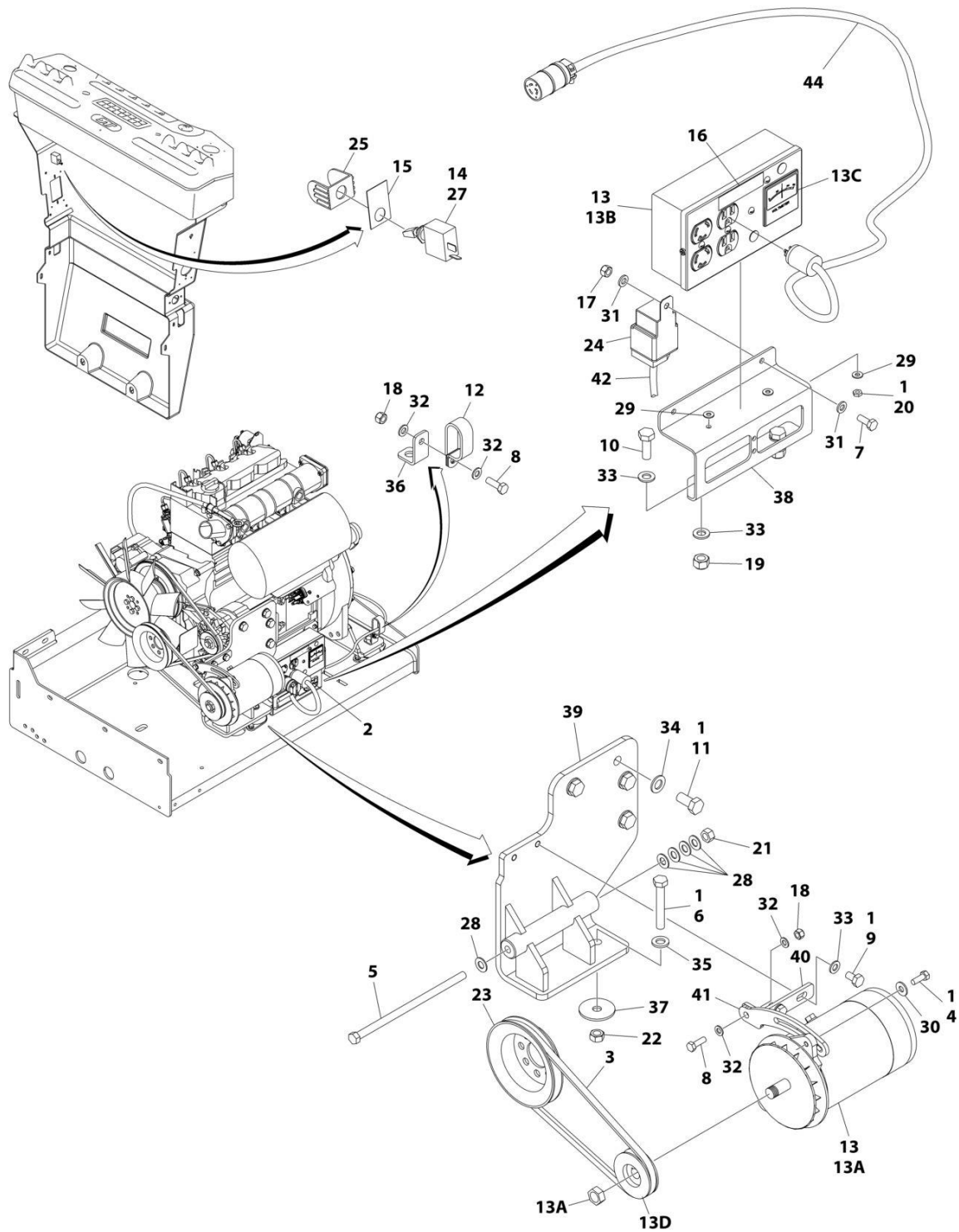
### SECTION 3 - ENGINE

ITEM	PART NUMBER	QTY	DESCRIPTION	REV
37B	7027887	1	Key, Woodruff	
38	1001148641	1	Bracket	
39	1001168018	1	Washer, Snubbing	
40	1001184637	1	Mount, Engine	
41	1001184644	1	Support	
42	1001184645	1	Bracket	
43	1001188732	1	Wiring Diagram (Not Shown)	
44	1001187352	1	Harness, Generator (See Separate Breakdown in ELECTRICAL SECTION)	



# SECTION 3 - ENGINE

## FIGURE 3-40. GENERATOR INSTALLATION - 2500W/60HZ (DEUTZ D2011 ENGINE)



ART\_1001180798



## SECTION 3 - ENGINE

**FIGURE 3-40. GENERATOR INSTALLATION - 2500W/60HZ (DEUTZ D2011 ENGINE)**

ITEM	PART NUMBER	QTY	DESCRIPTION	REV
	1001180798	Ref	GENERATOR INSTALLATION - 2500W/60HZ (DEUTZ D2011 ENGINE)	B
1	0100011	AR	Compound, Locking	
2	0100048	AR	Grease, Dielectric	
3	0480122	1	Belt	
4	0641507	1	Bolt 5/16 x 7/8	
5	0641772	1	Bolt 7/16 x 9	
6	0711224	1	Bolt M12 x 80 Grade 10.9	
7	0760608	1	Bolt M6 x 16	
8	0760812	2	Bolt M8 x 25	
9	0761009	2	Bolt M10 x 18	
10	0761014	2	Bolt M10 x 30	
11	0771414	4	Bolt M14 x 30 Grade 10.9	
12	1321716	1	Clamp	
13	2460055	1	Generator and Control Box Assembly	
13A	7012558	1	Generator	
	See Note	Ref	Note: Replacement Generators come standard with p/n 3580134 pulley. This pulley may not be correct for all applications. Refer to pulley options below.	
13A	7026199	1	Armature with Slip Rings	
13A	7012513	3	Cap, Brush Holder	
13A	7020108	4	Brush	
13A	7020109	4	Holder, Brush	
13A	7012514	1	Fan	
13A	7020110	1	Bell, Front	
13A	7020111	1	Bell, Rear	
13A	7020190	1	Bearing	
13B	7019680	1	Box, Control	
13B	4460190	1	Receptacle, Standard	
13B	4460027	1	Receptacle, Twistlock	
13B	4360542	1	Breaker, Circuit	
13B	3520028	1	Plug, Hole	
13B	4460961	1	Connector - 4 Position	
13B	4460705	4	Pin, Male	
13B	4460321	1	Connector - 4 Position (Note: Mate to p/n 4460961 Purchase Separately)	
13B	4460268	3	Socket, Female (Note: Mate to p/n 4460705 Purchase Separately)	
13C	2420203	1	Voltmeter	
13D	3580276	1	Pulley	
13D	7027887	1	Key, Woodruff	
14	2820031	AR	Heat Shrink	
15	See Note	1	Nameplate (Note: Not Available for Purchase)	
16	3251243	1	Nameplate 120V-60Hz	
17	3290605	1	Nut M6	
18	3290805	2	Nut M8	
19	3291005	2	Nut M10	
20	3311001	2	Nut #10	
21	3311705	1	Nut 7/16	
22	3331211	1	Nut M12	
23	3580158	1	Pulley	

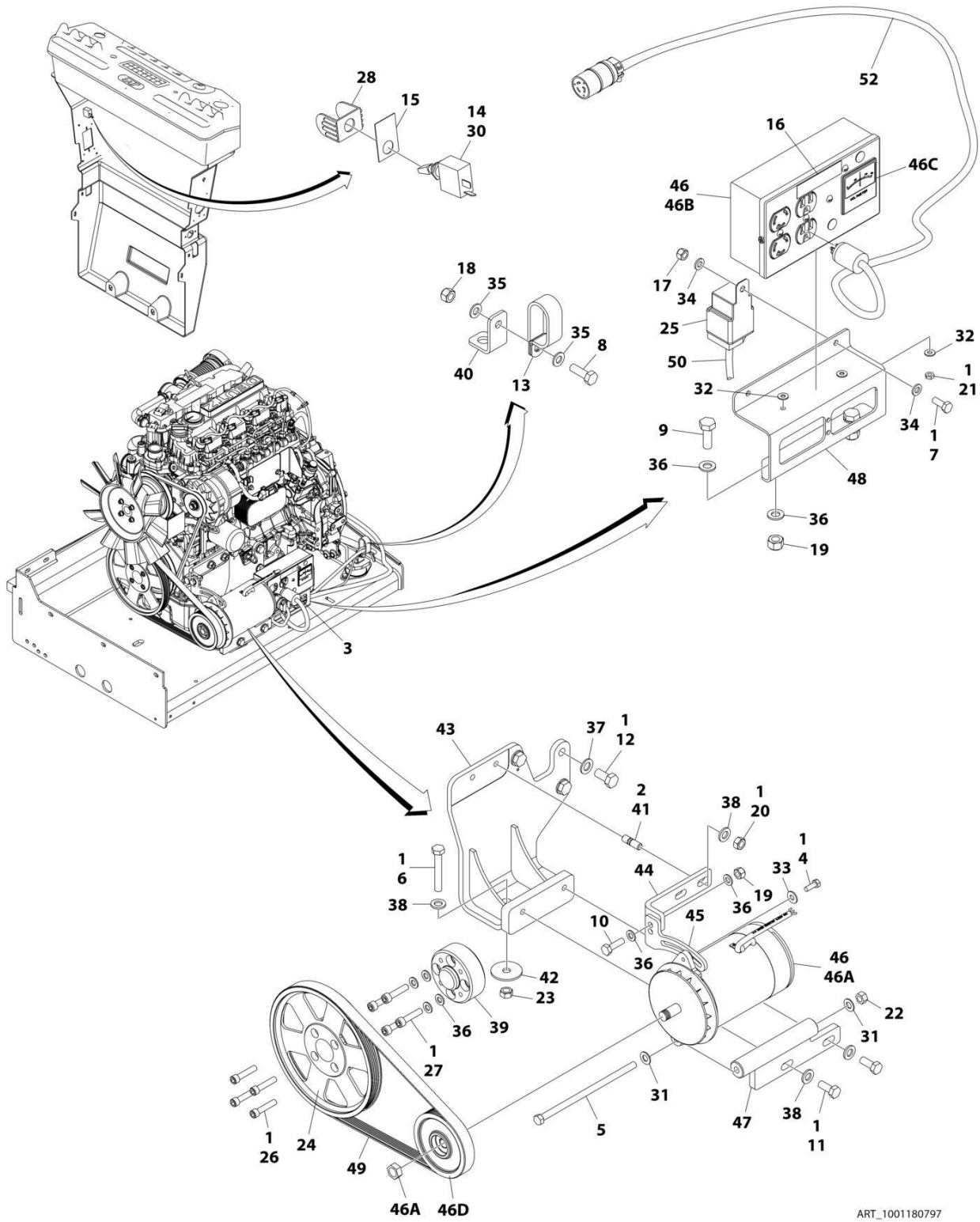
## SECTION 3 - ENGINE

ITEM	PART NUMBER	QTY	DESCRIPTION	REV
24	3740080	1	Relay	
25	4060802	1	Guard, Switch	
26	4240099	AR	Tie-Strap (Not Shown)	
27	4360336	1	Switch, Toggle	
28	4711700	5	Washer 7/16	
29	4751000	4	Washer #10	
30	4751500	1	Washer 5/16	
31	4811700	2	Washer M6	
32	4811900	4	Washer M8	
33	4812000	6	Washer M10	
34	4812200	4	Washer M14	
35	5241200	1	Washer M12 Hardened	
36	1001148641	1	Bracket	
37	1001168018	1	Washer, Snubbing	
38	1001183477	1	Support	
39	1001184637	1	Mount, Engine	
40	1001184644	1	Support	
41	1001184645	1	Bracket	
42	1001187522	1	Harness, Generator (See Separate Breakdown in ELECTRICAL SECTION)	
43	1001188731	1	Wiring Diagram (Not Shown)	
43	4922641	1	Harness, On/Off Switch (Not Shown - Located at Platform)	
44	1001182296	1	Harness, Inverter	
44	1060494	10 ft/3.5m	Cable, Electrical - 12/3	
44	4460134	1	Receptacle, Female	
44	4460138	1	Plug, Male	



# SECTION 3 - ENGINE

## FIGURE 3-41. GENERATOR INSTALLATION - 2500W/60HZ (DEUTZ D2.9L4 ENGINE)



ART\_1001180797

## SECTION 3 - ENGINE

**FIGURE 3-41. GENERATOR INSTALLATION - 2500W/60HZ (DEUTZ D2.9L4 ENGINE)**

ITEM	PART NUMBER	QTY	DESCRIPTION	REV
	1001180797	Ref	GENERATOR INSTALLATION - 2500W/60HZ (DEUTZ D2.9L4 ENGINE)	F
1	0100011	AR	Compound, Locking	
2	0100019	AR	Compound, Locking	
3	0100048	AR	Grease, Dielectric	
4	0641507	1	Bolt 5/16 x 7/8	
5	0641772	1	Bolt 7/16 x 9	
6	0711224	AR	Bolt M12 x 80 Grade 10.9	
7	0760608	1	Bolt M6 x 16	
8	0760812	1	Bolt M8 x 25	
9	0761014	2	Bolt M10 x 30	
10	0761015	1	Bolt M10 x 35	
11	0761214	2	Bolt M12 x 30	
12	0771414	3	Bolt M14 x 30 Grade 10.9	
13	1321716	1	Clamp	
14	2820031	AR	Heat Shrink	
15	See Note	1	Nameplate (Note: Not Available for Purchase)	
16	3251243	1	Nameplate 120V-60Hz	
17	3290605	1	Nut M6	
18	3290805	1	Nut M8	
19	3291005	3	Nut M10	
20	3291201	2	Nut M12	
21	3311001	2	Nut #10	
22	3311705	1	Nut 7/16	
23	3331211	AR	Nut M12	
24	3580320	1	Pulley	
25	3740080	1	Relay	
26	3931628	4	Capscrew 3/8 x 1-3/4	
27	4032014	4	Bolt M10 x 50	
28	4060802	1	Guard, Switch	
29	4240099	AR	Tie-Strap (Not Shown)	
30	4360336	1	Switch, Toggle	
31	4711700	2	Washer 7/16	
32	4751000	4	Washer #10	
33	4751500	1	Washer 5/16	
34	4811700	2	Washer M6	
35	4811900	2	Washer M8	
36	4812000	AR	Washer M10	
37	4812200	AR	Washer M14	
38	5241200	AR	Washer M12 Hardened	
39	1001135679	1	Adapter	
40	1001148641	1	Bracket	
41	1001155041	2	Stud	
42	1001168018	AR	Washer, Snubbing	
43	1001168207	Ref	Support	
44	1001179836	1	Mount, Upper Generator	
45	1001179837	1	Arm Adjustment	
46	1001180001	1	Generator	
46A	7026199	1	Armature with Slip Rings	
46A	7012513	3	Cap, Brush Holder	

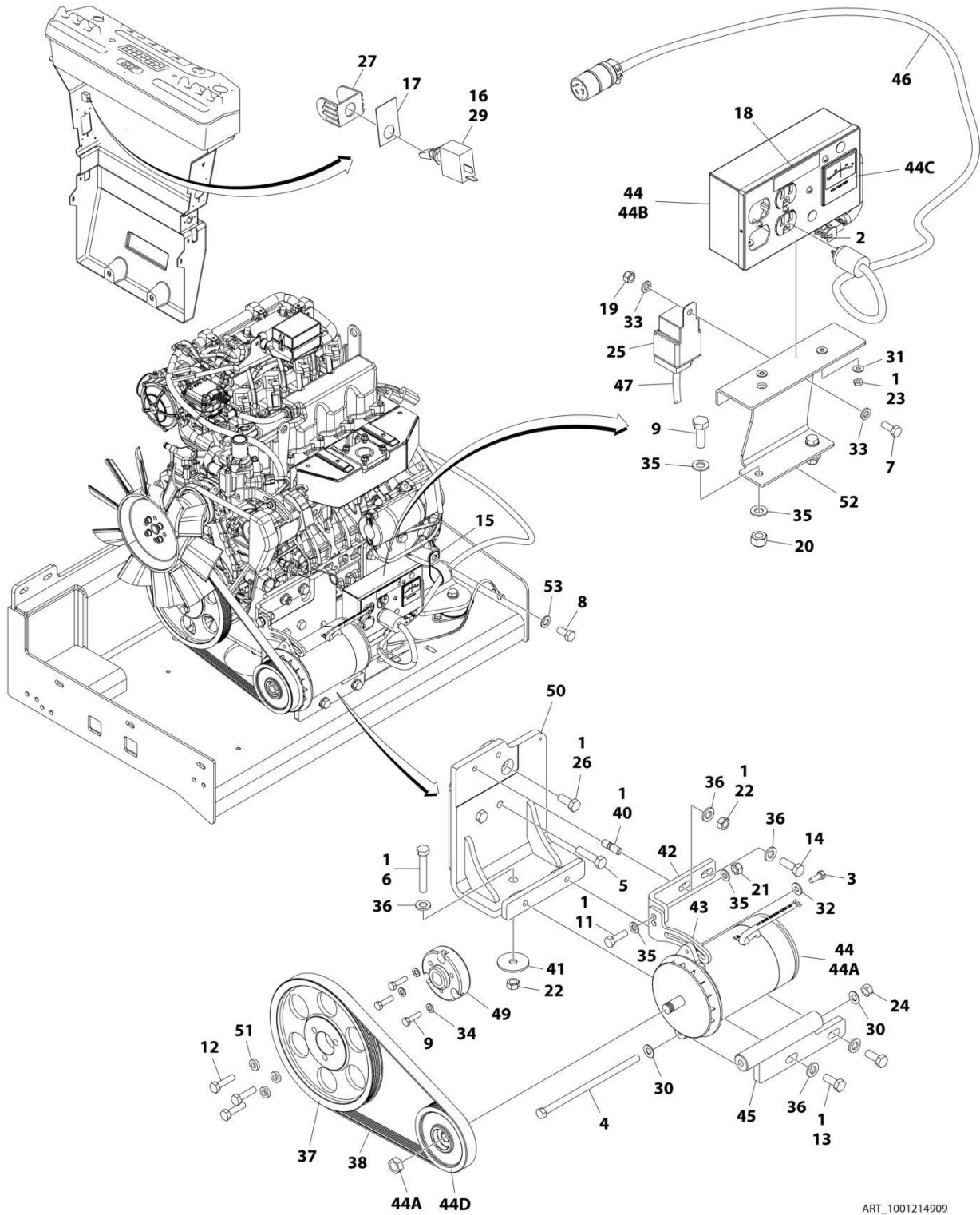
## SECTION 3 - ENGINE

ITEM	PART NUMBER	QTY	DESCRIPTION	REV
46A	7020108	4	Brush	
46A	7020109	4	Holder, Brush	
46A	7012514	1	Fan	
46A	7020110	1	Bell, Front	
46A	7020111	1	Bell, Rear	
46A	7020190	1	Bearing	
46B	7019680	1	Box, Control	
46B	4460190	1	Receptacle, Standard	
46B	4460027	1	Receptacle, Twistlock	
46B	4360542	1	Breaker, Circuit	
46B	3520028	1	Plug, Hole	
46B	4460961	1	Connector - 4 Position	
46B	4460705	4	Pin, Male	
46B	4460321	1	Connector - 4 Position (Note: Mate to p/n 4460961 Purchase Separately)	
46B	4460268	3	Socket, Female (Note: Mate to p/n 4460705 Purchase Separately)	
46C	2420203	1	Voltmeter	
46D	1001179893	1	Pulley	
46D	7027887	1	Key, Woodruff	
47	1001181243	1	Mount, Lower Generator	
48	1001183477	1	Support	
49	1001148138	1	Belt	
50	1001187522	1	Harness, Generator (See Separate Breakdown in ELECTRICAL SECTION)	
51	1001188731	1	Wiring Diagram (Not Shown)	
51	4922641	1	Harness, On/Off Switch (Not Shown - Located at Platform)	
52	1001182296	1	Harness, Inverter	
52	1060494	10 ft/3.5m	Cable, Electrical - 12/3	
52	4460134	1	Receptacle, Female	
52	4460138	1	Plug, Male	



# SECTION 3 - ENGINE

## FIGURE 3-42. GENERATOR INSTALLATION - 2500W/60HZ (KUBOTA ENGINE)



ART\_1001214909



## SECTION 3 - ENGINE

**FIGURE 3-42. GENERATOR INSTALLATION - 2500W/60HZ (KUBOTA ENGINE)**

ITEM	PART NUMBER	QTY	DESCRIPTION	REV
	1001214909	Ref	GENERATOR INSTALLATION - 2500W/60Hz (KUBOTA ENGINE)	E
1	0100011	AR	Compound, Locking	
2	0100048	AR	Grease, Dielectric	
3	0641507	1	Bolt 5/16 x 7/8	
4	0641772	1	Bolt 7/16 x 9	
5	1001217344	2	Bolt M12 x 50	
6	0711224	AR	Bolt M12 x 80 Grade 10.9	
6	0701224	AR	Bolt M12 x 80	
7	0760608	1	Bolt M6 x 16	
8	1001217345	1	Bolt M14 x 30	
9	0760814	5	Bolt M8 x 30	
11	0761015	1	Bolt M10 x 35	
12	0761016	3	Bolt M10 x 40	
13	0761214	2	Bolt M12 x 30	
14	0761215	1	Bolt M12 x 35	
15	84521061	1	Clamp	
16	2820031	AR	Heat Shrink	
17	See Note	1	Nameplate (Note: Not Available for Purchase)	
18	3251243	1	Nameplate 120V-60Hz	
19	3290605	1	Nut M6	
20	3290805	2	Nut M8	
21	3291005	1	Nut M10	
22	3291201	2	Nut M12	
23	3311001	2	Nut #10	
24	3311705	1	Nut 7/16	
25	3740080	1	Relay	
26	1001217342	1	Bolt M12 x 30	
27	4060802	1	Guard, Switch	
28	4240099	AR	Tie-Strap (Not Shown)	
29	4360336	1	Switch, Toggle	
30	4711700	2	Washer 7/16	
31	4751000	4	Washer #10	
32	4751500	1	Washer 5/16	
33	4811700	2	Washer M6	
34	4811900	5	Washer M8	
35	4812000	4	Washer M10	
36	5241200	1	Washer M12 Hardened	
37	1001147233	1	Pulley	
38	1001148138	1	Belt	
40	1001155041	1	Stud	
41	1001168018	1	Washer, Snubbing	
42	1001179836	1	Mount, Upper Generator	
43	1001179837	1	Arm Adjustment	
44	1001180001	1	Generator	
44A	7026199	1	Armature with Slip Rings	
44A	7012513	3	Cap, Brush Holder	
44A	7020108	4	Brush	
44A	7020109	4	Holder, Brush	
44A	7012514	1	Fan	
44A	7020110	1	Bell, Front	

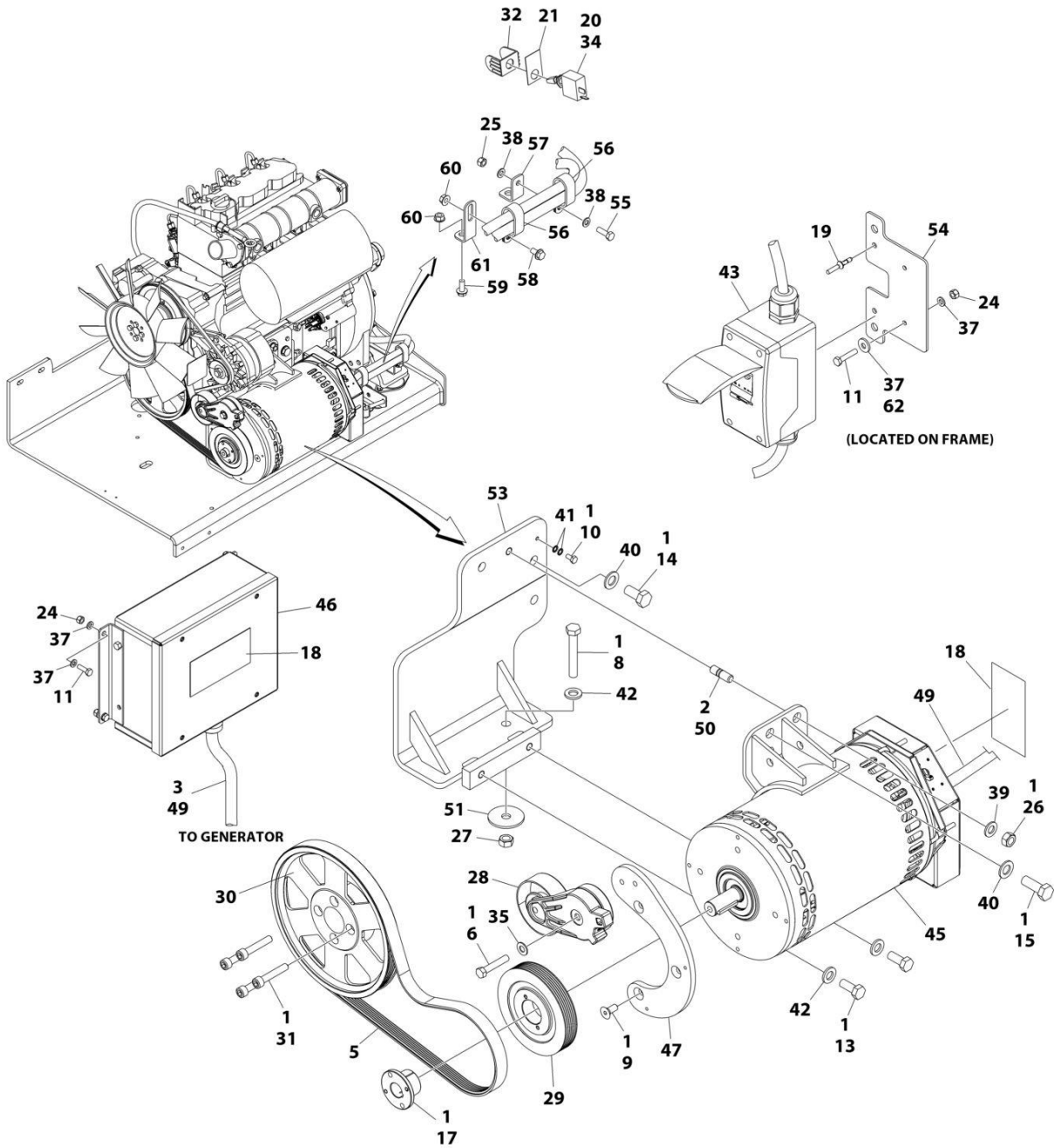
## SECTION 3 - ENGINE

ITEM	PART NUMBER	QTY	DESCRIPTION	REV
44A	7020111	1	Bell, Rear	
44A	7020190	1	Bearing	
44B	7019680	1	Box, Control	
44B	4460190	1	Receptacle, Standard	
44B	4460027	1	Receptacle, Twistlock	
44B	4360542	1	Breaker, Circuit	
44B	3520028	1	Plug, Hole	
44B	4460961	1	Connector - 4 Position	
44B	4460705	4	Pin, Male	
44B	4460321	1	Connector - 4 Position (Note: Mate to p/n 4460961 Purchase Separately)	
44B	4460268	3	Socket, Female (Note: Mate to p/n 4460705 Purchase Separately)	
44C	2420203	1	Voltmeter	
44D	1001179893	1	Pulley	
44D	7027887	1	Key, Woodruff	
45	1001181243	1	Mount, Lower Generator	
46	1001182296	1	Harness, Inverter	
46	1060494	10 ft/ 3.5m	Cable, Electrical - 12/3	
46	4460134	1	Receptacle, Female	
46	4460138	1	Plug, Male	
47	1001187522	1	Harness, Generator (See Separate Breakdown in ELECTRICAL SECTION)	
48	1001188731	1	Wiring Diagram (Not Shown)	
48	4922641	1	Harness, On/Off Switch (Not Shown - Located at Platform)	
49	1001213029	1	Adapter, Pulley	
50	1001214546	1	Support	
51	1001216805	1	Spacer	
52	1001216840	1	Support	
53	4812200	1	Washer M14	



# SECTION 3 - ENGINE

## FIGURE 3-43. GENERATOR INSTALLATION - 4000W/50HZ (DEUTZ D2011 ENGINE)



ART\_1001173984

## SECTION 3 - ENGINE

**FIGURE 3-43. GENERATOR INSTALLATION - 4000W/50HZ (DEUTZ D2011 ENGINE)**

ITEM	PART NUMBER	QTY	DESCRIPTION	REV
	1001173984	Ref	GENERATOR INSTALLATION - 4000W/50HZ (DEUTZ D2011 ENGINE)	J
1	0100011	AR	Compound, Locking	
2	0100019	AR	Compound, Locking	
3	0100048	AR	Grease, Dielectric	
4	0100079	AR	Sealant (Not Shown)	
5	0480126	1	Belt	
6	0641616	1	Bolt 3/8 x 2	
8	0711224	1	Bolt M12 x 80 Grade 10.9	
9	0741607	3	Screw 3/8 x 7/8	
10	0760606	1	Bolt M6 x 12	
11	0760610	AR	Bolt M6 x 20	
11	0760614	AR	Bolt M6 x 30	
13	0761214	2	Bolt M12 x 30	
14	0771414	2	Bolt M14 x 30 Grade 10.9	
15	0771416	1	Bolt M14 x 40	
17	0962520	1	Bushing	
18	1705489	AR	Decal - Hazardous Voltage	
19	2080040	2	Fastener, Huck	
20	2820031	AR	Heat Shrink	
21	See Note	1	Nameplate (Note: Not Available for Purchase)	
24	3290605	6	Nut M6	
25	3290805	1	Nut M8	
26	3291201	1	Nut M12	
27	3331211	1	Nut M12	
28	3580317	1	Pulley	
29	3580319	1	Pulley	
30	3580320	1	Pulley	
31	4032015	4	Bolt M10 x 55	
32	4060802	1	Guard, Switch	
33	4240099	AR	Tie-Strap (Not Shown)	
34	4360336	1	Switch, Toggle	
35	4711600	1	Washer 3/8	
37	4811700	AR	Washer M6	
38	4811900	1	Washer M8	
39	4812100	1	Washer M12	
40	4812200	3	Washer M14	
41	4871700	2	Washer M6	
42	5241200	3	Washer M12 Hardened	
43	1001096070	1	Breaker Box Kit (50Hz) (See Separate Breakdown in ELECTRICAL Section)	
45	1001138565	1	Generator Assembly	
45	70003709	1	Ring, Retaining (External)	
45	70003708	1	Ring, Retaining (Internal)	
45	70001966	1	Bearing	
45	70004092	1	Endbell (Shaft End)	
45	70004171	1	Key	
45	70004676	1	Rotor	
45	70004677	1	Stator	
45	70004678	1	Endbell (Rear)	

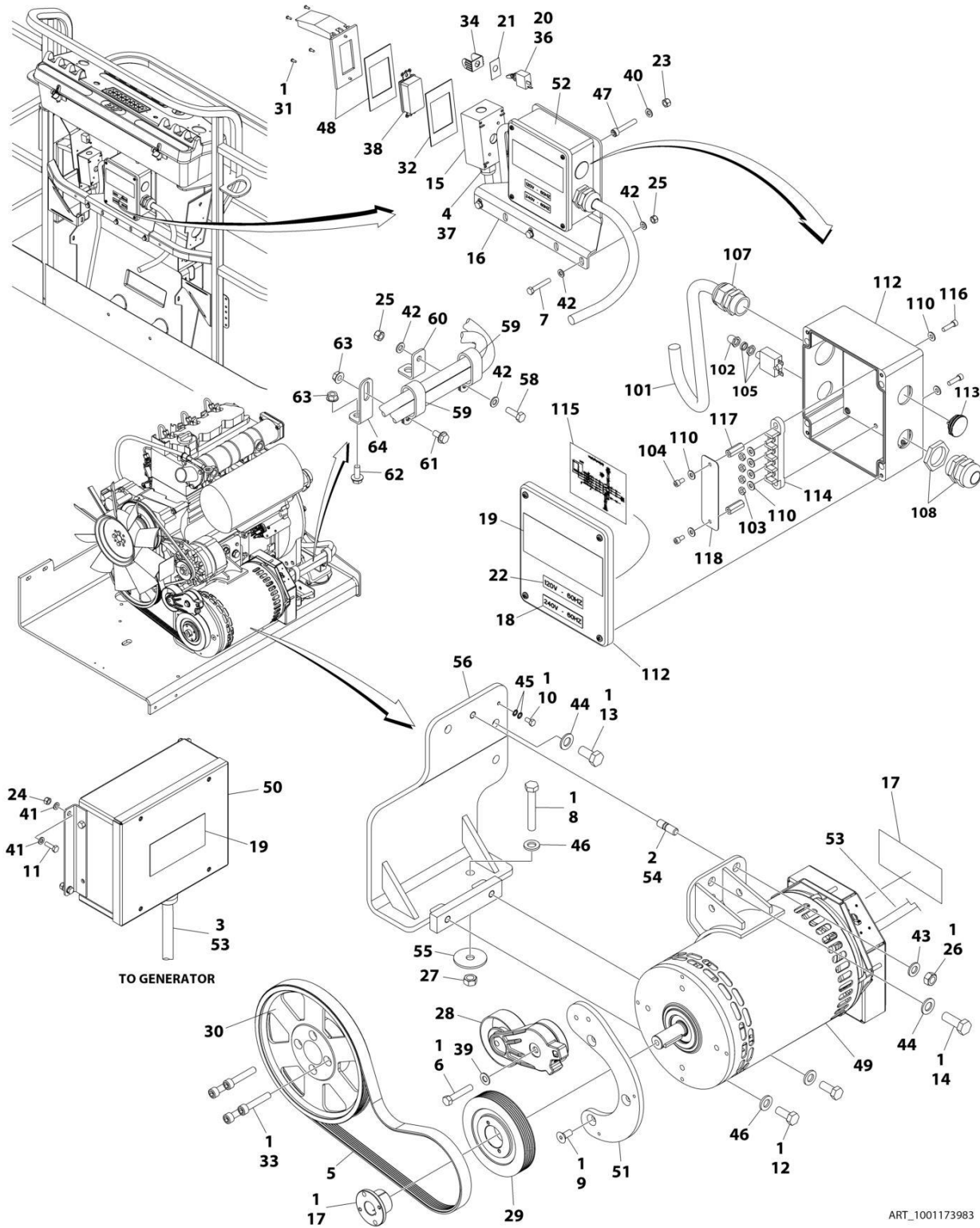
## SECTION 3 - ENGINE

ITEM	PART NUMBER	QTY	DESCRIPTION	REV
45	70004679	1	Cover, Endbell (Rear)	
45	70004680	1	Enclosure, Wiring	
45	70004681	1	Cover, Enclosure	
45	70004682	1	Switch, Reset (Located on Enclosure Cover)	
45	70004683	1	Connector, Strain Relief (Located on Enclosure Cover)	
46	1001138566	1	Box, Control	
46	70006552	1	Capacitor	
46	70006553	1	Relay	
47	1001139357	1	Mount, Tensioner	
49	1001152532	1	Harness, Generator (See Separate Breakdown in ELECTRICAL Section)	
50	1001196382	1	Stud	
51	1001168018	1	Washer, Snubbing	
53	1001173925	1	Mount	
54	1001174158	1	Mount	
55	0760812	1	Bolt M8 x 25	
56	1321716	2	Clamp	
57	1001148641	1	Bracket	
58	5250808	1	Bolt M8 x 16	
59	5250810	1	Bolt M8 x 20	
60	5260800	2	Nut M8	
61	1001223122	1	Support	
62	4811702	AR	Washer M6	



# SECTION 3 - ENGINE

## FIGURE 3-44. GENERATOR INSTALLATION - 4000W/60HZ (DEUTZ D2011 ENGINE)





## SECTION 3 - ENGINE

**FIGURE 3-44. GENERATOR INSTALLATION - 4000W/60HZ (DEUTZ D2011 ENGINE)**

ITEM	PART NUMBER	QTY	DESCRIPTION	REV
	1001173983	Ref	GENERATOR INSTALLATION - 4000W/60HZ (DEUTZ D2011 ENGINE)	F
1	0100011	AR	Compound, Locking	
2	0100019	AR	Compound, Locking	
3	0100048	AR	Grease, Dielectric	
4	0100079	AR	Sealant	
5	0480128	1	Belt	
6	0641616	1	Bolt 3/8 x 2	
7	0700818	3	Bolt M8 x 50	
8	0711224	1	Bolt M12 x 80 Grade 10.9	
9	0741607	3	Screw 3/8 x 7/8	
10	0760606	1	Bolt M6 x 12	
11	0760610	4	Bolt M6 x 20	
12	0761214	2	Bolt M12 x 30	
13	0771414	2	Bolt M14 x 30 Grade 10.9	
14	0771416	1	Bolt M14 x 40	
15	0860038	1	Box, Switch	
16	0902888	1	Bracket	
17	0962520	1	Bushing	
18	1705374	1	Decal - 240V-60Hz	
19	1705387	3	Decal - Hazardous Voltage	
20	2820031	AR	Heat Shrink	
21	See Note	1	Nameplate (Note: Not Available for Purchase)	
22	3251243	1	Nameplate 120V-60Hz	
23	3290505	4	Nut M5	
24	3290605	4	Nut M6	
25	3290805	4	Nut M8	
26	3291201	2	Nut M12	
27	3331211	1	Nut M12	
28	3580317	1	Pulley	
29	3580318	1	Pulley	
30	3580320	1	Pulley	
31	3910606	4	Screw #6 x 3/8	
32	3960422	1	Gasket	
33	4032015	4	Bolt M10 x 55	
34	4060802	1	Guard, Switch	
35	4240099	AR	Tie-Strap (Not Shown)	
36	4360336	1	Switch, Toggle	
37	4460071	1	Connector, Strain Relief	
38	4460346	1	Receptacle	
39	4711600	1	Washer 3/8	
40	4811600	4	Washer M5	
41	4811700	8	Washer M6	
42	4811900	8	Washer M8	
43	4812100	1	Washer M12	
44	4812200	3	Washer M14	
45	4871700	2	Washer M6	
46	5241200	3	Washer M12 Hardened	
47	1001104029	4	Screw M5 x 30	
48	1001110873	1	Shield, Cover	

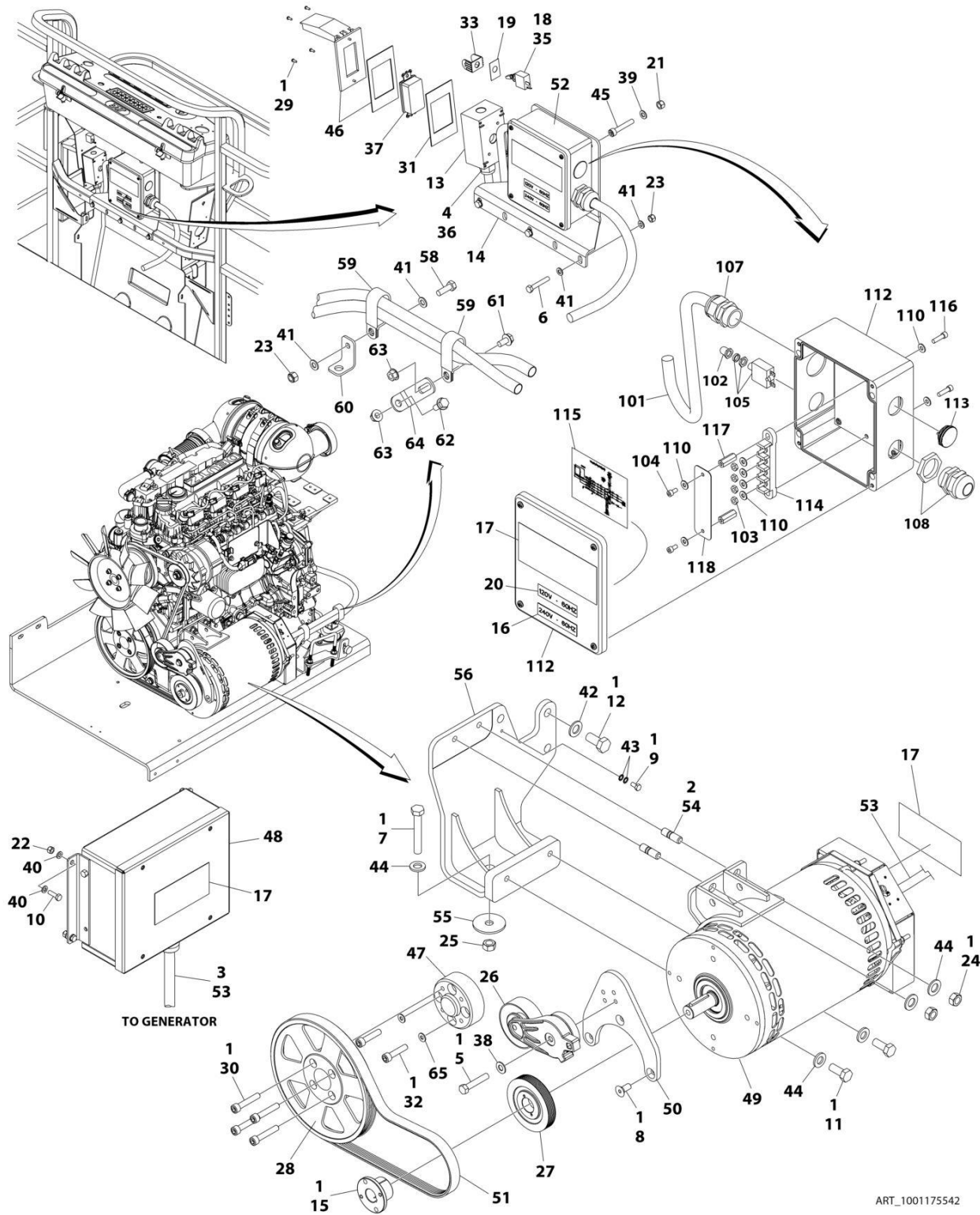
## SECTION 3 - ENGINE

ITEM	PART NUMBER	QTY	DESCRIPTION	REV
49	1001129858	1	Generator	
49	70003709	1	Ring, Retaining (External)	
49	70003708	1	Ring, Retaining (Internal)	
49	70001966	1	Bearing	
49	70004092	1	Endbell (Shaft End)	
49	70004171	1	Key	
49	70004676	1	Rotor	
49	70004684	1	Stator	
49	70004678	1	Endbell (Rear)	
49	70004679	1	Cover, Endbell (Rear)	
49	70004680	1	Enclosure, Wiring	
49	70004685	1	Cover, Enclosure	
49	70004682	1	Switch, Reset (Located on Enclosure Cover)	
49	70004098	1	Connector, Strain Relief (Located on Enclosure Cover)	
50	1001138566	1	Box, Control	
50	70006552	1	Capacitor	
50	70006553	1	Relay	
51	1001139357	1	Mount, Tensioner	
52	1001152457	1	Generator Junction Box Assembly (See Items 101-118 for Breakdown)	
53	1001152532	1	Harness, Generator (See Separate Breakdown in ELECTRICAL SECTION)	
54	1001196382	1	Stud	
55	1001168018	1	Washer, Snubbing	
56	1001173925	1	Mount	
57	1001175631	1	Wiring Diagram (Not Shown)	
57	4922641	1	Harness, On/Off Switch (Not Shown - Located at Platform)	
58	0760812	1	Bolt M8 x 25	
59	1321716	2	Clamp	
60	1001148641	1	Bracket	
61	5250808	1	Bolt M8 x 16	
62	5250810	1	Bolt M8 x 20	
63	5260800	2	Nut M8	
64	1001223122	1	Support	
	1001152457	Ref	GENERATOR JUNCTION BOX COMPONENTS	
101	1001179154	2.5 ft/ 0.8m	Cable, Electrical - 12/3	
102	3300396	1	Cover, Breaker	
103	3311001	4	Nut #10	
104	3900300	2	Screw	
105	4360070	1	Breaker, Circuit - 15Amp	
107	4460425	1	Connector, Strain Relief (LH Side)	
108	4460426	1	Connector, Strain Relief (RH Side)	
110	4711000	8	Washer #10	
112	1001152456	1	Box, Junction	
113	1001152525	1	Plug	
114	1001152530	1	Terminal, Block	
115	1001153260	1	Decal - Wiring Diagram	
116	3900267	2	Screw	
117	1001158008	2	Stand-Off	
118	1001158363	1	Cover, Terminal Block	



# SECTION 3 - ENGINE

## FIGURE 3-45. GENERATOR INSTALLATION - 4000W/60HZ (DEUTZ D2.9L4 ENGINE)



ART\_1001175542

## SECTION 3 - ENGINE

**FIGURE 3-45. GENERATOR INSTALLATION - 4000W/60HZ (DEUTZ D2.9L4 ENGINE)**

ITEM	PART NUMBER	QTY	DESCRIPTION	REV
	1001175542	Ref	GENERATOR INSTALLATION - 4000W/60HZ (DEUTZ D2.9L4 ENGINE)	J
1	0100011	AR	Compound, Locking	
2	0100019	AR	Compound, Locking	
3	0100048	AR	Grease, Dielectric	
4	0100079	AR	Sealant	
5	0641616	1	Bolt 3/8 x 2	
6	0700818	3	Bolt M8 x 50	
7	0711224	AR	Bolt M12 x 80 Grade 10.9	
8	0741607	3	Screw 3/8 x 7/8	
9	0760606	1	Bolt M6 x 12	
10	0760610	4	Bolt M6 x 20	
11	0761212	2	Bolt M12 x 25	
12	0771414	AR	Bolt M14 x 30 Grade 10.9	
13	0860038	1	Box, Switch	
14	0902888	1	Bracket	
15	0962520	1	Bushing	
16	1705374	1	Decal - 240V-60Hz	
17	1705387	3	Decal - Hazardous Voltage	
18	2820031	AR	Heat Shrink	
19	See Note	1	Nameplate (Note: Not Available for Purchase)	
20	3251243	1	Nameplate 120V-60Hz	
21	3290505	4	Nut M5	
22	3290605	4	Nut M6	
23	3290805	4	Nut M8	
24	3291201	2	Nut M12	
25	3331211	AR	Nut M12	
26	3580317	1	Pulley	
27	3580318	1	Pulley	
28	3580320	1	Pulley	
29	3910606	4	Screw #6 x 3/8	
30	3931628	4	Capscrew 3/8 x 1-3/4	
31	3960422	1	Gasket	
32	4032014	4	Capscrew M10 x 50	
33	4060802	1	Guard, Switch	
34	4240099	AR	Tie-Strap (Not Shown)	
35	4360336	1	Switch, Toggle	
36	4460071	1	Connector, Strain Relief	
37	4460346	1	Receptacle	
38	4711600	1	Washer 3/8	
39	4811600	4	Washer M5	
40	4811700	8	Washer M6	
41	4811900	8	Washer M8	
42	4812200	AR	Washer M14	
43	4871700	2	Washer M6	
44	5241200	AR	Washer M12 Hardened	
45	1001104029	4	Screw M5 x 30	
46	1001110873	1	Shield, Cover	
47	1001135679	1	Adapter	
48	1001138566	1	Box, Control	

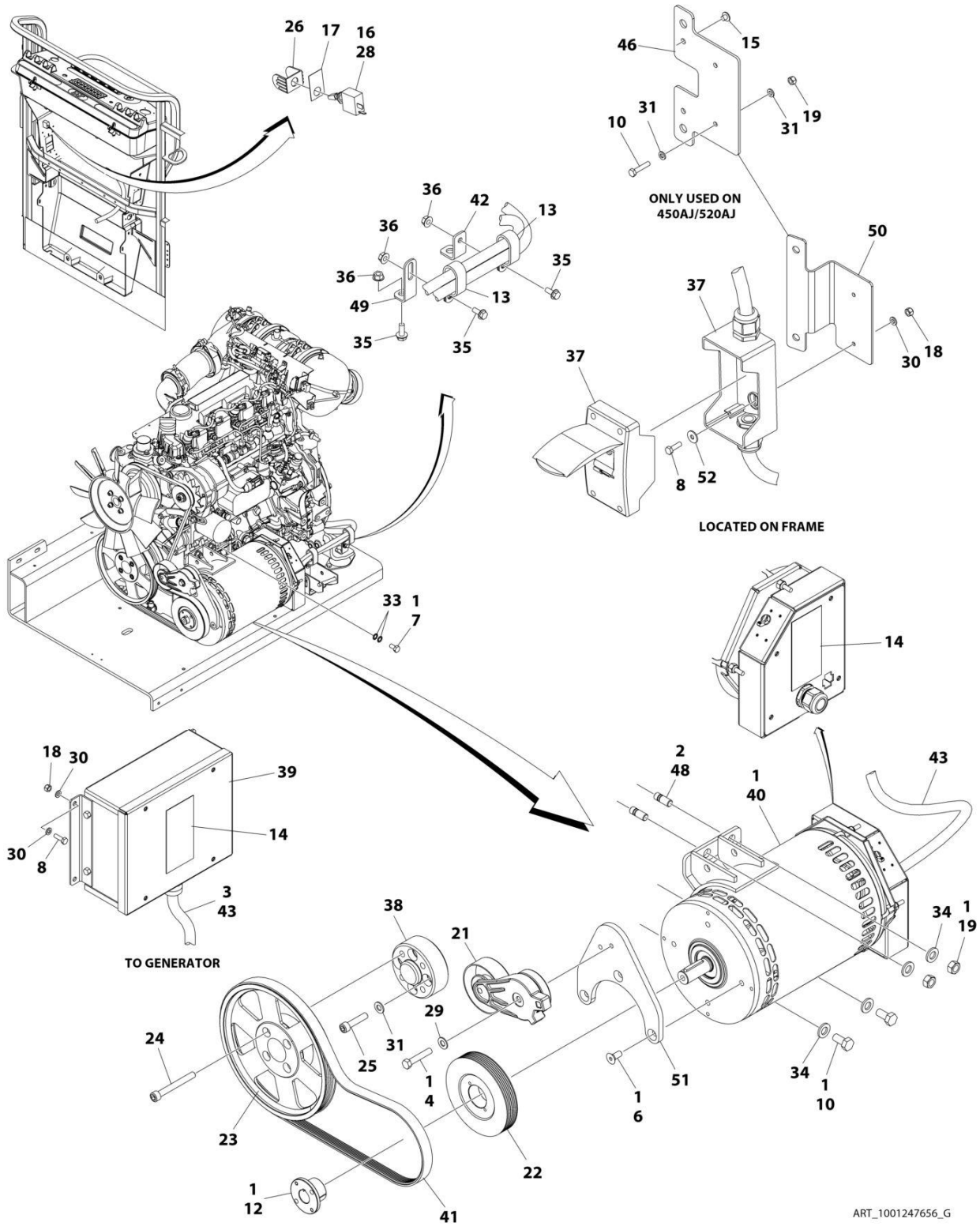
## SECTION 3 - ENGINE

ITEM	PART NUMBER	QTY	DESCRIPTION	REV
49	1001140346	1	Generator Assembly	
49	70003709	1	Ring, Retaining (External)	
49	70003708	1	Ring, Retaining (Internal)	
49	70001966	1	Bearing	
49	70004092	1	Endbell (Shaft End)	
49	70004099	1	Key	
49	70004676	1	Rotor	
49	70004687	1	Stator	
49	70004678	1	Endbell (Rear)	
49	70004679	1	Cover, Endbell (Rear)	
49	70004680	1	Enclosure, Wiring	
49	70004685	1	Cover, Enclosure	
49	70004682	1	Switch, Reset (Located on Enclosure Cover)	
49	70004098	1	Connector, Strain Relief (Located on Enclosure Cover)	
50	1001142643	1	Support	
51	1001142646	1	Belt	
52	1001152457	1	Generator Junction Box Assembly (See Items 101-118 for Breakdown)	
53	1001152532	1	Harness, Generator (See Separate Breakdown in ELECTRICAL SECTION)	
54	1001196382	2	Stud	
55	1001168018	AR	Washer, Snubbing	
56	1001168207	Ref	Support	
57	1001175631	1	Wiring Diagram (Not Shown)	
57	4922641	1	Harness, On/Off Switch (Not Shown - Located at Platform)	
58	0760812	1	Bolt M8 x 25	
59	1321716	2	Clamp	
60	1001148641	1	Bracket	
61	5250808	1	Bolt M8 x 16	
62	5250810	1	Bolt M8 x 20	
63	5260800	2	Nut M8	
64	1001223122	1	Support	
65	4812000	4	Washer M10	
	1001152457	Ref	GENERATOR JUNCTION BOX COMPONENTS	
101	1001179154	2.5 ft/ 0.8m	Cable, Electrical - 12/3	
102	3300396	1	Cover, Breaker	
103	3311001	4	Nut #10	
104	3900300	2	Screw	
105	4360070	1	Breaker, Circuit - 15Amp	
107	4460425	1	Connector, Strain Relief (LH Side)	
108	4460426	1	Connector, Strain Relief (RH Side)	
110	4711000	8	Washer #10	
112	1001152456	1	Box, Junction	
113	1001152525	1	Plug	
114	1001152530	1	Terminal, Block	
115	1001153260	1	Decal - Wiring Diagram	
116	3900267	2	Screw	
117	1001158008	2	Stand-Off	
118	1001158363	1	Cover, Terminal Block	



# SECTION 3 - ENGINE

## FIGURE 3-46. GENERATOR INSTALLATION - 4000W/50HZ (DEUTZ ENGINE) (STAGE V)



ART\_1001247656\_G



## SECTION 3 - ENGINE

**FIGURE 3-46. GENERATOR INSTALLATION - 4000W/50HZ (DEUTZ ENGINE) (STAGE V)**

ITEM	PART NUMBER	QTY	DESCRIPTION	REV
	1001247656	Ref	GENERATOR INSTALLATION - 4000W/50HZ	G
1	0100011	AR	Compound, Locking	
2	0100019	AR	Compound, Locking	
3	0100048	AR	Grease, Dielectric	
4	0641616	1	Bolt 3/8 x 2	
6	0741607	3	Screw 3/8 x 7/8	
7	0760606	1	Bolt M6 x 12	
8	0760610	AR	Bolt M6 x 20	
10	0761212	2	Bolt M12 x 25	
12	0962520	1	Bushing	
13	1321716	2	Clamp	
14	1705489	2	Decal - Hazardous Voltage	
15	2080040	2	Fastener, Huck	
16	2820031	0.33 ft /0.10m	Heat Shrink	
17	3251102	1	Nameplate, Generator	
18	3290605	AR	Nut M6	
19	3291201	2	Nut M12	
21	3580317	1	Pulley	
22	3580319	1	Pulley	
23	1001281192	1	Pulley	
24	1001261085	4	Capscrew M10 x 85	
25	1001261045	4	Capscrew M10 x 45	
26	4060802	1	Guard, Switch	
27	4240099	AR	Tie-Strap (Not Shown)	
28	4360336	1	Switch, Toggle	
29	4711600	1	Washer 3/8	
30	4811700	AR	Washer M6	
31	4812000	4	Washer M14	
33	4871700	2	Washer M6	
34	5241200	4	Washer M12 Hardened	
35	5250810	3	Bolt M8 x 20	
36	5260800	3	Nut M8	
37	1001096070	1	Breaker Box Kit (50Hz) (See Separate Breakdown in ELECTRICAL Section)	
38	1001258800	1	Adapter	
39	1001138566	1	Box, Control	
40	1001140347	1	Generator, 4000W/ 50HZ - Deutz Engine	
40	70003709	1	Ring, Retaining (External)	
40	70003708	1	Ring, Retaining (Internal)	
40	70001966	1	Bearing	
40	70004092	1	Endbell (Shaft End)	
40	70004099	1	Key	
40	70004676	1	Rotor	
40	70004686	1	Stator	
40	70004678	1	Endbell (Rear)	
40	70004679	1	Cover, Endbell (Rear)	
40	70004680	1	Enclosure, Wiring	
40	70004681	1	Cover, Enclosure	
40	70004682	1	Switch, Reset (Located on Enclosure Cover)	

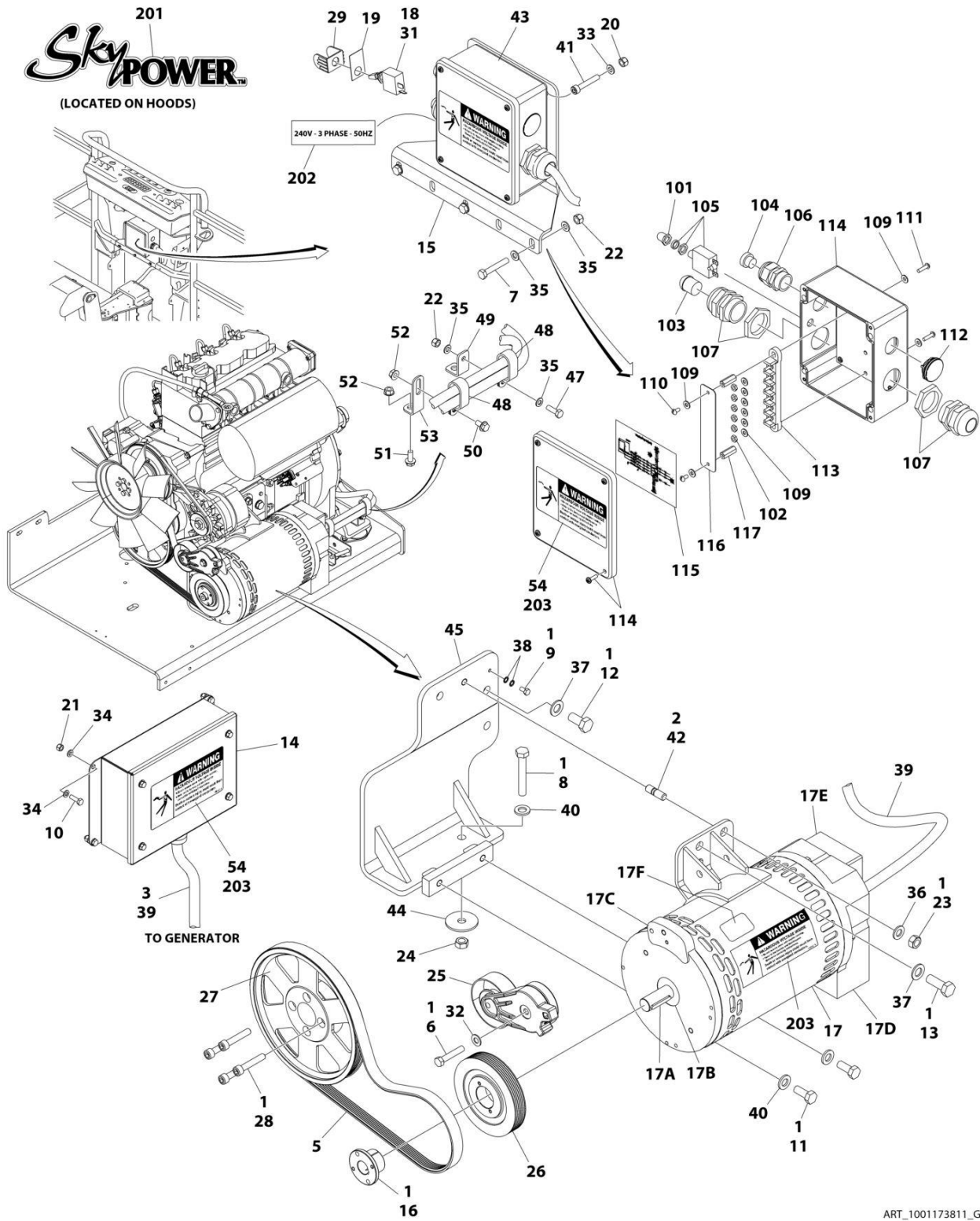
## SECTION 3 - ENGINE

ITEM	PART NUMBER	QTY	DESCRIPTION	REV
40	70004683	1	Connector, Strain Relief (Located on Enclosure Cover)	
41	1001148059	1	Belt, Generator	
42	1001148641	1	Bracket	
43	1001152532	1	Harness, Generator (See Separate Breakdown in ELECTRICAL Section)	
46	1001174158	1	Mount	
47	1001174675	1	Wiring Diagram (Not Shown)	
48	1001196382	2	Stud	
49	1001223122	1	Support	
50	1001230784	1	Bracket	
51	1001248190	1	Support	
52	4811702	AR	Washer M6	
		Ref	ELECTRICAL DIAGRAM COMPONENTS	
101	4922641	1	Generator Switch Harness (Not Shown)	



# SECTION 3 - ENGINE

## FIGURE 3-47. GENERATOR INSTALLATION - 7500W/50HZ (DEUTZ D2011 ENGINE)



ART\_1001173811\_G

## SECTION 3 - ENGINE

**FIGURE 3-47. GENERATOR INSTALLATION - 7500W/50HZ (DEUTZ D2011 ENGINE)**

ITEM	PART NUMBER	QTY	DESCRIPTION	REV
	1001173811	Ref	GENERATOR INSTALLATION - 7500W/50HZ (DEUTZ D2011 ENGINE)	G
1	0100011	AR	Compound, Locking	
2	0100019	AR	Compound, Locking	
3	0100048	AR	Grease, Dielectric	
4	0100079	AR	Sealant (Not Shown)	
5	0480126	1	Belt	
6	0641616	1	Bolt 3/8 x 2	
7	0700818	3	Bolt M8 x 50	
8	0711224	1	Bolt M12 x 80 Grade 10.9	
9	0760606	1	Bolt M6 x 12	
10	0760610	4	Bolt M6 x 20	
11	0761214	2	Bolt M12 x 30	
12	0771414	2	Bolt M14 x 30 Grade 10.9	
13	0771416	1	Bolt M14 x 40	
14	0861572	1	Control Box Assembly	
14	7024488	1	Card, Circuit - Generator Power	
14	See Note	NSS	Fuse (Note: Not Available - Purchase Locally)	
14	7024489	1	Card, Circuit - Control	
14	70000619	1	Harness, Control Box (Internal)	
15	0902888	1	Bracket	
16	0962520	1	Bushing	
17	2460048	1	Generator Assembly	
17	70001100	1	Rotor (Includes p/n 70001384 & 70000863) (Not Shown)	
17	70001384	1	Bearing, Ball Radial (Not Shown)	
17	70000863	1	Fan (Not Shown)	
17	70002088	1	Stator (Not Shown)	
17	70002297	1	Stud	
17	70003631	1	Brushholder Assembly (Not Shown)	
17A	70004171	1	Key	
17B	70001966	1	Bearing, Ball Radial (Located in Belt Tensioner Endbell)	
17B	70003708	1	Ring, Internal Retaining (Located in Belt Tensioner Endbell)	
17B	70003709	1	Ring, External Retaining (Located in Belt Tensioner Endbell)	
17C	70001953	1	Endbell, Belt Tensioner	
17D	70004169	1	Endbell, Brush Block	
17E	70004169	1	Shroud	
17E	See Note	NSS	Insulator, Endbell (Note: Not Available for Purchase)	
17E	7027799	1	Block, Connector 6 Position (Not Shown)	
17E	70002460	1	Nut, Brass (Attaches p/n 7027799 to Cover) (Not Shown)	
17E	7024485	1	Breaker, Circuit 30Amp (Not Shown)	
17E	70001696	1	Boot, Breaker (Not Shown)	
17E	7026626	1	Connector, 6 Position (Includes Seal) (Not Shown - Plugs into Item 39)	
17E	7026597	1	Connector, with Leads (Not Shown)	
17E	7026188	1	Clamp, Cable Options (Not Shown)	
17E	70004169	1	Plate, End Panel	
17E	70001974	1	Decal - Terminal Connections	
17F	70001973	1	Decal - Warning Moving Parts	
18	2820031	AR	Heat Shrink	
19	3252764	1	Nameplate	

## SECTION 3 - ENGINE

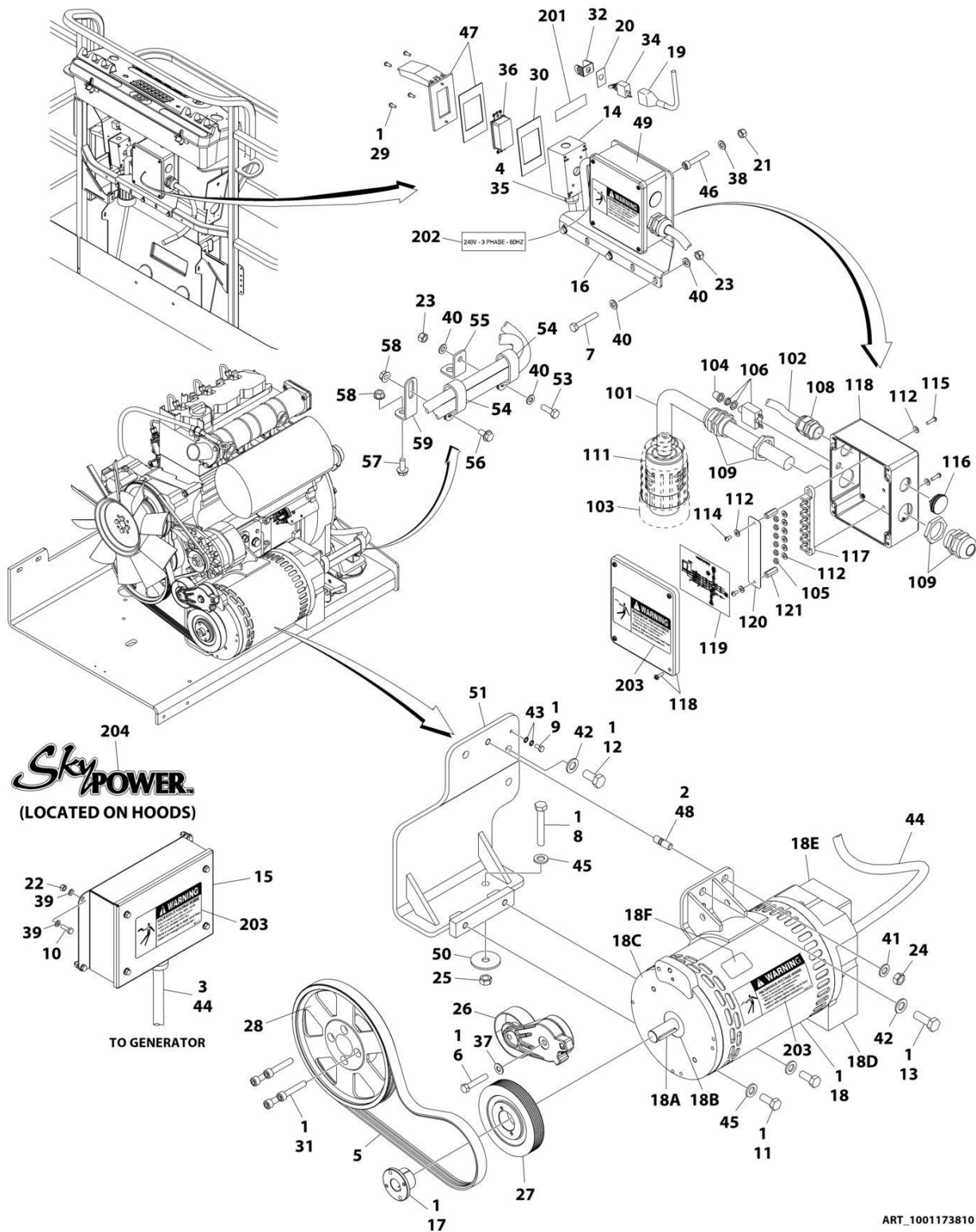
ITEM	PART NUMBER	QTY	DESCRIPTION	REV
20	3290505	4	Nut M5	
21	3290605	4	Nut M6	
22	3290805	4	Nut M8	
23	3291201	1	Nut M12	
24	3331211	1	Nut M12	
25	3580317	1	Pulley	
26	3580319	1	Pulley	
27	3580320	1	Pulley	
28	4032015	4	Bolt M10 x 55	
29	4060802	1	Guard, Switch	
30	4240099	AR	Tie-Strap (Not Shown)	
31	4360336	1	Switch, Toggle	
32	4711600	1	Washer 3/8	
33	4811600	4	Washer M5	
34	4811700	8	Washer M6	
35	4811900	8	Washer M8	
36	4812100	1	Washer M12	
37	4812200	3	Washer M14	
38	4871700	2	Washer M6	
39	4922925	1	Harness, Generator	
39	4460225	1	Plug, Male 6 Position (Plugs into Generator)	
39	See Note	NSS	Socket, Female (Use with 4460225)	
39	See Note	NSS	Seal, Plug (Use with 4460225)	
39	See Note	NSS	Seal, Interface (Use with 4460225)	
40	5241200	3	Washer M12 Hardened	
41	1001104029	4	Screw M5 x 30	
42	1001196382	1	Stud	
43	1001157525	1	Junction Box Assembly (See Items 101-117 for Breakdown)	
44	1001168018	1	Washer, Snubbing	
45	1001173925	1	Mount	
46	1001174675	1	Wiring Diagram (Not Shown)	
46	4922641	1	Harness, On/Off Switch (Not Shown - Located at Platform)	
47	0760812	1	Bolt M8 x 25	
48	1321716	2	Clamp	
49	1001148641	1	Bracket	
50	5250808	1	Bolt M8 x 16	
51	5250810	1	Bolt M8 x 20	
52	5260800	2	Nut M8	
53	1001223122	1	Support	
54	1705489	2	Decal - Hazardous Voltage	
	1001157525	Ref	JUNCTION BOX ASSEMBLY	B
101	3300396	1	Cover, Fuse	
102	3311001	6	Nut #10	
103	3520189	1	Plug	
104	3520192	1	Plug	
105	4360070	1	Circuit Breaker - 15Amp	
106	4460425	1	Connector, Strain Relief	
107	4460426	2	Connector, Strain Relief	
109	4711000	10	Flatwasher #10	
110	10702077	2	Screw #10 x 3/8	
111	10702082	2	Screw #10 x 3/4	

## SECTION 3 - ENGINE

ITEM	PART NUMBER	QTY	DESCRIPTION	REV
112	1001152525	1	Plug	
113	1001157520	1	Block, Terminal	
114	1001157521	1	Box, Junction	
115	1001157528	1	Decal - Wiring Schematic	
116	1001158007	1	Cover, PVC	
117	1001158008	2	Stand-Off	
	0272589	Ref	DECAL INSTALLATION	A
201	1705460	2	Decal - SkyPower	
202	1705461	1	Decal - 240V - 3 Phase - 50Hz	
203	1705489	3	Decal - Hazardous Voltage	

# SECTION 3 - ENGINE

## FIGURE 3-48. GENERATOR INSTALLATION - 7500W/60HZ (DEUTZ D2011 ENGINE)



ART\_1001173810



## SECTION 3 - ENGINE

**FIGURE 3-48. GENERATOR INSTALLATION - 7500W/60HZ (DEUTZ D2011 ENGINE)**

ITEM	PART NUMBER	QTY	DESCRIPTION	REV
	1001173810	Ref	GENERATOR INSTALLATION - 7500W/60Hz (DEUTZ D2011 ENGINE)	F
1	0100011	AR	Compound, Locking	
2	0100019	AR	Compound, Locking	
3	0100048	AR	Grease, Dielectric	
4	0100079	AR	Sealant	
5	0480128	1	Belt	
6	0641616	1	Bolt 3/8 x 2	
7	0700818	3	Bolt M8 x 50	
8	0711224	1	Bolt M12 x 80 Grade 10.9	
9	0760606	1	Bolt M6 x 12	
10	0760610	4	Bolt M6 x 20	
11	0761214	2	Bolt M12 x 30	
12	0771414	2	Bolt M14 x 30 Grade 10.9	
13	0771416	1	Bolt M14 x 40	
14	0860038	1	Box, Switch	
15	0861538	1	Control Box Assembly	
15	7024488	1	Card, Circuit - Generator Power	
15	See Note	NSS	Fuse (Note: Not Available - Purchase Locally)	
15	7024489	1	Card, Circuit - Control	
15	70000619	1	Harness, Control Box (Internal)	
16	0902888	1	Bracket	
17	0962520	1	Bushing	
18	2460048	1	Generator Assembly	
18	70001100	1	Rotor (Includes p/n 70001384 & 70000863) (Not Shown)	
18	70001384	1	Bearing, Ball Radial (Not Shown)	
18	70000863	1	Fan (Not Shown)	
18	70002088	1	Stator (Not Shown)	
18	70002297	1	Stud	
18	70003631	1	Brushholder Assembly (Not Shown)	
18A	70004171	1	Key	
18B	70001966	1	Bearing, Ball Radial (Located in Belt Tensioner Endbell)	
18B	70003708	1	Ring, Internal Retaining (Located in Belt Tensioner Endbell)	
18B	70003709	1	Ring, External Retaining (Located in Belt Tensioner Endbell)	
18C	70001953	1	Endbell, Belt Tensioner	
18D	70004169	1	Endbell, Brush Block	
18E	70004169	1	Shroud	
18E	See Note	NSS	Insulator, Endbell (Note: Not Available for Purchase)	
18E	7027799	1	Block, Connector 6 Position (Not Shown)	
18E	70002460	1	Nut, Brass (Attaches p/n 7027799 to Cover) (Not Shown)	
18E	7024485	1	Breaker, Circuit 30Amp (Not Shown)	
18E	70001696	1	Boot, Breaker (Not Shown)	
18E	7026626	1	Connector, 6 Position (Includes Seal) (Not Shown - Plugs into Item 39)	
18E	7026597	1	Connector, with Leads (Not Shown)	
18E	7026188	1	Clamp, Cable Options (Not Shown)	
18E	70004169	1	Plate, End Panel	
18E	70001974	1	Decal - Terminal Connections	
18F	70001973	1	Decal - Warning Moving Parts	
19	2820031	AR	Heat Shrink	

## SECTION 3 - ENGINE

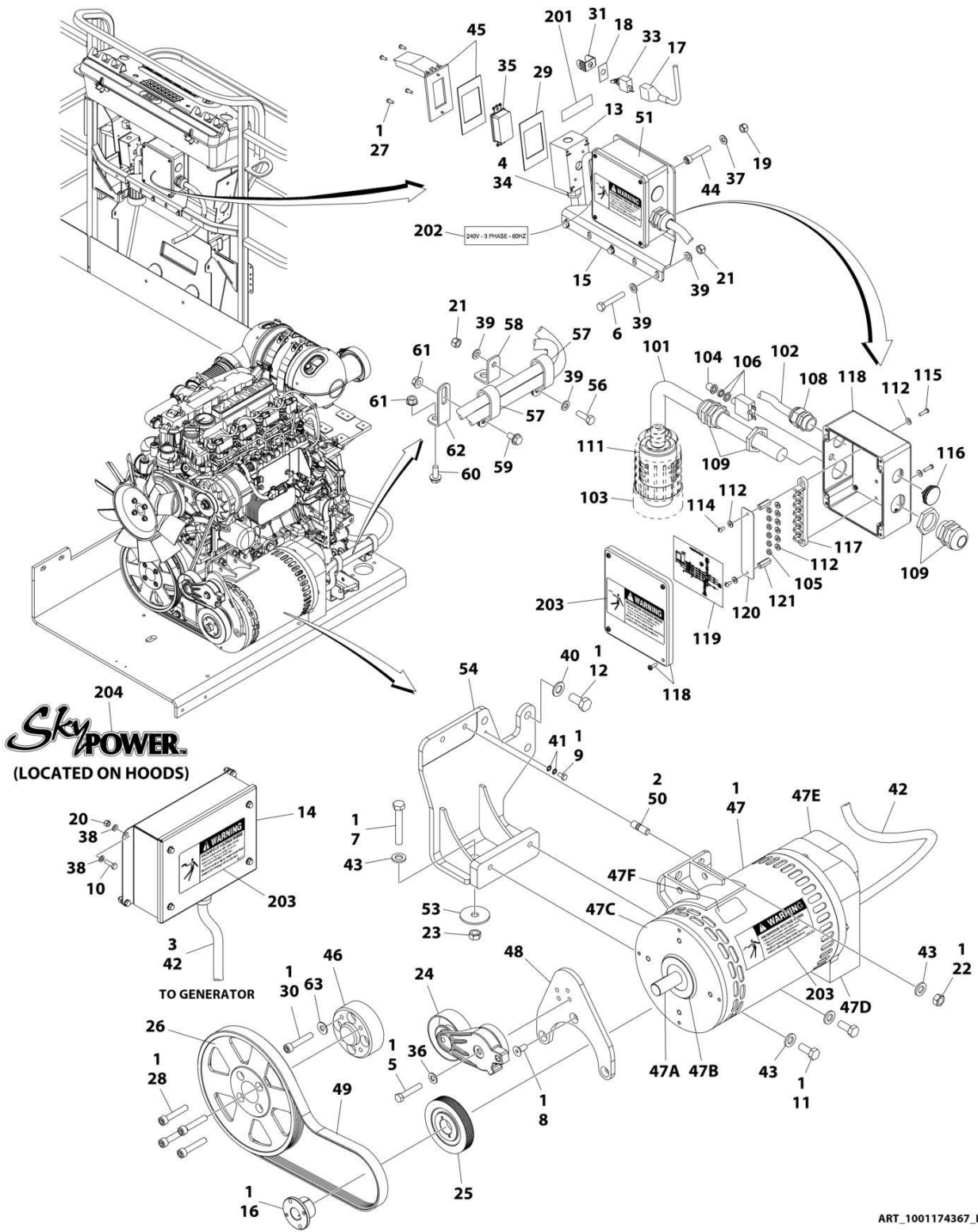
ITEM	PART NUMBER	QTY	DESCRIPTION	REV
20	3252764	1	Nameplate	
21	3290505	4	Nut M5	
22	3290605	4	Nut M6	
23	3290805	4	Nut M8	
24	3291201	1	Nut M12	
25	3331211	1	Nut M12	
26	3580317	1	Pulley	
27	3580318	1	Pulley	
28	3580320	1	Pulley	
29	3910606	4	Screw #6 x 3/8	
30	3960422	1	Gasket	
31	4032015	4	Bolt M10 x 55	
32	4060802	1	Guard, Switch	
33	4240099	AR	Tie-Strap (Not Shown)	
34	4360336	1	Switch, Toggle	
35	4460071	1	Connector, Strain Relief	
36	4460346	1	Receptacle	
37	4711600	1	Washer 3/8	
38	4811600	4	Washer M5	
39	4811700	8	Washer M6	
40	4811900	8	Washer M8	
41	4812100	1	Washer M12	
42	4812200	3	Washer M14	
43	4871700	2	Washer M6	
44	4922925	1	Harness, Generator	
44	4460225	1	Plug, Male 6 Position (Plugs into Generator)	
44	See Note	NSS	Socket, Female (Use with 4460225)	
44	See Note	NSS	Seal, Plug (Use with 4460225)	
44	See Note	NSS	Seal, Interface (Use with 4460225)	
45	5241200	3	Washer M12 Hardened	
46	1001104029	4	Screw M5 x 30	
47	1001110873	1	Shield, Cover	
48	1001196382	1	Stud	
49	1001157592	1	Junction Box Assembly Options (See Items 101-121 for Breakdown)	
50	1001168018	1	Washer, Snubbing	
51	1001173925	1	Mount	
52	1001174675	1	Wiring Diagram (Not Shown)	
52	4922641	1	Harness, On/Off Switch (Not Shown - Located at Platform)	
53	0760812	1	Bolt M8 x 25	
54	1321716	2	Clamp	
55	1001148641	1	Bracket	
56	5250808	1	Bolt M8 x 16	
57	5250810	1	Bolt M8 x 20	
58	5260800	2	Nut M8	
59	1001223122	1	Support	
	1001157592	Ref	JUNCTION BOX ASSEMBLY	C
101	1060343	1.5 ft /0.5m	Cable, Electrical 10/4	
102	1001179154	2.5 ft /0.8m	Cable, Electrical 12/3	
103	1671092	1	Cover	

## SECTION 3 - ENGINE

ITEM	PART NUMBER	QTY	DESCRIPTION	REV
104	3300396	1	Cover, Fuse	
105	3311001	6	Nut #10	
106	4360070	1	Circuit Breaker - 15Amp	
108	4460425	1	Connector, Strain Relief	
109	4460426	2	Connector, Strain Relief	
111	4460963	1	Connector	
112	4711000	10	Flatwasher #10	
114	10702077	2	Screw #10 x 3/8	
115	10702082	2	Screw #10 x 3/4	
116	1001152525	1	Plug	
117	1001157520	1	Block, Terminal	
118	1001157521	1	Box, Junction	
119	1001157528	1	Decal - Wiring Schematic	
120	1001158007	1	Cover, PVC	
121	1001158008	2	Stand-Off	
	0272435	Ref	DECAL INSTALLATION	D
	0273380	Ref	DECAL INSTALLATION	B
201	3251243	1	Decal - 120V - 60Hz	
202	1705375	1	Decal - 240V - 3 Phase - 60Hz	
203	1705387	3	Decal - Hazardous Voltage	
204	1705460	2	Decal - SkyPower	

# SECTION 3 - ENGINE

## FIGURE 3-49. GENERATOR INSTALLATION - 7500W/60HZ (DEUTZ D2.9L4 ENGINE)



## SECTION 3 - ENGINE

**FIGURE 3-49. GENERATOR INSTALLATION - 7500W/60HZ (DEUTZ D2.9L4 ENGINE)**

ITEM	PART NUMBER	QTY	DESCRIPTION	REV
	1001174367	Ref	GENERATOR INSTALLATION - 7500W/60Hz (DEUTZ D2.9L4 ENGINE)	J
1	0100011	AR	Compound, Locking	
2	0100019	AR	Compound, Locking	
3	0100048	AR	Grease, Dielectric	
4	0100079	AR	Sealant	
5	0641616	1	Bolt 3/8 x 2	
6	0700818	3	Bolt M8 x 50	
7	0711224	Ref	Bolt M12 x 80 Grade 10.9	
8	0741607	3	Screw 3/8 x 7/8	
9	0760606	1	Bolt M6 x 12	
10	0760610	4	Bolt M6 x 20	
11	0761212	2	Bolt M12 x 25	
12	0771414	Ref	Bolt M14 x 30 Grade 10.9	
13	0860038	1	Box, Switch	
14	0861538	1	Control Box Assembly	
14	7024488	1	Card, Circuit - Generator Power	
14	See Note	NSS	Fuse (Note: Not Available - Purchase Locally)	
14	7024489	1	Card, Circuit - Control	
14	70000619	1	Harness, Control Box (Internal)	
15	0902888	1	Bracket	
16	0962520	1	Bushing	
17	2820031	AR	Heat Shrink	
18	3252764	1	Nameplate	
19	3290505	4	Nut M5	
20	3290605	4	Nut M6	
21	3290805	4	Nut M8	
22	3291201	2	Nut M12	
23	3331211	Ref	Nut M12	
24	3580317	1	Pulley	
25	3580318	1	Pulley	
26	3580320	1	Pulley	
27	3910606	4	Screw #6 x 3/8	
28	3931628	4	Capscrew 3/8 x 1-3/4	
29	3960422	1	Gasket	
30	4032014	4	Bolt M10 x 50	
31	4060802	1	Guard, Switch	
32	4240099	AR	Tie-Strap (Not Shown)	
33	4360336	1	Switch, Toggle	
34	4460071	1	Connector, Strain Relief	
35	4460346	1	Receptacle	
36	4711600	1	Washer 3/8	
37	4811600	4	Washer M5	
38	4811700	8	Washer M6	
39	4811900	8	Washer M8	
40	4812200	Ref	Washer M14	
41	4871700	2	Washer M6	
42	4922925	1	Harness, Generator	
42	4460225	1	Plug, Male 6 Position (Plugs into Generator)	
42	See Note	NSS	Socket, Female (Use with 4460225)	

## SECTION 3 - ENGINE

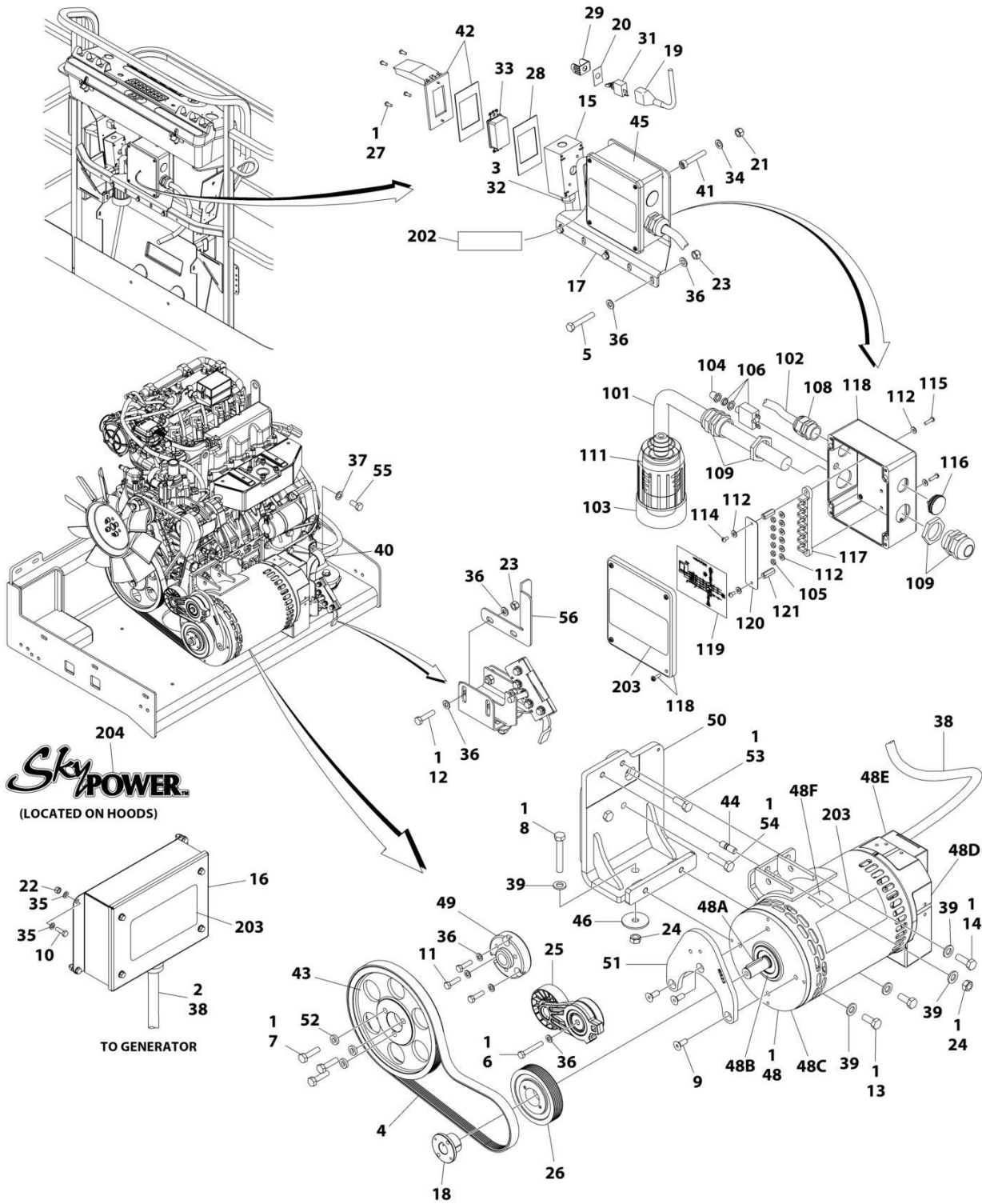
ITEM	PART NUMBER	QTY	DESCRIPTION	REV
42	See Note	NSS	Seal, Plug (Use with 4460225)	
42	See Note	NSS	Seal, Interface (Use with 4460225)	
43	5241200	5	Washer M12 Hardened	
44	1001104029	4	Screw M5 x 30	
45	1001110873	1	Shield, Cover	
46	1001135679	1	Adapter	
47	1001212223	1	Generator Assembly	
47	70001100	1	Rotor (Includes p/n 70001384 & 70000863) (Not Shown)	
47	70001384	1	Bearing, Ball Radial (Not Shown)	
47	70000863	1	Fan (Not Shown)	
47	70006093	1	Stator (Not Shown)	
47	70002297	1	Stud	
47	70003631	1	Brushholder Assembly (Not Shown)	
47A	70004099	1	Key	
47B	70001966	1	Bearing, Ball Radial (Located in Belt Tensioner Endbell)	
47B	70003708	1	Ring, Internal Retaining (Located in Belt Tensioner Endbell)	
47B	70003709	1	Ring, External Retaining (Located in Belt Tensioner Endbell)	
47C	70004092	1	Endbell, Belt Tensioner	
47D	70004094	1	Endbell, Brush Block	
47E	70006094	1	Shroud	
47E	70002291	1	Insulator, Endbell	
47E	7027799	1	Block, Connector 6 Position (Not Shown)	
47E	70002460	1	Nut, Brass (Attaches p/n 7027799 to Cover) (Not Shown)	
47E	70006095	1	Breaker, Circuit 30Amp (Not Shown)	
47E	70006096	1	Guard, Breaker (Not Shown)	
47E	7026626	1	Connector, 6 Position (Includes Seal) (Not Shown - Plugs into Item 36)	
47E	7026597	1	Connector, with Leads (Not Shown)	
47E	70004098	1	Clamp, Cable (Not Shown)	
47E	70006097	1	Plate, End Panel	
47E	70001974	1	Decal - Terminal Connections	
47F	70001973	1	Decal - Warning Moving Parts	
48	1001142643	1	Support	
49	1001142646	1	Belt	
50	1001196382	2	Stud	
51	1001157592	1	Junction Box Assembly Options (See Items 101-121 for Breakdown)	
53	1001168018	Ref	Washer, Snubbing	
54	1001168207	Ref	Support	
55	1001174675	1	Wiring Diagram (Not Shown)	
55	4922641	1	Harness, On/Off Switch (Not Shown - Located at Platform)	
56	0760812	1	Bolt M8 x 25	
57	1321716	2	Clamp	
58	1001148641	1	Bracket	
59	5250808	1	Bolt M8 x 16	
60	5250810	1	Bolt M8 x 20	
61	5260800	2	Nut M8	
62	1001223122	1	Support	
63	4812000	4	Washer M10	
	1001157592	Ref	JUNCTION BOX ASSEMBLY	C
101	1060343	1.5 ft/ 0.5m	Cable, Electrical 10/4	

## SECTION 3 - ENGINE

ITEM	PART NUMBER	QTY	DESCRIPTION	REV
102	1001179154	2.5 ft/ 0.8m	Cable, Electrical 12/3	
103	1671092	1	Cover	
104	3300396	1	Cover, Fuse	
105	3311001	6	Nut #10	
106	4360070	1	Circuit Breaker - 15Amp	
108	4460425	1	Connector, Strain Relief	
109	4460426	2	Connector, Strain Relief	
111	4460963	1	Connector	
112	4711000	10	Flatwasher #10	
114	10702077	2	Screw #10 x 3/8	
115	10702082	2	Screw #10 x 3/4	
116	1001152525	1	Plug	
117	1001157520	1	Block, Terminal	
118	1001157521	1	Box, Junction	
119	1001157528	1	Decal - Wiring Schematic	
120	1001158007	1	Cover, PVC	
121	1001158008	2	Stand-Off	
	0272435	Ref	DECAL INSTALLATION	D
	0273380	Ref	DECAL INSTALLATION	B
201	3251243	1	Decal - 120V - 60Hz	
202	1705375	1	Decal - 240V - 3 Phase - 60Hz	
203	1705387	3	Decal - Hazardous Voltage	
204	1705460	2	Decal - SkyPower	

# SECTION 3 - ENGINE

## FIGURE 3-50. GENERATOR INSTALLATION - 7500W/60HZ (KUBOTA ENGINE)



ART\_1001272123



## SECTION 3 - ENGINE

**FIGURE 3-50. GENERATOR INSTALLATION - 7500W/60HZ (KUBOTA ENGINE)**

ITEM	PART NUMBER	QTY	DESCRIPTION	REV
	1001272123	Ref	GENERATOR INSTALLATION - 7500W/60HZ (KUBOTA ENGINE)	A
1	0100011	AR	Compound, Locking	
2	0100048	AR	Grease, Dielectric	
3	0100079	AR	Sealant	
4	0480129	1	Belt	
5	0700818	3	Bolt M8 x 50	
6	0700819	1	Bolt M8 x 55	
7	0701016	3	Bolt M10 x 40	
8	0701224	1	Bolt M12 x 80	
9	0741608	3	Screw 3/8 x 1	
10	0760610	4	Bolt M6 x 20	
11	0760814	3	Bolt M8 x 30	
12	0760815	2	Bolt M8 x 35	
13	0761214	2	Bolt M12 x 30	
14	0761215	1	Bolt M12 x 35	
15	0860038	1	Box, Switch	
16	0861538	1	Control Box Assembly	
16	7024488	1	Card, Circuit - Generator Power	
16	See Note	NSS	Fuse (Note: Not Available - Purchase Locally)	
16	7024489	1	Card, Circuit - Control	
16	70000619	1	Harness, Control Box (Internal)	
17	0902888	1	Bracket	
18	0962520	1	Bushing	
19	2820031	AR	Heat Shrink	
20	3252764	1	Nameplate	
21	3290505	4	Nut M5	
22	3290605	4	Nut M6	
23	3290805	5	Nut M8	
24	3291201	2	Nut M12	
25	3580317	1	Pulley	
26	3580318	1	Pulley	
27	3910606	4	Screw #6 x 3/8	
28	3960422	1	Gasket	
29	4060802	1	Guard, Switch	
30	4240099	AR	Tie-Strap (Not Shown)	
31	4360336	1	Switch, Toggle	
32	4460071	1	Connector, Strain Relief	
33	4460346	1	Receptacle	
34	4811600	4	Washer M5	
35	4811700	8	Washer M6	
36	4811900	12	Washer M8	
37	4812200	1	Washer M14	
38	4922925	1	Harness, Generator	
38	4460225	1	Plug, Male - 6 Position (Plugs into Generator)	
38	See Note	NSS	Socket, Female (Use with 4460225)	
38	See Note	NSS	Seal, Plug (Use with 4460225)	
38	See Note	NSS	Seal, Interface (Use with 4460225)	
39	5241200	5	Washer M12 Hardened	
40	84521062	1	Clamp	
41	1001104029	4	Screw M5 x 30	

## SECTION 3 - ENGINE

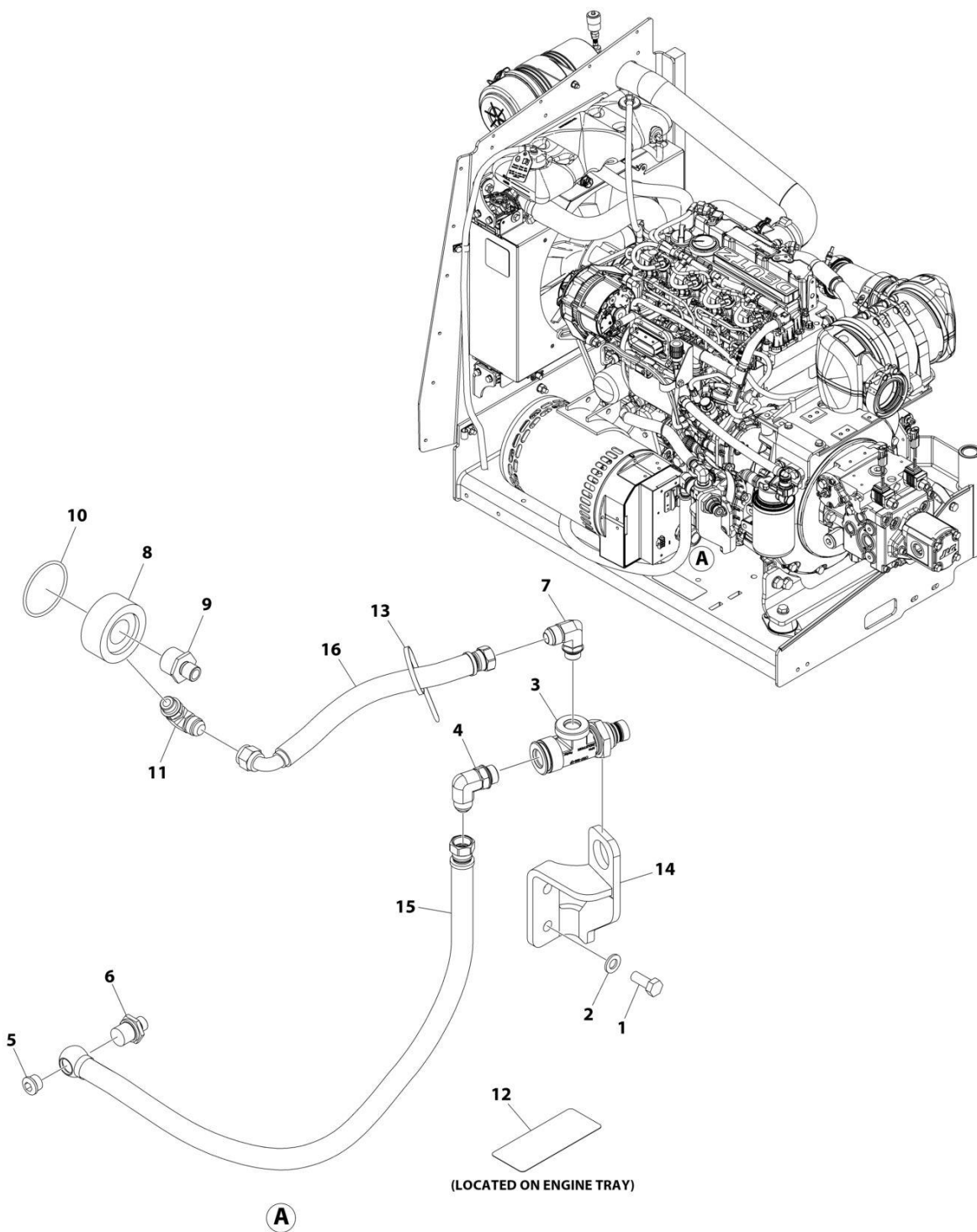
ITEM	PART NUMBER	QTY	DESCRIPTION	REV
42	1001110873	1	Shield, Cover	
43	1001147233	1	Pulley	
44	1001155041	1	Stud	
45	1001157592	1	Junction Box Assembly (See Items 101-121 for Breakdown)	
46	1001168018	1	Washer, Snubbing	
47	1001174675	1	Wiring Diagram (Not Shown)	
47	4922641	1	Harness, On/Off Switch (Not Shown - Located at Platform)	
48	1001212223	1	Generator Assembly	
48	70001100	1	Rotor (Includes p/n 70001384 & 70000863) (Not Shown)	
48	70001384	1	Bearing, Ball Radial (Not Shown)	
48	70000863	1	Fan (Not Shown)	
48	70006093	1	Stator (Not Shown)	
48	70002297	1	Stud	
48	70003631	1	Brushholder Assembly (Not Shown)	
48A	70004099	1	Key	
48B	70001966	1	Bearing, Ball Radial (Located in Belt Tensioner Endbell)	
48B	70003708	1	Ring, Internal Retaining (Located in Belt Tensioner Endbell)	
48B	70003709	1	Ring, External Retaining (Located in Belt Tensioner Endbell)	
48C	70004092	1	Endbell, Belt Tensioner	
48D	70004094	1	Endbell, Brush Block	
48E	70006094	1	Shroud	
48E	70002291	1	Insulator, Endbell	
48E	7027799	1	Block, Connector 6 Position (Not Shown)	
48E	70002460	1	Nut, Brass (Attaches p/n 7027799 to Cover) (Not Shown)	
48E	70006095	1	Breaker, Circuit 30Amp (Not Shown)	
48E	70006096	1	Guard, Breaker (Not Shown)	
48E	7026626	1	Connector, 6 Position (Includes Seal) (Not Shown - Plugs into Item 36)	
48E	70004098	1	Clamp, Cable (Not Shown)	
48E	70006097	1	Plate, End Panel	
48E	70001974	1	Decal - Terminal Connections	
48F	70001973	1	Decal - Warning Moving Parts	
49	1001213029	1	Adapter, Pulley	
50	1001214546	1	Support	
51	1001215523	1	Support	
52	1001216805	3	Spacer	
53	1001217342	1	Bolt M12 x 30	
54	1001217344	2	Bolt M12 x 50	
55	1001217345	1	Bolt M14 x 30	
56	1001271649	1	Bracket	
	1001157592	Ref	JUNCTION BOX ASSEMBLY	C
101	1060343	1.5 ft/ 0.5m	Cable, Electrical 10/4	
102	1001179154	2.5 ft/ 0.8m	Cable, Electrical 12/3	
103	1671092	1	Cover	
104	3300396	1	Cover, Fuse	
105	3311001	6	Nut #10	
106	4360070	1	Circuit Breaker - 15Amp	
108	4460425	1	Connector, Strain Relief	
109	4460426	2	Connector, Strain Relief	
111	4460963	1	Connector	

## SECTION 3 - ENGINE

ITEM	PART NUMBER	QTY	DESCRIPTION	REV
112	4711000	10	Washer #10	
114	10702077	2	Screw #10 x 3/8	
115	10702082	2	Screw #10 x 3/4	
116	1001152525	1	Plug	
117	1001157520	1	Block, Terminal	
118	1001157521	1	Box, Junction	
119	1001157528	1	Decal - Wiring Schematic	
120	1001158007	1	Cover, PVC	
121	1001158008	2	Stand-Off	
	0273380	Ref	DECAL INSTALLATION	B
202	1705375	1	Decal - 240V-3 Phase-60Hz	
203	1705387	3	Decal - Hazardous Voltage	
204	1705460	2	Decal - SkyPower	

# SECTION 3 - ENGINE

## FIGURE 3-51. QUICKFIT OIL DRAIN INSTALLATION



ART\_1001285636

**SECTION 3 - ENGINE****FIGURE 3-51. QUICKFIT OIL DRAIN INSTALLATION**

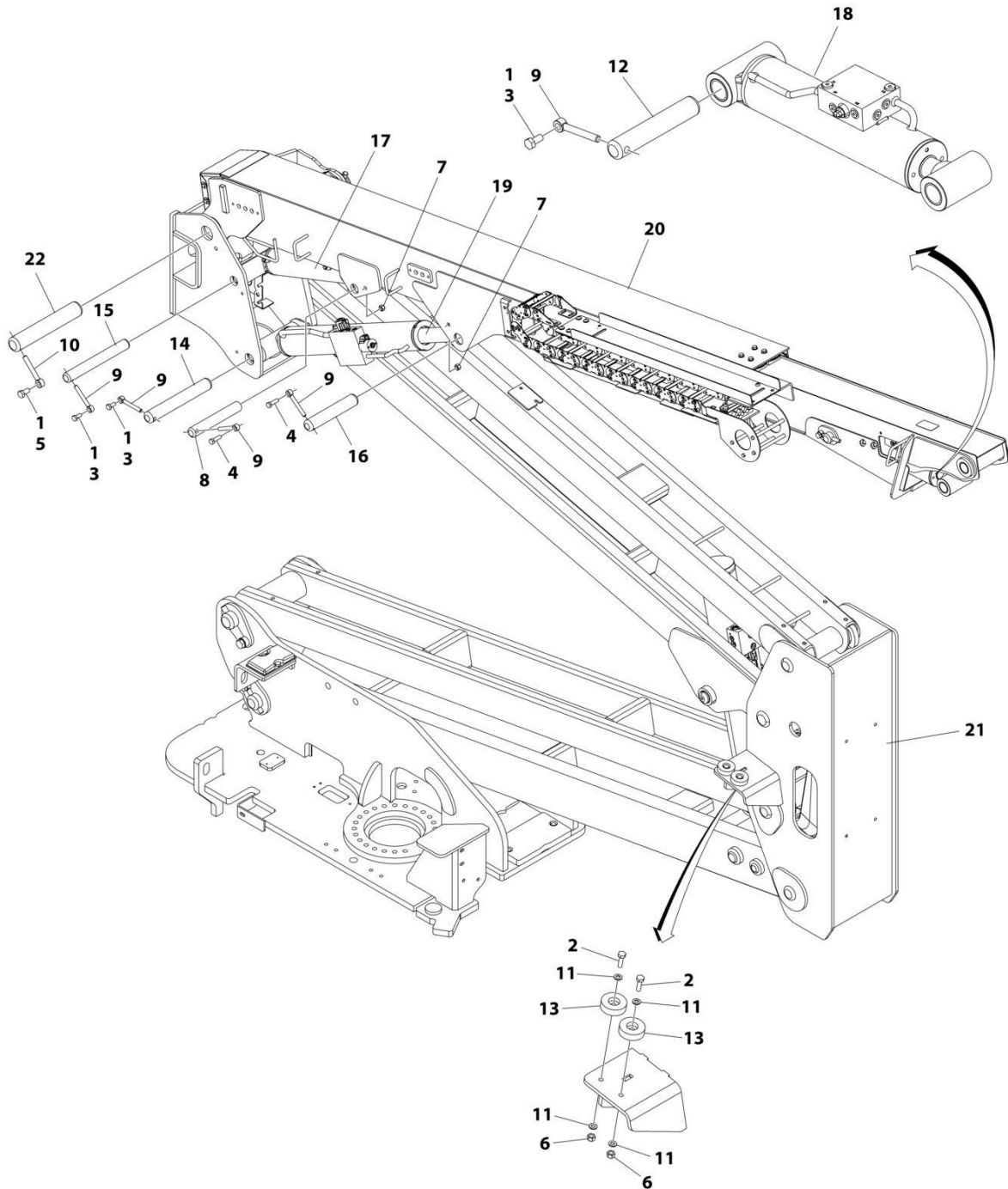
<b>ITEM</b>	<b>PART NUMBER</b>	<b>QTY</b>	<b>DESCRIPTION</b>	<b>REV</b>
	1001285636	Ref	QUICKFIT OIL DRAIN INSTALLATION	A
1	0761214	2	Bolt M12 x 30	
2	4812100	2	Washer M12	
3	1001281298	1	Valve, Quickfit	
4	1001281301	1	Fitting, 90	
5	1001281304	1	Plug	
6	1001281305	1	Fitting, Banjo	
7	1001281307	1	Fitting, 90	
8	1001281309	1	Filter, Ring	
9	1001281310	1	Fitting, Straight	
10	1001281311	1	O-Ring	
11	1001281359	1	Valve, Check	
12	1001281360	1	Decal - RPM Quickfit	
13	1001281656	1	Tie-Strap	
14	1001287536	1	Bracket	
15	1001287552	1	Hose	
16	1001288113	1	Hose	



**SECTION 4 - BOOM**

# SECTION 4 - BOOM

## FIGURE 4-1. BOOM INSTALLATION



ART\_1001256092

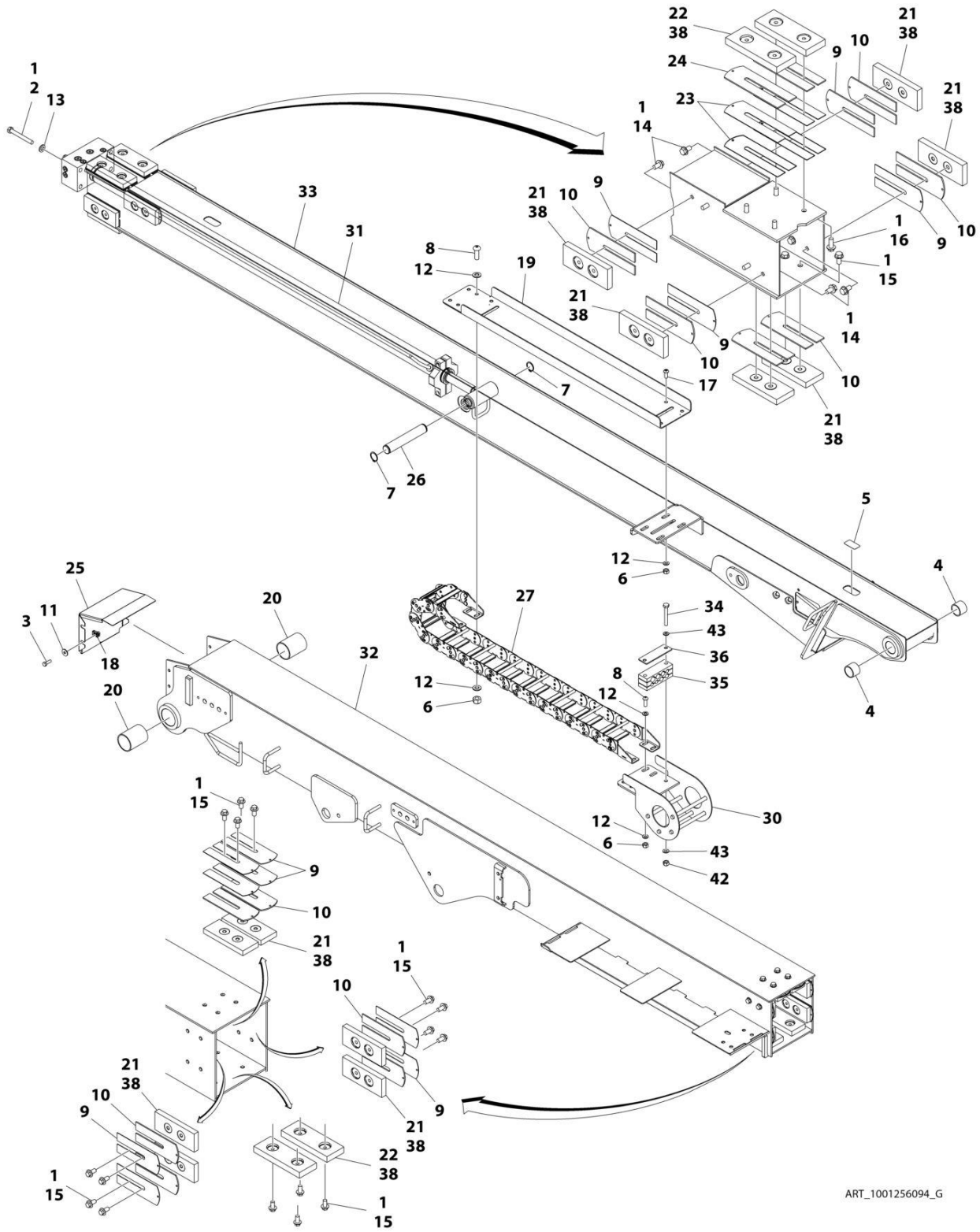


FIGURE 4-1. BOOM INSTALLATION

ITEM	PART NUMBER	QTY	DESCRIPTION	REV
	1001256092	Ref	BOOM INSTALLATION	A
1	0100011	AR	Compound, Locking	
2	0761015	2	Bolt M10 x 35	
3	0761212	3	Bolt M12 x 25	
4	0761216	2	Bolt M12 x 40	
5	0761614	1	Bolt M16 x 30	
6	3291005	2	Nut M10	
7	3291205	2	Nut M12	
8	3422793	1	Pin	
9	3841203	5	Keeper, Pin	
10	3841258	1	Keeper, Pin	
11	4812000	4	Washer M10	
12	1001109528	1	Pin	
13	1001112607	2	Block, Boom Rest	
14	1001116546	1	Pin	
15	1001169247	1	Pin	
16	1001237949	1	Pin	
17	1001255970	1	Master Cylinder Assembly (See Separate Breakdown in CYLINDER Section)	
18	1001255971	1	Level Cylinder Assembly (See Separate Breakdown in CYLINDER Section)	
19	1001255972	1	Upper Lift Cylinder Assembly (See Separate Breakdown in CYLINDER Section)	
20	1001256094	1	Main Boom Assembly (See Separate Breakdown in this Section)	
21	1001256096	1	Tower Boom Assembly (See Separate Breakdown in this Section)	
22	1001256910	1	Pin	

# SECTION 4 - BOOM

## FIGURE 4-2. MAIN BOOM ASSEMBLY



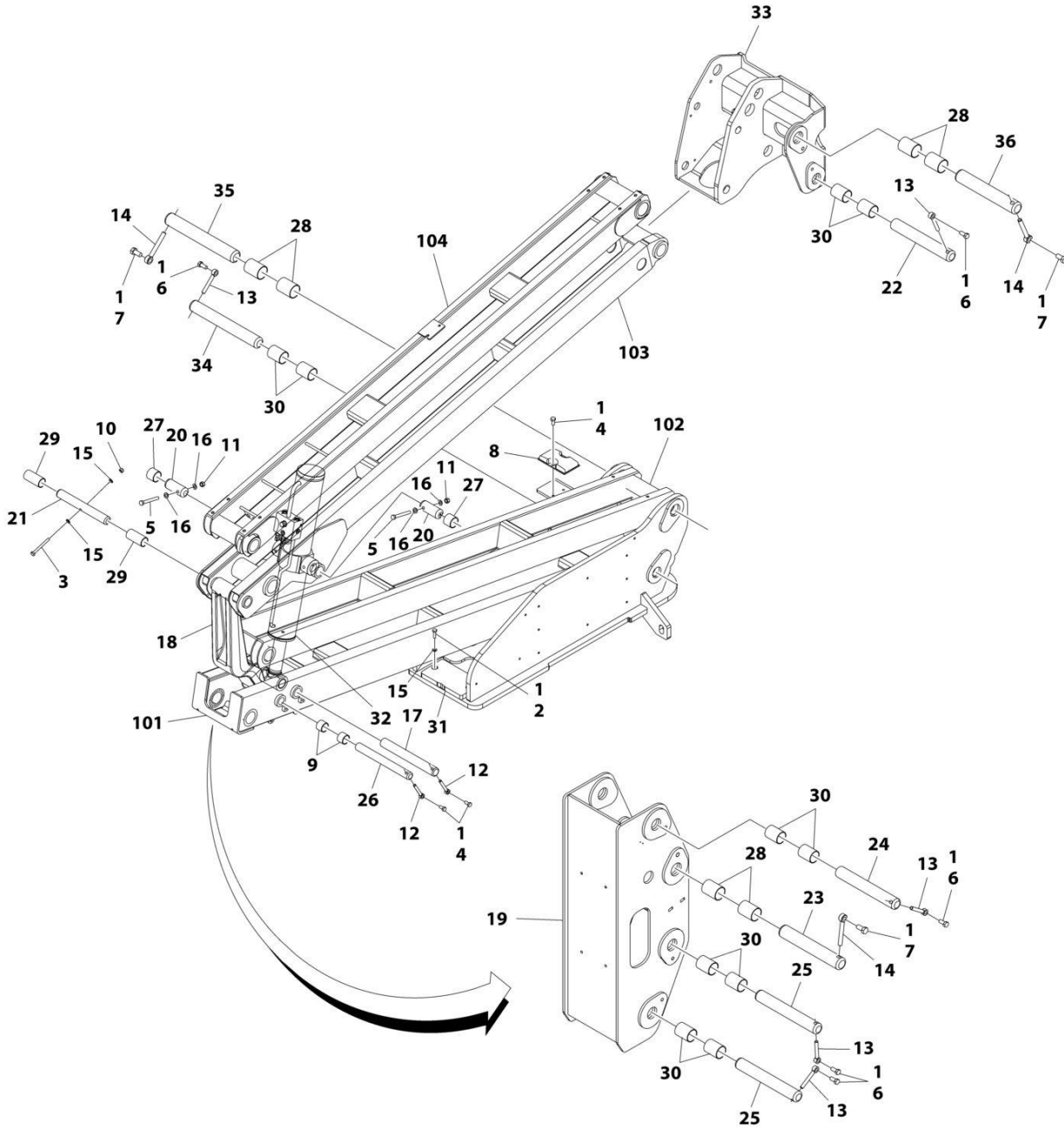
ART\_1001256094\_G

FIGURE 4-2. MAIN BOOM ASSEMBLY

ITEM	PART NUMBER	QTY	DESCRIPTION	REV
	1001256094	Ref	MAIN BOOM ASSEMBLY	G
1	0100011	AR	Compound, Locking	
2	0711227	4	Bolt M12 x 100	
3	0760812	4	Bolt M8 x 25	
4	0961948	2	Bearing	
5	1670836	1	Cover	
6	3291005	10	Nut M10	
7	3760115	2	Ring, Retaining	
8	3900351	8	Screw M10 x 30	
9	4070897	11	Shim	
10	4070898	13	Shim	
11	4811902	4	Washer M8	
12	4812000	18	Washer M10	
13	5241200	4	Washer M12	
14	5251009	8	Bolt M10 x 18	
15	5251010	20	Bolt M10 x 20	
16	5251012	4	Bolt M10 x 25	
17	8310668	2	Screw M10 x 25	
18	1001118274	4	Nut M8	
19	1001166651	1	Tube, Carrier	
20	1001169302	2	Bearing	
21	1001169304	12	Pad, Wear	
22	1001169305	4	Pad, Wear	
23	1001169402	4	Shim	
24	1001169403	2	Shim	
25	1001170226	1	Cover, Boom End	
26	1001180540	1	Pin	
27	1001224889	1	Powertrack Assembly	
27	70006256	1	Link, Repair	
27	70006271	1	Feet, Mounting	
30	1001255329	1	Mount, Weldment Carrier Tube	
31	1001272671	1	Telescope Cylinder Assembly (See Separate Breakdown in CYLINDER Section)	
32	1001256123	1	Base, Boom	
33	1001256124	1	Fly, Boom	
34	0700822	2	Bolt M8 x 70	
35	1001273302	1	Block, Clamping	
36	1001273303	1	Plate	
38	3020042	AR	Lube	
42	3290805	2	Nut, Lock M8	
43	4811900	4	Washer M8	

# SECTION 4 - BOOM

## FIGURE 4-3. TOWER BOOM ASSEMBLY



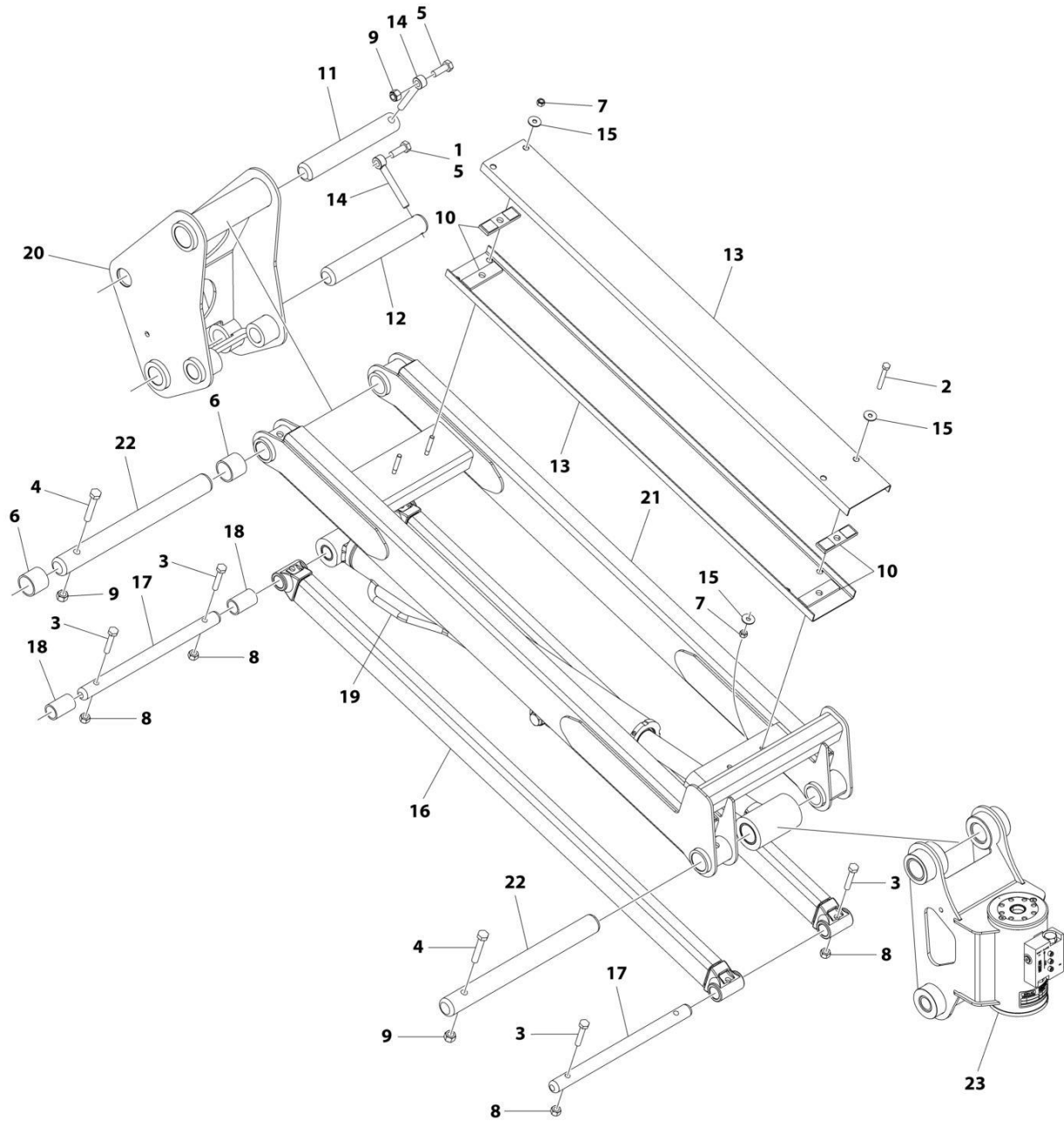
ART\_1001256096

FIGURE 4-3. TOWER BOOM ASSEMBLY

ITEM	PART NUMBER	QTY	DESCRIPTION	REV
	1001256096	Ref	TOWER BOOM ASSEMBLY	A
1	0100011	AR	Compound, Locking	
2	0701015	2	Bolt M10 x 35	
3	0701027	1	Bolt M10 x 100	
4	0761212	4	Bolt M12 x 25	
5	0761227	2	Bolt M12 x 100	
6	0761615	5	Bolt M16 x 35	
7	0762016	3	Bolt M20 x 40	
8	0940048	1	Bumper	
9	0961948	2	Bearing	
10	3291005	1	Nut M10	
11	3291205	2	Nut M12	
12	3841203	2	Keeper, Pin	
13	3841258	5	Keeper, Pin	
14	3841287	3	Keeper, Pin	
15	4812000	4	Washer M10	
16	4812100	4	Washer M12	
17	1001155093	1	Pin	
18	1001166096	1	Link, Timing	
19	1001166853	1	Upright, Lower	
20	1001169240	2	Pin	
21	1001169241	1	Pin	
22	1001169242	1	Pin	
23	1001169295	1	Pin	
24	1001169296	1	Pin	
25	1001169297	2	Pin	
26	1001169298	1	Pin	
27	1001169299	2	Bearing	
28	1001169300	6	Bearing	
29	1001169301	2	Bearing	
30	1001169302	10	Bearing	
31	1001180056	1	Pad, Wear	
32	1001255968	1	Tower Lift Cylinder (See Separate Breakdown in CYLINDER Section)	
33	1001256098	1	Upright, Upper	
34	1001256911	1	Pin	
35	1001258264	1	Pin	
36	1001258265	1	Pin	
100	1001256099	1	Tower Boom Kit (Not Shown - Includes Items 101-104)	
101	1001256100	1	Boom, Lower Tower	
102	1001256101	1	Boom, Lower Link	
103	1001256102	1	Boom, Upper Tower	
104	1001256103	1	Boom, Upper Link	

# SECTION 4 - BOOM

FIGURE 4-4. JIB INSTALLATION (MACHINES WITH SN STARTING WITH 03)



ART\_1001256830

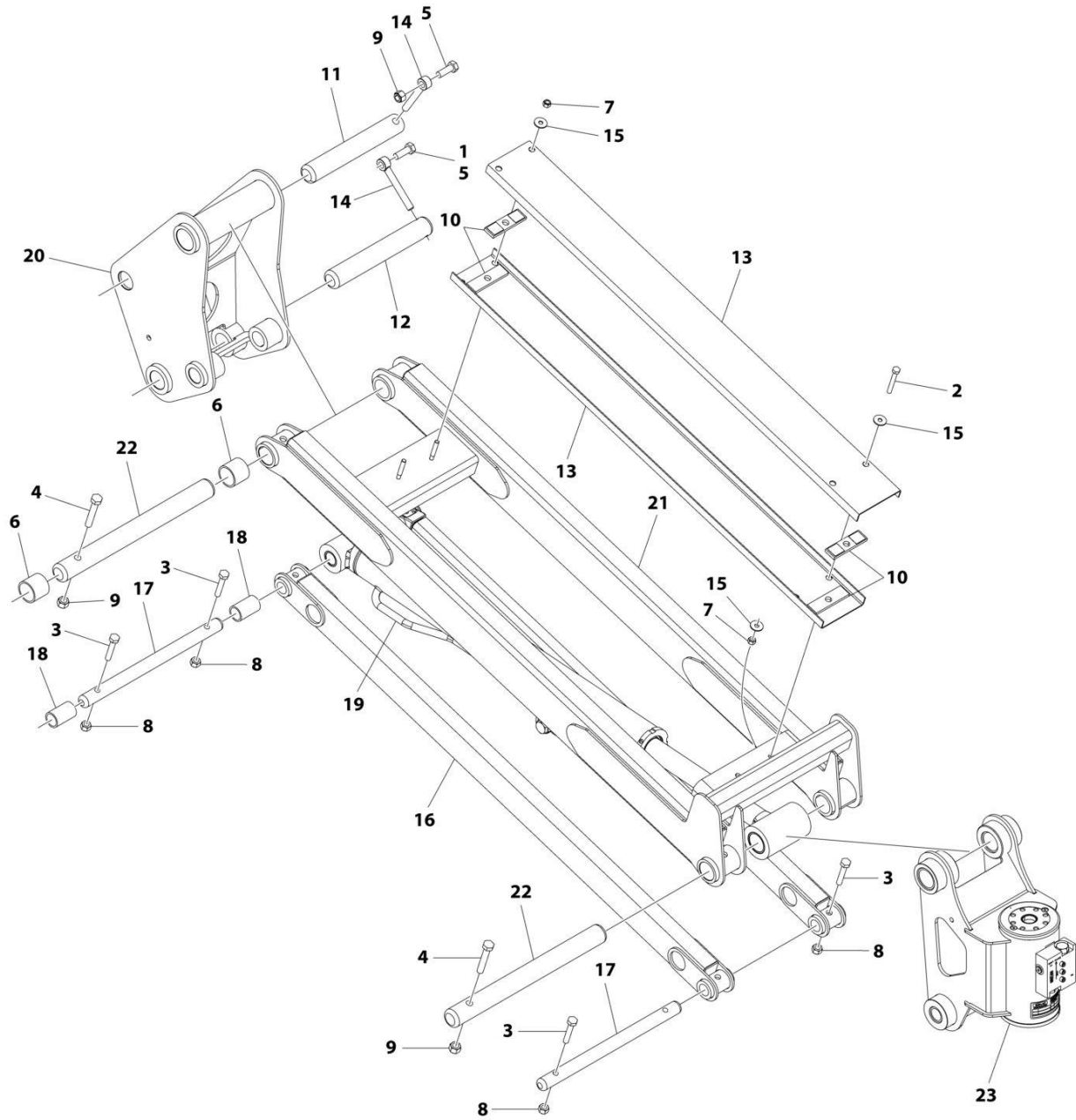
## SECTION 4 - BOOM

**FIGURE 4-4. JIB INSTALLATION (MACHINES WITH SN STARTING WITH 03)**

ITEM	PART NUMBER	QTY	DESCRIPTION	REV
	1001256830	Ref	JIB INSTALLATION	B
1	0100011	AR	Compound, Locking	
2	0700820	2	Bolt M8 x 60	
3	0701019	4	Bolt M10 x 55	
4	0701222	2	Bolt M12 x 70	
5	0761215	2	Bolt M12 x 35	
6	0962272	2	Bearing, Composite	
7	3290805	4	Nut M8	
8	3291005	4	Nut M10	
9	3291205	3	Nut M12	
10	3340860	4	Pad, Rubber	
11	3422793	1	Pin	
12	3422814	1	Pin	
13	3572551	2	Channel	
14	3841203	2	Keeper, Pin	
15	4811902	6	Washer M8	
16	1001094670	2	Link (Lower)	
17	1001182064	2	Pin	
18	1001182695	2	Bearing, Composite	
19	1001255969	1	Jib Cylinder Assembly (See Separate Breakdown in CYLINDER Section)	
20	1001255991	1	Pivot	
21	1001256002	1	Link, Upper Jib	
22	1001256790	2	Pin, Upper Jib Link	
23	1001270730	1	Rotator Assembly (See Separate Breakdown in this Section)	

# SECTION 4 - BOOM

## FIGURE 4-5. JIB INSTALLATION (MACHINES WITH SN STARTING WITH B3)



ART\_1001259058



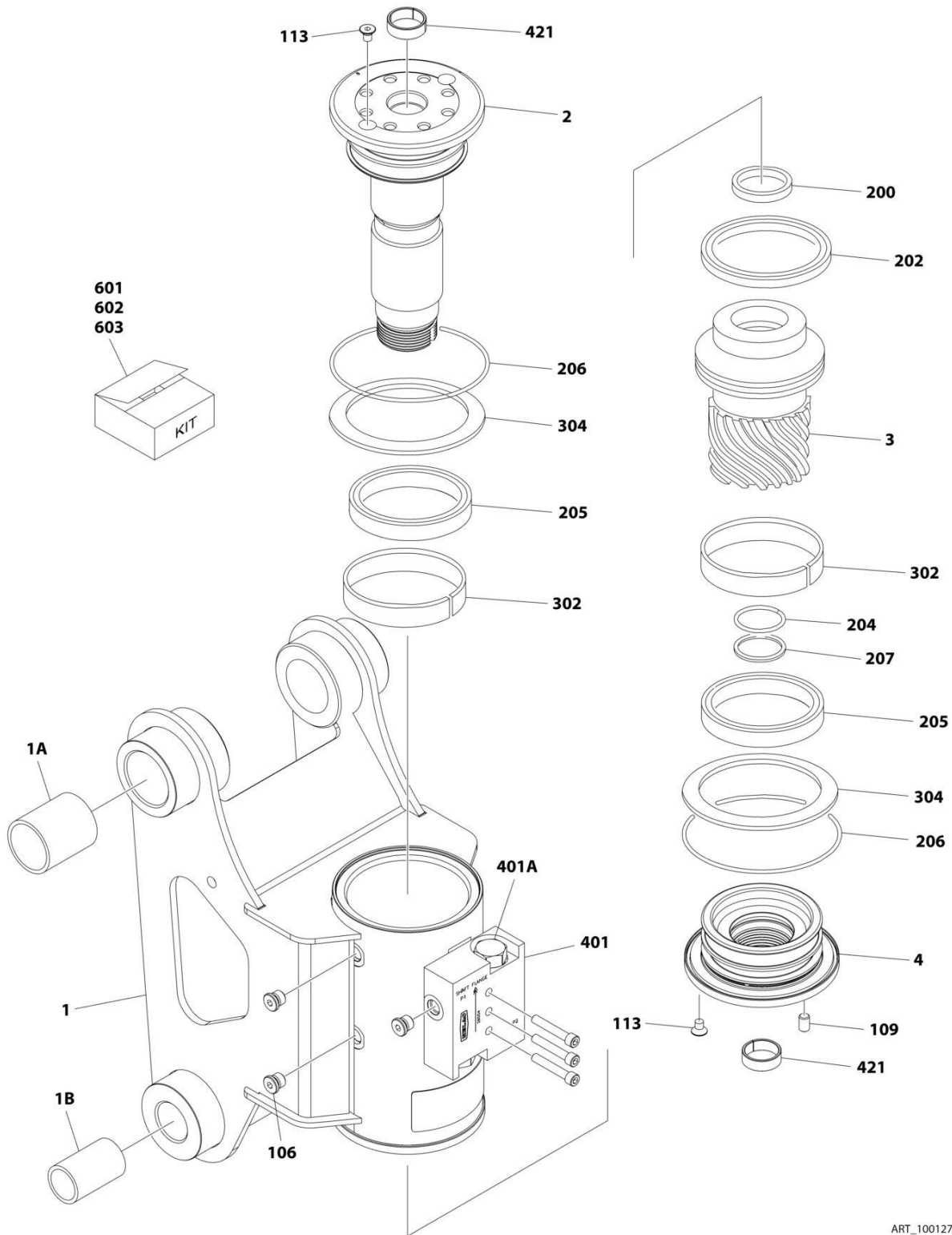
## SECTION 4 - BOOM

**FIGURE 4-5. JIB INSTALLATION (MACHINES WITH SN STARTING WITH B3)**

ITEM	PART NUMBER	QTY	DESCRIPTION	REV
	1001259058	Ref	JIB INSTALLATION	B
1	0100011	AR	Compound, Locking	
2	0700820	2	Bolt M8 x 60	
3	0701019	4	Bolt M10 x 55	
4	0701222	2	Bolt M12 x 70	
5	0761215	2	Bolt M12 x 35	
6	0962272	2	Bearing	
7	3290805	4	Nut M8	
8	3291005	4	Nut M10	
9	3291205	3	Nut M12	
10	3340860	4	Pad, Rubber	
11	3422793	1	Pin	
12	3422814	1	Pin	
13	3572551	2	Channel	
14	3841203	2	Keeper, Pin	
15	4811902	6	Washer M8	
16	1001259196	2	Link (Lower)	
17	1001182064	2	Pin	
18	1001182695	2	Bearing, Composite	
19	1001255969	1	Jib Cylinder Assembly (See Separate Breakdown in CYLINDER Section)	
20	1001255991	1	Pivot	
21	1001256002	1	Link (Upper)	
22	1001256790	2	Pin	
23	1001270730	1	Rotator Assembly (See Separate Breakdown in this Section)	

# SECTION 4 - BOOM

## FIGURE 4-6. ROTATOR ASSEMBLY



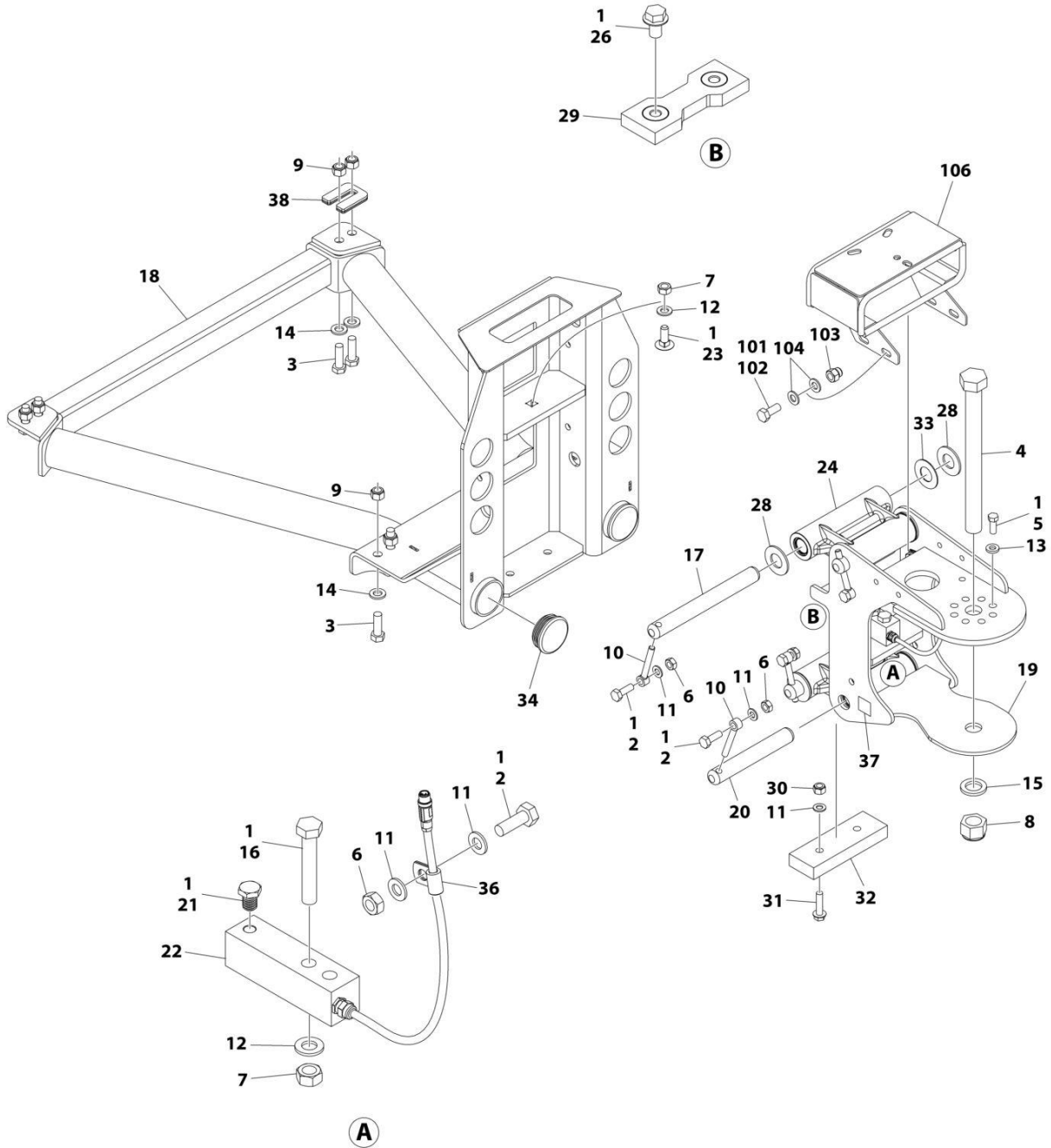
ART\_1001270730

FIGURE 4-6. ROTATOR ASSEMBLY

ITEM	PART NUMBER	QTY	DESCRIPTION	REV
	1001270730	Ref	ROTATOR ASSEMBLY	A
1	See Note	NSS	Housing (Note: Purchase Complete Assembly)	
1A	1001182695	2	Bushing	
1B	0962348	2	Bushing	
2	7017162	1	Shaft	
3	7017163	1	Piston	
4	7017164	1	Cap, End	
106	See Note	NSS	Plug (Note: Purchase P/N 7017142)	
109	See Note	NSS	Pin (Note: Purchase P/N 7017142)	
113	See Note	NSS	Screw (Note: Purchase P/N 7017142)	
200	See Note	NSS	Seal, Piston (Note: Purchase P/N 70000342)	
202	See Note	NSS	Seal, Piston (Note: Purchase P/N 70000342)	
204	See Note	NSS	O-Ring (Note: Use P/N 70000342)	
205	See Note	NSS	Seal, Shaft (Note: Purchase P/N 70000342)	
206	See Note	NSS	O-Ring (Note: Use P/N 70000342)	
207	See Note	NSS	Ring, Back-up (Note: Purchase P/N 70000342)	
302	See Note	NSS	Bearing, Shaft (Note: Purchase P/N 7017159)	
304	See Note	NSS	Washer, Thrust (Note: Purchase P/N 7017159)	
401	7017172	1	Counterbalance Valve Assembly	
401A	7017192	2	Valve Cartridge (No Seal Kit Available)	
421	7017195	2	Bushing	
601	70000342	NSS	Seal Kit (Includes Items 200-207)	
602	7017159	NSS	Bearing Kit (Includes Items 302 & 304)	
603	7017142	NSS	Hardware Kit (Includes Items 106-113)	

# SECTION 4 - BOOM

## FIGURE 4-7. PLATFORM SUPPORT INSTALLATION



ART\_1001167596\_N

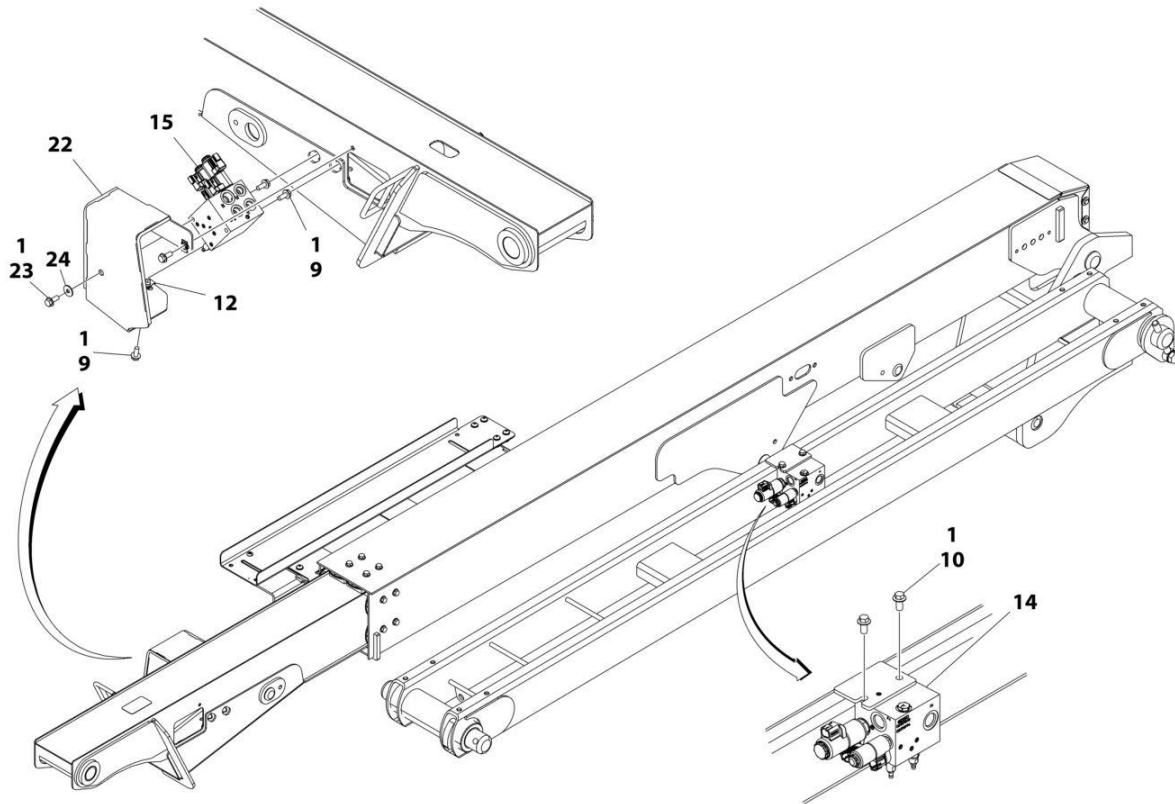
## SECTION 4 - BOOM

**FIGURE 4-7. PLATFORM SUPPORT INSTALLATION**

ITEM	PART NUMBER	QTY	DESCRIPTION	REV
	1001167596	Ref	PLATFORM SUPPORT INSTALLATION	N
1	0100011	AR	Compound, Locking	
2	0761014	5	Bolt M10 x 30	
3	0761216	8	Bolt M12 x 40	
4	1001255133	1	Bolt 1 x 11 GRD8	
5	0681608	8	Bolt 3/8 x 1 GRD8	
6	3291001	5	Nut M10	
7	3291201	3	Nut M12	
8	1001174040	1	Nut 1	
9	3291205	8	Nut M12	
10	3841143	4	Keeper, Pin	
11	4812000	8	Washer M10	
12	4812100	3	Washer M12	
13	4891600	8	Washer 3/8	
14	5241200	8	Washer M12	
15	4892600001	1	Washer 1	
16	1001098828	2	Bolt M12 x 70 CL10.9	
17	1001167565	2	Pin	
18	1001200494	1	Support, Platform	
19	1001167567	1	Support, Rotator	
20	1001168402	2	Pin	
21	1001188622	1	Screw	
22	1001247468	1	Loadcell	
23	1001188844	1	Bolt M12 x 35	
24	1001201351	2	Link	
24	1001187382	4	Bearing	
24	1001187383	4	Seal	
26	5251008	2	Bolt M10 x 16 CL10.9	
28	1001189002	8	Bearing	
29	1001190985	1	Pad, Wear	
30	3291005	2	Nut M10	
31	5251016	2	Bolt M10 x 40 CL10.9	
32	1001200491	1	Pad, Wear	
33	1001189001	4	Bearing	
34	1001204725	2	Plug	
36	91203039	1	Clamp	
37	1001216630	2	Decal - Tie Down/No Lift	
38	1001238421	Ref	Kit, Platform Leveling (Not Shown)	
	1001202687	Ref	VALVE MOUNT INSTALLATION	B
101	0100011	AR	Compound, Locking	
102	0760810	4	Bolt M8 x 20	
103	3290806	4	Nut M8	
104	4811900	8	Washer M8	
106	1001208994	1	Mount, Valve	

# SECTION 4 - BOOM

FIGURE 4-8. VALVES INSTALLATION - BOOM MOUNTED (MACHINES WITH SN STARTING WITH 03)



ART\_1001271795\_30F3

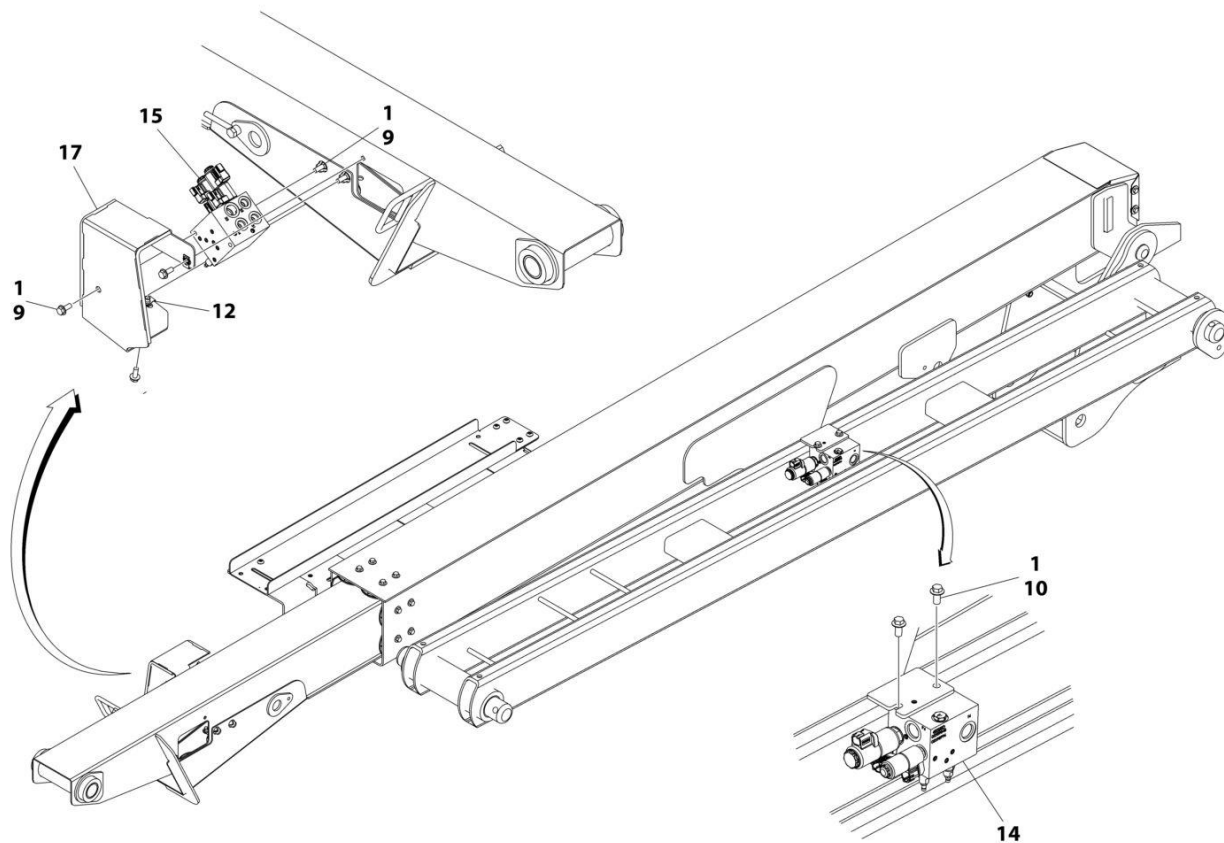
## SECTION 4 - BOOM

**FIGURE 4-8. VALVES INSTALLATION - BOOM MOUNTED (MACHINES WITH SN STARTING WITH 03)**

ITEM	PART NUMBER	QTY	DESCRIPTION	REV
	1001271795	Ref	4WD VALVES INSTALLATION - BOOM MOUNTED	B
1	0100011	AR	Compound, Locking	
9	5250810	4	Bolt M8 x 20 Class 10.9	
10	5251010	15	Bolt M10 x 25 Class 10.9	
12	1001118274	2	Nut, Tinnerman M8	
14	1001162535	1	Upright Valve Assembly (See Separate Breakdown in this Section)	
15	1001162536	1	Boom Valve Assembly (See Separate Breakdown in this Section)	
22	1001265186	1	Shield, Fly Boom Valve	
23	0770810	1	Bolt M8 x 20 Class 10.9	
24	4811902	1	Washer M8	

## SECTION 4 - BOOM

FIGURE 4-9. VALVES INSTALLATION - BOOM MOUNTED (MACHINES WITH SN STARTING WITH B3)



ART\_1001271413\_30F3



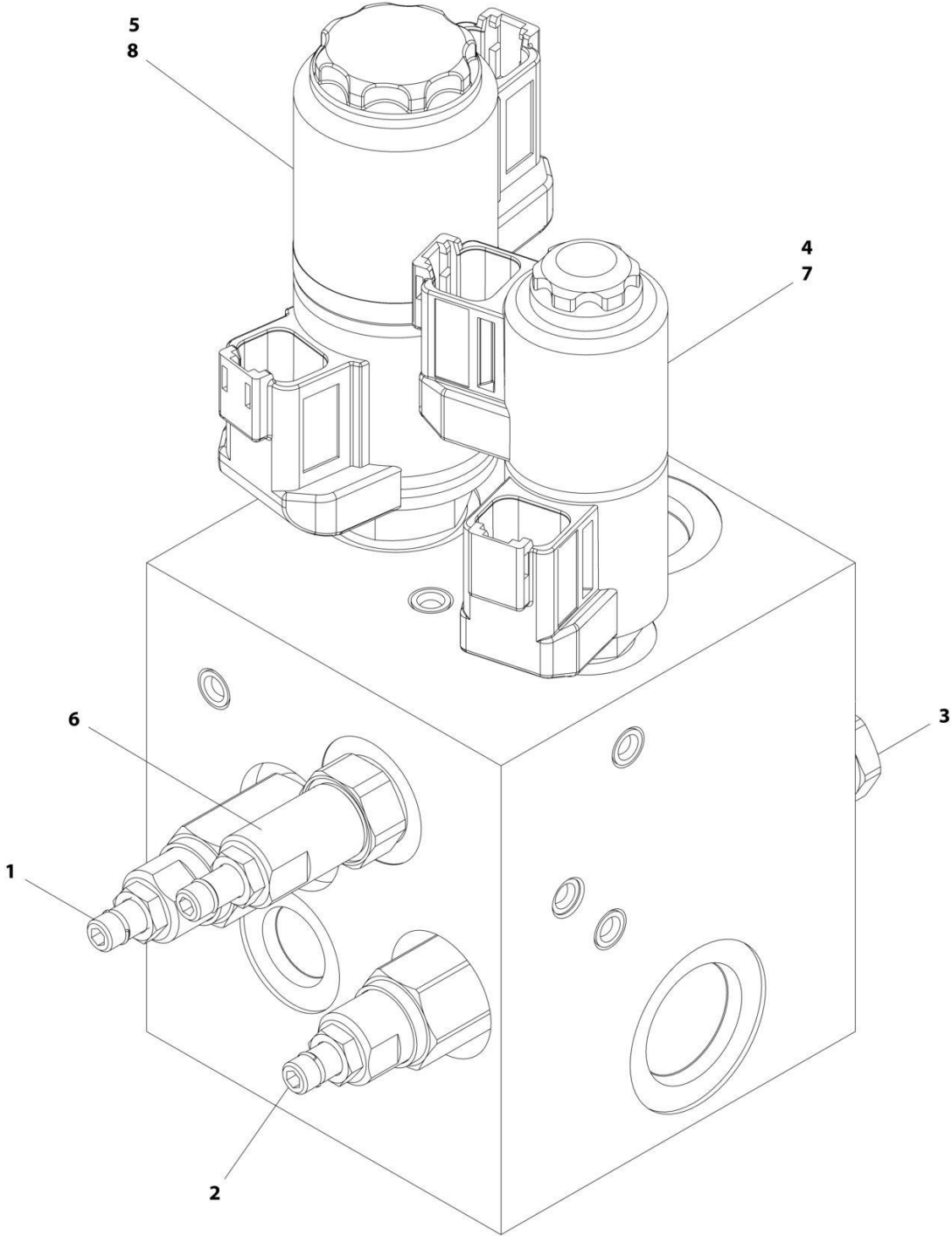
## SECTION 4 - BOOM

**FIGURE 4-9. VALVES INSTALLATION - BOOM MOUNTED (MACHINES WITH SN STARTING WITH B3)**

ITEM	PART NUMBER	QTY	DESCRIPTION	REV
	1001271413	Ref	4WD VALVES INSTALLATION - 450AJ BOOM MOUNTED	A
1	0100011	AR	Compound, Locking	
9	5250810	5	Bolt M8 x 20	
10	5251010	2	Bolt M10 x 20	
12	1001118274	2	Nut M8	
14	1001162535	1	Upright Valve Assembly (See Separate Breakdown in this Section)	
15	1001162536	1	Boom Valve Assembly (See Separate Breakdown in this Section)	
17	1001170375	1	Shield	

**SECTION 4 - BOOM**

**FIGURE 4-10. UPRIGHT VALVE ASSEMBLY**



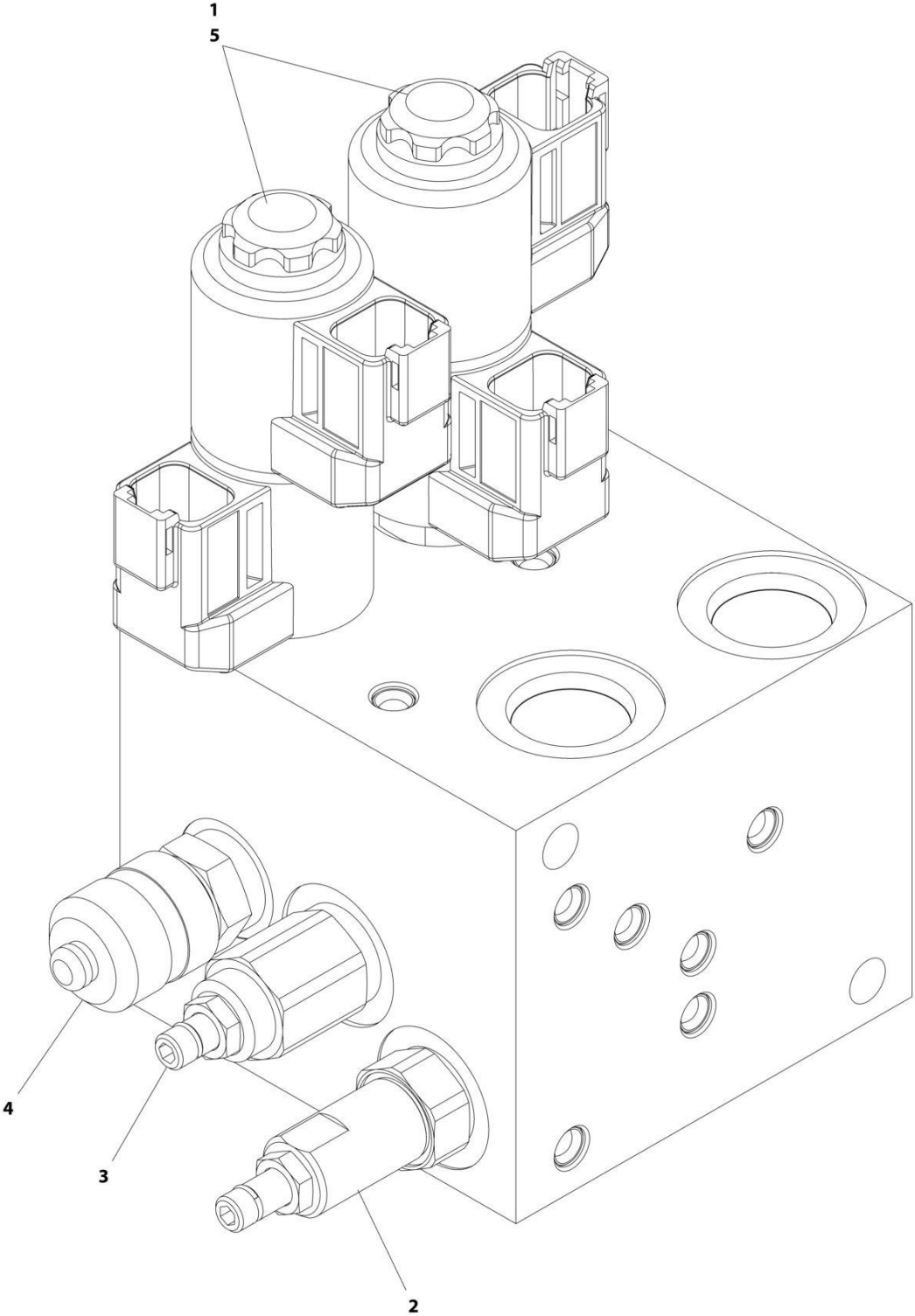
ART\_1001162535

FIGURE 4-10. UPRIGHT VALVE ASSEMBLY

ITEM	PART NUMBER	QTY	DESCRIPTION	REV
	1001162535	Ref	UPRIGHT VALVE ASSEMBLY	D
1	70004864	1	Cartridge, Valve	
1	70004875	1	Seal Kit - 70004864 Valve	
2	70004865	1	Cartridge, Valve	
2	70004875	1	Seal Kit - 70004865 Valve	
3	70004866	1	Cartridge, Relief Valve	
3	70004867	1	Seal Kit - 70004866 Valve	
4	70004868	1	Cartridge, Solenoid Valve Less Coil	
4	70004869	1	Seal Kit - 70004868 Valve	
5	7027625	1	Cartridge, Solenoid Valve Less Coil	
5	70000100	1	Seal Kit - 7027625 Valve	
6	70006660	1	Cartridge, Valve	
6	70004867	1	Seal Kit - 70006660 Valve	
7	70004871	2	Coil	
8	7027628	2	Coil	

**SECTION 4 - BOOM**

**FIGURE 4-11. BOOM VALVE ASSEMBLY - 450AJ**



ART\_1001162536\_G

FIGURE 4-11. BOOM VALVE ASSEMBLY - 450AJ

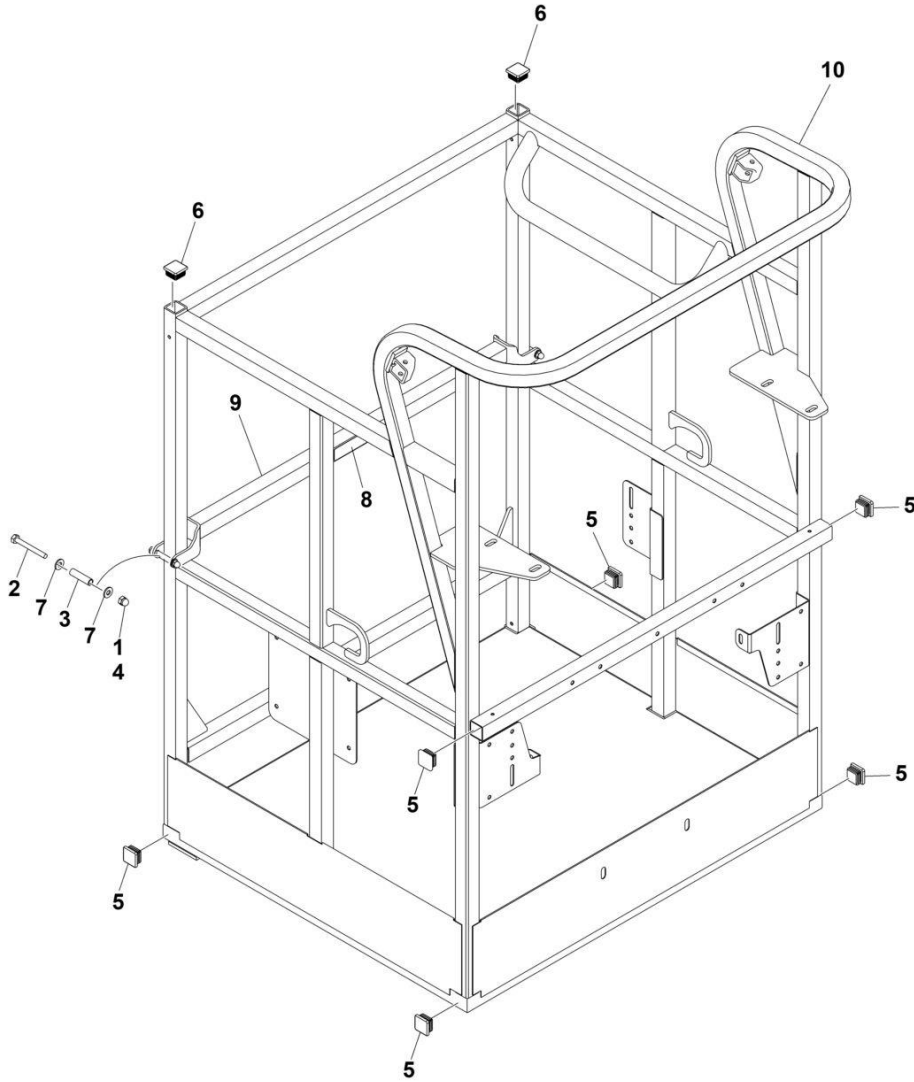
ITEM	PART NUMBER	QTY	DESCRIPTION	REV
	1001162536	Ref	BOOM VALVE ASSEMBLY	G
1	70005243	2	Cartridge, Solenoid Valve Less Coil	
1	70004869	2	Seal Kit - 70005243 Valve	
2	70004873	1	Cartridge, Valve	
2	70004867	1	Seal Kit - 70004873 Valve	
3	70007556	1	Cartridge, Valve	
3	70004867	1	Seal Kit - 70006970 Valve	
4	2221086	1	Fitting, Test	
5	70004871	4	Coil	



**SECTION 5 - PLATFORM**

# SECTION 5 - PLATFORM

FIGURE 5-1. PLATFORM ASSEMBLY - 30IN X 3FT (76CM X .91M) - DROP BAR ENTRY



ART\_1001228215



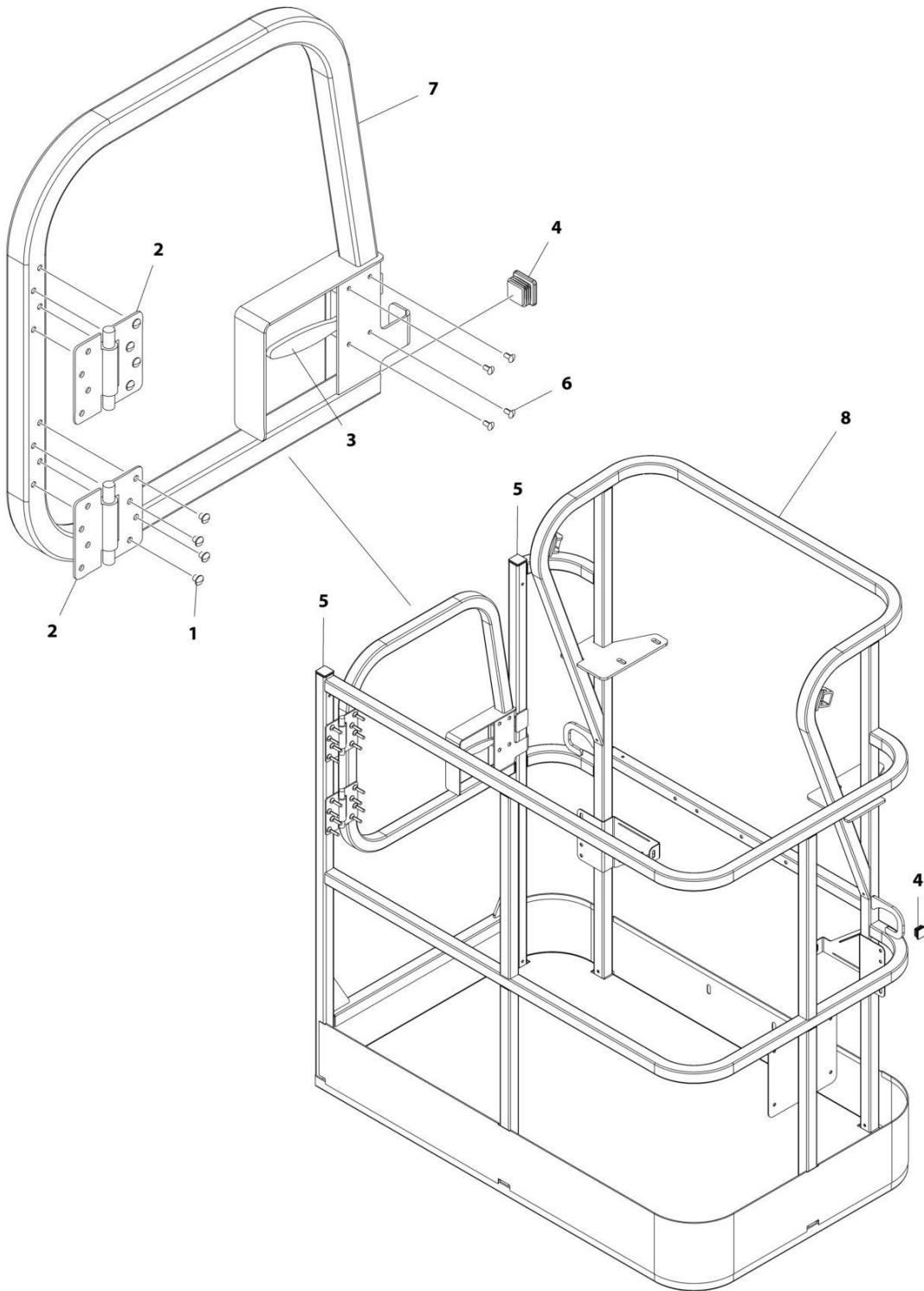
## SECTION 5 - PLATFORM

**FIGURE 5-1. PLATFORM ASSEMBLY - 30IN X 3FT (76CM X .91M) - DROP BAR ENTRY**

ITEM	PART NUMBER	QTY	DESCRIPTION	REV
	1001228215	Ref	PLATFORM ASSEMBLY	A
	See Note	Ref	Note: Platform and Mesh must be ordered separately for Platforms with Mesh. See SPECIAL OPTIONS SECTION for Mesh Installations.	
	See Note	Ref	Note: Replacement Decals Must be Ordered Separately - See DECAL SECTION.	
1	0100011	AR	Compound, Locking	
2	0641418	2	Bolt 1/4 x 2-1/4	
3	0961845	2	Bushing	
4	3300151	2	Nut 1/4	
5	3520072	6	Cap, Plug	
6	3520198	2	Cap, Plug	
7	4711400	4	Washer 1/4	
8	1001140429	1	Decal - Drop Bar	
9	1001226872	1	Bar, Drop	
10	See Note	NSS	Platform (Note: Not Available - Purchase Platform Assembly)	

# SECTION 5 - PLATFORM

## FIGURE 5-2. PLATFORM ASSEMBLY - 30IN X 4FT (76CM X 1.22M) - SIDE GATE ENTRY



ART\_1001186387

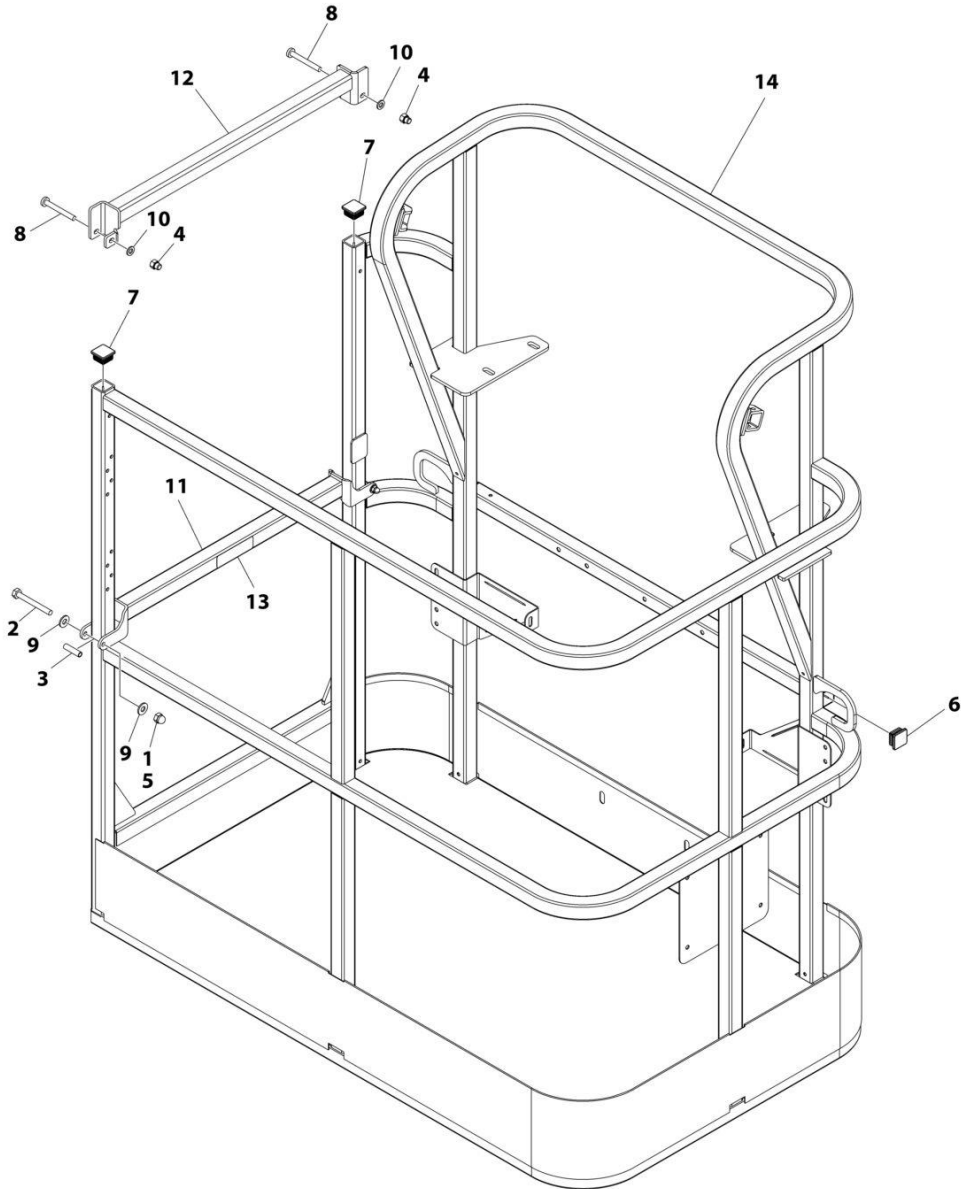
## SECTION 5 - PLATFORM

**FIGURE 5-2. PLATFORM ASSEMBLY - 30IN X 4FT (76CM X 1.22M) - SIDE GATE ENTRY**

ITEM	PART NUMBER	QTY	DESCRIPTION	REV
	1001186387	Ref	PLATFORM ASSEMBLY	C
		Ref	Note: Platform and Mesh must be ordered separately for Platforms with Mesh. See SPECIAL OPTIONS SECTION for Mesh Installations.	
		Ref	Note: Replacement Decals Must be Ordered Separately - See DECALS SECTION.	
1	2080040	16	Fastener, Huck	
2	2600281	2	Hinge, Self-Closing	
3	2940074	1	Latch	
4	3520072	3	Plug	
5	3520198	2	Plug	
6	3820020	4	Rivet	
7	1001144629	1	Gate	
8	See Note	1	Platform (Note: Not Available - Purchase Platform Assembly)	

# SECTION 5 - PLATFORM

FIGURE 5-3. PLATFORM ASSEMBLY - 30IN X 4FT (76CM X 1.22M) - WITH DROP BAR



ART\_1001186375

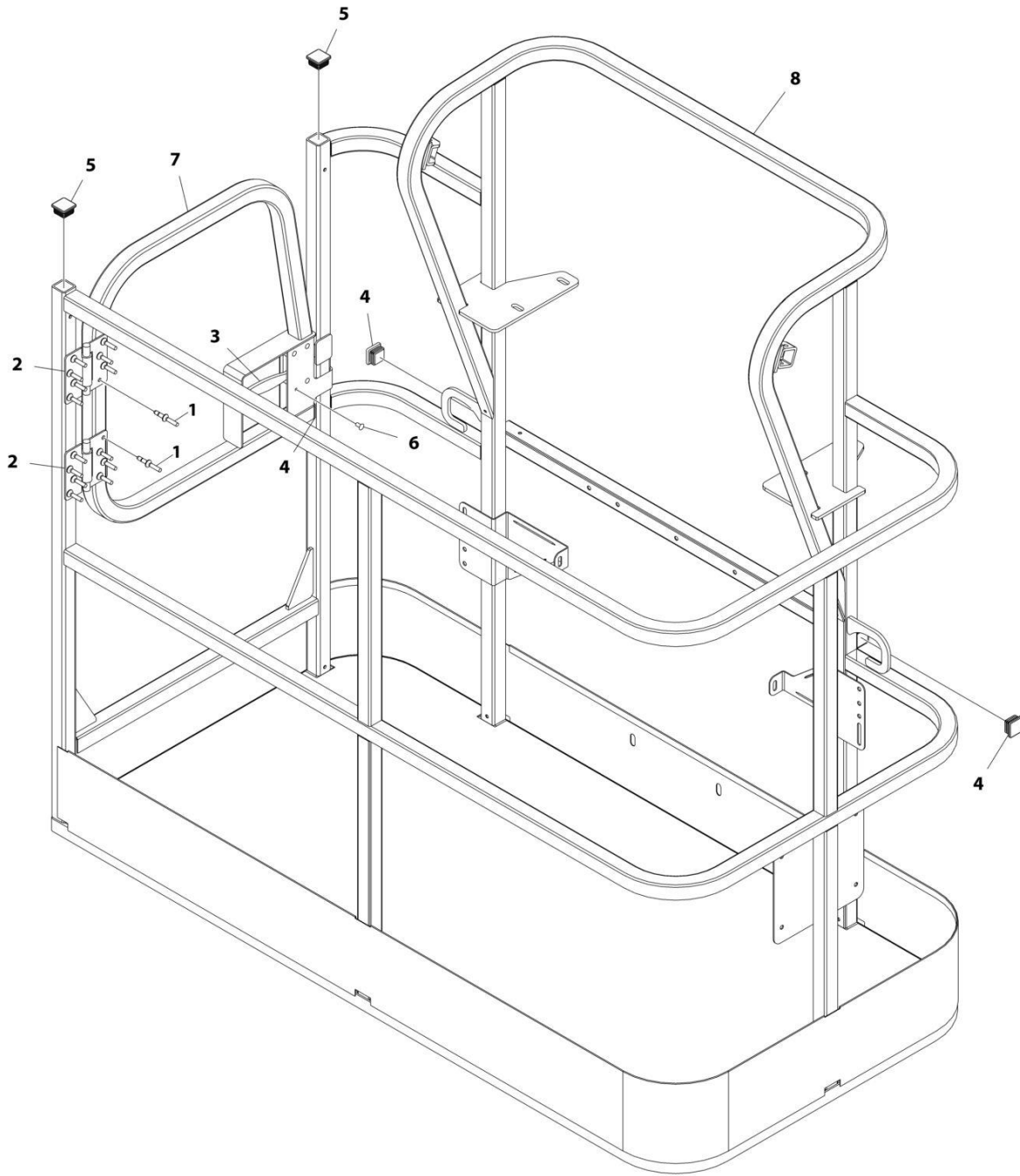
## SECTION 5 - PLATFORM

**FIGURE 5-3. PLATFORM ASSEMBLY - 30IN X 4FT (76CM X 1.22M) - WITH DROP BAR**

ITEM	PART NUMBER	QTY	DESCRIPTION	REV
	1001186375	Ref	PLATFORM ASSEMBLY	B
		Ref	Note: Platform and Mesh must be ordered separately for Platforms with Mesh. See SPECIAL OPTIONS SECTION for Mesh Installations.	
		Ref	Note: Replacement Decals Must be Ordered Separately - See DECALS SECTION.	
1	0100011	AR	Compound, Locking	
2	0641418	2	Bolt 1/4 x 2-1/4	
3	0961845	2	Bushing	
4	3290606	2	Nut M6	
5	3300151	2	Nut 1/4	
6	3520072	2	Plug	
7	3520198	2	Plug	
8	4010618	2	Screw M6 x 50	
9	4711400	4	Washer 1/4	
10	4811700	2	Washer M6	
11	1001138494	1	Bar, Drop	
12	1001138514	1	Rail - Top	
13	1001140429	1	Decal - Drop Bar	
14	See Note	1	Platform (Note: Not Available - Purchase Platform Assembly)	

# SECTION 5 - PLATFORM

FIGURE 5-4. PLATFORM ASSEMBLY - 30IN X 5FT (76CM X 1.52M) - SIDE GATE ENTRY



ART\_1001186386

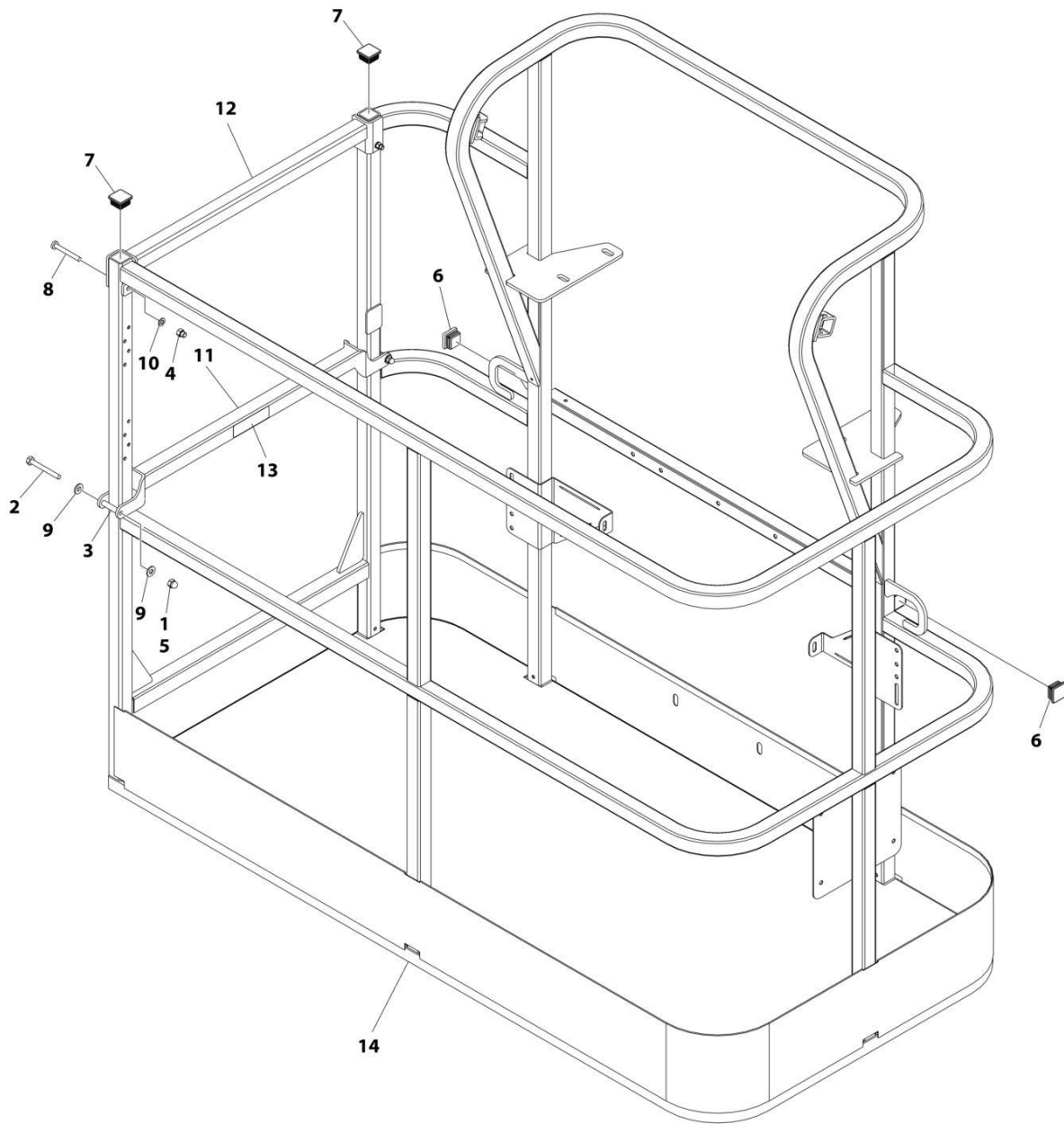
## SECTION 5 - PLATFORM

**FIGURE 5-4. PLATFORM ASSEMBLY - 30IN X 5FT (76CM X 1.52M) - SIDE GATE ENTRY**

ITEM	PART NUMBER	QTY	DESCRIPTION	REV
	1001186386	Ref	PLATFORM ASSEMBLY	C
		Ref	Note: Platform and Mesh must be ordered separately for Platforms with Mesh. See SPECIAL OPTIONS SECTION for Mesh Installations.	
		Ref	Note: Replacement Decals Must be Ordered Separately - See DECALS SECTION.	
1	2080040	16	Fastener, Huck	
2	2600281	2	Hinge, Self-Closing	
3	2940074	1	Latch	
4	3520072	3	Plug	
5	3520198	2	Plug	
6	3820020	4	Rivet	
7	1001144629	1	Gate	
8	See Note	NSS	Platform (Note: Not Available - Purchase Platform Assembly)	

# SECTION 5 - PLATFORM

FIGURE 5-5. PLATFORM ASSEMBLY - 30IN X 5FT (76CM X 1.52M) - WITH DROP BAR



ART\_1001186377



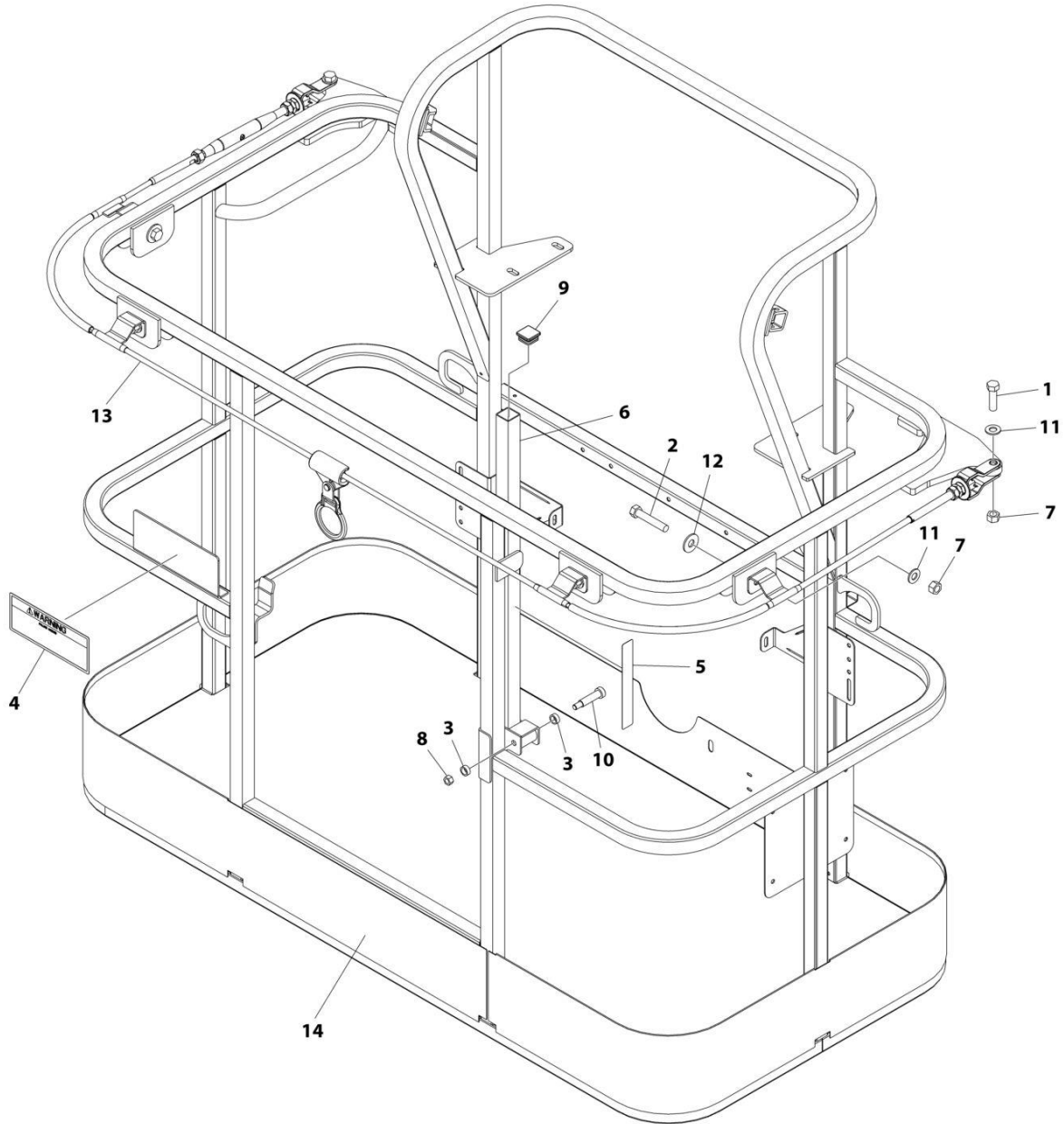
## SECTION 5 - PLATFORM

**FIGURE 5-5. PLATFORM ASSEMBLY - 30IN X 5FT (76CM X 1.52M) - WITH DROP BAR**

ITEM	PART NUMBER	QTY	DESCRIPTION	REV
	1001186377	Ref	PLATFORM ASSEMBLY	C
		Ref	Note: Platform and Mesh must be ordered separately for Platforms with Mesh. See SPECIAL OPTIONS SECTION for Mesh Installations.	
		Ref	Note: Replacement Decals Must be Ordered Separately - See DECALS SECTION.	
1	0100011	AR	Compound, Locking	
2	0641420	2	Bolt 1/4 x 2-1/2	
3	0961845	2	Bushing	
4	3290606	2	Nut M6	
5	3300151	2	Nut 1/4	
6	3520072	2	Plug	
7	3520198	2	Plug	
8	4010618	2	Screw M6 x 50	
9	4711400	4	Washer 1/4	
10	4811700	2	Washer M6	
11	1001138494	1	Bar, Drop	
12	1001138514	1	Rail (Top)	
13	1001140429	1	Decal - Drop Bar	
14	See Note	NSS	Platform (Note: Not Available - Purchase Platform Assembly)	

# SECTION 5 - PLATFORM

FIGURE 5-6. PLATFORM ASSEMBLY - 30IN X 5FT (76CM X 1.52M) - FALL ARREST



ART\_1001186388

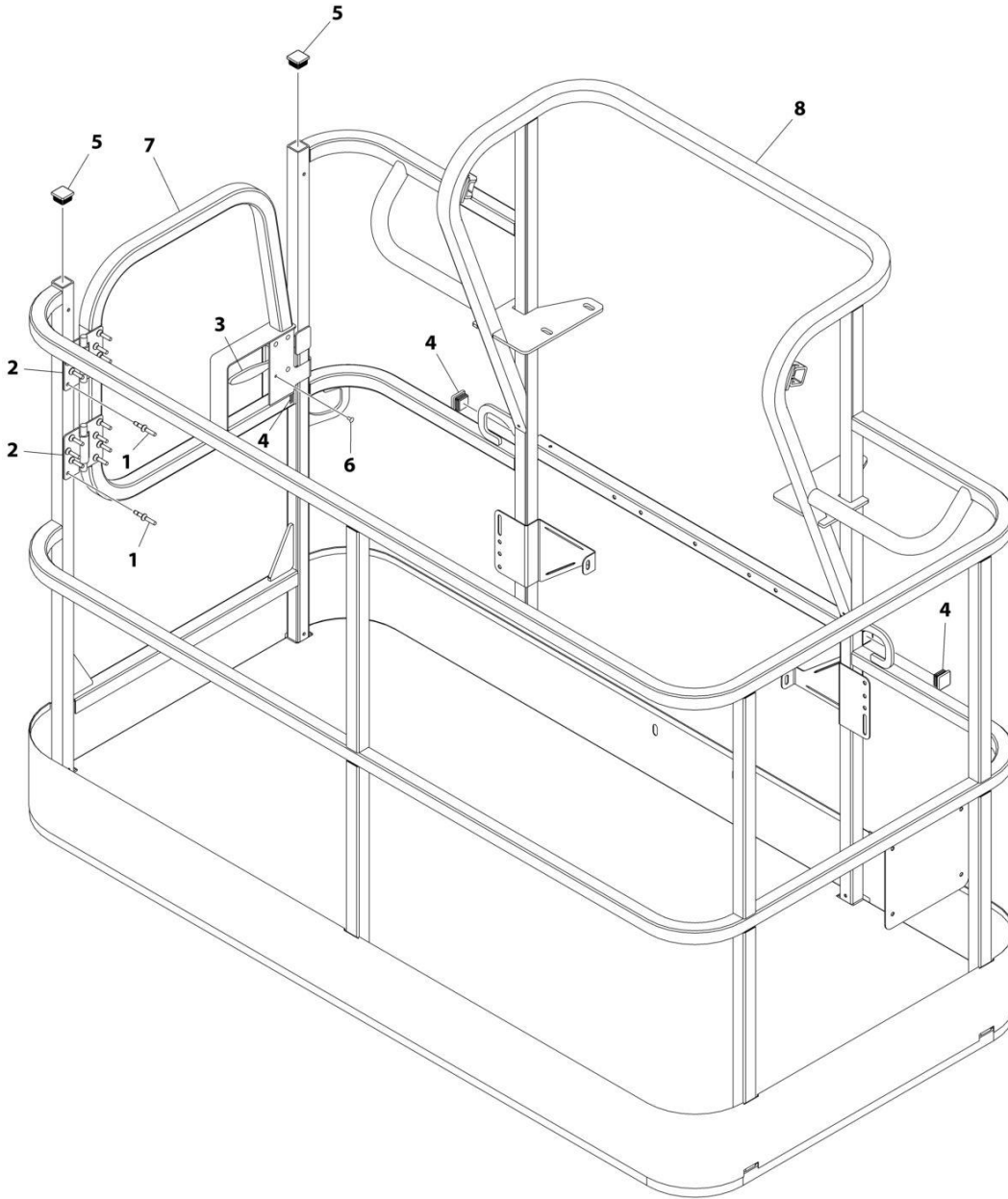
## SECTION 5 - PLATFORM

**FIGURE 5-6. PLATFORM ASSEMBLY - 30IN X 5FT (76CM X 1.52M) - FALL ARREST**

ITEM	PART NUMBER	QTY	DESCRIPTION	REV
	1001186388	Ref	PLATFORM ASSEMBLY	C
	See Note	Ref	Note: Replacement Decals Must be Ordered Separately - See DECALS SECTION.	
1	0681814	2	Bolt 1/2 x 1-3/4 (Grade 8)	
2	0681822	4	Bolt 1/2 x 2-3/4 (Grade 8)	
3	0962270	2	Bearing	
4	1705014	1	Decal - Safety	
5	1706385	1	Decal - Drop Bar	
6	2410014	1	Gate, Weldment	
7	3271805	6	Nut 1/2	
8	3311605	1	Nut 3/8	
9	3520072	1	Cap, Plug	
10	3900054	1	Bolt 1/2 x 1-3/4	
11	4711800	6	Washer 1/2	
12	4751800	4	Washer 1/2	
13	1001203654	1	Lanyard	
14	See Note	NSS	Platform (Note: Not Available - Purchase Platform Assembly)	

# SECTION 5 - PLATFORM

FIGURE 5-7. PLATFORM ASSEMBLY - 30IN X 6FT (76CM X 1.83M) - SIDE GATE ENTRY



ART\_1001186385

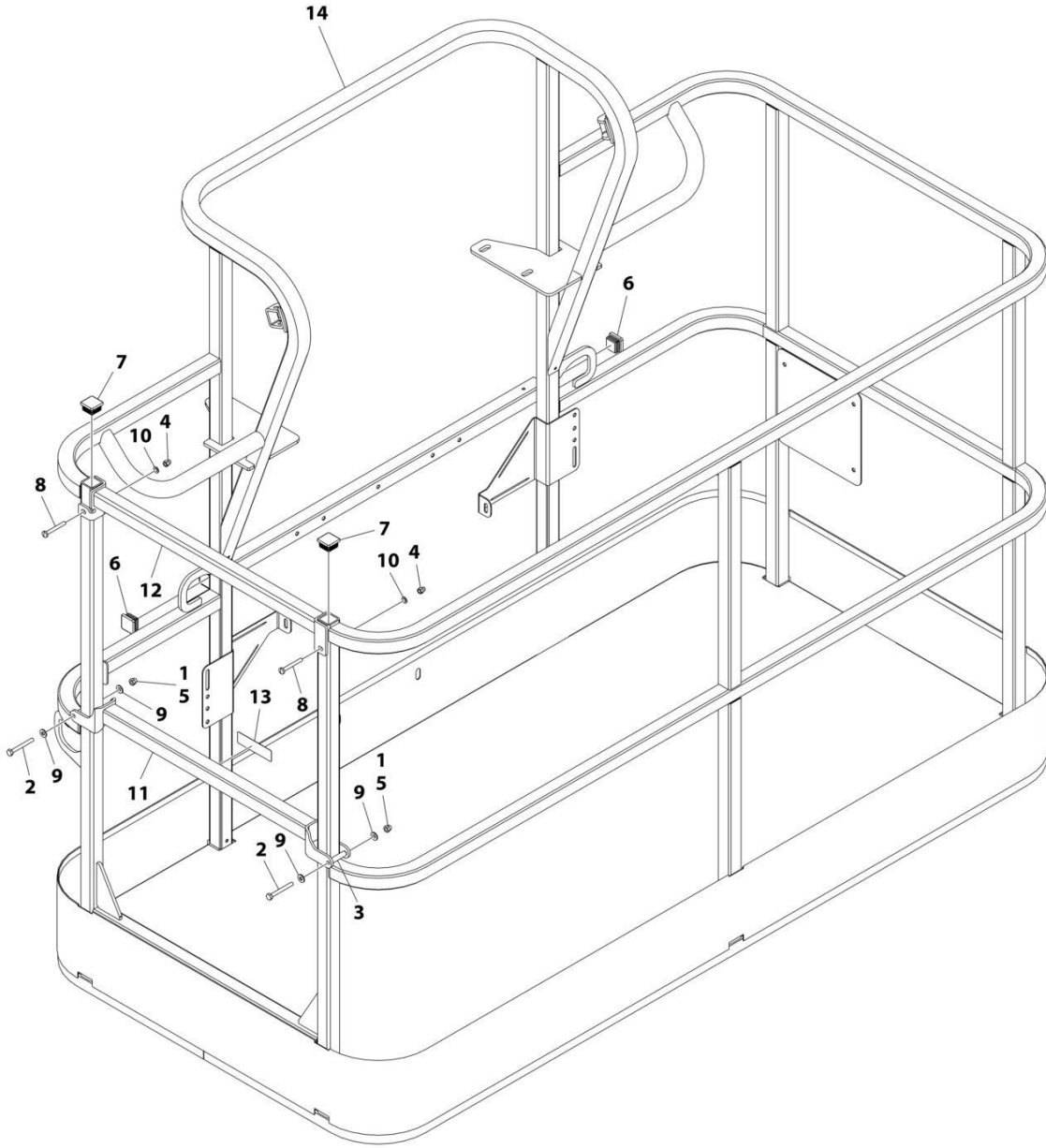
## SECTION 5 - PLATFORM

**FIGURE 5-7. PLATFORM ASSEMBLY - 30IN X 6FT (76CM X 1.83M) - SIDE GATE ENTRY**

ITEM	PART NUMBER	QTY	DESCRIPTION	REV
	1001186385	Ref	PLATFORM ASSEMBLY	D
		Ref	Note: Platform and Mesh must be ordered separately for Platforms with Mesh. See SPECIAL OPTIONS SECTION for Mesh Installations.	
		Ref	Note: Replacement Decals Must be Ordered Separately - See DECALS SECTION.	
1	2080040	16	Fastener, Huck	
2	2600281	2	Hinge	
3	2940074	1	Latch	
4	3520072	3	Plug	
5	3520198	2	Plug	
6	3820020	4	Rivet	
7	1001144629	1	Gate	
8	See Note	NSS	Platform (Note: Not Available - Purchase Platform Assembly)	

# SECTION 5 - PLATFORM

FIGURE 5-8. PLATFORM ASSEMBLY - 30IN X 6FT (76CM X 1.83M) - WITH DROP BAR



ART\_1001186378

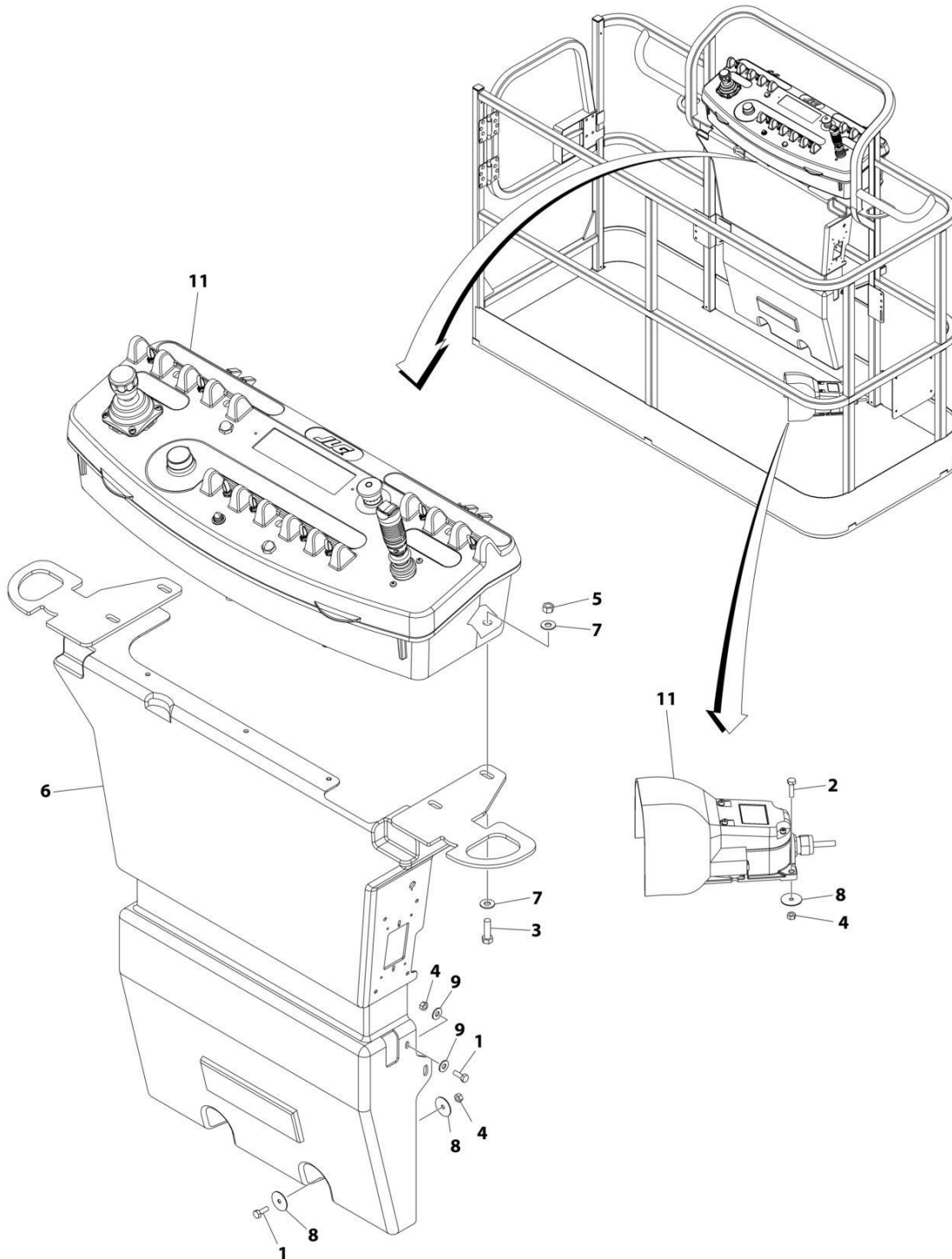
## SECTION 5 - PLATFORM

**FIGURE 5-8. PLATFORM ASSEMBLY - 30IN X 6FT (76CM X 1.83M) - WITH DROP BAR**

ITEM	PART NUMBER	QTY	DESCRIPTION	REV
	1001186378	Ref	PLATFORM ASSEMBLY	C
		Ref	Note: Platform and Mesh must be ordered separately for Platforms with Mesh. See SPECIAL OPTIONS SECTION for Mesh Installations.	
		Ref	Note: Replacement Decals Must be Ordered Separately - See DECALS SECTION.	
1	0100011	AR	Compound, Locking	
2	0641418	2	Bolt 1/4 x 2-1/4	
3	0961845	2	Bushing	
4	3290606	2	Nut M6	
5	3300151	2	Nut 1/4	
6	3520072	2	Plug	
7	3520198	2	Plug	
8	4010618	2	Screw M6 x 50	
9	4711400	4	Washer 1/4	
10	4811700	2	Washer M6	
11	1001138494	1	Bar, Drop	
12	1001138514	1	Rail (Top)	
13	1001140429	1	Decal - Drop Bar	
14	See Note	NSS	Platform (Note: Not Available - Purchase Platform Assembly)	

# SECTION 5 - PLATFORM

## FIGURE 5-9. PLATFORM CONSOLE BOX INSTALLATION



ART\_1001246436



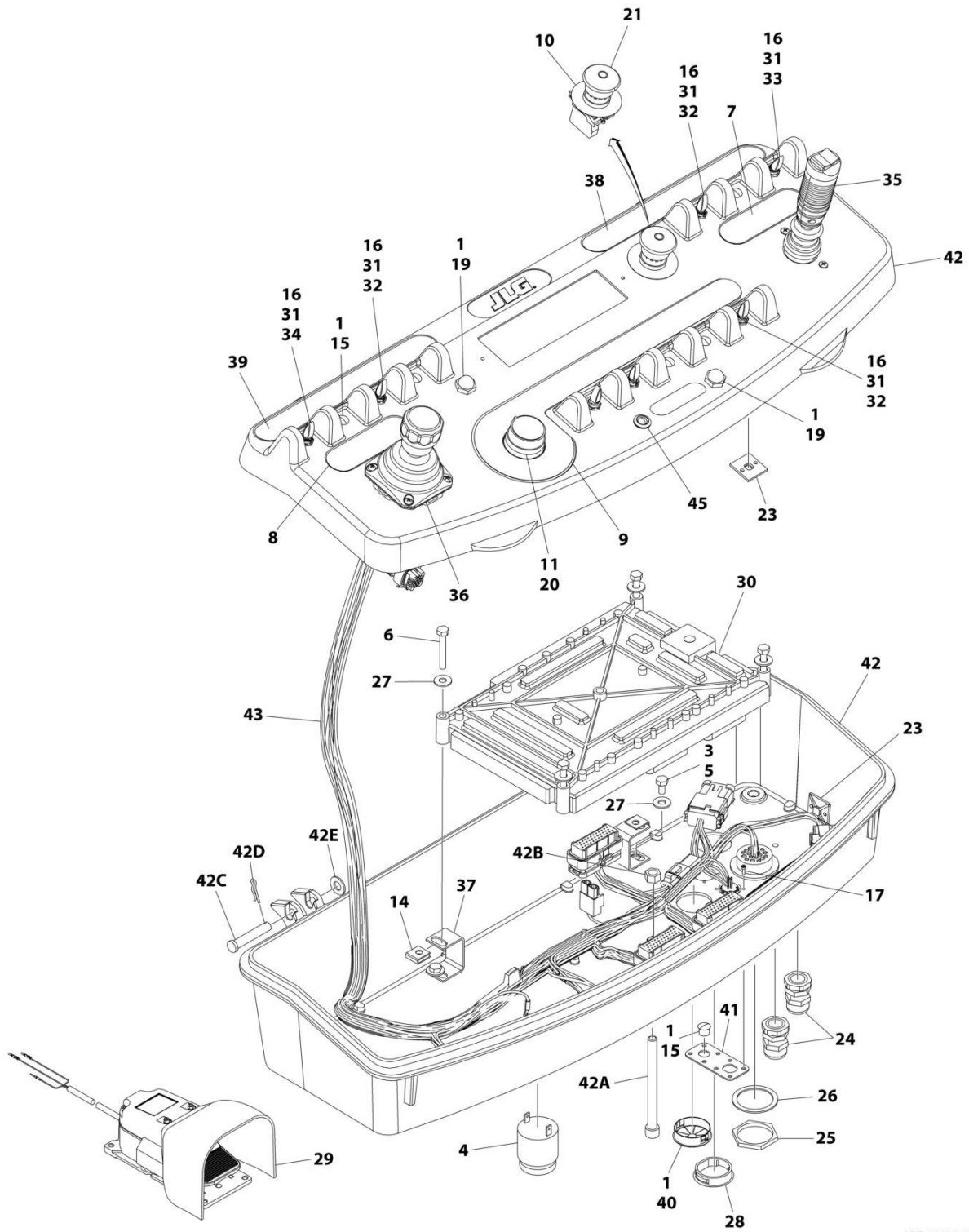
## SECTION 5 - PLATFORM

**FIGURE 5-9. PLATFORM CONSOLE BOX INSTALLATION**

ITEM	PART NUMBER	QTY	DESCRIPTION	REV
	1001246436	Ref	CONSOLE BOX INSTALLATION	A
1	0641406	4	Bolt 1/4 x 3/4	
2	0641408	3	Bolt 1/4 x 1	
3	0641610	4	Bolt 3/8 x 1-1/4	
4	3311405	7	Nut Lock 1/4	
5	3311605	4	Nut Lock 3/8	
6	3380434	1	Panel, Decal Mount	
7	4751600	8	Washer 3/8	
8	4740362	7	Washer 1/4	
9	4751400	4	Washer 1/4	
10	1001164728	1	Harness, Platform Valve (Not Shown - See Separate Breakdown in ELECTRICAL SECTION)	
11	1001246435	1	Platform Console Box Assembly (See Separate Breakdown in this Section)	

# SECTION 5 - PLATFORM

## FIGURE 5-10. PLATFORM CONSOLE BOX ASSEMBLY



ART\_1001246435\_C

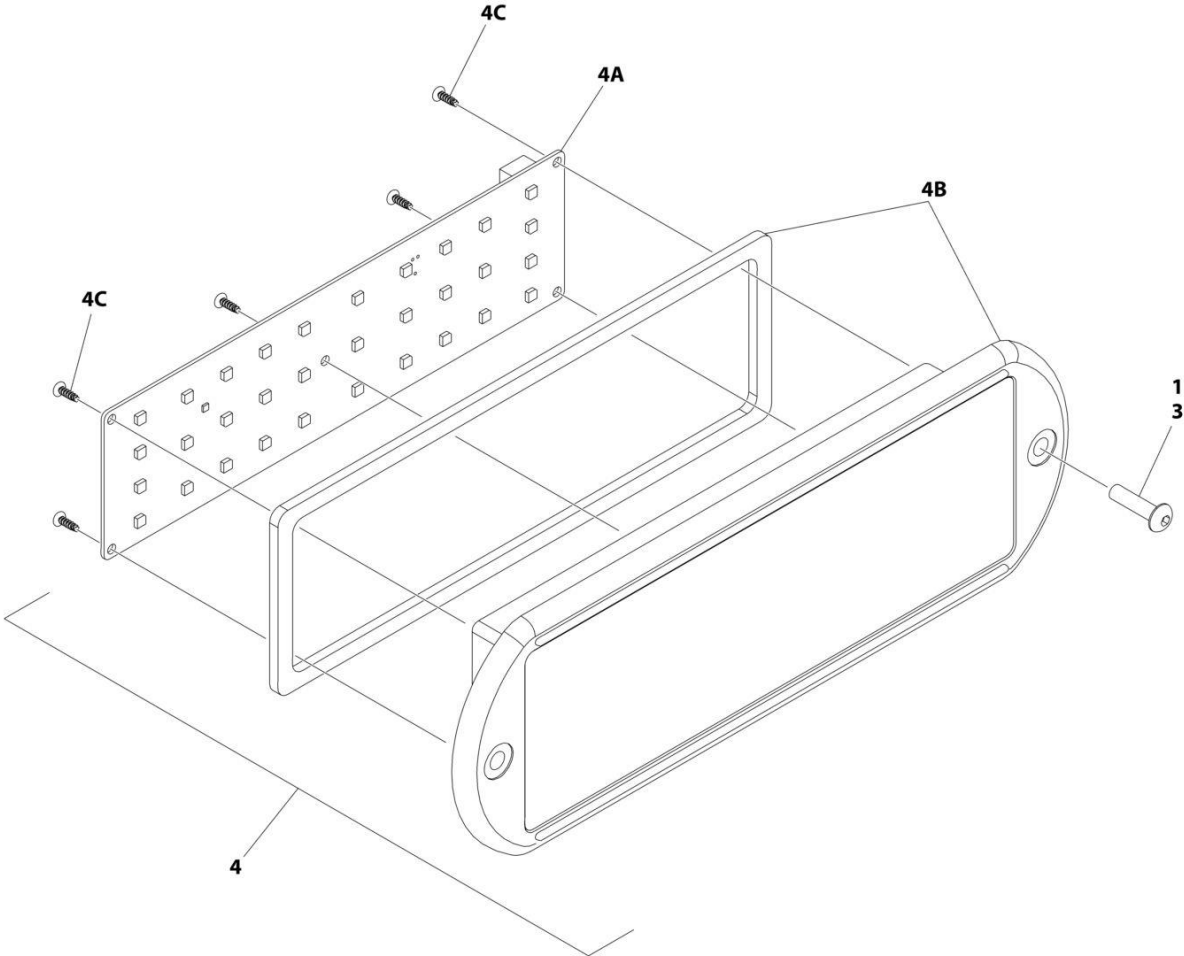
## SECTION 5 - PLATFORM

### FIGURE 5-10. PLATFORM CONSOLE BOX ASSEMBLY

ITEM	PART NUMBER	QTY	DESCRIPTION	REV
	1001246435	Ref	PLATFORM CONSOLE BOX ASSEMBLY	C
1	0100009	AR	Sealant	
3	0100035	AR	Compound, Locking	
4	0140011	1	Alarm	
5	0641405	4	Bolt 1/4 x 5/8	
6	0641414	4	Bolt 1/4 x 1-3/4	
7	1702565	1	Decal - Drive and Steer	
8	1702566	1	Decal - Lift and Swing	
9	1702567	1	Decal - Function Speed	
10	1704260	1	Decal - EMS	
11	2560136	1	Handle, Knob	
14	3300353	4	Nut	
15	3520054	5	Plug	
16	3790012	8	O-Ring	
17	3900349	8	Screw	
18	4240099	AR	Tie-Strap (Not Shown)	
19	4360387	2	Switch, Pushbutton	
20	4360407	1	Switch, Potentiometer	
21	1001274559	1	Switch, Emergency	
23	4460234	6	Mount, Tie-Strap	
24	4460428	2	Connector, Strain Relief	
25	4460470	1	Nut	
26	4460471	1	Washer	
27	4751400	8	Washer 1/4	
28	1001110434	1	Plug	
29	1001117174	1	Footswitch Assembly (See Separate Breakdown in this Section)	
30	1001118412	1	Module, Control	
31	1001155044	8	Nut 15/32	
32	1001155045	6	Switch, Toggle	
33	1001159256	1	Switch, Toggle	
34	1001161709	1	Switch, Toggle	
35	1001166538	NLA	Controller Assembly (Drive and Steer) (Use p/n 1001212415) (See Separate Breakdown in this Section)	
36	1001166539	NLA	Controller Assembly (Lift and Swing) (See Separate Breakdown in this Section) (Note: Use p/n 1001129555 as Replacement)	
37	1001172760	4	Bracket	
38	1001184618	1	Decal - Stop	
39	1001184626	1	Decal - Horn	
40	1001185281	1	Plug	
41	1001213882	1	Connector, Mounting	
42	1001215228	1	Platform Console Box	
42A	0630568	1	Capscrew 3/8 x 4-1/2	
42B	3311601	1	Nut 3/8	
42C	3430616	2	Pin, Clevis	
42D	3470003	2	Hairpin	
42E	4711600	2	Washer 3/8	
43	1001238254	1	Harness, Platform Console Box (See Separate Breakdown in ELECTRICAL SECTION)	
45	1001206532	1	Lamp, Indicator	

**SECTION 5 - PLATFORM**

**FIGURE 5-11. LIGHT PANEL INSTALLATION - PLATFORM CONSOLE**



ART\_1001233959\_D\_20F2

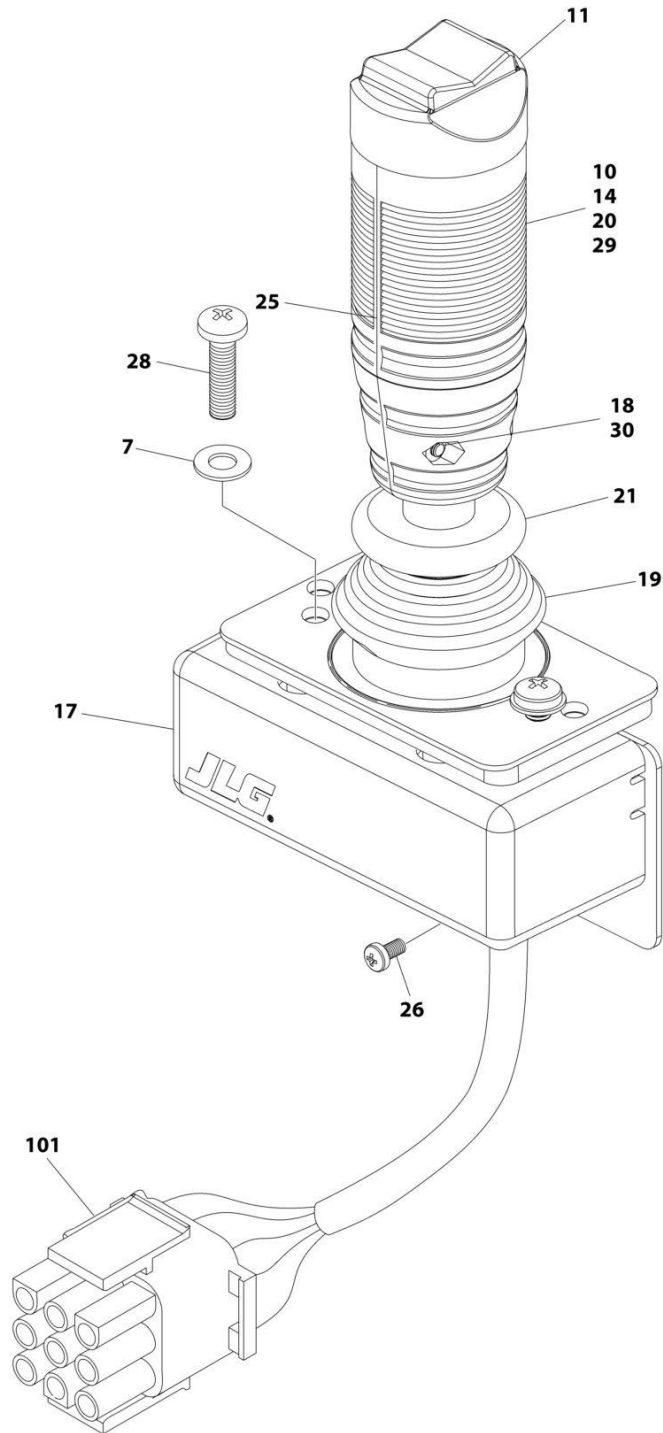
## SECTION 5 - PLATFORM

**FIGURE 5-11. LIGHT PANEL INSTALLATION - PLATFORM CONSOLE**

ITEM	PART NUMBER	QTY	DESCRIPTION	REV
	1001233959	Ref	LIGHT PANEL INSTALLATION - PLATFORM CONSOLE	D
1	0100035	AR	Compound, Locking	
3	0630518	2	Screw #10 x 3/4	
4	1001284583	1	Light Panel Assembly	A
4A	1001282106	1	Panel, LED Light	
4B	1001284582	1	Lens, Icon (Includes Gasket)	
4C		Ref	Screw	

# SECTION 5 - PLATFORM

## FIGURE 5-12. CONTROLLER ASSEMBLY - DRIVE AND STEER



ART\_1001166538

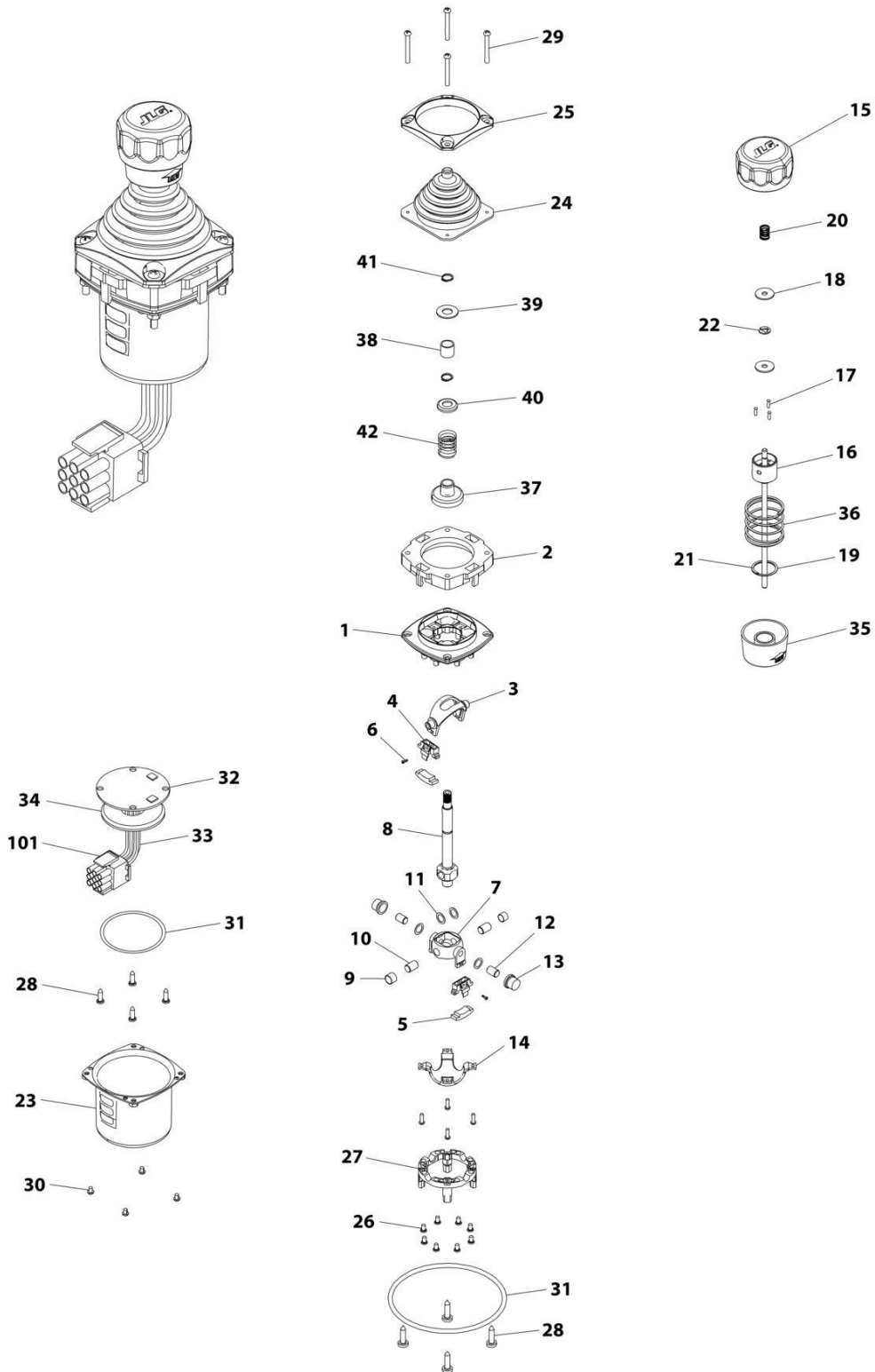
## SECTION 5 - PLATFORM

**FIGURE 5-12. CONTROLLER ASSEMBLY - DRIVE AND STEER**

ITEM	PART NUMBER	QTY	DESCRIPTION	REV
	1001166538	Ref	CONTROLLER ASSEMBLY - DRIVE AND STEER	G
		Ref	Note: For Replacement, Use p/n 1001212415.	
7	70004738	2	Washer	
10	70004739	1	Roller	
11	70004740	1	Boot, Switch	
14	70004741	2	Half, Handle	
17	70004742	1	Enclosure	
18	70004743	4	Nut	
19	70004744	NLA	Boot, Controller (Use p/n 70005230 Boot/Base Assembly)	
20	70004745	NLA	Tube, Locking (Use p/n 70005230 Boot/Base Assembly)	
21	70004746	NLA	Disc, Locking (Use p/n 70005230 Boot/Base Assembly)	
25	70004747	2	Seal, Rope	
26	70004748	1	Screw M3 x 6	
28	70004749	2	Screw M5 x 20	
29	70004750	1	Pin, Dowel	
30	70004751	4	Screw M3 x 16	
101	4460265	1	Connector - 9 Position	
101	4460226	7	Socket, Female	

# SECTION 5 - PLATFORM

## FIGURE 5-13. CONTROLLER ASSEMBLY - LIFT AND SWING



ART\_1001166539



## SECTION 5 - PLATFORM

### FIGURE 5-13. CONTROLLER ASSEMBLY - LIFT AND SWING

ITEM	PART NUMBER	QTY	DESCRIPTION	REV
	1001166539	Ref	CONTROLLER ASSEMBLY	E
		Ref	Note: Original Equipment Controller May Have Been Replaced with Service Replacement Controller. Visually Identify Controller Before Ordering Parts.	
		Ref	Note: For Replacement, Use p/n 1001129555	
1	See Note	NSS	Main Cast Body (Note: Not Available - Purchase Complete Assembly)	
2	70004752	1	Adapter	
3	See Note	NSS	Pivot Arm, Plastic (Note: Not Available - Purchase Complete Assembly)	
4	See Note	NSS	Holder, Magnet (Note: Not Available - Purchase Complete Assembly)	
5	See Note	NSS	Arc, Magnet (Note: Not Available - Purchase Complete Assembly)	
6	See Note	NSS	Screw (Note: Not Available for Purchase)	
7	See Note	NSS	Pivot Arm, Cast (Note: Not Available - Purchase Complete Assembly)	
8	See Note	NSS	Shaft, Main (Note: Not Available - Purchase Complete Assembly)	
9	See Note	NSS	Bearing (Note: Not Available - Purchase Complete Assembly)	
10	See Note	NSS	Pin (Note: Not Available - Purchase Complete Assembly)	
11	See Note	NSS	Shim (Note: Not Available - Purchase Complete Assembly)	
12	See Note	NSS	Pin (Note: Not Available - Purchase Complete Assembly)	
13	See Note	NSS	Bearing (Note: Not Available - Purchase Complete Assembly)	
14	See Note	NSS	Dome, Centering (Note: Not Available - Purchase Complete Assembly)	
15	70004753	1	Cap	
16	70004754	1	Insert, Cap	
17	70004755	3	Pin	
18	70004756	2	Washer	
19	70004757	1	Pin, Centering	
20	70004758	1	Spring	
21	70004759	1	Ring, Retaining	
22	70004760	1	E-Ring	
23	70004761	1	Can, Enclosure	
24	70004762	1	Boot	
25	70004763	1	Bezel	
26	See Note	NSS	Screw (Note: Not Available for Purchase)	
27	See Note	NSS	Base Mounting (Note: Not Available - Purchase Complete Assembly)	
28	See Note	NSS	Screw (Note: Not Available for Purchase)	
29	70004764	4	Screw	
30	70004765	4	Screw	
31	70004766	1	O-Ring	
32	See Note	NSS	Plate (Note: Not Available - Purchase Complete Assembly)	
33	See Note	NSS	Harness (Note: Not Available - Purchase Complete Assembly)	
34	70004767	1	Grommet, Rubber	
35	70004768	1	Housing	
36	70004769	1	Spring	
37	70004770	1	Stopper	
38	70004771	1	Spacer	
39	70004772	1	Washer	
40	70004773	1	Disc	

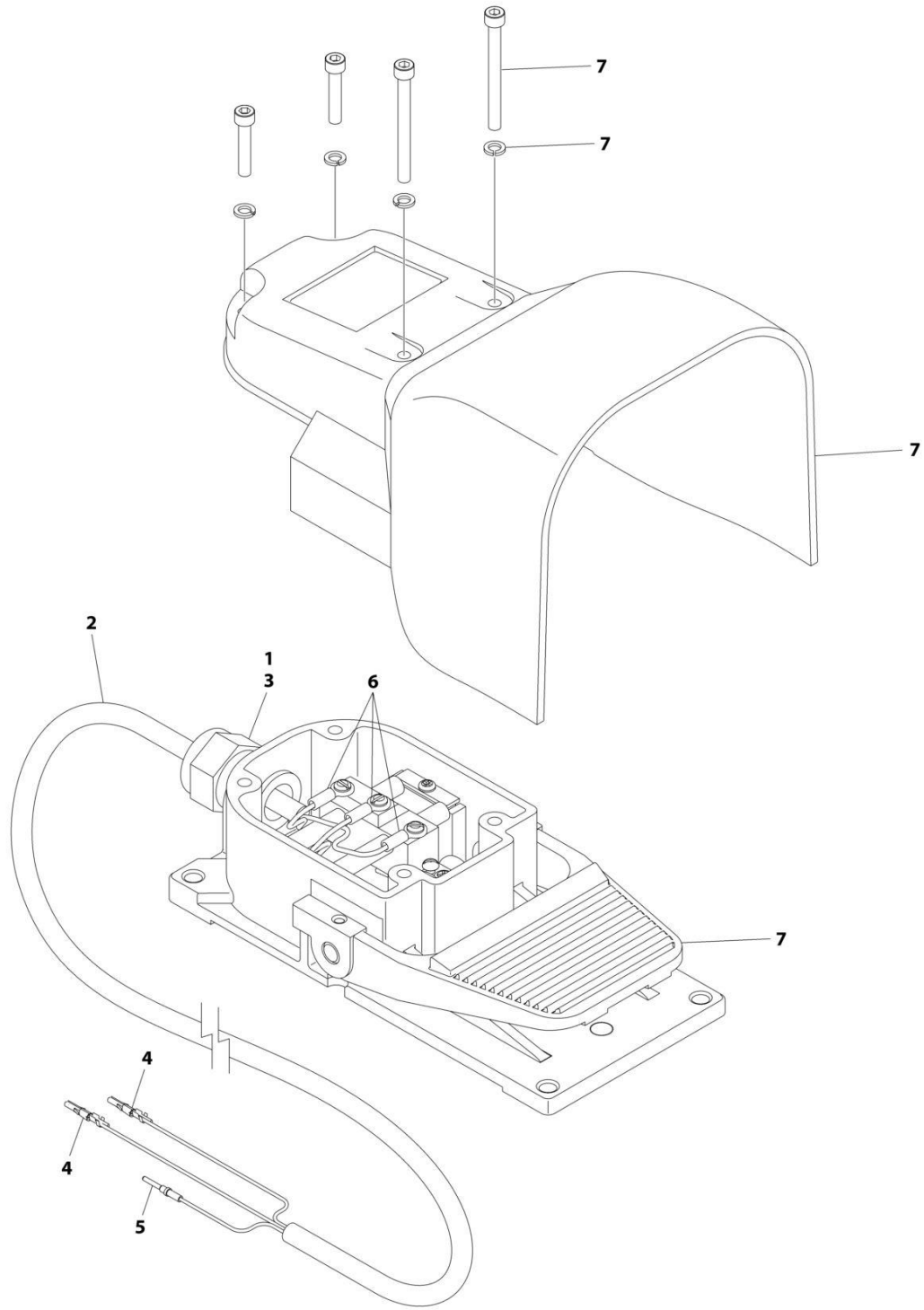
## SECTION 5 - PLATFORM

ITEM	PART NUMBER	QTY	DESCRIPTION	REV
41	70004774	2	Ring, Retaining	
42	70004775	1	Spring	
101	4460265	1	Connector - 9 Position	
101	4460226	6	Socket, Female	



# SECTION 5 - PLATFORM

## FIGURE 5-14. FOOTSWITCH ASSEMBLY



ART\_1001117174

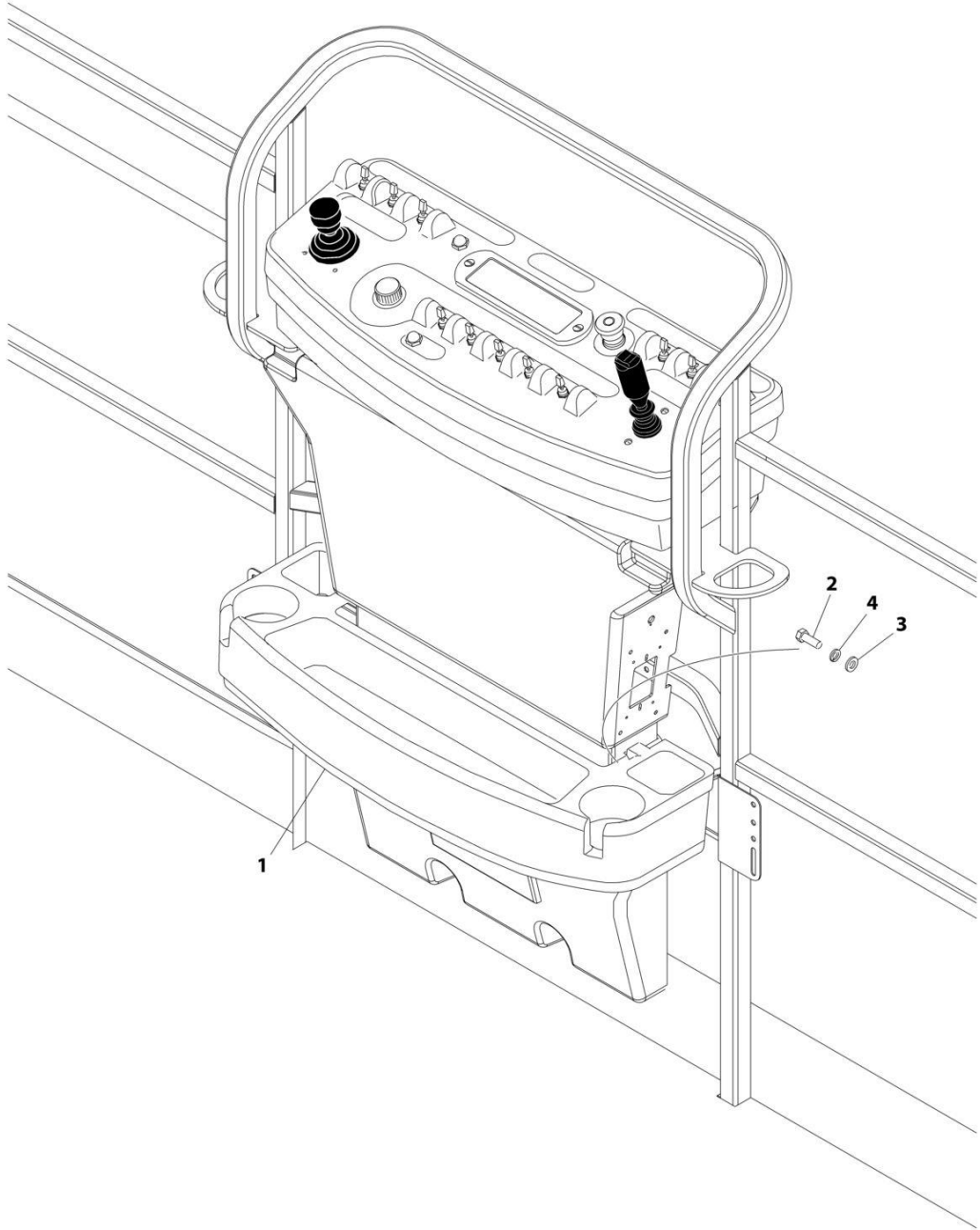
## SECTION 5 - PLATFORM

### FIGURE 5-14. FOOTSWITCH ASSEMBLY

ITEM	PART NUMBER	QTY	DESCRIPTION	REV
	1001117174	Ref	FOOTSWITCH ASSEMBLY	C
1	0100020	AR	Sealant	
2	1060918	7.5 ft/ 2.3m	Cable, Electrical - 18/3	
3	4460071	1	Connector, Strain Relief	
4	4460226	2	Socket, Female	
5	4460464	1	Pin, Male	
6	1001098122	3	Terminal	
7	1001117172	1	Footswitch	
7	70002902	1	Switch, 20Amp	
7	70002903	1	Gasket	
7	70002905	1	Cover	
7	70002904	1	Kit, Replacement Bolt	

**SECTION 5 - PLATFORM**

**FIGURE 5-15. TRAY ASSEMBLY**



ART\_1580012

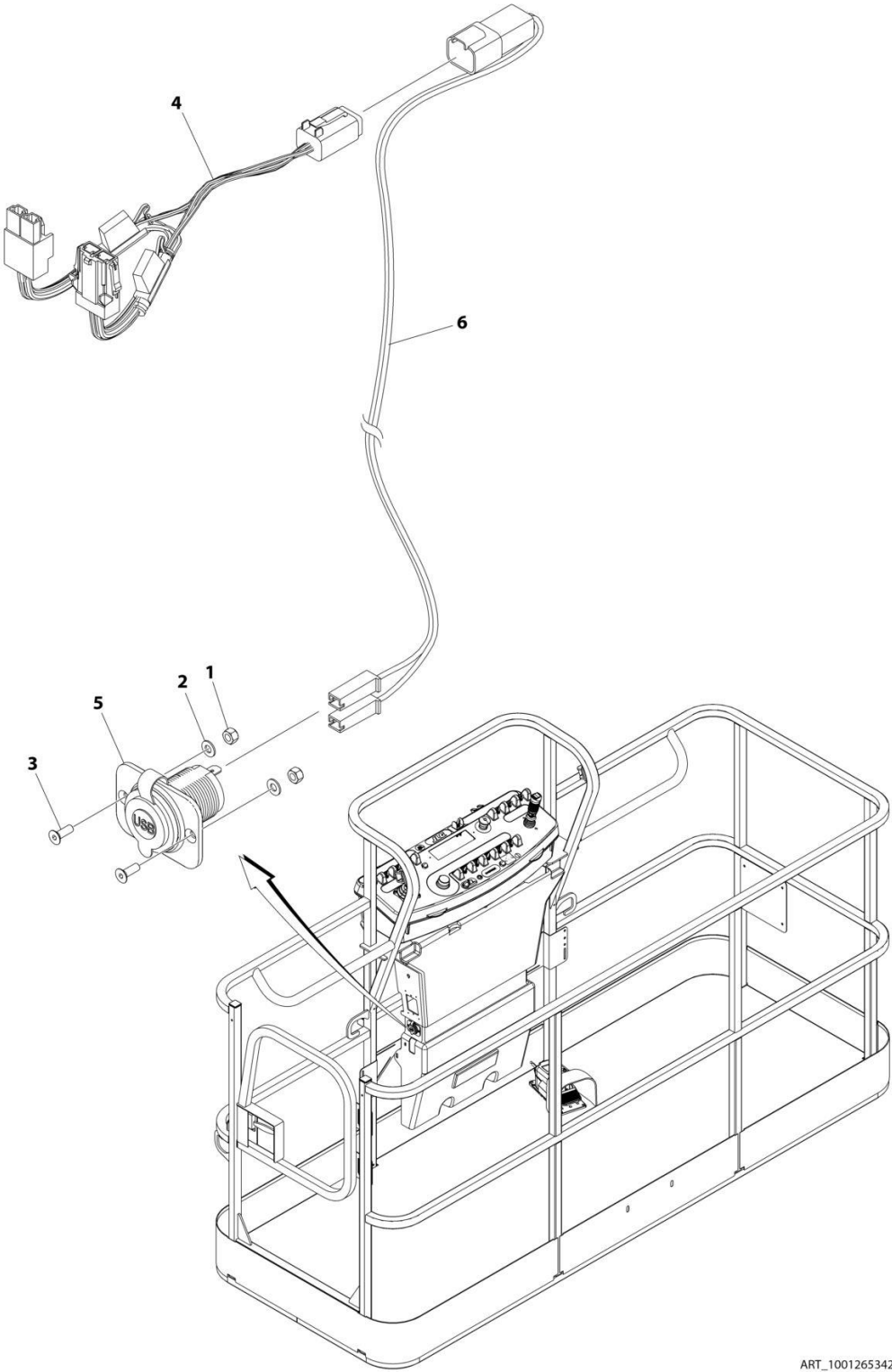
## SECTION 5 - PLATFORM

### FIGURE 5-15. TRAY ASSEMBLY

ITEM	PART NUMBER	QTY	DESCRIPTION	REV
	1580012	Ref	TRAY ASSEMBLY	C
1	See Note	NSS	Tray, Storage (Center) (Note: Purchase p/n 1580012)	
2	0641406	2	Bolt 1/4 x 3/4	
3	4751400	2	Washer 1/4	
4	4761400	2	Washer 1/4	

**SECTION 5 - PLATFORM**

**FIGURE 5-16. USB CHARGER INSTALLATION**



ART\_1001265342



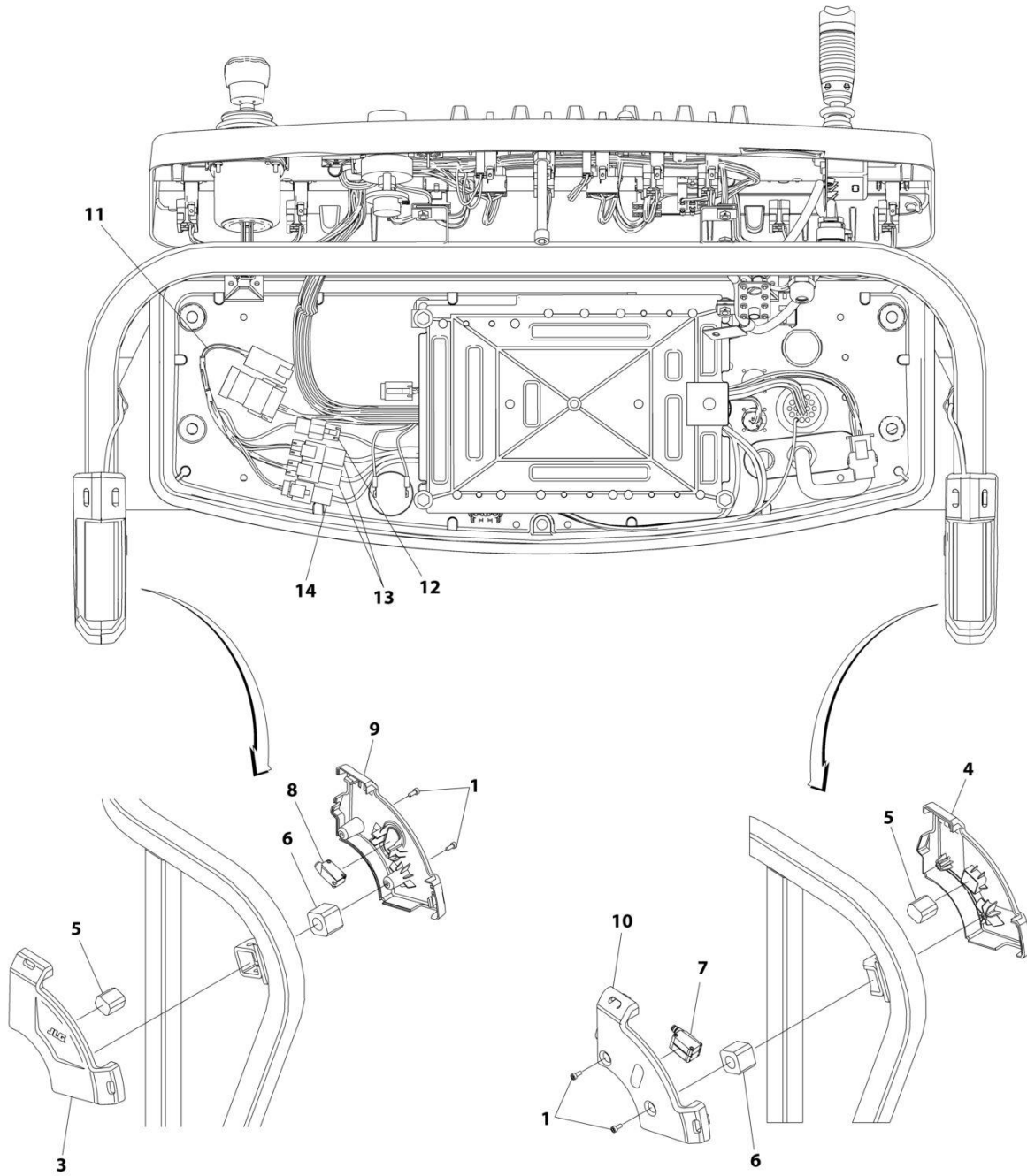
## SECTION 5 - PLATFORM

**FIGURE 5-16. USB CHARGER INSTALLATION**

ITEM	PART NUMBER	QTY	DESCRIPTION	REV
	1001265342	Ref	USB CHARGER INSTALLATION	A
1	3290405	2	Nut M4	
2	4811400	2	Washer M4	
3	1001097244	2	Screw M4 x 12	
4	1001120484	1	Harness, Work Lights	
4	4460879	1	Plug, Male - 2 Position	
4	4460887	2	Terminal	
4	2400060	2	Fuseholder Includes Cover	
4	8229249	2	Fuse, 3 Amp	
4	4460884	1	Connector - 4 Position	
4	4460465	4	Socket, Female	
4	1001120471	1	Connector - 2 Position	
4	1001120477	2	Terminal	
5	1001210636	1	Receptacle, USB	
6	1001265163	1	Harness, USB	A
6	4460260	2	Cover, Terminal	
6	4460259	2	Terminal	
6	4460932	1	Receptacle, Bussbar - 4 Position	
6	4460464	2	Pin, Male	
6	4460466	2	Plug, Terminal	

# SECTION 5 - PLATFORM

## FIGURE 5-17. SKYEYE INSTALLATION



ART\_1001229341

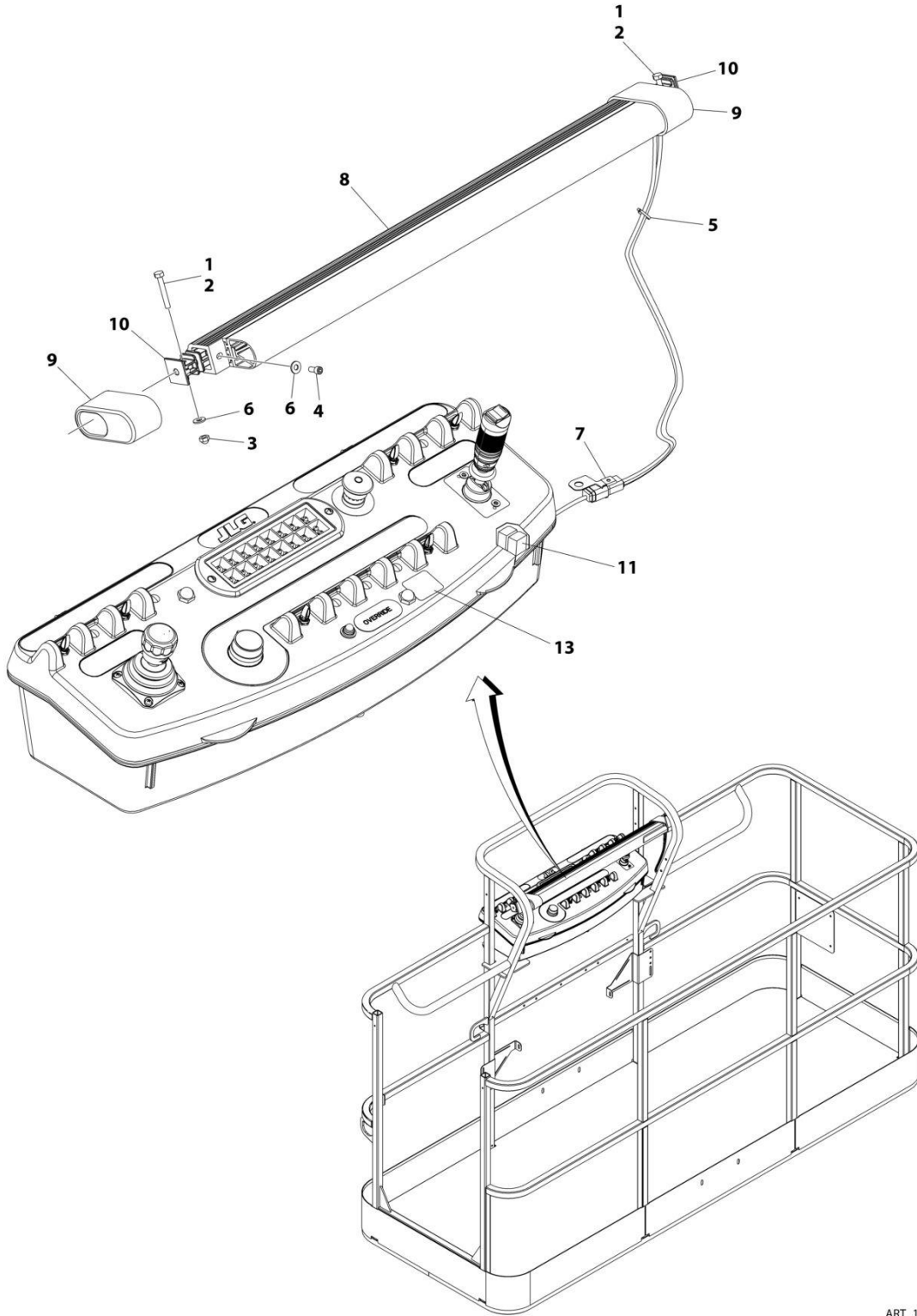
## SECTION 5 - PLATFORM

### FIGURE 5-17. SKYEYE INSTALLATION

ITEM	PART NUMBER	QTY	DESCRIPTION	REV
	1001229341	Ref	SKYEYE INSTALLATION	B
1	4031505	4	Bolt M4 x 10	
2	4240033	AR	Tie-Strap (Not Shown)	
3	1001227633	1	Housing, LH Outer	
4	1001227634	1	Housing, RH Outer	
5	1001227985	2	Shim	
6	1001227987	2	Shim	
7	1001228224	2	Sensor, Receiver	
8	1001228225	1	Sensor, Emitter	
9	1001232164	1	Housing, LH Inner	
10	1001232165	1	Housing, RH Inner	
11	1001237865	1	Harness, Skyeeye Intermediate (See Separate Breakdown in ELECTRICAL Section)	
12	1001238319	NLA	Harness, Skyeeye Drain Jumper	
12	1001187674	1	Plug, Male - 2 Position	
12	4460942	1	Terminal	
12	4460466	1	Plug, Terminal	
12	4460508	1	Pin, Male	
13	1001237863	2	Harness, Skyeeye Receiver (See Separate Breakdown in ELECTRICAL Section)	
14	1001237864	1	Harness, Skyeeye Emitter (See Separate Breakdown in ELECTRICAL Section)	

# SECTION 5 - PLATFORM

## FIGURE 5-18. SKYGUARD BAR INSTALLATION



ART\_1001238495

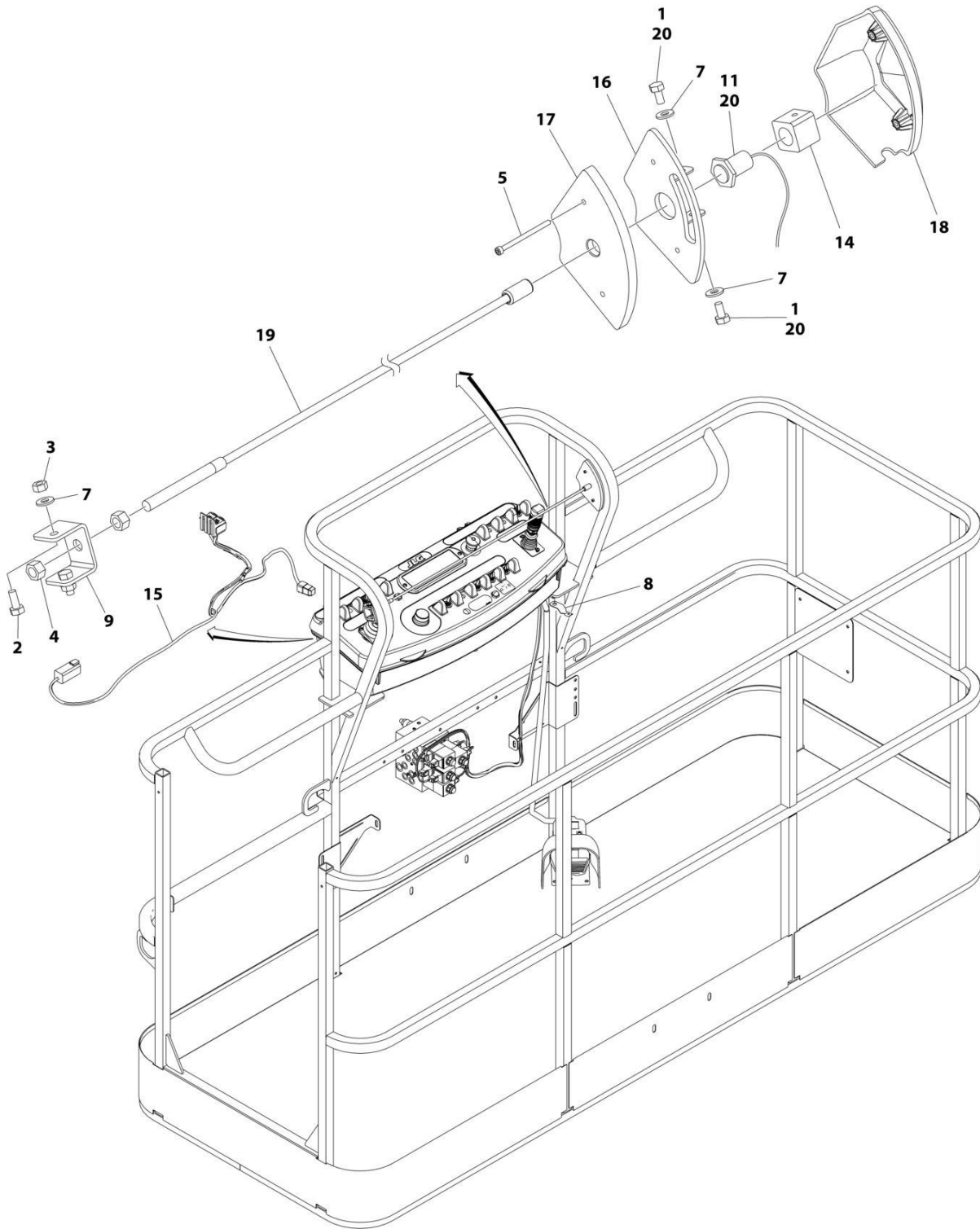
## SECTION 5 - PLATFORM

**FIGURE 5-18. SKYGUARD BAR INSTALLATION**

ITEM	PART NUMBER	QTY	DESCRIPTION	REV
	1001238495	Ref	SKYGUARD BAR INSTALLATION	A
1	0100011	AR	Compound, Locking	
2	0641414	2	Bolt 1/4 x 1-3/4	
3	3300430	2	Nut 1/4	
4	3931408	2	Capscrew 1/4 x 1/2	
5	4240033	8	Tie-Strap	
6	4711400	6	Washer 1/4	
7	1001120328	1	Mount	
8	1001137673	1	SkyGuard Switch Assembly	
9	1001186517	2	Cover, Platform Sensor	
10	1001209664	2	Support, Block	
11	1001186431	2	Relay	
12	1001225580	1	Interface Harness Assembly (Not Shown - Located Inside Console Box) (See Separate Breakdown in ELECTRICAL Section)	
13	1001144433	1	Decal - No Weight SkyGuard	

# SECTION 5 - PLATFORM

## FIGURE 5-19. SKYLINE INSTALLATION



ART\_1001238559\_D

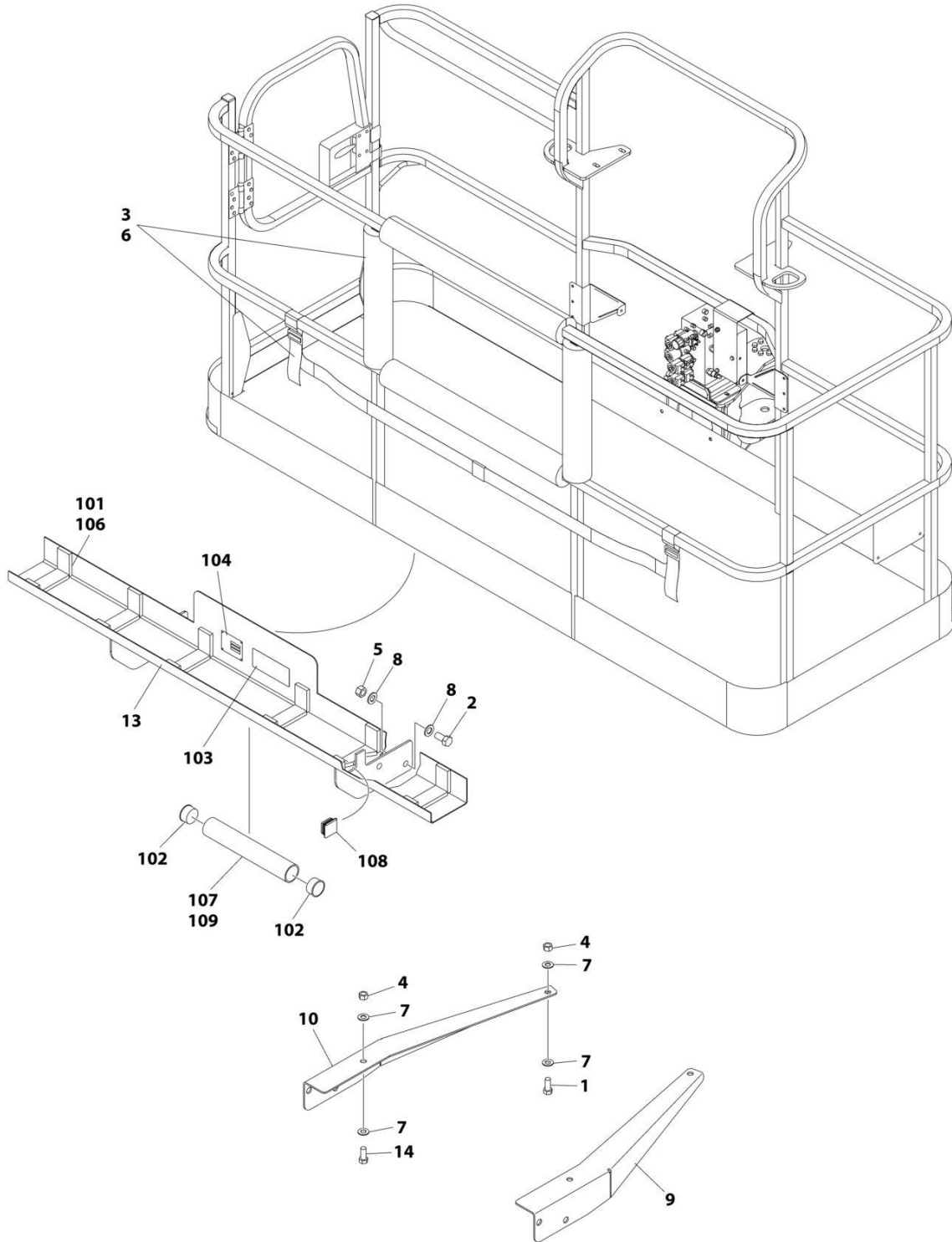
## SECTION 5 - PLATFORM

**FIGURE 5-19. SKYLINE INSTALLATION**

ITEM	PART NUMBER	QTY	DESCRIPTION	REV
	1001238559	Ref	SKYLINE INSTALLATION	D
1	0641404	2	Bolt 1/4 x 1/2	
2	0641405	2	Bolt 1/4 x 5/8	
3	3311405	2	Nut 1/4	
4	3311601	2	Nut 3/8	
5	4031516	2	Capscrew M4 x 60	
6	4240033	AR	Tie-Strap (Not Shown)	
7	4711400	4	Washer 1/4	
8	1001120328	1	Mount	
9	1001232642	1	Bracket	
11	1001232667	1	Sensor, Proximity	
14	1001236552	1	Block	
15	1001238418	1	Harness, Skyline (See Separate Breakdown in ELECTRICAL Section)	
16	1001238472	1	Mount	
17	1001254473	1	Housing, LH	
18	1001241965	1	Housing, RH	
19	1001254472	1	Rod	
20	0100011	AR	Compound, Locking	

# SECTION 5 - PLATFORM

FIGURE 5-20. SKYGLAZIER INSTALLATION (ANSI, AUSTRALIAN & CSA SPECS)



ART\_1001172578\_C



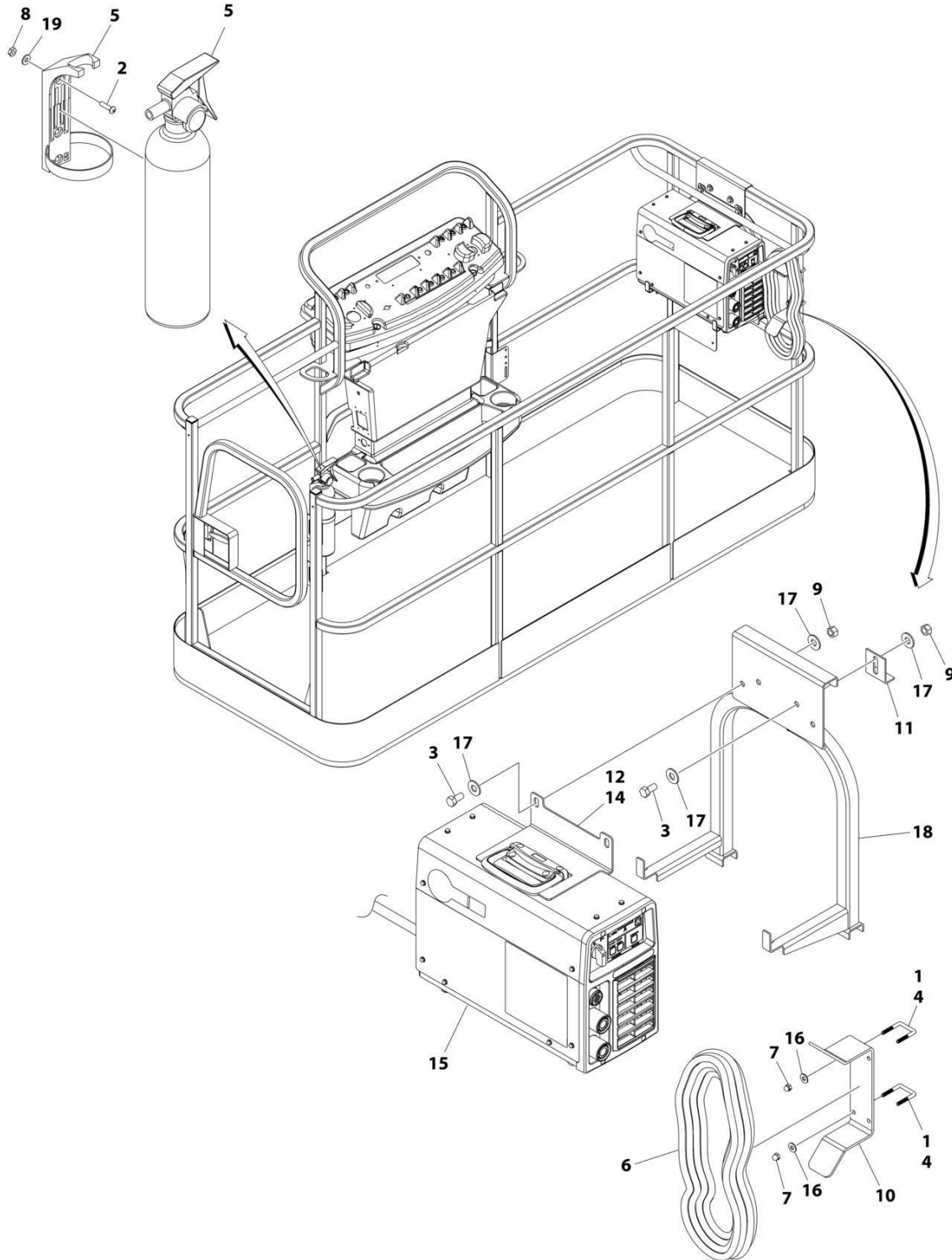
## SECTION 5 - PLATFORM

**FIGURE 5-20. SKYGLAZIER INSTALLATION (ANSI, AUSTRALIAN & CSA SPECS)**

ITEM	PART NUMBER	QTY	DESCRIPTION	REV
	1001172578	Ref	SKYGLAZIER INSTALLATION	C
1	0642012	2	Bolt 5/8 x 1-1/2	
2	0642212	4	Bolt 3/4 x 1-1/2	
3	2902212	1	Bumpers and Strap Kit	
3	0940102	1	Bumper Only	
3	4240149	1	Strap Only	
4	3312005	1	Nut 5/8	
5	3312205	4	Nut 3/4	
6	4420014	AR	Tape	
7	4712000	6	Washer 5/8	
8	4712200	8	Washer 3/4	
9	1001099366	1	Support	
10	1001099367	1	Support	
13	1001172577	1	Tray Assembly (See Items 101-109 for Breakdown)	
14	8310129	2	Bolt 3/4 x 2-1/2	
	1001172577	Ref	TRAY ASSEMBLY	C
101	0100081	AR	Adhesive	
102	1120555	2	Cap, Tube	
103	1701509	1	Decal - Manual	
104	See Note	NSS	Nameplate - Serial Number (Note: Not Available for Purchase)	
106	3340956	1	Pad Kit	
107	3460334	1	Tube	
108	3520071	2	Plug	
109	4420066	AR	Tape, Double Sided	

# SECTION 5 - PLATFORM

## FIGURE 5-21. SKYWELDER INSTALLATION (50HZ)



ART\_0272521\_G

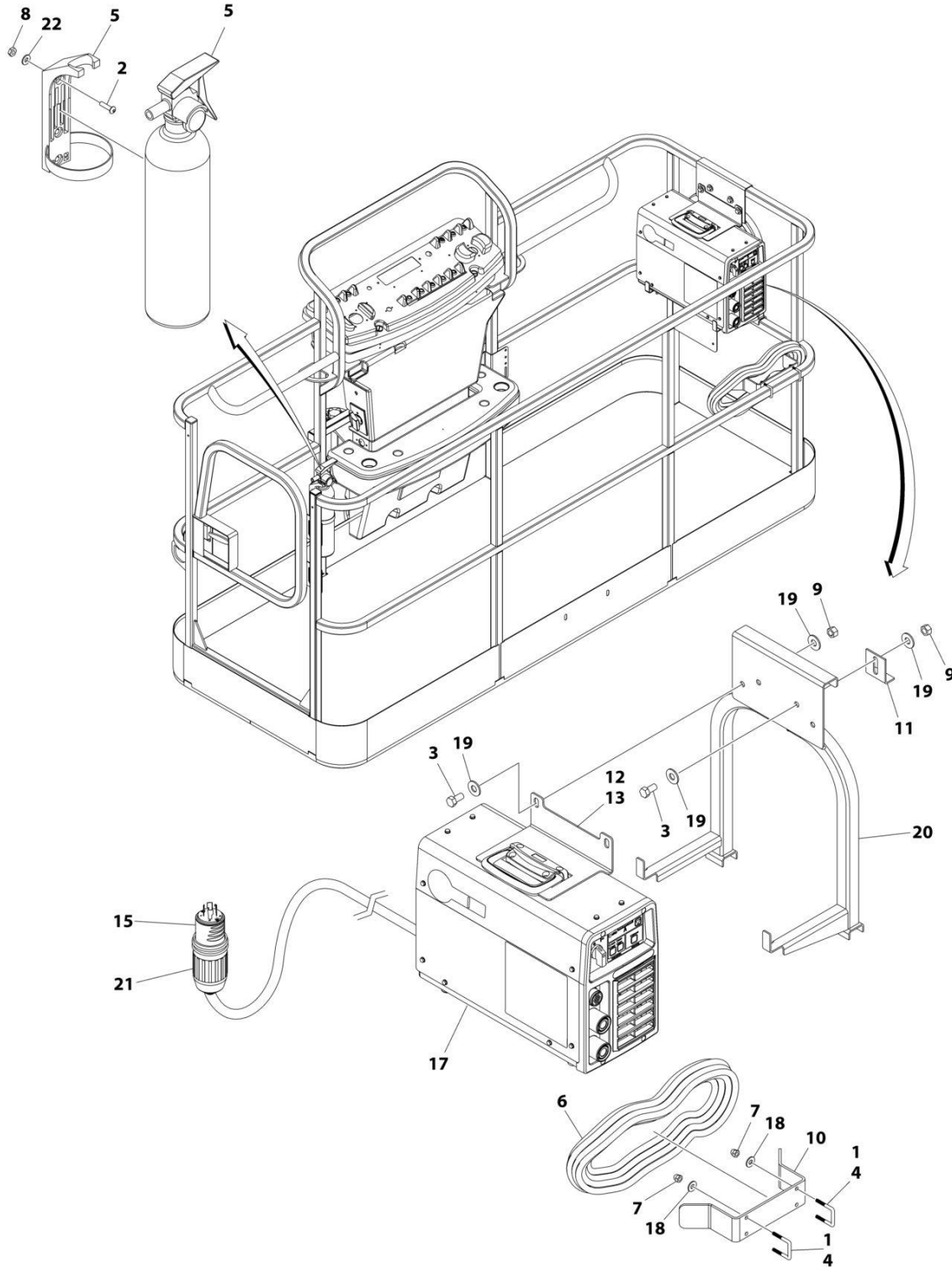
## SECTION 5 - PLATFORM

**FIGURE 5-21. SKYWELDER INSTALLATION (50HZ)**

ITEM	PART NUMBER	QTY	DESCRIPTION	REV
	0272521	Ref	SKYWELDER INSTALLATION	G
1	0100011	AR	Compound, Locking	
2	0630518	2	Screw #10 x 3/4	
3	0641606	4	Bolt 3/8 x 3/4	
4	1320302	2	U-Clamp	
5	2030010	1	Extinguisher, Fire	
6	2902217	1	Weld Leads Kit	
7	3300151	4	Nut 1/4	
8	3311005	2	Nut #10	
9	3311605	4	Nut 3/8	
10	3573400	1	Bracket	
11	3577121	2	Angle	
12	1001269573	1	Plate	
13	4240099	AR	Tie-Strap (Not Shown)	
14	4420037	AR	Tape	
15	1001268820	1	Welder Assembly (See Separate Breakdown in this Section)	
16	4751400	4	Washer 1/4	
17	4751600	8	Washer 3/8	
18	1001269322	1	Support	
19	4751000	2	Washer #10	

# SECTION 5 - PLATFORM

## FIGURE 5-22. SKYWELDER INSTALLATION (60HZ)



ART\_0272254\_J

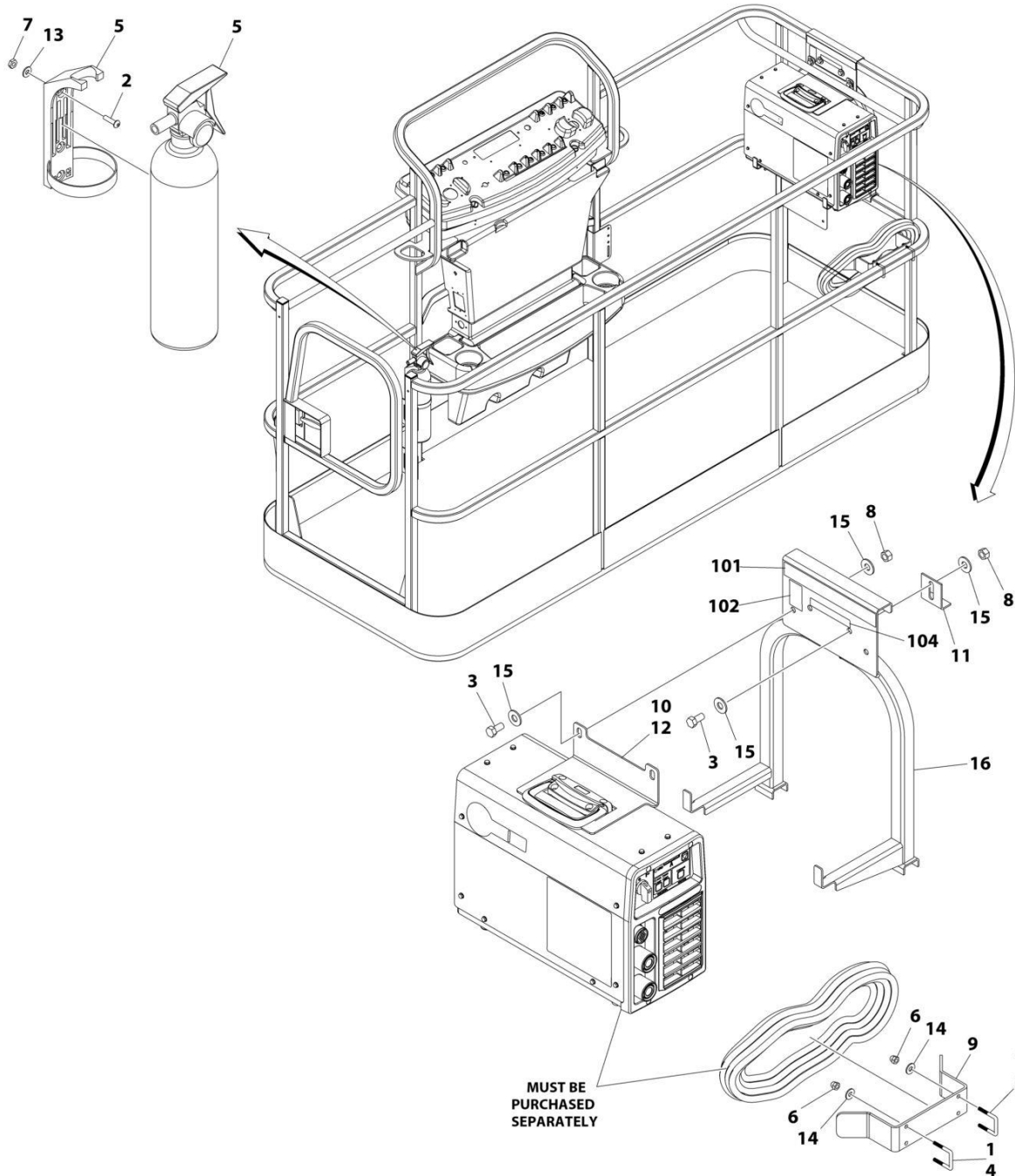
## SECTION 5 - PLATFORM

**FIGURE 5-22. SKYWELDER INSTALLATION (60HZ)**

ITEM	PART NUMBER	QTY	DESCRIPTION	REV
	0272254	Ref	SKYWELDER INSTALLATION	J
1	0100011	AR	Compound, Locking	
2	0630518	2	Screw #10 x 3/4	
3	0641606	4	Bolt 3/8 x 3/4	
4	1320302	2	U-Clamp	
5	2030010	1	Extinguisher, Fire	
6	2902217	1	Weld Leads Kit	
7	3300151	4	Nut 1/4	
8	3311005	2	Nut #10	
9	3311605	4	Nut 3/8	
10	3573400	1	Bracket	
11	3577121	2	Angle	
12	1001269573	1	Plate	
13	4420037	AR	Tape	
14	4240099	AR	Tie-Strap (Not Shown)	
15	4460962	1	Plug, Male Twistlock	
17	1001268820	1	Welder Assembly (See Separate Breakdown in this Section)	
18	4751400	4	Washer 1/4	
19	4751600	8	Washer 3/8	
20	1001269322	1	Support	
21	1671093	1	Cover, Plug	
22	4751000	2	Washer #10	

# SECTION 5 - PLATFORM

## FIGURE 5-23. SKYWELDER PREP PACKAGE INSTALLATION



ART\_1001128527\_C

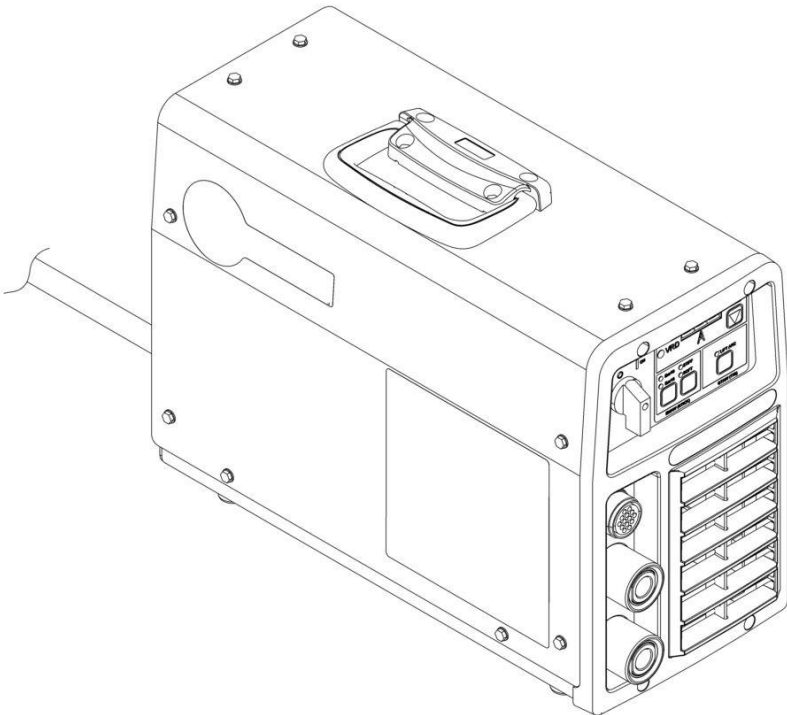
## SECTION 5 - PLATFORM

**FIGURE 5-23. SKYWELDER PREP PACKAGE INSTALLATION**

ITEM	PART NUMBER	QTY	DESCRIPTION	REV
	1001128527	Ref	SKYWELDER PREP PACKAGE	C
1	0100011	AR	Compound, Locking	
2	0630518	2	Screw #10 x 3/4	
3	0641606	4	Bolt 3/8 x 3/4	
4	1320302	2	U-Clamp	
5	2030010	1	Extinguisher, Fire	
6	3300151	4	Nut 1/4	
7	3311005	2	Nut #10	
8	3311605	4	Nut 3/8	
9	3573400	1	Bracket	
10	1001269573	1	Plate	
11	3577121	2	Angle	
12	4420037	AR	Tape	
13	4751000	2	Washer #10	
14	4751400	4	Washer 1/4	
15	4751600	8	Washer 3/8	
16	1001269322	1	Support	
	1001128556	Ref	SKYWELDER DECAL INSTALLATION	D
101	1702868	1	Decal - No Hands	
102	1705305	1	Decal - Weld Lead	
104	1001228988	1	Decal - Weight	

**SECTION 5 - PLATFORM**

**FIGURE 5-24. WELDER ASSEMBLY**



ART\_1001268820



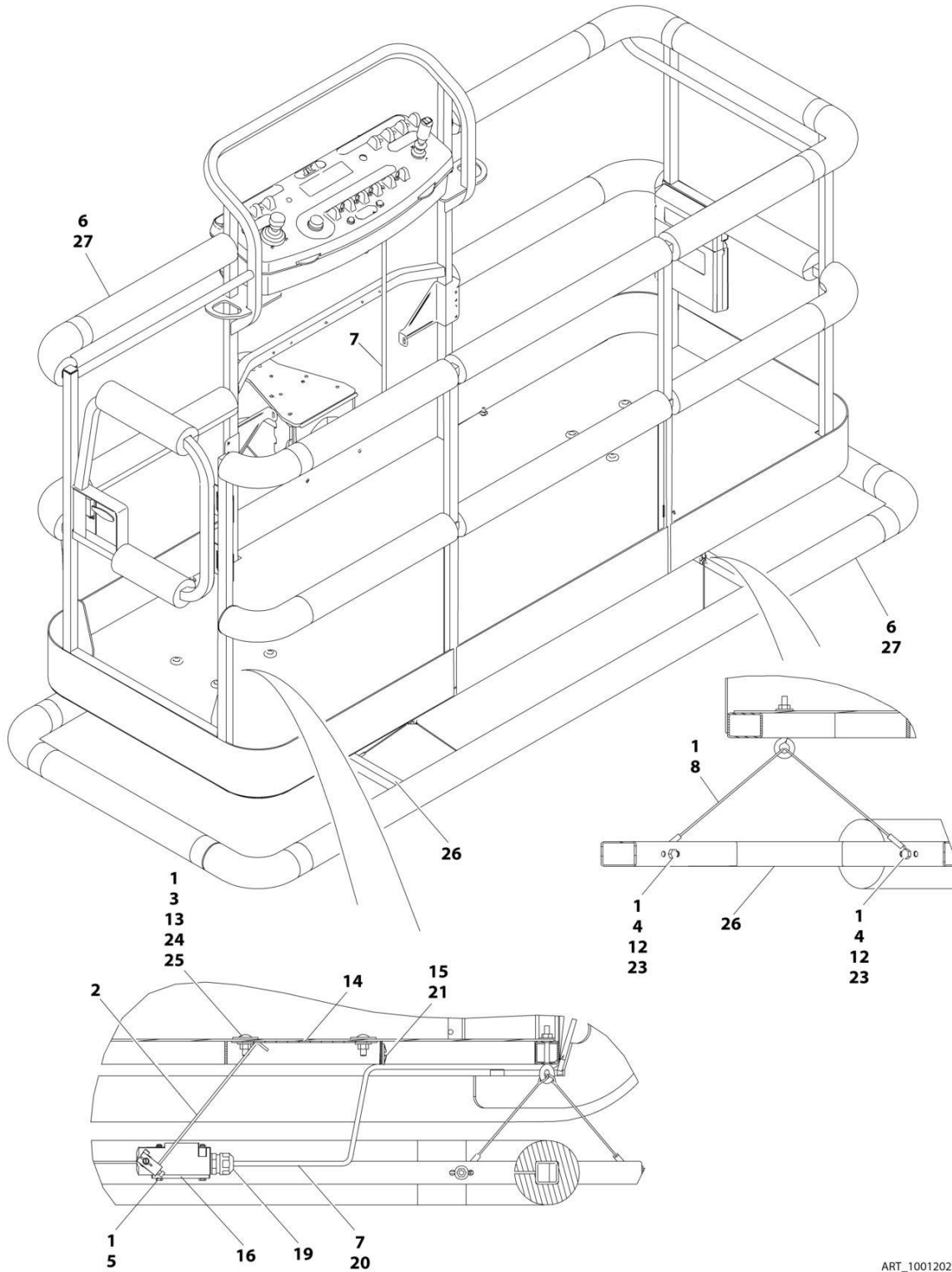
## SECTION 5 - PLATFORM

### FIGURE 5-24. WELDER ASSEMBLY

ITEM	PART NUMBER	QTY	DESCRIPTION	REV
	1001268820	1 Ref	WELDER ASSEMBLY Note: No Service Parts available at time of Printing.	B

# SECTION 5 - PLATFORM

## FIGURE 5-25. SOFT TOUCH INSTALLATION (WITHOUT FALL ARREST)



ART\_1001202744\_C

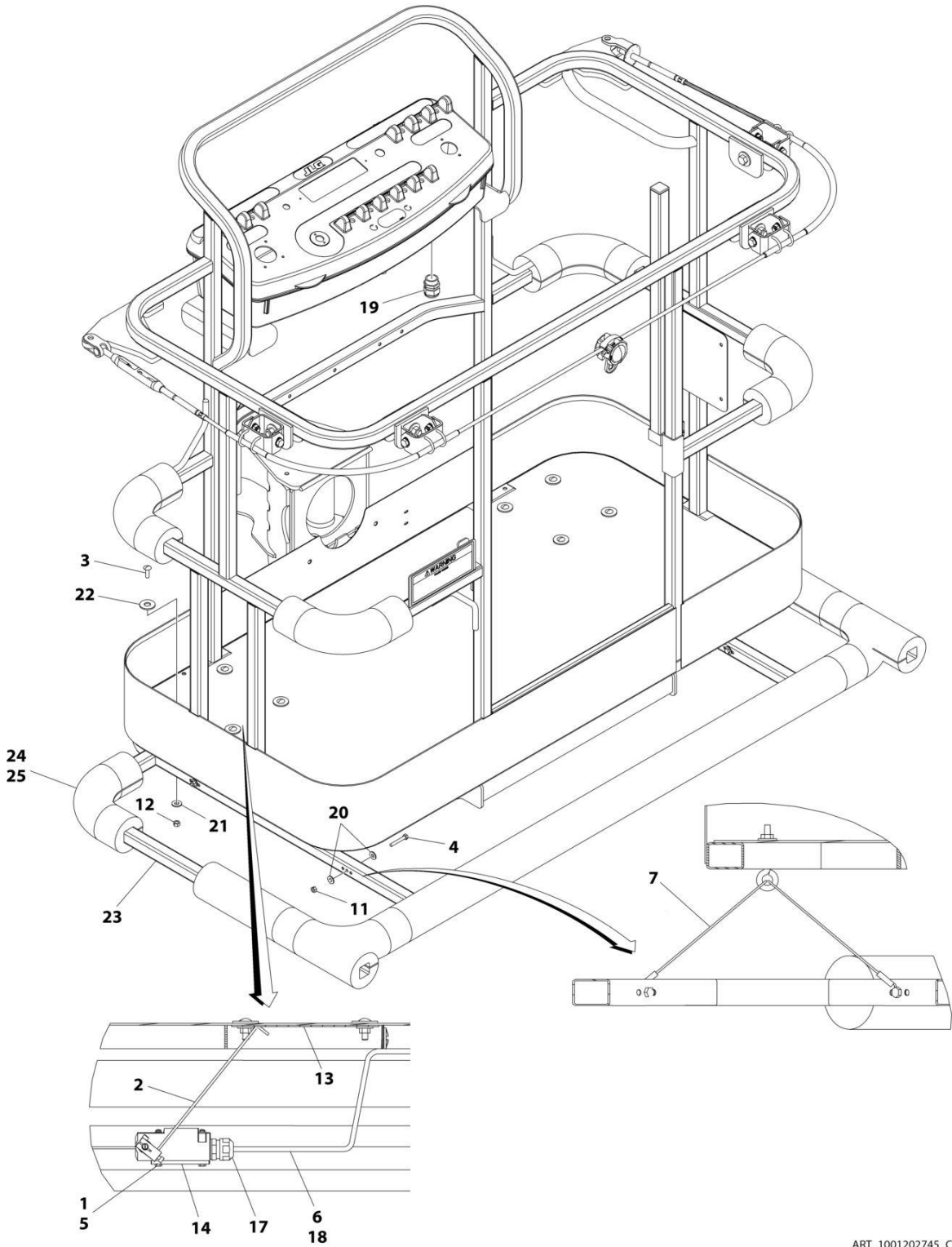
## SECTION 5 - PLATFORM

**FIGURE 5-25. SOFT TOUCH INSTALLATION (WITHOUT FALL ARREST)**

ITEM	PART NUMBER	QTY	DESCRIPTION	REV
	1001202744	Ref	SOFT TOUCH INSTALLATION - 6FT/1.8M PLATFORM	C
1	0100011	AR	Compound, Locking	
2	0200048	2	Arm, Switch	
3	0630462	8	Bolt, Carriage	
4	0641414	8	Bolt 1/4 x 1-3/4	
5	0721005	4	Bolt #10 x 5/8	
6	0940167	1	Bumper Kits (Includes Corners and Enough Straight Material for One Platform)	
7	1060341	15 ft /4.57m	Cable, Electrical - 16/2	
8	1060903	4	Wire Rope and Eyebolt Assembly	
12	3311401	8	Nut 1/4	
13	3311501	8	Nut 5/16	
14	3575705	2	Plate, Switch Strike	
15	4240099	AR	Tie-Strap	
16	4360057	2	Switch, Limit	
19	4460049	2	Connector, Strain Relief	
20	4460226	4	Socket, Female	
21	4460234	2	Tie-Strap Mount	
22	4460425	1	Connector, Strain Relief (Not Shown - Located on bottom of console box)	
23	4751400	16	Washer 1/4	
24	4751500	8	Washer 5/16	
25	4751800	8	Washer 1/2	
26	4846370	1	Rail, Soft Touch	
27	1001197017	AR	Tie-Strap	

# SECTION 5 - PLATFORM

## FIGURE 5-26. SOFT TOUCH INSTALLATION (WITH FALL ARREST)



ART\_1001202745\_C

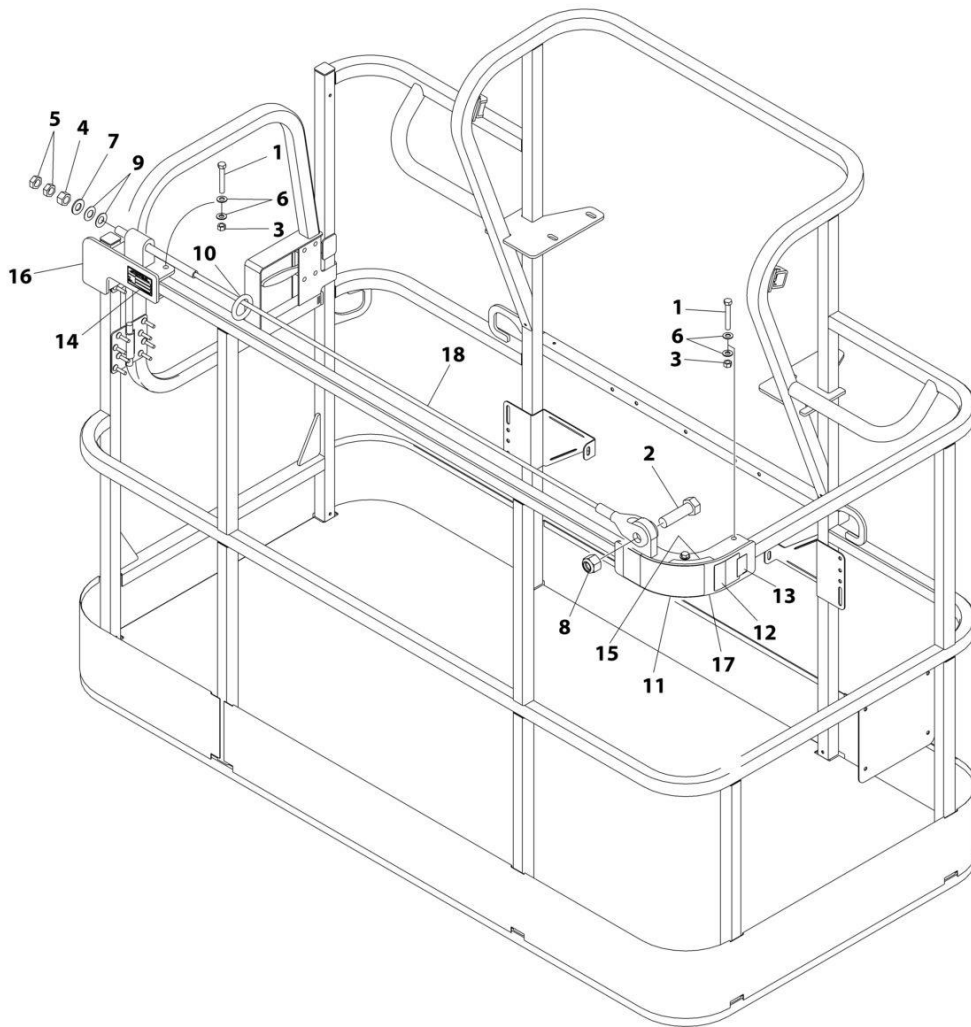
## SECTION 5 - PLATFORM

**FIGURE 5-26. SOFT TOUCH INSTALLATION (WITH FALL ARREST)**

ITEM	PART NUMBER	QTY	DESCRIPTION	REV
	1001202745	Ref	SOFT TOUCH INSTALLATION - 5FT/1.52M PLATFORM WITH FALL ARREST	C
1	0100011	AR	Compound, Locking	
2	0200048	2	Arm, Switch	
3	0630462	8	Bolt, Carriage	
4	0641414	8	Bolt 1/4 x 1-3/4	
5	0721005	4	Bolt #10 x 5/8	
6	1060341	15 ft /4.57m	Cable, Electrical - 16/2	
7	1060903	4	Wire Rope and Eyebolt Assembly	
11	3311405	8	Nut 1/4	
12	3311501	8	Nut 5/16	
13	3575705	2	Plate, Switch Strike	
14	4360057	2	Switch, Limit	
17	4460049	2	Connector, Strain Relief	
18	4460226	4	Socket, Female	
19	4460425	1	Connector, Strain Relief	
20	4751400	16	Washer 1/4	
21	4751500	8	Washer 5/16	
22	4751800	8	Washer 1/2	
23	1001115641	1	Rail, Soft Touch	
24	1001115848	1	Bumper Kits (Includes Corners and Enough Straight Material for One Platform)	
25	1001197017	AR	Tie-Strap	

# SECTION 5 - PLATFORM

## FIGURE 5-27. FALL ARREST INSTALLATION (BOLT-ON) (5FT/1.52M PLATFORM)



ART\_1001257275

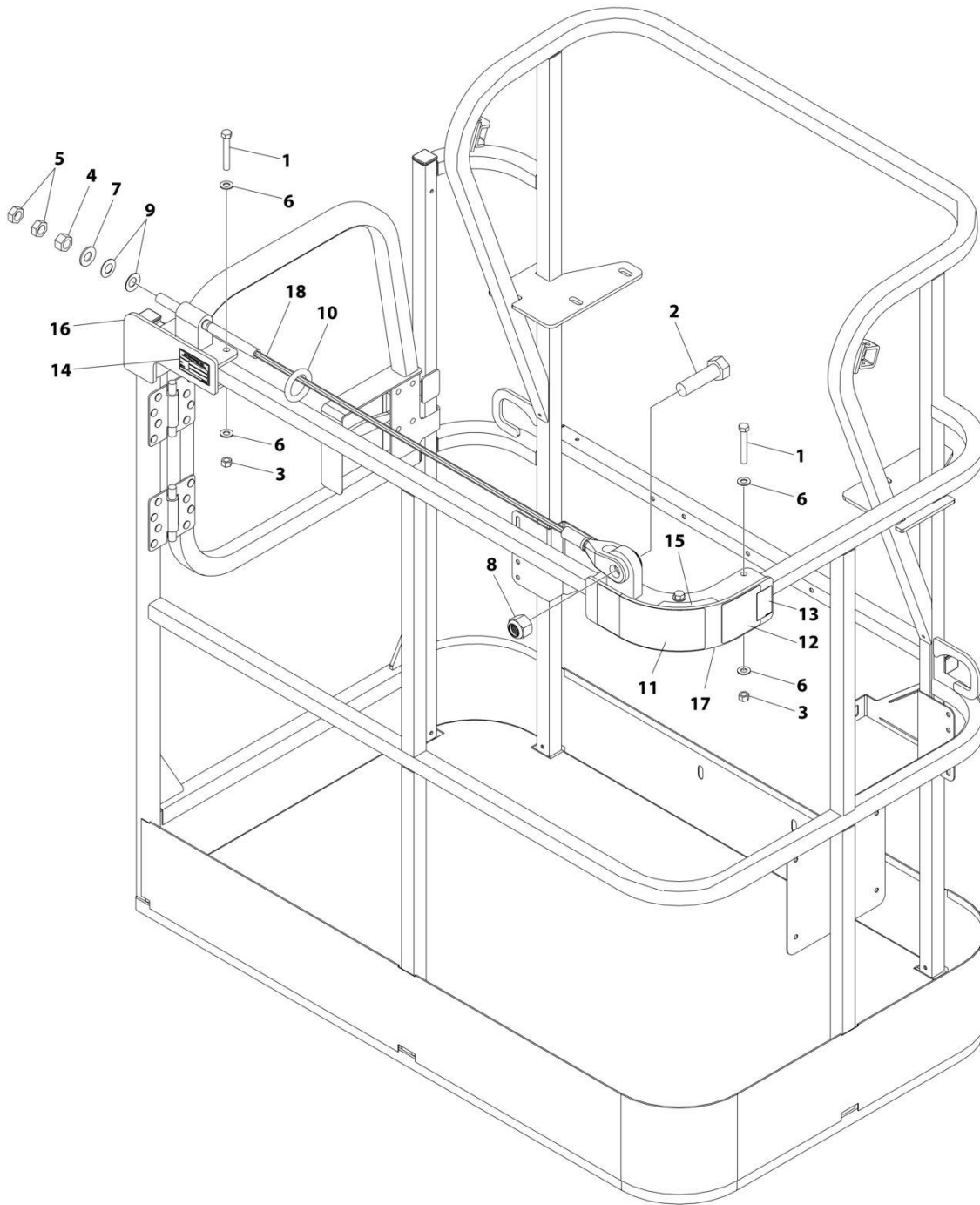
## SECTION 5 - PLATFORM

**FIGURE 5-27. FALL ARREST INSTALLATION (BOLT-ON) (5FT/1.52M PLATFORM)**

ITEM	PART NUMBER	QTY	DESCRIPTION	REV
	1001257275	Ref	FALL ARREST INSTALLATION (BOLT - ON) 6FT/1.82M PLATFORM	A
1	0681620	6	Bolt 3/8 x 2-1/2	
2	0682424	1	Bolt 7/8 x 3	
3	3271605	6	Nut 3/8	
4	3272001	1	Nut 5/8	
5	3312002	2	Nut 5/8	
6	4711600	12	Washer 3/8	
7	4712000	1	Washer 5/8	
8	88521214	1	Nut 7/8	
9	1001236891	2	Washer	
10	1001236895	1	Ring	
11	1001238263	1	Decal - Warning Falling Hazard	
12	1001248140	1	Decal - Bolt Fall Arrest Re-Cert	
13	1001248141	1	Decal - Incription	
14	See Note	NSS	Nameplate - Manufacturers Serial Number (Note: Not Available for Purchase)	
15	1001252629	1	Decal - Weight	
16	1001257271	1	Bracket (RH)	
17	1001257274	1	Bracket (LH)	
18	1001258005	1	Rope	

# SECTION 5 - PLATFORM

## FIGURE 5-28. FALL ARREST INSTALLATION (BOLT-ON) (4FT/1.22M PLATFORM)



ART\_1001261338



## SECTION 5 - PLATFORM

**FIGURE 5-28. FALL ARREST INSTALLATION (BOLT-ON) (4FT/1.22M PLATFORM)**

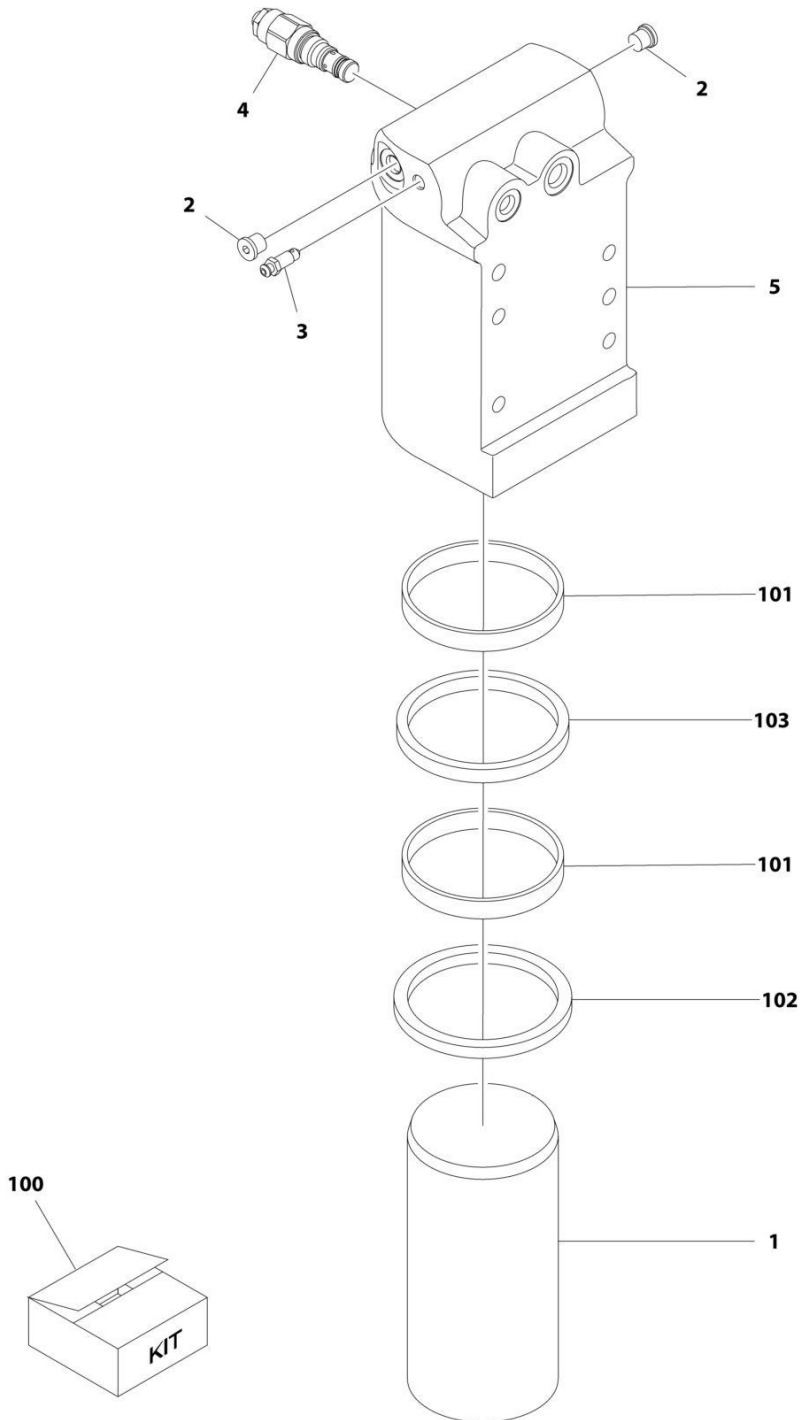
ITEM	PART NUMBER	QTY	DESCRIPTION	REV
	1001261338	Ref	FALL ARREST INSTALLATION	A
1	0681620	6	Bolt 3/8 x 2-1/2	
2	0682424	1	Bolt 7/8 x 3	
3	3271605	6	Nut 3/8	
4	3272001	1	Nut 5/8	
5	3312002	2	Nut 5/8	
6	4711600	12	Washer 3/8	
7	4712000	1	Washer 5/8	
8	88521214	1	Nut 7/8	
9	1001236891	2	Washer	
10	1001236895	1	Ring	
11	1001238263	1	Decal - Warning Falling Hazard	
12	1001248140	1	Decal - Bolt Fall Arrest Re-Cert	
13	1001248141	1	Decal - Incription	
14	See Note	NSS	Nameplate - Manufacturers Serial Number (Note: Not Available for Purchase)	
15	1001252629	1	Decal - Weight	
16	1001257271	1	Bracket (RH)	
17	1001257274	1	Bracket (LH)	
18	1001261335	1	Rope	



**SECTION 6 - CYLINDER**

# SECTION 6 - CYLINDER

FIGURE 6-1. AXLE LOCKOUT CYLINDER ASSEMBLY (MACHINES WITH SN STARTING WITH 03)



ART\_1001163580

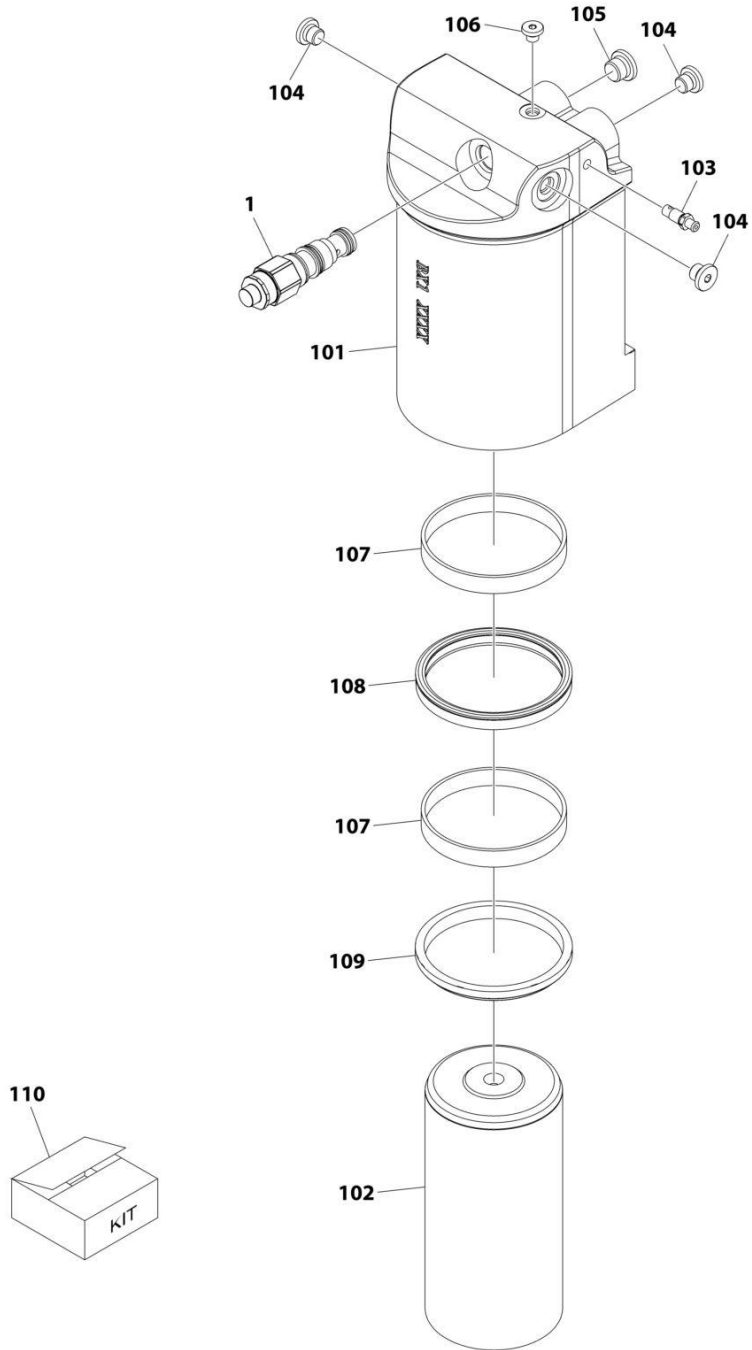
## SECTION 6 - CYLINDER

**FIGURE 6-1. AXLE LOCKOUT CYLINDER ASSEMBLY (MACHINES WITH SN STARTING WITH 03)**

ITEM	PART NUMBER	QTY	DESCRIPTION	REV
	1001163580	Ref	AXLE LOCKOUT CYLINDER ASSEMBLY	I
		Ref	Note: Original Cylinder May Have Been Replaced with Service Replacement. Identify PN Stamped on Cylinder Before Ordering Parts.	
1	1684290	1	Rod	
2	2220883	2	Plug #4	
3	4640858	1	Valve, Bleeder	
4	1001117372	1	Cartridge, Valve	
4	70002842	1	Seal Kit - 1001117372 Valve	
5	1001164817	1	Barrel	
100	2902266	NLA	Seal Kit - 1001163590 Cylinder (Includes Items 101-103)	
101	See Note	NSS	Ring, Wear (Note: Use Item 100)	
102	See Note	NSS	Seal (Note: Use Item 100)	
103	See Note	NSS	Wiper (Note: Use Item 100)	

# SECTION 6 - CYLINDER

FIGURE 6-2. AXLE LOCKOUT CYLINDER ASSEMBLY (MACHINES WITH SN STARTING WITH B3)



ART\_1001256179

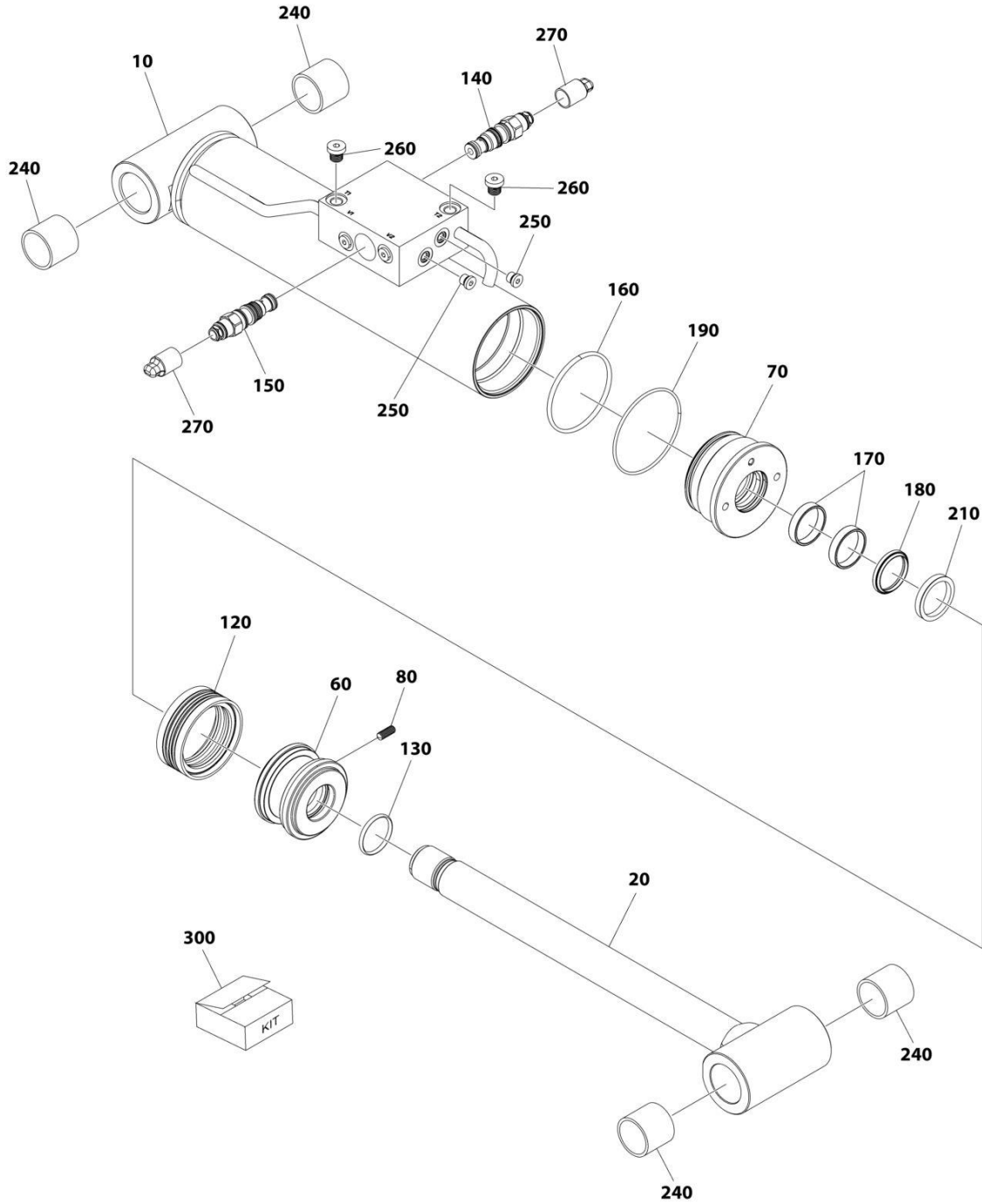
## SECTION 6 - CYLINDER

**FIGURE 6-2. AXLE LOCKOUT CYLINDER ASSEMBLY (MACHINES WITH SN STARTING WITH B3)**

ITEM	PART NUMBER	QTY	DESCRIPTION	REV
	1001256179	Ref	MASTER CYLINDER ASSEMBLY	A
		Ref	Note: Original Cylinder May Have Been Replaced with Service Replacement. Identify PN Stamped on Cylinder Before Ordering Parts.	
1	1001117372	1	Cartridge, Valve	
1	70002842	1	Seal Kit - 1001117372	
101	See Note	NSS	Tube (Note: Not Available for Purchase)	
102	70008244	1	Rod	
103	70008246	1	Plug, Bleeder	
104	2220883	3	Plug 7/16	
105	2220885	1	Plug 9/16	
106	2220881	1	Plug 5/16	
107	See Note	NSS	Ring, Wear (Note: Use Item 110)	
108	See Note	NSS	Seal, Rod (Note: Use Item 110)	
109	See Note	NSS	Wiper, Rod (Note: Use Item 110)	
110	70008247	1	Seal Kit (Includes Items 107-109)	

# SECTION 6 - CYLINDER

## FIGURE 6-3. LEVEL (PLATFORM SLAVE) CYLINDER ASSEMBLY



ART\_1001255971



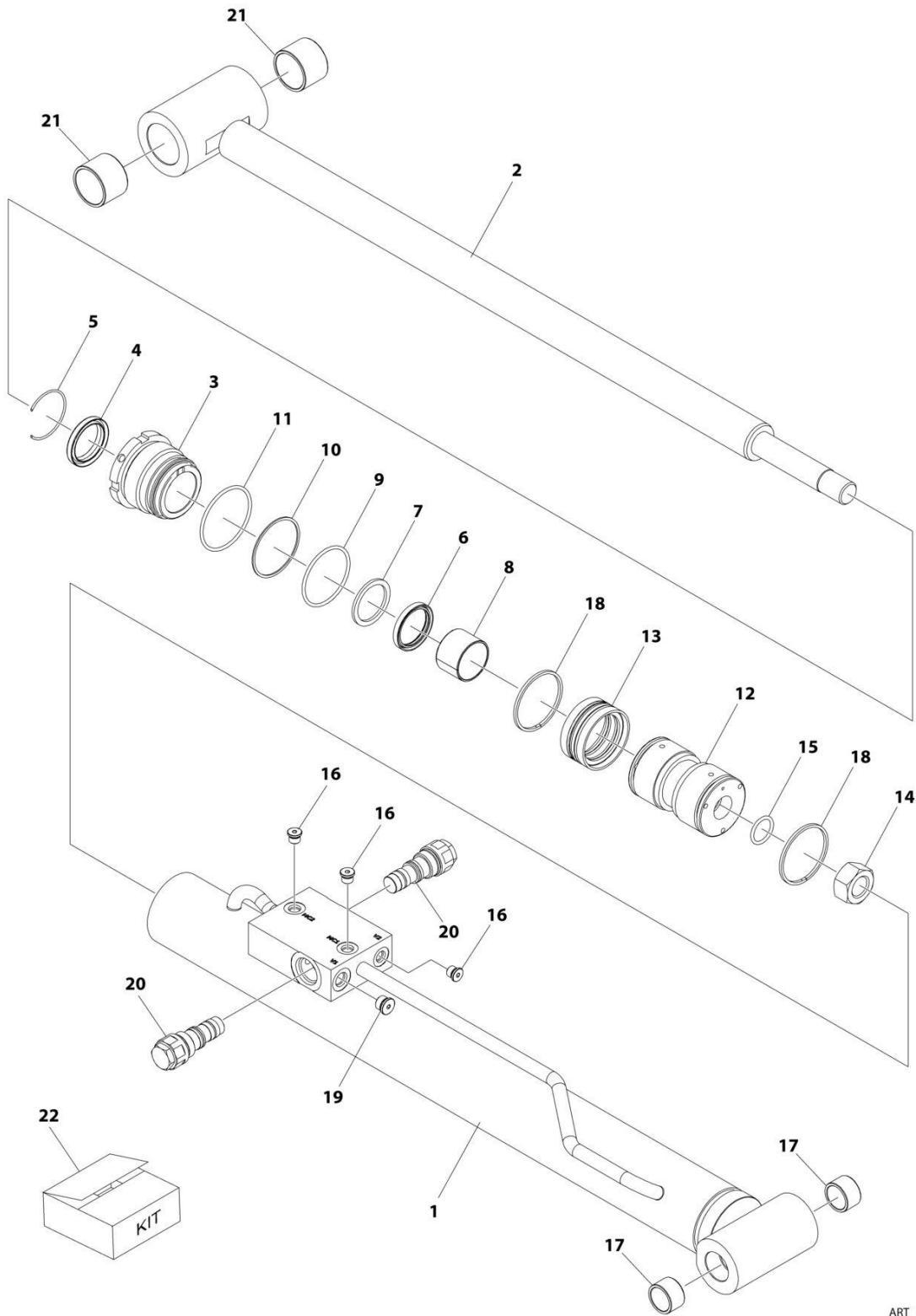
## SECTION 6 - CYLINDER

**FIGURE 6-3. LEVEL (PLATFORM SLAVE) CYLINDER ASSEMBLY**

ITEM	PART NUMBER	QTY	DESCRIPTION	REV
	1001255971	Ref	CYLINDER ASSEMBLY	B
		Ref	Note: Original Cylinder May Have Been Replaced with Service Replacement. Identify PN Stamped on Cylinder Before Ordering Parts.	
10	See Note	NSS	Barrel	
20	70007728	1	Rod	
60	70007720	1	Piston Head	
70	70007721	1	Screwed Gland	
80	70007722	1	Screw M8	
120	See Note	NSS	Piston Seal (Note: Use Item 300)	
130	See Note	NSS	O-Ring (Note: Use Item 300)	
140	1001168209	1	Counterbalance, Valve	
140	2900770	1	Seal Kit - 1001168209 Valve	
150	1001168210	1	Counterbalance, Valve	
150	2900770	1	Seal Kit - 1001168210 Valve	
160	See Note	NSS	O-Ring (Note: Use Item 300)	
170	See Note	NSS	Ring (Note: Use Item 300)	
180	See Note	NSS	Seal (Note: Use Item 300)	
190	See Note	NSS	O-Ring (Note: Use Item 300)	
210	See Note	NSS	Wiper (Note: Use Item 300)	
240	70007723	4	Bushing	
250	70025619	2	Plug	
260	70024262	2	Plug	
300	70007729	1	Seal Kit - 1001255971 Cylinder (Includes Items 120 ,130 & 160-210)	

# SECTION 6 - CYLINDER

## FIGURE 6-4. LIFT CYLINDER ASSEMBLY - JIB



ART\_1001255969

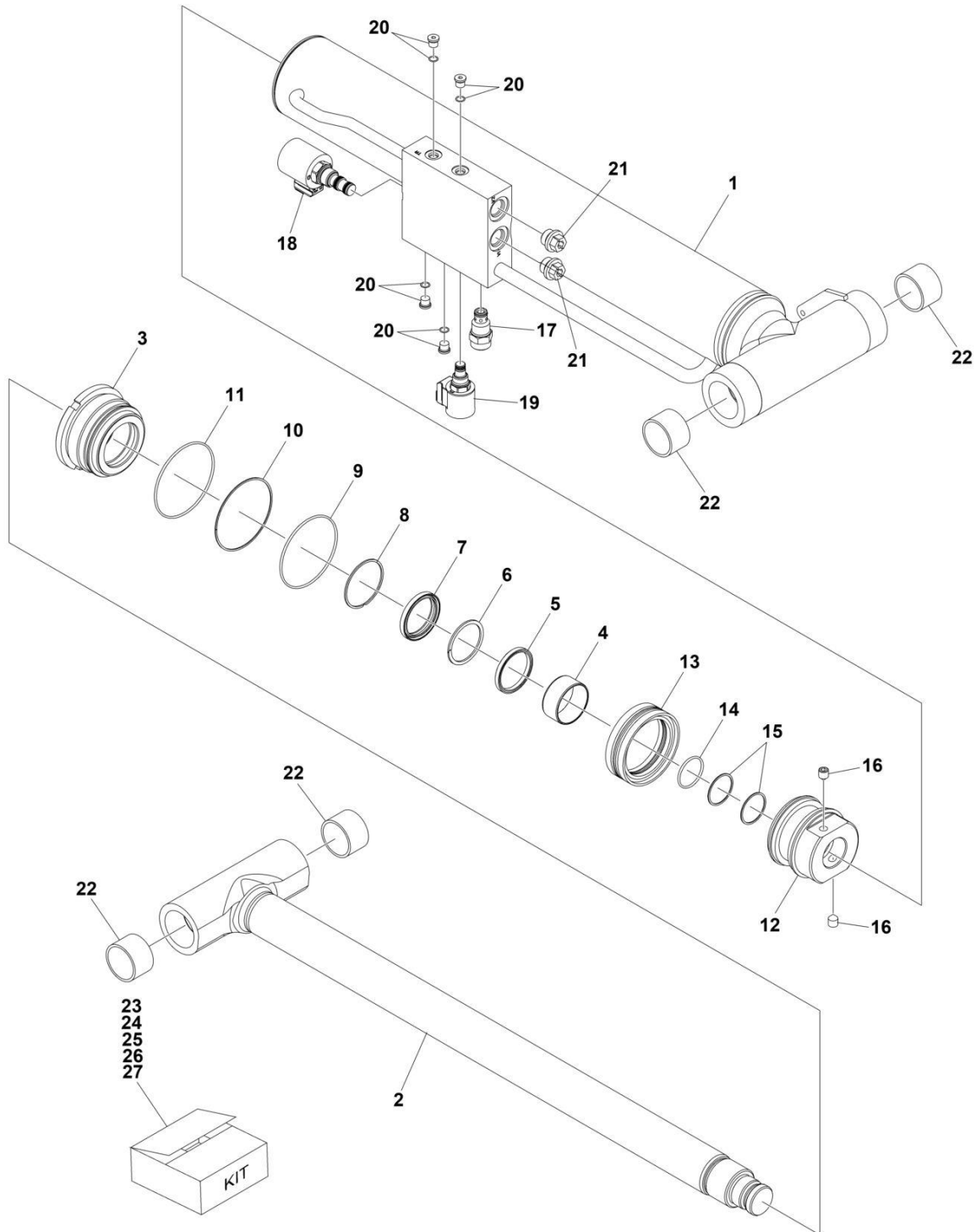
## SECTION 6 - CYLINDER

**FIGURE 6-4. LIFT CYLINDER ASSEMBLY - JIB**

ITEM	PART NUMBER	QTY	DESCRIPTION	REV
	1001255969	Ref	LIFT CYLINDER ASSEMBLY - JIB	B
		Ref	Note: Original Cylinder May Have Been Replaced with Service Replacement. Identify PN Stamped on Cylinder Before Ordering Parts.	
1	NSS	1	Barrel	
2	70007738	1	Rod	
3	70007739	1	Head	
4	See Note	1	Wiper (Note: Use Item 220)	
5	70002373	1	Ring, Retaining	
6	See Note	1	Seal, Rod (Note: Use Item 220)	
7	See Note	1	Ring, Back-up (Note: Use Item 220)	
8	70005143	1	Bearing, Dry	
9	See Note	1	O-Ring (Note: Use Item 220)	
10	See Note	1	Ring, Back-up (Note: Use Item 220)	
11	See Note	1	O-Ring (Note: Use Item 220)	
12	70007740	1	Piston	
13	See Note	1	Seal, Piston (Note: Use Item 220)	
14	70002335	1	Nut	
15	See Note	1	O-Ring (Note: Use Item 220)	
16	2220883	3	Plug	
17	0962292	2	Bearing	
18	70007741	2	Ring, Piston	
19	2220885	1	Plug	
20	4640509	2	Cartridge, Valve	
20	2900792	2	Seal Kit - 4640509 Valve	
21	0961948	2	Bearing	
22	70007742	1	Seal Kit (Includes Items 4,6,7,9-11,13 & 15)	

# SECTION 6 - CYLINDER

## FIGURE 6-5. LIFT CYLINDER ASSEMBLY - MAIN LIFT



ART\_1001255972

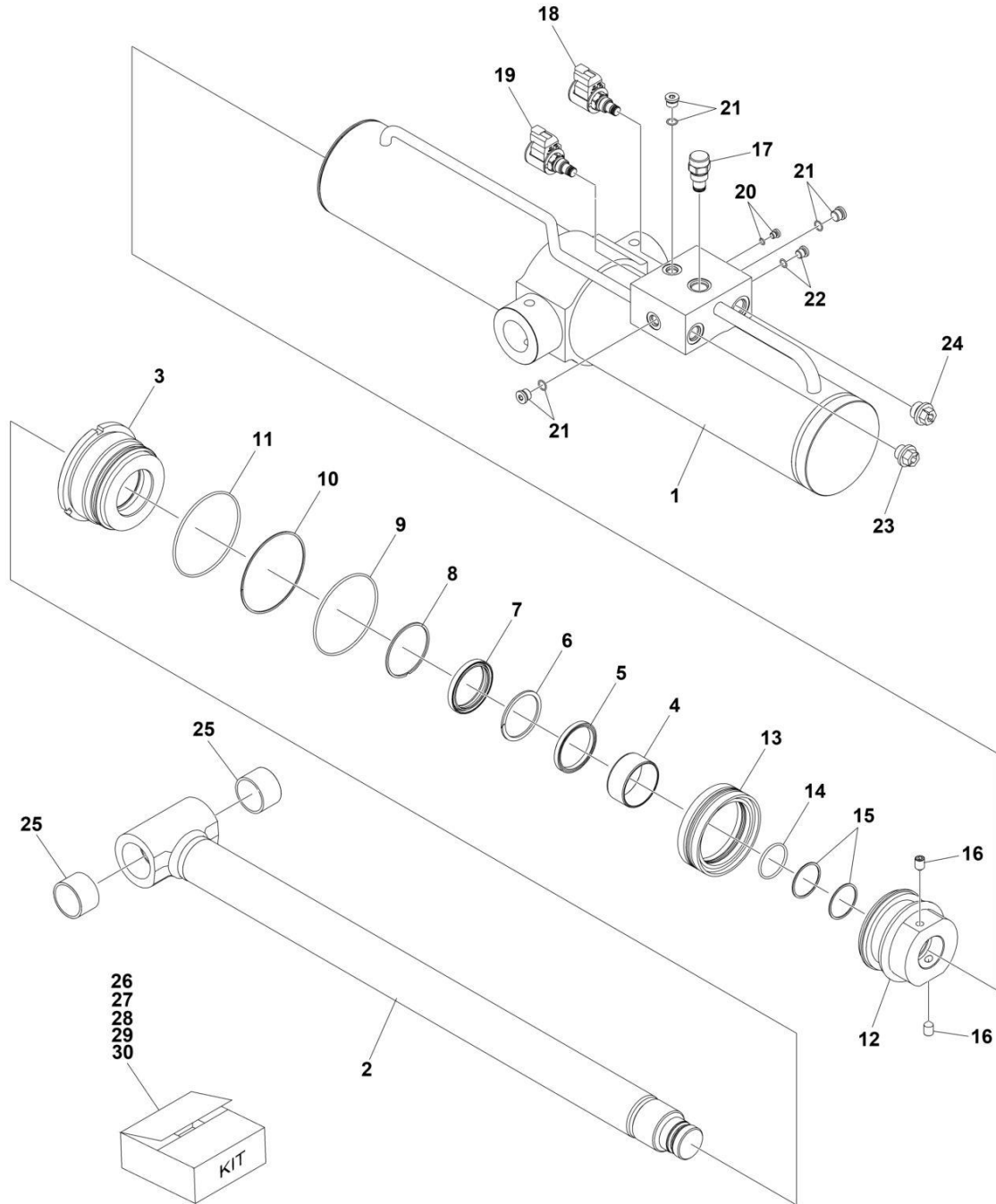
## SECTION 6 - CYLINDER

**FIGURE 6-5. LIFT CYLINDER ASSEMBLY - MAIN LIFT**

ITEM	PART NUMBER	QTY	DESCRIPTION	REV
	1001255972	Ref	LIFT CYLINDER ASSEMBLY - UPPER LIFT	E
		Ref	Note: Original Cylinder May Have Been Replaced with Service Replacement. Identify PN Stamped on Cylinder Before Ordering Parts.	
1	NSS	1	Barrel (Note: Not Available for Purchase)	
2	NSS	1	Rod (Note: Use Item 23)	
3	NSS	1	Head (Note: (Use Item 24)	
4	NSS	1	Bushing (Note: Use Item 24)	
5	NSS	1	Seal Kit (Note: Use Item 25)	
6	NSS	1	Ring (Note: Use Item 25)	
7	NSS	1	Wiper (Note: Use Item 25)	
8	NSS	1	Ring, Retaining (Note: Use Item 25)	
9	NSS	1	O-Ring (Note: Use Item 25)	
10	NSS	1	Ring, Back-up (Note: Use Item 25)	
11	NSS	1	O-Ring (Note: Use Item 25)	
12	NSS	1	Piston (Note: Use Item 26)	
13	NSS	1	Seal (Note: Use Item 25)	
14	NSS	1	O-Ring (Note: Use Item 25)	
15	NSS	1	Ring, Back-up (Note: Use Item 25)	
16	NSS	1	Setscrew (Note: Use Item 26)	
17	4641390	1	Cartridge, Check Valve	
17	7017496	1	Seal Kit - 4641390 Valve	
18	1001164709	1	Cartridge, Solenoid Valve (Including Coil)	
18	7017467	1	Cartridge, Solenoid Valve (Less Coil)	
18	7012998	1	Seal Kit - 1001164709 & 7017467 Valve)	
18	70002386	1	Coil	
19	1001206625	1	Cartridge, Compensator Valve	
19	70003788	1	Coil	
19	70006104	1	Cartridge, Solenoid Valve (Less Coil)	
19	70006105	1	Seal Kit - 70006104 Valve	
19	7022390	1	Coil Nut	
20	NSS	1	Plug (Note: Use Item 27)	
20	NSS	1	O-Ring (Note: Use Item 27)	
21	NSS	1	Dust Cap	
22	NSS	1	Bushing (Note: Use Item 27)	
22	NSS	1	Bushing (Note: Use Item 27)	
23	70007748	1	Rod Kit (Includes Items 2 & 22)	
24	70007749	1	Head Kit (Includes Items 3 & 4)	
25	70007750	1	Seal Kit (Includes Items 5 - 11 & 13-15)	
26	70007751	1	Piston Kit (Includes Items 12 & 16)	
27	70007752	1	Plug Kit (Includes Items 20 - 21)	

# SECTION 6 - CYLINDER

## FIGURE 6-6. LIFT CYLINDER ASSEMBLY - TOWER BOOM



ART\_1001255968

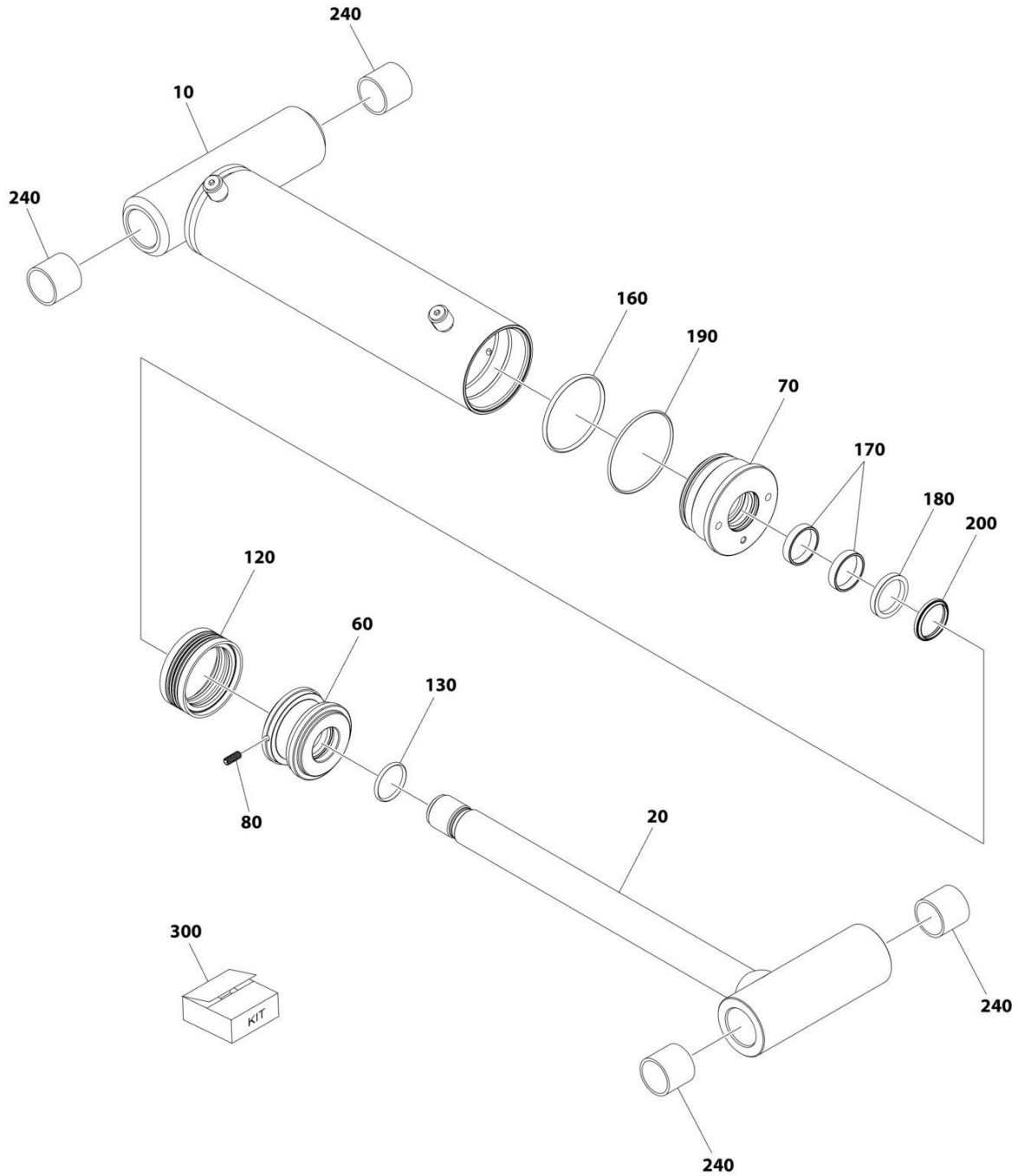
## SECTION 6 - CYLINDER

### FIGURE 6-6. LIFT CYLINDER ASSEMBLY - TOWER BOOM

ITEM	PART NUMBER	QTY	DESCRIPTION	REV
	1001255968	Ref	TOWER LIFT CYLINDER	D
1	NSS	1	Barrel	
2	NSS	1	Rod (Note: Use Item 26)	
3	NSS	1	Head (Note: Use Item 27)	
4	NSS	1	Bushing (Note: Use Item 27)	
5	NSS	1	Seal Kit (Note: Use Item 28)	
6	NSS	1	Ring (Note: Use Item 28)	
7	NSS	1	Wiper (Note: Use Item 28)	
8	NSS	1	Ring, Retaining (Note: Use Item 28)	
9	NSS	1	O-Ring (Note: Use Item 28)	
10	NSS	1	Ring, Back-up (Note: Use Item 28)	
11	NSS	1	O-Ring (Note: Use Item 28)	
12	NSS	1	Piston (Note: Use Item 28)	
13	NSS	1	Seal (Note: Use Item 28)	
14	NSS	1	O-Ring (Note: Use Item 28)	
15	NSS	1	Ring, Back-up (Note: Use Item 28)	
16	NSS	1	Setscrew (Note: Use Item 28)	
17	4641390	1	Cartridge, Check Valve	
17	7017496	1	Seal Kit - 4641390 Valve	
18	1001164709	1	Cartridge, Solenoid Valve (Including Coil)	
18	7017467	1	Cartridge, Solenoid Valve (Less Coil)	
18	7012998	1	Seal Kit - 1001164709 & 7017467 Valves	
18	70002386	1	Coil	
19	1001166208	1	Cartridge, Solenoid Valve (Including Coil)	
19	7024884	1	Cartridge, Solenoid Valve (Less Coil)	
19	7012967	1	Seal Kit - 1001166208& 7024884 Valves	
20	NSS	1	Plug + O-Ring (Note: Use Item 30)	
21	NSS	1	Plug + O-Ring (Note: Use Item 30)	
22	NSS	1	Plug + O-Ring (Note: Use Item 30)	
23	NSS	1	Dust Cap	
24	NSS	1	Dust Cap	
25	NSS	1	Bushing (Note: Use Item 26)	
26	70007743	1	Rod Kit (Includes Items 2 & 25)	
27	70007744	1	Head Kit (Includes Items 3 & 4)	
28	70007745	1	Seal Kit (Includes Items 5-11 & 13-15)	
29	70007746	1	Piston Kit (Includes Items 12 & 16)	
30	70007747	1	Plug Kit (Includes Items 20 - 22)	

# SECTION 6 - CYLINDER

## FIGURE 6-7. MASTER CYLINDER ASSEMBLY



ART\_1001255970



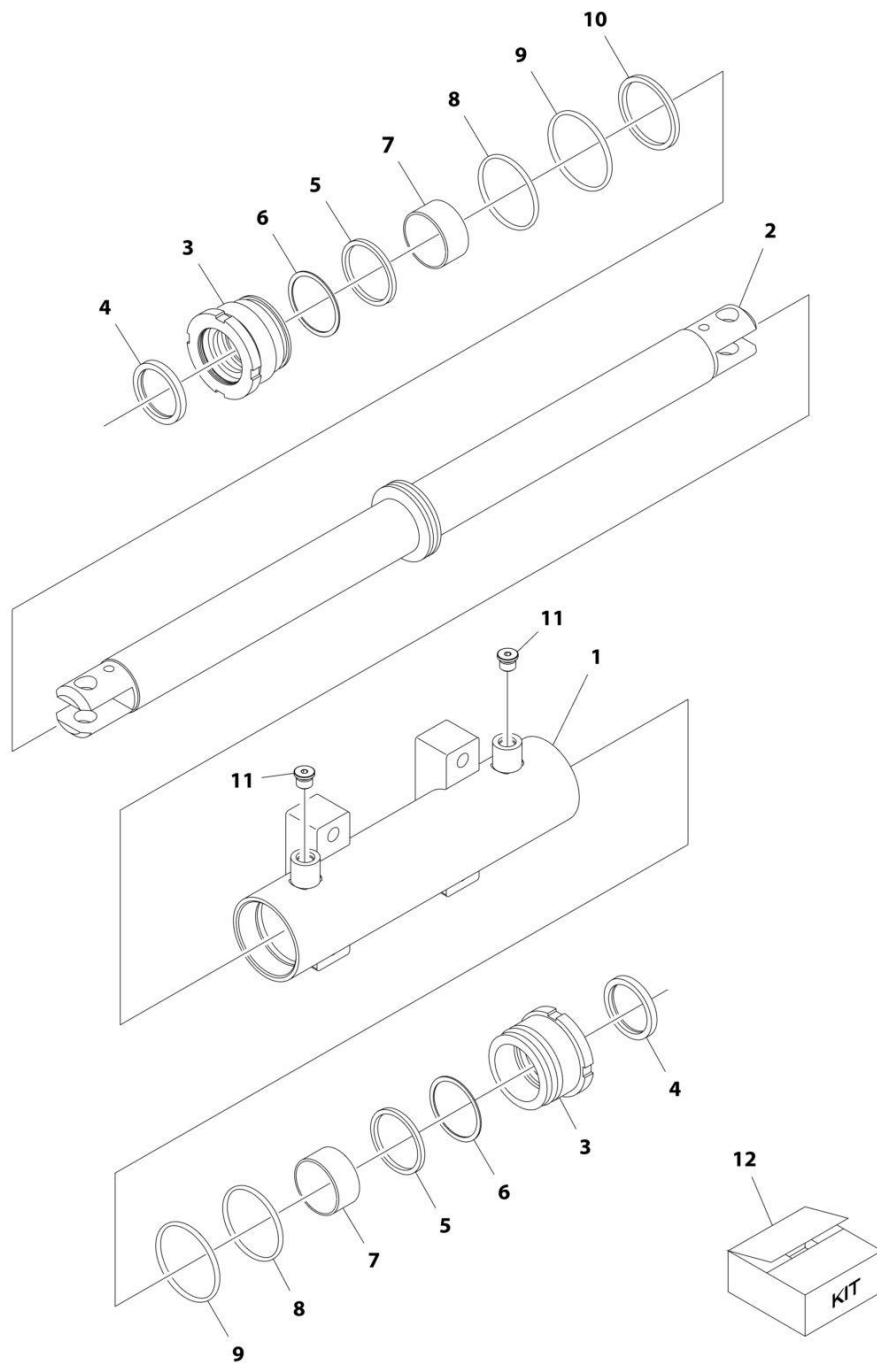
## SECTION 6 - CYLINDER

### FIGURE 6-7. MASTER CYLINDER ASSEMBLY

ITEM	PART NUMBER	QTY	DESCRIPTION	REV
	1001255970	Ref	CYLINDER ASSEMBLY	B
		Ref	Note: Original Cylinder May Have Been Replaced with Service Replacement. Identify PN Stamped on Cylinder Before Ordering Parts.	
10	See Note	NSS	Barrel	
20	70007719	1	Rod	
60	70007720	1	Piston Head	
70	70007721	1	Screwed Gland	
80	70007722	1	Screw M8	
120	See Note	NSS	Piston Seal (Note: Use Item 300)	
130	See Note	NSS	O-Ring (Note: Use Item 300)	
160	See Note	NSS	O-Ring (Note: Use Item 300)	
170	See Note	NSS	Ring (Note: Use Item 300)	
180	See Note	NSS	Seal (Note: Use Item 300)	
190	See Note	NSS	O-Ring (Note: Use Item 300)	
200	See Note	NSS	Wiper (Note: Use Item 300)	
240	70007723	4	Bushing	
300	70007724	1	Seal Kit - 1001255971 Cylinder (Includes Items 120 ,130 & 160-200)	

# SECTION 6 - CYLINDER

## FIGURE 6-8. STEER CYLINDER ASSEMBLY



ART\_1001163178

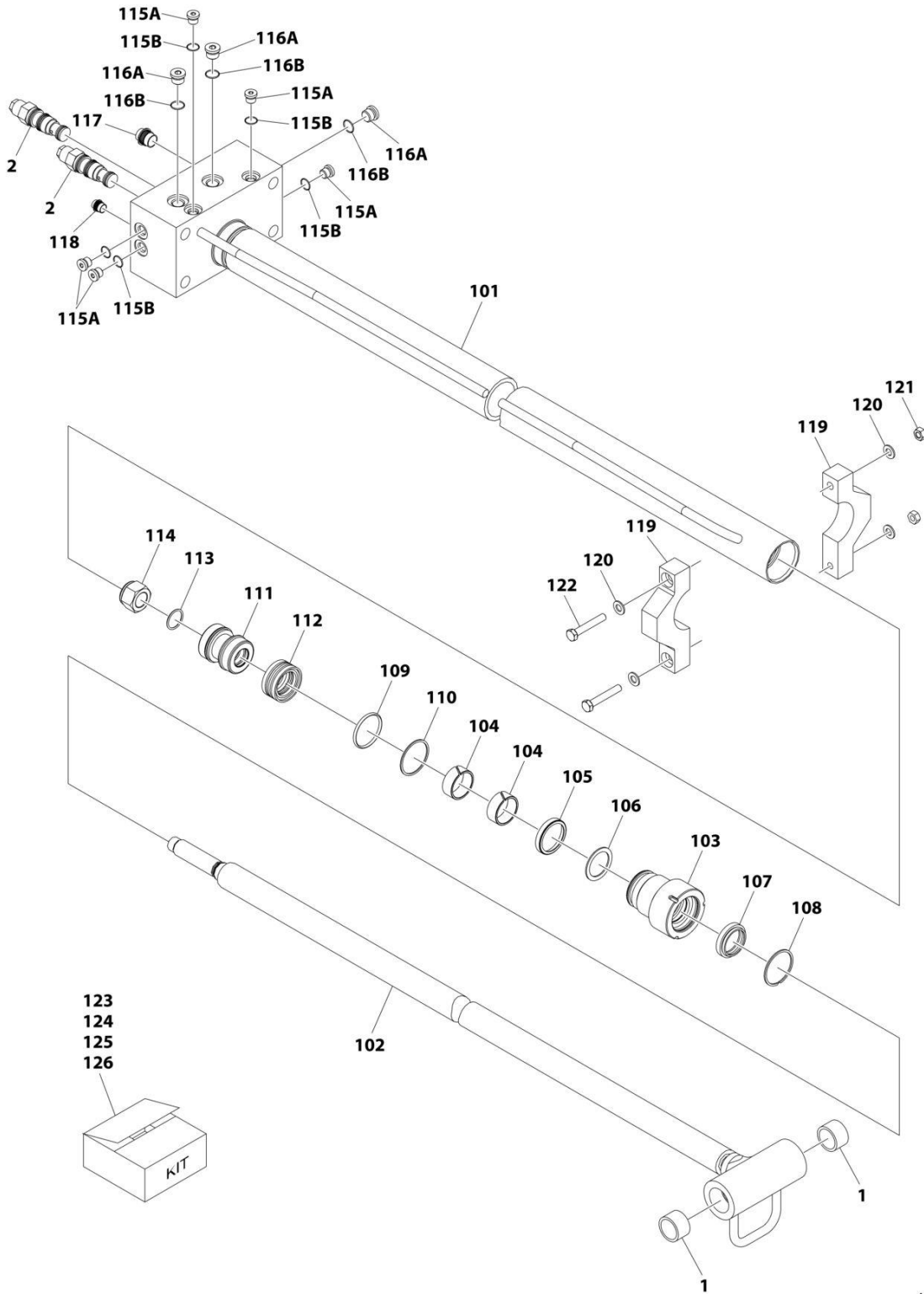
## SECTION 6 - CYLINDER

**FIGURE 6-8. STEER CYLINDER ASSEMBLY**

ITEM	PART NUMBER	QTY	DESCRIPTION	REV
	1001163178	Ref	STEER CYLINDER ASSEMBLY	E
		Ref	Note: Original Cylinder May Have Been Replaced with Service Replacement. Identify PN Stamped on Cylinder Before Ordering Parts.	
1	70005150	1	Barrel	
2	70005151	1	Rod	
3	70005152	2	Head	
4	See Note	NSS	Wiper (Note: Use Item 12)	
5	See Note	NSS	Seal, Rod (Note: Use Item 12)	
6	See Note	NSS	Ring, Back-up (Note: Use Item 12)	
7	70005153	2	Bearing, Dry	
8	See Note	NSS	O-Ring (Note: Use Item 12)	
9	See Note	NSS	O-Ring (Note: Use Item 12)	
10	See Note	NSS	Seal, Piston (Note: Use Item 12)	
11	See Note	2	Plug 9/16 (Note: Not Available for Purchase)	
12	70005154	1	Seal Kit - 1001163178 Cylinder (Includes Items 4-6 & 8-10)	

# SECTION 6 - CYLINDER

## FIGURE 6-9. TELESCOPE CYLINDER ASSEMBLY



ART\_1001272671

## SECTION 6 - CYLINDER

### FIGURE 6-9. TELESCOPE CYLINDER ASSEMBLY

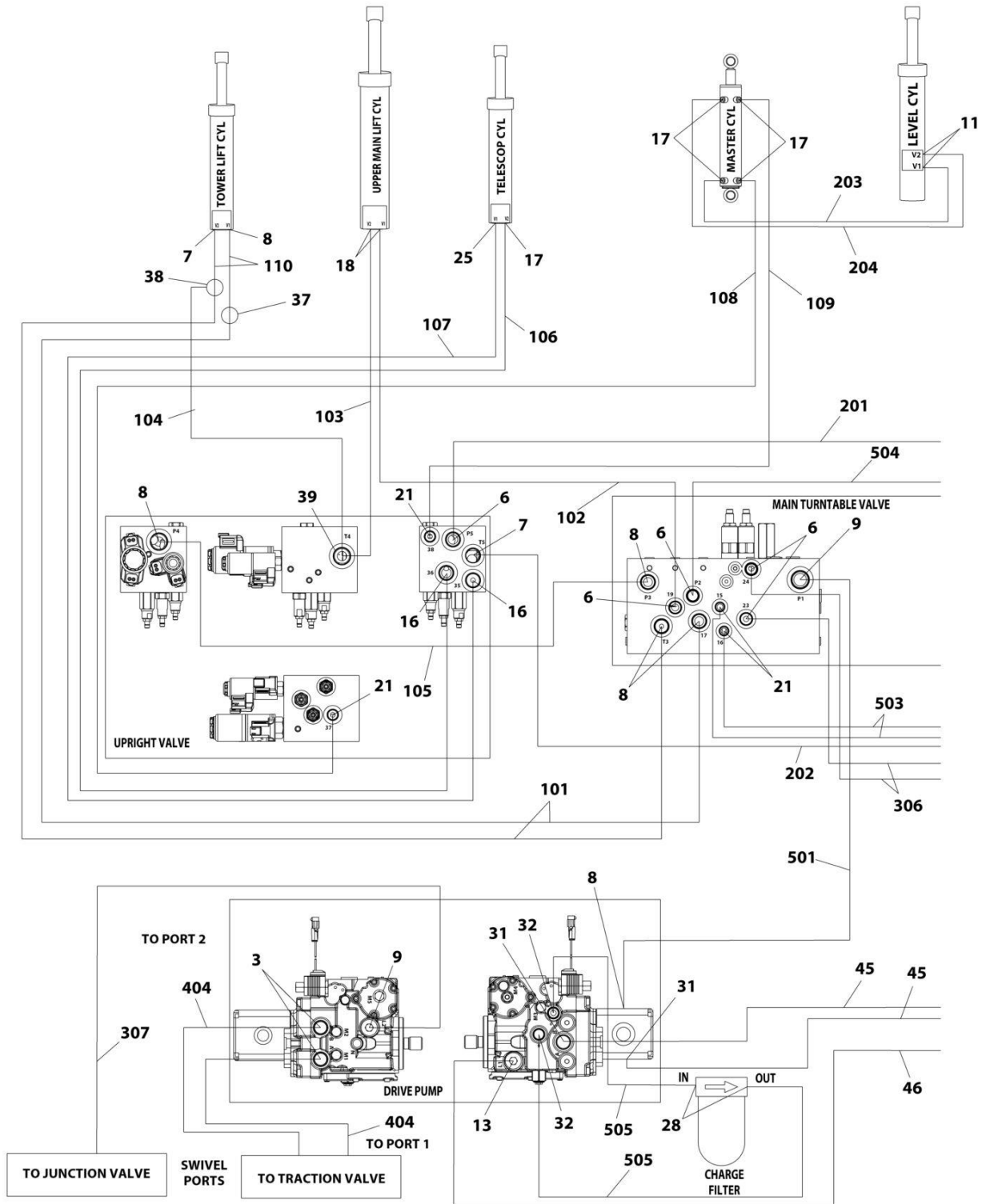
ITEM	PART NUMBER	QTY	DESCRIPTION	REV
	1001272671	Ref	TELESCOPE CYLINDER ASSEMBLY	B
		Ref	Note: Original Cylinder May Have Been Replaced with Service Replacement. Identify PN Stamped on Cylinder Before Ordering Parts.	
1	0962292	2	Bushing	
2	4640771	2	Cartridge, Valve	
2	2900770	2	Seal Kit - 4640771 Valve	
101	See Note	NSS	Tube (Note: Not Available for Purchase)	
102	See Note	NSS	Rod (Note: Use Item 123)	
103	70007896	1	Cover, Rod	
104	See Note	NSS	U-Packing (Note: Use Item 124)	
105	See Note	NSS	Ring, Backup (Note: Use Item 124)	
106	See Note	NSS	Ring, Wear (Note: Use Item 124)	
107	See Note	NSS	Wiper, Dust (Note: Use Item 124)	
108	See Note	NSS	Ring, Retaining Ring (Note: Use Item 124)	
109	See Note	NSS	O-Ring (Note: Use Item 124)	
110	See Note	NSS	Ring, Backup (Note: Use Item 124)	
111	70007897	1	Piston	
112	See Note	NSS	Seal (Note: Use Item 124)	
113	See Note	NSS	O-Ring (Note: Use Item 124)	
114	70007360	1	Nut	
115A	See Note	NSS	Plug 7/16 (Note: Use Item 125)	
115B	See Note	NSS	O-Ring (Note: Use Item 125)	
116A	See Note	NSS	Plug 9/16 (Note: Use Item 125)	
116B	See Note	NSS	O-Ring (Note: Use Item 125)	
117	See Note	NSS	Cap, Dust (Note: Not Available for Purchase)	
118	See Note	NSS	Cap, Dust (Note: Not Available for Purchase)	
119	See Note	NSS	Bracket (Note: Use Item 126)	
120	See Note	NSS	Washer (Note: Use Item 126)	
121	See Note	NSS	Nut (Note: Use Item 126)	
122	See Note	NSS	Bolt (Note: Use Item 126)	
123	70007898	1	Rod Kit (Includes Items 102)	
124	70007899	1	Seal Kit (Includes Items 104-110 & 112-113)	
125	70007900	1	Plug Kit (Includes Items 115A-116B)	
126	70008280	1	Wear Pad Kit (Includes Items 119-122)	



**SECTION 7 - HYDRAULIC**

# SECTION 7 - HYDRAULIC

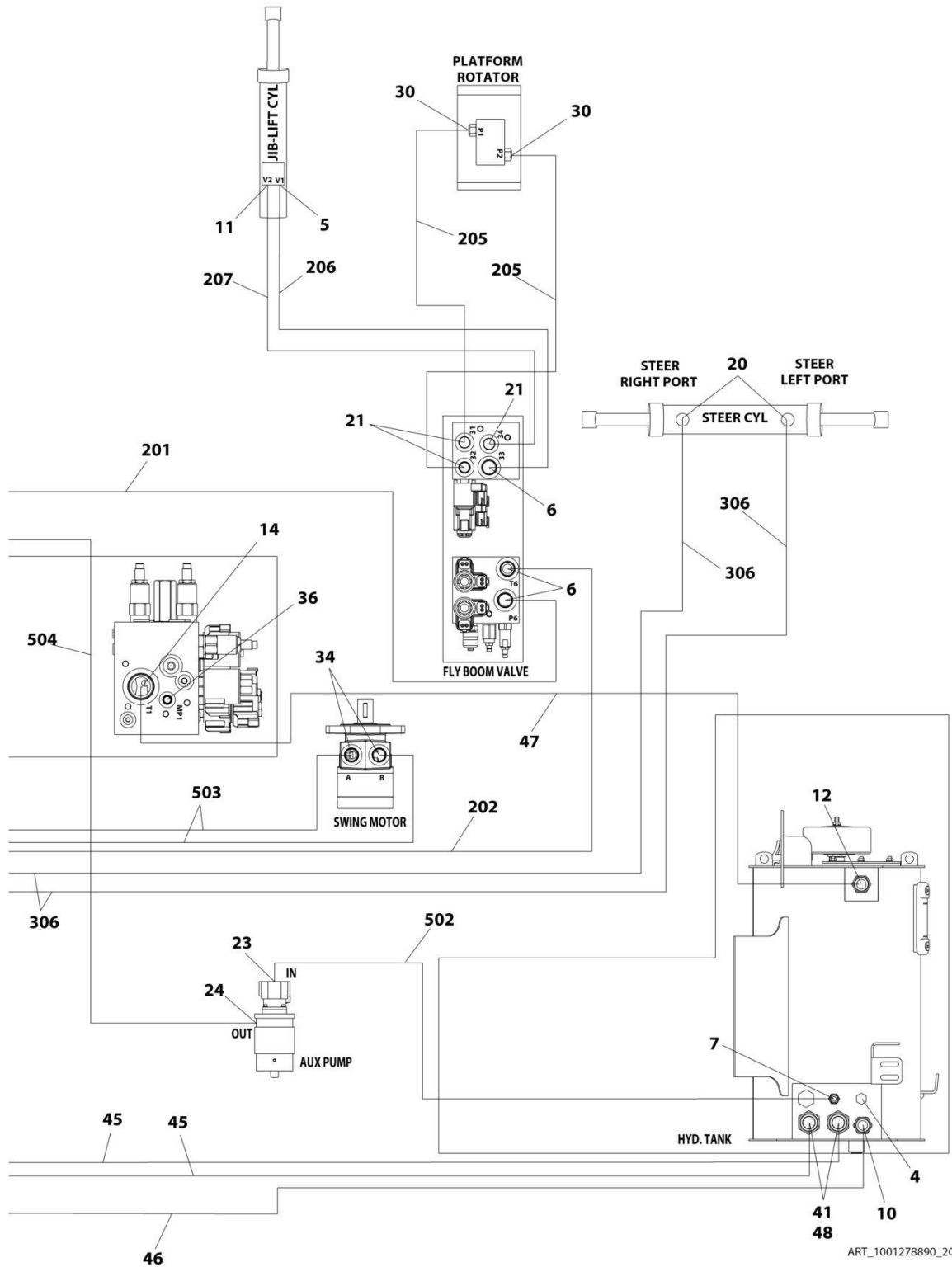
**FIGURE 7-1. 4WD HYDRAULIC SYSTEM INSTALLATION (WITH 17GAL HYDRAULIC TANK)  
(MACHINES WITH SN STARTING WITH 03)**



ART\_1001278890\_10F4

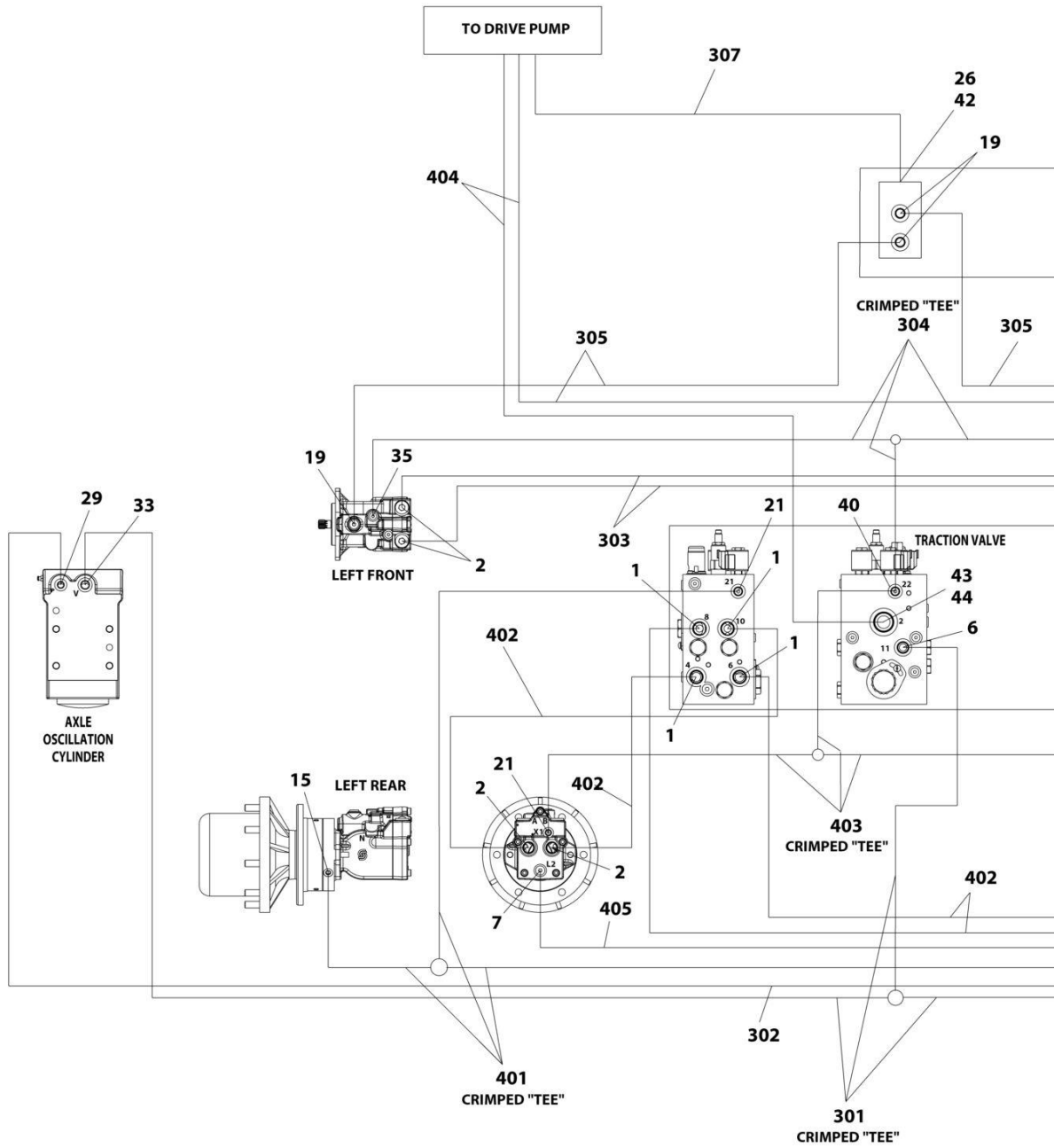


# SECTION 7 - HYDRAULIC



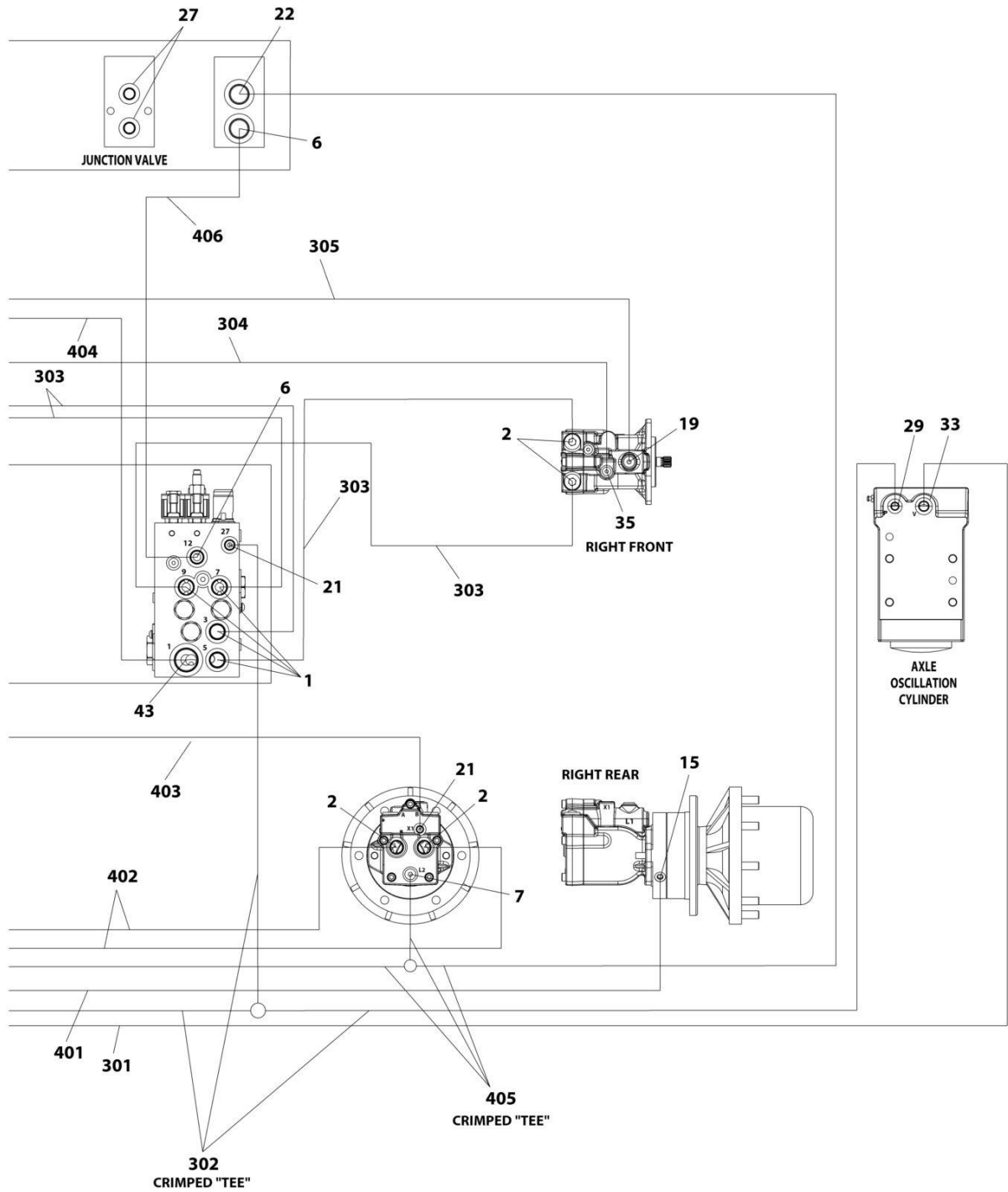
ART\_1001278890\_20F4

# SECTION 7 - HYDRAULIC



ART\_1001278890\_3OF4

# SECTION 7 - HYDRAULIC



ART\_1001278890\_4OF4

## SECTION 7 - HYDRAULIC

**FIGURE 7-1. 4WD HYDRAULIC SYSTEM INSTALLATION (WITH 17GAL HYDRAULIC TANK)  
(MACHINES WITH SN STARTING WITH 03)**

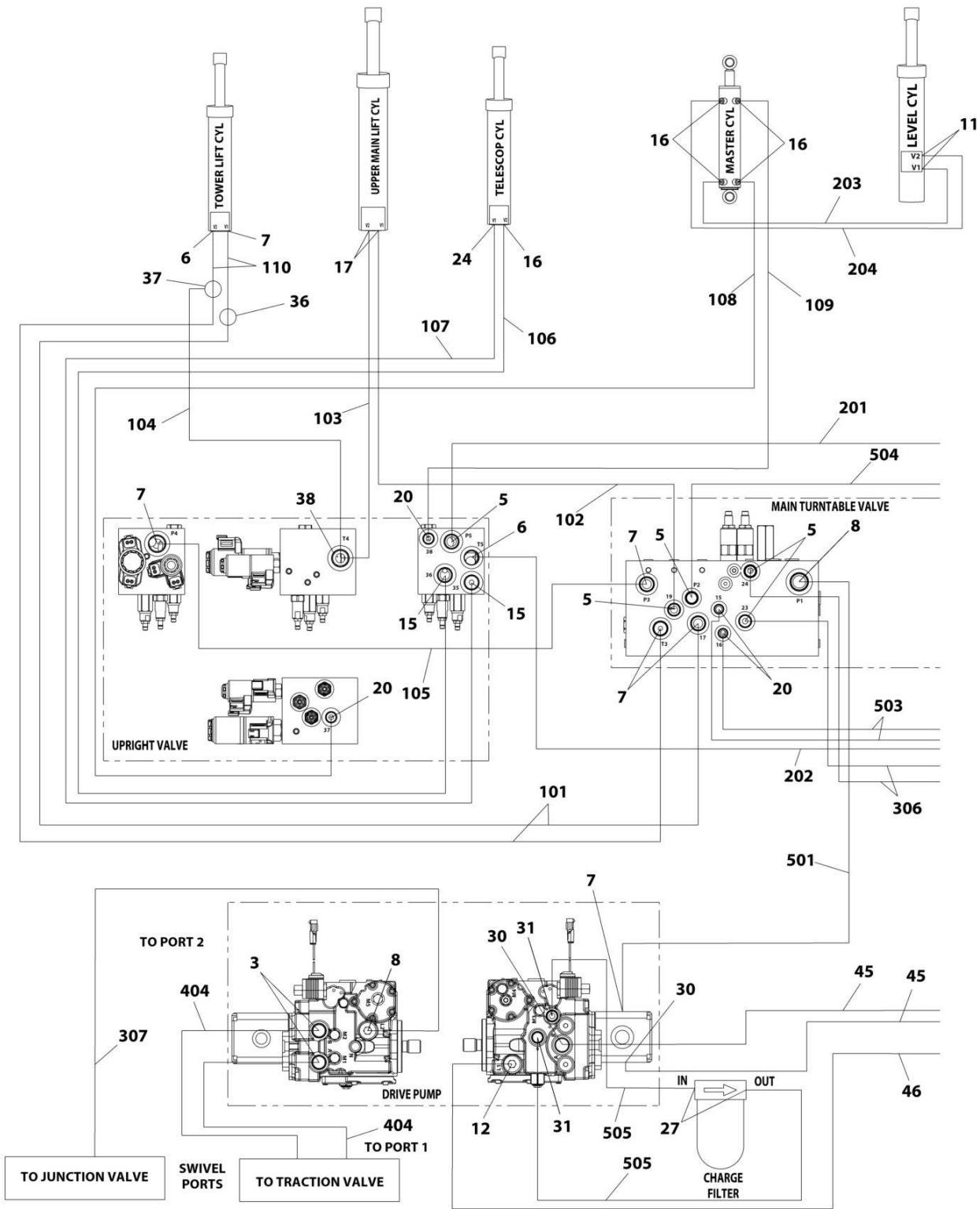
ITEM	PART NUMBER	QTY	DESCRIPTION	REV
	1001278890	Ref	4WD HYDRAULIC SYSTEM INSTALLATION	A
1	2110810	8	Fitting, Straight ORFS/ORB	
2	2110812	8	Fitting, Straight ORFS/ORB	
3	2151212	2	Fitting, 45 ORFS/ORB	
4	2220238	1	Plug	
5	2220371	1	Fitting, Straight JIC/ORB	
6	2220372	11	Fitting, Straight JIC/ORB	
7	2220373	5	Fitting, Straight JIC/ORB	
8	2220374	6	Fitting, Straight JIC/ORB	
9	2220375	2	Fitting, Straight JIC/ORB	
10	2220377	1	Fitting, Straight JIC/ORB	
11	2220415	3	Fitting, Straight JIC/ORB	
12	2220435	1	Fitting, Straight JIC/ORB	
13	2220451	1	Fitting, Straight JIC/ORB	
14	2220465	1	Fitting, 90 JIC/ORB	
15	2220466	2	Fitting, 90 JIC/ORB	
16	2220468	2	Fitting, Straight JIC/ORB	
17	2220472	5	Fitting, 90 JIC/ORB	
18	2220497	2	Fitting, Straight JIC/ORB	
19	2220500	4	Fitting, 45 JIC/ORB	
20	2220501	2	Fitting, 45 JIC/ORB	
21	2220582	11	Fitting, Straight JIC/ORB	
22	2220596	1	Fitting, 90 JIC/ORB	
23	2220600	1	Fitting, Straight JIC/ORB	
24	2220603	1	Fitting, Straight JIC/ORB	
25	2220628	1	Fitting, 90 JIC/ORB	
26	2220811	1	Fitting, Straight FORB/ORB	
27	2220883	2	Plug #4	
28	2220906	2	Fitting, 90 JIC/ORB	
29	2220923	2	Fitting, Straight JIC/ORB	
30	2220940	2	Fitting, Elbow	
31	2220946	2	Fitting, Straight JIC/ORB	
32	2220947	2	Fitting, Straight JIC/ORB	
33	2220998	2	Fitting, Straight JIC/ORB	
34	2221033	2	Fitting, Straight JIC/ORB	
35	2221040	2	Fitting, 45 JIC/ORB	
36	2221086	1	Fitting, Diagnostic	
37	2230025	1	Fitting, Straight JIC/JIC	
38	8760477	1	Fitting, Tee JIC/JIC/JIC	
39	8770289	1	Fitting, Tee JIC/ORB/JIC	
40	1001175024	1	Fitting, Tee JIC/JIC/ORB	
41	1001202910	2	Fitting, Straight MORB	
42	1001119627	1	Fitting, Straight JIC/ORB	
43	1001142679	2	Fitting, Straight ORFS/ORB	
44	1001143936	1	Fitting, 90 FORB/ORB	
45	1001207335	2	Hose	
46	1001207336	1	Hose	
47	1001210356	1	Tube	
48	1001275635	2	Clamp, Hose	

## SECTION 7 - HYDRAULIC

ITEM	PART NUMBER	QTY	DESCRIPTION	REV
100	1001194424	1	Hose Kit - Lower Boom (Not Shown)	
101	1001173006	2	Hose	
102	1001173034	1	Hose	
103	1001173035	1	Hose	
104	1001173036	1	Hose	
105	1001173037	1	Hose	
106	1001173038	1	Hose	
107	1001173039	1	Hose	
108	1001173042	1	Hose	
109	1001173043	1	Hose	
110	1001180035	2	Hose	
200	1001194425	1	Hose Kit - Upper Boom (Not Shown)	
201	1001173040	1	Hose	
202	1001173041	1	Hose	
203	1001173044	1	Hose	
204	1001173045	1	Hose	
205	1001173046	2	Hose	
206	1001173048	1	Hose	
207	1001173049	1	Hose	
300	1001194427	1	Hose Kit - Front (Not Shown)	
301	1001173053	1	Hose	
302	1001173054	1	Hose	
303	1001173055	4	Hose	
304	1001173056	1	Hose	
305	1001173057	2	Hose	
306	1001173058	2	Hose	
307	1001173066	1	Hose	
400	1001194428	1	Hose Kit - Rear (Not Shown)	
401	1001173052	1	Hose	
402	1001173059	4	Hose	
403	1001173061	1	Hose	
404	1001173062	2	Hose	
405	1001173063	1	Hose	
406	1001197039	1	Hose	
500	1001252926	1	Hose Kit - Turntable (Not Shown)	
501	2752504	1	Hose	
502	2752519	1	Hose	
503	1001173027	2	Hose	
504	1001173028	1	Hose	
505	1001173029	2	Hose	

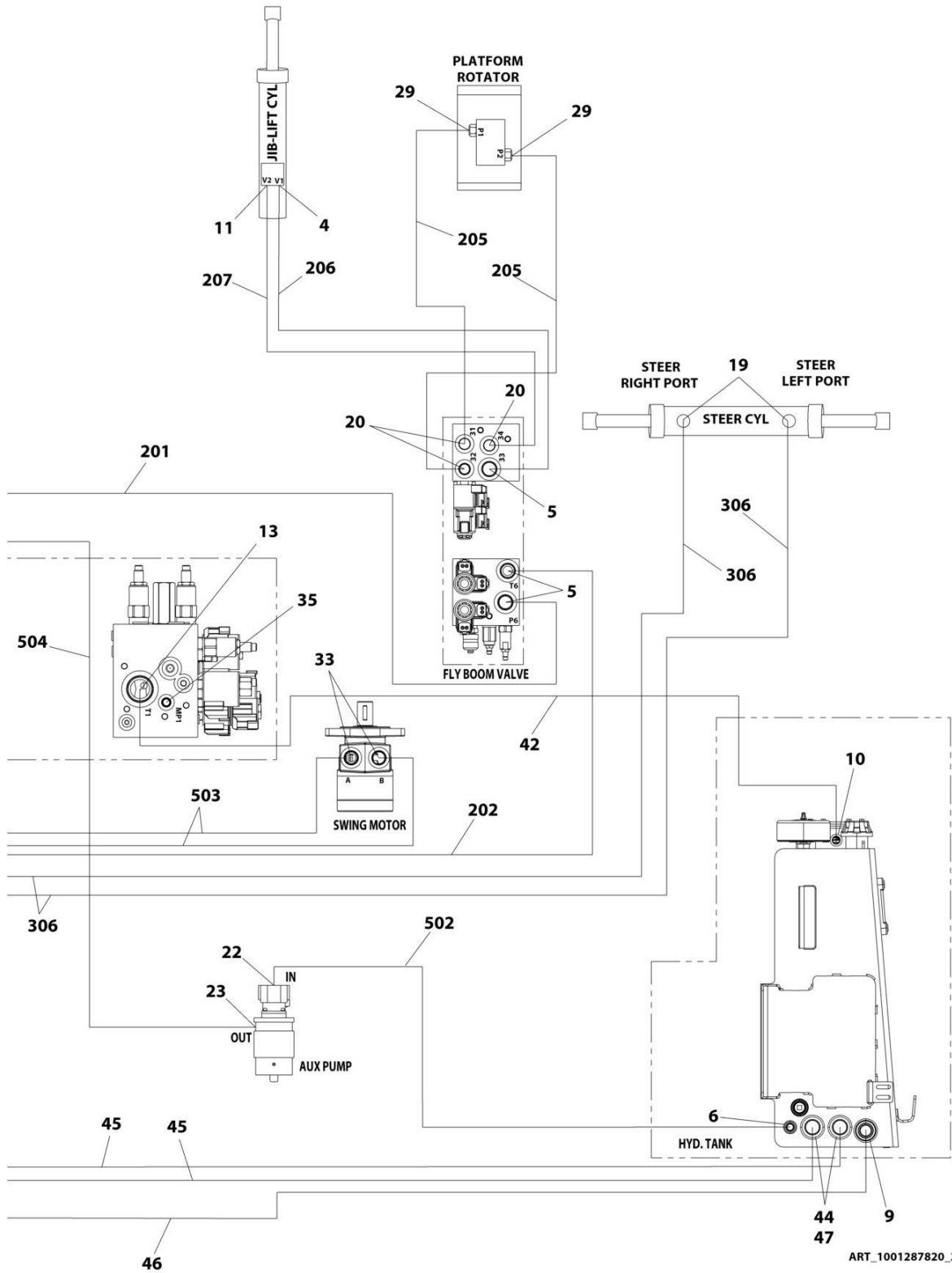
# SECTION 7 - HYDRAULIC

**FIGURE 7-2. 4WD HYDRAULIC SYSTEM INSTALLATION (WITH 36GAL HYDRAULIC TANK)  
(MACHINES WITH SN STARTING WITH 03)**



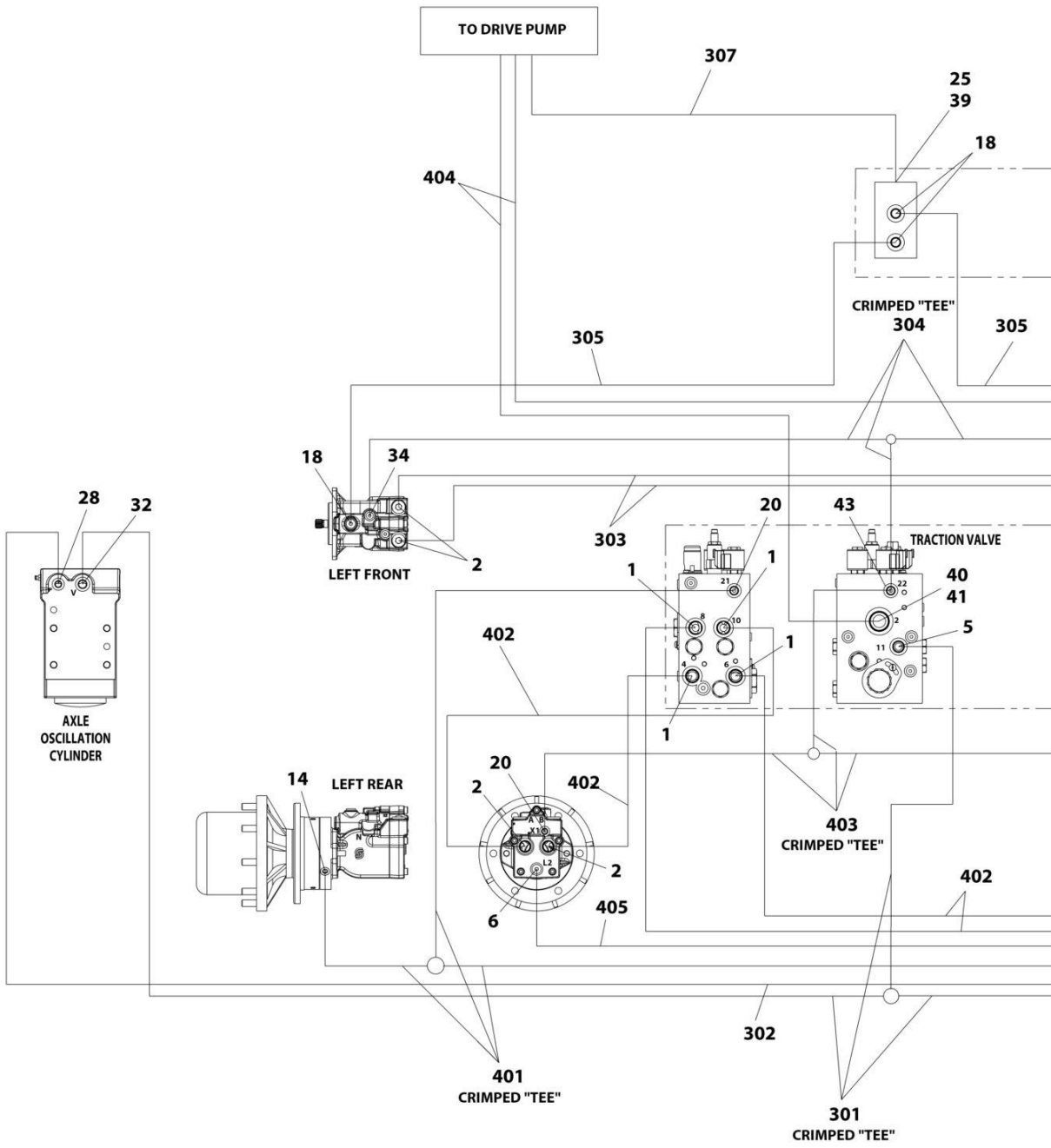
ART\_1001287820\_10F4

# SECTION 7 - HYDRAULIC



ART\_1001287820\_20F4

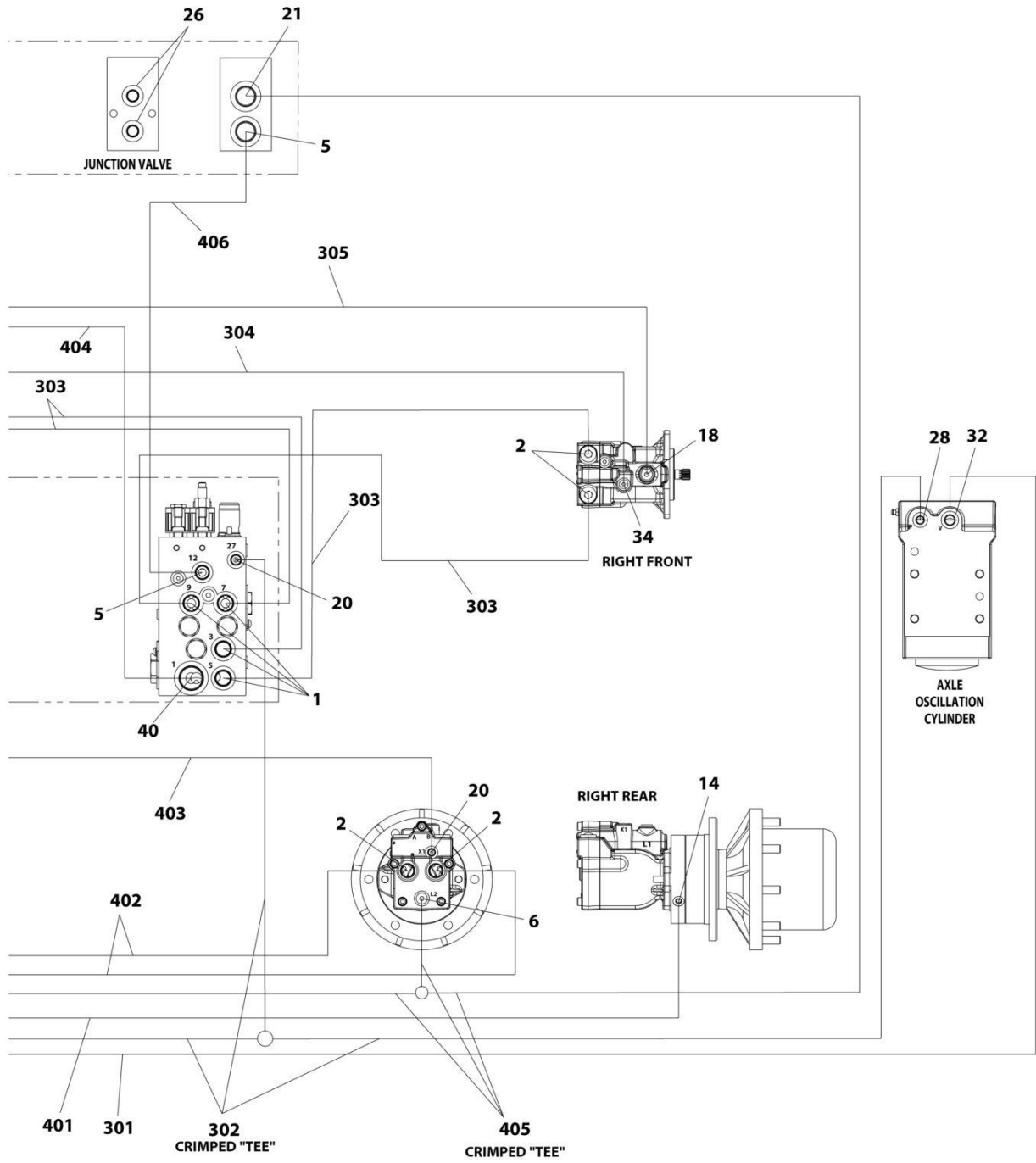
# SECTION 7 - HYDRAULIC



ART\_1001287820\_30F4



# SECTION 7 - HYDRAULIC



ART\_1001287820\_40F4

## SECTION 7 - HYDRAULIC

**FIGURE 7-2. 4WD HYDRAULIC SYSTEM INSTALLATION (WITH 36GAL HYDRAULIC TANK)  
(MACHINES WITH SN STARTING WITH 03)**

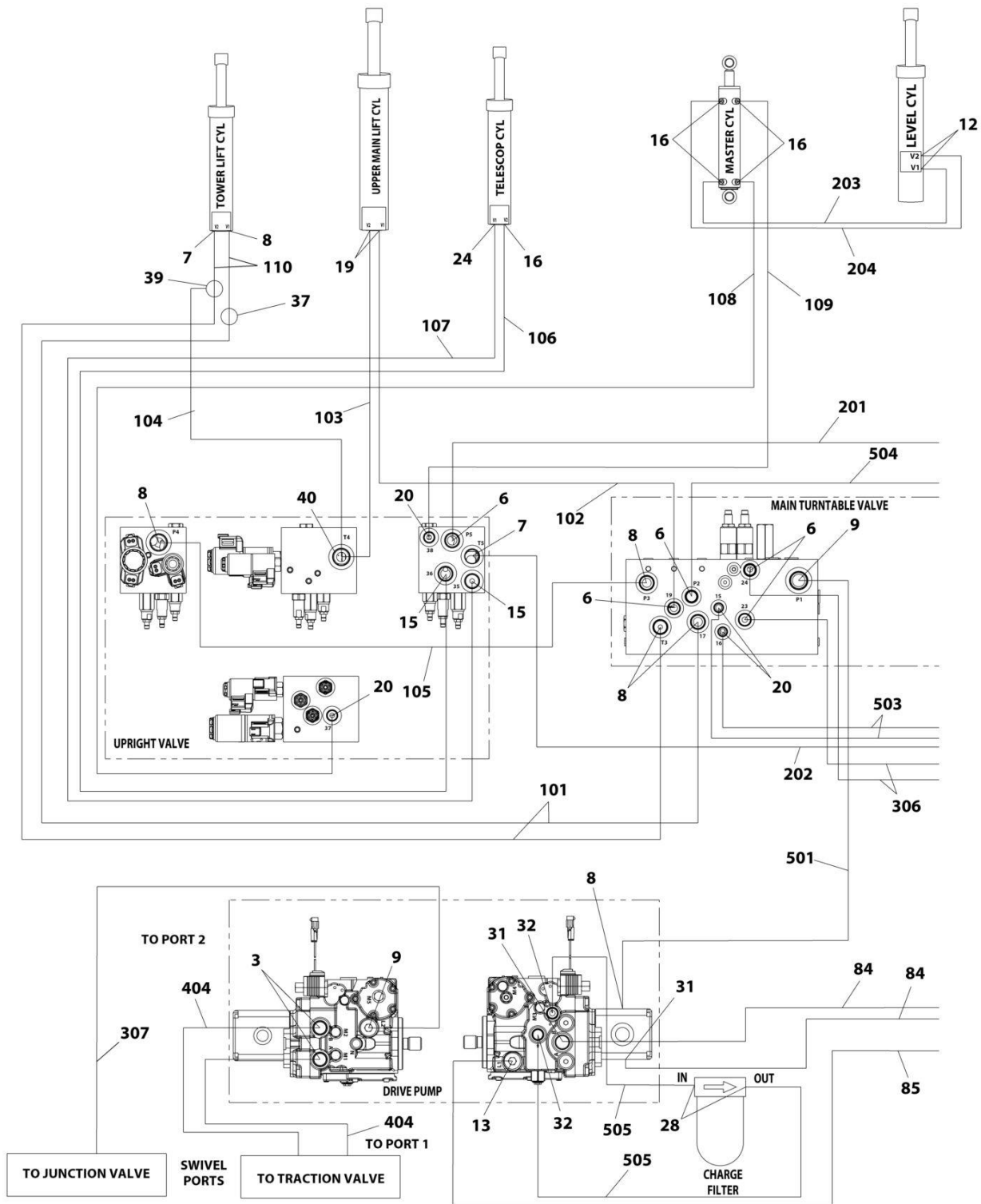
ITEM	PART NUMBER	QTY	DESCRIPTION	REV
	1001287820	Ref	4WD HYDRAULIC SYSTEM INSTALLATION	A
1	2110810	8	Fitting, Straight ORFS/ORB	
2	2110812	8	Fitting, Straight ORFS/ORB	
3	2151212	2	Fitting, 45 ORFS/ORB	
4	2220371	1	Fitting, Straight JIC/ORB	
5	2220372	11	Fitting, Straight JIC/ORB	
6	2220373	5	Fitting, Straight JIC/ORB	
7	2220374	6	Fitting, Straight JIC/ORB	
8	2220375	2	Fitting, Straight JIC/ORB	
9	2220377	1	Fitting, Straight JIC/ORB	
10	2220408	1	Fitting, Straight JIC/ORB	
11	2220415	3	Fitting, Straight JIC/ORB	
12	2220451	1	Fitting, Straight JIC/ORB	
13	2220465	1	Fitting, 90 JIC/ORB	
14	2220466	2	Fitting, 90 JIC/ORB	
15	2220468	2	Fitting, Straight JIC/ORB	
16	2220472	5	Fitting, 90 JIC/ORB	
17	2220497	2	Fitting, Straight JIC/ORB	
18	2220500	4	Fitting, 45 JIC/ORB	
19	2220501	2	Fitting, 45 JIC/ORB	
20	2220582	11	Fitting, Straight JIC/ORB	
21	2220596	1	Fitting, 90 JIC/ORB	
22	2220600	1	Fitting, Straight JIC/ORB	
23	2220603	1	Fitting, Straight JIC/ORB	
24	2220628	1	Fitting, 90 JIC/ORB	
25	2220811	1	Fitting, Straight FORB/ORB	
26	2220883	2	Plug #4	
27	2220906	2	Fitting, 90 JIC/ORB	
28	2220923	2	Fitting, Straight JIC/ORB	
29	2220940	2	Fitting, Elbow	
30	2220946	2	Fitting, Straight JIC/ORB	
31	2220947	2	Fitting, Straight JIC/ORB	
32	2220998	2	Fitting, Straight JIC/ORB	
33	2221033	2	Fitting, Straight JIC/ORB	
34	2221040	2	Fitting, 45 JIC/ORB	
35	2221086	1	Fitting, Diagnostic	
36	2230025	1	Fitting, Straight JIC/JIC	
37	8760477	1	Fitting, Tee JIC/JIC/JIC	
38	8770289	1	Fitting, Tee JIC/ORB/JIC	
39	1001119627	1	Fitting, Straight JIC/ORB	
40	1001142679	2	Fitting, Straight ORFS/ORB	
41	1001143936	1	Fitting, 90 FORB/ORB	
42	1001173631	1	Tube	
43	1001175024	1	Fitting, Tee JIC/JIC/ORB	
44	1001202910	2	Fitting, Straight MORB	
45	1001207335	2	Hose	
46	1001207336	1	Hose	
47	1001275635	2	Clamp, Hose	
100	1001194424	1	Hose Kit - Lower Boom (Not Shown)	

## SECTION 7 - HYDRAULIC

ITEM	PART NUMBER	QTY	DESCRIPTION	REV
101	1001173006	2	Hose	
102	1001173034	1	Hose	
103	1001173035	1	Hose	
104	1001173036	1	Hose	
105	1001173037	1	Hose	
106	1001173038	1	Hose	
107	1001173039	1	Hose	
108	1001173042	1	Hose	
109	1001173043	1	Hose	
110	1001180035	2	Hose	
200	1001194425	1	Hose Kit - Upper Boom (Not Shown)	
201	1001173040	1	Hose	
202	1001173041	1	Hose	
203	1001173044	1	Hose	
204	1001173045	1	Hose	
205	1001173046	2	Hose	
206	1001173048	1	Hose	
207	1001173049	1	Hose	
300	1001194427	1	Hose Kit - Front (Not Shown)	
301	1001173053	1	Hose	
302	1001173054	1	Hose	
303	1001173055	4	Hose	
304	1001173056	1	Hose	
305	1001173057	2	Hose	
306	1001173058	2	Hose	
307	1001173066	1	Hose	
400	1001194428	1	Hose Kit - Rear (Not Shown)	
401	1001173052	1	Hose	
402	1001173059	4	Hose	
403	1001173061	1	Hose	
404	1001173062	2	Hose	
405	1001173063	1	Hose	
406	1001197039	1	Hose	
500	1001252926	1	Hose Kit - Turntable (Not Shown)	
501	2752504	1	Hose	
502	2752519	1	Hose	
503	1001173027	2	Hose	
504	1001173028	1	Hose	
505	1001173029	2	Hose	

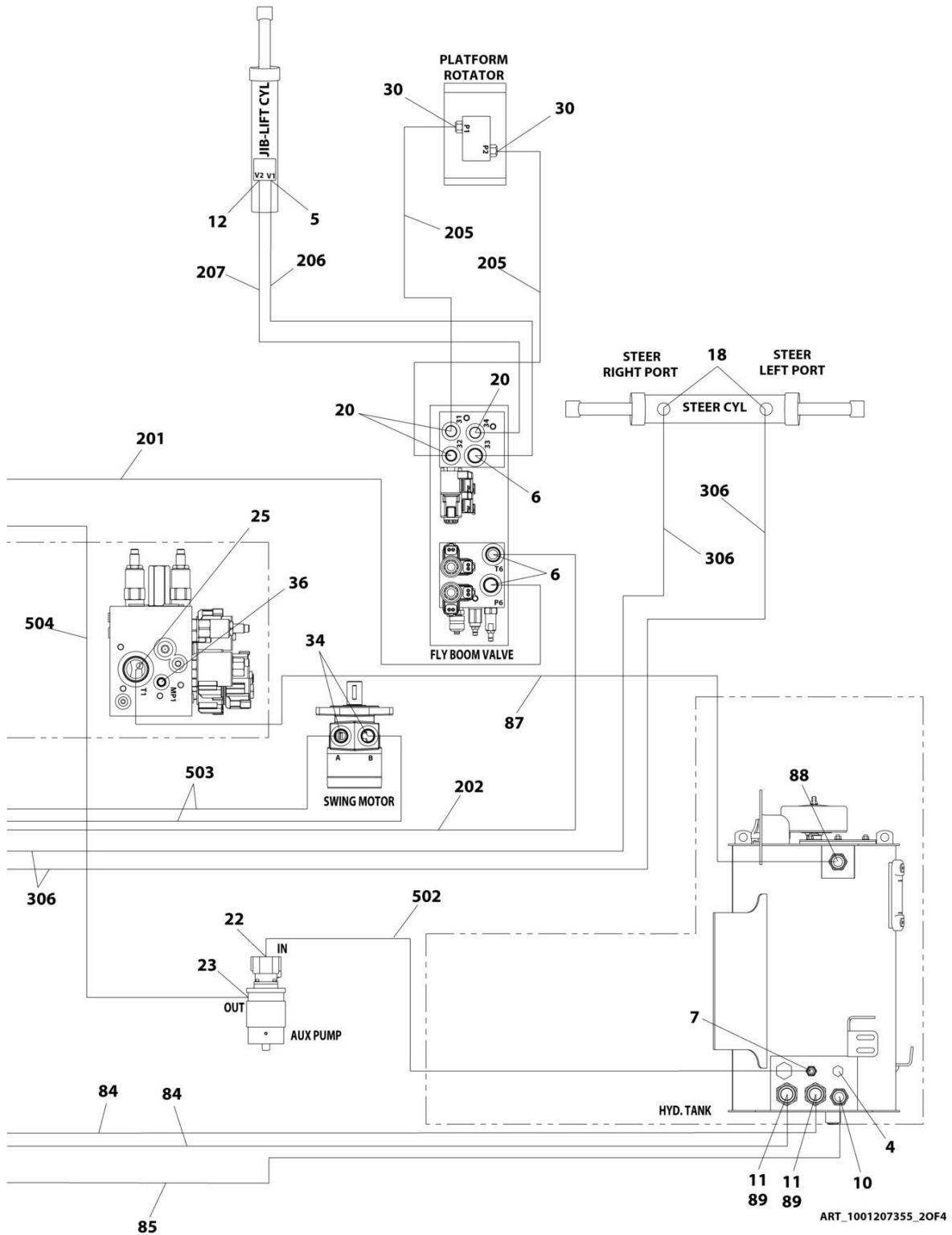
# SECTION 7 - HYDRAULIC

FIGURE 7-3. 4WD HYDRAULIC SYSTEM INSTALLATION (MACHINES WITH SN STARTING WITH B3)



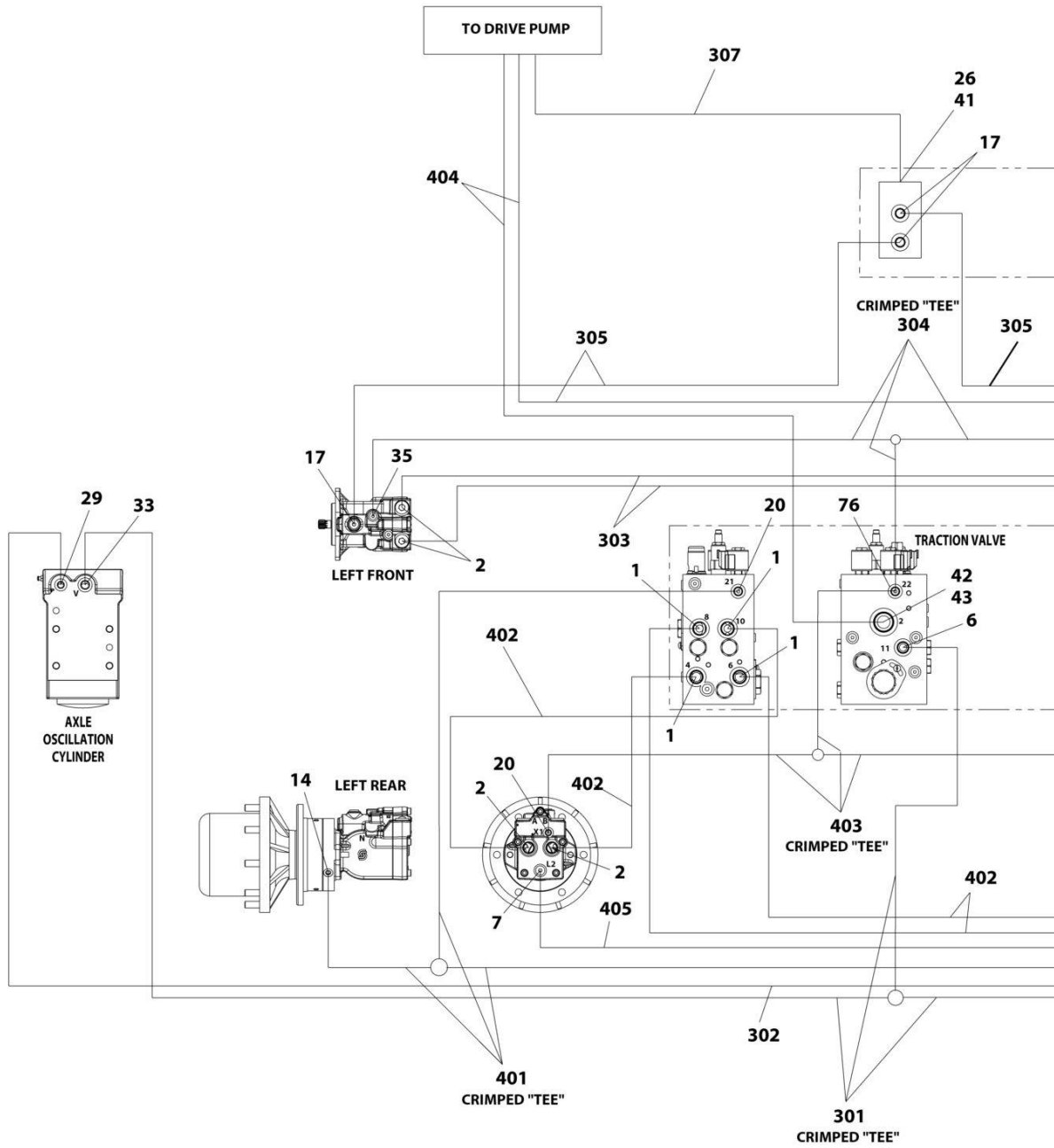
ART\_1001207355\_10F4

# SECTION 7 - HYDRAULIC



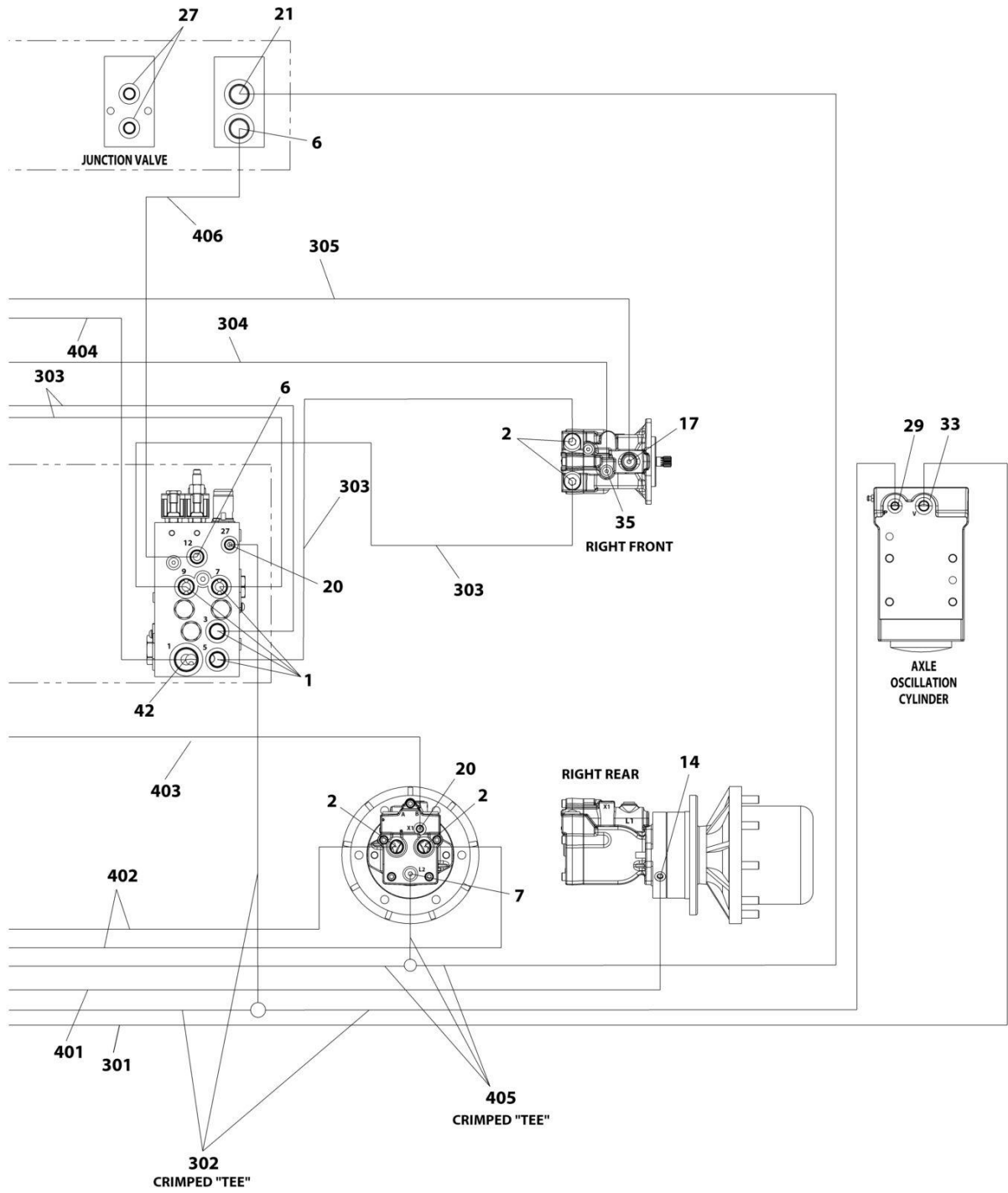
ART\_1001207355\_20F4

# SECTION 7 - HYDRAULIC



ART\_1001207355\_30F4

# SECTION 7 - HYDRAULIC



ART\_1001207355\_40F4

## SECTION 7 - HYDRAULIC

FIGURE 7-3. 4WD HYDRAULIC SYSTEM INSTALLATION (MACHINES WITH SN STARTING WITH B3)

ITEM	PART NUMBER	QTY	DESCRIPTION	REV
1	2110810	8	Fitting, Straight ORFS/ORB	
2	2110812	8	Fitting, Straight ORFS/ORB	
3	2151212	2	Fitting, 45 ORFS/ORB	
4	2220238	1	Plug	
5	2220371	1	Fitting, Straight JIC/ORB	
6	2220372	11	Fitting, Straight JIC/ORB	
7	2220373	5	Fitting, Straight JIC/ORB	
8	2220374	6	Fitting, Straight JIC/ORB	
9	2220375	2	Fitting, Straight JIC/ORB	
10	2220377	1	Fitting, Straight JIC/ORB	
11	1001202910	2	Fitting, Straight MORB	
12	2220415	3	Fitting, Straight JIC/ORB	
13	2220451	1	Fitting, Straight JIC/ORB	
14	2220466	2	Fitting, 90 JIC/ORB	
15	2220468	2	Fitting, Straight JIC/ORB	
16	2220472	5	Fitting, 90 JIC/ORB	
17	2220500	4	Fitting, 45 JIC/ORB	
18	2220501	2	Fitting, 45 JIC/ORB	
19	2220497	2	Fitting, Straight JIC/ORB	
20	2220582	11	Fitting, Straight JIC/ORB	
21	2220596	1	Fitting, 90 JIC/ORB	
22	2220600	1	Fitting, Straight JIC/ORB	
23	2220603	1	Fitting, Straight JIC/ORB	
24	2220628	1	Fitting, 90 JIC/ORB	
25	2220465	1	Fitting, 90 JIC/ORB	
26	2220811	1	Fitting, Straight FORB/ORB	
27	2220883	2	Plug #4	
28	2220906	2	Fitting, 90 JIC/ORB	
29	2220923	2	Fitting, Straight JIC/ORB	
30	2220940	2	Fitting, Elbow	
31	2220946	2	Fitting, Straight JIC/ORB	
32	2220947	2	Fitting, Straight JIC/ORB	
33	2220998	2	Fitting, Straight JIC/ORB	
34	2221033	2	Fitting, Straight JIC/ORB	
35	2221040	2	Fitting, 45 JIC/ORB	
36	2221086	1	Fitting, Diagnostic	
37	2230025	1	Fitting, Straight JIC/JIC	
39	8760477	1	Fitting, Tee JIC/JIC/JIC	
40	8770289	1	Fitting, Tee JIC/ORB/JIC	
41	1001119627	1	Fitting, Straight JIC/ORB	
42	1001142679	2	Fitting, Straight ORFS/ORB	
43	1001143936	1	Fitting, 90 FORB/ORB	
76	1001175024	1	Fitting, Tee JIC/JIC/ORB	
84	1001207335	2	Hose	
85	1001207336	1	Hose	
87	1001210356	1	Tube	
88	2220435	1	Fitting, Straight JIC/ORB	
89	80633030	2	Clamp, Hose	
100	1001194424	1	Hose Kit - Lower Boom (Not Shown)	
101	1001173006	2	Hose	



## SECTION 7 - HYDRAULIC

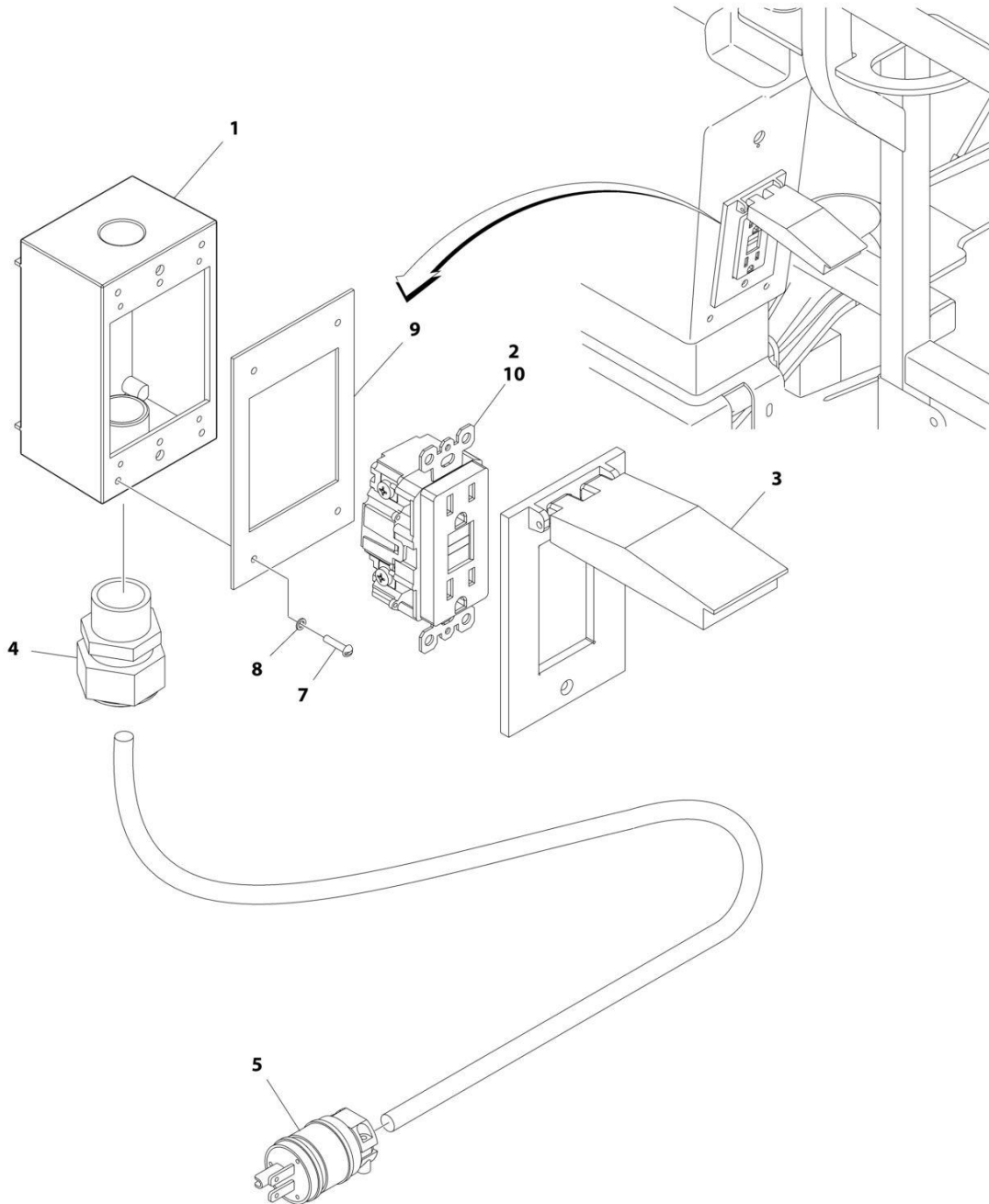
ITEM	PART NUMBER	QTY	DESCRIPTION	REV
102	1001173034	1	Hose	
103	1001173035	1	Hose	
104	1001173036	1	Hose	
105	1001173037	1	Hose	
106	1001173038	1	Hose	
107	1001173039	1	Hose	
108	1001173042	1	Hose	
109	1001173043	1	Hose	
110	1001180035	2	Hose	
200	1001194425	1	Hose Kit - Upper Boom (Not Shown)	
201	1001173040	1	Hose	
202	1001173041	1	Hose	
203	1001173044	1	Hose	
204	1001173045	1	Hose	
205	1001173046	2	Hose	
206	1001173048	1	Hose	
207	1001173049	1	Hose	
300	1001194427	1	Hose Kit - Front (Not Shown)	
301	1001173053	1	Hose	
302	1001173054	1	Hose	
303	1001173055	4	Hose	
304	1001173056	1	Hose	
305	1001173057	2	Hose	
306	1001173058	2	Hose	
307	1001173066	1	Hose	
400	1001194428	1	Hose Kit - Rear (Not Shown)	
401	1001173052	1	Hose	
402	1001173059	4	Hose	
403	1001173061	1	Hose	
404	1001173062	2	Hose	
405	1001173063	1	Hose	
406	1001197039	1	Hose	
500	1001252926	1	Hose Kit - Turntable (Not Shown)	
501	2752504	1	Hose	
502	2752519	1	Hose	
503	1001173027	2	Hose	
504	1001173028	1	Hose	
505	1001173029	2	Hose	



**SECTION 8 - ELECTRICAL**

# SECTION 8 - ELECTRICAL

FIGURE 8-1. AC BOX AT PLATFORM INSTALLATION - 110V - ANSI, ANSI EXPORT, CHINA, CSA AND JAPANESE SPECS



ART\_0270022

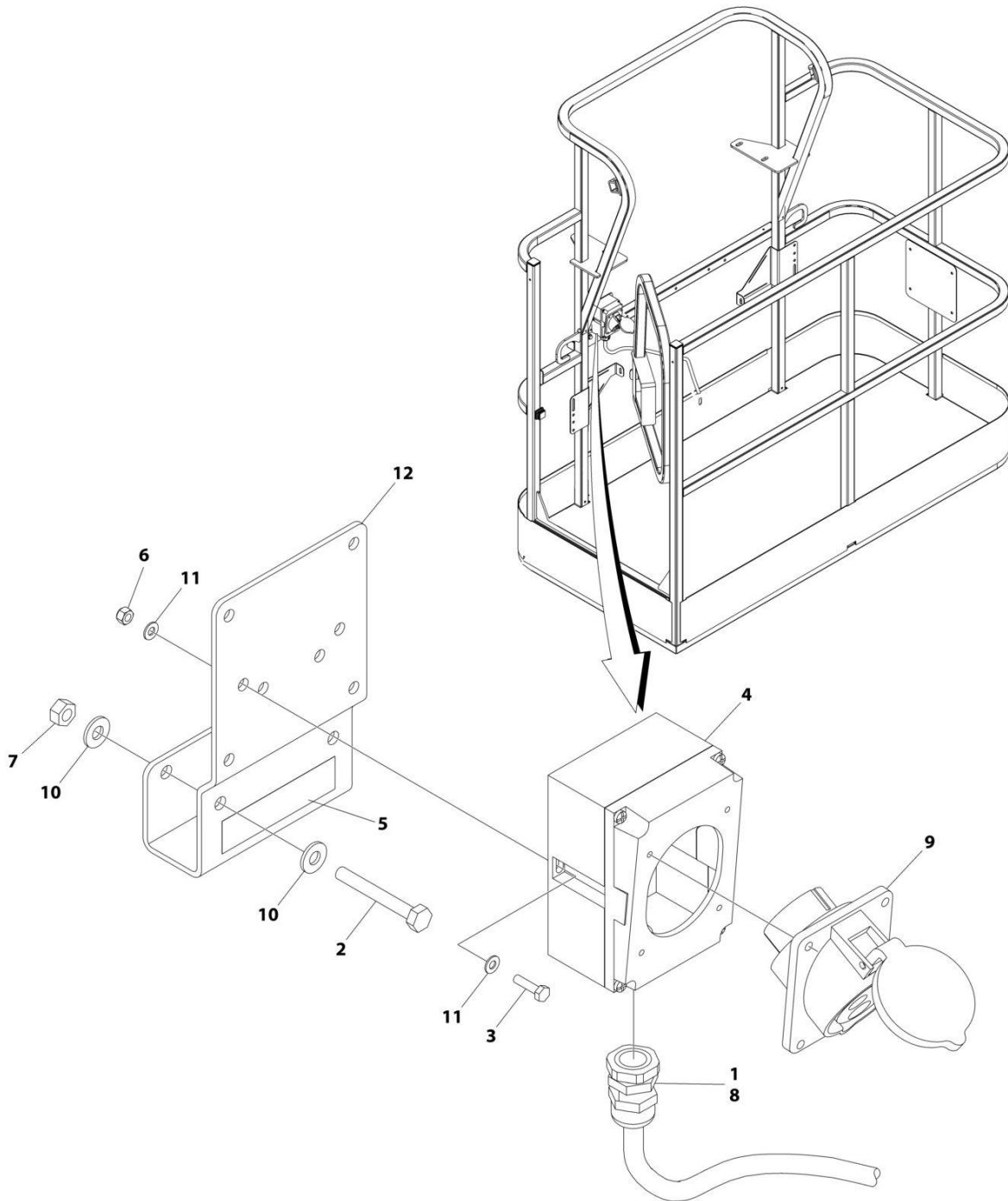
## SECTION 8 - ELECTRICAL

**FIGURE 8-1. AC BOX AT PLATFORM INSTALLATION - 110V - ANSI, ANSI EXPORT, CHINA, CSA AND JAPANESE SPECS**

ITEM	PART NUMBER	QTY	DESCRIPTION	REV
	0270022	Ref	AC BOX AT PLATFORM INSTALLATION - 110V	4-B
1	0860038	1	Box, Switch	
2	4460346	1	Receptacle	
3	1001110873	1	Shield, Cover	
4	4460071	1	Connector, Strain Relief	
5	4460205	1	Plug, Male	
7	3910610	4	Screw #6 x 5/8	
8	4760600	4	Washer #6	
9	3960422	1	Gasket	
10	4460315	1	Terminal, Spade	

# SECTION 8 - ELECTRICAL

FIGURE 8-2. AC BOX AT PLATFORM INSTALLATION - 110V IEC YELLOW (CE, CIS/EAC & UK CA SPECS WITH 4000W/50HZ GENERATOR)



ART\_1001194203

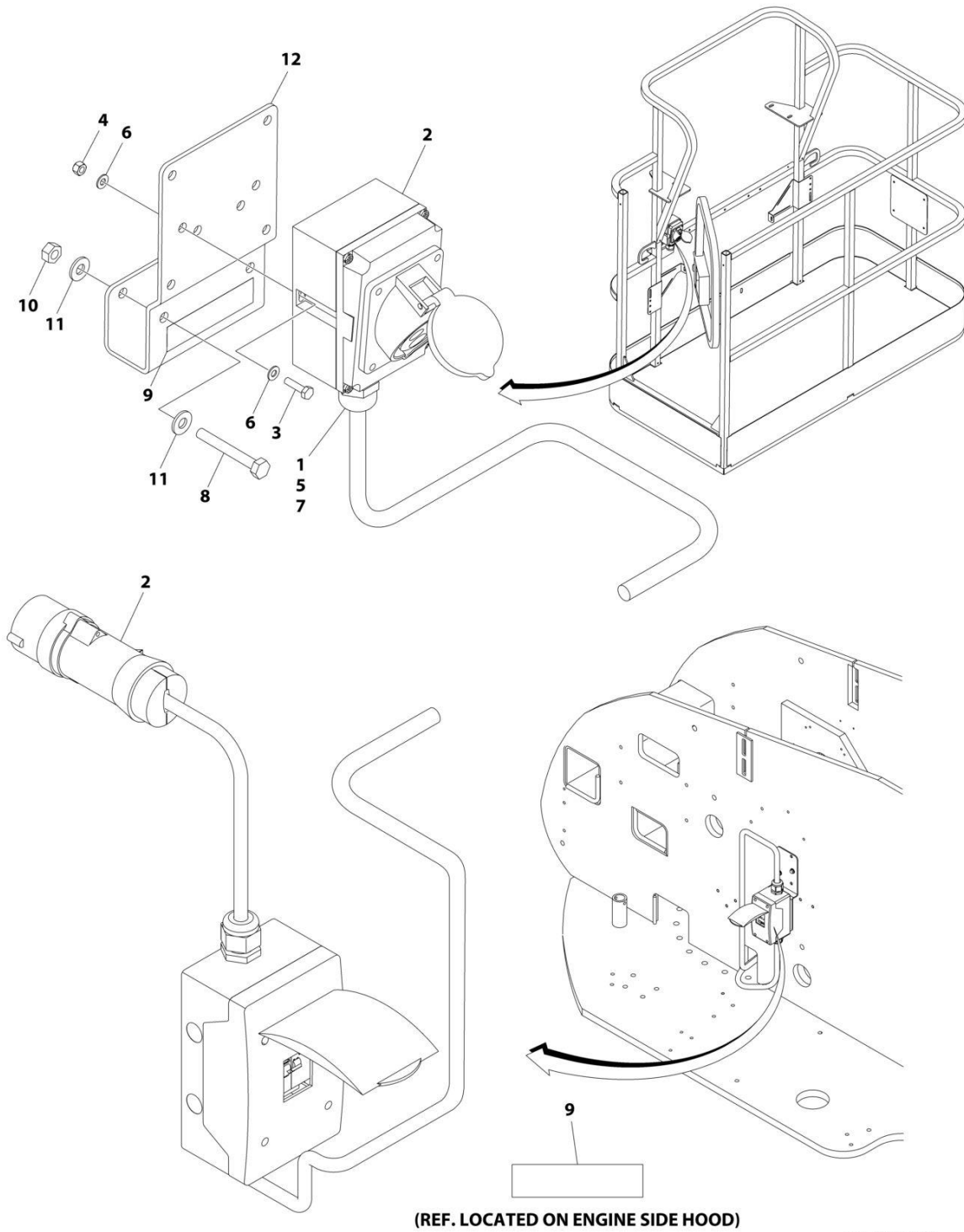
## SECTION 8 - ELECTRICAL

**FIGURE 8-2. AC BOX AT PLATFORM INSTALLATION - 110V IEC YELLOW (CE, CIS/EAC & UK CA SPECS WITH 4000W/50HZ GENERATOR)**

ITEM	PART NUMBER	QTY	DESCRIPTION	REV
	1001194203	Ref	AC BOX AT PLATFORM INSTALLATION	B
1	0100020	AR	Sealant, Pipe	
2	0641416	2	Bolt 1/4 x 2	
3	0700408	2	Bolt M4 x 16	
4	0861781	1	Box, Switch	
5	1705325	1	Decal - 110V	
6	3290405	2	Nut M4	
7	3311405	2	Nut 1/4	
8	4460968	1	Connector, Strain Relief	
9	4461198	1	Receptacle	
10	4711400	4	Washer 1/4	
11	4811400	4	Washer M4	
12	1001193018	1	Bracket, AC Receptacle	

# SECTION 8 - ELECTRICAL

**FIGURE 8-3. AC BOX AT PLATFORM INSTALLATION - 110V IEC 60309 YELLOW WITHOUT 2500W GENERATOR (CE, CIS/EAC & UK CA SPECS)**



ART\_1001091969



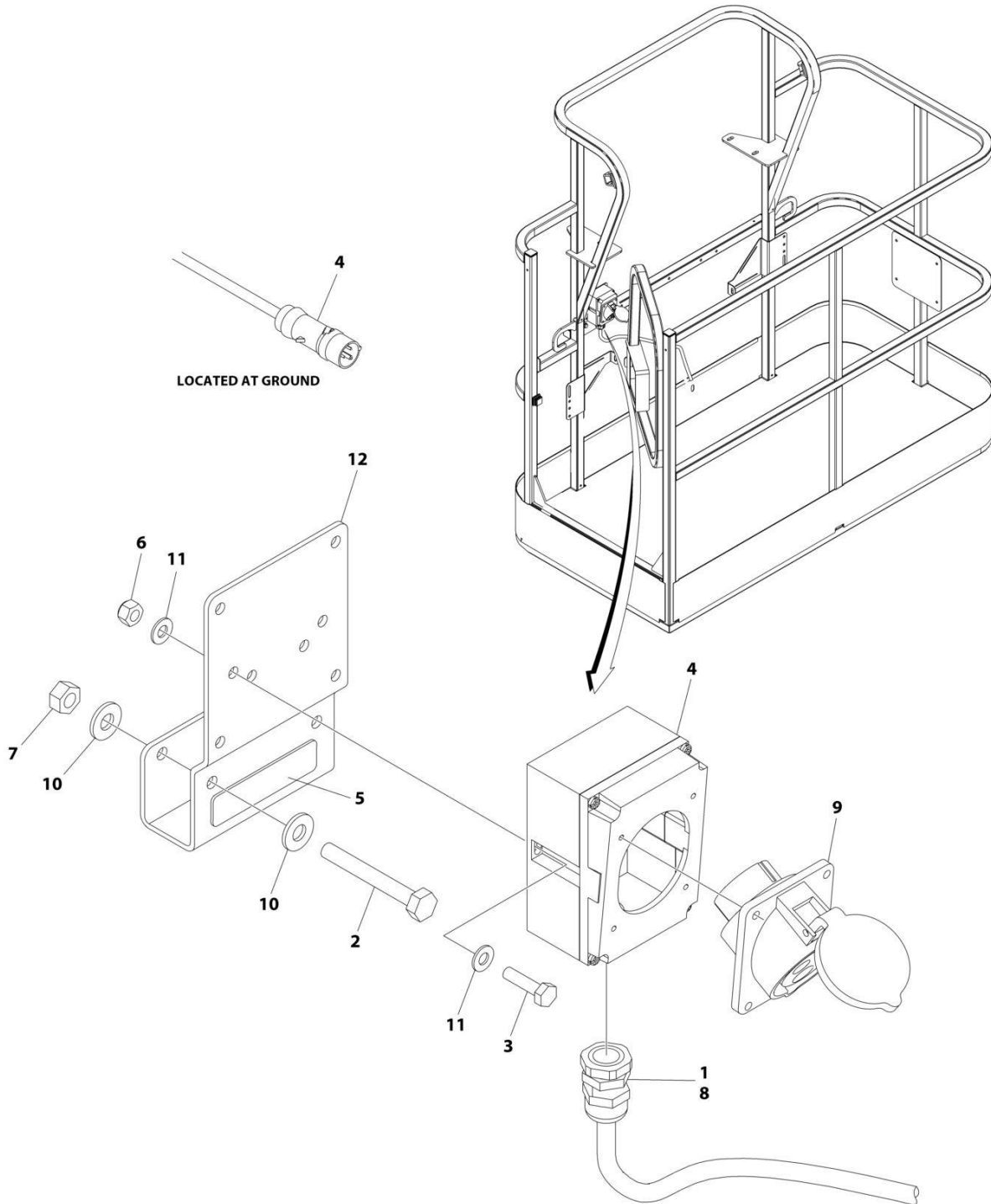
## SECTION 8 - ELECTRICAL

**FIGURE 8-3. AC BOX AT PLATFORM INSTALLATION - 110V IEC 60309 YELLOW WITHOUT 2500W GENERATOR (CE, CIS/EAC & UK CA SPECS)**

ITEM	PART NUMBER	QTY	DESCRIPTION	REV
	1001091969	Ref	AC BOX AT PLATFORM INSTALLATION - 110V IEC YELLOW	D
1	0100020	AR	Sealant, Pipe	
2	0275216	1	Receptacle Box Kit (See Separate Breakdown in this Section)	
3	0700408	2	Bolt M4 x 16	
4	3290405	2	Nut M4	
5	1001101196	1	Adapter	
6	4811400	4	Washer M4	
7	1001101191	1	Connector, Strain Relief	
8	0641416	2	Bolt 1/4 x 2	
9	1705325	2	Decal - 110V	
10	3311405	2	Nut 1/4	
11	4711400	4	Washer 1/4	
12	1001193018	1	Bracket	

# SECTION 8 - ELECTRICAL

FIGURE 8-4. AC BOX AT PLATFORM INSTALLATION - 220V IEC BLUE (CE, CIS/EAC & UK CA SPECS WITH 4000W/50HZ GENERATOR)



ART\_1001194204

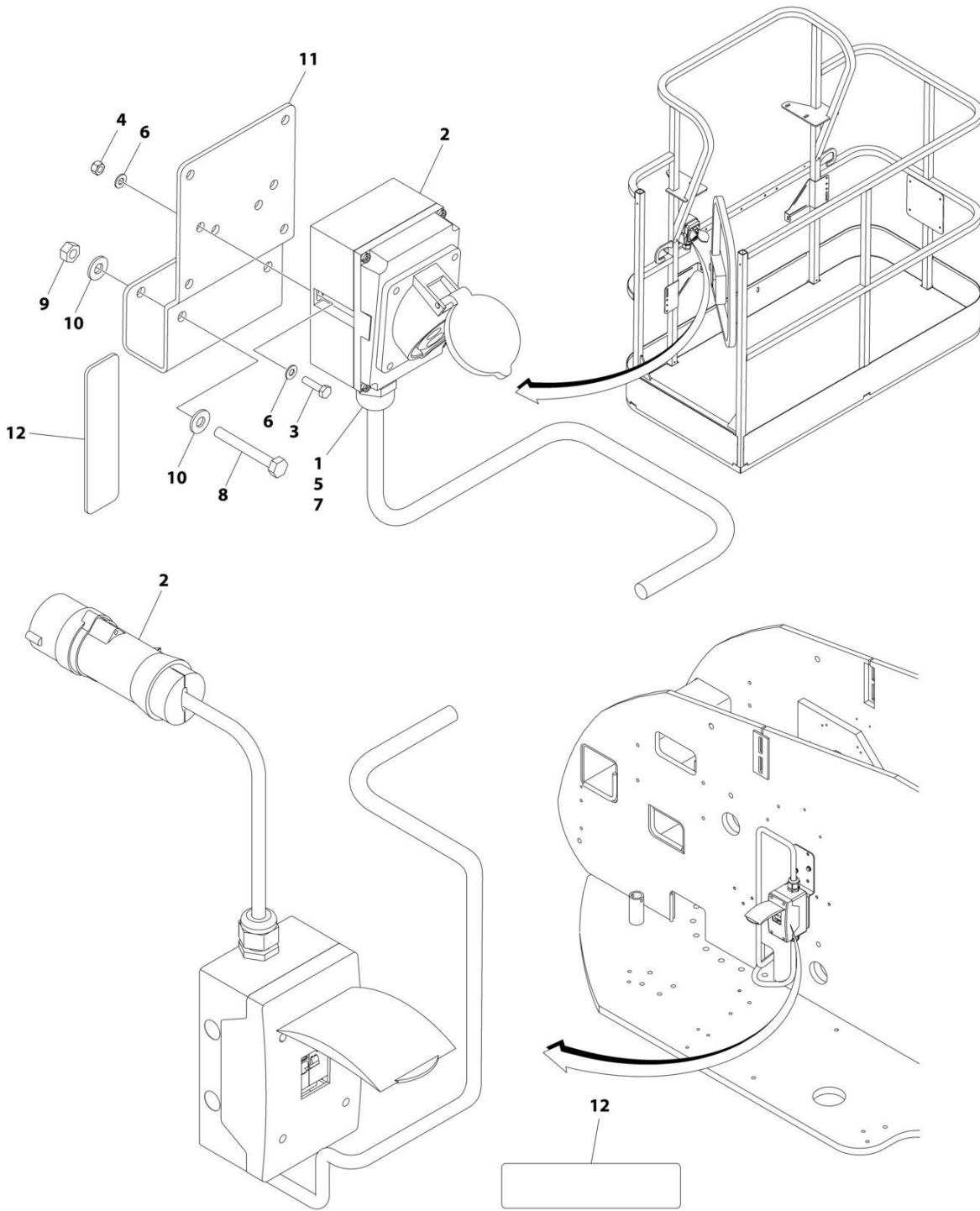
## SECTION 8 - ELECTRICAL

**FIGURE 8-4. AC BOX AT PLATFORM INSTALLATION - 220V IEC BLUE (CE, CIS/EAC & UK CA SPECS WITH 4000W/50HZ GENERATOR)**

ITEM	PART NUMBER	QTY	DESCRIPTION	REV
	1001194204	Ref	AC BOX AT PLATFORM INSTALLATION	B
1	0100020	AR	Sealant, Pipe	
2	0641416	2	Bolt 1/4 x 2	
3	0700408	2	Bolt M4 x 16	
4	0861781	1	Box, Switch	
5	3251242	1	Decal - 240V/50Hz	
6	3290405	2	Nut M4	
7	3311405	2	Nut 1/4	
8	4460968	1	Connector, Strain Relief	
9	4461201	1	Receptacle	
10	4711400	4	Washer 1/4	
11	4811400	4	Washer M4	
12	1001193018	1	Bracket, AC Receptacle	

# SECTION 8 - ELECTRICAL

**FIGURE 8-5. AC BOX AT PLATFORM INSTALLATION - 220V IEC 60309 BLUE WITHOUT 2500W GENERATOR (CE, CIS/EAC & UK CA SPECS)**



ART\_1001091970

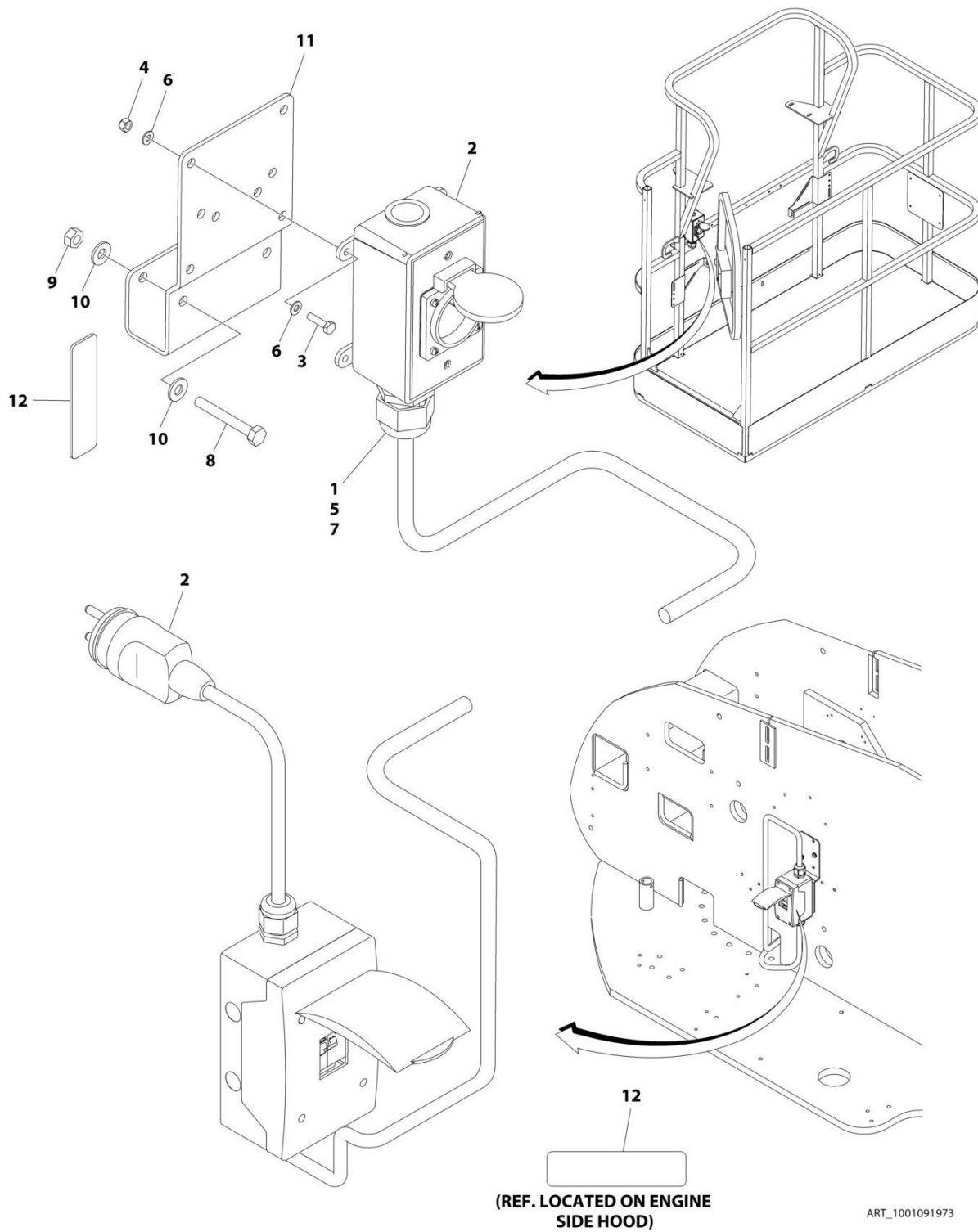
## SECTION 8 - ELECTRICAL

**FIGURE 8-5. AC BOX AT PLATFORM INSTALLATION - 220V IEC 60309 BLUE WITHOUT 2500W GENERATOR (CE, CIS/EAC & UK CA SPECS)**

ITEM	PART NUMBER	QTY	DESCRIPTION	REV
	1001091970	Ref	AC BOX AT PLATFORM INSTALLATION - 220V IEC BLUE	D
1	0100020	AR	Sealant, Pipe	
2	0275217	1	Receptacle Box Kit (See Separate Breakdown in this Section)	
3	0700408	2	Bolt M4 x 16	
4	3290405	2	Nut M4	
5	1001101196	1	Adapter	
6	4811400	4	Washer M4	
7	1001101191	1	Connector, Strain Relief	
8	0641416	2	Bolt 1/4 x 2	
9	3311405	2	Nut 1/4	
10	4711400	4	Washer 1/4	
11	1001193018	1	Bracket	
12	3251242	2	Decal - 240V/50Hz	

# SECTION 8 - ELECTRICAL

**FIGURE 8-6. AC BOX AT PLATFORM INSTALLATION - 220V CEE7 POST GROUND (2X4 BOX)  
WITHOUT 2500W GENERATOR (CE, CIS/EAC & UK CA SPECS)**



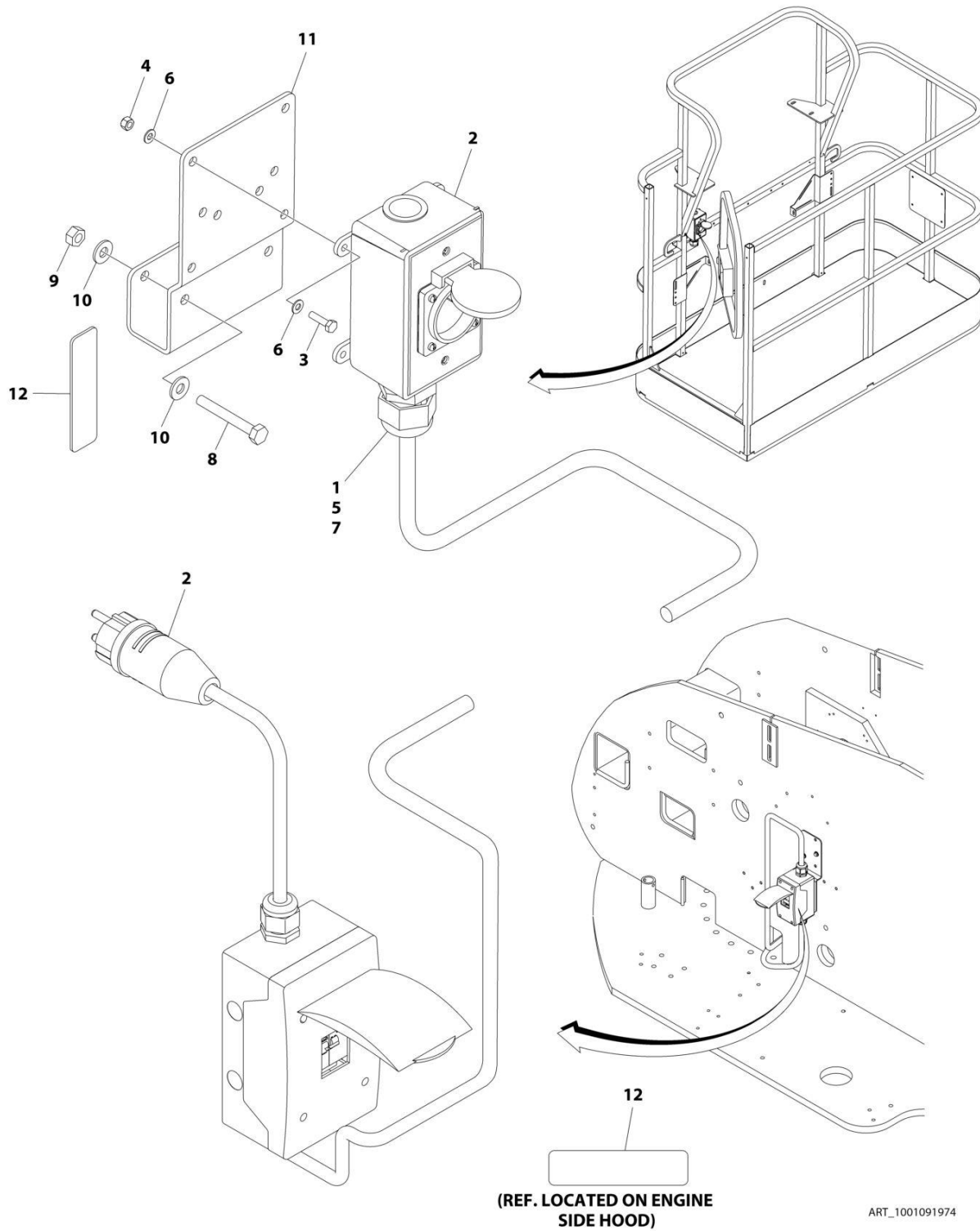
## SECTION 8 - ELECTRICAL

**FIGURE 8-6. AC BOX AT PLATFORM INSTALLATION - 220V CEE7 POST GROUND (2X4 BOX)  
WITHOUT 2500W GENERATOR (CE, CIS/EAC & UK CA SPECS)**

ITEM	PART NUMBER	QTY	DESCRIPTION	REV
	1001091973	Ref	AC BOX AT PLATFORM INSTALLATION - 220V CEE7 2X4 BOX POST GROUND	F
1	0100020	AR	Sealant, Pipe	
2	0275452	1	Receptacle Box Kit (See Separate Breakdown in this Section)	
3	0700408	4	Bolt M4 x 16	
4	3290405	4	Nut M4	
5	1001101197	1	Adapter	
6	4811400	8	Washer M4	
7	1001101191	1	Connector, Strain Relief	
8	0641416	2	Bolt 1/4 x 2	
9	3311405	2	Nut 1/4	
10	4711400	4	Washer 1/4	
11	1001193018	1	Bracket	
12	3251242	2	Decal - 240V/50Hz	
13	4460806	2	Terminal, Fork (Not Shown)	
14	1001205958	1	Terminal (Not Shown)	

# SECTION 8 - ELECTRICAL

**FIGURE 8-7. AC BOX AT PLATFORM INSTALLATION - 220V CEE7 SIDE GROUND (2X4 BOX)  
WITHOUT 2500W GENERATOR (CE, CIS/EAC & UK CA SPECS)**





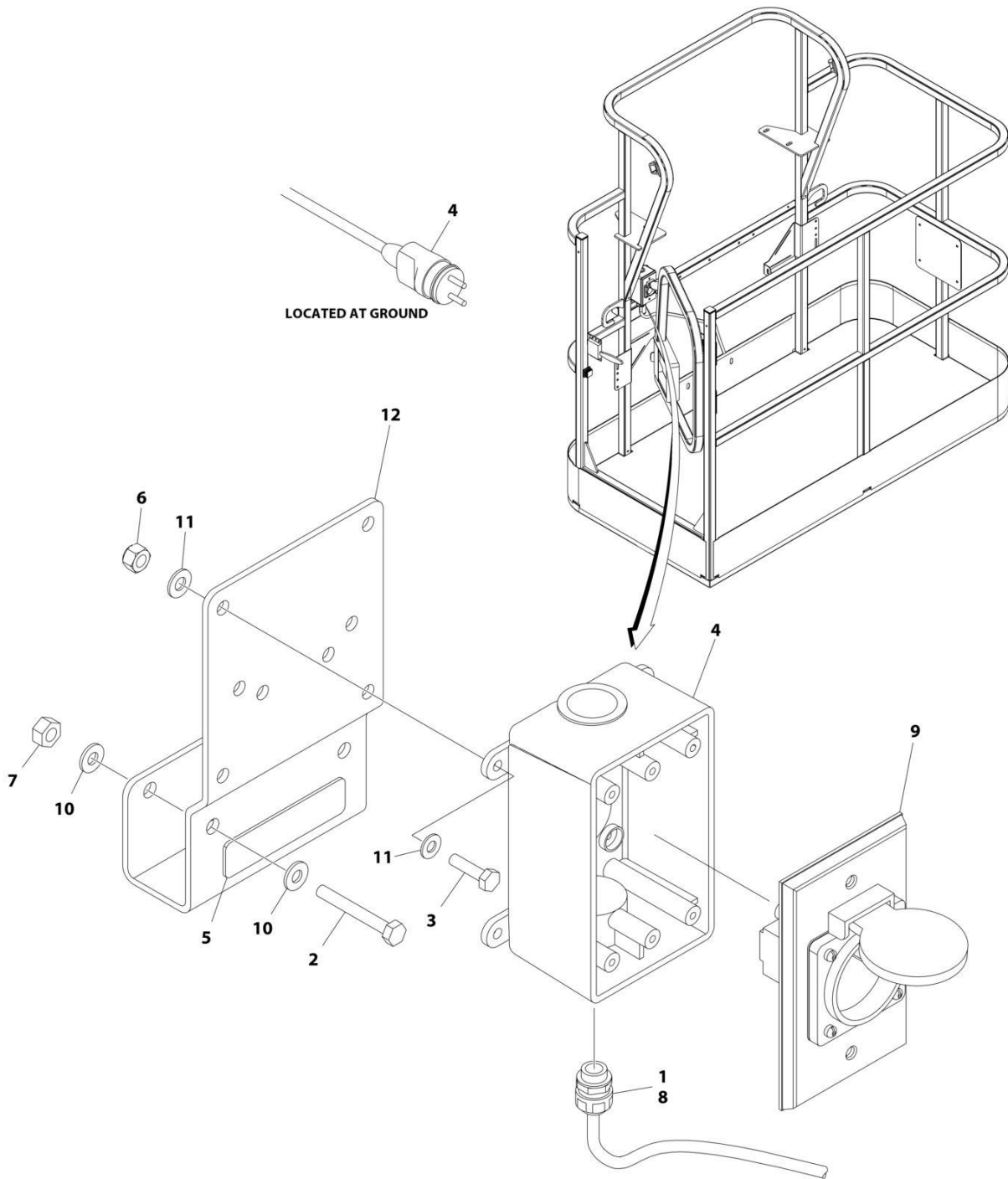
## SECTION 8 - ELECTRICAL

**FIGURE 8-7. AC BOX AT PLATFORM INSTALLATION - 220V CEE7 SIDE GROUND (2X4 BOX)  
WITHOUT 2500W GENERATOR (CE, CIS/EAC & UK CA SPECS)**

ITEM	PART NUMBER	QTY	DESCRIPTION	REV
	1001091974	Ref	AC BOX AT PLATFORM INSTALLATION - 220V CEE7 2X4 BOX SIDE GROUND	F
1	0100020	AR	Sealant, Pipe	
2	0275453	1	Receptacle Box Kit (See Separate Breakdown in this Section)	
3	0700408	4	Bolt M4 x 16	
4	3290405	4	Nut M4	
5	1001101197	1	Adapter	
6	4811400	8	Washer M4	
7	1001101191	1	Connector, Strain Relief	
8	0641416	2	Bolt 1/4 x 2	
9	3311405	2	Nut 1/4	
10	4711400	4	Washer 1/4	
11	1001193018	1	Bracket	
12	3251242	2	Decal - 240V/50Hz	
13	4460806	2	Terminal, Fork (Not Shown)	
14	1001205958	1	Terminal (Not Shown)	

# SECTION 8 - ELECTRICAL

FIGURE 8-8. AC BOX AT PLATFORM INSTALLATION - 220V CEE7 2IN X 4IN POST GROUND (CE, CIS/EAC & UK CA SPECS WITH 4000W/50HZ GENERATOR)



ART\_1001194197

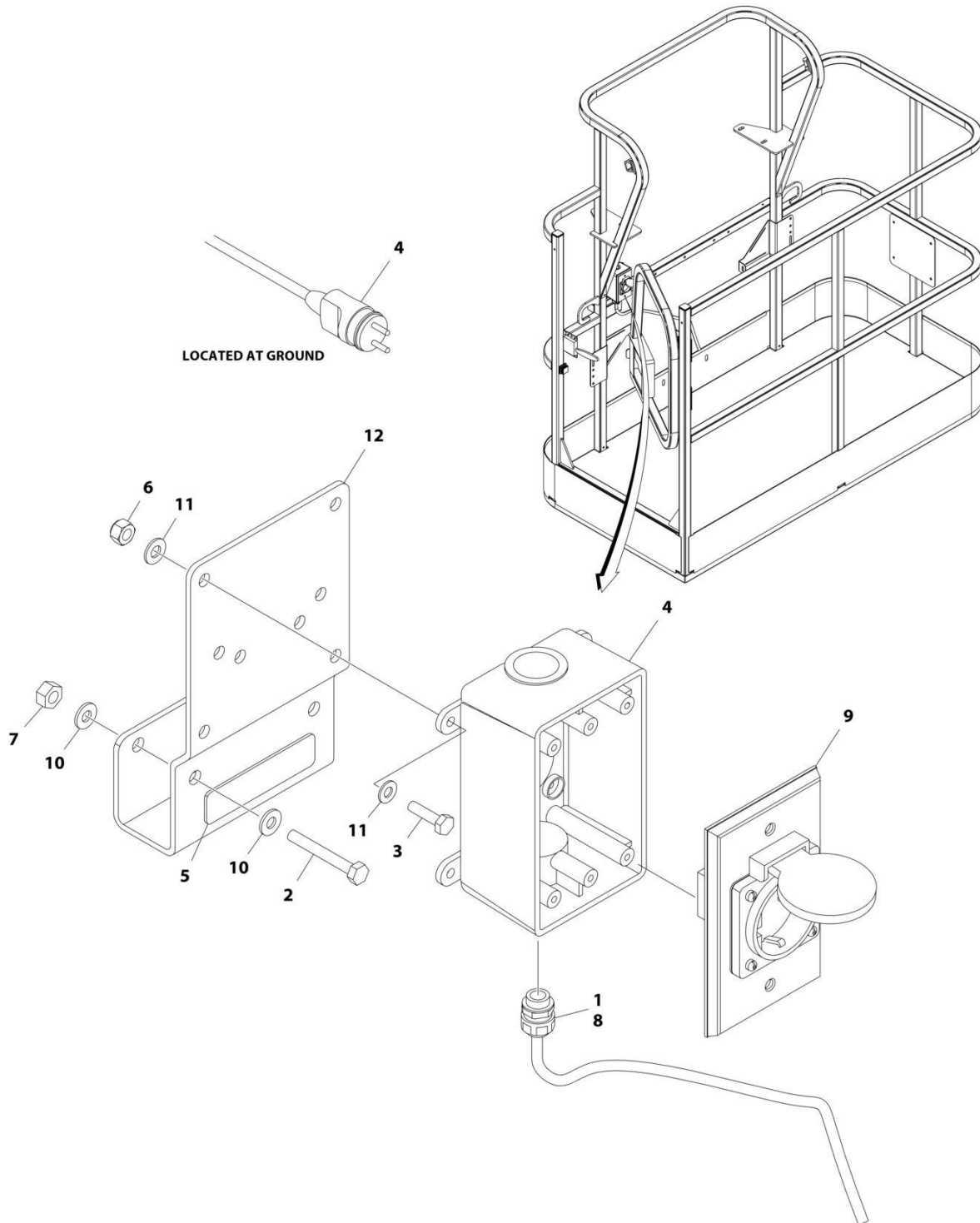
## SECTION 8 - ELECTRICAL

**FIGURE 8-8. AC BOX AT PLATFORM INSTALLATION - 220V CEE7 2IN X 4IN POST GROUND (CE, CIS/EAC & UK CA SPECS WITH 4000W/50HZ GENERATOR)**

ITEM	PART NUMBER	QTY	DESCRIPTION	REV
	1001194197	Ref	AC BOX AT PLATFORM INSTALLATION	B
1	0100020	AR	Sealant, Pipe	
2	0641416	2	Bolt 1/4 x 2	
3	0700408	4	Bolt M4 x 16	
4	0861731	1	Box, Switch	
5	3251242	1	Decal - 240V/50Hz	
6	3290405	4	Nut M4	
7	3311405	2	Nut 1/4	
8	4460662	1	Connector, Strain Relief	
9	4461244	1	Receptacle	
10	4711400	4	Washer 1/4	
11	4811400	8	Washer M4	
12	1001193018	1	Bracket, AC Receptacle	
13	4460806	2	Terminal, Fork (Not Shown)	
14	1001205958	1	Terminal (Not Shown)	

# SECTION 8 - ELECTRICAL

FIGURE 8-9. AC BOX AT PLATFORM INSTALLATION - 220V CEE7 2IN X 4IN SIDE GROUND (CE, CIS/EAC & UK CA SPECS WITH 4000W/50HZ GENERATOR)



ART\_1001194198

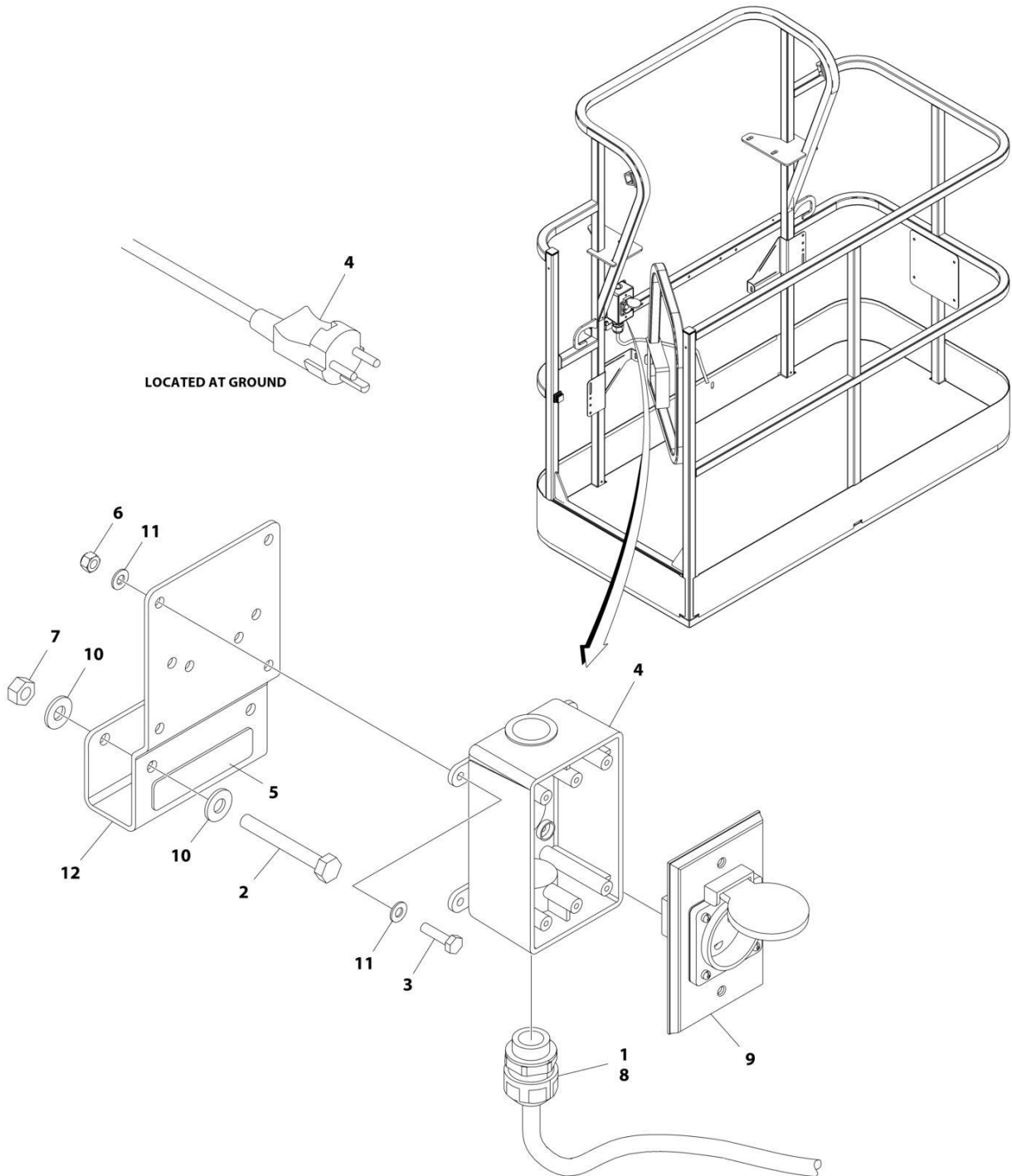
## SECTION 8 - ELECTRICAL

**FIGURE 8-9. AC BOX AT PLATFORM INSTALLATION - 220V CEE7 2IN X 4IN SIDE GROUND (CE, CIS/EAC & UK CA SPECS WITH 4000W/50HZ GENERATOR)**

ITEM	PART NUMBER	QTY	DESCRIPTION	REV
	1001194198	Ref	AC BOX AT PLATFORM INSTALLATION	B
1	0100020	AR	Sealant, Pipe	
2	0641416	2	Bolt 1/4 x 2	
3	0700408	4	Bolt M4 x 16	
4	0861731	1	Box, Switch	
5	3251242	1	Decal - 240V/50Hz	
6	3290405	4	Nut M4	
7	3311405	2	Nut 1/4	
8	4460662	1	Connector, Strain Relief	
9	4461245	1	Receptacle	
10	4711400	4	Washer 1/4	
11	4811400	8	Washer M4	
12	1001193018	1	Bracket, AC Receptacle	
13	4460806	2	Terminal, Fork (Not Shown)	
14	1001205958	1	Terminal (Not Shown)	

# SECTION 8 - ELECTRICAL

FIGURE 8-10. AC BOX AT PLATFORM INSTALLATION - 220V AFSINT107 (CE, CIS/EAC & UK CA SPECS WITH 4000W/50HZ GENERATOR)



ART\_1001194200

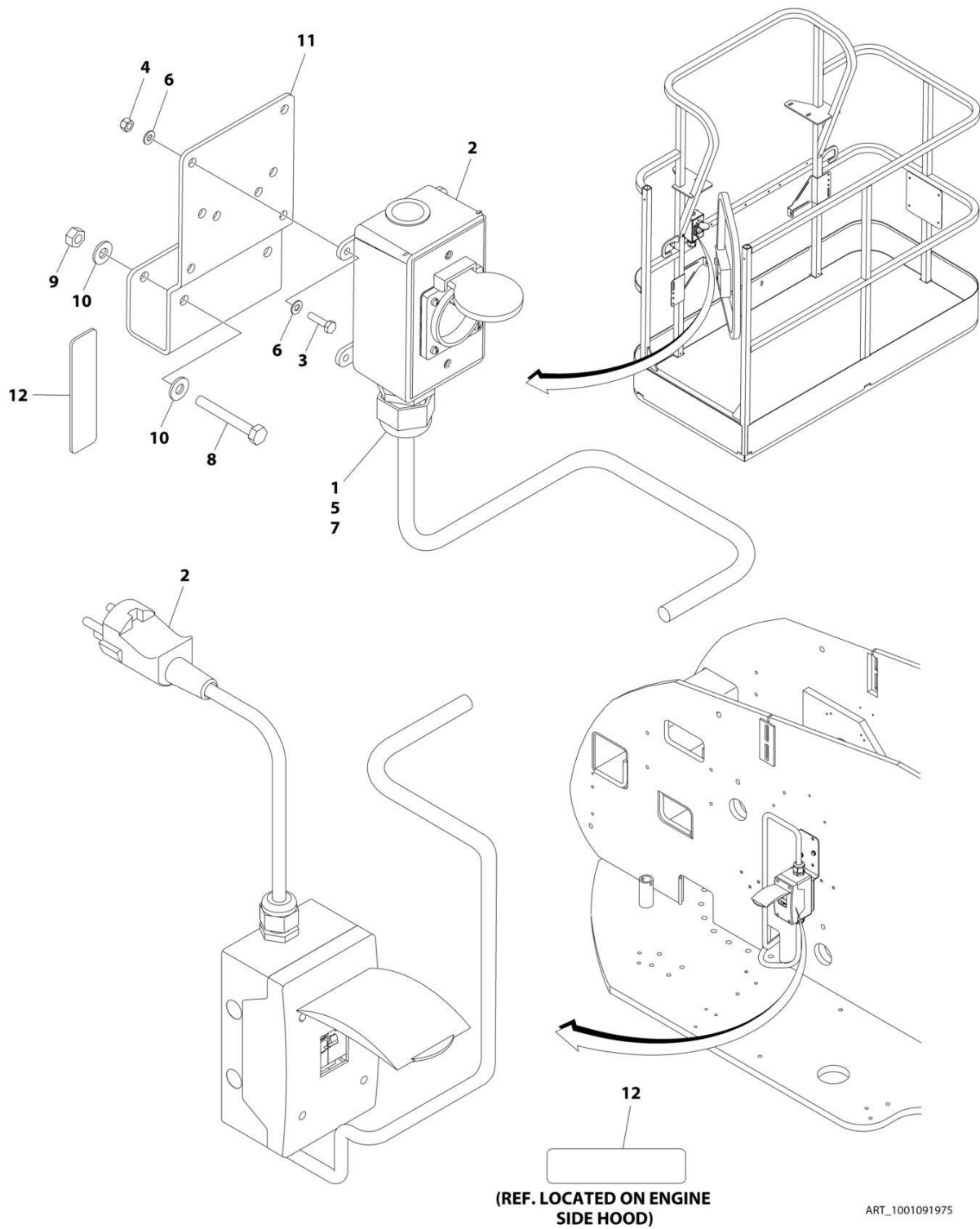
## SECTION 8 - ELECTRICAL

**FIGURE 8-10. AC BOX AT PLATFORM INSTALLATION - 220V AFSINT107 (CE, CIS/EAC & UK CA SPECS WITH 4000W/50HZ GENERATOR)**

ITEM	PART NUMBER	QTY	DESCRIPTION	REV
	1001194200	Ref	AC BOX AT PLATFORM INSTALLATION	B
1	0100020	AR	Sealant, Pipe	
2	0641416	2	Bolt 1/4 x 2	
3	0700408	4	Bolt M4 x 16	
4	0861731	1	Box, Switch	
5	3251242	1	Decal - 240V/50Hz	
6	3290405	4	Nut M4	
7	3311405	2	Nut 1/4	
8	4460662	1	Connector, Strain Relief	
9	4461246	1	Receptacle	
10	4711400	4	Washer 1/4	
11	4811400	8	Washer M4	
12	1001193018	1	Bracket, AC Receptacle	
13	1001205958	1	Terminal (Not Shown)	

# SECTION 8 - ELECTRICAL

**FIGURE 8-11. AC BOX AT PLATFORM INSTALLATION - 220V AFSINT 107 KEYED GROUND (2X4 BOX) WITHOUT 2500W GENERATOR (CE, CIS/EAC & UK CA SPECS)**





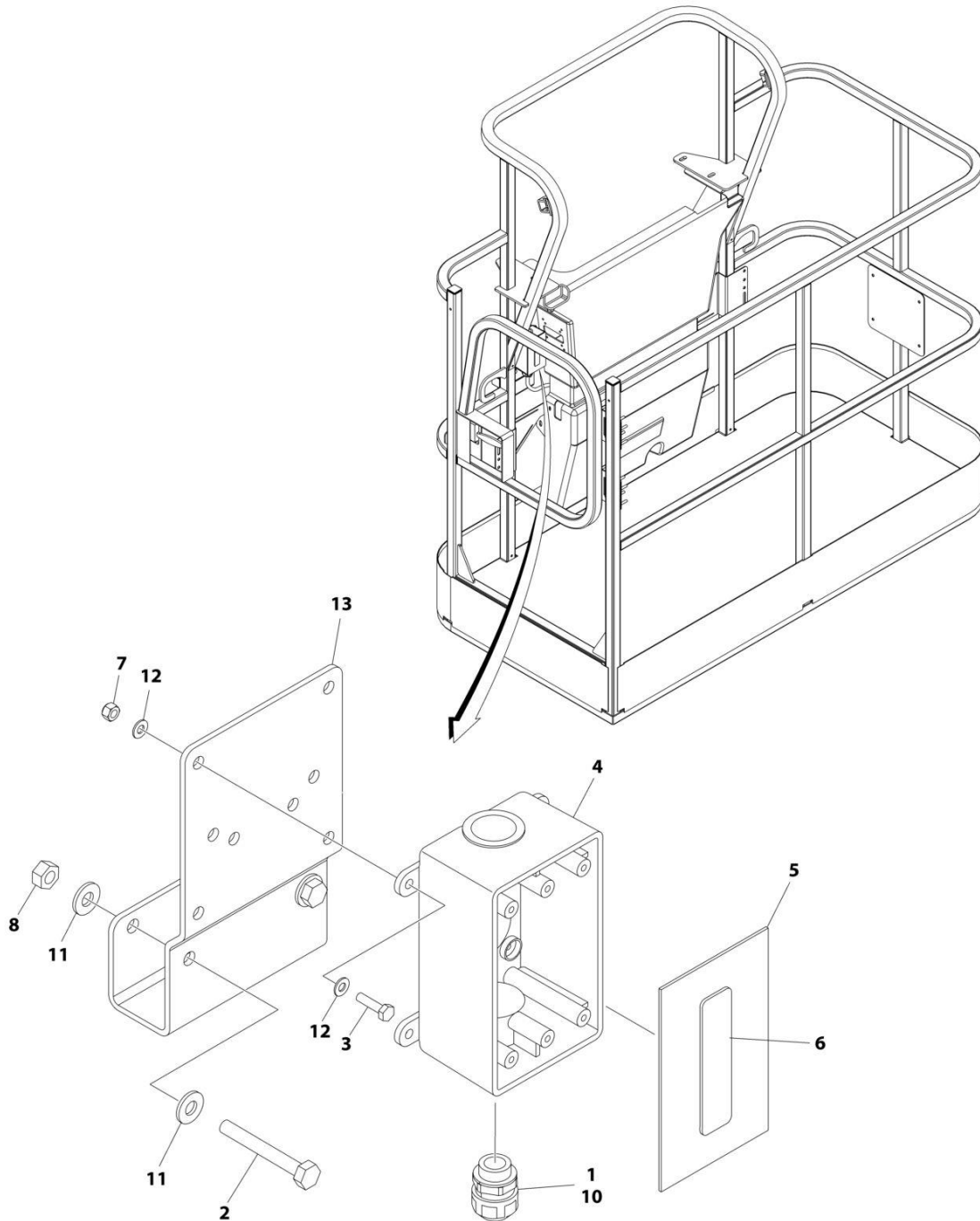
## SECTION 8 - ELECTRICAL

**FIGURE 8-11. AC BOX AT PLATFORM INSTALLATION - 220V AFSINT 107 KEYED GROUND (2X4 BOX) WITHOUT 2500W GENERATOR (CE, CIS/EAC & UK CA SPECS)**

ITEM	PART NUMBER	QTY	DESCRIPTION	REV
	1001091975	Ref	AC BOX AT PLATFORM INSTALLATION - 220V AFSINT 107 2X4 BOX KEYED GROUND	F
1	0100020	AR	Sealant, Pipe	
2	0275454	1	Receptacle Box Kit (See Separate Breakdown in this Section)	
3	0700408	4	Bolt M4 x 16	
4	3290405	4	Nut M4	
5	1001101197	1	Adapter	
6	4811400	8	Washer M4	
7	1001101191	1	Connector, Strain Relief	
8	0641416	2	Bolt 1/4 x 2	
9	3311405	2	Nut 1/4	
10	4711400	4	Washer 1/4	
11	1001193018	1	Bracket	
12	3251242	2	Decal - 240V/50Hz	
13	1001205958	3	Terminal (Not Shown)	

# SECTION 8 - ELECTRICAL

FIGURE 8-12. AC BOX AT PLATFORM INSTALLATION - 220V CUSTOMER SUPPLIED COMPONENTS  
(AUSTRALIAN, CE & UK CA SPECS)



ART\_1001194365

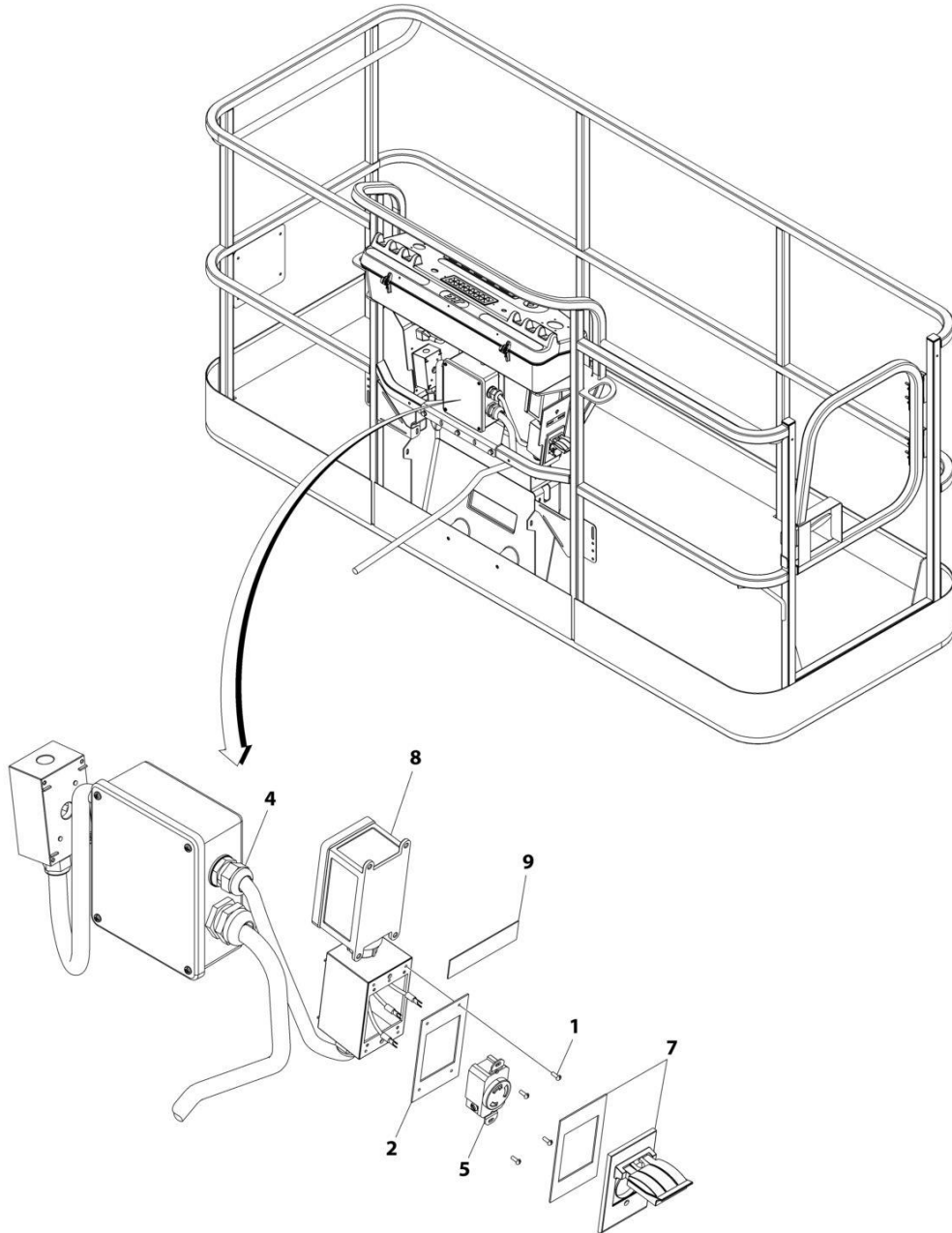
## SECTION 8 - ELECTRICAL

**FIGURE 8-12. AC BOX AT PLATFORM INSTALLATION - 220V CUSTOMER SUPPLIED COMPONENTS  
(AUSTRALIAN, CE & UK CA SPECS)**

ITEM	PART NUMBER	QTY	DESCRIPTION	REV
	1001194365	Ref	AC BOX AT PLATFORM INSTALLATION - BOX WITH COVER (2X4 BOX)	A
1	0100020	AR	Sealant	
2	0641416	2	Bolt 1/4 x 2	
3	0700408	4	Bolt M4 x 16	
4	0861731	1	Box, Switch	
5	1670603	1	Cover	
6	3251242	1	Decal - 240V/50Hz	
7	3290405	4	Nut M4	
8	3311405	2	Nut 1/4	
9	4460384	3	Terminal (Not Shown)	
10	4460662	1	Connector, Strain Relief	
11	4711400	4	Washer 1/4	
12	4811400	8	Washer M4	
13	1001193018	1	Bracket, AC Receptacle	

## SECTION 8 - ELECTRICAL

FIGURE 8-13. AC BOX AT PLATFORM INSTALLATION - 240V (WITH 4000W GENERATOR) (ANSI, ANSI EXPORT, CSA AND JAPANESE SPECS)



ART\_1001171131

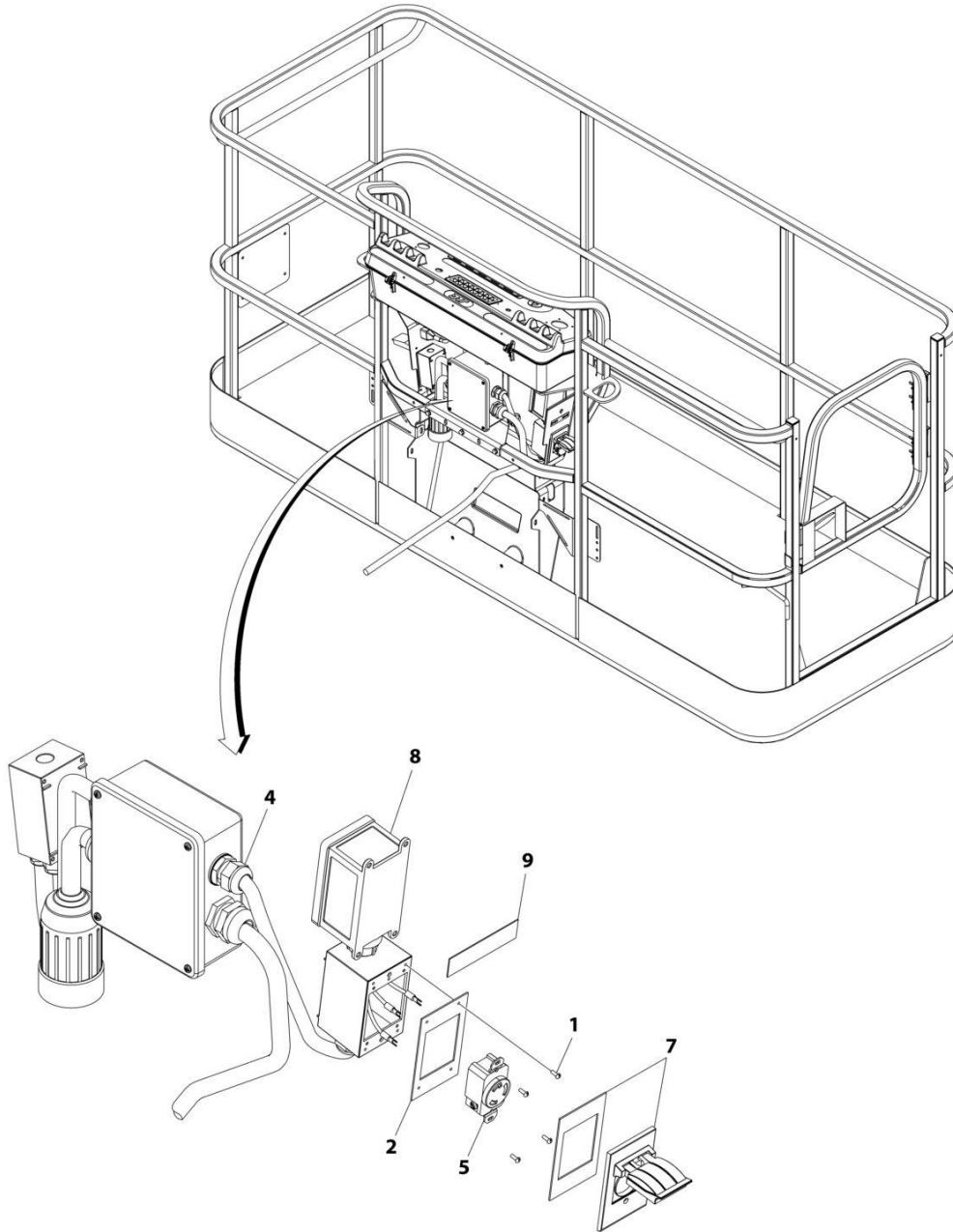
## SECTION 8 - ELECTRICAL

**FIGURE 8-13. AC BOX AT PLATFORM INSTALLATION - 240V (WITH 4000W GENERATOR) (ANSI, ANSI EXPORT, CSA AND JAPANESE SPECS)**

ITEM	PART NUMBER	QTY	DESCRIPTION	REV
	1001171131	Ref	AC BOX AT PLATFORM INSTALLATION - 240V RECEPTACLE	B
1	3910606	4	Screw 6 x 3/8	
2	3960422	1	Gasket	
3	4240018	AR	Tie-Strap (Not Shown)	
4	4460425	1	Connector, Strain Relief	
5	1001176862	1	Receptacle	
7	1001110872	1	Cover, Receptacle	
8	1001159120	1	Receptacle/Breaker Box Assembly	
8	1001148675	1	Box, Receptacle	
8	1001159118	1	Breaker GFCI 30Amp 240VAC	
8	4460612	1	Connector, Strain Relief	
8	1001159119	1	Connector (Between Boxes)	
9	1705374	1	Decal - 240V/60Hz	

## SECTION 8 - ELECTRICAL

FIGURE 8-14. AC BOX AT PLATFORM INSTALLATION - 240V (WITH 7500W SKYPOWER GENERATOR) (ANSI, ANSI EXPORT, CSA AND JAPANESE SPECS)



ART\_1001159121

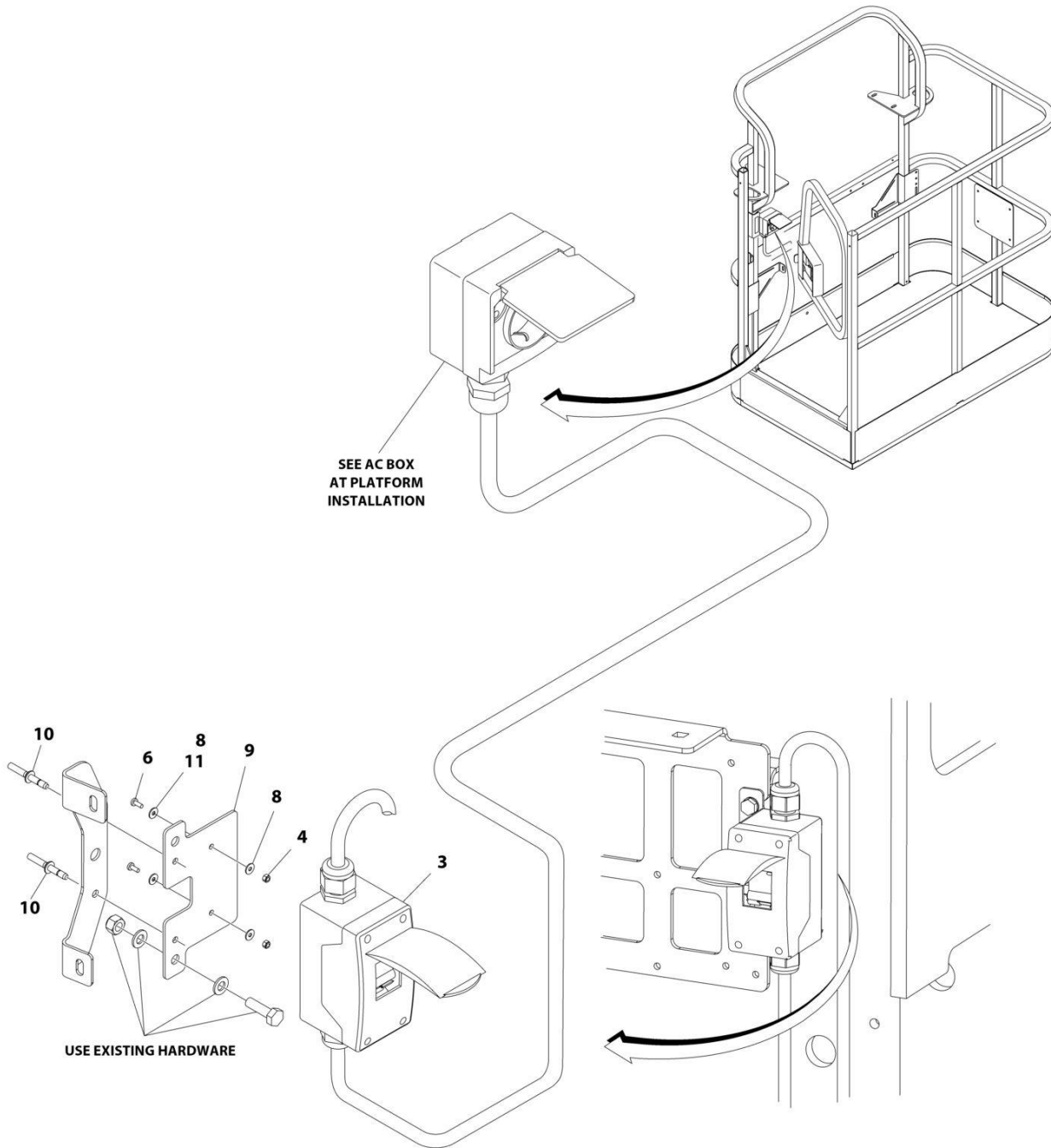
## SECTION 8 - ELECTRICAL

**FIGURE 8-14. AC BOX AT PLATFORM INSTALLATION - 240V (WITH 7500W SKYPOWER GENERATOR) (ANSI, ANSI EXPORT, CSA AND JAPANESE SPECS)**

ITEM	PART NUMBER	QTY	DESCRIPTION	REV
	1001159121	Ref	AC BOX AT PLATFORM INSTALLATION - 240V RECEPTACLE	B
1	3910606	4	Screw 6 x 3/8	
2	3960422	1	Gasket	
3	4240018	AR	Tie-Strap (Not Shown)	
4	4460425	1	Connector, Strain Relief	
5	4460958	1	Receptacle	
7	1001110872	1	Cover, Receptacle	
8	1001159120	1	Receptacle/Breaker Box Assembly	
8	1001148675	1	Box, Receptacle	
8	1001159118	1	Breaker Box Assembly	
8	4460612	1	Connector, Strain Relief	
8	1001159119	1	Connector (Between Boxes)	
9	1705374	1	Decal - 240V/60Hz	

# SECTION 8 - ELECTRICAL

## FIGURE 8-15. AC CABLE INSTALLATION - WITH TWO BREAKERS (CE, CIS/EAC & UK CA SPECS)



ART\_1001167312



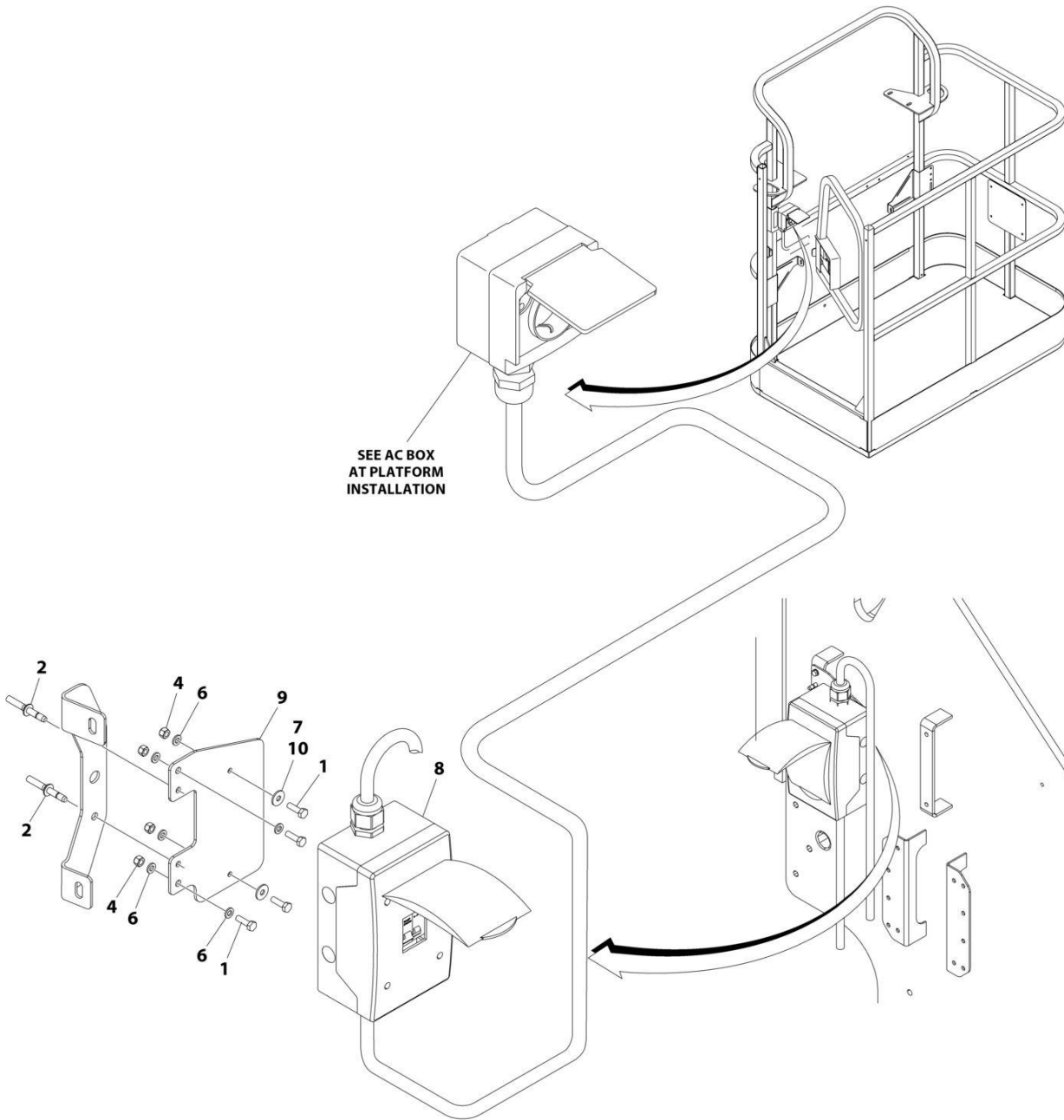
## SECTION 8 - ELECTRICAL

**FIGURE 8-15. AC CABLE INSTALLATION - WITH TWO BREAKERS (CE, CIS/EAC & UK CA SPECS)**

ITEM	PART NUMBER	QTY	DESCRIPTION	REV
	1001167312	Ref	AC CABLE INSTALLATION - WITH TWO BREAKERS	G
3	2902549	1	Breaker Box Kit - CE Spec (See Separate Breakdown in this Section)	
4	3290405	2	Nut M4	
4	3290605	2	Nut M6	
6	4010405	AR	Screw M4 x 10	
6	0760610	AR	Screw M6 x 20	
6	0760614	AR	Screw M6 x 30	
8	1001091102	2	Washer M4	
8	4811700	AR	Washer M6	
9	1001174158	1	Bracket	
10	2080040	2	Fastener, Huck	
11	4811702	2	Washer M6	

# SECTION 8 - ELECTRICAL

FIGURE 8-16. AC CABLE INSTALLATION - WITH THREE BREAKERS (CE, CIS/EAC & UK CA SPECS)



ART\_1001209677

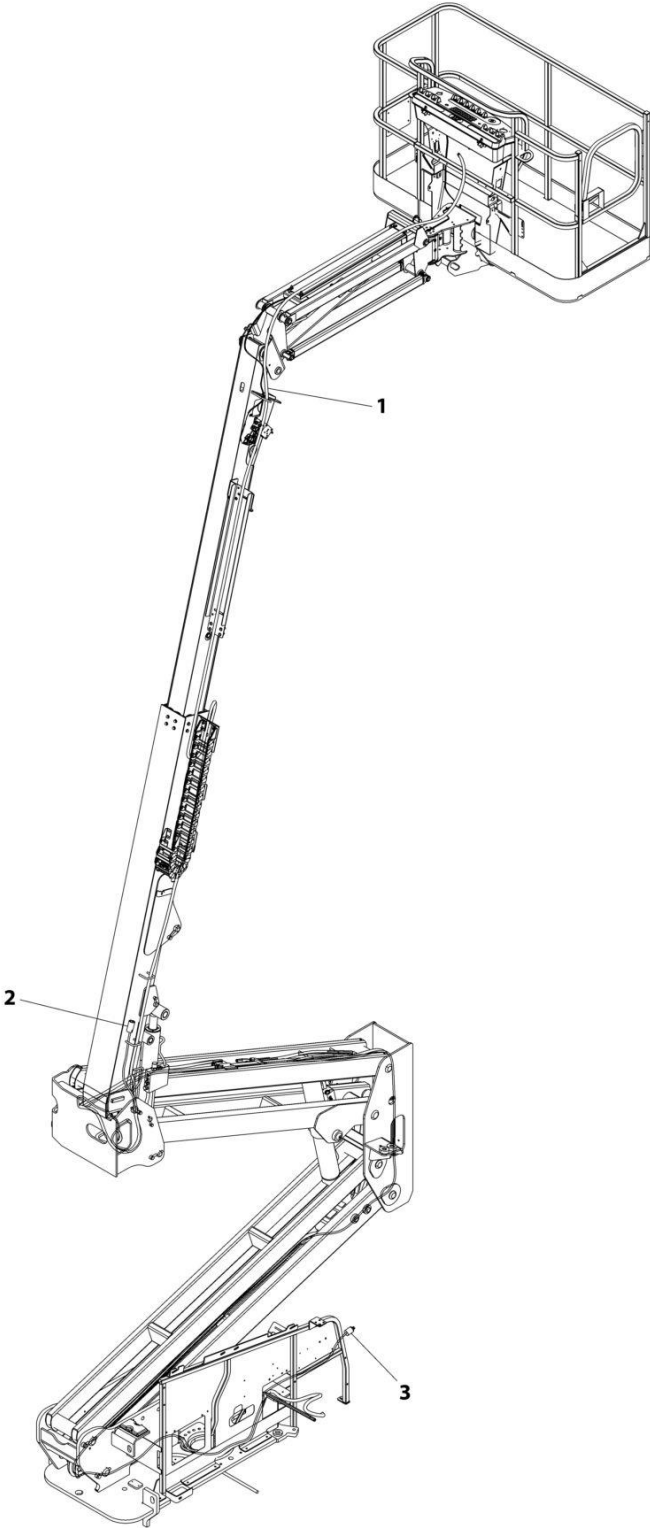
## SECTION 8 - ELECTRICAL

**FIGURE 8-16. AC CABLE INSTALLATION - WITH THREE BREAKERS (CE, CIS/EAC & UK CA SPECS)**

ITEM	PART NUMBER	QTY	DESCRIPTION	REV
	1001209677	Ref	AC CABLE INSTALLATION - WITH THREE BREAKERS	B
1	0760610	AR	Bolt M6 x 20	
1	4010405	AR	Bolt M4 x 10	
2	2080040	AR	Fastener, Huck	
4	3290605	AR	Nut M6	
6	4811700	4	Washer M6	
7	1001091102	AR	Washer M4	
8	1001152485	1	Breaker Box Kit (See Separate Breakdown in this Section)	
9	1001209832	1	Bracket	
10	4811702	AR	Washer M6	

**SECTION 8 - ELECTRICAL**

**FIGURE 8-17. AC CABLE AND PLUG INSTALLATION (MACHINES WITH SN STARTING WITH B3)**



ART\_1001265275

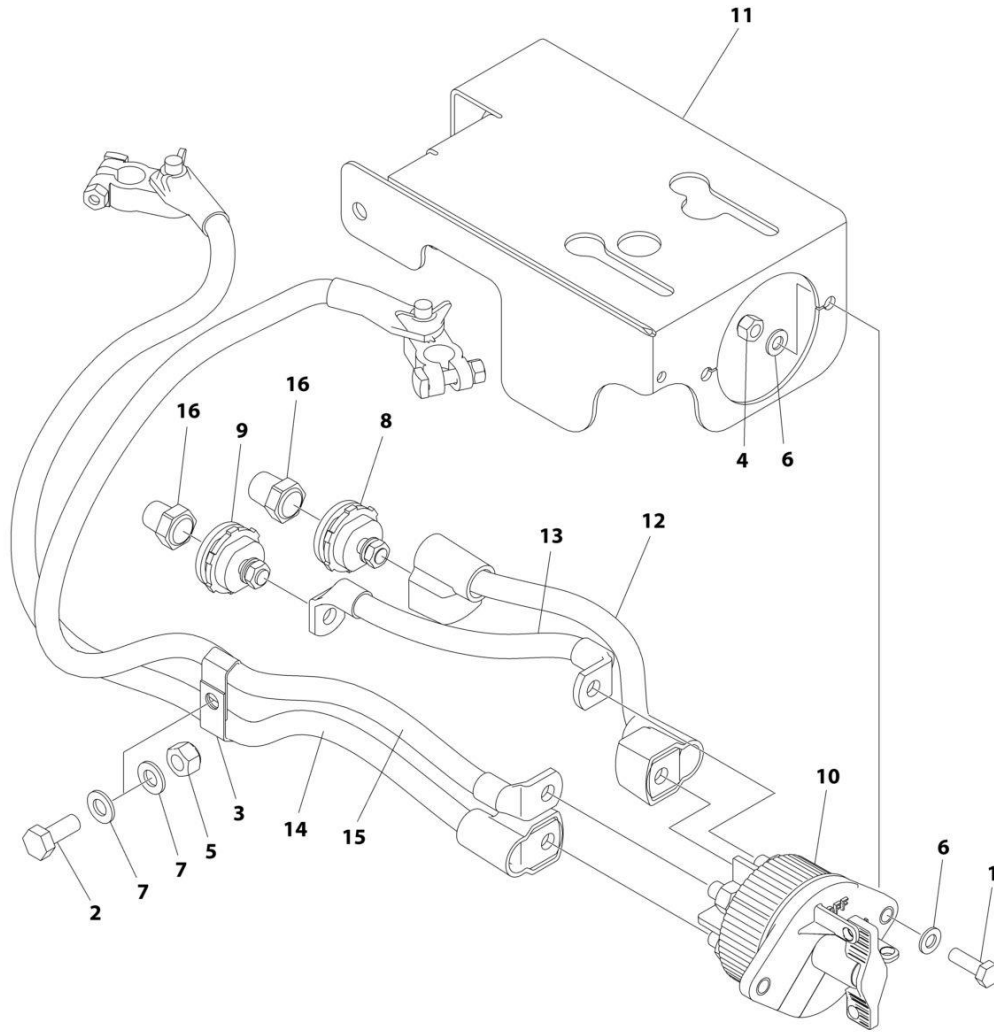
## SECTION 8 - ELECTRICAL

**FIGURE 8-17. AC CABLE AND PLUG INSTALLATION (MACHINES WITH SN STARTING WITH B3)**

ITEM	PART NUMBER	QTY	DESCRIPTION	REV
1	1001265275	Ref	AC CABLE AND PLUG INSTALLATION	A
	1001164731	1	Harness, Main Boom AC Cable (See Separate Breakdown in this Section)	
2	1001174749	1	Harness, Tower Boom AC Cable (See Separate Breakdown in this Section)	
3	1001187816	1	Plug, Male	

# SECTION 8 - ELECTRICAL

## FIGURE 8-18. BATTERY DISCONNECT SWITCH



ART\_1001214397

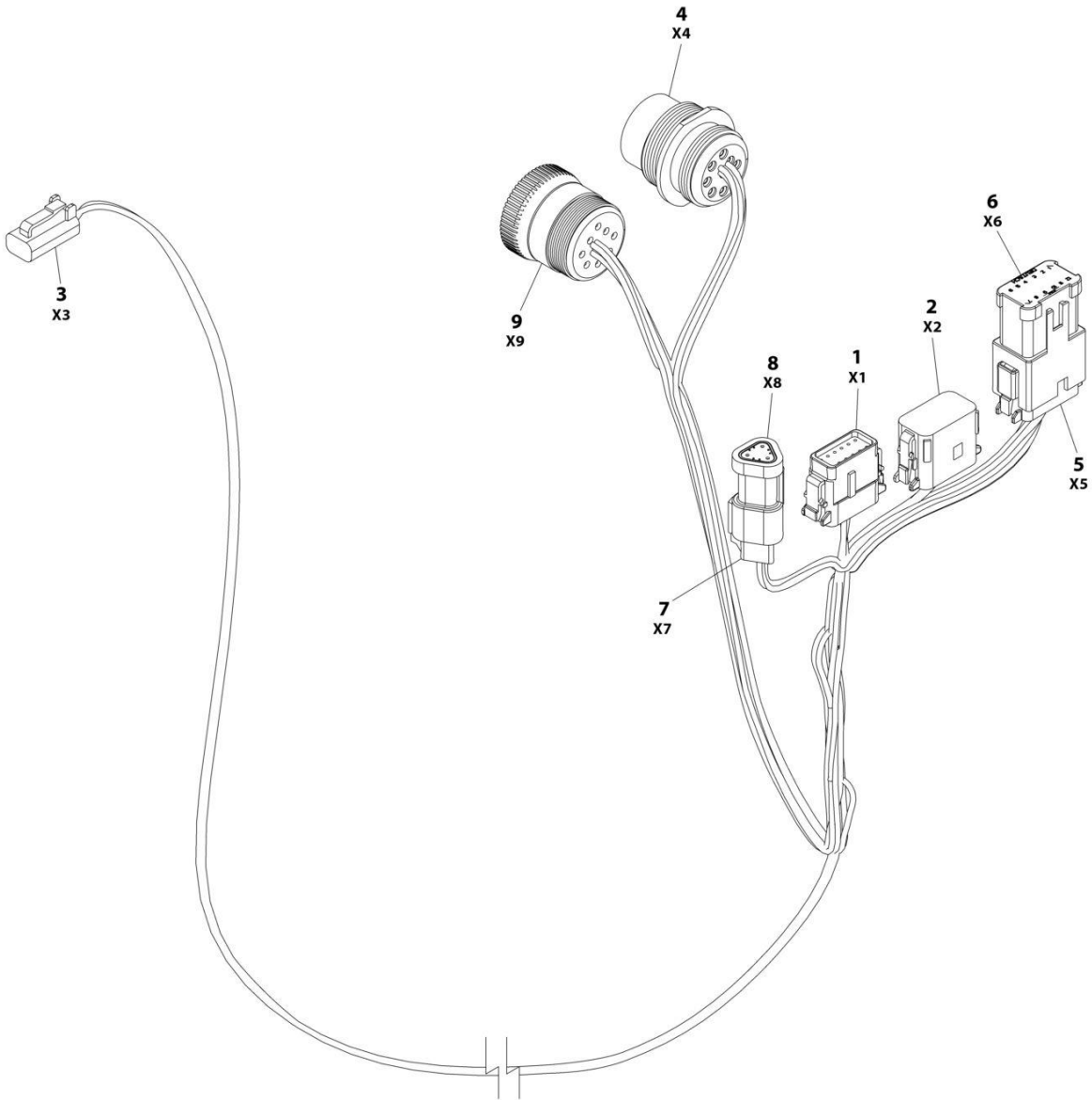
## SECTION 8 - ELECTRICAL

**FIGURE 8-18. BATTERY DISCONNECT SWITCH**

ITEM	PART NUMBER	QTY	DESCRIPTION	REV
	1001214397	Ref	BATTERY DISCONNECT SWITCH	A
1	0760812	2	Bolt M8 x 25	
2	0761012	1	Bolt M10 x 25	
3	1320223	2	Clamp	
4	3290805	2	Nut M8	
5	3291005	1	Nut M10	
6	4811900	4	Washer M8	
7	4812000	2	Washer M10	
8	1001214570	1	Connector (Red)	
9	1001214571	1	Connector (Black)	
10	1001225346	1	Switch	
11	1001226530	1	Mount	
12	1001237878	1	Cable, Battery Disconnect (Positive)	
13	1001237879	1	Cable, Battery Disconnect (Negative)	
14	1001237880	1	Cable (Positive)	
15	1001237881	1	Cable (Negative)	
16	1001206476	1	Connector	

# SECTION 8 - ELECTRICAL

## FIGURE 8-19. BEACON LIGHT HARNESS (BLUE AND RED BEACON LIGHT)



ART\_1001142736



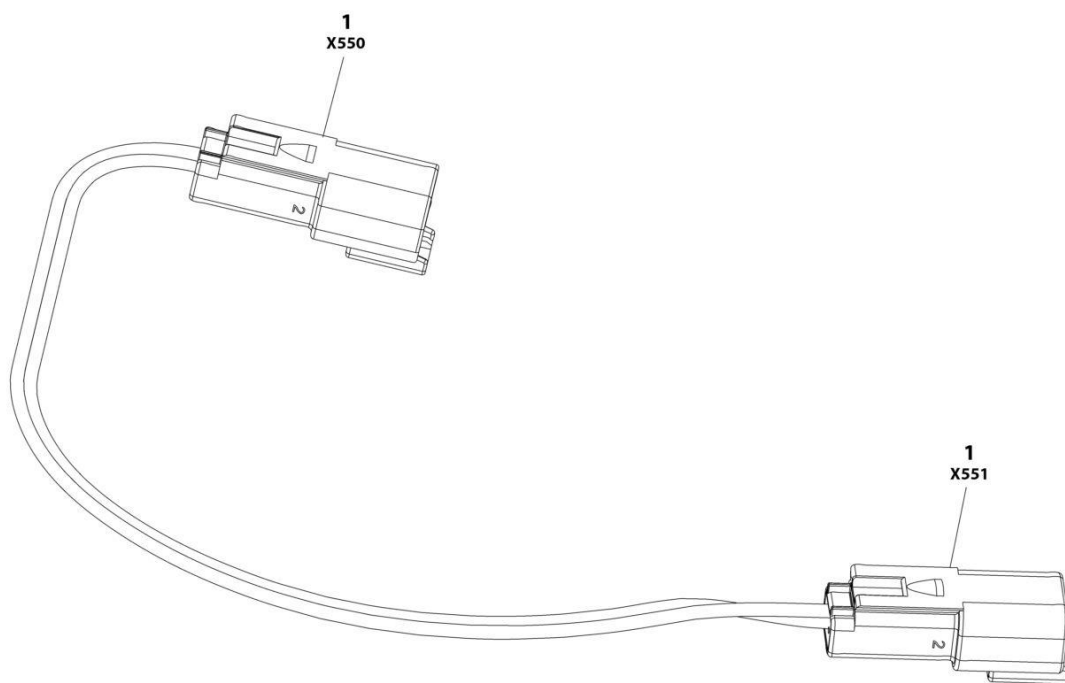
## SECTION 8 - ELECTRICAL

**FIGURE 8-19. BEACON LIGHT HARNESS (BLUE AND RED BEACON LIGHT)**

ITEM	PART NUMBER	QTY	DESCRIPTION	REV
	1001142736	Ref	STROBE LIGHT HARNESS	F
1	1001116808	1	Plug, Male - 12 Position	
1	4460928	3	Socket, Female	
1	4460518	9	Plug, Terminal	
2	1001116774	1	Plug, Male - 12 Position	
2	4460928	3	Socket, Female	
2	4460518	9	Plug, Terminal	
3	4460891	1	Plug, Male - 2 Position	
3	4460465	2	Socket, Female	
4	1001112612	1	Connector - 9 Position	
4	4460464	6	Pin, Male	
4	4460466	3	Plug, Terminal	
5	4460933	1	Plug, Male - 12 Position	
5	4460465	12	Socket, Female	
6	1001119020	1	Bussbar - 12 Position	
7	4461095	1	Plug, Male - 3 Position	
7	4460465	3	Socket, Female	
8	4461070	1	Bussbar - 3 Position	
9	1001112796	1	Connector - 9 Position	
9	4460465	6	Socket, Female	
9	4460466	3	Plug, Terminal	

## SECTION 8 - ELECTRICAL

FIGURE 8-20. BEACON JUMPER HARNESS (AMBER LIGHT) (Prior to SN 0300298674, Prior to SN B300017693)



ART\_1001277185

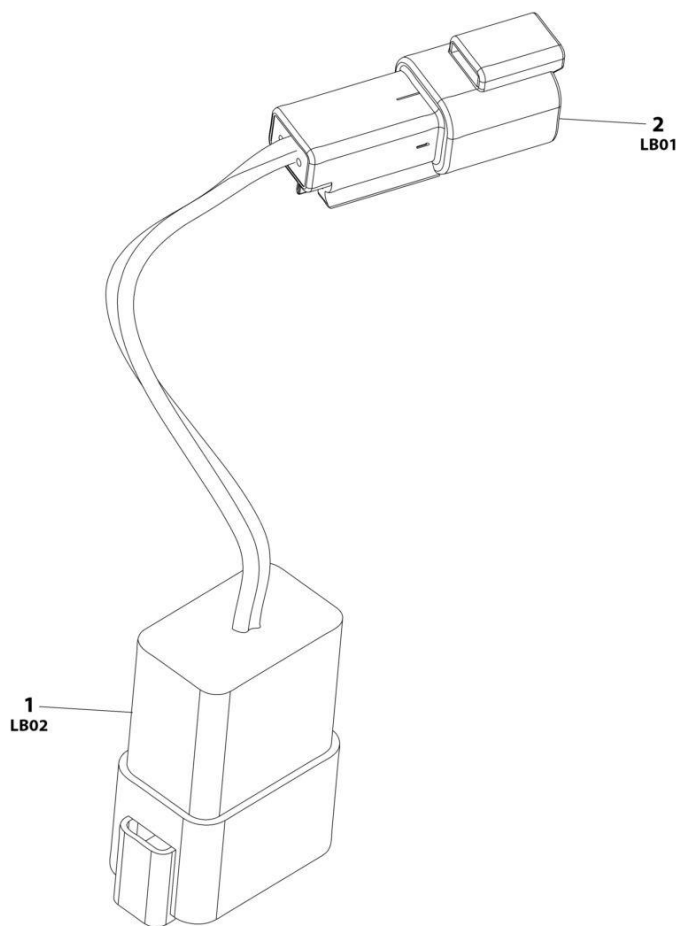
## SECTION 8 - ELECTRICAL

**FIGURE 8-20. BEACON JUMPER HARNESS (AMBER LIGHT) (Prior to SN 0300298674, Prior to SN B300017693)**

ITEM	PART NUMBER	QTY	DESCRIPTION	REV
	1001277185	Ref	STROBE LIGHT HARNESS	A
1	4460897	2	Connector	
1	4460464	4	Pin, Male	

## SECTION 8 - ELECTRICAL

FIGURE 8-21. BEACON JUMPER HARNESS (AMBER LIGHT) (SN 0300298674 to Present, SN B300017693 to Present)



ART\_1001283776

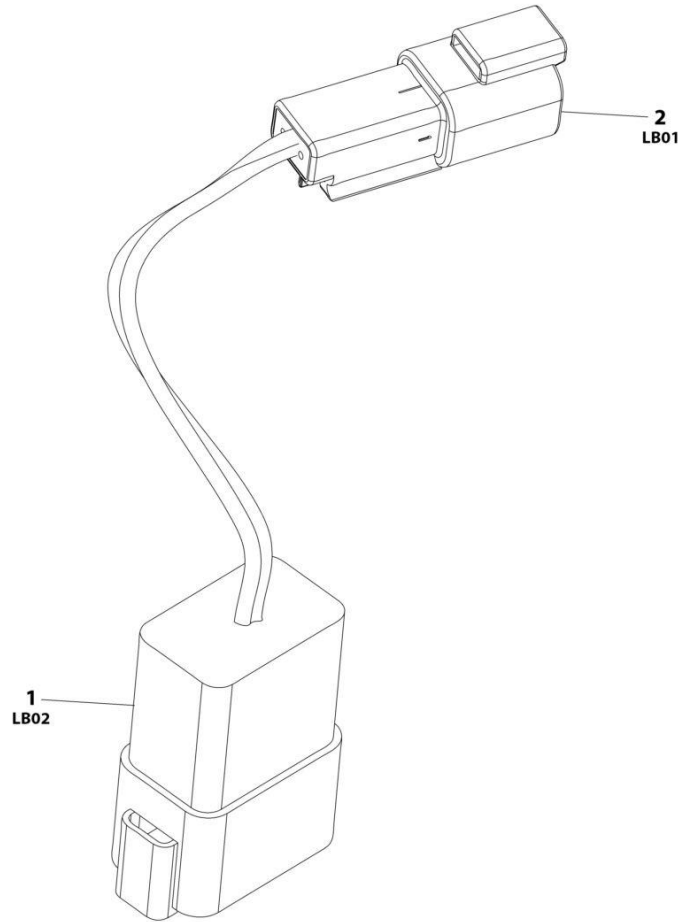
## SECTION 8 - ELECTRICAL

**FIGURE 8-21. BEACON JUMPER HARNESS (AMBER LIGHT) (SN 0300298674 to Present, SN B300017693 to Present)**

ITEM	PART NUMBER	QTY	DESCRIPTION	REV
	1001283776	Ref	STROBE LIGHT HARNESS (AMBER)	A
1	4460931	1	Connector	
1	4460464	2	Pin	
1	4460466	6	Plug	
2	4460897	1	Connector	
2	4460464	2	Pin	

# SECTION 8 - ELECTRICAL

## FIGURE 8-22. BEACON JUMPER HARNESS (ORANGE LIGHT)



ART\_1001283776

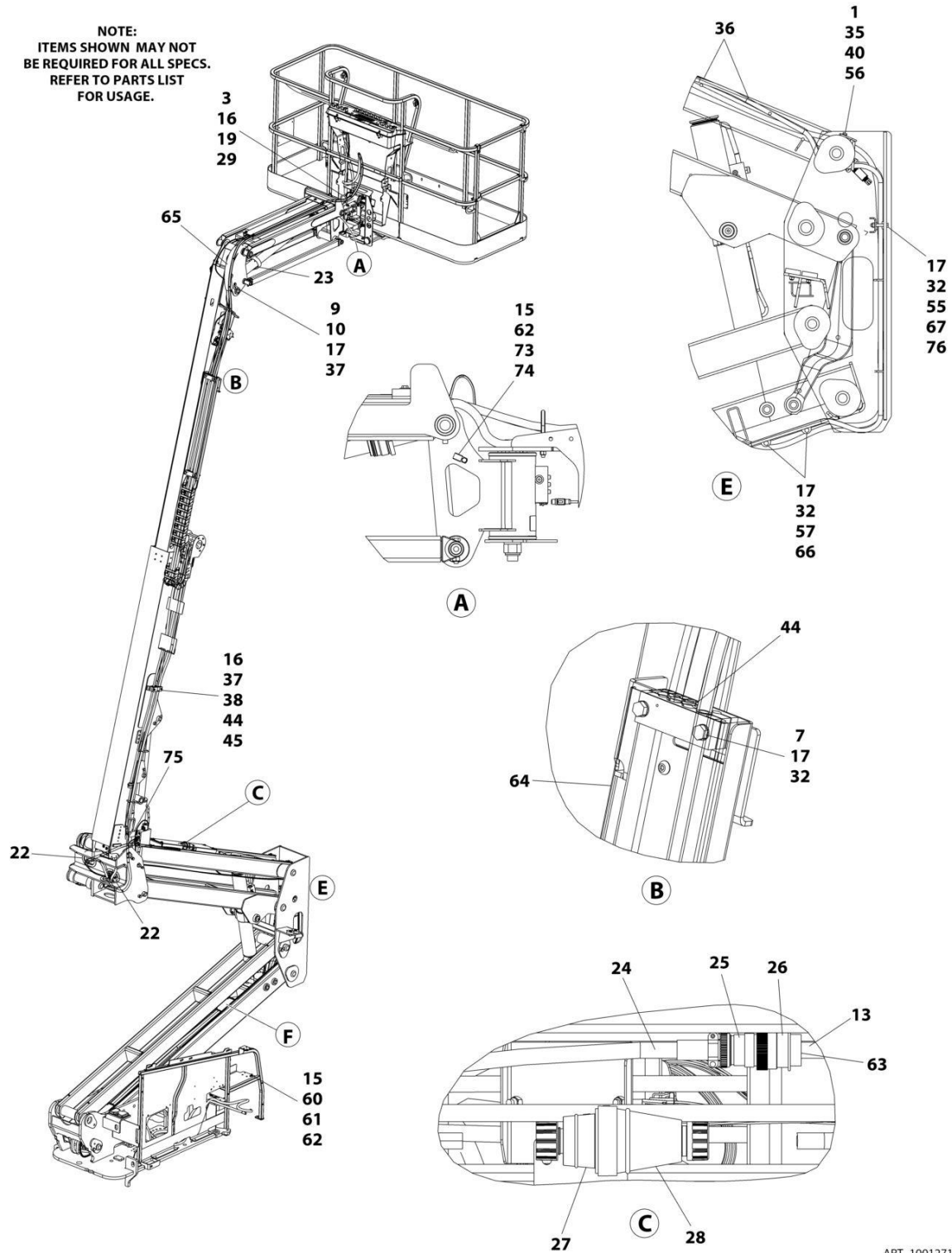
## SECTION 8 - ELECTRICAL

### FIGURE 8-22. BEACON JUMPER HARNESS (ORANGE LIGHT)

ITEM	PART NUMBER	QTY	DESCRIPTION	REV
	1001283776	Ref	STROBE LIGHT HARNESS (AMBER)	A
1	4460931	1	Connector	
1	4460464	2	Pin	
1	4460466	6	Plug	
2	4460897	1	Connector	
2	4460464	2	Pin	

# SECTION 8 - ELECTRICAL

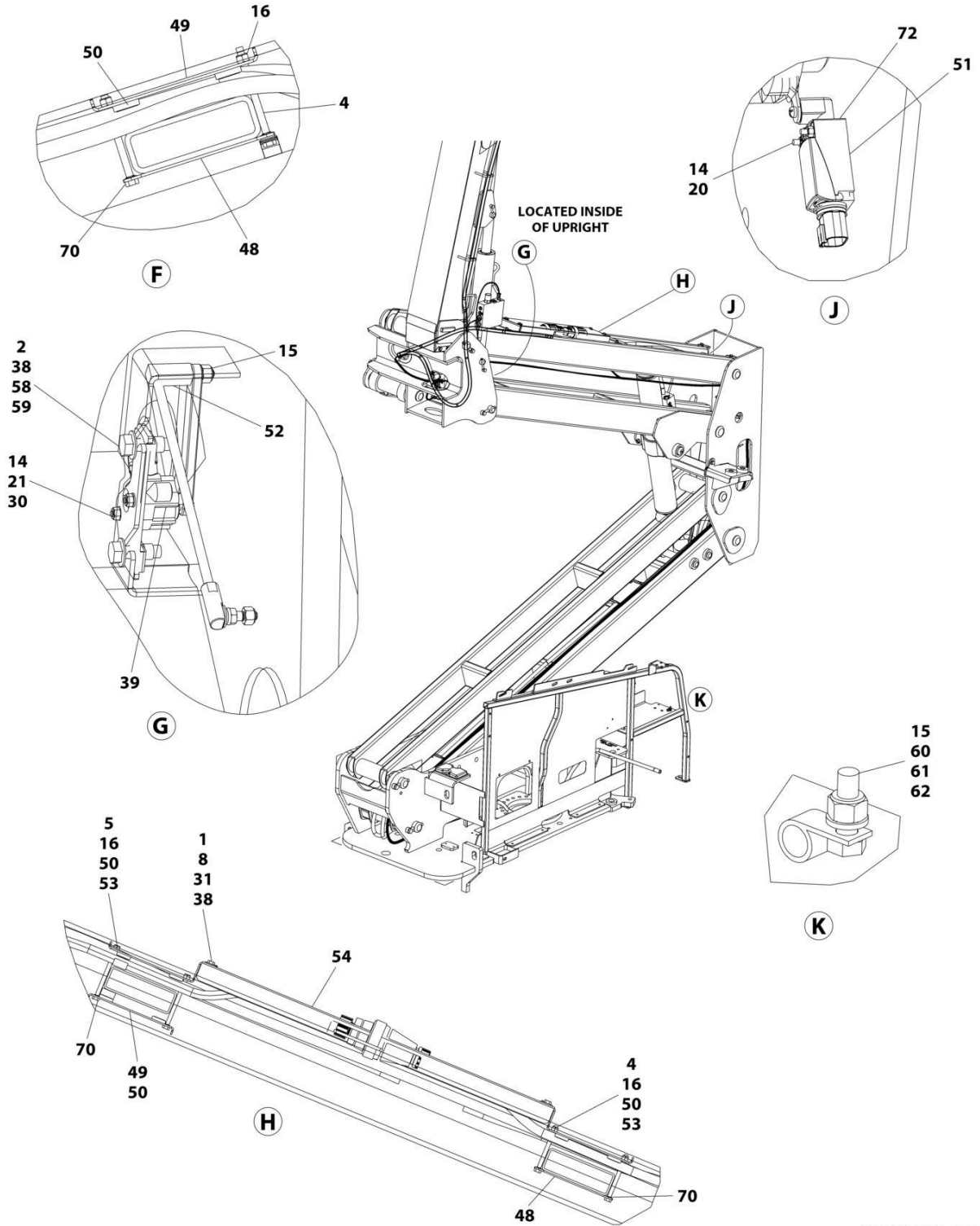
## FIGURE 8-23. BOOM CABLES AND CLAMPS INSTALLATION (MACHINES WITHOUT GENERATOR & WITHOUT AC CABLES)



ART\_1001271182\_10F2



# SECTION 8 - ELECTRICAL



ART\_1001271182\_2OF2

## SECTION 8 - ELECTRICAL

**FIGURE 8-23. BOOM CABLES AND CLAMPS INSTALLATION (MACHINES WITHOUT GENERATOR & WITHOUT AC CABLES)**

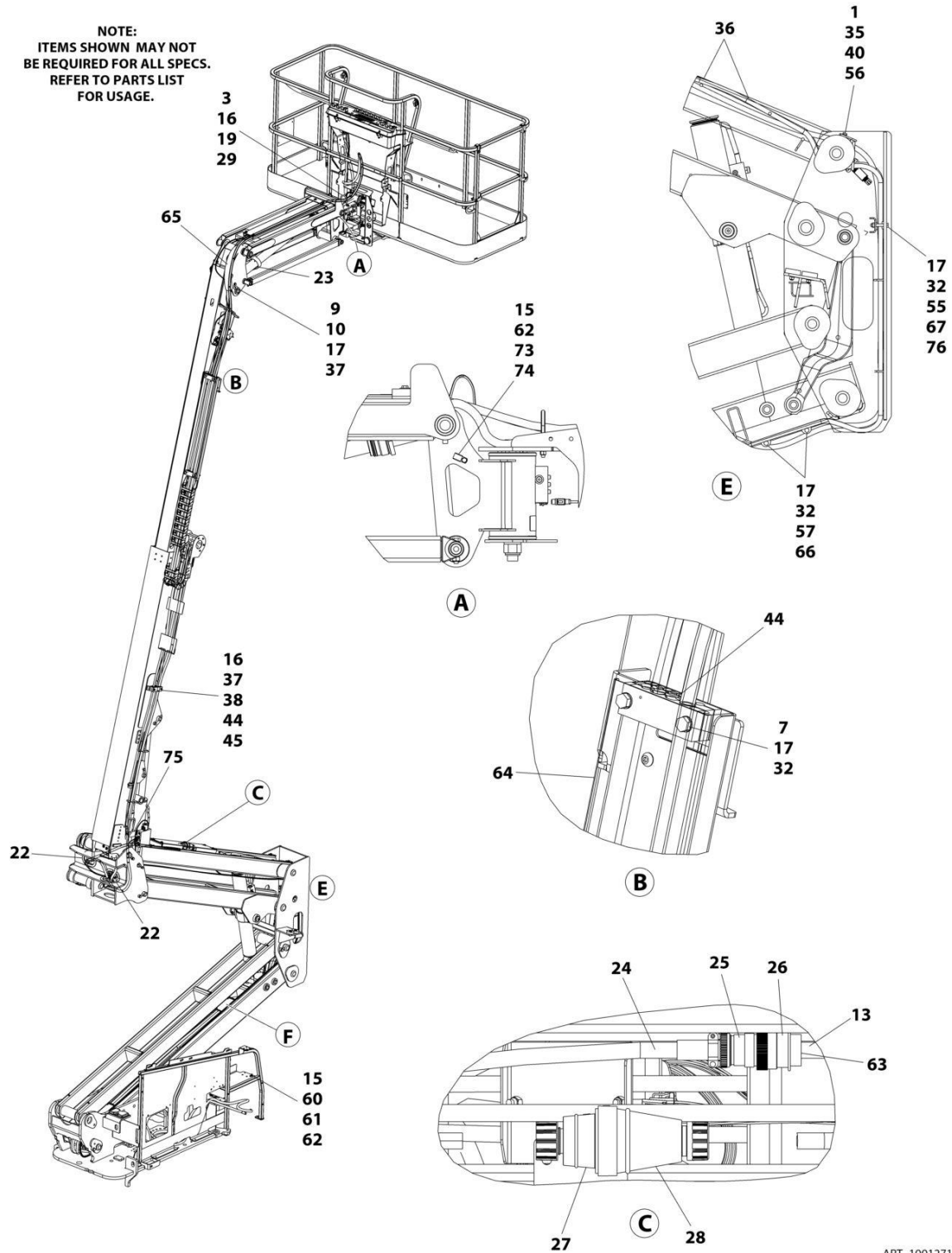
ITEM	PART NUMBER	QTY	DESCRIPTION	REV
	1001271182	Ref	BOOM CABLES AND CLAMPS INSTALLATION	G
1	0100011	AR	Compound, Locking	
2	0100081	AR	Adhesive	
3	0760814	2	Bolt M8 x 30	
4	0700827	6	Bolt M8 x 100	
5	0700828	2	Bolt M8 x 110	
7	0701024	4	Bolt M10 x 80	
8	0760812	4	Bolt M8 x 25	
9	0761012	1	Bolt M10 x 25	
10	1320130	1	Clamp	
13	2820031	AR	Heat Shrink	
14	3290405	4	Nut M4	
15	3290605	5	Nut M6	
16	3290805	12	Nut M8	
17	3291005	9	Nut M10	
19	3841340	1	Loop, Hose	
20	4010418	2	Screw M4 x 50	
21	4031511	2	Capscrew M4 x 35	
22	4060808	27.5 in/ 8.38m	Flex-Trim	
23	4240156	1	Strap, Clinch	
24	4460473	AR	Clamp, Cable	
25	4460865	1	Connector - 19 Position	
26	4460866	1	Connector - 19 Position	
29	4811900	4	Washer M8	
30	4811400	2	Washer M4	
31	4811902	4	Washer M8	
32	4812000	13	Washer M10	
33	1001176951	1	Harness, Tower Boom (Not Shown - See Separate Breakdown in this Section)	
35	5251014	2	Bolt M10 x 30	
36	8881800	AR	Tie-Strap	
37	5281918	2	Screw M8 x 70	
38	1001118274	AR	Nut M8	
39	1001118971	1	Sensor, Angle	
39	70005667	1	Arm	
40	1001118972	2	Nut M10	
41	1001164730	1	Harness, Main Boom (Not Shown - See Separate Breakdown in this Section)	
43	1001164738	1	Harness, Boom Valve (Not Shown - See Separate Breakdown in this Section)	
44	1001273302	3	Block, Clamping	
45	1001273303	1	Plate	
48	1001171553	3	Plate, Clamping	
49	1001171555	3	Plate, Clamping	
50	1001171559	10	Pad	
51	1001284504	1	Switch, Limit	
52	1001238466	1	Link, Sensor (Note: Sold as Assembly Only)	
53	1001178448	2	Plate, Clamping	
54	1001178449	1	Cover	

## SECTION 8 - ELECTRICAL

ITEM	PART NUMBER	QTY	DESCRIPTION	REV
55	1001178644	1	Plate	
56	1001260306	1	Bracket	
57	1001182561	2	Roller	
58	5250812	2	Bolt M8 x 25	
59	1001179266	1	Plate, Mounting	
60	0760610	1	Bolt M6 x 20	
61	1320043	1	Clamp	
62	4811700	5	Washer M6	
63	4460466	AR	Plug, Terminal	
64	1001181621	1	Cover	
65	1001181923	1	Shield, Hose	
66	1001119280	2	Bolt M10 x 260	
67	1001185747	2	Pad	
70	1001119228	8	Nut M8	
72	4750800	AR	Washer #8	
73	1320041	2	Clamp	
74	0760612	2	Bolt M6 x 25	
75	1001143645	1	Strap	
76	0701022	AR	Bolt M10 x 70	

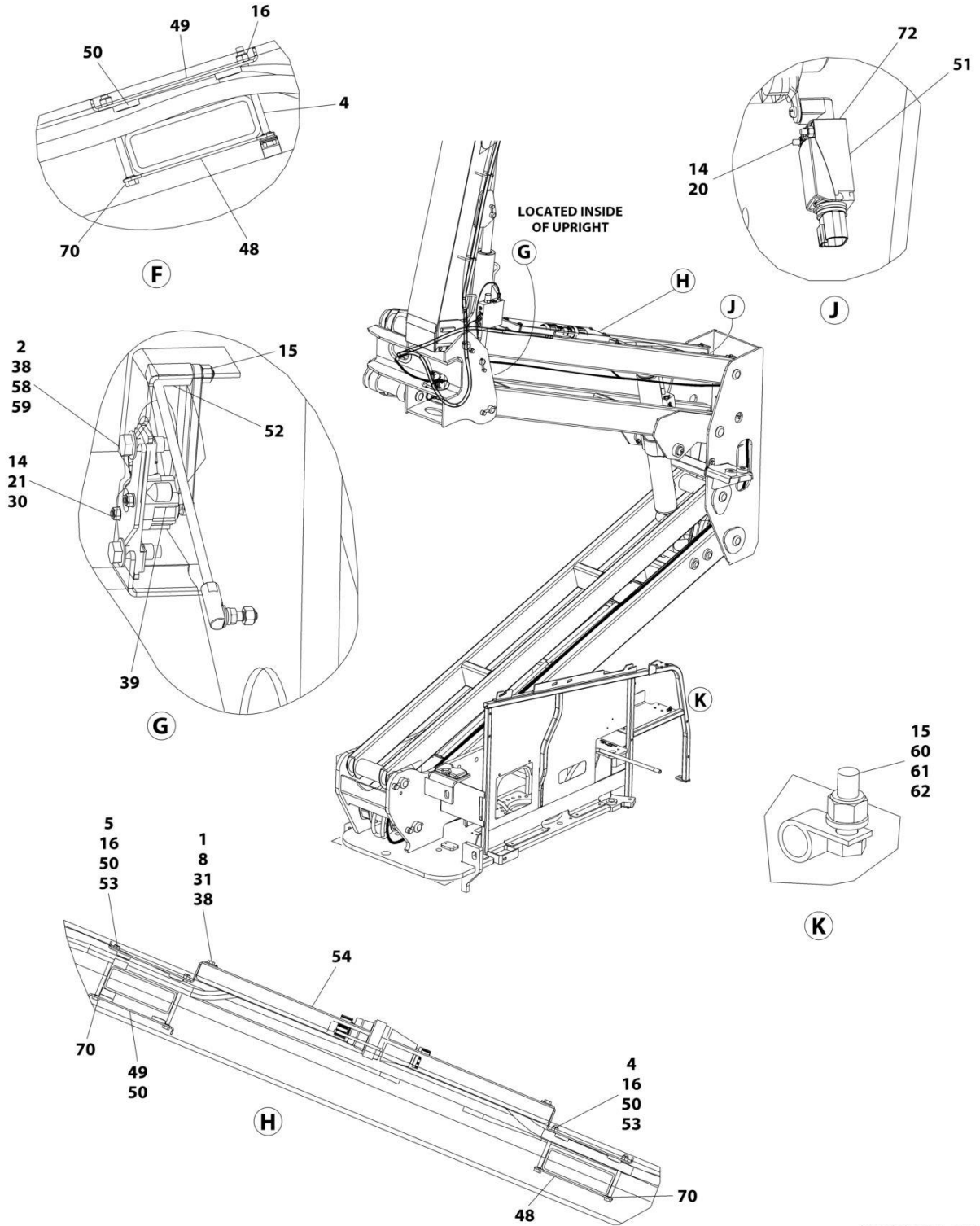
# SECTION 8 - ELECTRICAL

## FIGURE 8-24. BOOM CABLES AND CLAMPS INSTALLATION (MACHINES WITHOUT GENERATOR & WITH AC CABLES)



ART\_1001271175\_10F2

# SECTION 8 - ELECTRICAL



ART\_1001271175\_2OF2

## SECTION 8 - ELECTRICAL

**FIGURE 8-24. BOOM CABLES AND CLAMPS INSTALLATION (MACHINES WITHOUT GENERATOR & WITH AC CABLES)**

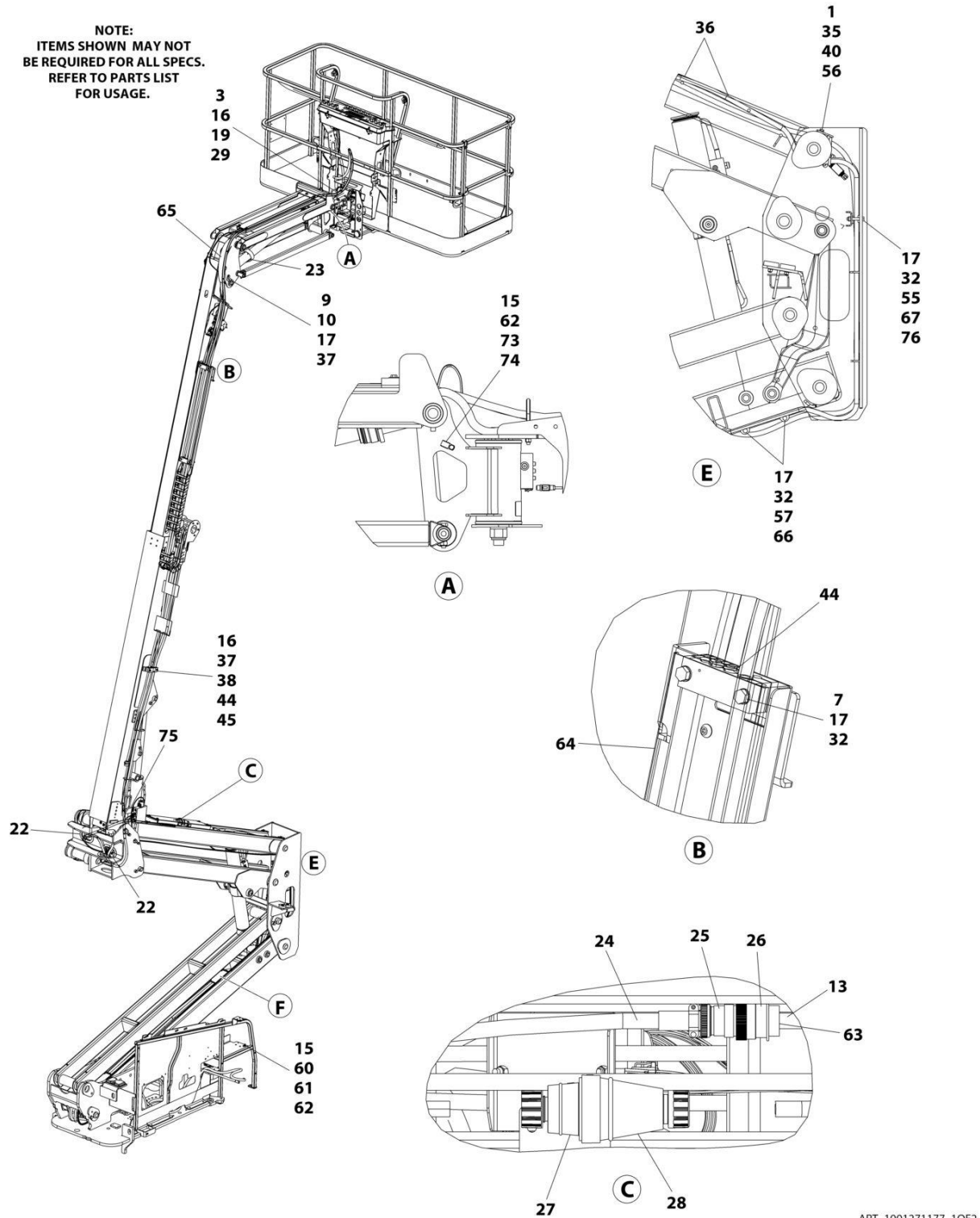
ITEM	PART NUMBER	QTY	DESCRIPTION	REV
	1001271175	Ref	BOOM CABLES AND CLAMPS INSTALLATION	G
1	0100011	AR	Compound, Locking	
2	0100081	AR	Adhesive	
3	0760814	2	Bolt M8 x 30	
4	0700827	6	Bolt M8 x 100	
5	0700828	2	Bolt M8 x 110	
7	0701024	4	Bolt M10 x 80	
8	0760812	4	Bolt M8 x 25	
9	0761012	1	Bolt M10 x 25	
10	1320130	1	Clamp	
13	2820031	AR	Heat Shrink	
14	3290405	4	Nut M4	
15	3290605	5	Nut M6	
16	3290805	12	Nut M8	
17	3291005	9	Nut M10	
19	3841340	1	Loop, Hose	
20	4010418	2	Screw M4 x 50	
21	4031511	2	Capscrew M4 x 35	
22	4060808	27.5 in/ 8.38m	Flex-Trim	
23	4240156	1	Strap, Clinch	
24	4460473	AR	Clamp, Cable	
25	4460865	1	Connector - 19 Position	
26	4460866	1	Connector - 19 Position	
29	4811900	4	Washer M8	
30	4811400	2	Washer M4	
31	4811902	4	Washer M8	
32	4812000	13	Washer M10	
33	1001176951	1	Harness, Tower Boom (Not Shown - See Separate Breakdown in this Section)	
34	1001174749	1	Harness, Tower Boom AC Cable (Not Shown - See Separate Breakdown in this Section)	
35	5251014	2	Bolt M10 x 30	
36	8881800	AR	Tie-Strap	
37	5281918	2	Bolt M8 x 70	
38	1001118274	AR	Nut M8	
39	1001118971	1	Sensor, Angle	
39	70005667	1	Arm	
40	1001118972	2	Nut M10	
41	1001164730	1	Harness, Main Boom (Not Shown - See Separate Breakdown in this Section)	
42	1001164731	1	Harness, Main Boom AC Cable (Not Shown - See Separate Breakdown in this Section)	
43	1001164738	1	Harness, Boom Valve (Not Shown - See Separate Breakdown in this Section)	
44	1001273302	3	Clamp	
45	1001273303	1	Plate	
48	1001171553	3	Plate, Clamping	
49	1001171555	3	Plate, Clamping	
50	1001171559	10	Pad	

## SECTION 8 - ELECTRICAL

ITEM	PART NUMBER	QTY	DESCRIPTION	REV
51	1001284504	1	Switch, Limit	
52	1001238466	1	Link, Sensor (Note: Sold as Assembly Only)	
53	1001178448	2	Plate, Clamping	
54	1001178449	1	Cover	
55	1001178644	1	Plate	
56	1001260306	1	Bracket	
57	1001182561	2	Roller	
58	5250812	2	Bolt M8 x 25	
59	1001179266	1	Plate, Mounting	
60	0760610	1	Bolt M6 x 20	
61	1320043	1	Clamp	
62	4811700	5	Washer M6	
63	4460466	AR	Plug, Terminal	
64	1001181621	1	Cover	
65	1001181923	1	Shield, Hose	
66	1001119280	2	Bolt M10 x 260	
67	1001185747	2	Pad	
70	1001119228	8	Nut M8	
72	4750800	AR	Washer #8	
73	1320041	2	Clamp	
74	0760612	2	Bolt M6 x 25	
75	1001143645	1	Strap	
76	0701022	AR	Bolt M10 x 70	

# SECTION 8 - ELECTRICAL

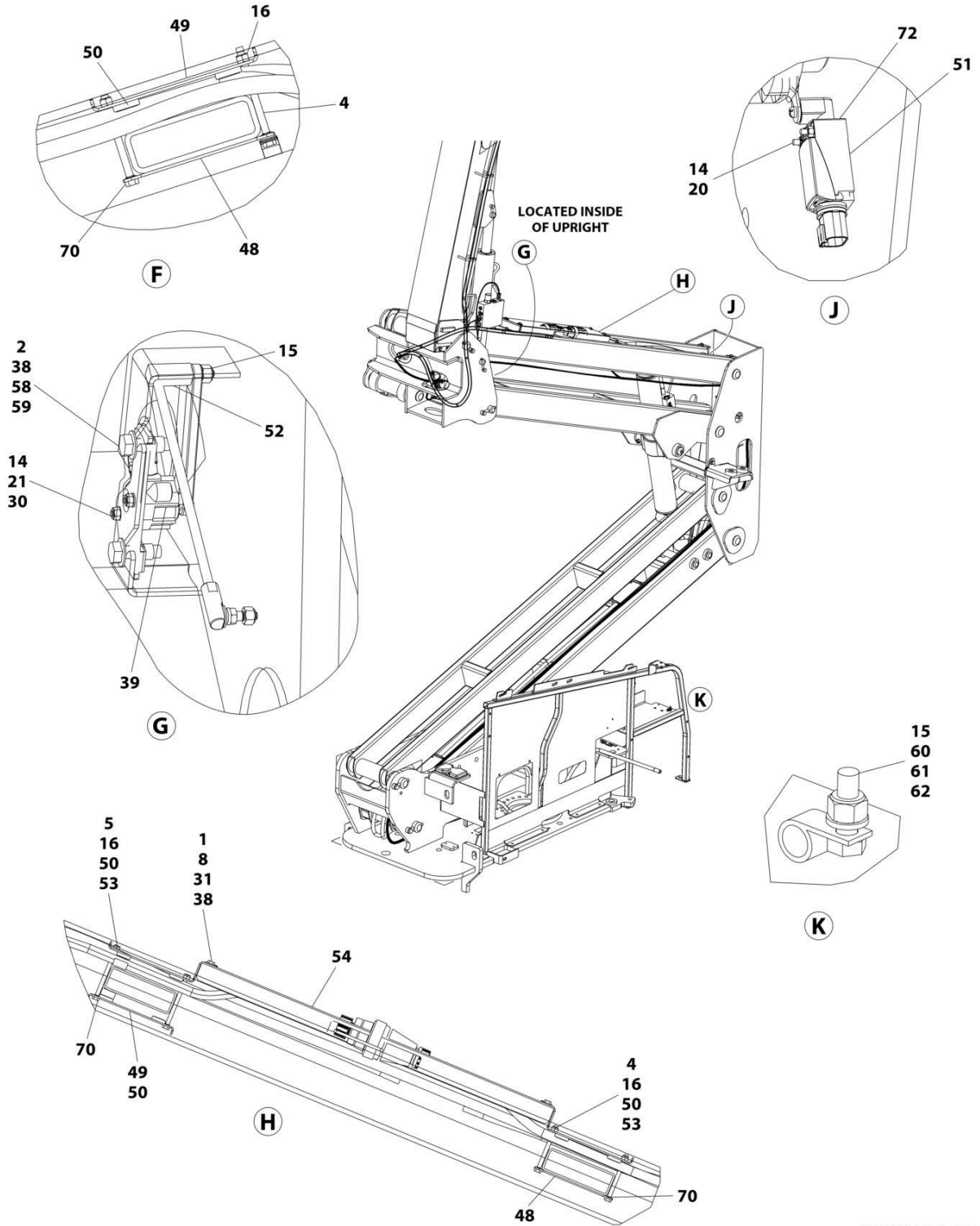
## FIGURE 8-25. BOOM CABLES AND CLAMPS INSTALLATION (MACHINES WITHOUT GENERATOR AND WITH ARCTIC PACKAGE)



ART\_1001271177\_10F2



# SECTION 8 - ELECTRICAL



ART\_1001271177\_2OF2

## SECTION 8 - ELECTRICAL

**FIGURE 8-25. BOOM CABLES AND CLAMPS INSTALLATION (MACHINES WITHOUT GENERATOR AND WITH ARCTIC PACKAGE)**

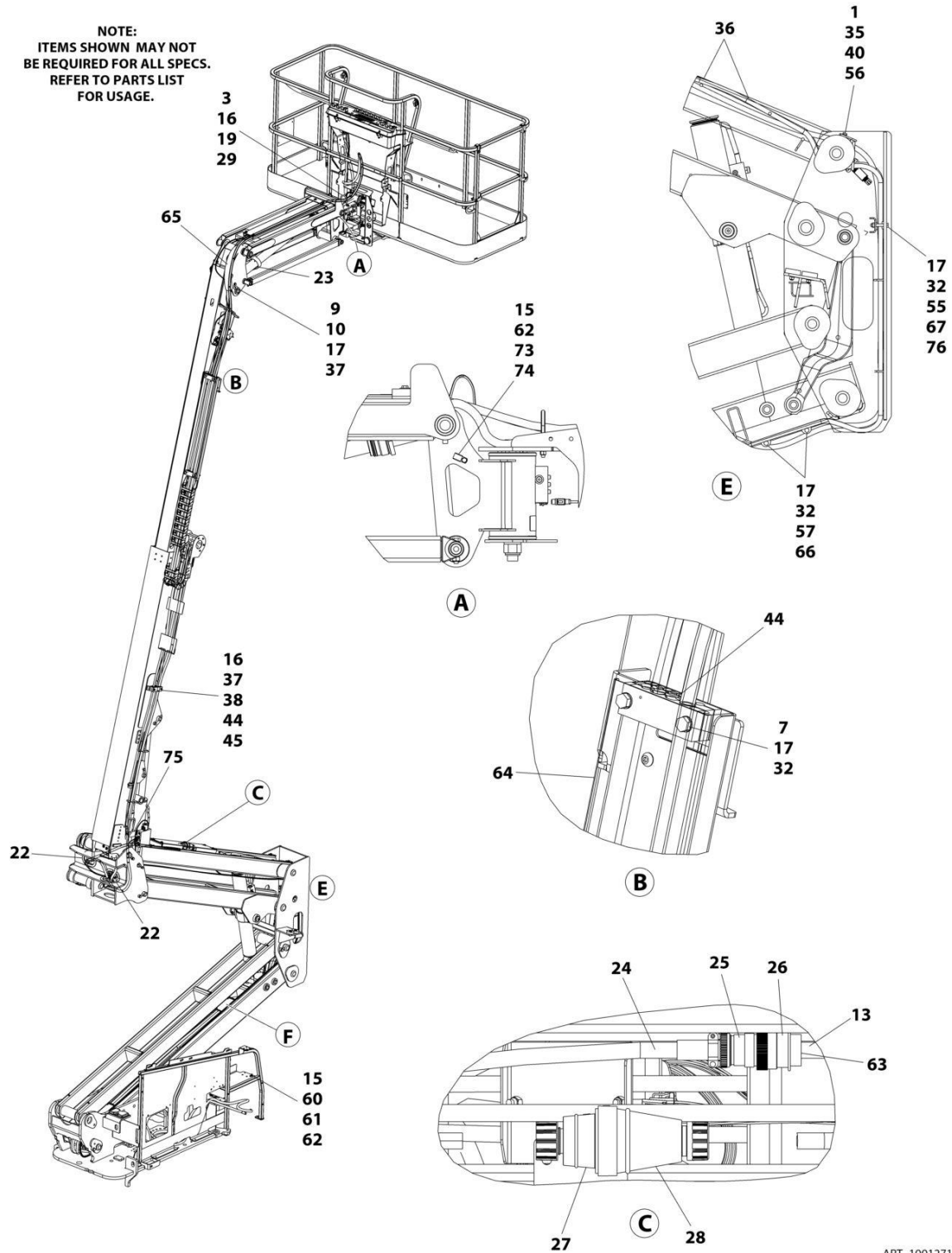
ITEM	PART NUMBER	QTY	DESCRIPTION	REV
	1001271177	Ref	BOOM CABLES AND CLAMPS INSTALLATION	G
1	0100011	AR	Compound, Locking	
2	0100081	AR	Adhesive	
3	0760814	2	Bolt M8 x 30	
4	0700827	6	Bolt M8 x 100	
5	0700828	2	Bolt M8 x 110	
7	0701024	4	Bolt M10 x 80	
8	0760812	4	Bolt M8 x 25	
9	0761012	1	Bolt M10 x 25	
10	1320130	1	Clamp	
13	2820031	AR	Heat Shrink	
14	3290405	4	Nut M4	
15	3290605	5	Nut M6	
16	3290805	12	Nut M8	
17	3291005	9	Nut M10	
19	3841340	1	Loop, Hose	
20	4010418	2	Screw M4 x 50	
21	4031511	2	Capscrew M4 x 35	
22	4060808	27.5 in/ 8.38m	Flex-Trim	
23	4240156	1	Strap, Clinch	
24	4460473	AR	Clamp, Cable	
25	4460865	1	Connector - 19 Position	
26	4460866	1	Connector - 19 Position	
29	4811900	4	Washer M8	
30	4811400	2	Washer M4	
31	4811902	4	Washer M8	
32	4812000	13	Washer M10	
33	1001179439	1	Harness, Tower Boom (Not Shown - See Separate Breakdown in this Section)	
34	1001174754	1	Harness, Tower Boom AC Cable (Not Shown - See Separate Breakdown in this Section)	
35	5251014	2	Bolt M10 x 30	
36	8881800	AR	Tie-Strap	
37	5281918	2	Screw M8 x 70	
38	1001118274	AR	Nut M8	
39	1001118971	1	Sensor, Angle	
40	1001118972	2	Nut M10	
41	1001174748	1	Harness, Main Boom (Not Shown - See Separate Breakdown in this Section)	
42	1001174750	1	Harness, Main Boom AC Cable (Not Shown - See Separate Breakdown in this Section)	
43	1001164738	1	Harness, Boom Valve (Not Shown - See Separate Breakdown in this Section)	
44	1001273304	3	Clamp	
45	1001273303	1	Plate	
48	1001171553	3	Plate, Clamping	
49	1001171555	3	Plate, Clamping	
50	1001171559	10	Pad	
51	1001172271	1	Switch, Limit	

## SECTION 8 - ELECTRICAL

ITEM	PART NUMBER	QTY	DESCRIPTION	REV
51	1001284504	1	Switch, Limit	
52	1001238466	1	Link, Sensor (Note: Sold as Assembly Only)	
53	1001178448	2	Plate, Clamping	
54	1001178449	1	Cover	
55	1001178644	1	Plate	
56	1001260306	1	Bracket	
57	1001182561	2	Roller	
58	5250812	2	Bolt M8 x 25	
59	1001179266	1	Plate, Mounting	
60	0760610	1	Bolt M6 x 20	
61	1320043	1	Clamp	
62	4811700	5	Washer M6	
63	4460466	AR	Plug, Terminal	
64	1001181621	1	Cover	
65	1001181923	1	Shield, Hose	
66	1001119280	2	Bolt M10 x 260	
67	1001185747	2	Pad	
70	1001119228	8	Nut M8	
73	1320041	2	Clamp	
74	0760612	2	Bolt M6 x 25	
75	1001143645	1	Strap	
76	0701022	AR	Bolt M10 x 70	

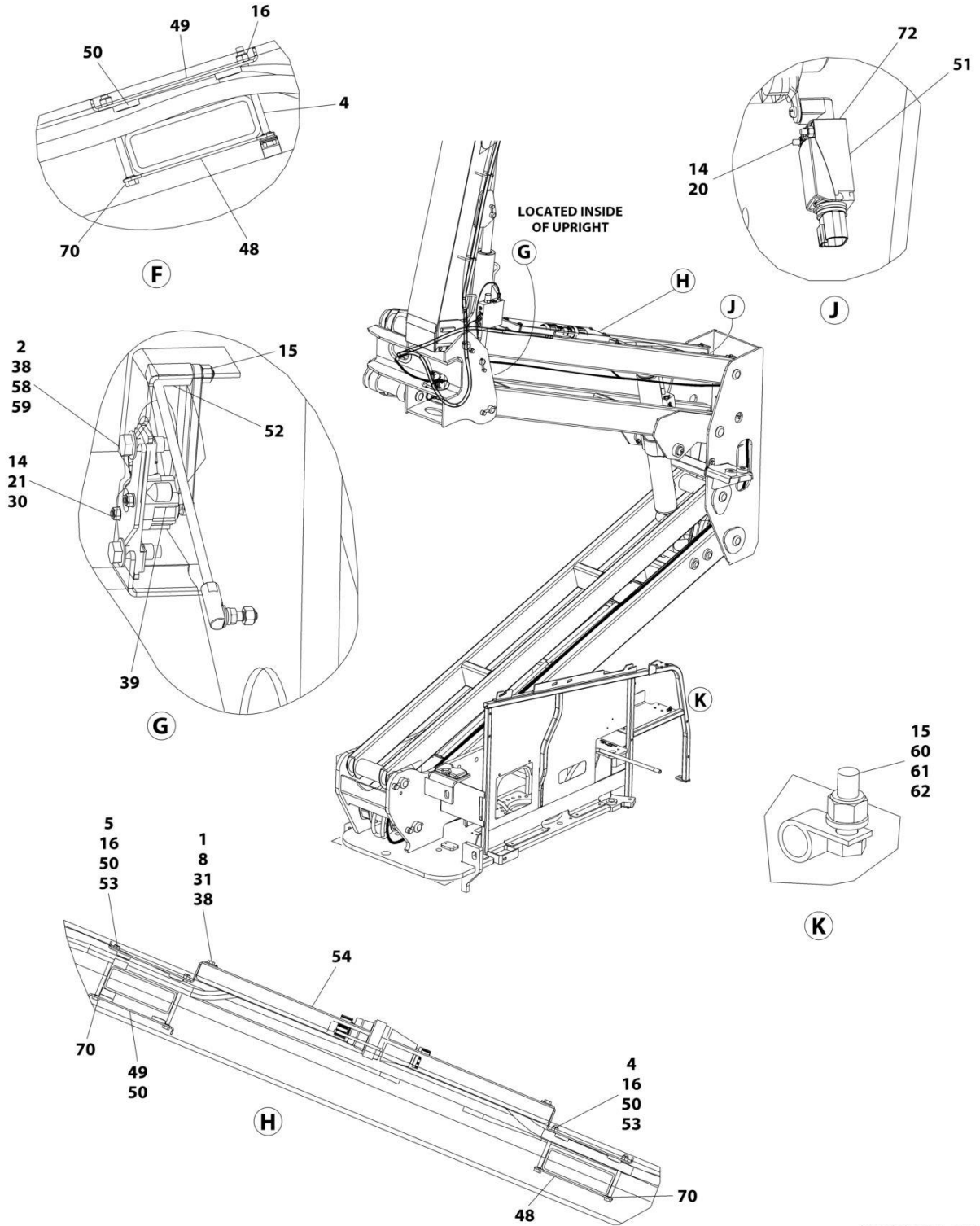
# SECTION 8 - ELECTRICAL

## FIGURE 8-26. BOOM CABLES AND CLAMPS INSTALLATION (MACHINES WITH 50HZ 4000W GENERATOR)



ART\_1001271175\_10F2

# SECTION 8 - ELECTRICAL



ART\_1001271175\_2OF2

## SECTION 8 - ELECTRICAL

**FIGURE 8-26. BOOM CABLES AND CLAMPS INSTALLATION (MACHINES WITH 50HZ 4000W GENERATOR)**

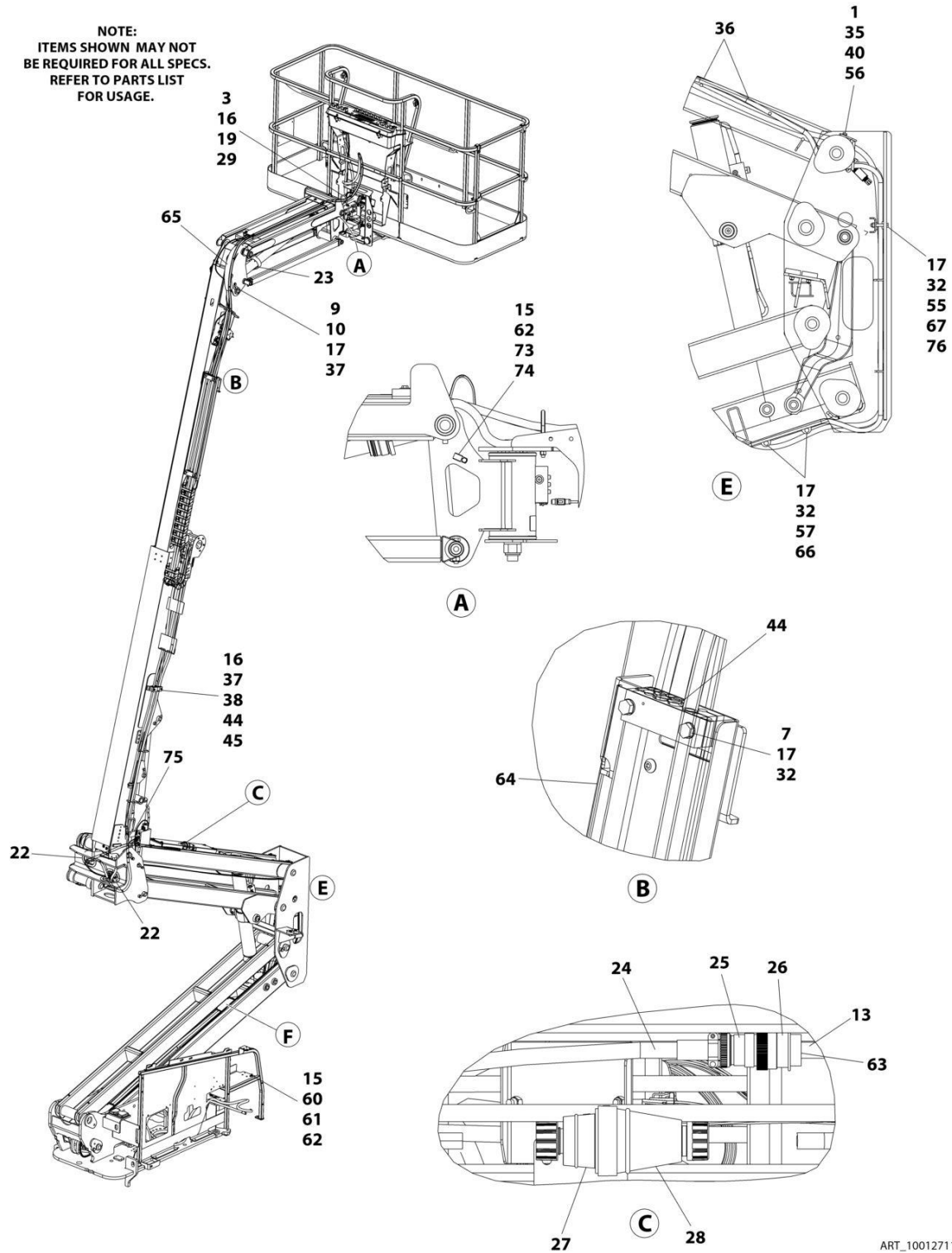
ITEM	PART NUMBER	QTY	DESCRIPTION	REV
	1001271175	Ref	BOOM CABLES AND CLAMPS INSTALLATION	G
1	0100011	AR	Compound, Locking	
2	0100081	AR	Adhesive	
3	0760814	2	Bolt M8 x 30	
4	0700827	6	Bolt M8 x 100	
5	0700828	2	Bolt M8 x 110	
7	0701024	4	Bolt M10 x 80	
8	0760812	4	Bolt M8 x 25	
9	0761012	1	Bolt M10 x 25	
10	1320130	1	Clamp	
13	2820031	AR	Heat Shrink	
14	3290405	4	Nut M4	
15	3290605	5	Nut M6	
16	3290805	12	Nut M8	
17	3291005	9	Nut M10	
19	3841340	1	Loop, Hose	
20	4010418	2	Screw M4 x 50	
21	4031511	2	Capscrew M4 x 35	
22	4060808	27.5 in/ 8.38m	Flex-Trim	
23	4240156	1	Strap, Clinch	
24	4460473	AR	Clamp, Cable	
25	4460865	1	Connector - 19 Position	
26	4460866	1	Connector - 19 Position	
29	4811900	4	Washer M8	
30	4811400	2	Washer M4	
31	4811902	4	Washer M8	
32	4812000	13	Washer M10	
33	1001176951	1	Harness, Tower Boom (Not Shown - See Separate Breakdown in this Section)	
34	1001174749	1	Harness, Tower Boom AC Cable (Not Shown - See Separate Breakdown in this Section)	
35	5251014	2	Bolt M10 x 30	
36	8881800	AR	Tie-Strap	
37	5281918	2	Bolt M8 x 70	
38	1001118274	AR	Nut M8	
39	1001118971	1	Sensor, Angle	
39	70005667	1	Arm	
40	1001118972	2	Nut M10	
41	1001164730	1	Harness, Main Boom (Not Shown - See Separate Breakdown in this Section)	
42	1001164731	1	Harness, Main Boom AC Cable (Not Shown - See Separate Breakdown in this Section)	
43	1001164738	1	Harness, Boom Valve (Not Shown - See Separate Breakdown in this Section)	
44	1001273302	3	Clamp	
45	1001273303	1	Plate	
48	1001171553	3	Plate, Clamping	
49	1001171555	3	Plate, Clamping	
50	1001171559	10	Pad	

## SECTION 8 - ELECTRICAL

ITEM	PART NUMBER	QTY	DESCRIPTION	REV
51	1001284504	1	Switch, Limit	
52	1001238466	1	Link, Sensor (Note: Sold as Assembly Only)	
53	1001178448	2	Plate, Clamping	
54	1001178449	1	Cover	
55	1001178644	1	Plate	
56	1001260306	1	Bracket	
57	1001182561	2	Roller	
58	5250812	2	Bolt M8 x 25	
59	1001179266	1	Plate, Mounting	
60	0760610	1	Bolt M6 x 20	
61	1320043	1	Clamp	
62	4811700	5	Washer M6	
63	4460466	AR	Plug, Terminal	
64	1001181621	1	Cover	
65	1001181923	1	Shield, Hose	
66	1001119280	2	Bolt M10 x 260	
67	1001185747	2	Pad	
70	1001119228	8	Nut M8	
72	4750800	AR	Washer #8	
73	1320041	2	Clamp	
74	0760612	2	Bolt M6 x 25	
75	1001143645	1	Strap	
76	0701022	AR	Bolt M10 x 70	

# SECTION 8 - ELECTRICAL

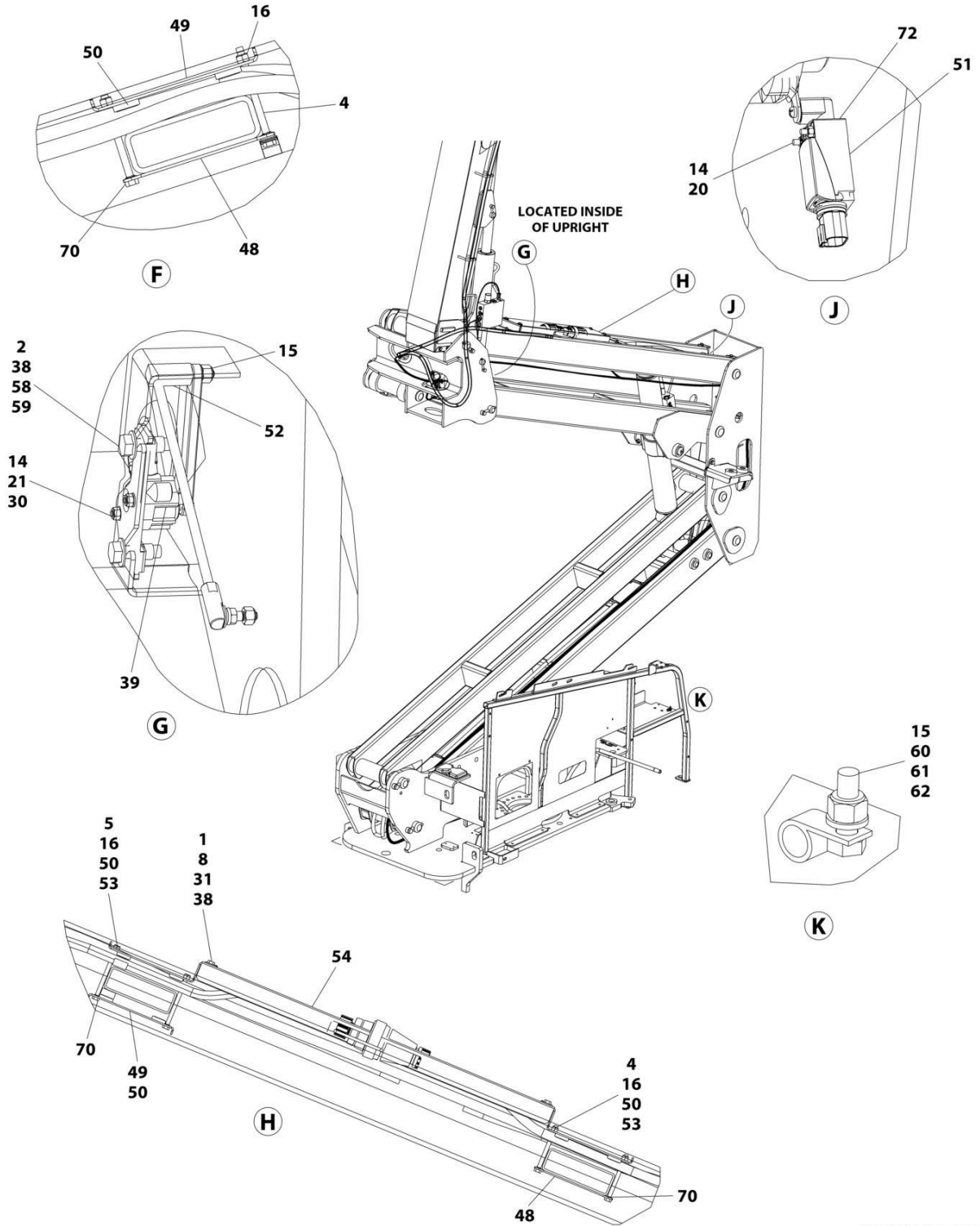
## FIGURE 8-27. BOOM CABLES AND CLAMPS INSTALLATION (MACHINES WITH 60HZ 4000W GENERATOR)



ART\_1001271181\_1OF2



# SECTION 8 - ELECTRICAL



ART\_1001271181\_2OF2

## SECTION 8 - ELECTRICAL

**FIGURE 8-27. BOOM CABLES AND CLAMPS INSTALLATION (MACHINES WITH 60HZ 4000W GENERATOR)**

ITEM	PART NUMBER	QTY	DESCRIPTION	REV
	1001271181	Ref	BOOM CABLES AND CLAMPS INSTALLATION	G
1	0100011	AR	Compound, Locking	
2	0100081	AR	Adhesive	
3	0760814	2	Bolt M8 x 30	
4	0700827	6	Bolt M8 x 100	
5	0700828	2	Bolt M8 x 110	
7	0701024	4	Bolt M10 x 80	
8	0760812	4	Bolt M8 x 25	
9	0761012	1	Bolt M10 x 25	
10	1320130	1	Clamp	
11	1671092	1	Cover, Connector (Not Shown)	
12	1671093	1	Cover, Plug (Not Shown)	
13	2820031	AR	Heat Shrink	
14	3290405	4	Nut M4	
15	3290605	4	Nut M6	
16	3290805	12	Nut M8	
17	3291005	9	Nut M10	
19	3841340	1	Loop, Hose	
20	4010418	2	Screw M4 x 50	
21	4031511	2	Capscrew M4 x 35	
22	4060808	27.5 in/ 8.38m	Flex-Trim	
23	4240156	1	Strap, Clinch	
24	4460473	AR	Clamp, Cable	
25	4460865	1	Connector - 19 Position	
26	4460866	1	Connector - 19 Position	
27	4460959	1	Plug, Male	
28	4460960	1	Receptacle, Female	
29	4811900	4	Washer M8	
30	4811400	2	Washer M4	
31	4811902	4	Washer M8	
32	4812000	13	Washer M10	
33	1001176951	1	Harness, Tower Boom (Not Shown - See Separate Breakdown in this Section)	
34	1001175663	1	Harness, Tower Boom - 10/4 AC- Lower Generator Cable (Not Shown)	
35	5251014	2	Bolt M10 x 30	
36	8881800	AR	Tie-Strap	
37	5281918	2	Screw M8 x 70	
38	1001118274	AR	Nut M8	
39	1001118971	1	Sensor, Angle	
39	70005667	1	Arm	
40	1001118972	2	Nut M10	
41	1001164730	1	Harness, Main Boom (Not Shown - See Separate Breakdown in this Section)	
42	1001175664	1	Harness, Main Boom - 10/4 AC - Upper Generator Cable (Not Shown)	
43	1001164738	1	Harness, Boom Valve (Not Shown - See Separate Breakdown in this Section)	
44	1001273302	3	Clamp	

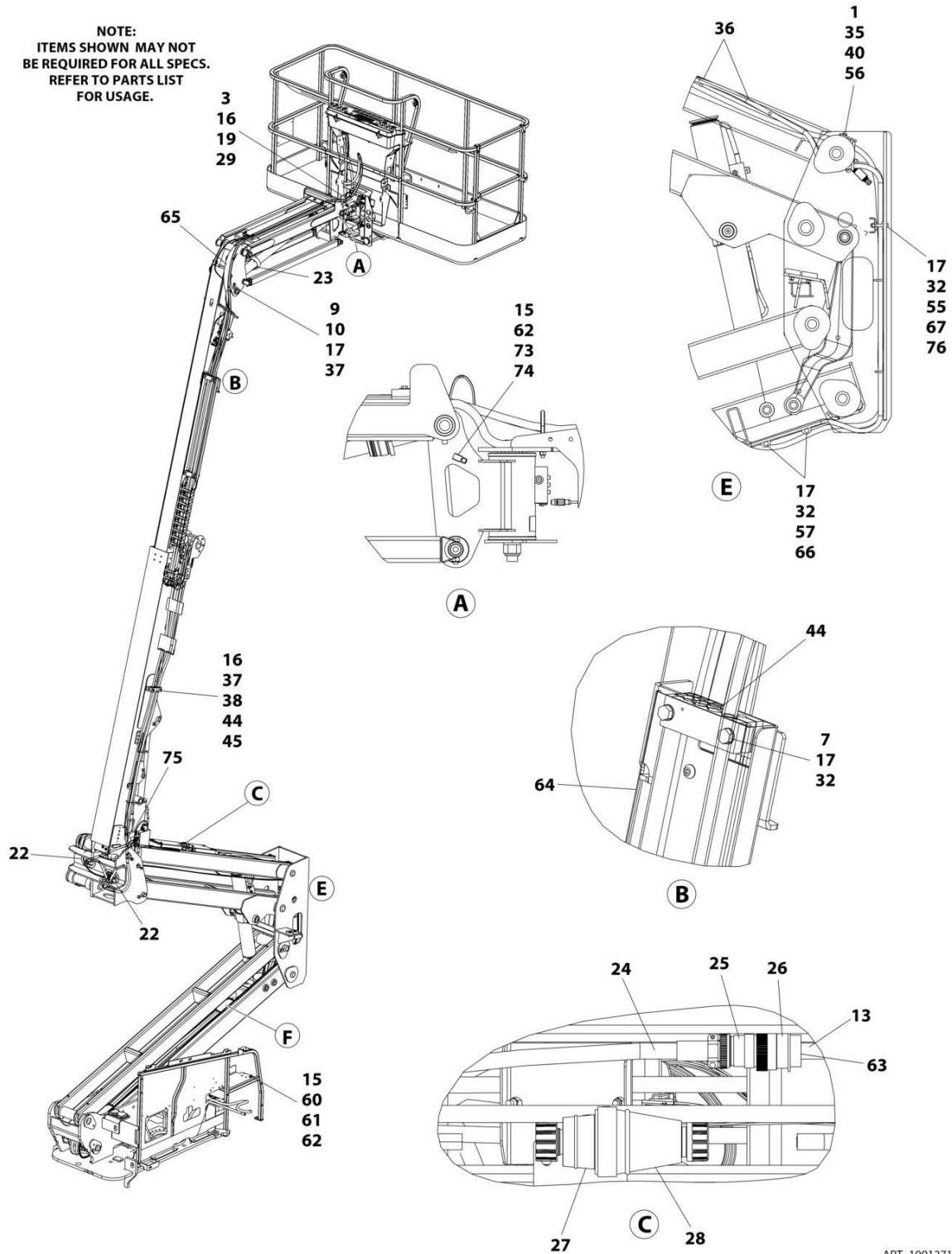
## SECTION 8 - ELECTRICAL

ITEM	PART NUMBER	QTY	DESCRIPTION	REV
45	1001273303	1	Plate	
48	1001171553	3	Plate, Clamping	
49	1001171555	3	Plate, Clamping	
50	1001171559	10	Pad	
51	1001172271	1	Switch, Limit	
51	1001284504	1	Switch, Limit	
52	1001238466	1	Link, Sensor (Note: Sold as Assembly Only)	
53	1001178448	2	Plate, Clamping	
54	1001178449	1	Cover	
55	1001178644	1	Plate	
56	1001260306	1	Bracket	
57	1001182561	2	Roller	
58	5250812	2	Bolt M8 x 25	
59	1001179266	1	Plate, Mounting	
62	4811700	4	Washer M6	
63	4460466	AR	Plug, Terminal	
64	1001181621	1	Cover	
65	1001181923	1	Shield, Hose	
66	1001119280	2	Bolt M10 x 260	
67	1001185747	2	Pad	
68	1001191230	3	Pad	
70	1001119228	8	Nut M8	
72	4750800	AR	Washer #8	
73	1320041	2	Clamp	
74	0760612	2	Bolt M6 x 25	
75	1001143645	1	Strap	
76	0701022	AR	Bolt M10 x 70	

# SECTION 8 - ELECTRICAL

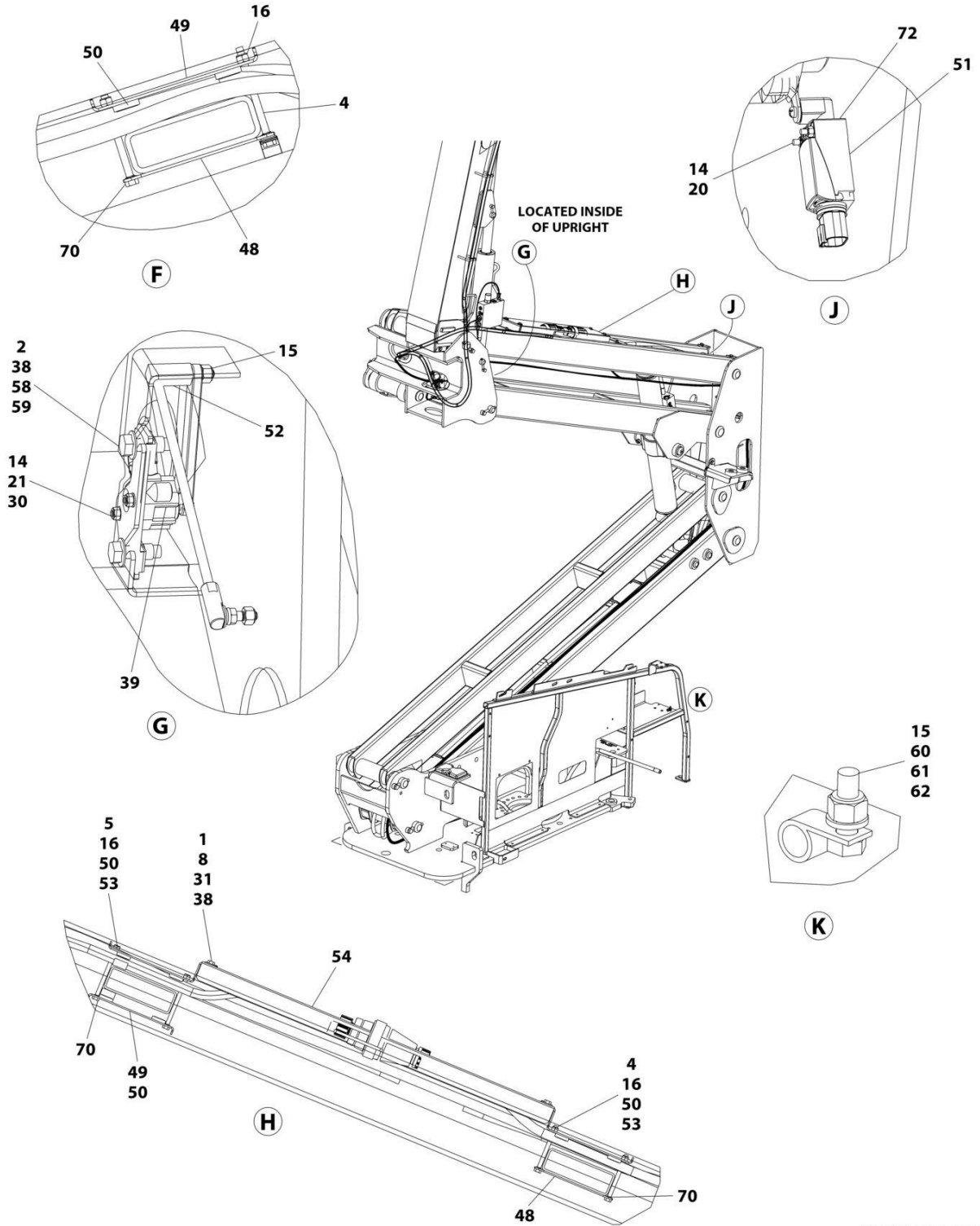
## FIGURE 8-28. BOOM CABLES AND CLAMPS INSTALLATION (MACHINES WITH 7500W GENERATOR)

NOTE:  
ITEMS SHOWN MAY NOT  
BE REQUIRED FOR ALL SPECS.  
REFER TO PARTS LIST  
FOR USAGE.



ART\_1001271176\_10F2

# SECTION 8 - ELECTRICAL



ART\_1001271176\_2OF2

## SECTION 8 - ELECTRICAL

**FIGURE 8-28. BOOM CABLES AND CLAMPS INSTALLATION (MACHINES WITH 7500W GENERATOR)**

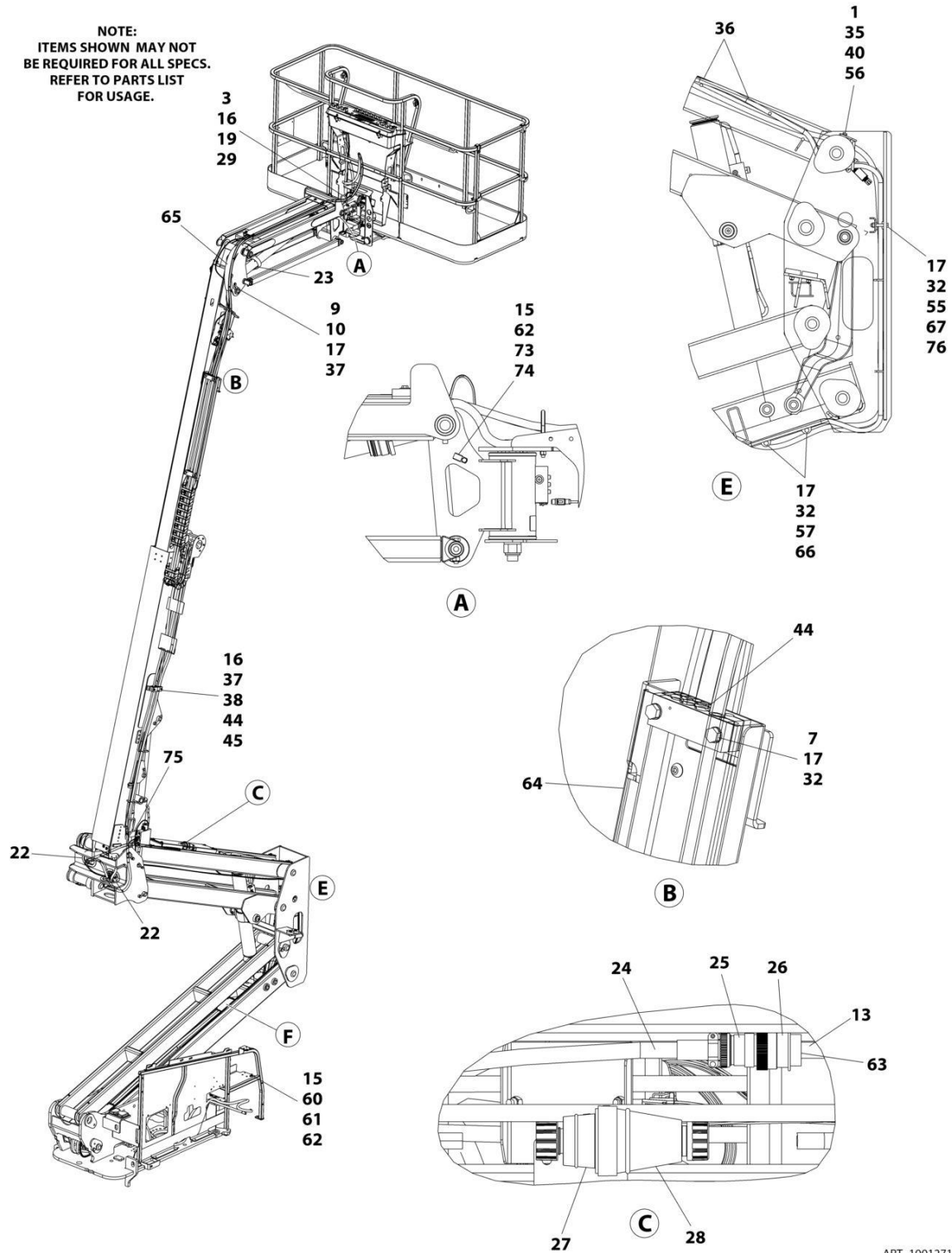
ITEM	PART NUMBER	QTY	DESCRIPTION	REV
	1001271176	Ref	BOOM CABLES AND CLAMPS INSTALLATION	G
1	0100011	AR	Compound, Locking	
2	0100081	AR	Adhesive	
3	0760814	2	Bolt M8 x 30	
4	0700827	6	Bolt M8 x 100	
5	0700828	2	Bolt M8 x 110	
7	0701024	4	Bolt M10 x 80	
8	0760812	4	Bolt M8 x 25	
9	0761012	1	Bolt M10 x 25	
10	1320130	1	Clamp	
13	2820031	AR	Heat Shrink	
14	3290405	4	Nut M4	
15	3290605	2	Nut M6	
16	3290805	12	Nut M8	
17	3291005	9	Nut M10	
19	3841340	1	Loop, Hose	
20	4010418	2	Screw M4 x 50	
21	4031511	2	Capscrew M4 x 35	
22	4060808	27.5 in/ 8.38m	Flex-Trim	
23	4240156	1	Strap, Clinch	
24	4460473	AR	Clamp, Cable	
25	4460865	1	Connector - 19 Position	
26	4460866	1	Connector - 19 Position	
27	1001218622	1	Terminal, Turnlock Plug	
28	1001218623	1	Terminal, Turnlock Connector	
29	4811900	4	Washer M8	
30	4811400	2	Washer M4	
31	4811902	4	Washer M8	
32	4812000	13	Washer M10	
33	1001176951	1	Harness, Tower Boom (Not Shown - See Separate Breakdown in this Section)	
34	4922929	1	Harness, Tower Boom – 8/5 AC – Lower Generator Cable (Not Shown)	
35	5251014	2	Bolt M10 x 30	
36	8881800	AR	Tie-Strap	
37	5281918	2	Bolt M8 x 70	
38	1001118274	AR	Nut M8	
39	1001118971	1	Sensor, Angle	
39	70005667	1	Arm	
40	1001118972	2	Nut M10	
41	1001164730	1	Harness, Main Boom (Not Shown - See Separate Breakdown in this Section)	
42	1001164732	1	Harness, Main Boom – 8/5 AC – Upper Generator Cable (Not Shown)	
43	1001164738	1	Harness, Boom Valve (Not Shown - See Separate Breakdown in this Section)	
44	1001273302	3	Block, Clamping	
45	1001273303	1	Plate, Clamping	
48	1001171553	3	Plate, Clamping	

## SECTION 8 - ELECTRICAL

ITEM	PART NUMBER	QTY	DESCRIPTION	REV
49	1001171555	3	Plate, Clamping	
50	1001171559	10	Pad	
51	1001172271	1	Switch, Limit	
51	1001284504	1	Switch, Limit	
52	1001238466	1	Link, Sensor (Note: Sold as Assembly Only)	
53	1001178448	2	Plate, Clamping	
54	1001178449	1	Cover	
55	1001178644	1	Plate	
56	1001260306	1	Bracket	
57	1001182561	2	Roller	
58	5250812	2	Bolt M8 x 25	
59	1001179266	1	Plate, Mounting	
62	4811700	4	Washer M6	
63	4460466	AR	Plug, Terminal	
64	1001181621	1	Cover	
65	1001181923	1	Shield, Hose	
66	1001119280	2	Bolt M10 x 260	
67	1001185747	2	Pad	
70	1001119228	8	Nut M8	
72	4750800	AR	Washer #8	
73	1320041	2	Clamp	
74	0760612	2	Bolt M6 x 25	
75	1001143645	1	Strap	
76	0701022	AR	Bolt M10 x 70	

# SECTION 8 - ELECTRICAL

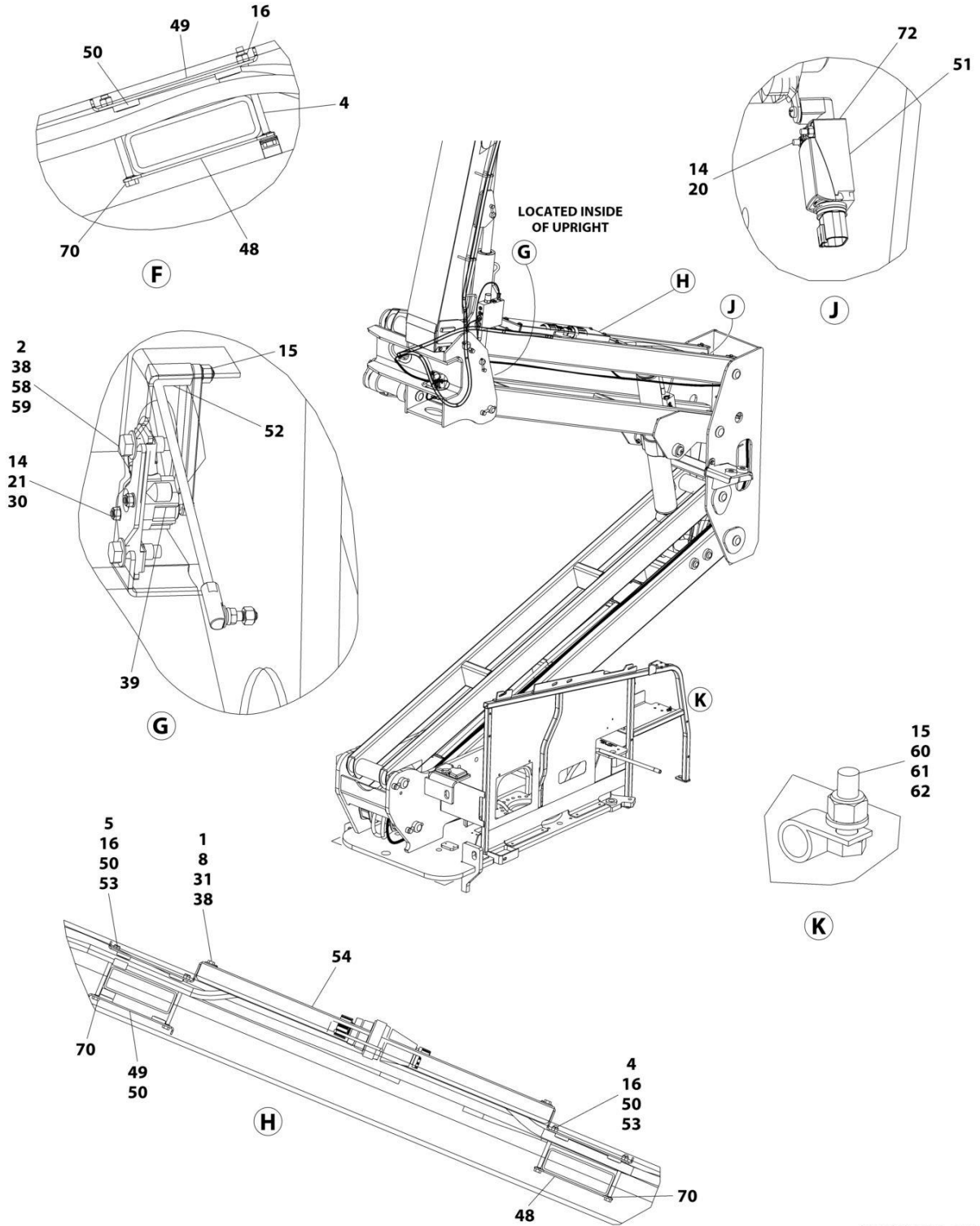
## FIGURE 8-29. BOOM CABLES AND CLAMPS INSTALLATION (MACHINES WITH 7500W GENERATOR AND WITH ARCTIC PACKAGE)



ART\_1001271178\_10F2



# SECTION 8 - ELECTRICAL



ART\_1001271178\_2OF2

## SECTION 8 - ELECTRICAL

**FIGURE 8-29. BOOM CABLES AND CLAMPS INSTALLATION (MACHINES WITH 7500W GENERATOR AND WITH ARCTIC PACKAGE)**

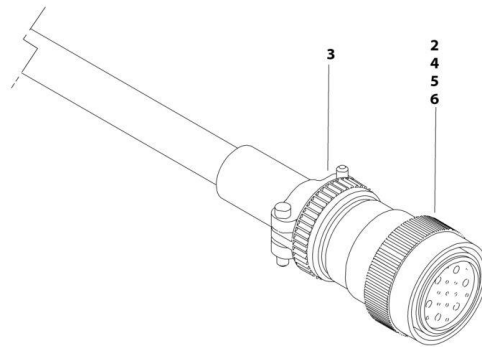
ITEM	PART NUMBER	QTY	DESCRIPTION	REV
	1001271178	Ref	BOOM CABLES AND CLAMPS INSTALLATION	G
1	0100011	AR	Compound, Locking	
2	0100081	AR	Adhesive	
3	0760814	2	Bolt M8 x 30	
4	0700827	6	Bolt M8 x 100	
5	0700828	2	Bolt M8 x 110	
7	0701024	4	Bolt M10 x 80	
8	0760812	4	Bolt M8 x 25	
9	0761012	1	Bolt M10 x 25	
10	1320130	1	Clamp	
13	2820031	AR	Heat Shrink	
14	3290405	4	Nut M4	
15	3290605	4	Nut M6	
16	3290805	12	Nut M8	
17	3291005	9	Nut M10	
19	3841340	1	Loop, Hose	
20	4010418	2	Screw M4 x 50	
21	4031511	2	Capscrew M4 x 35	
22	4060808	27.5 in/ 8.38m	Flex-Trim	
23	4240156	1	Strap, Clinch	
24	4460473	AR	Clamp, Cable	
25	4460865	1	Connector - 19 Position	
26	4460866	1	Connector - 19 Position	
27	1001218622	1	Terminal, Turnlock Plug	
28	1001218623	1	Terminal, Turnlock Connector	
29	4811900	4	Washer M8	
30	4811400	2	Washer M4	
31	4811902	4	Washer M8	
32	4812000	13	Washer M10	
33	1001179439	1	Harness, Tower Boom (Not Shown - See Separate Breakdown in this Section)	
34	4922929	1	Harness, Tower Boom - 8/5 AC Generator Cable (Not Shown)	
35	5251014	2	Bolt M10 x 30	
36	8881800	AR	Tie-Strap	
37	5281918	2	Screw M8 x 70	
38	1001118274	AR	Nut M8	
39	1001118971	1	Sensor, Angle	
39	70005667	1	Arm	
40	1001118972	2	Nut M10	
41	1001174748	1	Harness, Main Boom (Not Shown - See Separate Breakdown in this Section)	
42	1001164732	1	Harness, Main Boom – 8/5 AC – Upper Generator Cable (Not Shown)	
43	1001164738	1	Harness, Boom Valve (Not Shown - See Separate Breakdown in this Section)	
44	1001273304	3	Clamp	
45	1001273303	1	Plate	
48	1001171553	3	Plate, Clamping	
49	1001171555	3	Plate, Clamping	

## SECTION 8 - ELECTRICAL

ITEM	PART NUMBER	QTY	DESCRIPTION	REV
50	1001171559	10	Pad	
51	1001284504	1	Switch, Limit	
52	1001238466	1	Link, Sensor (Note: Sold as Assembly Only)	
53	1001178448	2	Plate, Clamping	
54	1001178449	1	Cover	
55	1001178644	1	Plate	
56	1001260306	1	Bracket	
57	1001182561	2	Roller	
58	5250812	2	Bolt M8 x 25	
59	1001179266	1	Plate, Mounting	
62	4811700	4	Washer M6	
63	4460466	AR	Plug, Terminal	
64	1001181621	1	Cover	
65	1001181923	1	Shield, Hose	
66	1001119280	2	Bolt M10 x 260	
67	1001185747	2	Pad	
70	1001119228	8	Nut M8	
73	1320041	2	Clamp	
74	0760612	2	Bolt M6 x 25	
75	1001143645	1	Strap	
76	0701022	AR	Bolt M10 x 70	

# SECTION 8 - ELECTRICAL

## FIGURE 8-30. BOOM HARNESS (MAIN BOOM) (WITHOUT ARCTIC PACKAGE)



ART\_1001164730

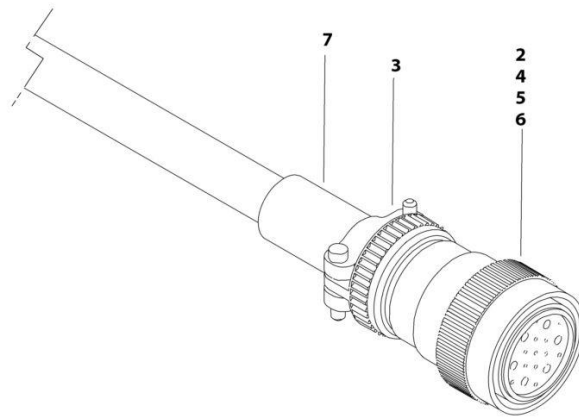
## SECTION 8 - ELECTRICAL

**FIGURE 8-30. BOOM HARNESS (MAIN BOOM) (WITHOUT ARCTIC PACKAGE)**

ITEM	PART NUMBER	QTY	DESCRIPTION	REV
	1001164730	Ref	BOOM HARNESS - MAIN BOOM	D
2	4460865	1	Connector - 19 Position	
3	4460473	1	Clamp	
4	4460465	20	Socket, Female	
5	4460509	8	Socket, Female	
6	4460466	5	Plug, Socket	

## SECTION 8 - ELECTRICAL

FIGURE 8-31. BOOM HARNESS (MAIN BOOM) (WITH ARCTIC PACKAGE)



ART\_1001174748

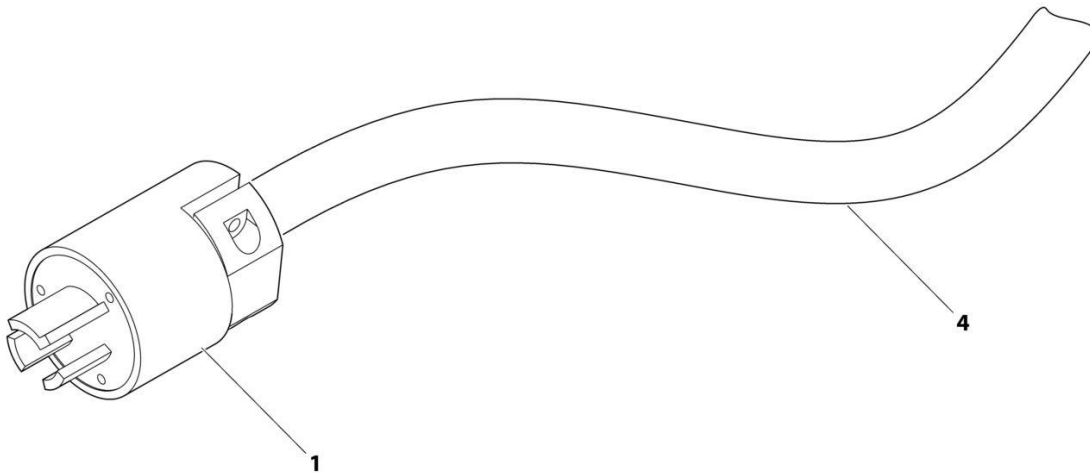
## SECTION 8 - ELECTRICAL

**FIGURE 8-31. BOOM HARNESS (MAIN BOOM) (WITH ARCTIC PACKAGE)**

ITEM	PART NUMBER	QTY	DESCRIPTION	REV
	1001174748	Ref	BOOM HARNESS - 450AJ (MAIN BOOM)	C
2	4460865	1	Connector - 19 Position	
3	4460473	1	Clamp	
4	4460465	20	Socket, Female	
5	4460509	8	Socket, Female	
6	4460466	5	Plug, Socket	

## SECTION 8 - ELECTRICAL

FIGURE 8-32. BOOM HARNESS (MAIN BOOM AC CABLE) (WITHOUT GENERATOR AND WITHOUT ARCTIC PACKAGE)



ART\_1001164731



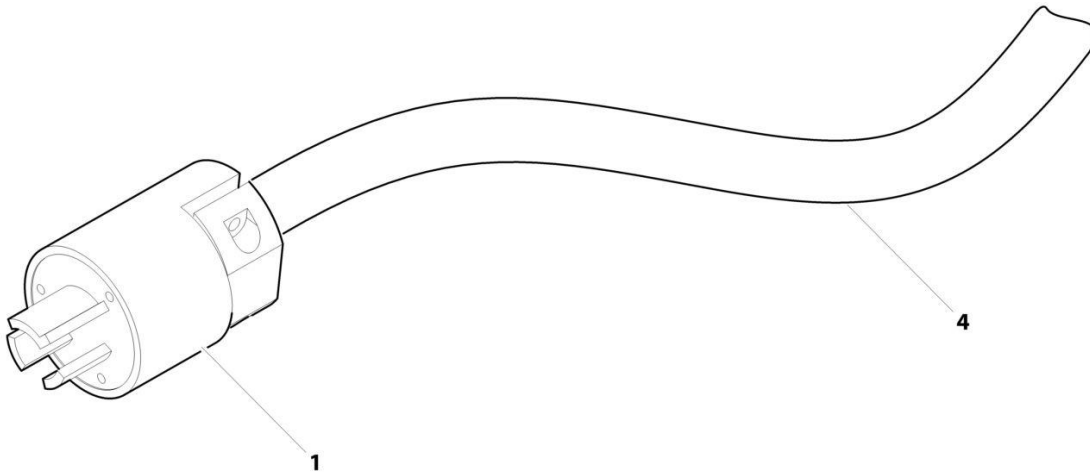
## SECTION 8 - ELECTRICAL

**FIGURE 8-32. BOOM HARNESS (MAIN BOOM AC CABLE) (WITHOUT GENERATOR AND WITHOUT ARCTIC PACKAGE)**

ITEM	PART NUMBER	QTY	DESCRIPTION	REV
	1001164731	Ref	BOOM HARNESS - MAIN BOOM AC CABLE	C
1	1001120204	1	Plug, Male	
4	1060461	494 in/ 12.6m	Cable, Electrical - 12/3	

## SECTION 8 - ELECTRICAL

FIGURE 8-33. BOOM HARNESS (MAIN BOOM AC CABLE) (WITHOUT GENERATOR AND WITH ARCTIC PACKAGE)



ART\_1001174750

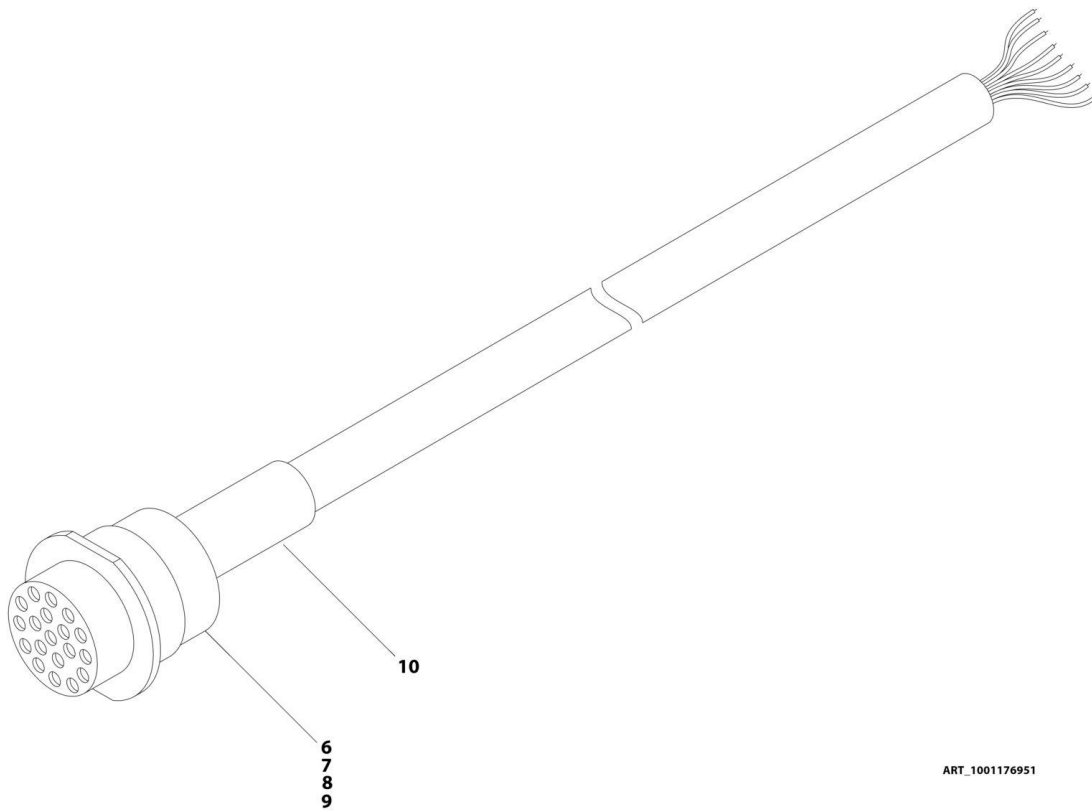
## SECTION 8 - ELECTRICAL

**FIGURE 8-33. BOOM HARNESS (MAIN BOOM AC CABLE) (WITHOUT GENERATOR AND WITH ARCTIC PACKAGE)**

ITEM	PART NUMBER	QTY	DESCRIPTION	REV
	1001174750	Ref	BOOM HARNESS - 450AJ (MAIN BOOM AC CABLE)	B
1	1001120204	1	Plug, Male	
4	4923463	494 in/ 12.6m	Cable, Electrical - 12/3	

# SECTION 8 - ELECTRICAL

## FIGURE 8-34. BOOM HARNESS - TOWER BOOM (WITHOUT ARCTIC PACKAGE)



ART\_1001176951

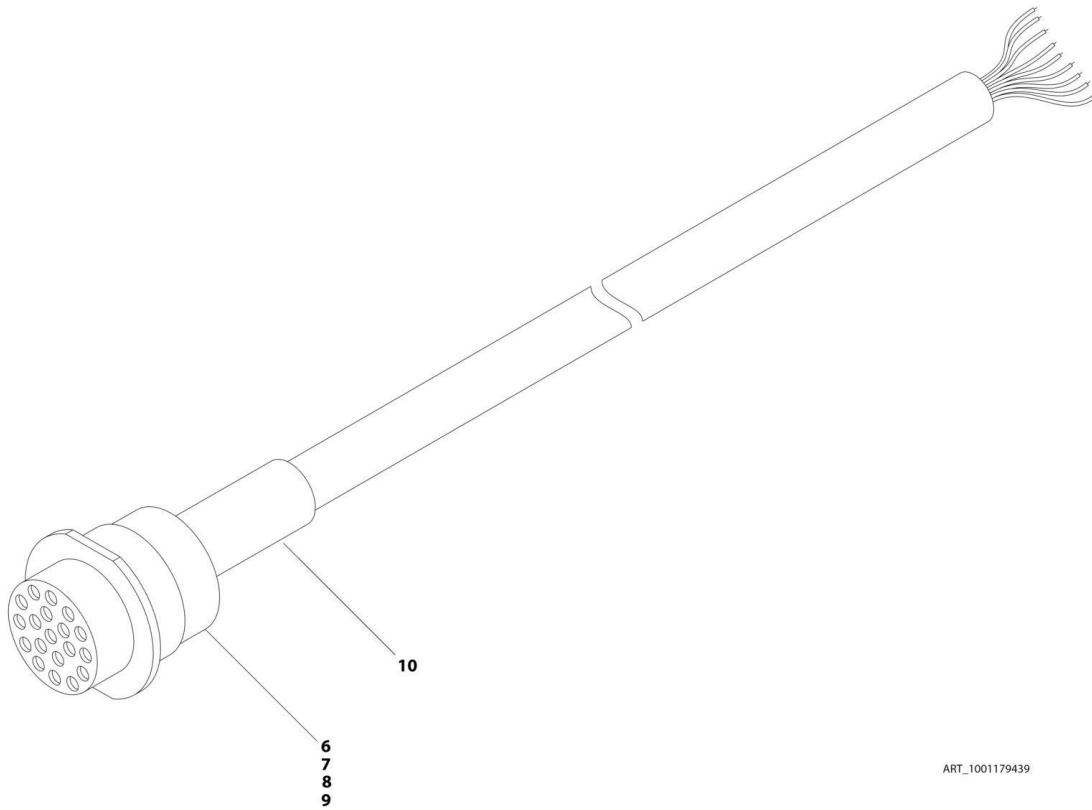
## SECTION 8 - ELECTRICAL

**FIGURE 8-34. BOOM HARNESS - TOWER BOOM (WITHOUT ARCTIC PACKAGE)**

ITEM	PART NUMBER	QTY	DESCRIPTION	REV
	1001176951	Ref	BOOM HARNESS - TOWER BOOM	E
6	4460466	5	Plug, Terminal	
7	4460464	20	Pin, Male	
8	4460508	8	Pin, Male	
9	4460866	1	Connector - 19 Position	
10	2820031	AR	Heat Shrink	

# SECTION 8 - ELECTRICAL

## FIGURE 8-35. BOOM HARNESS - TOWER BOOM (WITH ARCTIC PACKAGE)



ART\_1001179439

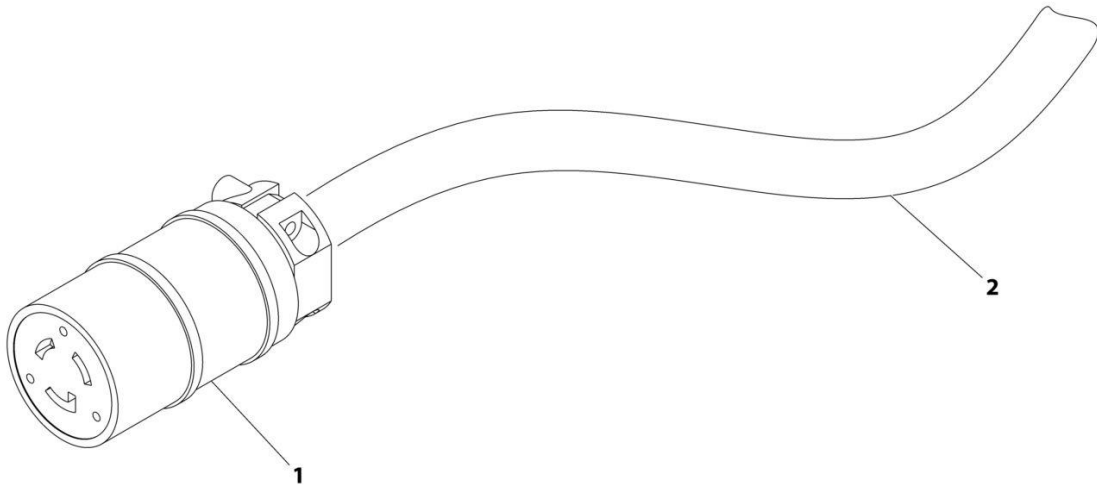
## SECTION 8 - ELECTRICAL

**FIGURE 8-35. BOOM HARNESS - TOWER BOOM (WITH ARCTIC PACKAGE)**

ITEM	PART NUMBER	QTY	DESCRIPTION	REV
	1001179439	Ref	BOOM HARNESS - TOWER BOOM	D
6	4460466	4	Plug, Terminal	
7	4460464	22	Pin, Male	
8	4460508	8	Pin, Male	
9	4460866	1	Connector - 19 Position	
10	2820031	AR	Heat Shrink	

## SECTION 8 - ELECTRICAL

FIGURE 8-36. BOOM HARNESS - TOWER BOOM AC CABLE (WITHOUT ARCTIC PACKAGE)



ART\_1001174749



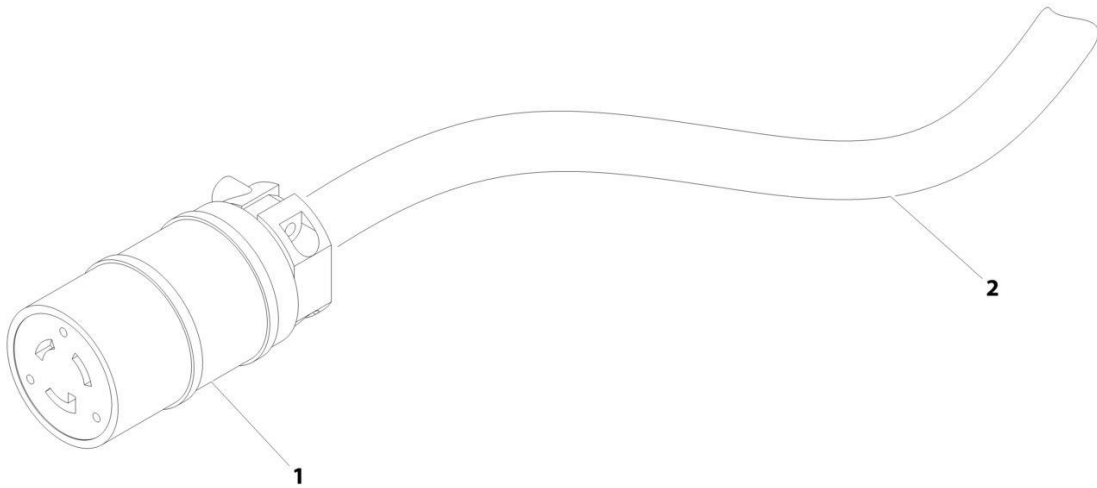
## SECTION 8 - ELECTRICAL

**FIGURE 8-36. BOOM HARNESS - TOWER BOOM AC CABLE (WITHOUT ARCTIC PACKAGE)**

ITEM	PART NUMBER	QTY	DESCRIPTION	REV
	1001174749	Ref	BOOM HARNESS - TOWER BOOM AC CABLE	C
1	1001120205	1	Connector, Female	
2	1060461	28 ft/ 8.5m	Electrical Cable, 12/3	

## SECTION 8 - ELECTRICAL

FIGURE 8-37. BOOM HARNESS - TOWER BOOM AC CABLE (WITH ARCTIC PACKAGE)



ART\_1001174754

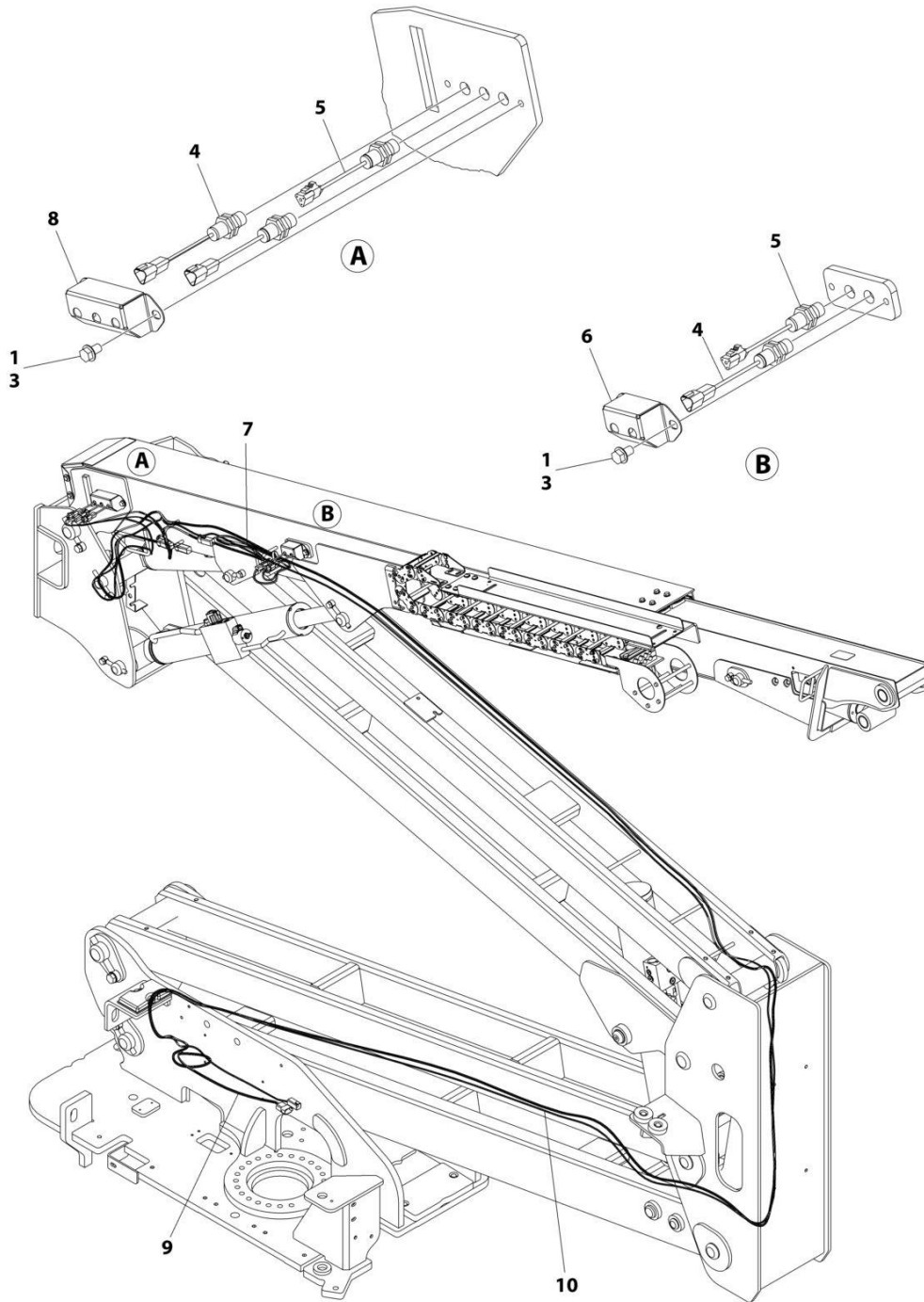
## SECTION 8 - ELECTRICAL

**FIGURE 8-37. BOOM HARNESS - TOWER BOOM AC CABLE (WITH ARCTIC PACKAGE)**

ITEM	PART NUMBER	QTY	DESCRIPTION	REV
	1001174754	Ref	BOOM HARNESS - TOWER BOOM AC CABLE	B
1	1001120205	1	Connector, Female	
2	4920463	28 ft/ 8.5m	Cable, Electrical - 12/3	

# SECTION 8 - ELECTRICAL

## FIGURE 8-38. BOOM SENSORS INSTALLATION



ART\_1001263610

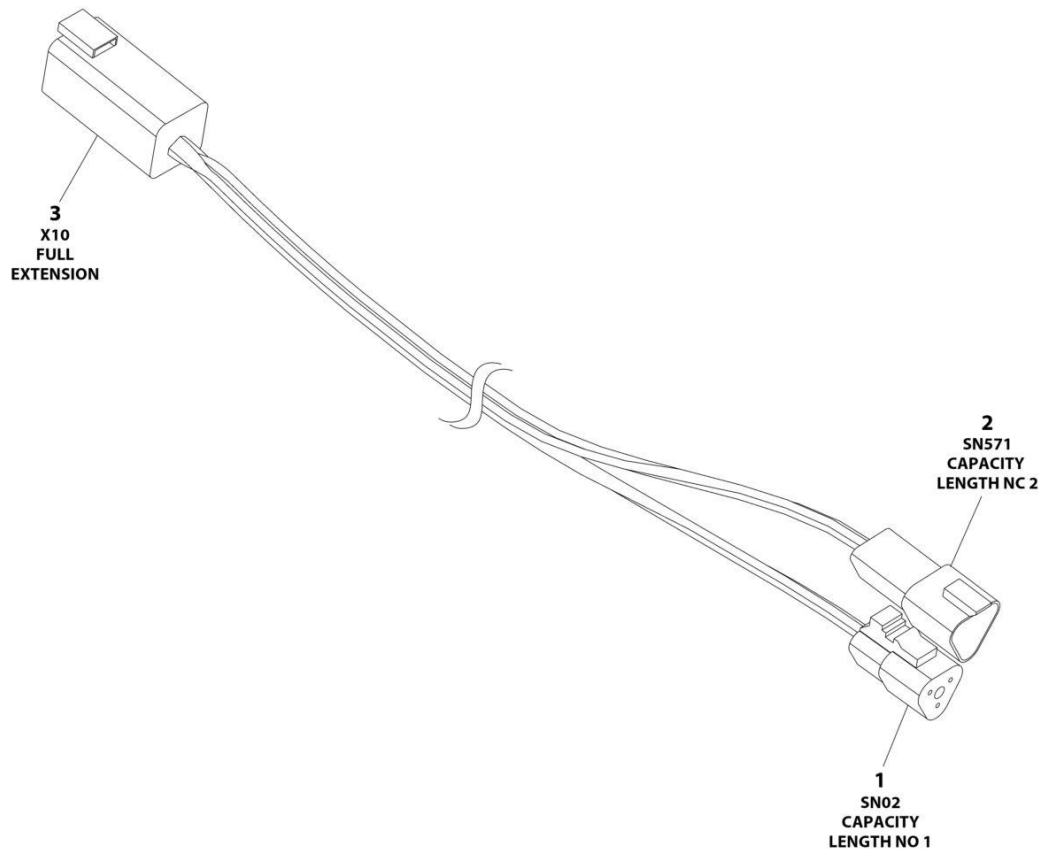
## SECTION 8 - ELECTRICAL

### FIGURE 8-38. BOOM SENSORS INSTALLATION

ITEM	PART NUMBER	QTY	DESCRIPTION	REV
	1001263610	Ref	BOOM SENSORS INSTALLATION	C
1	0100011	AR	Compound, Locking	
2	4240018	1	Tie-Strap (Not Shown)	
3	5251008	4	Bolt M10 x 16	
4	1001170847	3	Sensor, Proximity	
5	1001182570	2	Sensor, Proximity	
6	1001204715	1	Bracket	
7	1001238192	1	Harness, Boom Sensor (See Separate Breakdown in this Section)	
8	1001256527	1	Bracket	
9	1001263007	1	Harness, Capacity (See Separate Breakdown in this Section)	
10	1001263008	1	Harness, Transport (See Separate Breakdown in this Section)	

# SECTION 8 - ELECTRICAL

## FIGURE 8-39. BOOM SENSOR HARNESS



ART\_1001238192

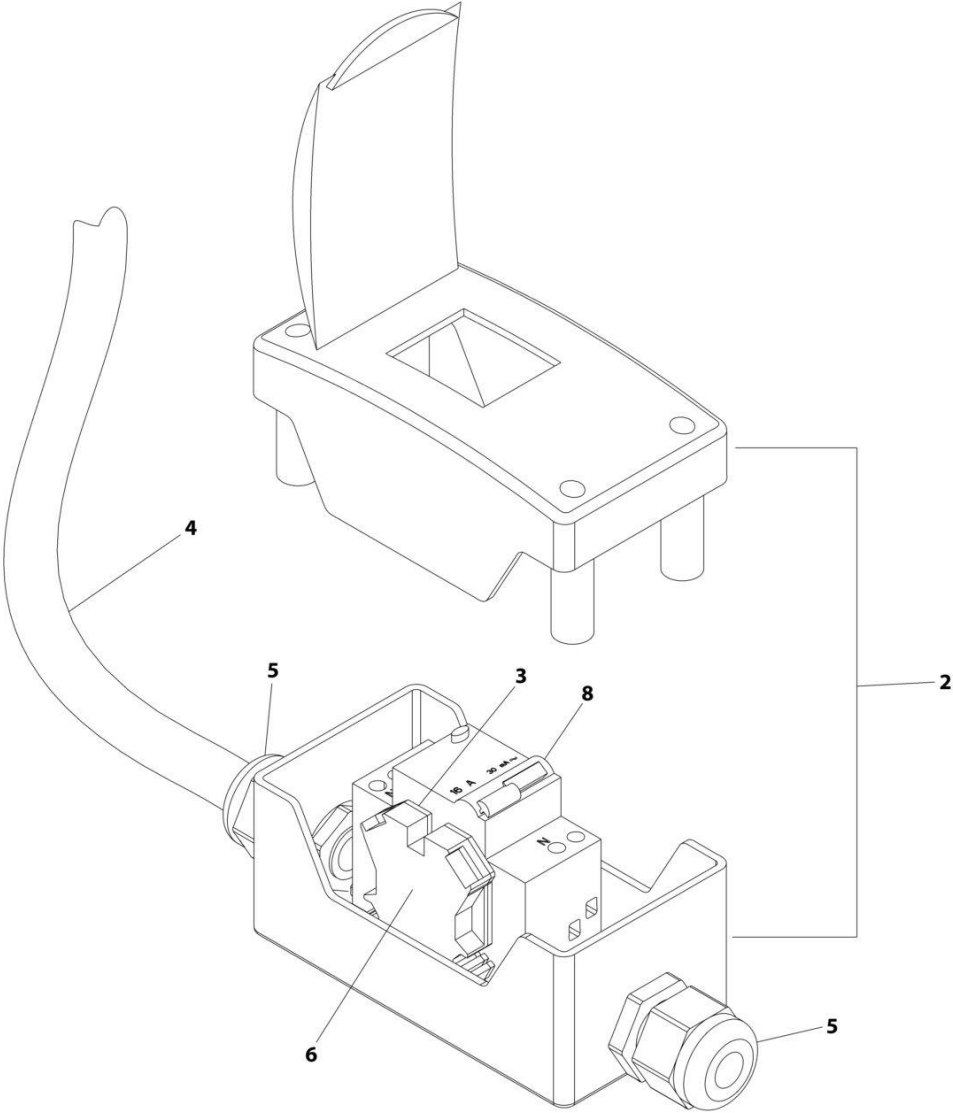
## SECTION 8 - ELECTRICAL

### FIGURE 8-39. BOOM SENSOR HARNESS

ITEM	PART NUMBER	QTY	DESCRIPTION	REV
	1001238192	Ref	BOOM SENSOR / CAPACITY PROXIMITY HARNESS	B
1	4460539	1	Plug, Male - 3 Position	
1	4460465	3	Socket, Female	
2	4460536	1	Receptacle, Female - 3 Position	
2	4640464	3	Pin, Male	
3	4460899	1	Receptacle, Female - 6 Position	
3	4460464	6	Pin, Male	

**SECTION 8 - ELECTRICAL**

**FIGURE 8-40. BREAKER BOX KIT WITH SINGLE DOUBLE POLE BREAKER (CE, CIS/EAC & UK CA SPECS)**



ART\_2902549



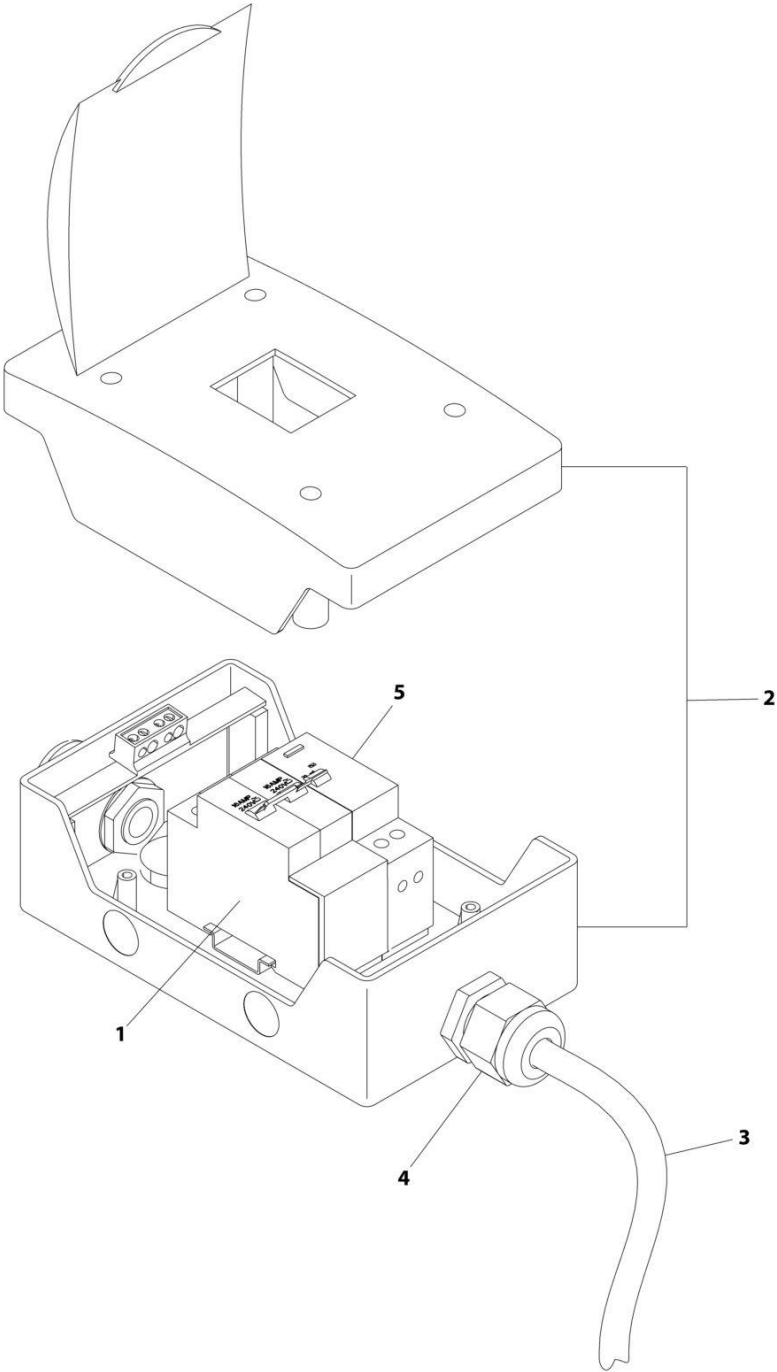
## SECTION 8 - ELECTRICAL

**FIGURE 8-40. BREAKER BOX KIT WITH SINGLE DOUBLE POLE BREAKER (CE, CIS/EAC & UK CA SPECS)**

ITEM	PART NUMBER	QTY	DESCRIPTION	REV
	2902549	Ref	BREAKER BOX KIT - 110/220V 16AMP BREAKER	F
2	0861880	1	Box	
3	4460956	1	Barrier, Terminal	
4	1060908	6 ft/1.8m	Cable, 12/3	
5	1001097150	2	Connector, Strain Relief	
6	4460957	1	Block, Terminal	
8	1001181045	1	Breaker, Combination 16Amp/30mAmp	

**SECTION 8 - ELECTRICAL**

**FIGURE 8-41. BREAKER BOX KIT WITH THREE BREAKERS (CE, CIS/EAC & UK CA SPECS)**



ART\_1001152485\_F

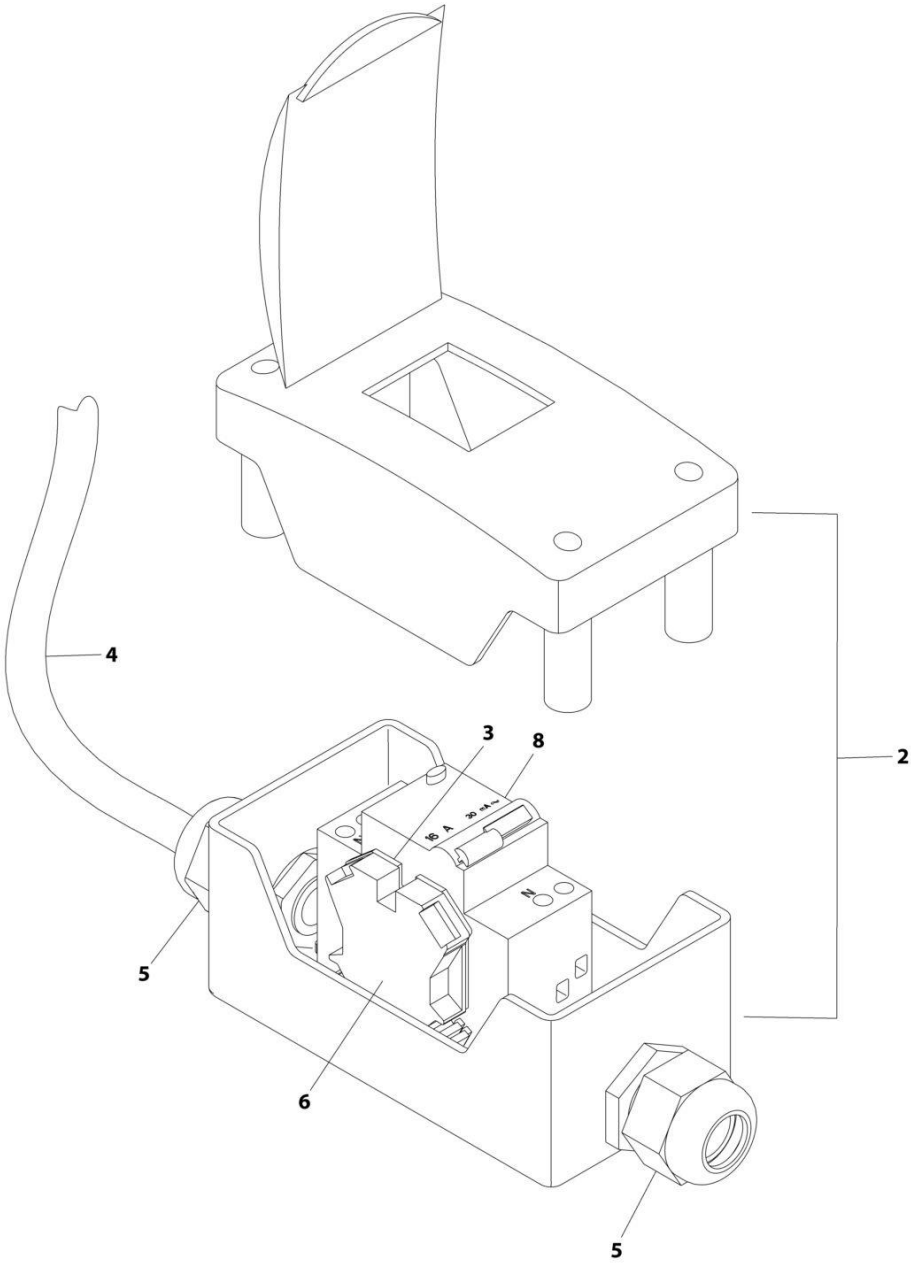
## SECTION 8 - ELECTRICAL

**FIGURE 8-41. BREAKER BOX KIT WITH THREE BREAKERS (CE, CIS/EAC & UK CA SPECS)**

ITEM	PART NUMBER	QTY	DESCRIPTION	REV
	1001152485	Ref	BREAKER BOX KIT WITH TWO BREAKERS	F
1	1001189172	1	Breaker 16Amp Double	
2	1001152483	1	Box	
3	1060908	6 ft/1.8m	Cable, 12/3	
4	1001097150	2	Connector, Strain Relief	
5	1001189171	1	Breaker, 30mA	

**SECTION 8 - ELECTRICAL**

**FIGURE 8-42. BREAKER BOX KIT - 30MA/16 AMP**



ART\_1001096070

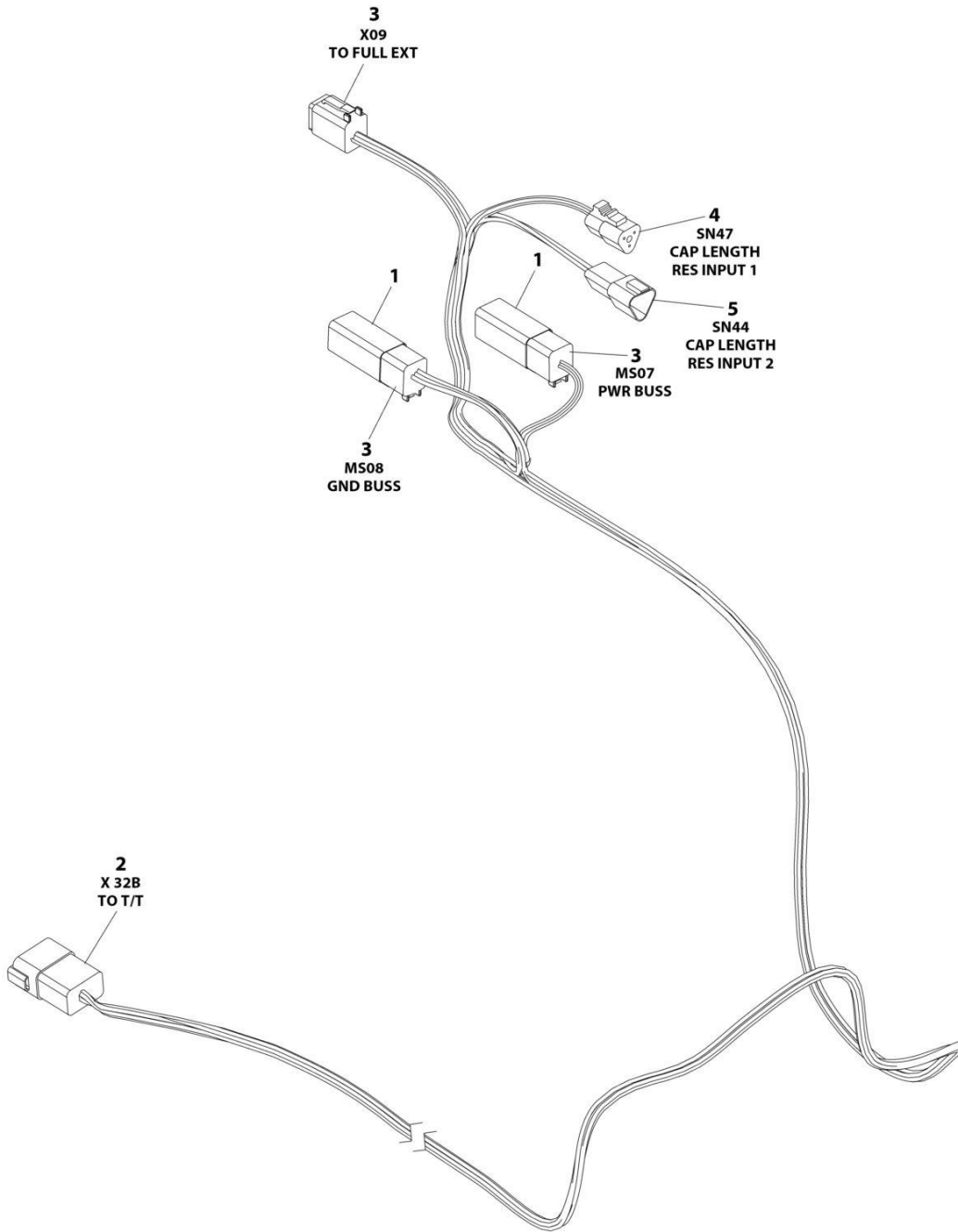
## SECTION 8 - ELECTRICAL

### FIGURE 8-42. BREAKER BOX KIT - 30MA/16 AMP

ITEM	PART NUMBER	QTY	DESCRIPTION	REV
	1001096070	Ref	BREAKER BOX KIT	E
2	0861880	1	Box	
3	4460956	1	Barrier, Terminal Block End	
4	1060908	12 ft/ 3.6m	Cable, 12/3	
5	1001097150	2	Connector, Strain Relief	
6	4460957	1	Block, Terminal	
8	1001181045	1	Breaker, 16Amp	

# SECTION 8 - ELECTRICAL

## FIGURE 8-43. CAPACITY HARNESS



ART\_1001263007

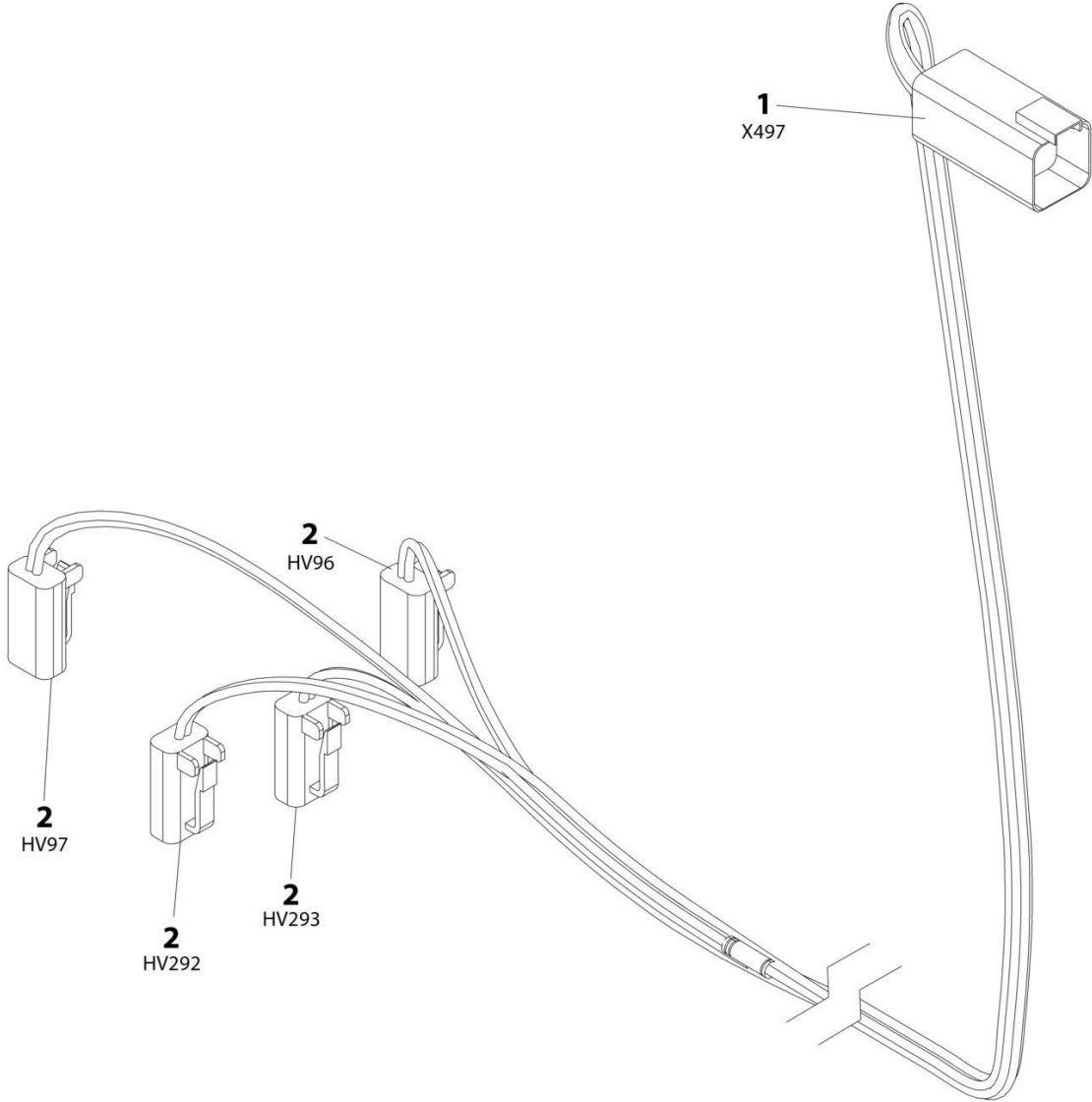
## SECTION 8 - ELECTRICAL

### FIGURE 8-43. CAPACITY HARNESS

ITEM	PART NUMBER	QTY	DESCRIPTION	REV
	1001263007	Ref	CAPACITY HARNESS	C
1	4460892	2	Bussbar - 6 Position	
2	4460931	1	Receptacle, Female - 8 Position	
2	4460464	6	Pin, Male	
2	4460466	2	Plug, Terminal	
3	4460894	3	Plug, Male - 6 Position	
3	4460465	16	Socket, Female	
3	4460466	2	Plug, Terminal	
4	4460539	1	Plug, Male - 3 Position	
4	4460465	3	Socket, Female	
5	4460536	1	Receptacle, Female	
5	4460464	3	Pin, Male	

**SECTION 8 - ELECTRICAL**

**FIGURE 8-44. CHASSIS SOLENOID HARNESS**



ART\_1001179236



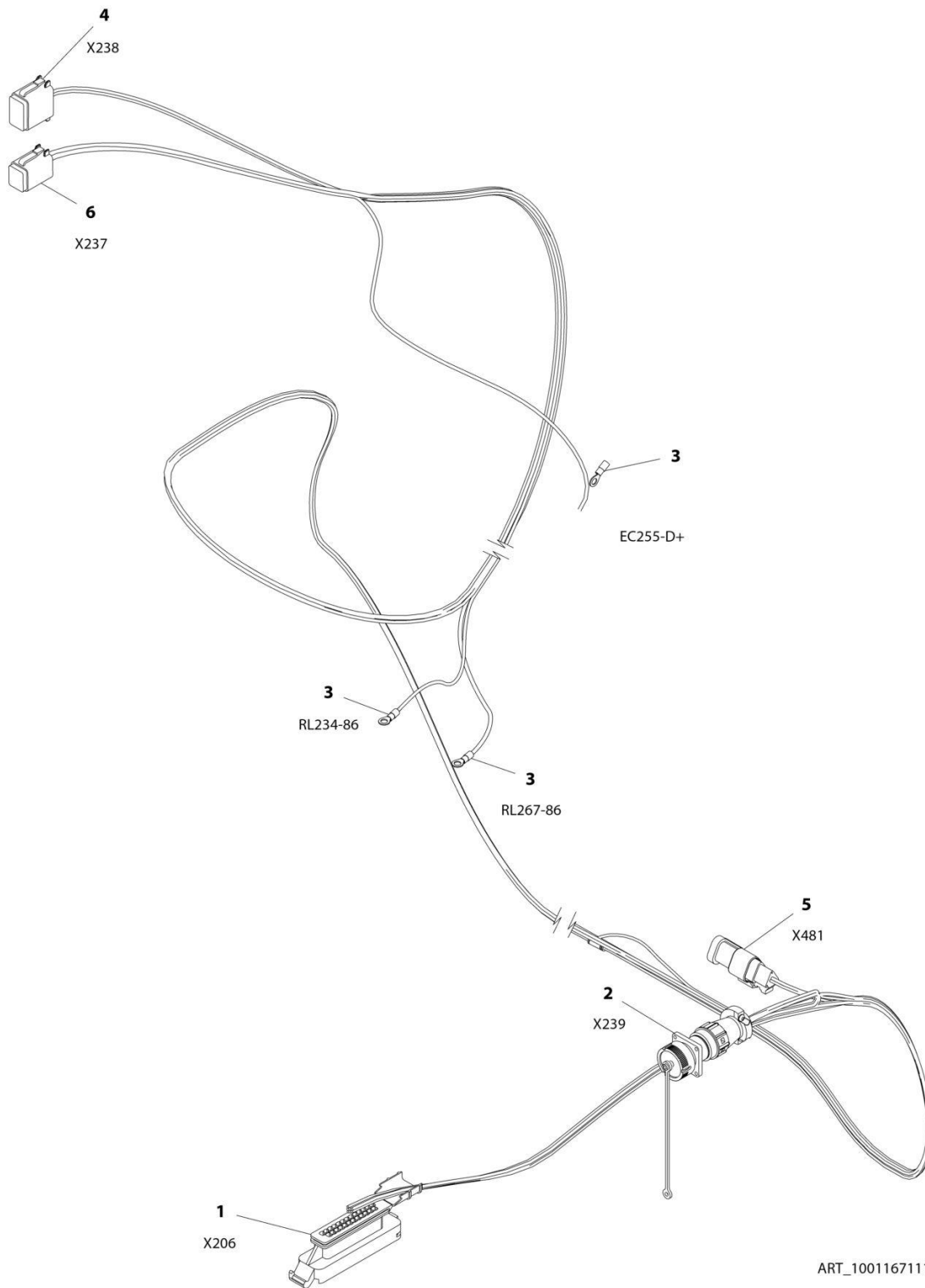
## SECTION 8 - ELECTRICAL

### FIGURE 8-44. CHASSIS SOLENOID HARNESS

ITEM	PART NUMBER	QTY	DESCRIPTION	REV
	1001179236	Ref	CHASSIS SOLENOID HARNESS	A
1	4460899	1	Receptacle, Female - 6 Position	
1	4460464	6	Pin, Male	
2	4460891	4	Plug, Male - 2 Position	
2	4460465	8	Socket, Female	

# SECTION 8 - ELECTRICAL

## FIGURE 8-45. ENGINE HARNESS - DEUTZ D2011



ART\_1001167111

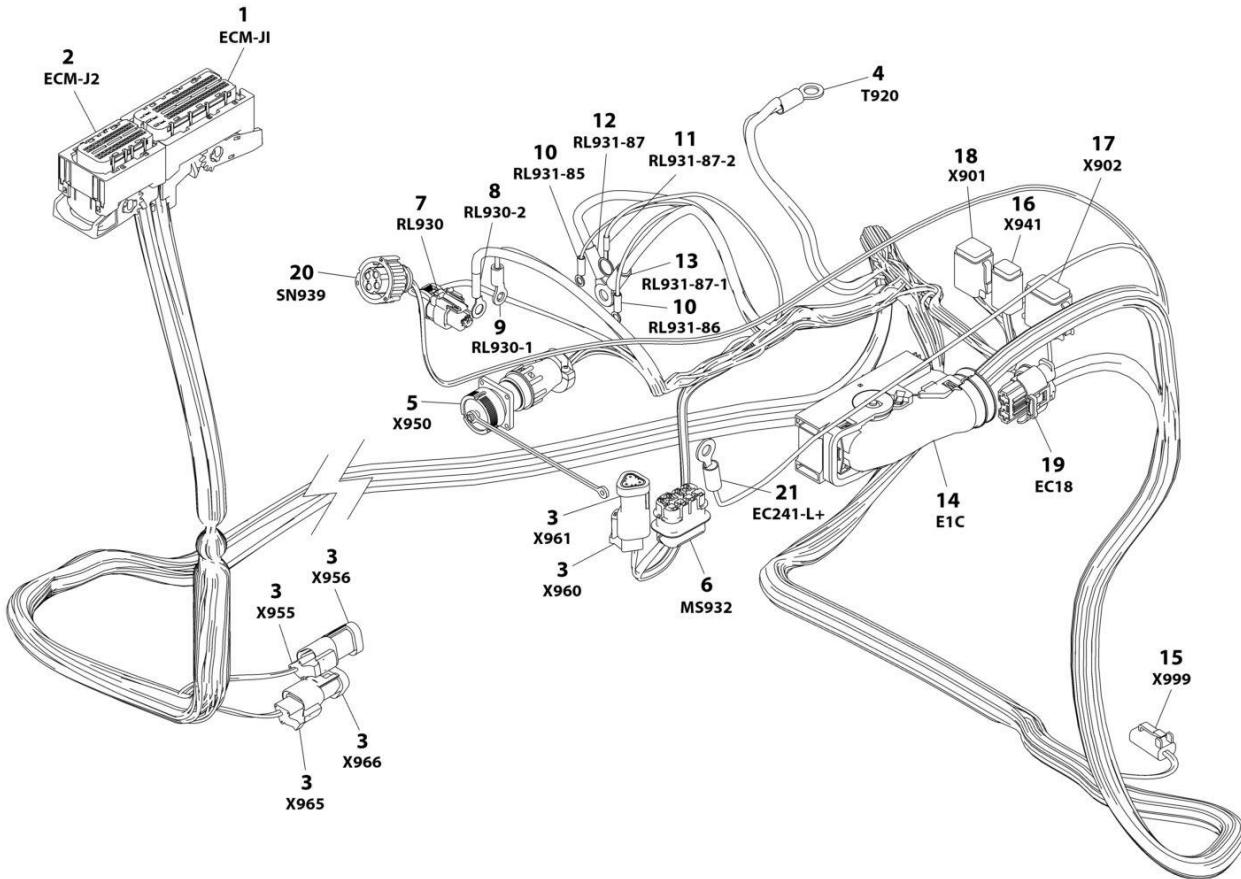
## SECTION 8 - ELECTRICAL

**FIGURE 8-45. ENGINE HARNESS - DEUTZ D2011**

ITEM	PART NUMBER	QTY	DESCRIPTION	REV
	1001167111	Ref	ENGINE HARNESS - DEUTZ D2011	B
1	4461052	1	Connector - 25 Position	
1	4461005	7	Terminal	
1	4461008	18	Plug, Terminal	
2	2902443	1	Receptacle Kit	
2	4461071	8	Socket, Female	
2	4461072	1	Receptacle with Flange - 8 Position	
2	4461073	1	Cap, Dust	
2	4461074	1	Shell, Black	
3	4460313	3	Terminal, Ring	
4	4460930	1	Plug, Male - 8 Position	
4	4460465	2	Socket, Female	
4	4460466	6	Seal, Terminal	
5	4461095	1	Plug, Male - 3 Position	
5	4460465	3	Socket, Female	
6	4460894	1	Plug, Male - 6 Position	
6	4460465	6	Socket, Female	

# SECTION 8 - ELECTRICAL

## FIGURE 8-46. ENGINE HARNESS - DEUTZ D2.9L4



ART\_1001167108\_L

## SECTION 8 - ELECTRICAL

### FIGURE 8-46. ENGINE HARNESS - DEUTZ D2.9L4

ITEM	PART NUMBER	QTY	DESCRIPTION	REV
	1001167108	Ref	ENGINE HARNESS - DEUTZ D2.9L4	L
1	1001133956	1	Connector, 94 Position	
1	1001182361	6	Terminal	
1	1001126351	2	Terminal	
1	1001230934	17	Terminal	
1	1001230935	63	Plug, Terminal	
1	1001256507	4	Terminal	
1	1001230936	2	Plug, Terminal	
1	1001182365	6	Seal	
2	1001133957	1	Connector - 60 Position	
2	1001230936	11	Plug, Terminal	
2	1001126351	13	Terminal	
2	1001230935	19	Plug, Terminal	
2	1001230934	11	Terminal	
2	1001252527	4	Terminal	
2	1001256507	2	Terminal	
3	4461095	3	Plug, Male - 3 Position	
3	4460944	6	Socket, Female	
3	4460466	3	Plug, Terminal	
3	4461070	3	Connector, Female with Resistor 3 Position	
4	8220115	1	Terminal, Ring	
5	2902443	1	Receptacle Kit	
5	4461071	8	Socket, Female	
5	4461072	1	Receptacle with Flange - 8 Position	
5	4461073	1	Cap, Dust	
5	4461074	1	Shell, Black	
6	80484084	1	Connector - 8 Position	
6	4460746	3	Terminal	
6	1001234800	1	Terminal	
6	4460748	4	Plug, Terminal	
6	4460458	4	Seal	
6	8229242	1	Fuse - 5Amp	
6	80983191	1	Fuse - 10Amp	
6	1001147264	1	Cap	
7	1001116952	1	Plug, Male - 2 Position	
7	4460465	2	Socket, Female	
8	1001117106	1	Terminal, Ring	
9	4460043	1	Terminal, Ring	
10	4460247	2	Terminal, Ring	
11	4460703	1	Terminal, Ring	
12	8220164	1	Terminal, Ring	
13	1001117107	1	Terminal, Ring	
14	1001126362	1	Connector - 62 Position	
14	1001126363	25	Terminal	
14	1001126391	21	Seal, Terminal	
14	1001126392	10	Terminal	
14	4461008	4	Seal, Terminal	
14	1001126365	2	Terminal	
14	1001223459	10	Seal, Terminal	
14	1001126364	23	Seal, Terminal	

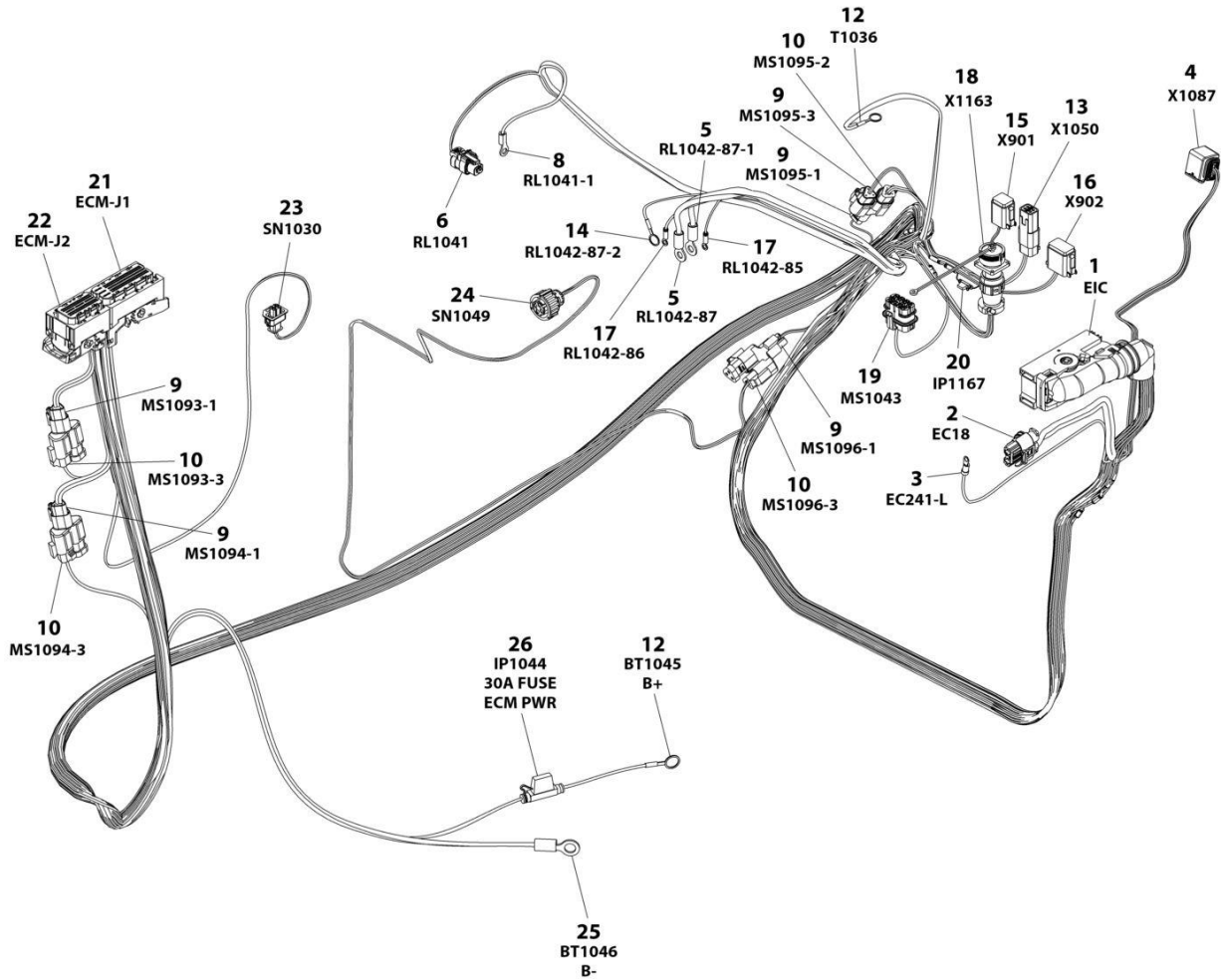
## SECTION 8 - ELECTRICAL

ITEM	PART NUMBER	QTY	DESCRIPTION	REV
14	1001256506	2	Seal, Terminal	
14	4461054	2	Seal, Terminal	
15	4460891	1	Plug, Male - 2 Position	
15	4460465	2	Socket, Female	
16	1001220379	1	Plug, Male - 4 Position	
16	4460465	2	Socket, Female	
16	4460942	2	Socket, Female	
17	4460930	1	Plug, Male - 8 Position	
17	4460465	1	Socket, Female	
17	4460466	7	Seal, Terminal	
18	4460894	1	Plug, Male - 6 Position	
18	4460465	3	Socket, Female	
18	4460944	2	Socket, Female	
18	4460466	1	Plug, Terminal	
19	1001142938	1	Connector - 2 Position	
19	1001142940	2	Terminal	
19	1001142941	2	Seal, Terminal	
20	1001133714	1	Plug, Male - 4 Position	
20	1001133715	3	Terminal	
20	1001135651	1	Plug, Terminal	
20	1001135650	3	Seal	
21	4460042	1	Terminal, Ring	



# SECTION 8 - ELECTRICAL

## FIGURE 8-47. ENGINE HARNESS



ART\_1001276643



## SECTION 8 - ELECTRICAL

### FIGURE 8-47. ENGINE HARNESS

ITEM	PART NUMBER	QTY	DESCRIPTION	REV
	1001276643	Ref	ENGINE HARNESS - DEUTZ D2.9L4 (STAGE V) ENGINE	B
1	1001126362	1	Connector	
1	1001126363	37	Socket	
1	1001126391	7	Plug, Terminal	
1	1001126392	12	Socket	
1	4461008	4	Plug, Terminal	
1	1001167632	2	Socket	
1	1001126364	37	Plug, Terminal	
1	1001223459	12	Seal	
1	4461054	2	Seal	
2	1001142938	1	Connector	
2	1001142940	2	Socket	
2	1001142941	2	Seal	
3	4460042	1	Terminal, Ring	
4	1001239202	1	Connector	
4	1001126363	7	Socket	
4	1001126391	1	Plug, Terminal	
4	1001126364	7	Plug, Terminal	
5	1001117107	2	Terminal, Ring	
6	1001116952	1	Connector	
6	4460465	2	Socket	
8	4460043	1	Terminal, Ring	
9	1001116812	5	Connector	
9	4460944	10	Socket	
9	4460466	5	Plug, Terminal	
10	4460539	4	Connector	
10	4460944	8	Socket	
10	4460466	4	Plug, Terminal	
12	4460019	2	Terminal, Ring	
13	4460884	1	Connector	
13	4460465	2	Socket	
13	4460942	2	Socket	
14	4460703	1	Terminal, Ring	
15	4460894	1	Connector	
15	4460466	2	Plug, Terminal	
15	4460465	2	Socket	
15	4460944	2	Socket	
16	4460930	1	Connector	
16	4460465	1	Socket	
16	4460466	7	Plug, Terminal	
17	4460247	2	Terminal, Ring	
18	2902443	1	Receptacle Kit	
18	4461071	8	Socket	
18	4461072	1	Receptacle with Flange - 8 Position	
18	4461073	1	Cap, Dust	
18	4461074	1	Shell, Black	
19	80484084	1	Connector	
19	4460748	4	Plug, Socket	
19	4460746	3	Socket	
19	1001234800	1	Socket	

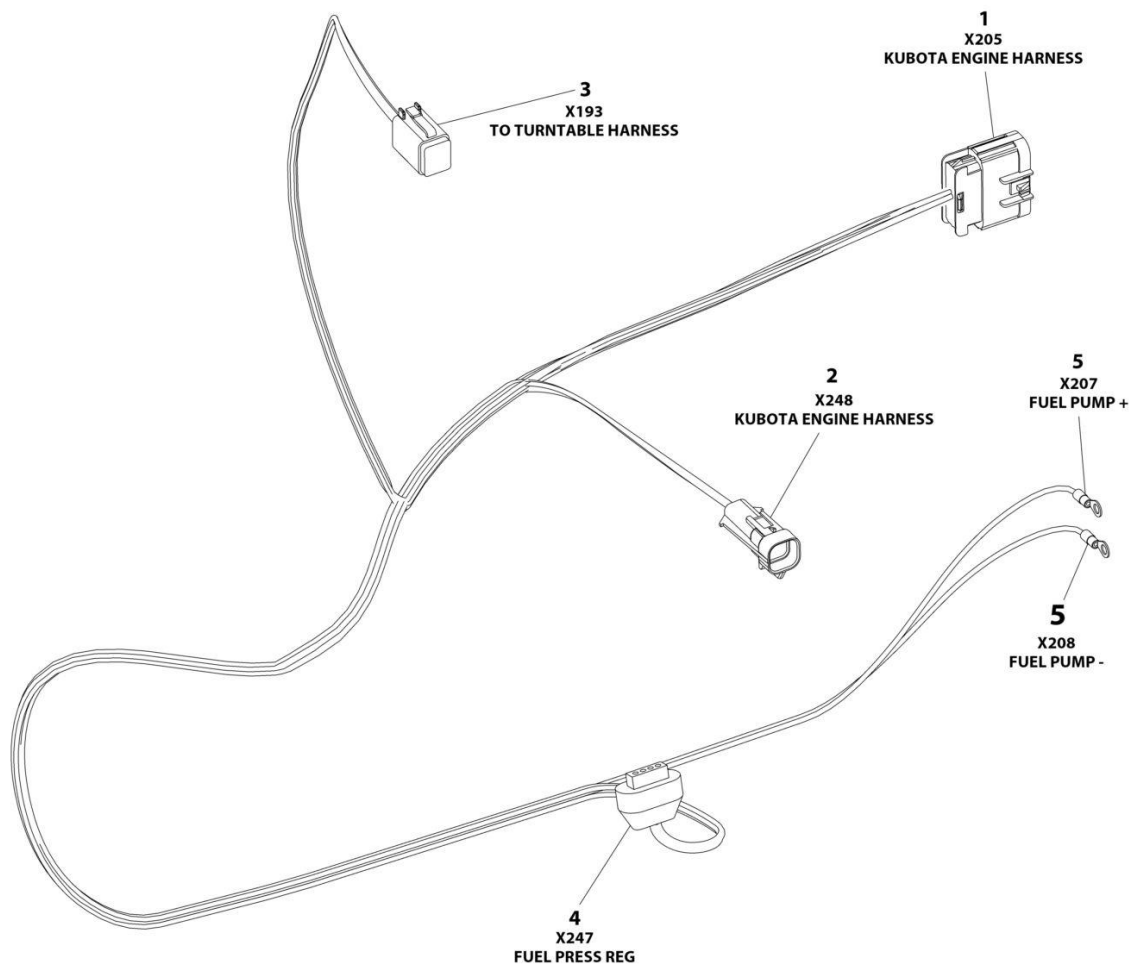
## SECTION 8 - ELECTRICAL

ITEM	PART NUMBER	QTY	DESCRIPTION	REV
19	4460458	4	Seal	
20	1001170764	1	Holder, Fuse	
20	1001197719	1	Fuse 0.5 Watt	
21	1001133956	1	Connector	
21	1001182361	6	Socket	
21	1001126351	3	Socket	
21	1001230934	23	Socket	
21	1001230935	57	Pin	
21	1001230936	1	Pin	
21	1001252527	4	Socket	
21	1001182365	6	Seal	
22	1001133957	1	Connector	
22	1001230936	11	Pin	
22	1001126351	13	Socket	
22	1001230935	10	Pin	
22	1001230934	26	Socket	
23	1001126487	1	Connector	
23	1001167635	2	Socket	
23	1001126485	2	Seal	
24	1001133714	1	Connector	
24	1001133715	3	Socket	
24	1001135651	1	Plug, Terminal	
24	1001135650	2	Seal	
25	4460115	1	Terminal, Ring	
26	1001172064	1	Fuse Holder (Includes Cover)	
26	1001172065	1	Fuse 30Amp	



# SECTION 8 - ELECTRICAL

## FIGURE 8-48. ENGINE HARNESS - KUBOTA



ART\_1001213706

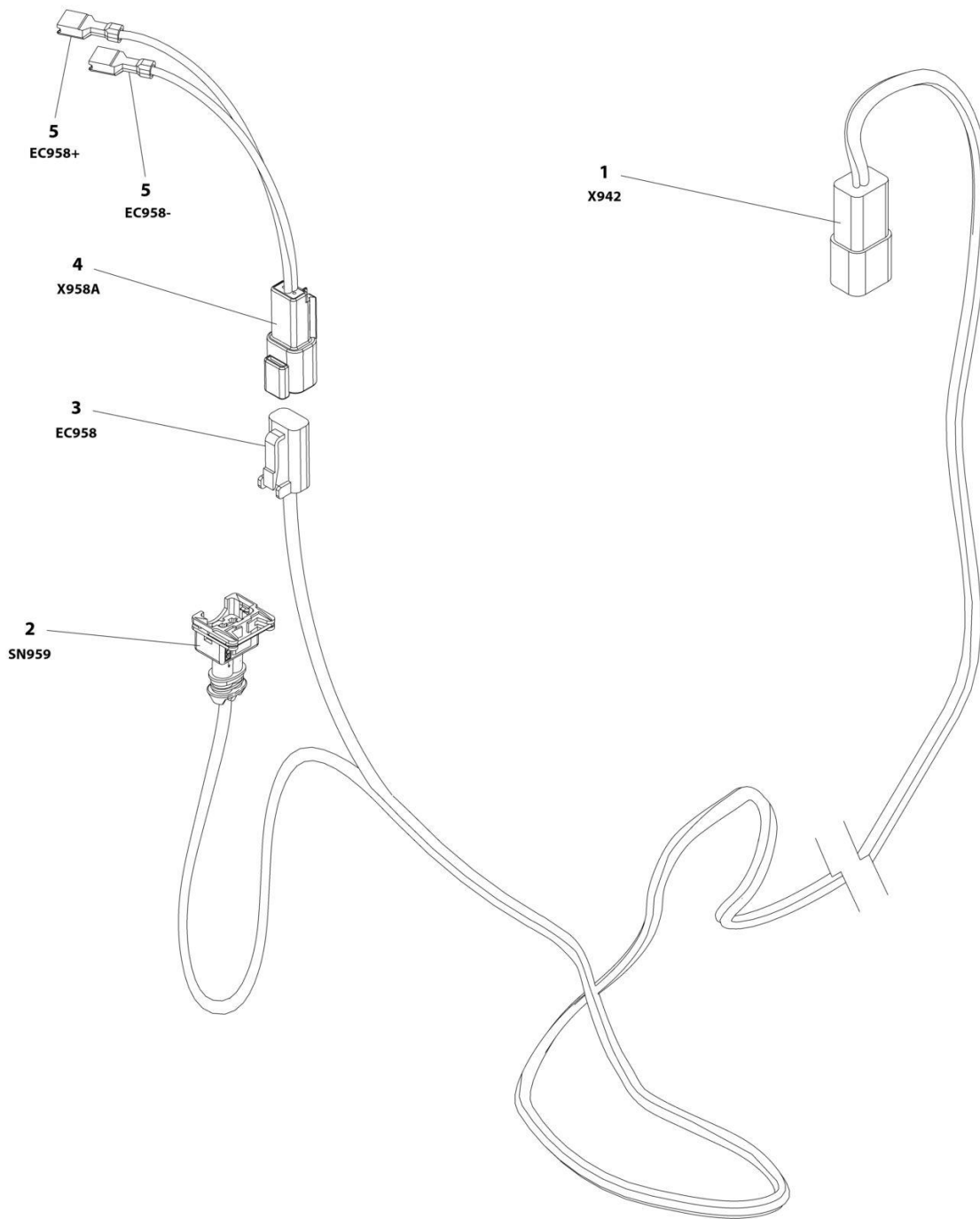
## SECTION 8 - ELECTRICAL

**FIGURE 8-48. ENGINE HARNESS - KUBOTA**

ITEM	PART NUMBER	QTY	DESCRIPTION	REV
	1001213706	Ref	ENGINE HARNESS - KUBOTA	D
1	4461109	1	Plug, Male - 16 Position	
1	4461111	AR	Pin, Male	
1	4461113	AR	Seal	
1	4461222	AR	Plug	
2	4461124	1	Connector - 4 Position	
2	4460693	4	Terminal	
2	4461123	4	Seal	
3	4460894	1	Plug, Male - 6 Position	
3	4460465	5	Socket, Female	
3	4460466	1	Plug, Terminal	
4	4461121	1	Plug, Male - 4 Position	
4	4461122	4	Terminal	
4	4461006	4	Seal	
5	4460042	2	Terminal, Ring	

# SECTION 8 - ELECTRICAL

## FIGURE 8-49. FUEL HARNESS - DEUTZ D2.9L4 ENGINE



ART\_1001181358

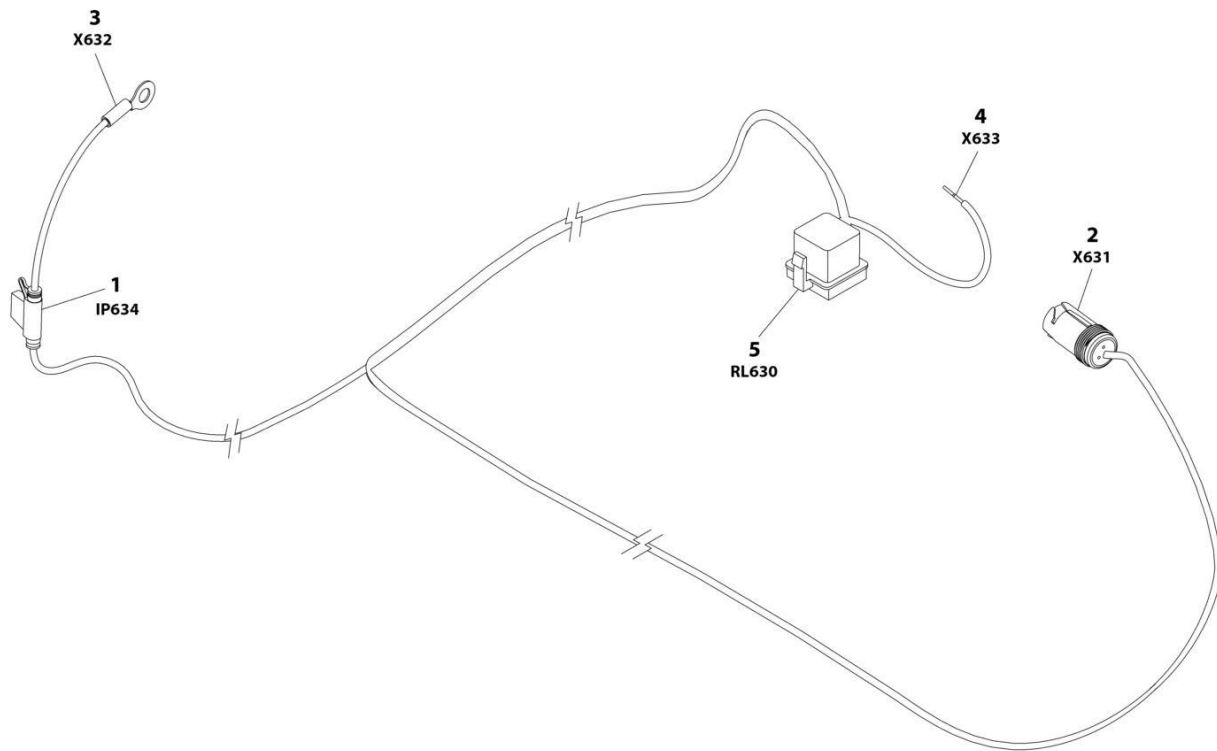
## SECTION 8 - ELECTRICAL

### FIGURE 8-49. FUEL HARNESS - DEUTZ D2.9L4 ENGINE

ITEM	PART NUMBER	QTY	DESCRIPTION	REV
	1001181358	Ref	FUEL HARNESS - DEUTZ D2.9L4 ENGINE	D
1	4460932	1	Receptacle, Female - 4 Position	
1	4460464	2	Pin, Male	
1	4460941	2	Pin, Male	
2	1001116983	1	Plug, Male - 2 Position	
2	4461060	2	Socket, Female	
2	4461054	2	Seal	
3	4460891	1	Plug, Male - 2 Position	
3	4460942	2	Socket, Female	
4	4460897	1	Receptacle, Female - 2 Position	
4	4460941	2	Pin, Male	
5	8220051	2	Coupler, Female	

# SECTION 8 - ELECTRICAL

## FIGURE 8-50. GENERATOR HARNESS - 2500W GENERATOR (60HZ)



ART\_1001187522



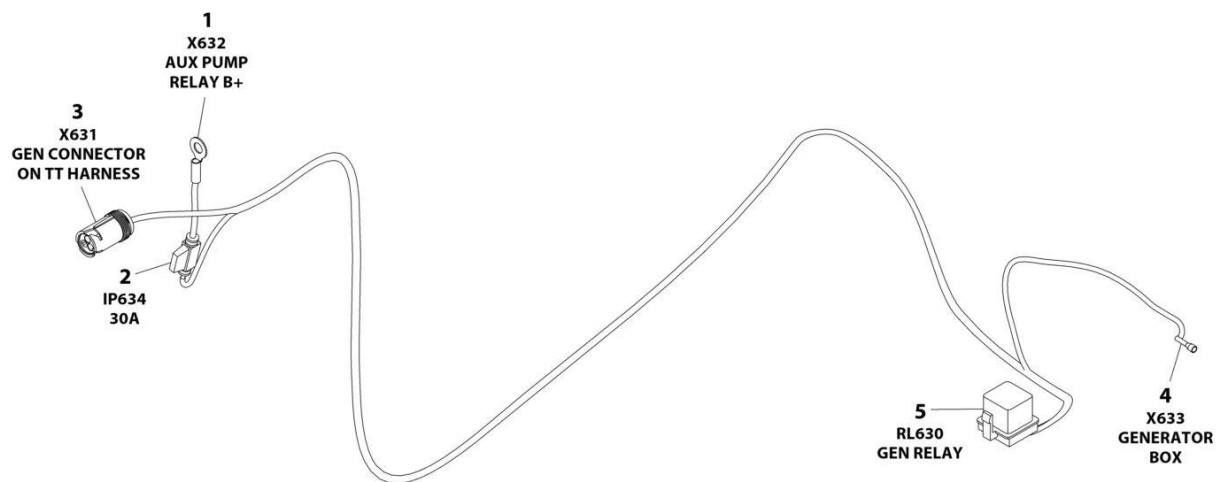
## SECTION 8 - ELECTRICAL

### FIGURE 8-50. GENERATOR HARNESS - 2500W GENERATOR (60HZ)

ITEM	PART NUMBER	QTY	DESCRIPTION	REV
	1001187522	Ref	GENERATOR HARNESS - 2500W	B
1	2400066	1	Fuseholder - 30Amp (Includes Cover)	
1	8229245	1	Fuse 30Amp	
2	1001154726	1	Receptacle, Female - 3 Position	
2	4460464	2	Pin, Male	
2	4460466	1	Plug, Terminal	
3	8220045	1	Terminal, Ring	
4	4460906	1	Socket, Female	
5	1001117057	1	Connector, Relay	
5	1001116734	2	Terminal	
5	1001116732	2	Terminal	
5	3740080	1	Relay	

# SECTION 8 - ELECTRICAL

## FIGURE 8-51. GENERATOR HARNESS - 2500W GENERATOR (50HZ)



ART\_1001187352

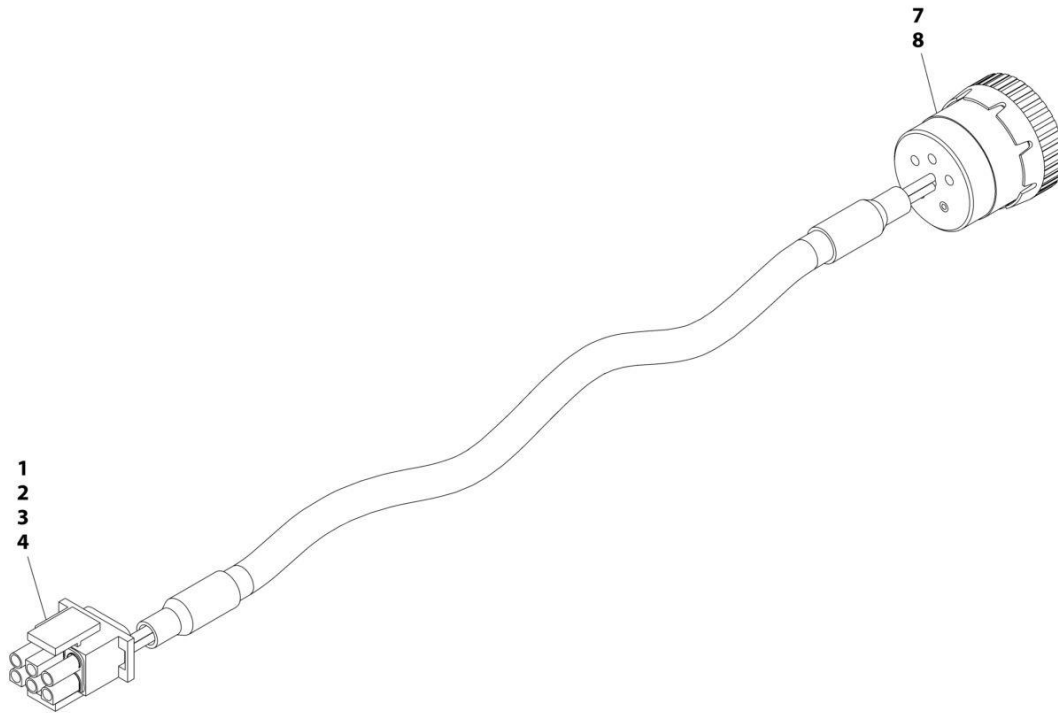
## SECTION 8 - ELECTRICAL

**FIGURE 8-51. GENERATOR HARNESS - 2500W GENERATOR (50HZ)**

ITEM	PART NUMBER	QTY	DESCRIPTION	REV
	1001187352	Ref	GENERATOR HARNESS - 2500W GENERATOR (50HZ)	A
1	8220045	1	Terminal, Ring	
2	2400060	1	Holder, Fuse	
2	8229245	1	Fuse 30Amp	
3	1001154726	1	Connector - 3 Position	
3	4460464	2	Pin, Male	
3	4460466	1	Plug, Terminal	
4	1001100231	1	Terminal	
5	1001117057	1	Plug, Relay	
5	1001116734	2	Terminal	
5	1001116732	2	Terminal	

# SECTION 8 - ELECTRICAL

## FIGURE 8-52. GENERATOR HARNESS - 4000W GENERATOR



ART\_1001152532

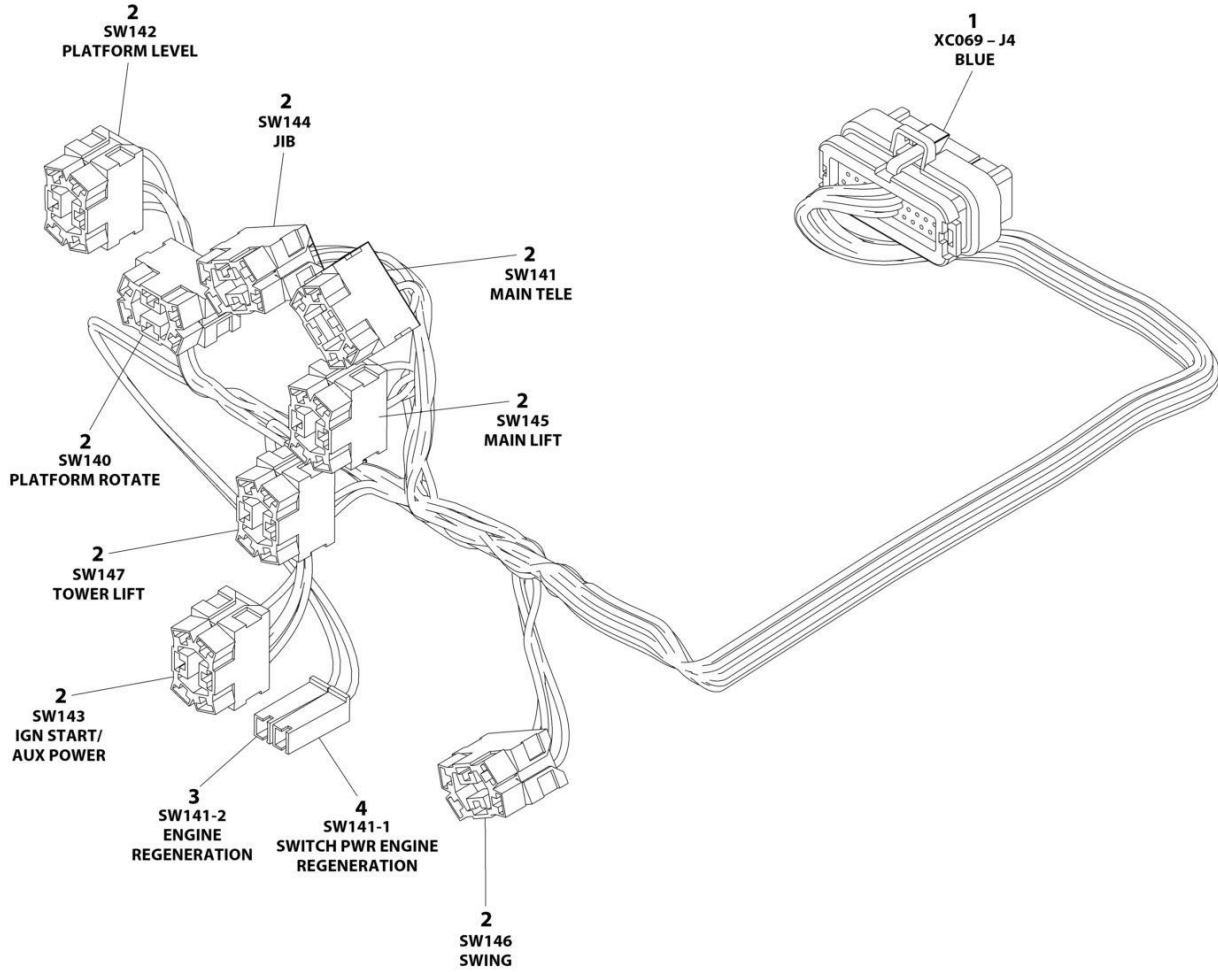
## SECTION 8 - ELECTRICAL

### FIGURE 8-52. GENERATOR HARNESS - 4000W GENERATOR

ITEM	PART NUMBER	QTY	DESCRIPTION	REV
	1001152532	Ref	GENERATOR HARNESS	A
1	4460225	1	Connector - 6 Position	
2	4460268	2	Socket, Female	
3	4460807	1	Seal	
4	4460808	1	Seal	
7	4460465	2	Socket, Female	
8	77363233	1	Connector - 6 Position	

# SECTION 8 - ELECTRICAL

## FIGURE 8-53. GROUND CONTROL PANEL HARNESS



ART\_1001244295

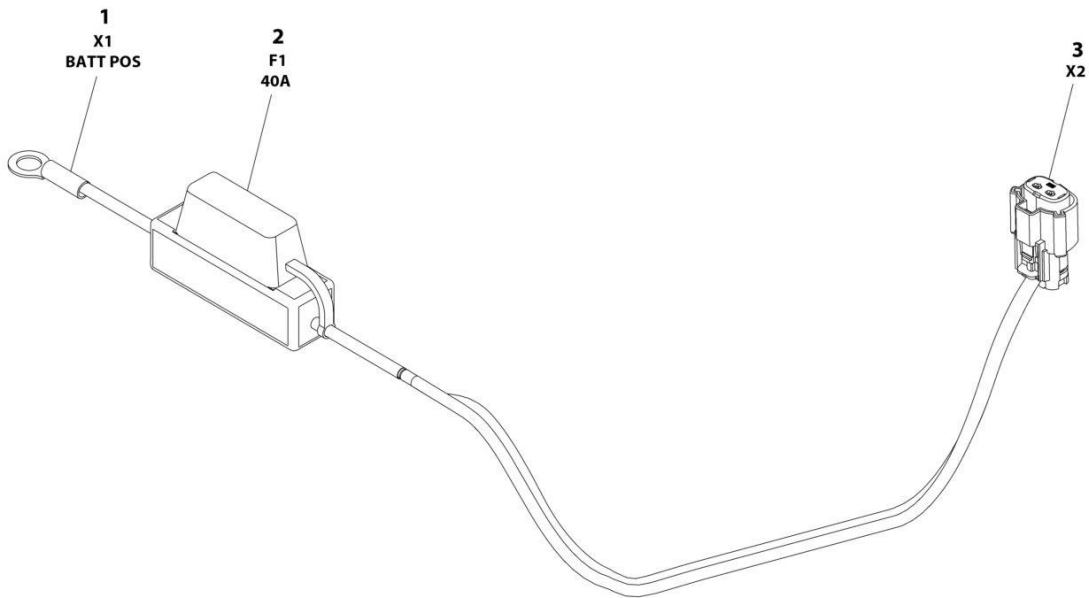
## SECTION 8 - ELECTRICAL

### FIGURE 8-53. GROUND CONTROL PANEL HARNESS

ITEM	PART NUMBER	QTY	DESCRIPTION	REV
	1001244295	Ref	GROUND CONTROL PANEL HARNESS	C
1	4460876	1	Connector - 35 Position	
1	4460871	18	Socket, Female	
1	4460905	17	Plug, Terminal	
2	4460418	8	Connector - 6 Position	
2	4460419	16	Terminal	
2	1001159186	16	Terminal	
3	4460260	2	Housing, Terminal	
3	4460259	2	Terminal	
4	4460260	1	Terminal, Housing	
4	4460259	1	Terminal	

# SECTION 8 - ELECTRICAL

## FIGURE 8-54. KUBOTA D/F POWER HARNESS



ART\_1001229797



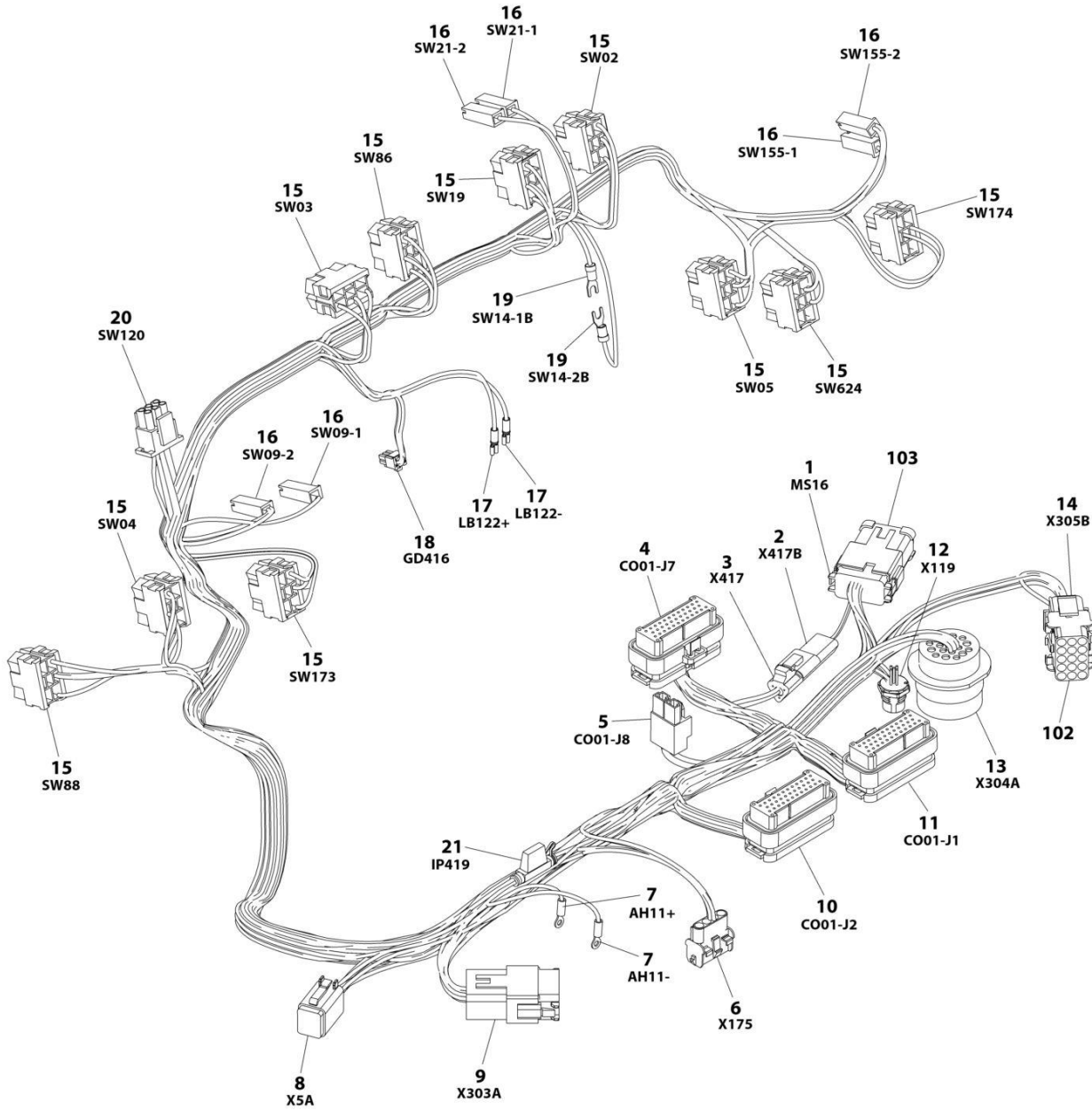
## SECTION 8 - ELECTRICAL

### FIGURE 8-54. KUBOTA D/F POWER HARNESS

ITEM	PART NUMBER	QTY	DESCRIPTION	REV
	1001229797	Ref	KUBOTA D/F POWER HARNESS	A
1	4460977	1	Terminal, Ring	
2	2400082	1	Fuse 40Amp	
3	1001229795	1	Connector - 2 Position	
3	1001229796	2	Socket, Female	

# SECTION 8 - ELECTRICAL

## FIGURE 8-55. PLATFORM CONSOLE BOX HARNESS



ART\_1001238254

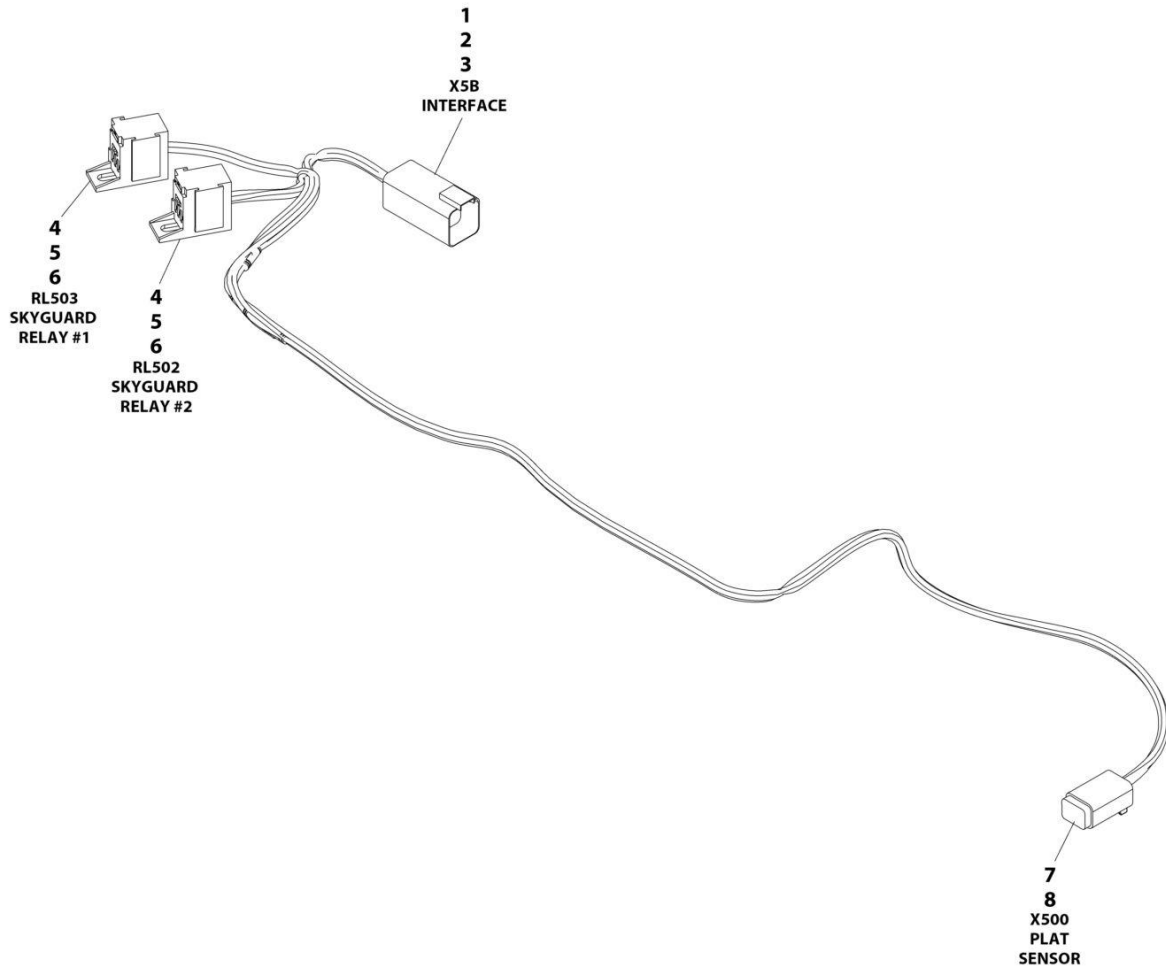
## SECTION 8 - ELECTRICAL

### FIGURE 8-55. PLATFORM CONSOLE BOX HARNESS

ITEM	PART NUMBER	QTY	DESCRIPTION	REV
	1001238254	Ref	PLATFORM CONSOLE BOX HARNESS	I
1	4460933	1	Plug, Male - 12 Position	
1	4460465	10	Socket, Female	
1	4460466	2	Plug, Terminal	
2	4460536	1	Receptacle, Female - 3 Position	
2	4460464	2	Pin, Male	
2	4460466	1	Plug, Terminal	
3	4460539	1	Plug, Male - 3 Position	
3	4460465	2	Socket, Female	
3	4460466	1	Plug, Terminal	
4	4460873	1	Connector - 35 Position	
4	4460871	21	Socket, Female	
4	4460905	14	Plug, Terminal	
5	4460879	1	Plug, Male - 2 Position	
5	4460887	2	Terminal	
6	4460761	1	Receptacle, Female - 4 Position	
6	4460267	4	Pin, Male	
7	1001098122	2	Terminal, Ring	
8	4460894	1	Plug, Male - 6 Position	
8	4460465	6	Socket, Female	
9	4460970	1	Receptacle, Female - 12 Position	
9	1001116693	11	Pin, Male	
9	4460466	1	Plug, Terminal	
10	4460875	1	Connector - 35 Position	
10	4460871	12	Socket, Female	
10	4460905	23	Plug, Terminal	
11	4460874	1	Connector - 35 Position	
11	4460871	27	Socket, Female	
11	4460905	8	Plug, Terminal	
12	1001213447	1	Connector - 4 Position	
12	See Note	NSS	Terminal (Note: Purchase p/n 1001213447)	
13	4460866	1	Connector - 19 Position	
13	4460464	5	Pin, Male	
13	4460466	11	Plug, Terminal	
13	4460508	1	Pin, Male	
14	4460434	1	Connector - 15 Position	
14	4460267	8	Pin. Male	
15	4460418	10	Connector - 6 Position	
15	4460419	45	Terminal	
16	4460260	6	Housing, Terminal	
16	4460259	8	Terminal	
17	1001271497	2	Terminal	
18	1001237667	1	Plug, Male - 6 Position	
18	1001237668	4	Terminal	
19	4460183	2	Terminal, Fork	
20	4460225	1	Plug, Male - 6 Position	
20	4460227	6	Pin, Male (Note: Used on Pump Potentiometer Connection Only)	
21	2400060	1	Fuse Holder	
102	4460708	1	Connector, Bussbar - 15 Position	
103	1001125677	1	Connector, Bussbar - 12 Position	

# SECTION 8 - ELECTRICAL

## FIGURE 8-56. PLATFORM INTERFACE HARNESS



ART\_1001225580\_E

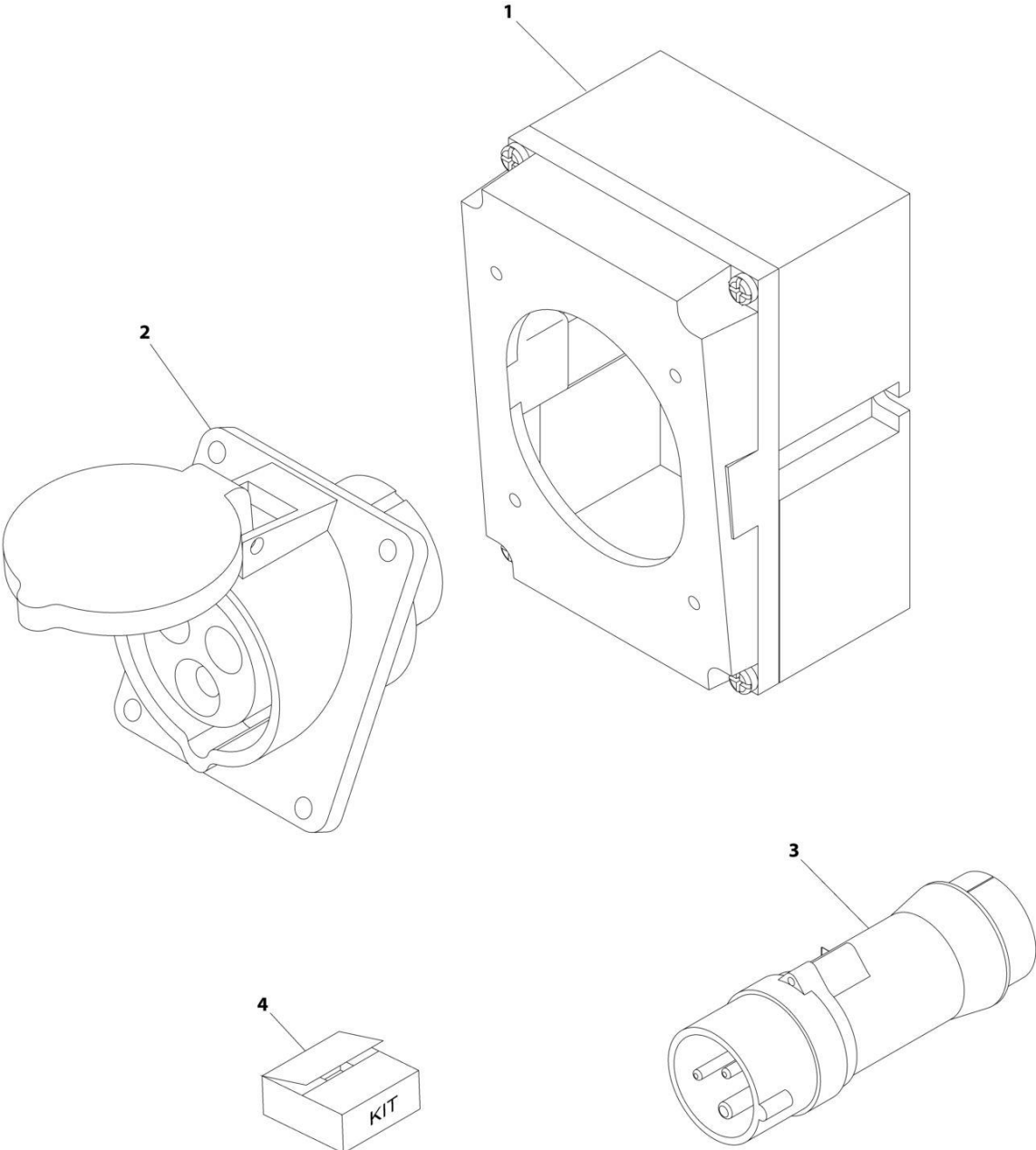
## SECTION 8 - ELECTRICAL

### FIGURE 8-56. PLATFORM INTERFACE HARNESS

ITEM	PART NUMBER	QTY	DESCRIPTION	REV
	1001225580	Ref	PLATFORM INTERFACE HARNESS - WITH 1 CELL LSS	E
1	4460899	1	Connector	
2	4460464	4	Terminal	
3	4460466	2	Plug	
4	1001186432	2	Connector	
5	1001253375	4	Terminal	
6	1001104519	4	Terminal	
7	4460884	1	Connector	
8	4460465	4	Terminal	

**SECTION 8 - ELECTRICAL**

**FIGURE 8-57. RECEPTACLE BOX KIT - 110V IEC YELLOW (CE, CIS/EAC & UK CA SPECS)**



ART\_0275216

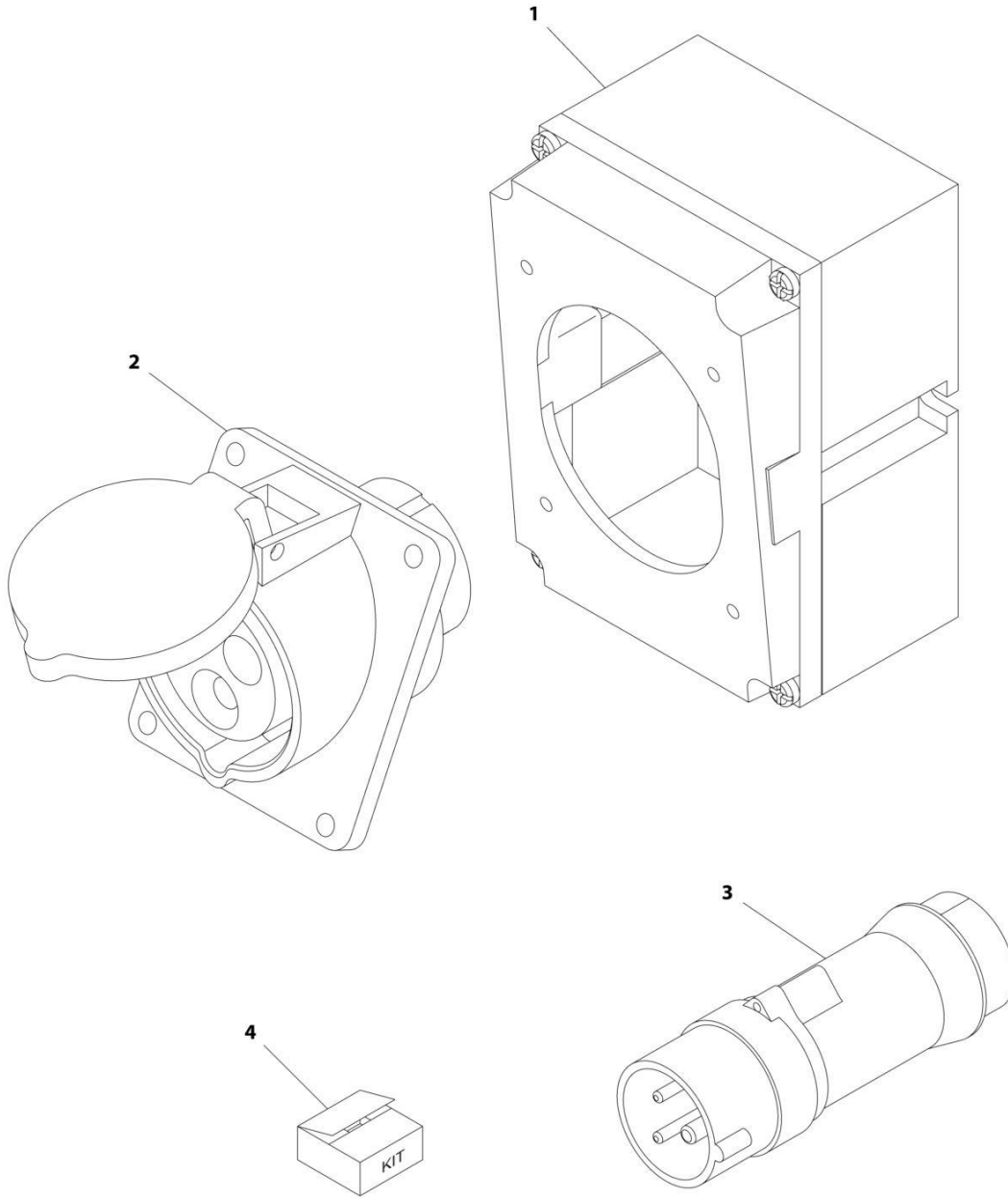
## SECTION 8 - ELECTRICAL

**FIGURE 8-57. RECEPTACLE BOX KIT - 110V IEC YELLOW (CE, CIS/EAC & UK CA SPECS)**

ITEM	PART NUMBER	QTY	DESCRIPTION	REV
	0275216	Ref	RECEPTACLE BOX KIT - 110V IEC YELLOW	B
1	0861781	1	Box, Switch	
2	4461198	1	Receptacle	
3	4461196	1	Plug, Male	
4	1001100341	1	Plug and Socket Kit (Includes Items 1-3 and Female Plug p/n 4461197)	

# SECTION 8 - ELECTRICAL

FIGURE 8-58. RECEPTACLE BOX KIT - 220V IEC BLUE (CE, CIS/EAC & UK CA SPECS)



ART\_0275217



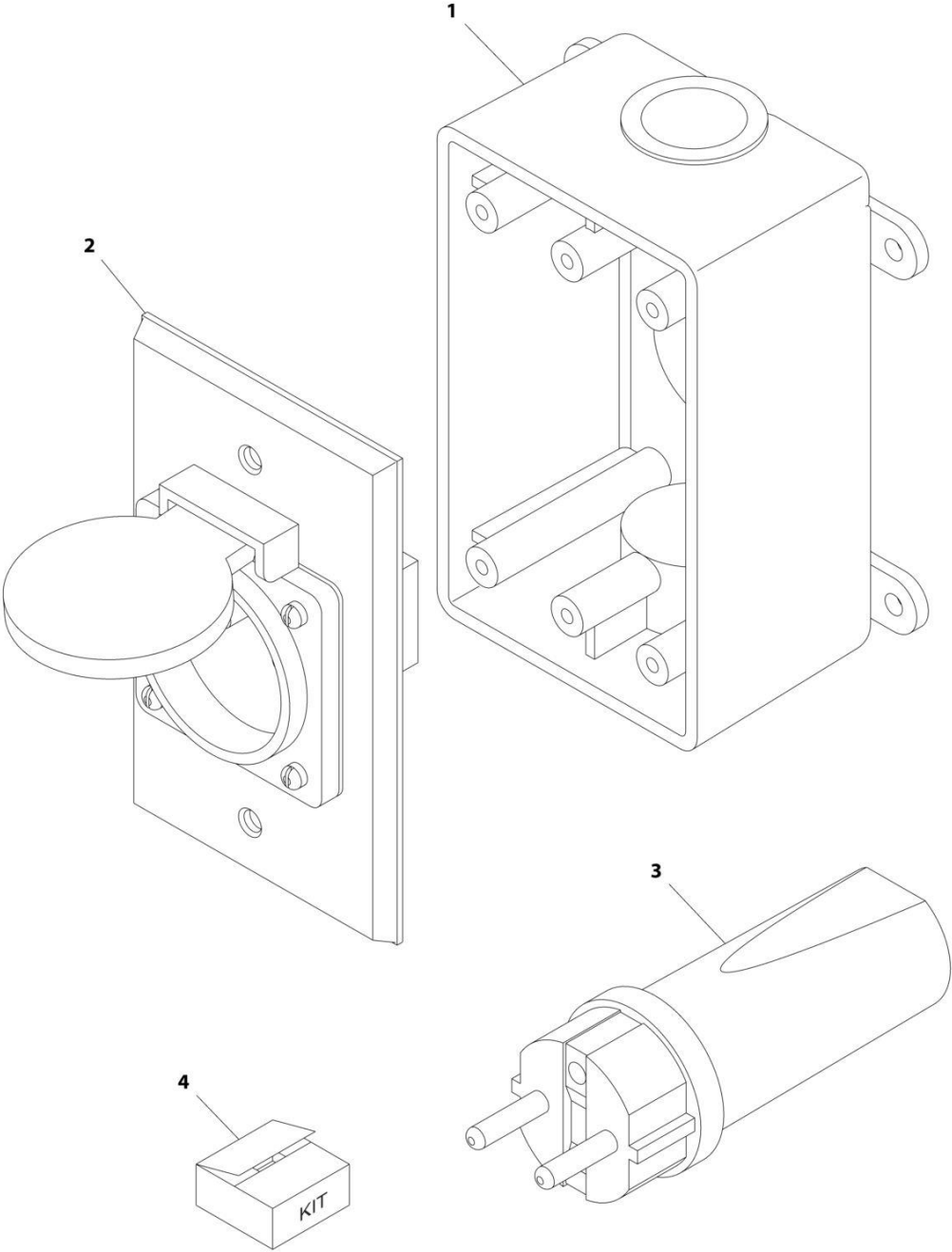
## SECTION 8 - ELECTRICAL

**FIGURE 8-58. RECEPTACLE BOX KIT - 220V IEC BLUE (CE, CIS/EAC & UK CA SPECS)**

ITEM	PART NUMBER	QTY	DESCRIPTION	REV
	0275217	Ref	RECEPTACLE BOX KIT - 220V IEC BLUE	B
1	0861781	1	Box, Switch	
2	4461201	1	Receptacle	
3	4461199	1	Plug, Male	
4	1001100342	1	Plug and Socket Kit (Includes Items 1-3 and Female Plug p/n 4461200)	

**SECTION 8 - ELECTRICAL**

**FIGURE 8-59. RECEPTACLE BOX KIT - 220V CEE7 POST GROUND 2IN X 4IN BOX (CE, CIS/EAC & UK CA SPECS)**



ART\_0275452

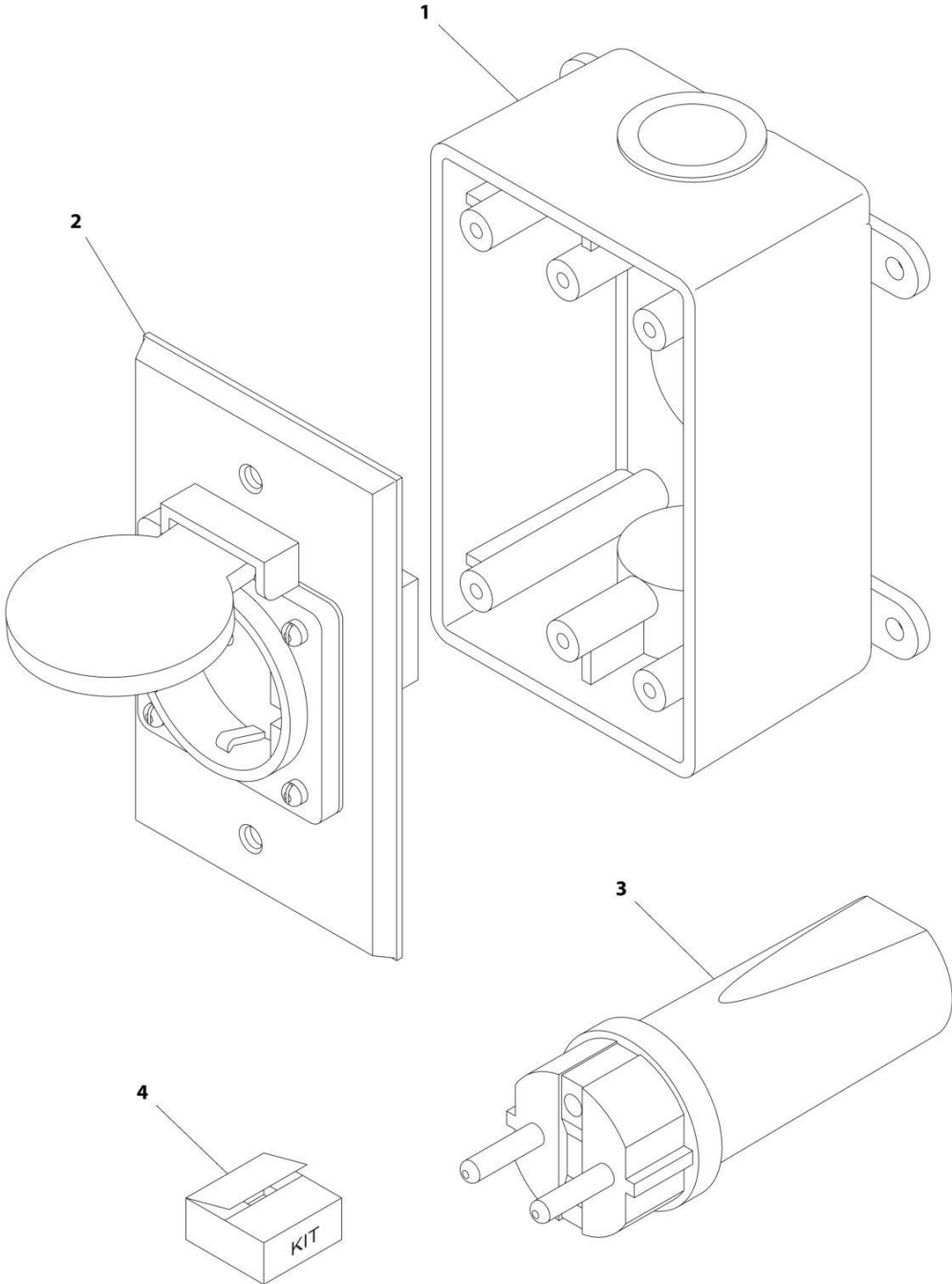
## SECTION 8 - ELECTRICAL

**FIGURE 8-59. RECEPTACLE BOX KIT - 220V CEE7 POST GROUND 2IN X 4IN BOX (CE, CIS/EAC & UK CA SPECS)**

ITEM	PART NUMBER	QTY	DESCRIPTION	REV
	0275452	Ref	RECEPTACLE BOX KIT - 220V CEE7 POST GROUND	C
1	0861731	1	Box, Switch	
2	4461244	1	Receptacle	
3	4461205	1	Plug, Male	
4	1001100345	1	Plug and Socket Kit (Includes Items 1-3 and Female Plug p/n 4461206)	

**SECTION 8 - ELECTRICAL**

**FIGURE 8-60. RECEPTACLE BOX KIT - 220V CEE7 SIDE GROUND 2IN X 4IN BOX (CE, CIS/EAC & UK CA SPECS)**



ART\_0275453

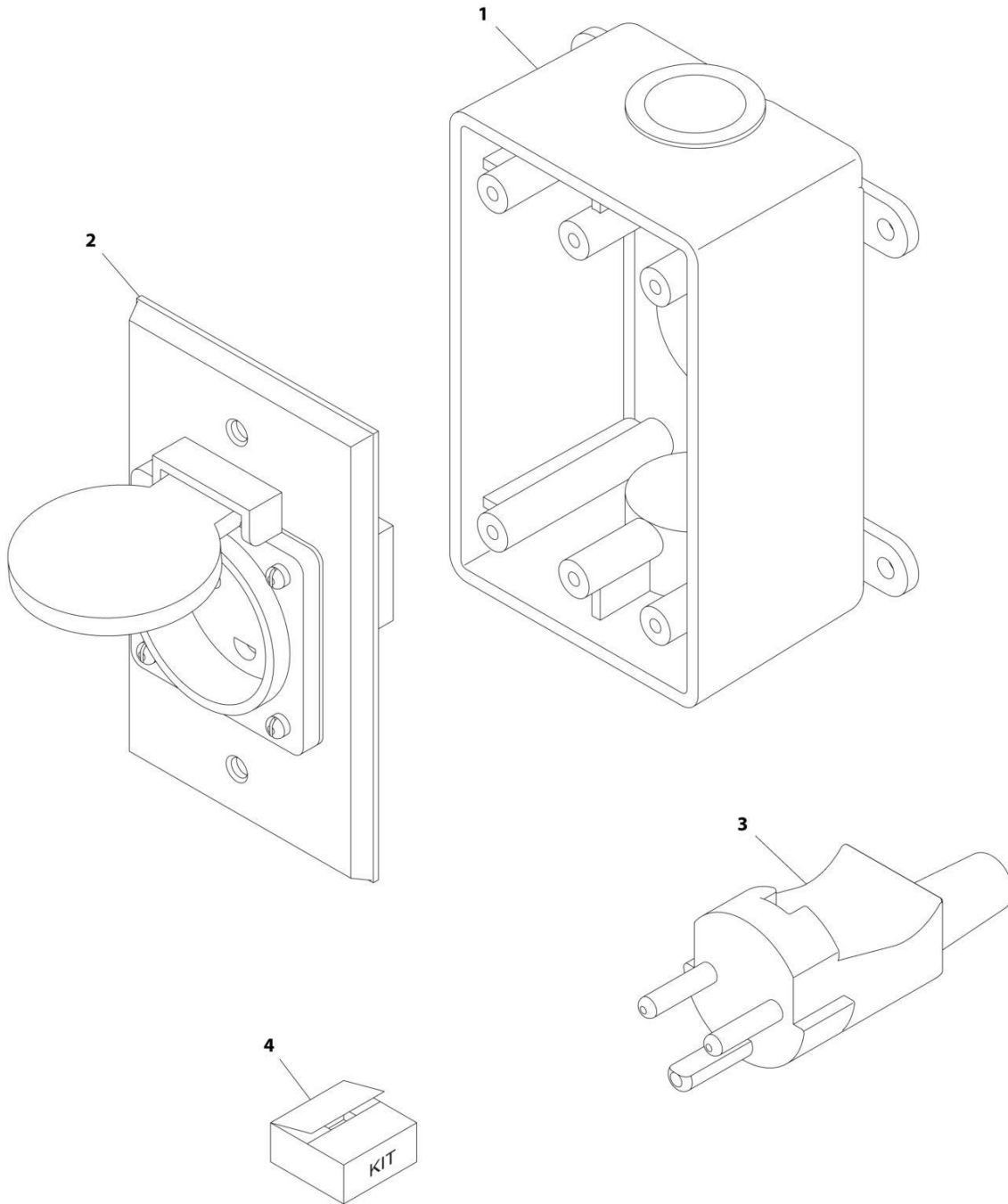
## SECTION 8 - ELECTRICAL

**FIGURE 8-60. RECEPTACLE BOX KIT - 220V CEE7 SIDE GROUND 2IN X 4IN BOX (CE, CIS/EAC & UK CA SPECS)**

ITEM	PART NUMBER	QTY	DESCRIPTION	REV
	0275453	Ref	RECEPTACLE BOX KIT - 220V CEE7 SIDE GROUND	B
1	0861731	1	Box, Switch	
2	4461245	1	Receptacle	
3	4461205	1	Plug, Male	
4	1001100347	1	Plug and Socket Kit (Includes Items 1-3 and Female Plug p/n 4461206)	

# SECTION 8 - ELECTRICAL

FIGURE 8-61. RECEPTACLE BOX KIT - 220V AFSINT 107 (CE, CIS/EAC & UK CA SPECS)



ART\_0275454

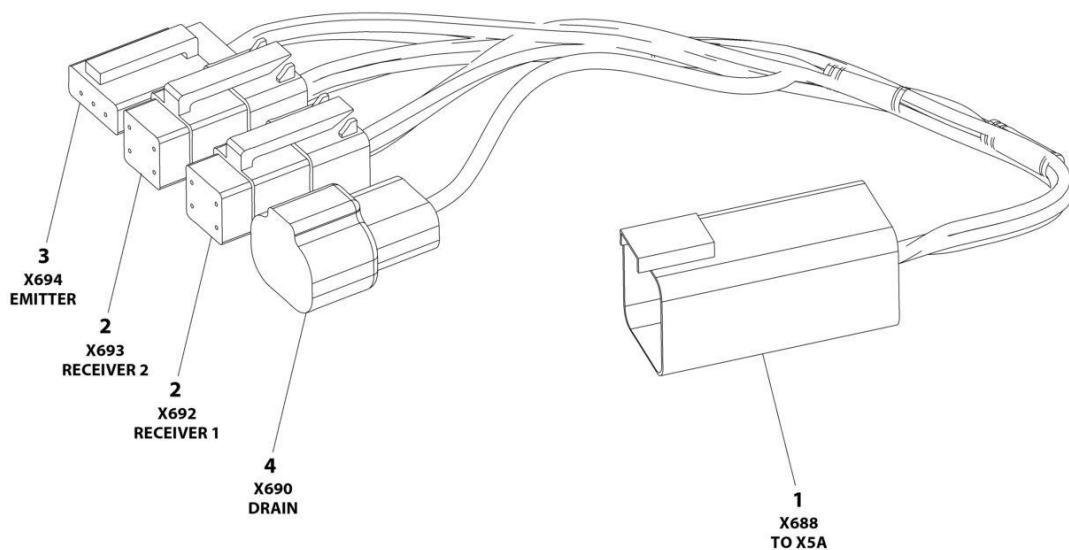
## SECTION 8 - ELECTRICAL

**FIGURE 8-61. RECEPTACLE BOX KIT - 220V AFSINT 107 (CE, CIS/EAC & UK CA SPECS)**

ITEM	PART NUMBER	QTY	DESCRIPTION	REV
	0275454	Ref	RECEPTACLE BOX KIT - 220V AFSINT 107	B
1	0861731	1	Box, Switch	
2	4461246	1	Receptacle	
3	4461249	1	Plug, Male	
4	1001100346	1	Plug and Socket Kit (Includes Items 1-3 and Female Plug p/n 4461250)	

# SECTION 8 - ELECTRICAL

## FIGURE 8-62. SKYEYE INTERMEDIATE HARNESS



ART\_1001237865



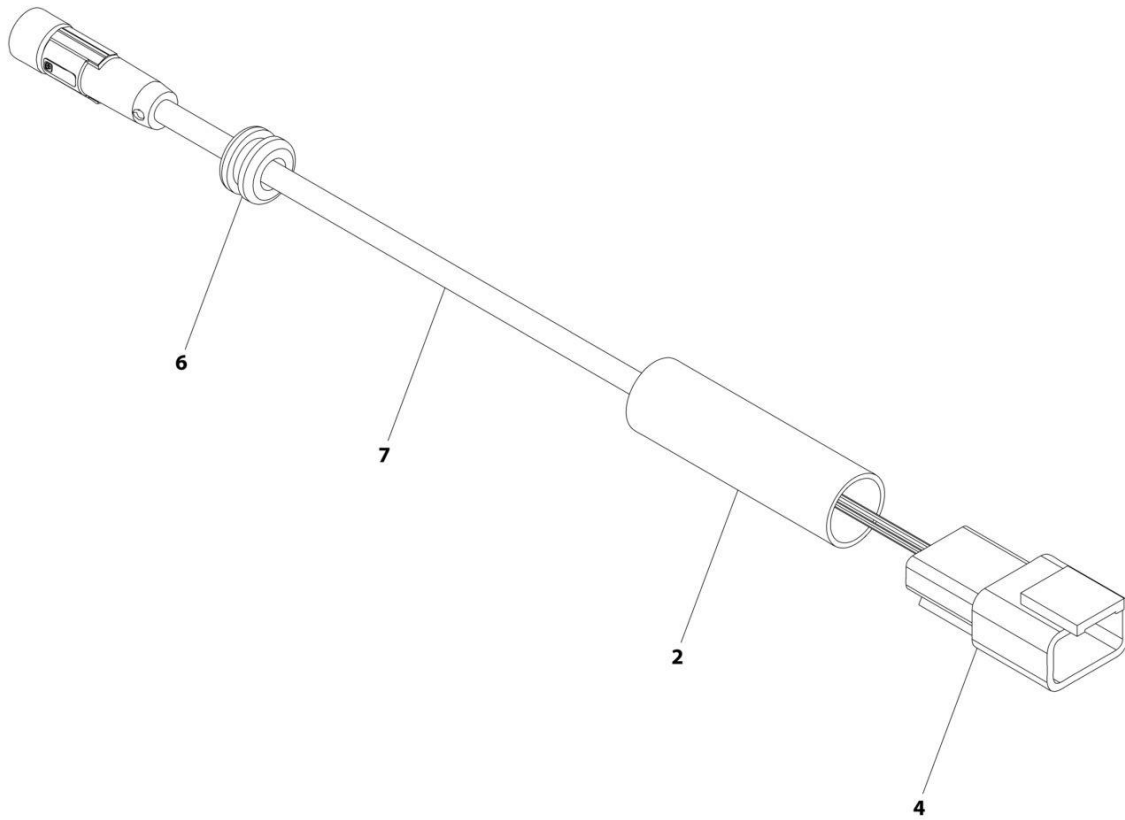
## SECTION 8 - ELECTRICAL

### FIGURE 8-62. SKYEYE INTERMEDIATE HARNESS

ITEM	PART NUMBER	QTY	DESCRIPTION	REV
	1001237865	Ref	SKYEYE INTERMEDIATE HARNESS	A
1	4460899	1	Connector - 6 Position	
1	4460943	4	Pin, Male	
1	4460466	2	Plug, Terminal	
2	4461077	2	Connector - 4 Position	
2	1001119619	8	Socket, Female	
3	4460911	1	Connector - 3 Position	
3	1001119619	3	Socket, Female	
4	1001187681	1	Connector - 2 Position	
4	4460941	1	Pin, Male	
4	4460466	1	Plug, Terminal	

# SECTION 8 - ELECTRICAL

## FIGURE 8-63. SKYEYE RECEIVER HARNESS



ART\_1001237863\_B

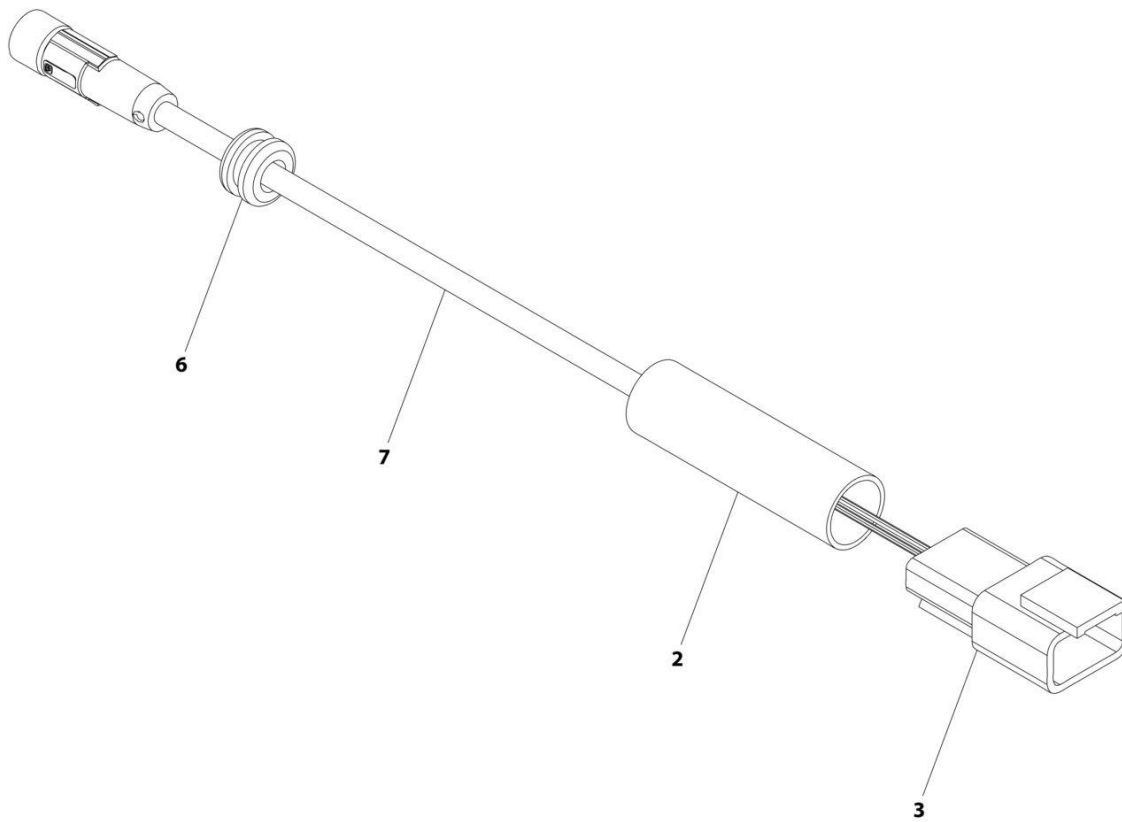
## SECTION 8 - ELECTRICAL

### FIGURE 8-63. SKYEYE RECEIVER HARNESS

ITEM	PART NUMBER	QTY	DESCRIPTION	REV
	1001237863	Ref	SKYEYE RECEIVER HARNESS	B
2	2820247	AR	Tubing, Heat Shrink	
4	1001097051	1	Connector - 4 Position	
4	1001119620	4	Pin, Male	
6	1001227996	1	Grommet	
7	1001258495	1	Cable, M8 Female Cordset	

# SECTION 8 - ELECTRICAL

## FIGURE 8-64. SKYEYE EMITTER HARNESS



ART\_1001237864\_B

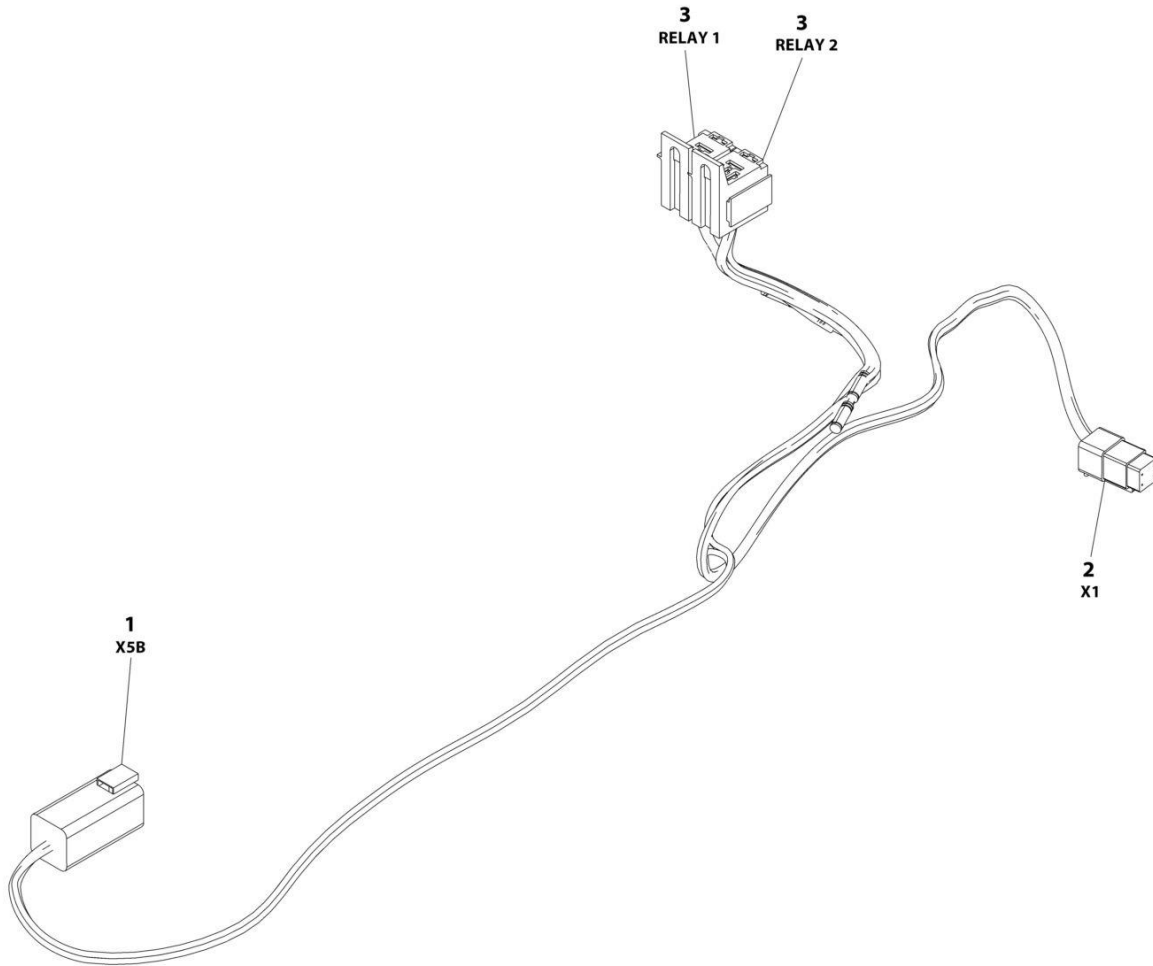
## SECTION 8 - ELECTRICAL

### FIGURE 8-64. SKYEYE EMITTER HARNESS

ITEM	PART NUMBER	QTY	DESCRIPTION	REV
	1001237864	Ref	SKYEYE EMITTER HARNESS	B
2	2820247	AR	Tubing, Heat Shrink	
3	4460910	1	Connector - 3 Position	
3	1001119620	3	Pin, Male	
6	1001227996	1	Grommet	
7	1001258495	1	Cable, M8 Female Cordset	

# SECTION 8 - ELECTRICAL

## FIGURE 8-65. SKYLINE HARNESS



ART\_1001238418

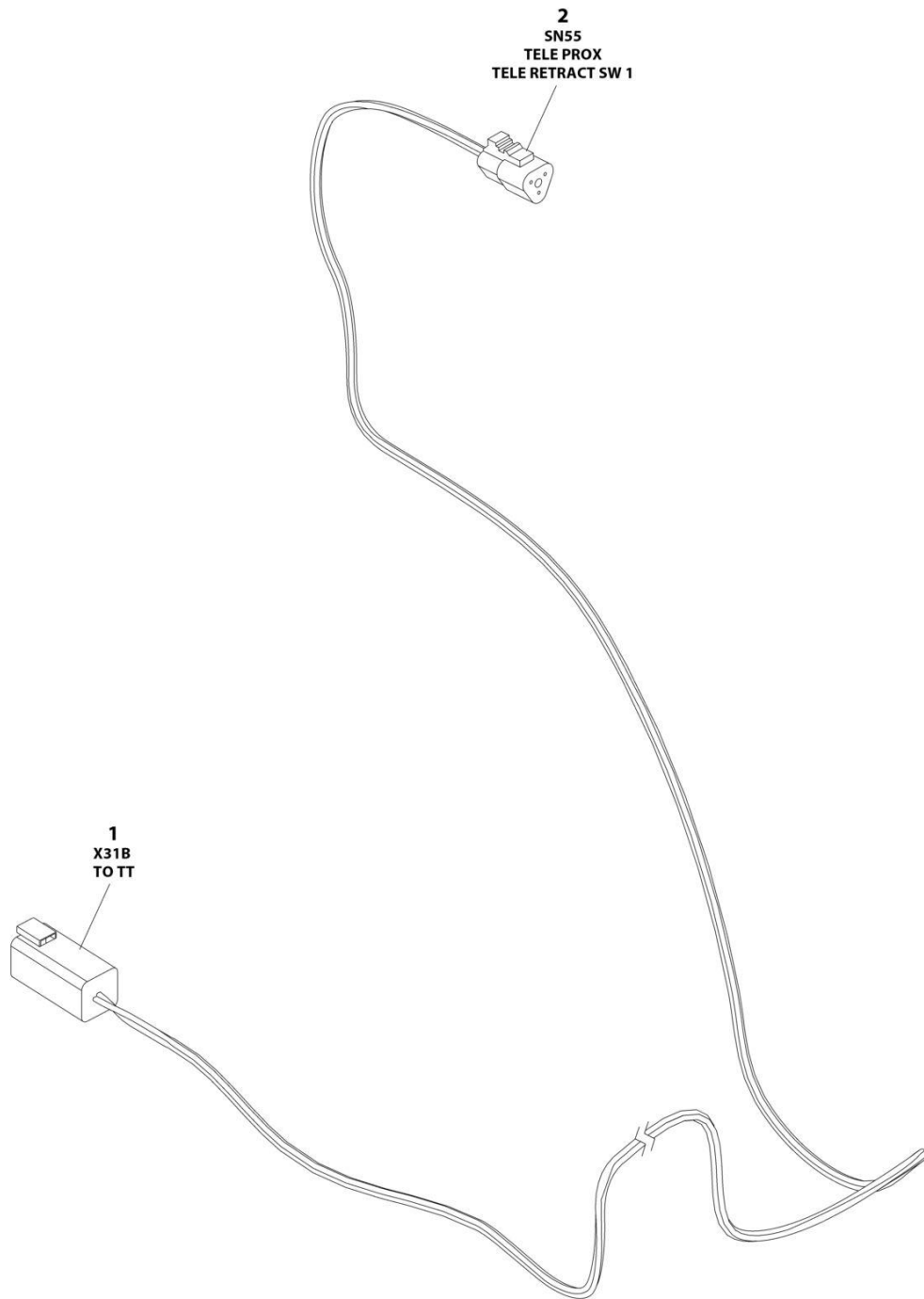
## SECTION 8 - ELECTRICAL

### FIGURE 8-65. SKYLINE HARNESS

ITEM	PART NUMBER	QTY	DESCRIPTION	REV
	1001238418	Ref	SKYLINE HARNESS	B
1	4460899	1	Connector - 6 Position	
1	4460464	4	Pin, Male	
1	4460466	2	Plug, Terminal	
2	4461077	1	Connector - 4 Position	
2	1001126009	4	Socket, Female	
3	1001186432	2	Plug, Relay	
3	1001118388	5	Terminal	
3	1001118384	3	Terminal	
3	3740086	2	Relay	

# SECTION 8 - ELECTRICAL

## FIGURE 8-66. TRANSPORT HARNESS



ART\_1001263008



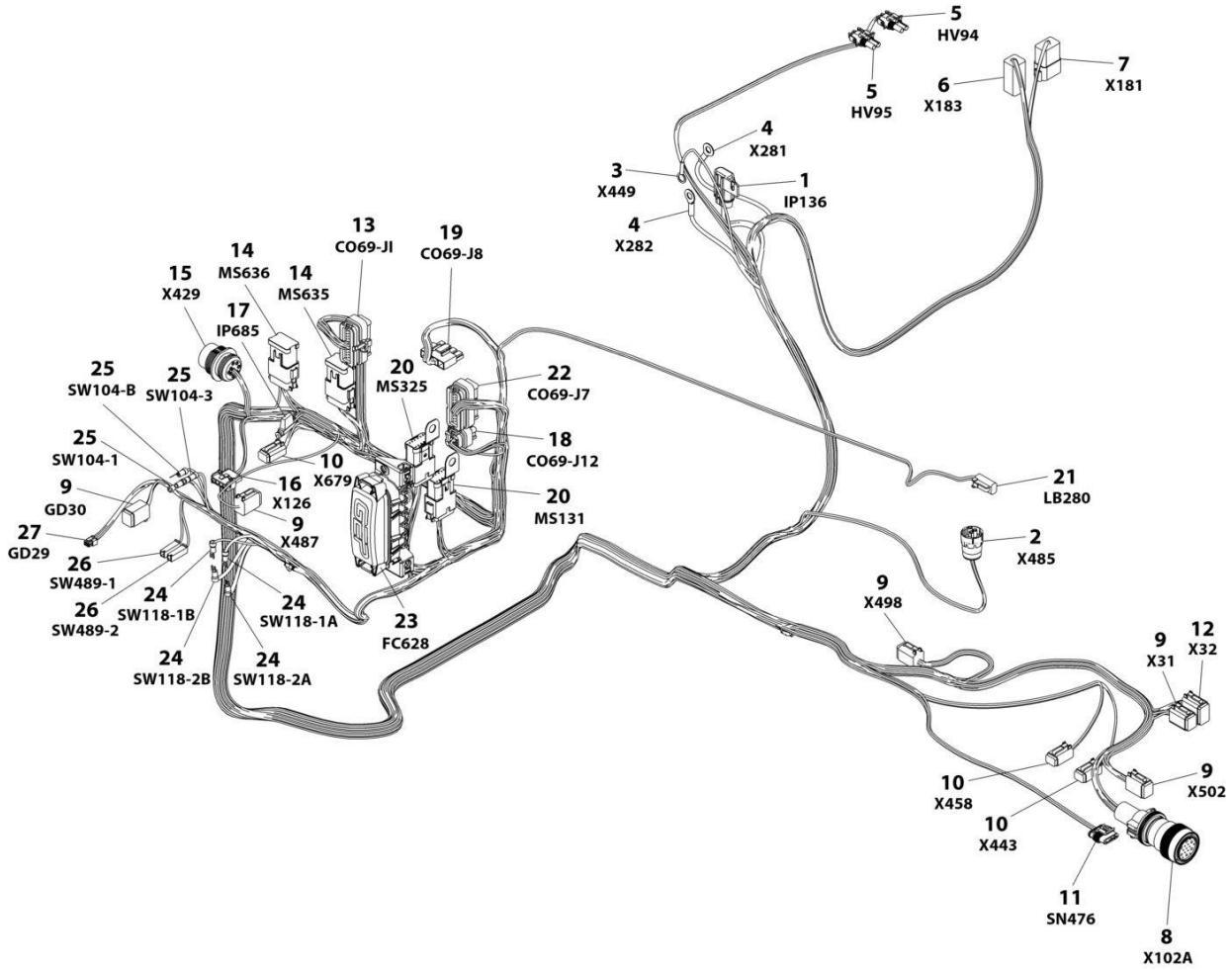
## SECTION 8 - ELECTRICAL

### FIGURE 8-66. TRANSPORT HARNESS

ITEM	PART NUMBER	QTY	DESCRIPTION	REV
	1001263008	Ref	TRANSPORT HARNESS	B
1	4460899	1	Receptacle, Female - 6 Position	
1	4460464	3	Pin, Male	
1	4460466	3	Plug, Terminal	
2	4460539	1	Plug, Male - 3 Position	
2	4460465	3	Socket, Female	

# SECTION 8 - ELECTRICAL

FIGURE 8-67. TURNTABLE HARNESS (Prior to SN 0300298674, Prior to SN B300017693)



ART\_1001244293

## SECTION 8 - ELECTRICAL

**FIGURE 8-67. TURNTABLE HARNESS (Prior to SN 0300298674, Prior to SN B300017693)**

ITEM	PART NUMBER	QTY	DESCRIPTION	REV
	1001244293	Ref	TURNTABLE HARNESS	D
1	1001117070	1	Fuseholder with 30Amp Fuse	
1	See Note	1	Fuse 30Amp (Note: Not Available - Purchase Locally)	
1	1001116734	2	Terminal, Female	
2	4460967	1	Connector - 3 Position	
2	4460465	3	Socket, Female	
3	4460247	1	Terminal, Ring	
4	8220045	2	Terminal, Ring	
5	4460742	2	Plug, Male - 2 Position	
5	4460743	4	Socket, Female	
5	4460458	4	Seal, Terminal	
6	4460899	1	Receptacle, Female - 6 Position	
6	4460464	3	Pin, Male	
6	4460943	2	Pin, Male	
6	4460466	1	Plug, Terminal	
7	4460931	1	Receptacle, Female	
7	4460464	5	Pin, Male	
7	4460466	3	Plug, Terminal	
8	4460865	1	Connector - 19 Position	
8	4460465	6	Socket, Female	
8	4460509	2	Socket, Female	
8	4460466	11	Plug, Terminal	
8	1321647	1	Clamp	
9	4460894	5	Plug, Male - 6 Position	
9	4460465	24	Socket, Female	
9	4460466	6	Plug, Terminal	
10	4460884	3	Plug, Male - 4 Position	
10	4460465	8	Socket, Female	
10	4460466	4	Plug, Terminal	
11	1001103012	1	Connector - 4 Position	
11	1001107854	4	Socket, Female	
11	1001104498	4	Seal, Terminal	
12	4460930	1	Plug, Male - 8 Position	
12	4460465	6	Socket, Female	
12	4460466	2	Seal, Terminal	
13	4460874	1	Connector - 35 Position	
13	4460871	21	Socket, Female	
14	4460905	14	Plug, Terminal	
14	4460836	2	Connector - 12 Position	
14	4460465	16	Socket, Female	
14	4460466	8	Plug, Terminal	
14	4460837	2	Bussbar - 12 Position	
15	1001112612	1	Connector - 9 Position	
15	4460464	3	Pin, Male	
15	4460943	2	Pin, Male (Gold)	
15	4460466	4	Plug, Terminal	
16	4460761	1	Receptacle, Female - 4 Position	
16	4460267	4	Pin, Male	
17	2400060	1	Holder, Fuse	
17	8229242	1	Fuse 5Amp	

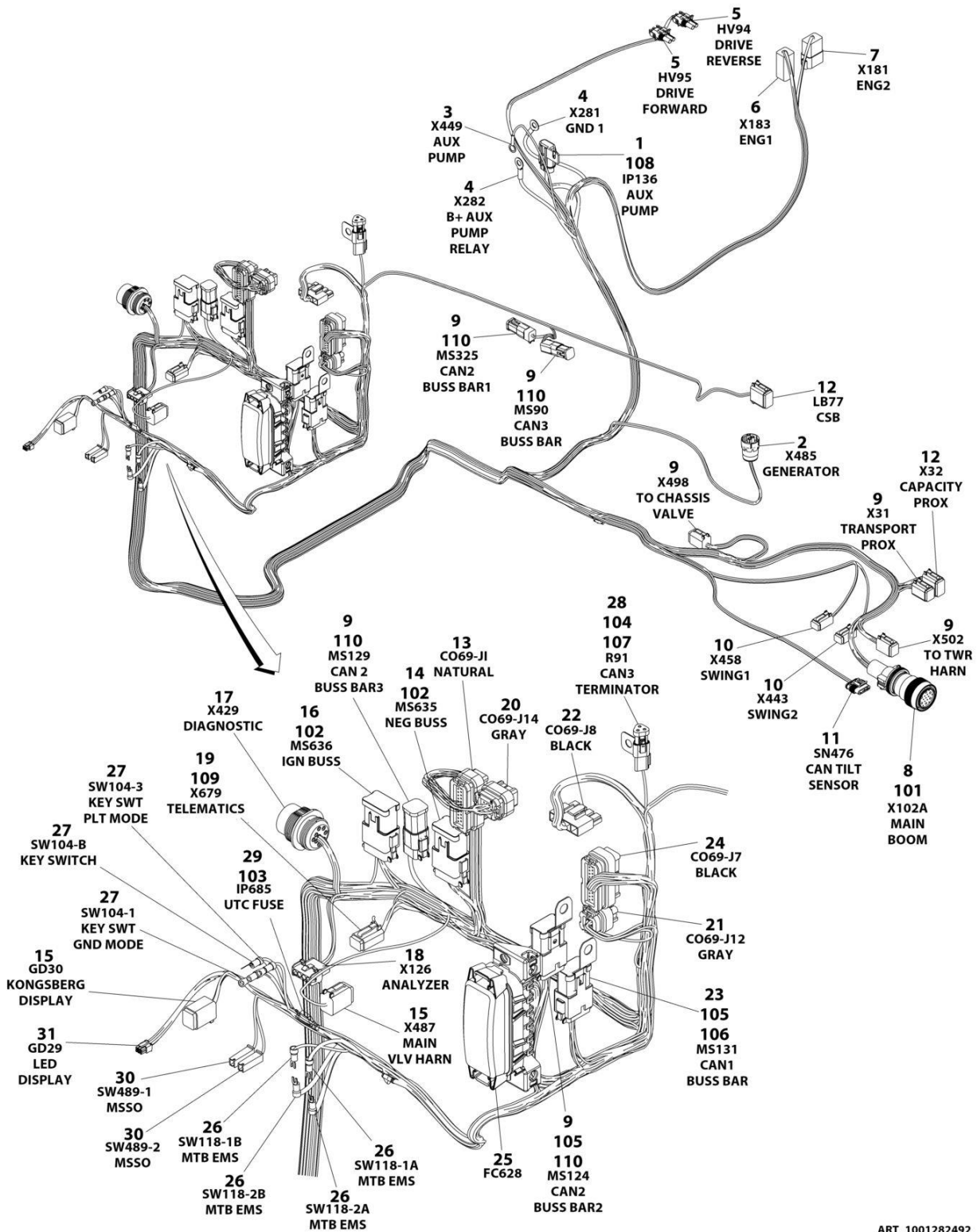
## SECTION 8 - ELECTRICAL

ITEM	PART NUMBER	QTY	DESCRIPTION	REV
18	1001113961	1	Plug, Male - 8 Position	
18	4460871	5	Socket, Female	
18	4460905	3	Plug, Terminal	
19	4460878	1	Plug, Male - 4 Position	
19	4460887	4	Terminal	
20	4460933	2	Plug, Male - 12 Position	
20	4460465	12	Socket, Female	
20	4460466	11	Plug, Terminal	
20	1001125677	2	Bussbar - 12 Position	
20	1001120328	2	Clip, Mounting	
21	4460891	1	Plug, Male - 2 Position	
21	4460465	2	Socket, Female	
22	4460873	1	Connector - 35 Position	
22	4460871	28	Socket, Female	
22	4460905	7	Plug, Terminal	
23	1001185964	1	Fuse Box Assembly	
23	8229244	2	Fuse 15Amp	
23	8229242	4	Fuse 5Amp	
23	1001196635	1	Fuse 3Amp	
23	1001129285	2	Fuse with Diode	
23	1001095704	1	Relay	
23	1001116728	14	Terminal, Female	
23	8220125	9	Terminal, Female	
23	4460748	25	Plug, Terminal	
23	4460458	14	Seal, Terminal	
23	80963067	9	Seal, Cable	
24	4460806	4	Terminal, Fork	
25	4460142	3	Terminal, Ring	
26	4460260	2	Housing, Terminal	
26	4460259	2	Terminal	
27	1001237667	1	Connector - 6 Position	
27	1001237668	5	Socket, Female	



# SECTION 8 - ELECTRICAL

FIGURE 8-68. TURNTABLE HARNESS (SN 0300298674 to Present, SN B300017693 to Present)



ART\_1001282492

## SECTION 8 - ELECTRICAL

**FIGURE 8-68. TURNTABLE HARNESS (SN 0300298674 to Present, SN B300017693 to Present)**

ITEM	PART NUMBER	QTY	DESCRIPTION	REV
	1001282492	Ref	TURNTABLE HARNESS	B
1	1001117070	1	Fuseholder (Includes 30Amp Fuse)	
1	1001116734	2	Socket	
2	4460967	1	Connector	
2	4460465	3	Socket	
3	4460247	1	Terminal, Ring	
4	8220045	2	Terminal, Ring	
5	4460742	2	Connector	
5	4460743	4	Socket	
5	4460458	4	Seal, Terminal	
6	4460899	1	Connector	
6	4460464	5	Pin	
6	4460466	1	Plug	
7	4460931	1	Connecot	
7	4460464	5	Pin	
7	4460466	3	Plug	
8	4460865	1	Connector	
8	4460465	6	Socket (20-16Awg)	
8	4460509	2	Socket (14-12Awg)	
8	4460466	11	Plug	
9	4460894	7	Connector	
9	4460465	42	Socket	
10	4460884	2	Connector	
10	4460465	4	Socket	
10	4460466	4	Plug	
11	1001103012	1	Connector	
11	1001107854	4	Socket	
11	1001104498	4	Seal, Terminal	
12	4460930	2	Connector	
12	4460465	13	Socket	
12	4460466	3	Plug	
13	4460874	1	Connector	
13	4460871	21	Socket	
13	4460905	14	Plug	
14	4460836	1	Connector	
14	4460465	9	Socket	
14	4460466	3	Plug	
15	4460894	2	Connector	
15	4460465	7	Socket	
15	4460466	5	Plug	
16	4460836	1	Connector	
16	1001157890	1	Socket (16-12Awg)	
16	4460465	5	Socket (20-16Awg)	
16	4460466	6	Plug	
17	1001112612	1	Connector	
17	4460464	3	Pin	
17	4460466	4	Plug	
18	4460761	1	Connector	
18	4460267	4	Pin	
19	4460884	1	Connector	

## SECTION 8 - ELECTRICAL

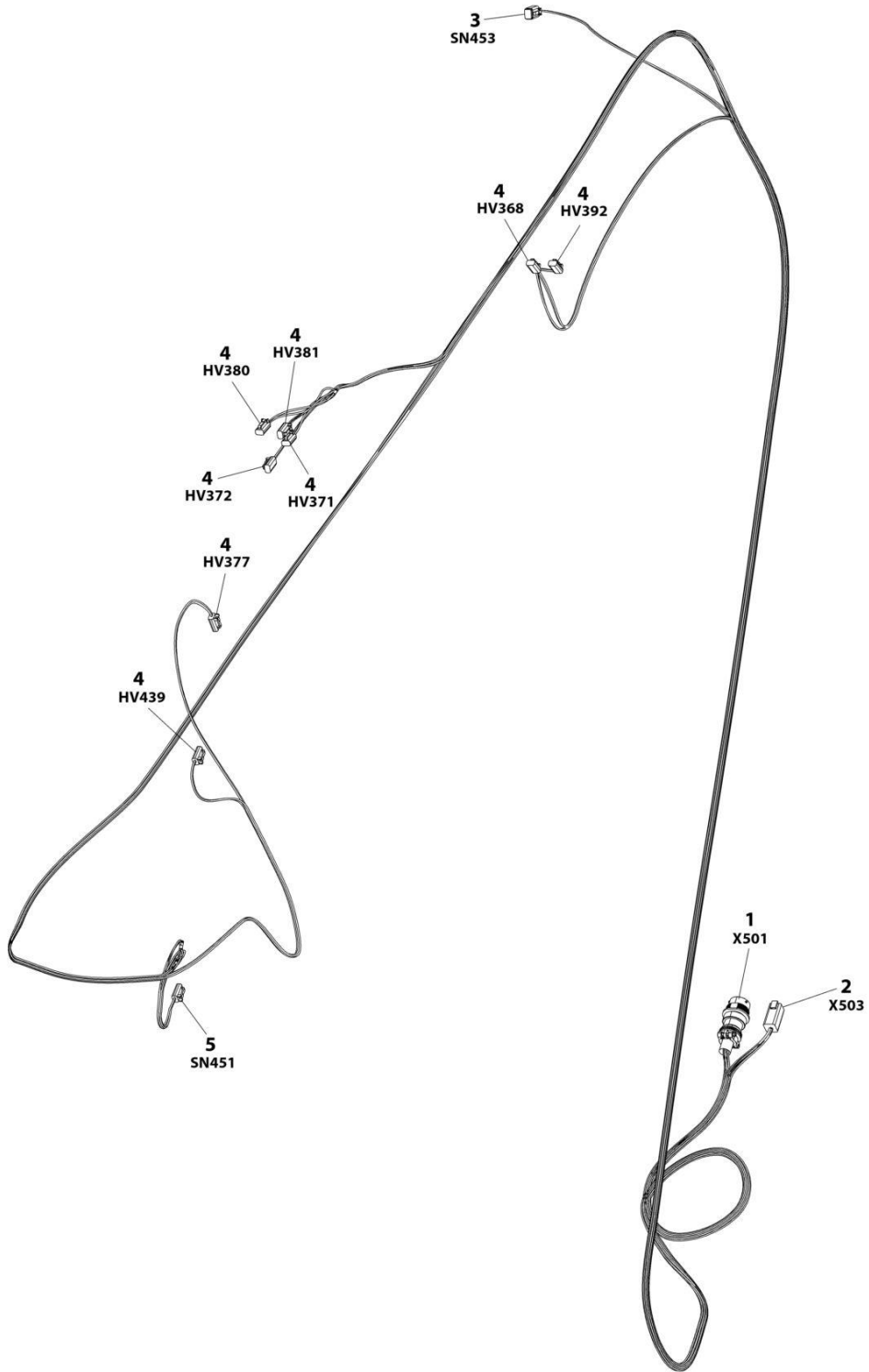
ITEM	PART NUMBER	QTY	DESCRIPTION	REV
19	4460465	4	Socket	
20	1001246859	1	Connector	
20	4460871	4	Socket	
20	4460905	10	Plug	
21	1001113961	1	Connector	
21	4460871	5	Socket	
21	4460905	3	Plug	
22	4460878	1	Connector	
22	1001237383	1	Socket (12-10Awg)	
22	4460887	4	Socket (8Awg)	
23	4460933	1	Connector	
23	4460465	8	Socket	
23	4460466	4	Plug	
24	4460873	1	Connector	
24	4460871	28	Socket	
24	4460905	7	Plug	
25	1001185964	1	Fuse Box Assembly	
25	8229242	4	Fuse 5Amp	
25	8229244	2	Fuse 15Amp	
25	1001095704	1	Relay	
25	1001129285	2	Fuse with Diode	
25	1001196635	1	Fuse 3Amp	
25	1001116728	14	Socket (18-16Awg)	
25	8220125	9	Socket (12-10Awg)	
25	4460748	25	Plug	
25	4460458	14	Seal, Terminal (Use with Socket 1001116728)	
25	80963067	9	Seal, Terminal (Use with Socket 8220125)	
26	4460806	4	Terminal, Fork	
27	4460142	3	Terminal, Ring	
28	1001144147	1	Connector	
28	4460943	2	Pin	
28	4460466	1	Plug	
29	2400060	1	Fuseholder	
30	4460260	2	Connector	
30	4460259	2	Socket	
31	1001237667	1	Connector	
31	1001237668	5	Socket	
101	1321647	1	Clamp	
102	1001271323	2	Connector, Bussbar	
103	8229242	1	Fuse 5Amp	
104	1001116815	1	Connector (Includes Resistor)	
105	1001120328	2	Mount, Connector	
106	1001125677	1	Connector, Bussbar	
107	1001155967	1	Mount, Connector	
108	1001172065	1	Fuse 30Amp	
109	1001192401	1	Cap, Dust	
110	1001226541	4	Connecotr, Bussbar	





# SECTION 8 - ELECTRICAL

## FIGURE 8-69. VALVE HARNESS - BOOM



ART\_1001164738

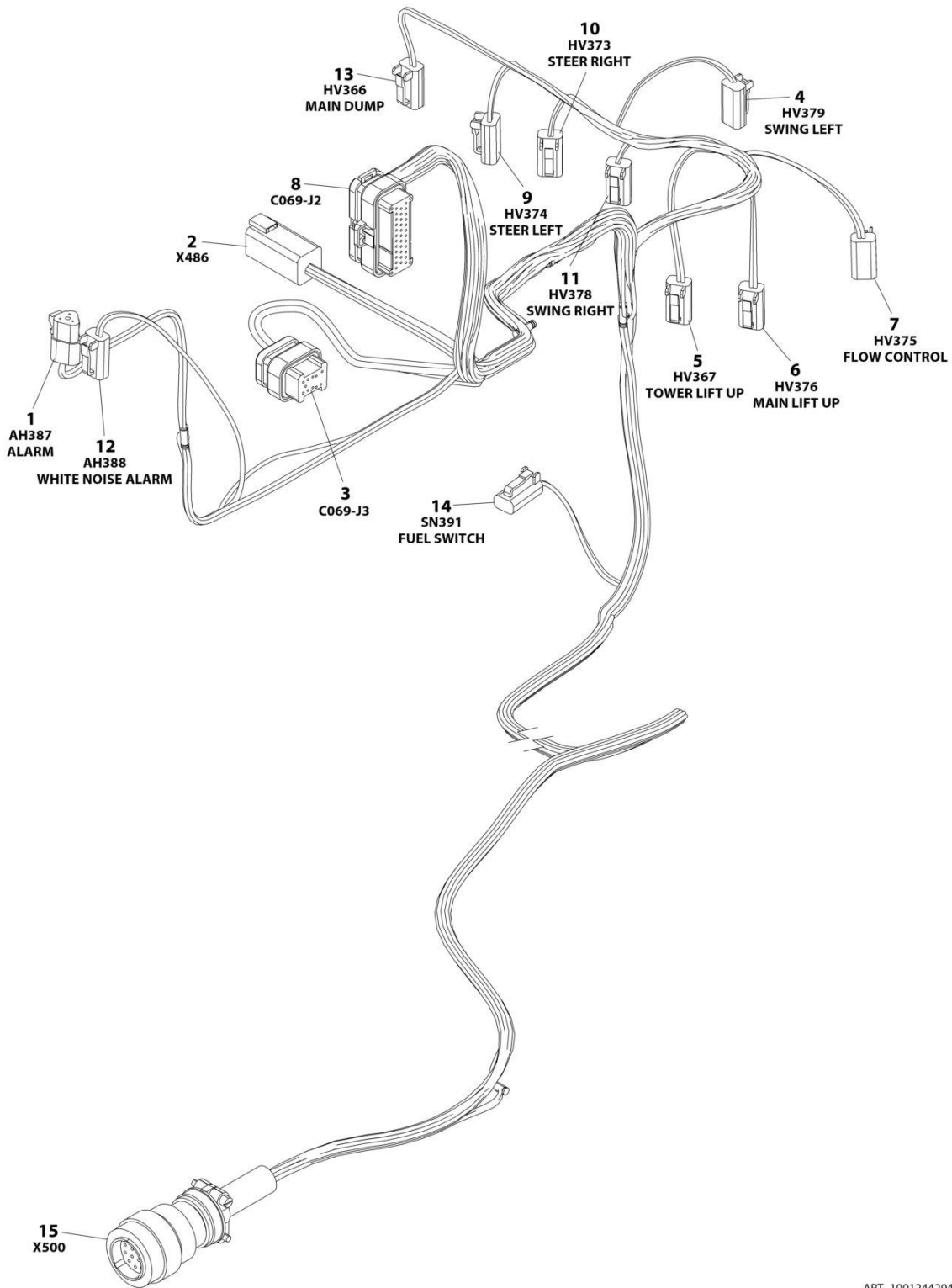
## SECTION 8 - ELECTRICAL

### FIGURE 8-69. VALVE HARNESS - BOOM

ITEM	PART NUMBER	QTY	DESCRIPTION	REV
	1001164738	Ref	BOOM VALVE HARNESS	1
1	1001156541	1	Connector - 19 Position	
1	4460464	13	Pin, Male	
1	4460466	1	Plug, Terminal	
2	4460899	1	Connector - 6 Position	
2	4460464	6	Pin, Male	
3	4460884	1	Plug, Male - 4 Position	
3	4460465	2	Socket, Female	
3	4460466	2	Plug, Terminal	
4	4460891	8	Plug, Male - 2 Position	
4	4460465	16	Socket, Female	
5	1001230931	1	Plug, Male - 6 Position	
5	1001116748	6	Terminal	

# SECTION 8 - ELECTRICAL

FIGURE 8-70. VALVE HARNESS - MAIN VALVE (Prior to SN 0300298674, Prior to SN B300017693)



ART\_1001244294

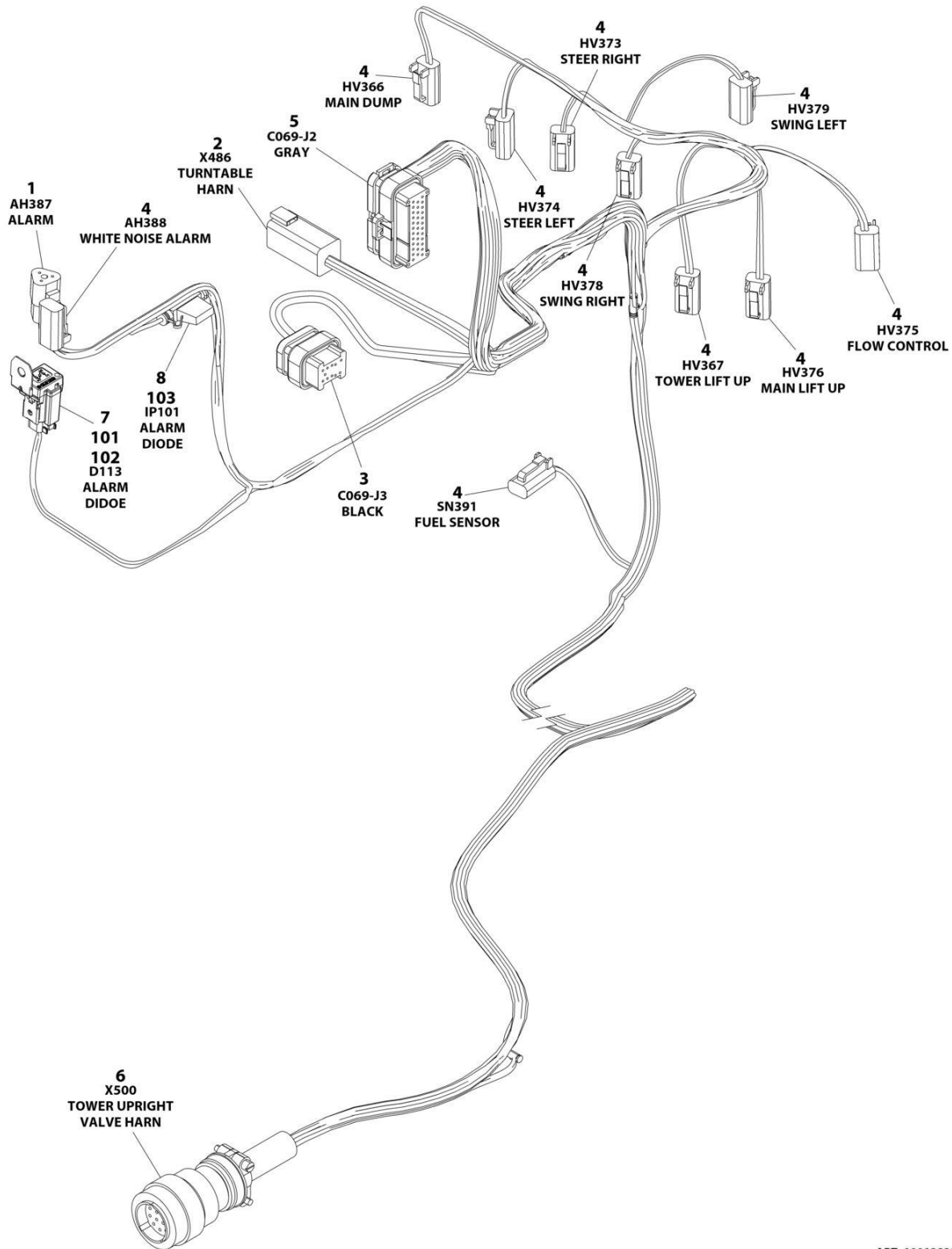
## SECTION 8 - ELECTRICAL

**FIGURE 8-70. VALVE HARNESS - MAIN VALVE (Prior to SN 0300298674, Prior to SN B300017693)**

ITEM	PART NUMBER	QTY	DESCRIPTION	REV
	1001244294	Ref	TRACTION HARNESS	B
1	4460539	1	Plug, Male - 3 Position	
1	4460465	3	Socket, Female	
2	4460899	1	Connector - 6 Position	
2	4460464	4	Pin, Male	
2	4460466	2	Plug, Terminal	
3	4460872	1	Connector - 14 Position	
3	4460871	9	Terminal, Female	
3	4460905	5	Seal, Terminal	
4	4460891	1	Connector - 2 Position	
4	4460465	2	Socket, Female	
5	4460891	1	Connector - 2 Position	
5	4460465	2	Socket, Female	
6	4460891	1	Connector - 2 Position	
6	4460465	2	Socket, Female	
7	4460891	1	Connector - 2 Position	
7	4460465	2	Socket, Female	
8	4460875	1	Connector - 35 Position	
8	4460871	26	Socket, Female	
8	4460905	9	Plug, Terminal	
9	4460891	1	Plug, Male - 2 Position	
9	4460465	2	Socket, Female	
10	4460891	1	Connector - 2 Position	
10	4460465	2	Socket, Female	
11	4460891	1	Connector - 2 Position	
11	4460465	2	Socket, Female	
12	4460891	1	Connector - 2 Position	
12	4460465	2	Socket, Female	
13	4460891	1	Connector - 2 Position	
13	4460465	2	Socket, Female	
14	4460424	1	Connector - 2 Position	
14	4460268	2	Socket, Female	
15	4460754	1	Connector - 14 Position	
15	4460465	13	Socket, Female	
15	4460466	1	Plug, Terminal	

# SECTION 8 - ELECTRICAL

## FIGURE 8-71. VALVE HARNESS - MAIN VALVE (SN 0300298674 to Present, SN B300017693 to Present)



ART\_1001282533

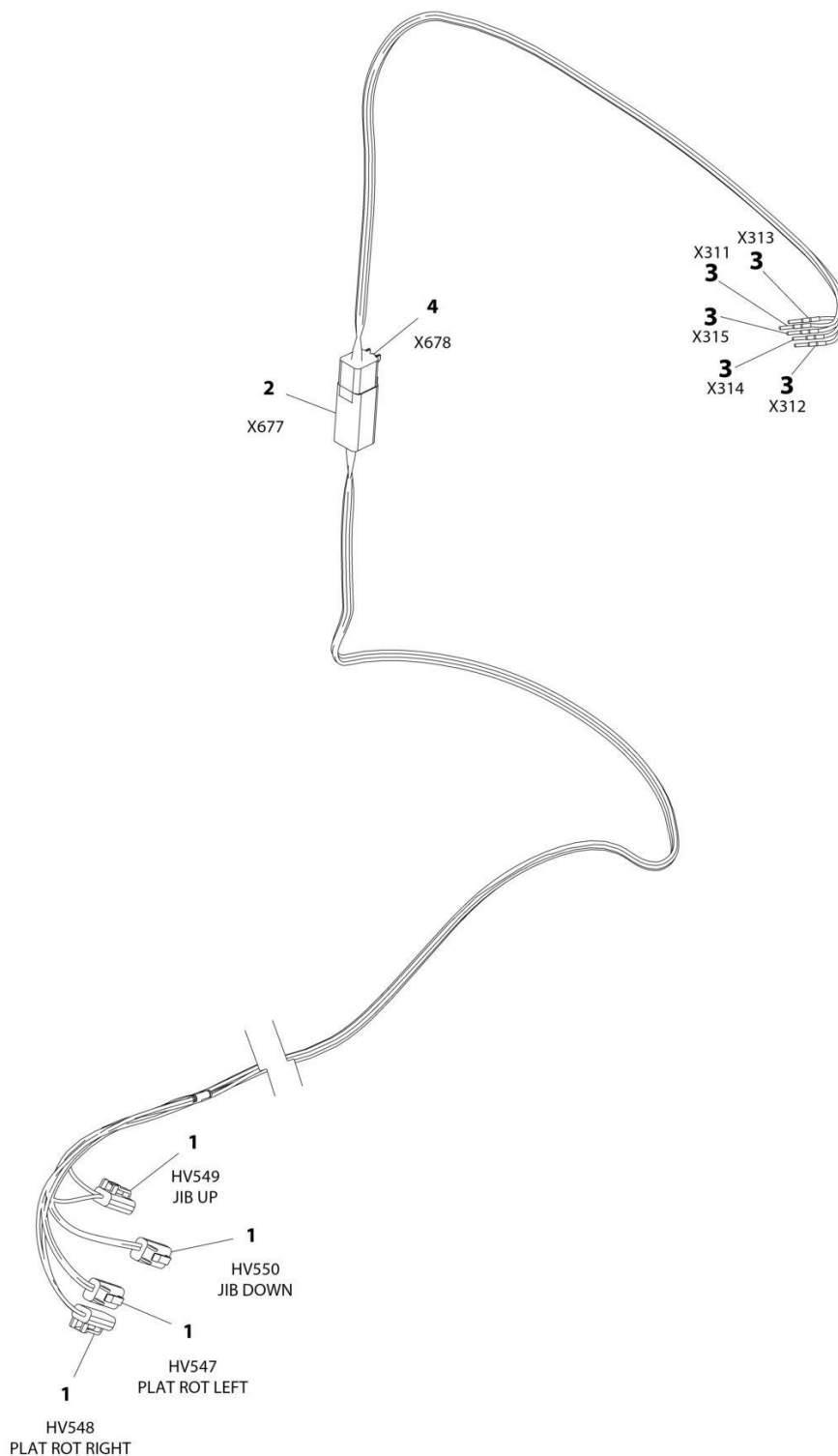
## SECTION 8 - ELECTRICAL

**FIGURE 8-71. VALVE HARNESS - MAIN VALVE (SN 0300298674 to Present, SN B300017693 to Present)**

ITEM	PART NUMBER	QTY	DESCRIPTION	REV
	1001282533	Ref	MAIN VALVE HARNESS	A
1	4460539	1	Connector	
1	4460465	3	Socket	
2	4460899	1	Connector	
2	4460464	5	Pin	
2	4460466	1	Plug	
3	4460872	1	Connector	
3	4460871	9	Socket	
3	4460905	5	Plug	
4	4460891	10	Connector	
4	4460465	20	Socket	
5	4460875	1	Connector	
5	4460871	26	Socket	
5	4460905	9	Plug	
6	4460754	1	Connector	
6	4460465	13	Socket	
6	4460466	1	Plug	
7	4460884	1	Connector	
7	4460465	4	Socket	
8	1001170764	1	Fuseholder	
101	1001152266	1	Connector (Includes Diode)	
102	1001155743	1	Mount, Connector	
103	1001196636	1	Diode 1Amp	

# SECTION 8 - ELECTRICAL

## FIGURE 8-72. VALVE HARNESS - PLATFORM VALVE



ART\_1001164728



## SECTION 8 - ELECTRICAL

### FIGURE 8-72. VALVE HARNESS - PLATFORM VALVE

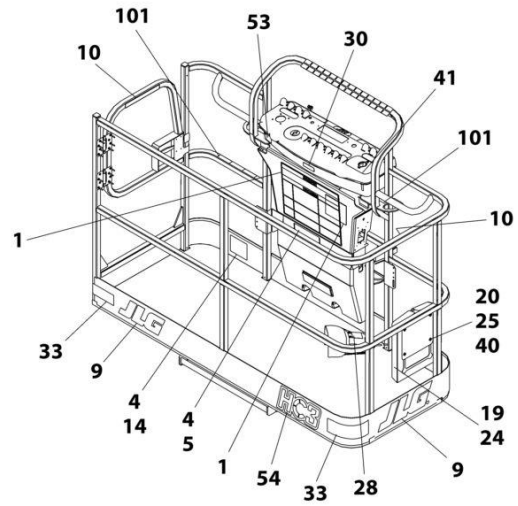
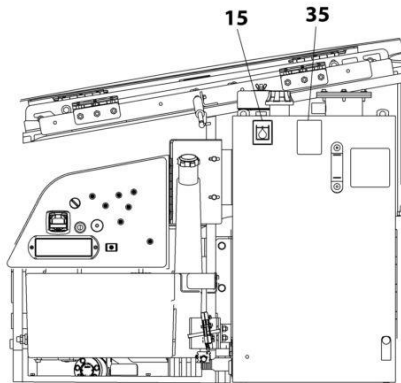
ITEM	PART NUMBER	QTY	DESCRIPTION	REV
	1001164728	Ref	VALVE HARNESS - PLATFORM VALVE	D
1	4460891	4	Plug, Male - 2 Position	
1	4460465	8	Socket, Female	
2	4460899	1	Receptacle, Female - 6 Position	
2	4460464	5	Pin, Male	
2	4460466	1	Plug, Terminal	
3	4460465	5	Socket, Female	
4	4460894	1	Plug, Male - 6 Position	
4	4460465	5	Socket, Female	
4	4460466	1	Plug, Terminal	



**SECTION 9 - DECALS**

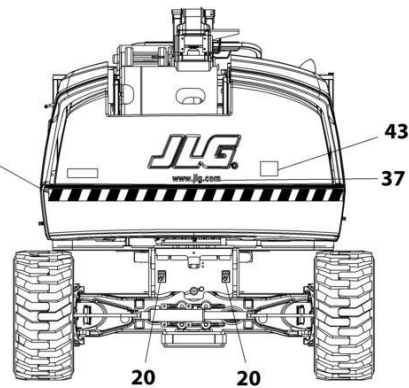
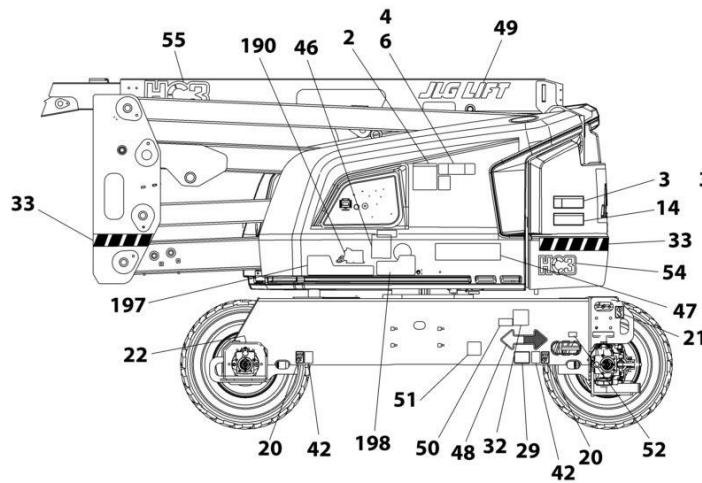
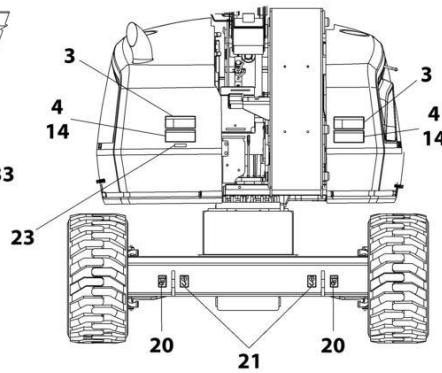
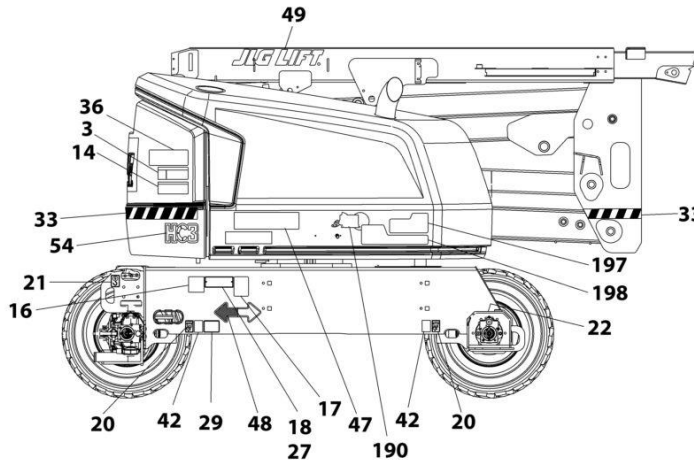
# SECTION 9 - DECALS

## FIGURE 9-1. DECAL INSTALLATION - ANSI, ANSI EXPORT AND CSA SPECS WITH DEUTZ ENGINES (ENGLISH LANGUAGE)



NOTE: SOME DECALS ARE CALLED OUT ON DECAL INSTALLATION - OPTIONS.

NOTE: ITEMS SHOWN MAY NOT BE REQUIRED FOR ALL SPECS. REFER TO PARTS LIST FOR USAGE.



ART\_1001254300

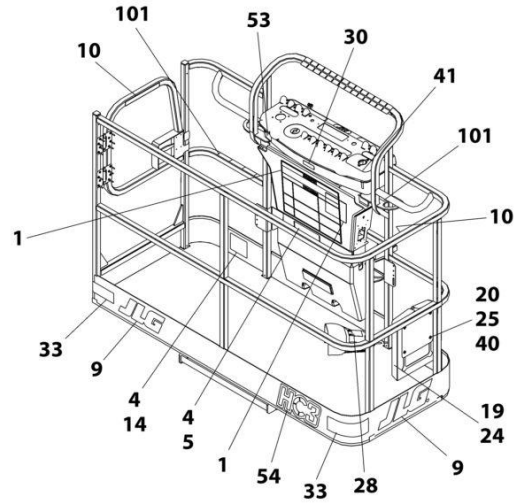
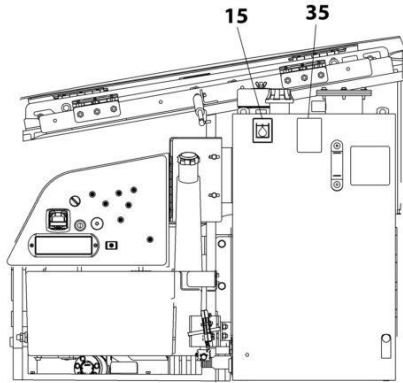
## SECTION 9 - DECALS

**FIGURE 9-1. DECAL INSTALLATION - ANSI, ANSI EXPORT AND CSA SPECS WITH DEUTZ ENGINES  
(ENGLISH LANGUAGE)**

ITEM	PART NUMBER	QTY	DESCRIPTION	REV
	1001254314	Ref	DECAL INSTALLATION - REFERENCE CHART	C
	1001254300	Ref	DECAL INSTALLATION	D
1	1703797	1	Decal - Danger/Warning	
2	1705336	1	Decal - Danger/Warning	
3	1703805	4	Decal - Danger/Electrocution	
4	1703804	4	Decal - Warning/Crushing	
5	1001234425	1	Decal - Warning	
6	1001234426	1	Decal - Warning	
10	1702868	2	Decal - No Hands	
14	1703953	2	Decal - Warning/Crushing	
15	1701504	1	Decal - Hydraulic Oil	
16	See Note	NSS	Decal - Bar Code (Note: Not Available for Purchase)	
17	1001131269	1	Decal - Patent	
18		Ref	Nameplate - Manufacturers Serial Number	
19	1701509	1	Decal - Manual	
20	1702300	8	Decal - Tie Down /Lift	
21	1701500	4	Decal - Tie Down /Lift	
22	1703687	2	Decal - Arrow	
23	3251243	1	Nameplate 120V-60Hz	
24	0860520	1	Box, Manual Storage	
25	4751400	4	Washer 1/4	
26	3311405	4	Nut 1/4	
27	3820001	2	Rivet	
28	3252347	1	Decal - Footswitch	
35	1704412	1	Decal - Hydraulic Fluid	
36	1001274782	1	Decal - Lift Diagram	
37	1704885	1	Decal - Website	
40	0641406	4	Bolt 1/4 x 3/4	
41	1705351	1	Decal - Drive/Steer	
42	1701499	4	Decal - Tie Down /Lift	
43	3251813	1	Decal - USA	
48	1701529	2	Decal - Arrow	
51	1001223055	1	Decal - Yearly Inspection	
52	1001223453	1	Decal - ICES (Canada)	
100	1001232026	1	Decal - Platform Lanyard Kit (Not Shown)	
101	1704277	3	Decal - Attach Lanyard Here	

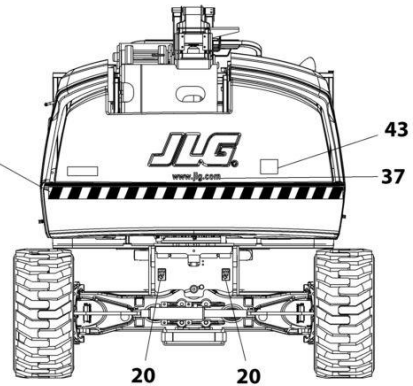
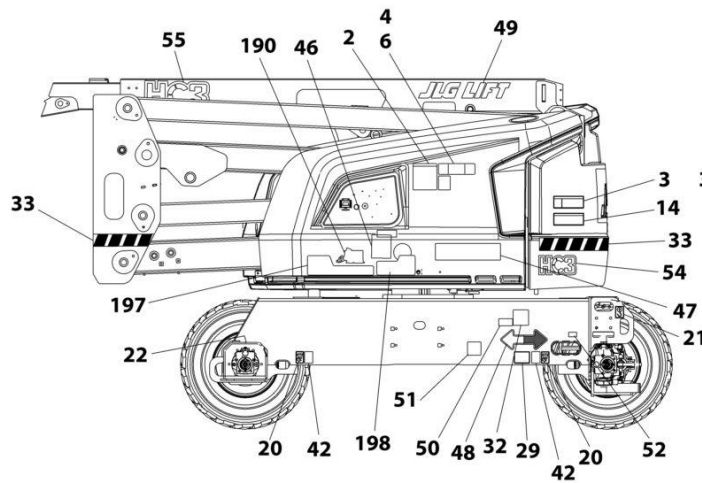
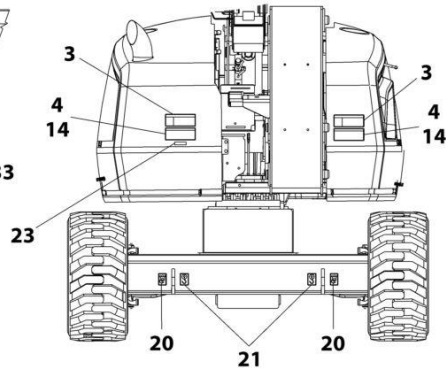
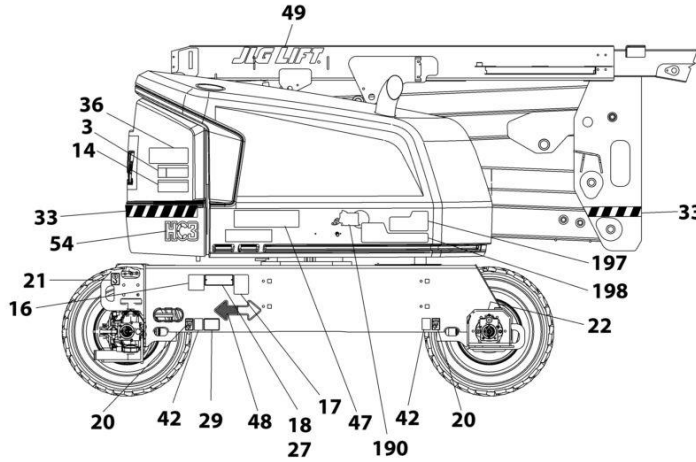
# SECTION 9 - DECALS

## FIGURE 9-2. DECAL INSTALLATION - ANSI AND ANSI EXPORT SPECS WITH KUBOTA ENGINES (ENGLISH LANGUAGE)



NOTE: SOME DECALS ARE CALLED OUT ON DECAL INSTALLATION - OPTIONS.

NOTE: ITEMS SHOWN MAY NOT BE REQUIRED FOR ALL SPECS. REFER TO PARTS LIST FOR USAGE.



ART\_1001254309

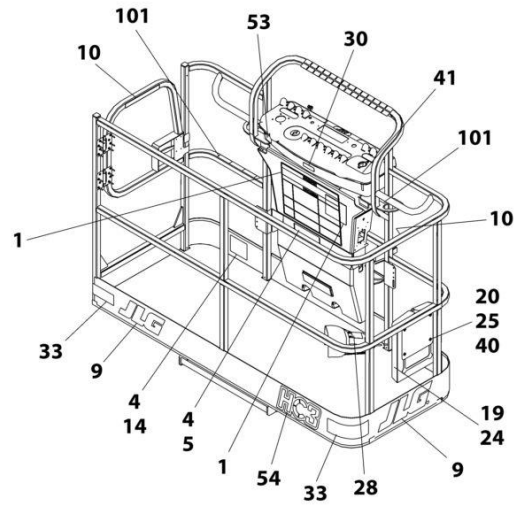
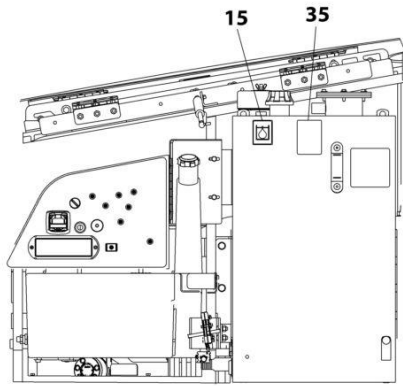
## SECTION 9 - DECALS

**FIGURE 9-2. DECAL INSTALLATION - ANSI AND ANSI EXPORT SPECS WITH KUBOTA ENGINES  
(ENGLISH LANGUAGE)**

ITEM	PART NUMBER	QTY	DESCRIPTION	REV
	1001254314	Ref	DECAL INSTALLATION - REFERENCE CHART	C
	1001254309	Ref	DECAL INSTALLATION	D
1	1703797	1	Decal - Danger/Warning	
2	1705336	1	Decal - Danger/Warning	
3	1703805	4	Decal - Danger/Electrocution	
4	1703804	4	Decal - Warning/Crushing	
5	1001234425	1	Decal - Warning	
6	1001234426	1	Decal - Warning	
10	1702868	2	Decal - No Hands	
14	1703953	2	Decal - Warning/Crushing	
15	1701504	1	Decal - Hydraulic Oil	
16	See Note	NSS	Decal - Bar Code (Note: Not Available for Purchase)	
17	1001131269	1	Decal - Patent	
18		Ref	Nameplate - Manufacturers Serial Number	
19	1701509	1	Decal - Manual	
20	1702300	8	Decal - Tie Down /Lift	
21	1701500	4	Decal - Tie Down /Lift	
22	1703687	2	Decal - Arrow	
23	3251243	1	Nameplate 120V-60Hz	
24	0860520	1	Box, Manual Storage	
25	4751400	4	Washer 1/4	
26	3311405	4	Nut 1/4	
27	3820001	2	Rivet	
28	3252347	1	Decal - Footswitch	
35	1704412	1	Decal - Hydraulic Fluid	
36	1001274782	1	Decal - Lift Diagram	
37	1704885	1	Decal - Website	
40	0641406	4	Bolt 1/4 x 3/4	
41	1705351	1	Decal - Drive/Steer	
42	1701499	4	Decal - Tie Down /Lift	
43	3251813	1	Decal - USA	
48	1701529	2	Decal - Arrow	
51	1001223055	1	Decal - Yearly Inspection	
52	1001223453	1	Decal - ICES (Canada)	
100	1001232026	1	Decal - Platform Lanyard Kit (Not Shown)	
101	1704277	3	Decal - Attach Lanyard Here	

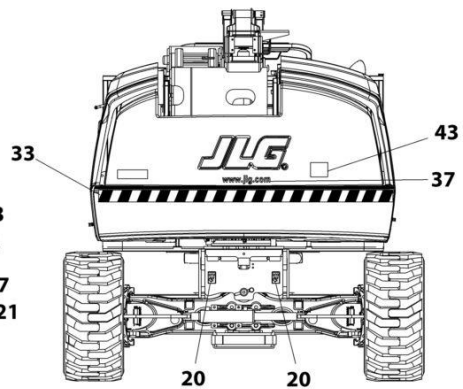
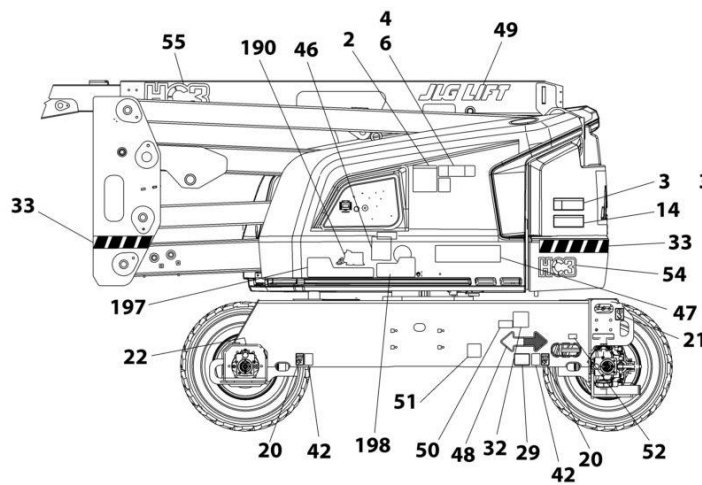
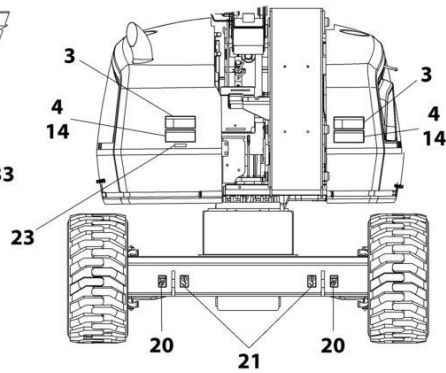
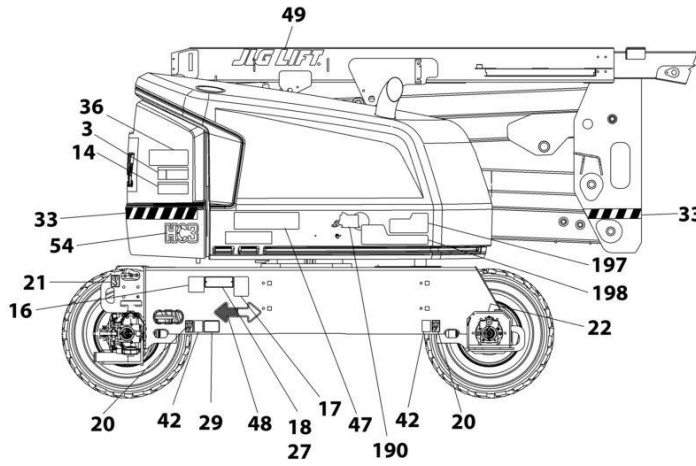
# SECTION 9 - DECALS

## FIGURE 9-3. DECAL INSTALLATION - AUSTRALIAN SPEC (ENGLISH LANGUAGE)



NOTE: SOME DECALS ARE CALLED OUT ON DECAL INSTALLATION - OPTIONS.

NOTE: ITEMS SHOWN MAY NOT BE REQUIRED FOR ALL SPECS. REFER TO PARTS LIST FOR USAGE.



ART\_1001254301



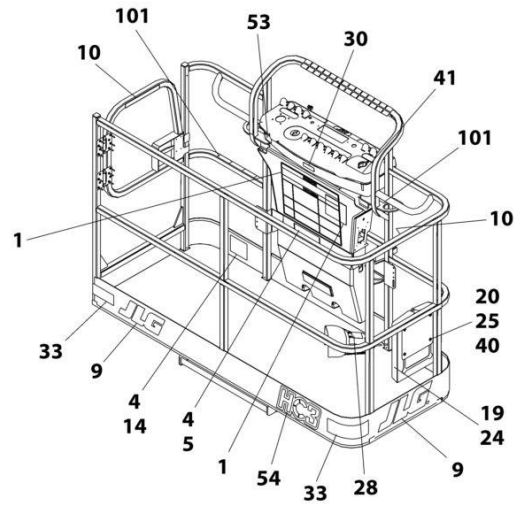
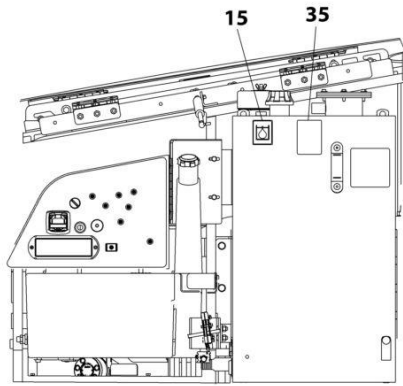
## SECTION 9 - DECALS

**FIGURE 9-3. DECAL INSTALLATION - AUSTRALIAN SPEC (ENGLISH LANGUAGE)**

ITEM	PART NUMBER	QTY	DESCRIPTION	REV
	1001254314	Ref	DECAL INSTALLATION - REFERENCE CHART	C
	1001254301	Ref	DECAL INSTALLATION	E
1	1705921	1	Decal - Tipping/Electrocution	
2	1705822	1	Decal - Electrocution/Safety Manual	
3	1705961	4	Decal - Danger/Electrocution	
4	1001234439	2	Decal - Warning	
14	1701518	6	Decal - Warning/Crushing	
15	1701504	1	Decal - Hydraulic Oil	
16	See Note	NSS	Decal - Bar Code (Note: Not Available for Purchase)	
18		Ref	Nameplate - Manufacturers Serial Number	
19	1701509	1	Decal - Manual	
20	1702300	8	Decal - Tie Down /Lift	
21	1701500	4	Decal - Tie Down /Lift	
22	1703687	2	Decal - Arrow	
24	0860520	1	Box, Manual Storage	
25	4751400	4	Washer 1/4	
26	3311405	4	Nut 1/4	
27	3820001	2	Rivet	
28	1705828	1	Decal - Footswitch	
35	1704412	1	Decal - Hydraulic Fluid	
36	1001274782	1	Decal - Lift Diagram	
37	1704885	1	Decal - Website	
40	0641406	4	Bolt 1/4 x 3/4	
42	1701499	4	Decal - Tie Down /Lift	
43	1001204510	1	Decal - Sound Power Level	
46	1001112551	1	Decal - Emergency Controls	
48	1701529	2	Decal - Arrow	
100	1001232026	1	Decal - Platform Lanyard Kit (Not Shown)	
101	1704277	3	Decal - Attach Lanyard Here	

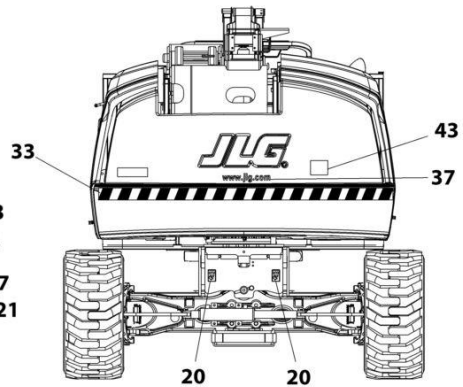
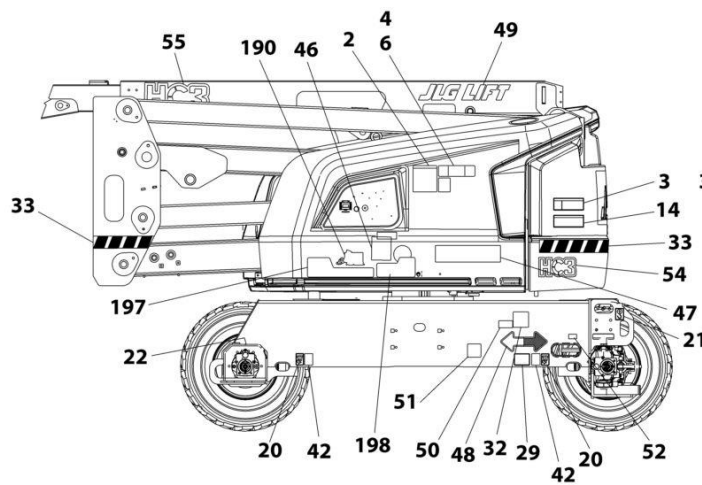
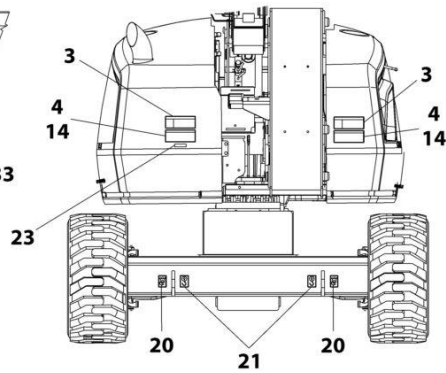
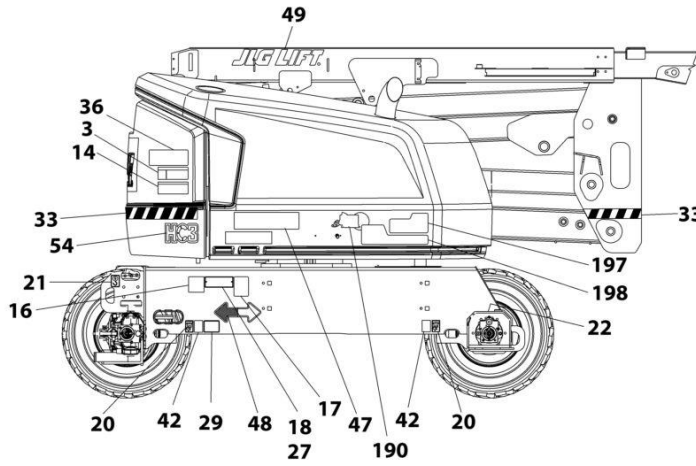
# SECTION 9 - DECALS

FIGURE 9-4. DECAL INSTALLATION - BRAZIL SPEC (PORTUGUESE/SPANISH LANGUAGES)



NOTE: SOME DECALS ARE CALLED OUT ON DECAL INSTALLATION - OPTIONS.

NOTE: ITEMS SHOWN MAY NOT BE REQUIRED FOR ALL SPECS. REFER TO PARTS LIST FOR USAGE.



ART\_1001254306

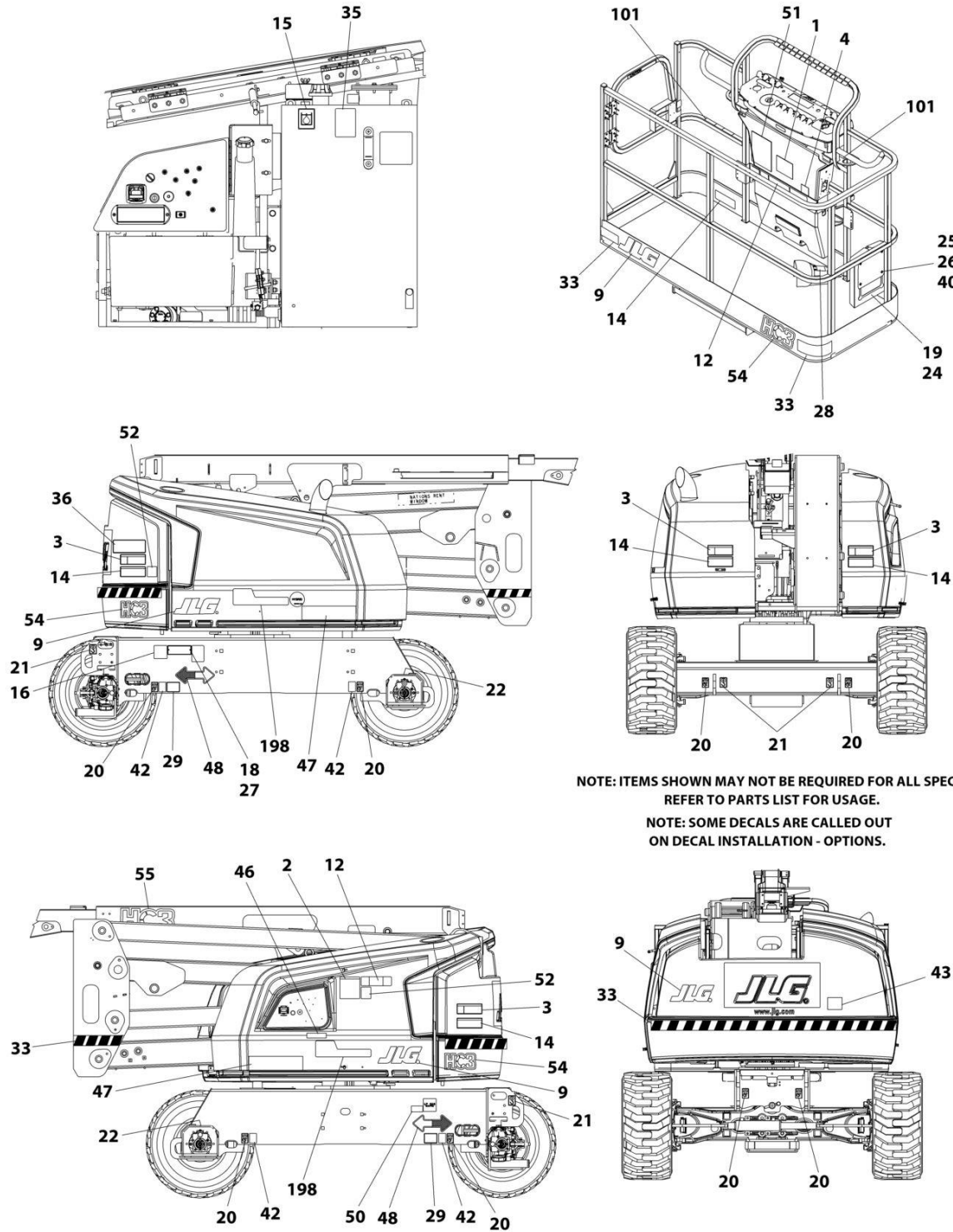
## SECTION 9 - DECALS

**FIGURE 9-4. DECAL INSTALLATION - BRAZIL SPEC (PORTUGUESE/SPANISH LANGUAGES)**

ITEM	PART NUMBER	QTY	DESCRIPTION	REV
	1001254314	Ref	DECAL INSTALLATION - REFERENCE CHART	C
	1001254306	Ref	DECAL INSTALLATION	D
1	1703928	1	Decal - Danger/Warning	
2	1705349	1	Decal - Warning Inspection	
3	1703940	4	Decal - Danger Electrocution	
4	1703952	4	Decal - Warning/Crushing	
5	1001234437	1	Decal - Warning	
6	1001234438	1	Decal - Warning	
10	1704002	2	Decal - No Hands	
14	1703946	2	Decal - Warning/Crushing	
15	1701504	1	Decal - Hydraulic Oil	
16	See Note	NSS	Decal - Bar Code (Note: Not Available for Purchase)	
18		Ref	Nameplate - Manufacturers Serial Number	
19	1701509	1	Decal - Manual	
20	1702300	8	Decal - Tie Down /Lift	
21	1701500	4	Decal - Tie Down /Lift	
22	1703687	2	Decal - Arrow	
23	3251243	1	Decal - 120V-60Hz	
24	0860520	1	Box, Manual Storage	
25	4751400	4	Washer 1/4	
26	3311405	4	Nut 1/4	
27	3820001	2	Rivet	
28	1703985	1	Decal, Foot Switch	
35	1704412	1	Decal - Hydraulic Fluid	
36	1001274782	1	Decal - Lift Diagram	
37	1704885	1	Decal - Website	
40	0641406	4	Bolt 1/4 x 3/4	
41	1001113680	1	Decal - Drive/Steer	
42	1701499	4	Decal - No Tie Down/Lift	
43	3251813	1	Decal - USA	
48	1701529	2	Decal - Arrow	
51	1001224052	1	Decal - Yearly Inspection	
100	1001232026	1	Decal - Platform Lanyard Kit (Not Shown)	
101	1704277	3	Decal - Attach Lanyard Here	

# SECTION 9 - DECALS

FIGURE 9-5. DECAL INSTALLATION - CE & UK CA SPEC (ENGLISH LANGUAGE)



NOTE: ITEMS SHOWN MAY NOT BE REQUIRED FOR ALL SPECS.  
REFER TO PARTS LIST FOR USAGE.  
NOTE: SOME DECALS ARE CALLED OUT  
ON DECAL INSTALLATION - OPTIONS.

ART\_1001254307

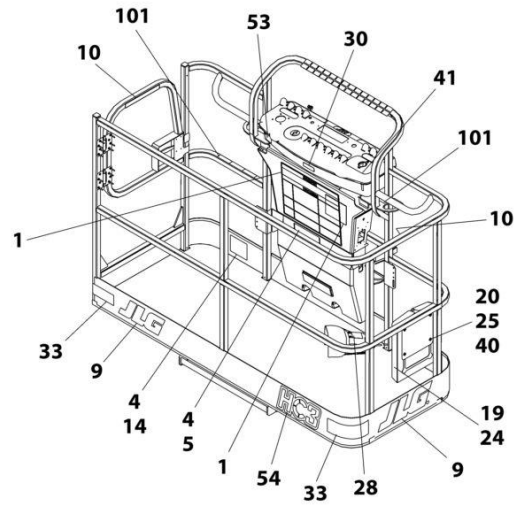
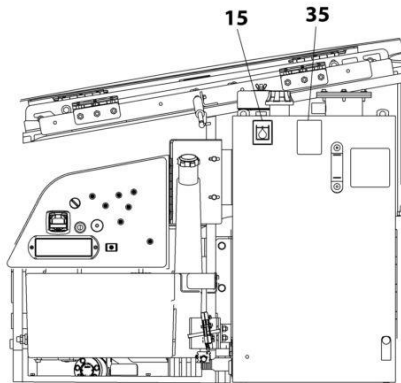
## SECTION 9 - DECALS

**FIGURE 9-5. DECAL INSTALLATION - CE & UK CA SPEC (ENGLISH LANGUAGE)**

ITEM	PART NUMBER	QTY	DESCRIPTION	REV
	1001254315	Ref	DECAL INSTALLATION - REFERENCE CHART	B
	1001254307	Ref	DECAL INSTALLATION	E
1	1705921	1	Decal - Tipping/Electrocution	
2	1705822	1	Decal - Electrocution/Safety Manual	
3	1705961	4	Decal - Danger Electrocution	
4	1001244301	1	Decal - No Platform to Ground	
9	1702773	4	Decal - JLG	
12	1001234439	2	Decal - Max Capacity	
14	1701518	6	Decal - Warning/Crushing	
15	1701504	1	Decal - Hydraulic Oil	
16	See Note	NSS	Decal - Bar Code (Note: Not Available for Purchase)	
18		Ref	Nameplate - Manufacturers Serial Number	
19	1701509	1	Decal - Manual	
20	1702300	8	Decal - Tie Down /Lift	
21	1701500	4	Decal - Tie Down /Lift	
22	1703687	2	Decal - Arrow	
24	0860520	1	Box, Manual Storage	
25	4751400	4	Washer 1/4	
26	3311405	4	Nut 1/4	
27	3820001	2	Rivet	
28	1705828	1	Decal - Footswitch	
35	1704412	1	Decal - Hydraulic Fluid	
36	1001274782	1	Decal - Lift Diagram	
40	0641406	4	Bol 1/4 x 3/4	
42	1701499	4	Decal - No Tie Down/Lift	
46	1001189882	1	Decal - MSSO	
48	1701529	2	Decal - Arrow	
52	1001244298	2	Decal - Wechat	
54	1001244212	3	Decal - HC3	
55	1001256906	1	Decal - HC3	
100	1001232026	1	Decal - Platform Lanyard Kit (Not Shown)	
101	1704277	3	Decal - Attach Lanyard Here	

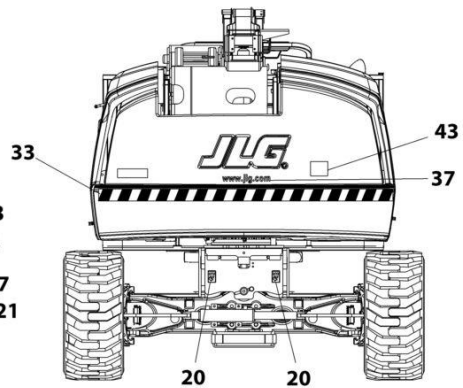
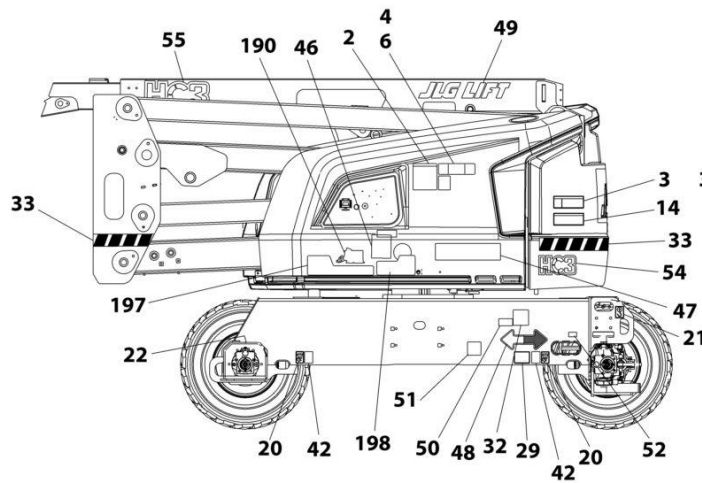
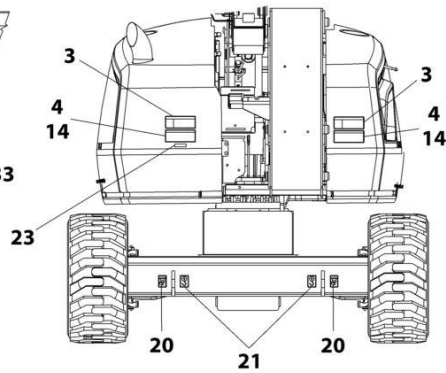
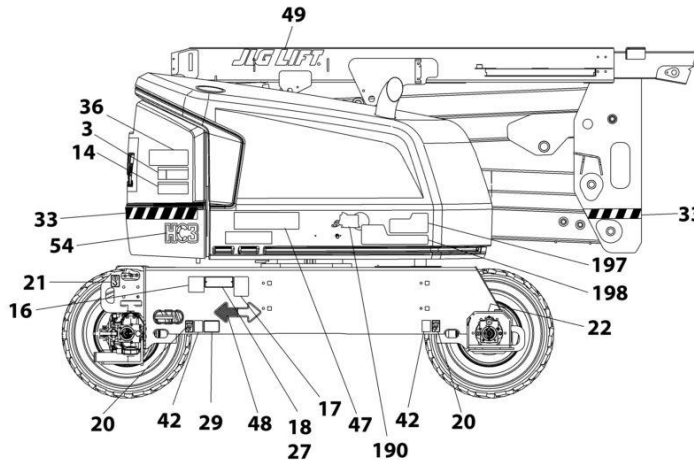
# SECTION 9 - DECALS

## FIGURE 9-6. DECAL INSTALLATION - CSA SPEC WITH DEUTZ ENGINES (FRENCH/ENGLISH LANGUAGES)



NOTE: SOME DECALS ARE CALLED OUT ON DECAL INSTALLATION - OPTIONS.

NOTE: ITEMS SHOWN MAY NOT BE REQUIRED FOR ALL SPECS. REFER TO PARTS LIST FOR USAGE.



ART\_1001254304

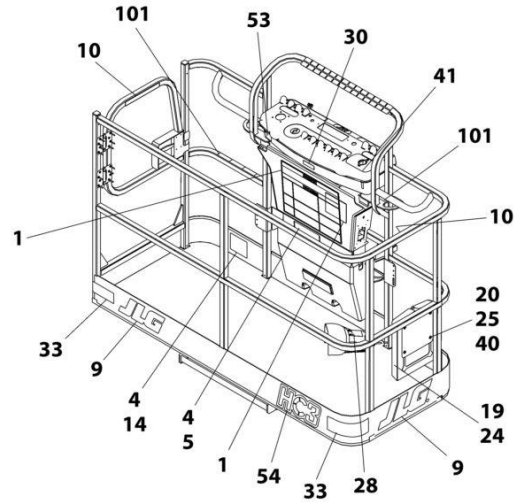
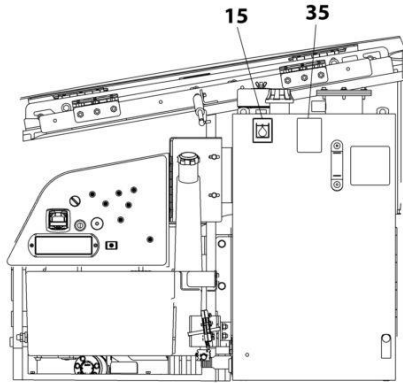
## SECTION 9 - DECALS

**FIGURE 9-6. DECAL INSTALLATION - CSA SPEC WITH DEUTZ ENGINES (FRENCH/ENGLISH LANGUAGES)**

ITEM	PART NUMBER	QTY	DESCRIPTION	REV
	1001254314	Ref	DECAL INSTALLATION - REFERENCE CHART	C
	1001254304	Ref	DECAL INSTALLATION	D
1	1703924	1	Decal - Danger/Warning	
2	1705347	1	Decal - Warning Inspection	
3	1703936	4	Decal - Danger Electrocution	
4	1703948	4	Decal - Warning/Crushing	
5	1001234433	1	Decal - Warning	
6	1001234434	1	Decal - Warning	
10	1704000	2	Decal - No Hands	
14	1703942	2	Decal - Warning/Crushing	
15	1701504	1	Decal - Hydraulic Oil	
16	See Note	NSS	Decal - Bar Code (Note: Not Available for Purchase)	
17	1001131269	1	Decal - Patent	
18		Ref	Nameplate - Manufacturers Serial Number	
19	1701509	1	Decal - Manual	
20	1702300	8	Decal - Tie Down /Lift	
21	1701500	4	Decal - Tie Down /Lift	
22	1703687	2	Decal - Arrow	
23	3251243	1	Decal - 120V-60Hz	
24	0860520	1	Box, Manual Storage	
25	4751400	4	Washer 1/4	
26	3311405	4	Nut 1/4	
27	3820001	2	Rivet	
28	1703984	1	Decal - Footswitch	
35	1704412	1	Decal - Hydraulic Fluid	
36	1001274782	1	Decal - Lift Diagram	
37	1704885	1	Decal - Website	
40	0641406	4	Bolt 1/4 x 3/4	
41	1705429	1	Decal - Drive/Steer	
42	1701499	4	Decal - No Tie Down/Lift	
43	3251813	1	Decal - USA	
48	1701529	2	Decal - Arrow	
51	1001223971	1	Decal - Yearly Inspection	
52	1001223453	1	Decal - ICES (Canada)	
100	1001232026	1	Decal - Platform Lanyard Kit (Not Shown)	
101	1704277	3	Decal - Attach Lanyard Here	

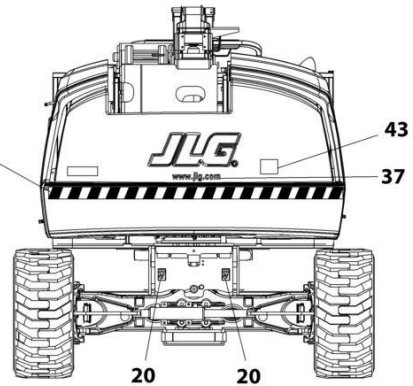
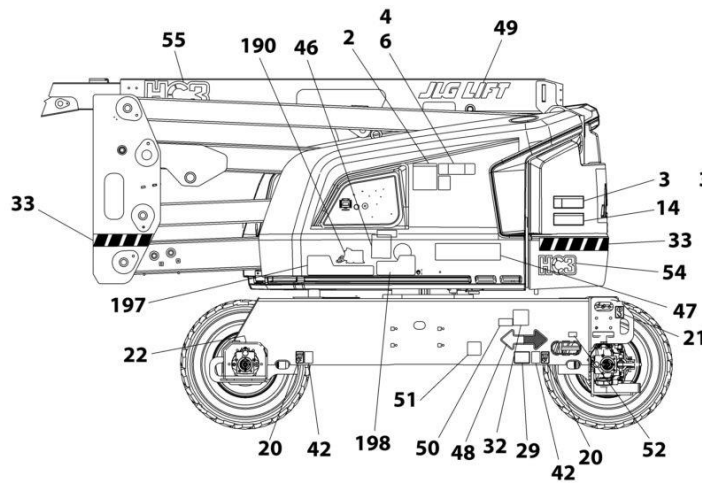
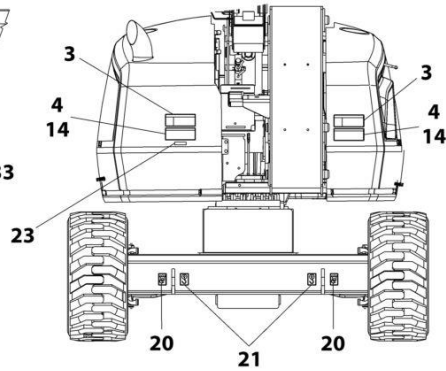
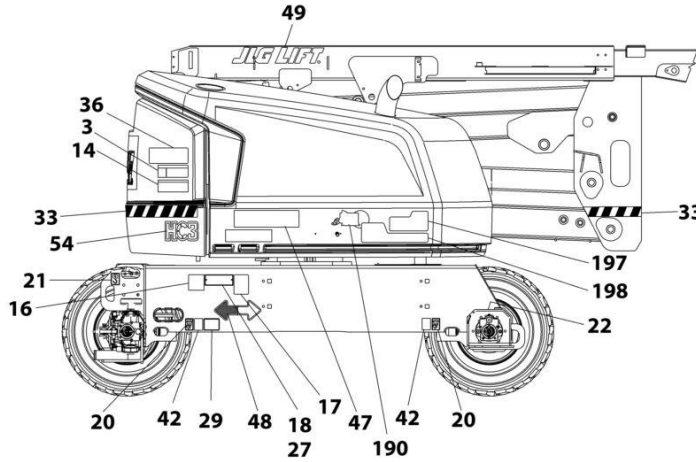
# SECTION 9 - DECALS

FIGURE 9-7. DECAL INSTALLATION - CSA SPEC WITH KUBOTA ENGINES (FRENCH/ENGLISH LANGUAGES)



NOTE: SOME DECALS ARE CALLED OUT ON DECAL INSTALLATION - OPTIONS.

NOTE: ITEMS SHOWN MAY NOT BE REQUIRED FOR ALL SPECS. REFER TO PARTS LIST FOR USAGE.



ART\_1001254310



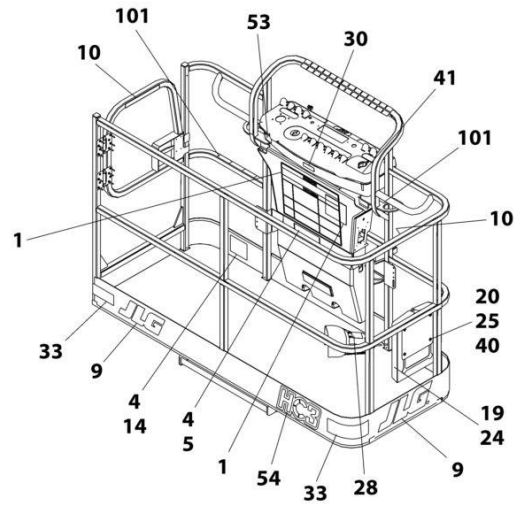
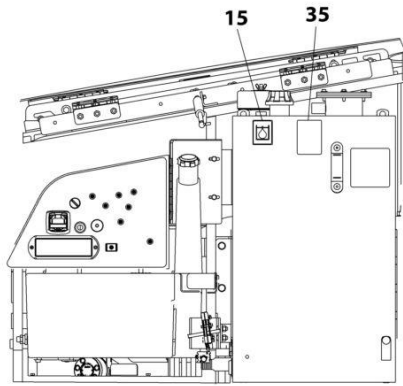
## SECTION 9 - DECALS

**FIGURE 9-7. DECAL INSTALLATION - CSA SPEC WITH KUBOTA ENGINES (FRENCH/ENGLISH LANGUAGES)**

ITEM	PART NUMBER	QTY	DESCRIPTION	REV
	1001254314	Ref	DECAL INSTALLATION - REFERENCE CHART	C
	1001254310	Ref	DECAL INSTALLATION	D
1	1703924	1	Decal - Danger/Warning	
2	1705347	1	Decal - Warning Inspection	
3	1703936	4	Decal - Danger Electrocution	
4	1703948	4	Decal - Warning/Crushing	
5	1001234433	1	Decal - Warning	
6	1001234434	1	Decal - Warning	
10	1704000	2	Decal - No Hands	
14	1703942	2	Decal - Warning/Crushing	
15	1701504	1	Decal - Hydraulic Oil	
16	See Note	NSS	Decal - Bar Code (Note: Not Available for Purchase)	
17	1001131269	1	Decal - Patent	
18		Ref	Nameplate - Manufacturers Serial Number	
19	1701509	1	Decal - Manual	
20	1702300	8	Decal - Tie Down /Lift	
21	1701500	4	Decal - Tie Down /Lift	
22	1703687	2	Decal - Arrow	
23	3251243	1	Decal - 120V-60Hz	
24	0860520	1	Box, Manual Storage	
25	4751400	4	Washer 1/4	
26	3311405	4	Nut 1/4	
27	3820001	2	Rivet	
28	1703984	1	Decal - Footswitch	
35	1704412	1	Decal - Hydraulic Fluid	
36	1001274782	1	Decal - Lift Diagram	
37	1704885	1	Decal - Website	
40	0641406	4	Bolt 1/4 x 3/4	
41	1705429	1	Decal - Drive/Steer	
42	1701499	4	Decal - No Tie Down/Lift	
43	3251813	1	Decal - USA	
48	1701529	2	Decal - Arrow	
51	1001223971	1	Decal - Yearly Inspection	
52	1001223453	1	Decal - ICES (Canada)	
100	1001232026	1	Decal - Platform Lanyard Kit (Not Shown)	
101	1704277	3	Decal - Attach Lanyard Here	

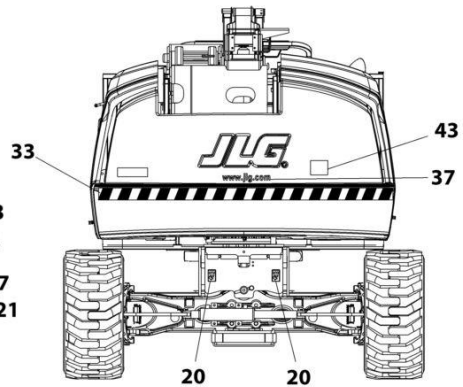
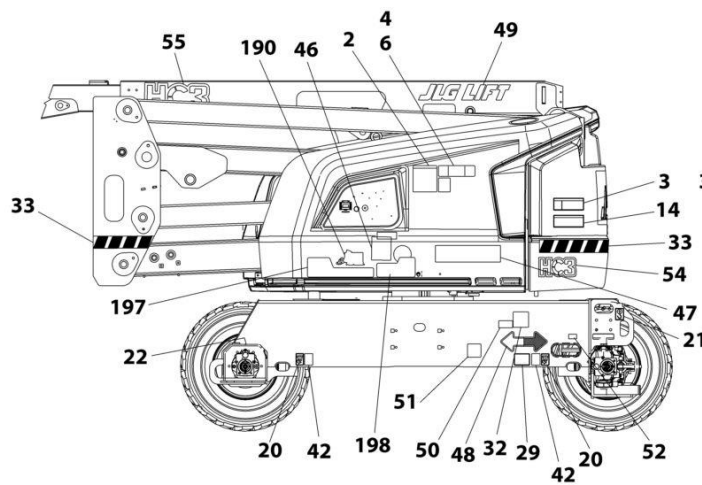
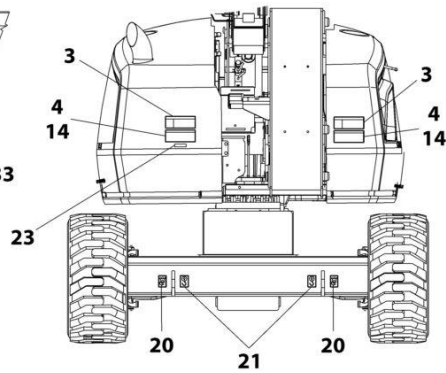
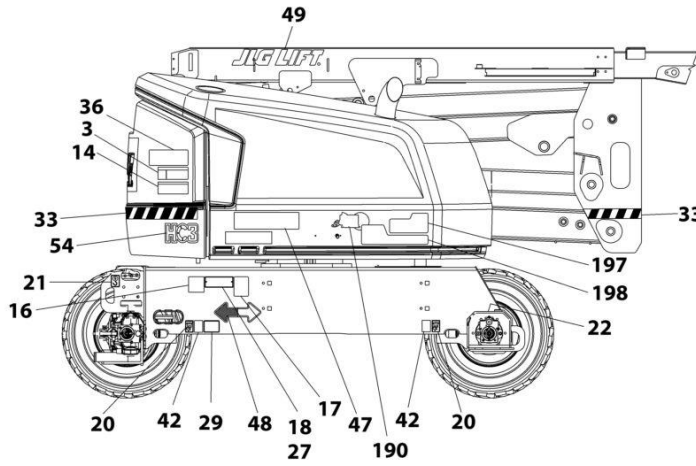
# SECTION 9 - DECALS

FIGURE 9-8. DECAL INSTALLATION - CHINESE SPEC (CHINESE/ENGLISH LANGUAGES)



NOTE: SOME DECALS ARE CALLED OUT ON DECAL INSTALLATION - OPTIONS.

NOTE: ITEMS SHOWN MAY NOT BE REQUIRED FOR ALL SPECS. REFER TO PARTS LIST FOR USAGE.



ART\_1001254305

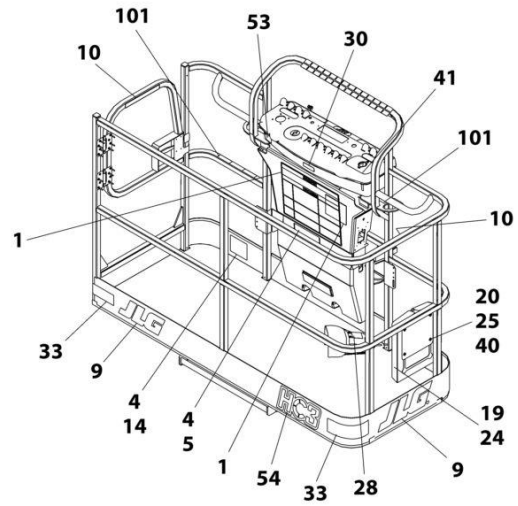
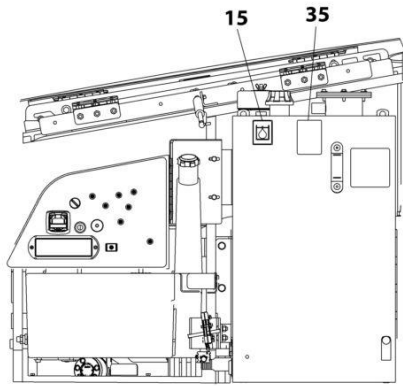
## SECTION 9 - DECALS

**FIGURE 9-8. DECAL INSTALLATION - CHINESE SPEC (CHINESE/ENGLISH LANGUAGES)**

ITEM	PART NUMBER	QTY	DESCRIPTION	REV
	1001254314	Ref	DECAL INSTALLATION - REFERENCE CHART	C
	1001254305	Ref	DECAL INSTALLATION	D
1	1703925	1	Decal - Danger/Warning	
2	1001116849	1	Decal - Warning Inspection	
3	1703937	4	Decal - Danger Electrocution	
4	1703949	4	Decal - Warning/Crushing	
5	1001234435	1	Decal - Warning	
6	1001234436	1	Decal - Warning	
10	1705968	2	Decal - No Hands	
14	1703943	2	Decal - Warning/Crushing	
15	1701504	1	Decal - Hydraulic Oil	
16	See Note	NSS	Decal - Bar Code (Note: Not Available for Purchase)	
18		Ref	<b>Nameplate - Manufacturers Serial Number</b>	
19	1701509	1	Decal - Manual	
20	1702300	8	Decal - Tie Down /Lift	
21	1701500	4	Decal - Tie Down /Lift	
22	1703687	2	Decal - Arrow	
24	0860520	1	Box, Manual Storage	
25	4751400	4	Washer 1/4	
26	3311405	4	Nut 1/4	
27	3820001	2	Rivet	
28	1703982	1	Decal - Footswitch	
35	1704412	1	Decal - Hydraulic Fluid	
36	1001274782	1	Decal - Lift Diagram	
37	1704885	1	Decal - Website	
40	0641406	4	Bolt 1/4 x 3/4	
41	1705430	1	Decal - Drive/Steer	
42	1701499	4	Decal - No Tie Down/Lift	
48	1701529	2	Decal - Arrow	
51	1001224050	1	Decal - Yearly Inspection	
100	1001232026	1	Decal - Platform Lanyard Kit (Not Shown)	
101	1704277	3	Decal - Attach Lanyard Here	

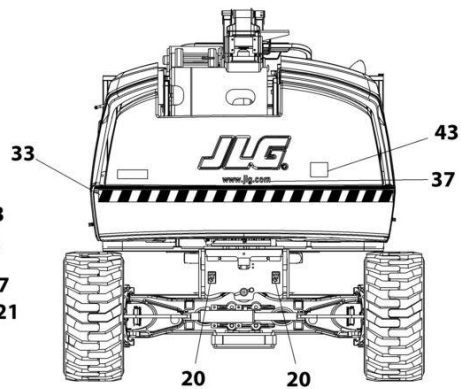
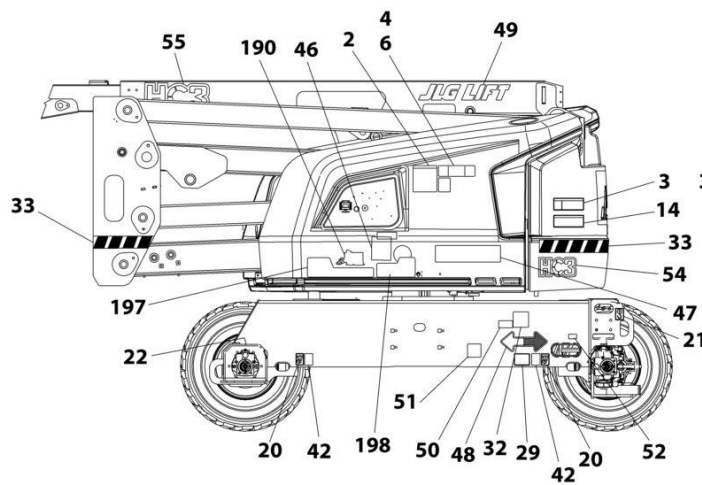
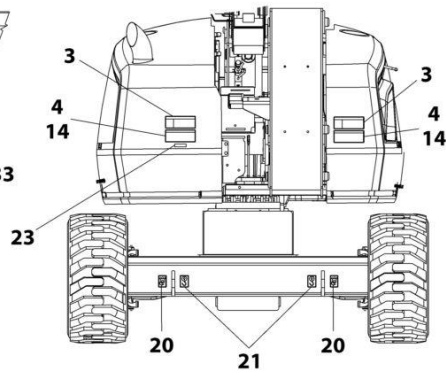
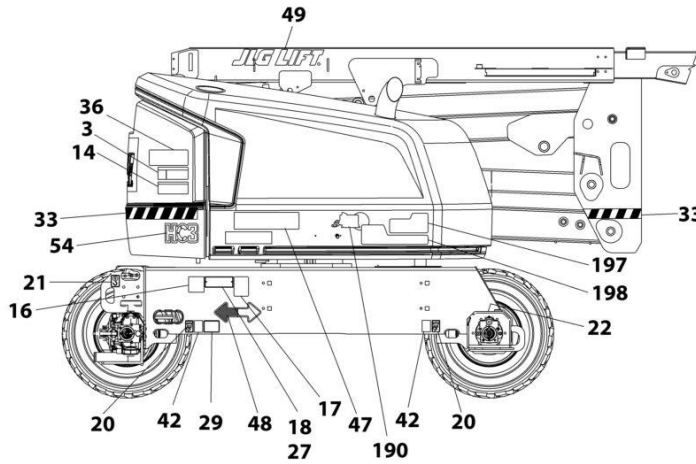
# SECTION 9 - DECALS

FIGURE 9-9. DECAL INSTALLATION - JAPANESE SPEC (JAPANESE/ENGLISH LANGUAGES)



NOTE: SOME DECALS ARE CALLED OUT ON DECAL INSTALLATION - OPTIONS.

NOTE: ITEMS SHOWN MAY NOT BE REQUIRED FOR ALL SPECS. REFER TO PARTS LIST FOR USAGE.



ART\_1001254302

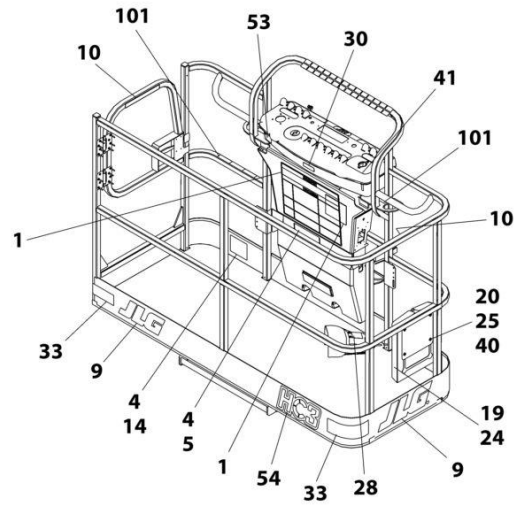
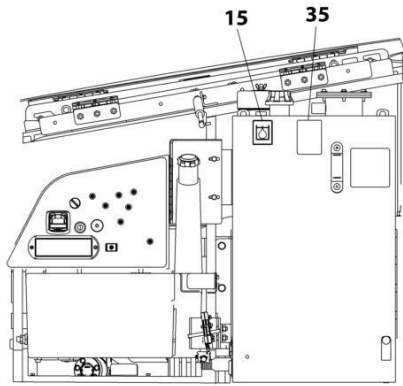
## SECTION 9 - DECALS

**FIGURE 9-9. DECAL INSTALLATION - JAPANESE SPEC (JAPANESE/ENGLISH LANGUAGES)**

ITEM	PART NUMBER	QTY	DESCRIPTION	REV
	1001254314	Ref	DECAL INSTALLATION - REFERENCE CHART	C
	1001254302	Ref	DECAL INSTALLATION	D
1	1703926	1	Decal - Danger/Warning	
2	1705344	1	Decal - Warning Inspection	
3	1703938	4	Decal - Danger Electrocution	
4	1703950	4	Decal - Warning/Crushing	
5	1001234428	1	Decal - Warning	
6	1001234429	1	Decal - Warning	
14	1703944	2	Decal - Warning/Crushing	
15	1701504	1	Decal - Hydraulic Oil	
16	See Note	NSS	Decal - Bar Code (Note: Not Available for Purchase)	
18		Ref	Nameplate - Manufacturers Serial Number	
19	1701509	1	Decal - Manual	
20	1702300	8	Decal - Tie Down /Lift	
21	1701500	4	Decal - Tie Down /Lift	
22	1703687	2	Decal - Arrow	
24	0860520	1	Box, Manual Storage	
25	4751400	4	Washer 1/4	
26	3311405	4	Nut 1/4	
27	3820001	2	Rivet	
28	1703980	1	Decal - Footswitch	
35	1704412	1	Decal - Hydraulic Fluid	
36	1001274782	1	Decal - Lift Diagram	
37	1704885	1	Decal - Website	
40	0641406	4	Bolt 1/4 x 3/4	
41	1705426	1	Decal - Drive/Steer	
42	1701499	4	Decal - No Tie Down/Lift	
48	1701529	2	Decal - Arrow	
51	1001224053	1	Decal - Yearly Inspection	
100	1001232026	1	Decal - Platform Lanyard Kit (Not Shown)	
101	1704277	3	Decal - Attach Lanyard Here	

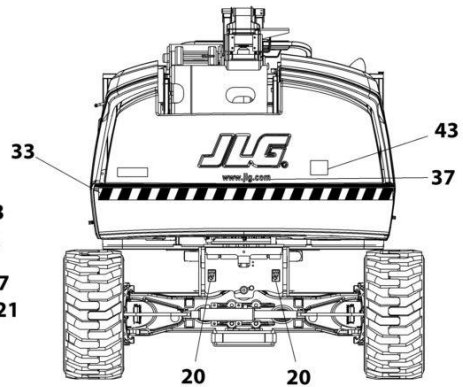
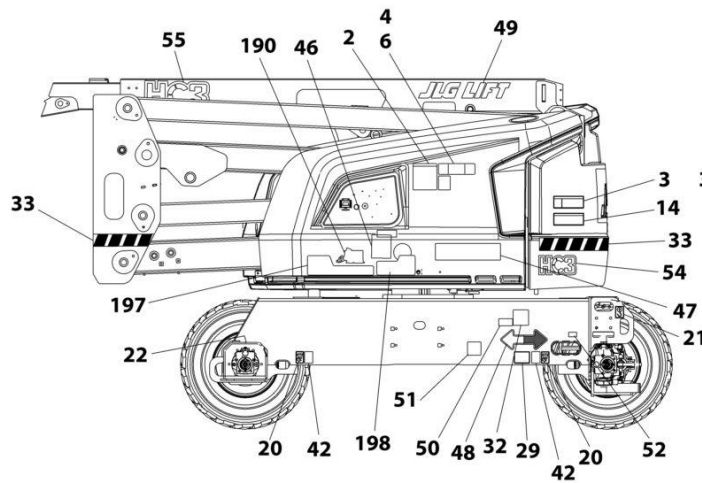
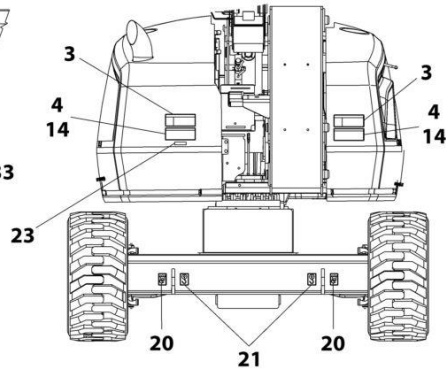
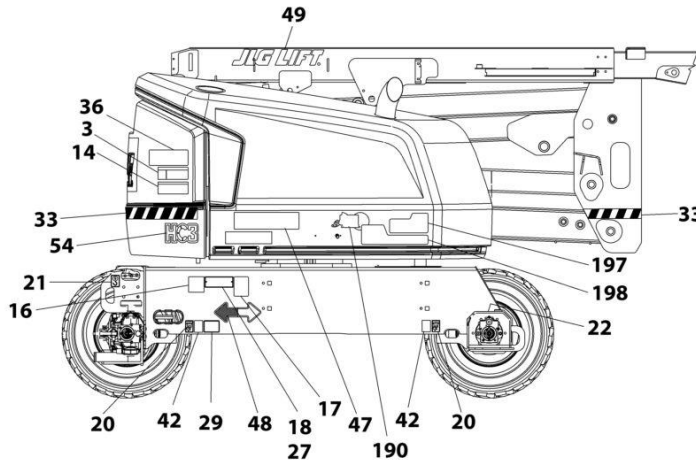
# SECTION 9 - DECALS

FIGURE 9-10. DECAL INSTALLATION - KOREAN SPEC (KOREAN/ENGLISH LANGUAGES)



NOTE: SOME DECALS ARE CALLED OUT ON DECAL INSTALLATION - OPTIONS.

NOTE: ITEMS SHOWN MAY NOT BE REQUIRED FOR ALL SPECS. REFER TO PARTS LIST FOR USAGE.



ART\_1001254303

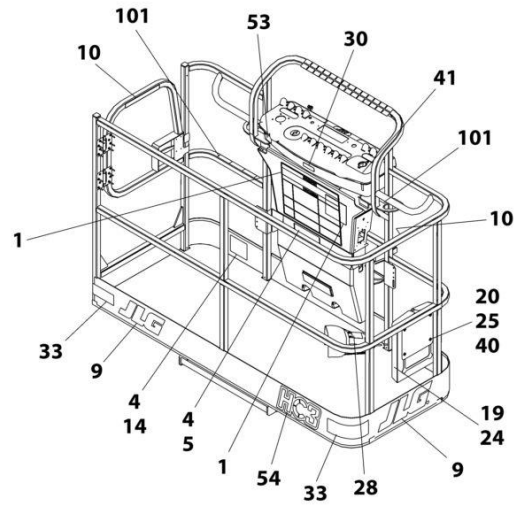
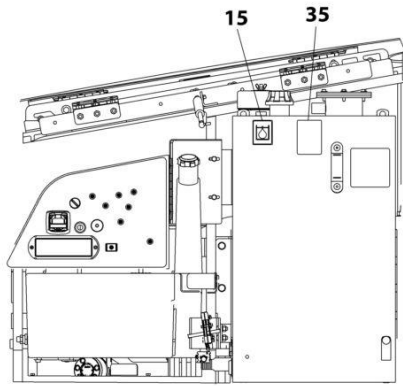
## SECTION 9 - DECALS

**FIGURE 9-10. DECAL INSTALLATION - KOREAN SPEC (KOREAN/ENGLISH LANGUAGES)**

ITEM	PART NUMBER	QTY	DESCRIPTION	REV
	1001254314	Ref	DECAL INSTALLATION - REFERENCE CHART	C
	1001254303	Ref	DECAL INSTALLATION	D
1	1703927	1	Decal - Danger/Warning	
2	1705345	1	Decal - Warning Inspection	
3	1703939	4	Decal - Danger Electrocution	
4	1703951	4	Decal - Warning/Crushing	
5	1001234430	1	Decal - Warning	
6	1001235585	1	Decal - Warning	
10	1705969	2	Decal - No Hands	
14	1703945	2	Decal - Warning/Crushing	
15	1701504	1	Decal - Hydraulic Oil	
16	See Note	NSS	Decal - Bar Code (Note: Not Available for Purchase)	
18		Ref	<b>Nameplate - Manufacturers Serial Number</b>	
19	1701509	1	Decal - Manual	
20	1702300	8	Decal - Tie Down /Lift	
21	1701500	4	Decal - Tie Down /Lift	
22	1703687	2	Decal - Arrow	
24	0860520	1	Box, Manual Storage	
25	4751400	4	Washer 1/4	
26	3311405	4	Nut 1/4	
27	3820001	2	Rivet	
28	1703981	1	Decal - Footswitch	
35	1704412	1	Decal - Hydraulic Fluid	
36	1001274782	1	Decal - Lift Diagram	
37	1704885	1	Decal - Website	
40	0641406	4	Bolt 1/4 x 3/4	
41	1705427	1	Decal - Drive/Steer	
42	1701499	4	Decal - No Tie Down/Lift	
48	1701529	2	Decal - Arrow	
51	1001224048	1	Decal - Yearly Inspection	
100	1001232026	1	Decal - Platform Lanyard Kit (Not Shown)	
101	1704277	3	Decal - Attach Lanyard Here	

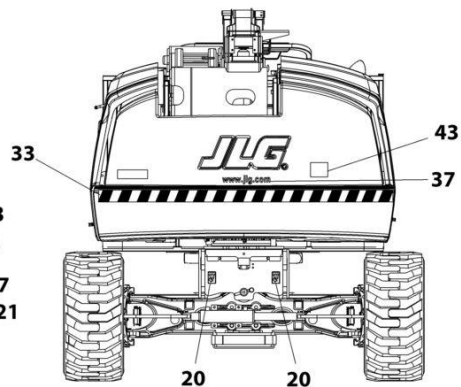
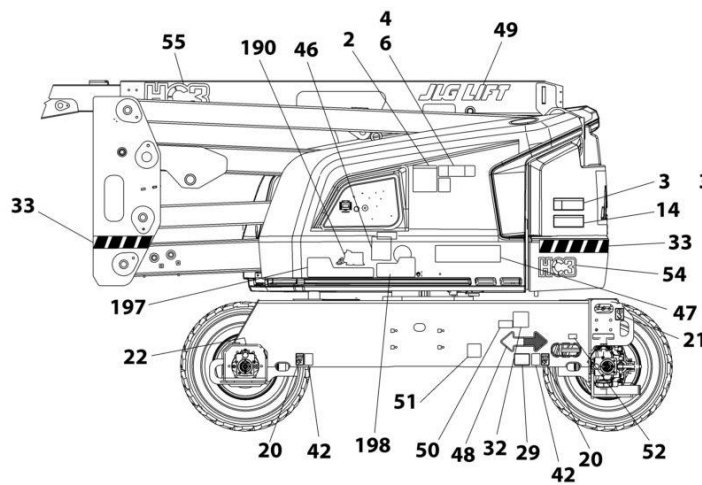
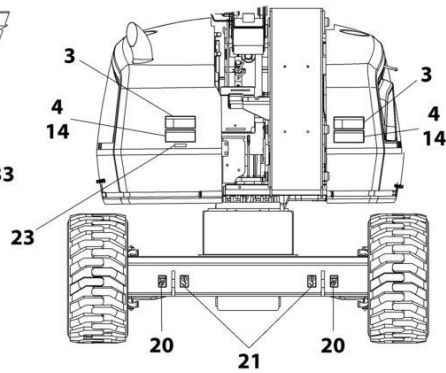
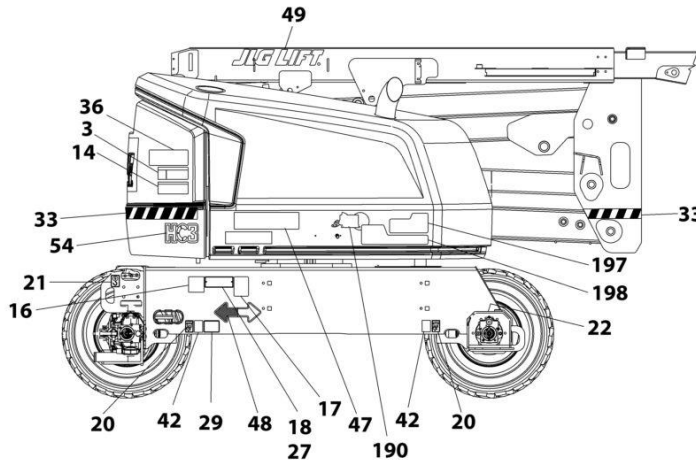
# SECTION 9 - DECALS

## FIGURE 9-11. DECAL INSTALLATION - LATIN AMERICA SPEC (SPANISH/ENGLISH LANGUAGES)



NOTE: SOME DECALS ARE CALLED OUT ON DECAL INSTALLATION - OPTIONS.

NOTE: ITEMS SHOWN MAY NOT BE REQUIRED FOR ALL SPECS. REFER TO PARTS LIST FOR USAGE.



ART\_1001254308



## SECTION 9 - DECALS

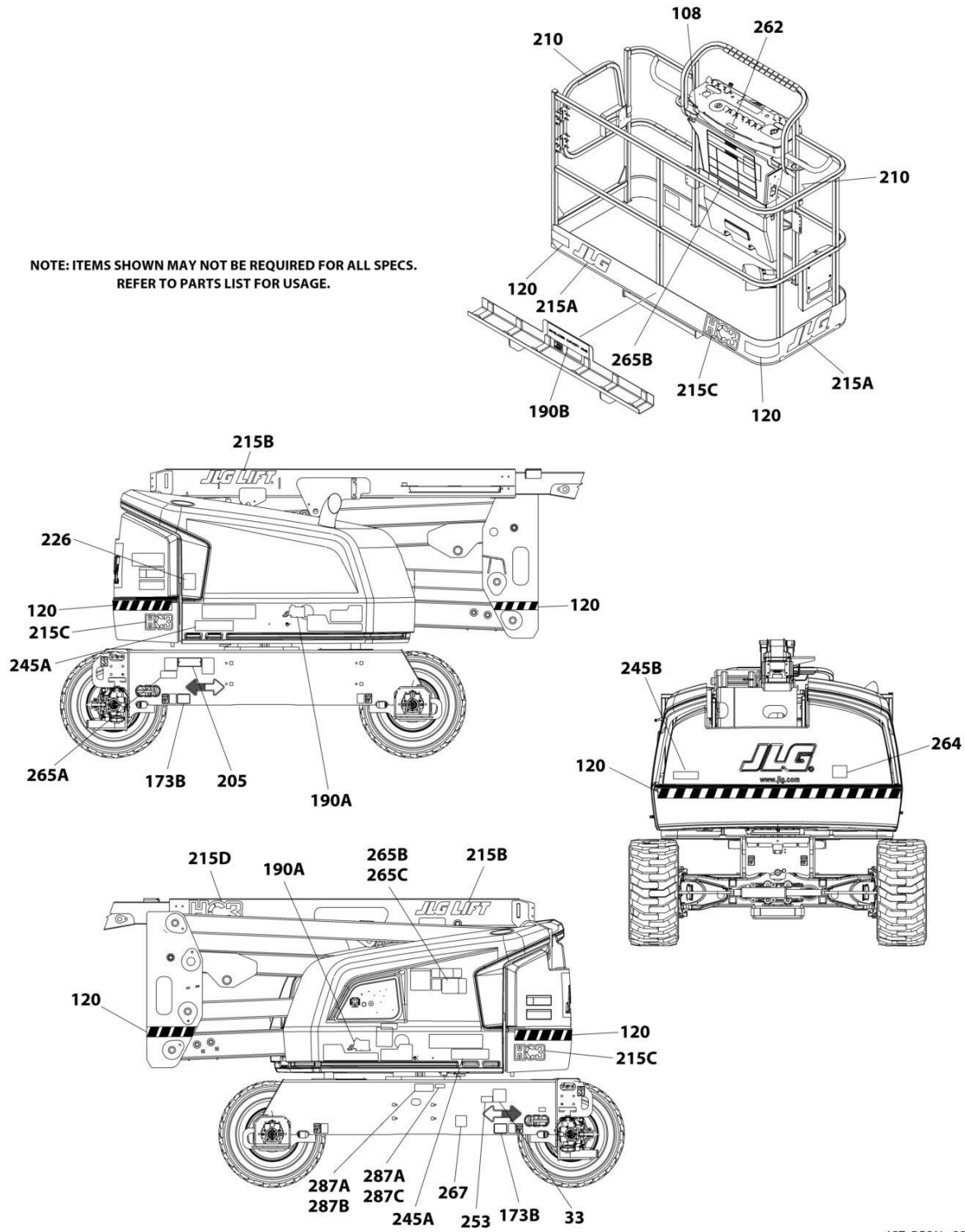
**FIGURE 9-11. DECAL INSTALLATION - LATIN AMERICA SPEC (SPANISH/ENGLISH LANGUAGES)**

ITEM	PART NUMBER	QTY	DESCRIPTION	REV
	1001254314	Ref	DECAL INSTALLATION - REFERENCE CHART	C
	1001254308	Ref	DECAL INSTALLATION	D
1	1703923	1	Decal - Danger/Warning	
2	1705917	1	Decal - Warning Inspection	
3	1703935	4	Decal - Danger Electrocution	
4	1703947	4	Decal - Warning/Crushing	
5	1001234431	1	Decal - Warning	
6	1001234432	1	Decal - Warning	
10	1704001	2	Decal - No Hands	
14	1703941	2	Decal - Warning/Crushing	
15	1701504	1	Decal - Hydraulic Oil	
16	See Note	NSS	Decal - Bar Code (Note: Not Available for Purchase)	
18		Ref	Nameplate - Manufacturers Serial Number	
19	1701509	1	Decal - Manual	
20	1702300	8	Decal - Tie Down /Lift	
21	1701500	4	Decal - Tie Down /Lift	
22	1703687	2	Decal - Arrow	
23	3251243	1	Decal - 120V-60Hz	
24	0860520	1	Box, Manual Storage	
25	4751400	4	Washer 1/4	
26	3311405	4	Nut 1/4	
27	3820001	2	Rivet	
28	1703983	1	Decal - Footswitch	
35	1704412	1	Decal - Hydraulic Fluid	
36	1001274782	1	Decal - Lift Diagram	
37	1704885	1	Decal - Website	
40	0641406	4	Bolt 1/4 x 3/4	
41	1705910	1	Decal - Drive/Steer	
42	1701499	4	Decal - No Tie Down/Lift	
43	3251813	1	Decal - USA	
48	1701529	2	Decal - Arrow	
51	1001224049	1	Decal - Yearly Inspection	
100	1001232026	1	Decal - Platform Lanyard Kit (Not Shown)	
101	1704277	3	Decal - Attach Lanyard Here	

# SECTION 9 - DECALS

## FIGURE 9-12. DECAL INSTALLATION - OPTIONS

NOTE: ITEMS SHOWN MAY NOT BE REQUIRED FOR ALL SPECS.  
REFER TO PARTS LIST FOR USAGE.



ART\_DECAL\_OPTIONS

## SECTION 9 - DECALS

**FIGURE 9-12. DECAL INSTALLATION - OPTIONS**

ITEM	PART NUMBER	QTY	DESCRIPTION	REV
	1001254314	Ref	DECAL INSTALLATION - REFERENCE CHART (ALL SPECS EXCEPT CE SPECS)	C
	1001254315	Ref	DECAL INSTALLATION - REFERENCE CHART (CE SPECS)	B
	1001246976	Ref	DECAL INSTALLATION - OPTIONS	F
33	1700818	1	Decal - LP (ANSI, ANSI Export & CSA Specs)	
33	1704271	1	Decal - LP (CSA Specs)	
108	1001231801	1	Decal - Warning (Prop 65) (ANSI & CSA Specs)	
120	1001188883	Ref	Warning Stripes Installation	A
120	4420051	21.5 ft /6.55m	Tape, Safety	
173	1001255845	Ref	Model Decal Installation	B
173A	1001267310	2	Decal - 450AJ	
173B	1001255849	2	Decal - Max Tire Load	
190	1001262102	Ref	SkyGlazier Decal Installation (ANSI and CSA Specs)	
190	1001262105	Ref	SkyGlazier Decal Installation (Australian Specs)	
190A	1705358	2	Decal - SkyGlazier	
190B	1001259018	2	Decal - SkyGlazier Capacity (ANSI Specs)	
190B	1001262117	2	Decal - SkyGlazier Capacity (Australian Specs)	
205	See Note	Ref	Nameplate - Manufacturers Serial Number (Note: Not Available for Purchase)	
210	1702868	2	Decal - No Hands (English Language)	
210	1704000	2	Decal - No Hands (English and French Languages)	
210	1705969	2	Decal - No Hands (English and Korean Languages)	
210	1704001	2	Decal - No Hands (English and Spanish Languages)	
210	1704002	2	Decal - No Hands (Portuguese and Spanish Language)	
210	1705968	2	Decal - No Hands (ANSI Export Specs)	
215	1001254311	Ref	JLG Logo Installation (All Specs except CE Specs) (Note: For Logo Decals on CE Specs Machines, See Decal Installation CE Specs)	C
215A	1702773	2	Decal - JLG	
215B	1702774	2	Decal - JLG Lift (3in)	
215C	1001244212	3	Decal - HC3	
215D	1001256906	1	Decal - HC3	
226	1704972	1	Decal - Warning Explosion/Fire (ANSI, ANSI Export and CSA Spec)	
226	1706059	1	Decal - Warning Explosion/Fire (Brazil Spec)	
226	1706098	1	Decal - Warning Explosion/Fire (CE Spec)	
226	1706060	1	Decal - Warning Explosion/Fire (Chinese Spec)	
226	1706064	1	Decal - Warning Explosion/Fire (CSA Spec)	
226	1706062	1	Decal - Warning Explosion/Fire (Japanese Spec)	
226	1706061	1	Decal - Warning Explosion/Fire (Korean Spec)	
226	1706063	1	Decal - Warning Explosion/Fire (Latin America Spec)	
245	1001127096	Ref	Decal - ClearSky	
245A	1001116208	2	Decal - ClearSky	
245B	1001120989	1	Decal - Radio Frequency	
253	1001143852	1	Decal - Emissions Compliance (Deutz D2011 Engines/Deutz D2011 Engines (Stage V)/Deutz D2.9L4 Engines (Stage V))	
262	1001141300	1	Decal - SkyGuard Override	
262	1001141302	1	Decal - SkyGuard Override with Soft-Touch	
264	1001204510	1	Decal - Sound Power (Deutz D2011 Engines)	
264	1001130492	1	Decal - Sound Power (Deutz D2011 (Stage V) Engines)	

## SECTION 9 - DECALS

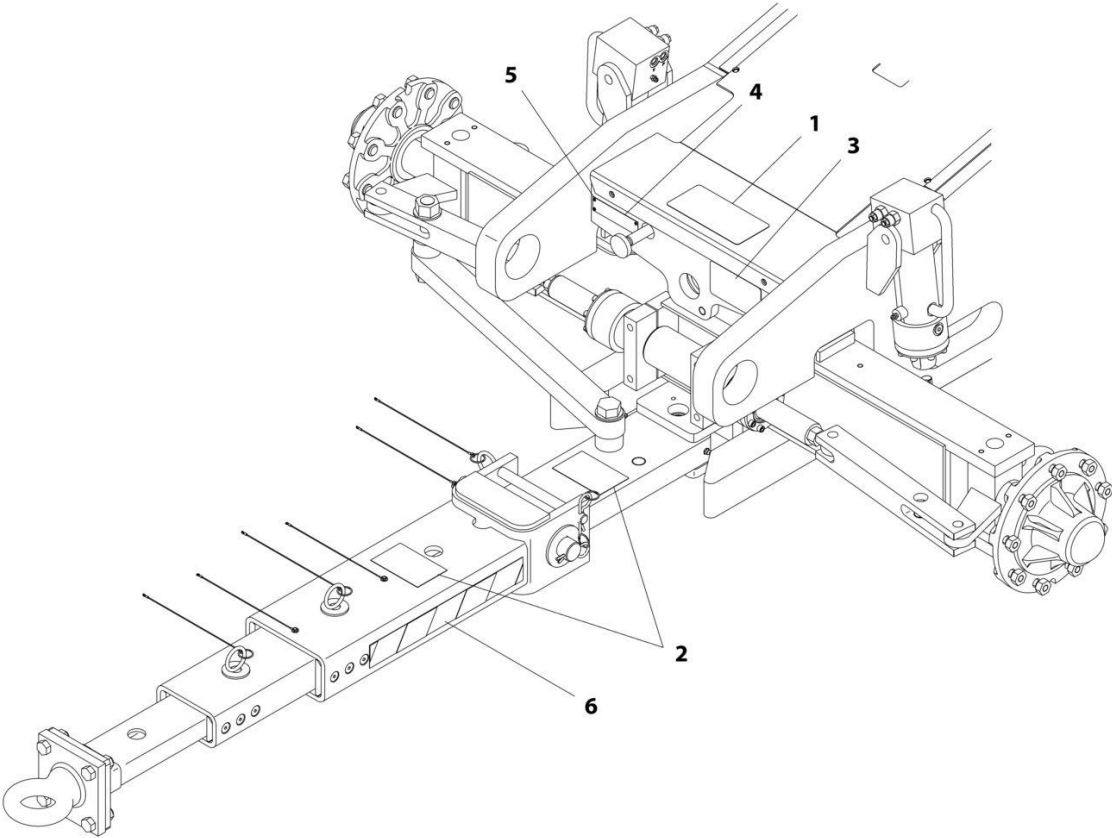
ITEM	PART NUMBER	QTY	DESCRIPTION	REV
265	1001271605	Ref	Soft -Touch Decal Installation (Without Fall Arrest) (Pictograph)	
265	1001271588	Ref	Soft -Touch Decal Installation (Without Fall Arrest) (English Language)	
265	1001276688	Ref	Soft -Touch Decal Installation (Without Fall Arrest) (English/Chinese Languages)	
265	1001276686	Ref	Soft -Touch Decal Installation (Without Fall Arrest) (English/French Languages)	
265	1001271617	Ref	Soft -Touch Decal Installation (Without Fall Arrest) (English/Japanese Languages)	
265	1001276884	Ref	Soft -Touch Decal Installation (Without Fall Arrest) (English/Korean Languages)	
265	1001276692	Ref	Soft -Touch Decal Installation (Without Fall Arrest) (English/Spanish Languages)	
265	1001276690	Ref	Soft -Touch Decal Installation (Without Fall Arrest) (Spanish/Portuguese Languages)	
265	1001271606	Ref	Soft -Touch Decal Installation (With Fall Arrest) (Pictograph)	
265	1001271589	Ref	Soft -Touch Decal Installation (With Fall Arrest) (English Language)	
265	1001276689	Ref	Soft -Touch Decal Installation (With Fall Arrest) (English/Chinese Languages)	
265	1001276687	Ref	Soft -Touch Decal Installation (With Fall Arrest) (English/French Languages)	
265	1001271621	Ref	Soft -Touch Decal Installation (With Fall Arrest) (English/Japanese Languages)	
236	1001276685	Ref	Soft -Touch Decal Installation (With Fall Arrest) (English/Korean Languages)	
265	1001276693	Ref	Soft -Touch Decal Installation (With Fall Arrest) (English/Spanish Languages)	
265	1001276691	Ref	Soft -Touch Decal Installation (With Fall Arrest) (Spanish/Portuguese Languages)	
265A	1001195490	1	Decal - Soft-Touch (Pictograph)	
265A	1001195491	1	Decal - Soft-Touch (English Language)	
265A	1001271708	1	Decal - Soft-Touch (English/Chinese Languages)	
265A	1001271709	1	Decal - Soft-Touch (English/French Languages)	
265A	1001271712	1	Decal - Soft-Touch (English/Japanese Languages)	
265A	1001271710	1	Decal - Soft-Touch (English/Korean Languages)	
265A	1001271711	1	Decal - Soft-Touch (English/Spanish Languages)	
265A	1001271707	1	Decal - Soft-Touch (Spanish/Portuguese Languages)	
265B	1001277484	2	Decal - Warning (Without Fall Arrest) (Pictograph)	
265B	1001277481	1	Decal - Warning (Without Fall Arrest) (English Language)	
265B	1001278197	1	Decal - Warning (Without Fall Arrest) (English/Chinese Languages)	
265B	1001277970	1	Decal - Warning (Without Fall Arrest) (English/French Languages)	
265B	1001271622	1	Decal - Warning (Without Fall Arrest) (English/Japanese Languages)	
265B	1001277685	1	Decal - Warning (Without Fall Arrest) (English/Korean Languages)	
265B	1001278249	1	Decal - Warning (Without Fall Arrest) (English/Spanish Languages)	
265B	1001278209	1	Decal - Warning (Without Fall Arrest) (Spanish/Portuguese Languages)	
265B	1001277485	2	Decal - Warning (With Fall Arrest) (Pictograph Language)	
265B	1001277483	1	Decal - Warning (With Fall Arrest) (English Language)	
265B	1001278199	1	Decal - Warning (With Fall Arrest) (English/Chinese Languages)	

## SECTION 9 - DECALS

ITEM	PART NUMBER	QTY	DESCRIPTION	REV
265B	1001277972	1	Decal - Warning (With Fall Arrest) (English/French Languages)	
265B	1001271625	1	Decal - Warning (With Fall Arrest) (English/Japanese Languages)	
265B	1001277691	1	Decal - Warning (With Fall Arrest) (English/Korean Languages)	
265B	1001278251	1	Decal - Warning (With Fall Arrest) (English/Spanish Languages)	
265B	1001278216	1	Decal - Warning (With Fall Arrest) (Spanish/Portuguese Languages)	
265C	1001277482	1	Decal - Warning (Without Fall Arrest) (English Language)	
265C	1001278198	1	Decal - Warning (Without Fall Arrest) (English/Chinese Languages)	
265C	1001277911	1	Decal - Warning (Without Fall Arrest) (English/French Languages)	
265C	1001271624	1	Decal - Warning (Without Fall Arrest) (English/Japanese Languages)	
265C	1001277686	1	Decal - Warning (Without Fall Arrest) (English/Korean Languages)	
265C	1001278250	1	Decal - Warning (Without Fall Arrest) (English/Spanish Languages)	
265C	1001278215	1	Decal - Warning (Without Fall Arrest) (Spanish/Portuguese Languages)	
265C	1001277486	1	Decal - Warning (With Fall Arrest) (English Language)	
265C	1001278208	1	Decal - Warning (With Fall Arrest) (English/Chinese Languages)	
265C	1001277973	1	Decal - Warning (With Fall Arrest) (English/French Languages)	
265C	1001271626	1	Decal - Warning (With Fall Arrest) (English/Japanese Languages)	
265C	1001278252	1	Decal - Warning (With Fall Arrest) (English/Spanish Languages)	
265C	1001277692	1	Decal - Warning (With Fall Arrest) (English/Korean Languages)	
265C	1001278217	1	Decal - Warning (With Fall Arrest) (Spanish/Portuguese Languages)	
267	1001200131	1	Decal - Quick Start Reference (Loxam Rental) (Danish Spec)	
267	1001200129	1	Decal - Quick Start Reference (Loxam Rental) (Dutch Spec)	
267	1001181145	1	Decal - Quick Start Reference (Loxam Rental) (English Spec)	
267	1001200128	1	Decal - Quick Start Reference (Loxam Rental) (French Spec)	
267	1001200130	1	Decal - Quick Start Reference (Loxam Rental) (German Spec)	
267	1001200134	1	Decal - Quick Start Reference (Loxam Rental) (Norwegian Spec)	
267	1001200133	1	Decal - Quick Start Reference (Loxam Rental) (Spanish Spec)	
267	1001200132	1	Decal - Quick Start Reference (Loxam Rental) (Swedish Spec)	
287	1001239371	Ref	Decal - Eco Label Installation (China Specs Only)	A
287A	3820001	8	Rivet	
287B	1001232904	1	Decal - Eco Label	
287C	1001236396	1	Plate, Mein Code	

# SECTION 9 - DECALS

FIGURE 9-13. TOW BAR DECAL INSTALLATION - ENGLISH LANGUAGE (ANSI, ANSI EXPORT, CE, CHINA, CIS/EAC, JAPANESE & UK CA SPECS)



ART\_0270115

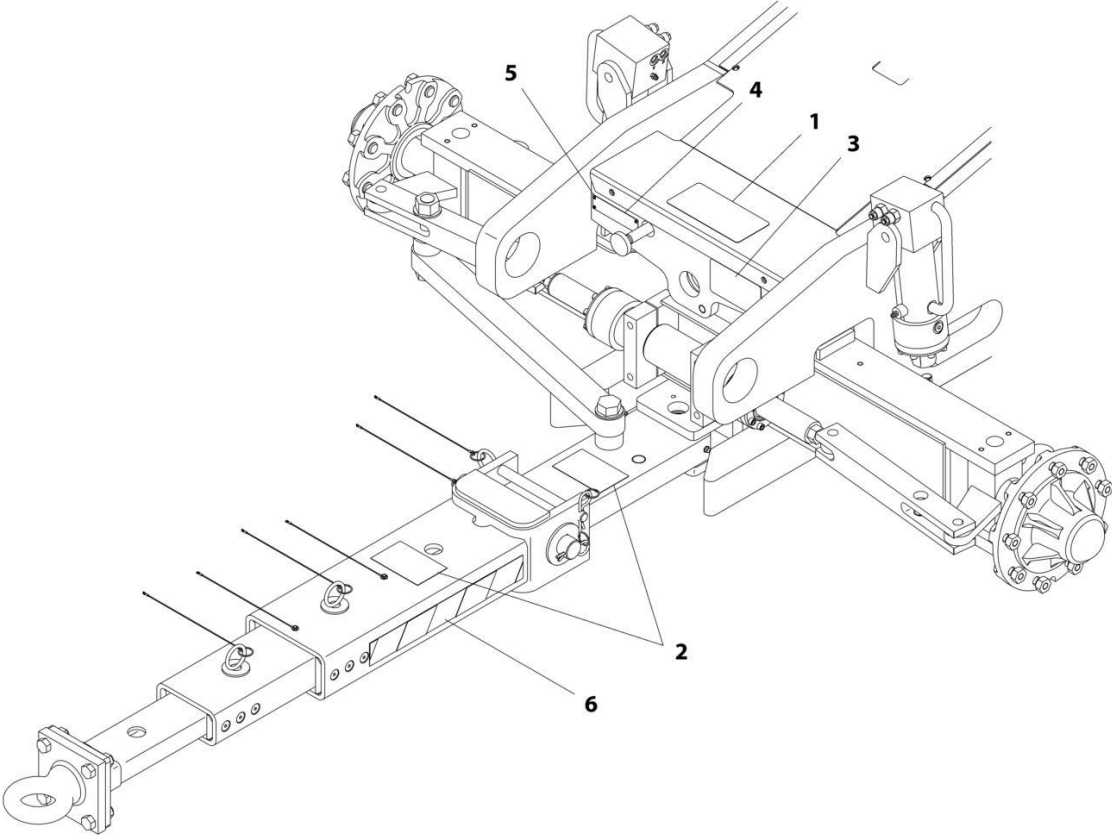
## SECTION 9 - DECALS

**FIGURE 9-13. TOW BAR DECAL INSTALLATION - ENGLISH LANGUAGE (ANSI, ANSI EXPORT, CE, CHINA, CIS/EAC, JAPANESE & UK CA SPECS)**

ITEM	PART NUMBER	QTY	DESCRIPTION	REV
	0270115	Ref	TOW BAR DECAL INSTALLATION	A
1	1704482	1	Decal - Tow Instructions	
2	1704578	3	Decal - Crushing	
3	1703450	1	Decal - Warning	
4	3250872	1	Nameplate - Steer/Tow Select Valve	
5	3820001	4	Rivet	
6	4420051	43 in /109.2cm	Tape, Safety	

**SECTION 9 - DECALS**

**FIGURE 9-14. TOW BAR DECAL INSTALLATION - ENGLISH/SPANISH LANGUAGE (ANSI EXPORT SPECS)**



ART\_0270119



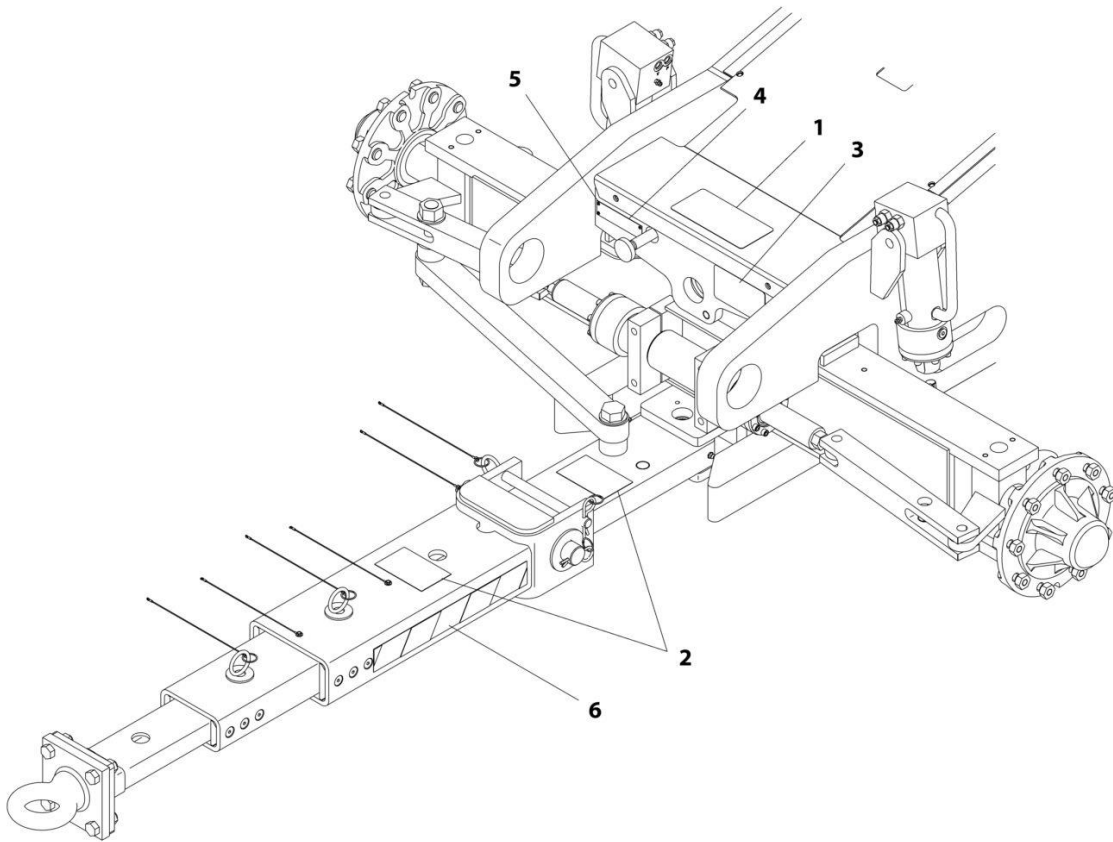
## SECTION 9 - DECALS

**FIGURE 9-14. TOW BAR DECAL INSTALLATION - ENGLISH/SPANISH LANGUAGE (ANSI EXPORT SPECS)**

ITEM	PART NUMBER	QTY	DESCRIPTION	REV
	0270119	Ref	TOW BAR DECAL INSTALLATION	A
1	1704457	1	Decal - Tow Instructions	
2	1704577	3	Decal - Crushing	
3	1704576	1	Decal - Warning	
4	3252693	1	Nameplate - Steer/Tow Select Valve	
5	3820001	4	Rivet	
6	4420051	43 in /109.2cm	Tape, Safety	

# SECTION 9 - DECALS

FIGURE 9-15. TOW BAR DECAL INSTALLATION - SPANISH LANGUAGE (ANSI EXPORT, CE, CIS/EAC & UK CA SPECS)



ART\_0270116

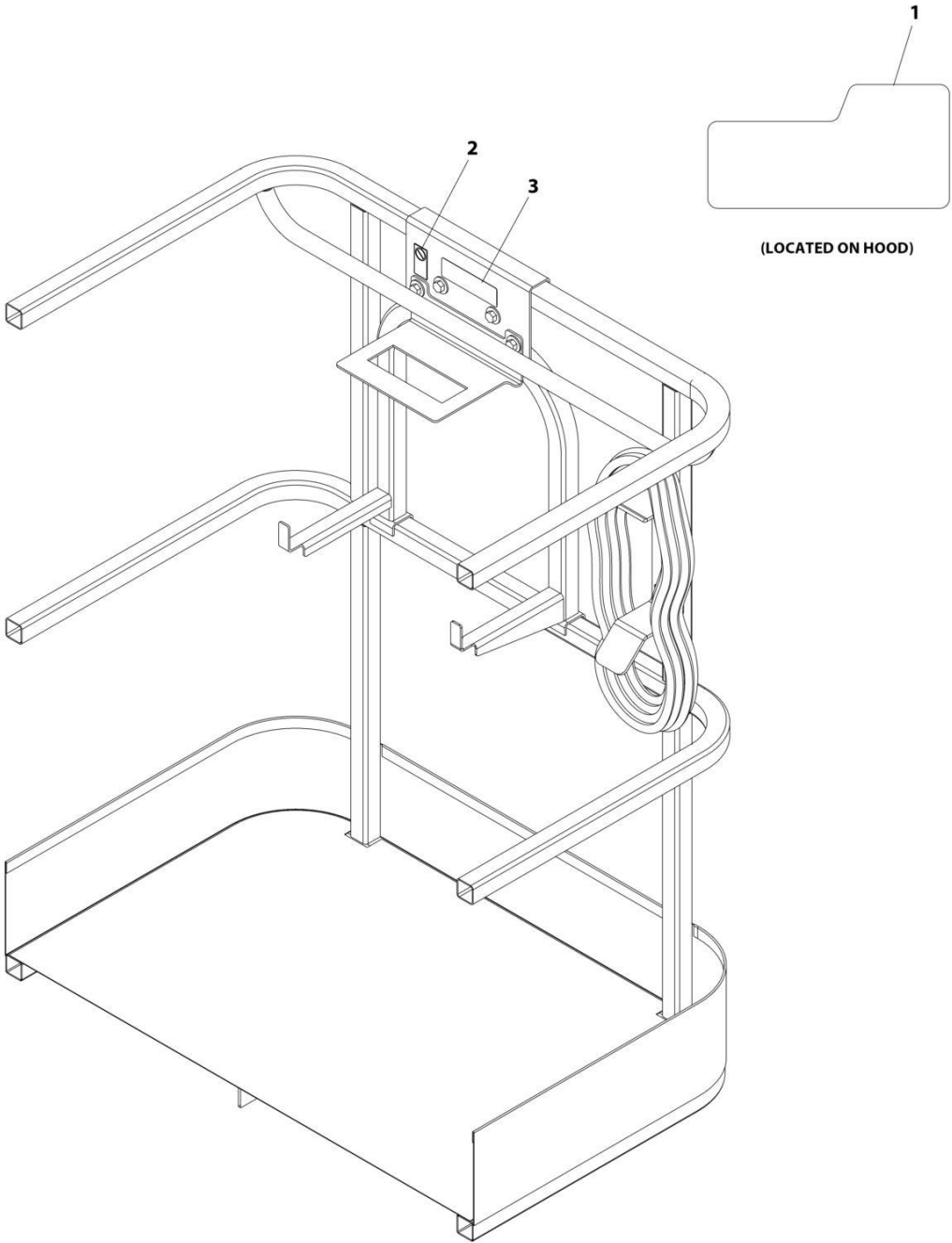
## SECTION 9 - DECALS

**FIGURE 9-15. TOW BAR DECAL INSTALLATION - SPANISH LANGUAGE (ANSI EXPORT, CE, CIS/EAC & UK CA SPECS)**

ITEM	PART NUMBER	QTY	DESCRIPTION	REV
	0270116	Ref	TOW BAR DECAL INSTALLATION	A
1	1704455	1	Decal - Tow Instructions	
2	1701518	3	Decal - Crushing	
3	1704456	1	Decal - Warning	
4	3252692	1	Nameplate - Steer/Tow Select Valve	
5	3820001	4	Rivet	
6	4420051	43 in /109.2cm	Tape, Safety	

# SECTION 9 - DECALS

## FIGURE 9-16. SKYWELDER DECAL INSTALLATION – 50HZ (ANSI EXPORT SPECS)



ART\_0272588

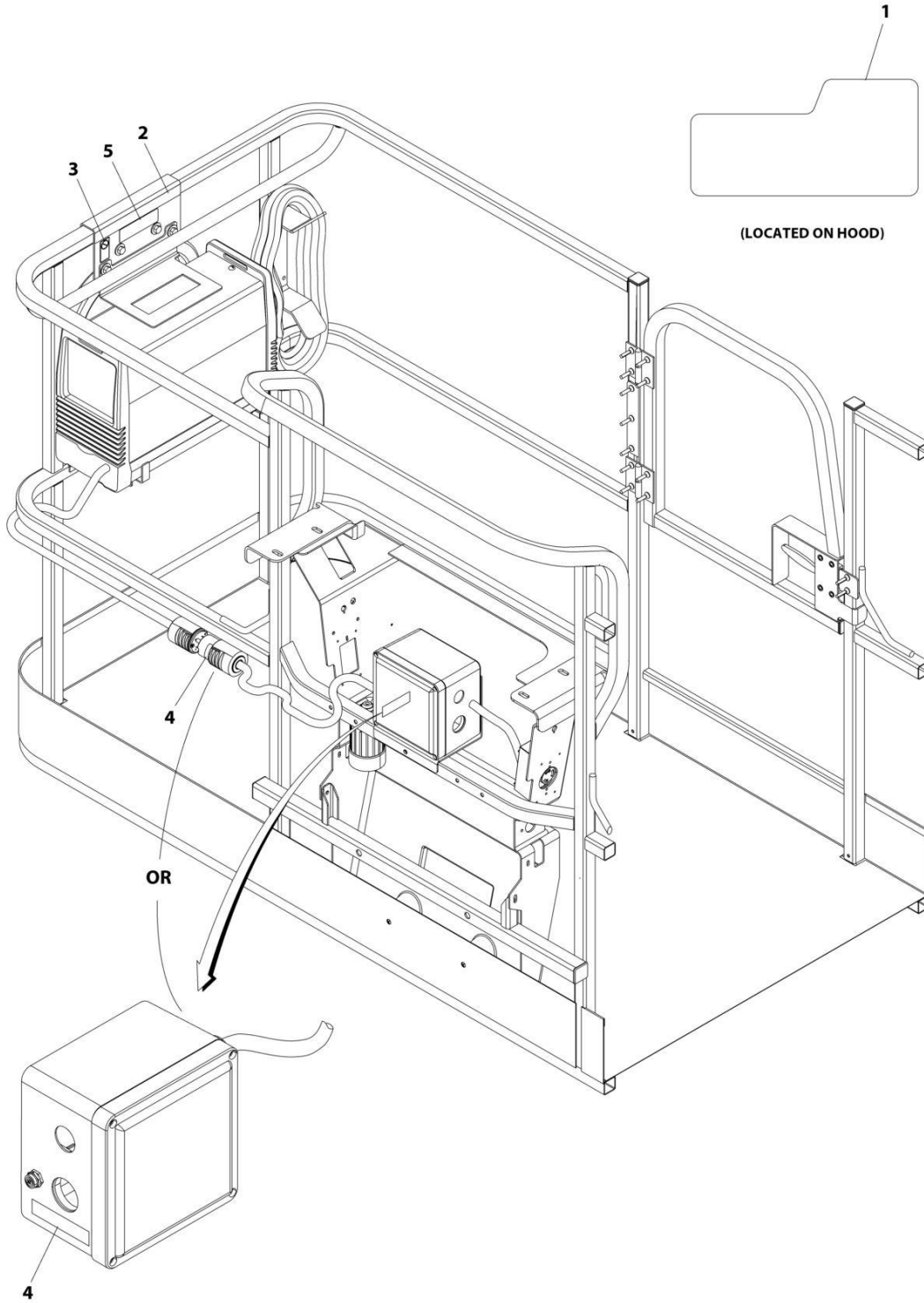
## SECTION 9 - DECALS

**FIGURE 9-16. SKYWELDER DECAL INSTALLATION – 50HZ (ANSI EXPORT SPECS)**

ITEM	PART NUMBER	QTY	DESCRIPTION	REV
	0272588	Ref	SKYWELDER DECAL INSTALLATION - 50Hz	B
1	1705355	2	Decal - SkyWelder	
2	1705305	1	Decal - Weld Lead	
3	1001228988	1	Decal - Weight	

# SECTION 9 - DECALS

## FIGURE 9-17. SKYWELDER DECAL INSTALLATION - 60HZ (ANSI EXPORT SPECS)



ART\_0272448\_C

## SECTION 9 - DECALS

**FIGURE 9-17. SKYWELDER DECAL INSTALLATION - 60HZ (ANSI EXPORT SPECS)**

ITEM	PART NUMBER	QTY	DESCRIPTION	REV
	0272448	Ref	SKYWELDER DECAL INSTALLATION - 60Hz	C
1	1705355	2	Decal - SkyWelder	
2	1702868	1	Decal - No Hands	
3	1705305	1	Decal - Weld Lead	
4	1705375	1	Decal - 240V - 3 Phase - 60Hz	
5	1001228988	1	Decal - Weight	





## **SECTION 10 - RECOMMENDED SERVICE PARTS STOCK**

## **SECTION 10 - RECOMMENDED SERVICE PARTS STOCK**

# SECTION 10 - RECOMMENDED SERVICE PARTS STOCK

FIGURE 10-1. RECOMMENDED SERVICE PARTS STOCK

ITEM	PART NUMBER	QTY	DESCRIPTION	REV
		Ref	Note: The following list will service one machine (built to current production per date on the front cover) with emergency repair parts which can be installed in the field. Parts from the list should be replaced when inventory is depleted to keep service parts stock supplied. For further information, contact your JLG dealer or the JLG Industries Parts Department.	
	4360542	1	Breaker, Circuit (2500W Generator)	
	4360070	1	Breaker, Circuit (4000W & 7500W Generator)	
	7024485	1	Breaker, Circuit (7500W Generator)	
	70006095	1	Breaker, Circuit (7500W Generator)	
	1001159118	1	Breaker, Circuit (4000W & 7500W Generator)	
	1001181045	1	Breaker, 30mA/16Amp (CE & UK CA Spec with 2 Breaker Box)	
	1001189172	1	Breaker, Circuit 30mA (CE & UK CA Specs Machines with 3 Breaker Box)	
	1001189171	1	Breaker, Circuit 16A Double (CE & UK CA Specs Machines with 3 Breaker Box)	
	7024885	1	Coil (Traction Valve)	
	70002386	1	Coil (Traction & Main Control Valve)	
	70005219	1	Coil (Main Control Valve)	
	70003788	1	Coil (Main Control Valve)	
	70004897	1	Coil (Piston Pump)	
	70004871	1	Coil (Upright & Boom Valves)	
	7027628	1	Coil (Upright Valve)	
	1001212415	1	Controller Assembly (Drive and Steer)	
	1001129555	1	Controller Assembly (Lift and Swing)	
	4360407	1	Controller, Speed (Platform Controls)	
	70010383	12	Element, Filter (Charge Pump)	
		Ref	Engine - Deutz D2011	
	70003783	12	Element, Air Cleaner	
	7020023	12	Filter, Fuel	
	70003463	12	Filter, Fuel - RME Resistant	
	7016331	12	Filter, Oil	
	3740140	1	Relay, 100Amp	
	70004058	1	Relay	
		Ref	Engine - Deutz D2.9L4	
	70003783	12	Element, Air Cleaner	
	1001196634	2	Fuse - 2Amp	
	80983191	2	Fuse - 10Amp	
	70023592	2	Fuse - 20Amp	
	70023593	2	Fuse - 30Amp	
	1001117308	1	Relay, 200 Amp	
	1001138228	1	Relay, Power Module	
		Ref	Engine - Deutz D2.9L4 (Stage V)	
	1001197719	2	Fuse - 0.5Amp	
	1001117308	1	Relay, 200 Amp	
	1001138228	1	Relay, Power Module	
		Ref	<b>Engine - Kubota</b>	
	70004020	12	Element, Air Cleaner	
	7017992	12	Filter, Fuel	
	70006023	12	Filter, Oil	

## SECTION 10 - RECOMMENDED SERVICE PARTS STOCK

ITEM	PART NUMBER	QTY	DESCRIPTION	REV
	70006061	1	Module, ECU (Kubota Engines)	
	70003614	12	Filter Kit (Includes Hydraulic Element, Breather Element and Gasket) (Hydraulic Tank)	
	1001117174	1	Footswitch (Platform)	
	8229249	2	Fuse - 3Amp (USB Charger)	
	8229242	2	Fuse - 5Amp (Engine Harness)	
	8229245	2	Fuse - 30Amp (Machines with 2500W Generator)	
	2400082	2	Fuse - 40Amp (Kubota D/F Harness)	
	8229242	2	Fuse - 5Amp (Turntable Harness)	
	8229244	2	Fuse - 15Amp (Turntable Harness)	
	1001196635	2	Fuse - 3Amp (Turntable Harness)	
	1001129285	2	Fuse with Diode – 1Amp (Turntable Harness)	
	2860030	1	Key, Replacement	
	2940074	1	Latch (Machines with Gate)	
	1001170094	1	Module, Ground Control	
	1001142683	1	Module, Beacon Light (With SkyGuard)	
	1001118412	1	Module, Platform Control	
	3740080	1	Relay (Machines with 2500W Generator)	
	70006553	1	Relay (Machines Deutz D2011 Engines with 4000W Generator)	
	1001186431	1	Relay (Machines with SkyGuard Bar)	
	3740086	1	Relay (SkyLine)	
	1001095704	1	Relay (Turntable Harness)	
	1001119176	1	Switch, Limit (Drive Orientation)	
	4360469	1	Switch, Key (Ground Controls)	
	1001219601	1	Sensor, Tilt	
	1001228224	1	Sensor, Receiver (SkyEye)	
	1001228225	1	Sensor, Emitter (SkyEye)	
	1001232667	1	Sensor, Proximity (SkyLine)	
	1001118971	1	Sensor, Angle (Boom)	
	1001170847	1	Sensor, Proximity (HC3 Boom)	
	1001182570	1	Sensor, Proximity (HC3 Boom)	
	4360475	1	Switch, Emergency Stop (Ground & Platform Controls)	
	4360476	1	Switch, Contact Block (Ground & Platform Controls)	
	1001155045	1	Switch, Toggle (Ground & Platform Controls)	
	4360387	1	Switch, Push Button (Ground & Platform Controls)	
	4360274	1	Switch, Push Button (CE & UK CA Specs) (Platform Controls)	
	1001159256	1	Switch, Toggle (Platform Controls)	
	1001161709	1	Switch, Toggle (Platform Controls)	
	1001161710	1	Switch, Toggle (Dual Fuel Machines)	
	4360336	1	Switch, Toggle (Generator)	
	1001137673	1	Switch, Bar (SkyGuard)	
	4360057	1	Switch, Limit (Soft Touch)	
	1001172271	1	Switch, Limit (Boom)	



**SECTION 11 - SPECIAL OPTIONS/ACCESSORIES/KITS**

**SECTION 11 - SPECIAL OPTIONS/ACCESSORIES/KITS**

# SECTION 11 - SPECIAL OPTIONS/ACCESSORIES/KITS

FIGURE 11-1. SPECIAL OPTIONS/ACCESSORIES/KITS

ITEM	PART NUMBER	QTY	DESCRIPTION	REV
	Note	Ref	Note: This list is to accommodate machines ordered with special equipment. Options may not be applicable to all models. For more specific parts information contact JLG Parts Department.	
		Ref	MISCELLANEOUS SPECIAL OPTIONS/ACCESSORIES/KITS	
	1001172057	Ref	Airline Installation (Machines without Arctic Package)	
	1001174654	Ref	Airline Installation (Machines with Arctic Package)	
	70006428	Ref	Bearing and Seal Kit (For Huh Assembly 2780267 & 2780268)	
	1001241254	Ref	Boom Angle Sensor Offset Link Kit	
	1001206438	Ref	Boom Wear Pad Kit	
	1001236123	Ref	Boom Wiper Cover Installation	
	1001233763	Ref	Breather Heater Installation - Deutz D2.9L4 Engines (Arctic Package)	
	1001233047	Ref	Breather Heater Kit - Deutz D2.9L4 Engines)	
	1001172045	Ref	Cable Carrier Tray Installation	
		Ref	ClearSky (Telematics) Installations (Dealer Installed)	
	1001242639	Ref	ClearSky (Telematics) Access Control Installation Kit (Dealer Installed) (ANSI, ANSI Export, CE, CSA & UK CA Specs)	
	1001243183	Ref	ClearSky (Telematics) Add-on Kit (Dealer Installed) (ANSI, ANSI Export, CE, CSA & UK CA Specs)	
	1001276923	Ref	ClearSky (Telematics) Add-on Kit (Dealer Installed) (Contact JLG for Approved Countries)	
	1001246142	Ref	ClearSky (Telematics) Service Kit (Dealer Installed) (Australian Specs)	
	1001243184	Ref	ClearSky (Telematics) Added-on Kit (Dealer Installed) (CE & UK CA Specs)	
		Ref	ClearSky Telematics (Factory Installed)	
	1001227278	Ref	ClearSky 4G (Telematics) Installation Canbus Connection (All Specs Except China and CIS/EAC Specs)	
	1001246433	Ref	ClearSky 3G (Telematics) Installation 3-Wire Connection (Australian Specs)	
	1001228960	Ref	ClearSky 3G (Telematics) Installation Canbus Connection (ANSI Export, Japanese, CIS/EAC, CE & UK CA Specs)	
	1001276610	Ref	ClearSky (Telematics) Installation 3-Wire Connection (All Specs Except China Specs)	
	1001262959	Ref	ClearSky Voltage Regulator Installation Kit	
	1001174767	Ref	Cold Weather Package - Deutz D2011 Engines with 17Gal Hydraulic Tank	
	1001287813	Ref	Cold Weather Package - Deutz D2011 Engines with 36Gal Hydraulic Tank	
	1001174766	Ref	Cold Weather Package - Deutz D2.9L4 Engines with 17Gal Hydraulic Tank	
	1001287812	Ref	Cold Weather Package - Deutz D2.9L4 Engines with 36Gal Hydraulic Tank	
	1001255807	Ref	Cold Weather Package - Deutz D2.9L4 Engines (Stage V) with 17Gal Hydraulic Tank	
	1001287814	Ref	Cold Weather Package - Deutz D2.9L4 Engines (Stage V) with 36Gal Hydraulic Tank	
	1001215181	Ref	Cold Weather Package - Kubota Engines	
	1001186976	Ref	Cold Weather Transformer Installation (Required with Deutz D2011 Engines)	
	1001148145	Ref	Container/Transport Wheels Installation - 12 x 16.5 Tires	
	0272031	Ref	Container/Transport Wheels Installation - 33/1550 x 16.5 Tires	

## SECTION 11 - SPECIAL OPTIONS/ACCESSORIES/KITS

ITEM	PART NUMBER	QTY	DESCRIPTION	REV
	1001176343	Ref	Cribbing Switch Installation (ANSI Only)	
	1001261352	Ref	Cylinder Bellows Installation	
	1001287938	Ref	Decal Kit - Console Box (ANSI Spec)	
	1001287936	Ref	Decal Kit - Machine (ANSI Spec)	
	1001287937	Ref	Decal Kit - Platform (ANSI Spec)	
	70006429	Ref	Drive Hub Seal Kit (For Hub Assembly 2780267 & 2780268)	
	1001148902	Ref	Electrical Connector Kit - Amp/Tyco Electrical Connectors	
	1001148903	Ref	Electrical Connector Kit - Deutsch DT Electrical Connectors	
	1001148904	Ref	Electrical Connector Kit - Deutsch HD Electrical Connectors	
	1001148905	Ref	Electrical Connector Kit - Packard Electrical Connectors	
	1001148906	Ref	Electrical Connector Kit - Various Electrical Connectors	
	1001214833	Ref	Engine Block Heater Installation - Kubota Engines	
	1001243331	Ref	Fan Cover Installation - Deutz D2011 Engines	
	1001172751	Ref	Fan Cover Installation - Deutz D2.9L4 Engines/Deutz D2.9L4 Engines (Stage V)	
		Ref	Filter Kits:	
	1001204481	Ref	Combined Filter Kit (Hydraulic/Air and Fuel/Engine Oil) (Deutz D2011 Engine Only)	
	1001225794	1	Combined Filter Kit (Hydraulic/Air and Fuel/Engine Oil) (Deutz D2011 Engine Only) (Stage V) (Machines with SN Starting with 03 Only)	
	1001204482	1	Combined Filter Kit - Deutz D2.9L4 Engine (Air/Engine Oil/Fuel/Hydraulic/Air) (Machines with SN Starting with 03 Only)	
	1001242589	1	Combined Filter Kit (Hydraulic/Air and Fuel/Engine Oil) (Kubota Engine Only) (Machines with SN Starting with 03 Only)	
	1001139099	Ref	Fire Extinguisher Installation	
	1001274833	Ref	Floor Mat Add-on Kit (30x48 Platform) (Dealer Installed)	
	1001274832	Ref	Floor Mat Add-on Kit (30x60 Platform) (Dealer Installed)	
	1001274831	Ref	Floor Mat Add-on Kit (30x72 Platform) (Dealer Installed)	
	1001117294	Ref	Footswitch Shield Installation	
	1001191394	Ref	Fuel Cap Cover (Red) (Gas/Dual Fuel Machines)	
	1001191395	Ref	Fuel Cap Cover (Green)	
	1001202749	Ref	Fuel Cap Cover (Black)	
	1001220003	Ref	Ground Control and UGM Covers Kit	
	1001256416	Ref	Hood Latch Bracket Service Kit (Engine Side)	
	1001285811	Ref	Hood Plugs Installation	
	1001266661	Ref	Hostile Environment Package (Factory Installed)	
	1001241397	Ref	Hostile Environment Kit (Dealer Installed)	
	1001258231	Ref	Hydraulic Load Installation (Deutz D2011, Deutz D2.9L4 and Stage V Engines)	
	1001265688	Ref	Hydraulic Tank Lock Installation (Machines with SN Starting with B3)	
	1001172001	Ref	Lights Installation - Headlights and Taillights	
	1001120466	Ref	Lights Installation - Platform Worklights	
	1001183407	Ref	Low Temperature Cutout Installation (Russian Specs)	
	1001173664	Ref	Oil Cooler Installation - Deutz D2011 Engines	
	1001164493	Ref	Oil Cooler Installation - Deutz D2.9L4 Engines/Deutz D2.9L4 Engines (Stage V)	
	1001216552	Ref	Oil Cooler Installation - Kubota Engines	
	1001272166	Ref	Pipe Rack Kit	
	1001236122	Ref	Platform Console Cover Installation (Plastic)	
	1001110974	Ref	Platform Console Cover Installation (Steel)	
	1580013	Ref	Platform Corner Storage Tray	

## SECTION 11 - SPECIAL OPTIONS/ACCESSORIES/KITS

ITEM	PART NUMBER	QTY	DESCRIPTION	REV
	1001267283	Ref	Platform Hose/Cable Protection	
	1001238421	Ref	Platform Leveling Kit	
	1001272274	Ref	Platform Mesh to Mid Rail Installation - 30in x 48in Platforms	
	1001272178	Ref	Platform Mesh to Mid Rail Installation - 30in x 60in Platforms	
	1001272313	Ref	Platform Mesh to Mid Rail Installation - 30in x 72in Platforms	
	1001266969	Ref	Platform Plastic Mesh to Mid Rail Installation - 30in x 48in Platforms	
	1001266799	Ref	Platform Plastic Mesh to Mid Rail Installation - 30in x 60in Platforms	
	1001266465	Ref	Platform Plastic Mesh to Mid Rail Installation - 30in x 72in Platforms	
	1001281461	Ref	Platform Mesh to Mid Rail Kit - 30in x 48in Platforms (Use on Platform p/n 1001186387)	
	1001281460	Ref	Platform Mesh to Mid Rail Kit - 30in x 60in Platforms (Use on Platform p/n 1001186386)	
	1001281459	Ref	Platform Mesh to Mid Rail Kit - 30in x 72in Platforms (Use on Platform p/n 1001186385)	
	1001272182	Ref	Platform Mesh to Top Rail Installation - 30in x 48in Platforms	
	1001271888	Ref	Platform Mesh to Top Rail Installation - 30in x 60in Platforms	
	1001272310	Ref	Platform Mesh to Top Rail Installation - 30in x 72in Platforms	
	1001266807	Ref	Platform Plastic Mesh to Top Rail Installation - 30in x 48in Platforms	
	1001266801	Ref	Platform Plastic Mesh to Top Rail Installation - 30in x 60in Platforms	
	1001266491	Ref	Platform Plastic Mesh to Top Rail Installation - 30in x 72in Platforms	
	1001281456	Ref	Platform Mesh to Top Rail Kit - 30in x 48in Platforms (Use on Platform p/n 1001186387)	
	1001281455	Ref	Platform Mesh to Top Rail Kit - 30in x 60in Platforms (Use on Platform p/n 1001186386)	
	1001281454	Ref	Platform Mesh to Top Rail Kit - 30in x 72in Platforms (Use on Platform p/n 1001186385)	
	0274095	Ref	Platform Rail Extension Installation - 30in x 72in Platforms	
	1001239575	Ref	Platform Valve Hose Kit	
	1001209059	Ref	Platform Work Surface Installation	
	1001233080	Ref	Pump Rotation Kit (Re-orient Gear Pump 90 Degrees)	
	1001247800	Ref	Quad Tracks Replacement Kit	
	1001204110	Ref	Service Kits	X
	1001247073	Ref	SkyEye Retrofit Kit	
	1001241547	Ref	SkyEye LH Housing Retrofit Kit	
	1001241548	Ref	SkyEye RH Retrofit Kit	
	1001249052	Ref	SkyGuard Retrofit Kit	
	1001250595	Ref	SkyGuard 6 Pin Retrofit Kit	
	1001203510	Ref	SkyGuard Platform Sensor Kit	
	1001203511	Ref	SkyGuard Beacon Kit (Blue Light)	
	1001210036	Ref	SkyGuard Beacon Kit (Red Light)	
	1001262016	Ref	SkyLine Kit	
	1001250465	Ref	SkySense (EDS) Level 1 Booms Installation (Factory Installed)	
	1001250466	Ref	SkySense (EDS) Level 2 Booms Installation (Factory Installed)	
	1001252033	Ref	SkySense Enhanced Detection System (EDS) Level 1 (2-Bar) Add-on Kit (Dealer Installed)	
	1001252034	Ref	SkySense Enhanced Detection System (EDS) Level 2 (3-Bar) Add-on Kit (Dealer Installed)	
	1001231235	Ref	SkyWelder Locking Bracket Installation	



## SECTION 11 - SPECIAL OPTIONS/ACCESSORIES/KITS

ITEM	PART NUMBER	QTY	DESCRIPTION	REV
		Ref	Tools for Service	
	2901443	Ref	Analyzer Kit	
	1001249695	Ref	Analyzer and Cable Kit	
	1001249941	Ref	Analyzer and Cable Kit (Battery Powered)	
	1001137005	Ref	Cable Kit, Software (Not Shown)	
	7002821	Ref	Crimper, Wire	
	7002823	Ref	Pin Extractor - Universal (For Electrical Connectors with Pins and Sockets)	
	4460510	Ref	Pin Extractor - 12-14 Gauge (For Removal of Pin/Sockets from Deutsch Connectors)	
	4460467	Ref	Pin Extractor - 16-18 Gauge (For Removal of Pin/Sockets from Deutsch Connectors)	
	7016654	Ref	Screwdriver, Magnetic	
	7002822	Ref	Screwdriver, Potentiometer	
	7004275	Ref	Seal Tool 1in (For Cylinders)	
	7004276	Ref	Seal Tool 1-1/2in (For Cylinders)	
	7002828	Ref	Stripper, Wire	
	1001277839	Ref	UGM Retrofit Kit (For Use with 1001170094 Ground Control Module)	
	1001239574	Ref	Upper Power Track Hose Kit	
	1001236496	Ref	Wet Stacking Prevention Kit (Deutz D2.9L4 Engines)	
	1001270716	Ref	White Noise Alarm Add-on Kit (Dealer Installed)	
	1001270755	Ref	White Noise Alarm (Ambient) Add-on Kit (Dealer Installed)	



# SECTION 11 - SPECIAL OPTIONS/ACCESSORIES/KITS

## PART NUMBER INDEX

## SECTION 11 - SPECIAL OPTIONS/ACCESSORIES/KITS

0080201.....282, 296	0272521 ..... 435	0700408 ... 495, 497, 499,	200, 209, 214, 222,
0080231 ..... 186, 200	0272588 ..... 693	501, 503, 505, 507,	227, 234, 245, 252,
0100009.....411	0272589 ..... 351	509, 511, 513, 515	275, 282, 289, 296,
0100011.... 17, 19, 21, 23,	0273380 .... 355, 359, 363	0700616 ..... 169, 171	313, 315, 333, 337,
25, 35, 57, 59, 63, 69,	0274095 ..... 704	0700810 ..... 282, 296	341, 345, 349, 353,
71, 93, 95, 97, 99, 101,	0275216 ..... 497, 623	0700814 ..... 282, 296	357, 361, 521, 523,
103, 107, 109, 111,	0275217 ..... 501, 625	0700815 ..... 282, 296	539, 543, 547, 551
113, 118, 122, 135,	0275452 ..... 503, 627	0700816 ..... 63, 284, 298	0760612.... 135, 282, 296,
138, 142, 146, 150,	0275453 ..... 505, 629	0700818 ... 337, 341, 349,	539, 543, 547, 551,
154, 157, 159, 161,	0275454 ..... 513, 631	353, 357, 361	555, 559, 563
163, 165, 167, 169,	0360406 ..... 65	0700819 ..... 361	0760614.... 131, 133, 181,
171, 173, 175, 181,	0361810 ..... 135	0700820 ..... 375, 377	187, 191, 195, 201,
183, 186, 191, 195,	0363019 ..... 63, 65	0700822 ..... 371	209, 221, 227, 245,
197, 200, 209, 211,	0400075 ..... 135	0700827 ... 538, 542, 546,	333, 521
214, 221, 227, 231,	0440162 ... 181, 191, 195,	550, 554, 558, 562	0760615.... 163, 165, 167
234, 245, 249, 252,	209, 221, 227, 245,	0700828 ... 538, 542, 546,	0760621..... 118, 122
261, 263, 265, 275,	275, 289	550, 554, 558, 562	0760808.... 214, 234, 252,
279, 282, 289, 293,	0440271 ..... 23	0701014 ..... 63	282, 296
296, 317, 321, 325,	0480120 ..... 317	0701015 ..... 373	0760810.... 138, 142, 146,
329, 333, 337, 341,	0480122 ..... 321	0701016 .... 284, 298, 361	150, 154, 216, 236,
345, 349, 353, 357,	0480126 ..... 333, 349	0701018 ... 138, 142, 146,	252, 275, 289, 381
361, 369, 371, 373,	0480128 ..... 337, 353	150	0760812.... 57, 59, 97, 99,
375, 377, 381, 383,	0480129 ..... 361	0701019 .... 154, 375, 377	101, 103, 109, 111,
385, 393, 397, 401,	0630462 ..... 443, 445	0701020 97, 99, 101, 103,	113, 138, 142, 146,
407, 429, 431, 435,	0630518 ... 115, 413, 435,	245	150, 154, 181, 191,
437, 439, 443, 445,	437, 439	0701022 ... 539, 543, 547,	195, 209, 214, 222,
538, 542, 546, 550,	0630568 ..... 411	551, 555, 559, 563	227, 234, 245, 252,
554, 558, 562, 581	0630613 ... 138, 142, 146,	0701024 ... 538, 542, 546,	275, 282, 289, 296,
0100019.... 25, 79, 81, 83,	150, 154	550, 554, 558, 562	313, 315, 317, 321,
325, 333, 337, 341,	0641404 ..... 431	0701027 ..... 373	325, 334, 338, 342,
345, 349, 353, 357	0641405 ..... 411, 431	0701216 ..... 282, 296	350, 354, 358, 371,
0100020 97, 99, 101, 103,	0641406 ... 409, 423, 661,	0701217 ..... 17, 19	527, 538, 542, 546,
181, 186, 191, 195,	663, 665, 667, 669,	0701222 ..... 375, 377	550, 554, 558, 562
200, 209, 214, 215,	671, 673, 675, 677,	0701224 ... 282, 296, 329,	0760814.... 138, 142, 146,
221, 227, 234, 245,	679, 681	361	150, 154, 186, 200,
252, 275, 282, 289,	0641408 ..... 409	0701616 ..... 95	214, 234, 252, 261,
296, 421, 495, 497,	0641409 ..... 169, 171	0701617 ..... 23	263, 275, 282, 289,
499, 501, 503, 505,	0641410 ... 157, 159, 161,	0711214 .... 214, 234, 252	296, 329, 361, 538,
507, 509, 511, 513, 515	163, 165, 167	0711220 ..... 21, 23	542, 546, 550, 554,
0100035.... 267, 411, 413	0641414 ... 411, 429, 443,	0711224 ... 186, 200, 214,	558, 562
0100048.... 125, 127, 129,	445	234, 252, 261, 263,	0760815.... 186, 200, 216,
321, 325, 329, 333,	0641416 ... 495, 497, 499,	317, 321, 325, 329,	236, 252, 282, 296, 361
337, 341, 345, 349,	501, 503, 505, 507,	333, 337, 341, 349,	0760816..... 284, 298
353, 357, 361	509, 511, 513, 515	353, 357	0761009..... 317, 321
0100079.... 333, 337, 341,	0641418 ... 393, 397, 407	0711227 ..... 371	0761010..... 69, 71, 107
349, 353, 357, 361	0641420 ..... 401	0711628 ..... 79, 81, 83	0761011. 21, 23, 276, 290
0100081 .... 186, 200, 214,	0641504 ..... 63, 135	0711629 ..... 23	0761012.... 527, 538, 542,
234, 252, 284, 298,	0641507 ... 317, 321, 325,	0711631 ..... 79, 81, 83	546, 550, 554, 558, 562
433, 538, 542, 546,	329	0721005 ..... 443, 445	0761014.... 138, 142, 146,
550, 554, 558, 562	0641606 .... 435, 437, 439	0721006 ..... 265, 267	150, 154, 169, 171,
0140011 ..... 411	0641610 .... 265, 267, 409	0741606 .... 214, 234, 252	209, 214, 221, 227,
0140043 ..... 118, 122	0641616 ... 333, 337, 341,	0741607 ... 333, 337, 341,	234, 245, 252, 282,
0181949 ..... 275, 289	345, 349, 353, 357	345, 357	296, 321, 325, 381
0200048..... 443, 445	0641772 ... 317, 321, 325,	0741608 ..... 361	0761015.... 181, 186, 191,
0258011 ..... 49	329	0760408 ..... 275, 289	195, 200, 209, 214,
0258012 ..... 49	0641812 ... 183, 197, 211,	0760512 ..... 135	221, 227, 234, 245,
0270022 ..... 493	231, 249, 279, 293	0760605 ..... 282, 296	252, 275, 282, 289,
0270092 ..... 37	0642012 ..... 433	0760606 ... 282, 296, 333,	296, 325, 329, 369
0270115 ..... 687	0642212 ..... 433	337, 341, 345, 349,	0761016.... 169, 171, 214,
0270116 ..... 691	0681608 ... 216, 236, 381	353, 357	234, 252, 282, 296, 329
0270119 ..... 689	0681620 ..... 447, 449	0760607 ... 216, 236, 252	0761020..... 154
0270653 ..... 39	0681810 ..... 25	0760608 ... 107, 171, 282,	0761210.... 209, 214, 221,
0271998 ..... 41	0681814 ..... 403	296, 317, 321, 325, 329	227, 234, 252
0272031 ..... 702	0681822 ..... 403	0760610 ... 118, 122, 135,	0761212.... 214, 234, 252,
0272254 ..... 437	0682014 ..... 25	157, 159, 161, 163,	341, 345, 357, 369, 373
0272435 ..... 355, 359	0682040 ..... 65	165, 167, 173, 175,	0761214 97, 99, 101, 103,
0272448 ..... 695	0682424 ..... 447, 449	181, 186, 191, 195,	138, 142, 146, 150,

## SECTION 11 - SPECIAL OPTIONS/ACCESSORIES/KITS

325, 329, 333, 337, 349, 353, 361, 365	1001096653..... 57, 59	1001117070..... 643, 647	1001127096 ..... 683
0761215 ... 154, 329, 361, 375, 377	1001097051..... 635	1001117106..... 597	1001128527 ..... 439
0761216 ..... 369, 381	1001097150..... 585, 587, 589	1001117107..... 597, 601	1001128556 ..... 439
0761227 ..... 373	1001097244..... 425	1001117172..... 421	1001129285 ..... 644, 648, 699
0761614 ..... 369	1001098122..... 421, 619	1001117174..... 411, 421, 699	1001129407 ..... 107
0761615 ..... 17, 19, 373	1001098828..... 381	1001117240..... 135	1001129555 ..... 698
0762016 ..... 373	1001099366..... 433	1001117294..... 703	1001129858 ..... 338
0770810 ..... 383	1001099367..... 433	1001117308..... 215, 235, 253, 698	1001130220 ..... 118, 122
0771212 ..... 245, 252	1001099869..... 317	1001117372..... 453, 455	1001130492 ..... 683
0771414 ... 186, 200, 214, 234, 252, 261, 263, 317, 321, 325, 333, 337, 341, 349, 353, 357	1001100231..... 611	1001118274.. 97, 99, 101, 103, 109, 111, 113, 138, 142, 146, 150, 275, 284, 289, 371, 383, 385, 538, 542, 546, 550, 554, 558, 562	1001131269 ..... 661, 663, 671, 673
0771416 ... 333, 337, 349, 353	1001100233..... 317	1001118384..... 639	1001132195 ..... 186, 200
0860038 ... 337, 341, 353, 357, 361, 493	1001100321..... 317	1001118388..... 639	1001132196 ..... 186, 200
0860520 ... 661, 663, 665, 667, 669, 671, 673, 675, 677, 679, 681	1001100341..... 623	1001118412..... 411, 699	1001133714 ..... 598, 602
0861538 .... 353, 357, 361	1001100342..... 625	1001118511..... 17, 19	1001133715 ..... 598, 602
0861572 ..... 349	1001100345..... 627	1001118518..... 17, 19	1001133956 ..... 597, 602
0861731 ... 507, 509, 511, 515, 627, 629, 631	1001100346..... 631	1001118519..... 17, 19	1001133957 ..... 597, 602
0861781 ... 495, 499, 623, 625	1001100347..... 629	1001118878..... 215, 235, 253	1001133972 ... 79, 81, 83, 91
0861880 ..... 585, 589	1001101191..... 497, 501, 503, 505, 513	1001118971..... 538, 542, 546, 550, 554, 558, 562, 699	1001134488 ..... 215, 235
0902733 ..... 63	1001101196..... 497, 501	1001118972.... 63, 97, 99, 101, 103, 538, 542, 546, 550, 554, 558, 562	1001135196 ..... 181, 191, 195, 209, 221, 227, 245, 275, 290
0902734 ..... 63	1001101197..... 503, 505, 513	1001119020..... 529	1001135650 ..... 598, 602
0902888 ... 337, 341, 349, 353, 357, 361	1001103012..... 643, 647	1001119176..... 107, 699	1001135651 ..... 598, 602
0940048 ..... 373	1001103013..... 122	1001119228 93, 539, 543, 547, 551, 555, 559, 563	1001135679 ..... 325, 341, 358
0940049 ... 138, 142, 146, 150	1001104029..... 337, 341, 350, 354, 358, 361	1001119278..... 135, 191, 195, 221, 227, 289	1001136834 ..... 215, 235, 253
0940071 ... 138, 142, 146, 150	1001104498..... 643, 647	1001119280..... 135, 539, 543, 547, 551, 555, 559, 563	1001137005 ..... 705
0940088 ..... 154	1001104519..... 621	1001119619..... 633	1001137336 ..... 284, 298
0940102 ..... 433	1001104850.... 79, 81, 85, 87	1001119620..... 635, 637	1001137673 ..... 429, 699
0940167 ..... 443	1001106736..... 118, 122	1001119627..... 476, 482, 488	1001138173 ..... 186, 200, 215, 235, 253, 283, 297
0961845 ... 393, 397, 401, 407	1001107854..... 643, 647	1001120204..... 569, 571	1001138175 ..... 186, 200, 215, 235, 253, 283, 297
0961948 21, 23, 371, 373, 459	1001109528..... 369	1001120205..... 577, 579	1001138228 ..... 215, 235, 253, 698
0961950 ..... 17, 19	1001110434..... 411	1001120328..... 429, 431, 644, 648	1001138248 ..... 187, 201, 215, 235, 253, 284, 298
0961951 ... 186, 200, 214, 234, 252, 282, 296	1001110872..... 517, 519	1001120466..... 703	1001138494 ..... 397, 401, 407
0962270 ..... 403	1001110873..... 337, 341, 354, 358, 362, 493	1001120471..... 425	1001138514 ..... 397, 401, 407
0962272 ..... 375, 377	1001110974..... 703	1001120477..... 425	1001138565 ..... 333
0962292 ..... 23, 459, 469	1001111424..... 135, 186, 200, 215, 235	1001120484..... 425	1001138566 ..... 334, 338, 341, 345
0962348 ..... 23, 379	1001112551..... 665	1001120989..... 683	1001138827 ..... 215, 235
0962449 ..... 317	1001112607..... 369	1001125387..... 209, 221, 227	1001139099 ..... 703
0962520 ... 333, 337, 341, 345, 349, 353, 357, 361	1001112612..... 529, 643, 647	1001125677 ..... 619, 644, 648	1001139240 ..... 215, 235
1001001939 ..... 284	1001112796..... 529	1001126009..... 639	1001139357 ..... 334, 338
1001091102 ..... 521, 523	1001113680..... 667	1001126351..... 597, 602	1001139384 ..... 157, 159, 163, 165, 169, 171
1001091969 ..... 497	1001113961..... 644, 648	1001126362..... 597, 601	1001139586 ..... 23
1001091970 ..... 501	1001115641..... 445	1001126363..... 597, 601	1001139654 ..... 245
1001091973 ..... 503	1001115848..... 445	1001126364..... 597, 601	1001139819 ..... 187, 200
1001091974 ..... 505	1001116208..... 683	1001126365..... 597	1001140312 ..... 236
1001091975 ..... 513	1001116290..... 169, 171	1001126391..... 597, 601	1001140346 ..... 342
1001094670 ..... 375	1001116546..... 369	1001126392..... 597, 601	1001140347 ..... 345
1001095704 ..... 644, 648, 699	1001116693..... 619	1001126485..... 602	1001140429 ..... 393, 397, 401, 407
1001096070 ..... 333, 345, 589	1001116728..... 644, 648	1001126487 ..... 602	1001140564 ..... 215, 235
	1001116732..... 609, 611		1001141300 ..... 683
	1001116734..... 609, 611, 643, 647		1001141302 ..... 683
	1001116748..... 651		1001141304 ..... 215, 235, 253
	1001116774..... 529		
	1001116808..... 529		
	1001116812..... 601		
	1001116815..... 648		
	1001116849..... 675		
	1001116952..... 597, 601		
	1001116983..... 607		
	1001117057..... 609, 611		

## SECTION 11 - SPECIAL OPTIONS/ACCESSORIES/KITS

1001141694.....187, 200, 215, 235, 253	1001152457 ..... 338, 342	1001162807 ..... 109, 111, 113	1001166718.....187, 201, 215, 235, 253, 261, 263, 283, 297
1001141870.....265, 267	1001152483 ..... 587	1001162995 ..... 17, 19	1001166767.....107
1001141995.....187, 200, 215, 235, 253, 283, 297	1001152485 ..... 523, 587	1001163061 .. 97, 99, 101	1001166768.....107
1001142501.....209, 221, 227, 245, 265, 267	1001152489 ..... 215, 235, 253	1001163062 ..... 103	1001166853.....373
1001142643 .....342, 358	1001152525 ..... 338, 342, 351, 355, 359, 363	1001163178 .. 21, 23, 467	1001166921.....215, 235, 253
1001142646 .....342, 358	1001152530 ..... 338, 342	1001163179 ..... 21, 23	1001166922.....261
1001142679 .....476, 482, 488	1001152532 ..... 334, 338, 342, 346, 613	1001163405 ..... 21, 23	1001166924.....215, 235, 253
1001142683 .....131, 133, 699	1001153260 ..... 338, 342	1001163580 ..... 17, 453	1001167036.....183, 197, 211, 231, 249, 279, 293, 307
1001142736 .....131, 133, 529	1001154405 ..... 209, 221, 227, 245, 265, 267	1001163715 ..... 21, 23	1001167108.....215, 235, 597
1001142938 .....598, 601	1001154726 ..... 609, 611	1001163716 ..... 21, 23	1001167111.....187, 201, 595
1001142940 .....598, 601	1001155041 ..... 325, 329, 362	1001163717 ..... 23	1001167149.....138, 142, 146, 150, 154
1001142941 .....598, 601	1001155043 ..... 109, 111, 113	1001163722 ..... 23	1001167157.....169
1001143390 .....187, 200, 215, 235, 253	1001155044 ..... 109, 111, 113, 275, 290, 411	1001163724 ..... 23	1001167159.....138, 142, 146, 150
1001143645 .....539, 543, 547, 551, 555, 559, 563	1001155045 ..... 109, 111, 113, 411, 699	1001163726 ..... 23	1001167163.....138, 142, 146, 150, 154
1001143797 .....215, 235, 253	1001155093 ..... 373	1001164092 ..... 21	1001167164.....313, 315
1001143852 .....683	1001155743 ..... 655	1001164093 ..... 17	1001167169.....138, 142, 146, 150
1001143936 .....476, 482, 488	1001155823 ..... 209, 221, 227, 245	1001164095 ..... 23	1001167312.....521
1001144116 .....215, 235, 253	1001155967 ..... 648	1001164209 ..... 21, 23	1001167512.....181, 191, 195, 209, 221, 227, 245, 275, 290
1001144147 .....648	1001156107 ..... 246	1001164493 ..... 703	1001167520.....187, 201, 215, 235, 253
1001144433 .....429	1001156541 ..... 651	1001164709 ..... 461, 463	1001167565.....381
1001144629 .....395, 399, 405	1001156819 ..... 276, 290	1001164726 ..... 169, 171	1001167567.....381
1001146397 .....41, 43	1001157466 ..... 95	1001164728 ..... 409, 657	1001167596.....381
1001146588 .....253	1001157520 ..... 351, 355, 359, 363	1001164730 ..... 538, 542, 550, 554, 558, 565	1001167632.....601
1001147233 .....329, 362	1001157521 ..... 351, 355, 359, 363	1001164731 ..... 525, 542, 550, 569	1001167635.....602
1001147264 .....597	1001157525 ..... 350	1001164732 ..... 558, 562	1001168018.....187, 201, 215, 235, 253, 261, 263, 283, 297, 318, 322, 325, 329, 334, 338, 342, 350, 354, 358, 362
1001147274 .....37, 39	1001157528 ..... 351, 355, 359, 363	1001164738 ..... 538, 542, 546, 550, 554, 558, 562, 651	1001168026.....215, 235, 253
1001147812 .....283, 297	1001157592 ..... 354, 358, 362	1001164817 ..... 453	1001168059.....187, 201
1001147813 .....284, 298	1001157890 ..... 647	1001165035 ..... 209, 221, 227, 245	1001168099.....215, 235, 253
1001148059 .....346	1001158007 ..... 351, 355, 359, 363	1001165388 ..... 187, 201, 215, 235, 253	1001168166.....215, 235, 253, 283, 297
1001148138 .....326, 329	1001158008 ..... 338, 342, 351, 355, 359, 363	1001165389 ..... 187, 201	1001168207.....263, 325, 342, 358
1001148145 .....702	1001158363 ..... 338, 342	1001165405 ..... 215, 235, 253	1001168209.....457
1001148641 .....318, 322, 325, 334, 338, 342, 346, 350, 354, 358	1001159118 ..... 517, 519, 698	1001165406 ..... 215, 235, 253	1001168210.....457
1001148675 .....517, 519	1001159119 ..... 517, 519	1001165721 ..... 215, 235	1001168402.....381
1001148865 .....37	1001159120 ..... 517, 519	1001165722 ..... 215, 235, 253	1001169046.....138, 142, 146, 150, 169, 171
1001148866 .....37	1001159121 ..... 519	1001165849 ..... 215, 235, 253	1001169054.....216, 235, 253, 283, 297
1001148869 .....39	1001159186 ..... 615	1001165946 ..... 79, 81	1001169058.....55
1001148870 .....39	1001159256 ..... 411, 699	1001165968 ..... 35	1001169062.....47
1001148875 .....41	1001161709 ..... 411, 699	1001166000 ..... 211, 214	1001169075.....49
1001148876 .....41	1001161710 ..... 275, 290, 699	1001166001 ..... 209, 211	1001169138.....216, 236, 253, 283, 297
1001148902 .....703	1001162105 ..... 35	1001166020 ..... 183, 186	1001169183.....150
1001148903 .....703	1001162106 ..... 107	1001166021 ..... 181, 183	
1001148904 .....703	1001162107 ..... 35	1001166096 ..... 373	
1001148905 .....703	1001162335 ..... 209, 216, 222, 236, 265	1001166153 ..... 53, 55	
1001148906 .....703	1001162534 ..... 69, 71, 73	1001166155 ..... 53	
1001149160 .....283, 297	1001162535 ..... 383, 385, 387	1001166156 ..... 53	
1001149639 .....283, 297	1001162536 ..... 383, 385, 389	1001166157 ..... 53	
1001149953 .....37, 39, 41, 43	1001162539 ..... 57, 59, 61	1001166208 ..... 463	
1001150998 .....187, 201		1001166232 ..... 63	
1001151393 .....109, 111, 113		1001166304 ..... 209	
1001152266 .....655		1001166305 ..... 181	
1001152456 .....338, 342		1001166316 ..... 135	
		1001166538 ..... 411, 415	
		1001166539 ..... 411, 417	
		1001166651 ..... 371	
		1001166717 ..... 187, 201	

## SECTION 11 - SPECIAL OPTIONS/ACCESSORIES/KITS

1001169240..... 373	1001171683.....209, 221, 227, 245	1001173053.....477, 483, 489	1001176469..... 111, 113
1001169241..... 373	1001171684.....209, 221, 228, 245	1001173054.....477, 483, 489	1001176848..... 21, 23
1001169242..... 373	1001171953..... 183, 197, 211, 231, 249, 279, 293	1001173055.....477, 483, 489	1001176862..... 517
1001169247..... 369	1001171954..... 183, 197, 211, 231, 249, 279, 293	1001173056.....477, 483, 489	1001176951..... 538, 542, 550, 554, 558, 573
1001169295..... 373	1001172001..... 703	1001173057.....477, 483, 489	1001177359..... 216, 236, 253
1001169296..... 373	1001172045..... 702	1001173058.....477, 483, 489	1001177821..... 95
1001169297..... 373	1001172057..... 702	1001173059.....477, 483, 489	1001177834..... 95
1001169298..... 373	1001172064..... 602	1001173061.....477, 483, 489	1001178228..... 161
1001169299..... 373	1001172065..... 602, 648	1001173062.....477, 483, 489	1001178448..... 538, 543, 547, 551, 555, 559, 563
1001169300..... 373	1001172202..... 181, 191, 195	1001173063.....477, 483, 489	1001178449..... 538, 543, 547, 551, 555, 559, 563
1001169301..... 373	1001172264..... 313	1001173066.....477, 483, 489	1001178644..... 539, 543, 547, 551, 555, 559, 563
1001169302..... 371, 373	1001172265..... 313	1001173535.....282, 296	1001178788..... 215, 235, 253
1001169304..... 371	1001172271.....546, 555, 559, 699	1001173631.....482	1001178859..... 187, 201
1001169305..... 371	1001172577..... 433	1001173664..... 703	1001178876..... 216, 236
1001169402..... 371	1001172578..... 433	1001173810..... 353	1001179154..... 338, 342, 354, 359, 362
1001169525..... 311	1001172736.....209, 221, 228	1001173811..... 349	1001179236..... 118, 122, 593
1001169823..... 181, 191, 195, 209, 221, 227, 245	1001172751..... 703	1001173925..... 334, 338, 350, 354	1001179266..... 539, 543, 547, 551, 555, 559, 563
1001169898 . 97, 99, 101, 103	1001172760..... 411	1001173983..... 337	1001179339 . 97, 99, 101, 103
1001169967..... 216, 236, 253, 283, 297	1001172833..... 139, 143, 151, 157, 159	1001173984..... 333	1001179439..... 546, 562, 575
1001170018..... 138, 142, 146, 150	1001173006.....477, 483, 488	1001174040..... 381	1001179517..... 57, 59
1001170022..... 138, 142, 146, 150, 154	1001173027.....477, 483, 489	1001174098..... 138, 142, 150	1001179836..... 325, 329
1001170035..... 216, 236, 253, 283, 297	1001173028.....477, 483, 489	1001174158..... 334, 346, 521	1001179837..... 325, 329
1001170094..... 699	1001173029.....477, 483, 489	1001174367..... 357	1001179893..... 326, 330
1001170098..... 47	1001173034.....477, 483, 489	1001174378..... 311	1001179903..... 216, 236, 253
1001170099..... 47	1001173035.....477, 483, 489	1001174486..... 275, 290	1001179904..... 138, 142, 146, 150
1001170224..... 311	1001173036.....477, 483, 489	1001174654..... 702	1001180001..... 325, 329
1001170226..... 371	1001173037.....477, 483, 489	1001174675..... 346, 350, 354, 358, 362	1001180035..... 477, 483, 489
1001170375..... 385	1001173038.....477, 483, 489	1001174748.....546, 562, 567	1001180056..... 373
1001170458..... 55	1001173039.....477, 483, 489	1001174749.....525, 542, 550, 577	1001180540..... 371
1001170459..... 55	1001173040.....477, 483, 489	1001174750.....546, 571	1001180620..... 216, 236, 253, 283, 297
1001170460..... 55	1001173041.....477, 483, 489	1001174754.....546, 579	1001180797..... 325
1001170475..... 167	1001173042.....477, 483, 489	1001174766..... 702	1001180798..... 321
1001170480 . 97, 99, 101, 103	1001173043.....477, 483, 489	1001174767..... 702	1001180916..... 35
1001170663..... 313	1001173044.....477, 483, 489	1001174777..... 231, 234	1001181045..... 585, 589, 698
1001170664..... 313, 315	1001173045.....477, 483, 489	1001174778.....221, 228, 231	1001181145..... 685
1001170693..... 187, 201, 203	1001173046.....477, 483, 489	1001174779.....221	1001181243..... 326, 330
1001170764..... 602, 655	1001173048.....477, 483, 489	1001174783..... 197, 200	1001181358..... 209, 222, 228, 245, 607
1001170847..... 581, 699	1001173049.....477, 483, 489	1001174784..... 191, 195, 197	1001181527..... 63
1001170859..... 150, 154	1001173052.....477, 483, 489	1001174785..... 191	1001181621..... 539, 543, 547, 551, 555, 559, 563
1001171131..... 517		1001174976..... 125, 127	1001181895..... 236
1001171216..... 138, 142, 146, 150		1001175024.....476, 482, 488	1001181913..... 63
1001171482..... 109, 111, 113		1001175542..... 341	1001181923..... 539, 543, 547, 551, 555, 559, 563
1001171553..... 538, 542, 546, 550, 555, 558, 562		1001175631..... 338, 342	1001182064..... 375, 377
1001171555..... 538, 542, 546, 550, 555, 559, 562		1001175663..... 554	1001182169..... 138, 142, 146, 150
1001171559..... 538, 542, 546, 550, 555, 559, 563		1001175664..... 554	1001182296..... 322, 326, 330
1001171678..... 135		1001176330..... 283, 297	1001182361..... 597, 602
1001171679..... 135		1001176343..... 703	
1001171680..... 135			
1001171681..... 181, 191, 195			
1001171682..... 181, 191, 195			

## SECTION 11 - SPECIAL OPTIONS/ACCESSORIES/KITS

1001182365.....597, 602	1001191395 ..... 703	1001204110 ..... 704	1001214276.....283, 297
1001182561.....539, 543, 547, 551, 555, 559, 563	1001191620 ..... 216, 236, 254	1001204123 ..... 275, 290	1001214277.....283, 297
1001182570.....581, 699	1001191832 ..... 138, 142, 146, 150, 154, 181, 191, 195, 209, 222, 228, 245	1001204481 ..... 703	1001214278.....283, 297
1001182695.....375, 377, 379	1001192401 ..... 648	1001204482 ..... 703	1001214307.....283, 297
1001182806.....173	1001193018 ..... 495, 497, 499, 501, 503, 505, 507, 509, 511, 513, 515	1001204510 ..... 665, 683	1001214397.....527
1001182875.....138, 142, 146, 150, 154	1001193336 .. 97, 99, 101	1001204715 ..... 581	1001214503.....276, 290
1001182877 .....138, 142, 146, 154	1001194197 ..... 507	1001204725 ..... 381	1001214508.....283, 297
1001182879.....138, 142, 146, 150, 154	1001194198 ..... 509	1001205958 ..... 503, 505, 507, 509, 511, 513	1001214546.....330, 362
1001182997 ..97, 99, 101, 103	1001194200 ..... 511	1001206314 ..... 154	1001214553.....283, 297
1001183407.....703	1001194203 ..... 495	1001206436 ..... 79, 81	1001214555.....283, 297
1001183477 .....322, 326	1001194204 ..... 499	1001206438 ..... 702	1001214556.....283, 297
1001184618.....411	1001194365 ..... 515	1001206476 ..... 527	1001214558.....283, 297
1001184626.....411	1001194424 ..... 477, 482, 488	1001206532 ..... 411	1001214570.....527
1001184637 .....318, 322	1001194425 ..... 477, 483, 489	1001206625 ..... 461	1001214571.....527
1001184644.....318, 322	1001194427 ..... 477, 483, 489	1001206916 ..... 99, 103	1001214598.....284, 298
1001184645.....318, 322	1001194428 ..... 477, 483, 489	1001207335 ..... 476, 482, 488	1001214664.....284, 298
1001184682.....175	1001194888 ..... 169	1001207336 ..... 476, 482, 488	1001214694.....284, 298
1001185025.....317	1001195039 ..... 276, 290	1001207347 ..... 99	1001214833.....703
1001185030.....17, 19	1001195490 ..... 684	1001207348 ..... 103	1001214841.....284, 298
1001185281 .....411	1001195491 ..... 684	1001208874 ..... 69, 71	1001214909.....329
1001185747 .....539, 543, 547, 551, 555, 559, 563	1001196376 ..... 275, 290	1001208994 ..... 381	1001214975.....187, 201
1001185821 .....69, 75	1001196382 ..... 334, 338, 342, 346, 350, 354, 358	1001209059 ..... 704	1001215125.....284, 298
1001185964 .....644, 648	1001196634 ..... 222, 269, 698	1001209617 ..... 173	1001215181.....702
1001186375 .....397	1001196635 ..... 644, 648, 699	1001209664 ..... 429	1001215228.....411
1001186377 .....401	1001196636 ..... 655	1001209677 ..... 523	1001215259.....276, 290
1001186378.....407	1001196637 ..... 118, 122	1001209832 ..... 523	1001215394.....150
1001186385 .....405	1001197017 ..... 443, 445	1001209844 ..... 283, 297, 305	1001215523.....362
1001186386.....399	1001197039 ..... 477, 483, 489	1001210036 ..... 704	1001215813.....276, 290
1001186387.....395	1001197221 ..... 57, 59	1001210356 ..... 476, 488	1001215869.....284, 298
1001186388.....403	1001197719 ..... 602, 698	1001210636 ..... 425	1001216308.....276, 290
1001186431 .....429, 699	1001200128 ..... 685	1001211336 ..... 103	1001216400.....276, 290
1001186432.....621, 639	1001200129 ..... 685	1001211556 ..... 257	1001216401.....276, 290
1001186517 .....429	1001200130 ..... 685	1001211716 ..... 138, 142, 146, 150	1001216405.....276, 290
1001186976 .....702	1001200131 ..... 685	1001211717 ..... 138, 142, 146, 150, 154	1001216415.....315
1001187352.....318, 611	1001200132 ..... 685	1001211794 ..... 283, 297	1001216416.....315
1001187382.....381	1001200133 ..... 685	1001211797 ..... 283, 297	1001216512.....315
1001187383.....381	1001200134 ..... 685	1001212223 ..... 358, 362	1001216552.....703
1001187522 .....322, 326, 330, 609	1001200458 ..... 157, 159	1001212257 ..... 275, 290	1001216599.....150
1001187674.....427	1001200491 ..... 381	1001212415 ..... 698	1001216630.....381
1001187681 .....633	1001200494 ..... 381	1001212989 ..... 283, 297	1001216677.....150
1001187816 .....525	1001201351 ..... 381	1001212993 ..... 283, 297	1001216805.....330, 362
1001188622 .....381	1001202333 ..... 169, 171	1001213029 ..... 330, 362	1001216825.....284, 298
1001188731 .....322, 326, 330	1001202687 ..... 381	1001213060 ..... 276, 290	1001216840.....330
1001188732 .....318	1001202744 ..... 443	1001213061 ..... 276, 290	1001217342.....329, 362
1001188844 .....381	1001202745 ..... 445	1001213305 ..... 283, 297	1001217343.....282, 296
1001188883 .....683	1001202749 ..... 703	1001213425 ..... 283, 297	1001217344.....329, 362
1001188972 .....191, 195, 221, 228, 290	1001202830 ..... 161	1001213426 ..... 283, 297	1001217345.....276, 290, 329, 362
1001189001 .....381	1001202910 ..... 476, 482, 488	1001213447 ..... 619	1001217494.....276, 282, 290, 296
1001189002 .....381	1001203322 ..... 167	1001213482 ..... 283, 297	1001217785.....276, 289
1001189171 .....587, 698	1001203510 ..... 704	1001213706 ..... 276, 290, 605	1001218533.....93
1001189172 .....587, 698	1001203511 ..... 704	1001213794 ..... 154	1001218535.....93
1001189882 .....669	1001203654 ..... 403	1001213824 ..... 283, 297	1001218537.....93
1001190368 .....21, 23		1001213882 ..... 411	1001218622.....558, 562
1001190663.....173, 175		1001214138 ..... 283, 297	1001218623.....558, 562
1001190985 .....381		1001214205 ..... 283, 297	1001219129.....93
1001191230 .....555		1001214207 ..... 183, 197, 211, 231, 249, 279, 293	1001219201.....138, 142
1001191394 .....703		1001214233 ..... 283, 297	1001219601.....118, 122, 699
		1001214234 ..... 283, 297	1001220003.....703
		1001214269 ..... 297	1001220266.....246
			1001220379.....598
			1001223055.....661, 663



## SECTION 11 - SPECIAL OPTIONS/ACCESSORIES/KITS

1001223122 ..... 254, 334, 338, 342, 346, 350, 354, 358	1001234425..... 661, 663	1001241295..... 147, 161	1001254301 ..... 665
1001223453 ..... 661, 663, 671, 673	1001234426..... 661, 663	1001241397 ..... 703	1001254302 ..... 677
1001223459 ..... 597, 601	1001234428..... 677	1001241547 ..... 704	1001254303 ..... 679
1001223777 ..... 154	1001234429..... 677	1001241548 ..... 704	1001254304 ..... 671
1001223971 ..... 671, 673	1001234430..... 679	1001241965 ..... 431	1001254305 ..... 675
1001224048 ..... 679	1001234431..... 681	1001242589 ..... 703	1001254306 ..... 667
1001224049 ..... 681	1001234432..... 681	1001242639 ..... 702	1001254307 ..... 669
1001224050 ..... 675	1001234433..... 671, 673	1001242855 ..... 131	1001254308 ..... 681
1001224052 ..... 667	1001234434..... 671, 673	1001242856 ..... 133	1001254309 ..... 663
1001224053 ..... 677	1001234435..... 675	1001243183 ..... 702	1001254310 ..... 673
1001224889 ..... 371	1001234436..... 675	1001243184 ..... 702	1001254311 ..... 683
1001225346 ..... 527	1001234437..... 667	1001243331 ..... 703	1001254314 ..... 661, 663, 665, 667, 671, 673, 675, 677, 679, 681, 683
1001225430 ..... 239, 258	1001234438..... 667	1001243414 ..... 138, 142, 146	1001254315 ..... 669, 683
1001225431 ..... 258	1001234439..... 665, 669	1001243895 ..... 269	1001254472 ..... 431
1001225580 ..... 429, 621	1001234800..... 597, 601	1001244019 ..... 263	1001254473 ..... 431
1001225794 ..... 703	1001235585..... 679	1001244024 ..... 261	1001255133 ..... 381
1001226530 ..... 527	1001235949..... 254, 267	1001244212 ..... 669, 683	1001255329 ..... 371
1001226541 ..... 648	1001236091..... 115	1001244287 ..... 245	1001255807 ..... 702
1001226872 ..... 393	1001236122..... 703	1001244293 ..... 118, 643	1001255845 ..... 683
1001227278 ..... 702	1001236123..... 702	1001244294 ..... 118, 653	1001255849 ..... 683
1001227633 ..... 427	1001236251..... 275	1001244295 ..... 118, 122, 615	1001255968 ..... 373, 463
1001227634 ..... 427	1001236253..... 289	1001244298 ..... 669	1001255969 ..... 375, 377, 459
1001227985 ..... 427	1001236254..... 275, 279	1001244301 ..... 669	1001255970 ..... 369, 465
1001227987 ..... 427	1001236256..... 279, 282	1001245195 ..... 45	1001255971 ..... 369, 457
1001227996 ..... 635, 637	1001236257..... 283, 297	1001245196 ..... 45	1001255972 ..... 369, 461
1001228215 ..... 393	1001236258..... 290, 293	1001245197 ..... 45	1001255991 ..... 375, 377
1001228224 ..... 427, 699	1001236259..... 293, 296	1001245198 ..... 45	1001256002 ..... 375, 377
1001228225 ..... 427, 699	1001236393..... 283, 297, 301	1001245211 ..... 45	1001256092 ..... 369
1001228960 ..... 702	1001236396..... 685	1001245656 ..... 113	1001256094 ..... 369, 371
1001228988 ..... 439, 693, 695	1001236496..... 705	1001246142 ..... 702	1001256096 ..... 369, 373
1001229341 ..... 427	1001236552..... 431	1001246369 ..... 118, 122	1001256098 ..... 373
1001229795 ..... 617	1001236780..... 254	1001246433 ..... 702	1001256099 ..... 373
1001229796 ..... 617	1001236891..... 447, 449	1001246435 ..... 409, 411	1001256100 ..... 373
1001229797 ..... 276, 290, 617	1001236895..... 447, 449	1001246436 ..... 409	1001256101 ..... 373
1001230635 ..... 215, 235, 254	1001237383..... 648	1001246450 ..... 109	1001256102 ..... 373
1001230784 ..... 346	1001237546..... 115	1001246451 ..... 111	1001256103 ..... 373
1001230931 ..... 651	1001237667..... 619, 644, 648	1001246859 ..... 118, 648	1001256123 ..... 371
1001230934 ..... 597, 602	1001237668..... 619, 644, 648	1001246976 ..... 683	1001256124 ..... 371
1001230935 ..... 597, 602	1001237863..... 427, 635	1001247073 ..... 704	1001256179 ..... 19, 455
1001230936 ..... 597, 602	1001237864..... 427, 637	1001247359 ..... 284, 298	1001256416 ..... 703
1001231235 ..... 704	1001237865..... 427, 633	1001247440 ..... 245	1001256506 ..... 598
1001231801 ..... 683	1001237878..... 527	1001247468 ..... 381	1001256507 ..... 597
1001231886 ..... 173	1001237879..... 527	1001247656 ..... 345	1001256527 ..... 581
1001232026 ..... 661, 663, 665, 667, 669, 671, 673, 675, 677, 679, 681	1001237880..... 527	1001247800 ..... 704	1001256790 ..... 375, 377
1001232164 ..... 427	1001237881..... 527	1001248140 ..... 447, 449	1001256830 ..... 375
1001232165 ..... 427	1001237881..... 527	1001248141 ..... 447, 449	1001256879 ..... 245
1001232642 ..... 431	1001237949..... 369	1001248190 ..... 346	1001256906 ..... 669, 683
1001232667 ..... 431, 699	1001238192..... 581, 583	1001249052 ..... 704	1001256910 ..... 369
1001232842 ..... 222, 269	1001238254..... 411, 619	1001249695 ..... 705	1001256911 ..... 373
1001232904 ..... 685	1001238263..... 447, 449	1001249941 ..... 705	1001257271 ..... 447, 449
1001233047 ..... 702	1001238319..... 427	1001249965 ..... 216, 236, 239	1001257274 ..... 447, 449
1001233080 ..... 704	1001238418..... 431, 639	1001250291 ..... 138, 142, 146	1001258005 ..... 447
1001233139 ..... 21	1001238421..... 381, 704	1001250465 ..... 704	1001258231 ..... 703
1001233479 ..... 129	1001238466..... 538, 543, 547, 551, 555, 559, 563	1001250466 ..... 704	1001258264 ..... 373
1001233763 ..... 222, 228, 269, 702	1001238472..... 431	1001250595 ..... 704	1001258265 ..... 373
1001233899 ..... 146	1001238495..... 429	1001252033 ..... 704	1001258495 ..... 635, 637
1001233959 ..... 115, 413	1001238559..... 431	1001252034 ..... 704	1001258800 ..... 345
1001234295 ..... 71	1001238911..... 254	1001252527 ..... 597, 602	1001258804 ..... 254
	1001239202..... 601	1001252629 ..... 447, 449	1001258895 ..... 43
	1001239371..... 685	1001252926 ..... 477, 483, 489	1001258896 ..... 43
	1001239574..... 705	1001253375 ..... 621	1001258897 ..... 43
	1001239575..... 704	1001254300 ..... 661	1001258898 ..... 43
	1001241254..... 702		1001259018 ..... 683
	1001241286..... 146		

## SECTION 11 - SPECIAL OPTIONS/ACCESSORIES/KITS

1001259058.....377	1001271175..... 542, 550	1001276690..... 684	1001282533..... 122, 655
1001259196.....377	1001271176..... 558	1001276691..... 684	1001282831.....97
1001259230..... 161, 167	1001271177..... 546	1001276692..... 684	1001283776..... 127, 129,
1001260306.....539, 543,	1001271178..... 562	1001276693..... 684	533, 535
547, 551, 555, 559, 563	1001271181..... 554	1001276884..... 684	1001284504.....538, 543,
1001260412.....216, 236,	1001271182..... 538	1001276923..... 702	547, 551, 555, 559, 563
254	1001271323..... 648	1001277185..... 125, 531	1001284582.....413
1001260420.....216, 235,	1001271413.. 59, 71, 385	1001277481..... 684	1001284583.....413
254	1001271414..... 71, 77	1001277482..... 685	1001285012.....25
1001261045.....345	1001271497..... 619	1001277483..... 684	1001285597..... 139, 143,
1001261085.....345	1001271588..... 684	1001277484..... 684	151, 163, 165
1001261335.....449	1001271589..... 684	1001277485..... 684	1001285598..... 138, 142
1001261338.....449	1001271605..... 684	1001277486..... 685	1001285636.....365
1001261352.....703	1001271606..... 684	1001277589..... 254, 257	1001285640.....171
1001262016.....704	1001271617..... 684	1001277594..... 249, 252	1001285691.....150
1001262102.....683	1001271621..... 684	1001277600..... 245, 249	1001285788..... 147, 167
1001262105.....683	1001271622..... 684	1001277685..... 684	1001285789.....146
1001262117.....683	1001271624..... 685	1001277686..... 685	1001285811.....703
1001262959.....702	1001271625..... 685	1001277691..... 685	1001285988..... 154, 171
1001263007.....581, 591	1001271626..... 685	1001277692..... 685	1001286019..... 83, 89
1001263008.....581, 641	1001271649..... 362	1001277839..... 705	1001286650.....101
1001263174.....175	1001271707..... 684	1001277911..... 685	1001286651.....101
1001263610.....581	1001271708..... 684	1001277970..... 684	1001287536.....365
1001263663.....171	1001271709..... 684	1001277972..... 685	1001287552.....365
1001263664.....169	1001271710..... 684	1001277973..... 685	1001287812.....702
1001263668.....171	1001271711..... 684	1001278022..... 25, 33	1001287813.....702
1001263669.....169	1001271712..... 684	1001278197..... 684	1001287814.....702
1001263677.....169	1001271795.. 57, 69, 383	1001278198..... 685	1001287815.....227
1001263678.....171	1001271888..... 704	1001278199..... 684	1001287816.....195
1001263693.....169	1001272123..... 361	1001278208..... 685	1001287820.....482
1001263694.....171	1001272166..... 703	1001278209..... 684	1001287936.....703
1001263787.....171	1001272178..... 704	1001278215..... 685	1001287937.....703
1001264731.....113	1001272182..... 704	1001278216..... 685	1001287938.....703
1001264732.....111	1001272274..... 704	1001278217..... 685	1001288113.....365
1001264733.....109	1001272310..... 704	1001278249..... 684	1001294215..... 83
1001264735.....109, 111,	1001272313..... 704	1001278250..... 685	1060341..... 443, 445
113	1001272446..... 51	1001278251..... 685	1060343..... 354, 358, 362
1001264981.....19	1001272447..... 51	1001278252..... 685	1060461.....569, 577
1001265163.....425	1001272671..... 371, 469	1001278890..... 476	1060494.....322, 326, 330
1001265186.....69, 383	1001272681..... 131	1001279651..... 154	1060626.... 191, 195, 221,
1001265275.....525	1001272682..... 133	1001280240..... 154	227, 289
1001265342.....425	1001273302..... 371, 538,	1001280242..... 154	1060903.....443, 445
1001265389.....169	542, 550, 554, 558	1001280340..... 118, 122	1060908.....585, 587, 589
1001265390.....171	1001273303..... 371, 538,	1001280549..... 154	1060918.....421
1001265688.....703	542, 546, 550, 555,	1001281192..... 345	1062255.....246
1001266465.....704	558, 562	1001281298..... 365	10702077..350, 355, 359,
1001266491.....704	1001273304..... 546, 562	1001281301..... 365	363
1001266661.....703	1001274525..... 97, 105	1001281304..... 365	10702082..350, 355, 359,
1001266664.....129	1001274559..... 109, 111,	1001281305..... 365	363
1001266799.....704	113, 411	1001281307..... 365	1120555.....433
1001266801.....704	1001274782..... 661, 663,	1001281309..... 365	1320016..... 186, 200
1001266807.....704	665, 667, 669, 671,	1001281310..... 365	1320022.... 181, 191, 195,
1001266969.....704	673, 675, 677, 679, 681	1001281311..... 365	209, 222, 227, 245
1001267283.....704	1001274831..... 703	1001281359..... 365	1320041....539, 543, 547,
1001267310.....683	1001274832..... 703	1001281360..... 365	551, 555, 559, 563
1001268820.....435, 437,	1001274833..... 703	1001281454..... 704	1320043....539, 543, 547,
441	1001275635..... 476, 482	1001281455..... 704	551
1001269322.....435, 437,	1001275935..... 95	1001281456..... 704	1320061.....246
439	1001275936..... 95	1001281459..... 704	1320130....538, 542, 546,
1001269476.....154	1001276610..... 702	1001281460..... 704	550, 554, 558, 562
1001269573.....435, 437,	1001276626..... 131, 133	1001281461..... 704	1320176.....311
439	1001276643..... 254, 601	1001281623..... 171	1320218.....275, 289
1001270594..... 125, 127	1001276685..... 684	1001281656..... 365	1320220.....275, 289
1001270716.....705	1001276686..... 684	1001282106..... 115, 413	1320223.... 191, 195, 221,
1001270730.....375, 377,	1001276687..... 684	1001282143..... 154, 169	227, 289, 527
379	1001276688..... 684	1001282146..... 154	1320302.....435, 437, 439
1001270755.....705	1001276689..... 684	1001282492..... 122, 647	1321283.....275, 289

## SECTION 11 - SPECIAL OPTIONS/ACCESSORIES/KITS

1321293 .....	107	1703924 .....	671, 673	1705387.....	337, 341, 355,	2220500 ....	476, 482, 488
1321647 .....	643, 648	1703925 .....	675	359, 363		2220501 ....	476, 482, 488
1321716 ...	181, 191, 195,	1703926 .....	677	1705426.....	677	2220579 .....	63
209, 214, 222, 227,		1703927 .....	679	1705427.....	679	2220582 ....	476, 482, 488
234, 245, 252, 317,		1703928 .....	667	1705429.....	671, 673	2220596 ....	476, 482, 488
321, 325, 334, 338,		1703935 .....	681	1705430.....	675	2220600 ....	476, 482, 488
342, 345, 350, 354, 358		1703936 .....	671, 673	1705460.....	351, 355, 359,	2220603 ....	476, 482, 488
1580011 .....	282, 296	1703937 .....	675	363		2220628 ....	476, 482, 488
1580012 .....	423	1703938 .....	677	1705461.....	351	2220767 .....	245
1580013 .....	703	1703939 .....	679	1705489.....	333, 345, 350,	2220811 ....	476, 482, 488
1670603 .....	515	1703940 .....	667	351		2220881 .....	455
1670836 .....	371	1703941 .....	681	1705822.....	665, 669	2220883 .....	61, 453, 455,
1671092 ...	354, 359, 362,	1703942 .....	671, 673	1705828.....	665, 669	459, 476, 482, 488	
554		1703943 .....	675	1705910.....	681	2220885 .....	61, 455, 459
1671093 .....	437, 554	1703944 .....	677	1705917 .....	681	2220906 ....	476, 482, 488
1684290 .....	453	1703945 .....	679	1705921 .....	665, 669	2220923 ....	476, 482, 488
1700818 .....	683	1703946 .....	667	1705961.....	665, 669	2220940 ....	476, 482, 488
1701499 ...	661, 663, 665,	1703947 .....	681	1705968.....	675, 683	2220946 ....	476, 482, 488
667, 669, 671, 673,		1703948 .....	671, 673	1705969.....	679, 683	2220947 ....	476, 482, 488
675, 677, 679, 681		1703949 .....	675	1706059.....	683	2220998 ....	476, 482, 488
1701500 ...	661, 663, 665,	1703950 .....	677	1706060.....	683	2221033 ....	476, 482, 488
667, 669, 671, 673,		1703951 .....	679	1706061.....	683	2221040 ....	476, 482, 488
675, 677, 679, 681		1703952 .....	667	1706062.....	683	2221052 .....	63
1701504 ...	661, 663, 665,	1703953 .....	661, 663	1706063.....	683	2221086 .....	61, 389, 476,
667, 669, 671, 673,		1703980 .....	677	1706064.....	683	482, 488	
675, 677, 679, 681		1703981 .....	679	1706098.....	683	2230025 ....	476, 482, 488
1701505 ...	181, 191, 195,	1703982 .....	675	1706385.....	403	2400060 ...	222, 269, 425,
209, 221, 227, 245		1703983 .....	681	2030010.....	435, 437, 439	611, 619, 643, 648	
1701509 ...	433, 661, 663,	1703984 .....	671, 673	2060025.....	186, 200	2400066 .....	609
665, 667, 669, 671,		1703985 .....	667	2080040.....	333, 345, 395,	2400082 .....	617, 699
673, 675, 677, 679, 681		1704000 ...	671, 673, 683	399, 405, 521, 523		2410014 .....	403
1701518 ....	665, 669, 691	1704001 .....	681, 683	2110810.....	476, 482, 488	2420203 ....	321, 326, 330
1701529 ...	661, 663, 665,	1704002 .....	667, 683	2110812.....	476, 482, 488	24431386.....	276, 290
667, 669, 671, 673,		1704260 .....	411	2151212.....	476, 482, 488	2460048 .....	349, 353
675, 677, 679, 681		1704271 .....	683	2160001.....	79, 81, 83	2460055 .....	321
1701542 .....	275, 289	1704277 ...	661, 663, 665,	2180348.....	181, 191, 195,	2540020 ...	125, 127, 129,
1701543 .....	275, 289	667, 669, 671, 673,		275, 289		131, 133	
1701691 ...	138, 142, 146,	675, 677, 679, 681		2180387.....	275, 289	2560136 .....	411
150		1704412 ...	661, 663, 665,	2180389.....	275, 289	2560187 ...	157, 159, 161,
1702300 ...	661, 663, 665,	667, 669, 671, 673,		2180504.....	275, 284, 289,	163, 165, 167, 169, 171	
667, 669, 671, 673,		675, 677, 679, 681		298		2580024 ...	191, 195, 221,
675, 677, 679, 681		1704455 .....	691	2180832.....	209, 221, 227,	227, 289	
1702565 .....	411	1704456 .....	691	245		2580062 .....	200
1702566 .....	411	1704457 .....	689	2180876.....	181, 191, 195,	2600281 ....	395, 399, 405
1702567 .....	411	1704482 .....	687	209, 221, 227, 245		2720015 ....	214, 234, 252
1702773 .....	669, 683	1704576 .....	689	2220238.....	63, 476, 488	2720058 ...	181, 191, 195,
1702774 .....	683	1704577 .....	689	2220261.....	282, 296	209, 221, 227, 245,	
1702868 ...	439, 661, 663,	1704578 .....	687	2220290.....	275, 289	284, 298	
683, 695		1704885 ...	661, 663, 665,	2220315.....	186, 200, 214,	2720271 .....	284, 298
1702941 ...	191, 195, 221,	667, 671, 673, 675,		234, 252, 282, 296		2720340 ....	214, 234, 252
227, 289		677, 679, 681		2220371.....	476, 482, 488	2720398 .....	186, 201
1702942 ...	191, 195, 221,	1704972 ...	181, 191, 683	2220372.....	63, 476, 482,	2720447 .....	186, 201
227, 289		1705014 .....	403	488		2720615 .....	284, 298
1702943 ...	191, 195, 221,	1705305 ...	439, 693, 695	2220373.....	476, 482, 488	2720644 .....	282, 296
227, 289		1705325 .....	495, 497	2220374.....	476, 482, 488	2752504 ....	477, 483, 489
1702944 ...	191, 195, 221,	1705336 .....	661, 663	2220375.....	476, 482, 488	2752519 ....	477, 483, 489
227, 289		1705344 .....	677	2220377.....	476, 482, 488	2780267 .....	25, 27
1703162 ...	186, 200, 214,	1705345 .....	679	2220408.....	482	2780268 .....	25, 31
234, 252, 282, 296		1705347 .....	671, 673	2220415.....	476, 482, 488	2820031 ...	317, 321, 325,
1703450 .....	687	1705349 .....	667	2220435.....	476, 488	329, 333, 337, 341,	
1703687 ...	661, 663, 665,	1705351 .....	661, 663	2220451.....	186, 200, 476,	345, 349, 353, 357,	
667, 669, 671, 673,		1705355 .....	693, 695	482, 488		361, 538, 542, 546,	
675, 677, 679, 681		1705358 .....	683	2220465.....	476, 482, 488	550, 554, 558, 562,	
1703797 .....	661, 663	1705374 ...	337, 341, 517,	2220466.....	476, 482, 488	573, 575	
1703804 .....	661, 663	519		2220468.....	476, 482, 488	2820035 .....	269
1703805 .....	661, 663	1705375 ...	355, 359, 363,	2220472.....	476, 482, 488	2820247 .....	635, 637
1703923 .....	681	695		2220497.....	476, 482, 488		

## SECTION 11 - SPECIAL OPTIONS/ACCESSORIES/KITS

2860030.... 109, 111, 113, 699	3290801 ... 181, 191, 195, 275, 282, 289, 296	3311801 ..... 25	3841143 21, 23, 181, 191, 195, 209, 221, 227, 245, 275, 289, 381
2900756..... 61	3290805 ... 57, 59, 63, 97, 99, 101, 103, 138, 142, 146, 150, 154, 169, 171, 186, 200, 214, 234, 252, 261, 263, 275, 282, 289, 296, 313, 315, 317, 321, 325, 329, 333, 337, 341, 350, 354, 357, 361, 371, 375, 377, 527, 538, 542, 546, 550, 554, 558, 562	3312002 ..... 447, 449	3841258. 17, 19, 369, 373
2900770..... 457, 469	3290806 ..... 381	3312005 ..... 65, 433	3841287..... 373
2900792..... 459	3291001 ... 214, 234, 252, 282, 296, 381	3312205 ..... 433	3841340.... 538, 542, 546, 550, 554, 558, 562
2901443..... 705	3291005 ... 135, 138, 142, 146, 150, 154, 157, 159, 161, 163, 165, 167, 169, 171, 181, 186, 191, 195, 200, 209, 214, 221, 227, 234, 245, 252, 275, 282, 289, 296, 321, 325, 329, 369, 371, 373, 375, 377, 381, 527, 538, 542, 546, 550, 554, 558, 562	3321001 ... 135, 186, 200, 215, 235	3900054..... 403
2902065.... 186, 201, 214, 234, 252, 271	3291201 ... 282, 296, 325, 329, 333, 337, 341, 345, 350, 354, 357, 361, 381	3321501 ..... 154	3900267..... 338, 342
2902212..... 433	3291205 ... 369, 373, 375, 377, 381	3331211 ... 261, 263, 317, 321, 325, 333, 337, 341, 350, 354, 357	3900295..... 23
2902217..... 435, 437	3300106 ..... 25	3331215 ... 186, 200, 214, 234, 252	3900300..... 338, 342
2902266..... 453	3300151 ... 393, 397, 401, 407, 435, 437, 439	3340860 ..... 375, 377	3900349..... 411
2902443.... 595, 597, 601	3300220 ... 135, 186, 200, 215, 235	3340956 ..... 433	3900351..... 371
2902549..... 521, 585	3300353 ..... 411	3380434 ..... 409	3900363..... 169, 171
2940045..... 171	3300396 ... 338, 342, 350, 355, 359, 362	3420372 ..... 65	3910408..... 214, 234
2940074.... 395, 399, 405, 699	3300408 ..... 115	3422532 ... 181, 191, 195, 209, 221, 227, 245, 275, 289	3910606.... 337, 341, 354, 357, 361, 517, 519
2940173.... 157, 159, 161, 163, 165, 167, 169, 171	3300430 ..... 429	3422793 .... 369, 375, 377	3910610..... 493
3020042..... 371	3310401 ..... 214, 234	3422814 ..... 375, 377	3910804.... 109, 111, 113
3250872..... 687	3311001 ... 265, 267, 321, 325, 329, 338, 342, 350, 355, 359, 362	3422848 ..... 23	3931408..... 429
3251102..... 345	3311005 .... 435, 437, 439	3423304 ..... 21, 23	3931512.... 214, 234, 252
3251242.... 499, 501, 503, 505, 507, 509, 511, 513, 515	3311401 ..... 443	3430616 ..... 411	3931618.... 183, 197, 211, 231, 249, 279, 293
3251243.... 321, 325, 329, 337, 341, 355, 359, 661, 663, 667, 671, 673, 681	3311405 ... 409, 431, 445, 495, 497, 499, 501, 503, 505, 507, 509, 511, 513, 515, 661, 663, 665, 667, 669, 671, 673, 675, 677, 679, 681	3460334 ..... 433	3931628.... 325, 341, 357
3251813.... 661, 663, 667, 671, 673, 681	3311501 ... 138, 142, 146, 150, 443, 445	3470003 ..... 411	3960407..... 186, 200
3252347 ..... 661, 663	3311601 ... 138, 142, 146, 150, 154, 411, 431	3520028 .... 321, 326, 330	3960422.... 337, 341, 354, 357, 361, 493, 517, 519
3252692..... 691	3311605 ... 216, 236, 265, 267, 403, 409, 435, 437, 439	3520054 ... 186, 200, 216, 236, 252, 411	3960526..... 25
3252693..... 689	3311705 ... 317, 321, 325, 329	3520071 ..... 433	4010405..... 521, 523
3252764.... 349, 354, 357, 361		3520072 ... 154, 393, 395, 397, 399, 401, 403, 405, 407	4010418.... 538, 542, 546, 550, 554, 558, 562
3271605..... 447, 449		3520189 ..... 350	4010618.... 397, 401, 407
3271805..... 403		3520192 ..... 350	4031505..... 427
3272001..... 447, 449		3520198 ... 393, 395, 397, 399, 401, 405, 407	4031508..... 129
3290405.... 107, 125, 127, 129, 131, 133, 275, 289, 425, 495, 497, 499, 501, 503, 505, 507, 509, 511, 513, 515, 521, 538, 542, 546, 550, 554, 558, 562		3572551 ..... 375, 377	4031509.... 125, 127, 131, 133
3290501 ..... 135		3573400 .... 435, 437, 439	4031511.... 538, 542, 546, 550, 554, 558, 562
3290505.... 135, 317, 337, 341, 350, 354, 357, 361		3575705 ..... 443, 445	4031512..... 107
3290601.... 118, 122, 135, 157, 159, 161, 163, 165, 167, 169, 171, 173, 175		3577121 .... 435, 437, 439	4031516..... 431
3290605 57, 59, 107, 118, 122, 131, 133, 135, 171, 181, 186, 191, 195, 200, 209, 214, 221, 227, 234, 245, 252, 275, 289, 313, 315, 317, 321, 325, 329, 333, 337, 341, 345, 350, 354, 357, 361, 521, 523, 538, 542, 546, 550, 554, 558, 562		3580158 ..... 317, 321	4031607..... 317
3290606.... 397, 401, 407		3580276 ..... 321	4031914.... 214, 234, 252
3290607 ..... 282, 296		3580317 ... 333, 337, 341, 345, 350, 354, 357, 361	4032014.... 325, 341, 357
		3580318 ... 337, 341, 354, 357, 361	4032015.... 333, 337, 350, 354
		3580319 .... 333, 345, 350	4060802.... 317, 322, 325, 329, 333, 337, 341, 345, 350, 354, 357, 361
		3580320 ... 325, 333, 337, 341, 350, 354, 357	4060805.... 186, 201, 214, 234, 252, 284, 298
		3740067 ... 135, 186, 200	4060806..... 93
		3740080 ... 317, 322, 325, 329, 609, 699	4060808.... 538, 542, 546, 550, 554, 558, 562
		3740086 ..... 639, 699	4070450..... 65
		3740140 .... 186, 200, 698	4070560..... 65
		3760115 ..... 371	4070561..... 65
		3760170 ..... 65	4070897..... 371
		3790012 .... 275, 289, 411	4070898..... 371
		3790152 ... 183, 197, 211, 231, 249, 279, 293	4071101..... 17, 19
		3820001 ... 661, 663, 665, 667, 669, 671, 673, 675, 677, 679, 681, 685, 687, 689, 691	4160182.... 138, 142, 146, 150
		3820020 .... 395, 399, 405	4240018.... 517, 519, 581
		3820032 ..... 135	4240032.... 122, 125, 127, 129, 131, 133
			4240033.... 427, 429, 431

## SECTION 11 - SPECIAL OPTIONS/ACCESSORIES/KITS

4240099 ... 186, 200, 214, 234, 245, 252, 269, 275, 282, 289, 296, 317, 322, 325, 329, 333, 337, 341, 345, 350, 354, 357, 361, 411, 435, 437, 443	4460313 ..... 595	4460705.....321, 326, 330	4460956 ..... 585, 589
4240149 ..... 433	4460315 ..... 493	4460708.....619	4460957 ..... 585, 589
4240156 ... 538, 542, 546, 550, 554, 558, 562	4460320 97, 99, 101, 103	4460722.....269	4460958 ..... 519
4360057 ... 443, 445, 699	4460321 ... 321, 326, 330	4460742.....643, 647	4460959 ..... 554
4360070 ... 338, 342, 350, 355, 359, 362, 698	4460346 ... 337, 341, 354, 357, 361, 493	4460743.....643, 647	4460960 ..... 554
4360274 ..... 113, 699	4460384 ..... 515	4460746.....597, 601	4460961 ... 321, 326, 330
4360336 ... 317, 322, 325, 329, 333, 337, 341, 345, 350, 354, 357, 361, 699	4460418 ..... 615, 619	4460748....597, 601, 644, 648	4460962 ..... 437
4360387 ... 111, 113, 411, 699	4460419 ..... 615, 619	4460754.....653, 655	4460963 ... 355, 359, 362
4360407 ..... 411, 698	4460424 ..... 653	4460761....619, 643, 647	4460967 ..... 643, 647
4360436 97, 99, 101, 103	4460425 ... 338, 342, 350, 355, 359, 362, 443, 445, 517, 519	4460806....503, 505, 507, 509, 644, 648	4460968 ... 317, 495, 499
4360469 ... 109, 111, 113, 699	4460426 ... 338, 342, 350, 355, 359, 362	4460807.....613	4460970 ..... 619
4360475 ..... 699	4460428 ..... 411	4460808.....613	4460977 ..... 617
4360476 ... 109, 111, 113, 699	4460434 ..... 619	4460836.....643, 647	4461005 ..... 595
4360542 ... 321, 326, 330, 698	4460458 ... 597, 602, 643, 644, 647, 648	4460837.....643	4461006 ..... 605
4420014 ..... 433	4460464 ... 107, 131, 133, 421, 425, 529, 531, 533, 535, 573, 575, 583, 591, 593, 607, 609, 611, 619, 621, 639, 641, 643, 647, 651, 653, 655, 657	4460865....538, 542, 546, 550, 554, 558, 562, 565, 567, 643, 647	4461008 ... 595, 597, 601
4420037 ... 435, 437, 439	4460465 ... 125, 127, 129, 173, 175, 425, 529, 565, 567, 583, 591, 593, 595, 597, 598, 601, 605, 613, 619, 621, 641, 643, 644, 647, 648, 651, 653, 655, 657	4460866....538, 542, 546, 550, 554, 558, 562, 573, 575, 619	4461052 ..... 595
4420051 ... 683, 687, 689, 691	4460466 ... 276, 290, 425, 427, 529, 533, 535, 539, 543, 547, 551, 555, 559, 563, 565, 567, 573, 575, 591, 595, 597, 598, 601, 605, 609, 611, 619, 621, 633, 639, 641, 643, 644, 647, 648, 651, 653, 655, 657	4460871....173, 175, 615, 619, 643, 644, 647, 648, 653, 655	4461054 ... 598, 601, 607
4420060 ..... 317	4460470 ..... 411	4460872.....653, 655	4461060 ..... 607
4420066 ..... 433	4460471 ..... 411	4460873....619, 644, 648	4461070 ..... 529, 597
4460019 ..... 601	4460473 ... 538, 542, 546, 550, 554, 558, 562, 565, 567	4460874....619, 643, 647	4461071 ... 595, 597, 601
4460027 ... 321, 326, 330	4460488 ..... 131, 133	4460875....619, 653, 655	4461072 ... 595, 597, 601
4460042 ... 598, 601, 605	4460496 ..... 118, 122	4460876.....615	4461073 ... 595, 597, 601
4460043 ... 269, 597, 601	4460497 ..... 118, 122	4460877.....644, 648	4461074 ... 595, 597, 601
4460049 ..... 443, 445	4460508 ... 427, 573, 575, 619	4460878.....425, 619	4461077 ..... 633, 639
4460071 ... 337, 341, 354, 357, 361, 421, 493	4460509 ... 565, 567, 643, 647	4460884....425, 601, 621, 643, 647, 651, 655	4461095 ... 529, 595, 597
4460115 ..... 602	4460510 ..... 705	4460887....425, 619, 644, 648	4461109 ..... 605
4460134 ... 322, 326, 330	4460518 ..... 529	4460891....125, 127, 129, 173, 175, 529, 593, 598, 607, 644, 651, 653, 655, 657	4461111 ..... 605
4460142 ..... 644, 648	4460536 ... 583, 591, 619	4460892.....591	4461113 ..... 605
4460183 ..... 619	4460539 ... 583, 591, 601, 619, 641, 653, 655	4460894....591, 595, 598, 601, 605, 619, 643, 647, 657	4461121 ..... 605
4460190 ... 321, 326, 330	4460612 ..... 517, 519	4460897....131, 133, 531, 533, 535, 607	4461122 ..... 605
4460205 ..... 493	4460662 ... 507, 509, 511, 515	4460899....583, 593, 621, 633, 639, 641, 643, 647, 651, 653, 655, 657	4461123 ..... 605
4460225 ... 350, 354, 357, 361, 613, 619	4460693 ..... 605	4460905....615, 619, 643, 644, 647, 648, 653, 655	4461124 ..... 605
4460226 ... 415, 418, 421, 443, 445	4460703 ..... 597, 601	4460906.....609	4461196 ..... 623
4460227 ..... 619		4460910.....637	4461198 ..... 495, 623
4460234 ... 122, 125, 127, 129, 411, 443		4460911.....633	4461199 ..... 625
4460247 ... 597, 601, 643, 647		4460928.....529	4461201 ..... 499, 625
4460259 ... 425, 615, 619, 644, 648		4460930....276, 290, 595, 598, 601, 643, 647	4461205 ..... 627, 629
4460260 ... 425, 615, 619, 644, 648		4460931....533, 535, 591, 643, 647	4461222 ..... 605
4460265 ..... 415, 418		4460932.....425, 607	4461244 ..... 507, 627
4460267 97, 99, 101, 103, 619, 643, 647		4460933....529, 619, 644, 648	4461245 ..... 509, 629
4460268 ... 321, 326, 330, 613, 653		4460941.....607, 633	4461246 ..... 511, 631
		4460942....427, 598, 601, 607	4461249 ..... 631
		4460943....633, 643, 648	4520216 ..... 37
		4460944....597, 598, 601	4520217 ..... 49
			4520240 ..... 39
			4520259 ..... 41
			4520262 ..... 51
			4520608 ..... 53
			4640113 ..... 51
			4640261 ..... 63
			4640464 ..... 583
			4640509 ..... 459
			4640751 ... 214, 234, 252
			4640771 ..... 469
			4640858 ..... 453
			4641122 ... 37, 39, 41, 43, 45, 53, 55
			4641155 ..... 57, 59
			4641390 ..... 461, 463
			4710400 ..... 214, 234
			4711000 ... 265, 267, 338, 342, 350, 355, 359, 363
			4711400 ... 157, 159, 161, 163, 165, 167, 393, 397, 401, 407, 429, 431, 495, 497, 499,

## SECTION 11 - SPECIAL OPTIONS/ACCESSORIES/KITS

501, 503, 505, 507, 509, 511, 513, 515	4811900... 57, 59, 97, 99, 101, 103, 109, 111, 113, 138, 142, 146, 150, 154, 169, 171, 181, 186, 191, 195, 200, 209, 214, 222, 227, 234, 245, 252, 261, 263, 275, 282, 289, 296, 317, 322, 325, 329, 333, 337, 341, 350, 354, 357, 361, 371, 381, 527, 538, 542, 546, 550,554, 558, 562	4923463 ..... 571 5240800 ... 150, 275, 282, 289, 296 5241000 ..... 169, 171 5241200 ... 17, 19, 21, 23, 63, 79, 81, 83, 186, 200, 214, 234, 253, 261, 263, 282, 296, 317, 322, 325, 329, 333, 337, 341, 345, 350, 354, 358, 361, 371, 381 5241400 ..... 282, 296 5241600 .... 23, 79, 81, 83 5250605 ..... 282, 296 5250608 ..... 118, 122 5250808 ... 334, 338, 342, 350, 354, 358 5250810 ... 109, 111, 113, 216, 236, 334, 338, 342, 345, 350, 354, 358, 383, 385 5250812 .... 93, 539, 543, 547, 551, 555, 559, 563 5251008 ..... 381, 581 5251009 ..... 371 5251010 ... 57, 59, 69, 71, 371, 383, 385 5251012 .. 17, 19, 35, 371 5251014 ... 138, 142, 146, 150, 154, 538, 542, 546, 550, 554, 558, 562 5251016 ..... 381 5251215 ... 181, 191, 195, 209, 221, 227, 245, 253, 275, 289 5260800 .... 93, 109, 111, 113, 334, 338, 342, 345, 350, 354, 358 5261200 ... 181, 191, 195, 209, 221, 227, 245, 253, 275, 289 5272114 ..... 79, 81, 83 5281918 ... 538, 542, 546, 550, 554, 558, 562 70000088 ..... 85, 87 70000089 ..... 85, 87 70000100 ..... 387 70000123 ..... 317 70000342 ..... 379 70000345 ..... 204, 257 700004508 ..... 239 70000619 . 349, 353, 357, 361 70000781 ..... 61 70000787 ..... 204 70000793 ..... 271 70000800 ..... 203 70000851 ..... 204 70000863 . 349, 353, 358, 362 70000865 ..... 91 70000912 ..... 203 70000913 ..... 203 70000914 ..... 203 70000915 ..... 203 70000916 ..... 203	70000917 ..... 203 70000918 ..... 203 70000919 ..... 204 70000931 ..... 204 70001002 ..... 203 70001100.. 349, 353, 358, 362 70001181 ..... 203 70001349 ..... 27, 31 70001384.. 349, 353, 358, 362 70001423 ..... 203 70001435 ..... 204 70001498 ..... 204 70001654 ..... 203 70001655 ..... 203 70001696 ..... 349, 353 70001844 ..... 204 70001850 ..... 203 70001866 ..... 204 70001868 ..... 204 70001870... 203, 240, 258 70001871 ..... 204 70001872 ..... 204 70001953 ..... 349, 353 70001966.. 333, 338, 342, 345, 349, 353, 358, 362 70001973.. 349, 353, 358, 362 70001974.. 349, 353, 358, 362 7000206 ..... 27, 31 70002063 ..... 61 70002088 ..... 349, 353 70002112 ..... 99, 103 70002206 ..... 85, 87 70002207 ..... 85, 87 70002209 ..... 61 70002234 ..... 204 70002257 ..... 308 7000229 ..... 27, 31 70002291 ..... 358, 362 70002297.. 349, 353, 358, 362 7000230 ..... 27, 31 70002316 ..... 301 70002318 ..... 301 7000232 ..... 27, 31 70002326 ..... 301 70002335 ..... 459 70002373 ..... 459 70002386 ..... 61, 73, 461, 463, 698 7000246 ..... 27, 31 70002460.. 349, 353, 358, 362 7000248 ..... 27, 31 7000253 ..... 27, 31 7000257 ..... 27, 31 7000258 ..... 27, 31 7000261 ..... 27, 31 7000262 ..... 27, 31 7000263 ..... 27, 31 70002649 ..... 91 70002651 ..... 91 70002718... 203, 239, 258 70002838 ..... 99, 103
4711500.....63, 135, 138, 142, 146, 150, 214, 234, 252 4711600....265, 267, 333, 337, 341, 345, 350, 354, 357, 411, 447, 449 4711700....317, 322, 325, 329 4711800.....403 4712000.....433, 447, 449 4712200.....433 4740086.....21, 23 4740155.....23 4740158.....17, 19 4740229.....17, 19 4740362.....409 4740491.....23 4750800....539, 543, 551, 555, 559 4751000....322, 325, 329, 435, 437, 439 4751400....169, 171, 409, 411, 423, 435, 437, 439, 443, 445, 661, 663, 665, 667, 669, 671, 673, 675, 677, 679, 681 4751500....317, 322, 325, 329, 443, 445 4751600....216, 236, 409, 435, 437, 439 4751800....403, 443, 445 4752000.....65 4760600.....493 4761000....135, 186, 200, 215, 235 4761400.....423 4811400....107, 125, 127, 129, 131, 133, 425, 495, 497, 499, 501, 503, 505, 507, 509, 511, 513, 515, 538, 542, 546, 550, 554, 558, 562 4811600....135, 317, 337, 341, 350, 354, 357, 361 4811700....107, 118, 122, 131, 133, 135, 157, 159, 161, 163, 165, 167, 169, 171, 173, 175, 181, 186, 191, 195, 200, 209, 214, 221, 227, 234, 245, 252, 275, 282, 289, 296, 317, 322, 325, 329, 333, 337, 341, 345, 350, 354, 357, 361, 397, 401, 407, 521, 523, 539, 543, 547, 551, 555, 559, 563 4811702....118, 122, 135, 150, 216, 236, 252, 275, 282, 289, 296, 313, 334, 346, 521, 523	481200069, 71, 107, 135, 138, 142, 146, 150, 154, 161, 167, 169, 171, 181, 186, 191, 195, 200, 209, 214, 221, 227, 234, 245, 252, 275, 282, 289, 296, 317, 322, 325, 329, 342, 345, 358, 369, 371, 373, 381, 527, 538, 542, 546, 550, 554, 558, 562 481200297, 99, 101, 103, 107, 138, 142, 146, 150, 154, 246, 252, 275, 289 4812100... 138, 142, 146, 150, 209, 214, 221, 227, 234, 245, 252, 276, 289, 333, 337, 350, 354, 365, 373, 381 481210297, 99, 101, 103, 138, 142, 146, 150, 154 4812200 ... 186, 200, 214, 234, 253, 261, 263, 276, 290, 317, 322, 325, 330, 333, 337, 341, 350, 354, 357, 361 4812300 ..... 95 4846370 ..... 443 4860179 ..... 49 4860237 ..... 51 4871700 ... 333, 337, 341, 345, 350, 354, 357 4891600 ... 138, 142, 146, 183, 197, 211, 231, 249, 279, 293, 381 4891800 .... 25, 183, 197, 211, 231, 249, 279, 293 4892000 ..... 25 4892600001 ..... 381 4920463 ..... 579 4922641 ... 322, 326, 330, 338, 342, 346, 350, 354, 358, 362 4922925 ... 350, 354, 357, 361 4922929 ..... 558, 562 4923451 ..... 187, 200		

## SECTION 11 - SPECIAL OPTIONS/ACCESSORIES/KITS

70002842 ..... 453, 455	70004262 ..... 91	70004772 ..... 417	70005100 ..... 73
70002902 ..... 421	70004263 ..... 91	70004773 ..... 417	70005139 ..... 75
70002903 ..... 421	70004267 ..... 75	70004774 ..... 418	70005143 ..... 459
70002904 ..... 421	70004268 ..... 203	70004775 ..... 418	70005150 ..... 467
70002905 ..... 421	70004269 ..... 203	70004829 ..... 301	70005151 ..... 467
70002962 ..... 61	70004270 ..... 204	70004864 ..... 387	70005152 ..... 467
70003463 ..... 203, 698	70004281 ..... 239, 258	70004865 ..... 387	70005153 ..... 467
70003464 ..... 203	70004282 ..... 239	70004866 ..... 387	70005154 ..... 467
70003468 ..... 204	70004504 ..... 258	70004867 ..... 387, 389	70005171 ..... 239, 258
70003469 ..... 204	70004505 ..... 258	70004868 ..... 387	70005172 ..... 240, 258
70003472 ..... 203	70004506 ..... 258	70004869 ..... 387, 389	70005173 ..... 239
70003473 ..... 203	70004507 ..... 258	70004871 ..... 387, 389, 698	70005176 ..... 258
70003475 ..... 203	70004508 ..... 258	70004873 ..... 389	70005177 ..... 239, 258
70003479 ..... 203	70004509 ..... 258	70004875 ..... 387	70005182 ..... 239
70003480 ..... 203	70004510 ..... 258	70004876 ..... 97, 99, 101	70005183 ..... 239
70003481 ..... 203	70004577 ..... 61	70004877 ..... 103	70005184 ..... 239, 257
70003612 ..... 75	70004676 . 333, 338, 342, 345	70004883 ..... 61	70005191 ..... 257
70003614 ... 99, 101, 103, 699	70004677 ..... 333	70004884 ..... 61	70005217 ..... 73
70003631 . 349, 353, 358, 362	70004678 . 333, 338, 342, 345	70004885 ..... 61	70005218 ..... 73
70003708 . 333, 338, 342, 345, 349, 353, 358, 362	70004679 . 334, 338, 342, 345	70004886 ..... 61	70005219 ..... 73, 698
70003709 . 333, 338, 342, 345, 349, 353, 358, 362	70004680 . 334, 338, 342, 345	70004887 ..... 61	70005243 ..... 389
70003783 . 187, 201, 215, 235, 698	70004681 ..... 334, 345	70004888 ..... 61	70005504 ..... 257
70003788 .... 73, 461, 698	70004682 . 334, 338, 342, 345	70004889 ..... 307	70005505 ..... 257
70003931 ..... 204	70004683 ..... 334, 346	70004890 ..... 307	70005507 ..... 257
70003932 ..... 204	70004684 ..... 338	70004891 ..... 307	70005667 . 538, 542, 550, 554, 558, 562
70003975 ..... 61	70004685 ..... 338, 342	70004892 ..... 307	70005726 ..... 301
70003977 ..... 73	70004686 ..... 345	70004893 ..... 307	70005727 ..... 301
70004000 ..... 75	70004687 ..... 342	70004894 ..... 307	70005737 ..... 301
70004013 ..... 75	70004688 ..... 307, 698	70004895 ..... 307	70005745 ..... 301
70004014 ..... 75	70004689 ..... 308	70004896 ..... 307	70005746 ..... 301
70004017 ..... 61	70004738 ..... 415	70004898 ..... 307	70005747 ..... 301
70004020 .. 284, 298, 698	70004739 ..... 415	70004899 ..... 308	70005751 ..... 301
70004056 ..... 204	70004740 ..... 415	70004900 ..... 308	70005931 ..... 239, 257
70004058 ..... 204, 698	70004741 ..... 415	70004901 ..... 308	70005938 ..... 258
70004059 ..... 204	70004742 ..... 415	70004902 ..... 308	70005941 ..... 240, 258
70004060 ..... 204	70004743 ..... 415	70004903 ..... 308	70005942 ..... 239, 258
70004062 ..... 204	70004744 ..... 415	70004904 ..... 308	70006010 ..... 305
70004092 . 333, 338, 342, 345, 358, 362	70004745 ..... 415	70004905 ..... 308	70006011 ..... 305
70004094 ..... 358, 362	70004746 ..... 415	70004906 ..... 308	70006012 ..... 305
70004098 . 338, 342, 358, 362	70004747 ..... 415	70004907 ..... 308	70006013 ..... 301
70004099 . 342, 345, 358, 362	70004748 ..... 415	70004908 ..... 308	70006014 ..... 301
70004102 ..... 204	70004749 ..... 415	70004909 ..... 308	70006015 ..... 301
70004103 ..... 204	70004750 ..... 415	70004910 ..... 308	70006016 ..... 301
70004169 ..... 349, 353	70004751 ..... 415	70004911 ..... 308	70006017 ..... 301
70004171 . 333, 338, 349, 353	70004752 ..... 417	70005065 ..... 75	70006018 ..... 301
70004249 ..... 91	70004753 ..... 417	70005066 ..... 75	70006019 ..... 301
70004250 ..... 91	70004754 ..... 417	70005067 ..... 75	70006020 ..... 301
70004251 ..... 91	70004755 ..... 417	70005068 ..... 75	70006021 ..... 301
70004252 ..... 91	70004756 ..... 417	70005069 ..... 73	70006022 ..... 301
70004253 ..... 91	70004757 ..... 417	70005071 ..... 73	70006023 ..... 301, 698
70004254 ..... 91	70004758 ..... 417	70005076 ..... 73	70006024 ..... 301
70004255 ..... 91	70004759 ..... 417	70005080 ..... 73	70006025 ..... 301
70004256 ..... 91	70004760 ..... 417	70005082 ..... 73	70006026 ..... 301
70004257 ..... 91	70004761 ..... 417	70005084 ..... 73	70006027 ..... 301
70004258 ..... 91	70004762 ..... 417	70005085 ..... 73	70006028 ..... 301
70004259 ..... 91	70004763 ..... 417	70005087 ..... 73	70006029 ..... 301
70004260 ..... 91	70004764 ..... 417	70005088 ..... 73	70006030 ..... 301
70004261 ..... 91	70004765 ..... 417	70005089 ..... 73	70006031 ..... 301
	70004766 ..... 417	70005090 ..... 73	70006032 ..... 301
	70004767 ..... 417	70005092 ..... 73	70006033 ..... 301
	70004768 ..... 417	70005094 ..... 73	70006034 ..... 301
	70004769 ..... 417	70005095 ..... 73	70006035 ..... 301
	70004770 ..... 417	70005096 ..... 73	70006036 ..... 301
	70004771 ..... 417	70005097 ..... 73	70006037 ..... 301
		70005098 ..... 73	70006038 ..... 301
		70005099 ..... 73	70006039 ..... 301

## SECTION 11 - SPECIAL OPTIONS/ACCESSORIES/KITS

70006040.....	301	70007603.....	239, 257	70008258.....	105	70025140.....	258
70006041.....	301	70007719.....	465	70008259.....	105	70025144.....	258
70006042.....	301	70007720.....	457, 465	70008260.....	105	70025145.....	258
70006043.....	301	70007721.....	457, 465	70008261.....	105	70025152.....	258
70006044.....	301	70007722.....	457, 465	70008262.....	105	70025164.....	239, 257
70006045.....	302	70007723.....	457, 465	70008263.....	105	70025200.....	239
70006046.....	302	70007724.....	465	70008264.....	105	70025210.....	239
70006047.....	302	70007728.....	457	70008265.....	105	70025231.....	239, 257
70006048.....	302	70007729.....	457	70008266.....	105	70025235.....	258
70006049.....	302	70007738.....	459	70008267.....	105	70025239.....	239, 257
70006050.....	302	70007739.....	459	70008268.....	105	70025242.....	257
70006051.....	302	70007740.....	459	70008280.....	469	70025619.....	457
70006052.....	302	70007741.....	459	70008296.....	258	70025667.....	203
70006053.....	302	70007742.....	459	70008397.....	77	70025693.....	204
70006054.....	302	70007743.....	463	70008400.....	77	70025694.....	204
70006055.....	302	70007744.....	463	70008403.....	77	70026210.....	239, 257
70006056.....	302	70007745.....	463	70008404.....	77	70027405.....	257
70006057.....	302	70007746.....	463	70008405.....	77	70028185.....	258
70006058.....	302	70007747.....	463	70008406.....	77	7002821.....	705
70006059.....	302	70007748.....	461	70008407.....	77	7002822.....	705
70006060.....	302	70007749.....	461	70008408.....	77	7002823.....	705
70006061.....	302, 699	70007750.....	461	70008422.....	258	7002828.....	705
70006062.....	302	70007751.....	461	70008431.....	257	70028538.....	257
70006063.....	302	70007752.....	461	70008435.....	257	70028540.....	239, 257
70006064.....	302	70007847.....	33	70008537.....	258	70029409.....	257
70006065.....	302	70007848.....	33	70008538.....	258	70029451.....	239
70006066.....	302	70007849.....	33	70008543.....	257	70029512.....	257
70006067.....	302	70007850.....	33	70008544.....	257	70030360.....	239, 257
70006068.....	302	70007851.....	33	70008545.....	257	70030381.....	239, 258
70006069.....	302	70007852.....	33	70008547.....	257	70031055.....	257
70006070.....	302	70007853.....	33	70008553.....	257	70031095.....	240
70006071.....	302	70007854.....	33	70008558.....	257	70031136.....	239, 257
70006072.....	302	70007855.....	33	70008559.....	257	70031143.....	257
70006074.....	302	70007856.....	33	70008561.....	257	70031144.....	257
70006075.....	302	70007857.....	33	70008564.....	258	70031145.....	239
70006076.....	302	70007858.....	33	70010383.....	69, 71, 698	70031388.....	257
70006077.....	302	70007859.....	33	7001481.....	308	70031474.....	257
70006078.....	302	70007860.....	33	7001998.....	27, 31	7004035.....	85, 87
70006079.....	302	70007861.....	33	70023592.....	215, 235, 698	7004036.....	85, 87
70006080.....	302	70007862.....	33	70023593.....	215, 235, 698	7004043.....	85, 87
70006093.....	358, 362	70007863.....	33	70023606.....	61	7004044.....	85, 87
70006094.....	358, 362	70007864.....	33	70024262.....	457	7004045.....	85, 87
70006095.....	358, 362, 698	70007865.....	33	70024494.....	240	7004047.....	85, 87
70006096.....	358, 362	70007866.....	33	70024504.....	239, 257	7004049.....	85, 87
70006097.....	358, 362	70007867.....	33	70024505.....	257	7004275.....	705
70006104.....	461	70007868.....	33	70024507.....	239	7004276.....	705
70006105.....	461	70007869.....	33	70024513.....	239, 257	7007289.....	308
70006144.....	239	70007870.....	33	70024904.....	240, 258	7007415.....	307, 308
70006256.....	371	70007871.....	33	70024905.....	239, 258	7007419.....	307
70006271.....	371	70007872.....	33	70024906.....	239, 258	7007420.....	307, 308
70006356.....	183, 197, 211, 231, 249, 279, 293	70007873.....	33	70024913.....	258	7007493.....	308
70006379.....	302	70007874.....	33	70024915.....	239	7007495.....	307
70006428.....	702	70007875.....	33	70024917.....	257	7007601.....	27, 31
70006429.....	703	70007876.....	33	70024920.....	257	7007640.....	27, 31
70006552.....	334, 338	70007877.....	33	70024925.....	239	7010429.....	27, 31
70006553.....	334, 338, 699	70007878.....	33	70024961.....	239	7010543.....	61
70006639.....	302	70007896.....	469	70025082.....	203	7012513.....	317, 321, 325, 329
70006640.....	302	70007897.....	469	70025084.....	203, 204	7012514.....	317, 321, 326, 329
70006652.....	239	70007898.....	469	70025086.....	204	7012558.....	321
70006660.....	387	70007899.....	469	70025088.....	203	7012967.....	61, 463
7000731.....	28	70007900.....	469	70025091.....	203	7012974.....	61
70007325.....	239, 257	70008244.....	455	70025121.....	204	7012998.....	461, 463
70007326.....	240, 257	70008246.....	455	70025123.....	203, 204	7016331.....	203, 240, 258, 698
70007354.....	239, 257	70008247.....	455	70025130.....	257	7016654.....	705
70007360.....	469	70008253.....	105	70025131.....	204		
70007556.....	389	70008254.....	105	70025135.....	239		
		70008256.....	105	70025139.....	203		



## SECTION 11 - SPECIAL OPTIONS/ACCESSORIES/KITS

7017059.....	27, 31	7021268.....	307	7024881.....	61	8229249.....	425, 699
7017067.....	27, 31	7021276.....	308	7024884.....	463	8305401... 186, 200, 214,	
7017070.....	27, 31	7021277.....	308	7024885.....	61, 698	234, 253, 282, 296	
7017080.....	27, 31	7021278.....	308	7026042.....	91	8307109... 186, 200, 214,	
7017142.....	379	7021281.....	307	7026043.....	91	234, 253, 282, 296	
7017159.....	379	7021290.....	308	7026044.....	91	8310129.....	433
7017162.....	379	7021293.....	307	7026045.....	91	8310548... 186, 200, 215,	
7017163.....	379	7021299.....	308	7026046.....	91	234, 253, 282, 296	
7017164.....	379	7021625.....	61	7026047.....	91	8310614.....	107
7017172.....	379	7021639.....	61	7026048.....	91	8310668.....	371
7017192.....	379	7022300.....	307	7026049.....	91	8310686... 138, 142, 146,	
7017195.....	379	7022341.....	307	7026050.....	91	150, 154	
7017410.....	61	7022346.....	308	7026051.....	91	8405006... 209, 221, 227,	
7017467.....	461, 463	7022347.....	308	7026052.....	91	245, 265, 267	
7017496.....	61, 461, 463	7022390.....	73, 461	7026053.....	91	8405007.... 215, 235, 253	
7017904.....	301	7022397.....	61	7026057.....	91	8405009... 215, 235, 253,	
7017932.....	301	7022399.....	61, 73	7026188.....	349, 353	283, 297	
7017959.....	302	7023154.....	301	7026199.....	321, 325, 329	8405102.....	283, 297
7017992.....	302, 698	7023318.....	85, 87	7026330.....	75	8405104... 215, 235, 253,	
7019680... 321, 326, 330		7023900.....	73	7026597.....	349, 353, 358	283, 297	
7020023.....	203, 698	7023936.....	73	7026626.... 349, 353, 358,		8405202... 215, 235, 253,	
7020026.....	203	7024182.....	27, 28	362		283, 297	
7020108... 317, 321, 326,		7024189.....	28	7027236.....	203	8405203.....	283, 297
329		7024190.....	28	7027350.....	91	8405204.... 215, 235, 253	
7020109... 317, 321, 326,		7024191.....	28	7027351.....	91	8406109... 187, 201, 215,	
329		7024192.....	28	7027352.....	91	235, 253, 283, 297	
7020110... 317, 321, 326,		7024193.....	28	7027353.....	91	8406110... 216, 236, 253,	
329		7024194.....	28	7027354.....	91	283, 297	
7020111... 317, 321, 326,		7024196.....	28	7027356.....	91	8406201... 216, 236, 253,	
330		7024197.....	28	7027356.....	387	283, 297	
7020190... 317, 321, 326,		7024379.....	85, 87	7027628.....	387, 698	8410001.....	283, 297
330		7024380.....	85, 87	7027790.....	204	8410009.....	283, 297
7020403.....	203	7024381.....	85, 87	7027791.....	204	8410011.....	284
7020430.....	203	7024389.....	85, 87	7027792.....	204	8410013... 181, 191, 195,	
7020460.....	203	7024390.....	85, 87	7027796.....	204	209, 221, 227	
7020465.... 203, 240, 258		7024441.....	99, 103	7027799.... 349, 353, 358,		8430007... 209, 221, 227,	
7020468.....	203	7024453.....	85, 87	362		245	
7020471.....	204	7024485... 349, 353, 698		7027887.... 318, 321, 326,		84521061.....	329
7020479.....	204	7024488... 349, 353, 357,		330		84521062.....	361
7020492.....	203, 204	361		7027903.....	204	85841094.....	276, 290
7021237.....	307	7024489... 349, 353, 357,		77363233.....	613	8760477.... 476, 482, 488	
7021238.....	307	361		80484084.....	597, 601	8770289.... 476, 482, 488	
7021239.....	307	7024565.....	204	80633030.....	488	8786514.....	49
7021240.....	307	7024579... 203, 240, 258		80963067.....	644, 648	88521214.....	447, 449
7021241.....	307	7024705.....	27	80983191.....	597, 698	88662523. 138, 142, 146,	
7021242.....	307	7024712.....	27, 31	82033995.....	284, 298	150, 154	
7021243.....	307	7024713.....	27, 31	8220045.... 609, 611, 643,		8881800... 107, 538, 542,	
7021248.....	307	7024714.....	27, 31	647		546, 550, 554, 558, 562	
7021249.....	307	7024715.....	27, 31	8220051.....	607	91164057.....	73
7021253.....	307	7024716.....	27, 31	8220115.....	597	91164059.....	73
7021257.....	307	7024717.....	27	8220125.....	644, 648	91164079.....	73
7021258.....	307	7024718.....	28	8220164.....	597	91203039.....	381
7021259.....	307	7024800.....	307	8229242.... 597, 643, 644,			
7021262.....	307	7024855.....	307	648, 699			
7021263.....	307	7024857.....	307	8229244.... 644, 648, 699			
7021265.....	307	7024858.....	307	8229245.... 609, 611, 699			



**Corporate Office  
JLG Industries, Inc.  
1 JLG Drive  
McConnellsburg, PA 17233-9533 USA**  
☎ **(717) 485-5161 (Corporate)**  
☎ **(877) 554-5438 (Customer Support)**  
📠 **(717) 485-6417**

**Visit our website for JLG Worldwide Locations.  
[www.jlg.com](http://www.jlg.com)**



**OSHKOSH™**