



Illustrated Parts Manual

Model 520AJ HC3

PVC
2207

P/N
31220653

July 10, 2023 - Rev C

ANSI

CE



**UK
CA**

AS/NZS



An Oshkosh Corporation Company

REVISION LOG

July 1, 2022 - A - Original Issue of Manual (Edited to B/M 1001246976 Revision M)
November 15, 2022 - B - Revised Manual (Edited to B/M 1001246976 Revision W)
July 10, 2023 - C - Revised Manual (Edited to B/M 1001246976 Revision X)

GENERAL INFORMATION



1) MACHINE IDENTIFICATION

Machines are identified by model and in some cases a combination of models, serial number (SN) or regional standard (i.e ANSI, CE, CSA). Components may also be identified by SN or manufacturer. Common components that may be identified by these characteristics are engines and hydraulic components.

2) PARTS MANUAL ORGANIZATION

Product information in this manual is organized under section titles. Frame, Cylinder, Hydraulic and Electrical are a few examples. Each section is organized by figure and page number. The information within the Figure is then organized by item number, part number, description and corresponding illustration (s).

3) TABLE OF CONTENTS (NOT SHOWN)

A table of contents is found toward the beginning of the manual. Figure number, description and page number are provided for quick reference to the page containing the related information.

4) RECOMMENDED SPARE PARTS (NOT SHOWN)

The Recommended Spare Parts List, located near the end of the manual, reference most frequently used maintenance parts.

5) PART NUMBER INDEX (NOT SHOWN)

A numerical index listing all part numbers and the corresponding page number(s) appears at the back of the manual.

GENERAL INFORMATION

6) NON-SERVICED PARTS

In some instances, it is necessary to display non-serviced parts, assemblies or installations. In the case of assemblies and installations there will be a Ref in the Qty. column. In case of parts that are not available for service within assemblies or components, there will be a NSS (Not Sold Separately) or NLA (No Longer Available) listed in the Qty. column of the manual.

7) PARTS LIST ITEM NUMBERS

Numbers shown in the item# column correspond to numbers used in the associated illustration (s). Item numbers which are missing from the sequence in the parts list are not used on that page.

8) INDENTED PARTS DESCRIPTION

An indented part description is included in the item under which it is indented.

9) ABBREVIATION AND SYMBOLS

| | | | |
|-------------|--|--------------|---------------------------------|
| AC..... | Alternating Current | L..... | Liter |
| ADE..... | Advanced Design Electronics | LB(LBS)..... | Pounds |
| AG..... | Agricultural | LCD..... | Liquid Crystal Display |
| ANSI..... | American National Standards Institute | LED..... | Light Emitting Diodes |
| AR..... | As Required | LH..... | Left Hand |
| ASSY..... | Assembly | LRC..... | Low Rated Countries |
| AUS..... | Australia | LSS..... | Load Sensing System |
| AUX..... | Auxiliary | M(m)..... | Metric/Meter |
| AWG..... | American Wire Gauge | MM(mm)..... | Milimeter |
| B/M..... | Bill of Material | mA..... | Miliamps |
| CAC..... | Charge Air Cooler | NLA..... | No Longer Available |
| CE..... | European Conformity | NPT..... | National Pipe Threads |
| CCW..... | Counter Clockwise | NSS..... | Not Sold Separately |
| CM..... | Centimeter | OD..... | Outside Diameter |
| CW..... | Clockwise | ORB..... | O-Ring Boss |
| CSA..... | Canadian Standards Association | ORFS..... | O-Ring Face Seal |
| CYL..... | Cylinder | OZ (oz)..... | Ounces |
| DIA..... | Diameter | PG..... | Page |
| DC..... | Direct Current | PN..... | Part Number |
| DEF..... | Diesel Exhaust Fluid | QT(qt.)..... | Quarts |
| EMS..... | Emergency Stop | QTY..... | Quantity |
| ENG..... | Engine | REF..... | Reference |
| FT(ft)..... | Feet | REV..... | Revision Level |
| GA(Ga)..... | Gauge | RH..... | Right Hand |
| HRC..... | High Rated Countries | SAE..... | Society of Automotive Engineers |
| HVAC..... | Heating, Ventilating, and Air Conditioning | SN..... | Serial Number |
| HYD..... | Hydraulic | SPEC(S)..... | Specifications |
| Hz..... | Hertz | T/T..... | Turntable |
| ID..... | Inside Diameter | UGM..... | Universal Ground Module |
| IN..... | inches | V..... | Volts |
| ISO..... | International Organization for Standards | W..... | Watts |
| JIC..... | Joint Industry Council | #..... | Number |
| KG..... | Kilogram | | |

10) ILLUSTRATION REFERENCE LETTERS

When necessary, illustrations may contain reference letters that are intended to track information (i. e. hoses, harnesses) from one point to another or to track visual enlargement of components to show details that may be located in another area on the illustration.

Note: Due to continuous product improvements, JLG Industries, Inc. reserves the right to make specification changes without prior notification. Contact JLG Industries, Inc. for updated information.

TABLE OF CONTENTS

| | |
|--|-----|
| SECTION 1 - FRAME..... | 13 |
| FIGURE 1-1. AXLE INSTALLATION | 14 |
| FIGURE 1-2. STEER INSTALLATION..... | 16 |
| FIGURE 1-3. WHEEL DRIVE INSTALLATION..... | 18 |
| FIGURE 1-4. DRIVE MOTOR ASSEMBLY | 20 |
| FIGURE 1-5. DRIVE HUB ASSEMBLY | 22 |
| FIGURE 1-6. FRAME SHIELD INSTALLATION | 26 |
| FIGURE 1-7. TIRE AND WHEEL INSTALLATION - 14 X17.5 FOAM FILLED | 28 |
| FIGURE 1-8. TIRE AND WHEEL INSTALLATION - 14 X17.5 FOAM FILLED NON-MARKING | 30 |
| FIGURE 1-9. TIRE AND WHEEL INSTALLATION - 33 X 12-20 FOAM FILLED | 32 |
| FIGURE 1-10. TIRE AND WHEEL INSTALLATION - 33 X 12-20 SOLID NON-MARKING | 34 |
| FIGURE 1-11. VALVES INSTALLATION - FRAME MOUNTED..... | 36 |
| FIGURE 1-12. TRACTION VALVE ASSEMBLY..... | 38 |
| SECTION 2 - TURNTABLE..... | 41 |
| FIGURE 2-1. VALVES INSTALLATION - TURNTABLE MOUNTED | 42 |
| FIGURE 2-2. MAIN VALVE ASSEMBLY | 44 |
| FIGURE 2-3. AUXILIARY PUMP ASSEMBLY..... | 46 |
| FIGURE 2-4. SWING DRIVE AND TURNTABLE BEARING INSTALLATION (Prior to SN B300018433)..... | 48 |
| FIGURE 2-5. SWING DRIVE AND TURNTABLE BEARING INSTALLATION (SN B300018433 to Present)..... | 50 |
| FIGURE 2-6. SWING MOTOR ASSEMBLY (Prior to SN B300018433) | 52 |
| FIGURE 2-7. SWING MOTOR ASSEMBLY (SN B300018433 to Present) | 54 |
| FIGURE 2-8. TURNTABLE BEARING ASSEMBLY | 56 |
| FIGURE 2-9. TURNTABLE COVERS INSTALLATION | 58 |
| FIGURE 2-10. TURNTABLE LOCK INSTALLATION..... | 60 |
| FIGURE 2-11. TANKS INSTALLATION (HYDRAULIC TANK WITH 4 INCH BREATHER)..... | 62 |
| FIGURE 2-12. TANKS INSTALLATION (HYDRAULIC TANK WITH 6 INCH BREATHER)..... | 64 |
| FIGURE 2-13. HYDRAULIC TANK ASSEMBLY - WITH 4 INCH BREATHER | 66 |
| FIGURE 2-14. DRIVE ORIENTATION INSTALLATION | 68 |
| FIGURE 2-15. GROUND CONTROL ASSEMBLY (ANSI EXPORT AND AUSTRALIAN SPECS)..... | 70 |
| FIGURE 2-16. GROUND CONTROL ASSEMBLY (CE(LRC), CIS/EAC & UK CA SPECS)..... | 72 |
| FIGURE 2-17. GROUND CONTROL ASSEMBLY (CE & UK CA SPECS)..... | 74 |
| FIGURE 2-18. LIGHT PANEL INSTALLATION – GROUND CONTROL | 76 |
| FIGURE 2-19. ELECTRICAL SYSTEM INSTALLATION (Prior to SN B300017702)..... | 78 |
| FIGURE 2-20. ELECTRICAL SYSTEM INSTALLATION (SN B300017702 to Present)..... | 82 |
| FIGURE 2-21. BATTERY AND CABLE INSTALLATION..... | 86 |
| FIGURE 2-22. BEACON LIGHT INSTALLATION - AMBER (Prior to SN B300017702) | 88 |
| FIGURE 2-23. BEACON LIGHT INSTALLATION - AMBER (SN B300017702 to Present) | 90 |
| FIGURE 2-24. BEACON LIGHT INSTALLATION - BLUE | 92 |
| FIGURE 2-25. BEACON LIGHT INSTALLATION - RED | 94 |
| FIGURE 2-26. HOODS INSTALLATION (ABS)..... | 96 |
| FIGURE 2-27. HOODS INSTALLATION (STEEL)..... | 100 |
| FIGURE 2-28. HOOD ASSEMBLY (ABS) - ENGINE SIDE | 104 |
| FIGURE 2-29. HOOD ASSEMBLY (ABS) - TANK SIDE | 106 |
| FIGURE 2-30. HOOD ASSEMBLY (STEEL) - ENGINE SIDE | 108 |

TABLE OF CONTENTS

| | |
|--|-----|
| FIGURE 2-31. HOOD ASSEMBLY (STEEL) - TANK SIDE | 110 |
| FIGURE 2-32. WHITE NOISE AMBIENT ALARM INSTALLATION | 112 |
| FIGURE 2-33. WHITE NOISE ALARM INSTALLATION | 114 |
| SECTION 3 - ENGINE | 117 |
| FIGURE 3-1. ENGINE INSTALLATION - DEUTZ D2011 (WITHOUT ARCTIC PACKAGE) (ANSI EXPORT, AUSTRALIAN, CE (LRC), CIS/EAC & UK CA SPECS)..... | 118 |
| FIGURE 3-2. ENGINE AND PUMP SUB-ASSEMBLY - DEUTZ D2011 (WITHOUT ARCTIC PACKAGE) (ANSI EXPORT, AUSTRALIAN, CE (LRC), CIS/EAC & UK CA SPECS) | 122 |
| FIGURE 3-3. ENGINE ASSEMBLY - DEUTZ D2011 (WITHOUT ARCTIC PACKAGE) (ANSI EXPORT, AUSTRALIAN, CE (LRC), CIS/EAC & UK CA SPECS) | 124 |
| FIGURE 3-4. ENGINE COMPONENTS - DEUTZ D2011..... | 128 |
| FIGURE 3-5. ENGINE INSTALLATION - DEUTZ D2.9L4 (STAGE V) (CE & UK CA SPECS) | 132 |
| FIGURE 3-6. ENGINE AND PUMP SUB-ASSEMBLY-DEUTZ (STAGE V) (CE & UK CA SPECS) | 138 |
| FIGURE 3-7. ENGINE ASSEMBLY - DEUTZ STAGE V ENGINE (CE & UK CA SPECS)..... | 140 |
| FIGURE 3-8. ENGINE COMPONENTS - DEUTZ D2.9L4 (STAGE V) (CE & UK CA SPECS) | 146 |
| FIGURE 3-9. MOTOR MOUNT INSTALLATION (STAGE V ENGINES WITHOUT GENERATOR)..... | 150 |
| FIGURE 3-10. MOTOR MOUNT INSTALLATION (STAGE V ENGINES WITH GENERATOR) | 152 |
| FIGURE 3-11. BRACKET ASSEMBLY - FUEL PUMP AND FILTER (DEUTZ D2.9L4 ENGINE) (STAGE V)..... | 154 |
| FIGURE 3-12. BREATHER HEATER INSTALLATION - DEUTZ D2.9L4 ENGINES (STAGE V) (CE SPECS) | 156 |
| FIGURE 3-13. PUMP COUPLING KIT – DEUTZ ENGINES | 158 |
| FIGURE 3-14. PISTON PUMP ASSEMBLY..... | 160 |
| FIGURE 3-15. SPARK ARRESTOR INSTALLATION - DEUTZ D2011 ENGINE | 164 |
| FIGURE 3-16. ENGINE BAFFLE INSTALLATION - WITH DEUTZ ENGINES..... | 166 |
| FIGURE 3-17. GENERATOR INSTALLATION - 4000W/50HZ (DEUTZ D2011 ENGINE)..... | 168 |
| FIGURE 3-18. GENERATOR INSTALLATION - 4000W/50HZ (DEUTZ (STAGE V) ENGINE) | 172 |
| FIGURE 3-19. GENERATOR INSTALLATION - 7500W/50HZ (DEUTZ D2011 ENGINE)..... | 176 |
| SECTION 4 - BOOM..... | 181 |
| FIGURE 4-1. BOOMS AND CYLINDERS INSTALLATION..... | 182 |
| FIGURE 4-2. JIB INSTALLATION | 184 |
| FIGURE 4-3. MAIN BOOM ASSEMBLY | 186 |
| FIGURE 4-4. TOWER BOOM ASSEMBLY | 188 |
| FIGURE 4-5. ROTATOR ASSEMBLY..... | 190 |
| FIGURE 4-6. PLATFORM SUPPORT INSTALLATION | 192 |
| FIGURE 4-7. VALVES INSTALLATION - BOOM MOUNTED | 194 |
| FIGURE 4-8. UPRIGHT VALVE ASSEMBLY..... | 196 |
| FIGURE 4-9. BOOM VALVE ASSEMBLY | 198 |
| SECTION 5 - PLATFORM | 201 |
| FIGURE 5-1. PLATFORM ASSEMBLY - 30IN X 3FT- SIDE DROP BAR ENTRY | 202 |
| FIGURE 5-2. PLATFORM ASSEMBLY - 30IN X 4FT- SIDE DROP BAR ENTRY | 204 |
| FIGURE 5-3. PLATFORM ASSEMBLY - 30IN X 5FT- SIDE DROP BAR ENTRY | 206 |
| FIGURE 5-4. PLATFORM ASSEMBLY - 30IN X 5FT- SIDE GATE ENTRY | 208 |
| FIGURE 5-5. PLATFORM ASSEMBLY - 30IN X 5FT (76CM X 1.22M) - FALL ARREST REAR ENTRY | 210 |
| FIGURE 5-6. PLATFORM ASSEMBLY - 30IN X 6FT- SIDE DROP BAR ENTRY | 212 |
| FIGURE 5-7. PLATFORM ASSEMBLY - 30IN X 6FT- SIDE GATE ENTRY | 214 |

TABLE OF CONTENTS

| | |
|---|-----|
| FIGURE 5-8. CONSOLE BOX INSTALLATION | 216 |
| FIGURE 5-9. PLATFORM CONSOLE BOX ASSEMBLY | 218 |
| FIGURE 5-10. LIGHT PANEL INSTALLATION - PLATFORM CONSOLE | 220 |
| FIGURE 5-11. CONTROLLER ASSEMBLY - DRIVE AND STEER | 222 |
| FIGURE 5-12. CONTROLLER ASSEMBLY - LIFT AND SWING | 224 |
| FIGURE 5-13. FALL ARREST INSTALLATION (BOLT-ON) (5FT/1.52M PLATFORM) | 228 |
| FIGURE 5-14. FOOTSWITCH ASSEMBLY | 230 |
| FIGURE 5-15. TRAY ASSEMBLY | 232 |
| FIGURE 5-16. SKYEYE INSTALLATION | 234 |
| FIGURE 5-17. SKYGUARD BAR INSTALLATION | 236 |
| FIGURE 5-18. SKYLINE INSTALLATION | 238 |
| FIGURE 5-19. SKYGLAZIER INSTALLATION (AUSTRALIAN SPECS) | 240 |
| FIGURE 5-20. SOFT TOUCH INSTALLATION (WITHOUT FALL ARREST) | 242 |
| FIGURE 5-21. SOFT TOUCH INSTALLATION (WITH FALL ARREST) | 244 |
| FIGURE 5-22. USB CHARGER INSTALLATION | 246 |
| SECTION 6 - CYLINDER | 249 |
| FIGURE 6-1. AXLE LOCKOUT CYLINDER ASSEMBLY | 250 |
| FIGURE 6-2. JIB CYLINDER ASSEMBLY | 252 |
| FIGURE 6-3. LEVEL CYLINDER ASSEMBLY | 254 |
| FIGURE 6-4. LIFT CYLINDER ASSEMBLY | 256 |
| FIGURE 6-5. MASTER CYLINDER ASSEMBLY | 258 |
| FIGURE 6-6. STEER CYLINDER ASSEMBLY | 260 |
| FIGURE 6-7. TELESCOPE CYLINDER ASSEMBLY | 262 |
| FIGURE 6-8. TOWER LIFT CYLINDER ASSEMBLY | 264 |
| SECTION 7 - HYDRAULIC | 267 |
| FIGURE 7-1. HYDRAULIC SYSTEM INSTALLATION | 268 |
| SECTION 8 - ELECTRICAL | 275 |
| FIGURE 8-1. AC BOX AT PLATFORM INSTALLATION - 110V IEC YELLOW (CE, CIS/EAC & UK CA SPECS WITH 4000W/50HZ GENERATOR) | 276 |
| FIGURE 8-2. AC BOX AT PLATFORM INSTALLATION - 110V IEC 60309 YELLOW WITHOUT 2500W GENERATOR (CE, CIS/EAC & UK CA SPECS) | 278 |
| FIGURE 8-3. AC BOX AT PLATFORM INSTALLATION - 220V IEC BLUE (CE, CIS/EAC & UK CA SPECS WITH 4000W/50HZ GENERATOR) | 280 |
| FIGURE 8-4. AC BOX AT PLATFORM INSTALLATION - 220V IEC 60309 BLUE WITHOUT 2500W GENERATOR (CE, CIS/EAC & UK CA SPECS) | 282 |
| FIGURE 8-5. AC BOX AT PLATFORM INSTALLATION - 220V CEE7 POST GROUND (2X4 BOX) WITHOUT 2500W GENERATOR (CE, CIS/EAC & UK CA SPECS) | 284 |
| FIGURE 8-6. AC BOX AT PLATFORM INSTALLATION - 220V CEE7 SIDE GROUND (2X4 BOX) WITHOUT 2500W GENERATOR (CE, CIS/EAC & UK CA SPECS) | 286 |
| FIGURE 8-7. AC BOX AT PLATFORM INSTALLATION - 220V CEE7 2IN X 4IN POST GROUND (CE, CIS/EAC & UK CA SPECS WITH 4000W/50HZ GENERATOR) | 288 |
| FIGURE 8-8. AC BOX AT PLATFORM INSTALLATION - 220V CEE7 2IN X 4IN SIDE GROUND (CE, CIS/EAC & UK CA SPECS WITH 4000W/50HZ GENERATOR) | 290 |
| FIGURE 8-9. AC BOX AT PLATFORM INSTALLATION - 220V AFSINT107 (CE, CIS/EAC & UK CA SPECS WITH 4000W/50HZ GENERATOR) | 292 |
| FIGURE 8-10. AC BOX AT PLATFORM INSTALLATION - 220V AFSINT 107 KEYED GROUND (2X4 BOX) WITHOUT 2500W GENERATOR (CE, CIS/EAC & UK CA SPECS) | 294 |

TABLE OF CONTENTS

| | |
|--|-----|
| FIGURE 8-11. AC BOX AT PLATFORM INSTALLATION - 220V CUSTOMER SUPPLIED COMPONENTS (ALL SPECS)..... | 296 |
| FIGURE 8-12. AC CABLE INSTALLATION - WITH TWO BREAKERS (CE, CIS/EAC & UK CA SPECS) | 298 |
| FIGURE 8-13. AC CABLE INSTALLATION - WITH THREE BREAKERS (CE, CIS/EAC & UK CA SPECS)..... | 300 |
| FIGURE 8-14. BATTERY DISCONNECT SWITCH | 302 |
| FIGURE 8-15. BEACON JUMPER HARNESS (Prior to SN B300017702) | 304 |
| FIGURE 8-16. BEACON JUMPER HARNESS (SN B300017702 to Present)..... | 306 |
| FIGURE 8-17. BEACON LIGHT HARNESS (BLUE AND RED BEACON LIGHT) | 308 |
| FIGURE 8-18. BOOM CABLES & CLAMPS INSTALLATION (4000W GENERATOR)..... | 310 |
| FIGURE 8-19. BOOM CABLES & CLAMPS INSTALLATION (7500W SKYPOWER GENERATOR) | 314 |
| FIGURE 8-20. BOOM HARNESS - MAIN BOOM | 318 |
| FIGURE 8-21. BOOM HARNESS - MAIN BOOM (8/5 4000W GENERATOR) | 320 |
| FIGURE 8-22. BOOM HARNESS - TOWER BOOM..... | 322 |
| FIGURE 8-23. BOOM HARNESS - TOWER BOOM (8/5 4000W GENERATOR)..... | 324 |
| FIGURE 8-24. BOOM SENSORS INSTALLATION..... | 326 |
| FIGURE 8-25. BOOM SENSOR HARNESS | 328 |
| FIGURE 8-26. BREAKER BOX KIT WITH SINGLE DOUBLE POLE BREAKER (CE, CIS/EAC & UK CA SPEC) | 330 |
| FIGURE 8-27. BREAKER BOX KIT WITH THREE BREAKERS (CE, CIS/EAC & UK CA SPEC) | 332 |
| FIGURE 8-28. BREAKER BOX KIT - 30MA/16 AMP | 334 |
| FIGURE 8-29. CAPACITY HARNESS | 336 |
| FIGURE 8-30. CHASSIS SOLENOID HARNESS | 338 |
| FIGURE 8-31. ENGINE HARNESS - DEUTZ D2011 | 340 |
| FIGURE 8-32. ENGINE HARNESS..... | 342 |
| FIGURE 8-33. FUEL HARNESS - DEUTZ D2.9L4 ENGINE | 346 |
| FIGURE 8-34. GENERATOR HARNESS - 2500W GENERATOR (50HZ) | 348 |
| FIGURE 8-35. GENERATOR HARNESS - 4000W GENERATOR | 350 |
| FIGURE 8-36. GROUND CONTROL PANEL HARNESS | 352 |
| FIGURE 8-37. PLATFORM CONSOLE BOX HARNESS..... | 354 |
| FIGURE 8-38. PLATFORM INTERFACE HARNESS..... | 356 |
| FIGURE 8-39. RECEPTACLE BOX KIT - 110V IEC YELLOW (CE, CIS/EAC & UK CA SPEC)..... | 358 |
| FIGURE 8-40. RECEPTACLE BOX KIT - 220V IEC BLUE (CE, CIS/EAC & UK CA SPEC) | 360 |
| FIGURE 8-41. RECEPTACLE BOX KIT - 220V CEE7 POST GROUND 2IN X 4IN BOX (CE, CIS/EAC & UK CA SPEC)..... | 362 |
| FIGURE 8-42. RECEPTACLE BOX KIT - 220V CEE7 SIDE GROUND 2IN X 4IN BOX (CE, CIS/EAC & UK CA SPEC) | 364 |
| FIGURE 8-43. RECEPTACLE BOX KIT - 220V AFSINT 107 (CE, CIS/EAC & UK CA SPEC)..... | 366 |
| FIGURE 8-44. SKYEYE INTERMEDIATE HARNESS | 368 |
| FIGURE 8-45. SKYEYE RECEIVER HARNESS..... | 370 |
| FIGURE 8-46. SKYEYE EMITTER HARNESS | 372 |
| FIGURE 8-47. SKYLINE HARNESS | 374 |
| FIGURE 8-48. TRANSPORT HARNESS | 376 |
| FIGURE 8-49. TURNTABLE HARNESS (Prior to SN B300017702)..... | 378 |
| FIGURE 8-50. TURNTABLE HARNESS (SN B300017702 to Present) | 382 |
| FIGURE 8-51. VALVE HARNESS - BOOM VALVE | 386 |
| FIGURE 8-52. VALVE HARNESS - MAIN VALVE (Prior to SN B300017702) | 388 |
| FIGURE 8-53. VALVE HARNESS - MAIN VALVE (SN B300017702 to Present) | 390 |
| FIGURE 8-54. VALVE HARNESS - PLATFORM VALVE..... | 392 |
| SECTION 9 - DECALS | 395 |

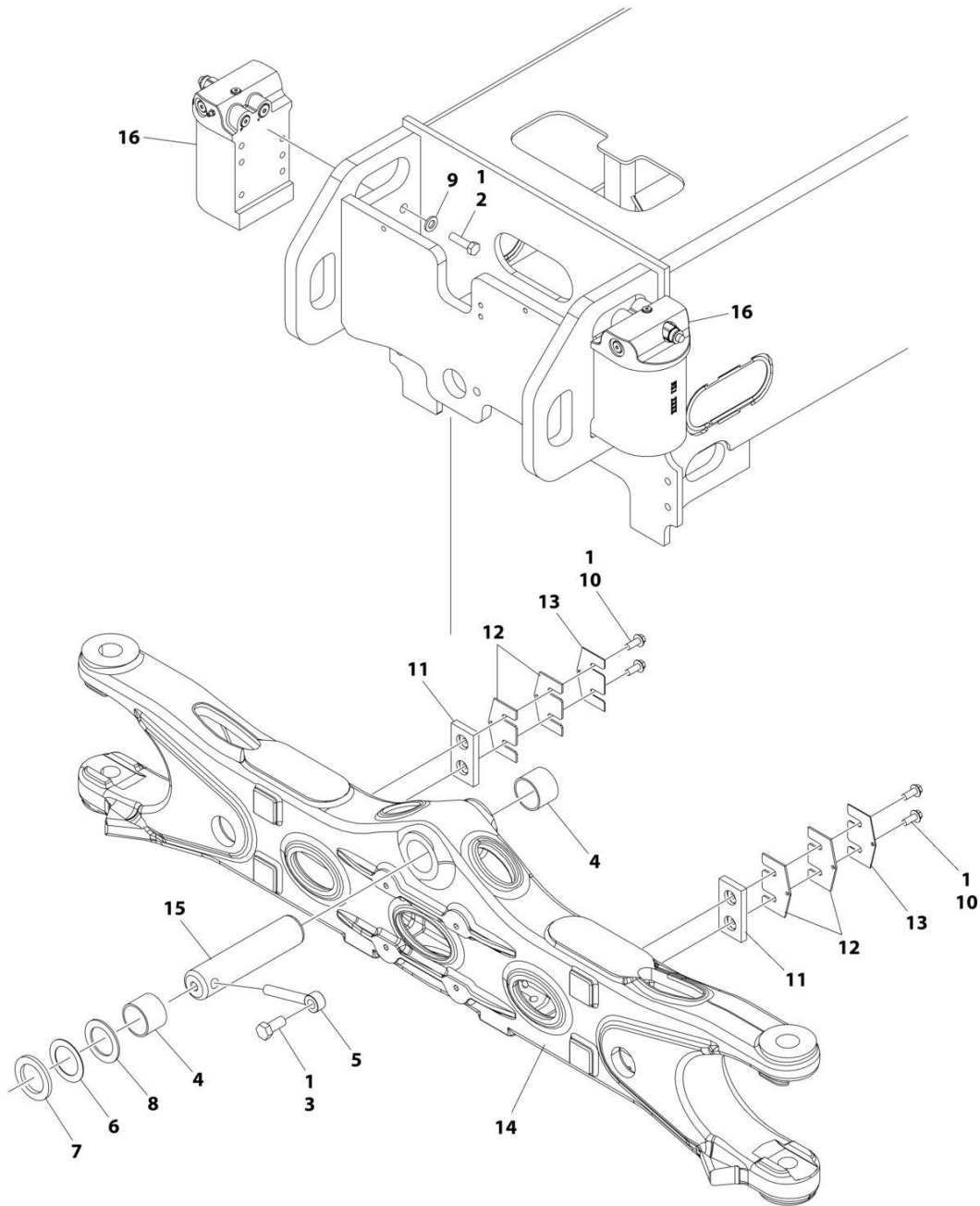
TABLE OF CONTENTS

| | |
|--|-----|
| FIGURE 9-1. DECAL INSTALLATION - ANSI EXPORT (ENGLISH LANGUAGE) | 396 |
| FIGURE 9-2. DECAL INSTALLATION - AUSTRALIAN SPEC (ENGLISH LANGUAGE) | 398 |
| FIGURE 9-3. DECAL INSTALLATION - CE, CIS/EAC & UK CA SPEC (ENGLISH LANGUAGE) | 400 |
| FIGURE 9-4. DECAL INSTALLATION - ANSI EXPORT (CHINESE/ENGLISH LANGUAGES) | 402 |
| FIGURE 9-5. DECAL INSTALLATION - OPTIONS | 404 |
| SECTION 10 - RECOMMENDED SERVICE PARTS STOCK | 407 |
| FIGURE 10-1. RECOMMENDED SERVICE PARTS STOCK | 408 |
| SECTION 11 - SPECIAL OPTIONS/ACCESORIES/KITS..... | 411 |
| FIGURE 11-1. SPECIAL OPTIONS/ACCESORIES/KITS | 412 |
| PART NUMBER INDEX | 415 |

SECTION 1 - FRAME

SECTION 1 - FRAME

FIGURE 1-1. AXLE INSTALLATION



ART_1001264981

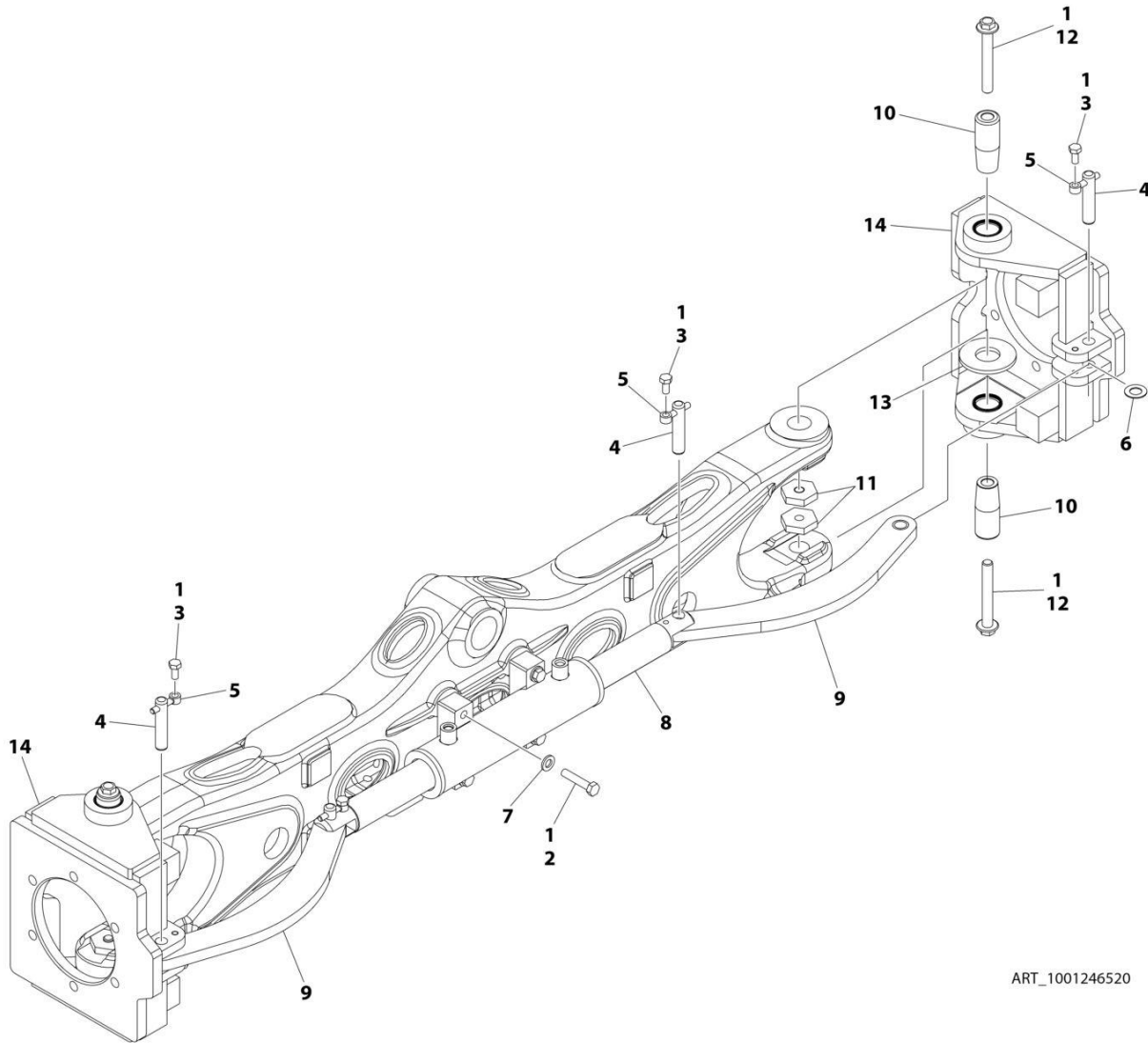
SECTION 1 - FRAME

FIGURE 1-1. AXLE INSTALLATION

| ITEM | PART NUMBER | QTY | DESCRIPTION | REV |
|------|-------------|-----|---|-----|
| | 1001264981 | Ref | AXLE INSTALLATION | B |
| 1 | 0100011 | AR | Compound, Locking | |
| 2 | 0701217 | 8 | Bolt M12 x 45 | |
| 3 | 0761615 | 1 | Bolt M16 x 35 | |
| 4 | 0961950 | 2 | Bearing | |
| 5 | 3841258 | 1 | Keeper, Pin | |
| 6 | 4071101 | AR | Shim | |
| 7 | 4740158 | AR | Washer | |
| 8 | 4740229 | AR | Washer | |
| 9 | 5241200 | 8 | Washer M12 | |
| 10 | 5251012 | 4 | Bolt M10 x 25 | |
| 11 | 1001118511 | 2 | Pad, Wear | |
| 12 | 1001118518 | AR | Shim 11Ga | |
| 13 | 1001118519 | AR | Shim 16Ga | |
| 14 | 1001162995 | 1 | Axle | |
| 15 | 1001185030 | 1 | Pin | |
| 16 | 1001256179 | 2 | Axle Lockout Cylinder Assembly (See Separate Breakdown in CYLINDER Section) | |

SECTION 1 - FRAME

FIGURE 1-2. STEER INSTALLATION



ART_1001246520

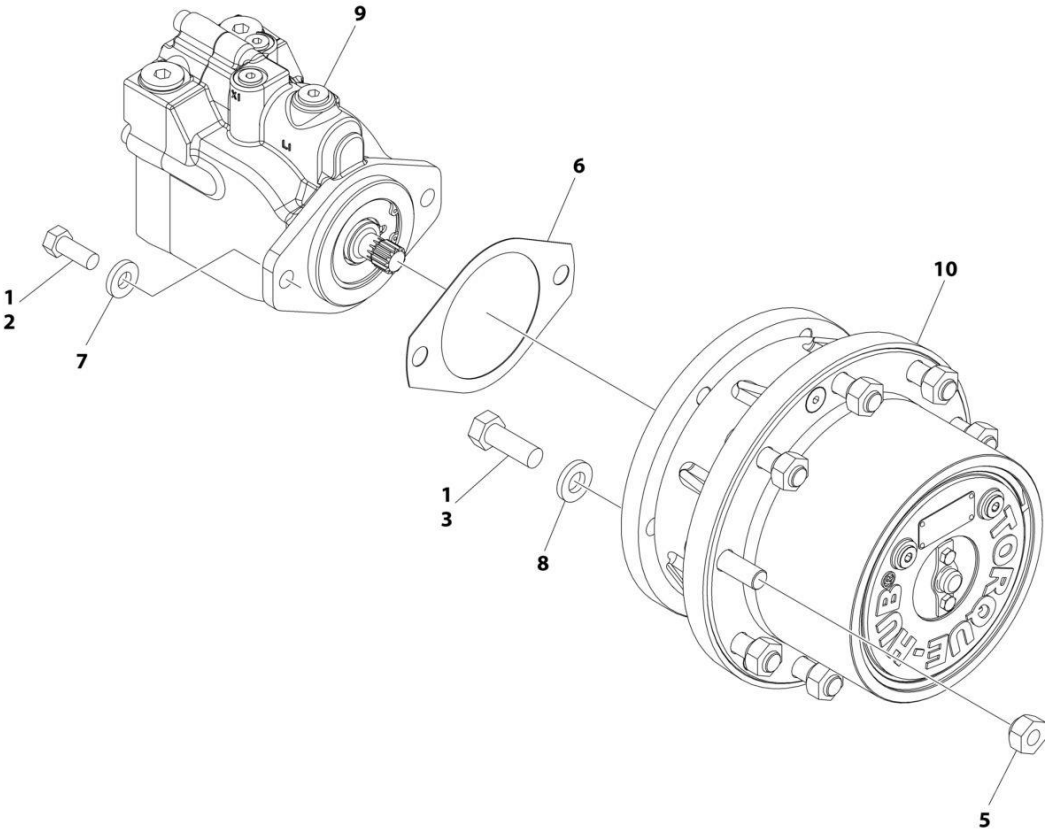
SECTION 1 - FRAME

FIGURE 1-2. STEER INSTALLATION

| ITEM | PART NUMBER | QTY | DESCRIPTION | REV |
|------|-------------|-----|--|-----|
| | 1001246520 | Ref | STEER INSTALLATION - WITHOUT TOW PACKAGE | A |
| 1 | 0100011 | AR | Compound, Locking | |
| 2 | 0711220 | 4 | Bolt M12 x 60 Grade 10.9 | |
| 3 | 0761011 | 4 | Bolt M10 x 22 | |
| 4 | 3423304 | 4 | Pin | |
| 5 | 3841520 | 4 | Keeper | |
| 6 | 4740086 | 4 | Washer | |
| 7 | 5241200 | 4 | Washer M12 | |
| 8 | 1001163178 | 1 | Steer Cylinder Assembly (See Separate Breakdown in CYLINDER Section) | |
| 9 | 1001163179 | 2 | Link | |
| 9 | 1001164209 | 4 | Bearing (2 Per Link) | |
| 10 | 1001163405 | 4 | Kingpin | |
| 11 | 1001176848 | 4 | Nut M16 | |
| 12 | 1001190368 | 4 | Bolt M16 x 120 | |
| 13 | 1001233139 | 2 | Bearing, Thrust | |
| 14 | 1001246551 | 2 | Spindle | |
| 14 | 0961948 | 4 | Bearing (2 Per Spindle) | |
| 14 | 1001163716 | 2 | Seal (1 Per Spindle) | |

SECTION 1 - FRAME

FIGURE 1-3. WHEEL DRIVE INSTALLATION



ART_1001254652

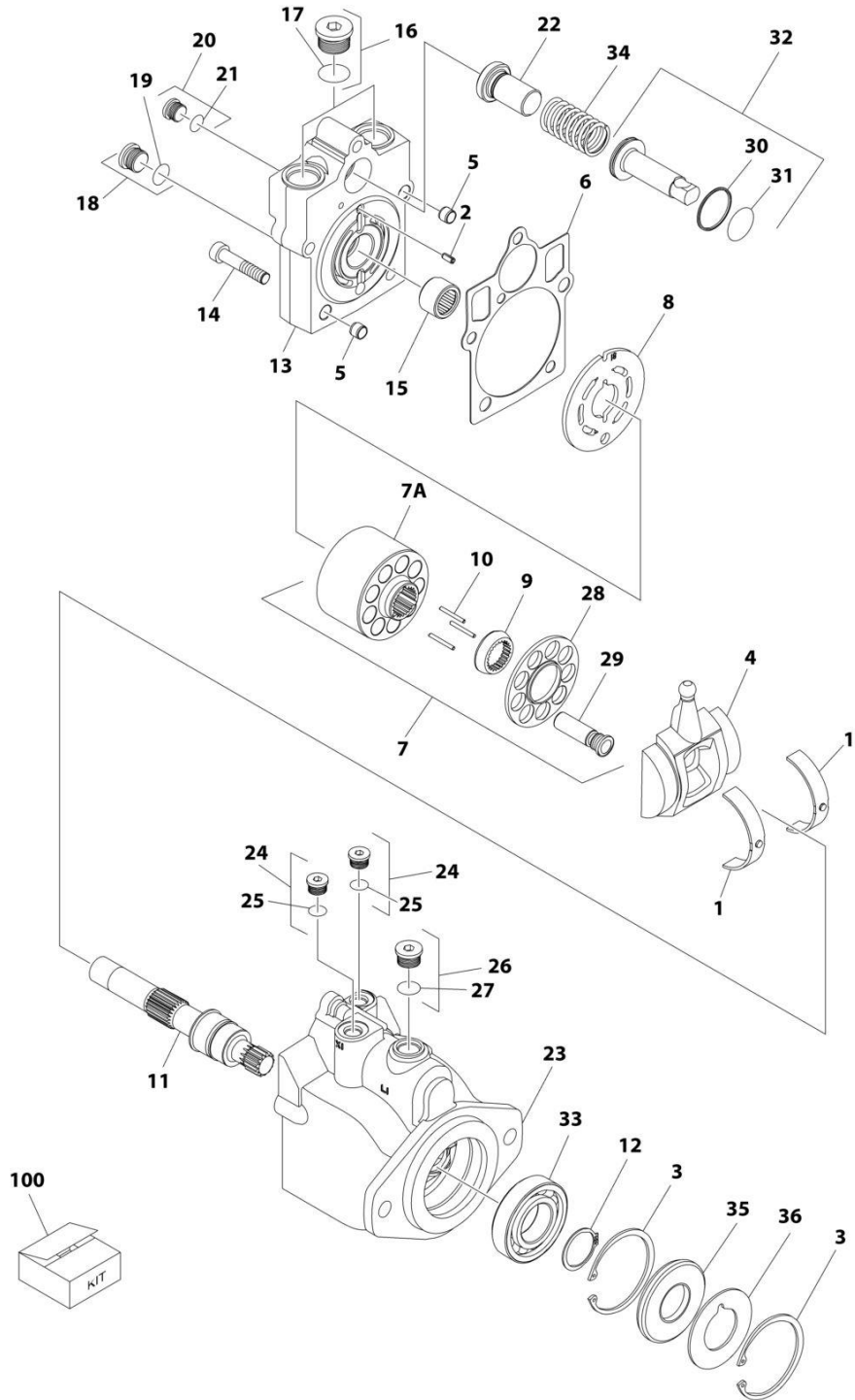
SECTION 1 - FRAME

FIGURE 1-3. WHEEL DRIVE INSTALLATION

| ITEM | PART NUMBER | QTY | DESCRIPTION | REV |
|------|-------------|-----|---|-----|
| | 1001254652 | Ref | WHEEL DRIVE INSTALLATION (4WD) | C |
| 1 | 0100011 | AR | Compound, Locking | |
| 2 | 0681810 | 8 | Bolt 1/2 x 1-1/4 Grade 8 | |
| 3 | 0682013 | 24 | Bolt 5/8 x 1-5/8 Grade 8 | |
| 4 | 3020008 | AR | Lubricant, Gear (Not Shown) | |
| 5 | 3300106 | 36 | Lugnut | |
| 6 | 3960526 | 4 | Gasket, Brake | |
| 7 | 4891800 | 8 | Washer 1/2 | |
| 8 | 4892000 | 24 | Washer 5/8 | |
| 9 | 1001245759 | 4 | Drive Motor Assembly (See Separate Breakdown in this Section) | |
| 10 | 1001252541 | 4 | Drive Hub Assembly (See Separate Breakdown in this Section) | |

SECTION 1 - FRAME

FIGURE 1-4. DRIVE MOTOR ASSEMBLY



ART_1001245759

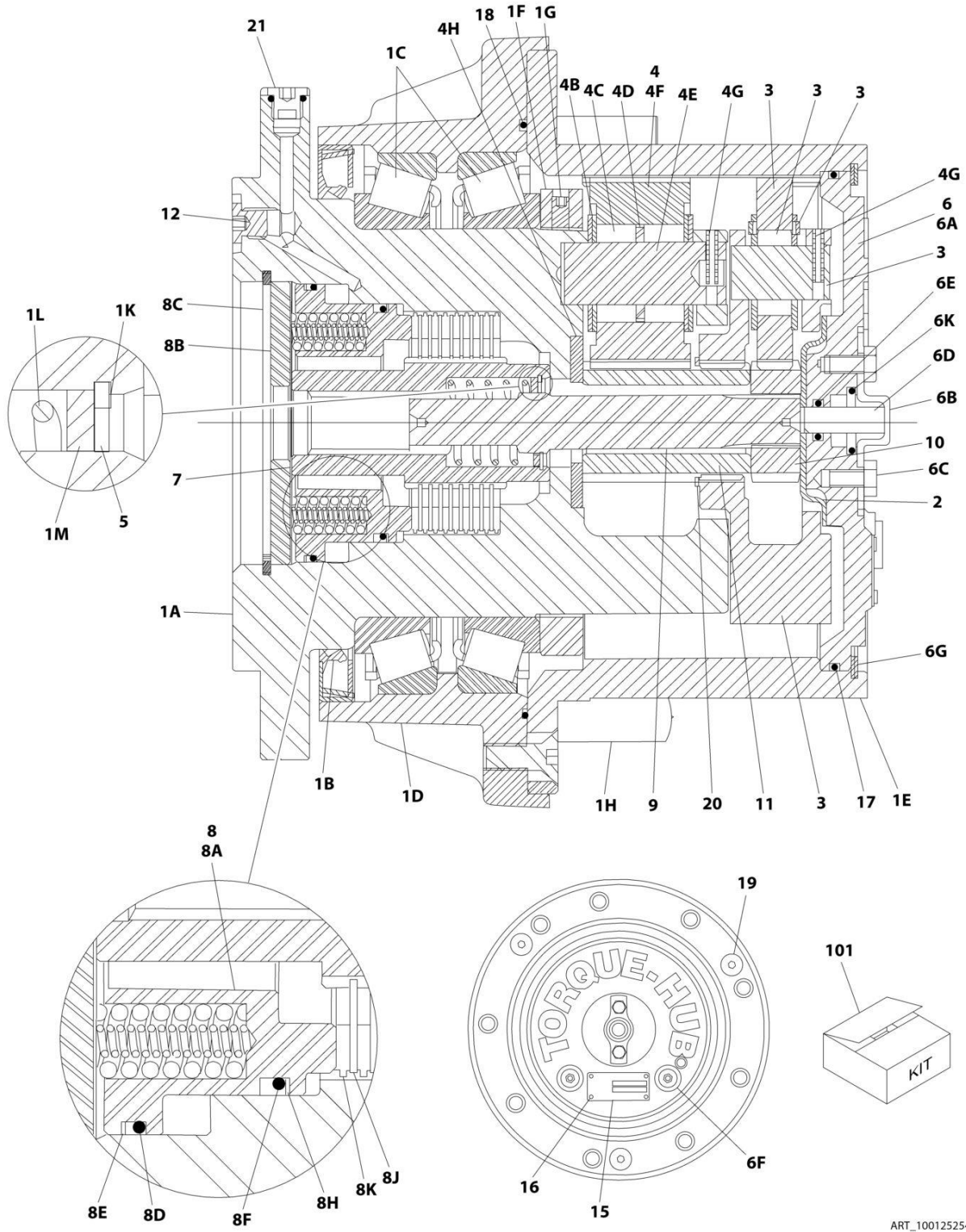
SECTION 1 - FRAME

FIGURE 1-4. DRIVE MOTOR ASSEMBLY

| ITEM | PART NUMBER | QTY | DESCRIPTION | REV |
|------|-------------|-----|--|-----|
| | 1001245759 | Ref | DRIVE MOTOR ASSEMBLY | C |
| 1 | 70007145 | 1 | Bearing Kit | |
| 2 | 7007446 | 1 | Pin | |
| 3 | 7007438 | 2 | Ring, Retaining | |
| 4 | 70000794 | 1 | Swash Plate | |
| 5 | 70003628 | 2 | Pin | |
| 6 | See Note | NSS | Gasket (Note: Use Item 100) | |
| 7 | 7027740 | 1 | Cylinder Block Kit (Includes Items 7A, 9, 28 & 29) | |
| 7A | 70007146 | 1 | Block, Cylinder | |
| 8 | 70000854 | 1 | Plate, Valve | |
| 9 | 70000856 | 1 | Guide, Slipper Retainer | |
| 10 | 7021275 | 3 | Pin, Slipper Hold Down | |
| 11 | 7023910 | 1 | Shaft | |
| 12 | 7007439 | 1 | Ring, Retaining | |
| 13 | 70000795 | 1 | Cap, End - Axial | |
| 14 | 7022368 | 5 | Screw | |
| 15 | 7021249 | 1 | Bearing, Needle | |
| 16 | 7007419 | 1 | Plug (Includes Item 17) | |
| 17 | See Note | NSS | O-Ring (Note: Use Item 17 or 100) | |
| 18 | 7022321 | 1 | Plug (Includes Item 19) | |
| 19 | See Note | NSS | O-Ring (Note: Use Item 19 or 100) | |
| 20 | 2220883 | 1 | Plug (Includes Item 21) | |
| 21 | See Note | NSS | O-Ring (Note: Use Item 21 or 100) | |
| 22 | 70007142 | 1 | Seat, Spring | |
| 23 | 70001932 | 1 | Housing | |
| 24 | 7007420 | 2 | Plug (Includes Item 25) | |
| 25 | See Note | NSS | O-Ring (Note: Use Item 25 or 100) | |
| 26 | 7022321 | 1 | Plug (Includes Item 27) | |
| 27 | See Note | NSS | O-Ring (Note: Use Item 27 or 100) | |
| 28 | 7000857 | 1 | Retainer, Slipper | |
| 29 | 7024865 | 9 | Piston Assembly | |
| 30 | See Note | NSS | O-Ring (Note: Use Item 100) | |
| 31 | See Note | NSS | Ring, Seal (Note: Use Item 100) | |
| 32 | 7024871 | 1 | Piston, Servo (Includes Items 30 & 31) | |
| 33 | 70007143 | 1 | Bearing | |
| 34 | 7022326 | 1 | Spring | |
| 35 | See Note | 1 | Seal, Lip (Note: Use Item 100) | |
| 36 | 7022371 | 1 | Washer, Support | |
| 37 | | Ref | KIT OPTIONS: | |
| 100 | 7022328 | 1 | Seal Kit (Includes Items 6, 17, 19, 21, 25, 27, 30 & 35) | |

SECTION 1 - FRAME

FIGURE 1-5. DRIVE HUB ASSEMBLY



ART_1001252541

SECTION 1 - FRAME

FIGURE 1-5. DRIVE HUB ASSEMBLY

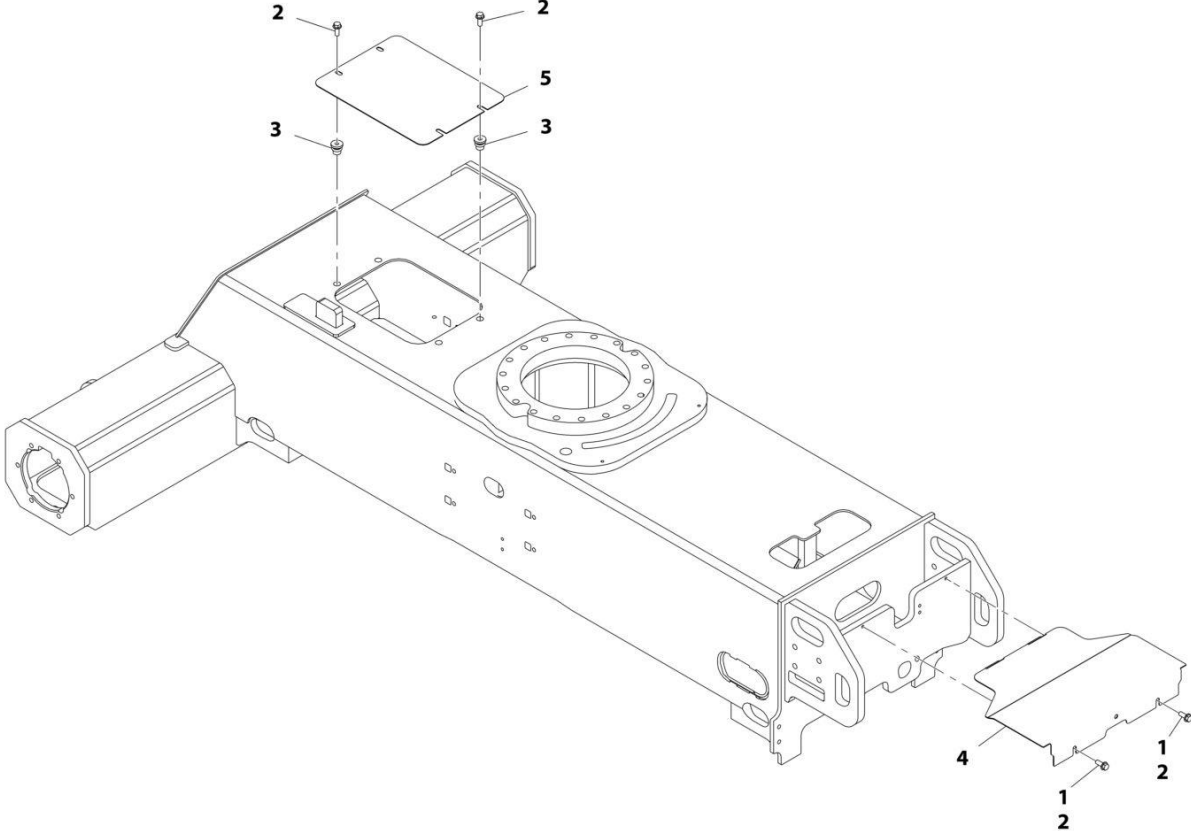
| ITEM | PART NUMBER | QTY | DESCRIPTION | REV |
|------|-------------|-----|---|-----|
| | 1001252541 | Ref | DRIVE HUB AND BRAKE ASSEMBLY | C |
| 1 | See Note | Ref | Spindle Sub-Assembly (Note : Not Shown - Not Available as Assembly. Purchase Individual Components) | |
| 1A | 7024729 | 1 | Spindle | |
| 1B | 70001119 | 1 | Seal, Lip | |
| 1C | 7024735 | 2 | Bearing, Tapered | |
| 1D | See Note | NSS | Housing (Note: Not Available for Purchase) | |
| 1E | 7024730 | 1 | Gear, Ring | |
| 1F | 70003000 | 1 | Nut, Bearing | |
| 1G | 70002996 | 2 | Screw | |
| 1H | 7007640 | 9 | Stud | |
| 1K | 70005613 | 1 | Ring, Retaining (Internal) | |
| 1L | 7024124 | 1 | Spring | |
| 1M | 7024129 | 1 | Thrust washer | |
| 2 | 7024741 | 1 | Spacer, Thrust | |
| 3 | 70007171 | 1 | Carrier, Sub-Assembly (Note: Sold as an Assembly Only) | |
| 4 | 70007172 | 1 | Planet Gear Sub-Assembly | |
| 4B | 7024740 | 12 | Thrust washer | |
| 4C | 7024734 | 84 | Bearing, Needle | |
| 4D | 7024736 | 3 | Spacer, Thrust | |
| 4E | 7024726 | 3 | Shaft, Planet | |
| 4F | See Note | NSS | Gear, Planet (Note : Use PN 70007172) | |
| 4G | 7001913 | 3 | Pin, Roll | |
| 4H | 7024742 | 1 | Thrust washer | |
| 5 | 7017027 | 1 | Ring, Retaining (External) | |
| 6 | 70001368 | 1 | Cover Gear Sub-Assembly | |
| 6A | See Note | NSS | Flange, Plate/Cover (Note: Use Item 6) | |
| 6B | 7017093 | 1 | Cap, Disengage | |
| 6C | 7000216 | 2 | Bolt 1/4 x 1/2 | |
| 6D | 7024739 | 1 | Pin, Dowel | |
| 6E | 7017095 | 1 | O-Ring | |
| 6F | 7017072 | 2 | Plug | |
| 6G | 7024738 | 1 | Ring, Retaining (Internal) | |
| 6K | See Note | NSS | O-Ring (Note: Not Available for Purchase) | |
| 7 | 70007170 | 1 | Coupling Sub-Assembly | |
| 8 | 70007173 | 1 | Brake Sub-Assembly | |
| 8A | See Note | NSS | Housing, Brake (Note: Use PN 70007173) | |
| 8B | See Note | NSS | Spacer | |
| 8C | 70004039 | 1 | Ring, Retaining | |
| 8D | 70002070 | 1 | O-Ring | |
| 8E | 70002071 | 1 | Ring, Back-up | |
| 8F | 70002073 | 1 | O-Ring | |
| 8H | 70002072 | 1 | Ring, Back-up | |
| 8J | 70007175 | 8 | Rotor, Brake | |
| 8K | 70007176 | 9 | Stator, Brake | |
| 9 | 70005606 | 1 | Shaft, Input | |
| 10 | 70007174 | 1 | Gear, Sun | |
| 11 | 7024723 | 1 | Gear, Sun | |
| 12 | 7017082 | 1 | Plug | |
| 15 | See Note | NSS | Plate, ID (Note: Not Available for Purchase) | |

SECTION 1 - FRAME

| ITEM | PART NUMBER | QTY | DESCRIPTION | REV |
|------|-------------|-----|---|-----|
| 16 | See Note | NSS | Rivet (Note: Not Available for Purchase) | |
| 17 | 7024134 | 1 | O-Ring | |
| 18 | 70002997 | 1 | O-Ring | |
| 19 | 7017022 | 5 | Bolt (Not Shown) | |
| 20 | 7024737 | 1 | Ring, Retaining (External) | |
| 21 | 70007177 | 1 | Plug | |
| 101 | 7024744 | 1 | Seal Kit (Includes Items 1B, 1F, 1G, 17, 18 & 19) | |

SECTION 1 - FRAME

FIGURE 1-6. FRAME SHIELD INSTALLATION



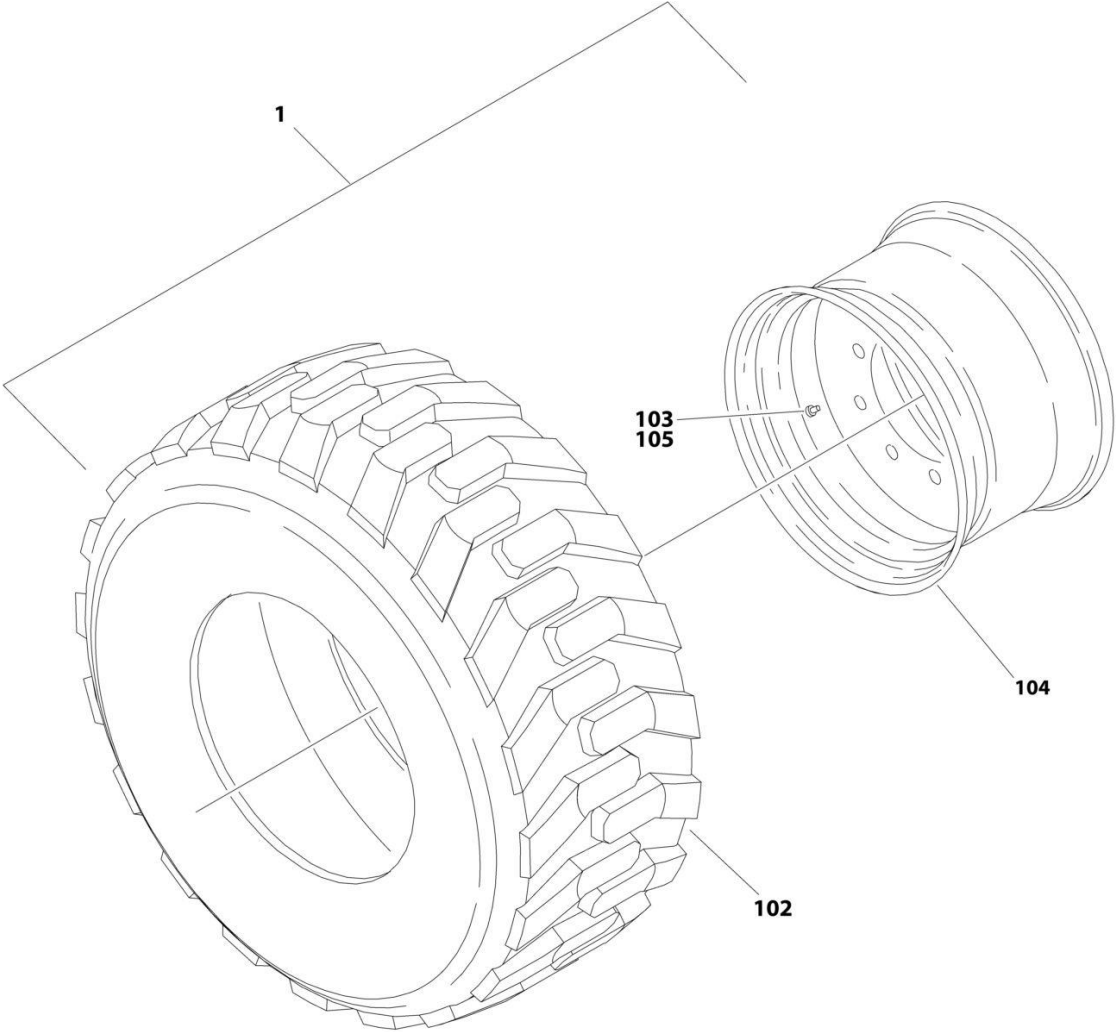
ART_1001162105

FIGURE 1-6. FRAME SHIELD INSTALLATION

| ITEM | PART NUMBER | QTY | DESCRIPTION | REV |
|-------------|--------------------|------------|---------------------------|------------|
| | 1001162105 | Ref | FRAME SHIELD INSTALLATION | B |
| 1 | 0100011 | AR | Compound, Locking | |
| 2 | 5251012 | 6 | Bolt, M10 x 25 | |
| 3 | 1001180916 | 4 | Nut | |
| 4 | 1001162107 | 1 | Plate, Valve Cover | |
| 5 | 1001165968 | 1 | Plate, Cover | |

SECTION 1 - FRAME

FIGURE 1-7. TIRE AND WHEEL INSTALLATION - 14 X17.5 FOAM FILLED



ART_0271998

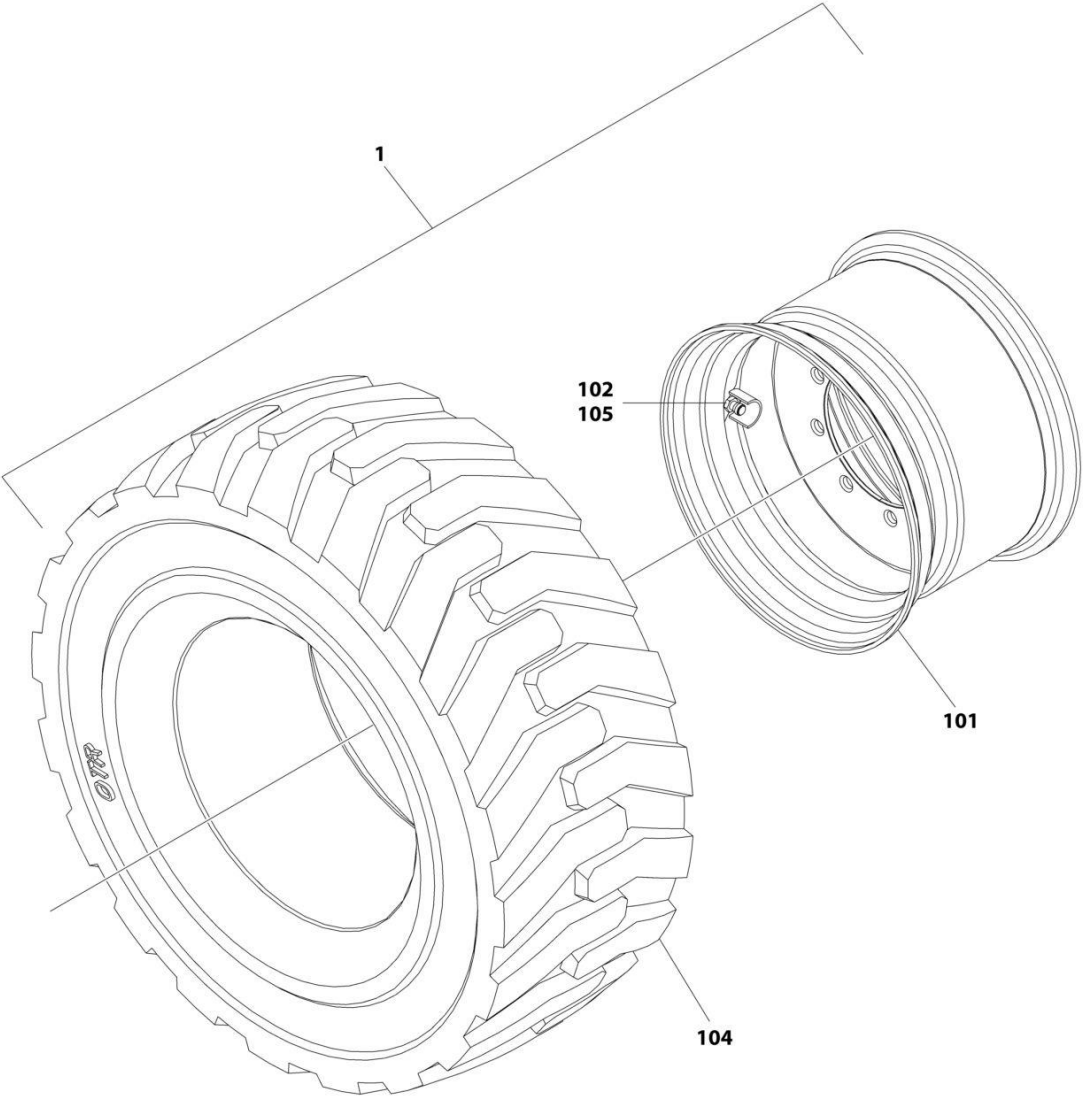
SECTION 1 - FRAME

FIGURE 1-7. TIRE AND WHEEL INSTALLATION - 14 X17.5 FOAM FILLED

| ITEM | PART NUMBER | QTY | DESCRIPTION | REV |
|------|-------------|-----|--|-----|
| | 0271998 | Ref | TIRE AND WHEEL INSTALLATION - 14 X 17.5 FOAM FILLED | B |
| | | Ref | Note: Assemblies may require ballast/foam filling to manufacturer's specifications prior to installing on a machine. Refer to Operation and Safety or Service and Maintenance Manuals. Purchase individual tire and/or rim only if able to foam fill tire and wheel assembly, otherwise, purchase complete assembly. | |
| 1 | 1001148875 | Ref | Tire and Wheel Assembly - 14 x 17.5 (RH Side) | F |
| 1 | 1001148876 | Ref | Tire and Wheel Assembly - 14 x 17.5 (LH Side) | F |
| 102 | 4520259 | 4 | Tire - 14 x 17.5 | |
| 103 | 4641122 | 4 | Valve | |
| 104 | 1001146397 | 4 | Rim, Wheel | |
| 105 | 1001149953 | 4 | Cap, Valve Stem | |

SECTION 1 - FRAME

FIGURE 1-8. TIRE AND WHEEL INSTALLATION - 14 X17.5 FOAM FILLED NON-MARKING



ART_1001258898

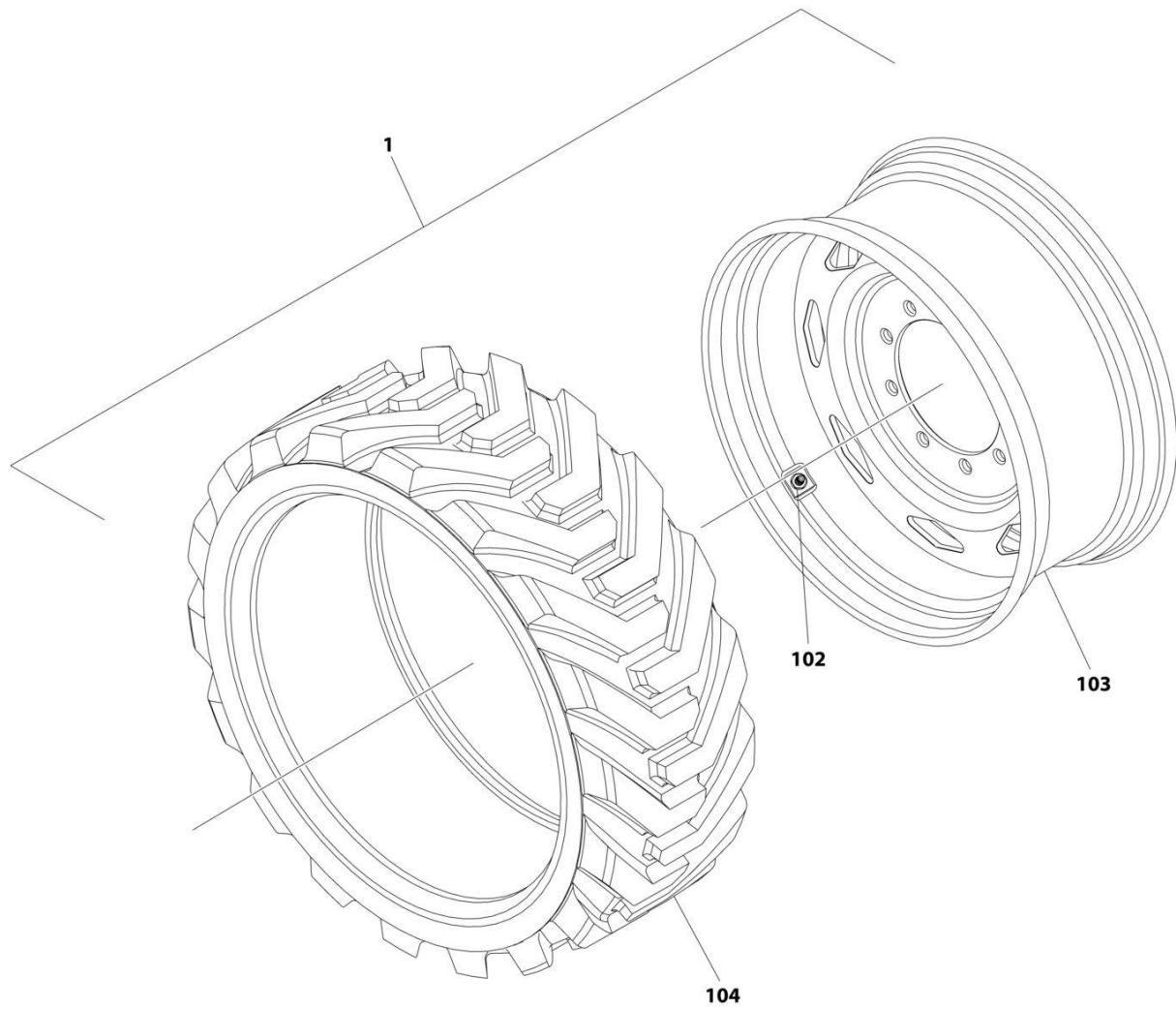
SECTION 1 - FRAME

FIGURE 1-8. TIRE AND WHEEL INSTALLATION - 14 X17.5 FOAM FILLED NON-MARKING

| ITEM | PART NUMBER | QTY | DESCRIPTION | REV |
|------|-------------|------------|--|-----|
| | 1001258898 | Ref Ref | TIRE AND WHEEL INSTALLATION - 14 X 17.5 FF NON-MARKING Note: Assemblies may require ballast/foam filling to manufacturer's specifications prior to installing on a machine. Refer to Operation and Safety or Service and Maintenance Manuals. Purchase individual tire and/or rim only if able to foam fill tire and wheel assembly, otherwise, purchase complete assembly. | A |
| 1 | 1001258896 | 1 | Tire and Wheel Assembly - Right Side | H |
| 1 | 1001258897 | 1 | Tire and Wheel Assembly - Left Side | H |
| 101 | 1001146397 | 1 | Rim, Wheel | |
| 102 | 1001149953 | 1 | Cap, Valve Stem | |
| 104 | 1001258895 | 1 | Tire 14 x 17.5 Non-Marking | |
| 105 | 4641122 | 1 | Valve | |

SECTION 1 - FRAME

FIGURE 1-9. TIRE AND WHEEL INSTALLATION - 33 X 12-20 FOAM FILLED



ART_1001245211

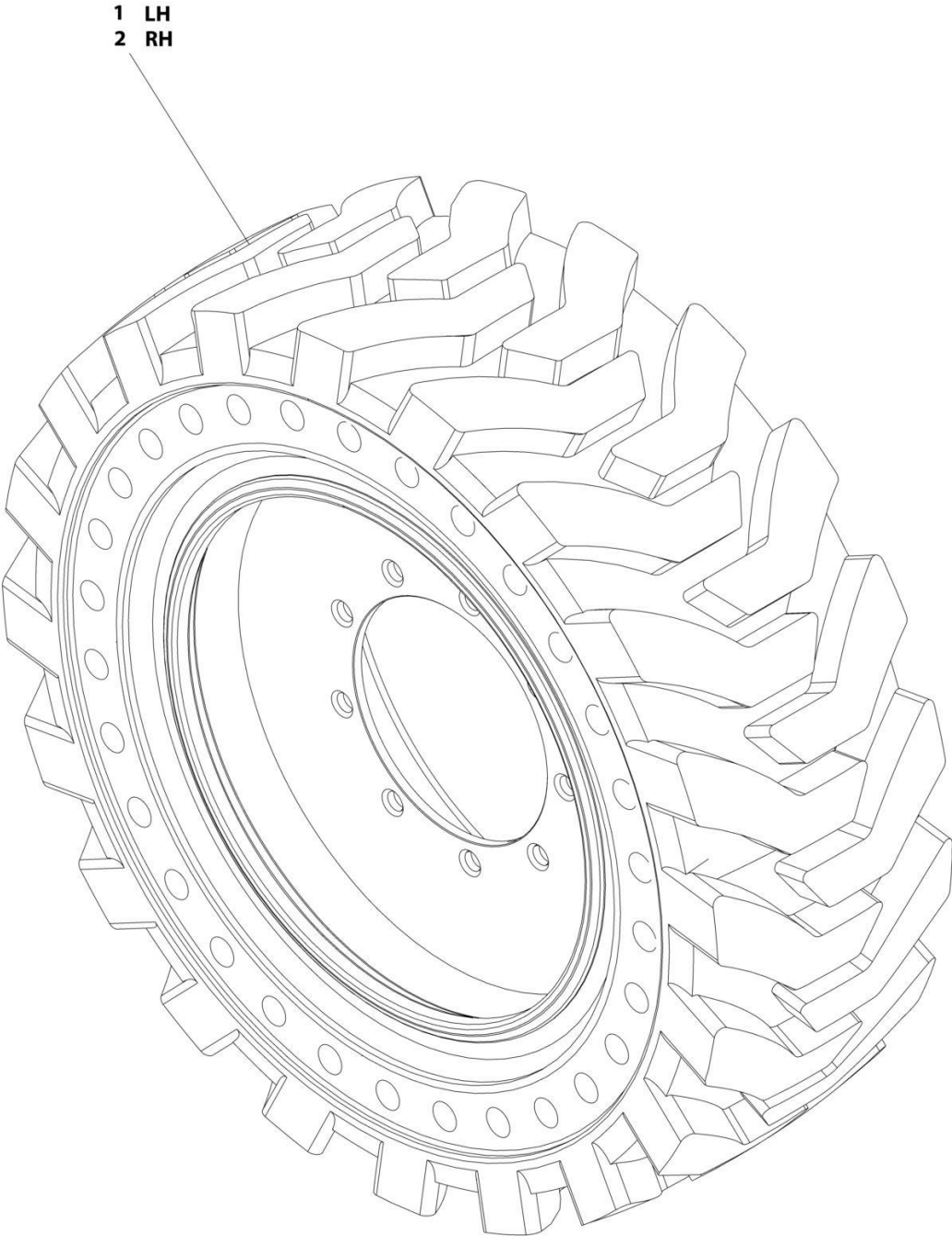
SECTION 1 - FRAME

FIGURE 1-9. TIRE AND WHEEL INSTALLATION - 33 X 12-20 FOAM FILLED

| ITEM | PART NUMBER | QTY | DESCRIPTION | REV |
|------|-------------|-----|--|-----|
| | 1001245211 | Ref | TIRE AND WHEEL INSTALLATION - 33 x 12D610 FOAM-FILLED | A |
| | | Ref | Note: Assemblies may require ballast/foam filling to manufacturer's specifications prior to installing on a machine. Refer to Operation and Safety or Service and Maintenance Manuals. | |
| | | Ref | Note: Purchase individual tire and/or rim only if able to foam fill tire and wheel assembly, otherwise, purchase complete assembly. | |
| 1 | 1001245197 | 2 | Tire and Wheel Assembly - 33 x 12 (RH Side) | |
| 1 | 1001245198 | 2 | Tire and Wheel Assembly - 33 x 12 (LH Side) | |
| 102 | 4641122 | 1 | Valve | |
| 103 | 1001245195 | 1 | Wheel | |
| 104 | 1001245196 | 1 | Tire - 33 x 12 | |

SECTION 1 - FRAME

FIGURE 1-10. TIRE AND WHEEL INSTALLATION - 33 X 12-20 SOLID NON-MARKING



ART_1001169062

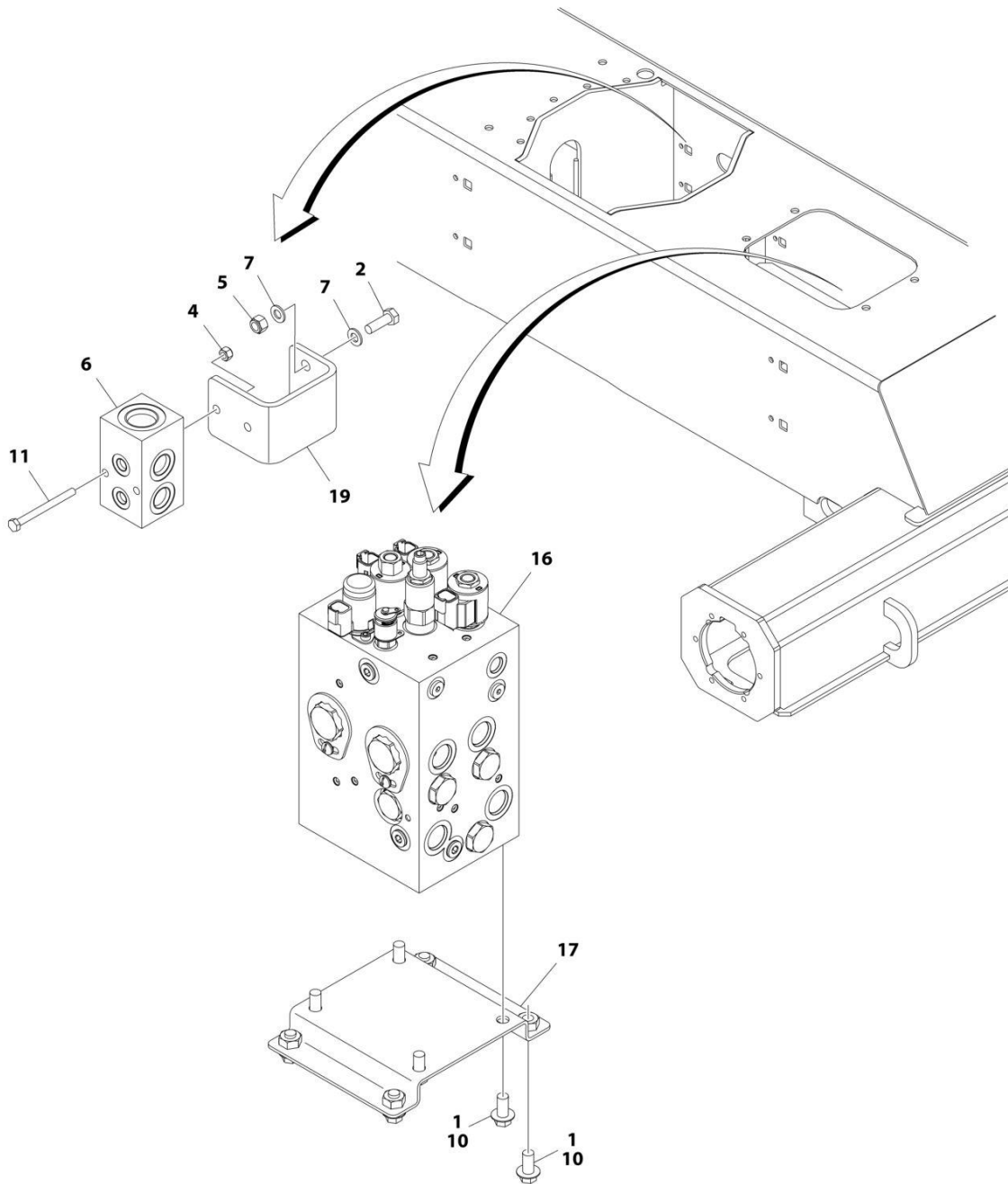
SECTION 1 - FRAME

FIGURE 1-10. TIRE AND WHEEL INSTALLATION - 33 X 12-20 SOLID NON-MARKING

| ITEM | PART NUMBER | QTY | DESCRIPTION | REV |
|------|-------------|-----|--|-----|
| | 1001169062 | Ref | TIRE AND WHEEL INSTALLATION - 33 X 12-20 SOLID NON-MARKING | A |
| | | Ref | Note: Due to critical stable weights, only replace tire and wheel assemblies with like components. | |
| 1 | 1001170098 | 2 | Tire and Wheel Assembly - 33 x 12-20 Solid Non-Marking (LH Side) | |
| 2 | 1001170099 | 2 | Tire and Wheel Assembly - 33 x 12-20 Solid Non-Marking (RH Side) | |

SECTION 1 - FRAME

FIGURE 1-11. VALVES INSTALLATION - FRAME MOUNTED



ART_1001271795_10F3

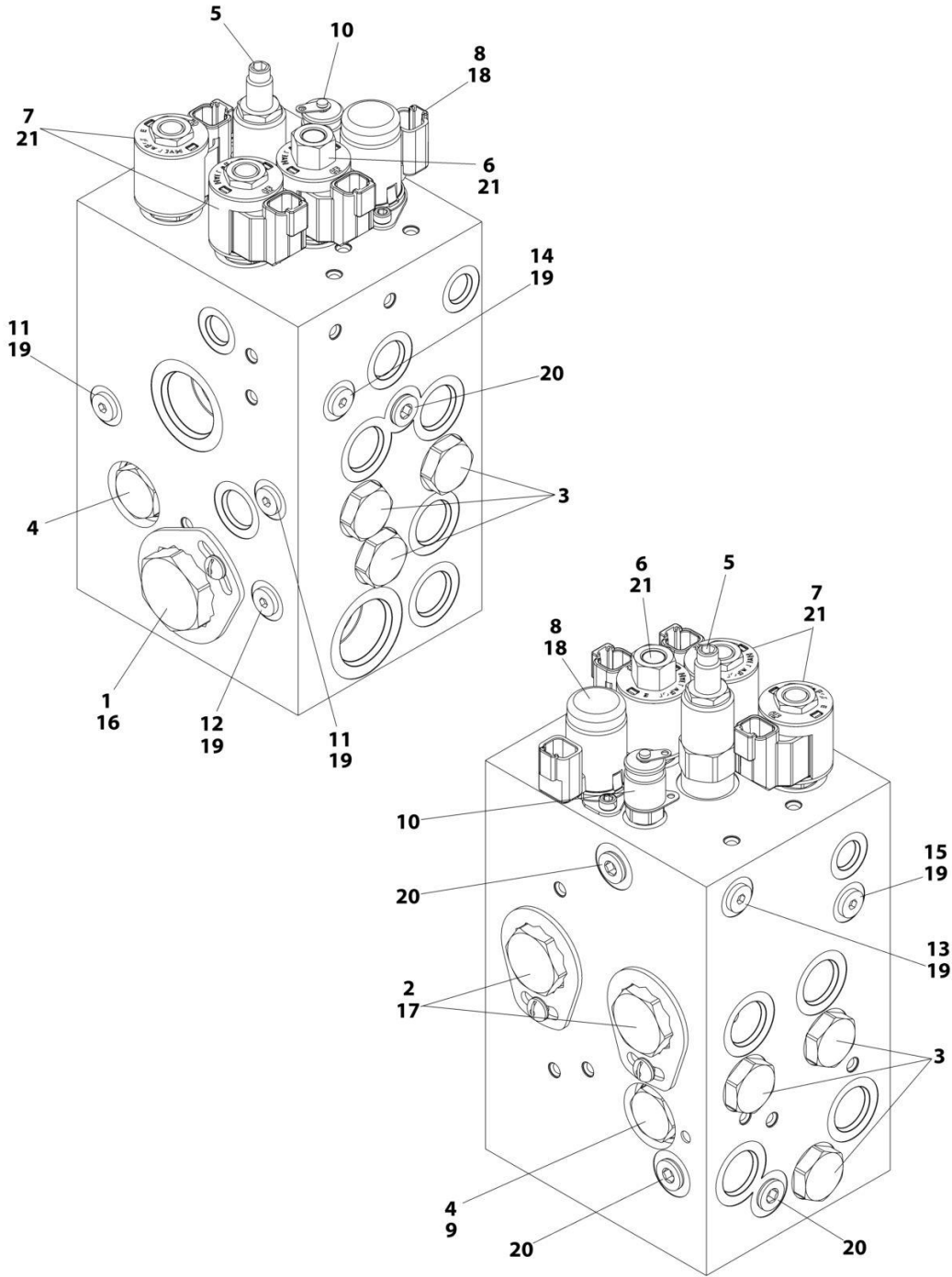
SECTION 1 - FRAME

FIGURE 1-11. VALVES INSTALLATION - FRAME MOUNTED

| ITEM | PART NUMBER | QTY | DESCRIPTION | REV |
|------|-------------|-----|--|-----|
| | 1001271795 | Ref | 4WD VALVES INSTALLATION - BOOM MOUNTED | B |
| 1 | 0100011 | AR | Compound, Locking | |
| 2 | 0760812 | 2 | Bolt M8 x 25 | |
| 4 | 3290605 | 2 | Nut M6 | |
| 5 | 3290805 | 2 | Nut M8 | |
| 6 | 4641155 | 1 | Junction Valve Assembly | |
| 7 | 4811900 | 4 | Washer M8 | |
| 10 | 5251010 | 15 | Bolt M10 x 25 | |
| 11 | 1001096653 | 2 | Bolt M6 x 70 | |
| 16 | 1001162539 | 1 | Traction Valve Assembly (See Separate Breakdown in this Section) | |
| 17 | 1001179517 | 1 | Bracket | |
| 19 | 1001197221 | 1 | Bracket | |

SECTION 1 - FRAME

FIGURE 1-12. TRACTION VALVE ASSEMBLY



ART_1001162539

SECTION 1 - FRAME

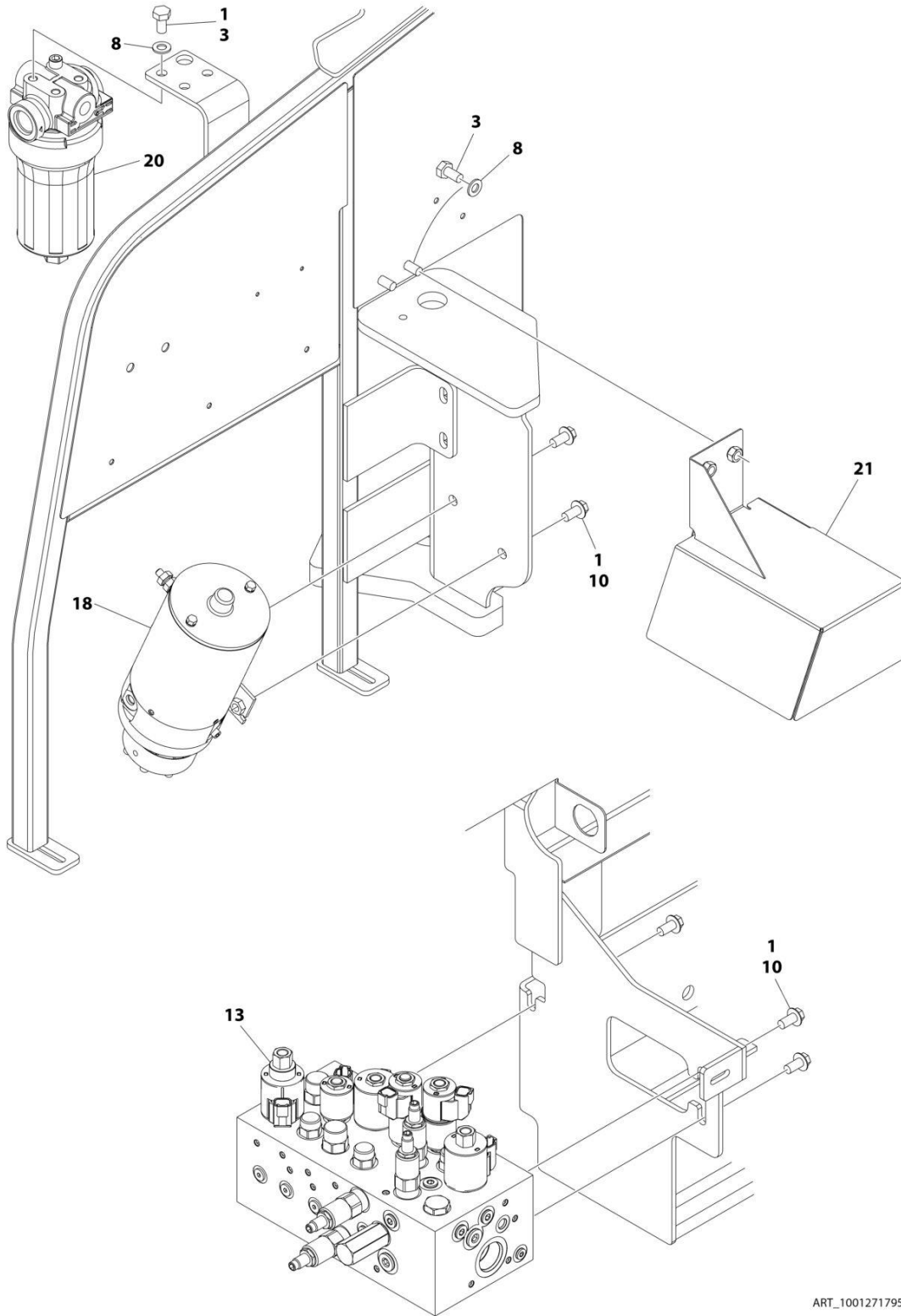
FIGURE 1-12. TRACTION VALVE ASSEMBLY

| ITEM | PART NUMBER | QTY | DESCRIPTION | REV |
|------|-------------|-----|-------------------------------|-----|
| | 1001162539 | Ref | TRACTION VALVE ASSEMBLY - 4WD | D |
| 1 | 70004017 | 1 | Cartridge, Flow Divider | |
| 1 | 7021625 | 1 | Seal Kit - 70004017 Valve | |
| 2 | 70004885 | 2 | Cartridge, Flow Divider | |
| 2 | 70004577 | 2 | Seal Kit - 70004885 Valve | |
| 3 | 7022397 | 6 | Cartridge, Check Valve | |
| 3 | 7022399 | 6 | Seal Kit - 7022397 Valve | |
| 4 | 7021639 | 2 | Cartridge, Check Valve | |
| 4 | 2900756 | 2 | Seal Kit - 7021639 Valve | |
| 5 | 70004886 | 1 | Cartridge, Relief Valve | |
| 5 | 7017496 | 1 | Seal Kit - 70004886 Valve | |
| 6 | 7017410 | 1 | Cartridge, Solenoid Less Coil | |
| 6 | 7012967 | 1 | Seal Kit - 7017410 Valve | |
| 7 | 7012974 | 2 | Cartridge, Solenoid Less Coil | |
| 7 | 7010543 | 2 | Seal Kit - 7012974 Valve | |
| 8 | 70004887 | 1 | Cartridge, Solenoid Less Coil | |
| 8 | 70023606 | 1 | Seal Kit - 70004887 Valve | |
| 8 | 7024885 | 1 | Coil | |
| 9 | 7024881 | 1 | Piston, Pilot | |
| 10 | 2221086 | 1 | Fitting, Diagnostic | |
| 11 | 70003975 | 2 | Orifice | |
| 12 | 70002209 | 1 | Orifice | |
| 13 | 70002063 | 1 | Orifice | |
| 14 | 70004884 | 1 | Orifice | |
| 15 | 70004883 | 1 | Orifice | |
| 16 | 70000781 | 1 | Locking Kit | |
| 17 | 70002962 | 2 | Locking Kit | |
| 18 | 70004888 | 2 | Screw | |
| 19 | 2220883 | 6 | Plug #4 | |
| 20 | 2220885 | 5 | Plug #6 | |
| 21 | 70002386 | 3 | Coil | |

SECTION 2 - TURNTABLE

SECTION 2 - TURNTABLE

FIGURE 2-1. VALVES INSTALLATION - TURNTABLE MOUNTED



ART_1001271795_2OF3

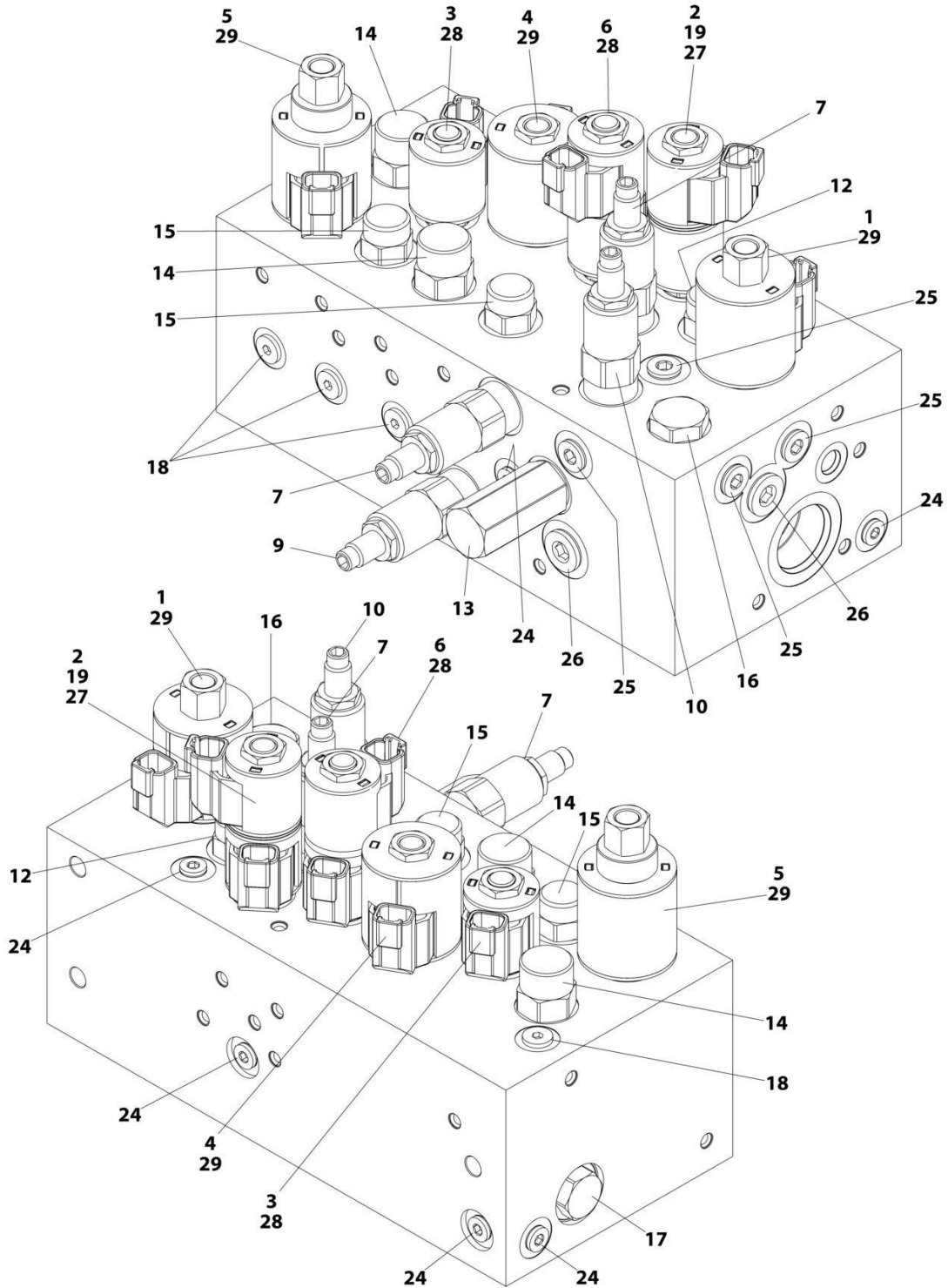
SECTION 2 - TURNTABLE

FIGURE 2-1. VALVES INSTALLATION - TURNTABLE MOUNTED

| ITEM | PART NUMBER | QTY | DESCRIPTION | REV |
|------|-------------|-----|--|-----|
| | 1001271795 | Ref | 4WD VALVES INSTALLATION - BOOM MOUNTED | B |
| 1 | 0100011 | AR | Compound, Locking | |
| 3 | 0761010 | 5 | Bolt M10 x 20 | |
| 8 | 4812000 | 5 | Washer M10 | |
| 10 | 5251010 | 15 | Bolt M10 x 25 | |
| 13 | 1001162534 | 1 | Main Valve Assembly (See Separate Breakdown in this Section) | |
| 18 | 1001185821 | 1 | Auxiliary Pump Assembly (See Separate Breakdown in this Section) | |
| 20 | 1001208874 | 1 | Filter, Charge Pump | |
| 20 | 70010383 | 1 | Element, Filter (Includes O-Ring) | |
| 21 | 1001265186 | 1 | Cover | |

SECTION 2 - TURNTABLE

FIGURE 2-2. MAIN VALVE ASSEMBLY



ART_1001162534

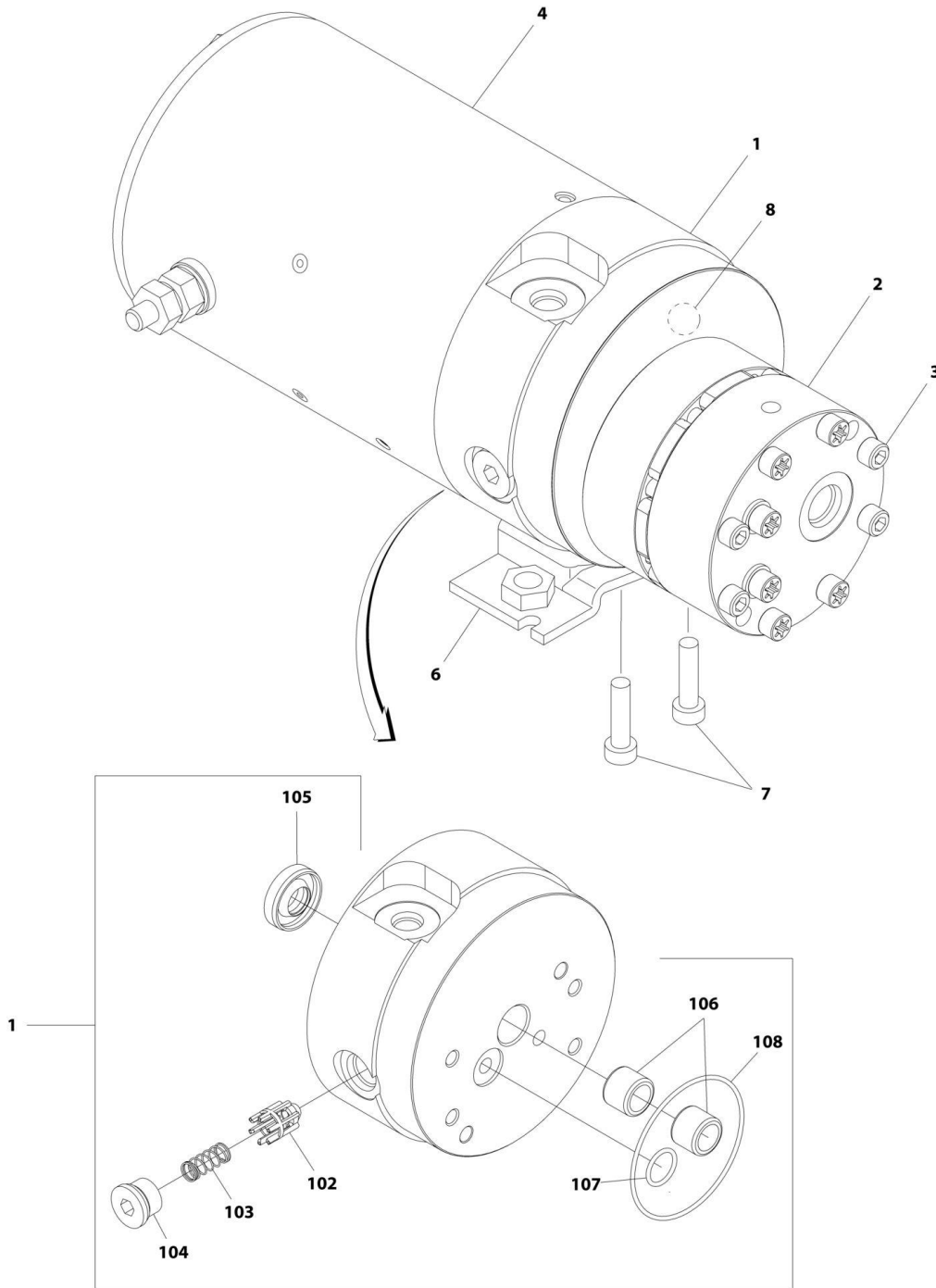
SECTION 2 - TURNTABLE

FIGURE 2-2. MAIN VALVE ASSEMBLY

| ITEM | PART NUMBER | QTY | DESCRIPTION | REV |
|------|-------------|-----|--|-----|
| | 1001162534 | Ref | MAIN VALVE ASSEMBLY | F |
| 1 | 70005069 | 1 | Cartridge, Solenoid Less Coil (Main Dump) | |
| 1 | 7022399 | 1 | Seal Kit - 70005069 Valve | |
| 1 | 70003977 | 1 | Nut, Coil | |
| 2 | 70005217 | 1 | Cartridge, Solenoid Less Coil (Steer) | |
| 2 | 70005071 | 1 | Seal Kit - 70005217 Valve | |
| 2 | 7022390 | 1 | Nut, Coil | |
| 3 | 70005094 | 1 | Cartridge, Solenoid Less Coil (Main Lift Up) | |
| 3 | 7023936 | 1 | Seal Kit - 70005094 Valve | |
| 3 | 7022390 | 1 | Nut, Coil | |
| 4 | 70005076 | 1 | Cartridge, Solenoid Less Coil (Tower Lift Up) | |
| 4 | 7022399 | 1 | Seal Kit - 70005076 Valve | |
| 4 | 7022390 | 1 | Nut, Coil | |
| 5 | 70005095 | 1 | Cartridge, Solenoid Less Coil (Flow Control) | |
| 5 | 7022399 | 1 | Seal Kit - 70005095 Valve | |
| 5 | 70003977 | 1 | Nut, Coil | |
| 6 | 70005096 | 1 | Cartridge, Solenoid Less Coil (Swing) | |
| 6 | 70005071 | 1 | Seal Kit - 70005096 Valve | |
| 7 | 70005097 | 1 | Cartridge, Solenoid Less Coil | |
| 7 | 70005082 | 2 | Seal Kit - 70005097 Valve | |
| 9 | 70005098 | 1 | Cartridge, Relief Valve | |
| 9 | 7023936 | 1 | Seal Kit - 70005098 Valve | |
| 10 | 70005080 | 1 | Cartridge, Relief Valve | |
| 10 | 7022399 | 1 | Seal Kit - 70005080 Valve | |
| 12 | 70005218 | 1 | Cartridge, Valve | |
| 12 | 70005082 | 1 | Seal Kit - 70005218 Valve | |
| 13 | 70005084 | 1 | Cartridge, Valve | |
| 13 | 70005085 | 1 | Seal Kit - 70005084 Valve | |
| 14 | 70005099 | 2 | Cartridge, Valve | |
| 14 | 70005087 | 2 | Seal Kit - 70005099 Valve | |
| 15 | 70005088 | 2 | Cartridge, Valve | |
| 15 | 7023900 | 2 | Seal Kit - 70005088 Valve | |
| 16 | 70005100 | 1 | Cartridge, Check Valve | |
| 16 | 7022399 | 1 | Seal Kit - 70005100 Valve | |
| 17 | 70005089 | 1 | Cartridge, Check Valve | |
| 17 | 7023936 | 1 | Seal Kit - 70005089 Valve | |
| 18 | 70005090 | 5 | Cartridge, Check Valve | |
| 18 | 70005092 | 5 | Seal Kit - 70005092 Valve | |
| 19 | See Note | 1 | Disc, Check Valve (Note: Not Available for Purchase) | |
| 24 | 91164059 | 7 | Plug | |
| 25 | 91164079 | 4 | Plug | |
| 26 | 91164057 | 2 | Plug | |
| 27 | 70005219 | 2 | Coil | |
| 28 | 70002386 | 3 | Coil | |
| 29 | 70003788 | 3 | Coil | |

SECTION 2 - TURNTABLE

FIGURE 2-3. AUXILIARY PUMP ASSEMBLY



ART_1001185821

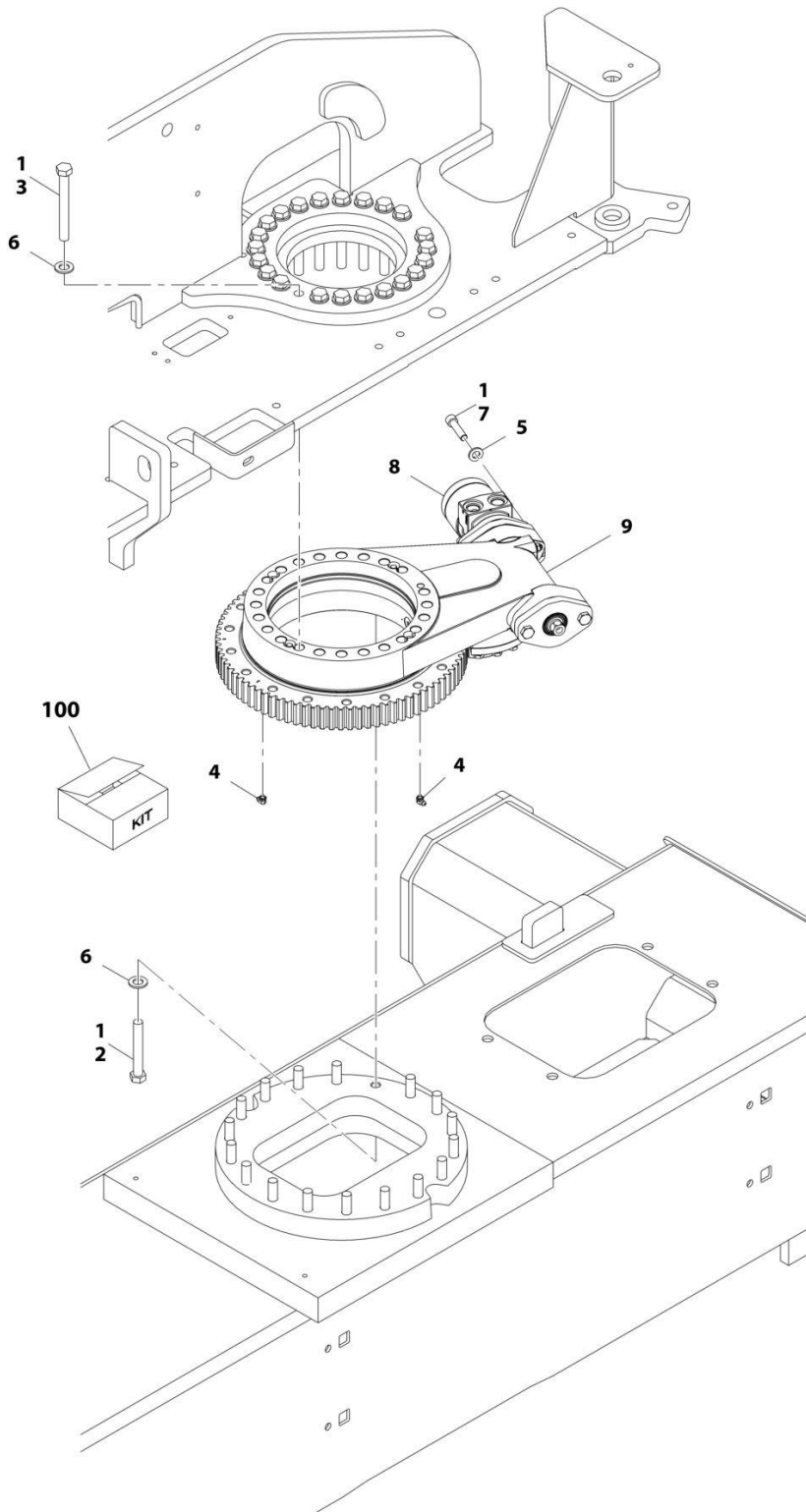
SECTION 2 - TURNTABLE

FIGURE 2-3. AUXILIARY PUMP ASSEMBLY

| ITEM | PART NUMBER | QTY | DESCRIPTION | REV |
|------|-------------|-----|--|-----|
| | 1001185821 | Ref | AUXILIARY PUMP ASSEMBLY | B |
| 1 | 70005065 | 1 | Base Assembly (See Items 102-108 for Breakdown) | |
| 2 | 70005066 | 1 | Pump Assembly (Note: No Seal Kit or Internal Components are Available - Purchase Complete Pump Assembly) | |
| 3 | 70005067 | 4 | Capscrew 1/4 x 2-3/4 | |
| 4 | 70004013 | 1 | Motor Assembly (Note: No Internal Components are Available - Purchase Complete Motor Assembly) | |
| 6 | 70004014 | 1 | Bracket | |
| 7 | 70004000 | 2 | Capscrew 3/8 x 1 | |
| 8 | 70005068 | 1 | Relief Valve Assembly | |
| | 70005065 | Ref | BASE ASSEMBLY | |
| 102 | See Note | NSS | Poppet, Check (Note: Use p/n 70005065) | |
| 103 | See Note | NSS | Spring (Note: Use p/n 70005065) | |
| 104 | See Note | NSS | Plug (Note: Use p/n 70005065) | |
| 105 | 7026330 | 1 | Seal, Shaft | |
| 106 | 70005139 | 2 | Bearing | |
| 107 | 70003612 | 1 | O-Ring | |
| 108 | 70004267 | 1 | O-Ring | |

SECTION 2 - TURNTABLE

FIGURE 2-4. SWING DRIVE AND TURNTABLE BEARING INSTALLATION (Prior to SN B300018433)



ART_1001165946

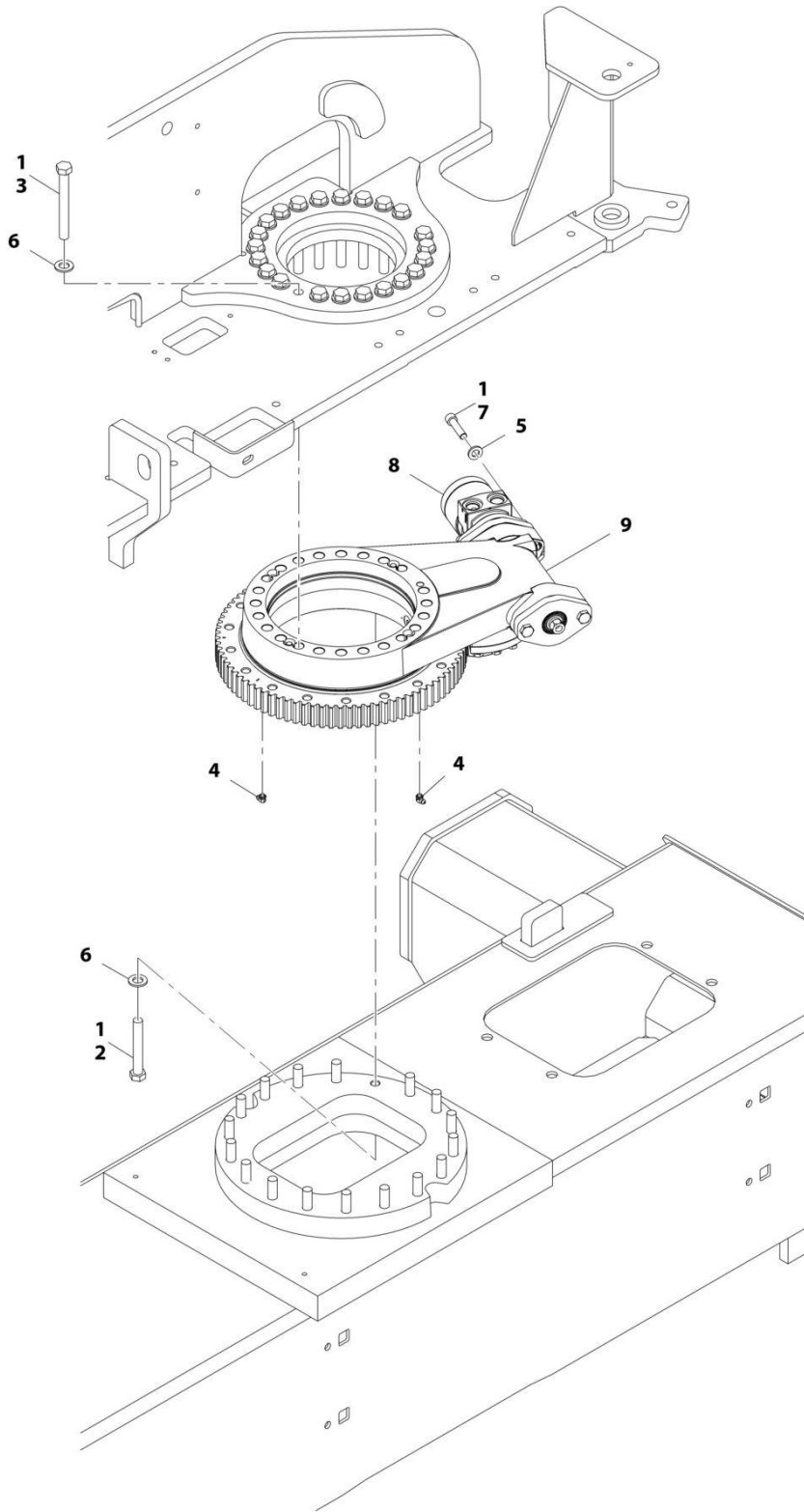
SECTION 2 - TURNTABLE

FIGURE 2-4. SWING DRIVE AND TURNTABLE BEARING INSTALLATION (Prior to SN B300018433)

| ITEM | PART NUMBER | QTY | DESCRIPTION | REV |
|------|-------------|-----|---|-----|
| | 1001165946 | Ref | SWING DRIVE AND TURNTABLE BEARING INSTALLATION | B |
| 1 | 0100019 | AR | Compound, Locking | |
| 2 | 0711628 | 18 | Bolt M16 x 110 Grade 10.9 | |
| 3 | 0711631 | 23 | Bolt M16 x 140 | |
| 4 | 2160001 | 2 | Fitting, Grease 90 | |
| 5 | 5241200 | 2 | Washer M12 | |
| 6 | 5241600 | 41 | Washer M16 | |
| 7 | 5272114 | 2 | Capscrew M12 x 50 Grade 12.9 | |
| 8 | 1001104850 | 1 | Swing Motor Assembly (See Separate Breakdown in this Section) | |
| 9 | 1001133972 | 1 | Turntable Bearing Assembly (See Separate Breakdown in this Section) | |
| 100 | 1001206436 | 1 | Turntable Bearing Kit (Includes Items 2-7 & 9) | |

SECTION 2 - TURNTABLE

FIGURE 2-5. SWING DRIVE AND TURNTABLE BEARING INSTALLATION (SN B300018433 to Present)



ART_1001294215

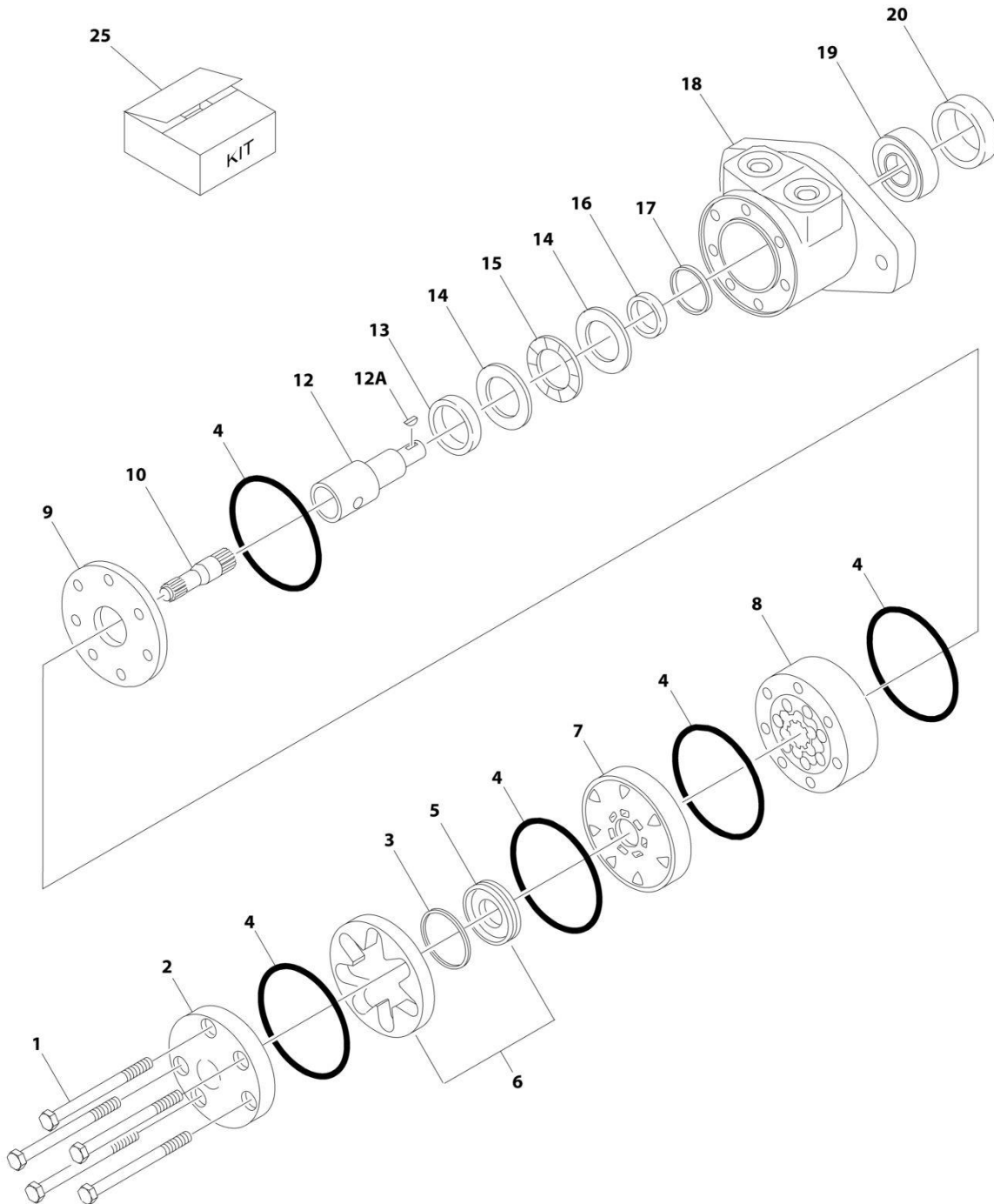
SECTION 2 - TURNTABLE

FIGURE 2-5. SWING DRIVE AND TURNTABLE BEARING INSTALLATION (SN B300018433 to Present)

| ITEM | PART NUMBER | QTY | DESCRIPTION | REV |
|------|-------------|-----|---|-----|
| | 1001294215 | Ref | SWING DRIVE AND TURNTABLE BEARING INSTALLATION | A |
| 1 | 0100019 | AR | Compound, Locking | |
| 2 | 0711628 | 18 | Bolt M16 x 110 Grade 10.9 | |
| 3 | 0711631 | 23 | Bolt M16 x 140 | |
| 4 | 2160001 | 2 | Fitting, Grease 90 | |
| 5 | 5241200 | 2 | Washer M12 | |
| 6 | 5241600 | 41 | Washer M16 | |
| 7 | 5272114 | 2 | Capscrew M12 x 50 Grade 12.9 | |
| 8 | 1001286019 | 1 | Swing Motor Assembly (See Separate Breakdown in this Section) | |
| 9 | 1001133972 | 1 | Turntable Bearing Assembly (See Separate Breakdown in this Section) | |

SECTION 2 - TURNTABLE

FIGURE 2-6. SWING MOTOR ASSEMBLY (Prior to SN B300018433)



ART_1001104850

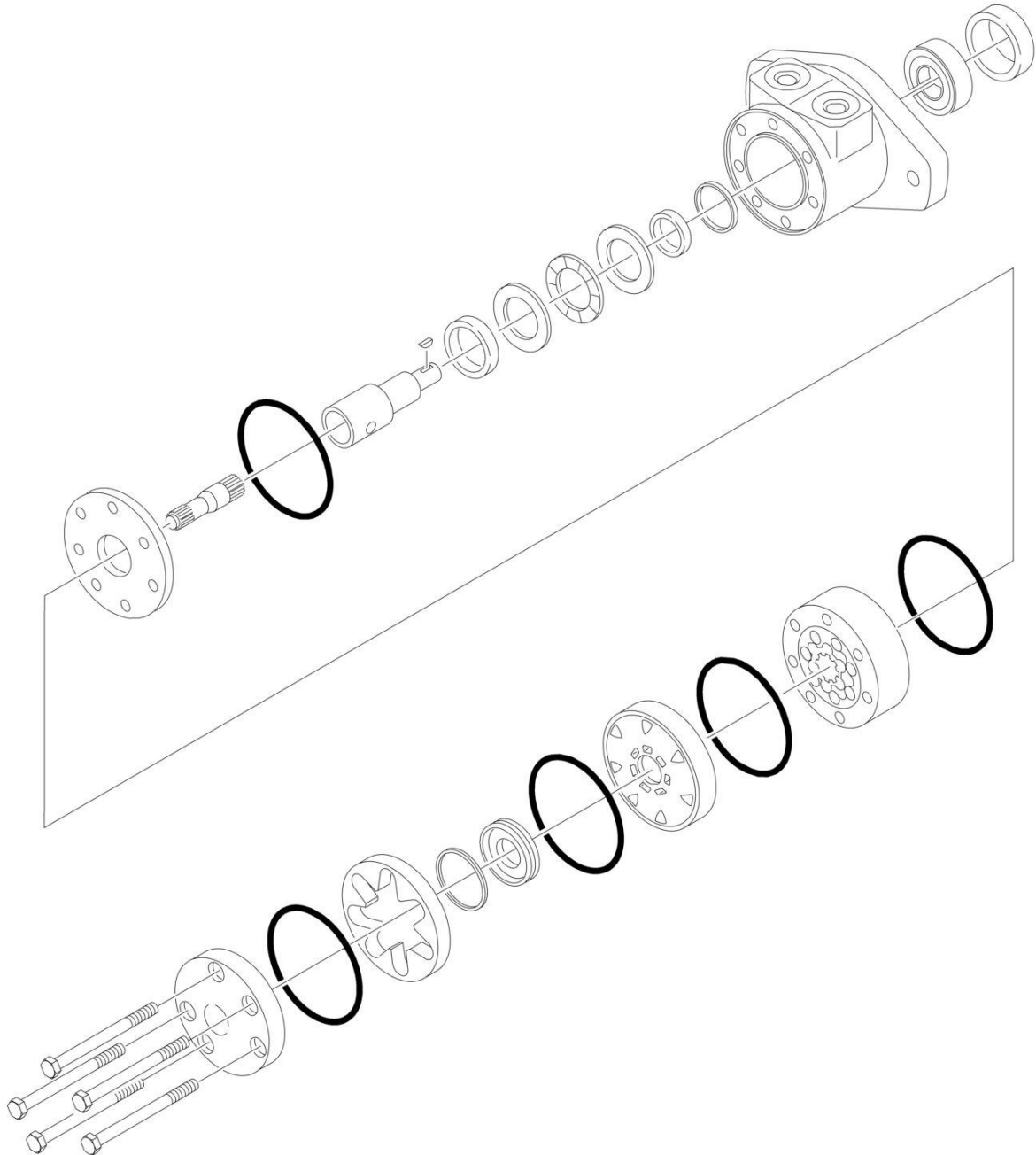
SECTION 2 - TURNTABLE

FIGURE 2-6. SWING MOTOR ASSEMBLY (Prior to SN B300018433)

| ITEM | PART NUMBER | QTY | DESCRIPTION | REV |
|------|-------------|-----|---|-----|
| | 1001104850 | Ref | SWING MOTOR ASSEMBLY | A |
| 1 | See Note | 5 | Bolt (Note: Not Available for Purchase) | |
| 2 | 7004035 | 1 | Cover, End | |
| 3 | 7023318 | 1 | Seal, Commutator | |
| 4 | 7004036 | 5 | O-Ring | |
| 5 | See Note | NSS | Commutator (Note: Use Item 6) | |
| 6 | 7024453 | 1 | Commutator and Ring Assembly (Includes Item 5) | |
| 7 | 7024379 | 1 | Manifold | |
| 8 | 70002206 | 1 | Rotor Set | |
| 9 | 7024380 | 1 | Plate, Wear | |
| 10 | 70002207 | 1 | Link, Drive | |
| 12 | 70000088 | 1 | Shaft, Coupling | |
| 12A | 70000089 | 1 | Key | |
| 13 | 7024381 | 1 | Bushing, Inner | |
| 14 | 7004043 | 1 | Thrustwasher | |
| 15 | 7004044 | 1 | Bearing, Thrust | |
| 16 | 7004049 | 1 | Seal, Inner Shaft | |
| 17 | 7004045 | 1 | Ring, Back-up | |
| 18 | See Note | NSS | Housing (Note: Not Available - Purchase Complete Motor) | |
| 19 | 7024390 | 1 | Bearing | |
| 20 | 7004047 | 1 | Seal, Outer Shaft | |
| 25 | 7024389 | 1 | Seal Kit (Includes Items 3, 4, 16, 17 & 20) | |

SECTION 2 - TURNTABLE

FIGURE 2-7. SWING MOTOR ASSEMBLY (SN B300018433 to Present)



ART_1001286019

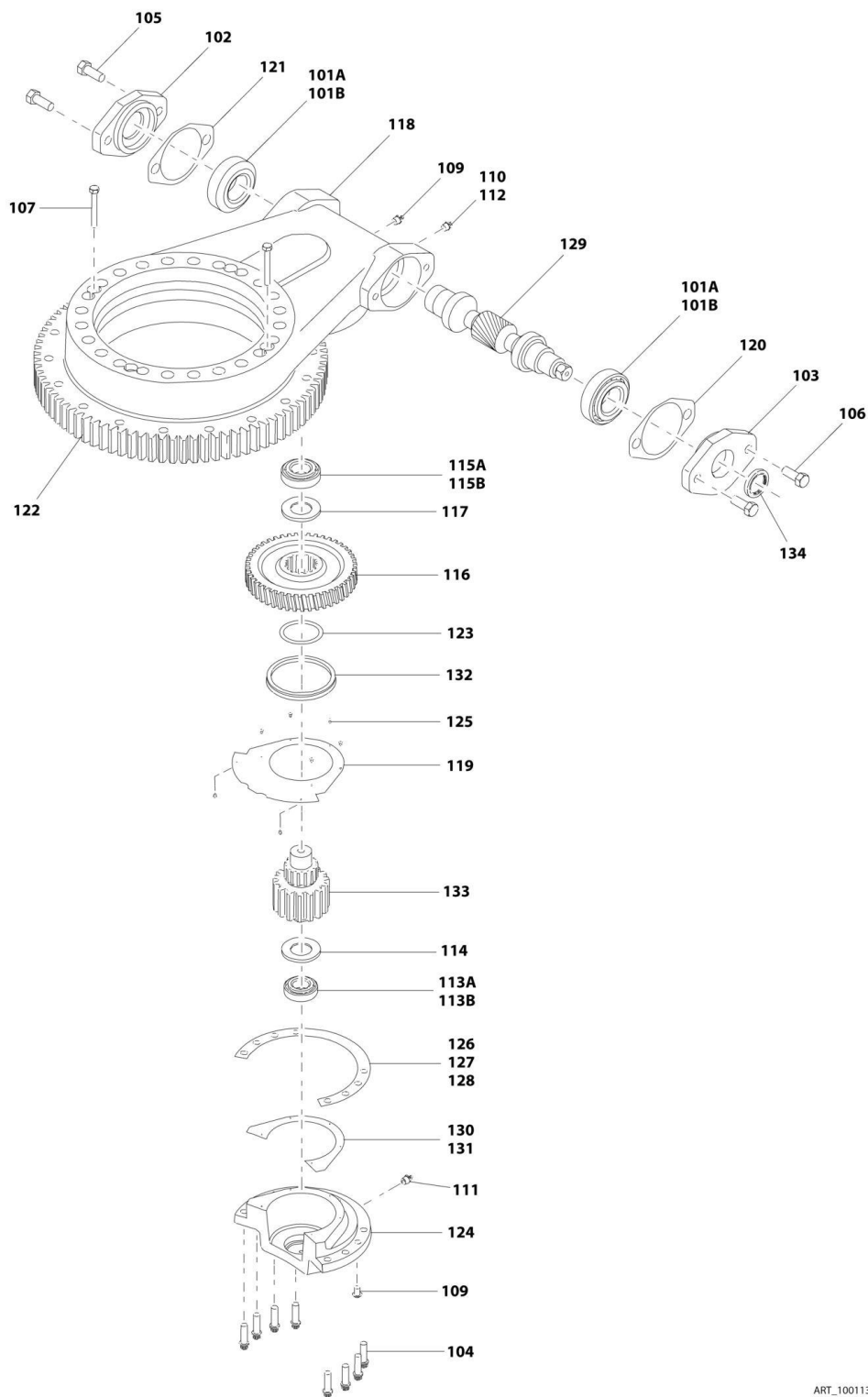
SECTION 2 - TURNTABLE

FIGURE 2-7. SWING MOTOR ASSEMBLY (SN B300018433 to Present)

| ITEM | PART NUMBER | QTY | DESCRIPTION | REV |
|------|------------------------|------------|--|-----|
| 1 | 1001286019 See Note | Ref Ref | SWING MOTOR ASSEMBLY Note: No Service Parts Available at Time of Printing | A |

SECTION 2 - TURNTABLE

FIGURE 2-8. TURNTABLE BEARING ASSEMBLY



ART_1001133972

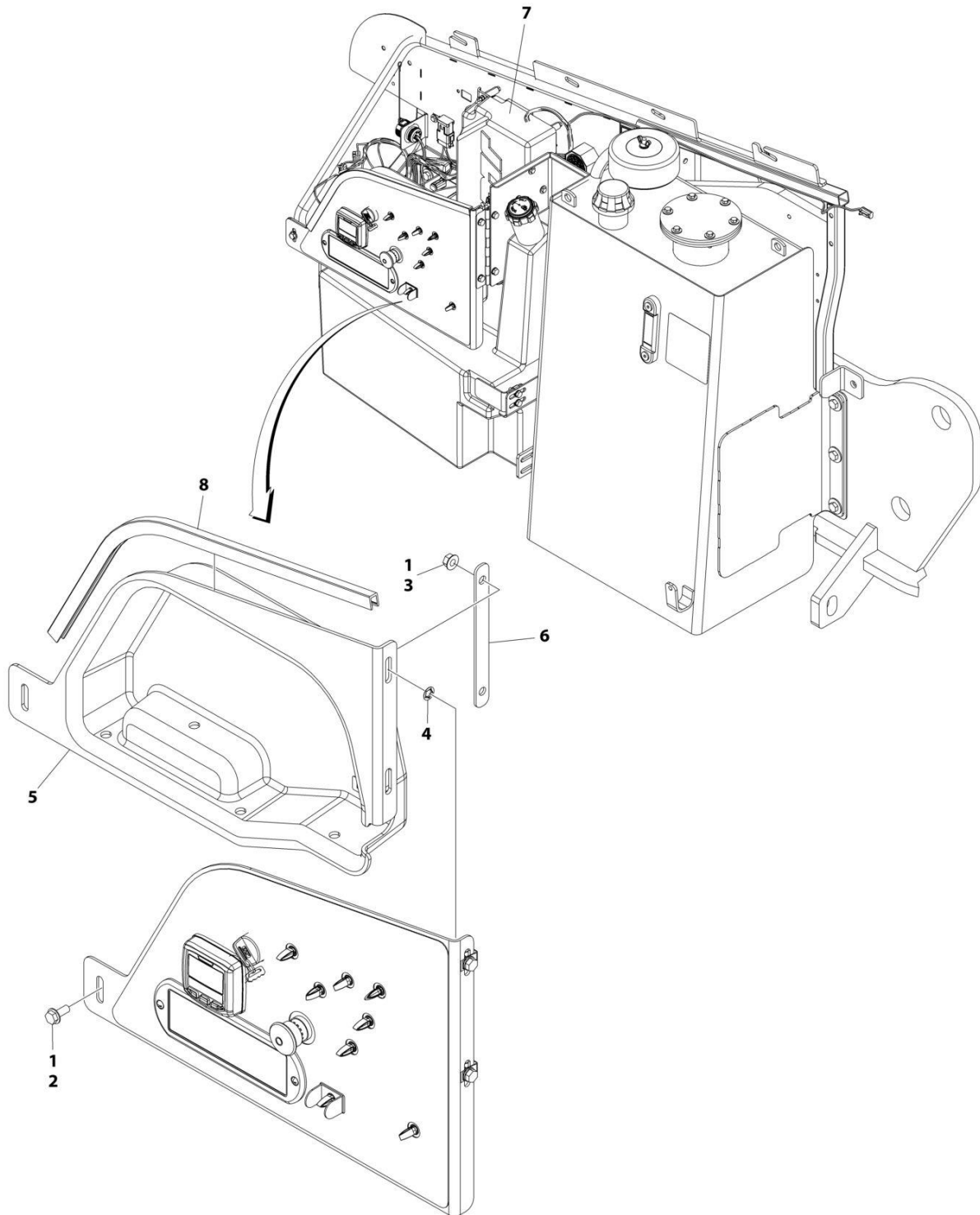
SECTION 2 - TURNTABLE

FIGURE 2-8. TURNTABLE BEARING ASSEMBLY

| ITEM | PART NUMBER | QTY | DESCRIPTION | REV |
|------|-------------|-----|--|-----|
| | 1001133972 | Ref | TURNTABLE BEARING ASSEMBLY | D |
| 101A | 7026042 | 2 | Cup, Bearing | |
| 101B | 7026043 | 2 | Cone, Bearing | |
| 102 | 7027356 | 1 | Adapter, Motor | |
| 103 | 7027354 | 1 | Cap, Worm | |
| 104 | 70004249 | 8 | Bolt M10 x 35 Grade 10.9 | |
| 105 | 70004250 | 2 | Bolt M12 x 30 Grade 10.9 | |
| 106 | 70004251 | 2 | Bolt M12 x 40 Grade 10.9 | |
| 107 | 70004252 | 2 | Bolt M8 x 65mm | |
| 109 | 70000865 | 1 | Plug | |
| 110 | 70002649 | 1 | Vent, Pressure | |
| 111 | 70002651 | 1 | Fitting, Grease | |
| 112 | 7026044 | 1 | Bushing, Reducer | |
| 113A | 7026045 | 1 | Cup, Bearing | |
| 113B | 7026047 | 1 | Cone, Bearing | |
| 114 | 7026046 | 1 | Ring, Grease | |
| 115A | 7026048 | 1 | Cup, Bearing | |
| 115B | 7026049 | 1 | Cone, Bearing | |
| 116 | 7026050 | 1 | Worm-Gear | |
| 117 | 7026052 | 1 | Spacer, Washer | |
| 118 | See Note | 1 | Housing (Note: Not Available - Purchase Complete Assembly) | |
| 119 | 7026053 | 1 | Cover, Gear | |
| 120 | 7027350 | AR | Shim, Blue (.005in) | |
| 120 | 7027351 | AR | Shim, Clear (.0075in) | |
| 120 | 7027352 | AR | Shim, Brown (.010in) | |
| 121 | 7027353 | | Shim, Yellow (.020in) | |
| 122 | 70004253 | 1 | Bearing, Turntable | |
| 123 | 70004254 | 1 | O-Ring | |
| 124 | 70004255 | 1 | Cap, Gear | |
| 125 | 70004256 | 8 | Bolt M4 x 8 | |
| 126 | 70004257 | AR | Shim, Green (.003) | |
| 127 | 70004258 | AR | Shim, Blue (.005) | |
| 128 | 70004259 | AR | Shim, Natural (.0075) | |
| 129 | 7026057 | 1 | Gear, Worm | |
| 130 | 70004260 | AR | Shim, Blue (.005) | |
| 131 | 70004261 | AR | Shim, Yellow (.020) | |
| 132 | 70004262 | 1 | Seal, Oil | |
| 133 | 7026051 | 1 | Pinion, Output | |
| 134 | 70004263 | 1 | Seal, Oil | |

SECTION 2 - TURNTABLE

FIGURE 2-9. TURNTABLE COVERS INSTALLATION



ART_1001219129

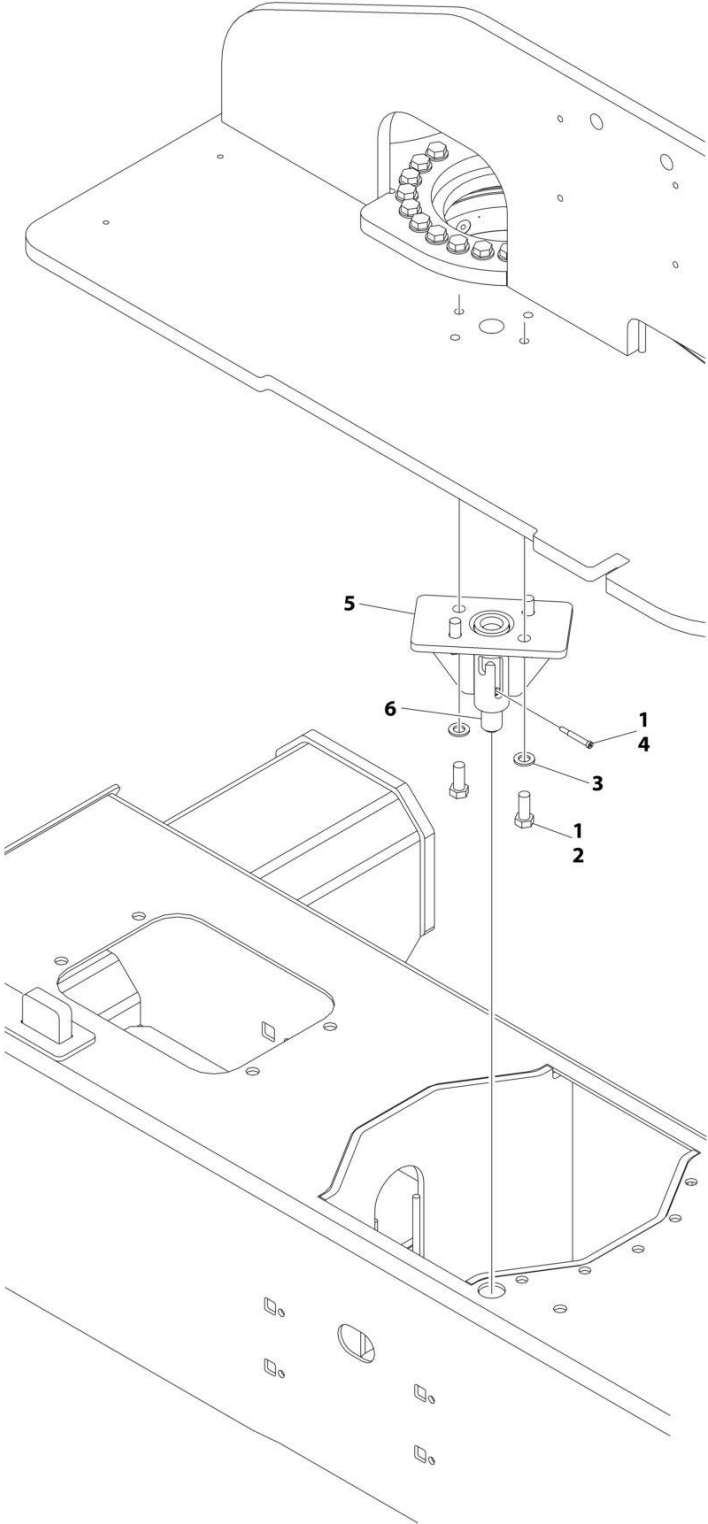
SECTION 2 - TURNTABLE

FIGURE 2-9. TURNTABLE COVERS INSTALLATION

| ITEM | PART NUMBER | QTY | DESCRIPTION | REV |
|-------------|--------------------|------------|-------------------------------|------------|
| | 1001219129 | Ref | TURNTABLE COVERS INSTALLATION | A |
| 1 | 0100011 | AR | Compound, Locking | |
| 2 | 5250812 | 1 | Bolt M8 x 25 | |
| 3 | 5260800 | 2 | Nut M8 | |
| 4 | 1001119228 | 2 | Nut M8 | |
| 5 | 1001218533 | 1 | Cover | |
| 6 | 1001218535 | 1 | Plate, Mounting | |
| 7 | 1001218537 | 1 | Cover | |
| 8 | 4060806 | 2 ft/0.6m | Shield, Flex | |

SECTION 2 - TURNTABLE

FIGURE 2-10. TURNTABLE LOCK INSTALLATION



ART_1001275935

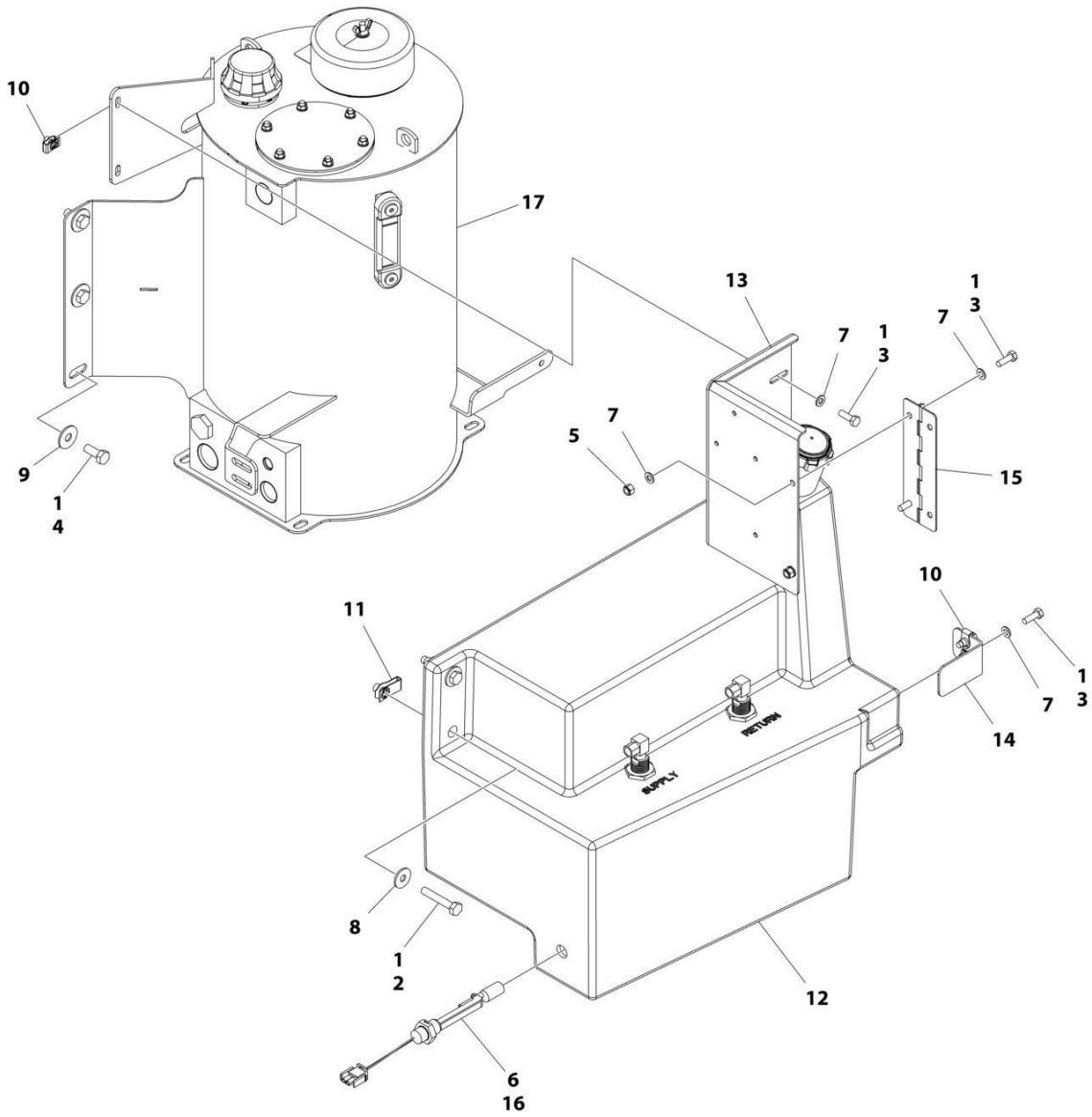
SECTION 2 - TURNTABLE

FIGURE 2-10. TURNTABLE LOCK INSTALLATION

| ITEM | PART NUMBER | QTY | DESCRIPTION | REV |
|-------------|--------------------|------------|----------------------------------|------------|
| | 1001275935 | Ref | TURNTABLE LOCK INSTALLATION | A |
| 1 | 0100011 | AR | Compound, Locking | |
| 2 | 0701616 | 4 | Bolt M16 x 40 | |
| 3 | 4812300 | 4 | Washer M16 | |
| 4 | 1001157466 | 1 | Bolt M10 x 30 | |
| 5 | 1001177821 | 1 | Support, Lock | |
| 6 | 1001177834 | 1 | Pin, Lock | |
| 7 | 1001275936 | 1 | Decal - Lift Diagram (Not Shown) | |

SECTION 2 - TURNTABLE

FIGURE 2-11. TANKS INSTALLATION (HYDRAULIC TANK WITH 4 INCH BREATHER)



ART_1001282831

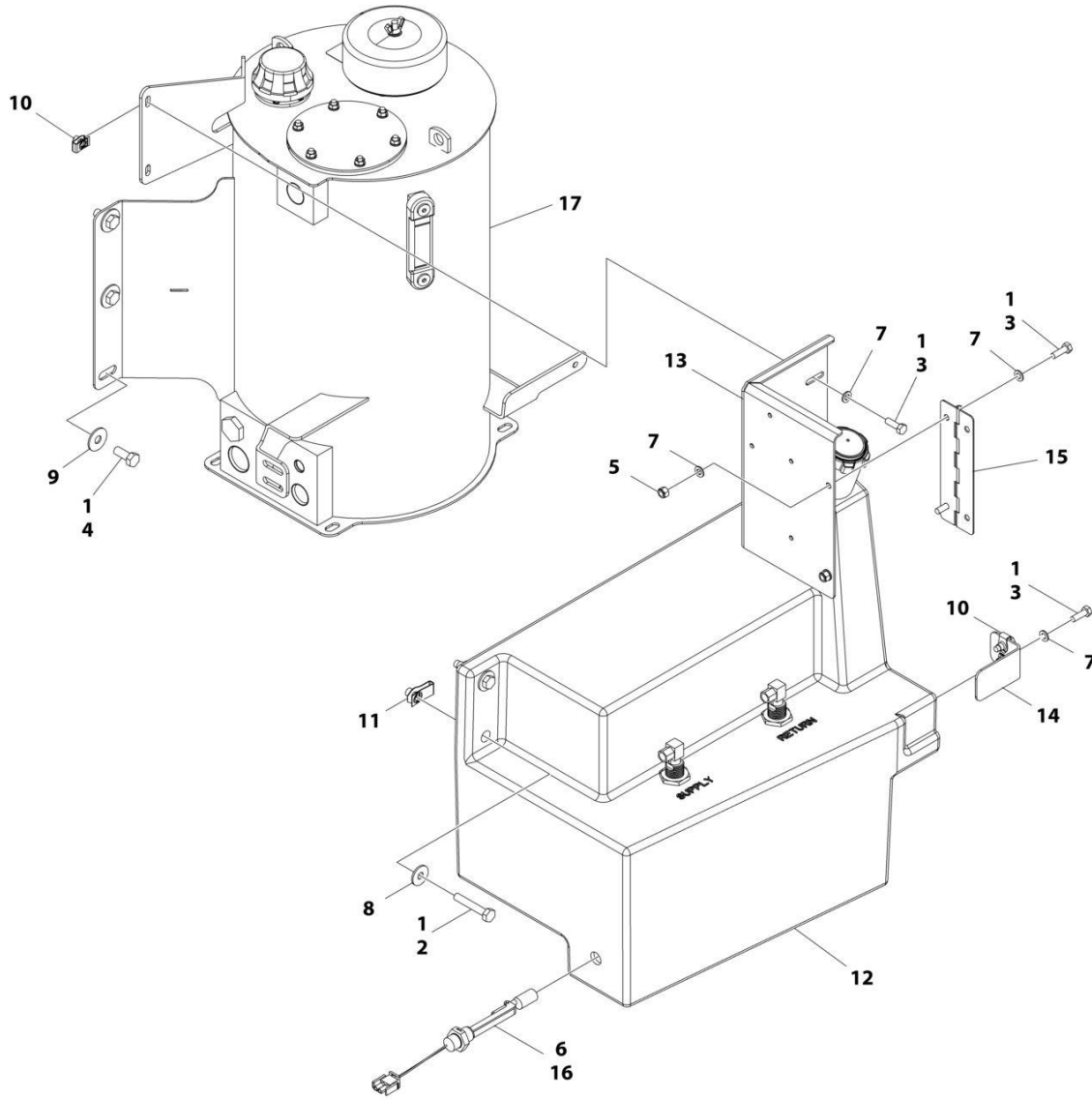
SECTION 2 - TURNTABLE

FIGURE 2-11. TANKS INSTALLATION (HYDRAULIC TANK WITH 4 INCH BREATHER)

| ITEM | PART NUMBER | QTY | DESCRIPTION | REV |
|------|-------------|-----|--|-----|
| | 1001282831 | Ref | TANKS INSTALLATION - DIESEL MACHINES | A |
| 1 | 0100011 | AR | Compound, Locking | |
| 2 | 0701020 | 2 | Bolt M10 x 60 | |
| 3 | 0760812 | 6 | Bolt M8 x 25 | |
| 4 | 0761214 | 6 | Bolt M12 x 30 | |
| 5 | 3290805 | 2 | Nut M8 | |
| 6 | 4360436 | 1 | Switch, Fuel Level | |
| 6 | 4460320 | 1 | Plug, Male - 2 Position | |
| 6 | 4460267 | 1 | Pin, Male | |
| 7 | 4811900 | 8 | Washer M8 | |
| 8 | 4812002 | 2 | Washer M10 | |
| 9 | 4812102 | 6 | Washer M12 | |
| 10 | 1001118274 | 4 | Nut M8 | |
| 11 | 1001118972 | 2 | Nut M10 | |
| 12 | 1001163061 | 1 | Fuel Tank Assembly | |
| 12 | 1001193336 | 1 | Cap, Fuel | |
| 12 | 70004876 | 2 | Tube, Pick-up | |
| 12 | 0100020 | AR | Compound, Locking | |
| 13 | 1001169898 | 1 | Support, Ground Control | |
| 14 | 1001170480 | 1 | Support, Tank | |
| 15 | 1001179339 | 1 | Hinge | |
| 16 | 1001182997 | AR | Adhesive | |
| 17 | 1001274525 | 1 | Hydraulic Tank Assembly (See Separate Breakdown in this Section) | |

SECTION 2 - TURNTABLE

FIGURE 2-12. TANKS INSTALLATION (HYDRAULIC TANK WITH 6 INCH BREATHER)



ART_1001207347

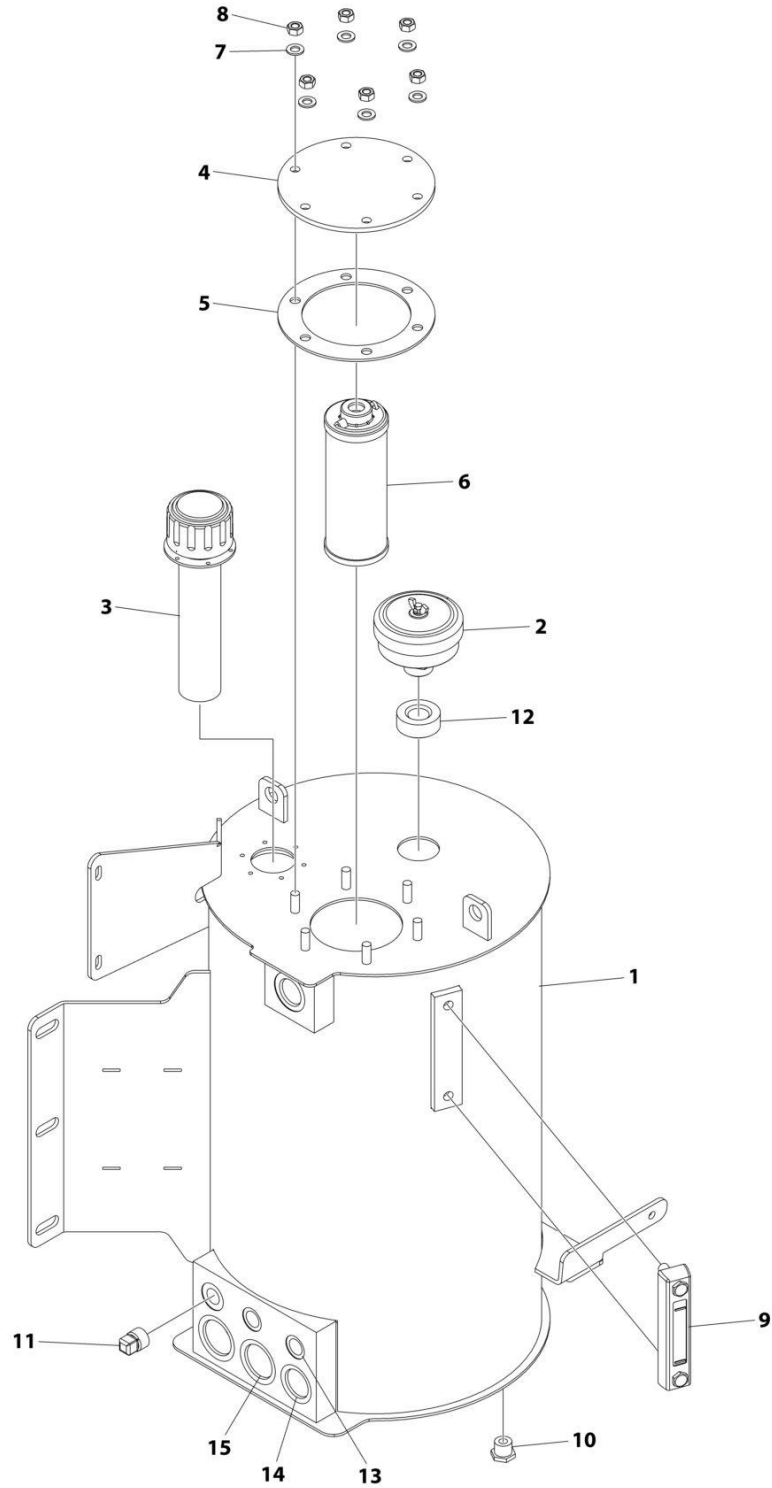
SECTION 2 - TURNTABLE

FIGURE 2-12. TANKS INSTALLATION (HYDRAULIC TANK WITH 6 INCH BREATHER)

| ITEM | PART NUMBER | QTY | DESCRIPTION | REV |
|------|-------------|-----|--|-----|
| | 1001207347 | Ref | TANKS INSTALLATION - DIESEL MACHINES | B |
| 1 | 0100011 | AR | Compound, Locking | |
| 2 | 0701020 | 2 | Bolt M10 x 60 | |
| 3 | 0760812 | 6 | Bolt M8 x 25 | |
| 4 | 0761214 | 6 | Bolt M12 x 30 | |
| 5 | 3290805 | 2 | Nut M8 | |
| 6 | 4360436 | 1 | Switch, Fuel Level | |
| 6 | 4460320 | 1 | Plug, Male - 2 Position | |
| 6 | 4460267 | 1 | Pin, Male | |
| 7 | 4811900 | 8 | Washer M8 | |
| 8 | 4812002 | 2 | Washer M10 | |
| 9 | 4812102 | 6 | Washer M12 | |
| 10 | 1001118274 | 4 | Nut M8 | |
| 11 | 1001118972 | 2 | Nut M10 | |
| 12 | 1001163061 | 1 | Fuel Tank Assembly | |
| 12 | 1001193336 | 1 | Cap, Fuel | |
| 12 | 70004876 | 2 | Tube, Pick-up | |
| 12 | 0100020 | AR | Compound, Locking | |
| 13 | 1001169898 | 1 | Support, Ground Control | |
| 14 | 1001170480 | 1 | Support, Tank | |
| 15 | 1001179339 | 1 | Hinge | |
| 16 | 1001182997 | AR | Adhesive | |
| 17 | 1001206916 | 1 | Hydraulic Tank Assembly | |
| 17 | 70003614 | 1 | Filter Kit (Includes Hydraulic Element, Breather Element and Gasket) | |
| 17 | 70002838 | 1 | Fill Cap Assembly (Includes Cap, Chain and Fill Basket) | |
| 17 | 7024441 | 1 | Gauge, Sight | |
| 17 | 70002112 | 1 | Plug, Drain | |

SECTION 2 - TURNTABLE

FIGURE 2-13. HYDRAULIC TANK ASSEMBLY - WITH 4 INCH BREATHER



ART_1001274525

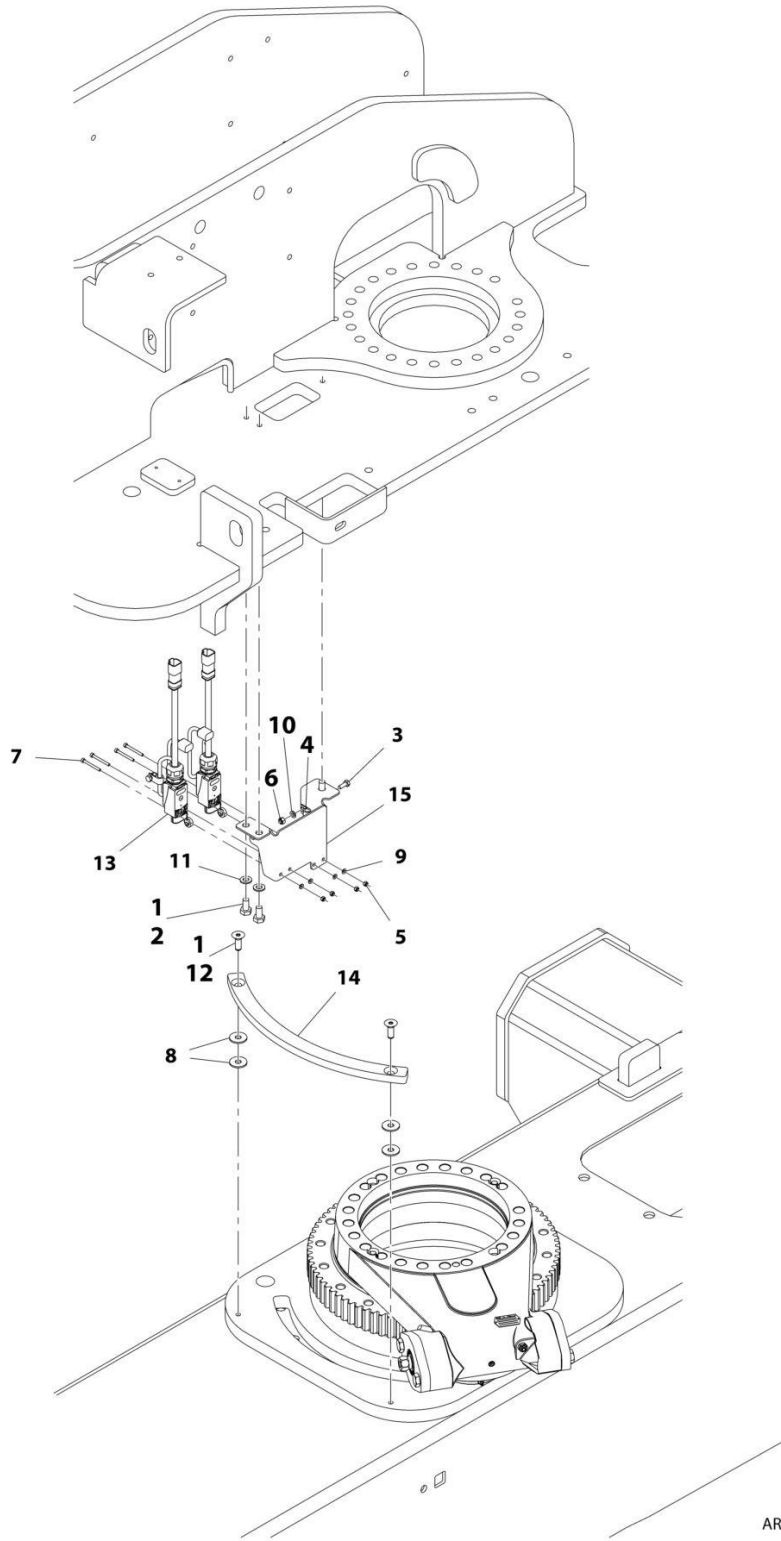
SECTION 2 - TURNTABLE

FIGURE 2-13. HYDRAULIC TANK ASSEMBLY - WITH 4 INCH BREATHER

| ITEM | PART NUMBER | QTY | DESCRIPTION | REV |
|------|-------------|-----|---|-----|
| | 1001274525 | Ref | HYDRAULIC TANK ASSEMBLY | A |
| 1 | See Note | NSS | Tank (Note: Not Available for Purchase) | |
| 2 | 70008258 | 1 | Breather | |
| 3 | 70008253 | 1 | Cap, Fill | |
| 4 | 70008259 | 1 | Cover | |
| 5 | 70008260 | 1 | Gasket | |
| 6 | 70008261 | 1 | Filter | |
| 7 | 70008262 | 6 | Washer | |
| 8 | 70008263 | 6 | Nut M10 | |
| 9 | 70008264 | 1 | Gauge, Level | |
| 10 | 70008254 | 1 | Plug 7/8 | |
| 11 | 70008265 | 1 | Plug | |
| 12 | 70008266 | 1 | O-Ring | |
| 13 | 70008256 | 2 | Cover 3/4 | |
| 14 | 70008267 | 2 | Cover 1-5/16 | |
| 15 | 70008268 | 2 | Cover 1-5/8 | |

SECTION 2 - TURNTABLE

FIGURE 2-14. DRIVE ORIENTATION INSTALLATION



ART_1001166767

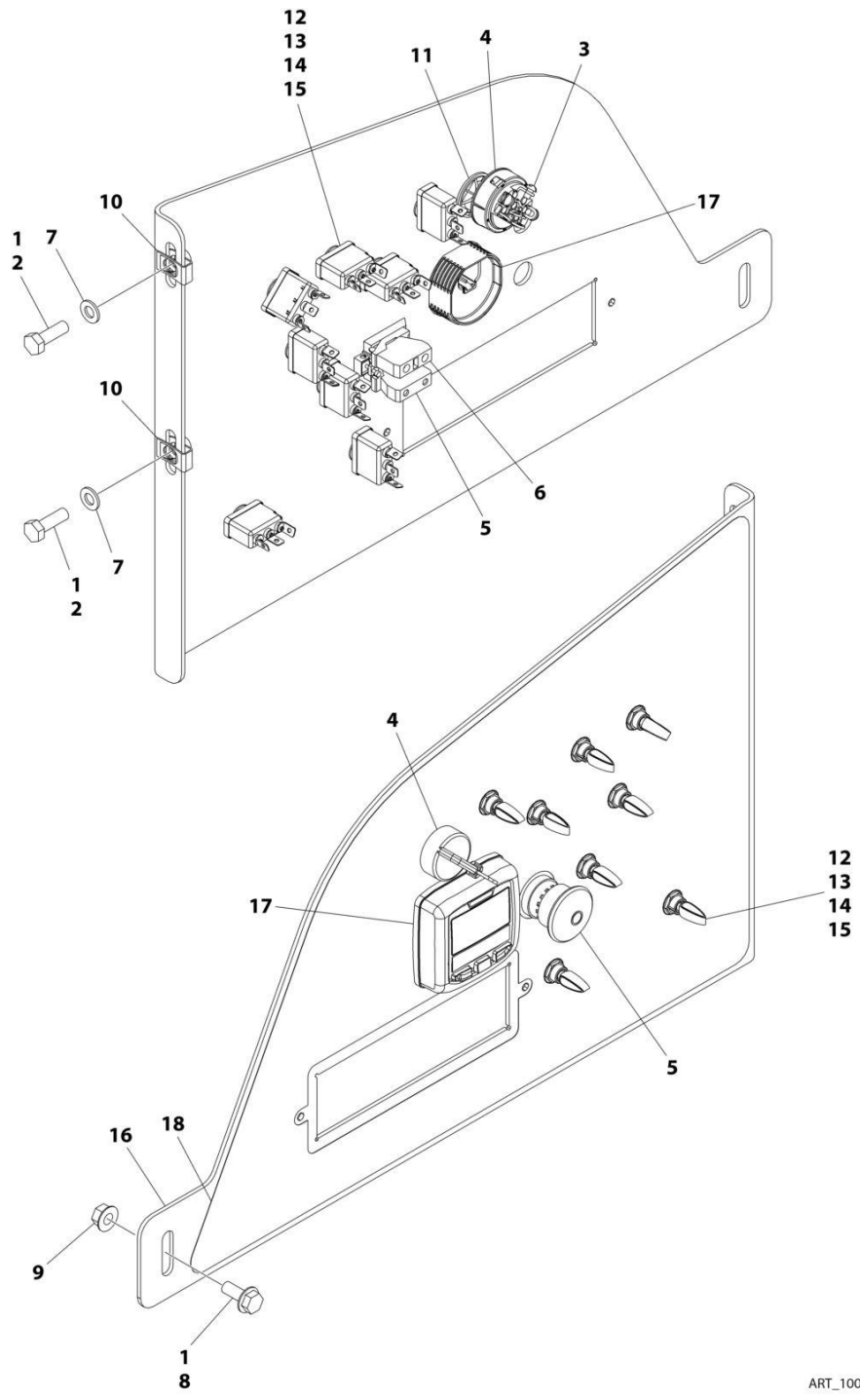
SECTION 2 - TURNTABLE

FIGURE 2-14. DRIVE ORIENTATION INSTALLATION

| ITEM | PART NUMBER | QTY | DESCRIPTION | REV |
|------|-------------|-----|---------------------------------|-----|
| | 1001166767 | Ref | DRIVE ORIENTATION INSTALLATION | F |
| 1 | 0100011 | AR | Compound, Locking | |
| 2 | 0761010 | 3 | Bolt M10 x 20 | |
| 3 | 0760608 | 2 | Bolt M6 x 16 | |
| 4 | 1321293 | 2 | Clamp, Cable | |
| 5 | 3290405 | 4 | Nut M4 | |
| 6 | 3290605 | 2 | Nut M6 | |
| 7 | 4031512 | 4 | Capscrew M4 x 40 | |
| 8 | 4812002 | 4 | Washer M10 | |
| 9 | 4811400 | 4 | Washer M4 | |
| 10 | 4811700 | 2 | Washer M6 | |
| 11 | 4812000 | 3 | Washer M10 | |
| 12 | 8310614 | 2 | Screw M10 x 30 | |
| 13 | 1001119176 | 2 | Switch, Limit | |
| 13 | 1001129407 | 1 | Receptacle, Female - 4 Position | |
| 13 | 4460464 | 4 | Pin, Male | |
| 14 | 1001162106 | 1 | Cam | |
| 15 | 1001166768 | 1 | Bracket | |
| 16 | 8881800 | AR | Tie-Strap (Not Shown) | |

SECTION 2 - TURNTABLE

FIGURE 2-15. GROUND CONTROL ASSEMBLY (ANSI EXPORT AND AUSTRALIAN SPECS)



ART_1001246450_C

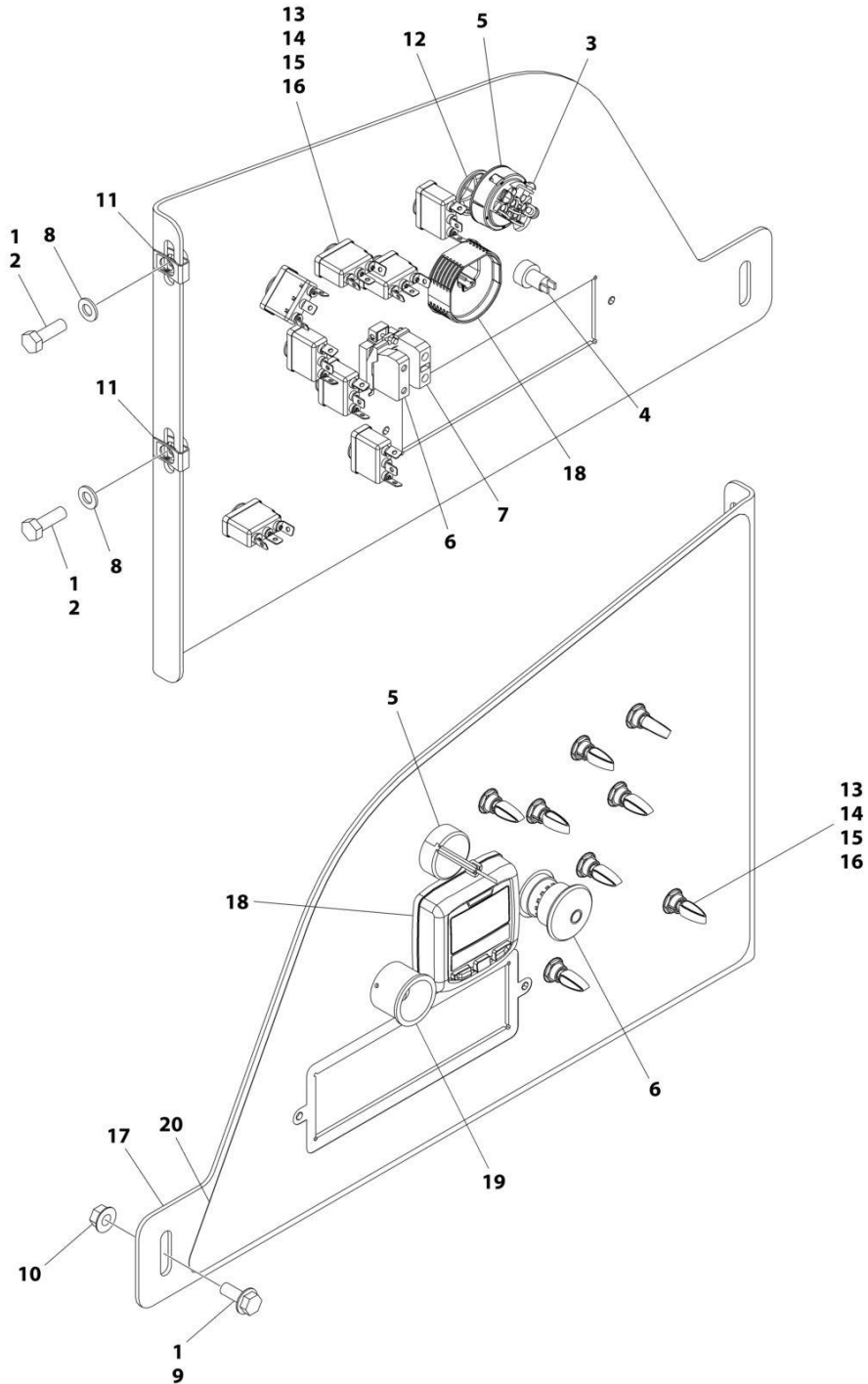
SECTION 2 - TURNTABLE

FIGURE 2-15. GROUND CONTROL ASSEMBLY (ANSI EXPORT AND AUSTRALIAN SPECS)

| ITEM | PART NUMBER | QTY | DESCRIPTION | REV |
|------|-------------|-----|-------------------------|-----|
| | 1001246450 | Ref | GROUND CONTROL ASSEMBLY | C |
| 1 | 0100011 | AR | Compound, Locking | |
| 2 | 0760812 | 2 | Bolt M8 x 25 | |
| 3 | 3910804 | 3 | Screw M8 x 1/4 | |
| 4 | 4360469 | 1 | Switch, Key | |
| 4 | 2860030 | 1 | Key, Replacement | |
| 5 | 1001274559 | 1 | Switch, Emergency | |
| 6 | 4360476 | 1 | Block, Contact | |
| 7 | 4811900 | 2 | Washer M8 | |
| 8 | 5250810 | 1 | Bolt M8 x 20 | |
| 9 | 5260800 | 1 | Nut M8 | |
| 10 | 1001118274 | 2 | Nut M8 | |
| 11 | 1001151393 | 1 | Shim .063 | |
| 12 | 1001155043 | 8 | Washer | |
| 13 | 1001155044 | 8 | Nut, Special 15/32-32 | |
| 14 | 1001155045 | 8 | Switch, Toggle | |
| 15 | 1001162807 | 8 | Washer | |
| 16 | 1001264735 | 1 | Panel, Ground Control | |
| 17 | 1001171482 | 1 | Gauge, Display | |
| 18 | 1001264733 | 1 | Decal - Ground Control | |

SECTION 2 - TURNTABLE

FIGURE 2-16. GROUND CONTROL ASSEMBLY (CE(LRC), CIS/EAC & UK CA SPECS)



ART_1001246451_C

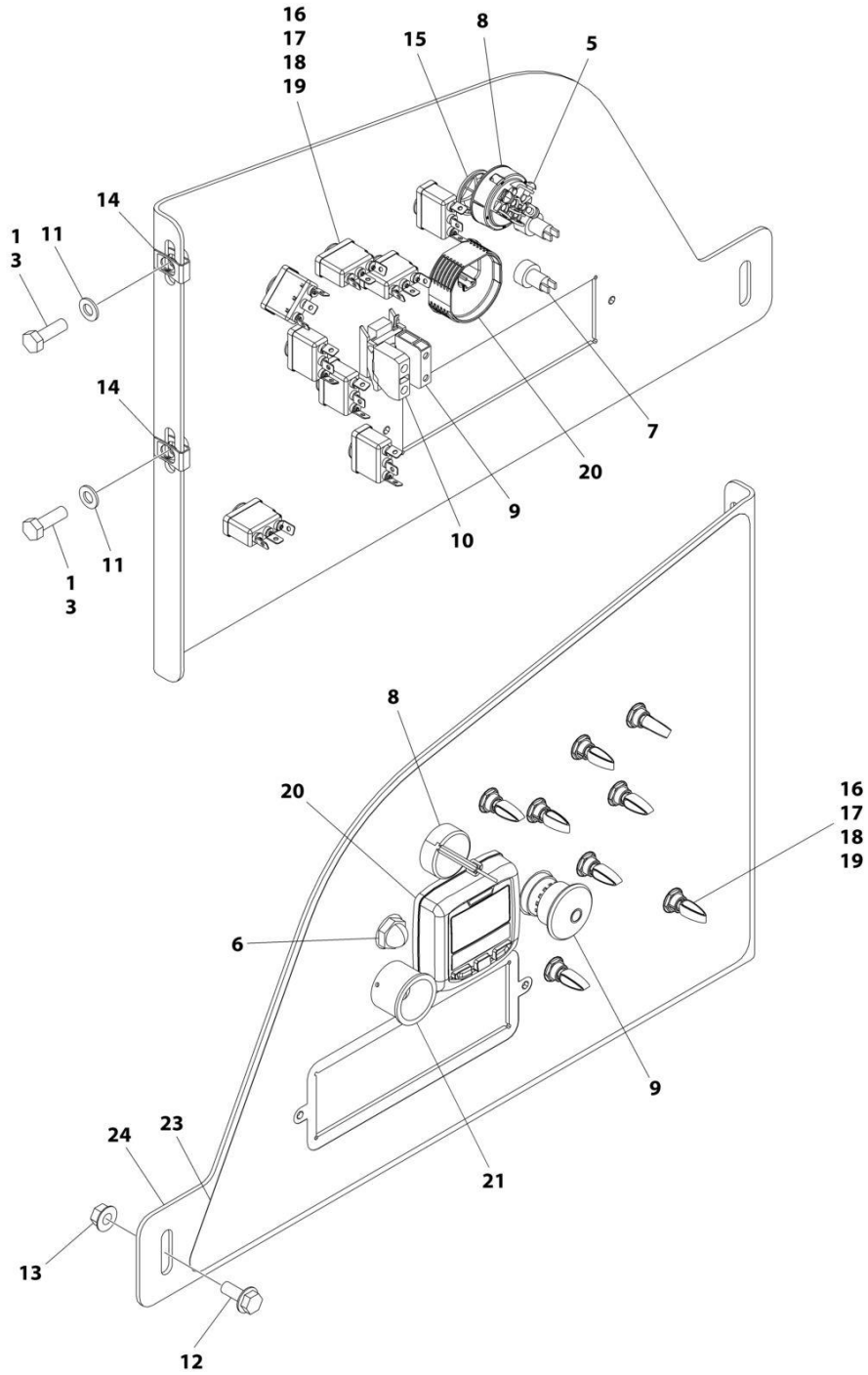
SECTION 2 - TURNTABLE

FIGURE 2-16. GROUND CONTROL ASSEMBLY (CE(LRC), CIS/EAC & UK CA SPECS)

| ITEM | PART NUMBER | QTY | DESCRIPTION | REV |
|------|-------------|-----|-------------------------|-----|
| | 1001246451 | Ref | GROUND CONTROL ASSEMBLY | C |
| 1 | 0100011 | AR | Compound, Locking | |
| 2 | 0760812 | 2 | Bolt M8 x 25 | |
| 3 | 3910804 | 3 | Screw M8 x 1/4 | |
| 4 | 4360387 | 1 | Switch, Push Button | |
| 5 | 4360469 | 1 | Switch, Key | |
| 5 | 2860030 | 1 | Key, Replacement | |
| 6 | 1001274559 | 1 | Switch, Emergency | |
| 7 | 4360476 | 1 | Block, Contact | |
| 8 | 4811900 | 2 | Washer M8 | |
| 9 | 5250810 | 1 | Bolt M8 x 20 | |
| 10 | 5260800 | 1 | Nut M8 | |
| 11 | 1001118274 | 2 | Nut M8 | |
| 12 | 1001151393 | 1 | Shim .063 | |
| 13 | 1001155043 | 8 | Washer | |
| 14 | 1001155044 | 8 | Nut, Special 15/32-32 | |
| 15 | 1001155045 | 8 | Switch, Toggle | |
| 16 | 1001162807 | 8 | Washer | |
| 17 | 1001264735 | 1 | Panel, Ground Control | |
| 18 | 1001171482 | 1 | Gauge, Display | |
| 19 | 1001176469 | 1 | Shroud, Switch | |
| 20 | 1001264732 | 1 | Decal - Ground Control | |

SECTION 2 - TURNTABLE

FIGURE 2-17. GROUND CONTROL ASSEMBLY (CE & UK CA SPECS)



ART_1001245656_D

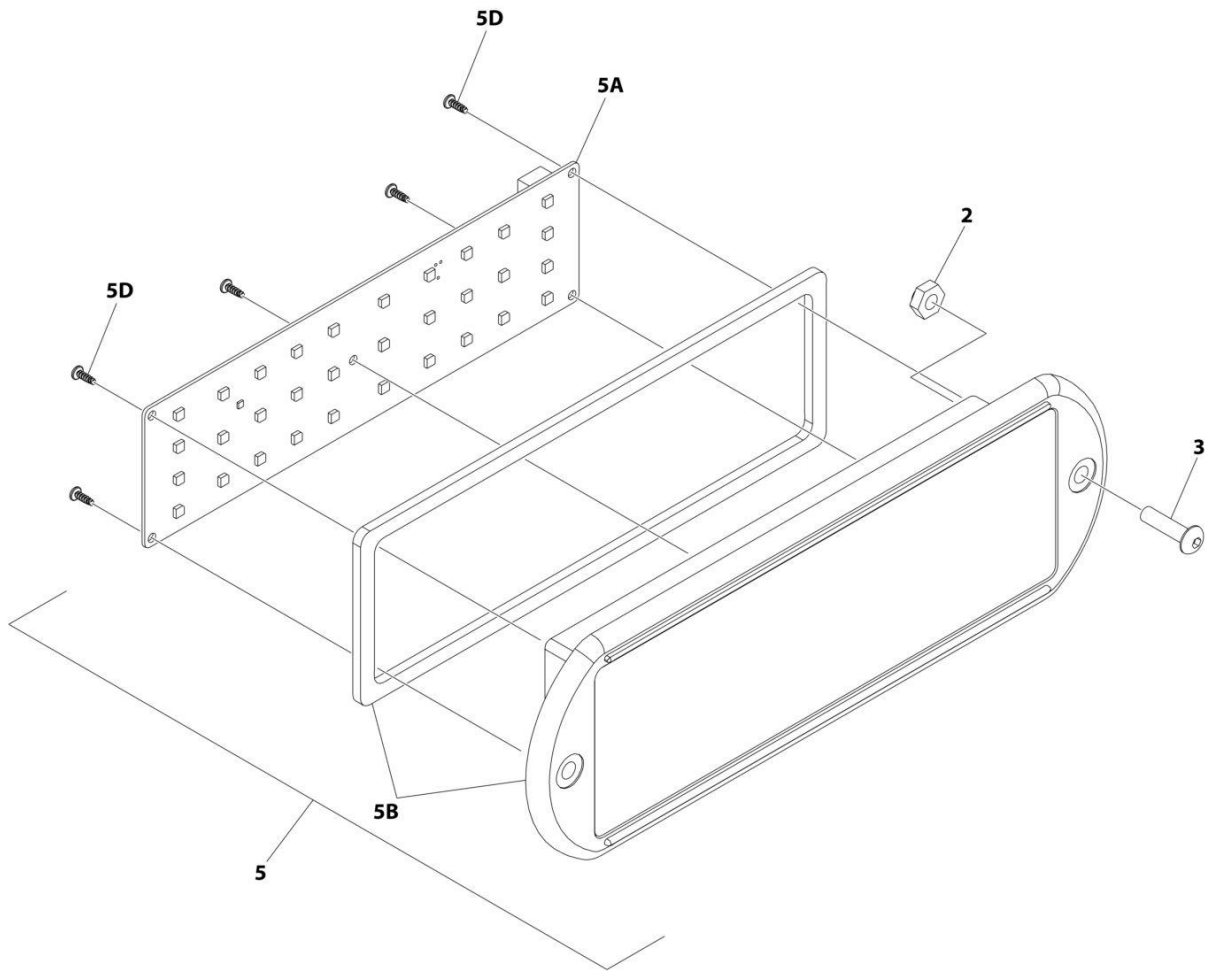
SECTION 2 - TURNTABLE

FIGURE 2-17. GROUND CONTROL ASSEMBLY (CE & UK CA SPECS)

| ITEM | PART NUMBER | QTY | DESCRIPTION | REV |
|------|-------------|-----|-------------------------|-----|
| | 1001245656 | Ref | GROUND CONTROL ASSEMBLY | D |
| 1 | 0100011 | AR | Compound, Locking | |
| 3 | 0760812 | 2 | Bolt M8 x 25 | |
| 5 | 3910804 | 3 | Screw M8 x 1/4 | |
| 6 | 4360274 | 1 | Switch, Push Button | |
| 7 | 4360387 | 1 | Switch, Push Button | |
| 8 | 4360469 | 1 | Switch, Key | |
| 8 | 2860030 | 1 | Key, Replacement | |
| 9 | 1001274559 | 1 | Switch, Emergency | |
| 10 | 4360476 | 1 | Block, Contact | |
| 11 | 4811900 | 2 | Washer M8 | |
| 12 | 5250810 | 1 | Bolt M8 x 20 | |
| 13 | 5260800 | 1 | Nut M8 | |
| 14 | 1001118274 | 2 | Nut M8 | |
| 15 | 1001151393 | 1 | Shim .063 | |
| 16 | 1001155043 | 8 | Washer | |
| 17 | 1001155044 | 8 | Nut, Special 15/32-32 | |
| 18 | 1001155045 | 8 | Switch, Toggle | |
| 19 | 1001162807 | 8 | Washer | |
| 20 | 1001171482 | 1 | Gauge, Display | |
| 21 | 1001176469 | 1 | Shroud, Switch | |
| 23 | 1001264731 | 1 | Decal - Ground Control | |
| 24 | 1001264735 | 1 | Panel, Ground Control | |

SECTION 2 - TURNTABLE

FIGURE 2-18. LIGHT PANEL INSTALLATION – GROUND CONTROL



ART_1001241398_D_10F2

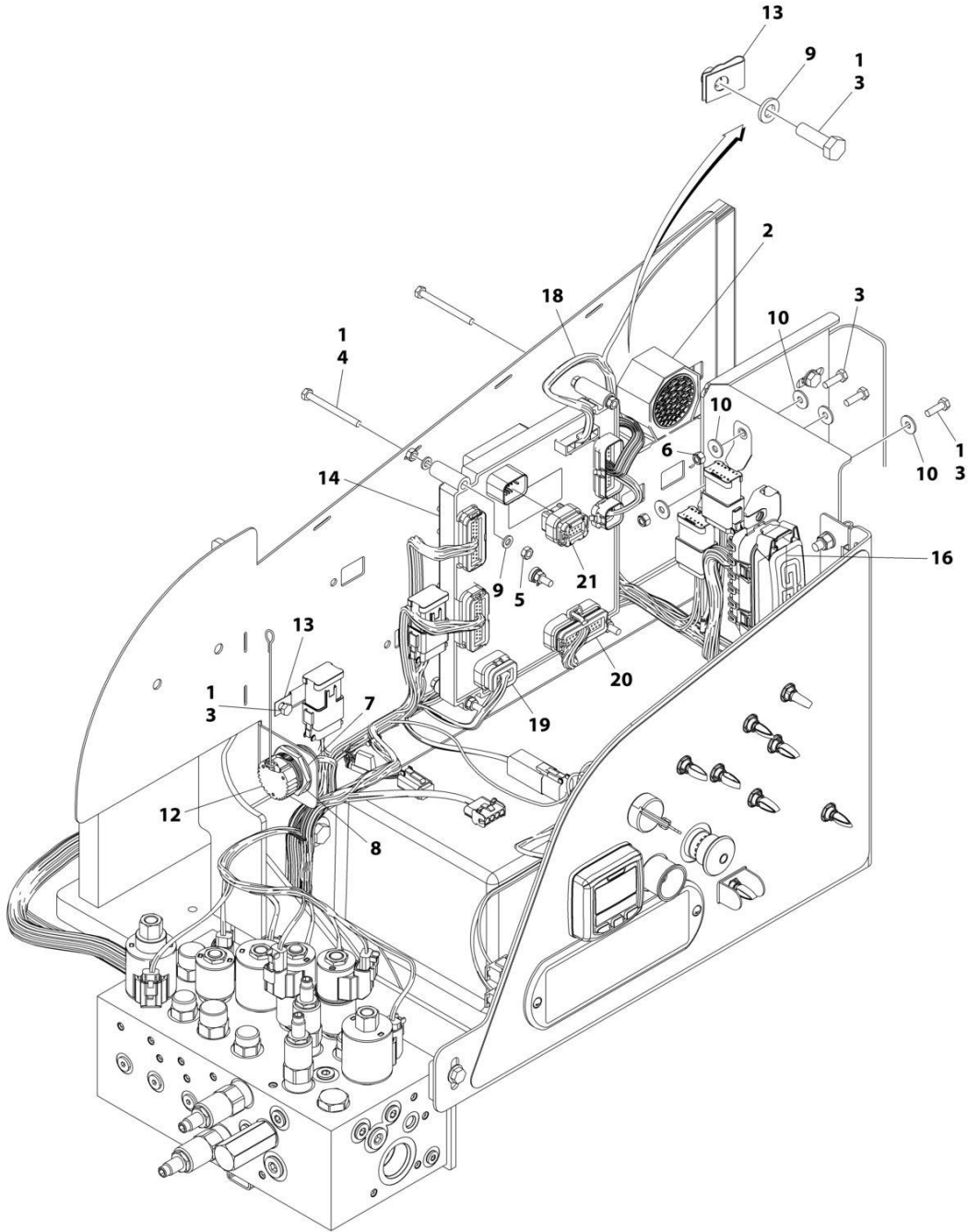
SECTION 2 - TURNTABLE

FIGURE 2-18. LIGHT PANEL INSTALLATION – GROUND CONTROL

| ITEM | PART NUMBER | QTY | DESCRIPTION | REV |
|-------------|--------------------|------------|------------------------------|------------|
| | 1001241398 | Ref | LIGHT PANEL INSTALLATION | D |
| 2 | 3300408 | 2 | Nut, Nylon Insert | |
| 3 | 0630518 | 2 | Screw #10 x 3/4 | |
| 5 | 1001237546 | 1 | Light Panel Assembly | J |
| 5A | 1001282106 | 1 | Panel, LED Light | |
| 5B | 1001236091 | 1 | Lens, Icon (Includes Gasket) | |
| 5D | | Ref | Screw | |

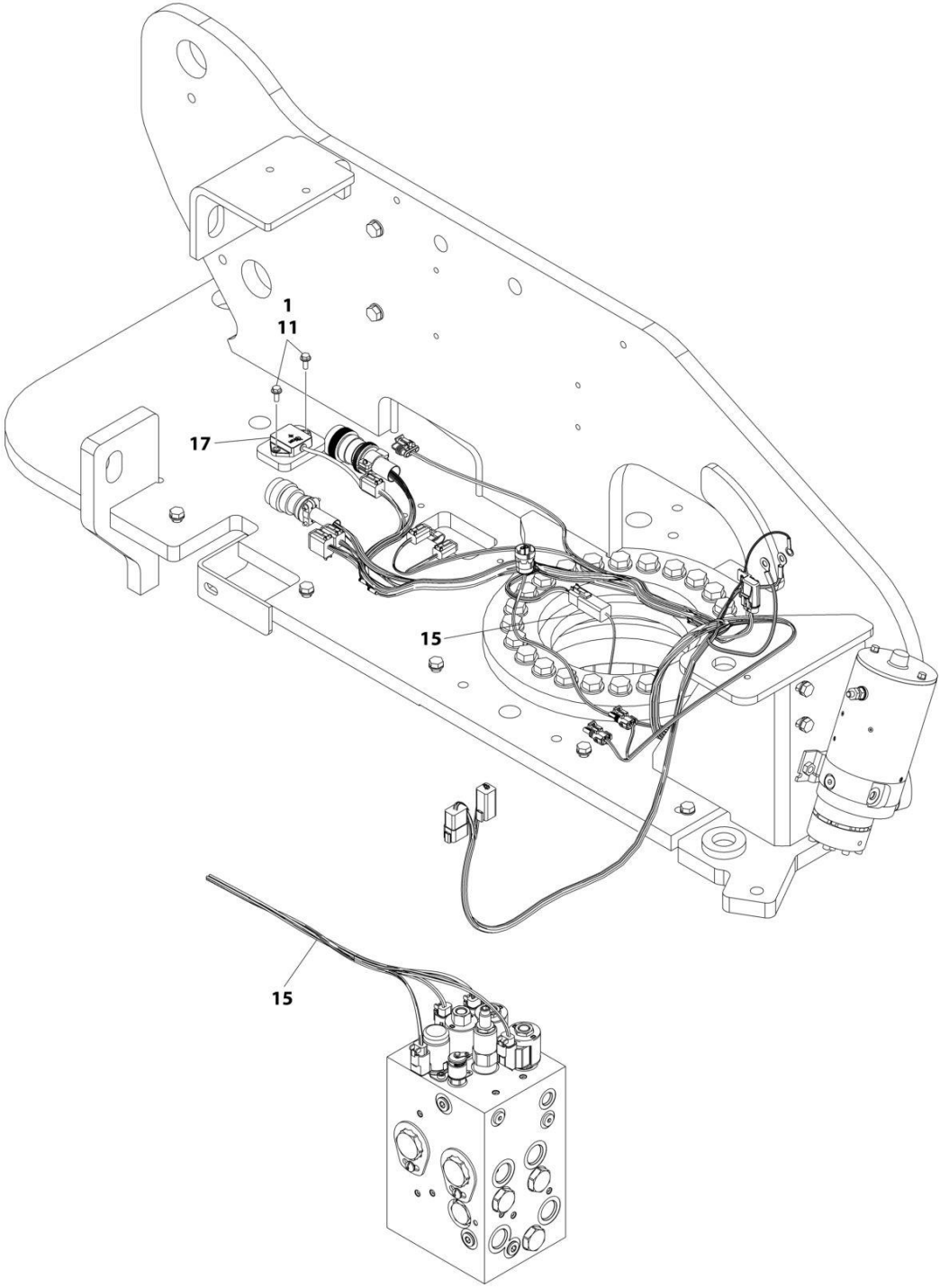
SECTION 2 - TURNTABLE

FIGURE 2-19. ELECTRICAL SYSTEM INSTALLATION (Prior to SN B300017702)



ART_1001246369_B_10F2

SECTION 2 - TURNTABLE



DETAIL OF TRACTION VALVE

ART_1001246369_B_2OF2

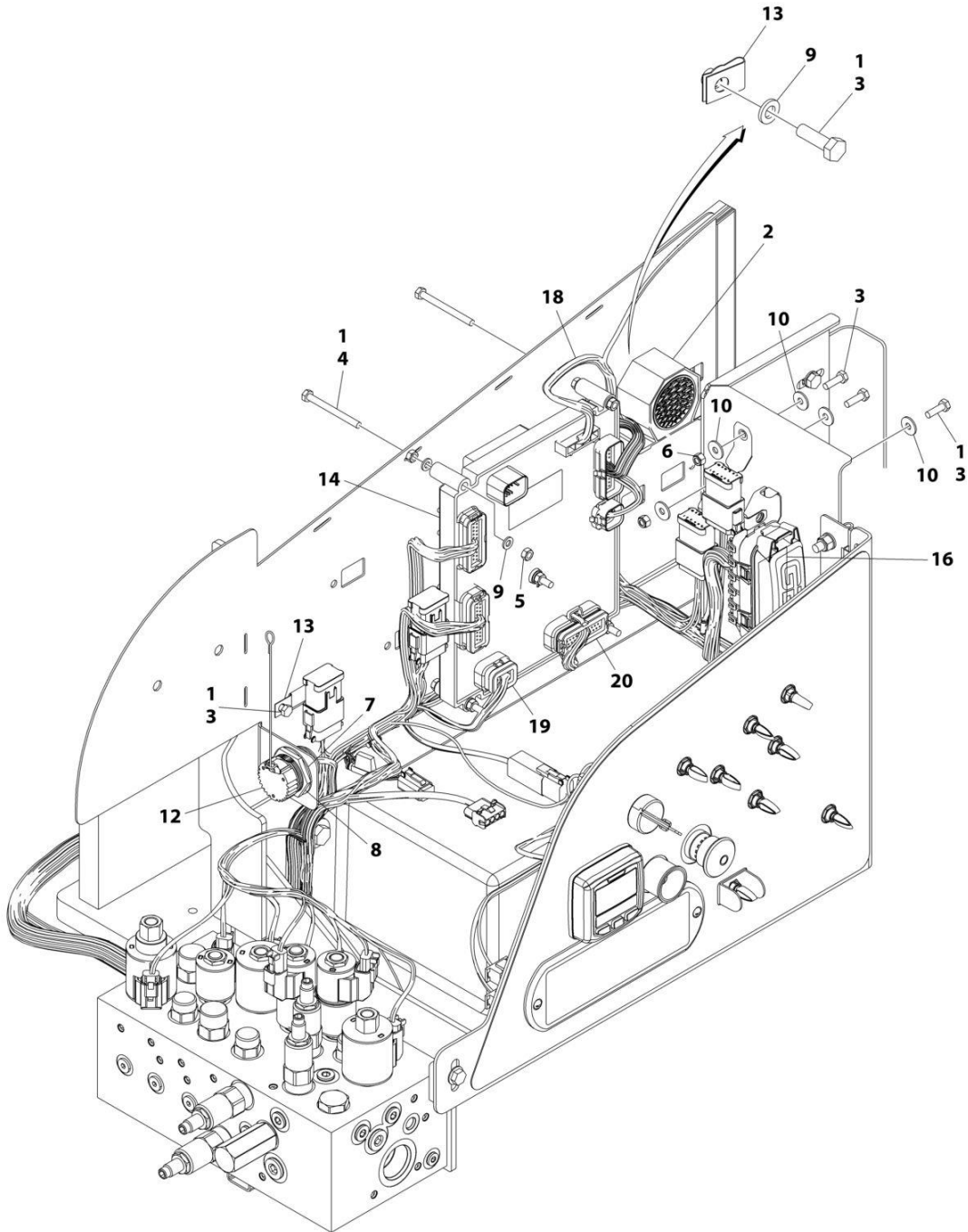
SECTION 2 - TURNTABLE

FIGURE 2-19. ELECTRICAL SYSTEM INSTALLATION (Prior to SN B300017702)

| ITEM | PART NUMBER | QTY | DESCRIPTION | REV |
|------|-------------|-----|---|-----|
| | 1001246369 | Ref | ELECTRICAL SYSTEM INSTALLATION | B |
| 1 | 0100011 | AR | Compound, Locking | |
| 2 | 0140043 | 1 | Alarm | |
| 3 | 0760610 | 7 | Bolt M6 x 20 | |
| 4 | 0760621 | 5 | Bolt M6 x 65 | |
| 5 | 3290601 | 10 | Nut M6 | |
| 6 | 3290605 | 2 | Nut M6 | |
| 7 | 4460496 | 1 | Washer, Terminal | |
| 8 | 4460497 | 1 | Nut, Terminal | |
| 9 | 4811700 | 12 | Washer M6 | |
| 10 | 4811702 | 7 | Washer M6 | |
| 11 | 5250608 | 2 | Bolt M6 x 16 | |
| 12 | 1001106736 | 1 | Cap, Dust | |
| 13 | 1001130220 | 3 | Nut, Tinnerman M6 | |
| 14 | 1001280340 | 1 | Module, Ground Control | |
| | See Note | Ref | Note: Re-calibration Required when Replaced | |
| 15 | 1001179236 | 1 | Chassis Solenoid Harness (See Separate Breakdown in ELECTRICAL Section) | |
| 16 | 1001196637 | 1 | Decal - Fuse Box | |
| 17 | 1001219601 | 1 | Sensor | |
| 17 | See Note | 1 | Receptacle, Female - 4 Position (Note: Not Available for Purchase) | |
| 17 | See Note | 4 | Pin, Male (Note: Not Available for Purchase) | |
| 18 | 1001244293 | 1 | Turntable Harness (See Separate Breakdown in ELECTRICAL Section) | |
| 19 | 1001244294 | 1 | Valve Harness - Main Valve (See Separate Breakdown in ELECTRICAL Section) | |
| 20 | 1001244295 | 1 | Ground Control Panel Harness (See Separate Breakdown in ELECTRICAL Section) | |
| 21 | 1001246859 | 1 | Connector | |

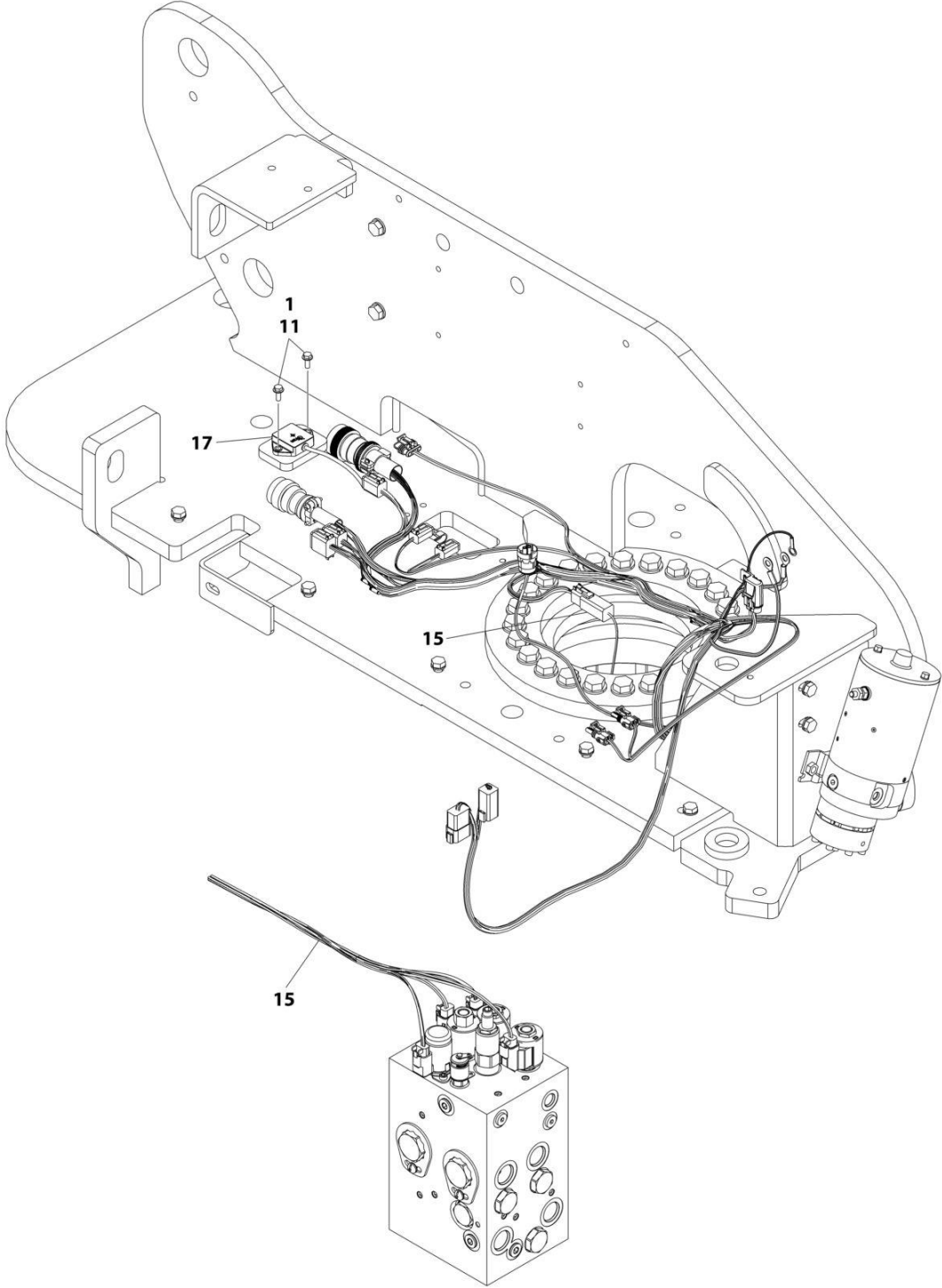
SECTION 2 - TURNTABLE

FIGURE 2-20. ELECTRICAL SYSTEM INSTALLATION (SN B300017702 to Present)



ART_1001246369_C_10F2

SECTION 2 - TURNTABLE



DETAIL OF TRACTION VALVE

ART_1001246369_C_20F2

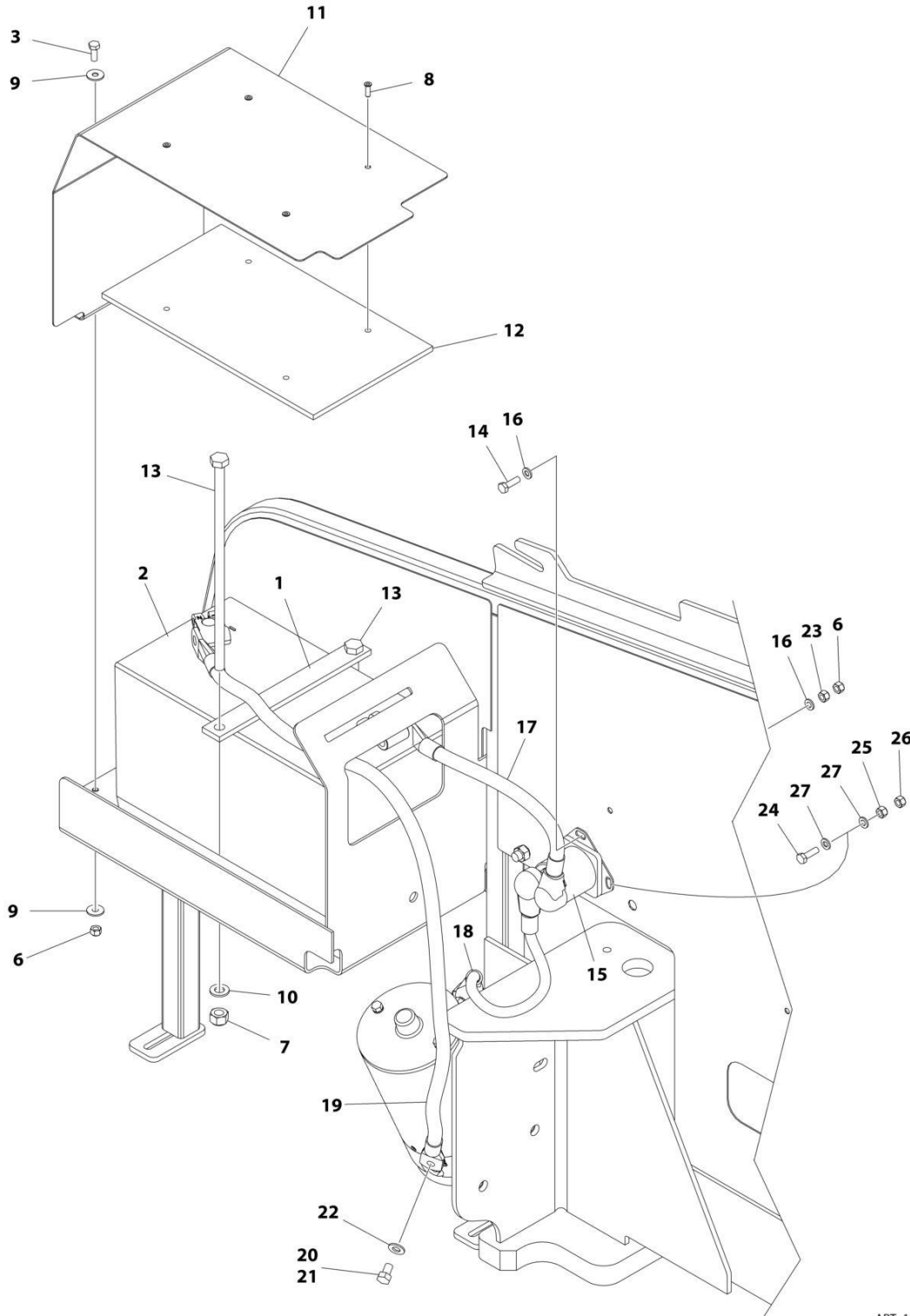
SECTION 2 - TURNTABLE

FIGURE 2-20. ELECTRICAL SYSTEM INSTALLATION (SN B300017702 to Present)

| ITEM | PART NUMBER | QTY | DESCRIPTION | REV |
|------|-------------|-----|---|-----|
| | 1001246369 | Ref | ELECTRICAL SYSTEM INSTALLATION | C |
| 1 | 0100011 | AR | Compound, Locking | |
| 2 | 0140043 | 1 | Alarm | |
| 3 | 0760610 | 7 | Bolt M6 x 20 | |
| 4 | 0760621 | 5 | Bolt M6 x 65 | |
| 5 | 3290601 | 10 | Nut M6 | |
| 6 | 3290605 | 2 | Nut, Lock M6 | |
| 7 | 4460496 | 1 | Washer, Terminal | |
| 8 | 4460497 | 1 | Nut, Terminal | |
| 9 | 4811700 | 12 | Washer M6 | |
| 10 | 4811702 | 7 | Washer M6 | |
| 11 | 5250608 | 2 | Bolt M6 x 16 | |
| 12 | 1001106736 | 1 | Cap, Dust | |
| 13 | 1001130220 | 3 | Nut, Tinnerman M6 | |
| 14 | 1001280340 | 1 | Module, Ground Control (Note: Re-calibration Required when Replaced) | |
| 15 | 1001179236 | 1 | Chassis Solenoid Harness (See Separate Breakdown in ELECTRICAL Section) | |
| 16 | 1001196637 | 1 | Decal - Fuse Box | |
| 17 | 1001219601 | 1 | Sensor | |
| 17 | 1001103013 | 1 | Connector | |
| 18 | 1001282492 | 1 | Turntable Harness (See Separate Breakdown in ELECTRICAL Section) | |
| 19 | 1001282533 | 1 | Valve Harness - Main Valve (See Separate Breakdown in ELECTRICAL Section) | |
| 20 | 1001244295 | 1 | Ground Control Panel Harness (See Separate Breakdown in ELECTRICAL Section) | |
| 22 | 4240032 | AR | Tie-Strap (Not Shown) | |
| 23 | 4460234 | AR | Mount, Tie-Strap (Not Shown) | |

SECTION 2 - TURNTABLE

FIGURE 2-21. BATTERY AND CABLE INSTALLATION



ART_1001166316_H

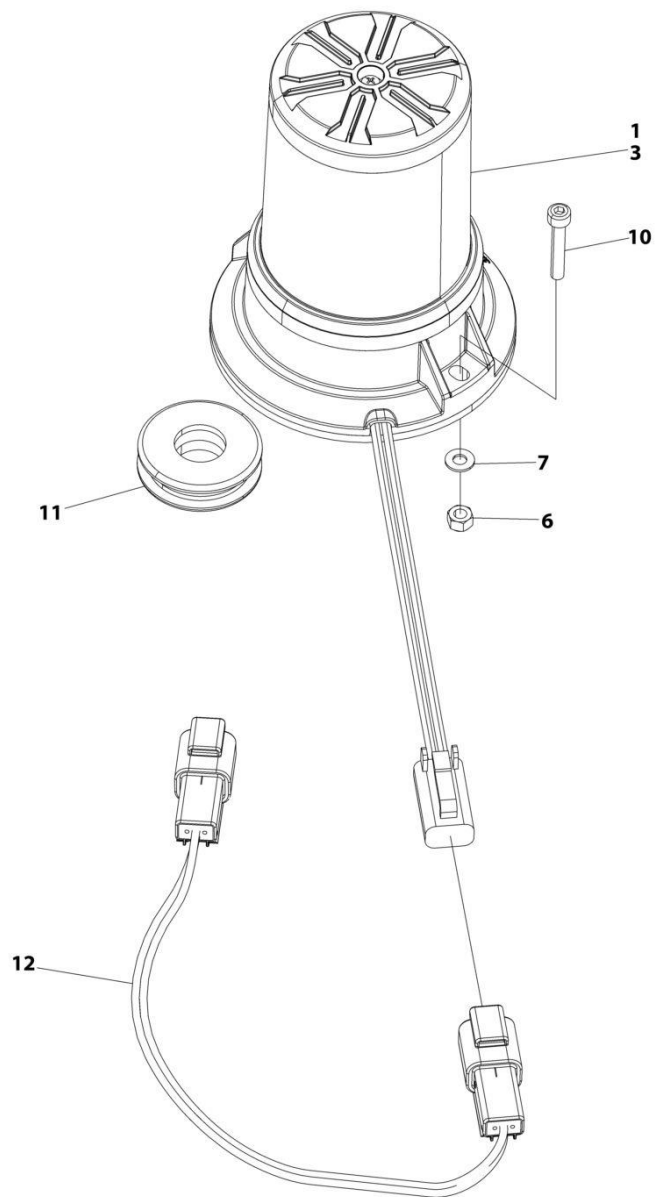
SECTION 2 - TURNTABLE

FIGURE 2-21. BATTERY AND CABLE INSTALLATION

| ITEM | PART NUMBER | QTY | DESCRIPTION | REV |
|------|-------------|-----|--|-----|
| | 1001166316 | Ref | BATTERY AND CABLE INSTALLATION | H |
| 1 | 0361810 | 1 | Bar, Hold-down | |
| 2 | 0400075 | 1 | Battery | |
| 3 | 0760610 | 2 | Bolt M6 x 20 | |
| 6 | 3290605 | 3 | Nut M6 | |
| 7 | 3291005 | 2 | Nut M10 | |
| 8 | 3820032 | 4 | Rivet | |
| 9 | 4811702 | 4 | Washer M6 | |
| 10 | 4812000 | 2 | Washer M10 | |
| 11 | 1001117240 | 1 | Cover | |
| 12 | 1001119278 | 1 | Insulation | |
| 13 | 1001119280 | 2 | Bolt M16 x 260 | |
| 14 | 0760612 | 1 | Bolt M6 x 25 | |
| 15 | 3740067 | 1 | Relay | |
| 15 | 3300220 | 2 | Nut 3/8 | |
| 15 | 1001111424 | 2 | Washer 3/8 | |
| 15 | 3321001 | 1 | Nut #10 | |
| 15 | 4761000 | 1 | Washer #10 | |
| 16 | 4811700 | 2 | Washer M6 | |
| 17 | 1001171678 | 1 | Cable, Battery (Positive + to Aux Relay) | |
| 18 | 1001171679 | 1 | Cable, Battery (Aux Relay to Aux Pump) | |
| 19 | 1001171680 | 1 | Cable, Battery (Negative – to Aux Pump) | |
| 20 | 0100011 | AR | Compound, Locking | |
| 21 | 0641504 | 1 | Bolt 5/16 x 1/2 | |
| 22 | 4711500 | 1 | Washer 5/16 | |
| 23 | 3290601 | 2 | Nut M6 | |
| 24 | 0760512 | 1 | Bolt M5 x 25 | |
| 25 | 3290501 | 1 | Nut M5 | |
| 26 | 3290505 | 1 | Nut M5 | |
| 27 | 4811600 | 2 | Washer M5 | |

SECTION 2 - TURNTABLE

FIGURE 2-22. BEACON LIGHT INSTALLATION - AMBER (Prior to SN B300017702)



ART_1001174976_E

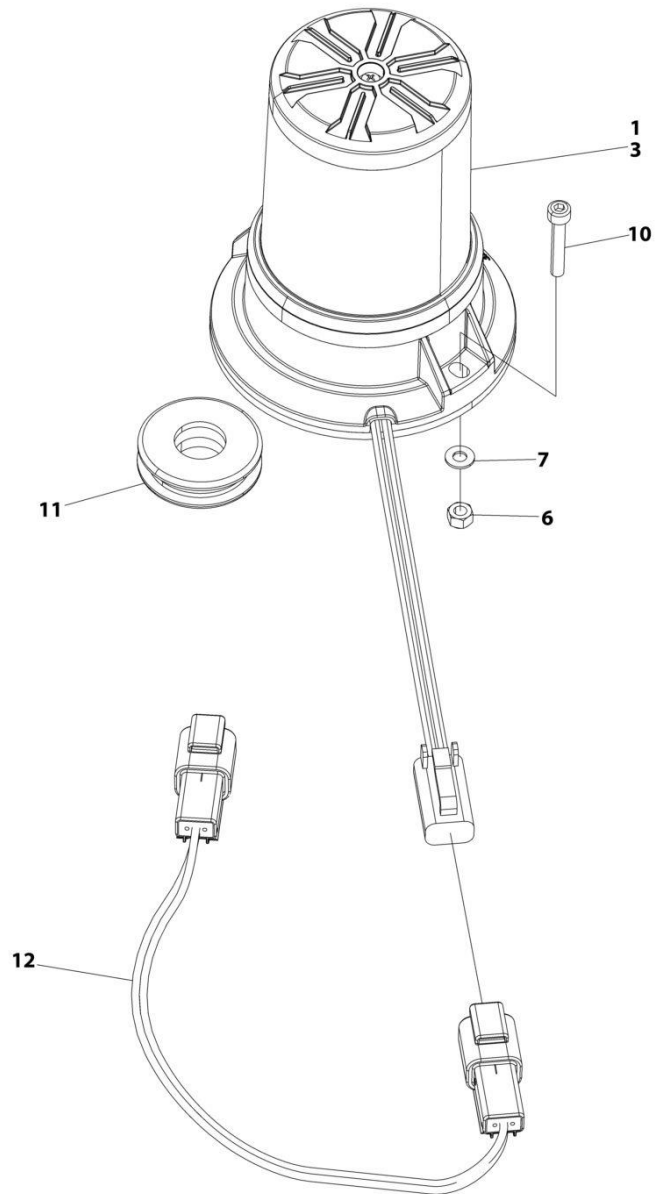
SECTION 2 - TURNTABLE

FIGURE 2-22. BEACON LIGHT INSTALLATION - AMBER (Prior to SN B300017702)

| ITEM | PART NUMBER | QTY | DESCRIPTION | REV |
|------|-------------|-----|---|-----|
| | 1001174976 | Ref | BEACON LIGHT INSTALLATION - AMBER | E |
| 1 | 0100048 | AR | Compound, Silicone | |
| 3 | 1001270594 | 1 | Lamp, Strobe | |
| 3 | 4460891 | 1 | Connector | |
| 3 | 4460465 | 2 | Socket | |
| 6 | 3290405 | 2 | Nut, Lock M4 | |
| 7 | 4811400 | 2 | Washer M4 | |
| 8 | 4240032 | AR | Tie-Strap (Not Shown) | |
| 9 | 4460234 | AR | Mount, Tie-Strap (Noth Shown) | |
| 10 | 4031509 | 2 | Capscrew M4 x25 | |
| 11 | 2540020 | 1 | Grommet | |
| 12 | 1001277185 | 1 | Harness, Beacon Jumper (See Separate Breakdown in ELECTRICAL Section) | |

SECTION 2 - TURNTABLE

FIGURE 2-23. BEACON LIGHT INSTALLATION - AMBER (SN B300017702 to Present)



ART_1001174976_F

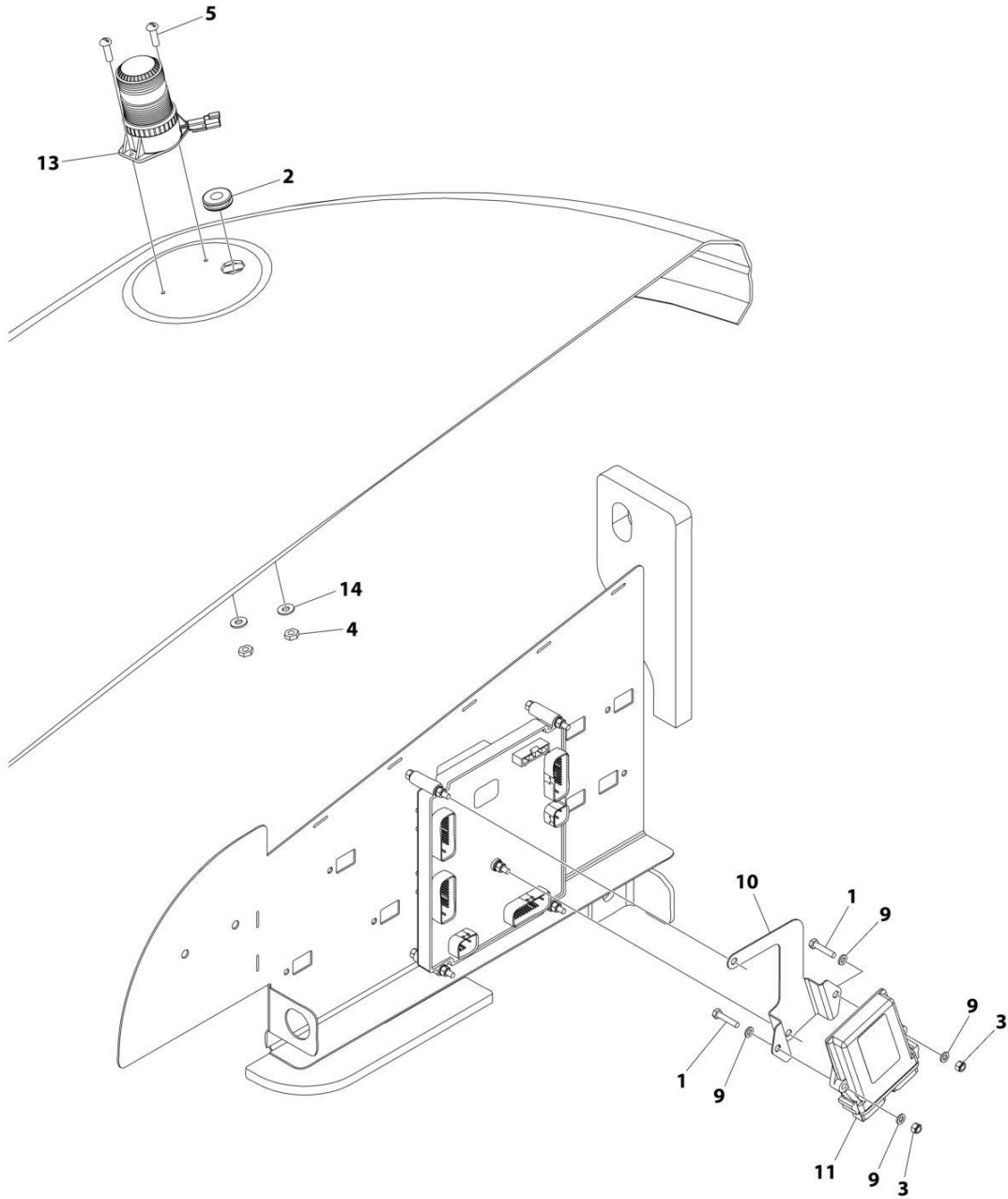
SECTION 2 - TURNTABLE

FIGURE 2-23. BEACON LIGHT INSTALLATION - AMBER (SN B300017702 to Present)

| ITEM | PART NUMBER | QTY | DESCRIPTION | REV |
|------|-------------|-----|---|-----|
| | 1001174976 | Ref | BEACON LIGHT INSTALLATION - AMBER | F |
| 1 | 0100048 | AR | Compound, Silicone | |
| 3 | 1001270594 | 1 | Lamp, Strobe | |
| 3 | 4460891 | 1 | Connector | |
| 3 | 4460465 | 2 | Socket | |
| 6 | 3290405 | 2 | Nut, Lock M4 | |
| 7 | 4811400 | 2 | Washer M4 | |
| 8 | 4240032 | AR | Tie-Strap (Not Shown) | |
| 9 | 4460234 | AR | Mount, Tie-Strap (Noth Shown) | |
| 10 | 4031509 | 1 | Capscrew M4 x25 | |
| 11 | 2540020 | 1 | Grommet | |
| 12 | 1001283776 | 1 | Harness, Beacon Jumper (See Separate Breakdown in ELECTRICAL Section) | |

SECTION 2 - TURNTABLE

FIGURE 2-24. BEACON LIGHT INSTALLATION - BLUE



ART_1001242855_C

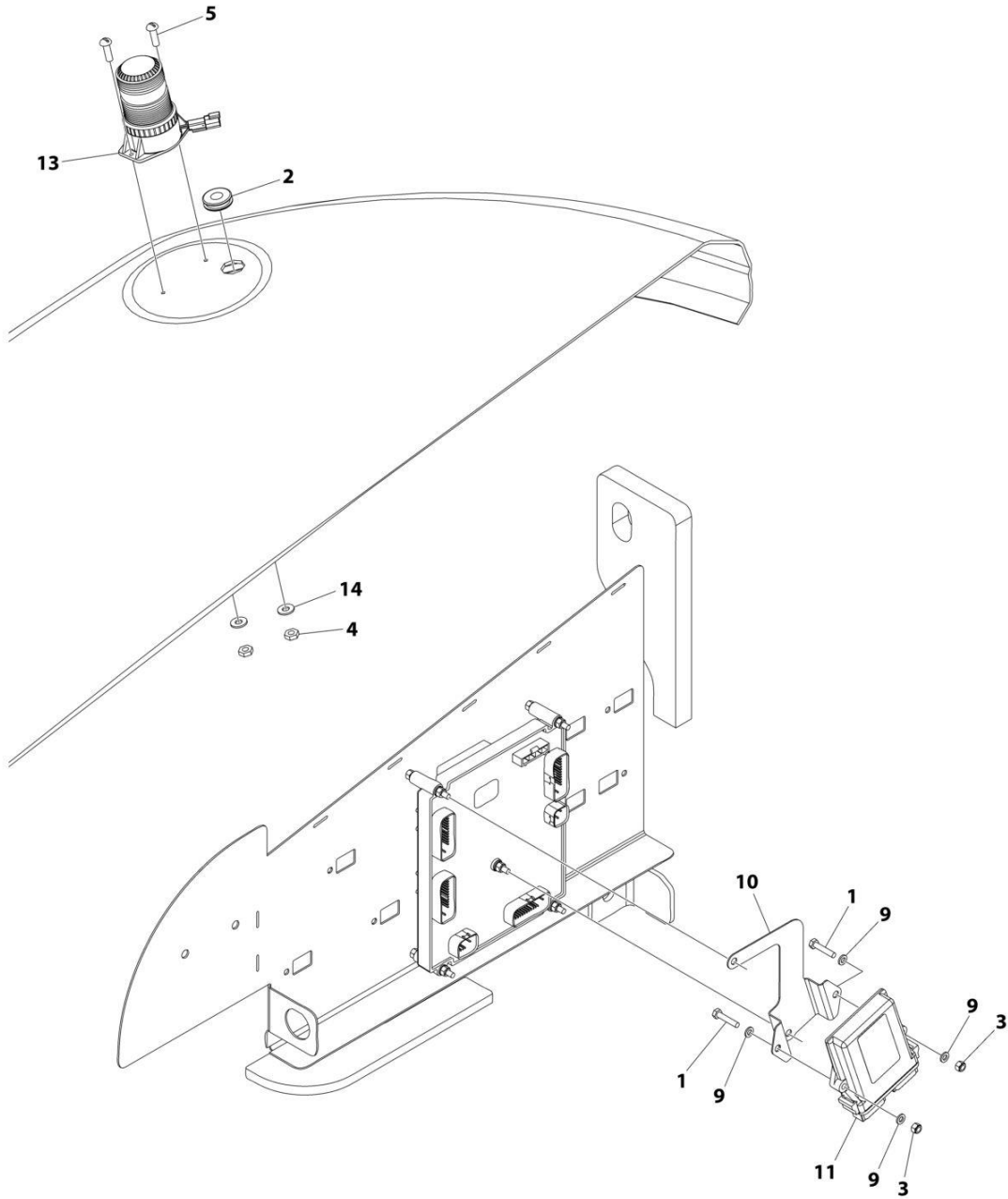
SECTION 2 - TURNTABLE

FIGURE 2-24. BEACON LIGHT INSTALLATION - BLUE

| ITEM | PART NUMBER | QTY | DESCRIPTION | REV |
|------|-------------|-----|--|-----|
| | 1001242855 | Ref | BEACON LIGHT INSTALLATION - BLUE | C |
| 1 | 0760614 | 2 | Bolt M6 x 30 | |
| 2 | 2540020 | 1 | Grommet | |
| 3 | 3290605 | 2 | Nut, Lock M6 | |
| 4 | 3290405 | 2 | Nut, Lock M4 | |
| 5 | 4031509 | 2 | Capscrew M4 x 25 | |
| 6 | 4240032 | AR | Tie-Strap (Not Shown) | |
| 7 | 4460488 | AR | Mount, Tie-Strap (Not Shown) | |
| 9 | 4811700 | 4 | Washer M6 | |
| 10 | 1001276626 | 1 | Mount, Module | |
| 11 | 1001142683 | 1 | Module, Control | |
| 12 | 1001142736 | 1 | Harness, Beacon (Not Shown - See Separate Breakdown in ELECTRICAL Section) | |
| 13 | 1001272681 | 1 | Lamp, Strobe | |
| 13 | 4460897 | 1 | Connector | |
| 13 | 4460464 | 2 | Pin | |
| 14 | 4811400 | 2 | Washer M4 | |

SECTION 2 - TURNTABLE

FIGURE 2-25. BEACON LIGHT INSTALLATION - RED



ART_1001242856_C

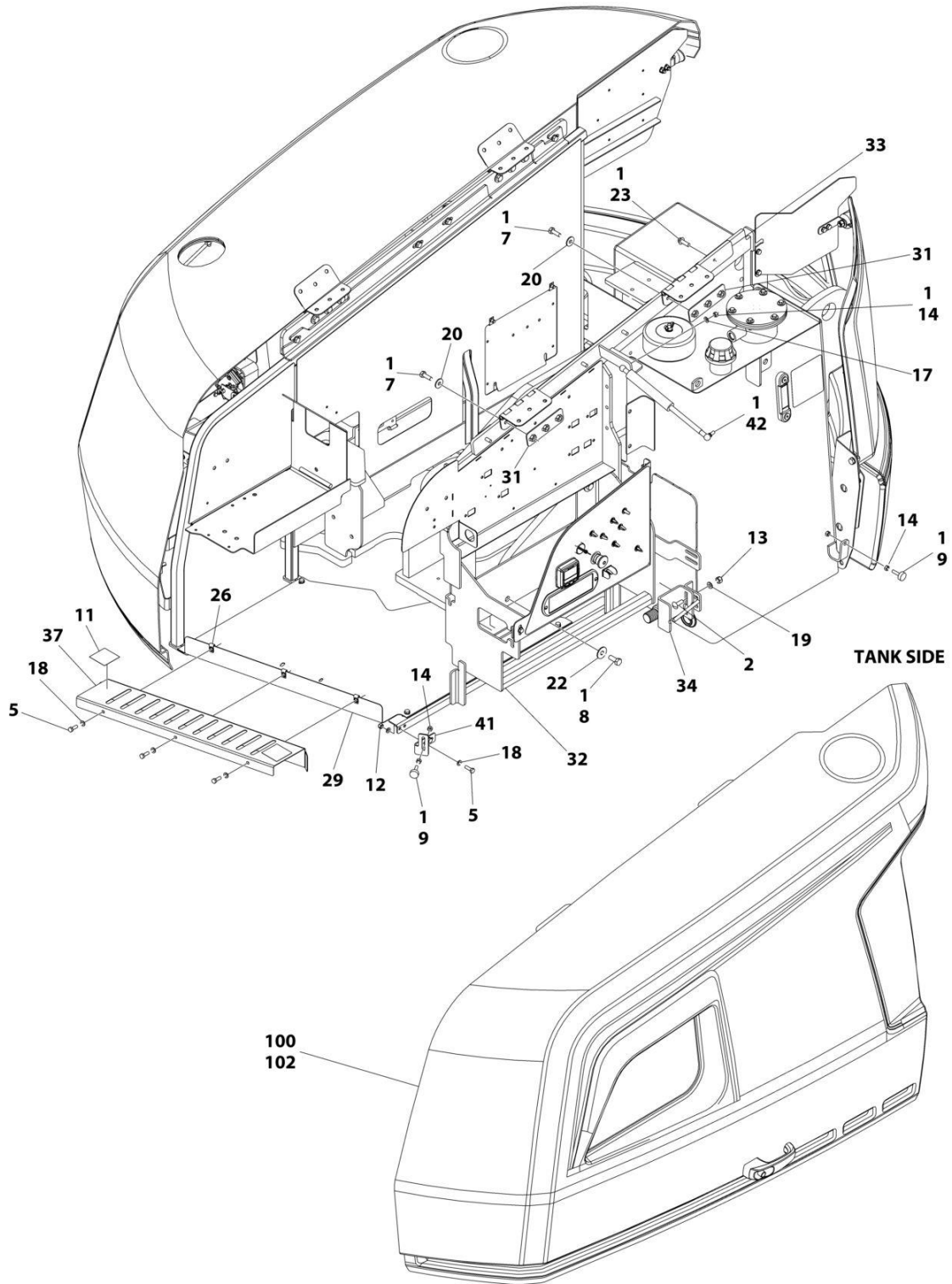
SECTION 2 - TURNTABLE

FIGURE 2-25. BEACON LIGHT INSTALLATION - RED

| ITEM | PART NUMBER | QTY | DESCRIPTION | REV |
|------|-------------|-----|--|-----|
| | 1001242856 | Ref | BEACON LIGHT INSTALLATION - RED | C |
| 1 | 0760614 | 2 | Bolt M6 x 30 | |
| 2 | 2540020 | 1 | Grommet | |
| 3 | 3290605 | 2 | Nut, Lock M6 | |
| 4 | 3290405 | 2 | Nut, Lock M4 | |
| 5 | 4031509 | 2 | Capscrew M4 x 25 | |
| 6 | 4240032 | AR | Tie-Strap (Not Shown) | |
| 7 | 4460488 | AR | Mount, Tie-Strap (Not Shown) | |
| 9 | 4811700 | 4 | Washer M6 | |
| 10 | 1001276626 | 1 | Mount, Module | |
| 11 | 1001142683 | 1 | Module, Control | |
| 12 | 1001142736 | 1 | Harness, Beacon (Not Shown - See Separate Breakdown in ELECTRICAL Section) | |
| 13 | 1001272682 | 1 | Lamp, Strobe | |
| 13 | 4460897 | 1 | Connector | |
| 13 | 4460464 | 2 | Pin | |
| 14 | 4811400 | 2 | Washer M4 | |

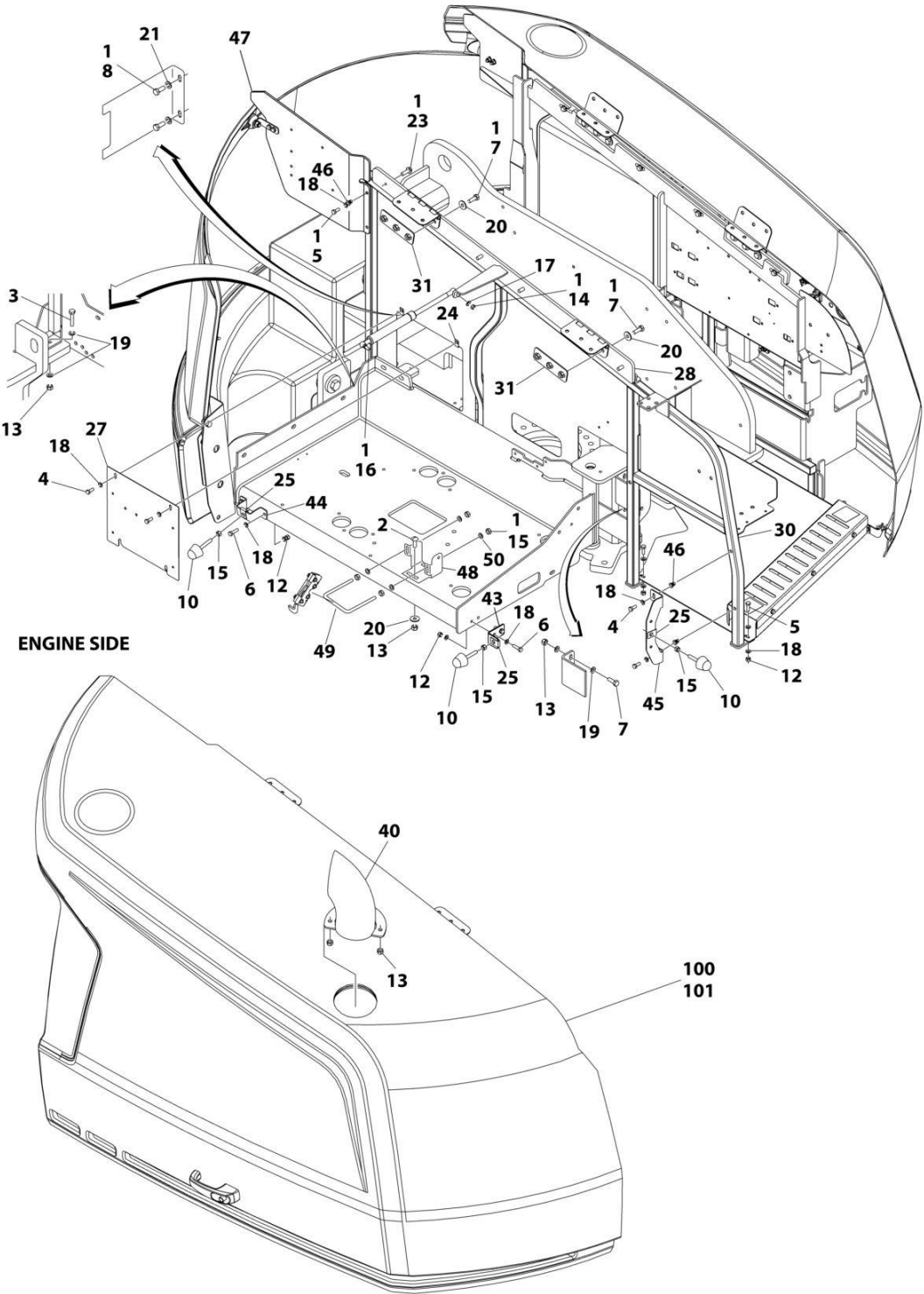
SECTION 2 - TURNTABLE

FIGURE 2-26. HOODS INSTALLATION (ABS)



ART_1001241286_D_10F2

SECTION 2 - TURNTABLE



ART_1001241286_D_20F2

SECTION 2 - TURNTABLE

FIGURE 2-26. HOODS INSTALLATION (ABS)

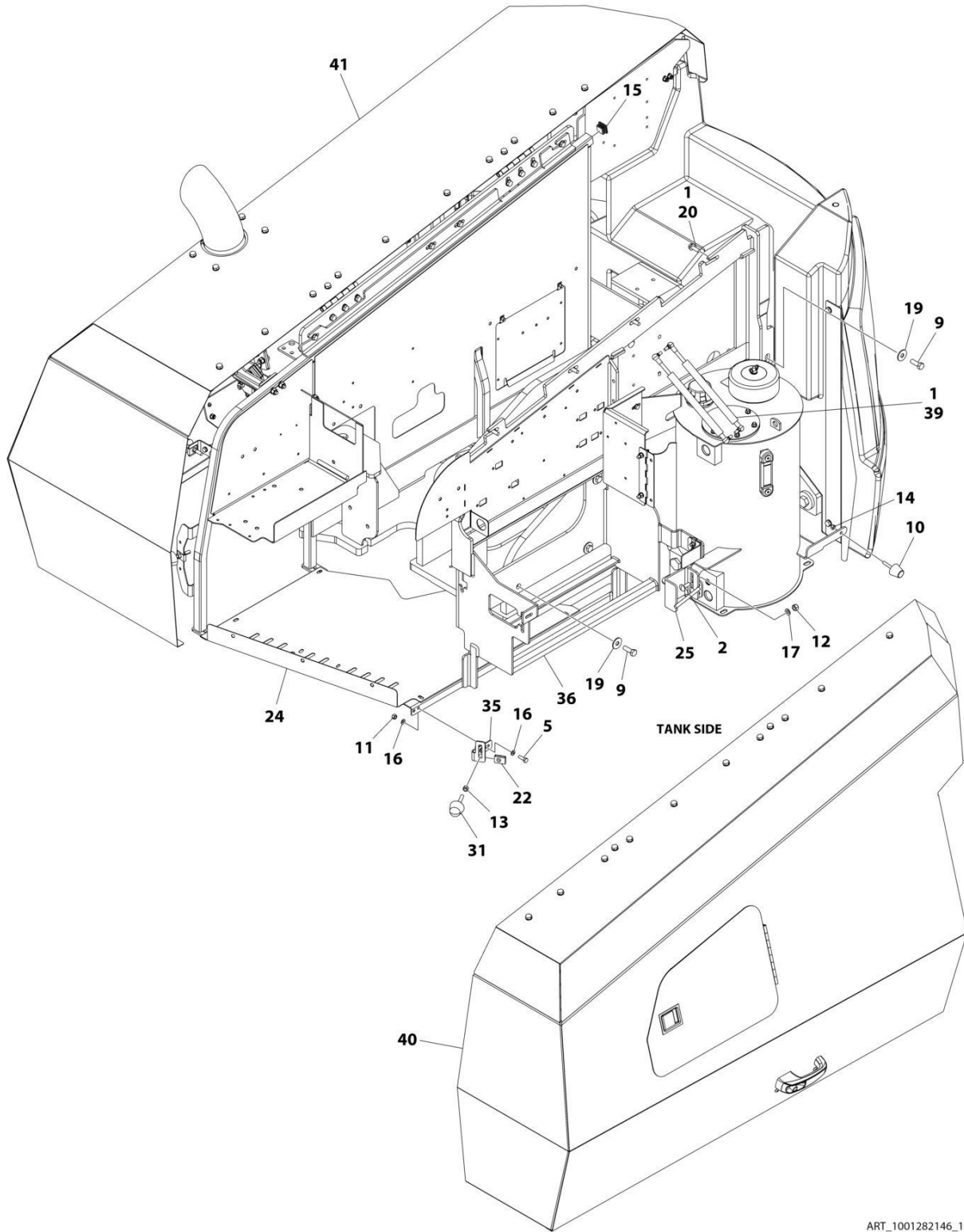
| ITEM | PART NUMBER | QTY | DESCRIPTION | REV |
|------|-------------|-----|--|-----|
| | 1001241286 | Ref | HOODS INSTALLATION | D |
| 1 | 0100011 | AR | Compound, Locking | |
| 2 | 0630613 | 4 | Bolt M10 x 30 | |
| 3 | 0701018 | 5 | Bolt M10 x 50 | |
| 4 | 0760810 | 4 | Bolt M8 x 20 | |
| 5 | 0760812 | 11 | Bolt M8 x 25 | |
| 6 | 0760814 | 4 | Bolt M8 x 30 | |
| 7 | 0761014 | 14 | Bolt M10 x 30 | |
| 8 | 0761214 | 6 | Bolt M12 x 30 | |
| 9 | 0940049 | 2 | Bumper | |
| 10 | 0940071 | 3 | Bumper | |
| 11 | 1701691 | 2 | Decal - No Step | |
| 12 | 3290805 | 10 | Nut M8 | |
| 13 | 3291005 | 14 | Nut M10 | |
| 14 | 3311501 | 6 | Nut 5/16 | |
| 15 | 3311601 | 7 | Nut 3/8 | |
| 16 | 4160182 | 1 | Spring, Gas | |
| 17 | 4711500 | 2 | Washer 5/16 | |
| 18 | 4811900 | 29 | Washer M8 | |
| 19 | 4812000 | 16 | Washer M10 | |
| 20 | 4812002 | 14 | Washer M10 | |
| 21 | 4812100 | 2 | Washer M12 | |
| 22 | 4812102 | 4 | Washer M12 | |
| 23 | 5251014 | 8 | Bolt M10 x 30 | |
| 24 | 8310686 | 2 | Nut, Retainer M8 | |
| 25 | 88662523 | 3 | Nut, Tinnerman | |
| 26 | 1001118274 | 3 | Nut M8 | |
| 27 | 1001167149 | 1 | Panel, Filler | |
| 28 | 1001167159 | 1 | Mount | |
| 29 | 1001167163 | 1 | Tray | |
| 30 | 1001167169 | 1 | Mount | |
| 31 | 1001169046 | 4 | Nut | |
| 32 | 1001211716 | 1 | Support, Hood | |
| 33 | 1001170018 | 1 | Mount | |
| 34 | 1001170022 | 1 | Mount | |
| 37 | 1001171216 | 1 | Cover | |
| 40 | 1001233899 | 1 | Pipe, Exhaust | |
| 41 | 1001179904 | 1 | Mount | |
| 42 | 1001182169 | 1 | Spring, Gas | |
| 43 | 1001182875 | 1 | Mount | |
| 44 | 1001182877 | 1 | Mount | |
| 45 | 1001182879 | 1 | Mount | |
| 46 | 1001191832 | 4 | Rivnut M8 | |
| 47 | 1001211717 | 1 | Panel, Filler | |
| 48 | 1001250291 | 1 | Bracket | |
| 49 | 1001243414 | 1 | U-Bolt | |
| 50 | 4891600 | 4 | Washer 3/8 | |
| 100 | 1001285789 | 1 | Hood Kit (Includes Items 101-102) | A |
| 101 | 1001241295 | 1 | Hood Assembly - Engine Side (See Separate Breakdown in this Section) | |

SECTION 2 - TURNTABLE

| ITEM | PART NUMBER | QTY | DESCRIPTION | REV |
|-------------|--------------------|------------|--|------------|
| 102 | 1001285788 | 1 | Hood Assembly - Tank Side (See Separate Breakdown in this Section) | |

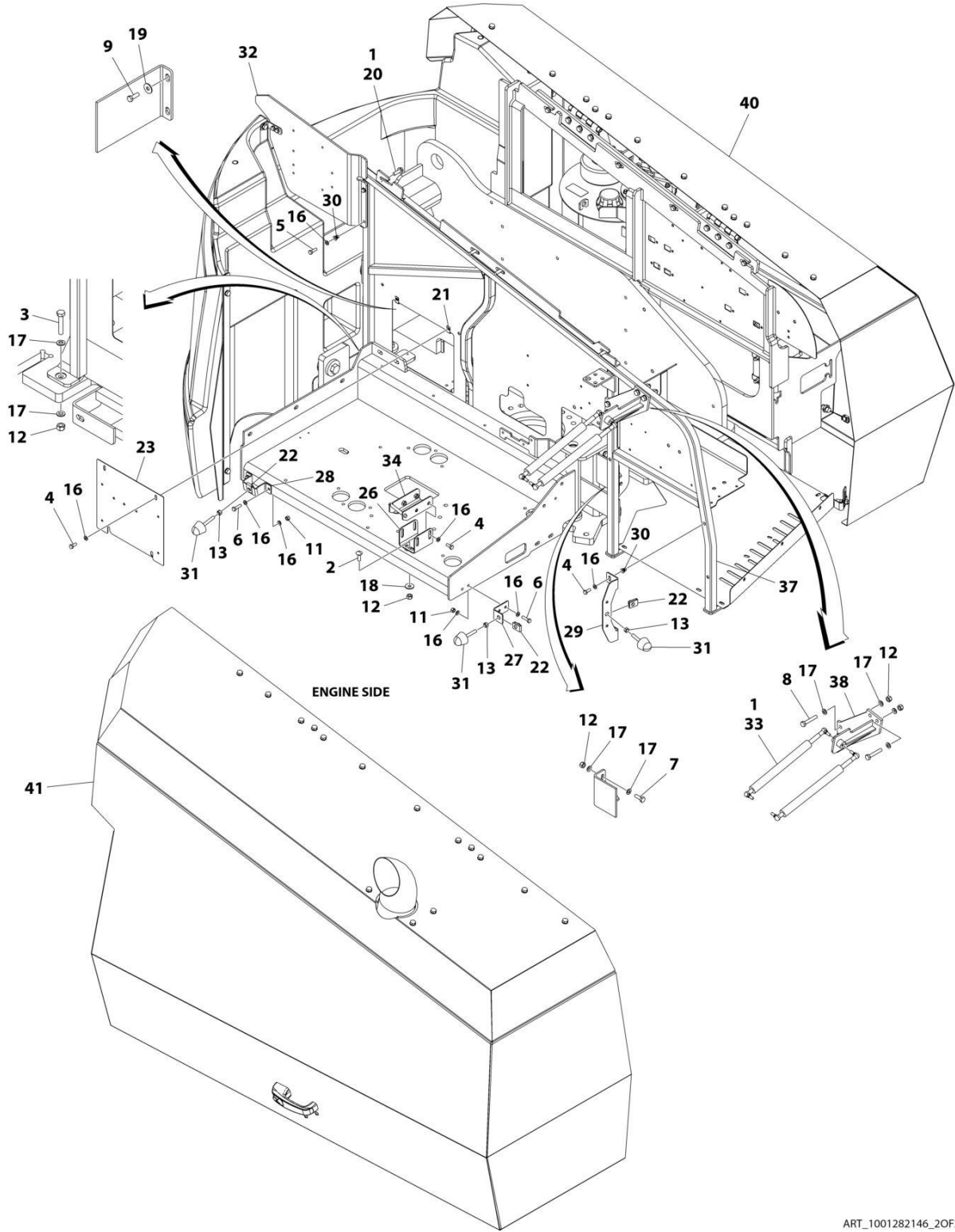
SECTION 2 - TURNTABLE

FIGURE 2-27. HOODS INSTALLATION (STEEL)



ART_1001282146_1OF2

SECTION 2 - TURNTABLE



ART_1001282146_20F2

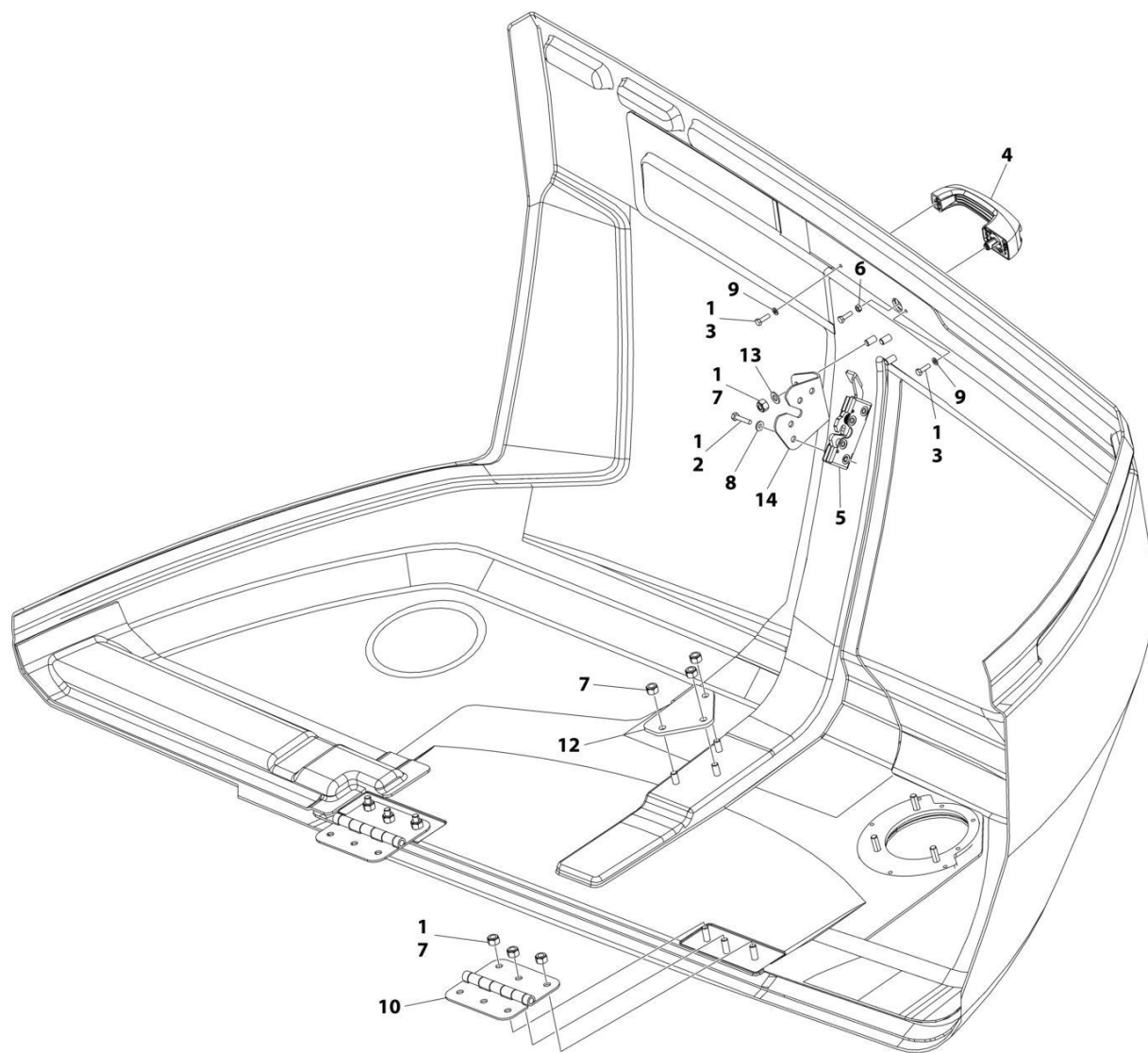
SECTION 2 - TURNTABLE

FIGURE 2-27. HOODS INSTALLATION (STEEL)

| ITEM | PART NUMBER | QTY | DESCRIPTION | REV |
|------|-------------|-----|--|-----|
| | 1001282146 | Ref | HOODS INSTALLATION (STEEL) | B |
| 1 | 0100011 | AR | Compound, Locking | |
| 2 | 0630613 | 4 | Bolt M10 x 30 | |
| 3 | 0701019 | 5 | Bolt M10 x 55 | |
| 4 | 0760810 | 8 | Bolt M8 x 20 | |
| 5 | 0760812 | 4 | Bolt M8 x 25 | |
| 6 | 0760814 | 4 | Bolt M8 x 30 | |
| 7 | 0761014 | 2 | Bolt M10 x 30 | |
| 8 | 0761020 | 4 | Bolt M12 x 60 | |
| 9 | 0761215 | 6 | Bolt M12 x 35 | |
| 10 | 0940088 | 1 | Bumper | |
| 11 | 3290805 | 6 | Nut M8 | |
| 12 | 3291005 | 15 | Nut M10 | |
| 13 | 3311601 | 4 | Nut 3/8 | |
| 14 | 3321501 | 1 | Nut 5/16 | |
| 15 | 3520072 | 1 | Plug | |
| 16 | 4811900 | 22 | Washer M8 | |
| 17 | 4812000 | 24 | Washer M10 | |
| 18 | 4812002 | 2 | Washer M10 | |
| 19 | 4812102 | 6 | Washer M12 | |
| 20 | 5251014 | 8 | Bolt M10 x 30 | |
| 21 | 8310686 | 2 | Nut, Retainer M8 | |
| 22 | 88662523 | 4 | Nut, Tinnerman | |
| 23 | 1001167149 | 1 | Panel, Filler | |
| 24 | 1001167163 | 1 | Tray | |
| 25 | 1001170022 | 1 | Mount | |
| 26 | 1001170859 | 1 | Mount | |
| 27 | 1001182875 | 1 | Mount | |
| 28 | 1001182877 | 1 | Mount | |
| 29 | 1001182879 | 1 | Mount | |
| 30 | 1001191832 | 4 | Rivnut M8 | |
| 31 | 1001206314 | 4 | Bumper | |
| 32 | 1001211717 | 1 | Panel, Filler | |
| 33 | 1001213794 | 2 | Spring, Gas | |
| 34 | 1001223777 | 1 | Support, Striker | |
| 35 | 1001269476 | 1 | Mount | |
| 36 | 1001279651 | 1 | Support, Hood | |
| 37 | 1001280240 | 1 | Mount | |
| 38 | 1001280242 | 1 | Mount | |
| 39 | 1001280549 | 2 | Spring, Gas | |
| 40 | 1001285988 | 1 | Hood Assembly - Tank Side (See Separate Breakdown in this Section) | |
| 41 | 1001282143 | 1 | Hood Assembly - Engine Side (See Separate Breakdown in this Section) | |

SECTION 2 - TURNTABLE

FIGURE 2-28. HOOD ASSEMBLY (ABS) - ENGINE SIDE



NOTE: REPLACEMENT DECALS MUST BE ORDERED SEPARATELY - SEE DECAL SECTION.

ART_1001241295

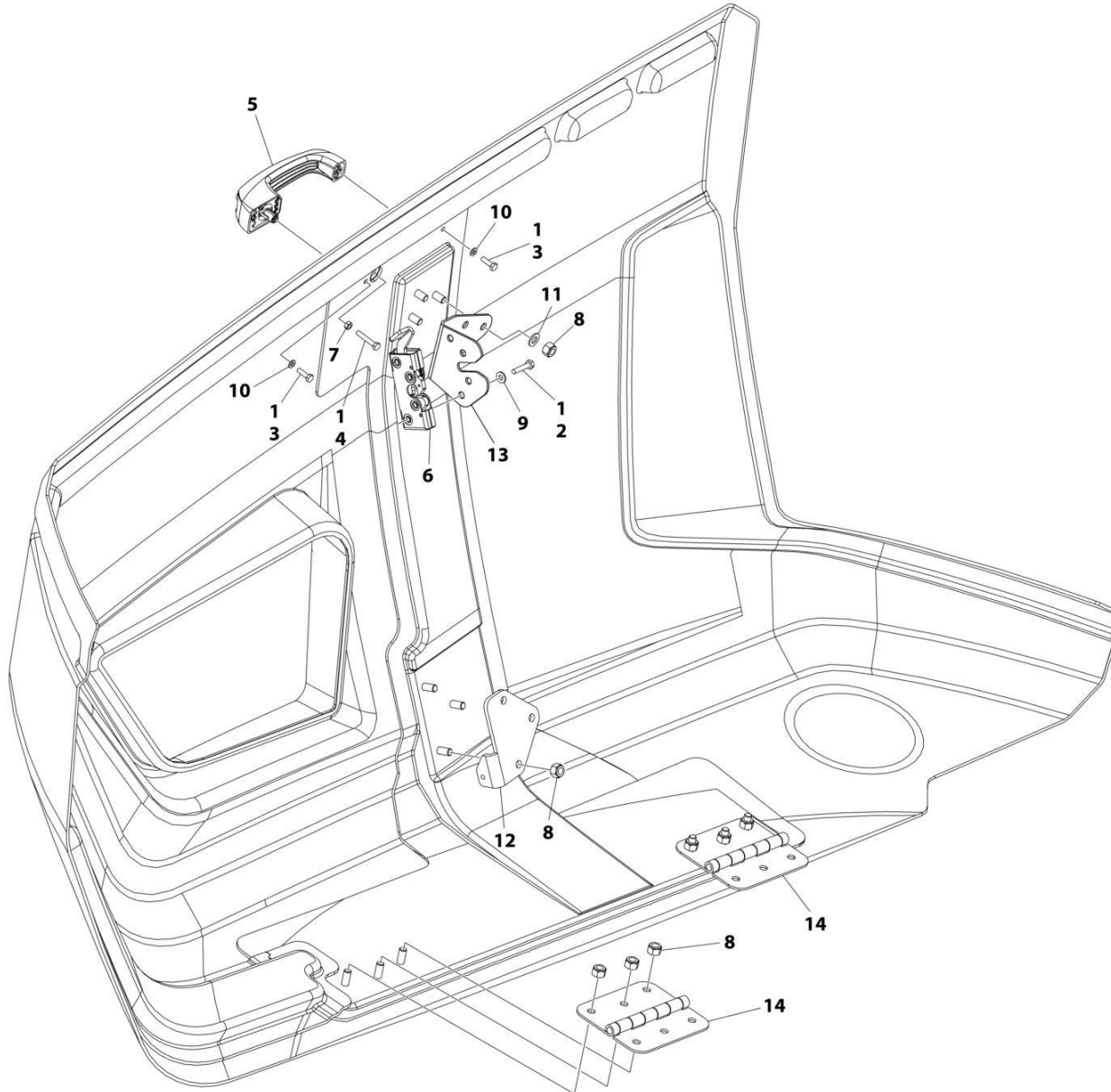
SECTION 2 - TURNTABLE

FIGURE 2-28. HOOD ASSEMBLY (ABS) - ENGINE SIDE

| ITEM | PART NUMBER | QTY | DESCRIPTION | REV |
|------|-------------|-----|-----------------------------|-----|
| | 1001241295 | Ref | HOOD ASSEMBLY - ENGINE SIDE | C |
| 1 | 0100011 | AR | Compound, Locking | |
| 2 | 0641410 | 4 | Bolt 1/4 x 1-1/4 | |
| 3 | 0760610 | 3 | Bolt M6 x 20 | |
| 4 | 2560187 | 1 | Handle | |
| 5 | 2940173 | 1 | Latch | |
| 6 | 3290601 | 1 | Nut M6 | |
| 7 | 3291005 | 12 | Nut M10 | |
| 8 | 4711400 | 4 | Washer 1/4 | |
| 9 | 4811700 | 2 | Washer M6 | |
| 10 | 1001259230 | 2 | Hinge | |
| 12 | 1001178228 | 1 | Bracket | |
| 13 | 4812000 | 3 | Washer M10 | |
| 14 | 1001202830 | 1 | Support | |

SECTION 2 - TURNTABLE

FIGURE 2-29. HOOD ASSEMBLY (ABS) - TANK SIDE



NOTE: REPLACEMENT DECALS MUST BE ORDERED SEPARATELY - SEE DECAL SECTION.

ART_1001285788

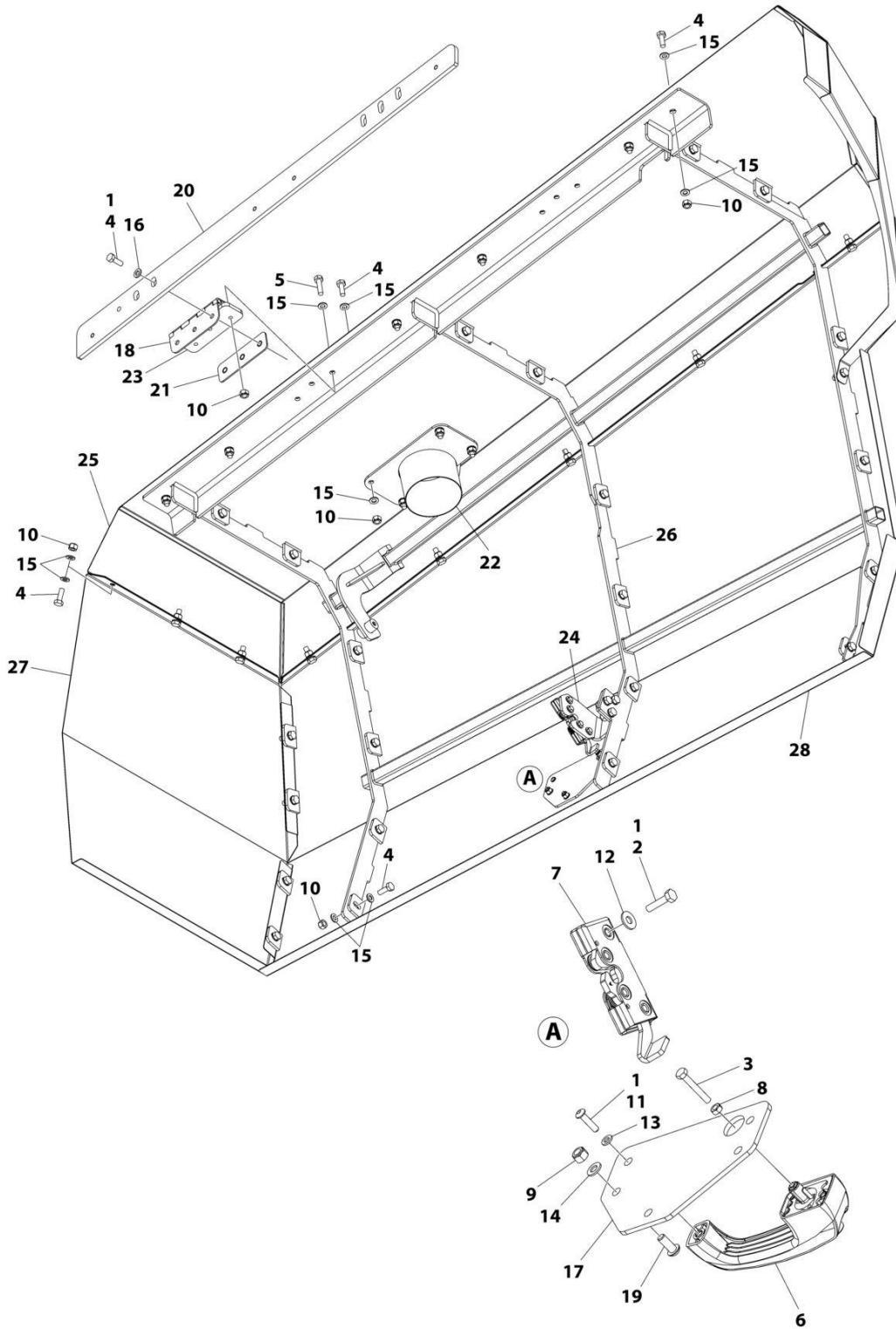
SECTION 2 - TURNTABLE

FIGURE 2-29. HOOD ASSEMBLY (ABS) - TANK SIDE

| ITEM | PART NUMBER | QTY | DESCRIPTION | REV |
|------|-------------|-----|---------------------------|-----|
| | 1001285788 | Ref | HOOD ASSEMBLY - TANK SIDE | A |
| 1 | 0100011 | AR | Compound, Locking | |
| 2 | 0641410 | 4 | Bolt 1/4 x 1-1/4 | |
| 3 | 0760610 | 2 | Bolt M6 x 20 | |
| 4 | 0760615 | 1 | Bolt M6 x 35 | |
| 5 | 2560187 | 1 | Handle | |
| 6 | 2940173 | 1 | Latch | |
| 7 | 3290601 | 1 | Nut M6 | |
| 8 | 3291005 | 12 | Nut, Lock M10 | |
| 9 | 4711400 | 4 | Washer 1/4 | |
| 10 | 4811700 | 2 | Washer M6 | |
| 11 | 4812000 | 3 | Washer M10 | |
| 12 | 1001170475 | 1 | Bracket | |
| 13 | 1001203322 | 1 | Support | |
| 14 | 1001259230 | 2 | Hinge | |

SECTION 2 - TURNTABLE

FIGURE 2-30. HOOD ASSEMBLY (STEEL) - ENGINE SIDE



ART_1001282143

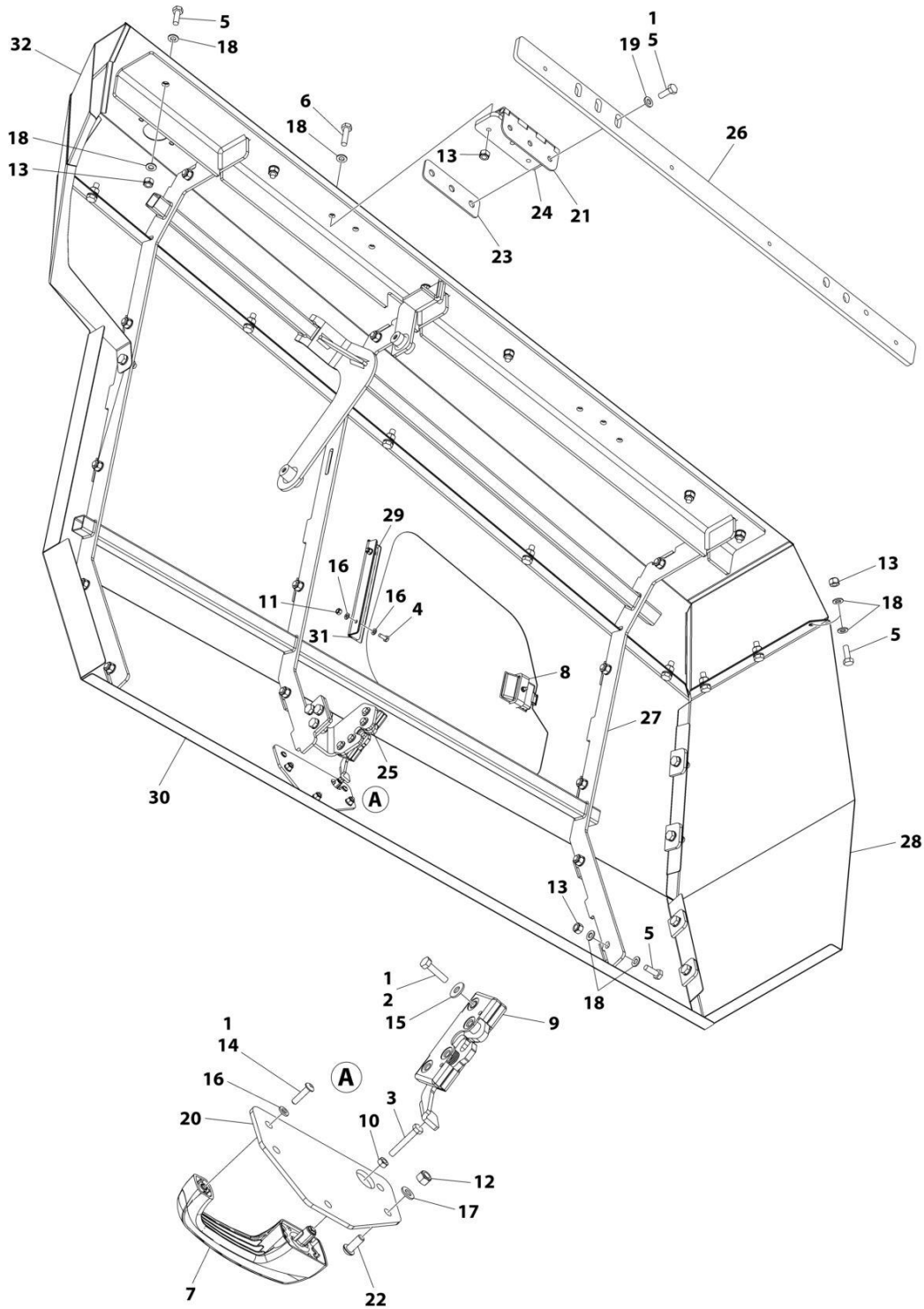
SECTION 2 - TURNTABLE

FIGURE 2-30. HOOD ASSEMBLY (STEEL) - ENGINE SIDE

| ITEM | PART NUMBER | QTY | DESCRIPTION | REV |
|------|-------------|-----|-------------------------------------|-----|
| | 1001282143 | Ref | HOOD ASSEMBLY (STEEL) - ENGINE SIDE | A |
| 1 | 0100011 | AR | Compound, Locking | |
| 2 | 0641409 | 4 | Bolt 1/4 x 1/8 | |
| 3 | 0700616 | 1 | Bolt M6 x 40 | |
| 4 | 0761014 | 50 | Bolt M10 x 30 | |
| 5 | 0761016 | 6 | Bolt M10 x 40 | |
| 6 | 2560187 | 1 | Handle | |
| 7 | 2940173 | 1 | Latch | |
| 8 | 3290601 | 1 | Nut M6 | |
| 9 | 3290805 | 3 | Nut M8 x 1-1/4 | |
| 10 | 3291005 | 50 | Nut M10 x 1-1/2 | |
| 11 | 3900363 | 2 | Screw M6 x 25 | |
| 12 | 4751400 | 4 | Washer 1/4 | |
| 13 | 4811700 | 2 | Washer M6 | |
| 14 | 4811900 | 3 | Washer M8 | |
| 15 | 4812000 | 94 | Washer M10 | |
| 16 | 5241000 | 6 | Washer M10 | |
| 17 | 1001116290 | 1 | Plate | |
| 18 | 1001139384 | 2 | Hinge | |
| 19 | 1001164726 | 3 | Screw M8 x 20 | |
| 20 | 1001167157 | 1 | Mount, Hood | |
| 21 | 1001169046 | 2 | Nut | |
| 22 | 1001194888 | 1 | Pipe, Exhaust | |
| 23 | 1001202333 | 2 | Plate, Nut | |
| 24 | 1001263664 | 1 | Bracket | |
| 25 | 1001263669 | 1 | Panel (Top) | |
| 26 | 1001263677 | 1 | Bracket | |
| 27 | 1001263693 | 1 | Panel (End) | |
| 28 | 1001265389 | 1 | Panel (Side) | |

SECTION 2 - TURNTABLE

FIGURE 2-31. HOOD ASSEMBLY (STEEL) - TANK SIDE



ART_1001285988

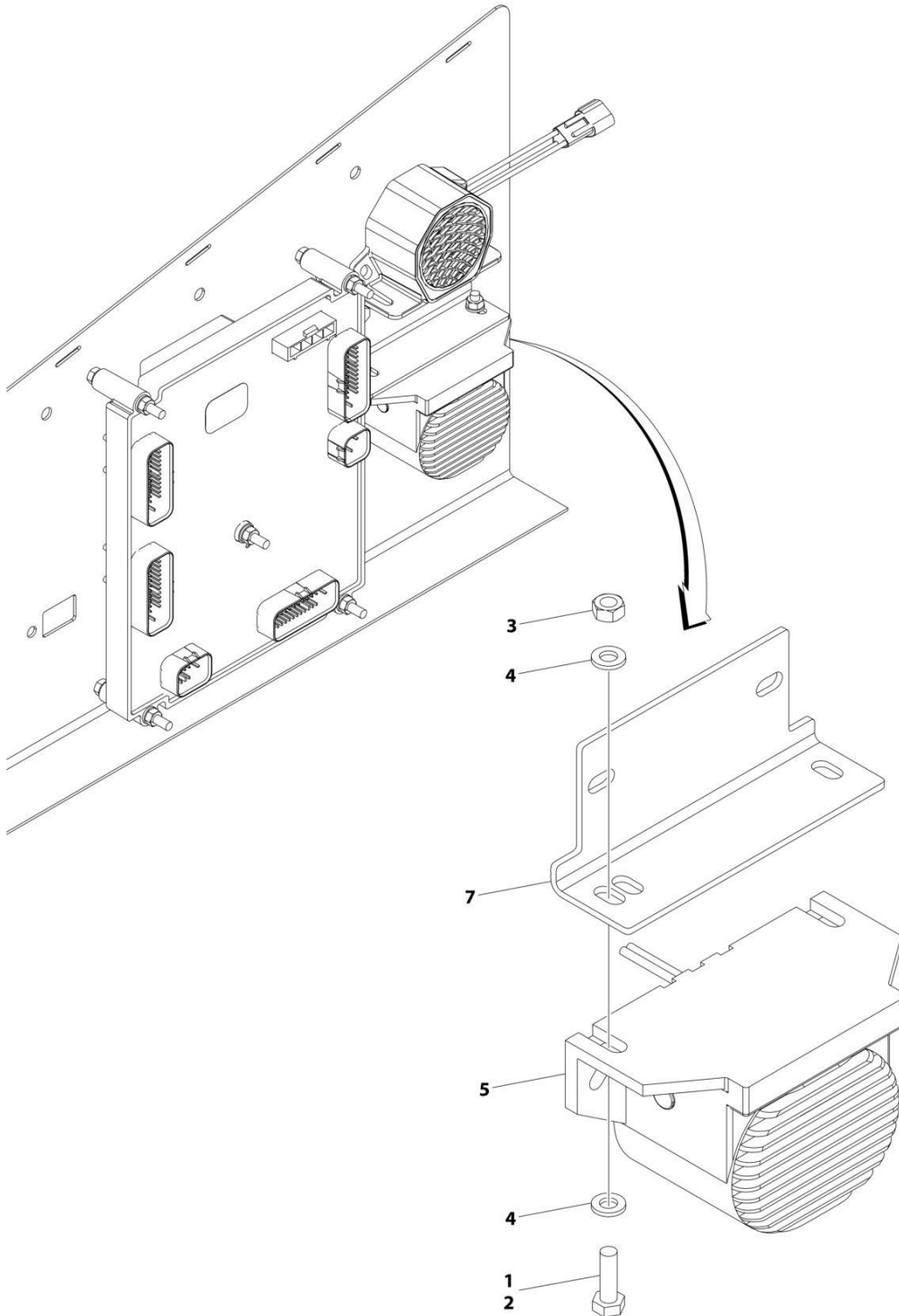
SECTION 2 - TURNTABLE

FIGURE 2-31. HOOD ASSEMBLY (STEEL) - TANK SIDE

| ITEM | PART NUMBER | QTY | DESCRIPTION | REV |
|------|-------------|------------------|-----------------------------------|-----|
| | 1001285988 | Ref | HOOD ASSEMBLY (STEEL) - TANK SIDE | A |
| 1 | 0100011 | AR | Compound, Locking | |
| 2 | 0641409 | 4 | Bolt 1/4 x 1/8 | |
| 3 | 0700616 | 1 | Bolt M6 x 40 | |
| 4 | 0760608 | 2 | Bolt M6 x 16 | |
| 5 | 0761014 | 42 | Bolt M10 x 30 | |
| 6 | 0761016 | 6 | Bolt M10 x 40 | |
| 7 | 2560187 | 1 | Handle | |
| 8 | 2940045 | 1 | Latch | |
| 9 | 2940173 | 1 | Latch | |
| 10 | 3290601 | 1 | Nut M6 | |
| 11 | 3290605 | 2 | Nut M6 | |
| 12 | 3290805 | 3 | Nut M8 x 1-1/4 | |
| 13 | 3291005 | 42 | Nut M10 x 1-1/2 | |
| 14 | 3900363 | 2 | Screw M6 x 25 | |
| 15 | 4751400 | 4 | Washer 1/4 | |
| 16 | 4811700 | 6 | Washer M6 | |
| 17 | 4811900 | 3 | Washer M8 | |
| 18 | 4812000 | 78 | Washer M10 | |
| 19 | 5241000 | 6 | Washer M10 | |
| 20 | 1001116290 | 1 | Plate | |
| 21 | 1001139384 | 2 | Hinge | |
| 22 | 1001164726 | 3 | Screw M8 x 20 | |
| 23 | 1001169046 | 2 | Nut | |
| 24 | 1001202333 | 2 | Plate, Nut | |
| 25 | 1001263663 | 1 | Bracket | |
| 26 | 1001263668 | 1 | Plate, Hinge | |
| 27 | 1001263678 | 1 | Bracket | |
| 28 | 1001263694 | 1 | Panel (End) | |
| 29 | 1001263787 | 1 | Door | |
| 30 | 1001265390 | 1 | Panel (Side) | |
| 31 | 1001281623 | 4.88 ft/1.49m | Seal | |
| 32 | 1001285640 | 1 | Panel (Top) | |

SECTION 2 - TURNTABLE

FIGURE 2-32. WHITE NOISE AMBIENT ALARM INSTALLATION



ART_1001209617

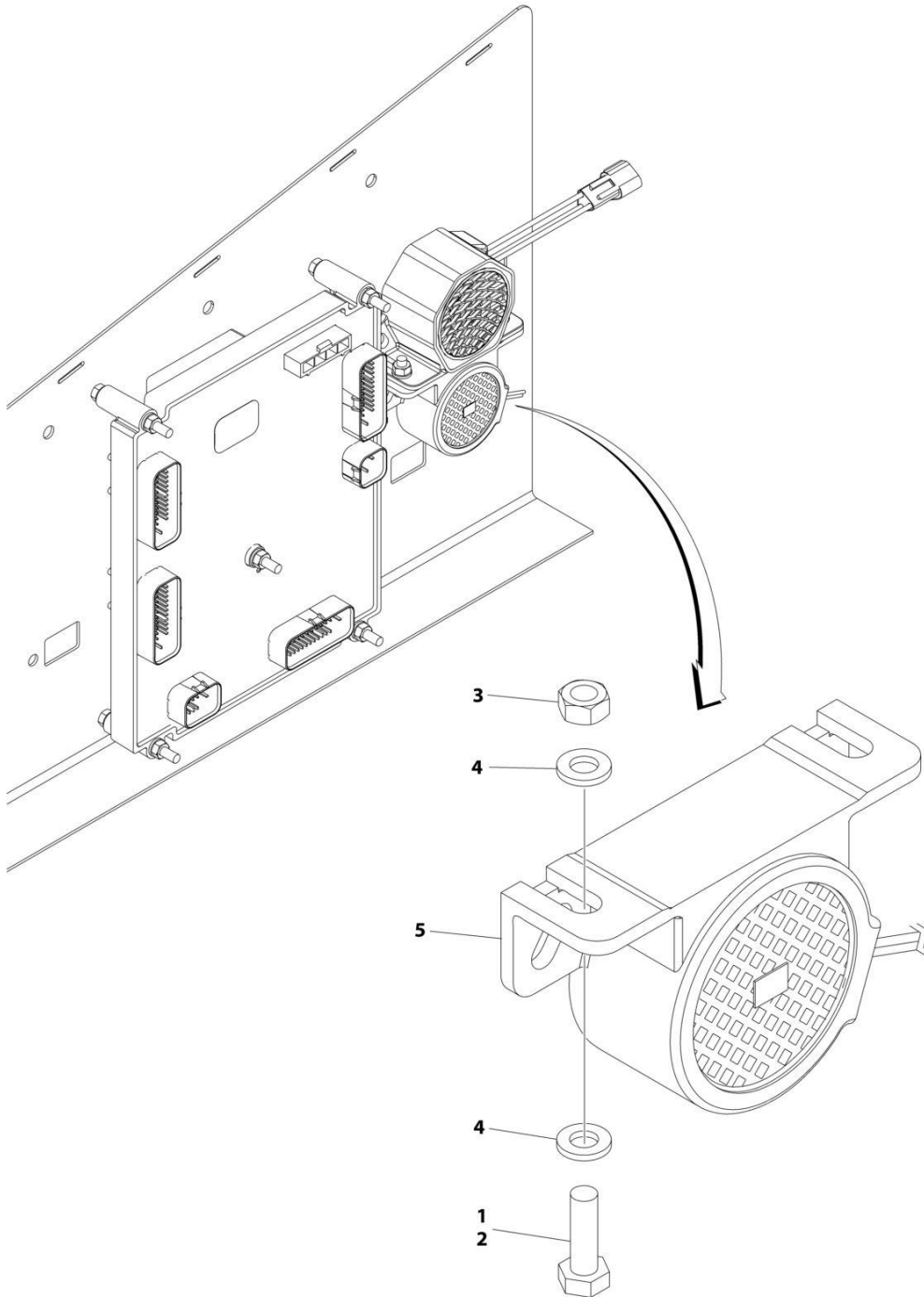
SECTION 2 - TURNTABLE

FIGURE 2-32. WHITE NOISE AMBIENT ALARM INSTALLATION

| ITEM | PART NUMBER | QTY | DESCRIPTION | REV |
|------|-------------|-----|--|-----|
| | 1001209617 | Ref | WHITE NOISE AMBIENT ALARM INSTALLATION | C |
| 1 | 0100011 | AR | Compound, Locking | |
| 2 | 0760610 | 2 | Bolt M6 x 20 | |
| 3 | 3290601 | 2 | Nut M6 | |
| 4 | 4811700 | 4 | Washer M6 | |
| 5 | 1001182806 | 1 | Alarm | |
| 6 | 1001190663 | 1 | Harness, Jumper (Not Shown) | |
| 6 | 4460891 | 1 | Connector – 2 Position | |
| 6 | 4460465 | 2 | Socket, Female | |
| 6 | 4460871 | 2 | Socket, Female | |
| 7 | 1001231886 | 1 | Plate | |

SECTION 2 - TURNTABLE

FIGURE 2-33. WHITE NOISE ALARM INSTALLATION



ART_1001263174

SECTION 2 - TURNTABLE

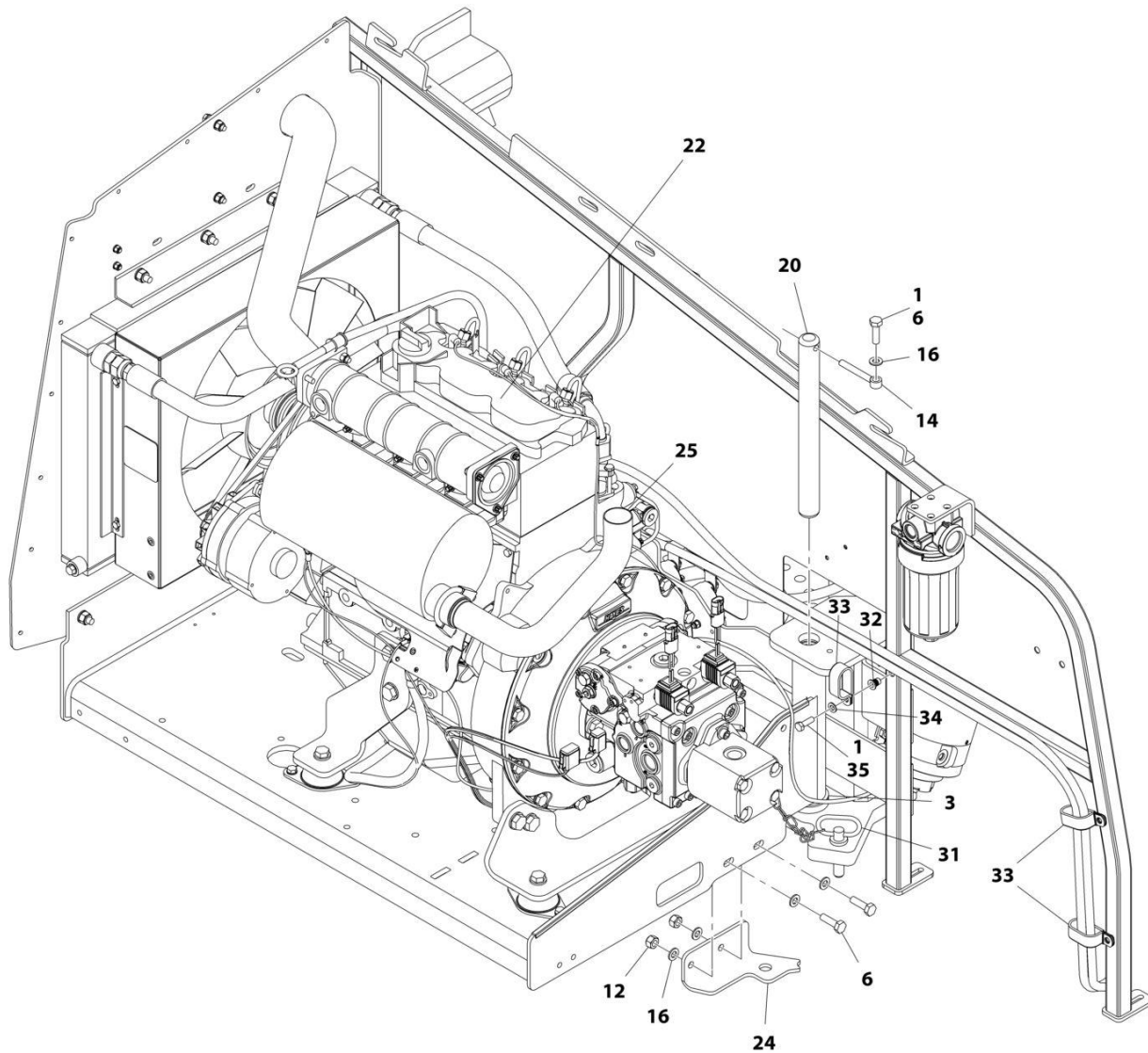
FIGURE 2-33. WHITE NOISE ALARM INSTALLATION

| ITEM | PART NUMBER | QTY | DESCRIPTION | REV |
|-------------|--------------------|------------|--------------------------------|------------|
| | 1001263174 | Ref | WHITE NOISE ALARM INSTALLATION | A |
| 1 | 0100011 | AR | Compound, Locking | |
| 2 | 0760610 | 2 | Bolt M6 x 20 | |
| 3 | 3290601 | 2 | Nut M6 | |
| 4 | 4811700 | 4 | Washer M6 | |
| 5 | 1001184682 | 1 | Alarm | |
| 6 | 1001190663 | 1 | Harness, Jumper (Not Shown) | |
| 6 | 4460891 | 1 | Connector – 2 Position | |
| 6 | 4460465 | 2 | Socket, Female | |
| 6 | 4460871 | 2 | Socket, Female | |

SECTION 3 - ENGINE

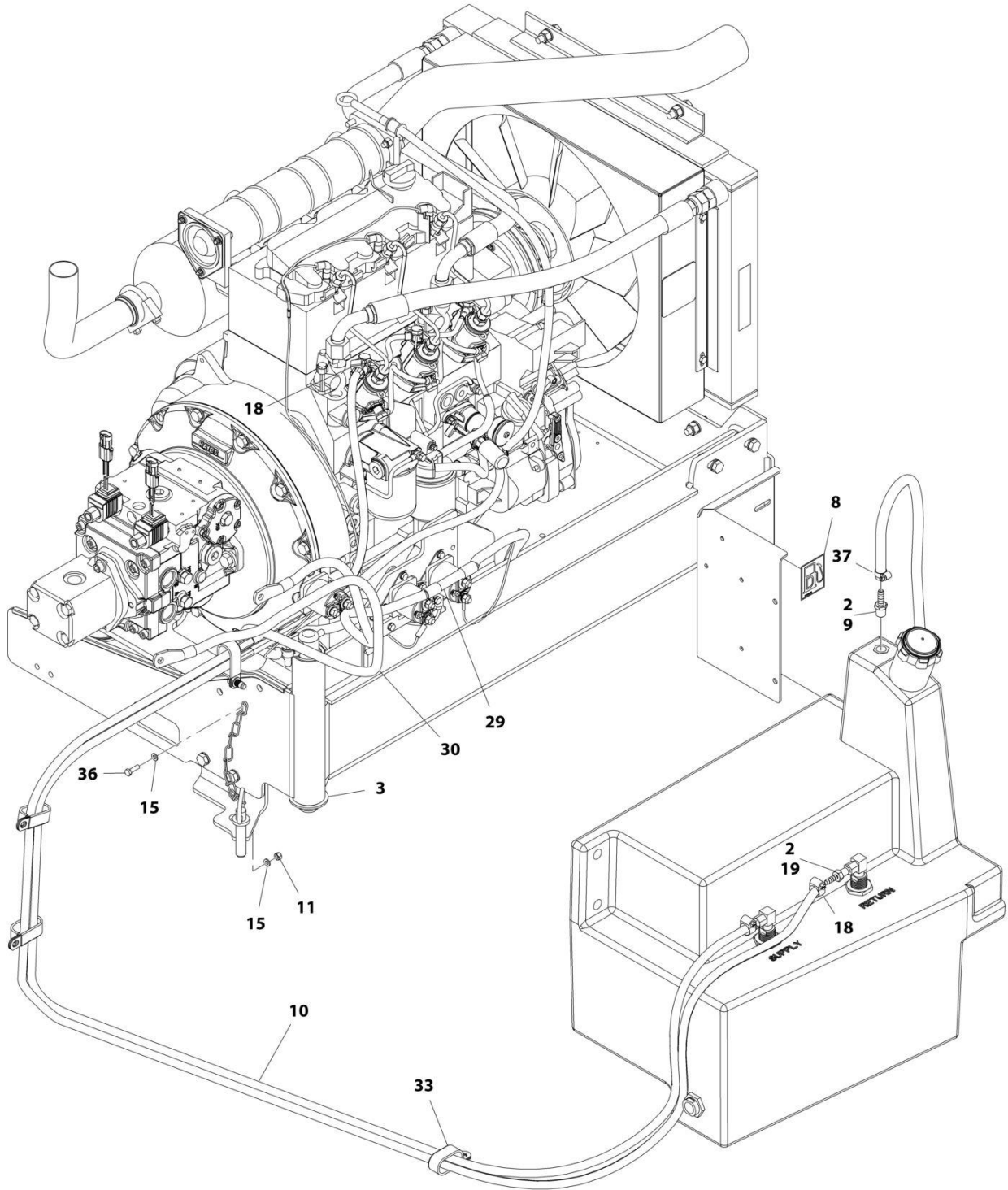
SECTION 3 - ENGINE

FIGURE 3-1. ENGINE INSTALLATION - DEUTZ D2011 (WITHOUT ARCTIC PACKAGE) (ANSI EXPORT, AUSTRALIAN, CE (LRC), CIS/EAC & UK CA SPECS)



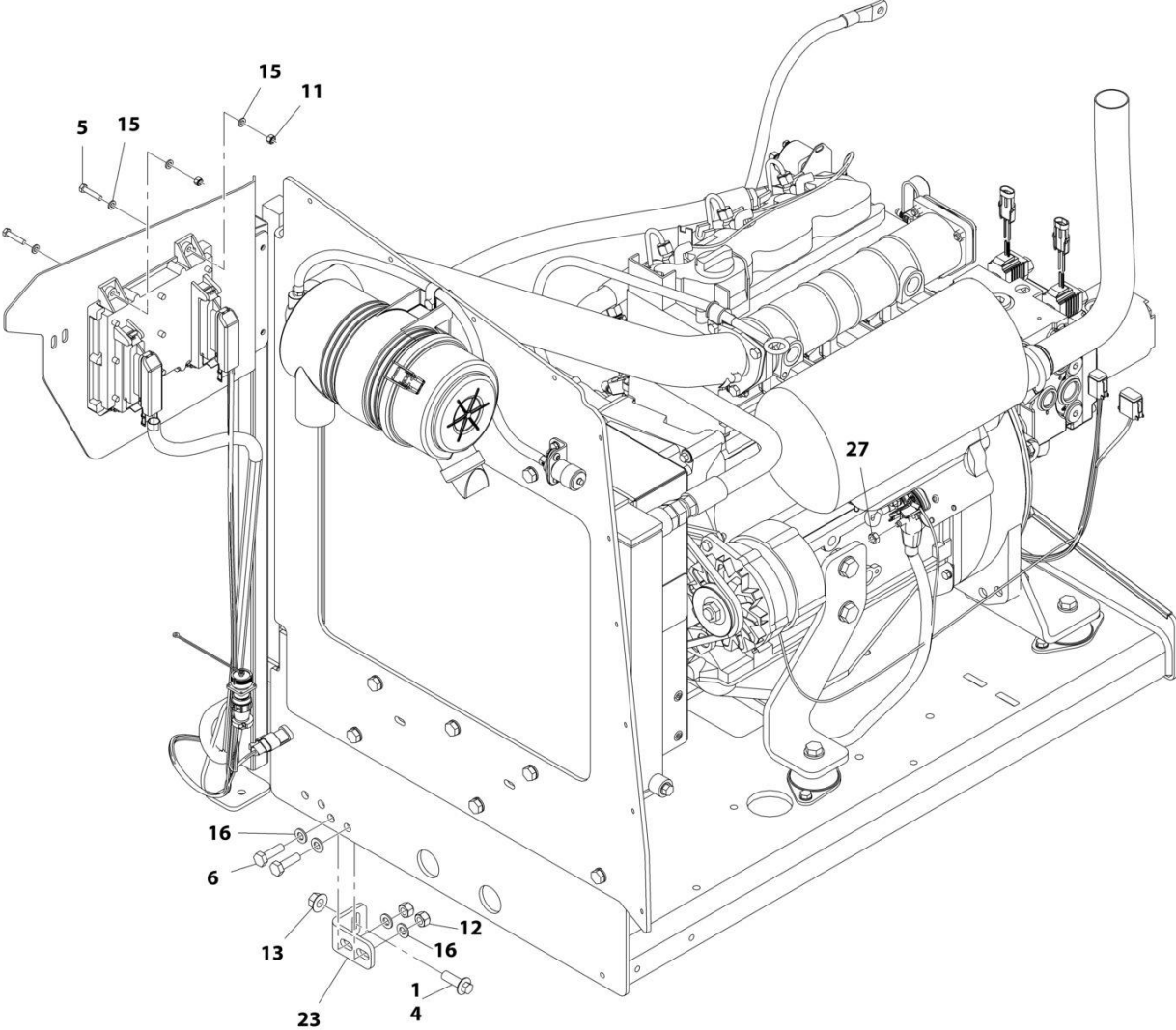
ART_1001166305_1OF3

SECTION 3 - ENGINE



ART_1001166305_2OF3

SECTION 3 - ENGINE



ART_1001166305_3OF3

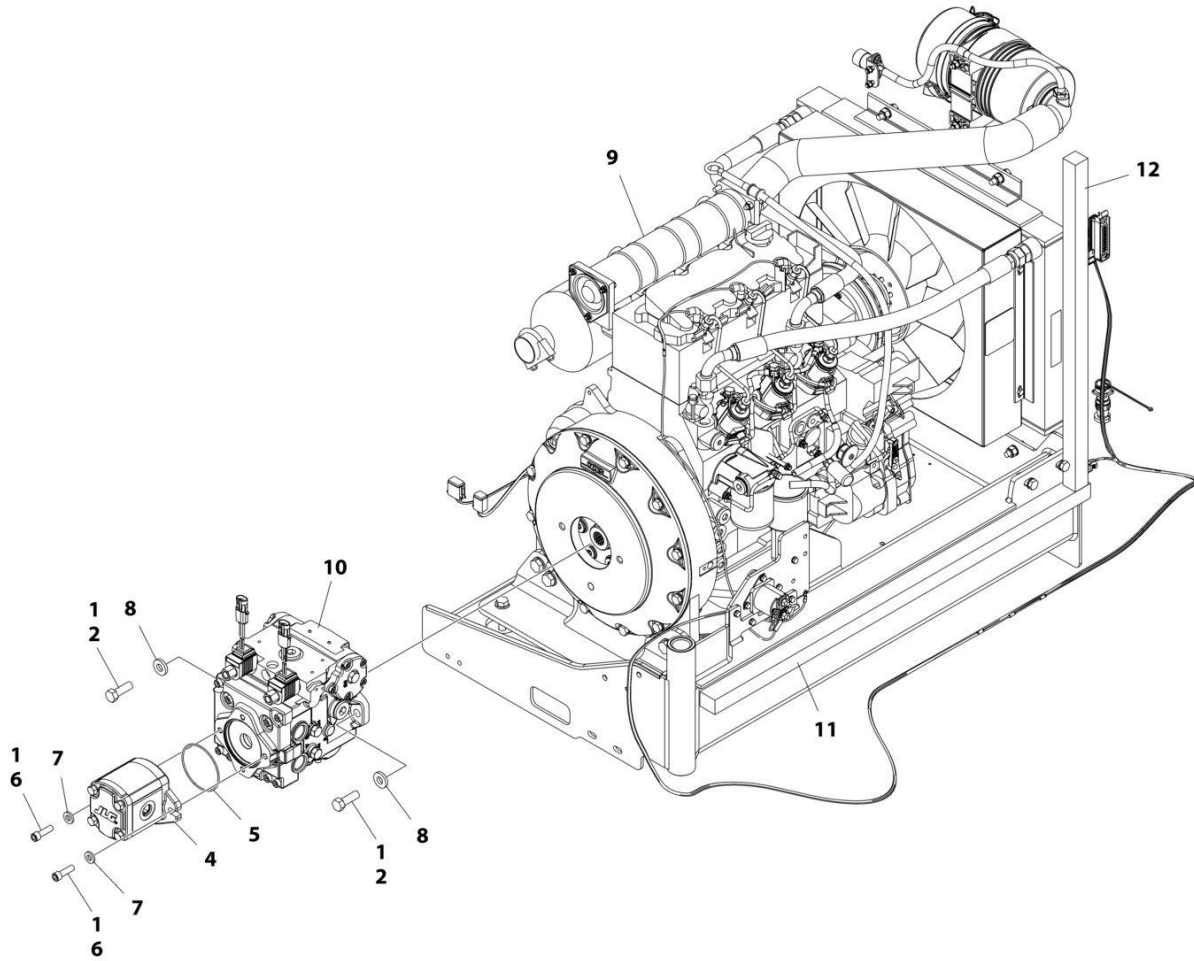
SECTION 3 - ENGINE

FIGURE 3-1. ENGINE INSTALLATION - DEUTZ D2011 (WITHOUT ARCTIC PACKAGE) (ANSI EXPORT, AUSTRALIAN, CE (LRC), CIS/EAC & UK CA SPECS)

| ITEM | PART NUMBER | QTY | DESCRIPTION | REV |
|------|-------------|----------------|--|-----|
| | 1001166305 | Ref | ENGINE INSTALLATION - DEUTZ D2011 ENGINE (WITHOUT ARCTIC PACKAGE) | F |
| 1 | 0100011 | AR | Compound, Locking | |
| 2 | 0100020 | AR | Sealant, Pipe | |
| 3 | 0440162 | 1 | Bearing | |
| 4 | 5251215 | 1 | Bolt M12 x 35 | |
| 5 | 0760614 | 4 | Bolt M6 x 30 | |
| 6 | 0761015 | 5 | Bolt M10 x 35 | |
| 7 | 1704972 | 1 | Decal - Warning Explosion/Fire | |
| 8 | 1701505 | 1 | Decal - Diesel Fuel | |
| 9 | 2180876 | 1 | Fitting, Barbed | |
| 10 | 2720058 | 22 ft /6.7m | Hose | |
| 11 | 3290605 | 5 | Nut M6 | |
| 12 | 3291005 | 4 | Nut M10 | |
| 13 | 5261200 | 1 | Nut, Flange M12 Grade 10.9 | |
| 14 | 3841143 | 1 | Keeper, Pin | |
| 15 | 4811700 | 10 | Washer M6 | |
| 16 | 4812000 | 9 | Washer M10 | |
| 18 | 8410013 | 4 | Clamp | |
| 19 | 2180348 | 2 | Fitting, Barbed | |
| 20 | 1001135196 | 1 | Pin | |
| 22 | 1001166021 | 1 | Engine and Pump Sub-Assembly - Deutz D2011 (Without Arctic Package) (See Separate Breakdown in this Section) | |
| 23 | 1001167512 | 1 | Bracket, Engine | |
| 24 | 1001169823 | 1 | Bracket, Engine | |
| 25 | 1001172202 | 1 | Pipe, Exhaust | |
| 27 | 3290801 | 1 | Nut M8 | |
| 29 | 1001171681 | 1 | Cable, Battery (Red) (Battery Positive to Auxiliary Power Relay) | |
| 30 | 1001171682 | 1 | Cable, Battery (Black) (Battery Negative to Auxiliary Power Pump) | |
| 31 | 3422532 | 1 | Pin | |
| 32 | 1001191832 | 1 | Nut, Rivet, M8 | |
| 33 | 1321716 | 4 | Clamp | |
| 34 | 4811900 | 1 | Washer M8 | |
| 35 | 0760812 | 1 | Bolt M8 x 25 | |
| 36 | 0760610 | 1 | Bolt M6 x 20 | |
| 37 | 1320022 | 1 | Clamp | |

SECTION 3 - ENGINE

**FIGURE 3-2. ENGINE AND PUMP SUB-ASSEMBLY - DEUTZ D2011 (WITHOUT ARCTIC PACKAGE)
(ANSI EXPORT, AUSTRALIAN, CE (LRC), CIS/EAC & UK CA SPECS)**



ART_1001166021_G

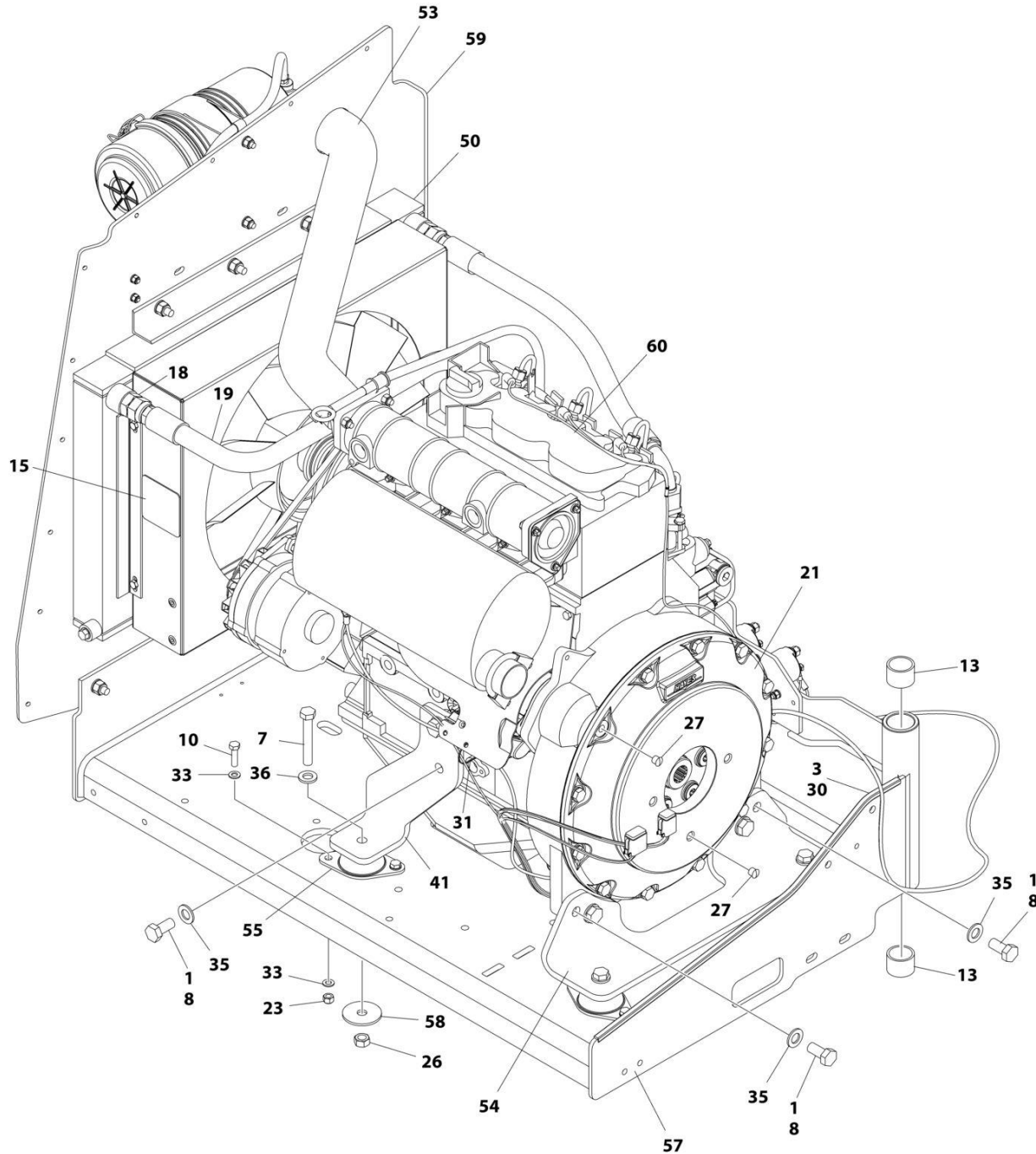
SECTION 3 - ENGINE

**FIGURE 3-2. ENGINE AND PUMP SUB-ASSEMBLY - DEUTZ D2011 (WITHOUT ARCTIC PACKAGE)
(ANSI EXPORT, AUSTRALIAN, CE (LRC), CIS/EAC & UK CA SPECS)**

| ITEM | PART NUMBER | QTY | DESCRIPTION | REV |
|------|-------------|-----|---|-----|
| | 1001166021 | Ref | ENGINE AND PUMP SUB-ASSEMBLY - DEUTZ D2011 (WITHOUT ARCTIC PACKAGE) | G |
| 1 | 0100011 | AR | Compound, Locking | |
| 2 | 0641812 | 2 | Bolt 1/2 x 1-1/2 | |
| 4 | 1001214207 | 1 | Gear Pump Assembly | |
| 4 | 70006356 | 1 | Seal Kit | |
| 5 | 3790152 | 1 | O-Ring | |
| 6 | 3931618 | 2 | Capscrew 3/8 x 1-1/8 | |
| 7 | 4891600 | 2 | Washer 3/8 Hardened | |
| 8 | 4891800 | 2 | Washer 1/2 Hardened | |
| 9 | 1001166020 | 1 | Engine Assembly - Deutz D2011 Engine (Without Arctic Package) (See Separate Breakdown in this Section) | |
| 10 | 1001167036 | 1 | Piston Pump Assembly (See Separate Breakdown in this Section) | |
| 11 | 1001171953 | 1 | Seal | |
| 12 | 1001171954 | 1 | Seal | |

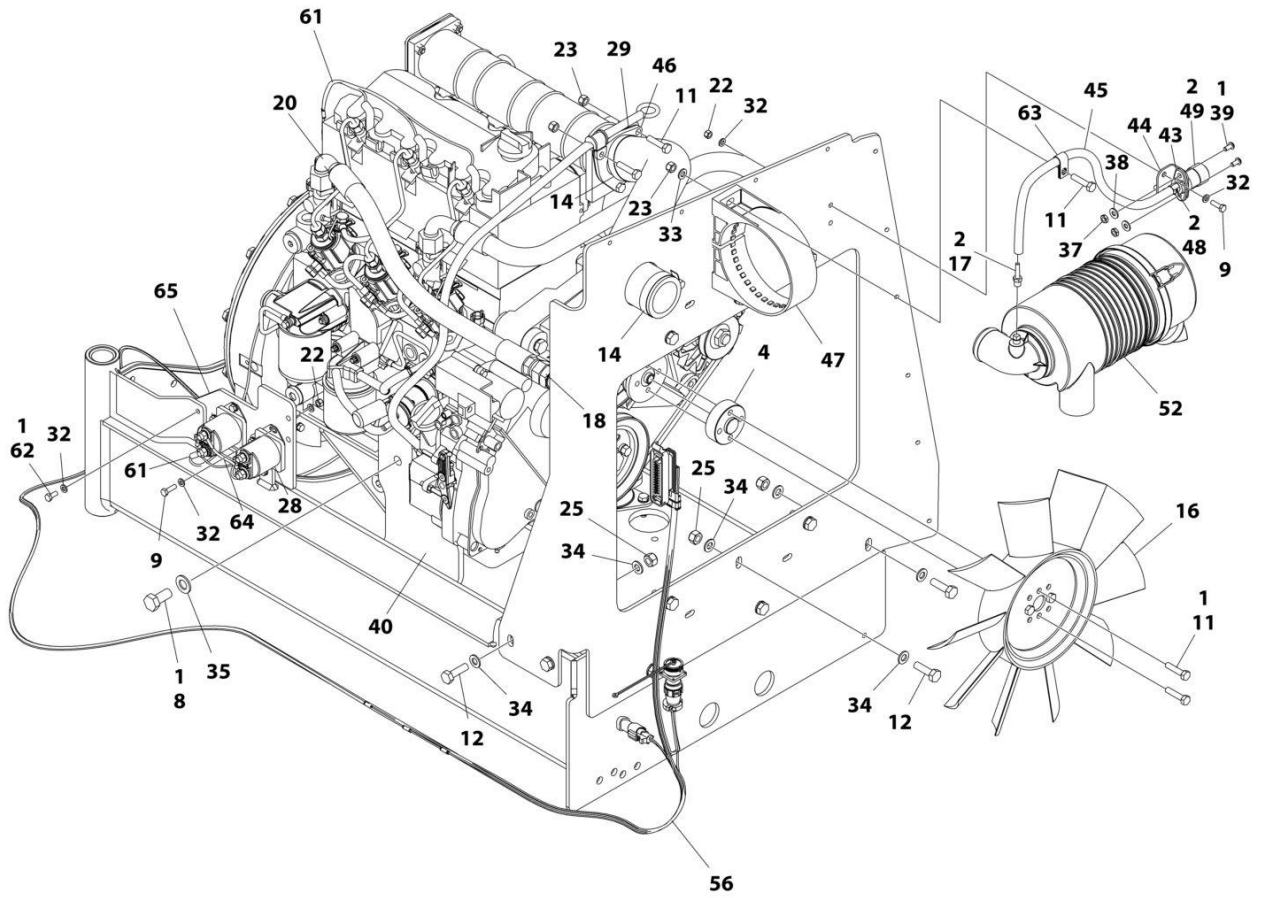
SECTION 3 - ENGINE

FIGURE 3-3. ENGINE ASSEMBLY - DEUTZ D2011 (WITHOUT ARCTIC PACKAGE) (ANSI EXPORT, AUSTRALIAN, CE (LRC), CIS/EAC & UK CA SPECS)



ART_1001166020_10F2

SECTION 3 - ENGINE



ART_1001166020_20F2

SECTION 3 - ENGINE

FIGURE 3-3. ENGINE ASSEMBLY - DEUTZ D2011 (WITHOUT ARCTIC PACKAGE) (ANSI EXPORT, AUSTRALIAN, CE (LRC), CIS/EAC & UK CA SPECS)

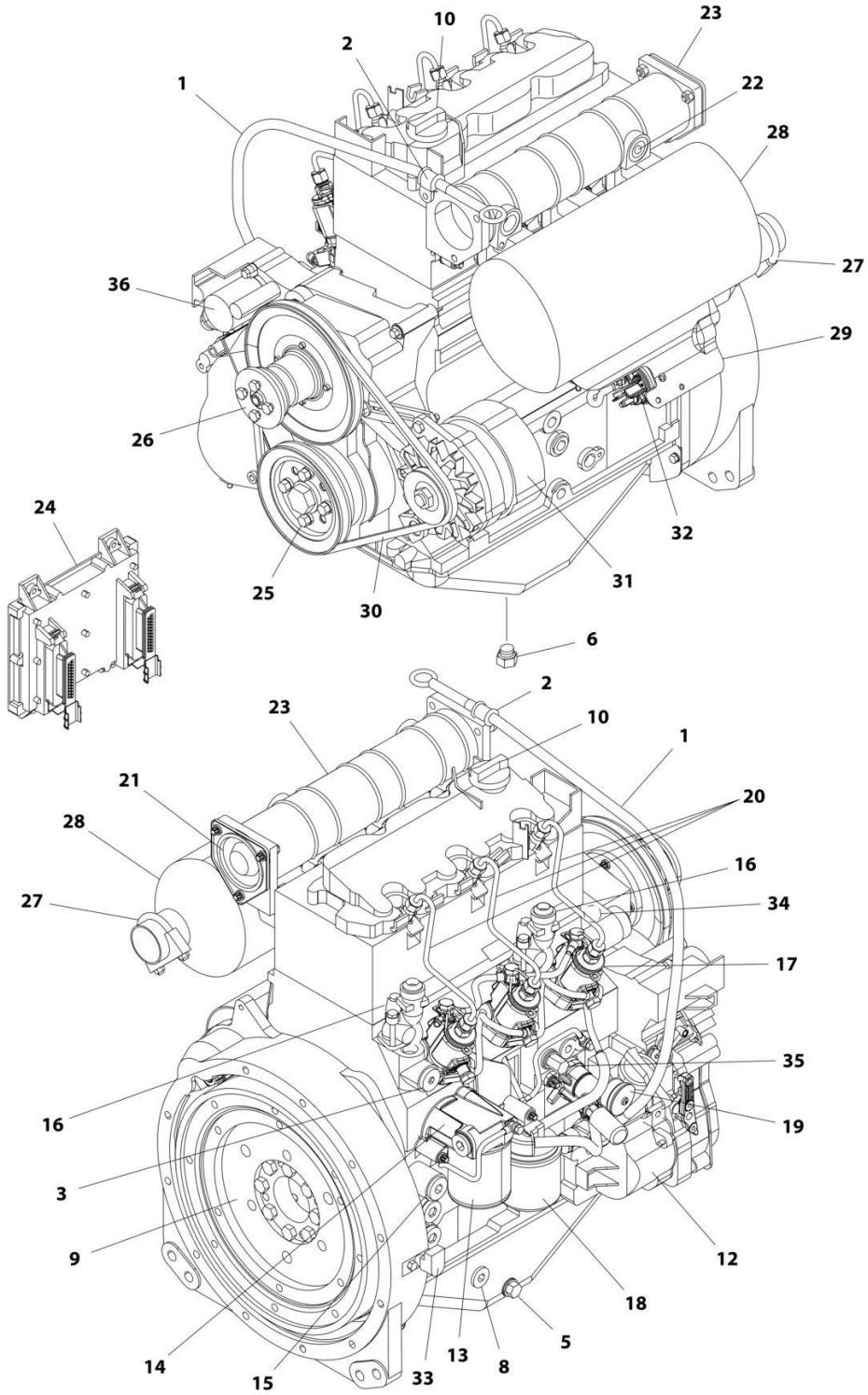
| ITEM | PART NUMBER | QTY | DESCRIPTION | REV |
|------|-------------|-------------------|---|-----|
| | 1001166020 | Ref | ENGINE ASSEMBLY - DEUTZ D2011 ENGINE (WITHOUT ARCTIC PACKAGE) | O |
| 1 | 0100011 | AR | Compound, Locking | |
| 2 | 0100020 | AR | Sealant, Pipe | |
| 3 | 0100081 | AR | Adhesive | |
| 4 | 0080231 | 1 | Spacer, Fan | |
| 7 | 0711224 | 4 | Bolt M12 x 80 Grade 10.9 | |
| 8 | 0771414 | 8 | Bolt M14 x 30 Grade 10.9 | |
| 9 | 0760610 | 6 | Bolt M6 x 20 | |
| 10 | 0760814 | 8 | Bolt M8 x 30 | |
| 11 | 0760815 | 9 | Bolt M8 x 35 | |
| 12 | 0761015 | 11 | Bolt M10 x 35 | |
| 13 | 0961951 | 2 | Bushing | |
| 14 | 1320016 | 2 | Clamp | |
| 15 | 1703162 | 2 | Decal - Caution Fan | |
| 16 | 2060025 | 1 | Fan | |
| 17 | 2220315 | 1 | Fitting, Barbed | |
| 18 | 2220451 | 2 | Fitting, Straight JIC/ORB | |
| 19 | 2720398 | 1 | Hose | |
| 20 | 2720447 | 1 | Hose | |
| 21 | 2902065 | 1 | Pump Coupling Kit (See Separate Breakdown in this Section) | |
| 22 | 3290605 | 6 | Nut M6 x 1 | |
| 23 | 3290805 | 13 | Nut M8 x 1-1/4 | |
| 25 | 3291005 | 11 | Nut M10 x 1-1/2 | |
| 26 | 3331215 | 4 | Nut M12 x 1-3/4 | |
| 27 | 3520054 | 2 | Plug | |
| 28 | 3740067 | 2 | Relay Assembly | |
| 28 | 3300220 | 2 | Nut | |
| 28 | 3321001 | 1 | Nut #10 | |
| 28 | 3740140 | 1 | Relay | |
| 28 | 4761000 | 1 | Washer #10 | |
| 28 | 1001111424 | 2 | Washer | |
| 29 | 3960407 | 1 | Gasket | |
| 30 | 4060805 | 2.25 ft/ 0.69m | Trim-Flex | |
| 31 | 4240099 | AR | Tie-Strap | |
| 32 | 4811700 | 15 | Washer M6 | |
| 33 | 4811900 | 20 | Washer M8 | |
| 34 | 4812000 | 22 | Washer M10 | |
| 35 | 4812200 | 8 | Washer M14 | |
| 36 | 5241200 | 4 | Washer M12 | |
| 37 | 8305401 | 2 | Nut, Jam | |
| 38 | 8307109 | 2 | Washer, .250 | |
| 39 | 8310548 | 2 | Screw 1/4 x 1/2 | |
| 40 | 1001132195 | 1 | Bracket, Engine Mount | |
| 41 | 1001132196 | 1 | Bracket, Engine Mount | |
| 43 | 1001138173 | 1 | Support, Service Indicator | |
| 44 | 1001138175 | 1 | Bracket, Service Indicator | |

SECTION 3 - ENGINE

| ITEM | PART NUMBER | QTY | DESCRIPTION | REV |
|------|-------------|----------------|---|-----|
| 45 | 1001138248 | 2 ft/ 0.61m | Tube | |
| 46 | 1001139819 | 1 | Adapter, Air Intake | |
| 47 | 1001141694 | 1 | Clamp, Air Cleaner | |
| 48 | 1001141995 | 1 | Fitting, Barbed | |
| 49 | 1001143390 | 1 | Indicator | |
| 50 | 1001150998 | 1 | Radiator | |
| 52 | 1001165388 | 1 | Air Cleaner Assembly | |
| 52 | 70003783 | 1 | Element, Air Cleaner | |
| 53 | 1001165389 | 1 | Hose | |
| 54 | 1001166717 | 1 | Bracket, Engine Mount | |
| 55 | 1001166718 | 4 | Isolator, Engine Mount | |
| 56 | 1001167111 | 1 | Harness Engine - Deutz D2011 (See Separate Breakdown in ELECTRICAL SECTION) | |
| 57 | 1001167520 | 1 | Tray, Engine | |
| 58 | 1001168018 | 4 | Washer, Snubbing | |
| 59 | 1001168059 | 1 | Plate, Radiator Mounting | |
| 60 | 1001170693 | 1 | Engine, Deutz D2011 (See Separate Breakdown in this Section) | |
| 61 | 4923451 | 1 | Harness, Glow Plugs | |
| 62 | 0760614 | 3 | Bolt M6 x 30 | |
| 63 | 8406109 | 1 | Clip | |
| 64 | 1001178859 | 1 | Cable, Alternator | |
| 65 | 1001214975 | 1 | Bracket | |

SECTION 3 - ENGINE

FIGURE 3-4. ENGINE COMPONENTS - DEUTZ D2011



ART_1001170693

SECTION 3 - ENGINE

FIGURE 3-4. ENGINE COMPONENTS - DEUTZ D2011

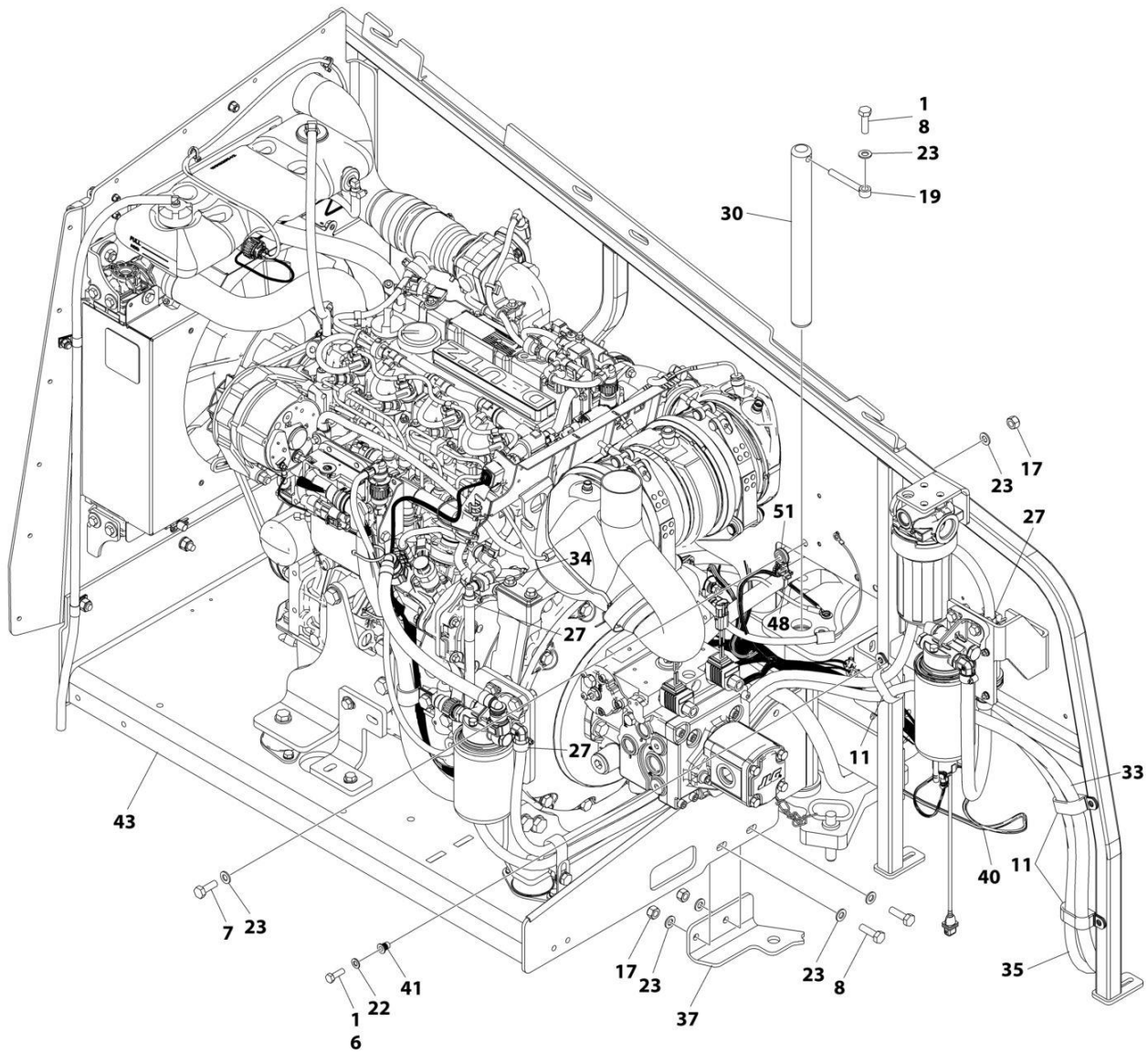
| ITEM | PART NUMBER | QTY | DESCRIPTION | REV |
|------|-------------|-----|---|-----|
| | 1001170693 | Ref | ENGINE COMPONENTS - DEUTZ D2011 | C |
| 1 | 70001002 | 1 | Tube, Dipstick | |
| 1 | 7020403 | 1 | Seal, Tube | |
| 1 | 7020026 | 1 | Dipstick | |
| 2 | 70001654 | 1 | Clamp | |
| 2 | 70001655 | 1 | Bolt | |
| 3 | 70003475 | 1 | Thermostat | |
| 3 | 7020460 | 1 | Spring | |
| 4 | | Ref | Seal and Gasket Options (Not Shown): | |
| 4 | 70002718 | 1 | Seal, Rear Main | |
| 4 | 7020430 | 1 | Gasket, Valve Cover | |
| 4 | 70003479 | 1 | Gasket, Head - 1 Notch | |
| 4 | 70003480 | 1 | Gasket, Head - 2 Notch | |
| 4 | 70003481 | 1 | Gasket, Head - 3 Notch | |
| 5 | 70025088 | 1 | Plug | |
| 6 | 70025667 | 1 | Plug | |
| 7 | 70025123 | 22 | Bolt, Torx (Oil Pan Bolts) (Not Shown) | |
| 8 | 7020492 | 1 | Seal | |
| 8 | 70025084 | 1 | Plug | |
| 9 | 70001870 | 1 | Flywheel | |
| 9 | 7024579 | 1 | Ring Gear (Part of Flywheel) | |
| 9 | 70025139 | 8 | Bolt | |
| 10 | 7020465 | 1 | Cap, Oil Fill | |
| 11 | 70000800 | 1 | Timing Belt/Idler Kit (Includes Timing Belt, Tensioner and Tensioner Bolt) (Not Shown) | |
| 12 | 70001850 | 1 | Pump, Lubricating | |
| 12 | 7020468 | 1 | Seal, Pump to Engine Block (Not Shown) | |
| 13 | 7016331 | 1 | Filter, Oil | |
| 14 | 70003472 | 1 | Bracket, Oil Filter (Includes Plug with Seal, Temperature Sensor, Control Valve and Compression Spring) | |
| 14 | 7027236 | 1 | Sensor, Temperature | |
| 14 | 70025082 | 1 | Seal, Plug | |
| 14 | 70025091 | 1 | Plug | |
| 14 | 70003473 | 1 | Gasket, Bracket to Engine Block (Not Shown) | |
| 15 | 70001181 | 1 | Valve | |
| 15 | 70025091 | 1 | Plug | |
| 15 | 70025082 | 1 | Seal, Plug | |
| 16 | 70004268 | 2 | Connector, Radiator Neck | |
| 16 | 70004269 | 2 | Seal, Radiator Neck to Engine Block | |
| 17 | 70000912 | 3 | Pump, Fuel Injector - A Spec | |
| 17 | 70000913 | 3 | Pump, Fuel Injector - B Spec | |
| 17 | 70000914 | 3 | Pump, Fuel Injector - C Spec | |
| 17 | 70000915 | 3 | Pump, Fuel Injector - D Spec | |
| 17 | 70003464 | 3 | O-Ring, Pump to Engine Block | |
| 18 | 7020023 | 1 | Filter, Fuel | |
| 18 | 70003463 | 1 | Filter, Fuel - RME Resistant | |
| 18 | 70001423 | 1 | Bracket, Fuel Filter | |
| 19 | 70000916 | 1 | Pump Fuel Supply | |
| 19 | 70000917 | 1 | O-Seal Between Fuel Pump and Engine Block | |
| 19 | 70000918 | 1 | Sealing Ring Between Hand Pump and Supply Pump | |

SECTION 3 - ENGINE

| ITEM | PART NUMBER | QTY | DESCRIPTION | REV |
|------|-------------|-----|--|-----|
| 19 | 70000919 | 1 | Pump, Hand | |
| 19 | 70001435 | 1 | Repair Kit | |
| 19 | 70025694 | 2 | Bolt, Torx | |
| 20 | 70000931 | 3 | Pipe, High Pressure | |
| 21 | 70003469 | 1 | Flange, Intake | |
| 21 | 70003468 | 1 | Seal | |
| 22 | 70025084 | 1 | Plug | |
| 22 | 7020492 | 1 | Seal, Plug | |
| 23 | 7027903 | 1 | Manifold, Air Intake | |
| 23 | 70001871 | 3 | Gasket Between Manifold and Engine Block | |
| 24 | See Note | 1 | Module, Engine Control (Note: Not Currently Available) | |
| 24 | 7027796 | 1 | Cable, Electrical Between Module and Engine Harness (Not Shown) | |
| 24 | 70001872 | 1 | Harness, Engine (Connects to p/n 70004060) (Not Shown) | |
| 24 | 70004060 | 1 | Plug, Connector Located on Cable Near Module (Not Shown) | |
| 24 | 70004059 | 1 | Plug, Analyzer (Not Shown) | |
| 25 | 70025123 | 4 | Bolt, Torx | |
| 26 | 70000787 | 1 | Support, Fan (Includes Support, Internal Shaft, Bearings and Circlip) | |
| 27 | 70001844 | 1 | Clamp | |
| 28 | See Note | 1 | Muffler (Note: See Separate Breakdown in this Section) | |
| 28 | 7020471 | 3 | Gasket, Exhaust Between Muffler and Engine Block | |
| 28 | 70004270 | 6 | Stud, Muffler | |
| 29 | 70001498 | 1 | Shield, Starter | |
| 29 | 70025693 | 3 | Bolt | |
| 30 | 70004102 | 1 | V-Belt | |
| 31 | 70004056 | 1 | Alternator (Includes Voltage Regulator and Gaskets, Fan and Fan Mounting Hardware) | |
| 31 | 70001868 | 1 | Regulator, Voltage | |
| 31 | 70001866 | 1 | Gasket Set, Voltage Regulator | |
| 31 | 70025131 | 1 | Fan | |
| 31 | 70025086 | 1 | Nut, Fan | |
| 31 | 70000851 | 1 | Bracket, Alternator Mounting | |
| 31 | 70002234 | 1 | Bracket, Alternator Adjustment | |
| 31 | 70004103 | 1 | Harness, Alternator (Not Shown) | |
| 32 | 7020479 | 1 | Starter | |
| 32 | 70025121 | 2 | Bolt, Starter Mounting | |
| 32 | 70004058 | 1 | Relay | |
| 32 | 70004062 | 1 | Harness, Starter (Not Shown) | |
| 33 | 7024565 | 1 | Sensor, Speed | |
| 33 | 70003931 | 1 | Bolt | |
| 33 | 70003932 | 1 | Spacer, Sleeve | |
| 34 | 7027791 | 1 | Sensor, Temperature | |
| 35 | 7027790 | 1 | Sensor, Oil Pressure | |
| 36 | 7027792 | 1 | Actuator | |
| 37 | 70000345 | 3 | Plug, Glow (Not Shown) | |

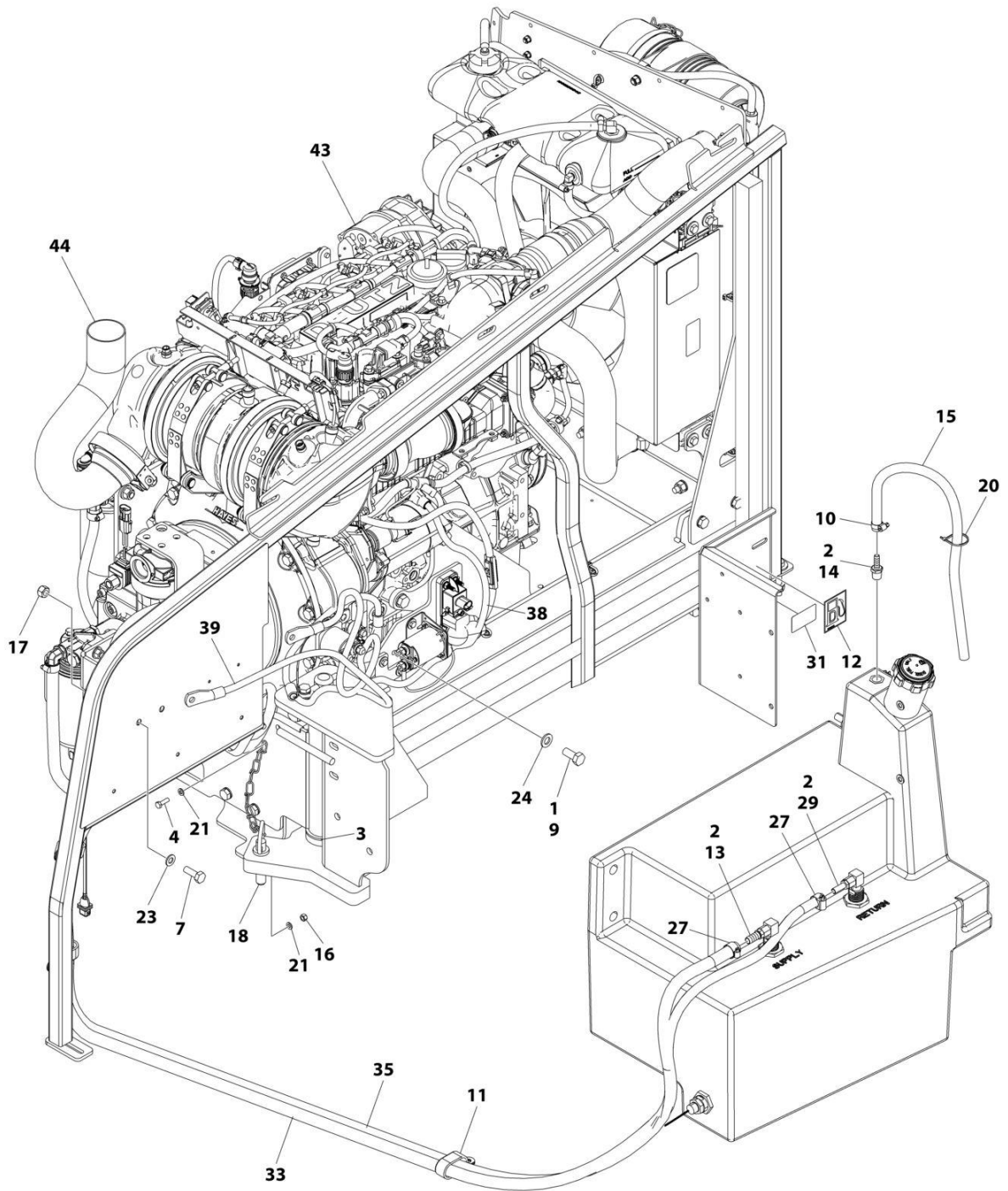
SECTION 3 - ENGINE

FIGURE 3-5. ENGINE INSTALLATION - DEUTZ D2.9L4 (STAGE V) (CE & UK CA SPECS)



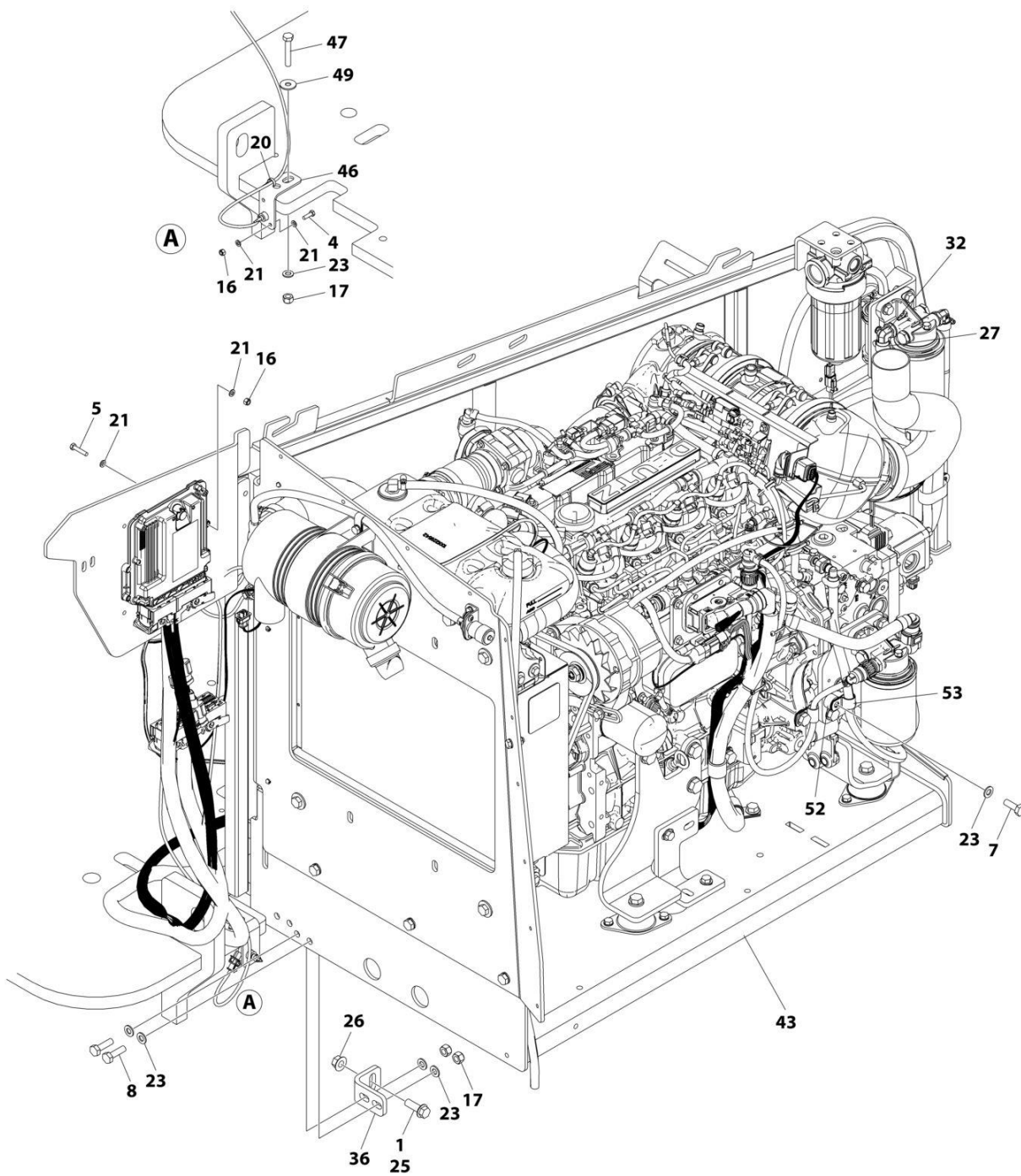
ART_1001244287_H_10F3

SECTION 3 - ENGINE



ART_1001244287_H_20F3

SECTION 3 - ENGINE



ART_1001244287_H_30F3

SECTION 3 - ENGINE

FIGURE 3-5. ENGINE INSTALLATION - DEUTZ D2.9L4 (STAGE V) (CE & UK CA SPECS)

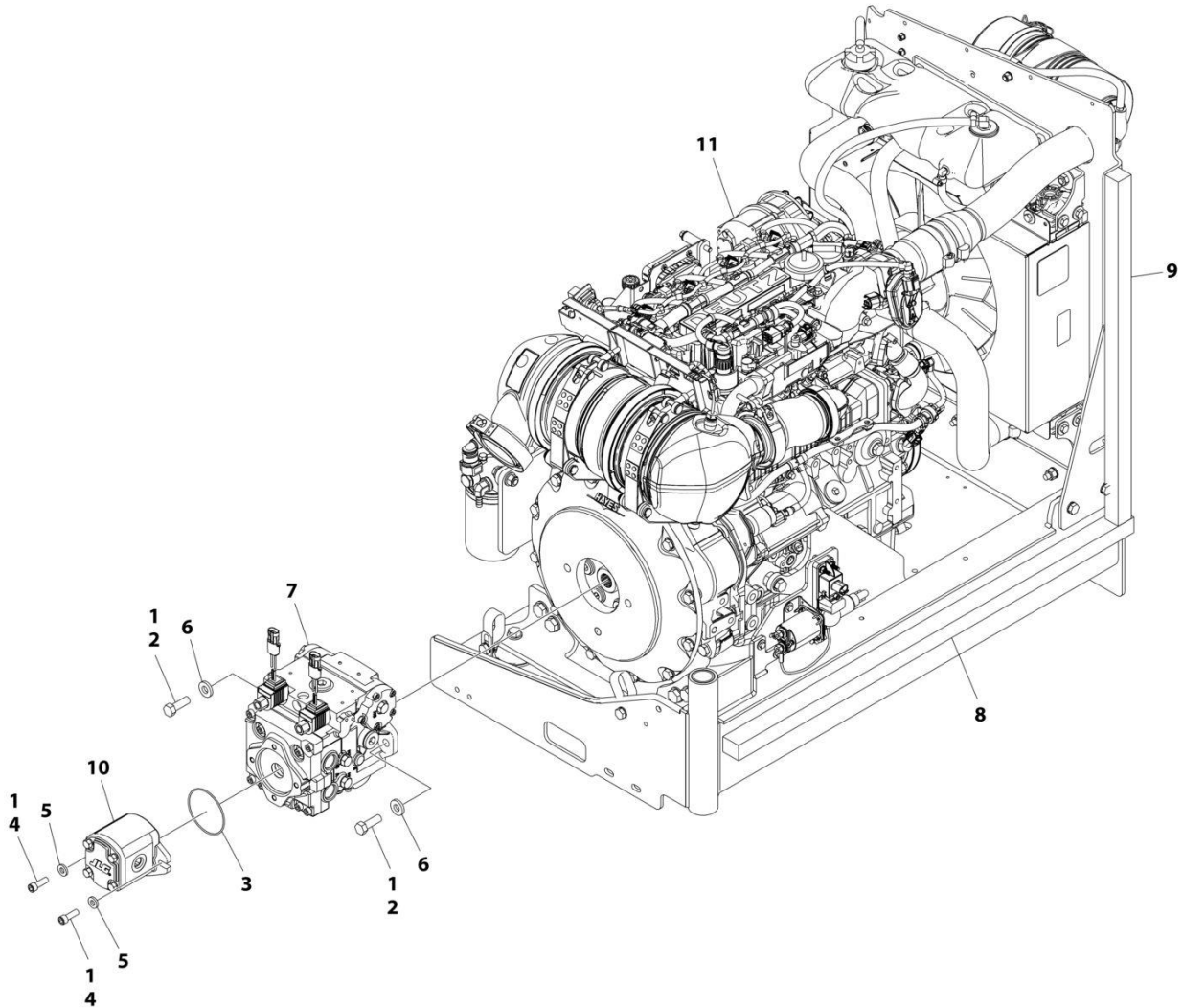
| ITEM | PART NUMBER | QTY | DESCRIPTION | REV |
|------|-------------|-----------------|---|-----|
| | 1001244287 | Ref | ENGINE INSTALLATION - DEUTZ D2.9L4 ENGINE (STAGE V) | H |
| 1 | 0100011 | AR | Compound, Locking | |
| 2 | 0100020 | AR | Sealant, Pipe | |
| 3 | 0440162 | 1 | Bearing | |
| 4 | 0760610 | 2 | Bolt M6 x 20 | |
| 5 | 0760614 | 4 | Bolt M6 x 30 | |
| 6 | 0760812 | 1 | Bolt M8 x 25 | |
| 7 | 0761014 | 4 | Bolt M10 x 30 | |
| 8 | 0761015 | 5 | Bolt M10 x 35 | |
| 9 | 0771212 | 1 | Bolt M12 x 25 | |
| 10 | 1320022 | 1 | Clamp | |
| 11 | 1321716 | 4 | Clamp | |
| 12 | 1701505 | 1 | Decal - Diesel Fuel | |
| 13 | 2180832 | 1 | Fitting, Barbed | |
| 14 | 2180876 | 1 | Fitting, Barbed | |
| 15 | 2720058 | 2 ft /0.6m | Hose | |
| 16 | 3290605 | 6 | Nut M6 | |
| 17 | 3291005 | 8 | Nut M10 | |
| 18 | 3422532 | 1 | Pin | |
| 19 | 3841143 | 1 | Keeper, Pin | |
| 20 | 4240099 | AR | Tie-Strap | |
| 21 | 4811700 | 12 | Washer M6 | |
| 22 | 4811900 | 1 | Washer M8 | |
| 23 | 4812000 | 15 | Washer M10 | |
| 24 | 4812100 | 1 | Washer M12 | |
| 25 | 5251215 | 1 | Bolt M12 x 35 | |
| 26 | 5261200 | 1 | Nut, Flange M12 Grade 10.9 | |
| 27 | 8405006 | 6 | Clamp | |
| 29 | 2220767 | AR | Fitting, Barbed 90 | |
| 29 | 8430007 | AR | Fitting, Barbed | |
| 30 | 1001135196 | 1 | Pin | |
| 31 | 1001139654 | 1 | Decal - Ultra Low Sulfur Diesel | |
| 32 | 1001142501 | 1 | Fitting, Barbed 90 | |
| 33 | 1001154405 | 7.25 ft /2.21m | Hose | |
| 34 | 1001155823 | 1 | Coupling, Quick Disconnect 90 | |
| 35 | 1001165035 | 17.25 ft /5.26m | Hose | |
| 36 | 1001167512 | 1 | Bracket | |
| 37 | 1001169823 | 1 | Plate, Engine Lock | |
| 38 | 1001171683 | 1 | Cable, Battery (Red) (Battery Positive to Auxiliary Power Relay) | |
| 39 | 1001171684 | 1 | Cable, Battery (Black) (Battery Negative to Auxiliary Power Pump) | |
| 40 | 1001181358 | 1 | Harness, Fuel Pump (See Separate Breakdown in ELECTRICAL SECTION) | |
| 41 | 1001191832 | 1 | Nut, Rivet M8 | |
| 43 | 1001277600 | 1 | Engine and Pump Sub-Assembly - Deutz D2.9L4 (Without Arctic Package) (See Separate Breakdown in this Section) | |
| 44 | 1001247440 | 1 | Pipe, Exhaust | |
| 46 | 1001256879 | 1 | Bracket | |
| 47 | 0701020 | 1 | Bolt M10 x 60 | |

SECTION 3 - ENGINE

| ITEM | PART NUMBER | QTY | DESCRIPTION | REV |
|------|-------------|-----|-------------|-----|
| 48 | 1062255 | 1 | Tie-Strap | |
| 49 | 4812002 | 1 | Washer M10 | |
| 51 | 1001156107 | 1 | Holder | |
| 52 | 1001220266 | 1 | Spacer | |
| 53 | 1320061 | 1 | Clamp | |

SECTION 3 - ENGINE

FIGURE 3-6. ENGINE AND PUMP SUB-ASSEMBLY-DEUTZ (STAGE V) (CE & UK CA SPECS)



ART_1001277600

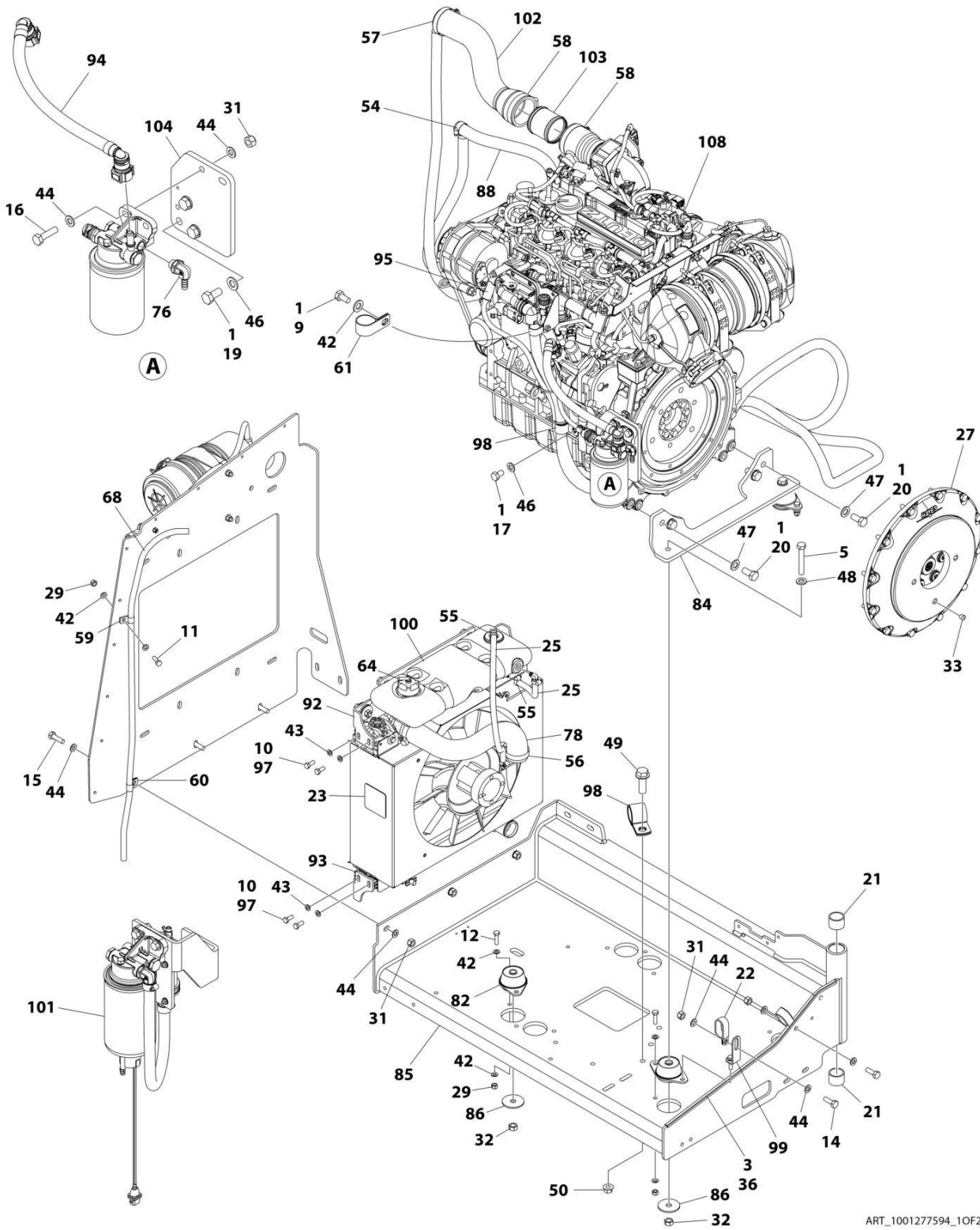
SECTION 3 - ENGINE

FIGURE 3-6. ENGINE AND PUMP SUB-ASSEMBLY-DEUTZ (STAGE V) (CE & UK CA SPECS)

| ITEM | PART NUMBER | QTY | DESCRIPTION | REV |
|------|-------------|-----|---|-----|
| | 1001277600 | Ref | ENGINE AND PUMP SUB-ASSEMBLY - DEUTZ (STAGE V) ENGINE | B |
| 1 | 0100011 | AR | Compound, Locking | |
| 2 | 0641812 | 2 | Bolt 1/2 x 1-1/2 | |
| 3 | 3790152 | 1 | O-Ring | |
| 4 | 3931618 | 2 | Capscrew 3/8 x 1-1/8 | |
| 5 | 4891600 | 2 | Washer 3/8 Hardened | |
| 6 | 4891800 | 2 | Washer 1/2 Hardened | |
| 7 | 1001167036 | 1 | Piston Pump Assembly (See Separate Breakdown in this Section) | |
| 8 | 1001171953 | 1 | Seal | |
| 9 | 1001171954 | 1 | Seal | |
| 10 | 1001214207 | 1 | Gear Pump Assembly | |
| 10 | 70006356 | 1 | Seal Kit - 1001214207 Pump | |
| 11 | 1001277594 | 1 | Engine Assembly, Deutz (Stage V) Engine (See Separate Breakdown in this Section) | |

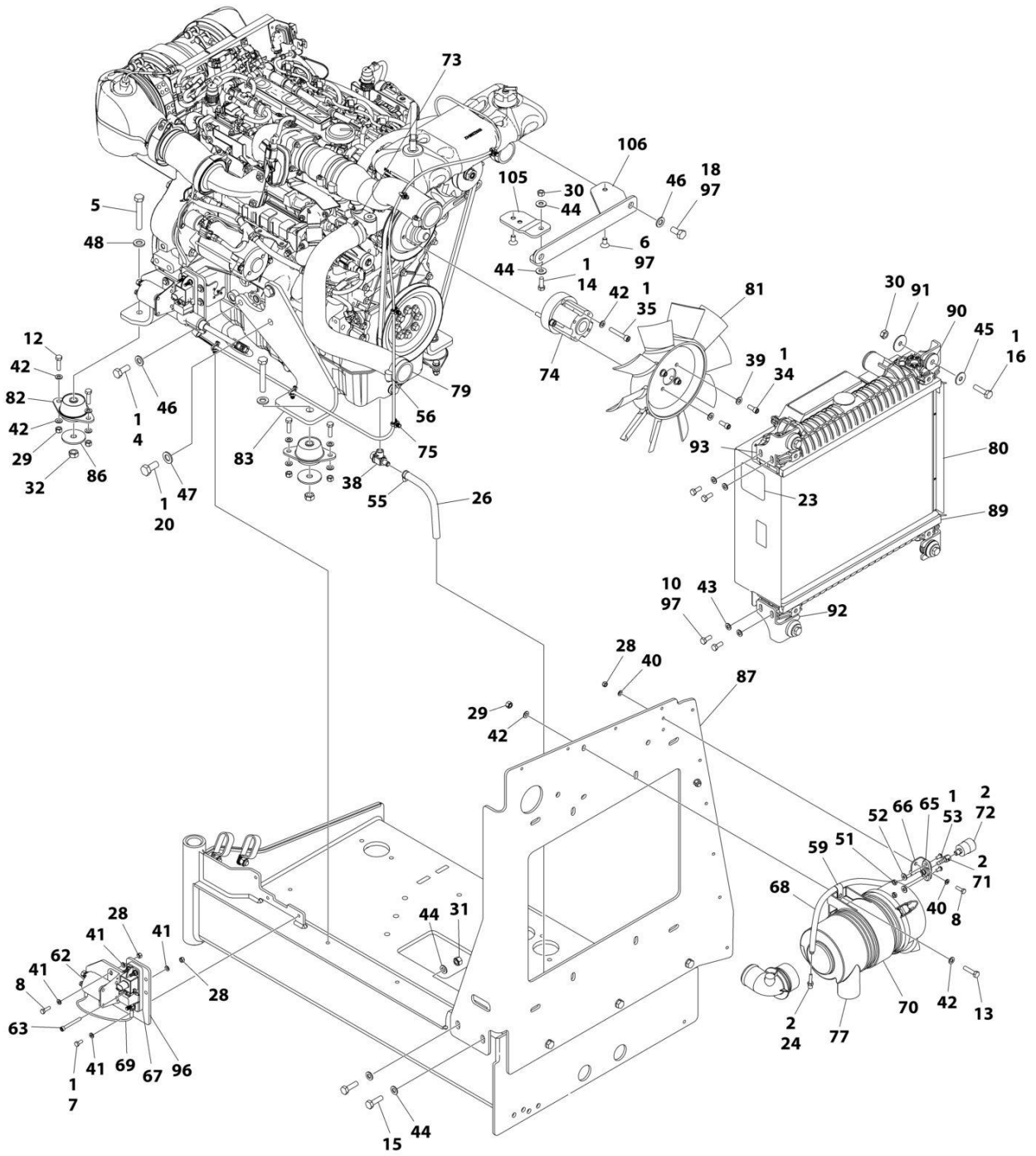
SECTION 3 - ENGINE

FIGURE 3-7. ENGINE ASSEMBLY - DEUTZ STAGE V ENGINE (CE & UK CA SPECS)



ART_1001277594_10F2

SECTION 3 - ENGINE



ART_1001277594_2OF2

SECTION 3 - ENGINE

FIGURE 3-7. ENGINE ASSEMBLY - DEUTZ STAGE V ENGINE (CE & UK CA SPECS)

| ITEM | PART NUMBER | QTY | DESCRIPTION | REV |
|------|-------------|-------------------|--|-----|
| | 1001277594 | Ref | ENGINE ASSEMBLY, DEUTZ (STAGE V) | C |
| 1 | 0100011 | AR | Compound, Locking | |
| 2 | 0100020 | AR | Sealant, Pipe | |
| 3 | 0100081 | AR | Adhesive | |
| 4 | 0711214 | 1 | Bolt M12 x 30 | |
| 5 | 0711224 | 3 | Bolt M12 x 80 | |
| 6 | 0741606 | 2 | Screw 3/8 x 3/4 | |
| 7 | 0760607 | 3 | Bolt M6 x 14 | |
| 8 | 0760610 | 4 | Bolt M6 x 20 | |
| 9 | 0760808 | 1 | Bolt M8 x 16 | |
| 10 | 0760810 | 8 | Bolt M8 x 20 | |
| 11 | 0760812 | 1 | Bolt M8 x 25 | |
| 12 | 0760814 | 6 | Bolt M8 x 30 | |
| 13 | 0760815 | 2 | Bolt M8 x 35 | |
| 14 | 0761014 | 3 | Bolt M10 x 30 | |
| 15 | 0761015 | 5 | Bolt M8 x 35 | |
| 16 | 0761016 | 6 | Bolt M10 x 40 | |
| 17 | 0761210 | 1 | Bolt M12 x 20 | |
| 18 | 0761212 | 2 | Bolt M12 x 25 | |
| 19 | 0771212 | 3 | Bolt M12 x 25 | |
| 20 | 0771414 | 6 | Bolt M14 x 30 | |
| 21 | 0961951 | 2 | Bushing | |
| 22 | 1321716 | 2 | Clamp | |
| 23 | 1703162 | 2 | Decal - Caution Fan | |
| 24 | 2220315 | 1 | Fitting, Barbed | |
| 25 | 2720015 | 1.94 ft /0.59m | Hose | |
| 26 | 2720340 | 0.66 ft/ 0.20m | Hose | |
| 27 | 2902065 | 1 | Pump Coupling Kit (See Separate Breakdown in this Section) | |
| 28 | 3290605 | 5 | Nut M6 | |
| 29 | 3290805 | 9 | Nut M8 | |
| 30 | 3291001 | 5 | Nut M10 | |
| 31 | 3291005 | 9 | Nut M10 | |
| 32 | 3331215 | 3 | Nut M12 x 1.75 | |
| 33 | 3520054 | 1 | Plug | |
| 34 | 3931512 | 4 | Capscrew, 5/16 x 3/4 | |
| 35 | 4031914 | 4 | Bolt M8 x 50 | |
| 36 | 4060805 | 2.03 ft /0.62m | Flex-Trim | |
| 37 | 4240099 | AR | Tie-Strap (Not Shown) | |
| 38 | 4640751 | 1 | Valve, Oil Drain | |
| 39 | 4711500 | 4 | Washer 5/16 | |
| 40 | 4811700 | 4 | Washer M6 | |
| 41 | 4811702 | 8 | Washer M6 | |
| 42 | 4811900 | 23 | Washer M8 | |
| 43 | 4811902 | 8 | Washer M8 | |
| 44 | 4812000 | 20 | Washer M10 | |
| 45 | 4812002 | 4 | Washer M10 | |
| 46 | 4812100 | 7 | Washer M12 | |

SECTION 3 - ENGINE

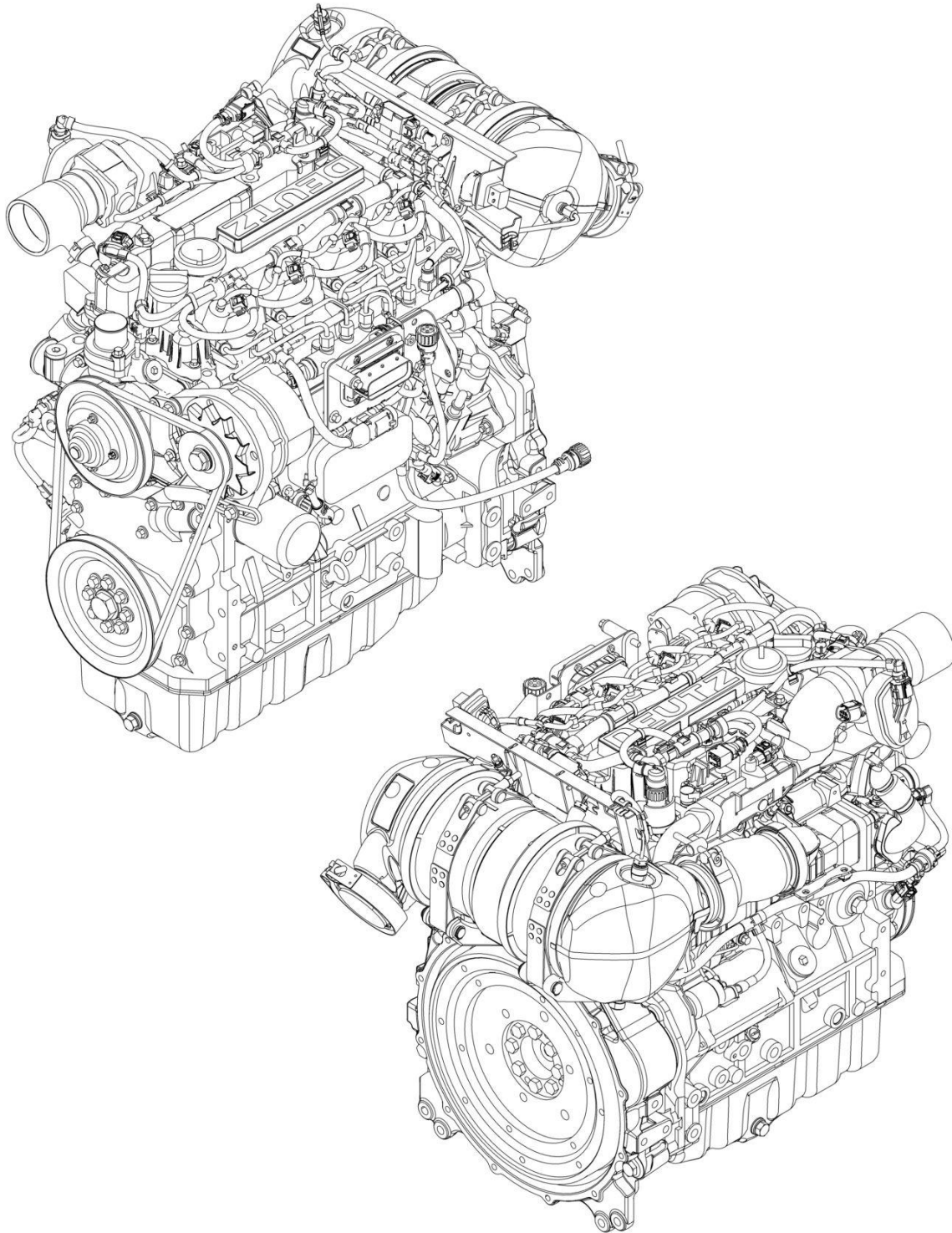
| ITEM | PART NUMBER | QTY | DESCRIPTION | REV |
|------|-------------|-------------------|----------------------------|-----|
| 47 | 4812200 | 6 | Washer M14 | |
| 48 | 5241200 | 3 | Washer M12 | |
| 49 | 5251215 | 1 | Bolt M12 x 35 | |
| 50 | 5261200 | 1 | Nut, Flange M12 Class10 | |
| 51 | 8305401 | 2 | Nut Jam | |
| 52 | 8307109 | 2 | Washer 1/4 | |
| 53 | 8310548 | 2 | Screw 1/4 x 1/2 | |
| 54 | 8405007 | 2 | Clamp | |
| 55 | 8405009 | 5 | Clamp | |
| 56 | 8405104 | 4 | Clamp | |
| 57 | 8405202 | 1 | Clamp | |
| 58 | 8405204 | 2 | Clamp | |
| 59 | 8406109 | 2 | Clip | |
| 60 | 8406110 | 1 | Clip | |
| 61 | 8406201 | 1 | Clip | |
| 62 | 1001117308 | 1 | Relay, 200Amp | |
| 63 | 1001118878 | 1 | Bolt M6 x 55 | |
| 64 | 1001136834 | 1 | Cap, Tank | |
| 65 | 1001138173 | 1 | Support, Service Indicator | |
| 66 | 1001138175 | 1 | Bracket, Service Indicator | |
| 67 | 1001138228 | 1 | Relay, Power Module | |
| 68 | 1001138248 | 5.09 ft /1.55m | Tube | |
| 69 | 1001141304 | 1 | Harness, Glow Plug | |
| 70 | 1001141694 | 1 | Clamp, Air Cleaner | |
| 71 | 1001141995 | 1 | Fitting, Barbed | |
| 72 | 1001143390 | 1 | Indicator | |
| 73 | 1001143797 | 1 | Fitting, Barbed | |
| 74 | 1001144116 | 1 | Spacer, Fan | |
| 75 | 1001146588 | AR | Tie-Strap (Not Shown) | |
| 76 | 1001152489 | 1 | Fitting, Barbed 90 | |
| 77 | 1001165388 | 1 | Air Cleaner Assembly | |
| 78 | 1001165405 | 1 | Hose, Upper Radiator | |
| 79 | 1001165406 | 1 | Hose, Lower Radiator | |
| 80 | 1001165722 | 1 | Radiator | |
| 81 | 1001165849 | 1 | Fan | |
| 82 | 1001166718 | 3 | Mount, Motor | |
| 83 | 1001166921 | 1 | Plate, Engine Mount | |
| 84 | 1001166924 | 1 | Plate, Engine Mount | |
| 85 | 1001167520 | 1 | Tray, Engine | |
| 86 | 1001168018 | 3 | Washer, Special | |
| 87 | 1001168026 | 1 | Plate, Radiator Mounting | |
| 88 | 1001168099 | 1 | Hose | |
| 89 | 1001168166 | 2 | Seal | |
| 90 | 1001169054 | 4 | Isolator | |
| 91 | 1001169138 | 4 | Washer, Snubbing | |
| 92 | 1001169967 | 2 | Bracket | |
| 93 | 1001170035 | 2 | Bracket | |
| 94 | 1001177359 | 1 | Hose | |
| 95 | 1001178788 | 1 | Cable, Alternator | |
| 96 | 1001179903 | 1 | Bracket | |
| 97 | 1001180620 | AR | Adhesive | |

SECTION 3 - ENGINE

| ITEM | PART NUMBER | QTY | DESCRIPTION | REV |
|------|-------------|-----|--|-----|
| 98 | 1001191620 | 2 | Clamp | |
| 99 | 1001223122 | 1 | Support | |
| 100 | 1001230635 | 1 | Tank, Surge (Includes Items 62, 70, & 73) | |
| 101 | 1001235949 | 1 | Bracket (See Separate Breakdown in this Section) | |
| 102 | 1001236780 | 1 | Hose, Air Intake | |
| 103 | 1001238911 | 1 | Pipe, Air Intake | |
| 104 | 1001258804 | 1 | Mount, Fuel Filter | |
| 105 | 1001260412 | 1 | Bracket | |
| 106 | 1001260420 | 1 | Bracket (note: may require P/N 1001260412) | |
| 107 | 1001276643 | 1 | Harness, Engine (Not Shown - See Separate Breakdown in ELECTRICAL Section) | |
| 108 | 1001277589 | 1 | Engine, Deutz 2.9L4 (Stage V) (See Separate Breakdown in this Section) | |

SECTION 3 - ENGINE

FIGURE 3-8. ENGINE COMPONENTS - DEUTZ D2.9L4 (STAGE V) (CE & UK CA SPECS)



ART_1001277589

SECTION 3 - ENGINE

FIGURE 3-8. ENGINE COMPONENTS - DEUTZ D2.9L4 (STAGE V) (CE & UK CA SPECS)

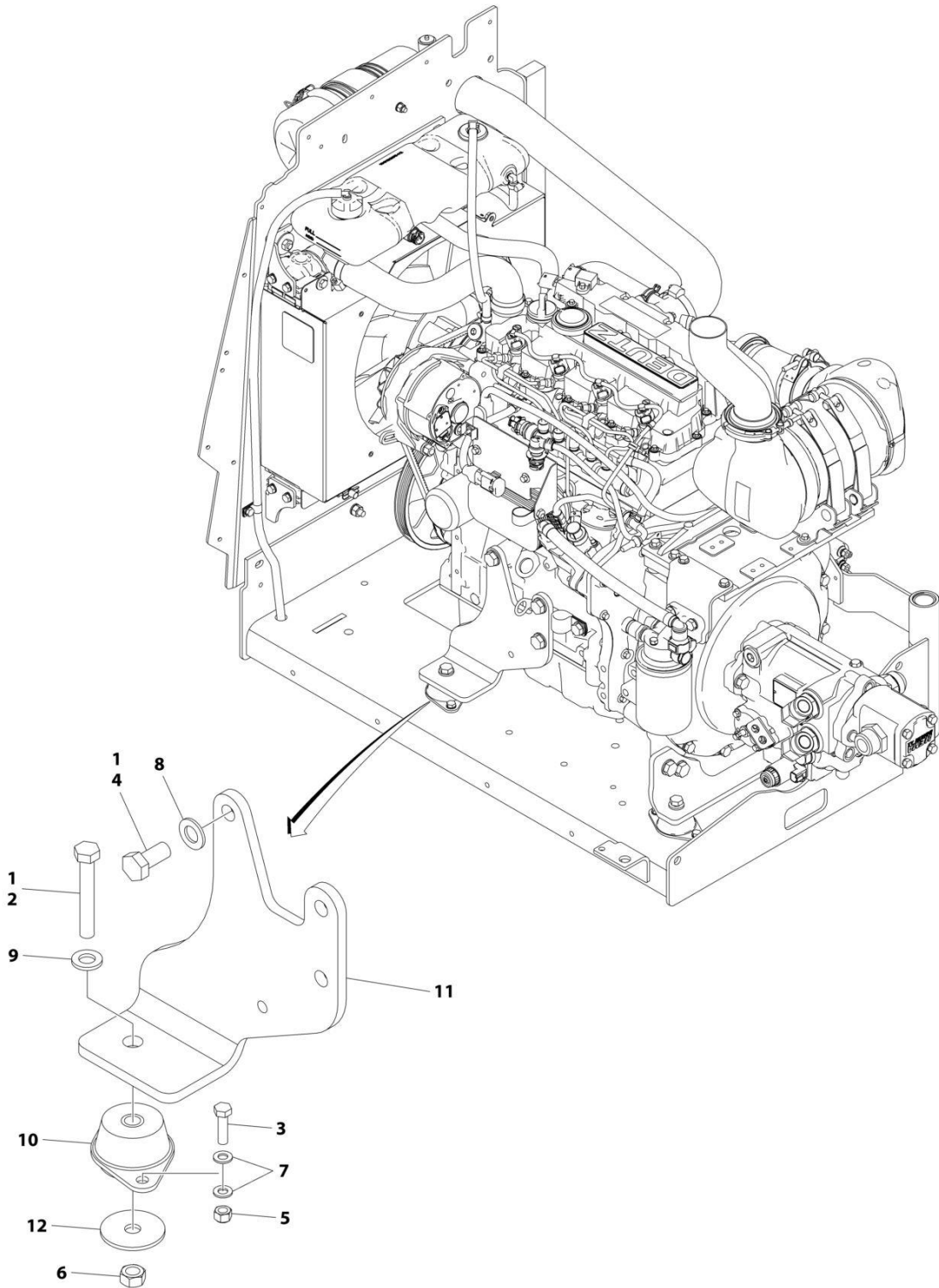
| ITEM | PART NUMBER | QTY | DESCRIPTION | REV |
|------|-------------|-----|--|-----|
| | 1001277589 | Ref | DEUTZ ENGINE COMPONENTS | B |
| | | Ref | COOLING SYSTEM COMPONENTS | |
| | 70031474 | 1 | Cooler, Oil | |
| | 70031388 | 1 | Seal, Oil Cooler | |
| | 70030360 | 1 | Pump, Coolant (Includes Gaskets & Seals) | |
| | 70031055 | 1 | O-Ring, Coolant Pump | |
| | 70007325 | 1 | Gasket | |
| | 70007603 | 1 | Thermostat | |
| | 70005184 | 1 | O-Ring, Thermostat | |
| | 70005931 | 1 | Gasket, Thermostat | |
| | | Ref | ELECTRICAL SYSTEM COMPONENTS | |
| | 70024513 | 1 | Cable, Primary Fuel Filter Sensor (Includes Seal) | |
| | 70025239 | 1 | Seal | |
| | 70028538 | 1 | Sensor, Fuel Pressure (at Filter) (Includes Seal) | |
| | 70024920 | 1 | Seal | |
| | 70029512 | 1 | Module, ECU/ECM | |
| | 70027405 | 1 | Sensor, Exhaust Temperature | |
| | 70031144 | 1 | Starter | |
| | 70008435 | 1 | Generator (includes Regulator) | |
| | 70031143 | 1 | Regulator | |
| | 70000345 | 4 | Plug, Glow | |
| | 70025231 | 1 | Harness, Glow Plug | |
| | 70008553 | 1 | Cable, Interconnect | |
| | 70008558 | 1 | Harness, Engine | |
| | 1001211556 | 1 | Sensor, Temperature (Includes O-Seal) | |
| | 70005507 | 1 | O-Seal | |
| | 70028540 | 1 | Sensor, Temperature (in Cylinder Head) | |
| | 70024504 | 1 | Sensor, Oil Pressure (Side of Block) (Includes Seal) | |
| | 70024920 | 1 | Seal | |
| | 70026210 | 2 | Sensor, Speed (Includes O-Ring/Seal) | |
| | 70005191 | 1 | O-Ring | |
| | 70024917 | 1 | Seal | |
| | 70008559 | 1 | Sensor, Air Pressure (Air Exchange Manifold) (Includes O-Ring) | |
| | 70008561 | 1 | Sensor, Air Pressure (Air Exchange Manifold) (Includes O-Ring) | |
| | 70024505 | 1 | Sender, Exhaust Temperature | |
| | 70029409 | 1 | Sender, Exhaust Temperature | |
| | 70008431 | 1 | Sensor, Exhaust Pressure | |
| | | Ref | EXHAUST SYSTEM COMPONENTS | |
| | 70025130 | 8 | Bolt, Exhaust Manifold | |
| | 70025164 | 1 | Gasket, Exhaust Manifold to Head | |
| | 70005505 | 2 | O-Seal | |
| | 70008543 | 1 | Pipe, Exhaust | |
| | 70008544 | 1 | O-Seal, Exhaust (Venturi Tube to Exhaust Pipe) | |
| | 70008545 | 1 | Gasket, Square Exhaust | |
| | 70005504 | 1 | Sensor, Exhaust Pressure (Includes O-Seals) | |
| | 70031136 | 1 | Gasket, Exhaust (Upper) | |
| | 70007354 | 1 | Gasket, Exhaust (Lower) | |
| | 70008547 | 1 | Module, EGR (Includes Gasket) | |
| | 70007326 | 1 | Gasket | |
| | 70025242 | 2 | Gasket, Compensator | |

SECTION 3 - ENGINE

| ITEM | PART NUMBER | QTY | DESCRIPTION | REV |
|------|-------------|-----|---|-----|
| | 70004504 | 1 | Compensator | |
| | 70008564 | 1 | Catalyst | |
| | | Ref | FUEL SYSTEM COMPONENTS | |
| | 1001225430 | 1 | Filter, Primary Fuel | |
| | 1001225431 | 1 | Filter, Fuel | |
| | 70030381 | 1 | Pump, High Pressure | |
| | 70025152 | 1 | O-Ring (Between Pump AND Spacer) | |
| | 70004505 | 1 | Valve, Overflow (Includes O-Rings) | |
| | 70004506 | 1 | O-Ring | |
| | 70004507 | 1 | O-Ring | |
| | 70004508 | 1 | Valve, Volume Control (Includes O-Ring & Gasket) | |
| | 70004509 | 1 | O-Ring | |
| | 70004510 | 1 | Gasket | |
| | 70004281 | 4 | Injector, Fuel (Includes Sealing Washer & O-Ring) | |
| | 70025140 | 1 | Washer, Sealing | |
| | 70025145 | 1 | O-Rin | |
| | 70008422 | 1 | Pump, Fuel Supply (Includes Clamps) | |
| | 70025144 | 2 | Clamp | |
| | 70008537 | 1 | Valve, Throttle (Includes Gasket) | |
| | 70008538 | 1 | Gasket | |
| | | Ref | GASKETS & SEAL & KITS | |
| | 70024906 | 1 | Gasket, Head | |
| | 70005171 | 1 | Gasket, Valve Cover | |
| | 70002718 | 1 | Seal, Rear Main | |
| | 70028185 | 1 | Gasket, Front Cover | |
| | 70008296 | 1 | Seal, Front Main | |
| | 70025235 | 1 | Kit, Repair - Fuel Rail | |
| | 70005176 | 1 | O-Ring, Charge Exchange Manifold | |
| | 70005177 | 1 | Gasket, Charge Exchange Manifold | |
| | 70005938 | 1 | Gasket Kit | |
| | | Ref | LUBRICATION SYSTEM COMPONENTS | |
| | 7016331 | 1 | Filter, Oil | |
| | 70024904 | 1 | Dipstick (Includes O-Ring) | |
| | 70024905 | 1 | O-Ring, Dipstick | |
| | 7020465 | 2 | Cap, Oil Fill | |
| | 70005941 | 1 | Plug, Oil Drain | |
| | 70005942 | 1 | Washer, Oil Drain Plug | |
| | 70005172 | 1 | Pump, Oil Lube (Includes Gasket & O-Ring) | |
| | | Ref | MECHANICAL COMPONENTS | |
| | 70001870 | 1 | Flywheel (Includes Ring Gear) | |
| | 7024579 | 1 | Gear, Ring | |
| | 70024913 | 1 | V-Belt | |

SECTION 3 - ENGINE

FIGURE 3-9. MOTOR MOUNT INSTALLATION (STAGE V ENGINES WITHOUT GENERATOR)



ART_1001244024

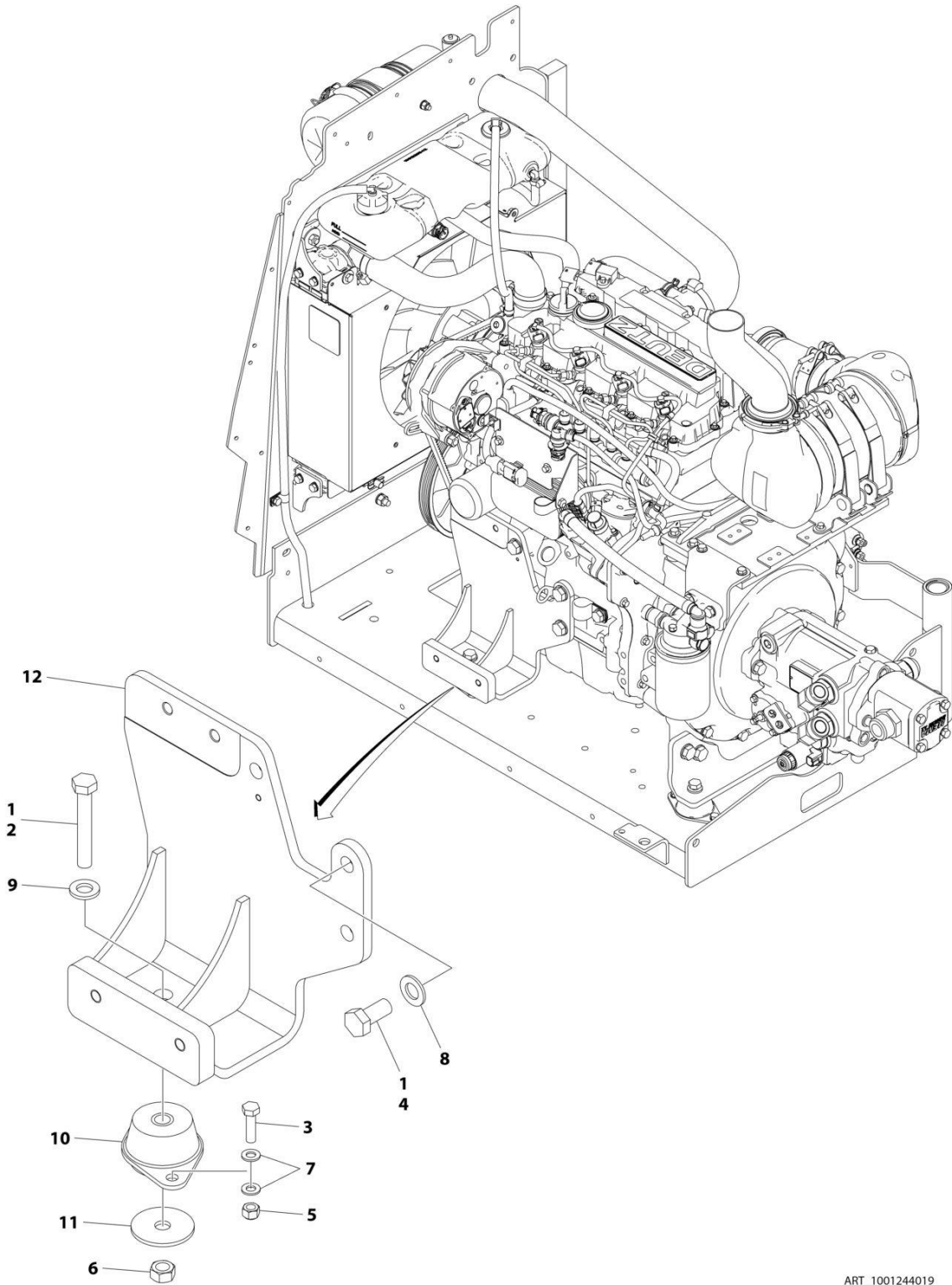
SECTION 3 - ENGINE

FIGURE 3-9. MOTOR MOUNT INSTALLATION (STAGE V ENGINES WITHOUT GENERATOR)

| ITEM | PART NUMBER | QTY | DESCRIPTION | REV |
|------|-------------|-----|--------------------------|-----|
| | 1001244024 | Ref | MOTOR MOUNT INSTALLATION | A |
| 1 | 0100011 | AR | Compound, Locking | |
| 2 | 0711224 | 1 | Bolt M12 x 80 | |
| 3 | 0760814 | 2 | Bolt M8 x 30 | |
| 4 | 0771414 | 3 | Bolt M14 x 30 | |
| 5 | 3290805 | 2 | Nut M8 | |
| 6 | 3331211 | 1 | Nut M12 | |
| 7 | 4811900 | 4 | Washer M8 | |
| 8 | 4812200 | 3 | Washer M14 | |
| 9 | 5241200 | 1 | Washer M12 | |
| 10 | 1001166718 | 1 | Mount, Motor | |
| 11 | 1001166922 | 1 | Mount | |
| 12 | 1001168018 | 1 | Washer | |

SECTION 3 - ENGINE

FIGURE 3-10. MOTOR MOUNT INSTALLATION (STAGE V ENGINES WITH GENERATOR)



ART_1001244019

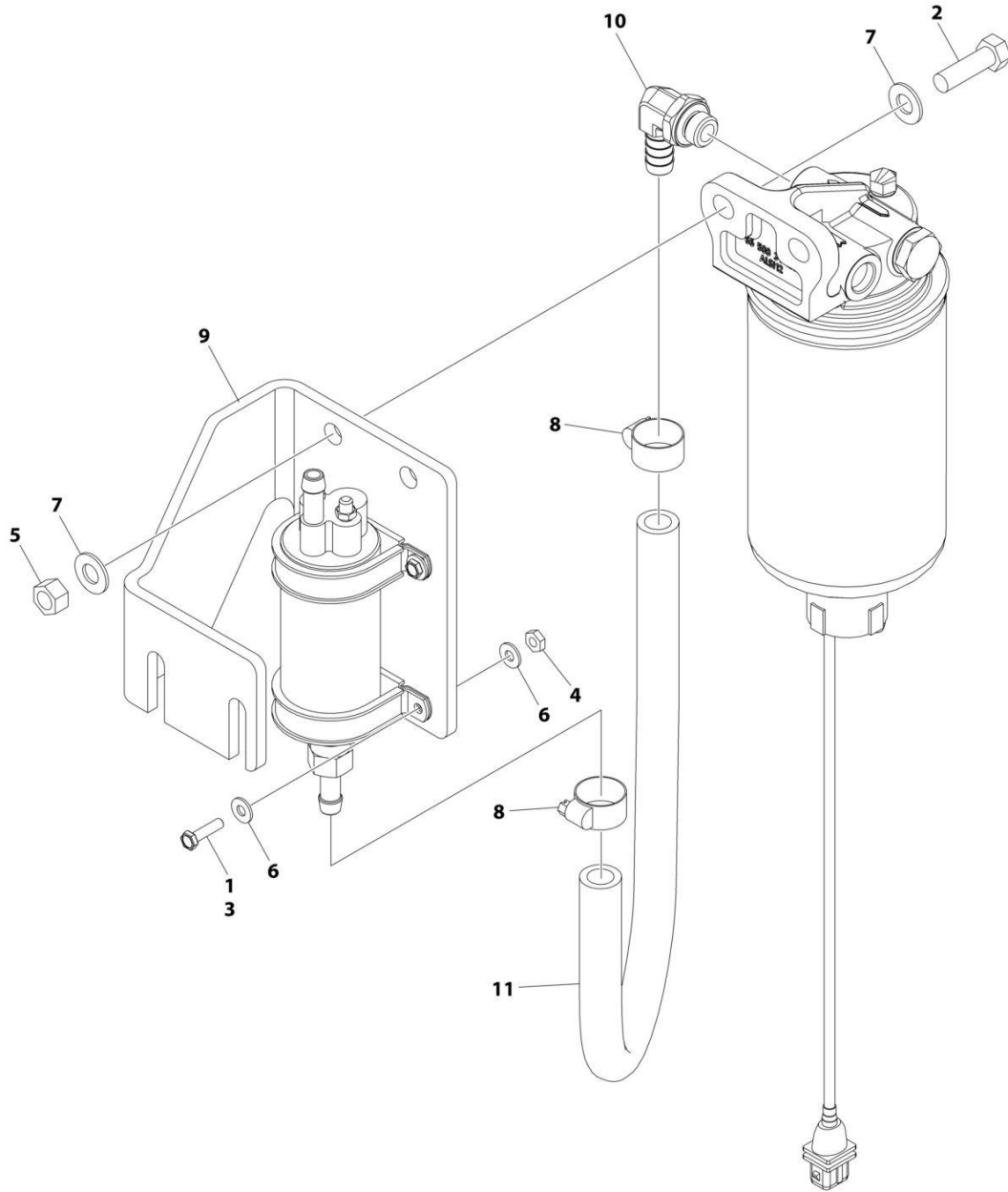
SECTION 3 - ENGINE

FIGURE 3-10. MOTOR MOUNT INSTALLATION (STAGE V ENGINES WITH GENERATOR)

| ITEM | PART NUMBER | QTY | DESCRIPTION | REV |
|------|-------------|-----|--------------------------|-----|
| | 1001244019 | Ref | MOTOR MOUNT INSTALLATION | A |
| 1 | 0100011 | AR | Compound, Locking | |
| 2 | 0711224 | 1 | Bolt M12 x 80 | |
| 3 | 0760814 | 2 | Bolt M8 x 30 | |
| 4 | 0771414 | 3 | Bolt M14 x 30 | |
| 5 | 3290805 | 2 | Nut M8 | |
| 6 | 3331211 | 1 | Nut M12 | |
| 7 | 4811900 | 4 | Washer M8 | |
| 8 | 4812200 | 3 | Washer M14 | |
| 9 | 5241200 | 1 | Washer M12 | |
| 10 | 1001166718 | 1 | Mount, Motor | |
| 11 | 1001168018 | 1 | Washer | |
| 12 | 1001168207 | 1 | Mount | |

SECTION 3 - ENGINE

FIGURE 3-11. BRACKET ASSEMBLY - FUEL PUMP AND FILTER (DEUTZ D2.9L4 ENGINE) (STAGE V)



ART_1001235949

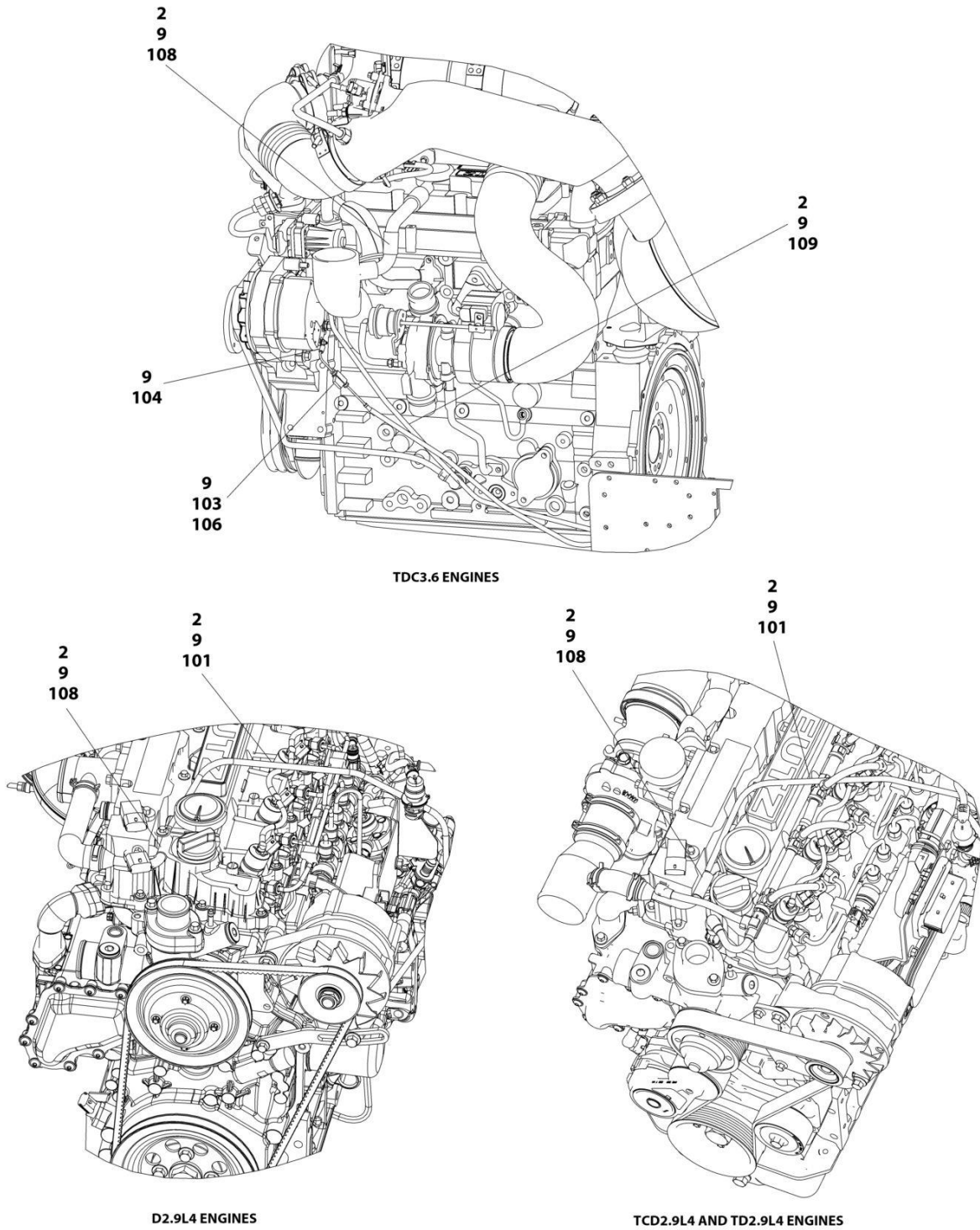
SECTION 3 - ENGINE

FIGURE 3-11. BRACKET ASSEMBLY - FUEL PUMP AND FILTER (DEUTZ D2.9L4 ENGINE) (STAGE V)

| ITEM | PART NUMBER | QTY | DESCRIPTION | REV |
|------|-------------|-----------------|---|-----|
| | 1001235949 | Ref | BRACKET ASSEMBLY - FUEL PUMP AND FILTER (DEUTZ D2.9L4 (STAGE V) ENGINE) | A |
| 1 | 0100035 | AR | Compound, Locking | |
| 2 | 0641610 | 2 | Bolt 3/8 x 1-1/4 | |
| 3 | 0721006 | 4 | Bolt #10 x 3/4 | |
| 4 | 3311001 | 4 | Nut #10 | |
| 5 | 3311605 | 2 | Nut 3/8 | |
| 6 | 4711000 | 8 | Washer #10 | |
| 7 | 4711600 | 4 | Washer 3/8 | |
| 8 | 8405006 | 2 | Clamp | |
| 9 | 1001141870 | 1 | Plate, Fuel Pump Mount | |
| 10 | 1001142501 | 1 | Fitting, Elbow Barbed | |
| 11 | 1001154405 | 1.5 ft /0.4m | Hose | |

SECTION 3 - ENGINE

FIGURE 3-12. BREATHER HEATER INSTALLATION - DEUTZ D2.9L4 ENGINES (STAGE V) (CE SPECS)



ART_1001233763

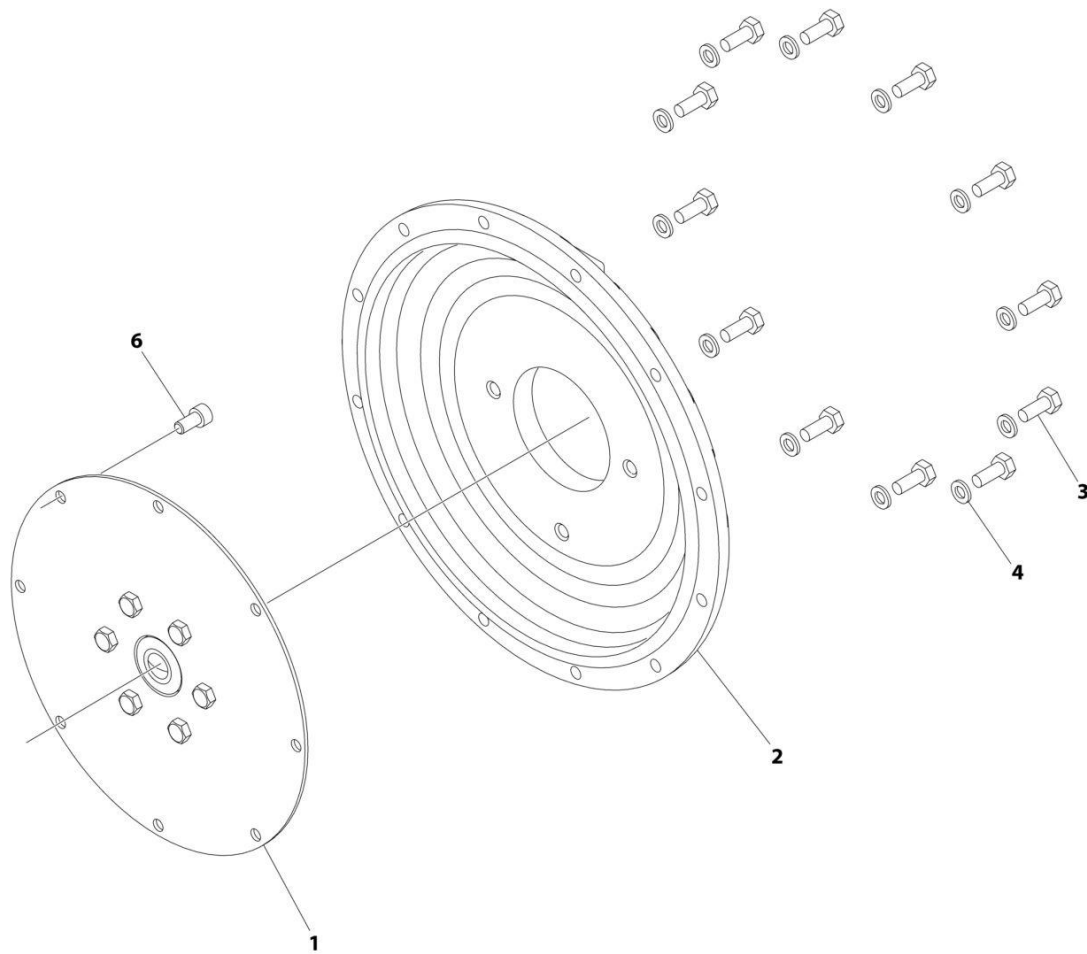
SECTION 3 - ENGINE

FIGURE 3-12. BREATHER HEATER INSTALLATION - DEUTZ D2.9L4 ENGINES (STAGE V) (CE SPECS)

| ITEM | PART NUMBER | QTY | DESCRIPTION | REV |
|------|-------------|-----|--|-----|
| | 1001233763 | Ref | BREATHER HEATER INSTALLATION - DEUTZ ENGINES | D |
| 2 | 4240099 | AR | Tie-Strap | |
| 9 | 1001243895 | 1 | Breather Heater Harness | C |
| 101 | 2820035 | AR | Insulation | |
| 103 | 2400060 | 1 | Fuseholder with Cover | |
| 104 | 4460043 | 1 | Terminal, Ring | |
| 105 | 4460722 | 1 | Terminal, Ring (Not Shown) | |
| 106 | 1001196634 | 1 | Fuse - 2 Amp | |
| 108 | 1001232842 | 1 | Breather Heater Kit | |

SECTION 3 - ENGINE

FIGURE 3-13. PUMP COUPLING KIT – DEUTZ ENGINES



ART_2902065

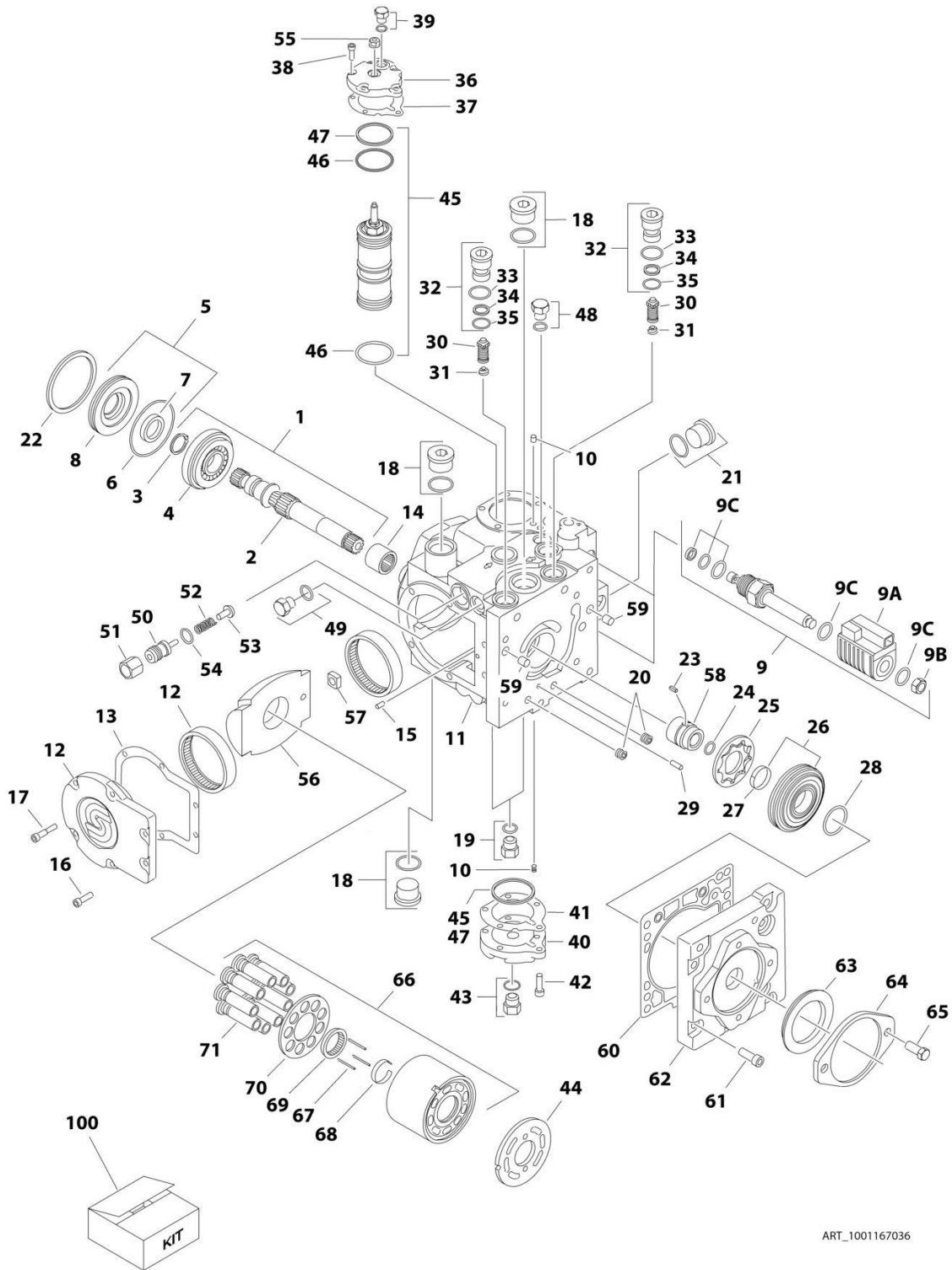
SECTION 3 - ENGINE

FIGURE 3-13. PUMP COUPLING KIT – DEUTZ ENGINES

| ITEM | PART NUMBER | QTY | DESCRIPTION | REV |
|------|-------------|-----|--|-----|
| | 2902065 | Ref | PUMP COUPLING KIT | L |
| 1 | 70000793 | 1 | Coupling, Hayes | |
| 2 | See Note | NSS | Plate, Pump Adapter (Note: Use p/n 2902065) | |
| 3 | See Note | NSS | Bolt M10 x 30 Grade 10.9 (Note: Use p/n 2902065) | |
| 4 | See Note | NSS | Washer M10 (Note: Use p/n 2902065) | |
| 6 | See Note | NSS | Bolt M10 x 20 Grade 10.9 (Note: Use p/n 2902065) | |

SECTION 3 - ENGINE

FIGURE 3-14. PISTON PUMP ASSEMBLY



ART_1001167036

SECTION 3 - ENGINE

FIGURE 3-14. PISTON PUMP ASSEMBLY

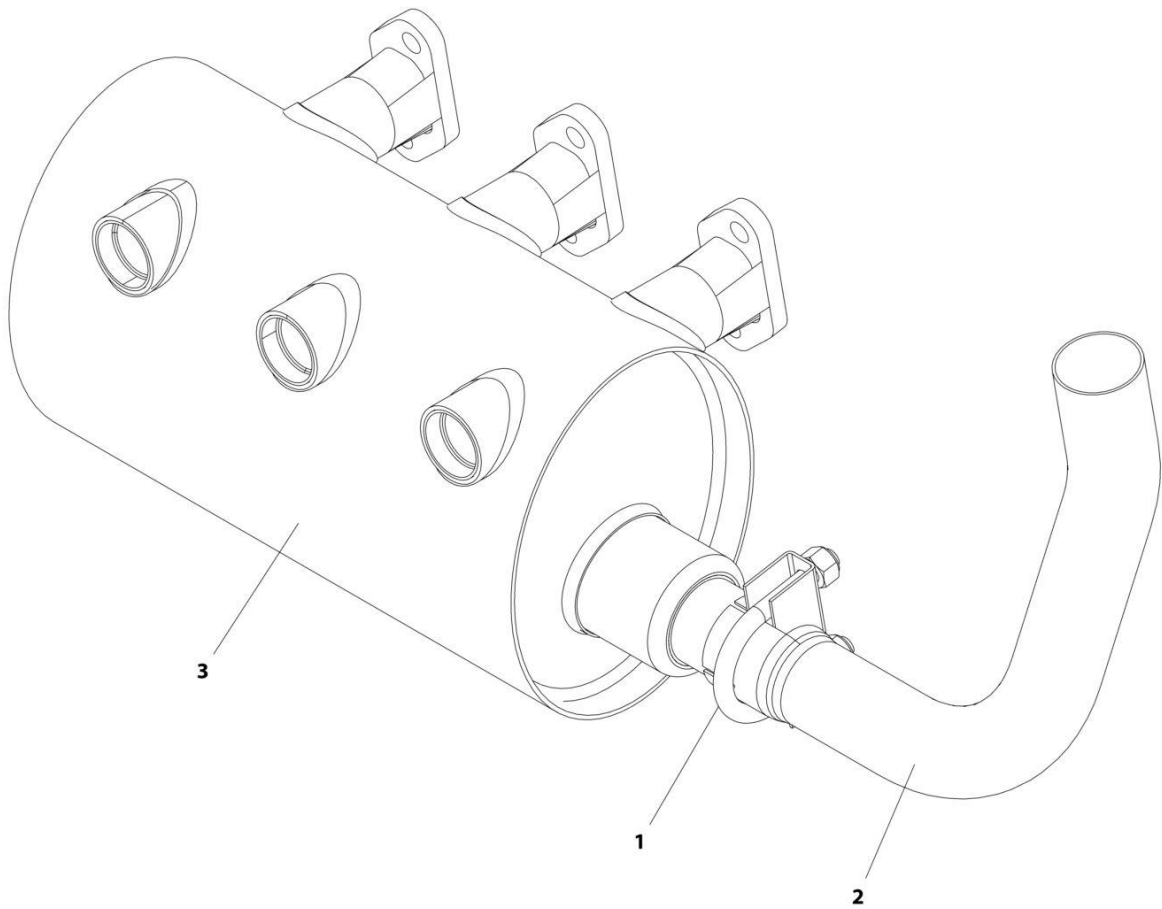
| ITEM | PART NUMBER | QTY | DESCRIPTION | REV |
|------|-------------|-----|---|-----|
| | 1001167036 | Ref | PISTON PUMP ASSEMBLY | B |
| 1 | 7021240 | 1 | Shaft Assembly (Includes Items 2-4) | |
| 2 | 7021237 | 1 | Shaft | |
| 3 | 7021238 | 1 | Ring, Retaining | |
| 4 | 7021239 | 1 | Bearing, Roller | |
| 5 | 70004896 | 1 | Shaft Seal Kit (Includes Items 6-8) | |
| 6 | 7021241 | 1 | O-Ring | |
| 7 | 7021242 | 1 | Seal, Lip | |
| 8 | 7021243 | 1 | Carrier, Seal Shaft | |
| 9 | 7024855 | 2 | Solenoid Assembly | |
| 9A | 70004897 | 2 | Coil (1 Per Assembly) | |
| 9B | 7024857 | 2 | Nut (1 Per Assembly) | |
| 9C | 7024858 | 2 | Seal Kit - 7024855 Cartridge (1 Per Assembly) | |
| 10 | 70004889 | 2 | Orifice | |
| 11 | See Note | NSS | Housing Assembly (Note: Not Available for Purchase) | |
| 12 | 7021248 | 1 | Side Cover Assembly (Includes Item 13) | |
| 13 | 70004891 | 1 | Gasket | |
| 14 | 7021249 | 1 | Bearing, Needle | |
| 15 | See Note | NSS | Pin (Note: Not Available for Purchase) | |
| 16 | 70004890 | 2 | Screw | |
| 17 | 70004892 | 4 | Screw | |
| 18 | 7007419 | 2 | Plug Assembly (Includes O-Ring) | |
| 19 | 7007420 | 2 | Plug Assembly (Includes O-Ring) | |
| 20 | See Note | NSS | Plug (Note: Not Available for Purchase) | |
| 21 | 7007419 | 1 | Plug Assembly (Includes O-Ring) | |
| 22 | 7021257 | 1 | Ring, Retaining | |
| 23 | 70004893 | 1 | Key | |
| 24 | 7022341 | 1 | Ring, Retaining | |
| 25 | 7021258 | 1 | Gerotor | |
| 26 | 70004894 | 1 | Gerotor Cover Assembly (Includes Item 27) | |
| 27 | 7021259 | 1 | Bearing, Journal | |
| 28 | 7021262 | 1 | O-Ring | |
| 29 | See Note | NSS | Pin (Note: Not Available for Purchase) | |
| 30 | 7021263 | 2 | Bypass Valve Assembly | |
| 31 | 7024800 | 2 | Spring | |
| 32 | 7021265 | 2 | Bypass Valve Assembly (Includes Items 32-34) | |
| 33 | 7007415 | 2 | O-Ring | |
| 34 | 7021293 | 2 | Ring, Back-up | |
| 35 | 7022300 | 2 | O-Ring | |
| 36 | 70004895 | 1 | Cover, Servo | |
| 37 | 7021253 | 1 | Gasket | |
| 38 | 70004892 | 5 | Screw | |
| 39 | 7007420 | 1 | Plug Assembly (Includes O-Ring) | |
| 40 | 7021268 | 1 | Cover, Servo | |
| 41 | 7021253 | 1 | Gasket | |
| 42 | 70004892 | 5 | Screw | |
| 43 | 7007420 | 1 | Plug Assembly (Includes O-Ring) | |
| 44 | 7021281 | 1 | Plate, Valve | |
| 45 | 70004898 | 1 | Servo Piston Kit (Includes Items 46 & 47) | |
| 46 | 7007495 | 2 | O-Ring | |

SECTION 3 - ENGINE

| ITEM | PART NUMBER | QTY | DESCRIPTION | REV |
|------|-------------|-----|---|-----|
| 47 | 7007493 | 2 | O-Ring | |
| 48 | 7007420 | 1 | Plug Assembly (Includes O-Ring) | |
| 49 | 70004900 | 1 | Plug Assembly (Includes O-Ring) | |
| 50 | 7022346 | 1 | Adjuster | |
| 51 | 7021290 | 1 | Nut | |
| 52 | 7022347 | 1 | Spring | |
| 53 | 70004901 | 1 | Poppet | |
| 54 | 7007415 | 1 | O-Ring | |
| 55 | 70004902 | 1 | Nut, Seal | |
| 56 | 70004903 | 1 | Swash Plate | |
| 57 | 70004904 | 1 | Bearing Assembly | |
| 58 | 70004905 | 1 | Coupling | |
| 59 | 7001481 | 2 | Pin | |
| 60 | 70002257 | 1 | Gasket | |
| 61 | 70004906 | 8 | Screw | |
| 62 | 70004907 | 1 | Cover, Charge Pump | |
| 63 | 70004908 | 1 | Seal | |
| 64 | 7021299 | 1 | Plate, Cover | |
| 65 | 7007289 | 2 | Screw | |
| 66 | 70004909 | 1 | Cylinder Block Assembly (Includes Items 67-71) | |
| 67 | 70004910 | 3 | Pin, Slipper Hold Down | |
| 68 | 7021276 | 1 | Retainer, Hold Down Pin | |
| 69 | 7021277 | 1 | Guide, Slipper Retainer | |
| 70 | 7021278 | 1 | Retainer, Slipper | |
| 71 | 70004911 | 1 | Piston Assembly | |
| 100 | 70004899 | 1 | Seal Kit (Includes Items 5-8, 33-35, 37, 41, 46, 47 & 54) | |

SECTION 3 - ENGINE

FIGURE 3-15. SPARK ARRESTOR INSTALLATION - DEUTZ D2011 ENGINE



ART_1001174378

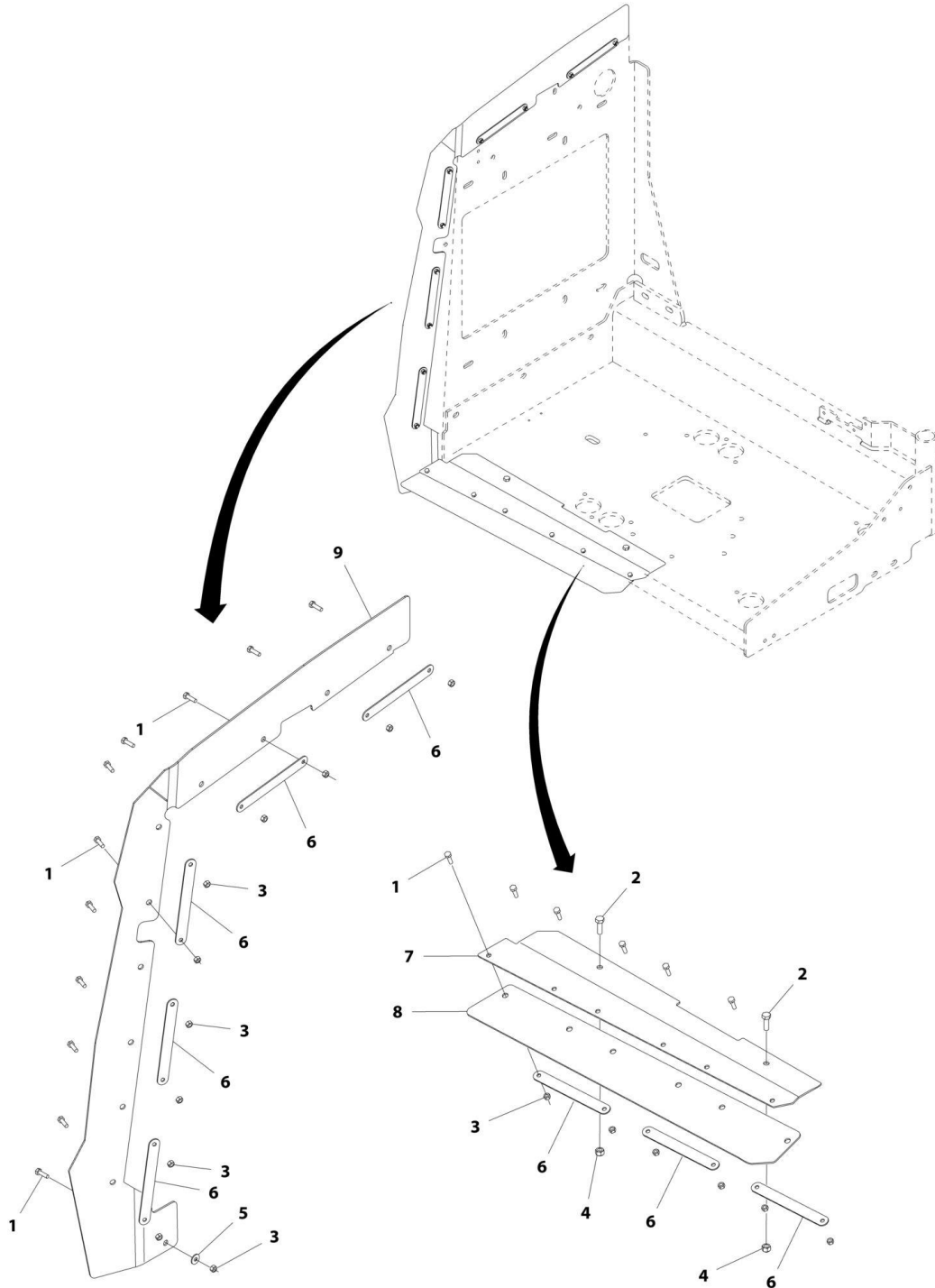
SECTION 3 - ENGINE

FIGURE 3-15. SPARK ARRESTOR INSTALLATION - DEUTZ D2011 ENGINE

| ITEM | PART NUMBER | QTY | DESCRIPTION | REV |
|------|-------------|-----|--|-----|
| | 1001174378 | Ref | SPARK ARRESTOR INSTALLATION - DEUTZ D2011 ENGINE | A |
| 1 | 1320176 | 1 | Clamp | |
| 2 | 1001169525 | 1 | Pipe, Exhaust | |
| 3 | 1001170224 | 1 | Muffler, Spark Arresting | |

SECTION 3 - ENGINE

FIGURE 3-16. ENGINE Baffle INSTALLATION - WITH DEUTZ ENGINES



ART_1001172265

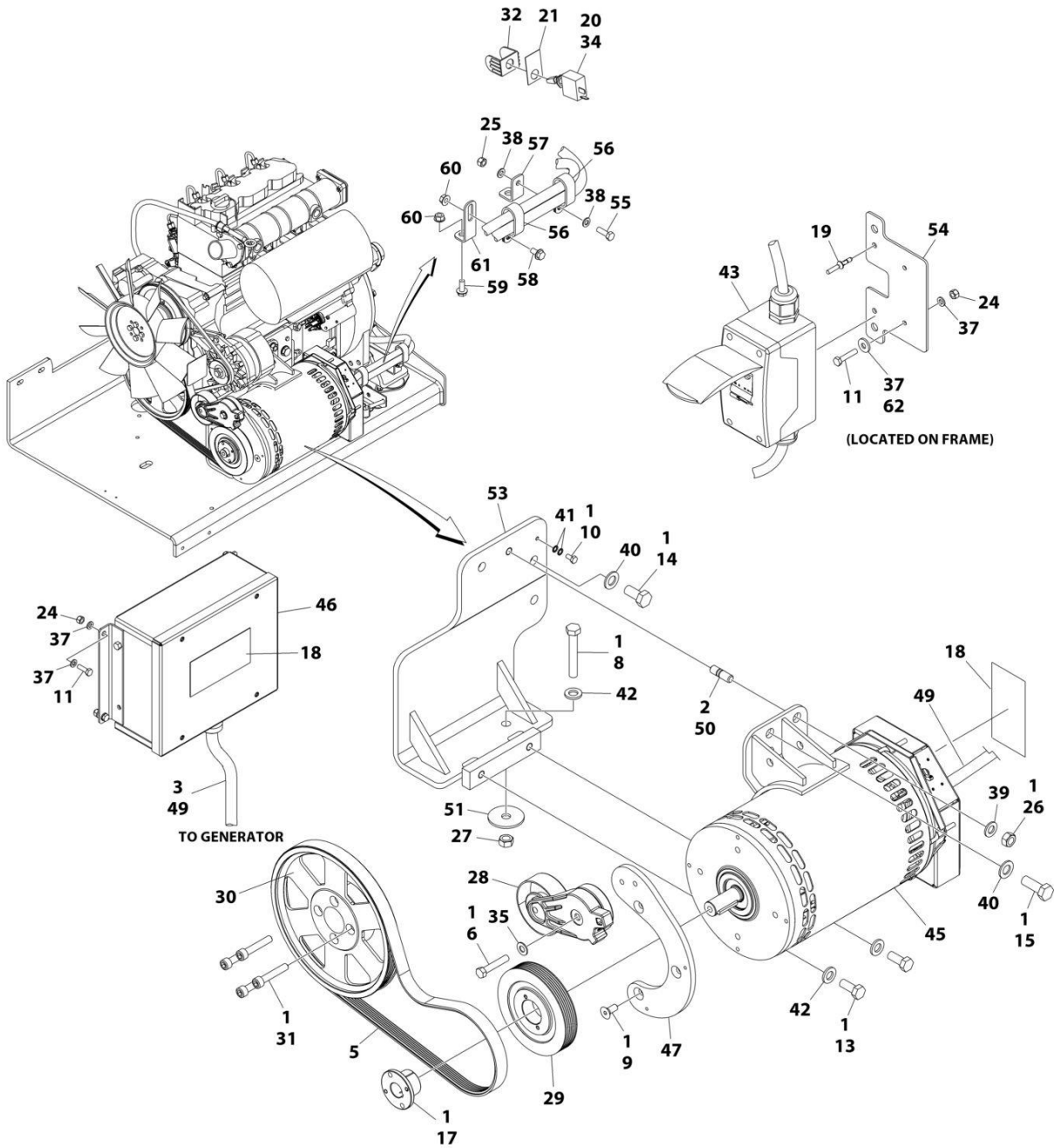
SECTION 3 - ENGINE

FIGURE 3-16. ENGINE BAFFLE INSTALLATION - WITH DEUTZ ENGINES

| ITEM | PART NUMBER | QTY | DESCRIPTION | REV |
|------|-------------|-----|--|-----|
| | 1001172265 | Ref | ENGINE BAFFLE INSTALLATION - WITH DEUTZ/GM ENGINES | B |
| 1 | 0760610 | 17 | Bolt M6 x 20 | |
| 2 | 0760812 | 2 | Bolt M8 x 25 | |
| 3 | 3290605 | 17 | Nut M6 | |
| 4 | 3290805 | 2 | Nut M8 | |
| 5 | 4811702 | 1 | Washer M6 | |
| 6 | 1001167164 | 8 | Plate, Support | |
| 7 | 1001170663 | 1 | Bracket | |
| 8 | 1001170664 | 1 | Seal | |
| 9 | 1001172264 | 1 | Seal | |

SECTION 3 - ENGINE

FIGURE 3-17. GENERATOR INSTALLATION - 4000W/50HZ (DEUTZ D2011 ENGINE)



ART_1001173984

SECTION 3 - ENGINE

FIGURE 3-17. GENERATOR INSTALLATION - 4000W/50HZ (DEUTZ D2011 ENGINE)

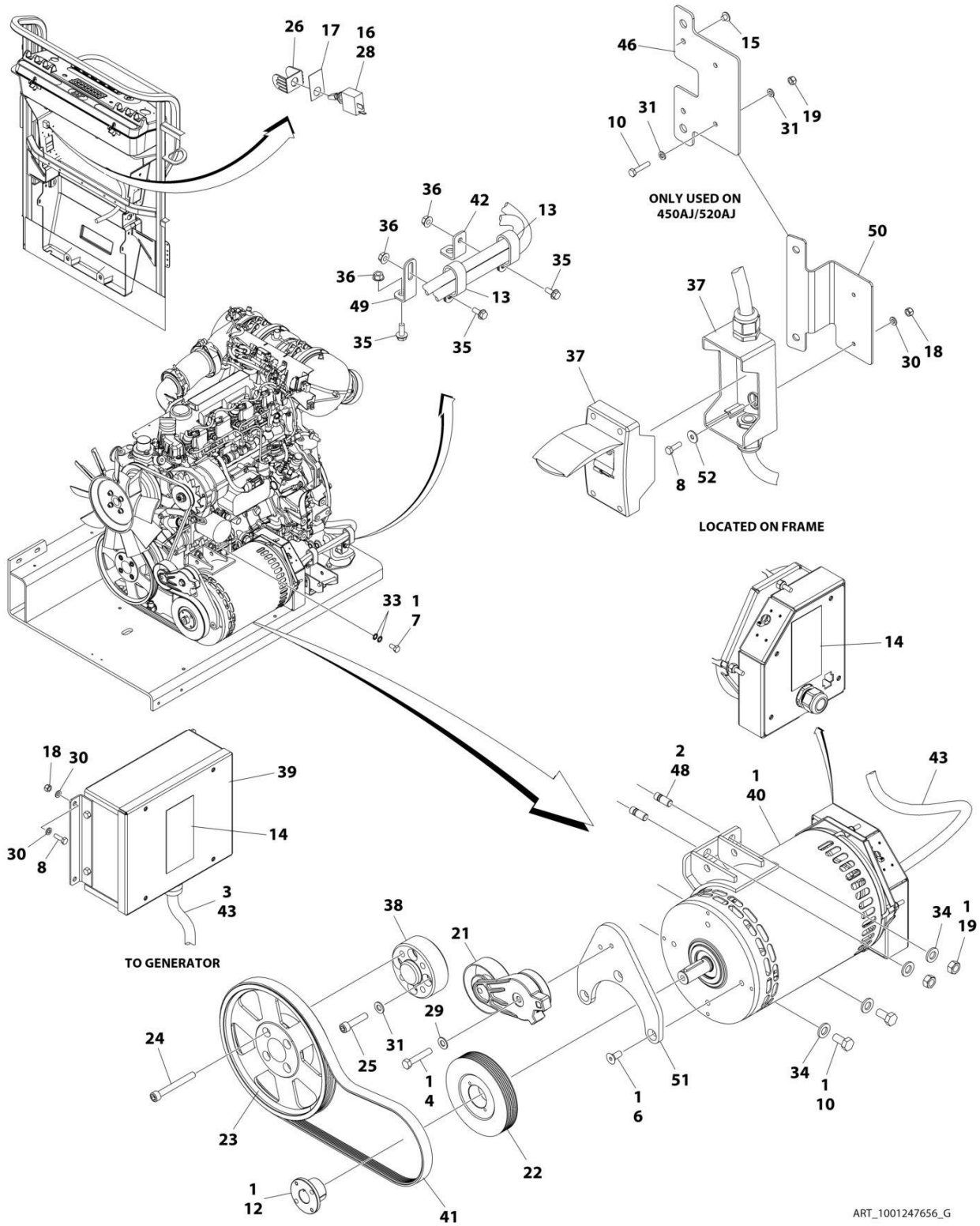
| ITEM | PART NUMBER | QTY | DESCRIPTION | REV |
|------|-------------|-----|---|-----|
| | 1001173984 | Ref | GENERATOR INSTALLATION - 4000W/50HZ (DEUTZ D2011 ENGINE) | J |
| 1 | 0100011 | AR | Compound, Locking | |
| 2 | 0100019 | AR | Compound, Locking | |
| 3 | 0100048 | AR | Grease, Dielectric | |
| 4 | 0100079 | AR | Sealant (Not Shown) | |
| 5 | 0480126 | 1 | Belt | |
| 6 | 0641616 | 1 | Bolt 3/8 x 2 | |
| 8 | 0711224 | 1 | Bolt M12 x 80 Grade 10.9 | |
| 9 | 0741607 | 3 | Screw 3/8 x 7/8 | |
| 10 | 0760606 | 1 | Bolt M6 x 12 | |
| 11 | 0760610 | AR | Bolt M6 x 20 | |
| 11 | 0760614 | AR | Bolt M6 x 30 | |
| 13 | 0761214 | 2 | Bolt M12 x 30 | |
| 14 | 0771414 | 2 | Bolt M14 x 30 Grade 10.9 | |
| 15 | 0771416 | 1 | Bolt M14 x 40 | |
| 17 | 0962520 | 1 | Bushing | |
| 18 | 1705489 | AR | Decal - Hazardous Voltage | |
| 19 | 2080040 | 2 | Fastener, Huck | |
| 20 | 2820031 | AR | Heat Shrink | |
| 21 | See Note | 1 | Nameplate (Note: Not Available for Purchase) | |
| 24 | 3290605 | 6 | Nut M6 | |
| 25 | 3290805 | 1 | Nut M8 | |
| 26 | 3291201 | 1 | Nut M12 | |
| 27 | 3331211 | 1 | Nut M12 | |
| 28 | 3580317 | 1 | Pulley | |
| 29 | 3580319 | 1 | Pulley | |
| 30 | 3580320 | 1 | Pulley | |
| 31 | 4032015 | 4 | Bolt M10 x 55 | |
| 32 | 4060802 | 1 | Guard, Switch | |
| 33 | 4240099 | AR | Tie-Strap (Not Shown) | |
| 34 | 4360336 | 1 | Switch, Toggle | |
| 35 | 4711600 | 1 | Washer 3/8 | |
| 37 | 4811700 | AR | Washer M6 | |
| 38 | 4811900 | 1 | Washer M8 | |
| 39 | 4812100 | 1 | Washer M12 | |
| 40 | 4812200 | 3 | Washer M14 | |
| 41 | 4871700 | 2 | Washer M6 | |
| 42 | 5241200 | 3 | Washer M12 Hardened | |
| 43 | 1001096070 | 1 | Breaker Box Kit (50Hz) (See Separate Breakdown in ELECTRICAL Section) | |
| 45 | 1001138565 | 1 | Generator Assembly | |
| 45 | 70003709 | 1 | Ring, Retaining (External) | |
| 45 | 70003708 | 1 | Ring, Retaining (Internal) | |
| 45 | 70001966 | 1 | Bearing | |
| 45 | 70004092 | 1 | Endbell (Shaft End) | |
| 45 | 70004171 | 1 | Key | |
| 45 | 70004676 | 1 | Rotor | |
| 45 | 70004677 | 1 | Stator | |
| 45 | 70004678 | 1 | Endbell (Rear) | |

SECTION 3 - ENGINE

| ITEM | PART NUMBER | QTY | DESCRIPTION | REV |
|------|-------------|-----|---|-----|
| 45 | 70004679 | 1 | Cover, Endbell (Rear) | |
| 45 | 70004680 | 1 | Enclosure, Wiring | |
| 45 | 70004681 | 1 | Cover, Enclosure | |
| 45 | 70004682 | 1 | Switch, Reset (Located on Enclosure Cover) | |
| 45 | 70004683 | 1 | Connector, Strain Relief (Located on Enclosure Cover) | |
| 46 | 1001138566 | 1 | Box, Control | |
| 46 | 70006552 | 1 | Capacitor | |
| 46 | 70006553 | 1 | Relay | |
| 47 | 1001139357 | 1 | Mount, Tensioner | |
| 49 | 1001152532 | 1 | Harness, Generator (See Separate Breakdown in ELECTRICAL Section) | |
| 50 | 1001196382 | 1 | Stud | |
| 51 | 1001168018 | 1 | Washer, Snubbing | |
| 53 | 1001173925 | 1 | Mount | |
| 54 | 1001174158 | 1 | Mount | |
| 55 | 0760812 | 1 | Bolt M8 x 25 | |
| 56 | 1321716 | 2 | Clamp | |
| 57 | 1001148641 | 1 | Bracket | |
| 58 | 5250808 | 1 | Bolt M8 x 16 | |
| 59 | 5250810 | 1 | Bolt M8 x 20 | |
| 60 | 5260800 | 2 | Nut M8 | |
| 61 | 1001223122 | 1 | Support | |
| 62 | 4811702 | AR | Washer M6 | |

SECTION 3 - ENGINE

FIGURE 3-18. GENERATOR INSTALLATION - 4000W/50HZ (DEUTZ (STAGE V) ENGINE)



SECTION 3 - ENGINE

FIGURE 3-18. GENERATOR INSTALLATION - 4000W/50HZ (DEUTZ (STAGE V) ENGINE)

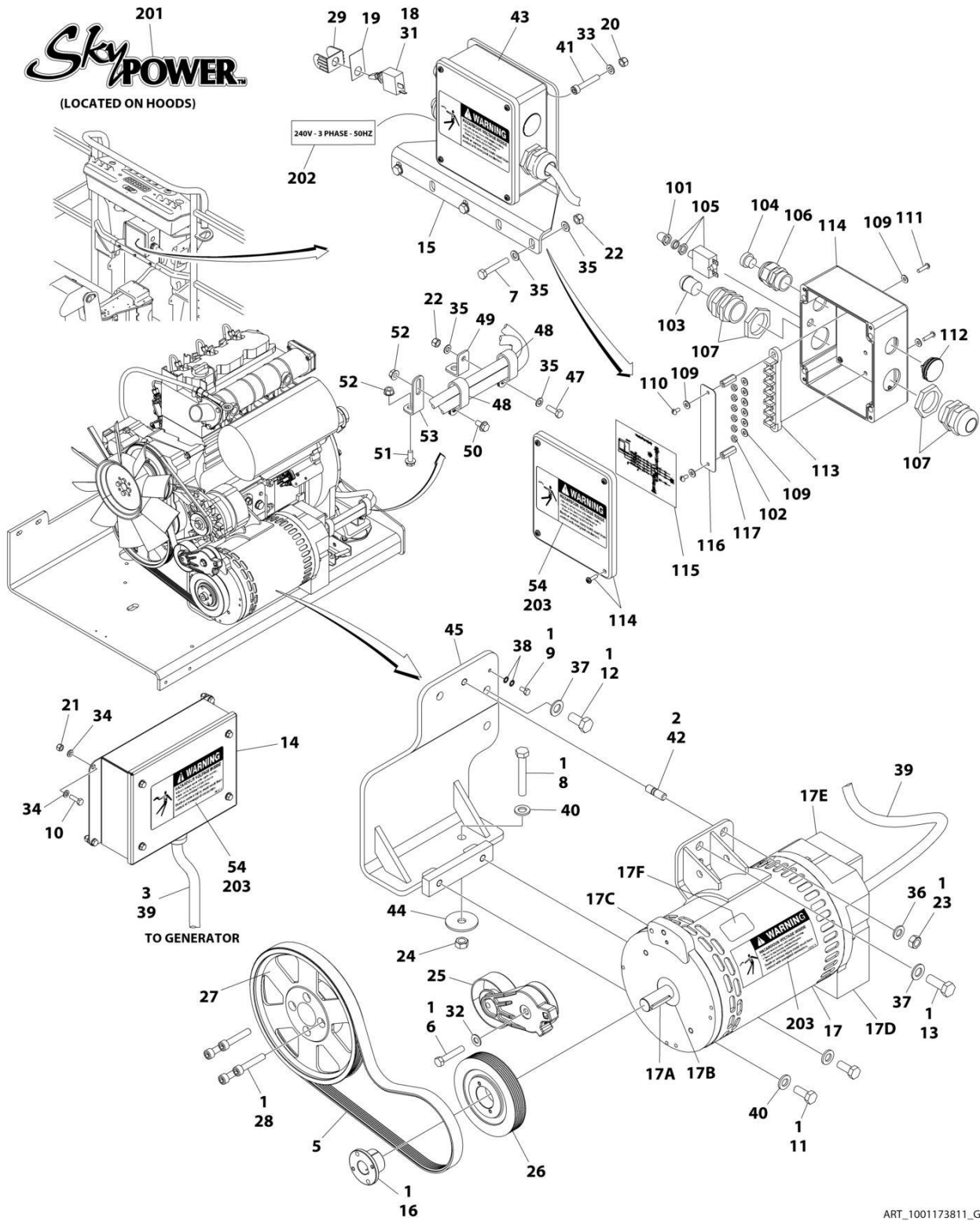
| ITEM | PART NUMBER | QTY | DESCRIPTION | REV |
|------|-------------|-------------------|---|-----|
| | 1001247656 | Ref | GENERATOR INSTALLATION - 4000W/50HZ | G |
| 1 | 0100011 | AR | Compound, Locking | |
| 2 | 0100019 | AR | Compound, Locking | |
| 3 | 0100048 | AR | Grease, Dielectric | |
| 4 | 0641616 | 1 | Bolt 3/8 x 2 | |
| 6 | 0741607 | 3 | Screw 3/8 x 7/8 | |
| 7 | 0760606 | 1 | Bolt M6 x 12 | |
| 8 | 0760610 | AR | Bolt M6 x 20 | |
| 10 | 0761212 | 2 | Bolt M12 x 25 | |
| 12 | 0962520 | 1 | Bushing | |
| 13 | 1321716 | 2 | Clamp | |
| 14 | 1705489 | 2 | Decal - Hazardous Voltage | |
| 15 | 2080040 | 2 | Fastener, Huck | |
| 16 | 2820031 | 0.33 ft /0.10m | Heat Shrink | |
| 17 | 3251102 | 1 | Nameplate, Generator | |
| 18 | 3290605 | AR | Nut M6 | |
| 19 | 3291201 | 2 | Nut M12 | |
| 21 | 3580317 | 1 | Pulley | |
| 22 | 3580319 | 1 | Pulley | |
| 23 | 1001281192 | 1 | Pulley | |
| 24 | 1001261085 | 4 | Capscrew M10 x 85 | |
| 25 | 1001261045 | 4 | Capscrew M10 x 45 | |
| 26 | 4060802 | 1 | Guard, Switch | |
| 27 | 4240099 | AR | Tie-Strap (Not Shown) | |
| 28 | 4360336 | 1 | Switch, Toggle | |
| 29 | 4711600 | 1 | Washer 3/8 | |
| 30 | 4811700 | AR | Washer M6 | |
| 31 | 4812000 | 4 | Washer M14 | |
| 33 | 4871700 | 2 | Washer M6 | |
| 34 | 5241200 | 4 | Washer M12 Hardened | |
| 35 | 5250810 | 3 | Bolt M8 x 20 | |
| 36 | 5260800 | 3 | Nut M8 | |
| 37 | 1001096070 | 1 | Breaker Box Kit (50Hz) (See Separate Breakdown in ELECTRICAL Section) | |
| 38 | 1001258800 | 1 | Adapter | |
| 39 | 1001138566 | 1 | Box, Control | |
| 40 | 1001140347 | 1 | Generator, 4000W/ 50HZ - Deutz Engine | |
| 40 | 70003709 | 1 | Ring, Retaining (External) | |
| 40 | 70003708 | 1 | Ring, Retaining (Internal) | |
| 40 | 70001966 | 1 | Bearing | |
| 40 | 70004092 | 1 | Endbell (Shaft End) | |
| 40 | 70004099 | 1 | Key | |
| 40 | 70004676 | 1 | Rotor | |
| 40 | 70004686 | 1 | Stator | |
| 40 | 70004678 | 1 | Endbell (Rear) | |
| 40 | 70004679 | 1 | Cover, Endbell (Rear) | |
| 40 | 70004680 | 1 | Enclosure, Wiring | |
| 40 | 70004681 | 1 | Cover, Enclosure | |
| 40 | 70004682 | 1 | Switch, Reset (Located on Enclosure Cover) | |

SECTION 3 - ENGINE

| ITEM | PART NUMBER | QTY | DESCRIPTION | REV |
|------|-------------|-----|---|-----|
| 40 | 70004683 | 1 | Connector, Strain Relief (Located on Enclosure Cover) | |
| 41 | 1001148059 | 1 | Belt, Generator | |
| 42 | 1001148641 | 1 | Bracket | |
| 43 | 1001152532 | 1 | Harness, Generator (See Separate Breakdown in ELECTRICAL Section) | |
| 46 | 1001174158 | 1 | Mount | |
| 47 | 1001174675 | 1 | Wiring Diagram (Not Shown) | |
| 48 | 1001196382 | 2 | Stud | |
| 49 | 1001223122 | 1 | Support | |
| 50 | 1001230784 | 1 | Bracket | |
| 51 | 1001248190 | 1 | Support | |
| 52 | 4811702 | AR | Washer M6 | |
| | | Ref | ELECTRICAL DIAGRAM COMPONENTS | |
| 101 | 4922641 | 1 | Generator Switch Harness (Not Shown) | |

SECTION 3 - ENGINE

FIGURE 3-19. GENERATOR INSTALLATION - 7500W/50HZ (DEUTZ D2011 ENGINE)



ART_1001173811_G

SECTION 3 - ENGINE

FIGURE 3-19. GENERATOR INSTALLATION - 7500W/50HZ (DEUTZ D2011 ENGINE)

| ITEM | PART NUMBER | QTY | DESCRIPTION | REV |
|------|-------------|-----|--|-----|
| | 1001173811 | Ref | GENERATOR INSTALLATION - 7500W/50HZ (DEUTZ D2011 ENGINE) | G |
| 1 | 0100011 | AR | Compound, Locking | |
| 2 | 0100019 | AR | Compound, Locking | |
| 3 | 0100048 | AR | Grease, Dielectric | |
| 4 | 0100079 | AR | Sealant (Not Shown) | |
| 5 | 0480126 | 1 | Belt | |
| 6 | 0641616 | 1 | Bolt 3/8 x 2 | |
| 7 | 0700818 | 3 | Bolt M8 x 50 | |
| 8 | 0711224 | 1 | Bolt M12 x 80 Grade 10.9 | |
| 9 | 0760606 | 1 | Bolt M6 x 12 | |
| 10 | 0760610 | 4 | Bolt M6 x 20 | |
| 11 | 0761214 | 2 | Bolt M12 x 30 | |
| 12 | 0771414 | 2 | Bolt M14 x 30 Grade 10.9 | |
| 13 | 0771416 | 1 | Bolt M14 x 40 | |
| 14 | 0861572 | 1 | Control Box Assembly | |
| 14 | 7024488 | 1 | Card, Circuit - Generator Power | |
| 14 | See Note | NSS | Fuse (Note: Not Available - Purchase Locally) | |
| 14 | 7024489 | 1 | Card, Circuit - Control | |
| 14 | 70000619 | 1 | Harness, Control Box (Internal) | |
| 15 | 0902888 | 1 | Bracket | |
| 16 | 0962520 | 1 | Bushing | |
| 17 | 2460048 | 1 | Generator Assembly | |
| 17 | 70001100 | 1 | Rotor (Includes p/n 70001384 & 70000863) (Not Shown) | |
| 17 | 70001384 | 1 | Bearing, Ball Radial (Not Shown) | |
| 17 | 70000863 | 1 | Fan (Not Shown) | |
| 17 | 70002088 | 1 | Stator (Not Shown) | |
| 17 | 70002297 | 1 | Stud | |
| 17 | 70003631 | 1 | Brushholder Assembly (Not Shown) | |
| 17A | 70004171 | 1 | Key | |
| 17B | 70001966 | 1 | Bearing, Ball Radial (Located in Belt Tensioner Endbell) | |
| 17B | 70003708 | 1 | Ring, Internal Retaining (Located in Belt Tensioner Endbell) | |
| 17B | 70003709 | 1 | Ring, External Retaining (Located in Belt Tensioner Endbell) | |
| 17C | 70001953 | 1 | Endbell, Belt Tensioner | |
| 17D | 70004169 | 1 | Endbell, Brush Block | |
| 17E | 70004169 | 1 | Shroud | |
| 17E | See Note | NSS | Insulator, Endbell (Note: Not Available for Purchase) | |
| 17E | 7027799 | 1 | Block, Connector 6 Position (Not Shown) | |
| 17E | 70002460 | 1 | Nut, Brass (Attaches p/n 7027799 to Cover) (Not Shown) | |
| 17E | 7024485 | 1 | Breaker, Circuit 30Amp (Not Shown) | |
| 17E | 70001696 | 1 | Boot, Breaker (Not Shown) | |
| 17E | 7026626 | 1 | Connector, 6 Position (Includes Seal) (Not Shown - Plugs into Item 39) | |
| 17E | 7026597 | 1 | Connector, with Leads (Not Shown) | |
| 17E | 7026188 | 1 | Clamp, Cable Options (Not Shown) | |
| 17E | 70004169 | 1 | Plate, End Panel | |
| 17E | 70001974 | 1 | Decal - Terminal Connections | |
| 17F | 70001973 | 1 | Decal - Warning Moving Parts | |
| 18 | 2820031 | AR | Heat Shrink | |
| 19 | 3252764 | 1 | Nameplate | |

SECTION 3 - ENGINE

| ITEM | PART NUMBER | QTY | DESCRIPTION | REV |
|------|-------------|-----|--|-----|
| 20 | 3290505 | 4 | Nut M5 | |
| 21 | 3290605 | 4 | Nut M6 | |
| 22 | 3290805 | 4 | Nut M8 | |
| 23 | 3291201 | 1 | Nut M12 | |
| 24 | 3331211 | 1 | Nut M12 | |
| 25 | 3580317 | 1 | Pulley | |
| 26 | 3580319 | 1 | Pulley | |
| 27 | 3580320 | 1 | Pulley | |
| 28 | 4032015 | 4 | Bolt M10 x 55 | |
| 29 | 4060802 | 1 | Guard, Switch | |
| 30 | 4240099 | AR | Tie-Strap (Not Shown) | |
| 31 | 4360336 | 1 | Switch, Toggle | |
| 32 | 4711600 | 1 | Washer 3/8 | |
| 33 | 4811600 | 4 | Washer M5 | |
| 34 | 4811700 | 8 | Washer M6 | |
| 35 | 4811900 | 8 | Washer M8 | |
| 36 | 4812100 | 1 | Washer M12 | |
| 37 | 4812200 | 3 | Washer M14 | |
| 38 | 4871700 | 2 | Washer M6 | |
| 39 | 4922925 | 1 | Harness, Generator | |
| 39 | 4460225 | 1 | Plug, Male 6 Position (Plugs into Generator) | |
| 39 | See Note | NSS | Socket, Female (Use with 4460225) | |
| 39 | See Note | NSS | Seal, Plug (Use with 4460225) | |
| 39 | See Note | NSS | Seal, Interface (Use with 4460225) | |
| 40 | 5241200 | 3 | Washer M12 Hardened | |
| 41 | 1001104029 | 4 | Screw M5 x 30 | |
| 42 | 1001196382 | 1 | Stud | |
| 43 | 1001157525 | 1 | Junction Box Assembly (See Items 101-117 for Breakdown) | |
| 44 | 1001168018 | 1 | Washer, Snubbing | |
| 45 | 1001173925 | 1 | Mount | |
| 46 | 1001174675 | 1 | Wiring Diagram (Not Shown) | |
| 46 | 4922641 | 1 | Harness, On/Off Switch (Not Shown - Located at Platform) | |
| 47 | 0760812 | 1 | Bolt M8 x 25 | |
| 48 | 1321716 | 2 | Clamp | |
| 49 | 1001148641 | 1 | Bracket | |
| 50 | 5250808 | 1 | Bolt M8 x 16 | |
| 51 | 5250810 | 1 | Bolt M8 x 20 | |
| 52 | 5260800 | 2 | Nut M8 | |
| 53 | 1001223122 | 1 | Support | |
| 54 | 1705489 | 2 | Decal - Hazardous Voltage | |
| | 1001157525 | Ref | JUNCTION BOX ASSEMBLY | B |
| 101 | 3300396 | 1 | Cover, Fuse | |
| 102 | 3311001 | 6 | Nut #10 | |
| 103 | 3520189 | 1 | Plug | |
| 104 | 3520192 | 1 | Plug | |
| 105 | 4360070 | 1 | Circuit Breaker - 15Amp | |
| 106 | 4460425 | 1 | Connector, Strain Relief | |
| 107 | 4460426 | 2 | Connector, Strain Relief | |
| 109 | 4711000 | 10 | Flatwasher #10 | |
| 110 | 10702077 | 2 | Screw #10 x 3/8 | |
| 111 | 10702082 | 2 | Screw #10 x 3/4 | |

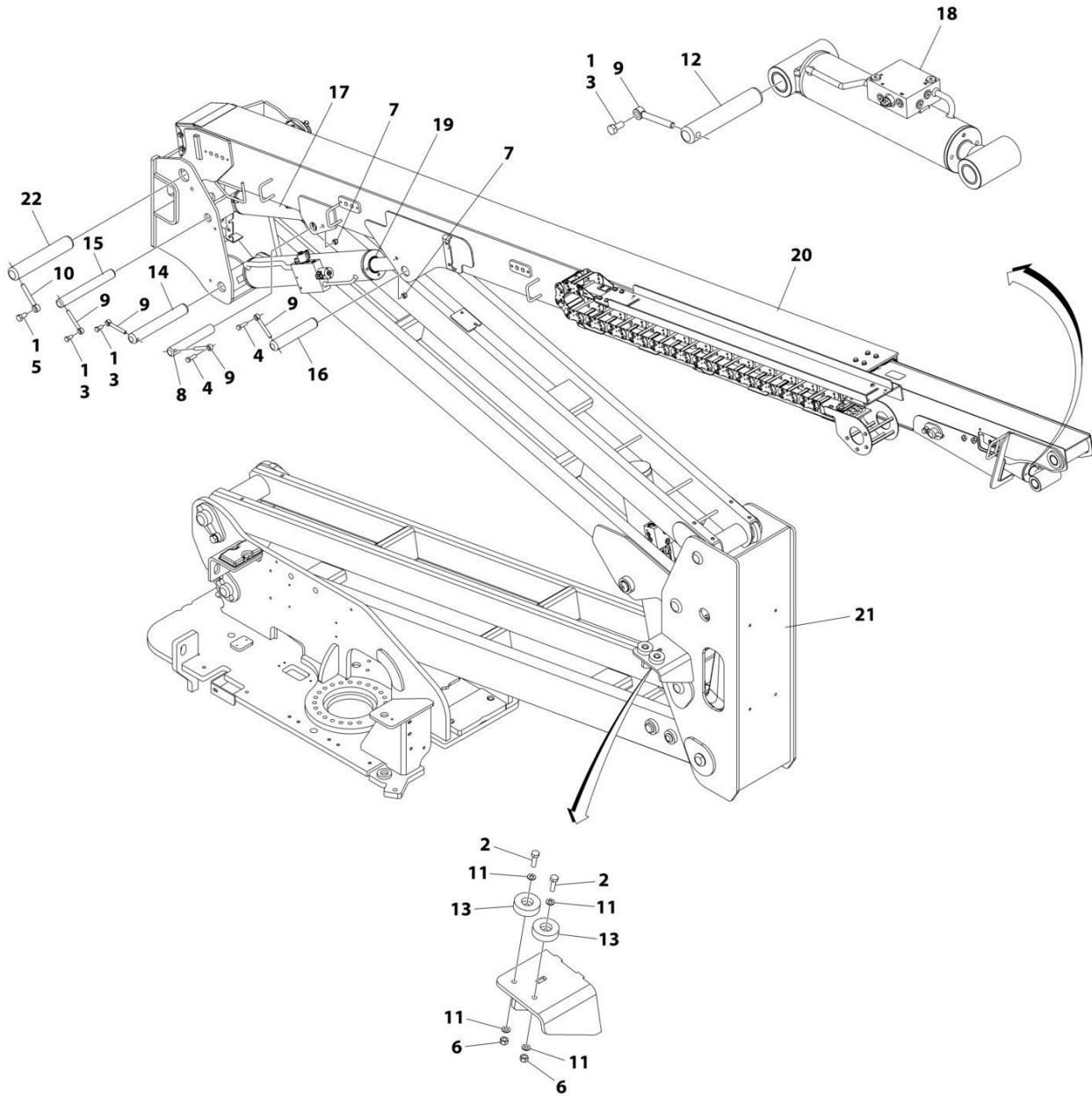
SECTION 3 - ENGINE

| ITEM | PART NUMBER | QTY | DESCRIPTION | REV |
|------|-------------|-----|-------------------------------|-----|
| 112 | 1001152525 | 1 | Plug | |
| 113 | 1001157520 | 1 | Block, Terminal | |
| 114 | 1001157521 | 1 | Box, Junction | |
| 115 | 1001157528 | 1 | Decal - Wiring Schematic | |
| 116 | 1001158007 | 1 | Cover, PVC | |
| 117 | 1001158008 | 2 | Stand-Off | |
| | 0272589 | Ref | DECAL INSTALLATION | A |
| 201 | 1705460 | 2 | Decal - SkyPower | |
| 202 | 1705461 | 1 | Decal - 240V - 3 Phase - 50Hz | |
| 203 | 1705489 | 3 | Decal - Hazardous Voltage | |

SECTION 4 - BOOM

SECTION 4 - BOOM

FIGURE 4-1. BOOMS AND CYLINDERS INSTALLATION



ART_1001256093

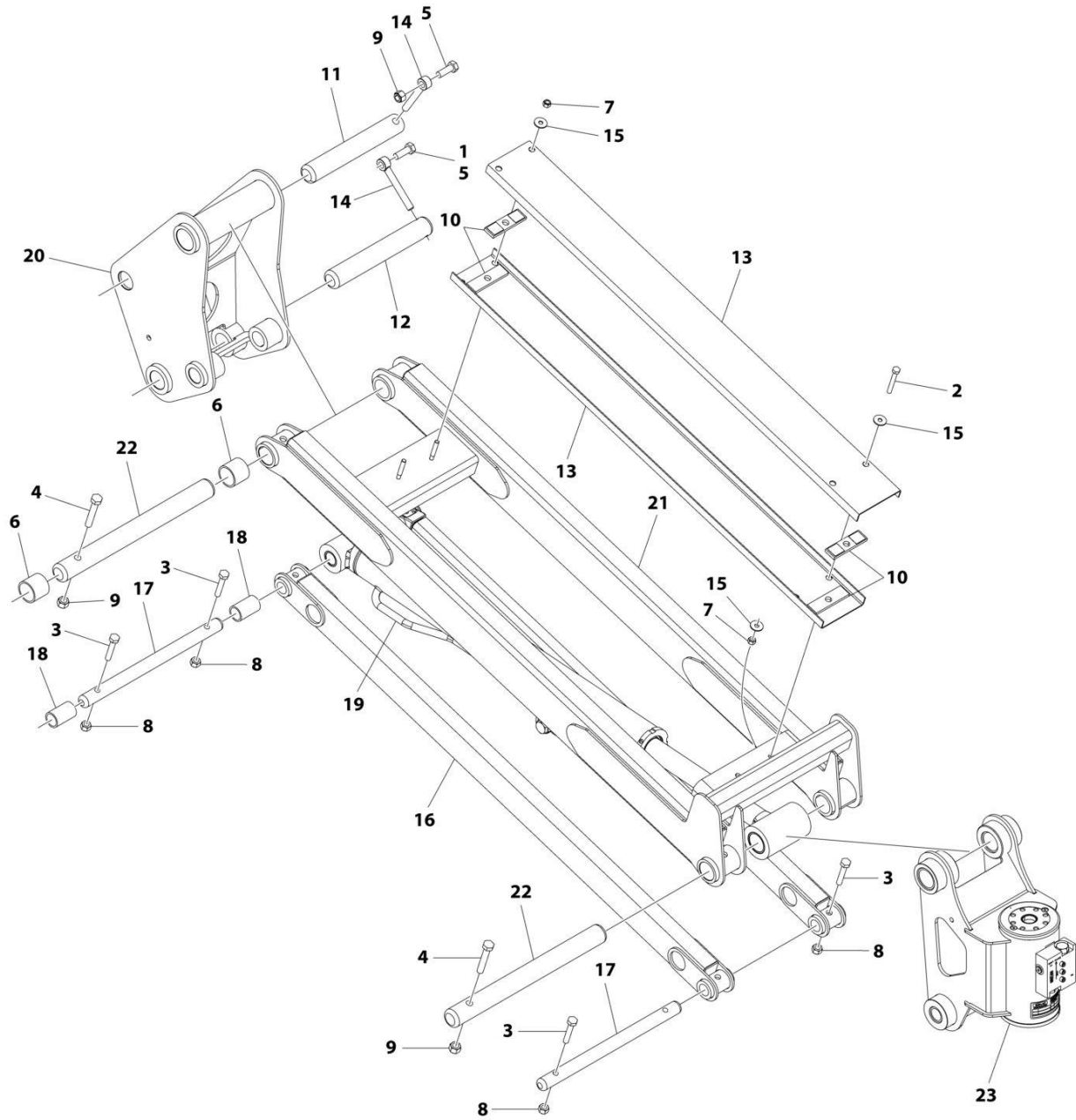
SECTION 4 - BOOM

FIGURE 4-1. BOOMS AND CYLINDERS INSTALLATION

| ITEM | PART NUMBER | QTY | DESCRIPTION | REV |
|------|-------------|-----|---|-----|
| | 1001256093 | Ref | BOOM INSTALLATION | A |
| 1 | 0100011 | AR | Compound, Locking | |
| 2 | 0761015 | 2 | Bolt M10 x 35 | |
| 3 | 0761212 | 3 | Bolt M12 x 25 | |
| 4 | 0761216 | 2 | Bolt M12 x 40 | |
| 5 | 0761614 | 1 | Bolt M16 x 30 | |
| 6 | 3291005 | 2 | Nut M10 | |
| 7 | 3291205 | 2 | Nut M12 | |
| 8 | 3422793 | 1 | Pin | |
| 9 | 3841203 | 5 | Keeper, Pin | |
| 10 | 3841258 | 1 | Keeper, Pin | |
| 11 | 4812000 | 4 | Washer M10 | |
| 12 | 1001109528 | 1 | Pin | |
| 13 | 1001112607 | 2 | Block, Boom Rest | |
| 14 | 1001116546 | 1 | Pin | |
| 15 | 1001169247 | 1 | Pin | |
| 16 | 1001237949 | 1 | Pin | |
| 17 | 1001255970 | 1 | Master Cylinder Assembly (See Separate Breakdown in CYLINDER Section) | |
| 18 | 1001255971 | 1 | Level Cylinder Assembly (See Separate Breakdown in CYLINDER Section) | |
| 19 | 1001255973 | 1 | Upper Lift Cylinder Assembly (See Separate Breakdown in CYLINDER Section) | |
| 20 | 1001256095 | 1 | Main Boom Assembly (See Separate Breakdown in this Section) | |
| 21 | 1001256096 | 1 | Tower Boom Assembly (See Separate Breakdown in this Section) | |
| 22 | 1001256910 | 1 | Pin | |

SECTION 4 - BOOM

FIGURE 4-2. JIB INSTALLATION



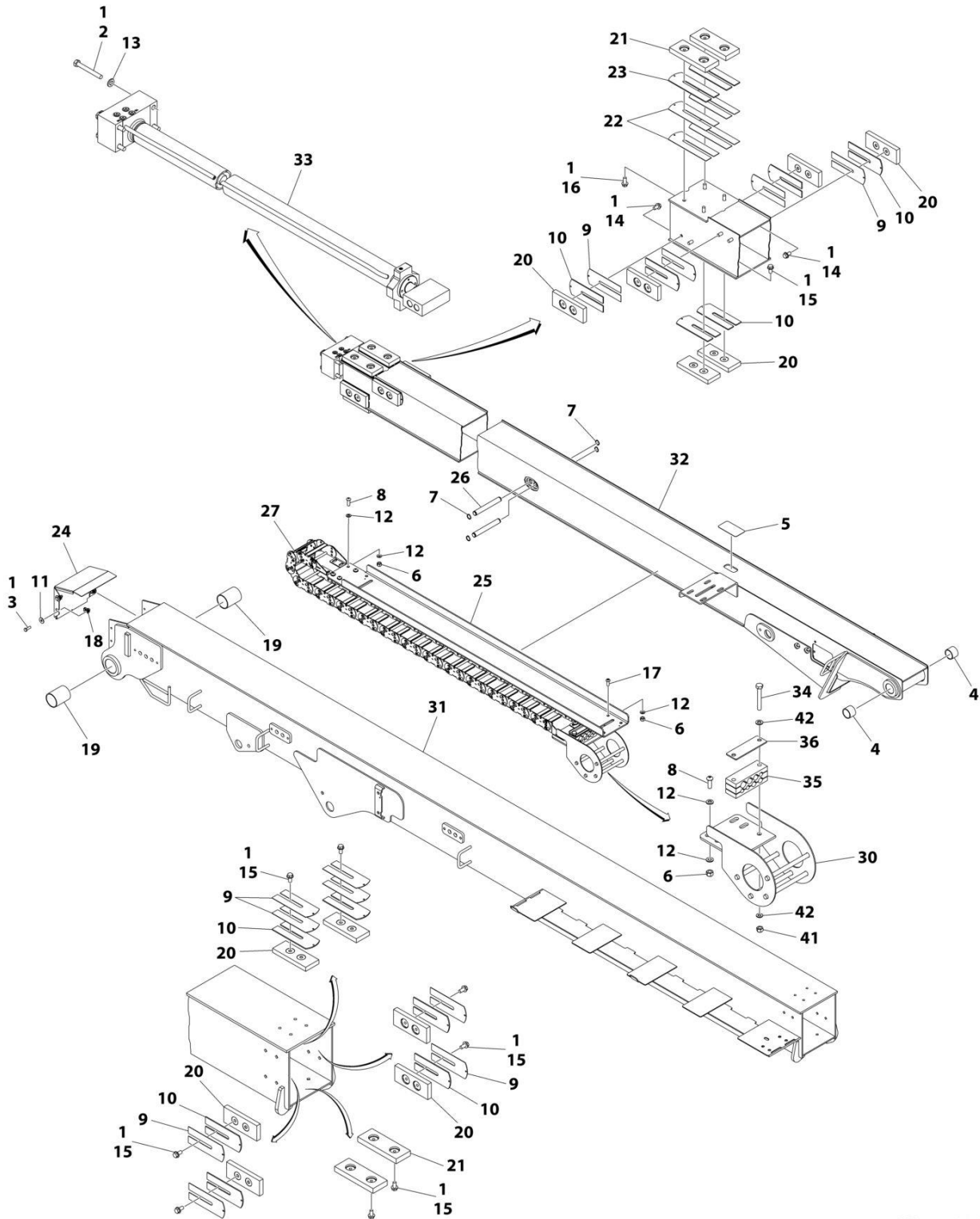
ART_1001259058

FIGURE 4-2. JIB INSTALLATION

| ITEM | PART NUMBER | QTY | DESCRIPTION | REV |
|------|-------------|-----|--|-----|
| | 1001259058 | Ref | JIB INSTALLATION | B |
| 1 | 0100011 | AR | Compound, Locking | |
| 2 | 0700820 | 2 | Bolt M8 x 60 | |
| 3 | 0701019 | 4 | Bolt M10 x 55 | |
| 4 | 0701222 | 2 | Bolt M12 x 70 | |
| 5 | 0761215 | 2 | Bolt M12 x 35 | |
| 6 | 0962272 | 2 | Bearing | |
| 7 | 3290805 | 4 | Nut M8 | |
| 8 | 3291005 | 4 | Nut M10 | |
| 9 | 3291205 | 3 | Nut M12 | |
| 10 | 3340860 | 4 | Pad, Rubber | |
| 11 | 3422793 | 1 | Pin | |
| 12 | 3422814 | 1 | Pin | |
| 13 | 3572551 | 2 | Channel | |
| 14 | 3841203 | 2 | Keeper, Pin | |
| 15 | 4811902 | 6 | Washer M8 | |
| 16 | 1001259196 | 2 | Link (Lower) | |
| 17 | 1001182064 | 2 | Pin | |
| 18 | 1001182695 | 2 | Bearing, Composite | |
| 19 | 1001255969 | 1 | Jib Cylinder Assembly (See Separate Breakdown in CYLINDER Section) | |
| 20 | 1001255991 | 1 | Pivot | |
| 21 | 1001256002 | 1 | Link (Upper) | |
| 22 | 1001256790 | 2 | Pin | |
| 23 | 1001270730 | 1 | Rotator Assembly (See Separate Breakdown in this Section) | |

SECTION 4 - BOOM

FIGURE 4-3. MAIN BOOM ASSEMBLY



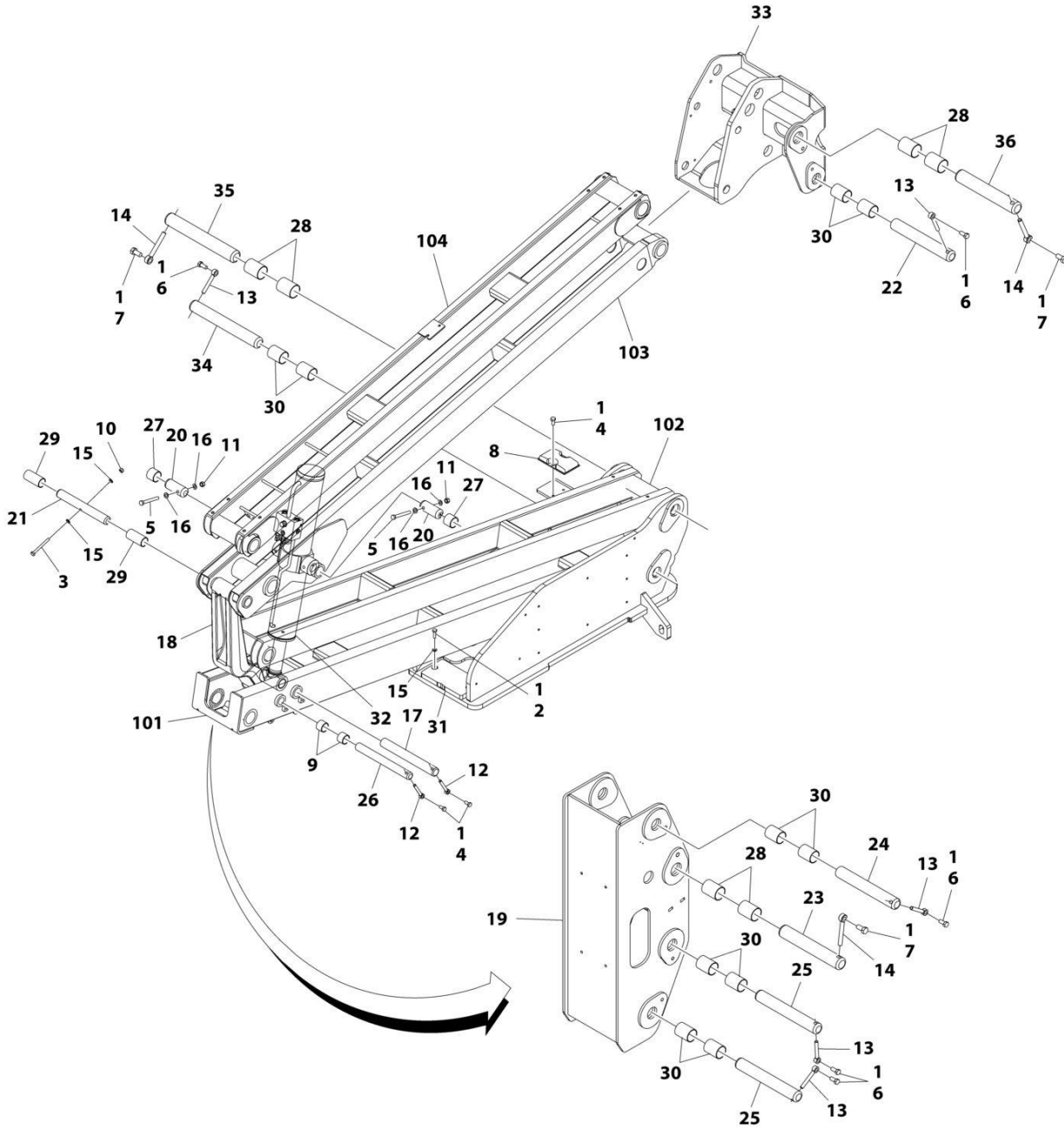
ART_1001256095

FIGURE 4-3. MAIN BOOM ASSEMBLY

| ITEM | PART NUMBER | QTY | DESCRIPTION | REV |
|------|-------------|-----|--|-----|
| | 1001256095 | Ref | MAIN BOOM ASSEMBLY | E |
| 1 | 0100011 | AR | Compound, Locking | |
| 2 | 0711227 | 4 | Bolt M12 x 100 | |
| 3 | 0760812 | 4 | Bolt M8 x 25 | |
| 4 | 0961948 | 2 | Bearing | |
| 5 | 1670836 | 1 | Cover | |
| 6 | 3291005 | 10 | Nut M10 | |
| 7 | 3760351 | 4 | Ring, Retaining | |
| 8 | 3900351 | 8 | Bolt M10 x 30 | |
| 9 | 4070897 | 12 | Shim | |
| 10 | 4070898 | 12 | Shim | |
| 11 | 4811902 | 4 | Washer M8 | |
| 12 | 4812000 | 18 | Washer M10 | |
| 13 | 5241200 | 4 | Washer M12 | |
| 14 | 5251009 | 8 | Bolt M10 x 18 | |
| 15 | 5251010 | 20 | Bolt M10 x 20 | |
| 16 | 5251012 | 4 | Bolt M10 x 25 | |
| 17 | 8310668 | 2 | Bolt M10 x 25 | |
| 18 | 1001118274 | 4 | Nut M8 | |
| 19 | 1001169302 | 2 | Bearing | |
| 20 | 1001169304 | 12 | Pad, Wear | |
| 21 | 1001169305 | 4 | Pad, Wear | |
| 22 | 1001169402 | 4 | Shim | |
| 23 | 1001169403 | 2 | Shim | |
| 24 | 1001170226 | 1 | Cover, Upper Boom | |
| 25 | 1001170334 | 1 | Push Tube, Hose Cover | |
| 26 | 1001180541 | 2 | Pin | |
| 27 | 1001224894 | 1 | Power Track | |
| 30 | 1001255329 | 1 | Mount, Weldment Carrier Tube | |
| 31 | 1001256125 | 1 | Boom, Base Weldment | |
| 32 | 1001256126 | 1 | Boom, Fly Weldment | |
| 33 | 1001266711 | 1 | Telescopic Cylinder (See Separate Breakdown in CYLINDER Section) | |
| 34 | 0700822 | 2 | Bolt M8 x 70 | |
| 35 | 1001273302 | 1 | Clamp | |
| 36 | 1001273303 | 1 | Plate | |
| 41 | 3290805 | 2 | Nut, Lock M8 | |
| 42 | 4811900 | 4 | Washer M8 | |

SECTION 4 - BOOM

FIGURE 4-4. TOWER BOOM ASSEMBLY



ART_1001256096

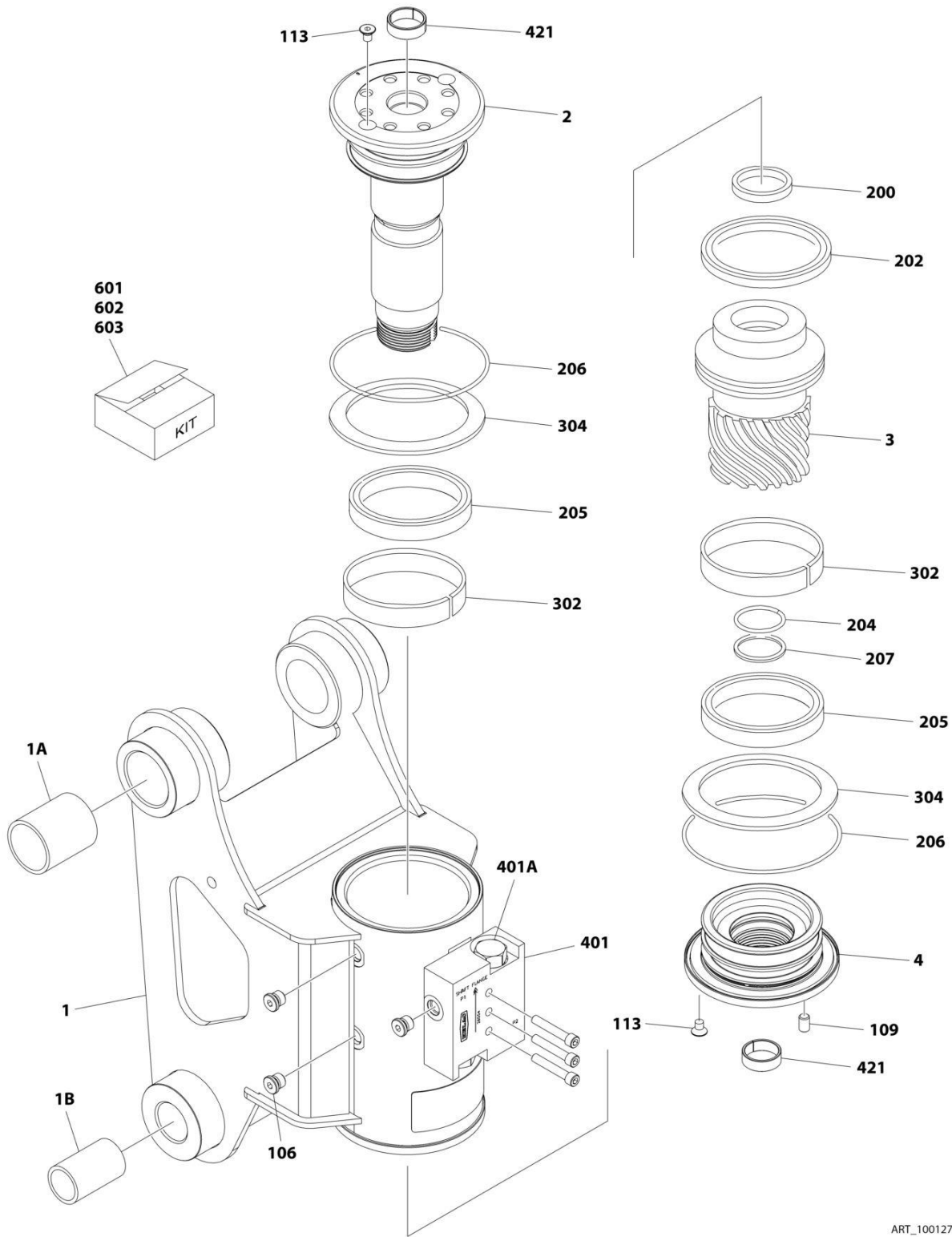
SECTION 4 - BOOM

FIGURE 4-4. TOWER BOOM ASSEMBLY

| ITEM | PART NUMBER | QTY | DESCRIPTION | REV |
|------|-------------|-----|--|-----|
| | 1001256096 | Ref | TOWER BOOM ASSEMBLY | A |
| 1 | 0100011 | AR | Compound, Locking | |
| 2 | 0701015 | 2 | Bolt M10 x 35 | |
| 3 | 0701027 | 1 | Bolt M10 x 100 | |
| 4 | 0761212 | 4 | Bolt M12 x 25 | |
| 5 | 0761227 | 2 | Bolt M12 x 100 | |
| 6 | 0761615 | 5 | Bolt M16 x 35 | |
| 7 | 0762016 | 3 | Bolt M20 x 40 | |
| 8 | 0940048 | 1 | Bumper | |
| 9 | 0961948 | 2 | Bearing | |
| 10 | 3291005 | 1 | Nut M10 | |
| 11 | 3291205 | 2 | Nut M12 | |
| 12 | 3841203 | 2 | Keeper, Pin | |
| 13 | 3841258 | 5 | Keeper, Pin | |
| 14 | 3841287 | 3 | Keeper, Pin | |
| 15 | 4812000 | 4 | Washer M10 | |
| 16 | 4812100 | 4 | Washer M12 | |
| 17 | 1001155093 | 1 | Pin | |
| 18 | 1001166096 | 1 | Link, Timing | |
| 19 | 1001166853 | 1 | Upright, Lower | |
| 20 | 1001169240 | 2 | Pin | |
| 21 | 1001169241 | 1 | Pin | |
| 22 | 1001169242 | 1 | Pin | |
| 23 | 1001169295 | 1 | Pin | |
| 24 | 1001169296 | 1 | Pin | |
| 25 | 1001169297 | 2 | Pin | |
| 26 | 1001169298 | 1 | Pin | |
| 27 | 1001169299 | 2 | Bearing | |
| 28 | 1001169300 | 6 | Bearing | |
| 29 | 1001169301 | 2 | Bearing | |
| 30 | 1001169302 | 10 | Bearing | |
| 31 | 1001180056 | 1 | Pad, Wear | |
| 32 | 1001255968 | 1 | Tower Lift Cylinder (See Separate Breakdown in CYLINDER Section) | |
| 33 | 1001256098 | 1 | Upright, Upper | |
| 34 | 1001256911 | 1 | Pin | |
| 35 | 1001258264 | 1 | Pin | |
| 36 | 1001258265 | 1 | Pin | |
| 100 | 1001256099 | 1 | Tower Boom Kit (Not Shown - Includes Items 101-104) | |
| 101 | 1001256100 | 1 | Boom, Lower Tower | |
| 102 | 1001256101 | 1 | Boom, Lower Link | |
| 103 | 1001256102 | 1 | Boom, Upper Tower | |
| 104 | 1001256103 | 1 | Boom, Upper Link | |

SECTION 4 - BOOM

FIGURE 4-5. ROTATOR ASSEMBLY



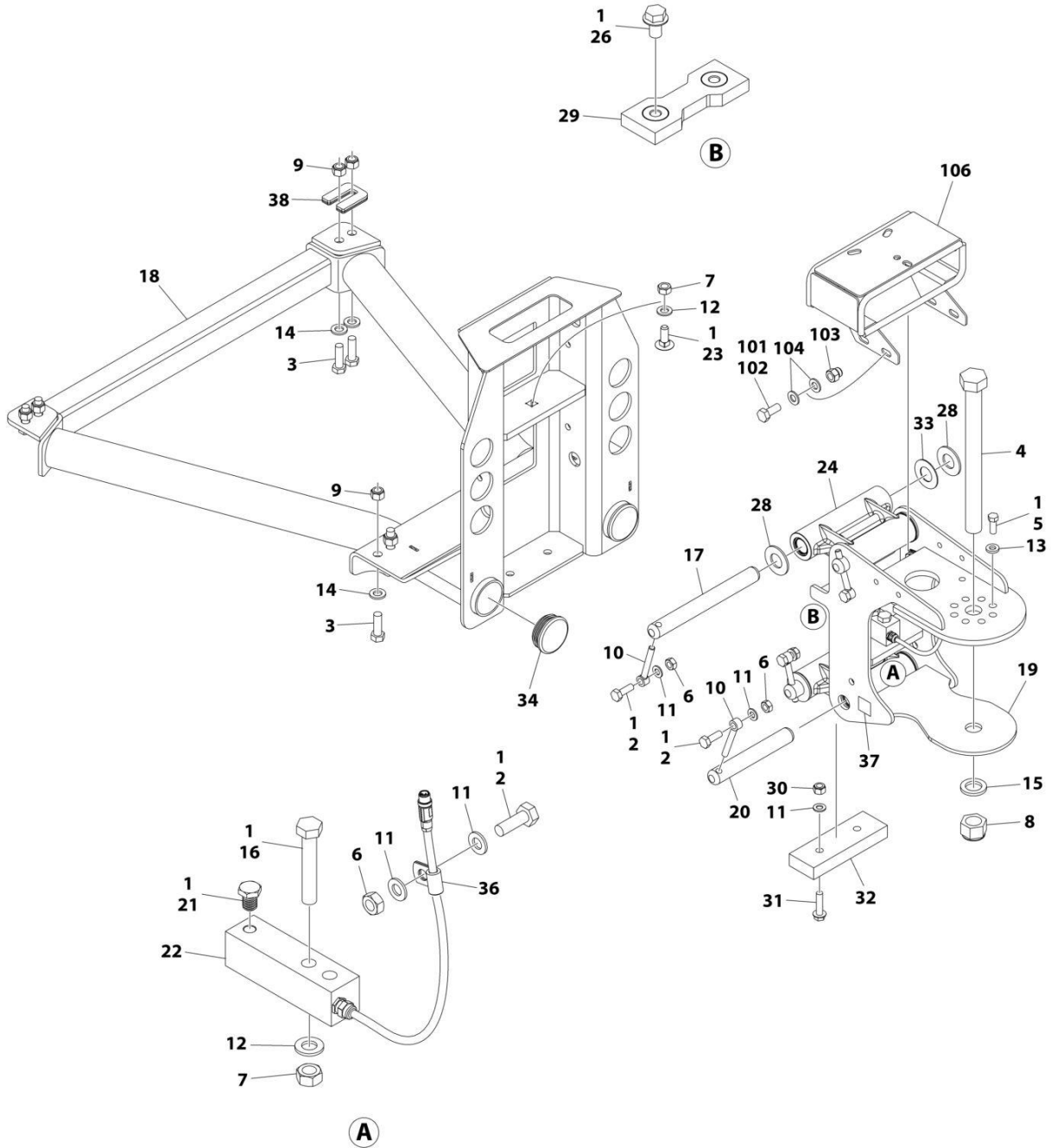
ART_1001270730

FIGURE 4-5. ROTATOR ASSEMBLY

| ITEM | PART NUMBER | QTY | DESCRIPTION | REV |
|------|-------------|-----|---|-----|
| | 1001270730 | Ref | ROTATOR ASSEMBLY | A |
| 1 | See Note | NSS | Housing (Note: Purchase Complete Assembly) | |
| 1A | 1001182695 | 2 | Bushing | |
| 1B | 0962348 | 2 | Bushing | |
| 2 | 7017162 | 1 | Shaft | |
| 3 | 7017163 | 1 | Piston | |
| 4 | 7017164 | 1 | Cap, End | |
| 106 | See Note | NSS | Plug (Note: Purchase P/N 7017142) | |
| 109 | See Note | NSS | Pin (Note: Purchase P/N 7017142) | |
| 113 | See Note | NSS | Screw (Note: Purchase P/N 7017142) | |
| 200 | See Note | NSS | Seal, Piston (Note: Purchase P/N 70000342) | |
| 202 | See Note | NSS | Seal, Piston (Note: Purchase P/N 70000342) | |
| 204 | See Note | NSS | O-Ring (Note: Use P/N 70000342) | |
| 205 | See Note | NSS | Seal, Shaft (Note: Purchase P/N 70000342) | |
| 206 | See Note | NSS | O-Ring (Note: Use P/N 70000342) | |
| 207 | See Note | NSS | Ring, Back-up (Note: Purchase P/N 70000342) | |
| 302 | See Note | NSS | Bearing, Shaft (Note: Purchase P/N 7017159) | |
| 304 | See Note | NSS | Washer, Thrust (Note: Purchase P/N 7017159) | |
| 401 | 7017172 | 1 | Counterbalance Valve Assembly | |
| 401A | 7017192 | 2 | Valve Cartridge (No Seal Kit Available) | |
| 421 | 7017195 | 2 | Bushing | |
| 601 | 70000342 | NSS | Seal Kit (Includes Items 200-207) | |
| 602 | 7017159 | NSS | Bearing Kit (Includes Items 302 & 304) | |
| 603 | 7017142 | NSS | Hardware Kit (Includes Items 106-113) | |

SECTION 4 - BOOM

FIGURE 4-6. PLATFORM SUPPORT INSTALLATION



ART_1001167596_N

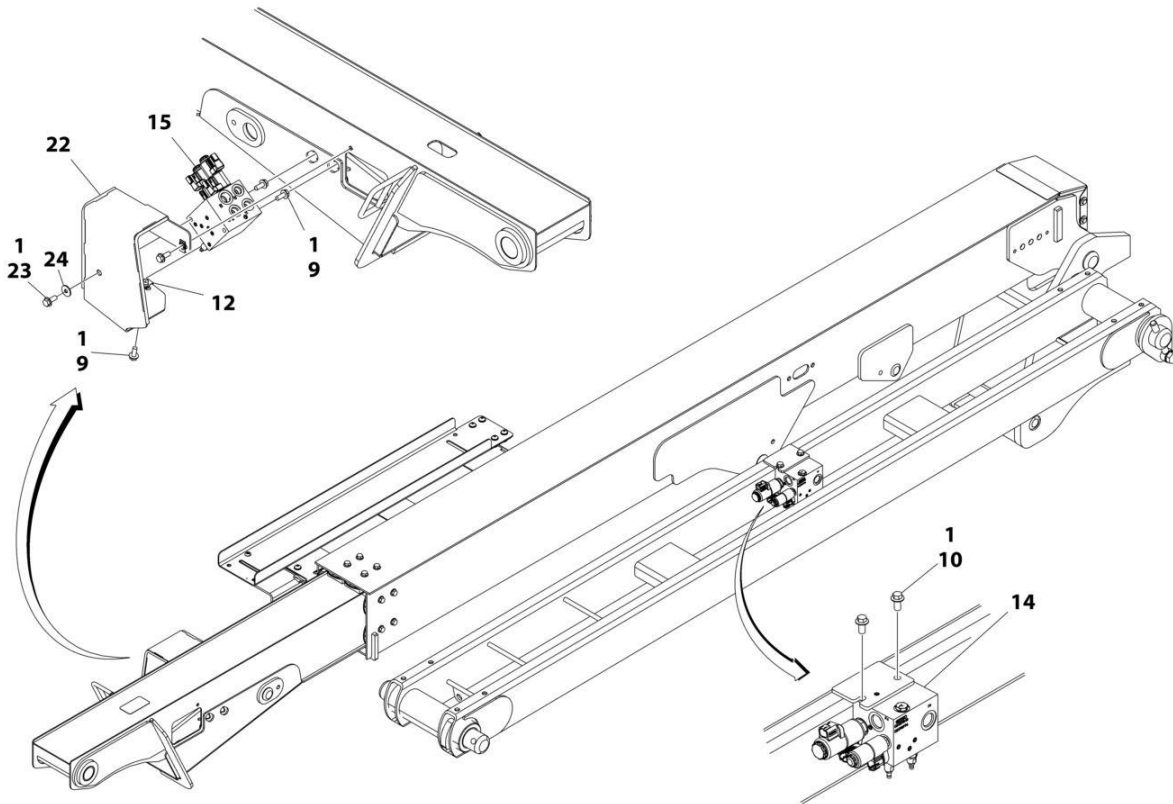
SECTION 4 - BOOM

FIGURE 4-6. PLATFORM SUPPORT INSTALLATION

| ITEM | PART NUMBER | QTY | DESCRIPTION | REV |
|------|-------------|-----|------------------------------------|-----|
| | 1001167596 | Ref | PLATFORM SUPPORT INSTALLATION | N |
| 1 | 0100011 | AR | Compound, Locking | |
| 2 | 0761014 | 5 | Bolt M10 x 30 | |
| 3 | 0761216 | 8 | Bolt M12 x 40 | |
| 4 | 1001255133 | 1 | Bolt 1 x 11 GRD8 | |
| 5 | 0681608 | 8 | Bolt 3/8 x 1 GRD8 | |
| 6 | 3291001 | 5 | Nut M10 | |
| 7 | 3291201 | 3 | Nut M12 | |
| 8 | 1001174040 | 1 | Nut 1 | |
| 9 | 3291205 | 8 | Nut M12 | |
| 10 | 3841143 | 4 | Keeper, Pin | |
| 11 | 4812000 | 8 | Washer M10 | |
| 12 | 4812100 | 3 | Washer M12 | |
| 13 | 4891600 | 8 | Washer 3/8 | |
| 14 | 5241200 | 8 | Washer M12 | |
| 15 | 4892600001 | 1 | Washer 1 | |
| 16 | 1001098828 | 2 | Bolt M12 x 70 CL10.9 | |
| 17 | 1001167565 | 2 | Pin | |
| 18 | 1001200494 | 1 | Support, Platform | |
| 19 | 1001167567 | 1 | Support, Rotator | |
| 20 | 1001168402 | 2 | Pin | |
| 21 | 1001188622 | 1 | Screw | |
| 22 | 1001247468 | 1 | Loadcell | |
| 23 | 1001188844 | 1 | Bolt M12 x 35 | |
| 24 | 1001201351 | 2 | Link | |
| 24 | 1001187382 | 4 | Bearing | |
| 24 | 1001187383 | 4 | Seal | |
| 26 | 5251008 | 2 | Bolt M10 x 16 CL10.9 | |
| 28 | 1001189002 | 8 | Bearing | |
| 29 | 1001190985 | 1 | Pad, Wear | |
| 30 | 3291005 | 2 | Nut M10 | |
| 31 | 5251016 | 2 | Bolt M10 x 40 CL10.9 | |
| 32 | 1001200491 | 1 | Pad, Wear | |
| 33 | 1001189001 | 4 | Bearing | |
| 34 | 1001204725 | 2 | Plug | |
| 36 | 91203039 | 1 | Clamp | |
| 37 | 1001216630 | 2 | Decal - Tie Down/No Lift | |
| 38 | 1001238421 | Ref | Kit, Platform Leveling (Not Shown) | |
| | 1001202687 | Ref | VALVE MOUNT INSTALLATION | B |
| 101 | 0100011 | AR | Compound, Locking | |
| 102 | 0760810 | 4 | Bolt M8 x 20 | |
| 103 | 3290806 | 4 | Nut M8 | |
| 104 | 4811900 | 8 | Washer M8 | |
| 106 | 1001208994 | 1 | Mount, Valve | |

SECTION 4 - BOOM

FIGURE 4-7. VALVES INSTALLATION - BOOM MOUNTED



ART_1001271795_30F3

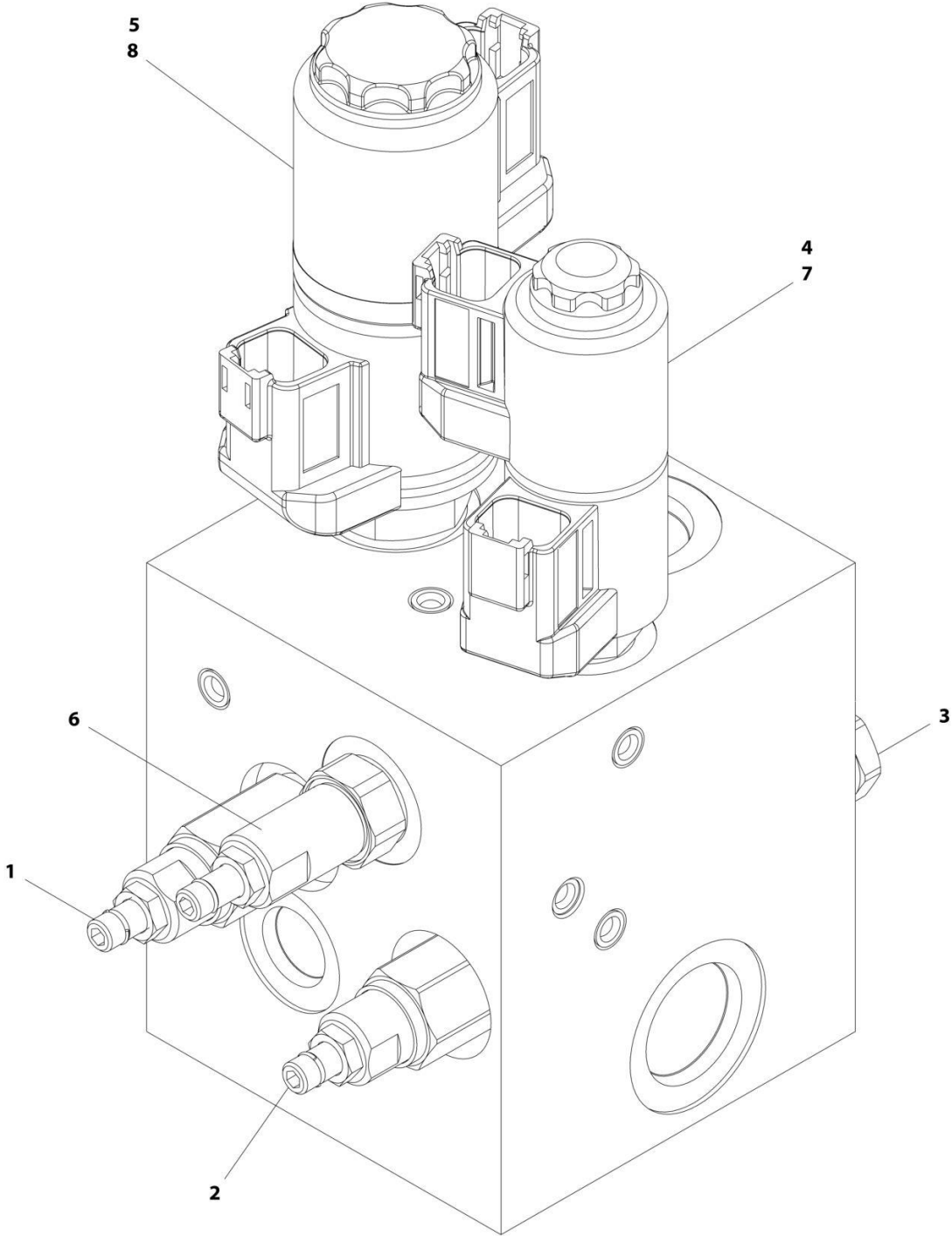
SECTION 4 - BOOM

FIGURE 4-7. VALVES INSTALLATION - BOOM MOUNTED

| ITEM | PART NUMBER | QTY | DESCRIPTION | REV |
|------|-------------|-----|---|-----|
| | 1001271795 | Ref | 4WD VALVES INSTALLATION - BOOM MOUNTED | B |
| 1 | 0100011 | AR | Compound, Locking | |
| 9 | 5250810 | 4 | Bolt M8 x 20 Class 10.9 | |
| 10 | 5251010 | 15 | Bolt M10 x 25 Class 10.9 | |
| 12 | 1001118274 | 2 | Nut, Tinnerman M8 | |
| 14 | 1001162535 | 1 | Upright Valve Assembly (See Separate Breakdown in this Section) | |
| 15 | 1001162536 | 1 | Boom Valve Assembly (See Separate Breakdown in this Section) | |
| 22 | 1001265186 | 1 | Shield, Fly Boom Valve | |
| 23 | 0770810 | 1 | Bolt M8 x 20 Class 10.9 | |
| 24 | 4811902 | 1 | Washer M8 | |

SECTION 4 - BOOM

FIGURE 4-8. UPRIGHT VALVE ASSEMBLY



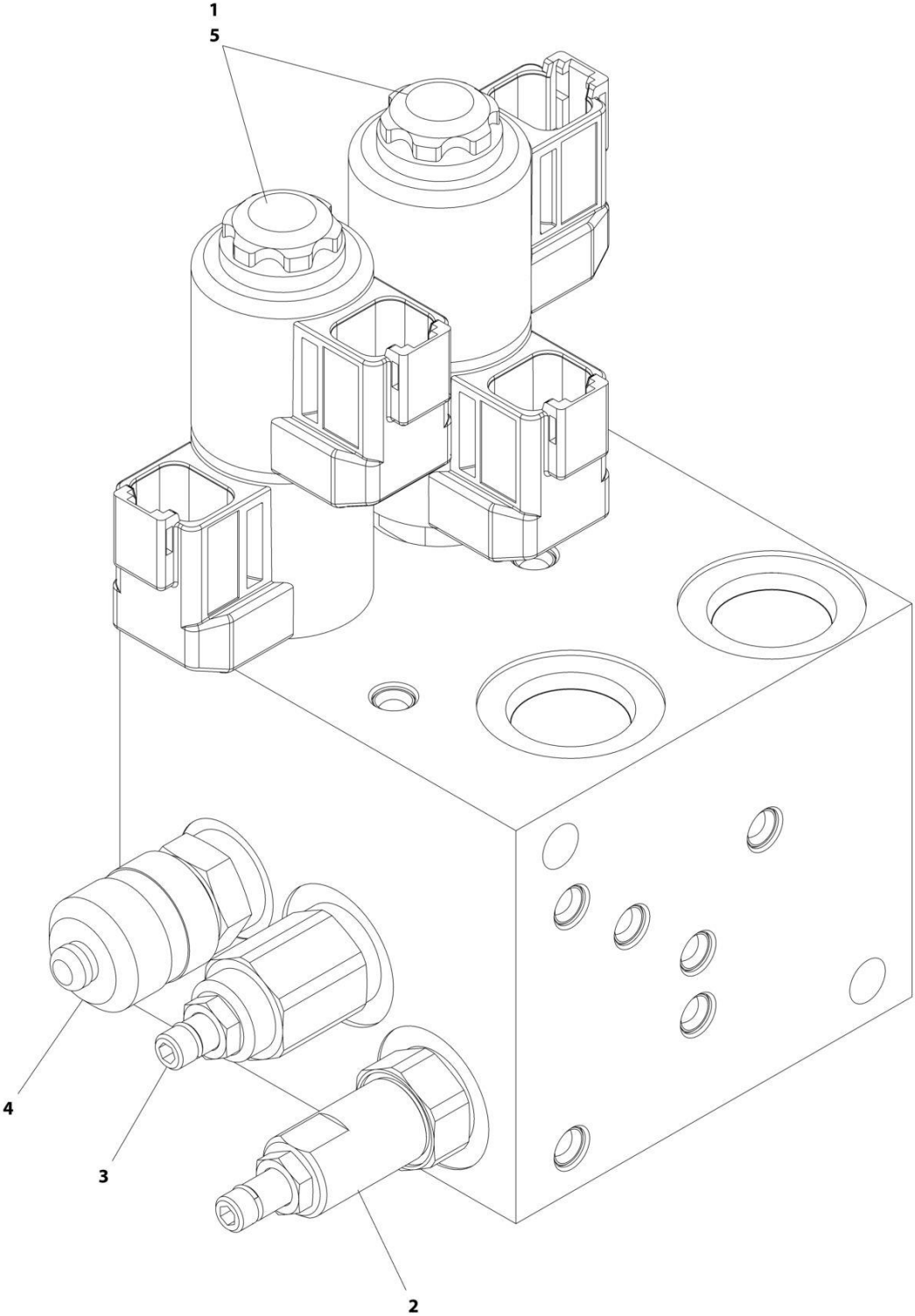
ART_1001162535

FIGURE 4-8. UPRIGHT VALVE ASSEMBLY

| ITEM | PART NUMBER | QTY | DESCRIPTION | REV |
|------|-------------|-----|-------------------------------------|-----|
| | 1001162535 | Ref | UPRIGHT VALVE ASSEMBLY | D |
| 1 | 70004864 | 1 | Cartridge, Valve | |
| 1 | 70004875 | 1 | Seal Kit - 70004864 Valve | |
| 2 | 70004865 | 1 | Cartridge, Valve | |
| 2 | 70004875 | 1 | Seal Kit - 70004865 Valve | |
| 3 | 70004866 | 1 | Cartridge, Relief Valve | |
| 3 | 70004867 | 1 | Seal Kit - 70004866 Valve | |
| 4 | 70004868 | 1 | Cartridge, Solenoid Valve Less Coil | |
| 4 | 70004869 | 1 | Seal Kit - 70004868 Valve | |
| 5 | 7027625 | 1 | Cartridge, Solenoid Valve Less Coil | |
| 5 | 70000100 | 1 | Seal Kit - 7027625 Valve | |
| 6 | 70006660 | 1 | Cartridge, Valve | |
| 6 | 70004867 | 1 | Seal Kit - 70006660 Valve | |
| 7 | 70004871 | 2 | Coil | |
| 8 | 7027628 | 2 | Coil | |

SECTION 4 - BOOM

FIGURE 4-9. BOOM VALVE ASSEMBLY



ART_1001162536_G

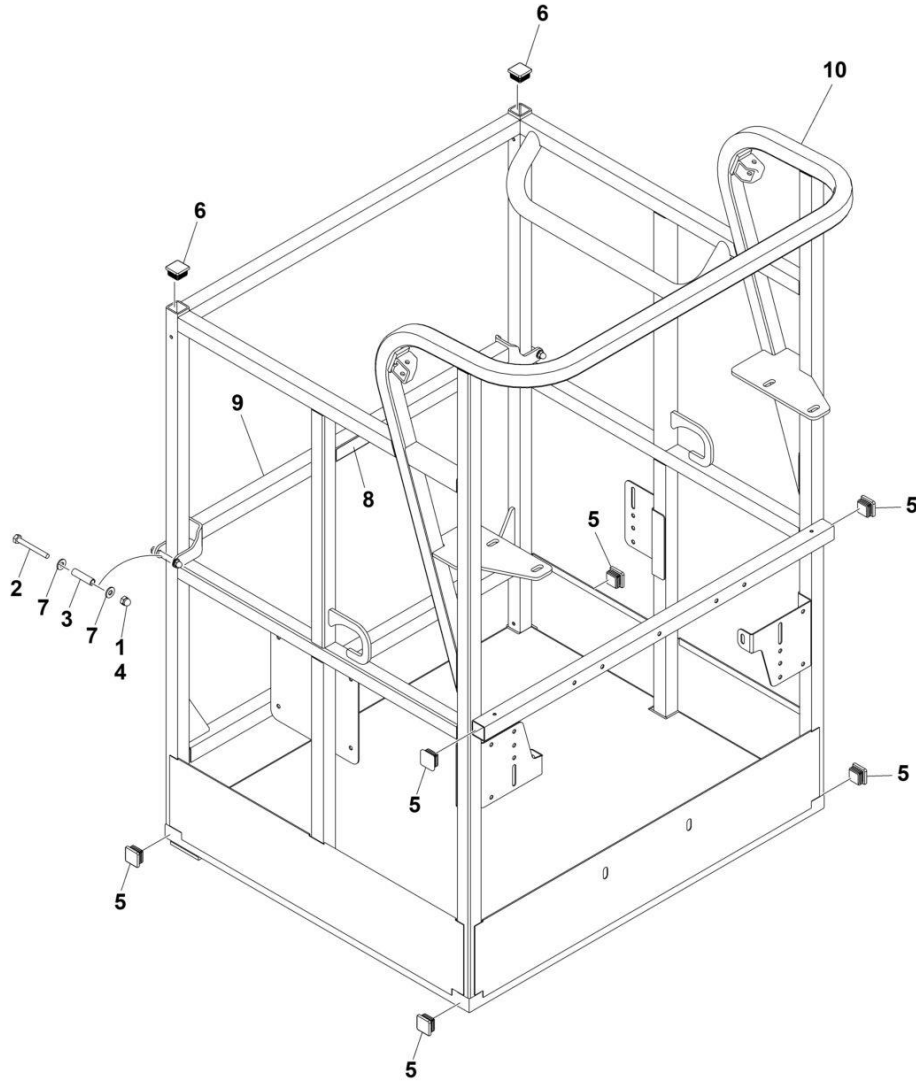
FIGURE 4-9. BOOM VALVE ASSEMBLY

| ITEM | PART NUMBER | QTY | DESCRIPTION | REV |
|------|-------------|-----|-------------------------------------|-----|
| | 1001162536 | Ref | BOOM VALVE ASSEMBLY | G |
| 1 | 70005243 | 2 | Cartridge, Solenoid Valve Less Coil | |
| 1 | 70004869 | 2 | Seal Kit - 70005243 Valve | |
| 2 | 70004873 | 1 | Cartridge, Valve | |
| 2 | 70004867 | 1 | Seal Kit - 70004873 Valve | |
| 3 | 70007556 | 1 | Cartridge, Valve | |
| 3 | 70004867 | 1 | Seal Kit - 70006970 Valve | |
| 4 | 2221086 | 1 | Fitting, Test | |
| 5 | 70004871 | 4 | Coil | |

SECTION 5 - PLATFORM

SECTION 5 - PLATFORM

FIGURE 5-1. PLATFORM ASSEMBLY - 30IN X 3FT- SIDE DROP BAR ENTRY



ART_1001228215

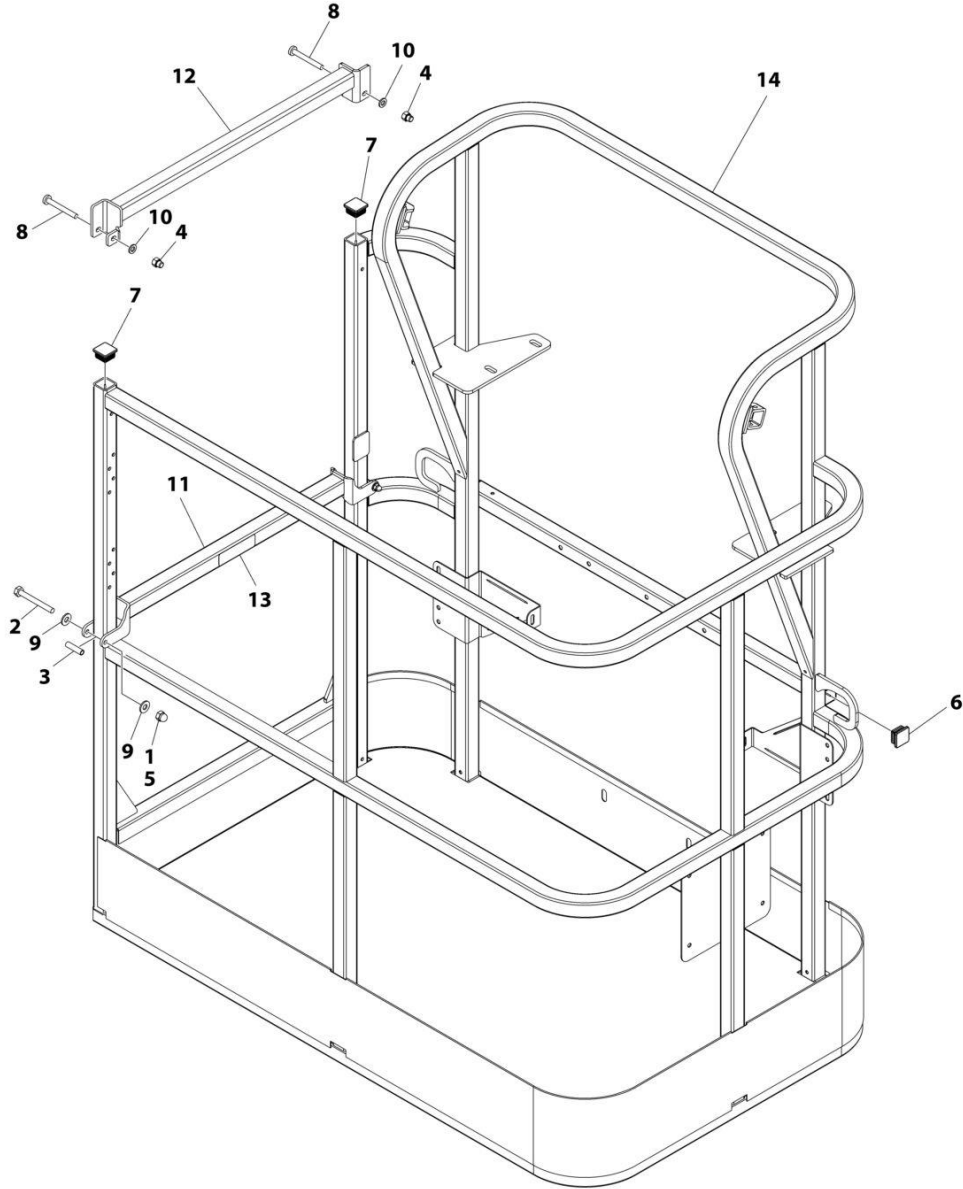
SECTION 5 - PLATFORM

FIGURE 5-1. PLATFORM ASSEMBLY - 30IN X 3FT- SIDE DROP BAR ENTRY

| ITEM | PART NUMBER | QTY | DESCRIPTION | REV |
|------|-------------|-----|---|-----|
| | 1001228215 | Ref | PLATFORM ASSEMBLY | A |
| | See Note | Ref | Note: Platform and Mesh must be ordered separately for Platforms with Mesh. See SPECIAL OPTIONS SECTION for Mesh Installations. | |
| | See Note | Ref | Note: Replacement Decals Must be Ordered Separately - See DECAL SECTION. | |
| 1 | 0100011 | AR | Compound, Locking | |
| 2 | 0641418 | 2 | Bolt 1/4 x 2-1/4 | |
| 3 | 0961845 | 2 | Bushing | |
| 4 | 3300151 | 2 | Nut 1/4 | |
| 5 | 3520072 | 6 | Cap, Plug | |
| 6 | 3520198 | 2 | Cap, Plug | |
| 7 | 4711400 | 4 | Washer 1/4 | |
| 8 | 1001140429 | 1 | Decal - Drop Bar | |
| 9 | 1001226872 | 1 | Bar, Drop | |
| 10 | See Note | NSS | Platform (Note: Not Available - Purchase Platform Assembly) | |

SECTION 5 - PLATFORM

FIGURE 5-2. PLATFORM ASSEMBLY - 30IN X 4FT- SIDE DROP BAR ENTRY



ART_1001186375

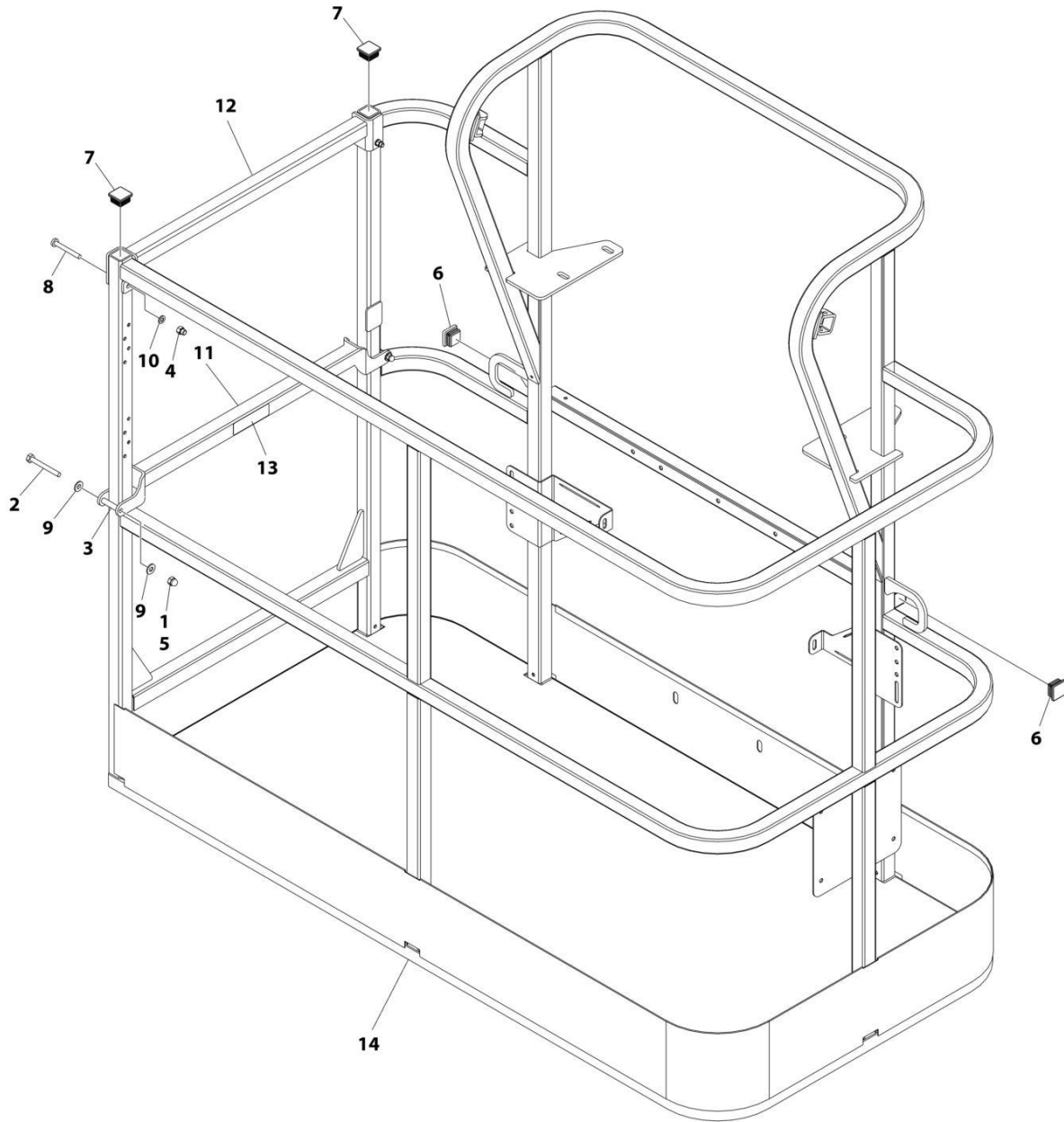
SECTION 5 - PLATFORM

FIGURE 5-2. PLATFORM ASSEMBLY - 30IN X 4FT- SIDE DROP BAR ENTRY

| ITEM | PART NUMBER | QTY | DESCRIPTION | REV |
|------|-------------|-----|---|-----|
| | 1001186375 | Ref | PLATFORM ASSEMBLY | B |
| | | Ref | Note: Platform and Mesh must be ordered separately for Platforms with Mesh. See SPECIAL OPTIONS SECTION for Mesh Installations. | |
| | | Ref | Note: Replacement Decals Must be Ordered Separately - See DECALS SECTION. | |
| 1 | 0100011 | AR | Compound, Locking | |
| 2 | 0641418 | 2 | Bolt 1/4 x 2-1/4 | |
| 3 | 0961845 | 2 | Bushing | |
| 4 | 3290606 | 2 | Nut M6 | |
| 5 | 3300151 | 2 | Nut 1/4 | |
| 6 | 3520072 | 2 | Plug | |
| 7 | 3520198 | 2 | Plug | |
| 8 | 4010618 | 2 | Screw M6 x 50 | |
| 9 | 4711400 | 4 | Washer 1/4 | |
| 10 | 4811700 | 2 | Washer M6 | |
| 11 | 1001138494 | 1 | Bar, Drop | |
| 12 | 1001138514 | 1 | Rail - Top | |
| 13 | 1001140429 | 1 | Decal - Drop Bar | |
| 14 | See Note | 1 | Platform (Note: Not Available - Purchase Platform Assembly) | |

SECTION 5 - PLATFORM

FIGURE 5-3. PLATFORM ASSEMBLY - 30IN X 5FT- SIDE DROP BAR ENTRY



ART_1001186377

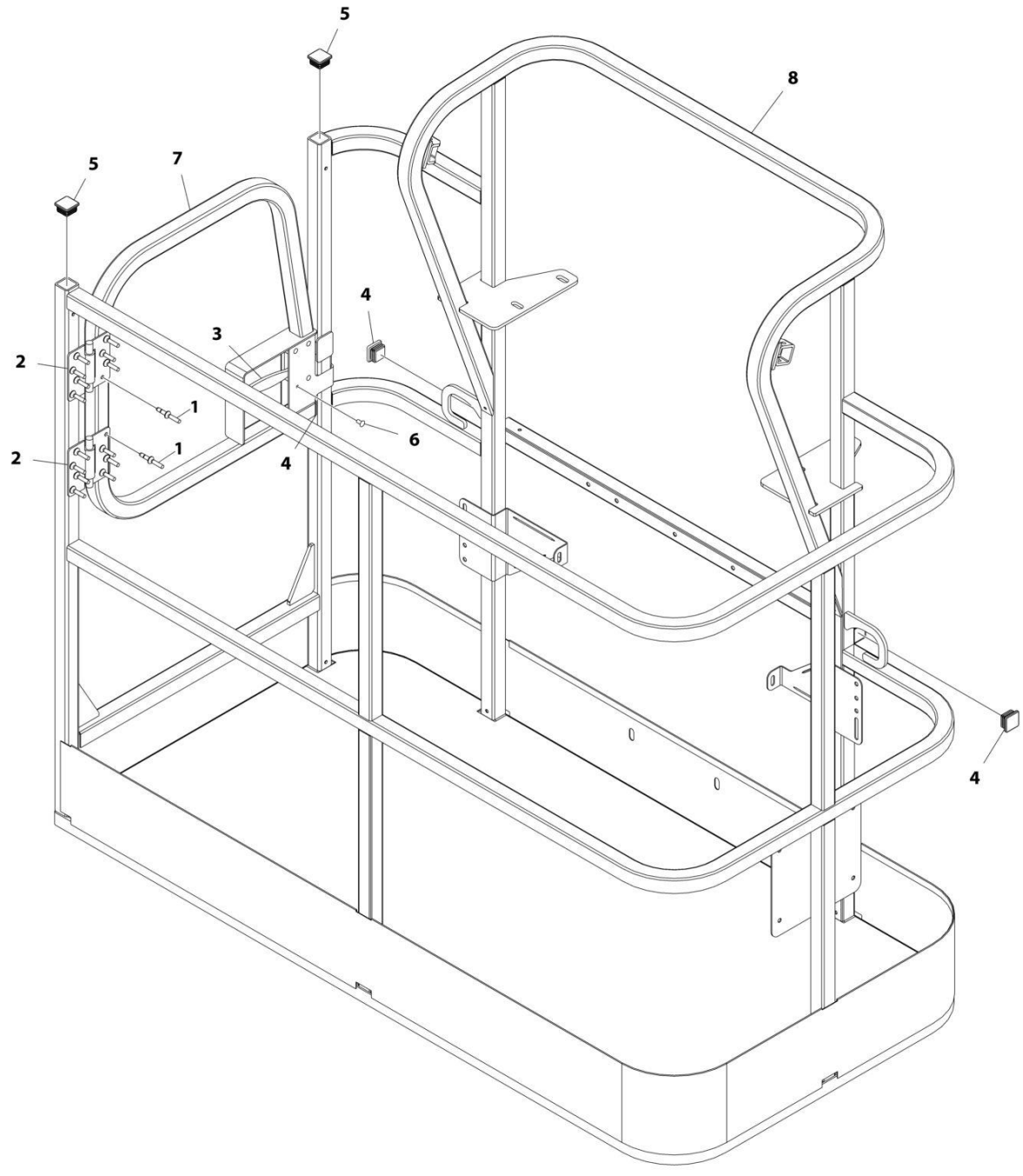
SECTION 5 - PLATFORM

FIGURE 5-3. PLATFORM ASSEMBLY - 30IN X 5FT- SIDE DROP BAR ENTRY

| ITEM | PART NUMBER | QTY | DESCRIPTION | REV |
|------|-------------|-----|---|-----|
| | 1001186377 | Ref | PLATFORM ASSEMBLY | C |
| | | Ref | Note: Platform and Mesh must be ordered separately for Platforms with Mesh. See SPECIAL OPTIONS SECTION for Mesh Installations. | |
| | | Ref | Note: Replacement Decals Must be Ordered Separately - See DECALS SECTION. | |
| 1 | 0100011 | AR | Compound, Locking | |
| 2 | 0641420 | 2 | Bolt 1/4 x 2-1/2 | |
| 3 | 0961845 | 2 | Bushing | |
| 4 | 3290606 | 2 | Nut M6 | |
| 5 | 3300151 | 2 | Nut 1/4 | |
| 6 | 3520072 | 2 | Plug | |
| 7 | 3520198 | 2 | Plug | |
| 8 | 4010618 | 2 | Screw M6 x 50 | |
| 9 | 4711400 | 4 | Washer 1/4 | |
| 10 | 4811700 | 2 | Washer M6 | |
| 11 | 1001138494 | 1 | Bar, Drop | |
| 12 | 1001138514 | 1 | Rail (Top) | |
| 13 | 1001140429 | 1 | Decal - Drop Bar | |
| 14 | See Note | NSS | Platform (Note: Not Available - Purchase Platform Assembly) | |

SECTION 5 - PLATFORM

FIGURE 5-4. PLATFORM ASSEMBLY - 30IN X 5FT- SIDE GATE ENTRY



ART_1001186386

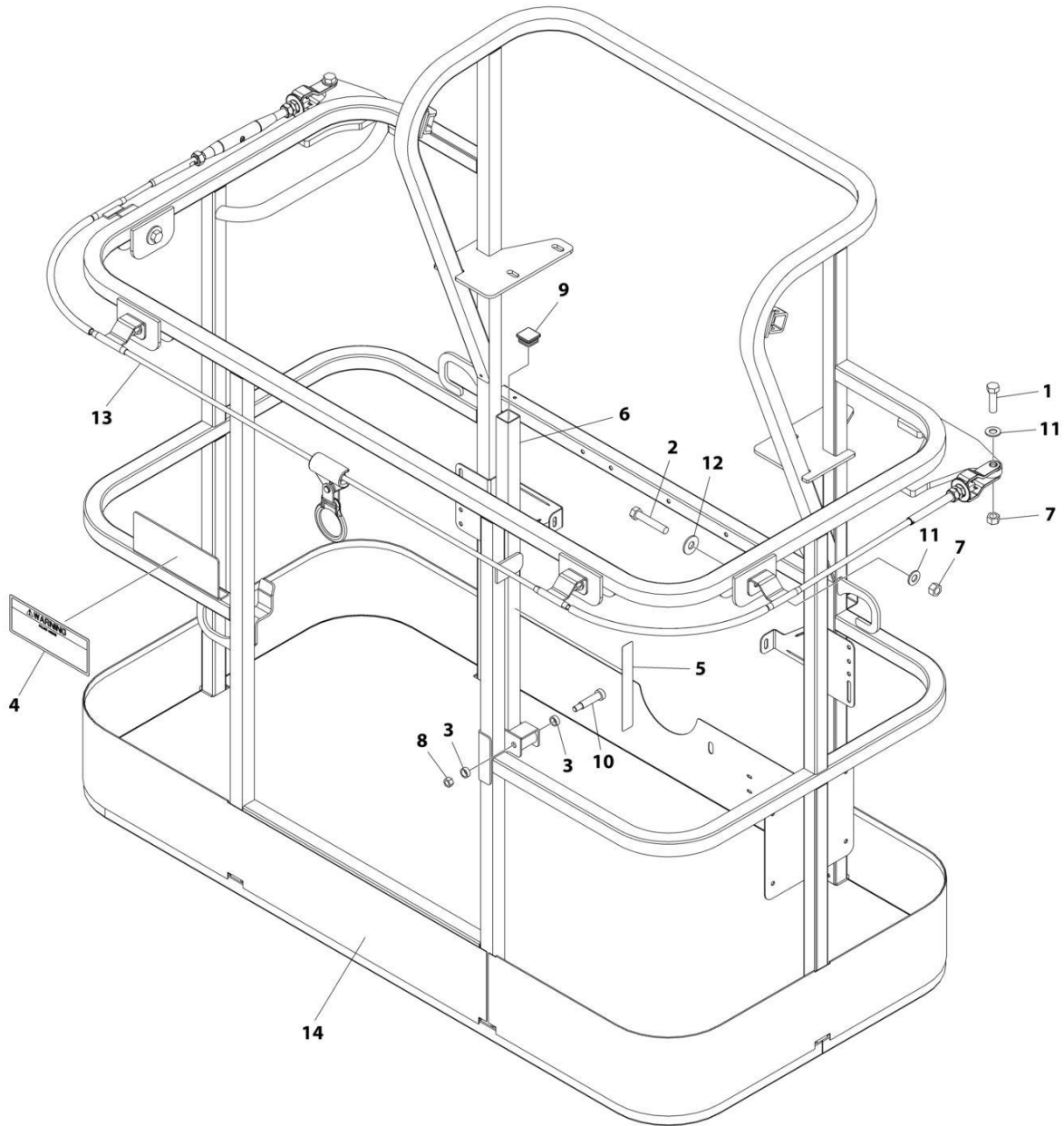
SECTION 5 - PLATFORM

FIGURE 5-4. PLATFORM ASSEMBLY - 30IN X 5FT- SIDE GATE ENTRY

| ITEM | PART NUMBER | QTY | DESCRIPTION | REV |
|------|-------------|-----|---|-----|
| | 1001186386 | Ref | PLATFORM ASSEMBLY | C |
| | | Ref | Note: Platform and Mesh must be ordered separately for Platforms with Mesh. See SPECIAL OPTIONS SECTION for Mesh Installations. | |
| | | Ref | Note: Replacement Decals Must be Ordered Separately - See DECALS SECTION. | |
| 1 | 2080040 | 16 | Fastener, Huck | |
| 2 | 2600281 | 2 | Hinge, Self-Closing | |
| 3 | 2940074 | 1 | Latch | |
| 4 | 3520072 | 3 | Plug | |
| 5 | 3520198 | 2 | Plug | |
| 6 | 3820020 | 4 | Rivet | |
| 7 | 1001144629 | 1 | Gate | |
| 8 | See Note | NSS | Platform (Note: Not Available - Purchase Platform Assembly) | |

SECTION 5 - PLATFORM

FIGURE 5-5. PLATFORM ASSEMBLY - 30IN X 5FT (76CM X 1.22M) - FALL ARREST REAR ENTRY



ART_1001186388

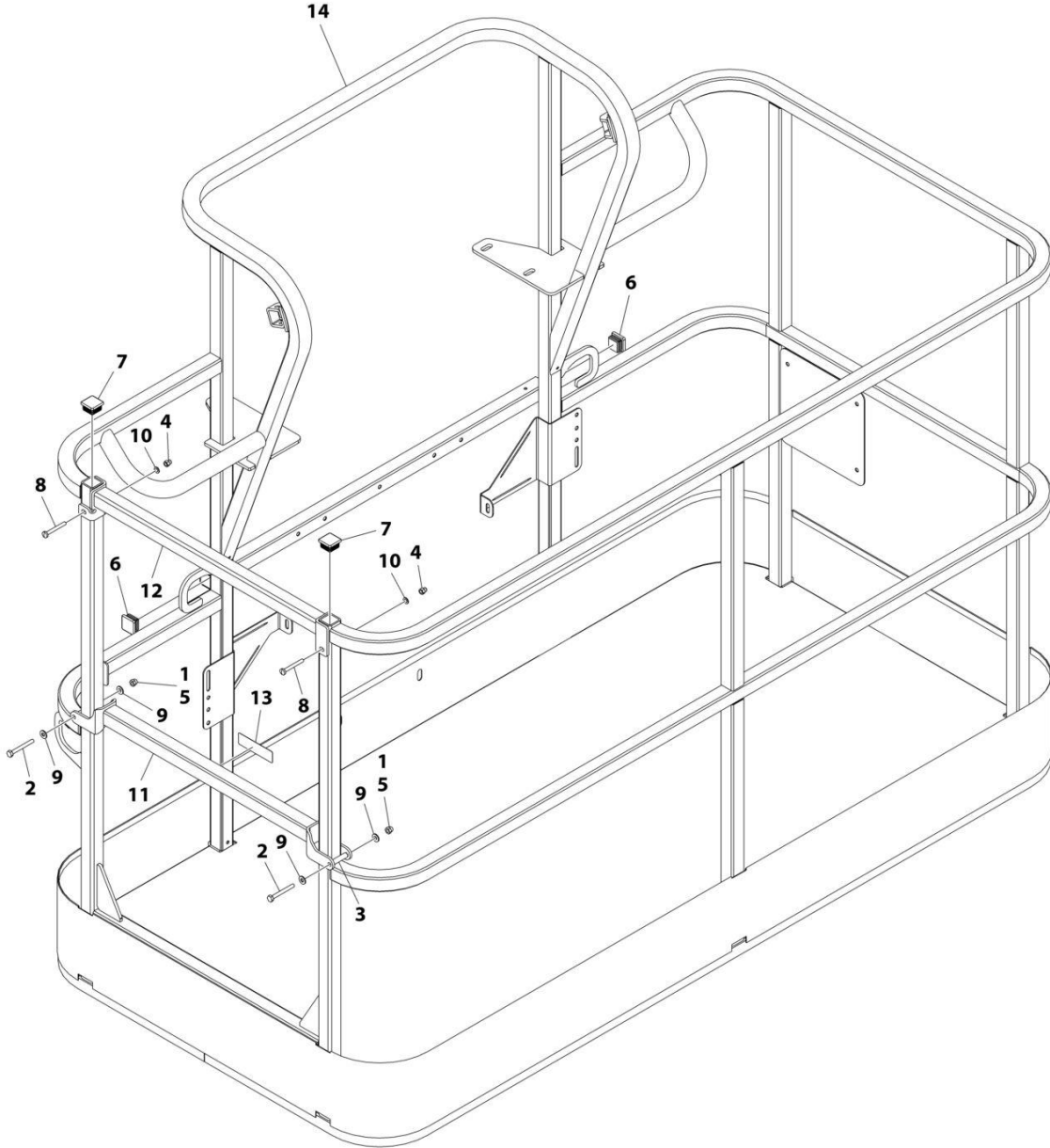
SECTION 5 - PLATFORM

FIGURE 5-5. PLATFORM ASSEMBLY - 30IN X 5FT (76CM X 1.22M) - FALL ARREST REAR ENTRY

| ITEM | PART NUMBER | QTY | DESCRIPTION | REV |
|------|-------------|-----|---|-----|
| | 1001186388 | Ref | PLATFORM ASSEMBLY | C |
| | See Note | Ref | Note: Replacement Decals Must be Ordered Separately - See DECALS SECTION. | |
| 1 | 0681814 | 2 | Bolt 1/2 x 1-3/4 (Grade 8) | |
| 2 | 0681822 | 4 | Bolt 1/2 x 2-3/4 (Grade 8) | |
| 3 | 0962270 | 2 | Bearing | |
| 4 | 1705014 | 1 | Decal - Safety | |
| 5 | 1706385 | 1 | Decal - Drop Bar | |
| 6 | 2410014 | 1 | Gate, Weldment | |
| 7 | 3271805 | 6 | Nut 1/2 | |
| 8 | 3311605 | 1 | Nut 3/8 | |
| 9 | 3520072 | 1 | Cap, Plug | |
| 10 | 3900054 | 1 | Bolt 1/2 x 1-3/4 | |
| 11 | 4711800 | 6 | Washer 1/2 | |
| 12 | 4751800 | 4 | Washer 1/2 | |
| 13 | 1001203654 | 1 | Lanyard | |
| 14 | See Note | NSS | Platform (Note: Not Available - Purchase Platform Assembly) | |

SECTION 5 - PLATFORM

FIGURE 5-6. PLATFORM ASSEMBLY - 30IN X 6FT- SIDE DROP BAR ENTRY



ART_1001186378

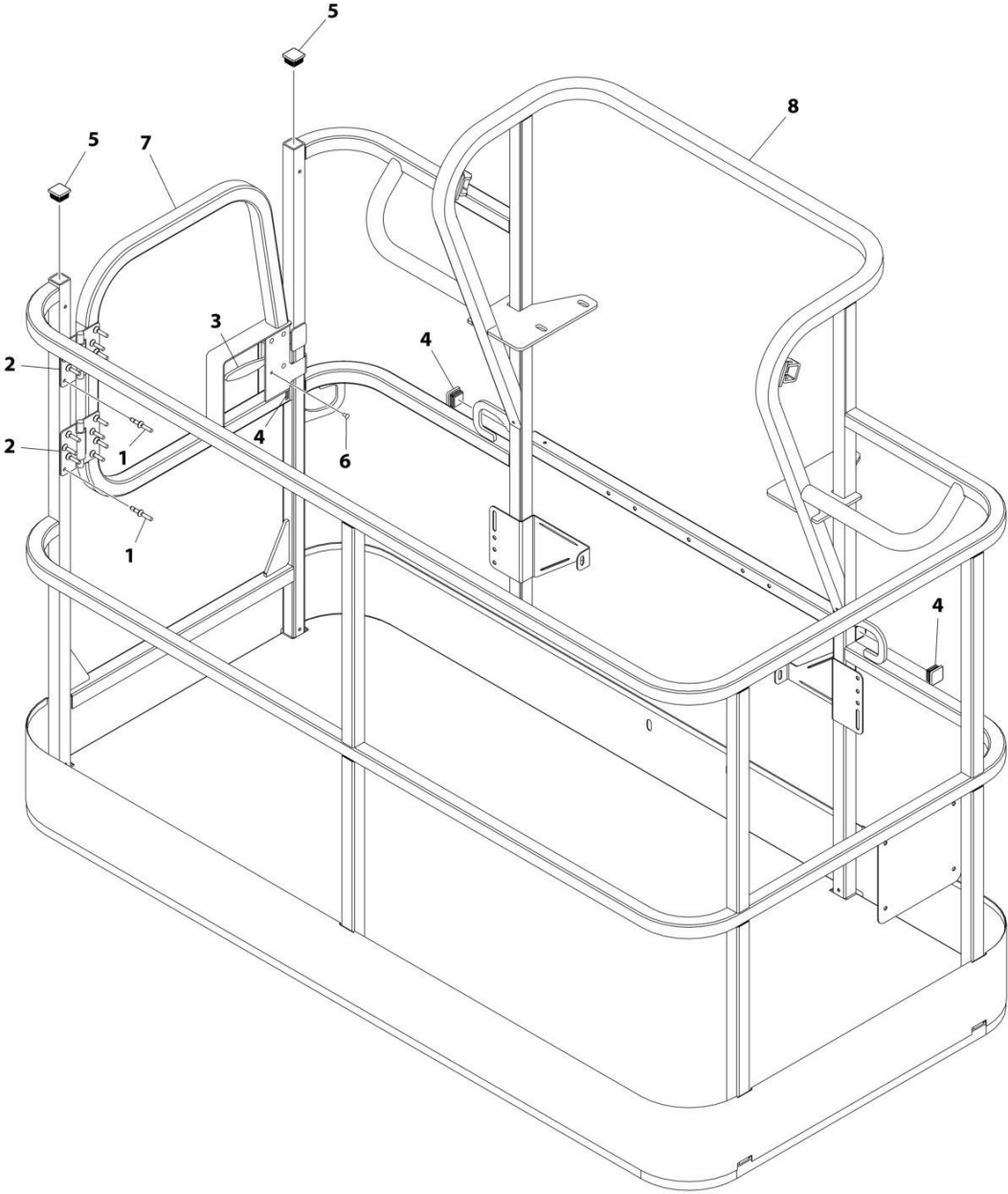
SECTION 5 - PLATFORM

FIGURE 5-6. PLATFORM ASSEMBLY - 30IN X 6FT- SIDE DROP BAR ENTRY

| ITEM | PART NUMBER | QTY | DESCRIPTION | REV |
|------|-------------|-----|---|-----|
| | 1001186378 | Ref | PLATFORM ASSEMBLY | C |
| | | Ref | Note: Platform and Mesh must be ordered separately for Platforms with Mesh. See SPECIAL OPTIONS SECTION for Mesh Installations. | |
| | | Ref | Note: Replacement Decals Must be Ordered Separately - See DECALS SECTION. | |
| 1 | 0100011 | AR | Compound, Locking | |
| 2 | 0641418 | 2 | Bolt 1/4 x 2-1/4 | |
| 3 | 0961845 | 2 | Bushing | |
| 4 | 3290606 | 2 | Nut M6 | |
| 5 | 3300151 | 2 | Nut 1/4 | |
| 6 | 3520072 | 2 | Plug | |
| 7 | 3520198 | 2 | Plug | |
| 8 | 4010618 | 2 | Screw M6 x 50 | |
| 9 | 4711400 | 4 | Washer 1/4 | |
| 10 | 4811700 | 2 | Washer M6 | |
| 11 | 1001138494 | 1 | Bar, Drop | |
| 12 | 1001138514 | 1 | Rail (Top) | |
| 13 | 1001140429 | 1 | Decal - Drop Bar | |
| 14 | See Note | NSS | Platform (Note: Not Available - Purchase Platform Assembly) | |

SECTION 5 - PLATFORM

FIGURE 5-7. PLATFORM ASSEMBLY - 30IN X 6FT- SIDE GATE ENTRY



ART_1001186385

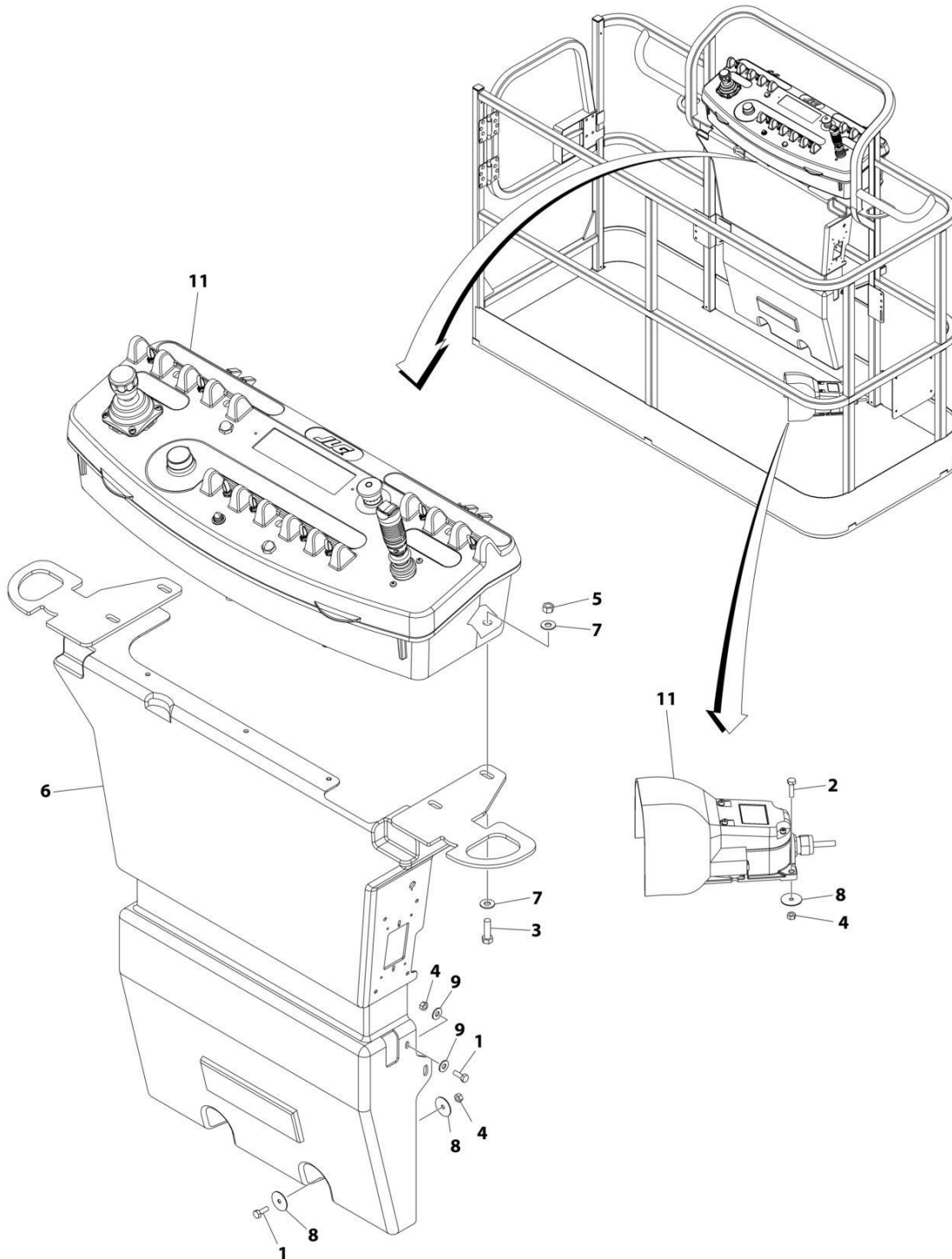
SECTION 5 - PLATFORM

FIGURE 5-7. PLATFORM ASSEMBLY - 30IN X 6FT- SIDE GATE ENTRY

| ITEM | PART NUMBER | QTY | DESCRIPTION | REV |
|------|-------------|-----|---|-----|
| | 1001186385 | Ref | PLATFORM ASSEMBLY | D |
| | | Ref | Note: Platform and Mesh must be ordered separately for Platforms with Mesh. See SPECIAL OPTIONS SECTION for Mesh Installations. | |
| | | Ref | Note: Replacement Decals Must be Ordered Separately - See DECALS SECTION. | |
| 1 | 2080040 | 16 | Fastener, Huck | |
| 2 | 2600281 | 2 | Hinge | |
| 3 | 2940074 | 1 | Latch | |
| 4 | 3520072 | 3 | Plug | |
| 5 | 3520198 | 2 | Plug | |
| 6 | 3820020 | 4 | Rivet | |
| 7 | 1001144629 | 1 | Gate | |
| 8 | See Note | NSS | Platform (Note: Not Available - Purchase Platform Assembly) | |

SECTION 5 - PLATFORM

FIGURE 5-8. CONSOLE BOX INSTALLATION



ART_1001246436

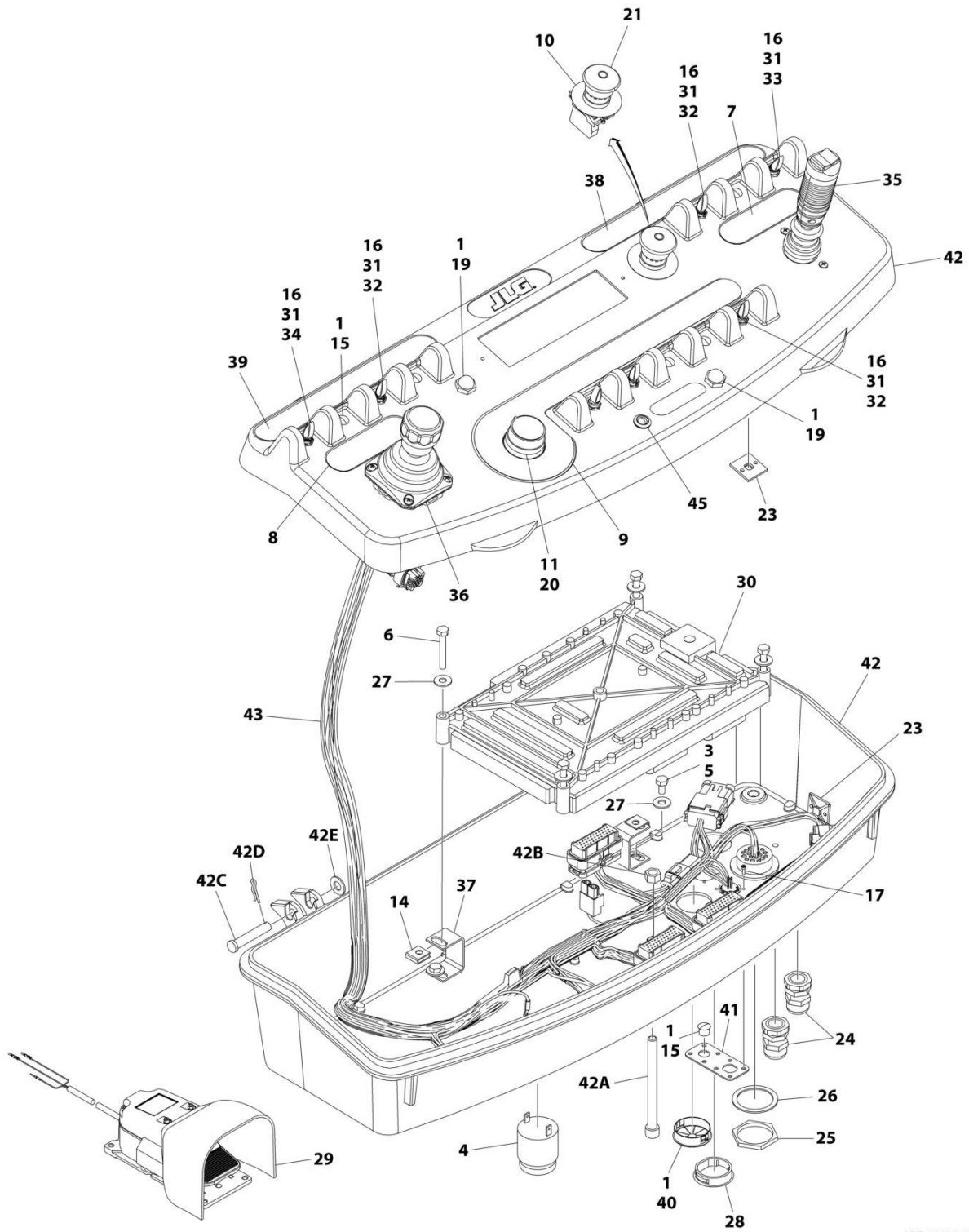
SECTION 5 - PLATFORM

FIGURE 5-8. CONSOLE BOX INSTALLATION

| ITEM | PART NUMBER | QTY | DESCRIPTION | REV |
|------|-------------|-----|--|-----|
| | 1001246436 | Ref | CONSOLE BOX INSTALLATION | A |
| 1 | 0641406 | 4 | Bolt 1/4 x 3/4 | |
| 2 | 0641408 | 3 | Bolt 1/4 x 1 | |
| 3 | 0641610 | 4 | Bolt 3/8 x 1-1/4 | |
| 4 | 3311405 | 7 | Nut Lock 1/4 | |
| 5 | 3311605 | 4 | Nut Lock 3/8 | |
| 6 | 3380434 | 1 | Panel, Decal Mount | |
| 7 | 4751600 | 8 | Washer 3/8 | |
| 8 | 4740362 | 7 | Washer 1/4 | |
| 9 | 4751400 | 4 | Washer 1/4 | |
| 10 | 1001164728 | 1 | Harness, Platform Valve (Not Shown - See Separate Breakdown in ELECTRICAL SECTION) | |
| 11 | 1001246435 | 1 | Platform Console Box Assembly (See Separate Breakdown in this Section) | |

SECTION 5 - PLATFORM

FIGURE 5-9. PLATFORM CONSOLE BOX ASSEMBLY



ART_1001246435_C

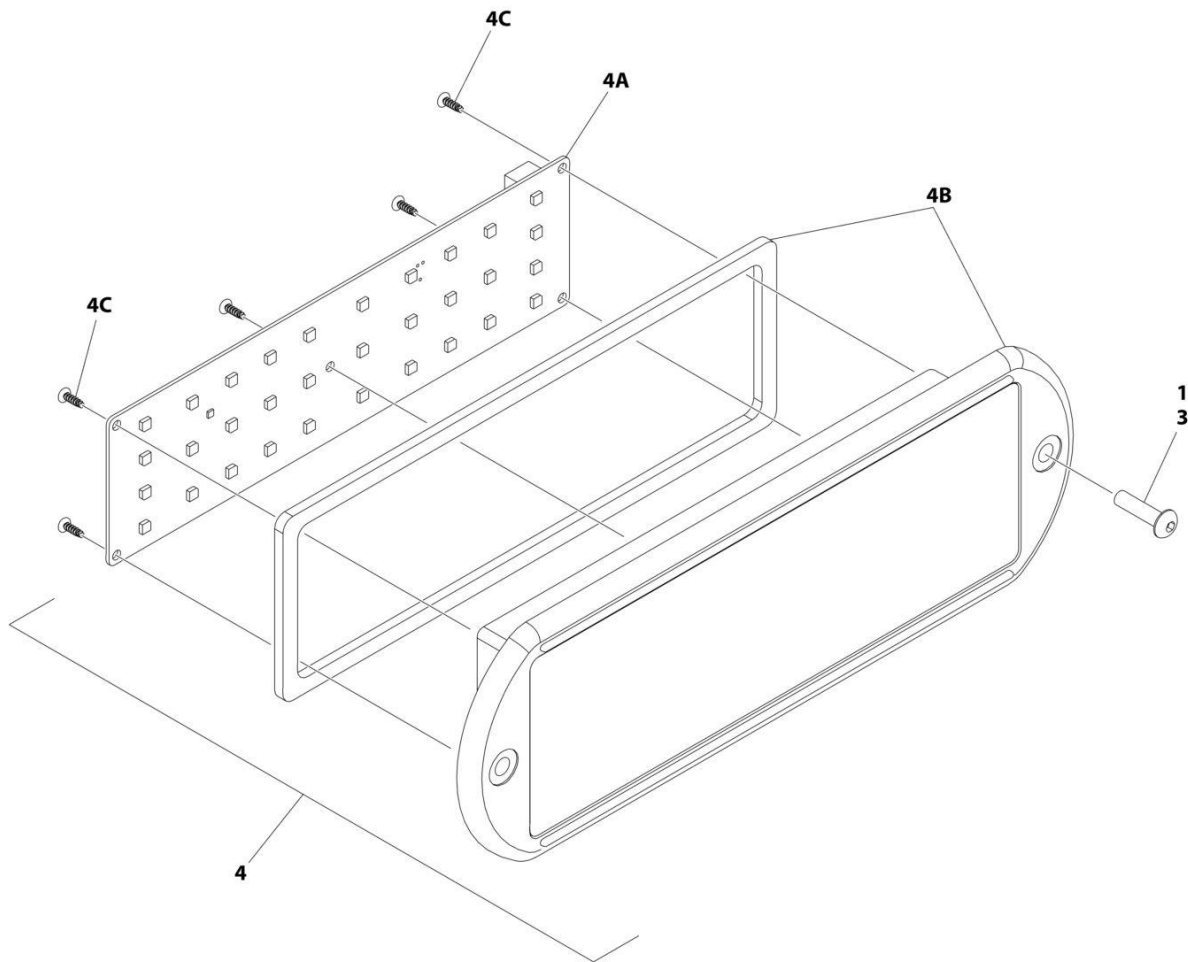
SECTION 5 - PLATFORM

FIGURE 5-9. PLATFORM CONSOLE BOX ASSEMBLY

| ITEM | PART NUMBER | QTY | DESCRIPTION | REV |
|------|-------------|-----|---|-----|
| | 1001246435 | Ref | PLATFORM CONSOLE BOX ASSEMBLY | C |
| 1 | 0100009 | AR | Sealant | |
| 3 | 0100035 | AR | Compound, Locking | |
| 4 | 0140011 | 1 | Alarm | |
| 5 | 0641405 | 4 | Bolt 1/4 x 5/8 | |
| 6 | 0641414 | 4 | Bolt 1/4 x 1-3/4 | |
| 7 | 1702565 | 1 | Decal - Drive and Steer | |
| 8 | 1702566 | 1 | Decal - Lift and Swing | |
| 9 | 1702567 | 1 | Decal - Function Speed | |
| 10 | 1704260 | 1 | Decal - EMS | |
| 11 | 2560136 | 1 | Handle, Knob | |
| 14 | 3300353 | 4 | Nut | |
| 15 | 3520054 | 5 | Plug | |
| 16 | 3790012 | 8 | O-Ring | |
| 17 | 3900349 | 8 | Screw | |
| 18 | 4240099 | AR | Tie-Strap (Not Shown) | |
| 19 | 4360387 | 2 | Switch, Pushbutton | |
| 20 | 4360407 | 1 | Switch, Potentiometer | |
| 21 | 1001274559 | 1 | Switch, Emergency | |
| 23 | 4460234 | 6 | Mount, Tie-Strap | |
| 24 | 4460428 | 2 | Connector, Strain Relief | |
| 25 | 4460470 | 1 | Nut | |
| 26 | 4460471 | 1 | Washer | |
| 27 | 4751400 | 8 | Washer 1/4 | |
| 28 | 1001110434 | 1 | Plug | |
| 29 | 1001117174 | 1 | Footswitch Assembly (See Separate Breakdown in this Section) | |
| 30 | 1001118412 | 1 | Module, Control | |
| 31 | 1001155044 | 8 | Nut 15/32 | |
| 32 | 1001155045 | 6 | Switch, Toggle | |
| 33 | 1001159256 | 1 | Switch, Toggle | |
| 34 | 1001161709 | 1 | Switch, Toggle | |
| 35 | 1001166538 | NLA | Controller Assembly (Drive and Steer) (Use p/n 1001212415) (See Separate Breakdown in this Section) | |
| 36 | 1001166539 | NLA | Controller Assembly (Lift and Swing) (See Separate Breakdown in this Section) (Note: Use p/n 1001129555 as Replacement) | |
| 37 | 1001172760 | 4 | Bracket | |
| 38 | 1001184618 | 1 | Decal - Stop | |
| 39 | 1001184626 | 1 | Decal - Horn | |
| 40 | 1001185281 | 1 | Plug | |
| 41 | 1001213882 | 1 | Connector, Mounting | |
| 42 | 1001215228 | 1 | Platform Console Box | |
| 42A | 0630568 | 1 | Capscrew 3/8 x 4-1/2 | |
| 42B | 3311601 | 1 | Nut 3/8 | |
| 42C | 3430616 | 2 | Pin, Clevis | |
| 42D | 3470003 | 2 | Hairpin | |
| 42E | 4711600 | 2 | Washer 3/8 | |
| 43 | 1001238254 | 1 | Harness, Platform Console Box (See Separate Breakdown in ELECTRICAL SECTION) | |
| 45 | 1001206532 | 1 | Lamp, Indicator | |

SECTION 5 - PLATFORM

FIGURE 5-10. LIGHT PANEL INSTALLATION - PLATFORM CONSOLE



ART_1001241398_D_2OF2

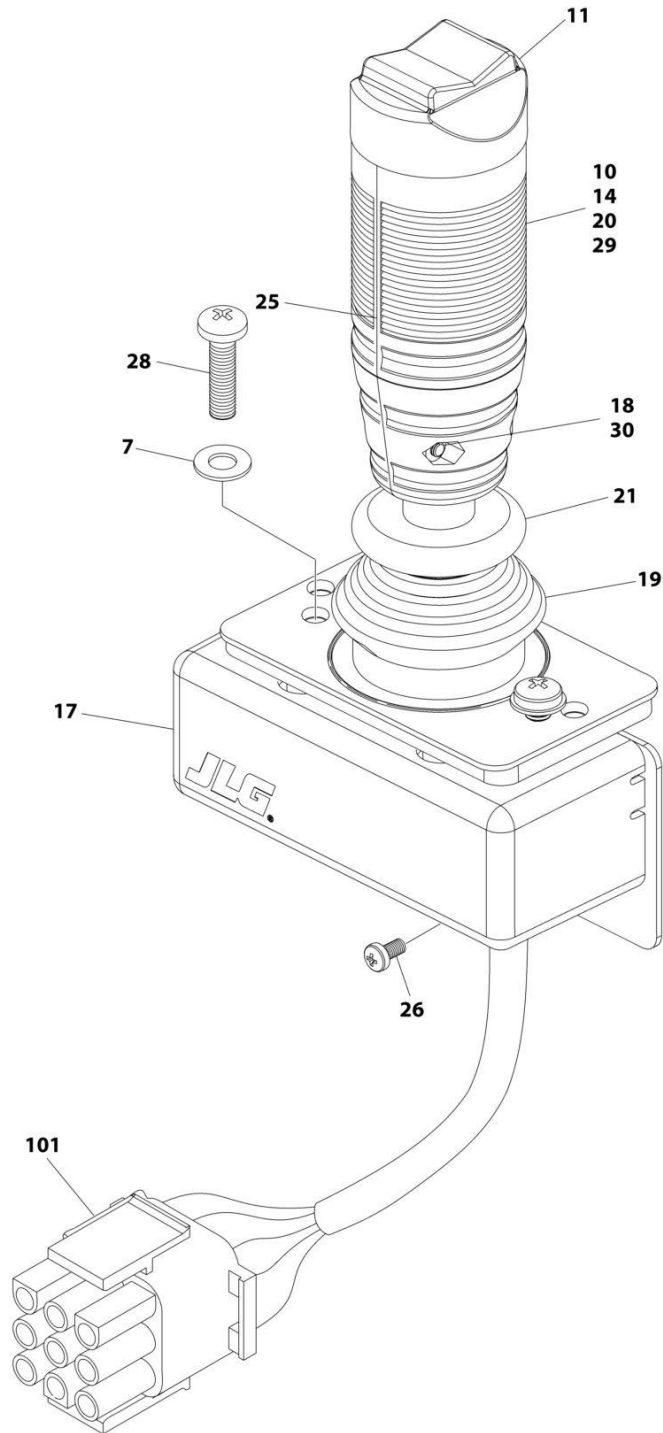
SECTION 5 - PLATFORM

FIGURE 5-10. LIGHT PANEL INSTALLATION - PLATFORM CONSOLE

| ITEM | PART NUMBER | QTY | DESCRIPTION | REV |
|------|-------------|-----|---|-----|
| | 1001241398 | Ref | LIGHT PANEL INSTALLATION - PLATFORM CONSOLE | D |
| 1 | 0100035 | AR | Compound, Locking | |
| 3 | 0630518 | 2 | Screw #10 x 3/4 | |
| 4 | 1001284583 | 1 | Light Panel Assembly | A |
| 4A | 1001282106 | 1 | Panel, LED Light | |
| 4B | 1001284582 | 1 | Lens, Icon (Includes Gasket) | |
| 4C | | Ref | Screw | |

SECTION 5 - PLATFORM

FIGURE 5-11. CONTROLLER ASSEMBLY - DRIVE AND STEER



ART_1001166538

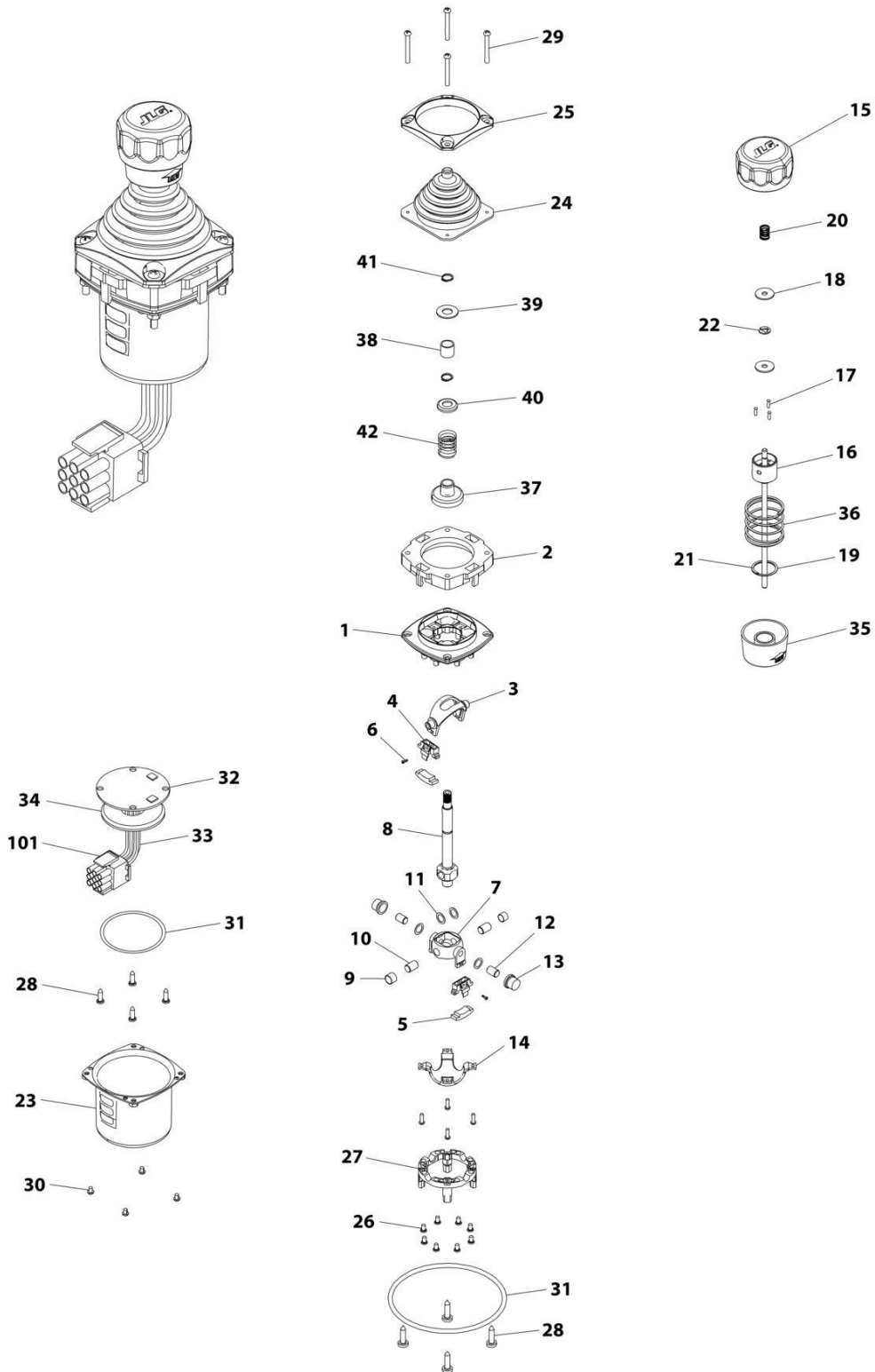
SECTION 5 - PLATFORM

FIGURE 5-11. CONTROLLER ASSEMBLY - DRIVE AND STEER

| ITEM | PART NUMBER | QTY | DESCRIPTION | REV |
|------|-------------|-----|--|-----|
| | 1001166538 | Ref | CONTROLLER ASSEMBLY - DRIVE AND STEER | G |
| | | Ref | Note: For Replacement, Use p/n 1001212415. | |
| 7 | 70004738 | 2 | Washer | |
| 10 | 70004739 | 1 | Roller | |
| 11 | 70004740 | 1 | Boot, Switch | |
| 14 | 70004741 | 2 | Half, Handle | |
| 17 | 70004742 | 1 | Enclosure | |
| 18 | 70004743 | 4 | Nut | |
| 19 | 70004744 | NLA | Boot, Controller (Use p/n 70005230 Boot/Base Assembly) | |
| 20 | 70004745 | NLA | Tube, Locking (Use p/n 70005230 Boot/Base Assembly) | |
| 21 | 70004746 | NLA | Disc, Locking (Use p/n 70005230 Boot/Base Assembly) | |
| 25 | 70004747 | 2 | Seal, Rope | |
| 26 | 70004748 | 1 | Screw M3 x 6 | |
| 28 | 70004749 | 2 | Screw M5 x 20 | |
| 29 | 70004750 | 1 | Pin, Dowel | |
| 30 | 70004751 | 4 | Screw M3 x 16 | |
| 101 | 4460265 | 1 | Connector - 9 Position | |
| 101 | 4460226 | 7 | Socket, Female | |

SECTION 5 - PLATFORM

FIGURE 5-12. CONTROLLER ASSEMBLY - LIFT AND SWING



ART_1001166539

SECTION 5 - PLATFORM

FIGURE 5-12. CONTROLLER ASSEMBLY - LIFT AND SWING

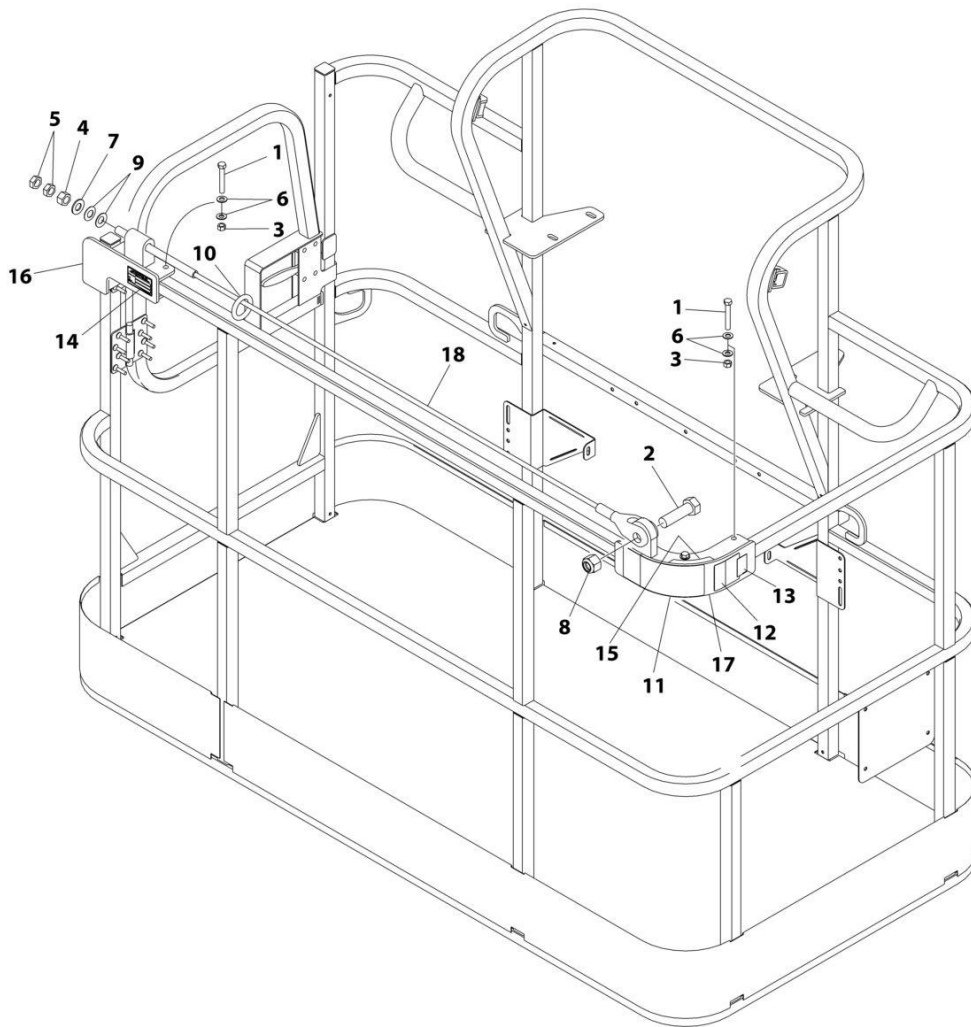
| ITEM | PART NUMBER | QTY | DESCRIPTION | REV |
|------|-------------|-----|---|-----|
| | 1001166539 | Ref | CONTROLLER ASSEMBLY | E |
| | | Ref | Note: Original Equipment Controller May Have Been Replaced with Service Replacement Controller. Visually Identify Controller Before Ordering Parts. | |
| | | Ref | Note: For Replacement, Use p/n 1001129555 | |
| 1 | See Note | NSS | Main Cast Body (Note: Not Available - Purchase Complete Assembly) | |
| 2 | 70004752 | 1 | Adapter | |
| 3 | See Note | NSS | Pivot Arm, Plastic (Note: Not Available - Purchase Complete Assembly) | |
| 4 | See Note | NSS | Holder, Magnet (Note: Not Available - Purchase Complete Assembly) | |
| 5 | See Note | NSS | Arc, Magnet (Note: Not Available - Purchase Complete Assembly) | |
| 6 | See Note | NSS | Screw (Note: Not Available for Purchase) | |
| 7 | See Note | NSS | Pivot Arm, Cast (Note: Not Available - Purchase Complete Assembly) | |
| 8 | See Note | NSS | Shaft, Main (Note: Not Available - Purchase Complete Assembly) | |
| 9 | See Note | NSS | Bearing (Note: Not Available - Purchase Complete Assembly) | |
| 10 | See Note | NSS | Pin (Note: Not Available - Purchase Complete Assembly) | |
| 11 | See Note | NSS | Shim (Note: Not Available - Purchase Complete Assembly) | |
| 12 | See Note | NSS | Pin (Note: Not Available - Purchase Complete Assembly) | |
| 13 | See Note | NSS | Bearing (Note: Not Available - Purchase Complete Assembly) | |
| 14 | See Note | NSS | Dome, Centering (Note: Not Available - Purchase Complete Assembly) | |
| 15 | 70004753 | 1 | Cap | |
| 16 | 70004754 | 1 | Insert, Cap | |
| 17 | 70004755 | 3 | Pin | |
| 18 | 70004756 | 2 | Washer | |
| 19 | 70004757 | 1 | Pin, Centering | |
| 20 | 70004758 | 1 | Spring | |
| 21 | 70004759 | 1 | Ring, Retaining | |
| 22 | 70004760 | 1 | E-Ring | |
| 23 | 70004761 | 1 | Can, Enclosure | |
| 24 | 70004762 | 1 | Boot | |
| 25 | 70004763 | 1 | Bezel | |
| 26 | See Note | NSS | Screw (Note: Not Available for Purchase) | |
| 27 | See Note | NSS | Base Mounting (Note: Not Available - Purchase Complete Assembly) | |
| 28 | See Note | NSS | Screw (Note: Not Available for Purchase) | |
| 29 | 70004764 | 4 | Screw | |
| 30 | 70004765 | 4 | Screw | |
| 31 | 70004766 | 1 | O-Ring | |
| 32 | See Note | NSS | Plate (Note: Not Available - Purchase Complete Assembly) | |
| 33 | See Note | NSS | Harness (Note: Not Available - Purchase Complete Assembly) | |
| 34 | 70004767 | 1 | Grommet, Rubber | |
| 35 | 70004768 | 1 | Housing | |
| 36 | 70004769 | 1 | Spring | |
| 37 | 70004770 | 1 | Stopper | |
| 38 | 70004771 | 1 | Spacer | |
| 39 | 70004772 | 1 | Washer | |
| 40 | 70004773 | 1 | Disc | |

SECTION 5 - PLATFORM

| ITEM | PART NUMBER | QTY | DESCRIPTION | REV |
|------|-------------|-----|------------------------|-----|
| 41 | 70004774 | 2 | Ring, Retaining | |
| 42 | 70004775 | 1 | Spring | |
| 101 | 4460265 | 1 | Connector - 9 Position | |
| 101 | 4460226 | 6 | Socket, Female | |

SECTION 5 - PLATFORM

FIGURE 5-13. FALL ARREST INSTALLATION (BOLT-ON) (5FT/1.52M PLATFORM)



ART_1001257275

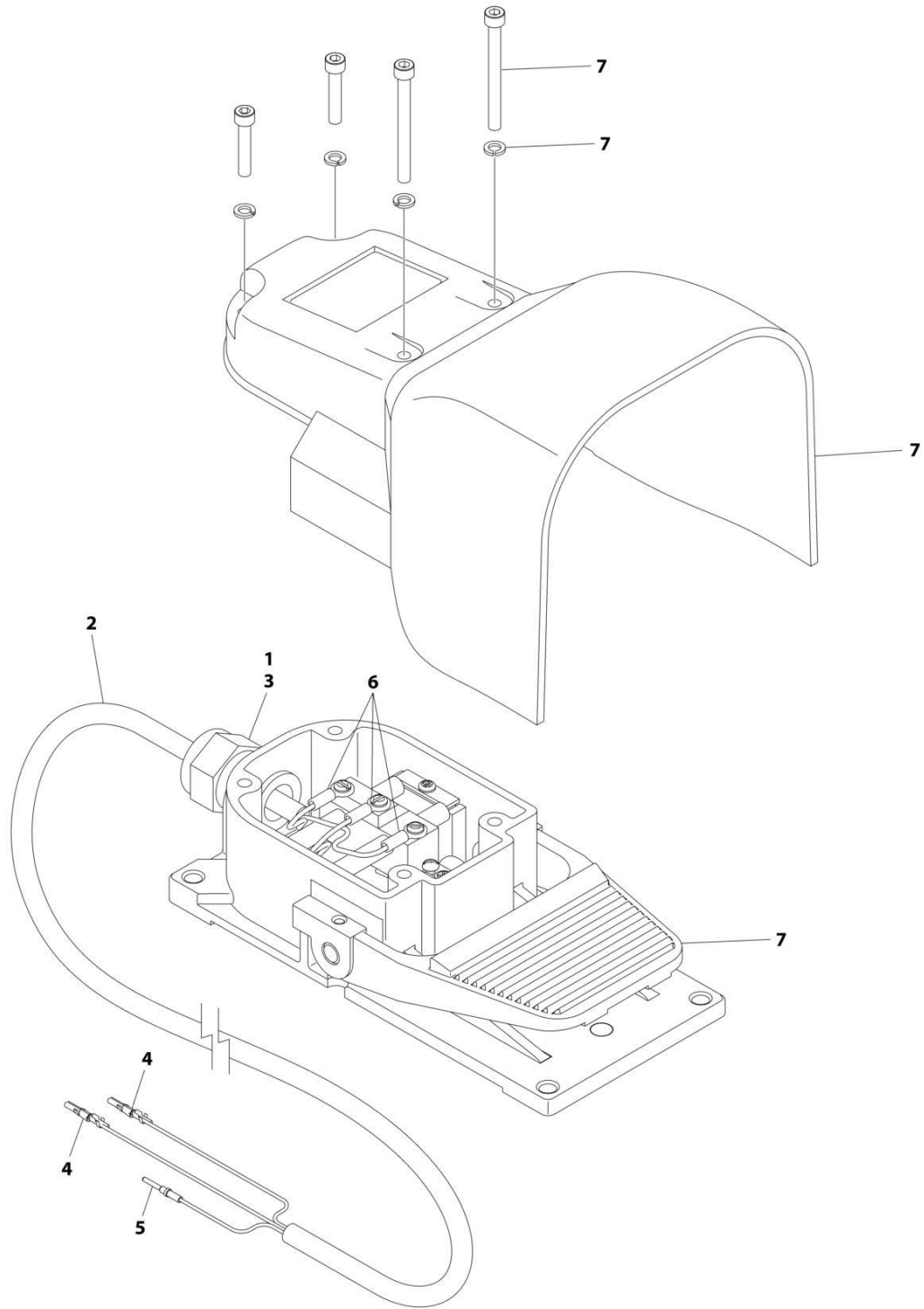
SECTION 5 - PLATFORM

FIGURE 5-13. FALL ARREST INSTALLATION (BOLT-ON) (5FT/1.52M PLATFORM)

| ITEM | PART NUMBER | QTY | DESCRIPTION | REV |
|------|-------------|-----|--|-----|
| | 1001257275 | Ref | FALL ARREST INSTALLATION (BOLT - ON) 6FT/1.82M PLATFORM | A |
| 1 | 0681620 | 6 | Bolt 3/8 x 2-1/2 | |
| 2 | 0682424 | 1 | Bolt 7/8 x 3 | |
| 3 | 3271605 | 6 | Nut 3/8 | |
| 4 | 3272001 | 1 | Nut 5/8 | |
| 5 | 3312002 | 2 | Nut 5/8 | |
| 6 | 4711600 | 12 | Washer 3/8 | |
| 7 | 4712000 | 1 | Washer 5/8 | |
| 8 | 88521214 | 1 | Nut 7/8 | |
| 9 | 1001236891 | 2 | Washer | |
| 10 | 1001236895 | 1 | Ring | |
| 11 | 1001238263 | 1 | Decal - Warning Falling Hazard | |
| 12 | 1001248140 | 1 | Decal - Bolt Fall Arrest Re-Cert | |
| 13 | 1001248141 | 1 | Decal - Incription | |
| 14 | See Note | NSS | Nameplate - Manufacturers Serial Number (Note: Not Available for Purchase) | |
| 15 | 1001252629 | 1 | Decal - Weight | |
| 16 | 1001257271 | 1 | Bracket (RH) | |
| 17 | 1001257274 | 1 | Bracket (LH) | |
| 18 | 1001258005 | 1 | Rope | |

SECTION 5 - PLATFORM

FIGURE 5-14. FOOTSWITCH ASSEMBLY



ART_1001117174

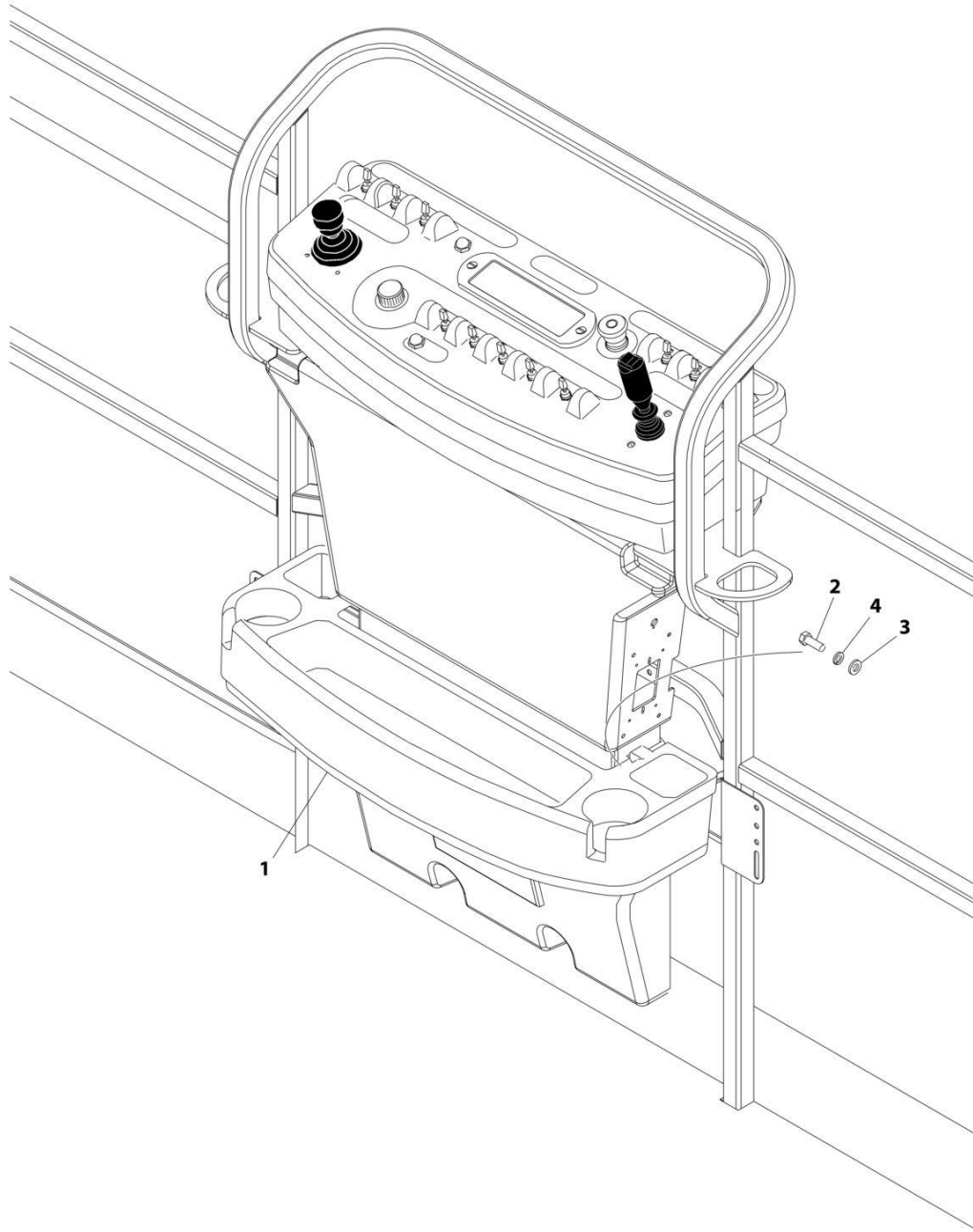
SECTION 5 - PLATFORM

FIGURE 5-14. FOOTSWITCH ASSEMBLY

| ITEM | PART NUMBER | QTY | DESCRIPTION | REV |
|------|-------------|-----------------|--------------------------|-----|
| | 1001117174 | Ref | FOOTSWITCH ASSEMBLY | C |
| 1 | 0100020 | AR | Sealant | |
| 2 | 1060918 | 7.5 ft/ 2.3m | Cable, Electrical - 18/3 | |
| 3 | 4460071 | 1 | Connector, Strain Relief | |
| 4 | 4460226 | 2 | Socket, Female | |
| 5 | 4460464 | 1 | Pin, Male | |
| 6 | 1001098122 | 3 | Terminal | |
| 7 | 1001117172 | 1 | Footswitch | |
| 7 | 70002902 | 1 | Switch, 20Amp | |
| 7 | 70002903 | 1 | Gasket | |
| 7 | 70002905 | 1 | Cover | |
| 7 | 70002904 | 1 | Kit, Replacement Bolt | |

SECTION 5 - PLATFORM

FIGURE 5-15. TRAY ASSEMBLY



ART_1580012

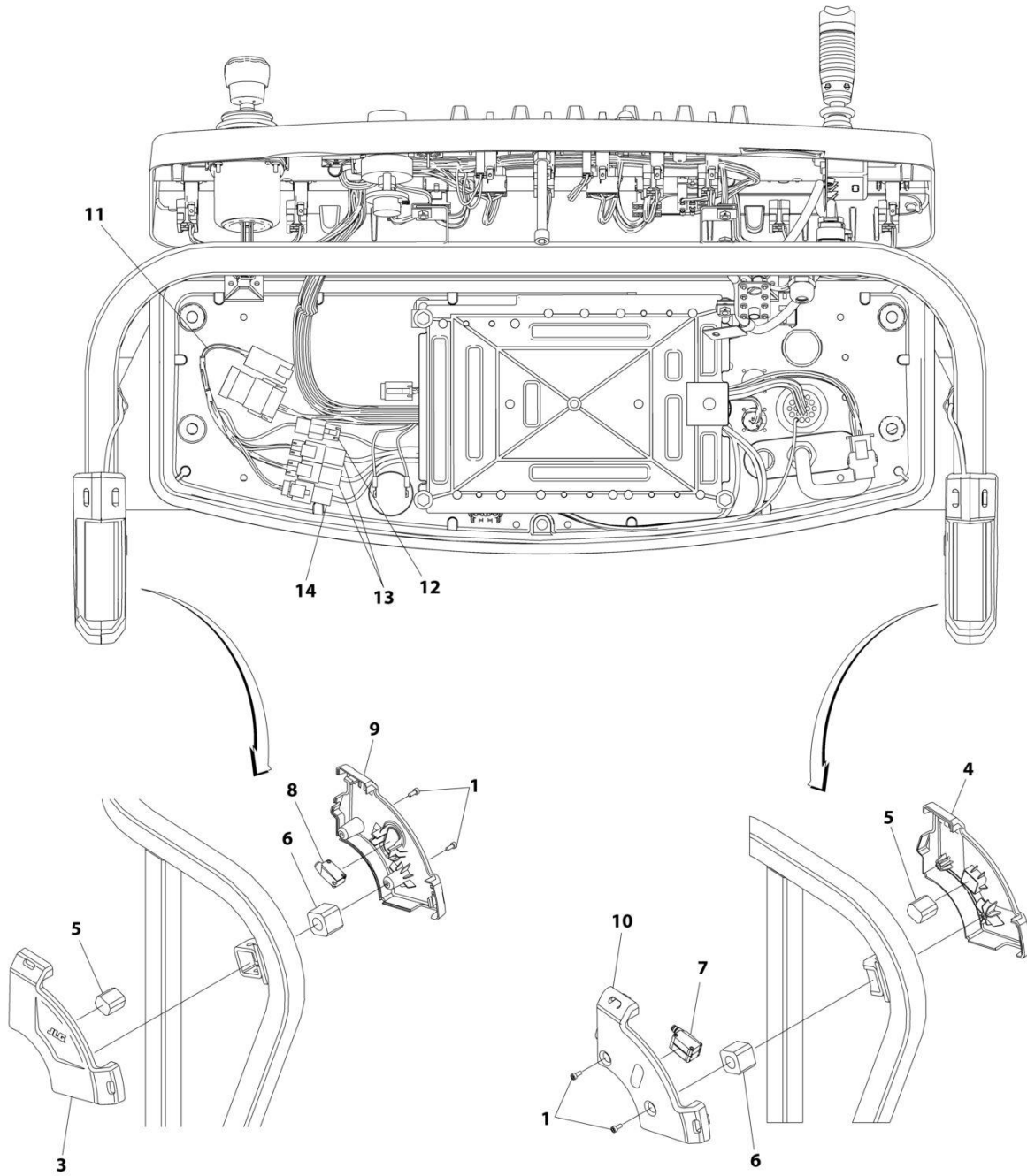
SECTION 5 - PLATFORM

FIGURE 5-15. TRAY ASSEMBLY

| ITEM | PART NUMBER | QTY | DESCRIPTION | REV |
|------|-------------|-----|---|-----|
| | 1580012 | Ref | TRAY ASSEMBLY | C |
| 1 | See Note | NSS | Tray, Storage (Center) (Note: Purchase p/n 1580012) | |
| 2 | 0641406 | 2 | Bolt 1/4 x 3/4 | |
| 3 | 4751400 | 2 | Washer 1/4 | |
| 4 | 4761400 | 2 | Washer 1/4 | |

SECTION 5 - PLATFORM

FIGURE 5-16. SKYEYE INSTALLATION



ART_1001229341

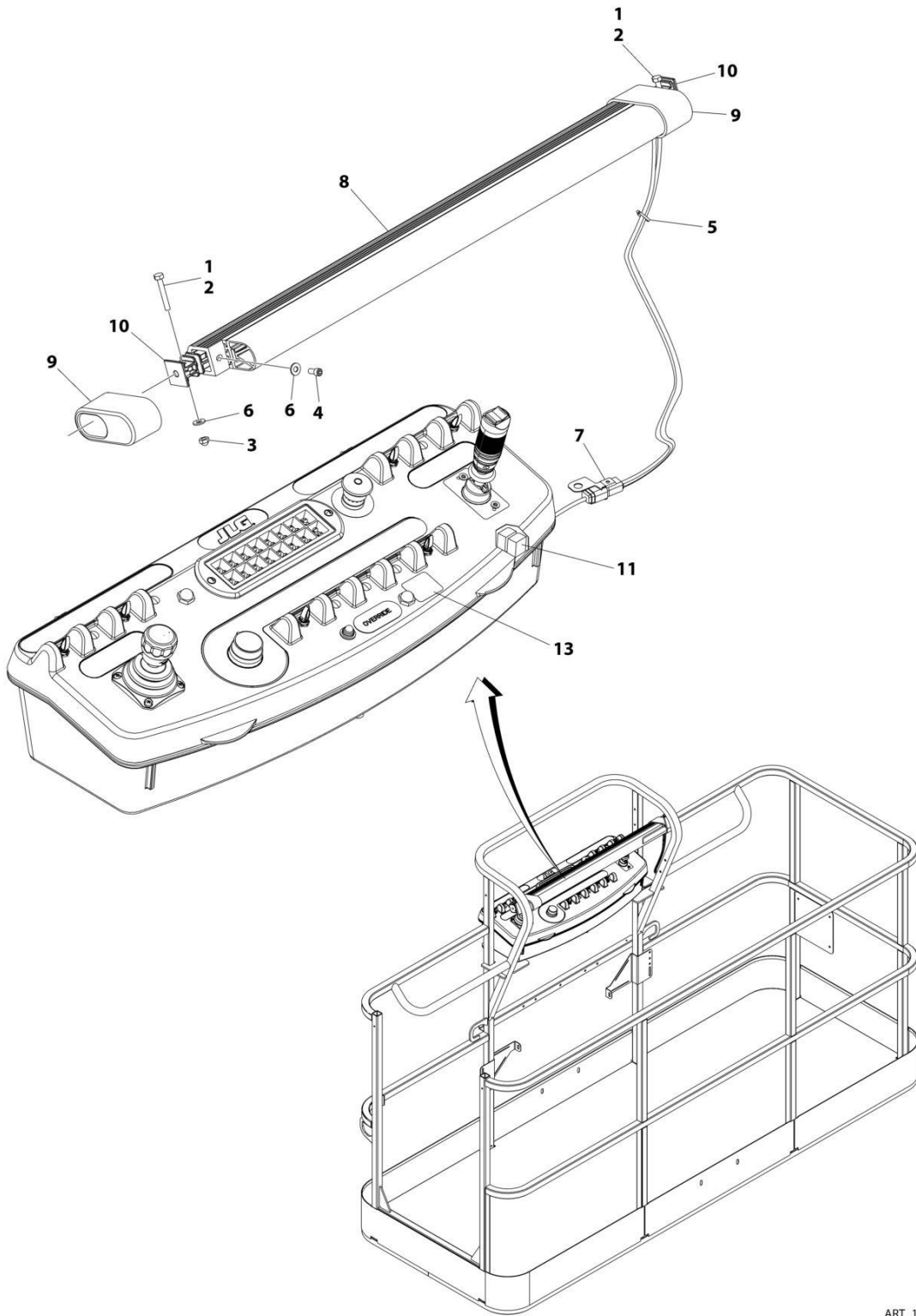
SECTION 5 - PLATFORM

FIGURE 5-16. SKYEYE INSTALLATION

| ITEM | PART NUMBER | QTY | DESCRIPTION | REV |
|------|-------------|-----|--|-----|
| | 1001229341 | Ref | SKYEYE INSTALLATION | B |
| 1 | 4031505 | 4 | Bolt M4 x 10 | |
| 2 | 4240033 | AR | Tie-Strap (Not Shown) | |
| 3 | 1001227633 | 1 | Housing, LH Outer | |
| 4 | 1001227634 | 1 | Housing, RH Outer | |
| 5 | 1001227985 | 2 | Shim | |
| 6 | 1001227987 | 2 | Shim | |
| 7 | 1001228224 | 2 | Sensor, Receiver | |
| 8 | 1001228225 | 1 | Sensor, Emitter | |
| 9 | 1001232164 | 1 | Housing, LH Inner | |
| 10 | 1001232165 | 1 | Housing, RH Inner | |
| 11 | 1001237865 | 1 | Harness, Skyeeye Intermediate (See Separate Breakdown in ELECTRICAL Section) | |
| 12 | 1001238319 | NLA | Harness, Skyeeye Drain Jumper | |
| 12 | 1001187674 | 1 | Plug, Male - 2 Position | |
| 12 | 4460942 | 1 | Terminal | |
| 12 | 4460466 | 1 | Plug, Terminal | |
| 12 | 4460508 | 1 | Pin, Male | |
| 13 | 1001237863 | 2 | Harness, Skyeeye Receiver (See Separate Breakdown in ELECTRICAL Section) | |
| 14 | 1001237864 | 1 | Harness, Skyeeye Emitter (See Separate Breakdown in ELECTRICAL Section) | |

SECTION 5 - PLATFORM

FIGURE 5-17. SKYGUARD BAR INSTALLATION



ART_1001238495

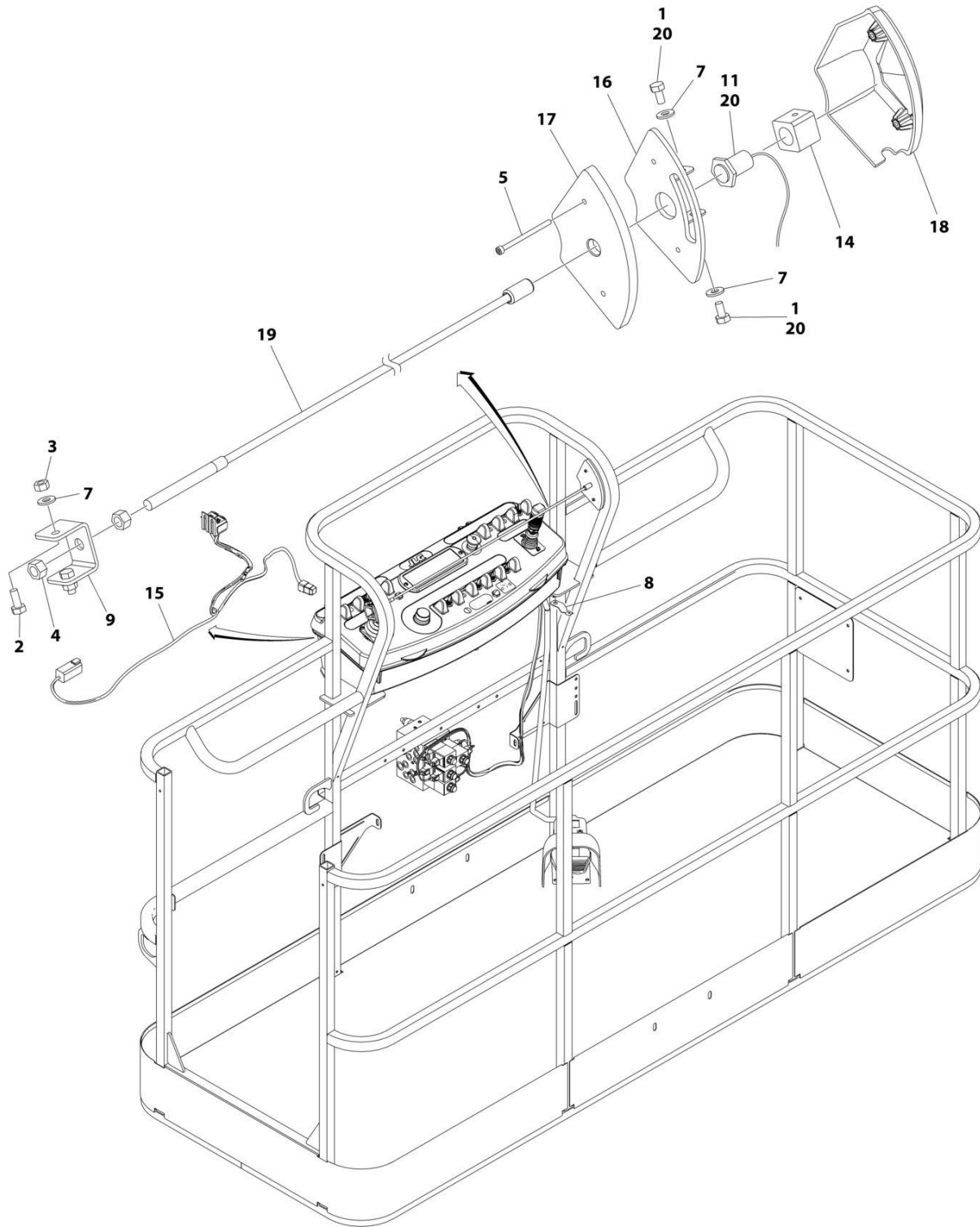
SECTION 5 - PLATFORM

FIGURE 5-17. SKYGUARD BAR INSTALLATION

| ITEM | PART NUMBER | QTY | DESCRIPTION | REV |
|------|-------------|-----|--|-----|
| | 1001238495 | Ref | SKYGUARD BAR INSTALLATION | A |
| 1 | 0100011 | AR | Compound, Locking | |
| 2 | 0641414 | 2 | Bolt 1/4 x 1-3/4 | |
| 3 | 3300430 | 2 | Nut 1/4 | |
| 4 | 3931408 | 2 | Capscrew 1/4 x 1/2 | |
| 5 | 4240033 | 8 | Tie-Strap | |
| 6 | 4711400 | 6 | Washer 1/4 | |
| 7 | 1001120328 | 1 | Mount | |
| 8 | 1001137673 | 1 | SkyGuard Switch Assembly | |
| 9 | 1001186517 | 2 | Cover, Platform Sensor | |
| 10 | 1001209664 | 2 | Support, Block | |
| 11 | 1001186431 | 2 | Relay | |
| 12 | 1001225580 | 1 | Interface Harness Assembly (Not Shown - Located Inside Console Box) (See Separate Breakdown in ELECTRICAL Section) | |
| 13 | 1001144433 | 1 | Decal - No Weight SkyGuard | |

SECTION 5 - PLATFORM

FIGURE 5-18. SKYLINE INSTALLATION



ART_1001238559_D

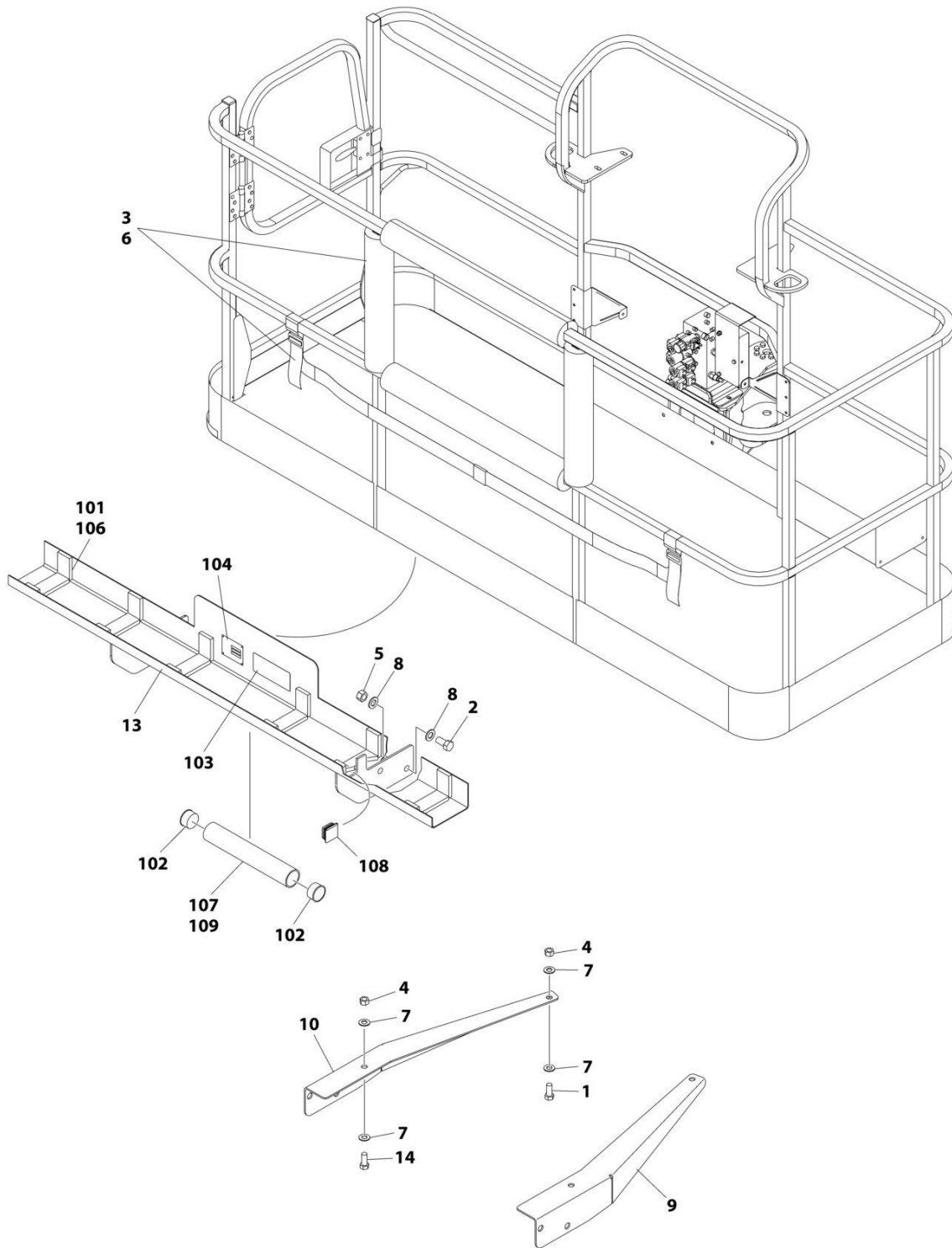
SECTION 5 - PLATFORM

FIGURE 5-18. SKYLINE INSTALLATION

| ITEM | PART NUMBER | QTY | DESCRIPTION | REV |
|------|-------------|-----|---|-----|
| | 1001238559 | Ref | SKYLINE INSTALLATION | D |
| 1 | 0641404 | 2 | Bolt 1/4 x 1/2 | |
| 2 | 0641405 | 2 | Bolt 1/4 x 5/8 | |
| 3 | 3311405 | 2 | Nut 1/4 | |
| 4 | 3311601 | 2 | Nut 3/8 | |
| 5 | 4031516 | 2 | Capscrew M4 x 60 | |
| 6 | 4240033 | AR | Tie-Strap (Not Shown) | |
| 7 | 4711400 | 4 | Washer 1/4 | |
| 8 | 1001120328 | 1 | Mount | |
| 9 | 1001232642 | 1 | Bracket | |
| 11 | 1001232667 | 1 | Sensor, Proximity | |
| 14 | 1001236552 | 1 | Block | |
| 15 | 1001238418 | 1 | Harness, Skyline (See Separate Breakdown in ELECTRICAL Section) | |
| 16 | 1001238472 | 1 | Mount | |
| 17 | 1001254473 | 1 | Housing, LH | |
| 18 | 1001241965 | 1 | Housing, RH | |
| 19 | 1001254472 | 1 | Rod | |
| 20 | 0100011 | AR | Compound, Locking | |

SECTION 5 - PLATFORM

FIGURE 5-19. SKYGLAZIER INSTALLATION (AUSTRALIAN SPECS)



ART_1001172578_C

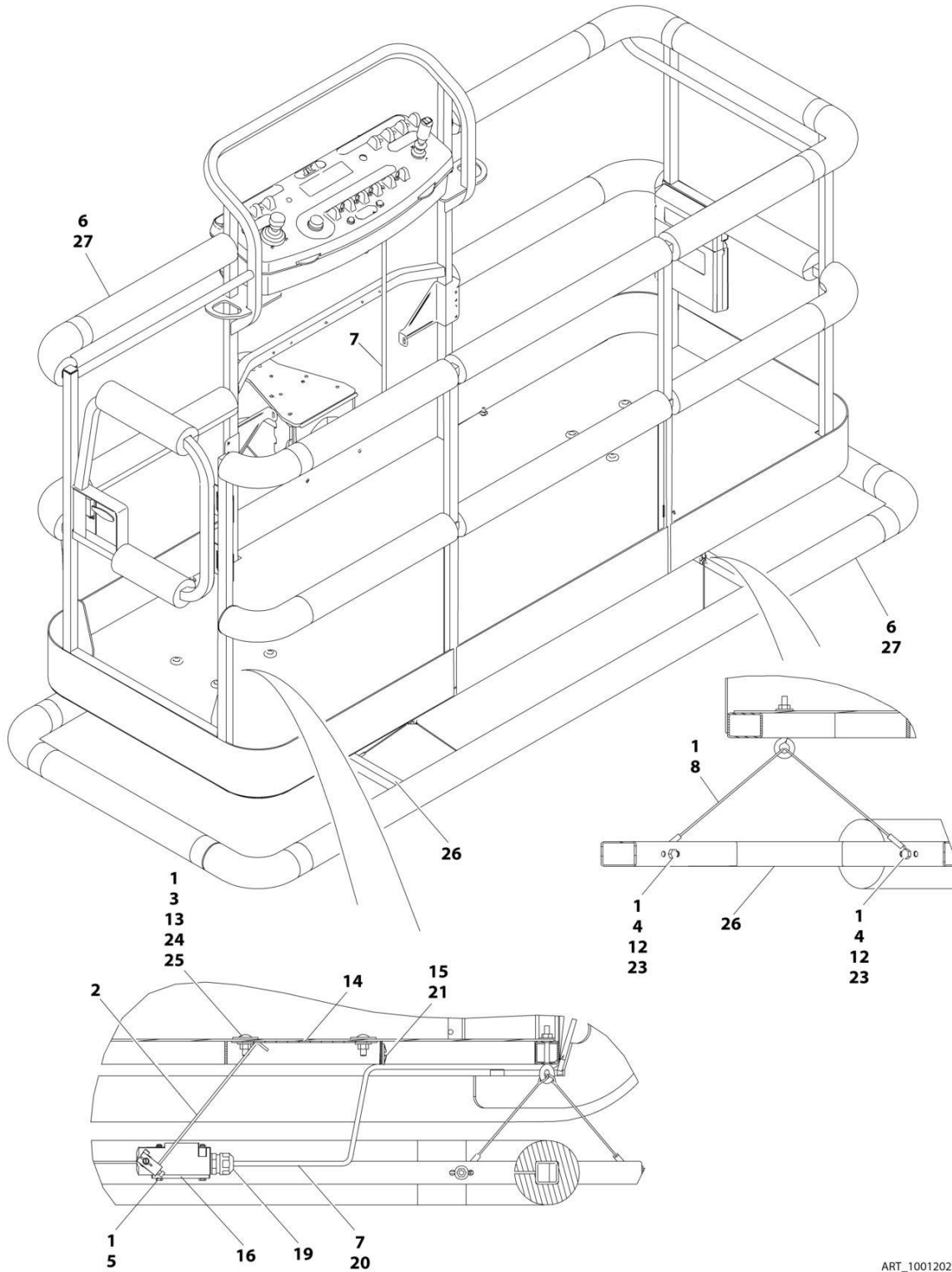
SECTION 5 - PLATFORM

FIGURE 5-19. SKYGLAZIER INSTALLATION (AUSTRALIAN SPECS)

| ITEM | PART NUMBER | QTY | DESCRIPTION | REV |
|------|-------------|-----|--|-----|
| | 1001172578 | Ref | SKYGLAZIER INSTALLATION | C |
| 1 | 0642012 | 2 | Bolt 5/8 x 1-1/2 | |
| 2 | 0642212 | 4 | Bolt 3/4 x 1-1/2 | |
| 3 | 2902212 | 1 | Bumpers and Strap Kit | |
| 3 | 0940102 | 1 | Bumper Only | |
| 3 | 4240149 | 1 | Strap Only | |
| 4 | 3312005 | 1 | Nut 5/8 | |
| 5 | 3312205 | 4 | Nut 3/4 | |
| 6 | 4420014 | AR | Tape | |
| 7 | 4712000 | 6 | Washer 5/8 | |
| 8 | 4712200 | 8 | Washer 3/4 | |
| 9 | 1001099366 | 1 | Support | |
| 10 | 1001099367 | 1 | Support | |
| 13 | 1001172577 | 1 | Tray Assembly (See Items 101-109 for Breakdown) | |
| 14 | 8310129 | 2 | Bolt 3/4 x 2-1/2 | |
| | 1001172577 | Ref | TRAY ASSEMBLY | C |
| 101 | 0100081 | AR | Adhesive | |
| 102 | 1120555 | 2 | Cap, Tube | |
| 103 | 1701509 | 1 | Decal - Manual | |
| 104 | See Note | NSS | Nameplate - Serial Number (Note: Not Available for Purchase) | |
| 106 | 3340956 | 1 | Pad Kit | |
| 107 | 3460334 | 1 | Tube | |
| 108 | 3520071 | 2 | Plug | |
| 109 | 4420066 | AR | Tape, Double Sided | |

SECTION 5 - PLATFORM

FIGURE 5-20. SOFT TOUCH INSTALLATION (WITHOUT FALL ARREST)



ART_1001202744_C

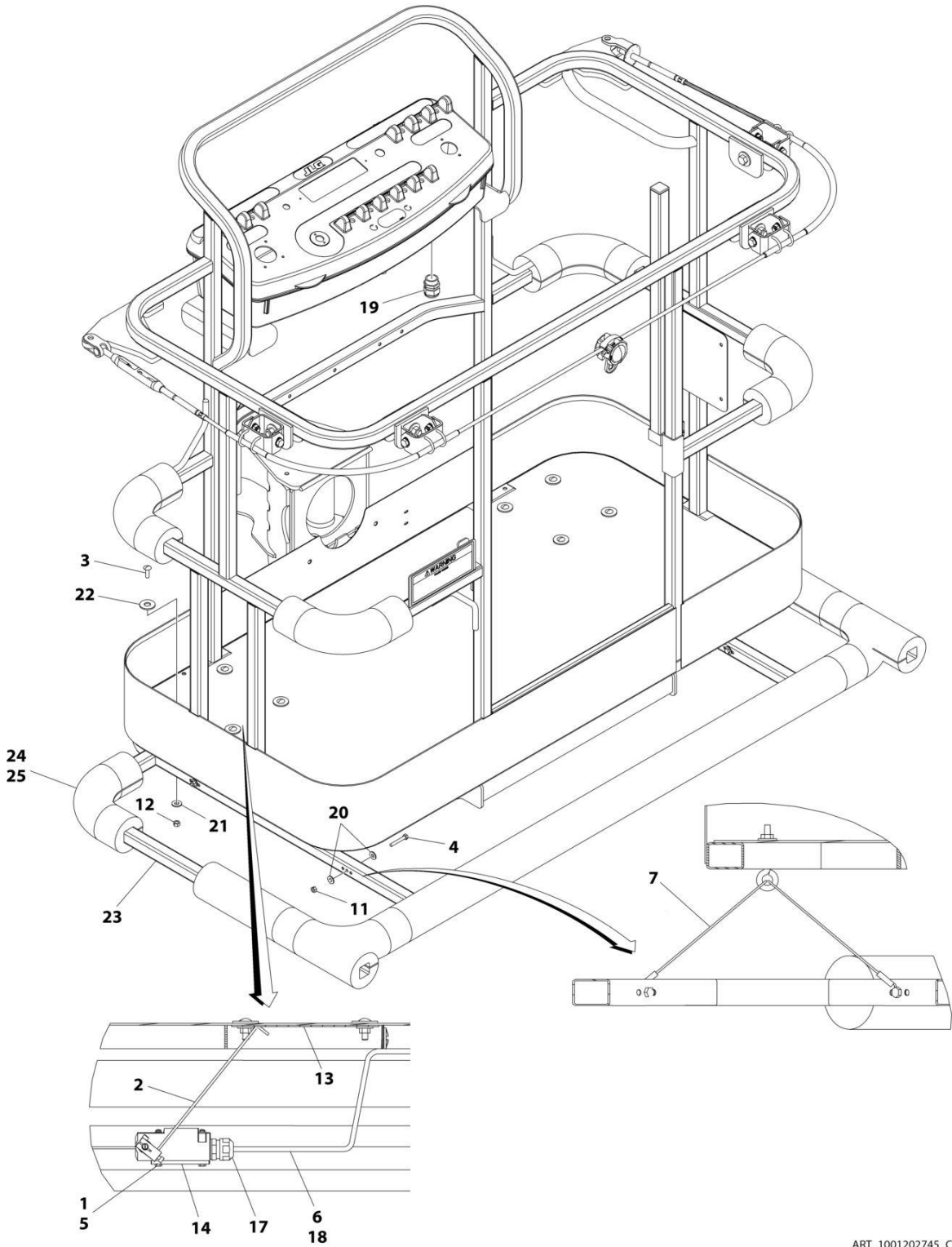
SECTION 5 - PLATFORM

FIGURE 5-20. SOFT TOUCH INSTALLATION (WITHOUT FALL ARREST)

| ITEM | PART NUMBER | QTY | DESCRIPTION | REV |
|------|-------------|-----------------|--|-----|
| | 1001202744 | Ref | SOFT TOUCH INSTALLATION - 6FT/1.8M PLATFORM | C |
| 1 | 0100011 | AR | Compound, Locking | |
| 2 | 0200048 | 2 | Arm, Switch | |
| 3 | 0630462 | 8 | Bolt, Carriage | |
| 4 | 0641414 | 8 | Bolt 1/4 x 1-3/4 | |
| 5 | 0721005 | 4 | Bolt #10 x 5/8 | |
| 6 | 0940167 | 1 | Bumper Kits (Includes Corners and Enough Straight Material for One Platform) | |
| 7 | 1060341 | 15 ft /4.57m | Cable, Electrical - 16/2 | |
| 8 | 1060903 | 4 | Wire Rope and Eyebolt Assembly | |
| 12 | 3311401 | 8 | Nut 1/4 | |
| 13 | 3311501 | 8 | Nut 5/16 | |
| 14 | 3575705 | 2 | Plate, Switch Strike | |
| 15 | 4240099 | AR | Tie-Strap | |
| 16 | 4360057 | 2 | Switch, Limit | |
| 19 | 4460049 | 2 | Connector, Strain Relief | |
| 20 | 4460226 | 4 | Socket, Female | |
| 21 | 4460234 | 2 | Tie-Strap Mount | |
| 22 | 4460425 | 1 | Connector, Strain Relief (Not Shown - Located on bottom of console box) | |
| 23 | 4751400 | 16 | Washer 1/4 | |
| 24 | 4751500 | 8 | Washer 5/16 | |
| 25 | 4751800 | 8 | Washer 1/2 | |
| 26 | 4846370 | 1 | Rail, Soft Touch | |
| 27 | 1001197017 | AR | Tie-Strap | |

SECTION 5 - PLATFORM

FIGURE 5-21. SOFT TOUCH INSTALLATION (WITH FALL ARREST)



ART_1001202745_C

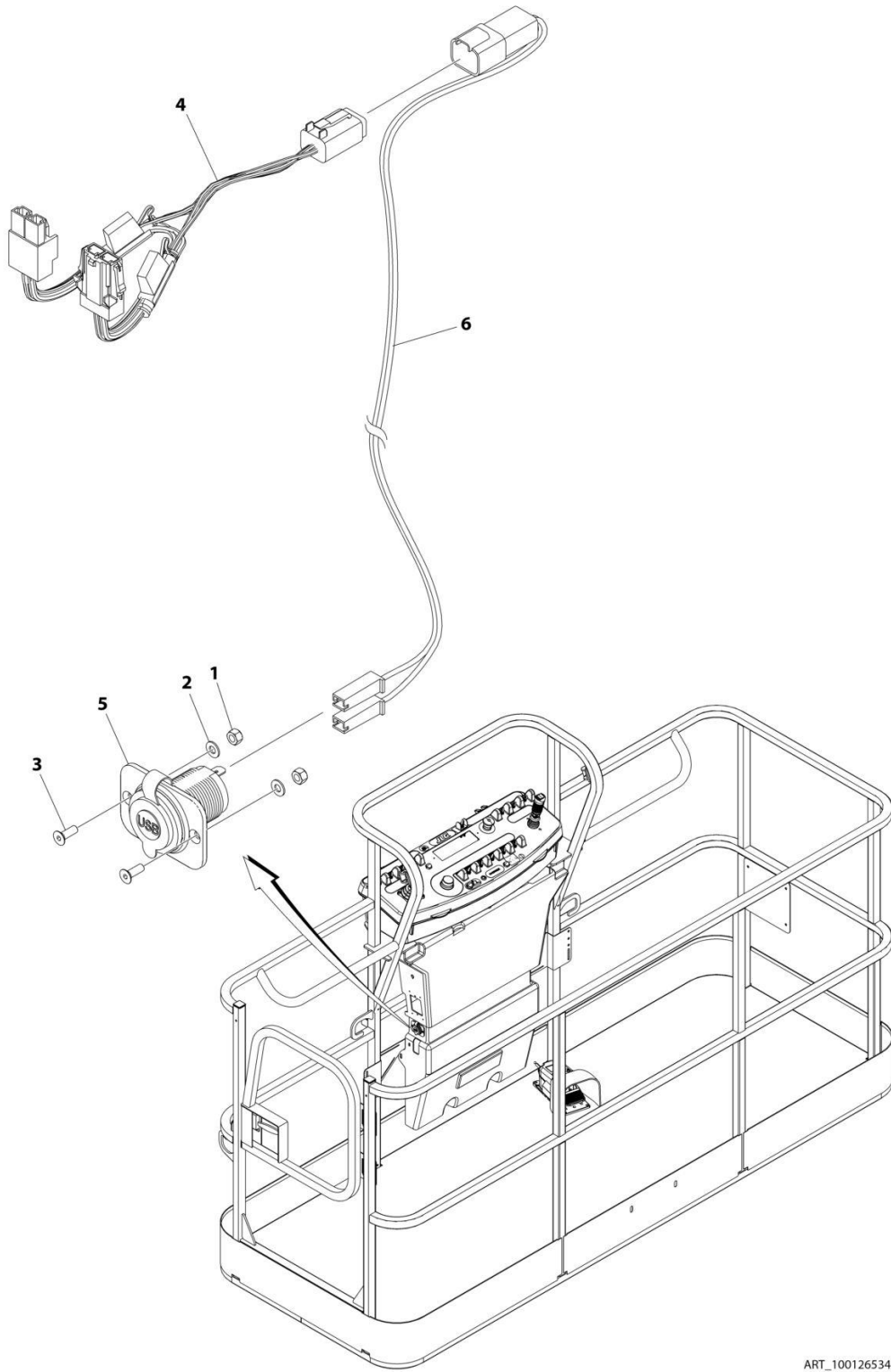
SECTION 5 - PLATFORM

FIGURE 5-21. SOFT TOUCH INSTALLATION (WITH FALL ARREST)

| ITEM | PART NUMBER | QTY | DESCRIPTION | REV |
|------|-------------|-----------------|--|-----|
| | 1001202745 | Ref | SOFT TOUCH INSTALLATION - 5FT/1.52M PLATFORM WITH FALL ARREST | C |
| 1 | 0100011 | AR | Compound, Locking | |
| 2 | 0200048 | 2 | Arm, Switch | |
| 3 | 0630462 | 8 | Bolt, Carriage | |
| 4 | 0641414 | 8 | Bolt 1/4 x 1-3/4 | |
| 5 | 0721005 | 4 | Bolt #10 x 5/8 | |
| 6 | 1060341 | 15 ft /4.57m | Cable, Electrical - 16/2 | |
| 7 | 1060903 | 4 | Wire Rope and Eyebolt Assembly | |
| 11 | 3311405 | 8 | Nut 1/4 | |
| 12 | 3311501 | 8 | Nut 5/16 | |
| 13 | 3575705 | 2 | Plate, Switch Strike | |
| 14 | 4360057 | 2 | Switch, Limit | |
| 17 | 4460049 | 2 | Connector, Strain Relief | |
| 18 | 4460226 | 4 | Socket, Female | |
| 19 | 4460425 | 1 | Connector, Strain Relief | |
| 20 | 4751400 | 16 | Washer 1/4 | |
| 21 | 4751500 | 8 | Washer 5/16 | |
| 22 | 4751800 | 8 | Washer 1/2 | |
| 23 | 1001115641 | 1 | Rail, Soft Touch | |
| 24 | 1001115848 | 1 | Bumper Kits (Includes Corners and Enough Straight Material for One Platform) | |
| 25 | 1001197017 | AR | Tie-Strap | |

SECTION 5 - PLATFORM

FIGURE 5-22. USB CHARGER INSTALLATION



ART_1001265342

SECTION 5 - PLATFORM

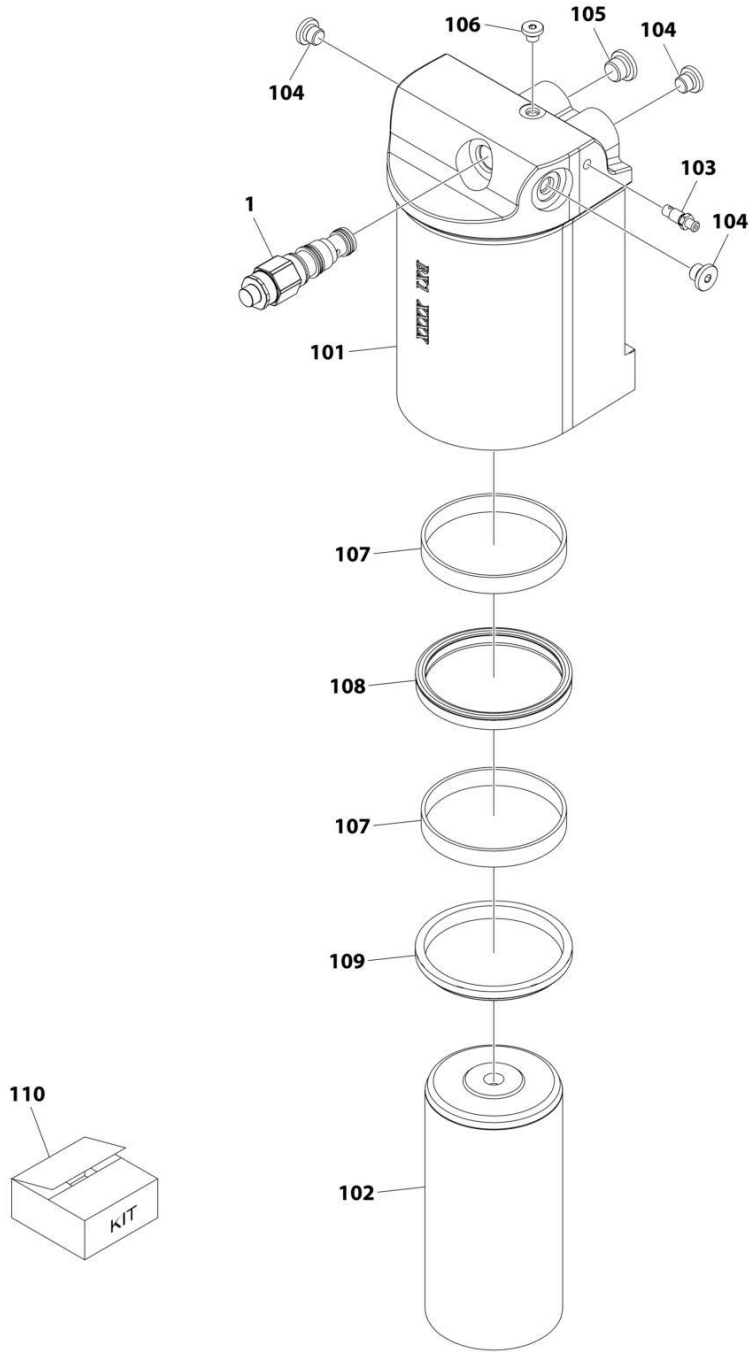
FIGURE 5-22. USB CHARGER INSTALLATION

| ITEM | PART NUMBER | QTY | DESCRIPTION | REV |
|------|-------------|-----|----------------------------------|-----|
| | 1001265342 | Ref | USB CHARGER INSTALLATION | A |
| 1 | 3290405 | 2 | Nut M4 | |
| 2 | 4811400 | 2 | Washer M4 | |
| 3 | 1001097244 | 2 | Screw M4 x 12 | |
| 4 | 1001120484 | 1 | Harness, Work Lights | |
| 4 | 4460879 | 1 | Plug, Male - 2 Position | |
| 4 | 4460887 | 2 | Terminal | |
| 4 | 2400060 | 2 | Fuseholder Includes Cover | |
| 4 | 8229249 | 2 | Fuse, 3 Amp | |
| 4 | 4460884 | 1 | Connector - 4 Position | |
| 4 | 4460465 | 4 | Socket, Female | |
| 4 | 1001120471 | 1 | Connector - 2 Position | |
| 4 | 1001120477 | 2 | Terminal | |
| 5 | 1001210636 | 1 | Receptacle, USB | |
| 6 | 1001265163 | 1 | Harness, USB | A |
| 6 | 4460260 | 2 | Cover, Terminal | |
| 6 | 4460259 | 2 | Terminal | |
| 6 | 4460932 | 1 | Receptacle, Bussbar - 4 Position | |
| 6 | 4460464 | 2 | Pin, Male | |
| 6 | 4460466 | 2 | Plug, Terminal | |

SECTION 6 - CYLINDER

SECTION 6 - CYLINDER

FIGURE 6-1. AXLE LOCKOUT CYLINDER ASSEMBLY



ART_1001256179

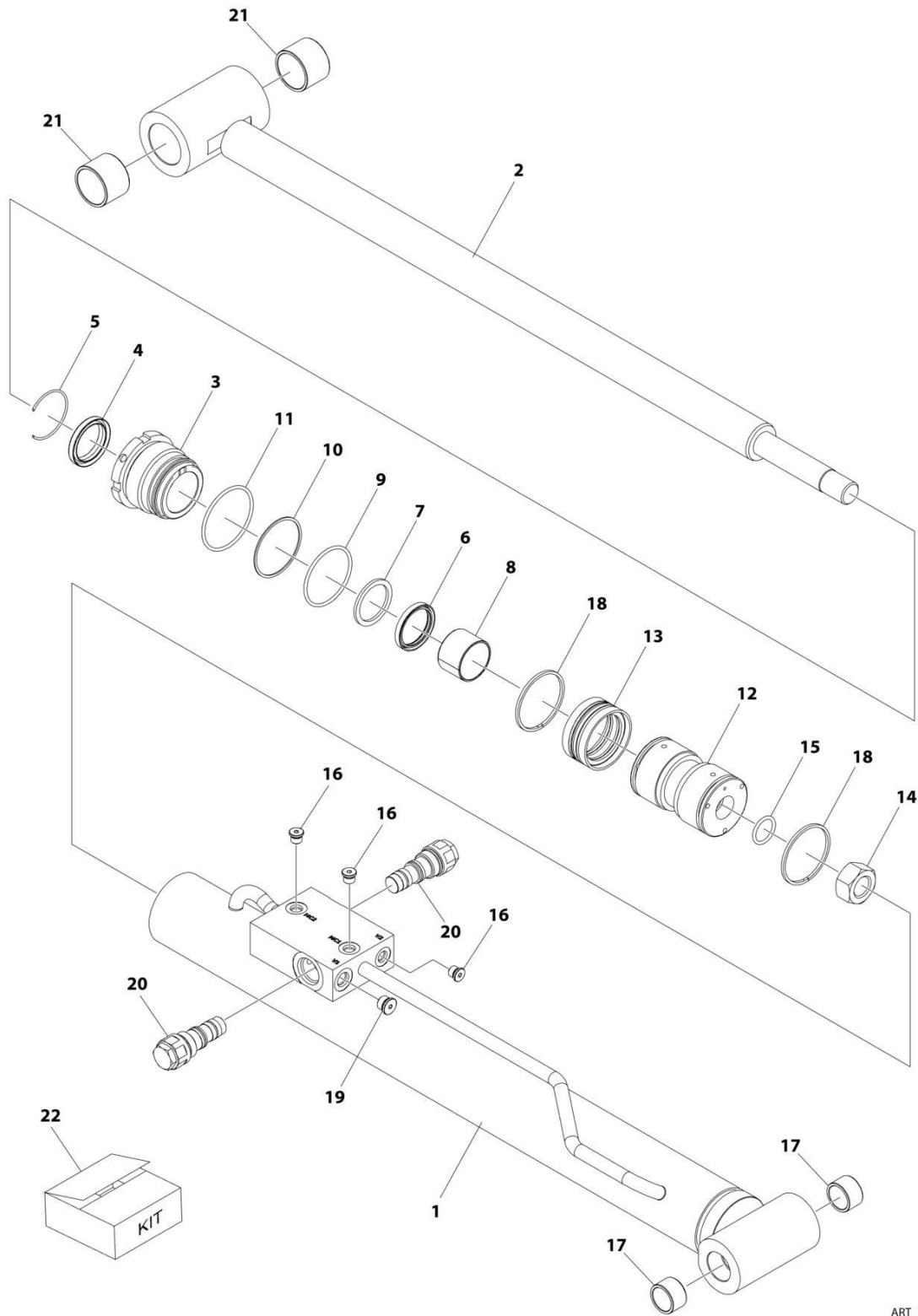
SECTION 6 - CYLINDER

FIGURE 6-1. AXLE LOCKOUT CYLINDER ASSEMBLY

| ITEM | PART NUMBER | QTY | DESCRIPTION | REV |
|------|-------------|-----|---|-----|
| | 1001256179 | Ref | MASTER CYLINDER ASSEMBLY | A |
| | | Ref | Note: Original Cylinder May Have Been Replaced with Service Replacement. Identify PN Stamped on Cylinder Before Ordering Parts. | |
| 1 | 1001117372 | 1 | Cartridge, Valve | |
| 1 | 70002842 | 1 | Seal Kit - 1001117372 | |
| 101 | See Note | NSS | Tube (Note: Not Available for Purchase) | |
| 102 | 70008244 | 1 | Rod | |
| 103 | 70008246 | 1 | Plug, Bleeder | |
| 104 | 2220883 | 3 | Plug 7/16 | |
| 105 | 2220885 | 1 | Plug 9/16 | |
| 106 | 2220881 | 1 | Plug 5/16 | |
| 107 | See Note | NSS | Ring, Wear (Note: Use Item 110) | |
| 108 | See Note | NSS | Seal, Rod (Note: Use Item 110) | |
| 109 | See Note | NSS | Wiper, Rod (Note: Use Item 110) | |
| 110 | 70008247 | 1 | Seal Kit (Includes Items 107-109) | |

SECTION 6 - CYLINDER

FIGURE 6-2. JIB CYLINDER ASSEMBLY



ART_1001255969

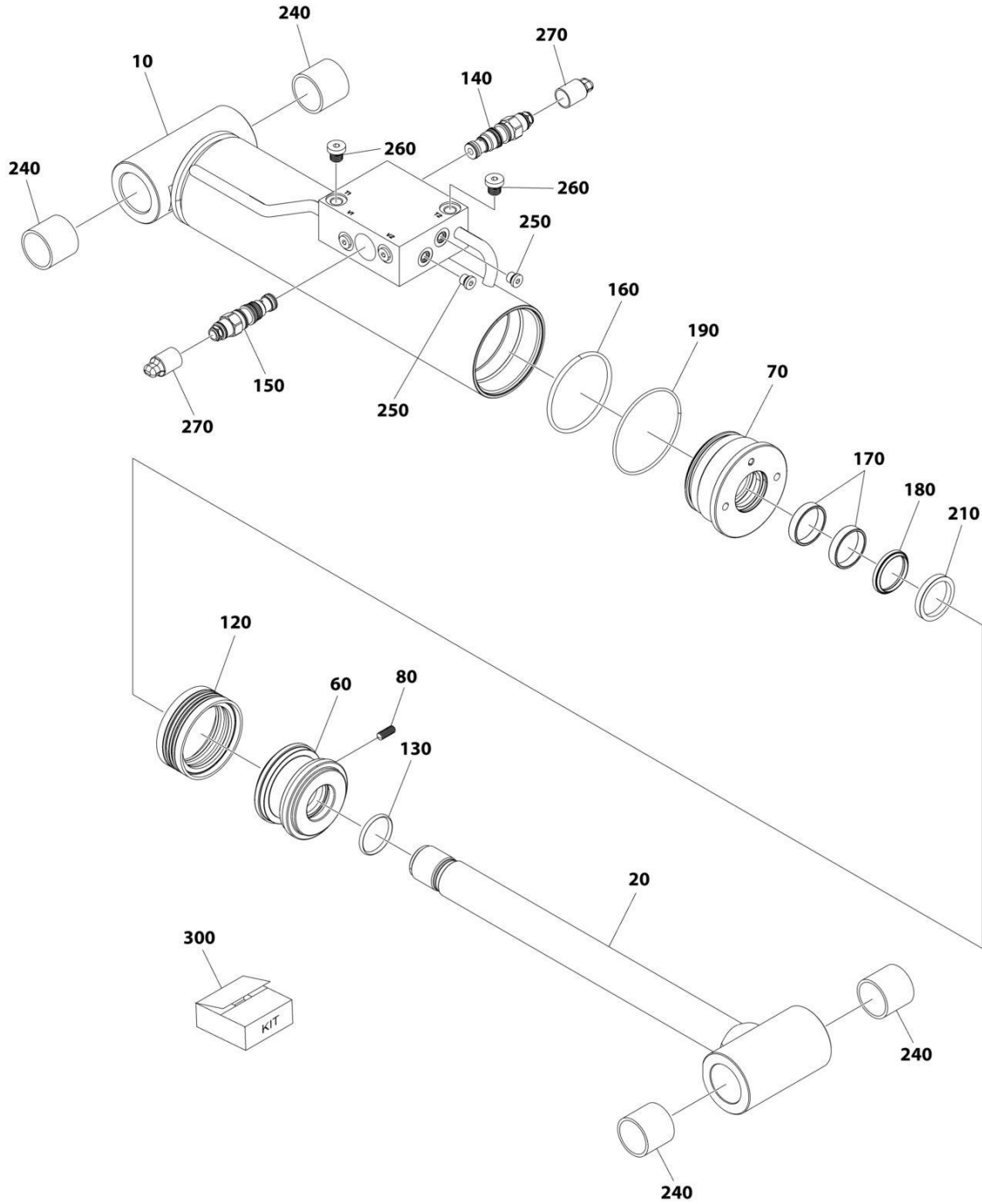
SECTION 6 - CYLINDER

FIGURE 6-2. JIB CYLINDER ASSEMBLY

| ITEM | PART NUMBER | QTY | DESCRIPTION | REV |
|------|-------------|-----|---|-----|
| | 1001255969 | Ref | LIFT CYLINDER ASSEMBLY - JIB | B |
| | | Ref | Note: Original Cylinder May Have Been Replaced with Service Replacement. Identify PN Stamped on Cylinder Before Ordering Parts. | |
| 1 | NSS | 1 | Barrel | |
| 2 | 70007738 | 1 | Rod | |
| 3 | 70007739 | 1 | Head | |
| 4 | See Note | 1 | Wiper (Note: Use Item 220) | |
| 5 | 70002373 | 1 | Ring, Retaining | |
| 6 | See Note | 1 | Seal, Rod (Note: Use Item 220) | |
| 7 | See Note | 1 | Ring, Back-up (Note: Use Item 220) | |
| 8 | 70005143 | 1 | Bearing, Dry | |
| 9 | See Note | 1 | O-Ring (Note: Use Item 220) | |
| 10 | See Note | 1 | Ring, Back-up (Note: Use Item 220) | |
| 11 | See Note | 1 | O-Ring (Note: Use Item 220) | |
| 12 | 70007740 | 1 | Piston | |
| 13 | See Note | 1 | Seal, Piston (Note: Use Item 220) | |
| 14 | 70002335 | 1 | Nut | |
| 15 | See Note | 1 | O-Ring (Note: Use Item 220) | |
| 16 | 2220883 | 3 | Plug | |
| 17 | 0962292 | 2 | Bearing | |
| 18 | 70007741 | 2 | Ring, Piston | |
| 19 | 2220885 | 1 | Plug | |
| 20 | 4640509 | 2 | Cartridge, Valve | |
| 20 | 2900792 | 2 | Seal Kit - 4640509 Valve | |
| 21 | 0961948 | 2 | Bearing | |
| 22 | 70007742 | 1 | Seal Kit (Includes Items 4,6,7,9-11,13 & 15) | |

SECTION 6 - CYLINDER

FIGURE 6-3. LEVEL CYLINDER ASSEMBLY



ART_1001255971

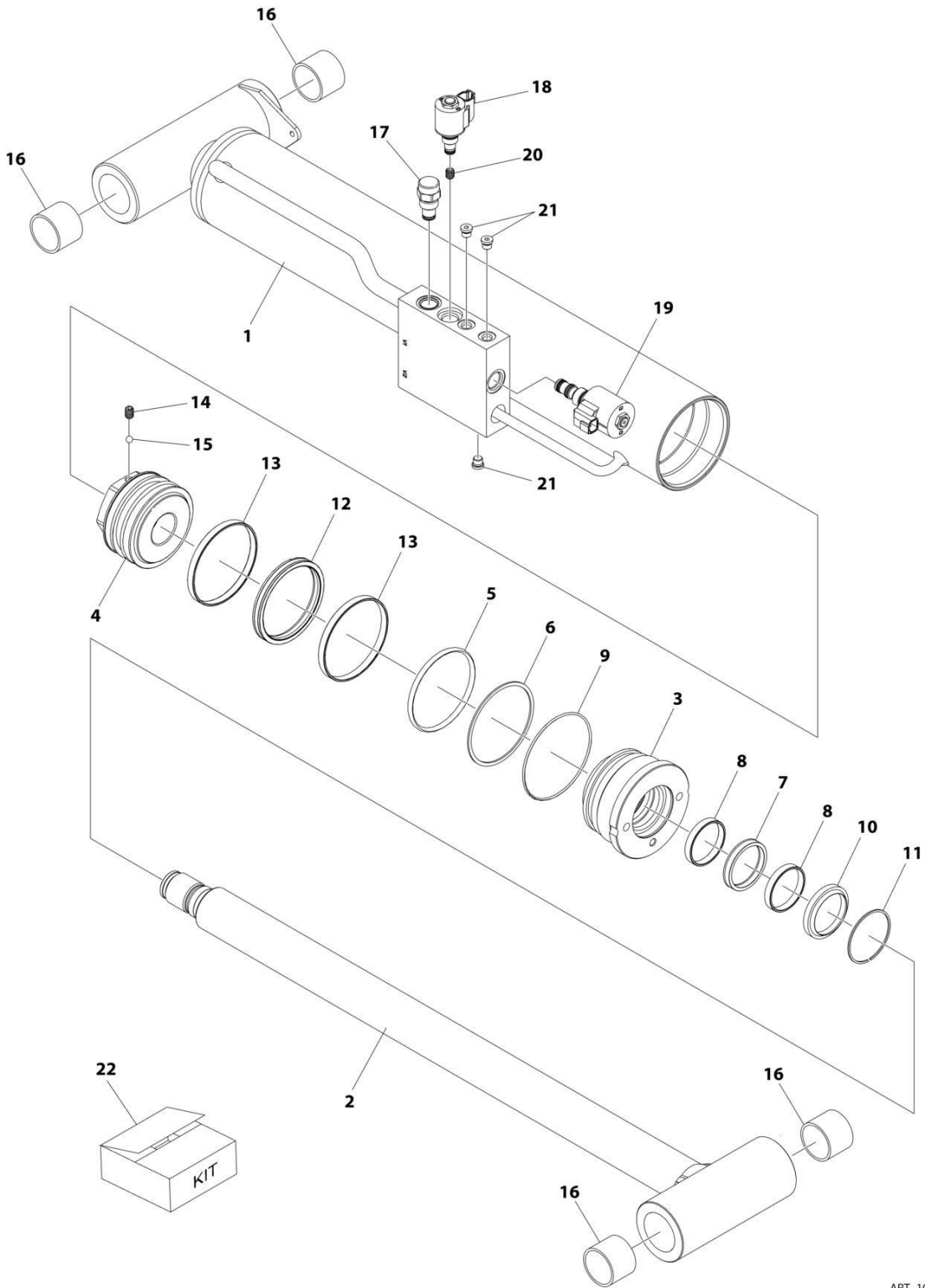
SECTION 6 - CYLINDER

FIGURE 6-3. LEVEL CYLINDER ASSEMBLY

| ITEM | PART NUMBER | QTY | DESCRIPTION | REV |
|------|-------------|-----|---|-----|
| | 1001255971 | Ref | CYLINDER ASSEMBLY | B |
| | | Ref | Note: Original Cylinder May Have Been Replaced with Service Replacement. Identify PN Stamped on Cylinder Before Ordering Parts. | |
| 10 | See Note | NSS | Barrel | |
| 20 | 70007728 | 1 | Rod | |
| 60 | 70007720 | 1 | Piston Head | |
| 70 | 70007721 | 1 | Screwed Gland | |
| 80 | 70007722 | 1 | Screw M8 | |
| 120 | See Note | NSS | Piston Seal (Note: Use Item 300) | |
| 130 | See Note | NSS | O-Ring (Note: Use Item 300) | |
| 140 | 1001168209 | 1 | Counterbalance, Valve | |
| 140 | 2900770 | 1 | Seal Kit - 1001168209 Valve | |
| 150 | 1001168210 | 1 | Counterbalance, Valve | |
| 150 | 2900770 | 1 | Seal Kit - 1001168210 Valve | |
| 160 | See Note | NSS | O-Ring (Note: Use Item 300) | |
| 170 | See Note | NSS | Ring (Note: Use Item 300) | |
| 180 | See Note | NSS | Seal (Note: Use Item 300) | |
| 190 | See Note | NSS | O-Ring (Note: Use Item 300) | |
| 210 | See Note | NSS | Wiper (Note: Use Item 300) | |
| 240 | 70007723 | 4 | Bushing | |
| 250 | 70025619 | 2 | Plug | |
| 260 | 70024262 | 2 | Plug | |
| 300 | 70007729 | 1 | Seal Kit - 1001255971 Cylinder (Includes Items 120 ,130 & 160-210) | |

SECTION 6 - CYLINDER

FIGURE 6-4. LIFT CYLINDER ASSEMBLY



ART_1001255973

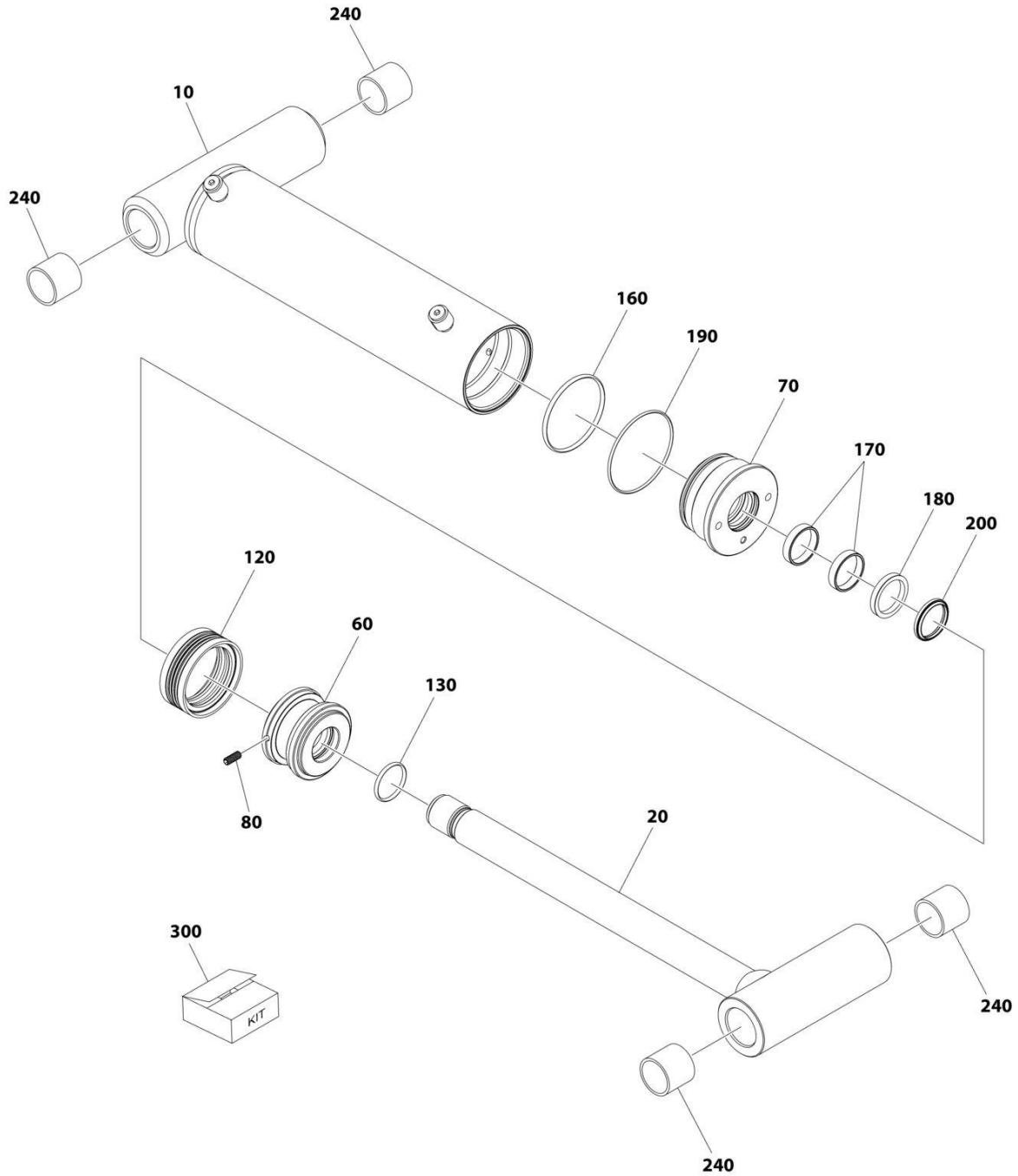
SECTION 6 - CYLINDER

FIGURE 6-4. LIFT CYLINDER ASSEMBLY

| ITEM | PART NUMBER | QTY | DESCRIPTION | REV |
|------|-------------|-----|---|-----|
| | 1001255973 | Ref | LIFT CYLINDER ASSEMBLY - UPPER LIFT | B |
| | | Ref | Note: Original Cylinder May Have Been Replaced with Service Replacement. Identify PN Stamped on Cylinder Before Ordering Parts. | |
| 1 | NSS | 1 | Barrel | |
| 2 | 70007731 | 1 | Rod | |
| 3 | 70007732 | 1 | Head | |
| 4 | 70007733 | 1 | Piston | |
| 5 | See Note | 1 | O-Ring (Note: Use Item 22) | |
| 6 | See Note | 1 | Ring, Back-up (Note: Use Item 22) | |
| 7 | See Note | 1 | Seal, Rod (Note: Use Item 22) | |
| 8 | See Note | 2 | Ring, Bearing (Note: Use Item 22) | |
| 9 | See Note | 1 | O-Ring (Note: Use Item 22) | |
| 10 | See Note | 1 | Wiper (Note: Use Item 22) | |
| 11 | 70025627 | 1 | Ring, Snap | |
| 12 | See Note | 1 | Seal, Piston (Note: Use Item 22) | |
| 13 | See Note | 2 | Ring, Bearing (Note: Use Item 22) | |
| 14 | 70007734 | 1 | Setscrew | |
| 15 | 70025614 | 1 | Ball | |
| 16 | 70007735 | 4 | Bushing | |
| 17 | 4641390 | 1 | Cartridge, Check Valve | |
| 17 | 7017496 | 1 | Seal Kit - 4641390 Valve | |
| 18 | 1001164709 | 1 | Cartridge, Solenoid Valve (Includes Coil) | |
| 18 | 70002386 | 1 | Coil | |
| 18 | 7017467 | 1 | Cartridge, Solenoid Valve Less Coil | |
| 18 | 7012967 | 1 | Seal Kit - 1001164709 & 7017467 Valves | |
| 19 | 1001206625 | 1 | Cartridge, Solenoid Valve (Includes Coil) | |
| 19 | 70003788 | 1 | Coil | |
| 19 | 70006104 | 1 | Cartridge, Solenoid Valve Less Coil | |
| 19 | 70006105 | 1 | Seal Kit - 1001206625 & 70006104 Valves | |
| 19 | 7022390 | 1 | Nut, Coil | |
| 20 | 70007736 | 1 | Plug, Orifice | |
| 21 | 70025619 | 3 | Plug | |
| 22 | 70007737 | 1 | Seal Kit (Includes Items 5-10, 12 & 13) | |

SECTION 6 - CYLINDER

FIGURE 6-5. MASTER CYLINDER ASSEMBLY



ART_1001255970

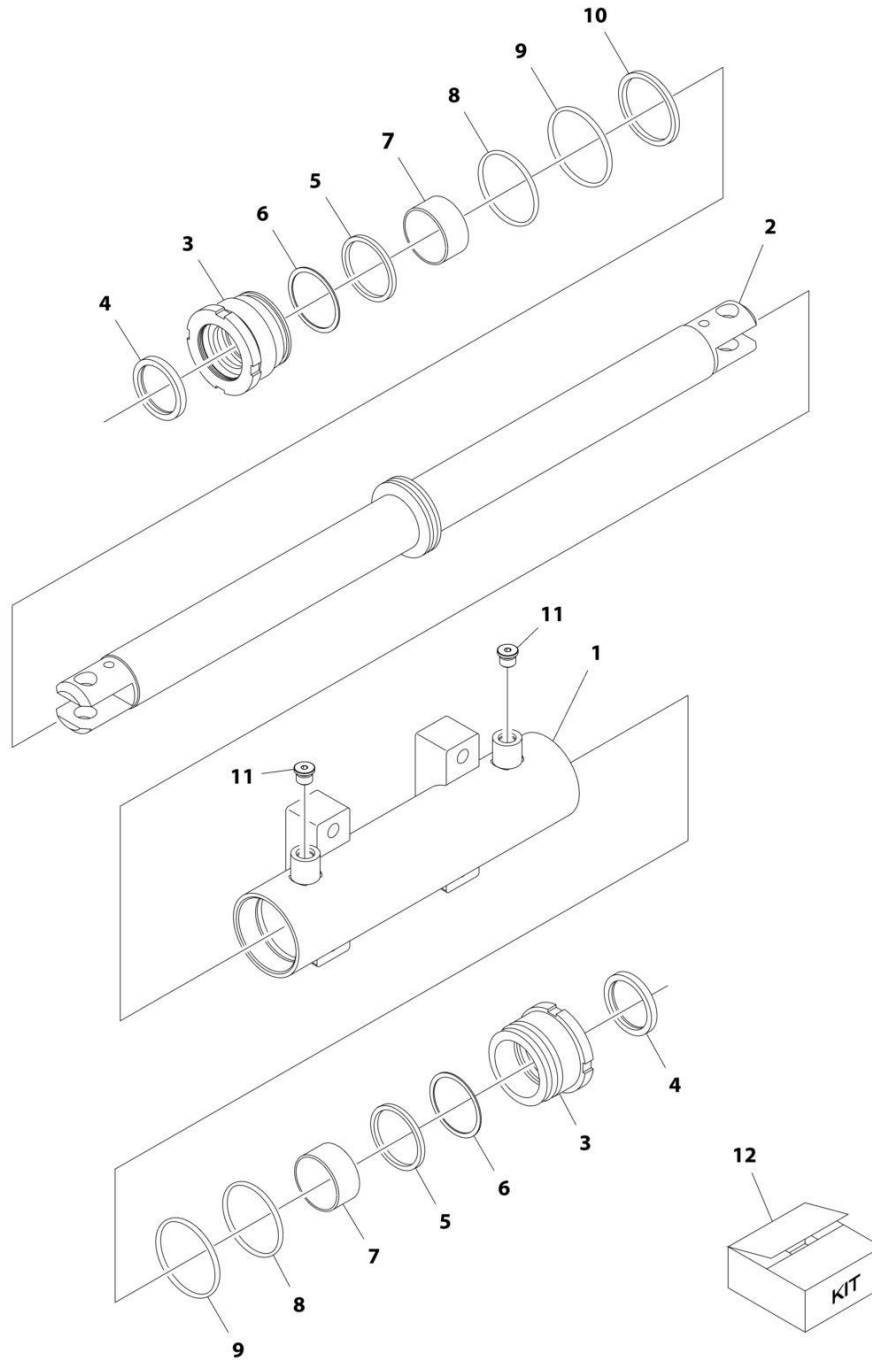
SECTION 6 - CYLINDER

FIGURE 6-5. MASTER CYLINDER ASSEMBLY

| ITEM | PART NUMBER | QTY | DESCRIPTION | REV |
|------|-------------|-----|---|-----|
| | 1001255970 | Ref | CYLINDER ASSEMBLY | B |
| | | Ref | Note: Original Cylinder May Have Been Replaced with Service Replacement. Identify PN Stamped on Cylinder Before Ordering Parts. | |
| 10 | See Note | NSS | Barrel | |
| 20 | 70007719 | 1 | Rod | |
| 60 | 70007720 | 1 | Piston Head | |
| 70 | 70007721 | 1 | Screwed Gland | |
| 80 | 70007722 | 1 | Screw M8 | |
| 120 | See Note | NSS | Piston Seal (Note: Use Item 300) | |
| 130 | See Note | NSS | O-Ring (Note: Use Item 300) | |
| 160 | See Note | NSS | O-Ring (Note: Use Item 300) | |
| 170 | See Note | NSS | Ring (Note: Use Item 300) | |
| 180 | See Note | NSS | Seal (Note: Use Item 300) | |
| 190 | See Note | NSS | O-Ring (Note: Use Item 300) | |
| 200 | See Note | NSS | Wiper (Note: Use Item 300) | |
| 240 | 70007723 | 4 | Bushing | |
| 300 | 70007724 | 1 | Seal Kit - 1001255971 Cylinder (Includes Items 120 ,130 & 160-200) | |

SECTION 6 - CYLINDER

FIGURE 6-6. STEER CYLINDER ASSEMBLY



ART_1001163178

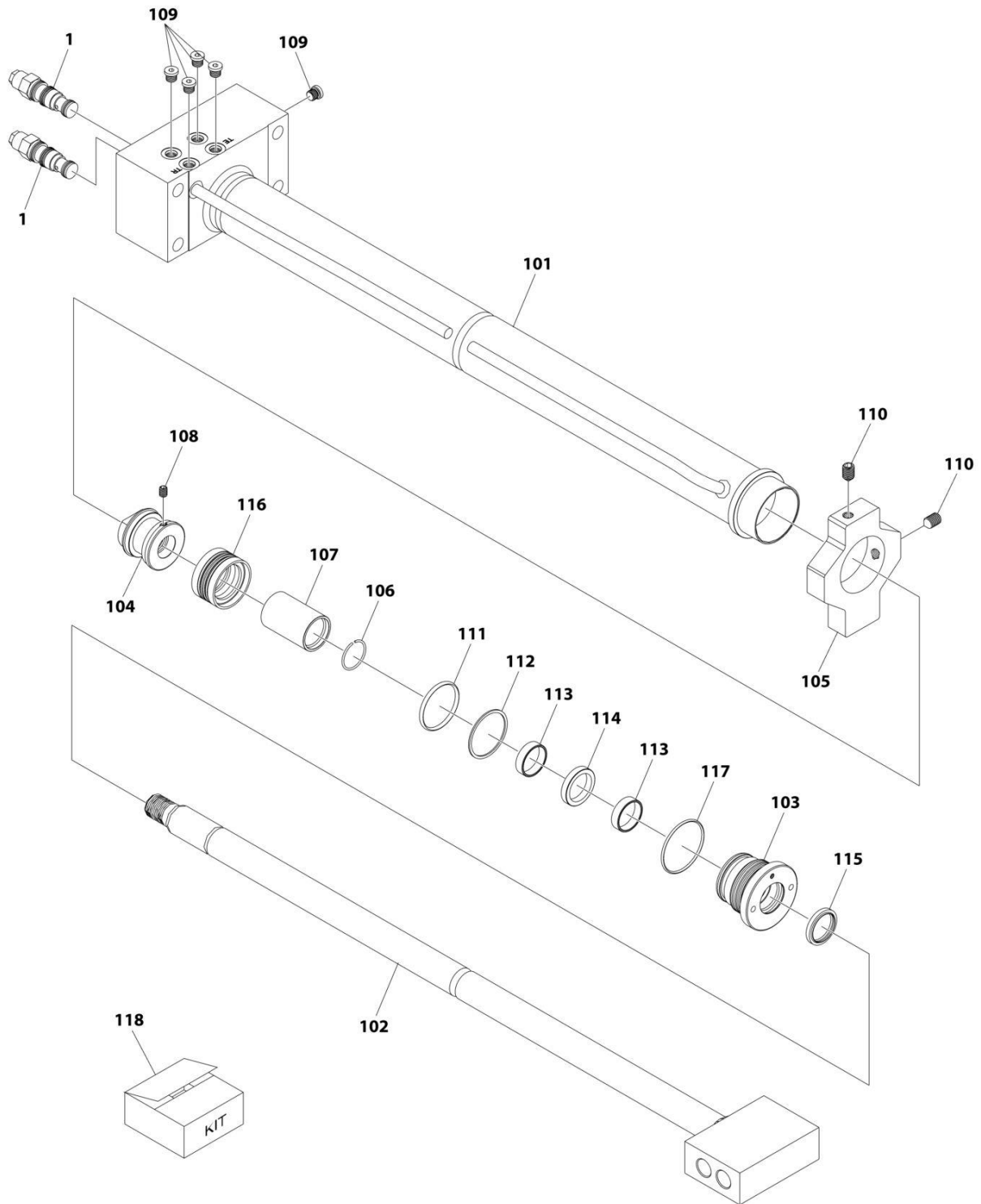
SECTION 6 - CYLINDER

FIGURE 6-6. STEER CYLINDER ASSEMBLY

| ITEM | PART NUMBER | QTY | DESCRIPTION | REV |
|------|-------------|-----|---|-----|
| | 1001163178 | Ref | STEER CYLINDER ASSEMBLY | E |
| | | Ref | Note: Original Cylinder May Have Been Replaced with Service Replacement. Identify PN Stamped on Cylinder Before Ordering Parts. | |
| 1 | 70005150 | 1 | Barrel | |
| 2 | 70005151 | 1 | Rod | |
| 3 | 70005152 | 2 | Head | |
| 4 | See Note | NSS | Wiper (Note: Use Item 12) | |
| 5 | See Note | NSS | Seal, Rod (Note: Use Item 12) | |
| 6 | See Note | NSS | Ring, Back-up (Note: Use Item 12) | |
| 7 | 70005153 | 2 | Bearing, Dry | |
| 8 | See Note | NSS | O-Ring (Note: Use Item 12) | |
| 9 | See Note | NSS | O-Ring (Note: Use Item 12) | |
| 10 | See Note | NSS | Seal, Piston (Note: Use Item 12) | |
| 11 | See Note | 2 | Plug 9/16 (Note: Not Available for Purchase) | |
| 12 | 70005154 | 1 | Seal Kit - 1001163178 Cylinder (Includes Items 4-6 & 8-10) | |

SECTION 6 - CYLINDER

FIGURE 6-7. TELESCOPE CYLINDER ASSEMBLY



ART_1001266711

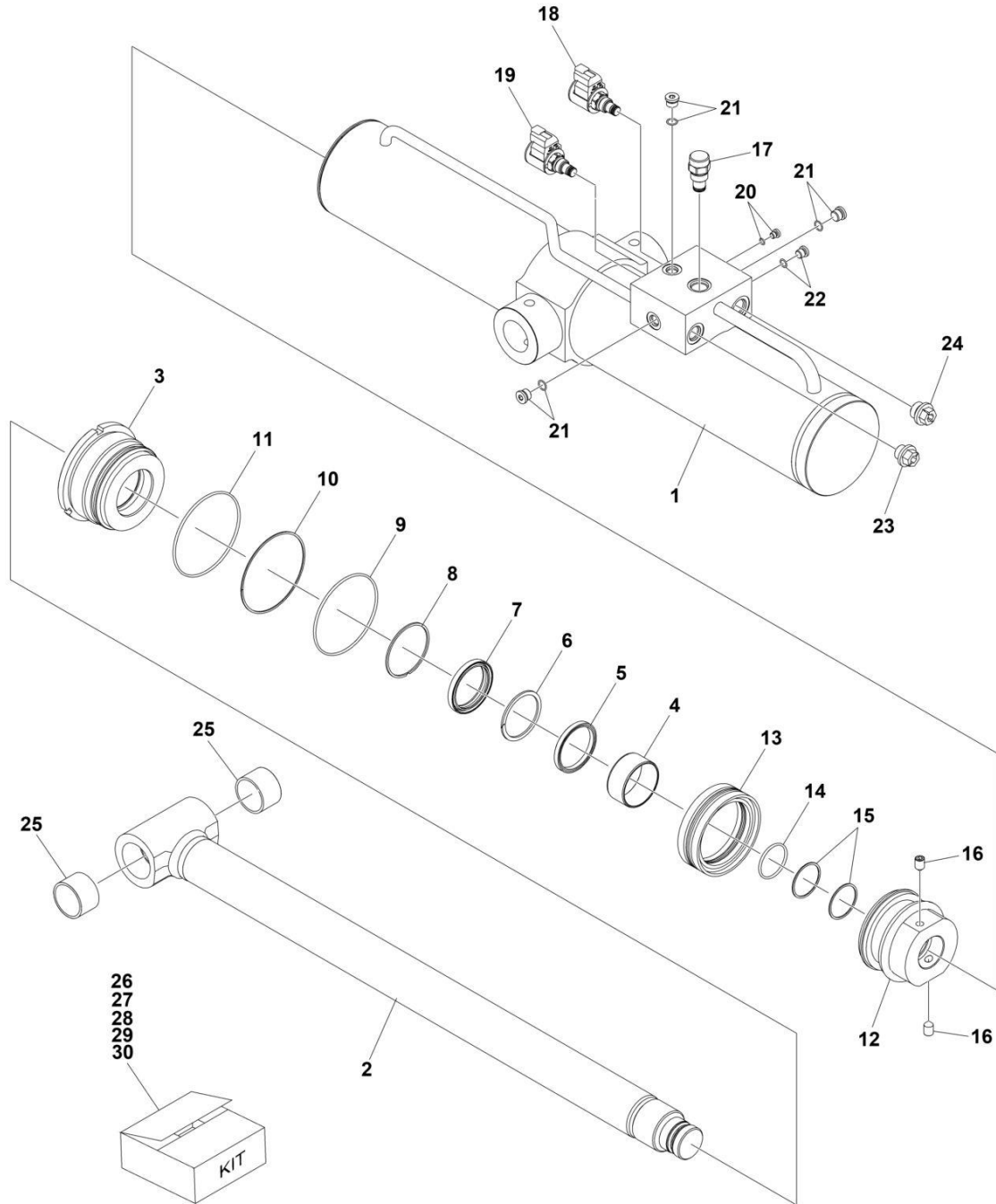
SECTION 6 - CYLINDER

FIGURE 6-7. TELESCOPE CYLINDER ASSEMBLY

| ITEM | PART NUMBER | QTY | DESCRIPTION | REV |
|------|-------------|-----|---|-----|
| | 1001266711 | Ref | TELESCOPE CYLINDER ASSEMBLY | B |
| | | Ref | Note: Original Cylinder May Have Been Replaced with Service Replacement. Identify PN Stamped on Cylinder Before Ordering Parts. | |
| 1 | 4640771 | 2 | Valve, Motor Control | |
| 1 | 2900770 | 2 | Seal Kit - 4640771 Valve | |
| 101 | See Note | NSS | Barrel (Note: Not Available for Purchase) | |
| 102 | See Note | NSS | Rod (Note: Not Available for Purchase) | |
| 103 | 70008135 | 1 | Head | |
| 104 | 70008136 | 1 | Piston | |
| 105 | 70008137 | 1 | Mount | |
| 106 | 70008138 | 1 | Ring, Wire | |
| 107 | 70008139 | 1 | Spacer | |
| 108 | 70027088 | 1 | Setscrew | |
| 109 | 70025619 | 5 | Plug | |
| 110 | 70008140 | 2 | Setscrew | |
| 111 | See Note | NSS | O-Ring (Note: Use Item 118) | |
| 112 | See Note | NSS | Ring, Backup (Note: Use Item 118) | |
| 113 | See Note | NSS | Ring (Note: Use Item 118) | |
| 114 | See Note | NSS | Seal, Head (Note: Use Item 118) | |
| 115 | See Note | NSS | Seal, Wiper (Note: Use Item 118) | |
| 116 | See Note | NSS | Seal (Note: Use Item 118) | |
| 117 | See Note | NSS | O-Ring (Note: Use Item 118) | |
| 118 | 70008141 | 1 | Seal Kit (Includes Items 111-117) | |

SECTION 6 - CYLINDER

FIGURE 6-8. TOWER LIFT CYLINDER ASSEMBLY



ART_1001255968

SECTION 6 - CYLINDER

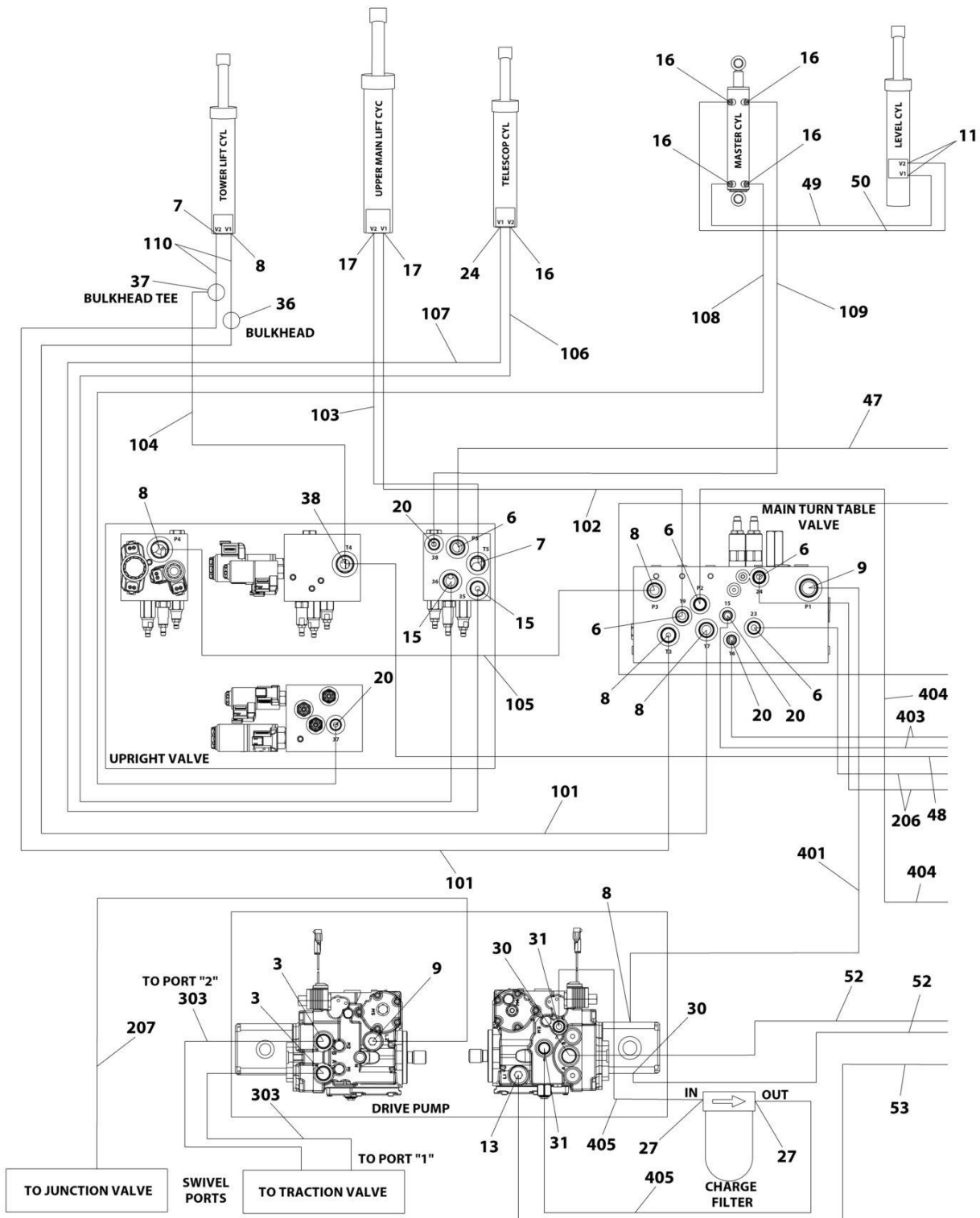
FIGURE 6-8. TOWER LIFT CYLINDER ASSEMBLY

| ITEM | PART NUMBER | QTY | DESCRIPTION | REV |
|------|-------------|-----|--|-----|
| | 1001255968 | Ref | TOWER LIFT CYLINDER | D |
| 1 | NSS | 1 | Barrel | |
| 2 | NSS | 1 | Rod (Note: Use Item 26) | |
| 3 | NSS | 1 | Head (Note: Use Item 27) | |
| 4 | NSS | 1 | Bushing (Note: Use Item 27) | |
| 5 | NSS | 1 | Seal Kit (Note: Use Item 28) | |
| 6 | NSS | 1 | Ring (Note: Use Item 28) | |
| 7 | NSS | 1 | Wiper (Note: Use Item 28) | |
| 8 | NSS | 1 | Ring, Retaining (Note: Use Item 28) | |
| 9 | NSS | 1 | O-Ring (Note: Use Item 28) | |
| 10 | NSS | 1 | Ring, Back-up (Note: Use Item 28) | |
| 11 | NSS | 1 | O-Ring (Note: Use Item 28) | |
| 12 | NSS | 1 | Piston (Note: Use Item 28) | |
| 13 | NSS | 1 | Seal (Note: Use Item 28) | |
| 14 | NSS | 1 | O-Ring (Note: Use Item 28) | |
| 15 | NSS | 1 | Ring, Back-up (Note: Use Item 28) | |
| 16 | NSS | 1 | Setscrew (Note: Use Item 28) | |
| 17 | 4641390 | 1 | Cartridge, Check Valve | |
| 17 | 7017496 | 1 | Seal Kit - 4641390 Valve | |
| 18 | 1001164709 | 1 | Cartridge, Solenoid Valve (Including Coil) | |
| 18 | 7017467 | 1 | Cartridge, Solenoid Valve (Less Coil) | |
| 18 | 7012998 | 1 | Seal Kit - 1001164709 & 7017467 Valves | |
| 18 | 70002386 | 1 | Coil | |
| 19 | 1001166208 | 1 | Cartridge, Solenoid Valve (Including Coil) | |
| 19 | 7024884 | 1 | Cartridge, Solenoid Valve (Less Coil) | |
| 19 | 7012967 | 1 | Seal Kit - 1001166208& 7024884 Valves | |
| 20 | NSS | 1 | Plug + O-Ring (Note: Use Item 30) | |
| 21 | NSS | 1 | Plug + O-Ring (Note: Use Item 30) | |
| 22 | NSS | 1 | Plug + O-Ring (Note: Use Item 30) | |
| 23 | NSS | 1 | Dust Cap | |
| 24 | NSS | 1 | Dust Cap | |
| 25 | NSS | 1 | Bushing (Note: Use Item 26) | |
| 26 | 70007743 | 1 | Rod Kit (Includes Items 2 & 25) | |
| 27 | 70007744 | 1 | Head Kit (Includes Items 3 & 4) | |
| 28 | 70007745 | 1 | Seal Kit (Includes Items 5-11 & 13-15) | |
| 29 | 70007746 | 1 | Piston Kit (Includes Items 12 & 16) | |
| 30 | 70007747 | 1 | Plug Kit (Includes Items 20 - 22) | |

SECTION 7 - HYDRAULIC

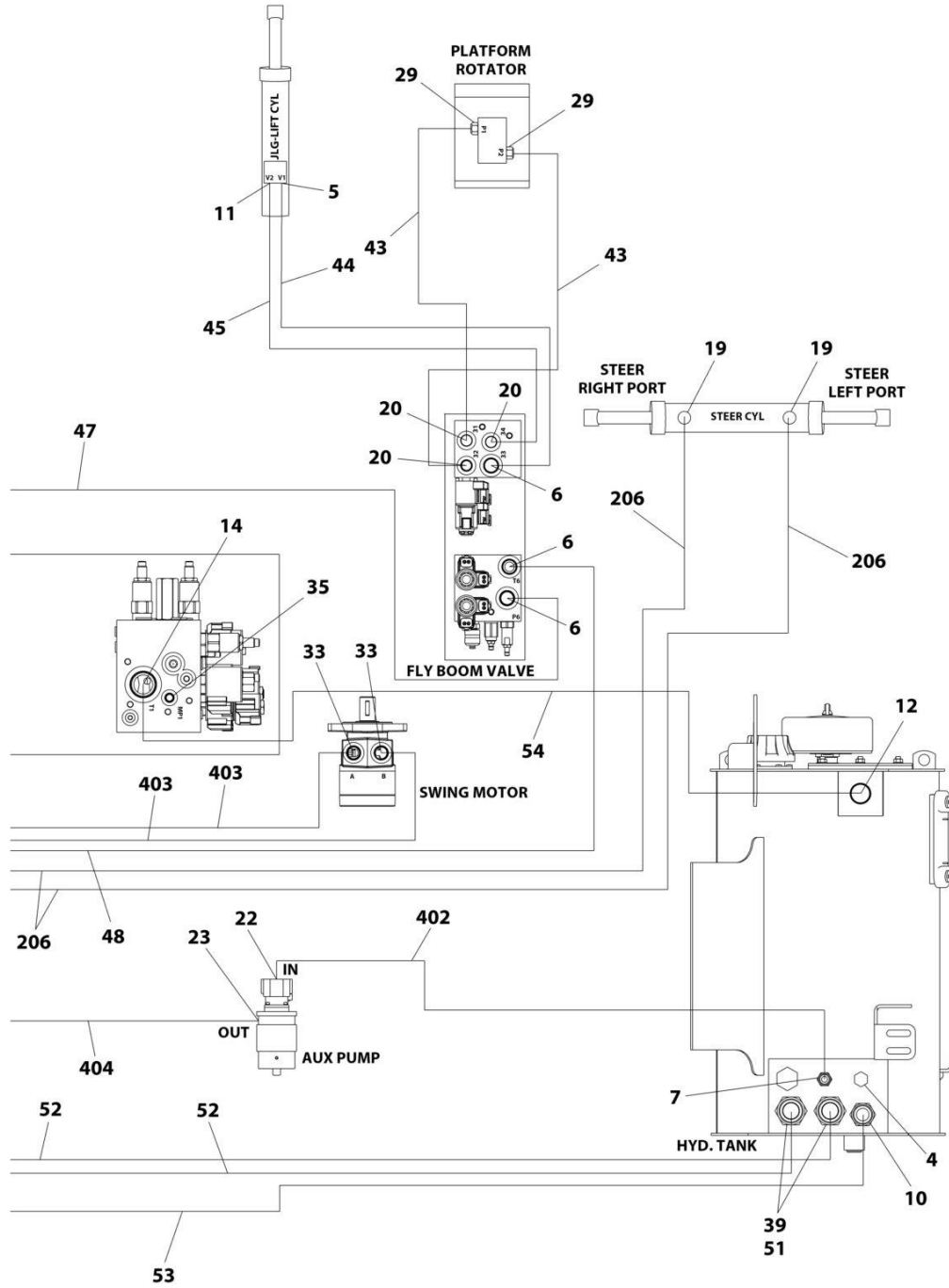
SECTION 7 - HYDRAULIC

FIGURE 7-1. HYDRAULIC SYSTEM INSTALLATION



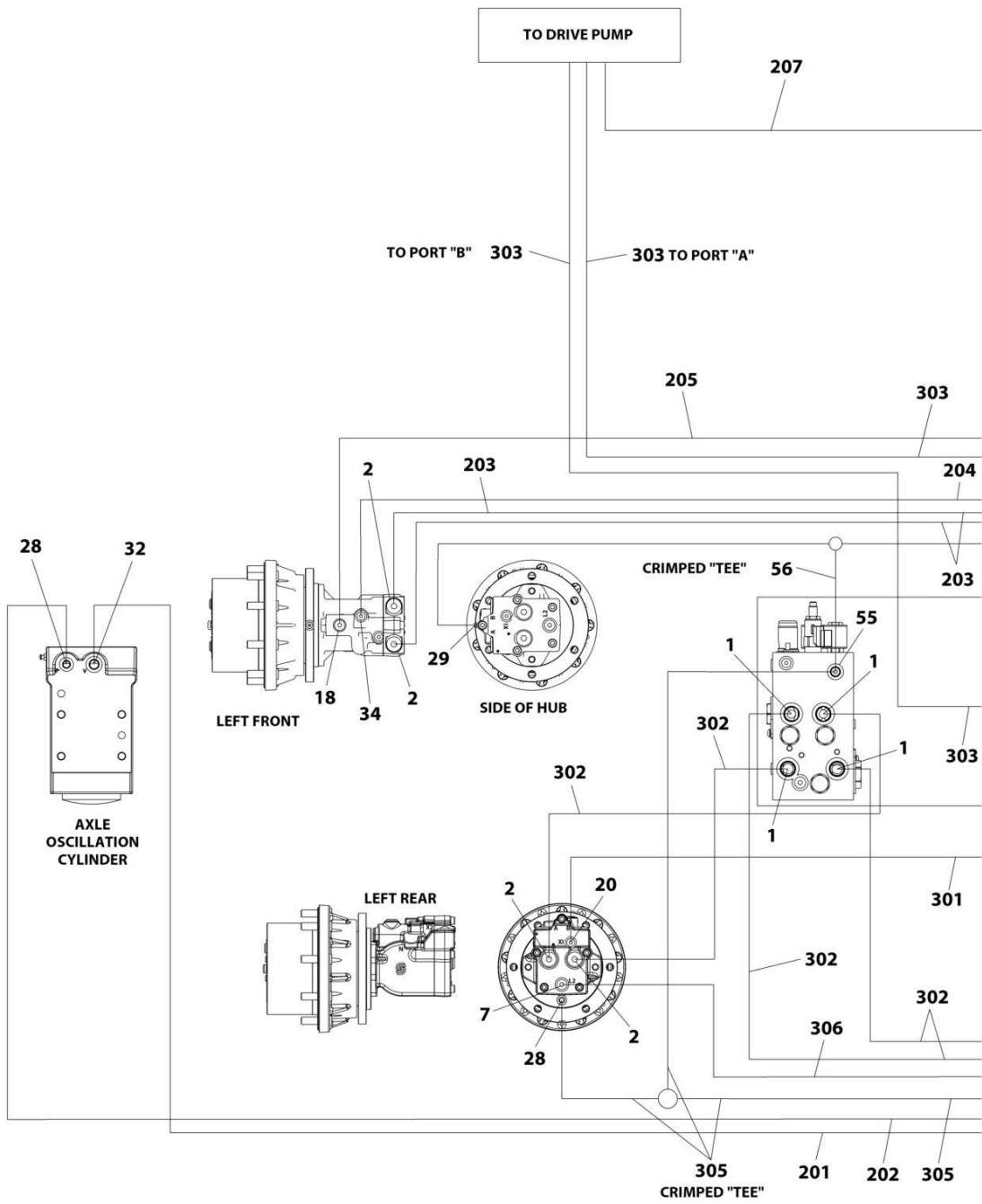
ART_1001255412_10F4

SECTION 7 - HYDRAULIC



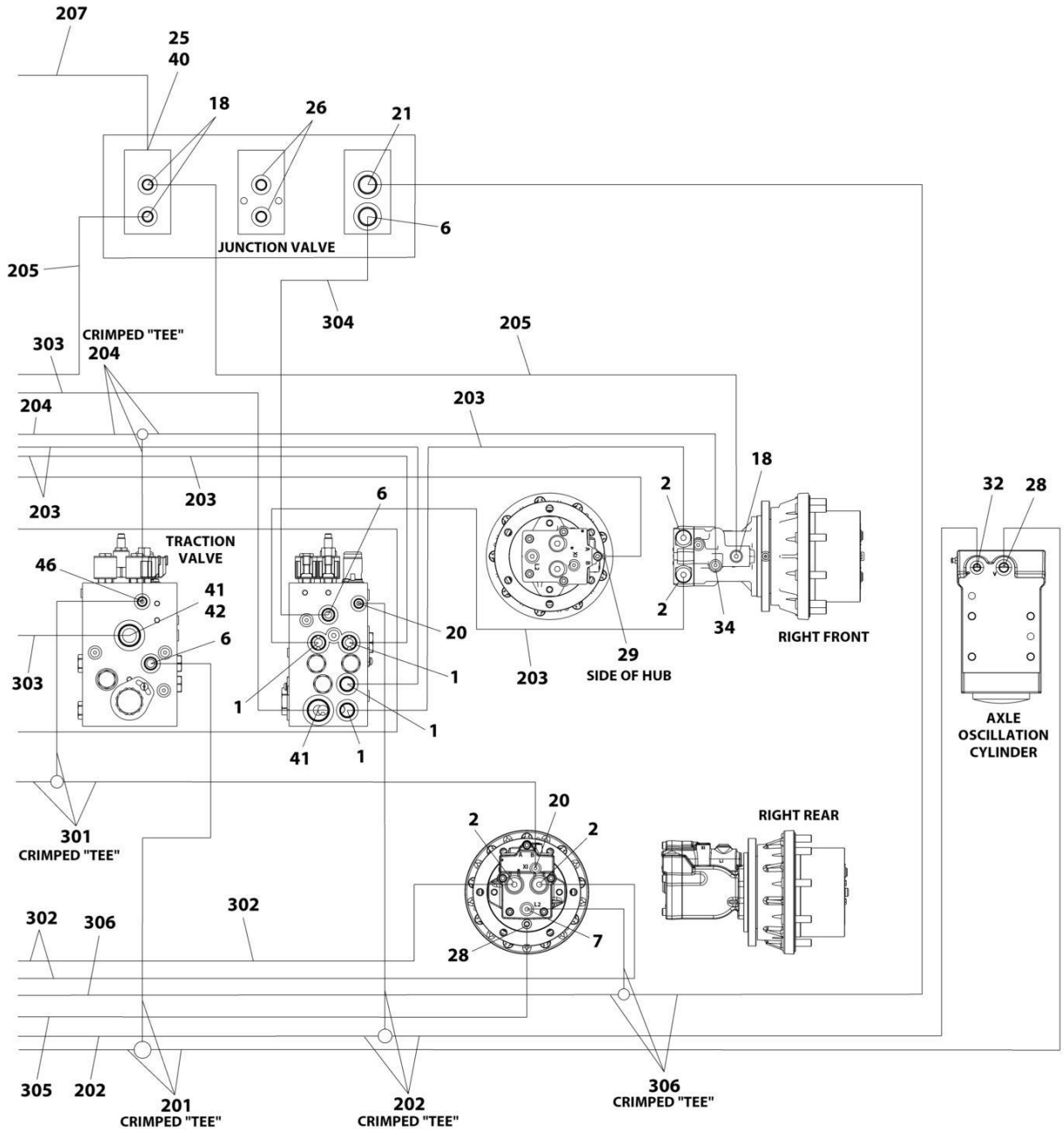
ART_1001255412_2OF4

SECTION 7 - HYDRAULIC



ART_1001255412_30F4

SECTION 7 - HYDRAULIC



ART_1001255412_4OF4

SECTION 7 - HYDRAULIC

FIGURE 7-1. HYDRAULIC SYSTEM INSTALLATION

| ITEM | PART NUMBER | QTY | DESCRIPTION | REV |
|------|-------------|-----|-------------------------------|-----|
| | 1001255412 | Ref | HYDRAULIC SYSTEM INSTALLATION | C |
| 1 | 2110810 | 8 | Fitting, Straight ORFS/ORB | |
| 2 | 2110812 | 8 | Fitting, Straight ORFS/ORB | |
| 3 | 2151212 | 2 | Fitting, 45 ORFS/ORB | |
| 4 | 2220238 | 1 | Plug | |
| 5 | 2220371 | 1 | Fitting, Straight JIC/ORB | |
| 6 | 2220372 | 11 | Fitting, Straight JIC/ORB | |
| 7 | 2220373 | 5 | Fitting, Straight JIC/ORB | |
| 8 | 2220374 | 6 | Fitting, Straight JIC/ORB | |
| 9 | 2220375 | 2 | Fitting, Straight JIC/ORB | |
| 10 | 2220377 | 1 | Fitting, Straight JIC/ORB | |
| 11 | 2220415 | 3 | Fitting, Straight JIC/ORB | |
| 12 | 2220435 | 1 | Fitting, Straight JIC/ORB | |
| 13 | 2220451 | 1 | Fitting, Straight JIC/ORB | |
| 14 | 2220465 | 1 | Fitting, 90 JIC/ORB | |
| 15 | 2220468 | 2 | Fitting, Straight JIC/ORB | |
| 16 | 2220472 | 5 | Fitting, 90 JIC/ORB | |
| 17 | 2220497 | 2 | Fitting, Straight JIC/ORB | |
| 18 | 2220500 | 4 | Fitting, 45 JIC/ORB | |
| 19 | 2220501 | 2 | Fitting, 45 JIC/ORB | |
| 20 | 2220582 | 10 | Fitting, Straight JIC/ORB | |
| 21 | 2220596 | 1 | Fitting, 90 JIC/ORB | |
| 22 | 2220600 | 1 | Fitting, Straight JIC/ORB | |
| 23 | 2220603 | 1 | Fitting, Straight JIC/ORB | |
| 24 | 2220628 | 1 | Fitting, 90 JIC/ORB | |
| 25 | 2220811 | 1 | Fitting, Straight FORB/ORB | |
| 26 | 2220883 | 2 | Plug #4 | |
| 27 | 2220906 | 2 | Fitting, 90 JIC/ORB | |
| 28 | 2220923 | 4 | Fitting, Straight JIC/ORB | |
| 29 | 2220940 | 4 | Fitting, Elbow | |
| 30 | 2220946 | 2 | Fitting, Straight JIC/ORB | |
| 31 | 2220947 | 2 | Fitting, Straight JIC/ORB | |
| 32 | 2220998 | 2 | Fitting, Straight JIC/ORB | |
| 33 | 2221033 | 2 | Fitting, Straight JIC/ORB | |
| 34 | 2221040 | 2 | Fitting, 45 JIC/ORB | |
| 35 | 2221086 | 1 | Fitting, Diagnostic | |
| 36 | 2230025 | 1 | Fitting, Straight JIC/JIC | |
| 37 | 8760477 | 1 | Fitting, Tee JIC/JIC/JIC | |
| 38 | 8770289 | 1 | Fitting, Tee JIC/ORB/JIC | |
| 39 | 80633030 | 2 | Clamp, Hose | |
| 40 | 1001119627 | 1 | Fitting, Straight JIC/ORB | |
| 41 | 1001142679 | 2 | Fitting, Straight ORFS/ORB | |
| 42 | 1001143936 | 1 | Fitting, 90 FORB/ORB | |
| 43 | 1001173046 | 2 | Hose | |
| 44 | 1001173048 | 1 | Hose | |
| 45 | 1001173049 | 1 | Hose | |
| 46 | 1001175024 | 1 | Fitting, Tee JIC/JIC/ORB | |
| 47 | 1001176299 | 1 | Hose | |
| 48 | 1001176300 | 1 | Hose | |
| 49 | 1001176301 | 1 | Hose | |

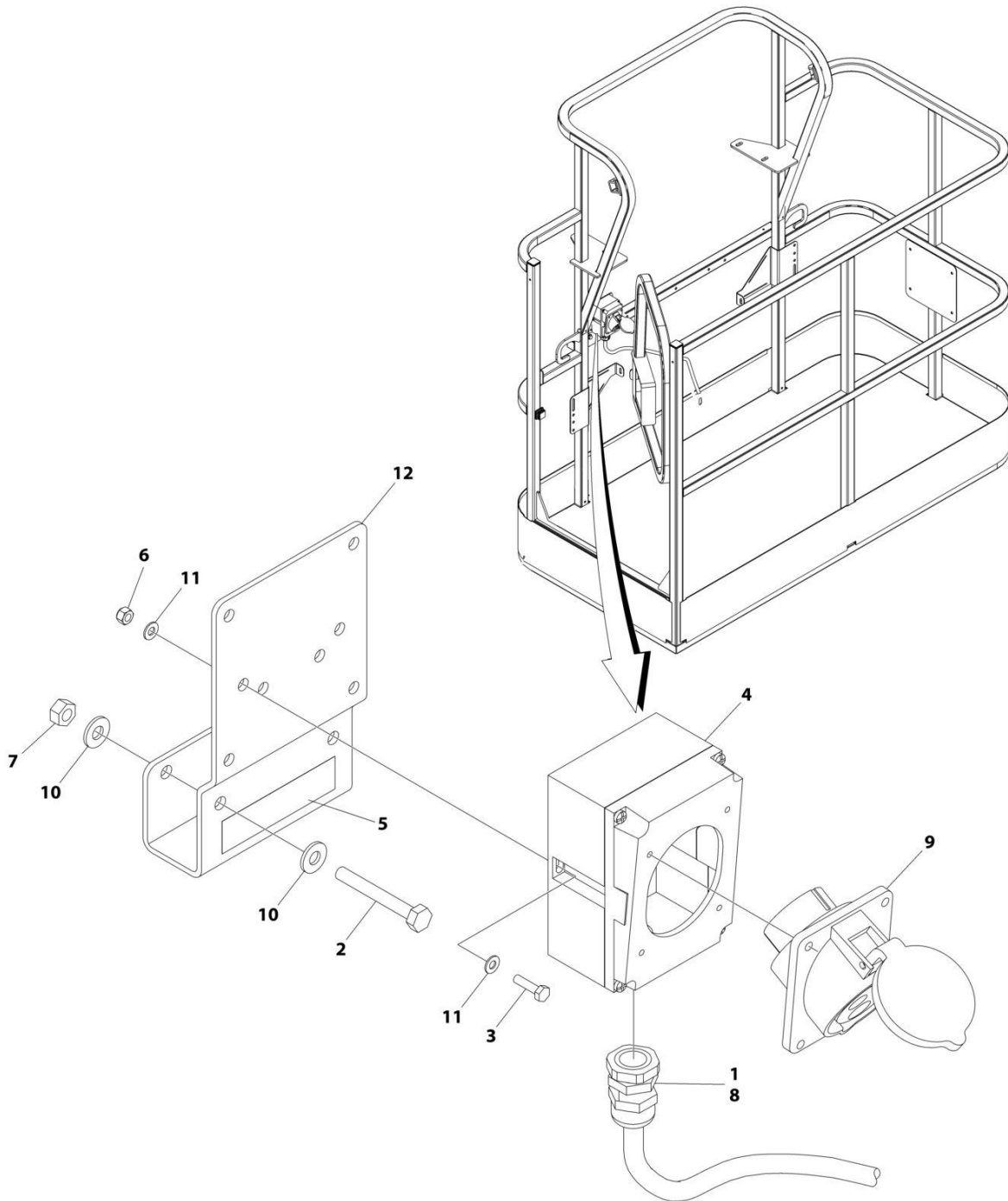
SECTION 7 - HYDRAULIC

| ITEM | PART NUMBER | QTY | DESCRIPTION | REV |
|------|-------------|-----|----------------------------------|-----|
| 50 | 1001176302 | 1 | Hose | |
| 51 | 1001202910 | 2 | Fitting, Straight MORB | |
| 52 | 1001207335 | 2 | Hose | |
| 53 | 1001207336 | 1 | Hose | |
| 54 | 1001210356 | 1 | Tube | |
| 55 | 1001210823 | 1 | Fitting | |
| 56 | 1001255930 | 1 | Hose | |
| 100 | 1001194424 | 1 | Hose Kit - Lower (Not Shown) | |
| 101 | 1001173006 | 2 | Hose | |
| 102 | 1001173034 | 1 | Hose | |
| 103 | 1001173035 | 1 | Hose | |
| 104 | 1001173036 | 1 | Hose | |
| 105 | 1001173037 | 1 | Hose | |
| 106 | 1001173038 | 1 | Hose | |
| 107 | 1001173039 | 1 | Hose | |
| 108 | 1001173042 | 1 | Hose | |
| 109 | 1001173043 | 1 | Hose | |
| 110 | 1001180035 | 2 | Hose | |
| 200 | 1001194427 | 1 | Hose Kit - Front (Not Shown) | |
| 201 | 1001173053 | 1 | Hose | |
| 202 | 1001173054 | 1 | Hose | |
| 203 | 1001173055 | 4 | Hose | |
| 204 | 1001173056 | 1 | Hose | |
| 206 | 1001173057 | 2 | Hose | |
| 206 | 1001173058 | 2 | Hose | |
| 207 | 1001173066 | 1 | Hose | |
| 300 | 1001267278 | 1 | Hose Kit - Rear (Not Shown) | |
| 301 | 1001173052 | 1 | Hose | |
| 302 | 1001173059 | 4 | Hose | |
| 303 | 1001173062 | 2 | Hose | |
| 304 | 1001197039 | 1 | Hose | |
| 305 | 1001267275 | 1 | Hose | |
| 306 | 1001267277 | 1 | Hose | |
| 400 | 1001252926 | 1 | Hose Kit - Turntable (Not Shown) | |
| 401 | 2752504 | 1 | Hose | |
| 402 | 2752519 | 1 | Hose | |
| 403 | 1001173027 | 2 | Hose | |
| 404 | 1001173028 | 1 | Hose | |
| 405 | 1001173029 | 2 | Hose | |

SECTION 8 - ELECTRICAL

SECTION 8 - ELECTRICAL

FIGURE 8-1. AC BOX AT PLATFORM INSTALLATION - 110V IEC YELLOW (CE, CIS/EAC & UK CA SPECS WITH 4000W/50HZ GENERATOR)



ART_1001194203

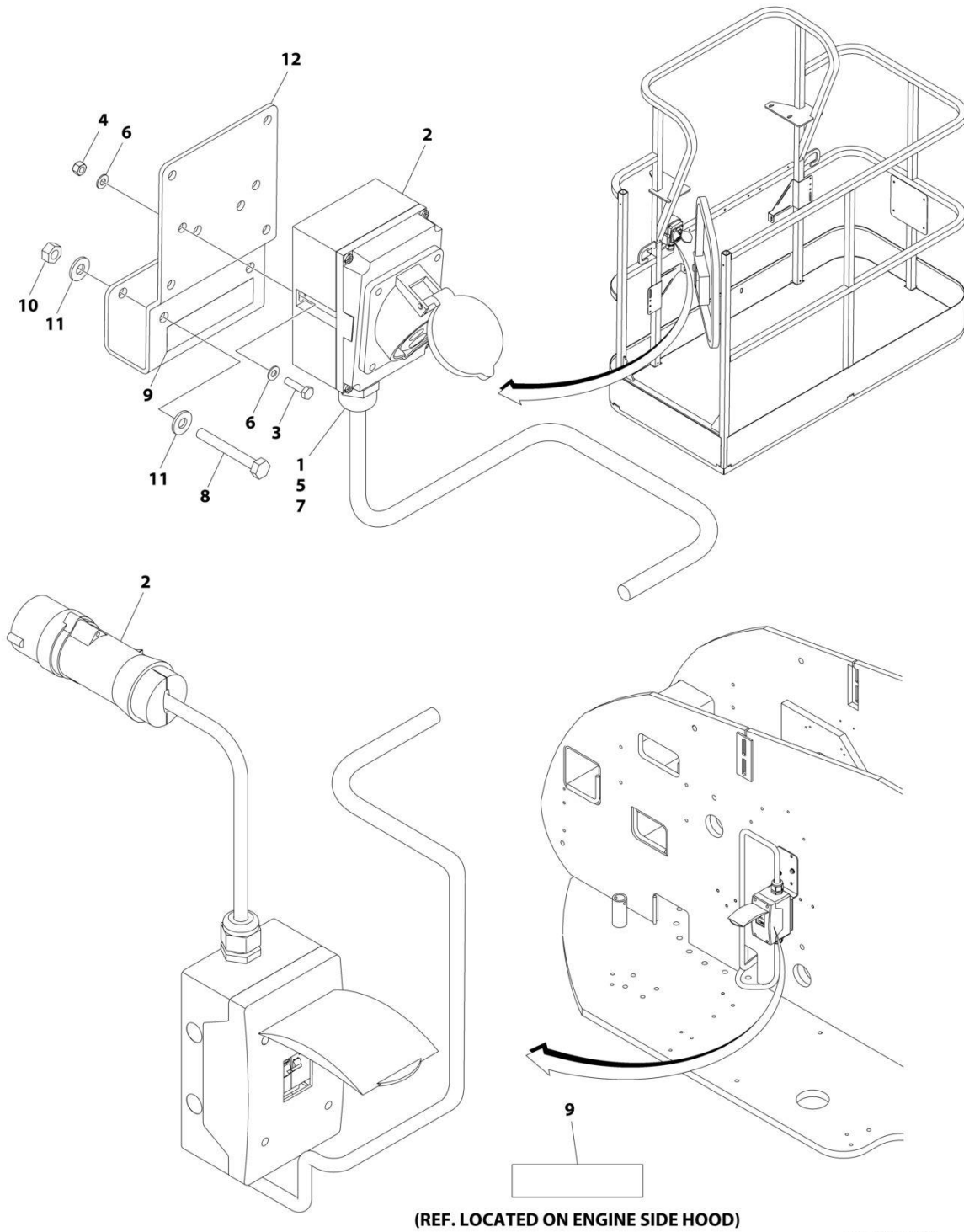
SECTION 8 - ELECTRICAL

FIGURE 8-1. AC BOX AT PLATFORM INSTALLATION - 110V IEC YELLOW (CE, CIS/EAC & UK CA SPECS WITH 4000W/50HZ GENERATOR)

| ITEM | PART NUMBER | QTY | DESCRIPTION | REV |
|------|-------------|-----|---------------------------------|-----|
| | 1001194203 | Ref | AC BOX AT PLATFORM INSTALLATION | B |
| 1 | 0100020 | AR | Sealant, Pipe | |
| 2 | 0641416 | 2 | Bolt 1/4 x 2 | |
| 3 | 0700408 | 2 | Bolt M4 x 16 | |
| 4 | 0861781 | 1 | Box, Switch | |
| 5 | 1705325 | 1 | Decal - 110V | |
| 6 | 3290405 | 2 | Nut M4 | |
| 7 | 3311405 | 2 | Nut 1/4 | |
| 8 | 4460968 | 1 | Connector, Strain Relief | |
| 9 | 4461198 | 1 | Receptacle | |
| 10 | 4711400 | 4 | Washer 1/4 | |
| 11 | 4811400 | 4 | Washer M4 | |
| 12 | 1001193018 | 1 | Bracket, AC Receptacle | |

SECTION 8 - ELECTRICAL

FIGURE 8-2. AC BOX AT PLATFORM INSTALLATION - 110V IEC 60309 YELLOW WITHOUT 2500W GENERATOR (CE, CIS/EAC & UK CA SPECS)



ART_1001091969

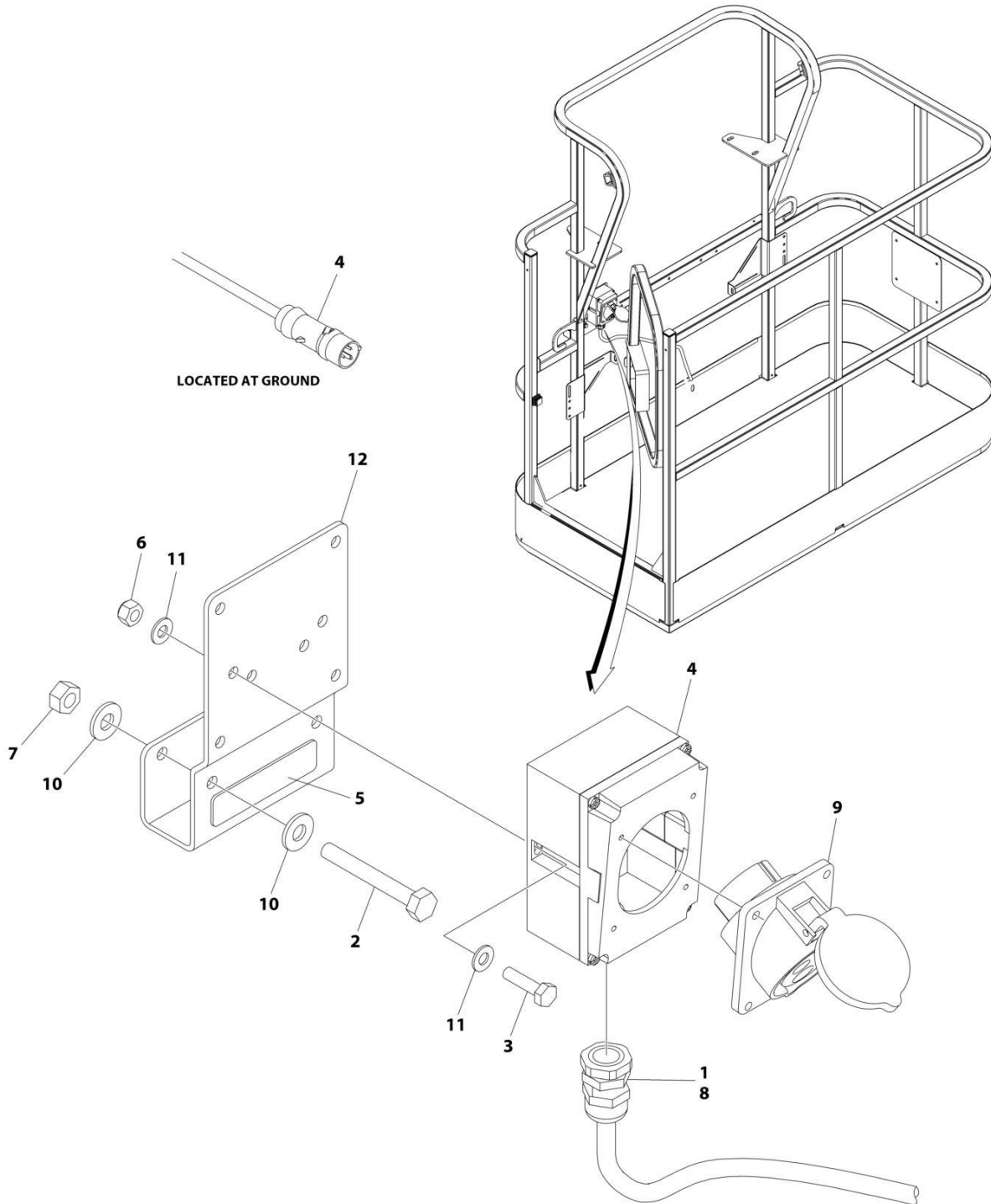
SECTION 8 - ELECTRICAL

FIGURE 8-2. AC BOX AT PLATFORM INSTALLATION - 110V IEC 60309 YELLOW WITHOUT 2500W GENERATOR (CE, CIS/EAC & UK CA SPECS)

| ITEM | PART NUMBER | QTY | DESCRIPTION | REV |
|------|-------------|-----|---|-----|
| | 1001091969 | Ref | AC BOX AT PLATFORM INSTALLATION - 110V IEC YELLOW | D |
| 1 | 0100020 | AR | Sealant, Pipe | |
| 2 | 0275216 | 1 | Receptacle Box Kit (See Separate Breakdown in this Section) | |
| 3 | 0700408 | 2 | Bolt M4 x 16 | |
| 4 | 3290405 | 2 | Nut M4 | |
| 5 | 1001101196 | 1 | Adapter | |
| 6 | 4811400 | 4 | Washer M4 | |
| 7 | 1001101191 | 1 | Connector, Strain Relief | |
| 8 | 0641416 | 2 | Bolt 1/4 x 2 | |
| 9 | 1705325 | 2 | Decal - 110V | |
| 10 | 3311405 | 2 | Nut 1/4 | |
| 11 | 4711400 | 4 | Washer 1/4 | |
| 12 | 1001193018 | 1 | Bracket | |

SECTION 8 - ELECTRICAL

FIGURE 8-3. AC BOX AT PLATFORM INSTALLATION - 220V IEC BLUE (CE, CIS/EAC & UK CA SPECS WITH 4000W/50HZ GENERATOR)



ART_1001194204

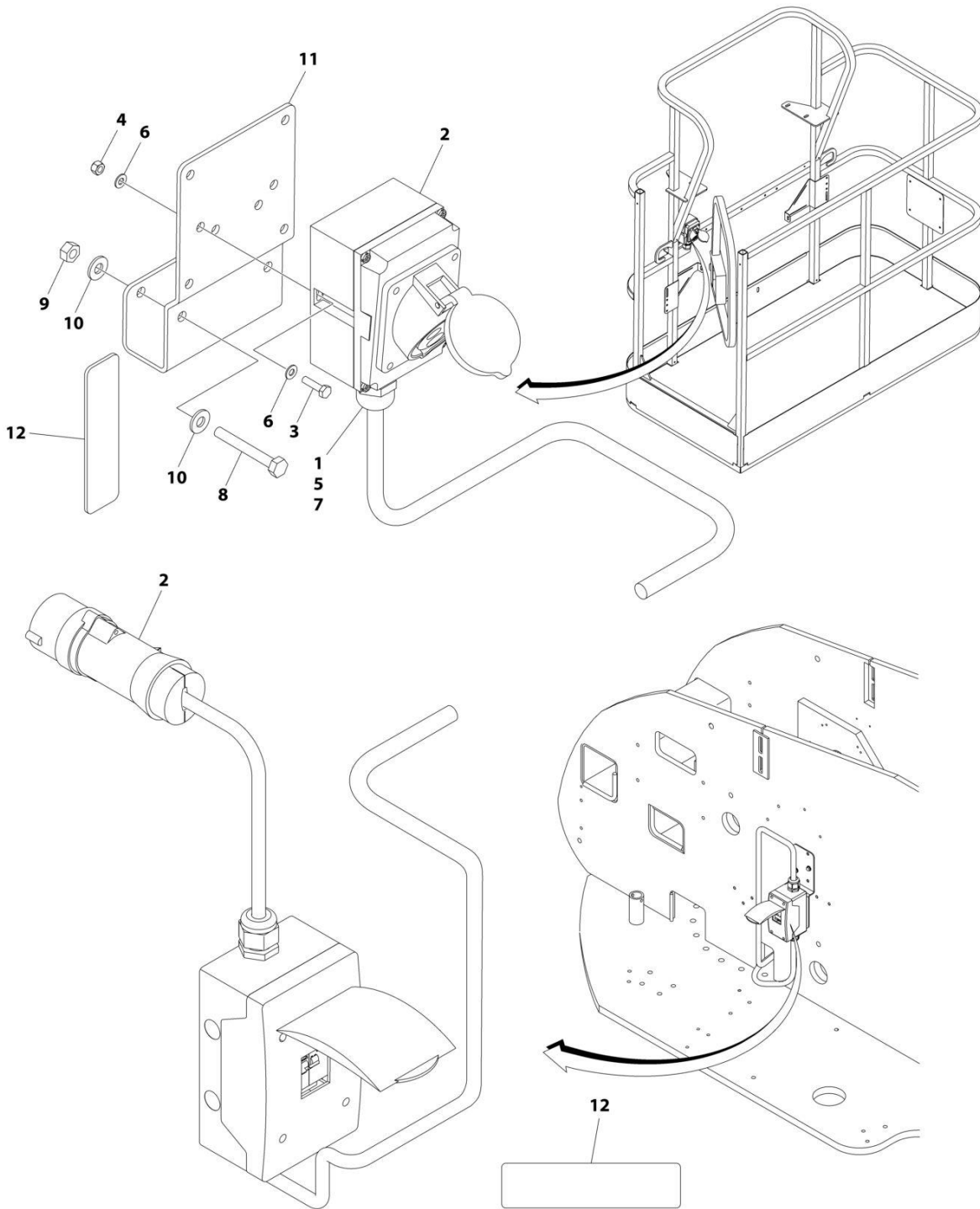
SECTION 8 - ELECTRICAL

FIGURE 8-3. AC BOX AT PLATFORM INSTALLATION - 220V IEC BLUE (CE, CIS/EAC & UK CA SPECS WITH 4000W/50HZ GENERATOR)

| ITEM | PART NUMBER | QTY | DESCRIPTION | REV |
|------|-------------|-----|---------------------------------|-----|
| | 1001194204 | Ref | AC BOX AT PLATFORM INSTALLATION | B |
| 1 | 0100020 | AR | Sealant, Pipe | |
| 2 | 0641416 | 2 | Bolt 1/4 x 2 | |
| 3 | 0700408 | 2 | Bolt M4 x 16 | |
| 4 | 0861781 | 1 | Box, Switch | |
| 5 | 3251242 | 1 | Decal - 240V/50Hz | |
| 6 | 3290405 | 2 | Nut M4 | |
| 7 | 3311405 | 2 | Nut 1/4 | |
| 8 | 4460968 | 1 | Connector, Strain Relief | |
| 9 | 4461201 | 1 | Receptacle | |
| 10 | 4711400 | 4 | Washer 1/4 | |
| 11 | 4811400 | 4 | Washer M4 | |
| 12 | 1001193018 | 1 | Bracket, AC Receptacle | |

SECTION 8 - ELECTRICAL

FIGURE 8-4. AC BOX AT PLATFORM INSTALLATION - 220V IEC 60309 BLUE WITHOUT 2500W GENERATOR (CE, CIS/EAC & UK CA SPECS)



(REF. LOCATED ON ENGINE SIDE HOOD)

ART_1001091970

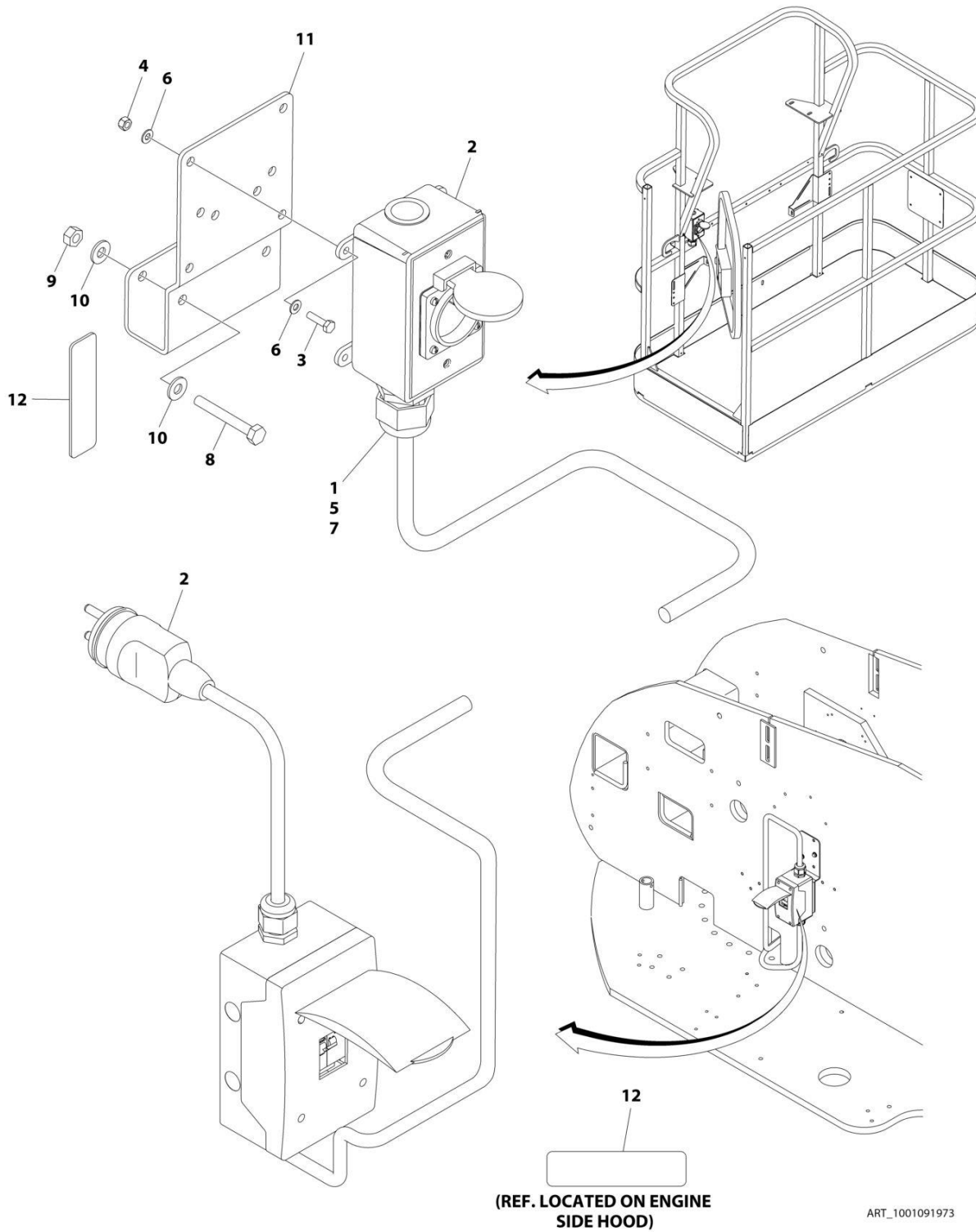
SECTION 8 - ELECTRICAL

FIGURE 8-4. AC BOX AT PLATFORM INSTALLATION - 220V IEC 60309 BLUE WITHOUT 2500W GENERATOR (CE, CIS/EAC & UK CA SPECS)

| ITEM | PART NUMBER | QTY | DESCRIPTION | REV |
|------|-------------|-----|---|-----|
| | 1001091970 | Ref | AC BOX AT PLATFORM INSTALLATION - 220V IEC BLUE | D |
| 1 | 0100020 | AR | Sealant, Pipe | |
| 2 | 0275217 | 1 | Receptacle Box Kit (See Separate Breakdown in this Section) | |
| 3 | 0700408 | 2 | Bolt M4 x 16 | |
| 4 | 3290405 | 2 | Nut M4 | |
| 5 | 1001101196 | 1 | Adapter | |
| 6 | 4811400 | 4 | Washer M4 | |
| 7 | 1001101191 | 1 | Connector, Strain Relief | |
| 8 | 0641416 | 2 | Bolt 1/4 x 2 | |
| 9 | 3311405 | 2 | Nut 1/4 | |
| 10 | 4711400 | 4 | Washer 1/4 | |
| 11 | 1001193018 | 1 | Bracket | |
| 12 | 3251242 | 2 | Decal - 240V/50Hz | |

SECTION 8 - ELECTRICAL

**FIGURE 8-5. AC BOX AT PLATFORM INSTALLATION - 220V CEE7 POST GROUND (2X4 BOX)
WITHOUT 2500W GENERATOR (CE, CIS/EAC & UK CA SPECS)**



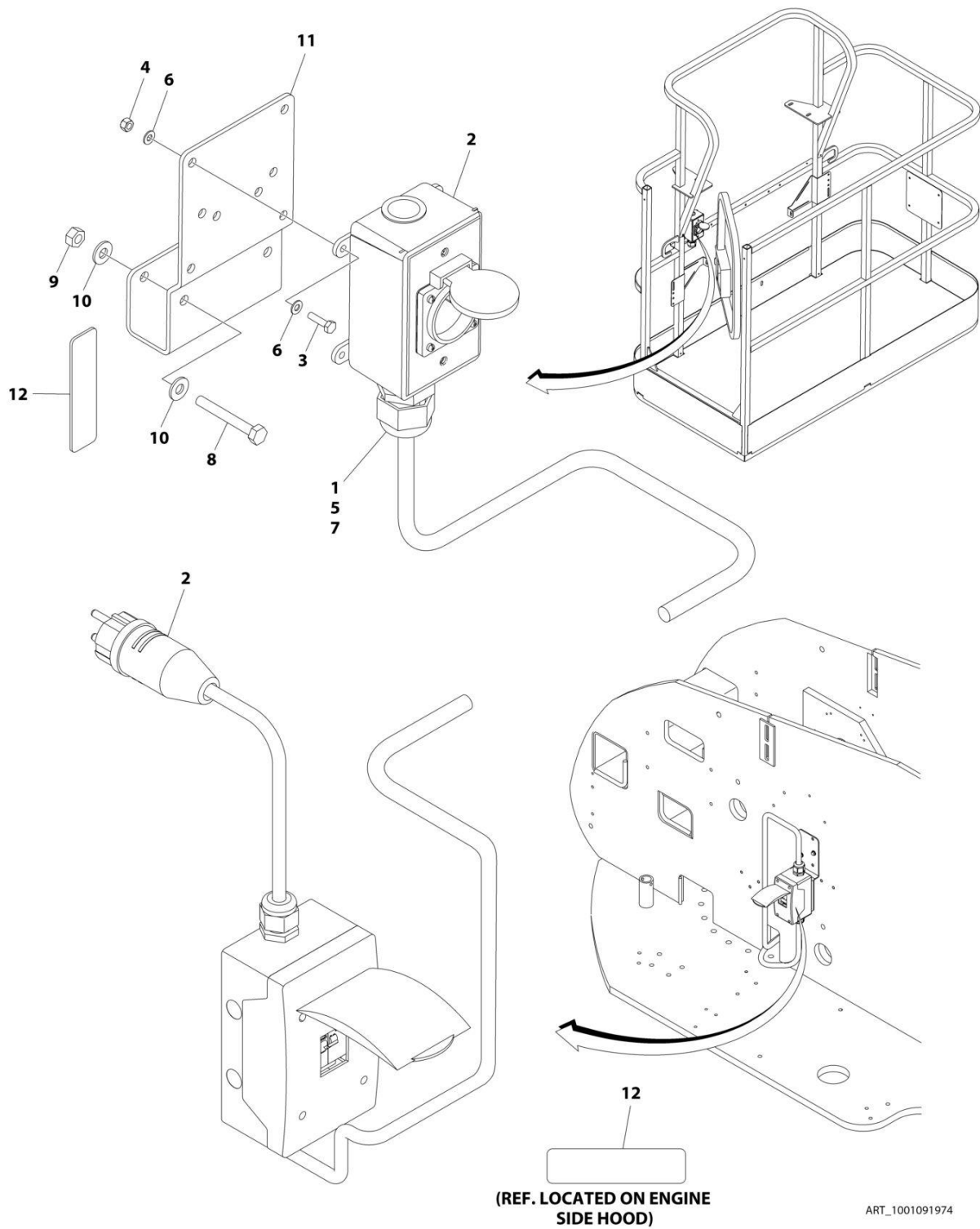
SECTION 8 - ELECTRICAL

**FIGURE 8-5. AC BOX AT PLATFORM INSTALLATION - 220V CEE7 POST GROUND (2X4 BOX)
WITHOUT 2500W GENERATOR (CE, CIS/EAC & UK CA SPECS)**

| ITEM | PART NUMBER | QTY | DESCRIPTION | REV |
|------|-------------|-----|--|-----|
| | 1001091973 | Ref | AC BOX AT PLATFORM INSTALLATION - 220V CEE7 2X4 BOX POST GROUND | F |
| 1 | 0100020 | AR | Sealant, Pipe | |
| 2 | 0275452 | 1 | Receptacle Box Kit (See Separate Breakdown in this Section) | |
| 3 | 0700408 | 4 | Bolt M4 x 16 | |
| 4 | 3290405 | 4 | Nut M4 | |
| 5 | 1001101197 | 1 | Adapter | |
| 6 | 4811400 | 8 | Washer M4 | |
| 7 | 1001101191 | 1 | Connector, Strain Relief | |
| 8 | 0641416 | 2 | Bolt 1/4 x 2 | |
| 9 | 3311405 | 2 | Nut 1/4 | |
| 10 | 4711400 | 4 | Washer 1/4 | |
| 11 | 1001193018 | 1 | Bracket | |
| 12 | 3251242 | 2 | Decal - 240V/50Hz | |
| 13 | 4460806 | 2 | Terminal, Fork (Not Shown) | |
| 14 | 1001205958 | 1 | Terminal (Not Shown) | |

SECTION 8 - ELECTRICAL

**FIGURE 8-6. AC BOX AT PLATFORM INSTALLATION - 220V CEE7 SIDE GROUND (2X4 BOX)
WITHOUT 2500W GENERATOR (CE, CIS/EAC & UK CA SPECS)**



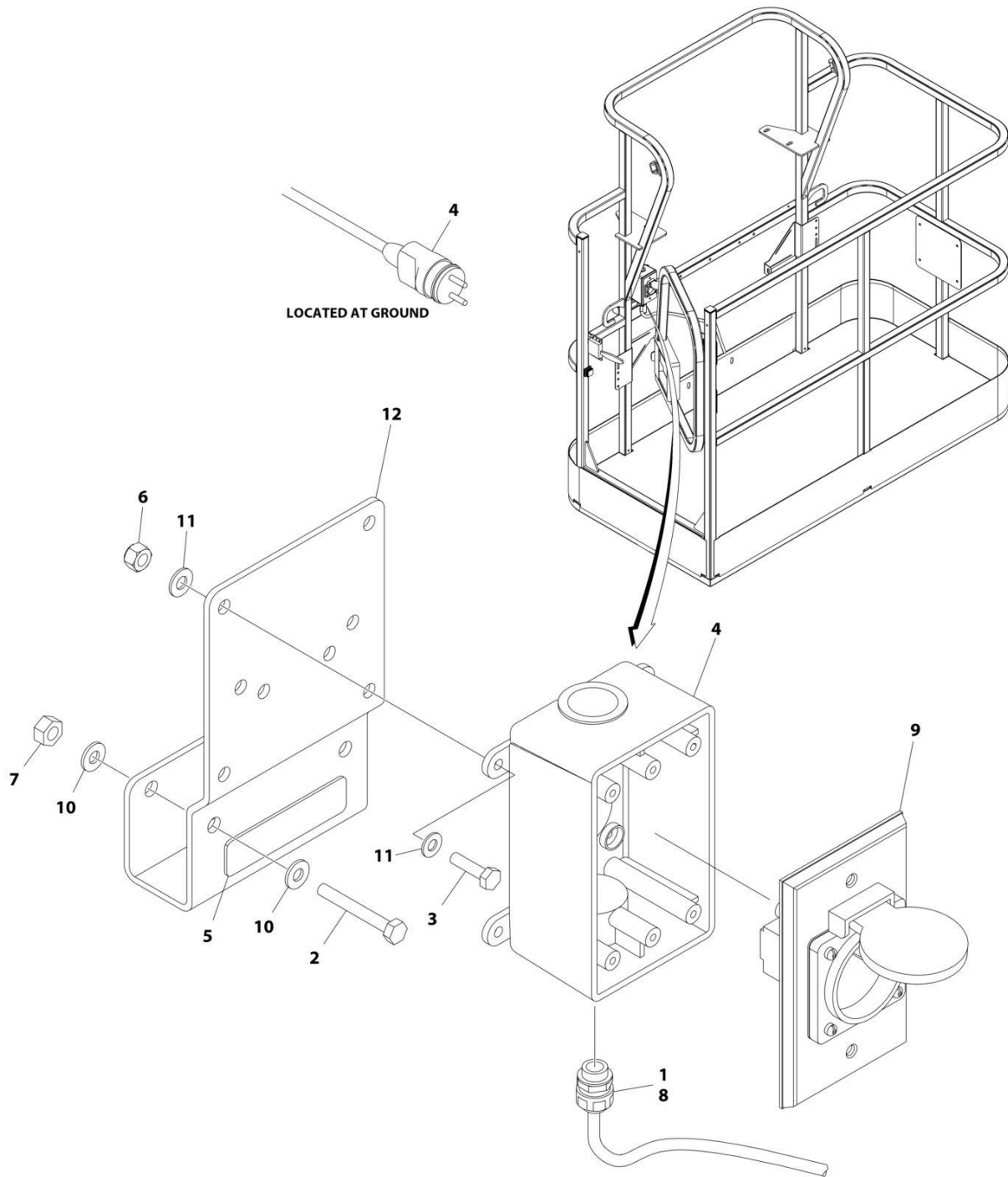
SECTION 8 - ELECTRICAL

**FIGURE 8-6. AC BOX AT PLATFORM INSTALLATION - 220V CEE7 SIDE GROUND (2X4 BOX)
WITHOUT 2500W GENERATOR (CE, CIS/EAC & UK CA SPECS)**

| ITEM | PART NUMBER | QTY | DESCRIPTION | REV |
|------|-------------|-----|--|-----|
| | 1001091974 | Ref | AC BOX AT PLATFORM INSTALLATION - 220V CEE7 2X4 BOX SIDE GROUND | F |
| 1 | 0100020 | AR | Sealant, Pipe | |
| 2 | 0275453 | 1 | Receptacle Box Kit (See Separate Breakdown in this Section) | |
| 3 | 0700408 | 4 | Bolt M4 x 16 | |
| 4 | 3290405 | 4 | Nut M4 | |
| 5 | 1001101197 | 1 | Adapter | |
| 6 | 4811400 | 8 | Washer M4 | |
| 7 | 1001101191 | 1 | Connector, Strain Relief | |
| 8 | 0641416 | 2 | Bolt 1/4 x 2 | |
| 9 | 3311405 | 2 | Nut 1/4 | |
| 10 | 4711400 | 4 | Washer 1/4 | |
| 11 | 1001193018 | 1 | Bracket | |
| 12 | 3251242 | 2 | Decal - 240V/50Hz | |
| 13 | 4460806 | 2 | Terminal, Fork (Not Shown) | |
| 14 | 1001205958 | 1 | Terminal (Not Shown) | |

SECTION 8 - ELECTRICAL

FIGURE 8-7. AC BOX AT PLATFORM INSTALLATION - 220V CEE7 2IN X 4IN POST GROUND (CE, CIS/EAC & UK CA SPECS WITH 4000W/50HZ GENERATOR)



ART_1001194197

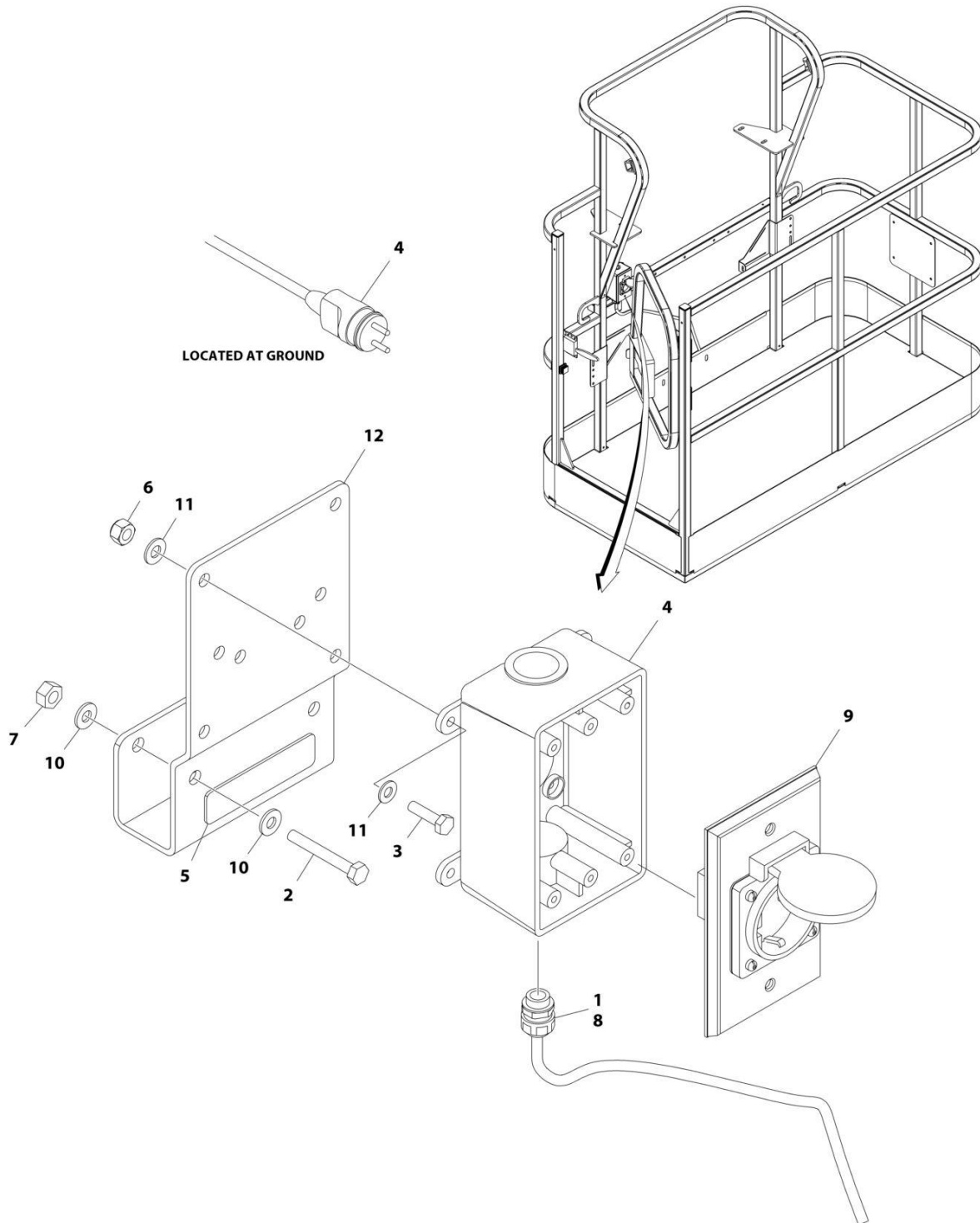
SECTION 8 - ELECTRICAL

FIGURE 8-7. AC BOX AT PLATFORM INSTALLATION - 220V CEE7 2IN X 4IN POST GROUND (CE, CIS/EAC & UK CA SPECS WITH 4000W/50HZ GENERATOR)

| ITEM | PART NUMBER | QTY | DESCRIPTION | REV |
|------|-------------|-----|---------------------------------|-----|
| | 1001194197 | Ref | AC BOX AT PLATFORM INSTALLATION | B |
| 1 | 0100020 | AR | Sealant, Pipe | |
| 2 | 0641416 | 2 | Bolt 1/4 x 2 | |
| 3 | 0700408 | 4 | Bolt M4 x 16 | |
| 4 | 0861731 | 1 | Box, Switch | |
| 5 | 3251242 | 1 | Decal - 240V/50Hz | |
| 6 | 3290405 | 4 | Nut M4 | |
| 7 | 3311405 | 2 | Nut 1/4 | |
| 8 | 4460662 | 1 | Connector, Strain Relief | |
| 9 | 4461244 | 1 | Receptacle | |
| 10 | 4711400 | 4 | Washer 1/4 | |
| 11 | 4811400 | 8 | Washer M4 | |
| 12 | 1001193018 | 1 | Bracket, AC Receptacle | |
| 13 | 4460806 | 2 | Terminal, Fork (Not Shown) | |
| 14 | 1001205958 | 1 | Terminal (Not Shown) | |

SECTION 8 - ELECTRICAL

FIGURE 8-8. AC BOX AT PLATFORM INSTALLATION - 220V CEE7 2IN X 4IN SIDE GROUND (CE, CIS/EAC & UK CA SPECS WITH 4000W/50HZ GENERATOR)



ART_1001194198

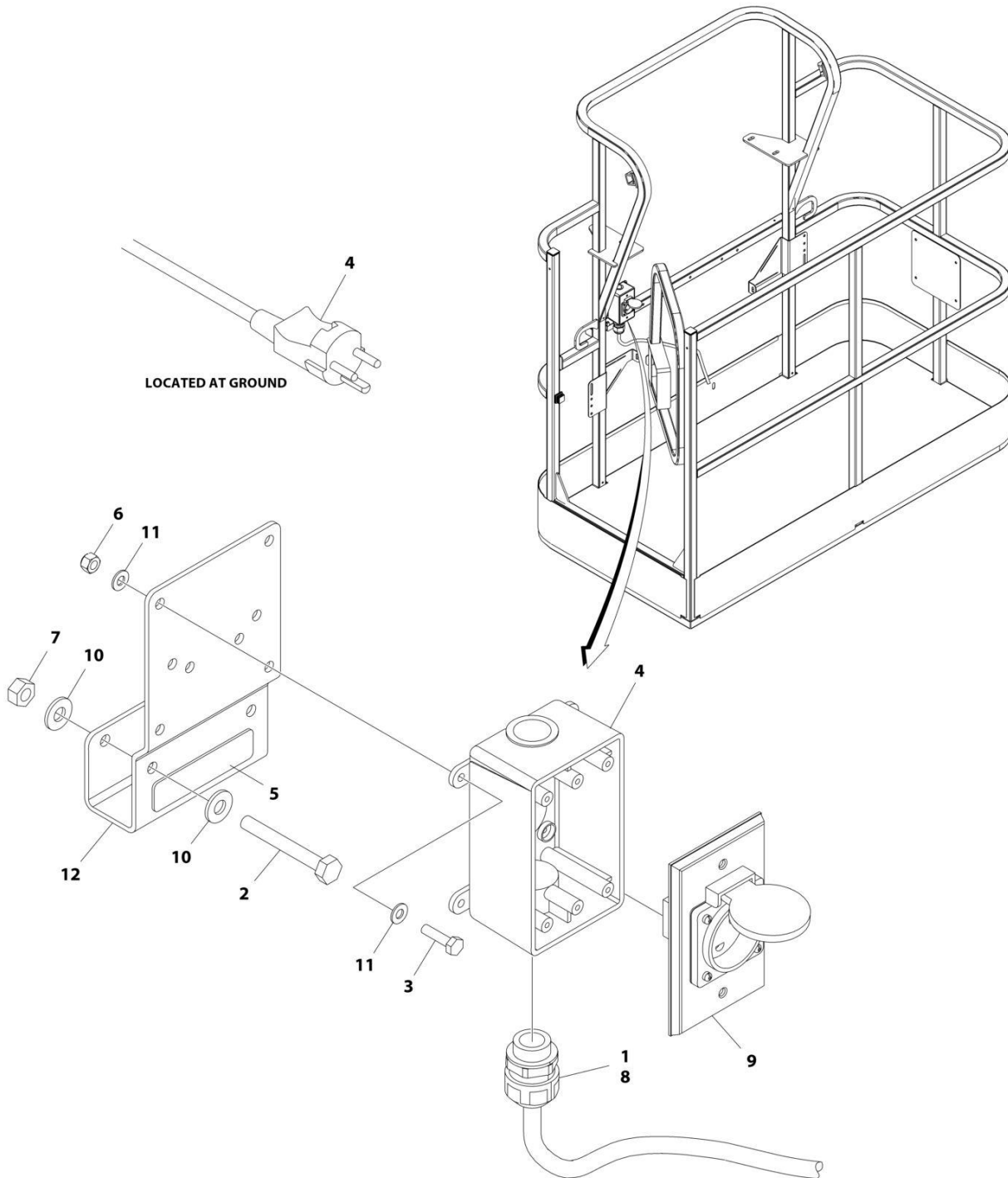
SECTION 8 - ELECTRICAL

FIGURE 8-8. AC BOX AT PLATFORM INSTALLATION - 220V CEE7 2IN X 4IN SIDE GROUND (CE, CIS/EAC & UK CA SPECS WITH 4000W/50HZ GENERATOR)

| ITEM | PART NUMBER | QTY | DESCRIPTION | REV |
|------|-------------|-----|---------------------------------|-----|
| | 1001194198 | Ref | AC BOX AT PLATFORM INSTALLATION | B |
| 1 | 0100020 | AR | Sealant, Pipe | |
| 2 | 0641416 | 2 | Bolt 1/4 x 2 | |
| 3 | 0700408 | 4 | Bolt M4 x 16 | |
| 4 | 0861731 | 1 | Box, Switch | |
| 5 | 3251242 | 1 | Decal - 240V/50Hz | |
| 6 | 3290405 | 4 | Nut M4 | |
| 7 | 3311405 | 2 | Nut 1/4 | |
| 8 | 4460662 | 1 | Connector, Strain Relief | |
| 9 | 4461245 | 1 | Receptacle | |
| 10 | 4711400 | 4 | Washer 1/4 | |
| 11 | 4811400 | 8 | Washer M4 | |
| 12 | 1001193018 | 1 | Bracket, AC Receptacle | |
| 13 | 4460806 | 2 | Terminal, Fork (Not Shown) | |
| 14 | 1001205958 | 1 | Terminal (Not Shown) | |

SECTION 8 - ELECTRICAL

FIGURE 8-9. AC BOX AT PLATFORM INSTALLATION - 220V AFSINT107 (CE, CIS/EAC & UK CA SPECS WITH 4000W/50HZ GENERATOR)



ART_1001194200

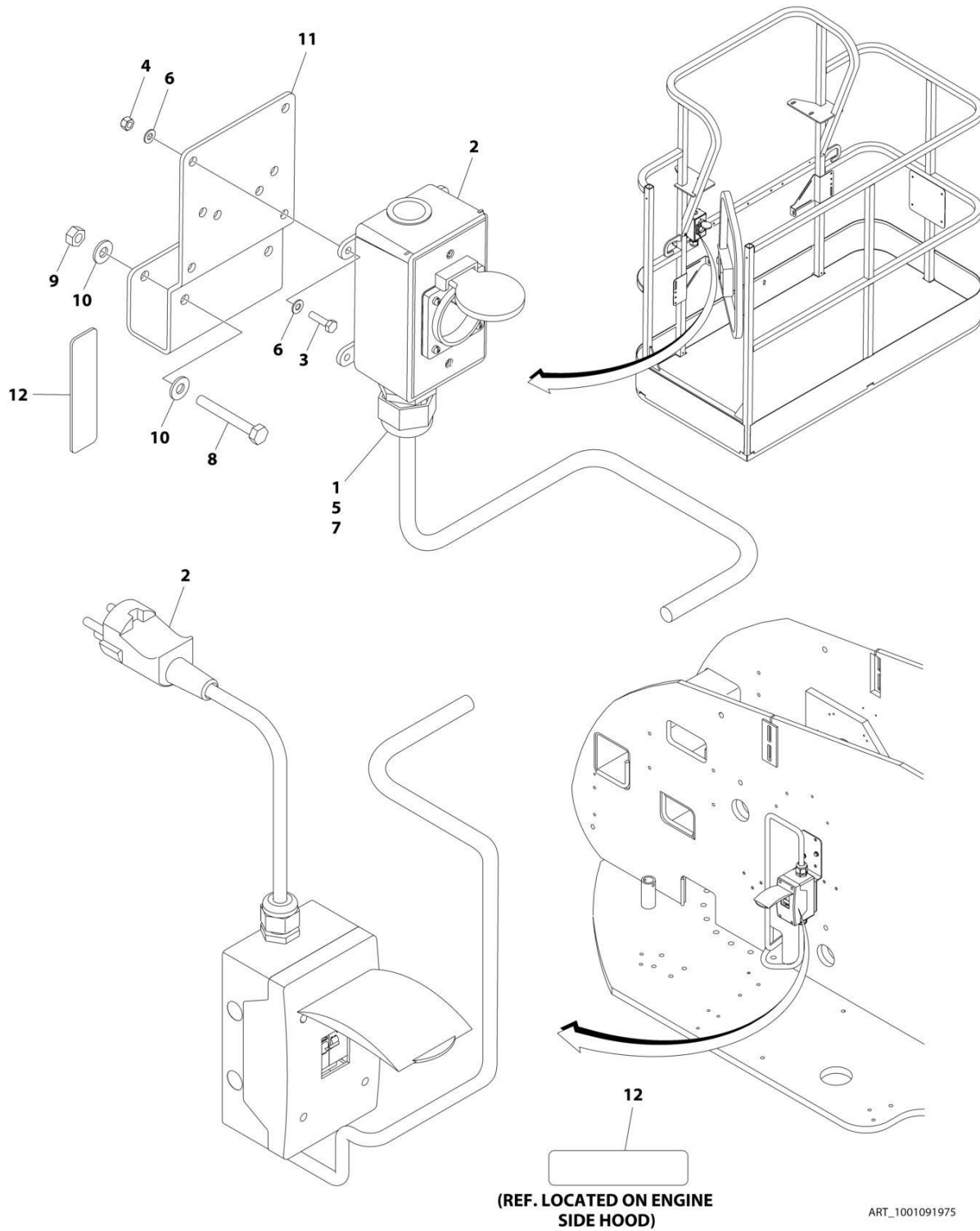
SECTION 8 - ELECTRICAL

FIGURE 8-9. AC BOX AT PLATFORM INSTALLATION - 220V AFSINT107 (CE, CIS/EAC & UK CA SPECS WITH 4000W/50HZ GENERATOR)

| ITEM | PART NUMBER | QTY | DESCRIPTION | REV |
|------|-------------|-----|---------------------------------|-----|
| | 1001194200 | Ref | AC BOX AT PLATFORM INSTALLATION | B |
| 1 | 0100020 | AR | Sealant, Pipe | |
| 2 | 0641416 | 2 | Bolt 1/4 x 2 | |
| 3 | 0700408 | 4 | Bolt M4 x 16 | |
| 4 | 0861731 | 1 | Box, Switch | |
| 5 | 3251242 | 1 | Decal - 240V/50Hz | |
| 6 | 3290405 | 4 | Nut M4 | |
| 7 | 3311405 | 2 | Nut 1/4 | |
| 8 | 4460662 | 1 | Connector, Strain Relief | |
| 9 | 4461246 | 1 | Receptacle | |
| 10 | 4711400 | 4 | Washer 1/4 | |
| 11 | 4811400 | 8 | Washer M4 | |
| 12 | 1001193018 | 1 | Bracket, AC Receptacle | |
| 13 | 1001205958 | 1 | Terminal (Not Shown) | |

SECTION 8 - ELECTRICAL

FIGURE 8-10. AC BOX AT PLATFORM INSTALLATION - 220V AFSINT 107 KEYED GROUND (2X4 BOX) WITHOUT 2500W GENERATOR (CE, CIS/EAC & UK CA SPECS)



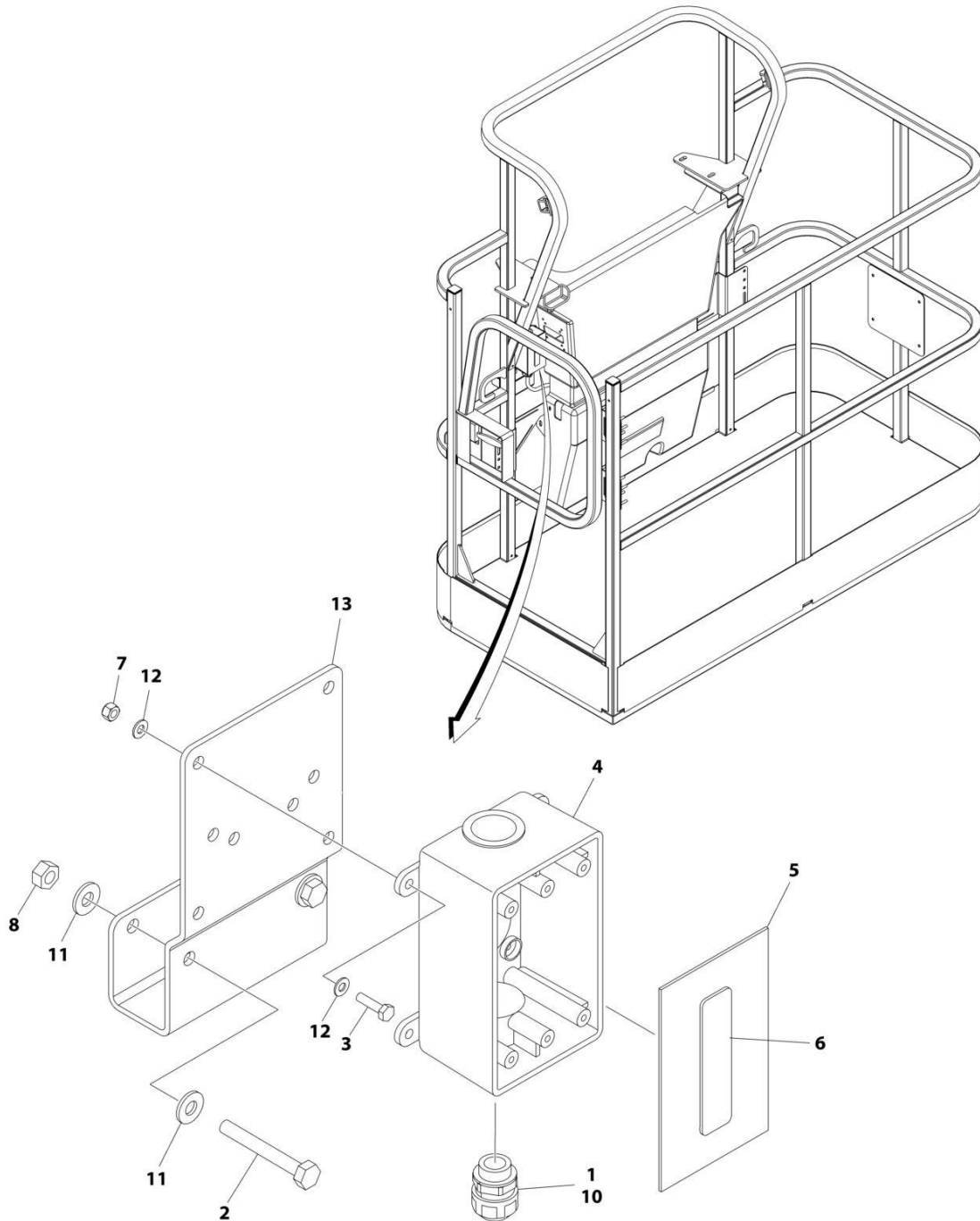
SECTION 8 - ELECTRICAL

FIGURE 8-10. AC BOX AT PLATFORM INSTALLATION - 220V AFSINT 107 KEYED GROUND (2X4 BOX) WITHOUT 2500W GENERATOR (CE, CIS/EAC & UK CA SPECS)

| ITEM | PART NUMBER | QTY | DESCRIPTION | REV |
|------|-------------|-----|--|-----|
| | 1001091975 | Ref | AC BOX AT PLATFORM INSTALLATION - 220V AFSINT 107 2X4 BOX KEYED GROUND | F |
| 1 | 0100020 | AR | Sealant, Pipe | |
| 2 | 0275454 | 1 | Receptacle Box Kit (See Separate Breakdown in this Section) | |
| 3 | 0700408 | 4 | Bolt M4 x 16 | |
| 4 | 3290405 | 4 | Nut M4 | |
| 5 | 1001101197 | 1 | Adapter | |
| 6 | 4811400 | 8 | Washer M4 | |
| 7 | 1001101191 | 1 | Connector, Strain Relief | |
| 8 | 0641416 | 2 | Bolt 1/4 x 2 | |
| 9 | 3311405 | 2 | Nut 1/4 | |
| 10 | 4711400 | 4 | Washer 1/4 | |
| 11 | 1001193018 | 1 | Bracket | |
| 12 | 3251242 | 2 | Decal - 240V/50Hz | |
| 13 | 1001205958 | 3 | Terminal (Not Shown) | |

SECTION 8 - ELECTRICAL

FIGURE 8-11. AC BOX AT PLATFORM INSTALLATION - 220V CUSTOMER SUPPLIED COMPONENTS (ALL SPECS)



ART_1001194365

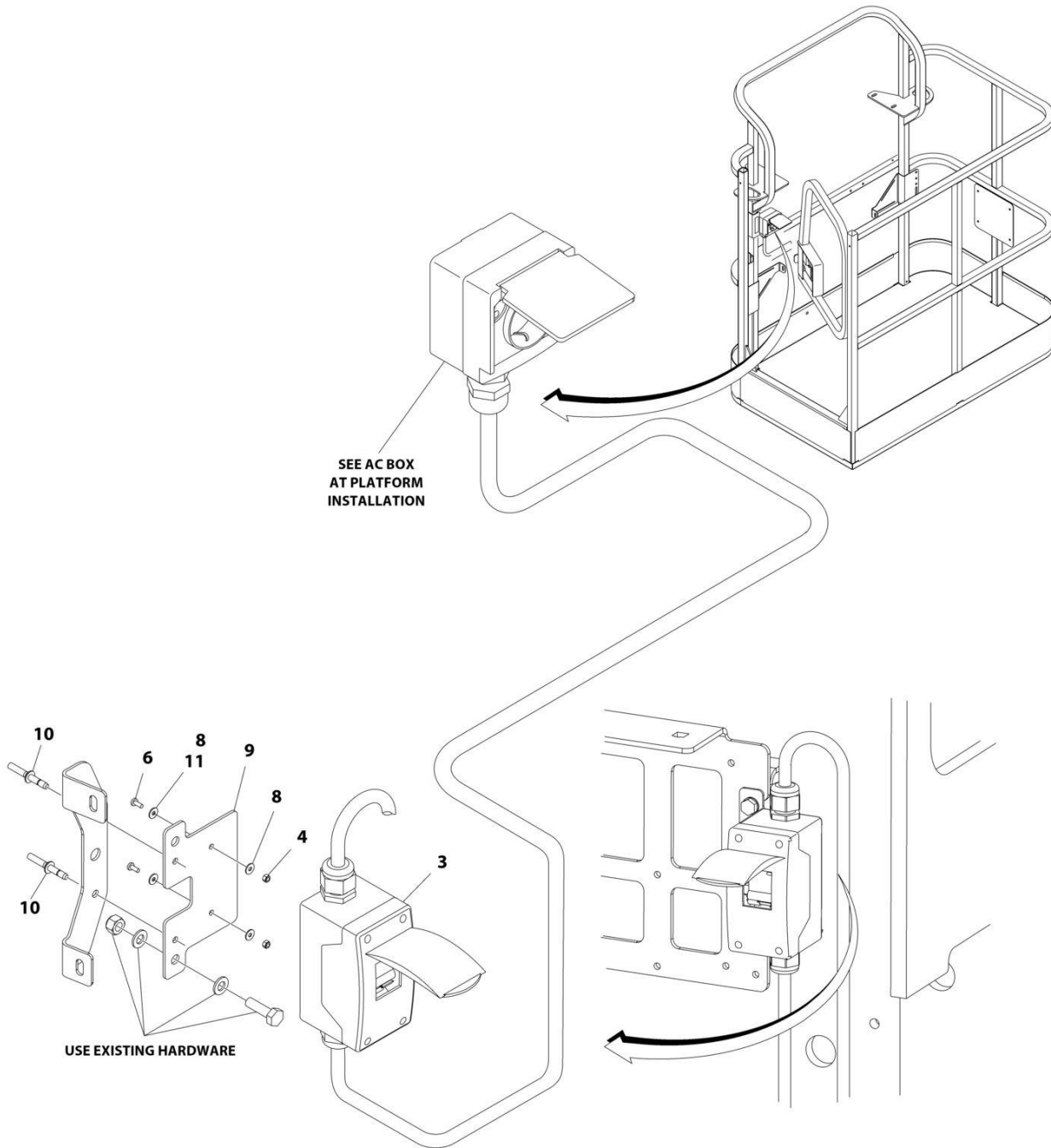
SECTION 8 - ELECTRICAL

**FIGURE 8-11. AC BOX AT PLATFORM INSTALLATION - 220V CUSTOMER SUPPLIED COMPONENTS
(ALL SPECS)**

| ITEM | PART NUMBER | QTY | DESCRIPTION | REV |
|------|-------------|-----|---|-----|
| | 1001194365 | Ref | AC BOX AT PLATFORM INSTALLATION - BOX WITH COVER (2X4 BOX) | A |
| 1 | 0100020 | AR | Sealant | |
| 2 | 0641416 | 2 | Bolt 1/4 x 2 | |
| 3 | 0700408 | 4 | Bolt M4 x 16 | |
| 4 | 0861731 | 1 | Box, Switch | |
| 5 | 1670603 | 1 | Cover | |
| 6 | 3251242 | 1 | Decal - 240V/50Hz | |
| 7 | 3290405 | 4 | Nut M4 | |
| 8 | 3311405 | 2 | Nut 1/4 | |
| 9 | 4460384 | 3 | Terminal (Not Shown) | |
| 10 | 4460662 | 1 | Connector, Strain Relief | |
| 11 | 4711400 | 4 | Washer 1/4 | |
| 12 | 4811400 | 8 | Washer M4 | |
| 13 | 1001193018 | 1 | Bracket, AC Receptacle | |

SECTION 8 - ELECTRICAL

FIGURE 8-12. AC CABLE INSTALLATION - WITH TWO BREAKERS (CE, CIS/EAC & UK CA SPECS)



ART_1001167312

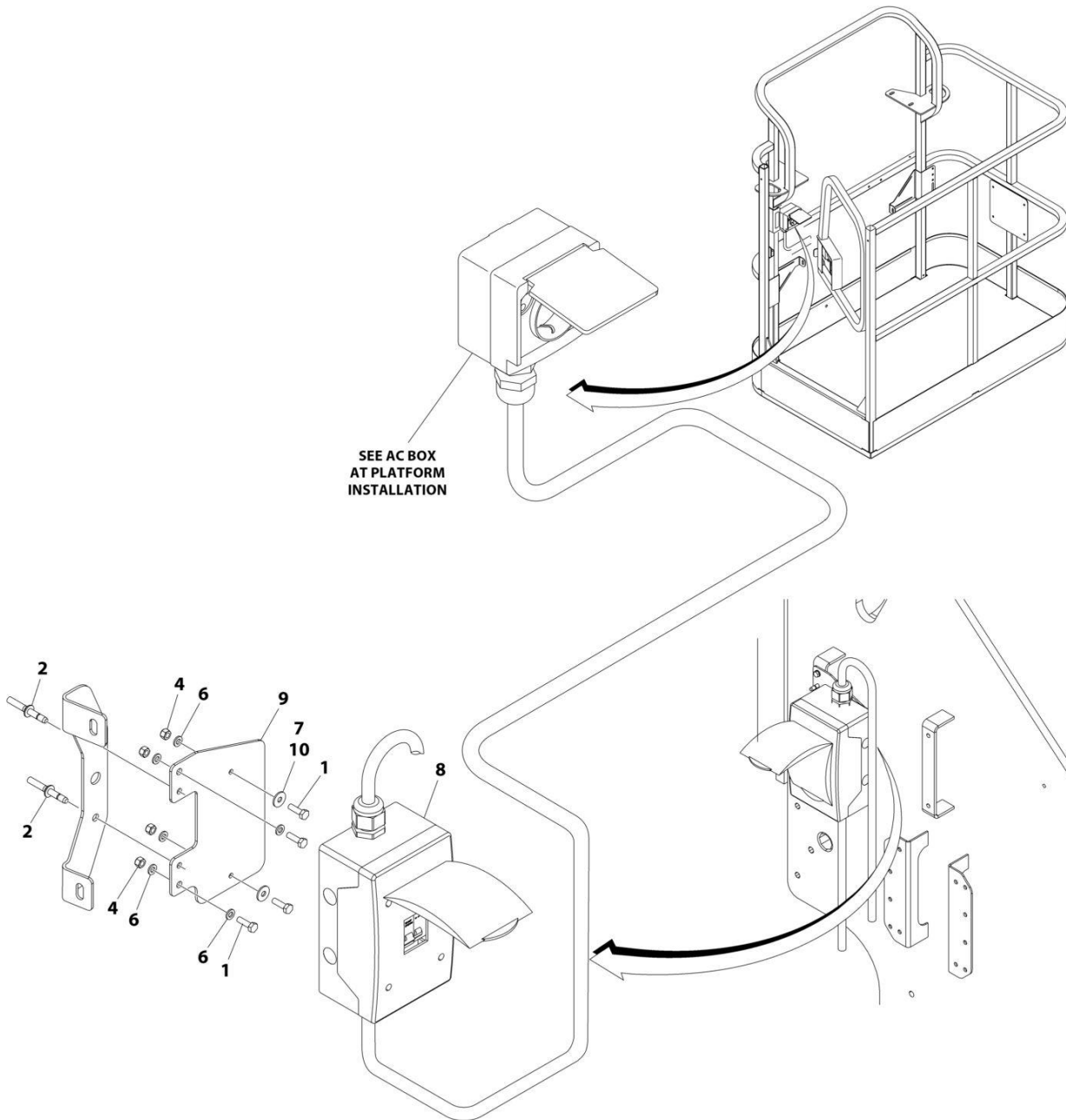
SECTION 8 - ELECTRICAL

FIGURE 8-12. AC CABLE INSTALLATION - WITH TWO BREAKERS (CE, CIS/EAC & UK CA SPECS)

| ITEM | PART NUMBER | QTY | DESCRIPTION | REV |
|------|-------------|-----|--|-----|
| | 1001167312 | Ref | AC CABLE INSTALLATION - WITH TWO BREAKERS | G |
| 3 | 2902549 | 1 | Breaker Box Kit - CE Spec (See Separate Breakdown in this Section) | |
| 4 | 3290405 | 2 | Nut M4 | |
| 4 | 3290605 | 2 | Nut M6 | |
| 6 | 4010405 | AR | Screw M4 x 10 | |
| 6 | 0760610 | AR | Screw M6 x 20 | |
| 6 | 0760614 | AR | Screw M6 x 30 | |
| 8 | 1001091102 | 2 | Washer M4 | |
| 8 | 4811700 | AR | Washer M6 | |
| 9 | 1001174158 | 1 | Bracket | |
| 10 | 2080040 | 2 | Fastener, Huck | |
| 11 | 4811702 | 2 | Washer M6 | |

SECTION 8 - ELECTRICAL

FIGURE 8-13. AC CABLE INSTALLATION - WITH THREE BREAKERS (CE, CIS/EAC & UK CA SPECS)



ART_1001209677

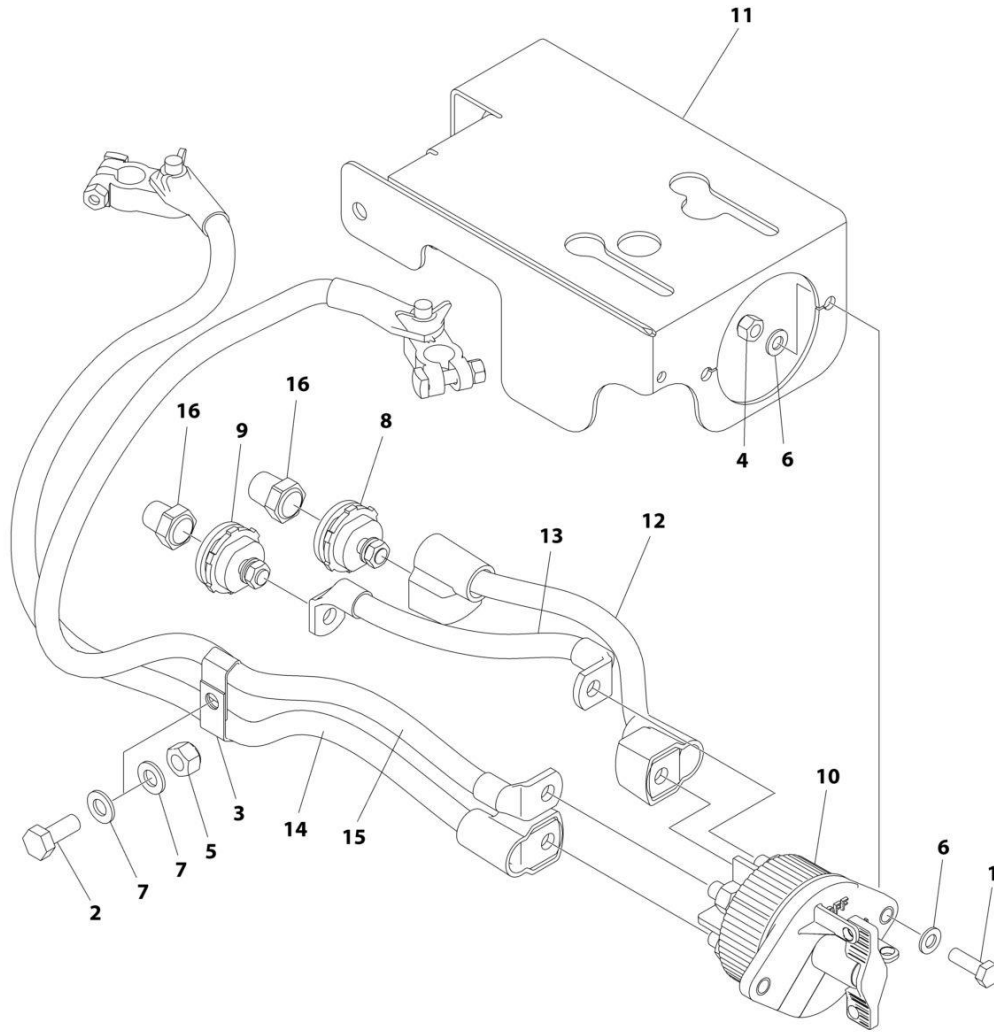
SECTION 8 - ELECTRICAL

FIGURE 8-13. AC CABLE INSTALLATION - WITH THREE BREAKERS (CE, CIS/EAC & UK CA SPECS)

| ITEM | PART NUMBER | QTY | DESCRIPTION | REV |
|------|-------------|-----|--|-----|
| | 1001209677 | Ref | AC CABLE INSTALLATION - WITH THREE BREAKERS | B |
| 1 | 0760610 | AR | Bolt M6 x 20 | |
| 1 | 4010405 | AR | Bolt M4 x 10 | |
| 2 | 2080040 | AR | Fastener, Huck | |
| 4 | 3290605 | AR | Nut M6 | |
| 6 | 4811700 | 4 | Washer M6 | |
| 7 | 1001091102 | AR | Washer M4 | |
| 8 | 1001152485 | 1 | Breaker Box Kit (See Separate Breakdown in this Section) | |
| 9 | 1001209832 | 1 | Bracket | |
| 10 | 4811702 | AR | Washer M6 | |

SECTION 8 - ELECTRICAL

FIGURE 8-14. BATTERY DISCONNECT SWITCH



ART_1001214397

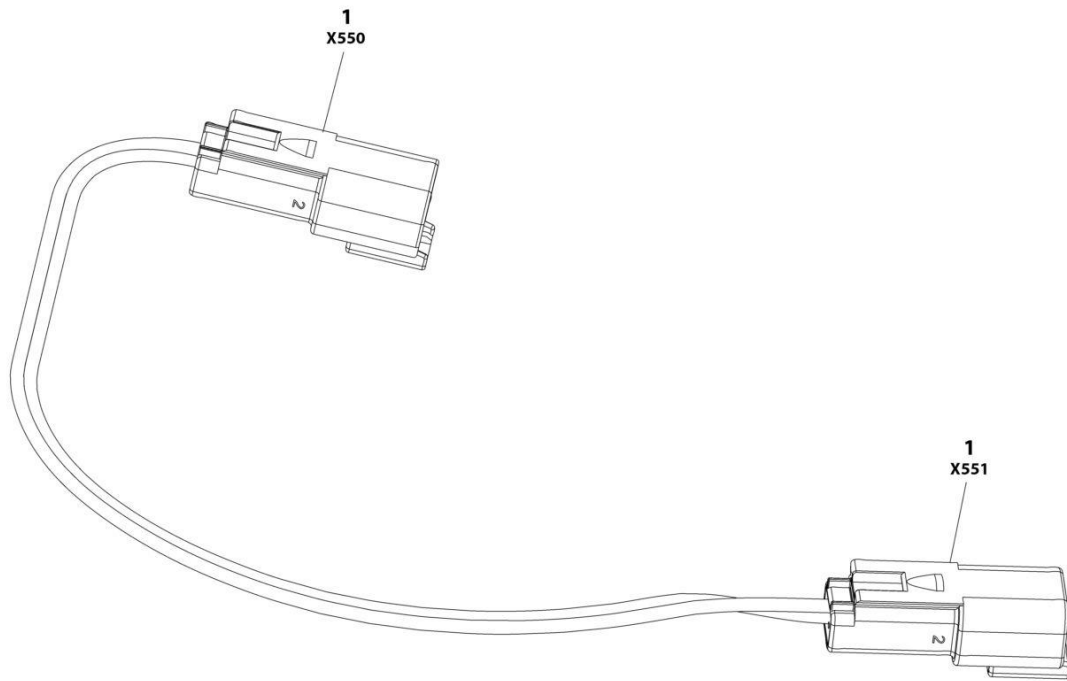
SECTION 8 - ELECTRICAL

FIGURE 8-14. BATTERY DISCONNECT SWITCH

| ITEM | PART NUMBER | QTY | DESCRIPTION | REV |
|------|-------------|-----|--------------------------------------|-----|
| | 1001214397 | Ref | BATTERY DISCONNECT SWITCH | A |
| 1 | 0760812 | 2 | Bolt M8 x 25 | |
| 2 | 0761012 | 1 | Bolt M10 x 25 | |
| 3 | 1320223 | 2 | Clamp | |
| 4 | 3290805 | 2 | Nut M8 | |
| 5 | 3291005 | 1 | Nut M10 | |
| 6 | 4811900 | 4 | Washer M8 | |
| 7 | 4812000 | 2 | Washer M10 | |
| 8 | 1001214570 | 1 | Connector (Red) | |
| 9 | 1001214571 | 1 | Connector (Black) | |
| 10 | 1001225346 | 1 | Switch | |
| 11 | 1001226530 | 1 | Mount | |
| 12 | 1001237878 | 1 | Cable, Battery Disconnect (Positive) | |
| 13 | 1001237879 | 1 | Cable, Battery Disconnect (Negative) | |
| 14 | 1001237880 | 1 | Cable (Positive) | |
| 15 | 1001237881 | 1 | Cable (Negative) | |
| 16 | 1001206476 | 1 | Connector | |

SECTION 8 - ELECTRICAL

FIGURE 8-15. BEACON JUMPER HARNESS (Prior to SN B300017702)



ART_1001277185

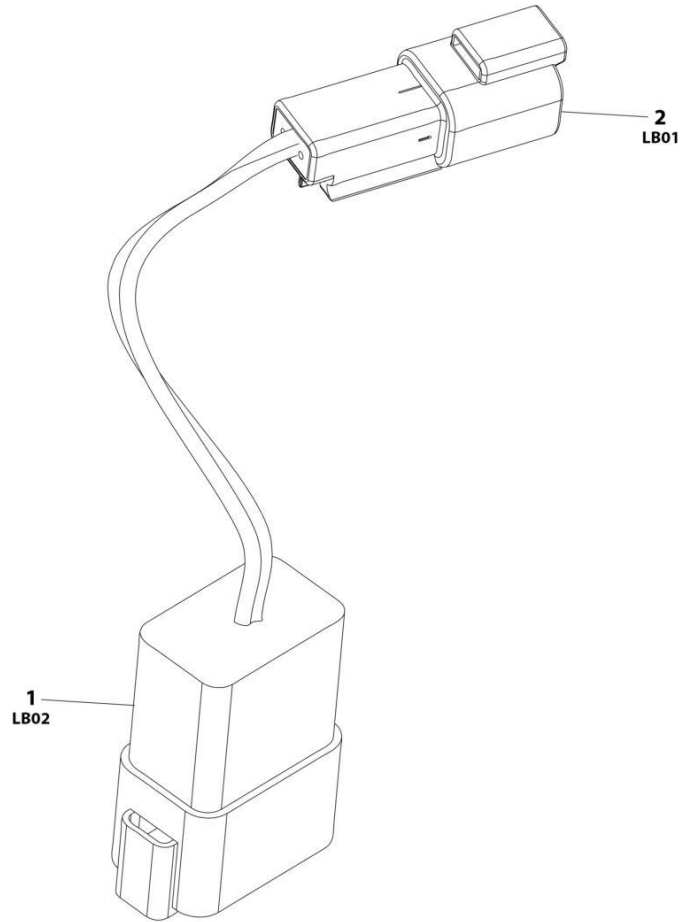
SECTION 8 - ELECTRICAL

FIGURE 8-15. BEACON JUMPER HARNESS (Prior to SN B300017702)

| ITEM | PART NUMBER | QTY | DESCRIPTION | REV |
|------|-------------|-----|----------------------|-----|
| | 1001277185 | Ref | STROBE LIGHT HARNESS | A |
| 1 | 4460897 | 2 | Connector | |
| 1 | 4460464 | 4 | Pin, Male | |

SECTION 8 - ELECTRICAL

FIGURE 8-16. BEACON JUMPER HARNESS (SN B300017702 to Present)



ART_1001283776

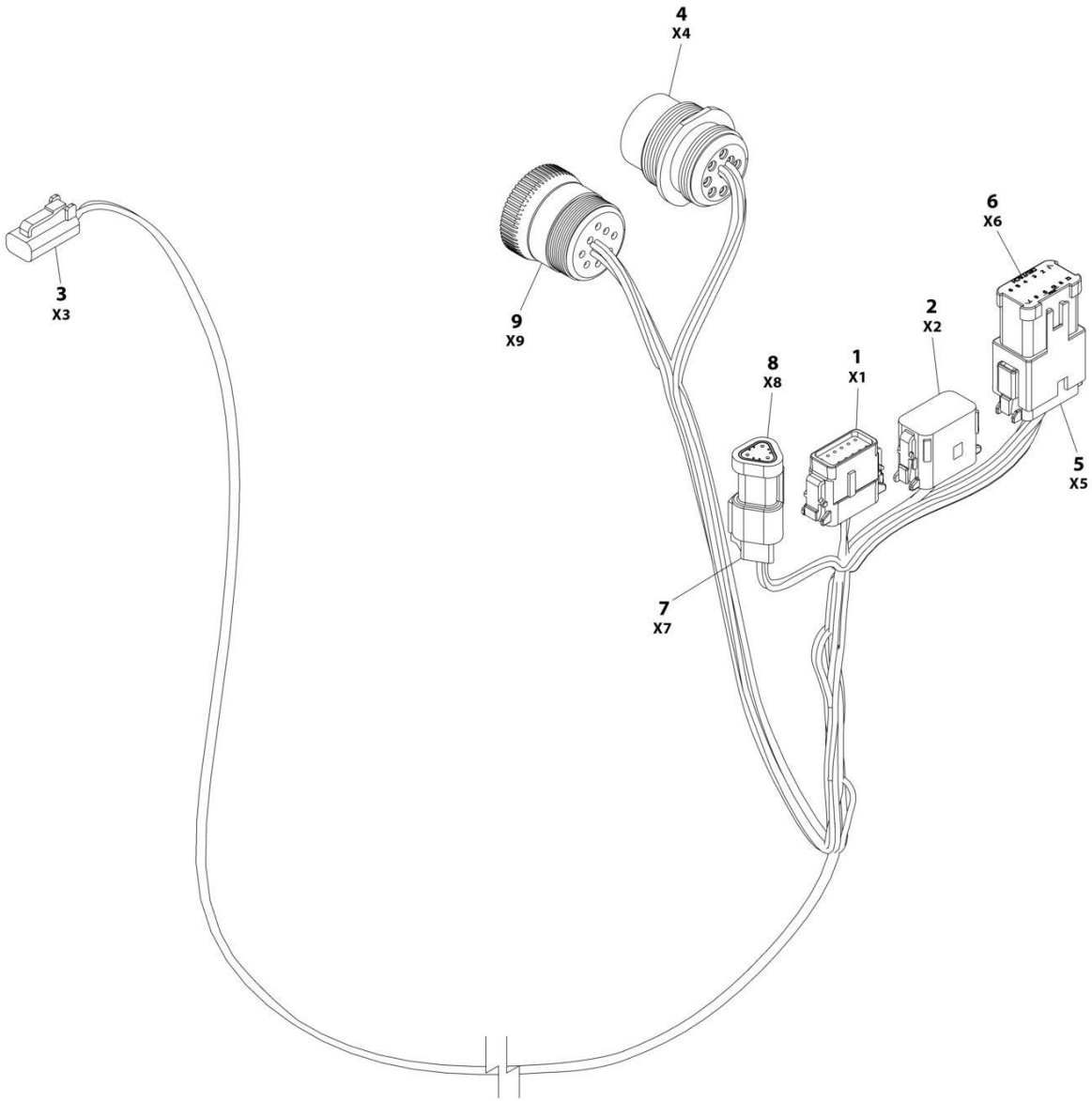
SECTION 8 - ELECTRICAL

FIGURE 8-16. BEACON JUMPER HARNESS (SN B300017702 to Present)

| ITEM | PART NUMBER | QTY | DESCRIPTION | REV |
|------|-------------|-----|------------------------------|-----|
| | 1001283776 | Ref | STROBE LIGHT HARNESS (AMBER) | A |
| 1 | 4460931 | 1 | Connector | |
| 1 | 4460464 | 2 | Pin | |
| 1 | 4460466 | 6 | Plug | |
| 2 | 4460897 | 1 | Connector | |
| 2 | 4460464 | 2 | Pin | |

SECTION 8 - ELECTRICAL

FIGURE 8-17. BEACON LIGHT HARNESS (BLUE AND RED BEACON LIGHT)



ART_1001142736

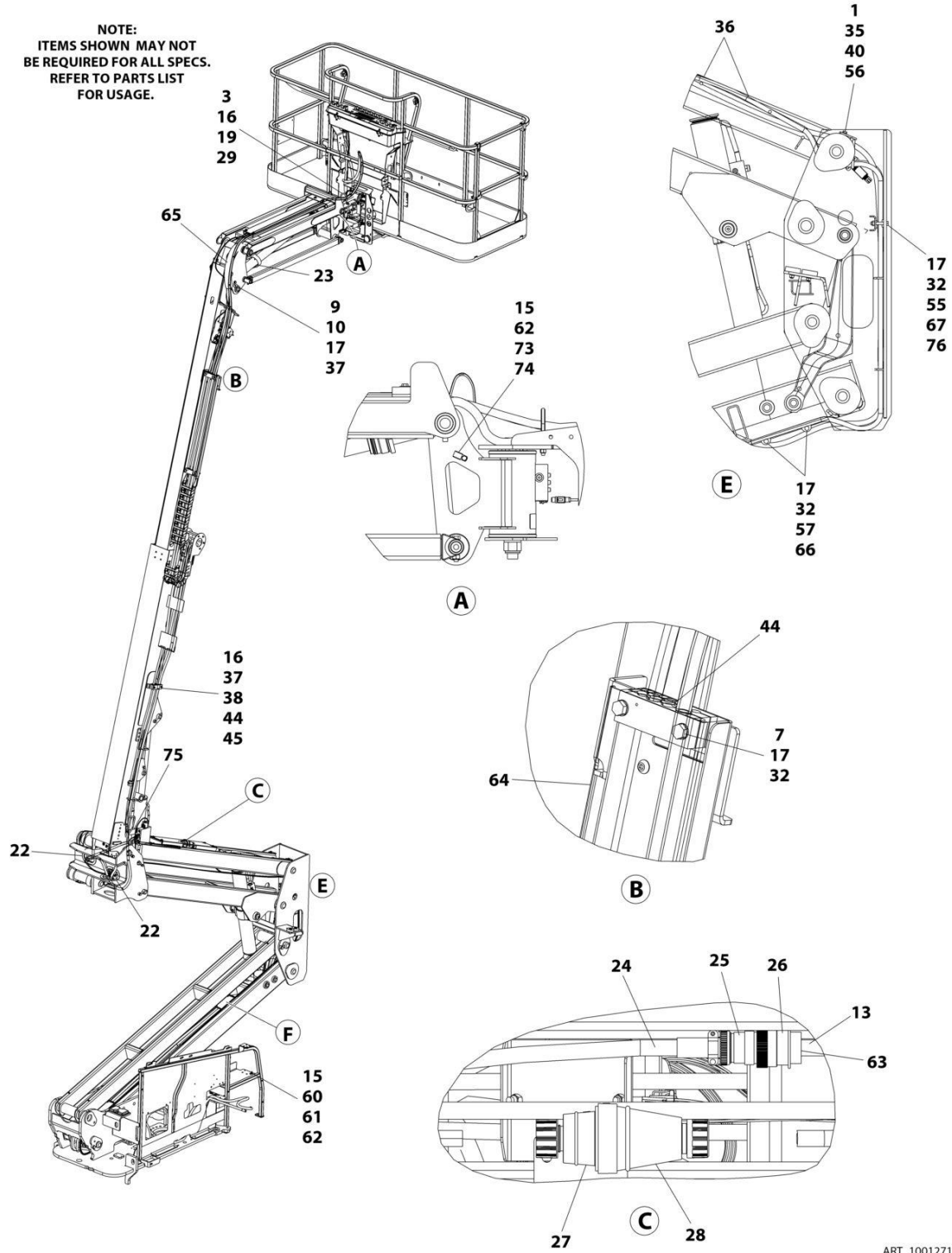
SECTION 8 - ELECTRICAL

FIGURE 8-17. BEACON LIGHT HARNESS (BLUE AND RED BEACON LIGHT)

| ITEM | PART NUMBER | QTY | DESCRIPTION | REV |
|------|-------------|-----|--------------------------|-----|
| | 1001142736 | Ref | STROBE LIGHT HARNESS | F |
| 1 | 1001116808 | 1 | Plug, Male - 12 Position | |
| 1 | 4460928 | 3 | Socket, Female | |
| 1 | 4460518 | 9 | Plug, Terminal | |
| 2 | 1001116774 | 1 | Plug, Male - 12 Position | |
| 2 | 4460928 | 3 | Socket, Female | |
| 2 | 4460518 | 9 | Plug, Terminal | |
| 3 | 4460891 | 1 | Plug, Male - 2 Position | |
| 3 | 4460465 | 2 | Socket, Female | |
| 4 | 1001112612 | 1 | Connector - 9 Position | |
| 4 | 4460464 | 6 | Pin, Male | |
| 4 | 4460466 | 3 | Plug, Terminal | |
| 5 | 4460933 | 1 | Plug, Male - 12 Position | |
| 5 | 4460465 | 12 | Socket, Female | |
| 6 | 1001119020 | 1 | Bussbar - 12 Position | |
| 7 | 4461095 | 1 | Plug, Male - 3 Position | |
| 7 | 4460465 | 3 | Socket, Female | |
| 8 | 4461070 | 1 | Bussbar - 3 Position | |
| 9 | 1001112796 | 1 | Connector - 9 Position | |
| 9 | 4460465 | 6 | Socket, Female | |
| 9 | 4460466 | 3 | Plug, Terminal | |

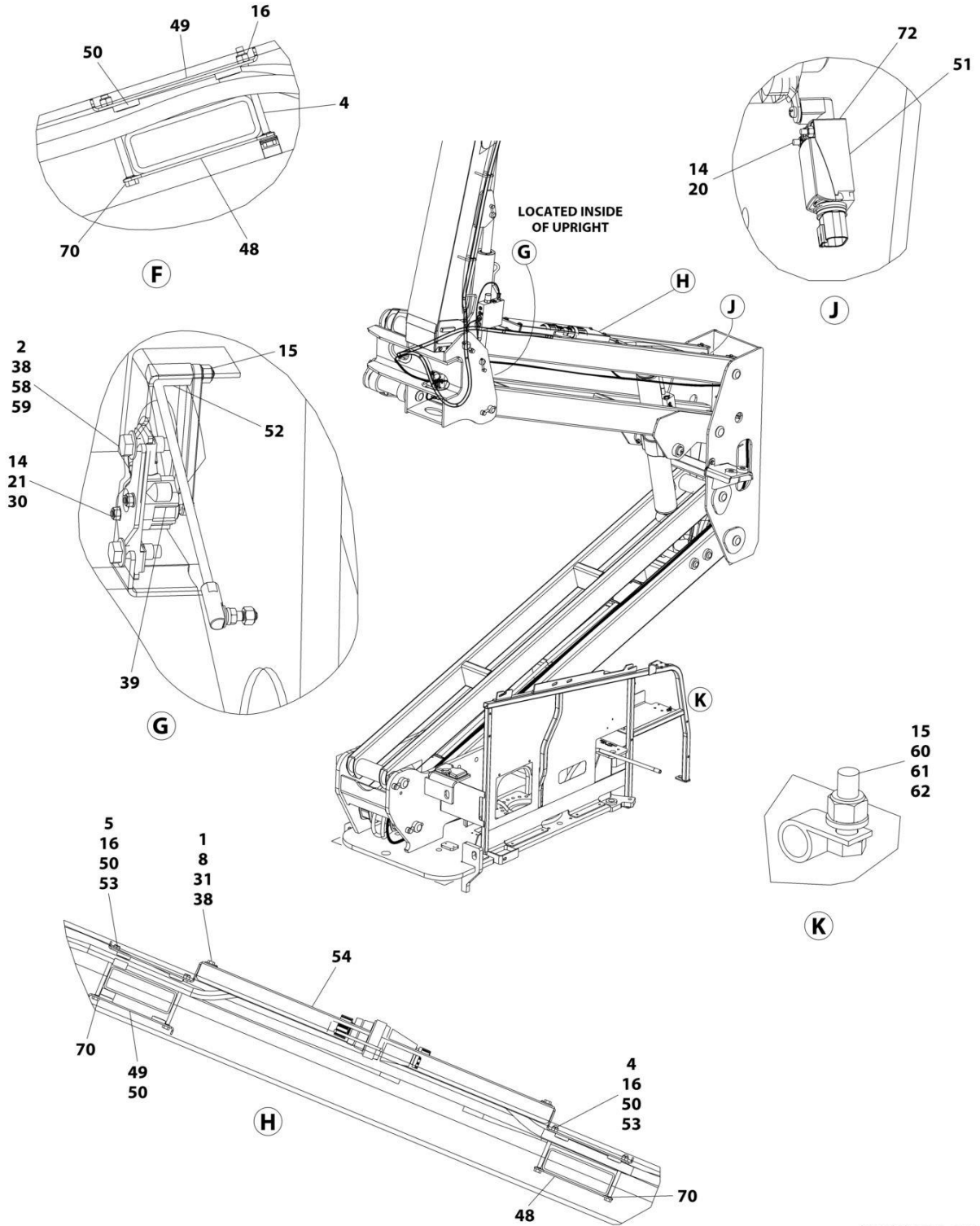
SECTION 8 - ELECTRICAL

FIGURE 8-18. BOOM CABLES & CLAMPS INSTALLATION (4000W GENERATOR)



ART_1001271179_10F2

SECTION 8 - ELECTRICAL



ART_1001271179_2OF2

SECTION 8 - ELECTRICAL

FIGURE 8-18. BOOM CABLES & CLAMPS INSTALLATION (4000W GENERATOR)

| ITEM | PART NUMBER | QTY | DESCRIPTION | REV |
|------|-------------|------------------|---|-----|
| | 1001271179 | 1 | BOOM CABLES AND CLAMPS INSTALLATION | F |
| 1 | 0100011 | AR | Compound, Locking | |
| 2 | 0100081 | AR | Adhesive | |
| 3 | 0760814 | 2 | Bolt M8 x 30 | |
| 4 | 0700827 | 6 | Bolt M8 x 100 | |
| 5 | 0700828 | 2 | Bolt M8 x 110 | |
| 7 | 0701024 | 4 | Bolt M10 x 80 | |
| 8 | 0760812 | 4 | Bolt M8 x 25 | |
| 9 | 0761012 | 1 | Bolt M10 x 25 | |
| 10 | 1320130 | 1 | Clamp | |
| 13 | 2820031 | AR | Heat Shrink | |
| 14 | 3290405 | 4 | Nut M4 | |
| 15 | 3290605 | 5 | Nut M6 | |
| 16 | 3290805 | 12 | Nut M8 | |
| 17 | 3291005 | 9 | Nut M10 | |
| 19 | 3841340 | 1 | Loop, Hose | |
| 20 | 4010418 | 2 | Screw M4 x 50 | |
| 21 | 4031511 | 2 | Capscrew M4 x 35 | |
| 22 | 4060808 | 27.5 in /8.4m | Flex-Trim | |
| 23 | 4240156 | 1 | Strap, Clinch | |
| 24 | 4460473 | AR | Clamp, Cable | |
| 25 | 4460865 | 1 | Connector - 19 Position | |
| 26 | 4460866 | 1 | Connector - 19 Position | |
| 29 | 4811900 | 4 | Washer M8 | |
| 30 | 4811400 | 2 | Washer M4 | |
| 31 | 4811902 | 4 | Washer M8 | |
| 32 | 4812000 | 13 | Washer M10 | |
| 33 | 1001176951 | 1 | Harness, Tower Boom (See Separate Breakdown in this Section) | |
| 34 | 1001174749 | 1 | Harness, Tower Boom AC Cable (See Separate Breakdown in this Section) | |
| 35 | 5251014 | 2 | Bolt M10 x 30 | |
| 36 | 8881800 | AR | Tie-Strap | |
| 37 | 5281918 | 2 | Screw M8 x 70 | |
| 38 | 1001118274 | AR | Nut M8 | |
| 39 | 1001118971 | 1 | Sensor, Angle | |
| 39 | 70005667 | 1 | Arm | |
| 40 | 1001118972 | 2 | Nut M10 | |
| 43 | 1001164738 | 1 | Harness, Boom Valve (See Separate Breakdown in this Section) | |
| 44 | 1001273302 | 3 | Block, Clamping | |
| 45 | 1001273303 | 1 | Plate | |
| 48 | 1001171553 | 3 | Plate, Clamping | |
| 49 | 1001171555 | 3 | Plate, Clamping | |
| 50 | 1001171559 | 10 | Pad | |
| 51 | 1001172271 | 1 | Switch, Limit | |
| 52 | 1001238466 | 1 | Link, Sensor (Note: Sold as Assembly Only) | |
| 53 | 1001178448 | 2 | Plate, Clamping | |
| 54 | 1001178449 | 1 | Cover | |
| 55 | 1001178644 | 1 | Plate | |
| 56 | 1001260306 | 1 | Bracket | |

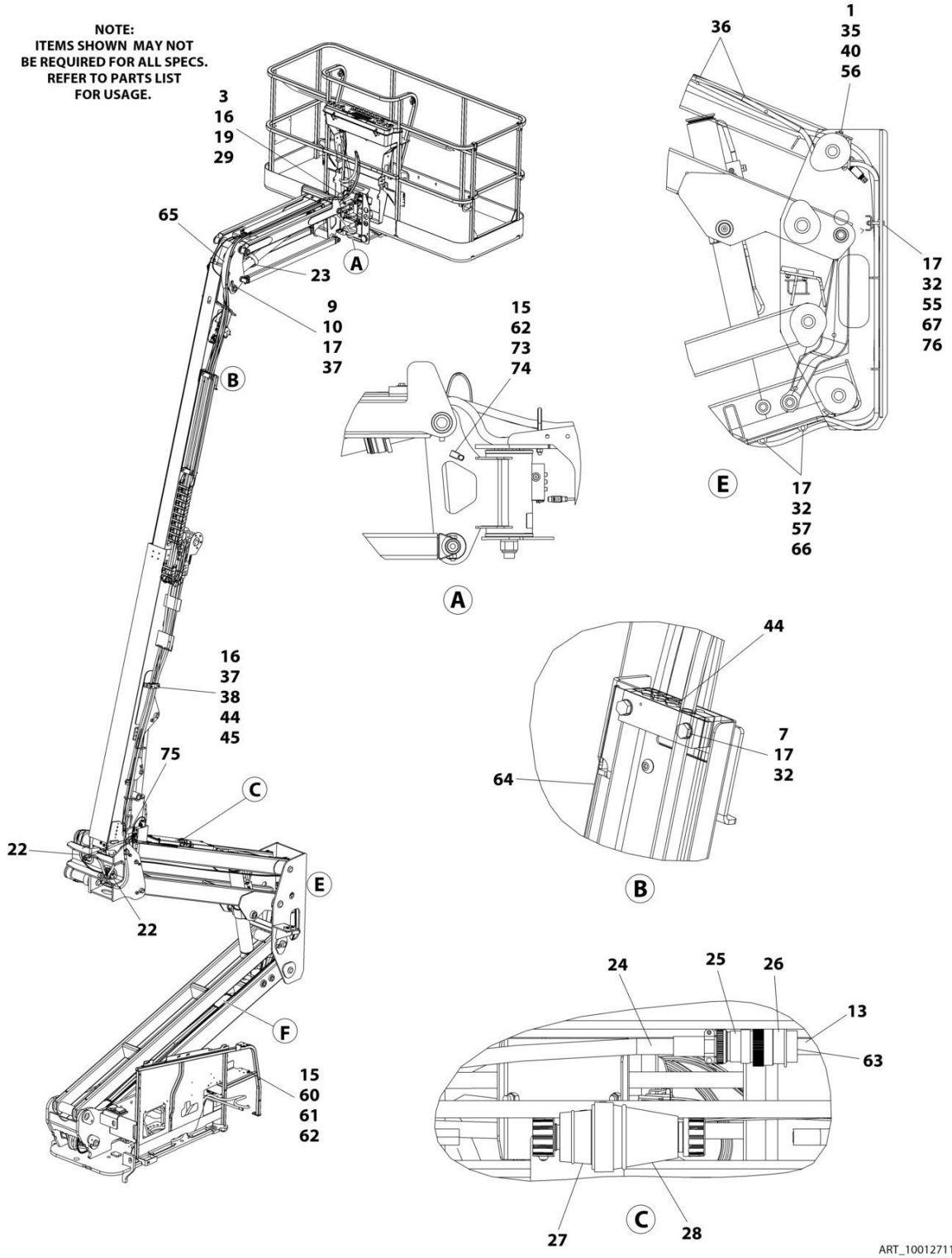
SECTION 8 - ELECTRICAL

| ITEM | PART NUMBER | QTY | DESCRIPTION | REV |
|------|-------------|-----|-----------------|-----|
| 57 | 1001182561 | 2 | Roller | |
| 58 | 5250812 | 2 | Bolt M8 x 25 | |
| 59 | 1001179266 | 1 | Plate, Mounting | |
| 60 | 0760610 | 1 | Bolt M6 x 20 | |
| 61 | 1320043 | 1 | Clamp | |
| 62 | 4811700 | 5 | Washer M6 | |
| 63 | 4460466 | AR | Plug, Terminal | |
| 64 | 1001181875 | 1 | Cover | |
| 65 | 1001181923 | 1 | Shield, Hose | |
| 66 | 1001119280 | 2 | Bolt M10 x 260 | |
| 67 | 1001185747 | 2 | Pad | |
| 70 | 1001119228 | 8 | Nut M8 | |
| 72 | 4750800 | AR | Washer #8 | |
| 73 | 1320041 | 2 | Clamp | |
| 74 | 0760612 | 2 | Bolt M6 x 25 | |
| 75 | 1001143645 | 1 | Strap | |
| 76 | 0701022 | AR | Bolt M10 x 70 | |

SECTION 8 - ELECTRICAL

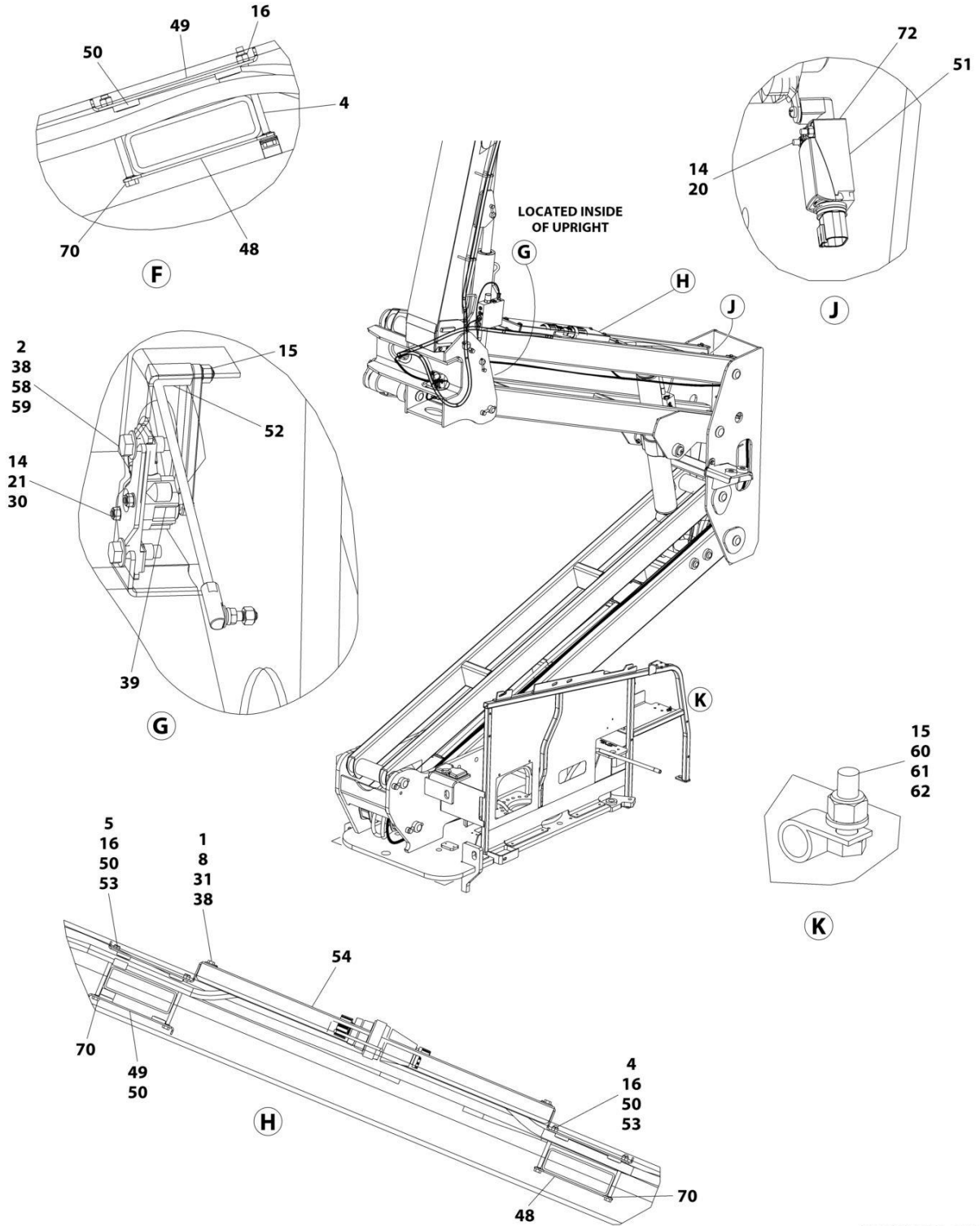
FIGURE 8-19. BOOM CABLES & CLAMPS INSTALLATION (7500W SKYPOWER GENERATOR)

NOTE:
ITEMS SHOWN MAY NOT
BE REQUIRED FOR ALL SPECS.
REFER TO PARTS LIST
FOR USAGE.



ART_1001271180_10F2

SECTION 8 - ELECTRICAL



ART_1001271180_2OF2

SECTION 8 - ELECTRICAL

FIGURE 8-19. BOOM CABLES & CLAMPS INSTALLATION (7500W SKYPOWER GENERATOR)

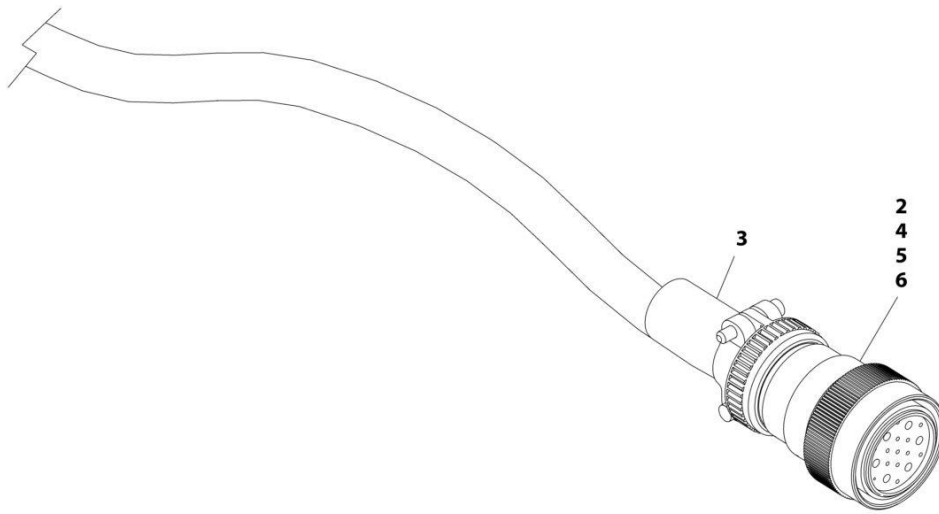
| ITEM | PART NUMBER | QTY | DESCRIPTION | REV |
|------|-------------|-------------------|--|-----|
| | 1001271180 | Ref | BOOM CABLES AND CLAMPS INSTALLATION | F |
| 1 | 0100011 | AR | Compound, Locking | |
| 2 | 0100081 | AR | Adhesive | |
| 3 | 0760814 | 2 | Bolt M8 x 30 | |
| 4 | 0700827 | 6 | Bolt M8 x 100 | |
| 5 | 0700828 | 2 | Bolt M8 x 110 | |
| 7 | 0701024 | 4 | Bolt M10 x 80 | |
| 8 | 0760812 | 4 | Bolt M8 x 25 | |
| 9 | 0761012 | 1 | Bolt M10 x 25 | |
| 10 | 1320130 | 1 | Clamp | |
| 13 | 2820031 | AR | Heat Shrink | |
| 14 | 3290405 | 4 | Nut M4 | |
| 15 | 3290605 | 4 | Nut M6 | |
| 16 | 3290805 | 12 | Nut M8 | |
| 17 | 3291005 | 9 | Nut M10 | |
| 19 | 3841340 | 1 | Loop, Hose | |
| 20 | 4010418 | 2 | Screw M4 x 50 | |
| 21 | 4031511 | 2 | Capscrew M4 x 35 | |
| 22 | 4060808 | 27.5 in/ 8.38m | Flex-Trim | |
| 23 | 4240156 | 1 | Strap, Clinch | |
| 24 | 4460473 | AR | Clamp, Cable | |
| 25 | 4460865 | 1 | Connector - 19 Position | |
| 26 | 4460866 | 1 | Connector - 19 Position | |
| 27 | 1001218622 | 1 | Terminal, Turnlock Plug | |
| 28 | 1001218623 | 1 | Terminal, Turnlock Connector | |
| 29 | 4811900 | 4 | Washer M8 | |
| 30 | 4811400 | 2 | Washer M4 | |
| 31 | 4811902 | 4 | Washer M8 | |
| 32 | 4812000 | 13 | Washer M10 | |
| 33 | 1001176951 | 1 | Harness, Tower Boom (Not Shown - See Separate Breakdown in this Section) | |
| 34 | 4922929 | 1 | Harness, Tower Boom – 8/5 – Lower Generator Cable (Not Shown) | |
| 35 | 5251014 | 2 | Bolt M10 x 30 | |
| 36 | 8881800 | AR | Tie-Strap | |
| 37 | 5281918 | 2 | Screw M8 x 70 | |
| 38 | 1001118274 | AR | Nut M8 | |
| 39 | 1001118971 | 1 | Sensor, Angle | |
| 39 | 70005667 | 1 | Arm | |
| 40 | 1001118972 | 2 | Nut M10 | |
| 41 | 1001172335 | 1 | Harness, Main Boom (Not Shown - See Separate Breakdown in this Section) | |
| 42 | 1001172343 | 1 | Harness, Main Boom – 8/5 – Upper Generator Cable (Not Shown) | |
| 43 | 1001164738 | 1 | Harness, Boom Valve (Not Shown - See Separate Breakdown in this Section) | |
| 44 | 1001273302 | 3 | Block, Clamping | |
| 45 | 1001273303 | 1 | Plate | |
| 48 | 1001171553 | 3 | Plate, Clamping | |
| 49 | 1001171555 | 3 | Plate, Clamping | |
| 50 | 1001171559 | 10 | Pad | |

SECTION 8 - ELECTRICAL

| ITEM | PART NUMBER | QTY | DESCRIPTION | REV |
|------|-------------|-----|--|-----|
| 51 | 1001172271 | 1 | Switch, Limit | |
| 52 | 1001238466 | 1 | Link, Sensor (Note: Sold as Assembly Only) | |
| 53 | 1001178448 | 2 | Plate, Clamping | |
| 54 | 1001178449 | 1 | Cover | |
| 55 | 1001178644 | 1 | Plate | |
| 56 | 1001260306 | 1 | Bracket | |
| 57 | 1001182561 | 2 | Roller | |
| 58 | 5250812 | 2 | Bolt M8 x 25 | |
| 59 | 1001179266 | 1 | Plate, Mounting | |
| 62 | 4811700 | 4 | Washer M6 | |
| 63 | 4460466 | AR | Plug, Terminal | |
| 64 | 1001181875 | 1 | Cover | |
| 65 | 1001181923 | 1 | Shield, Hose | |
| 66 | 1001119280 | 2 | Bolt M10 x 260 | |
| 67 | 1001185747 | 2 | Pad | |
| 70 | 1001119228 | 8 | Nut M8 | |
| 72 | 4750800 | AR | Washer #8 | |
| 73 | 1320041 | 2 | Clamp | |
| 74 | 0760612 | 2 | Bolt M6 x 25 | |
| 75 | 1001143645 | 1 | Strap | |
| 76 | 0701022 | AR | Bolt M10 x 70 | |

SECTION 8 - ELECTRICAL

FIGURE 8-20. BOOM HARNESS - MAIN BOOM



ART_1001172335

SECTION 8 - ELECTRICAL

FIGURE 8-20. BOOM HARNESS - MAIN BOOM

| ITEM | PART NUMBER | QTY | DESCRIPTION | REV |
|------|-------------|-----|---------------------------------|-----|
| | 1001172335 | Ref | BOOM HARNESS - 450A (MAIN BOOM) | E |
| 2 | 4460865 | 1 | Connector - 19 Position | |
| 3 | 4460473 | 1 | Clamp | |
| 4 | 4460465 | 20 | Socket, Female | |
| 5 | 4460509 | 8 | Socket, Female | |
| 6 | 4460466 | 5 | Plug, Socket | |

SECTION 8 - ELECTRICAL

FIGURE 8-21. BOOM HARNESS - MAIN BOOM (8/5 4000W GENERATOR)



ART_1001172336

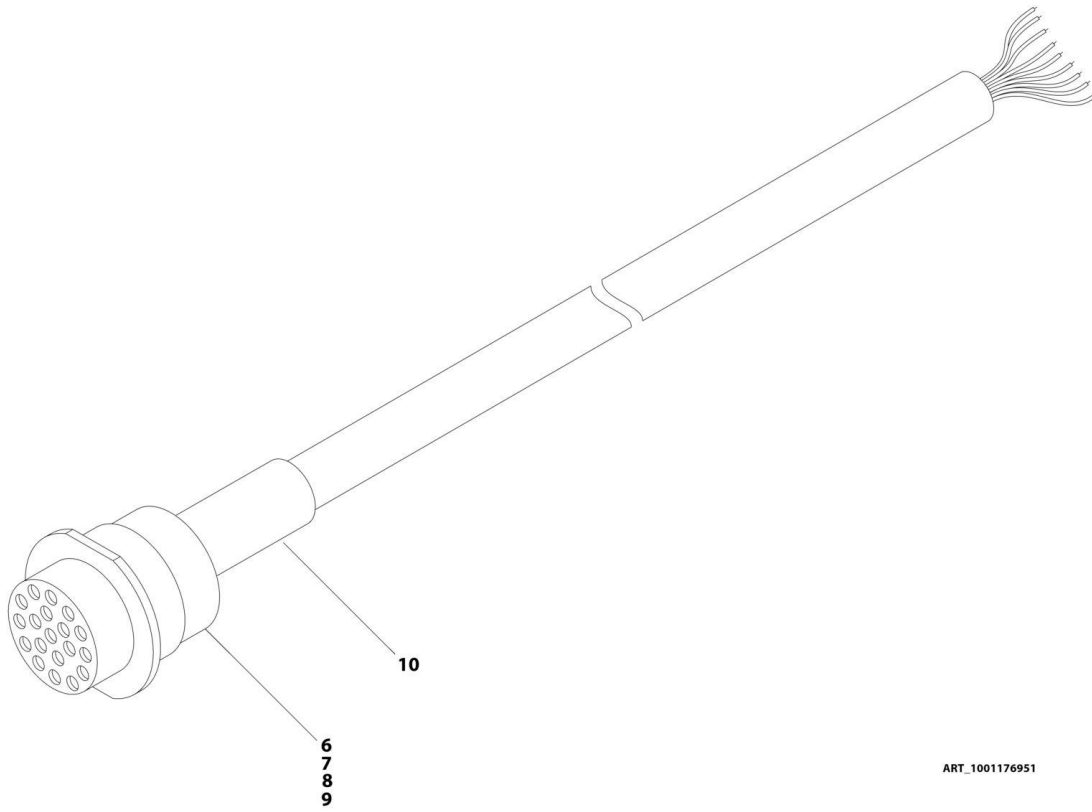
SECTION 8 - ELECTRICAL

FIGURE 8-21. BOOM HARNESS - MAIN BOOM (8/5 4000W GENERATOR)

| ITEM | PART NUMBER | QTY | DESCRIPTION | REV |
|------|-------------|------------------|--|-----|
| 1 | 1001172336 | Ref | BOOM HARNESS - 450A (MAIN BOOM AC CABLE) | C |
| | 1001120204 | 1 | Plug, Male | |
| 4 | 1060461 | 494 in /12.6m | Cable, Electrical - 12/3 | |

SECTION 8 - ELECTRICAL

FIGURE 8-22. BOOM HARNESS - TOWER BOOM



ART_1001176951

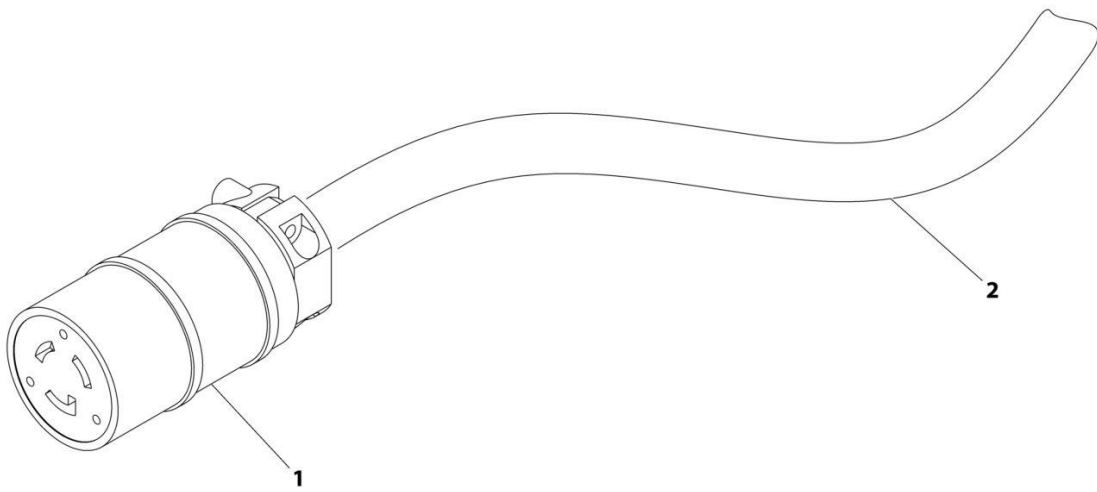
SECTION 8 - ELECTRICAL

FIGURE 8-22. BOOM HARNESS - TOWER BOOM

| ITEM | PART NUMBER | QTY | DESCRIPTION | REV |
|------|-------------|-----|---------------------------|-----|
| | 1001176951 | Ref | BOOM HARNESS - TOWER BOOM | E |
| 6 | 4460466 | 5 | Plug, Terminal | |
| 7 | 4460464 | 20 | Pin, Male | |
| 8 | 4460508 | 8 | Pin, Male | |
| 9 | 4460866 | 1 | Connector - 19 Position | |
| 10 | 2820031 | AR | Heat Shrink | |

SECTION 8 - ELECTRICAL

FIGURE 8-23. BOOM HARNESS - TOWER BOOM (8/5 4000W GENERATOR)



ART_1001174749

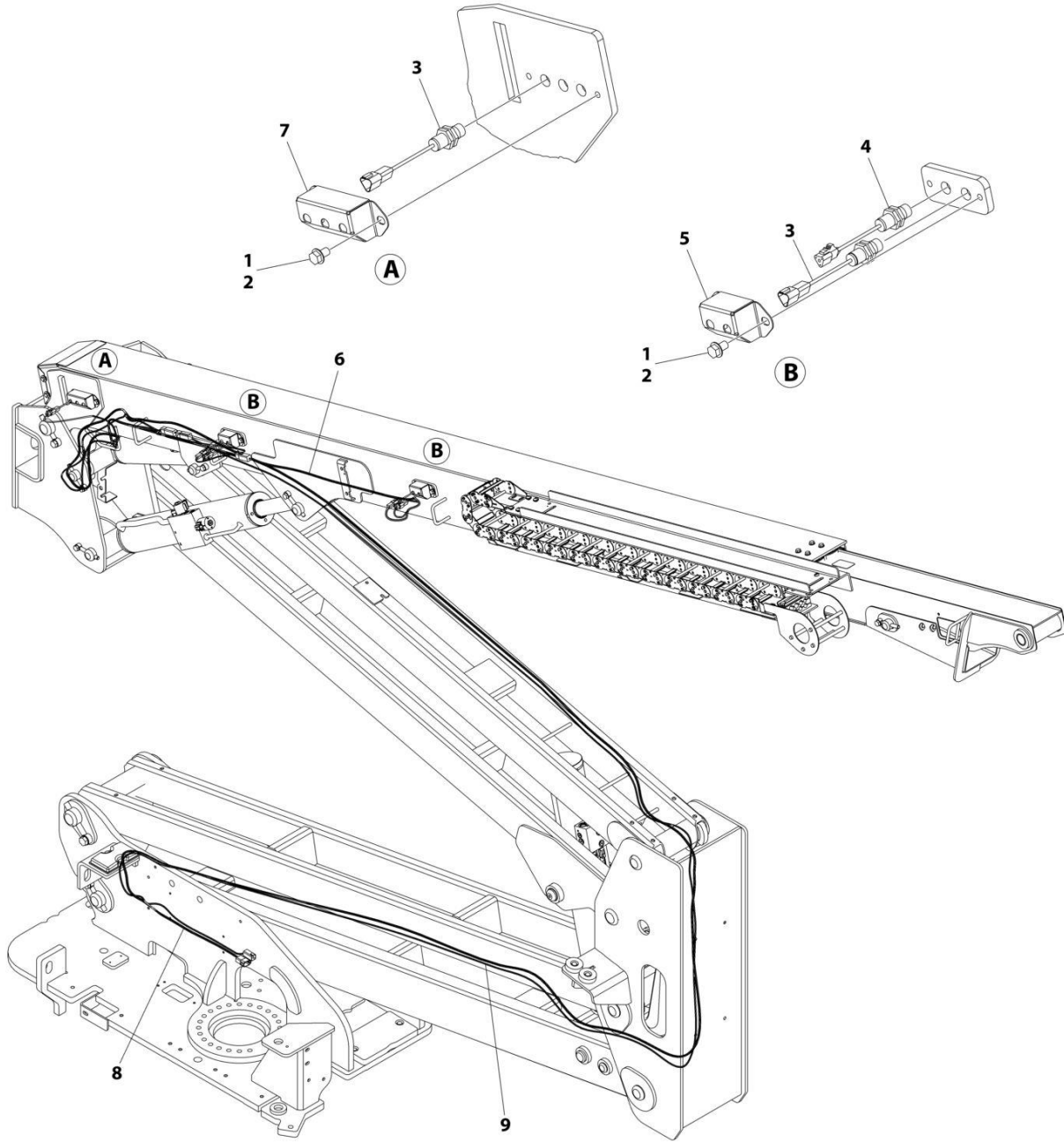
SECTION 8 - ELECTRICAL

FIGURE 8-23. BOOM HARNESS - TOWER BOOM (8/5 4000W GENERATOR)

| ITEM | PART NUMBER | QTY | DESCRIPTION | REV |
|------|-------------|----------------|------------------------------------|-----|
| | 1001174749 | Ref | BOOM HARNESS - TOWER BOOM AC CABLE | C |
| 1 | 1001120205 | 1 | Connector, Female | |
| 2 | 1060461 | 28 ft/ 8.5m | Electrical Cable, 12/3 | |

SECTION 8 - ELECTRICAL

FIGURE 8-24. BOOM SENSORS INSTALLATION



ART_1001266649

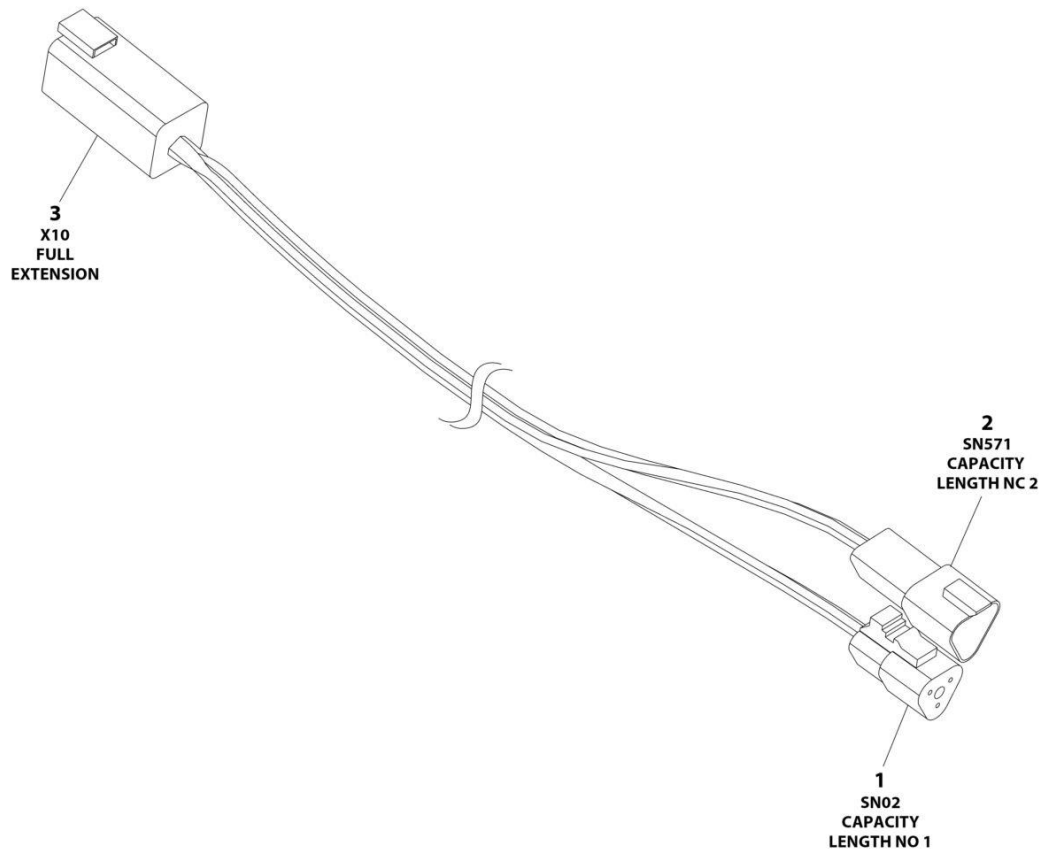
SECTION 8 - ELECTRICAL

FIGURE 8-24. BOOM SENSORS INSTALLATION

| ITEM | PART NUMBER | QTY | DESCRIPTION | REV |
|------|-------------|-----|---|-----|
| | 1001266649 | Ref | BOOM SENSORS INSTALLATION | C |
| 1 | 0100011 | AR | Compound, Locking | |
| 2 | 5251008 | 6 | Bolt M10 x 16 | |
| 3 | 1001170847 | 3 | Sensor, Proximity | |
| 4 | 1001182570 | 2 | Sensor, Proximity | |
| 5 | 1001204715 | 2 | Bracket | |
| 6 | 1001238192 | 1 | Harness, Boom Sensor (See Separate Breakdown in this Section) | |
| 7 | 1001256527 | 1 | Bracket | |
| 8 | 1001263007 | 1 | Harness, Capacity (See Separate Breakdown in this Section) | |
| 9 | 1001263008 | 1 | Harness, Transport (See Separate Breakdown in this Section) | |

SECTION 8 - ELECTRICAL

FIGURE 8-25. BOOM SENSOR HARNESS



ART_1001238192

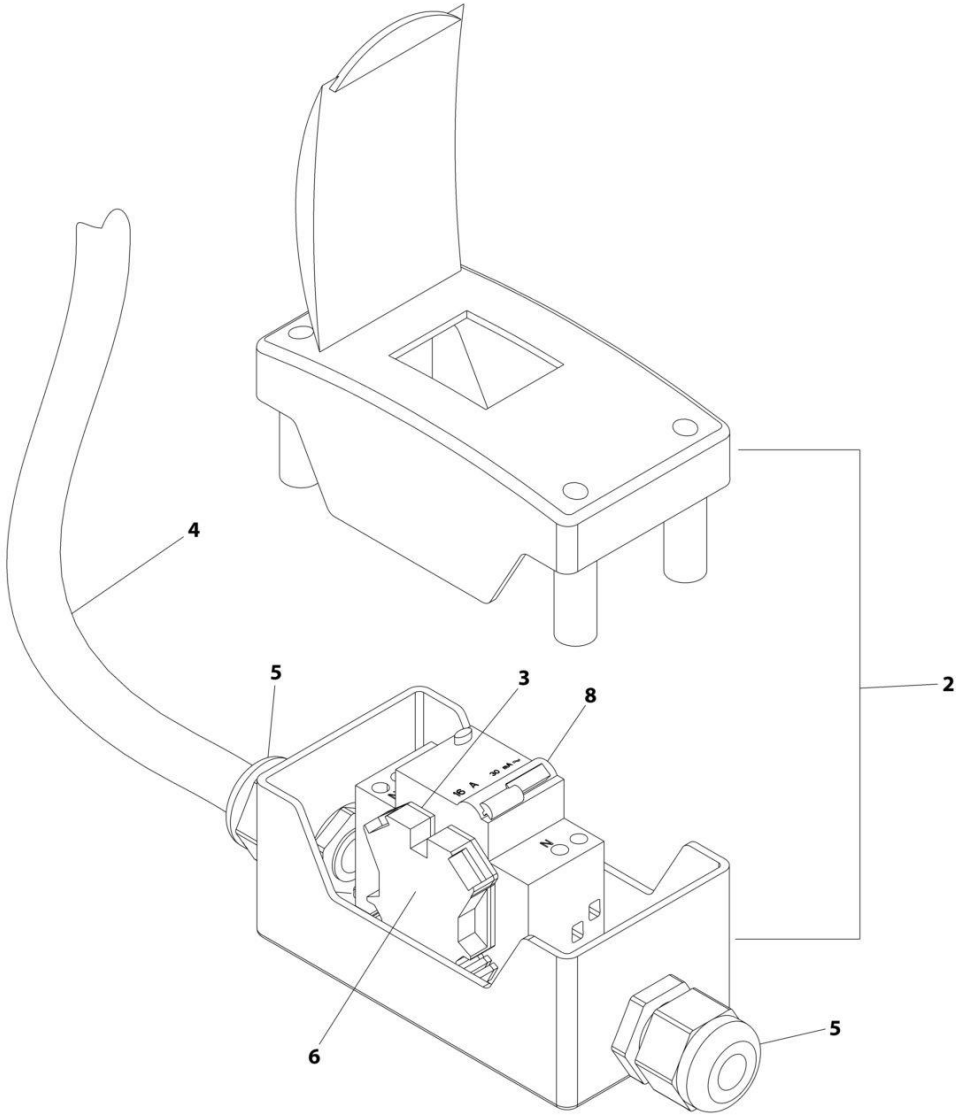
SECTION 8 - ELECTRICAL

FIGURE 8-25. BOOM SENSOR HARNESS

| ITEM | PART NUMBER | QTY | DESCRIPTION | REV |
|------|-------------|-----|--|-----|
| | 1001238192 | Ref | BOOM SENSOR / CAPACITY PROXIMITY HARNESS | B |
| 1 | 4460539 | 1 | Plug, Male - 3 Position | |
| 1 | 4460465 | 3 | Socket, Female | |
| 2 | 4460536 | 1 | Receptacle, Female - 3 Position | |
| 2 | 4640464 | 3 | Pin, Male | |
| 3 | 4460899 | 1 | Receptacle, Female - 6 Position | |
| 3 | 4460464 | 6 | Pin, Male | |

SECTION 8 - ELECTRICAL

FIGURE 8-26. BREAKER BOX KIT WITH SINGLE DOUBLE POLE BREAKER (CE, CIS/EAC & UK CA SPEC)



ART_2902549

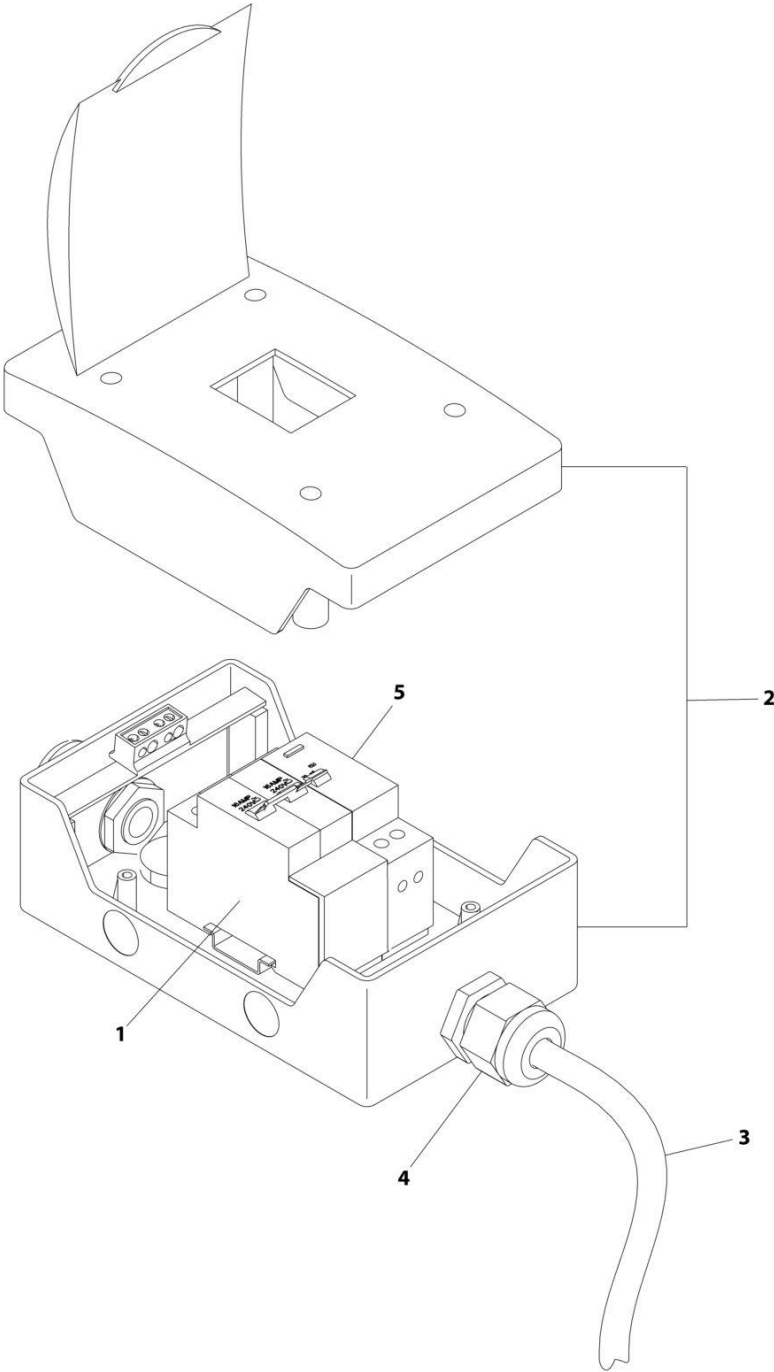
SECTION 8 - ELECTRICAL

FIGURE 8-26. BREAKER BOX KIT WITH SINGLE DOUBLE POLE BREAKER (CE, CIS/EAC & UK CA SPEC)

| ITEM | PART NUMBER | QTY | DESCRIPTION | REV |
|------|-------------|-----------|--|-----|
| | 2902549 | Ref | BREAKER BOX KIT - 110/220V 16AMP BREAKER | F |
| 2 | 0861880 | 1 | Box | |
| 3 | 4460956 | 1 | Barrier, Terminal | |
| 4 | 1060908 | 6 ft/1.8m | Cable, 12/3 | |
| 5 | 1001097150 | 2 | Connector, Strain Relief | |
| 6 | 4460957 | 1 | Block, Terminal | |
| 8 | 1001181045 | 1 | Breaker, Combination 16Amp/30mAmp | |

SECTION 8 - ELECTRICAL

FIGURE 8-27. BREAKER BOX KIT WITH THREE BREAKERS (CE, CIS/EAC & UK CA SPEC)



ART_1001152485_F

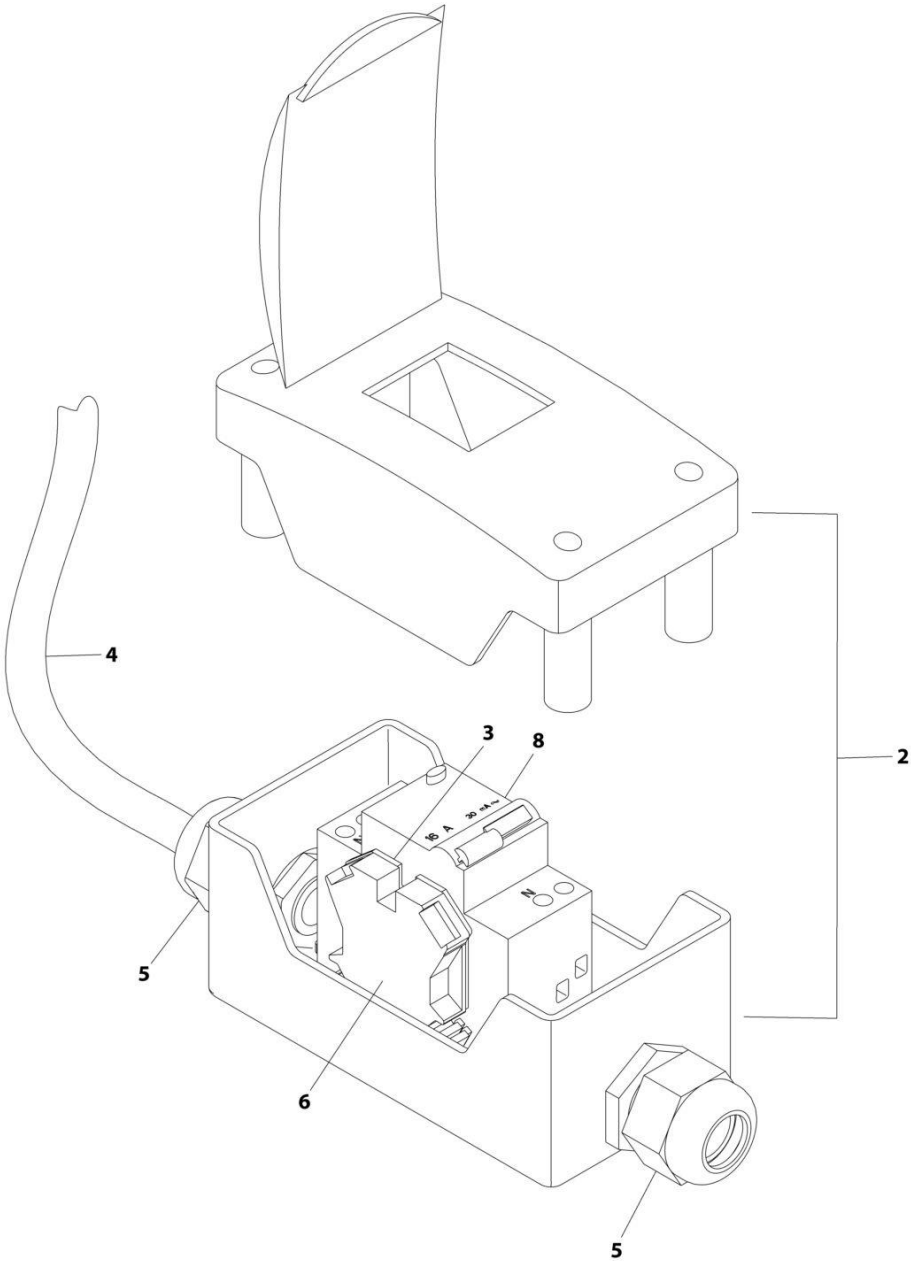
SECTION 8 - ELECTRICAL

FIGURE 8-27. BREAKER BOX KIT WITH THREE BREAKERS (CE, CIS/EAC & UK CA SPEC)

| ITEM | PART NUMBER | QTY | DESCRIPTION | REV |
|------|-------------|-----------|-----------------------------------|-----|
| | 1001152485 | Ref | BREAKER BOX KIT WITH TWO BREAKERS | F |
| 1 | 1001189172 | 1 | Breaker 16Amp Double | |
| 2 | 1001152483 | 1 | Box | |
| 3 | 1060908 | 6 ft/1.8m | Cable, 12/3 | |
| 4 | 1001097150 | 2 | Connector, Strain Relief | |
| 5 | 1001189171 | 1 | Breaker, 30mA | |

SECTION 8 - ELECTRICAL

FIGURE 8-28. BREAKER BOX KIT - 30MA/16 AMP



ART_1001096070

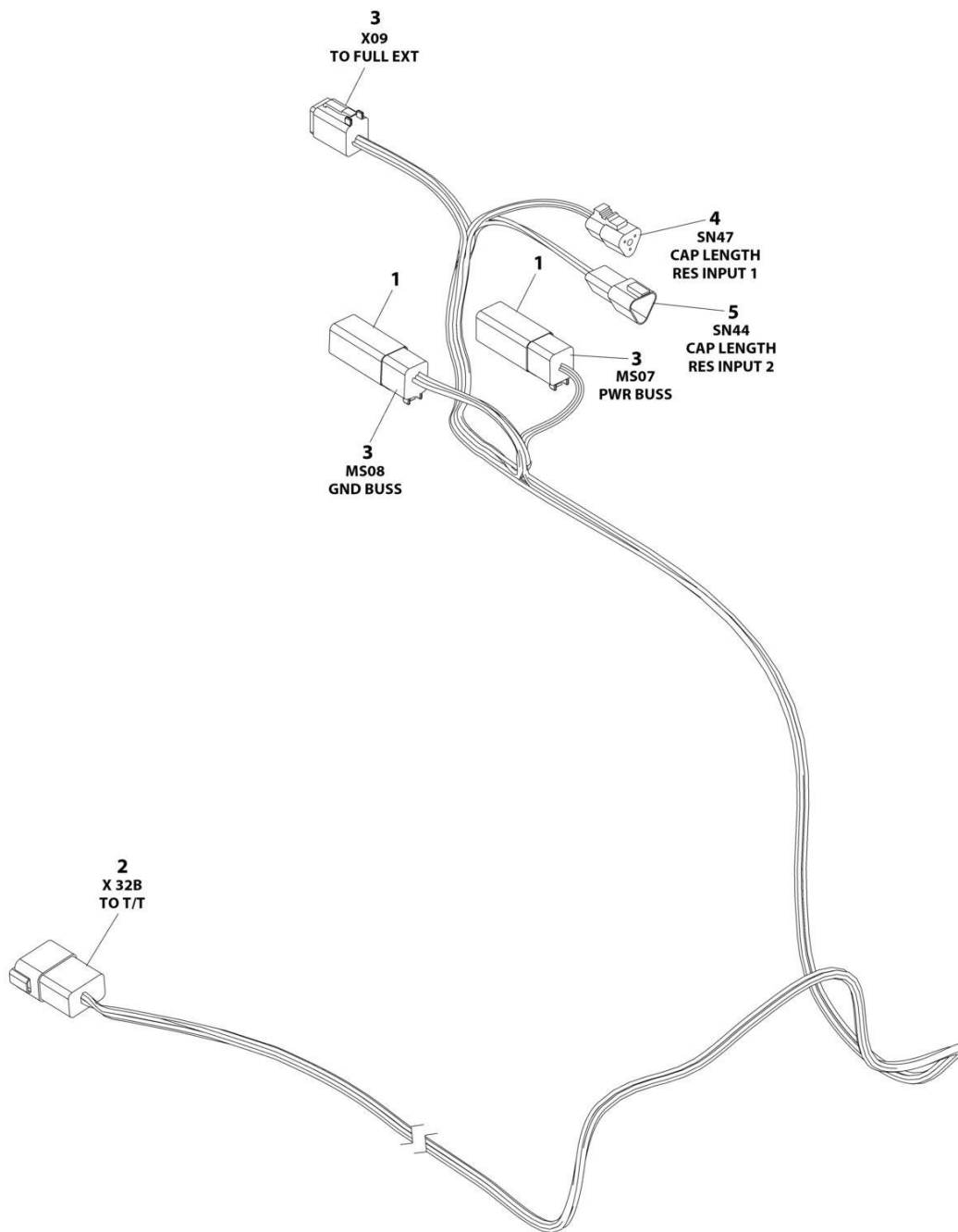
SECTION 8 - ELECTRICAL

FIGURE 8-28. BREAKER BOX KIT - 30MA/16 AMP

| ITEM | PART NUMBER | QTY | DESCRIPTION | REV |
|------|-------------|----------------|-----------------------------|-----|
| | 1001096070 | Ref | BREAKER BOX KIT | E |
| 2 | 0861880 | 1 | Box | |
| 3 | 4460956 | 1 | Barrier, Terminal Block End | |
| 4 | 1060908 | 12 ft/ 3.6m | Cable, 12/3 | |
| 5 | 1001097150 | 2 | Connector, Strain Relief | |
| 6 | 4460957 | 1 | Block, Terminal | |
| 8 | 1001181045 | 1 | Breaker, 16Amp | |

SECTION 8 - ELECTRICAL

FIGURE 8-29. CAPACITY HARNESS



ART_1001263007

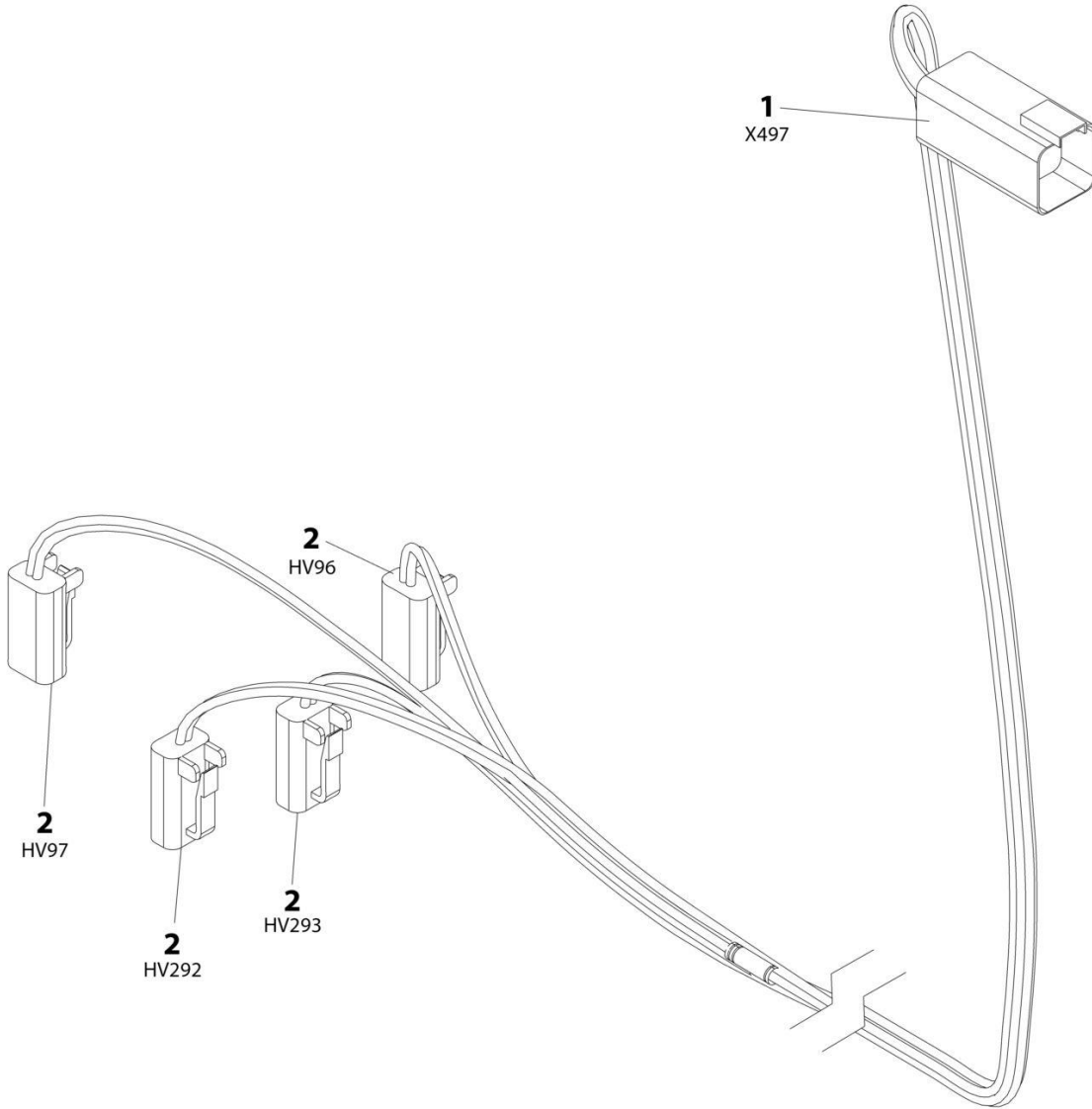
SECTION 8 - ELECTRICAL

FIGURE 8-29. CAPACITY HARNESS

| ITEM | PART NUMBER | QTY | DESCRIPTION | REV |
|------|-------------|-----|---------------------------------|-----|
| | 1001263007 | Ref | CAPACITY HARNESS | C |
| 1 | 4460892 | 2 | Bussbar - 6 Position | |
| 2 | 4460931 | 1 | Receptacle, Female - 8 Position | |
| 2 | 4460464 | 6 | Pin, Male | |
| 2 | 4460466 | 2 | Plug, Terminal | |
| 3 | 4460894 | 3 | Plug, Male - 6 Position | |
| 3 | 4460465 | 16 | Socket, Female | |
| 3 | 4460466 | 2 | Plug, Terminal | |
| 4 | 4460539 | 1 | Plug, Male - 3 Position | |
| 4 | 4460465 | 3 | Socket, Female | |
| 5 | 4460536 | 1 | Receptacle, Female | |
| 5 | 4460464 | 3 | Pin, Male | |

SECTION 8 - ELECTRICAL

FIGURE 8-30. CHASSIS SOLENOID HARNESS



ART_1001179236

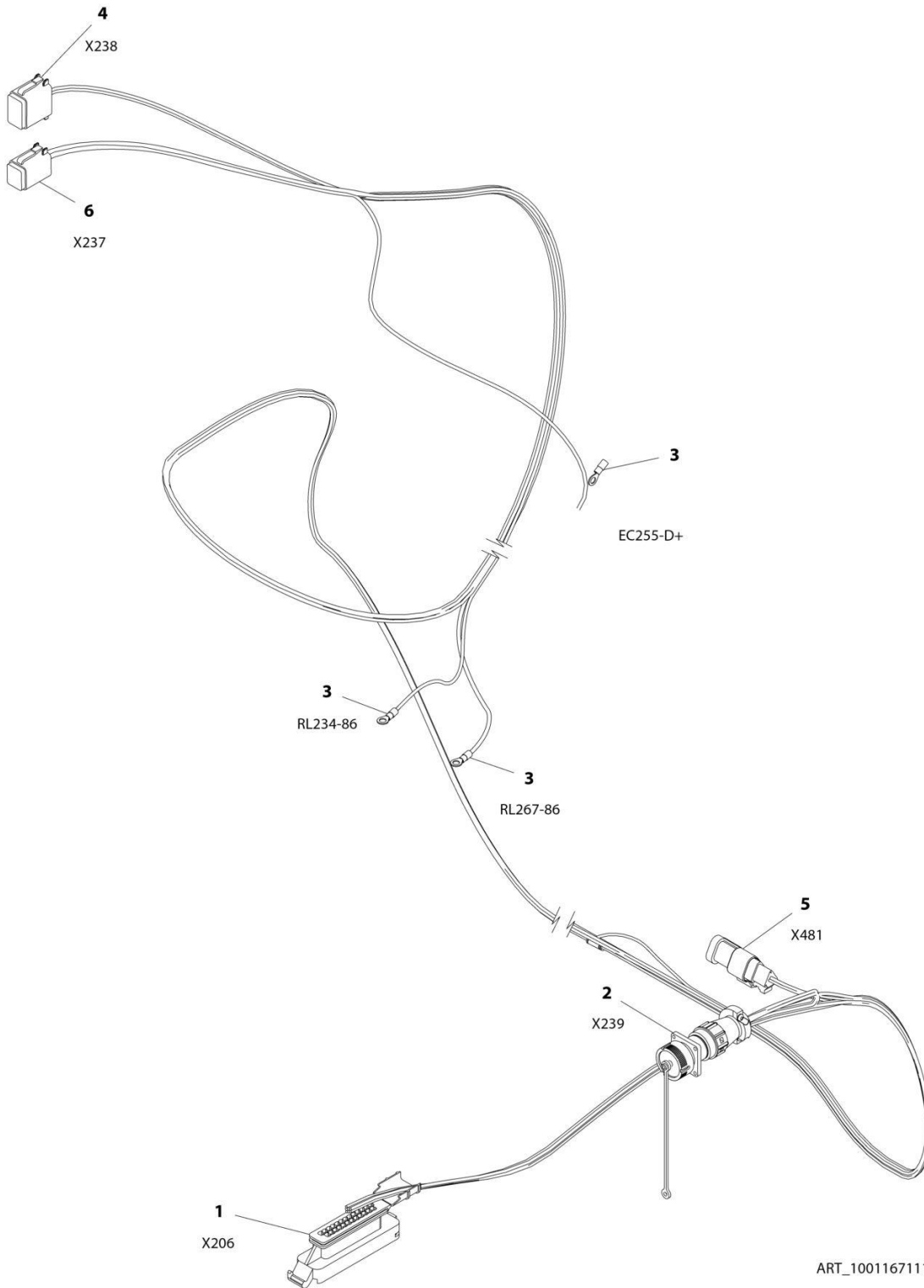
SECTION 8 - ELECTRICAL

FIGURE 8-30. CHASSIS SOLENOID HARNESS

| ITEM | PART NUMBER | QTY | DESCRIPTION | REV |
|------|-------------|-----|---------------------------------|-----|
| | 1001179236 | Ref | CHASSIS SOLENOID HARNESS | A |
| 1 | 4460899 | 1 | Receptacle, Female - 6 Position | |
| 1 | 4460464 | 6 | Pin, Male | |
| 2 | 4460891 | 4 | Plug, Male - 2 Position | |
| 2 | 4460465 | 8 | Socket, Female | |

SECTION 8 - ELECTRICAL

FIGURE 8-31. ENGINE HARNESS - DEUTZ D2011



ART_1001167111

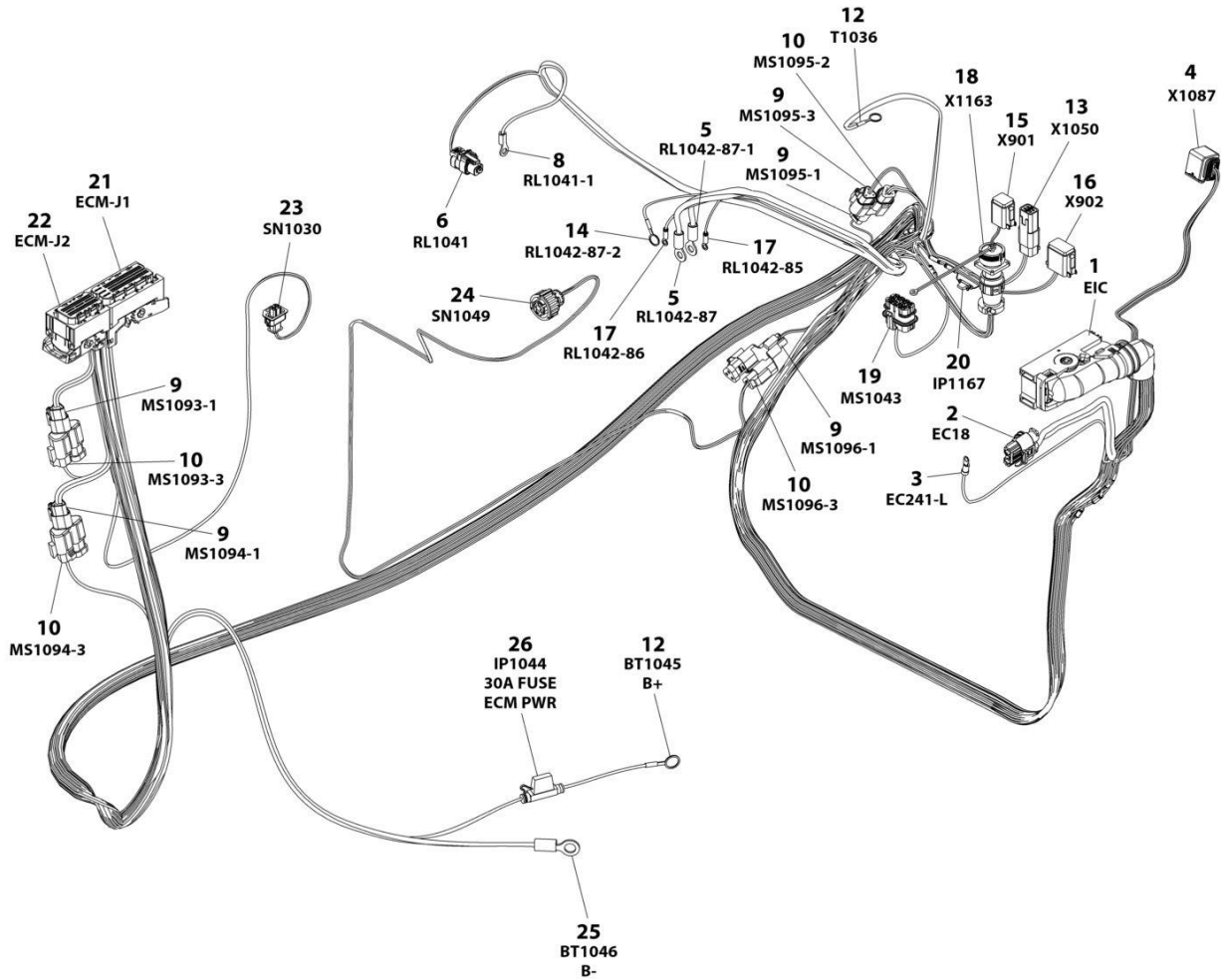
SECTION 8 - ELECTRICAL

FIGURE 8-31. ENGINE HARNESS - DEUTZ D2011

| ITEM | PART NUMBER | QTY | DESCRIPTION | REV |
|------|-------------|-----|-------------------------------------|-----|
| | 1001167111 | Ref | ENGINE HARNESS - DEUTZ D2011 | B |
| 1 | 4461052 | 1 | Connector - 25 Position | |
| 1 | 4461005 | 7 | Terminal | |
| 1 | 4461008 | 18 | Plug, Terminal | |
| 2 | 2902443 | 1 | Receptacle Kit | |
| 2 | 4461071 | 8 | Socket, Female | |
| 2 | 4461072 | 1 | Receptacle with Flange - 8 Position | |
| 2 | 4461073 | 1 | Cap, Dust | |
| 2 | 4461074 | 1 | Shell, Black | |
| 3 | 4460313 | 3 | Terminal, Ring | |
| 4 | 4460930 | 1 | Plug, Male - 8 Position | |
| 4 | 4460465 | 2 | Socket, Female | |
| 4 | 4460466 | 6 | Seal, Terminal | |
| 5 | 4461095 | 1 | Plug, Male - 3 Position | |
| 5 | 4460465 | 3 | Socket, Female | |
| 6 | 4460894 | 1 | Plug, Male - 6 Position | |
| 6 | 4460465 | 6 | Socket, Female | |

SECTION 8 - ELECTRICAL

FIGURE 8-32. ENGINE HARNESS



ART_1001276643

SECTION 8 - ELECTRICAL

FIGURE 8-32. ENGINE HARNESS

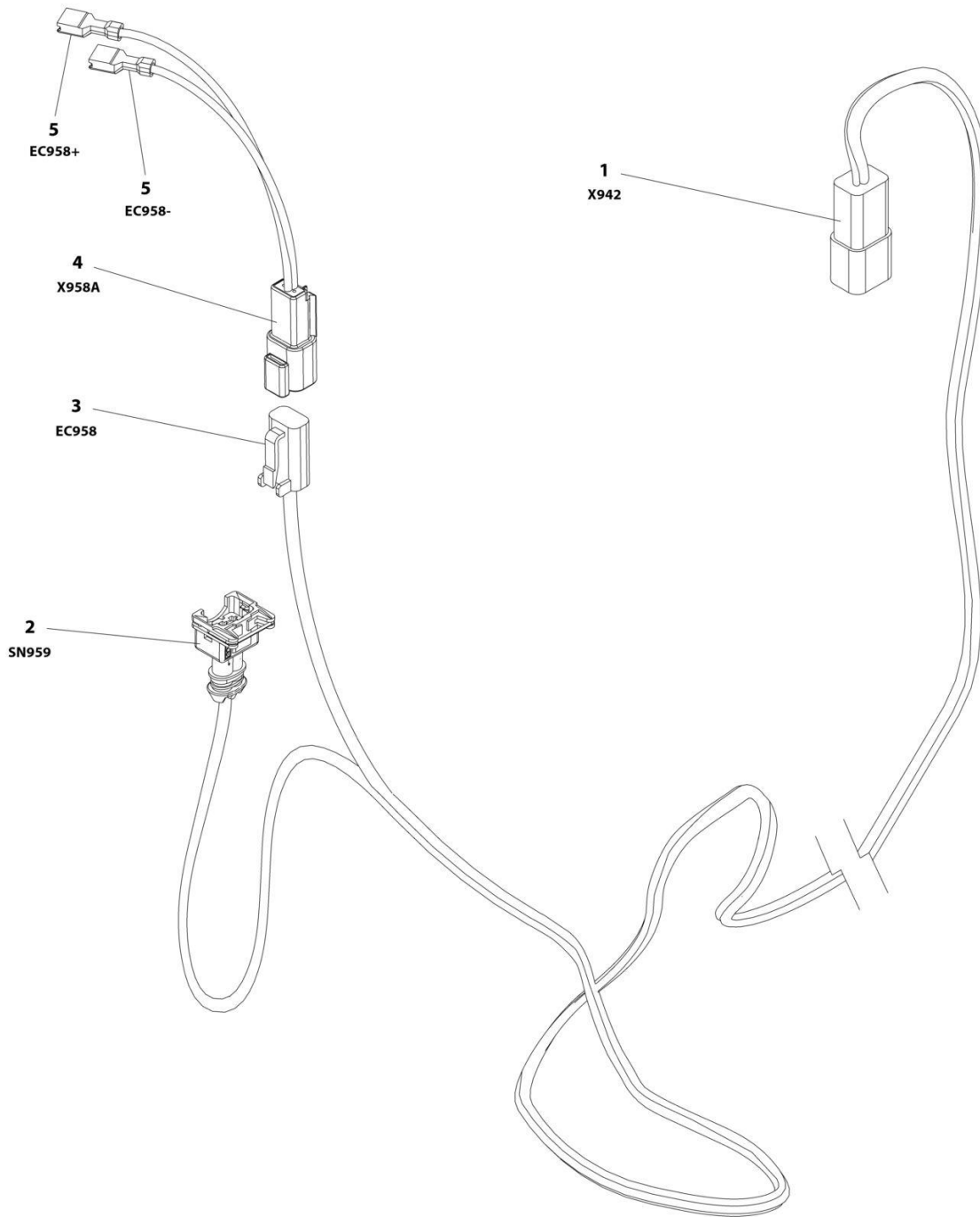
| ITEM | PART NUMBER | QTY | DESCRIPTION | REV |
|------|-------------|-----|--|-----|
| | 1001276643 | Ref | ENGINE HARNESS - DEUTZ D2.9L4 (STAGE V) ENGINE | B |
| 1 | 1001126362 | 1 | Connector | |
| 1 | 1001126363 | 37 | Socket | |
| 1 | 1001126391 | 7 | Plug, Terminal | |
| 1 | 1001126392 | 12 | Socket | |
| 1 | 4461008 | 4 | Plug, Terminal | |
| 1 | 1001167632 | 2 | Socket | |
| 1 | 1001126364 | 37 | Plug, Terminal | |
| 1 | 1001223459 | 12 | Seal | |
| 1 | 4461054 | 2 | Seal | |
| 2 | 1001142938 | 1 | Connector | |
| 2 | 1001142940 | 2 | Socket | |
| 2 | 1001142941 | 2 | Seal | |
| 3 | 4460042 | 1 | Terminal, Ring | |
| 4 | 1001239202 | 1 | Connector | |
| 4 | 1001126363 | 7 | Socket | |
| 4 | 1001126391 | 1 | Plug, Terminal | |
| 4 | 1001126364 | 7 | Plug, Terminal | |
| 5 | 1001117107 | 2 | Terminal, Ring | |
| 6 | 1001116952 | 1 | Connector | |
| 6 | 4460465 | 2 | Socket | |
| 8 | 4460043 | 1 | Terminal, Ring | |
| 9 | 1001116812 | 5 | Connector | |
| 9 | 4460944 | 10 | Socket | |
| 9 | 4460466 | 5 | Plug, Terminal | |
| 10 | 4460539 | 4 | Connector | |
| 10 | 4460944 | 8 | Socket | |
| 10 | 4460466 | 4 | Plug, Terminal | |
| 12 | 4460019 | 2 | Terminal, Ring | |
| 13 | 4460884 | 1 | Connector | |
| 13 | 4460465 | 2 | Socket | |
| 13 | 4460942 | 2 | Socket | |
| 14 | 4460703 | 1 | Terminal, Ring | |
| 15 | 4460894 | 1 | Connector | |
| 15 | 4460466 | 2 | Plug, Terminal | |
| 15 | 4460465 | 2 | Socket | |
| 15 | 4460944 | 2 | Socket | |
| 16 | 4460930 | 1 | Connector | |
| 16 | 4460465 | 1 | Socket | |
| 16 | 4460466 | 7 | Plug, Terminal | |
| 17 | 4460247 | 2 | Terminal, Ring | |
| 18 | 2902443 | 1 | Receptacle Kit | |
| 18 | 4461071 | 8 | Socket | |
| 18 | 4461072 | 1 | Receptacle with Flange - 8 Position | |
| 18 | 4461073 | 1 | Cap, Dust | |
| 18 | 4461074 | 1 | Shell, Black | |
| 19 | 80484084 | 1 | Connector | |
| 19 | 4460748 | 4 | Plug, Socket | |
| 19 | 4460746 | 3 | Socket | |
| 19 | 1001234800 | 1 | Socket | |

SECTION 8 - ELECTRICAL

| ITEM | PART NUMBER | QTY | DESCRIPTION | REV |
|------|-------------|-----|------------------------------|-----|
| 19 | 4460458 | 4 | Seal | |
| 20 | 1001170764 | 1 | Holder, Fuse | |
| 20 | 1001197719 | 1 | Fuse 0.5 Watt | |
| 21 | 1001133956 | 1 | Connector | |
| 21 | 1001182361 | 6 | Socket | |
| 21 | 1001126351 | 3 | Socket | |
| 21 | 1001230934 | 23 | Socket | |
| 21 | 1001230935 | 57 | Pin | |
| 21 | 1001230936 | 1 | Pin | |
| 21 | 1001252527 | 4 | Socket | |
| 21 | 1001182365 | 6 | Seal | |
| 22 | 1001133957 | 1 | Connector | |
| 22 | 1001230936 | 11 | Pin | |
| 22 | 1001126351 | 13 | Socket | |
| 22 | 1001230935 | 10 | Pin | |
| 22 | 1001230934 | 26 | Socket | |
| 23 | 1001126487 | 1 | Connector | |
| 23 | 1001167635 | 2 | Socket | |
| 23 | 1001126485 | 2 | Seal | |
| 24 | 1001133714 | 1 | Connector | |
| 24 | 1001133715 | 3 | Socket | |
| 24 | 1001135651 | 1 | Plug, Terminal | |
| 24 | 1001135650 | 2 | Seal | |
| 25 | 4460115 | 1 | Terminal, Ring | |
| 26 | 1001172064 | 1 | Fuse Holder (Includes Cover) | |
| 26 | 1001172065 | 1 | Fuse 30Amp | |

SECTION 8 - ELECTRICAL

FIGURE 8-33. FUEL HARNESS - DEUTZ D2.9L4 ENGINE



ART_1001181358

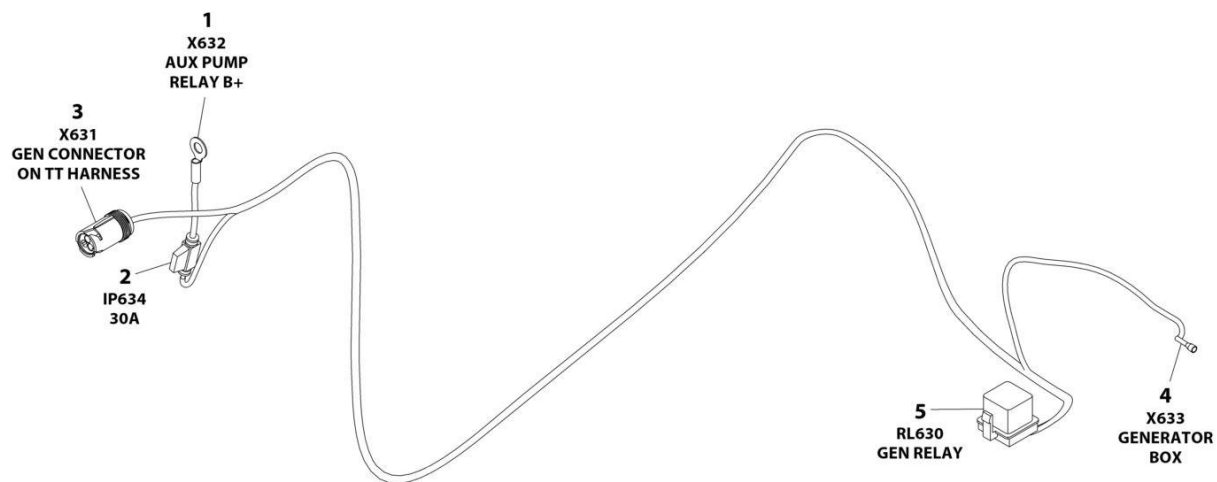
SECTION 8 - ELECTRICAL

FIGURE 8-33. FUEL HARNESS - DEUTZ D2.9L4 ENGINE

| ITEM | PART NUMBER | QTY | DESCRIPTION | REV |
|------|-------------|-----|------------------------------------|-----|
| | 1001181358 | Ref | FUEL HARNESS - DEUTZ D2.9L4 ENGINE | D |
| 1 | 4460932 | 1 | Receptacle, Female - 4 Position | |
| 1 | 4460464 | 2 | Pin, Male | |
| 1 | 4460941 | 2 | Pin, Male | |
| 2 | 1001116983 | 1 | Plug, Male - 2 Position | |
| 2 | 4461060 | 2 | Socket, Female | |
| 2 | 4461054 | 2 | Seal | |
| 3 | 4460891 | 1 | Plug, Male - 2 Position | |
| 3 | 4460942 | 2 | Socket, Female | |
| 4 | 4460897 | 1 | Receptacle, Female - 2 Position | |
| 4 | 4460941 | 2 | Pin, Male | |
| 5 | 8220051 | 2 | Coupler, Female | |

SECTION 8 - ELECTRICAL

FIGURE 8-34. GENERATOR HARNESS - 2500W GENERATOR (50HZ)



ART_1001187352

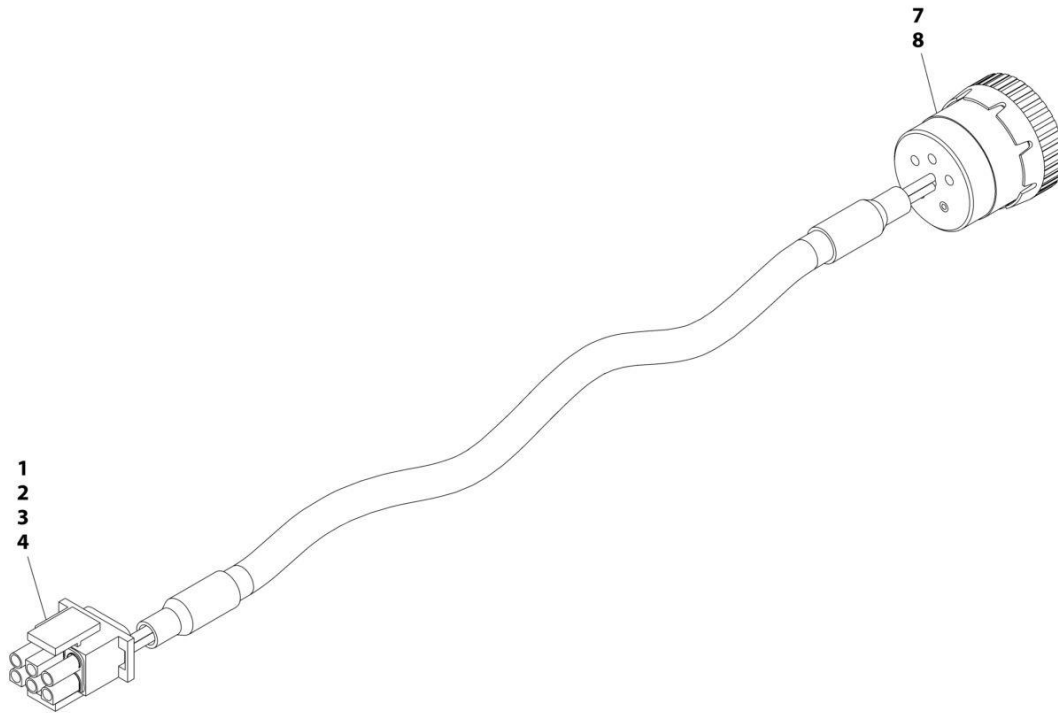
SECTION 8 - ELECTRICAL

FIGURE 8-34. GENERATOR HARNESS - 2500W GENERATOR (50HZ)

| ITEM | PART NUMBER | QTY | DESCRIPTION | REV |
|------|-------------|-----|--|-----|
| | 1001187352 | Ref | GENERATOR HARNESS - 2500W GENERATOR (50HZ) | A |
| 1 | 8220045 | 1 | Terminal, Ring | |
| 2 | 2400060 | 1 | Holder, Fuse | |
| 2 | 8229245 | 1 | Fuse 30Amp | |
| 3 | 1001154726 | 1 | Connector - 3 Position | |
| 3 | 4460464 | 2 | Pin, Male | |
| 3 | 4460466 | 1 | Plug, Terminal | |
| 4 | 1001100231 | 1 | Terminal | |
| 5 | 1001117057 | 1 | Plug, Relay | |
| 5 | 1001116734 | 2 | Terminal | |
| 5 | 1001116732 | 2 | Terminal | |

SECTION 8 - ELECTRICAL

FIGURE 8-35. GENERATOR HARNESS - 4000W GENERATOR



ART_1001152532

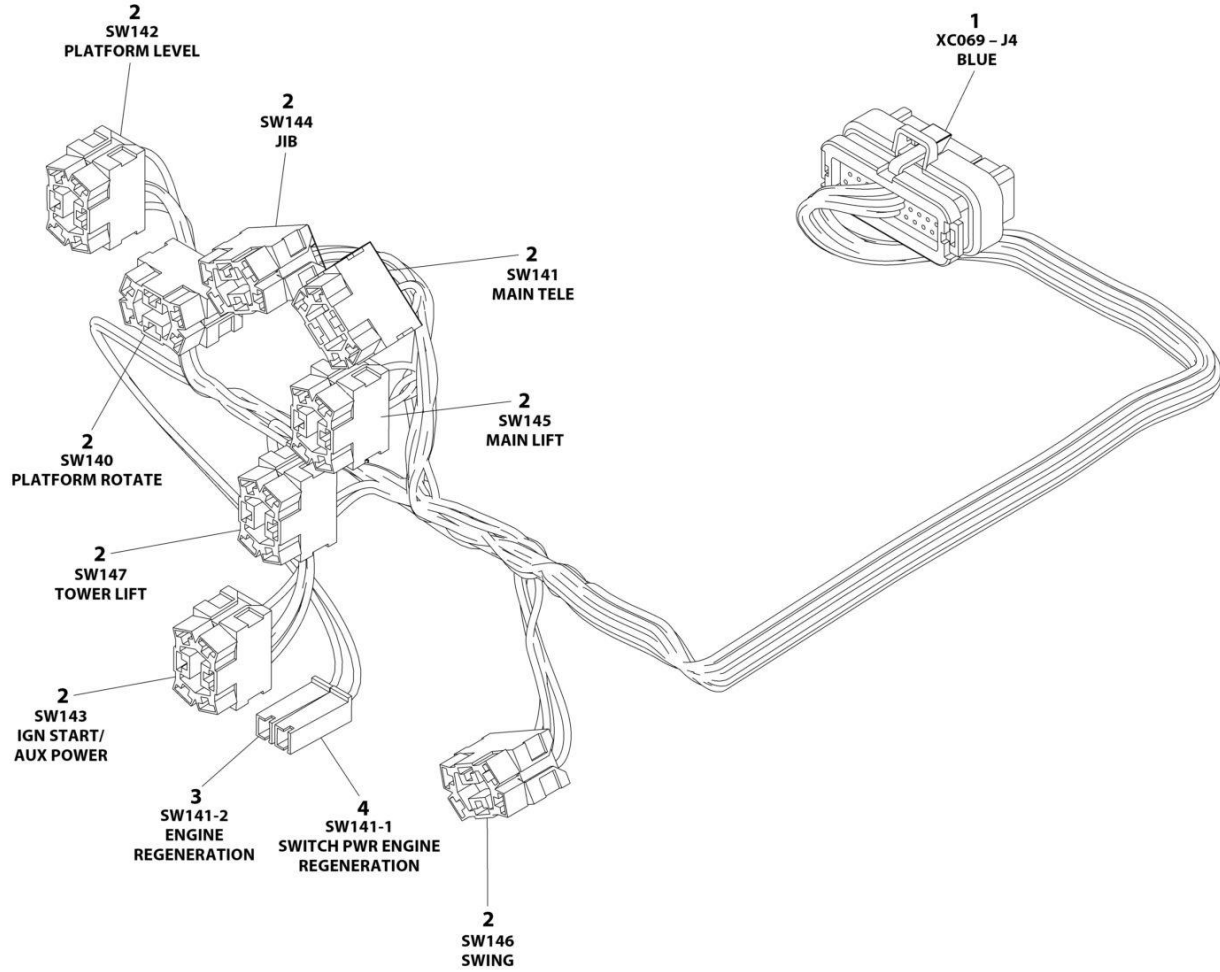
SECTION 8 - ELECTRICAL

FIGURE 8-35. GENERATOR HARNESS - 4000W GENERATOR

| ITEM | PART NUMBER | QTY | DESCRIPTION | REV |
|------|-------------|-----|------------------------|-----|
| | 1001152532 | Ref | GENERATOR HARNESS | A |
| 1 | 4460225 | 1 | Connector - 6 Position | |
| 2 | 4460268 | 2 | Socket, Female | |
| 3 | 4460807 | 1 | Seal | |
| 4 | 4460808 | 1 | Seal | |
| 7 | 4460465 | 2 | Socket, Female | |
| 8 | 77363233 | 1 | Connector - 6 Position | |

SECTION 8 - ELECTRICAL

FIGURE 8-36. GROUND CONTROL PANEL HARNESS



ART_1001244295

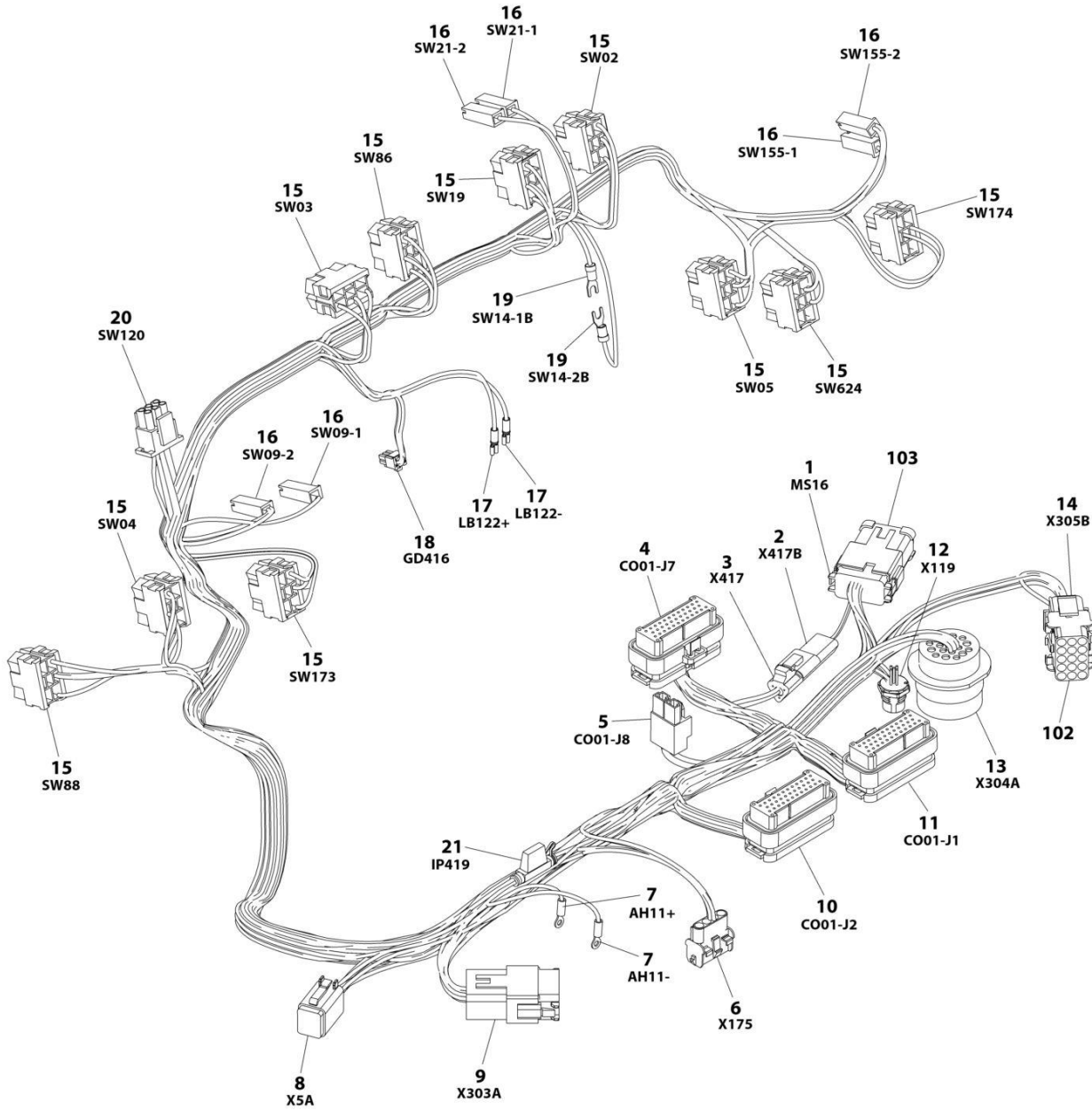
SECTION 8 - ELECTRICAL

FIGURE 8-36. GROUND CONTROL PANEL HARNESS

| ITEM | PART NUMBER | QTY | DESCRIPTION | REV |
|------|-------------|-----|------------------------------|-----|
| | 1001244295 | Ref | GROUND CONTROL PANEL HARNESS | C |
| 1 | 4460876 | 1 | Connector - 35 Position | |
| 1 | 4460871 | 18 | Socket, Female | |
| 1 | 4460905 | 17 | Plug, Terminal | |
| 2 | 4460418 | 8 | Connector - 6 Position | |
| 2 | 4460419 | 16 | Terminal | |
| 2 | 1001159186 | 16 | Terminal | |
| 3 | 4460260 | 2 | Housing, Terminal | |
| 3 | 4460259 | 2 | Terminal | |
| 4 | 4460260 | 1 | Terminal, Housing | |
| 4 | 4460259 | 1 | Terminal | |

SECTION 8 - ELECTRICAL

FIGURE 8-37. PLATFORM CONSOLE BOX HARNESS



ART_1001238254

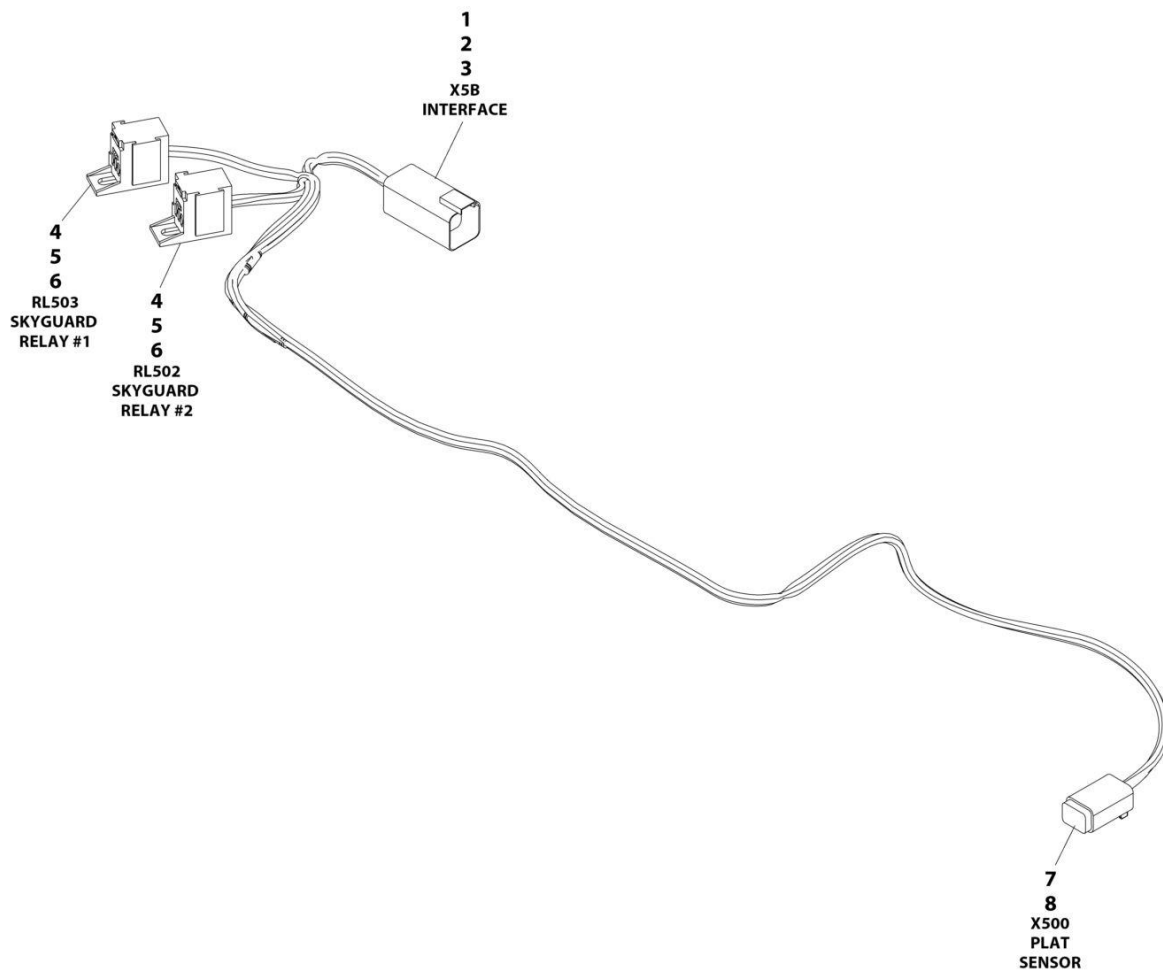
SECTION 8 - ELECTRICAL

FIGURE 8-37. PLATFORM CONSOLE BOX HARNESS

| ITEM | PART NUMBER | QTY | DESCRIPTION | REV |
|------|-------------|-----|--|-----|
| | 1001238254 | Ref | PLATFORM CONSOLE BOX HARNESS | I |
| 1 | 4460933 | 1 | Plug, Male - 12 Position | |
| 1 | 4460465 | 10 | Socket, Female | |
| 1 | 4460466 | 2 | Plug, Terminal | |
| 2 | 4460536 | 1 | Receptacle, Female - 3 Position | |
| 2 | 4460464 | 2 | Pin, Male | |
| 2 | 4460466 | 1 | Plug, Terminal | |
| 3 | 4460539 | 1 | Plug, Male - 3 Position | |
| 3 | 4460465 | 2 | Socket, Female | |
| 3 | 4460466 | 1 | Plug, Terminal | |
| 4 | 4460873 | 1 | Connector - 35 Position | |
| 4 | 4460871 | 21 | Socket, Female | |
| 4 | 4460905 | 14 | Plug, Terminal | |
| 5 | 4460879 | 1 | Plug, Male - 2 Position | |
| 5 | 4460887 | 2 | Terminal | |
| 6 | 4460761 | 1 | Receptacle, Female - 4 Position | |
| 6 | 4460267 | 4 | Pin, Male | |
| 7 | 1001098122 | 2 | Terminal, Ring | |
| 8 | 4460894 | 1 | Plug, Male - 6 Position | |
| 8 | 4460465 | 6 | Socket, Female | |
| 9 | 4460970 | 1 | Receptacle, Female - 12 Position | |
| 9 | 1001116693 | 11 | Pin, Male | |
| 9 | 4460466 | 1 | Plug, Terminal | |
| 10 | 4460875 | 1 | Connector - 35 Position | |
| 10 | 4460871 | 12 | Socket, Female | |
| 10 | 4460905 | 23 | Plug, Terminal | |
| 11 | 4460874 | 1 | Connector - 35 Position | |
| 11 | 4460871 | 27 | Socket, Female | |
| 11 | 4460905 | 8 | Plug, Terminal | |
| 12 | 1001213447 | 1 | Connector - 4 Position | |
| 12 | See Note | NSS | Terminal (Note: Purchase p/n 1001213447) | |
| 13 | 4460866 | 1 | Connector - 19 Position | |
| 13 | 4460464 | 5 | Pin, Male | |
| 13 | 4460466 | 11 | Plug, Terminal | |
| 13 | 4460508 | 1 | Pin, Male | |
| 14 | 4460434 | 1 | Connector - 15 Position | |
| 14 | 4460267 | 8 | Pin. Male | |
| 15 | 4460418 | 10 | Connector - 6 Position | |
| 15 | 4460419 | 45 | Terminal | |
| 16 | 4460260 | 6 | Housing, Terminal | |
| 16 | 4460259 | 8 | Terminal | |
| 17 | 1001271497 | 2 | Terminal | |
| 18 | 1001237667 | 1 | Plug, Male - 6 Position | |
| 18 | 1001237668 | 4 | Terminal | |
| 19 | 4460183 | 2 | Terminal, Fork | |
| 20 | 4460225 | 1 | Plug, Male - 6 Position | |
| 20 | 4460227 | 6 | Pin, Male (Note: Used on Pump Potentiometer Connection Only) | |
| 21 | 2400060 | 1 | Fuse Holder | |
| 102 | 4460708 | 1 | Connector, Bussbar - 15 Position | |
| 103 | 1001125677 | 1 | Connector, Bussbar - 12 Position | |

SECTION 8 - ELECTRICAL

FIGURE 8-38. PLATFORM INTERFACE HARNESS



ART_1001225580

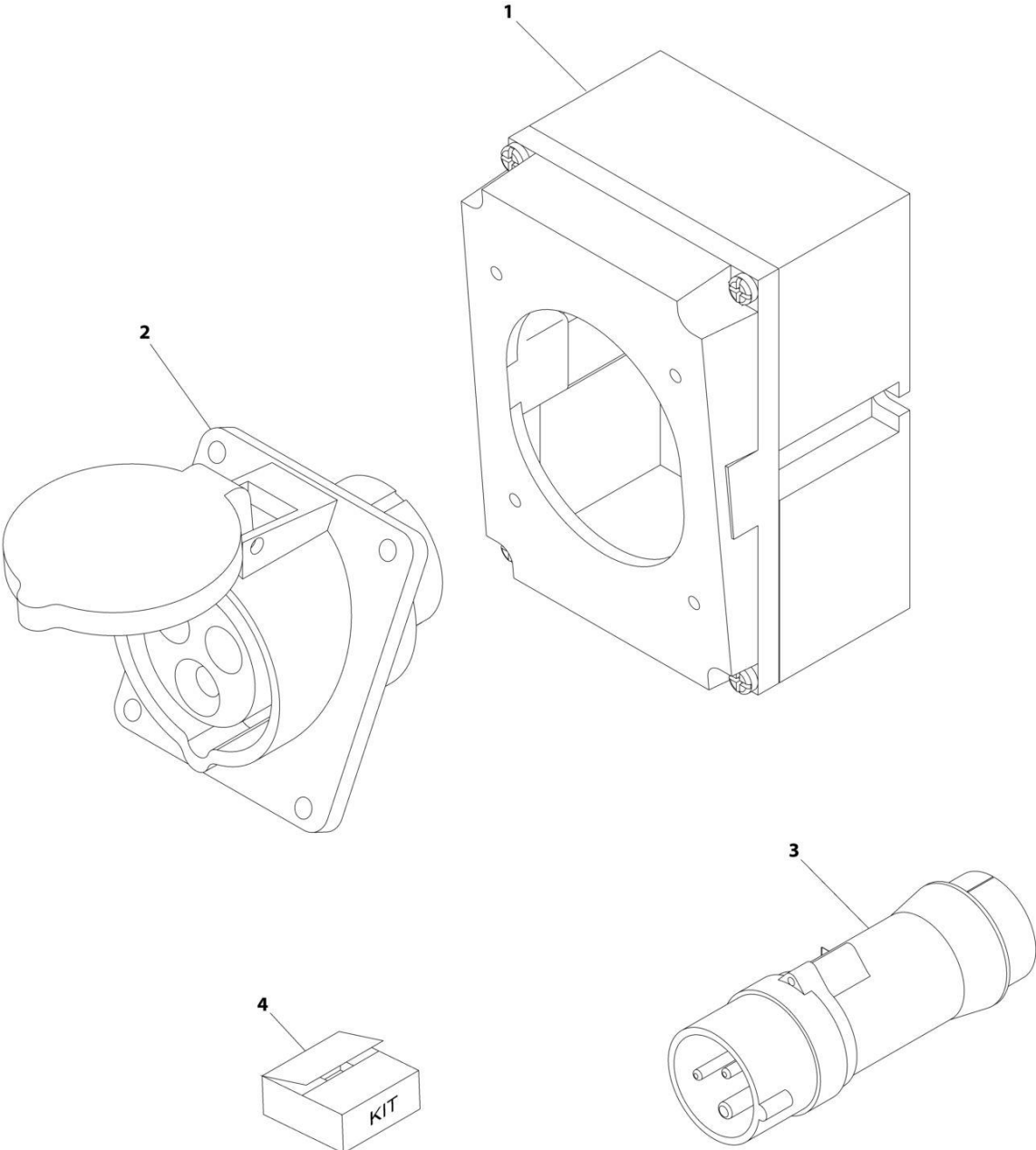
SECTION 8 - ELECTRICAL

FIGURE 8-38. PLATFORM INTERFACE HARNESS

| ITEM | PART NUMBER | QTY | DESCRIPTION | REV |
|------|-------------|-----|-------------------------------------|-----|
| | 1001225580 | Ref | INTERFACE HARNESS - WITH 1 CELL LSS | D |
| 1 | 4460899 | 1 | Connector | |
| 2 | 4460464 | 4 | Terminal | |
| 3 | 4460466 | 2 | Plug | |
| 4 | 1001186432 | 2 | Connector | |
| 5 | 1001116720 | 4 | Terminal | |
| 6 | 1001118388 | 4 | Terminal | |
| 7 | 4460884 | 1 | Connector | |
| 8 | 4460465 | 4 | Terminal | |

SECTION 8 - ELECTRICAL

FIGURE 8-39. RECEPTACLE BOX KIT - 110V IEC YELLOW (CE, CIS/EAC & UK CA SPEC)



ART_0275216

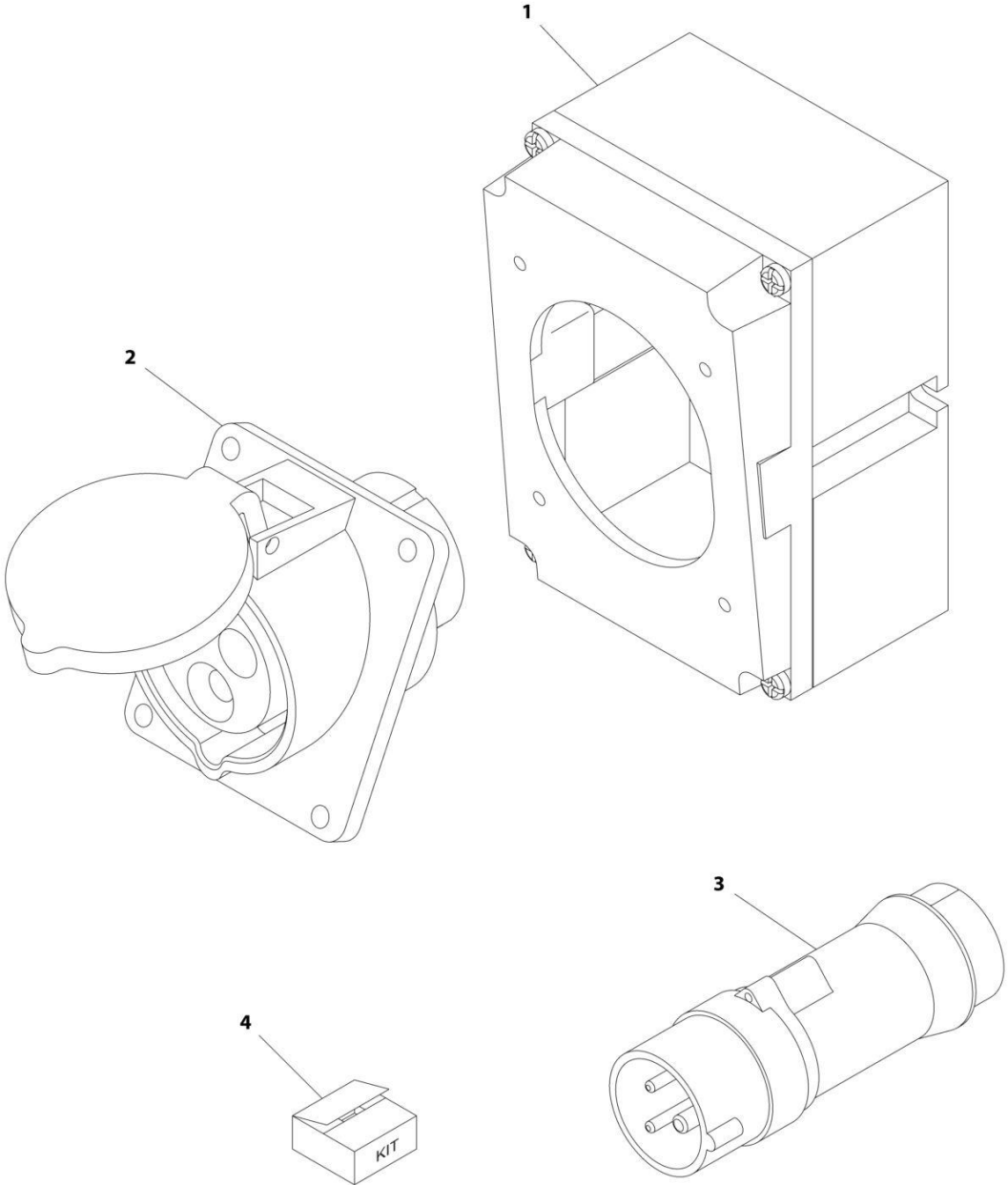
SECTION 8 - ELECTRICAL

FIGURE 8-39. RECEPTACLE BOX KIT - 110V IEC YELLOW (CE, CIS/EAC & UK CA SPEC)

| ITEM | PART NUMBER | QTY | DESCRIPTION | REV |
|------|-------------|-----|--|-----|
| | 0275216 | Ref | RECEPTACLE BOX KIT - 110V IEC YELLOW | B |
| 1 | 0861781 | 1 | Box, Switch | |
| 2 | 4461198 | 1 | Receptacle | |
| 3 | 4461196 | 1 | Plug, Male | |
| 4 | 1001100341 | 1 | Plug and Socket Kit (Includes Items 1-3 and Female Plug p/n 4461197) | |

SECTION 8 - ELECTRICAL

FIGURE 8-40. RECEPTACLE BOX KIT - 220V IEC BLUE (CE, CIS/EAC & UK CA SPEC)



ART_0275217

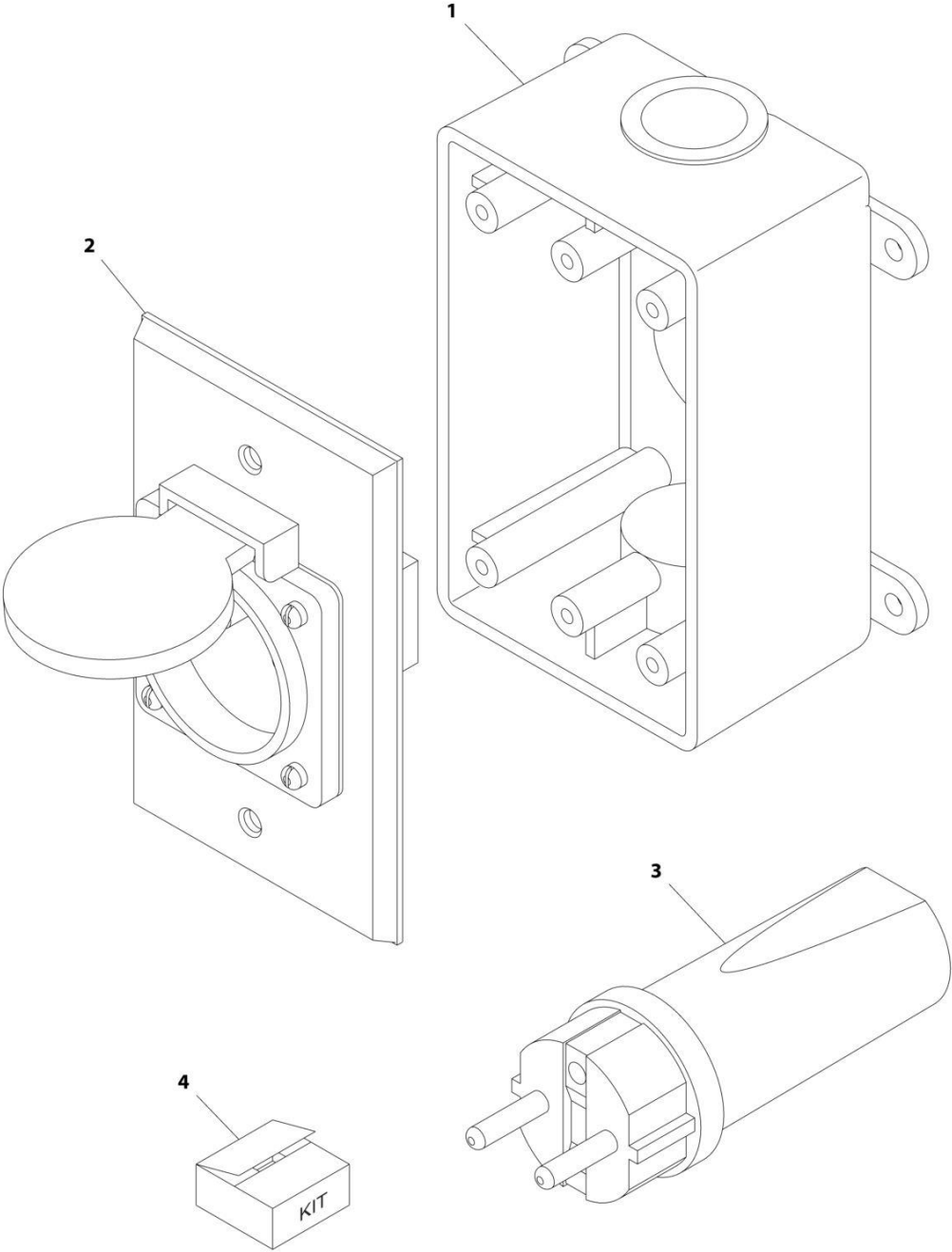
SECTION 8 - ELECTRICAL

FIGURE 8-40. RECEPTACLE BOX KIT - 220V IEC BLUE (CE, CIS/EAC & UK CA SPEC)

| ITEM | PART NUMBER | QTY | DESCRIPTION | REV |
|------|-------------|-----|--|-----|
| | 0275217 | Ref | RECEPTACLE BOX KIT - 220V IEC BLUE | B |
| 1 | 0861781 | 1 | Box, Switch | |
| 2 | 4461201 | 1 | Receptacle | |
| 3 | 4461199 | 1 | Plug, Male | |
| 4 | 1001100342 | 1 | Plug and Socket Kit (Includes Items 1-3 and Female Plug p/n 4461200) | |

SECTION 8 - ELECTRICAL

FIGURE 8-41. RECEPTACLE BOX KIT - 220V CEE7 POST GROUND 2IN X 4IN BOX (CE, CIS/EAC & UK CA SPEC)



ART_0275452

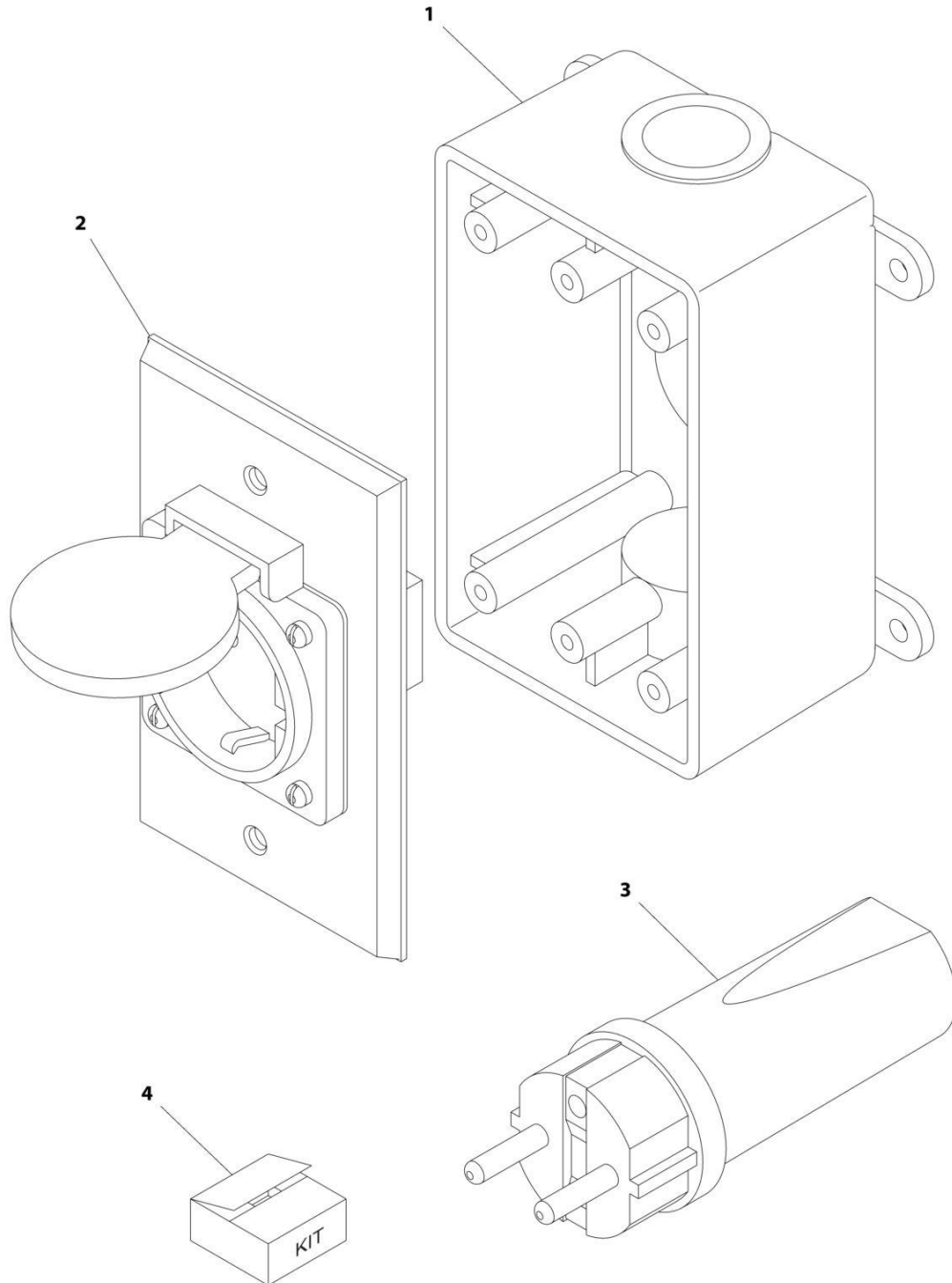
SECTION 8 - ELECTRICAL

FIGURE 8-41. RECEPTACLE BOX KIT - 220V CEE7 POST GROUND 2IN X 4IN BOX (CE, CIS/EAC & UK CA SPEC)

| ITEM | PART NUMBER | QTY | DESCRIPTION | REV |
|------|-------------|-----|--|-----|
| | 0275452 | Ref | RECEPTACLE BOX KIT - 220V CEE7 POST GROUND | C |
| 1 | 0861731 | 1 | Box, Switch | |
| 2 | 4461244 | 1 | Receptacle | |
| 3 | 4461205 | 1 | Plug, Male | |
| 4 | 1001100345 | 1 | Plug and Socket Kit (Includes Items 1-3 and Female Plug p/n 4461206) | |

SECTION 8 - ELECTRICAL

FIGURE 8-42. RECEPTACLE BOX KIT - 220V CEE7 SIDE GROUND 2IN X 4IN BOX (CE, CIS/EAC & UK CA SPEC)



ART_0275453

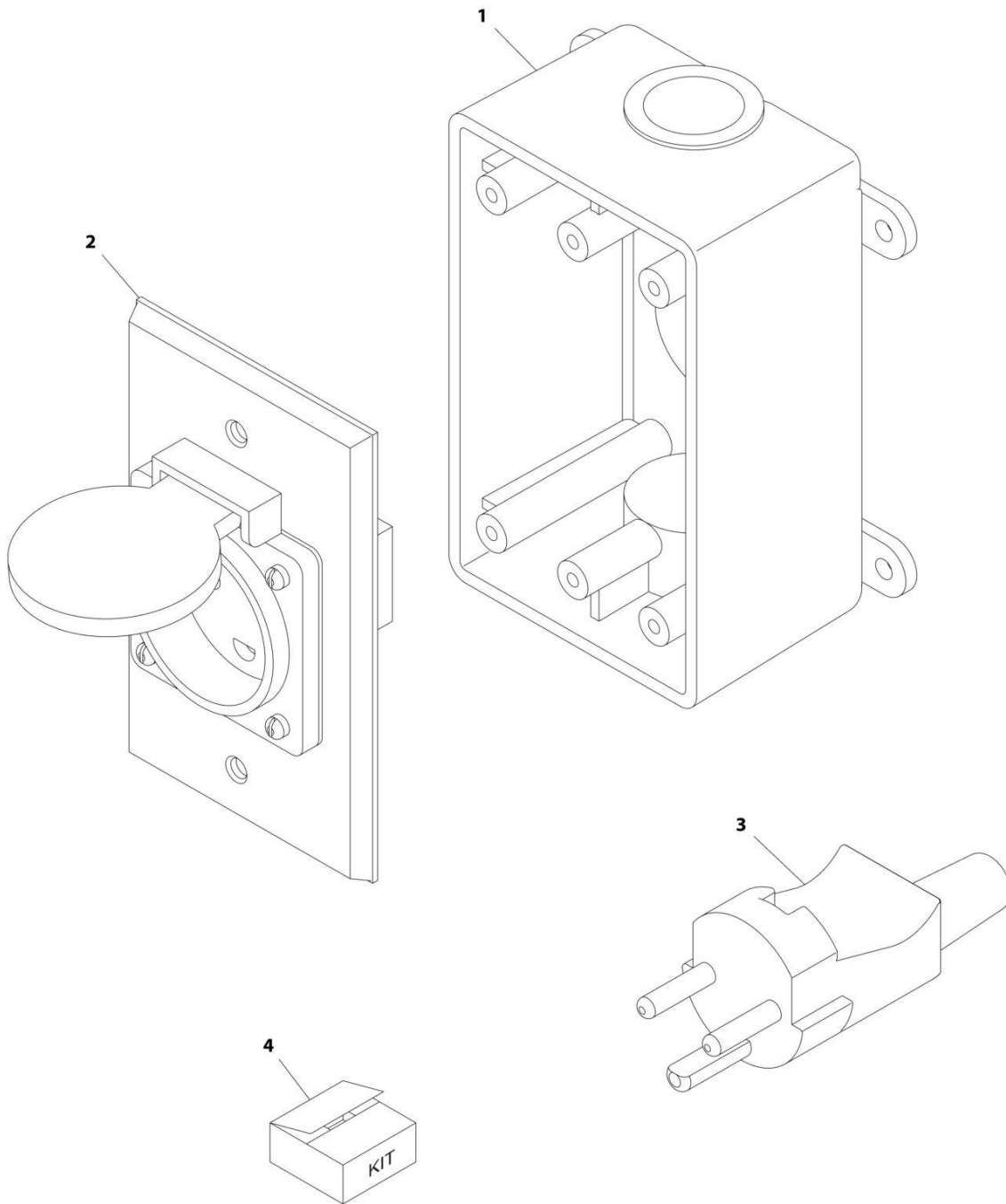
SECTION 8 - ELECTRICAL

FIGURE 8-42. RECEPTACLE BOX KIT - 220V CEE7 SIDE GROUND 2IN X 4IN BOX (CE, CIS/EAC & UK CA SPEC)

| ITEM | PART NUMBER | QTY | DESCRIPTION | REV |
|------|-------------|-----|--|-----|
| | 0275453 | Ref | RECEPTACLE BOX KIT - 220V CEE7 SIDE GROUND | B |
| 1 | 0861731 | 1 | Box, Switch | |
| 2 | 4461245 | 1 | Receptacle | |
| 3 | 4461205 | 1 | Plug, Male | |
| 4 | 1001100347 | 1 | Plug and Socket Kit (Includes Items 1-3 and Female Plug p/n 4461206) | |

SECTION 8 - ELECTRICAL

FIGURE 8-43. RECEPTACLE BOX KIT - 220V AFSINT 107 (CE, CIS/EAC & UK CA SPEC)



ART_0275454

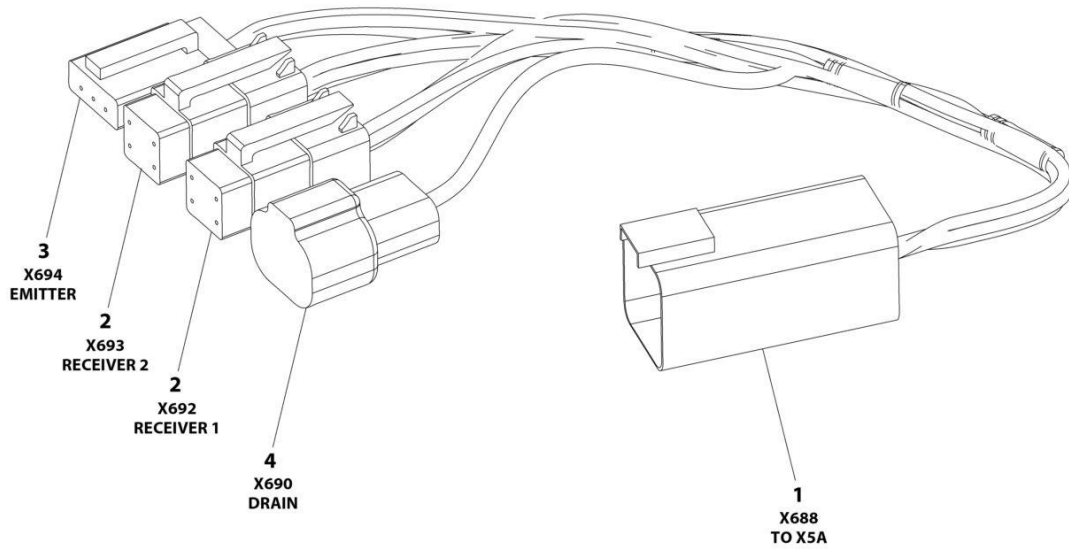
SECTION 8 - ELECTRICAL

FIGURE 8-43. RECEPTACLE BOX KIT - 220V AFSINT 107 (CE, CIS/EAC & UK CA SPEC)

| ITEM | PART NUMBER | QTY | DESCRIPTION | REV |
|------|-------------|-----|--|-----|
| | 0275454 | Ref | RECEPTACLE BOX KIT - 220V AFSINT 107 | B |
| 1 | 0861731 | 1 | Box, Switch | |
| 2 | 4461246 | 1 | Receptacle | |
| 3 | 4461249 | 1 | Plug, Male | |
| 4 | 1001100346 | 1 | Plug and Socket Kit (Includes Items 1-3 and Female Plug p/n 4461250) | |

SECTION 8 - ELECTRICAL

FIGURE 8-44. SKYEYE INTERMEDIATE HARNESS



ART_1001237865

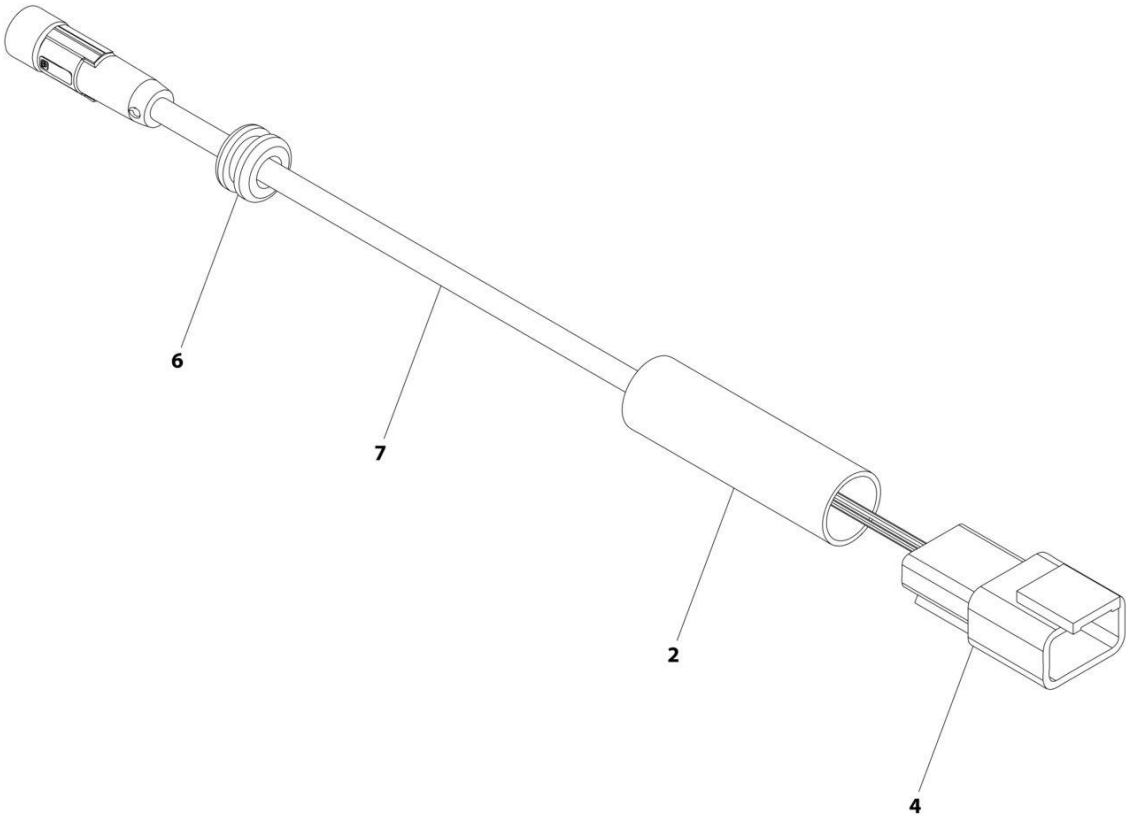
SECTION 8 - ELECTRICAL

FIGURE 8-44. SKYEYE INTERMEDIATE HARNESS

| ITEM | PART NUMBER | QTY | DESCRIPTION | REV |
|------|-------------|-----|-----------------------------|-----|
| | 1001237865 | Ref | SKYEYE INTERMEDIATE HARNESS | A |
| 1 | 4460899 | 1 | Connector - 6 Position | |
| 1 | 4460943 | 4 | Pin, Male | |
| 1 | 4460466 | 2 | Plug, Terminal | |
| 2 | 4461077 | 2 | Connector - 4 Position | |
| 2 | 1001119619 | 8 | Socket, Female | |
| 3 | 4460911 | 1 | Connector - 3 Position | |
| 3 | 1001119619 | 3 | Socket, Female | |
| 4 | 1001187681 | 1 | Connector - 2 Position | |
| 4 | 4460941 | 1 | Pin, Male | |
| 4 | 4460466 | 1 | Plug, Terminal | |

SECTION 8 - ELECTRICAL

FIGURE 8-45. SKYEYE RECEIVER HARNESS



ART_1001237863_B

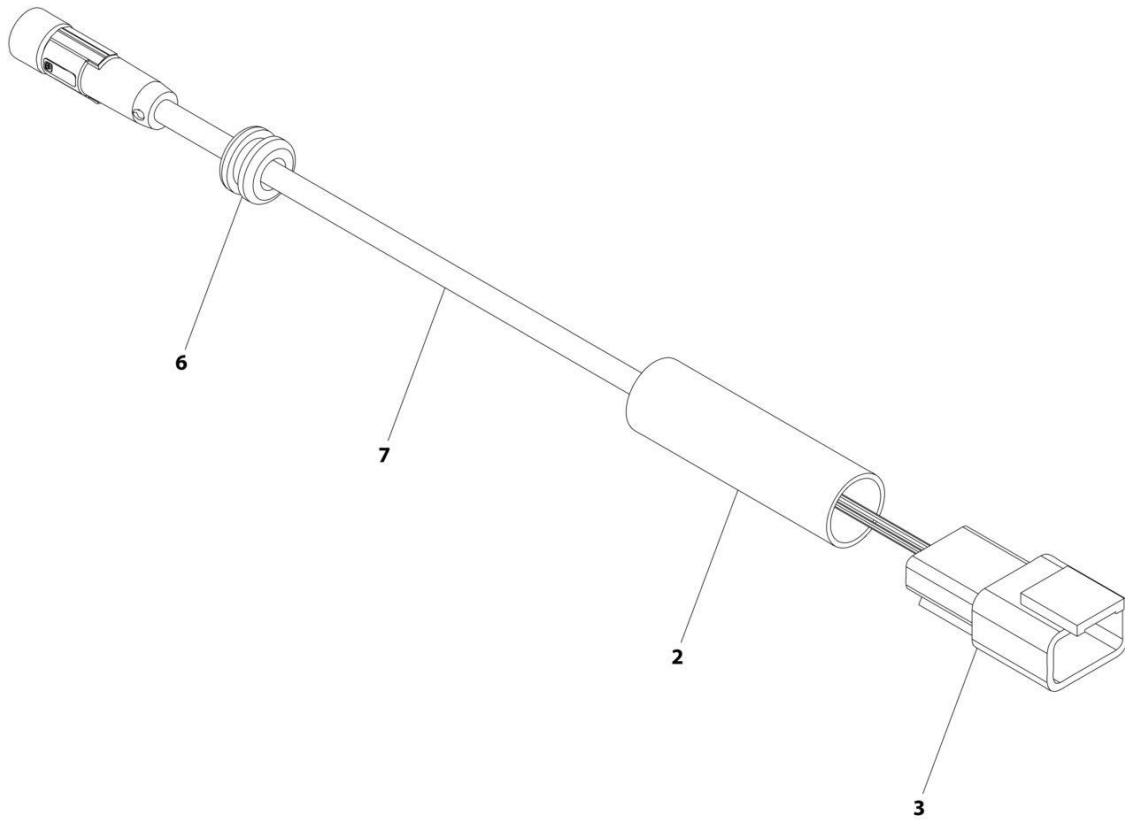
SECTION 8 - ELECTRICAL

FIGURE 8-45. SKYEYE RECEIVER HARNESS

| ITEM | PART NUMBER | QTY | DESCRIPTION | REV |
|------|-------------|-----|--------------------------|-----|
| | 1001237863 | Ref | SKYEYE RECEIVER HARNESS | B |
| 2 | 2820247 | AR | Tubing, Heat Shrink | |
| 4 | 1001097051 | 1 | Connector - 4 Position | |
| 4 | 1001119620 | 4 | Pin, Male | |
| 6 | 1001227996 | 1 | Grommet | |
| 7 | 1001258495 | 1 | Cable, M8 Female Cordset | |

SECTION 8 - ELECTRICAL

FIGURE 8-46. SKYEYE EMITTER HARNESS



ART_1001237864_B

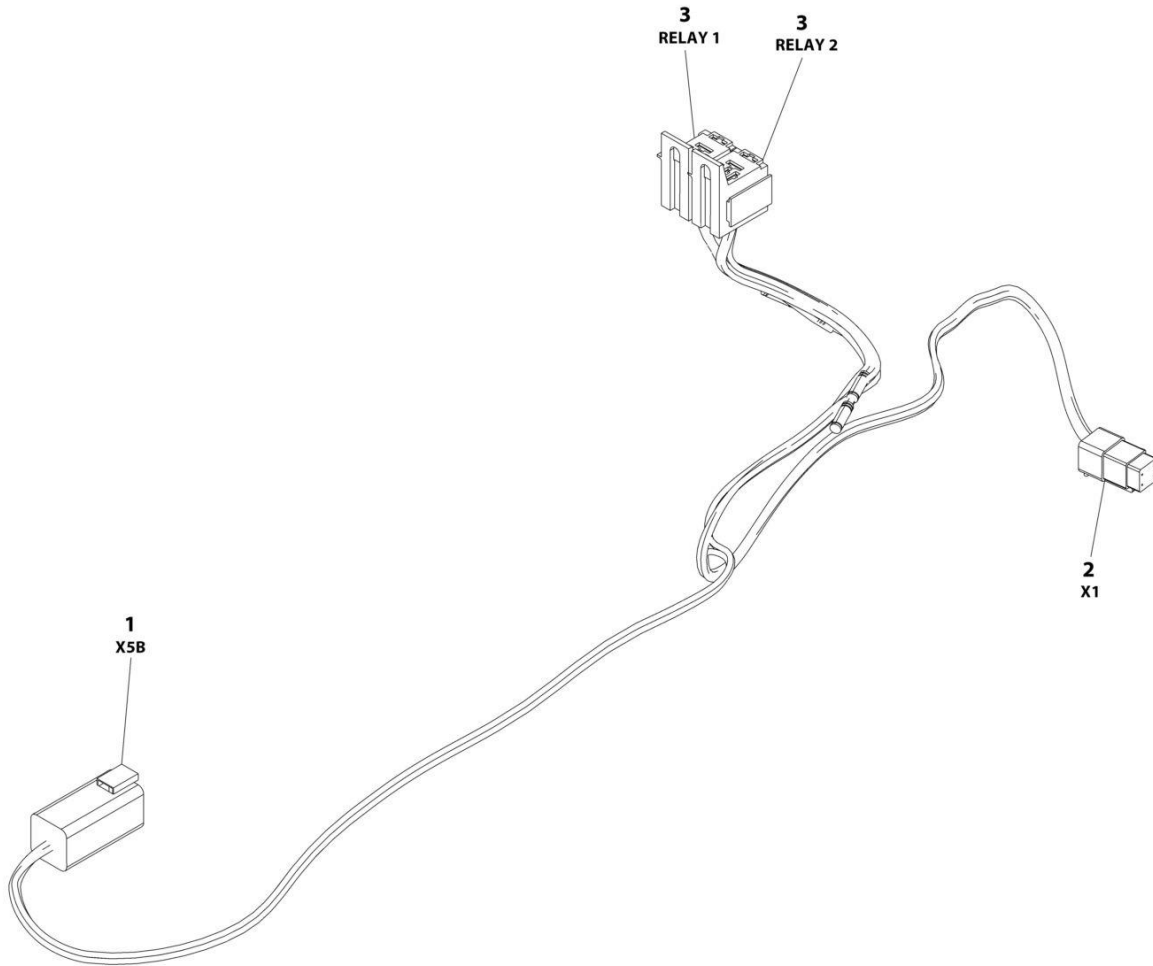
SECTION 8 - ELECTRICAL

FIGURE 8-46. SKYEYE EMITTER HARNESS

| ITEM | PART NUMBER | QTY | DESCRIPTION | REV |
|------|-------------|-----|--------------------------|-----|
| | 1001237864 | Ref | SKYEYE EMITTER HARNESS | B |
| 2 | 2820247 | AR | Tubing, Heat Shrink | |
| 3 | 4460910 | 1 | Connector - 3 Position | |
| 3 | 1001119620 | 3 | Pin, Male | |
| 6 | 1001227996 | 1 | Grommet | |
| 7 | 1001258495 | 1 | Cable, M8 Female Cordset | |

SECTION 8 - ELECTRICAL

FIGURE 8-47. SKYLINE HARNESS



ART_1001238418

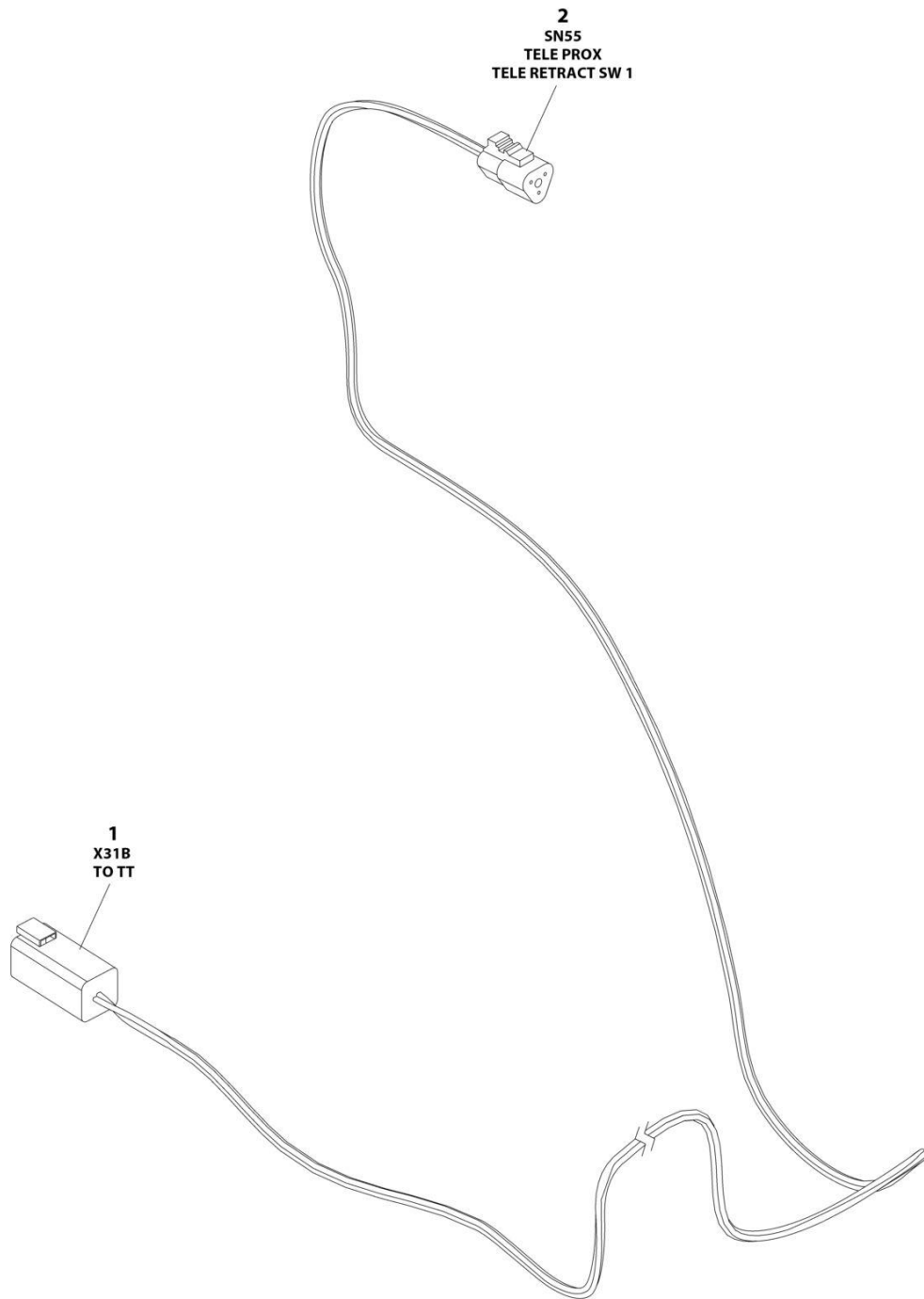
SECTION 8 - ELECTRICAL

FIGURE 8-47. SKYLINE HARNESS

| ITEM | PART NUMBER | QTY | DESCRIPTION | REV |
|------|-------------|-----|------------------------|-----|
| | 1001238418 | Ref | SKYLINE HARNESS | B |
| 1 | 4460899 | 1 | Connector - 6 Position | |
| 1 | 4460464 | 4 | Pin, Male | |
| 1 | 4460466 | 2 | Plug, Terminal | |
| 2 | 4461077 | 1 | Connector - 4 Position | |
| 2 | 1001126009 | 4 | Socket, Female | |
| 3 | 1001186432 | 2 | Plug, Relay | |
| 3 | 1001118388 | 5 | Terminal | |
| 3 | 1001118384 | 3 | Terminal | |
| 3 | 3740086 | 2 | Relay | |

SECTION 8 - ELECTRICAL

FIGURE 8-48. TRANSPORT HARNESS



ART_1001263008

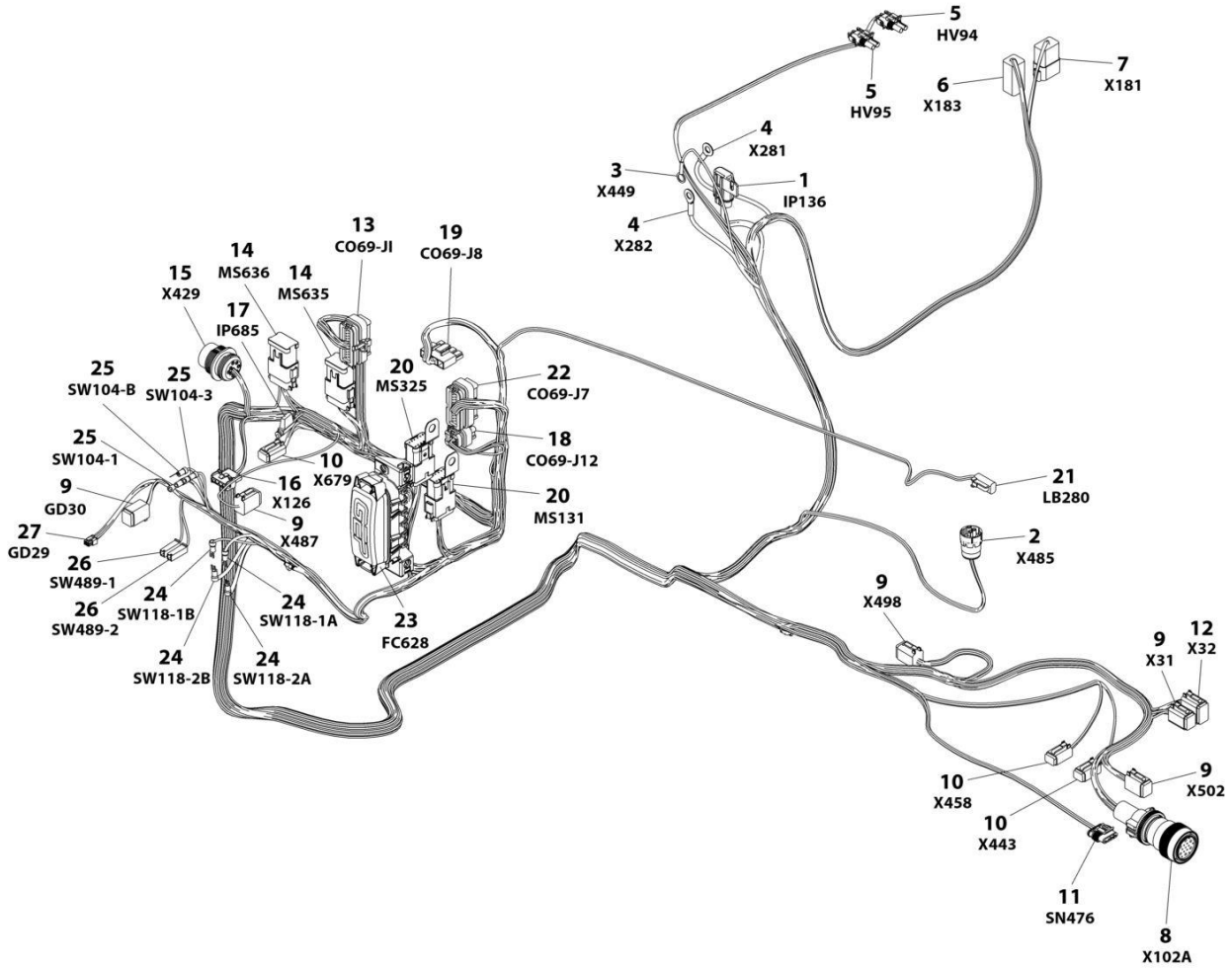
SECTION 8 - ELECTRICAL

FIGURE 8-48. TRANSPORT HARNESS

| ITEM | PART NUMBER | QTY | DESCRIPTION | REV |
|------|-------------|-----|---------------------------------|-----|
| | 1001263008 | Ref | TRANSPORT HARNESS | B |
| 1 | 4460899 | 1 | Receptacle, Female - 6 Position | |
| 1 | 4460464 | 3 | Pin, Male | |
| 1 | 4460466 | 3 | Plug, Terminal | |
| 2 | 4460539 | 1 | Plug, Male - 3 Position | |
| 2 | 4460465 | 3 | Socket, Female | |

SECTION 8 - ELECTRICAL

FIGURE 8-49. TURNTABLE HARNESS (Prior to SN B300017702)



ART_1001244293

SECTION 8 - ELECTRICAL

FIGURE 8-49. TURNTABLE HARNESS (Prior to SN B300017702)

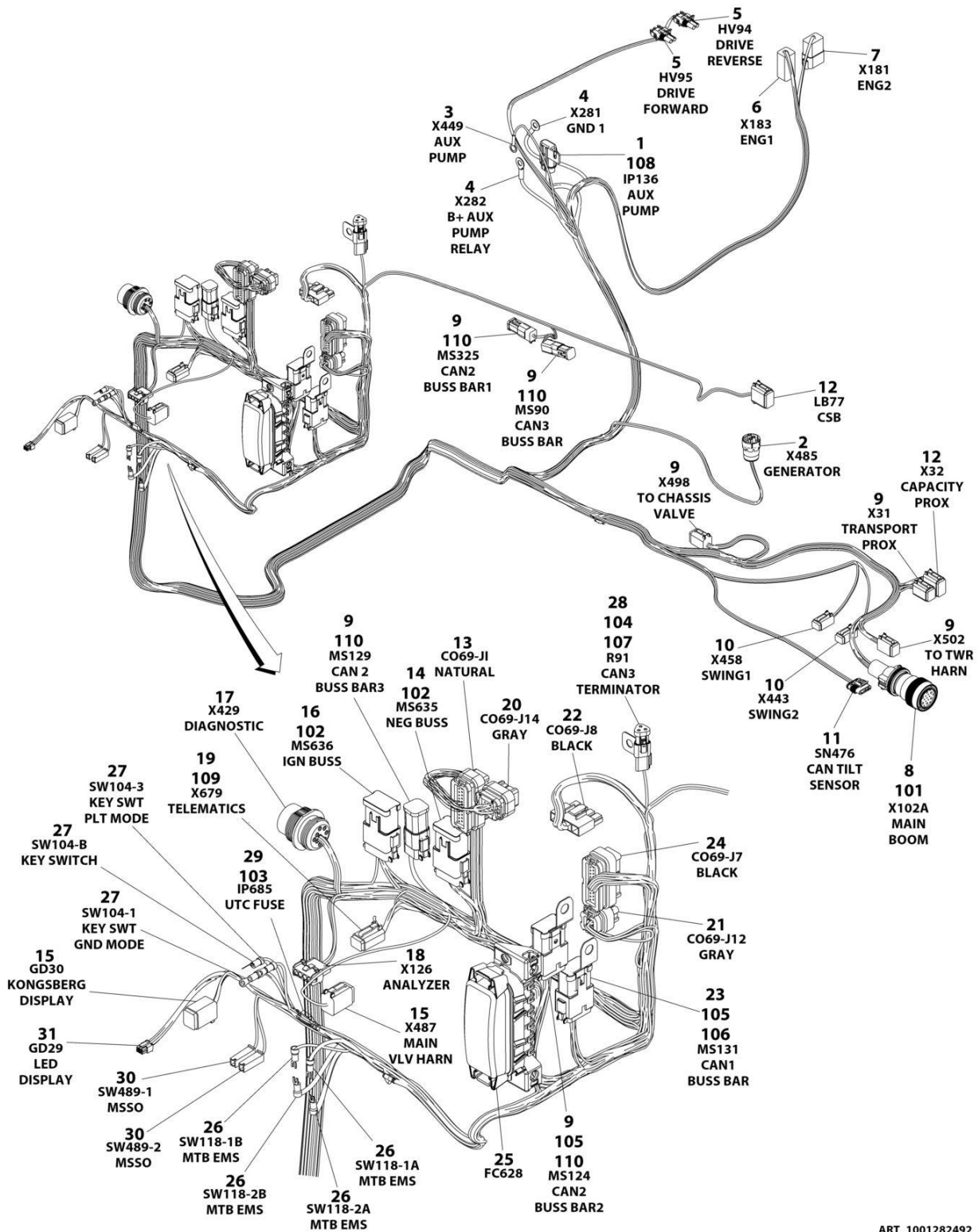
| ITEM | PART NUMBER | QTY | DESCRIPTION | REV |
|------|-------------|-----|---|-----|
| | 1001244293 | Ref | TURNTABLE HARNESS | D |
| 1 | 1001117070 | 1 | Fuseholder with 30Amp Fuse | |
| 1 | See Note | 1 | Fuse 30Amp (Note: Not Available - Purchase Locally) | |
| 1 | 1001116734 | 2 | Terminal, Female | |
| 2 | 4460967 | 1 | Connector - 3 Position | |
| 2 | 4460465 | 3 | Socket, Female | |
| 3 | 4460247 | 1 | Terminal, Ring | |
| 4 | 8220045 | 2 | Terminal, Ring | |
| 5 | 4460742 | 2 | Plug, Male - 2 Position | |
| 5 | 4460743 | 4 | Socket, Female | |
| 5 | 4460458 | 4 | Seal, Terminal | |
| 6 | 4460899 | 1 | Receptacle, Female - 6 Position | |
| 6 | 4460464 | 3 | Pin, Male | |
| 6 | 4460943 | 2 | Pin, Male | |
| 6 | 4460466 | 1 | Plug, Terminal | |
| 7 | 4460931 | 1 | Receptacle, Female | |
| 7 | 4460464 | 5 | Pin, Male | |
| 7 | 4460466 | 3 | Plug, Terminal | |
| 8 | 4460865 | 1 | Connector - 19 Position | |
| 8 | 4460465 | 6 | Socket, Female | |
| 8 | 4460509 | 2 | Socket, Female | |
| 8 | 4460466 | 11 | Plug, Terminal | |
| 8 | 1321647 | 1 | Clamp | |
| 9 | 4460894 | 5 | Plug, Male - 6 Position | |
| 9 | 4460465 | 24 | Socket, Female | |
| 9 | 4460466 | 6 | Plug, Terminal | |
| 10 | 4460884 | 3 | Plug, Male - 4 Position | |
| 10 | 4460465 | 8 | Socket, Female | |
| 10 | 4460466 | 4 | Plug, Terminal | |
| 11 | 1001103012 | 1 | Connector - 4 Position | |
| 11 | 1001107854 | 4 | Socket, Female | |
| 11 | 1001104498 | 4 | Seal, Terminal | |
| 12 | 4460930 | 1 | Plug, Male - 8 Position | |
| 12 | 4460465 | 6 | Socket, Female | |
| 12 | 4460466 | 2 | Seal, Terminal | |
| 13 | 4460874 | 1 | Connector - 35 Position | |
| 13 | 4460871 | 21 | Socket, Female | |
| 14 | 4460905 | 14 | Plug, Terminal | |
| 14 | 4460836 | 2 | Connector - 12 Position | |
| 14 | 4460465 | 16 | Socket, Female | |
| 14 | 4460466 | 8 | Plug, Terminal | |
| 14 | 4460837 | 2 | Bussbar - 12 Position | |
| 15 | 1001112612 | 1 | Connector - 9 Position | |
| 15 | 4460464 | 3 | Pin, Male | |
| 15 | 4460943 | 2 | Pin, Male (Gold) | |
| 15 | 4460466 | 4 | Plug, Terminal | |
| 16 | 4460761 | 1 | Receptacle, Female - 4 Position | |
| 16 | 4460267 | 4 | Pin, Male | |
| 17 | 2400060 | 1 | Holder, Fuse | |
| 17 | 8229242 | 1 | Fuse 5Amp | |

SECTION 8 - ELECTRICAL

| ITEM | PART NUMBER | QTY | DESCRIPTION | REV |
|------|-------------|-----|--------------------------|-----|
| 18 | 1001113961 | 1 | Plug, Male - 8 Position | |
| 18 | 4460871 | 5 | Socket, Female | |
| 18 | 4460905 | 3 | Plug, Terminal | |
| 19 | 4460878 | 1 | Plug, Male - 4 Position | |
| 19 | 4460887 | 4 | Terminal | |
| 20 | 4460933 | 2 | Plug, Male - 12 Position | |
| 20 | 4460465 | 12 | Socket, Female | |
| 20 | 4460466 | 11 | Plug, Terminal | |
| 20 | 1001125677 | 2 | Bussbar - 12 Position | |
| 20 | 1001120328 | 2 | Clip, Mounting | |
| 21 | 4460891 | 1 | Plug, Male - 2 Position | |
| 21 | 4460465 | 2 | Socket, Female | |
| 22 | 4460873 | 1 | Connector - 35 Position | |
| 22 | 4460871 | 28 | Socket, Female | |
| 22 | 4460905 | 7 | Plug, Terminal | |
| 23 | 1001185964 | 1 | Fuse Box Assembly | |
| 23 | 8229244 | 2 | Fuse 15Amp | |
| 23 | 8229242 | 4 | Fuse 5Amp | |
| 23 | 1001196635 | 1 | Fuse 3Amp | |
| 23 | 1001129285 | 2 | Fuse with Diode | |
| 23 | 1001095704 | 1 | Relay | |
| 23 | 1001116728 | 14 | Terminal, Female | |
| 23 | 8220125 | 9 | Terminal, Female | |
| 23 | 4460748 | 25 | Plug, Terminal | |
| 23 | 4460458 | 14 | Seal, Terminal | |
| 23 | 80963067 | 9 | Seal, Cable | |
| 24 | 4460806 | 4 | Terminal, Fork | |
| 25 | 4460142 | 3 | Terminal, Ring | |
| 26 | 4460260 | 2 | Housing, Terminal | |
| 26 | 4460259 | 2 | Terminal | |
| 27 | 1001237667 | 1 | Connector - 6 Position | |
| 27 | 1001237668 | 5 | Socket, Female | |

SECTION 8 - ELECTRICAL

FIGURE 8-50. TURNTABLE HARNESS (SN B300017702 to Present)



ART_1001282492

SECTION 8 - ELECTRICAL

FIGURE 8-50. TURNTABLE HARNESS (SN B300017702 to Present)

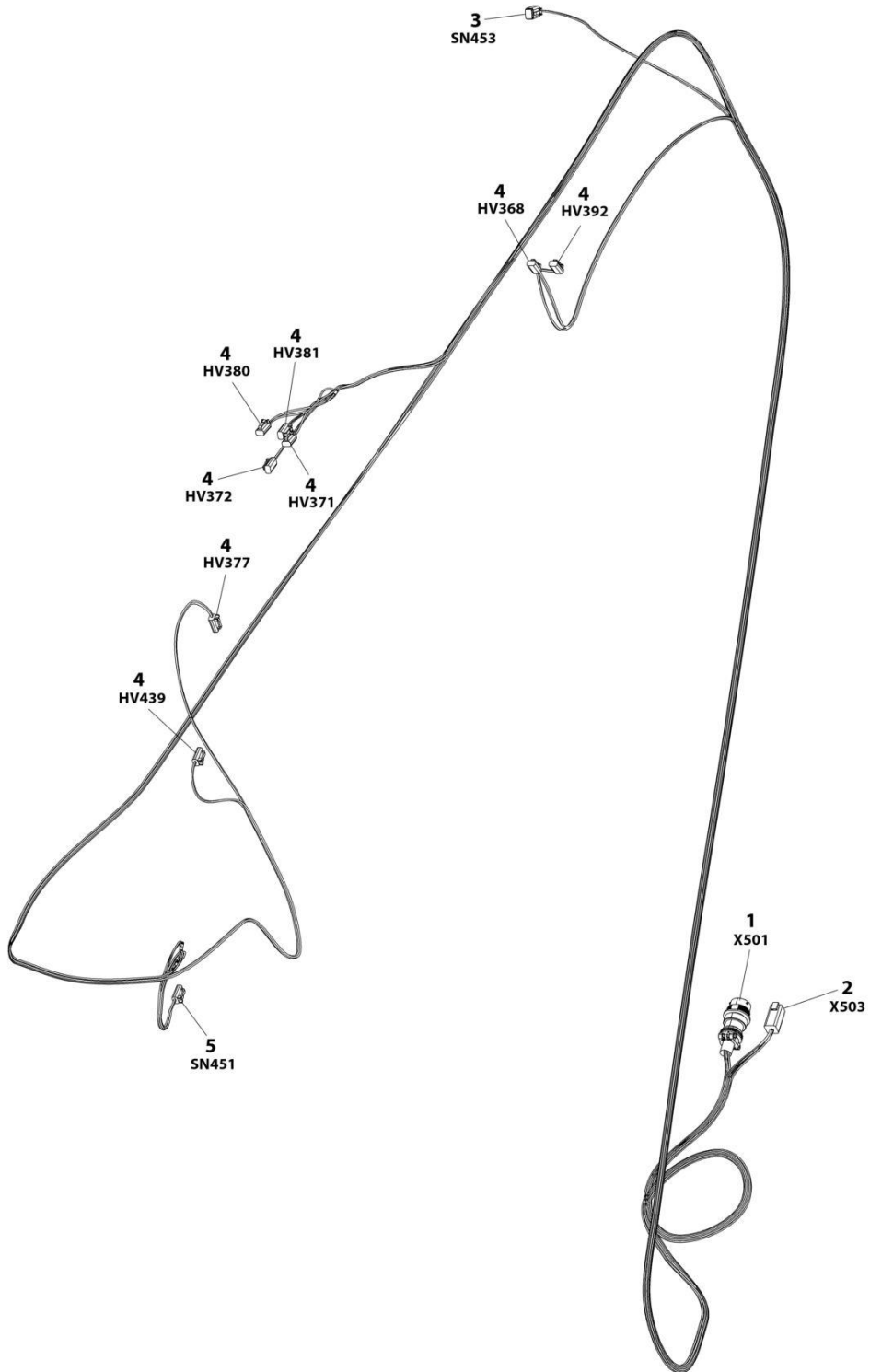
| ITEM | PART NUMBER | QTY | DESCRIPTION | REV |
|------|-------------|-----|----------------------------------|-----|
| | 1001282492 | Ref | TURNTABLE HARNESS | B |
| 1 | 1001117070 | 1 | Fuseholder (Includes 30Amp Fuse) | |
| 1 | 1001116734 | 2 | Socket | |
| 2 | 4460967 | 1 | Connector | |
| 2 | 4460465 | 3 | Socket | |
| 3 | 4460247 | 1 | Terminal, Ring | |
| 4 | 8220045 | 2 | Terminal, Ring | |
| 5 | 4460742 | 2 | Connector | |
| 5 | 4460743 | 4 | Socket | |
| 5 | 4460458 | 4 | Seal, Terminal | |
| 6 | 4460899 | 1 | Connector | |
| 6 | 4460464 | 5 | Pin | |
| 6 | 4460466 | 1 | Plug | |
| 7 | 4460931 | 1 | Connecot | |
| 7 | 4460464 | 5 | Pin | |
| 7 | 4460466 | 3 | Plug | |
| 8 | 4460865 | 1 | Connector | |
| 8 | 4460465 | 6 | Socket (20-16Awg) | |
| 8 | 4460509 | 2 | Socket (14-12Awg) | |
| 8 | 4460466 | 11 | Plug | |
| 9 | 4460894 | 7 | Connector | |
| 9 | 4460465 | 42 | Socket | |
| 10 | 4460884 | 2 | Connector | |
| 10 | 4460465 | 4 | Socket | |
| 10 | 4460466 | 4 | Plug | |
| 11 | 1001103012 | 1 | Connector | |
| 11 | 1001107854 | 4 | Socket | |
| 11 | 1001104498 | 4 | Seal, Terminal | |
| 12 | 4460930 | 2 | Connector | |
| 12 | 4460465 | 13 | Socket | |
| 12 | 4460466 | 3 | Plug | |
| 13 | 4460874 | 1 | Connector | |
| 13 | 4460871 | 21 | Socket | |
| 13 | 4460905 | 14 | Plug | |
| 14 | 4460836 | 1 | Connector | |
| 14 | 4460465 | 9 | Socket | |
| 14 | 4460466 | 3 | Plug | |
| 15 | 4460894 | 2 | Connector | |
| 15 | 4460465 | 7 | Socket | |
| 15 | 4460466 | 5 | Plug | |
| 16 | 4460836 | 1 | Connector | |
| 16 | 1001157890 | 1 | Socket (16-12Awg) | |
| 16 | 4460465 | 5 | Socket (20-16Awg) | |
| 16 | 4460466 | 6 | Plug | |
| 17 | 1001112612 | 1 | Connector | |
| 17 | 4460464 | 3 | Pin | |
| 17 | 4460466 | 4 | Plug | |
| 18 | 4460761 | 1 | Connector | |
| 18 | 4460267 | 4 | Pin | |
| 19 | 4460884 | 1 | Connector | |

SECTION 8 - ELECTRICAL

| ITEM | PART NUMBER | QTY | DESCRIPTION | REV |
|------|-------------|-----|---|-----|
| 19 | 4460465 | 4 | Socket | |
| 20 | 1001246859 | 1 | Connector | |
| 20 | 4460871 | 4 | Socket | |
| 20 | 4460905 | 10 | Plug | |
| 21 | 1001113961 | 1 | Connector | |
| 21 | 4460871 | 5 | Socket | |
| 21 | 4460905 | 3 | Plug | |
| 22 | 4460878 | 1 | Connector | |
| 22 | 1001237383 | 1 | Socket (12-10Awg) | |
| 22 | 4460887 | 4 | Socket (8Awg) | |
| 23 | 4460933 | 1 | Connector | |
| 23 | 4460465 | 8 | Socket | |
| 23 | 4460466 | 4 | Plug | |
| 24 | 4460873 | 1 | Connector | |
| 24 | 4460871 | 28 | Socket | |
| 24 | 4460905 | 7 | Plug | |
| 25 | 1001185964 | 1 | Fuse Box Assembly | |
| 25 | 8229242 | 4 | Fuse 5Amp | |
| 25 | 8229244 | 2 | Fuse 15Amp | |
| 25 | 1001095704 | 1 | Relay | |
| 25 | 1001129285 | 2 | Fuse with Diode | |
| 25 | 1001196635 | 1 | Fuse 3Amp | |
| 25 | 1001116728 | 14 | Socket (18-16Awg) | |
| 25 | 8220125 | 9 | Socket (12-10Awg) | |
| 25 | 4460748 | 25 | Plug | |
| 25 | 4460458 | 14 | Seal, Terminal (Use with Socket 1001116728) | |
| 25 | 80963067 | 9 | Seal, Terminal (Use with Socket 8220125) | |
| 26 | 4460806 | 4 | Terminal, Fork | |
| 27 | 4460142 | 3 | Terminal, Ring | |
| 28 | 1001144147 | 1 | Connector | |
| 28 | 4460943 | 2 | Pin | |
| 28 | 4460466 | 1 | Plug | |
| 29 | 2400060 | 1 | Fuseholder | |
| 30 | 4460260 | 2 | Connector | |
| 30 | 4460259 | 2 | Socket | |
| 31 | 1001237667 | 1 | Connector | |
| 31 | 1001237668 | 5 | Socket | |
| 101 | 1321647 | 1 | Clamp | |
| 102 | 1001271323 | 2 | Connector, Bussbar | |
| 103 | 8229242 | 1 | Fuse 5Amp | |
| 104 | 1001116815 | 1 | Connector (Includes Resistor) | |
| 105 | 1001120328 | 2 | Mount, Connector | |
| 106 | 1001125677 | 1 | Connector, Bussbar | |
| 107 | 1001155967 | 1 | Mount, Connector | |
| 108 | 1001172065 | 1 | Fuse 30Amp | |
| 109 | 1001192401 | 1 | Cap, Dust | |
| 110 | 1001226541 | 4 | Connecotr, Bussbar | |

SECTION 8 - ELECTRICAL

FIGURE 8-51. VALVE HARNESS - BOOM VALVE



ART_1001164738

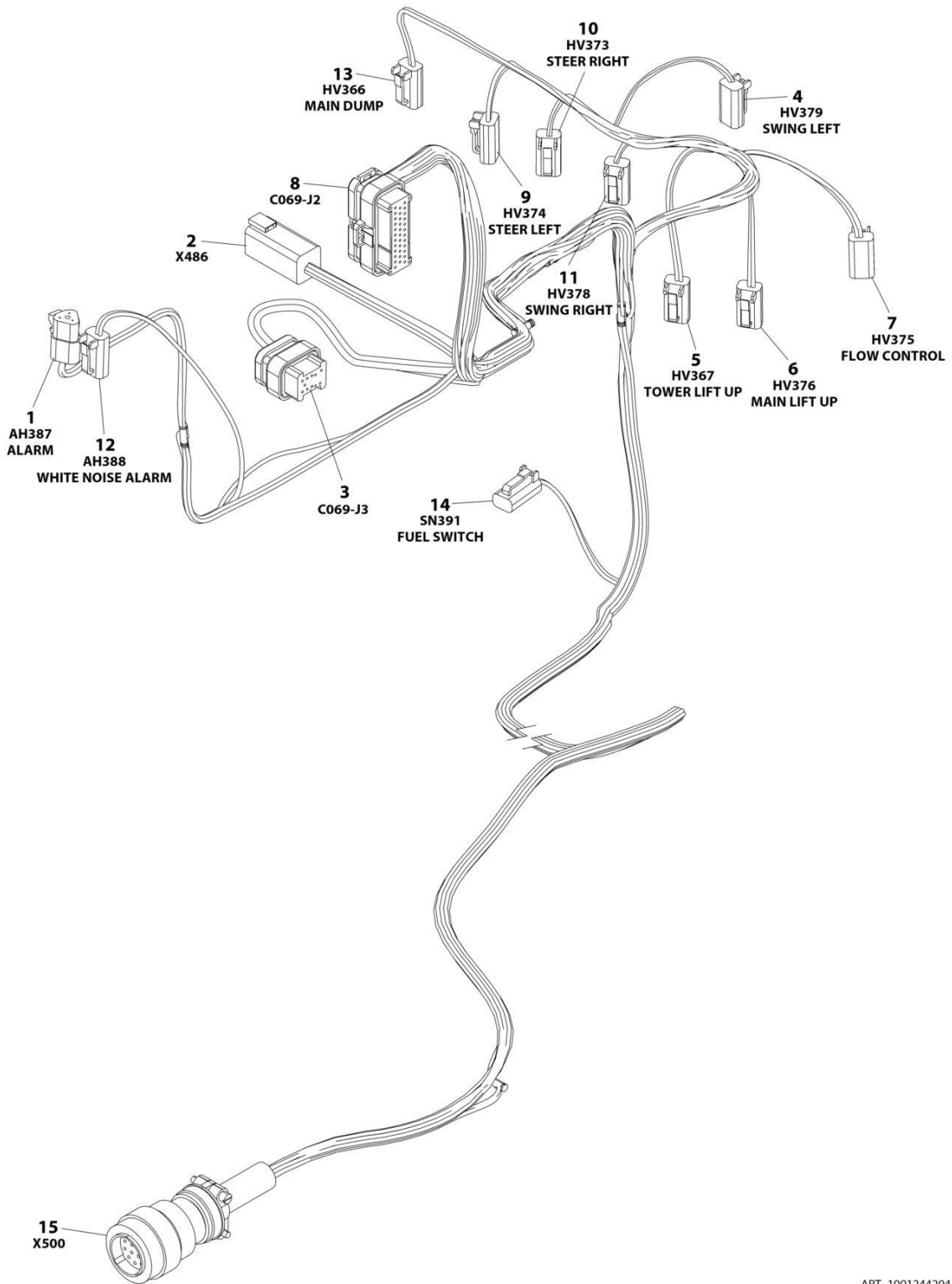
SECTION 8 - ELECTRICAL

FIGURE 8-51. VALVE HARNESS - BOOM VALVE

| ITEM | PART NUMBER | QTY | DESCRIPTION | REV |
|------|-------------|-----|-------------------------|-----|
| | 1001164738 | Ref | BOOM VALVE HARNESS | 1 |
| 1 | 1001156541 | 1 | Connector - 19 Position | |
| 1 | 4460464 | 13 | Pin, Male | |
| 1 | 4460466 | 1 | Plug, Terminal | |
| 2 | 4460899 | 1 | Connector - 6 Position | |
| 2 | 4460464 | 6 | Pin, Male | |
| 3 | 4460884 | 1 | Plug, Male - 4 Position | |
| 3 | 4460465 | 2 | Socket, Female | |
| 3 | 4460466 | 2 | Plug, Terminal | |
| 4 | 4460891 | 8 | Plug, Male - 2 Position | |
| 4 | 4460465 | 16 | Socket, Female | |
| 5 | 1001230931 | 1 | Plug, Male - 6 Position | |
| 5 | 1001116748 | 6 | Terminal | |

SECTION 8 - ELECTRICAL

FIGURE 8-52. VALVE HARNESS - MAIN VALVE (Prior to SN B300017702)



ART_1001244294

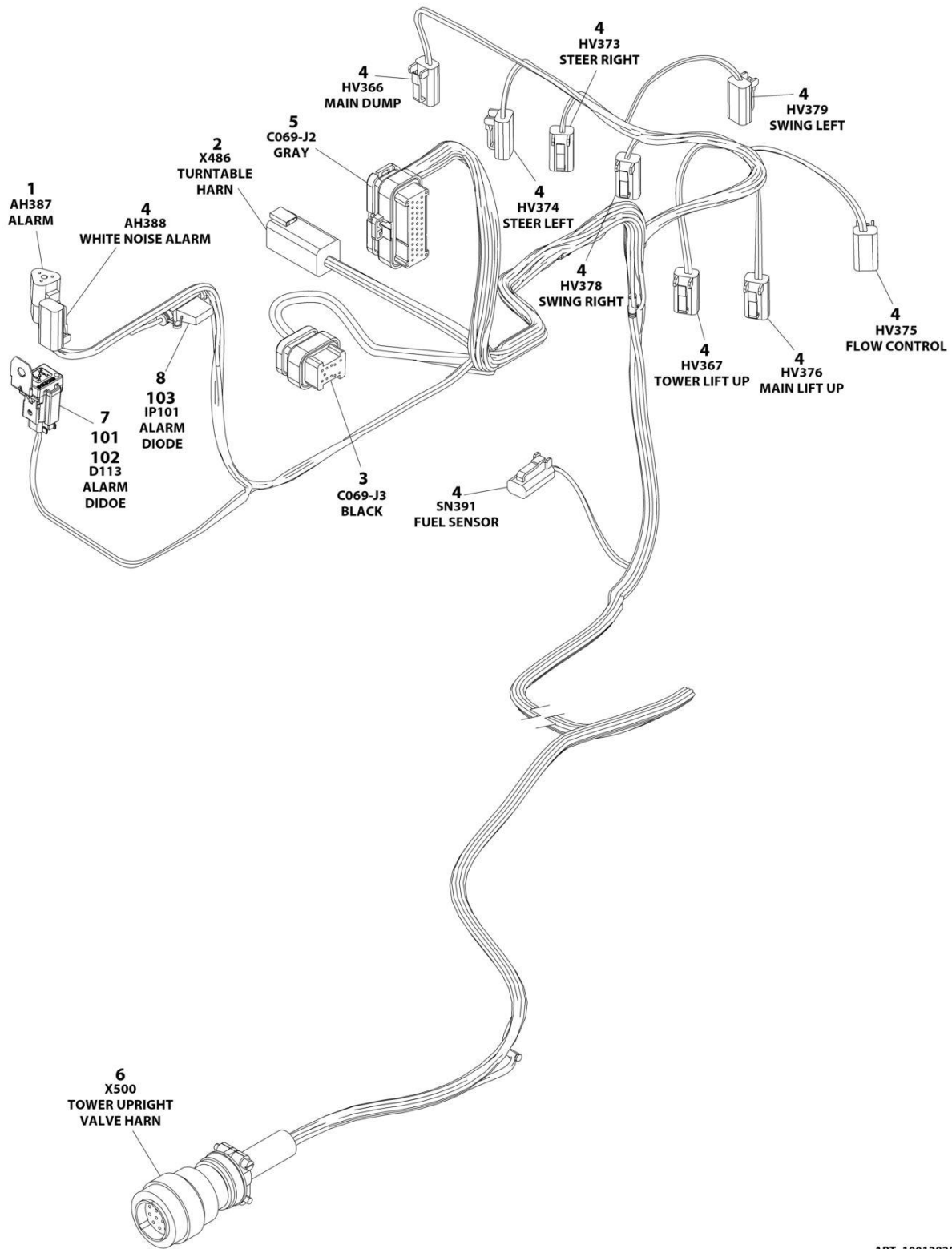
SECTION 8 - ELECTRICAL

FIGURE 8-52. VALVE HARNESS - MAIN VALVE (Prior to SN B300017702)

| ITEM | PART NUMBER | QTY | DESCRIPTION | REV |
|------|-------------|-----|-------------------------|-----|
| | 1001244294 | Ref | TRACTION HARNESS | B |
| 1 | 4460539 | 1 | Plug, Male - 3 Position | |
| 1 | 4460465 | 3 | Socket, Female | |
| 2 | 4460899 | 1 | Connector - 6 Position | |
| 2 | 4460464 | 4 | Pin, Male | |
| 2 | 4460466 | 2 | Plug, Terminal | |
| 3 | 4460872 | 1 | Connector - 14 Position | |
| 3 | 4460871 | 9 | Terminal, Female | |
| 3 | 4460905 | 5 | Seal, Terminal | |
| 4 | 4460891 | 1 | Connector - 2 Position | |
| 4 | 4460465 | 2 | Socket, Female | |
| 5 | 4460891 | 1 | Connector - 2 Position | |
| 5 | 4460465 | 2 | Socket, Female | |
| 6 | 4460891 | 1 | Connector - 2 Position | |
| 6 | 4460465 | 2 | Socket, Female | |
| 7 | 4460891 | 1 | Connector - 2 Position | |
| 7 | 4460465 | 2 | Socket, Female | |
| 8 | 4460875 | 1 | Connector - 35 Position | |
| 8 | 4460871 | 26 | Socket, Female | |
| 8 | 4460905 | 9 | Plug, Terminal | |
| 9 | 4460891 | 1 | Plug, Male - 2 Position | |
| 9 | 4460465 | 2 | Socket, Female | |
| 10 | 4460891 | 1 | Connector - 2 Position | |
| 10 | 4460465 | 2 | Socket, Female | |
| 11 | 4460891 | 1 | Connector - 2 Position | |
| 11 | 4460465 | 2 | Socket, Female | |
| 12 | 4460891 | 1 | Connector - 2 Position | |
| 12 | 4460465 | 2 | Socket, Female | |
| 13 | 4460891 | 1 | Connector - 2 Position | |
| 13 | 4460465 | 2 | Socket, Female | |
| 14 | 4460424 | 1 | Connector - 2 Position | |
| 14 | 4460268 | 2 | Socket, Female | |
| 15 | 4460754 | 1 | Connector - 14 Position | |
| 15 | 4460465 | 13 | Socket, Female | |
| 15 | 4460466 | 1 | Plug, Terminal | |

SECTION 8 - ELECTRICAL

FIGURE 8-53. VALVE HARNESS - MAIN VALVE (SN B300017702 to Present)



ART_1001282533

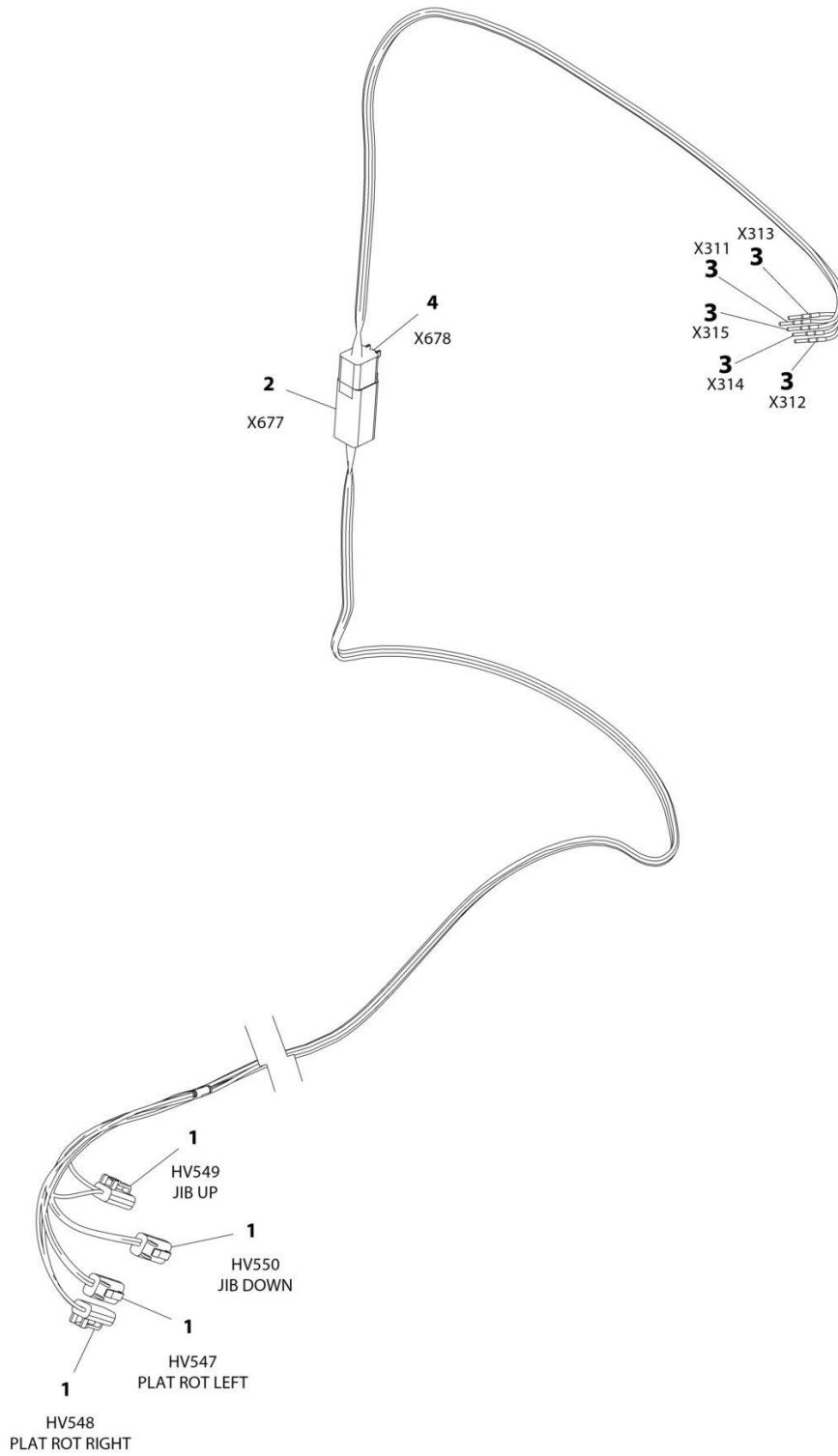
SECTION 8 - ELECTRICAL

FIGURE 8-53. VALVE HARNESS - MAIN VALVE (SN B300017702 to Present)

| ITEM | PART NUMBER | QTY | DESCRIPTION | REV |
|------|-------------|-----|----------------------------|-----|
| | 1001282533 | Ref | MAIN VALVE HARNESS | A |
| 1 | 4460539 | 1 | Connector | |
| 1 | 4460465 | 3 | Socket | |
| 2 | 4460899 | 1 | Connector | |
| 2 | 4460464 | 5 | Pin | |
| 2 | 4460466 | 1 | Plug | |
| 3 | 4460872 | 1 | Connector | |
| 3 | 4460871 | 9 | Socket | |
| 3 | 4460905 | 5 | Plug | |
| 4 | 4460891 | 10 | Connector | |
| 4 | 4460465 | 20 | Socket | |
| 5 | 4460875 | 1 | Connector | |
| 5 | 4460871 | 26 | Socket | |
| 5 | 4460905 | 9 | Plug | |
| 6 | 4460754 | 1 | Connector | |
| 6 | 4460465 | 13 | Socket | |
| 6 | 4460466 | 1 | Plug | |
| 7 | 4460884 | 1 | Connector | |
| 7 | 4460465 | 4 | Socket | |
| 8 | 1001170764 | 1 | Fuseholder | |
| 101 | 1001152266 | 1 | Connector (Includes Diode) | |
| 102 | 1001155743 | 1 | Mount, Connector | |
| 103 | 1001196636 | 1 | Diode 1Amp | |

SECTION 8 - ELECTRICAL

FIGURE 8-54. VALVE HARNESS - PLATFORM VALVE



ART_1001164728

SECTION 8 - ELECTRICAL

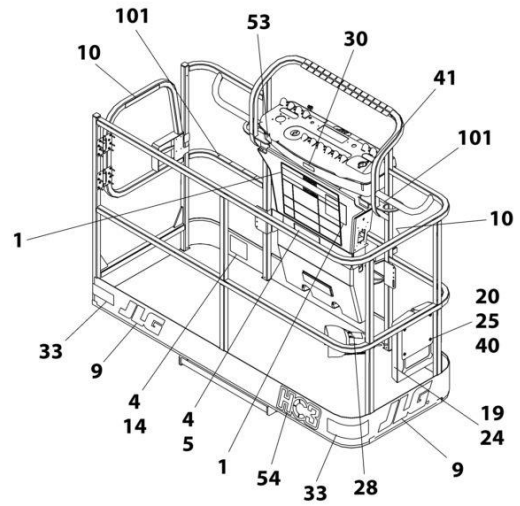
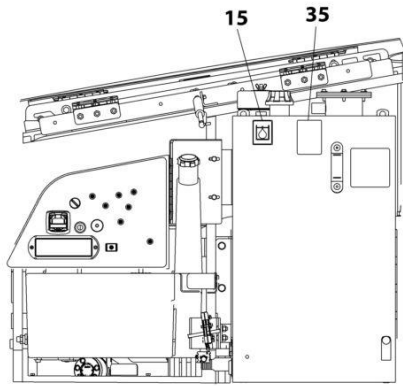
FIGURE 8-54. VALVE HARNESS - PLATFORM VALVE

| ITEM | PART NUMBER | QTY | DESCRIPTION | REV |
|------|-------------|-----|---------------------------------|-----|
| | 1001164728 | Ref | VALVE HARNESS - PLATFORM VALVE | D |
| 1 | 4460891 | 4 | Plug, Male - 2 Position | |
| 1 | 4460465 | 8 | Socket, Female | |
| 2 | 4460899 | 1 | Receptacle, Female - 6 Position | |
| 2 | 4460464 | 5 | Pin, Male | |
| 2 | 4460466 | 1 | Plug, Terminal | |
| 3 | 4460465 | 5 | Socket, Female | |
| 4 | 4460894 | 1 | Plug, Male - 6 Position | |
| 4 | 4460465 | 5 | Socket, Female | |
| 4 | 4460466 | 1 | Plug, Terminal | |

SECTION 9 - DECALS

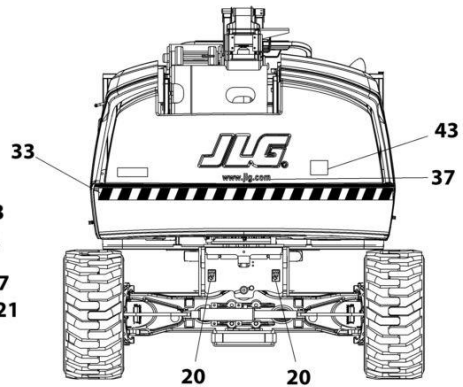
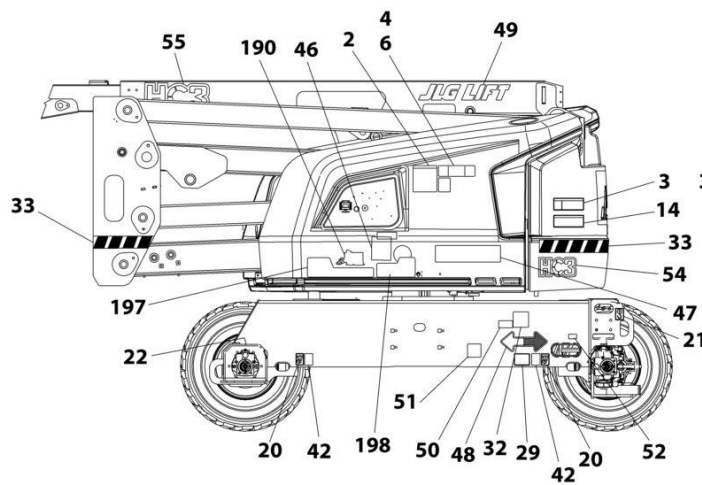
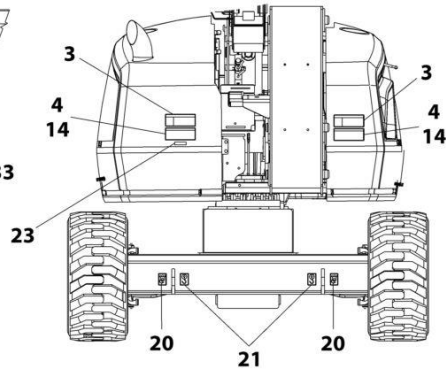
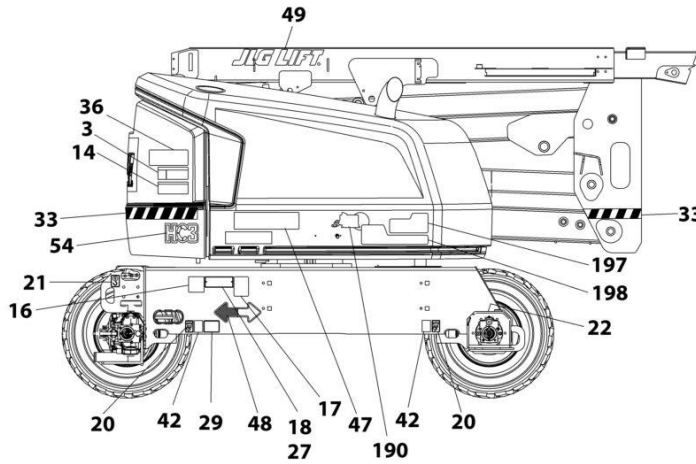
SECTION 9 - DECALS

FIGURE 9-1. DECAL INSTALLATION - ANSI EXPORT (ENGLISH LANGUAGE)



NOTE: SOME DECALS ARE CALLED OUT ON DECAL INSTALLATION - OPTIONS.

NOTE: ITEMS SHOWN MAY NOT BE REQUIRED FOR ALL SPECS. REFER TO PARTS LIST FOR USAGE.



ART_1001254300

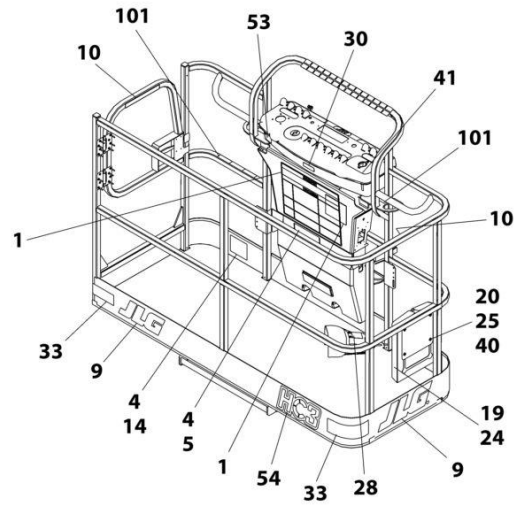
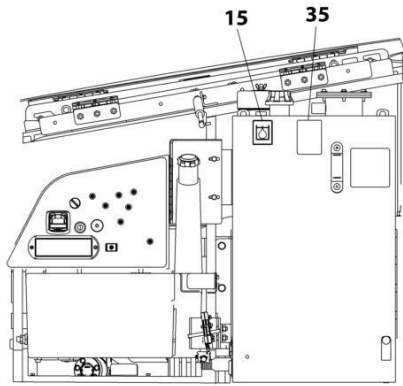
SECTION 9 - DECALS

FIGURE 9-1. DECAL INSTALLATION - ANSI EXPORT (ENGLISH LANGUAGE)

| ITEM | PART NUMBER | QTY | DESCRIPTION | REV |
|------|-------------|-----|---|-----|
| | 1001254314 | Ref | DECAL INSTALLATION - REFERENCE CHART | C |
| | 1001254300 | Ref | DECAL INSTALLATION | D |
| 1 | 1703797 | 1 | Decal - Danger/Warning | |
| 2 | 1705336 | 1 | Decal - Danger/Warning | |
| 3 | 1703805 | 4 | Decal - Danger/Electrocution | |
| 4 | 1703804 | 4 | Decal - Warning/Crushing | |
| 5 | 1001234425 | 1 | Decal - Warning | |
| 6 | 1001234426 | 1 | Decal - Warning | |
| 10 | 1702868 | 2 | Decal - No Hands | |
| 14 | 1703953 | 2 | Decal - Warning/Crushing | |
| 15 | 1701504 | 1 | Decal - Hydraulic Oil | |
| 16 | See Note | NSS | Decal - Bar Code (Note: Not Available for Purchase) | |
| 17 | 1001131269 | 1 | Decal - Patent | |
| 18 | | Ref | Nameplate - Manufacturers Serial Number | |
| 19 | 1701509 | 1 | Decal - Manual | |
| 20 | 1702300 | 8 | Decal - Tie Down /Lift | |
| 21 | 1701500 | 4 | Decal - Tie Down /Lift | |
| 22 | 1703687 | 2 | Decal - Arrow | |
| 23 | 3251243 | 1 | Nameplate 120V-60Hz | |
| 24 | 0860520 | 1 | Box, Manual Storage | |
| 25 | 4751400 | 4 | Washer 1/4 | |
| 26 | 3311405 | 4 | Nut 1/4 | |
| 27 | 3820001 | 2 | Rivet | |
| 28 | 3252347 | 1 | Decal - Footswitch | |
| 35 | 1704412 | 1 | Decal - Hydraulic Fluid | |
| 36 | 1001274782 | 1 | Decal - Lift Diagram | |
| 37 | 1704885 | 1 | Decal - Website | |
| 40 | 0641406 | 4 | Bolt 1/4 x 3/4 | |
| 41 | 1705351 | 1 | Decal - Drive/Steer | |
| 42 | 1701499 | 4 | Decal - Tie Down /Lift | |
| 43 | 3251813 | 1 | Decal - USA | |
| 48 | 1701529 | 2 | Decal - Arrow | |
| 51 | 1001223055 | 1 | Decal - Yearly Inspection | |
| 52 | 1001223453 | 1 | Decal - ICES (Canada) | |
| 100 | 1001232026 | 1 | Decal - Platform Lanyard Kit (Not Shown) | |
| 101 | 1704277 | 3 | Decal - Attach Lanyard Here | |

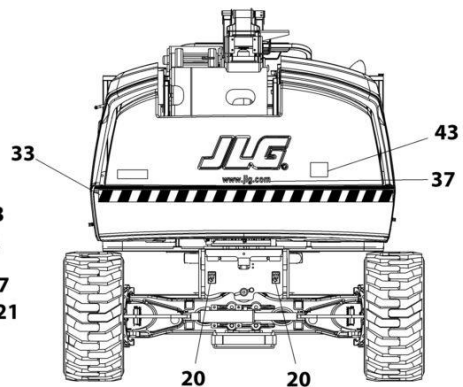
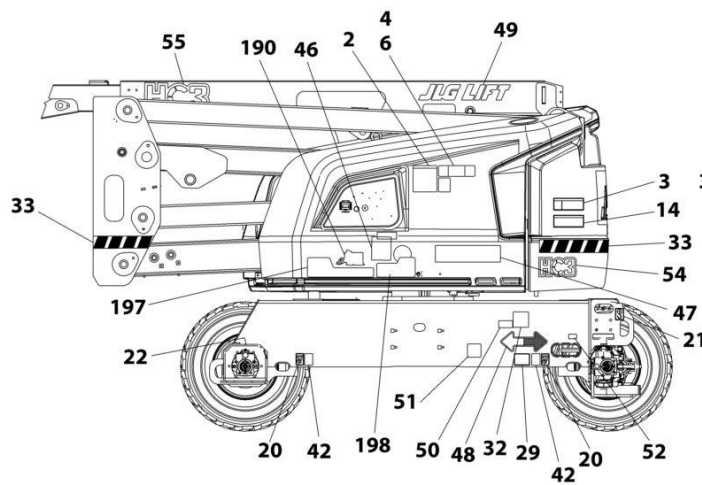
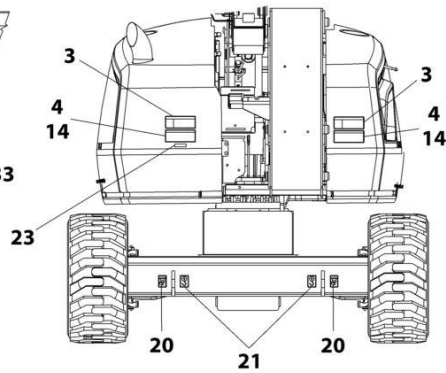
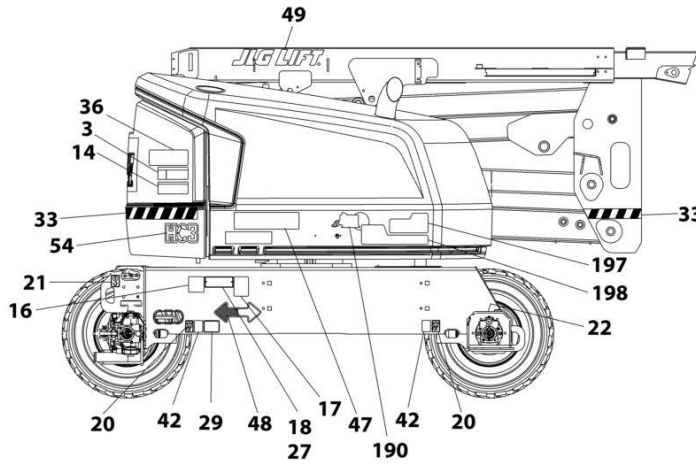
SECTION 9 - DECALS

FIGURE 9-2. DECAL INSTALLATION - AUSTRALIAN SPEC (ENGLISH LANGUAGE)



NOTE: SOME DECALS ARE CALLED OUT ON DECAL INSTALLATION - OPTIONS.

NOTE: ITEMS SHOWN MAY NOT BE REQUIRED FOR ALL SPECS. REFER TO PARTS LIST FOR USAGE.



ART_1001254301

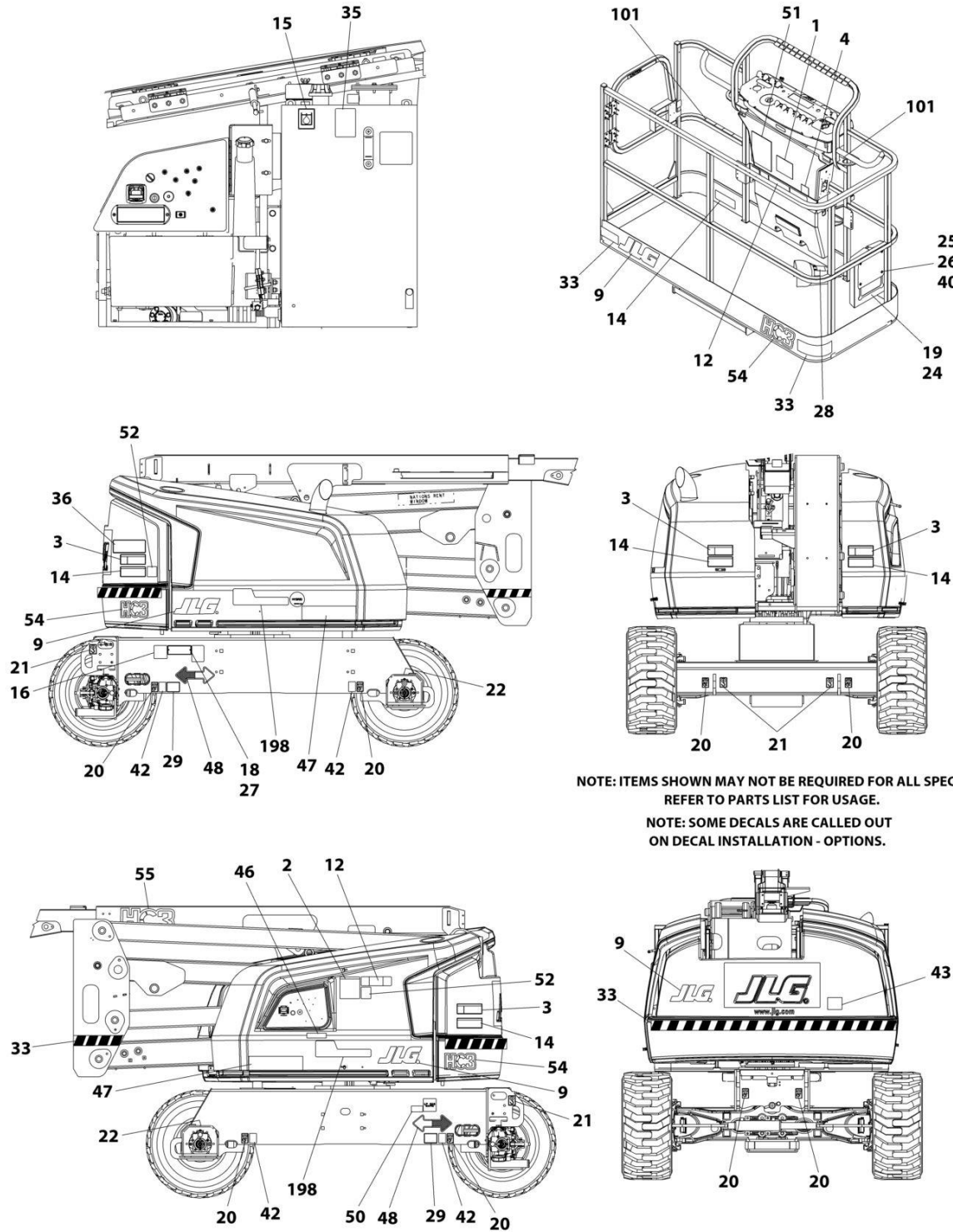
SECTION 9 - DECALS

FIGURE 9-2. DECAL INSTALLATION - AUSTRALIAN SPEC (ENGLISH LANGUAGE)

| ITEM | PART NUMBER | QTY | DESCRIPTION | REV |
|------|-------------|-----|---|-----|
| | 1001254314 | Ref | DECAL INSTALLATION - REFERENCE CHART | C |
| | 1001254301 | Ref | DECAL INSTALLATION | E |
| 1 | 1705921 | 1 | Decal - Tipping/Electrocution | |
| 2 | 1705822 | 1 | Decal - Electrocution/Safety Manual | |
| 3 | 1705961 | 4 | Decal - Danger/Electrocution | |
| 4 | 1001234439 | 2 | Decal - Warning | |
| 14 | 1701518 | 6 | Decal - Warning/Crushing | |
| 15 | 1701504 | 1 | Decal - Hydraulic Oil | |
| 16 | See Note | NSS | Decal - Bar Code (Note: Not Available for Purchase) | |
| 18 | | Ref | Nameplate - Manufacturers Serial Number | |
| 19 | 1701509 | 1 | Decal - Manual | |
| 20 | 1702300 | 8 | Decal - Tie Down /Lift | |
| 21 | 1701500 | 4 | Decal - Tie Down /Lift | |
| 22 | 1703687 | 2 | Decal - Arrow | |
| 24 | 0860520 | 1 | Box, Manual Storage | |
| 25 | 4751400 | 4 | Washer 1/4 | |
| 26 | 3311405 | 4 | Nut 1/4 | |
| 27 | 3820001 | 2 | Rivet | |
| 28 | 1705828 | 1 | Decal - Footswitch | |
| 35 | 1704412 | 1 | Decal - Hydraulic Fluid | |
| 36 | 1001274782 | 1 | Decal - Lift Diagram | |
| 37 | 1704885 | 1 | Decal - Website | |
| 40 | 0641406 | 4 | Bolt 1/4 x 3/4 | |
| 42 | 1701499 | 4 | Decal - Tie Down /Lift | |
| 43 | 1001204510 | 1 | Decal - Sound Power Level | |
| 46 | 1001112551 | 1 | Decal - Emergency Controls | |
| 48 | 1701529 | 2 | Decal - Arrow | |
| 100 | 1001232026 | 1 | Decal - Platform Lanyard Kit (Not Shown) | |
| 101 | 1704277 | 3 | Decal - Attach Lanyard Here | |

SECTION 9 - DECALS

FIGURE 9-3. DECAL INSTALLATION - CE, CIS/EAC & UK CA SPEC (ENGLISH LANGUAGE)



NOTE: ITEMS SHOWN MAY NOT BE REQUIRED FOR ALL SPECS.
REFER TO PARTS LIST FOR USAGE.
NOTE: SOME DECALS ARE CALLED OUT
ON DECAL INSTALLATION - OPTIONS.

ART_1001254307

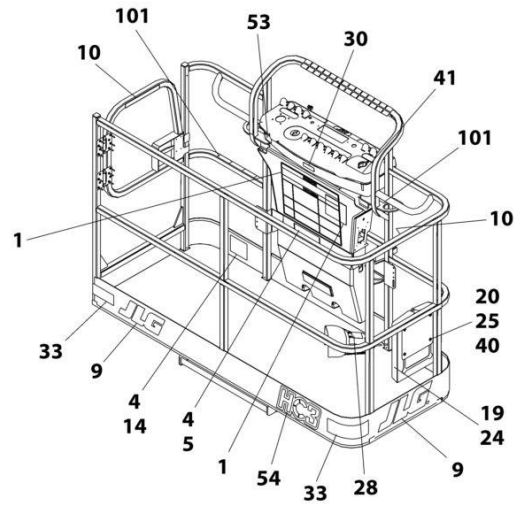
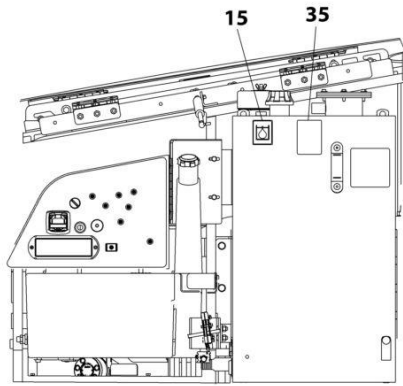
SECTION 9 - DECALS

FIGURE 9-3. DECAL INSTALLATION - CE, CIS/EAC & UK CA SPEC (ENGLISH LANGUAGE)

| ITEM | PART NUMBER | QTY | DESCRIPTION | REV |
|------|-------------|-----|---|-----|
| | 1001254315 | Ref | DECAL INSTALLATION - REFERENCE CHART | B |
| | 1001254307 | Ref | DECAL INSTALLATION | E |
| 1 | 1705921 | 1 | Decal - Tipping/Electrocution | |
| 2 | 1705822 | 1 | Decal - Electrocution/Safety Manual | |
| 3 | 1705961 | 4 | Decal - Danger Electrocution | |
| 4 | 1001244301 | 1 | Decal - No Platform to Ground | |
| 9 | 1702773 | 4 | Decal - JLG | |
| 12 | 1001234439 | 2 | Decal - Max Capacity | |
| 14 | 1701518 | 6 | Decal - Warning/Crushing | |
| 15 | 1701504 | 1 | Decal - Hydraulic Oil | |
| 16 | See Note | NSS | Decal - Bar Code (Note: Not Available for Purchase) | |
| 18 | | Ref | Nameplate - Manufacturers Serial Number | |
| 19 | 1701509 | 1 | Decal - Manual | |
| 20 | 1702300 | 8 | Decal - Tie Down /Lift | |
| 21 | 1701500 | 4 | Decal - Tie Down /Lift | |
| 22 | 1703687 | 2 | Decal - Arrow | |
| 24 | 0860520 | 1 | Box, Manual Storage | |
| 25 | 4751400 | 4 | Washer 1/4 | |
| 26 | 3311405 | 4 | Nut 1/4 | |
| 27 | 3820001 | 2 | Rivet | |
| 28 | 1705828 | 1 | Decal - Footswitch | |
| 35 | 1704412 | 1 | Decal - Hydraulic Fluid | |
| 36 | 1001274782 | 1 | Decal - Lift Diagram | |
| 40 | 0641406 | 4 | Bol 1/4 x 3/4 | |
| 42 | 1701499 | 4 | Decal - No Tie Down/Lift | |
| 46 | 1001189882 | 1 | Decal - MSSO | |
| 48 | 1701529 | 2 | Decal - Arrow | |
| 52 | 1001244298 | 2 | Decal - Wechat | |
| 54 | 1001244212 | 3 | Decal - HC3 | |
| 55 | 1001256906 | 1 | Decal - HC3 | |
| 100 | 1001232026 | 1 | Decal - Platform Lanyard Kit (Not Shown) | |
| 101 | 1704277 | 3 | Decal - Attach Lanyard Here | |

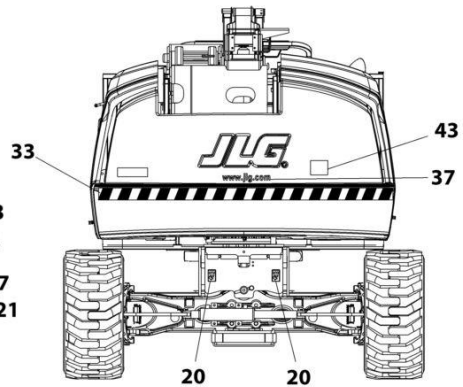
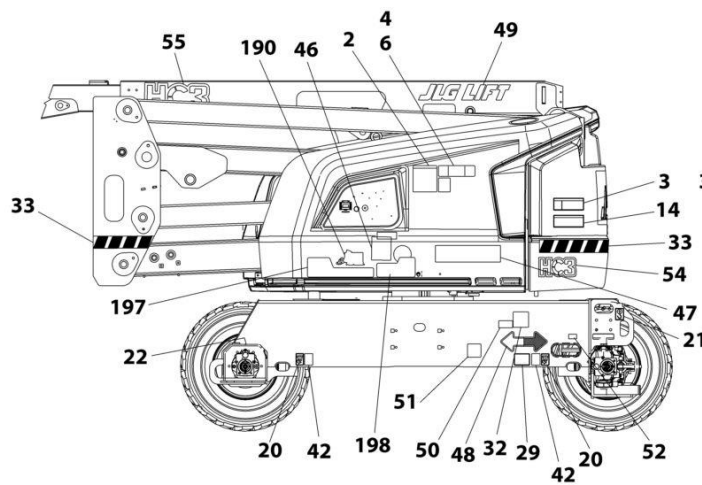
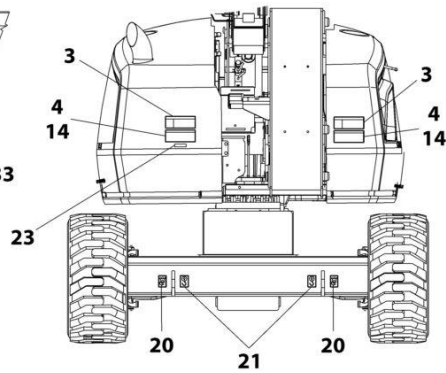
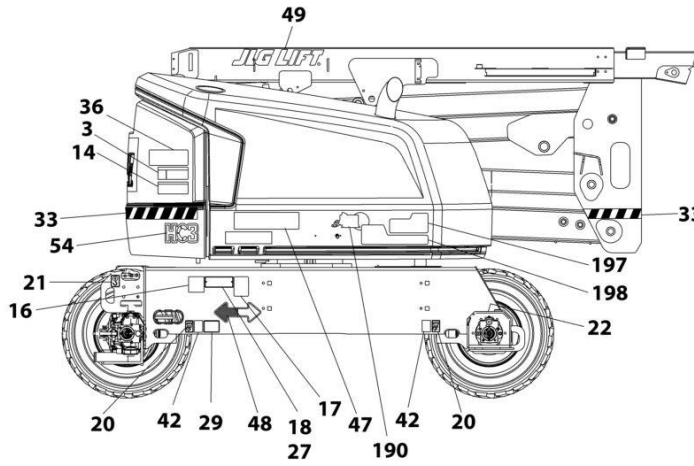
SECTION 9 - DECALS

FIGURE 9-4. DECAL INSTALLATION - ANSI EXPORT (CHINESE/ENGLISH LANGUAGES)



NOTE: SOME DECALS ARE CALLED OUT ON DECAL INSTALLATION - OPTIONS.

NOTE: ITEMS SHOWN MAY NOT BE REQUIRED FOR ALL SPECS. REFER TO PARTS LIST FOR USAGE.



ART_1001254305

SECTION 9 - DECALS

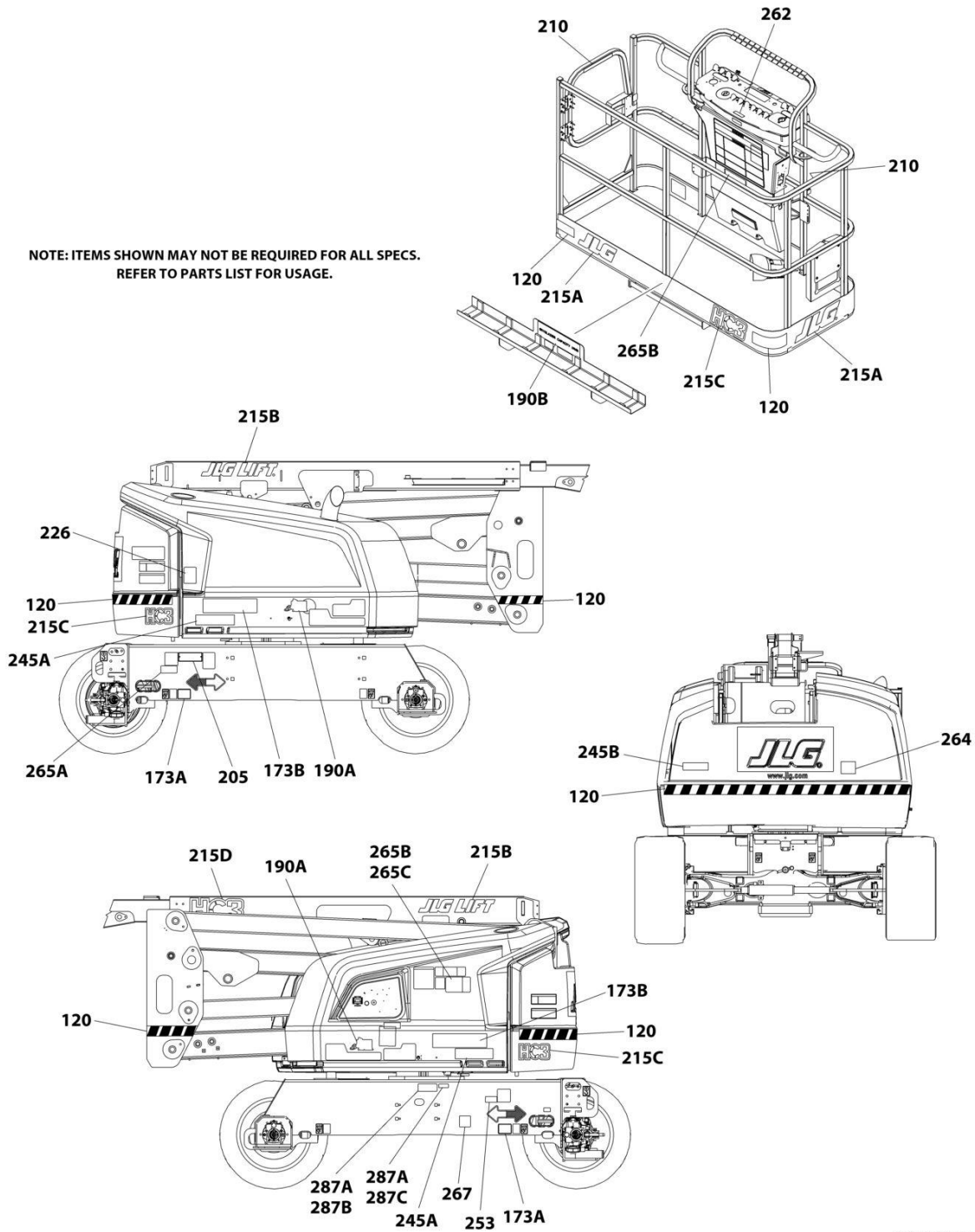
FIGURE 9-4. DECAL INSTALLATION - ANSI EXPORT (CHINESE/ENGLISH LANGUAGES)

| ITEM | PART NUMBER | QTY | DESCRIPTION | REV |
|------|-------------|-----|---|-----|
| | 1001254314 | Ref | DECAL INSTALLATION - REFERENCE CHART | C |
| | 1001254305 | Ref | DECAL INSTALLATION | D |
| 1 | 1703925 | 1 | Decal - Danger/Warning | |
| 2 | 1001116849 | 1 | Decal - Warning Inspection | |
| 3 | 1703937 | 4 | Decal - Danger Electrocution | |
| 4 | 1703949 | 4 | Decal - Warning/Crushing | |
| 5 | 1001234435 | 1 | Decal - Warning | |
| 6 | 1001234436 | 1 | Decal - Warning | |
| 10 | 1705968 | 2 | Decal - No Hands | |
| 14 | 1703943 | 2 | Decal - Warning/Crushing | |
| 15 | 1701504 | 1 | Decal - Hydraulic Oil | |
| 16 | See Note | NSS | Decal - Bar Code (Note: Not Available for Purchase) | |
| 18 | | Ref | Nameplate - Manufacturers Serial Number | |
| 19 | 1701509 | 1 | Decal - Manual | |
| 20 | 1702300 | 8 | Decal - Tie Down /Lift | |
| 21 | 1701500 | 4 | Decal - Tie Down /Lift | |
| 22 | 1703687 | 2 | Decal - Arrow | |
| 24 | 0860520 | 1 | Box, Manual Storage | |
| 25 | 4751400 | 4 | Washer 1/4 | |
| 26 | 3311405 | 4 | Nut 1/4 | |
| 27 | 3820001 | 2 | Rivet | |
| 28 | 1703982 | 1 | Decal - Footswitch | |
| 35 | 1704412 | 1 | Decal - Hydraulic Fluid | |
| 36 | 1001274782 | 1 | Decal - Lift Diagram | |
| 37 | 1704885 | 1 | Decal - Website | |
| 40 | 0641406 | 4 | Bolt 1/4 x 3/4 | |
| 41 | 1705430 | 1 | Decal - Drive/Steer | |
| 42 | 1701499 | 4 | Decal - No Tie Down/Lift | |
| 48 | 1701529 | 2 | Decal - Arrow | |
| 51 | 1001224050 | 1 | Decal - Yearly Inspection | |
| 100 | 1001232026 | 1 | Decal - Platform Lanyard Kit (Not Shown) | |
| 101 | 1704277 | 3 | Decal - Attach Lanyard Here | |

SECTION 9 - DECALS

FIGURE 9-5. DECAL INSTALLATION - OPTIONS

NOTE: ITEMS SHOWN MAY NOT BE REQUIRED FOR ALL SPECS.
REFER TO PARTS LIST FOR USAGE.



ART_DECAL_OPTIONS

SECTION 9 - DECALS

FIGURE 9-5. DECAL INSTALLATION - OPTIONS

| ITEM | PART NUMBER | QTY | DESCRIPTION | REV |
|------|-------------|-------------------|---|-----|
| | 1001254314 | Ref | DECAL INSTALLATION - REFERENCE CHART (ALL SPECS EXCEPT CE SPECS) | C |
| | 1001254315 | Ref | DECAL INSTALLATION - REFERENCE CHART (CE SPECS) | B |
| | 1001246976 | Ref | DECAL INSTALLATION - OPTIONS | F |
| 120 | 1001188883 | Ref | Warning Stripes Installation | A |
| 120 | 4420051 | 21.5 ft /6.55m | Tape, Safety | |
| 173 | 1001255846 | Ref | Model Decal Installation | C |
| 173A | 1001255850 | 2 | Decal - Max Tire Load | |
| 173B | 1001267313 | 2 | Decal - 520AJ HC3 | |
| 190 | 1001262105 | Ref | SkyGlazier Decal Installaion (Australian Specs) | A |
| 190A | 1705358 | 2 | Decal - SkyGlazier | |
| 190B | 1001262117 | 2 | Decal - SkyGlazier Capacity | |
| 205 | See Note | 1 | Nameplate - Manufacturers Serial Number (Note: Not Available for Purchase) | |
| 210 | 1705968 | 2 | Decal - No Hands (China Specs) | |
| 215 | 1001254311 | Ref | JLG Logo Installation | C |
| 215A | 1702773 | 2 | Decal - JLG | |
| 215B | 1702774 | 2 | Decal - JLG Lift (3in) | |
| 215C | 1001244212 | 3 | Decal - HC3 | |
| 215D | 1001256906 | 1 | Decal - HC3 | |
| 226 | 1706098 | 1 | Decal - Warning Explosion/Fire | |
| 245 | 1001127096 | Ref | Decal - ClearSky | |
| 245A | 1001116208 | 2 | Decal - ClearSky | |
| 245B | 1001120989 | 1 | Decal - Radio Frequency | |
| 253 | 1001143852 | 1 | Decal - Emissions Compliance (Deutz D2011 Engines/Deutz D2011 Engines (Stage V)/Deutz D2.9L4 Engines (Stage V)) | |
| 262 | 1001141300 | 1 | Decal - SkyGuard Override | |
| 262 | 1001141302 | 1 | Decal - SkyGuard Override with Soft Touch | |
| 264 | 1001204510 | 1 | Decal - Sound Power (102 Db) | |
| 264 | 1001130492 | 1 | Decal - Sound Power (105 Db) | |
| 265 | 1001271605 | Ref | Soft -Touch Decal Installation (Without Fall Arrest) (Pictograph) | |
| 265 | 1001271588 | Ref | Soft -Touch Decal Installation (Without Fall Arrest) (English Language) | |
| 265 | 1001276688 | Ref | Soft -Touch Decal Installation (Without Fall Arrest) (English/Chinese Languages) | |
| 265 | 1001276692 | Ref | Soft -Touch Decal Installation (Without Fall Arrest) (English/Spanish Languages) | |
| 265 | 1001276690 | Ref | Soft -Touch Decal Installation (Without Fall Arrest) (Spanish/Portuguese Languages) | |
| 265 | 1001271606 | Ref | Soft -Touch Decal Installation (With Fall Arrest) (Pictograph) | |
| 265 | 1001271589 | Ref | Soft -Touch Decal Installation (With Fall Arrest) (English Language) | |
| 265 | 1001276689 | Ref | Soft -Touch Decal Installation (With Fall Arrest) (English/Chinese Languages) | |
| 265 | 1001276693 | Ref | Soft -Touch Decal Installation (With Fall Arrest) (English/Spanish Languages) | |
| 265 | 1001276691 | Ref | Soft -Touch Decal Installation (Without Fall Arrest) (Spanish/Portuguese Languages) | |
| 265A | 1001195490 | 1 | Decal - Soft-Touch (Pictograph) | |
| 265A | 1001195491 | 1 | Decal - Soft-Touch (English Language) | |
| 265A | 1001271708 | 1 | Decal - Soft-Touch (English/Chinese Languages) | |

SECTION 9 - DECALS

| ITEM | PART NUMBER | QTY | DESCRIPTION | REV |
|------|-------------|-----|--|-----|
| 265A | 1001271711 | 1 | Decal - Soft-Touch (English/Spanish Languages) | |
| 265A | 1001271707 | 1 | Decal - Soft-Touch (Spanish/Portuguese Languages) | |
| 265B | 1001277484 | 1 | Decal - Warning (Without Fall Arrest) (Pictograph) | |
| 265B | 1001277481 | 1 | Decal - Warning (Without Fall Arrest) (English Language) | |
| 265B | 1001278197 | 1 | Decal - Warning (Without Fall Arrest) (English/Chinese Languages) | |
| 265B | 1001278249 | 1 | Decal - Warning (Without Fall Arrest) (English/Spanish Languages) | |
| 265B | 1001278209 | 1 | Decal - Warning (Without Fall Arrest) (Spanish/Portuguese Languages) | |
| 265B | 1001277485 | 1 | Decal - Warning (With Fall Arrest) (Pictograph) | |
| 265B | 1001277483 | 1 | Decal - Warning (With Fall Arrest) (English Language) | |
| 265B | 1001278199 | 1 | Decal - Warning (With Fall Arrest) (English/Chinese Languages) | |
| 265B | 1001278251 | 1 | Decal - Warning (With Fall Arrest) (English/Spanish Languages) | |
| 265B | 1001278216 | 1 | Decal - Warning (With Fall Arrest) (Spanish/Portuguese Languages) | |
| 265C | 1001277482 | 1 | Decal - Warning (Without Fall Arrest) (English Language) | |
| 265C | 1001278198 | 1 | Decal - Warning (Without Fall Arrest) (English/Chinese Languages) | |
| 265C | 1001278250 | 1 | Decal - Warning (Without Fall Arrest) (English/Spanish Languages) | |
| 265C | 1001278215 | 1 | Decal - Warning (Without Fall Arrest) (Spanish/Portuguese Languages) | |
| 265C | 1001277486 | 1 | Decal - Warning (With Fall Arrest) (English Language) | |
| 265C | 1001278208 | 1 | Decal - Warning (With Fall Arrest) (English/Chinese Languages) | |
| 265C | 1001278252 | 1 | Decal - Warning (With Fall Arrest) (English/Spanish Languages) | |
| 265C | 1001278217 | 1 | Decal - Warning (With Fall Arrest) (Spanish/Portuguese Languages) | |
| 267 | 1001200131 | 1 | Decal - Quick Start Reference (Loxam Rental) (Danish Spec) | |
| 267 | 1001200129 | 1 | Decal - Quick Start Reference (Loxam Rental) (Dutch Spec) | |
| 267 | 1001181145 | 1 | Decal - Quick Start Reference (Loxam Rental) (English Spec) | |
| 267 | 1001200128 | 1 | Decal - Quick Start Reference (Loxam Rental) (French Spec) | |
| 267 | 1001200130 | 1 | Decal - Quick Start Reference (Loxam Rental) (German Spec) | |
| 267 | 1001200134 | 1 | Decal - Quick Start Reference (Loxam Rental) (Norwegians Spec) | |
| 267 | 1001200133 | 1 | Decal - Quick Start Reference (Loxam Rental) (Spanish Spec) | |
| 267 | 1001200132 | 1 | Decal - Quick Start Reference (Loxam Rental) (Swedish Spec) | |
| 287 | 1001239371 | Ref | Eco Label Installation (China Specs Only) | A |
| 287A | 3820001 | 8 | Rivet | |
| 287B | 1001232904 | 1 | Decal - Eco Label | |
| 287C | 1001236396 | 1 | Plate, Mein Code | |

SECTION 10 - RECOMMENDED SERVICE PARTS STOCK

SECTION 10 - RECOMMENDED SERVICE PARTS STOCK

SECTION 10 - RECOMMENDED SERVICE PARTS STOCK

FIGURE 10-1. RECOMMENDED SERVICE PARTS STOCK

| ITEM | PART NUMBER | QTY | DESCRIPTION | REV |
|------|-------------|-----|---|-----|
| | | Ref | Note: The following list will service one machine (built to current production per date on the front cover) with emergency repair parts which can be installed in the field. Parts from the list should be replaced when inventory is depleted to keep service parts stock supplied. For further information, contact your JLG dealer or the JLG Industries Parts Department. | |
| | 1001181045 | 1 | Breaker, Combination 16Amp/30mAmp (Breaker Box with Single Breaker) | |
| | 1001189172 | 1 | Breaker 16Amp Double (Breaker Box with Three Breakers) | |
| | 1001189171 | 1 | Breaker, 30mA (Breaker Box with Three Breakers) | |
| | 7024485 | 1 | Breaker, Circuit 30Amp (7500W/50HZ Generator) | |
| | 4360070 | 1 | Circuit Breaker - 15Amp (7500W/50HZ Generator) | |
| | 7024885 | 1 | Coil (Traction Valve) | |
| | 70002386 | 1 | Coil (Traction & Main Control Valves) | |
| | 70005219 | 1 | Coil (Main Control Valve) | |
| | 70003788 | 1 | Coil (Main Control Valve) | |
| | 70004897 | 1 | Coil (Piston Pump) | |
| | 70004871 | 1 | Coil (Upright & Boom Valves) | |
| | 7027628 | 1 | Coil (Upright Valve) | |
| | 1001212415 | 1 | Controller Assembly (Drive and Steer) | |
| | 1001129555 | 1 | Controller Assembly (Lift and Swing) | |
| | 4360407 | 1 | Controller, Speed (Platform Controls) | |
| | | Ref | Engine - Deutz D2011 | |
| | 70003783 | 12 | Element, Air Cleaner | |
| | 7020023 | 12 | Filter, Fuel | |
| | 70003463 | 12 | Filter, Fuel - RME Resistant | |
| | 7016331 | 12 | Filter, Oil | |
| | 3740140 | 1 | Relay, 100Amp | |
| | 70004058 | 1 | Relay | |
| | | Ref | Engine - Deutz D2.9L4 (Stage V) | |
| | 1001197719 | 2 | Fuse 0.5 Watt | |
| | 1001117308 | 1 | Relay, 200Amp | |
| | 1001138228 | 1 | Relay, Power Module | |
| | 70003614 | 1 | Filter Kit (Includes Hydraulic Element, Breather Element and Gasket) (Hydraulic Tank) | |
| | 70010383 | 1 | Element, Filter (Charge Pump) | |
| | 1001117174 | 1 | Footswitch Assembly | |
| | 1001196634 | 2 | Fuse - 2 Amp (Duetz D2.9L4 Breather Heater) | |
| | 8229249 | 2 | Fuse, 3 Amp (USB Charger) | |
| | 8229245 | 2 | Fuse 30Amp (2500W/50HZ Generator) | |
| | 8229242 | 2 | Fuse 5Amp (Turntable Harness) | |
| | 8229244 | 2 | Fuse 15Amp (Turntable Harness) | |
| | 1001196635 | 2 | Fuse 3Amp (Turntable Harness) | |
| | 1001129285 | 2 | Fuse with Diode (Turntable Harness) | |
| | 2860030 | 1 | Key, Replacement | |
| | 2940074 | 1 | Latch (Platforms with Side Entry) | |
| | 1001170094 | 1 | Module, Ground Control | |
| | 1001142683 | 1 | Module, Control (Blue and Red Beacons) | |
| | 1001118412 | 1 | Module, Control (Platform Console Box) | |
| | 70006553 | 1 | Relay (4000W/50HZ Generator) | |

SECTION 10 - RECOMMENDED SERVICE PARTS STOCK

| ITEM | PART NUMBER | QTY | DESCRIPTION | REV |
|------|-------------|-----|---|-----|
| | 1001186431 | 1 | Relay (SkyGuard) | |
| | 3740086 | 1 | Relay (SkyLine) | |
| | 1001095704 | 1 | Relay (Turntable Harness) | |
| | 1001219601 | 1 | Sensor (Turntable) | |
| | 1001228225 | 1 | Sensor, Emitter (SkyEye) | |
| | 1001228224 | 1 | Sensor, Receiver (SkyEye) | |
| | 1001232667 | 1 | Sensor, Proximity (SkyLine) | |
| | 1001118971 | 1 | Sensor, Angle (Boom) | |
| | 1001170847 | 1 | Sensor (HC3 Sensor) | |
| | 1001182570 | 1 | Sensor (HC3 Sensor) | |
| | 1001119176 | 1 | Switch, Limit (Drive Orientation) | |
| | 4360469 | 1 | Switch, Key (Ground Controls) | |
| | 4360475 | 1 | Switch, Emergency Stop (Ground & Platform Controls) | |
| | 4360476 | 1 | Switch, Contact Block (Ground & Platform Controls) | |
| | 4360387 | 1 | Switch, Push Button (Ground & Platform Controls) | |
| | 4360274 | 1 | Switch, Push Button (CE Specs) (Ground Controls) | |
| | 4360336 | 1 | Switch, Toggle (Generator) | |
| | 1001159256 | 1 | Switch, Toggle (Platform Controls) | |
| | 1001161709 | 1 | Switch, Toggle (Platform Controls) | |
| | 1001155045 | 1 | Switch, Toggle (Ground & Platform Controls) | |

SECTION 11 - SPECIAL OPTIONS/ACCESORIES/KITS

SECTION 11 - SPECIAL OPTIONS/ACCESORIES/KITS

SECTION 11 - SPECIAL OPTIONS/ACCESORIES/KITS

FIGURE 11-1. SPECIAL OPTIONS/ACCESORIES/KITS

| ITEM | PART NUMBER | QTY | DESCRIPTION | REV |
|------|-------------|-----|---|-----|
| | Note | Ref | Note: This list is to accommodate machines ordered with special equipment. Options may not be applicable to all models. For more specific parts information contact JLG Parts Department. | |
| | | Ref | MISCELLANEOUS SPECIAL OPTIONS/ACCESSORIES/KITS | |
| | 1001174661 | Ref | Airline Installation | |
| | 1001264942 | Ref | Bellows Installation | |
| | 1001266660 | Ref | Boom Wiper Installation | |
| | 1001236123 | Ref | Boom Wiper Cover Installation | |
| | 1001233763 | Ref | Breather Heater Installation (Factory Installed) | |
| | 1001233047 | Ref | Breather Heater Add-On Kit (Dealer Installed) | |
| | 1001172045 | Ref | Cable Carrier Tray Installation | |
| | | Ref | ClearSky Telematics (Factory Installed) | |
| | 1001228960 | Ref | ClearSky (Telematics) Installation (Factory Installed) 3G Canbus Connection (ANSI Export, CE & UK CA Specs) | |
| | 1001227278 | Ref | ClearSky (Telematics) Installation (Factory Installed) 4G Canbus Connection (All Specs) | |
| | 1001233237 | Ref | ClearSky (Telematics) Installation (Factory Installed) 3-Wire Connection (With Ground Control Module 1001239829) (CE & UK CA Specs) | |
| | 1001276610 | Ref | ClearSky (Telematics) Installation (Factory Installed) 3-Wire Connection (With Ground Control Module 1001277695) (All Specs except China) | |
| | 1001246433 | Ref | ClearSky (Telematics) Installation (Factory Installed) 3-Wire Connection (Australian Specs) | |
| | 1001246434 | Ref | ClearSky (Telematics) Installation (Factory Installed) 3-Wire Connection (China Specs) | |
| | | Ref | ClearSky (Telematics) Installations (Dealer Installed) | |
| | 1001243183 | Ref | ClearSky (Telematics) Added-on Kit (Dealer Installed) (ANSI Export, CE & UK CA Specs) | |
| | 1001243184 | Ref | ClearSky (Telematics) Added-on Kit (Dealer Installed) (CE & UK CA Specs) | |
| | 1001276923 | Ref | ClearSky (Telematics) Add-on Kit (Dealer Installed) (Contact JLG for Approved Countries) | |
| | 1001242639 | Ref | ClearSky (Telematics) Access Control Installation Kit (Dealer Installed) (ANSI, ANSI Export, CSA, CE & UK CA Specs) | |
| | 1001246142 | Ref | ClearSky (Telematics) Service Kit (Dealer Installed) (Australian Specs) | |
| | 1001255807 | Ref | Cold Weather Package - Deutz D2.9L4 Engines (Stage V) | |
| | 1001174767 | Ref | Cold Weather Package - Deutz D2011 Engines | |
| | 1001186976 | Ref | Cold Weather Transformer Installation (Required with Deutz D2011 Engines) | |
| | 0272031 | Ref | Container/Transport Wheels Installation - 33/1550 x 16.5 Tires | |
| | 1001243331 | Ref | Fan Cover Installation - Deutz D2011 Engines | |
| | 1001172751 | Ref | Fan Guard Installation - Deutz D2.9L4 Engines (Stage V) (CE & UK CA Specs) | |
| | 1001139099 | Ref | Fire Extinguisher Installation | |
| | 1001274833 | Ref | Floor Mat Add-on Kit (30x48 Platform) (Dealer Installed) | |
| | 1001274832 | Ref | Floor Mat Add-on Kit (30x60 Platform) (Dealer Installed) | |
| | 1001274831 | Ref | Floor Mat Add-on Kit (30x72 Platform) (Dealer Installed) | |
| | 1001117294 | Ref | Foot Switch Shield Installation | |
| | 1001202749 | Ref | Fuel Cap Cover (Black) | |
| | 1001220003 | Ref | Ground Control and UGM Covers Add-On Kit (Dealer Installed) | |

SECTION 11 - SPECIAL OPTIONS/ACCESORIES/KITS

| ITEM | PART NUMBER | QTY | DESCRIPTION | REV |
|------|-------------|-----|--|-----|
| | 1001285811 | Ref | Hood Plugs Installation | |
| | 1001266662 | Ref | Hostile Weather Package | |
| | 1001258231 | Ref | Hydraulic Load Installation | |
| | 1001265688 | Ref | Hydraulic Tank Lock Installation | |
| | 1001172001 | Ref | Lights Installation - Headlights and Taillights | |
| | 1001120466 | Ref | Lights Installation - Platform Worklights | |
| | 1001183407 | Ref | Low Temperature Cutout Installation (Russian Specs) | |
| | 1001253618 | Ref | Module Box Assembly Kit (Service Kit for P/N 1001246867) | |
| | 1001253619 | Ref | Module Box Assembly Kit (Service Kit for P/N 1001246860) | |
| | 1001173664 | Ref | Oil Cooler Installation - Deutz D2011 Engines | |
| | 1001164493 | Ref | Oil Cooler Installation - Deutz D2.9L4 Engines (Stage V) | |
| | 1001272166 | Ref | Pipe Rack Kit | |
| | 1001110974 | Ref | Platform Console Cover Installation | |
| | 1580013 | Ref | Platform Corner Storage Tray | |
| | 1001267283 | Ref | Platform Hose/Cable Protection | |
| | 1001238421 | Ref | Platform Leveling Kit | |
| | 0274095 | Ref | Platform Rail Extension Installation - 30in x 72in Platforms | |
| | 1001209059 | Ref | Platform Work Surface Installation | |
| | 1001233080 | Ref | Pump Rotation Kit (Re-orient Gear Pump 90 Degrees) | |
| | 1001247800 | Ref | Quad Tracks Replacement Kit | |
| | 1001204110 | Ref | Service Kits | X |
| | 1001247073 | Ref | SkyEye Retrofit Kit | |
| | 1001241547 | Ref | SkyEye LH Housing Retrofit Kit | |
| | 1001241548 | Ref | SkyEye RH Retrofit Kit | |
| | 1001250595 | Ref | SkyGuard 6 Pin Retrofit Kit | |
| | 1001203510 | Ref | SkyGuard - Without Beacon | |
| | 1001203511 | Ref | SkyGuard Beacon Kit (Blue Light) | |
| | 1001210036 | Ref | SkyGuard Beacon Kit (Red Light) | |
| | 1001250035 | Ref | SkyGuard Platform Sensor Kit | |
| | 1001249052 | Ref | SkyGuard Retrofit Kit | |
| | 1001262016 | Ref | SkyLine Add-On Kit (Dealer Installed) | |
| | 1001250465 | Ref | SkySense (EDS) Level 1 Booms Installation (Factory Installed) | |
| | 1001250466 | Ref | SkySense (EDS) Level 2 Booms Installation (Factory Installed) | |
| | 1001252033 | Ref | SkySense Enhanced Detection System (EDS) Level 1 (2-Bar) Add-on Kit (Dealer Installed) | |
| | 1001252034 | Ref | SkySense Enhanced Detection System (EDS) Level 2 (3-Bar) Add-on Kit (Dealer Installed) | |
| | | Ref | Tools: | |
| | 1001249695 | Ref | Analyzer and Cable Kit | |
| | 1001249941 | Ref | Analyzer and Cable Kit (Battery Powered) | |
| | 1001206436 | Ref | Turntable Bearing Kit | |
| | 1001277839 | Ref | UGM Retrofit Kit (For Use with 1001170094 Ground Control Module) | |
| | 1001262959 | Ref | Voltage Regulator Relocation Kit | |
| | 1001270716 | Ref | White Noise Alarm Add-On Kit (Dealer Installed) | |
| | 1001270755 | Ref | White Noise Alarm (Ambient) Add-On Kit (Dealer Installed) | |

SECTION 11 - SPECIAL OPTIONS/ACCESORIES/KITS

PART NUMBER INDEX

SECTION 11 - SPECIAL OPTIONS/ACCESSORIES/KITS

| | | | |
|---|--|--|--|
| 0080231.....126 | 0681608.....193 | 0761015 ... 121, 126, 135, 142, 183 | 1001100342.....361 |
| 0100009.....219 | 0681620.....229 | 0761016 109, 111, 142 | 1001100345.....363 |
| 0100011....15, 17, 19, 27, 37, 43, 59, 61, 63, 65, 69, 71, 73, 75, 80, 84, 87, 98, 102, 105, 107, 109, 111, 113, 115, 121, 123, 126, 135, 139, 142, 151, 153, 169, 173, 177, 183, 185, 187, 189, 193, 195, 203, 205, 207, 213, 237, 239, 243, 245, 312, 316, 327 | 0681810.....19 | 0761020 102 | 1001100346.....367 |
| 010001949, 51, 169, 173, 177 | 0681814.....211 | 0761210 142 | 1001100347.....365 |
| 010002063, 65, 121, 126, 135, 142, 231, 277, 279, 281, 283, 285, 287, 289, 291, 293, 295, 297 | 0681822.....211 | 0761212 ... 142, 173, 183, 189 | 1001101191.....279, 283, 285, 287, 295 |
| 0100035....155, 219, 221 | 0682013.....19 | 0761214 .63, 65, 98, 169, 177 | 1001101196.....279, 283 |
| 010004889, 91, 169, 173, 177 | 0682424.....229 | 0761215 102, 185 | 1001101197.....285, 287, 295 |
| 0100079.....169, 177 | 0700408 ... 277, 279, 281, 283, 285, 287, 289, 291, 293, 295, 297 | 0761216 183, 193 | 1001103012.....379, 383 |
| 0100081....126, 142, 241, 312, 316 | 0700616 109, 111 | 0761227 189 | 1001103013.....84 |
| 0140011.....219 | 0700818 177 | 0761614 183 | 1001104029.....178 |
| 0140043.....80, 84 | 0700820 185 | 0761615 15, 189 | 1001104498.....379, 383 |
| 0200048.....243, 245 | 0700822 187 | 0762016 189 | 1001104850.....49, 53 |
| 0271998.....29 | 0700827 312, 316 | 0770810 195 | 1001106736.....80, 84 |
| 0272031.....412 | 0700828 312, 316 | 0771212 135, 142 | 1001107854.....379, 383 |
| 0272589.....179 | 0701015 189 | 0771414 ... 126, 142, 151, 153, 169, 177 | 1001109528.....183 |
| 0274095.....413 | 0701018 98 | 0771416 169, 177 | 1001110434.....219 |
| 0275216.....279, 359 | 0701019 102, 185 | 0860520 ... 397, 399, 401, 403 | 1001110974.....413 |
| 0275217.....283, 361 | 0701020 63, 65, 135 | 0861572 177 | 1001111424.....87, 126 |
| 0275452.....285, 363 | 0701022 313, 317 | 0861731 ... 289, 291, 293, 297, 363, 365, 367 | 1001112551.....399 |
| 0275453.....287, 365 | 0701024 312, 316 | 0861781 ... 277, 281, 359, 361 | 1001112607.....183 |
| 0275454.....295, 367 | 0701027 189 | 0861880 331, 335 | 1001112612.....309, 379, 383 |
| 0361810.....87 | 0701217 15 | 0902888 177 | 1001112796.....309 |
| 0400075.....87 | 0701222 185 | 0940048 189 | 1001113961.....380, 384 |
| 0440162.....121, 135 | 0701616 61 | 0940049 98 | 1001115641.....245 |
| 0480126.....169, 177 | 0711214 142 | 0940071 98 | 1001115848.....245 |
| 0630462.....243, 245 | 0711220 17 | 0940088 102 | 1001116208.....405 |
| 0630518.....77, 221 | 0711224 ... 126, 142, 151, 153, 169, 177 | 0940102 241 | 1001116290.....109, 111 |
| 0630568.....219 | 0711227 187 | 0940167 243 | 1001116546.....183 |
| 0630613.....98, 102 | 0711628 49, 51 | 0961845 ... 203, 205, 207, 213 | 1001116693.....355 |
| 0641404.....239 | 0711631 49, 51 | 0961948 17, 187, 189, 253 | 1001116720.....357 |
| 0641405.....219, 239 | 0721005 243, 245 | 0961951 126, 142 | 1001116728.....380, 384 |
| 0641406....217, 233, 397, 399, 401, 403 | 0721006 155 | 0962270 211 | 1001116732.....349 |
| 0641408.....217 | 0741606 142 | 0962272 185 | 1001116734.....349, 379, 383 |
| 0641409.....109, 111 | 0741607 169, 173 | 0962292 253 | 1001116748.....387 |
| 0641410.....105, 107 | 0741607 169, 173 | 0962348 191 | 1001116774.....309 |
| 0641414....219, 237, 243, 245 | 0760512 87 | 0962520 169, 173, 177 | 1001116808.....309 |
| 0641416....277, 279, 281, 283, 285, 287, 289, 291, 293, 295, 297 | 0760606 169, 173, 177 | 1001091102 299, 301 | 1001116812.....343 |
| 0641418.....203, 205, 213 | 0760607 142 | 1001091969 279 | 1001116815.....384 |
| 0641420.....207 | 0760608 69, 111 | 1001091970 283 | 1001116849.....403 |
| 0641504.....87 | 0760610 .80, 84, 87, 105, 107, 113, 115, 121, 126, 135, 142, 167, 169, 173, 177, 299, 301, 313 | 1001091973 285 | 1001116952.....343 |
| 0641610.....155, 217 | 0760612 87, 313, 317 | 1001091974 287 | 1001116983.....347 |
| 0641616.....169, 173, 177 | 0760621 80, 84 | 1001091975 295 | 1001117057.....349 |
| 0641812.....123, 139 | 0760808 142 | 1001095704 380, 384, 409 | 1001117070.....379, 383 |
| 0642012.....241 | 0760810 98, 102, 142, 193 | 1001096070 169, 173, 335 | 1001117107.....343 |
| 0642212.....241 | 0760812 ... 37, 63, 65, 71, 73, 75, 98, 102, 121, 135, 142, 167, 170, 178, 187, 303, 312, 316 | 1001096653 37 | 1001117172.....231 |
| | 0760814 98, 102, 126, 142, 151, 153, 312, 316 | 1001097051 371 | 1001117174.....219, 231, 408 |
| | 0760815 126, 142 | 1001097150 331, 333, 335 | 1001117240.....87 |
| | 0761010 43, 69 | 1001097244 247 | 1001117294.....412 |
| | 0761011 17 | 1001098122 231, 355 | 1001117308.....143, 408 |
| | 0761012 303, 312, 316 | 1001098828 193 | 1001117372.....251 |
| | 0761014 98, 102, 109, 111, 135, 142, 193 | 1001099366 241 | 1001118274....63, 65, 71, 73, 75, 98, 187, 195, 312, 316 |
| | | 1001099367 241 | 1001118384.....375 |
| | | 1001100231 349 | 1001118388.....357, 375 |
| | | 1001100341 359 | 1001118412.....219, 408 |
| | | | 1001118511.....15 |
| | | | 1001118518.....15 |
| | | | 1001118519.....15 |
| | | | 1001118878.....143 |
| | | | 1001118971.....312, 316, 409 |

SECTION 11 - SPECIAL OPTIONS/ACCESORIES/KITS

| | | | |
|--|---|---|---------------------------|
| 1001118972 . 63, 65, 312, 316 | 1001140429..... 203, 205, 207, 213 | 1001162107.....27 | 1001168166 143 |
| 1001119020 309 | 1001141300..... 405 | 1001162534.....43, 45 | 1001168207 153 |
| 1001119176 69, 409 | 1001141302..... 405 | 1001162535..... 195, 197 | 1001168209 255 |
| 1001119228 59, 313, 317 | 1001141304..... 143 | 1001162536..... 195, 199 | 1001168210 255 |
| 1001119278 87 | 1001141694..... 127, 143 | 1001162539.....37, 39 | 1001168402 193 |
| 1001119280 87, 313, 317 | 1001141870..... 155 | 1001162807.....71, 73, 75 | 1001169046 98, 109, 111 |
| 1001119619 369 | 1001141995..... 127, 143 | 1001162995..... 15 | 1001169054 143 |
| 1001119620 371, 373 | 1001142501..... 135, 155 | 1001163061.....63, 65 | 1001169062 35 |
| 1001119627 272 | 1001142679.....272 | 1001163178..... 17, 261 | 1001169138 143 |
| 1001120204 321 | 1001142683... 93, 95, 408 | 1001163179..... 17 | 1001169240 189 |
| 1001120205 325 | 1001142736... 93, 95, 309 | 1001163405..... 17 | 1001169241 189 |
| 1001120328 237, 239, 380, 384 | 1001142938..... 343 | 1001163716..... 17 | 1001169242 189 |
| 1001120466 413 | 1001142940..... 343 | 1001164209..... 17 | 1001169247 183 |
| 1001120471 247 | 1001142941..... 343 | 1001164493.....413 | 1001169295 189 |
| 1001120477 247 | 1001143390..... 127, 143 | 1001164709..... 257, 265 | 1001169296 189 |
| 1001120484 247 | 1001143645..... 313, 317 | 1001164726..... 109, 111 | 1001169297 189 |
| 1001120989 405 | 1001143797..... 143 | 1001164728.....217, 393 | 1001169298 189 |
| 1001125677 355, 380, 384 | 1001143852..... 405 | 1001164738.....312, 316, 387 | 1001169299 189 |
| 1001126009 375 | 1001143936.....272 | 1001165035..... 135 | 1001169300 189 |
| 1001126351 344 | 1001144116..... 143 | 1001165388..... 127, 143 | 1001169301 189 |
| 1001126362 343 | 1001144147..... 384 | 1001165389..... 127 | 1001169302 187, 189 |
| 1001126363 343 | 1001144433..... 237 | 1001165405..... 143 | 1001169304 187 |
| 1001126364 343 | 1001144629..... 209, 215 | 1001165406..... 143 | 1001169305 187 |
| 1001126391 343 | 1001146397..... 29, 31 | 1001165722..... 143 | 1001169402 187 |
| 1001126392 343 | 1001146588..... 143 | 1001165849..... 143 | 1001169403 187 |
| 1001126485 344 | 1001148059..... 174 | 1001165946..... 49 | 1001169525 165 |
| 1001126487 344 | 1001148641..... 170, 174, 178 | 1001165968..... 27 | 1001169823 121, 135 |
| 1001127096 405 | 1001148875..... 29 | 1001166020..... 123, 126 | 1001169898 63, 65 |
| 1001129285 380, 384, 408 | 1001148876..... 29 | 1001166021..... 121, 123 | 1001169967 143 |
| 1001129407 69 | 1001149953..... 29, 31 | 1001166096..... 189 | 1001170018 98 |
| 1001129555 408 | 1001150998..... 127 | 1001166208.....265 | 1001170022 98, 102 |
| 1001130220 80, 84 | 1001151393..... 71, 73, 75 | 1001166305..... 121 | 1001170035 143 |
| 1001130492 405 | 1001151393..... 71, 73, 75 | 1001166316..... 87 | 1001170094 408 |
| 1001131269 397 | 1001152266..... 391 | 1001166538.....219, 223 | 1001170098 35 |
| 1001132195 126 | 1001152483..... 333 | 1001166539.....219, 225 | 1001170099 35 |
| 1001132196 126 | 1001152485..... 301, 333 | 1001166717..... 127 | 1001170224 165 |
| 1001133714 344 | 1001152489..... 143 | 1001166718..... 127, 143, 151, 153 | 1001170226 187 |
| 1001133715 344 | 1001152525..... 179 | 1001166767.....69 | 1001170334 187 |
| 1001133956 344 | 1001152532..... 170, 174, 351 | 1001166768.....69 | 1001170475 107 |
| 1001133957 344 | 1001154405..... 135, 155 | 1001166853.....189 | 1001170480 63, 65 |
| 1001133972 49, 51, 57 | 1001154726..... 349 | 1001166921..... 143 | 1001170663 167 |
| 1001135196 121, 135 | 1001155043..... 71, 73, 75 | 1001166922..... 151 | 1001170664 167 |
| 1001135650 344 | 1001155044..... 71, 73, 75, 219 | 1001166924..... 143 | 1001170693 127, 129 |
| 1001135651 344 | 1001155045..... 71, 73, 75, 219, 409 | 1001167036..... 123, 139, 161 | 1001170764 344, 391 |
| 1001136834 143 | 1001155093..... 189 | 1001167111..... 127, 341 | 1001170847 327, 409 |
| 1001137673 237 | 1001155743..... 391 | 1001167149..... 98, 102 | 1001170859 102 |
| 1001138173 126, 143 | 1001155823..... 135 | 1001167157..... 109 | 1001171216 98 |
| 1001138175 126, 143 | 1001155967..... 384 | 1001167159..... 98 | 1001171482 ... 71, 73, 75 |
| 1001138228 143, 408 | 1001156107..... 136 | 1001167163..... 98, 102 | 1001171553 312, 316 |
| 1001138248 127, 143 | 1001156541..... 387 | 1001167164..... 167 | 1001171555 312, 316 |
| 1001138494 205, 207, 213 | 1001157466..... 61 | 1001167169..... 98 | 1001171559 312, 316 |
| 1001138514 205, 207, 213 | 1001157520..... 179 | 1001167312..... 299 | 1001171678 87 |
| 1001138565 169 | 1001157521..... 179 | 1001167512..... 121, 135 | 1001171679 87 |
| 1001138566 170, 173 | 1001157525..... 178 | 1001167520..... 127, 143 | 1001171680 87 |
| 1001139099 412 | 1001157528..... 179 | 1001167565..... 193 | 1001171681 121 |
| 1001139357 170 | 1001157890..... 383 | 1001167567..... 193 | 1001171682 121 |
| 1001139384 109, 111 | 1001158007..... 179 | 1001167596..... 193 | 1001171683 135 |
| 1001139654 135 | 1001158008..... 179 | 1001167632..... 343 | 1001171684 135 |
| 1001139819 127 | 1001158008..... 179 | 1001167635..... 344 | 1001171688 123, 139 |
| 1001140347 173 | 1001159186..... 353 | 1001168018..... 127, 143, 151, 153, 170, 178 | 1001171954 123, 139 |
| | 1001159256..... 219, 409 | 1001168026..... 143 | 1001172001 413 |
| | 1001161709..... 219, 409 | 1001168059..... 127 | 1001172045 412 |
| | 1001162105..... 27 | 1001168099..... 143 | 1001172064 344 |
| | 1001162106..... 69 | | 1001172065 344, 384 |
| | | | 1001172202 121 |
| | | | 1001172264 167 |
| | | | 1001172265 167 |

SECTION 11 - SPECIAL OPTIONS/ACCESORIES/KITS

| | | | |
|---------------------------|-------------------------------|---------------------------|---------------------------|
| 1001172271.....312, 317 | 1001179517..... 37 | 1001193018..... 277, 279, | 1001209677.....301 |
| 1001172335.....316, 319 | 1001179903..... 143 | 281, 283, 285, 287, | 1001209832.....301 |
| 1001172336.....321 | 1001179904..... 98 | 289, 291, 293, 295, 297 | 1001210036.....413 |
| 1001172343.....316 | 1001180035..... 273 | 1001193336..... 63, 65 | 1001210356.....273 |
| 1001172577.....241 | 1001180056..... 189 | 1001194197..... 289 | 1001210636.....247 |
| 1001172578.....241 | 1001180541..... 187 | 1001194198..... 291 | 1001210823.....273 |
| 1001172751.....412 | 1001180620..... 143 | 1001194200..... 293 | 1001211556.....147 |
| 1001172760.....219 | 1001180916..... 27 | 1001194203..... 277 | 1001211716..... 98 |
| 1001173006.....273 | 1001181045..... 331, 335, | 1001194204..... 281 | 1001211717.....98, 102 |
| 1001173027.....273 | 408 | 1001194365..... 297 | 1001212415.....408 |
| 1001173028.....273 | 1001181145..... 406 | 1001194424..... 273 | 1001213447.....355 |
| 1001173029.....273 | 1001181358..... 135, 347 | 1001194427..... 273 | 1001213794.....102 |
| 1001173034.....273 | 1001181875..... 313, 317 | 1001194888..... 109 | 1001213882.....219 |
| 1001173035.....273 | 1001181923..... 313, 317 | 1001195490..... 405 | 1001214207..... 123, 139 |
| 1001173036.....273 | 1001182064..... 185 | 1001195491..... 405 | 1001214397.....303 |
| 1001173037.....273 | 1001182169..... 98 | 1001196382..... 170, 174, | 1001214570.....303 |
| 1001173038.....273 | 1001182361..... 344 | 178 | 1001214571.....303 |
| 1001173039.....273 | 1001182365..... 344 | 1001196634..... 157, 408 | 1001214975.....127 |
| 1001173042.....273 | 1001182561..... 313, 317 | 1001196635..... 380, 384, | 1001215228.....219 |
| 1001173043.....273 | 1001182570..... 327, 409 | 408 | 1001216630.....193 |
| 1001173046.....272 | 1001182695..... 185, 191 | 1001196636..... 391 | 1001218533.....59 |
| 1001173048.....272 | 1001182806..... 113 | 1001196637..... 80, 84 | 1001218535.....59 |
| 1001173049.....272 | 1001182875..... 98, 102 | 1001197017..... 243, 245 | 1001218537.....59 |
| 1001173052.....273 | 1001182877..... 98, 102 | 1001197039..... 273 | 1001218622.....316 |
| 1001173053.....273 | 1001182879..... 98, 102 | 1001197221..... 37 | 1001218623.....316 |
| 1001173054.....273 | 1001182997..... 63, 65 | 1001197719..... 344, 408 | 1001219129.....59 |
| 1001173055.....273 | 1001183407..... 413 | 1001200128..... 406 | 1001219601... 80, 84, 409 |
| 1001173056.....273 | 1001184618..... 219 | 1001200129..... 406 | 1001220003.....412 |
| 1001173057.....273 | 1001184626..... 219 | 1001200130..... 406 | 1001220266.....136 |
| 1001173058.....273 | 1001184682..... 115 | 1001200131..... 406 | 1001223055.....397 |
| 1001173059.....273 | 1001185030..... 15 | 1001200132..... 406 | 1001223122..... 144, 170, |
| 1001173062.....273 | 1001185281..... 219 | 1001200133..... 406 | 174, 178 |
| 1001173066.....273 | 1001185747..... 313, 317 | 1001200134..... 406 | 1001223453.....397 |
| 1001173664.....413 | 1001185821..... 43, 47 | 1001200491..... 193 | 1001223459.....343 |
| 1001173811.....177 | 1001185964..... 380, 384 | 1001200494..... 193 | 1001223777.....102 |
| 1001173925..... 170, 178 | 1001186375..... 205 | 1001201351..... 193 | 1001224050.....403 |
| 1001173984.....169 | 1001186377..... 207 | 1001202333..... 109, 111 | 1001224894.....187 |
| 1001174040.....193 | 1001186378..... 213 | 1001202687..... 193 | 1001225346.....303 |
| 1001174158..... 170, 174, | 1001186385..... 215 | 1001202744..... 243 | 1001225430.....148 |
| 299 | 1001186386..... 209 | 1001202745..... 245 | 1001225431.....148 |
| 1001174378.....165 | 1001186388..... 211 | 1001202749..... 412 | 1001225580..... 237, 357 |
| 1001174661.....412 | 1001186431..... 237, 409 | 1001202830..... 105 | 1001226530.....303 |
| 1001174675..... 174, 178 | 1001186432..... 357, 375 | 1001202910..... 273 | 1001226541.....384 |
| 1001174749.....312, 325 | 1001186517..... 237 | 1001203322..... 107 | 1001226872.....203 |
| 1001174767.....412 | 1001186976..... 412 | 1001203510..... 413 | 1001227278.....412 |
| 1001174976..... 89, 91 | 1001187352..... 349 | 1001203511..... 413 | 1001227633.....235 |
| 1001175024.....272 | 1001187382..... 193 | 1001203654..... 211 | 1001227634.....235 |
| 1001176299.....272 | 1001187383..... 193 | 1001204110..... 413 | 1001227985.....235 |
| 1001176300.....272 | 1001187674..... 235 | 1001204510..... 399, 405 | 1001227987.....235 |
| 1001176301.....272 | 1001187681..... 369 | 1001204715..... 327 | 1001227996..... 371, 373 |
| 1001176302.....273 | 1001188622..... 193 | 1001204725..... 193 | 1001228215.....203 |
| 1001176469..... 73, 75 | 1001188844..... 193 | 1001205958..... 285, 287, | 1001228224..... 235, 409 |
| 1001176848.....17 | 1001188883..... 405 | 289, 291, 293, 295 | 1001228225..... 235, 409 |
| 1001176951..... 312, 316, | 1001189001..... 193 | 1001206314..... 102 | 1001228960.....412 |
| 323 | 1001189002..... 193 | 1001206436..... 49, 413 | 1001229341.....235 |
| 1001177359.....143 | 1001189171..... 333, 408 | 1001206476..... 303 | 1001230635.....144 |
| 1001177821.....61 | 1001189172..... 333, 408 | 1001206532..... 219 | 1001230784.....174 |
| 1001177834.....61 | 1001189882..... 401 | 1001206625..... 257 | 1001230931.....387 |
| 1001178228.....105 | 1001190368..... 17 | 1001206916..... 65 | 1001230934.....344 |
| 1001178448..... 312, 317 | 1001190663..... 113, 115 | 1001207335..... 273 | 1001230935.....344 |
| 1001178449..... 312, 317 | 1001190985..... 193 | 1001207336..... 273 | 1001230936.....344 |
| 1001178644..... 312, 317 | 1001191620..... 144 | 1001207347..... 65 | 1001231886.....113 |
| 1001178788.....143 | 1001191832..... 98, 102, 121, | 1001208874..... 43 | 1001232026..... 397, 399, |
| 1001178859.....127 | 135 | 1001208994..... 193 | 401, 403 |
| 1001179236... 80, 84, 339 | 1001192401..... 384 | 1001209059..... 413 | 1001232164.....235 |
| 1001179266..... 313, 317 | | 1001209617..... 113 | 1001232165.....235 |
| 1001179339..... 63, 65 | | 1001209664..... 237 | 1001232642.....239 |

SECTION 11 - SPECIAL OPTIONS/ACCESORIES/KITS

| | | | |
|-----------------------------------|---------------------------------------|----------------------------|--|
| 1001232667 239, 409 | 1001244287..... 135 | 1001255968..... 189, 265 | 1001264942 412 |
| 1001232842 157 | 1001244293..... 80, 379 | 1001255969..... 185, 253 | 1001264981 15 |
| 1001232904 406 | 1001244294..... 80, 389 | 1001255970..... 183, 259 | 1001265163 247 |
| 1001233047 412 | 1001244295... 80, 84, 353 | 1001255971..... 183, 255 | 1001265186 43, 195 |
| 1001233080 413 | 1001244298..... 401 | 1001255973..... 183, 257 | 1001265342 247 |
| 1001233139 17 | 1001244301..... 401 | 1001255991..... 185 | 1001265389 109 |
| 1001233237 412 | 1001245195..... 33 | 1001256002..... 185 | 1001265390 111 |
| 1001233763 157, 412 | 1001245196..... 33 | 1001256093..... 183 | 1001265688 413 |
| 1001233899 98 | 1001245197..... 33 | 1001256095..... 183, 187 | 1001266649 327 |
| 1001234425 397 | 1001245198..... 33 | 1001256096..... 183, 189 | 1001266660 412 |
| 1001234426 397 | 1001245211..... 33 | 1001256098..... 189 | 1001266662 413 |
| 1001234435 403 | 1001245656..... 75 | 1001256099..... 189 | 1001266711 187, 263 |
| 1001234436 403 | 1001245759..... 19, 21 | 1001256100..... 189 | 1001267275 273 |
| 1001234439 399, 401 | 1001246142..... 412 | 1001256101..... 189 | 1001267277 273 |
| 1001234800 343 | 1001246369..... 80, 84 | 1001256102..... 189 | 1001267278 273 |
| 1001235949 144, 155 | 1001246433..... 412 | 1001256103..... 189 | 1001267283 413 |
| 1001236091 77 | 1001246434..... 412 | 1001256125..... 187 | 1001267313 405 |
| 1001236123 412 | 1001246435..... 217, 219 | 1001256126..... 187 | 1001269476 102 |
| 1001236396 406 | 1001246436..... 217 | 1001256179..... 15, 251 | 1001270594 89, 91 |
| 1001236552 239 | 1001246450..... 71 | 1001256527 327 | 1001270716 413 |
| 1001236780 144 | 1001246451..... 73 | 1001256790..... 185 | 1001270730 185, 191 |
| 1001236891 229 | 1001246520..... 17 | 1001256879 135 | 1001270755 413 |
| 1001236895 229 | 1001246551..... 17 | 1001256906..... 401, 405 | 1001271179 312 |
| 1001237383 384 | 1001246859..... 80, 384 | 1001256910..... 183 | 1001271180 316 |
| 1001237546 77 | 1001246976..... 405 | 1001256911..... 189 | 1001271323 384 |
| 1001237667 355, 380, 384 | 1001247073..... 413 | 1001257271..... 229 | 1001271497 355 |
| 1001237668 355, 380, 384 | 1001247440..... 135 | 1001257274..... 229 | 1001271588 405 |
| 1001237863 235, 371 | 1001247468..... 193 | 1001257275..... 229 | 1001271589 405 |
| 1001237864 235, 373 | 1001247656..... 173 | 1001258005..... 229 | 1001271605 405 |
| 1001237865 235, 369 | 1001247800..... 413 | 1001258231..... 413 | 1001271606 405 |
| 1001237878 303 | 1001248140..... 229 | 1001258264..... 189 | 1001271707 406 |
| 1001237879 303 | 1001248141..... 229 | 1001258265..... 189 | 1001271708 405 |
| 1001237880 303 | 1001248190..... 174 | 1001258495..... 371, 373 | 1001271711 406 |
| 1001237881 303 | 1001249052..... 413 | 1001258800..... 173 | 1001271795 .. 37, 43, 195 |
| 1001237888 303 | 1001249695..... 413 | 1001258804..... 144 | 1001272166 413 |
| 1001237889 303 | 1001249941..... 413 | 1001258895..... 31 | 1001272681 93 |
| 1001237949 183 | 1001250035..... 413 | 1001258896..... 31 | 1001272682 95 |
| 1001238192 327, 329 | 1001250291..... 98 | 1001258897..... 31 | 1001273302 187, 312, 316 |
| 1001238254 219, 355 | 1001250465..... 413 | 1001258898..... 31 | 1001273303 187, 312, 316 |
| 1001238263 229 | 1001250466..... 413 | 1001259058..... 185 | 1001274525 63, 67 |
| 1001238319 235 | 1001250595..... 413 | 1001259196..... 185 | 1001274559 ... 71, 73, 75, 219 |
| 1001238418 239, 375 | 1001252033..... 413 | 1001259230..... 105, 107 | 1001274782 397, 399, 401, 403 |
| 1001238421 193, 413 | 1001252034..... 413 | 1001260306..... 312, 317 | 1001274831 412 |
| 1001238466 312, 317 | 1001252527..... 344 | 1001260412..... 144 | 1001274832 412 |
| 1001238472 239 | 1001252541..... 19, 23 | 1001260420..... 144 | 1001274833 412 |
| 1001238495 237 | 1001252629..... 229 | 1001261045..... 173 | 1001275935 61 |
| 1001238559 239 | 1001252926..... 273 | 1001261085..... 173 | 1001275936 61 |
| 1001238911 144 | 1001253618..... 413 | 1001262016..... 413 | 1001276610 412 |
| 1001239202 343 | 1001253619..... 413 | 1001262105..... 405 | 1001276626 93, 95 |
| 1001239371 406 | 1001254300..... 397 | 1001262117..... 405 | 1001276643 144, 343 |
| 1001241286 98 | 1001254301..... 399 | 10012622959..... 413 | 1001276688 405 |
| 1001241295 98, 105 | 1001254305..... 403 | 1001263007..... 327, 337 | 1001276689 405 |
| 1001241398 77, 221 | 1001254307..... 401 | 1001263008..... 327, 377 | 1001276690 405 |
| 1001241547 413 | 1001254311..... 405 | 1001263174..... 115 | 1001276691 405 |
| 1001241548 413 | 1001254314..... 397, 399, 403, 405 | 1001263663..... 111 | 1001276692 405 |
| 1001241965 239 | 1001254315..... 401, 405 | 1001263664..... 109 | 1001276693 405 |
| 1001242639 412 | 1001254472..... 239 | 1001263668..... 111 | 1001276923 412 |
| 1001242855 93 | 1001254473..... 239 | 1001263669..... 109 | 1001277185 89, 305 |
| 1001242856 95 | 1001254477..... 19 | 1001263677..... 109 | 1001277481 406 |
| 1001243183 412 | 1001254652..... 19 | 1001263678..... 111 | 1001277482 406 |
| 1001243184 412 | 1001255133..... 193 | 1001263693..... 109 | 1001277483 406 |
| 1001243331 412 | 1001255329..... 187 | 1001263694..... 111 | 1001277484 406 |
| 1001243414 98 | 1001255412..... 272 | 1001263787..... 111 | 1001277485 406 |
| 1001243895 157 | 1001255807..... 412 | 1001264731..... 75 | |
| 1001244019 153 | 1001255846..... 405 | 1001264732..... 73 | |
| 1001244024 151 | 1001255850..... 405 | 1001264733..... 71 | |
| 1001244212 401, 405 | 1001255930..... 273 | 1001264735..... 71, 73, 75 | |

SECTION 11 - SPECIAL OPTIONS/ACCESORIES/KITS

| | | | |
|---|---|---|---|
| 1001277486.....406 | 1701500 ... 397, 399, 401, 403 | 2220371 272 | 2940173.... 105, 107, 109, 111 |
| 1001277589..... 144, 147 | 1701504 ... 397, 399, 401, 403 | 2220372 272 | 3020008..... 19 |
| 1001277594..... 139, 142 | 1701505 121, 135 | 2220373 272 | 3251102..... 173 |
| 1001277600..... 135, 139 | 1701509 ... 241, 397, 399, 401, 403 | 2220374 272 | 3251242.... 281, 283, 285, 287, 289, 291, 293, 295, 297 |
| 1001277839..... 413 | 1701518 399, 401 | 2220375 272 | 3251243..... 397 |
| 1001278197..... 406 | 1701529 ... 397, 399, 401, 403 | 2220377 272 | 3251813..... 397 |
| 1001278198..... 406 | 1701691 98 | 2220415 272 | 3252347..... 397 |
| 1001278199..... 406 | 1702300 ... 397, 399, 401, 403 | 2220435 272 | 3252764..... 177 |
| 1001278208..... 406 | 1702565 219 | 2220451 126, 272 | 3271605..... 229 |
| 1001278209..... 406 | 1702566 219 | 2220465 272 | 3271805..... 211 |
| 1001278215..... 406 | 1702567 219 | 2220468 272 | 3272001..... 229 |
| 1001278216..... 406 | 1702773 401, 405 | 2220472 272 | 3290405.... 69, 89, 91, 93, 95, 247, 277, 279, 281, 283, 285, 287, 289, 291, 293, 295, 297, 299, 312, 316 |
| 1001278217..... 406 | 1702774 405 | 2220497 272 | 3290501..... 87 |
| 1001278249..... 406 | 1702868 397 | 2220500 272 | 3290505..... 87, 178 |
| 1001278250..... 406 | 1703162 126, 142 | 2220501 272 | 3290601.. 80, 84, 87, 105, 107, 109, 111, 113, 115 |
| 1001278251..... 406 | 1703687 ... 397, 399, 401, 403 | 2220582 272 | 3290605.... 37, 69, 80, 84, 87, 93, 95, 111, 121, 126, 135, 142, 167, 169, 173, 178, 299, 301, 312, 316 |
| 1001278252..... 406 | 1703797 397 | 2220596 272 | 3290606.... 205, 207, 213 |
| 1001279651..... 102 | 1703804 397 | 2220600 272 | 3290801..... 121 |
| 1001280240..... 102 | 1703805 397 | 2220603 272 | 3290805.... 37, 63, 65, 98, 102, 109, 111, 126, 142, 151, 153, 167, 169, 178, 185, 187, 303, 312, 316 |
| 1001280242..... 102 | 1703925 403 | 2220628 272 | 3290806..... 193 |
| 1001280340..... 80, 84 | 1703937 403 | 2220667 135 | 3291001..... 142, 193 |
| 1001280549..... 102 | 1703943 403 | 2220681 272 | 3291005 87, 98, 102, 105, 107, 109, 111, 121, 126, 135, 142, 183, 185, 187, 189, 193, 303, 312, 316 |
| 1001281192..... 173 | 1703949 403 | 2220767 272 | 3291201.... 169, 173, 178, 193 |
| 1001281623..... 111 | 1703953 397 | 2220811 272 | 3291205.... 183, 185, 189, 193 |
| 1001282106..... 77, 221 | 1703982 403 | 2220883 21, 39, 251, 253, 272 | 3300106..... 19 |
| 1001282143..... 102, 109 | 1704260 219 | 2220885 39, 251, 253 | 3300151.... 203, 205, 207, 213 |
| 1001282146..... 102 | 1704277 ... 397, 399, 401, 403 | 2220906 272 | 3300220..... 87, 126 |
| 1001282492..... 84, 383 | 1704412 ... 397, 399, 401, 403 | 2220923 272 | 3300353..... 219 |
| 1001282533..... 84, 391 | 1704885 ... 397, 399, 403 | 2220940 272 | 3300396..... 178 |
| 1001282831..... 63 | 1704972 121 | 2220946 272 | 3300408..... 77 |
| 1001283776..... 91, 307 | 1705014 211 | 2220947 272 | 3300430..... 237 |
| 1001284582..... 221 | 1705325 277, 279 | 2220998 272 | 3311001..... 155, 178 |
| 1001284583..... 221 | 1705336 397 | 2221033 272 | 3311401..... 243 |
| 1001285640..... 111 | 1705351 397 | 2221040 272 | 3311405.... 217, 239, 245, 277, 279, 281, 283, 285, 287, 289, 291, 293, 295, 297, 397, 399, 401, 403 |
| 1001285788..... 99, 107 | 1705358 405 | 2221086 39, 199, 272 | 3311501..... 98, 243, 245 |
| 1001285789..... 98 | 1705430 403 | 2230025 272 | 3311601.... 98, 102, 219, 239 |
| 1001285811..... 413 | 1705460 179 | 2400060 ... 157, 247, 349, 355, 379, 384 | 3311605.... 155, 211, 217 |
| 1001285988..... 102, 111 | 1705461 179 | 2410014 211 | 3312002..... 229 |
| 1001286019..... 51, 55 | 1705489 ... 169, 173, 178, 179 | 2460048 177 | 3312005..... 241 |
| 1001294215..... 51 | 1705822 399, 401 | 2540020 ... 89, 91, 93, 95 | |
| 1060341 243, 245 | 1705828 399, 401 | 2560136 219 | |
| 1060461 321, 325 | 1705921 399, 401 | 2560187 ... 105, 107, 109, 111 | |
| 1060903 243, 245 | 1705961 399, 401 | 2600281 209, 215 | |
| 1060908..... 331, 333, 335 | 1705968 403, 405 | 2720015 142 | |
| 1060918 231 | 1706098 405 | 2720058 121, 135 | |
| 1062255 136 | 1706385 211 | 2720340 142 | |
| 10702077..... 178 | 2060025 126 | 2720398 126 | |
| 10702082..... 178 | 2080040 ... 169, 173, 209, 215, 299, 301 | 2720447 126 | |
| 1120555 241 | 2110810 272 | 2752504 273 | |
| 1320016..... 126 | 2110812 272 | 2752519 273 | |
| 1320022..... 121, 135 | 2151212 272 | 2820031 ... 169, 173, 177, 312, 316, 323 | |
| 1320041 313, 317 | 2160001 49, 51 | 2820035 157 | |
| 1320043 313 | 2180348 121 | 2820247 371, 373 | |
| 1320061 136 | 2180832 135 | 2860030 .. 71, 73, 75, 408 | |
| 1320130..... 312, 316 | 2180876 121, 135 | 2900756 39 | |
| 1320176..... 165 | 2220238 272 | 2900770 255, 263 | |
| 1320223..... 303 | 2220315 126, 142 | 2900792 253 | |
| 1321293..... 69 | | 2902065 ... 126, 142, 159 | |
| 1321647..... 379, 384 | | 2902212 241 | |
| 1321716.... 121, 135, 142, 170, 173, 178 | | 2902443 341, 343 | |
| 1580012..... 233 | | 2902549 299, 331 | |
| 1580013..... 413 | | 2940045 111 | |
| 1670603..... 297 | | 2940074 ... 209, 215, 408 | |
| 1670836..... 187 | | | |
| 1701499.... 397, 399, 401, 403 | | | |

SECTION 11 - SPECIAL OPTIONS/ACCESORIES/KITS

| | | | | | | |
|-------------------------|----------------|---------------------------|------------------|---------------------------|--------------------------|----------------|
| 3312205 | 241 | 4060806 | 59 | 375, 377, 379, 383, | 4460894 ... | 337, 341, 343, |
| 3321001 | 87, 126 | 4060808 | 312, 316 | 387, 389, 391, 393 | 355, 379, 383, 393 | |
| 3321501 | 102 | 4070897 | 187 | 446046589, 91, 113, 115, | 446089793, 95, 305, 307, | |
| 3331211 ... | 151, 153, 169, | 4070898 | 187 | 247, 309, 319, 329, | 347 | |
| 178 | | 4071101 | 15 | 337, 339, 341, 343, | 4460899 ... | 329, 339, 357, |
| 3331215 | 126, 142 | 4160182 | 98 | 351, 355, 357, 377, | 369, 375, 377, 379, | |
| 3340860 | 185 | 4240032 ... | 84, 89, 91, 93, | 379, 380, 383, 384, | 383, 387, 389, 391, 393 | |
| 3340956 | 241 | 95 | | 387, 389, 391, 393 | 4460905 ... | 353, 355, 379, |
| 3380434 | 217 | 4240033 ... | 235, 237, 239 | 4460466..... | 235, 247, 307, | |
| 3422532 | 121, 135 | 4240099 ... | 126, 135, 142, | 309, 313, 317, 319, | 380, 383, 384, 389, 391 | |
| 3422793 | 183, 185 | 157, 169, 173, 178, | | 323, 337, 341, 343, | 4460910 | 373 |
| 3422814 | 185 | 219, 243 | | 349, 355, 357, 369, | 4460911 | 369 |
| 3423304 | 17 | 4240149 | 241 | 375, 377, 379, 380, | 4460928 | 309 |
| 3430616 | 219 | 4240156 | 312, 316 | 383, 384, 387, 389, | 4460930 ... | 341, 343, 379, |
| 3460334 | 241 | 4360057 | 243, 245 | 391, 393 | 383 | |
| 3470003 | 219 | 4360070 | 178, 408 | 4460470..... | 219 | |
| 3520054 ... | 126, 142, 219 | 4360274 | 75, 409 | 4460471..... | 219 | |
| 3520071 | 241 | 4360336 ... | 169, 173, 178, | 4460473..... | 312, 316, 319 | |
| 3520072 ... | 102, 203, 205, | 409 | | 4460488..... | 93, 95 | |
| 207, 209, 211, 213, 215 | | 4360387 73, 75, 219, 409 | | 4460496..... | 80, 84 | |
| 3520189 | 178 | 4360407 | 219, 408 | 4460497 | 80, 84 | |
| 3520192 | 178 | 4360436 | 63, 65 | 4460508..... | 235, 323, 355 | |
| 3520198 ... | 203, 205, 207, | 4360469 .. | 71, 73, 75, 409 | 4460509..... | 319, 379, 383 | |
| 209, 213, 215 | | 4360475 | 409 | 4460518..... | 309 | |
| 3572551 | 185 | 4360476 .. | 71, 73, 75, 409 | 4460536..... | 329, 337, 355 | |
| 3575705 | 243, 245 | 4420014 | 241 | 4460539..... | 329, 337, 343, | |
| 3580317 ... | 169, 173, 178 | 4420051 | 405 | 355, 377, 389, 391 | 4460967 | 379, 383 |
| 3580319 ... | 169, 173, 178 | 4420066 | 241 | 4460662..... | 289, 291, 293, | |
| 3580320 | 169, 178 | 4460019 | 343 | 297 | 4460970 | 355 |
| 3740067 | 87, 126 | 4460042 | 343 | 4460703..... | 343 | |
| 3740086 | 375, 409 | 4460043 | 157, 343 | 4460708..... | 355 | |
| 3740140 | 126, 408 | 4460049 | 243, 245 | 4460722..... | 157 | |
| 3760351 | 187 | 4460071 | 231 | 4460742..... | 379, 383 | |
| 3790012 | 219 | 4460115 | 344 | 4460743..... | 379, 383 | |
| 3790152 | 123, 139 | 4460142 | 380, 384 | 4460746..... | 343 | |
| 3820001 ... | 397, 399, 401, | 4460183 | 355 | 4460748..... | 343, 380, 384 | |
| 403, 406 | | 4460225 ... | 178, 351, 355 | 4460754..... | 389, 391 | |
| 3820020 | 209, 215 | 4460226 ... | 223, 226, 231, | 4460761..... | 355, 379, 383 | |
| 3820032 | 87 | 243, 245 | | 4460806..... | 285, 287, 289, | |
| 3841143 ... | 121, 135, 193 | 4460227 | 355 | 291, 380, 384 | 4461005 | 341 |
| 3841203 ... | 183, 185, 189 | 4460234 . | 84, 89, 91, 219, | 4460807..... | 351 | |
| 3841258 | 15, 183, 189 | 243 | | 4460808..... | 351 | |
| 3841287 | 189 | 4460247 ... | 343, 379, 383 | 4460836..... | 379, 383 | |
| 3841340 | 312, 316 | 4460259 ... | 247, 353, 355, | 4460837..... | 379 | |
| 3841520 | 17 | 380, 384 | | 4460865..... | 312, 316, 319, | |
| 3900054 | 211 | 4460260 ... | 247, 353, 355, | 379, 383 | 4460866..... | 312, 316, 323, |
| 3900349 | 219 | 380, 384 | | 355 | 355 | |
| 3900351 | 187 | 4460265 | 223, 226 | 4460871.... | 113, 115, 353, | |
| 3900363 | 109, 111 | 4460267 63, 65, 355, 379, | | 355, 379, 380, 383, | 384, 389, 391 | |
| 3910804 | 71, 73, 75 | 383 | | 4460872..... | 389, 391 | |
| 3931408 | 237 | 4460268 | 351, 389 | 4460873..... | 355, 380, 384 | |
| 3931512 | 142 | 4460313 | 341 | 4460874..... | 355, 379, 383 | |
| 3931618 | 123, 139 | 4460320 | 63, 65 | 4460875..... | 355, 389, 391 | |
| 3960407 | 126 | 4460384 | 297 | 4460876..... | 353 | |
| 3960526 | 19 | 4460418 | 353, 355 | 4460878..... | 380, 384 | |
| 4010405 | 299, 301 | 4460419 | 353, 355 | 4460879..... | 247, 355 | |
| 4010418 | 312, 316 | 4460424 | 389 | 4460884..... | 247, 343, 357, | |
| 4010618 ... | 205, 207, 213 | 4460425 ... | 178, 243, 245 | 379, 383, 387, 391 | 4460887.... | 247, 355, 380, |
| 4031505 | 235 | 4460426 | 178 | 384 | 384 | |
| 4031509 ... | 89, 91, 93, 95 | 4460428 | 219 | 4460891 89, 91, 113, 115, | 309, 339, 347, 380, | |
| 4031511 | 312, 316 | 4460434 | 355 | 387, 389, 391, 393 | 4460892..... | 337 |
| 4031512 | 69 | 4460458 ... | 344, 379, 380, | | | |
| 4031516 | 239 | 383, 384 | | | | |
| 4031914 | 142 | 4460464 . | 69, 93, 95, 231, | | | |
| 4032015 | 169, 178 | 247, 305, 307, 309, | | | | |
| 4060802 ... | 169, 173, 178 | 323, 329, 337, 339, | | | | |
| 4060805 | 126, 142 | 347, 349, 355, 357, | | | | |

SECTION 11 - SPECIAL OPTIONS/ACCESORIES/KITS

| | | | |
|---|--|--|------------------------|
| 4712000.....229, 241 | 5250808 170, 178 | 70002063 39 | 70004103.....130 |
| 4712200.....241 | 5250810 .. 71, 73, 75, 170, 173, 178, 195 | 70002070 23 | 70004169.....177 |
| 4740086.....17 | 5250812 59, 313, 317 | 70002071 23 | 70004171..... 169, 177 |
| 4740158.....15 | 5251008 193, 327 | 70002072 23 | 70004249.....57 |
| 4740229.....15 | 5251009 187 | 70002073 23 | 70004250.....57 |
| 4740362.....217 | 5251010 ..37, 43, 187, 195 | 70002088 177 | 70004251.....57 |
| 4750800.....313, 317 | 5251012 15, 27, 187 | 70002112 65 | 70004252.....57 |
| 4751400.... 109, 111, 217, 219, 233, 243, 245, 397, 399, 401, 403 | 5251014 98, 102, 312, 316 | 7000216 23 | 70004253.....57 |
| 4751500.....243, 245 | 5251016 193 | 70002206 53 | 70004254.....57 |
| 4751600.....217 | 5251215 121, 135, 143 | 70002207 53 | 70004255.....57 |
| 4751800.....211, 243, 245 | 5260800 ... 59, 71, 73, 75, 170, 173, 178 | 70002209 39 | 70004256.....57 |
| 4761000.....87, 126 | 5261200 121, 135, 143 | 70002234 130 | 70004257.....57 |
| 4761400.....233 | 5272114 49, 51 | 70002257 162 | 70004258.....57 |
| 4811400....69, 89, 91, 93, 95, 247, 277, 279, 281, 283, 285, 287, 289, 291, 293, 295, 297, 312, 316 | 5281918 312, 316 | 70002297 177 | 70004259.....57 |
| 4811600.....87, 178 | 70000088 53 | 70002335 253 | 70004260.....57 |
| 4811700.... 69, 80, 84, 87, 93, 95, 105, 107, 109, 111, 113, 115, 121, 126, 135, 142, 169, 173, 178, 205, 207, 213, 299, 301, 313, 317 | 70000089 53 | 70002373 253 | 70004261.....57 |
| 4811702..80, 84, 87, 142, 167, 170, 174, 299, 301 | 70000100 197 | 70002386 39, 45, 257, 265, 408 | 70004262.....57 |
| 4811900....37, 63, 65, 71, 73, 75, 98, 102, 109, 111, 121, 126, 135, 142, 151, 153, 169, 178, 187, 193, 303, 312, 316 | 70000342 191 | 70002460 177 | 70004263.....57 |
| 4811902.... 142, 185, 187, 195, 312, 316 | 70000345 130, 147 | 70002649 57 | 70004267.....47 |
| 4812000....43, 69, 87, 98, 102, 105, 107, 109, 111, 121, 126, 135, 142, 173, 183, 187, 189, 193, 303, 312, 316 | 70000619 177 | 70002651 57 | 70004268.....129 |
| 4812002....63, 65, 69, 98, 102, 136, 142 | 70000781 39 | 70002718 129, 148 | 70004269.....129 |
| 4812100.....98, 135, 142, 169, 178, 189, 193 | 70000787 130 | 70002838 65 | 70004270.....130 |
| 4812102...63, 65, 98, 102 | 70000793 159 | 70002842 251 | 70004281.....148 |
| 4812200.... 126, 143, 151, 153, 169, 178 | 70000794 21 | 70002902 231 | 70004504.....148 |
| 4812300.....61 | 70000795 21 | 70002903 231 | 70004505.....148 |
| 4846370.....243 | 70000796 21 | 70002904 231 | 70004506.....148 |
| 4871700..... 169, 173, 178 | 70000800 129 | 70002905 231 | 70004507.....148 |
| 4891600.....98, 123, 139, 193 | 70000851 130 | 70002962 39 | 70004508.....148 |
| 4891800..... 19, 123, 139 | 70000854 21 | 70002996 23 | 70004509.....148 |
| 4892000.....19 | 70000856 21 | 70002997 24 | 70004510.....148 |
| 4892600001 193 | 70000863 177 | 70003000 23 | 70004577.....39 |
| 4922641 174, 178 | 70000865 57 | 70003463 129, 408 | 70004676..... 169, 173 |
| 4922925.....178 | 70000912 129 | 70003464 129 | 70004677.....169 |
| 4922929.....316 | 70000913 129 | 70003468 130 | 70004678..... 169, 173 |
| 4923451 127 | 70000914 129 | 70003469 130 | 70004679..... 170, 173 |
| 5241000..... 109, 111 | 70000915 129 | 70003472 129 | 70004680..... 170, 173 |
| 5241200.... 15, 17, 49, 51, 126, 143, 151, 153, 169, 173, 178, 187, 193 | 70000916 129 | 70003473 129 | 70004681..... 170, 173 |
| 5241600.....49, 51 | 70000917 129 | 70003475 129 | 70004682..... 170, 173 |
| 5250608.....80, 84 | 70000918 129 | 70003479 129 | 70004683..... 170, 174 |
| | 70000919 130 | 70003480 129 | 70004686.....173 |
| | 70000931 130 | 70003481 129 | 70004738.....223 |
| | 70001002 129 | 70003481 129 | 70004739.....223 |
| | 70001100 177 | 70003612 47 | 70004740.....223 |
| | 70001119 23 | 70003614 65, 408 | 70004741.....223 |
| | 70001181 129 | 70003628 21 | 70004742.....223 |
| | 70001368 23 | 70003631 177 | 70004743.....223 |
| | 70001384 177 | 70003708 .. 169, 173, 177 | 70004744.....223 |
| | 70001423 129 | 70003709 .. 169, 173, 177 | 70004745.....223 |
| | 70001435 130 | 70003783 127, 408 | 70004746.....223 |
| | 70001498 130 | 70003788 45, 257, 408 | 70004747.....223 |
| | 70001654 129 | 70003931 130 | 70004748.....223 |
| | 70001655 129 | 70003932 130 | 70004749.....223 |
| | 70001696 177 | 70003975 39 | 70004750.....223 |
| | 70001844 130 | 70003977 45 | 70004751.....223 |
| | 70001850 129 | 70004000 47 | 70004752.....225 |
| | 70001866 130 | 70004013 47 | 70004753.....225 |
| | 70001868 130 | 70004014 47 | 70004754.....225 |
| | 70001870 129, 148 | 70004017 39 | 70004755.....225 |
| | 70001871 130 | 70004039 23 | 70004756.....225 |
| | 70001872 130 | 70004056 130 | 70004757.....225 |
| | 70001932 21 | 70004058 130, 408 | 70004758.....225 |
| | 70001953 177 | 70004059 130 | 70004759.....225 |
| | 70001966 .. 169, 173, 177 | 70004060 130 | 70004760.....225 |
| | 70001973 177 | 70004062 130 | 70004761.....225 |
| | 70001974 177 | 70004092 169, 173 | 70004762.....225 |
| | | 70004099 173 | 70004763.....225 |
| | | 70004102 130 | 70004764.....225 |

SECTION 11 - SPECIAL OPTIONS/ACCESORIES/KITS

| | | | | | | | |
|----------|---------------|----------|----------|----------|---------|----------|---------------|
| 70004765 | 225 | 70005095 | 45 | 70007734 | 257 | 70024920 | 147 |
| 70004766 | 225 | 70005096 | 45 | 70007735 | 257 | 70025082 | 129 |
| 70004767 | 225 | 70005097 | 45 | 70007736 | 257 | 70025084 | 129, 130 |
| 70004768 | 225 | 70005098 | 45 | 70007737 | 257 | 70025086 | 130 |
| 70004769 | 225 | 70005099 | 45 | 70007738 | 253 | 70025088 | 129 |
| 70004770 | 225 | 70005100 | 45 | 70007739 | 253 | 70025091 | 129 |
| 70004771 | 225 | 70005139 | 47 | 70007740 | 253 | 70025121 | 130 |
| 70004772 | 225 | 70005143 | 253 | 70007741 | 253 | 70025123 | 129, 130 |
| 70004773 | 225 | 70005150 | 261 | 70007742 | 253 | 70025130 | 147 |
| 70004774 | 226 | 70005151 | 261 | 70007743 | 265 | 70025131 | 130 |
| 70004775 | 226 | 70005152 | 261 | 70007744 | 265 | 70025139 | 129 |
| 70004864 | 197 | 70005153 | 261 | 70007745 | 265 | 70025140 | 148 |
| 70004865 | 197 | 70005154 | 261 | 70007746 | 265 | 70025144 | 148 |
| 70004866 | 197 | 70005171 | 148 | 70007747 | 265 | 70025145 | 148 |
| 70004867 | 197, 199 | 70005172 | 148 | 70008135 | 263 | 70025152 | 148 |
| 70004868 | 197 | 70005176 | 148 | 70008136 | 263 | 70025164 | 147 |
| 70004869 | 197, 199 | 70005177 | 148 | 70008137 | 263 | 70025231 | 147 |
| 70004871 | 197, 199, 408 | 70005184 | 147 | 70008138 | 263 | 70025235 | 148 |
| 70004873 | 199 | 70005191 | 147 | 70008139 | 263 | 70025239 | 147 |
| 70004875 | 197 | 70005217 | 45 | 70008140 | 263 | 70025242 | 147 |
| 70004876 | 63, 65 | 70005218 | 45 | 70008141 | 263 | 70025614 | 257 |
| 70004883 | 39 | 70005219 | 45, 408 | 70008244 | 251 | 70025619 | 255, 257, 263 |
| 70004884 | 39 | 70005243 | 199 | 70008246 | 251 | 70025627 | 257 |
| 70004885 | 39 | 70005504 | 147 | 70008247 | 251 | 70025667 | 129 |
| 70004886 | 39 | 70005505 | 147 | 70008253 | 67 | 70025693 | 130 |
| 70004887 | 39 | 70005507 | 147 | 70008254 | 67 | 70025694 | 130 |
| 70004888 | 39 | 70005606 | 23 | 70008256 | 67 | 70026210 | 147 |
| 70004889 | 161 | 70005613 | 23 | 70008258 | 67 | 70027088 | 263 |
| 70004890 | 161 | 70005667 | 312, 316 | 70008259 | 67 | 70027405 | 147 |
| 70004891 | 161 | 70005931 | 147 | 70008260 | 67 | 70028185 | 148 |
| 70004892 | 161 | 70005938 | 148 | 70008261 | 67 | 70028538 | 147 |
| 70004893 | 161 | 70005941 | 148 | 70008262 | 67 | 70028540 | 147 |
| 70004894 | 161 | 70005942 | 148 | 70008263 | 67 | 70029409 | 147 |
| 70004895 | 161 | 70006104 | 257 | 70008264 | 67 | 70029512 | 147 |
| 70004896 | 161 | 70006105 | 257 | 70008265 | 67 | 70030360 | 147 |
| 70004897 | 161, 408 | 70006356 | 123, 139 | 70008266 | 67 | 70030381 | 148 |
| 70004898 | 161 | 70006552 | 170 | 70008267 | 67 | 70031055 | 147 |
| 70004899 | 162 | 70006553 | 170, 408 | 70008268 | 67 | 70031136 | 147 |
| 70004900 | 162 | 70006660 | 197 | 70008296 | 148 | 70031143 | 147 |
| 70004901 | 162 | 70007142 | 21 | 70008422 | 148 | 70031144 | 147 |
| 70004902 | 162 | 70007143 | 21 | 70008431 | 147 | 70031388 | 147 |
| 70004903 | 162 | 70007145 | 21 | 70008435 | 147 | 70031474 | 147 |
| 70004904 | 162 | 70007146 | 21 | 70008537 | 148 | 7004035 | 53 |
| 70004905 | 162 | 70007170 | 23 | 70008538 | 148 | 7004036 | 53 |
| 70004906 | 162 | 70007171 | 23 | 70008543 | 147 | 7004043 | 53 |
| 70004907 | 162 | 70007172 | 23 | 70008544 | 147 | 7004044 | 53 |
| 70004908 | 162 | 70007173 | 23 | 70008545 | 147 | 7004045 | 53 |
| 70004909 | 162 | 70007174 | 23 | 70008547 | 147 | 7004047 | 53 |
| 70004910 | 162 | 70007175 | 23 | 70008553 | 147 | 7004049 | 53 |
| 70004911 | 162 | 70007176 | 23 | 70008558 | 147 | 7007289 | 162 |
| 70005065 | 47 | 70007177 | 24 | 70008559 | 147 | 7007415 | 161, 162 |
| 70005066 | 47 | 70007325 | 147 | 70008561 | 147 | 7007419 | 21, 161 |
| 70005067 | 47 | 70007326 | 147 | 70008564 | 148 | 7007420 | 21, 161, 162 |
| 70005068 | 47 | 70007354 | 147 | 7000857 | 21 | 7007438 | 21 |
| 70005069 | 45 | 70007556 | 199 | 70010383 | 43, 408 | 7007439 | 21 |
| 70005071 | 45 | 70007603 | 147 | 7001481 | 162 | 7007446 | 21 |
| 70005076 | 45 | 70007719 | 259 | 7001913 | 23 | 7007493 | 162 |
| 70005080 | 45 | 70007720 | 255, 259 | 70023606 | 39 | 7007495 | 161 |
| 70005082 | 45 | 70007721 | 255, 259 | 70024262 | 255 | 7007640 | 23 |
| 70005084 | 45 | 70007722 | 255, 259 | 70024504 | 147 | 7010543 | 39 |
| 70005085 | 45 | 70007723 | 255, 259 | 70024505 | 147 | 7012967 | 39, 257, 265 |
| 70005087 | 45 | 70007724 | 259 | 70024513 | 147 | 7012974 | 39 |
| 70005088 | 45 | 70007728 | 255 | 70024904 | 148 | 7012998 | 265 |
| 70005089 | 45 | 70007729 | 255 | 70024905 | 148 | 7016331 | 129, 148, 408 |
| 70005090 | 45 | 70007731 | 257 | 70024906 | 148 | 7017022 | 24 |
| 70005092 | 45 | 70007732 | 257 | 70024913 | 148 | 7017027 | 23 |
| 70005094 | 45 | 70007733 | 257 | 70024917 | 147 | 7017072 | 23 |

SECTION 11 - SPECIAL OPTIONS/ACCESORIES/KITS

| | | | |
|---------------------------|------------------------|------------------------|------------------------------------|
| 7017082.....23 | 7021281 161 | 7024738 23 | 7027796..... 130 |
| 7017093.....23 | 7021290 162 | 7024739 23 | 7027799..... 177 |
| 7017095.....23 | 7021293 161 | 7024740 23 | 7027903..... 130 |
| 7017142.....191 | 7021299 162 | 7024741 23 | 77363233..... 351 |
| 7017159.....191 | 7021625 39 | 7024742 23 | 80484084..... 343 |
| 7017162.....191 | 7021639 39 | 7024744 24 | 80633030..... 272 |
| 7017163.....191 | 7022300 161 | 7024800 161 | 80963067..... 380, 384 |
| 7017164.....191 | 7022321 21 | 7024855 161 | 8220045..... 349, 379, 383 |
| 7017172.....191 | 7022326 21 | 7024857 161 | 8220051..... 347 |
| 7017192.....191 | 7022328 21 | 7024858 161 | 8220125..... 380, 384 |
| 7017195.....191 | 7022341 161 | 7024865 21 | 8229242..... 379, 380, 384, 408 |
| 7017410.....39 | 7022346 162 | 7024871 21 | 8229244..... 380, 384, 408 |
| 7017467..... 257, 265 | 7022347 162 | 7024881 39 | 8229245..... 349, 408 |
| 7017496..... 39, 257, 265 | 7022368 21 | 7024884 265 | 8229249..... 247, 408 |
| 7020023..... 129, 408 | 7022371 21 | 7024885 39, 408 | 8229249..... 247, 408 |
| 7020026..... 129 | 7022390 45, 257 | 7026042 57 | 8305401..... 126, 143 |
| 7020403..... 129 | 7022397 39 | 7026043 57 | 8307109..... 126, 143 |
| 7020430..... 129 | 7022399 39, 45 | 7026044 57 | 8310129..... 241 |
| 7020460..... 129 | 7023318 53 | 7026045 57 | 8310548..... 126, 143 |
| 7020465..... 129, 148 | 7023900 45 | 7026046 57 | 8310614..... 69 |
| 7020468..... 129 | 7023910 21 | 7026047 57 | 8310668..... 187 |
| 7020471..... 130 | 7023936 45 | 7026048 57 | 8310686..... 98, 102 |
| 7020479..... 130 | 7024124 23 | 7026049 57 | 8405006..... 135, 155 |
| 7020492..... 129, 130 | 7024129 23 | 7026050 57 | 8405007..... 143 |
| 7021237..... 161 | 7024134 24 | 7026051 57 | 8405009..... 143 |
| 7021238..... 161 | 7024379 53 | 7026052 57 | 8405104..... 143 |
| 7021239..... 161 | 7024380 53 | 7026053 57 | 8405202..... 143 |
| 7021240..... 161 | 7024381 53 | 7026057 57 | 8405204..... 143 |
| 7021241..... 161 | 7024389 53 | 7026188 177 | 8406109..... 127, 143 |
| 7021242..... 161 | 7024390 53 | 7026330 47 | 8406110..... 143 |
| 7021243..... 161 | 7024441 65 | 7026597 177 | 8406201..... 143 |
| 7021248..... 161 | 7024453 53 | 7026626 177 | 8410013..... 121 |
| 7021249..... 21, 161 | 7024485 177, 408 | 7027236 129 | 8430007..... 135 |
| 7021253..... 161 | 7024488 177 | 7027350 57 | 8760477..... 272 |
| 7021257..... 161 | 7024489 177 | 7027351 57 | 8770289..... 272 |
| 7021258..... 161 | 7024565 130 | 7027352 57 | 88521214..... 229 |
| 7021259..... 161 | 7024579 129, 148 | 7027353 57 | 88662523..... 98, 102 |
| 7021262..... 161 | 7024723 23 | 7027354 57 | 8881800..... 69, 312, 316 |
| 7021263..... 161 | 7024726 23 | 7027356 57 | 91164057..... 45 |
| 7021265..... 161 | 7024729 23 | 7027625 197 | 91164059..... 45 |
| 7021268..... 161 | 7024730 23 | 7027628 197, 408 | 91164079..... 45 |
| 7021275..... 21 | 7024734 23 | 7027740 21 | 91203039..... 193 |
| 7021276..... 162 | 7024735 23 | 7027790 130 | |
| 7021277..... 162 | 7024736 23 | 7027791 130 | |
| 7021278..... 162 | 7024737 24 | 7027792 130 | |



**Corporate Office
JLG Industries, Inc.
1 JLG Drive
McConnellsburg, PA 17233-9533 USA**

☎ (717) 485-5161 (Corporate)
☎ (877) 554-5438 (Customer Support)
📠 (717) 485-6417

**Visit our website for JLG Worldwide Locations.
www.jlg.com**



OSHKOSH™