



Illustrated Parts Manual

Model **800AJ HC3**

PVC
2207

P/N
31220621

November 15, 2022 - Rev B

ANSI

CE



UK

CA

AS/NZS



An Oshkosh Corporation Company

REVISION LOG

July 11, 2022 - A - Original Issue Of Manual (Edited to B/M 1001248000 Rev N)

November 15, 2022 -B - Revised Manual (Edited to B/M 1001248000 Rev S)

GENERAL INFORMATION

SECTION 6 CYLINDER

FIGURE 6-3. LIFT CYLINDER ASSEMBLY

PG# Model Designation Manual #

SECTION 6 CYLINDER

FIGURE 6-3. LIFT CYLINDER ASSEMBLY

ITEM #	PART NUMBER	QTY	DESCRIPTION	REV
	1001140104	Ref	LIFT CYLINDER ASSEMBLY	B
1	0100011	AR	Compound, Locking	
2	0630305	3	Capscrew 1/4-20 x 1-1/8	
3	0791003	1	Screw #10-24 x 3/8	
4	0961897	1	Bushing, Tapered	
5	1320136	1	Clamp, Cable	
6	1683063	1	Head	
7	2220683	1	Plug, O-Ring	
8	2220685	2	Plug, O-Ring	
9	2220686	1	Plug, O-Ring	
10	3020039	AR	Lubricant	
11	3480282	1	Piston	
12	3760371	1	Ring, Washer	
13	3931420	8	Capscrew 1/4-20 x 1-1/4	
14	3931824	8	Capscrew 1/2-13 x 1-1/2	
15	3951003	1	Setscrew #10-24 x 3/8	
16	4100099	1	Spacer	
17	4640999	1	Cartridge, Holding Valve (Non Vented)	
18	4641248	1	Cartridge, Countbalance Valve (Non Vented)	
19	70004186	1	Kit, Seal - 4641248 Cartridge Valve	
20	1001117991	1	Sensor, Cylinder Length	
21	1001118070	1	Cap, Retainer	
22	1001118084	1	Barrel	
21A	0961950	2	Bushing	
22	1001118086	1	Rod	
22A	0961950	2	Bushing	
100	1001139996	1	Kit, Seal (Includes Items 101-109)	
101	See Note	2	Ring, Wear (Note: Use p/n 1001139996)	
102	See Note	1	Ring, Back-Up (Note: Use p/n 1001139996)	
103	See Note	2	Ring, Lock (Note: Use p/n 1001139996)	
104	See Note	2	Ring, Back-Up (Note: Use p/n 1001139996)	
105	See Note	2	O-Ring (Note: Use p/n 1001139996)	
106	See Note	1	O-Ring (Note: Use p/n 1001139996)	
107	See Note	1	Seal (Note: Use p/n 1001139996)	
108	See Note	1	Wiper, Rod (Note: Use p/n 1001139996)	
109	See Note	2	Seal (Note: Use p/n 1001139996)	
200	1001119105	1	Kit, Sensor Magnet (Includes Items 201-203)	
201	See Note		Sleeve, Spacer (Note: Use p/n 1001119105)	
202	1001118066		Magnet, Sensor	
203	1001118069	1	Ring, Internal Retaining	

Manual # Model Designation PG#

1) MACHINE IDENTIFICATION

Machines are identified by model and in some cases a combination of models, serial number (SN) or regional standard (i.e ANSI, CE, CSA). Components may also be identified by SN or manufacturer. Common components that may be identified by these characteristics are engines and hydraulic components.

2) PARTS MANUAL ORGANIZATION

Product information in this manual is organized under section titles. Frame, Cylinder, Hydraulic and Electrical are a few examples. Each section is organized by figure and page number. The information within the Figure is then organized by item number, part number, description and corresponding illustration (s).

3) TABLE OF CONTENTS (NOT SHOWN)

A table of contents is found toward the beginning of the manual. Figure number, description and page number are provided for quick reference to the page containing the related information.

4) RECOMMENDED SPARE PARTS (NOT SHOWN)

The Recommended Spare Parts List, located near the end of the manual, reference most frequently used maintenance parts.

5) PART NUMBER INDEX (NOT SHOWN)

A numerical index listing all part numbers and the corresponding page number(s) appears at the back of the manual.

GENERAL INFORMATION

6) NON-SERVICED PARTS

In some instances, it is necessary to display non-serviced parts, assemblies or installations. In the case of assemblies and installations there will be a Ref in the Qty. column. In case of parts that are not available for service within assemblies or components, there will be a NSS (Not Sold Separately) or NLA (No Longer Available) listed in the Qty. column of the manual.

7) PARTS LIST ITEM NUMBERS

Numbers shown in the item# column correspond to numbers used in the associated illustration (s). Item numbers which are missing from the sequence in the parts list are not used on that page.

8) INDENTED PARTS DESCRIPTION

An indented part description is included in the item under which it is indented.

9) ABBREVIATION AND SYMBOLS

AC.....	Alternating Current	L.....	Liter
ADE.....	Advanced Design Electronics	LB(LBS).....	Pounds
AG.....	Agricultural	LCD.....	Liquid Crystal Display
ANSI.....	American National Standards Institute	LED.....	Light Emitting Diodes
AR.....	As Required	LH.....	Left Hand
ASSY.....	Assembly	LRC.....	Low Rated Countries
AUS.....	Australia	LSS.....	Load Sensing System
AUX.....	Auxiliary	M(m).....	Metric/Meter
AWG.....	American Wire Gauge	MM(mm).....	Milimeter
B/M.....	Bill of Material	mA.....	Miliamps
CAC.....	Charge Air Cooler	NLA.....	No Longer Available
CE.....	European Conformity	NPT.....	National Pipe Threads
CCW.....	Counter Clockwise	NSS.....	Not Sold Separately
CM.....	Centimeter	OD.....	Outside Diameter
CW.....	Clockwise	ORB.....	O-Ring Boss
CSA.....	Canadian Standards Association	ORFS.....	O-Ring Face Seal
CYL.....	Cylinder	OZ (oz).....	Ounces
DIA.....	Diameter	PG.....	Page
DC.....	Direct Current	PN.....	Part Number
DEF.....	Diesel Exhaust Fluid	QT(qt.).....	Quarts
EMS.....	Emergency Stop	QTY.....	Quantity
ENG.....	Engine	REF.....	Reference
FT(ft).....	Feet	REV.....	Revision Level
GA(Ga).....	Gauge	RH.....	Right Hand
HRC.....	High Rated Countries	SAE.....	Society of Automotive Engineers
HVAC.....	Heating, Ventilating, and Air Conditioning	SN.....	Serial Number
HYD.....	Hydraulic	SPEC(S).....	Specifications
Hz.....	Hertz	T/T.....	Turntable
ID.....	Inside Diameter	UGM.....	Universal Ground Module
IN.....	inches	V.....	Volts
ISO.....	International Organization for Standards	W.....	Watts
JIC.....	Joint Industry Council	#.....	Number
KG.....	Kilogram		

10) ILLUSTRATION REFERENCE LETTERS

When necessary, illustrations may contain reference letters that are intended to track information (i. e. hoses, harnesses) from one point to another or to track visual enlargement of components to show details that may be located in another area on the illustration.

Note: Due to continuous product improvements, JLG Industries, Inc. reserves the right to make specification changes without prior notification. Contact JLG Industries, Inc. for updated information.

TABLE OF CONTENTS

SECTION 1 - FRAME.....	17
FIGURE 1-1. AXLE INSTALLATION - OSCILLATING.....	18
FIGURE 1-2. AXLE INSTALLATION - OSCILLATING WITH TOW PACKAGE.....	20
FIGURE 1-3. STEER INSTALLATION - 2WS.....	22
FIGURE 1-4. STEER INSTALLATION - 2WS WITH TOW PACKAGE.....	24
FIGURE 1-5. WHEEL DRIVE AND FRAME VALVES INSTALLATION - 4WD/2WS.....	26
FIGURE 1-6. DRIVE HUB/BRAKE ASSEMBLY.....	28
FIGURE 1-7. DRIVE MOTOR ASSEMBLY - 4WD.....	30
FIGURE 1-8. TIRE AND WHEEL INSTALLATION 18-625 NHS FOAM-FILLED TIRE.....	32
FIGURE 1-9. TIRE AND WHEEL INSTALLATION 18-625 NHS FOAM-FILLED NON-MARKING TIRE.....	34
FIGURE 1-10. TIRE AND WHEEL INSTALLATION 18-625 NHS FOAM-FILLED SAND TIRE.....	36
FIGURE 1-11. LP TANK BRACKETS INSTALLATIONS.....	38
FIGURE 1-12. FRAME SHIELDS INSTALLATION - 2WS.....	40
FIGURE 1-13. TOW PACKAGE INSTALLATION - 2WS (ENGLISH LANGUAGE DECALS).....	42
FIGURE 1-14. TOW PACKAGE INSTALLATION - 2WS (CE & UK CA SPECS).....	44
FIGURE 1-15. TOW BAR ASSEMBLY.....	46
SECTION 2 - TURNTABLE.....	49
FIGURE 2-1. CONTROL VALVES INSTALLATION - WITH 2WS.....	50
FIGURE 2-2. CONTROL VALVE ASSEMBLY - 2WS MACHINES.....	52
FIGURE 2-3. SWING DRIVE INSTALLATION.....	56
FIGURE 2-4. SWING MOTOR/HUB ASSEMBLY.....	58
FIGURE 2-5. TURNTABLE BEARING INSTALLATION.....	62
FIGURE 2-6. TURNTABLE LOCK INSTALLATION.....	64
FIGURE 2-7. ROTARY COUPLING INSTALLATION - 2WS MACHINES.....	66
FIGURE 2-8. TANK INSTALLATION - DIESEL MACHINE (FUEL TANK WITHOUT SIGHT GLASS) (HELGESEN 6IN DIA BREATHER HYDRAULIC TANK - 25 GAL CAPACITY) (Prior to SN 0300298303).....	68
FIGURE 2-9. TANK INSTALLATION - DIESEL MACHINE (FUEL TANK WITHOUT SIGHT GLASS) (HELGESEN 6IN DIA BREATHER HYDRAULIC TANK - 25 GAL CAPACITY) (SN 0300298303 to Present).....	70
FIGURE 2-10. TANK INSTALLATION - DIESEL MACHINE (FUEL TANK WITHOUT SIGHT GLASS) (JIANGYING 4IIN DIA BREATHER HYDRAULIC TANK - 25 GAL CAPACITY) (Prior to SN 0300298303).....	72
FIGURE 2-11. TANK INSTALLATION - DIESEL MACHINE (FUEL TANK WITHOUT SIGHT GLASS) (JIANGYING 4IIN DIA BREATHER HYDRAULIC TANK - 25 GAL CAPACITY) (SN 0300298303 to Present).....	74
FIGURE 2-12. TANK INSTALLATION - DIESEL MACHINE (FUEL TANK WITHOUT SIGHT GLASS) (HYDRAULIC TANK - 47.8 GAL CAPACITY) (Prior to SN 0300298303).....	76
FIGURE 2-13. TANK INSTALLATION - DIESEL MACHINE (FUEL TANK WITHOUT SIGHT GLASS) (HYDRAULIC TANK - 47.8 GAL CAPACITY) (SN 0300298303 to Present).....	78
FIGURE 2-14. TANK INSTALLATION - DIESEL MACHINE (FUEL TANK WITH SIGHT GLASS) (HELGESEN 6IIN DIA BREATHER HYDRAULIC TANK - 25 GAL CAPACITY) (Prior to SN 0300298303).....	80
FIGURE 2-15. TANK INSTALLATION - DIESEL MACHINE (FUEL TANK WITH SIGHT GLASS) (HELGESEN 6IIN DIA BREATHER HYDRAULIC TANK - 25 GAL CAPACITY) (SN 0300298303 to Present).....	82
FIGURE 2-16. TANK INSTALLATION - DIESEL MACHINE (FUEL TANK WITH SIGHT GLASS) (JIANGYING 4IN DIA BREATHER HYDRAULIC TANK - 25 GAL CAPACITY) (Prior to SN 0300298303).....	84
FIGURE 2-17. TANK INSTALLATION - DIESEL MACHINE (FUEL TANK WITH SIGHT GLASS) (JIANGYING 4IN DIA BREATHER HYDRAULIC TANK - 25 GAL CAPACITY) (SN 0300298303 to Present).....	86
FIGURE 2-18. TANK INSTALLATION - DIESEL MACHINE (FUEL TANK WITH SIGHT GLASS) (HYDRAULIC TANK - 47.8 GAL CAPACITY) (Prior to SN 0300298303).....	88
FIGURE 2-19. TANK INSTALLATION - DIESEL MACHINE (FUEL TANK WITH SIGHT GLASS) (HYDRAULIC TANK - 47.8 GAL CAPACITY) (SN 0300298303 to Present).....	90

TABLE OF CONTENTS

FIGURE 2-20. TANK INSTALLATION - GAS ENGINES (HELGESEN 6IN DIA BREATHER HYDRAULIC TANK - 25 GAL CAPACITY) (Prior to SN 0300298303)	92
FIGURE 2-21. TANK INSTALLATION - GAS ENGINES (HELGESEN 6IN DIA BREATHER HYDRAULIC TANK - 25 GAL CAPACITY) (SN 0300298303 to Present).....	94
FIGURE 2-22. TANK INSTALLATION - GAS ENGINES (JIANGYING 4IN DIA BREATHER HYDRAULIC TANK - 25 GAL CAPACITY) (Prior to SN 0300298303)	96
FIGURE 2-23. TANK INSTALLATION - GAS ENGINES (JIANGYING 4IN DIA BREATHER HYDRAULIC TANK - 25 GAL CAPACITY) (SN 0300298303 to Present).....	98
FIGURE 2-24. TANK INSTALLATION - GAS ENGINES (HYDRAULIC TANK - 47.8 GAL CAPACITY) (Prior to SN 0300298303)	100
FIGURE 2-25. TANK INSTALLATION - GAS ENGINES (HYDRAULIC TANK - 47.8 GAL CAPACITY) (SN 0300298303 to Present).....	102
FIGURE 2-26. HYDRAULIC TANK ASSEMBLY (HELGESEN 6IN DIA BREATHER HYDRAULIC TANK - 25 GAL CAPACITY)	104
FIGURE 2-27. HYDRAULIC TANK ASSEMBLY (JIANGYING 4IN DIA BREATHER HYDRAULIC TANK - 25 GAL CAPACITY)	106
FIGURE 2-28. HYDRAULIC TANK ASSEMBLY (HYDRAULIC TANK - 47.8 GAL CAPACITY)	108
FIGURE 2-29. AUXILIARY POWER INSTALLATION - WITHOUT BATTERY DISCONNECT	110
FIGURE 2-30. AUXILIARY POWER INSTALLATION - WITH BATTERY DISCONNECT.....	112
FIGURE 2-31. AUXILIARY POWER PUMP/MOTOR ASSEMBLY	114
FIGURE 2-32. GROUND CONTROL BOX ASSEMBLY - WITH DEUTZ D2011 ENGINES - WITH DIGITAL DISPLAY (ANSI EXPORT LRC AND AUSTRALIAN SPECS)	116
FIGURE 2-33. GROUND CONTROL BOX ASSEMBLY - WITH DEUTZ D2011 ENGINES - WITH MECHANICAL HOUR METER (ANSI EXPORT LRC AND AUSTRALIAN SPECS) (Prior to SN 0300298303).....	120
FIGURE 2-34. GROUND CONTROL BOX ASSEMBLY - WITH DEUTZ D2011 ENGINES - WITH MECHANICAL HOUR METER (ANSI EXPORT LRC AND AUSTRALIAN SPECS) (SN 0300298303 to Present)	124
FIGURE 2-35. GROUND CONTROL BOX ASSEMBLY - WITH DEUTZ D2011 AND TOWER STOW - WITH DIGITAL DISPLAY (ANSI EXPORT LRC AND AUSTRALIAN SPECS).....	128
FIGURE 2-36. GROUND CONTROL BOX ASSEMBLY - WITH DEUTZ D2011 AND TOWER STOW - WITH MECHANICAL HOUR METER (ANSI EXPORT LRC AND AUSTRALIAN SPECS) (Prior to SN 0300298303).....	132
FIGURE 2-37. GROUND CONTROL BOX ASSEMBLY - WITH DEUTZ D2011 AND TOWER STOW - WITH MECHANICAL HOUR METER (ANSI EXPORT LRC AND AUSTRALIAN SPECS) (SN 0300298303 to Present)	136
FIGURE 2-38. GROUND CONTROL BOX ASSEMBLY - WITH DEUTZ D2011 ENGINES (CE & UK CA SPECS) (Prior to SN 0300298303).....	140
FIGURE 2-39. GROUND CONTROL BOX ASSEMBLY - WITH DEUTZ D2011 ENGINES (CE & UK CA SPECS) (SN 0300298303 to Present).....	144
FIGURE 2-40. GROUND CONTROL BOX ASSEMBLY - WITH DEUTZ D2011 ENGINES AND WITH TOWER STOW (CE & UK CA LRC SPECS) (Prior to SN 0300298303)	148
FIGURE 2-41. GROUND CONTROL BOX ASSEMBLY - WITH DEUTZ D2011 ENGINES AND WITH TOWER STOW (CE & UK CA LRC SPECS) (SN 0300298303 to Present)	152
FIGURE 2-42. GROUND CONTROL BOX ASSEMBLY - WITH DEUTZ TD2.9L4 ENGINES - WITH DIGITAL DISPLAY (ANSI, ANSI EXPORT, CSA, CHINA & JAPANESE SPECS)	156
FIGURE 2-43. GROUND CONTROL BOX ASSEMBLY - WITH DEUTZ TD2.9L4 ENGINES - WITH MECHANICAL HOUR METER (ANSI, ANSI EXPORT, CSA, CHINA & JAPANESE SPECS) (Prior to SN 0300298303).....	160
FIGURE 2-44. GROUND CONTROL BOX ASSEMBLY - WITH DEUTZ TD2.9L4 ENGINES - WITH MECHANICAL HOUR METER (ANSI, ANSI EXPORT, CSA, CHINA & JAPANESE SPECS) (SN 0300298303 to Present).....	164
FIGURE 2-45. GROUND CONTROL BOX ASSEMBLY - WITH DEUTZ TD2.9L4 AND TOWER STOW - WITH DIGITAL DISPLAY (ANSI, ANSI EXPORT, CSA, CHINA & JAPANESE SPECS).....	168
FIGURE 2-46. GROUND CONTROL BOX ASSEMBLY - WITH DEUTZ TD2.9L4 AND TOWER STOW - WITH MECHANICAL HOUR METER (ANSI, ANSI EXPORT, CSA, CHINA & JAPANESE SPECS) (Prior to SN 0300298303)	172
FIGURE 2-47. GROUND CONTROL BOX ASSEMBLY - WITH DEUTZ TD2.9L4 AND TOWER STOW - WITH MECHANICAL HOUR METER (ANSI, ANSI EXPORT, CSA, CHINA & JAPANESE SPECS) (SN 0300298303 to Present)	176
FIGURE 2-48. GROUND CONTROL BOX ASSEMBLY - WITH DEUTZ TD2.9L4 (STAGE V) ENGINES (CE & UK CA SPECS) (Prior to SN 0300298303)	180

TABLE OF CONTENTS

FIGURE 2-49. GROUND CONTROL BOX ASSEMBLY - WITH DEUTZ TD2.9L4 (STAGE V) ENGINES (CE & UK CA SPECS) (SN 0300298303 to Present)	184
FIGURE 2-50. GROUND CONTROL BOX ASSEMBLY - WITH DEUTZ TD2.9L4 (STAGE V) ENGINES AND WITH TOWER STOW (CE & UK CA SPECS) (Prior to SN 0300298303)	188
FIGURE 2-51. GROUND CONTROL BOX ASSEMBLY - WITH DEUTZ TD2.9L4 (STAGE V) ENGINES AND WITH TOWER STOW (CE & UK CA SPECS) (SN 0300298303 to Present).....	192
FIGURE 2-52. GROUND CONTROL BOX ASSEMBLY - WITH FORD ENGINES - WITH DIGITAL DISPLAY	196
FIGURE 2-53. GROUND CONTROL BOX ASSEMBLY - WITH FORD ENGINES - WITH MECHANICAL HOUR METER (Prior to SN 0300298303).....	200
FIGURE 2-54. GROUND CONTROL BOX ASSEMBLY - WITH FORD ENGINES - WITH MECHANICAL HOUR METER (SN 0300298303 to Present)	204
FIGURE 2-55. GROUND CONTROL BOX ASSEMBLY - WITH FORD ENGINES AND TOWER STOW - WITH DIGITAL DISPLAY	208
FIGURE 2-56. GROUND CONTROL BOX ASSEMBLY - WITH FORD ENGINES AND TOWER STOW - WITH MECHANICAL HOUR METER (Prior to SN 0300298303).....	212
FIGURE 2-57. GROUND CONTROL BOX ASSEMBLY - WITH FORD ENGINES AND TOWER STOW - WITH MECHANICAL HOUR METER (SN 0300298303 to Present)	216
FIGURE 2-58. LIGHT PANEL INSTALLATION	220
FIGURE 2-59. ALARM INSTALLATION	222
FIGURE 2-60. WHITE NOISE ALARM INSTALLATION - ADJUSTABLE AMBIENT.....	224
FIGURE 2-61. WHITE NOISE MOTION ALARM INSTALLATION - AMBIENT	226
FIGURE 2-62. STROBE LIGHT INSTALLATION (AMBER) (Prior to SN 0300298303).....	228
FIGURE 2-63. STROBE LIGHT INSTALLATION (AMBER) (SN 0300298303 to Present).....	230
FIGURE 2-64. STROBE LIGHT INSTALLATION (BLUE).....	232
FIGURE 2-65. STROBE LIGHT INSTALLATION (RED)	234
FIGURE 2-66. HOODS INSTALLATION - ABS (DEUTZ D2011 ENGINES)	236
FIGURE 2-67. HOODS INSTALLATION - ABS (DEUTZ TD2.9L4 ENGINES)	240
FIGURE 2-68. HOODS INSTALLATION - ABS (DEUTZ TD2.9L4 (STAGE V) ENGINES)	244
FIGURE 2-69. HOODS INSTALLATION - STEEL (DEUTZ D2011 ENGINES)	248
FIGURE 2-70. HOODS INSTALLATION - STEEL (DEUTZ TD2.9L4 ENGINES).....	252
FIGURE 2-71. HOODS INSTALLATION - STEEL (FORD ENGINES)	256
FIGURE 2-72. EXHAUST COVER AND HEAT SHIELDS INSTALLATION - STEEL HOODS (DEUTZ D2011 ENGINES)	260
FIGURE 2-73. EXHAUST COVER AND HEAT SHIELDS INSTALLATION - STEEL HOODS (DEUTZ TD2.9L4 ENGINES).....	262
FIGURE 2-74. EXHAUST COVER INSTALLATION - STEEL HOODS (FORD ENGINES).....	264
FIGURE 2-75. SKYAIR AIR COMPRESSOR INSTALLATION.....	266
FIGURE 2-76. SKYAIR AIR COMPRESSOR INSTALLATION.....	268
FIGURE 2-77. AIR COMPRESSOR ASSEMBLY	270
SECTION 3 - ENGINE	273
FIGURE 3-1. DEUTZ D2011 ENGINE INSTALLATION (WITHOUT ARCTIC PACKAGE).....	274
FIGURE 3-2. DEUTZ D2011 ENGINE INSTALLATION (WITH ARCTIC PACKAGE)	276
FIGURE 3-3. DEUTZ D2011 ENGINE AND PUMP SUB-ASSEMBLY (WITHOUT ARCTIC PACKAGE).....	280
FIGURE 3-4. DEUTZ D2011 ENGINE AND PUMP SUB-ASSEMBLY (WITH ARCTIC PACKAGE)	282
FIGURE 3-5. DEUTZ D2011 ENGINE ASSEMBLY (WITHOUT ARCTIC PACKAGE).....	284
FIGURE 3-6. DEUTZ D2011 ENGINE ASSEMBLY (WITH ARCTIC PACKAGE)	288
FIGURE 3-7. DEUTZ D2011 ENGINE COMPONENTS	292
FIGURE 3-8. DEUTZ TD2.9L4 ENGINE INSTALLATION (WITHOUT ARCTIC PACKAGE).....	296
FIGURE 3-9. DEUTZ TD2.9L4 ENGINE INSTALLATION (WITH ARCTIC PACKAGE)	300

TABLE OF CONTENTS

FIGURE 3-10. DEUTZ TD2.9L4 ENGINE INSTALLATION (STAGE V) (Prior to SN 0300298303)	304
FIGURE 3-11. DEUTZ TD2.9L4 ENGINE INSTALLATION (STAGE V) (SN 0300298303 to Present).....	308
FIGURE 3-12. DEUTZ TD2.9L4 ENGINE INSTALLATION (CHINA III SPECS)	312
FIGURE 3-13. DEUTZ TD2.9L4 ENGINE AND PUMP SUB-ASSEMBLY (WITHOUT ARCTIC PACKAGE)	316
FIGURE 3-14. DEUTZ TD2.9L4 ENGINE AND PUMP SUB-ASSEMBLY (WITH ARCTIC PACKAGE)	318
FIGURE 3-15. DEUTZ TD2.9L4 ENGINE AND PUMP SUB-ASSEMBLY (STAGE V).....	320
FIGURE 3-16. DEUTZ TD2.9L4 ENGINE AND PUMP SUB-ASSEMBLY (CHINA III SPECS).....	322
FIGURE 3-17. DEUTZ TD2.9L4 ENGINE ASSEMBLY (WITHOUT ARCTIC PACKAGE)	324
FIGURE 3-18. DEUTZ TD2.9L4 ENGINE ASSEMBLY (WITH ARCTIC PACKAGE).....	330
FIGURE 3-19. DEUTZ TD2.9L4 ENGINE ASSEMBLY (STAGE V)	336
FIGURE 3-20. DEUTZ TD2.9L4 ENGINE ASSEMBLY (CHINA III SPECS)	342
FIGURE 3-21. DEUTZ TD2.9L4 ENGINE COMPONENTS.....	348
FIGURE 3-22. DEUTZ TD2.9L4 ENGINE COMPONENTS (STAGE V).....	352
FIGURE 3-23. DEUTZ TD2.9L4 ENGINE COMPONENTS (CHINA III SPECS).....	356
FIGURE 3-24. FUEL PUMP/FILTER BRACKET ASSEMBLY (DEUTZ TD2.9L4 ENGINES).....	360
FIGURE 3-25. FUEL PUMP/FILTER BRACKET ASSEMBLY (DEUTZ TD2.9L4 (STAGE V) ENGINES).....	362
FIGURE 3-26. FUEL PUMP/FILTER BRACKET ASSEMBLY (DEUTZ TD2.9L4 ENGINES) (CHINA III ENGINES) (Prior to SN 0300298158, Excluding 0300288209).....	364
FIGURE 3-27. FUEL PUMP/FILTER BRACKET ASSEMBLY (DEUTZ TD2.9L4 ENGINES) (CHINA III ENGINES) (SN 0300298158 to Present, Including 0300288209).....	366
FIGURE 3-28. BREATHER HEATER INST (DEUTZ TD2.9L4 ENGINES)	368
FIGURE 3-29. FORD ENGINE INSTALLATION (WITHOUT ARCTIC PACKAGE).....	370
FIGURE 3-30. FORD ENGINE INSTALLATION (WITH ARCTIC PACKAGE)	374
FIGURE 3-31. FORD ENGINE AND PUMP SUB-ASSEMBLY (WITHOUT ARCTIC PACKAGE)	378
FIGURE 3-32. FORD ENGINE AND PUMP SUB-ASSEMBLY (WITH ARCTIC PACKAGE)	380
FIGURE 3-33. FORD ENGINE ASSEMBLY (WITHOUT ARCTIC PACKAGE).....	382
FIGURE 3-34. FORD ENGINE ASSEMBLY (WITH ARCTIC PACKAGE)	388
FIGURE 3-35. FORD ENGINE PREP ASSEMBLY	394
FIGURE 3-36. FORD ENGINE BRACKETS AND EXHAUST MANIFOLD INSTALLATION	396
FIGURE 3-37. FORD ENGINE DRIVE BELT INSTALLATION (MACHINES WITHOUT GENERATOR).....	398
FIGURE 3-38. FORD ENGINE COMPONENTS	400
FIGURE 3-39. PUMP COUPING KIT (DEUTZ ENGINES).....	404
FIGURE 3-40. HYDROSTATIC PUMP ASSEMBLY	406
FIGURE 3-41. VARIABLE PUMP ASSEMBLY	408
FIGURE 3-42. EXHAUST PIPE INSTALLATION - DEUTZ TD2.9L4 ENGINES	412
FIGURE 3-43. EXHAUST PIPE INSTALLATION - DEUTZ TD2.9L4 (STAGE V) ENGINES	414
FIGURE 3-44. EXHAUST PIPE INSTALLATION - FORD ENGINES.....	416
FIGURE 3-45. SPARK ARRESTOR MUFFLER INSTALLATION - DEUTZ D2011 ENGINES.....	418
FIGURE 3-46. FUEL-WATER SEPARATOR INSTALLATION - DEUTZ D2011 ENGINES	420
FIGURE 3-47. FUEL-WATER SEPARATOR INSTALLATION - DEUTZ TD2.9L4 ENGINES	422
FIGURE 3-48. RIGHT ENGINE SUPPORT INSTALLATION (DEUTZ D2011 ENGINES MACHINES WITHOUT GENERATORS)	424
FIGURE 3-49. RIGHT ENGINE SUPPORT INSTALLATION (DEUTZ D2011 ENGINES MACHINES WITH GENERATORS)	426
FIGURE 3-50. ENGINE HOOD Baffle INSTALLATION - DEUTZ TD2.9L4 ENGINES AND DEUTZ TD2.9L4 (STAGE V) ENGINES WITH ABS HOODS.....	428
FIGURE 3-51. ENGINE HOOD Baffle INSTALLATION - DEUTZ TD2.9L4 ENGINES WITH STEEL HOODS.....	430
FIGURE 3-52. ENGINE TRAY JACK INSTALLATION - DEUTZ ENGINES.....	432

TABLE OF CONTENTS

FIGURE 3-53. ENGINE TRAY JACK INSTALLATION - FORD ENGINES.....	434
FIGURE 3-54. 2500W/110V/60HZ GENERATOR INSTALLATION - DEUTZ D2011 ENGINES.....	436
FIGURE 3-55. 2500W/110V/60HZ GENERATOR INSTALLATION - DEUTZ TD2.9L4 ENGINES.....	438
FIGURE 3-56. 2500W/110V/60HZ GENERATOR INSTALLATION - FORD ENGINES.....	442
FIGURE 3-57. 2500W/220V/50HZ GENERATOR INSTALLATION - DEUTZ D2011 ENGINES.....	446
FIGURE 3-58. 4000W/50HZ GENERATOR INSTALLATION - DEUTZ D2011 ENGINES.....	448
FIGURE 3-59. 4000W/50HZ GENERATOR INSTALLATION - DEUTZ TD2.9L4 ENGINES AND DEUTZ TD2.9L4 (STAGE V) ENGINES.....	452
FIGURE 3-60. 4000W/60HZ GENERATOR INSTALLATION - DEUTZ D2011 ENGINES.....	456
FIGURE 3-61. 4000W/60HZ GENERATOR INSTALLATION - DEUTZ TD2.9L4 ENGINES.....	460
FIGURE 3-62. 7500W/50HZ SKYPOWER GENERATOR INSTALLATION - DEUTZ D2011 ENGINES.....	464
FIGURE 3-63. 7500W/50HZ SKYPOWER GENERATOR INSTALLATION - DEUTZ TD2.9L4 ENGINES AND DEUTZ TD2.9L4 (STAGE V) ENGINES.....	468
FIGURE 3-64. 7500W/60HZ SKYPOWER GENERATOR INSTALLATION - DEUTZ D2011 ENGINES.....	472
FIGURE 3-65. 7500W/60HZ SKYPOWER GENERATOR INSTALLATION - DEUTZ TD2.9L4 ENGINES.....	476
FIGURE 3-66. 7500W/60HZ SKYPOWER GENERATOR INSTALLATION - FORD ENGINES.....	480
FIGURE 3-67. QUICKFIT OIL VALVE (DEUTZ ENGINES).....	484
SECTION 4 - BOOM.....	487
FIGURE 4-1. BOOM AND CYLINDER INSTALLATION.....	488
FIGURE 4-2. MAIN BOOM ASSEMBLY.....	490
FIGURE 4-3. TOWER BOOM ASSEMBLY.....	492
FIGURE 4-4. JIB ASSEMBLY.....	494
FIGURE 4-5. ROTATOR ASSEMBLY.....	496
FIGURE 4-6. SUPPORT, PLATFORM INSTALLATION.....	498
FIGURE 4-7. POWER TRACK INSTALLATION - MAIN BOOM.....	500
FIGURE 4-8. POWER TRACK INSTALLATION - TOWER BOOM.....	502
FIGURE 4-9. CONTROL VALVES INSTALLATION - WITH 2WS.....	504
FIGURE 4-10. CONTROL VALVE ASSEMBLY.....	506
FIGURE 4-11. BOOM VALVES AND PROXIMITY SWITCHES INSTALLATION.....	508
FIGURE 4-12. BOOM VALVES AND PROXIMITY SWITCHES INSTALLATION WITH TOWER STOW.....	512
FIGURE 4-13. TRANSPORT POSITION SWITCH INSTALLATION.....	516
SECTION 5 - PLATFORM.....	519
FIGURE 5-1. PLATFORM ASSEMBLY WITH DROP-BAR - 30IN X 3FT (76CM X 1M).....	520
FIGURE 5-2. PLATFORM ASSEMBLY WITH GATE - 30IN X 4FT (76CM X 1.22M).....	522
FIGURE 5-3. PLATFORM ASSEMBLY WITH DROP-BAR - 30IN X 4FT (76CM X 1.22M).....	524
FIGURE 5-4. PLATFORM ASSEMBLY WITH GATE - 30IN X 6FT (76CM X 1.83M).....	526
FIGURE 5-5. PLATFORM ASSEMBLY WITH GATE- 36IN X 6FT (91.5CM X 1.83M).....	528
FIGURE 5-6. PLATFORM ASSEMBLY WITH DROP-BAR - 30IN X 6FT (76CM X 1.83M).....	530
FIGURE 5-7. PLATFORM ASSEMBLY WITH DROP-BAR - 36IN X 6FT (91.5CM X 1.83M).....	532
FIGURE 5-8. PLATFORM ASSEMBLY WITH 1 GATE / 2 DROP BARS (TRI-ENTRY) - 36IN X 6FT (91.5CM X 1.83M).....	534
FIGURE 5-9. PLATFORM ASSEMBLY WITH 3 DROP BARS (TRI-ENTRY) - 36IN X 6FT (91.5CM X 1.83M).....	536
FIGURE 5-10. PLATFORM ASSEMBLY WITH FALL ARREST (6FT).....	538
FIGURE 5-11. PLATFORM ASSEMBLY WITH GATE - 36IN X 8FT (91.5CM X 2.44M).....	540
FIGURE 5-12. PLATFORM ASSEMBLY WITH DROP-BAR - 36IN X 8FT (91.5CM X 2.44M).....	542
FIGURE 5-13. PLATFORM ASSEMBLY WITH 1 GATE / 2 DROP BARS (TRI-ENTRY) - 36IN X 8FT (91.5CM X 2.44M).....	544

TABLE OF CONTENTS

FIGURE 5-14. PLATFORM ASSEMBLY WITH 3 DROP BARS (TRI-ENTRY) - 36IN X 8FT (91.5CM X 2.44M)	546
FIGURE 5-15. PLATFORM ASSEMBLY WITH FALL ARREST (8FT)	548
FIGURE 5-16. CONSOLE AND FOOT SWITCH INSTALLATION	550
FIGURE 5-17. CONSOLE AND FOOT SWITCH INSTALLATION WITH TOWER STOW	552
FIGURE 5-18. CONSOLE BOX ASSEMBLY WITH FOOTSWITCH	554
FIGURE 5-19. CONSOLE BOX ASSEMBLY WITH FOOTSWITCH WITH TOWER STOW	558
FIGURE 5-20. LIGHT PANEL INSTALLATION	562
FIGURE 5-21. FOOTSWITCH ASSEMBLY	564
FIGURE 5-22. CONTROLLER ASSEMBLY- DRIVE/STEER	566
FIGURE 5-23. CONTROLLER ASSEMBLY - LIFT/SWING	568
FIGURE 5-24. JIB SWITCH INSTALLATION	572
FIGURE 5-25. SKYEYE INSTALLATION	574
FIGURE 5-26. SKYGUARD BAR INSTALLATION	576
FIGURE 5-27. SKYLINE INSTALLATION	578
FIGURE 5-28. STORAGE TRAY INSTALLATION - CENTER	580
FIGURE 5-29. MANUAL STORAGE BOX INSTALLATION	582
FIGURE 5-30. SKYCUTTER INSTALLATION	584
FIGURE 5-31. SKYWELDER/SKYCUTTER COMBO INSTALLATION (60HZ)	586
FIGURE 5-32. PLASMA CUTTER ASSEMBLY	590
FIGURE 5-33. SKYWELDER INSTALLATION (50HZ)	592
FIGURE 5-34. SKYWELDER INSTALLATION (60HZ)	594
FIGURE 5-35. WELDER ASSEMBLY	596
FIGURE 5-36. SKYWELDER PREP PACKAGE (60HZ)	598
FIGURE 5-37. SKYGLAZIER INSTALLATION (ALL SPECS EXCEPT CHINA AND JAPANESES SPECS)	600
FIGURE 5-38. SKYGLAZIER INSTALLATION (ENGLISH LANGUAGE DECALS)	602
FIGURE 5-39. SOFT TOUCH SYSTEM INSTALLATION - 6FT/1.83M PLATFORM	604
FIGURE 5-40. SOFT TOUCH SYSTEM INSTALLATION - 6FT/1.83M FALL ARREST PLATFORM	606
FIGURE 5-41. SOFT TOUCH SYSTEM INSTALLATION - 8FT/2.44M PLATFORM	608
FIGURE 5-42. SOFT TOUCH SYSTEM INSTALLATION - 8FT/2.44M FALL ARREST PLATFORM	610
FIGURE 5-43. FALL ARREST INSTALLATION (BOLT-ON) 30IN X 4FT (76CM X 1.22M) PLATFORM	612
FIGURE 5-44. FALL ARREST INSTALLATION (BOLT-ON) 36IN X 6FT (91.2CM X 1.82M) PLATFORM	614
FIGURE 5-45. FALL ARREST INSTALLATION (BOLT-ON) 30IN X 6FT (76CM X 1.83M) PLATFORM	616
FIGURE 5-46. FALL ARREST INSTALLATION (BOLT-ON) 36IN X 8FT (91.5CM X 2.4M) PLATFORM	618
FIGURE 5-47. FALL ARREST INSTALLATION (BOLT-ON) 36IN X 6FT (91.5CM X 1.82M) TRI-ENTRY PLATFORM)	620
FIGURE 5-48. USB CHARGER INSTALLATION	622
SECTION 6 - CYLINDER	625
FIGURE 6-1. AXLE LOCKOUT CYLINDER ASSEMBLY	626
FIGURE 6-2. LEVEL CYLINDER ASSEMBLY - PLATFORM SLAVE	628
FIGURE 6-3. LEVEL CYLINDER ASSEMBLY - UPRIGHT	630
FIGURE 6-4. LIFT CYLINDER ASSEMBLY - JIB	632
FIGURE 6-5. LIFT CYLINDER ASSEMBLY - MAIN BOOM	634
FIGURE 6-6. LIFT CYLINDER ASSEMBLY - TOWER BOOM	636
FIGURE 6-7. MASTER CYLINDER ASSEMBLY	638
FIGURE 6-8. STEER CYLINDER ASSEMBLY	640
FIGURE 6-9. TELESCOPE CYLINDER ASSEMBLY - MAIN BOOM	642

TABLE OF CONTENTS

FIGURE 6-10. TELESCOPE CYLINDER ASSEMBLY - TOWER BOOM.....	644
SECTION 7 - HYDRAULIC	647
FIGURE 7-1. HYDRAULIC DIAGRAM - AXLE (OSCILLATING)	648
FIGURE 7-2. HYDRAULIC DIAGRAM - DRIVE (4WD/2WS WITHOUT TOW PACKAGE/WITHOUT ARCTIC PACKAGE)	650
FIGURE 7-3. HYDRAULIC DIAGRAM - DRIVE (4WD/2WS WITHOUT TOW PACKAGE/WITH ARCTIC PACKAGE).....	656
FIGURE 7-4. HYDRAULIC DIAGRAM - DRIVE (4WD/2WS WITH TOW PACKAGE/WITHOUT ARCTIC PACKAGE).....	662
FIGURE 7-5. HYDRAULIC DIAGRAM - DRIVE (4WD/2WS WITH TOW PACKAGE/WITH ARCTIC PACKAGE)	668
FIGURE 7-6. HYDRAULIC DIAGRAM - STANDARD.....	674
SECTION 8 - ELECTRICAL	679
FIGURE 8-1. 800AJ HC3 ELECTRICAL LAYOUT	680
FIGURE 8-2. AC BOX AT PLATFORM INSTALLATION - 110V GFI RECEPTACLE (ALL SPECS EXCEPT AUSTRALIAN, CE & UK CA SPECS)	694
FIGURE 8-3. AC BOX AT PLATFORM INSTALLATION - 220V (ANSI, CSA & JAPANESE SPECS)	696
FIGURE 8-4. AC BOX AT PLATFORM MID-BOOM PLUG INSTALLATION (WITH 4000W/60HZ GENERATOR) (ANSI, ANSI EXPORT, CSA & JAPANESE SPECS)	698
FIGURE 8-5. AC BOX AT PLATFORM MID-BOOM PLUG INSTALLATION (WITHOUT 7500W SKYPOWER GENERATOR) (ALL SPECS EXCEPT ANSI, JAPANESE & CSA SPECS)	700
FIGURE 8-6. AC BOX AT PLATFORM MID-BOOM PLUG INSTALLATION (WITH 7500W SKYPOWER GENERATOR).....	702
FIGURE 8-7. AC BOX AT PLATFORM INSTALLATION - 110V IEC YELLOW (CE & UK CA SPECS) (MACHINES WITH 2500W GENERATOR OR NO GENERATOR OPTION).....	704
FIGURE 8-8. AC BOX AT PLATFORM INSTALLATION - 110V IEC YELLOW (CE & UK CA SPECS) (MACHINES WITH 4000W GENERATOR).....	706
FIGURE 8-9. AC BOX AT PLATFORM INSTALLATION - 220V IEC BLUE (CE & UK CA SPECS) (MACHINES WITH 2500W GENERATOR OR NO GENERATOR OPTION).....	708
FIGURE 8-10. AC BOX AT PLATFORM INSTALLATION - 220V IEC BLUE (CE & UK CA SPECS) (MACHINES WITH 4000W GENERATOR).....	710
FIGURE 8-11. AC BOX AT PLATFORM INSTALLATION - 220V CEE7 POST GROUND (CE & UK CA SPECS) (MACHINES WITH 2500W GENERATOR OR NO GENERATOR OPTION)	712
FIGURE 8-12. AC BOX AT PLATFORM INSTALLATION - 220V CEE7 POST GROUND (CE & UK CA SPECS) (MACHINES WITH 4000W GENERATOR)	714
FIGURE 8-13. AC BOX AT PLATFORM INSTALLATION - 220V CEE7 SIDE GROUND (CE & UK CA SPECS) (MACHINES WITH 2500W GENERATOR OR NO GENERATOR OPTION)	716
FIGURE 8-14. AC BOX AT PLATFORM INSTALLATION - 220V CEE7 SIDE GROUND (CE & UK CA SPECS) (MACHINES WITH 4000W GENERATOR)	718
FIGURE 8-15. AC BOX AT PLATFORM INSTALLATION - 220V AFSINT 107 KEYED GROUND (CE & UK CA SPECS) (MACHINES WITH 2500W GENERATOR OR NO GENERATOR OPTION)	720
FIGURE 8-16. AC BOX AT PLATFORM INSTALLATION - 220V AFSINT 107 KEYED GROUND (CE & UK CA SPECS) (MACHINES WITH 4000W GENERATOR)	722
FIGURE 8-17. AC BOX AT PLATFORM INSTALLATION - 220V (2X4 BOX & COVER ONLY - LOCALLY SUPPLIED RECEPTACLE) (4000W GENERATOR)	724
FIGURE 8-18. AC BOX AT PLATFORM INSTALLATION - 240V GFCI RECEPTACLE (ALL SPECS EXCEPT CE, UK CA, AUSTRALIAN & CHINESE SPECS WITH 4000W SKYPOWER GENERATOR)	726
FIGURE 8-19. AC BOX AT PLATFORM INSTALLATION - 240V GFCI RECEPTACLE (ALL SPECS EXCEPT CE, UK CA, AUSTRALIAN & CHINESE SPECS WITH 7500W SKYPOWER GENERATOR)	728
FIGURE 8-20. BEACON CONTROL HARNESS (BLUE AND RED STROBE LIGHTS).....	730
FIGURE 8-21. BATTERY DISCONNECT	732
FIGURE 8-22. BOOM CABLES INSTALLATION - WITH 2500W GENERATOR	734
FIGURE 8-23. BOOM CABLES INSTALLATION - WITH 4000W GENERATOR (50HZ)	736
FIGURE 8-24. BOOM CABLES INSTALLATION - WITH 4000W GENERATOR (60HZ)	738

TABLE OF CONTENTS

FIGURE 8-25. BOOM CABLES INSTALLATION - WITH 7500W SKYPOWER GENERATOR	740
FIGURE 8-26. BOOM CABLE - MAIN BOOM.....	742
FIGURE 8-27. BOOM CABLE (TOWER BOOM)	744
FIGURE 8-28. BOOM VALVE HARNESS.....	746
FIGURE 8-29. BREAKER BOX INSTALLATION (BRAZIL SPECS)	748
FIGURE 8-30. BREAKER BOX INSTALLATION (CE & UK CA SPECS WITHOUT 4000W GENERATOR)	750
FIGURE 8-31. BREAKER BOX KIT - ONE DOUBLE 16AMP BREAKER (BRAZIL, CE & UK CA SPECS WITHOUT 4000W GENERATOR)	752
FIGURE 8-32. BREAKER BOX KIT - WITH 3 BREAKERS (CE & UK CA SPECS WITH 4000W GENERATOR).....	754
FIGURE 8-33. BREAKER BOX KIT - ONE DOUBLE 16AMP BREAKER (CE & UK CA SPECS WITH 4000W GENERATOR) ..	756
FIGURE 8-34. CLEARSKY INSTALLATION - CANBUS (ANSI SPECS)	758
FIGURE 8-35. CLEARSKY INSTALLATION - CANBUS (AUSTRALIAN SPECS)	760
FIGURE 8-36. CLEARSKY INSTALLATION - CANBUS (CE SPECS).....	762
FIGURE 8-37. CLEARSKY INSTALLATION - CANBUS (CHINA SPECS)	764
FIGURE 8-38. CLEARSKY INSTALLATION - 3-WIRE (ANSI & CSA SPECS).....	766
FIGURE 8-39. CLEARSKY INSTALLATION - 3-WIRE (ANSI EXPORT, CE & UK CA SPECS).....	768
FIGURE 8-40. CLEARSKY INSTALLATION 3-WIRE CONNECTION (ALL SPECS).....	770
FIGURE 8-41. CLEARSKY TELEMATCIS HARNESS (3-WIRE).....	772
FIGURE 8-42. CLEARSKY TELEMATCIS HARNESS (CANBUS)	774
FIGURE 8-43. ECU POWER JUMPER HARNESS.....	776
FIGURE 8-44. ENGINE HARNESS - DEUTZ D2011 ENGINES (Prior to SN 0300298303)	778
FIGURE 8-45. ENGINE HARNESS - DEUTZ D2011 ENGINES (SN 0300298303 to Present)	780
FIGURE 8-46. ENGINE HARNESS - DEUTZ TD2.9L4 ENGINES (Prior to SN 0300298303)	782
FIGURE 8-47. ENGINE HARNESS - DEUTZ TD2.9L4 ENGINES (SN 0300298303 to Present)	784
FIGURE 8-48. ENGINE HARNESS - DEUTZ TD2.9L4 ENGINES AND DEUTZ TD2.9L4 (STAGE V PRE-BUY) ENGINES	786
FIGURE 8-49. ENGINE HARNESS - DEUTZ TD2.9L4 (STAGE V) ENGINES.....	790
FIGURE 8-50. ENGINE HARNESS - FORD ENGINES (Prior to SN 0300298303)	794
FIGURE 8-51. ENGINE HARNESS - FORD ENGINES (SN 0300298303 to Present).....	796
FIGURE 8-52. FUEL PUMP HARNESS - DEUTZ TD2.9L4 ENGINES	798
FIGURE 8-53. FUEL HARNESS - DEUTZ TD2.9L4 (STAGE V) ENGINE.....	800
FIGURE 8-54. GENERATOR HARNESS - 4000W GENERATOR	802
FIGURE 8-55. GENERATOR HARNESS - 7500W SKYPOWER GENERATOR.....	804
FIGURE 8-56. GENERATOR TO ENGINE HARNESS - 2500W (FORD ENGINES).....	806
FIGURE 8-57. GENERATOR TO ENGINE HARNESS - 4000W (DEUTZ D2011 ENGINES).....	808
FIGURE 8-58. GENERATOR TO ENGINE HARNESS - 4000W (DEUTZ TD2.9L4 ENGINES)	810
FIGURE 8-59. GENERATOR TO ENGINE HARNESS - 7500W SKYPOWER GENERATOR (DEUTZ D2011 ENGINES)	812
FIGURE 8-60. GENERATOR TO ENGINE HARNESS - 7500W SKYPOWER (FORD DF 2.5L ENGINES).....	814
FIGURE 8-61. GENERATOR HARNESS - 7500W SKYPOWER (DEUTZ TD2.9L4 T4F ENGINES)	816
FIGURE 8-62. GENERATOR TO REAR OF BOOM HARNESS - 110V	818
FIGURE 8-63. GENERATOR TO REAR OF BOOM HARNESS - 220V	820
FIGURE 8-64. GROUND CONTROL BOX HARNESS (Prior to SN 0300298303).....	822
FIGURE 8-65. GROUND CONTROL BOX HARNESS (SN 0300298303 to Present).....	826
FIGURE 8-66. MID BOOM PROXIMITY SENSOR HARNESS	828
FIGURE 8-67. PLATFORM CONSOLE BOX HARNESS.....	830
FIGURE 8-68. RECEPTACLE BOX KIT - 110V IEC YELLOW (CE & UK CA SPECS).....	832
FIGURE 8-69. RECEPTACLE BOX KIT - 220V IEC BLUE (CE & UK CA SPECS)	834

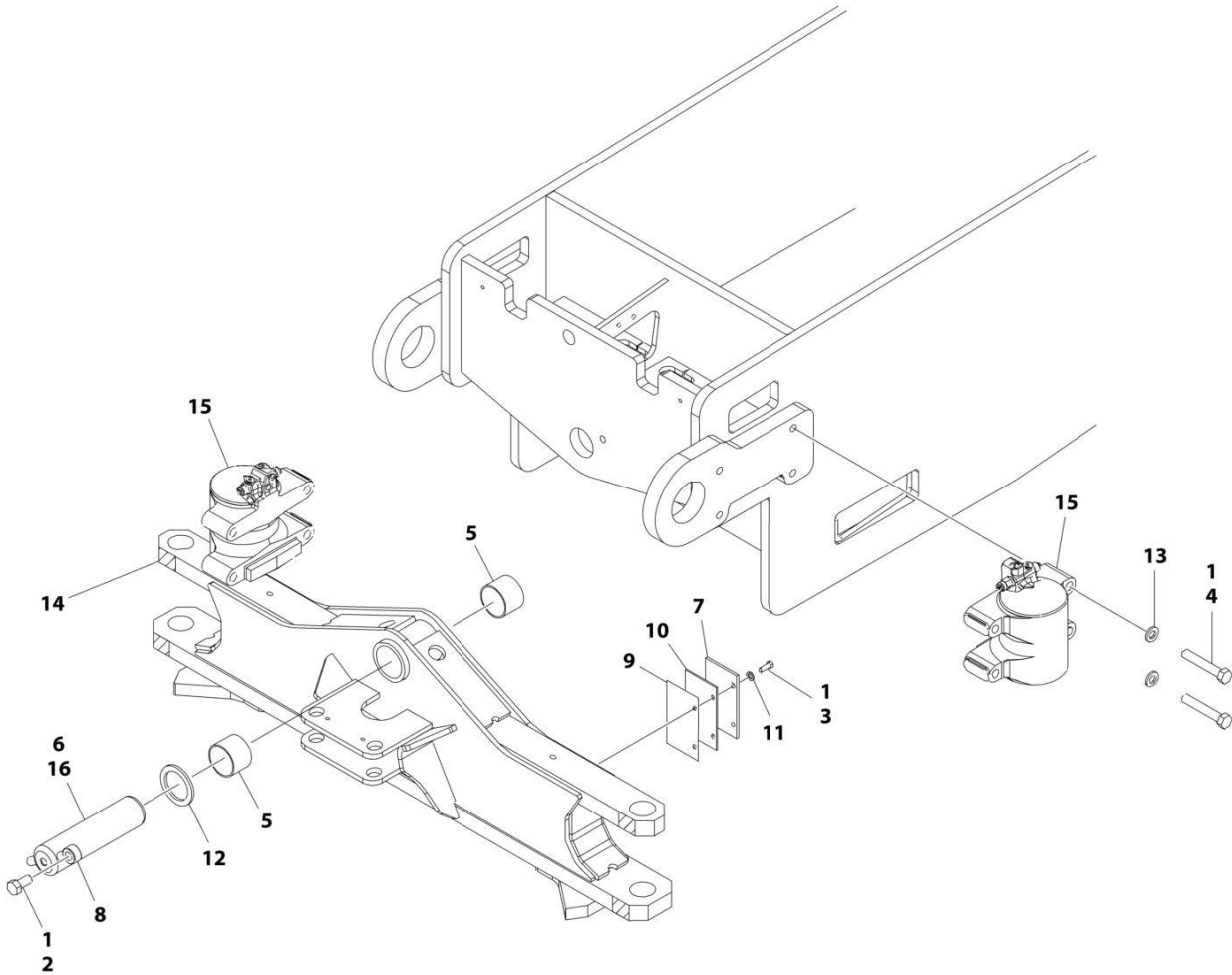
TABLE OF CONTENTS

FIGURE 8-70. RECEPTACLE BOX KIT - 220V CEE7 POST GROUND 2X4 BOX (CE & UK CA SPEC)	836
FIGURE 8-71. RECEPTACLE BOX KIT - 220V CEE7 SIDE GROUND 2X4 BOX (CE & UK CA SPEC).....	838
FIGURE 8-72. RECEPTACLE BOX KIT - 220V AFSINT107 KEYED GROUND (CE & UK CA SPECS)	840
FIGURE 8-73. SKYEYE EMITTER HARNESS.....	842
FIGURE 8-74. SKYEYE INTERMEDIATE HARNESS.....	844
FIGURE 8-75. SKYEYE RECEIVER HARNESS	846
FIGURE 8-76. SKYLINE HARNESS.....	848
FIGURE 8-77. SKYGUARD INTERFACE HARNESS	850
FIGURE 8-78. STROBE LIGHT JUMPER HARNESS.....	852
FIGURE 8-79. TOWER STOW HARNESS.....	854
FIGURE 8-80. VALVE HARNESS (Prior to SN 0300298303)	856
FIGURE 8-81. VALVE HARNESS (SN 0300298303 to Present).....	858
FIGURE 8-82. WHITE NOISE ALARM HARNESS.....	860
SECTION 9 - DECALS.....	863
FIGURE 9-1. DECAL INSTALLATION (ANSI SPECS).....	864
FIGURE 9-2. DECAL INSTALLATION (AUSTRALIAN SPECS).....	868
FIGURE 9-3. DECAL INSTALLATION (BRAZILIAN SPECS).....	872
FIGURE 9-4. DECAL INSTALLATION (CE & UK CA SPECS).....	876
FIGURE 9-5. DECAL INSTALLATION (CHINA SPECS)	880
FIGURE 9-6. DECAL INSTALLATION (CSA SPECS).....	884
FIGURE 9-7. DECAL INSTALLATION (JAPANESE SPECS)	888
FIGURE 9-8. DECAL INSTALLATION (KOREAN SPECS)	892
FIGURE 9-9. DECAL INSTALLATION (LATIN AMERICAN SPECS)	896
FIGURE 9-10. DECAL INSTALLATION - OPTIONS	900
FIGURE 9-11. SKYCUTTER DECAL INSTALLATION	904
FIGURE 9-12. SKYWELDER DECAL INSTALLATION - 50HZ	906
FIGURE 9-13. DECAL INSTALLATION - SKYWELDER (60HZ).....	908
SECTION 10 - RECOMMENDED SERVICE PARTS STOCK	911
FIGURE 10-1. RECOMMENDED SERVICE PARTS STOCK	912
SECTION 11 - SPECIAL OPTIONS/ACCESSORES/KITS	915
FIGURE 11-1. SPECIAL OPTIONS/ACCESSORES/KITS	916
PART NUMBER INDEX	921

SECTION 1 - FRAME

SECTION 1 - FRAME

FIGURE 1-1. AXLE INSTALLATION - OSCILLATING



ART_1001154584

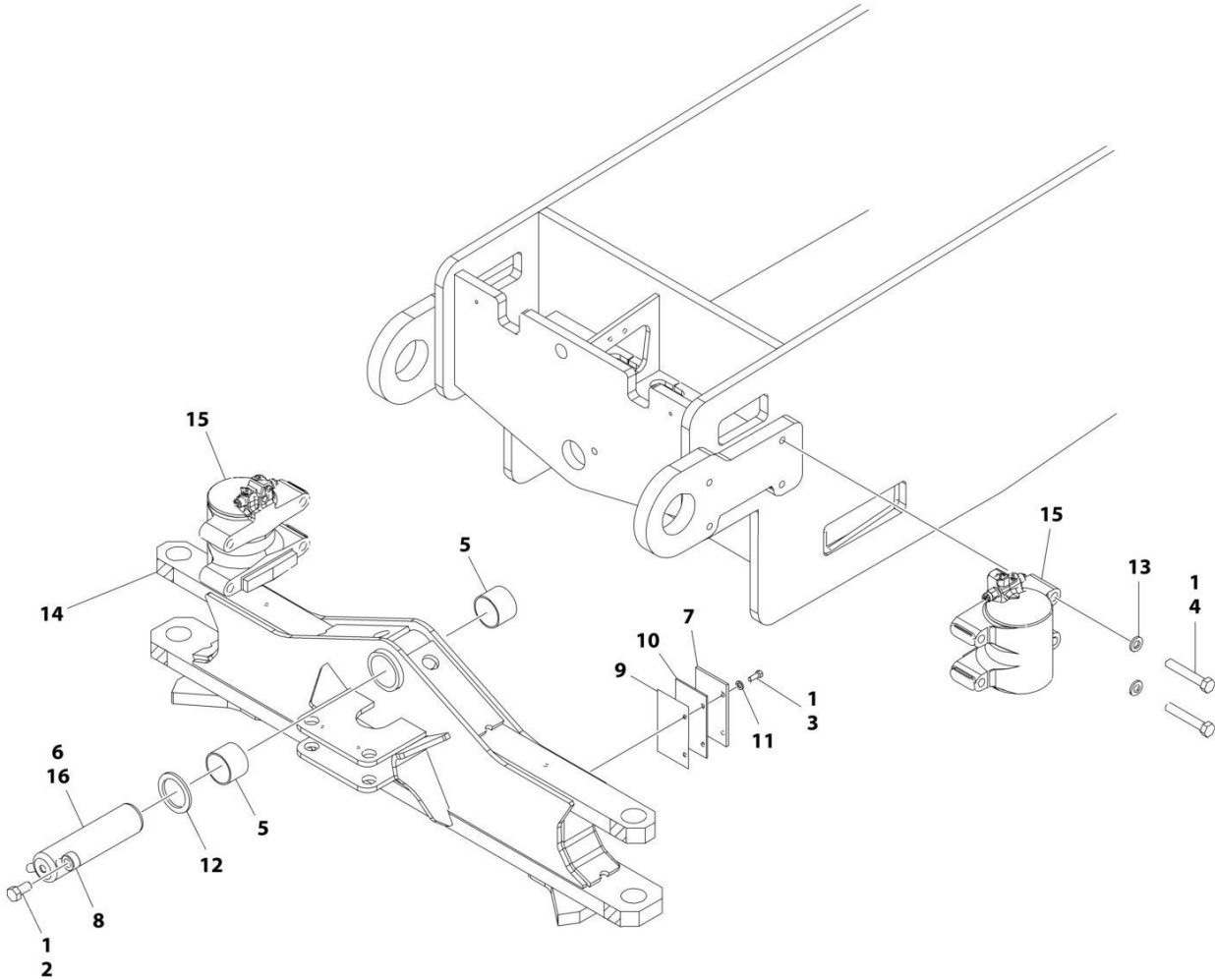
SECTION 1 - FRAME

FIGURE 1-1. AXLE INSTALLATION - OSCILLATING

ITEM	PART NUMBER	QTY	DESCRIPTION	REV
	1001154584	Ref	AXLE INSTALLATION	D
1	0100011	AR	Compound, Locking	
2	0642212	1	Bolt 3/4 x 1-1/2	
3	0681608	4	Bolt 3/8 x 1 Grade 8	
4	0682236	8	Bolt 3/4 x 4-1/2 Grade 8	
5	0962102	2	Bushing	
6	3020039	AR	Lubricant	
7	3538047	2	Shim .25	
8	3841287	1	Keeper, Pin	
9	4070878	AR	Shim 16 Gauge	
10	4070879	AR	Shim 11 Gauge	
11	4711600	4	Washer 3/8	
12	4740472	1	Washer	
13	4892200	8	Washer 3/4	
14	1001152719	1	Axle	
15	1001204560	2	Axle Lockout Cylinder Assembly (See Separate Breakdown in CYLINDER SECTION)	
16	1001156710	1	Pin	

SECTION 1 - FRAME

FIGURE 1-2. AXLE INSTALLATION - OSCILLATING WITH TOW PACKAGE



ART_1001155194

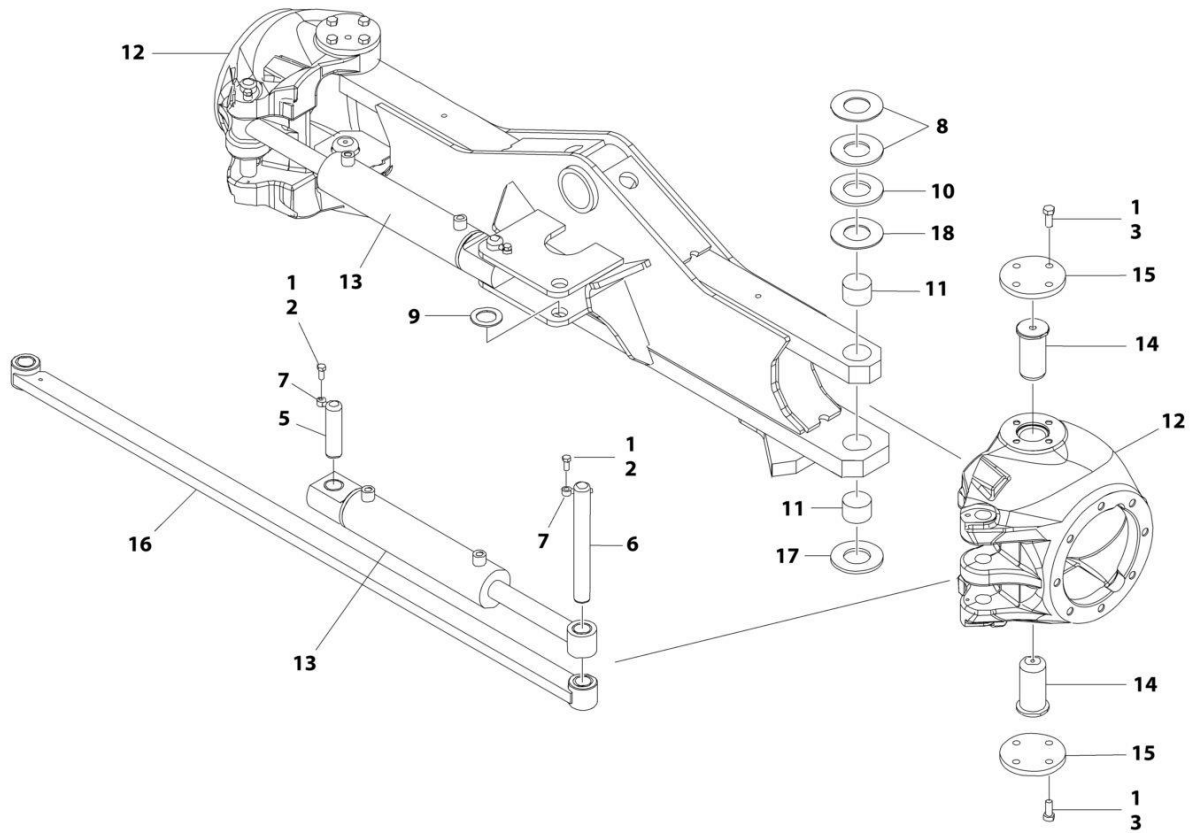
SECTION 1 - FRAME

FIGURE 1-2. AXLE INSTALLATION - OSCILLATING WITH TOW PACKAGE

ITEM	PART NUMBER	QTY	DESCRIPTION	REV
	1001155194	Ref	AXLE INSTALLATION	D
1	0100011	AR	Compound, Locking	
2	0642212	1	Bolt 3/4 x 1-1/2	
3	0681608	4	Bolt 3/8 x 1 Grade 8	
4	0682236	8	Bolt 3/4 x 4-1/2 Grade 8	
5	0962102	2	Bushing	
6	3020039	AR	Lubricant	
7	3538047	2	Shim .25	
8	3841287	1	Keeper, Pin	
9	4070878	AR	Shim 16 Gauge	
10	4070879	AR	Shim 11 Gauge	
11	4711600	4	Washer 3/8	
12	4740472	1	Washer	
13	4892200	8	Washer 3/4	
14	1001154875	1	Axle	
15	1001204560	2	Axle Lockout Cylinder Assembly (See Separate Breakdown in CYLINDER SECTION)	
16	1001156710	1	Pin	

SECTION 1 - FRAME

FIGURE 1-3. STEER INSTALLATION - 2WS



ART_1001151034

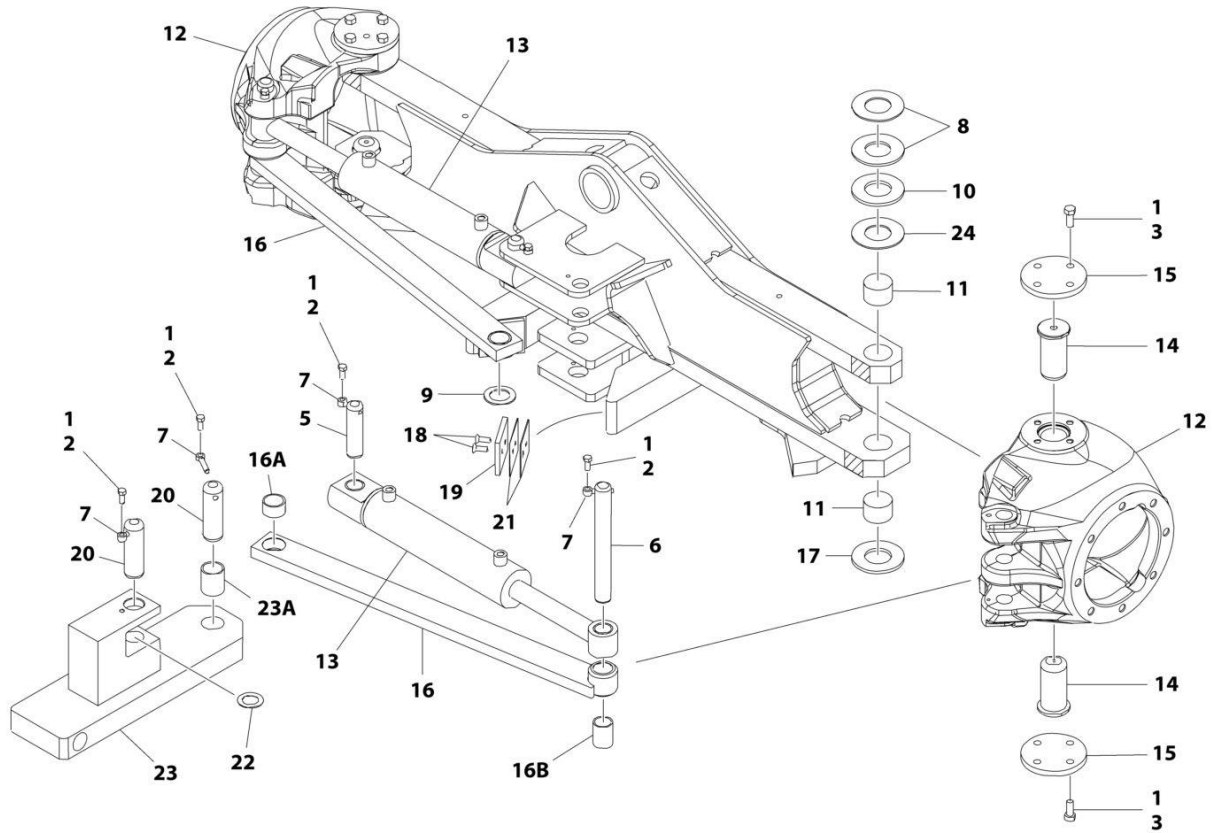
SECTION 1 - FRAME

FIGURE 1-3. STEER INSTALLATION - 2WS

ITEM	PART NUMBER	QTY	DESCRIPTION	REV
	1001151034	Ref	STEER INSTALLATION	H
1	0100011	AR	Compound, Locking	
2	0641607	4	Bolt 3/8 x 7/8	
3	0641810	16	Bolt 1/2 x 1-1/4	
5	3422417	2	Pin	
6	3422790	2	Pin	
7	3841520	4	Keeper, Pin	
8	4740256	AR	Washer, Thrust	
9	4740473	2	Washer	
10	1001103810	AR	Washer, Thrust	
11	1001165657	4	Bearing	
12	1001150372	2	Spindle	
13	1001150539	2	Steer Cylinder Assembly (See Separate Breakdown in CYLINDER SECTION)	
14	1001161355	4	Kingpin	
15	1001150937	4	Plate	
16	1001151980	1	Tie-Rod	
17	1001161399	2	Washer, Thrust	
18	4740463	AR	Washer, Thrust	

SECTION 1 - FRAME

FIGURE 1-4. STEER INSTALLATION - 2WS WITH TOW PACKAGE



ART_1001155192

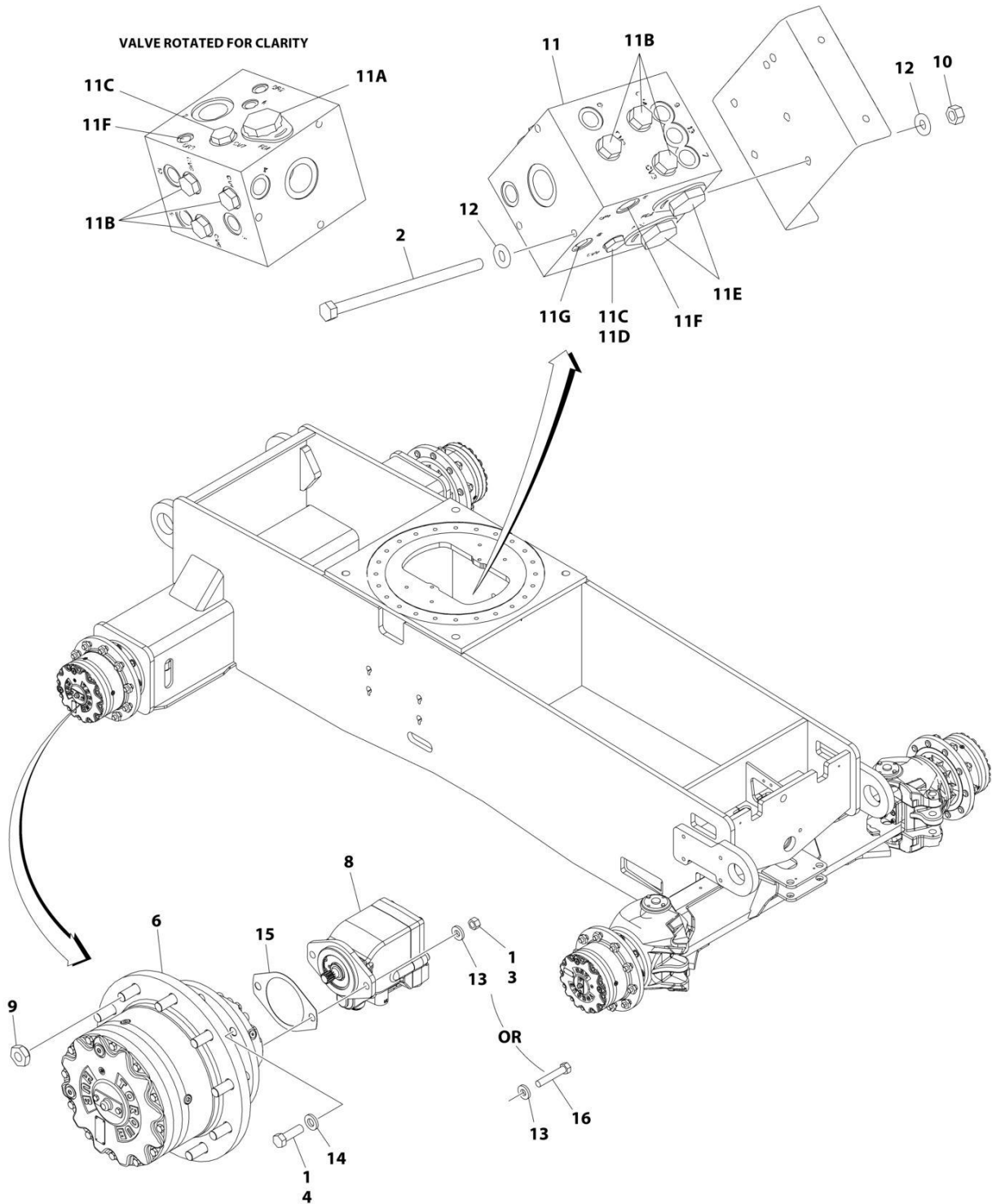
SECTION 1 - FRAME

FIGURE 1-4. STEER INSTALLATION - 2WS WITH TOW PACKAGE

ITEM	PART NUMBER	QTY	DESCRIPTION	REV
	1001155192	Ref	STEER INSTALLATION	G
1	0100011	AR	Compound, Locking	
2	0641607	6	Bolt 3/8 x 7/8	
3	0641810	16	Bolt 1/2 x 1-1/4	
5	3422417	2	Pin	
6	3422790	2	Pin	
7	3841520	6	Keeper, Pin	
8	4740256	AR	Washer, Thrust	
9	4740473	2	Washer	
10	1001103810	AR	Washer, Thrust	
11	1001165657	4	Bearing	
12	1001150372	2	Spindle	
13	1001150539	2	Steer Cylinder Assembly (See Separate Breakdown in CYLINDER SECTION)	
14	1001161355	4	Kingpin	
15	1001150937	4	Plate	
16	1001154931	2	Tie-Rod	
16A	0962181	1	Bushing	
16B	0962152	1	Bushing	
17	1001161399	2	Washer, Thrust	
18	0741609	4	Screw 3/8 x 1-1/8	
19	3340966	2	Pad, Stop	
20	3422848	2	Pin, Hitch	
21	4071059	AR	Shim 16 Gauge	
22	4740155	3	Washer, Thrust	
23	1001155035	1	Link	
23A	0962348	1	Bushing	
24	4740463	AR	Washer, Thrust	

SECTION 1 - FRAME

FIGURE 1-5. WHEEL DRIVE AND FRAME VALVES INSTALLATION - 4WD/2WS



ART_1001157016

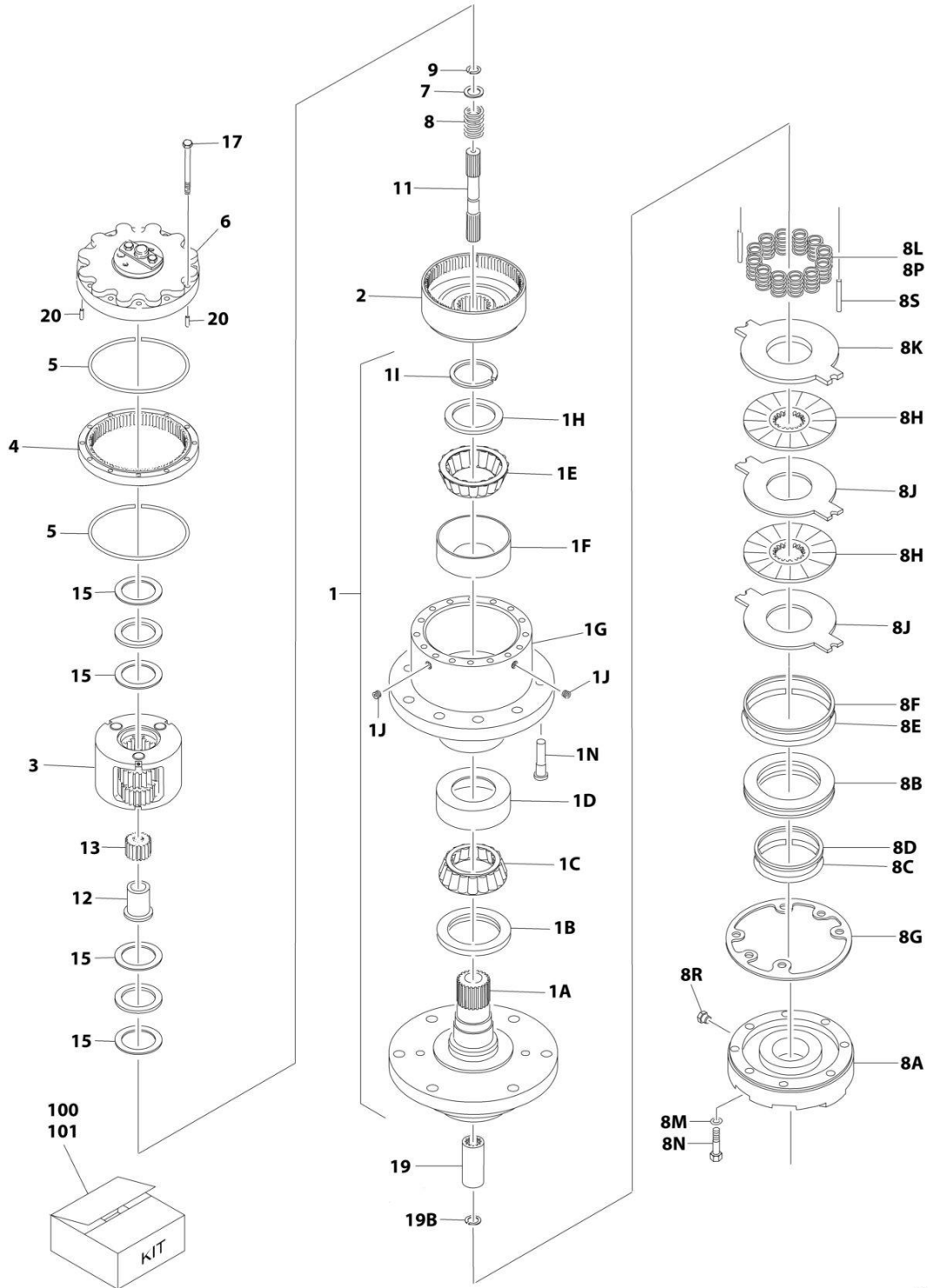
SECTION 1 - FRAME

FIGURE 1-5. WHEEL DRIVE AND FRAME VALVES INSTALLATION - 4WD/2WS

ITEM	PART NUMBER	QTY	DESCRIPTION	REV
	1001157016	Ref	WHEEL DRIVE AND FRAME VALVES INSTALLATION	E
1	0100011	AR	Compound, Locking	
2	0641560	3	Bolt 5/16 x 7-1/2	
3	3311801	8	Nut 1/2	
4	0682016	32	Bolt 5/8 x 2 Grade 8	
5	2300016	AR	Fluid, Hydraulic (Not Shown)	
6	1001219219	4	Drive Hub Assembly (See Separate Breakdown in this Section)	
8	3160348	4	Drive Motor Assembly (See Separate Breakdown in this Section)	
9	3300007	40	Nut, Wheel	
10	3311505	3	Nut 5/16	
11	4641303	1	Flow Divider Valve Assembly	C
11A	7023933	1	Cartridge, Flow Divider	
11A	7021625	1	Seal Kit - 7023933 Cartridge	
11B	7022397	6	Cartridge, Check	
11B	7022399	6	Seal Kit - 7022397 Cartridge	
11C	7021639	2	Cartridge, Check Valves	
11C	2900756	2	Seal Kit - 7021639 Cartridge	
11D	7024881	1	Piston, Pilot	
11E	7023917	2	Cartridge, Flow Divider	
11E	7021625	2	Seal Kit - 7023917 Cartridge	
11F	70003935	2	Orifice	
11G	70003936	1	Orifice	
12	4711500	6	Washer 5/16	
13	4891800	8	Washer 1/2	
14	4892000	32	Washer 5/8	
15	3960526	2	Gasket	
16	0681822	4	Bolt 1/2 x 2-3/4	

SECTION 1 - FRAME

FIGURE 1-6. DRIVE HUB/BRAKE ASSEMBLY



ART_1001219219

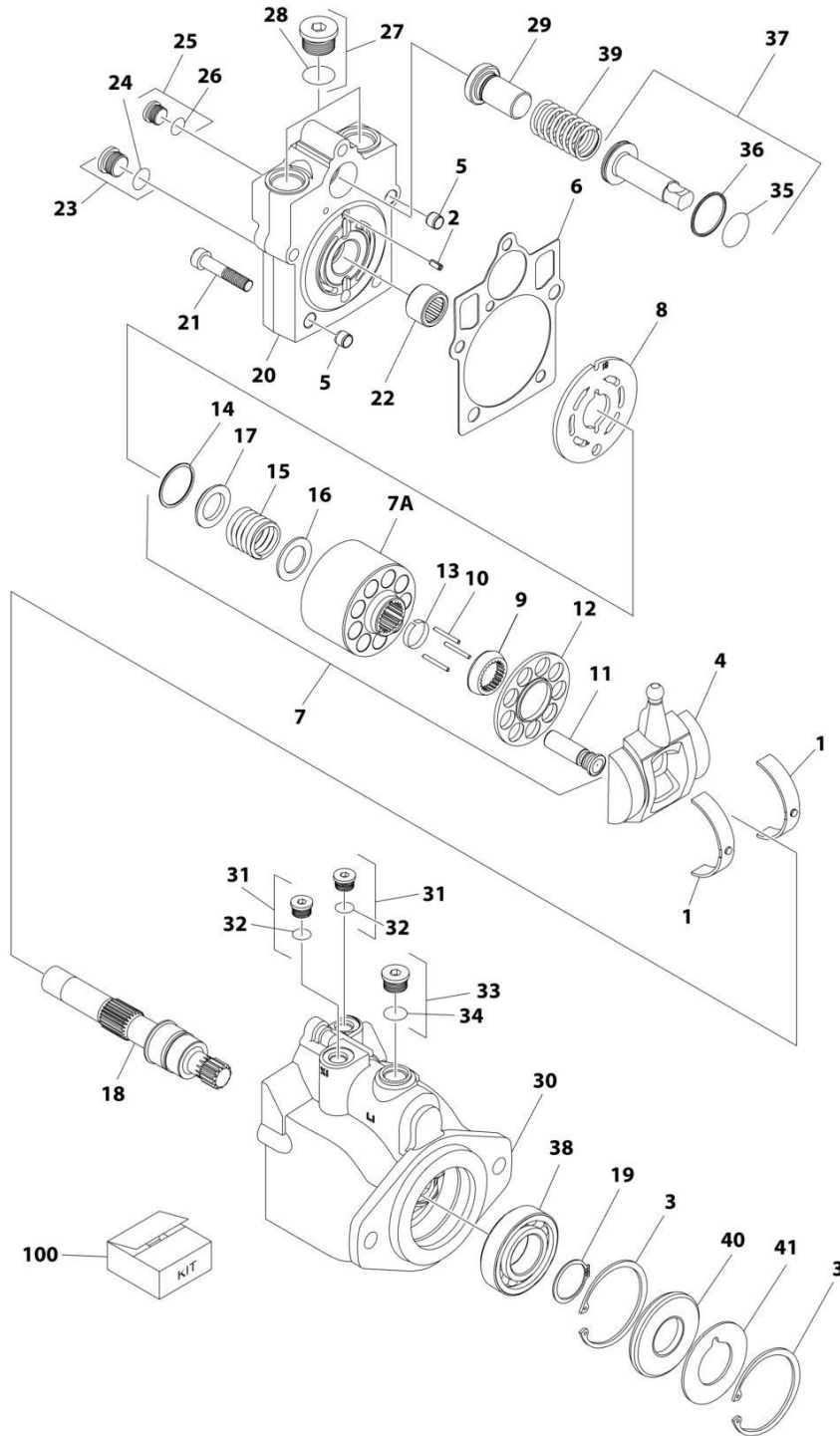
SECTION 1 - FRAME

FIGURE 1-6. DRIVE HUB/BRAKE ASSEMBLY

ITEM	PART NUMBER	QTY	DESCRIPTION	REV
	1001219219	Ref	DRIVE HUB/BRAKE ASSEMBLY	C
1	See Note	NSS	Spindle/Housing Assembly (Note: Not Available - Purchase Individual Components)	
1A	70006677	1	Spindle	
1B	70006678	1	Seal	
1C	1001091460	1	Cone, Bearing	
1D	1001091460	1	Cup, Bearing	
1E	1001091461	1	Cone, Bearing	
1F	1001091461	1	Cup, Bearing	
1G	See Note	NSS	Housing (Note: Not Available - Not Available for Purchase)	
1H	7000239	1	Thrustwasher	
1I	7000240	1	Ring, Retaining	
1J	7001928	1	Plug, Pipe	
1N	See Note	NSS	Stud, Wheel (Note: Not Available - Not Available for Purchase)	
2	7024782	1	Gear, Ring	
3	70006673	1	Carrier Assembly	
4	7024151	1	Gear, Internal	
5	7000224	2	O-Ring	
6	70006674	NSS	Cover Assembly (Note: Not Available - Not Available for Purchase)	
7	70006691	1	Thrustwasher	
8	7000283	1	Spring	
8A	7024191	1	Housing, Piston	
8B	70006684	1	Piston	
8C	See Note	NSS	O-Ring (Note: Use Item 101)	
8D	See Note	NSS	Ring, Back-up (Note: Use Item 101)	
8E	See Note	NSS	O-Ring (Note: Use Item 101)	
8F	See Note	NSS	Ring, Back-up (Note: Use Item 101)	
8G	See Note	NSS	Gasket (Note: Use Items 100 & 101)	
8H	See Note	NSS	Brake, Stator (Note: Use Item 100)	
8J	See Note	NSS	Brake, Rotor (Note: Use Item 100)	
8K	See Note	NSS	Plate, Pressure (Note: Use Item 100)	
8L	80344004	10	Spring	
8M	70006685	6	Capscrew	
8N	70006690	6	Lockwasher	
8P	70006680	2	Spring	
8R	7017082	2	Plug	
8S	7024190	2	Pin, Dowel	
9	7000284	1	Ring, Retaining	
11	70006675	1	Shaft, Input	
12	7024154	1	Spacer, Input	
13	7024149	1	Gear, Sun	
15	70006692	2	Thrustwasher	
17	7000289	12	Bolt 3/8 x 2-1/2in (Grade 8)	
19	70006676	1	Coupling	
19B	7017028	1	Ring, Retaining	
20	7017047	2	Pin, Dowel	
100	70006832	1	Friction Disc Kit (Includes Items 8G, 8H, 8J & 8K)	
101	70006833	1	Seal Kit (Includes Items - 8C-8G)	

SECTION 1 - FRAME

FIGURE 1-7. DRIVE MOTOR ASSEMBLY - 4WD



ART_3160348

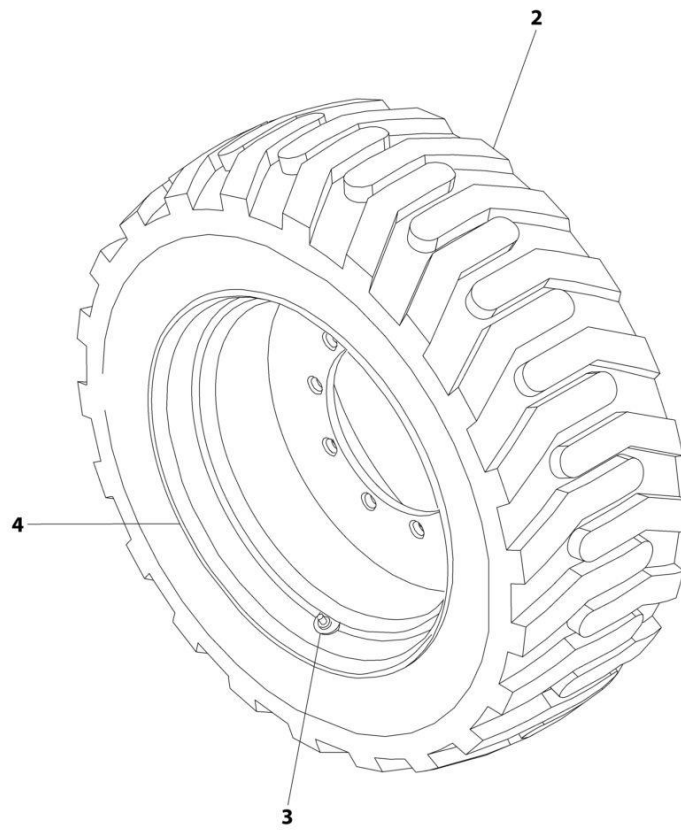
SECTION 1 - FRAME

FIGURE 1-7. DRIVE MOTOR ASSEMBLY - 4WD

ITEM	PART NUMBER	QTY	DESCRIPTION	REV
	3160348	Ref	DRIVE MOTOR ASSEMBLY	D
1	7022302	2	Bearing, Journal	
2	7007446	1	Pin	
3	7007438	2	Ring, Retaining	
4	7022305	1	Swash Plate	
5	See Note	2	Pin (Note: Not Available for Purchase)	
6	See Note	NSS	Gasket (Note: Use Item 100)	
7	7023907	1	Cylinder Block Kit (Includes Items 7A & 9-17)	
7A	See Note	NSS	Block, Cylinder (Note: Use Item 7)	
8	7023908	1	Plate, Valve	
9	7021277	1	Guide, Slipper Retainer	
10	7021275	3	Pin, Slipper Hold Down	
11	See Note	NSS	Piston Assembly (Note: Use Item 7)	
12	7022310	1	Retainer, Slipper	
13	7021276	1	Retainer, Hold Down Pin	
14	7022311	1	Ring, Retaining	
15	7022312	1	Spring	
16	7024868	1	Washer	
17	7022314	1	Retainer, Spring	
18	7023910	1	Shaft	
19	7007439	1	Ring, Retaining	
20	70000797	1	Cap, End - Axial	
21	7022368	5	Screw	
22	7021249	1	Bearing, Needle	
23	2220886	1	Plug (Includes Item 24)	
24	See Note	1	O-Ring (Note: Use Item 23 or 100)	
25	2220883	1	Plug (Includes Item 26)	
26	See Note	NSS	O-Ring (Note: Use Item 25 or 100)	
27	2220888	2	Plug (Includes Item 28)	
28	See Note	NSS	O-Ring (Note: Use Item 27 or 100)	
29	7022372	1	Seat, Spring	
30	See Note	NSS	Housing (Note: Not Available - Purchase Complete Assembly)	
31	2220883	2	Plug (Includes Item 32)	
32	See Note	NSS	O-Ring (Note: Use Item 31 or 100)	
33	2220886	1	Plug (Includes Item 34)	
34	See Note	NSS	O-Ring (Note: Use Item 33 or 100)	
35	See Note	NSS	O-Ring (Note: Use Item 100)	
36	See Note	NSS	Ring, Seal (Note: Use Item 100)	
37	7024854	1	Piston, Servo (Includes Items 35 & 36)	
38	7007437	1	Bearing	
39	7022326	1	Spring	
40	See Note	1	Seal, Lip (Note: Use Item 100)	
41	7022371	1	Washer, Support	
		Ref	KIT OPTIONS:	
100	7022328	1	Seal Kit (Includes Items 6, 24, 26, 28, 32, 34, 35, 36 & 40)	

SECTION 1 - FRAME

FIGURE 1-8. TIRE AND WHEEL INSTALLATION 18-625 NHS FOAM-FILLED TIRE



ART_0270888

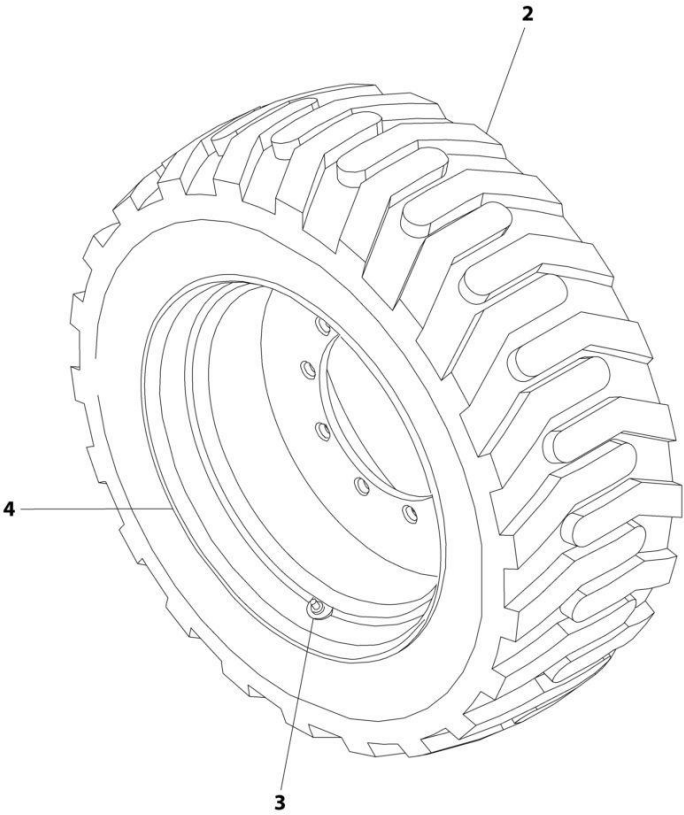
SECTION 1 - FRAME

FIGURE 1-8. TIRE AND WHEEL INSTALLATION 18-625 NHS FOAM-FILLED TIRE

ITEM	PART NUMBER	QTY	DESCRIPTION	REV
	0270888	Ref	TIRE AND WHEEL INSTALLATION	C
	0271090	2	Tire and Wheel Assembly - 18-625 NHS Foam-Filled LH Side	G
	0271091	2	Tire and Wheel Assembly - 18-625 NHS Foam-Filled RH Side	G
		Ref	Note: Assemblies may require ballast/foam filling to manufacturer's specifications prior to installing on a machine. Refer to Operation and Safety or Service and Maintenance Manuals.	
		Ref	Purchase individual tire and/or rim only if able to foam fill tire and wheel assembly, otherwise, purchase complete assembly.	
2	4520253	1	Tire 18-625	
3	4641122	1	Valve, Air	
4	4860225	1	Rim, Wheel - 15 x 24.5 Rim	

SECTION 1 - FRAME

FIGURE 1-9. TIRE AND WHEEL INSTALLATION 18-625 NHS FOAM-FILLED NON-MARKING TIRE



ART_1001169757

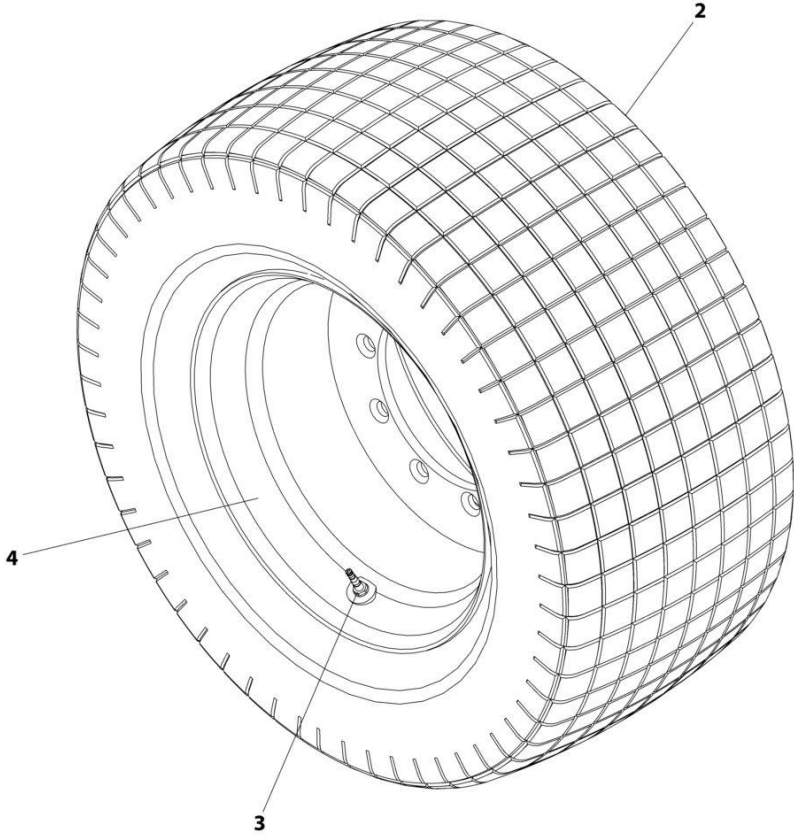
SECTION 1 - FRAME

FIGURE 1-9. TIRE AND WHEEL INSTALLATION 18-625 NHS FOAM-FILLED NON-MARKING TIRE

ITEM	PART NUMBER	QTY	DESCRIPTION	REV
	1001169757	Ref	TIRE AND WHEEL INSTALLATION	A
	1001169755	2	Tire and Wheel Assembly - 18-625 NHS Foam-Filled Non-Marking LH Side	D
	1001169756	2	Tire and Wheel Assembly - 18-625 NHS Foam-Filled Non-Marking RH Side	D
		Ref	Note: Assemblies may require ballast/foam filling to manufacturer's specifications prior to installing on a machine. Refer to Operation and Safety or Service and Maintenance Manuals.	
		Ref	Purchase individual tire and/or rim only if able to foam fill tire and wheel assembly, otherwise, purchase complete assembly.	
2	1001169754	1	Tire 18-625 Non-Marking	
3	4641122	1	Valve, Air	
4	4860225	1	Rim, Wheel - 15 x 24.5 Rim	

SECTION 1 - FRAME

FIGURE 1-10. TIRE AND WHEEL INSTALLATION 18-625 NHS FOAM-FILLED SAND TIRE



ART_1001243645

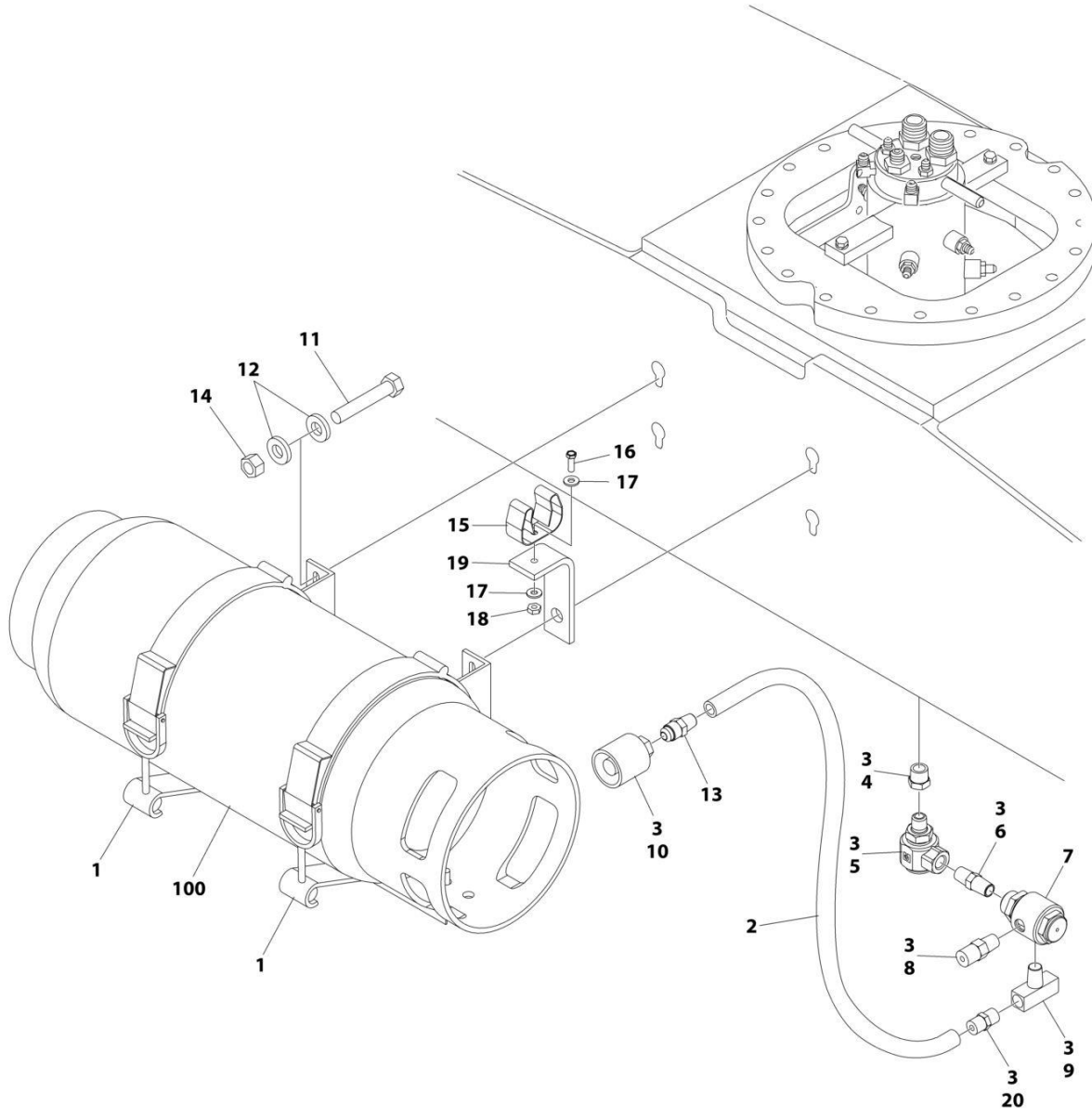
SECTION 1 - FRAME

FIGURE 1-10. TIRE AND WHEEL INSTALLATION 18-625 NHS FOAM-FILLED SAND TIRE

ITEM	PART NUMBER	QTY	DESCRIPTION	REV
	1001243645	Ref	TIRE AND WHEEL INSTALLATION	A
	1001245049	4	Tire and Wheel Assembly - 18-625 NHS Foam-Filled Sand	B
		Ref	Note: Assemblies may require ballast/foam filling to manufacturer's specifications prior to installing on a machine. Refer to Operation and Safety or Service and Maintenance Manuals.	
		Ref	Purchase individual tire and/or rim only if able to foam fill tire and wheel assembly, otherwise, purchase complete assembly.	
2	4520256	1	Tire 18-625 Non-Marking	
3	4641122	1	Valve, Air	
4	1001209982	1	Rim, Wheel - 22.5 x 14	

SECTION 1 - FRAME

FIGURE 1-11. LP TANK BRACKETS INSTALLATIONS



ART_1001151010_E

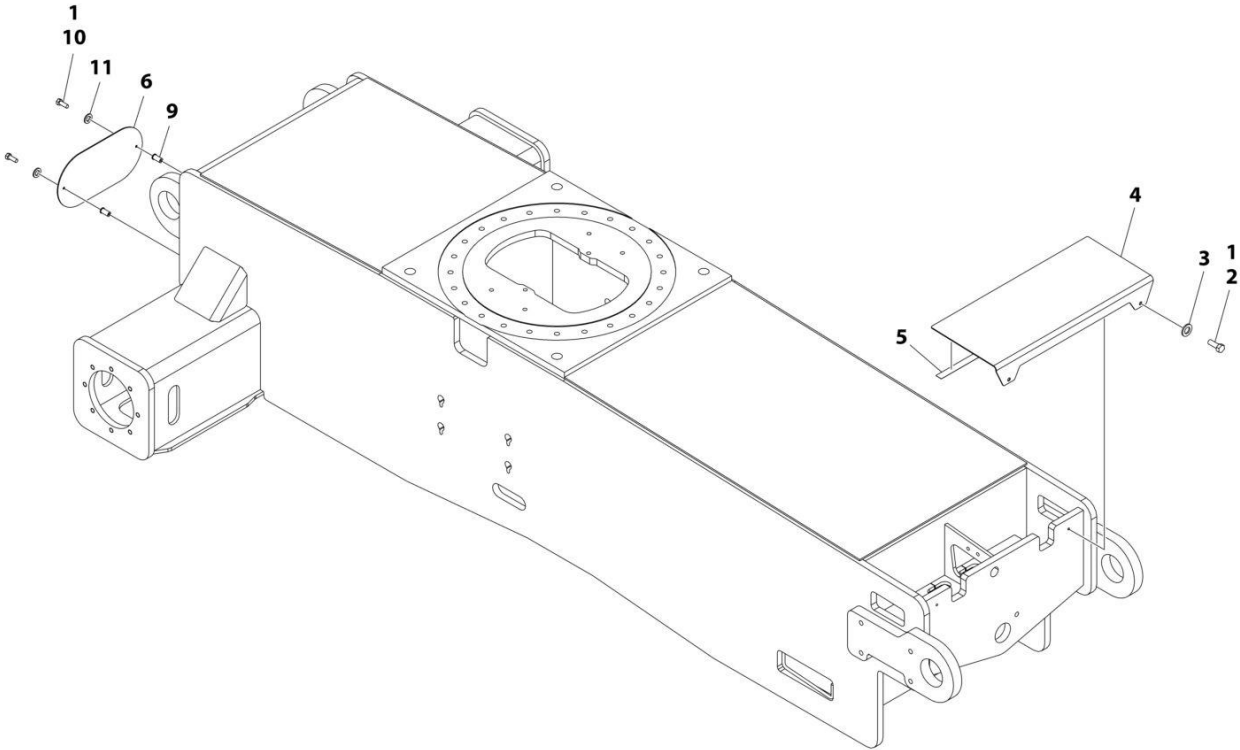
SECTION 1 - FRAME

FIGURE 1-11. LP TANK BRACKETS INSTALLATIONS

ITEM	PART NUMBER	QTY	DESCRIPTION	REV
	1001151010	Ref	LP TANK BRACKETS INSTALLATION	E
1	1320220	2	Clamp	
1	1320127	2	Clamp, Toggle (1 Per Clamp)	
2	2720144	2	Hose	
3	0100020	AR	Sealant, Pipe	
4	2221197	1	Fitting, Reducer	
5	1001247358	1	Fitting, 90 Swivel	
6	2220261	1	Fitting, Nipple	
7	2180388	1	Fitting, Bulkhead	
8	2180389	1	Valve, Relief	
9	2220418	1	Fitting, Tee	
10	2180387	2	Fitting, Straight	
11	0641617	8	Bolt 3/8 x 2-1/8	
12	4751600	16	Washer 3/8	
13	2180418	2	Fitting, Connector	
14	3311605	8	Nut 3/8	
15	1320218	2	Clamp, Spring	
16	0720804	2	Screw #8 x 1/2	
17	4750800	4	Washer #8	
18	3310805	2	Nut #8	
19	0181949	2	Angle, Support	
20	2221024	2	Fitting, Union Ball Check	
100	4400275	1	Tank, LP - 43.5 Lbs. (Aluminum)	
100	4400420	1	Tank, LP - 43.5 Lbs. (Steel)	

SECTION 1 - FRAME

FIGURE 1-12. FRAME SHIELDS INSTALLATION - 2WS



ART_1001158203

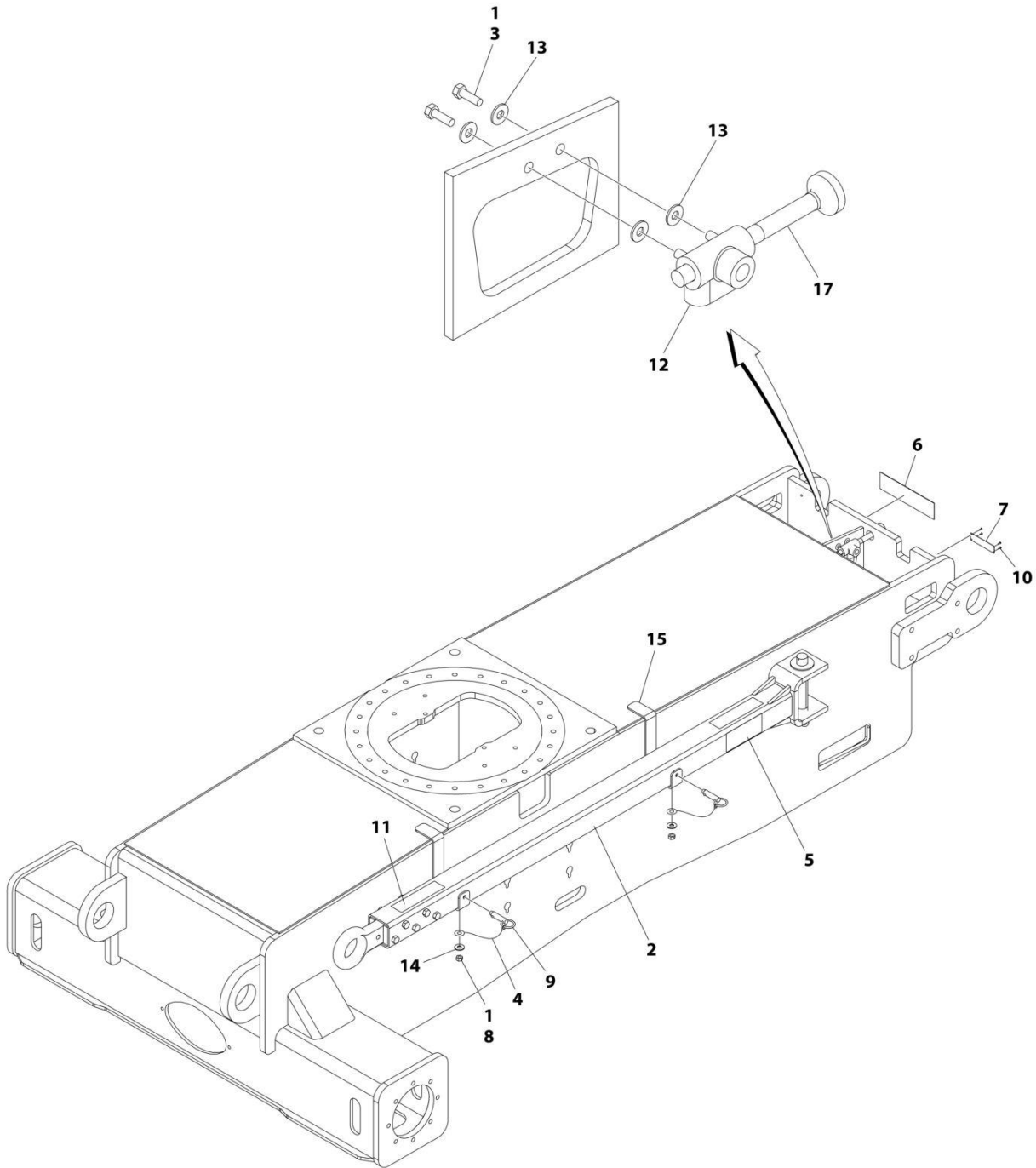
SECTION 1 - FRAME

FIGURE 1-12. FRAME SHIELDS INSTALLATION - 2WS

ITEM	PART NUMBER	QTY	DESCRIPTION	REV
	1001158203	Ref	FRAME SHIELDS INSTALLATION	D
1	0100011	AR	Compound, Locking	
2	0641606	2	Bolt 3/8 x 3/4	
3	4751600	2	Washer 3/8	
4	1001158187	1	Cover	
5	4280296	27 in/ 68cm	Trim	
6	1001158188	1	Cover	
9	8580420	2	Nut, Well	
10	0641410	2	Bolt 1/4 x 1-1/4	
11	4751400	2	Washer 1/4	

SECTION 1 - FRAME

FIGURE 1-13. TOW PACKAGE INSTALLATION - 2WS (ENGLISH LANGUAGE DECALS)



ART_1001158258

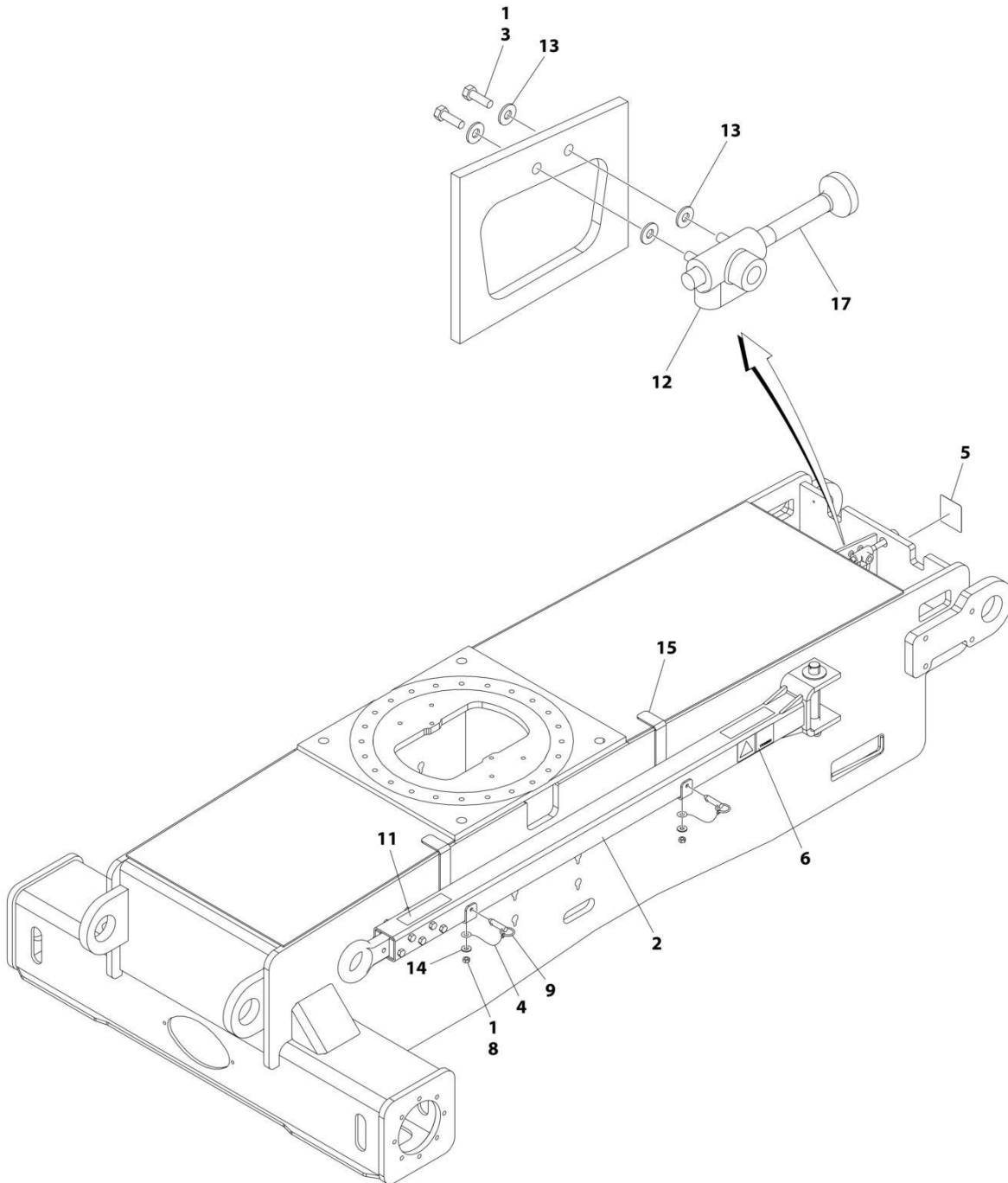
SECTION 1 - FRAME

FIGURE 1-13. TOW PACKAGE INSTALLATION - 2WS (ENGLISH LANGUAGE DECALS)

ITEM	PART NUMBER	QTY	DESCRIPTION	REV
	1001158258	Ref	TOW PACKAGE INSTALLATION	B
1	0100011	AR	Compound, Locking	
2	0232121	1	Tow Bar Assembly (See Separate Breakdown in this Section)	
3	0641508	2	Bolt 5/16 x 1	
4	1260017	2 ft/0.3m	Chain	
5	1704578	2	Decal - Crushing	
6	1705090	1	Decal - Towing Instructions	
7	3250872	1	Nameplate - Steer/Tow Valve	
8	3311401	2	Nut 1/4	
9	3420292	2	Pin	
10	3820001	4	Rivet, Pop	
11	4420051	2 ft/0.3m	Tape	
12	4640261	1	Valve, Float Position	
13	4751500	4	Washer 5/16	
14	4751400	2	Washer 1/4	
15	1001158522	2	Bracket	
17	1001160780	1	Rod, Extension	

SECTION 1 - FRAME

FIGURE 1-14. TOW PACKAGE INSTALLATION - 2WS (CE & UK CA SPECS)



ART_1001166806

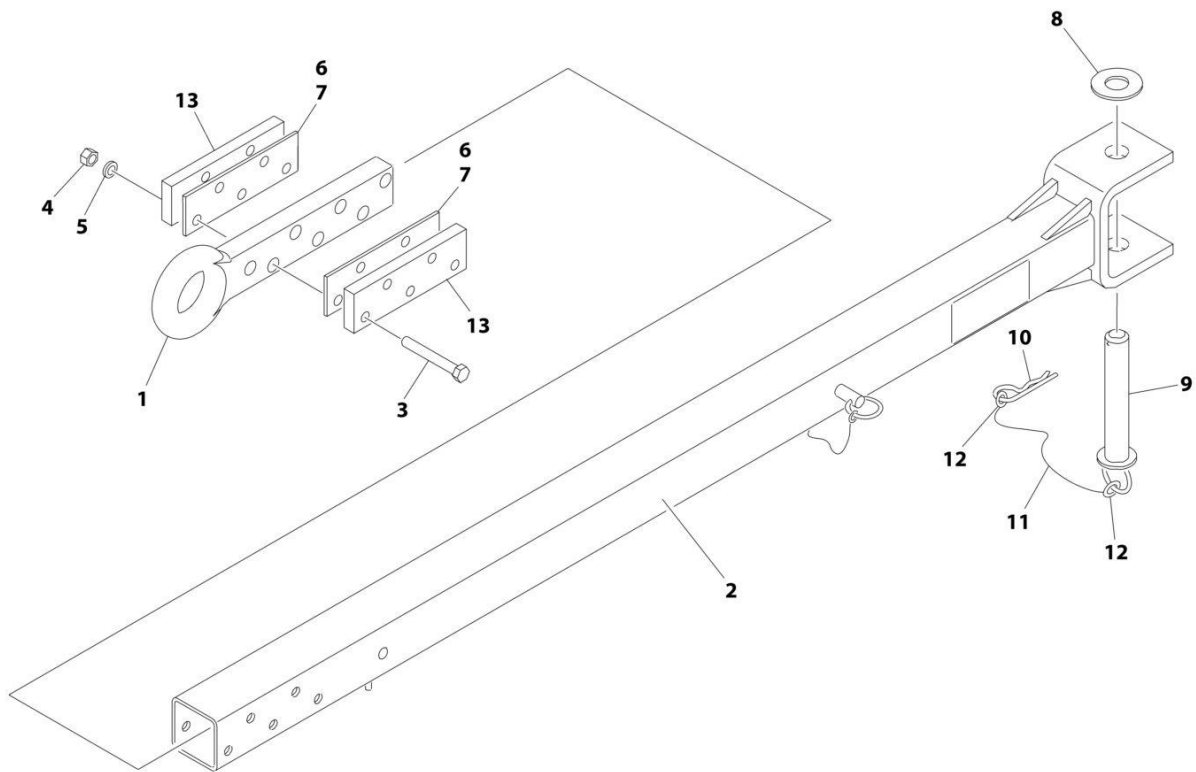
SECTION 1 - FRAME

FIGURE 1-14. TOW PACKAGE INSTALLATION - 2WS (CE & UK CA SPECS)

ITEM	PART NUMBER	QTY	DESCRIPTION	REV
	1001166806	Ref	TOW BAR INSTALLATION	B
1	0100011	AR	Compound, Locking	
2	0232121	1	Tow Bar Assembly (See Separate Breakdown in this Section)	
3	0641508	2	Bolt 5/16 x 1	
4	1260017	2 ft/0.3m	Chain	
5	1706957	1	Decal - Tow Bar and Steer Select	
6	1706960	2	Decal - Crushing	
7	2792700	1	Hydraulic Diagram, Tow Bar Circuit (Not Shown)	
8	3311401	2	Nut 1/4	
9	3420292	2	Pin	
11	4420051	2 ft/0.3m	Tape	
12	4640261	1	Valve, Float Position	
13	4751500	AR	Washer 5/16	
14	4751400	2	Washer 1/4	
15	1001158522	1	Bracket	
17	1001160780	1	Rod, Extension	

SECTION 1 - FRAME

FIGURE 1-15. TOW BAR ASSEMBLY



ART_232121

SECTION 1 - FRAME

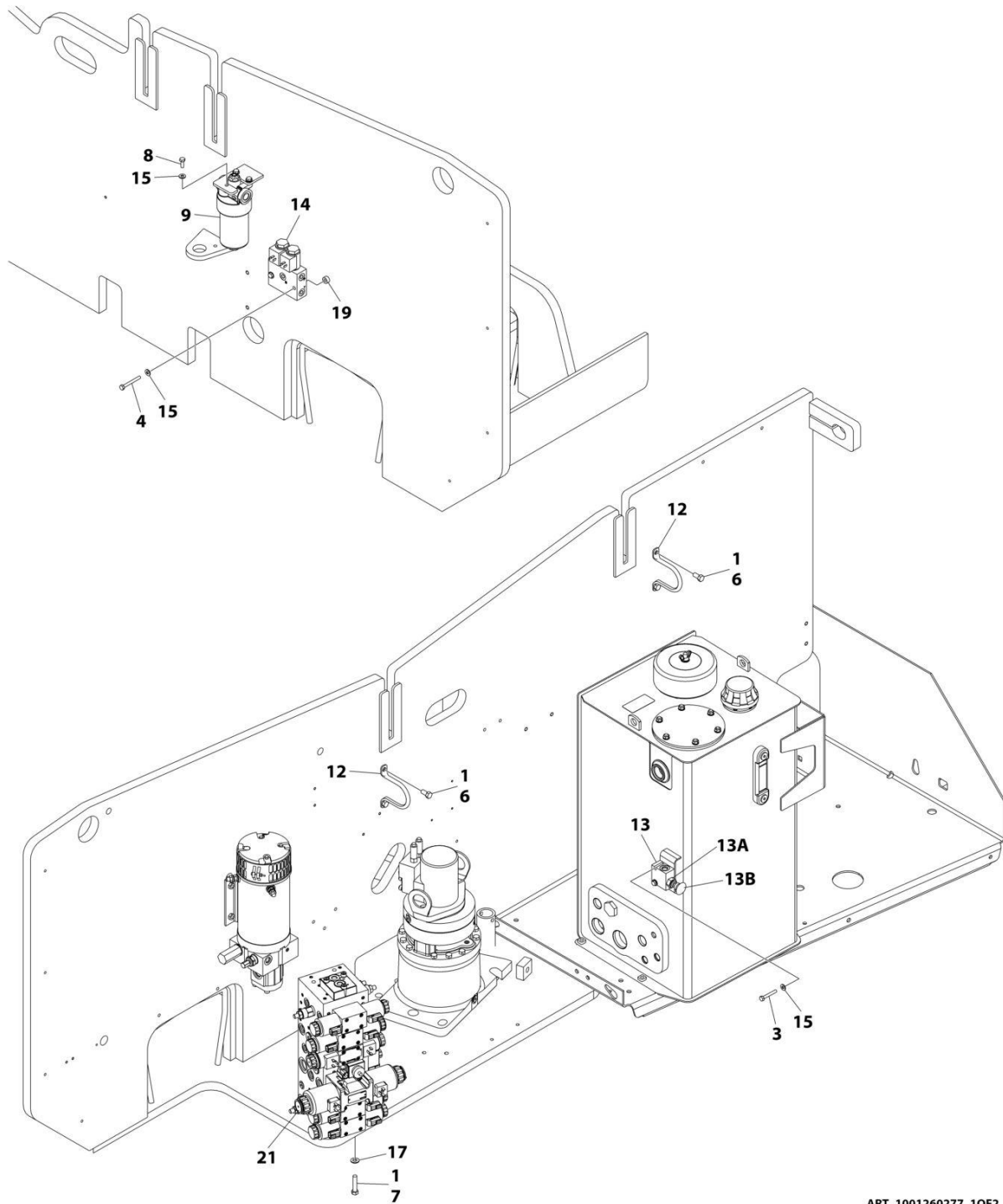
FIGURE 1-15. TOW BAR ASSEMBLY

ITEM	PART NUMBER	QTY	DESCRIPTION	REV
	0232121	Ref	TOW BAR ASSEMBLY	7-G
1	0360406	1	Bar, Draw	
2	4843777	1	Bar, Tow	
3	0642038	5	Bolt 5/8 x 4-3/4	
4	3312001	5	Nut 5/8	
5	4762000	5	Washer 5/8	
6	4070450	AR	Shim	
7	4070561	AR	Shim	
8	4740036	1	Washer 1-1/2	
9	3420447	1	Pin	
10	3420372	1	Pin	
11	1260135	1	Chain	
12	3760170	2	Ring	
13	4070560	2	Shim	

SECTION 2 - TURNTABLE

SECTION 2 - TURNTABLE

FIGURE 2-1. CONTROL VALVES INSTALLATION - WITH 2WS



ART_1001260277_10F2

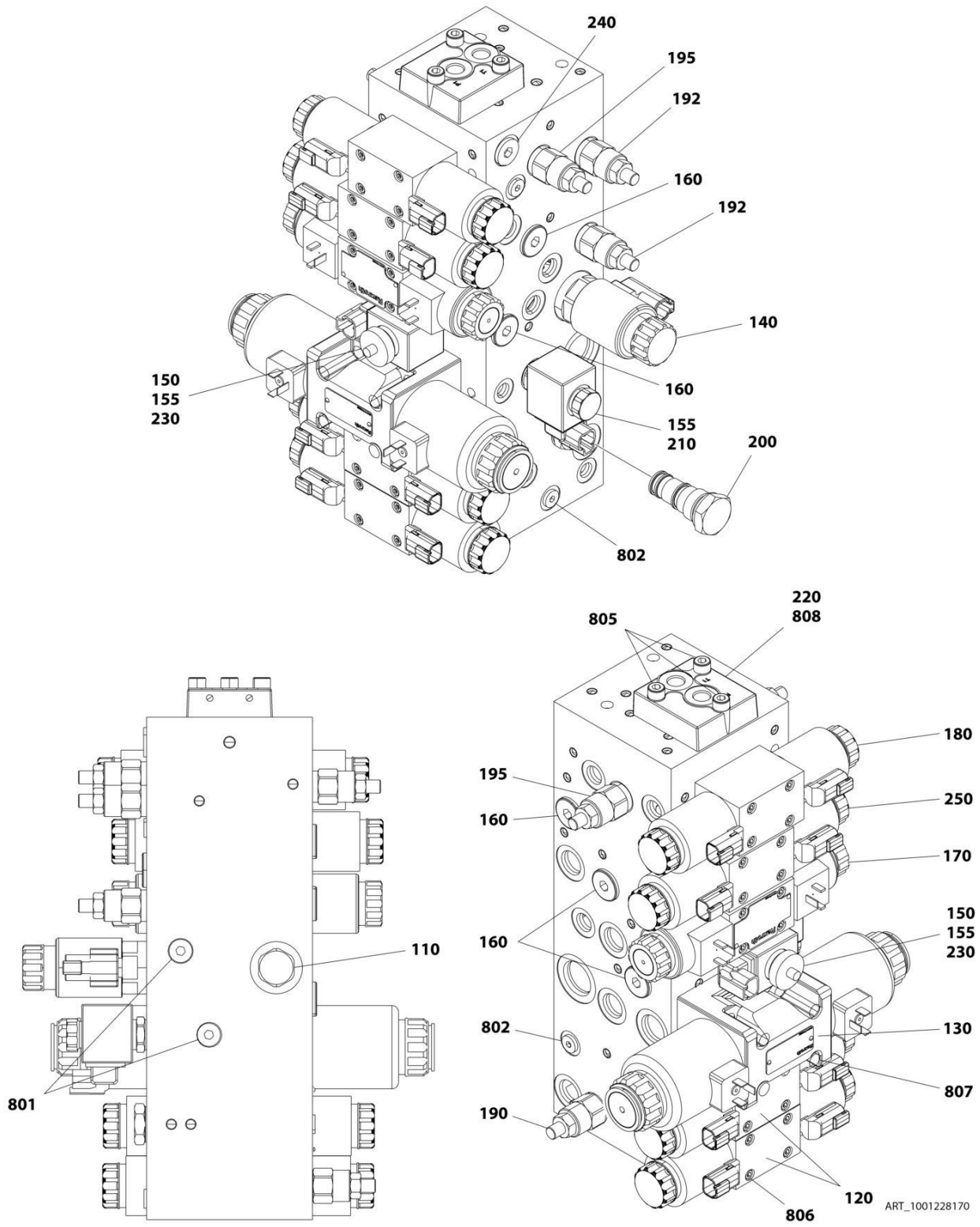
SECTION 2 - TURNTABLE

FIGURE 2-1. CONTROL VALVES INSTALLATION - WITH 2WS

ITEM	PART NUMBER	QTY	DESCRIPTION	REV
	1001260277	Ref	BOOM VALVES INSTALLATION	A
1	0100011	AR	Compound, Locking	
3	0641414	2	Bolt 1/4 x 1-3/4	
4	0641418	4	Bolt 1/4 x 2-1/4	
6	0641606	4	Bolt 3/8 x 3/4	
7	0641614	3	Bolt 3/8 x 1-3/4	
8	0651406	3	Bolt 1/4 x 3/4	
9	2120209	1	Pressure Filter Assembly	
9	2120210	1	Element, Filter	
12	3841340	2	Loop, Hose	
13	4640866	1	Level Valve Assembly	
13A	7017466	1	Cartridge	
13A	2900708	1	Seal Kit	
13B	7012959	1	Knob	
14	4641317	1	Brake/2 Speed Valve Assembly	
14	7012944	1	Coil	
14	7012941	1	Cartridge without Coil	
14	7010543	1	Seal Kit- 7012941 Cartridge (1 Per Cartridge)	
15	4711400	11	Washer 1/4	
17	4711600	3	Washer 3/8	
19	1001110425	2	Spacer	
21	1001228170	1	Main Valve Assembly (See Separate Breakdown in this Section)	

SECTION 2 - TURNTABLE

FIGURE 2-2. CONTROL VALVE ASSEMBLY - 2WS MACHINES



SECTION 2 - TURNTABLE

FIGURE 2-2. CONTROL VALVE ASSEMBLY - 2WS MACHINES

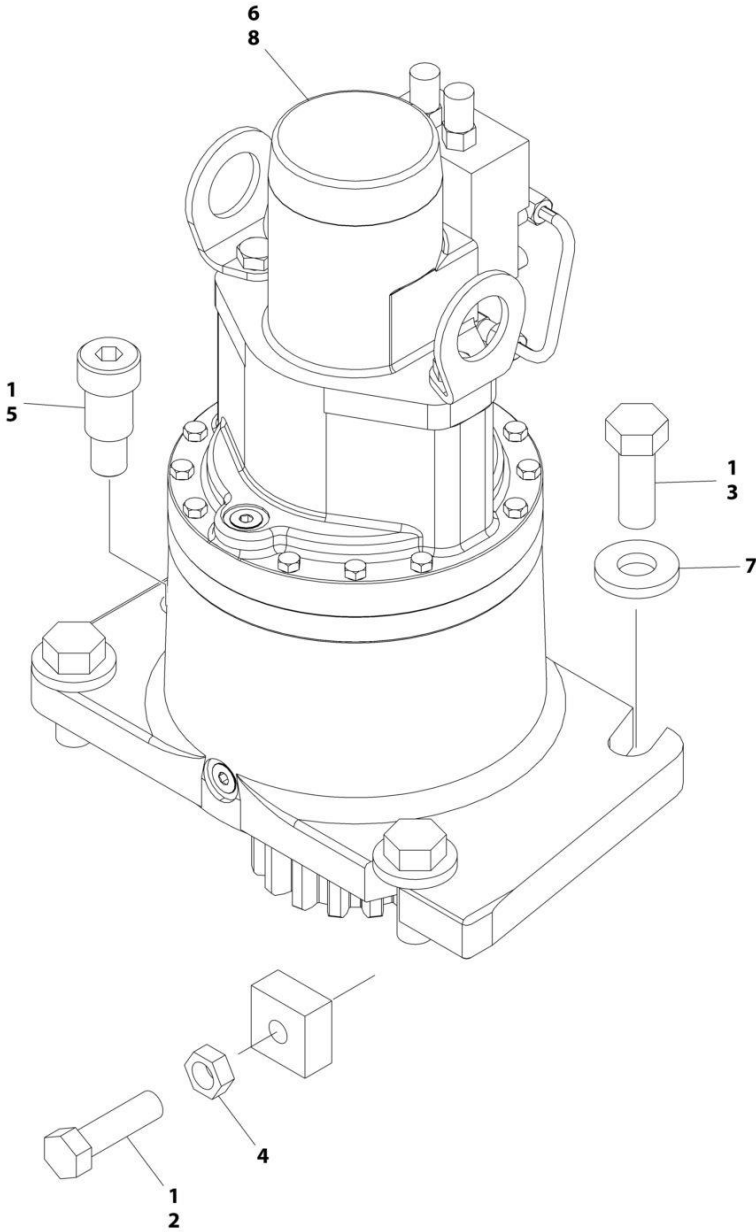
ITEM	PART NUMBER	QTY	DESCRIPTION	REV
	1001228170	Ref	MAIN VALVE ASSEMBLY	E
110	70005194	1	Valve, Check Cartridge	
110	70004584	1	Seal Kit - 70005194 Valve	
120	70004459	2	Valve Assembly (Tower Tele and Tower Lift)	
120	7012773	2	Seal Kit - 70004459 Valve	
120	70004460	4	Coil	
120	7021375	4	Nut, Coil	
120	70004461	4	O-Ring, Pole Tube	
130	70006955	1	Valve Assembly (Upper Tele)	
130	70006957	1	Seal Kit - 70006955 Valve	
130	70006956	2	Coil	
140	70004657	1	Valve, Cartridge (Flow Control)	
140	70004594	1	Seal Kit - 70004657 Valve	
140	70004595	1	Coil	
140	70004596	1	O-Ring, Pole Tube	
140	70004597	1	Nut, Coil	
150	70004598	1	Valve, Cartridge Less Coil (Steer Dump)	
150	70004055	1	Seal Kit - 70004598 Valve	
155	70004653	2	Coil	
155	70004051	2	Nut, Coil	
160	70023859	5	Valve, Shuffle Cartridge	
160	70023860	5	Seal Kit - 70023859 Valve	
170	7018992	1	Valve Assembly (Upper Lift)	
170	7024021	1	Seal Kit - 7018992 Valve	
170	7018991	2	Coil	
170	7021375	2	Nut, Coil	
170	70004461	2	O-Ring, Pole Tube	
180	70005195	1	Valve Assembly (Front Steer)	
180	7012773	1	Seal Kit - 70005195 Valve	
180	70004463	2	Coil	
180	7021375	2	Nut, Coil	
180	70004461	2	O-Ring, Pole Tube	
190	70003019	1	Valve, Relief Catridge (was PN 70006959)	
190	See Note	NSS	Seal Kit - Valve (Note: Not Available for Purchase)	
192	70003019	1	Valve, Relief Catridge (was PN 70006960)	
192	See Note	NSS	Seal Kit - Valve (Note: Not Available for Purchase)	
195	70003019	1	Valve, Relief Catridge (was PN 70006958)	
195	See Note	NSS	Seal Kit - Valve (Note: Not Available for Purchase)	
200	70004665	1	Valve, Check - Catridge	
200	70023862	1	Seal Kit - 70004665 Valve	
210	70004457	1	Valve, Cartridge Less Coil (Main Dump)	
210	70004050	1	Seal Kit - 70004665 Valve	
210	70004653	1	Coil	
220	70004667	1	Cover	
230	70005196	1	Orifice .118	
240	70005197	1	Plug (2WS)	
240	70004052	1	Seal Kit - 70005197 Plug	
250	70005198	1	Valve Assembly (Swing)	
250	70006961	1	Seal Kit - 70005198 Valve	
250	70004463	2	Coil	

SECTION 2 - TURNTABLE

ITEM	PART NUMBER	QTY	DESCRIPTION	REV
250	7021375	2	Nut, Coil	
250	70004461	2	O-Ring, Pole Tube	
801	70005199	2	Plug	
802	70005200	4	Plug	
805	70005201	3	Capscrew	
806	7018942	20	Capscrew	
807	7018951	4	Capscrew	
808	70005202	2	O-Ring	

SECTION 2 - TURNTABLE

FIGURE 2-3. SWING DRIVE INSTALLATION



ART_1001156136_B

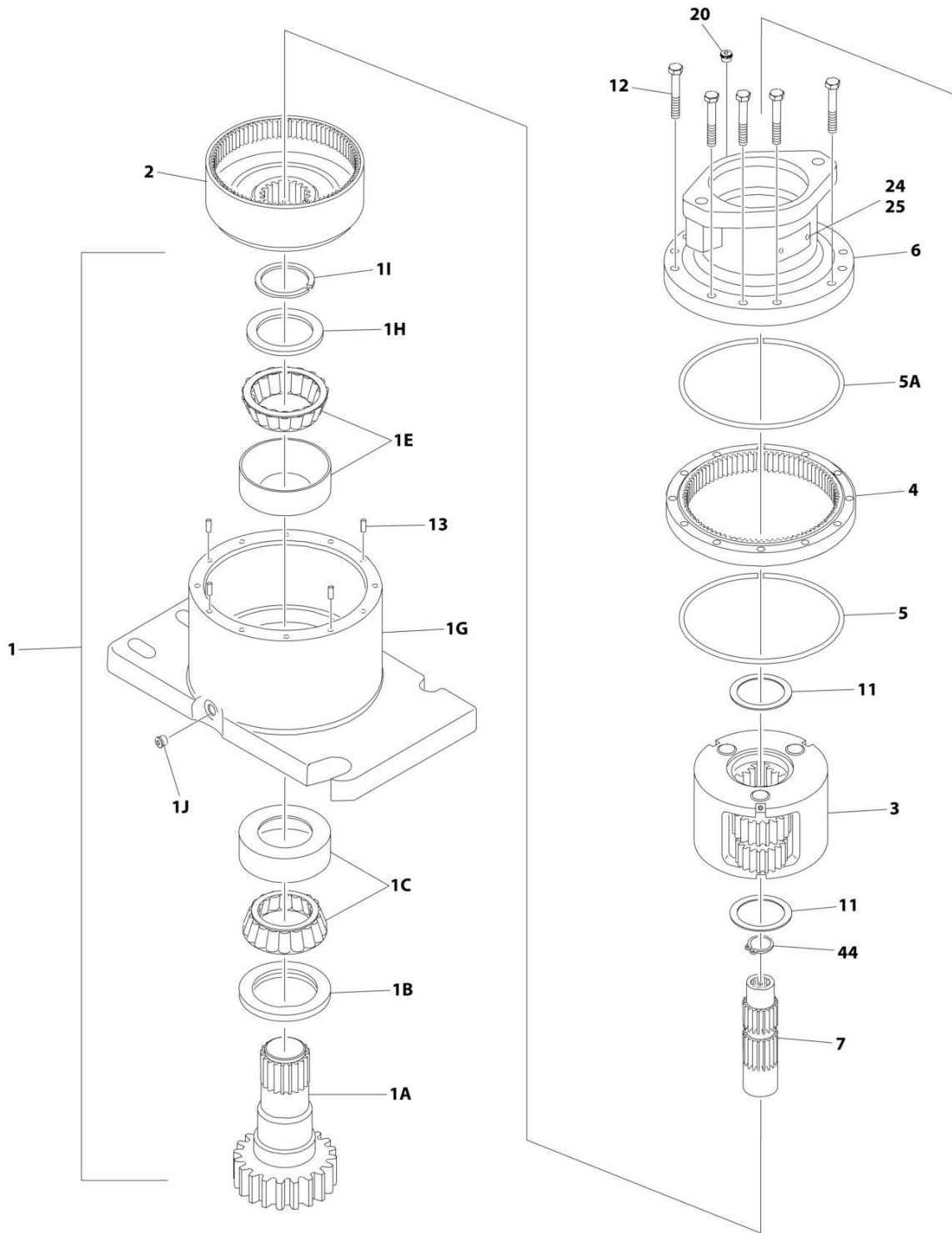
SECTION 2 - TURNTABLE

FIGURE 2-3. SWING DRIVE INSTALLATION

ITEM	PART NUMBER	QTY	DESCRIPTION	REV
	1001156136	Ref	SWING DRIVE INSTALLATION	B
1	0100019	AR	Compound, Locking	
2	3952020	1	Setscrew 5/8 x 2-1/2	
3	0682216	4	Bolt 3/4 x 2 Grade 8	
4	3312002	1	Nut 5/8	
5	3900293	1	Screw 1 x 1-1/4	
6	1001125492	1	Shim	
7	4740057	4	Washer	
8	1001229810	1	Swing Motor/Hub Assembly (See Separate Breakdown in this Section)	

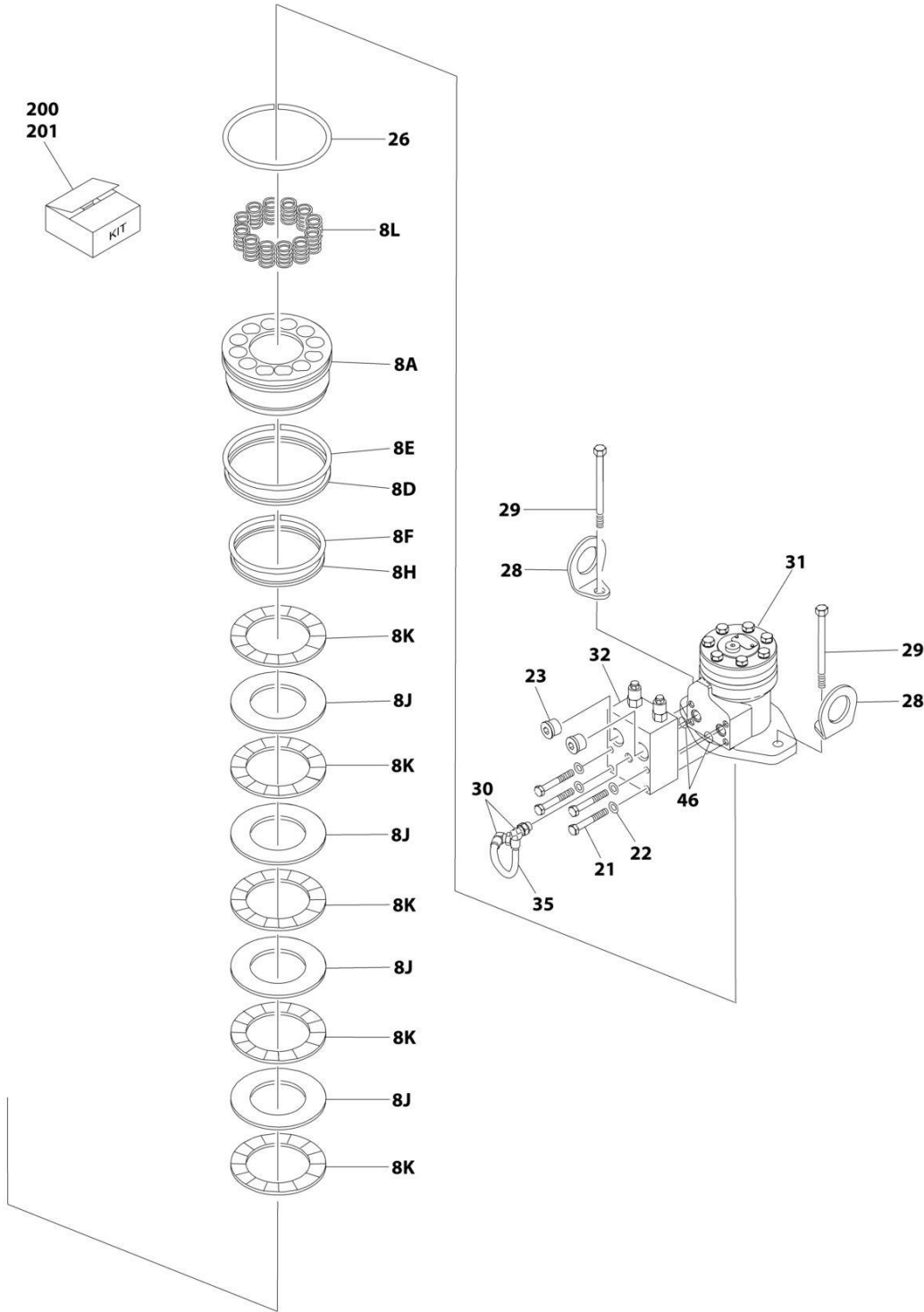
SECTION 2 - TURNTABLE

FIGURE 2-4. SWING MOTOR/HUB ASSEMBLY



ART_1001229810_10F2

SECTION 2 - TURNTABLE



ART_1001229810_20F2

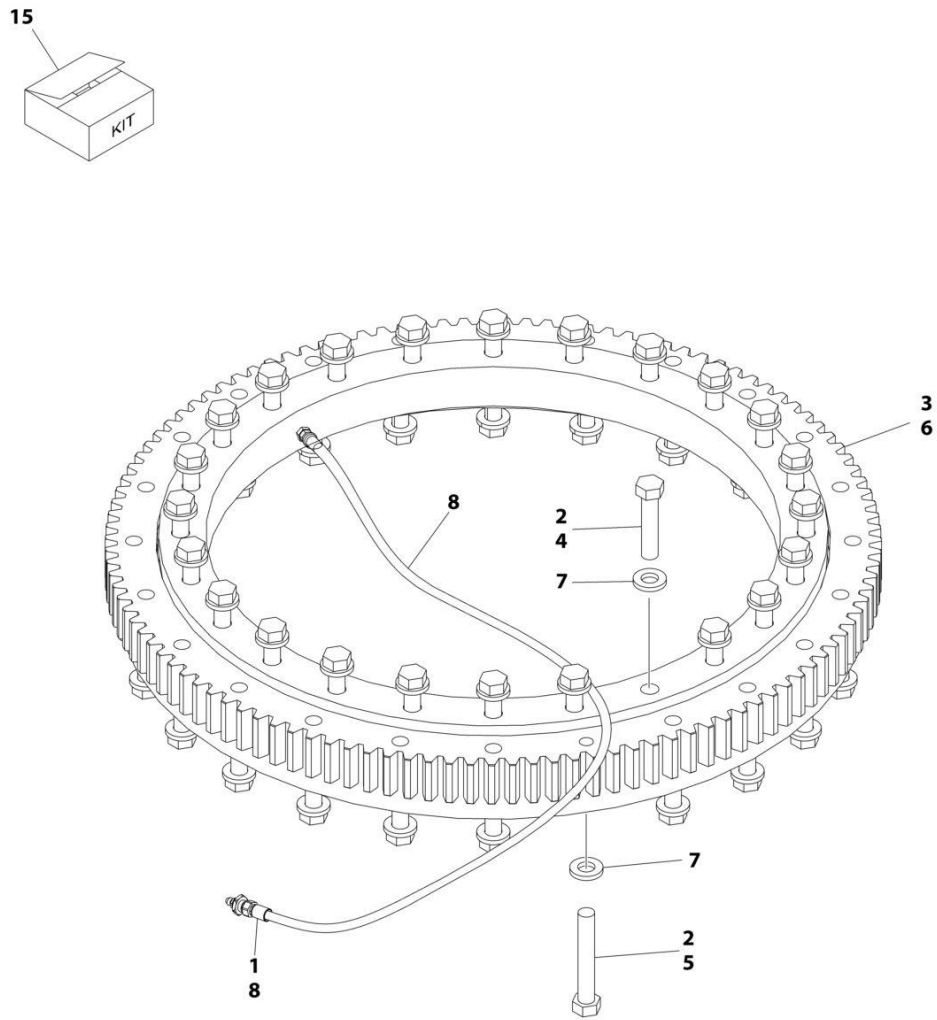
SECTION 2 - TURNTABLE

FIGURE 2-4. SWING MOTOR/HUB ASSEMBLY

ITEM	PART NUMBER	QTY	DESCRIPTION	REV
	1001229810	Ref	SWING MOTOR/HUB ASSEMBLY	C
1	See Note	1	Housing/Shaft Assembly (Note: Not Available - Purchase Individual Components)	
1A	7010492	1	Shaft, Output	
1B	7000228	1	Seal, Lip	
1C	7000255	1	Bearing Kit (Includes Cup and Cone)	
1E	7000257	1	Bearing Kit (Includes Cup and Cone)	
1G	7024762	1	Housing	
1H	7007633	1	Washer, Thrust	
1I	7000229	1	Ring, Retaining	
1J	7017072	1	Plug, Pipe	
2	7000246	1	Gear, Internal	
3	7000247	1	Carrier Assembly	
4	7000248	1	Gear, Ring	
5	7000230	1	O-Ring	
5A	7017070	1	O-Ring	
6	1001229810	NSS	Housing, Brake (Note: Not Available - Purchase Complete Assembly)	
7	70005203	1	Gear, Sun	
8A	70004037	1	Piston	
8D	70004041	1	O-Ring	
8E	70004044	1	Ring, Back-up	
8F	70004042	1	O-Ring	
8H	70004043	1	Ring, Back-up	
8J	70002085	4	Disc, Rotor	
8K	70002085	5	Disc, Stator	
8L	70002066	14	Spring	
11	7000253	2	Washer, Thrust	
12	7000217	12	Bolt 3/8 x 2-1/4 Grade 8	
13	7017080	4	Pin, Dowel	
20	7017072	1	Plug, Pipe	
21	7024704	4	Bolt 5/16 x 2 Grade 8	
22	70004045	4	Washer	
23	7017023	2	Plug, Pipe	
24	See Note	NSS	Plate, ID (Note: Not Available for Purchase)	
25	See Note	NSS	Rivet (Note: Not Available for Purchase)	
26	7024763	1	O-Ring	
28	See Note	NSS	Lug, Lifting (Note: Not Available for Purchase)	
29	70004040	2	Bolt 1/2 x 1 (Grade 8)	
30	7017085	2	Elbow	
31	70006304	1	Motor Assembly	
32	7024784	1	Valve Assembly - Complete (No Serviceable Parts)	
35	70004047	1	Tube	
44	7017028	1	Ring, Internal Retaining	
45	7000213	2	O-Ring	
		Ref	KIT OPTIONS:	
200	7024100	1	Seal Kit - Swing Hub (Includes Items 1B, 1I, 5, 5A & 11)	
201	70002085	1	Disc Kit - Swing Brake (Includes Items 8J & 8K)	

SECTION 2 - TURNTABLE

FIGURE 2-5. TURNTABLE BEARING INSTALLATION



ART_1001157049

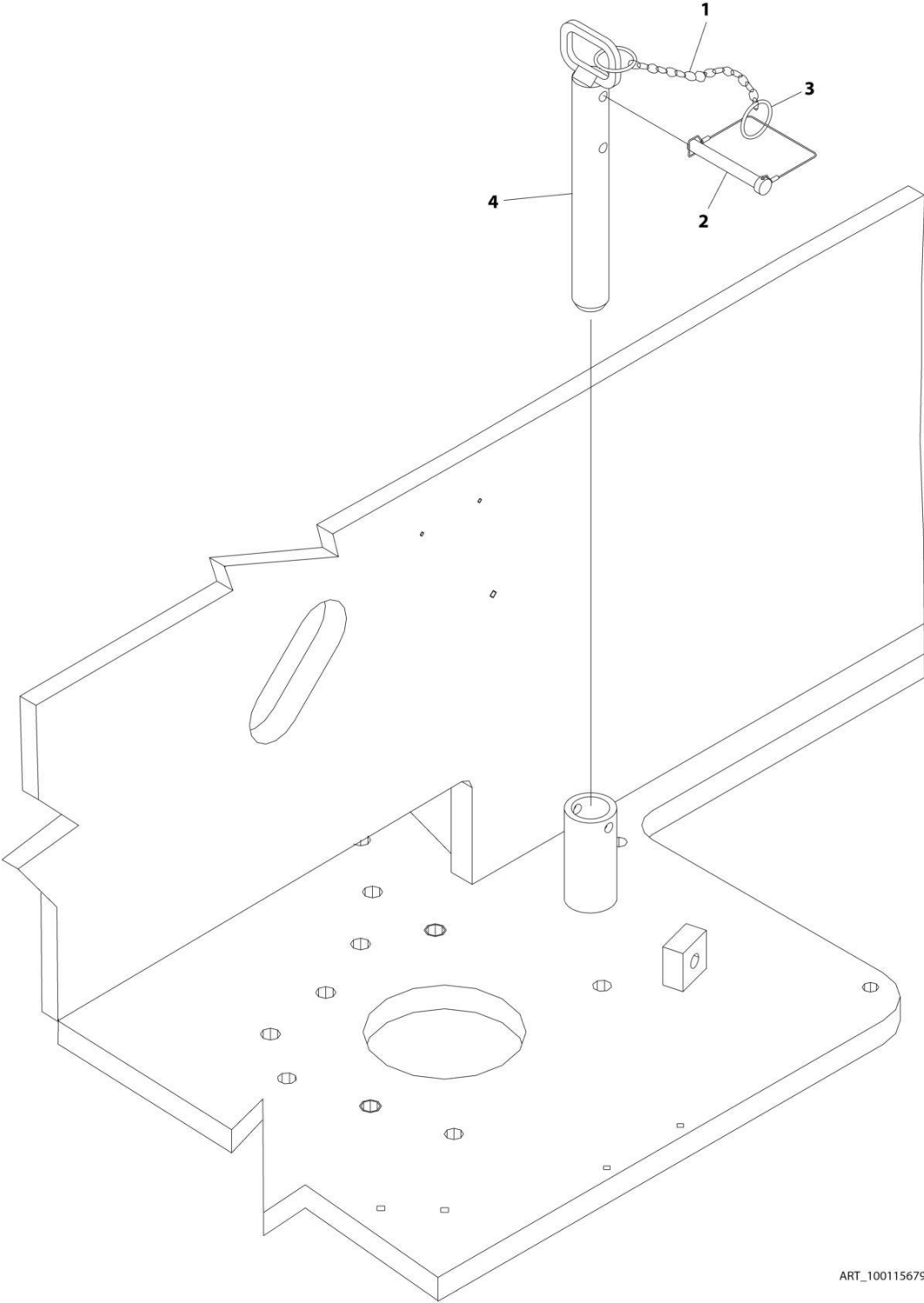
SECTION 2 - TURNTABLE

FIGURE 2-5. TURNTABLE BEARING INSTALLATION

ITEM	PART NUMBER	QTY	DESCRIPTION	REV
	1001157049	Ref	TURNTABLE BEARING AND LUBE INSTALLATION	B
1	0100011	AR	Compound, Locking	
2	0100019	AR	Compound, Locking	
3	0440244	1	Bearing, Turntable	
4	0682023	24	Bolt 5/8 x 2-7/8 Grade 8	
5	0682032	24	Bolt 5/8 x 4 Grade 8	
6	3020029	AR	Lubricant	
7	4892000	48	Washer 5/8	
8	1001157058	1	Hose	
15	2915094	1	Turntable Bearing Kit	

SECTION 2 - TURNTABLE

FIGURE 2-6. TURNTABLE LOCK INSTALLATION



ART_1001156798

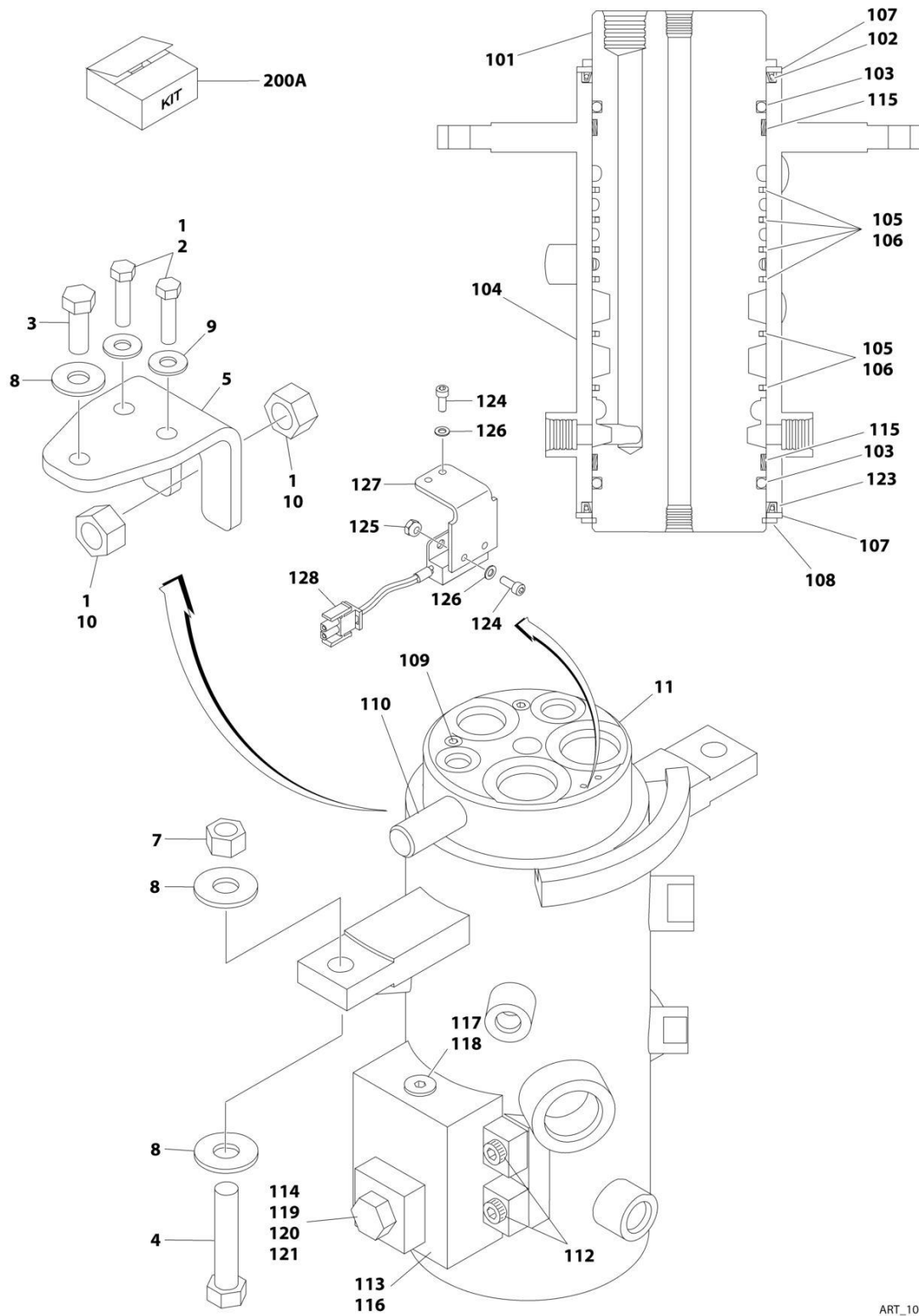
SECTION 2 - TURNTABLE

FIGURE 2-6. TURNTABLE LOCK INSTALLATION

ITEM	PART NUMBER	QTY	DESCRIPTION	REV
	1001156798	Ref	TURNTABLE LOCK INSTALLATION	A
1	1260017	9 in/23cm	Chain	
2	3421565	1	Pin, Snap	
3	3760170	2	Ring, Quick Release	
4	4844958	1	Pin	

SECTION 2 - TURNTABLE

FIGURE 2-7. ROTARY COUPLING INSTALLATION - 2WS MACHINES



ART_1001107529

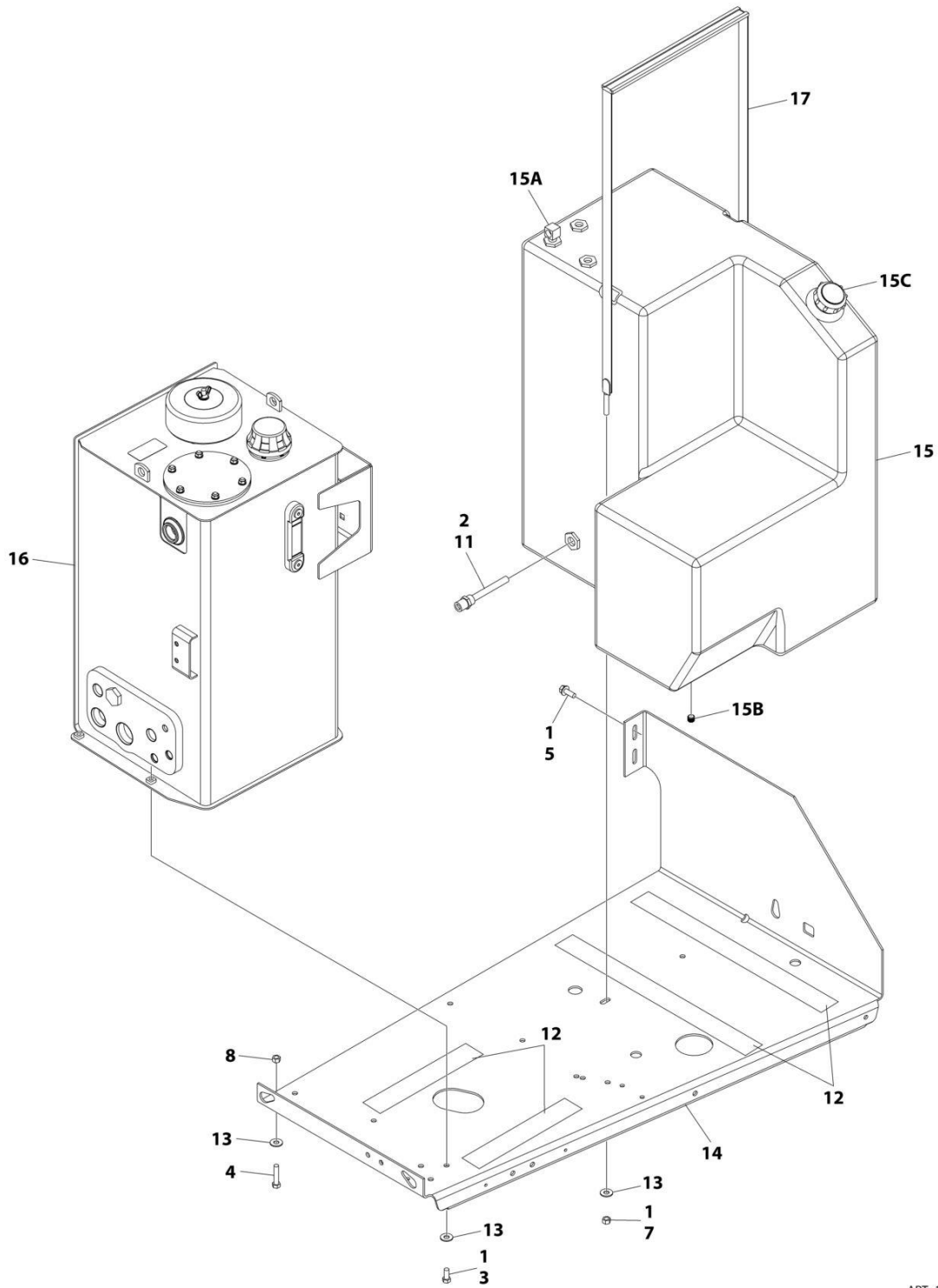
SECTION 2 - TURNTABLE

FIGURE 2-7. ROTARY COUPLING INSTALLATION - 2WS MACHINES

ITEM	PART NUMBER	QTY	DESCRIPTION	REV
	1001107529	Ref	ROTARY COUPLING INSTALLATION	B
1	0100011	AR	Compound, Locking	
2	0641611	2	Bolt 3/8 x 1-3/8	
3	0641812	1	Bolt 1/2 x 1-1/2	
4	0641820	2	Bolt 1/2 x 2-1/2	
5	0903242	1	Bracket	
7	3271805	2	Nut 1/2	
8	4751800	5	Washer 1/2	
9	4891600	2	Washer 3/8	
10	3322201	2	Nut 3/4	
11	1001106974	1	Coupling, Rotary Assembly (See Items 101-128 for Breakdown)	
	1001106974	Ref	ROTARY COUPLING ASSEMBLY	B
101	See Note	NSS	Body (Note: Not Available - Purchase Complete Assembly)	
102	See Note	NSS	Seal (Note: Use Item 200A)	
103	See Note	NSS	O-Ring (Note: Use Item 200A)	
104	See Note	NSS	Housing (Note: Not Available - Purchase Complete Assembly)	
105	See Note	NSS	Seal, Cap (Note: Use Item 200A)	
106	See Note	NSS	O-Ring (Note: Use Item 200A)	
107	7026503	2	Ring	
108	7026504	1	Ring, Retaining	
109	80934561	AR	Plug	
110	See Note	NSS	Lug, Torque (Note: Not Available for Purchase)	
112	7026197	4	Bolt 5/16 x 1-1/4	
113	See Note	NSS	O-Ring (Note: Use Item 200A)	
114	See Note	NSS	O-Ring (Note: Use Item 200A)	
115	See Note	NSS	Bearing (Note: Use Item 200A)	
116	7024404	1	Block Valve Assembly	
117	7026505	1	Plug	
118	7026506	1	Valve, Check	
119	7026507	1	Plug	
120	See Note	NSS	Plunger, Valve (Note: Use p/n 7024404)	
121	7026509	1	Spring, Compression	
123	See Note	NSS	Seal (Note: Use Item 200A)	
124	See Note	NSS	Capscrew #10 x 1/2 (Note: Not Available for Purchase)	
125	See Note	NSS	Nut #10 (Note: Not Available for Purchase)	
126	See Note	NSS	Flatwasher #10 (Note: Not Available for Purchase)	
127	70003454	1	Bracket, Switch Mounting	
128	4360517	1	Switch, Proximity	
200A	70001248	1	Seal Kit (Includes Items 102, 103, 105, 106, 113, 114, 115 & 123)	

SECTION 2 - TURNTABLE

FIGURE 2-8. TANK INSTALLATION - DIESEL MACHINE (FUEL TANK WITHOUT SIGHT GLASS)
(HELGESEN 6IN DIA BREATHER HYDRAULIC TANK - 25 GAL CAPACITY) (Prior to SN 0300298303)



ART_1001178174

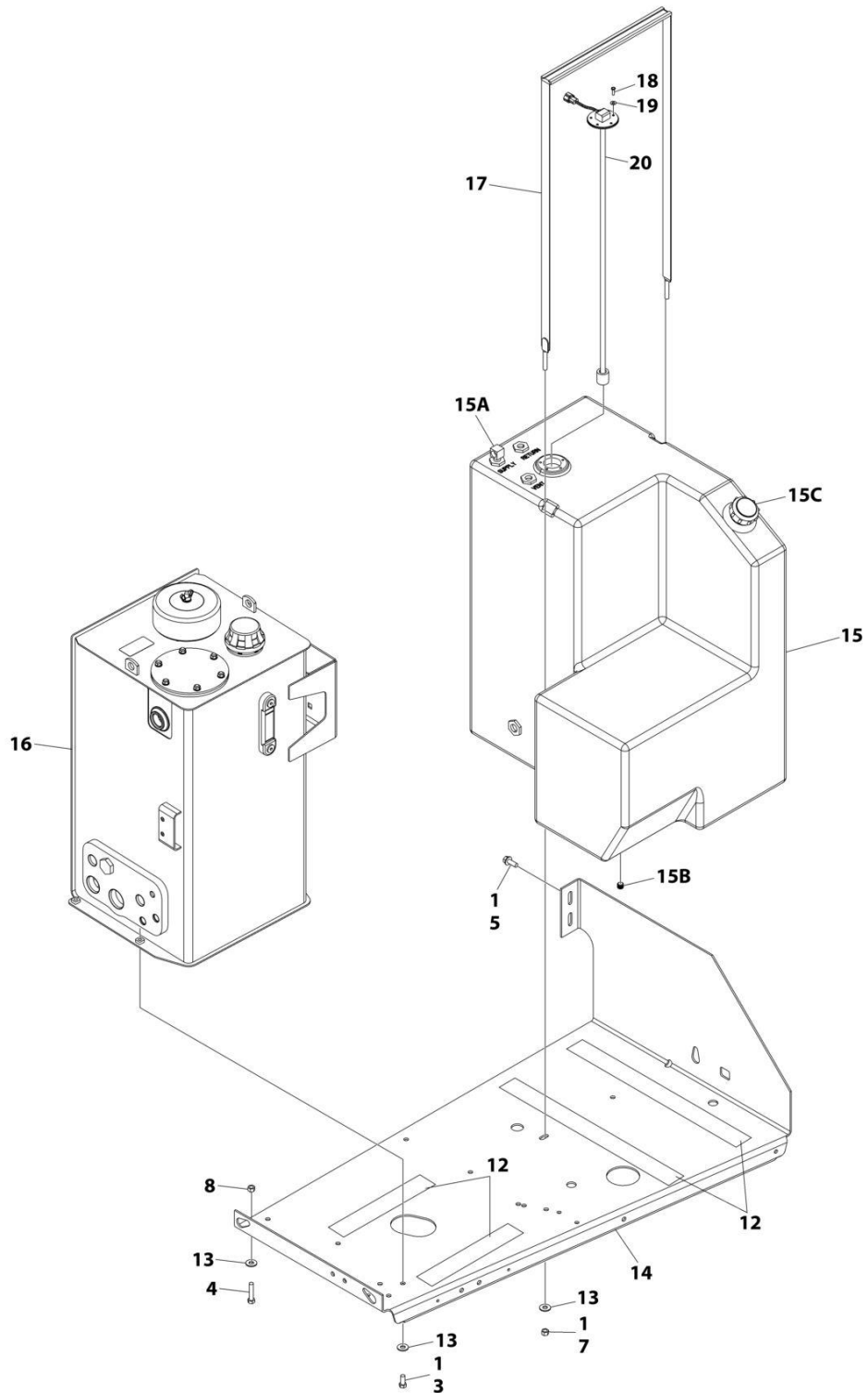
SECTION 2 - TURNTABLE

**FIGURE 2-8. TANK INSTALLATION - DIESEL MACHINE (FUEL TANK WITHOUT SIGHT GLASS)
(HELGESEN 6IN DIA BREATHER HYDRAULIC TANK - 25 GAL CAPACITY) (Prior to SN 0300298303)**

ITEM	PART NUMBER	QTY	DESCRIPTION	REV
	1001178174	Ref	TANK INSTALLATION	D
1	0100011	AR	Compound, Locking	
2	1001182997	AR	Adhesive	
3	0641607	4	Bolt 3/8 x 7/8	
4	0641614	2	Bolt 3/8 x 1-3/4	
5	0811608	2	Bolt 3/8 x 1	
7	3311601	2	Nut 3/8	
8	3311605	2	Nut 3/8	
11	4360436	1	Switch, Fuel Level	
12	4420038	73 in /1.85m	Tape, Rubber	
13	4751600	8	Washer 3/8	
14	1001156190	1	Tray	
15	1001173897	1	Tank, Fuel (Includes Non-Locking Cap) (Diesel Machines)	
15A	70004184	1	Fitting and Pick-up Tube (Diesel Machines)	
15B	2200222	1	Fitting (Diesel Machines Only)	
15B	0100020	AR	Sealant	
15C	7016314	1	Cap	
16	1001178057	1	Hydraulic Tank Assembly (See Separate Breakdown in this Section)	
17	1001231888	1	Strap Assembly (Includes Strap & Protective Strip)	
17	4240113	1	Strap, Tank	

SECTION 2 - TURNTABLE

**FIGURE 2-9. TANK INSTALLATION - DIESEL MACHINE (FUEL TANK WITHOUT SIGHT GLASS)
(HELGESEN 6IN DIA BREATHER HYDRAULIC TANK - 25 GAL CAPACITY) (SN 0300298303 to Present)**



ART_1001178174_E

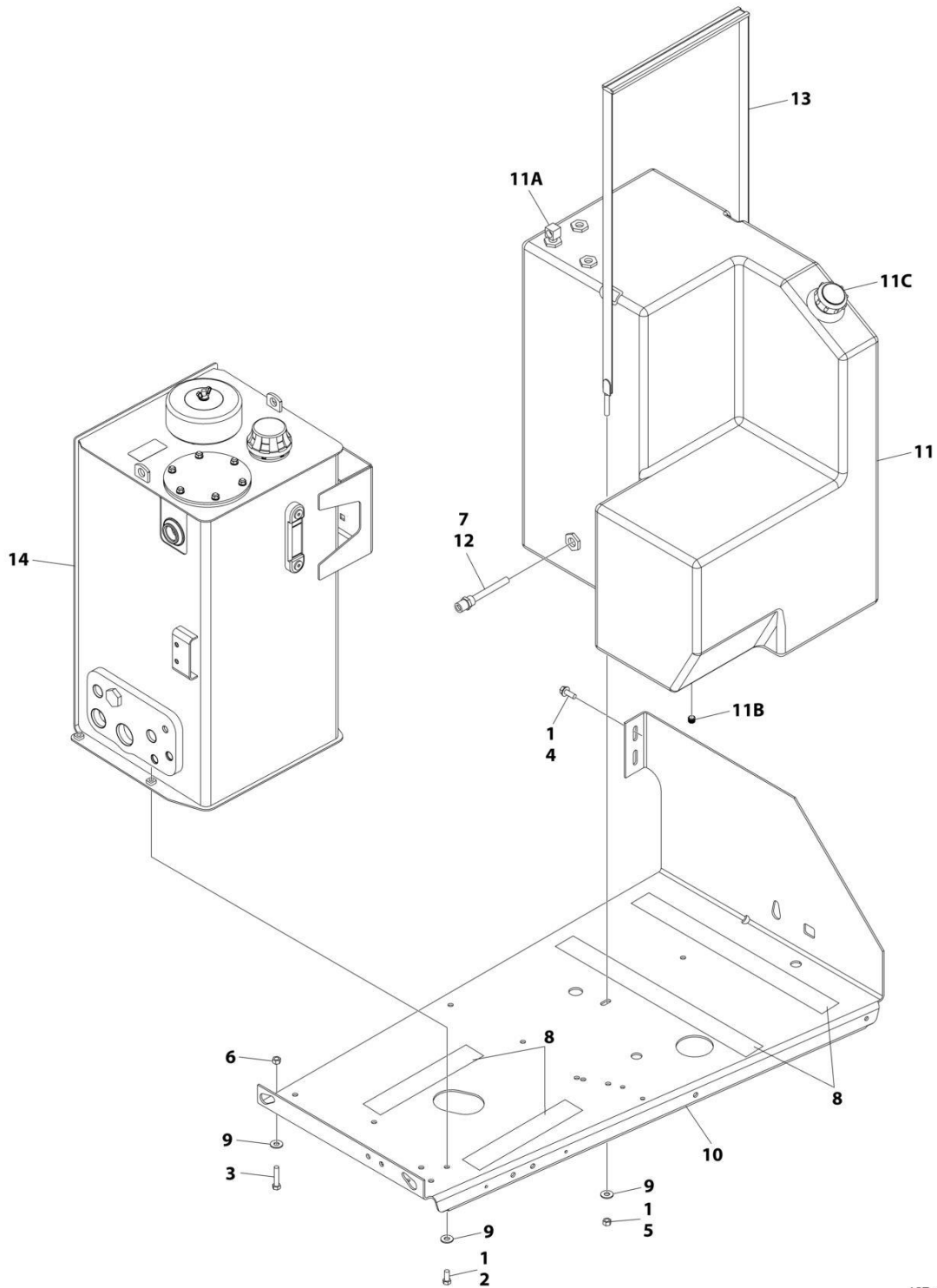
SECTION 2 - TURNTABLE

**FIGURE 2-9. TANK INSTALLATION - DIESEL MACHINE (FUEL TANK WITHOUT SIGHT GLASS)
(HELGESEN 6IN DIA BREATHER HYDRAULIC TANK - 25 GAL CAPACITY) (SN 0300298303 to Present)**

ITEM	PART NUMBER	QTY	DESCRIPTION	REV
	1001178174	Ref	TANK INSTALLATION	E
1	0100011	AR	Compound, Locking	
2	1001182997	AR	Adhesive (Not Shown)	
3	0641607	4	Bolt 3/8 x 7/8	
4	0641614	2	Bolt 3/8 x 1-3/4	
5	0811608	2	Bolt 3/8 x 1	
7	3311601	2	Nut 3/8	
8	3311605	2	Nut 3/8	
12	4420038	73 in /1.85m	Tape, Rubber	
13	4751600	8	Washer 3/8	
14	1001156190	1	Tray	
15	1001284962	1	Tank, Fuel (Includes Non-Locking Cap) (Diesel Machines)	
15A	70004184	1	Fitting and Pick-up Tube (Diesel Machines)	
15B	2200222	1	Fitting (Diesel Machines Only)	
15B	0100020	AR	Sealant	
15C	7016314	1	Cap	
16	1001178057	1	Hydraulic Tank Assembly (See Separate Breakdown in this Section)	
17	1001231888	1	Strap Assembly (Includes Strap & Protective Strip)	
17	4240113	1	Strap, Tank	
18	0731005	5	Bolt #10 x 5/8	
19	4751000	5	Washer #10	
20	1001274219	1	Gauge, Fuel	

SECTION 2 - TURNTABLE

FIGURE 2-10. TANK INSTALLATION - DIESEL MACHINE (FUEL TANK WITHOUT SIGHT GLASS)
(JIANGYING 4IN DIA BREATHER HYDRAULIC TANK - 25 GAL CAPACITY) (Prior to SN 0300298303)



ART_1001284873

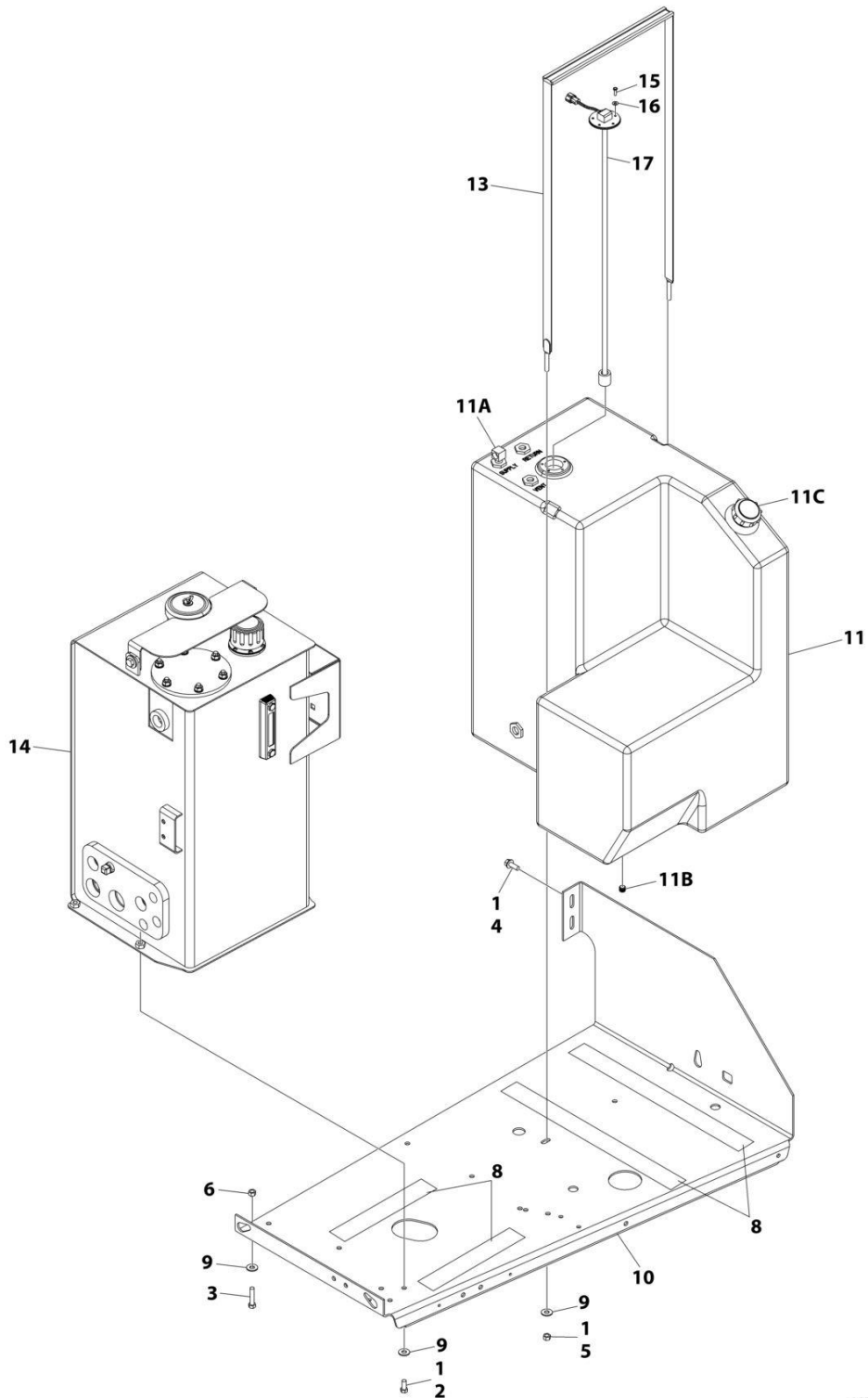
SECTION 2 - TURNTABLE

**FIGURE 2-10. TANK INSTALLATION - DIESEL MACHINE (FUEL TANK WITHOUT SIGHT GLASS)
(JIANGYING 4IIN DIA BREATHER HYDRAULIC TANK - 25 GAL CAPACITY) (Prior to SN 0300298303)**

ITEM	PART NUMBER	QTY	DESCRIPTION	REV
	1001284873	Ref	TANK INSTALLATION	A
1	0100011	AR	Compound, Locking	
2	0641607	4	Bolt 3/8 x 7/8	
3	0641614	2	Bolt 3/8 x 1-3/4	
4	0811608	2	Bolt 3/8 x 1	
5	3311601	2	Nut 3/8	
6	3311605	2	Nut 3/8	
7	4360436	1	Switch, Fuel Level	
8	4420038	73 in /1.85m	Tape, Rubber	
9	4751600	8	Washer 3/8	
10	1001156190	1	Tray	
11	1001173897	1	Tank, Fuel (Includes Non-Locking Cap) (Diesel Machines)	
11A	70004184	1	Fitting and Pick-up Tube (Diesel Machines)	
11B	2200222	1	Fitting (Diesel Machines Only)	
11B	0100020	AR	Sealant	
11C	7016314	1	Cap	
12	1001182997	AR	Adhesive	
13	1001231888	1	Strap Assembly (Includes Strap & Protective Strip)	
13	4240113	1	Strap, Tank	
14	1001267678	1	Hydraulic Tank Assembly (See Separate Breakdown in this Section)	

SECTION 2 - TURNTABLE

**FIGURE 2-11. TANK INSTALLATION - DIESEL MACHINE (FUEL TANK WITHOUT SIGHT GLASS)
(JIANGYING 4IN DIA BREATHER HYDRAULIC TANK - 25 GAL CAPACITY) (SN 0300298303 to
Present)**



ART_1001284873_B

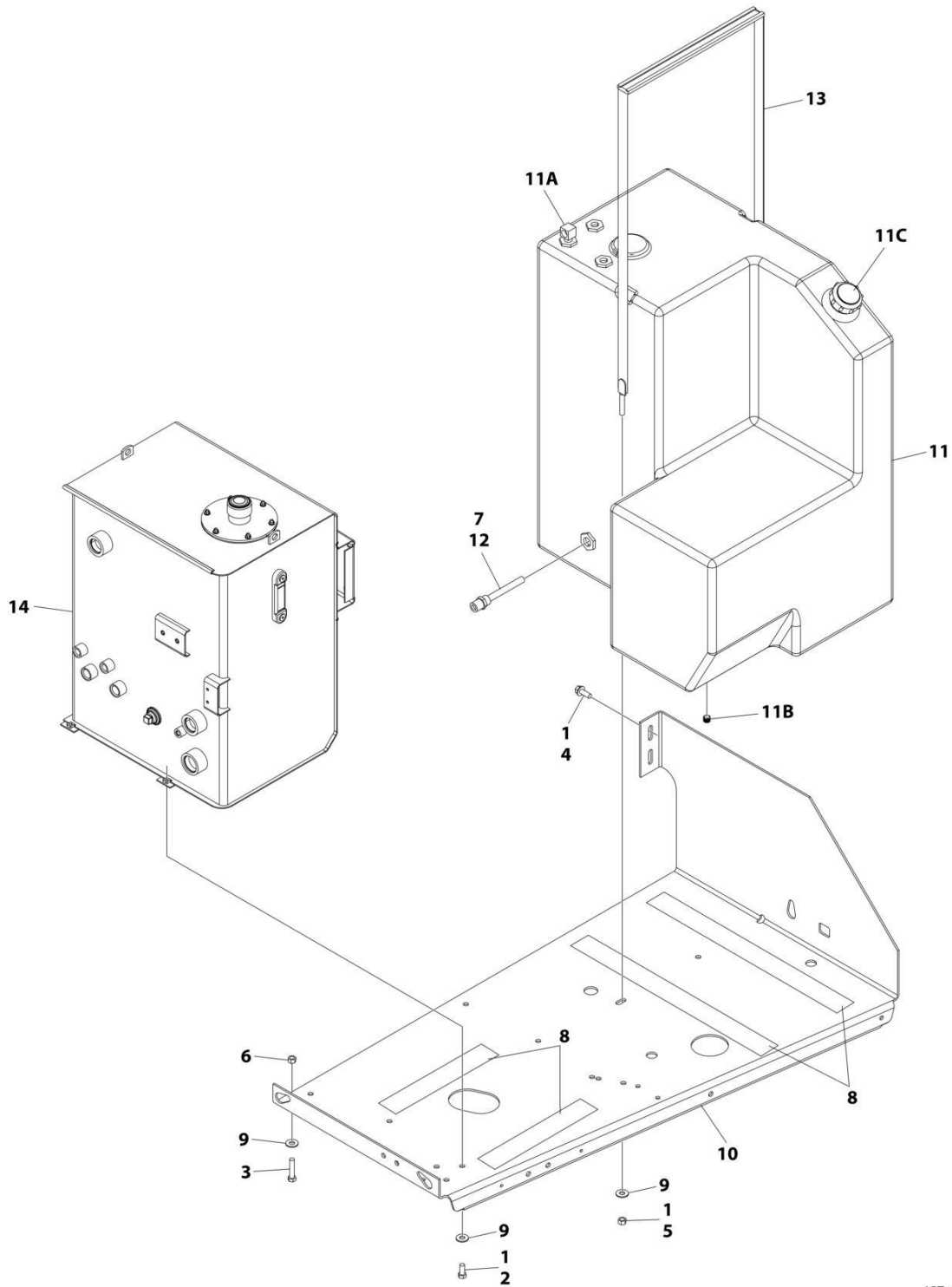
SECTION 2 - TURNTABLE

**FIGURE 2-11. TANK INSTALLATION - DIESEL MACHINE (FUEL TANK WITHOUT SIGHT GLASS)
(JIANGYING 4IIN DIA BREATHER HYDRAULIC TANK - 25 GAL CAPACITY) (SN 0300298303 to Present)**

ITEM	PART NUMBER	QTY	DESCRIPTION	REV
	1001284873	Ref	TANK INSTALLATION	B
1	0100011	AR	Compound, Locking	
2	0641607	4	Bolt 3/8 x 7/8	
3	0641614	2	Bolt 3/8 x 1-3/4	
4	0811608	2	Bolt 3/8 x 1	
5	3311601	2	Nut 3/8	
6	3311605	2	Nut 3/8	
8	4420038	73 in /1.85m	Tape, Rubber	
9	4751600	8	Washer 3/8	
10	1001156190	1	Tray	
11	1001284962	1	Tank, Fuel (Includes Non-Locking Cap) (Diesel Machines)	
11A	70004184	1	Fitting and Pick-up Tube (Diesel Machines)	
11B	2200222	1	Fitting (Diesel Machines Only)	
11B	0100020	AR	Sealant	
11C	7016314	1	Cap	
13	1001231888	1	Strap Assembly (Includes Strap & Protective Strip)	
13	4240113	1	Strap, Tank	
14	1001267678	1	Hydraulic Tank Assembly (See Separate Breakdown in this Section)	
15	0731005	5	Bolt #10 x 5/8	
16	4751000	5	Washer #10	
17	1001274219	1	Guage, Fuel	

SECTION 2 - TURNTABLE

FIGURE 2-12. TANK INSTALLATION - DIESEL MACHINE (FUEL TANK WITHOUT SIGHT GLASS)
(HYDRAULIC TANK - 47.8 GAL CAPACITY) (Prior to SN 0300298303)



ART_1001285832

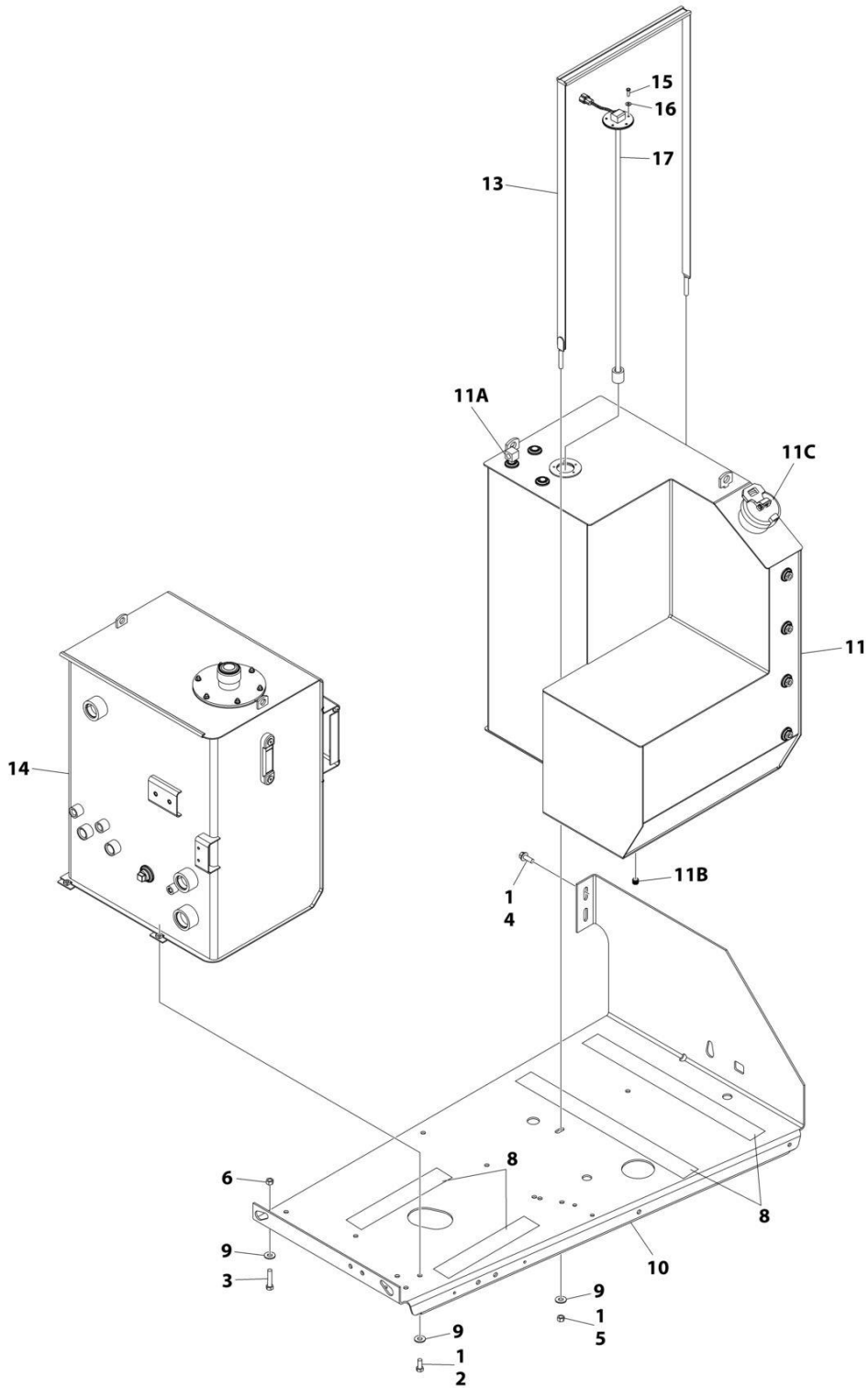
SECTION 2 - TURNTABLE

**FIGURE 2-12. TANK INSTALLATION - DIESEL MACHINE (FUEL TANK WITHOUT SIGHT GLASS)
(HYDRAULIC TANK - 47.8 GAL CAPACITY) (Prior to SN 0300298303)**

ITEM	PART NUMBER	QTY	DESCRIPTION	REV
	1001285832	Ref	TANK INSTALLATION	A
1	0100011	AR	Compound, Locking	
2	0641607	4	Bolt 3/8 x 7/8	
3	0641614	2	Bolt 3/8 x 1-3/4	
4	0811608	2	Bolt 3/8 x 1	
5	3311601	2	Nut 3/8	
6	3311605	2	Nut 3/8	
7	4360436	1	Switch, Fuel Level	
8	4420038	73 in /1.85m	Tape, Rubber	
9	4751600	8	Washer 3/8	
10	1001156190	1	Tray	
11	1001173897	1	Tank, Fuel (Includes Non-Locking Cap) (Diesel Machines)	
11A	70004184	1	Fitting and Pick-up Tube (Diesel Machines)	
11B	2200222	1	Fitting (Diesel Machines Only)	
11B	0100020	AR	Sealant	
11C	7016314	1	Cap	
12	1001182997	AR	Adhesive	
13	1001231888	1	Strap Assembly (Includes Strap & Protective Strip)	
13	4240113	1	Strap, Tank	
14	1001285677	1	Hydraulic Tank Assembly (See Separate Breakdown in this Section)	

SECTION 2 - TURNTABLE

FIGURE 2-13. TANK INSTALLATION - DIESEL MACHINE (FUEL TANK WITHOUT SIGHT GLASS)
(HYDRAULIC TANK - 47.8 GAL CAPACITY) (SN 0300298303 to Present)



ART_1001285832_B

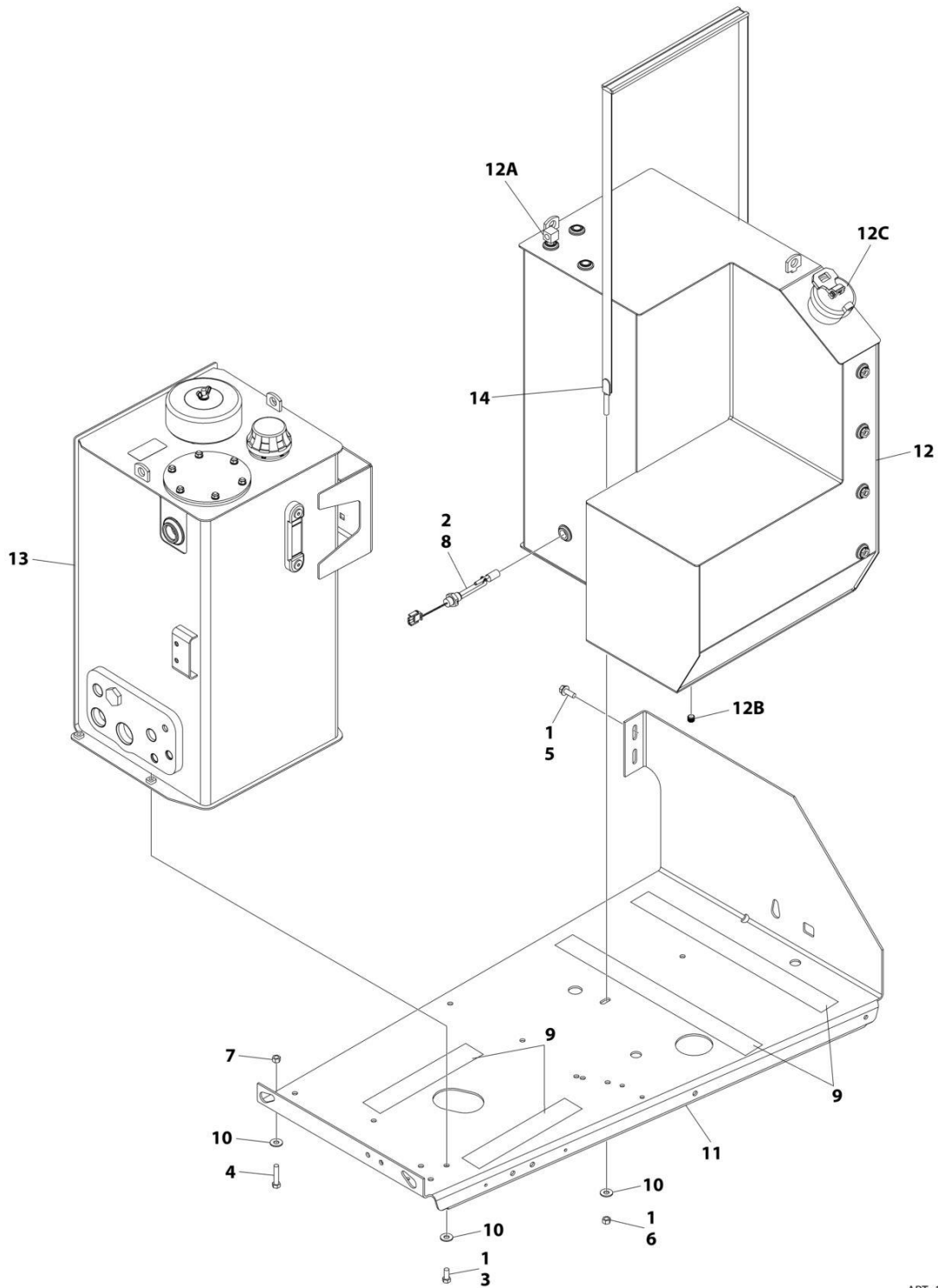
SECTION 2 - TURNTABLE

**FIGURE 2-13. TANK INSTALLATION - DIESEL MACHINE (FUEL TANK WITHOUT SIGHT GLASS)
(HYDRAULIC TANK - 47.8 GAL CAPACITY) (SN 0300298303 to Present)**

ITEM	PART NUMBER	QTY	DESCRIPTION	REV
	1001285832	Ref	TANK INSTALLATION	B
1	0100011	AR	Compound, Locking	
2	0641607	4	Bolt 3/8 x 7/8	
3	0641614	2	Bolt 3/8 x 1-3/4	
4	0811608	2	Bolt 3/8 x 1	
5	3311601	2	Nut 3/8	
6	3311605	2	Nut 3/8	
8	4420038	73 in /1.85m	Tape, Rubber	
9	4751600	8	Washer 3/8	
10	1001156190	1	Tray	
11	1001284963	1	Tank, Fuel (Includes Non-Locking Cap) (Diesel Machines)	
11A	70004184	1	Fitting and Pick-up Tube (Diesel Machines)	
11B	2200222	1	Fitting (Diesel Machines Only)	
11B	0100020	AR	Sealant	
11C	7016314	1	Cap	
13	1001231888	1	Strap Assembly (Includes Strap & Protective Strip)	
13	4240113	1	Strap, Tank	
14	1001285677	1	Hydraulic Tank Assembly (See Separate Breakdown in this Section)	
15	0731005	5	Bolt #10 x 5/8	
16	4751000	5	Washer #10	
17	1001274219	1	Gauge, Fuel	

SECTION 2 - TURNTABLE

FIGURE 2-14. TANK INSTALLATION - DIESEL MACHINE (FUEL TANK WITH SIGHT GLASS)
(HELGESEN 6IIN DIA BREATHER HYDRAULIC TANK - 25 GAL CAPACITY) (Prior to SN 0300298303)



ART_1001250643

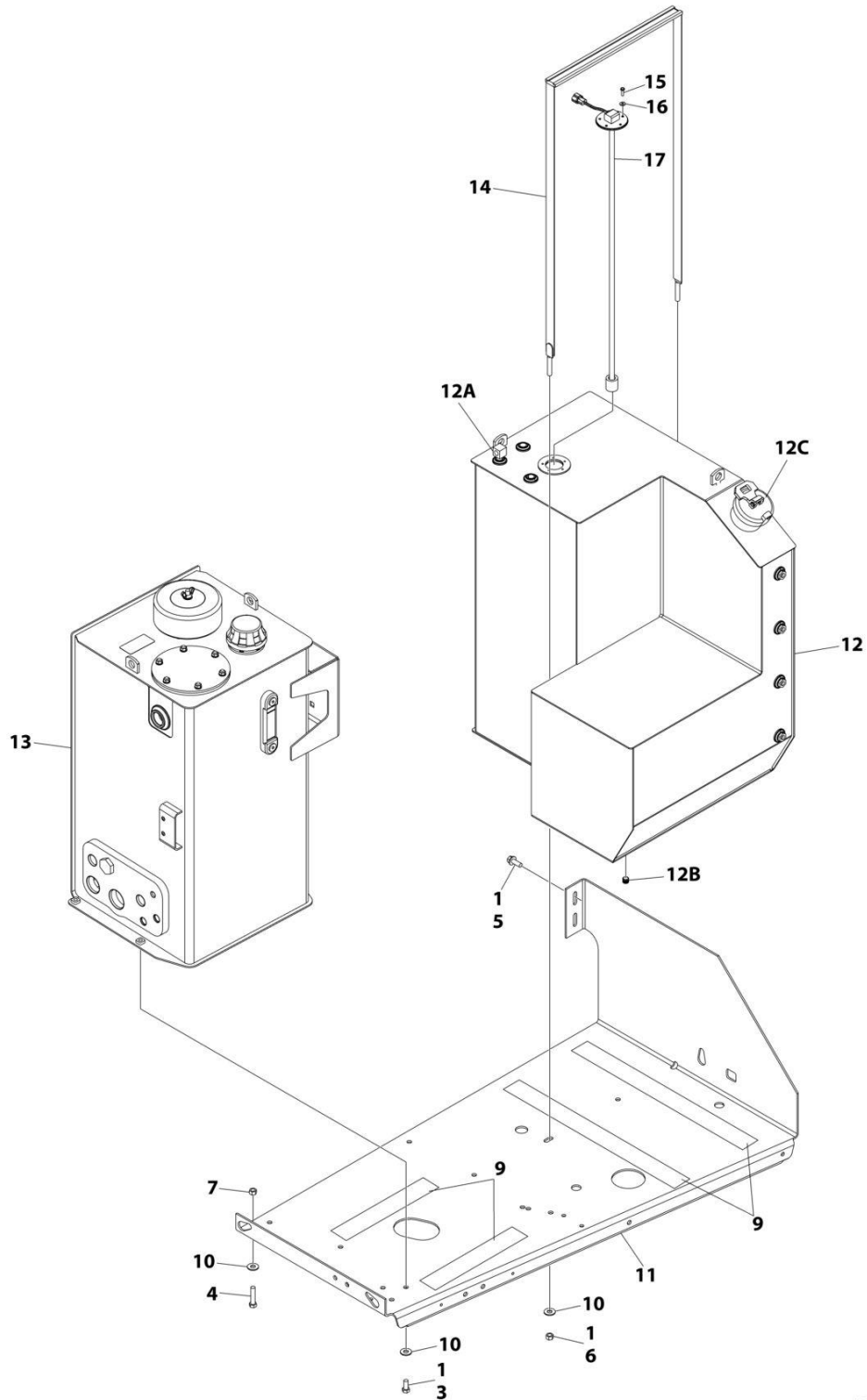
SECTION 2 - TURNTABLE

**FIGURE 2-14. TANK INSTALLATION - DIESEL MACHINE (FUEL TANK WITH SIGHT GLASS)
(HELGESEN 6IIN DIA BREATHER HYDRAULIC TANK - 25 GAL CAPACITY) (Prior to SN 0300298303)**

ITEM	PART NUMBER	QTY	DESCRIPTION	REV
	1001250643	Ref	TANK INSTALLATION	A
1	0100011	AR	Compound, Locking	
2	1001182997	AR	Adhesive	
3	0641607	4	Bolt 3/8 x 7/8	
4	0641614	2	Bolt 3/8 x 1-3/4	
5	0811608	2	Bolt 3/8 x 1	
6	3311601	2	Nut 3/8	
7	3311605	2	Nut 3/8	
8	4360436	1	Switch, Fuel Level	
9	4420038	73 in /1.85m	Tape, Rubber	
10	4751600	8	Washer 3/8	
11	1001156190	1	Tray	
12	1001179040	1	Tank, Fuel (Includes Non-Locking Cap) (Diesel Machines)	
12A	70007508	1	Fitting and Pick-up Tube (Diesel Machines)	
12B	70002112	1	Fitting (Diesel Machines Only)	
12C	1001080707	1	Cap	
13	1001178057	1	Hydraulic Tank Assembly (See Separate Breakdown in this Section)	
14	1001231888	1	Strap Assembly (Includes Strap & Protective Strip)	
14	4240113	1	Strap, Tank	

SECTION 2 - TURNTABLE

**FIGURE 2-15. TANK INSTALLATION - DIESEL MACHINE (FUEL TANK WITH SIGHT GLASS)
(HELGESEN 6IIN DIA BREATHER HYDRAULIC TANK - 25 GAL CAPACITY) (SN 0300298303 to Present)**



ART_1001250643_B

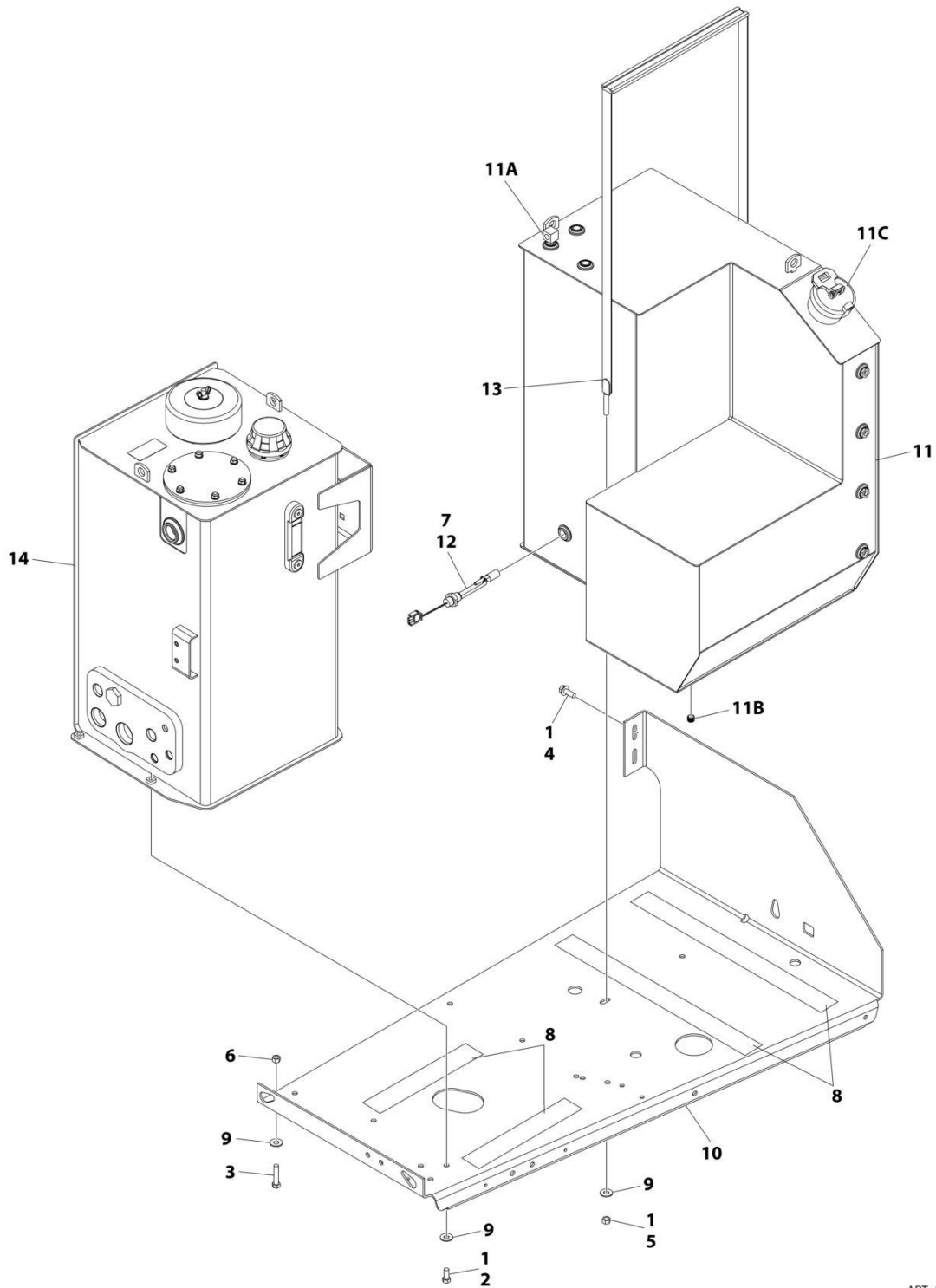
SECTION 2 - TURNTABLE

**FIGURE 2-15. TANK INSTALLATION - DIESEL MACHINE (FUEL TANK WITH SIGHT GLASS)
(HELGESEN 6IIN DIA BREATHER HYDRAULIC TANK - 25 GAL CAPACITY) (SN 0300298303 to Present)**

ITEM	PART NUMBER	QTY	DESCRIPTION	REV
	1001250643	Ref	TANK INSTALLATION	B
1	0100011	AR	Compound, Locking	
2	1001182997	AR	Adhesive (Not Shown)	
3	0641607	4	Bolt 3/8 x 7/8	
4	0641614	2	Bolt 3/8 x 1-3/4	
5	0811608	2	Bolt 3/8 x 1	
6	3311601	2	Nut 3/8	
7	3311605	2	Nut 3/8	
9	4420038	73 in /1.85m	Tape, Rubber	
10	4751600	8	Washer 3/8	
11	1001156190	1	Tray	
12	1001284963	1	Tank, Fuel (Includes Non-Locking Cap) (Diesel Machines)	
12A	70007508	1	Fitting and Pick-up Tube (Diesel Machines)	
12B	70002112	1	Fitting (Diesel Machines Only)	
12C	1001080707	1	Cap	
13	1001178057	1	Hydraulic Tank Assembly (See Separate Breakdown in this Section)	
14	1001231888	1	Strap Assembly (Includes Strap & Protective Strip)	
14	4240113	1	Strap, Tank	
15	0731005	5	Bolt #10 x 5/8	
16	4751000	5	Washer #10	
17	1001274219	1	Gauge, Fuel	

SECTION 2 - TURNTABLE

FIGURE 2-16. TANK INSTALLATION - DIESEL MACHINE (FUEL TANK WITH SIGHT GLASS)
(JIANGYING 4IN DIA BREATHER HYDRAULIC TANK - 25 GAL CAPACITY) (Prior to SN 0300298303)



ART_1001284872

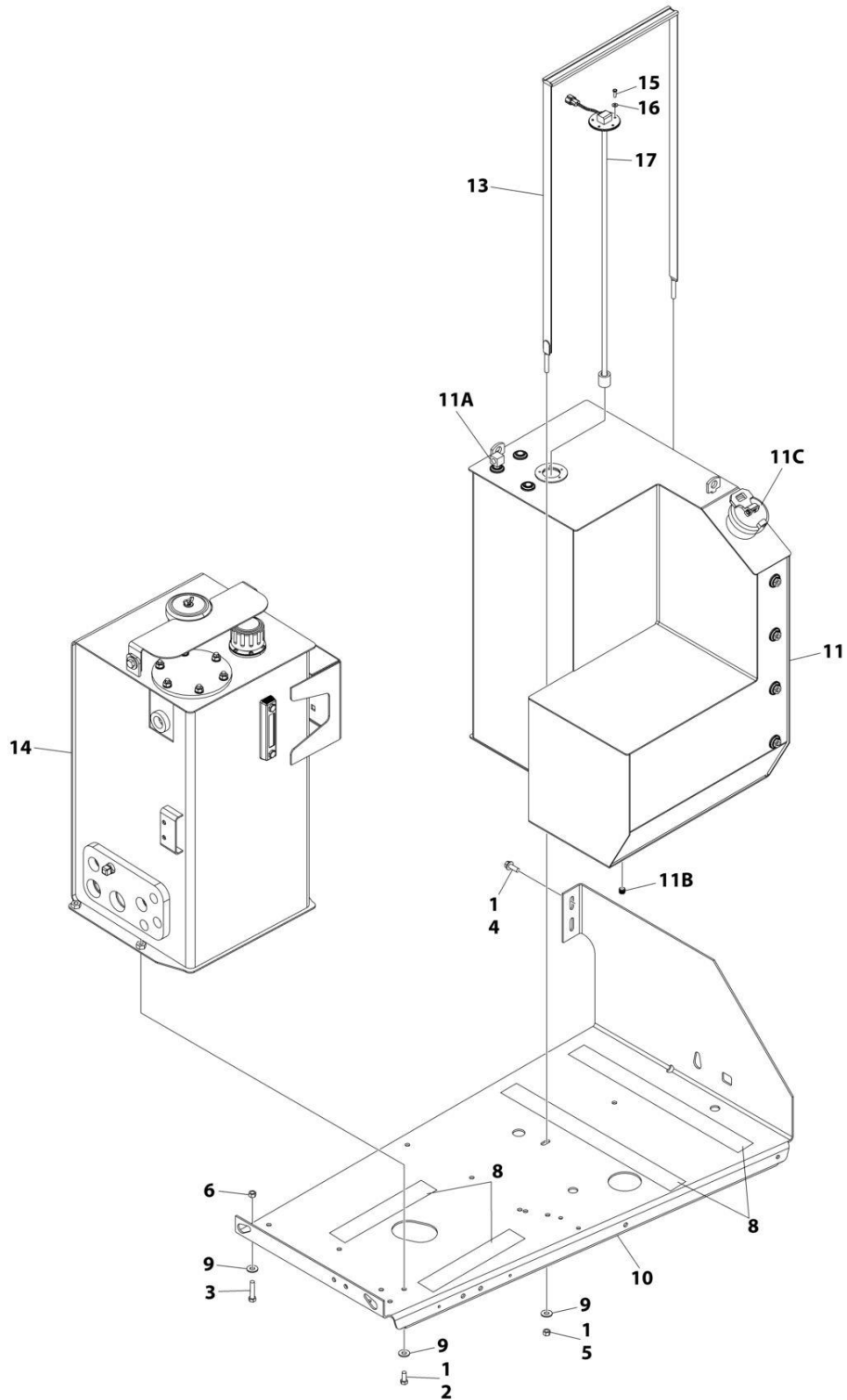
SECTION 2 - TURNTABLE

**FIGURE 2-16. TANK INSTALLATION - DIESEL MACHINE (FUEL TANK WITH SIGHT GLASS)
(JIANGYING 4IN DIA BREATHER HYDRAULIC TANK - 25 GAL CAPACITY) (Prior to SN 0300298303)**

ITEM	PART NUMBER	QTY	DESCRIPTION	REV
	1001284872	Ref	TANK INSTALLATION	A
1	0100011	AR	Compound, Locking	
2	0641607	4	Bolt 3/8 x 7/8	
3	0641614	2	Bolt 3/8 x 1-3/4	
4	0811608	2	Bolt 3/8 x 1	
5	3311601	2	Nut 3/8	
6	3311605	2	Nut 3/8	
7	4360436	1	Switch, Fuel Level	
8	4420038	73 in /1.85m	Tape, Rubber	
9	4751600	8	Washer 3/8	
10	1001156190	1	Tray	
11	1001179040	1	Tank, Fuel (Includes Non-Locking Cap) (Diesel Machines)	
11A	70007508	1	Fitting and Pick-up Tube (Diesel Machines)	
11B	70002112	1	Fitting (Diesel Machines Only)	
11C	1001080707	1	Cap	
12	1001182997	AR	Adhesive	
13	1001231888	1	Strap Assembly (Includes Strap & Protective Strip)	
13	4240113	1	Strap, Tank	
14	1001267678	1	Hydraulic Tank Assembly (See Separate Breakdown in this Section)	

SECTION 2 - TURNTABLE

FIGURE 2-17. TANK INSTALLATION - DIESEL MACHINE (FUEL TANK WITH SIGHT GLASS)
(JIANGYING 4IN DIA BREATHER HYDRAULIC TANK - 25 GAL CAPACITY) (SN 0300298303 to Present)



ART_1001284872_B

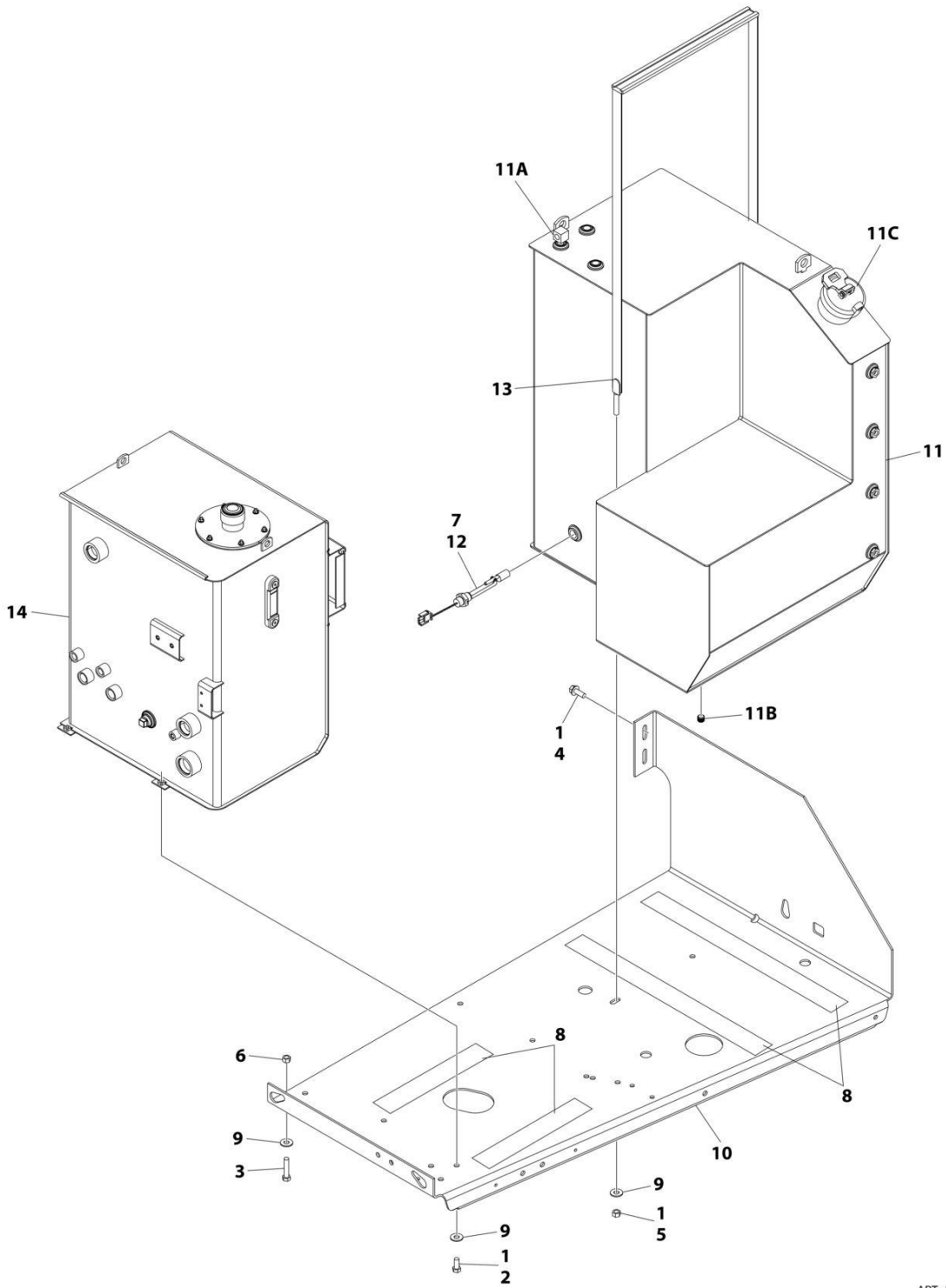
SECTION 2 - TURNTABLE

**FIGURE 2-17. TANK INSTALLATION - DIESEL MACHINE (FUEL TANK WITH SIGHT GLASS)
(JIANGYING 4IN DIA BREATHER HYDRAULIC TANK - 25 GAL CAPACITY) (SN 0300298303 to Present)**

ITEM	PART NUMBER	QTY	DESCRIPTION	REV
	1001284872	Ref	TANK INSTALLATION	B
1	0100011	AR	Compound, Locking	
2	0641607	4	Bolt 3/8 x 7/8	
3	0641614	2	Bolt 3/8 x 1-3/4	
4	0811608	2	Bolt 3/8 x 1	
5	3311601	2	Nut 3/8	
6	3311605	2	Nut 3/8	
8	4420038	73 in /1.85m	Tape, Rubber	
9	4751600	8	Washer 3/8	
10	1001156190	1	Tray	
11	1001284963	1	Tank, Fuel (Includes Non-Locking Cap) (Diesel Machines)	
11A	70007508	1	Fitting and Pick-up Tube (Diesel Machines)	
11B	70002112	1	Fitting (Diesel Machines Only)	
11C	1001080707	1	Cap	
13	1001231888	1	Strap Assembly (Includes Strap & Protective Strip)	
13	4240113	1	Strap, Tank	
14	1001267678	1	Hydraulic Tank Assembly (See Separate Breakdown in this Section)	
15	0731005	5	Bolt #10 x 5/8	
16	4751000	5	Washer #10	
17	1001274219	1	Gauge, Fuel	

SECTION 2 - TURNTABLE

FIGURE 2-18. TANK INSTALLATION - DIESEL MACHINE (FUEL TANK WITH SIGHT GLASS)
(HYDRAULIC TANK - 47.8 GAL CAPACITY) (Prior to SN 0300298303)



ART_1001285834

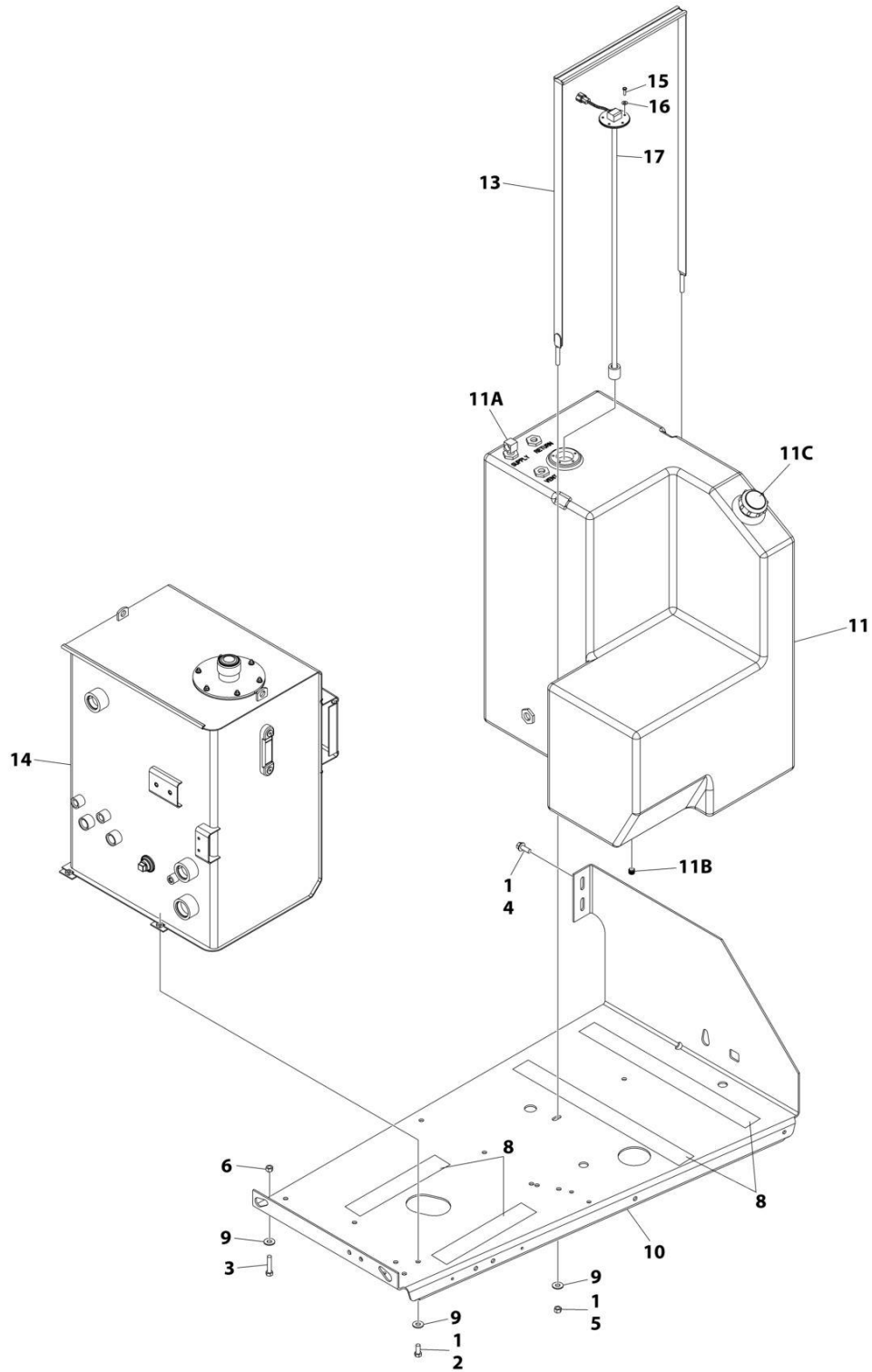
SECTION 2 - TURNTABLE

**FIGURE 2-18. TANK INSTALLATION - DIESEL MACHINE (FUEL TANK WITH SIGHT GLASS)
(HYDRAULIC TANK - 47.8 GAL CAPACITY) (Prior to SN 0300298303)**

ITEM	PART NUMBER	QTY	DESCRIPTION	REV
	1001285834	Ref	TANK INSTALLATION	A
1	0100011	AR	Compound, Locking	
2	0641607	4	Bolt 3/8 x 7/8	
3	0641614	2	Bolt 3/8 x 1-3/4	
4	0811608	2	Bolt 3/8 x 1	
5	3311601	2	Nut 3/8	
6	3311605	2	Nut 3/8	
7	4360436	1	Switch, Fuel Level	
8	4420038	73 in /1.85m	Tape, Rubber	
9	4751600	8	Washer 3/8	
10	1001156190	1	Tray	
11	1001179040	1	Tank, Fuel (Includes Non-Locking Cap) (Diesel Machines)	
11A	70007508	1	Fitting and Pick-up Tube (Diesel Machines)	
11B	70002112	1	Fitting (Diesel Machines Only)	
11C	1001080707	1	Cap	
12	1001182997	AR	Adhesive	
13	1001231888	1	Strap Assembly (Includes Strap & Protective Strip)	
13	4240113	1	Strap, Tank	
14	1001285677	1	Hydraulic Tank Assembly (See Separate Breakdown in this Section)	

SECTION 2 - TURNTABLE

FIGURE 2-19. TANK INSTALLATION - DIESEL MACHINE (FUEL TANK WITH SIGHT GLASS)
(HYDRAULIC TANK - 47.8 GAL CAPACITY) (SN 0300298303 to Present)



ART_1001285834_B

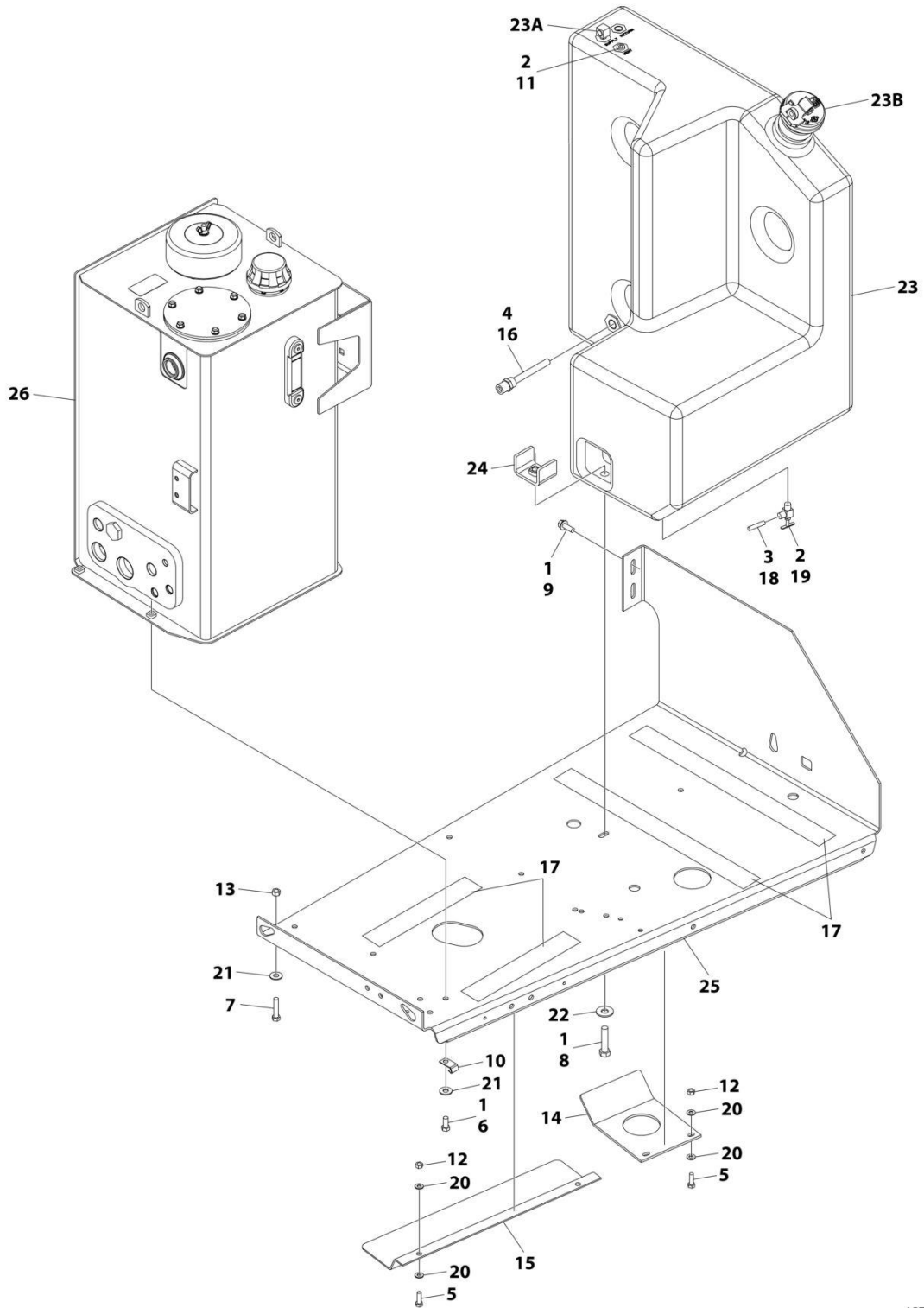
SECTION 2 - TURNTABLE

**FIGURE 2-19. TANK INSTALLATION - DIESEL MACHINE (FUEL TANK WITH SIGHT GLASS)
(HYDRAULIC TANK - 47.8 GAL CAPACITY) (SN 0300298303 to Present)**

ITEM	PART NUMBER	QTY	DESCRIPTION	REV
	1001285834	Ref	TANK INSTALLATION	B
1	0100011	AR	Compound, Locking	
2	0641607	4	Bolt 3/8 x 7/8	
3	0641614	2	Bolt 3/8 x 1-3/4	
4	0811608	2	Bolt 3/8 x 1	
5	3311601	2	Nut 3/8	
6	3311605	2	Nut 3/8	
8	4420038	73 in /1.85m	Tape, Rubber	
9	4751600	8	Washer 3/8	
10	1001156190	1	Tray	
11	1001284962	1	Tank, Fuel (Includes Non-Locking Cap) (Diesel Machines)	
11A	70007508	1	Fitting and Pick-up Tube (Diesel Machines)	
11B	70002112	1	Fitting (Diesel Machines Only)	
11C	1001080707	1	Cap	
13	1001231888	1	Strap Assembly (Includes Strap & Protective Strip)	
13	4240113	1	Strap, Tank	
14	1001285677	1	Hydraulic Tank Assembly (See Separate Breakdown in this Section)	
15	0731005	5	Bolt #10 x 5/8	
16	4751000	5	Washer #10	
17	1001274219	1	Gauge, Fuel	

SECTION 2 - TURNTABLE

FIGURE 2-20. TANK INSTALLATION - GAS ENGINES (HELGESEN 6IN DIA BREATHER HYDRAULIC TANK - 25 GAL CAPACITY) (Prior to SN 0300298303)



ART_1001178175

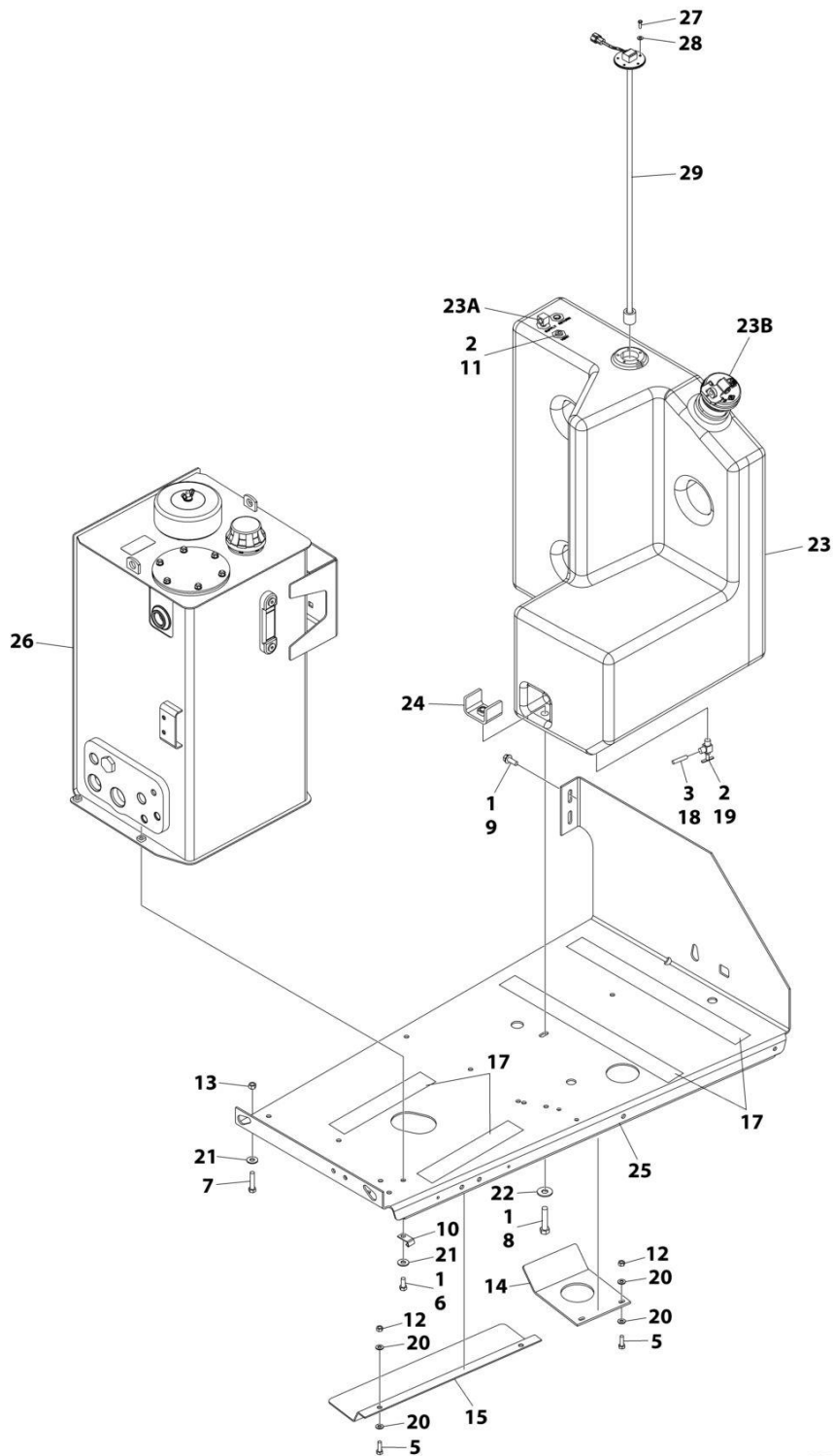
SECTION 2 - TURNTABLE

FIGURE 2-20. TANK INSTALLATION - GAS ENGINES (HELGESEN 6IN DIA BREATHER HYDRAULIC TANK - 25 GAL CAPACITY) (Prior to SN 0300298303)

ITEM	PART NUMBER	QTY	DESCRIPTION	REV
	1001178175	Ref	TANK INSTALLATION	B
1	0100011	AR	Compound, Locking	
2	0100020	AR	Sealant, Pipe	
3	0100062	AR	Compound, Locking	
4	1001182997	AR	Adhesive	
5	0641508	4	Bolt 5/16 x 1	
6	0641607	4	Bolt 3/8 x 7/8	
7	0641614	2	Bolt 3/8 x 1-3/4	
8	0641818	2	Bolt 1/2 x 2-1/4	
9	0811608	2	Bolt 3/8 x 1	
10	1320223	1	Clamp	
11	2200233	1	Plug	
12	3311505	4	Nut 5/16	
13	3311605	2	Nut 3/8	
14	3572423	1	Plate, Valve Needle	
15	3576755	1	Cover, Fuel Pump	
16	4360436	1	Switch, Fuel Level	
17	4420038	45 in /1.14m	Tape, Rubber (Gas Machines)	
18	4568119	1	Tube, Fuel	
19	4641022	1	Valve, Needle	
20	4711500	8	Washer 5/16	
21	4751600	2	Washer 3/8	
22	4751800	2	Washer 1/2	
23	1001111514	1	Tank, Fuel (Includes Non-Locking Cap) (Gas Machines)	
23A	70004149	1	Fitting and Pick-up Tube (Gas Machines)	
23B	70002715	1	Cap	
23B	70002716	1	Adapter, Cap	
24	1001118133	2	Bracket	
25	1001156190	1	Tray	
26	1001178057	1	Hydraulic Tank Assembly (See Separate Breakdown in this Section)	

SECTION 2 - TURNTABLE

FIGURE 2-21. TANK INSTALLATION - GAS ENGINES (HELGESEN 6IN DIA BREATHER HYDRAULIC TANK - 25 GAL CAPACITY) (SN 0300298303 to Present)



ART_1001178175_C

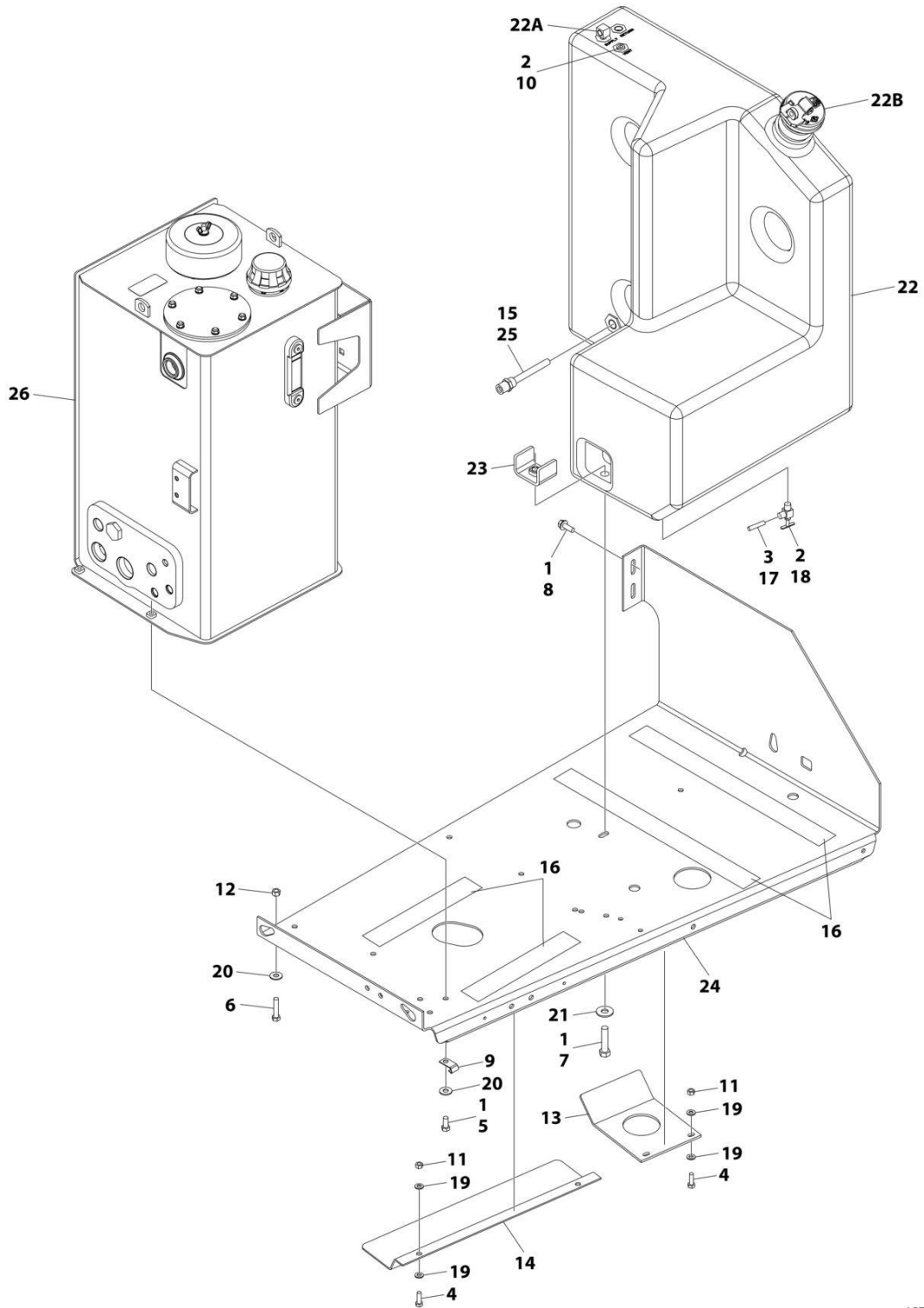
SECTION 2 - TURNTABLE

FIGURE 2-21. TANK INSTALLATION - GAS ENGINES (HELGESEN 6IN DIA BREATHER HYDRAULIC TANK - 25 GAL CAPACITY) (SN 0300298303 to Present)

ITEM	PART NUMBER	QTY	DESCRIPTION	REV
	1001178175	Ref	TANK INSTALLATION	C
1	0100011	AR	Compound, Locking	
2	0100020	AR	Sealant, Pipe	
3	0100062	AR	Compound, Locking	
4	1001182997	AR	Adhesive (Not Shown)	
5	0641508	4	Bolt 5/16 x 1	
6	0641607	4	Bolt 3/8 x 7/8	
7	0641614	2	Bolt 3/8 x 1-3/4	
8	0641818	2	Bolt 1/2 x 2-1/4	
9	0811608	2	Bolt 3/8 x 1	
10	1320223	1	Clamp	
11	2200233	1	Plug	
12	3311505	4	Nut 5/16	
13	3311605	2	Nut 3/8	
14	3572423	1	Plate, Valve Needle	
15	3576755	1	Cover, Fuel Pump	
17	4420038	45 in /1.14m	Tape, Rubber (Gas Machines)	
18	4568119	1	Tube, Fuel	
19	4641022	1	Valve, Needle	
20	4711500	8	Washer 5/16	
21	4751600	2	Washer 3/8	
22	4751800	2	Washer 1/2	
23	1001284961	1	Tank, Fuel (Includes Non-Locking Cap) (Gas Machines)	
23A	70004149	1	Fitting and Pick-up Tube (Gas Machines)	
23B	70002715	1	Cap	
23B	70002716	1	Adapter, Cap	
24	1001118133	2	Bracket	
25	1001156190	1	Tray	
26	1001178057	1	Hydraulic Tank Assembly (See Separate Breakdown in this Section)	
27	0731005	5	Bolt #10 x 5/8	
28	4751000	5	Washer #10	
29	1001274219	1	Gauge, Fuel	

SECTION 2 - TURNTABLE

FIGURE 2-22. TANK INSTALLATION - GAS ENGINES (JIANGYING 4IN DIA BREATHER HYDRAULIC TANK - 25 GAL CAPACITY) (Prior to SN 0300298303)



ART_1001284874

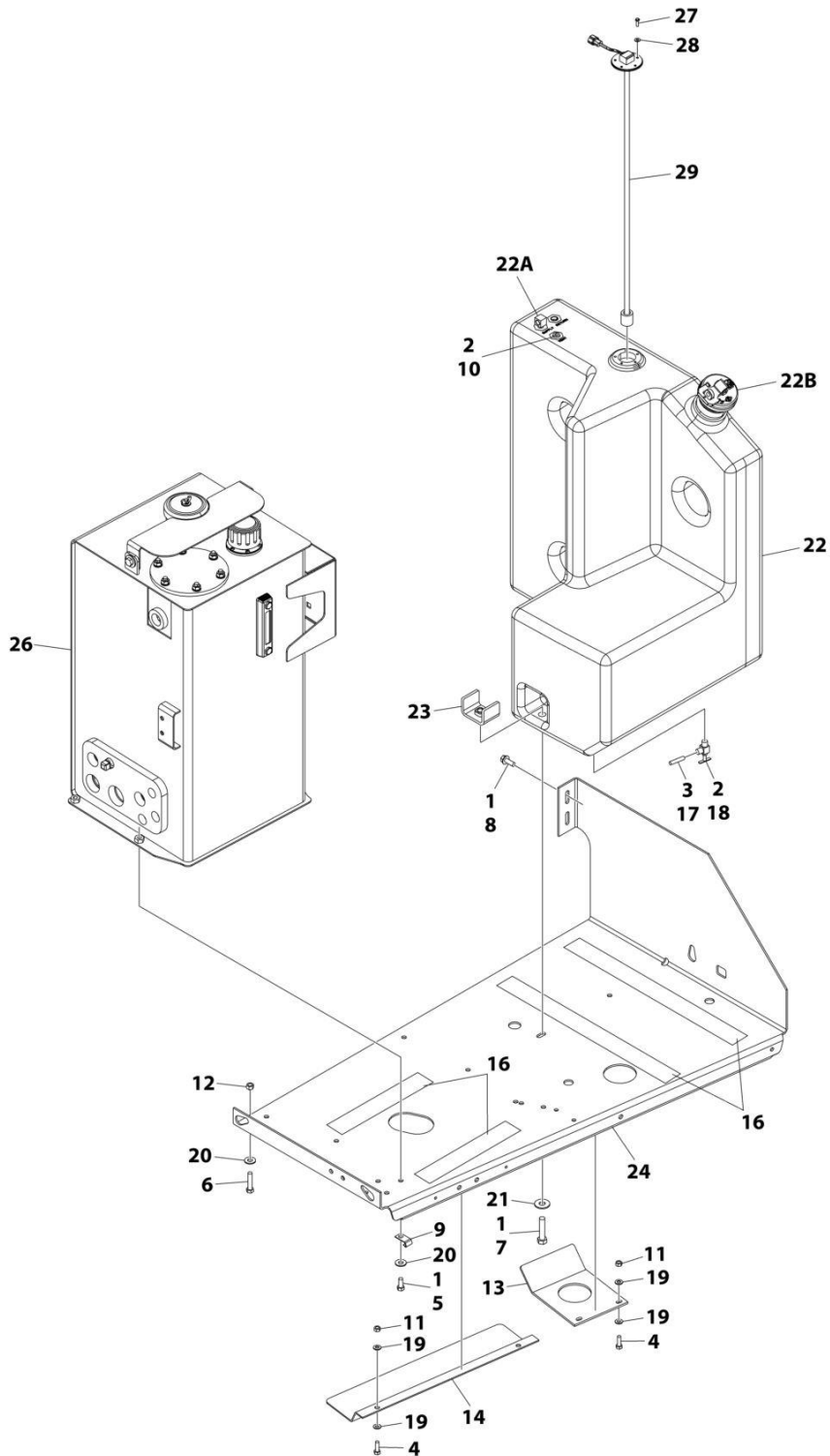
SECTION 2 - TURNTABLE

FIGURE 2-22. TANK INSTALLATION - GAS ENGINES (JIANGYING 4IN DIA BREATHER HYDRAULIC TANK - 25 GAL CAPACITY) (Prior to SN 0300298303)

ITEM	PART NUMBER	QTY	DESCRIPTION	REV
	1001284874	Ref	TANK INSTALLATION	A
1	0100011	AR	Compound, Locking	
2	0100020	AR	Sealant, Pipe	
3	0100062	AR	Compound, Locking	
4	0641508	4	Bolt 5/16 x 1	
5	0641607	4	Bolt 3/8 x 7/8	
6	0641614	2	Bolt 3/8 x 1-3/4	
7	0641818	2	Bolt 1/2 x 2-1/4	
8	0811608	2	Bolt 3/8 x 1	
9	1320223	1	Clamp	
10	2200233	1	Plug	
11	3311505	4	Nut 5/16	
12	3311605	2	Nut 3/8	
13	3572423	1	Plate, Valve Needle	
14	3576755	1	Cover, Fuel Pump	
15	4360436	1	Switch, Fuel Level	
16	4420038	45 in /1.14m	Tape, Rubber (Gas Machines)	
17	4568119	1	Tube, Fuel	
18	4641022	1	Valve, Needle	
19	4711500	8	Washer 5/16	
20	4751600	2	Washer 3/8	
21	4751800	2	Washer 1/2	
22	1001111514	1	Tank, Fuel (Includes Non-Locking Cap) (Gas Machines)	
22A	70004149	1	Fitting and Pick-up Tube (Gas Machines)	
22B	70002715	1	Cap	
22B	70002716	1	Adapter, Cap	
23	1001118133	2	Bracket	
24	1001156190	1	Tray	
25	1001182997	AR	Adhesive	
26	1001267678	1	Hydraulic Tank Assembly (See Separate Breakdown in this Section)	

SECTION 2 - TURNTABLE

FIGURE 2-23. TANK INSTALLATION - GAS ENGINES (JIANGYING 4IN DIA BREATHER HYDRAULIC TANK - 25 GAL CAPACITY) (SN 0300298303 to Present)



ART_1001284874_B

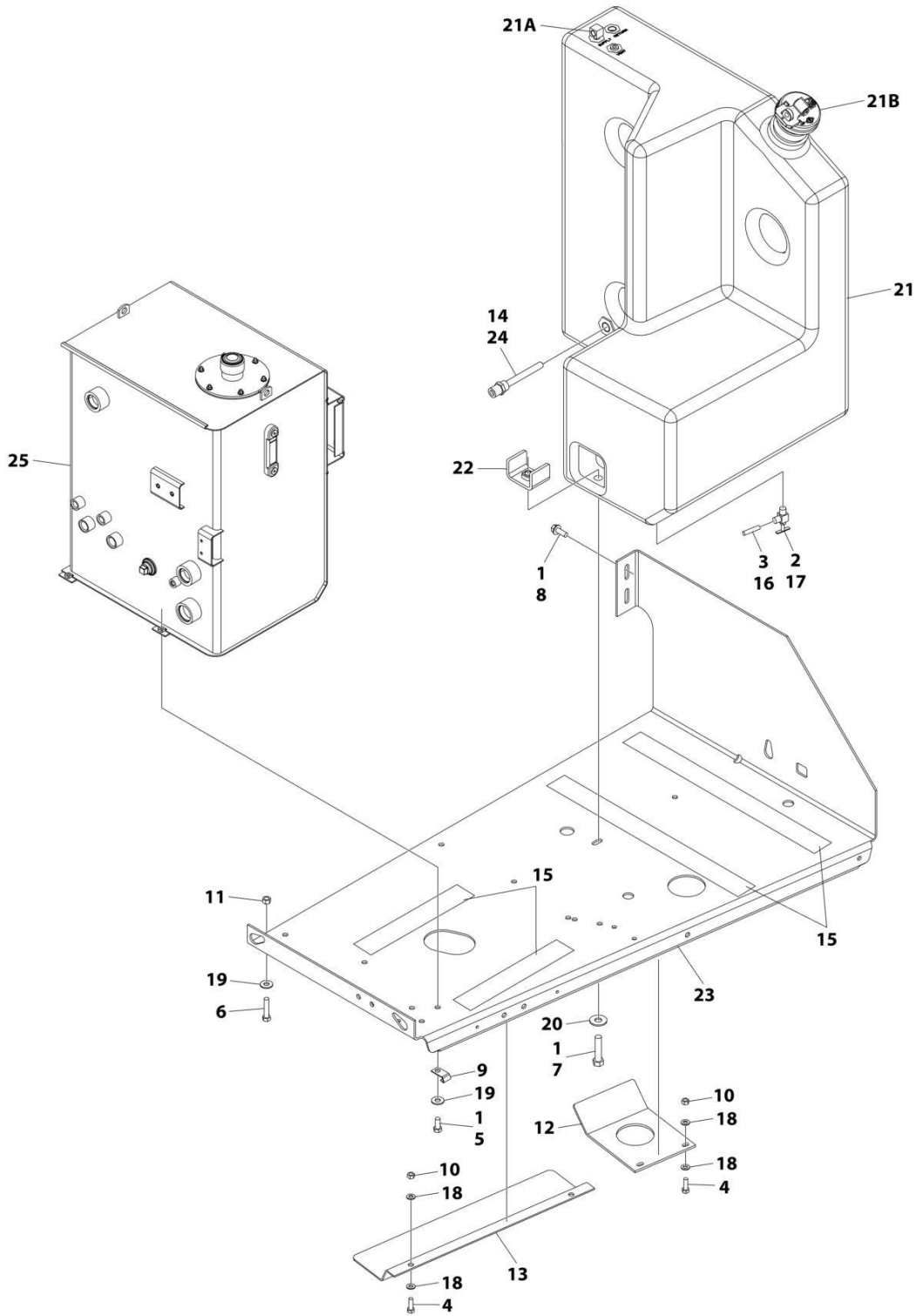
SECTION 2 - TURNTABLE

FIGURE 2-23. TANK INSTALLATION - GAS ENGINES (JIANGYING 4IN DIA BREATHER HYDRAULIC TANK - 25 GAL CAPACITY) (SN 0300298303 to Present)

ITEM	PART NUMBER	QTY	DESCRIPTION	REV
	1001284874	Ref	TANK INSTALLATION	B
1	0100011	AR	Compound, Locking	
2	0100020	AR	Sealant, Pipe	
3	0100062	AR	Compound, Locking	
4	0641508	4	Bolt 5/16 x 1	
5	0641607	4	Bolt 3/8 x 7/8	
6	0641614	2	Bolt 3/8 x 1-3/4	
7	0641818	2	Bolt 1/2 x 2-1/4	
8	0811608	2	Bolt 3/8 x 1	
9	1320223	1	Clamp	
10	2200233	1	Plug	
11	3311505	4	Nut 5/16	
12	3311605	2	Nut 3/8	
13	3572423	1	Plate, Valve Needle	
14	3576755	1	Cover, Fuel Pump	
16	4420038	45 in /1.14m	Tape, Rubber (Gas Machines)	
17	4568119	1	Tube, Fuel	
18	4641022	1	Valve, Needle	
19	4711500	8	Washer 5/16	
20	4751600	6	Washer 3/8	
21	4751800	2	Washer 1/2	
22	1001284961	1	Tank, Fuel (Includes Non-Locking Cap) (Gas Machines)	
22A	70004149	1	Fitting and Pick-up Tube (Gas Machines)	
22B	70002715	1	Cap	
22B	70002716	1	Adapter, Cap	
23	1001118133	2	Bracket	
24	1001156190	1	Tray	
26	1001267678	1	Hydraulic Tank Assembly (See Separate Breakdown in this Section)	
27	0731005	5	Bolt #10 x 5/8	
28	4751000	5	Washer #10	
29	1001274219	1	Gauge, Fuel	

SECTION 2 - TURNTABLE

FIGURE 2-24. TANK INSTALLATION - GAS ENGINES (HYDRAULIC TANK - 47.8 GAL CAPACITY)
(Prior to SN 0300298303)



ART_1001285833

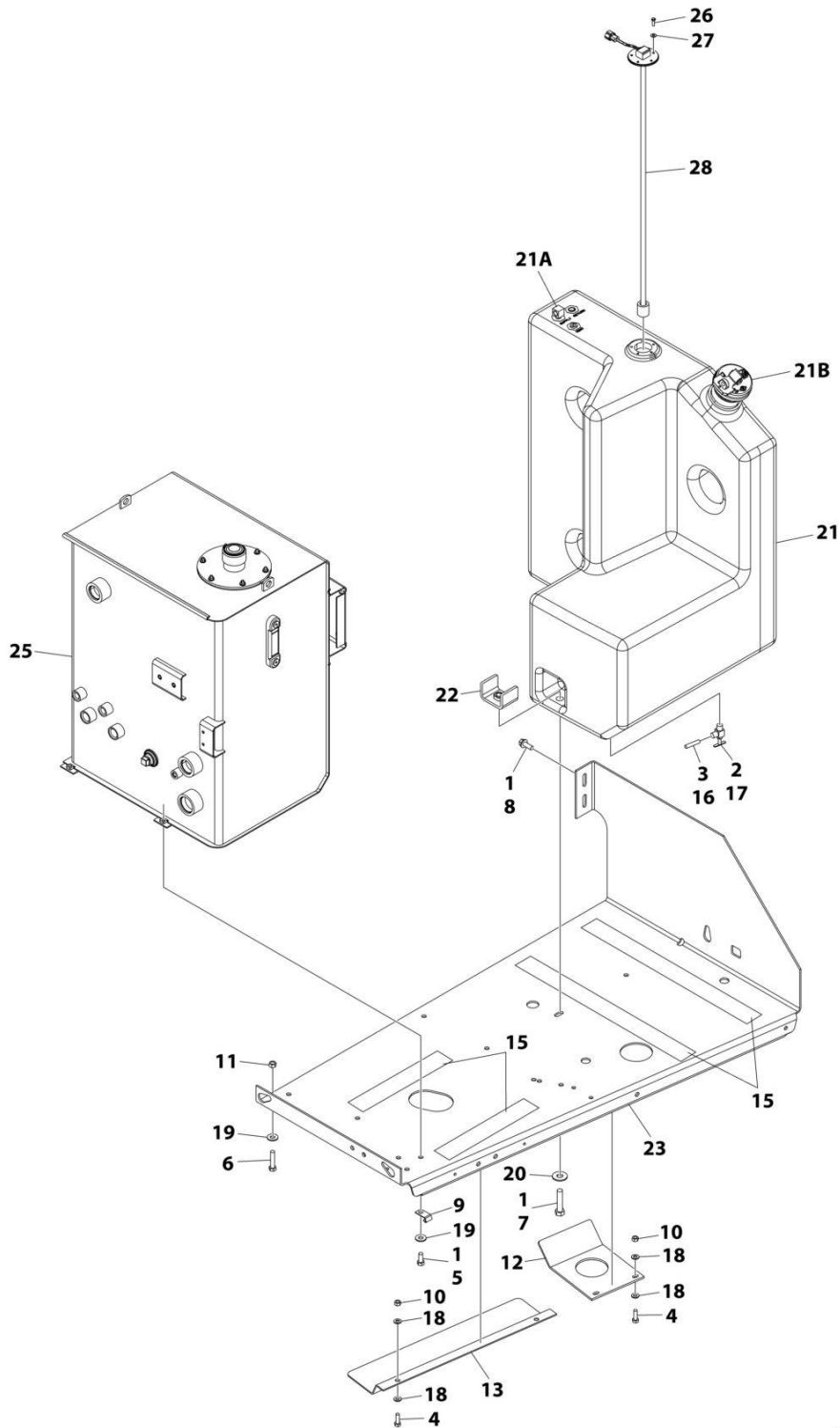
SECTION 2 - TURNTABLE

**FIGURE 2-24. TANK INSTALLATION - GAS ENGINES (HYDRAULIC TANK - 47.8 GAL CAPACITY)
(Prior to SN 0300298303)**

ITEM	PART NUMBER	QTY	DESCRIPTION	REV
	1001285833	Ref	TANK INSTALLATION	A
1	0100011	AR	Compound, Locking	
2	0100020	AR	Sealant, Pipe	
3	0100062	AR	Compound, Locking	
4	0641508	4	Bolt 5/16 x 1	
5	0641607	4	Bolt 3/8 x 7/8	
6	0641614	2	Bolt 3/8 x 1-3/4	
7	0641818	2	Bolt 1/2 x 2-1/4	
8	0811608	2	Bolt 3/8 x 1	
9	1320223	1	Clamp	
10	3311505	4	Nut 5/16	
11	3311605	2	Nut 3/8	
12	3572423	1	Plate, Valve Needle	
13	3576755	1	Cover, Fuel Pump	
14	4360436	1	Switch, Fuel Level	
15	4420038	45 in /1.14m	Tape, Rubber (Gas Machines)	
16	4568119	1	Tube, Fuel	
17	4641022	1	Valve, Needle	
18	4711500	8	Washer 5/16	
19	4751600	2	Washer 3/8	
20	4751800	2	Washer 1/2	
21	1001111514	1	Tank, Fuel (Includes Non-Locking Cap) (Gas Machines)	
21A	70004149	1	Fitting and Pick-up Tube (Gas Machines)	
21B	70002715	1	Cap	
21B	70002716	1	Adapter, Cap	
22	1001118133	2	Bracket	
23	1001156190	1	Tray	
24	1001182997	AR	Adhesive	
25	1001285677	1	Hydraulic Tank Assembly (See Separate Breakdown in this Section)	

SECTION 2 - TURNTABLE

FIGURE 2-25. TANK INSTALLATION - GAS ENGINES (HYDRAULIC TANK - 47.8 GAL CAPACITY) (SN 0300298303 to Present)



ART_1001285833_B

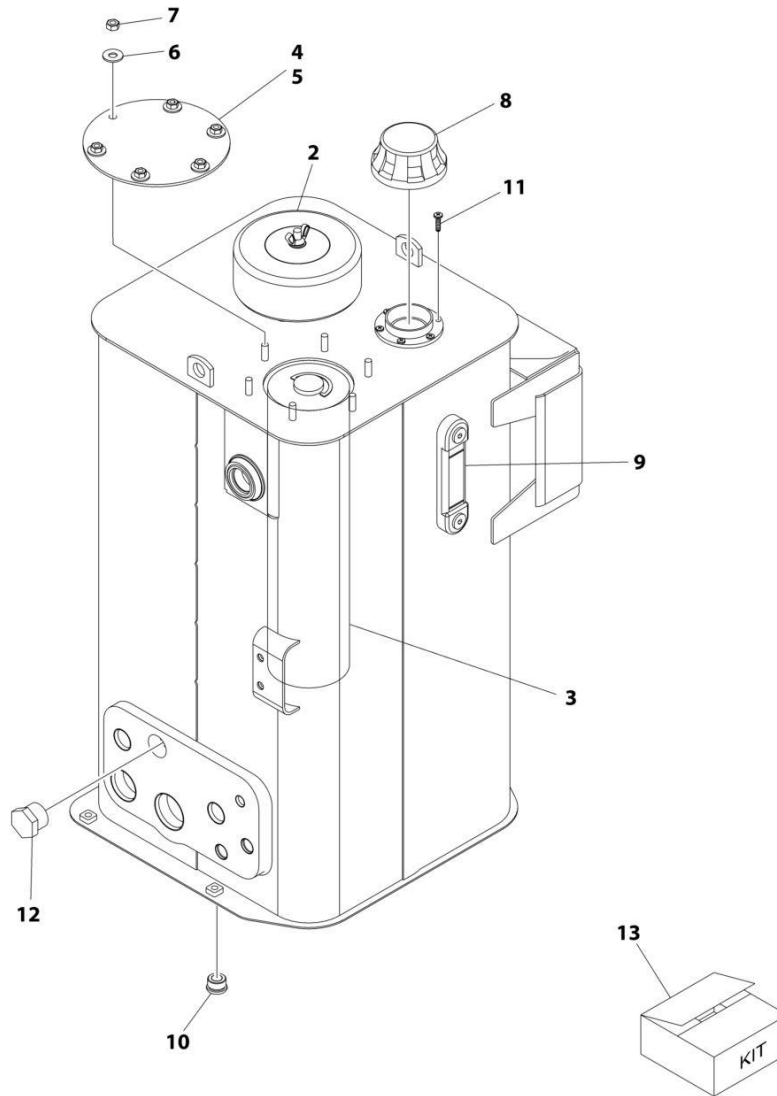
SECTION 2 - TURNTABLE

FIGURE 2-25. TANK INSTALLATION - GAS ENGINES (HYDRAULIC TANK - 47.8 GAL CAPACITY) (SN 0300298303 to Present)

ITEM	PART NUMBER	QTY	DESCRIPTION	REV
	1001285833	Ref	TANK INSTALLATION	B
1	0100011	AR	Compound, Locking	
2	0100020	AR	Sealant, Pipe	
3	0100062	AR	Compound, Locking	
4	0641508	4	Bolt 5/16 x 1	
5	0641607	4	Bolt 3/8 x 7/8	
6	0641614	2	Bolt 3/8 x 1-3/4	
7	0641818	2	Bolt 1/2 x 2-1/4	
8	0811608	2	Bolt 3/8 x 1	
9	1320223	1	Clamp	
10	3311505	4	Nut 5/16	
11	3311605	2	Nut 3/8	
12	3572423	1	Plate, Valve Needle	
13	3576755	1	Cover, Fuel Pump	
15	4420038	45 in /1.14m	Tape, Rubber (Gas Machines)	
16	4568119	1	Tube, Fuel	
17	4641022	1	Valve, Needle	
18	4711500	8	Washer 5/16	
19	4751600	6	Washer 3/8	
20	4751800	2	Washer 1/2	
21	1001284961	1	Tank, Fuel (Includes Non-Locking Cap) (Gas Machines)	
21A	70004149	1	Fitting and Pick-up Tube (Gas Machines)	
21B	70002715	1	Cap	
21B	70002716	1	Adapter, Cap	
22	1001118133	2	Bracket	
23	1001156190	1	Tray	
24	1001182997	AR	Adhesive (Not Shown)	
25	1001285677	1	Hydraulic Tank Assembly (See Separate Breakdown in this Section)	
26	0731005	5	Bolt #10 x 5/8	
27	4751000	5	Washer #10	
28	1001274219	1	Guage, Fuel	

SECTION 2 - TURNTABLE

FIGURE 2-26. HYDRAULIC TANK ASSEMBLY (HELGESEN 6IN DIA BREATHER HYDRAULIC TANK - 25 GAL CAPACITY)



ART_1001178057

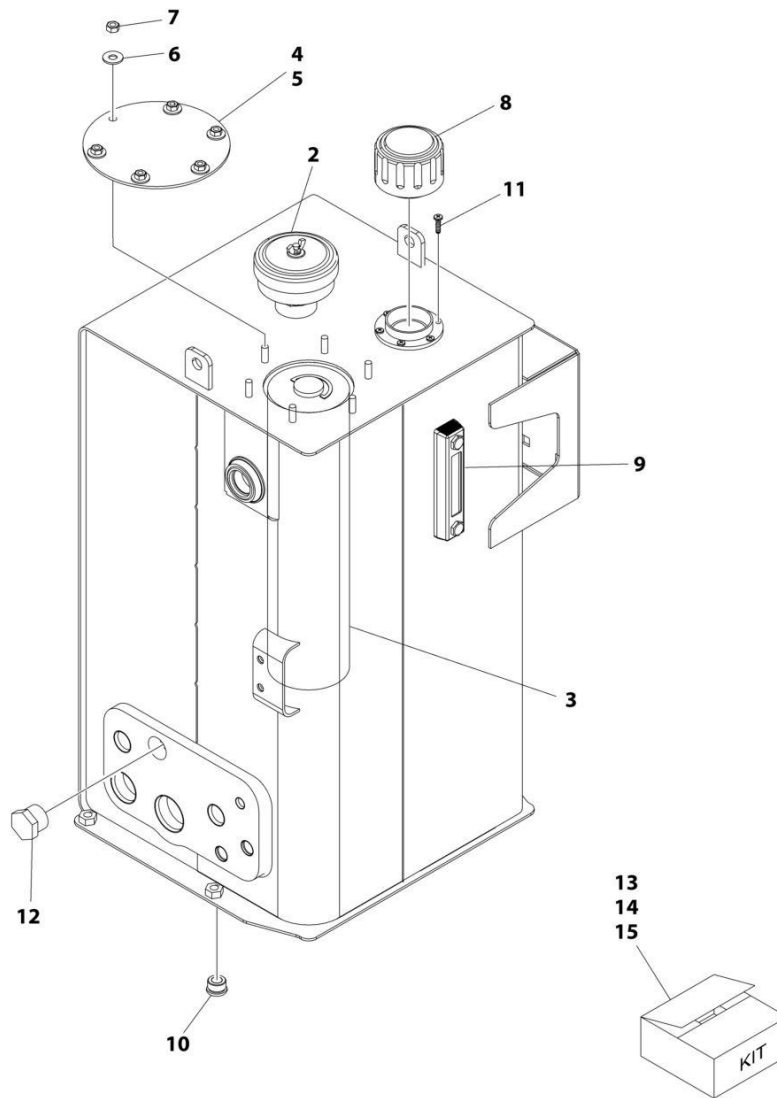
SECTION 2 - TURNTABLE

FIGURE 2-26. HYDRAULIC TANK ASSEMBLY (HELGESEN 6IN DIA BREATHER HYDRAULIC TANK - 25 GAL CAPACITY)

ITEM	PART NUMBER	QTY	DESCRIPTION	REV
	1001178057	Ref	HYDRAULIC TANK ASSEMBLY	D
2	70005708	1	Breather Assembly (Includes Breather, Element and Wingnut)	
2	See Note	NSS	Element, Breather (Note: Use p/n 70005708 or Item 13)	
3	See Note	NSS	Element, Hydraulic (Note: Use Item 13)	
4	70002839	1	Gasket	
5	See Note	NSS	Cover (Note: Not Available for Purchase)	
6	83304173	6	Washer 5/16	
7	70004199	6	Nut 5/16	
8	70002838	1	Cap, Fill	
9	7024441	1	Gauge, Level	
10	70002112	1	Plug	
11	70004795	6	Screw #10 x 3/4	
12	See Note	NSS	Plug (Note: Not Available - Purchase Locally)	
13	70002814	1	Hydraulic Tank Service Kit (Includes Items 2-4)	

SECTION 2 - TURNTABLE

FIGURE 2-27. HYDRAULIC TANK ASSEMBLY (JIANGYING 4IN DIA BREATHER HYDRAULIC TANK - 25 GAL CAPACITY)



ART_1001267678

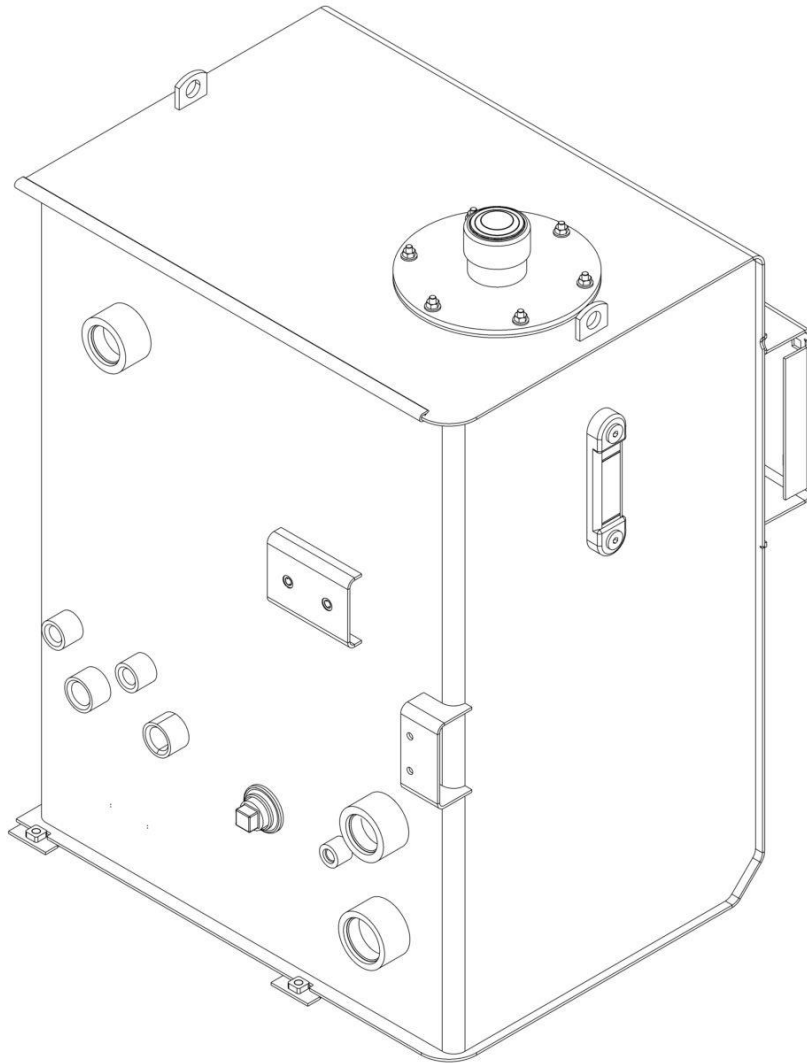
SECTION 2 - TURNTABLE

FIGURE 2-27. HYDRAULIC TANK ASSEMBLY (JIANGYING 4IN DIA BREATHER HYDRAULIC TANK - 25 GAL CAPACITY)

ITEM	PART NUMBER	QTY	DESCRIPTION	REV
	1001267678	REF	HYDRAULIC TANK ASSEMBLY	A
1	See Note	NSS	Hydraulic Tank Weldment (Not Shown) (Note: Not Available for Purchase)	
2	See Note	NSS	Breather Assembly (Note: Use Item 13)	
3	See Note	NSS	Element, Filter (Note: Use Item Use Item 14)	
4	70002839	1	Gasket	
5	See Note	NSS	Cover (Note: Not Available for Purchase)	
6	83304173	6	Washer 1/4	
7	70004199	6	Nut 5/16	
8	70002838	1	Cap, Fill	
9	70024441	1	Gauge, Level	
10	70002112	1	Plug	
11	70004795	6	Screw 10 x 3/4	
12	See Note	NSS	Plug (Note: Not Available for Purchase)	
13	70007726	1	Breather Kit (Note: Includes Item 2)	
14	70007727	1	Return Filter Kit (Note: Includes Item 3)	
15	70007725	1	Level Gauge Kit	

SECTION 2 - TURNTABLE

FIGURE 2-28. HYDRAULIC TANK ASSEMBLY (HYDRAULIC TANK - 47.8 GAL CAPACITY)



ART_1001285677

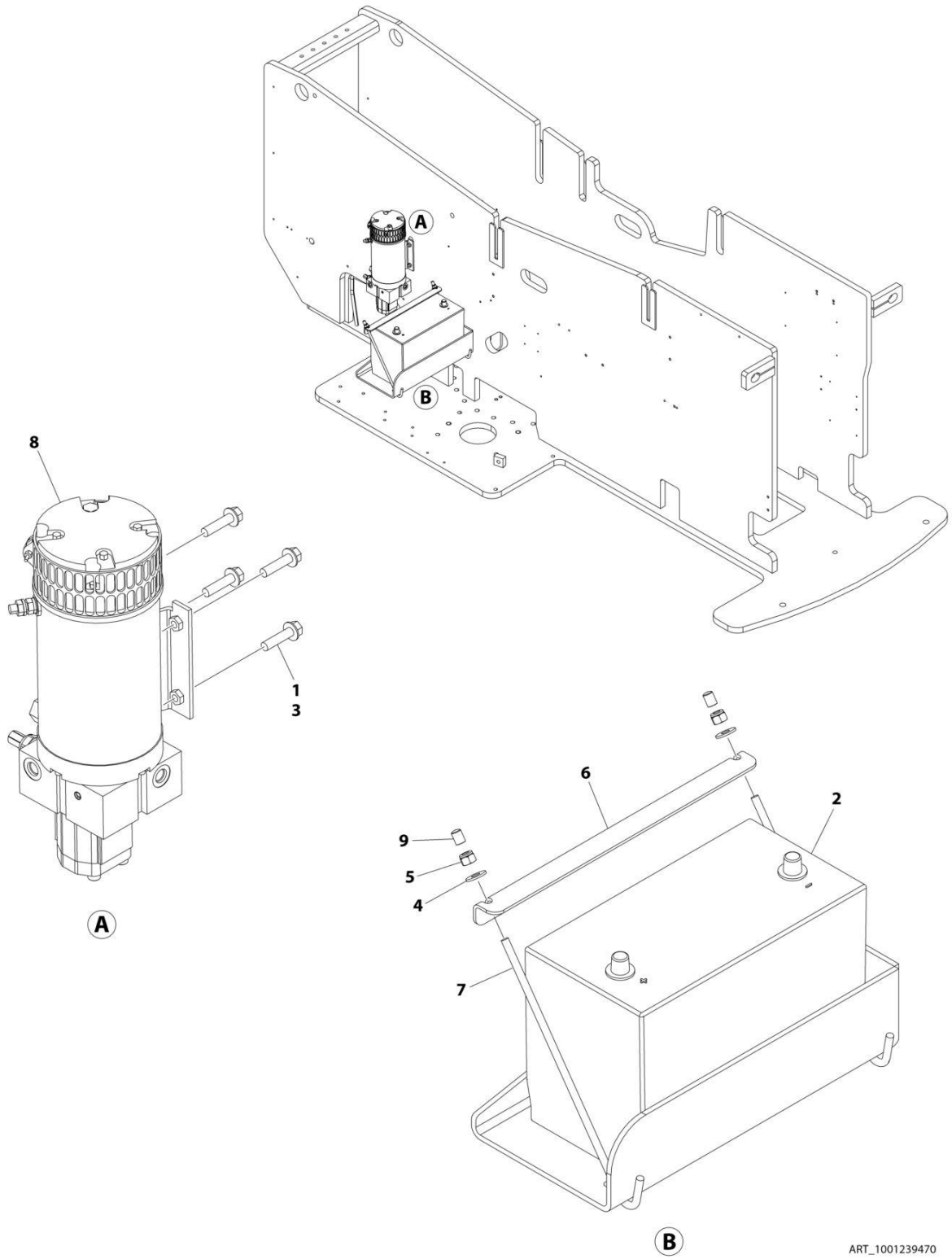
SECTION 2 - TURNTABLE

FIGURE 2-28. HYDRAULIC TANK ASSEMBLY (HYDRAULIC TANK - 47.8 GAL CAPACITY)

ITEM	PART NUMBER	QTY	DESCRIPTION	REV
	1001285677 See Note	Ref Ref	HYDRAULIC TANK ASSEMBLY Note: No Service Parts Available at Time of Printing	B

SECTION 2 - TURNTABLE

FIGURE 2-29. AUXILIARY POWER INSTALLATION - WITHOUT BATTERY DISCONNECT



ART_1001239470

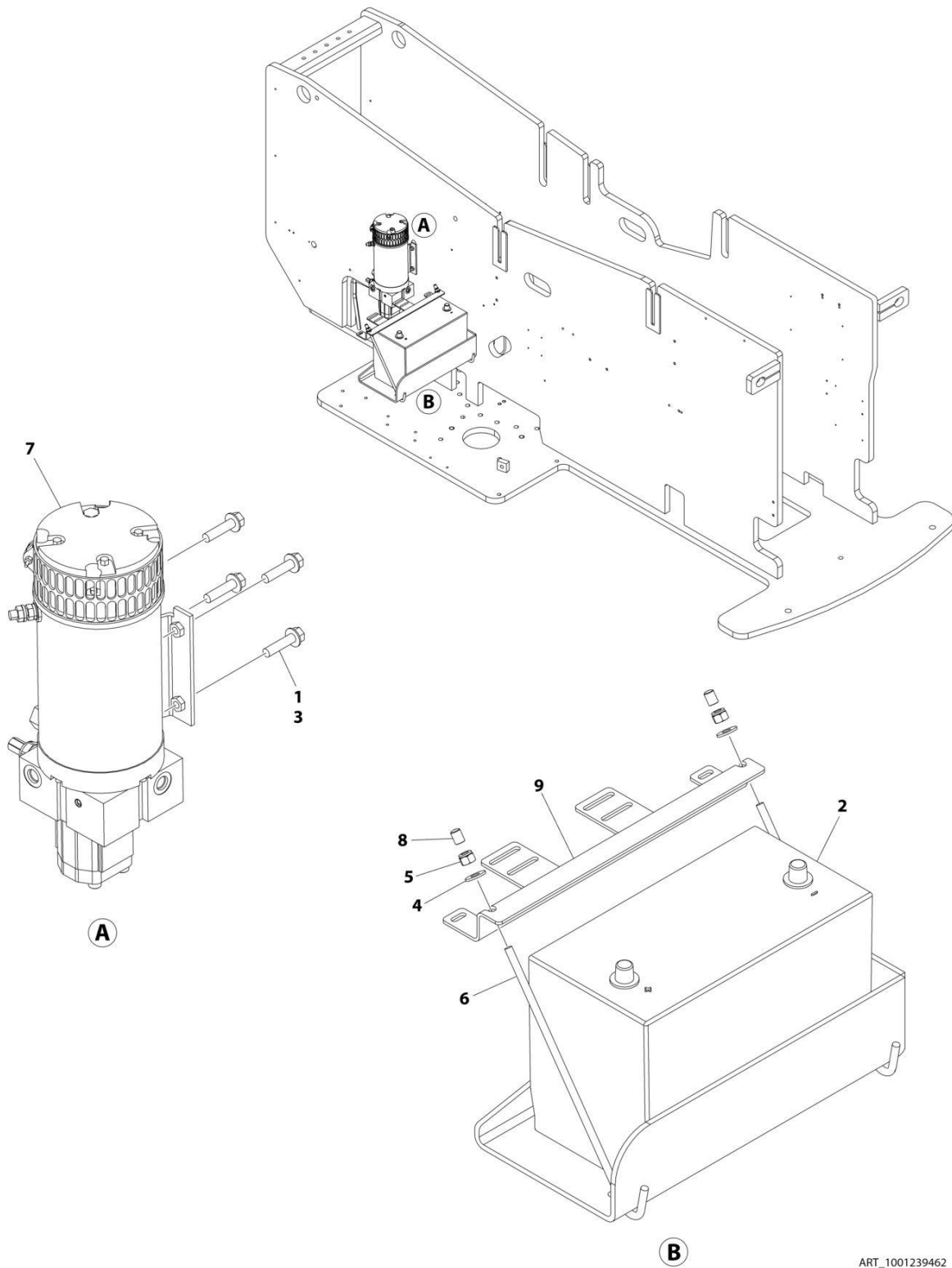
SECTION 2 - TURNTABLE

FIGURE 2-29. AUXILIARY POWER INSTALLATION - WITHOUT BATTERY DISCONNECT

ITEM	PART NUMBER	QTY	DESCRIPTION	REV
	1001239470	Ref	AUXILIARY POWER INSTALLATION	A
1	0100011	AR	Compound, Locking	
2	0400075	1	Battery	
3	0811612	4	Screw 3/8 x 1-1/2	
4	4751500	2	Washer 5/16	
5	88521205	2	Nut 5/16	
6	91401281	1	Bracket, Battery Hold Down	
7	1001093382	2	J - Bolt	
8	1001137460	1	Auxillary Power Pump/ Motor Assembly (See Separate Breakdown in this Section)	
9	1001218572	2	Cap	

SECTION 2 - TURNTABLE

FIGURE 2-30. AUXILIARY POWER INSTALLATION - WITH BATTERY DISCONNECT



ART_1001239462

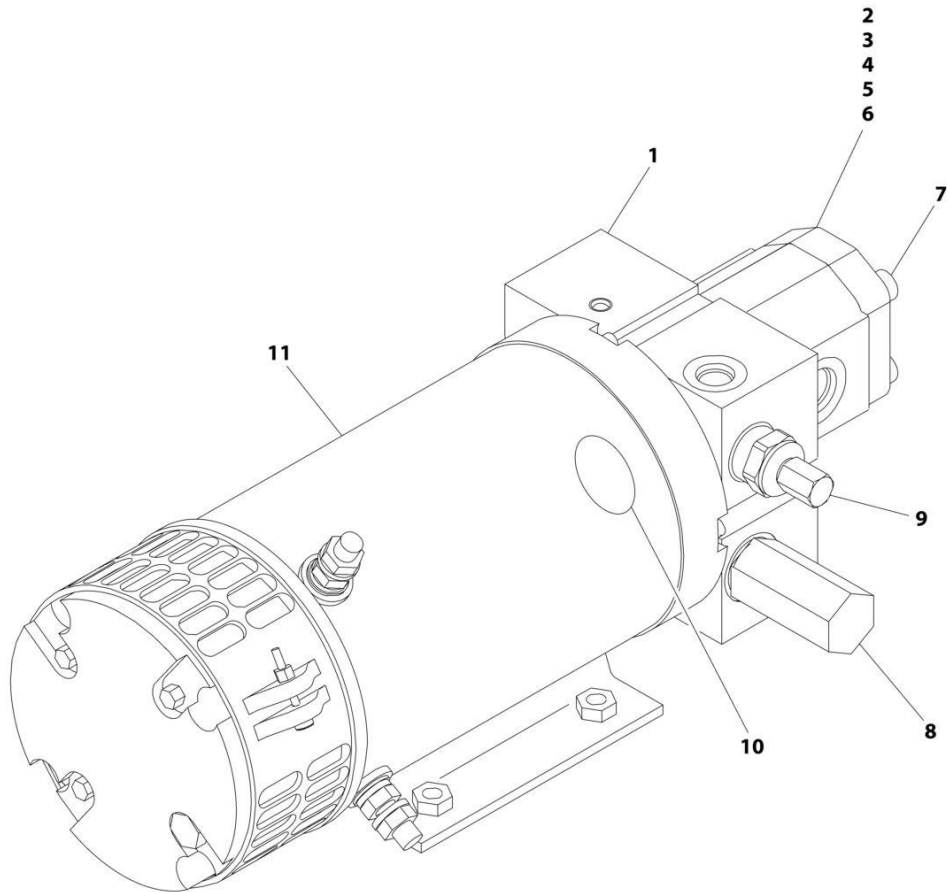
SECTION 2 - TURNTABLE

FIGURE 2-30. AUXILIARY POWER INSTALLATION - WITH BATTERY DISCONNECT

ITEM	PART NUMBER	QTY	DESCRIPTION	REV
	1001239462	Ref	AUXILIARY POWER INSTALLATION	A
1	0100011	AR	Compound, Locking	
2	0400075	1	Battery	
3	0811612	4	Screw 3/8 x 1-1/2	
4	4751500	2	Washer 5/16	
5	88521205	2	Nut 5/16	
6	1001093382	2	J - Bolt	
7	1001137460	1	Auxiliary Power Pump/Motor Assembly (See Separate Breakdown in this Section)	
8	1001218572	2	Cap	
9	1001236303	1	Bracket, Battery Hold Down	

SECTION 2 - TURNTABLE

FIGURE 2-31. AUXILIARY POWER PUMP/MOTOR ASSEMBLY



ART_1001137460

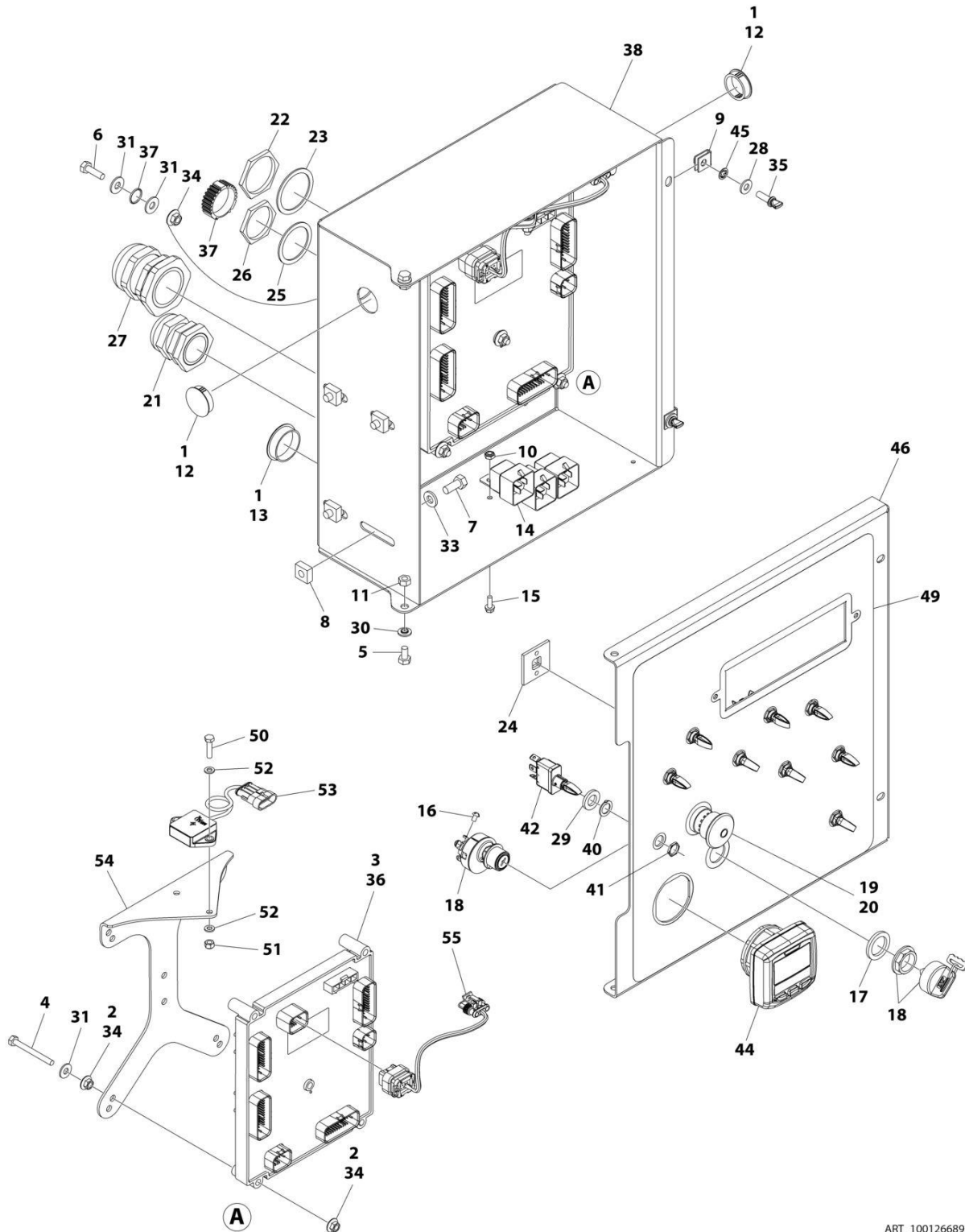
SECTION 2 - TURNTABLE

FIGURE 2-31. AUXILIARY POWER PUMP/MOTOR ASSEMBLY

ITEM	PART NUMBER	QTY	DESCRIPTION	REV
	1001137460	Ref	AUXILIARY PUMP ASSEMBLY	A
1	70004125	1	Base Assembly	
1	70003993	1	Seal, Shaft	
2	See Note	NSS	Pin, Dowel (Note: Use Item 1)	
3	See Note	NSS	O-Ring (Note: Use Item 1)	
4	See Note	NSS	Pump (Note: Use Item 1)	
5	See Note	NSS	O-Ring (Note: Use Item 1)	
6	See Note	NSS	Cover, Rear (Note: Use Item 1)	
7	See Note	NSS	Screw (Note: Use Item 1)	
8	70003989	1	Valve, Logic	
9	See Note	1	Valve, Relief (Note: Use Item 1)	
10	See Note	1	Shaft, Intermediate (Note: Use Item 1)	
11	70003992	1	Motor	

SECTION 2 - TURNTABLE

FIGURE 2-32. GROUND CONTROL BOX ASSEMBLY - WITH DEUTZ D2011 ENGINES - WITH DIGITAL DISPLAY (ANSI EXPORT LRC AND AUSTRALIAN SPECS)



ART_1001266893

SECTION 2 - TURNTABLE

FIGURE 2-32. GROUND CONTROL BOX ASSEMBLY - WITH DEUTZ D2011 ENGINES - WITH DIGITAL DISPLAY (ANSI EXPORT LRC AND AUSTRALIAN SPECS)

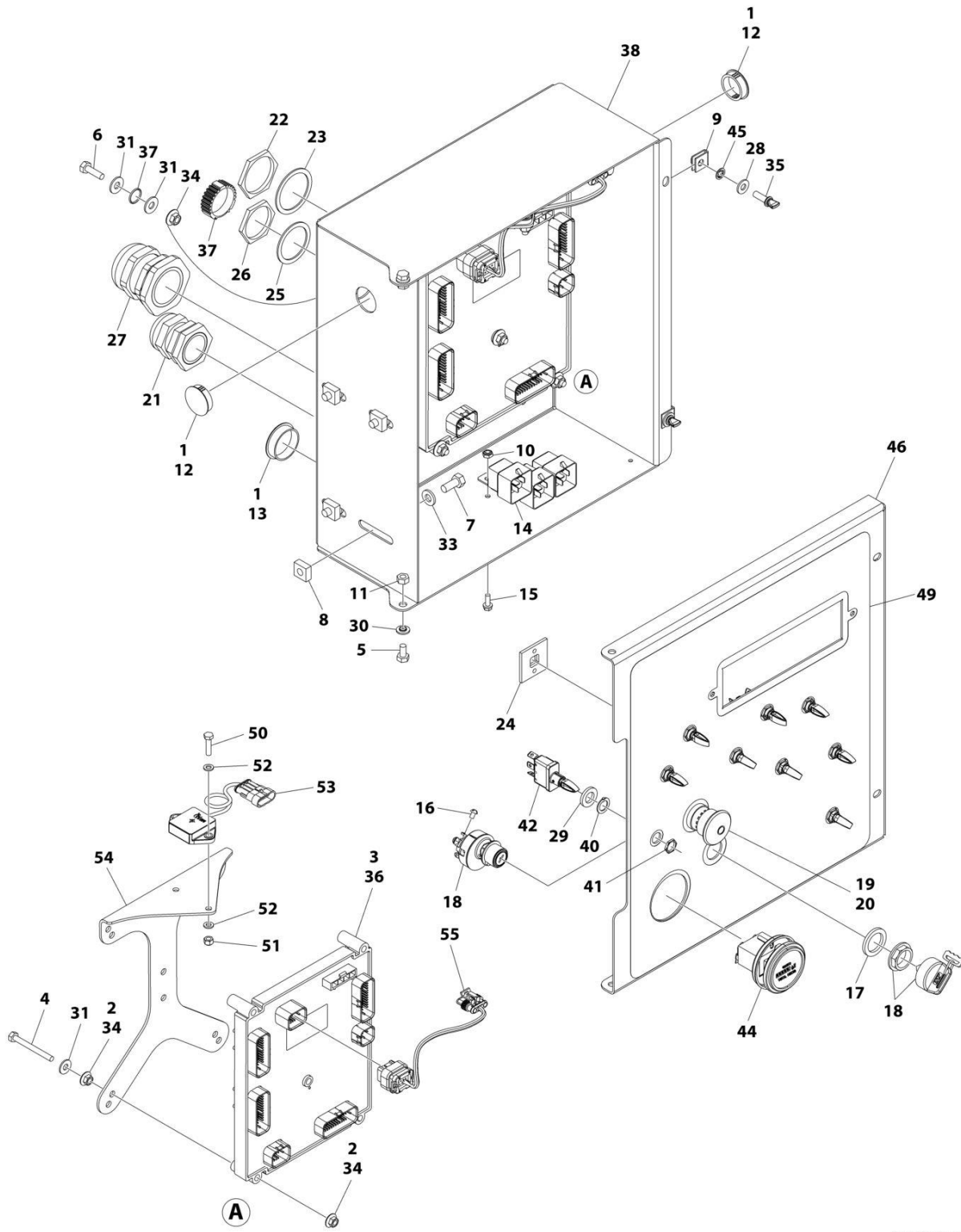
ITEM	PART NUMBER	QTY	DESCRIPTION	REV
	1001266893	Ref	GROUND CONTROL BOX ASSEMBLY	B
1	0100009	AR	Sealant	
2	0100011	AR	Compound, Locking	
3	0100048	AR	Grease, Dielectric	
4	0630548	5	Bolt 2-1/2	
5	0641404	2	Bolt 1/4 x 1/2	
6	0641407	1	Bolt 1/4 x 7/8	
7	0641506	4	Bolt 5/16 x 3/4	
8	3300205	4	Nut, Retainer	
9	3300353	2	Nut, Tinnerman	
10	3300408	3	Nut, Nylon Insert	
11	3311405	2	Nut 1/4	
12	3520031	2	Plug	
13	3520035	1	Plug	
14	3740049	3	Relay	
15	3900268	3	Screw #10x1/2	
16	3910804	6	Screw #8 x 1/4	
17	4070991	1	Shim	
18	4360469	1	Switch, Key	
18	2860030	1 Set	Key Replacement	
19	4360475	1	Switch, Emergency Stop	
19	7020175	1	Cap, Mushroom	
19	7020176	1	Block, Contact	
20	4360476	1	Switch, Contact Block	
21	4460426	1	Connector, Strain Relief	
22	4460470	1	Nut, Terminal	
23	4460471	1	Lockwasher, Terminal	
24	4460488	6	Mounting Base, Terminal	
25	4460496	1	Washer, Terminal	
26	4460497	1	Nut, Terminal	
27	4460526	1	Connector, Strain Relief	
28	4711400	2	Washer 1/4	
29	4740397	9	Spacer	
30	4740518	2	Washer	
31	4751400	7	Washer 1/4	
33	4891500	4	Washer 5/16	
34	77143013	11	Nut 1/4	
35	1001103308	2	Thumbscrew 1/4 x 3/4	
36	1001103667	1	Module, Ground Control (Please Verify Part Number on Module Decal Before Purchasing) (Note: Recalibration Required When Replaced)	
36	1001280600	1	Module, Ground Control (Please Verify Part Number on Module Decal Before Purchasing) (Note: Recalibration Required When Replaced)	
37	1001106736	1	Cap, Dust	
38	1001152175	1	Box	
39	1001153713	1	Engine Harness (Not Shown - See Separate Breakdown in ELECTRICAL Section)	
40	1001155043	9	Washer	
41	1001155044	9	Nut 15/32	

SECTION 2 - TURNTABLE

ITEM	PART NUMBER	QTY	DESCRIPTION	REV
42	1001155045	9	Switch, Toggle	
43	1001170808	1	Control Valve Harness (Not Shown - See Separate Breakdown in ELECTRICAL Section)	
44	1001171482	1	Gauge, Display	
45	1001188874	2	Nut	
46	1001263352	1	Lid	
47	1001266628	1	Ground Control Box Harness (Not Shown - See Separate Breakdown in ELECTRICAL Section)	
49	1001266876	1	Decal - Ground Control Box	
50	0760612	2	Bolt M6 x 25	
51	3290605	2	Nut M6	
52	4811700	4	Washer M6	
53	1001219601	1	Sensor, Tilt Dual Axis CAN	
54	1001271794	1	Bracket, Tilt Sensor	
55	1001276143	1	Harness, Tilt Sensor	

SECTION 2 - TURNTABLE

FIGURE 2-33. GROUND CONTROL BOX ASSEMBLY - WITH DEUTZ D2011 ENGINES - WITH MECHANICAL HOUR METER (ANSI EXPORT LRC AND AUSTRALIAN SPECS) (Prior to SN 0300298303)



ART_1001266893_C

SECTION 2 - TURNTABLE

FIGURE 2-33. GROUND CONTROL BOX ASSEMBLY - WITH DEUTZ D2011 ENGINES - WITH MECHANICAL HOUR METER (ANSI EXPORT LRC AND AUSTRALIAN SPECS) (Prior to SN 0300298303)

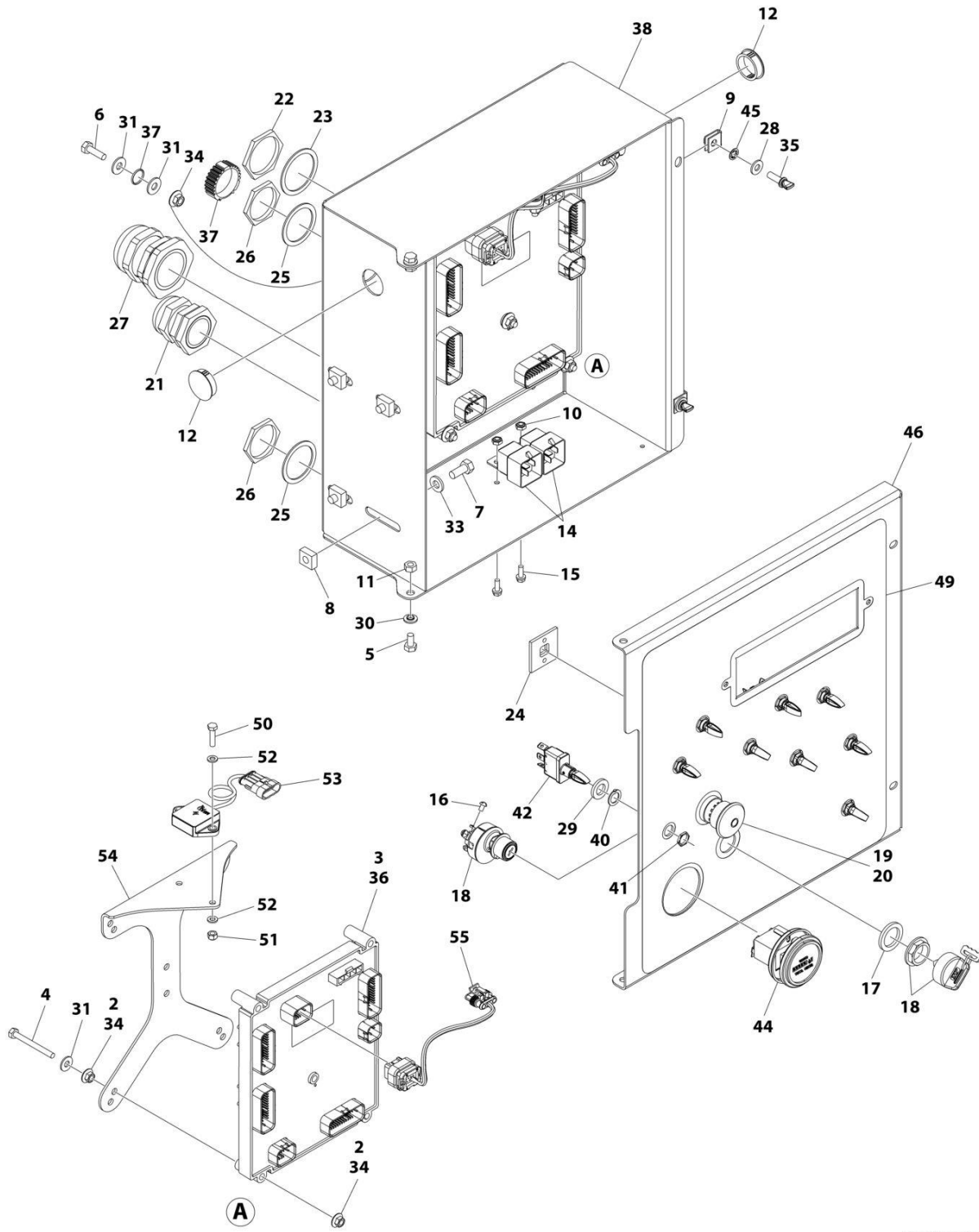
ITEM	PART NUMBER	QTY	DESCRIPTION	REV
	1001266893	Ref	GROUND CONTROL BOX ASSEMBLY	C
1	0100009	AR	Sealant	
2	0100011	AR	Compound, Locking	
3	0100048	AR	Grease, Dielectric	
4	0630548	5	Bolt 2-1/2	
5	0641404	2	Bolt 1/4 x 1/2	
6	0641407	1	Bolt 1/4 x 7/8	
7	0641506	4	Bolt 5/16 x 3/4	
8	3300205	4	Nut, Retainer	
9	3300353	2	Nut, Tinnerman	
10	3300408	3	Nut, Nylon Insert	
11	3311405	2	Nut 1/4	
12	3520031	2	Plug	
13	3520035	1	Plug	
14	3740049	3	Relay	
15	3900268	3	Screw #10x1/2	
16	3910804	6	Screw #8 x 1/4	
17	4070991	1	Shim	
18	4360469	1	Switch, Key	
18	2860030	1 Set	Key Replacement	
19	4360475	1	Switch, Emergency Stop	
19	7020175	1	Cap, Mushroom	
19	7020176	1	Block, Contact	
20	4360476	1	Switch, Contact Block	
21	4460426	1	Connector, Strain Relief	
22	4460470	1	Nut, Terminal	
23	4460471	1	Lockwasher, Terminal	
24	4460488	6	Mounting Base, Terminal	
25	4460496	1	Washer, Terminal	
26	4460497	1	Nut, Terminal	
27	4460526	1	Connector, Strain Relief	
28	4711400	2	Washer 1/4	
29	4740397	9	Spacer	
30	4740518	2	Washer	
31	4751400	7	Washer 1/4	
33	4891500	4	Washer 5/16	
34	77143013	11	Nut 1/4	
35	1001103308	2	Thumbscrew 1/4 x 3/4	
36	1001280600	1	Module, Ground Control (Note: Recalibration Required When Replaced)	
37	1001106736	1	Cap, Dust	
38	1001152175	1	Box	
39	1001153713	1	Engine Harness (Not Shown - See Separate Breakdown in ELECTRICAL Section)	
40	1001155043	9	Washer	
41	1001155044	9	Nut 15/32	
42	1001155045	9	Switch, Toggle	

SECTION 2 - TURNTABLE

ITEM	PART NUMBER	QTY	DESCRIPTION	REV
43	1001170808	1	Control Valve Harness (Not Shown - See Separate Breakdown in ELECTRICAL Section)	
44	10836804	1	Hour Meter	
45	1001188874	2	Nut	
46	1001280403	1	Lid	
47	1001266628	1	Ground Control Box Harness (Not Shown - See Separate Breakdown in ELECTRICAL Section)	
49	1001266876	1	Decal - Ground Control Box	
50	0760612	2	Bolt M6 x 25	
51	3290605	2	Nut M6	
52	4811700	4	Washer M6	
53	1001219601	1	Sensor, Tilt Dual Axis CAN	
54	1001271794	1	Bracket, Tilt Sensor	
55	1001276143	1	Harness, Tilt Sensor	

SECTION 2 - TURNTABLE

FIGURE 2-34. GROUND CONTROL BOX ASSEMBLY - WITH DEUTZ D2011 ENGINES - WITH MECHANICAL HOUR METER (ANSI EXPORT LRC AND AUSTRALIAN SPECS) (SN 0300298303 to Present)



ART_1001266893_E

SECTION 2 - TURNTABLE

FIGURE 2-34. GROUND CONTROL BOX ASSEMBLY - WITH DEUTZ D2011 ENGINES - WITH MECHANICAL HOUR METER (ANSI EXPORT LRC AND AUSTRALIAN SPECS) (SN 0300298303 to Present)

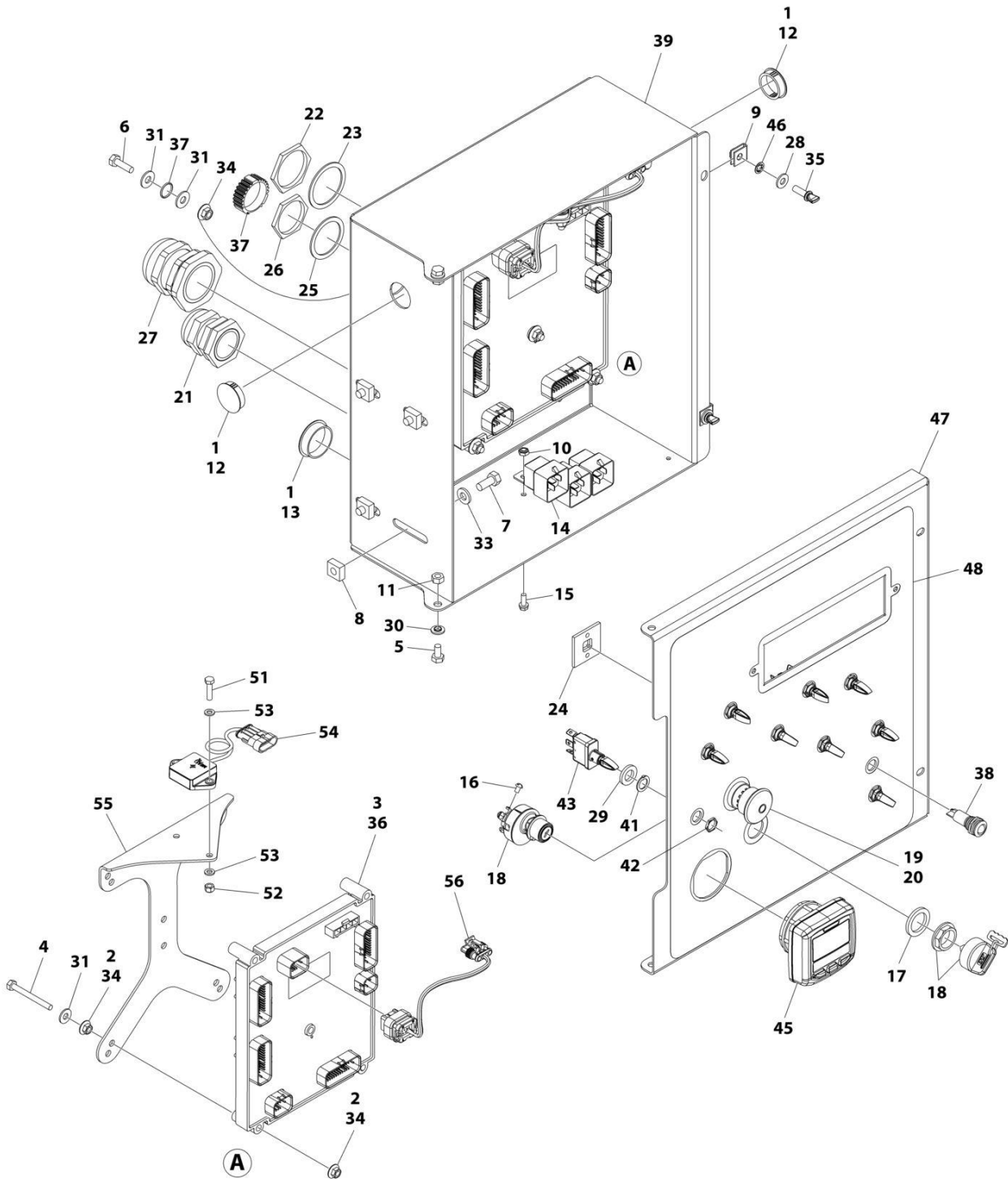
ITEM	PART NUMBER	QTY	DESCRIPTION	REV
	1001266893	Ref	GROUND CONTROL BOX ASSEMBLY	E
2	0100011	AR	Compound, Locking	
3	0100048	AR	Grease, Dielectric	
4	0630548	5	Bolt 2-1/2	
5	0641404	2	Bolt 1/4 x 1/2	
6	0641407	1	Bolt 1/4 x 7/8	
7	0641506	4	Bolt 5/16 x 3/4	
8	3300205	4	Nut, Retainer	
9	3300353	2	Nut, Tinnerman	
10	3300408	2	Nut, Nylon Insert	
11	3311405	2	Nut 1/4	
12	3520031	2	Plug	
14	3740049	2	Relay	
15	3900268	2	Screw #10x1/2	
16	3910804	6	Screw #8 x 1/4	
17	4070991	1	Shim	
18	4360469	1	Switch, Key	
18	2860030	1 Set	Key Replacement	
19	4360475	1	Switch, Emergency Stop	
19	7020175	1	Cap, Mushroom	
19	7020176	1	Block, Contact	
20	4360476	1	Switch, Contact Block	
21	4460426	1	Connector, Strain Relief	
22	4460470	1	Nut, Terminal	
23	4460471	1	Lockwasher, Terminal	
24	4460488	6	Mounting Base, Terminal	
25	4460496	2	Washer, Terminal	
26	4460497	2	Nut, Terminal	
27	4460526	1	Connector, Strain Relief	
28	4711400	2	Washer 1/4	
29	4740397	9	Spacer	
30	4740518	2	Washer	
31	4751400	7	Washer 1/4	
33	4891500	4	Washer 5/16	
34	77143013	11	Nut 1/4	
35	1001103308	2	Thumbscrew 1/4 x 3/4	
36	1001280600	1	Module, Ground Control (Note: Recalibration Required When Replaced)	
37	1001106736	1	Cap, Dust	
38	1001287467	1	Box	
39	1001286032	1	Engine Harness (Not Shown - See Separate Breakdown in ELECTRICAL Section)	
40	1001155043	9	Washer	
41	1001155044	9	Nut 15/32	
42	1001155045	9	Switch, Toggle	
43	1001285016	1	Control Valve Harness (Not Shown - See Separate Breakdown in ELECTRICAL Section)	
44	10836804	1	Hour Meter	

SECTION 2 - TURNTABLE

ITEM	PART NUMBER	QTY	DESCRIPTION	REV
45	1001188874	2	Nut	
46	1001280403	1	Lid	
47	1001285346	1	Ground Control Box Harness (Not Shown - See Separate Breakdown in ELECTRICAL Section)	
49	1001266876	1	Decal - Ground Control Box	
50	0760612	2	Bolt M6 x 25	
51	3290605	2	Nut M6	
52	4811700	4	Washer M6	
53	1001219601	1	Sensor, Tilt Dual Axis CAN	
54	1001271794	1	Bracket, Tilt Sensor	
55	1001276143	1	Harness, Tilt Sensor	

SECTION 2 - TURNTABLE

FIGURE 2-35. GROUND CONTROL BOX ASSEMBLY - WITH DEUTZ D2011 AND TOWER STOW - WITH DIGITAL DISPLAY (ANSI EXPORT LRC AND AUSTRALIAN SPECS)



ART_1001263361

SECTION 2 - TURNTABLE

FIGURE 2-35. GROUND CONTROL BOX ASSEMBLY - WITH DEUTZ D2011 AND TOWER STOW - WITH DIGITAL DISPLAY (ANSI EXPORT LRC AND AUSTRALIAN SPECS)

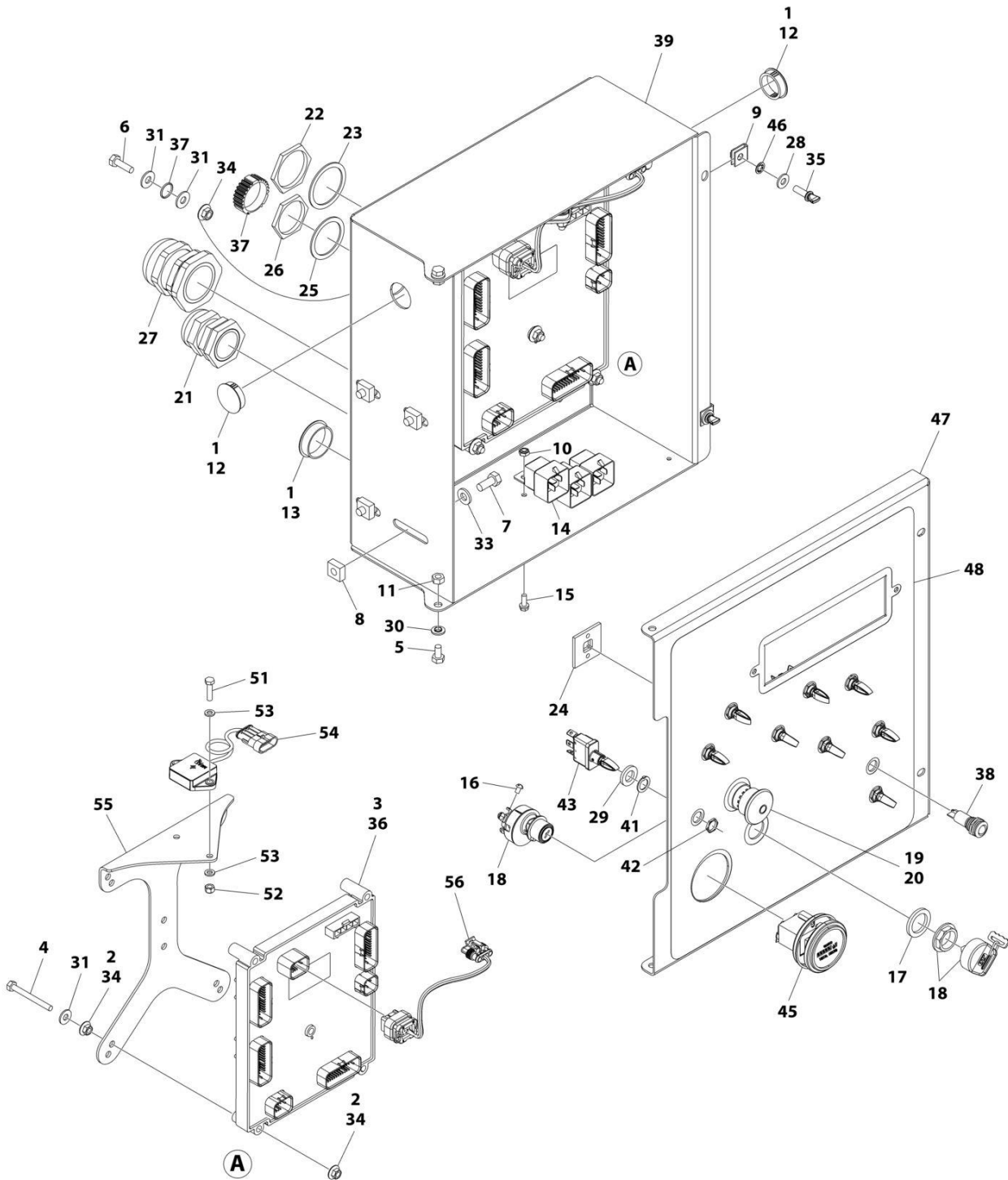
ITEM	PART NUMBER	QTY	DESCRIPTION	REV
	1001263361	Ref	GROUND CONTROL BOX ASSEMBLY	B
1	0100009	AR	Sealant	
2	0100011	AR	Compound, Locking	
3	0100048	AR	Grease, Dielectric	
4	0630548	5	Bolt 2-1/2	
5	0641404	2	Bolt 1/4 x 1/2	
6	0641407	1	Bolt 1/4 x 7/8	
7	0641506	4	Bolt 5/16 x 3/4	
8	3300205	4	Nut, Retainer	
9	3300353	2	Nut, Tinnerman	
10	3300408	3	Nut, Nylon Insert	
11	3311405	2	Nut 1/4	
12	3520031	2	Plug	
13	3520035	1	Plug	
14	3740049	3	Relay	
15	3900268	3	Screw #10x1/2	
16	3910804	6	Screw #8 x 1/4	
17	4070991	1	Shim	
18	4360469	1	Switch, Key	
18	2860030	1 Set	Key Replacement	
19	4360475	1	Switch, Emergency Stop	
19	7020175	1	Cap, Mushroom	
19	7020176	1	Block, Contact	
20	4360476	1	Switch, Contact Block	
21	4460426	1	Connector, Strain Relief	
22	4460470	1	Nut, Terminal	
23	4460471	1	Lockwasher, Terminal	
24	4460488	6	Mounting Base, Terminal	
25	4460496	1	Washer, Terminal	
26	4460497	1	Nut, Terminal	
27	4460526	1	Connector, Strain Relief	
28	4711400	2	Washer 1/4	
29	4740397	9	Spacer	
30	4740518	2	Washer	
31	4751400	7	Washer 1/4	
33	4891500	4	Washer 5/16	
34	77143013	11	Nut 1/4	
35	1001103308	2	Thumbscrew 1/4 x 3/4	
36	1001103667	1	Module, Ground Control (Please Verify Part Number on Module Decal Before Purchasing) (Note: Recalibration Required When Replaced)	
36	1001280600	1	Module, Ground Control (Please Verify Part Number on Module Decal Before Purchasing) (Note: Recalibration Required When Replaced)	
37	1001106736	1	Cap, Dust	
38	1001137364	1	Light, Indicator	
39	1001152175	1	Box	
40	1001153713	1	Engine Harness (Not Shown - See Separate Breakdown in ELECTRICAL Section)	
41	1001155043	9	Washer	

SECTION 2 - TURNTABLE

ITEM	PART NUMBER	QTY	DESCRIPTION	REV
42	1001155044	9	Nut 15/32	
43	1001155045	9	Switch, Toggle	
44	1001170808	1	Control Valve Harness (Not Shown - See Separate Breakdown in ELECTRICAL Section)	
45	1001171482	1	Gauge, Display	
46	1001188874	2	Nut	
47	1001263352	1	Lid	
48	1001263356	1	Decal - Ground Control Box	
49	1001266628	1	Ground Control Box Harness (Not Shown - See Separate Breakdown in ELECTRICAL Section)	
51	0760612	2	Bolt M6 x 25	
52	3290605	2	Nut M6	
53	4811700	4	Washer M6	
54	1001219601	1	Sensor, Tilt Dual Axis CAN	
55	1001271794	1	Bracket, Tilt Sensor	
56	1001276143	1	Harness, Tilt Sensor	

SECTION 2 - TURNTABLE

FIGURE 2-36. GROUND CONTROL BOX ASSEMBLY - WITH DEUTZ D2011 AND TOWER STOW - WITH MECHANICAL HOUR METER (ANSI EXPORT LRC AND AUSTRALIAN SPECS) (Prior to SN 0300298303)



ART_1001263361_C

SECTION 2 - TURNTABLE

FIGURE 2-36. GROUND CONTROL BOX ASSEMBLY - WITH DEUTZ D2011 AND TOWER STOW - WITH MECHANICAL HOUR METER (ANSI EXPORT LRC AND AUSTRALIAN SPECS) (Prior to SN 0300298303)

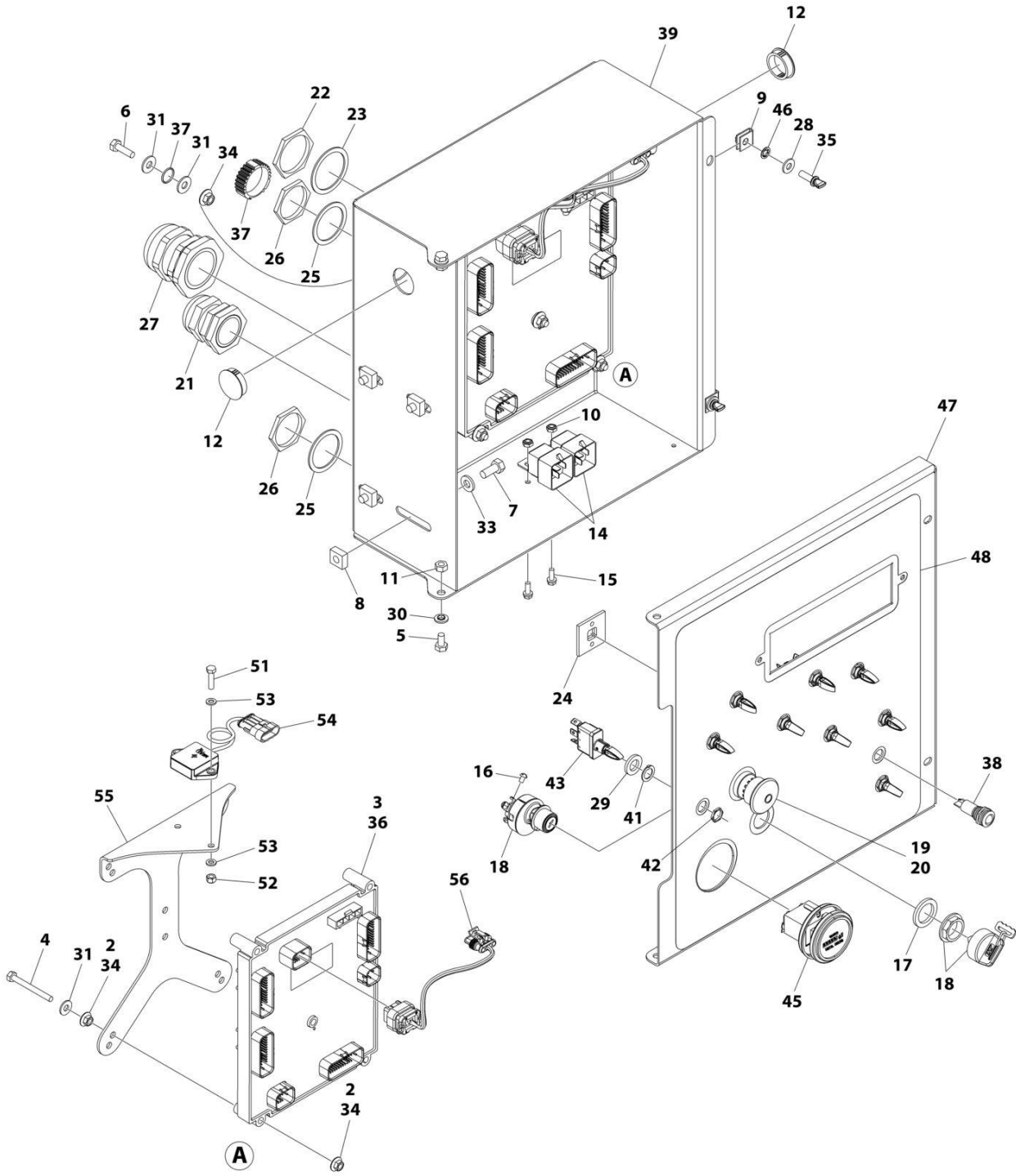
ITEM	PART NUMBER	QTY	DESCRIPTION	REV
	1001263361	Ref	GROUND CONTROL BOX ASSEMBLY	C
1	0100009	AR	Sealant	
2	0100011	AR	Compound, Locking	
3	0100048	AR	Grease, Dielectric	
4	0630548	5	Bolt 2-1/2	
5	0641404	2	Bolt 1/4 x 1/2	
6	0641407	1	Bolt 1/4 x 7/8	
7	0641506	4	Bolt 5/16 x 3/4	
8	3300205	4	Nut, Retainer	
9	3300353	2	Nut, Tinnerman	
10	3300408	3	Nut, Nylon Insert	
11	3311405	2	Nut 1/4	
12	3520031	2	Plug	
13	3520035	1	Plug	
14	3740049	3	Relay	
15	3900268	3	Screw #10x1/2	
16	3910804	6	Screw #8 x 1/4	
17	4070991	1	Shim	
18	4360469	1	Switch, Key	
18	2860030	1 Set	Key Replacement	
19	4360475	1	Switch, Emergency Stop	
19	7020175	1	Cap, Mushroom	
19	7020176	1	Block, Contact	
20	4360476	1	Switch, Contact Block	
21	4460426	1	Connector, Strain Relief	
22	4460470	1	Nut, Terminal	
23	4460471	1	Lockwasher, Terminal	
24	4460488	6	Mounting Base, Terminal	
25	4460496	1	Washer, Terminal	
26	4460497	1	Nut, Terminal	
27	4460526	1	Connector, Strain Relief	
28	4711400	2	Washer 1/4	
29	4740397	9	Spacer	
30	4740518	2	Washer	
31	4751400	7	Washer 1/4	
33	4891500	4	Washer 5/16	
34	77143013	11	Nut 1/4	
35	1001103308	2	Thumbscrew 1/4 x 3/4	
36	1001280600	1	Module, Ground Control (Note: Recalibration Required When Replaced)	
37	1001106736	1	Cap, Dust	
38	1001137364	1	Light, Indicator	
39	1001152175	1	Box	
40	1001153713	1	Engine Harness (Not Shown - See Separate Breakdown in ELECTRICAL Section)	
41	1001155043	9	Washer	
42	1001155044	9	Nut 15/32	
43	1001155045	9	Switch, Toggle	

SECTION 2 - TURNTABLE

ITEM	PART NUMBER	QTY	DESCRIPTION	REV
44	1001170808	1	Control Valve Harness (Not Shown - See Separate Breakdown in ELECTRICAL Section)	
45	10836804	1	Hour Meter	
46	1001188874	2	Nut	
47	1001280403	1	Lid	
48	1001263356	1	Decal - Ground Control Box	
49	1001266628	1	Ground Control Box Harness (Not Shown - See Separate Breakdown in ELECTRICAL Section)	
51	0760612	2	Bolt M6 x 25	
52	3290605	2	Nut M6	
53	4811700	4	Washer M6	
54	1001219601	1	Sensor, Tilt Dual Axis CAN	
55	1001271794	1	Bracket, Tilt Sensor	
56	1001276143	1	Harness, Tilt Sensor	

SECTION 2 - TURNTABLE

FIGURE 2-37. GROUND CONTROL BOX ASSEMBLY - WITH DEUTZ D2011 AND TOWER STOW - WITH MECHANICAL HOUR METER (ANSI EXPORT LRC AND AUSTRALIAN SPECS) (SN 0300298303 to Present)



ART_1001263361_E

SECTION 2 - TURNTABLE

FIGURE 2-37. GROUND CONTROL BOX ASSEMBLY - WITH DEUTZ D2011 AND TOWER STOW - WITH MECHANICAL HOUR METER (ANSI EXPORT LRC AND AUSTRALIAN SPECS) (SN 0300298303 to Present)

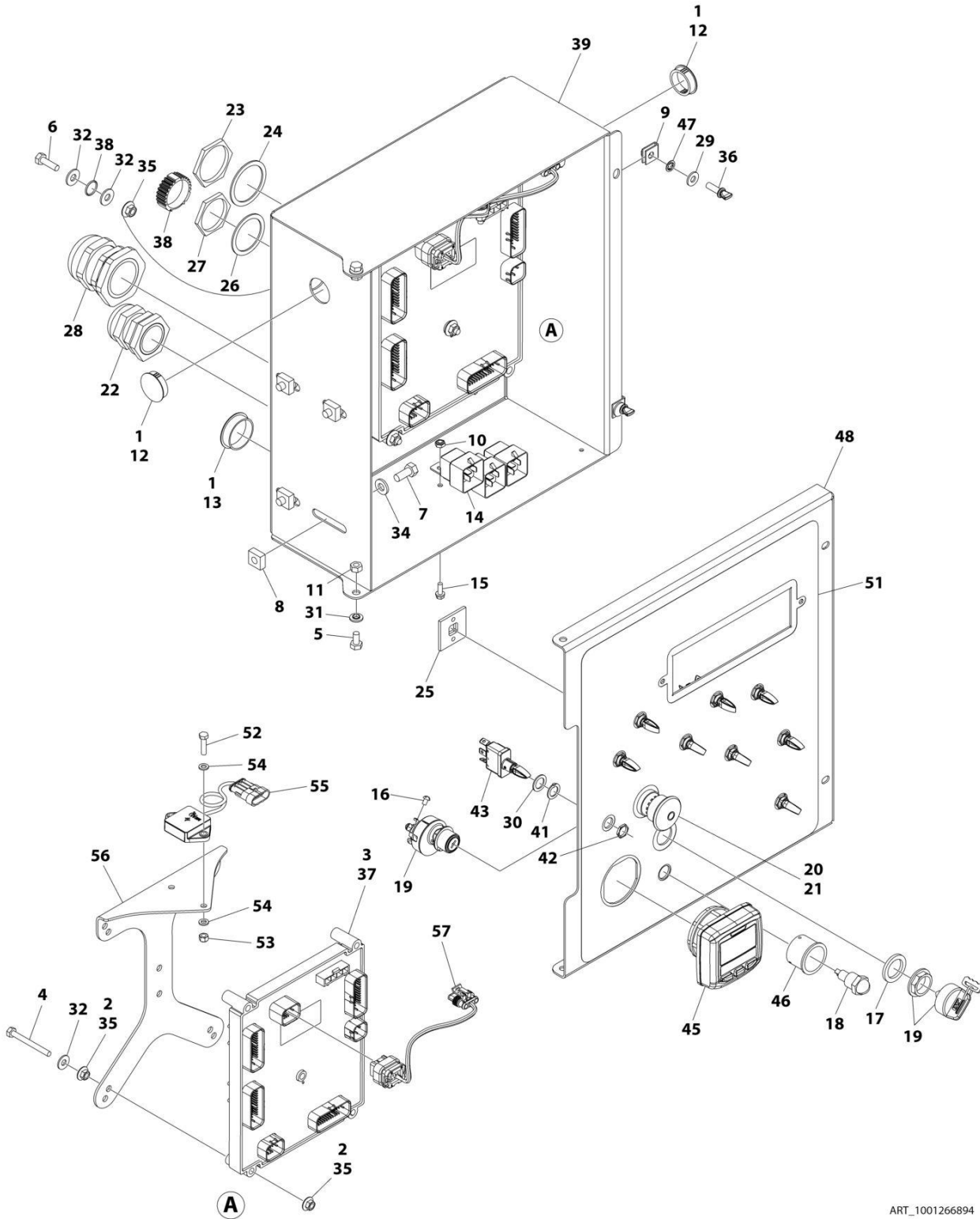
ITEM	PART NUMBER	QTY	DESCRIPTION	REV
	1001263361	Ref	GROUND CONTROL BOX ASSEMBLY	E
2	0100011	AR	Compound, Locking	
3	0100048	AR	Grease, Dielectric	
4	0630548	5	Bolt 2-1/2	
5	0641404	2	Bolt 1/4 x 1/2	
6	0641407	1	Bolt 1/4 x 7/8	
7	0641506	4	Bolt 5/16 x 3/4	
8	3300205	4	Nut, Retainer	
9	3300353	2	Nut, Tinnerman	
10	3300408	2	Nut, Nylon Insert	
11	3311405	2	Nut 1/4	
12	3520031	2	Plug	
14	3740049	2	Relay	
15	3900268	2	Screw #10x1/2	
16	3910804	6	Screw #8 x 1/4	
17	4070991	1	Shim	
18	4360469	1	Switch, Key	
18	2860030	1 Set	Key Replacement	
19	4360475	1	Switch, Emergency Stop	
19	7020175	1	Cap, Mushroom	
19	7020176	1	Block, Contact	
20	4360476	1	Switch, Contact Block	
21	4460426	1	Connector, Strain Relief	
22	4460470	1	Nut, Terminal	
23	4460471	1	Lockwasher, Terminal	
24	4460488	6	Mounting Base, Terminal	
25	4460496	2	Washer, Terminal	
26	4460497	2	Nut, Terminal	
27	4460526	1	Connector, Strain Relief	
28	4711400	2	Washer 1/4	
29	4740397	9	Spacer	
30	4740518	2	Washer	
31	4751400	7	Washer 1/4	
33	4891500	4	Washer 5/16	
34	77143013	11	Nut 1/4	
35	1001103308	2	Thumbscrew 1/4 x 3/4	
36	1001280600	1	Module, Ground Control (Note: Recalibration Required When Replaced)	
37	1001106736	1	Cap, Dust	
38	1001137364	1	Light, Indicator	
39	1001287467	1	Box	
40	1001286032	1	Engine Harness (Not Shown - See Separate Breakdown in ELECTRICAL Section)	
41	1001155043	9	Washer	
42	1001155044	9	Nut 15/32	
43	1001155045	9	Switch, Toggle	
44	1001285016	1	Control Valve Harness (Not Shown - See Separate Breakdown in ELECTRICAL Section)	

SECTION 2 - TURNTABLE

ITEM	PART NUMBER	QTY	DESCRIPTION	REV
45	10836804	1	Hour Meter	
46	1001188874	2	Nut	
47	1001280403	1	Lid	
48	1001263356	1	Decal - Ground Control Box	
49	1001285346	1	Ground Control Box Harness (Not Shown - See Separate Breakdown in ELECTRICAL Section)	
51	0760612	2	Bolt M6 x 25	
52	3290605	2	Nut M6	
53	4811700	4	Washer M6	
54	1001219601	1	Sensor, Tilt Dual Axis CAN	
55	1001271794	1	Bracket, Tilt Sensor	
56	1001276143	1	Harness, Tilt Sensor	

SECTION 2 - TURNTABLE

FIGURE 2-38. GROUND CONTROL BOX ASSEMBLY - WITH DEUTZ D2011 ENGINES (CE & UK CA SPECS) (Prior to SN 0300298303)



ART_1001266894

SECTION 2 - TURNTABLE

FIGURE 2-38. GROUND CONTROL BOX ASSEMBLY - WITH DEUTZ D2011 ENGINES (CE & UK CA SPECS) (Prior to SN 0300298303)

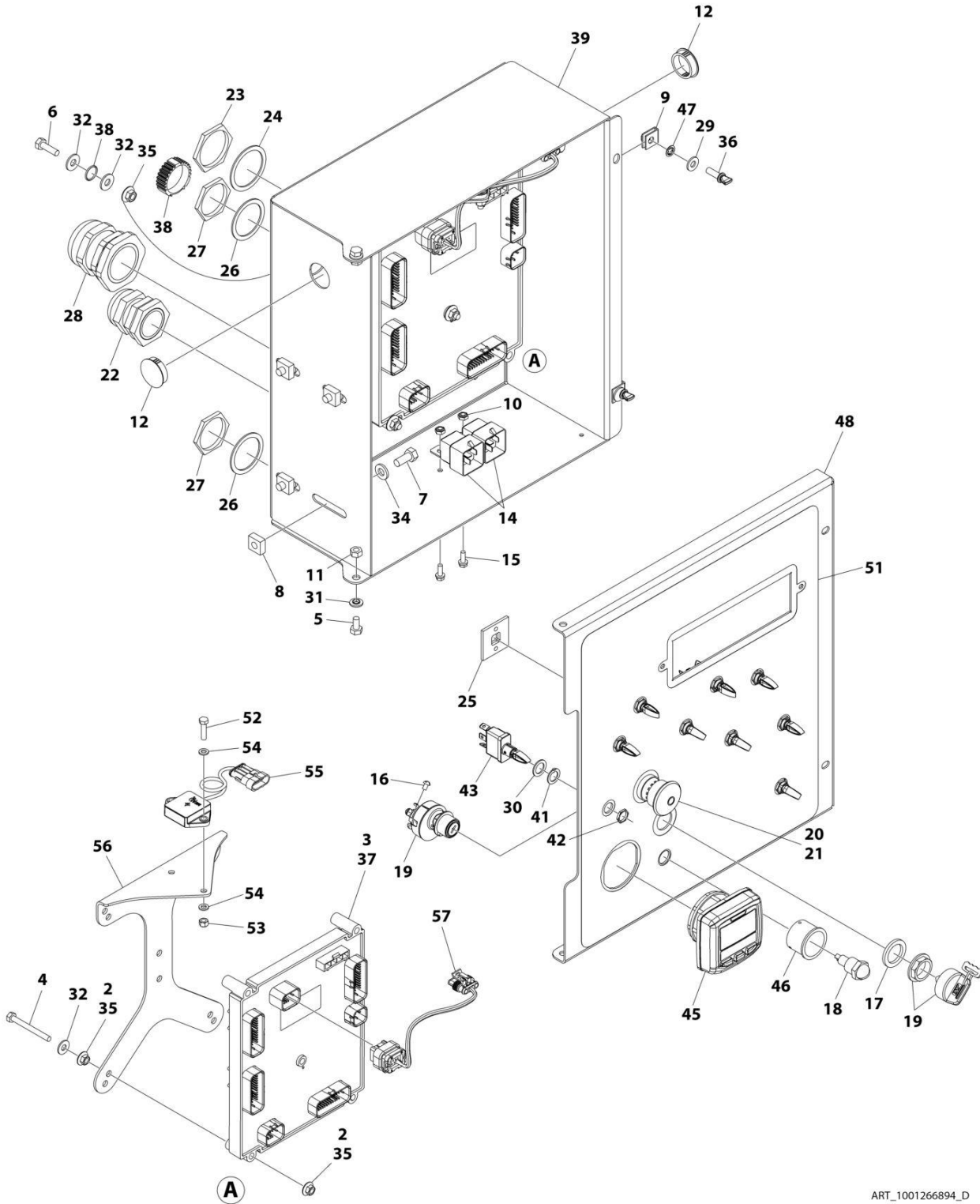
ITEM	PART NUMBER	QTY	DESCRIPTION	REV
	1001266894	Ref	GROUND CONTROL BOX ASSEMBLY	B
1	0100009	AR	Sealant	
2	0100011	AR	Compound, Locking	
3	0100048	AR	Grease, Dielectric	
4	0630548	5	Bolt 2-1/2	
5	0641404	2	Bolt 1/4 x 1/2	
6	0641407	1	Bolt 1/4 x 7/8	
7	0641506	4	Bolt 5/16 x 3/4	
8	3300205	4	Nut, Retainer	
9	3300353	2	Nut, Tinnerman	
10	3300408	3	Nut, Nylon Insert	
11	3311405	2	Nut 1/4	
12	3520031	2	Plug	
13	3520035	1	Plug	
14	3740049	3	Relay	
15	3900268	3	Screw #10x1/2	
16	3910804	6	Screw #8 x 1/4	
17	4070991	1	Shim	
18	4360387	1	Switch, Push Button	
19	4360469	1	Switch, Key	
19	2860030	1 Set	Key Replacement	
20	4360475	1	Switch, Emergency Stop	
20	7020175	1	Cap, Mushroom	
20	7020176	1	Block, Contact	
21	4360476	1	Switch, Contact Block	
22	4460426	1	Connector, Strain Relief	
23	4460470	1	Nut, Terminal	
24	4460471	1	Lockwasher, Terminal	
25	4460488	6	Mounting Base, Terminal	
26	4460496	1	Washer, Terminal	
27	4460497	1	Nut, Terminal	
28	4460526	1	Connector, Strain Relief	
29	4711400	2	Washer 1/4	
30	4740397	9	Spacer	
31	4740518	2	Washer	
32	4751400	7	Washer 1/4	
34	4891500	4	Washer 5/16	
35	77143013	11	Nut 1/4	
36	1001103308	2	Thumbscrew 1/4 x 3/4	
37	1001103667	1	Module, Ground Control (Note: Recalibration Required When Replaced)	
38	1001106736	1	Cap, Dust	
39	1001152175	1	Box	
40	1001153713	1	Engine Harness (Not Shown - See Separate Breakdown in ELECTRICAL Section)	
41	1001155043	9	Washer	
42	1001155044	9	Nut 15/32	
43	1001155045	9	Switch, Toggle	

SECTION 2 - TURNTABLE

ITEM	PART NUMBER	QTY	DESCRIPTION	REV
44	1001170808	1	Control Valve Harness (Not Shown - See Separate Breakdown in ELECTRICAL Section)	
45	1001171482	1	Gauge, Display	
46	1001176469	1	Shroud	
47	1001188874	2	Nut	
48	1001263353	1	Lid	
49	1001266628	1	Ground Control Box Harness (Not Shown - See Separate Breakdown in ELECTRICAL Section)	
51	1001266874	1	Decal - Ground Control Box	
52	0760612	2	Bolt M6 x 25	
53	3290605	2	Nut M6	
54	4811700	4	Washer M6	
55	1001219601	1	Sensor, Tilt Dual Axis CAN	
56	1001271794	1	Bracket, Tilt Sensor	
57	1001276143	1	Harness, Tilt Sensor	

SECTION 2 - TURNTABLE

FIGURE 2-39. GROUND CONTROL BOX ASSEMBLY - WITH DEUTZ D2011 ENGINES (CE & UK CA SPECS) (SN 0300298303 to Present)



ART_1001266894_D

SECTION 2 - TURNTABLE

FIGURE 2-39. GROUND CONTROL BOX ASSEMBLY - WITH DEUTZ D2011 ENGINES (CE & UK CA SPECS) (SN 0300298303 to Present)

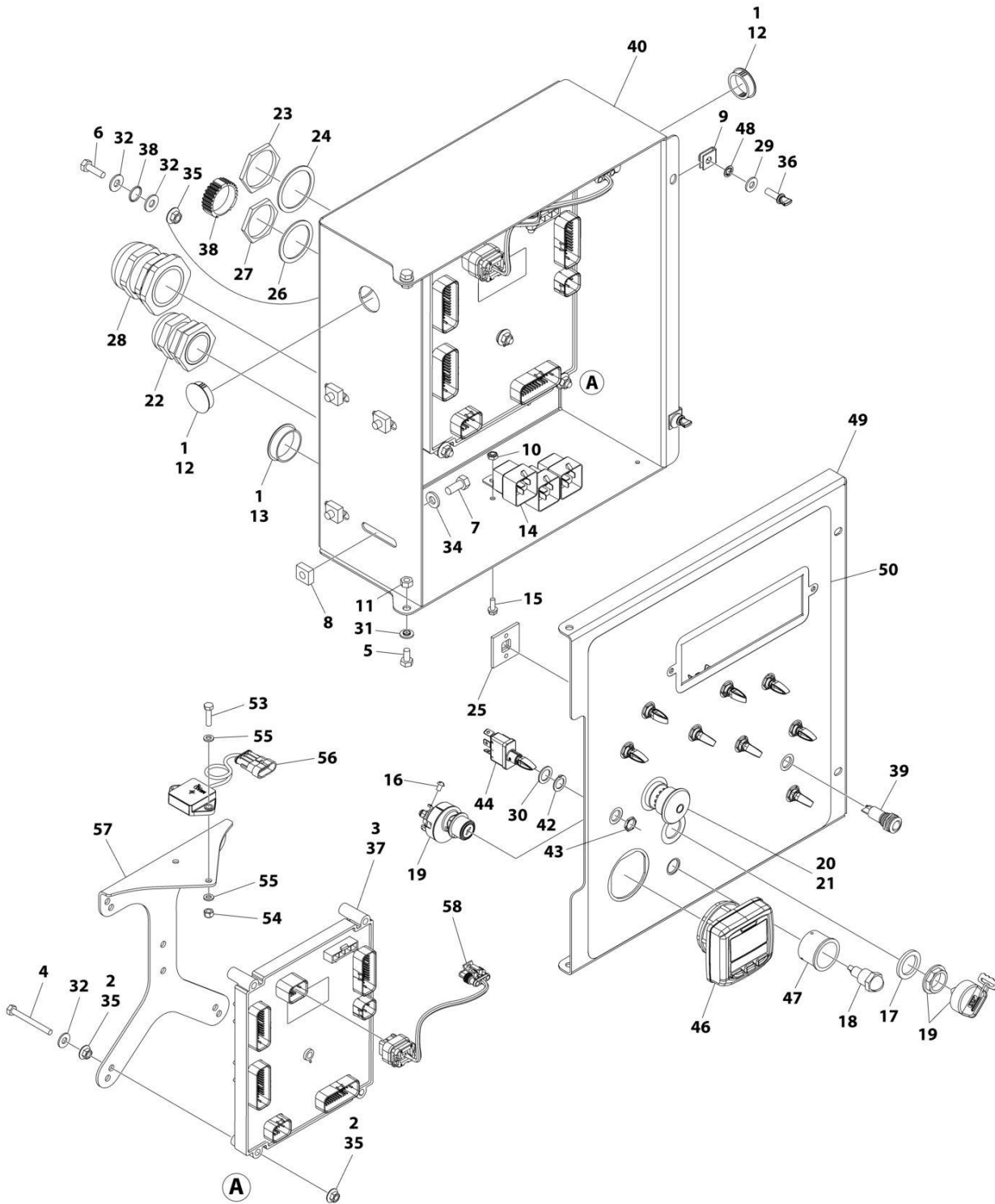
ITEM	PART NUMBER	QTY	DESCRIPTION	REV
	1001266894	Ref	GROUND CONTROL BOX ASSEMBLY	D
2	0100011	AR	Compound, Locking	
3	0100048	AR	Grease, Dielectric	
4	0630548	5	Bolt 2-1/2	
5	0641404	2	Bolt 1/4 x 1/2	
6	0641407	1	Bolt 1/4 x 7/8	
7	0641506	4	Bolt 5/16 x 3/4	
8	3300205	4	Nut, Retainer	
9	3300353	2	Nut, Tinnerman	
10	3300408	2	Nut, Nylon Insert	
11	3311405	2	Nut 1/4	
12	3520031	2	Plug	
14	3740049	2	Relay	
15	3900268	2	Screw #10x1/2	
16	3910804	6	Screw #8 x 1/4	
17	4070991	1	Shim	
18	4360387	1	Switch, Push Button	
19	4360469	1	Switch, Key	
19	2860030	1 Set	Key Replacement	
20	4360475	1	Switch, Emergency Stop	
20	7020175	1	Cap, Mushroom	
20	7020176	1	Block, Contact	
21	4360476	1	Switch, Contact Block	
22	4460426	1	Connector, Strain Relief	
23	4460470	1	Nut, Terminal	
24	4460471	1	Lockwasher, Terminal	
25	4460488	6	Mounting Base, Terminal	
26	4460496	2	Washer, Terminal	
27	4460497	2	Nut, Terminal	
28	4460526	1	Connector, Strain Relief	
29	4711400	2	Washer 1/4	
30	4740397	9	Spacer	
31	4740518	2	Washer	
32	4751400	7	Washer 1/4	
34	4891500	4	Washer 5/16	
35	77143013	11	Nut 1/4	
36	1001103308	2	Thumbscrew 1/4 x 3/4	
37	1001280600	1	Module, Ground Control (Note: Recalibration Required When Replaced)	
38	1001106736	1	Cap, Dust	
39	1001287467	1	Box	
40	1001286032	1	Engine Harness (Not Shown - See Separate Breakdown in ELECTRICAL Section)	
41	1001155043	9	Washer	
42	1001155044	9	Nut 15/32	
43	1001155045	9	Switch, Toggle	
44	1001285016	1	Control Valve Harness (Not Shown - See Separate Breakdown in ELECTRICAL Section)	
45	1001171482	1	Gauge, Display	

SECTION 2 - TURNTABLE

ITEM	PART NUMBER	QTY	DESCRIPTION	REV
46	1001176469	1	Shroud	
47	1001188874	2	Nut	
48	1001263353	1	Lid	
49	1001285346	1	Ground Control Box Harness (Not Shown - See Separate Breakdown in ELECTRICAL Section)	
51	1001266874	1	Decal - Ground Control Box	
52	0760612	2	Bolt M6 x 25	
53	3290605	2	Nut M6	
54	4811700	4	Washer M6	
55	1001219601	1	Sensor, Tilt Dual Axis CAN	
56	1001271794	1	Bracket, Tilt Sensor	
57	1001276143	1	Harness, Tilt Sensor	

SECTION 2 - TURNTABLE

FIGURE 2-40. GROUND CONTROL BOX ASSEMBLY - WITH DEUTZ D2011 ENGINES AND WITH TOWER STOW (CE & UK CA LRC SPECS) (Prior to SN 0300298303)



ART_1001263362

SECTION 2 - TURNTABLE

FIGURE 2-40. GROUND CONTROL BOX ASSEMBLY - WITH DEUTZ D2011 ENGINES AND WITH TOWER STOW (CE & UK CA LRC SPECS) (Prior to SN 0300298303)

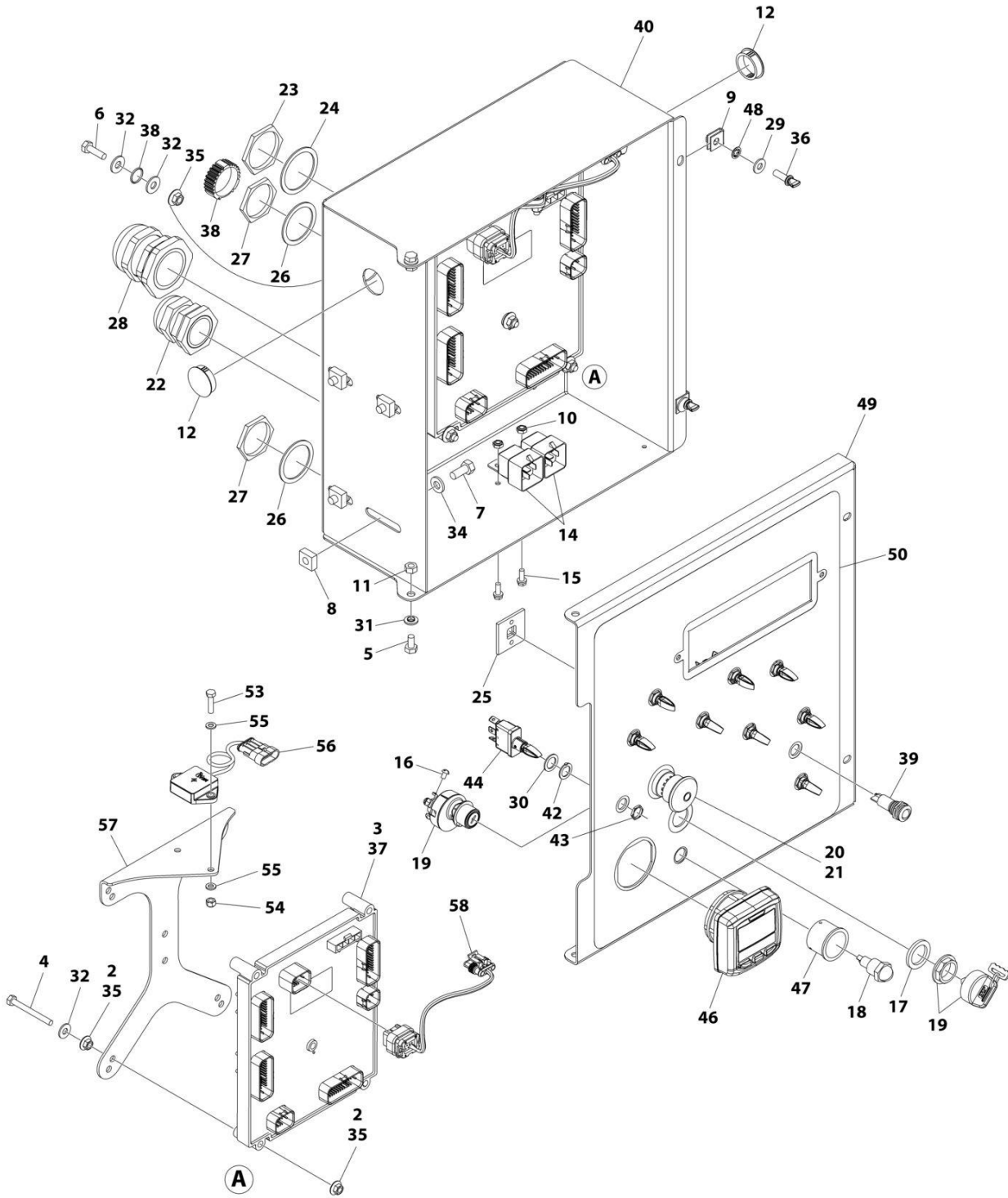
ITEM	PART NUMBER	QTY	DESCRIPTION	REV
	1001263362	Ref	GROUND CONTROL BOX ASSEMBLY	B
1	0100009	AR	Sealant	
2	0100011	AR	Compound, Locking	
3	0100048	AR	Grease, Dielectric	
4	0630548	5	Bolt 2-1/2	
5	0641404	2	Bolt 1/4 x 1/2	
6	0641407	1	Bolt 1/4 x 7/8	
7	0641506	4	Bolt 5/16 x 3/4	
8	3300205	4	Nut, Retainer	
9	3300353	2	Nut, Tinnerman	
10	3300408	3	Nut, Nylon Insert	
11	3311405	2	Nut 1/4	
12	3520031	2	Plug	
13	3520035	1	Plug	
14	3740049	3	Relay	
15	3900268	3	Screw #10x1/2	
16	3910804	6	Screw #8 x 1/4	
17	4070991	1	Shim	
18	4360387	1	Switch, Push Button	
19	4360469	1	Switch, Key	
19	2860030	1 Set	Key Replacement	
20	4360475	1	Switch, Emergency Stop	
20	7020175	1	Cap, Mushroom	
20	7020176	1	Block, Contact	
21	4360476	1	Switch, Contact Block	
22	4460426	1	Connector, Strain Relief	
23	4460470	1	Nut, Terminal	
24	4460471	1	Lockwasher, Terminal	
25	4460488	6	Mounting Base, Terminal	
26	4460496	1	Washer, Terminal	
27	4460497	1	Nut, Terminal	
28	4460526	1	Connector, Strain Relief	
29	4711400	2	Washer 1/4	
30	4740397	9	Spacer	
31	4740518	2	Washer	
32	4751400	7	Washer 1/4	
34	4891500	4	Washer 5/16	
35	77143013	11	Nut 1/4	
36	1001103308	2	Thumbscrew 1/4 x 3/4	
37	1001103667	1	Module, Ground Control (Note: Recalibration Required When Replaced)	
38	1001106736	1	Cap, Dust	
39	1001137364	1	Light, Indicator	
40	1001152175	1	Box	
41	1001153713	1	Engine Harness (Not Shown - See Separate Breakdown in ELECTRICAL Section)	
42	1001155043	9	Washer	
43	1001155044	9	Nut 15/32	
44	1001155045	9	Switch, Toggle	

SECTION 2 - TURNTABLE

ITEM	PART NUMBER	QTY	DESCRIPTION	REV
45	1001170808	1	Control Valve Harness (Not Shown - See Separate Breakdown in ELECTRICAL Section)	
46	1001171482	1	Gauge, Display	
47	1001176469	1	Shroud	
48	1001188874	2	Nut	
49	1001263353	1	Lid	
50	1001263355	1	Decal - Ground Control Box	
51	1001266628	1	Ground Control Box Harness (Not Shown - See Separate Breakdown in ELECTRICAL Section)	
53	0760612	2	Bolt M6 x 25	
54	3290605	2	Nut M6	
55	4811700	4	Washer M6	
56	1001219601	1	Sensor, Tilt Dual Axis CAN	
57	1001271794	1	Bracket, Tilt Sensor	
58	1001276143	1	Harness, Tilt Sensor	

SECTION 2 - TURNTABLE

FIGURE 2-41. GROUND CONTROL BOX ASSEMBLY - WITH DEUTZ D2011 ENGINES AND WITH TOWER STOW (CE & UK CA LRC SPECS) (SN 0300298303 to Present)



ART_1001263362_D

SECTION 2 - TURNTABLE

FIGURE 2-41. GROUND CONTROL BOX ASSEMBLY - WITH DEUTZ D2011 ENGINES AND WITH TOWER STOW (CE & UK CA LRC SPECS) (SN 0300298303 to Present)

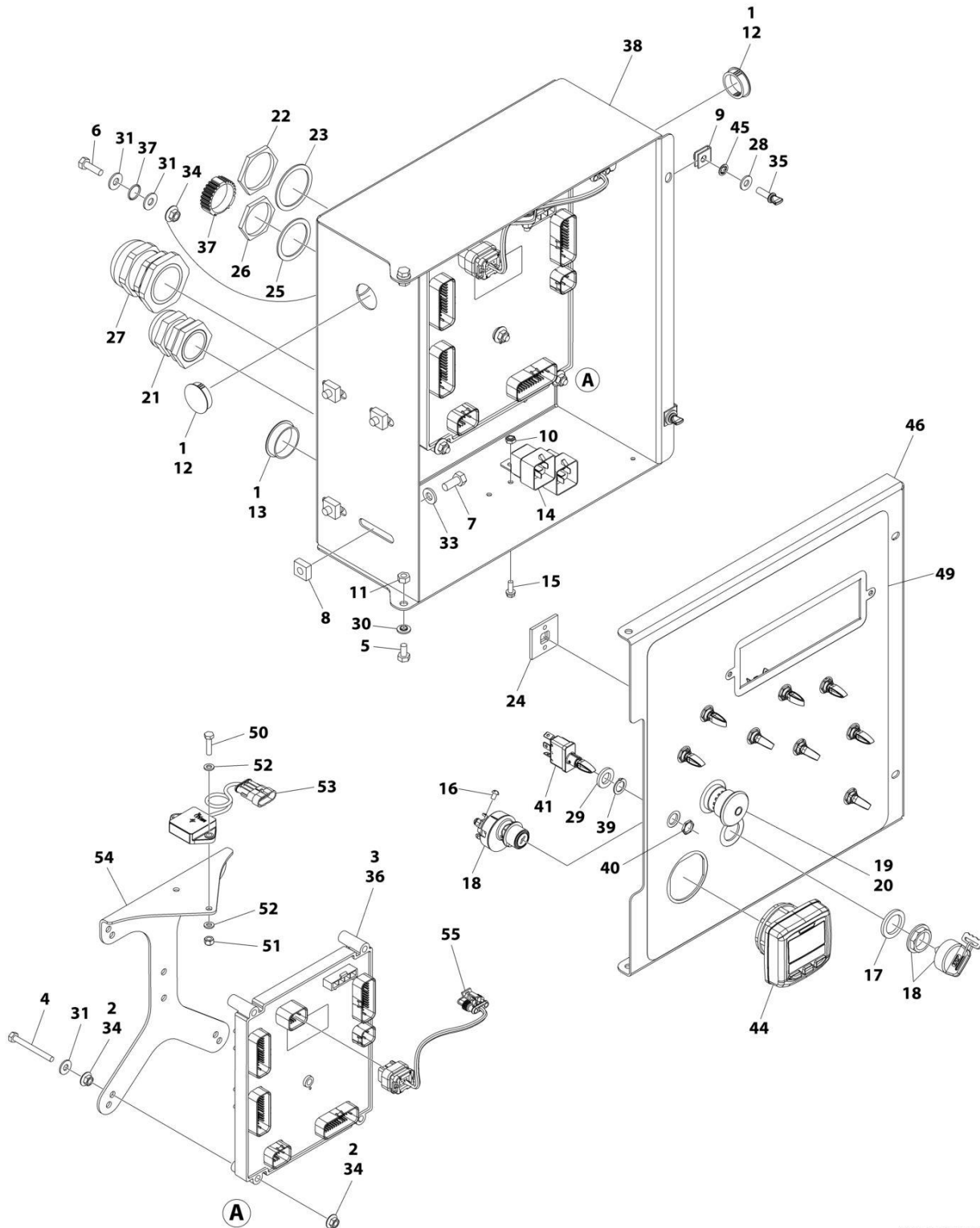
ITEM	PART NUMBER	QTY	DESCRIPTION	REV
	1001263362	Ref	GROUND CONTROL BOX ASSEMBLY	D
2	0100011	AR	Compound, Locking	
3	0100048	AR	Grease, Dielectric	
4	0630548	5	Bolt 2-1/2	
5	0641404	2	Bolt 1/4 x 1/2	
6	0641407	1	Bolt 1/4 x 7/8	
7	0641506	4	Bolt 5/16 x 3/4	
8	3300205	4	Nut, Retainer	
9	3300353	2	Nut, Tinnerman	
10	3300408	2	Nut, Nylon Insert	
11	3311405	2	Nut 1/4	
12	3520031	2	Plug	
14	3740049	2	Relay	
15	3900268	2	Screw #10x1/2	
16	3910804	6	Screw #8 x 1/4	
17	4070991	1	Shim	
18	4360387	1	Switch, Push Button	
19	4360469	1	Switch, Key	
19	2860030	1 Set	Key Replacement	
20	4360475	1	Switch, Emergency Stop	
20	7020175	1	Cap, Mushroom	
20	7020176	1	Block, Contact	
21	4360476	1	Switch, Contact Block	
22	4460426	1	Connector, Strain Relief	
23	4460470	1	Nut, Terminal	
24	4460471	1	Lockwasher, Terminal	
25	4460488	6	Mounting Base, Terminal	
26	4460496	2	Washer, Terminal	
27	4460497	2	Nut, Terminal	
28	4460526	1	Connector, Strain Relief	
29	4711400	2	Washer 1/4	
30	4740397	9	Spacer	
31	4740518	2	Washer	
32	4751400	7	Washer 1/4	
34	4891500	4	Washer 5/16	
35	77143013	11	Nut 1/4	
36	1001103308	2	Thumbscrew 1/4 x 3/4	
37	1001280600	1	Module, Ground Control (Note: Recalibration Required When Replaced)	
38	1001106736	1	Cap, Dust	
39	1001137364	1	Light, Indicator	
40	1001287467	1	Box	
41	1001286032	1	Engine Harness (Not Shown - See Separate Breakdown in ELECTRICAL Section)	
42	1001155043	9	Washer	
43	1001155044	9	Nut 15/32	
44	1001155045	9	Switch, Toggle	
45	1001285016	1	Control Valve Harness (Not Shown - See Separate Breakdown in ELECTRICAL Section)	

SECTION 2 - TURNTABLE

ITEM	PART NUMBER	QTY	DESCRIPTION	REV
46	1001171482	1	Gauge, Display	
47	1001176469	1	Shroud	
48	1001188874	2	Nut	
49	1001263353	1	Lid	
50	1001263355	1	Decal - Ground Control Box	
51	1001285346	1	Ground Control Box Harness (Not Shown - See Separate Breakdown in ELECTRICAL Section)	
53	0760612	2	Bolt M6 x 25	
54	3290605	2	Nut M6	
55	4811700	4	Washer M6	
56	1001219601	1	Sensor, Tilt Dual Axis CAN	
57	1001271794	1	Bracket, Tilt Sensor	
58	1001276143	1	Harness, Tilt Sensor	

SECTION 2 - TURNTABLE

FIGURE 2-42. GROUND CONTROL BOX ASSEMBLY - WITH DEUTZ TD2.9L4 ENGINES - WITH DIGITAL DISPLAY (ANSI, ANSI EXPORT, CSA, CHINA & JAPANESE SPECS)



ART_1001266875

SECTION 2 - TURNTABLE

FIGURE 2-42. GROUND CONTROL BOX ASSEMBLY - WITH DEUTZ TD2.9L4 ENGINES - WITH DIGITAL DISPLAY (ANSI, ANSI EXPORT, CSA, CHINA & JAPANESE SPECS)

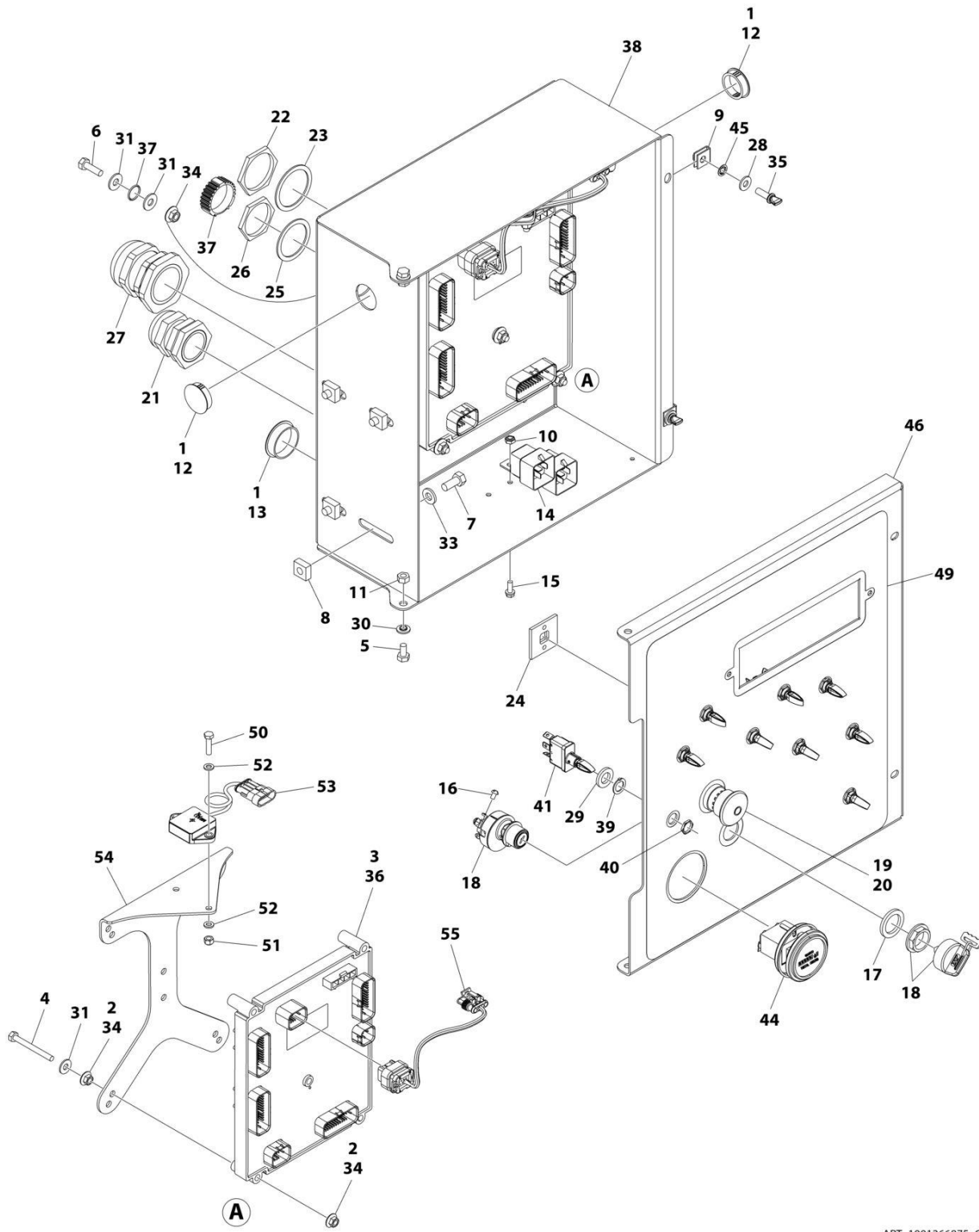
ITEM	PART NUMBER	QTY	DESCRIPTION	REV
	1001266875	Ref	GROUND CONTROL BOX ASSEMBLY	B
1	0100009	AR	Sealant	
2	0100011	AR	Compound, Locking	
3	0100048	AR	Grease, Dielectric	
4	0630548	5	Bolt 2-1/2	
5	0641404	2	Bolt 1/4 x 1/2	
6	0641407	1	Bolt 1/4 x 7/8	
7	0641506	4	Bolt 5/16 x 3/4	
8	3300205	4	Nut, Retainer	
9	3300353	2	Nut, Tinnerman	
10	3300408	2	Nut, Nylon Insert	
11	3311405	2	Nut 1/4	
12	3520031	2	Plug	
13	3520035	1	Plug	
14	3740049	2	Relay	
15	3900268	2	Screw #10x1/2	
16	3910804	6	Screw #8 x 1/4	
17	4070991	1	Shim	
18	4360469	1	Switch, Key	
18	2860030	1 Set	Key Replacement	
19	4360475	1	Switch, Emergency Stop	
19	7020175	1	Cap, Mushroom	
19	7020176	1	Block, Contact	
20	4360476	1	Switch, Contact Block	
21	4460426	1	Connector, Strain Relief	
22	4460470	1	Nut, Terminal	
23	4460471	1	Lockwasher, Terminal	
24	4460488	6	Mounting Base, Terminal	
25	4460496	1	Washer, Terminal	
26	4460497	1	Nut, Terminal	
27	4460526	1	Connector, Strain Relief	
28	4711400	2	Washer 1/4	
29	4740397	9	Spacer	
30	4740518	2	Washer	
31	4751400	7	Washer 1/4	
33	4891500	4	Washer 5/16	
34	77143013	11	Nut 1/4	
35	1001103308	2	Thumbscrew 1/4 x 3/4	
36	1001103667	1	Module, Ground Control (Please Verify Part Number on Module Decal Before Purchasing) (Note: Recalibration Required When Replaced)	
36	1001280600	1	Module, Ground Control (Please Verify Part Number on Module Decal Before Purchasing) (Note: Recalibration Required When Replaced)	
37	1001106736	1	Cap, Dust	
38	1001152175	1	Box	
39	1001155043	9	Washer	
40	1001155044	9	Nut 15/32	
41	1001155045	9	Switch, Toggle	

SECTION 2 - TURNTABLE

ITEM	PART NUMBER	QTY	DESCRIPTION	REV
42	1001165776	1	Engine Harness (Not Shown - See Separate Breakdown in ELECTRICAL Section)	
43	1001170808	1	Control Valve Harness (Not Shown - See Separate Breakdown in ELECTRICAL Section)	
44	1001171482	1	Gauge, Display	
45	1001188874	2	Nut	
46	1001263352	1	Lid	
47	1001266628	1	Ground Control Box Harness (Not Shown - See Separate Breakdown in ELECTRICAL Section)	
49	1001266876	1	Decal - Ground Control Box	
50	0760612	2	Bolt M6 x 25	
51	3290605	2	Nut M6	
52	4811700	4	Washer M6	
53	1001219601	1	Sensor, Tilt Dual Axis CAN	
54	1001271794	1	Bracket, Tilt Sensor	
55	1001276143	1	Harness, Tilt Sensor	

SECTION 2 - TURNTABLE

FIGURE 2-43. GROUND CONTROL BOX ASSEMBLY - WITH DEUTZ TD2.9L4 ENGINES - WITH MECHANICAL HOUR METER (ANSI, ANSI EXPORT, CSA, CHINA & JAPANESE SPECS) (Prior to SN 0300298303)



ART_1001266875_C

SECTION 2 - TURNTABLE

FIGURE 2-43. GROUND CONTROL BOX ASSEMBLY - WITH DEUTZ TD2.9L4 ENGINES - WITH MECHANICAL HOUR METER (ANSI, ANSI EXPORT, CSA, CHINA & JAPANESE SPECS) (Prior to SN 0300298303)

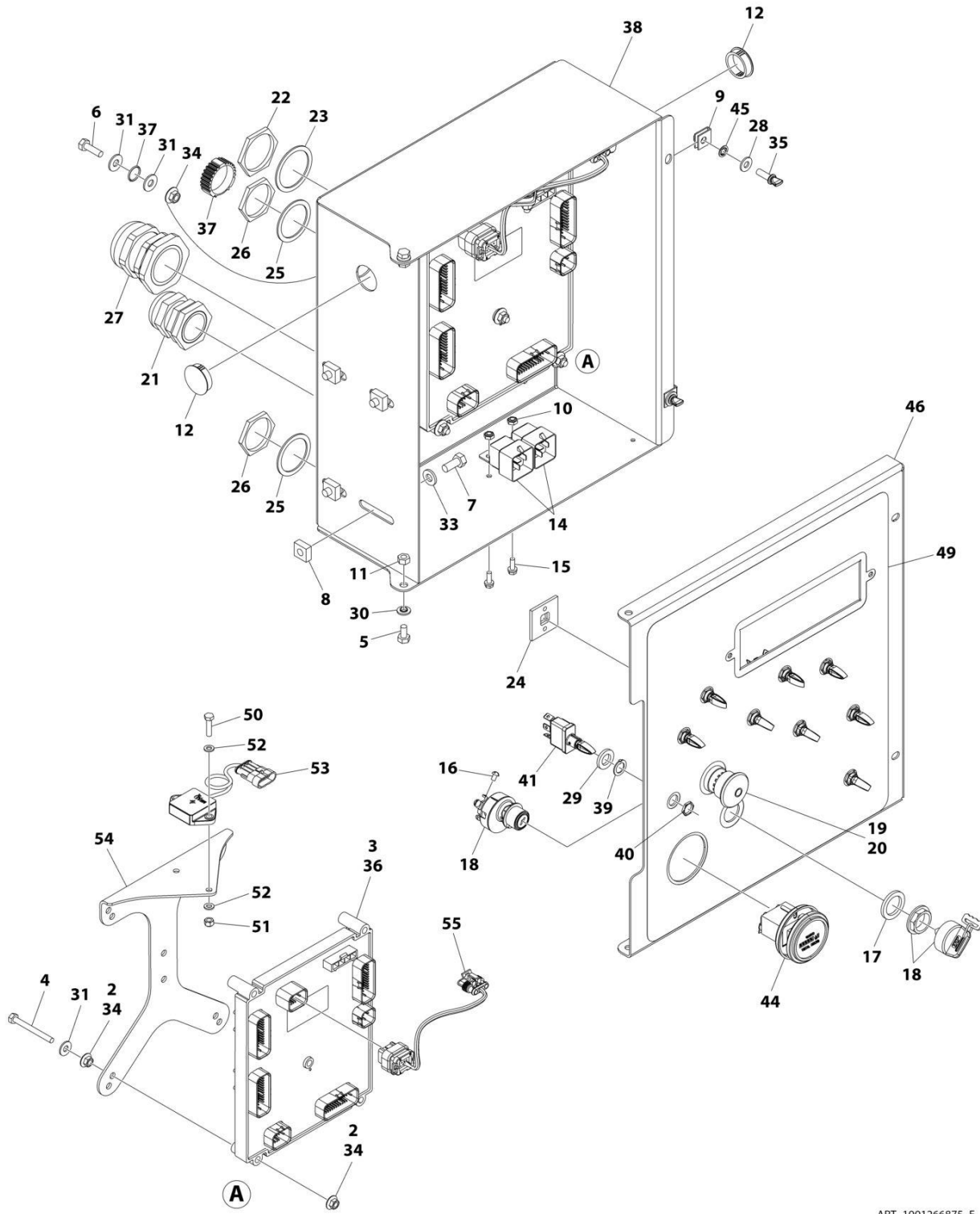
ITEM	PART NUMBER	QTY	DESCRIPTION	REV
	1001266875	Ref	GROUND CONTROL BOX ASSEMBLY	C
1	0100009	AR	Sealant	
2	0100011	AR	Compound, Locking	
3	0100048	AR	Grease, Dielectric	
4	0630548	5	Bolt 2-1/2	
5	0641404	2	Bolt 1/4 x 1/2	
6	0641407	1	Bolt 1/4 x 7/8	
7	0641506	4	Bolt 5/16 x 3/4	
8	3300205	4	Nut, Retainer	
9	3300353	2	Nut, Tinnerman	
10	3300408	2	Nut, Nylon Insert	
11	3311405	2	Nut 1/4	
12	3520031	2	Plug	
13	3520035	1	Plug	
14	3740049	2	Relay	
15	3900268	2	Screw #10x1/2	
16	3910804	6	Screw #8 x 1/4	
17	4070991	1	Shim	
18	4360469	1	Switch, Key	
18	2860030	1 Set	Key Replacement	
19	4360475	1	Switch, Emergency Stop	
19	7020175	1	Cap, Mushroom	
19	7020176	1	Block, Contact	
20	4360476	1	Switch, Contact Block	
21	4460426	1	Connector, Strain Relief	
22	4460470	1	Nut, Terminal	
23	4460471	1	Lockwasher, Terminal	
24	4460488	6	Mounting Base, Terminal	
25	4460496	1	Washer, Terminal	
26	4460497	1	Nut, Terminal	
27	4460526	1	Connector, Strain Relief	
28	4711400	2	Washer 1/4	
29	4740397	9	Spacer	
30	4740518	2	Washer	
31	4751400	7	Washer 1/4	
33	4891500	4	Washer 5/16	
34	77143013	11	Nut 1/4	
35	1001103308	2	Thumbscrew 1/4 x 3/4	
36	1001280600	1	Module, Ground Control (Note: Recalibration Required When Replaced)	
37	1001106736	1	Cap, Dust	
38	1001152175	1	Box	
39	1001155043	9	Washer	
40	1001155044	9	Nut 15/32	
41	1001155045	9	Switch, Toggle	
42	1001165776	1	Engine Harness (Not Shown - See Separate Breakdown in ELECTRICAL Section)	

SECTION 2 - TURNTABLE

ITEM	PART NUMBER	QTY	DESCRIPTION	REV
43	1001170808	1	Control Valve Harness (Not Shown - See Separate Breakdown in ELECTRICAL Section)	
44	10836804	1	Hour Meter	
45	1001188874	2	Nut	
46	1001280403	1	Lid	
47	1001266628	1	Ground Control Box Harness (Not Shown - See Separate Breakdown in ELECTRICAL Section)	
49	1001266876	1	Decal - Ground Control Box	
50	0760612	2	Bolt M6 x 25	
51	3290605	2	Nut M6	
52	4811700	4	Washer M6	
53	1001219601	1	Sensor, Tilt Dual Axis CAN	
54	1001271794	1	Bracket, Tilt Sensor	
55	1001276143	1	Harness, Tilt Sensor	

SECTION 2 - TURNTABLE

FIGURE 2-44. GROUND CONTROL BOX ASSEMBLY - WITH DEUTZ TD2.9L4 ENGINES - WITH MECHANICAL HOUR METER (ANSI, ANSI EXPORT, CSA, CHINA & JAPANESE SPECS) (SN 0300298303 to Present)



ART_1001266875_E

SECTION 2 - TURNTABLE

FIGURE 2-44. GROUND CONTROL BOX ASSEMBLY - WITH DEUTZ TD2.9L4 ENGINES - WITH MECHANICAL HOUR METER (ANSI, ANSI EXPORT, CSA, CHINA & JAPANESE SPECS) (SN 0300298303 to Present)

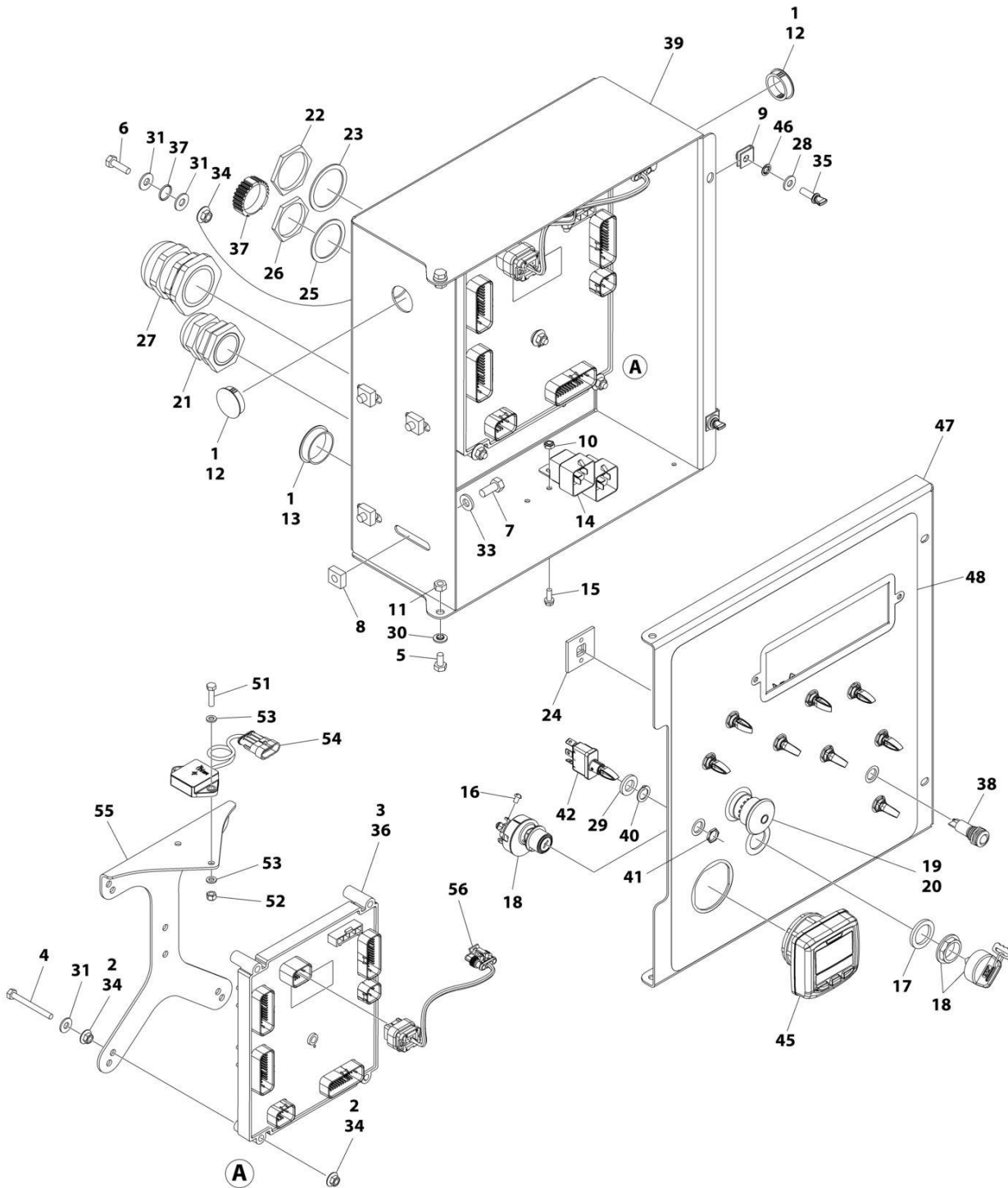
ITEM	PART NUMBER	QTY	DESCRIPTION	REV
	1001266875	Ref	GROUND CONTROL BOX ASSEMBLY	E
2	0100011	AR	Compound, Locking	
3	0100048	AR	Grease, Dielectric	
4	0630548	5	Bolt 2-1/2	
5	0641404	2	Bolt 1/4 x 1/2	
6	0641407	1	Bolt 1/4 x 7/8	
7	0641506	4	Bolt 5/16 x 3/4	
8	3300205	4	Nut, Retainer	
9	3300353	2	Nut, Tinnerman	
10	3300408	2	Nut, Nylon Insert	
11	3311405	2	Nut 1/4	
12	3520031	2	Plug	
14	3740049	2	Relay	
15	3900268	2	Screw #10x1/2	
16	3910804	6	Screw #8 x 1/4	
17	4070991	1	Shim	
18	4360469	1	Switch, Key	
18	2860030	1 Set	Key Replacement	
19	4360475	1	Switch, Emergency Stop	
19	7020175	1	Cap, Mushroom	
19	7020176	1	Block, Contact	
20	4360476	1	Switch, Contact Block	
21	4460426	1	Connector, Strain Relief	
22	4460470	1	Nut, Terminal	
23	4460471	1	Lockwasher, Terminal	
24	4460488	6	Mounting Base, Terminal	
25	4460496	2	Washer, Terminal	
26	4460497	2	Nut, Terminal	
27	4460526	1	Connector, Strain Relief	
28	4711400	2	Washer 1/4	
29	4740397	9	Spacer	
30	4740518	2	Washer	
31	4751400	7	Washer 1/4	
33	4891500	4	Washer 5/16	
34	77143013	11	Nut 1/4	
35	1001103308	2	Thumbscrew 1/4 x 3/4	
36	1001280600	1	Module, Ground Control (Note: Recalibration Required When Replaced)	
37	1001106736	1	Cap, Dust	
38	1001287467	1	Box	
39	1001155043	9	Washer	
40	1001155044	9	Nut 15/32	
41	1001155045	9	Switch, Toggle	
42	1001285369	1	Engine Harness (Not Shown - See Separate Breakdown in ELECTRICAL Section)	
43	1001285016	1	Control Valve Harness (Not Shown - See Separate Breakdown in ELECTRICAL Section)	
44	10836804	1	Hour Meter	

SECTION 2 - TURNTABLE

ITEM	PART NUMBER	QTY	DESCRIPTION	REV
45	1001188874	2	Nut	
46	1001280403	1	Lid	
47	1001285346	1	Ground Control Box Harness (Not Shown - See Separate Breakdown in ELECTRICAL Section)	
49	1001266876	1	Decal - Ground Control Box	
50	0760612	2	Bolt M6 x 25	
51	3290605	2	Nut M6	
52	4811700	4	Washer M6	
53	1001219601	1	Sensor, Tilt Dual Axis CAN	
54	1001271794	1	Bracket, Tilt Sensor	
55	1001276143	1	Harness, Tilt Sensor	

SECTION 2 - TURNTABLE

FIGURE 2-45. GROUND CONTROL BOX ASSEMBLY - WITH DEUTZ TD2.9L4 AND TOWER STOW - WITH DIGITAL DISPLAY (ANSI, ANSI EXPORT, CSA, CHINA & JAPANESE SPECS)



ART_1001263360

SECTION 2 - TURNTABLE

FIGURE 2-45. GROUND CONTROL BOX ASSEMBLY - WITH DEUTZ TD2.9L4 AND TOWER STOW - WITH DIGITAL DISPLAY (ANSI, ANSI EXPORT, CSA, CHINA & JAPANESE SPECS)

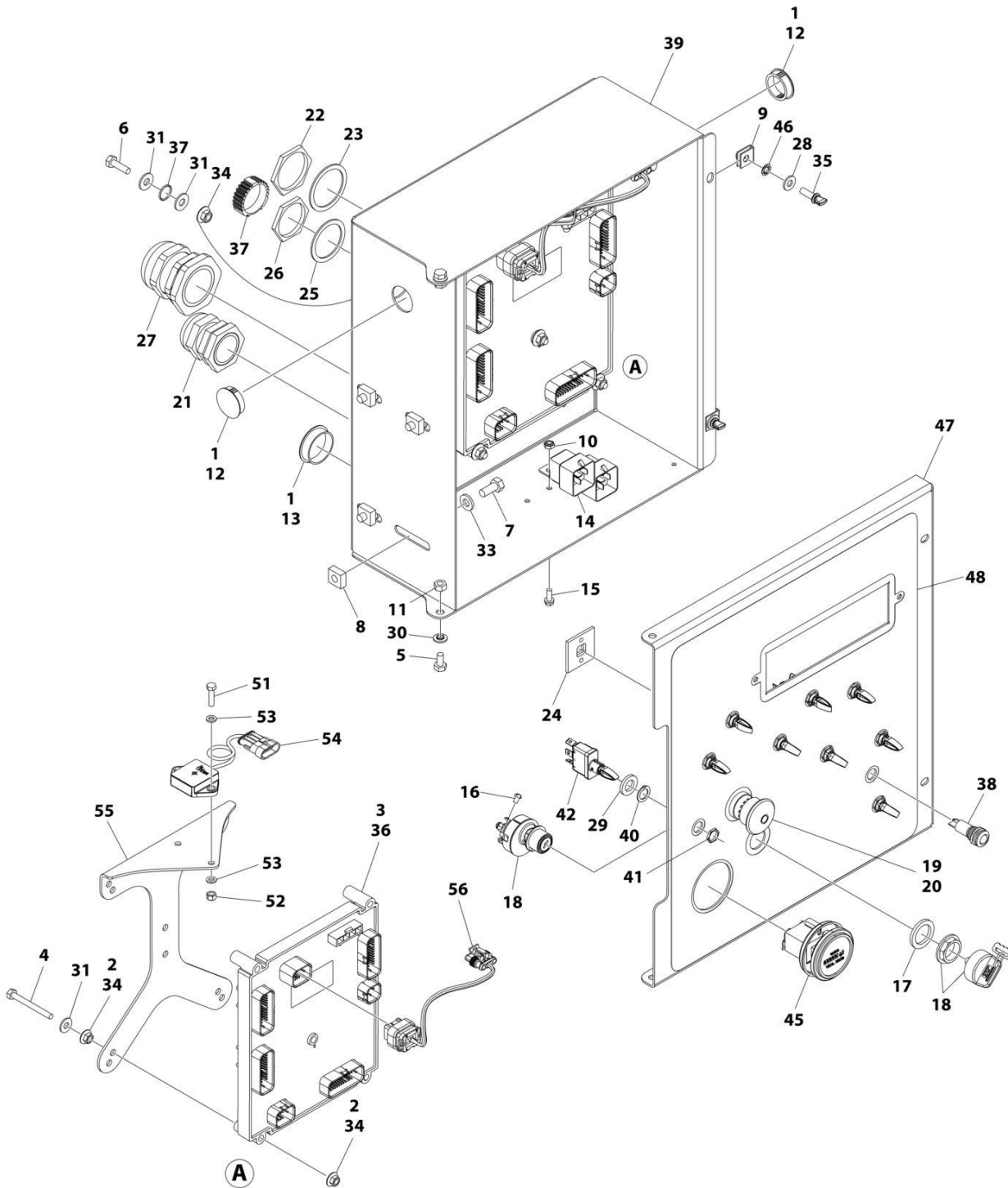
ITEM	PART NUMBER	QTY	DESCRIPTION	REV
	1001263360	Ref	GROUND CONTROL BOX ASSEMBLY	B
1	0100009	AR	Sealant	
2	0100011	AR	Compound, Locking	
3	0100048	AR	Grease, Dielectric	
4	0630548	5	Bolt 2-1/2	
5	0641404	2	Bolt 1/4 x 1/2	
6	0641407	1	Bolt 1/4 x 7/8	
7	0641506	4	Bolt 5/16 x 3/4	
8	3300205	4	Nut, Retainer	
9	3300353	2	Nut, Tinnerman	
10	3300408	2	Nut, Nylon Insert	
11	3311405	2	Nut 1/4	
12	3520031	2	Plug	
13	3520035	1	Plug	
14	3740049	2	Relay	
15	3900268	2	Screw #10x1/2	
16	3910804	6	Screw #8 x 1/4	
17	4070991	1	Shim	
18	4360469	1	Switch, Key	
18	2860030	1 Set	Key Replacement	
19	4360475	1	Switch, Emergency Stop	
19	7020175	1	Cap, Mushroom	
19	7020176	1	Block, Contact	
20	4360476	1	Switch, Contact Block	
21	4460426	1	Connector, Strain Relief	
22	4460470	1	Nut, Terminal	
23	4460471	1	Lockwasher, Terminal	
24	4460488	6	Mounting Base, Terminal	
25	4460496	1	Washer, Terminal	
26	4460497	1	Nut, Terminal	
27	4460526	1	Connector, Strain Relief	
28	4711400	2	Washer 1/4	
29	4740397	9	Spacer	
30	4740518	2	Washer	
31	4751400	7	Washer 1/4	
33	4891500	4	Washer 5/16	
34	77143013	11	Nut 1/4	
35	1001103308	2	Thumbscrew 1/4 x 3/4	
36	1001103667	1	Module, Ground Control (Please Verify Part Number on Module Decal Before Purchasing) (Note: Recalibration Required When Replaced)	
36	1001280600	1	Module, Ground Control (Please Verify Part Number on Module Decal Before Purchasing) (Note: Recalibration Required When Replaced)	
37	1001106736	1	Cap, Dust	
38	1001137364	1	Light, Indicator	
39	1001152175	1	Box	
40	1001155043	9	Washer	
41	1001155044	9	Nut 15/32	
42	1001155045	9	Switch, Toggle	

SECTION 2 - TURNTABLE

ITEM	PART NUMBER	QTY	DESCRIPTION	REV
43	1001165776	1	Engine Harness (Not Shown - See Separate Breakdown in ELECTRICAL Section)	
44	1001170808	1	Control Valve Harness (Not Shown - See Separate Breakdown in ELECTRICAL Section)	
45	1001171482	1	Gauge, Display	
46	1001188874	2	Nut	
47	1001263352	1	Lid	
48	1001263356	1	Decal - Ground Control Box	
49	1001266628	1	Ground Control Box Harness (Not Shown - See Separate Breakdown in ELECTRICAL Section)	
51	0760612	2	Bolt M6 x 25	
52	3290605	2	Nut M6	
53	4811700	4	Washer M6	
54	1001219601	1	Sensor, Tilt Dual Axis CAN	
55	1001271794	1	Bracket, Tilt Sensor	
56	1001276143	1	Harness, Tilt Sensor	

SECTION 2 - TURNTABLE

FIGURE 2-46. GROUND CONTROL BOX ASSEMBLY - WITH DEUTZ TD2.9L4 AND TOWER STOW - WITH MECHANICAL HOUR METER (ANSI, ANSI EXPORT, CSA, CHINA & JAPANESE SPECS) (Prior to SN 0300298303)



ART_1001263360_C

SECTION 2 - TURNTABLE

FIGURE 2-46. GROUND CONTROL BOX ASSEMBLY - WITH DEUTZ TD2.9L4 AND TOWER STOW - WITH MECHANICAL HOUR METER (ANSI, ANSI EXPORT, CSA, CHINA & JAPANESE SPECS) (Prior to SN 0300298303)

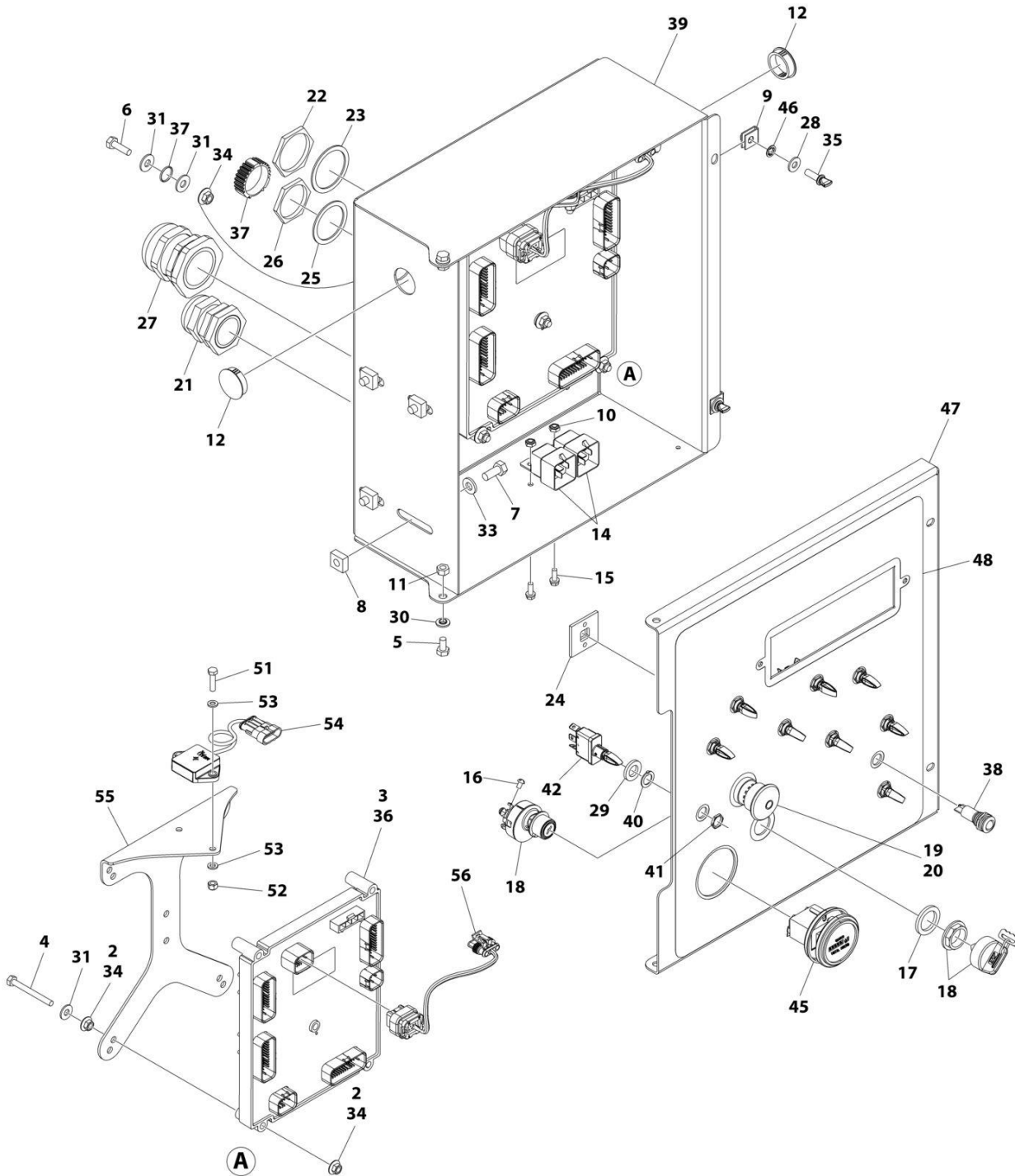
ITEM	PART NUMBER	QTY	DESCRIPTION	REV
	1001263360	Ref	GROUND CONTROL BOX ASSEMBLY	C
1	0100009	AR	Sealant	
2	0100011	AR	Compound, Locking	
3	0100048	AR	Grease, Dielectric	
4	0630548	5	Bolt 2-1/2	
5	0641404	2	Bolt 1/4 x 1/2	
6	0641407	1	Bolt 1/4 x 7/8	
7	0641506	4	Bolt 5/16 x 3/4	
8	3300205	4	Nut, Retainer	
9	3300353	2	Nut, Tinnerman	
10	3300408	2	Nut, Nylon Insert	
11	3311405	2	Nut 1/4	
12	3520031	2	Plug	
13	3520035	1	Plug	
14	3740049	2	Relay	
15	3900268	2	Screw #10x1/2	
16	3910804	6	Screw #8 x 1/4	
17	4070991	1	Shim	
18	4360469	1	Switch, Key	
18	2860030	1 Set	Key Replacement	
19	4360475	1	Switch, Emergency Stop	
19	7020175	1	Cap, Mushroom	
19	7020176	1	Block, Contact	
20	4360476	1	Switch, Contact Block	
21	4460426	1	Connector, Strain Relief	
22	4460470	1	Nut, Terminal	
23	4460471	1	Lockwasher, Terminal	
24	4460488	6	Mounting Base, Terminal	
25	4460496	1	Washer, Terminal	
26	4460497	1	Nut, Terminal	
27	4460526	1	Connector, Strain Relief	
28	4711400	2	Washer 1/4	
29	4740397	9	Spacer	
30	4740518	2	Washer	
31	4751400	7	Washer 1/4	
33	4891500	4	Washer 5/16	
34	77143013	11	Nut 1/4	
35	1001103308	2	Thumbscrew 1/4 x 3/4	
36	1001280600	1	Module, Ground Control (Note: Recalibration Required When Replaced)	
37	1001106736	1	Cap, Dust	
38	1001137364	1	Light, Indicator	
39	1001152175	1	Box	
40	1001155043	9	Washer	
41	1001155044	9	Nut 15/32	
42	1001155045	9	Switch, Toggle	
43	1001165776	1	Engine Harness (Not Shown - See Separate Breakdown in ELECTRICAL Section)	

SECTION 2 - TURNTABLE

ITEM	PART NUMBER	QTY	DESCRIPTION	REV
44	1001170808	1	Control Valve Harness (Not Shown - See Separate Breakdown in ELECTRICAL Section)	
45	10836804	1	Hour Meter	
46	1001188874	2	Nut	
47	1001280403	1	Lid	
48	1001263356	1	Decal - Ground Control Box	
49	1001266628	1	Ground Control Box Harness (Not Shown - See Separate Breakdown in ELECTRICAL Section)	
51	0760612	2	Bolt M6 x 25	
52	3290605	2	Nut M6	
53	4811700	4	Washer M6	
54	1001219601	1	Sensor, Tilt Dual Axis CAN	
55	1001271794	1	Bracket, Tilt Sensor	
56	1001276143	1	Harness, Tilt Sensor	

SECTION 2 - TURNTABLE

FIGURE 2-47. GROUND CONTROL BOX ASSEMBLY - WITH DEUTZ TD2.9L4 AND TOWER STOW - WITH MECHANICAL HOUR METER (ANSI, ANSI EXPORT, CSA, CHINA & JAPANESE SPECS) (SN 0300298303 to Present)



ART_1001263360_E

SECTION 2 - TURNTABLE

FIGURE 2-47. GROUND CONTROL BOX ASSEMBLY - WITH DEUTZ TD2.9L4 AND TOWER STOW - WITH MECHANICAL HOUR METER (ANSI, ANSI EXPORT, CSA, CHINA & JAPANESE SPECS) (SN 0300298303 to Present)

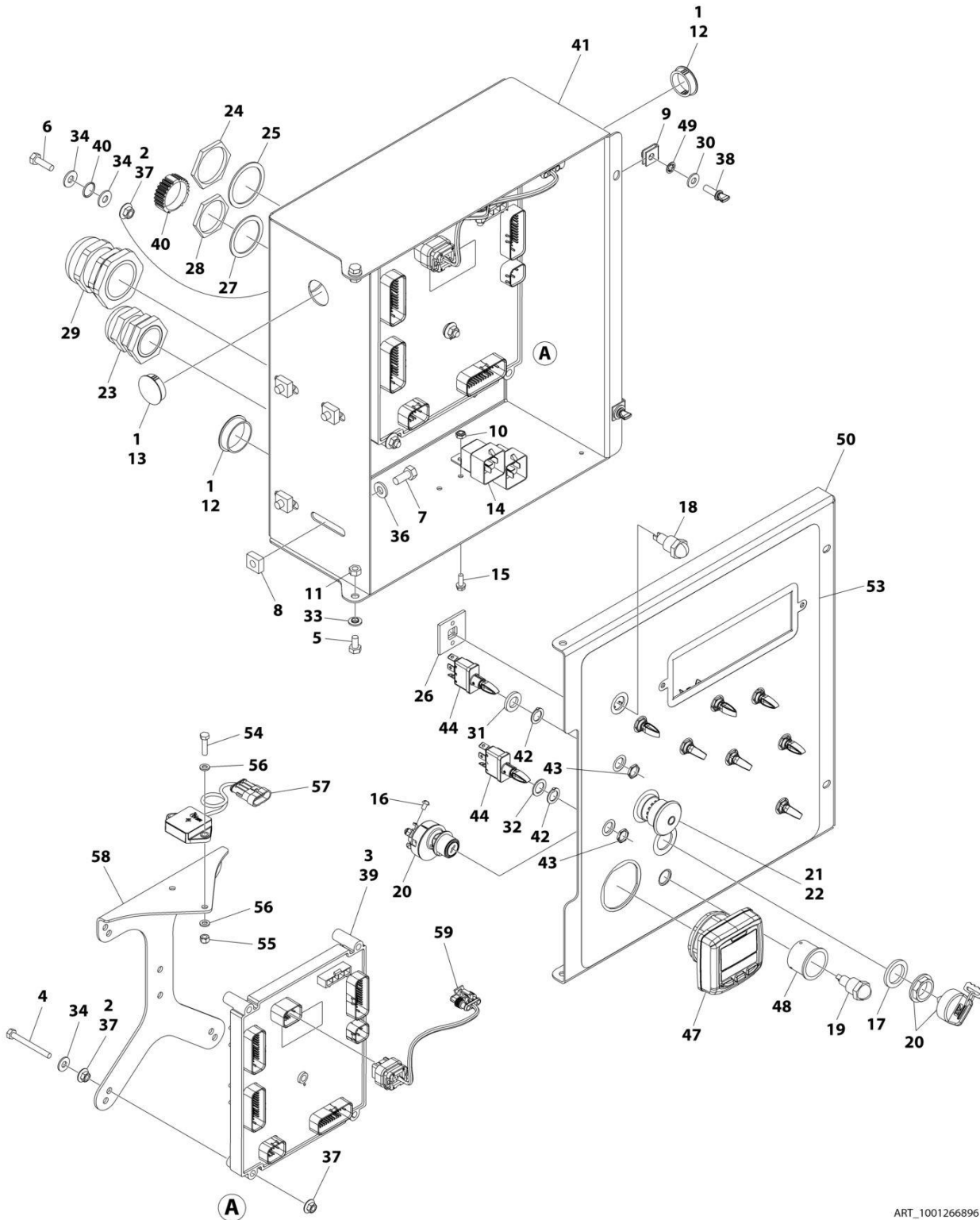
ITEM	PART NUMBER	QTY	DESCRIPTION	REV
	1001263360	Ref	GROUND CONTROL BOX ASSEMBLY	E
2	0100011	AR	Compound, Locking	
3	0100048	AR	Grease, Dielectric	
4	0630548	5	Bolt 2-1/2	
5	0641404	2	Bolt 1/4 x 1/2	
6	0641407	1	Bolt 1/4 x 7/8	
7	0641506	4	Bolt 5/16 x 3/4	
8	3300205	4	Nut, Retainer	
9	3300353	2	Nut, Tinnerman	
10	3300408	2	Nut, Nylon Insert	
11	3311405	2	Nut 1/4	
12	3520031	2	Plug	
14	3740049	2	Relay	
15	3900268	2	Screw #10x1/2	
16	3910804	6	Screw #8 x 1/4	
17	4070991	1	Shim	
18	4360469	1	Switch, Key	
18	2860030	1 Set	Key Replacement	
19	4360475	1	Switch, Emergency Stop	
19	7020175	1	Cap, Mushroom	
19	7020176	1	Block, Contact	
20	4360476	1	Switch, Contact Block	
21	4460426	1	Connector, Strain Relief	
22	4460470	1	Nut, Terminal	
23	4460471	1	Lockwasher, Terminal	
24	4460488	6	Mounting Base, Terminal	
25	4460496	2	Washer, Terminal	
26	4460497	2	Nut, Terminal	
27	4460526	1	Connector, Strain Relief	
28	4711400	2	Washer 1/4	
29	4740397	9	Spacer	
30	4740518	2	Washer	
31	4751400	7	Washer 1/4	
33	4891500	4	Washer 5/16	
34	77143013	11	Nut 1/4	
35	1001103308	2	Thumbscrew 1/4 x 3/4	
36	1001280600	1	Module, Ground Control (Note: Recalibration Required When Replaced)	
37	1001106736	1	Cap, Dust	
38	1001137364	1	Light, Indicator	
39	1001287467	1	Box	
40	1001155043	9	Washer	
41	1001155044	9	Nut 15/32	
42	1001155045	9	Switch, Toggle	
43	1001285369	1	Engine Harness (Not Shown - See Separate Breakdown in ELECTRICAL Section)	
44	1001285016	1	Control Valve Harness (Not Shown - See Separate Breakdown in ELECTRICAL Section)	

SECTION 2 - TURNTABLE

ITEM	PART NUMBER	QTY	DESCRIPTION	REV
45	10836804	1	Hour Meter	
46	1001188874	2	Nut	
47	1001280403	1	Lid	
48	1001263356	1	Decal - Ground Control Box	
49	1001285346	1	Ground Control Box Harness (Not Shown - See Separate Breakdown in ELECTRICAL Section)	
51	0760612	2	Bolt M6 x 25	
52	3290605	2	Nut M6	
53	4811700	4	Washer M6	
54	1001219601	1	Sensor, Tilt Dual Axis CAN	
55	1001271794	1	Bracket, Tilt Sensor	
56	1001276143	1	Harness, Tilt Sensor	

SECTION 2 - TURNTABLE

FIGURE 2-48. GROUND CONTROL BOX ASSEMBLY - WITH DEUTZ TD2.9L4 (STAGE V) ENGINES (CE & UK CA SPECS) (Prior to SN 0300298303)



ART_1001266896

SECTION 2 - TURNTABLE

**FIGURE 2-48. GROUND CONTROL BOX ASSEMBLY - WITH DEUTZ TD2.9L4 (STAGE V) ENGINES
(CE & UK CA SPECS) (Prior to SN 0300298303)**

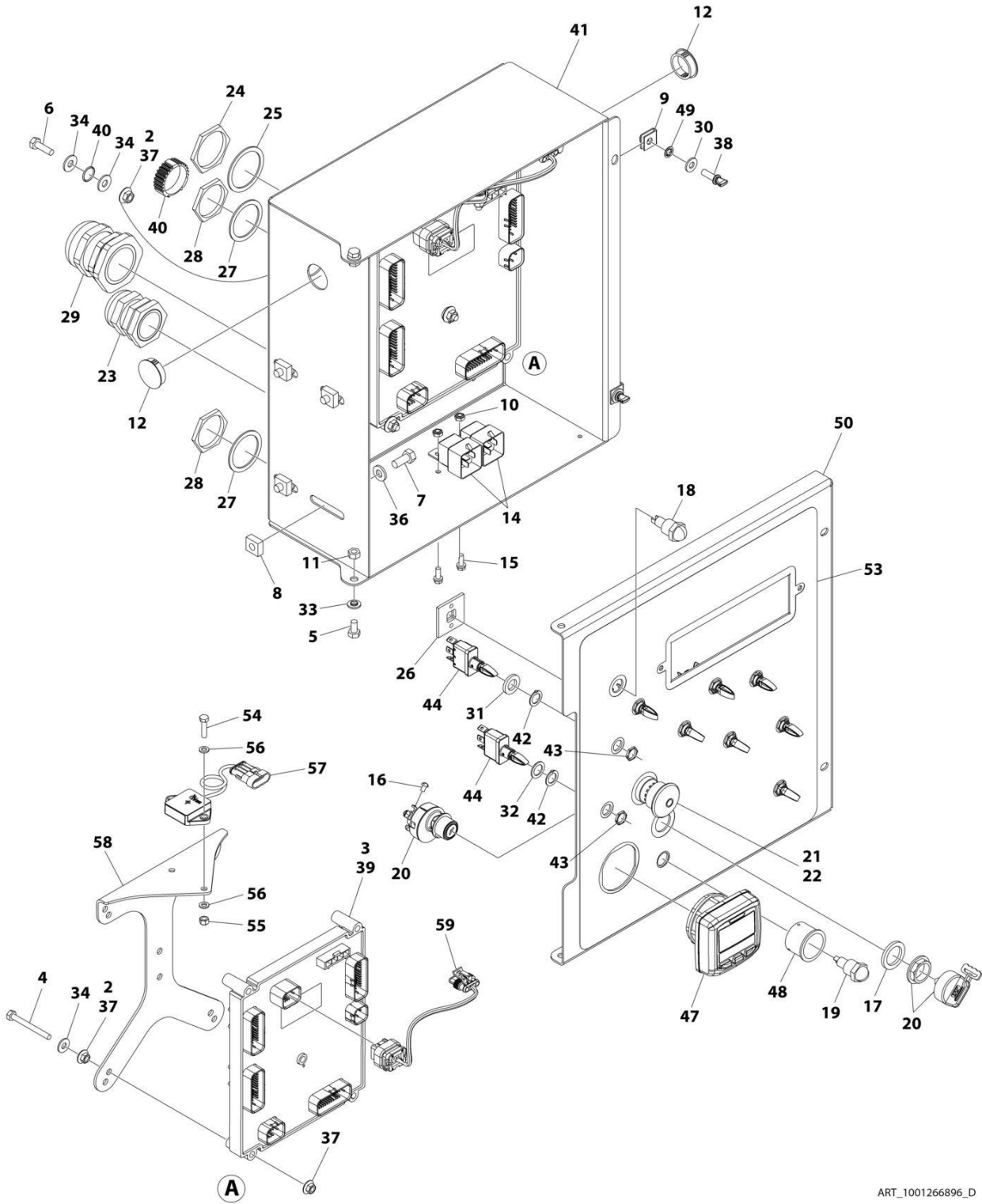
ITEM	PART NUMBER	QTY	DESCRIPTION	REV
	1001266896	Ref	GROUND CONTROL BOX ASSEMBLY	B
1	0100009	AR	Sealant	
2	0100011	AR	Compound, Locking	
3	0100048	AR	Grease, Dielectric	
4	0630548	5	Bolt 2-1/2	
5	0641404	2	Bolt 1/4 x 1/2	
6	0641407	1	Bolt 1/4 x 7/8	
7	0641506	4	Bolt 5/16 x 3/4	
8	3300205	4	Nut, Retainer	
9	3300353	2	Nut, Tinnerman	
10	3300408	2	Nut, Nylon Insert	
11	3311405	2	Nut 1/4	
12	3520031	2	Plug	
13	3520035	1	Plug	
14	3740049	2	Relay	
15	3900268	2	Screw #10x1/2	
16	3910804	6	Screw #8 x 1/4	
17	4070991	1	Shim	
18	4360274	1	Switch, Push Button	
19	4360387	1	Switch, Push Button	
20	4360469	1	Switch, Key	
20	2860030	1 Set	Key Replacement	
21	4360475	1	Switch, Emergency Stop	
21	7020175	1	Cap, Mushroom	
21	7020176	1	Block, Contact	
22	4360476	1	Switch, Contact Block	
23	4460426	1	Connector, Strain Relief	
24	4460470	1	Nut, Terminal	
25	4460471	1	Lockwasher, Terminal	
26	4460488	6	Mounting Base, Terminal	
27	4460496	1	Washer, Terminal	
28	4460497	1	Nut, Terminal	
29	4460526	1	Connector, Strain Relief	
30	4711400	2	Washer 1/4	
31	4740397	8	Spacer	
32	4740444	1	Washer	
33	4740518	2	Washer	
34	4751400	7	Washer 1/4	
36	4891500	4	Washer 5/16	
37	77143013	11	Nut 1/4	
38	1001103308	2	Thumbscrew 1/4 x 3/4	
39	1001103667	1	Module, Ground Control (Note: Recalibration Required When Replaced)	
40	1001106736	1	Cap, Dust	
41	1001152175	1	Box	
42	1001155043	9	Washer	
43	1001155044	9	Nut 15/32	
44	1001155045	9	Switch, Toggle	

SECTION 2 - TURNTABLE

ITEM	PART NUMBER	QTY	DESCRIPTION	REV
45	1001165776	1	Engine Harness (Not Shown - See Separate Breakdown in ELECTRICAL Section)	
46	1001170808	1	Control Valve Harness (Not Shown - See Separate Breakdown in ELECTRICAL Section)	
47	1001171482	1	Gauge, Display	
48	1001176469	1	Shroud	
49	1001188874	2	Nut	
50	1001263353	1	Lid	
51	1001266628	1	Ground Control Box Harness (Not Shown - See Separate Breakdown in ELECTRICAL Section)	
53	1001266878	1	Decal - Ground Control Box	
54	0760612	2	Bolt M6 x 25	
55	3290605	2	Nut M6	
56	4811700	4	Washer M6	
57	1001219601	1	Sensor, Tilt Dual Axis CAN	
58	1001271794	1	Bracket, Tilt Sensor	
59	1001276143	1	Harness, Tilt Sensor	

SECTION 2 - TURNTABLE

FIGURE 2-49. GROUND CONTROL BOX ASSEMBLY - WITH DEUTZ TD2.9L4 (STAGE V) ENGINES
(CE & UK CA SPECS) (SN 0300298303 to Present)



ART_1001266896_D

SECTION 2 - TURNTABLE

**FIGURE 2-49. GROUND CONTROL BOX ASSEMBLY - WITH DEUTZ TD2.9L4 (STAGE V) ENGINES
(CE & UK CA SPECS) (SN 0300298303 to Present)**

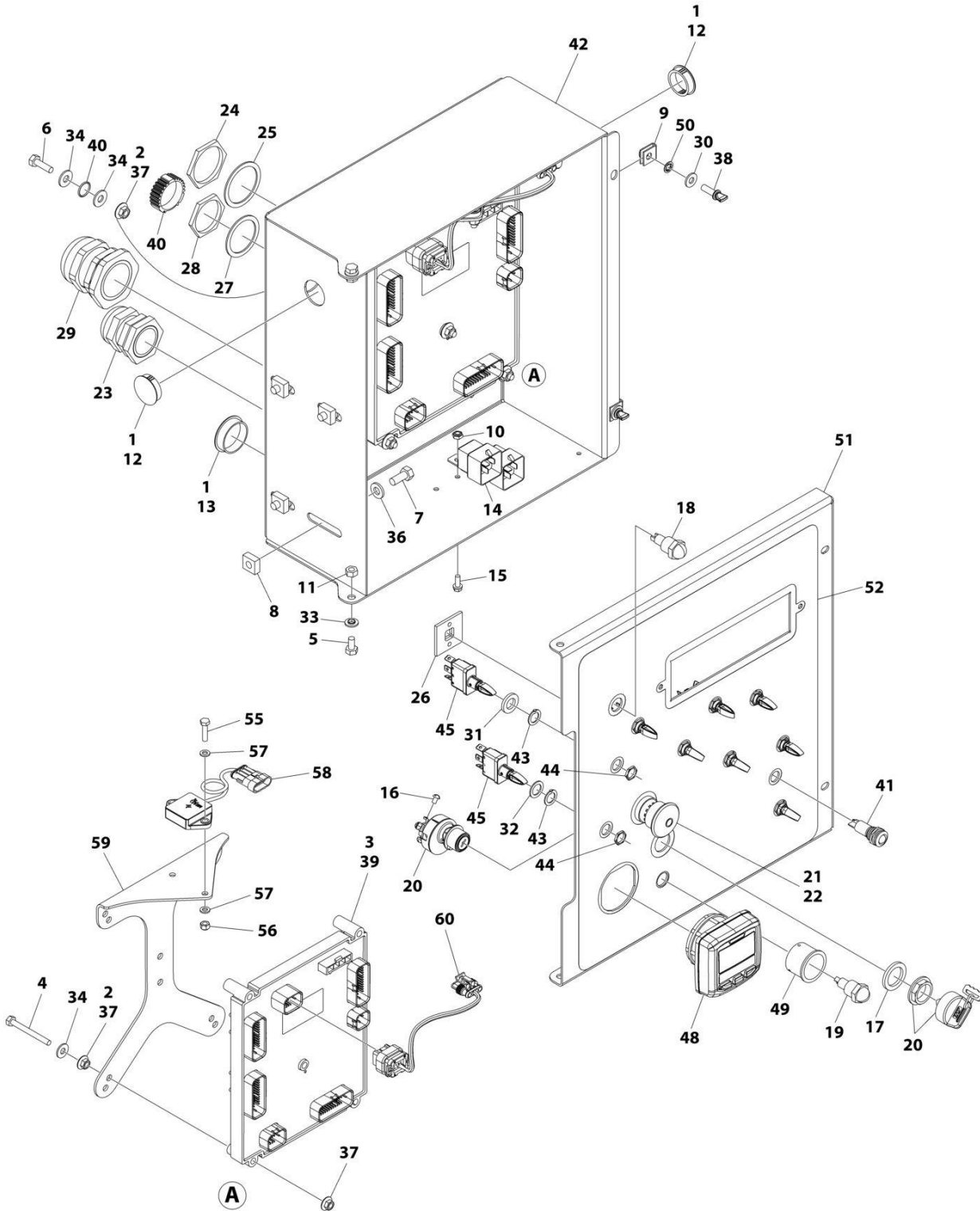
ITEM	PART NUMBER	QTY	DESCRIPTION	REV
	1001266896	Ref	GROUND CONTROL BOX ASSEMBLY	D
2	0100011	AR	Compound, Locking	
3	0100048	AR	Grease, Dielectric	
4	0630548	5	Bolt 2-1/2	
5	0641404	2	Bolt 1/4 x 1/2	
6	0641407	1	Bolt 1/4 x 7/8	
7	0641506	4	Bolt 5/16 x 3/4	
8	3300205	4	Nut, Retainer	
9	3300353	2	Nut, Tinnerman	
10	3300408	2	Nut, Nylon Insert	
11	3311405	2	Nut 1/4	
12	3520031	2	Plug	
14	3740049	2	Relay	
15	3900268	2	Screw #10x1/2	
16	3910804	6	Screw #8 x 1/4	
17	4070991	1	Shim	
18	4360274	1	Switch, Push Button	
19	4360387	1	Switch, Push Button	
20	4360469	1	Switch, Key	
20	2860030	1 Set	Key Replacement	
21	4360475	1	Switch, Emergency Stop	
21	7020175	1	Cap, Mushroom	
21	7020176	1	Block, Contact	
22	4360476	1	Switch, Contact Block	
23	4460426	1	Connector, Strain Relief	
24	4460470	1	Nut, Terminal	
25	4460471	1	Lockwasher, Terminal	
26	4460488	6	Mounting Base, Terminal	
27	4460496	2	Washer, Terminal	
28	4460497	2	Nut, Terminal	
29	4460526	1	Connector, Strain Relief	
30	4711400	2	Washer 1/4	
31	4740397	8	Spacer	
32	4740444	1	Washer	
33	4740518	2	Washer	
34	4751400	7	Washer 1/4	
36	4891500	4	Washer 5/16	
37	77143013	11	Nut 1/4	
38	1001103308	2	Thumbscrew 1/4 x 3/4	
39	1001280600	1	Module, Ground Control (Note: Recalibration Required When Replaced)	
40	1001106736	1	Cap, Dust	
41	1001287467	1	Box	
42	1001155043	9	Washer	
43	1001155044	9	Nut 15/32	
44	1001155045	9	Switch, Toggle	
45	1001285369	1	Engine Harness (Not Shown - See Separate Breakdown in ELECTRICAL Section)	

SECTION 2 - TURNTABLE

ITEM	PART NUMBER	QTY	DESCRIPTION	REV
46	1001285016	1	Control Valve Harness (Not Shown - See Separate Breakdown in ELECTRICAL Section)	
47	1001171482	1	Gauge, Display	
48	1001176469	1	Shroud	
49	1001188874	2	Nut	
50	1001263353	1	Lid	
51	1001285346	1	Ground Control Box Harness (Not Shown - See Separate Breakdown in ELECTRICAL Section)	
53	1001266878	1	Decal - Ground Control Box	
54	0760612	2	Bolt M6 x 25	
55	3290605	2	Nut M6	
56	4811700	4	Washer M6	
57	1001219601	1	Sensor, Tilt Dual Axis CAN	
58	1001271794	1	Bracket, Tilt Sensor	
59	1001276143	1	Harness, Tilt Sensor	

SECTION 2 - TURNTABLE

FIGURE 2-50. GROUND CONTROL BOX ASSEMBLY - WITH DEUTZ TD2.9L4 (STAGE V) ENGINES AND WITH TOWER STOW (CE & UK CA SPECS) (Prior to SN 0300298303)



ART_1001263364

SECTION 2 - TURNTABLE

**FIGURE 2-50. GROUND CONTROL BOX ASSEMBLY - WITH DEUTZ TD2.9L4 (STAGE V) ENGINES
AND WITH TOWER STOW (CE & UK CA SPECS) (Prior to SN 0300298303)**

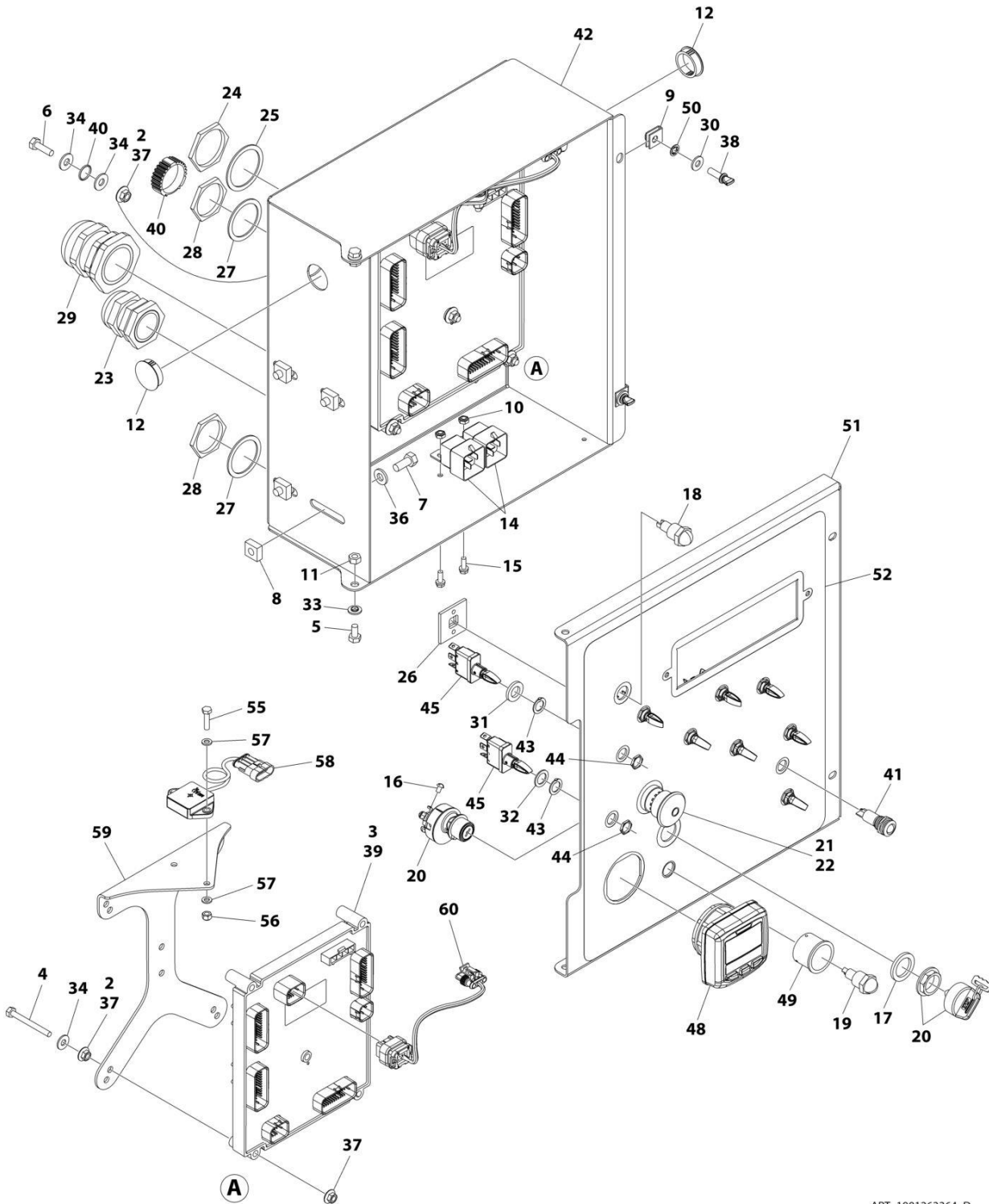
ITEM	PART NUMBER	QTY	DESCRIPTION	REV
	1001263364	Ref	GROUND CONTROL BOX ASSEMBLY	B
1	0100009	AR	Sealant	
2	0100011	AR	Compound, Locking	
3	0100048	AR	Grease, Dielectric	
4	0630548	5	Bolt 2-1/2	
5	0641404	2	Bolt 1/4 x 1/2	
6	0641407	1	Bolt 1/4 x 7/8	
7	0641506	4	Bolt 5/16 x 3/4	
8	3300205	4	Nut, Retainer	
9	3300353	2	Nut, Tinnerman	
10	3300408	2	Nut, Nylon Insert	
11	3311405	2	Nut 1/4	
12	3520031	2	Plug	
13	3520035	1	Plug	
14	3740049	2	Relay	
15	3900268	2	Screw #10x1/2	
16	3910804	6	Screw #8 x 1/4	
17	4070991	1	Shim	
18	4360274	1	Switch, Push Button	
19	4360387	1	Switch, Push Button	
20	4360469	1	Switch, Key	
20	2860030	1 Set	Key Replacement	
21	4360475	1	Switch, Emergency Stop	
21	7020175	1	Cap, Mushroom	
21	7020176	1	Block, Contact	
22	4360476	1	Switch, Contact Block	
23	4460426	1	Connector, Strain Relief	
24	4460470	1	Nut, Terminal	
25	4460471	1	Lockwasher, Terminal	
26	4460488	6	Mounting Base, Terminal	
27	4460496	1	Washer, Terminal	
28	4460497	1	Nut, Terminal	
29	4460526	1	Connector, Strain Relief	
30	4711400	2	Washer 1/4	
31	4740397	8	Spacer	
32	4740444	1	Washer	
33	4740518	2	Washer	
34	4751400	7	Washer 1/4	
36	4891500	4	Washer 5/16	
37	77143013	11	Nut 1/4	
38	1001103308	2	Thumbscrew 1/4 x 3/4	
39	1001103667	1	Module, Ground Control (Note: Recalibration Required When Replaced)	
40	1001106736	1	Cap, Dust	
41	1001137364	1	Light, Indicator	
42	1001152175	1	Box	
43	1001155043	9	Washer	
44	1001155044	9	Nut 15/32	
45	1001155045	9	Switch, Toggle	

SECTION 2 - TURNTABLE

ITEM	PART NUMBER	QTY	DESCRIPTION	REV
46	1001165776	1	Engine Harness (Not Shown - See Separate Breakdown in ELECTRICAL Section)	
47	1001170808	1	Control Valve Harness (Not Shown - See Separate Breakdown in ELECTRICAL Section)	
48	1001171482	1	Gauge, Display	
49	1001176469	1	Shroud	
50	1001188874	2	Nut	
51	1001263353	1	Lid	
52	1001263357	1	Decal - Ground Control Box	
53	1001266628	1	Ground Control Box Harness (Not Shown - See Separate Breakdown in ELECTRICAL Section)	
55	0760612	2	Bolt M6 x 25	
56	3290605	2	Nut M6	
57	4811700	4	Washer M6	
58	1001219601	1	Sensor, Tilt Dual Axis CAN	
59	1001271794	1	Bracket, Tilt Sensor	
60	1001276143	1	Harness, Tilt Sensor	

SECTION 2 - TURNTABLE

FIGURE 2-51. GROUND CONTROL BOX ASSEMBLY - WITH DEUTZ TD2.9L4 (STAGE V) ENGINES AND WITH TOWER STOW (CE & UK CA SPECS) (SN 0300298303 to Present)



ART_1001263364_D

SECTION 2 - TURNTABLE

**FIGURE 2-51. GROUND CONTROL BOX ASSEMBLY - WITH DEUTZ TD2.9L4 (STAGE V) ENGINES
AND WITH TOWER STOW (CE & UK CA SPECS) (SN 0300298303 to Present)**

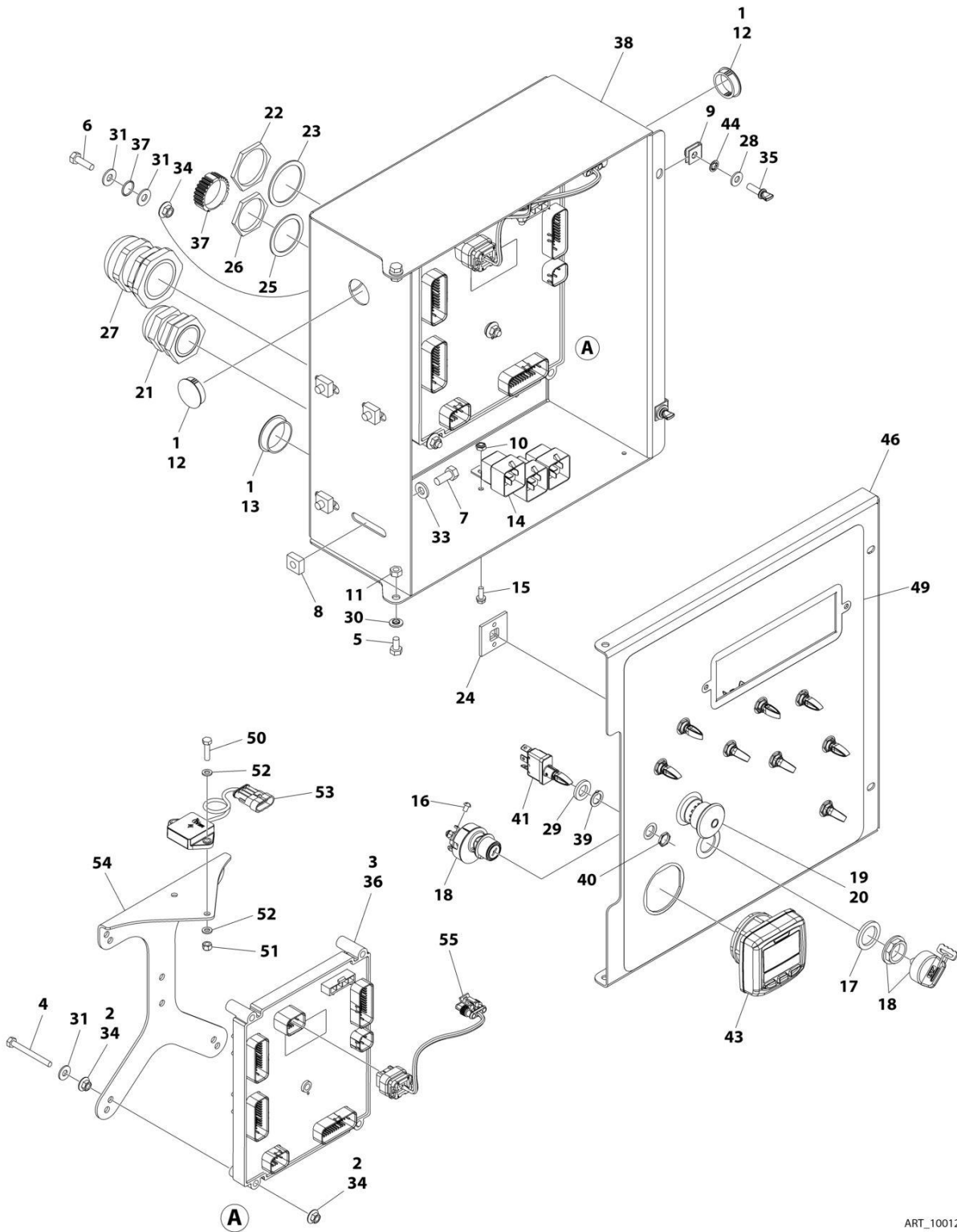
ITEM	PART NUMBER	QTY	DESCRIPTION	REV
	1001263364	Ref	GROUND CONTROL BOX ASSEMBLY	D
2	0100011	AR	Compound, Locking	
3	0100048	AR	Grease, Dielectric	
4	0630548	5	Bolt 2-1/2	
5	0641404	2	Bolt 1/4 x 1/2	
6	0641407	1	Bolt 1/4 x 7/8	
7	0641506	4	Bolt 5/16 x 3/4	
8	3300205	4	Nut, Retainer	
9	3300353	2	Nut, Tinnerman	
10	3300408	2	Nut, Nylon Insert	
11	3311405	2	Nut 1/4	
12	3520031	2	Plug	
14	3740049	2	Relay	
15	3900268	2	Screw #10x1/2	
16	3910804	6	Screw #8 x 1/4	
17	4070991	1	Shim	
18	4360274	1	Switch, Push Button	
19	4360387	1	Switch, Push Button	
20	4360469	1	Switch, Key	
20	2860030	1 Set	Key Replacement	
21	4360475	1	Switch, Emergency Stop	
21	7020175	1	Cap, Mushroom	
21	7020176	1	Block, Contact	
22	4360476	1	Switch, Contact Block	
23	4460426	1	Connector, Strain Relief	
24	4460470	1	Nut, Terminal	
25	4460471	1	Lockwasher, Terminal	
26	4460488	6	Mounting Base, Terminal	
27	4460496	2	Washer, Terminal	
28	4460497	2	Nut, Terminal	
29	4460526	1	Connector, Strain Relief	
30	4711400	2	Washer 1/4	
31	4740397	8	Spacer	
32	4740444	1	Washer	
33	4740518	2	Washer	
34	4751400	7	Washer 1/4	
36	4891500	4	Washer 5/16	
37	77143013	11	Nut 1/4	
38	1001103308	2	Thumbscrew 1/4 x 3/4	
39	1001280600	1	Module, Ground Control (Note: Recalibration Required When Replaced)	
40	1001106736	1	Cap, Dust	
41	1001137364	1	Light, Indicator	
42	1001287467	1	Box	
43	1001155043	9	Washer	
44	1001155044	9	Nut 15/32	
45	1001155045	9	Switch, Toggle	
46	1001285369	1	Engine Harness (Not Shown - See Separate Breakdown in ELECTRICAL Section)	

SECTION 2 - TURNTABLE

ITEM	PART NUMBER	QTY	DESCRIPTION	REV
47	1001285016	1	Control Valve Harness (Not Shown - See Separate Breakdown in ELECTRICAL Section)	
48	1001171482	1	Gauge, Display	
49	1001176469	1	Shroud	
50	1001188874	2	Nut	
51	1001263353	1	Lid	
52	1001263357	1	Decal - Ground Control Box	
53	1001285346	1	Ground Control Box Harness (Not Shown - See Separate Breakdown in ELECTRICAL Section)	
55	0760612	2	Bolt M6 x 25	
56	3290605	2	Nut M6	
57	4811700	4	Washer M6	
58	1001219601	1	Sensor, Tilt Dual Axis CAN	
59	1001271794	1	Bracket, Tilt Sensor	
60	1001276143	1	Harness, Tilt Sensor	

SECTION 2 - TURNTABLE

FIGURE 2-52. GROUND CONTROL BOX ASSEMBLY - WITH FORD ENGINES - WITH DIGITAL DISPLAY



ART_1001266895

SECTION 2 - TURNTABLE

FIGURE 2-52. GROUND CONTROL BOX ASSEMBLY - WITH FORD ENGINES - WITH DIGITAL DISPLAY

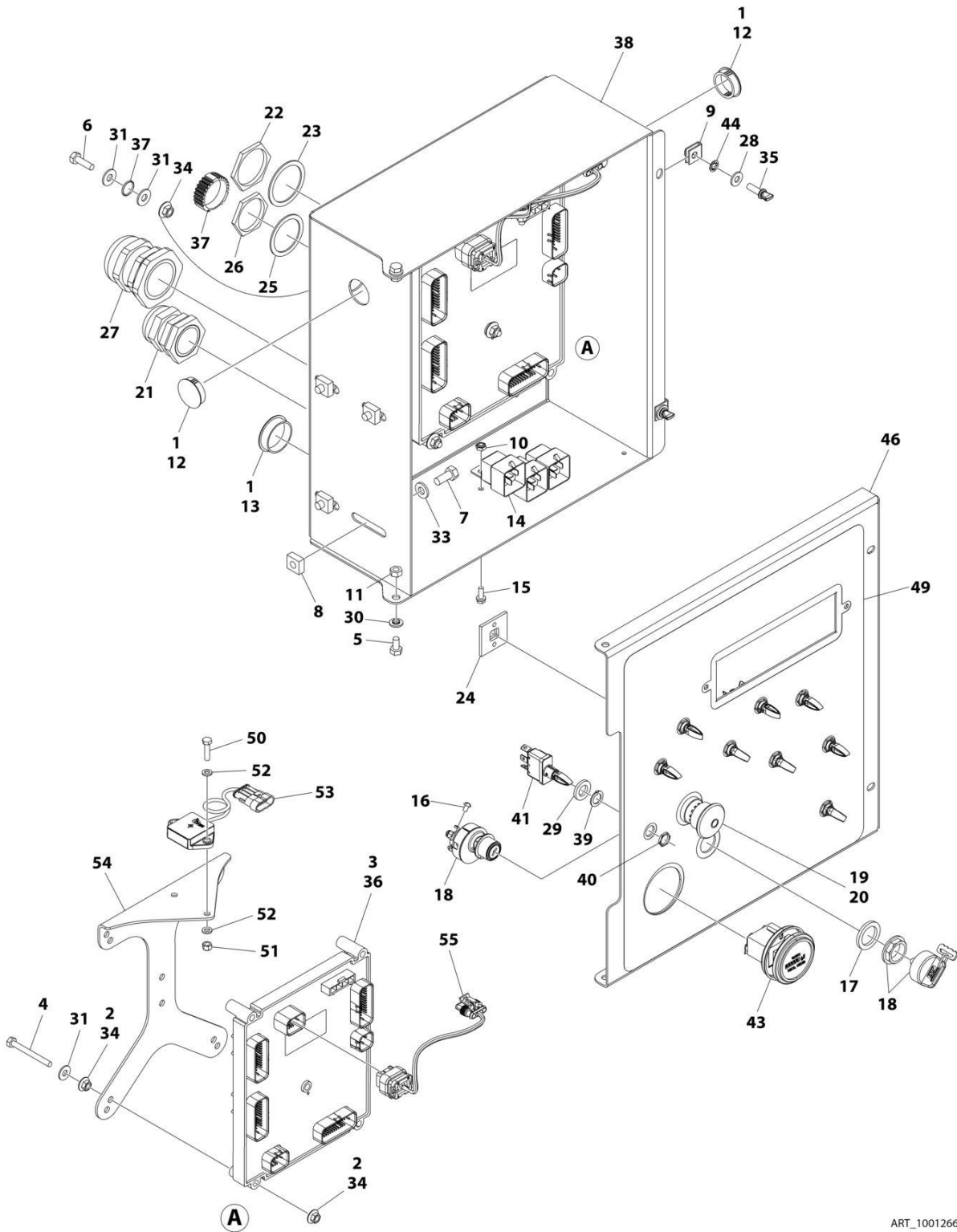
ITEM	PART NUMBER	QTY	DESCRIPTION	REV
	1001266895	Ref	GROUND CONTROL BOX ASSEMBLY	B
1	0100009	AR	Sealant	
2	0100011	AR	Compound, Locking	
3	0100048	AR	Grease, Dielectric	
4	0630548	5	Bolt 2-1/2	
5	0641404	2	Bolt 1/4 x 1/2	
6	0641407	1	Bolt 1/4 x 7/8	
7	0641506	4	Bolt 5/16 x 3/4	
8	3300205	4	Nut, Retainer	
9	3300353	2	Nut, Tinnerman	
10	3300408	3	Nut, Nylon Insert	
11	3311405	2	Nut 1/4	
12	3520031	2	Plug	
13	3520035	1	Plug	
14	3740049	3	Relay	
15	3900268	3	Screw #10x1/2	
16	3910804	6	Screw #8 x 1/4	
17	4070991	1	Shim	
18	4360469	1	Switch, Key	
18	2860030	1 Set	Key Replacement	
19	4360475	1	Switch, Emergency Stop	
19	7020175	1	Cap, Mushroom	
19	7020176	1	Block, Contact	
20	4360476	1	Switch, Contact Block	
21	4460426	1	Connector, Strain Relief	
22	4460470	1	Nut, Terminal	
23	4460471	1	Lockwasher, Terminal	
24	4460488	6	Mounting Base, Terminal	
25	4460496	1	Washer, Terminal	
26	4460497	1	Nut, Terminal	
27	4460526	1	Connector, Strain Relief	
28	4711400	2	Washer 1/4	
29	4740397	9	Spacer	
30	4740518	2	Washer	
31	4751400	7	Washer 1/4	
33	4891500	4	Washer 5/16	
34	77143013	11	Nut 1/4	
35	1001103308	2	Thumbscrew 1/4 x 3/4	
36	1001103667	1	Module, Ground Control (Please Verify Part Number on Module Decal Before Purchasing) (Note: Recalibration Required When Replaced)	
36	1001280600	1	Module, Ground Control (Please Verify Part Number on Module Decal Before Purchasing) (Note: Recalibration Required When Replaced)	
37	1001106736	1	Cap, Dust	
38	1001152175	1	Box	
39	1001155043	9	Washer	
40	1001155044	9	Nut 15/32	
41	1001155045	9	Switch, Toggle	

SECTION 2 - TURNTABLE

ITEM	PART NUMBER	QTY	DESCRIPTION	REV
42	1001170808	1	Control Valve Harness (Not Shown - See Separate Breakdown in ELECTRICAL Section)	
43	1001171482	1	Gauge, Display	
44	1001188874	2	Nut	
45	1001216230	1	Engine Harness (Not Shown - See Separate Breakdown in ELECTRICAL Section)	
46	1001263352	1	Lid	
47	1001266628	1	Ground Control Box Harness (Not Shown - See Separate Breakdown in ELECTRICAL Section)	
49	1001266876	1	Decal - Ground Control Box	
50	0760612	2	Bolt M6 x 25	
51	3290605	2	Nut M6	
52	4811700	4	Washer M6	
53	1001219601	1	Sensor, Tilt Dual Axis CAN	
54	1001271794	1	Bracket, Tilt Sensor	
55	1001276143	1	Harness, Tilt Sensor	

SECTION 2 - TURNTABLE

FIGURE 2-53. GROUND CONTROL BOX ASSEMBLY - WITH FORD ENGINES - WITH MECHANICAL HOUR METER (Prior to SN 0300298303)



ART_1001266895_C

SECTION 2 - TURNTABLE

FIGURE 2-53. GROUND CONTROL BOX ASSEMBLY - WITH FORD ENGINES - WITH MECHANICAL HOUR METER (Prior to SN 0300298303)

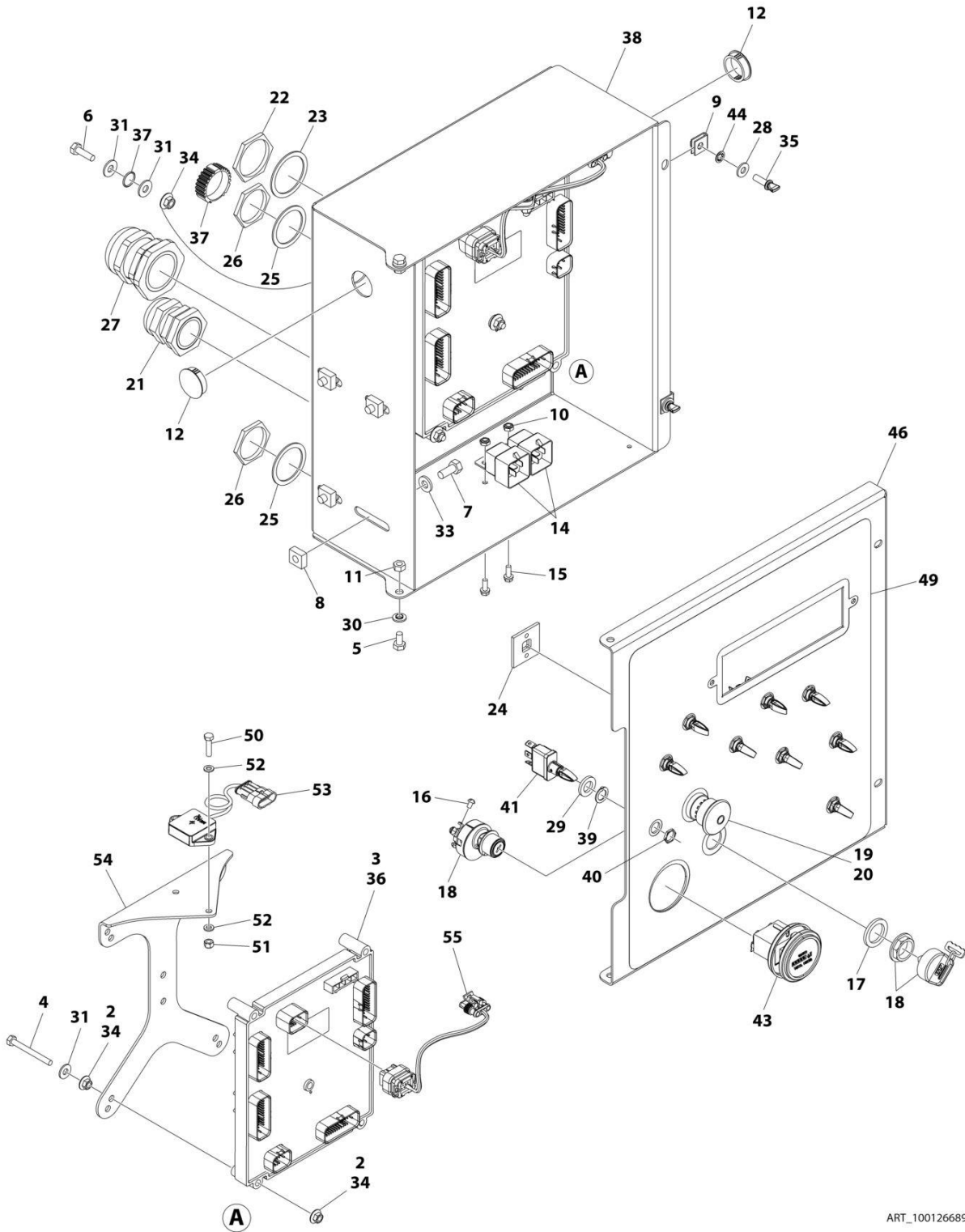
ITEM	PART NUMBER	QTY	DESCRIPTION	REV
	1001266895	Ref	GROUND CONTROL BOX ASSEMBLY	C
1	0100009	AR	Sealant	
2	0100011	AR	Compound, Locking	
3	0100048	AR	Grease, Dielectric	
4	0630548	5	Bolt 2-1/2	
5	0641404	2	Bolt 1/4 x 1/2	
6	0641407	1	Bolt 1/4 x 7/8	
7	0641506	4	Bolt 5/16 x 3/4	
8	3300205	4	Nut, Retainer	
9	3300353	2	Nut, Tinnerman	
10	3300408	3	Nut, Nylon Insert	
11	3311405	2	Nut 1/4	
12	3520031	2	Plug	
13	3520035	1	Plug	
14	3740049	3	Relay	
15	3900268	3	Screw #10 x 1/2	
16	3910804	6	Screw #8 x 1/4	
17	4070991	1	Shim	
18	4360469	1	Switch, Key	
18	2860030	1 Set	Key Replacement	
19	4360475	1	Switch, Emergency Stop	
19	7020175	1	Cap, Mushroom	
19	7020176	1	Block, Contact	
20	4360476	1	Switch, Contact Block	
21	4460426	1	Connector, Strain Relief	
22	4460470	1	Nut, Terminal	
23	4460471	1	Lockwasher, Terminal	
24	4460488	6	Mounting Base, Terminal	
25	4460496	1	Washer, Terminal	
26	4460497	1	Nut, Terminal	
27	4460526	1	Connector, Strain Relief	
28	4711400	2	Washer 1/4	
29	4740397	9	Spacer	
30	4740518	2	Washer	
31	4751400	7	Washer 1/4	
33	4891500	4	Washer 5/16	
34	77143013	11	Nut 1/4	
35	1001103308	2	Thumbscrew 1/4 x 3/4	
36	1001280600	1	Module, Ground Control (Note: Recalibration Required When Replaced)	
37	1001106736	1	Cap, Dust	
38	1001152175	1	Box	
39	1001155043	9	Washer	
40	1001155044	9	Nut 15/32	
41	1001155045	9	Switch, Toggle	
42	1001170808	1	Control Valve Harness (Not Shown - See Separate Breakdown in ELECTRICAL Section)	
43	10836804	1	Hour Meter	
44	1001188874	2	Nut	

SECTION 2 - TURNTABLE

ITEM	PART NUMBER	QTY	DESCRIPTION	REV
45	1001216230	1	Engine Harness (Not Shown - See Separate Breakdown in ELECTRICAL Section)	
46	1001280403	1	Lid	
47	1001266628	1	Ground Control Box Harness (Not Shown - See Separate Breakdown in ELECTRICAL Section)	
49	1001266876	1	Decal - Ground Control Box	
50	0760612	2	Bolt M6 x 25	
51	3290605	2	Nut M6	
52	4811700	4	Washer M6	
53	1001219601	1	Sensor, Tilt Dual Axis CAN	
54	1001271794	1	Bracket, Tilt Sensor	
55	1001276143	1	Harness, Tilt Sensor	

SECTION 2 - TURNTABLE

FIGURE 2-54. GROUND CONTROL BOX ASSEMBLY - WITH FORD ENGINES - WITH MECHANICAL HOUR METER (SN 0300298303 to Present)



ART_1001266895_E

SECTION 2 - TURNTABLE

FIGURE 2-54. GROUND CONTROL BOX ASSEMBLY - WITH FORD ENGINES - WITH MECHANICAL HOUR METER (SN 0300298303 to Present)

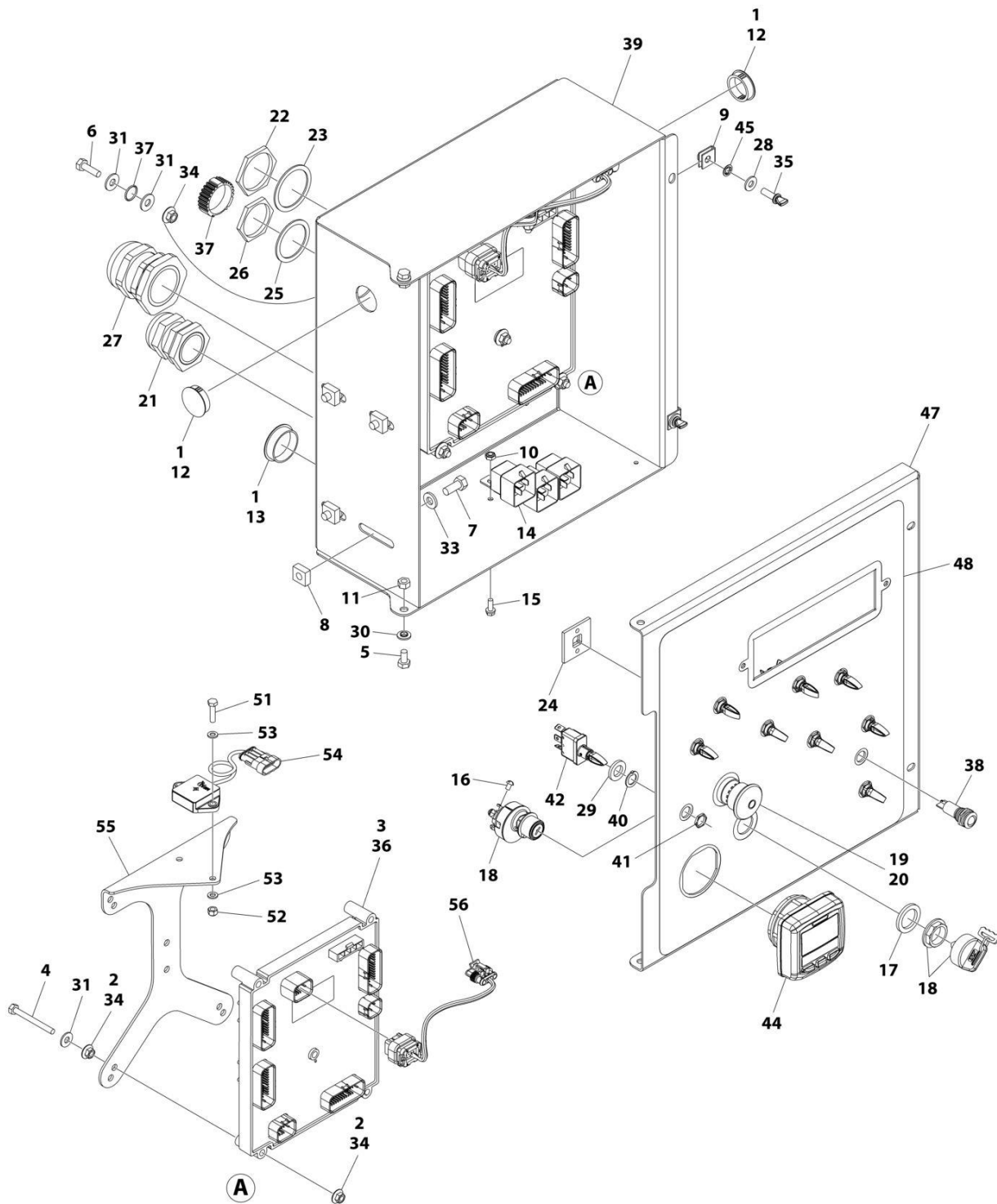
ITEM	PART NUMBER	QTY	DESCRIPTION	REV
	1001266895	Ref	GROUND CONTROL BOX ASSEMBLY	E
2	0100011	AR	Compound, Locking	
3	0100048	AR	Grease, Dielectric	
4	0630548	5	Bolt 2-1/2	
5	0641404	2	Bolt 1/4 x 1/2	
6	0641407	1	Bolt 1/4 x 7/8	
7	0641506	4	Bolt 5/16 x 3/4	
8	3300205	4	Nut, Retainer	
9	3300353	2	Nut, Tinnerman	
10	3300408	2	Nut, Nylon Insert	
11	3311405	2	Nut 1/4	
12	3520031	2	Plug	
14	3740049	2	Relay	
15	3900268	2	Screw #10 x 1/2	
16	3910804	6	Screw #8 x 1/4	
17	4070991	1	Shim	
18	4360469	1	Switch, Key	
18	2860030	1 Set	Key Replacement	
19	4360475	1	Switch, Emergency Stop	
19	7020175	1	Cap, Mushroom	
19	7020176	1	Block, Contact	
20	4360476	1	Switch, Contact Block	
21	4460426	1	Connector, Strain Relief	
22	4460470	1	Nut, Terminal	
23	4460471	1	Lockwasher, Terminal	
24	4460488	6	Mounting Base, Terminal	
25	4460496	2	Washer, Terminal	
26	4460497	2	Nut, Terminal	
27	4460526	1	Connector, Strain Relief	
28	4711400	2	Washer 1/4	
29	4740397	9	Spacer	
30	4740518	2	Washer	
31	4751400	7	Washer 1/4	
33	4891500	4	Washer 5/16	
34	77143013	11	Nut 1/4	
35	1001103308	2	Thumbscrew 1/4 x 3/4	
36	1001280600	1	Module, Ground Control (Note: Recalibration Required When Replaced)	
37	1001106736	1	Cap, Dust	
38	1001287467	1	Box	
39	1001155043	9	Washer	
40	1001155044	9	Nut 15/32	
41	1001155045	9	Switch, Toggle	
42	1001285016	1	Control Valve Harness (Not Shown - See Separate Breakdown in ELECTRICAL Section)	
43	10836804	1	Hour Meter	
44	1001188874	2	Nut	
45	1001286033	1	Engine Harness (Not Shown - See Separate Breakdown in ELECTRICAL Section)	

SECTION 2 - TURNTABLE

ITEM	PART NUMBER	QTY	DESCRIPTION	REV
46	1001280403	1	Lid	
47	1001285346	1	Ground Control Box Harness (Not Shown - See Separate Breakdown in ELECTRICAL Section)	
49	1001266876	1	Decal - Ground Control Box	
50	0760612	2	Bolt M6 x 25	
51	3290605	2	Nut M6	
52	4811700	4	Washer M6	
53	1001219601	1	Sensor, Tilt Dual Axis CAN	
54	1001271794	1	Bracket, Tilt Sensor	
55	1001276143	1	Harness, Tilt Sensor	

SECTION 2 - TURNTABLE

FIGURE 2-55. GROUND CONTROL BOX ASSEMBLY - WITH FORD ENGINES AND TOWER STOW - WITH DIGITAL DISPLAY



ART_1001263363

SECTION 2 - TURNTABLE

FIGURE 2-55. GROUND CONTROL BOX ASSEMBLY - WITH FORD ENGINES AND TOWER STOW - WITH DIGITAL DISPLAY

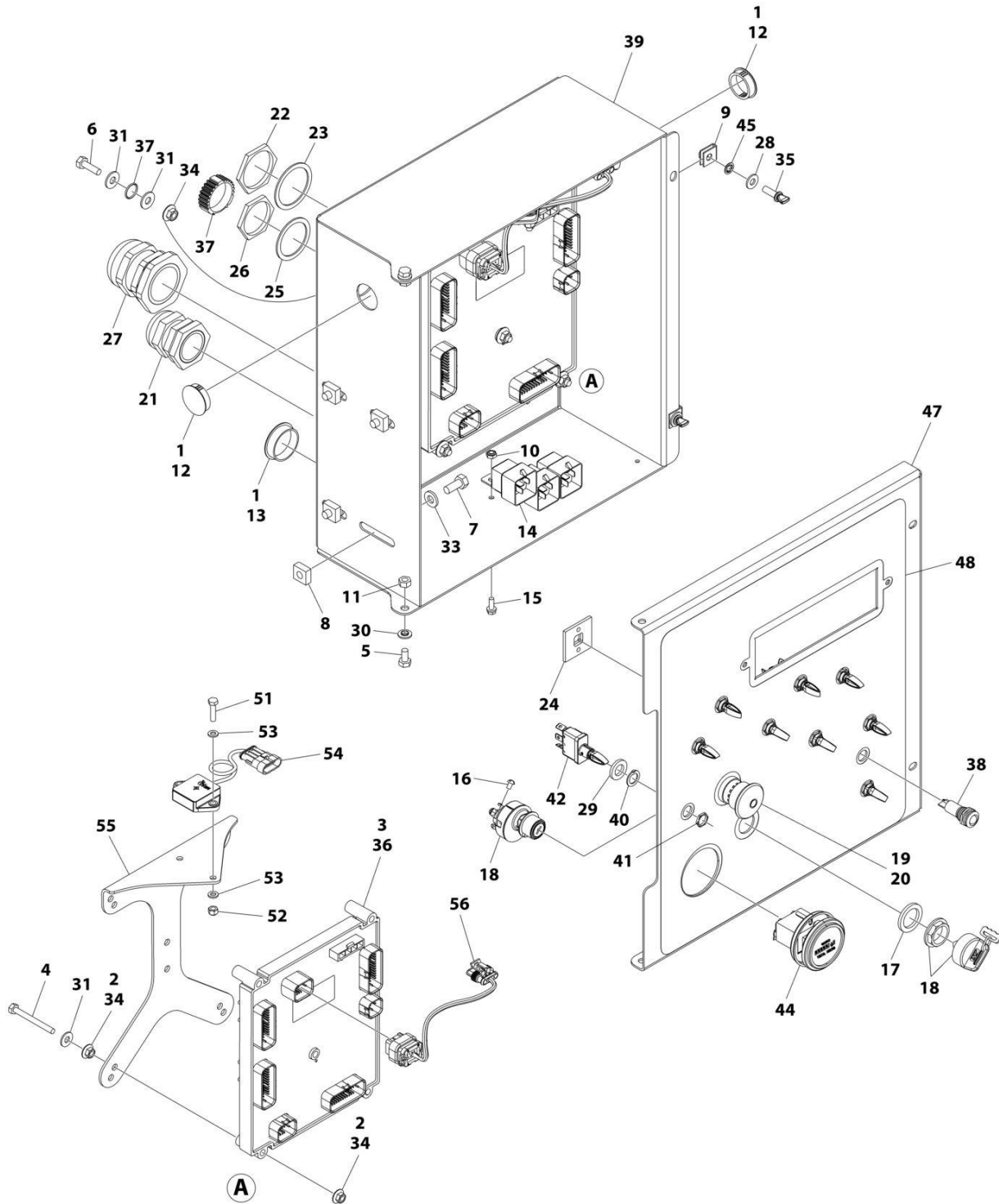
ITEM	PART NUMBER	QTY	DESCRIPTION	REV
	1001263363	Ref	GROUND CONTROL BOX ASSEMBLY	B
1	0100009	AR	Sealant	
2	0100011	AR	Compound, Locking	
3	0100048	AR	Grease, Dielectric	
4	0630548	5	Bolt 2-1/2	
5	0641404	2	Bolt 1/4 x 1/2	
6	0641407	1	Bolt 1/4 x 7/8	
7	0641506	4	Bolt 5/16 x 3/4	
8	3300205	4	Nut, Retainer	
9	3300353	2	Nut, Tinnerman	
10	3300408	3	Nut, Nylon Insert	
11	3311405	2	Nut 1/4	
12	3520031	2	Plug	
13	3520035	1	Plug	
14	3740049	3	Relay	
15	3900268	3	Screw #10x1/2	
16	3910804	6	Screw #8 x 1/4	
17	4070991	1	Shim	
18	4360469	1	Switch, Key	
18	2860030	1 Set	Key Replacement	
19	4360475	1	Switch, Emergency Stop	
19	7020175	1	Cap, Mushroom	
19	7020176	1	Block, Contact	
20	4360476	1	Switch, Contact Block	
21	4460426	1	Connector, Strain Relief	
22	4460470	1	Nut, Terminal	
23	4460471	1	Lockwasher, Terminal	
24	4460488	6	Mounting Base, Terminal	
25	4460496	1	Washer, Terminal	
26	4460497	1	Nut, Terminal	
27	4460526	1	Connector, Strain Relief	
28	4711400	2	Washer 1/4	
29	4740397	9	Spacer	
30	4740518	2	Washer	
31	4751400	7	Washer 1/4	
33	4891500	4	Washer 5/16	
34	77143013	11	Nut 1/4	
35	1001103308	2	Thumbscrew 1/4 x 3/4	
36	1001103667	1	Module, Ground Control (Please Verify Part Number on Module Decal Before Purchasing) (Note: Recalibration Required When Replaced)	
36	1001280600	1	Module, Ground Control (Please Verify Part Number on Module Decal Before Purchasing) (Note: Recalibration Required When Replaced)	
37	1001106736	1	Cap, Dust	
38	1001137364	1	Light, Indicator	
39	1001152175	1	Box	
40	1001155043	9	Washer	
41	1001155044	9	Nut 15/32	
42	1001155045	9	Switch, Toggle	

SECTION 2 - TURNTABLE

ITEM	PART NUMBER	QTY	DESCRIPTION	REV
43	1001170808	1	Control Valve Harness (Not Shown - See Separate Breakdown in ELECTRICAL Section)	
44	1001171482	1	Gauge, Display	
45	1001188874	2	Nut	
46	1001216230	1	Engine Harness (Not Shown - See Separate Breakdown in ELECTRICAL Section)	
47	1001263352	1	Lid	
48	1001263356	1	Decal - Ground Control Box	
49	1001266628	1	Ground Control Box Harness (Not Shown - See Separate Breakdown in ELECTRICAL Section)	
51	0760612	2	Bolt M6 x 25	
52	3290605	2	Nut M6	
53	4811700	4	Washer M6	
54	1001219601	1	Sensor, Tilt Dual Axis CAN	
55	1001271794	1	Bracket, Tilt Sensor	
56	1001276143	1	Harness, Tilt Sensor	

SECTION 2 - TURNTABLE

FIGURE 2-56. GROUND CONTROL BOX ASSEMBLY - WITH FORD ENGINES AND TOWER STOW - WITH MECHANICAL HOUR METER (Prior to SN 0300298303)



ART_1001263363_C

SECTION 2 - TURNTABLE

FIGURE 2-56. GROUND CONTROL BOX ASSEMBLY - WITH FORD ENGINES AND TOWER STOW - WITH MECHANICAL HOUR METER (Prior to SN 0300298303)

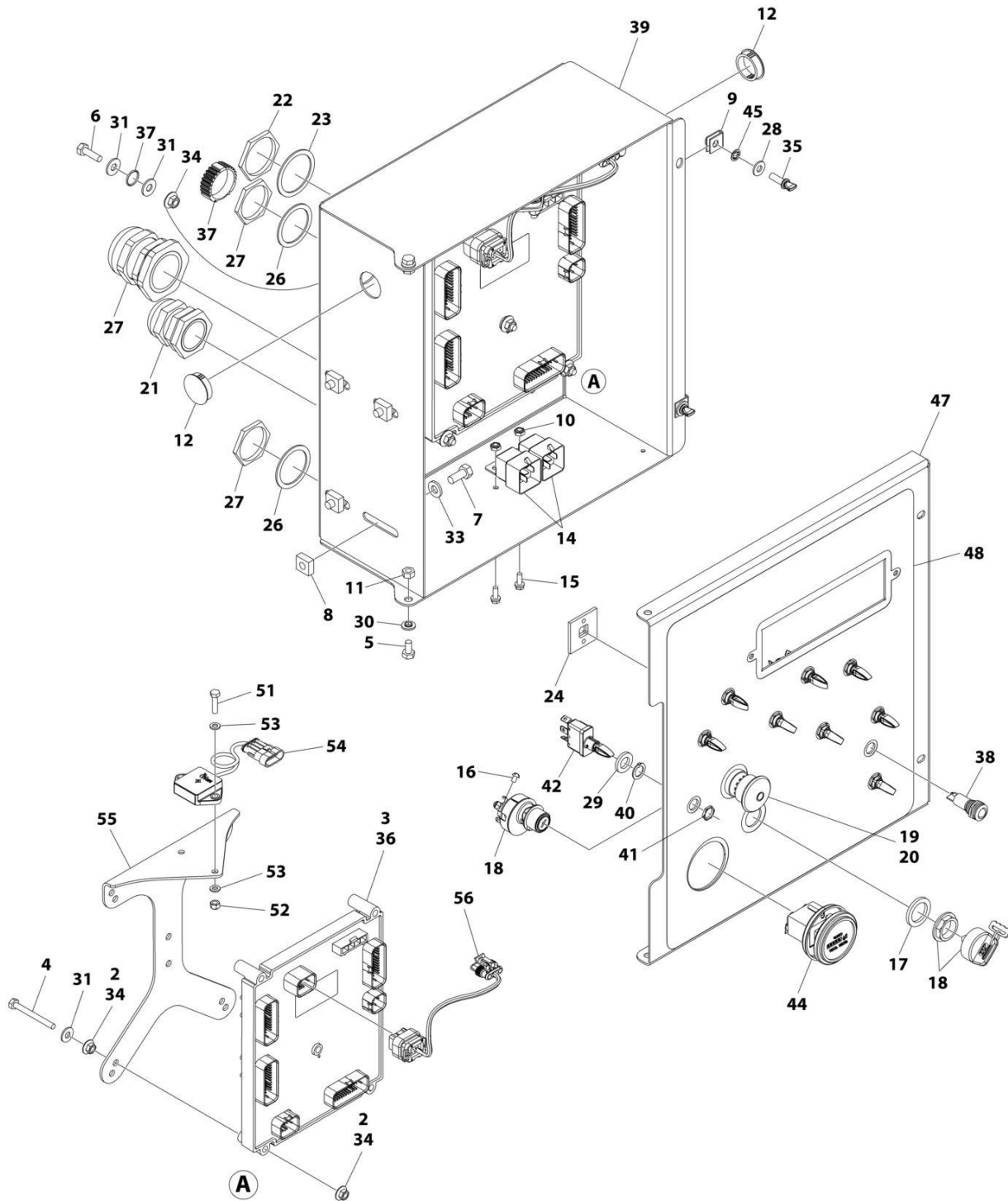
ITEM	PART NUMBER	QTY	DESCRIPTION	REV
	1001263363	Ref	GROUND CONTROL BOX ASSEMBLY	C
1	0100009	AR	Sealant	
2	0100011	AR	Compound, Locking	
3	0100048	AR	Grease, Dielectric	
4	0630548	5	Bolt 2-1/2	
5	0641404	2	Bolt 1/4 x 1/2	
6	0641407	1	Bolt 1/4 x 7/8	
7	0641506	4	Bolt 5/16 x 3/4	
8	3300205	4	Nut, Retainer	
9	3300353	2	Nut, Tinnerman	
10	3300408	3	Nut, Nylon Insert	
11	3311405	2	Nut 1/4	
12	3520031	2	Plug	
13	3520035	1	Plug	
14	3740049	3	Relay	
15	3900268	3	Screw #10x1/2	
16	3910804	6	Screw #8 x 1/4	
17	4070991	1	Shim	
18	4360469	1	Switch, Key	
18	2860030	1 Set	Key Replacement	
19	4360475	1	Switch, Emergency Stop	
19	7020175	1	Cap, Mushroom	
19	7020176	1	Block, Contact	
20	4360476	1	Switch, Contact Block	
21	4460426	1	Connector, Strain Relief	
22	4460470	1	Nut, Terminal	
23	4460471	1	Lockwasher, Terminal	
24	4460488	6	Mounting Base, Terminal	
25	4460496	1	Washer, Terminal	
26	4460497	1	Nut, Terminal	
27	4460526	1	Connector, Strain Relief	
28	4711400	2	Washer 1/4	
29	4740397	9	Spacer	
30	4740518	2	Washer	
31	4751400	7	Washer 1/4	
33	4891500	4	Washer 5/16	
34	77143013	11	Nut 1/4	
35	1001103308	2	Thumbscrew 1/4 x 3/4	
36	1001280600	1	Module, Ground Control (Note: Recalibration Required When Replaced)	
37	1001106736	1	Cap, Dust	
38	1001137364	1	Light, Indicator	
39	1001152175	1	Box	
40	1001155043	9	Washer	
41	1001155044	9	Nut 15/32	
42	1001155045	9	Switch, Toggle	
43	1001170808	1	Control Valve Harness (Not Shown - See Separate Breakdown in ELECTRICAL Section)	
44	10836804	1	Hour Meter	

SECTION 2 - TURNTABLE

ITEM	PART NUMBER	QTY	DESCRIPTION	REV
45	1001188874	2	Nut	
46	1001216230	1	Engine Harness (Not Shown - See Separate Breakdown in ELECTRICAL Section)	
47	1001280403	1	Lid	
48	1001263356	1	Decal - Ground Control Box	
49	1001266628	1	Ground Control Box Harness (Not Shown - See Separate Breakdown in ELECTRICAL Section)	
51	0760612	2	Bolt M6 x 25	
52	3290605	2	Nut M6	
53	4811700	4	Washer M6	
54	1001219601	1	Sensor, Tilt Dual Axis CAN	
55	1001271794	1	Bracket, Tilt Sensor	
56	1001276143	1	Harness, Tilt Sensor	

SECTION 2 - TURNTABLE

FIGURE 2-57. GROUND CONTROL BOX ASSEMBLY - WITH FORD ENGINES AND TOWER STOW - WITH MECHANICAL HOUR METER (SN 0300298303 to Present)



ART_1001263363_E

SECTION 2 - TURNTABLE

FIGURE 2-57. GROUND CONTROL BOX ASSEMBLY - WITH FORD ENGINES AND TOWER STOW - WITH MECHANICAL HOUR METER (SN 0300298303 to Present)

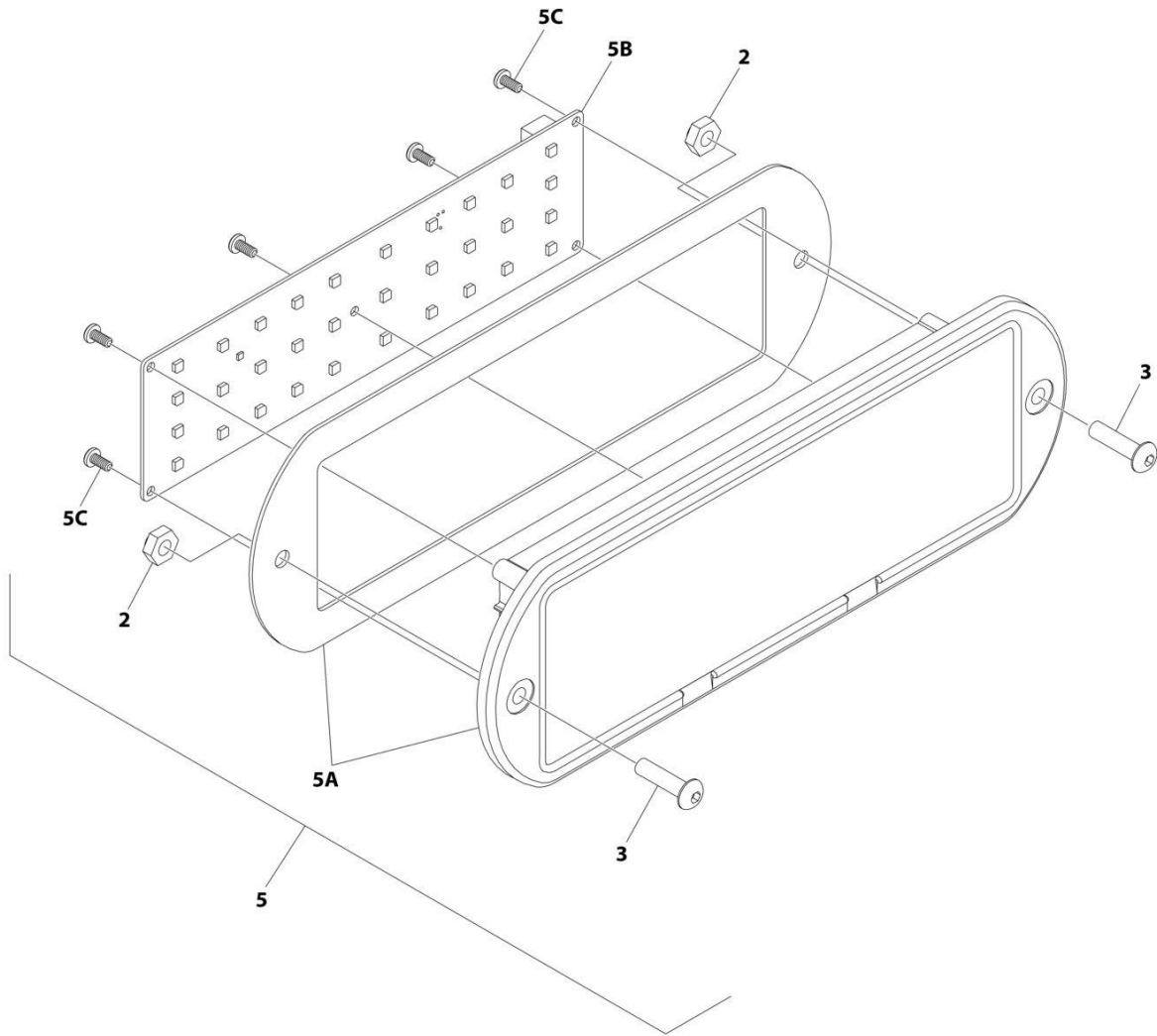
ITEM	PART NUMBER	QTY	DESCRIPTION	REV
	1001263363	Ref	GROUND CONTROL BOX ASSEMBLY	E
2	0100011	AR	Compound, Locking	
3	0100048	AR	Grease, Dielectric	
4	0630548	5	Bolt 2-1/2	
5	0641404	2	Bolt 1/4 x 1/2	
6	0641407	1	Bolt 1/4 x 7/8	
7	0641506	4	Bolt 5/16 x 3/4	
8	3300205	4	Nut, Retainer	
9	3300353	2	Nut, Tinnerman	
10	3300408	2	Nut, Nylon Insert	
11	3311405	2	Nut 1/4	
12	3520031	2	Plug	
14	3740049	2	Relay	
15	3900268	2	Screw #10x1/2	
16	3910804	6	Screw #8 x 1/4	
17	4070991	1	Shim	
18	4360469	1	Switch, Key	
18	2860030	1 Set	Key Replacement	
19	4360475	1	Switch, Emergency Stop	
19	7020175	1	Cap, Mushroom	
19	7020176	1	Block, Contact	
20	4360476	1	Switch, Contact Block	
21	4460426	1	Connector, Strain Relief	
22	4460470	1	Nut, Terminal	
23	4460471	1	Lockwasher, Terminal	
24	4460488	6	Mounting Base, Terminal	
25	4460496	2	Washer, Terminal	
26	4460497	2	Nut, Terminal	
27	4460526	1	Connector, Strain Relief	
28	4711400	2	Washer 1/4	
29	4740397	9	Spacer	
30	4740518	2	Washer	
31	4751400	7	Washer 1/4	
33	4891500	4	Washer 5/16	
34	77143013	11	Nut 1/4	
35	1001103308	2	Thumbscrew 1/4 x 3/4	
36	1001280600	1	Module, Ground Control (Note: Recalibration Required When Replaced)	
37	1001106736	1	Cap, Dust	
38	1001137364	1	Light, Indicator	
39	1001287467	1	Box	
40	1001155043	9	Washer	
41	1001155044	9	Nut 15/32	
42	1001155045	9	Switch, Toggle	
43	1001285016	1	Control Valve Harness (Not Shown - See Separate Breakdown in ELECTRICAL Section)	
44	10836804	1	Hour Meter	
45	1001188874	2	Nut	

SECTION 2 - TURNTABLE

ITEM	PART NUMBER	QTY	DESCRIPTION	REV
46	1001286033	1	Engine Harness (Not Shown - See Separate Breakdown in ELECTRICAL Section)	
47	1001280403	1	Lid	
48	1001263356	1	Decal - Ground Control Box	
49	1001285346	1	Ground Control Box Harness (Not Shown - See Separate Breakdown in ELECTRICAL Section)	
51	0760612	2	Bolt M6 x 25	
52	3290605	2	Nut M6	
53	4811700	4	Washer M6	
54	1001219601	1	Sensor, Tilt Dual Axis CAN	
55	1001271794	1	Bracket, Tilt Sensor	
56	1001276143	1	Harness, Tilt Sensor	

SECTION 2 - TURNTABLE

FIGURE 2-58. LIGHT PANEL INSTALLATION



ART_1001241403_E_10F2

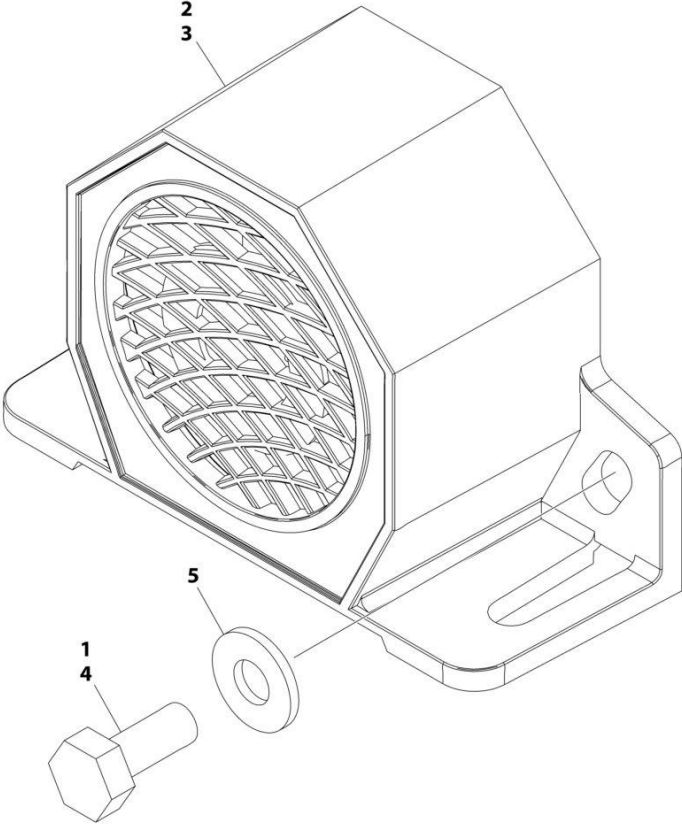
SECTION 2 - TURNTABLE

FIGURE 2-58. LIGHT PANEL INSTALLATION

ITEM	PART NUMBER	QTY	DESCRIPTION	REV
	1001241403	Ref	LIGHT PANEL INSTALLATION - GROUND CONTROL	E
2	3300408	2	Nut, Nylon Insert	
3	0630518	2	Screw #10 x 3/4	
5	1001237547	1	Light Panel Assembly	J
5A	1001281703	1	Lens Assembly (Includes Housing Shell, Decal/Lens with Icons & Gasket)	
5B	1001282106	1	Panel, LED Light	
5C		Ref	Screw	

SECTION 2 - TURNTABLE

FIGURE 2-59. ALARM INSTALLATION



ART_1001158364

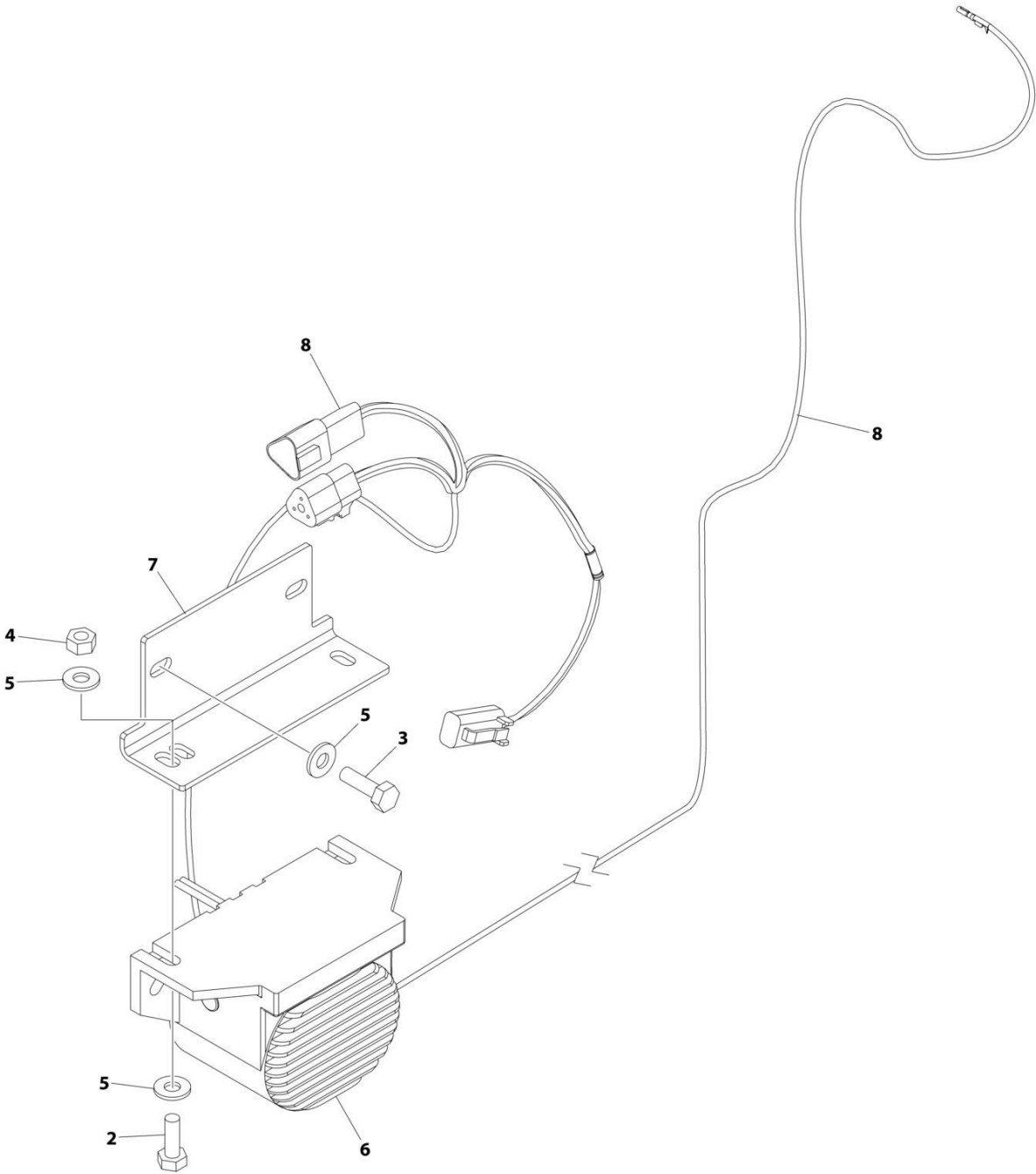
SECTION 2 - TURNTABLE

FIGURE 2-59. ALARM INSTALLATION

ITEM	PART NUMBER	QTY	DESCRIPTION	REV
	1001158364	Ref	ALARM INSTALLATION	A
1	0100011	AR	Compound, Locking	
2	0100048	AR	Grease, Dielectric	
3	0140044	1	Alarm	
4	0641405	2	Bolt 1/4 x 5/8	
5	4711400	2	Washer 1/4	

SECTION 2 - TURNTABLE

FIGURE 2-60. WHITE NOISE ALARM INSTALLATION - ADJUSTABLE AMBIENT



ART_1001241385

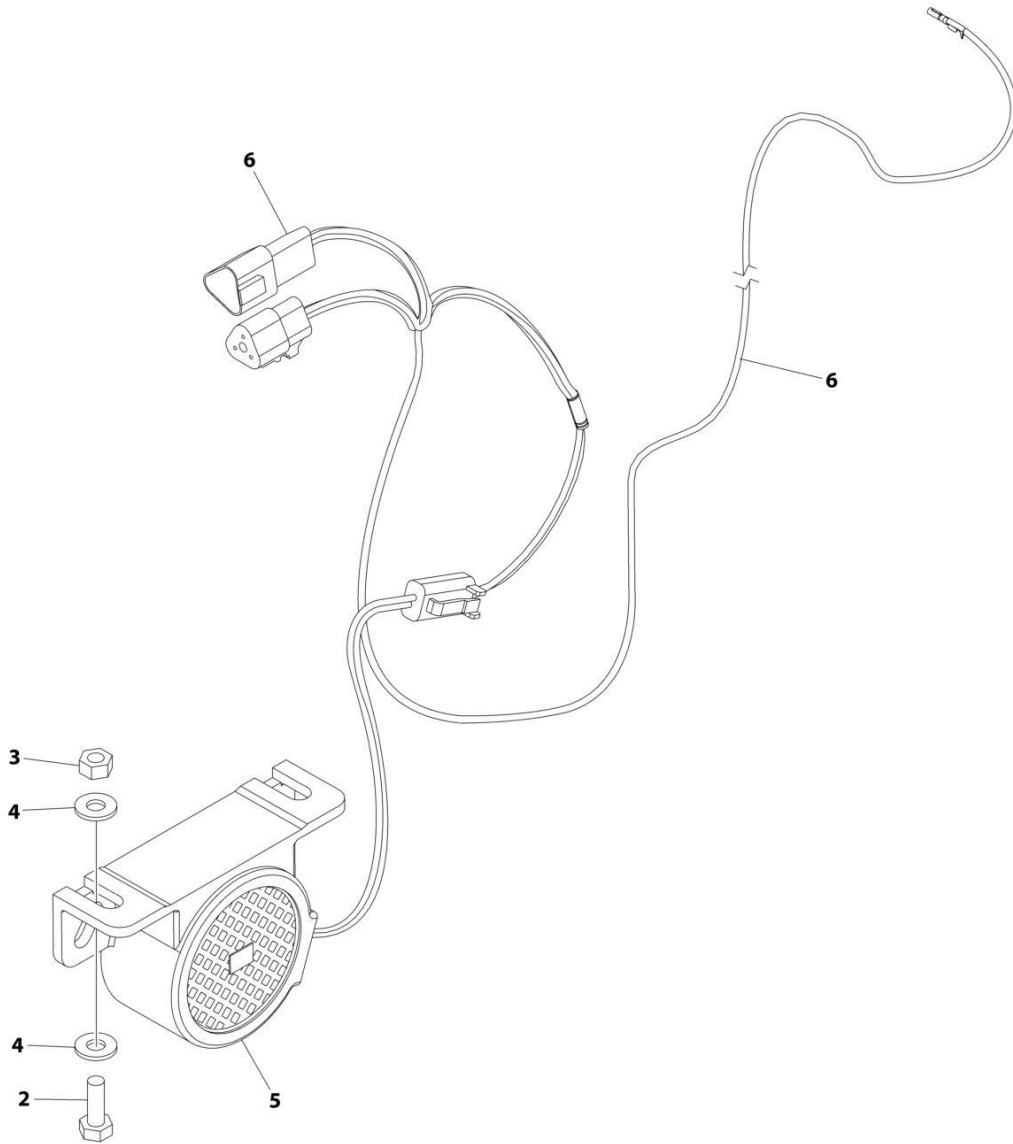
SECTION 2 - TURNTABLE

FIGURE 2-60. WHITE NOISE ALARM INSTALLATION - ADJUSTABLE AMBIENT

ITEM	PART NUMBER	QTY	DESCRIPTION	REV
	1001241385	Ref	WHITE NOISE ALARM INSTALLATION	B
1	0100048	AR	Compound, Silicone (Not Shown)	
2	0641406	2	Bolt 1/4 x 3/4	
3	0641407	2	Bolt 1/4 x 7/8	
4	3311405	2	Nut 1/4	
5	4711400	6	Washer 1/4	
6	1001182806	1	Alarm	
7	1001231886	1	Plate	
8	1001243682	1	White Noise Motion Alarm Harness (See Separate Breakdown in this Section)	

SECTION 2 - TURNTABLE

FIGURE 2-61. WHITE NOISE MOTION ALARM INSTALLATION - AMBIENT



ART_1001239347

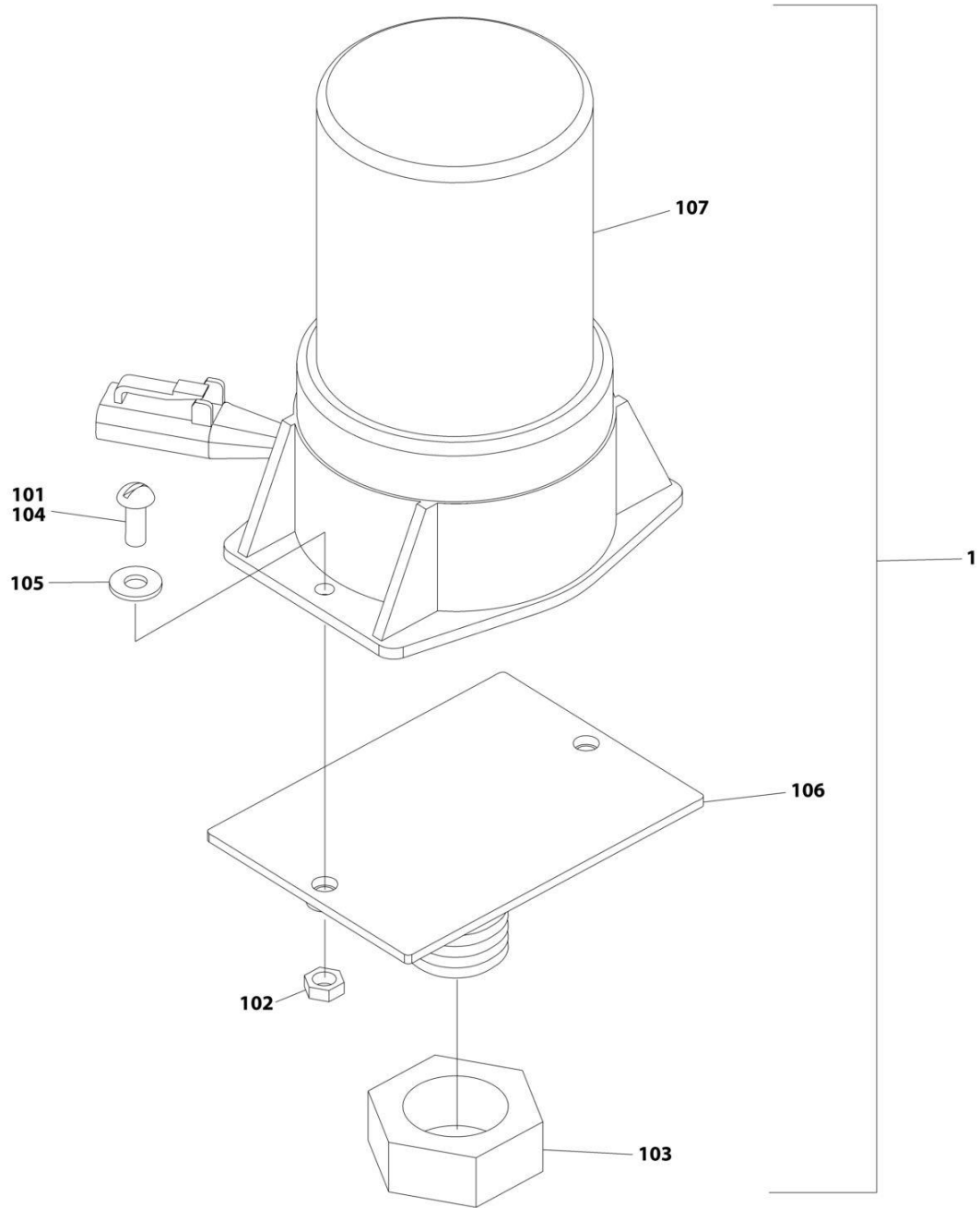
SECTION 2 - TURNTABLE

FIGURE 2-61. WHITE NOISE MOTION ALARM INSTALLATION - AMBIENT

ITEM	PART NUMBER	QTY	DESCRIPTION	REV
	1001239347	Ref	WHITE NOISE MOTION ALARM INSTALLATION	B
1	0100048	AR	Compound, Silicone (Not Shown)	
2	0641406	2	Bolt 1/4 x 3/4	
3	3311405	2	Nut 1/4	
4	4711400	4	Washer 1/4	
5	1001184682	1	Alarm	
6	1001243682	1	White Noise Motion Alarm Harness (See Separate Breakdown in this Section)	

SECTION 2 - TURNTABLE

FIGURE 2-62. STROBE LIGHT INSTALLATION (AMBER) (Prior to SN 0300298303)



ART_1001160077_C

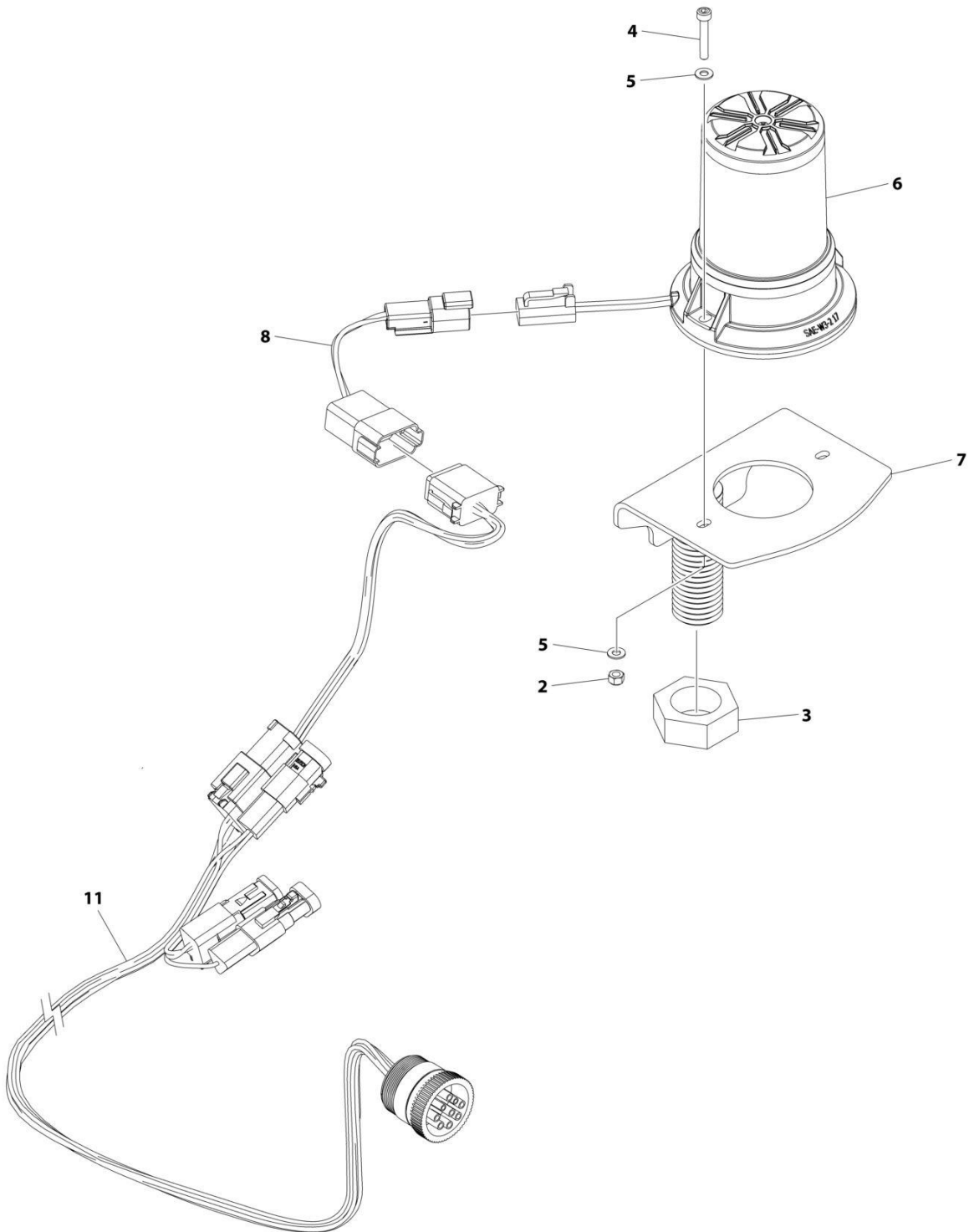
SECTION 2 - TURNTABLE

FIGURE 2-62. STROBE LIGHT INSTALLATION (AMBER) (Prior to SN 0300298303)

ITEM	PART NUMBER	QTY	DESCRIPTION	REV
	1001160077	Ref	STROBE LIGHT INSTALLATION (AMBER)	C
1	1001278844	1	Strobe Light Assembly (Includes Items 101-107)	A
101	0100035	AR	Compound, Locking	
102	3290405	2	Nut, Lock M4	
103	3312602	1	Nut	
104	4031509	2	Capscrew M4 x 25	
105	4811400	2	Washer M4	
106	1001278850	1	Mount, Strobe	
107	1001270594	1	Strobe Light/Harness Assembly	
107	4460891	1	Connector	
107	4460465	2	Socket	

SECTION 2 - TURNTABLE

FIGURE 2-63. STROBE LIGHT INSTALLATION (AMBER) (SN 0300298303 to Present)



ART_1001160077_E

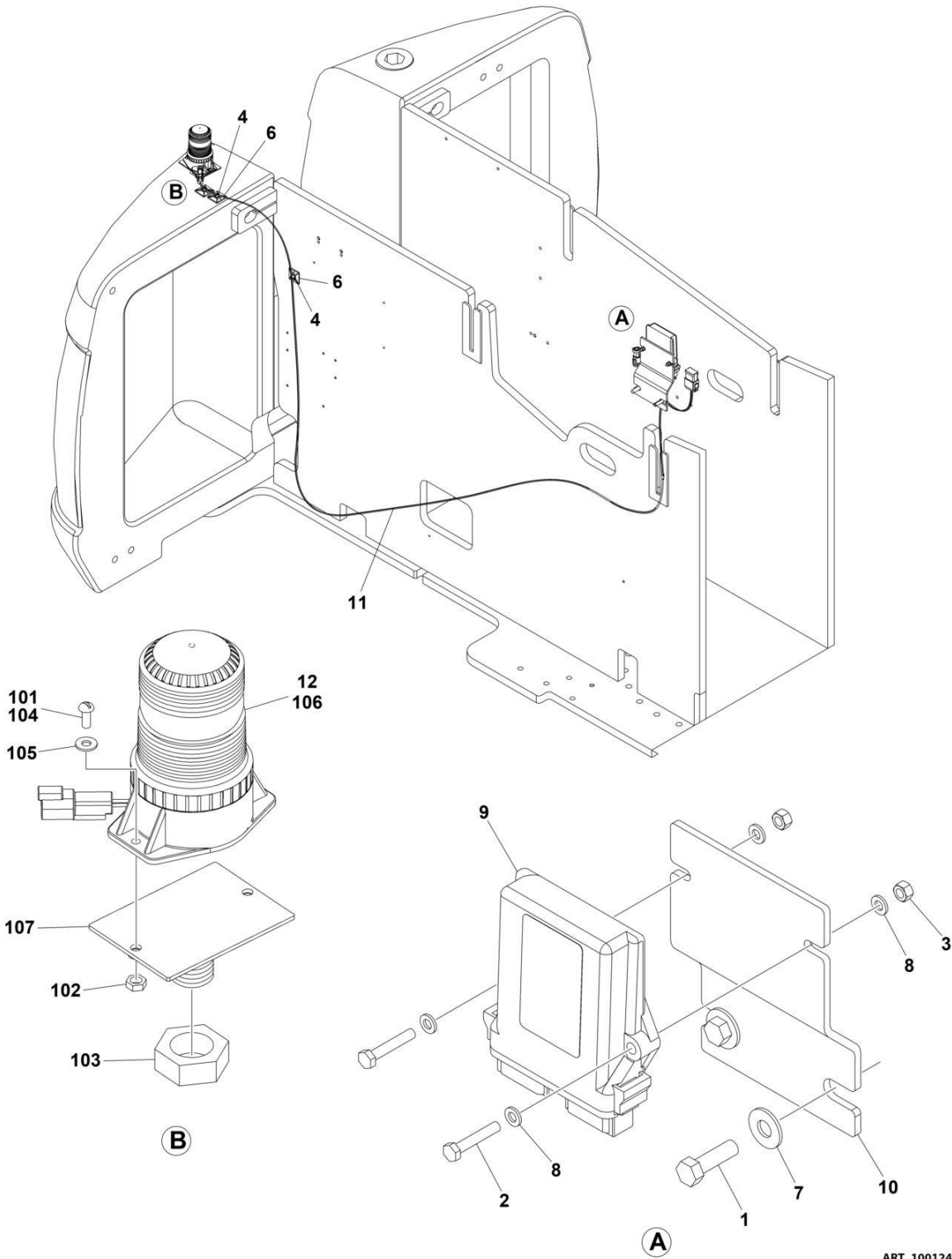
SECTION 2 - TURNTABLE

FIGURE 2-63. STROBE LIGHT INSTALLATION (AMBER) (SN 0300298303 to Present)

ITEM	PART NUMBER	QTY	DESCRIPTION	REV
	1001160077	Ref	STROBE LIGHT INSTALLATION (AMBER)	E
2	3290405	2	Nut, Lock M4	
3	3312602	1	Nut	
4	4031509	2	Capscrew M4 x 25	
5	4811400	4	Washer M4	
6	1001270594	1	Strobe Light/Harness Assembly	
6	4460891	1	Connector	
6	4460465	2	Socket	
7	1001275149	2	Mount	
8	1001283776	1	Harness, Strobe Jumper (See Separate Breakdown in ELECTRICAL Section)	
9	4240017	AR	Tie-Strap (Not Shown)	
10	4460234	AR	Mount, Tie-Strap (Not Shown)	
11	1001286622	1	CSB Harness (See Separate Breakdown in ELECTRICAL Section)	

SECTION 2 - TURNTABLE

FIGURE 2-64. STROBE LIGHT INSTALLATION (BLUE)



ART_1001242255

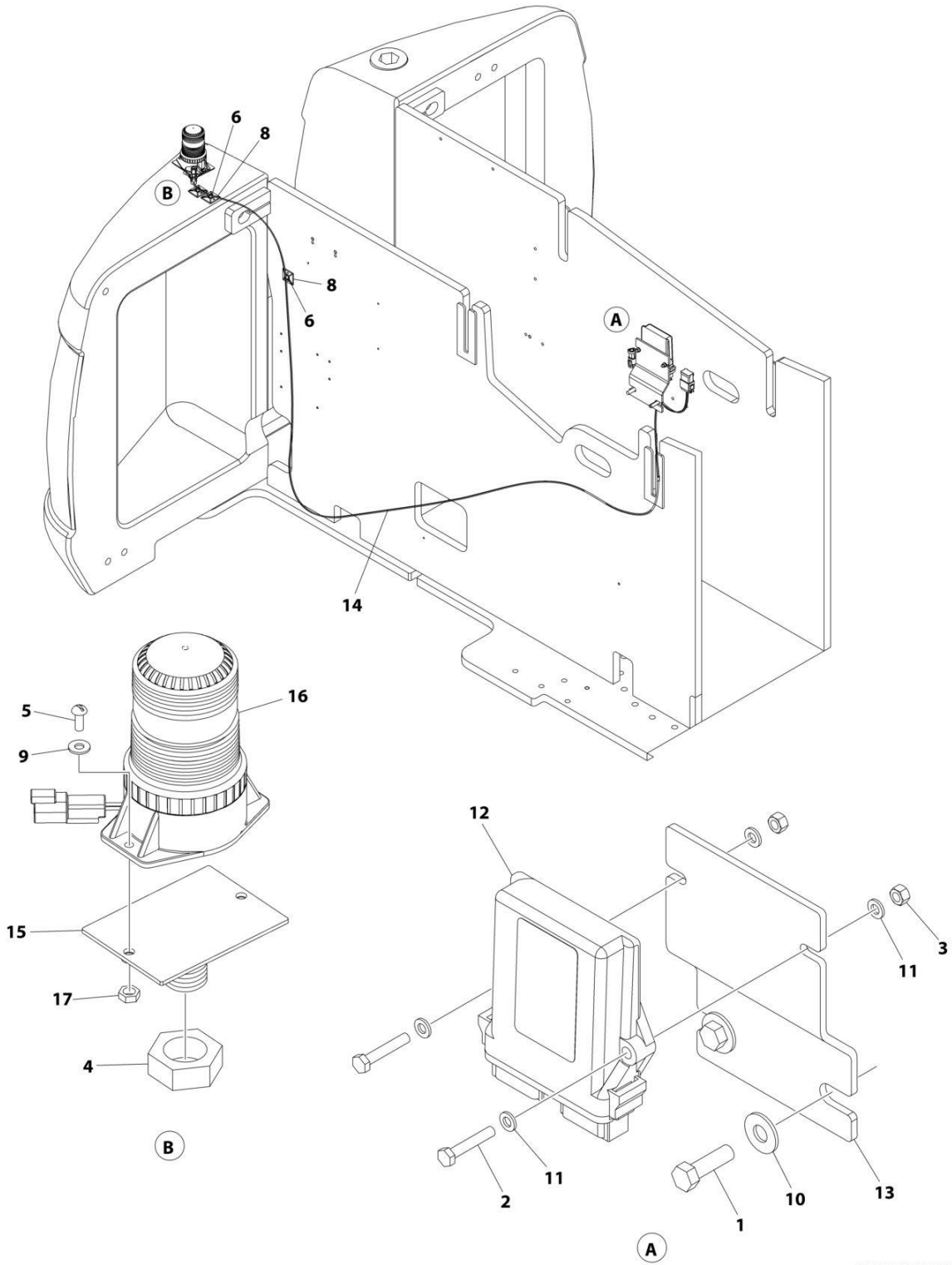
SECTION 2 - TURNTABLE

FIGURE 2-64. STROBE LIGHT INSTALLATION (BLUE)

ITEM	PART NUMBER	QTY	DESCRIPTION	REV
	1001242255	Ref	STROBE LIGHT INSTALLATION (BLUE)	B
1	0641610	2	Bolt 3/8 x 1-1/4	
2	0700615	2	Bolt 6 x 35	
3	3290607	2	Nut M6	
4	4240032	AR	Tie-Strap	
5	4240033	AR	Tie-Cable (Not Shown)	
6	4460488	AR	Base, Terminal, Mounting	
7	4751600	2	Washer 3/8	
8	4811700	4	Washer M6	
9	1001142683	1	Module, Control - Beacon	
10	1001142722	1	Bracket	
11	1001142736	1	Beacon Control Harness (See Separate Breakdown in ELECTRICAL Section)	
12	1001278845	1	Beacon Assembly - Blue (Includes Items 101 - 107)	A
101	0100035	AR	Compound, Locking	
102	3290405	2	Nut, Lock M4	
103	3312602	1	Nut	
104	4031509	2	Capscrew M4 x 25	
105	4811400	2	Washer M4	
106	1001272681	1	Light, Beacon	
106	4460891	1	Connector	
106	4460465	2	Socket	
107	1001278850	1	Mount, Strobe	

SECTION 2 - TURNTABLE

FIGURE 2-65. STROBE LIGHT INSTALLATION (RED)



ART_1001242256_B

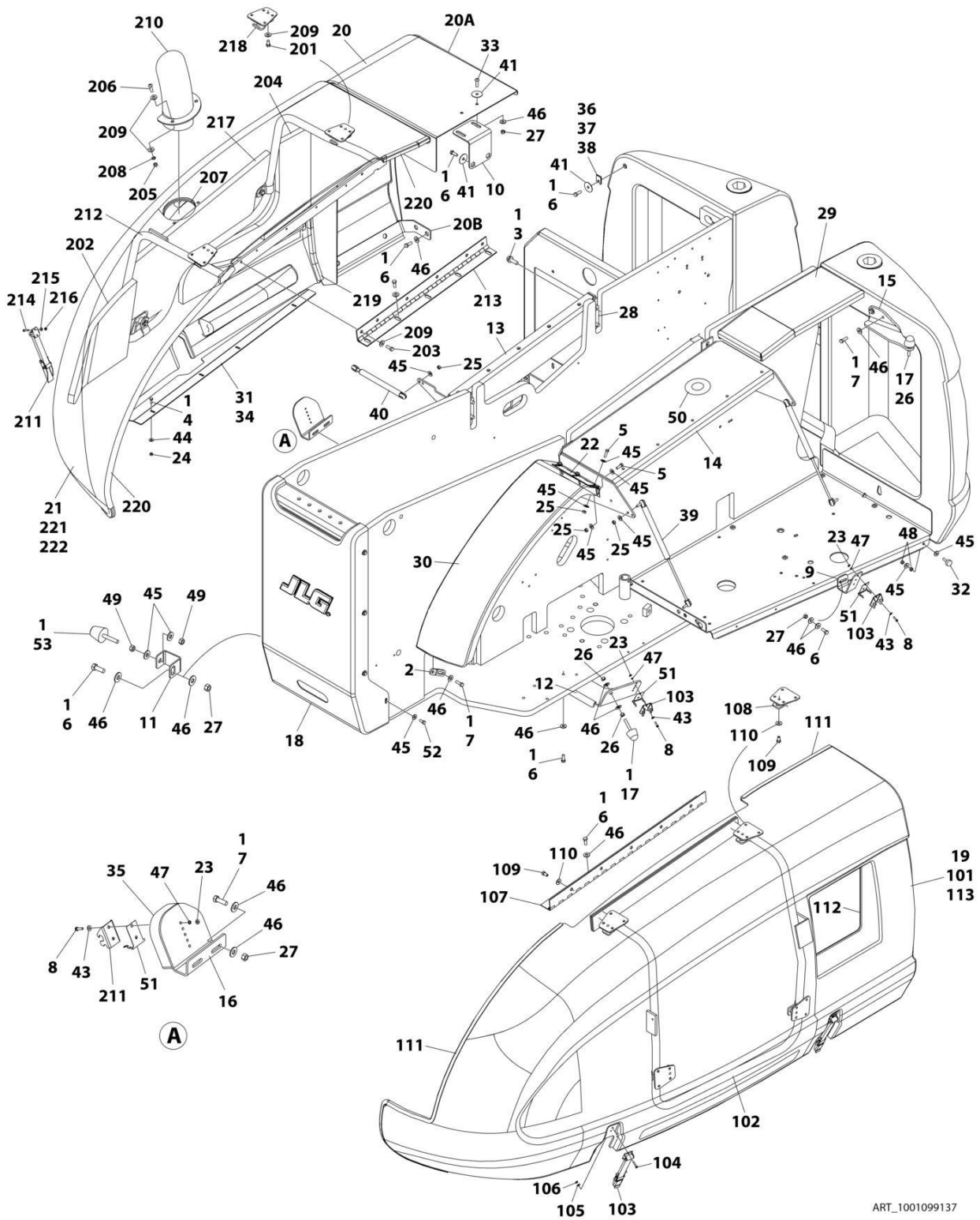
SECTION 2 - TURNTABLE

FIGURE 2-65. STROBE LIGHT INSTALLATION (RED)

ITEM	PART NUMBER	QTY	DESCRIPTION	REV
	1001242256	Ref	STROBE LIGHT INSTALLATION (RED)	B
1	0641610	2	Bolt 3/8 x 1-1/4	
2	0700615	2	Bolt 6 x 35	
3	3290607	2	Nut M6	
4	3312602	1	Nut	
5	4031509	2	Capscrew M4 x 25	
6	4240032	AR	Tie Strap	
7	4240033	AR	Tie Cable (Not Shown)	
8	4460488	AR	Base, Terminal, Mounting	
9	4811400	2	Washer M4	
10	4751600	2	Washer 3/8	
11	4811700	4	Washer M6	
12	1001142683	1	Module, Control	
13	1001142722	1	Bracket	
14	1001142736	1	Beacon Control Harness (See Separate Breakdown in ELECTRICAL Section)	
15	1001278850	1	Mount, Strobe	
16	1001272682	1	Light, Beacon	
16	4460891	1	Connector	
16	4460465	2	Socket	
17	3290405	2	Nut, Lock M4	

SECTION 2 - TURNTABLE

FIGURE 2-66. HOODS INSTALLATION - ABS (DEUTZ D2011 ENGINES)



SECTION 2 - TURNTABLE

FIGURE 2-66. HOODS INSTALLATION - ABS (DEUTZ D2011 ENGINES)

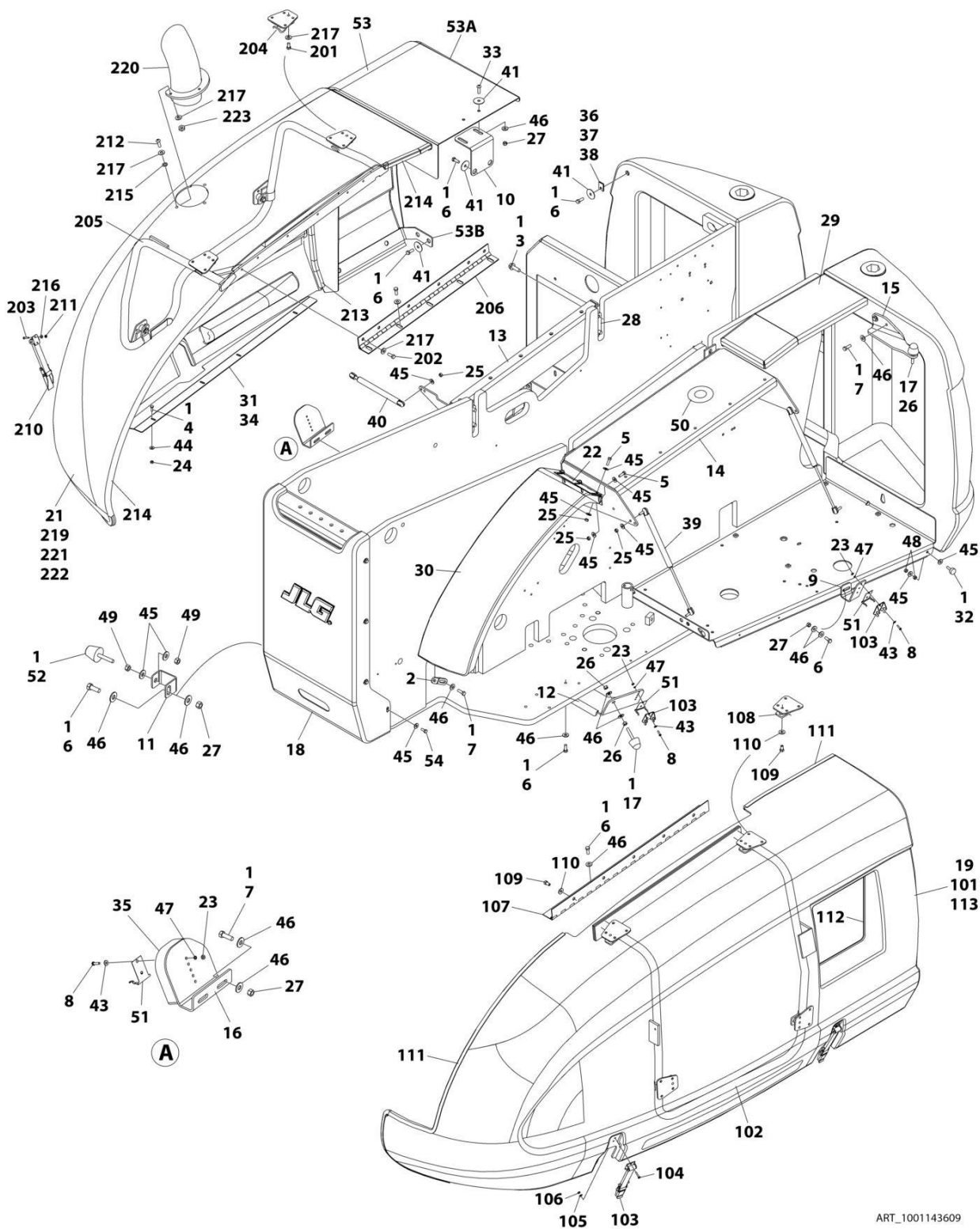
ITEM	PART NUMBER	QTY	DESCRIPTION	REV
	1001099137	Ref	HOODS INSTALLATION	G
1	0100011	AR	Compound, Locking	
2	0362770	1	Bar, Panel Mounting	
3	0811812	8	Bolt	
4	0641406	4	Bolt 1/4 x 3/4	
5	0641508	6	Bolt 5/16 x 1	
6	0641608	22	Bolt 3/8 x 1	
7	0641609	5	Bolt 3/8 x 1-1/8	
8	0721006	6	Screw #10 x 3/4	
9	0902143	1	Bracket, Latch (Tank Side)	
10	0902161	1	Bracket, Hood Spacer Mounting (Engine Side)	
11	0902219	2	Bracket, Bumper	
12	0902223	1	Bracket, Latch (Tank Side)	
13	1001207558	1	Bracket, Hood Mounting (Engine Side)	
14	0902412	1	Bracket, Hood Mounting (Tank Side)	
15	0902426	1	Bracket, Bumper - Counterweight Mounted	
16	0902491	1	Bracket, Latch (Engine Side)	
17	0940071	2	Bumper	
18	1670842	1	Cover, Turntable End	
19	1671228	1	Hood Assembly - Tank Side (See Items 101-113 for Breakdown)	
19		Ref	Note: Replacement Decals Must be Ordered Separately - See DECALS SECTION.	
20	1671233	1	Spacer Assembly	
20A	3960453	68 in /1.73m	Seal	
20B	0903308	1	Bracket	
21	1001099138	1	Hood Assembly - Engine Side (See Items 201-221 for Breakdown):	
21		Ref	Note: Replacement Decals Must be Ordered Separately - See DECAL SECTION.	
22	2600244	1	Adapter, Panel Hinge	
23	3311001	6	Nut #10	
24	3311405	4	Nut 1/4	
25	3311505	9	Nut 5/16	
26	3311601	4	Nut 3/8	
27	3311605	7	Nut 3/8	
28	1001150260	4	Plate, Hinge Block	
29	1001290021	1	Cover, Top (Tank Side)	
30	3380444	1	Panel, Adapter	
31	3571712	1	Plate, Seal	
32	0940049	1	Stopper, Hood	
33	3900232	2	Screw 3/8 x 1-1/4	
34	3960389	3.5 ft/1m	Seal	
35	3960470	1	Seal, Latch	
36	4070410	AR	Shim 1/16	
37	4070411	AR	Shim 1/8	
38	4070412	AR	Shim 3/16	
39	4160139	2	Spring, Gas (Tank Side)	
40	4160143	1	Spring, Gas (Engine Side)	
41	4740076	5	Washer, Fender	

SECTION 2 - TURNTABLE

ITEM	PART NUMBER	QTY	DESCRIPTION	REV
43	4751000	6	Washer #10	
44	4751400	4	Washer 1/4	
45	4751500	29	Washer 5/16	
46	4751600	35	Washer 3/8	
47	4761000	6	Washer #10	
48	3311501	2	Nut 5/16	
49	3321501	4	Nut 5/16	
50	1120601	1	Plug	
51	2940188	3	Latch	
52	0641506	8	Bolt, 5/16 x 3/4	
53	0940088	2	Bumper	
	1671228	Ref	HOOD ASSEMBLY (TANK SIDE)	A
101	1671231	1	Hood	
102	1671232	1	Frame, Tubular	
103	2940088	2	Latch	
104	0721008	4	Screw, #10 x 1	
105	4751000	4	Washer #10	
106	3311001	4	Nut #10	
107	2600233	1	Hinge	
108	1321384	4	Hold Down	
109	0641606	9	Bolt 3/8 x 3/4	
110	4711600	9	Washer 3/8	
111	3960464	83 in /2.11m	Seal	
112	3960438	55 in/1.4m	Seal	
113	3960462	53 in /1.35m	Seal	
	1001099138	Ref	HOOD ASSEMBLY (ENGINE SIDE)	B
201	0641606	4	Bolt 3/8 x 3/4	
202	2820233	1	Insulation, Rear Sound	
203	0641608	6	Insulation, Center Sound	
204	2820235	1	Insulation, Rear Sound	
205	3311605	2	Nut 3/8	
206	3900232	2	Screw 3/8 x 1-1/4	
207	1001101623	1	Shield, Heat Gasket	
208	4740500	2	Washer	
209	4751600	14	Washer 3/8	
210	1001099121	1	Exhaust Tube Weldment	
211	2940088	1	Latch	
212	1671230	1	Frame, Tubular	
213	2600209	1	Hinge	
214	0721008	2	Screw, #10 x 1	
215	4751000	2	Washer #10	
216	3311001	2	Nut #10	
217	2820234	AR	Insulation	
218	1321384	4	Hold Down	
219	3960462	61 in /1.55m	Seal	
220	3960464	65 in /1.67m	Seal	
221	1001101673	AR	Insulation	

SECTION 2 - TURNTABLE

FIGURE 2-67. HOODS INSTALLATION - ABS (DEUTZ TD2.9L4 ENGINES)



ART_1001143609

SECTION 2 - TURNTABLE

FIGURE 2-67. HOODS INSTALLATION - ABS (DEUTZ TD2.9L4 ENGINES)

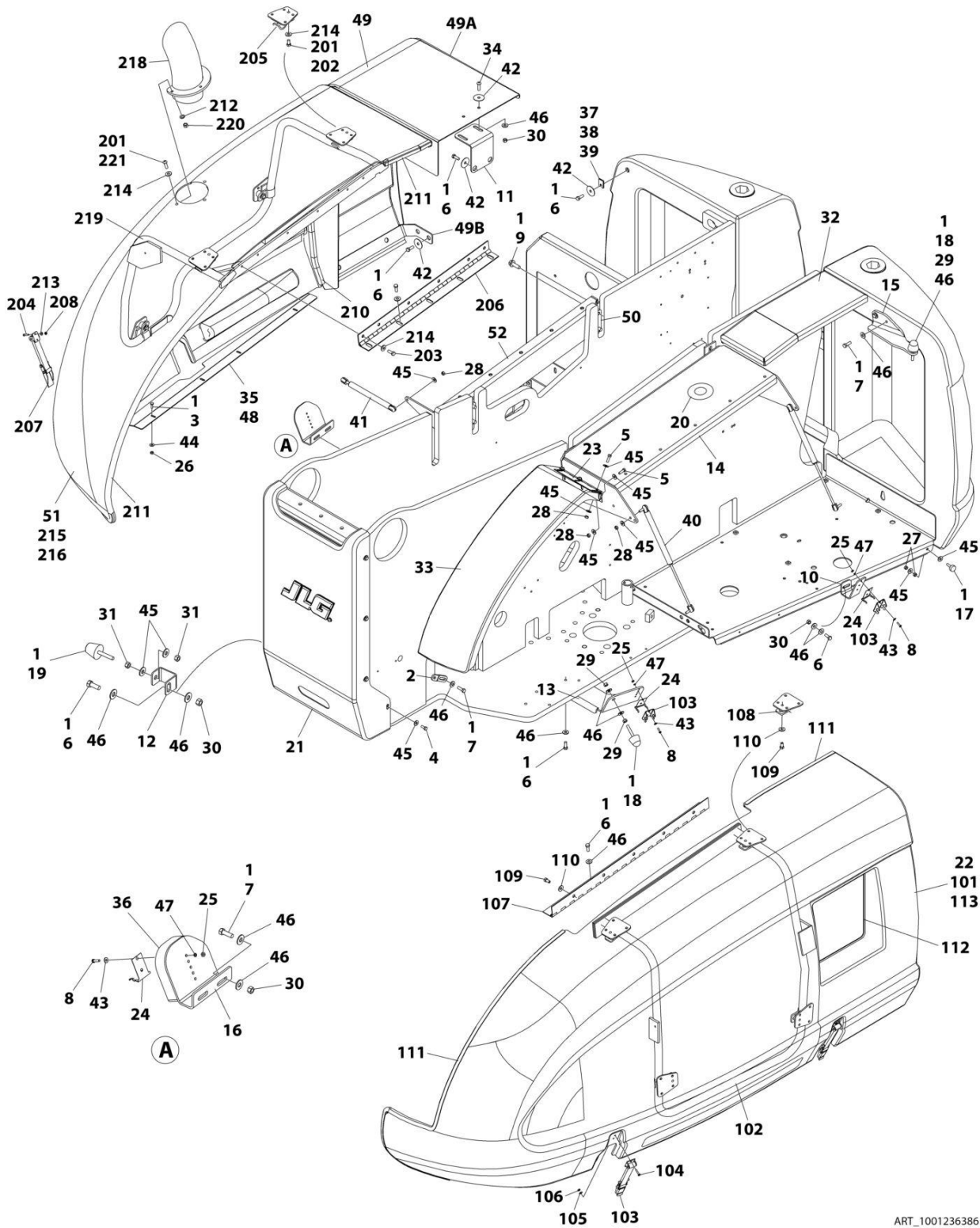
ITEM	PART NUMBER	QTY	DESCRIPTION	REV
	1001143609	Ref	HOODS INSTALLATION	G
1	0100011	AR	Compound, Locking	
2	0362770	1	Bar, Panel Mounting	
3	0811812	8	Bolt	
4	0641406	4	Bolt 1/4 x 3/4	
5	0641508	AR	Bolt 5/16 x 1	
6	0641608	22	Bolt 3/8 x 1	
7	0641609	5	Bolt 3/8 x 1-1/8	
8	0721006	6	Screw #10 x 3/4	
9	0902143	1	Bracket, Latch (Tank Side)	
10	0902161	1	Bracket, Hood Spacer Mounting (Engine Side)	
11	0902219	2	Bracket, Bumper	
12	0902223	1	Bracket, Latch (Tank Side)	
13	1001207558	1	Bracket, Hood Mounting (Engine Side)	
14	0902412	1	Bracket, Hood Mounting (Tank Side)	
15	0902426	1	Bracket, Bumper - Counterweight Mounted	
16	0902491	1	Bracket, Latch (Engine Side)	
17	0940071	2	Bumper	
18	1670842	1	Cover, Turntable End	
19	1671228	1	Hood Assembly - Tank Side (See Items 101-113 for Breakdown)	
19		Ref	Note: Replacement Decals Must be Ordered Separately - See DECALS Section.	
21	1001143607	1	Hood Assembly - Engine Side (See Items 201-223 for Breakdown)	
21		Ref	Note: Replacement Decals Must be Ordered Separately - See DECAL Section.	
22	2600244	1	Adapter, Panel Hinge	
23	3311001	6	Nut #10	
24	3311405	4	Nut 1/4	
25	3311505	9	Nut 5/16	
26	3311601	AR	Nut 3/8	
27	3311605	7	Nut 3/8	
28	1001150260	4	Plate, Hinge Block	
29	1001290021	1	Cover, Top (Tank Side)	
30	3380444	1	Panel, Adapter	
31	1001143858	1	Plate, Seal (Deutz TD2.9L4 and Deutz TD2.9L4 (Stage V Pre-Buy) Engines)	
32	0940049	1	Stopper, Hood	
33	3900232	2	Screw 3/8 x 1-1/4	
34	3960389	3.5 ft/1m	Seal	
35	3960470	1	Seal, Latch	
36	4070410	AR	Shim 1/16	
37	4070411	AR	Shim 1/8	
38	4070412	AR	Shim 3/16	
39	4160139	2	Spring, Gas (Tank Side)	
40	4160143	1	Spring, Gas (Engine Side)	
41	4740076	5	Washer, Fender	
43	4751000	6	Washer #10	
44	4751400	4	Washer 1/4	
45	4751500	AR	Washer 5/16	
46	4751600	AR	Washer 3/8	

SECTION 2 - TURNTABLE

ITEM	PART NUMBER	QTY	DESCRIPTION	REV
47	4761000	6	Washer #10	
48	3311501	2	Nut 5/16	
49	3321501	AR	Nut 5/16	
50	1120601	1	Plug	
51	2940188	3	Latch	
52	0940088	2	Stopper	
53	1001149673	1	Spacer	
54	0641506	8	Screw 5/16 x 3/4	
	1671228	Ref	HOOD ASSEMBLY (TANK SIDE)	A
101	1671231	1	Hood	
102	1671232	1	Frame, Tubular	
103	2940088	2	Latch	
104	0721008	4	Screw, Machine #10 x 1	
105	4751000	4	Washer #10	
106	3311001	4	Nut #10	
107	2600233	1	Hinge	
108	1321384	4	Hold Down	
109	0641606	9	Bolt 3/8 x 3/4	
110	4711600	9	Washer 3/8	
111	3960464	83 in /2.11m	Seal	
112	3960438	55 in/1.4m	Seal	
113	3960462	53 in /1.35m	Seal	
	1001143607	Ref	HOOD ASSEMBLY (ENGINE SIDE)	G
201	0641606	4	Bolt 3/8 x 3/4	
202	0641608	6	Bolt 3/8 x 1	
203	0721008	2	Screw #10 x 1	
204	1321384	4	Hold Down	
205	1001153435	1	Frame, Tubular	
206	2600209	1	Hinge	
210	2940088	1	Latch	
211	3311001	2	Nut #10	
212	3900316	3	Bolt 3/8 x 1	
212	88261039	3	Bolt 3/8 x 2	
213	3960462	61 in /1.55m	Seal	
214	3960464	65 in /1.67m	Seal	
215	4740500	3	Washer	
216	4751000	2	Washer #10	
217	4751600	16	Washer 3/8	
220	1001143611	1	Pipe, Exhaust	
221	1001152566	AR	Insulate, Heat	
222	1001117140	AR	Tape	
223	3311605	3	Nut 3/8	

SECTION 2 - TURNTABLE

FIGURE 2-68. HOODS INSTALLATION - ABS (DEUTZ TD2.9L4 (STAGE V) ENGINES)



ART_1001236386

SECTION 2 - TURNTABLE

FIGURE 2-68. HOODS INSTALLATION - ABS (DEUTZ TD2.9L4 (STAGE V) ENGINES)

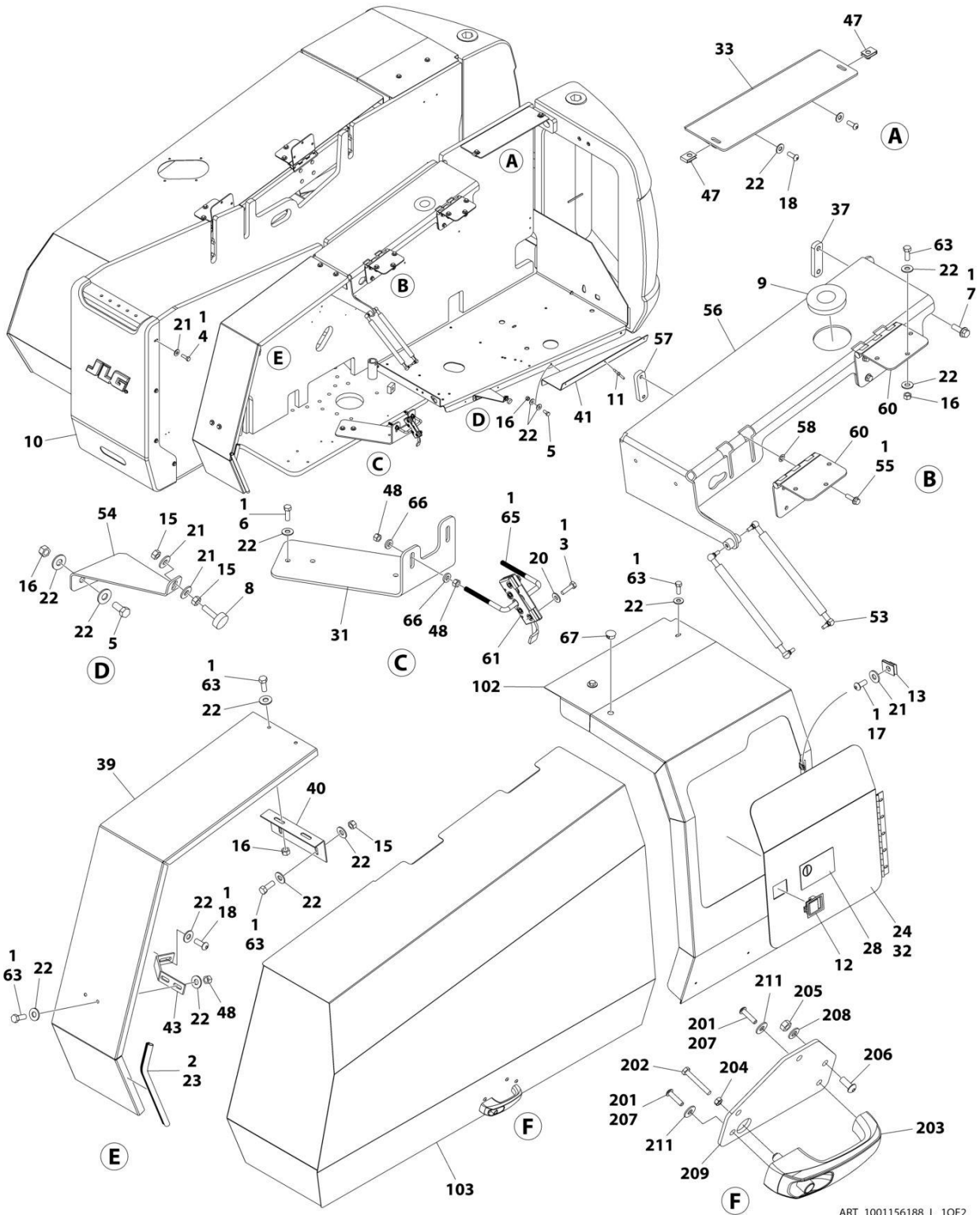
ITEM	PART NUMBER	QTY	DESCRIPTION	REV
	1001236386	Ref	HOODS INSTALLATION	D
1	0100011	AR	Compound, Locking	
2	0362770	1	Bar, Panel Mounting	
3	0641406	4	Bolt 1/4 x 3/4	
4	0641506	8	Bolt 5/16 x 3/4	
5	0641508	6	Bolt 5/16 x 1	
6	0641608	21	Bolt 3/8 x 1	
7	0641609	5	Bolt 3/8 x 1-1/8	
8	0721006	6	Screw #10 x 3/4	
9	0811812	8	Bolt	
10	0902143	1	Bracket, Latch (Tank Side)	
11	0902161	1	Bracket, Hood Spacer Mounting (Engine Side)	
12	0902219	1	Bracket, Bumper	
13	0902223	1	Bracket, Latch (Tank Side)	
14	0902412	1	Bracket, Hood Mounting (Tank Side)	
15	0902426	1	Bracket, Bumper - Counterweight Mounted	
16	0902491	1	Bracket, Latch (Engine Side)	
17	0940049	1	Stopper, Hood	
18	0940071	2	Bumper	
19	0940088	2	Stopper	
20	1120601	1	Plug	
21	1670842	1	Cover, Turntable End	
22	1671228	1	Hood Assembly - Tank Side (See Items 101-113 for Breakdown)	
22		Ref	Note: Replacement Decals Must be Ordered Separately - See DECALS SECTION.	
23	2600244	1	Adapter, Panel Hinge	
24	2940188	3	Latch	
25	3311001	6	Nut #10	
26	3311405	4	Nut 1/4	
27	3311501	2	Nut 5/16	
28	3311505	9	Nut 5/16	
29	3311601	4	Nut 3/8	
30	3311605	6	Nut 3/8	
31	3321501	4	Nut 5/16	
32	1001290021	1	Cover, Top (Tank Side)	
33	3380444	1	Panel, Adapter	
34	3900232	2	Screw 3/8 x 1-1/4	
35	3960389	3.5 ft/1m	Seal	
36	3960470	1	Seal, Latch	
37	4070410	AR	Shim 1/16	
38	4070411	AR	Shim 1/8	
39	4070412	AR	Shim 3/16	
40	4160139	2	Spring, Gas (Tank Side)	
41	4160143	1	Spring, Gas (Engine Side)	
42	4740076	7	Washer, Fender	
43	4751000	6	Washer #10	
44	4751400	4	Washer 1/4	
45	4751500	29	Washer 5/16	
46	4751600	31	Washer 3/8	
47	4761000	6	Washer #10	

SECTION 2 - TURNTABLE

ITEM	PART NUMBER	QTY	DESCRIPTION	REV
48	1001143858	1	Plate, Seal (Deutz TD2.9L4 and Deutz TD2.9L4 (Stage V Pre-Buy) Engines)	
49	1001149673	1	Spacer	
50	1001150260	4	Plate, Hinge Block	
51	1001236387	1	Hood Assembly - Engine Side (See Items 201-221 for Breakdown)	
51		Ref	Note: Replacement Decals Must be Ordered Separately - See DECAL SECTION.	
52	1001207558	1	Bracket, Hood Mounting (Engine Side)	
	1671228	Ref	HOOD ASSEMBLY (TANK SIDE)	A
101	1671231	1	Hood	
102	1671232	1	Frame, Tubular	
103	2940088	2	Latch	
104	0721008	4	Screw, Machine #10 x 1	
105	4751000	4	Washer #10	
106	3311001	4	Nut #10	
107	2600233	1	Hinge	
108	1321384	4	Hold Down	
109	0641606	9	Bolt 3/8 x 3/4	
110	4711600	9	Washer 3/8	
111	3960464	83 in /2.11m	Seal	
112	3960438	55 in/1.4m	Seal	
113	3960462	53 in /1.35m	Seal	
	1001236387	Ref	HOOD ASSEMBLY (ENGINE SIDE)	C
201	0100011	AR	Compound, Locking	
202	0641606	4	Bolt 3/8 x 3/4	
203	0641608	6	Bolt 3/8 x 1	
204	0721008	2	Screw #10 x 1	
205	1321384	4	Hold Down	
206	2600209	1	Hinge	
207	2940088	1	Latch	
208	3311001	2	Nut #10	
210	3960462	61 in /1.55m	Seal	
211	3960464	65 in/1.67m	Seal	
212	4740500	3	Washer	
213	4751000	2	Washer #10	
214	4751600	16	Washer 3/8	
215	1001117140	AR	Tape	
216	1001270099	AR	Insulate, Heat	
218	1001236389	1	Pipe, Exhaust	
219	1001236871	1	Frame, Tubular	
220	3271601	1	Nut 3/8	
221	3900232	3	Screw 3/8 x 1-1/4	

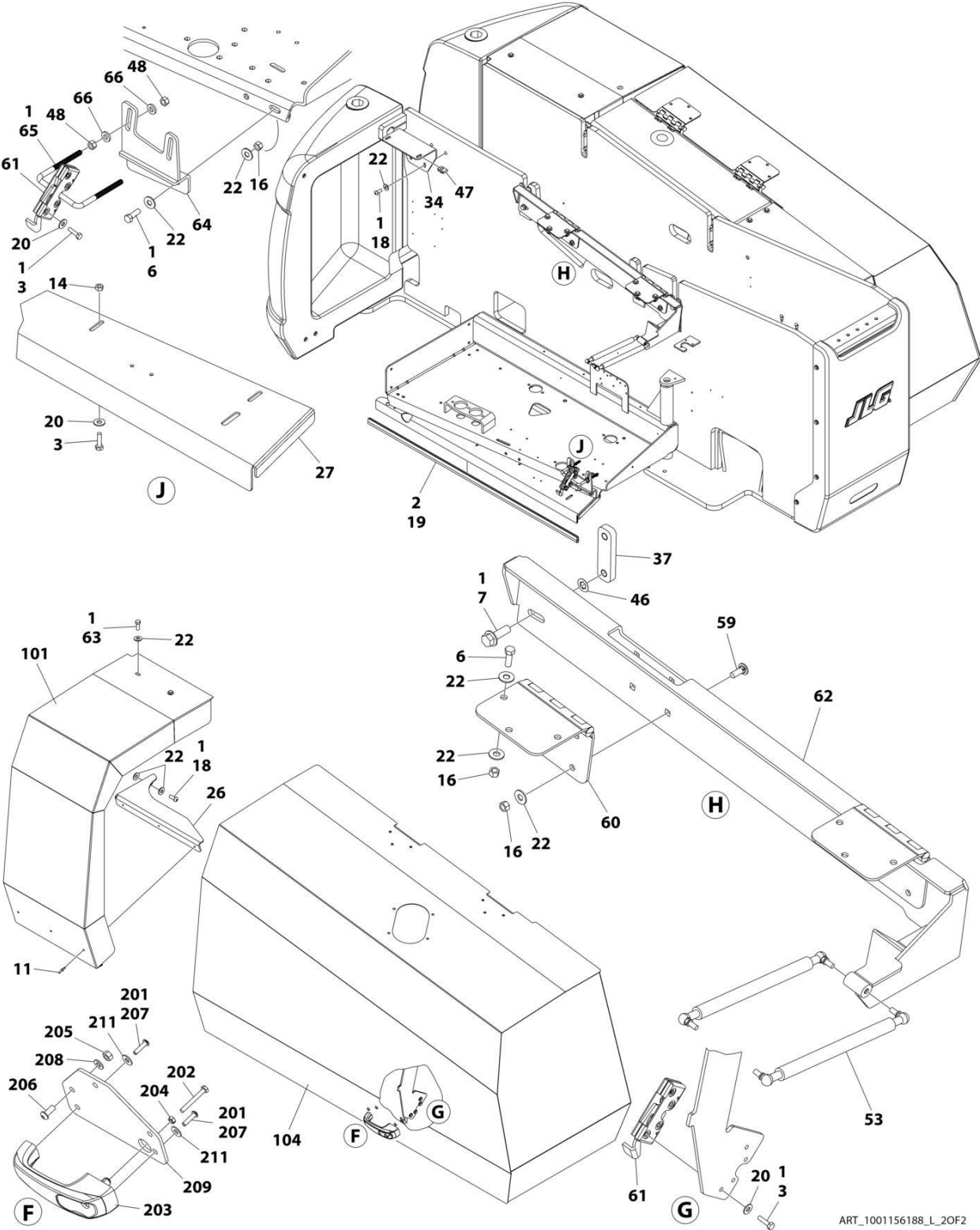
SECTION 2 - TURNTABLE

FIGURE 2-69. HOODS INSTALLATION - STEEL (DEUTZ D2011 ENGINES)



ART_1001156188_L_10F2

SECTION 2 - TURNTABLE



ART_1001156188_L_20F2

SECTION 2 - TURNTABLE

FIGURE 2-69. HOODS INSTALLATION - STEEL (DEUTZ D2011 ENGINES)

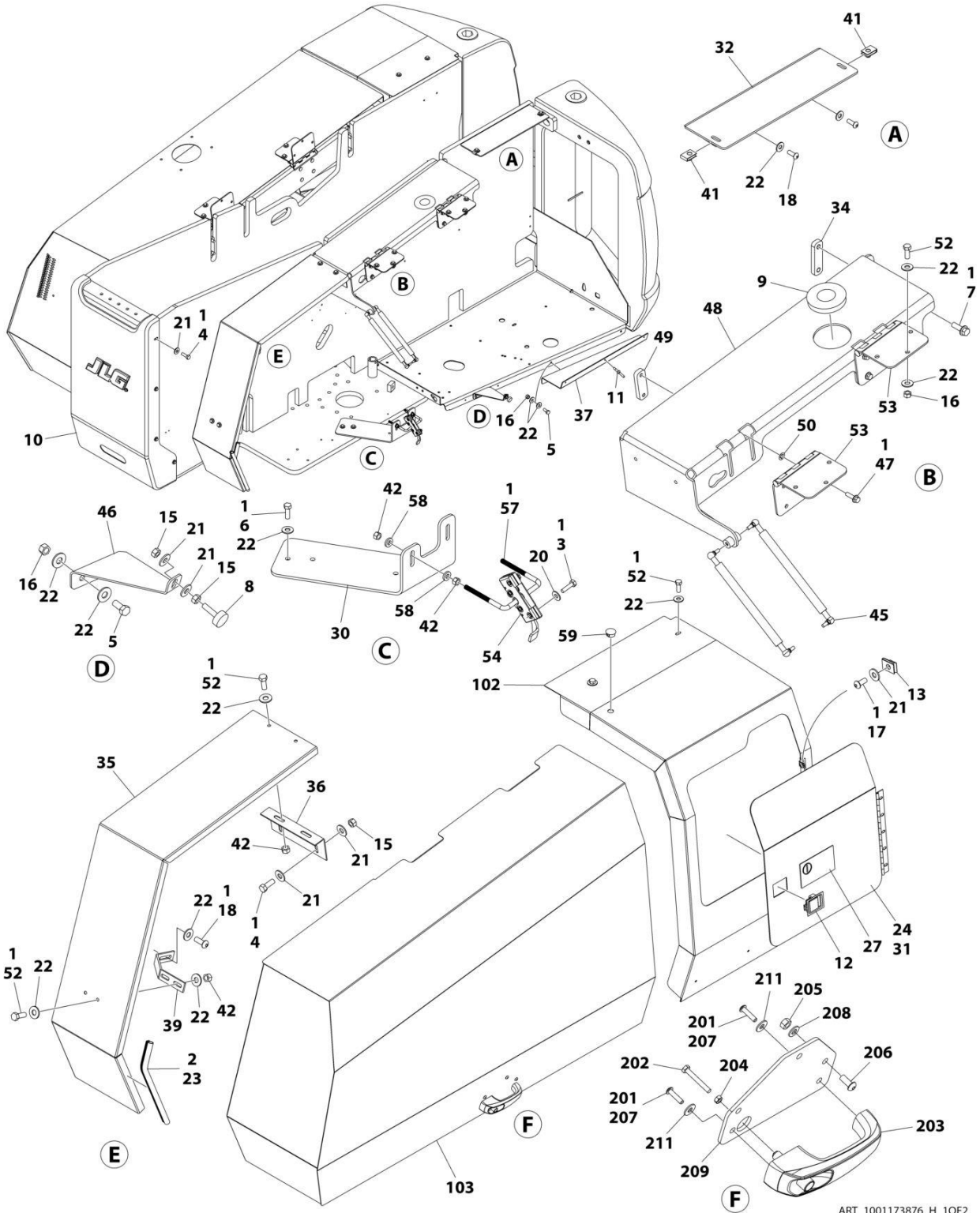
ITEM	PART NUMBER	QTY	DESCRIPTION	REV
		Ref	NOTE: REPLACEMENT DECALS MUST BE PURCHASED SEPARATELY - SEE DECALS SECTION.	
	1001156188	Ref	HOODS INSTALLATION	L
1	0100011	AR	Compound, Locking	
2	0100081	AR	Adhesive	
3	0641408	12	Bolt 1/4 x 1	
4	0641508	8	Bolt 5/16 x 1	
5	0641607	4	Bolt 3/8 x 7/8	
6	0641609	10	Bolt 3/8 x 1-1/8	
7	0811812	8	Bolt 1/2 x 2-1/4	
8	0940049	1	Stopper, Hood	
9	1120601	1	Plug	
10	1670842	1	Cover, Turntable End	
11	2080040	6	Fastener	
12	2940045	1	Latch, Paddle	
13	3300364	3	Nut, Tinnerman 5/16	
14	3311405	4	Nut 1/4	
15	3311501	2	Nut 5/16	
16	3311605	30	Nut 3/8	
17	3900210	3	Screw 5/16 x 3/4	
18	3900316	7	Screw 3/8 x 1	
19	3960389	4.2 ft /1.3m	Seal	
20	4751400	12	Washer 1/4	
21	4751500	13	Washer 5/16	
22	4751600	69	Washer 3/8	
23	1001110166	59 in/1.5m	Seal	
24	1001113047	6.5 ft/2m	Seal	
26	1001117234	1	Bracket	
27	1001117249	1	Plate	
28	1001117307	1	Decal - Emergency Stop	
31	1001250293	1	Bracket, Striker	
32	1001117598	1	Door	
33	1001158175	1	Bracket, Hood Mounting	
34	1001157867	1	Bracket, Hood Mounting	
37	1001150260	4	Plate, Hinge	
39	1001155899	1	Plate, Spacer	
40	1001157612	1	Bracket, Hood Support	
41	1001157726	1	Bracket, Hood Support	
43	1001158077	1	Bracket, Spacer Panel	
46	2080072	4	Retainer, Bolt	
47	88662523	4	Nut, Tinnerman	
48	3311601	10	Nut 3/8	
53	4160194	4	Spring, Gas	
54	1001161089	1	Bracket, Bumper	
55	0811610	8	Screw 3/8 x 1-1/4	
56	1001155895	1	Mount, Hood	
57	1001186251	4	Plate, Hinge	
58	8310070	8	Nut 3/8	
59	0630485	8	Bolt 3/8 x 1	

SECTION 2 - TURNTABLE

ITEM	PART NUMBER	QTY	DESCRIPTION	REV
60	1001186254	4	Hinge	
61	2940173	2	Latch, Rotary	
62	1001196768	1	Mount, Hood	
63	0641608	16	Screw 3/8 x 1	
64	1001250292	1	Bracket	
65	1001243414	2	Bolt 3/8	
66	4891600	8	Washer 3/8	
67	3520030	1	Plug	
100	1001290382	1	Kit, Hood (Includes Items 101-104)	
101	1001117219	1	Hood, Fixed Engine Side	
102	1001289874	1	Hood, Fixed Tank Side	
103	1001157209	1	Hood Assembly - Tank Side (Includes Items 201-211)	
104	1001157208	1	Hood Assembly - Engine Side (Includes Items 201-211) (Note: Heat Shield must be transferred from original hood or replaced before putting machine back in service)	
	1001157208	Ref	HOOD ASSEMBLY - ENGINE SIDE	D
201	0100011	AR	Compound, Locking	
202	0700618	1	Bolt M6 x 50	
203	2560187	1	Handle, Push Button	
204	3290601	1	Nut M6	
205	3311505	3	Nut 5/16	
206	3900210	3	Screw 5/16 x 3/4	
207	3900363	2	Screw M6 x 25	
208	4711500	3	Washer 5/16	
209	1001116290	1	Plate, Latch Mounting	
211	4751400	2	Washer 1/4	

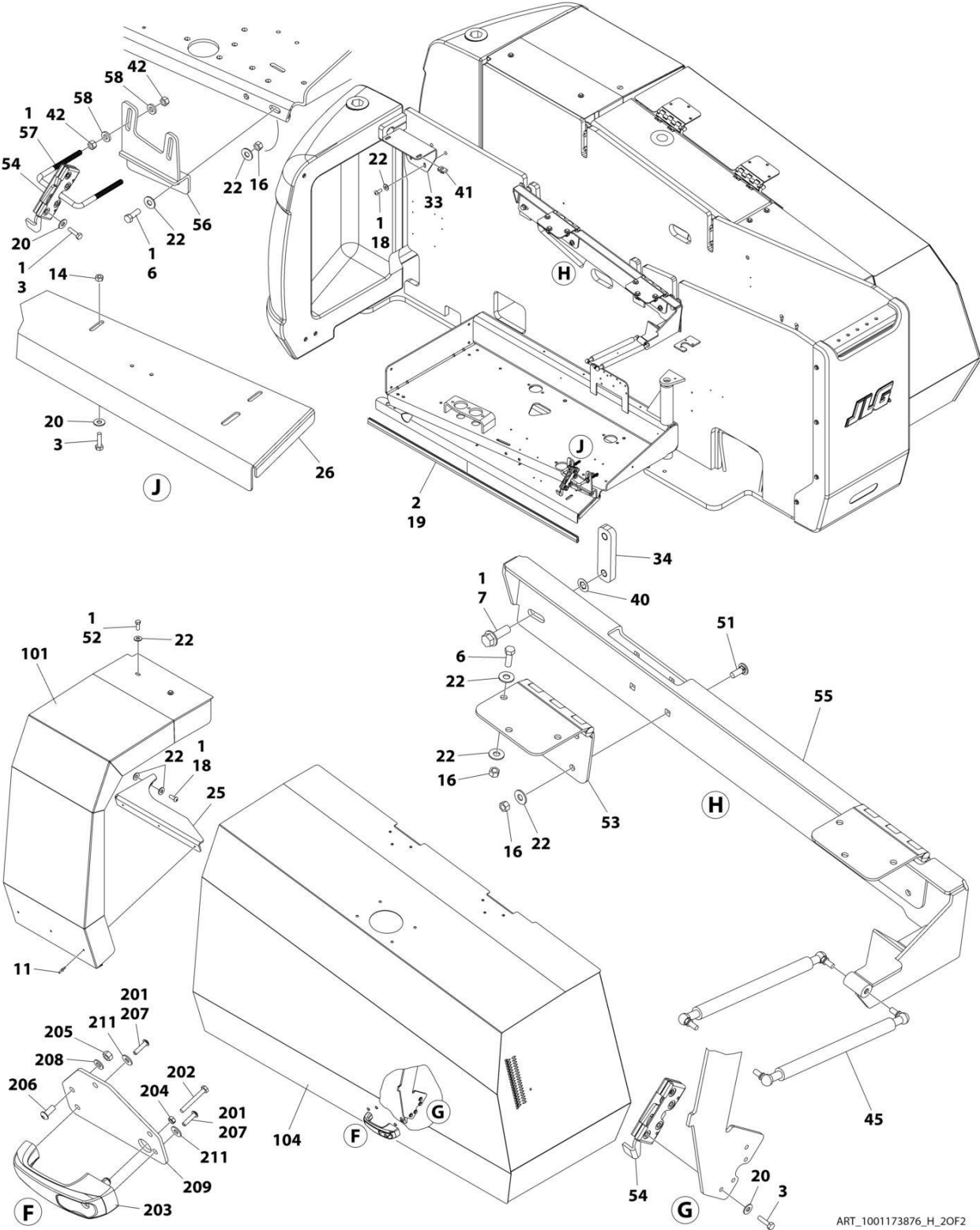
SECTION 2 - TURNTABLE

FIGURE 2-70. HOODS INSTALLATION - STEEL (DEUTZ TD2.9L4 ENGINES)



ART_1001173876_H_10F2

SECTION 2 - TURNTABLE



ART_1001173876_H_20F2

SECTION 2 - TURNTABLE

FIGURE 2-70. HOODS INSTALLATION - STEEL (DEUTZ TD2.9L4 ENGINES)

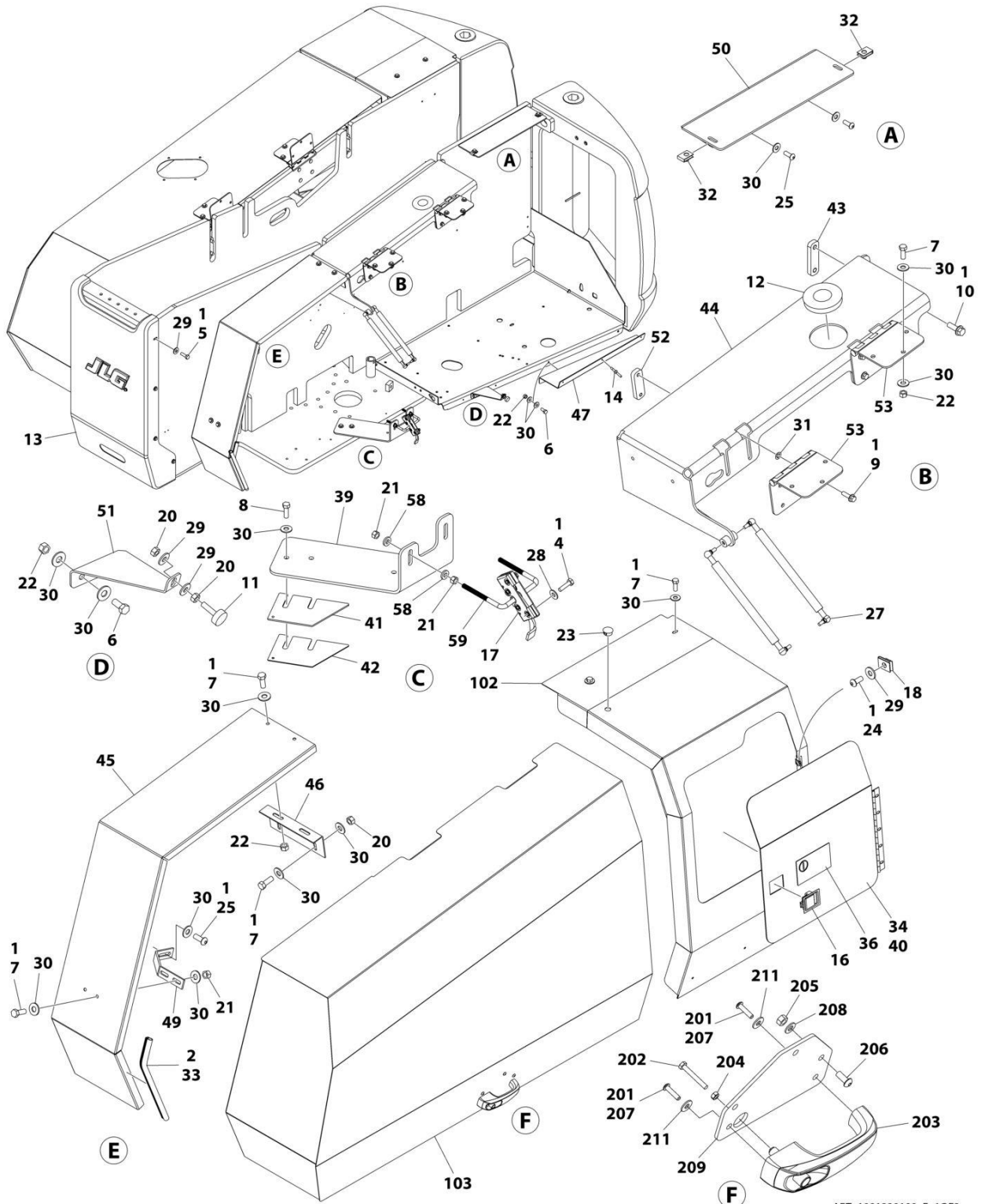
ITEM	PART NUMBER	QTY	DESCRIPTION	REV
		Ref	NOTE: REPLACEMENT DECALS MUST BE PURCHASED SEPARATELY - SEE DECALS SECTION.	
	1001173876	Ref	HOODS INSTALLATION (DEUTZ TD2.9L4 ENGINES MACHINES)	I
1	0100011	AR	Compound, Locking	
2	0100081	AR	Adhesive	
3	0641408	12	Bolt 1/4 x 1	
4	0641508	10	Bolt 5/16 x 1	
5	0641607	2	Bolt 3/8 x 7/8	
6	0641609	10	Bolt 3/8 x 1-1/8	
7	0811812	8	Bolt 1/2 x 2-1/4	
8	0940049	1	Stopper, Hood	
9	1120601	1	Plug	
10	1670842	1	Cover, Turntable End	
11	2080040	6	Fastener	
12	2940045	1	Latch, Paddle	
13	3300364	3	Nut, Tinnerman 5/16	
14	3311405	4	Nut 1/4	
15	3311501	4	Nut 5/16	
16	3311605	24	Nut 3/8	
17	3900210	3	Screw 5/16 x 3/4	
18	3900316	7	Screw 3/8 x 1	
19	3960389	4.2 ft /1.3m	Seal	
20	4751400	12	Washer 1/4	
21	4751500	15	Washer 5/16	
22	4751600	57	Washer 3/8	
23	1001110166	59 in/1.5m	Seal	
24	1001113047	6.5 ft/2m	Seal	
25	1001117234	1	Bracket	
26	1001117249	1	Plate	
27	1001117307	1	Decal - Emergency Stop	
30	1001250293	1	Bracket, Striker	
31	1001117598	1	Door	
32	1001158175	1	Bracket, Hood Mounting	
33	1001157867	1	Bracket, Hood Mounting	
34	1001150260	4	Plate, Hinge	
35	1001155899	1	Plate, Spacer	
36	1001157612	1	Bracket, Hood Support	
37	1001157726	1	Bracket, Hood Support	
39	1001158077	1	Bracket, Spacer Panel	
40	2080072	4	Retainer, Bolt	
41	88662523	4	Nut, Tinnerman	
42	3311601	12	Nut 3/8	
45	4160194	4	Spring, Gas	
46	1001161089	1	Bracket, Bumper	
47	0811610	8	Screw 3/8 x 1-1/4	
48	1001155895	1	Mount, Hood	
49	1001186251	4	Plate, Hinge	
50	8310070	8	Nut 3/8	
51	0630485	8	Bolt 3/8 x 1	

SECTION 2 - TURNTABLE

ITEM	PART NUMBER	QTY	DESCRIPTION	REV
52	0641608	14	Bolt 3/8 x 1	
53	1001186254	4	Hinge	
54	2940173	2	Latch, Rotary	
55	1001196768	1	Mount, Hood	
56	1001250292	1	Bracket	
57	1001243414	2	Bolt 3/8	
58	4891600	8	Washer 3/8	
59	3520030	1	Plug	
100	1001290383	1	Kit, Hood (Includes Items 101-104)	
101	1001117219	1	Hood, Fixed Engine Side	
102	1001289874	1	Hood, Fixed Tank Side	
103	1001157209	1	Hood Assembly - Tank Side (Includes Items 201-211)	
104	1001162915	1	Hood Assembly - Engine Side (Includes Items 201-211) (Note: Heat Shield must be transferred from original hood or replaced before putting machine back in service)	
	1001162915	Ref	HOOD ASSEMBLY - ENGINE SIDE	C
201	0100011	AR	Compound, Locking	
202	0700618	1	Bolt M6 x 50	
203	2560187	1	Handle, Push Button	
204	3290601	1	Nut M6	
205	3311505	3	Nut 5/16	
206	3900210	3	Screw 5/16 x 3/4	
207	3900363	2	Screw M6 x 25	
208	4711500	3	Washer 5/16	
209	1001116290	1	Plate, Latch Mounting	
211	4751400	2	Washer 1/4	

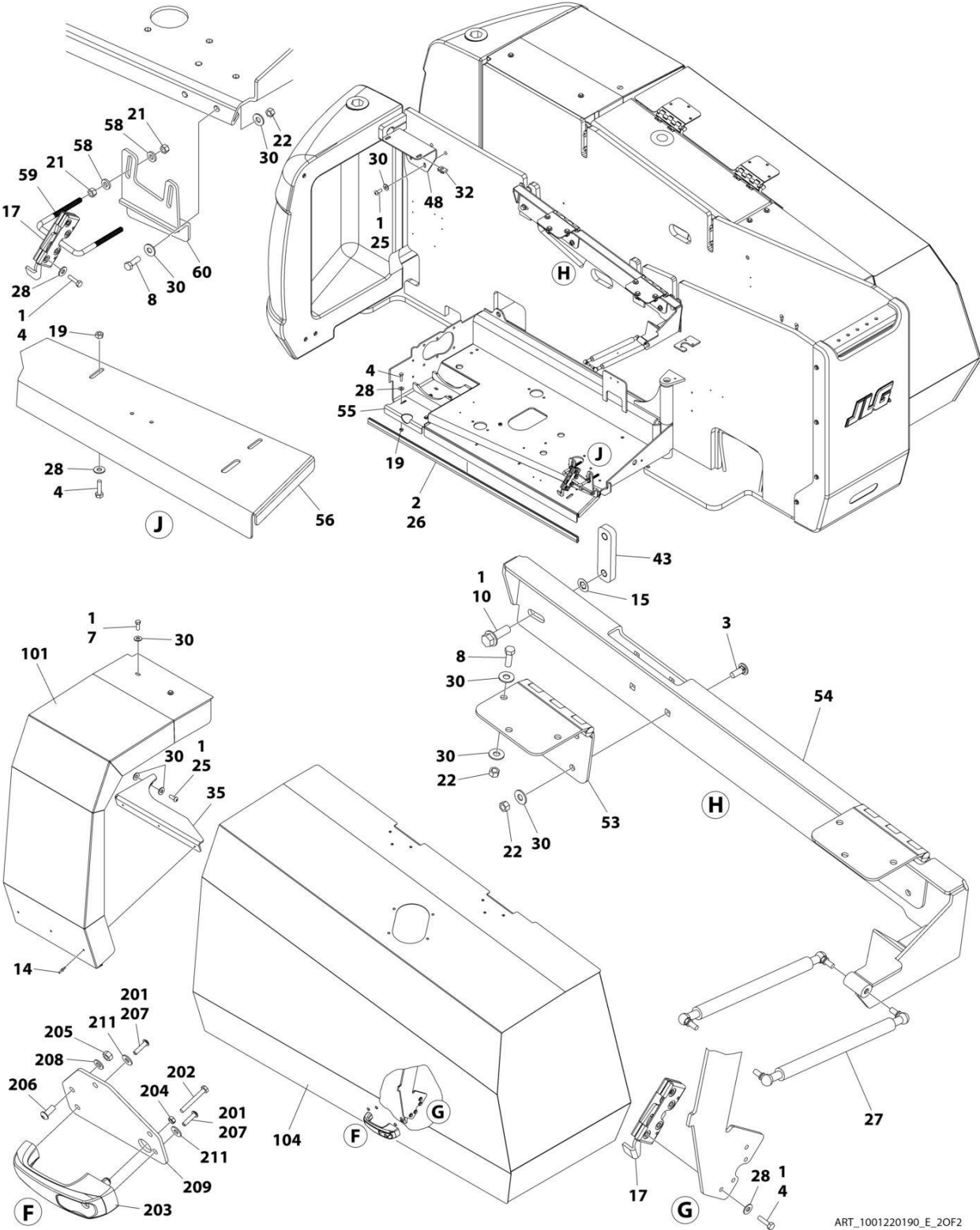
SECTION 2 - TURNTABLE

FIGURE 2-71. HOODS INSTALLATION - STEEL (FORD ENGINES)



ART_1001220190_E_10F2

SECTION 2 - TURNTABLE



ART_1001220190_E_20F2

SECTION 2 - TURNTABLE

FIGURE 2-71. HOODS INSTALLATION - STEEL (FORD ENGINES)

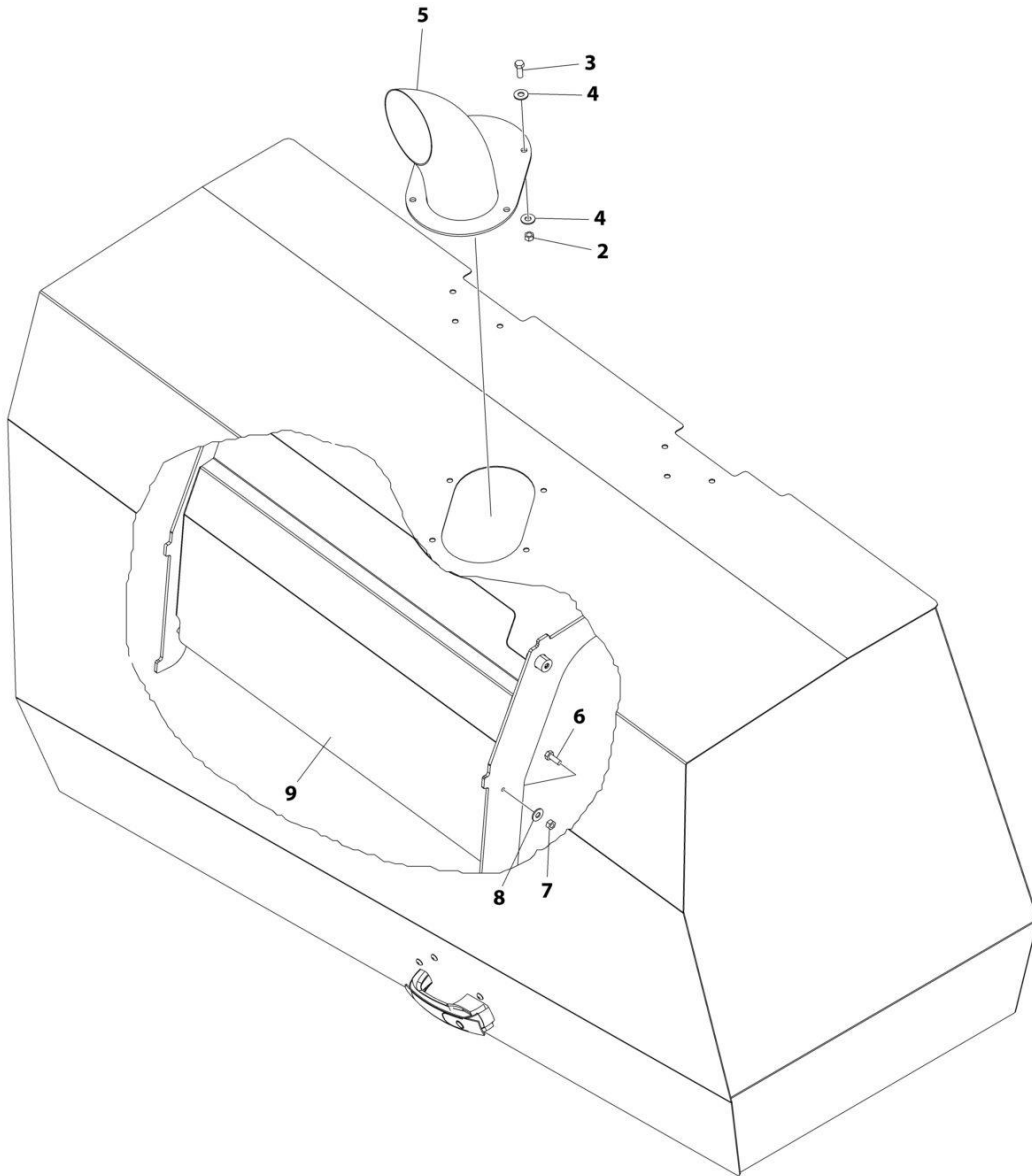
ITEM	PART NUMBER	QTY	DESCRIPTION	REV
		Ref	NOTE: REPLACEMENT DECALS MUST BE PURCHASED SEPARATELY - SEE DECALS SECTION.	
	1001220190	Ref	HOODS INSTALLATION (FORD ENGINES MACHINES)	E
1	0100011	AR	Compound, Locking	
2	0100081	AR	Adhesive	
3	0630485	8	Bolt 3/8 x 1	
4	0641408	13	Bolt 1/4 x 1	
5	0641508	8	Bolt 5/16 x 1	
6	0641607	4	Bolt 3/8 x 7/8	
7	0641608	16	Bolt 3/8 x 1	
8	0641609	12	Bolt 3/8 x 1-1/8	
9	0811610	8	Screw 3/8 x 1-1/4	
10	0811812	8	Bolt 1/2 x 2-1/4	
11	0940049	1	Stopper, Hood	
12	1120601	1	Plug	
13	1670842	1	Cover, Turntable End	
14	2080040	6	Fastener	
15	2080072	4	Retainer, Bolt	
16	2940045	1	Latch, Paddle	
17	2940173	2	Latch, Rotary	
18	3300364	3	Nut, Tinnerman 5/16	
19	3311405	5	Nut 1/4	
20	3311501	2	Nut 5/16	
21	3311601	10	Nut 3/8	
22	3311605	30	Nut 3/8	
23	3520030	1	Plug	
24	3900210	3	Screw 5/16 x 3/4i	
25	3900316	7	Screw 3/8 x 1	
26	3960389	4.2 ft /1.3m	Seal	
27	4160194	4	Spring, Gas	
28	4751400	13	Washer 1/4	
29	4751500	13	Washer 5/16	
30	4751600	69	Washer 3/8	
31	8310070	8	Nut 3/8	
32	88662523	4	Nut, Tinnerman	
33	1001110166	59 in/1.5m	Seal	
34	1001113047	6.5 ft/2m	Seal	
35	1001117234	1	Bracket	
36	1001117307	1	Decal - Emergency Stop	
39	1001250293	1	Bracket, Striker	
40	1001117598	1	Door	
41	1001121122	AR	Shim 3	
42	1001121123	AR	Shim 1.5	
43	1001150260	4	Plate, Hinge	
44	1001155895	1	Mount, Hood	
45	1001155899	1	Plate, Spacer	
46	1001157612	1	Bracket, Hood Support	
47	1001157726	1	Bracket, Hood Support	
48	1001157867	1	Bracket, Hood Mounting	

SECTION 2 - TURNTABLE

ITEM	PART NUMBER	QTY	DESCRIPTION	REV
49	1001158077	1	Bracket, Spacer Panel	
50	1001158175	1	Bracket, Hood Mounting	
51	1001161089	1	Bracket, Bumper	
52	1001186251	4	Plate, Hinge	
53	1001186254	4	Hinge	
54	1001196768	1	Mount, Hood	
55	1001220002	1	Plate	
56	1001220067	1	Plate	
58	4891600	4	Washer 3/8	
59	1001243414	2	Bolt 3/8	
60	1001250292	1	Bracket	
100	1001290382	1	Kit, Hood (Includes Items 101-104)	
101	1001117219	1	Hood, Fixed Engine Side	
102	1001289874	1	Hood, Fixed Tank Side	
103	1001157209	1	Hood Assembly - Tank Side (Includes Items 201-211)	
104	1001157208	1	Hood Assembly - Engine Side (Includes Items 201-211) (Note: Heat Shield item 309 must be transferred from original hood or replaced before putting machine back in service)	
	1001157208	Ref	HOOD ASSEMBLY- ENGINE SIDE	D
201	0100011	AR	Compound, Locking	
202	0700618	1	Bolt M6 x 50	
203	2560187	1	Handle, Push Button	
204	3290601	1	Nut M6	
205	3311505	3	Nut 5/16	
206	3900210	3	Screw 5/16 x 3/4	
207	3900363	2	Screw M6 x 25	
208	4711500	3	Washer 5/16	
209	1001116290	1	Plate, Latch Mounting	
211	4751400	2	Washer 1/4	

SECTION 2 - TURNTABLE

FIGURE 2-72. EXHAUST COVER AND HEAT SHIELDS INSTALLATION - STEEL HOODS (DEUTZ D2011 ENGINES)



ART_1001158167

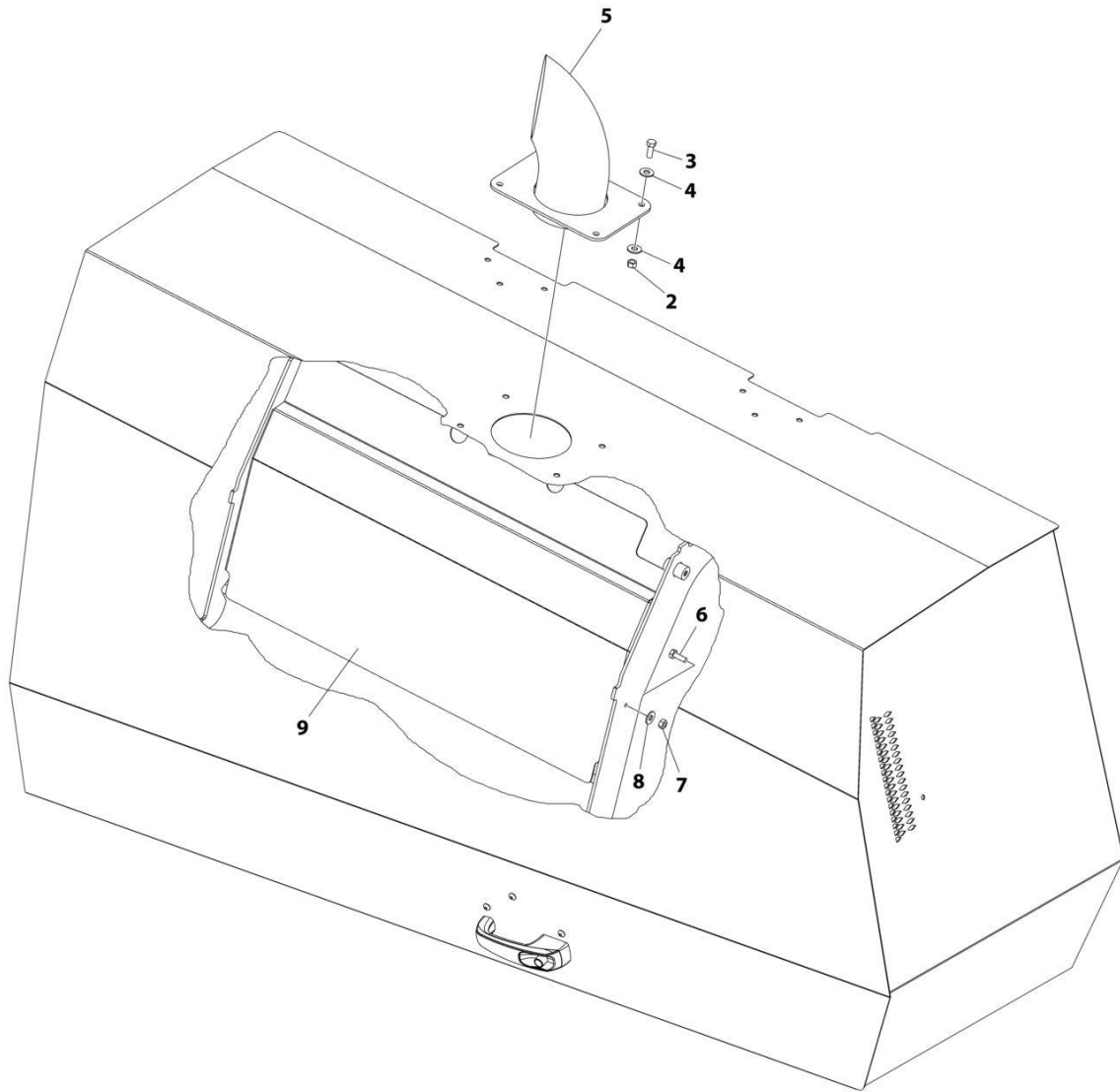
SECTION 2 - TURNTABLE

FIGURE 2-72. EXHAUST COVER AND HEAT SHIELDS INSTALLATION - STEEL HOODS (DEUTZ D2011 ENGINES)

ITEM	PART NUMBER	QTY	DESCRIPTION	REV
	1001158167	Ref	HOODS INSTALLATION	E
2	3311605	4	Nut 3/8	
3	0641608	4	Bolt 3/8 x 1	
4	4751600	8	Washer 3/8	
5	1001116456	1	Pipe, Exhaust	
6	0641406	3	Bolt 1/4 x 3/4	
7	3311405	3	Nut 1/4	
8	4751400	3	Washer 1/4	
9	1001150561	1	Shield, Heat	

SECTION 2 - TURNTABLE

FIGURE 2-73. EXHAUST COVER AND HEAT SHIELDS INSTALLATION - STEEL HOODS (DEUTZ TD2.9L4 ENGINES)



ART_1001173878

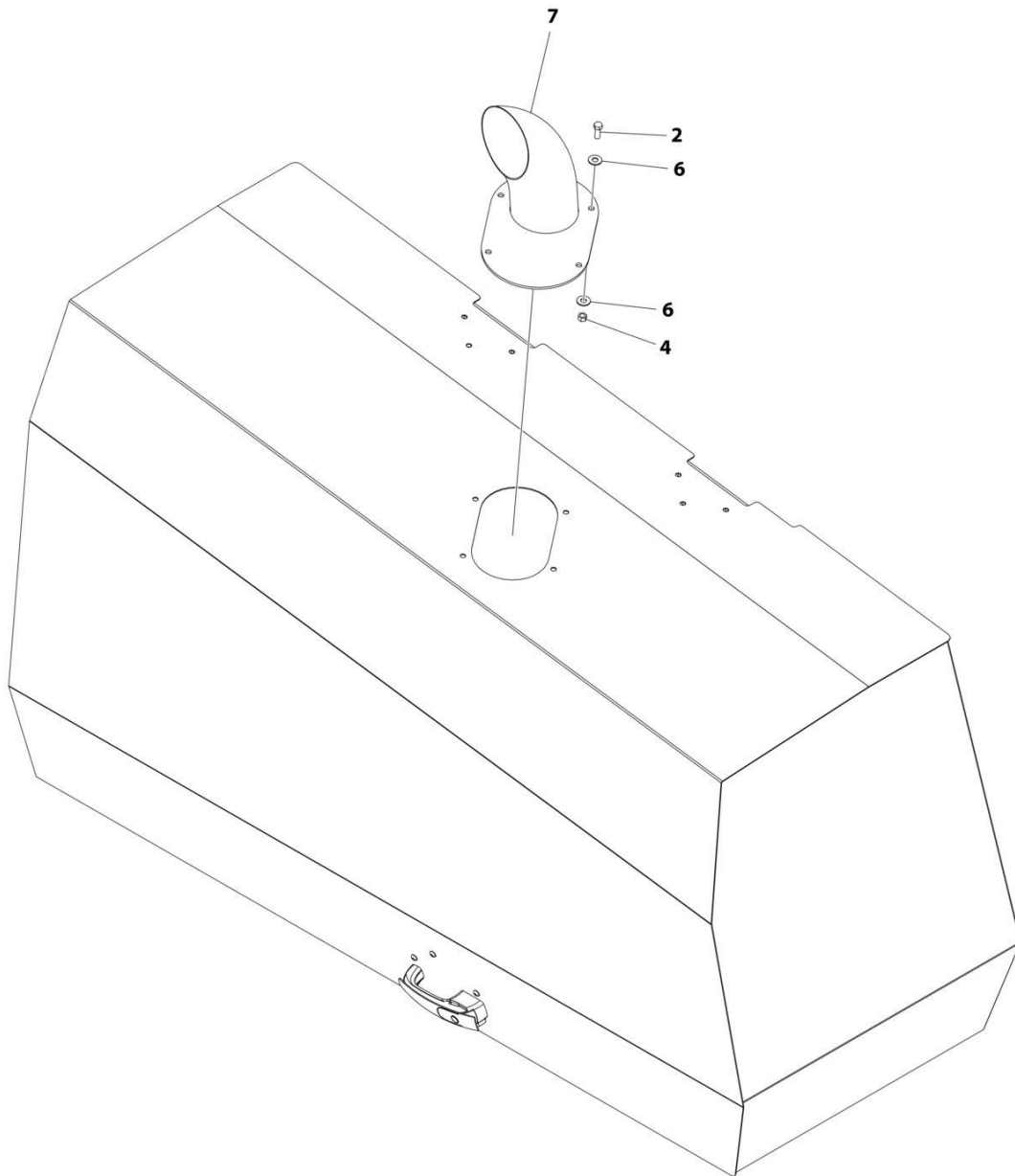
SECTION 2 - TURNTABLE

FIGURE 2-73. EXHAUST COVER AND HEAT SHIELDS INSTALLATION - STEEL HOODS (DEUTZ TD2.9L4 ENGINES)

ITEM	PART NUMBER	QTY	DESCRIPTION	REV
	1001173878	Ref	HOODS INSTALLATION	C
2	3311605	4	Nut 3/8	
3	0641608	4	Bolt 3/8 x 1	
4	4751600	8	Washer 3/8	
5	1001144527	1	Pipe, Exhaust	
6	0641406	3	Bolt 1/4 x 3/4	
7	3311405	3	Nut 1/4	
8	4751400	3	Washer 1/4	
9	1001163101	1	Shield, Heat	

SECTION 2 - TURNTABLE

FIGURE 2-74. EXHAUST COVER INSTALLATION - STEEL HOODS (FORD ENGINES)



ART_1001220189

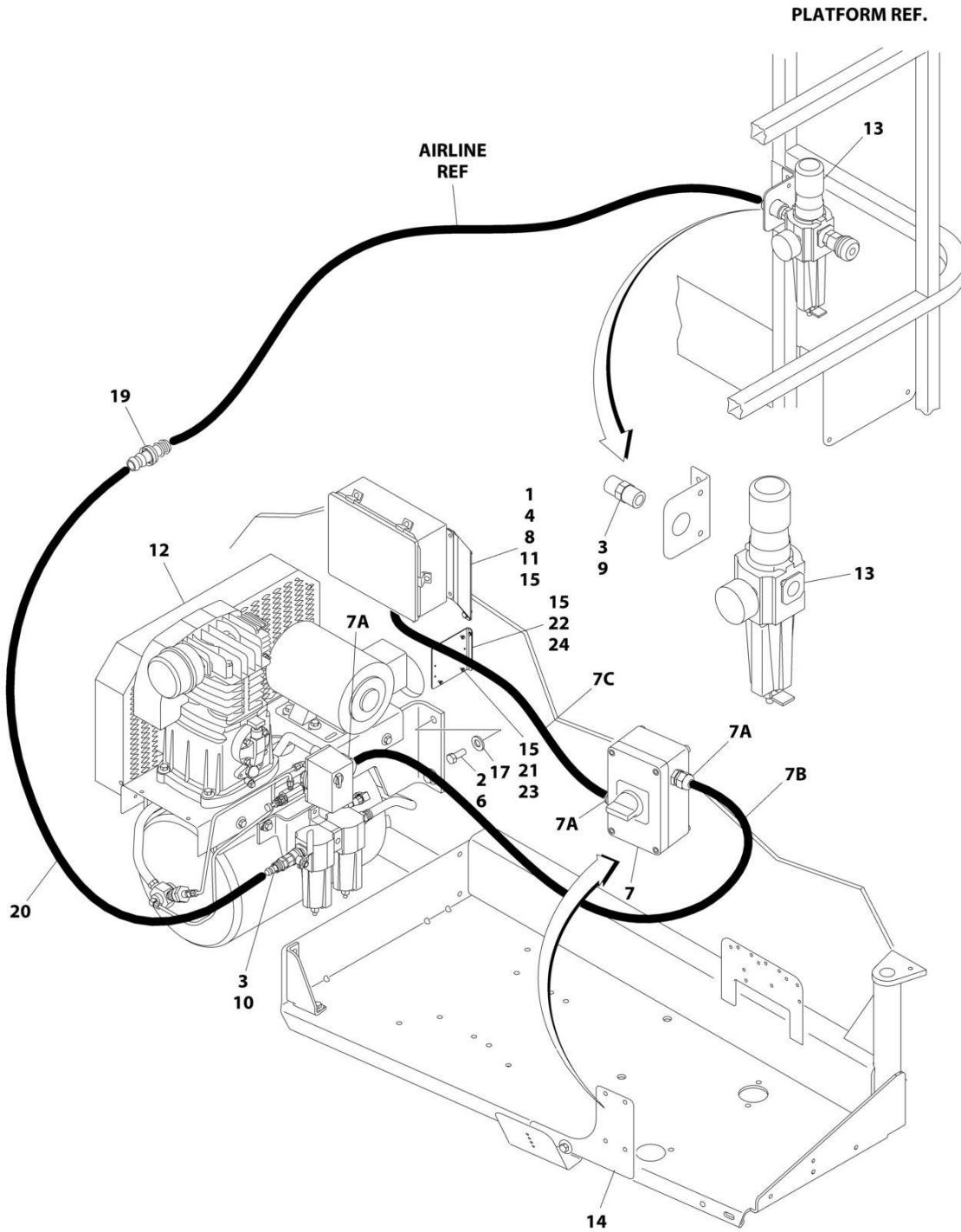
SECTION 2 - TURNTABLE

FIGURE 2-74. EXHAUST COVER INSTALLATION - STEEL HOODS (FORD ENGINES)

ITEM	PART NUMBER	QTY	DESCRIPTION	REV
	1001220189	Ref	HOODS INSTALLATION	C
2	0641608	4	Bolt 3/8 x 1	
4	3311605	4	Nut 3/8	
6	4751600	8	Washer 3/8	
7	1001116457	1	Pipe, Exhaust	

SECTION 2 - TURNTABLE

FIGURE 2-75. SKYAIR AIR COMPRESSOR INSTALLATION



ART_0274031

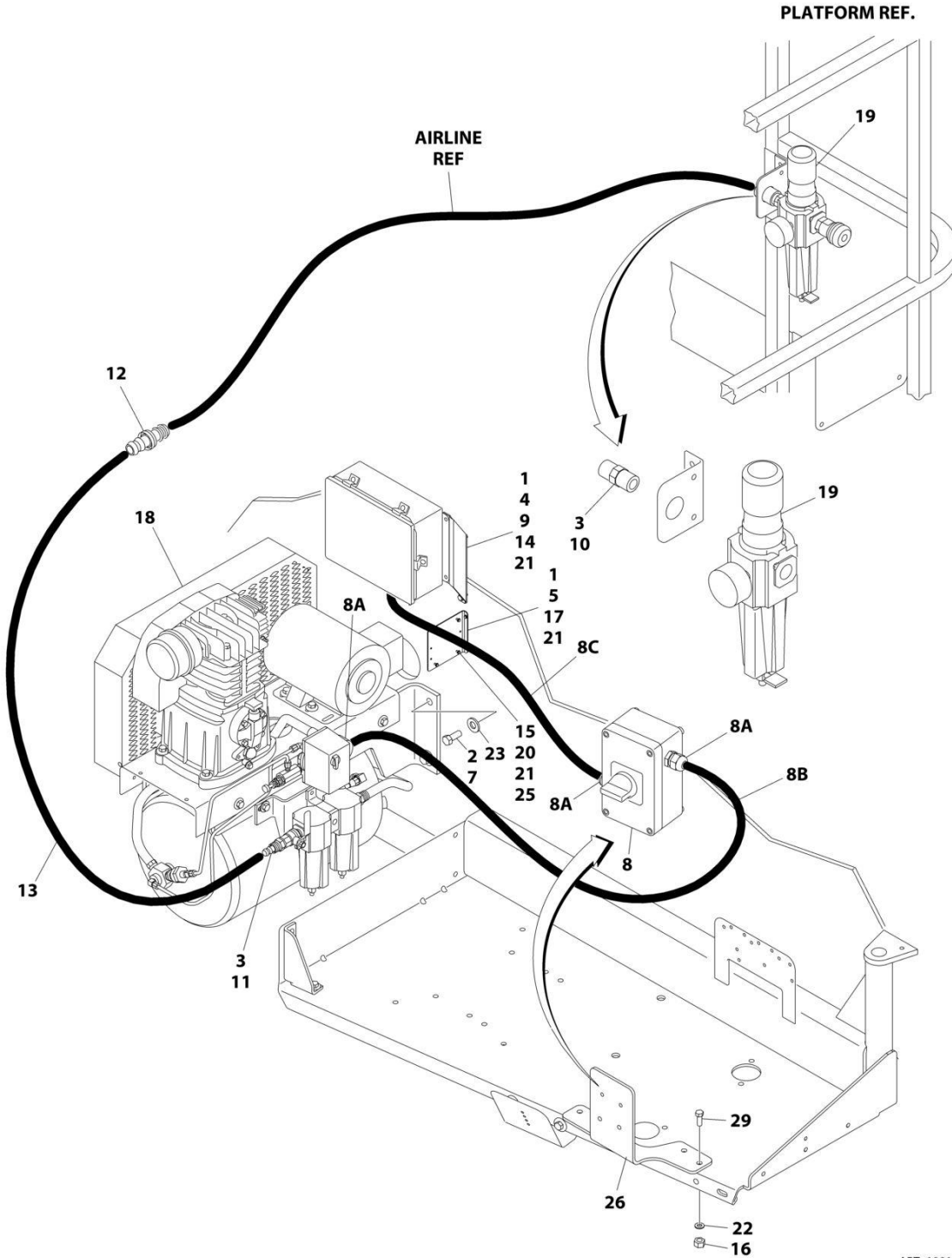
SECTION 2 - TURNTABLE

FIGURE 2-75. SKYAIR AIR COMPRESSOR INSTALLATION

ITEM	PART NUMBER	QTY	DESCRIPTION	REV
	0274031	Ref	SKYAIR AIR COMPRESSOR INSTALLATION	D
1	0100011	AR	Compound, Locking	
2	0100019	AR	Compound, Locking	
3	0100020	3	Sealant	
4	0641405	4	Bolt 1/4 x 5/8	
6	0641810	4	Bolt 1/2 x 1-1/4	
7	0861642	1	Control Box Assembly	
7A	4460633	3	Connector, Strain Relief	
7B	70002948	AR	Cable, Electrical - 12/4 (13ft/4m)	
7C	70002948	AR	Cable, Electrical - 12/4 (30in/76cm)	
8	0903088	2	Bracket, Generator Box	
9	2220252	1	Fitting, Adapter NPT	
10	2220750	1	Fitting	
11	3300454	4	Nut, Tinnerman 1/4	
12	3600386	1	Air Compressor Assembly (See Separate Breakdown in this section)	
13	3720021	1	Filter/Regulator Assembly	
13	7027781	1	Service Kit (Includes Gaskets and Seals)	
13	7027782	1	Filter	
13	7027784	1	Gauge	
13	7027783	1	Valve, Drain	
14	4340747	1	Bracket, Control Box	
15	4711400	14	Washer 1/4	
17	4751800	4	Washer 1/2	
19	2221037	1	Fitting, Barbed	
20	2720545	1	Hose, Air	
21	0641409	4	Bolt 1/4 x 1-1/8	
22	0641410	2	Bolt 1/4 x 1-1/4	
23	3311405	4	Nut 1/4	
24	3575874	1	Bracket, Module	
25	4460428	1	Connector	

SECTION 2 - TURNTABLE

FIGURE 2-76. SKYAIR AIR COMPRESSOR INSTALLATION



ART_1001144438

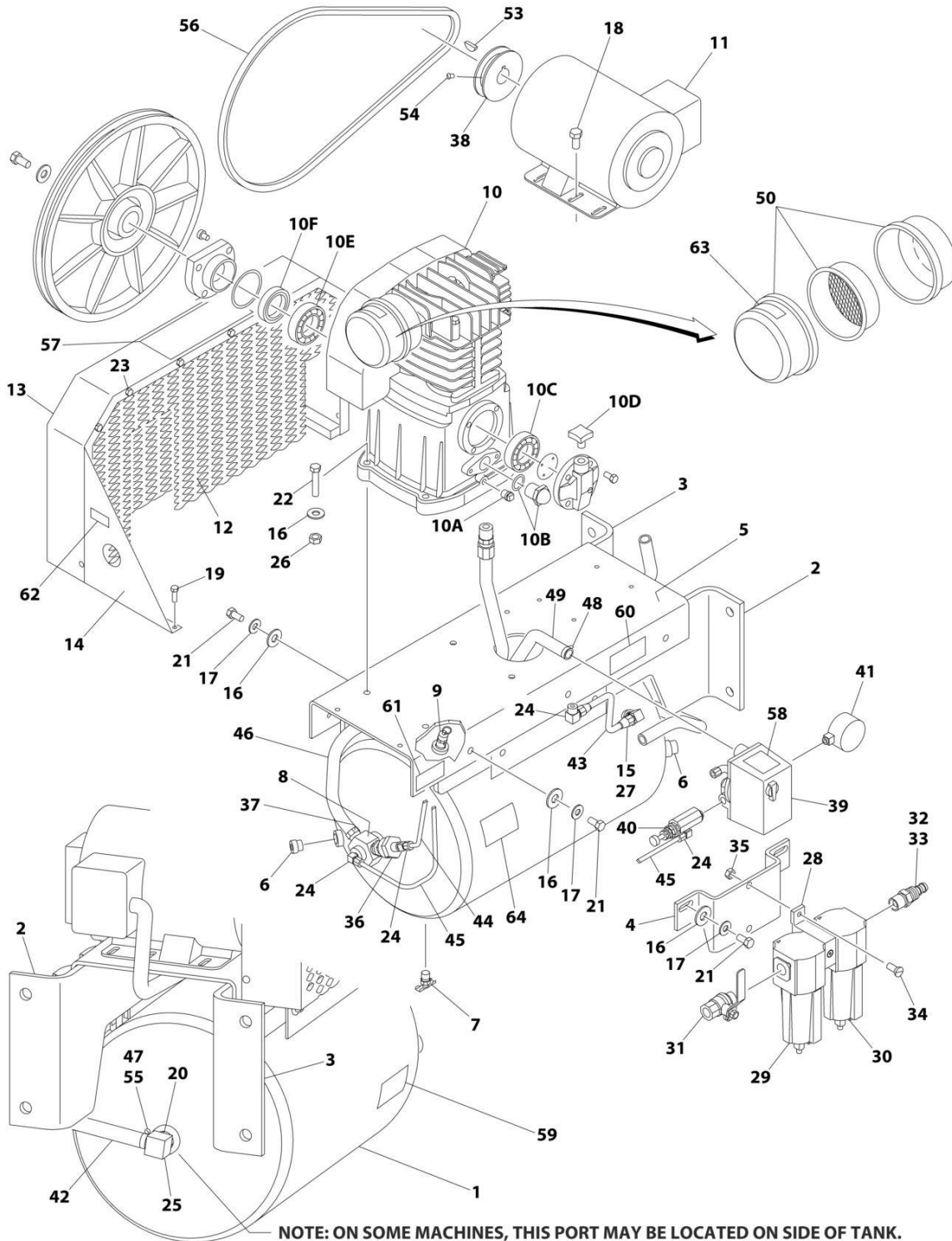
SECTION 2 - TURNTABLE

FIGURE 2-76. SKYAIR AIR COMPRESSOR INSTALLATION

ITEM	PART NUMBER	QTY	DESCRIPTION	REV
	1001144438	Ref	SKYAIR AIR COMPRESSOR INSTALLATION	B
1	0100011	AR	Compound, Locking	
2	0100019	AR	Compound, Locking	
3	0100020	AR	Sealant	
4	0641405	4	Bolt 1/4 x 5/8	
5	0641410	2	Bolt 1/4 x 1-1/4	
7	0641810	4	Bolt 1/2 x 1-1/4	
8	0861642	1	Control Box Assembly	
8A	4460633	3	Connector, Strain Relief	
8B	70002948	AR	Cable, Electrical - 12/4 (13ft/4m)	
8C	70002948	AR	Cable, Electrical - 12/4 (30in/76cm)	
9	0903088	2	Bracket, Generator Box	
10	2220252	1	Fitting, Adapter NPT	
11	2220750	1	Fitting	
12	2221037	1	Fitting, Barbed	
13	2720545	1	Hose, Air	
14	3300454	4	Nut, Tinnerman 1/4	
15	3311405	4	Nut 1/4	
16	3311605	3	Nut 3/8	
17	3575874	1	Bracket, Module	
18	3600386	1	Air Compressor Assembly (See Separate Breakdown in this Section)	
19	3720021	1	Filter/Regulator Assembly	
19	7027781	1	Service Kit (Includes Gaskets and Seals)	
19	7027782	1	Filter	
19	7027784	1	Gauge	
19	7027783	1	Valve, Drain	
20	3931424	4	Capscrew 1/4 x 1-1/2	
21	4711400	14	Washer 1/4	
22	4711600	4	Washer 3/8	
23	4751800	4	Washer 1/2	
25	1001110425	4	Spacer	
26	1001144447	1	Bracket, Control Box	
27	0641606	1	Bolt 3/8 x 3/4 (Not Shown)	
28	8406201	1	Clip (Not Shown)	
29	0641609	3	Bolt 3/8 X 1-1/8	

SECTION 2 - TURNTABLE

FIGURE 2-77. AIR COMPRESSOR ASSEMBLY



ART_3600386

SECTION 2 - TURNTABLE

FIGURE 2-77. AIR COMPRESSOR ASSEMBLY

ITEM	PART NUMBER	QTY	DESCRIPTION	REV
	3600386	Ref	AIR COMPRESSOR ASSEMBLY	B
1	7026632	1	Tank	
2	See Note	1	Bracket, Mounting (Note: Not Available for Purchase)	
3	See Note	1	Bracket, Mounting (Note: Not Available for Purchase)	
4	See Note	1	Bracket, Regulator Mounting (Note: Not Available for Purchase)	
5	See Note	1	Deck (Note: Not Available for Purchase)	
6	See Note	2	Plug (Note: Not Available for Purchase)	
7	7026633	1	Valve, Drain	
8	7026634	1	Valve, Check	
9	7026635	1	Valve, Safety	
10	7026636	1	Pump Assembly	
10	7026659	1	Gasket and Seal Kit	
10A	7026651	1	Plug, Oil Drain	
10B	7026652	1	Gauge, Oil Sight	
10C	7026653	1	Bearing	
10D	7026654	1	Cap, Oil Fill	
10E	7026655	1	Bearing	
10F	7026656	1	Seal	
11	7026637	1	Motor Assembly	
11	See Note	1	Brush Kit (Note: Not Available for Purchase)	
12	See Note	1	Screen, Inner (Note: Not Available for Purchase)	
13	See Note	1	Guard, Belt (Note: Not Available for Purchase)	
14	See Note	2	Support (Note: Not Available for Purchase)	
15	See Note	1	Bushing (Note: Not Available for Purchase)	
16	4751600	18	Washer 3/8	
17	4761600	10	Washer 3/8	
18	0641506	4	Bolt 5/16 x 3/4	
19	0641406	8	Bolt 1/4 x 3/4	
20	See Note	1	Bushing (Note: Not Available for Purchase)	
21	0641610	10	Bolt 3/8 x 1-1/4	
22	0641616	4	Bolt 3/8 x 2	
23	See Note	10	Bolt 1/4 x 1/2 (Note: Not Available for Purchase)	
24	See Note	4	Fitting (Note: Not Available for Purchase)	
25	See Note	1	Fitting, Barbed (Note: Not Available for Purchase)	
26	3311605	4	Nut 3/8	
27	See Note	1	Fitting, Compression (Note: Not Available for Purchase)	
28	See Note	1	Bracket, Mounting (Note: Not Available for Purchase)	
29	7026660	1	Filter, Oil Removal	
30	7026661	1	Filter, Water Removal	
31	70001663	1	Valve, Ball Shut-Off	
32	See Note	1	Bushing (Note: Not Available for Purchase)	
33	See Note	1	Fitting, Barbed (Note: Not Available for Purchase)	
34	See Note	2	Screw 1/4 x 1 (Note: Not Available for Purchase)	
35	3311405	2	Nut 1/4	
36	See Note	1	Unloader (Note: Not Available for Purchase)	
37	See Note	1	Fitting (Note: Not Available for Purchase)	
38	See Note	1	Pulley (Note: Not Available for Purchase)	
39	7026638	1	Switch, Pressure	
40	7026639	1	Vale, Pilot	
41	7026640	1	Gauge	

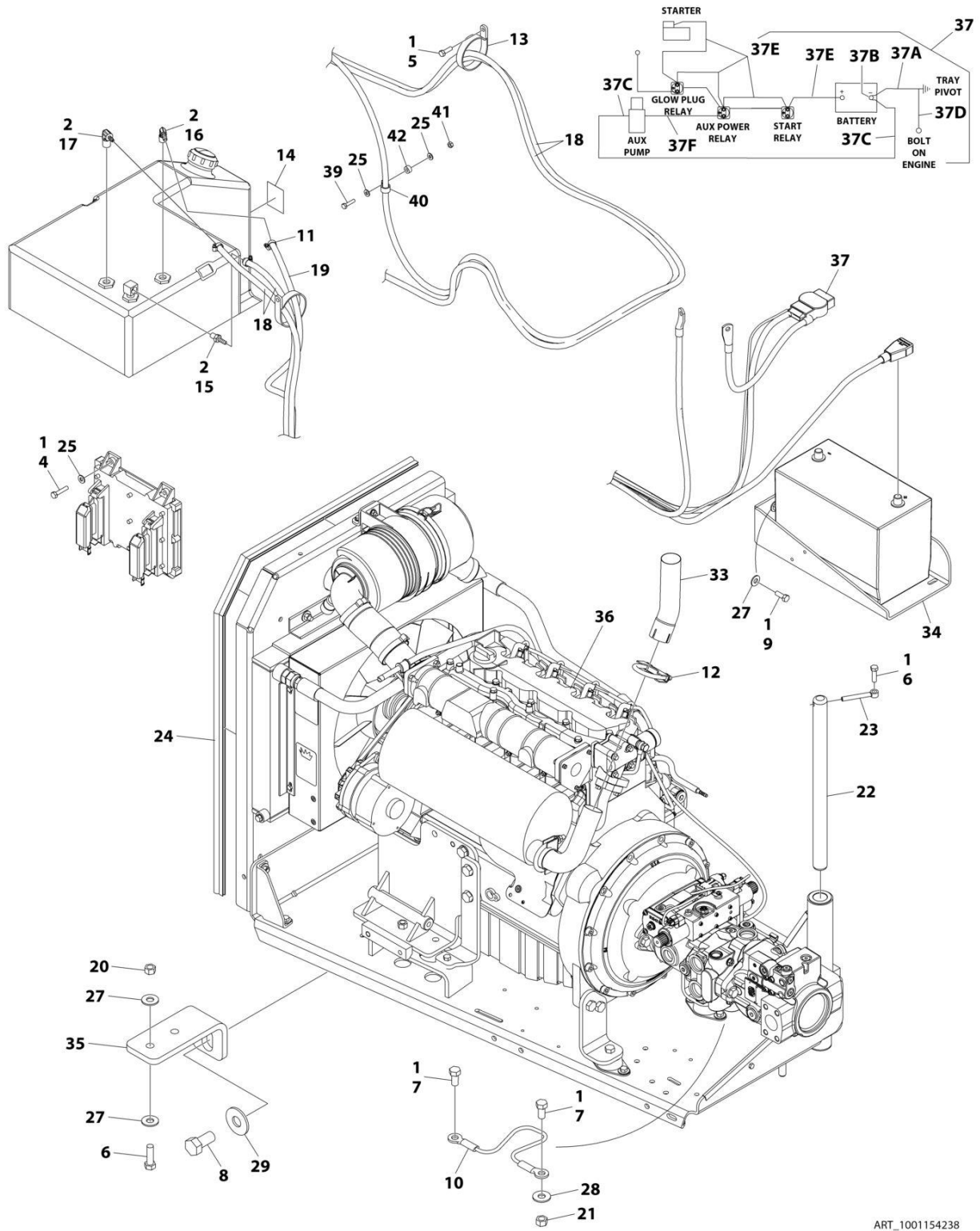
SECTION 2 - TURNTABLE

ITEM	PART NUMBER	QTY	DESCRIPTION	REV
42	See Note	1	Hose (Note: Not Available for Purchase)	
43	See Note	1	Tube, Feed (Note: Not Available for Purchase)	
44	See Note	1	Tube (Note: Not Available for Purchase)	
45	See Note	1	Tube (Note: Not Available for Purchase)	
46	See Note	1	Aftercooler (Note: Not Available for Purchase)	
47	See Note	2	Clamp (Note: Not Available for Purchase)	
48	See Note	2	Clamp (Note: Not Available for Purchase)	
49	See Note	1	Harness, Wiring (Note: Not Available for Purchase)	
50	7026658	1	Filter Assembly	
50	7026641	1	Element, Filter	
51	See Note	23 oz	Oil, Compressor (Note: Not Available for Purchase)	
52	0100020	AR	Sealant	
53	See Note	1	Key (Note: Not Available for Purchase)	
54	See Note	2	Setscrew (Note: Not Available for Purchase)	
55	See Note	2	Cover, Clamp End (Note: Not Available for Purchase)	
56	7026642	1	Belt	
57	7026643	1	Decal - Unit Warning	
58	7026644	1	Decal - Pressure Switch Warning	
59	7026645	1	Decal - Drain Tank Warning	
60	7026646	1	Decal - Compressor Maintenance	
61	7026647	1	Decal - Initial Oil Fill	
62	7026648	1	Decal - Hot Surfaces Warning	
63	7026649	1	Decal - Paper Element Cleaning	
64	7026650	1	Decal - Dual Control	

SECTION 3 - ENGINE

SECTION 3 - ENGINE

FIGURE 3-1. DEUTZ D2011 ENGINE INSTALLATION (WITHOUT ARCTIC PACKAGE)



ART_1001154238

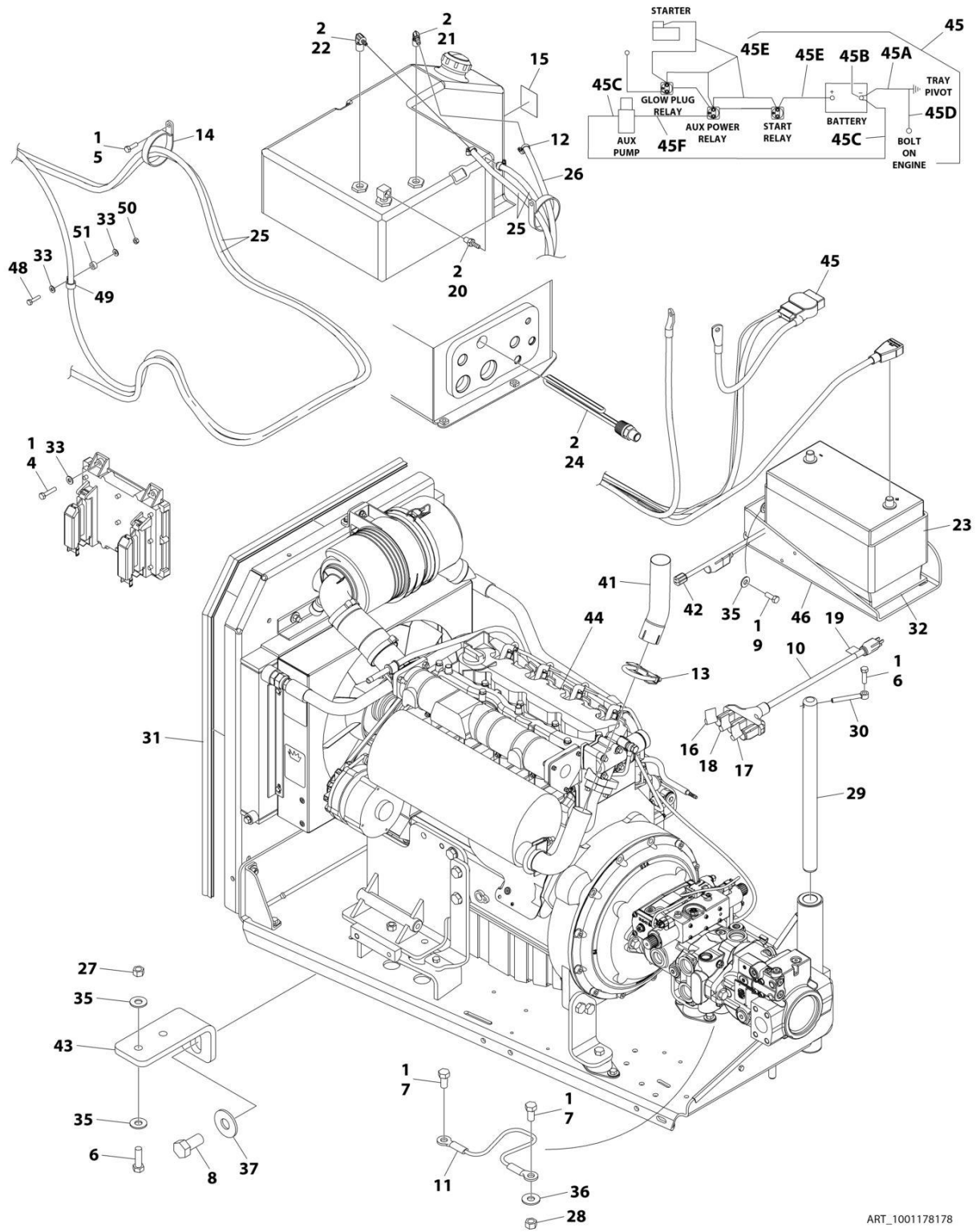
SECTION 3 - ENGINE

FIGURE 3-1. DEUTZ D2011 ENGINE INSTALLATION (WITHOUT ARCTIC PACKAGE)

ITEM	PART NUMBER	QTY	DESCRIPTION	REV
	1001154238	Ref	DEUTZ D2011 ENGINE INSTALLATION (WITHOUT ARCTIC PACKAGE)	F
1	0100011	AR	Compound, Locking	
2	0100020	AR	Sealant, Pipe	
4	0641410	4	Bolt 1/4 x 1-1/4	
5	0641508	1	Bolt 5/16 x 1	
6	0641610	3	Bolt 3/8 x 1-1/4	
7	0641808	2	Bolt 1/2 x 1	
8	0642010	1	Bolt 5/8 x 1-1/4	
9	0681608	3	Bolt 3/8 x 1 Grade 8	
10	1060637	1	Cable, Lanyard	
11	1320022	5	Clamp, Hose	
12	1320176	1	Clamp	
13	1321339	1	Clamp	
14	1701505	1	Decal - Diesel (Not Shown - Located on Hood)	
15	2180348	1	Fitting, Straight NPT/Barbed	
16	2220313	1	Fitting, 90 NPT/Barbed	
17	2221176	1	Fitting, 90 NPT/Barbed	
18	2720058	30 ft/ 9m	Hose	
19	2750532	6 ft/ 1.8m	Hose	
20	3311605	2	Nut 3/8	
21	3311801	1	Nut 1/2	
22	3422446	1	Pin, Pivot	
23	3841143	1	Pin, Keeper	
24	3960389	5 ft/ 1.5m	Seal	
25	4711400	6	Washer 1/4	
27	4751600	7	Washer 3/8	
28	4751800	1	Washer 1/2	
29	4752000	1	Washer 5/8	
33	1001101600	1	Tube, Exhaust	
34	1001162497	1	Bracket	
35	1001151070	1	Plate	
36	1001154236	1	Engine and Pump Assembly without Arctic Package (See Separate Breakdown in this Section)	
37	1001155143	1	Kit, Battery Cable	
37A	7027092	1	Cable, Battery (Black) (Battery - to Tray Pivot and Relay Grd)	
37B	8270147	1	Terminal, Battery (With Boot) Cable, Battery (Black)	
37C	7027093	1	Cable, Battery (Black) (Battery - to Aux Pump Ground)	
37D	7027053	1	Cable, Battery (Black) (Engine to Tray Pivot Grd)	
37E	7027094	1	Cable (Red) (Battery + to Relays/Starter)	
37F	7027095	1	Cable (Red) (Aux Relay to Aux Pump)	
39	0641409	1	Bolt 1/4 x 1-1/8	
40	1320224	1	Clamp	
41	3311405	1	Nut 1/4	
42	1001110425	1	Spacer	

SECTION 3 - ENGINE

FIGURE 3-2. DEUTZ D2011 ENGINE INSTALLATION (WITH ARCTIC PACKAGE)



ART_1001178178

SECTION 3 - ENGINE

FIGURE 3-2. DEUTZ D2011 ENGINE INSTALLATION (WITH ARCTIC PACKAGE)

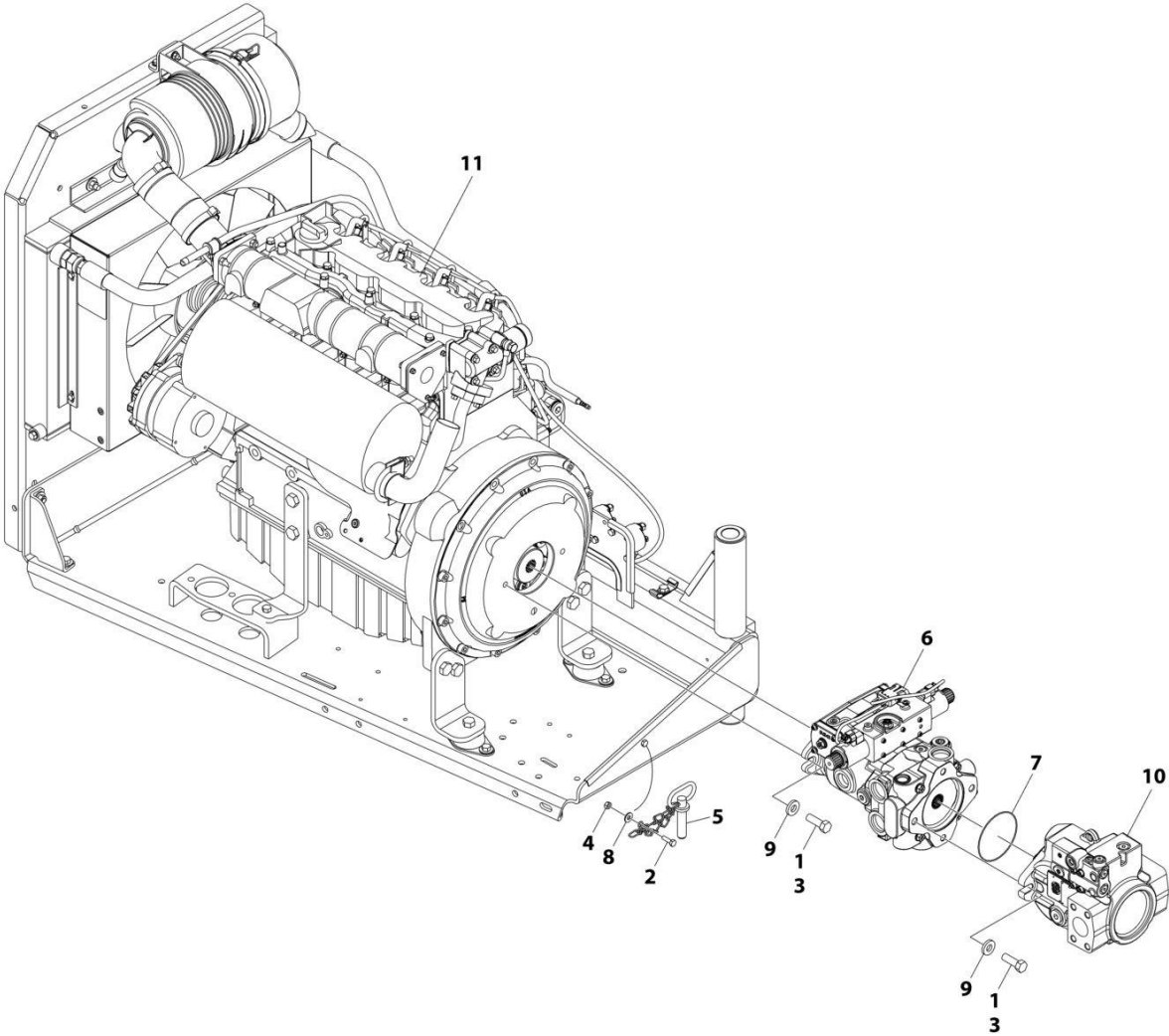
ITEM	PART NUMBER	QTY	DESCRIPTION	REV
	1001178178	Ref	DEUTZ D2011 ENGINE INSTALLATION (WITH ARCTIC PACKAGE)	E
1	0100011	AR	Compound, Locking	
2	0100020	AR	Sealant, Pipe	
4	0641410	4	Bolt 1/4 x 1-1/4	
5	0641508	1	Bolt 5/16 x 1	
6	0641610	3	Bolt 3/8 x 1-1/4	
7	0641808	2	Bolt 1/2 x 1	
8	0642010	1	Bolt 5/8 x 1-1/4	
9	0681608	3	Bolt 3/8 x 1 Grade 8	
10	1060626	1	Cord, 3 Way Extension (Located on Left Front of Engine)	
11	1060637	1	Lanyard	
12	1320022	5	Clamp	
13	1320176	1	Clamp	
14	1321339	1	Clamp	
15	1701505	1	Decal - Fuel (Diesel)	
16	1702941	1	Decal - Battery Heater (Located on Battery Heater)	
17	1702942	1	Decal - Engine Block Heater (Located on Right Side of Engine)	
18	1702943	1	Decal - Hydraulic Tank Heater (Located on bottom of Hydraulic Oil Tank)	
19	1702944	1	Decal - Heater Cord (Located on Left Front of Engine)	
20	2180348	1	Fitting, Straight Barbed	
21	2220313	1	Fitting, 90 NPT/Barbed	
22	2221176	1	Fitting, 90 NPT/Barbed	
23	2580024	1	Heater, Battery (Located on Battery)	
24	1001188972	1	Heater, Hydraulic Tank (Located on bottom of Hydraulic Oil Tank)	
25	2720058	30 ft/ 9m	Hose	
26	2750532	6 ft/ 1.8m	Hose	
27	3311605	2	Nut 3/8	
28	3311801	1	Nut 1/2	
29	3422446	1	Pin, Pivot	
30	3841143	1	Pin, Keeper	
31	3960389	5 ft/ 1.5m	Seal	
32	3980007	1	Seat, Battery	
33	4711400	6	Washer 1/4	
35	4751600	7	Washer 3/8	
36	4751800	1	Washer 1/2	
37	4752000	1	Washer 5/8	
41	1001101600	1	Tube, Exhaust	
42	1001150918	1	Cord, 8ft Extension (Located near Battery)	
43	1001151070	1	Plate	
44	1001154237	1	Engine and Pump Assembly with Arctic Package (See Separate Breakdown in this Section)	
45	1001155143	1	Kit, Battery Cable	
45	7027092	1	Cable, Battery (Black) (Battery - to Tray Pivot and Relay Grd)	
45	8270147	1	Terminal, Battery (With Boot) Cable, Battery (Black)	
45	7027093	1	Cable, Battery (Black) (Battery - to Aux Pump Ground)	
45	7027053	1	Cable, Battery (Black) (Engine to Tray Pivot Grd)	
45	7027094	1	Cable (Red) (Battery + to Relays/Starter)	
45	7027095	1	Cable (Red) (Aux Relay to Aux Pump)	

SECTION 3 - ENGINE

ITEM	PART NUMBER	QTY	DESCRIPTION	REV
46	1001162497	1	Bracket, Battery	
48	0641409	1	Bolt 1/4 x 1-1/8	
49	1320224	1	Clamp	
50	3311405	1	Nut 1/4	
51	1001110425	1	Spacer	

SECTION 3 - ENGINE

FIGURE 3-3. DEUTZ D2011 ENGINE AND PUMP SUB-ASSEMBLY (WITHOUT ARCTIC PACKAGE)



ART_1001154236

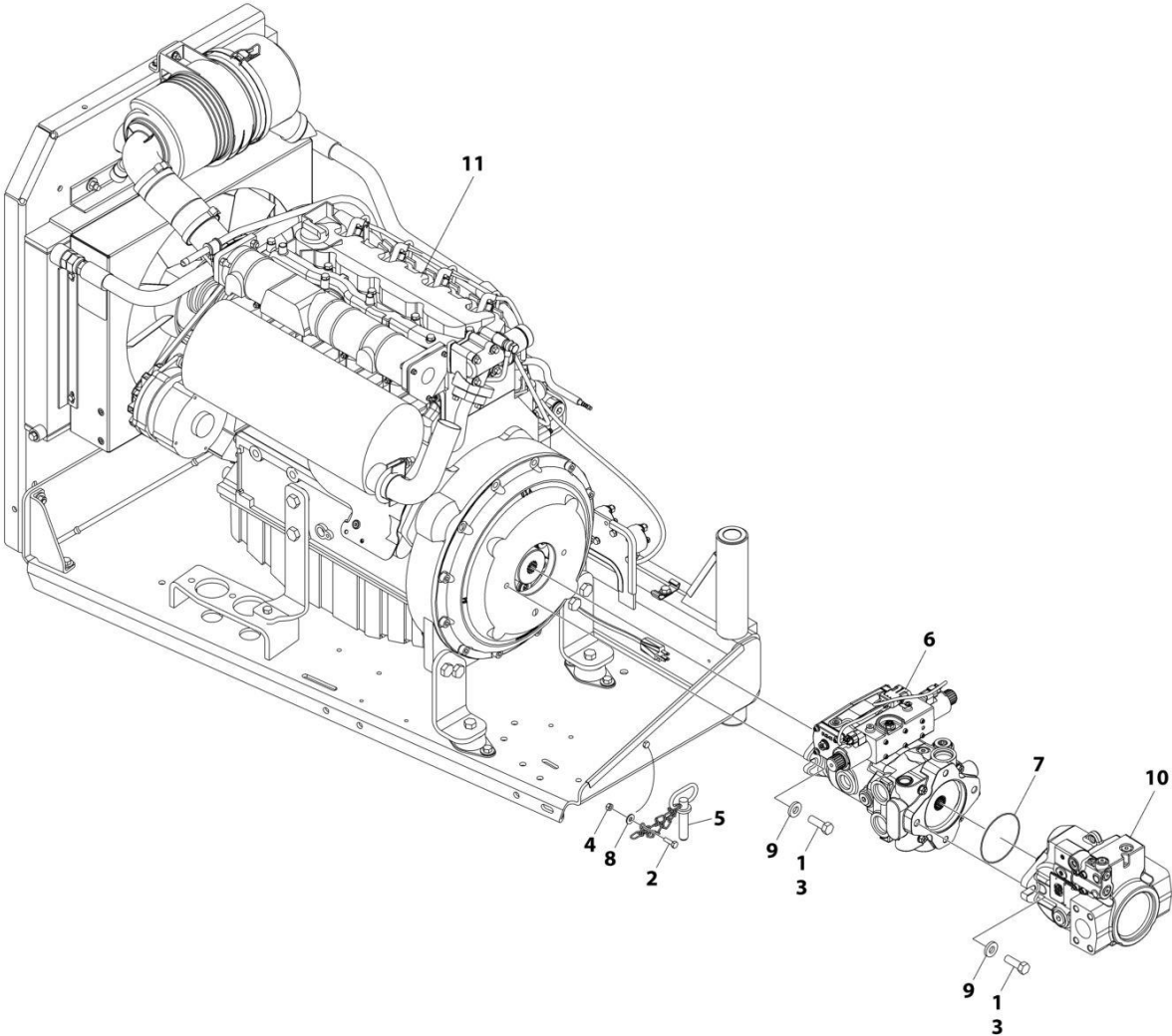
SECTION 3 - ENGINE

FIGURE 3-3. DEUTZ D2011 ENGINE AND PUMP SUB-ASSEMBLY (WITHOUT ARCTIC PACKAGE)

ITEM	PART NUMBER	QTY	DESCRIPTION	REV
	1001154236	Ref	DEUTZ D2011 ENGINE AND PUMP SUB-ASSEMBLY (WITHOUT ARCTIC PACKAGE)	D
1	0100011	AR	Compound, Locking	
2	0641407	1	Bolt 1/4 x 7/8	
3	0641812	4	Bolt 1/2 x 1-1/2	
4	3311405	1	Nut 1/4	
5	3422532	1	Pin, Hitch	
6	1001225745	1	Hydrostatic Pump Assembly with Fittings (See Separate Breakdown in this Section)	
7	3790044	1	O-Ring	
8	4751400	1	Washer 1/4	
9	4891800	4	Washer 1/2	
10	1001094595	1	Variable Pump Assembly with Fittings (See Separate Breakdown in this Section)	
11	1001153396	1	Engine Assembly Without Arctic Package (See Separate Breakdown in this Section)	

SECTION 3 - ENGINE

FIGURE 3-4. DEUTZ D2011 ENGINE AND PUMP SUB-ASSEMBLY (WITH ARCTIC PACKAGE)



ART_1001154237

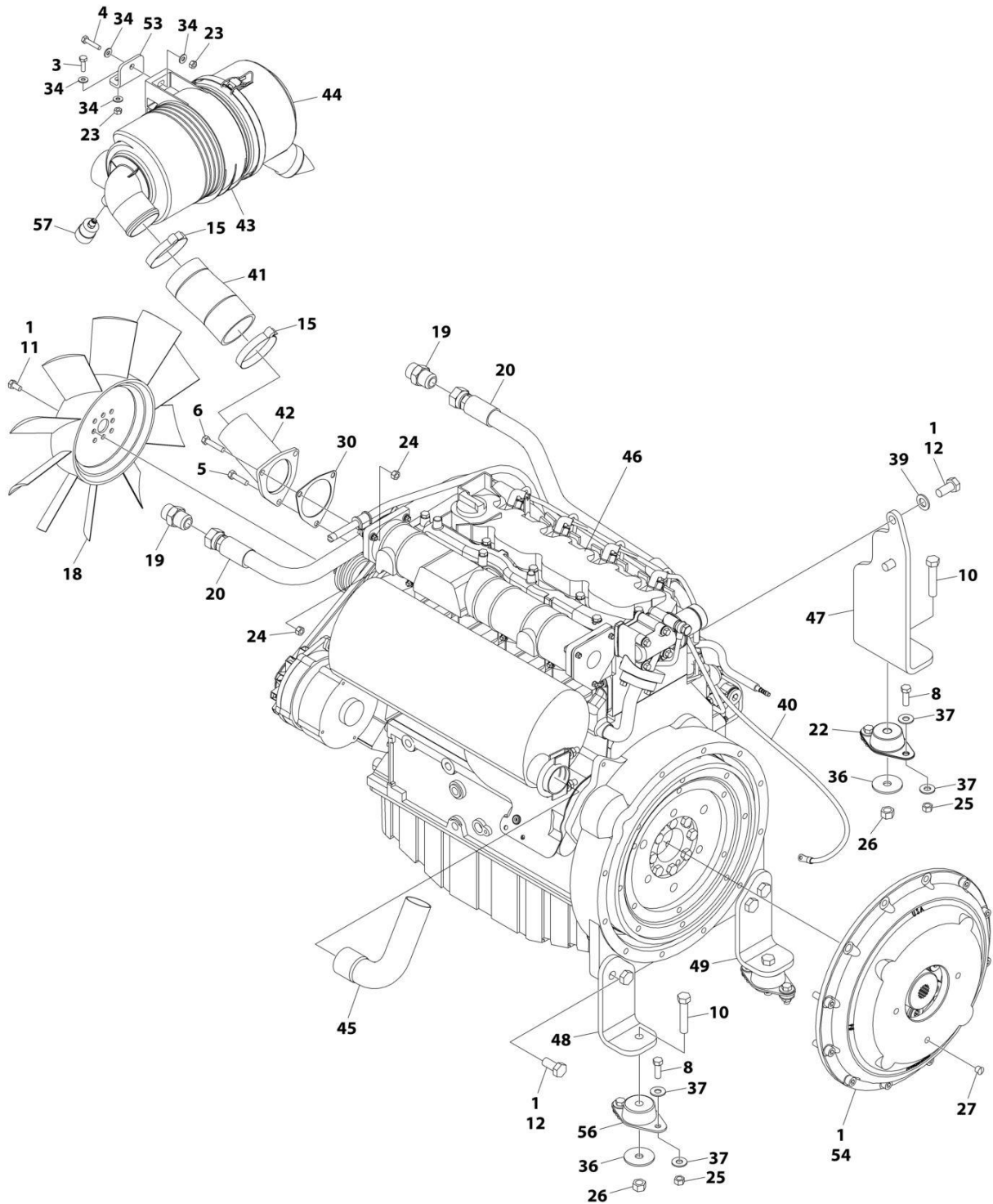
SECTION 3 - ENGINE

FIGURE 3-4. DEUTZ D2011 ENGINE AND PUMP SUB-ASSEMBLY (WITH ARCTIC PACKAGE)

ITEM	PART NUMBER	QTY	DESCRIPTION	REV
	1001154237	Ref	DEUTZ D2011 ENGINE AND PUMP SUB-ASSEMBLY (WITH ARCTIC PACKAGE)	D
1	0100011	AR	Compound, Locking	
2	0641407	1	Bolt 1/4 x 7/8	
3	0641812	4	Bolt 1/2 x 1-1/2	
4	3311405	1	Nut 1/4	
5	3422532	1	Pin, Hitch	
6	1001225745	1	Hydrostatic Pump Assembly with Fittings (See Separate Breakdown in this Section)	
7	3790044	1	O-Ring	
8	4751400	1	Washer 1/4	
9	4891800	4	Washer 1/2	
10	1001094595	1	Variable Pump Assembly with Fittings (See Separate Breakdown in this Section)	
11	1001153779	1	Engine Assembly With Arctic Package (See Separate Breakdown in this Section)	

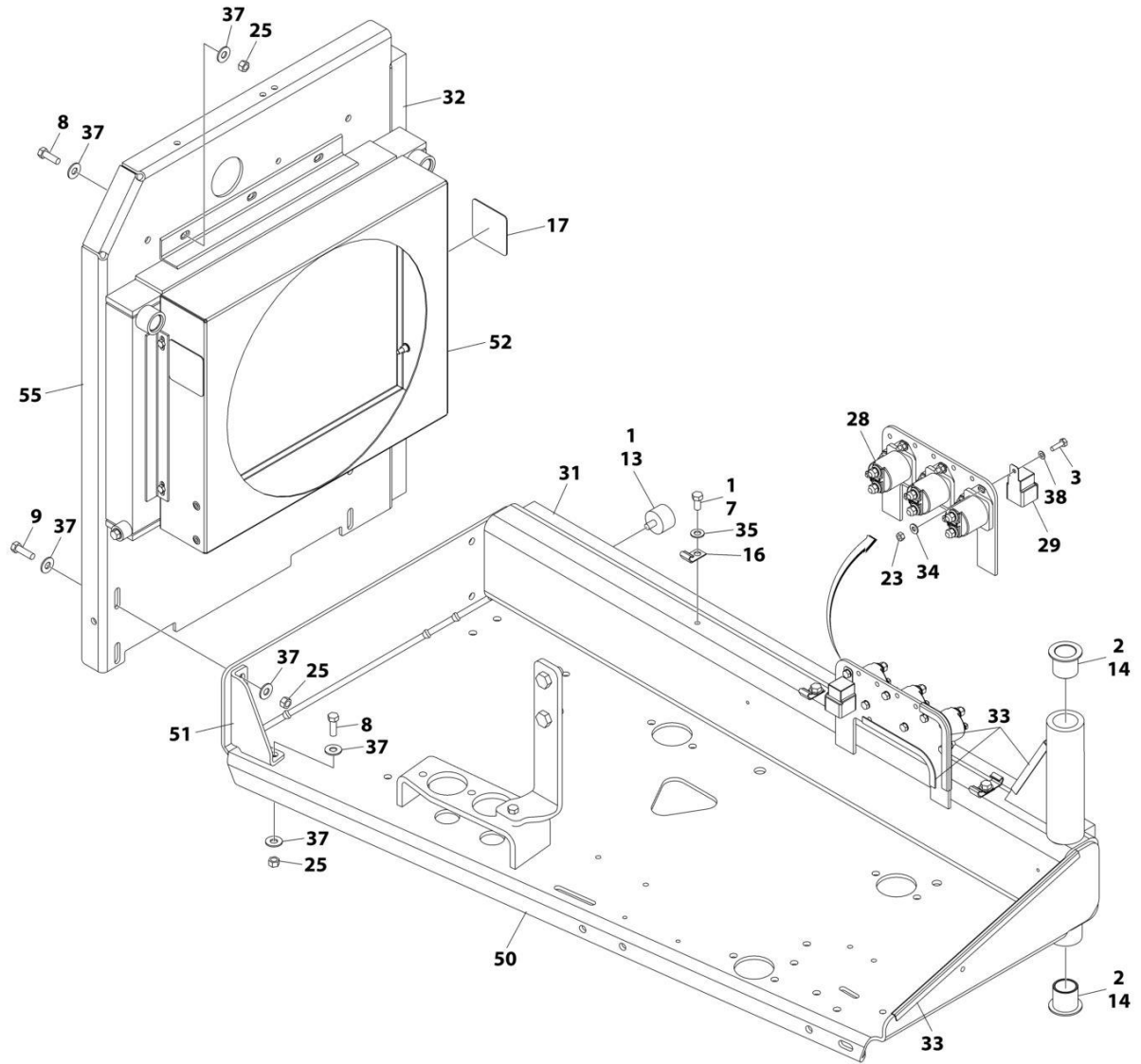
SECTION 3 - ENGINE

FIGURE 3-5. DEUTZ D2011 ENGINE ASSEMBLY (WITHOUT ARCTIC PACKAGE)



ART_1001153396_10F2

SECTION 3 - ENGINE



ART_1001153396_2OF2

SECTION 3 - ENGINE

FIGURE 3-5. DEUTZ D2011 ENGINE ASSEMBLY (WITHOUT ARCTIC PACKAGE)

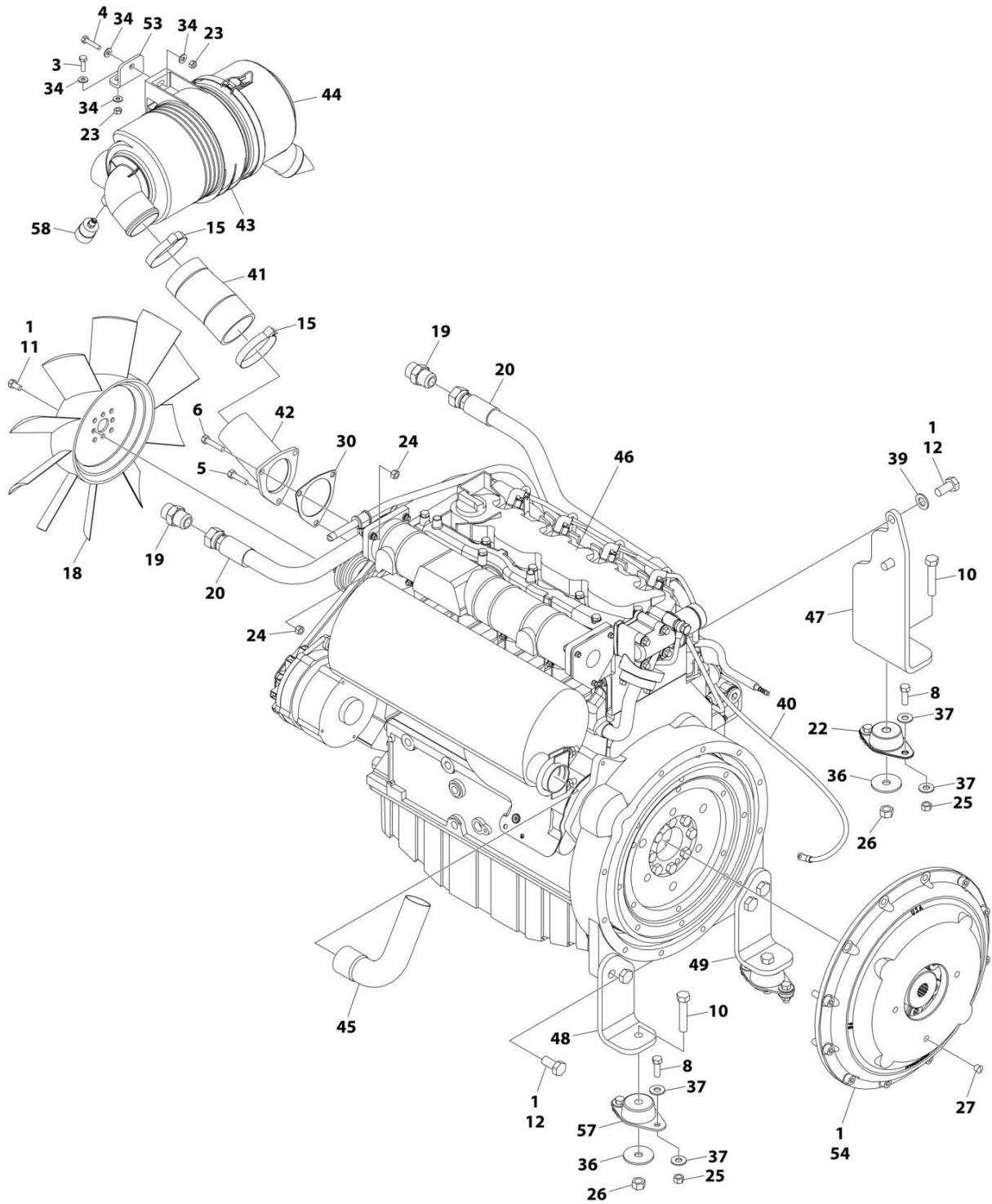
ITEM	PART NUMBER	QTY	DESCRIPTION	REV
	1001153396	Ref	ENGINE ASSEMBLY WITHOUT ARCTIC PACKAGE	H
1	0100011	AR	Compound, Locking	
2	0100062	AR	Compound, Locking	
3	0641407	8	Bolt 1/4 x 7/8	
4	0641410	2	Bolt 1/4 x 1-1/4	
5	0641510	2	Bolt 5/16 x 1-1/4	
6	0641512	1	Bolt 5/16 x 1-1/2	
7	0641606	3	Bolt 3/8 x 3/4	
8	0641609	14	Bolt 3/8 x 1-1/8	
9	0641610	4	Bolt 3/8 x 1-1/4	
10	0641820	3	Bolt 1/2 x 2-1/2	
11	0700808	4	Bolt M8 x 16	
12	0771414	6	Bolt M14 x 30	
13	0940070	1	Bumper	
14	0961986	2	Bushing, Flanged	
15	1320016	2	Clamp	
16	1320223	4	J-Clip	
17	1703162	2	Decal - Caution Fan Blade	
18	2060025	1	Fan	
19	2220451	2	Fitting, Straight	
20	2720398	2	Hose, Oil Cooler	
22	3200406	1	Mount, Motor	
23	3311405	10	Nut 1/4	
24	3311505	3	Nut 5/16	
25	3311605	18	Nut 3/8	
26	3311805	3	Nut 1/2	
27	3520054	2	Plug	
28	3740067	3	Relay	
29	3740080	1	Relay	
30	3960407	1	Gasket, Air Intake	
31	3960468	1	Seal	
32	3960469	1	Seal	
33	4060805	37 in/1m	Flex-Trim	
34	4711400	14	Washer 1/4	
35	4711600	3	Washer 3/8	
36	4740274	3	Washer, Snubbing	
37	4751600	36	Washer 3/8	
38	4791400	6	Washer, Star 1/4	
39	4812200	2	Washer M14	
40	4923379	1	Harness, Glow Plug	
41	1001001939	1	Hose, Flex	
42	1001146273	1	Adapter, Air Intake	
43	1001147812	1	Clamp	
44	1001147813	1	Air Cleaner Assembly Filter Element	
44	70004020	1	Element, Filter (Not Shown)	
45	1001147820	1	Pipe, Exhaust	
46	1001147823	1	Engine, Deutz D2011 (See Separate Breakdown in this section)	
47	1001149704	1	Support, Engine	
48	1001149705	1	Support, Engine	
49	1001149706	1	Support, Engine	

SECTION 3 - ENGINE

ITEM	PART NUMBER	QTY	DESCRIPTION	REV
50	1001149793	1	Tray, Engine	
51	1001150915	1	Gusset	
52	1001150998	1	Radiator	
53	1001152459	1	Plate, Air Cleaner Mounting	
54	1001153282	1	Pump Coupling Kit (See Separate Breakdown in this section)	
55	1001153414	1	Plate, Radiator Mounting	
56	3200401	2	Mount, Motor	
57	1001143390	1	Indicator	

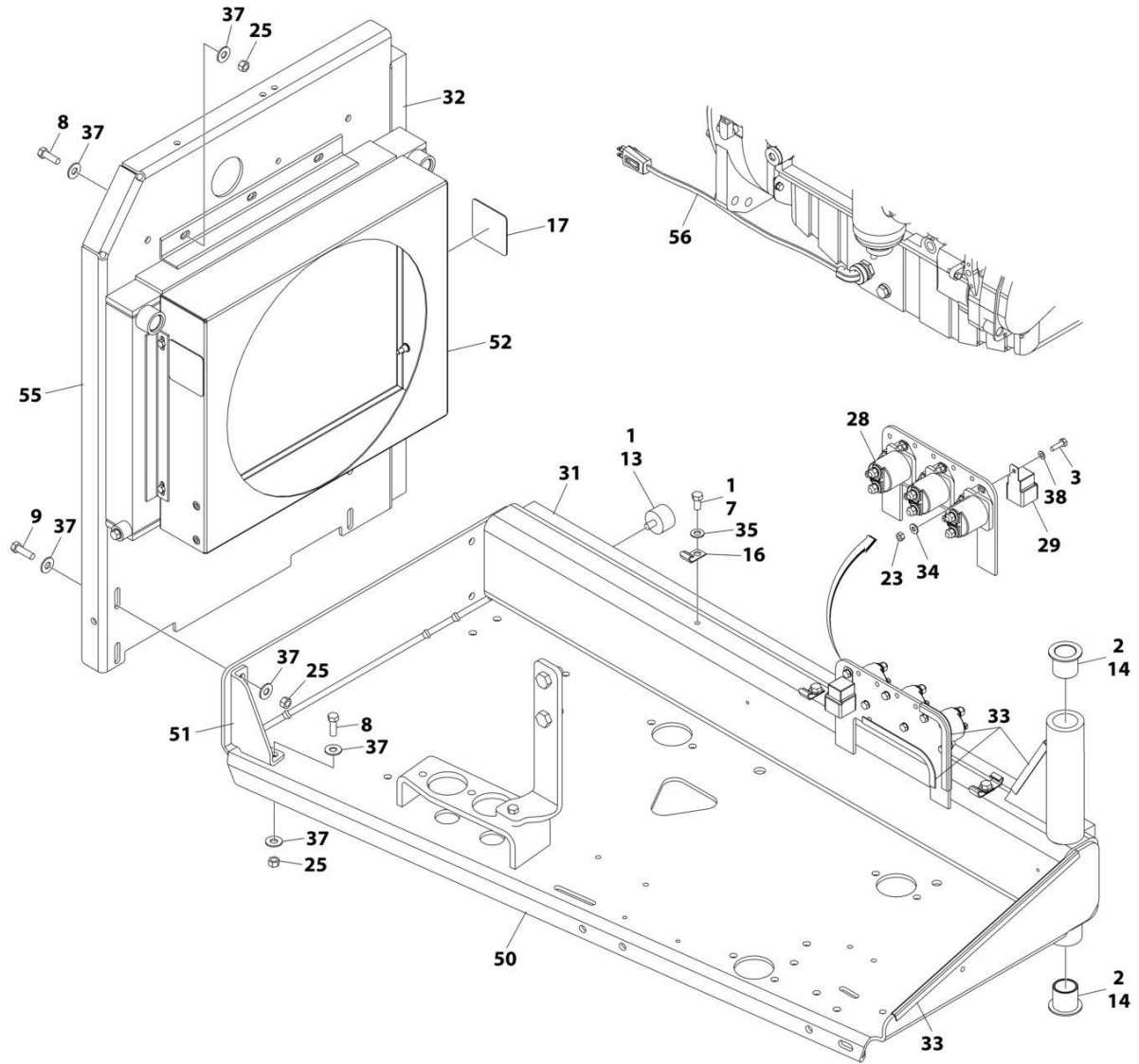
SECTION 3 - ENGINE

FIGURE 3-6. DEUTZ D2011 ENGINE ASSEMBLY (WITH ARCTIC PACKAGE)



ART_1001153779_10F2

SECTION 3 - ENGINE



ART_1001153779_2OF2

SECTION 3 - ENGINE

FIGURE 3-6. DEUTZ D2011 ENGINE ASSEMBLY (WITH ARCTIC PACKAGE)

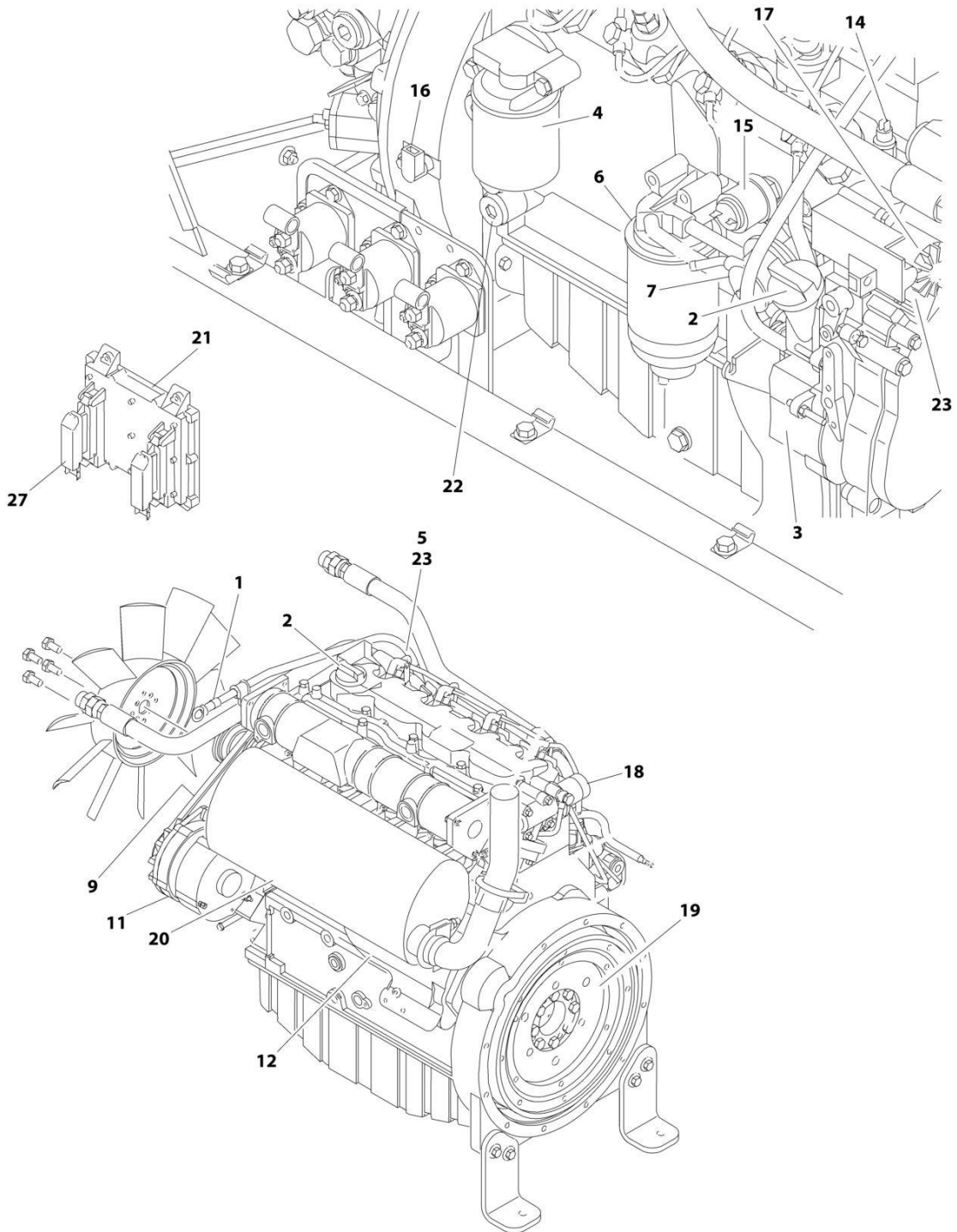
ITEM	PART NUMBER	QTY	DESCRIPTION	REV
	1001153779	Ref	ENGINE ASSEMBLY WITH ARCTIC PACKAGE	H
1	0100011	AR	Compound, Locking	
2	0100062	AR	Compound, Locking	
3	0641407	8	Bolt 1/4 x 7/8	
4	0641410	2	Bolt 1/4 x 1-1/4	
5	0641510	2	Bolt 5/16 x 1-1/4	
6	0641512	1	Bolt 5/16 x 1-1/2	
7	0641606	3	Bolt 3/8 x 3/4	
8	0641609	14	Bolt 3/8 x 1-1/8	
9	0641610	4	Bolt 3/8 x 1-1/4	
10	0641820	3	Bolt 1/2 x 2-1/2	
11	0700808	4	Bolt M8 x 16	
12	0771414	6	Bolt M14 x 30	
13	0940070	1	Bumper	
14	0961986	2	Bushing, Flanged	
15	1320016	2	Clamp	
16	1320223	4	J-Clip	
17	1703162	2	Decal - Caution Fan Blade	
18	2060025	1	Fan	
19	2220451	2	Fitting, Straight	
20	2720398	2	Hose, Oil Cooler	
22	3200406	1	Mount, Motor	
23	3311405	10	Nut 1/4	
24	3311505	3	Nut 5/16	
25	3311605	18	Nut 3/8	
26	3311805	3	Nut 1/2	
27	3520054	2	Plug	
28	3740067	3	Relay	
29	3740080	1	Relay	
30	3960407	1	Gasket, Air Intake	
31	3960468	1	Seal	
32	3960469	1	Seal	
33	4060805	37 in/1m	Flex-Trim	
34	4711400	14	Washer 1/4	
35	4711600	3	Washer 3/8	
36	4740274	3	Washer, Snubbing	
37	4751600	36	Washer 3/8	
38	4791400	6	Washer, Star 1/4	
39	4812200	2	Washer M14	
40	4923379	1	Harness, Glow Plug	
41	1001001939	1	Hose, Flex	
42	1001146273	1	Adapter, Air Intake	
43	1001147812	1	Clamp	
44	1001147813	1	Air Cleaner Assembly Filter Element	
44	70004020	1	Element, Filter (Not Shown)	
45	1001147820	1	Pipe, Exhaust	
46	1001147823	1	Engine, Deutz D2011 (See Separate Breakdown in this Section)	
47	1001149704	1	Support, Engine	
48	1001149705	1	Support, Engine	
49	1001149706	1	Support, Engine	

SECTION 3 - ENGINE

ITEM	PART NUMBER	QTY	DESCRIPTION	REV
50	1001149793	1	Tray, Engine	
51	1001150915	1	Gusset	
52	1001150998	1	Radiator	
53	1001152459	1	Plate, Air Cleaner Mounting	
54	1001153282	1	Pump Coupling Kit (See Separate Breakdown in this Section)	
55	1001153414	1	Plate, Radiator Mounting	
56	2580062	1	Heater, Block	
57	3200401	2	Mount, Motor	
58	1001143390	1	Indicator	

SECTION 3 - ENGINE

FIGURE 3-7. DEUTZ D2011 ENGINE COMPONENTS



ART_1001147823

SECTION 3 - ENGINE

FIGURE 3-7. DEUTZ D2011 ENGINE COMPONENTS

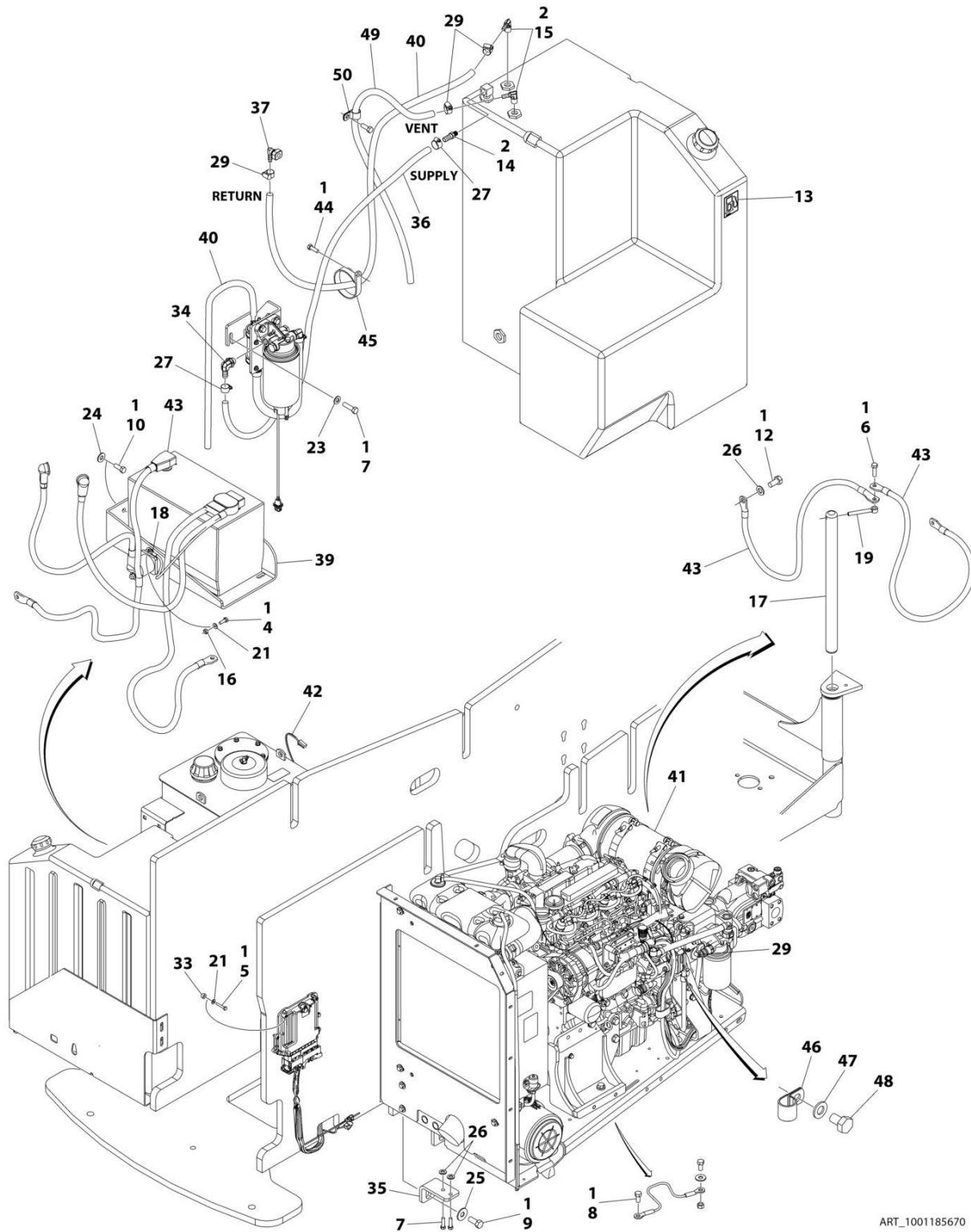
ITEM	PART NUMBER	QTY	DESCRIPTION	REV
	1001147823	Ref	ENGINE COMPONENTS	C
1	70004287	1	Dipstick	
1	70000044	1	Seal, Dipstick	
1	70001002	1	Tube, Dipstick	
1	7020403	1	Seal, Dipstick Tube	
2	7020465	2	Cap, Filler	
3	70001850	1	Pump, Oil Lube	
3	7020468	1	Seal Between Oil Pump and Engine Block (Not Shown)	
4	7016331	1	Filter, Oil	
4	70003472	1	Bracket, Oil Filter	
4	7027236	1	Sender, Temperature	
4	70025082	1	Ring, Sealing	
5	70000912	4	Series A Injector	
5	70000913	4	Series B Injector	
5	70000914	4	Series C Injector	
5	70000915	4	Series D Injector	
5	70003464	4	Seal/Gasket, Pump (1 Per Injector)	
5	70003478	4	Injector, Fuel	
5	70003136	4	Seal/Gasket, Pump (1 Per Injector)	
6	7016328	1	Filter, Fuel	
6	70003465	1	Sensor	
6	70003466	1	Seal, Sensor	
7	70000916	1	Pump, Fuel Supply	
7	70001435	1	Repair Kit for Fuel Supply Pump	
7	70000919	1	Hand Pump for Fuel Supply Pump	
7	70000917	1	O - Seal Between Fuel Pump and Engine Block	
7	70000918	1	O - Seal Between Fuel Pump and Hand Pump	
8	70001871	4	Gasket, Intake Manifold	
9	7020408	1	V-Belt	
10		Ref	Exhaust Manifold Components (Not Shown)	
10	70001835	1	Gasket, Exhaust Adapter to Exhaust Rail	
10	70001841	1	Valve, Exhaust (Fits into Exhaust Adapter)	
10	70001836	1	Gasket, Exhaust Rail to Cylinder Head	
10	70001837	1	Gasket, Exhaust Manifold to Muffler	
10	70002200	4	Stud, Mounting	
10	See Note	AR	Nut, Exhaust Manifold	
11	70004056	1	Alternator	
11	70001868	1	Regulator, Voltage (Not Shown)	
11	70001866	1	Seal, Gasket for Voltage Regulator (Not Shown)	
11	70002234	1	Bar, Alternator Adjustment	
12	7020479	1	Starter	
12	70004058	1	Relay	
13	70004060	2	Plug-In Connector	
14	7027791	1	Transmitter, Temperature	
15	7027790	1	Sensor, Oil Pressure	
16	70004272	1	Sensor, Speed	
17	7027792	1	Throttle Actuator	
17	7027276	2	Spring	
18	70003475	1	Thermostat (Located at rear of engine block - Not Shown)	
19	70001870	1	Flywheel with Ring Gear	

SECTION 3 - ENGINE

ITEM	PART NUMBER	QTY	DESCRIPTION	REV
19	7024579	1	Gear, Ring 110 Tooth	
20	7000695	1	Muffler	
20	70001844	1	U-Ciamp	
20	7020471	4	Gasket	
21	7027795	1	Module, Control	
22	70001181	1	Valve, Pressure Control	
22	70124410	1	Spring	
22	70025082	1	Seal	
22	70124440	1	Screw, Locking	
23	70000345	4	Plug, Glow	
24	70000800	1	Camshaft Pulley Repair Kit (Not Shown)	
26	70002415	1	Gasket, Head with 1 Notch (Not Shown)	
62	70002416	1	Gasket, Head with 2 Notch (Not Shown)	
26	70002417	1	Gasket, Head with 3 Notch (Not Shown)	
27	7027796	1	Harness, Engine (Connects to Item 421)	
27	70001872	1	Harness, Engine (Connects to p/n 7027796)	
28		Ref	Gaskets and Seals - Miscellaneous (Not Shown)	
28	70004289	1	Gasket Set	
28	70002718	1	Seal, Rear Main	
28	70004280	1	Seal, Front Main	
29	70025752	1	Valve, Pressure Relief (Not Shown - Located at Engine Front Left)	
29	70025753	1	Spring	
29	70005916	1	Seal	
29	70005917	1	Plug, Locking	

SECTION 3 - ENGINE

FIGURE 3-8. DEUTZ TD2.9L4 ENGINE INSTALLATION (WITHOUT ARCTIC PACKAGE)



ART_1001185670

SECTION 3 - ENGINE

FIGURE 3-8. DEUTZ TD2.9L4 ENGINE INSTALLATION (WITHOUT ARCTIC PACKAGE)

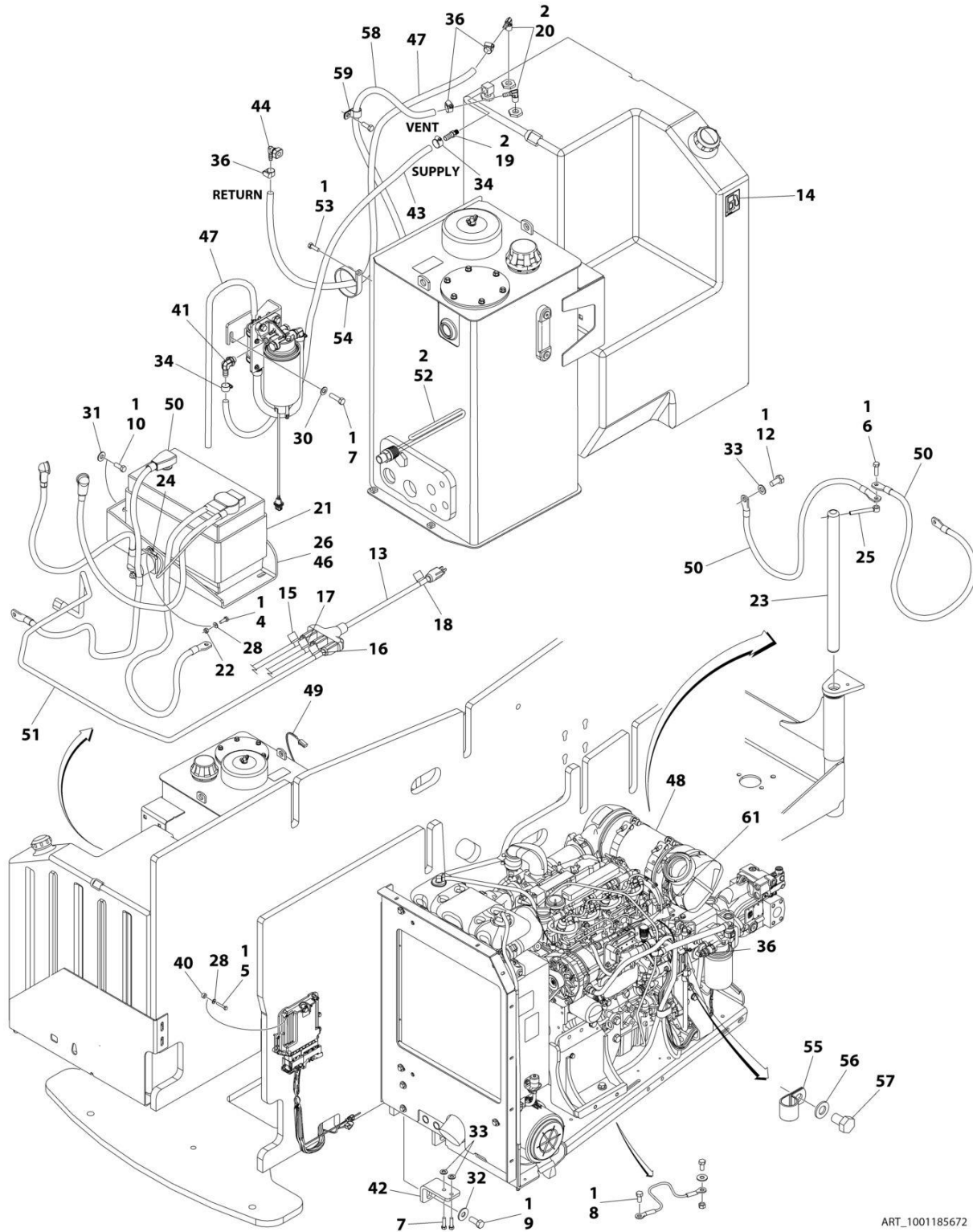
ITEM	PART NUMBER	QTY	DESCRIPTION	REV
	1001185670	Ref	DEUTZ ENGINE INSTALLATION WITHOUT ARCTIC PACKAGE	F
1	0100011	AR	Compound, Locking	
2	0100020	AR	Sealant, Pipe	
4	0641406	2	Bolt 1/4 x 3/4	
5	0641412	4	Bolt 1/4 x 1-1/2	
6	0641610	1	Bolt 3/8 x 1-1/4	
7	0641611	4	Bolt 3/8 x 1-3/8	
8	0641808	1	Bolt 1/2 x 1	
9	0642012	1	Bolt 5/8 x 1-1/2	
10	0681608	3	Bolt 3/8 x 1	
12	0771212	1	Bolt M12 x 25	
13	1701505	1	Decal - Diesel Fuel (Not Shown Located on Fuel Tank)	
14	2180832	1	Fitting, 90 NPT/ Barbed	
15	2220313	2	Fitting, 90 NPT/Barbed	
16	3311405	2	Nut 1/4-20	
17	3422446	1	Pin, Pivot	
18	3740067	1	Relay	
19	3841143	1	Pin, Keeper	
20	4240033	1	Tie-Strap (Not Shown)	
21	4711400	6	Washer 1/4	
23	4711600	2	Washer 3/8	
24	4751600	3	Washer 3/8	
25	4752000	1	Washer 5/8	
26	4812100	3	Washer M12	
27	8405006	2	Clamp	
29	8410013	4	Clamp	
33	1001110425	4	Spacer	
34	1001142501	1	Fitting, Straight Metric/Barbed	
35	1001153359	1	Mount, Engine	
36	1001154405	54 in/ 1.4m	Hose	
37	1001155823	1	Fitting, Quick Disconnect 90	
39	1001162497	1	Bracket, Battery	
40	1001165035	28 ft/ 8.5m	Hose	
41	1001185667	1	Engine and Pump Assembly without Arctic Package (See Separate Breakdown in this Section)	
42	1001138491	1	Harness, Fuel (Not Shown - See Separate Breakdown in ELECTRICAL SECTION)	
43	1001143736	1	Battery Cable Kit (Not Shown)	F
43	7027084	1	Cable, Battery (Black) (Battery - to Tray Pivot and Relay Grounds)	
43	8270147	1	Terminal, Battery (With Boot) Cable, Battery (Black)	
43	7027085	1	Cable, Battery (Black) (Battery - to Aux Pump Ground)	
43	7027086	1	Cable, Battery (Black) (Engine to Tray Pivot Ground)	
43	7027087	1	Cable (Red) (Battery + to Relays/Starter)	
43	7027088	1	Cable (Red) (Aux Relay to Aux Pump)	
43	See Note	1	Cable (Auxiliary Relay to Starter) (Note: Use p/n 7027087)	
44	0641508	1	Bolt 5/16 x 1	
45	1321339	1	Clamp	
46	1320061	1	Clamp	

SECTION 3 - ENGINE

ITEM	PART NUMBER	QTY	DESCRIPTION	REV
47	4812000	1	Washer M10	
48	0761008	1	Bolt M10 x 16	
49	2750532	4 ft/ 1.2m	Hose (Vent Line)	
50	8406102	1	Clip	

SECTION 3 - ENGINE

FIGURE 3-9. DEUTZ TD2.9L4 ENGINE INSTALLATION (WITH ARCTIC PACKAGE)



ART_1001185672

SECTION 3 - ENGINE

FIGURE 3-9. DEUTZ TD2.9L4 ENGINE INSTALLATION (WITH ARCTIC PACKAGE)

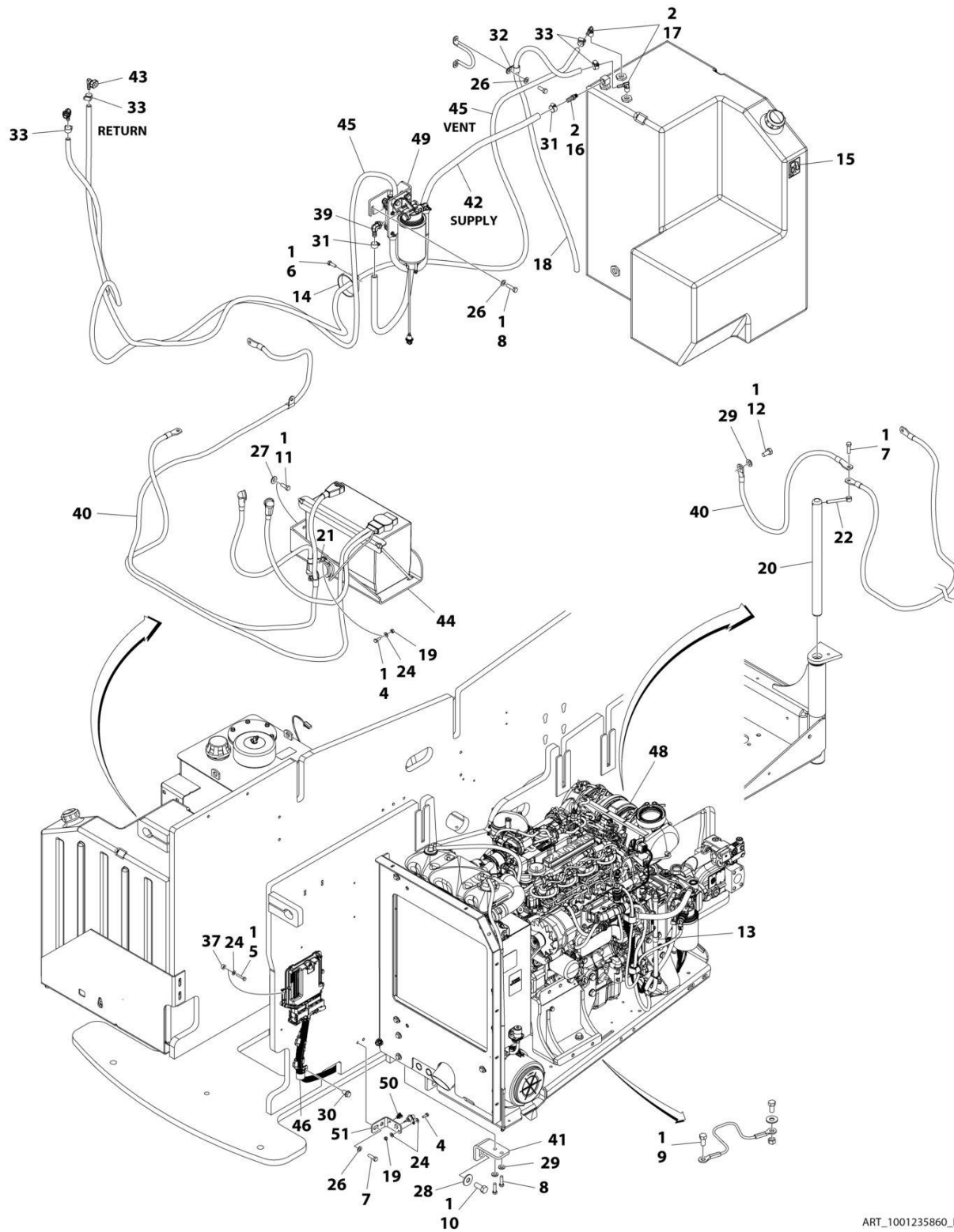
ITEM	PART NUMBER	QTY	DESCRIPTION	REV
	1001185672	Ref	DEUTZ ENGINE INSTALLATION WITH ARCTIC PACKAGE	G
1	0100011	AR	Compound, Locking	
2	0100020	AR	Sealant, Pipe	
4	0641406	2	Bolt 1/4 x 3/4	
5	0641412	4	Bolt 1/4 x 1-1/2	
6	0641610	1	Bolt 3/8 x 1-1/4	
7	0641611	4	Bolt 3/8 x 1-3/8	
8	0641808	1	Bolt 1/2 x 1	
9	0642012	1	Bolt 5/8 x 1-1/2	
10	0681608	3	Bolt 3/8 x 1 Grade 8	
12	0771212	1	Bolt M12 x 25 Grade 10.9	
13	1060626	1	Cord, 3 Way Extension	
14	1701505	1	Decal - Diesel Fuel (Not Shown Located on Fuel Tank)	
15	1702941	1	Decal - Battery Heater	
16	1702942	1	Decal - Engine Block Heater	
17	1702943	1	Decal - Hydraulic Tank Heater	
18	1702944	1	Decal - Heater Cord	
19	2180832	1	Fitting, 90 NPT/ Barbed	
20	2220313	2	Fitting, 90 NPT/Barbed	
21	2580024	1	Heater, Battery	
22	3311405	2	Nut 1/4	
23	3422446	1	Pin, Pivot	
24	3740067	1	Relay	
25	3841143	1	Pin, Keeper	
26	3980007	1	Seat, Battery	
27	4240033	1	Tie-Strap (Not Shown)	
28	4711400	6	Washer 1/4	
30	4711600	2	Washer 3/8	
31	4751600	3	Washer 3/8	
32	4752000	1	Washer 5/8	
33	4812100	3	Washer M12	
34	8405006	2	Clamp	
36	8410013	4	Clamp	
40	1001110425	4	Spacer	
41	1001142501	1	Fitting, Straight Metric/Barbed	
42	1001153359	1	Mount, Engine	
43	1001154405	54 in/ 1.4m	Hose	
44	1001155823	1	Fitting, Quick Disconnect 90	
46	1001162497	1	Bracket, Battery	
47	1001165035	28 ft/ 8.5m	Hose	
48	1001185671	1	Deutz TD2.9L4 Engine and Pump Sub-Assembly (See Separate Breakdown in this Section)	
49	1001138491	1	Harness, Fuel (Not Shown - See Separate Breakdown in ELECTRICAL SECTION)	
50	1001143736	1	Battery Cable Kit (Not Shown)	E
50	7027084	1	Cable, Battery (Black) (Battery - to Tray Pivot Grd)	
50	8270147	1	Terminal, Battery (With Boot)	
50	7027085	1	Cable, Battery (Black) (Battery - to Aux Pump and Relay Grds)	

SECTION 3 - ENGINE

ITEM	PART NUMBER	QTY	DESCRIPTION	REV
50	7027086	1	Cable, Battery (Black) (Engine to Tray Pivot Grd)	
50	7027087	1	Cable (Red) (Battery + to Aux Relay/Power Module/Starter)	
50	7027088	1	Cable (Red) (Aux Relay to Aux Pump)	
51	1001150918	1	Cord, 8ft Extension	
52	1001188972	1	Heater, Hydraulic Tank	
53	0641508	1	Bolt 5/16 x 1	
54	1321339	1	Clamp	
55	1320061	1	Clamp	
56	4812000	1	Washer M10	
57	0761008	1	Bolt M10 x 16	
58	2750532	4 ft/ 1.2m	Hose (Vent Line)	
59	8406102	1	Clip	
61	1001233763	Ref	Breather Heater Installation (Not Shown - See Separate Breakdown in this Section)	

SECTION 3 - ENGINE

FIGURE 3-10. DEUTZ TD2.9L4 ENGINE INSTALLATION (STAGE V) (Prior to SN 0300298303)



ART_1001235860_H

SECTION 3 - ENGINE

FIGURE 3-10. DEUTZ TD2.9L4 ENGINE INSTALLATION (STAGE V) (Prior to SN 0300298303)

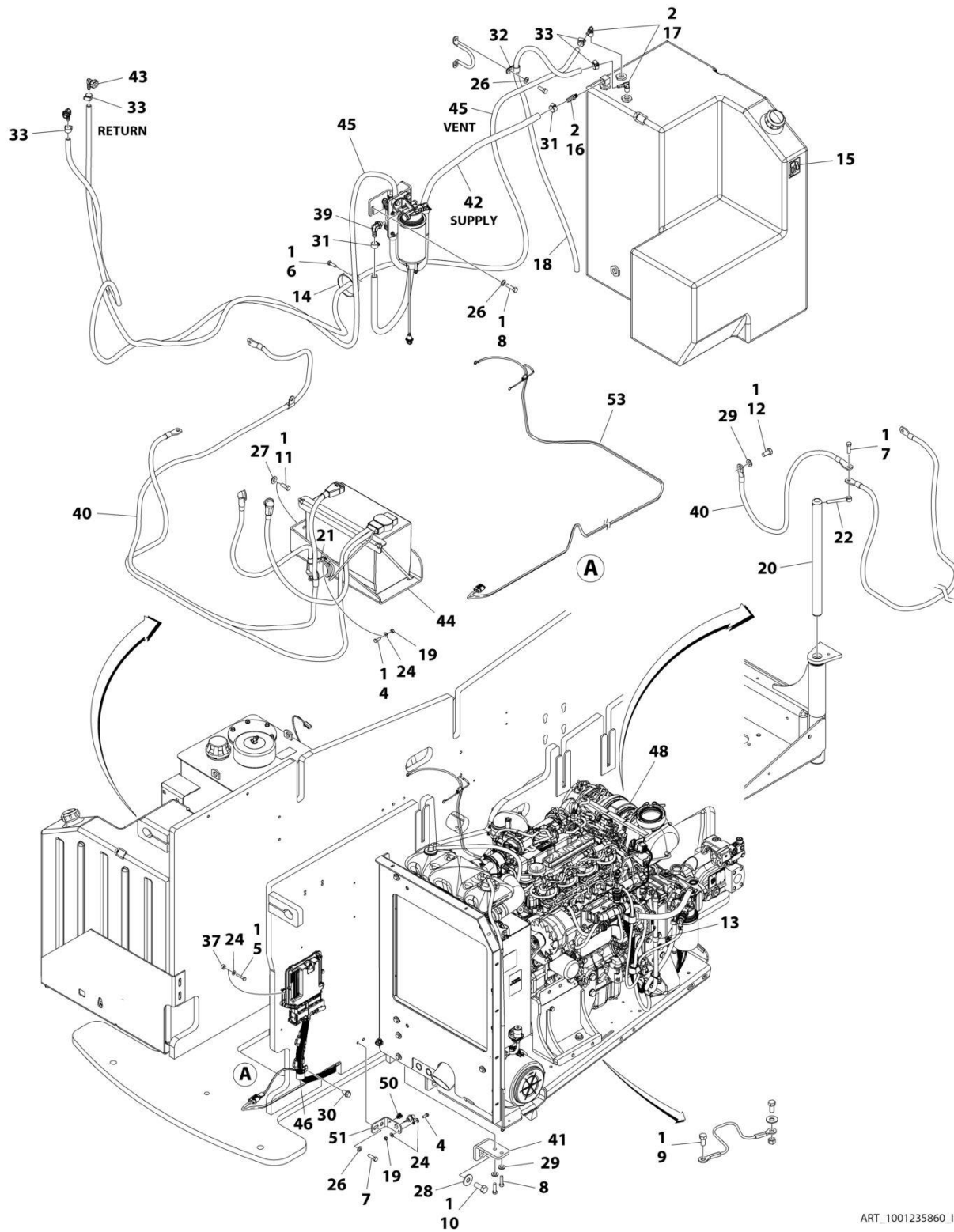
ITEM	PART NUMBER	QTY	DESCRIPTION	REV
	1001235860	Ref	DEUTZ 2.9L4 (STAGE V) ENGINE INSTALLATION	H
1	0100011	AR	Compound, Locking	
2	0100020	AR	Sealant, Pipe	
4	0641406	2	Bolt 1/4 x 3/4	
5	0641412	4	Bolt 1/4 x 1-1/2	
6	0641508	1	Bolt 5/16 x 1	
7	0641610	1	Bolt 3/8 x 1-1/4	
8	0641611	4	Bolt 3/8 x 1-3/8	
9	0641808	1	Bolt 1/2 x 1	
10	0642012	1	Bolt 5/8 x 1-1/2	
11	0681608	3	Bolt 3/8 x 1	
12	0771212	1	Bolt M12 x 25	
13	1320061	1	Clamp	
14	1321339	1	Clamp	
15	1701505	1	Decal - Diesel Fuel (Not Shown Located on Fuel Tank)	
16	2180832	1	Fitting, 90 NPT/ Barbed	
17	2220313	2	Fitting, 90 NPT/Barbed	
18	2750532	4 ft/ 1.2m	Hose (Vent Line)	
19	3311405	2	Nut 1/4	
20	3422446	1	Pin, Pivot	
21	3740067	1	Relay	
22	3841143	1	Pin, Keeper	
23	4240099	AR	Tie-Strap (Not Shown)	
24	4711400	8	Washer 1/4	
26	4711600	4	Washer 3/8	
27	4751600	3	Washer 3/8	
28	4752000	1	Washer 5/8	
29	4812100	3	Washer M12	
30	5251210	1	Bolt M12 x 20	
31	8405006	2	Clamp	
32	8406102	1	Clip	
33	8410013	4	Clamp	
37	1001110425	4	Spacer	
38	1001138491	1	Harness, Fuel (Not Shown - See Separate Breakdown in ELECTRICAL Section)	
39	1001142501	1	Fitting, Straight Metric/Barbed	
40	1001143736	1	Battery Cable Kit	E
40	7027084	1	Cable, Battery (Black) (Battery - to Tray Pivot Grd)	
40	8270147	1	Terminal, Battery (With Boot)	
40	7027085	1	Cable, Battery (Black) (Battery - to Aux Pump and Relay Grds)	
40	7027086	1	Cable, Battery (Black) (Engine to Tray Pivot Grd)	
40	7027087	1	Cable (Red) (Battery + to Aux Relay/Power Module/Starter)	
40	7027088	1	Cable (Red) (Aux Relay to Aux Pump)	
41	1001153359	1	Mount, Engine	
42	1001154405	54 in/ 1.4m	Hose	
43	1001155823	1	Fitting, Quick Disconnect 90	
44	1001162497	1	Bracket, Battery	
45	1001165035	28 ft/ 8.5m	Hose	

SECTION 3 - ENGINE

ITEM	PART NUMBER	QTY	DESCRIPTION	REV
46	1001191620	1	Clamp	
48	1001277606	1	Deutz TD2.9L4 Engine and Pump Sub-Assembly (STAGE V) (See Separate Breakdown in this Section)	
50	1001146588	1	Strap	
51	1001256879	1	Bracket	
52	1062255	1	Tie-Strap (Not Shown)	

SECTION 3 - ENGINE

FIGURE 3-11. DEUTZ TD2.9L4 ENGINE INSTALLATION (STAGE V) (SN 0300298303 to Present)



ART_1001235860_1

SECTION 3 - ENGINE

FIGURE 3-11. DEUTZ TD2.9L4 ENGINE INSTALLATION (STAGE V) (SN 0300298303 to Present)

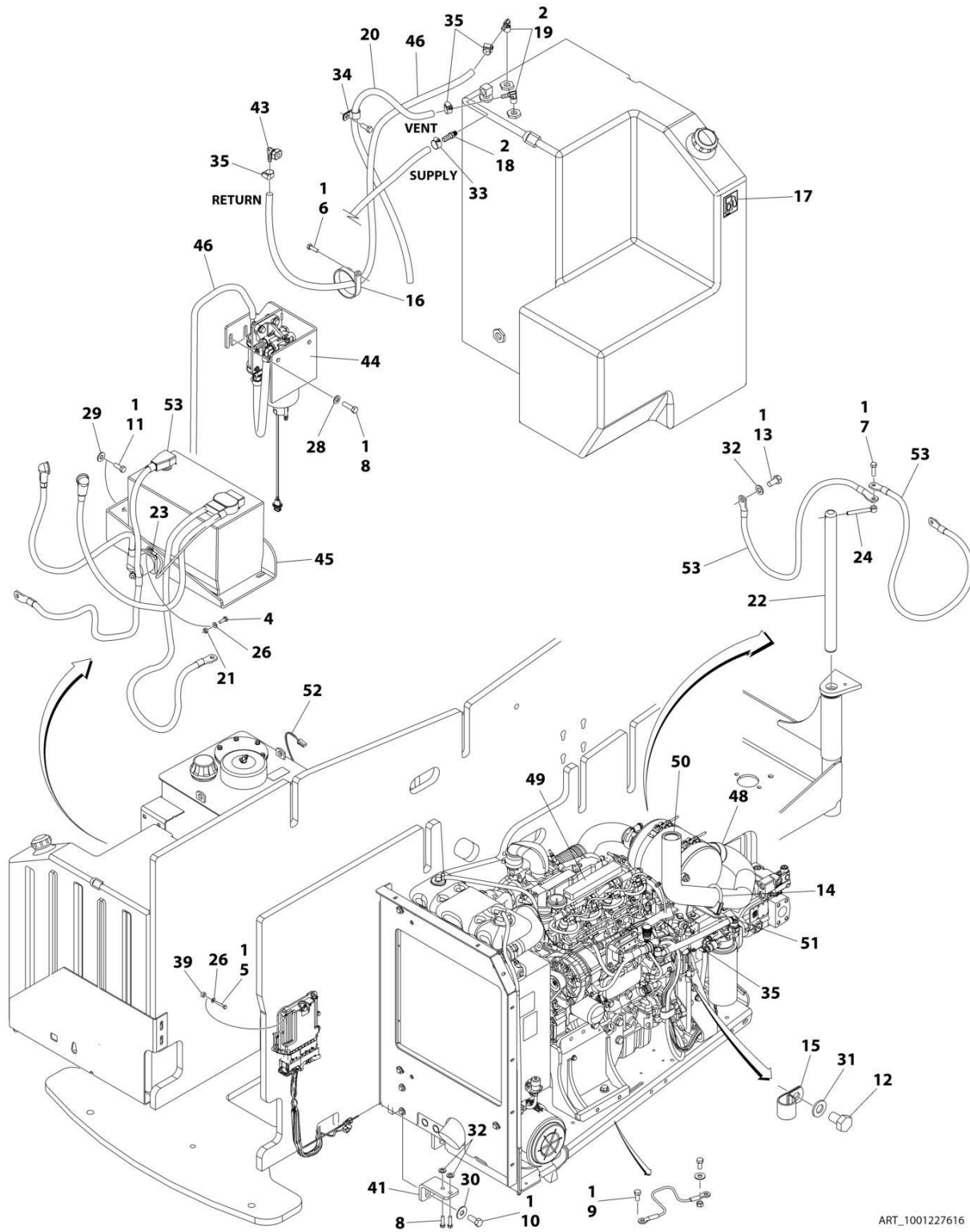
ITEM	PART NUMBER	QTY	DESCRIPTION	REV
	1001235860	Ref	DEUTZ 2.9L4 (STAGE V) ENGINE INSTALLATION	I
1	0100011	AR	Compound, Locking	
2	0100020	AR	Sealant, Pipe	
4	0641406	2	Bolt 1/4 x 3/4	
5	0641412	4	Bolt 1/4 x 1-1/2	
6	0641508	1	Bolt 5/16 x 1	
7	0641610	1	Bolt 3/8 x 1-1/4	
8	0641611	4	Bolt 3/8 x 1-3/8	
9	0641808	1	Bolt 1/2 x 1	
10	0642012	1	Bolt 5/8 x 1-1/2	
11	0681608	3	Bolt 3/8 x 1	
12	0771212	1	Bolt M12 x 25	
13	1320061	1	Clamp	
14	1321339	1	Clamp	
15	1701505	1	Decal - Diesel Fuel (Not Shown Located on Fuel Tank)	
16	2180832	1	Fitting, 90 NPT/ Barbed	
17	2220313	2	Fitting, 90 NPT/Barbed	
18	2750532	4 ft/ 1.2m	Hose (Vent Line)	
19	3311405	2	Nut 1/4	
20	3422446	1	Pin, Pivot	
21	3740067	1	Relay	
22	3841143	1	Pin, Keeper	
23	4240099	AR	Tie-Strap (Not Shown)	
24	4711400	8	Washer 1/4	
26	4711600	4	Washer 3/8	
27	4751600	3	Washer 3/8	
28	4752000	1	Washer 5/8	
29	4812100	3	Washer M12	
30	5251210	1	Bolt M12 x 20	
31	8405006	2	Clamp	
32	8406102	1	Clip	
33	8410013	4	Clamp	
37	1001110425	4	Spacer	
38	1001138491	1	Harness, Fuel (Not Shown - See Separate Breakdown in ELECTRICAL Section)	
39	1001142501	1	Fitting, Straight Metric/Barbed	
40	1001143736	1	Battery Cable Kit	E
40	7027084	1	Cable, Battery (Black) (Battery - to Tray Pivot Grd)	
40	8270147	1	Terminal, Battery (With Boot)	
40	7027085	1	Cable, Battery (Black) (Battery - to Aux Pump and Relay Grds)	
40	7027086	1	Cable, Battery (Black) (Engine to Tray Pivot Grd)	
40	7027087	1	Cable (Red) (Battery + to Aux Relay/Power Module/Starter)	
40	7027088	1	Cable (Red) (Aux Relay to Aux Pump)	
41	1001153359	1	Mount, Engine	
42	1001154405	54 in/ 1.4m	Hose	
43	1001155823	1	Fitting, Quick Disconnect 90	
44	1001162497	1	Bracket, Battery	
45	1001165035	28 ft/ 8.5m	Hose	

SECTION 3 - ENGINE

ITEM	PART NUMBER	QTY	DESCRIPTION	REV
46	1001191620	1	Clamp	
48	1001277606	1	Deutz TD2.9L4 Engine and Pump Sub-Assembly (STAGE V) (See Separate Breakdown in this Section)	
50	1001146588	1	Strap	
51	1001256879	1	Bracket	
52	1062255	1	Tie-Strap (Not Shown)	
53	1001289593	1	ECU Power Jumper Harness (See Separate Breakdown in ELECTRICAL Section)	

SECTION 3 - ENGINE

FIGURE 3-12. DEUTZ TD2.9L4 ENGINE INSTALLATION (CHINA III SPECS)



ART_1001227616

SECTION 3 - ENGINE

FIGURE 3-12. DEUTZ TD2.9L4 ENGINE INSTALLATION (CHINA III SPECS)

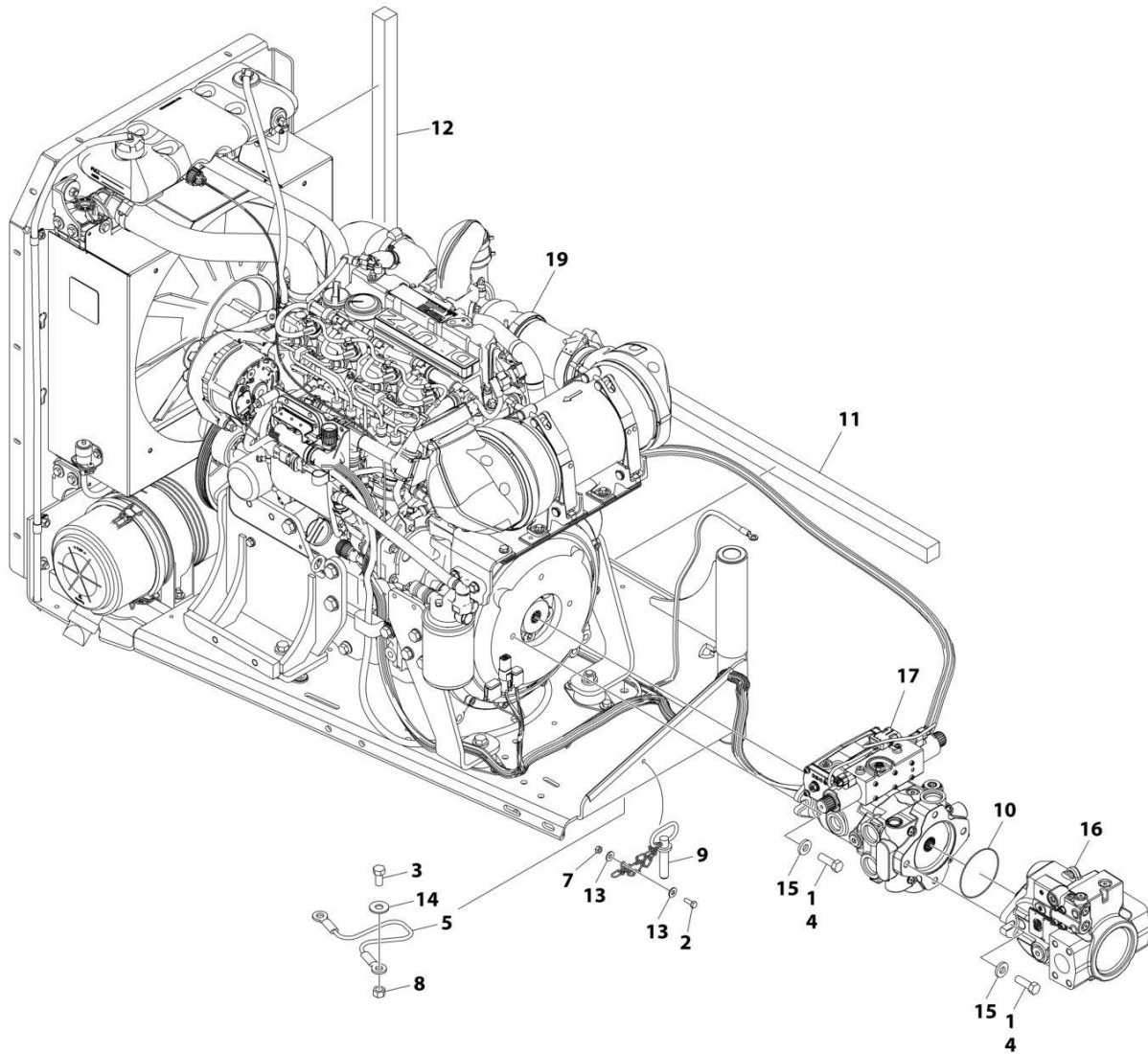
ITEM	PART NUMBER	QTY	DESCRIPTION	REV
	1001227616	Ref	DEUTZ ENGINE INSTALLATION	D
1	0100011	AR	Compound, Locking	
2	0100020	AR	Sealant, Pipe	
4	0641406	2	Bolt 1/4 x 3/4	
5	0641412	4	Bolt 1/4 x 1-1/2	
6	0641508	1	Bolt 5/16 x 1	
7	0641610	1	Bolt 3/8 x 1-1/4	
8	0641611	4	Bolt 3/8 x 1-3/8	
9	0641808	1	Bolt 1/2 x 1	
10	0642012	1	Bolt 5/8 x 1-1/2	
11	0681608	3	Bolt 3/8 x 1	
12	0761008	1	Bolt M10 x 16	
13	0771212	1	Bolt M12 x 25	
14	1320011	1	Clamp, Muffler (Located on Exhaust)	
15	1320061	1	Clamp	
16	1321339	1	Clamp	
17	1701505	1	Decal - Diesel Fuel (Not Shown Located on Fuel Tank)	
18	2180832	1	Fitting, 90 NPT/ Barbed	
19	2220313	2	Fitting, 90 NPT/Barbed	
20	2750532	4 ft/ 1.2m	Hose (Vent Line)	
21	3311405	2	Nut 1/4-20	
22	3422446	1	Pin, Pivot	
23	3740067	1	Relay	
24	3841143	1	Pin, Keeper	
25	4240033	AR	Tie-Strap (Not Shown)	
26	4711400	7	Washer 1/4	
28	4711600	2	Washer 3/8	
29	4751600	3	Washer 3/8	
30	4752000	1	Washer 5/8	
31	4812000	1	Washer M10	
32	4812100	3	Washer M12	
33	8405006	1	Clamp	
34	8406102	1	Clip	
35	8410013	4	Clamp	
39	1001110425	4	Spacer	
41	1001153359	1	Mount, Engine	
43	1001155823	1	Fitting, Quick Disconnect 90	
44	1001227224	1	Bracket Assembly Less Filter/Pump (See Separate Breakdown in this Section)	
45	1001162497	1	Bracket, Battery	
46	1001165035	28 ft/ 8.5m	Hose	
48	1001221212	1	Clamp (Located on Exhaust)	
49	1001227615	1	Deutz TD2.9L4 Engine and Pump Sub-Assembly (See Separate Breakdown in this Section)	
50	1001247013	1	Pipe	
51	1001227620	1	Plate (Located on Exhaust)	
52	1001138491	1	Harness, Fuel (Not Shown - See Separate Breakdown in ELECTRICAL SECTION)	
53	1001143736	1	Battery Cable Kit (Not Shown)	E

SECTION 3 - ENGINE

ITEM	PART NUMBER	QTY	DESCRIPTION	REV
53	7027084	1	Cable, Battery (Black) (Battery - to Tray Pivot Grd)	
53	8270147	1	Terminal, Battery (With Boot)	
53	7027085	1	Cable, Battery (Black) (Battery - to Aux Pump and Relay Grds)	
53	7027086	1	Cable, Battery (Black) (Engine to Tray Pivot Grd)	
53	7027087	1	Cable (Red) (Battery + to Aux Relay/Power Module/Starter)	
53	7027088	1	Cable (Red) (Aux Relay to Aux Pump)	

SECTION 3 - ENGINE

FIGURE 3-13. DEUTZ TD2.9L4 ENGINE AND PUMP SUB-ASSEMBLY (WITHOUT ARCTIC PACKAGE)



ART_1001185667

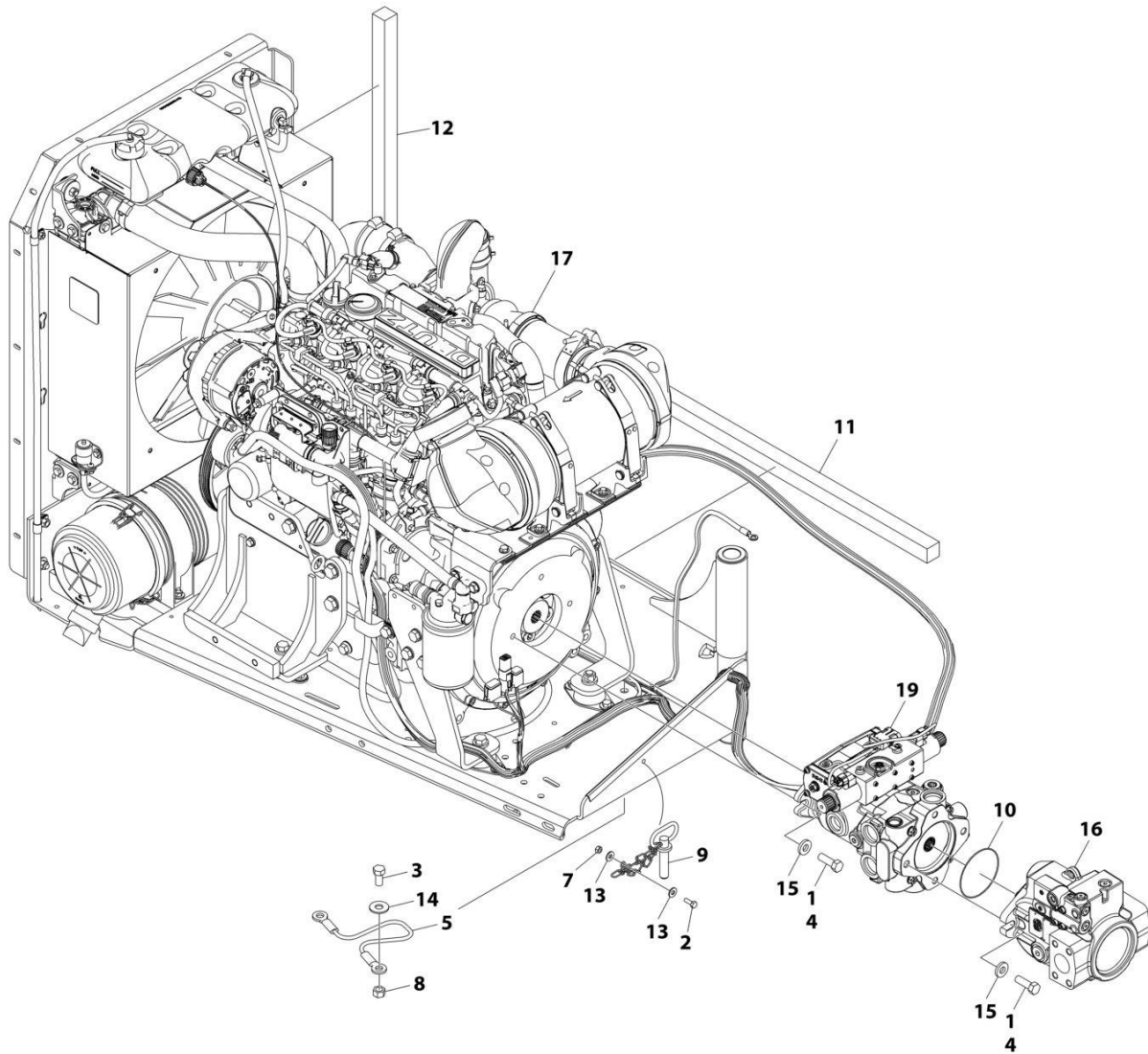
SECTION 3 - ENGINE

FIGURE 3-13. DEUTZ TD2.9L4 ENGINE AND PUMP SUB-ASSEMBLY (WITHOUT ARCTIC PACKAGE)

ITEM	PART NUMBER	QTY	DESCRIPTION	REV
	1001185667	Ref	DEUTZ TD2.9L4 ENGINE AND PUMP SUB-ASSEMBLY (WITHOUT ARCTIC PACKAGE)	H
1	0100011	AR	Compound, Locking	
2	0641406	1	Bolt 1/4 x 3/4	
3	0641808	1	Bolt 1/2 x 1	
4	0641812	4	Bolt 1/2 x 1-1/2	
5	1060637	1	Lanyard	
7	3311405	1	Nut 1/4	
8	3311801	1	Nut 1/2	
9	3422532	1	Pin	
10	3790044	1	O-Ring	
11	3960468	1	Seal	
12	3960469	1	Seal	
13	4751400	2	Washer 1/4	
14	4751800	1	Washer 1/2	
15	4891800	4	Washer 1/2	
16	1001094595	1	Variable Pump Assembly (See Separate Breakdown in this Section)	
17	1001225745	1	Hydrostatic Pump Assembly (See Separate Breakdown in this Section)	
19	1001176027	1	Engine Assembly Without Arctic Package (See Separate Breakdown in this Section)	

SECTION 3 - ENGINE

FIGURE 3-14. DEUTZ TD2.9L4 ENGINE AND PUMP SUB-ASSEMBLY (WITH ARCTIC PACKAGE)



ART_1001185671

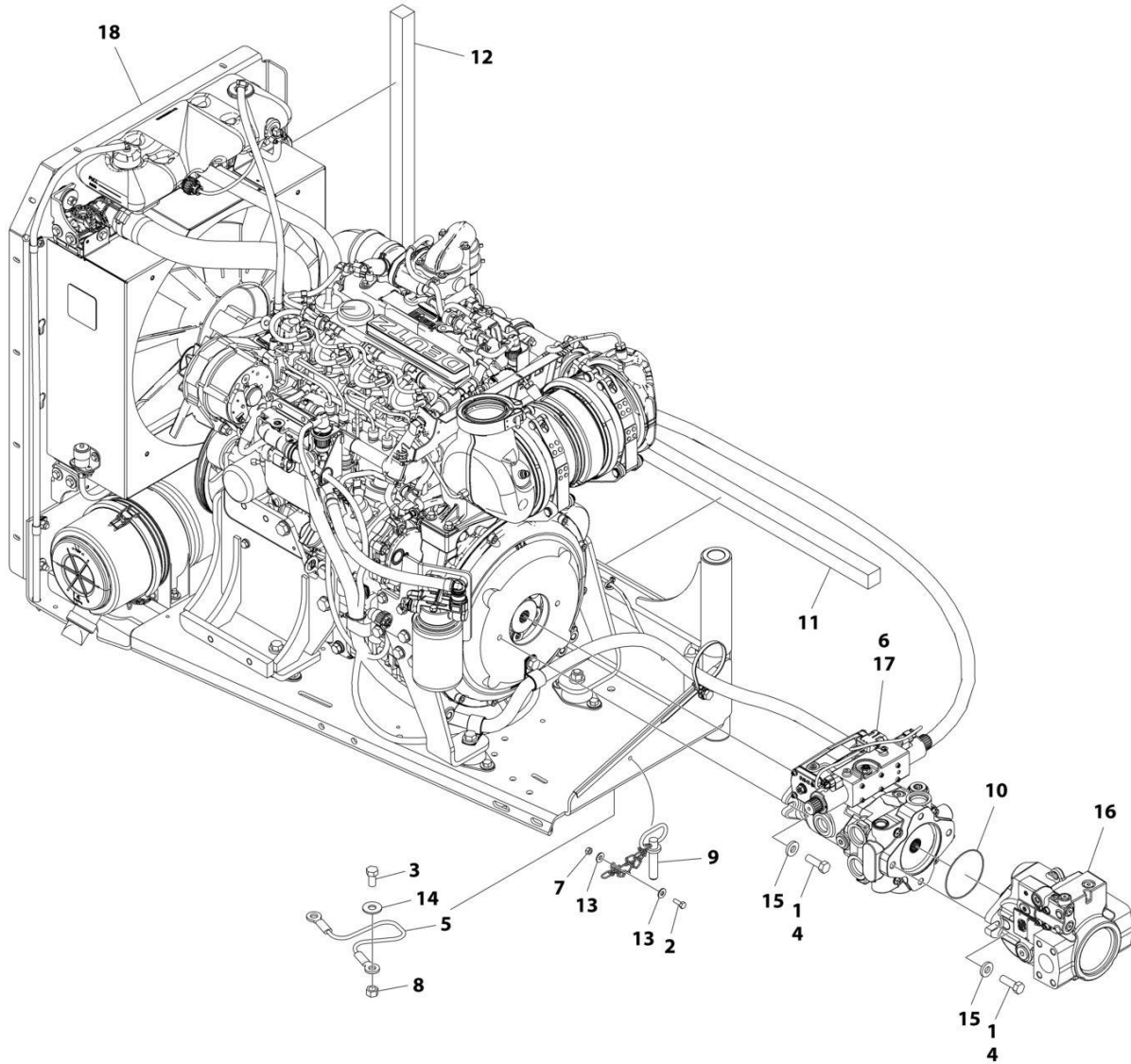
SECTION 3 - ENGINE

FIGURE 3-14. DEUTZ TD2.9L4 ENGINE AND PUMP SUB-ASSEMBLY (WITH ARCTIC PACKAGE)

ITEM	PART NUMBER	QTY	DESCRIPTION	REV
	1001185671	Ref	DEUTZ TD2.9L4 ENGINE AND PUMP SUB-ASSEMBLY (WITH ARCTIC PACKAGE)	H
1	0100011	AR	Compound, Locking	
2	0641406	1	Bolt 1/4 x 3/4	
3	0641808	1	Bolt 1/2 x 1	
4	0641812	4	Bolt 1/2 x 1-1/2	
5	1060637	1	Cable, Lanyard	
7	3311405	1	Nut 1/4	
8	3311801	1	Nut 1/2	
9	3422532	1	Pin, Hitch	
10	3790044	1	O-Ring	
11	3960468	1	Seal	
12	3960469	1	Seal	
13	4751400	2	Washer 1/4	
14	4751800	1	Washer 1/2	
15	4891800	4	Washer 1/2	
16	1001094595	1	Variable Pump Assembly with Fittings (See Separate Breakdown in this Section)	
17	1001176035	1	Engine Assembly With Arctic Package (See Separate Breakdown in this Section)	
19	1001225745	1	Hydrostatic Pump Assembly (See Separate Breakdown in this Section)	

SECTION 3 - ENGINE

FIGURE 3-15. DEUTZ TD2.9L4 ENGINE AND PUMP SUB-ASSEMBLY (STAGE V)



ART_1001277606

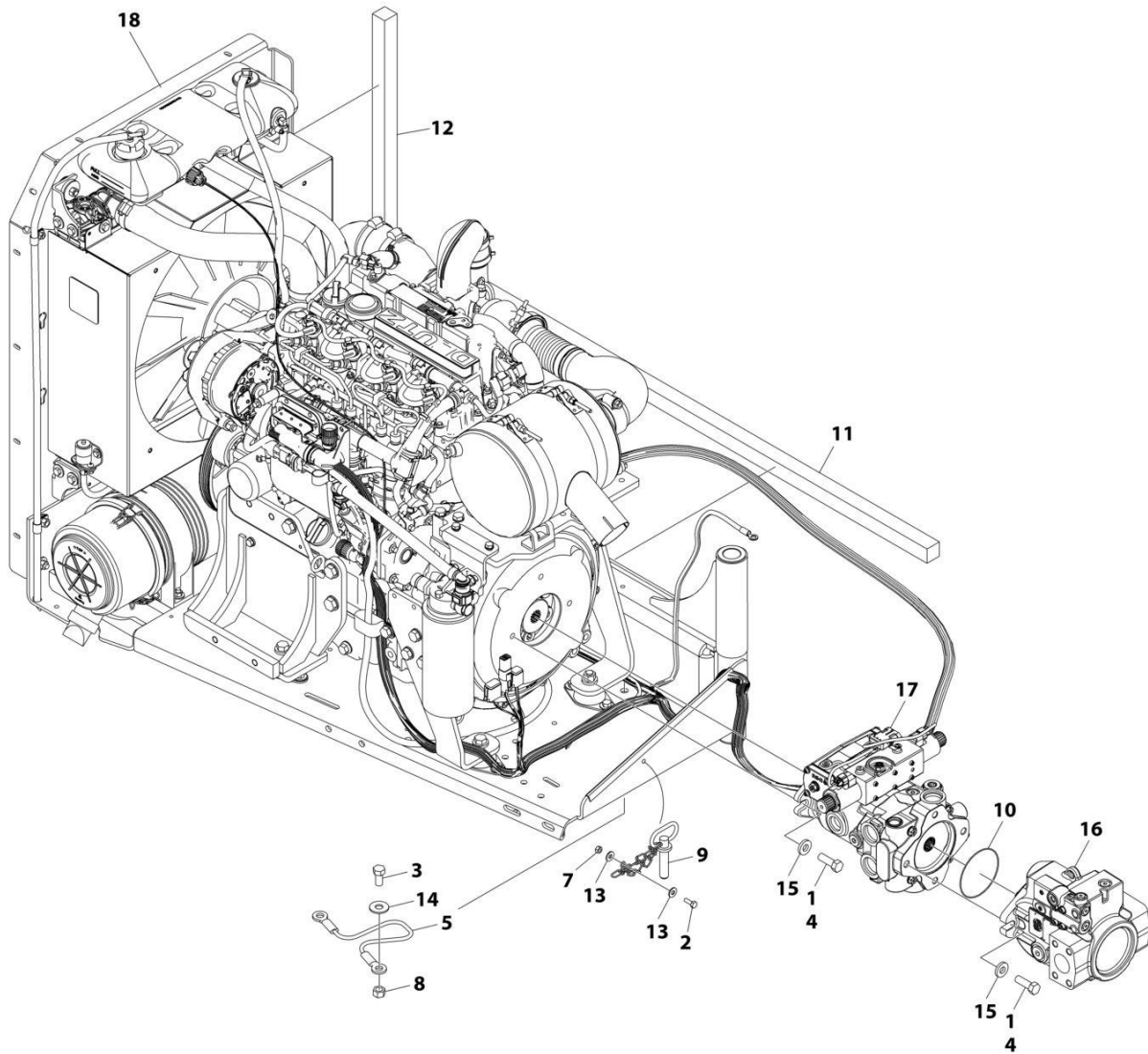
SECTION 3 - ENGINE

FIGURE 3-15. DEUTZ TD2.9L4 ENGINE AND PUMP SUB-ASSEMBLY (STAGE V)

ITEM	PART NUMBER	QTY	DESCRIPTION	REV
	1001277606	Ref	DEUTZ TD2.9L4 ENGINE AND PUMP SUB-ASSEMBLY (STAGE V)	A
1	0100011	AR	Compound, Locking	
2	0641406	1	Bolt 1/4 x 3/4	
3	0641808	1	Bolt 1/2 x 1	
4	0641812	4	Bolt 1/2 x 1-1/2	
5	1060637	1	Lanyard	
6	3020037	AR	Lubricant	
7	3311405	1	Nut 1/4	
8	3311801	1	Nut 1/2	
9	3422532	1	Pin, Hitch	
10	3790044	1	O-Ring	
11	3960468	1	Seal	
12	3960469	1	Seal	
13	4751400	2	Washer 1/4	
14	4751800	1	Washer 1/2	
15	4891800	4	Washer 1/2	
16	1001094595	1	Variable Pump Assembly with Fittings (See Separate Breakdown in this Section)	
17	1001225745	1	Hydrostatic Pump Assembly (See Separate Breakdown in this Section)	
18	1001277598	1	Engine Assembly - DEUTZ 2.9L4 (Stage V) Engines (See Separate Breakdown in this Section)	

SECTION 3 - ENGINE

FIGURE 3-16. DEUTZ TD2.9L4 ENGINE AND PUMP SUB-ASSEMBLY (CHINA III SPECS)



ART_1001227615

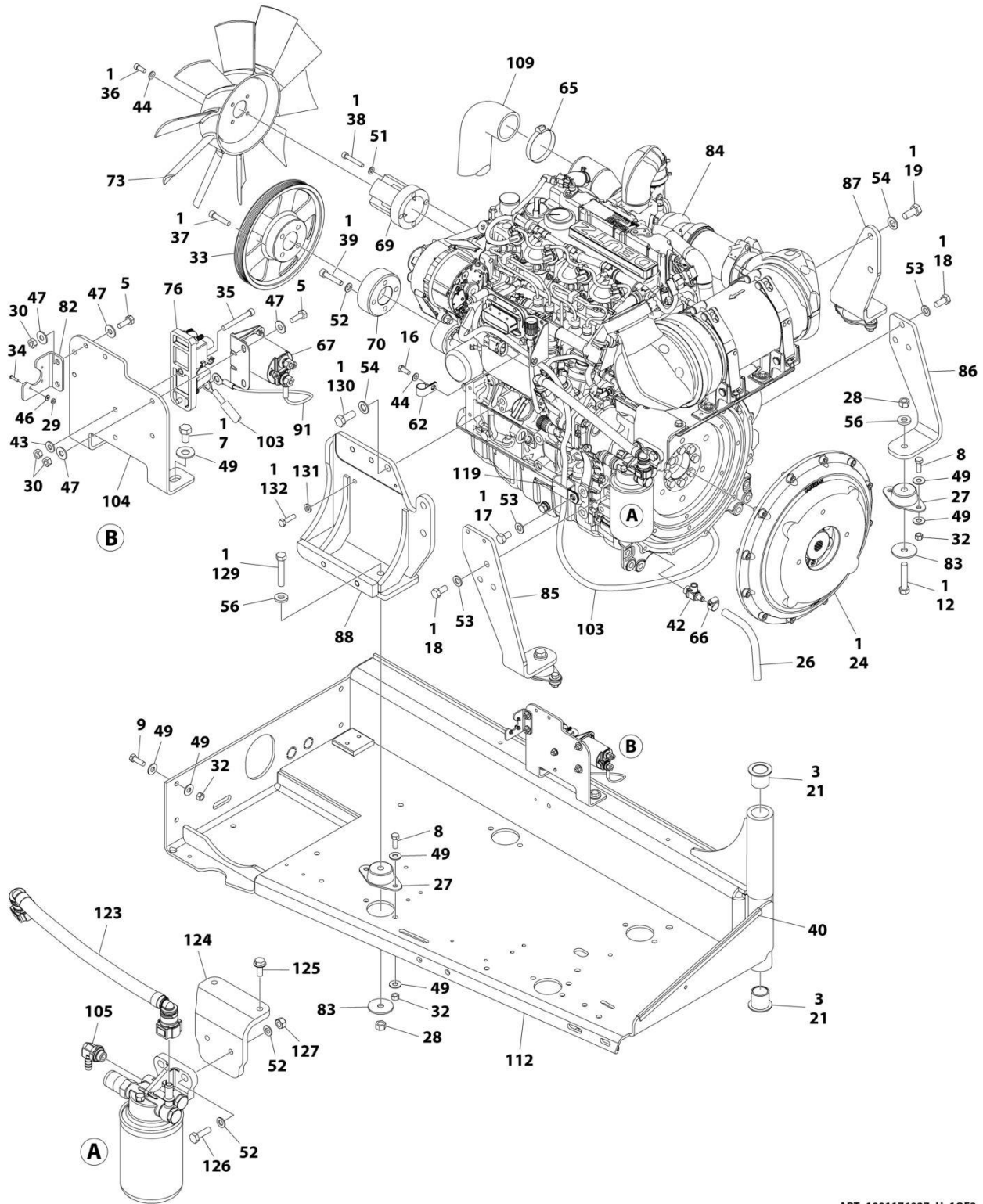
SECTION 3 - ENGINE

FIGURE 3-16. DEUTZ TD2.9L4 ENGINE AND PUMP SUB-ASSEMBLY (CHINA III SPECS)

ITEM	PART NUMBER	QTY	DESCRIPTION	REV
	1001227615	Ref	DEUTZ TD2.9L4 ENGINE AND PUMP SUB-ASSEMBLY	F
1	0100011	AR	Compound, Locking	
2	0641406	1	Bolt 1/4 x 3/4	
3	0641808	1	Bolt 1/2 x 1	
4	0641812	4	Bolt 1/2 x 1-1/2	
5	1060637	1	Lanyard	
7	3311405	1	Nut 1/4	
8	3311801	1	Nut 1/2	
9	3422532	1	Pin, Hitch	
10	3790044	1	O-Ring	
11	3960468	1	Seal	
12	3960469	1	Seal	
13	4751400	2	Washer 1/4	
14	4751800	1	Washer 1/2	
15	4891800	4	Washer 1/2	
16	1001094595	1	Variable Pump Assembly with Fittings (See Separate Breakdown in this Section)	
17	1001225745	1	Hydrostatic Pump Assembly (See Separate Breakdown in this Section)	
18	1001227614	1	Engine Assembly (See Separate Breakdown in this Section)	

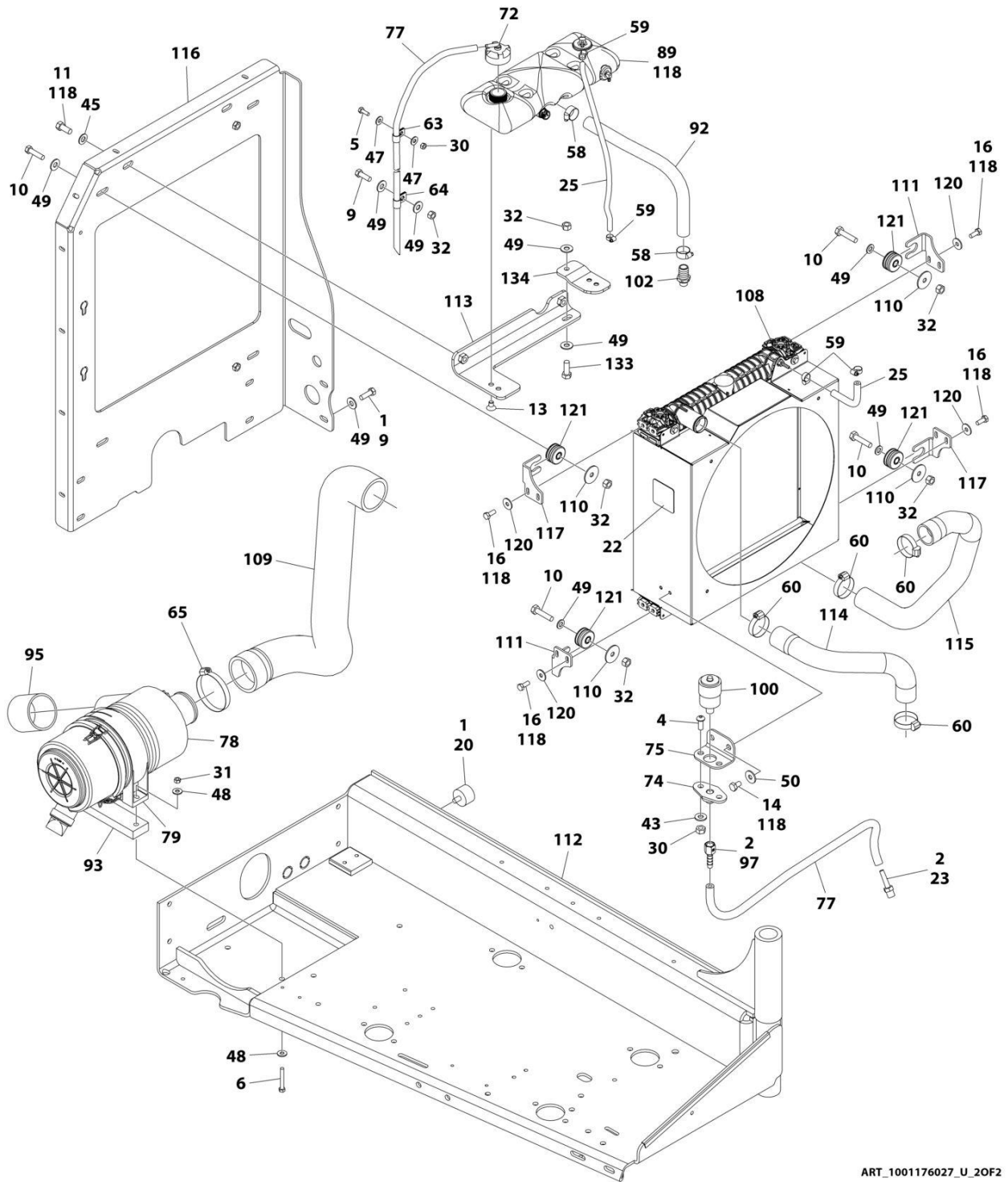
SECTION 3 - ENGINE

FIGURE 3-17. DEUTZ TD2.9L4 ENGINE ASSEMBLY (WITHOUT ARCTIC PACKAGE)



ART_1001176027_U_10F2

SECTION 3 - ENGINE



ART_1001176027_U_20F2

SECTION 3 - ENGINE

FIGURE 3-17. DEUTZ TD2.9L4 ENGINE ASSEMBLY (WITHOUT ARCTIC PACKAGE)

ITEM	PART NUMBER	QTY	DESCRIPTION	REV
	1001176027	Ref	ENGINE ASSEMBLY WITHOUT ARCTIC PACKAGE	U
1	0100011	AR	Locking, Compound	
2	0100020	AR	Sealant	
3	0100062	2	Compound, Locking	
4	0630407	5	Screw 1/4 x 5/8	
5	0641406	2	Bolt 1/4 x 3/4	
6	0641518	2	Bolt 5/16 x 2-1/4	
7	0641605	8	Bolt 3/8 x 5/8	
8	0641608	6	Bolt 3/8 x 1	
9	0641609	4	Bolt 3/8 x 1-1/8	
10	0641612	2	Bolt 3/8 x 1-1/2	
11	0641708	3	Bolt 7/16 x 1	
12	0681820	2	Bolt 1/2 x 2-1/2	
13	0741605	2	Screw 3/8 x 5/8	
14	0760605	AR	Bolt M6 x 10	
16	0760810	9	Bolt M8 x 20	
17	0761210	1	Bolt M12 x 20	
18	0771212	6	Bolt M12 x 25	
19	0771414	2	Bolt M14 x 30	
20	0940070	1	Bumper	
21	0961986	2	Bushing, Flanged	
22	1703162	1	Decal - Caution Fan Blade	
23	2220315	1	Fitting, Straight Barbed	
24	1001153282	1	Pump Coupling Kit (See Separate Breakdown in this section)	
25	2720015	40 in/1m	Hose	
26	2720340	12 in /30.5cm	Hose	
27	3200401	4	Mount, Motor	
28	3271801	4	Nut 1/2-13	
29	3310401	3	Nut #4	
30	3311405	8	Nut 1/4	
31	3311505	2	Locknut 5/16	
32	3311605	17	Nut 3/8	
33	3580320	1	Pulley	
34	3910408	3	Screw #4 x 1/2	
35	3931432	1	Capscrew 1/4 x 2	
36	3931512	4	Capscrew 5/16 x 3/4	
37	3931628	4	Capscrew 3/8 x 1-3/4	
38	4031914	4	Capscrew M8 x 50	
39	4032014	4	Capscrew M10 x 50	
40	4060805	15 in /38cm	Flex-Trim	
41	4240099	AR	Tie-Strap (Not Shown)	
42	4640751	1	Valve, Oil Drain	
43	4711400	3	Washer 1/4	
44	4711500	5	Washer 5/16	
45	4711700	2	Washer 7/16	
46	4750400	3	Washer #4	
47	4751400	10	Washer 1/4	
48	4751500	4	Washer 5/16	

SECTION 3 - ENGINE

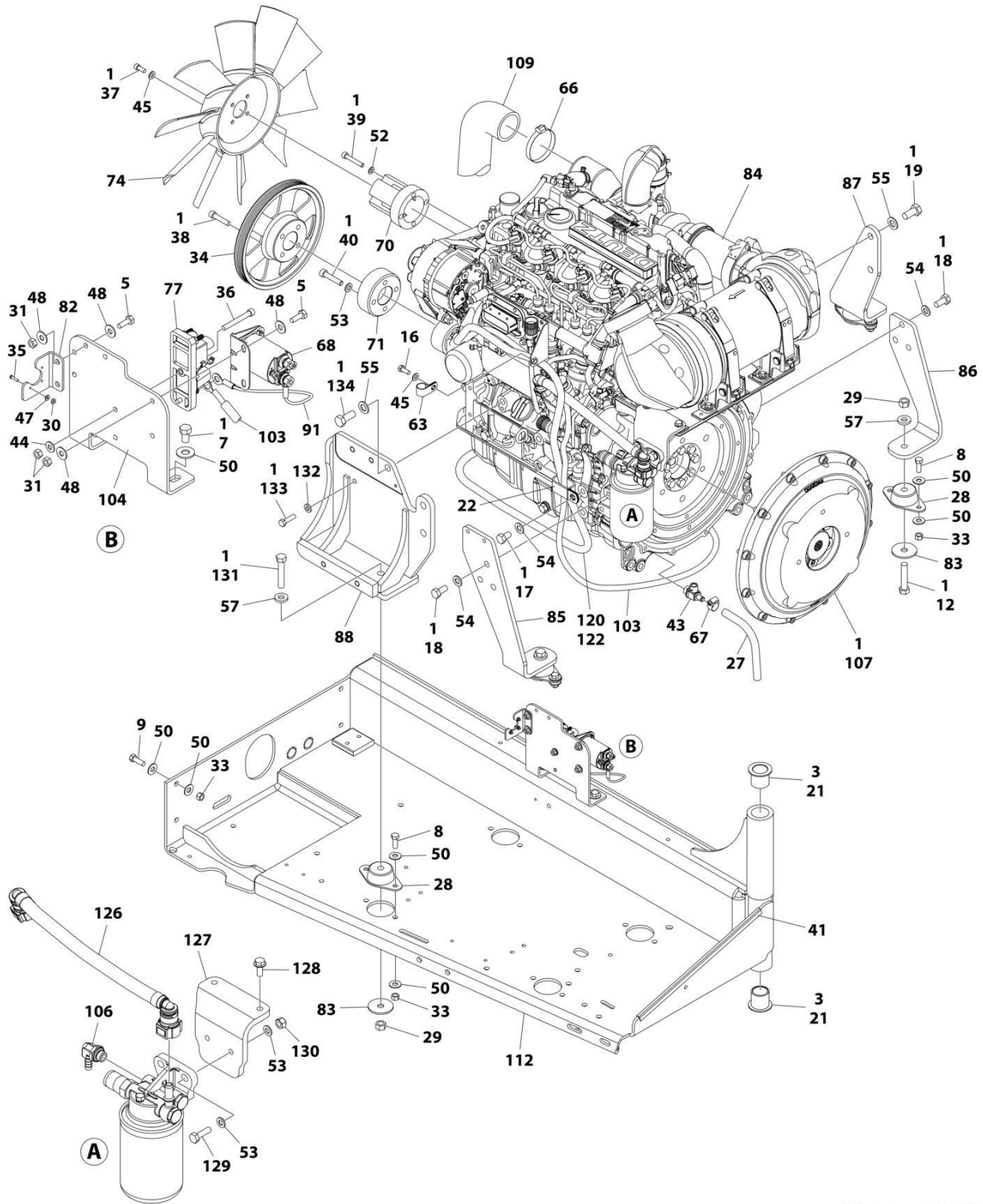
ITEM	PART NUMBER	QTY	DESCRIPTION	REV
49	4751600	34	Washer 3/8	
50	4811702	2	Washer M6	
51	4811900	4	Washer M8	
52	4812000	8	Washer M10	
53	4812100	7	Washer M12	
54	4812200	5	Washer M14	
56	4891800	4	Washer 1/2	
58	8405007	2	Clamp	
59	8405009	4	Clamp	
60	8405104	4	Clamp	
62	8406102	1	Clip	
63	8406109	1	Clip	
64	8406110	1	Clip	
65	8410011	2	Clamp	
66	8410013	1	Clamp	
67	1001117308	1	Relay	
69	1001135138	1	Adapter	
70	1001135679	1	Adapter	
72	1001136834	1	Cap, Tank	
73	1001137276	1	Fan	
74	1001138173	1	Support	
75	1001138175	1	Bracket	
76	1001138228	1	Relay, Power Module	
76	70023593	1	Fuse 30Amp (Battery Output)	
76	70023592	1	Fuse 20Amp (Switch Output)	
77	1001138248	62 in/1.6m	Tube	
78	1001138489	1	Air Cleaner Assembly	
78	91403102	1	Element, Filter	
79	1001138557	1	Clamp	
82	1001139240	1	Bracket	
83	1001139409	4	Washer, Special	
84	1001249942	1	Engine, Deutz TD2.9L4 T4F (See Separate Breakdown in this Section)	
85	1001140448	1	Mount, Rear Engine	
86	1001140450	1	Mount, Rear Engine	
87	1001140454	1	Mount, Front Engine	
88	1001202368	1	Mount, Generator/Engine	
89	1001230635	1	Tank	
89	0100020	AR	Sealant, Pipe	
89	1001134488	1	Fitting, 90 NPT/ Barbed	
89	1001138827	1	Sensor, Coolant Level	
89	1001140564	1	Fitting, 90 NPT/ Barbed	
89	1001229542	1	Tank, Surge	
91	1001141304	1	Harness, Glow Plug	
92	1001141370	1	Hose	
93	1001267256	1	Shim	
95	1001141585	1	Hose, Inlet	
97	1001141995	1	Fitting, Straight NPT/Barbed	
100	1001143390	1	Indicator, Service	
101	1001143726	1	Harness, Deutz Engine (Not Shown - See Separate Breakdown in ELECTRICAL Section)	
102	1001143797	1	Fitting, Straight Metric/Barbed	

SECTION 3 - ENGINE

ITEM	PART NUMBER	QTY	DESCRIPTION	REV
103	1001143907	1	Cable, Alternator Power	
104	1001145154	1	Plate, Relay Mounting	
105	1001152489	1	Fitting, 90 Metric/ Barbed	
108	1001167042	1	Radiator	
109	1001266525	1	Hose	
110	1001169138	4	Washer	
111	1001204325	2	Bracket, Radiator	
112	1001190610	1	Tray	
113	1001260413	1	Bracket, Tank	
114	1001177844	1	Hose, Radiator - Upper	
115	1001177845	1	Hose, Radiator - Lower	
116	1001186985	1	Plate, Mounting (Modine Radiator)	
117	1001178223	2	Bracket, Radiator	
118	1001180620	1	Adhesive	
119	1001181899	1	P-Clamp	
120	4811902	8	Washer M8	
121	1001169054	4	Pad, Isolator	
123	1001177359	1	Hose	
124	1001178876	1	Mount, Fuel Filter	
125	5250810	2	Bolt M8 x 20	
126	0761015	2	Bolt M10 x 35	
127	3291005	2	Nut M10	
129	0681822	1	Bolt 1/2 x 2-3/4 Grade 8	
130	0771415	3	Bolt M14 x 35 Grade 10.9	
131	5240800	1	Washer M8	
132	0700814	1	Bolt M8 x 30	
133	0681608	1	Bolt 3/8 x 1 Grade 8	
134	1001260412	1	Bracket	
135	1001162335	1	Bracket, Fuel Pump/Filter Assy (Not Shown - See Separate Breakdown in this Section)	

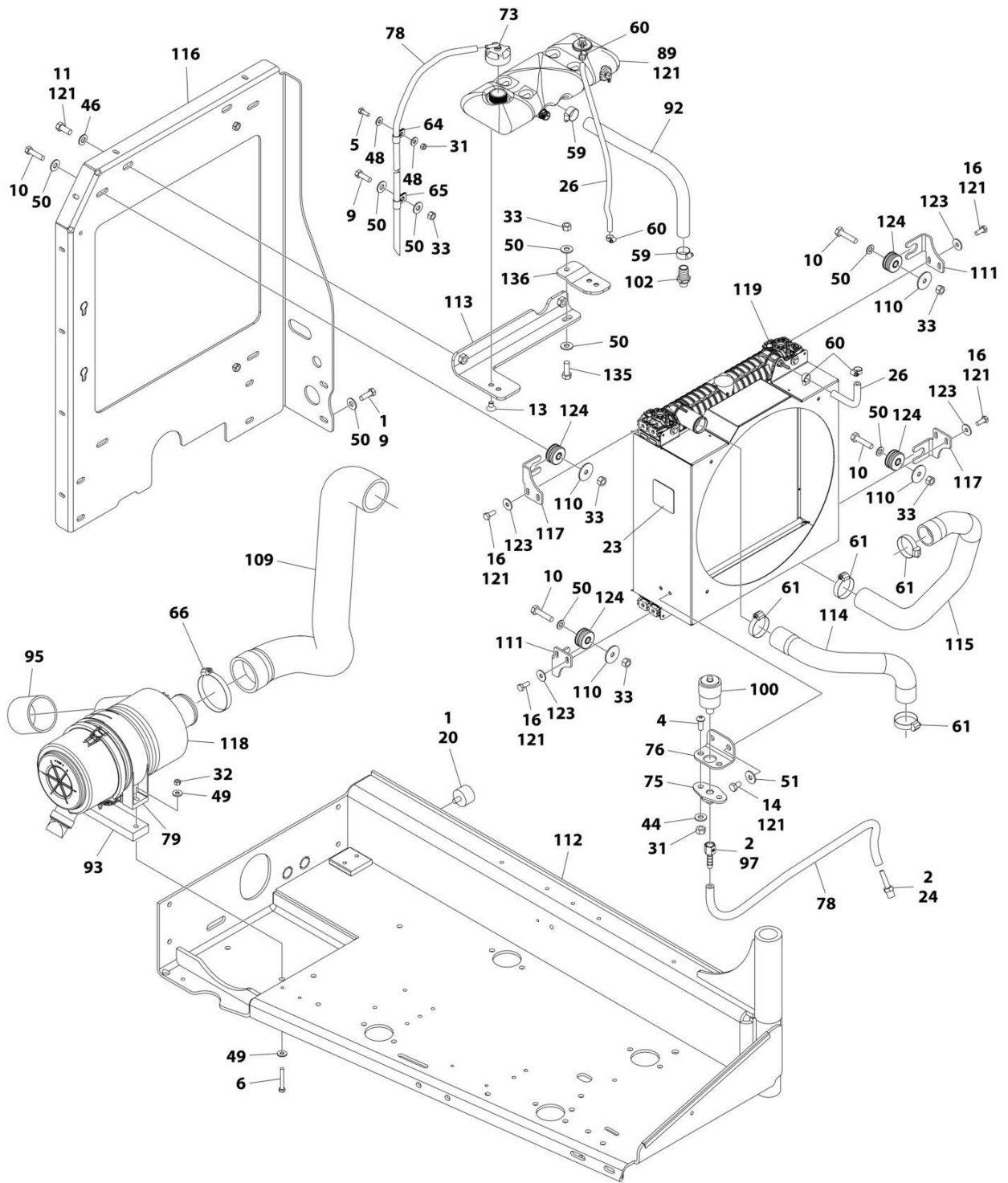
SECTION 3 - ENGINE

FIGURE 3-18. DEUTZ TD2.9L4 ENGINE ASSEMBLY (WITH ARCTIC PACKAGE)



ART_1001176035_U_10F2

SECTION 3 - ENGINE



ART_1001176035_U_20F2

SECTION 3 - ENGINE

FIGURE 3-18. DEUTZ TD2.9L4 ENGINE ASSEMBLY (WITH ARCTIC PACKAGE)

ITEM	PART NUMBER	QTY	DESCRIPTION	REV
	1001176035	Ref	DEUTZ TD2.9L4 ENGINE ASSEMBLY (WITH ARCTIC PACKAGE)	U
1	0100011	AR	Locking, Compound	
2	0100020	AR	Sealant	
3	0100062	2	Compound, Locking	
4	0630407	5	Screw 1/4 x 5/8	
5	0641406	2	Bolt 1/4 x 3/4	
6	0641518	2	Bolt 5/16 x 2-1/4	
7	0641605	8	Bolt 3/8 x 5/8	
8	0641608	6	Bolt 3/8 x 1	
9	0641609	4	Bolt 3/8 x 1-1/8	
10	0641612	2	Bolt 3/8 x 1-1/2	
11	0641708	3	Bolt 7/16 x 1	
12	0681820	2	Bolt 1/2 x 2-1/2 Grade 8	
13	0741605	2	Screw 3/8 x 5/8	
14	0760605	2	Bolt M6 x 10	
16	0760810	9	Bolt M8 x 20	
17	0761210	1	Bolt M12 x 20	
18	0771212	6	Bolt M12 x 25 Grade 10.9	
19	0771414	2	Bolt M14 x 30 Grade 10.9	
20	0940070	1	Bumper	
21	0961986	2	Bushing, Flanged	
22	1001181899	1	P-Clamp	
23	1703162	1	Decal - Caution Fan Blade	
24	2220315	1	Fitting, Straight Barbed	
26	2720015	40 in/1m	Hose	
27	2720340	12 in /30.5cm	Hose	
28	3200401	4	Mount, Motor	
29	3271801	4	Nut 1/2	
30	3310401	3	Nut #4	
31	3311405	8	Nut 1/4	
32	3311505	2	Nut 5/16	
33	3311605	17	Nut 3/8	
34	3580320	1	Pulley	
35	3910408	3	Screw #4 x 1/2	
36	3931432	1	Capscrew 1/4 x 2	
37	3931512	4	Capscrew 5/16 x 3/4	
38	3931628	4	Capscrew 3/8 x 1-3/4	
39	4031914	4	Capscrew M8 x 50	
40	4032014	4	Capscrew M10 x 50	
41	4060805	15 in /38cm	Flex-Trim	
42	4240099	AR	Tie-Strap (Not Shown)	
43	4640751	1	Valve, Oil Drain	
44	4711400	3	Washer 1/4	
45	4711500	5	Washer 5/16	
46	4711700	2	Washer 7/16	
47	4750400	3	Washer #4	
48	4751400	10	Washer 1/4	
49	4751500	4	Washer 5/16	

SECTION 3 - ENGINE

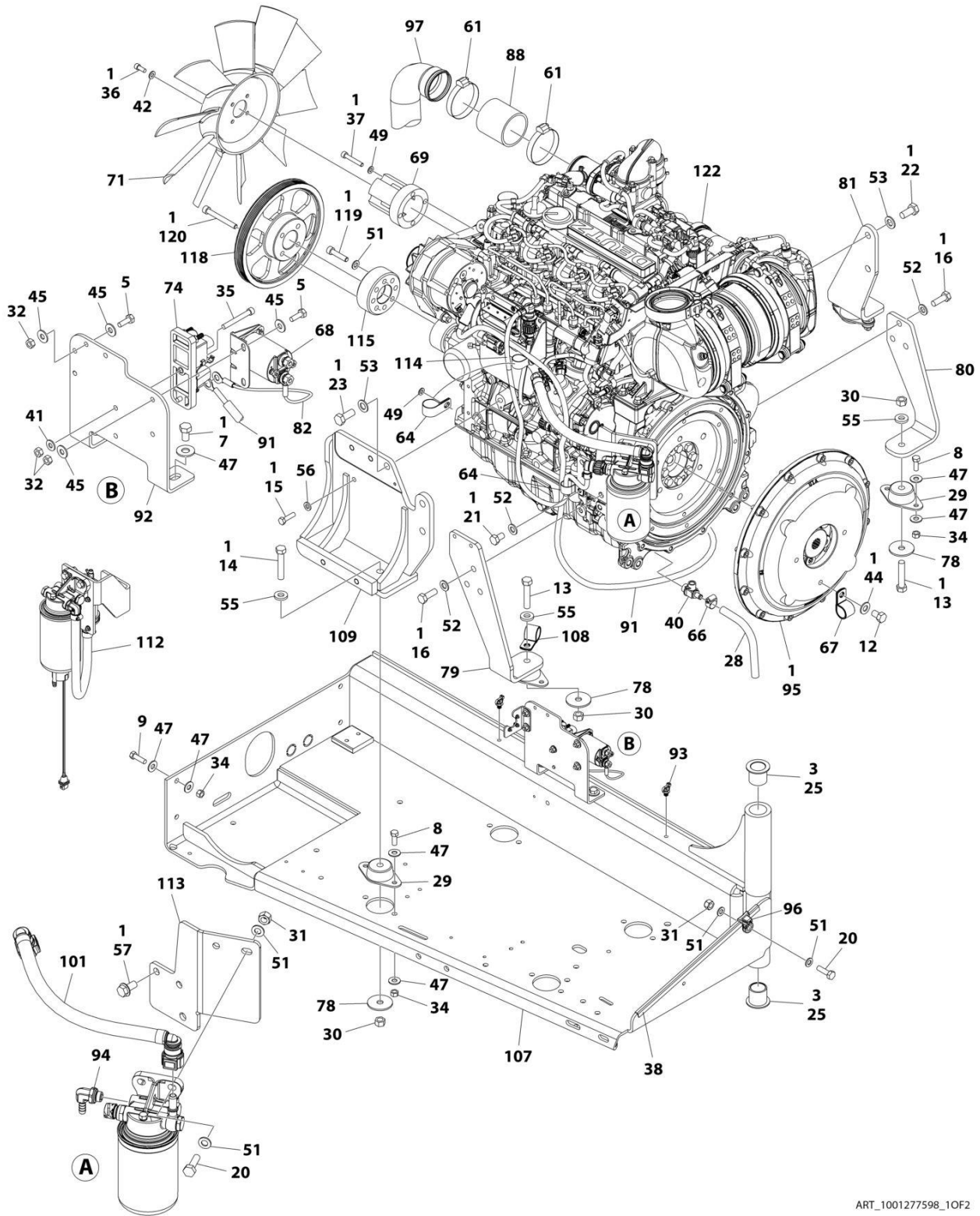
ITEM	PART NUMBER	QTY	DESCRIPTION	REV
50	4751600	34	Washer 3/8	
51	4811702	2	Washer M6	
52	4811900	4	Washer M8	
53	4812000	8	Washer M10	
54	4812100	7	Washer M12	
55	4812200	5	Washer M14	
57	4891800	4	Washer 1/2	
59	8405007	2	Clamp	
60	8405009	4	Clamp	
61	8405104	4	Clamp	
63	8406102	1	Clip	
64	8406109	1	Clip	
65	8406110	1	Clip	
66	8410011	2	Clamp	
67	8410013	1	Clamp	
68	1001117308	1	Relay	
70	1001135138	1	Adapter	
71	1001135679	1	Adapter	
73	1001136834	1	Cap, Tank	
74	1001137276	1	Fan	
75	1001138173	1	Support	
76	1001138175	1	Bracket	
77	1001138228	1	Relay, Power Module	
77	70023592	1	Fuse 20Amp (Switch Output)	
77	70023593	1	Fuse 30Amp (Battery Output)	
78	1001138248	62 in/1.6m	Tube	
79	1001138557	1	Clamp	
82	1001139240	1	Bracket	
83	1001139409	4	Washer, Special	
84	1001249942	1	Engine, Deutz TD2.9L4 T4F (See Separate Breakdown in this Section)	
85	1001140448	1	Mount, Rear Engine	
86	1001140450	1	Mount, Rear Engine	
87	1001140454	1	Mount, Front Engine	
88	1001202368	1	Mount, Generator/Engine	
89	1001230635	1	Tank	
89	0100020	1	Sealant	
89	1001134488	1	Fitting, 90 NPT/ Barbed	
89	1001138827	1	Sensor, Coolant Level	
89	1001140564	1	Fitting, 90 NPT/ Barbed	
89	1001229542	1	Tank, Surge	
91	1001141304	1	Harness, Glow Plug	
92	1001141370	1	Hose	
93	1001267256	1	Shim	
95	1001141585	1	Hose, Inlet	
97	1001141995	1	Fitting, Straight NPT/Barbed	
100	1001143390	1	Indicator, Service	
101	1001143726	1	Harness, Deutz Engine (Not Shown - See Separate Breakdown in ELECTRICAL Section)	
102	1001143797	1	Fitting, Straight Metric/Barbed	
103	1001143907	1	Cable, Alternator Power	
104	1001145154	1	Plate, Relay Mounting	

SECTION 3 - ENGINE

ITEM	PART NUMBER	QTY	DESCRIPTION	REV
106	1001152489	1	Fitting, 90 Metric/ Barbed	
107	1001153282	1	Pump Coupling Kit (See Separate Breakdown in this Section)	
109	1001266525	1	Pipe	
110	1001169138	4	Washer	
111	1001204325	2	Bracket, Radiator	
112	1001190610	1	Tray	
113	1001260413	1	Bracket, Tank	
114	1001177844	1	Hose, Radiator - Upper	
115	1001177845	1	Hose, Radiator - Lower	
116	1001186985	1	Plate, Mounting	
117	1001178223	2	Bracket, Radiator	
118	1001138489	1	Air Cleaner Assembly	
118	91403102	1	Element, Filter	
119	1001167042	1	Radiator	
120	1001140312	1	Heater, Engine Block	
121	1001180620	1	Adhesive	
122	1001181895	1	Adhesive	
123	4811902	8	Washer M8	
124	1001169054	4	Pad, Isolator	
126	1001177359	1	Hose	
127	1001178876	1	Mount, Fuel Filter	
128	5250810	2	Bolt M8 x 20	
129	0761015	2	Bolt M10 x 35	
130	3291005	2	Nut M10	
131	0681822	1	Bolt 1/2 x 2-3/4 Grade 8	
132	5240800	1	Washer M8	
133	0700814	1	Bolt M8 x 30	
134	0771415	3	Bolt M14 x 35 Grade 10.9	
135	0681608	1	Bolt 3/8 x 1 Grade 8	
136	1001260412	1	Bracket	
137	1001162335	1	Bracket, Fuel Pump/Filter Assy (Not Shown - See Separate Breakdown in this Section)	

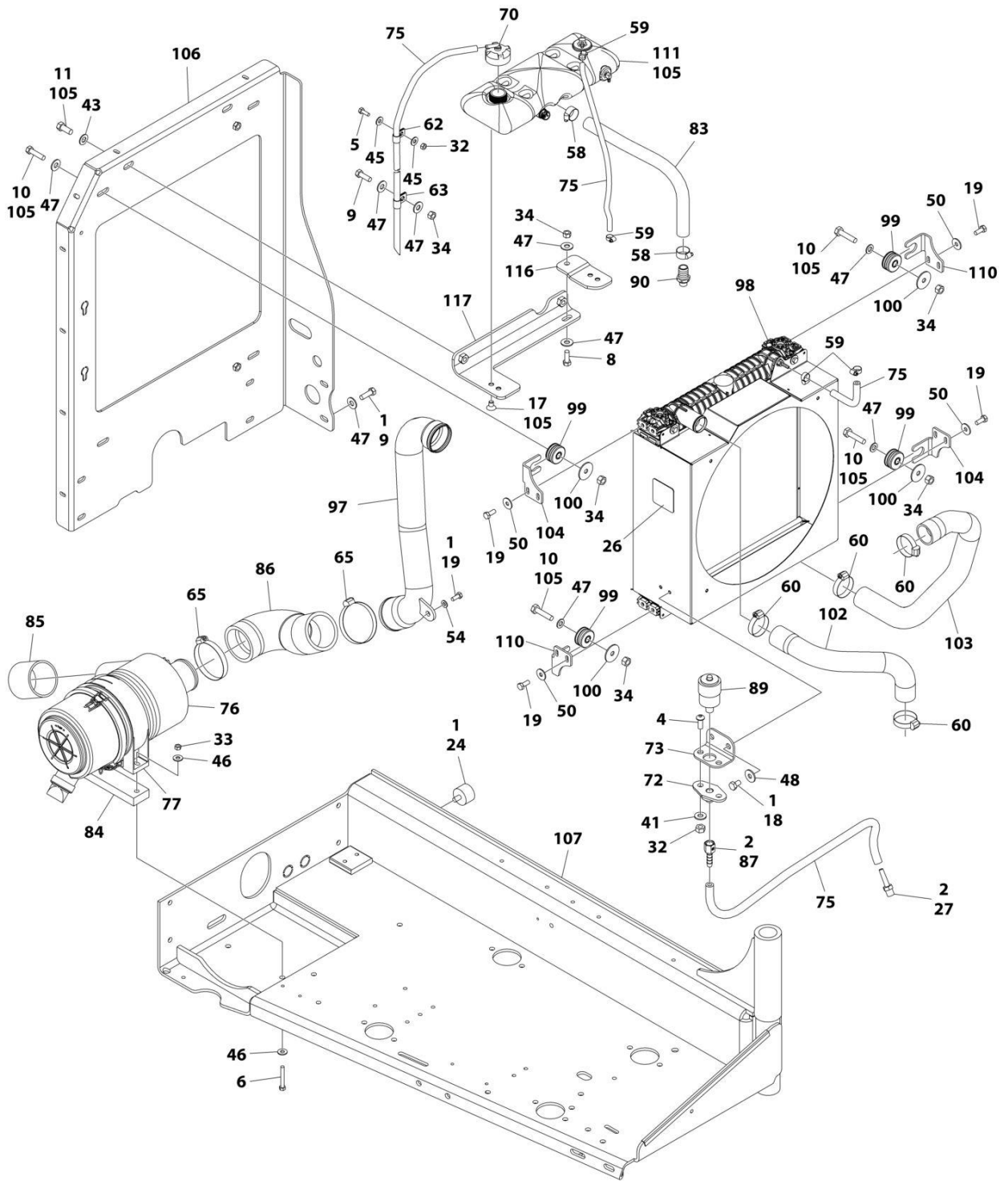
SECTION 3 - ENGINE

FIGURE 3-19. DEUTZ TD2.9L4 ENGINE ASSEMBLY (STAGE V)



ART_1001277598_10F2

SECTION 3 - ENGINE



ART_1001277598_20F2

SECTION 3 - ENGINE

FIGURE 3-19. DEUTZ TD2.9L4 ENGINE ASSEMBLY (STAGE V)

ITEM	PART NUMBER	QTY	DESCRIPTION	REV
	1001277598	Ref	DEUTZ TD2.9L4 ENGINE ASSEMBLY (STAGE V)	C
1	0100011	AR	Locking, Compound	
2	0100020	AR	Sealant	
3	0100062	AR	Compound, Locking	
4	0630407	2	Screw 1/4 x 5/8	
5	0641406	3	Bolt 1/4 x 3/4	
6	0641518	2	Bolt 5/16 x 2-1/4	
7	0641605	2	Bolt 3/8 x 5/8	
8	0641608	9	Bolt 3/8 x 1	
9	0641609	6	Bolt 3/8 x 1-1/8	
10	0641612	4	Bolt 3/8 x 1-1/2	
11	0641708	2	Bolt 7/16 x 1	
12	0641806	1	Bolt 1/2 x 3/4	
13	0681820	3	Bolt 1/2 x 2-1/2 Grade 8	
14	0681822	1	Bolt 1/2 x 2-3/4 Grade 8	
15	0700814	1	Bolt M8 x 30	
16	0711215	6	Bolt M12 x 35	
17	0741605	2	Screw 3/8 x 5/8	
18	0760605	2	Bolt M6 x 10	
19	0760810	9	Bolt M8 x 20	
20	0761015	3	Bolt M10 x 35	
21	0761210	1	Bolt M12 x 20	
22	0771414	2	Bolt M14 x 30 Grade 10.9	
23	0771415	3	Bolt M14 x 35 Grade 10.9	
24	0940070	1	Bumper	
25	0961986	2	Bushing, Flanged	
26	1703162	1	Decal - Caution Fan Blade	
27	2220315	1	Fitting, Straight Barbed	
28	2720340	12 in /.305m	Hose	
29	3200401	4	Mount, Motor	
30	3271801	4	Nut 1/2 Grade 8	
31	3291005	3	Nut M10	
32	3311405	6	Nut 1/4	
33	3311505	2	Nut 5/16	
34	3311605	17	Nut 3/8	
35	3931432	1	Capscrew 1/4 x 2	
36	3931512	4	Capscrew 5/16 x 3/4	
37	4031914	4	Capscrew M8 x 50	
38	4060805	15 in /38cm	Flex-Trim	
39	4240099	AR	Tie-Strap (Not Shown)	
40	4640751	1	Valve, Oil Drain	
41	4711400	3	Washer 1/4	
42	4711500	4	Washer 5/16	
43	4711700	2	Washer 7/16	
44	4711800	1	Washer 1/2	
45	4751400	6	Washer 1/4	
46	4751500	4	Washer 5/16	
47	4751600	34	Washer 3/8	

SECTION 3 - ENGINE

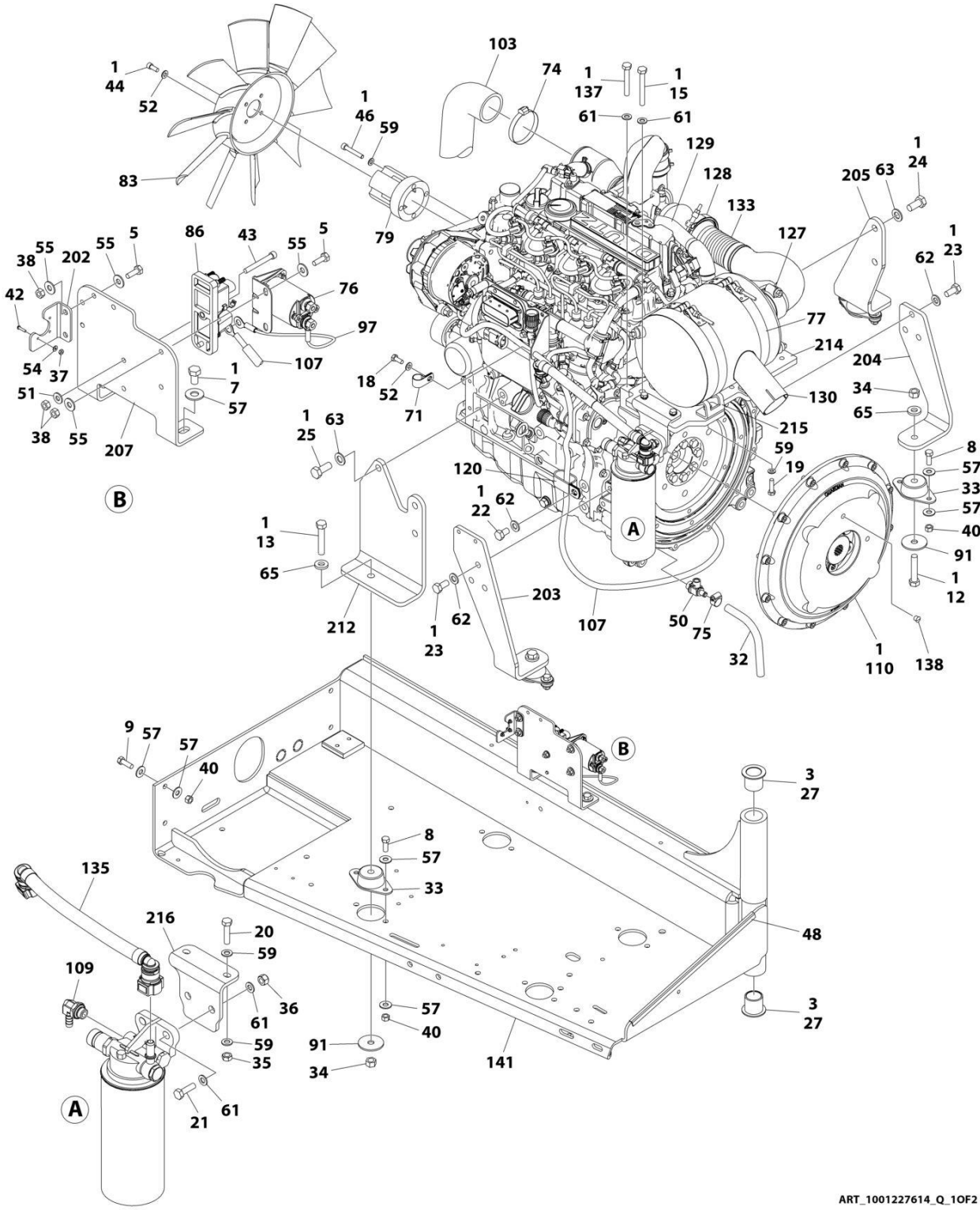
ITEM	PART NUMBER	QTY	DESCRIPTION	REV
48	4811702	2	Washer M6	
49	4811900	5	Washer M8	
50	4811902	8	Washer M8	
51	4812000	10	Washer M10	
52	4812100	7	Washer M12	
53	4812200	5	Washer M14	
54	4891500	1	Washer 5/16	
55	4891800	4	Washer 1/2	
56	5240800	1	Washer M8	
57	5251010	2	Bolt M10 x 20	
58	8405007	2	Clamp	
59	8405009	4	Clamp	
60	8405104	4	Clamp	
61	8405204	2	Clamp	
62	8406109	1	Clip	
63	8406110	1	Clip	
64	8406201	2	Clip	
65	8410011	2	Clamp	
66	8410013	1	Clamp	
67	85031405	1	Clamp	
68	1001117308	1	Relay	
69	1001135138	1	Adapter	
70	1001136834	1	Cap, Tank	
71	1001137276	1	Fan	
72	1001138173	1	Support	
73	1001138175	1	Bracket	
74	1001138228	1	Relay, Power Module	
75	1001138248	90 in/2.2m	Tube	
76	1001138489	1	Air Cleaner Assembly	
77	1001138557	1	Clamp	
78	1001139409	4	Washer, Special	
79	1001140448	1	Mount, Rear Engine	
80	1001140450	1	Mount, Rear Engine	
81	1001140454	1	Mount, Front Engine	
82	1001141304	1	Harness, Glow Plug	
83	1001141370	1	Hose	
84	1001141419	1	Shim	
85	1001141585	1	Hose, Inlet	
86	1001141586	1	Pipe, Intake	
87	1001141995	1	Fitting, Straight NPT/Barbed	
88	1001142623	1	Hose, Inlet	
89	1001143390	1	Indicator, Service	
90	1001143797	1	Fitting, Straight Metric/Barbed	
91	1001143907	1	Cable, Alternator Power	
92	1001145154	1	Plate, Relay Mounting	
93	1001146588	3	Strap	
94	1001152489	1	Fitting, 90 Metric/ Barbed	
95	1001153282	1	Pump Coupling Kit (See Separate Breakdown in this section)	
96	1001156107	1	Holder, Cable	
97	1001165842	1	Pipe	
98	1001167042	1	Radiator (Modine Radiator)	

SECTION 3 - ENGINE

ITEM	PART NUMBER	QTY	DESCRIPTION	REV
99	1001169054	4	Pad, Isolator	
100	1001169138	4	Washer	
101	1001177359	1	Hose	
102	1001177844	1	Hose, Radiator - Upper	
103	1001177845	1	Hose, Radiator - Lower	
104	1001178223	2	Bracket, Radiator	
105	1001180620	AR	Adhesive	
106	1001186985	1	Plate, Mounting	
107	1001190610	1	Tray	
108	1001191620	1	Clamp	
109	1001202368	1	Mount, Generator/Engine	
110	1001204325	2	Bracket, Radiator	
111	1001230635	1	Tank	
112	1001235949	1	Bracket, Fuel Pump/Filter Assy (See Separate Breakdown in this Section)	
113	1001238268	1	Mount, Fuel Filter	
114	1001245913	1	Harness, Deutz TD2.9L4 (Stage V) Engine Fuel Filter (See Separate Breakdown in ELECTRICAL Section)	
115	1001258800	1	Adapter	
116	1001260412	1	Bracket, Surge Tank	
117	1001260413	1	Bracket, Tank	
118	1001281192	1	Pulley	
119	1001261045	4	Capscrew M10 x 45	
120	1001261085	4	Capscrew M10 x 85	
121	1001276644	1	Harness Deutz (Not Shown - See Separate Breakdown in ELECTRICAL Section)	
122	1001277592	1	Engine Deutz (See Separate Breakdown in this section)	

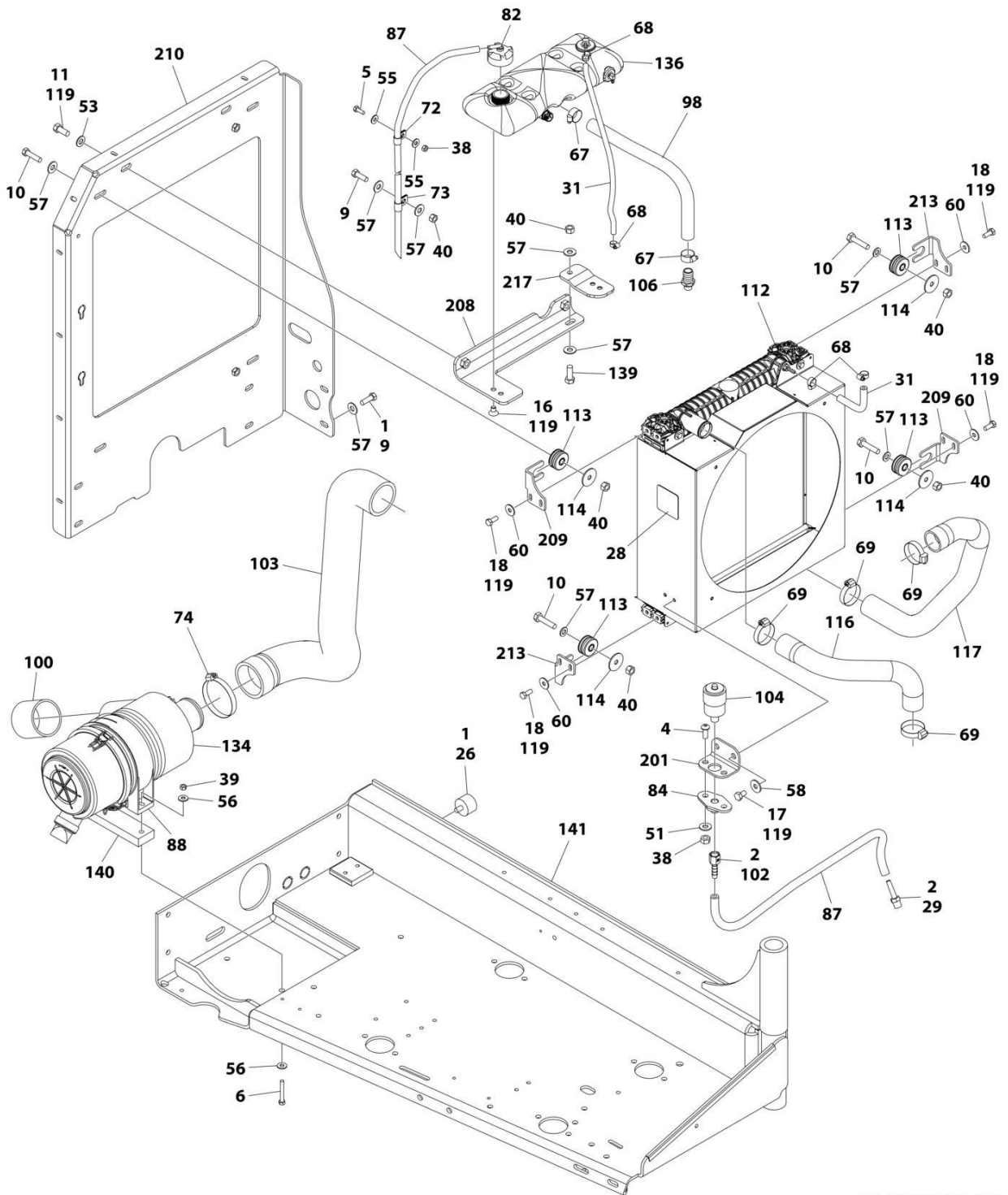
SECTION 3 - ENGINE

FIGURE 3-20. DEUTZ TD2.9L4 ENGINE ASSEMBLY (CHINA III SPECS)



ART_1001227614_Q_10F2

SECTION 3 - ENGINE



ART_1001227614_Q_20F2

SECTION 3 - ENGINE

FIGURE 3-20. DEUTZ TD2.9L4 ENGINE ASSEMBLY (CHINA III SPECS)

ITEM	PART NUMBER	QTY	DESCRIPTION	REV
	1001227614	Ref	DEUTZ TD2.9L4 ENGINE ASSEMBLY	Q
1	0100011	AR	Compound, Locking	
2	0100020	AR	Sealant	
3	0100062	AR	Compound, Locking	
4	0630407	2	Screw 1/4 x 5/8	
5	0641406	5	Bolt 1/4 x 3/4	
6	0641518	2	Bolt 5/16 x 2-1/4	
7	0641605	2	Bolt 3/8 x 5/8	
8	0641608	8	Bolt 3/8 x 1	
9	0641609	6	Bolt 3/8 x 1-1/8	
10	0641612	4	Bolt 3/8 x 1-1/2	
11	0641708	2	Bolt 7/16 x 1	
12	0681820	3	Bolt 1/2 x 2-1/2 Grade 8	
13	0681822	1	Bolt 1/2 x 2-3/4 Grade 8	
15	0701025	2	Bolt M10 x 85	
16	0741605	2	Screw 3/8 x 5/8	
17	0760605	2	Bolt M6 x 10	
18	0760810	10	Bolt M8 x 20	
19	0760814	4	Bolt M8 x 30	
20	0760815	2	Bolt M8 x 35	
21	0761015	2	Bolt M10 x 35	
22	0761210	1	Bolt M12 x 20	
23	0771212	6	Bolt M12 x 25 Grade 10.9	
24	0771414	2	Bolt M14 x 30 Grade 10.9	
25	0771415	3	Bolt M14 x 35	
26	0940070	1	Bumper	
27	0961986	2	Bushing, Flanged	
28	1703162	1	Decal - Caution Fan Blade	
29	2220315	1	Fitting, Straight Barbed	
31	2720015	2.32 ft /0.71m	Hose	
32	2720340	1 ft /0.31m	Hose	
33	3200401	4	Mount, Motor	
34	3271801	4	Nut 1/2	
35	3290801	2	Nut M8	
36	3291005	2	Nut M10	
37	3310401	3	Nut #4	
38	3311405	8	Nut 1/4	
39	3311505	2	Locknut 5/16	
40	3311605	17	Nut 3/8	
42	3910408	3	Screw #4 x 1/2	
43	3931432	1	Capscrew 1/4 x 2	
44	3931512	4	Capscrew 5/16 x 3/4	
46	4031914	4	Capscrew M8 x 50	
48	4060805	1.2 m /0.39m	Flex-Trim	
49	4240099	AR	Tie-Strap (Not Shown)	
50	4640751	1	Valve, Oil Drain	
51	4711400	3	Washer 1/4	

SECTION 3 - ENGINE

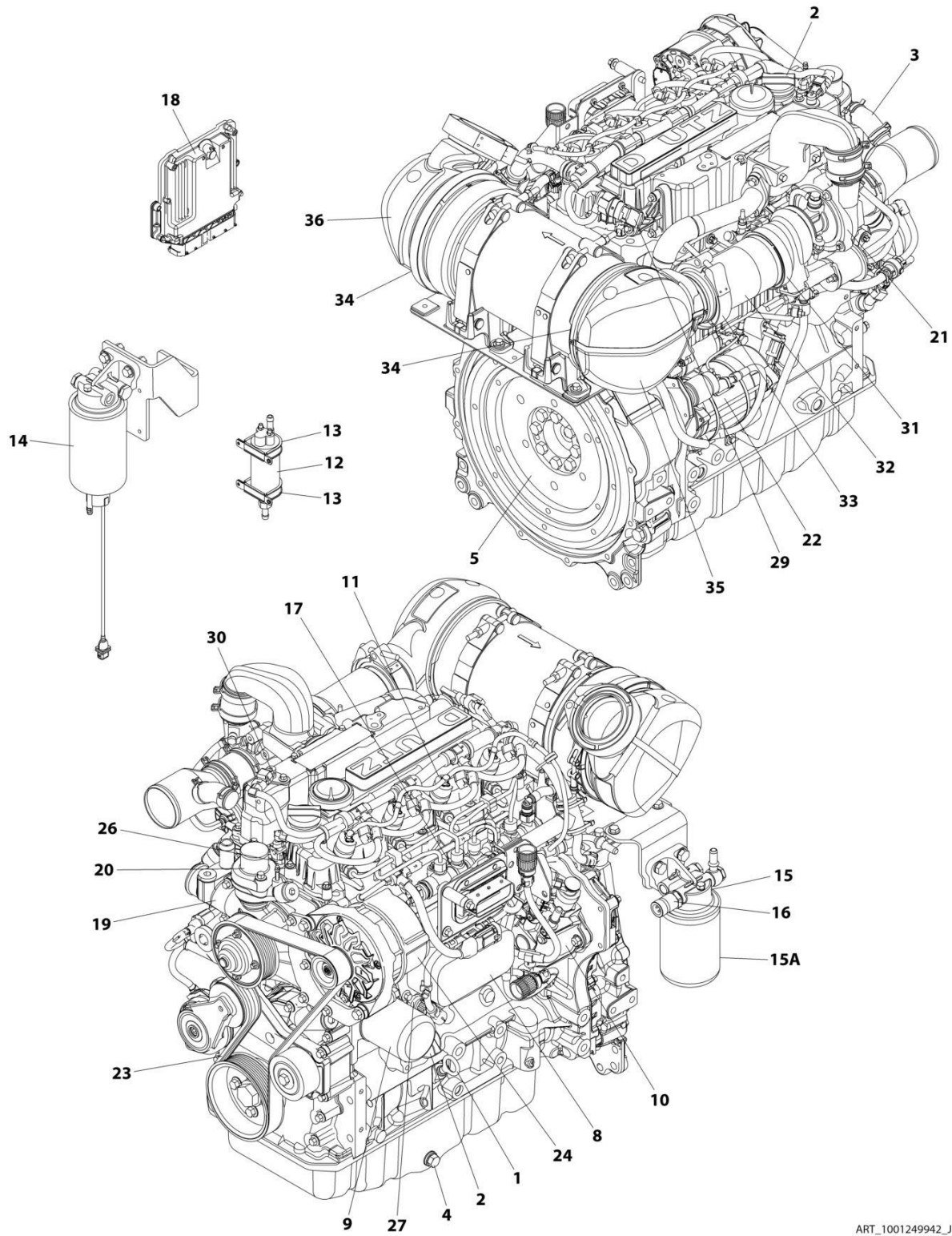
ITEM	PART NUMBER	QTY	DESCRIPTION	REV
52	4711500	5	Washer 5/16	
53	4711700	2	Washer 7/16	
54	4750400	3	Washer #4	
55	4751400	10	Washer 1/4	
56	4751500	4	Washer 5/16	
57	4751600	34	Washer 3/8	
58	4811702	2	Washer M6	
59	4811900	12	Washer M8	
60	4811902	8	Washer M8	
61	4812000	8	Washer M10	
62	4812100	7	Washer M12	
63	4812200	5	Washer M14	
65	4891800	4	Washer 1/2	
67	8405007	2	Clamp	
68	8405009	4	Clamp	
69	8405104	4	Clamp	
71	8406102	1	Clip	
72	8406109	1	Clip	
73	8406110	1	Clip	
74	8410011	2	Clamp	
75	8410013	1	Clamp	
76	1001117308	1	Relay	
77	1001233089	2	Strap	
79	1001135138	1	Adapter	
82	1001136834	1	Cap, Tank	
83	1001137276	1	Fan	
84	1001138173	1	Support	
86	1001138228	1	Relay, Power Module	
87	1001138248	62 in/1.6m	Tube	
88	1001138557	1	Clamp	
91	1001139409	4	Washer, Special	
97	1001141304	1	Harness, Glow Plug	
98	1001141370	1	Hose	
100	1001141585	1	Hose, Inlet	
102	1001141995	1	Fitting, Straight NPT/Barbed	
103	1001266525	1	Hose, Inlet	
104	1001143390	1	Indicator, Service	
105	1001143726	1	Harness, Deutz Engine (Not Shown - See Separate Breakdown in ELECTRICAL SECTION)	
106	1001143797	1	Fitting, Straight Metric/Barbed	
107	1001143907	1	Cable, Alternator Power	
109	1001152489	1	Fitting, 90 Metric/ Barbed	
110	1001153282	1	Pump Coupling Kit (See Separate Breakdown in this Section)	
112	1001167042	1	Radiator	
113	1001169054	4	Isolator	
114	1001169138	4	Washer	
116	1001177844	1	Hose, Radiator - Upper	
117	1001177845	1	Hose, Radiator - Lower	
119	1001180620	AR	Adhesive	
120	1001181899	1	P-Clamp	
127	1001221212	1	Clamp	
128	1001221219	1	Clamp	

SECTION 3 - ENGINE

ITEM	PART NUMBER	QTY	DESCRIPTION	REV
129	1001223591	1	Engine, Deutz TD2.9L4 Components (See Separate Breakdown in this Section)	
130	1001257278	1	Muffler	
133	1001224940	1	Pipe, Exhaust	
134	1001138489	1	Air Cleaner Assembly	
134	91403102	1	Element, Filter	
135	1001177359	1	Hose	
136	1001230635	1	Tank	
137	0701022	2	Bolt M10 x 70	
138	3520054	1	Plug	
139	0681608	1	Bolt 3/8 x 1 Grade 8	
140	1001267256	1	Shim, Air Cleaner	
141	1001190610	1	Support, Engine Try	
200	1001257412	1	Bracket Engine Kit (Includes Items 201-217)	E
201	1001138175	1	Bracket	
202	1001139240	1	Bracket	
203	1001140448	1	Mount, Rear Engine	
204	1001140450	1	Mount, Rear Engine	
205	1001140454	1	Mount, Front Engine	
207	1001145154	1	Plate, Relay Mounting	
208	1001260413	1	Bracket, Tank	
209	1001178223	2	Bracket, Radiator	
210	1001186985	1	Plate, Mounting	
212	1001266499	1	Mount, Generator/Engine	
213	1001204325	2	Bracket, Radiator	
214	1001221203	1	Bracket	
215	1001224936	1	Mount, Doc Weldment	
216	1001224937	2	Mount, Fuel Filter	
217	1001260412	1	Bracket	

SECTION 3 - ENGINE

FIGURE 3-21. DEUTZ TD2.9L4 ENGINE COMPONENTS



ART_1001249942_JLG

SECTION 3 - ENGINE

FIGURE 3-21. DEUTZ TD2.9L4 ENGINE COMPONENTS

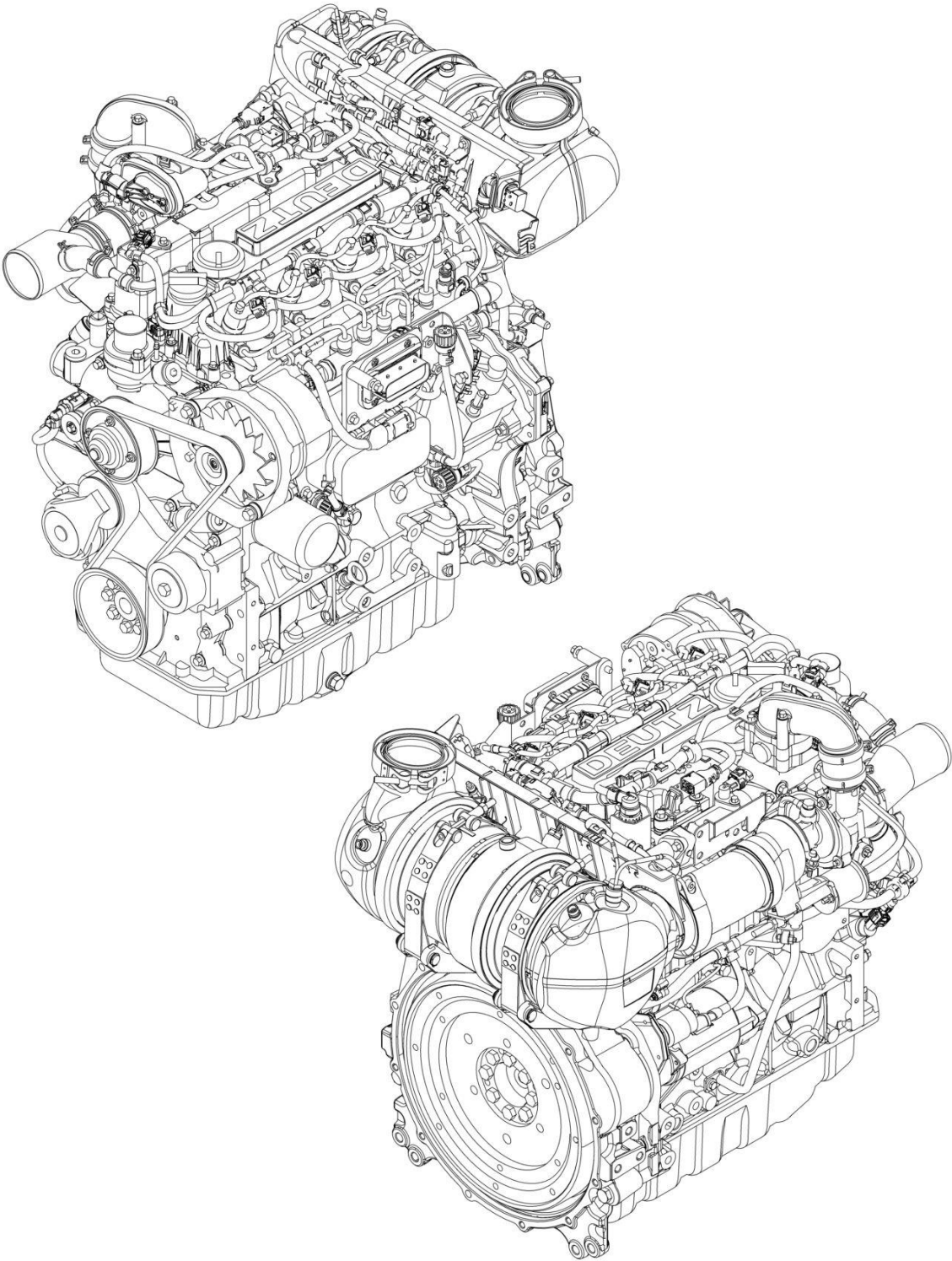
ITEM	PART NUMBER	QTY	DESCRIPTION	REV
	1001249942	Ref	ENGINE COMPONENTS - DEUTZ TD2.9L4	A
1	70024904	1	Dipstick	
1	70024905	1	Seal	
2	7020465	2	Cap, Oil Fill	
3	70025111	2	Clamp	
3	70005920	1	Hose, Breather	
4	70005941	2	Plug	
4	70005942	2	Seal	
5	70001870	1	Flywheel with Ring Gear	
5	7024579	1	Gear, Ring	
6		Ref	Gasket and Seal Options (Not Shown)	
6	70004279	1	Gasket Kit	
6	70024906	1	Gasket, Head	
6	70025205	1	Gasket, Small Valve Cover	
6	70005171	1	Gasket, Large Valve Cover	
6	70005176	1	O-Seal, Valve Cover to Air Charge Elbow	
6	70005177	1	Gasket, Air Charge Pipe to Head	
6	70031095	3	Gasket, Air Charge Pipe & EGR Pipe	
6	70025164	1	Gasket, Exhaust Manifold to Head	
6	70007354	1	Gasket, EGR Pipe to EGR Valve	
6	70007326	1	Gasket, EGR Valve to Housing	
7	70005172	1	Pump, Oil Lube (Not Shown - Located Front Left Side)	
7	70025135	1	O-Ring	
7	70005173	1	Gasket	
8	70024494	1	Cooler, Oil	
8	70024925	1	Gasket	
9	7016331	1	Filter, Oil	
10	70024924	1	Pump, High Pressure (Not Shown - Located Front Left Side)	
10	70025152	1	O-Ring (Between Pump and Spacer)	
10	70024517	1	O-Ring (Between Spacer and Engine Block)	
10	70004505	1	Valve, Overflow	
10	70004506	1	O-Ring	
10	70004507	1	O-Ring	
10	70004508	1	Valve, Volume Control	
10	70004509	1	O-Ring	
10	70004510	1	O-Ring	
11	70025181	4	Injector Fuel	
11	70025140	4	Washer, Sealing	
11	70025146	4	Clamp (Top of Injector)	
11	70025145	4	O-Seal	
11	70025154	4	Shoe, Clamping	
11	70000345	4	Plug, Glow	
11	70025231	1	Harness, Glow Plug (Not Shown)	
12	70006144	1	Pump, Fuel	
13	70025144	2	Clamp	
14	70024961	1	Filter, Fuel	
14	70025153	1	Element, Filter	
14	70024513	1	Cable, Sensor	
14	70025239	1	Seal	
15	70029451	1	Filter With Head	

SECTION 3 - ENGINE

ITEM	PART NUMBER	QTY	DESCRIPTION	REV
15A	70025161	1	Filter, Fuel	
16	70028538	1	Sensor, Pressure	
16	70024920	1	Seal	
17	70025151	1	Rail, Fuel	
17	70025235	1	Repair Kit	
17	70025182	1	Line, Fuel (Cylinders 1 & 2)	
17	70025183	1	Line, Fuel (Cylinders 3 & 4)	
17	70025184	1	Line, Fuel (To Rail)	
18	70025210	1	ECU (Engine Control Unit)	
19	70029797	1	Pump, Water	
19	70025200	1	Seal	
19	70007325	1	Gasket	
20	70005929	1	Thermostat	
20	70005184	1	O-Seal	
20	70025142	1	Cover, Thermostat	
20	70005931	1	Gasket	
21	70004276	1	Turbocharger	
21	70024912	1	Gasket, Square	
21	70024509	1	Gasket, Return Line	
21	70006294	1	O-Seal	
22	70024915	1	Starter	
22	70005648	1	Relay	
22	70005647	1	Solenoid	
23	70004277	1	Belt Drive	
24	70006652	1	Alternator	
24	70006653	1	Regulator, Voltage	
25	70007489	1	Harness, Engine (Not Shown)	
26	70028540	1	Sender, Temperature	
27	70028538	1	Sensor, Pressure	
27	70024920	1	Seal	
28	70026210	2	Sensor, Speed (Not Shown - Located Left Side Front and Flywheel Housing)	
28	70024917	1	Seal (Cam Shaft Speed Sensor)	
28	70005191	1	Seal (Flywheel Shaft Speed Sensor)	
29	70024507	1	Sensor, Pressure	
29	70025120	1	Seal	
30	70024922	1	Sender, Temperature	
30	70025212	1	O-Seal	
31	70005527	1	Clamp	
31	70025788	1	Nut	
32	70004504	1	Compensator	
33	70025242	1	Gasket	
33	70029433	1	Clamp	
34	70029517	2	Clamp	
34	70029520	2	Gasket	
35	70007355	1	Inlet	
36	70007331	1	Outlet	

SECTION 3 - ENGINE

FIGURE 3-22. DEUTZ TD2.9L4 ENGINE COMPONENTS (STAGE V)



ART_1001277592

SECTION 3 - ENGINE

FIGURE 3-22. DEUTZ TD2.9L4 ENGINE COMPONENTS (STAGE V)

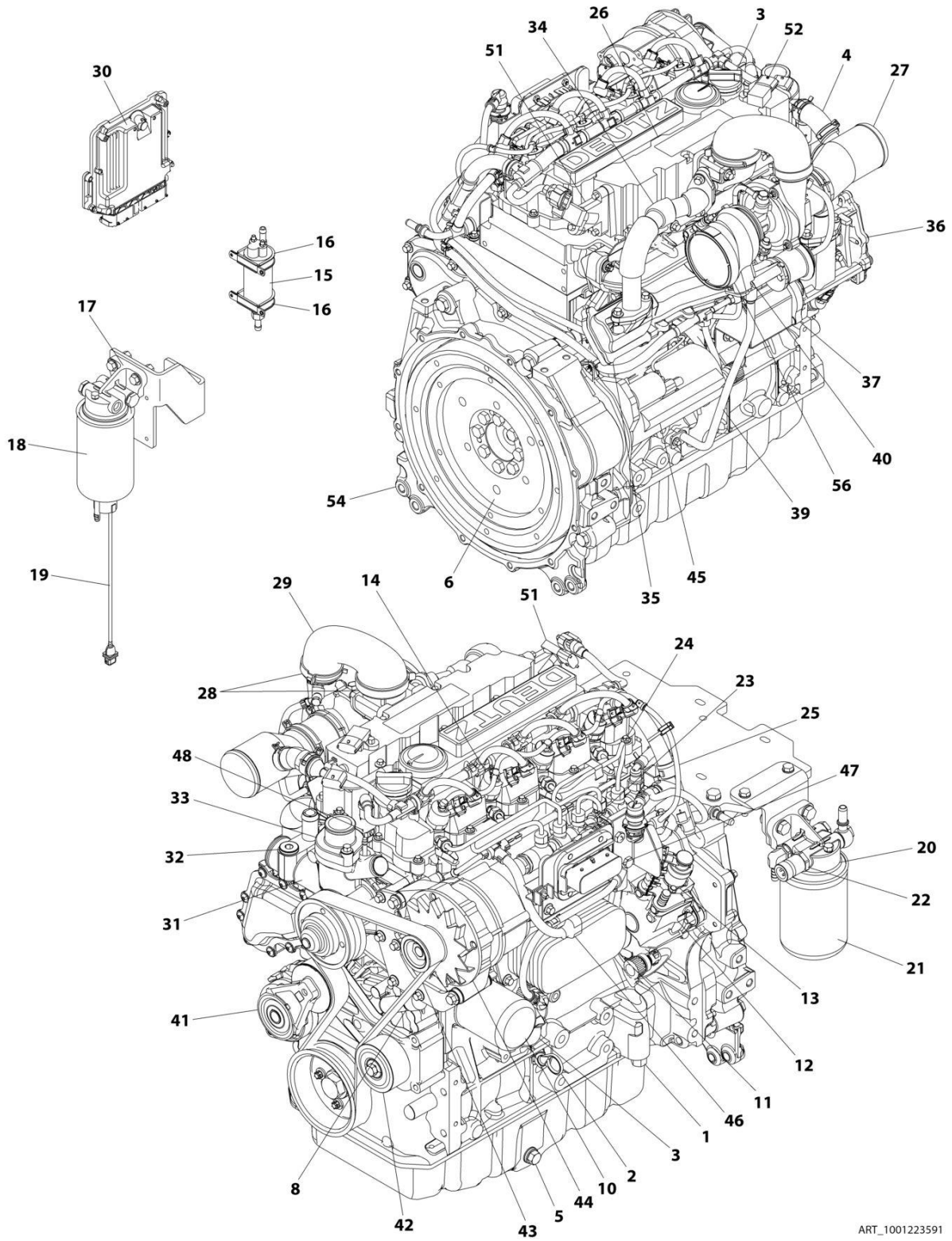
ITEM	PART NUMBER	QTY	DESCRIPTION	REV
	1001277592	Ref	DEUTZ ENGINE COMPONENTS	A
	See Note	Ref	Note: Additional components may be available. Contact JLG Customer Service for more details.	
		Ref	COOLING SYSTEM COMPONENTS	
	70031474	1	Cooler, Oil	
	70031388	1	Seal, Oil Cooler	
	70030360	1	Pump, Coolant (Includes Gasket & Sealing Rings)	
	70031055	1	O-Ring, Coolant Pump	
	7020492	1	Seal	
	70007325	1	Gasket	
	70007603	1	Thermostat	
	70005184	1	O-Ring, Thermostat	
	70005931	1	Gasket, Thermostat	
	70025142	1	Cover, Thermostat	
		Ref	ELECTRICAL SYSTEM COMPONENTS	
	70024513	1	Sensor, Fuel Filter	
	70024504	1	Sensor, Fuel Pressure (at Fuel Filter) (Includes Seal)	
	70024920	1	Seal	
	70027405	1	Sensor, Temperature	
	70007803	1	Generator (Includes Regulator)	
	70031143	1	Regulator, Voltage	
	70031144	1	Starter	
	70025231	1	Harness, Glow Plug (Not Shown)	
	1001211556	1	Sensor, Temperature 90 (Includes O-Ring)	
	70028540	1	Sensor, Temperature (Includes O-Ring) (in Cylinder Head)	
	70029407	1	Sensor, Pressure (Includes Seal) (On Exhaust Manifold)	
	70024507	1	Sensor, Pressure (Includes O-Ring) (Charge Manifold)	
	70031475	1	Sensor, Temperature (Includes O-Ring) (Charge Manifold)	
	70026210	2	Sensor, Speed (Includes Seal) (Rear of Block & Front Cover)	
		Ref	Module, Engine Control	
		Ref	Harness, Engine	
	70000345	4	Plug, Glow (Not Shown)	
	70024505	1	Sender, Temperature (Inlet End of Calalyst)	
	70029409	1	Sender, Temperature (Outlet End of Calalyst)	
		Ref	EXHAUST SYSTEM COMPONENTS	
	70031136	1	Pipe, Exhaust Recirculation	
	70029557	1	Gasket, Exhaust Recirculation Pipe to Exhaust Manifold (Upper)	
	70007354	1	Gasket, Exhaust Recirculation Pipe (Lower)	
	70025164	1	Gasket, Exhaust Manifold to Head	
	70025130	8	Bolt, Exhaust Manifold	
	70031138	1	Valve, EGR	
	70007326	1	Gasket, EGR Vlave	
	70005504	1	Sensor, Pressure (Exhaust) (includes Seals)	
	70004276	1	Turbocharger	
	70024912	1	Gasket, Turbocharger	
	70008564	1	Catalyst	
	70029520	2	Gasket (on both ends of Catalyst)	
	70029517	2	Clamp (on both ends of Catalyst)	
	70004504	1	Compensator	

SECTION 3 - ENGINE

ITEM	PART NUMBER	QTY	DESCRIPTION	REV
	70025242	2	Gasket (at Compensator)	
	70030097	1	Clamp (Compensator Engine Side)	
	70030099	1	Clamp (Compensator Catalyst Side)	
		Ref	FUEL SYSTEM COMPONENTS	
	1001225430	1	Filter, Fuel (Primary)	
	1001225431	1	Filter, Fuel (Secondary)	
	70030381	1	Pump, Injection/High Pressure (Includes Control Valves, Gasket & O-Rings)	
	70025152	1	O-Ring (Between Pump AND Spacer)	
	70004505	1	Valve, Overflow	
	70004506	1	O-Ring	
	70004507	1	O-Ring	
	70004508	1	Valve, Volume Control	
	70004509	1	O-Ring	
	70004510	1	Gasket	
	70025181	4	Injector, Fuel (Includes O-Ring)	
	70025145	4	O-Ring	
	70008422	1	Pump, Fuel Supply	
	70025144	2	Clamp	
		Ref	GASKETS & SEAL & KITS (Note: Some components listed with main component)	
	70005938	1	Gasket Kit	
	70024906	1	Gasket, Head	
	70005171	1	Gasket, Valve Cover	
	70004280	1	Seal, Main (Front)	
	70002718	1	Seal, Main (Rear)	
	70005177	1	Gasket, Air Charge Pipe	
	70005176	1	O-Ring, Air Charge Pipe	
	70008538	2	Gasket, Throttle Valve	
		Ref	LUBRICATION SYSTEM COMPONENTS	
	7016331	1	Filter, Oil	
	70024904	1	Dipstick	
	70024905	1	Seal, Dipstick	
	7020465	2	Cap, Filler	
	70005941	2	Plug, Oil Drain	
	70005942	2	Ring, Oil Drain Plug Sealing	
	70005172	1	Pump, Oil Lube (Includes Gasket & O-Ring)	
	70005173	1	Gasket	
	70025135	1	O-Ring	
		Ref	MECHANICAL COMPONENTS	
	70001870	1	Flywheel (Includes Ring Gear)	
	7024579	1	Gear, Ring	
	70030359	1	Tensioner, Belt (Generator)	
	70027432	1	Idler (Generator Belt)	
	70004277	1	Belt, Generator Drive	

SECTION 3 - ENGINE

FIGURE 3-23. DEUTZ TD2.9L4 ENGINE COMPONENTS (CHINA III SPECS)



ART_1001223591

SECTION 3 - ENGINE

FIGURE 3-23. DEUTZ TD2.9L4 ENGINE COMPONENTS (CHINA III SPECS)

ITEM	PART NUMBER	QTY	DESCRIPTION	REV
	1001223591	Ref	DEUTZ TD2.9L4 ENGINE COMPONENTS	C
1	70025660	1	Plug	
1	70006264	1	Valve, Plunger	
1	70006265	1	Spring	
1	70006266	1	Seal	
2	70024904	1	Dipstick	
2	70024905	2	Seal	
3	7020465	2	Cap, Fill	
4	70005920	1	Line, Breather	
4	70025111	2	Clamp	
5	70006941	2	Plug	
5	70005942	2	Seal	
6	70001870	1	Flywheel	
6	7024579	1	Ring Gear	
6	70025139	8	Bolt	
7		Ref	Gasket & Seal Options (Not Shown):	
7	70005938	1	Gasket Kit	
7	70024906	1	Gasket, Head	
7	70005922	1	Gasket, Valve Cover	
7	70028185	1	Gasket, Front Cover	
7	70004280	1	Seal, Front Main	
7	70002718	1	Seal, Rear Main	
8	See Note	NSS	Valve, Slide (Note: Not Available for Purchase)	
8	70025082	1	Seal	
9	70005172	1	Pump, Lube (Not Shown - Located RH Rear)	
9	70025135	1	O-Seal	
9	70005173	1	Gasket	
10	7016331	1	Filter, Oil	
11	70024494	1	Cooler, Oil	
11	70024925	1	Gasket, Oil Filter	
12	70024924	1	Pump, High Pressure	
12	70025152	1	Gasket (Spacer to Pump)	
12	70024488	1	Spacer	
12	70024517	1	Gasket (Spacer to Block)	
12	70004505	1	Valve, Overflow	
12	70004506	1	Gasket, Overflow	
12	70004507	1	Gasket, Overflow	
13	70004508	1	Valve, Volume Control	
13	70004509	1	O-Ring	
13	70004510	1	Gasket	
14	70025181	4	Injector	
14	70025140	4	Washer, Sealing	
14	70025146	4	Clamp	
14	70025145	4	O-Seal	
14	70025154	4	Shoe/Pad, Clamping	
15	70006144	NLA	Pump, Fuel Supply (Use p/n 1001226098)	
16	70025144	2	Clip, Clamp	
17	70024961	1	Fuel Filter Assembly	
18	1001225430	1	Element, Filter	
19	70024513	1	Cable, Sensor	

SECTION 3 - ENGINE

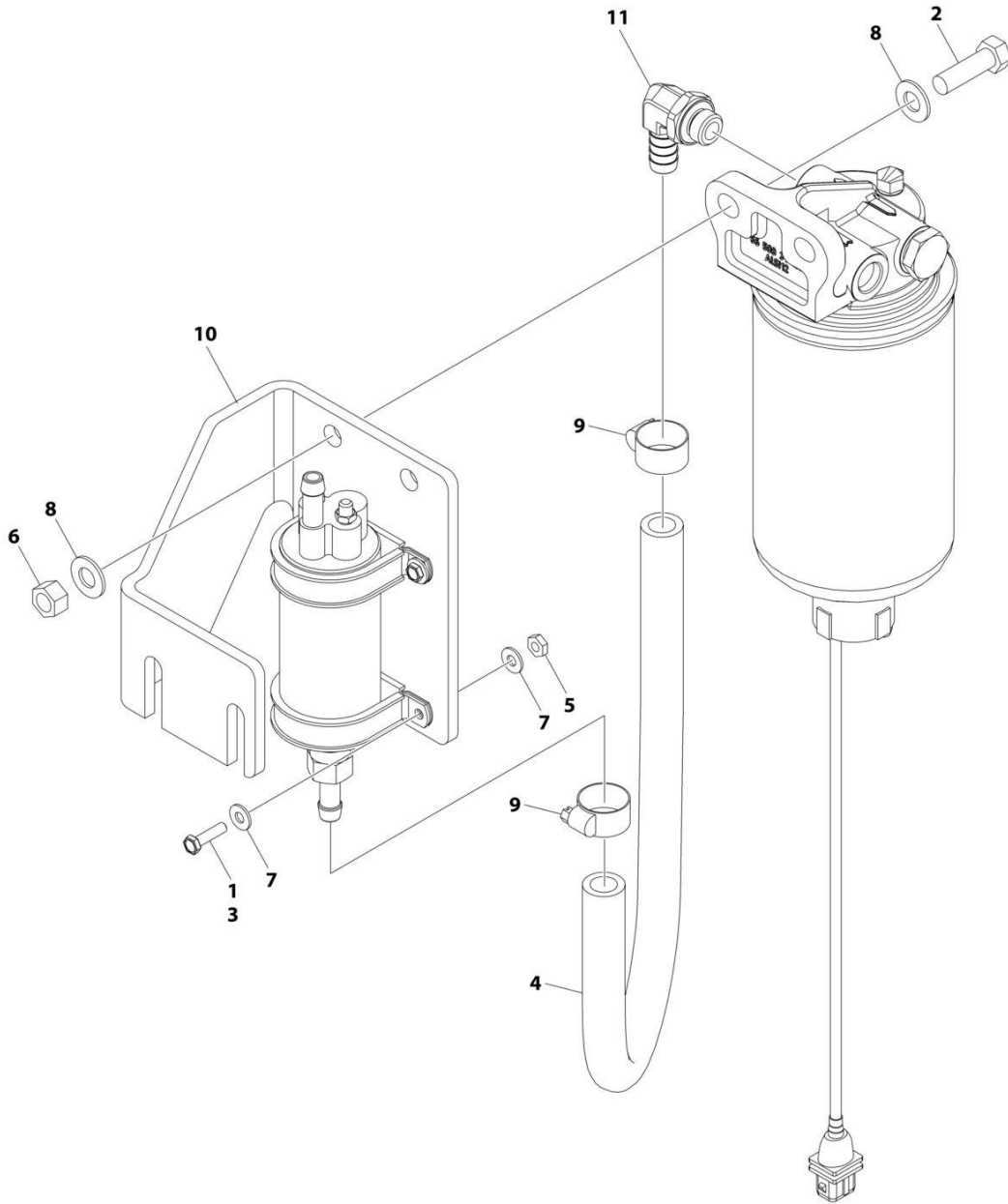
ITEM	PART NUMBER	QTY	DESCRIPTION	REV
19	70025239	1	Seal, Ring	
20	70004511	1	Fuel Filter Assembly	
20	70004513	2	Seal (at Hollow Bolt)	
21	1001225432	1	Element, Filter	
22	70028538	1	Sensor, Pressure	
22	70024920	1	O-Seal	
23	70025151	1	Rail, Fuel	
23	70025235	1	Repair Kit - Fuel Rail	
23	70025240	1	O-Ring	
24	70025182	1	Tube, Fuel - Cylinders 1 & 2	
24	70025183	1	Tube, Fuel - Cylinders 3 & 4	
24	70025184	1	Tube, Fuel	
25	70024502	1	Pipe, Fuel Leakage	
25	70025185	1	Hose, Fuel	
25	70025158	1	Manifold	
25	70025109	2	Clamp, Spring	
25	70025115	1	Clamp	
25	70025133	1	Hose	
25	70025101	2	Clamp	
25	70025148	1	Connector, Plug-in	
26	70005923	1	Manifold, Charger Air	
26	70005177	1	Gasket, Charger Air Manifold	
26	70005924	1	Seal (Manifold to Elbow)	
26	7000180	1	Line, Breather (Not Shown)	
26	70005181	1	O-Seal (Breather to Manifold)	
27	70005926	1	Elbow	
27	70025112	2	Clamp	
27	70004501	1	Sleeve, Rubber	
28	See Note	NSS	Sleeve (Note: Not Available for Purchase)	
28	70025107	2	Clamp	
29	70005928	1	Elbow, Air Charge	
30	70025210	1	Module, ECU	
31	70028802	1	Pump, Coolant	
31	70025200	1	Ring, Sealing (Pump to Block)	
32	70025084	2	Plug	
32	7020492	2	Ring, Sealing	
33	70005929	1	Thermostat	
33	70005184	1	O-Seal (Thermostat to Housing)	
33	70025142	1	Housing, Thermostat	
33	70005931	1	O-Seal (Thermostat to Pump)	
33	70025124	2	Bolt	
34	See Note	NSS	Tube (Note: Not Available for Purchase)	
34	70025179	2	Gasket (at Either End of Tube)	
35	See Note	NSS	Valve, Shuttle (Note: Not Available for Purchase)	
35	70025180	1	Gasket	
35	See Note	NSS	Housing, Shuttle Valve (Note: Not Available for Purchase)	
35	70025175	1	Cap, Shuttle Valve	
36	70025203	1	Module, EGR	
36	70025155	1	Plug (Not Shown)	
37	70005188	1	Valve, EGR Control	
37	70005189	1	Seal (Valve to Module)	

SECTION 3 - ENGINE

ITEM	PART NUMBER	QTY	DESCRIPTION	REV
38	70004282	1	Manifold, Exhaust (Not Shown)	
38	70025164	1	Gasket, Manifold to Head (Not Shown)	
38	70025130	8	Bolt, Manifold (Not Shown)	
38	70026995	1	Elbow, Exhaust (Not Shown)	
38	70025179	2	Gasket, Manifold to Elbow (Not Shown)	
39	70005932	1	Tube, Oil Return	
39	70025132	1	O-Seal	
40	70004276	1	Turbocharger	
40	70024509	1	Gasket (Turbocharger to Oil Return Tube Housing)	
40	1001191599	1	Gasket (Turbocharger to Exhaust)	
41	70025477	1	Tensioner, Belt	
42	70024484	1	Roller, Idler	
43	70004277	1	Belt	
44	70025733	1	Pulley, Alternator	
44	70006652	1	Alternator	
44	70006653	1	Controller	
44	See Note	NSS	Fan (Note: Not Available for Purchase)	
45	70024915	1	Starter	
45	70005647	1	Switch, Solenoid	
45	70005648	1	Relay	
46	70000345	4	Glow Plug	
46	70025231	1	Harness, Glow Plug	
46	70025233	1	Connector, Plug-in	
47	70025077	1	Harness, Engine	
48	70024918	1	Sender, Temperature	
49	70028538	1	Sensor, Pressure (Not Shown - RH Front)	
49	70024920	1	O-Seal	
50	70026210	1	Sensor, Speed (Not Shown - Front)	
50	70005191	1	Ring, Seal	
51	70024507	1	Sensor, Pressure	
51	70025120	1	O-Seal	
51	70005933	1	Adapter	
51	70005934	1	O-Seal	
52	70024922	1	Sender, Temperature	
52	70025212	1	O-Seal	
53	70026210	1	Sensor, Speed (Not Shown - Front)	
53	70024917	1	O-Seal	
54	70025192	1	Housing	
56	70005527	1	Clip	

SECTION 3 - ENGINE

FIGURE 3-24. FUEL PUMP/FILTER BRACKET ASSEMBLY (DEUTZ TD2.9L4 ENGINES)



ART_1001162335

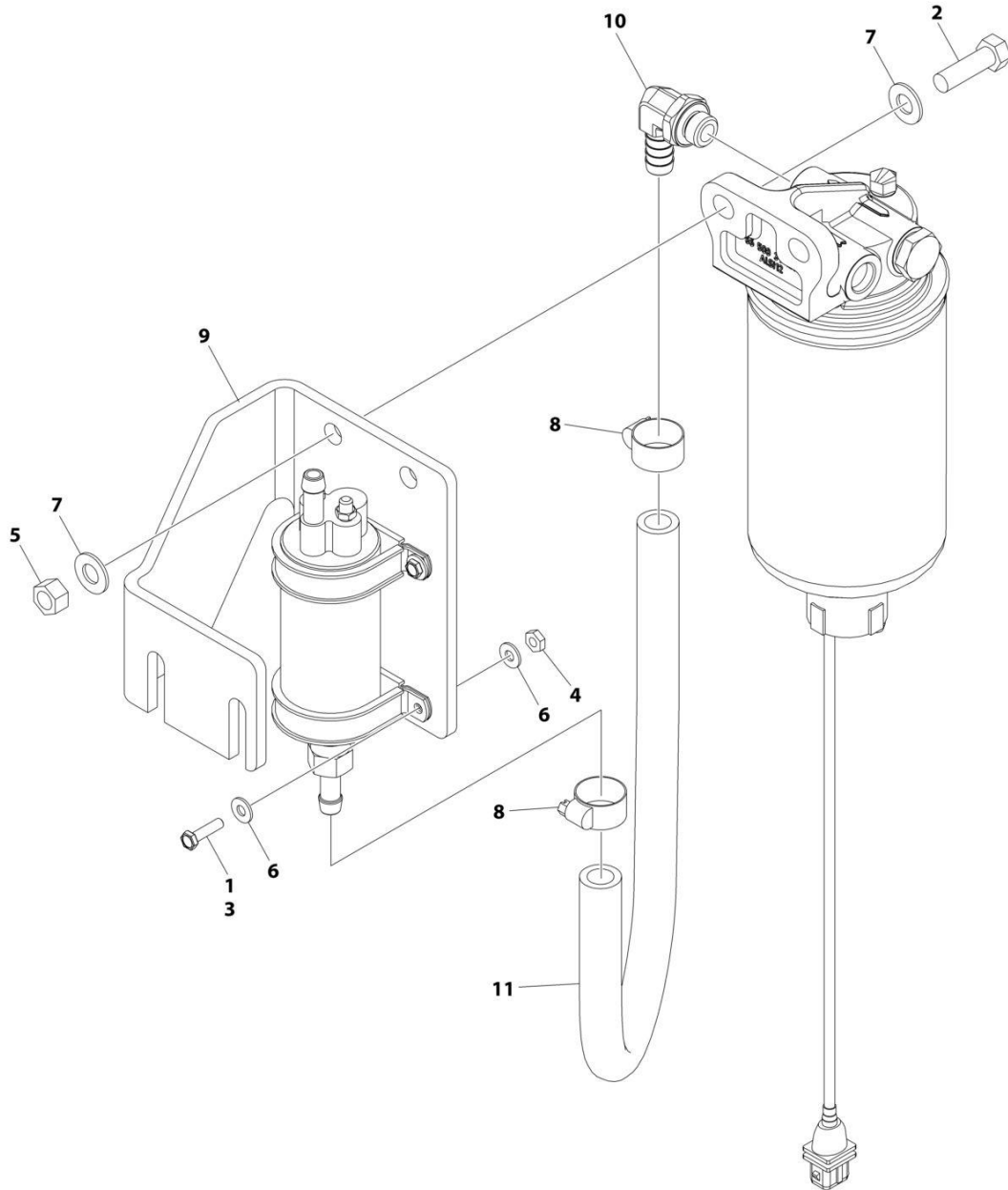
SECTION 3 - ENGINE

FIGURE 3-24. FUEL PUMP/FILTER BRACKET ASSEMBLY (DEUTZ TD2.9L4 ENGINES)

ITEM	PART NUMBER	QTY	DESCRIPTION	REV
	1001162335	Ref	BRACKET ASSEMBLY - FUEL PUMP AND FILTER (DEUTZ D2.9L4 ENGINE)	E
1	0100011	AR	Compound, Locking	
2	0641610	2	Bolt 3/8 x 1-1/4	
3	0721006	4	Bolt #10 x 3/4	
4	1001154405	AR	Hose	
5	3311001	4	Nut #10	
6	3311605	2	Nut 3/8	
7	4711000	8	Washer #10	
8	4711600	4	Washer 3/8	
9	8405006	2	Clamp	
10	1001141870	1	Plate, Fuel Pump Mount	
11	1001142501	1	Fitting, Elbow Barbed	

SECTION 3 - ENGINE

FIGURE 3-25. FUEL PUMP/FILTER BRACKET ASSEMBLY (DEUTZ TD2.9L4 (STAGE V) ENGINES)



ART_1001235949

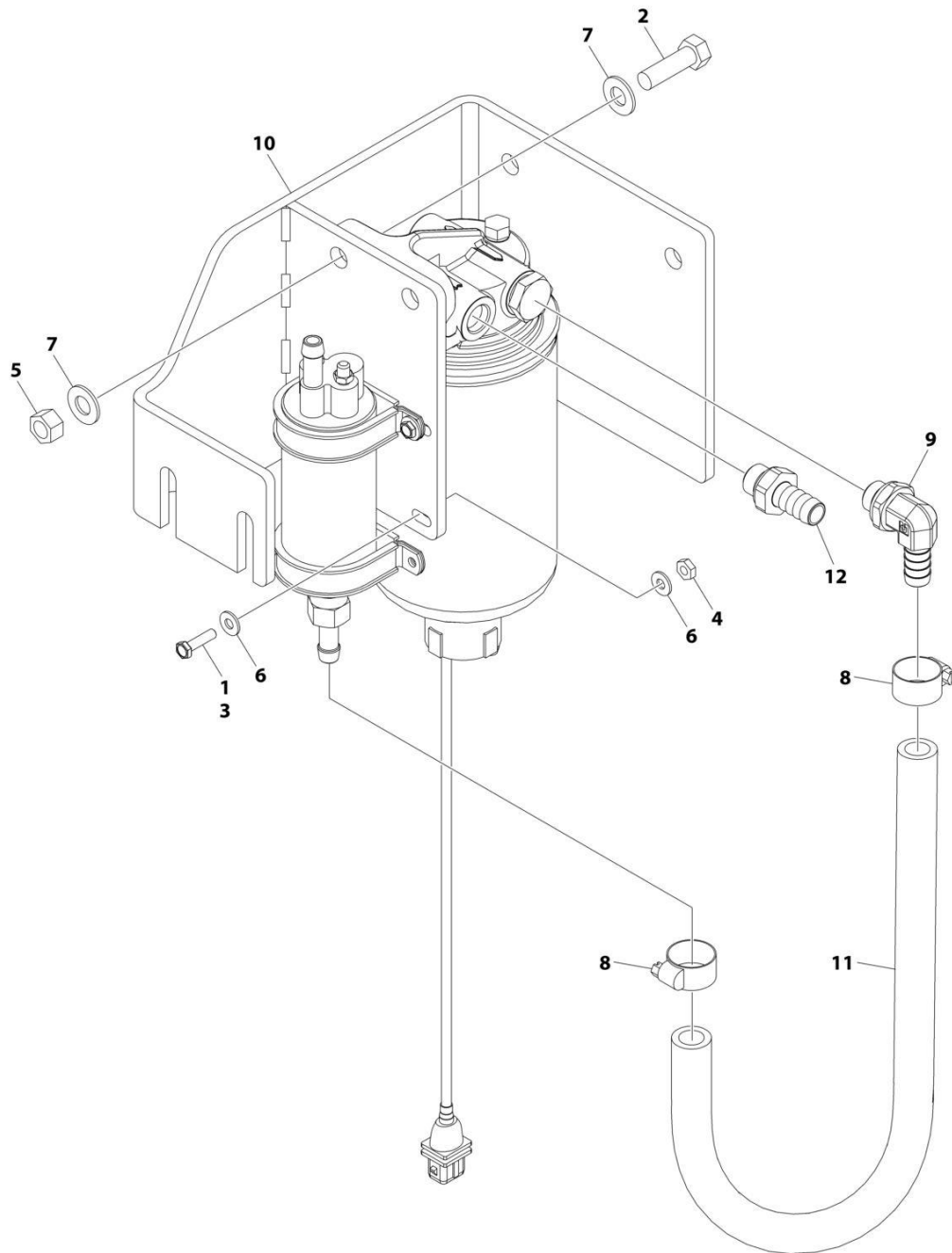
SECTION 3 - ENGINE

FIGURE 3-25. FUEL PUMP/FILTER BRACKET ASSEMBLY (DEUTZ TD2.9L4 (STAGE V) ENGINES)

ITEM	PART NUMBER	QTY	DESCRIPTION	REV
	1001235949	Ref	BRACKET ASSEMBLY - FUEL PUMP AND FILTER (DEUTZ D2.9L4 (STAGE V) ENGINE)	A
1	0100035	AR	Compound, Locking	
2	0641610	2	Bolt 3/8 x 1-1/4	
3	0721006	4	Bolt #10 x 3/4	
4	3311001	4	Nut #10	
5	3311605	2	Nut 3/8	
6	4711000	8	Washer #10	
7	4711600	4	Washer 3/8	
8	8405006	2	Clamp	
9	1001141870	1	Plate, Fuel Pump Mount	
10	1001142501	1	Fitting, Elbow Barbed	
11	1001154405	1.5 ft /0.4m	Hose	

SECTION 3 - ENGINE

FIGURE 3-26. FUEL PUMP/FILTER BRACKET ASSEMBLY (DEUTZ TD2.9L4 ENGINES) (CHINA III ENGINES) (Prior to SN 0300298158, Excluding 0300288209)



ART_1001227224

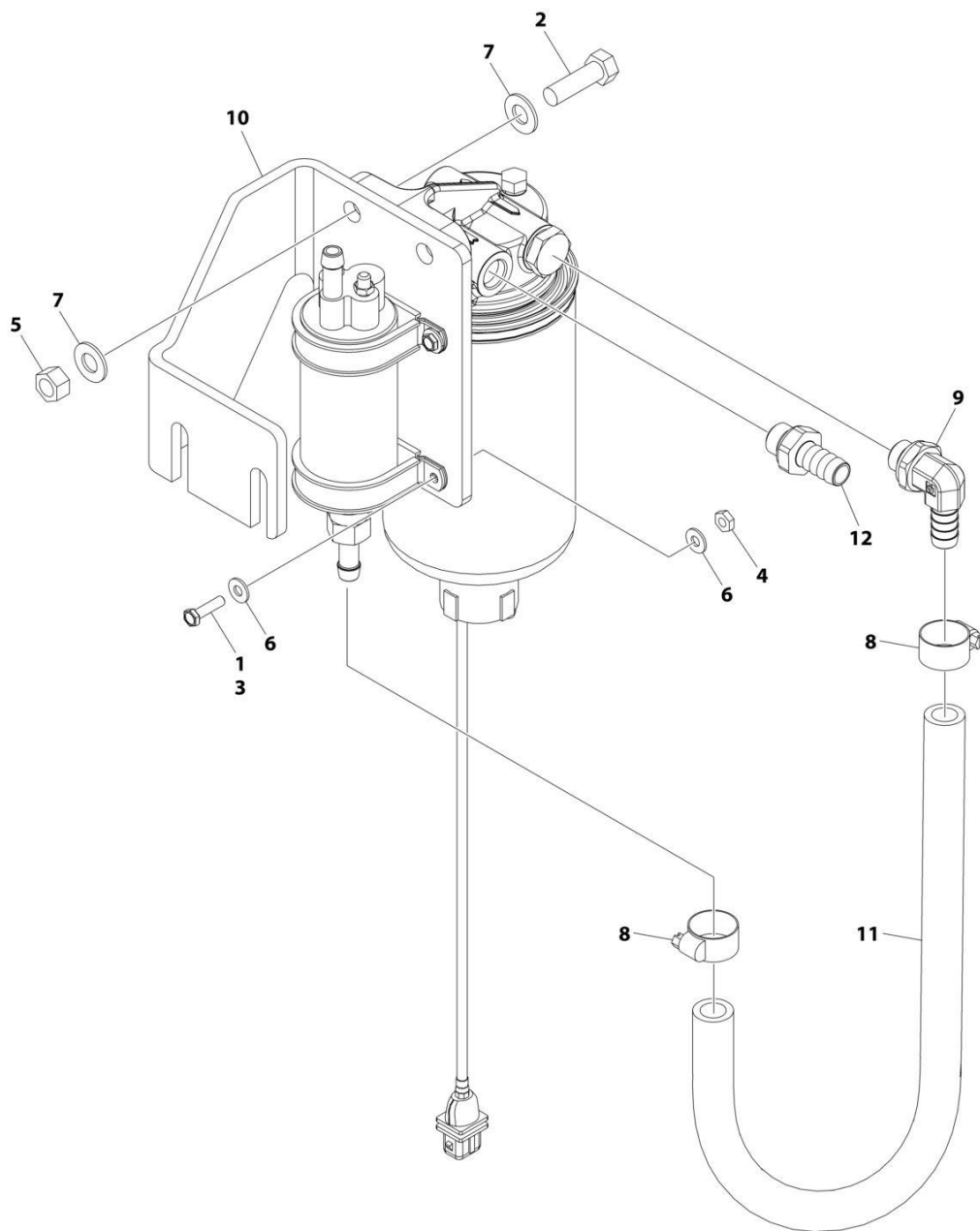
SECTION 3 - ENGINE

FIGURE 3-26. FUEL PUMP/FILTER BRACKET ASSEMBLY (DEUTZ TD2.9L4 ENGINES) (CHINA III ENGINES) (Prior to SN 0300298158, Excluding 0300288209)

ITEM	PART NUMBER	QTY	DESCRIPTION	REV
	1001227224	Ref	BRACKET ASSEMBLY (LESS FUEL PUMP AND FILTER)	D
1	0100011	AR	Locking, Compound	
2	0641610	2	Bolt 3/8 x 1-1/4	
3	0721006	4	Bolt #10 x 3/4	
4	3311001	4	Nut #10	
5	3311605	2	Nut 3/8	
6	4711000	8	Washer #10	
7	4711600	4	Washer 3/8	
8	8405006	2	Clamp	
9	1001142501	1	Fitting, 90 Metric/Barbed	
10	1001226285	1	Plate, Fuel Pump Mount	
11	1001154405	AR	Hose	
12	1001141718	1	Fitting, Straight (Not Shown)	

SECTION 3 - ENGINE

FIGURE 3-27. FUEL PUMP/FILTER BRACKET ASSEMBLY (DEUTZ TD2.9L4 ENGINES) (CHINA III ENGINES) (SN 0300298158 to Present, Including 0300288209)



ART_1001227224_E

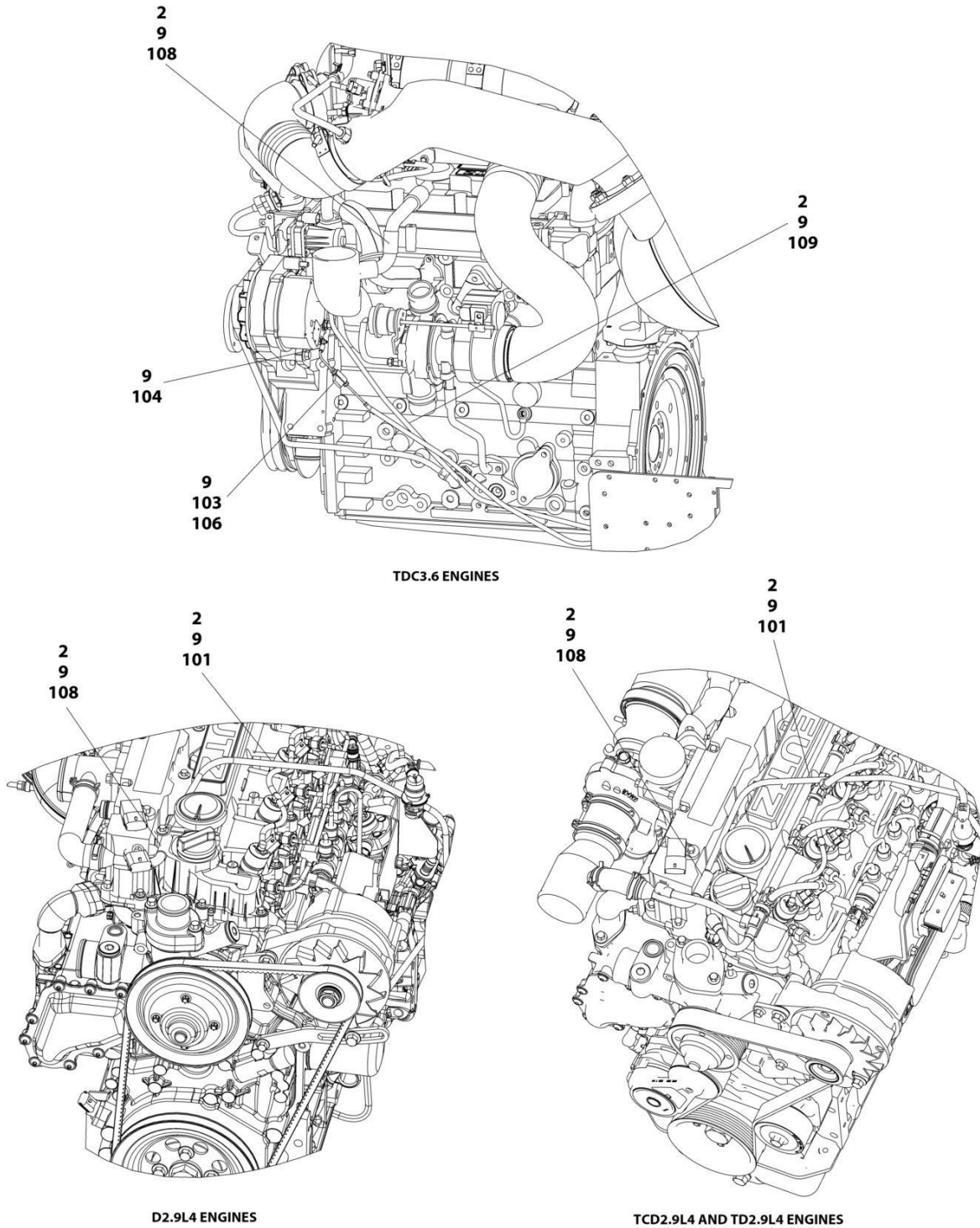
SECTION 3 - ENGINE

FIGURE 3-27. FUEL PUMP/FILTER BRACKET ASSEMBLY (DEUTZ TD2.9L4 ENGINES) (CHINA III ENGINES) (SN 0300298158 to Present, Including 0300288209)

ITEM	PART NUMBER	QTY	DESCRIPTION	REV
	1001227224	Ref	BRACKET ASSEMBLY (LESS FUEL PUMP AND FILTER)	E
1	0100011	AR	Locking, Compound	
2	0641610	2	Bolt 3/8 x 1-1/4	
3	0721006	4	Bolt #10 x 3/4	
4	3311001	4	Nut #10	
5	3311605	2	Nut 3/8	
6	4711000	8	Washer #10	
7	4711600	4	Washer 3/8	
8	8405006	2	Clamp	
9	1001142501	1	Fitting, 90 Metric/Barbed	
10	1001141870	1	Plate, Fuel Pump Mount	
11	1001154405	AR	Hose	
12	1001141718	1	Fitting, Straight (Not Shown)	

SECTION 3 - ENGINE

FIGURE 3-28. BREATHER HEATER INST (DEUTZ TD2.9L4 ENGINES)



ART_1001233763

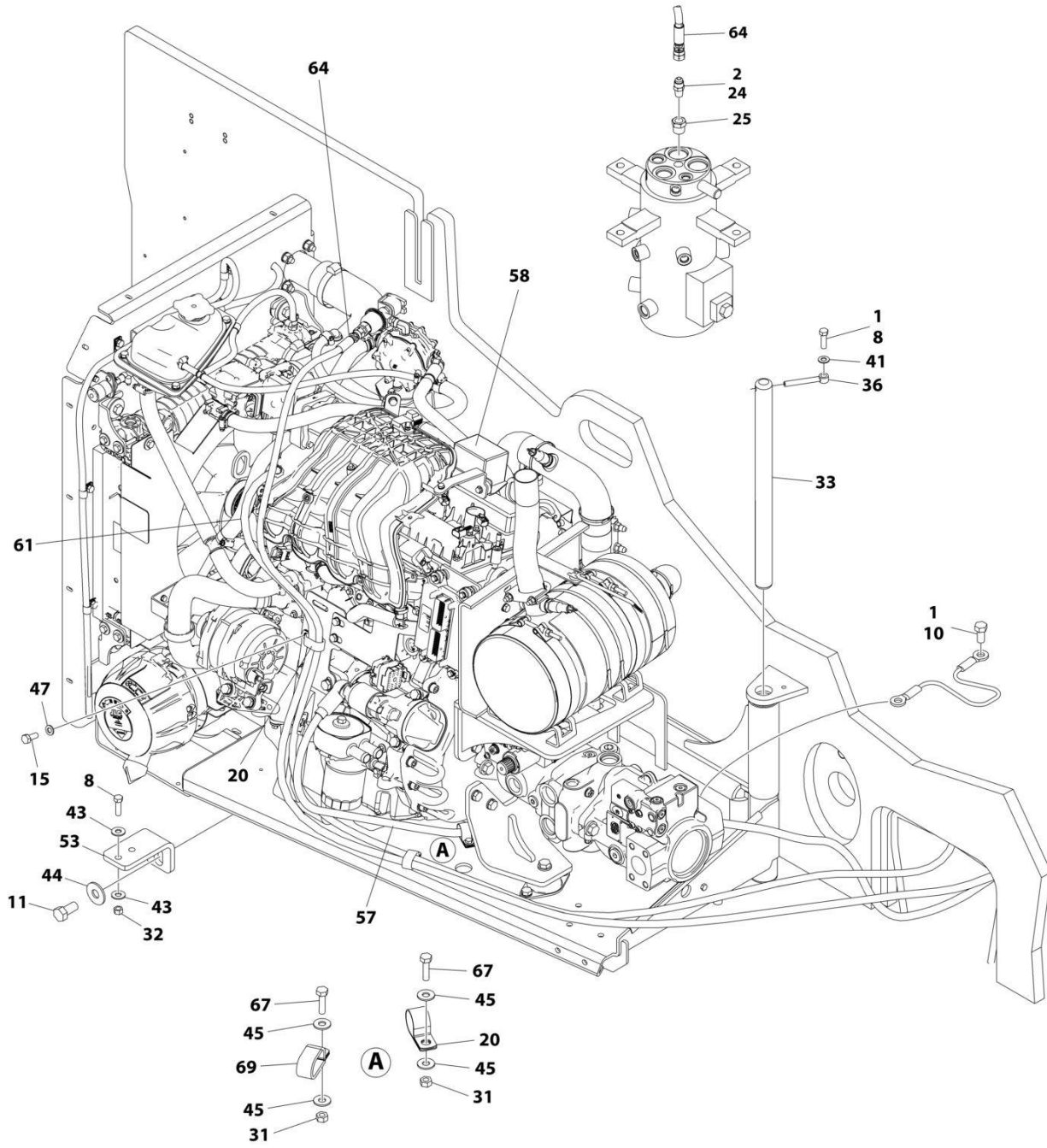
SECTION 3 - ENGINE

FIGURE 3-28. BREATHER HEATER INST (DEUTZ TD2.9L4 ENGINES)

ITEM	PART NUMBER	QTY	DESCRIPTION	REV
	1001233763	Ref	BREATHER HEATER INSTALLATION - DEUTZ ENGINES	D
2	4240099	AR	Tie-Strap	
9	1001243895	1	Breather Heater Harness	C
101	2820035	AR	Insulation	
103	2400060	1	Fuseholder with Cover	
104	4460043	1	Terminal, Ring	
105	4460722	1	Terminal, Ring (Not Shown)	
106	1001196634	1	Fuse - 2 Amp	
108	1001232842	1	Breather Heater Kit	

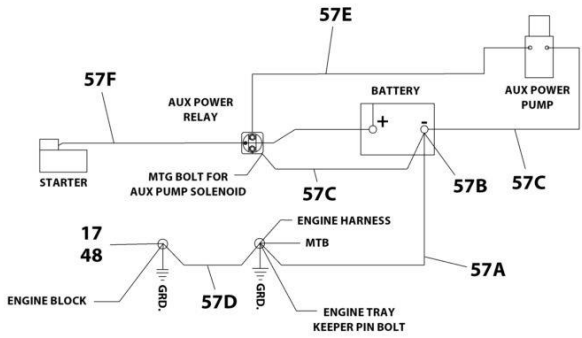
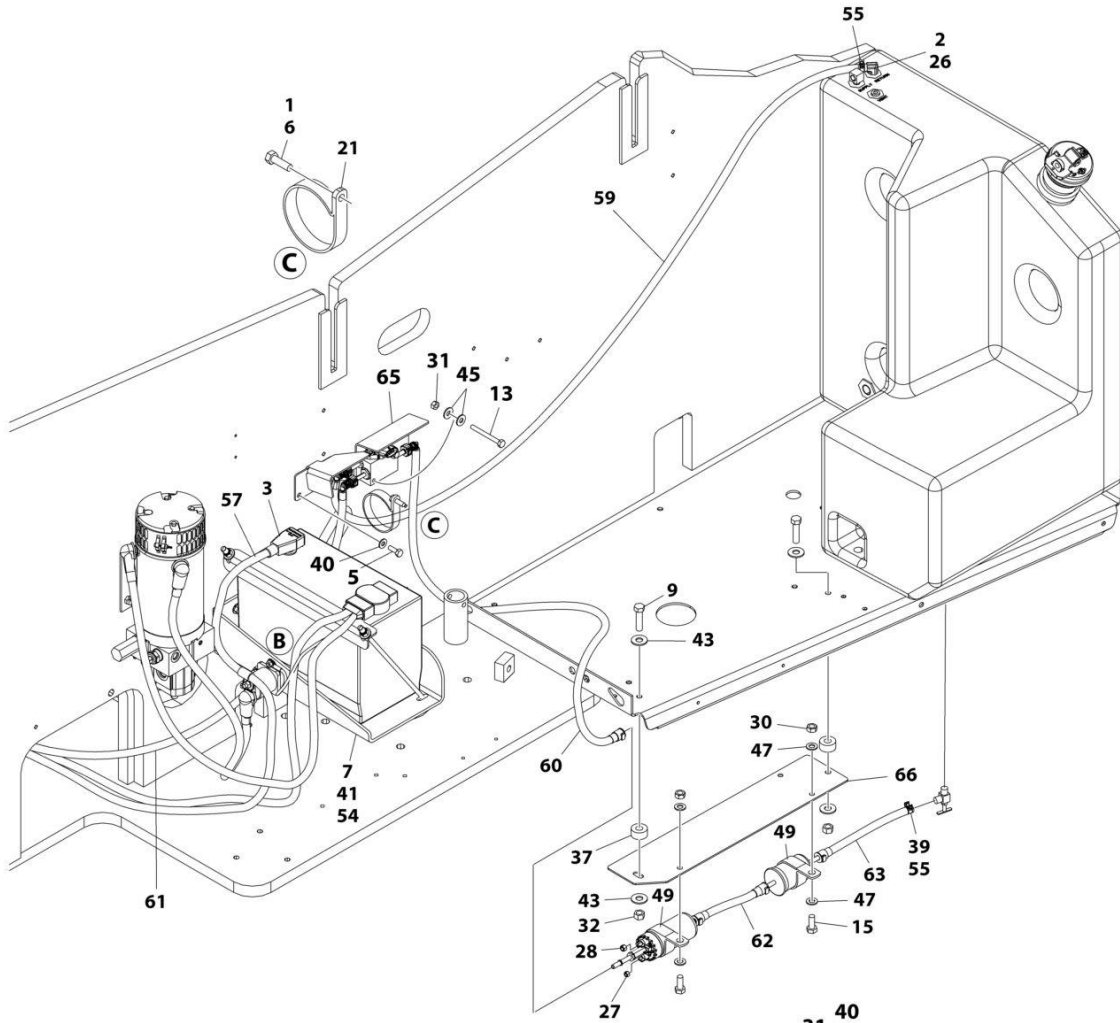
SECTION 3 - ENGINE

FIGURE 3-29. FORD ENGINE INSTALLATION (WITHOUT ARCTIC PACKAGE)

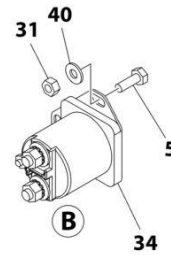


ART_1001217199_10F2

SECTION 3 - ENGINE



BATTERY CABLE KIT - ITEM 57



ART_1001217199_20F2

SECTION 3 - ENGINE

FIGURE 3-29. FORD ENGINE INSTALLATION (WITHOUT ARCTIC PACKAGE)

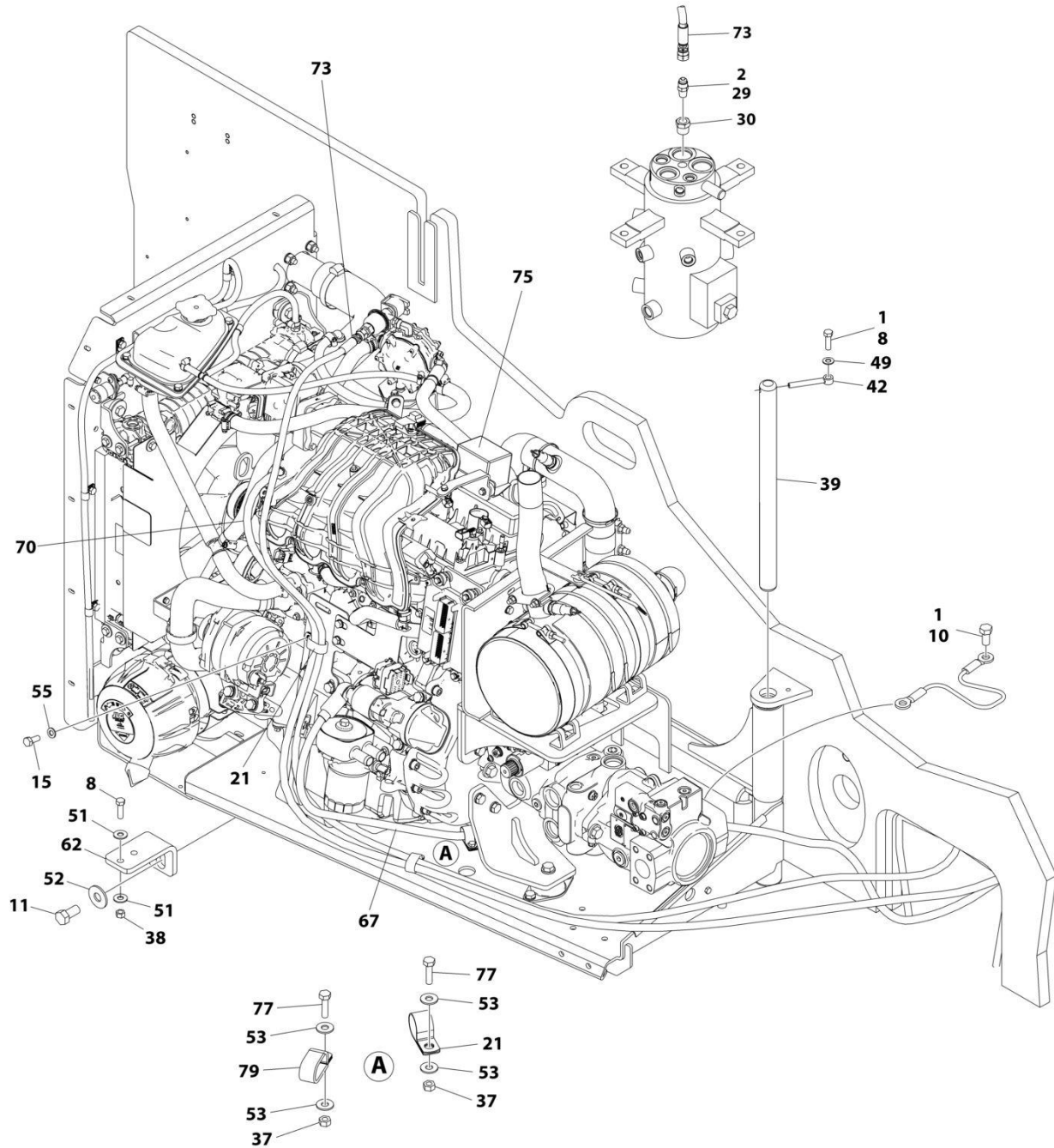
ITEM	PART NUMBER	QTY	DESCRIPTION	REV
	1001217199	Ref	Ford Engine Installation without Arctic Package	H
1	0100011	AR	Compound, Locking	
2	0100020	AR	Sealant	
3	0100048	AR	Grease, Terminal	
5	0641406	4	Bolt 1/4 x 3/4	
6	0641508	1	Bolt 5/16 x 1	
7	0641607	3	Bolt 3/8 x 7/8	
8	0641610	3	Bolt 3/8 x 1-1/4	
9	0641612	2	Bolt 3/8 x 1-1/2	
10	0641808	1	Bolt 1/2 x 1	
11	0642010	1	Bolt 5/8 x 1-1/4	
13	0641420	2	Bolt 1/4 x 2-1/2	
15	0760810	3	Bolt M8 x 20	
17	0761008	1	Bolt M10 x 16	
20	1321283	2	Clamp	
21	1321339	1	Clamp	
22	1701542	1	Decal - Gas (Not Shown)	
23	1701543	2	Decal - LPG (Not Shown)	
24	2180418	1	Fitting, Straight	
25	2221197	1	Fitting, Reducer NPT/NPT	
26	2221176	1	Fitting, 90	
27	3290405	1	Nut M4	
28	3290505	1	Nut M5	
30	3290801	2	Nut M8	
31	3311405	6	Nut 1/4	
32	3311605	4	Nut 3/8	
33	3422446	1	Pin	
34	3740067	1	Relay	
35	3790012	1	O-Ring (Not Shown - Located on Platform Console Box)	
36	3841143	1	Keeper, Pin	
37	4071122	2	Shim	
38	4360336	1	Switch, Toggle (Not Shown - Located on Platform Console Box)	
39	1001221488	1	Tube, Fuel Line	
40	4711400	6	Washer 1/4	
41	4711600	4	Washer 3/8	
43	4751600	8	Washer 3/8	
44	4752000	1	Washer 5/8	
45	4751400	8	Washer 1/4	
47	4811900	5	Washer M8	
48	4812000	1	Washer M10	
49	85941018	2	Clamp	
53	1001153359	1	Mount	
54	1001162497	1	Bracket, Battery	
55	1001174486	2	Clamp	
57	1001216568	1	Battery Cable Kit	B
57A	7027084	1	Cable, Battery - Ground to Battery -	
57B	8270147	1	Terminal, Battery with Boot	
57C	7027085	1	Cable, Battery - Auxiliary Pump/Relay to Battery -	
57D	7027086	1	Cable, Battery - Engine to Ground	
57E	7027088	1	Cable, Battery - Auxiliary Relay to Auxiliary Pump	

SECTION 3 - ENGINE

ITEM	PART NUMBER	QTY	DESCRIPTION	REV
57F	70009020	1	Cable, Battery - Starter/Auxiliary Relay to Battery +	
58	1001217192	1	Ford Engine and Pump Sub-Assembly (Without Arctic Package) (See Separate Breakdown in this Section)	
59	1001219364	1	Hose	
60	1001219365	1	Hose	
61	1001219366	1	Hose	
62	1001219367	1	Hose	
63	1001219368	1	Hose	
64	1001219369	1	Hose	
65	1001219370	1	Bracket	
66	1001219809	1	Bracket	
67	0641408	2	Bolt 1/4 x 1	
69	8406201	1	Clip	
70	4240099	AR	Tie-Strap (Not Shown)	

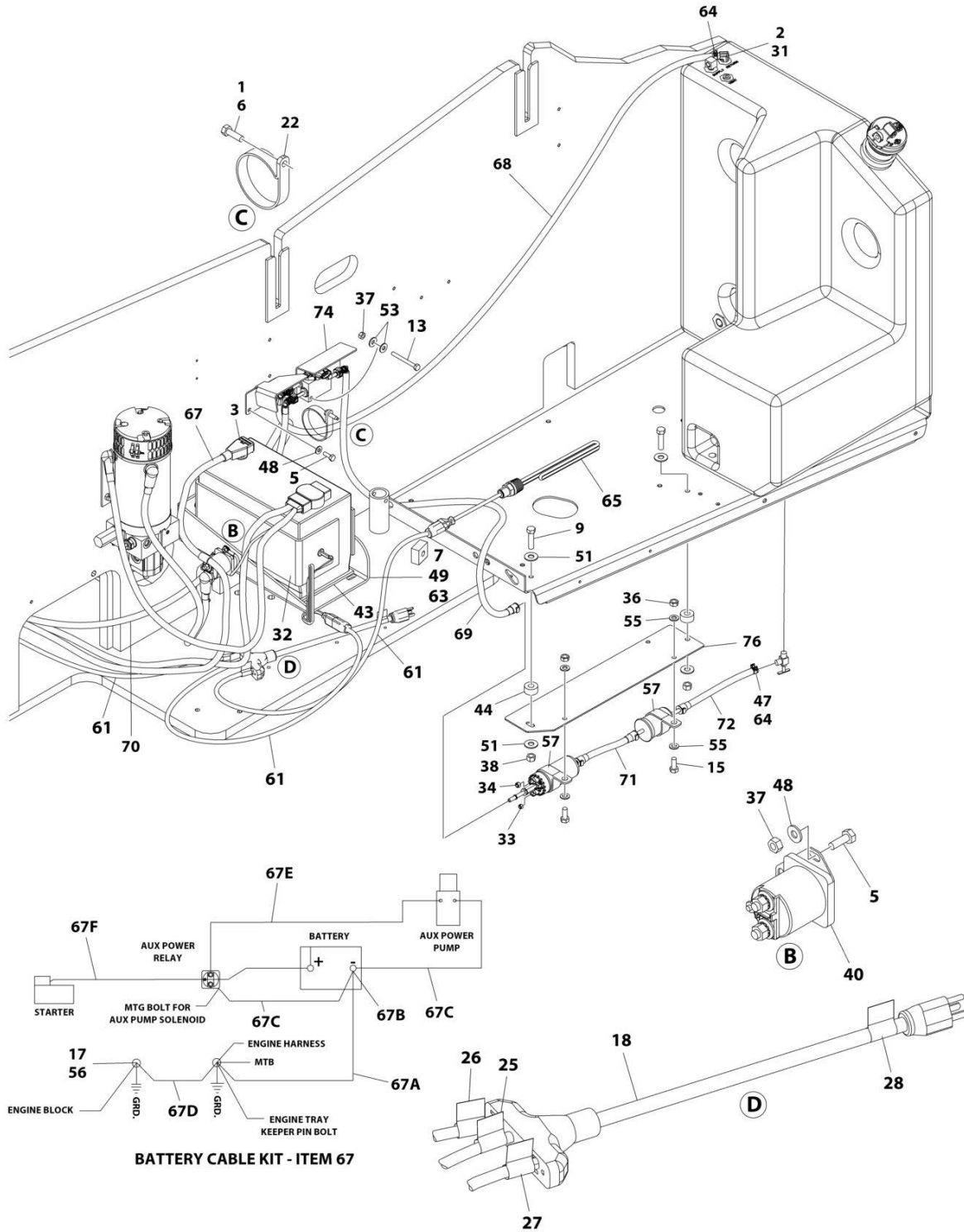
SECTION 3 - ENGINE

FIGURE 3-30. FORD ENGINE INSTALLATION (WITH ARCTIC PACKAGE)



ART_1001219610_10F2

SECTION 3 - ENGINE



ART_1001219610_20F2

SECTION 3 - ENGINE

FIGURE 3-30. FORD ENGINE INSTALLATION (WITH ARCTIC PACKAGE)

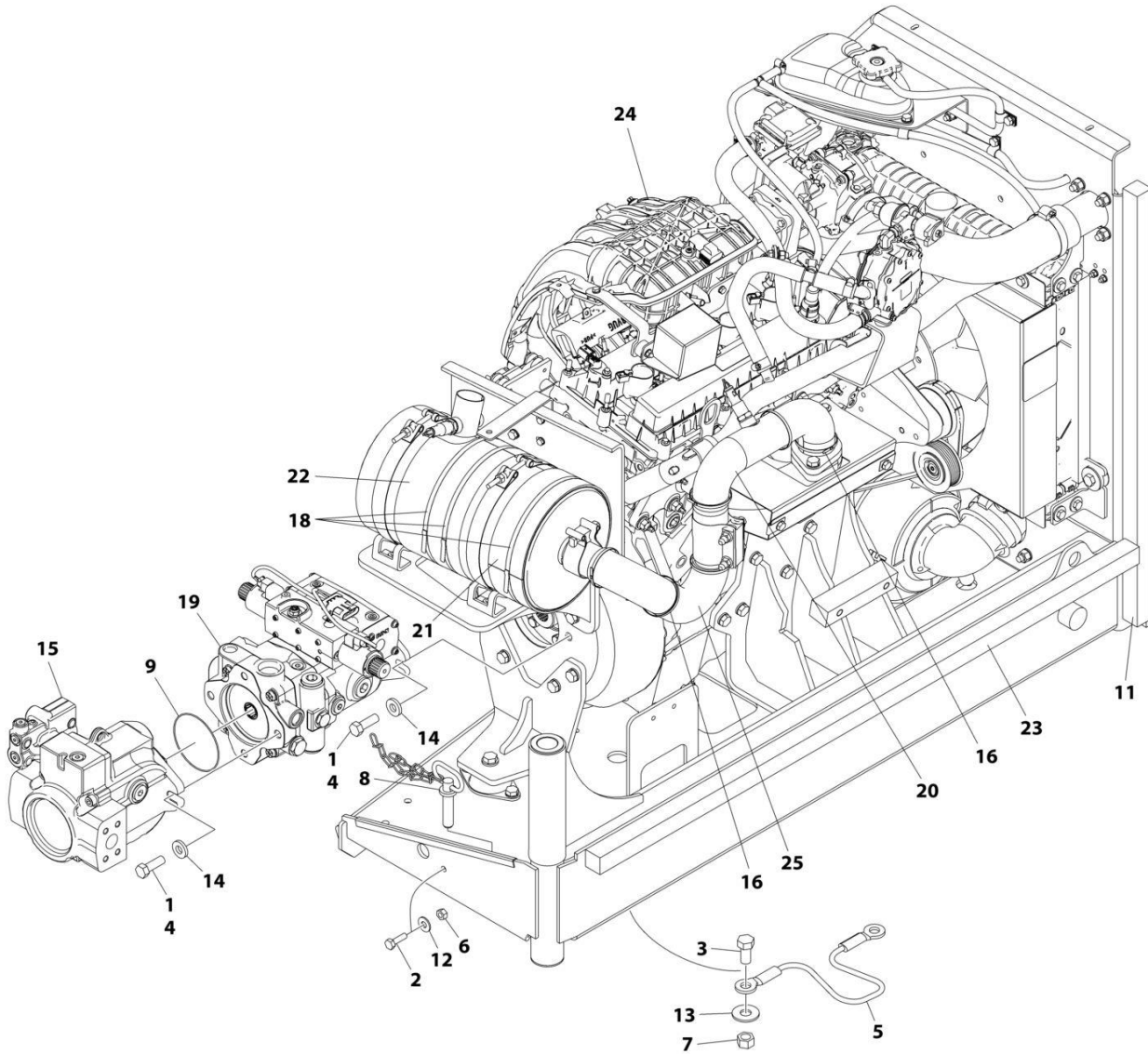
ITEM	PART NUMBER	QTY	DESCRIPTION	REV
	1001219610	Ref	FORD ENGINE INSTALLATION (WITH ARCTIC PACKAGE)	H
1	0100011	AR	Compound, Locking	
2	0100020	AR	Sealant	
3	0100048	AR	Grease, Terminal	
5	0641406	4	Bolt 1/4 x 3/4	
6	0641508	1	Bolt 5/16 x 1	
7	0641607	3	Bolt 3/8 x 7/8	
8	0641610	3	Bolt 3/8 x 1-1/4	
9	0641612	2	Bolt 3/8 x 1-1/2	
10	0641808	1	Bolt 1/2 x 1	
11	0642010	1	Bolt 5/8 x 1-1/4	
13	0641420	2	Bolt 1/4 x 2-1/2	
15	0760810	3	Bolt M8 x 20	
17	0761008	1	Bolt M10 x 16	
18	1060626	1	Plug, 3 Way	
21	1321283	2	Clamp	
22	1321339	1	Clamp	
23	1701542	1	Decal - Gas (Not Shown)	
24	1701543	2	Decal - LPG (Not Shown)	
25	1702941	1	Decal - Battery Heater	
26	1702942	1	Decal - Engine Block Heater	
27	1702943	1	Decal - Hydraulic Tank Heater	
28	1702944	1	Decal - Heater Cord	
29	2180418	1	Fitting, Straight	
30	2221197	1	Fitting, Reducer NPT/NPT	
31	2221176	1	Fitting, 90	
32	2580024	1	Heater, Battery	
33	3290405	1	Nut M4	
34	3290505	1	Nut M5	
36	3290801	2	Nut M8	
37	3311405	6	Nut 1/4	
38	3311605	4	Nut 3/8	
39	3422446	1	Pin	
40	3740067	1	Relay	
41	3790012	1	O-Ring (Not Shown - Located on Platform Console Box)	
42	3841143	1	Keeper, Pin	
43	3980007	1	Seat, Battery	
44	4071122	2	Shim	
45	4240099	AR	Tie-Strap (Not Shown)	
46	4360336	1	Switch, Toggle (Not Shown - Located on Platform Console Box)	
47	1001221488	1	Tube, Fuel Line	
48	4711400	6	Washer 1/4	
49	4711600	4	Washer 3/8	
51	4751600	8	Washer 3/8	
52	4752000	1	Washer 5/8	
53	4751400	8	Washer 1/4	
55	4811900	5	Washer M8	
56	4812000	1	Washer M10	
57	85941018	2	Clamp	
61	1001150918	1	Cable, Immersion Heater	

SECTION 3 - ENGINE

ITEM	PART NUMBER	QTY	DESCRIPTION	REV
62	1001153359	1	Mount	
63	1001162497	1	Bracket, Battery	
64	1001174486	2	Clamp	
65	1001188972	1	Heater, Hydraulic Tank	
67	1001216568	1	Battery Cable Kit	B
67A	7027084	1	Cable, Battery - Ground to Battery -	
67B	8270147	1	Terminal, Battery with Boot	
67C	7027085	1	Cable, Battery - Auxiliary Pump/Relay to Battery -	
67D	7027086	1	Cable, Battery - Engine to Ground	
67E	7027088	1	Cable, Battery - Auxiliary Relay to Auxiliary Pump	
67F	70009020	1	Cable, Battery - Starter/Auxiliary Relay to Battery +	
68	1001219364	1	Hose	
69	1001219365	1	Hose	
70	1001219366	1	Hose	
71	1001219367	1	Hose	
72	1001219368	1	Hose	
73	1001219369	1	Hose	
74	1001219370	1	Bracket	
75	1001219609	1	Ford Engine and Pump Sub-Assembly (with Arctic Package) (See Separate Breakdown in this Section)	
76	1001219809	1	Bracket	
77	0641408	1	Bolt 1/4 x 1	
79	8406201	1	Clip, Tube	

SECTION 3 - ENGINE

FIGURE 3-31. FORD ENGINE AND PUMP SUB-ASSEMBLY (WITHOUT ARCTIC PACKAGE)



ART_1001217192

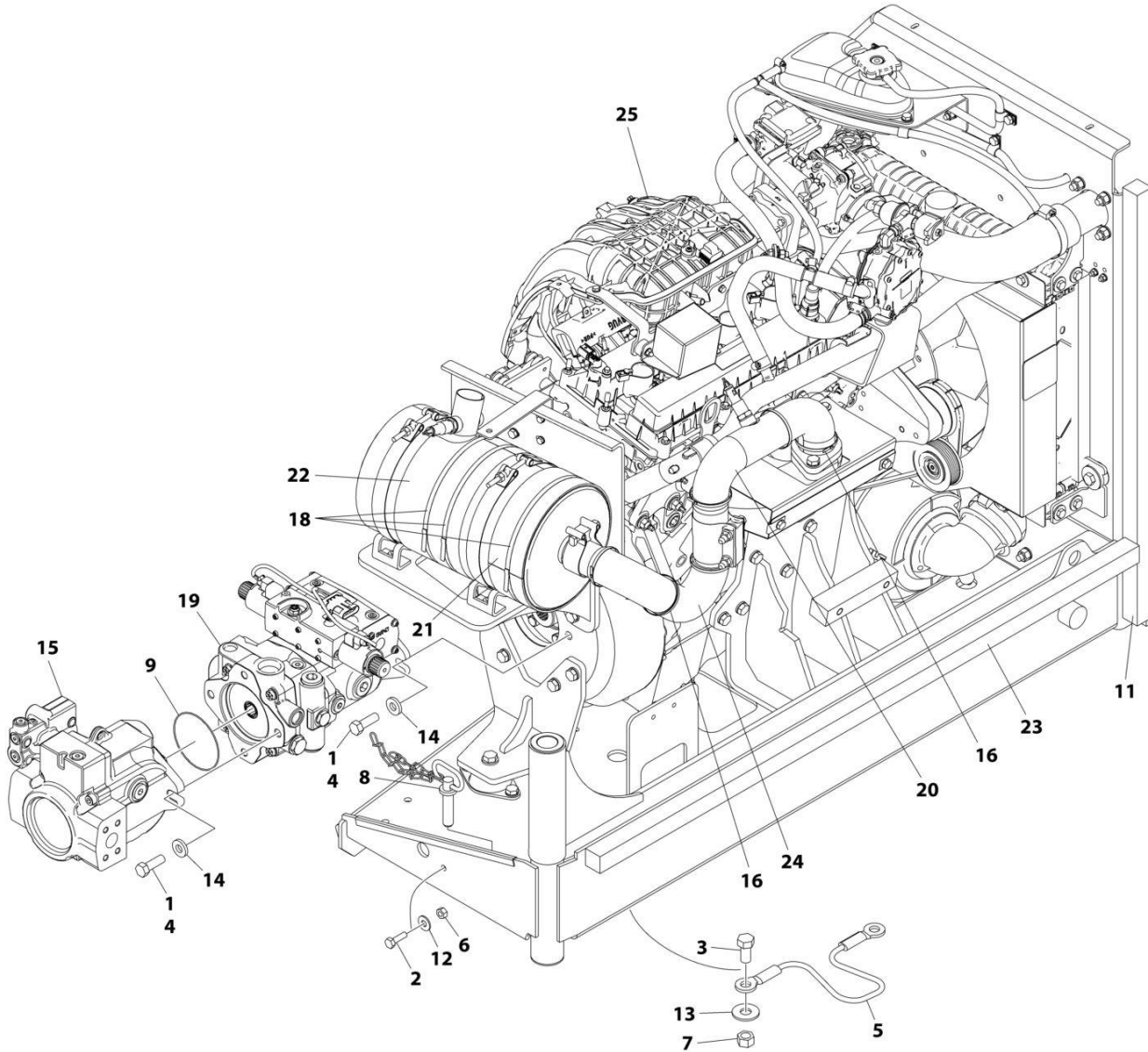
SECTION 3 - ENGINE

FIGURE 3-31. FORD ENGINE AND PUMP SUB-ASSEMBLY (WITHOUT ARCTIC PACKAGE)

ITEM	PART NUMBER	QTY	DESCRIPTION	REV
	1001217192	Ref	FORD ENGINE AND PUMP SUB-ASSEMBLY (WITHOUT ARCTIC PACKAGE)	G
1	0100011	AR	Compound, Locking	
2	0641407	1	Bolt 1/4 x 7/8	
3	0641808	1	Bolt 1/2 x 1	
4	0641812	4	Bolt 1/2 x 1-1/2	
5	1060637	1	Cable, Lanyard	
6	3311405	1	Nut 1/4	
7	3311805	1	Nut 1/2	
8	3422532	1	Pin	
9	3790044	1	O-Ring	
11	3960469	1	Seal	
12	4751400	1	Washer 1/4	
13	4751800	1	Washer 1/2	
14	4891800	4	Washer 1/2	
15	1001094595	1	Variable Pump Assembly (See Separate Breakdown in this Section)	
16	1001100825	6	Strap	
18	1001221464	3	Strap	
19	1001225745	1	Hydrostatic Pump Assembly (See Separate Breakdown in this Section)	
20	1001216532	1	Insulate, Exhaust Pipe	
21	1001216534	1	Insulate, Muffler	
22	1001216535	1	Insulate, Muffler	
23	1001217170	1	Seal	
24	1001217191	1	Ford Engine Assembly without Arctic Package (See Separate Breakdown in this Section)	
25	1001218085	1	Insulate, Exhaust Pipe	

SECTION 3 - ENGINE

FIGURE 3-32. FORD ENGINE AND PUMP SUB-ASSEMBLY (WITH ARCTIC PACKAGE)



ART_1001219609

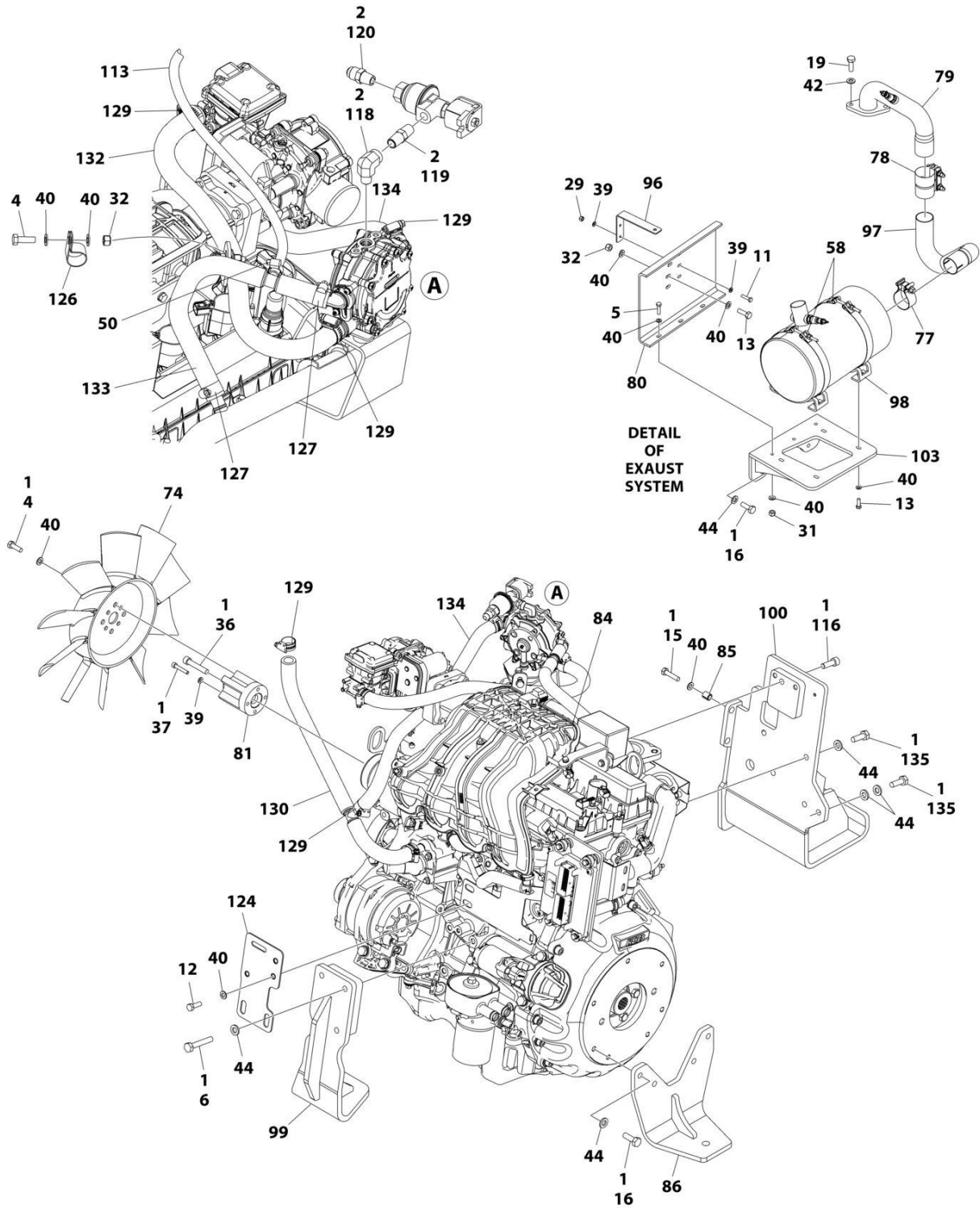
SECTION 3 - ENGINE

FIGURE 3-32. FORD ENGINE AND PUMP SUB-ASSEMBLY (WITH ARCTIC PACKAGE)

ITEM	PART NUMBER	QTY	DESCRIPTION	REV
	1001219609	Ref	FORD ENGINE AND PUMP SUB-ASSEMBLY (WITH ARCTIC PACKAGE)	E
1	0100011	AR	Compound, Locking	
2	0641407	1	Bolt 1/4 x 7/8	
3	0641808	1	Bolt 1/2 x 1	
4	0641812	4	Bolt 1/2 x 1-1/2	
5	1060637	1	Cable, Lanyard	
6	3311405	1	Nut 1/4	
7	3311805	1	Nut 1/2	
8	3422532	1	Pin	
9	3790044	1	O-Ring	
11	3960469	1	Seal	
12	4751400	1	Washer 1/4	
13	4751800	1	Washer 1/2	
14	4891800	4	Washer 1/2	
15	1001094595	1	Variable Pump Assembly (See Separate Breakdown in this Section)	
16	1001100825	6	Strap	
18	1001137336	3	Strap	
19	1001225745	1	Hydrostatic Pump Assembly (See Separate Breakdown in this Section)	
20	1001216532	1	Insulate, Exhaust Pipe	
21	1001216534	1	Insulate, Muffler	
22	1001216535	1	Insulate, Muffler	
23	1001217170	1	Seal	
24	1001218085	1	Insulate, Exhaust Pipe	
25	1001219608	1	Ford Engine Assembly with Arctic Package (See Separate Breakdown in this Section)	

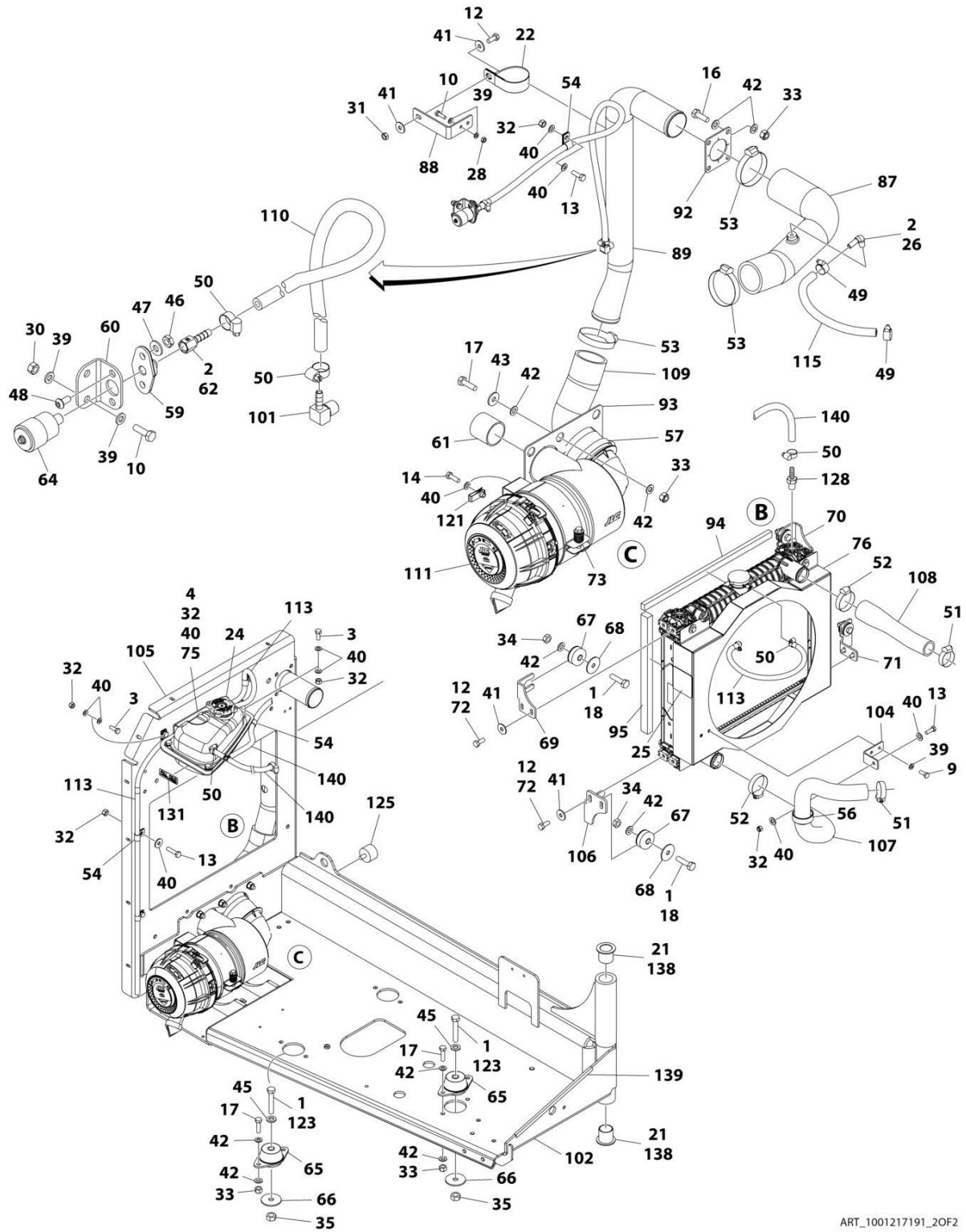
SECTION 3 - ENGINE

FIGURE 3-33. FORD ENGINE ASSEMBLY (WITHOUT ARCTIC PACKAGE)



ART_1001217191_10F2

SECTION 3 - ENGINE



ART_1001217191_2OF2

SECTION 3 - ENGINE

FIGURE 3-33. FORD ENGINE ASSEMBLY (WITHOUT ARCTIC PACKAGE)

ITEM	PART NUMBER	QTY	DESCRIPTION	REV
	1001217191	Ref	FORD ENGINE ASSEMBLY	S
1	0100011	AR	Compound, Locking	
2	0100020	AR	Sealant	
3	0700810	3	Bolt 8 x 20	
4	0700812	7	Bolt 8 x 25	
5	0700814	3	Bolt 8 x 30	
6	0711020	3	Bolt M10 x 60	
9	0760608	2	Bolt 6 x 16	
10	0760610	4	Bolt M6 x 20	
11	0760612	2	Bolt 6 x 25	
12	0760810	11	Bolt M8 x 20	
13	0760812	12	Bolt M8 x 25	
14	0760814	2	Bolt M8 x 30	
15	0760815	2	Bolt M8 x 35	
16	0761014	11	Bolt M10 x 30	
17	0761015	12	Bolt M10 x 35	
18	0761016	4	Bolt M10 x 40	
19	0771014	2	Bolt 10 x 30	
21	0961986	2	Bearing, Flange	
22	1320110	1	Clamp	
23	1001187781	1	Tie-Strap (Not Shown)	
24	1001223584	1	Tank, Surge	
25	1703162	2	Decal - Fan Blade	
26	2180467	1	Fitting, Straight NPT/Barb	
28	3290601	2	Nut M6	
29	3290605	2	Nut M6	
30	3290607	2	Nut M6	
31	3290801	4	Nut M8	
32	3290805	14	Nut M8	
33	3291005	16	Nut M10	
34	3291001	4	Nut M10	
35	3291201	3	Nut M12	
36	3931644	1	Screw 3/8 x 2-3/4	
37	4031711	4	Capscrew M6 x 35	
38	4240099	AR	Tie-Strap (Not Shown)	
39	4811700	18	Washer M6	
40	4811900	48	Washer M8	
41	4811902	10	Washer M8	
42	4812000	38	Washer M10	
43	4812002	6	Washer M10	
44	5241000	15	Washer M10	
45	5241200	3	Washer M12	
46	8305401	2	Nut Jam	
47	8307109	2	Washer	
48	8310548	2	Screw 1/4 x 1/2	
49	8405006	2	Clamp	
50	8405009	5	Gear	
51	8405102	2	Clamp	
52	8405104	2	Clamp	
53	8405203	3	Clamp	

SECTION 3 - ENGINE

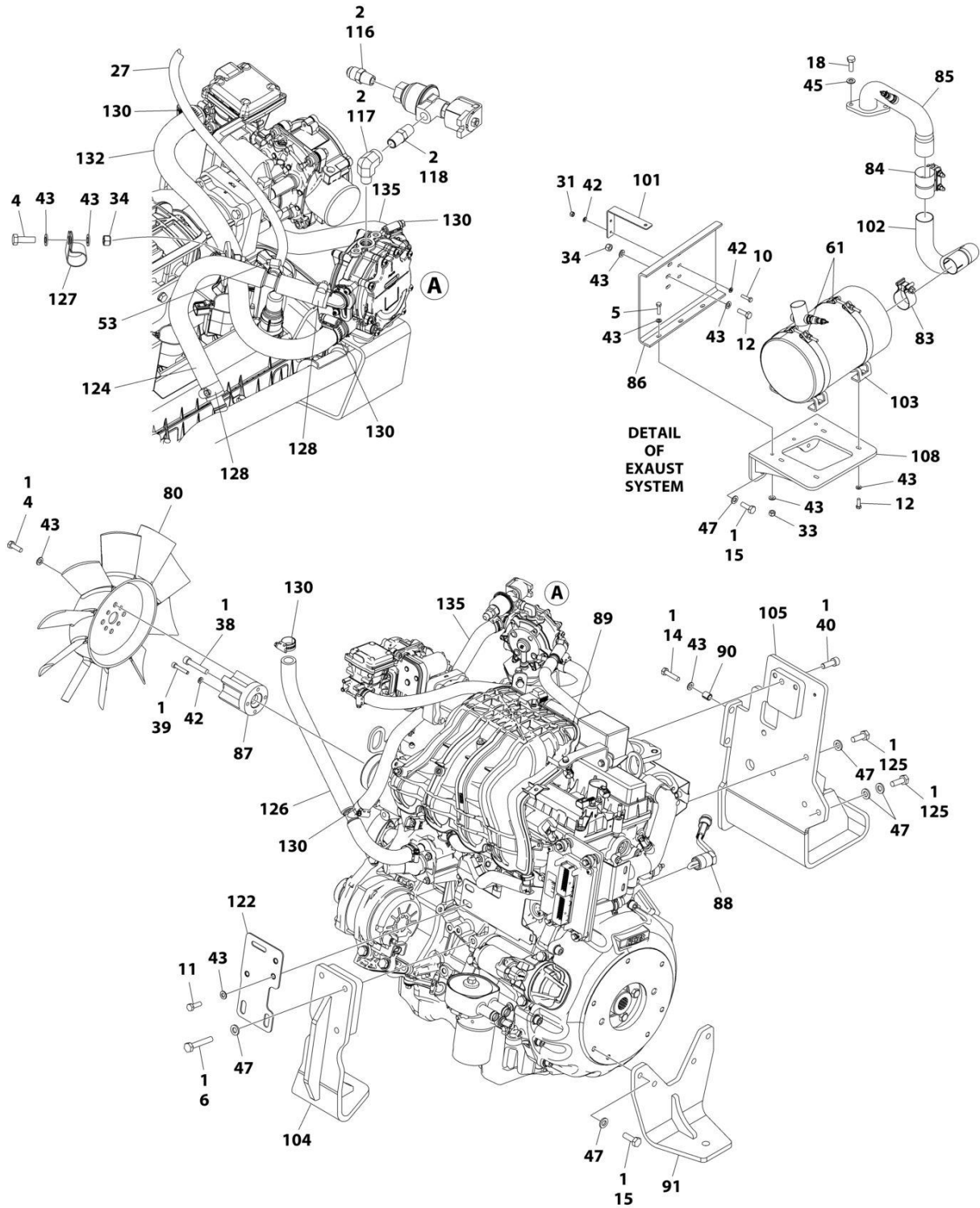
ITEM	PART NUMBER	QTY	DESCRIPTION	REV
54	8406109	6	Clip	
56	8410001	1	Clamp	
57	8410011	1	Clamp	
58	1001128901	2	Strap	
59	1001138173	1	Support	
60	1001138175	1	Bracket	
61	1001141585	1	Hose	
62	1001141995	2	Fitting, Straight NPT/Barbed	
64	1001149639	1	Indicator, Restriction	
65	1001191610	3	Mount, Motor	
66	1001168018	3	Washer	
67	1001169054	4	Isolator	
68	1001169138	4	Pad, Snubbing	
69	1001169967	1	Bracket	
70	1001170035	1	Bracket	
71	1001176329	1	Bracket	
72	1001180620	AR	Adhesive	
73	1001186426	1	Clamp	
74	1001223042	1	Fan	
75	1001225442	1	Bracket	
76	1001223923	1	Radiator	
77	1001215681	1	Clamp	
78	1001215974	1	Clamp	
79	1001216075	1	Pipe, Exhaust	
80	1001216092	1	Shield, Heat	
81	1001216201	1	Adapter	
84	1001216910	1	Ford Engine Prep Assembly (See Separate Breakdown in this Section)	
85	1001216919	2	Sleeve	
86	1001290252	1	Mount, Engine Rear	
87	1001217032	1	Tube	
88	1001217046	1	Bracket	
89	1001217090	1	Tube	
92	1001217174	1	Seal	
93	1001217175	1	Seal	
94	1001217183	2	Seal	
95	1001217185	2	Seal	
96	1001217186	1	Support	
97	1001217317	1	Pipe	
98	1001217543	2	Mount	
99	1001218362	1	Mount	
100	1001218449	1	Bracket	
101	1001134488	1	Fitting	
102	1001219259	1	Support	
103	1001219345	1	Muffler	
104	1001219361	1	Support	
105	1001219363	1	Plate	
106	1001219480	1	Bracket	
107	1001219611	1	Hose	
108	1001219612	1	Hose	
109	1001219613	1	Tube	

SECTION 3 - ENGINE

ITEM	PART NUMBER	QTY	DESCRIPTION	REV
110	1001138248	31 in/ 77cm	Tube	
111	1001189979	1	Air Filter Assembly	
111	70005008	1	Element, Filter - Primary	
111	70006460	1	Element, Filter -Secondary	
111	8273291	1	Valve, Dust Evacuator	
111	70006461	1	Cover	
113	2720058	55 in/ 1.5m	Hose	
115	1001165035	10 26cm	Hose	
116	5272010	1	Bolt M10 x 30	
118	1001247359	1	Fitting, 90 FSNPSM/NPTF	
119	2220261	1	Fitting	
120	2180418	1	Fitting	
121	1001221615	2	Nut M8	
123	0711223	3	Bolt 12 x 75	
124	1001222033	1	Plate	
125	0940070	1	Bumper	
126	8406201	1	Clip	
127	8410009	2	Gear Clamp	
128	2180348	1	Fitting	
129	1001173535	6	Clamp	
130	1001224489	1	Hose	
131	1001225510	1	Decal	
132	1001216531	1	Hose	
133	1001227666	1	Hose	
134	1001224486	1	Hose	
135	0711014	5	Bolt 10 x 30	
138	0100062	AR	Compound Locking	
139	4060805	16 in/ 41cm	Shield	
140	1001227667	1	Hose	
141	1001303818	1	Washer M10	

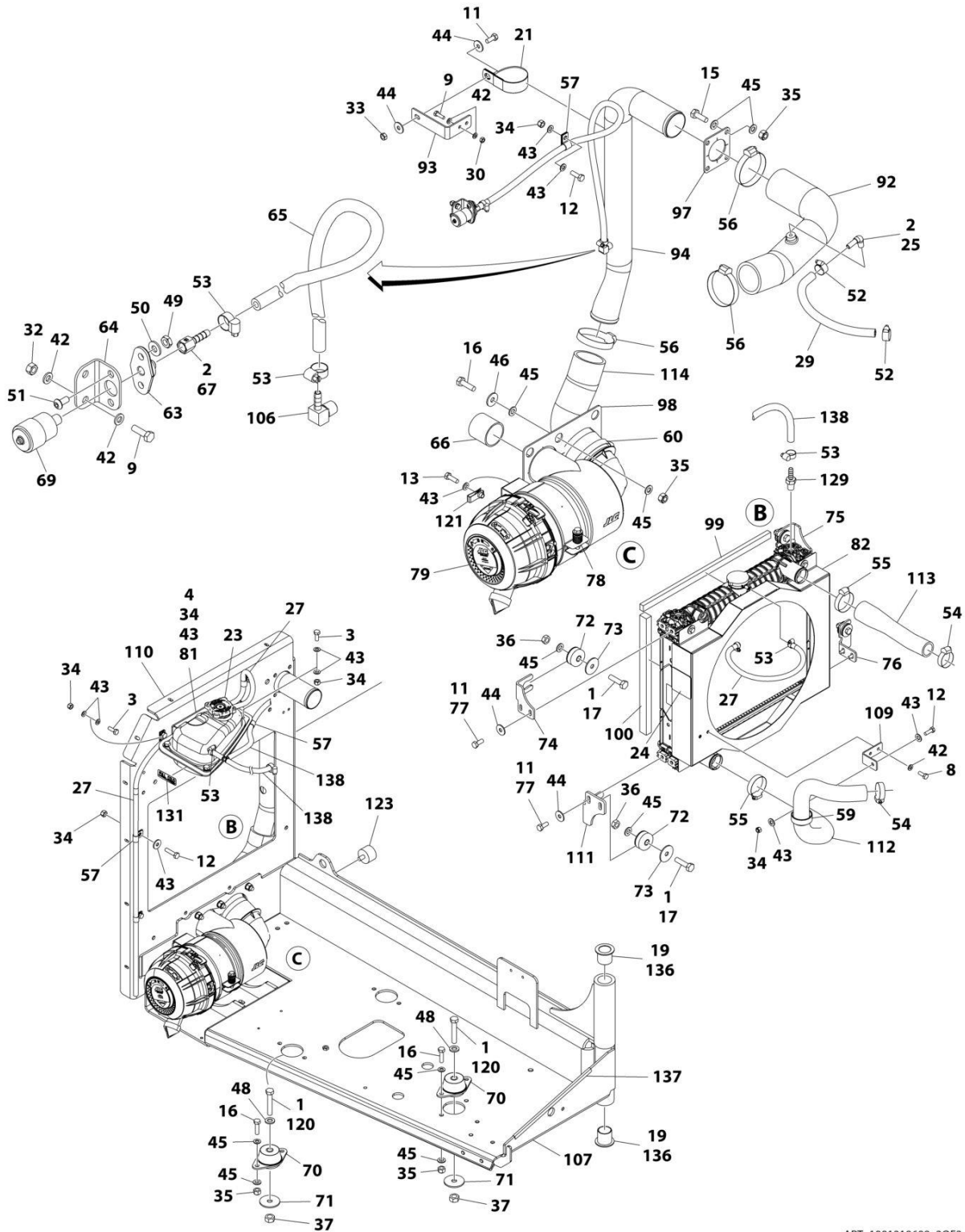
SECTION 3 - ENGINE

FIGURE 3-34. FORD ENGINE ASSEMBLY (WITH ARCTIC PACKAGE)



ART_1001219608_10F2

SECTION 3 - ENGINE



ART_1001219608_2OF2

SECTION 3 - ENGINE

FIGURE 3-34. FORD ENGINE ASSEMBLY (WITH ARCTIC PACKAGE)

ITEM	PART NUMBER	QTY	DESCRIPTION	REV
	1001219608	Ref	FORD ENGINE ASSEMBLY	P
1	0100011	AR	Compound, Locking	
2	0100020	AR	Sealant	
3	0700810	3	Bolt M8 x 20	
4	0700812	7	Bolt M8 x 25	
5	0700814	3	Bolt M8 x 30	
6	0711020	3	Bolt M10 x 60	
8	0760608	2	Bolt M6 x 16	
9	0760610	4	Bolt M6 x 20	
10	0760612	2	Bolt M6 x 25	
11	0760810	11	Bolt M8 x 20	
12	0760812	12	Bolt M8 x 25	
13	0760814	2	Bolt M8 x 30	
14	0760815	2	Bolt M8 x 35	
15	0761014	11	Bolt M10 x 30	
16	0761015	12	Bolt M10 x 35	
17	0761016	4	Bolt M10 x 40	
18	0771014	2	Bolt M10 x 30	
19	0961986	2	Bearing, Flange	
21	1320110	1	Clamp	
22	1001187781	1	Tie-Strap (Not Shown)	
23	1001223584	1	Tank, Surge	
24	1703162	2	Decal - Fan Blade	
25	2180467	1	Fitting, Straight NPT/Barb	
27	2720058	55 in/ 1.5m	Hose	
29	1001165035	10 26cm	Hose	
30	3290601	2	Nut M6	
31	3290605	2	Nut M6	
32	3290607	2	Nut M6	
33	3290801	4	Nut M8	
34	3290805	14	Nut M8	
35	3291005	16	Nut M10	
36	3291001	4	Nut M10	
37	3291201	3	Nut M12	
38	3931644	1	Screw 3/8 x 2-3/4	
39	4031711	4	Capscrew M6 x 35	
40	5272010	1	Bolt M10 x 30	
41	4240099	AR	Tie-Strap (Not Shown)	
42	4811700	18	Washer M6	
43	4811900	48	Washer M8	
44	4811902	10	Washer M8	
45	4812000	38	Washer M10	
46	4812002	6	Washer M10	
47	5241000	15	Washer M10	
48	5241200	3	Washer M12	
49	8305401	2	Nut Jam	
50	8307109	2	Washer	
51	8310548	2	Bolt 1/4 x 1/2	
52	8405006	2	Clamp	

SECTION 3 - ENGINE

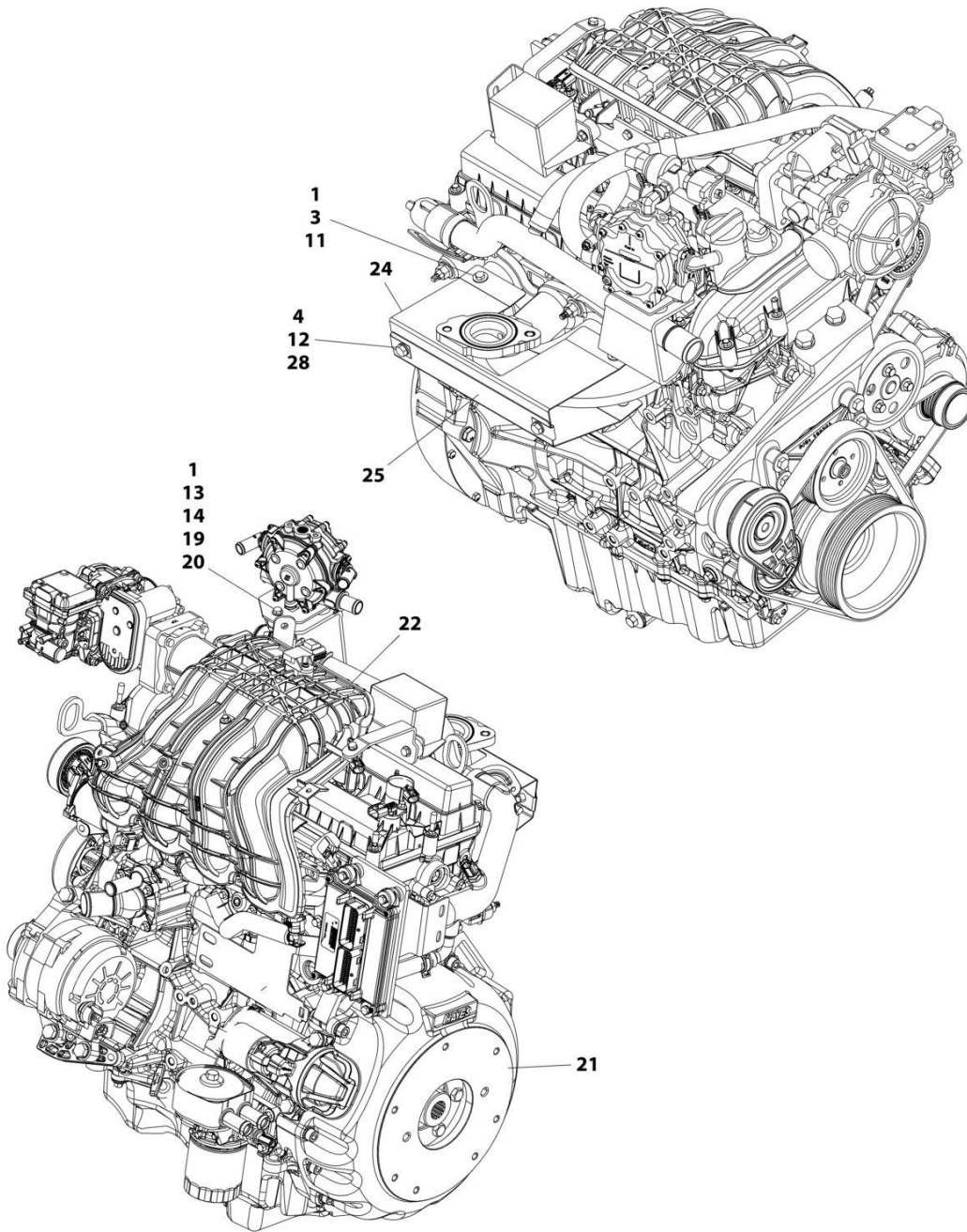
ITEM	PART NUMBER	QTY	DESCRIPTION	REV
53	8405009	5	Gear	
54	8405102	2	Clamp	
55	8405104	2	Clamp	
56	8405203	3	Clamp	
57	8406109	6	Clip	
59	8410001	1	Clamp	
60	8410011	1	Clamp	
61	1001128901	2	Strap	
63	1001138173	1	Support	
64	1001138175	1	Bracket	
65	1001138248	31 in/ 77cm	Tube	
66	1001141585	1	Hose	
67	1001141995	1	Fitting, Straight NPT/Barbed	
69	1001149639	1	Indicator, Restriction	
70	1001191610	3	Mount, Motor	
71	1001168018	3	Washer	
72	1001169054	4	Isolator	
73	1001169138	4	Pad, Snubbing	
74	1001169967	1	Bracket	
75	1001170035	1	Bracket	
76	1001176329	1	Bracket	
77	1001180620	AR	Adhesive	
78	1001186426	1	Clamp	
79	1001189979	1	Air Filter Assembly	
79	70005008	4	Element, Filter - Primary	
79	70006460	4	Element, Filter - Secondary	
79	8273291	1	Valve, Dust Evacuator	
79	70006461	1	Cover	
80	1001223042	1	Fan	
81	1001225442	1	Bracket	
82	1001223923	1	Radiator	
83	1001215681	1	Clamp	
84	1001215974	1	Clamp	
85	1001216075	1	Pipe, Exhaust	
86	1001216092	1	Shield, Heat	
87	1001216201	1	Adapter	
88	1001216393	1	Heater, Block	
89	1001216910	1	Ford Engine Prep Assembly (See Separate Breakdown in this Section)	
90	1001216919	2	Sleeve	
91	1001290252	1	Mount, Engine Rear	
92	1001217032	1	Tube	
93	1001217046	1	Bracket	
94	1001217090	1	Tube	
97	1001217174	1	Seal	
98	1001217175	1	Seal	
99	1001217183	2	Seal	
100	1001217185	2	Seal	
101	1001217186	1	Support	
102	1001217317	1	Pipe	
103	1001217543	2	Mount	

SECTION 3 - ENGINE

ITEM	PART NUMBER	QTY	DESCRIPTION	REV
104	1001218362	1	Mount	
105	1001218449	1	Bracket	
106	1001134488	1	Fitting	
107	1001219259	1	Support	
108	1001219345	1	Muffler	
109	1001219361	1	Support	
110	1001219363	1	Plate	
111	1001219480	1	Bracket	
112	1001219611	1	Hose	
113	1001219612	1	Hose	
114	1001219613	1	Tube	
116	2180418	1	Fitting	
117	1001247359	1	Fitting, 90 FSNPSM/NPTF	
118	2220261	1	Fitting	
120	0711223	3	Bolt M12 x 75	
121	1001221615	2	Nut M8	
122	1001222033	1	Plate	
123	0940070	1	Bumper	
124	1001227666	1	Hose	
125	0711014	5	Bolt M10 x 30	
126	1001224489	1	Hose	
127	8406201	1	Clip	
128	8410009	2	Gear Clamp	
129	2180348	1	Fitting	
130	1001173535	6	Clamp	
131	1001225510	1	Decal	
132	1001216531	1	Hose	
135	1001224486	1	Hose	
136	0100062	AR	Compound Locking	
137	4060805	16 in/ 41cm	Shield	
138	1001227667	1	Hose	
139	1001303818	1	Washer M10 (Not Shown)	

SECTION 3 - ENGINE

FIGURE 3-35. FORD ENGINE PREP ASSEMBLY



ART_1001216910_F

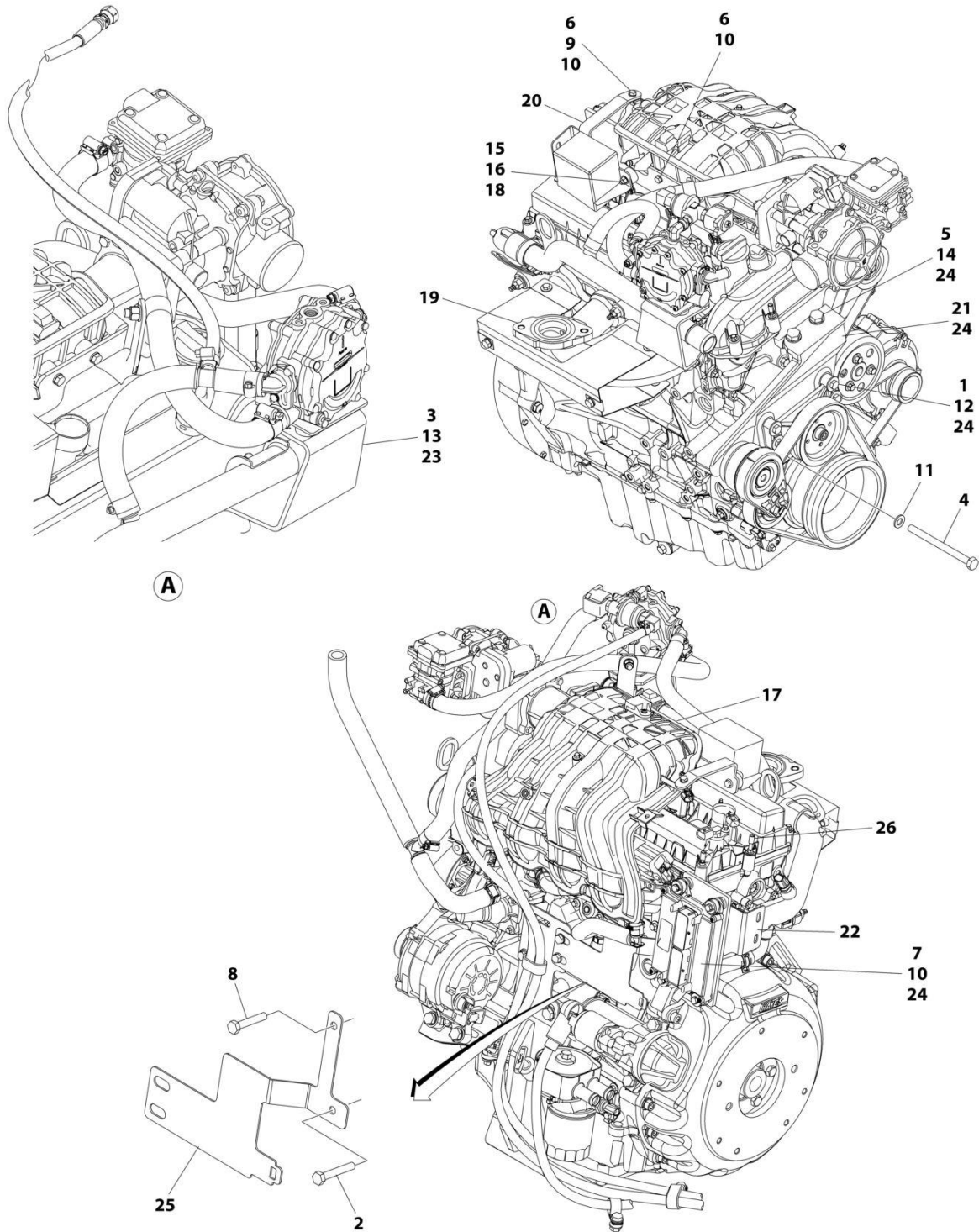
SECTION 3 - ENGINE

FIGURE 3-35. FORD ENGINE PREP ASSEMBLY

ITEM	PART NUMBER	QTY	DESCRIPTION	REV
	1001216910	Ref	FORD ENGINE PREP ASSEMBLY	F
1	0100011	AR	Compound, Locking	
3	0760605	4	Bolt M6 x 10	
4	0760807	2	Bolt M8 x 14	
11	4811702	4	Washer M6	
12	4811900	2	Washer M8	
13	5250605	3	Bolt M6 x 10	
14	5260600	1	Nut M6 Class 10	
19	1001211794	3	Mount, Isolator	
20	1001227769	1	Plate	
21	1001213810	1	Pump Coupling Kit	
21	70006134	1	Coupling	
21	70006135	1	Housing	
21	70006136	1	Hardware Kit	
22	1001216065	1	Ford Engine Assembly (See Separate Breakdown in this Section)	
24	1001216768	1	Bracket	
25	1001216769	1	Bracket	
28	1001149160	2	Nut, Tinnerman M8	

SECTION 3 - ENGINE

FIGURE 3-36. FORD ENGINE BRACKETS AND EXHAUST MANIFOLD INSTALLATION



ART_1001216065

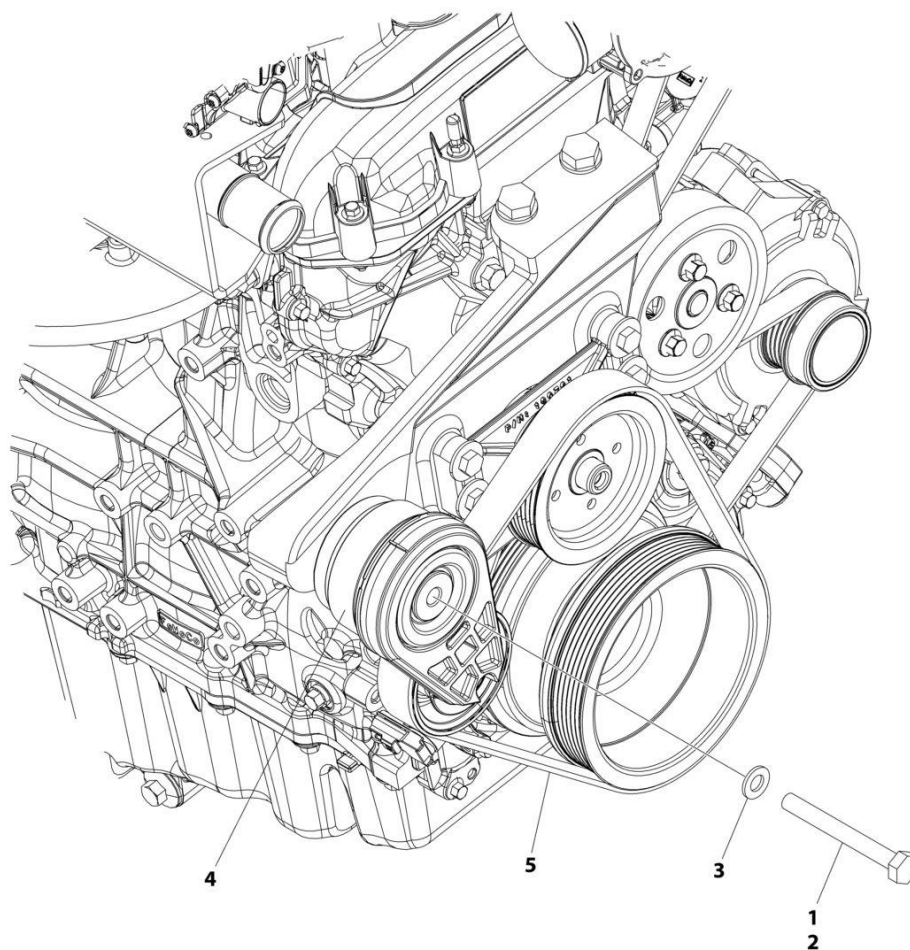
SECTION 3 - ENGINE

FIGURE 3-36. FORD ENGINE BRACKETS AND EXHAUST MANIFOLD INSTALLATION

ITEM	PART NUMBER	QTY	DESCRIPTION	REV
	1001216065	Ref	FORD ENGINE ASSEMBLY - BRACKETS/EXHAUST MANIFOLD	N
1	0700816	4	Bolt M8 x 40	
2	0700818	1	Bolt M8 x 50	
3	0701014	2	Bolt M10 x 30	
4	0710827	1	Bolt M8 x 100 Grade 10.9	
5	0711216	2	Bolt M12 x 40	
6	0760610	3	Bolt M6 x 20	
7	0760615	4	Bolt M6 x 35	
8	0760817	1	Bolt M8 x 45	
9	3290601	1	Nut M6	
10	4811700	8	Washer M6	
11	4811900	1	Washer M8	
12	4811902	4	Washer M8	
13	4812000	1	Washer M10	
14	4812100	2	Washer M12	
15	5250605	2	Bolt M6 x 10	
16	5260600	2	Nut M6 Class 10	
17	1001210448	1	Engine, Ford 2.5L (See Separate Breakdown in this Section)	
18	1001211794	2	Mount	
19	1001214827	1	Manifold, Exhaust	
20	1001215384	1	Bracket	
21	1001216071	1	Bracket	
22	1001216144	1	Support, Muffler	
23	1001227772	1	Mount, Vaporizer	
24	0100011	AR	Compound, Locking	
25	1001221545	1	Plate	
26	1001222641	6	Cap	

SECTION 3 - ENGINE

FIGURE 3-37. FORD ENGINE DRIVE BELT INSTALLATION (MACHINES WITHOUT GENERATOR)



ART_1001220404

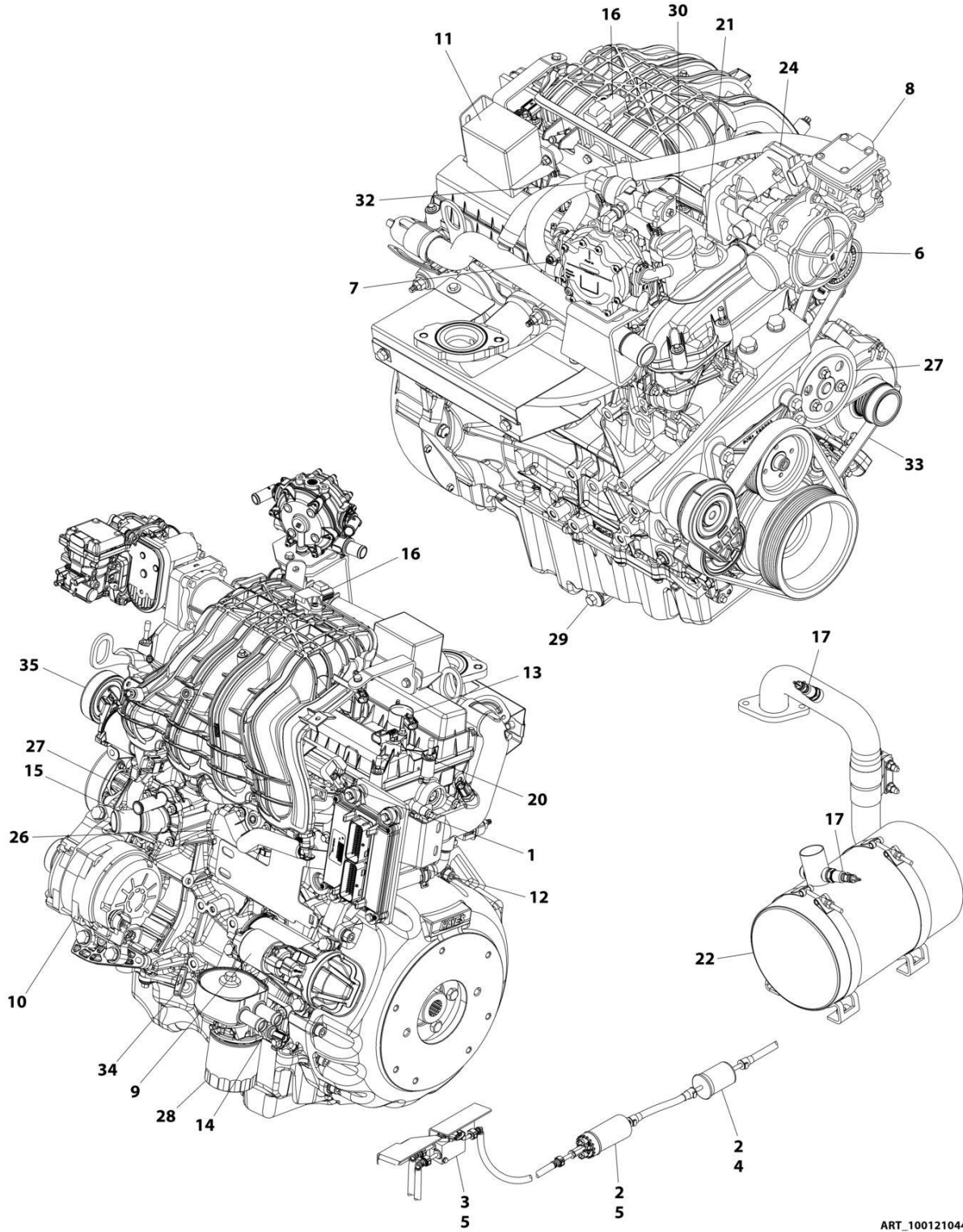
SECTION 3 - ENGINE

FIGURE 3-37. FORD ENGINE DRIVE BELT INSTALLATION (MACHINES WITHOUT GENERATOR)

ITEM	PART NUMBER	QTY	DESCRIPTION	REV
	1001220404	Ref	DRIVE BELT INSTALLATION	C
1	0100011	AR	Compound, Locking	
2	0701026	1	Bolt M10 x 90	
3	4812002	1	Washer M10	
4	1001216300	1	Pulley	
5	1001216619	1	V-Belt	

SECTION 3 - ENGINE

FIGURE 3-38. FORD ENGINE COMPONENTS



ART_1001210448

SECTION 3 - ENGINE

FIGURE 3-38. FORD ENGINE COMPONENTS

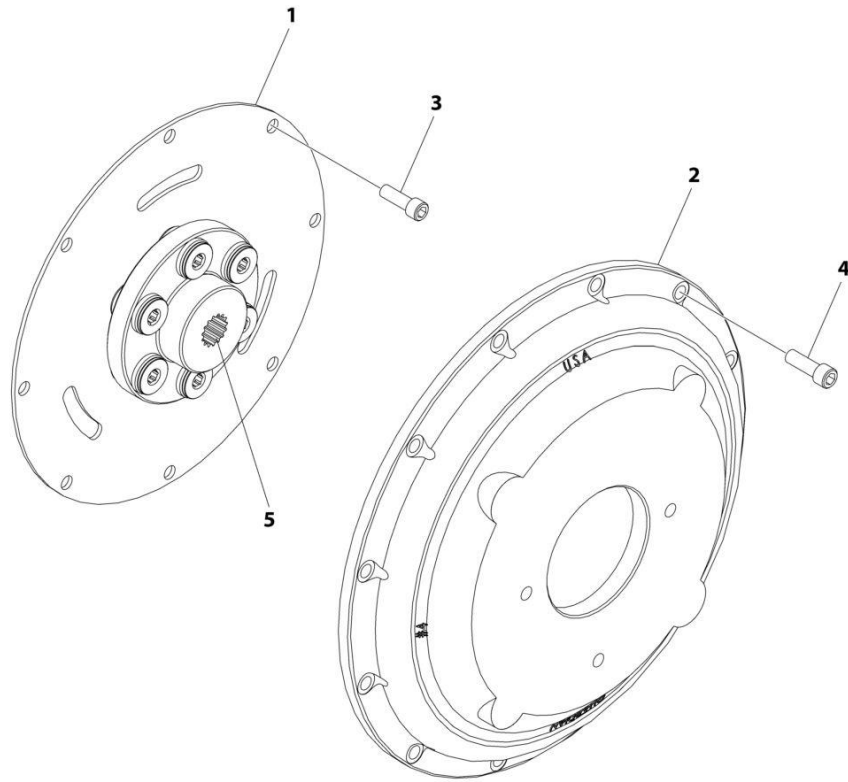
ITEM	PART NUMBER	QTY	DESCRIPTION	REV
	1001210448	Ref	FORD ENGINE COMPONENTS	H
1	70006145	4	Injector, Fuel	
1	70006147	1	Rail, Fuel	
2	70006150	1	Pump, Fuel	
2	70006154	1	Fitting M10	
3	70006151	1	Block, Fuel	
3	70006152	2	Fitting SAE6	
3	70006153	1	Fitting SAE3	
3	70006189	1	Harness, Fuel Block	
4	70006155	1	Filter, Fuel	
5	7022162	8	Clamp	
5	70006157	8	Clip, Fuel Quick Disconnect	
6	70006158	1	Mixer, LP	
6	70006168	1	Mixer Diaphragm Replacement Kit	
6	70006159	1	Adapter, Mixer to Governor	
6	70006160	1	O-Ring, Mixer to Adapter	
6	70006161	1	Seal, Mixer to Adapter	
7	70006162	1	Regulator, LP Vapor	
7	70006166	2	Fitting	
7	70006167	1	Fitting, Straight	
7	70006165	2	Isolator, Rubber	
8	70006163	1	Regulator, Direct Electronic Pressure	
8	70006164	1	Adapter, Fitting 90	
9	70006169	1	Starter	
9	70006233	1	Harness, Alternator/Starter	
10	70006170	1	Alternator	
11	70006173	1	Cover, Relay Box	
11	70006171	2	Relay (Fuel Pump & Power)	
11	70006172	1	Relay (Starter)	
11	70006175	1	Fuse - 20Amp (Starter)	
11	70006174	1	Decal - Relay Box Cover	
11	70006188	1	Harness, Engine	
11	70006165	2	Isolator, Rubber	
12	70006176	1	Module - Engine Control Unit (ECU/GCP)	
12	70006191	1	Software & Diagnostic Cable	
13	70006177	4	Coil and Boot Assembly	
13	70006178	4	Plug, Spark	
14	70006179	1	Switch, Oil Pressure	
15	70006180	1	Sensor, Knock	
16	70006181	1	Sensor, TMAP	
17	70006182	2	Sensor, O2	
18	70006183	1	Sensor, Coolant Temperature (Not Shown - Located Rear of Engine Block)	
19	70006184	1	Sensor, Crank Position (Not Shown - Located at Front RH Side of Block)	
20	70006185	1	Sensor, Cam Position	
21	70006186	1	Solenoid, Timing	
21	70006187	1	Grommet, Rubber	
22	70006194	1	Muffler	
22	70006195	1	Plug (Located at Muffler Outlet)	

SECTION 3 - ENGINE

ITEM	PART NUMBER	QTY	DESCRIPTION	REV
23		Ref	Gasket Options (Not Shown)	
23	70006196	1	Gasket, Exhaust Manifold to Head	
23	70006197	1	Gasket, Exhaust Manifold Outlet	
23	70006200	1	Gasket, Intake Manifold to Head	
23	70006219	1	Gasket Set - Camshaft Cover	
23	70006225	1	Gasket, Cylinder Head	
24	70006198	1	Governor	
24	7027404	1	Gasket, Governor Actuator	
24	70006199	1	Gasket, Governor to Intake Manifold Adapter	
25	70006203	1	Flywheel (Not Shown)	
26	70006205	1	Thermostat (Includes Housing)	
26	70006206	1	Gasket, Water Inlet	
27	70006207	1	Pump, Water	
27	70006208	1	O-Ring, Water Pump	
27	See Note	NSS	Pulley, Water Pump (Note: Not Available for Purchase at This Time)	
28	70006213	1	Filter, Oil	
29	70006215	1	Plug, Oil Drain	
29	70006217	1	Gasket, Oil Drain Plug	
30	70006221	1	Cap, Oil Fill	
31	70006232	1	Sensor, Crank (Not Shown)	
32	70006235	1	Valve, Lock-Off (Includes Filter)	
33	70006202	1	Belt	
34	70006236	1	Dipstick	
35	70007108	1	Belt Tensioner	

SECTION 3 - ENGINE

FIGURE 3-39. PUMP COUPLING KIT (DEUTZ ENGINES)



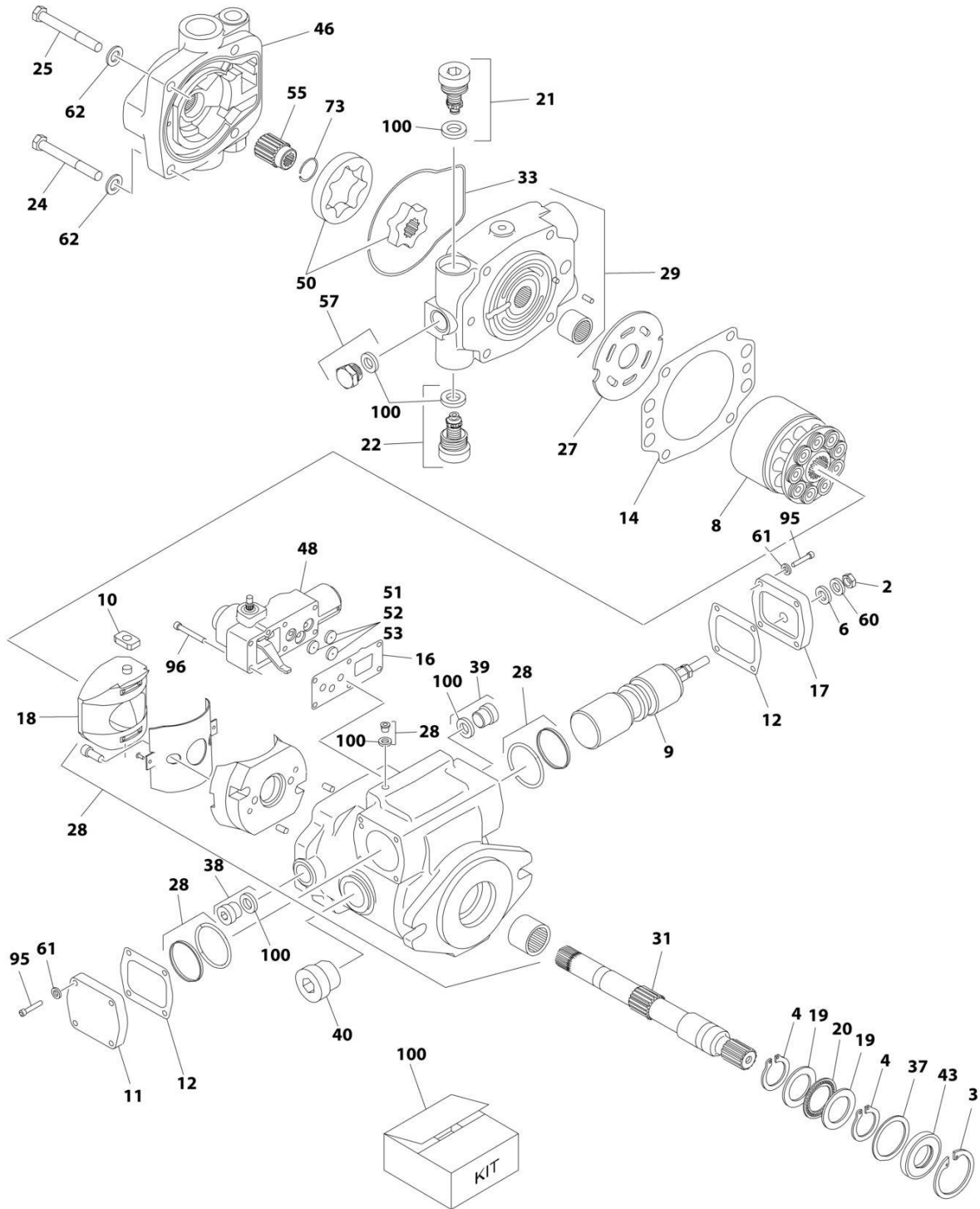
ART_1001153282

SECTION 3 - ENGINE**FIGURE 3-39. PUMP COUPLING KIT (DEUTZ ENGINES)**

ITEM	PART NUMBER	QTY	DESCRIPTION	REV
	1001153282	Ref	PUMP COUPLING KIT	E
1	70004183	1	Coupling Guardian	
2	See Note	NSS	Plate, Pump Adapter (Note: Use p/n 1001153282)	
3	See Note	8	Capscrew M10 x 20 Grade 10.9 (Note: Not Available - Purchase Locally or Purchase Kit)	
4	See Note	12	Capscrew M10 x 25 Grade 10.9 (Note: Not Available - Purchase Locally or Purchase Kit)	
5	3020021	AR	Grease, Coupling	

SECTION 3 - ENGINE

FIGURE 3-40. HYDROSTATIC PUMP ASSEMBLY



ART_1001225745

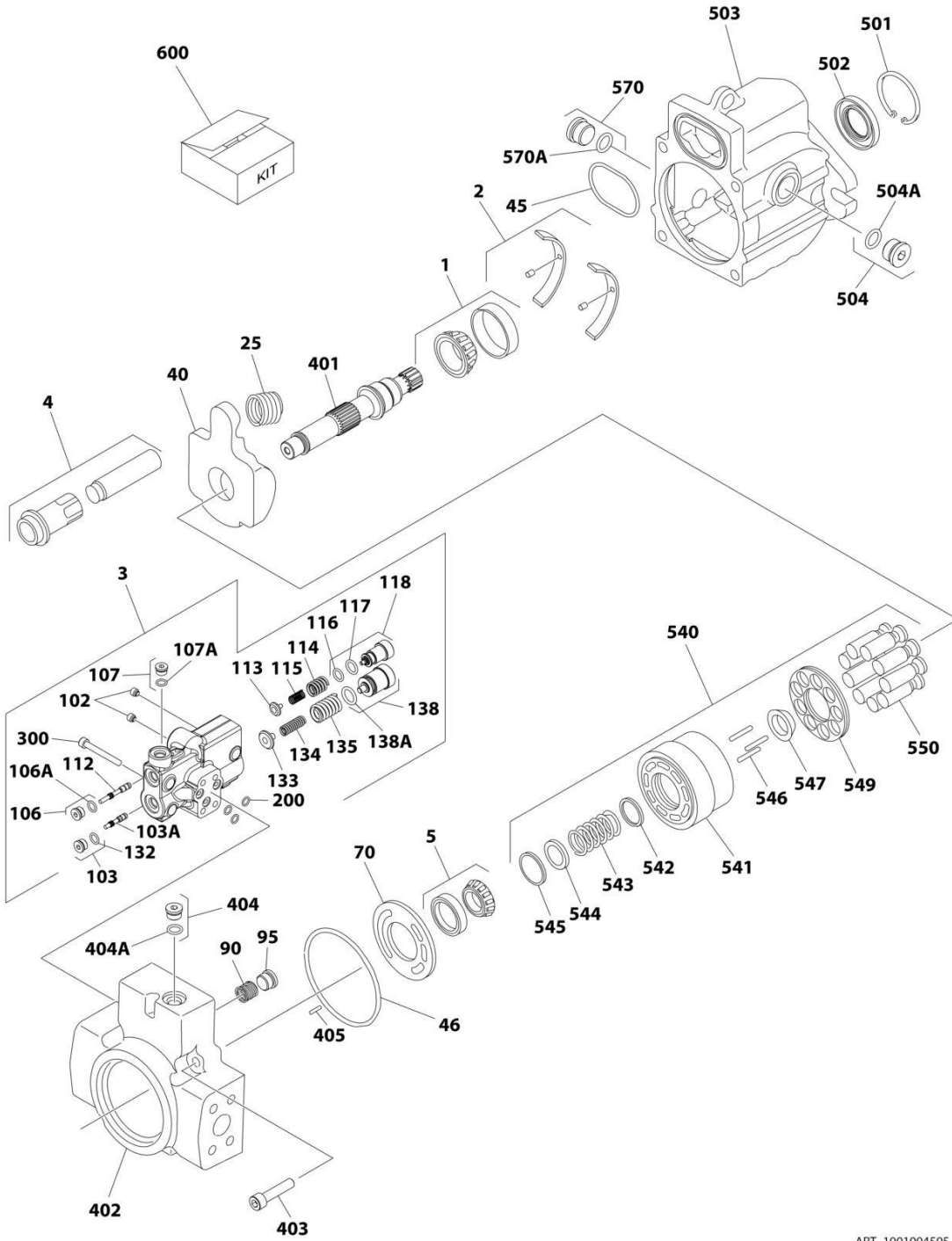
SECTION 3 - ENGINE

FIGURE 3-40. HYDROSTATIC PUMP ASSEMBLY

ITEM	PART NUMBER	QTY	DESCRIPTION	REV
	1001225745	Ref	HYDROSTATIC PUMP ASSEMBLY	A
2	70004329	1	Nut	
3	See Note	NSS	Ring, Retaining (Note: Use Item 100)	
4	See Note	NSS	Ring, Retaining (Note: Use Item 100)	
6	See Note	NSS	Washer, Seal (Note: Use Item 100)	
8	70004331	1	Cylinder Block Assembly	
9	70004332	1	Servo Piston Assembly	
10	70004333	1	Follower, Servo Piston	
11	70005458	1	Cover	
12	See Note	NSS	Gasket, Cover (Note: Use Item 100)	
14	See Note	NSS	Gasket, Housing (Note: Use Item 100)	
16	See Note	NSS	Gasket, Control Housing (Note: Use Item 100)	
17	70005459	1	Cover	
18	70004336	1	Camplate Assembly	
19	7004907	2	Race, Thrust	
20	7004908	1	Bearing, Thrust	
21	70004337	1	Relief Valve Assembly	
22	70004337	1	Relief Valve Assembly	
24	70004338	2	Capscrew	
25	70004338	2	Capscrew	
27	70004340	1	Plate, Valve	
28	See Note	NSS	Housing (Note: Not Available - Purchase Assembly)	
29	70005460	1	End Cover Assembly	
31	70004342	1	Shaft, Drive	
33	See Note	NSS	O-Ring (Note: Use Item 100)	
37	7004906	1	Washer	
38	70005461	1	Plug	
39	70005461	1	Plug	
40	70005462	1	Plug	
43	See Note	NSS	Seal, Shaft (Note: Use Item 100)	
46	70004343	1	Adapter, Charge Pump	
48	70004344	1	Servo Control Assembly	
50	70004345	1	Gerotor	
51	70004346	1	Orifice	
52	70004346	1	Orifice	
53	70004346	1	Orifice	
55	70004347	1	Coupler	
57	70005463	1	Plug	
60	70004348	1	Washer	
61	70004349	8	Washer	
62	70004350	4	Washer	
73	70004351	1	Ring, Retaining	
95	70005464	8	Capscrew	
96	70005465	6	Capscrew	
100	70004352	1	Seal Kit - Pump (Includes Items 3, 4, 6, 12, 14, 16, 33 & 43 and Valve and Plug O-Rings and Seals)	

SECTION 3 - ENGINE

FIGURE 3-41. VARIABLE PUMP ASSEMBLY



ART_1001094595

SECTION 3 - ENGINE

FIGURE 3-41. VARIABLE PUMP ASSEMBLY

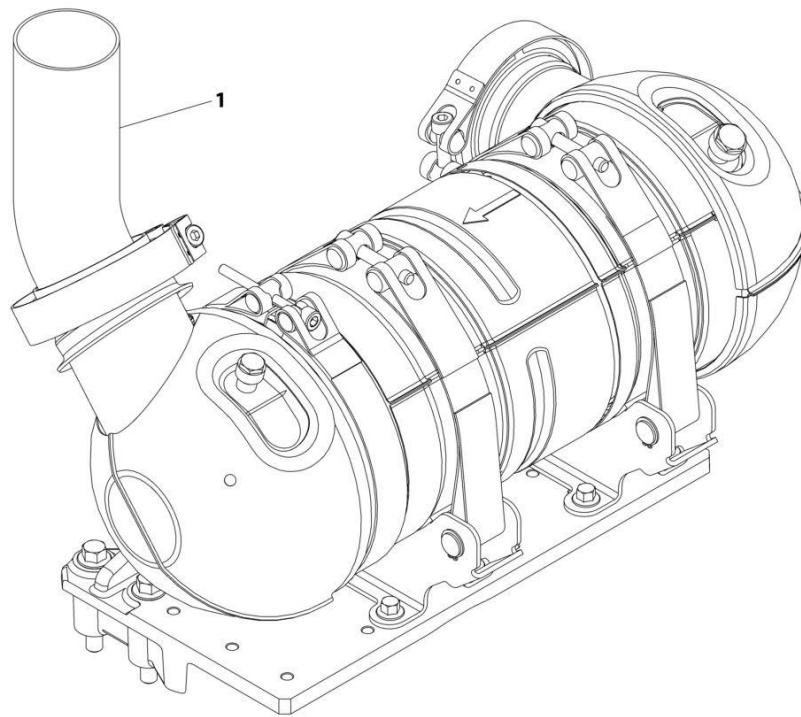
ITEM	PART NUMBER	QTY	DESCRIPTION	REV
	1001094595	Ref	VARIABLE PUMP ASSEMBLY	A
1	7023947	1	Bearing, Front (Includes Cup and Cone)	
2	7023948	1	Bearings, Swash Plate (Includes Both Sides and Pins)	
3	7023956	1	Control Valve Assembly (Includes Items 102-300)	
4	7023949	1	Servo Piston Assembly	
5	7023950	1	Bearing, Rear (Includes Cup and Cone)	
25	7023951	1	Spring	
40	7023952	1	Swash Plate	
45	See Note	NSS	O-Ring (Note: Use Item 600)	
46	See Note	NSS	O-Ring (Note: Use Item 600)	
70	70001954	1	Plate, Valve	
90	70001955	1	Spring, Check Valve	
95	70001956	1	Poppet, Check Valve	
102	See Note	NSS	Setscrew (Note: Use Item 3)	
103	See Note	NSS	Plug (Note: Use Item 3)	
103A	See Note	NSS	O-Ring (Note: Use Item 600)	
106	See Note	NSS	Plug (Note: Use Item 3)	
106A	See Note	NSS	O-Ring (Note: Use Item 600)	
107	See Note	NSS	Plug (Note: Use Item 3)	
107A	See Note	NSS	O-Ring (Note: Use Item 600)	
112	See Note	NSS	Spool, Control (Note: Use Item 3)	
113	See Note	NSS	Guide, Spring (Note: Use Item 3)	
114	See Note	NSS	Spring (Note: Use Item 3)	
115	See Note	NSS	Spring (Note: Use Item 3)	
116	See Note	NSS	O-Ring (Note: Use Item 600)	
117	See Note	NSS	Ring, Back-up (Note: Use Item 600)	
118	See Note	NSS	Plug, Adjusting (Note: Use Item 3)	
132	See Note	NSS	Spool, Control (Note: Use Item 3)	
133	See Note	NSS	Guide, Spring (Note: Use Item 3)	
134	See Note	NSS	Spring (Note: Use Item 3)	
135	See Note	NSS	Spring (Note: Use Item 3)	
138	See Note	NSS	Plug, PC Adjusting (Note: Use Item 3)	
138A	See Note	NSS	O-Ring (Note: Use Item 600)	
200	See Note	NSS	Ring, Seal (Note: Use Item 600)	
300	7023957	4	Screw	
401	7023958	1	Shaft	
402	70001957	1	Cap, End	
403	7023960	4	Screw	
404	7022318	1	Plug	
404A	See Note	NSS	O-Ring (Note: Use Item 600)	
405	7023961	1	Pin	
501	7023962	1	Ring, Retaining	
502	See Note	NSS	Seal, Lip (Note: Use Item 600)	
503	See Note	NSS	Housing (Note: Not Available - Purchase Assembly)	
504	7023964	1	Plug	
504A	7007415	1	O-Ring	
540	7023965	1	Cylinder Block Assembly	
541	See Note	NSS	Block, Cylinder (Note: Use Item 540)	
542	7024868	1	Washer	
543	7024867	1	Spring	

SECTION 3 - ENGINE

ITEM	PART NUMBER	QTY	DESCRIPTION	REV
544	7022314	1	Retainer, Spring	
545	7022311	1	Ring, Retaining	
546	7021275	3	Pin, Slipper	
547	7024864	1	Guide, Slipper	
549	7024866	1	Retainer, Slipper	
550	7023966	9	Piston Assembly	
570	7023964	1	Plug	
570A	7007415	1	O-Ring	
600	7023967	1	Seal Kit - Complete (Includes Items 45, 46, 103A, 106A, 107A, 118, 138A, 200, 444A & 502)	

SECTION 3 - ENGINE

FIGURE 3-42. EXHAUST PIPE INSTALLATION - DEUTZ TD2.9L4 ENGINES



ART_1001216220

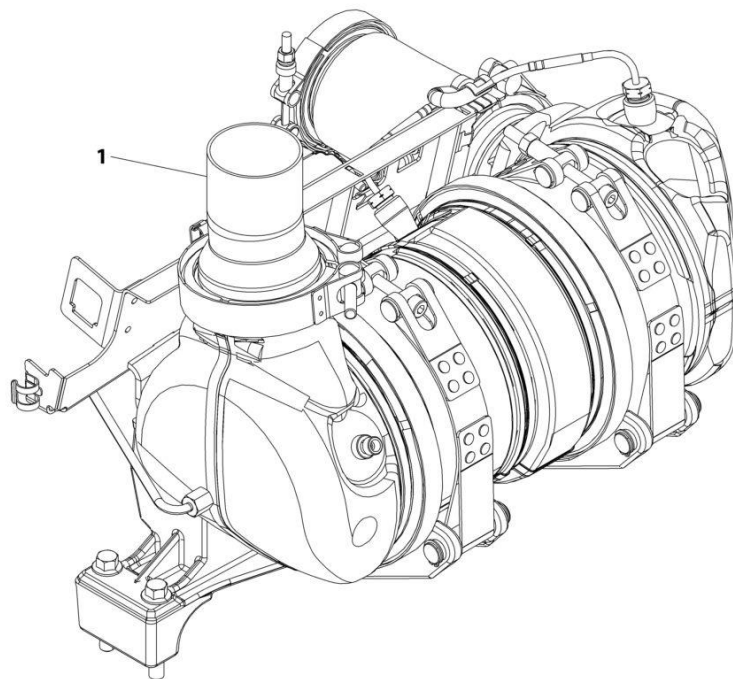
SECTION 3 - ENGINE

FIGURE 3-42. EXHAUST PIPE INSTALLATION - DEUTZ TD2.9L4 ENGINES

ITEM	PART NUMBER	QTY	DESCRIPTION	REV
1	1001216220 1001149908	Ref 1	EXHAUST PIPE INSTALLATION Pipe, Exhaust	A

SECTION 3 - ENGINE

FIGURE 3-43. EXHAUST PIPE INSTALLATION - DEUTZ TD2.9L4 (STAGE V) ENGINES



ART_1001236334

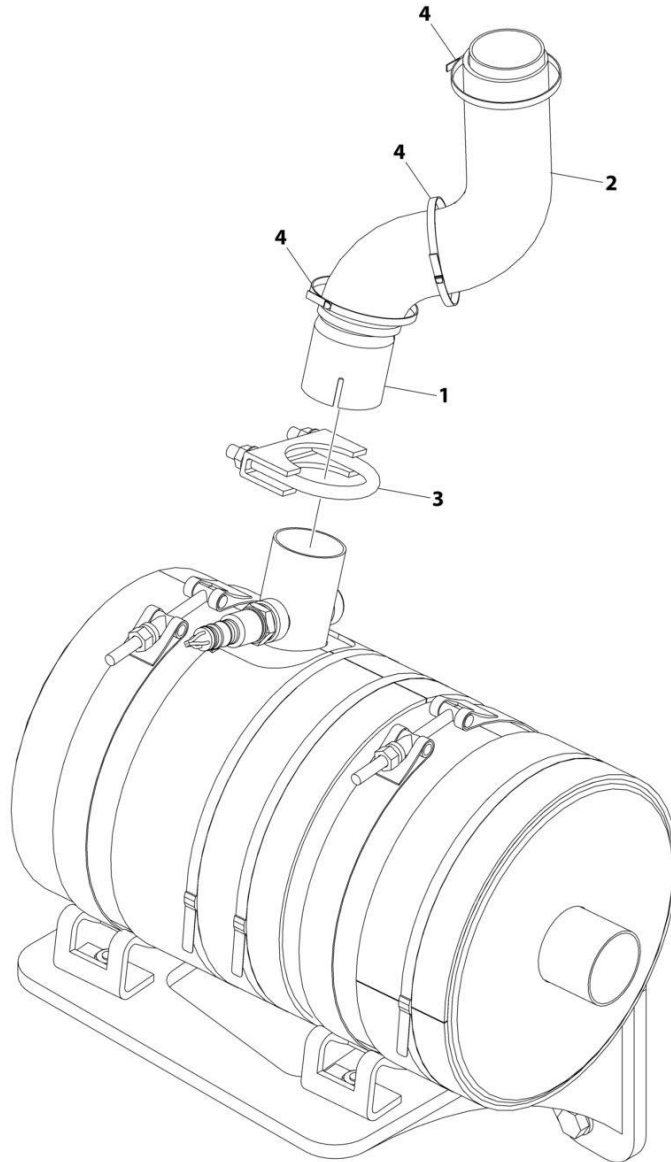
SECTION 3 - ENGINE

FIGURE 3-43. EXHAUST PIPE INSTALLATION - DEUTZ TD2.9L4 (STAGE V) ENGINES

ITEM	PART NUMBER	QTY	DESCRIPTION	REV
1	1001236334	Ref	EXHAUST PIPE INSTALLATION	B
	1001236335	1	Pipe, Exhaust	

SECTION 3 - ENGINE

FIGURE 3-44. EXHAUST PIPE INSTALLATION - FORD ENGINES



ART_1001220141

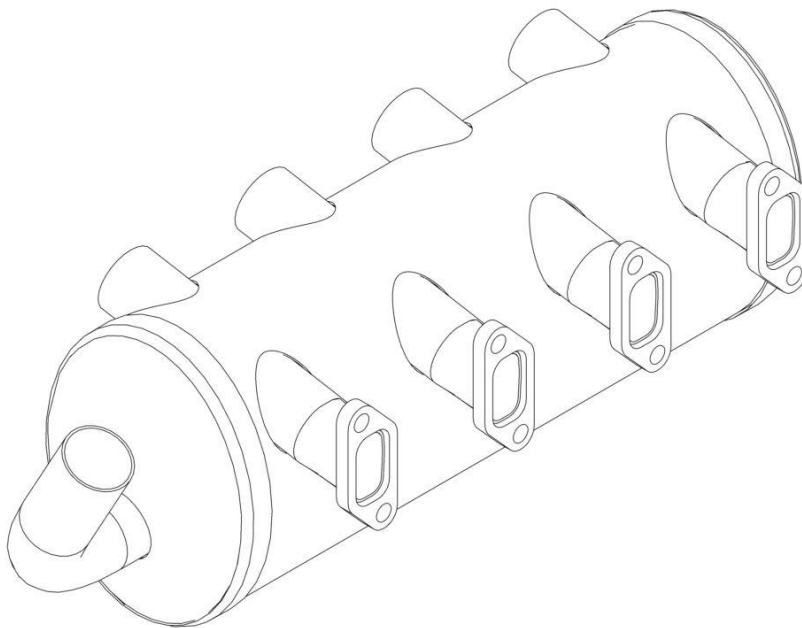
SECTION 3 - ENGINE

FIGURE 3-44. EXHAUST PIPE INSTALLATION - FORD ENGINES

ITEM	PART NUMBER	QTY	DESCRIPTION	REV
	1001220141	Ref	EXHAUST PIPE INSTALIATION	B
1	1001217478	1	Tail Pipe	
1	1001217477	1	Tail Pipe with Spark Arrestor	
2	1001218089	1	Insulate	
3	1001221397	1	Clamp	
4	1001100825	3	Strap	

SECTION 3 - ENGINE

FIGURE 3-45. SPARK ARRESTOR MUFFLER INSTALLATION - DEUTZ D2011 ENGINES



ART_1001257283

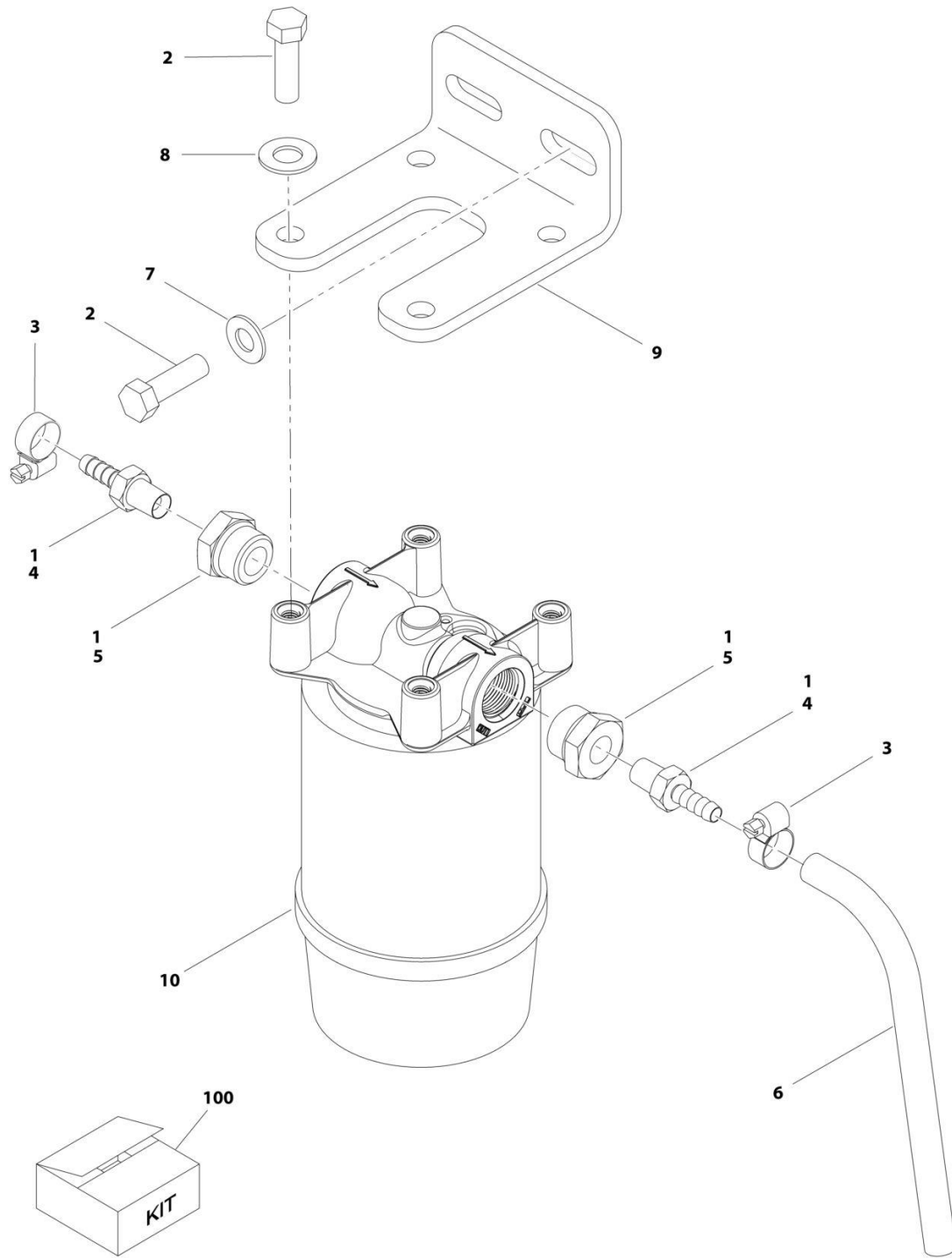
SECTION 3 - ENGINE

FIGURE 3-45. SPARK ARRESTOR MUFFLER INSTALLATION - DEUTZ D2011 ENGINES

ITEM	PART NUMBER	QTY	DESCRIPTION	REV
	1001257283 See Note	Ref 1	MUFFLER INSTALLATION SPARK ARRESTOR Muffler, (Note: Use P/N 1001257283)	A

SECTION 3 - ENGINE

FIGURE 3-46. FUEL-WATER SEPARATOR INSTALLATION - DEUTZ D2011 ENGINES



ART_1001199733

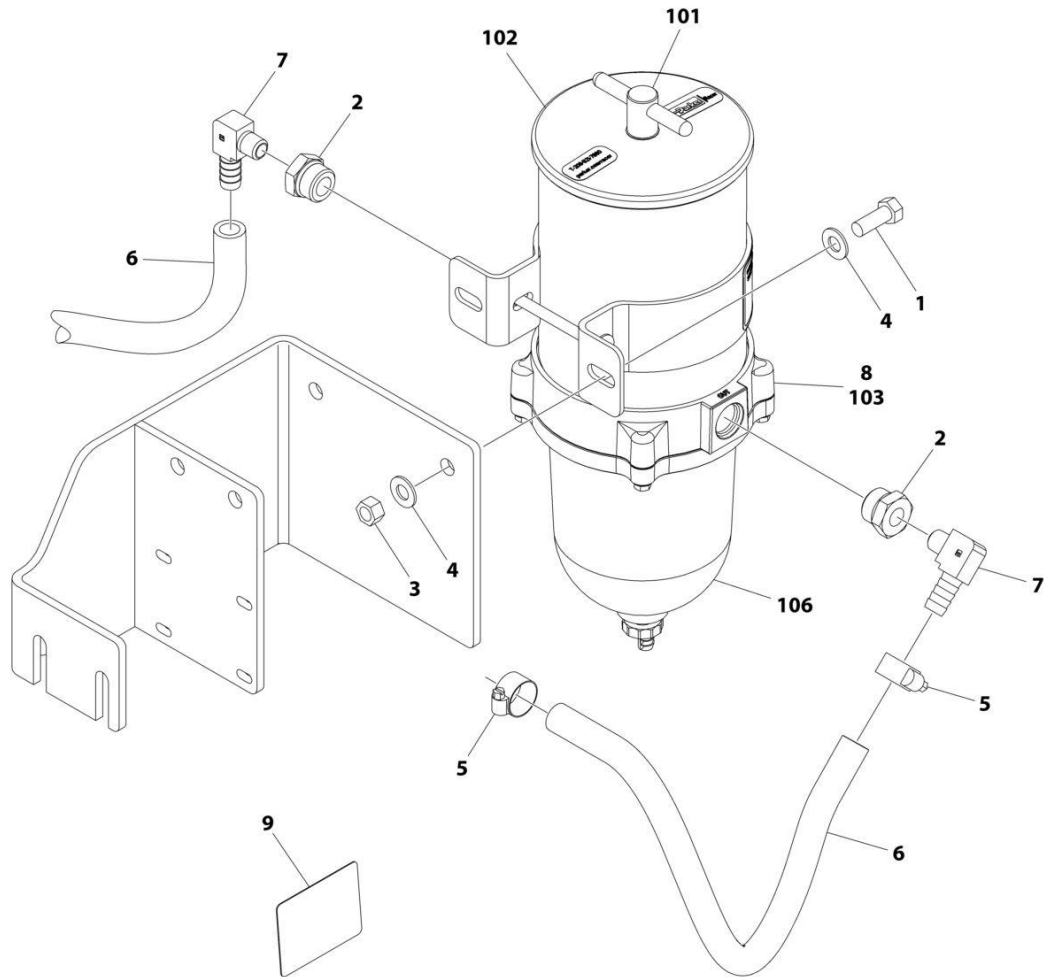
SECTION 3 - ENGINE

FIGURE 3-46. FUEL-WATER SEPARATOR INSTALLATION - DEUTZ D2011 ENGINES

ITEM	PART NUMBER	QTY	DESCRIPTION	REV
	1001199733	Ref	FUEL-WATER SEPARATOR INSTALLATION - DEUTZ TD2011 (OPTIONAL)	A
1	0100079	1	Sealant	
2	0641610	6	Bolt 3/8 X 1-1/4	
3	1320022	2	Clamp	
4	2180348	2	Fitting, Straight	
5	2220816	2	Fitting, Straight	
6	2720058	35 in/ 89cm	Hose	
7	4711600	2	Washer 3/8	
8	4711700	4	Washer 7/16	
9	1001188884	1	Bracket	
10	1001188887	1	Fuel/Water Separator Assembly	
10	1001202280	1	Head	
10	1001202281	1	Element	
100	1001204667	1	Water/Separator Add-On Kit	

SECTION 3 - ENGINE

FIGURE 3-47. FUEL-WATER SEPARATOR INSTALLATION - DEUTZ TD2.9L4 ENGINES



NOTE : LOCATED ON HOOD

ART_1001230032

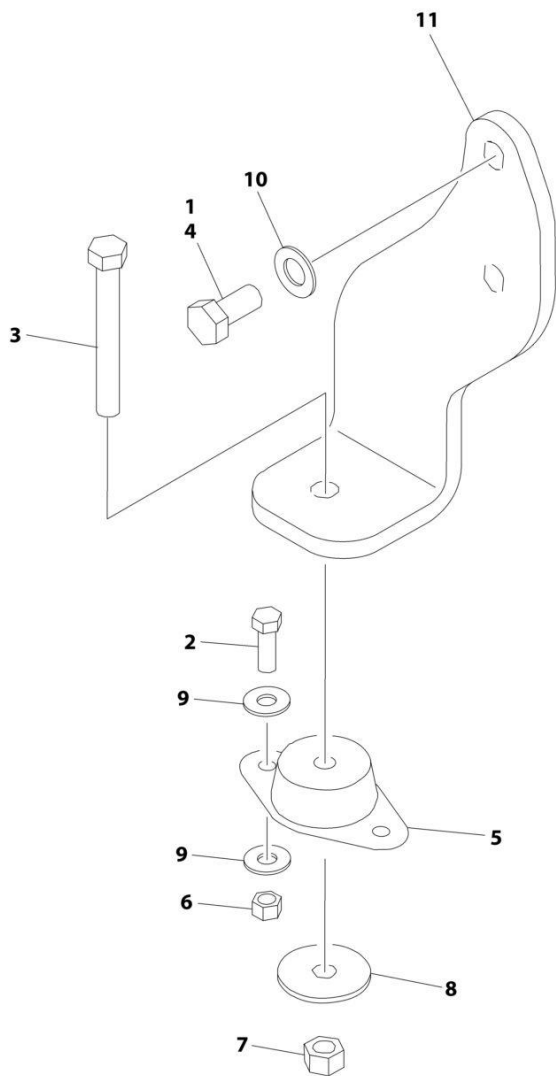
SECTION 3 - ENGINE

FIGURE 3-47. FUEL-WATER SEPARATOR INSTALLATION - DEUTZ TD2.9L4 ENGINES

ITEM	PART NUMBER	QTY	DESCRIPTION	REV
	1001230032	Ref	FUEL FILTER INSTALLATION	A
1	0641608	2	Bolt 3/8 x 1	
2	2220816	2	Fitting, Straight NPT	
3	3311605	2	Nut 3/8	
4	4711600	4	Washer 3/8	
5	8405006	2	Clamp	
6	1001154405	54 in/ 1.65m	Hose	
7	1001178797	2	Fitting, 90	
8	1001222817	1	Fuel Filter Assembly (See Items 101-107 for Breakdown)	
9	1001226923	1	Decal - Fuel Water Separator	
	1001222817	Ref	FUEL FILTER ASSEMBLY	
101	70006403	1	T-Handle Kit (Includes O-Ring)	
102	70006404	1	Lid Kit (Includes Gasket)	
103	70006405	1	Element	
104	70006406	1	Checkball & Gasket Kit (Not Shown)	
105	70006407	1	Centrifuge and Baffle Kit (Not Shown)	
106	70006409	1	Bowl Kit (Includes Gasket, O-Ring and Drain)	
106	70006408	1	Gasket, Bowl	
107	70006410	1	Bowl Ring Kit (Includes Gasket & Hardware) (Not Shown)	

SECTION 3 - ENGINE

FIGURE 3-48. RIGHT ENGINE SUPPORT INSTALLATION (DEUTZ D2011 ENGINES MACHINES WITHOUT GENERATORS)



ART_1001151253

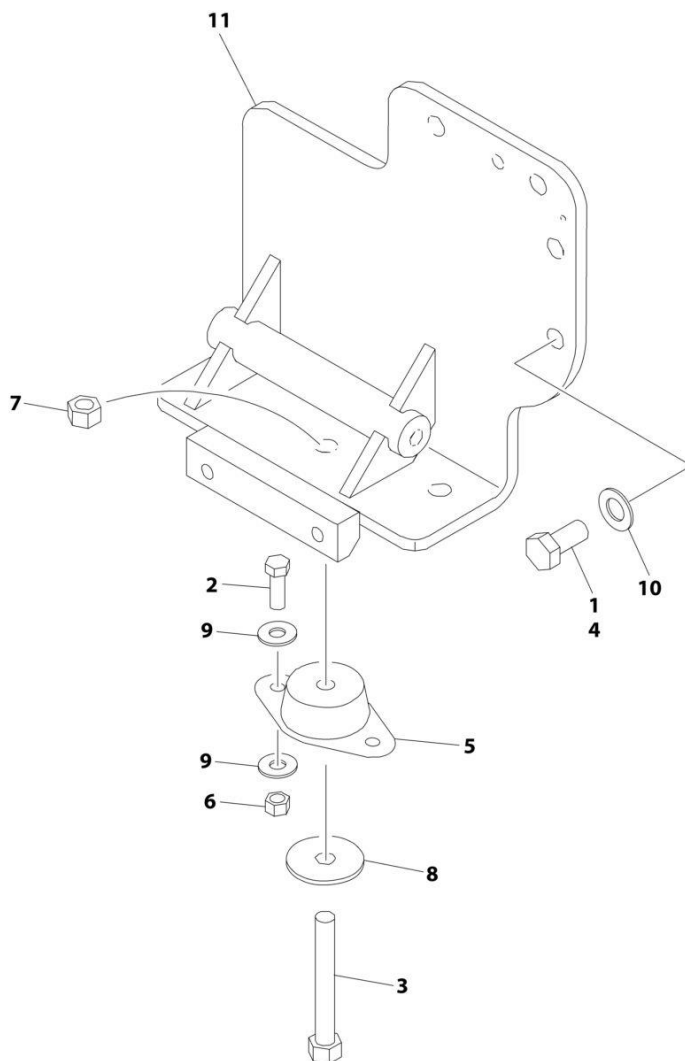
SECTION 3 - ENGINE

FIGURE 3-48. RIGHT ENGINE SUPPORT INSTALLATION (DEUTZ D2011 ENGINES MACHINES WITHOUT GENERATORS)

ITEM	PART NUMBER	QTY	DESCRIPTION	REV
	1001151253	Ref	RIGHT ENGINE SUPPORT INSTALLATION	A
1	0100011	AR	Compound, Locking	
2	0641609	2	Bolt 3/8 x 1-1/8	
3	0641820	1	Bolt 1/2 x 2-1/2	
4	0711414	2	Bolt M14 x 30 Grade 10.9	
5	3200401	1	Mount, Motor	
6	3311605	2	Nut 3/8	
7	3311805	1	Nut 1/2	
8	4740274	1	Washer	
9	4751600	4	Washer 3/8	
10	4812200	2	Washer M14	
11	1001149703	1	Support, Engine (Right Front)	

SECTION 3 - ENGINE

FIGURE 3-49. RIGHT ENGINE SUPPORT INSTALLATION (DEUTZ D2011 ENGINES MACHINES WITH GENERATORS)



ART_1001151252

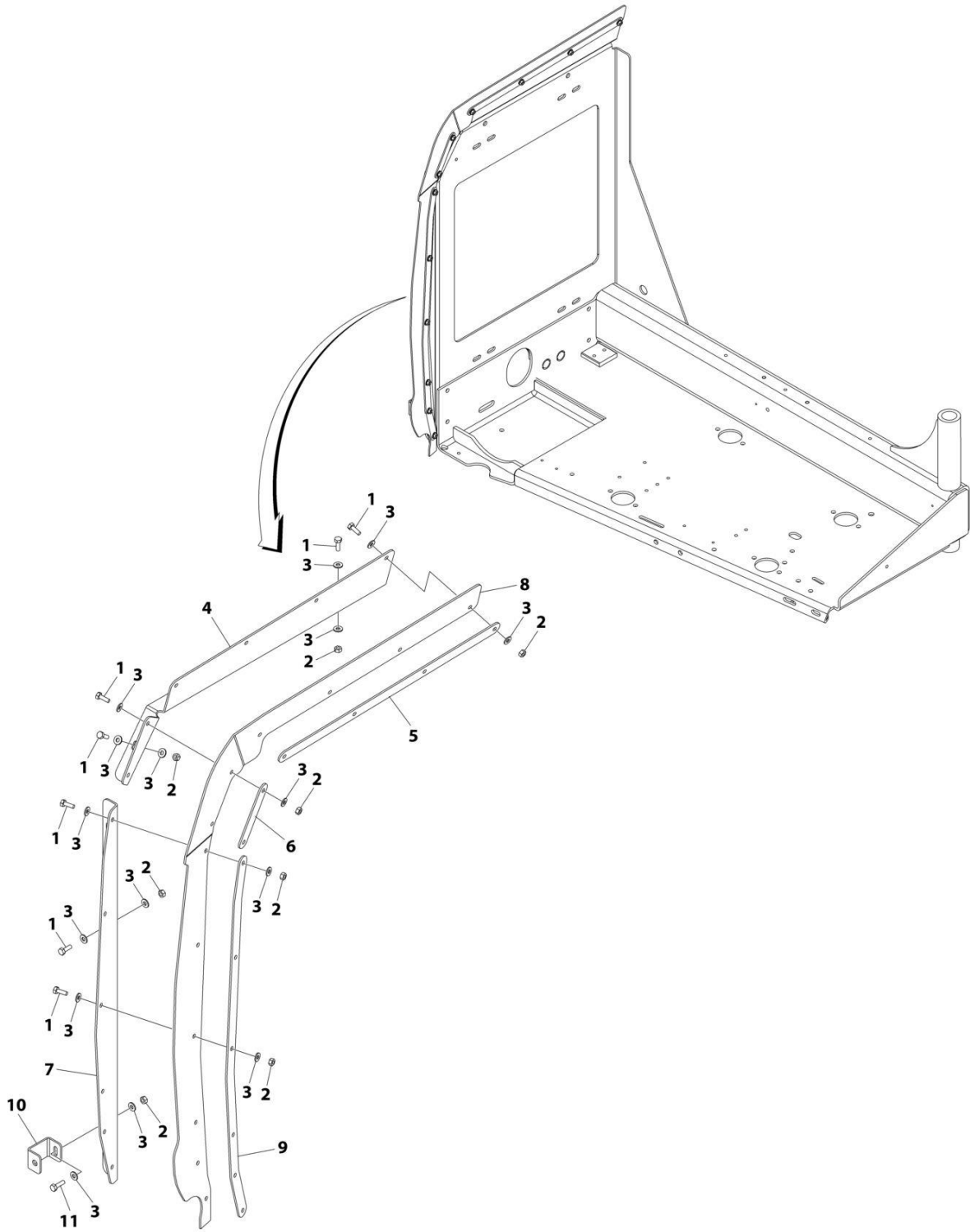
SECTION 3 - ENGINE

FIGURE 3-49. RIGHT ENGINE SUPPORT INSTALLATION (DEUTZ D2011 ENGINES MACHINES WITH GENERATORS)

ITEM	PART NUMBER	QTY	DESCRIPTION	REV
	1001151252	Ref	RIGHT ENGINE SUPPORT INSTALLATION	B
1	0100011	AR	Compound, Locking	
2	0641609	2	Bolt 3/8 x 1-1/8	
3	0641818	1	Bolt 1/2 x 2-1/2	
4	0711414	3	Bolt M14 x 30 Grade 10.9	
5	3200401	1	Mount, Motor	
6	3311605	2	Nut 3/8	
7	3311805	1	Nut 1/2	
8	4740274	1	Washer	
9	4751600	4	Washer 3/8	
10	4812200	3	Washer M14	
11	1001150890	1	Support, Engine (Right Front)	

SECTION 3 - ENGINE

FIGURE 3-50. ENGINE HOOD Baffle INSTALLATION - DEUTZ TD2.9L4 ENGINES AND DEUTZ TD2.9L4 (STAGE V) ENGINES WITH ABS HOODS



ART_1001143484

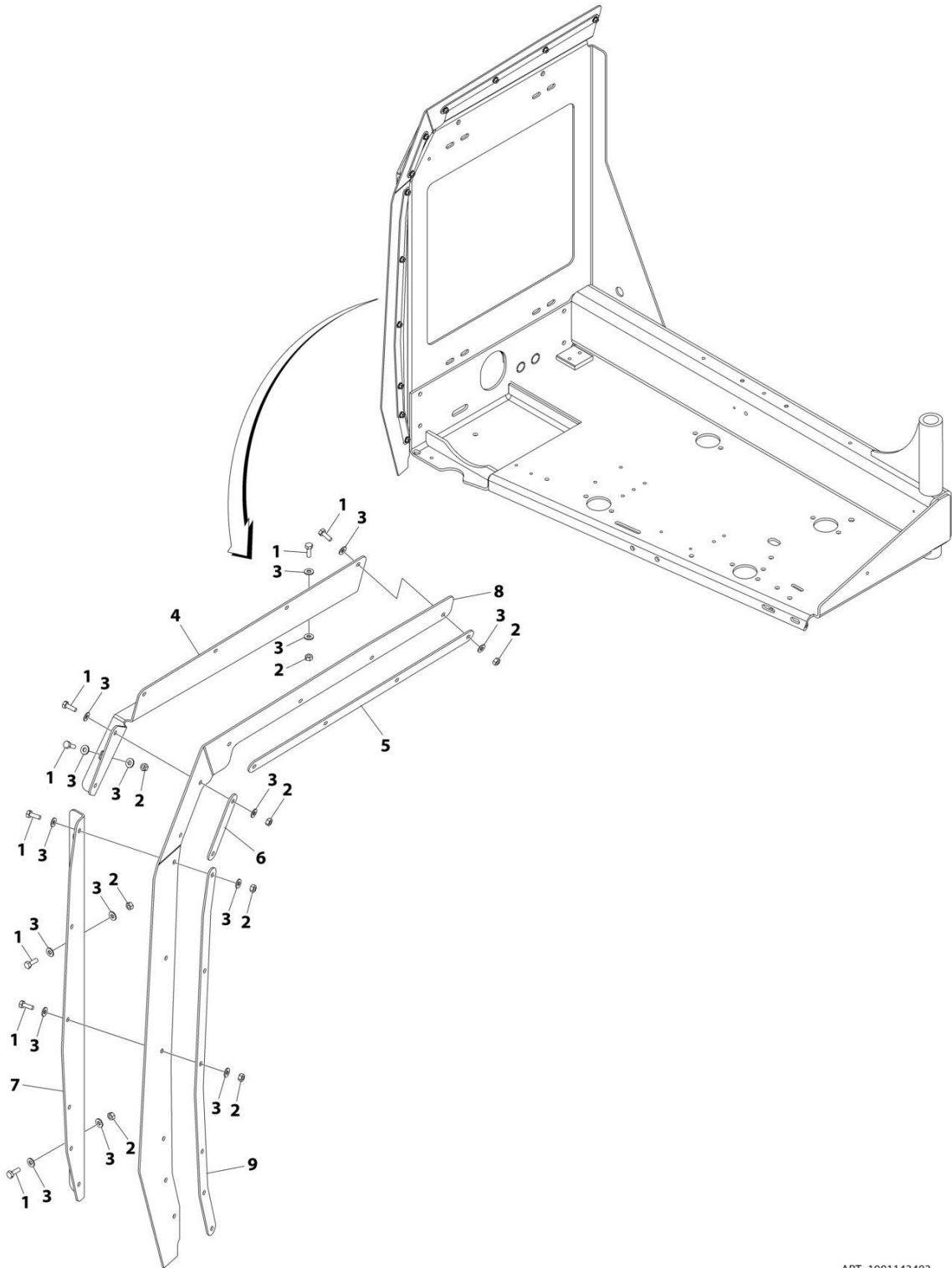
SECTION 3 - ENGINE

FIGURE 3-50. ENGINE HOOD BAFFLE INSTALLATION - DEUTZ TD2.9L4 ENGINES AND DEUTZ TD2.9L4 (STAGE V) ENGINES WITH ABS HOODS

ITEM	PART NUMBER	QTY	DESCRIPTION	REV
	1001143484	Ref	BAFFLES INSTALLATION (ABS HOODS)	C
1	0641406	18	Bolt 1/4 x 3/4	
2	3311405	19	Nut 1/4	
3	4711400	38	Washer 1/4	
4	1001174745	1	Bracket	
5	1001142031	1	Bracket	
6	1001142032	1	Bracket	
7	1001143449	1	Bracket	
8	1001195967	1	Baffle	
9	1001143525	1	Bracket	
10	1001143860	1	Bracket, Bumper	
11	0641407	1	Bolt 1/4 x 78	

SECTION 3 - ENGINE

FIGURE 3-51. ENGINE HOOD Baffle INSTALLATION - DEUTZ TD2.9L4 ENGINES WITH STEEL HOODS



ART_1001143483

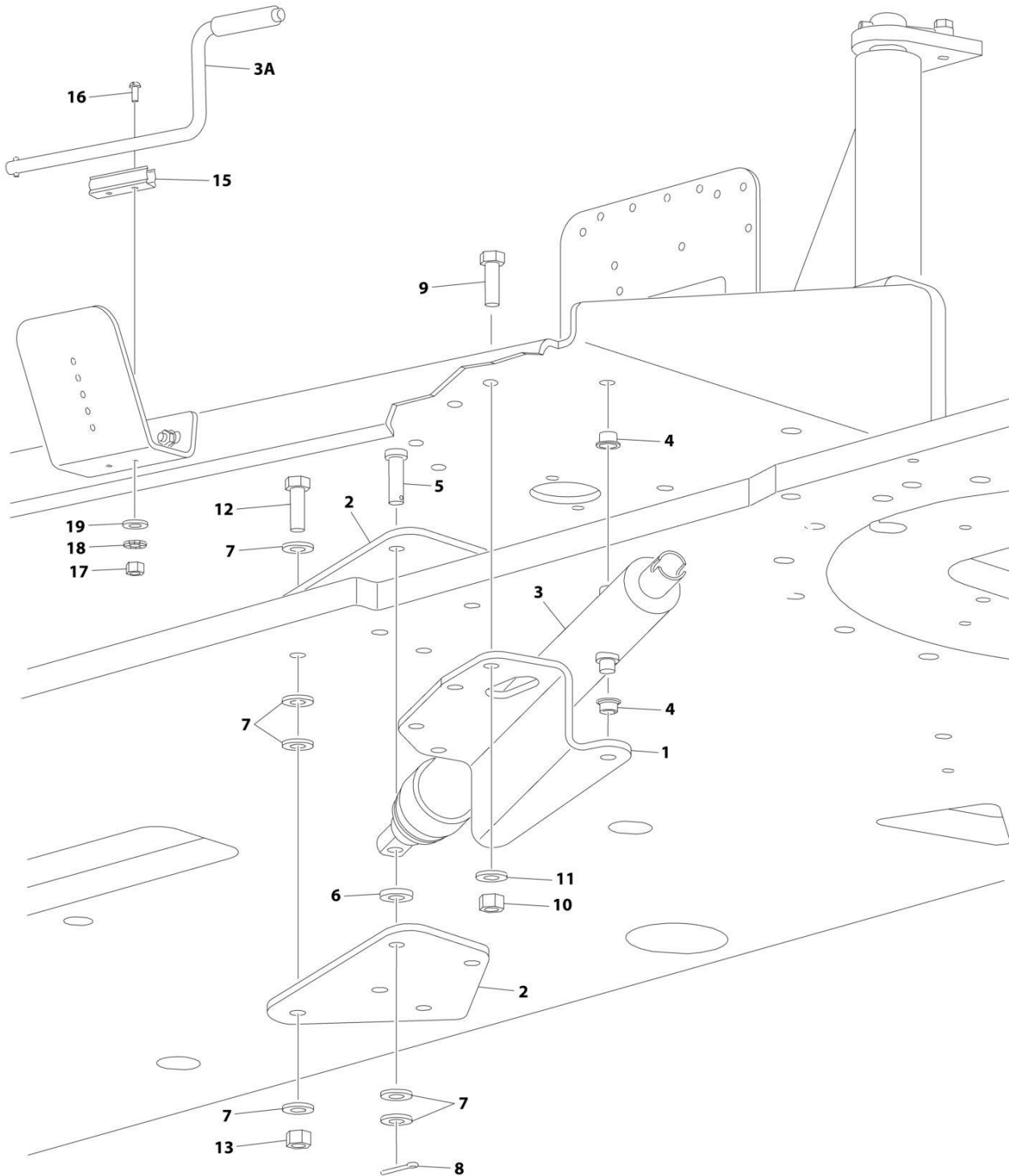
SECTION 3 - ENGINE

FIGURE 3-51. ENGINE HOOD Baffle INSTALLATION - DEUTZ TD2.9L4 ENGINES WITH STEEL HOODS

ITEM	PART NUMBER	QTY	DESCRIPTION	REV
	1001143483	Ref	BAFFLES INSTALLATION (STEEL HOODS)	B
1	0641406	19	Bolt 1/4 x 3/4	
2	3311405	19	Nut 1/4	
3	4711400	38	Washer 1/4	
4	1001174745	1	Bracket	
5	1001142031	1	Bracket	
6	1001142032	1	Bracket	
7	1001143449	1	Bracket	
8	1001174746	1	Baffle	
9	1001143525	1	Bracket	

SECTION 3 - ENGINE

FIGURE 3-52. ENGINE TRAY JACK INSTALLATION - DEUTZ ENGINES



ART_0258728

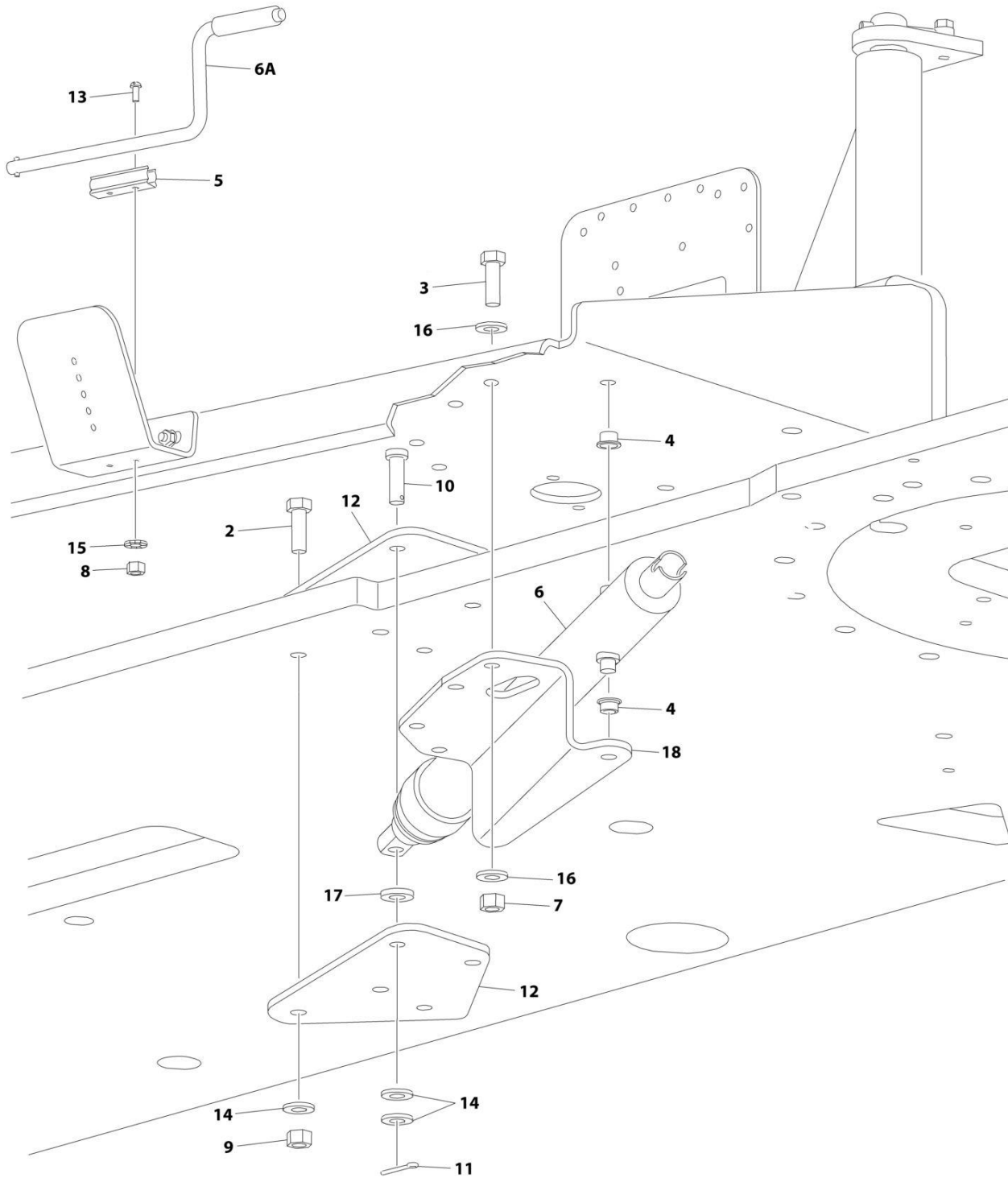
SECTION 3 - ENGINE

FIGURE 3-52. ENGINE TRAY JACK INSTALLATION - DEUTZ ENGINES

ITEM	PART NUMBER	QTY	DESCRIPTION	REV
	0258728	Ref	ENGINE TRAY JACK INSTALLATION	2-C
1	3537445	1	Bracket	
2	3537446	2	Bracket	
3	2840016	1	Jack and Handle Assembly	F
3A	7024598	1	Handle	
4	0962051	2	Bearing, Flange	
5	3430816	1	Pin, Clevis	
6	4891800	1	Washer 1/2	
7	4711800	6	Washer 1/2	
8	3450404	1	Pin, Cotter 1/8 x 1	
9	0641609	4	Bolt 3/8 x 1-1/8	
10	3311605	4	Nut 3/8	
11	4891600	4	Washer 3/8	
12	0641818	4	Bolt 1/2 x 2-1/4	
13	3311805	4	Nut 1/2	
15	1380147	1	Clip, Spring	
16	3910608	2	Screw #6 x 1	
17	3310601	2	Nut #6	
18	4770600	2	Washer #6	
19	4740119	2	Washer	

SECTION 3 - ENGINE

FIGURE 3-53. ENGINE TRAY JACK INSTALLATION - FORD ENGINES



ART_1001219881

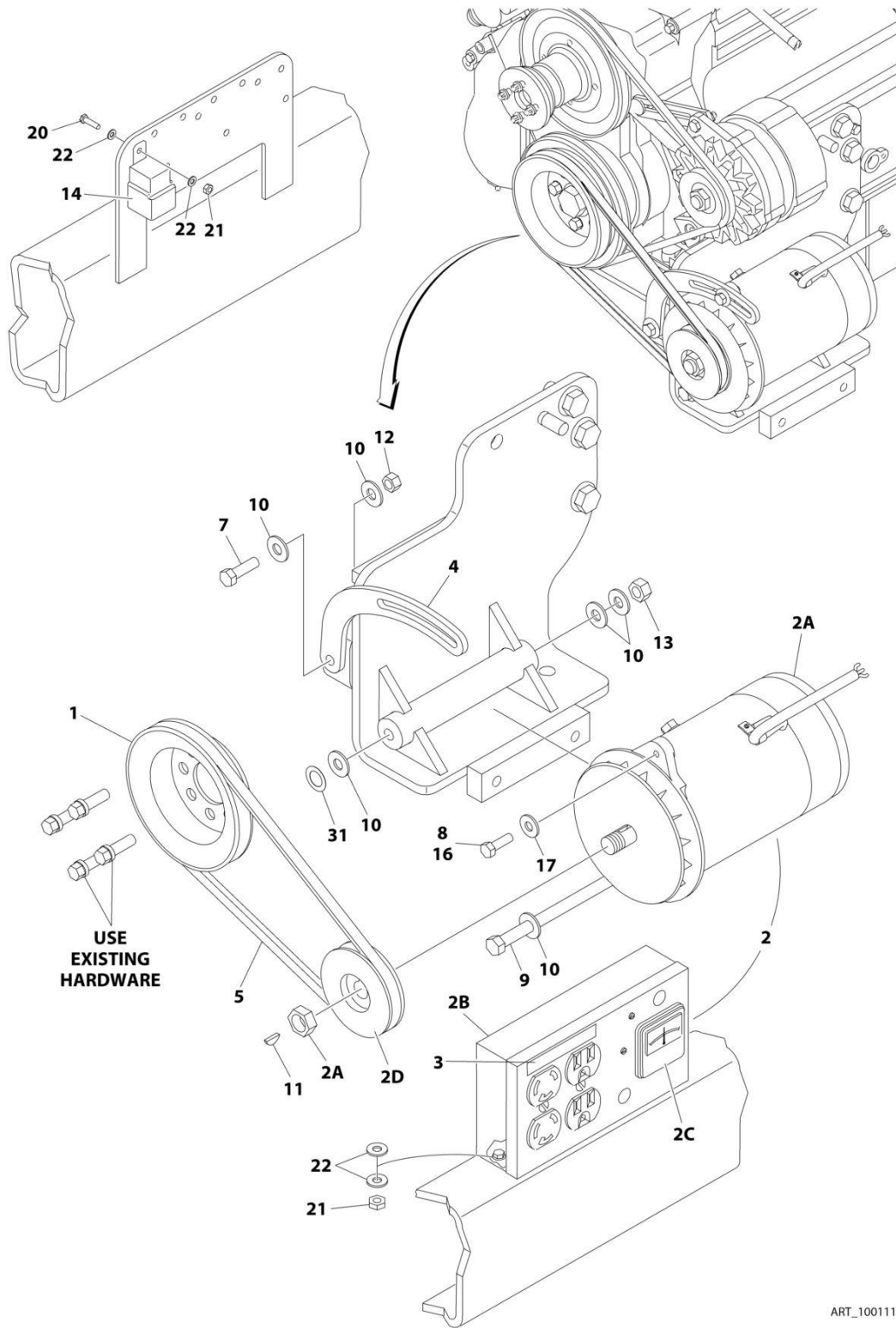
SECTION 3 - ENGINE

FIGURE 3-53. ENGINE TRAY JACK INSTALLATION - FORD ENGINES

ITEM	PART NUMBER	QTY	DESCRIPTION	REV
	1001219881	Ref	ENGINE TRAY JACK INSTALLATION	B
2	0641818	4	Bolt 1/2 x 2-1/4	
3	0761014	3	Bolt M10 x 30	
4	0962051	2	Bearing, Flange	
5	1380147	1	Clip, Spring	
6	2840016	1	Jack and Handle Assembly	F
6A	7024598	1	Handle	
7	3291007	3	Nut M10	
8	3310601	2	Nut #6-32	
9	3311805	4	Nut 1/2-13	
10	3430816	1	Pin, Clevis	
11	3450404	1	Pin, Cotter 1/8 x 1	
12	3537446	2	Bracket	
13	3910608	2	Screw #6-32 x 1	
14	4711800	6	Washer 1/2	
15	4770600	2	Washer #6	
16	4812000	6	Washer M10	
17	4891800	1	Washer 1/2	
18	1001218547	1	Bracket	

SECTION 3 - ENGINE

FIGURE 3-54. 2500W/110V/60HZ GENERATOR INSTALLATION - DEUTZ D2011 ENGINES



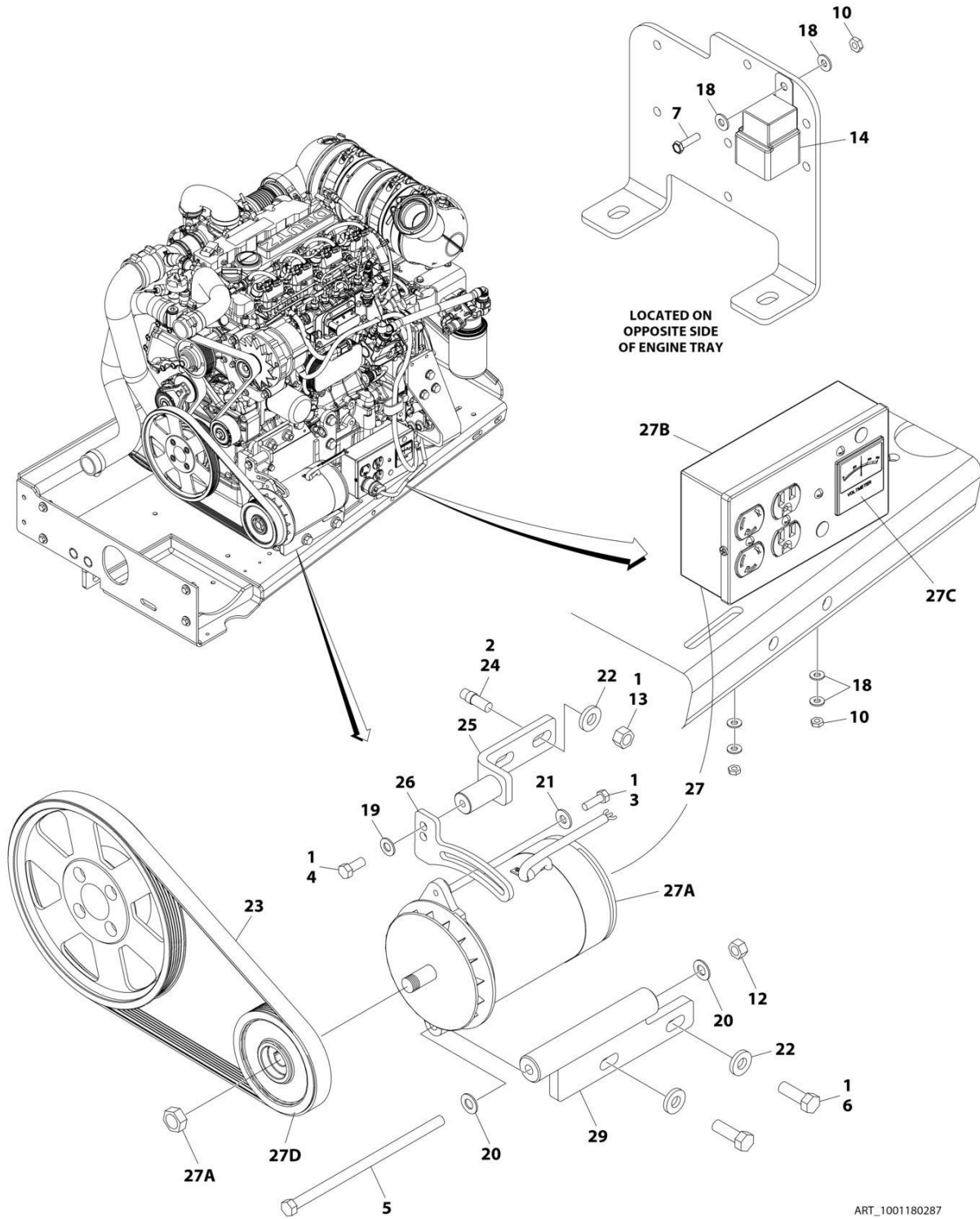
SECTION 3 - ENGINE

FIGURE 3-54. 2500W/110V/60HZ GENERATOR INSTALLATION - DEUTZ D2011 ENGINES

ITEM	PART NUMBER	QTY	DESCRIPTION	REV
	1001115405	Ref	2500W GENERATOR INSTALLATION - 110V/60Hz	B
1	3580158	1	Pulley	
2	2460055	1	Generator and Control Box Assembly:	
2A	7012558	1	Generator Only - 110V/60Hz	
2A		Ref	Note: Replacement Generators come standard with p/n 3580134 pulley. This pulley may not be correct for all applications. Refer to pulley options below.	
2A	7026199	1	Armature with Slip Rings	
2A	7012513	4	Cap, Brush Holder	
2A	7020108	4	Brush	
2A	7020109	4	Holder, Brush	
2A	7012514	1	Fan	
2A	7020110	1	Bell, Front	
2A	7020111	1	Bell, Rear	
2A	7020190	1	Bearing	
2B	7019680	1	Box, Control	
2B		Ref	Receptacle Options:	
2B	4460190	1	Receptacle, Standard	
2B	4460027	1	Receptacle, Twistlock	
2B	4360542	1	Breaker, Circuit	
2B	3520028	1	Plug, Hole	
2C	2420203	1	Voltmeter	
2D	3580276	1	Pulley	
2D	7027887	1	Key, Woodruff	
3	3251243	1	Decal - 110V/60Hz	
4	0200742	1	Arm, Adjusting	
5	0480121	1	V-Belt	
7	0641610	1	Bolt 3/8 x 1-1/4	
8	0100011	AR	Compound, Locking	
9	0641772	1	Bolt 7/16 x 9	
10	4751600	6	Washer 3/8	
11	2860012	1	Key, Woodruff	
12	3311605	1	Nut 3/8	
13	3311705	1	Nut 7/16	
14	3740080	1	Relay	
16	0641508	1	Bolt 5/16 x 1	
17	4751500	AR	Washer 5/16	
18	1001112588	1	Wiring Diagram Components (Not Shown)	
18	1001112589	1	Generator Harness (Not Shown)	
18	4922641	1	Generator ON/OFF Switch Harness (Not Shown - Located at Platform)	
20	0721006	AR	Bolt #10 x 3/4	
21	3311005	3	Nut #10	
22	4751000	AR	Washer #10	
25	4360336	1	Switch, Toggle (Not Shown - Located at Platform)	
26	4740397	1	Bushing (Not Shown - Located at Platform)	
27	4060802	1	Guard, Switch (Not Shown - Located at Platform)	
29	2820031	4 in/ 10cm	Heat Shrink (Not Shown - Located at Platform)	
30	3251102	1	Decal (Not Shown - Located at Platform)	
31	4070585	AR	Shim	

SECTION 3 - ENGINE

FIGURE 3-55. 2500W/110V/60HZ GENERATOR INSTALLATION - DEUTZ TD2.9L4 ENGINES



SECTION 3 - ENGINE

FIGURE 3-55. 2500W/110V/60HZ GENERATOR INSTALLATION - DEUTZ TD2.9L4 ENGINES

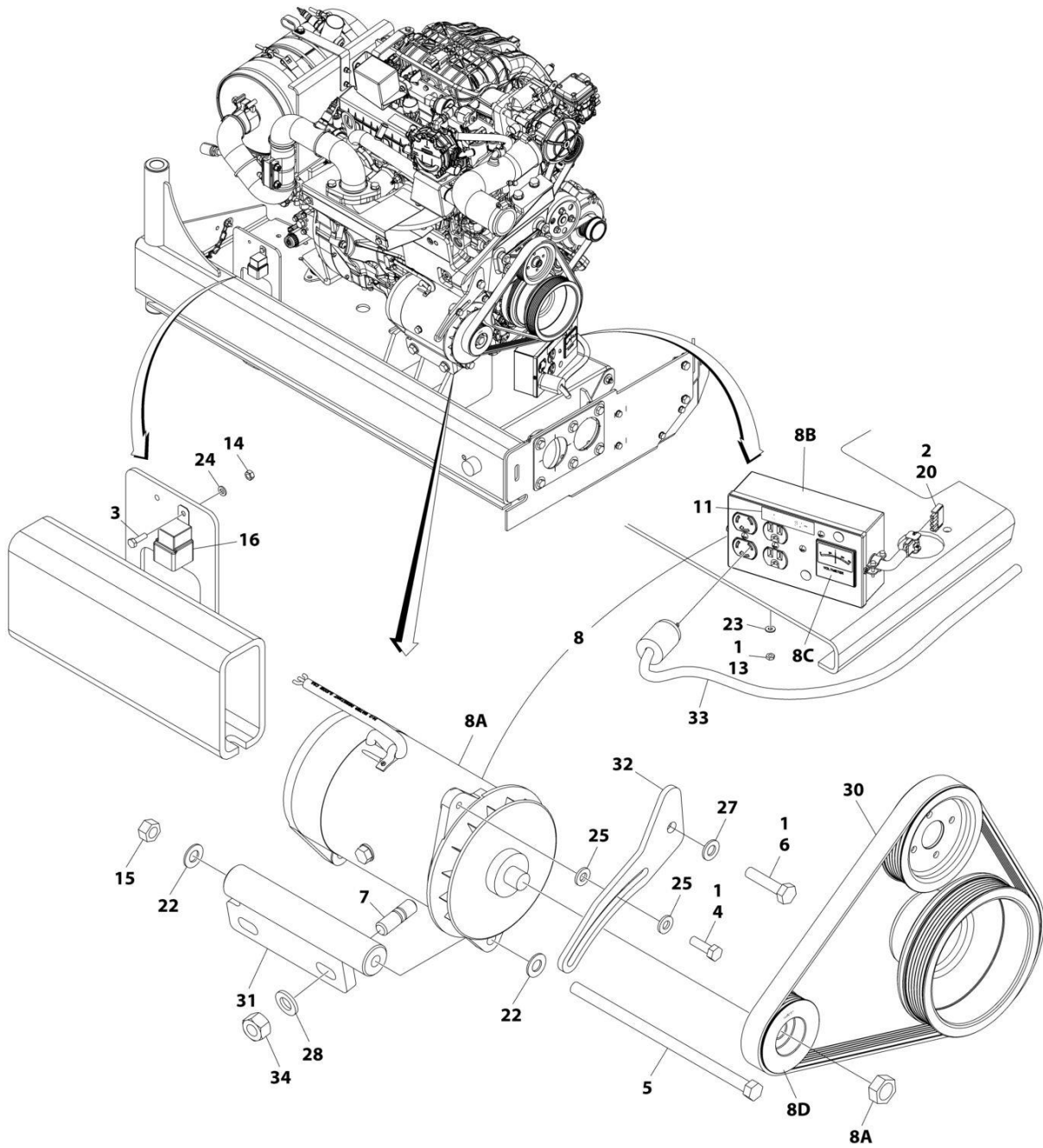
ITEM	PART NUMBER	QTY	DESCRIPTION	REV
	1001180287	Ref	2500W GENERATOR INSTALLATION - DEUTZ TD2.9L4 (OPTIONAL)	C
1	0100011	AR	Compound, Locking	
2	0100019	AR	Compound, Locking	
3	0641508	1	Bolt 5/16 x 1	
4	0641607	1	Bolt 3/8 x 7/8	
5	0641772	1	Bolt 7/16 x 9	
6	0641812	2	Bolt 1/2 x 1-1/2	
7	0721006	1	Screw #10 x 3/4	
8	2820031	AR	Heat Shrink (Not Shown - Located at Platform)	
9	3251102	1	Name Plate - Generator On (Not Shown - Located at Platform)	
10	3311005	3	Nut #10	
12	3311705	1	Nut 7/16	
13	3311801	2	Nut 1/2	
14	3740080	1	Relay	
15	4060802	1	Guard, Switch (Not Shown - Located at Platform)	
16	4240018	AR	Strap, Cable Tie (Not Shown)	
17	4360336	1	Switch, Toggle (Not Shown - Located at Platform)	
18	4711000	6	Washer #10	
19	4711600	1	Washer 3/8	
20	4711700	2	Washer 7/16	
21	4751500	1	Washer 5/16	
22	4891800	4	Washer 1/2	
23	1001148138	1	V-Belt	
24	1001163599	2	Stud	
25	1001216015	1	Bracket	
26	1001179837	1	Arm, Adjustment	
27	1001180001	1	Generator and Control Box Assembly	
27A	7012558	1	Generator Only - 110V/60Hz	
27A		Ref	Note: Replacement Generators come standard with p/n 3580134 pulley. This pulley may not be correct for all applications. Refer to pulley options below.	
27A	7026199	1	Armature with Slip Rings	
27A	7012513	4	Cap, Brush Holder	
27A	7020108	4	Brush	
27A	7020109	4	Holder, Brush	
27A	7012514	1	Fan	
27A	7020110	1	Bell, Front	
27A	7020111	1	Bell, Rear	
27A	7020190	2	Bearing	
27B	7019680	1	Box, Control - 110V/60Hz	
27B		Ref	Receptacle Options:	
27B	4460190	1	Receptacle, Standard (110V Only)	
27B	4460027	1	Receptacle, Twistlock (110V Only)	
27B	4360542	1	Breaker, Circuit	
27B	3520028	1	Plug, Hole	
27C	2420203	1	Voltmeter	
27D	3580276	1	Pulley	
27D	7027887	1	Key, Woodruff	
28		Ref	Wiring Diagram Components (Not Shown)	

SECTION 3 - ENGINE

ITEM	PART NUMBER	QTY	DESCRIPTION	REV
28	4922641	1	Generator On/Off Switch Harness (Not Shown - Located at Platform)	
28	1001180052	1	Generator Harness (Not Shown)	
29	1001181243	1	Mount, Generator	

SECTION 3 - ENGINE

FIGURE 3-56. 2500W/110V/60HZ GENERATOR INSTALLATION - FORD ENGINES



ART_1001219619

SECTION 3 - ENGINE

FIGURE 3-56. 2500W/110V/60HZ GENERATOR INSTALLATION - FORD ENGINES

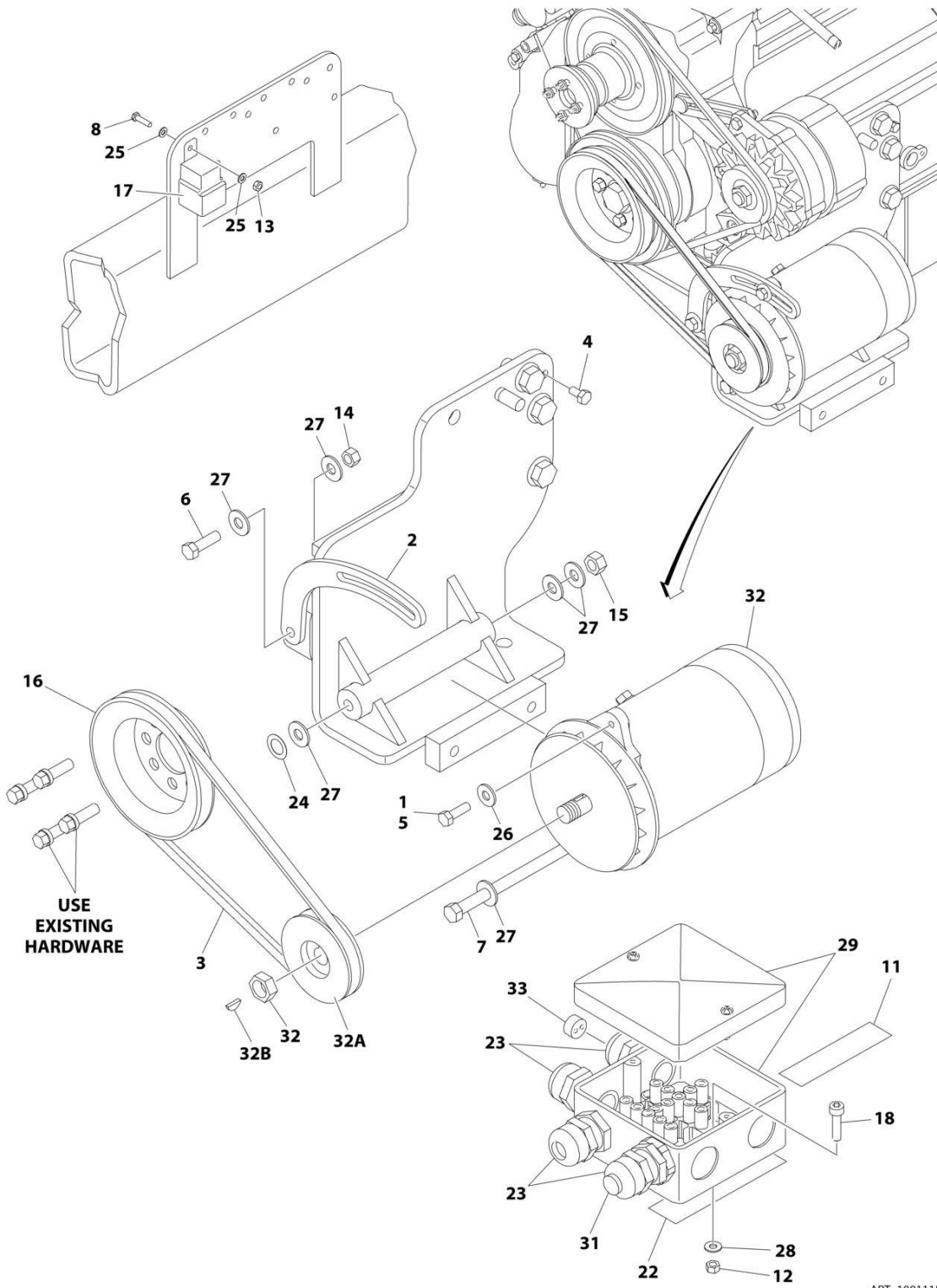
ITEM	PART NUMBER	QTY	DESCRIPTION	REV
	1001219619	Ref	2500W GENERATOR INSTALLATION - FORD MACHINES (OPTIONAL)	E
1	0100011	AR	Compound, Locking	
2	0100048	AR	Grease, Dielectric	
3	0760610	1	Bolt M6 x 20	
4	0641508	1	Bolt 5/16 x 1	
5	0641772	1	Bolt 7/16 x 9	
6	0761016	1	Bolt M10 x 40	
7	1001155041	1	Stud	
8	2460051	1	Generator and Control Box Assembly	
8A	7012558	1	Generator Only - 110V/60Hz	
		Ref	Note: Replacement Generators come standard with pin 3580134 pulley. This pulley may not be correct for all applications. Refer to pulley options below.	
8A	7026199	1	Armature with Slip Rings	
8A	7012513	4	Cap, Brush Holder	
8A	7020108	4	Brush	
8A	7020109	4	Holder, Brush	
8A	7012514	1	Fan	
8A	7020110	1	Bell, Front	
8A	7020111	1	Bell, Rear	
8A	7020190	2	Bearing	
8B	7019680	1	Box, Control - 110V/60Hz	
8B		Ref	Receptacle Options:	
8B	4460190	1	Receptacle, Standard (110V Only)	
8B	4460027	1	Receptacle, Twistlock (110V Only)	
8B	4360542	1	Breaker, Circuit	
8B	3520028	1	Plug, Hole	
8C	2420203	1	Voltmeter	
8D	3580324	1	Pulley	
8D	7027887	1	Key, Woodruff	
9	2820031	1	Heat Shrink (Not Shown - Located at Platform)	
10	3251102	1	Nameplate Generator (Not Shown - Located at Platform)	
11	3251243	1	Decal - 120V-60Hz	
13	3311005	2	Nut #10	
14	3290601	1	Nut M6	
15	3311705	1	Nut 7/16	
16	3740080	1	Relay	
17	4060802	1	Guard Switch (Not Shown - Located at Platform)	
18	4240099	AR	Tie-Strap (Not Shown)	
19	4360336	1	Switch, Toggle (Not Shown - Located at Platform)	
20	4460321	1	Plug, Male - 4 Position	
22	4711700	2	Washer 7/16	
23	4751000	2	Washer #10	
24	4811700	1	Washer M6	
25	4891500	2	Washer 5/16	
27	4812000	1	Washer M10	
28	4812200	2	Washer M14	
29		Ref	Wiring Diagram Components (Not Shown)	

SECTION 3 - ENGINE

ITEM	PART NUMBER	QTY	DESCRIPTION	REV
29	4922641	1	Generator On/Off Switch Harness (Not Shown - Located at Platform)	
29	4923445	1	Generator Harness (Not Shown - See Separate Breakdown in ELECTRICAL SECTION)	
30	1001216391	1	V-Belt	
31	1001219630	1	Mount, Generator	
32	1001219632	1	Arm, Adjustment	
33	4921829	1	Harness, Inverter	
34	3291201	2	Nut M12	

SECTION 3 - ENGINE

FIGURE 3-57. 2500W/220V/50HZ GENERATOR INSTALLATION - DEUTZ D2011 ENGINES



ART_1001115409

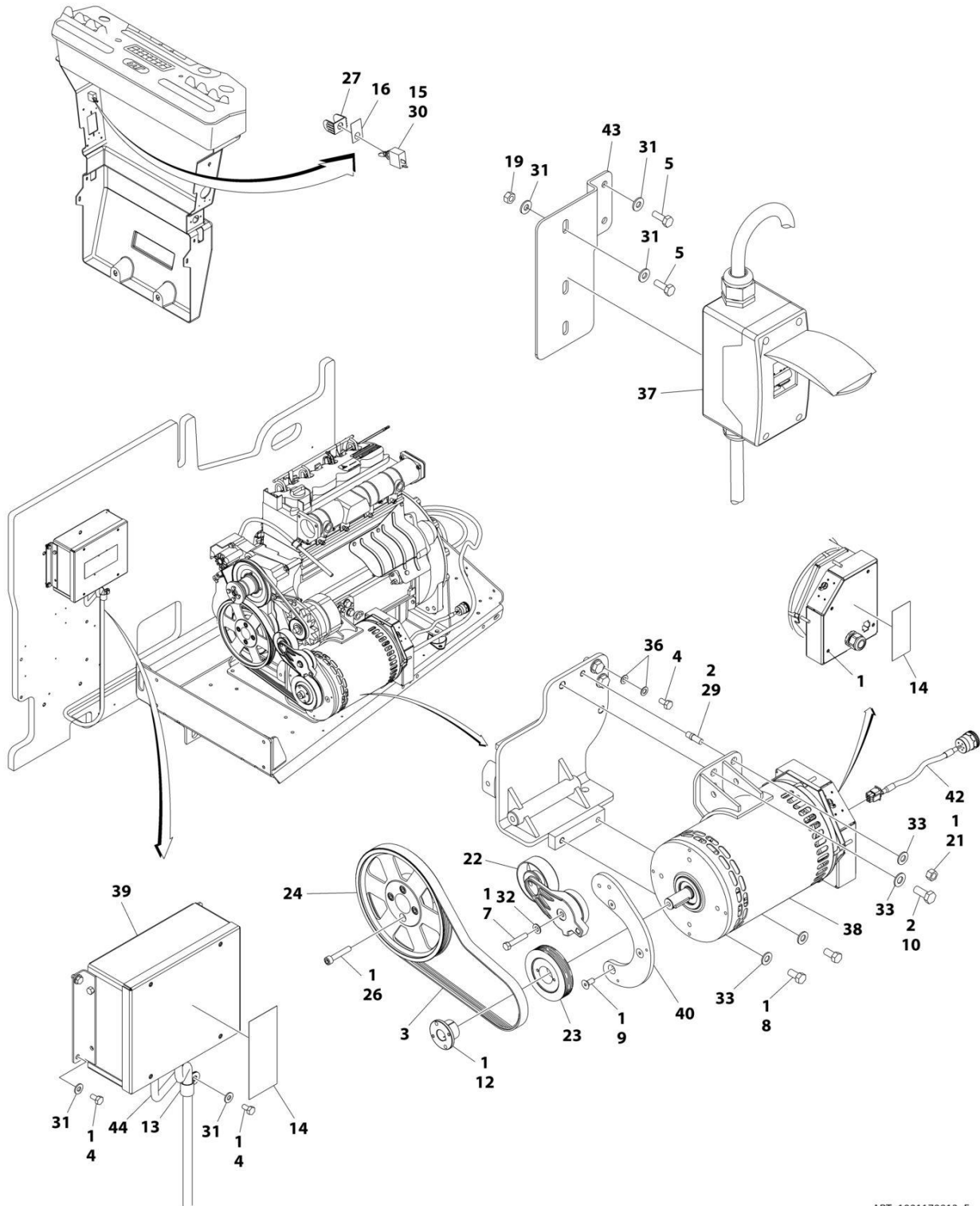
SECTION 3 - ENGINE

FIGURE 3-57. 2500W/220V/50HZ GENERATOR INSTALLATION - DEUTZ D2011 ENGINES

ITEM	PART NUMBER	QTY	DESCRIPTION	REV
	1001115409	Ref	2500W GENERATOR INSTALLATION - 220V/50Hz	B
1	0100011	AR	Compound, Locking	
2	0200742	1	Arm, Adjusting	
3	0480121	1	V-Belt	
4	0641404	1	Bolt 1/4 x 1/2	
5	0641508	1	Bolt 5/16 x 1	
6	0641610	1	Bolt 3/8 x 1-1/4	
7	0641772	1	Bolt 7/16 x 9	
8	0721006	AR	Bolt #10 x 3/4	
9	2820031	4 in/10cm	Heat Shrink (Not Shown - Located at Platform)	
10	3251102	1	Decal (Not Shown - Located at Platform)	
11	3252507	2	Decal - 220V - 50Hz	
		Ref	Note: One Decal Not Shown - Located on the Inside of Platform Rail.	
12	3290505	1	Nut M5	
13	3311005	1	Nut #10	
14	3311605	1	Nut 3/8	
15	3311705	1	Nut 7/16	
16	3580158	1	Pulley	
17	3740080	1	Relay	
18	4031608	1	Bolt M5 x 20	
19	4060802	1	Guard, Switch (Not Shown - Located at Platform)	
20	4240018	1	Tie Strap (Not Shown)	
21	4360336	1	Switch, Toggle (Not Shown - Located at Platform)	
22	4420060	AR	Tape, Double Coated Acrylic Foam	
23	4460968	3	Connector, Strain Relief	
24	4740397	1	Shim	
25	4751000	2	Washer #10	
26	4751500	1	Washer 5/16	
27	4751600	6	Washer 3/8	
28	4811600	1	Washer M5	
29	1001099869	1	Box, Junction	
30		Ref	Wiring Diagram Components (Not Shown)	
30	4922641	1	Generator On/Off Switch Harness (Not Shown - Located at Platform)	
30	1001112589	1	Generator Harness (Not Shown)	
31	1001100234	1	Light, Red	
32	1001100321	1	Generator	
32	70000123	1	Armature with Slip Rings	
32	7012513	4	Cap, Brush Holder	
32	7020108	4	Brush	
32	7020109	4	Holder, Brush	
32	7012514	1	Fan	
32	7020110	1	Bell, Front	
32	7020111	1	Bell, Rear	
32	7020190	1	Bearing	
32A	3580134	1	Pulley - 50Hz	
32B	7027887	1	Key, Woodruff	
33	0962449	1	Bushing	

SECTION 3 - ENGINE

FIGURE 3-58. 4000W/50HZ GENERATOR INSTALLATION - DEUTZ D2011 ENGINES



ART_1001179912_E

SECTION 3 - ENGINE

FIGURE 3-58. 4000W/50HZ GENERATOR INSTALLATION - DEUTZ D2011 ENGINES

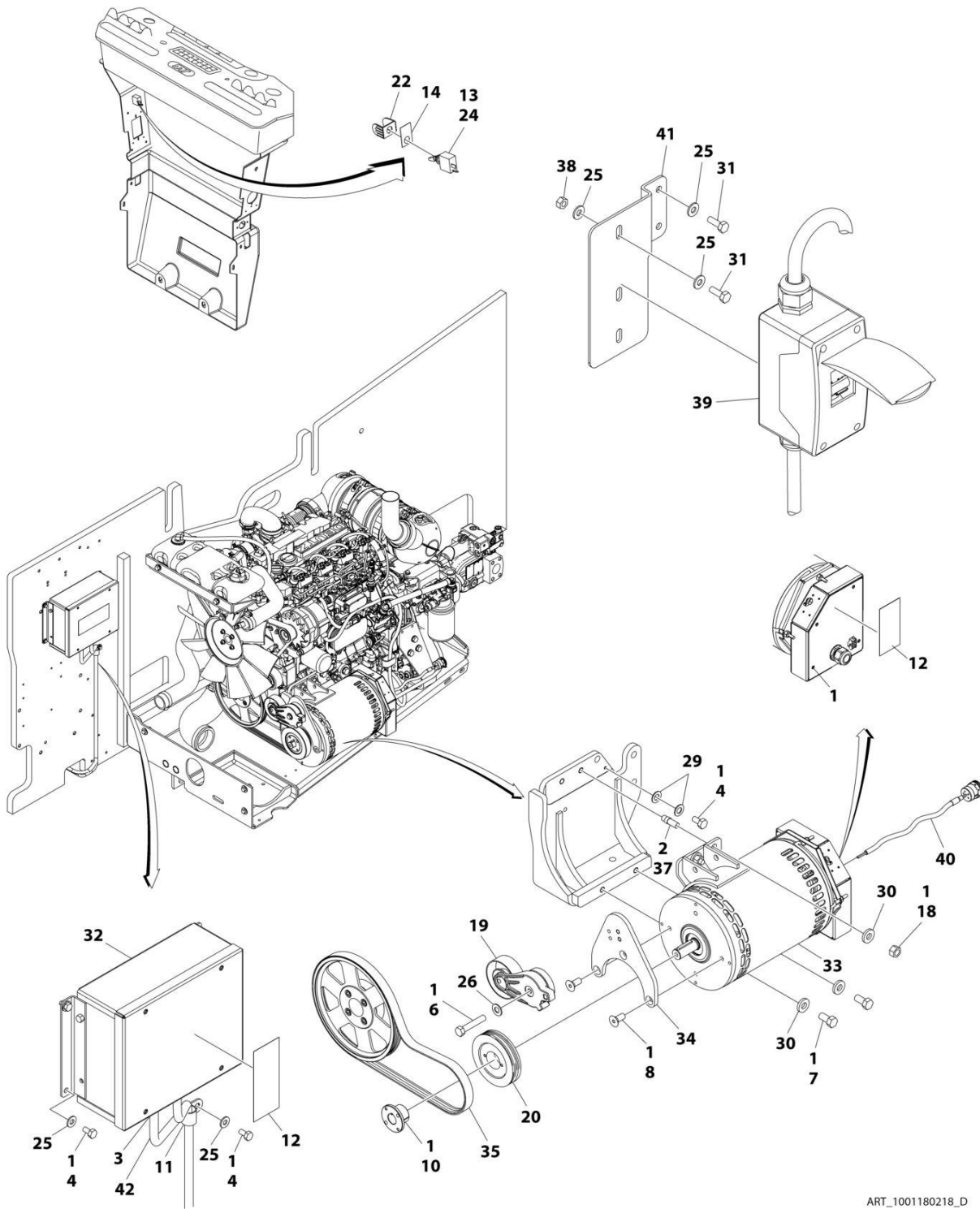
ITEM	PART NUMBER	QTY	DESCRIPTION	REV
	1001179912	Ref	4000W/50Hz GENERATOR INSTALLATION - DEUTZ D2011 ENGINES	E
1	0100011	AR	Compound, Locking	
2	0100019	AR	Compound, Locking	
3	0480126	1	Belt, Generator (50Hz)	
4	0641404	6	Bolt 1/4 x 1/2	
5	0641406	1	Bolt 1/4 x 3/4	
7	0641616	1	Bolt 3/8 x 2	
8	0641808	2	Bolt 1/2 x 1	
9	0741607	3	Screw 3/8 x 7/8	
10	0771415	1	Bolt M14 x 35	
12	0962520	1	Bushing, Split	
13	1320318	1	Clamp	
14	1705489	1	Decal - Hazardous Voltage	
15	2820031	0.33 ft /0.1m	Heat Shrink	
16	3251102	1	Nameplate - Generator	
19	3311405	1	Nut 1/4	
21	3311801	1	Nut 1/2	
22	3580317	1	Tensioner, Belt with Pulley	
23	3580319	1	Pulley, Generator	
24	3580320	1	Pulley, Engine	
26	4032015	4	Capscrew M10 x 55	
27	4060802	1	Guard, Switch	
28	4240018	AR	Tie-Strap (Not Shown)	
29	4300157	1	Stud	
30	4360336	1	Switch, Toggle	
31	4711400	11	Washer 1/4	
32	4711600	1	Washer 3/8	
33	4711800	3	Washer 1/2	
36	4791400	2	Washer 1/4	
37	1001165368	1	Breaker Box Kit (Not Shown - See Separate Breakdown in ELECTRICAL SECTION)	
38	1001138565	1	Generator Assembly (50Hz)	
38	70003709	1	Ring, Retaining (External)	
38	70003708	1	Ring, Retaining (Internal)	
38	70001966	1	Bearing	
38	70004092	1	Endbell (Shaft End)	
38	70004171	1	Key	
38	70004676	1	Rotor	
38	70004677	1	Stator (50Hz)	
38	70004678	1	Endbell (Rear)	
38	70004679	1	Cover, Endbell (Rear)	
38	70004680	1	Enclosure, Wiring	
38	70004681	1	Cover, Enclosure (50Hz)	
38	70004682	1	Switch, Reset (Located on Enclosure Cover)	
38	70004683	1	Connector, Strain Relief (50Hz) (Located on Enclosure Cover)	
39	1001138566	1	Control Box Assembly	
39	70006552	1	Capacitor	
39	70006553	1	Relay	

SECTION 3 - ENGINE

ITEM	PART NUMBER	QTY	DESCRIPTION	REV
40	1001139357	1	Mount, Tensioner	
42	1001152532	1	Generator to Control Box, Harness (See Separate Breakdown in ELECTRICAL SECTION)	
43	1001177035	1	Bracket	
44	1001153197	1	Generator Control Box to Engine Harness (See Separate Breakdown in ELECTRICAL SECTION)	

SECTION 3 - ENGINE

FIGURE 3-59. 4000W/50HZ GENERATOR INSTALLATION - DEUTZ TD2.9L4 ENGINES AND DEUTZ TD2.9L4 (STAGE V) ENGINES



ART_1001180218_D

SECTION 3 - ENGINE

FIGURE 3-59. 4000W/50HZ GENERATOR INSTALLATION - DEUTZ TD2.9L4 ENGINES AND DEUTZ TD2.9L4 (STAGE V) ENGINES

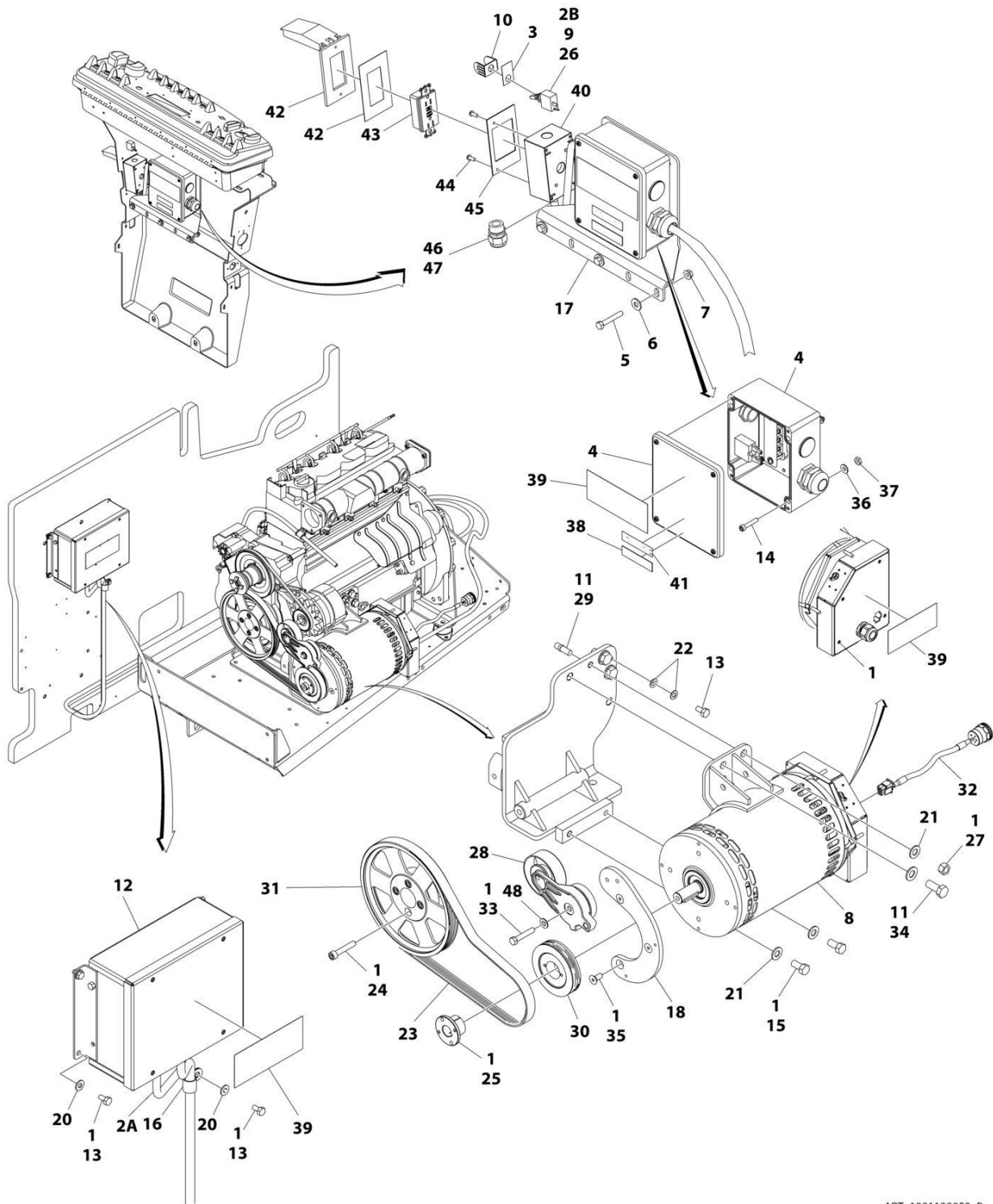
ITEM	PART NUMBER	QTY	DESCRIPTION	REV
	1001180218	1	4000W/Hz GENERATOR INSTALLATION - DEUTZ TD2.9L4 ENGINES	D
1	0100011	AR	Compound, Locking	
2	0100019	AR	Compound, Locking	
3	0100048	AR	Grease Dielectric	
4	0641404	6	Bolt 1/4 x 1/2	
6	0641616	1	Bolt 3/8 x 2	
7	0641808	2	Bolt 1/2 x 1	
8	0741607	3	Screw 3/8 x 7/8	
10	0962520	1	Bushing, Split	
11	1320318	1	Clamp	
12	1705489	2	Decal - Hazardous Voltage	
13	2820031	0.33 ft /0.1m	Heat Shrink	
14	3251102	1	Nameplate, Generator	
18	3311801	2	Nut 1/2	
19	3580317	1	Tensioner, Belt with Pulley	
20	3580319	1	Pulley, Generator	
22	4060802	1	Guard, Switch	
23	4240018	AR	Tie-Strap (Not Shown)	
24	4360336	1	Switch, Toggle	
25	4711400	11	Washer 1/4	
26	4711600	1	Washer 3/8	
29	4791400	2	Washer 1/4	
30	4891800	4	Washer 1/2	
31	0641406	4	Bolt 1/4 x 3/4	
32	1001138566	1	Control Box Assembly	
32	70006552	1	Capacitor	
32	70006553	1	Relay	
33	1001140347	1	Generator Assembly	
33	70003709	1	Ring, Retaining (External)	
33	70003708	1	Ring, Retaining (Internal)	
33	70001966	1	Bearing	
33	70004092	1	Endbell (Shaft End)	
33	70004099	1	Key	
33	70004676	1	Rotor	
33	70004686	1	Stator	
33	70004678	1	Endbell (Rear)	
33	70004679	1	Cover, Endbell (Rear)	
33	70004680	1	Enclosure, Wiring	
33	70004681	1	Cover, Enclosure	
33	70004682	1	Switch, Reset (Located on Enclosure Cover)	
33	70004683	1	Connector, Strain Relief (Located on Enclosure Cover)	
33	4460224	1	Connector - 6 Position (Located on Enclosure Cover)	
33	4460294	2	Pin, Male (Located on Enclosure Cover)	
34	1001142643	1	Support, Tensioner	
35	1001142645	1	Belt, Generator	
37	1001163599	2	Stud	
38	3311405	4	Nut 1/4	

SECTION 3 - ENGINE

ITEM	PART NUMBER	QTY	DESCRIPTION	REV
39	1001165368	1	Breaker Box Kit (Not Shown - See Separate Breakdown in ELECTRICAL SECTION)	
40	1001152532	1	Generator to Control Box Harness (See Separate Breakdown in ELECTRICAL SECTION)	
41	1001177035	1	Bracket	
42	1001153259	1	Generator Control Box to Engine Harness (See Separate Breakdown in ELECTRICAL SECTION)	

SECTION 3 - ENGINE

FIGURE 3-60. 4000W/60HZ GENERATOR INSTALLATION - DEUTZ D2011 ENGINES



ART_1001139952_B

SECTION 3 - ENGINE

FIGURE 3-60. 4000W/60HZ GENERATOR INSTALLATION - DEUTZ D2011 ENGINES

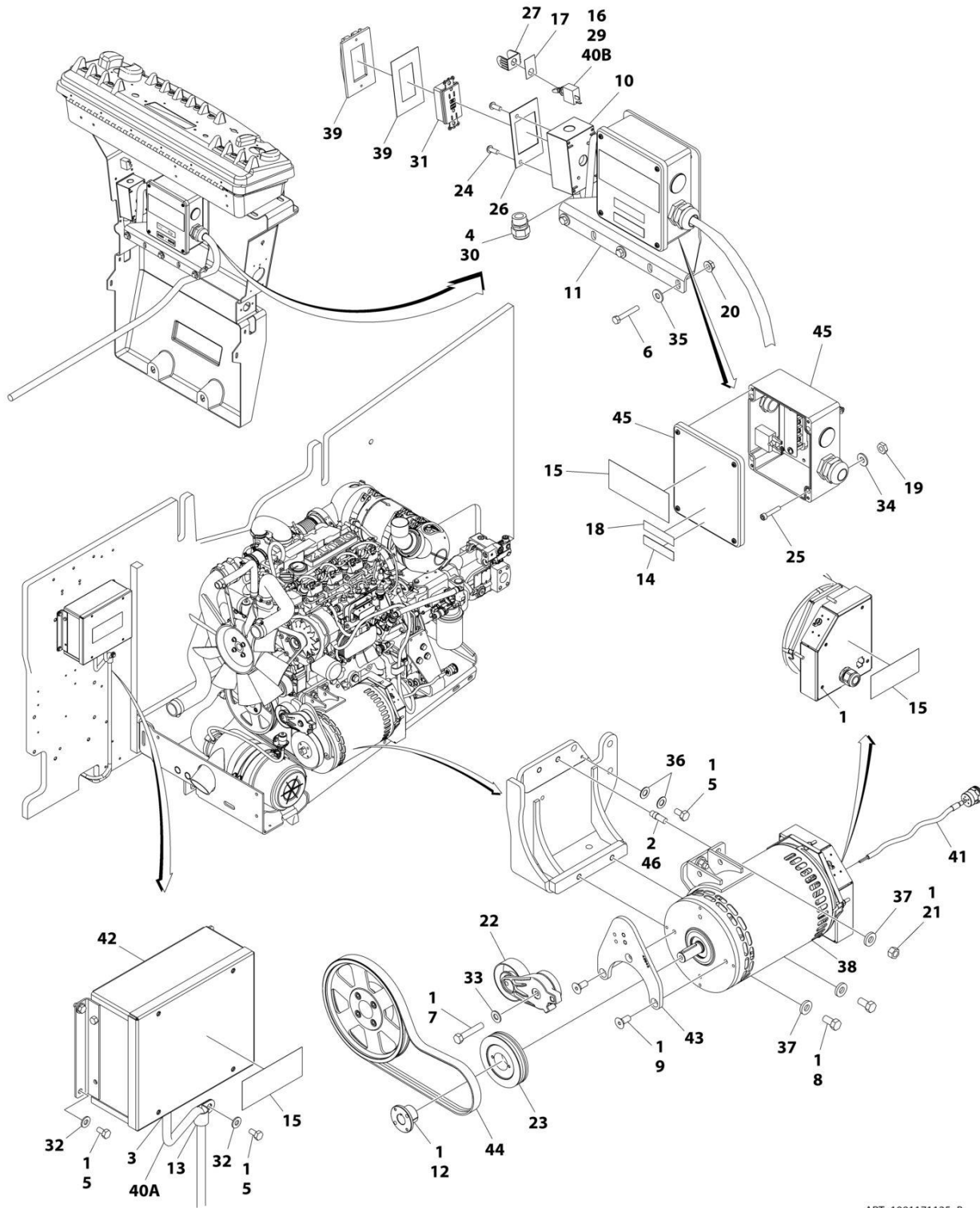
ITEM	PART NUMBER	QTY	DESCRIPTION	REV
	1001139952	Ref	4000W/60Hz GENERATOR INSTALLATION - DEUTZ D2011 ENGINES	B
1	0100011	AR	Compound, Locking	
2		Ref	Wiring Diagram Components (Not Shown)	
2A	1001153197	1	Generator Control Box to Engine Harness (See Separate Breakdown in ELECTRICAL SECTION)	
2B	4462641	1	Generator On/Off Switch Harness	
3	3251102	1	Nameplate - Generator	
4	1001152457	1	Junction Box Assembly	
4	3300396	1	Cover, Breaker	
4	4360070	1	Breaker, Circuit - 15Amp	
4	4460425	1	Connector, Strain Relief (LH Side)	
4	4460426	1	Connector, Strain Relief (RH Side)	
5	0641516	3	Bolt 5/16 x 2	
6	4751500	3	Washer 5/16	
7	3311508	3	Nut 5/16	
8	1001129858	1	Generator Assembly	
8	70003709	1	Ring, Retaining (External)	
8	70003708	1	Ring, Retaining (Internal)	
8	70001966	1	Bearing	
8	70004092	1	Endbell (Shaft End)	
8	70004171	1	Key	
8	70004676	1	Rotor	
8	70004684	1	Stator	
8	70004678	1	Endbell (Rear)	
8	70004679	1	Cover, Endbell (Rear)	
8	70004680	1	Enclosure, Wiring	
8	70004685	1	Cover, Enclosure	
8	70004682	1	Switch, Reset (Located on Enclosure Cover)	
8	70004098	1	Connector, Strain Relief (Located on Enclosure Cover)	
9	4360336	1	Switch, Toggle	
10	4060802	1	Guard, Switch	
11	0100019	AR	Compound, Locking	
12	1001138566	1	Control Box Assembly	
12	70006552	1	Capacitor	
12	70006553	1	Relay	
13	0641404	6	Bolt 1/4 x 1/2	
14	3931016	4	Capscrew #10 x 1	
15	0641808	2	Bolt 1/2 x 1	
16	1320318	1	Clamp	
17	0902888	1	Bracket	
18	1001139357	1	Mount, Tensioner	
19	4240018	AR	Tie-Strap (Not Shown)	
20	4711400	5	Washer 1/4	
21	4711800	3	Washer 1/2	
22	4791400	2	Washer 1/4	
23	0480129	1	Belt, Generator	
24	4032015	4	Capscrew M10 x 55	
25	0962520	1	Bushing, Split	

SECTION 3 - ENGINE

ITEM	PART NUMBER	QTY	DESCRIPTION	REV
26	2820031	0.33 ft /0.1m	Heat Shrink	
27	3311801	1	Nut 1/2	
28	3580317	1	Tensioner, Belt with Pulley	
29	4300157	1	Stud	
30	3580318	1	Pulley, Generator	
31	3580320	1	Pulley, Engine	
32	1001152532	1	Generator to Control Box Harness (See Separate Breakdown in ELECTRICAL SECTION)	
33	0641616	1	Bolt 3/8 x 2	
34	0771415	1	Bolt M14 x 35	
35	0741607	3	Screw 3/8 x 7/8	
36	4751000	4	Washer #10	
37	3311005	4	Nut #10	
38	1705374	1	Decal - 240V	
39	1705387	3	Decal - Hazardous Voltage	
40	0860038	1	Box, Switch - Weatherhead	
41	3251243	1	Decal - 120V	
42	1001110873	1	Cover, Receptacle	
43	4460346	1	Receptacle	
44	3910606	4	Screw #6 x 3/8	
45	3960422	1	Gasket	
46	0100020	AR	Sealant #567	
47	4460071	1	Connector	
48	4711600	1	Washer 3/8	

SECTION 3 - ENGINE

FIGURE 3-61. 4000W/60HZ GENERATOR INSTALLATION - DEUTZ TD2.9L4 ENGINES



ART_1001171125_B

SECTION 3 - ENGINE

FIGURE 3-61. 4000W/60HZ GENERATOR INSTALLATION - DEUTZ TD2.9L4 ENGINES

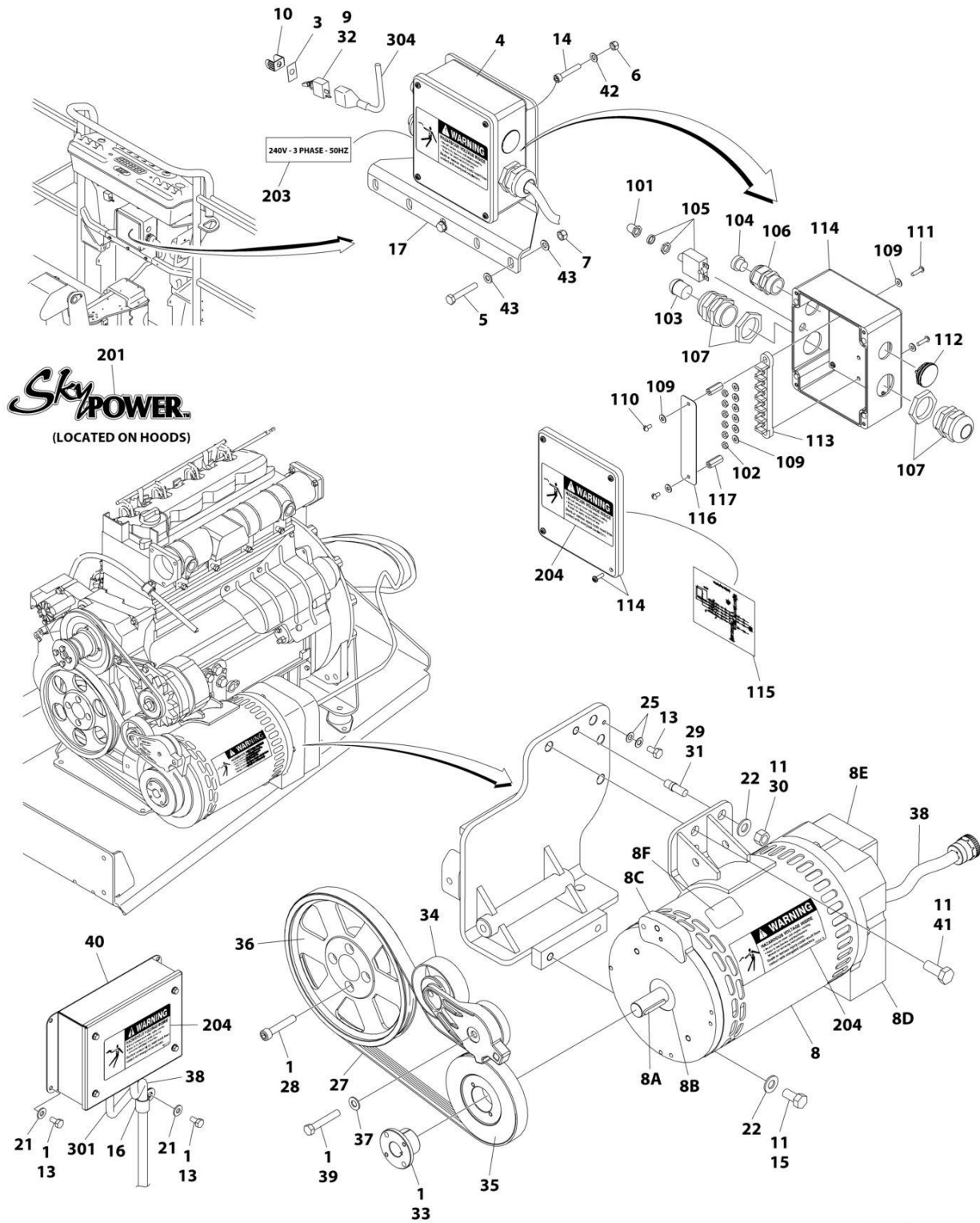
ITEM	PART NUMBER	QTY	DESCRIPTION	REV
	1001171125	1	4000W/60Hz GENERATOR INSTALLATION	B
1	0100011	AR	Compound, Locking	
2	0100019	AR	Compound, Locking	
3	0100048	AR	Grease Dielectric	
4	0100079	AR	Sealant	
5	0641404	6	Bolt 1/4 x 1/2	
6	0641516	3	Bolt 5/16 x 2	
7	0641616	1	Bolt 3/8 x 2	
8	0641808	2	Bolt 1/2 x 1	
9	0741607	3	Screw 3/8 x 7/8	
10	0860038	1	Box, Switch	
11	0902888	1	Bracket, Junction Box	
12	0962520	1	Bushing, Split	
13	1320318	1	Clamp	
14	1705374	1	Decal - 240V	
15	1705387	3	Decal - Hazardous Voltage	
16	2820031	0.33 ft /0.1m	Heat Shrink	
17	3251102	1	Nameplate, Generator	
18	3251243	1	Decal - 120V	
19	3311005	4	Nut #10	
20	3311508	3	Nut 5/16	
21	3311801	2	Nut 1/2	
22	3580317	1	Tensioner, Belt with Pulley	
23	3580318	1	Pulley, Generator	
24	3910606	4	Screw 6 x 3/8	
25	3931016	4	Capscrew #10 x 1	
26	3960422	1	Gasket, AC Receptacle	
27	4060802	1	Guard, Switch	
28	4240018	AR	Tie-Strap (Not Shown)	
29	4360336	1	Switch, Toggle	
30	4460071	1	Connector, Strain Relief	
31	4460346	1	Receptacle	
32	4711400	5	Washer 1/4	
33	4711600	1	Washer 3/8	
34	4751000	4	Washer #10	
35	4751500	3	Washer 5/16	
36	4791400	2	Washer 1/4	
37	4891800	4	Washer 1/2	
38	1001140346	1	Generator Assembly	
38	70003709	1	Ring, Retaining (External)	
38	70003708	1	Ring, Retaining (Internal)	
38	70001966	1	Bearing	
38	70004092	1	Endbell (Shaft End)	
38	70004099	1	Key	
38	70004676	1	Rotor	
38	70004687	1	Stator	
38	70004678	1	Endbell (Rear)	
38	70004679	1	Cover, Endbell (Rear)	
38	70004680	1	Enclosure, Wiring	

SECTION 3 - ENGINE

ITEM	PART NUMBER	QTY	DESCRIPTION	REV
38	70004685	1	Cover, Enclosure	
38	70004682	1	Switch, Reset (Located on Enclosure Cover)	
38	70004098	1	Connector, Strain Relief (Located on Enclosure Cover)	
39	1001110873	1	Cover, Receptacle	
40		Ref	Wiring Diagram Components (Not Shown)	
40A	1001153259	1	Generator Control Box to Engine Harness (See Separate Breakdown in ELECTRICAL SECTION)	
40B	4922641	1	Generator On/Off Switch Harness	
41	1001152532	1	Generator to Control Box (See Separate Breakdown in ELECTRICAL SECTION)	
42	1001138566	1	Control Box Assembly	
42	70006552	1	Capacitor	
42	70006553	1	Relay	
43	1001142643	1	Support, Tensioner	
44	1001142646	1	Belt, Generator	
45	1001152457	1	Junction Box Assembly	
45	3300396	1	Cover, Breaker	
45	4360070	1	Breaker, Circuit - 15Amp	
45	4460425	1	Connector, Strain Relief (LH Side)	
45	4460426	1	Connector, Strain Relief (RH Side)	
46	1001163599	2	Stud	

SECTION 3 - ENGINE

FIGURE 3-62. 7500W/50HZ SKYPOWER GENERATOR INSTALLATION - DEUTZ D2011 ENGINES



ART_1001115389_E

SECTION 3 - ENGINE

FIGURE 3-62. 7500W/50HZ SKYPOWER GENERATOR INSTALLATION - DEUTZ D2011 ENGINES

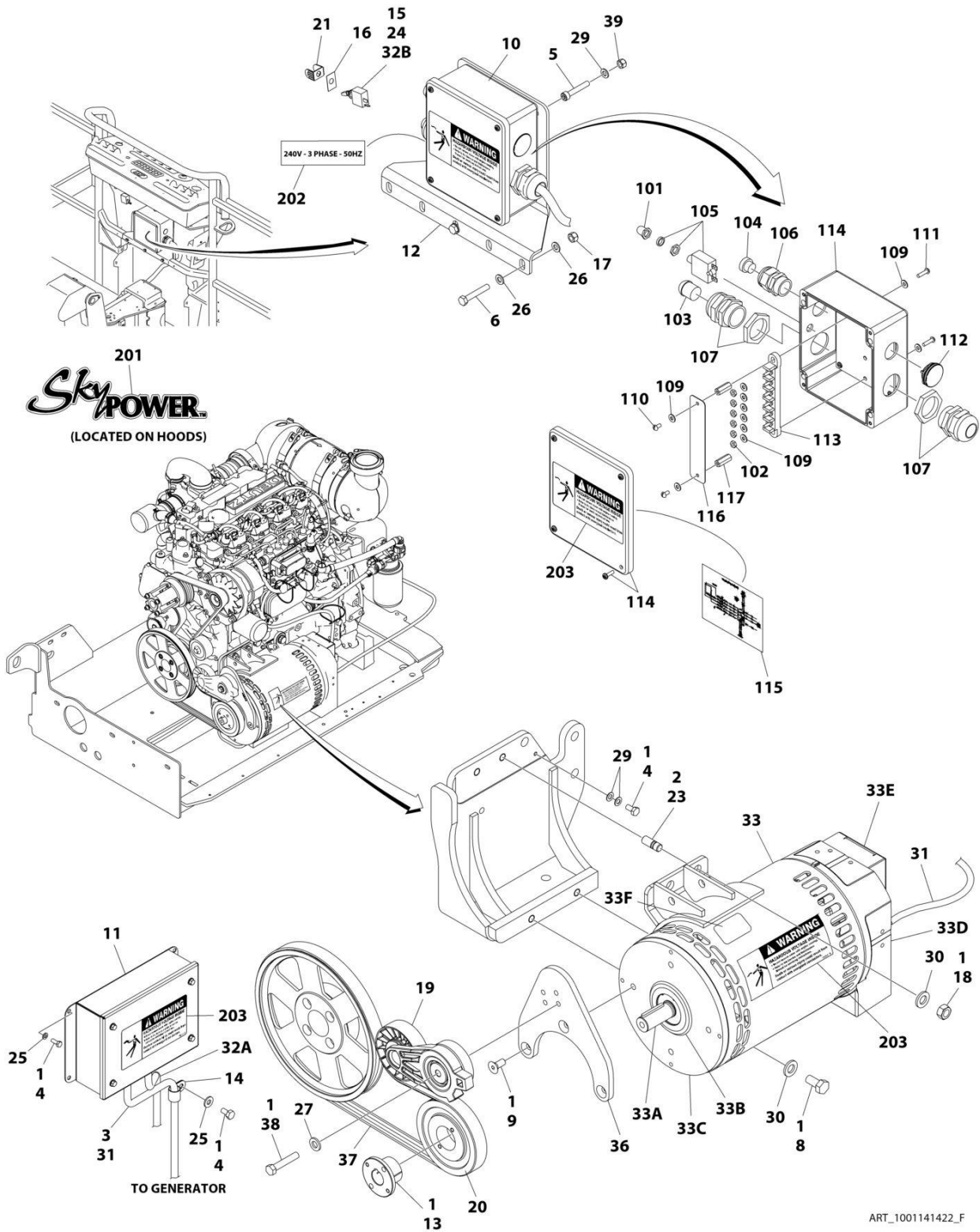
ITEM	PART NUMBER	QTY	DESCRIPTION	REV
	100115389	Ref	7500W/50HZ SKYPOWER GENERATOR INSTALLATION - DEUTZ D2011 ENGINE MACHINES	E
1	0100011	AR	Compound, Locking	
3	3252764	1	Nameplate	
4	1001157525	1	Junction Box Assembly (See Items 101-117 for Breakdown)	
5	0641516	3	Bolt 5/16 x 2	
6	3311005	4	Nut #10	
7	3311508	3	Nut 5/16	
8	2460048	1	Generator Assembly (Deutz D2011 Engines)	
8	70001100	1	Rotor (Includes p/n 70001384 & 70000863) (Not Shown)	
8	70001384	1	Bearing, Ball Radial (Not Shown):	
8	70000863	1	Fan (Not Shown)	
8	70002088	1	Stator	
8	70002297	1	Stud	
8	7024484	NLA	Brushholder Assembly (Not Shown) (Use p/n 70003631)	
8A	7024561	NLA	Key	
8B	70001966	1	Bearing, Ball Radial (Located in Belt Tensioner Endbell)	
8B	70003708	1	Ring, Internal Retaining (Located in Belt Tensioner Endbell)	
8B	70003709	1	Ring, External Retaining (Located in Belt Tensioner Endbell)	
8C	70001953	1	Endbell, Belt Tensioner	
8D	70001385	NLA	Endbell, Brush Block (use p/n 70004169)	
8E	70002290	NLA	Shroud (Use p/n 70004169)	
8E	See Note	NSS	Insulator, Endbell (Note: Not Available for Purchase)	
8E	7027799	1	Block, Connector 6 Position (Not Shown)	
8E	70002460	1	Nut, Brass (Attaches p/n 7027799 to Cover) (Not Shown)	
8E	7024485	1	Breaker, Circuit 30Amp (Not Shown):	
8E	70001696	1	Boot, Breaker (Not Shown):	
8E	7026626	1	Connector, 6 Position (Includes Seal) (Not Shown - Plugs into Item 36)	
8E	7026597	1	Connector, W/Leads (Not Shown)	
8E	7026188	1	Clamp, Cable (Not Shown)	
8E	70004169	1	Plate, End Panel	
8E	70001974	1	Decal - Terminal Connections	
8F	70001973	1	Decal - Warning Moving Parts	
9	4360336	1	Switch, Toggle	
10	4060802	1	Guard, Switch	
11	0100019	AR	Compound, Locking	
13	0641404	6	Bolt 1/4 x 1/2	
14	3931016	4	Capscrew 3/8 x 1	
15	0641808	2	Bolt 1/2 x 1	
16	1320318	1	Clamp	
17	0902888	1	Bracket, Box Mounting	
20	4240018	AR	Tie-Strap (Not Shown)	
21	4711400	5	Washer 1/4	
22	4711800	3	Washer 1/2	
25	4791400	2	Washer 1/4	
27	0480126	1	Belt, Drive	
28	4032015	4	Capscrew M10 x 55	
29	4300157	1	Stud	
30	3311801	1	Nut 1/2	

SECTION 3 - ENGINE

ITEM	PART NUMBER	QTY	DESCRIPTION	REV
31	0100062	AR	Adhesive (Not Shown)	
32	2820031	1	Insulator	
33	0962520	1	Bushing, Split Taper	
34	3580317	1	Tensioner, Belt	
35	3580319	1	Pulley	
36	3580320	1	Pulley	
37	4711600	1	Washer 3/8	
38	4922925	1	Generator to Control Box Harness (See Separate Breakdown in ELECTRICAL SECTION)	
39	0641618	1	Bolt 3/8 x 2-1/4	
40	0861572	1	Control Box Assembly	
40	7024488	1	Card, Circuit - Generator Power	
40	See Note	1	Fuse (Note: Not Available - Purchase Locally)	
40	70000619	1	Harness, Control Box (Internal)	
40	7024489	1	Card, Circuit - Control	
		Ref	Note: Same Circuit Card (P/N 7024489) is used for both 60Hz & 50Hz Specs. When replacing card, rocker switch on card must be set for required application.	
41	0771415	1	Bolt M14 x 35 Grade 10.9	
42	4751000	4	Washer #10	
43	4751500	3	Washer 5/16	
	1001157525	Ref	JUNCTION BOX ASSEMBLY	B
101	3300396	1	Cover, Fuse	
102	3311001	6	Nut #10-24	
103	3520189	1	Plug	
104	3520192	1	Plug	
105	4360070	1	Circuit Breaker - 15 Amp	
106	4460425	1	Connector, Strain Relief	
107	4460426	2	Connector, Strain Relief	
109	4711000	10	Washer #10	
110	10702077	2	Screw #10 x 3/8	
111	10702082	2	Screw #10 x 3/4	
112	1001152525	1	Plug	
113	1001157520	1	Block, Terminal	
114	1001157521	1	Box, Junction	
115	1001157528	1	Decal - Wiring Schematic	
116	1001158007	1	Cover, PVC	
117	1001158008	2	Stand-Off	
	0272589	Ref	DECAL INSTALLATION	A
201	1705460	2	Decal - SkyPower	
203	1705461	1	Decal - 240V - 3 Phase	
204	1705489	3	Decal, Hazardous Voltage	
	1001157769	Ref	ELECTRICAL DIAGRAM COMPONENTS	B
301	1001152429	1	Generator Harness (See Separate Breakdown in ELECTRICAL SECTION)	
304	4922641	1	Switch Harness	

SECTION 3 - ENGINE

FIGURE 3-63. 7500W/50HZ SKYPOWER GENERATOR INSTALLATION - DEUTZ TD2.9L4 ENGINES AND DEUTZ TD2.9L4 (STAGE V) ENGINES



ART_1001141422_F

SECTION 3 - ENGINE

**FIGURE 3-63. 7500W/50HZ SKYPOWER GENERATOR INSTALLATION - DEUTZ TD2.9L4 ENGINES
AND DEUTZ TD2.9L4 (STAGE V) ENGINES**

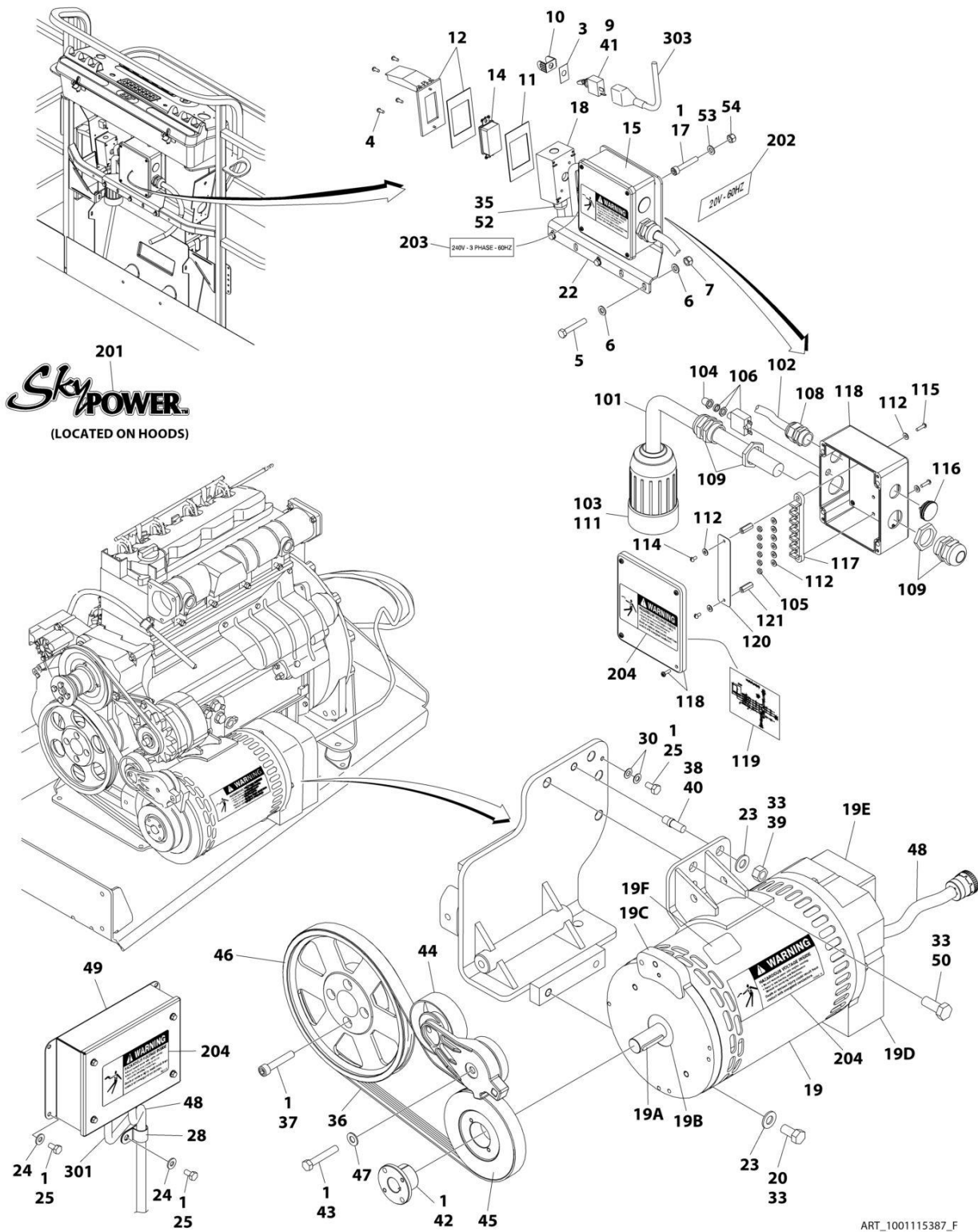
ITEM	PART NUMBER	QTY	DESCRIPTION	REV
	1001141422	Ref	7500W SKYPOWER GENERATOR INSTALLATION	F
1	0100011	AR	Compound, Locking	
2	0100019	AR	Compound, Locking	
3	0100048	AR	Compound Terminal	
4	0641404	6	Bolt 1/4 x 1/2	
5	3931016	4	Capscrew #10 x 1	
6	0641516	3	Bolt 5/16 x 2	
8	0641808	2	Bolt 1/2 x 1	
9	0741607	3	Screw 3/8 x 7/8	
10	1001157525	1	Junction Box Assembly (See Items 101 - 117 for Breakdown)	
11	0861572	1	Control Box Assembly	
11	0860038	1	Box, Receptacle	
11	7024488	1	Card, Circuit - Generator Power	
11	See Note	NSS	Fuse (Note: Not Available - Purchase Locally)	
11	7024489	1	Card, Circuit - Control	
11	70000619	1	Harness, Control Box (Internal)	
11		Ref	Note: Same Circuit Card (P/N 7024489) is used for both 60Hz and 50Hz. When replacing card, rocker switch on card must be set for required application.	
12	0902888	1	Bracket	
13	0962520	1	Bushing, Split	
14	1320318	1	Clamp	
15	2820031	AR	Heat Shrink	
16	3252764	1	Nameplate - AC & Weld	
17	3311505	3	Nut 5/16	
18	3311801	2	Nut 1/2	
19	3580317	1	Tensioner, Belt	
20	3580319	1	Pulley	
21	4060802	1	Guard, Switch	
22	4240018	AR	Tie - Strap (Not Shown)	
23	1001163599	2	Stud	
24	4360336	1	Switch, Toggle	
25	4711400	5	Washer 1/4	
26	4711500	6	Washer 5/16	
27	4711600	1	Washer 3/8	
28	4751000	4	Washer #10	
29	4791400	2	Washer 1/4	
30	4891800	4	Washer 1/2	
31	4922925	1	Generator to Control Box Harness (See Separate Breakdown in ELECTRICAL SECTION)	
32		Ref	Wiring Diagram Components (Not Shown)	
32A	1001119968	1	Generator to Engine Harness (See Separate Breakdown in ELECTRICAL SECTION)	
32B	4922641	1	Generator On/Off Switch Harness	
33	1001212223	1	Generator Assembly	
33	70001100	1	Rotor (Includes p/n 70001384 & 70000863) (Not Shown)	
33	70001384	1	Bearing, Ball Radial (Not Shown)	
33	70000863	1	Fan (Not Shown)	
33	70006093	1	Stator (Not Shown)	
33	70002297	1	Stud	

SECTION 3 - ENGINE

ITEM	PART NUMBER	QTY	DESCRIPTION	REV
33	70003631	1	Brushholder Assembly (Not Shown) (was p/n 7024484)	
33A	70004099	1	Key	
33B	70001966	1	Bearing, Ball Radial (Located in Belt Tensioner Endbell)	
33B	70003708	1	Ring, Internal Retaining (Located in Belt Tensioner Endbell)	
33B	70003709	1	Ring, External Retaining (Located in Belt Tensioner Endbell)	
33C	70004092	1	Endbell, Belt Tensioner	
33D	70004094	1	Endbell, Brush Block	
33E	70006094	1	Shroud	
33E	70002291	1	Insulator, Endbell	
33E	7027799	1	Block, Connector - 6 Position (Not Shown)	
33E	70002460	1	Nut, Brass (Attaches p/n 7027799 to Cover) (Not Shown)	
33E	70006095	1	Breaker, Circuit 30Amp (Not Shown)	
33E	70006096	1	Boot, Breaker (Not Shown)	
33E	7026626	1	Connector, 6 Position (Includes Seal) (Not Shown - Plugs into Item 45)	
33E	7026597	1	Connector with Leads (Not Shown)	
33E	70004098	1	Clamp, Cable (Not Shown)	
33E	70006097	1	Plate, End Panel	
33E	70001974	1	Decal - Terminal Connections	
33F	70001973	1	Decal - Warning Moving Parts	
36	1001142643	1	Support	
37	1001142645	1	Belt	
38	0641616	1	Bolt 3/8 x 2	
39	3311005	4	Nut #10	
	1001157525	Ref	JUNCTION BOX ASSEMBLY	B
101	3300396	1	Cover, Fuse	
102	3311001	6	Nut #10	
103	3520189	1	Plug	
104	3520192	1	Plug	
105	4360070	1	Circuit Breaker - 15Amp	
106	4460425	1	Connector, Strain Relief	
107	4460426	2	Connector, Strain Relief	
109	4711000	10	Washer #10	
110	10702077	2	Screw #10 x 3/8	
111	10702082	2	Screw #10 x 3/4	
112	1001152525	1	Plug	
113	1001152520	1	Block, Terminal	
114	1001157521	1	Box, Junction	
115	1001157528	1	Decal - Wiring Schematic	
116	1001158007	1	Cover, PVC	
117	1001158008	2	Stand-Off	
	0272589	Ref	DECAL INSTALLATION	A
201	1705460	2	Decal - SkyPower	
202	1705461	1	Decal - 240V - 3 Phase - 50Hz	
203	1705489	3	Decal - Hazardous Voltage	

SECTION 3 - ENGINE

FIGURE 3-64. 7500W/60HZ SKYPOWER GENERATOR INSTALLATION - DEUTZ D2011 ENGINES



SECTION 3 - ENGINE

FIGURE 3-64. 7500W/60HZ SKYPOWER GENERATOR INSTALLATION - DEUTZ D2011 ENGINES

ITEM	PART NUMBER	QTY	DESCRIPTION	REV
	1001115387	Ref	7500W 60HZ SKYPOWER GENERATOR INSTALLATION - DEUTZ D2011 ENGINE MACHINES	F
1	0100011	AR	Compound, Locking	
3	3252764	1	Nameplate	
4	3910606	4	Screw #6 x 3/8	
5	0641516	3	Bolt 5/16 x 2	
6	4751500	3	Washer 5/16	
7	3311508	3	Nut 5/16	
9	4360336	1	Switch, Toggle	
10	4060802	1	Guard, Switch	
11	3960422	1	Gasket	
12	1001110873	1	Cover, Receptacle (60Hz Specs)	
14	4460346	1	Receptacle, Female	
15	1001157592	1	Junction Box Assembly (See Items 101-124 for Breakdown)	
17	3931016	4	Capscrew 3/8 x 1	
18	0860038	1	Box, Switch	
19	2460048	1	Generator Assembly (Deutz D2011 Engines)	
19	70001100	1	Rotor (Includes p/n 70001384 & 70000863) (Not Shown)	
19	70001384	1	Bearing, Ball Radial (Not Shown):	
19	70000863	1	Fan (Not Shown)	
19	70002088	1	Stator	
19	70002297	1	Stud	
19	7024484	NLA	Brushholder Assembly (Not Shown) (Use p/n 70003631)	
19A	7024561	NLA	Key - 2460048 Generator (Use p/n 70004171)	
19B	70001966	1	Bearing, Ball Radial (Located in Belt Tensioner Endbell)	
19B	70003708	1	Ring, Internal Retaining (Located in Belt Tensioner Endbell)	
19B	70003709	1	Ring, External Retaining (Located in Belt Tensioner Endbell)	
19C	70001953	1	Endbell, Belt Tensioner	
19D	70001385	NLA	Endbell, Brush Block - (Use p/n 70004169)	
19E	70002290	NLA	Shroud - (Use p/n 70004169)	
19E	See Note	NSS	Insulator, Endbell (Note: Not Available for Purchase)	
19E	7027799	1	Block, Connector 6 Position (Not Shown)	
19E	70002460	1	Nut, Brass (Attaches p/n 7027799 to Cover) (Not Shown)	
19E	7024485	1	Breaker, Circuit 30Amp (Not Shown)	
19E	70006095	1	Breaker - 1001212223 Generator	
19E	70001696	1	Boot, Breaker (Not Shown):	
19E	7026626	1	Connector, 6 Position (Includes Seal) (Not Shown - Plugs into Item 36)	
19E	7026597	1	Connector, W/Leads (Not Shown)	
19E	7026188	1	Clamp, Cable (Not Shown)	
19E	70004169	1	Plate, End Panel:	
19E	70001974	1	Decal - Terminal Connections	
19F	70001973	1	Decal - Warning Moving Parts	
20	0641808	2	Bolt 1/2 x 1	
22	0902888	1	Bracket, Box Mounting	
23	4711800	3	Washer 1/2	
24	4711400	5	Washer 1/4	
25	0641404	6	Bolt 1/4 x 1/2	
28	1320318	1	Clamp	
29	4240018	AR	Tie-Strap (Not Shown)	

SECTION 3 - ENGINE

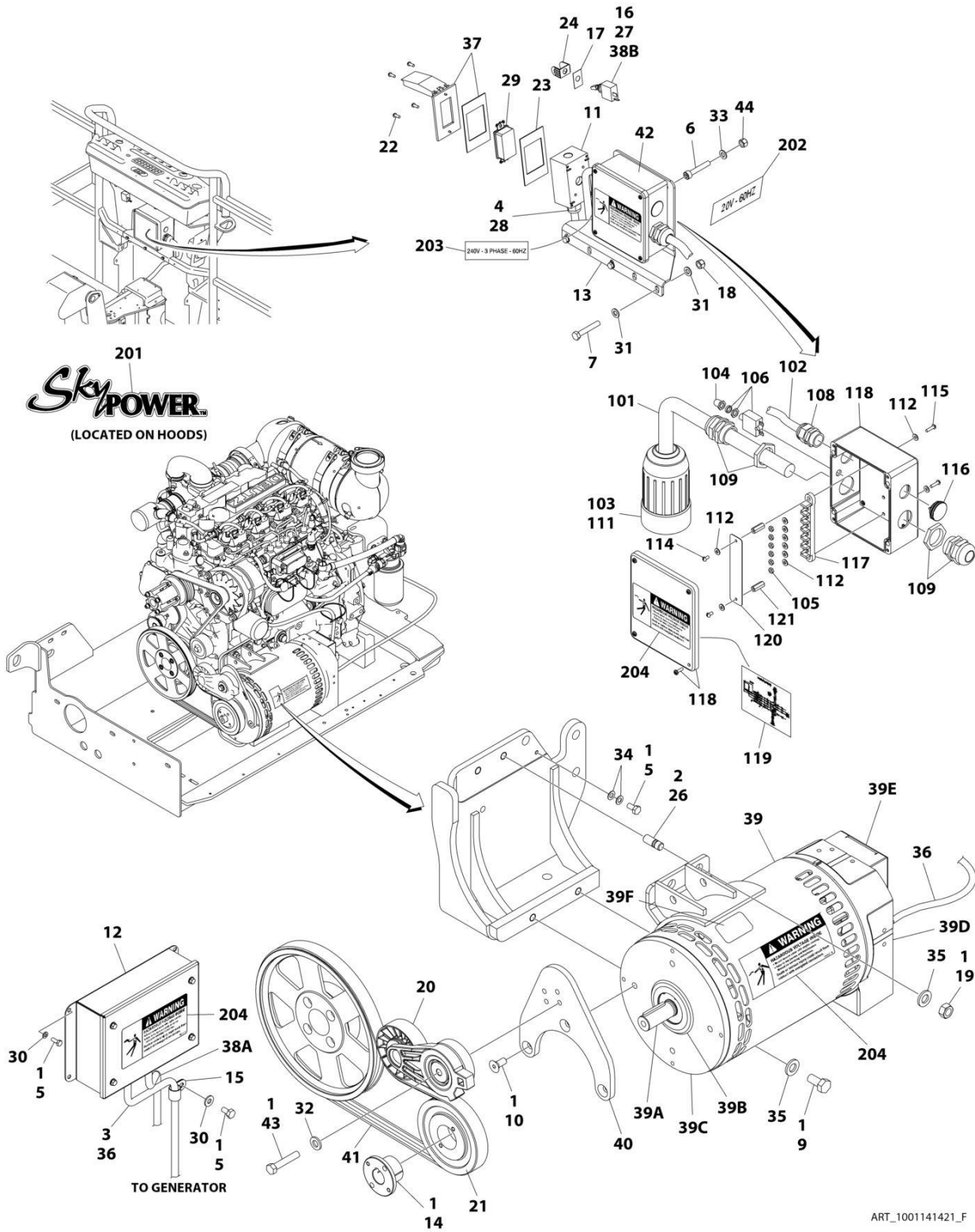
ITEM	PART NUMBER	QTY	DESCRIPTION	REV
30	4791400	2	Washer 1/4	
33	0100019	AR	Compound, Locking	
35	4460071	1	Connector, Strain Relief	
36	0480129	1	Belt, Drive	
37	4032015	4	Capscrew M10 x 55	
38	4300157	1	Stud	
39	3311801	1	Nut 1/2-13	
40	0100062	AR	Compound, Locking	
41	2820031	1	Insulator	
42	0962520	1	Bushing, Split Taper	
43	0641618	1	Bolt 3/8 x 2-1/4	
44	3580317	1	Tensioner, Belt	
45	3580318	1	Pulley	
46	3580320	1	Pulley	
47	4711600	1	Washer 3/8	
48	4922925	1	Generator to Control Box Harness (See Separate Breakdown in ELECTRICAL SECTION)	
49	0861538	1	Control Box Assembly	
49	7024488	1	Card, Circuit - Generator Power	
49	See Note	1	Fuse (Note: Not Available - Purchase Locally)	
49	70000619	1	Harness, Control Box (Internal)	
49	7024489	1	Card, Circuit - Control	
49		Ref	Note: Same Circuit Card (P/N 7024489) is used for both 60Hz & 50Hz Specs. When replacing card, rocker switch on card must be set for required application.	
50	0771415	1	Bolt M14 x 35 Grade 10.9	
52	0100020	AR	Sealant	
53	4751000	4	Washer #10	
54	3311005	4	Nut #10	
	1001157592	Ref	JUNCTION BOX ASSEMBLY	C
101	1060343	1.5 ft /.46m	Cable, Electrical 10/4	
102	1001179154	2.5 ft /.76m	Cable, Electrical 12/3	
103	1671092	1	Cover	
104	3300396	1	Cover, Fuse	
105	3311001	6	Nut #10	
106	4360070	1	Circuit Breaker - 15 Amp	
108	4460425	1	Connector, Strain Relief	
109	4460426	2	Connector, Strain Relief	
111	4460963	1	Connector	
112	4711000	4	Washer #10	
114	10702077	2	Screw #10 x 3/8	
115	10702082	2	Screw #10 x 3/4	
116	1001152525	1	Plug	
117	1001157520	1	Block, Terminal	
118	1001157521	1	Box, Junction	
119	1001157528	1	Decal - Wiring Schematic	
120	1001158007	1	Cover, PVC	
121	1001158008	1	Stand-Off	
	0272435	Ref	DECAL INSTALLATION	D
201	1705460	2	Decal - SkyPower	

SECTION 3 - ENGINE

ITEM	PART NUMBER	QTY	DESCRIPTION	REV
202	3251243	1	Decal - 120V - 60Hz (Not Shown - Located on Platform Receptacle)	
203	1705375	1	Decal - 240V - 3 Phase	
204	1705387	3	Decal, Hazardous Voltage	
	1001157769	Ref	ELECTRICAL DIAGRAM COMPONENTS	B
301	1001152429	1	Generator Harness (See Separate Breakdown in ELECTRICAL SECTION)	C
303	4922641	1	Switch Harness	

SECTION 3 - ENGINE

FIGURE 3-65. 7500W/60HZ SKYPOWER GENERATOR INSTALLATION - DEUTZ TD2.9L4 ENGINES



SECTION 3 - ENGINE

FIGURE 3-65. 7500W/60HZ SKYPOWER GENERATOR INSTALLATION - DEUTZ TD2.9L4 ENGINES

ITEM	PART NUMBER	QTY	DESCRIPTION	REV
	1001141421	Ref	7500W SKYPOWER GENERATOR INSTALLATION	F
1	0100011	AR	Compound, Locking	
2	0100019	AR	Compound, Locking	
3	0100048	AR	Compound Terminal	
4	0100079	AR	Sealant	
5	0641404	6	Bolt 1/4 x 1/2	
6	3931016	4	Capscrew #10 x 1	
7	0641516	3	Bolt 5/16 x 2	
9	0641808	2	Bolt 1/2 x 1	
10	0741607	3	Screw 3/8 x 7/8	
11	0860038	1	Box, Receptacle	
12	0861538	1	Control Box Assembly	
12	7024488	1	Card, Circuit - Generator Power	
12	See Note	NSS	Fuse (Note: Not Available - Purchase Locally)	
12	7024489	1	Card, Circuit - Control	
12	70000619	1	Harness, Control Box (Internal)	
		Ref	Note: Same Circuit Card (P/N 7024489) is used for both 60Hz and 50Hz. When replacing card, rocker switch on card must be set for required application.	
13	0902888	1	Bracket	
14	0962520	1	Bushing, Split	
15	1320318	1	Clamp	
16	2820031	AR	Heat Shrink	
17	3252764	1	Nameplate - AC & Weld	
18	3311505	3	Nut 5/16	
19	3311801	2	Nut 1/2	
20	3580317	1	Tensioner, Belt	
21	3580318	1	Pulley	
22	3910606	4	Screw #6 x 3/8	
23	3960422	1	Gasket	
24	4060802	1	Guard, Switch	
25	4240018	AR	Tie - Strap (Not Shown)	
26	1001163599	2	Stud	
27	4360336	1	Switch, Toggle	
28	4460071	1	Connector, Strain Relief	
29	4460346	1	Receptacle	
30	4711400	5	Washer 1/4	
31	4711500	6	Washer 5/16	
32	4711600	1	Washer 3/8	
33	4751000	4	Washer #10	
34	4791400	2	Washer 1/4	
35	4891800	4	Washer 1/2	
36	4922925	1	Generator to Control Box Harness (See Separate Breakdown in ELECTRICAL SECTION)	
37	1001110873	1	Cover	
38		Ref	Wiring Diagram Components (Not Shown)	
38A	1001119968	1	Generator to Engine Harness (See Separate Breakdown in ELECTRICAL SECTION)	
38B	4922641	1	Generator ON/OFF Switch Harness	
39	1001212223	1	Generator Assembly	

SECTION 3 - ENGINE

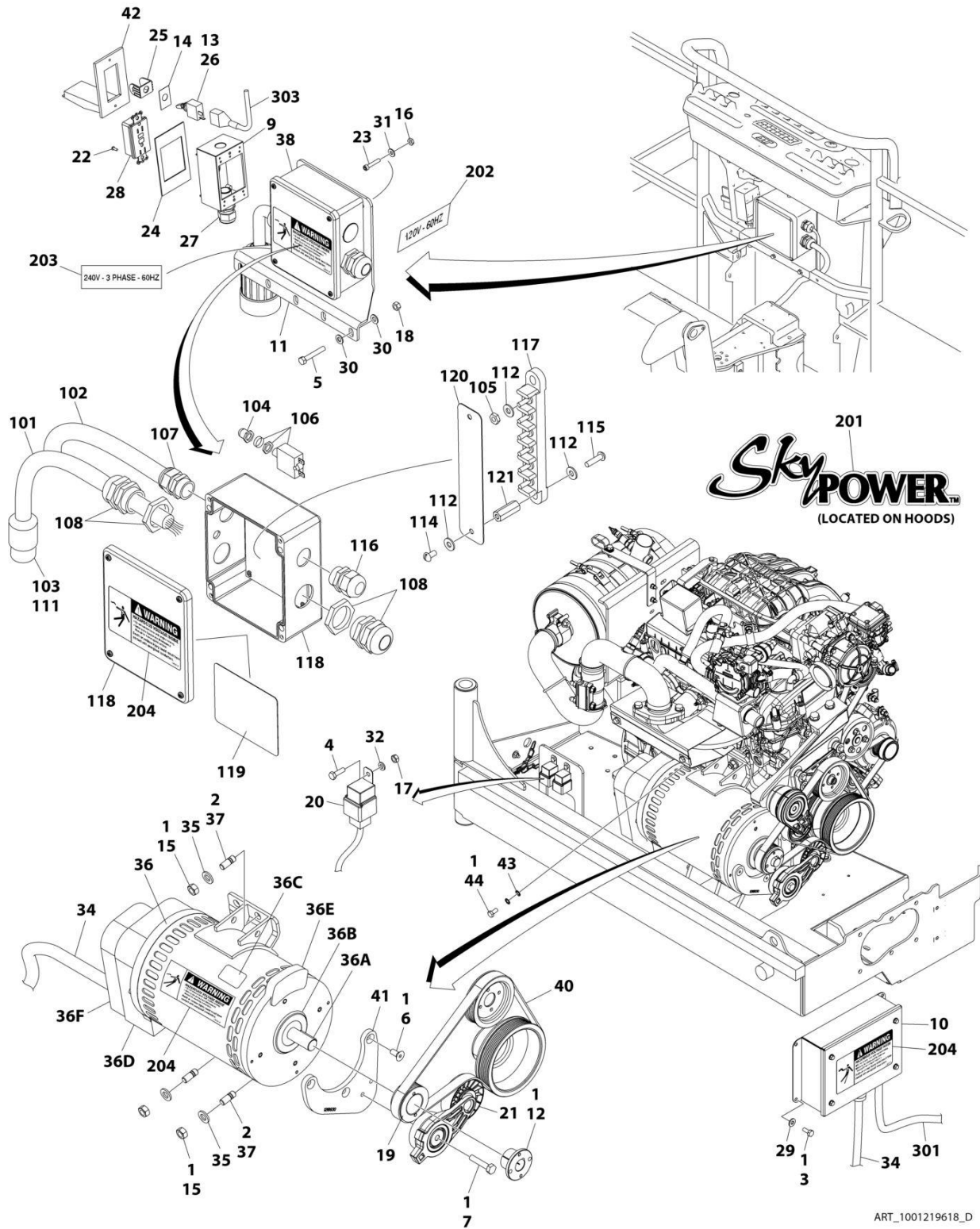
ITEM	PART NUMBER	QTY	DESCRIPTION	REV
39	70001100	1	Rotor (Includes p/n 70001384 & 70000863) (Not Shown)	
39	70001384	1	Bearing, Ball Radial (Not Shown)	
39	70000863	1	Fan (Not Shown)	
39	70006093	1	Stator (Not Shown)	
39	70002297	1	Stud	
39	70003631	1	Brushholder Assembly (Not Shown) (was p/n 7024484)	
39A	70004099	1	Key	
39B	70001966	1	Bearing, Ball Radial (Located in Belt Tensioner Endbell)	
39B	70003708	1	Ring, Internal Retaining (Located in Belt Tensioner Endbell)	
39B	70003709	1	Ring, External Retaining (Located in Belt Tensioner Endbell)	
39C	70004092	1	Endbell, Belt Tensioner	
39D	70004094	1	Endbell, Brush Block	
39E	70006094	1	Shroud	
39E	70002291	1	Insulator, Endbell	
39E	7027799	1	Block, Connector - 6 Position (Not Shown)	
39E	70002460	1	Nut, Brass (Attaches p/n 7027799 to Cover) (Not Shown)	
39E	70006095	1	Breaker, Circuit 30Amp (Not Shown)	
39E	70006096	1	Boot, Breaker (Not Shown)	
39E	7026626	1	Connector, 6 Position (Includes Seal) (Not Shown - Plugs into Item 45)	
39E	7026597	1	Connector with Leads (Not Shown)	
39E	70004098	1	Clamp, Cable (Not Shown)	
39E	70006097	1	Plate, End Panel	
39E	70001974	1	Decal - Terminal Connections	
39F	70001973	1	Decal - Warning Moving Parts	
40	1001142643	1	Support	
41	1001142646	1	Belt	
42	1001157592	1	Junction Box Assembly (See Items 101-121 for Breakdown)	
43	0641616	1	Bolt 3/8 x 2	
44	3311005	4	Nut #10	
	1001157592	Ref	JUNCTION BOX ASSEMBLY	C
101	1060343	1.5 ft/ 0.5m	Cable, Electrical 10/4	
102	1001179154	2.5 ft/ 76cm	Cable, Electrical 12/3	
103	1671092	1	Cover, Connector	
104	3300396	1	Cover, Fuse	
105	3311001	6	Nut #10	
106	4360070	1	Circuit Breaker - 15Amp	
108	4460425	1	Connector, Strain Relief	
109	4460426	2	Connector, Strain Relief	
111	4460963	1	Connector	
112	4711000	4	Washer #10	
114	10702077	2	Screw #10 x 3/8	
115	10702082	2	Screw #10 x 3/4	
116	1001152525	1	Plug	
117	1001157520	1	Block, Terminal	
118	1001157521	1	Box, Junction	
119	1001157528	1	Decal - Wiring Schematic	
120	1001158007	1	Cover, PVC	
121	1001158008	1	Stand-Off	
	0272435	Ref	DECAL INSTALLATION	D

SECTION 3 - ENGINE

ITEM	PART NUMBER	QTY	DESCRIPTION	REV
201	1705460	2	Decal - SkyPower	
202	3251243	1	Decal - 120V-60Hz	
203	1705375	1	Decal - 240V - 3 Phase - 60Hz	
204	1705387	3	Decal - Hazardous Voltage	

SECTION 3 - ENGINE

FIGURE 3-66. 7500W/60HZ SKYPOWER GENERATOR INSTALLATION - FORD ENGINES



ART_1001219618_D

SECTION 3 - ENGINE

FIGURE 3-66. 7500W/60HZ SKYPOWER GENERATOR INSTALLATION - FORD ENGINES

ITEM	PART NUMBER	QTY	DESCRIPTION	REV
	1001219618	Ref	7500W SKYPOWER GENERATOR INSTALLATION - FORD ENGINES	D
		Ref	Note: See ELECTRICAL SECTION for Boom Cable Components.	
1	0100011	AR	Compound, Locking	
2	0100019	AR	Compound, Locking	
3	0641405	4	Bolt 1/4 x 5/8	
4	0760610	2	Bolt M6 x 20	
5	0641516	3	Bolt 5/16 x 2	
6	0741607	3	Screw 3/8 x 7/8	
7	0761018	1	Bolt M10 x 50	
9	0860038	1	Box, Switch	
10	0861538	1	Control Box Assembly	
10	7024488	1	Card, Circuit - Generator Power	
10	See Note	1	Fuse (Note: Not Available - Purchase Locally)	
10	7024489	1	Card, Circuit - Control	
10	70000619	1	Harness, Circuit Card	
11	0902888	1	Bracket, Box Mounting	
12	0962520	1	Bushing, Split Taper	
13	2820031	1	Heat Shrink	
14	3252764	1	Nameplate - AC & Weld	
15	3291201	4	Nut M12	
16	3311005	4	Nut #10	
17	3290601	2	Nut M6	
18	3311505	3	Nut 5/16	
19	3580314	1	Pulley	
20	3740080	2	Relay	
21	3580317	1	Tensioner, Belt	
22	3910606	2	Screw #6 x 3/8	
23	3931016	4	Capscrew #10 x 1	
24	3960422	1	Gasket	
25	4060802	1	Guard, Switch	
26	4360336	1	Switch, Toggle	
27	4460071	1	Connector, Strain Relief	
28	4460346	1	Receptacle	
29	4711400	4	Washer 1/4	
30	4711500	6	Washer 5/16	
31	4751000	4	Washer #10	
32	4811700	2	Washer M6	
34	4922925	1	Harness, Generator	
35	5241200	4	Washer M12	
36	1001136104	1	Generator Assembly	
36	70003631	1	Brushholder Assembly (Not Shown) (was p/n 7024484)	
36	7024485	1	Breaker, Circuit 30Amp (Not Shown)	
36	70001696	1	Boot, Breaker (was p/n 7024486 - Not Shown)	
36	70001966	1	Bearing, Ball Radial (Located In Belt Tensioner Endbell - Not Shown)	
36	7027799	1	Block, Connector 6 Position (Not Shown)	
36	70002460	6	Nut, Brass (Attaches p/n 7027799 to Cover) (Not Shown)	
36	7026188	1	Clamp, Cable (Not Shown)	
36	7026597	1	Connector, W/Leads (Not Shown)	

SECTION 3 - ENGINE

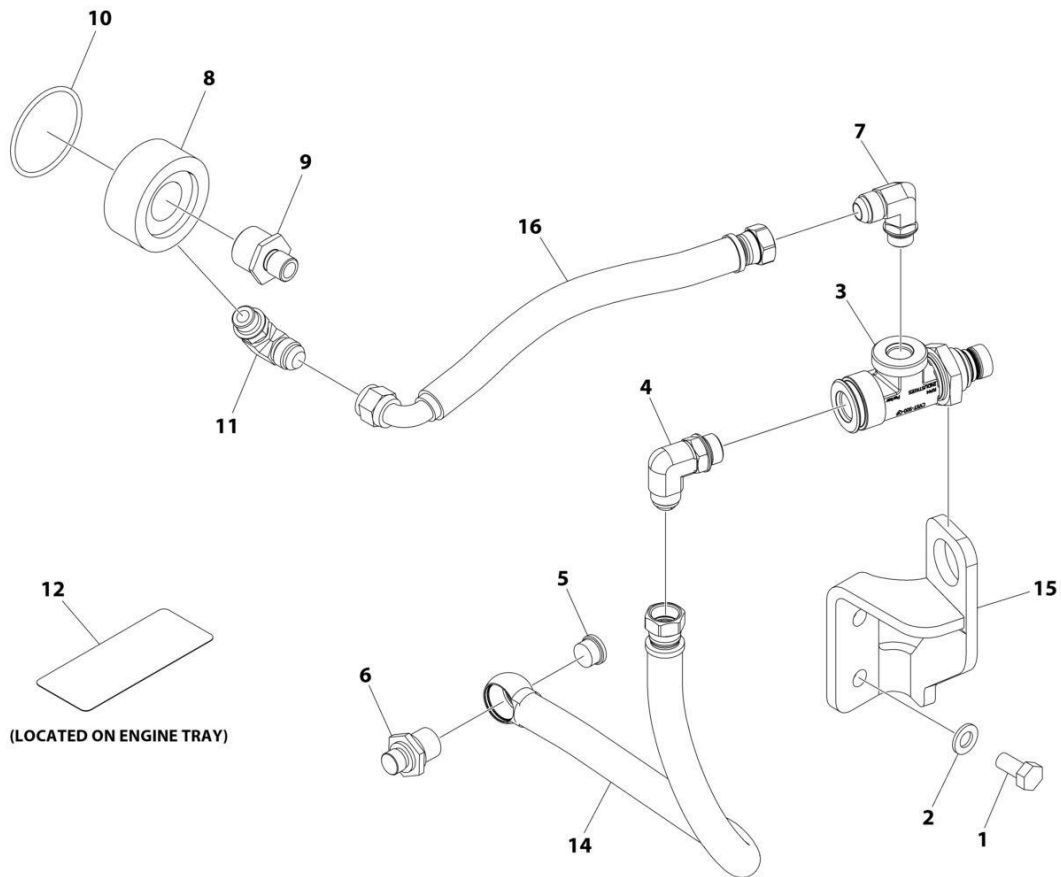
ITEM	PART NUMBER	QTY	DESCRIPTION	REV
36	7026626	1	Connector - 6 Position with Seal (Not Shown)	
36	70002088	1	Stator (Not Shown)	
36	70004169	1	Panel, End (Not Shown) (was p/n 70002255)	
36	70001974	1	Decal - Terminal Connections (Not Shown)	
36	70000863	1	Fan (Not Shown)	
36	70002297	4	Stud (Not Shown)	
36A	70004171	1	Key (was p/n 7024561)	
36A	70001100	1	Armature, Generator (Includes Radial Ball Bearing on End with Brushes and Fan)	
36A	70001384	1	Bearing, Ball Radial	
36B	70001966	1	Bearing, Radial Ball	
36B	70003708	1	Ring, Internal Retaining (Located in Belt Tensioner Endbell)	
36B	70003709	1	Ring, External Retaining (Located in Belt Tensioner Endbell)	
36C	70001973	1	Decal - Warning Moving Parts	
36D	70004169	1	Endbell, Brush Block (was p/n 70001385)	
36E	70001953	1	Endbell, Belt Tensioner	
36F	70004169	1	Endbell, Shroud Assembly (was p/n 70002290)	
37	1001196382	4	Stud	
38	1001157592	1	Junction Box Assembly (See Items 101-121 for Breakdown)	
40	1001216390	1	V-Belt	
41	1001218930	1	Mount, Tensioner	
42	1001110873	1	Cover, Receptacle	
43	4871700	2	Washer M6	
44	0760606	1	Bolt M6 x 12	
	1001157592	Ref	JUNCTION BOX ASSEMBLY	C
101	1060343	1.5 ft /0.46m	Cable, Electrical - 10/4 (60Hz Only)	
102	1001179154	2.5 ft /0.76m	Cable Electrical - 12/3	
103	1671092	1	Cover, Connector	
104	3300396	1	Cover, Fuse	
105	3311001	6	Nut #10	
106	4360070	1	Breaker, Circuit 15Amp	
107	4460425	1	Connector, Strain Relief	
108	4460426	2	Connector, Strain Relief	
111	4460963	1	Receptacle	
112	4711000	10	Washer #10	
114	10702077	2	Screw #10 x 3/8	
115	10702082	2	Screw #10 x 3/4	
116	1001152525	1	Plug, Hole	
117	1001157520	1	Block, Terminal Pole	
118	1001157521	1	Box, Junction	
119	1001157528	1	Decal - Box Junction	
120	1001158007	1	Cover	
121	1001158008	2	Standoff	
	0272435	Ref	DECAL INSTALLATION	D
201	1705460	2	Decal - SkyPower	
202	3251243	1	Decal - 120V - 60Hz (60Hz Spec Only) (Located on Opposite Side)	
203	1705375	1	Decal - 240V - 3 Phase	
204	1705387	3	Decal, Hazardous Voltage	
	1001221498	Ref	ELECTRICAL DIAGRAM COMPONENTS	B

SECTION 3 - ENGINE

ITEM	PART NUMBER	QTY	DESCRIPTION	REV
301	1001257972	1	Generator to Engine Harness (See Separate Breakdown in ELECTRICAL SECTION)	
303	4922641	1	Generator On/Off Switch Harness	

SECTION 3 - ENGINE

FIGURE 3-67. QUICKFIT OIL VALVE (DEUTZ ENGINES)



ART_1001285349

SECTION 3 - ENGINE

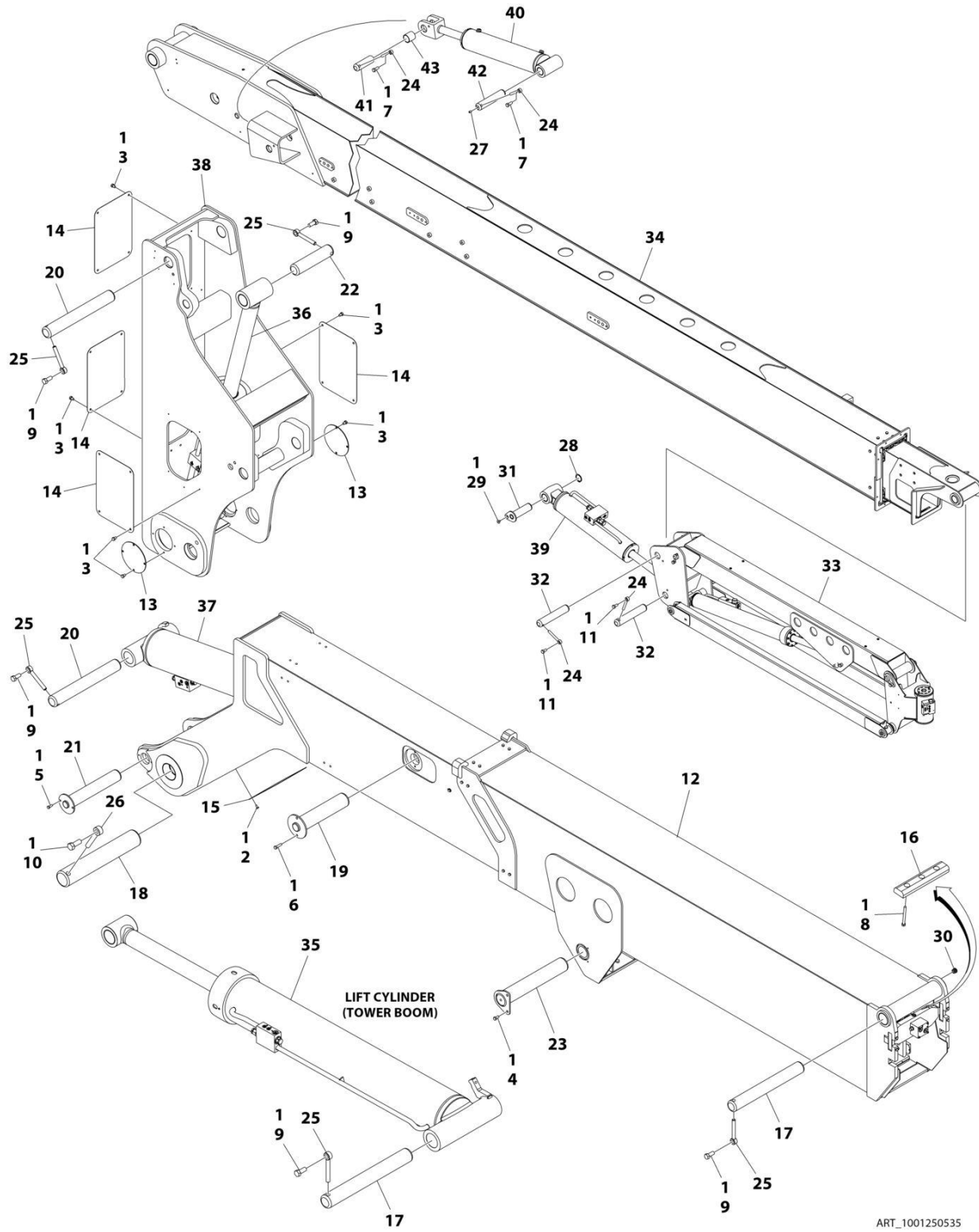
FIGURE 3-67. QUICKFIT OIL VALVE (DEUTZ ENGINES)

ITEM	PART NUMBER	QTY	DESCRIPTION	REV
	1001285349	Ref	QUICKFIT OIL VALVE	A
1	0761212	2	Bolt M12 x 25	
2	4812100	2	Washer M12	
3	1001281298	1	Valve, Quickfit	
4	1001281301	1	Fitting, 90	
5	1001281304	1	Plug	
6	1001281305	1	Fitting, Banjo	
7	1001281307	1	Fitting, 90	
8	1001281309	1	Filter, Ring	
9	1001281310	1	Fitting, Straight	
10	1001281311	1	O-Ring	
11	1001281359	1	Valve, Check	
12	1001281360	1	Decal - RPM Quickfit	
13	1001281656	1	Tie-Strap (Not Shown)	
14	1001284101	1	Hose	
15	1001287536	1	Bracket	
16	1001288113	1	Hose	

SECTION 4 - BOOM

SECTION 4 - BOOM

FIGURE 4-1. BOOM AND CYLINDER INSTALLATION



ART_1001250535

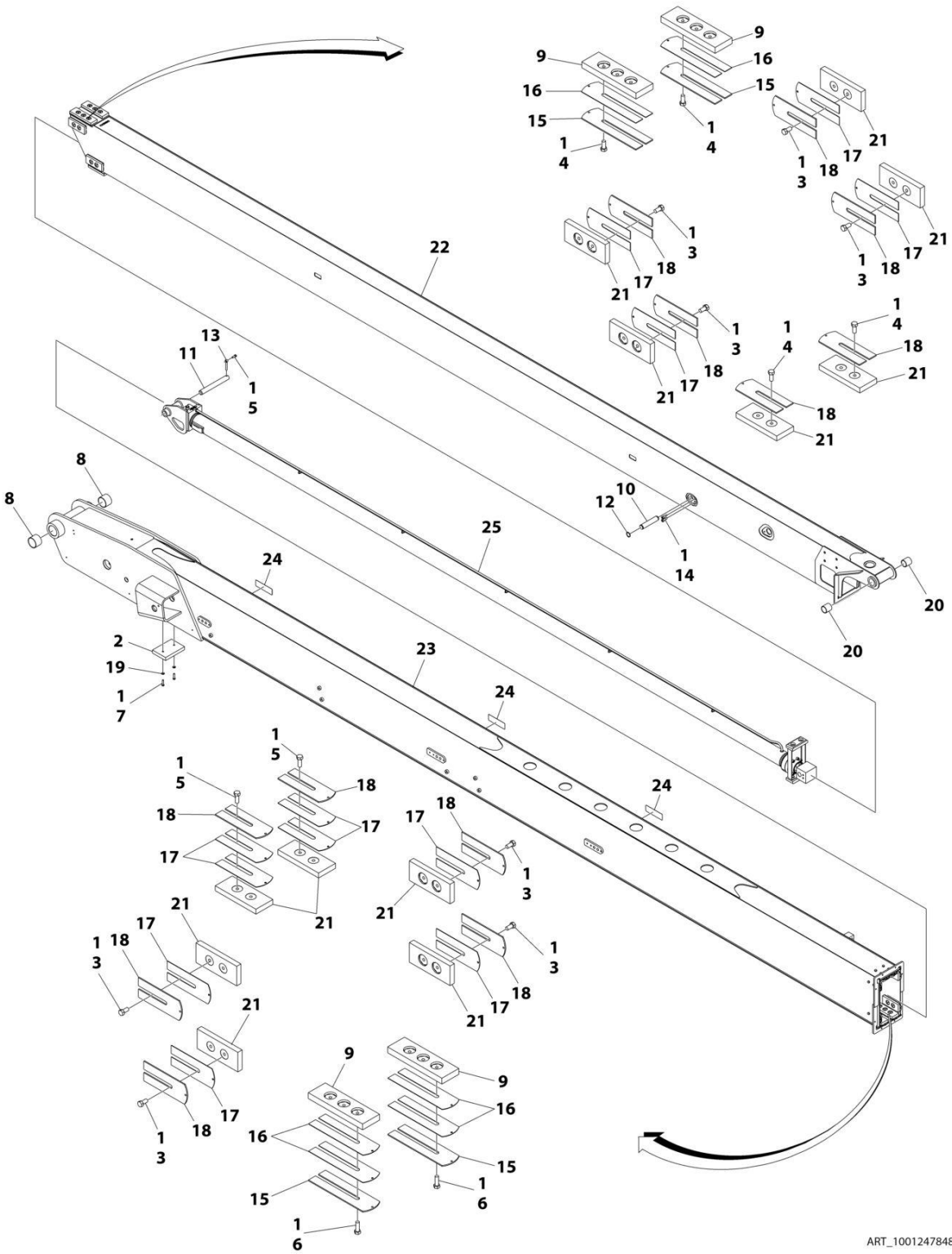
SECTION 4 - BOOM

FIGURE 4-1. BOOM AND CYLINDER INSTALLATION

ITEM	PART NUMBER	QTY	DESCRIPTION	REV
	1001250535	Ref	BOOM AND CYLINDER INSTALLATION	C
1	0100011	AR	Compound, Locking	
2	0641404	4	Bolt 1/4 x 1/2	
3	0641604	24	Bolt 3/8 x 1/2	
4	0641606	2	Bolt 3/8 x 3/4	
5	0641608	2	Bolt 3/8 x 1	
6	0641611	2	Bolt 3/8 x 1-3/8	
7	0641810	2	Bolt 1/2 x 1-1/4	
8	0641840	3	Bolt 1/2 x 5	
9	0642214	5	Bolt 3/4 x 1-3/4	
10	0642620	1	Bolt 1 x 2-1/2	
11	0761212	2	Bolt M12	
12	0801132	1	Boom Assembly - Tower (See Separate Breakdown in this Section)	
13	1120510	2	Cover, Upright	
14	1670844	4	Cover, Upright	
15	1670850	1	Cover, Tower Fly	
16	3340835	1	Pad Rest	
17	3422681	2	Pin	
18	3422683	1	Pin	
19	3422684	1	Pin	
20	3422685	2	Pin	
21	3422686	1	Pin	
22	3422687	1	Pin	
23	3422729	1	Pin	
24	3841203	4	Keeper, Rod	
25	3841287	5	Keeper, Pin	
26	3841356	1	Keeper, Pin	
27	3900239	1	Set Screw	
28	1001138671	1	Ring, Snap	
29	1001192027	1	Bolt M10	
30	1001213705	1	Cap	
31	1001237142	1	Pin	
32	1001237949	2	Pin	
33	1001238331	1	Jib Assembly (See Separate Breakdown in this Section)	
34	1001247848	1	Boom Assembly - Main (See Separate Breakdown in this Section)	
35	1001251009	1	Lift Cylinder Assembly - Tower Boom (See Separate Breakdown in CYLINDER SECTION)	
36	1001251010	1	Lift Cylinder Assembly - Main Boom (See Separate Breakdown in CYLINDER SECTION)	
37	1001251041	1	Level Cylinder Assembly - Upright (See Separate Breakdown in CYLINDER SECTION)	
38	1001252315	1	Upright	
39	1001255320	1	Lift Cylinder Assembly - Jib Level (See Separate Breakdown in CYLINDER SECTION)	
40	1001255321	1	Lift Cylinder Assembly - Master (See Separate Breakdown in CYLINDER SECTION)	
41	1001256267	1	Pin	
42	1001257397	1	Pin	
43	1001118666	1	Bearing	

SECTION 4 - BOOM

FIGURE 4-2. MAIN BOOM ASSEMBLY



ART_1001247848

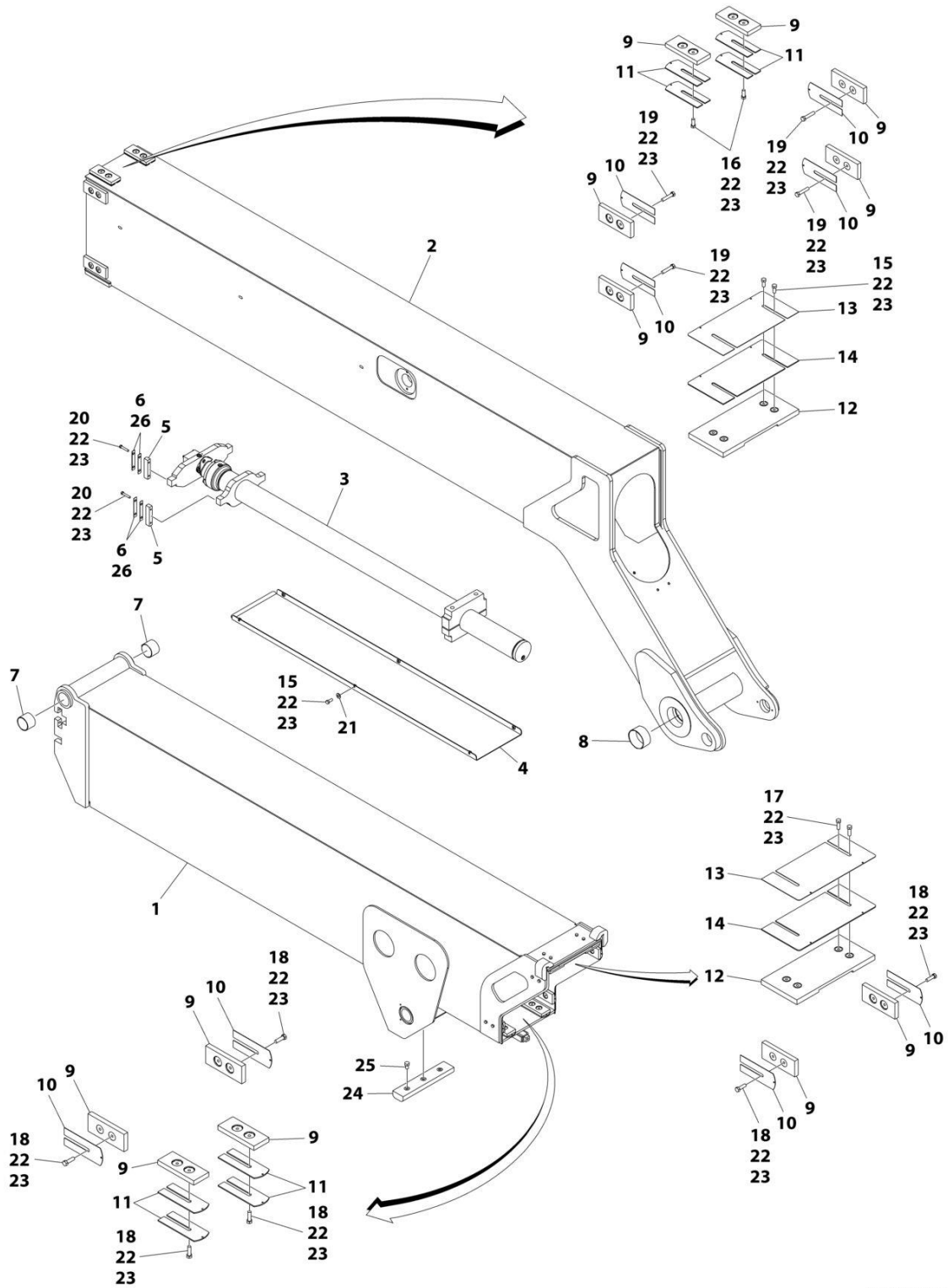
SECTION 4 - BOOM

FIGURE 4-2. MAIN BOOM ASSEMBLY

ITEM	PART NUMBER	QTY	DESCRIPTION	REV
	1001247848	Ref	MAIN BOOM ASSEMBLY	A
1	0100011	AR	Compound, Locking	
2	0561295	1	Block, Boom Rest	
3	0641606	16	Bolt 3/8 x 3/4	
4	0641607	10	Bolt 3/8 x 7/8	
5	0641608	5	Bolt 3/8 x 1	
6	0641609	6	Bolt 3/8 x 1-1/8	
7	0641612	2	Bolt 3/8 x 1-1/2	
8	0962102	2	Bushing	
9	3340871	4	Pad, Wear	
10	3422457	1	Pin	
11	3422690	1	Pin	
12	3760133	2	Ring, Retaining	
13	3841143	1	Keeper, Pin	
14	3900259	4	Bolt, Shoulder	
15	4070863	4	Shim 1/8	
16	4070864	6	Shim .05	
17	4070897	12	Shim .05	
18	4070898	12	Shim 1/8	
19	4711600	2	Washer 3/8	
20	1001118666	2	Bearing	
21	1001148652	12	Pad, Wear	
22	1001247846	1	Boom, Fly	
23	1001247847	1	Boom, Base	
24	1001250737	3	Cover	
25	1001251087	1	Cylinder Assembly - Telescope (Main Boom) (See Separate Breakdown in CYLINDER SECTION)	

SECTION 4 - BOOM

FIGURE 4-3. TOWER BOOM ASSEMBLY



ART_0801132_I

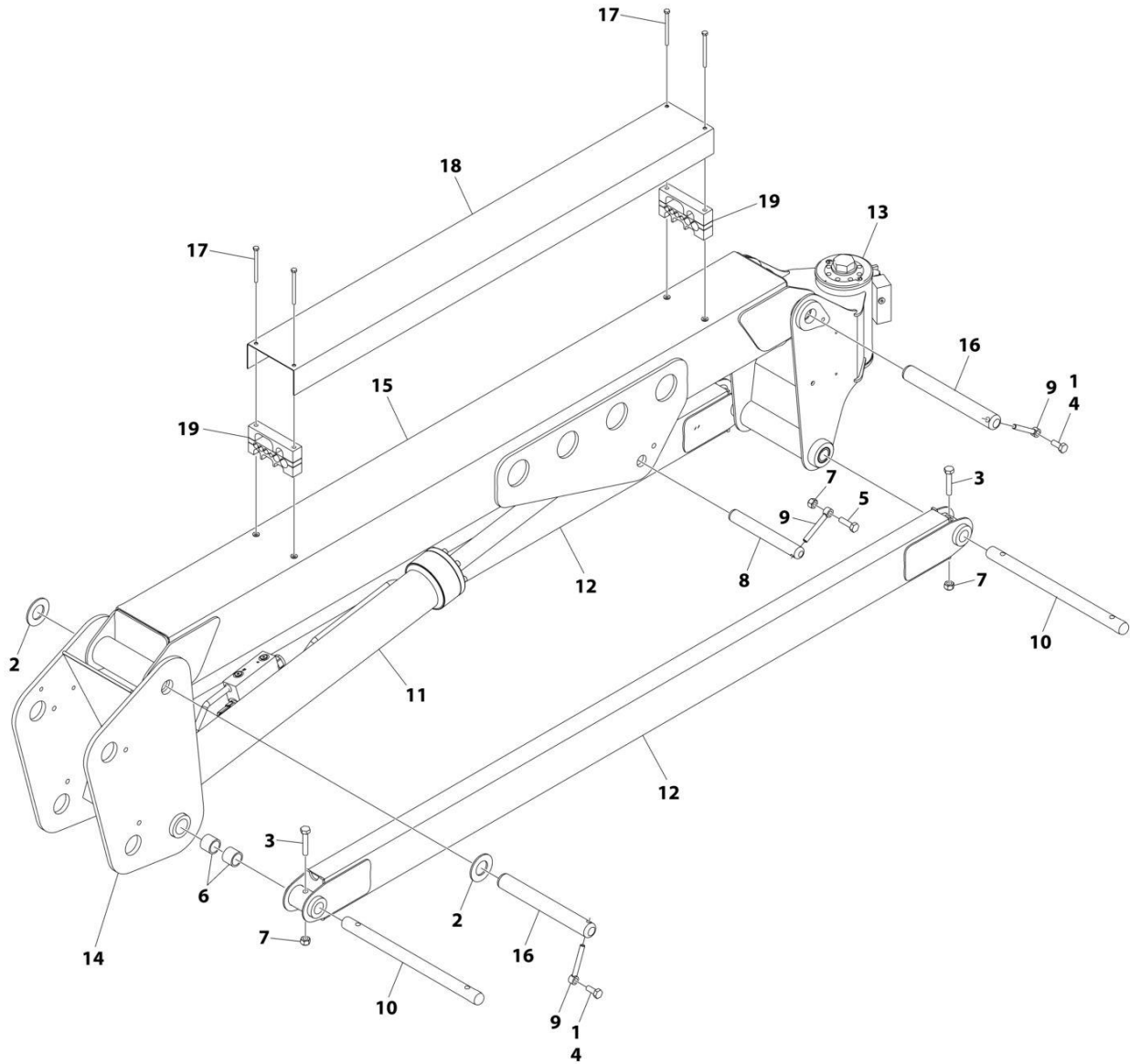
SECTION 4 - BOOM

FIGURE 4-3. TOWER BOOM ASSEMBLY

ITEM	PART NUMBER	QTY	DESCRIPTION	REV
	0801132	Ref	TOWER BOOM ASSEMBLY	I
1	0801594	1	Base, Boom	
2	0801496	1	Fly, Boom	
3	1001251086	1	Tower Telescope Cylinder Assembly (See Separate Breakdown in CYLINDER Section)	
4	4340706	1	Support	
5	0561185	4	Block, Attach	
6	4070929	4	Shim 1/16	
7	0962102	2	Bushing	
8	0962122	2	Bushing	
9	3340881	12	Pad, Wear	
10	4070897	8	Shim .05	
11	4070898	8	Shim .12	
12	3340828	2	Pad, Wear	
13	4070967	2	Shim .05	
14	4070968	2	Shim .12	
15	0641607	10	Bolt 3/8 x 7/8	
16	0641608	4	Bolt 3/8 x 1	
17	0641609	4	Bolt 3/8 x 1-1/8	
18	0641610	12	Bolt 3/8 x 1-1/4	
19	0641615	8	Bolt 3/8 x 1-7/8	
20	0641616	8	Bolt 3/8 x 2	
21	4711600	6	Washer 3/8	
22	0100011	AR	Compound, Locking	
23	0100038	AR	Primer, Locking	
24	3340835	1	Pad, Boom Rest	
25	0641806	3	Bolt 1/2 x 3/4	
26	4071007	4	Shim 20Ga	

SECTION 4 - BOOM

FIGURE 4-4. JIB ASSEMBLY



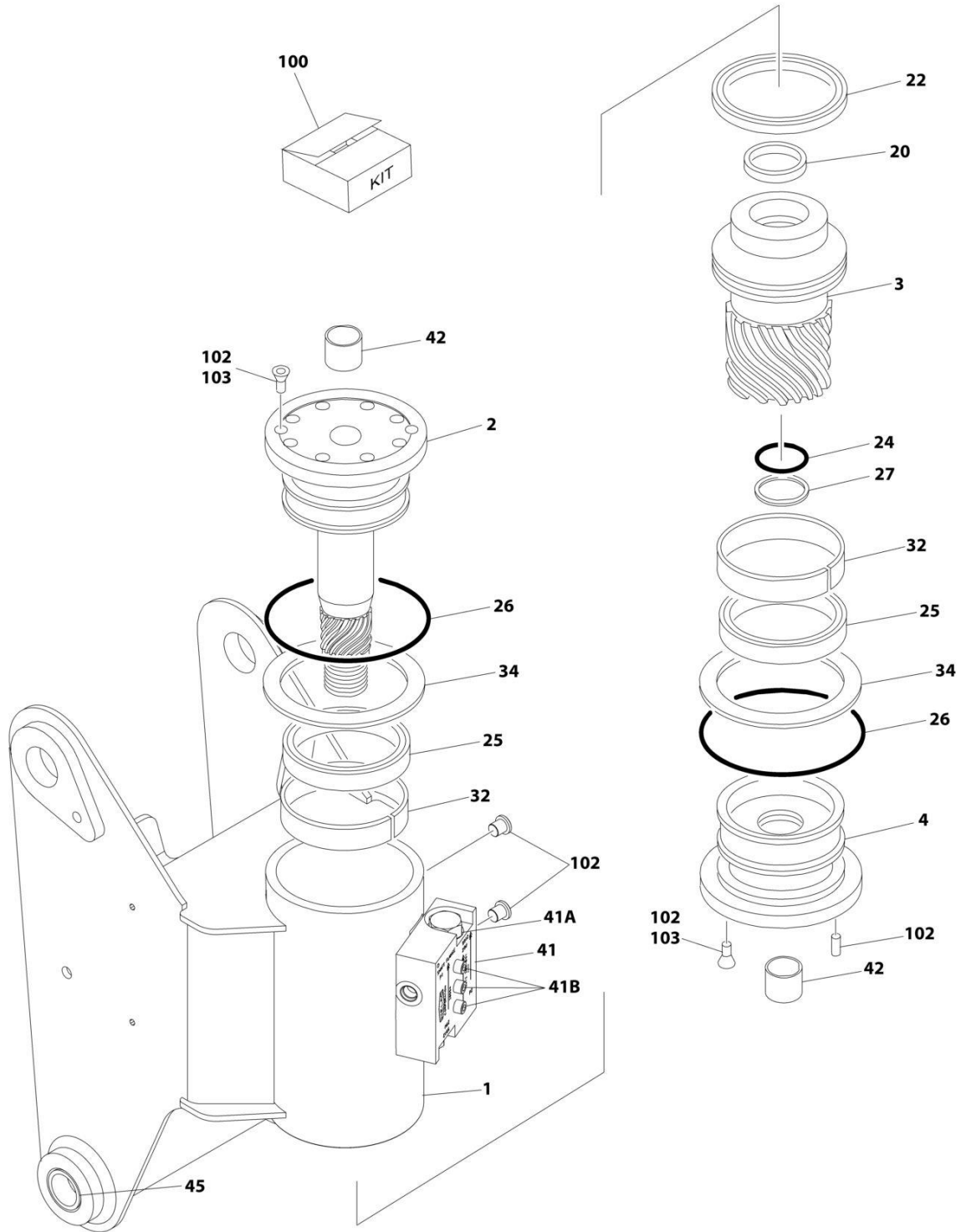
ART_1001238331_F

FIGURE 4-4. JIB ASSEMBLY

ITEM	PART NUMBER	QTY	DESCRIPTION	REV
	1001238331	Ref	JIB ASSEMBLY	F
1	0100011	AR	Compound, Locking	
2	0440237	2	Bearing	
3	0701020	4	Bolt M10 x 60	
4	0761012	2	Bolt M10 x 25	
5	0761015	1	Bolt M10 x 35	
6	1001134289	4	Bearing	
7	3291005	5	Nut M10	
8	3422867	1	Pin	
9	3841143	3	Keeper, Pin	
10	3422861	2	Pin	
11	1001264991	1	Cylinder Assembly - Jib (See Separate Breakdown in CYLINDER Section)	
12	4844817	2	Tube, Jib (Lower)	
13	1001234811	1	Rotator Assembly - Platform (See Separate Breakdown in this Section)	
14	1001238169	1	Pivot	
15	1001238333	1	Tube, Jib (Upper)	
16	1001238398	2	Pin	
17	0700624	4	Bolt M6 x 80	
18	1671034	1	Cover, JIB	
19	1001165350	2	Block, Clamp	

SECTION 4 - BOOM

FIGURE 4-5. ROTATOR ASSEMBLY



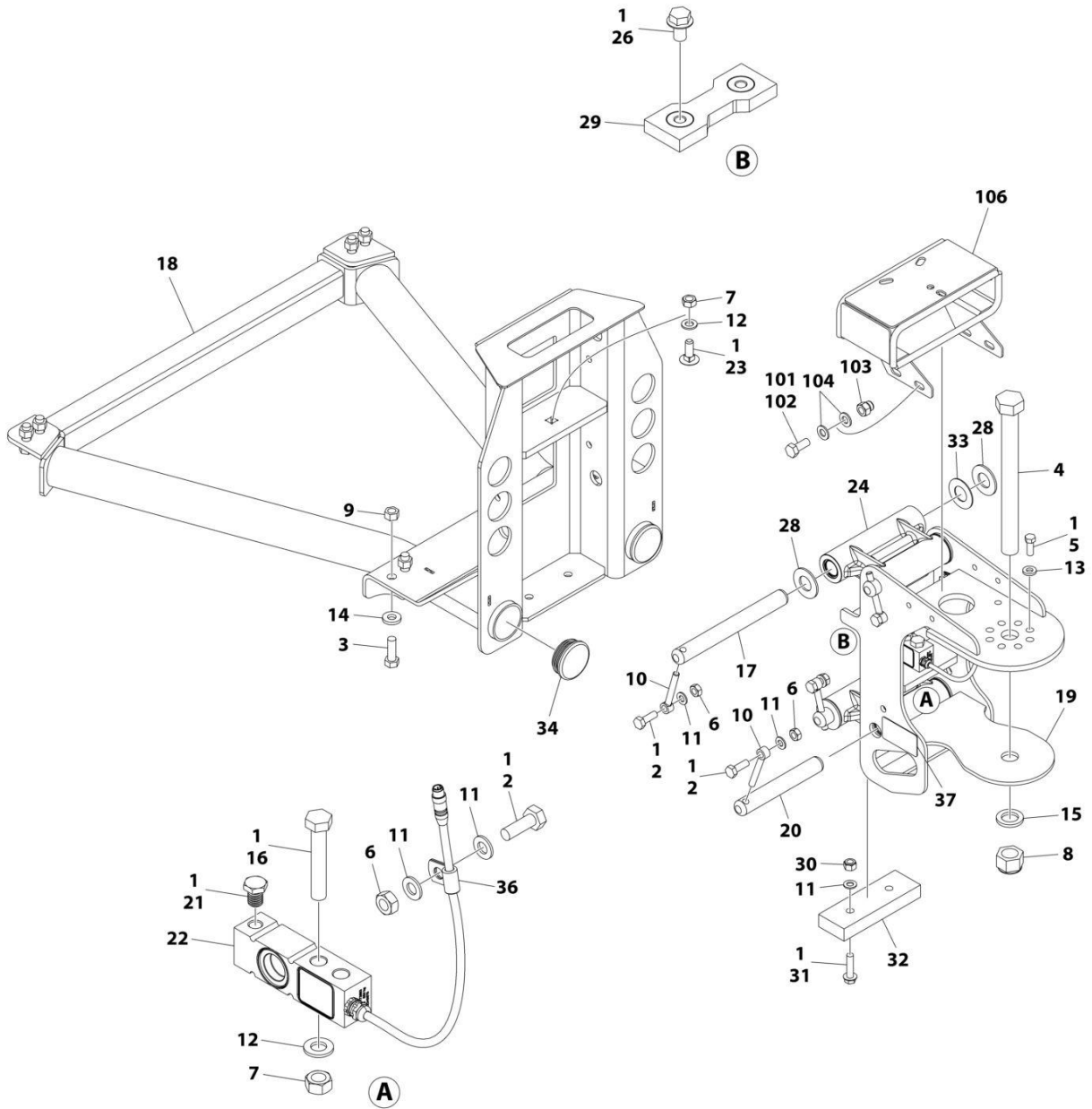
ART_1001234811

FIGURE 4-5. ROTATOR ASSEMBLY

ITEM	PART NUMBER	QTY	DESCRIPTION	REV
	1001234811	Ref	ROTATOR ASSEMBLY	B
1	See Note	NSS	Housing/Ring Gear Assembly (Note: Not Available - Purchase Complete Rotator Assembly)	
2	7017162	1	Shaft Weldment	
3	7017163	1	Piston/Sleeve Assembly	
4	7017164	1	Cap, End	
20	See Note	NSS	T-Seal (Note: Use Item 100)	
22	See Note	NSS	T-Seal (Note: Use Item 100)	
24	See Note	NSS	O-Ring (Note: Use Item 100)	
25	See Note	NSS	Seal (Note: Use Item 100)	
26	See Note	NSS	O-Ring (Note: Use Item 100)	
27	See Note	NSS	Ring, Back-up (Note: Use Item 100)	
32	See Note	NSS	Ring, Wear (Note: Use Item 101)	
34	See Note	NSS	Washer, Thrust (Note: Use Item 101)	
41	7017172	AR	Valve Assembly	
41A	7017192	2	Cartridge, Valve	
41A	See Note	NSS	Seal Kit - 7017192 Valve (Note: Not Available for Purchase)	
41B	See Note	3	Bolt 1/4-20NC x 1-1/2 Grade 8 (Note: Not Available - Purchase Locally)	
42	7017195	2	Bushing	
45	0961947	2	Bushing 1IN ID x 1.25IN OD x 5/8IN L	
45	1001134289	2	Bushing 1IN ID x 1.5IN OD x 1IN L	
100	70000342	1	Seal Kit (Includes Items 20, 22, 24, 25, 27 & 33)	
101	7017159	1	Bearing Kit (Includes Items 32 & 34)	
102	7017142	1	Hardware Kit	
103	70001697	4	Screw, Countersunk 1/4 x 3/8 Grade 8	

SECTION 4 - BOOM

FIGURE 4-6. SUPPORT, PLATFORM INSTALLATION



ART_1001167596

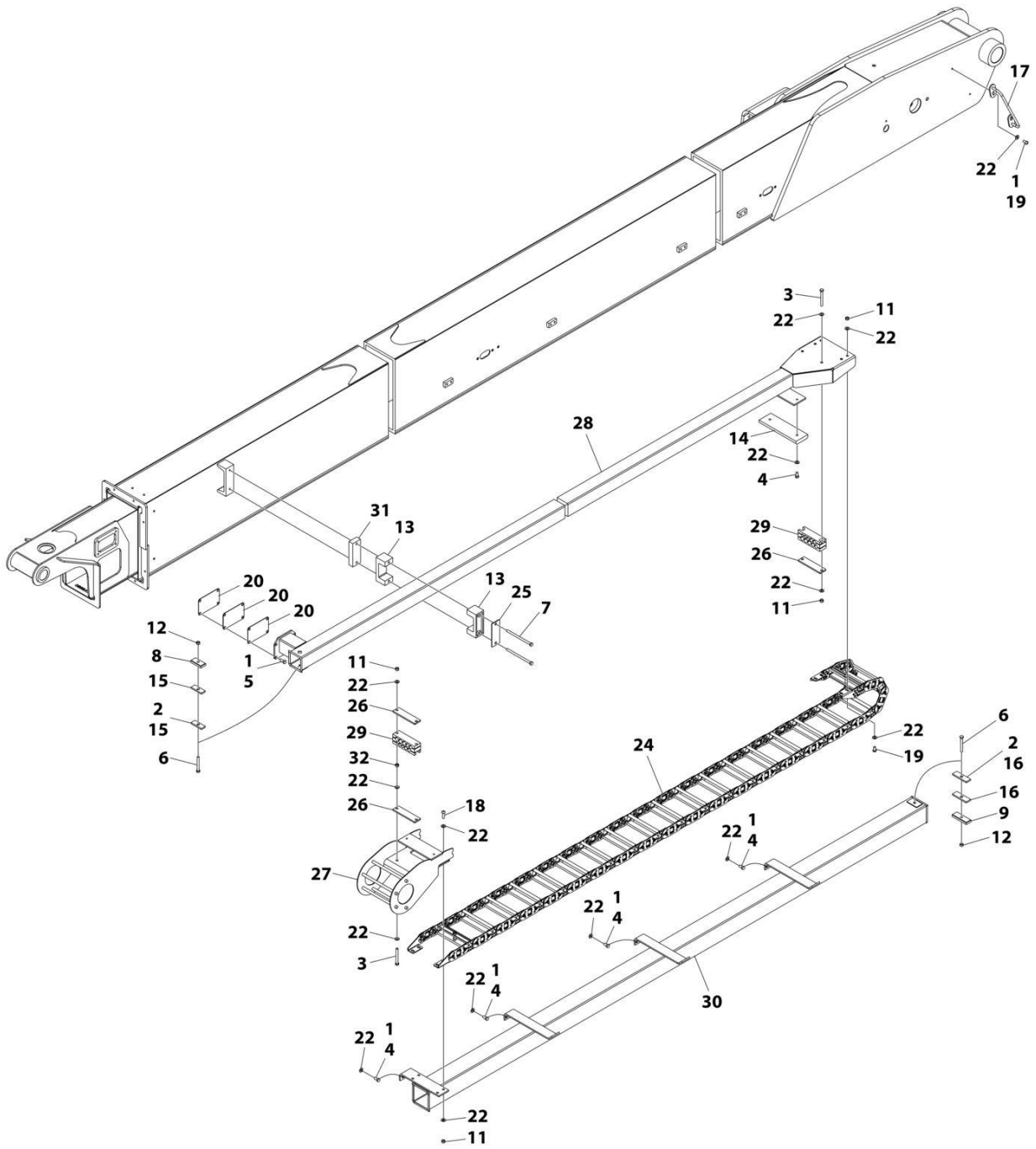
SECTION 4 - BOOM

FIGURE 4-6. SUPPORT, PLATFORM INSTALLATION

ITEM	PART NUMBER	QTY	DESCRIPTION	REV
	1001167596	Ref	PLATFORM SUPPORT INSTALLATION	N
1	0100011	AR	Compound, Locking	
2	0761014	5	Bolt M10 x 30	
3	0761216	8	Bolt M12 x 40	
4	1001255133	1	Bolt 1 x 11	
5	0681608	8	Bolt 3/8 x 1 GRD8	
6	3291001	5	Nut M10	
7	3291201	3	Nut M12	
8	1001174040	1	Nut 1	
9	3291205	8	Nut M12	
10	3841143	4	Keeper, Pin	
11	4812000	8	Washer M10	
12	4812100	3	Washer M12	
13	4891600	8	Washer 3/8	
14	5241200	8	Washer M12	
15	4892600001	1	Washer 1	
16	1001098828	2	Bolt M12 x 70 CL10.9	
17	1001167565	2	Pin	
18	1001200494	1	Support, Platform	
19	1001167567	1	Support, Rotator	
20	1001168402	2	Pin	
21	1001188622	1	Screw	
22	1001247468	1	Gauge, Load Sensing	
23	1001188844	1	Bolt M12 x 35	
24	1001201351	2	Link	
26	5251008	2	Bolt M10 x 16 CL10.9	
28	1001189002	8	Bearing	
29	1001190985	1	Pad, Wear	
30	3291005	2	Nut M10	
31	5251016	2	Bolt M10 x 40 CL10.9	
32	1001200491	1	Pad, Wear	
33	1001189001	4	Bearing	
34	1001204725	2	Plug	
36	91203039	1	Clamp	
37	1001216630	2	Decal - Tie Down/No Lift	
38	1001238421	Ref	Kit, Platform Leveling (Not Shown)	
	1001202687	Ref	VALVE MOUNT INSTALLATION	B
101	0100011	AR	Compound, Locking	
102	0760810	4	Bolt M8 x 20	
103	3290806	4	Nut M8	
104	4811900	8	Washer M8	
106	1001208994	1	Mount, Valve	

SECTION 4 - BOOM

FIGURE 4-7. POWER TRACK INSTALLATION - MAIN BOOM



ART_1001253658_C

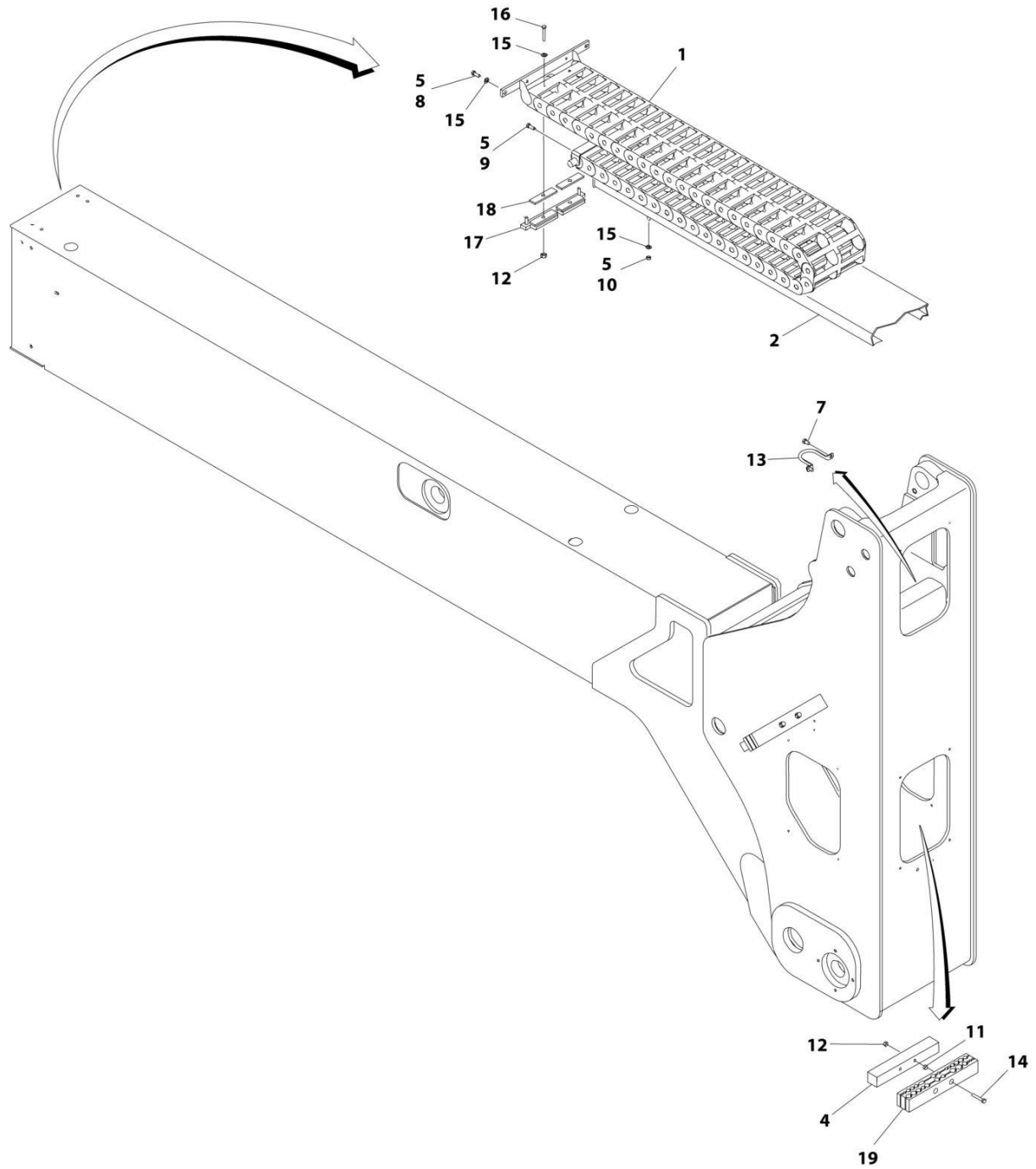
SECTION 4 - BOOM

FIGURE 4-7. POWER TRACK INSTALLATION - MAIN BOOM

ITEM	PART NUMBER	QTY	DESCRIPTION	REV
	1001253658	Ref	POWER TRACK INSTALLATION	C
1	0100011	AR	Compound, Locking	
2	0100081	AR	Adhesive	
3	0630593	4	Bolt 3/8 x 3-1/4	
4	0641606	10	Bolt 3/8 x 3/4	
5	0641607	4	Bolt 3/8 x 7/8	
6	0641624	2	Bolt 3/8 x 3	
7	0641648	2	Bolt 3/8 x 6	
8	1320288	1	Clamp	
9	1320289	1	Clamp	
11	3271605	12	Nut	
12	3311605	2	Nut 3/8	
13	3340764	2	Pad	
14	3340840	1	Pad	
15	3340941	2	Pad	
16	3340943	2	Pad, Rubber	
17	3841406	1	Loop, Hose	
18	3900232	4	Screw 3/8 x 1-1/4	
19	3900283	6	Screw 3/8 x 3/4	
20	4070969	3	Shim 16 Gauge	
22	4711600	38	Washer 3/8	
24	1001099837	1	Power Track Assembly	
24	70002013	1	Repair Section	
24	70002014	1	Mounting Kit	
25	1001136400	1	Plate. Backing	
26	1001249824	3	Plate	
27	1001250384	1	Mount	
28	1001253724	1	Push Tube	
29	1001253880	2	Clamp, Hose	
30	1001254317	1	Tube	
31	1001254632	1	Spacer	
32	3271601	1	Nut 3/8	

SECTION 4 - BOOM

FIGURE 4-8. POWER TRACK INSTALLATION - TOWER BOOM



ART_1001261274

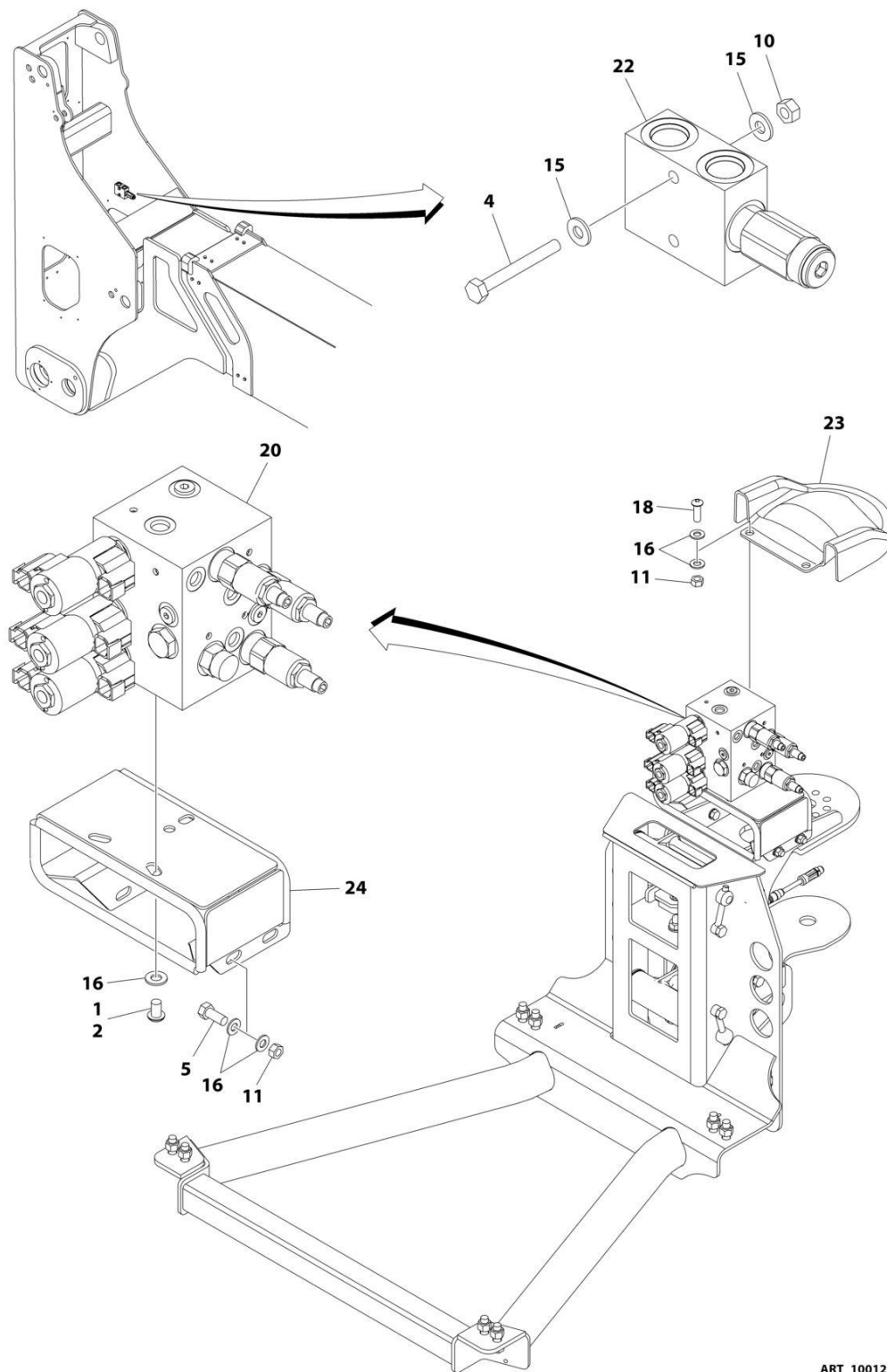
SECTION 4 - BOOM

FIGURE 4-8. POWER TRACK INSTALLATION - TOWER BOOM

ITEM	PART NUMBER	QTY	DESCRIPTION	REV
	1001261274	Ref	POWER TRACK INSTALLATION	B
1	1180346	1	Track, Power	
1	7020064	1	Bracket, End (Moving)	
1	7020065	1	Bracket, End (Fixed)	
1	7020066	1	Section, Repair	
1	7020067	1	Link, Repair	
2	4845680	1	Tube, Hose	
4	1320250	2	Bar	
5	0100011	AR	Compound, Locking	
7	0641605	2	Bolt 3/8 x 5/8	
8	0641606	2	Bolt 3/8 x 3/4	
9	0641622	2	Bolt 3/8 x 2-3/4	
10	3311601	4	Nut 3/8	
11	3311602	4	Nut 3/8	
12	3311605	6	Nut 3/8	
13	3841340	1	Rod, Hose Loop	
14	3900262	4	Bolt 3/8 x 4-3/4	
15	4711600	8	Washer 3/8	
16	0641624	2	Bolt 3/8 x 3	
17	0259420	1	Clamp	
18	3340859	2	Pad	
19	1001261272	2	Clamp, Block	

SECTION 4 - BOOM

FIGURE 4-9. CONTROL VALVES INSTALLATION - WITH 2WS



ART_1001260277_20F2

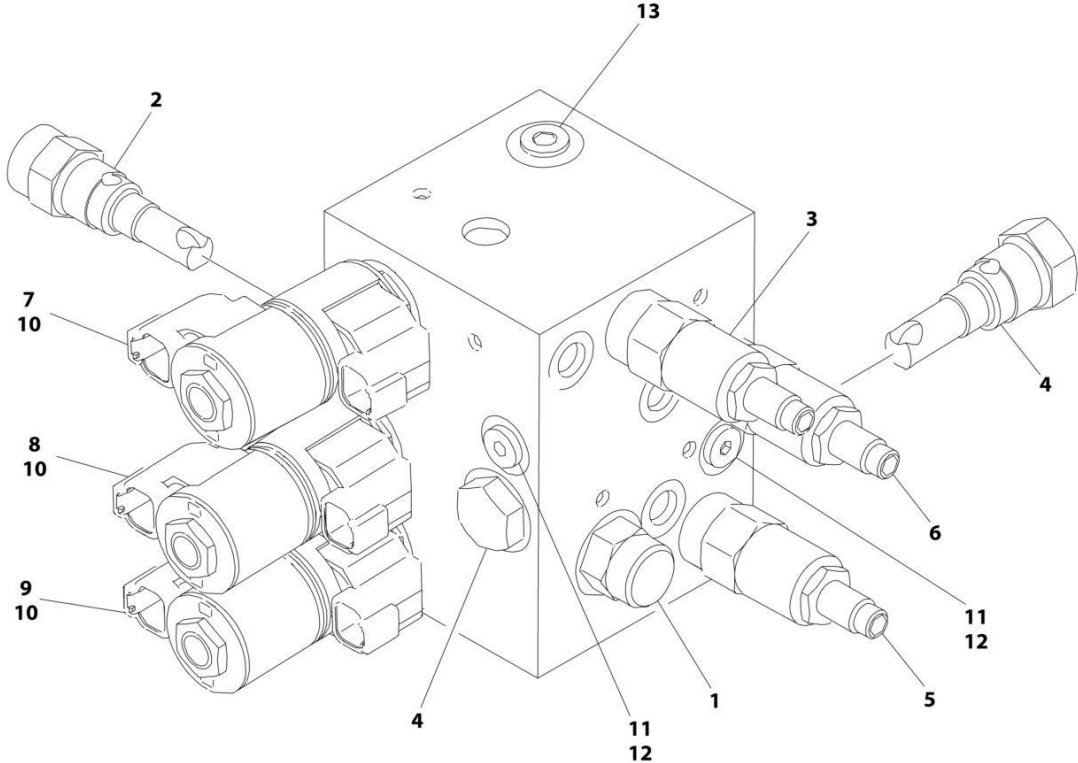
SECTION 4 - BOOM

FIGURE 4-9. CONTROL VALVES INSTALLATION - WITH 2WS

ITEM	PART NUMBER	QTY	DESCRIPTION	REV
	1001260277	Ref	BOOM VALVES INSTALLATION	A
1	0100011	AR	Compound, Locking	
2	0630467	3	Screw 5/16 x 1/2	
4	0641418	4	Bolt 1/4 x 2-1/4	
5	0641507	4	Bolt 5/16 x 7/8	
10	3311405	2	Nut 1/4	
11	3311505	6	Nut 5/16	
15	4711400	11	Washer 1/4	
16	4711500	15	Washer 5/16	
18	88261024	2	Capscrew 5/16 x 1	
20	1001253677	1	Boom Valve Assembly (See Separate Breakdown in this Section)	
22	1001200054	1	Valve Assembly (Relief)	
22	7012970	1	Cartridge, Valve	
22	7012953	1	Seal Kit - 7012970 Valve	
23	1001207969	1	Cover	
24	1001208994	1	Mount	

SECTION 4 - BOOM

FIGURE 4-10. CONTROL VALVE ASSEMBLY



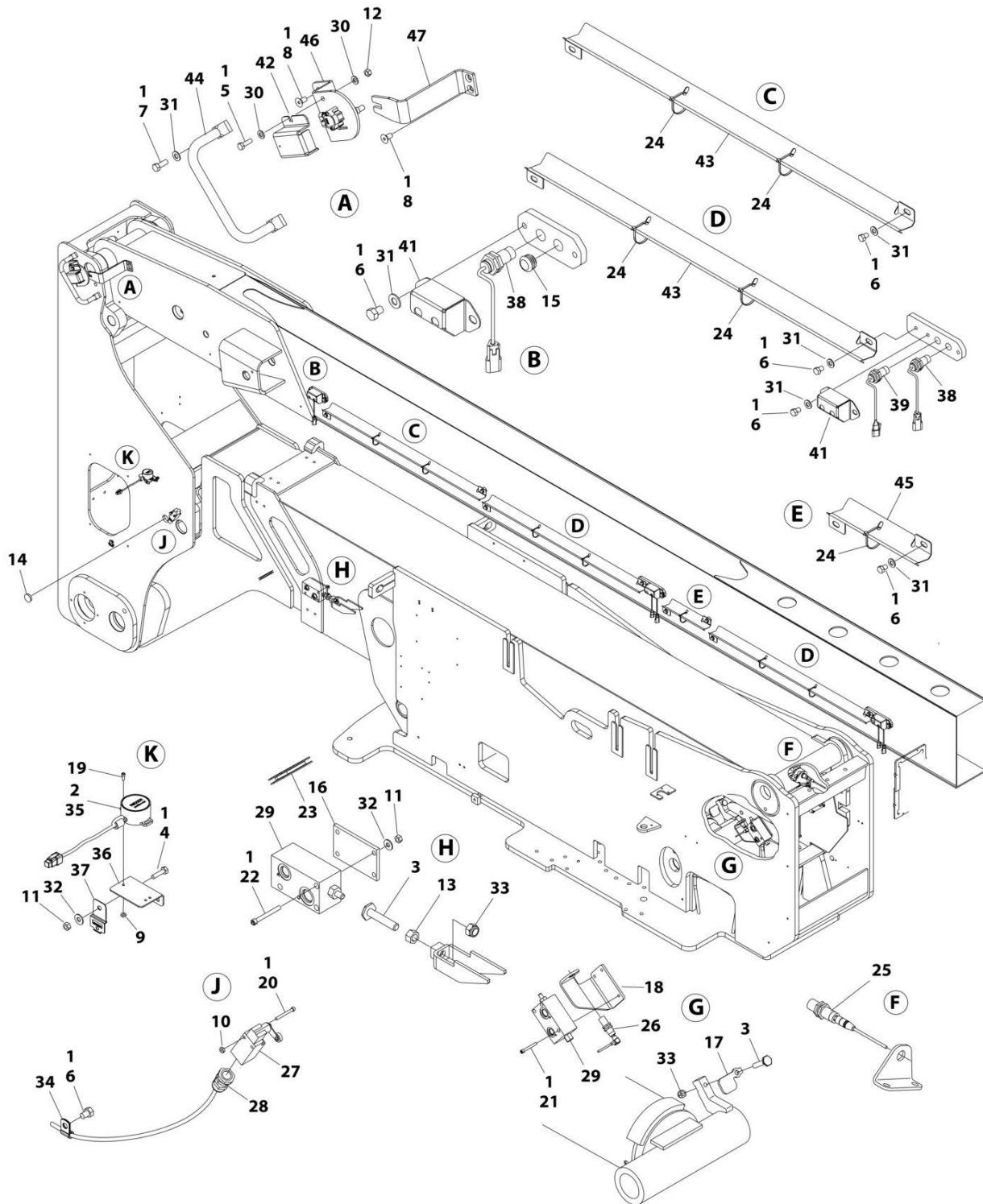
ART_1001253677

FIGURE 4-10. CONTROL VALVE ASSEMBLY

ITEM	PART NUMBER	QTY	DESCRIPTION	REV
	1001253677	Ref	BOOM VALVE ASSEMBLY	B
1	7012989	1	Valve, Flow	
1	7012953	1	Seal Kit - 7012989 Valve	
2	7012965	1	Valve, Flow	
2	7012953	1	Seal Kit - 7012965 Valve	
3	70004151	1	Valve, Relief	
3	7021653	1	Seal Kit - 70003962 Valve	
4	7012914	2	Valve, Cartridge	
4	7012918	2	Seal Kit - 7012914 Valve	
5	7023911	1	Valve, Relief	
5	7012967	1	Seal Kit - 7023911 Valve	
6	70007446	1	Valve, Relief	
6	7012998	1	Seal Kit - 70007446 Valve	
7	7017452	1	Valve, Solenoid (Jib)	
7	7017402	2	Seal Kit - 7017452 Valve	
8	7017452	1	Valve, Solenoid (Platform Level)	
8	7017402	1	Seal Kit - 7017452 Valve	
9	7017452	1	Valve, Solenoid (Rotator)	
9	7017402	2	Seal Kit - 7017452 Valve	
10	70002386	6	Coil	
11	70002064	2	Plug, Orifice	
12	2220883	2	Plug	
13	91164079	1	Plug	

SECTION 4 - BOOM

FIGURE 4-11. BOOM VALVES AND PROXIMITY SWITCHES INSTALLATION



ART_1001253789

SECTION 4 - BOOM

FIGURE 4-11. BOOM VALVES AND PROXIMITY SWITCHES INSTALLATION

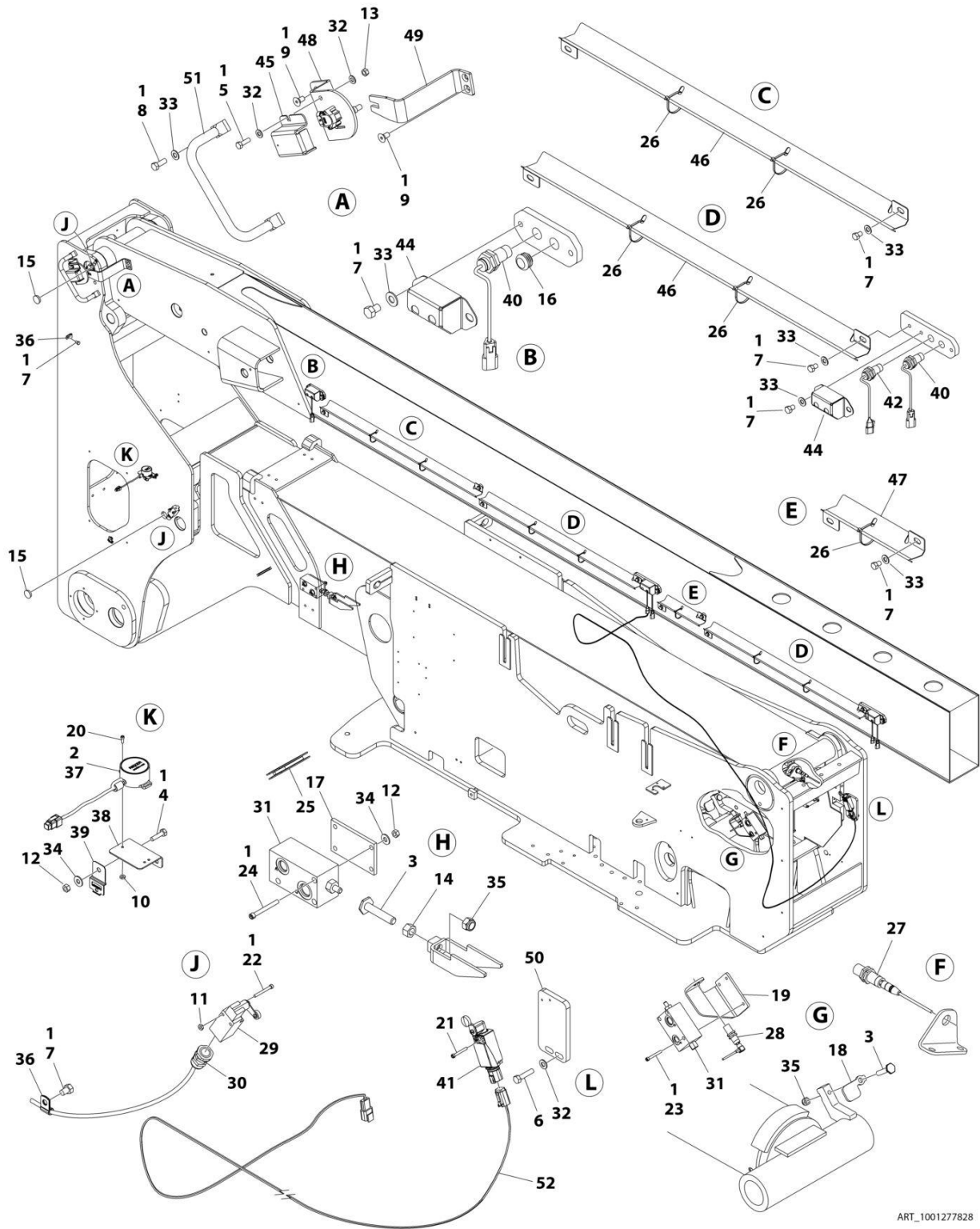
ITEM	PART NUMBER	QTY	DESCRIPTION	REV
	1001253789	Ref	BOOM VALVE AND LIMIT SWITCHES INSTALLATION	D
1	0100011	AR	Compound, Locking	
2	0100048	AR	Grease	
3	0630427	2	Bolt	
4	0641408	2	Capscrew 1/4 x 1	
5	0641508	1	Capscrew 5/16 x 1	
6	0641604	15	Bolt 3/8 x 1/2	
7	0641608	2	Bolt 3/8 x 1	
8	0741606	4	Bolt 3/8 x 3/4	
9	3310605	3	Nut 6	
10	3310801	2	Nut #8	
11	3311405	AR	Nut 1/4	
12	3311501	1	Nut 5/16	
13	3311801	1	Nut 1/2	
14	3520035	1	Plug	
15	3520193	1	Plug	
16	3570928	1	Plate, Spacer	
17	3572606	1	Plate, Switch Target	
18	3572607	1	Plate, Switch Mount	
19	3930606	3	Capscrew #6 x 3/8	
20	3930824	2	Capscrew #8 x 1-1/2	
21	3931432	3	Capscrew 1/4 x 2	
22	3931436	3	Capscrew 1/4 x 2-1/4	
23	4060805	7 in/25cm	Trim	
24	4240033	7	Tie, Cable	
25	4360498	1	Switch, Proximity	
26	4360499	1	Switch, Proximity	
27	4360578	1	Switch, Limit	
28	4460968	1	Connector, Strain Relief	
29	4641435	2	Valve, Switch	
29	7011342	1	Valve, Check	
29	7011333	1	Seal Kit - 7011342 Valve	
30	4711500	2	Washer 5/16	
31	4711600	16	Washer 3/8	
32	4751400	AR	Washer 1/4	
33	88521008	2	Nut 1/2	
34	91203039	1	Clamp	
35	1001094400	1	Sensor, Dual Axis	
36	1001096736	1	Bracket, Tilt Sensor	
37	1001153749	1	Clip	
38	1001170847	3	Sensor, Proximity	
39	1001182570	2	Sensor, Proximity	
40	1001200497	1	Connector (Not Shown)	
41	1001204715	3	Bracket	
42	1001211588	1	Shield, Angle Sensor	
43	1001247453	3	Angle, Cable	
44	1001263612	1	Bar, Guard	
45	1001250531	1	Plate, Cable Cover	
46	1001255880	1	Sensor, Boom Angle	
46	1001204939	1	Sensor, Angle	

SECTION 4 - BOOM

ITEM	PART NUMBER	QTY	DESCRIPTION	REV
46	3930820	2	Capscrew #8x1-1/4 (Sensor Screw)	
46	1001211582	1	Arm/Link	
46	4010303	1	Screw M3x6 (Arm Screw)	
47	1001255882	1	Plate, Sensor	

SECTION 4 - BOOM

FIGURE 4-12. BOOM VALVES AND PROXIMITY SWITCHES INSTALLATION WITH TOWER STOW



ART_1001277828

SECTION 4 - BOOM

FIGURE 4-12. BOOM VALVES AND PROXIMITY SWITCHES INSTALLATION WITH TOWER STOW

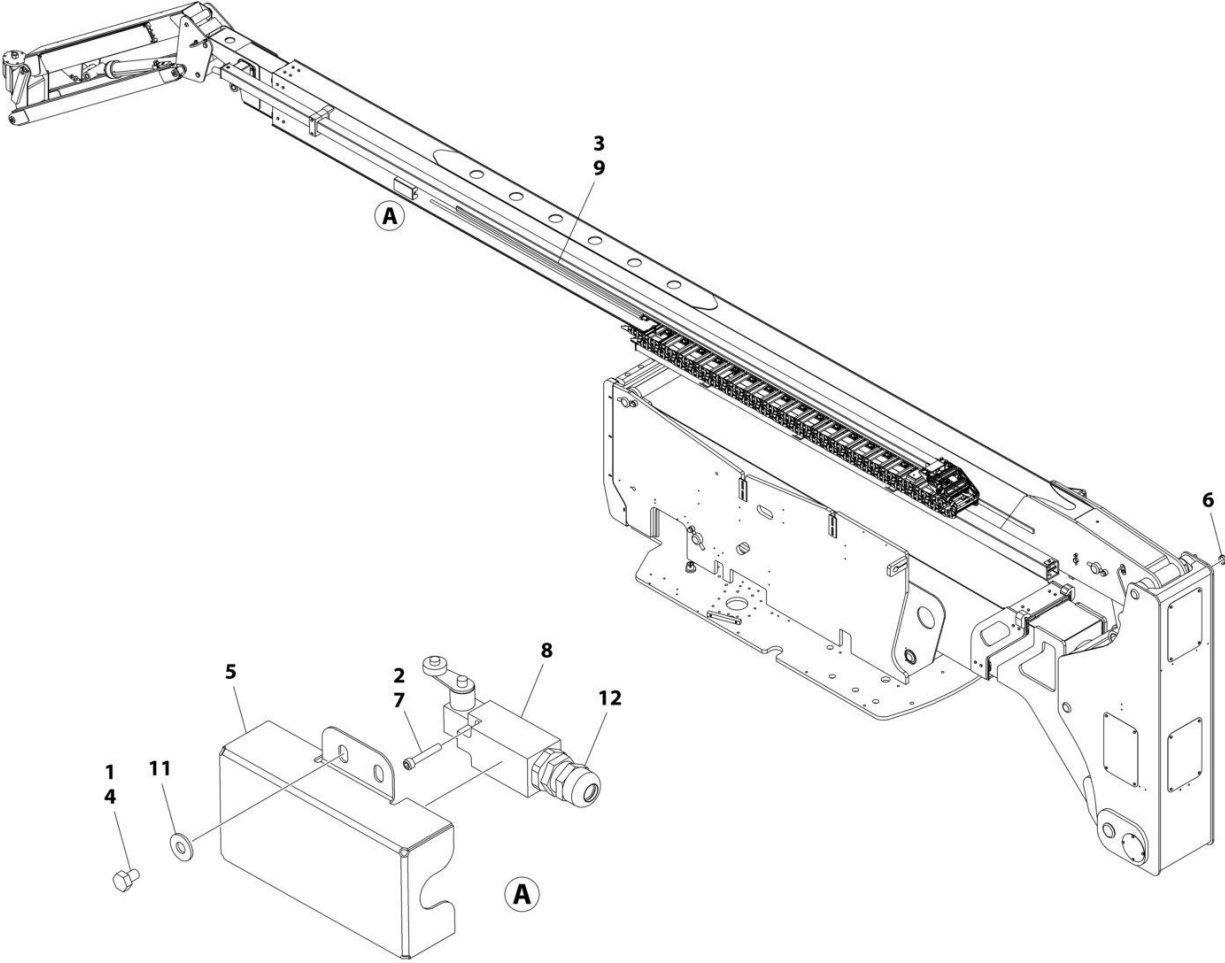
ITEM	PART NUMBER	QTY	DESCRIPTION	REV
	1001277828	Ref	BOOM VALVE AND LIMIT SWITCHES INSTALLATION	A
1	0100011	AR	Compound, Locking	
2	0100048	AR	Grease	
3	0630427	2	Bolt	
4	0641408	2	Capscrew 1/4 x 1	
5	0641508	1	Capscrew 5/16 x 1	
6	0641511	2	Bolt 5/16 x 1-3/8	
7	0641604	16	Bolt 3/8 x 1/2	
8	0641608	2	Bolt 3/8 x 1	
9	0741606	4	Bolt 3/8 x 3/4	
10	3310605	3	Nut 6	
11	3310801	4	Nut #8	
12	3311405	5	Nut 1/4	
13	3311501	1	Nut 5/16	
14	3311801	1	Nut 1/2	
15	3520035	2	Plug	
16	3520193	1	Plug	
17	3570928	1	Plate, Spacer	
18	3572606	1	Plate, Switch Target	
19	3572607	1	Plate, Switch Mount	
20	3930606	3	Capscrew #6 x 3/8	
21	3930820	2	Capscrew #8 x 1-1/4 (Sensor Screw)	
22	3930824	4	Capscrew #8 x 1-1/2	
23	3931432	3	Capscrew 1/4 x 2	
24	3931436	3	Capscrew 1/4 x 2-1/4	
25	4060805	7 in/25cm	Trim	
26	4240033	7	Tie, Cable	
27	4360498	1	Switch, Proximity	
28	4360499	1	Switch, Proximity	
29	4360578	2	Switch, Limit	
30	4460968	2	Connector, Strain Relief	
31	4641435	2	Valve, Switch	
31	7011342	1	Valve, Check	
31	7011333	1	Seal Kit - 7011342 Valve	
32	4711500	4	Washer 5/16	
33	4711600	16	Washer 3/8	
34	4751400	5	Washer 1/4	
35	88521008	2	Nut 1/2	
36	91203039	2	Clamp	
37	1001094400	1	Sensor, Dual Axis	
38	1001096736	1	Bracket, Tilt Sensor	
39	1001153749	1	Clip	
40	1001170847	3	Sensor, Proximity	
41	1001172271	1	Switch, Limit	
42	1001182570	2	Sensor, Proximity	
43	1001200497	1	Connector (Not Shown)	
44	1001204715	3	Bracket	
45	1001211588	1	Shield, Angle Sensor	
46	1001247453	3	Angle, Cable	
47	1001250531	1	Plate, Cable Cover	

SECTION 4 - BOOM

ITEM	PART NUMBER	QTY	DESCRIPTION	REV
48	1001255880	1	Sensor, Boom Angle	
48	1001204939	1	Sensor, Angle	
48	3930820	2	Capscrew #8x1-1/4 (Sensor Screw)	
48	1001211582	1	Arm/Link	
48	4010303	1	Screw M3x6 (Arm Screw)	
49	1001255882	1	Plate, Sensor	
50	1001260475	1	Bracket	
51	1001263612	1	Bar, Guard	
52	1001266829	1	Harness, Tower Stow (See Separate Breakdown in ELECTRICAL Section)	

SECTION 4 - BOOM

FIGURE 4-13. TRANSPORT POSITION SWITCH INSTALLATION



ART_0258567

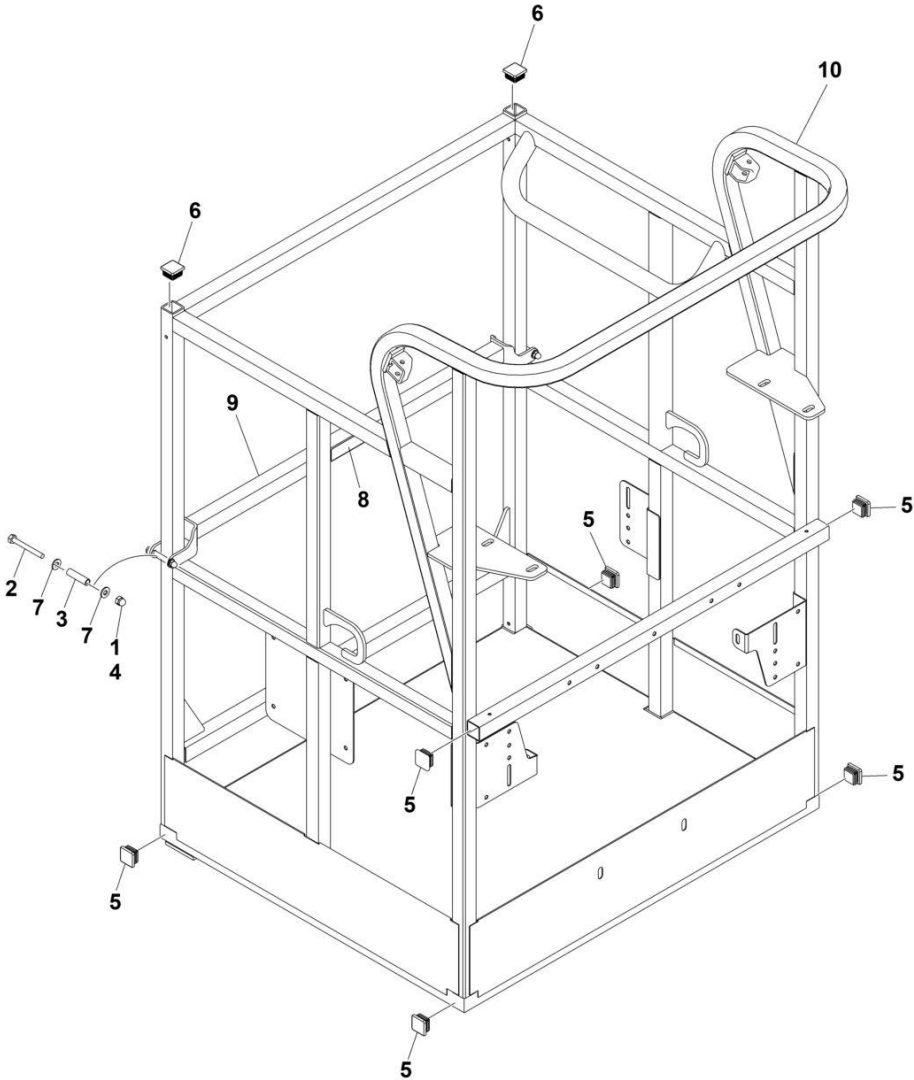
FIGURE 4-13. TRANSPORT POSITION SWITCH INSTALLATION

ITEM	PART NUMBER	QTY	DESCRIPTION	REV
	0258567	Ref	TRANSPORT POSITION SWITCH INSTALLATION	F
1	0100011	AR	Compound, Locking	
2	0100035	AR	Compound, Locking	
3	1001106481	1	Bar, Fiberglass	
4	0641403	4	Bolt 1/4 x 3/8	
5	3380535	1	Cover, Switch	
6	3520035	1	Plug, Cap	
7	3930816	2	Capscrew #8 x 1	
8	4360578	1	Switch, Limit	
9	4420060	AR	Tape	
11	4751400	4	Washer 1/4	
12	4460968	1	Connector, Strain Relief	

SECTION 5 - PLATFORM

SECTION 5 - PLATFORM

FIGURE 5-1. PLATFORM ASSEMBLY WITH DROP-BAR - 30IN X 3FT (76CM X 1M)



ART_1001228215

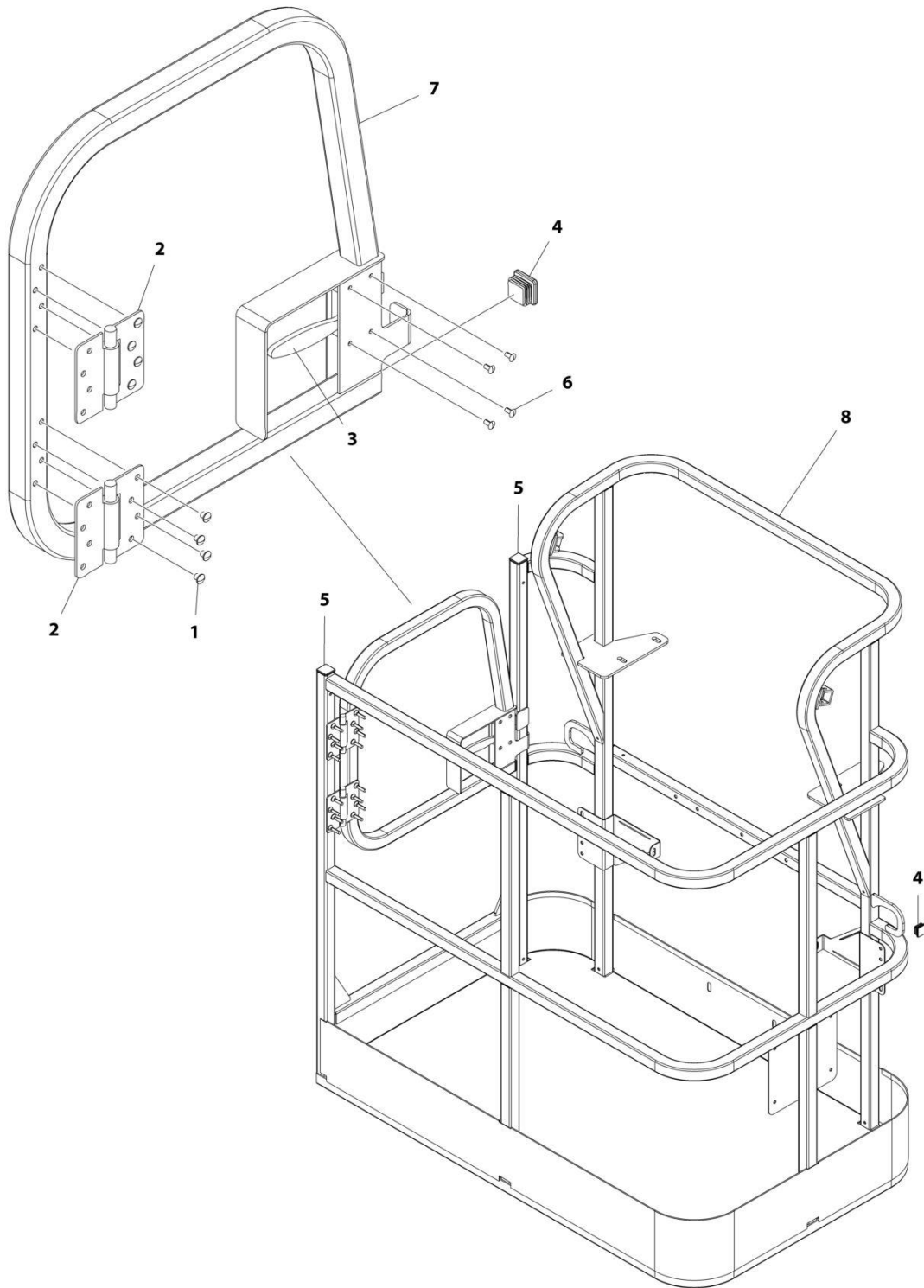
SECTION 5 - PLATFORM

FIGURE 5-1. PLATFORM ASSEMBLY WITH DROP-BAR - 30IN X 3FT (76CM X 1M)

ITEM	PART NUMBER	QTY	DESCRIPTION	REV
	1001228215	Ref	PLATFORM ASSEMBLY	A
	See Note	Ref	Note: Platform and Mesh must be ordered separately for Platforms with Mesh. See SPECIAL OPTIONS SECTION for Mesh Installations.	
	See Note	Ref	Note: Replacement Decals Must be Ordered Separately - See DECAL SECTION.	
1	0100011	AR	Compound, Locking	
2	0641418	2	Bolt 1/4 x 2-1/4	
3	0961845	2	Bushing	
4	3300151	2	Nut 1/4	
5	3520072	6	Cap, Plug	
6	3520198	2	Cap, Plug	
7	4711400	4	Washer 1/4	
8	1001140429	1	Decal - Drop Bar	
9	1001226872	1	Bar, Drop	
10	See Note	NSS	Platform (Note: Not Available - Purchase Platform Assembly)	

SECTION 5 - PLATFORM

FIGURE 5-2. PLATFORM ASSEMBLY WITH GATE - 30IN X 4FT (76CM X 1.22M)



ART_1001186387

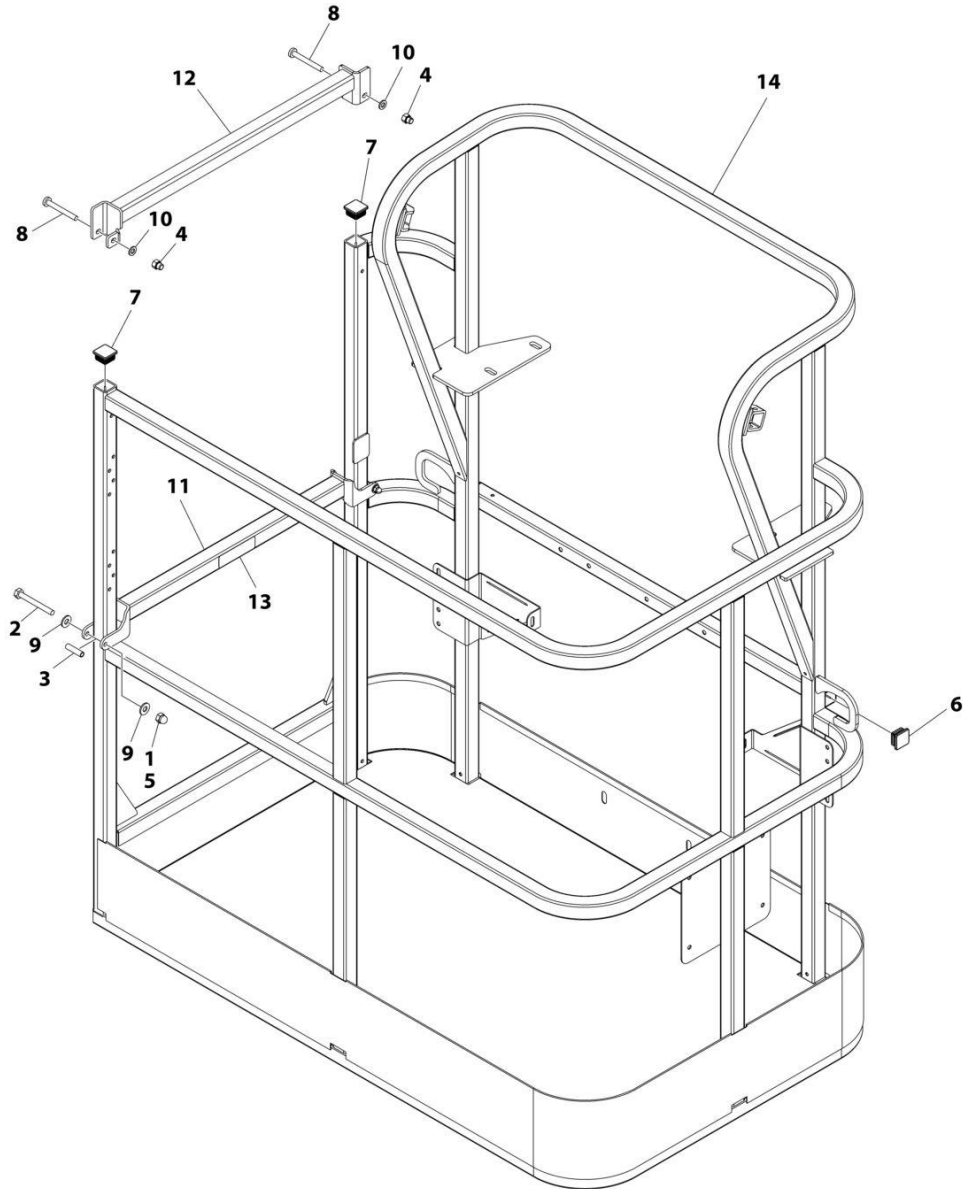
SECTION 5 - PLATFORM

FIGURE 5-2. PLATFORM ASSEMBLY WITH GATE - 30IN X 4FT (76CM X 1.22M)

ITEM	PART NUMBER	QTY	DESCRIPTION	REV
	1001186387	Ref	PLATFORM ASSEMBLY	C
		Ref	Note: Platform and Mesh must be ordered separately for Platforms with Mesh. See SPECIAL OPTIONS SECTION for Mesh Installations.	
		Ref	Note: Replacement Decals Must be Ordered Separately - See DECALS SECTION.	
1	2080040	16	Fastener, Huck	
2	2600281	2	Hinge, Self-Closing	
3	2940074	1	Latch	
4	3520072	3	Plug	
5	3520198	2	Plug	
6	3820020	4	Rivet	
7	1001144629	1	Gate	
8	See Note	1	Platform (Note: Not Available - Purchase Platform Assembly)	

SECTION 5 - PLATFORM

FIGURE 5-3. PLATFORM ASSEMBLY WITH DROP-BAR - 30IN X 4FT (76CM X 1.22M)



ART_1001186375

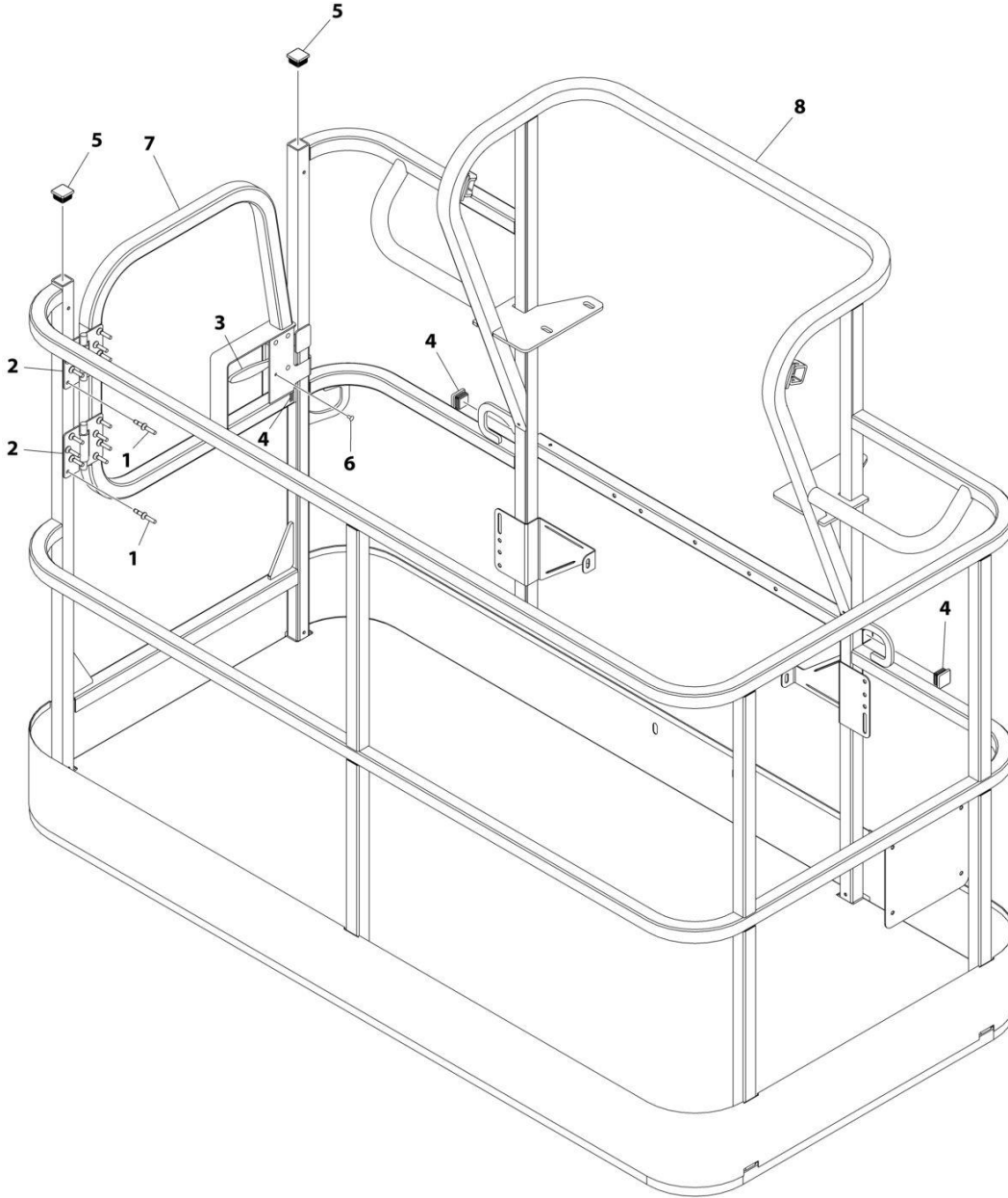
SECTION 5 - PLATFORM

FIGURE 5-3. PLATFORM ASSEMBLY WITH DROP-BAR - 30IN X 4FT (76CM X 1.22M)

ITEM	PART NUMBER	QTY	DESCRIPTION	REV
	1001186375	Ref	PLATFORM ASSEMBLY	B
		Ref	Note: Platform and Mesh must be ordered separately for Platforms with Mesh. See SPECIAL OPTIONS SECTION for Mesh Installations.	
		Ref	Note: Replacement Decals Must be Ordered Separately - See DECALS SECTION.	
1	0100011	AR	Compound, Locking	
2	0641418	2	Bolt 1/4 x 2-1/4	
3	0961845	2	Bushing	
4	3290606	2	Nut M6	
5	3300151	2	Nut 1/4	
6	3520072	2	Plug	
7	3520198	2	Plug	
8	4010618	2	Screw M6 x 50	
9	4711400	4	Washer 1/4	
10	4811700	2	Washer M6	
11	1001138494	1	Bar, Drop	
12	1001138514	1	Rail - Top	
13	1001140429	1	Decal - Drop Bar	
14	See Note	1	Platform (Note: Not Available - Purchase Platform Assembly)	

SECTION 5 - PLATFORM

FIGURE 5-4. PLATFORM ASSEMBLY WITH GATE - 30IN X 6FT (76CM X 1.83M)



ART_1001186385

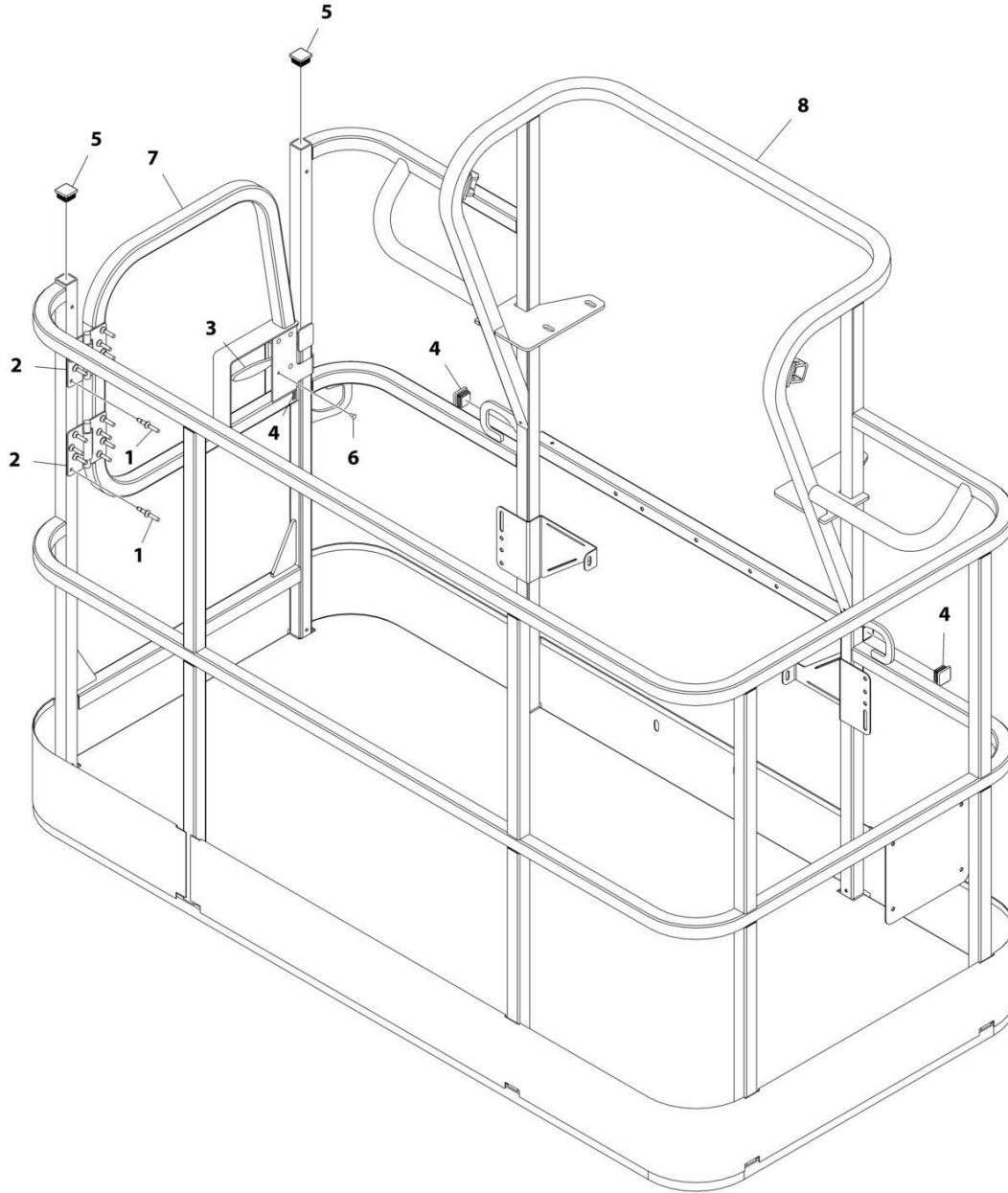
SECTION 5 - PLATFORM

FIGURE 5-4. PLATFORM ASSEMBLY WITH GATE - 30IN X 6FT (76CM X 1.83M)

ITEM	PART NUMBER	QTY	DESCRIPTION	REV
	1001186385	Ref	PLATFORM ASSEMBLY	D
		Ref	Note: Platform and Mesh must be ordered separately for Platforms with Mesh. See SPECIAL OPTIONS SECTION for Mesh Installations.	
		Ref	Note: Replacement Decals Must be Ordered Separately - See DECALS SECTION.	
1	2080040	16	Fastener, Huck	
2	2600281	2	Hinge	
3	2940074	1	Latch	
4	3520072	3	Plug	
5	3520198	2	Plug	
6	3820020	4	Rivet	
7	1001144629	1	Gate	
8	See Note	NSS	Platform (Note: Not Available - Purchase Platform Assembly)	

SECTION 5 - PLATFORM

FIGURE 5-5. PLATFORM ASSEMBLY WITH GATE- 36IN X 6FT (91.5CM X 1.83M)



ART_1001186384

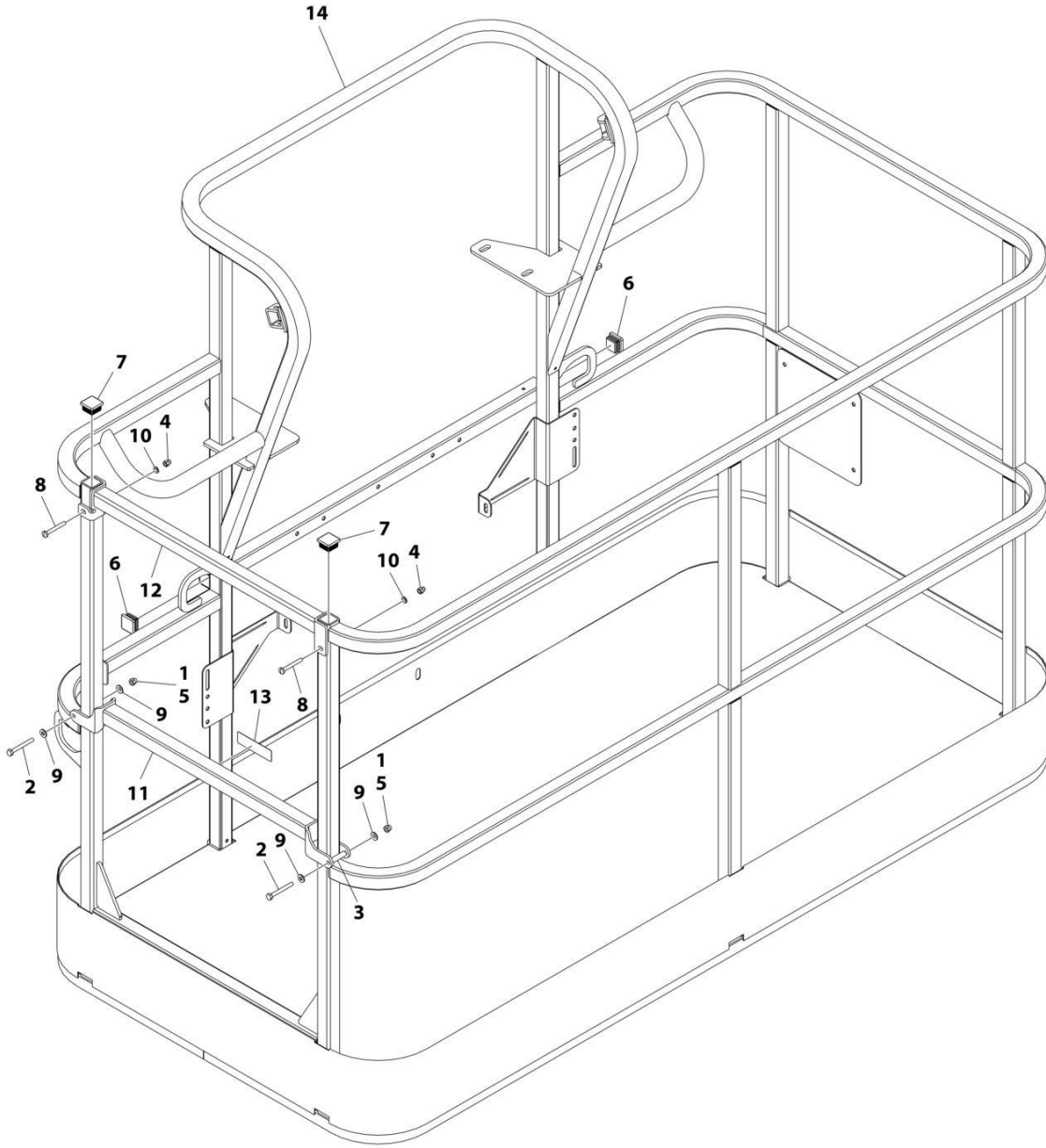
SECTION 5 - PLATFORM

FIGURE 5-5. PLATFORM ASSEMBLY WITH GATE- 36IN X 6FT (91.5CM X 1.83M)

ITEM	PART NUMBER	QTY	DESCRIPTION	REV
	1001186384	Ref	PLATFORM ASSEMBLY - 36IN X 6FT (91.5CM X 1.83M) WITH SWING GATE	C
	See Note	Ref	Note: Platform and Mesh must be ordered separately for Platforms with Mesh. See SPECIAL OPTIONS SECTION for Mesh Installations.	
	See Note	Ref	Note: Replacement Decals Must be Ordered Separately - See DECALS SECTION.	
1	2080040	16	Fastener, Huck	
2	2600281	2	Hinge	
3	2940074	1	Latch	
4	3520072	3	Plug	
5	3520198	2	Plug	
6	3820020	4	Rivet	
7	1001144629	1	Gate	
8	See Note	NSS	Platform (Note: Not Available - Purchase Platform Assembly)	

SECTION 5 - PLATFORM

FIGURE 5-6. PLATFORM ASSEMBLY WITH DROP-BAR - 30IN X 6FT (76CM X 1.83M)



ART_1001186378

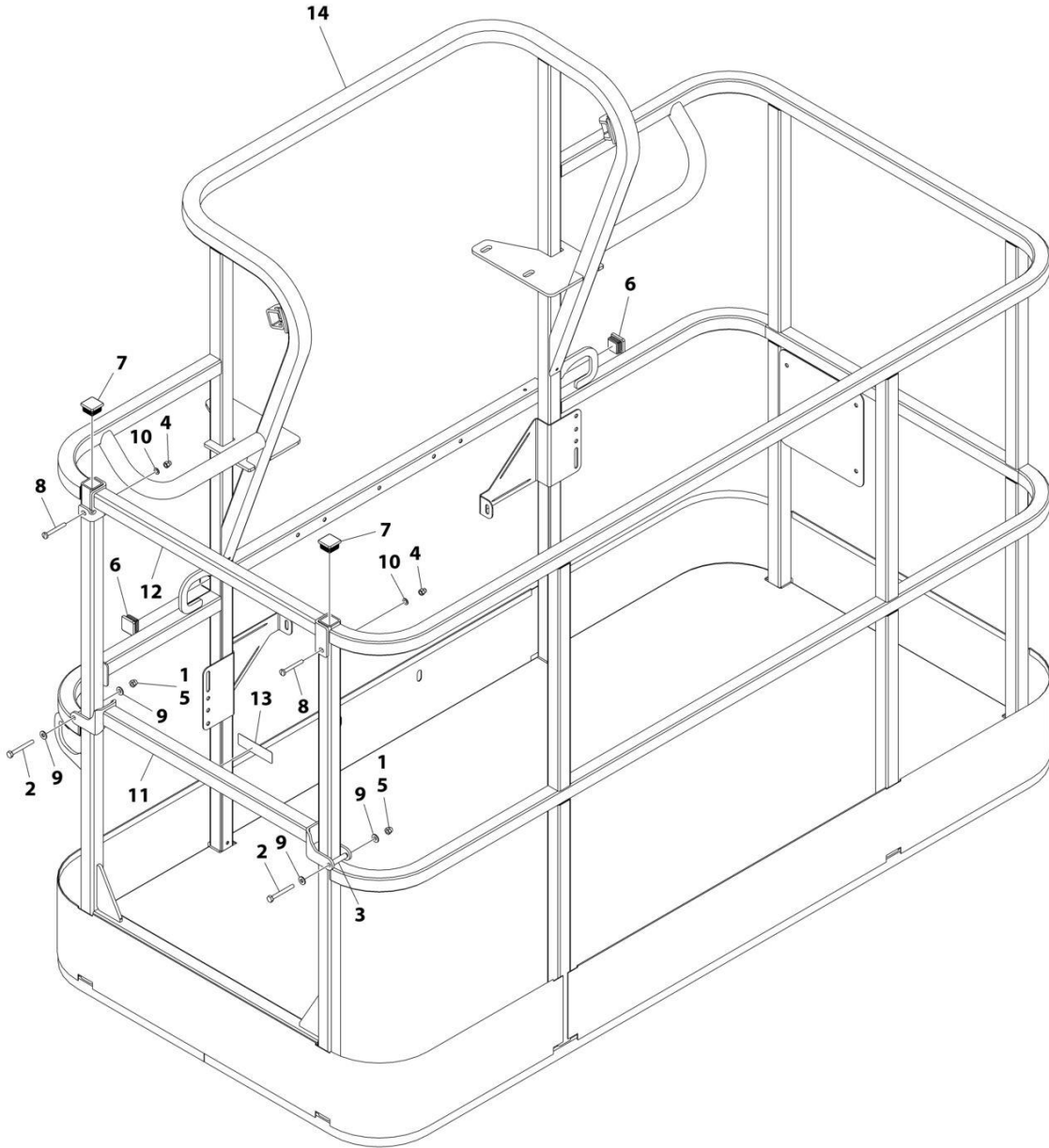
SECTION 5 - PLATFORM

FIGURE 5-6. PLATFORM ASSEMBLY WITH DROP-BAR - 30IN X 6FT (76CM X 1.83M)

ITEM	PART NUMBER	QTY	DESCRIPTION	REV
	1001186378	Ref	PLATFORM ASSEMBLY	C
		Ref	Note: Platform and Mesh must be ordered separately for Platforms with Mesh. See SPECIAL OPTIONS SECTION for Mesh Installations.	
		Ref	Note: Replacement Decals Must be Ordered Separately - See DECALS SECTION.	
1	0100011	AR	Compound, Locking	
2	0641418	2	Bolt 1/4 x 2-1/4	
3	0961845	2	Bushing	
4	3290606	2	Nut M6	
5	3300151	2	Nut 1/4	
6	3520072	2	Plug	
7	3520198	2	Plug	
8	4010618	2	Screw M6 x 50	
9	4711400	4	Washer 1/4	
10	4811700	2	Washer M6	
11	1001138494	1	Bar, Drop	
12	1001138514	1	Rail (Top)	
13	1001140429	1	Decal - Drop Bar	
14	See Note	NSS	Platform (Note: Not Available - Purchase Platform Assembly)	

SECTION 5 - PLATFORM

FIGURE 5-7. PLATFORM ASSEMBLY WITH DROP-BAR - 36IN X 6FT (91.5CM X 1.83M)



ART_1001186379

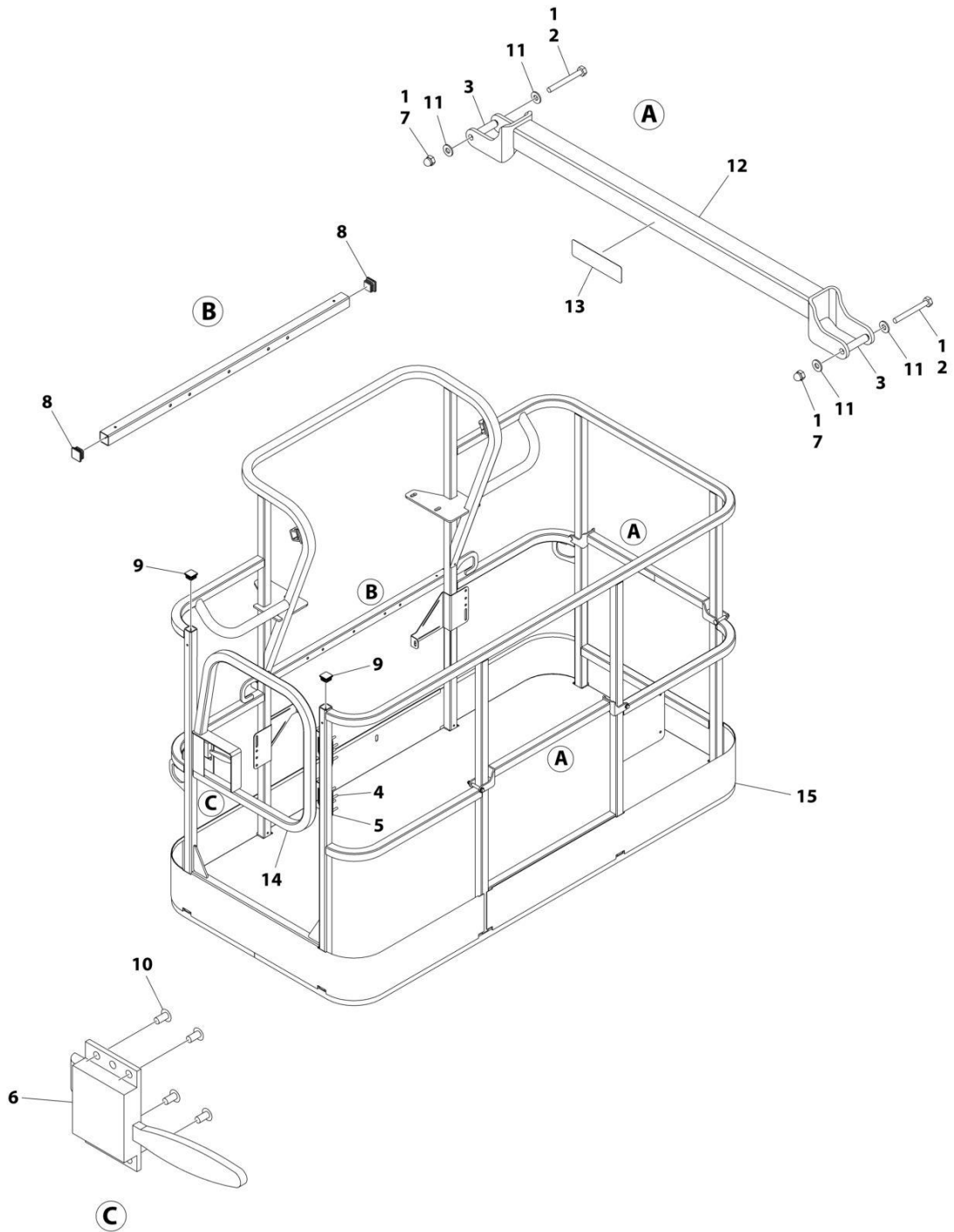
SECTION 5 - PLATFORM

FIGURE 5-7. PLATFORM ASSEMBLY WITH DROP-BAR - 36IN X 6FT (91.5CM X 1.83M)

ITEM	PART NUMBER	QTY	DESCRIPTION	REV
	1001186379	Ref	PLATFORM ASSEMBLY - 36IN X 6FT (91.5CM X 1.83M) WITH DROP BAR	B
		Ref	Note: Platform and Mesh must be ordered separately for Platforms with Mesh. See SPECIAL OPTIONS SECTION for Mesh Installations.	
		Ref	Note: Replacement Decals Must be Ordered Separately - See DECALS SECTION.	
1	0100011	AR	Compound, Locking	
2	0641418	2	Bolt 1/4 x 2-1/4	
3	0961845	2	Bushing	
4	3290606	2	Nut M6	
5	3300151	2	Nut 1/4	
6	3520072	2	Plug	
7	3520198	2	Plug	
8	4010618	2	Screw M6 x 50	
9	4711400	4	Washer 1/4	
10	4811700	2	Washer M6	
11	1001138494	1	Bar, Drop	
12	1001138514	1	Rail (Top)	
13	1001140429	1	Decal - Drop Bar	
14	See Note	NSS	Platform (Note: Not Available - Purchase Platform Assembly)	

SECTION 5 - PLATFORM

FIGURE 5-8. PLATFORM ASSEMBLY WITH 1 GATE / 2 DROP BARS (TRI-ENTRY) - 36IN X 6FT (91.5CM X 1.83M)



ART_1001228376

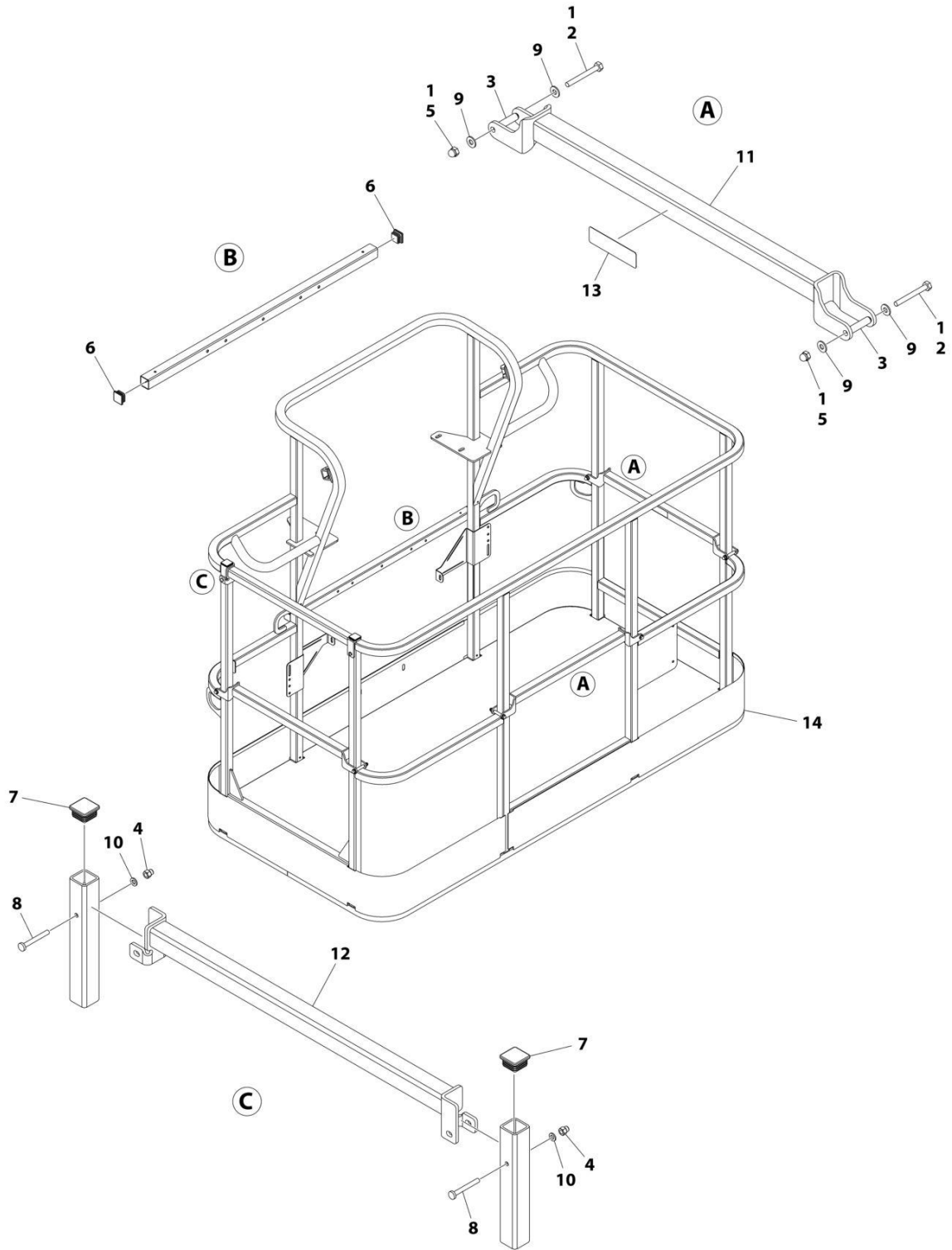
SECTION 5 - PLATFORM

**FIGURE 5-8. PLATFORM ASSEMBLY WITH 1 GATE / 2 DROP BARS (TRI-ENTRY) - 36IN X 6FT
(91.5CM X 1.83M)**

ITEM	PART NUMBER	QTY	DESCRIPTION	REV
	1001228376	Ref	PLATFORM ASSEMBLY - 36IN x 6FT (91.5CM x 1.83M)	B
		Ref	Note: Platform and Mesh must be ordered separately for Platforms with Mesh. See SPECIAL OPTIONS SECTION for Mesh Installations.	
		Ref	Note: Replacement Decals Must be Ordered Separately - See DECAL SECTION.	
1	0100011	AR	Compound, Locking	
2	0641418	4	Bolt 1/4 x 2-1/4	
3	0961845	4	Bushing	
4	2080040	16	Fastener	
5	2600281	2	Hinge	
6	2940074	1	Latch	
7	3300151	4	Nut 1/4	
8	3520072	3	Plug	
9	3520198	2	Plug	
10	3820020	4	Rivet	
11	4711400	8	Washer 1/4	
12	1001138494	2	Bar, Drop	
13	1001140429	2	Decal - Drop Bar	
14	1001144629	1	Gate	
15	See Note	NSS	Platform (Note: Not Available - Purchase Platform Assembly)	

SECTION 5 - PLATFORM

FIGURE 5-9. PLATFORM ASSEMBLY WITH 3 DROP BARS (TRI-ENTRY) - 36IN X 6FT (91.5CM X 1.83M)



ART_1001228377

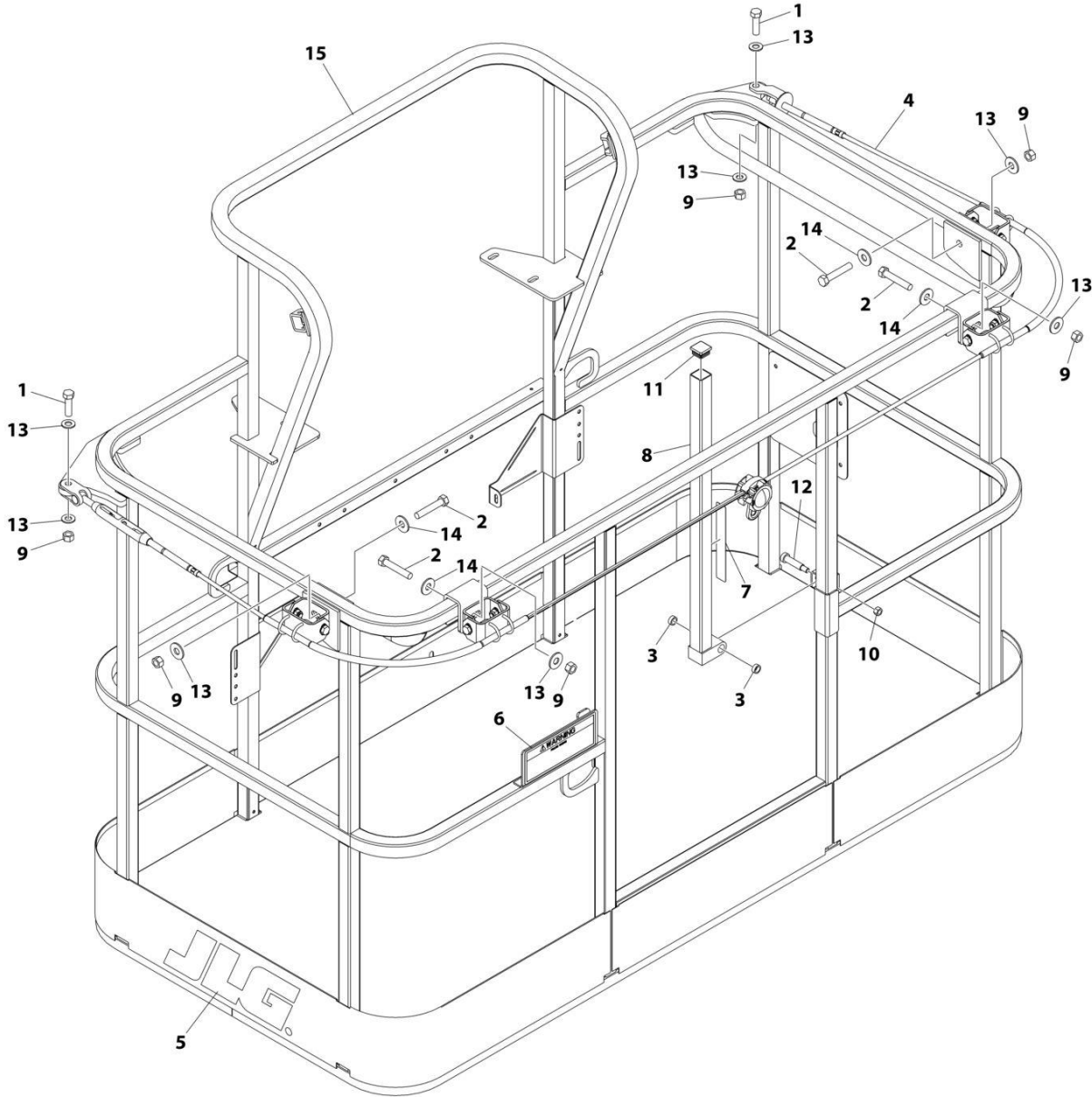
SECTION 5 - PLATFORM

FIGURE 5-9. PLATFORM ASSEMBLY WITH 3 DROP BARS (TRI-ENTRY) - 36IN X 6FT (91.5CM X 1.83M)

ITEM	PART NUMBER	QTY	DESCRIPTION	REV
	1001228377	Ref	PLATFORM ASSEMBLY - 36IN x 6FT (91.5CM x 1.83M)	B
		Ref	Note: Platform and Mesh must be ordered separately for Platforms with Mesh. See SPECIAL OPTIONS SECTION for Mesh Installations.	
		Ref	Note: Replacement Decals Must be Ordered Separately - See DECAL SECTION.	
1	0100011	1	Compound, Locking	
2	0641418	6	Bolt 1/4 x 2-1/4	
3	0961845	6	Bushing	
4	3290606	2	Nut M6	
5	3300151	6	Nut 1/4	
6	3520072	2	Plug	
7	3520198	2	Plug	
8	4010618	2	Screw M6 x 50	
9	4711400	12	Washer 1/4	
10	4811700	2	Washer M6	
11	1001138494	3	Bar, Drop	
12	1001138514	1	Rail (Top)	
13	1001140429	3	Decal - Drop Bar	
14	See Note	NSS	Platform, Weldment (Note: Not Available - Purchase Platform Assembly)	

SECTION 5 - PLATFORM

FIGURE 5-10. PLATFORM ASSEMBLY WITH FALL ARREST (6FT)



ART_1001186333

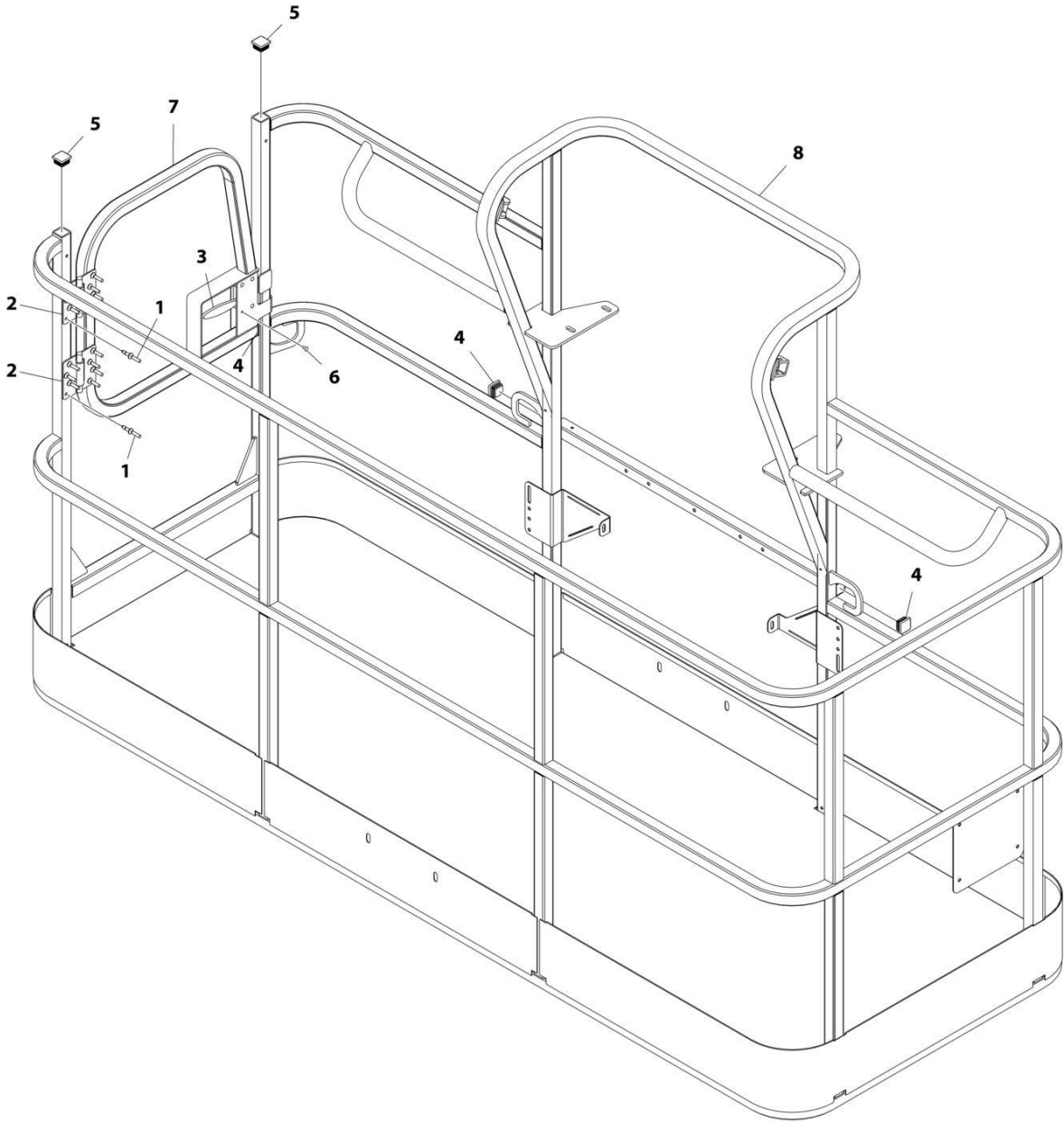
SECTION 5 - PLATFORM

FIGURE 5-10. PLATFORM ASSEMBLY WITH FALL ARREST (6FT)

ITEM	PART NUMBER	QTY	DESCRIPTION	REV
	1001186333	Ref	PLATFORM ASSEMBLY	C
		Ref	Note: Replacement Decals Must be Ordered Separately - See DECALS SECTION.	
1	0681814	2	Bolt 1/2 x 1-3/4 Grade 8	
2	0681822	4	Bolt 1/2 x 2-3/4 Grade 8	
3	0962270	2	Bearing	
4	1001203655	1	Cable	
5	1702773	1	Decal - JLG	
6	1705014	1	Decal - Safety	
7	1706385	1	Decal - Drop Bar	
8	2410014	1	Bar, Drop	
9	3271805	6	Nut 1/2 Grade 8	
10	3311605	1	Nut 3/8	
11	3520072	1	Plug	
12	3900054	1	Bolt 1/2 x 1-3/4	
13	4711800	8	Washer 1/2	
14	4751800	4	Washer 1/2	
15	See Note	NSS	Platform (Note: Not Available - Purchase Platform Assembly)	

SECTION 5 - PLATFORM

FIGURE 5-11. PLATFORM ASSEMBLY WITH GATE - 36IN X 8FT (91.5CM X 2.44M)



ART_1001186383

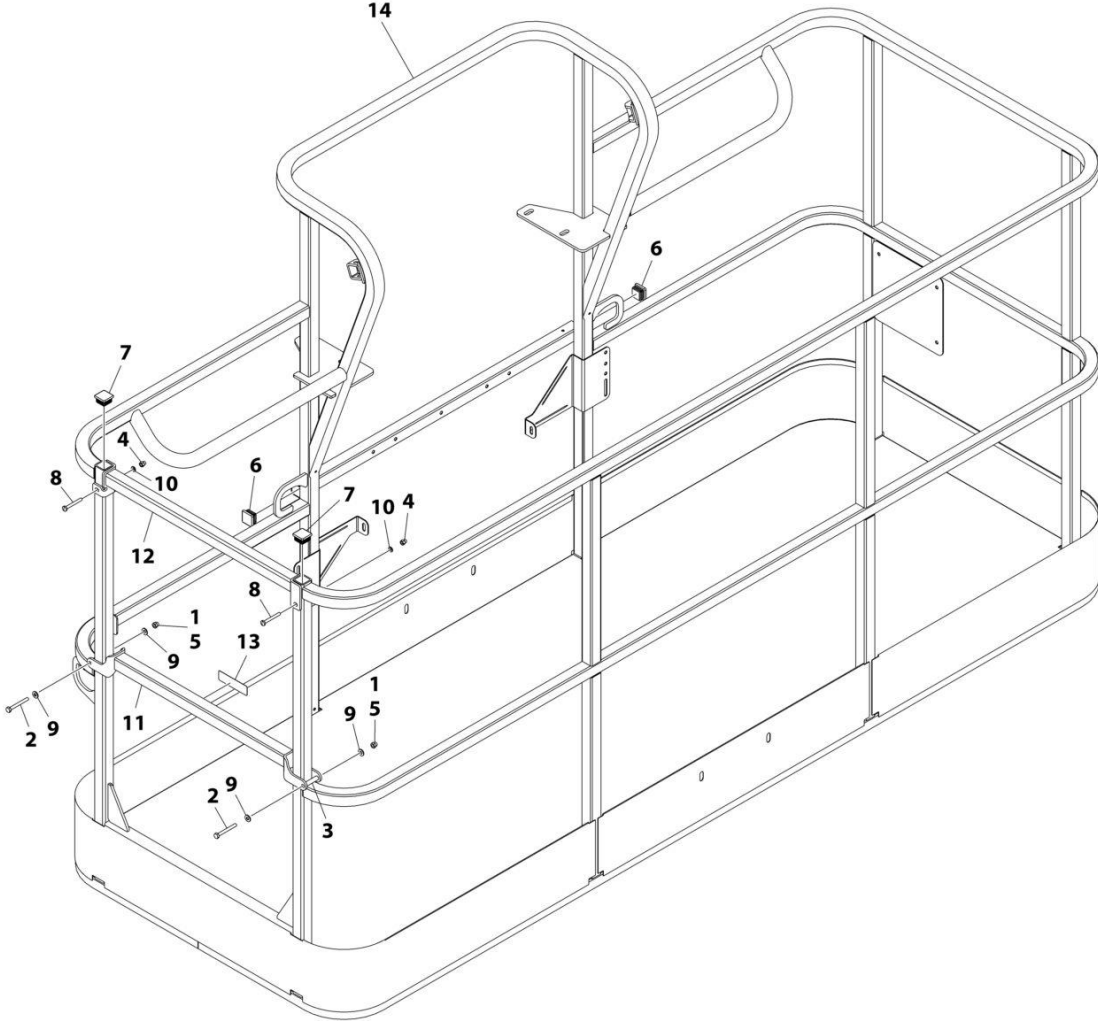
SECTION 5 - PLATFORM

FIGURE 5-11. PLATFORM ASSEMBLY WITH GATE - 36IN X 8FT (91.5CM X 2.44M)

ITEM	PART NUMBER	QTY	DESCRIPTION	REV
	1001186383	Ref	PLATFORM ASSEMBLY - 36IN X 8FT (91.5CM X 2.44M) WITH SWING GATE	D
		Ref	Note: Platform and Mesh must be ordered separately for Platforms with Mesh. See SPECIAL OPTIONS SECTION for Mesh Installations.	
		Ref	Note: Replacement Decals Must be Ordered Separately - See DECALS SECTION.	
1	2080040	16	Fastener, Huck	
2	2600281	2	Hinge	
3	2940074	1	Latch	
4	3520072	3	Plug	
5	3520198	2	Plug	
6	3820020	4	Rivet	
7	1001144629	1	Gate	
8	See Note	NSS	Platform (Note: Not Available - Purchase Platform Assembly)	

SECTION 5 - PLATFORM

FIGURE 5-12. PLATFORM ASSEMBLY WITH DROP-BAR - 36IN X 8FT (91.5CM X 2.44M)



ART_1001186382

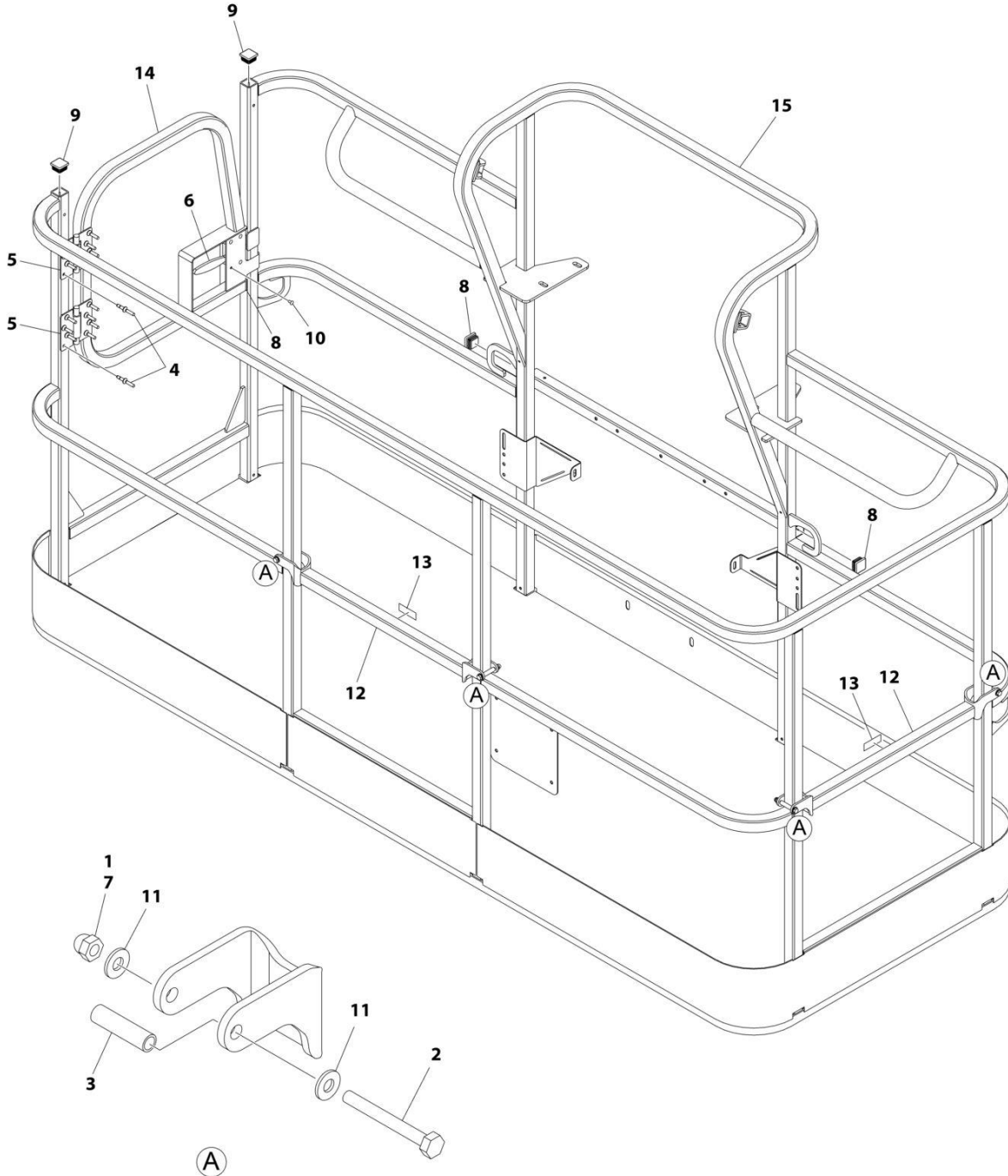
SECTION 5 - PLATFORM

FIGURE 5-12. PLATFORM ASSEMBLY WITH DROP-BAR - 36IN X 8FT (91.5CM X 2.44M)

ITEM	PART NUMBER	QTY	DESCRIPTION	REV
	1001186382	Ref	PLATFORM ASSEMBLY - 36IN X 8FT (91.5CM X 2.44M) WITH DROP BAR	C
		Ref	Note: Platform and Mesh must be ordered separately for Platforms with Mesh. See SPECIAL OPTIONS SECTION for Mesh Installations.	
		Ref	Note: Replacement Decals Must be Ordered Separately - See DECALS SECTION.	
1	0100011	AR	Compound, Locking	
2	0641418	2	Bolt 1/4 x 2-1/4	
3	0961845	2	Bushing	
4	3290606	2	Nut M6	
5	3300151	2	Nut 1/4	
6	3520072	2	Plug	
7	3520198	2	Plug	
8	4010618	2	Screw M6 x 50	
9	4711400	4	Washer 1/4	
10	4811700	2	Washer M6	
11	1001138494	1	Bar, Drop	
12	1001138514	1	Rail (Top)	
13	1001140429	1	Decal - Drop Bar	
14	See Note	NSS	Platform (Note: Not Available - Purchase Platform Assembly)	

SECTION 5 - PLATFORM

FIGURE 5-13. PLATFORM ASSEMBLY WITH 1 GATE / 2 DROP BARS (TRI-ENTRY) - 36IN X 8FT
(91.5CM X 2.44M)



ART_1001228243

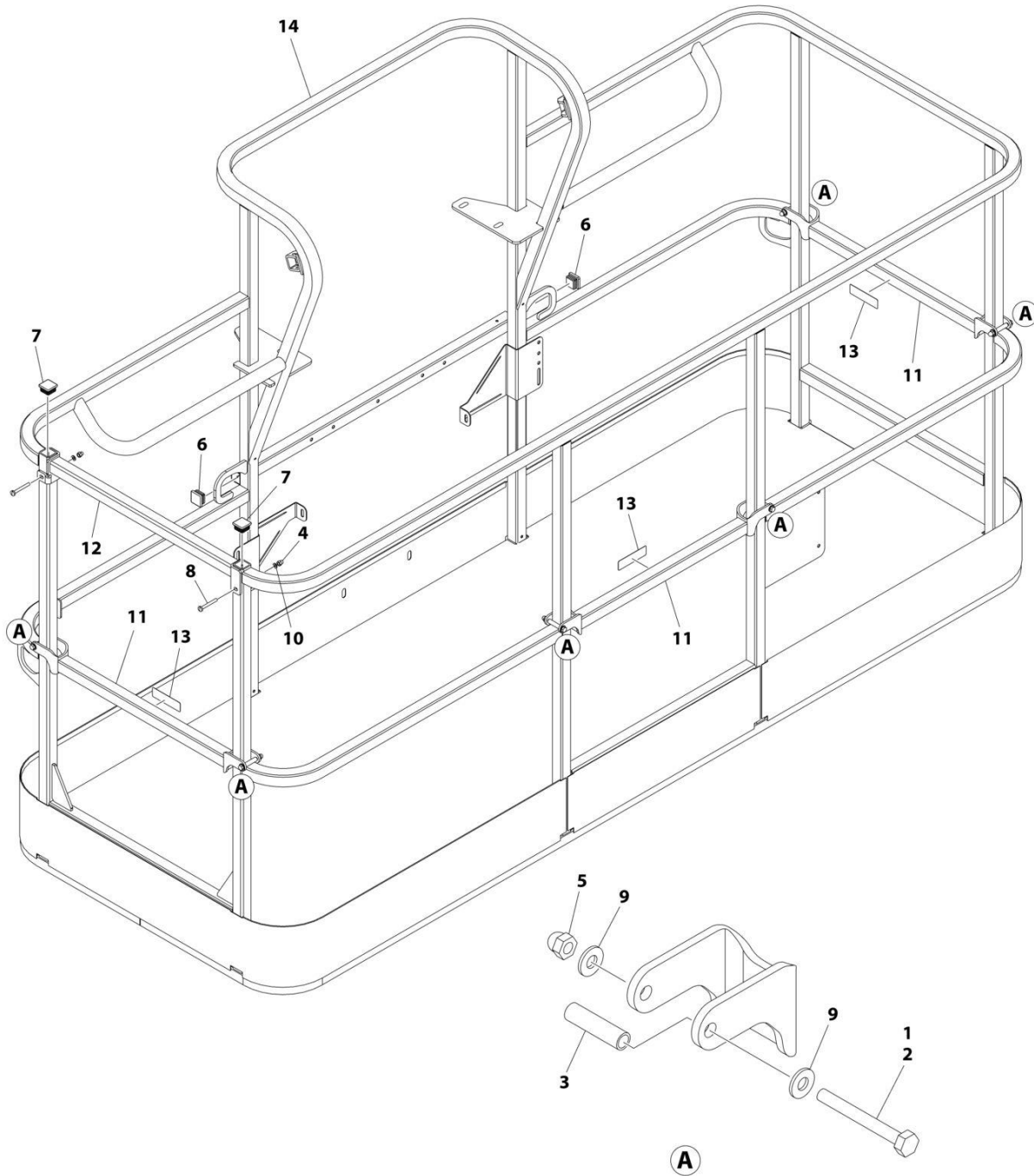
SECTION 5 - PLATFORM

**FIGURE 5-13. PLATFORM ASSEMBLY WITH 1 GATE / 2 DROP BARS (TRI-ENTRY) - 36IN X 8FT
(91.5CM X 2.44M)**

ITEM	PART NUMBER	QTY	DESCRIPTION	REV
	1001228243	Ref	PLATFORM ASSEMBLY - 36IN X 8FT (91.5CM X 2.44M) WITH TRI-ENTRY	A
		Ref	Note: Platform and Mesh must be ordered separately for Platforms with Mesh. See SPECIAL OPTIONS SECTION for Mesh Installations.	
1	0100011	AR	Compound, Locking	
2	0641418	4	Bolt 1/4 x 2-1/4	
3	0961845	4	Bushing	
4	2080040	16	Fastener, Huck	
5	2600281	2	Hinge, Self-Closing	
6	2940074	1	Latch	
7	3300151	4	Nut 1/4	
8	3520072	3	Cap, Plug	
9	3520198	2	Cap, Plug	
10	3820020	4	Rivet	
11	4711400	8	Washer 1/4	
12	1001138494	2	Bar, Drop	
13	1001140429	2	Decal - Drop Bar	
14	1001144629	1	Gate, Weldment	
15	See Note	1	Platform (Note: Not Available - Purchase Platform Assembly)	

SECTION 5 - PLATFORM

FIGURE 5-14. PLATFORM ASSEMBLY WITH 3 DROP BARS (TRI-ENTRY) - 36IN X 8FT (91.5CM X 2.44M)



ART_1001228375

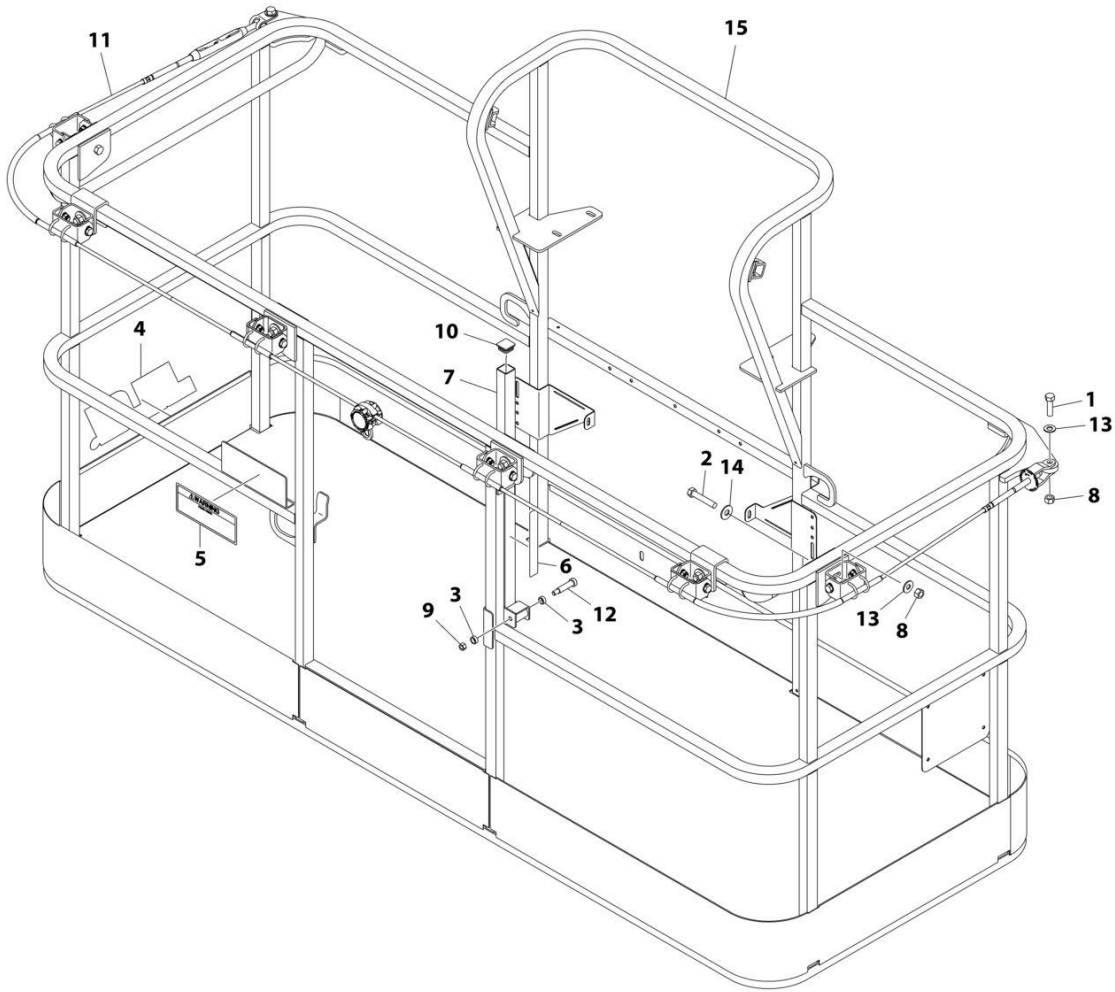
SECTION 5 - PLATFORM

FIGURE 5-14. PLATFORM ASSEMBLY WITH 3 DROP BARS (TRI-ENTRY) - 36IN X 8FT (91.5CM X 2.44M)

ITEM	PART NUMBER	QTY	DESCRIPTION	REV
	1001228375	Ref	PLATFORM ASSEMBLY - 36IN X 8FT (91.5CM X 2.44M) WITH TRI-ENTRY	A
		Ref	Note: Platform and Mesh must be ordered separately for Platforms with Mesh. See SPECIAL OPTIONS SECTION for Mesh Installations.	
		Ref	Note: Replacement Decals Must be Ordered Separately - See DECAL SECTION.	
1	0100011	AR	Compound, Locking	
2	0641418	6	Bolt 1/4 x 2-1/4	
3	0961845	6	Bushing	
4	3290606	2	Nut M6 x 1	
5	3300151	6	Nut 1/4	
6	3520072	2	Cap, Plug	
7	3520198	2	Cap, Plug	
8	4010618	2	Screw M6 x 50	
9	4711400	12	Washer 1/4	
10	4811700	2	Washer M6	
11	1001138494	3	Bar, Drop	
12	1001138514	1	Rail (Top)	
13	1001140429	3	Decal - Drop Bar	
14	See Note	1	Platform (Note: Not Available - Purchase Platform Assembly)	

SECTION 5 - PLATFORM

FIGURE 5-15. PLATFORM ASSEMBLY WITH FALL ARREST (8FT)



ART_1001186334

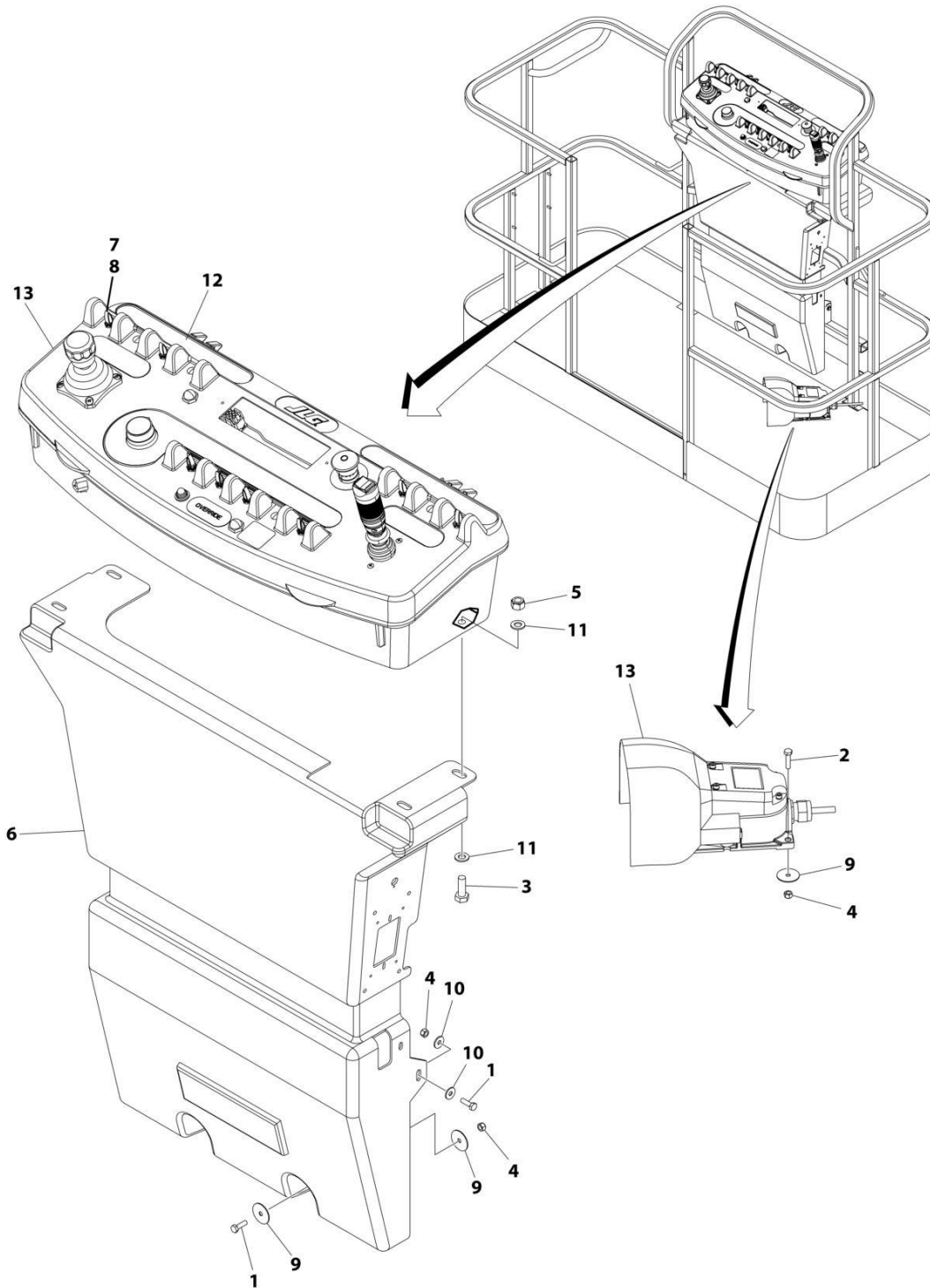
SECTION 5 - PLATFORM

FIGURE 5-15. PLATFORM ASSEMBLY WITH FALL ARREST (8FT)

ITEM	PART NUMBER	QTY	DESCRIPTION	REV
	1001186334	Ref	PLATFORM ASSEMBLY	D
		Ref	Note: Replacement Decals Must be Ordered Separately - See DECALS SECTION.	
1	0681814	2	Bolt 1/2 x 1-3/4 Grade 8	
2	0681822	6	Bolt 1/2 x 2-3/4 Grade 8	
3	0962270	2	Bearing	
4	1702773	1	Decal - JLG	
5	1705014	1	Decal - Safety	
6	1706385	1	Decal - Drop Bar	
7	2410014	1	Bar, Drop	
8	3271805	8	Nut 1/2 Grade 8	
9	3311605	1	Nut 3/8	
10	3520072	1	Plug	
11	1001203656	1	Cable	
12	3900054	1	Bolt 1/2 x 1-3/4	
13	4711800	2	Washer 1/2	
14	4751800	6	Washer 1/2	
15	See Note	NSS	Platform (Note: Purchase Platform Assembly)	

SECTION 5 - PLATFORM

FIGURE 5-16. CONSOLE AND FOOT SWITCH INSTALLATION



ART_1001266073

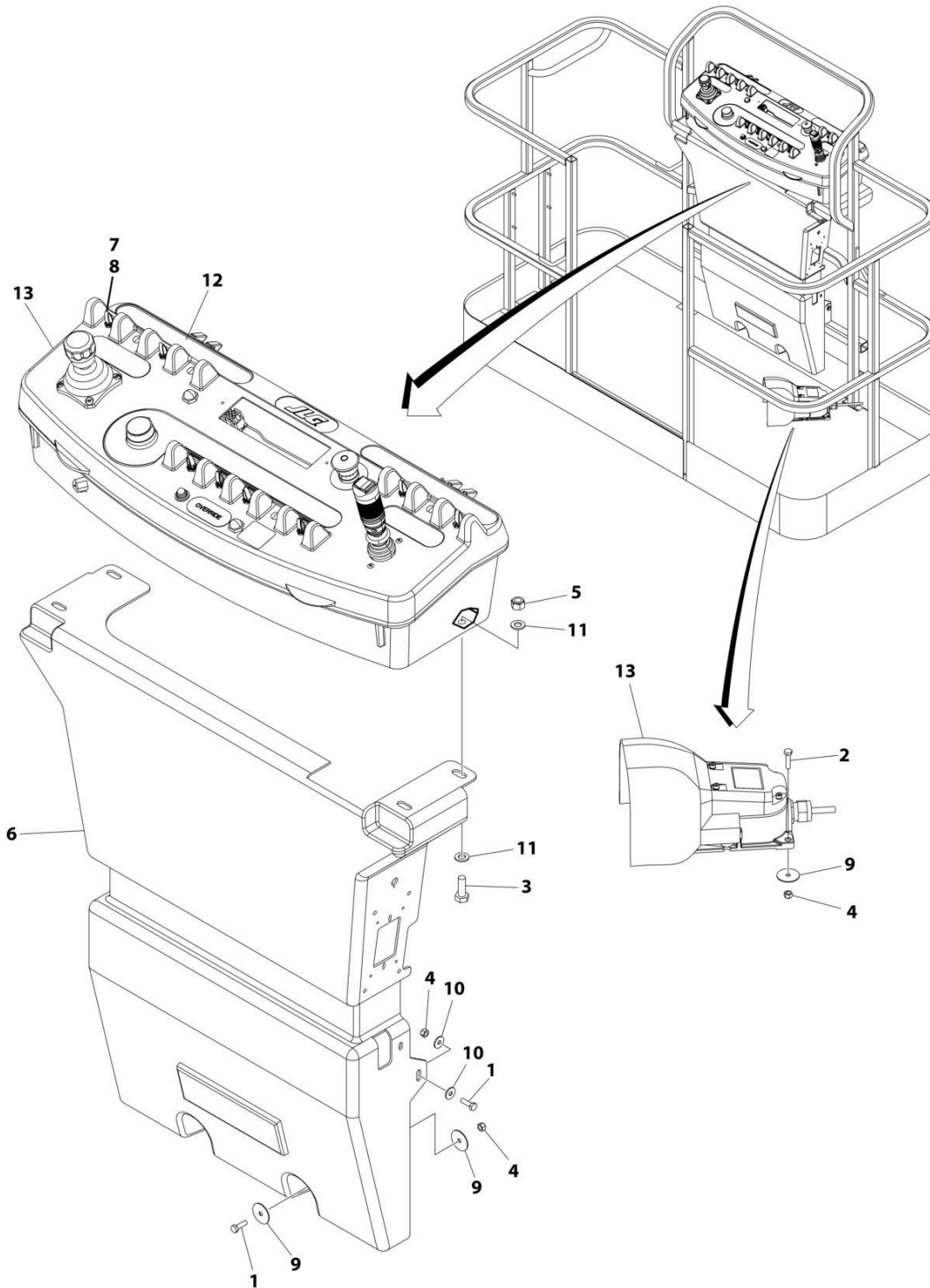
SECTION 5 - PLATFORM

FIGURE 5-16. CONSOLE AND FOOT SWITCH INSTALLATION

ITEM	PART NUMBER	QTY	DESCRIPTION	REV
	1001266073	Ref	PLATFORM CONSOLE AND FOOTSWITCH INSTALLATION	A
1	0641406	4	Bolt 1/4 x 3/4	
2	0641408	3	Bolt 1/4 x 1	
3	0641610	4	Bolt 3/8 x 1-1/4	
4	3311405	7	Nut 1/4	
5	3311605	4	Nut 3/8	
6	3380434	1	Panel	
7	3790012	1	O-Ring	
8	4360331	1	Switch, Toggle	
9	4740362	7	Washer	
10	4751400	4	Washer 1/4	
11	4761600	8	Washer 3/8	
12	1001184626	1	Decal - Horn	
13	1001266069	1	Platform Console Assembly (See Separate Breakdown in this Section)	

SECTION 5 - PLATFORM

FIGURE 5-17. CONSOLE AND FOOT SWITCH INSTALLATION WITH TOWER STOW



ART_1001264239

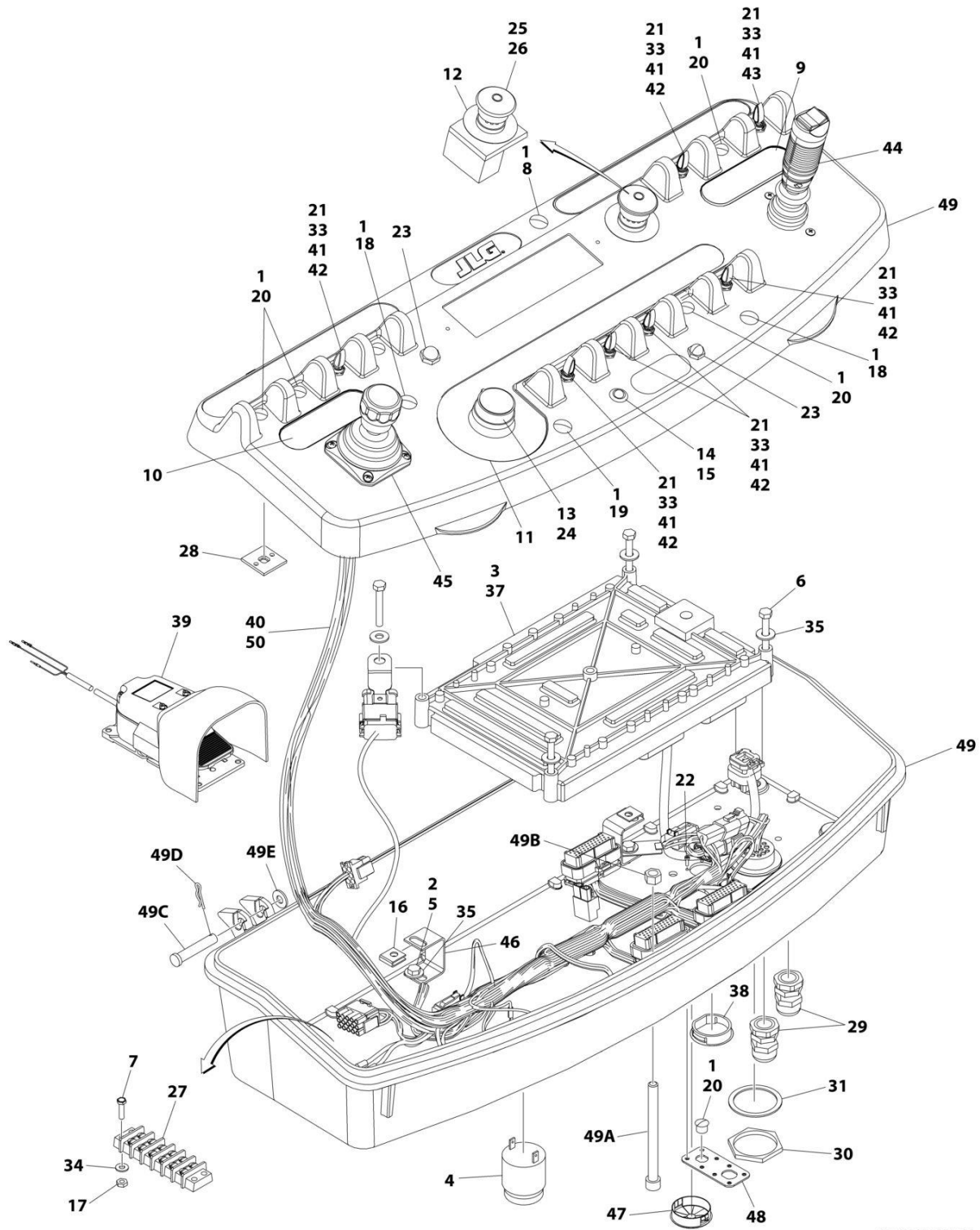
SECTION 5 - PLATFORM

FIGURE 5-17. CONSOLE AND FOOT SWITCH INSTALLATION WITH TOWER STOW

ITEM	PART NUMBER	QTY	DESCRIPTION	REV
	1001264239	Ref	PLATFORM CONSOLE AND FOOTSWITCH INSTALLATION (TOWER STOW)	A
1	0641406	4	Bolt 1/4 x 3/4	
2	0641408	3	Bolt 1/4 x 1	
3	0641610	4	Bolt 3/8 x 1-1/4	
4	3311405	7	Nut 1/4	
5	3311605	4	Nut 3/8	
6	3380434	1	Panel	
7	3790012	AR	O-Ring	
8	4360331	AR	Switch, Toggle	
9	4740362	7	Washer	
10	4751400	4	Washer 1/4	
11	4761600	8	Washer 3/8	
12	1001184626	AR	Decal - Horn	
13	1001263588	1	Platform Console Assembly (See Separate Breakdown in this Section)	

SECTION 5 - PLATFORM

FIGURE 5-18. CONSOLE BOX ASSEMBLY WITH FOOTSWITCH



ART_1001266069

SECTION 5 - PLATFORM

FIGURE 5-18. CONSOLE BOX ASSEMBLY WITH FOOTSWITCH

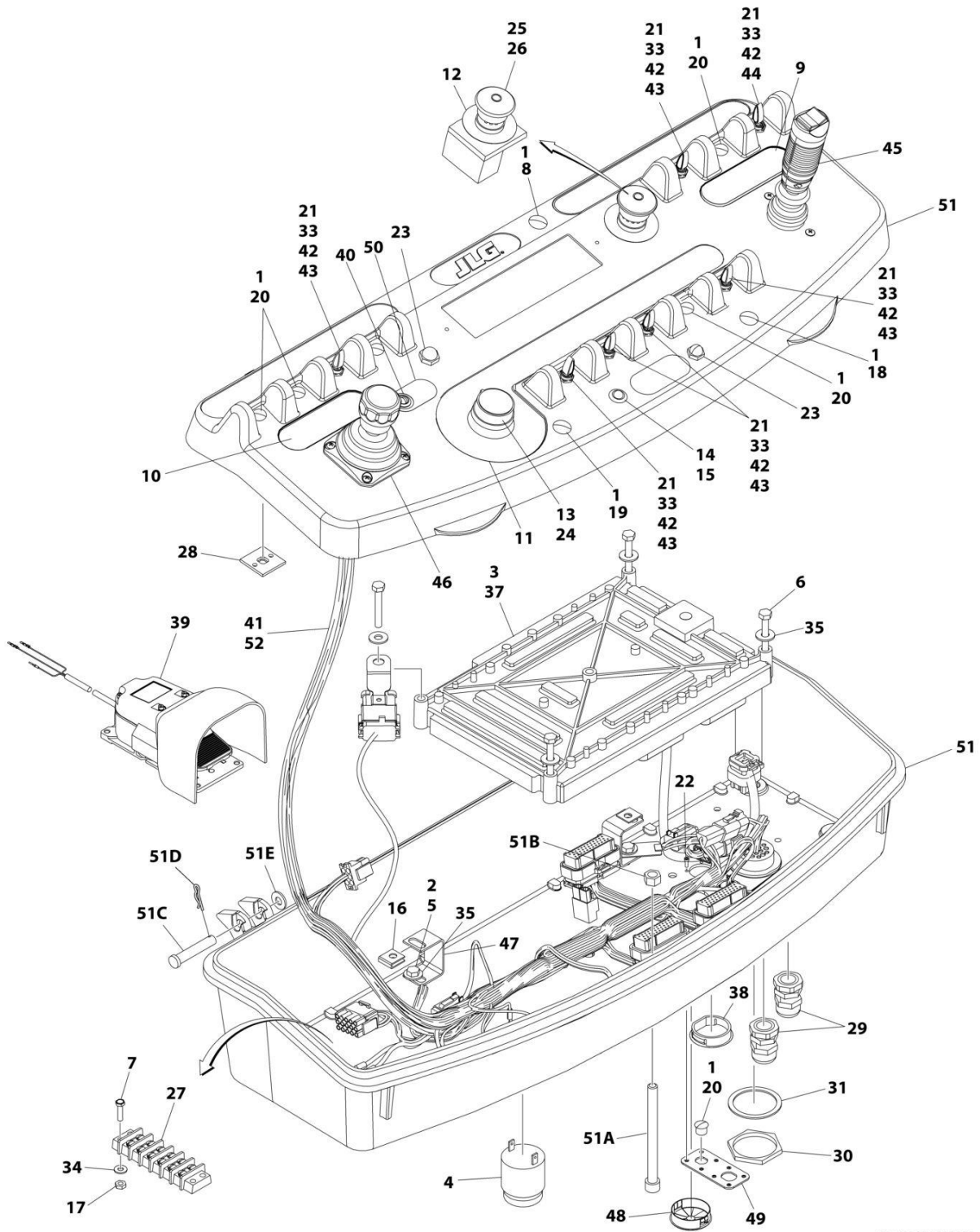
ITEM	PART NUMBER	QTY	DESCRIPTION	REV
	1001266069	Ref	CONSOLE BOX ASSEMBLY	A
1	0100009	AR	Sealant	
2	0100035	AR	Compound, Locking	
3	0100048	AR	Grease, Dielectric	
4	0140011	1	Alarm	
5	0641404	4	Bolt 1/4 x 1/2	
6	0641414	4	Bolt 1/4 x 1-3/4	
7	0721006	1	Bolt #10 x 3/4	
8	1671314	1	Cover	
9	1702565	1	Decal - Drive and Steer	
10	1702566	1	Decal - Lift and Swing	
11	1702567	1	Decal - Function Speed	
12	1704260	1	Decal - Emergency Stop	
13	2560136	1	Handle, Knob	
14	2920028	1	Light, Indicator	
15	2920029	1	Bulb, Light	
16	3300353	4	Nut, Tinnerman	
17	3311005	2	Nut #10	
18	3520026	2	Plug	
19	3520027	1	Plug	
20	3520054	5	Plug	
21	3790012	7	O-Ring	
22	3900349	8	Capscrew M2.5 x 8	
23	4360387	2	Switch, Push Button	
24	4360407	1	Controller, Speed	
24	4460224	1	Receptacle, Female - 6 Position	
24	4460226	6	Socket, Female	
24	See Note	1	Gasket "Top Hat" (Included with Switch) (Note: Not Available - Purchase Complete Controller)	
24	70003784	1	Seal	
25	4360475	1	Switch, Emergency Stop	
25	7020175	1	Cap, Red	
25	7020176	1	Block, Contact	
26	4360476	1	Contact, Switch	
27	4460007	1	Bussbar	
28	4460234	3	Mount, Tie-Strap	
29	4460428	2	Connector, Strain Relief	
30	4460470	1	Nut, Terminal	
31	4460471	1	Washer, Terminal	
32	4460708	2	Connector - 15 Position (Not Shown)	
33	4740397	7	Washer	
34	4751000	2	Washer #10	
35	4751400	8	Washer 1/4	
36	4922666	1	Analyzer Harness (Not Shown)	
36	4460761	1	Receptacle, Female - 4 Position	
36	4460227	4	Pin, Male	
37	1001106938	1	Module, Platform (Note: Re-calibration Required when Replaced)	
38	1001110434	1	Plug	
39	1001117174	1	Footswitch Assembly (See Separate Breakdown in this Section)	

SECTION 5 - PLATFORM

ITEM	PART NUMBER	QTY	DESCRIPTION	REV
40	1001139135	1	Boom Valve Harness (Not Shown - See Separate Breakdown in ELECTRICAL SECTION)	
41	1001155044	7	Nut 15/32	
42	1001155045	6	Switch, Toggle	
43	1001159256	1	Switch, Toggle	
44	1001166538	NLA	Controller Assembly (Drive and Steer) (Use p/n 1001212415) (See Separate Breakdown in this Section)	
45	1001166539	NLA	Controller Assembly (Lift and Swing) (Use p/n 1001129555) (See Separate Breakdown in this Section)	
46	1001172760	4	Bracket	
47	1001185281	1	Plug	
48	1001213882	1	Mount	
49	1001263587	1	Console Box Assembly	
49A	0630568	1	Capscrew 3/8 x 4-1/2	
49B	3311601	1	Nut 3/8	
49C	3430616	2	Pin	
49D	3470003	2	Hairpin	
49E	4711600	2	Washer 3/8	
50	1001266648	1	Platform Console Harness (See Separate Breakdown in ELECTRICAL SECTION)	

SECTION 5 - PLATFORM

FIGURE 5-19. CONSOLE BOX ASSEMBLY WITH FOOTSWITCH WITH TOWER STOW



ART_1001263588

SECTION 5 - PLATFORM

FIGURE 5-19. CONSOLE BOX ASSEMBLY WITH FOOTSWITCH WITH TOWER STOW

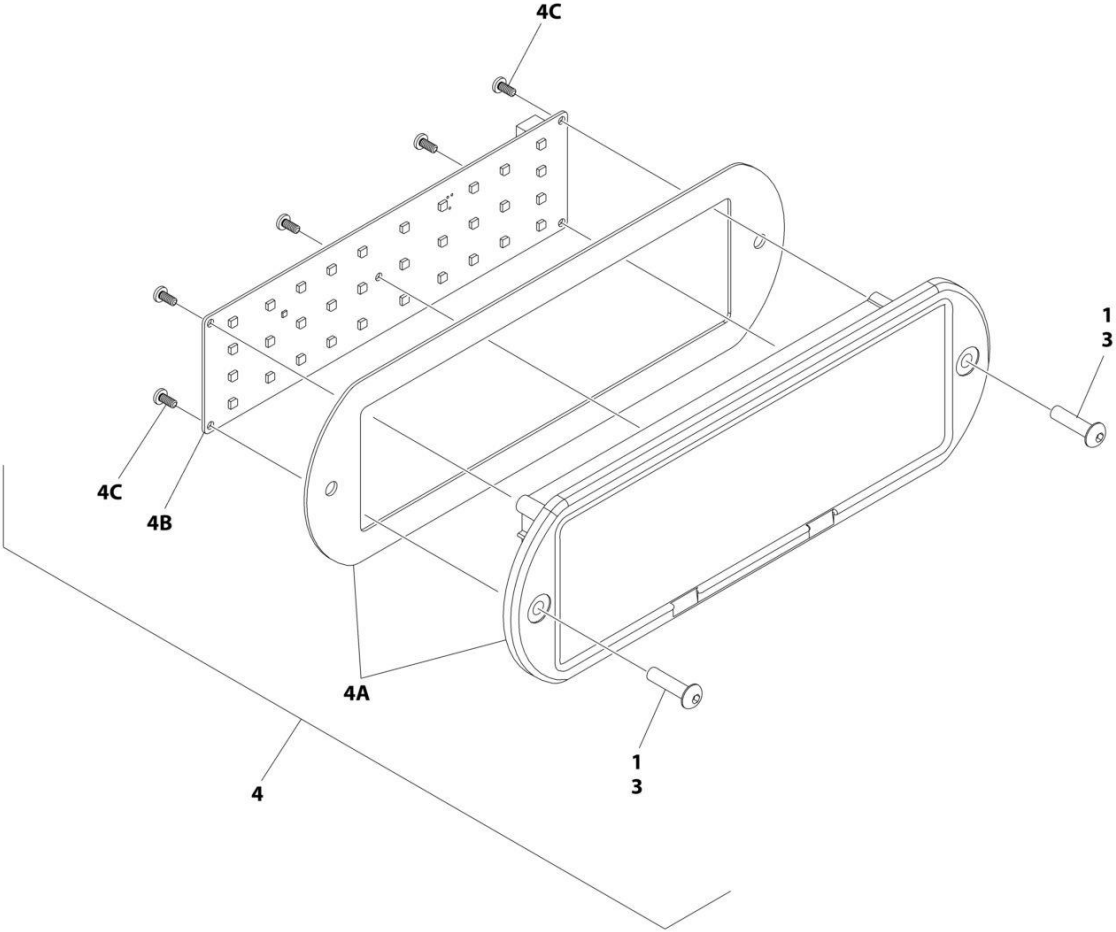
ITEM	PART NUMBER	QTY	DESCRIPTION	REV
	1001263588	Ref	CONSOLE BOX ASSEMBLY	A
1	0100009	AR	Sealant	
2	0100035	AR	Compound, Locking	
3	0100048	AR	Grease, Dielectric	
4	0140011	1	Alarm	
5	0641404	4	Bolt 1/4 x 1/2	
6	0641414	4	Bolt 1/4 x 1-3/4	
7	0721006	1	Bolt #10 x 3/4	
8	1671314	1	Cover	
9	1702565	1	Decal - Drive and Steer	
10	1702566	1	Decal - Lift and Swing	
11	1702567	1	Decal - Function Speed	
12	1704260	1	Decal - Emergency Stop	
13	2560136	1	Handle, Knob	
14	2920028	1	Light, Indicator	
15	2920029	1	Bulb, Light	
16	3300353	4	Nut, Tinnerman	
17	3311005	2	Nut #10	
18	3520026	2	Plug	
19	3520027	1	Plug	
20	3520054	5	Plug	
21	3790012	7	O-Ring	
22	3900349	8	Capscrew M2.5 x 8	
23	4360387	2	Switch, Push Button	
24	4360407	1	Controller, Speed	
24	4460224	1	Receptacle, Female - 6 Position	
24	4460226	6	Socket, Female	
24	See Note	1	Gasket "Top Hat" (Included with Switch) (Note: Not Available - Purchase Complete Controller)	
24	70003784	1	Seal	
25	4360475	1	Switch, Emergency Stop	
25	7020175	1	Cap, Red	
25	7020176	1	Block, Contact	
26	4360476	1	Contact, Switch	
27	4460007	1	Bussbar	
28	4460234	3	Mount, Tie-Strap	
29	4460428	2	Connector, Strain Relief	
30	4460470	1	Nut, Terminal	
31	4460471	1	Washer, Terminal	
32	4460708	2	Connector - 15 Position (Not Shown)	
33	4740397	7	Washer	
34	4751000	2	Washer #10	
35	4751400	8	Washer 1/4	
36	4922666	1	Analyzer Harness (Not Shown)	
36	4460761	1	Receptacle, Female - 4 Position	
36	4460227	4	Pin, Male	
37	1001106938	1	Module, Platform (Note: Re-calibration Required when Replaced)	
38	1001110434	1	Plug	
39	1001117174	1	Footswitch Assembly (See Separate Breakdown in this Section)	
40	1001137364	1	Light, Indicator	

SECTION 5 - PLATFORM

ITEM	PART NUMBER	QTY	DESCRIPTION	REV
41	1001139135	1	Boom Valve Harness (Not Shown - See Separate Breakdown in ELECTRICAL SECTION)	
42	1001155044	7	Nut 15/32	
43	1001155045	6	Switch, Toggle	
44	1001159256	1	Switch, Toggle	
45	1001166538	NLA	Controller Assembly (Drive and Steer) (Use p/n 1001212415) (See Separate Breakdown in this Section)	
46	1001166539	NLA	Controller Assembly (Lift and Swing) (Use p/n 1001129555) (See Separate Breakdown in this Section)	
47	1001172760	4	Bracket	
48	1001185281	1	Plug	
49	1001213882	1	Mount	
50	1001260937	1	Decal – Tower Stow	
51	1001263587	1	Console Box Assembly	
51A	0630568	1	Capscrew 3/8 x 4-1/2	
51B	3311601	1	Nut 3/8	
51C	3430616	2	Pin	
51D	3470003	2	Hairpin	
51E	4711600	2	Washer 3/8	
52	1001266648	1	Platform Console Harness (See Separate Breakdown in ELECTRICAL SECTION)	

SECTION 5 - PLATFORM

FIGURE 5-20. LIGHT PANEL INSTALLATION



ART_1001241403_E_2OF2

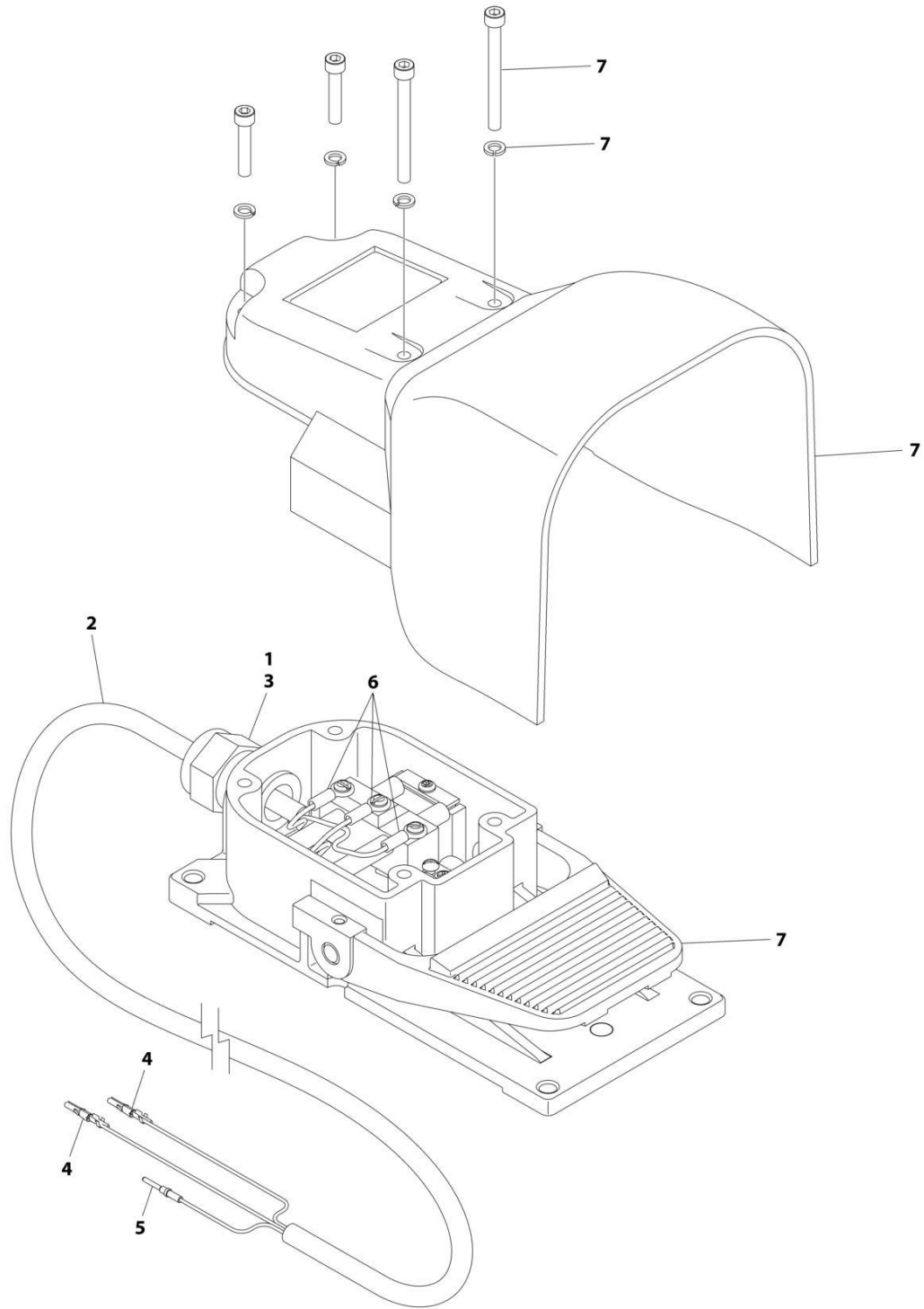
SECTION 5 - PLATFORM

FIGURE 5-20. LIGHT PANEL INSTALLATION

ITEM	PART NUMBER	QTY	DESCRIPTION	REV
	1001241403	Ref	LIGHT PANEL INSTALLATION - PLATFORM CONSOLE	E
1	3300408	1	Nut, Nylon Insert	
3	0630518	2	Screw #10 x 3/4	
4	1001237545	1	Light Panel Electrical Assembly	J
4A	1001281703	1	Lens Assembly (Includes Housing Shell, Decal/Lens with Icons & Gasket)	
4B	1001282106	1	Panel, LED Light	
4C		Ref	Screw	

SECTION 5 - PLATFORM

FIGURE 5-21. FOOTSWITCH ASSEMBLY



ART_1001117174

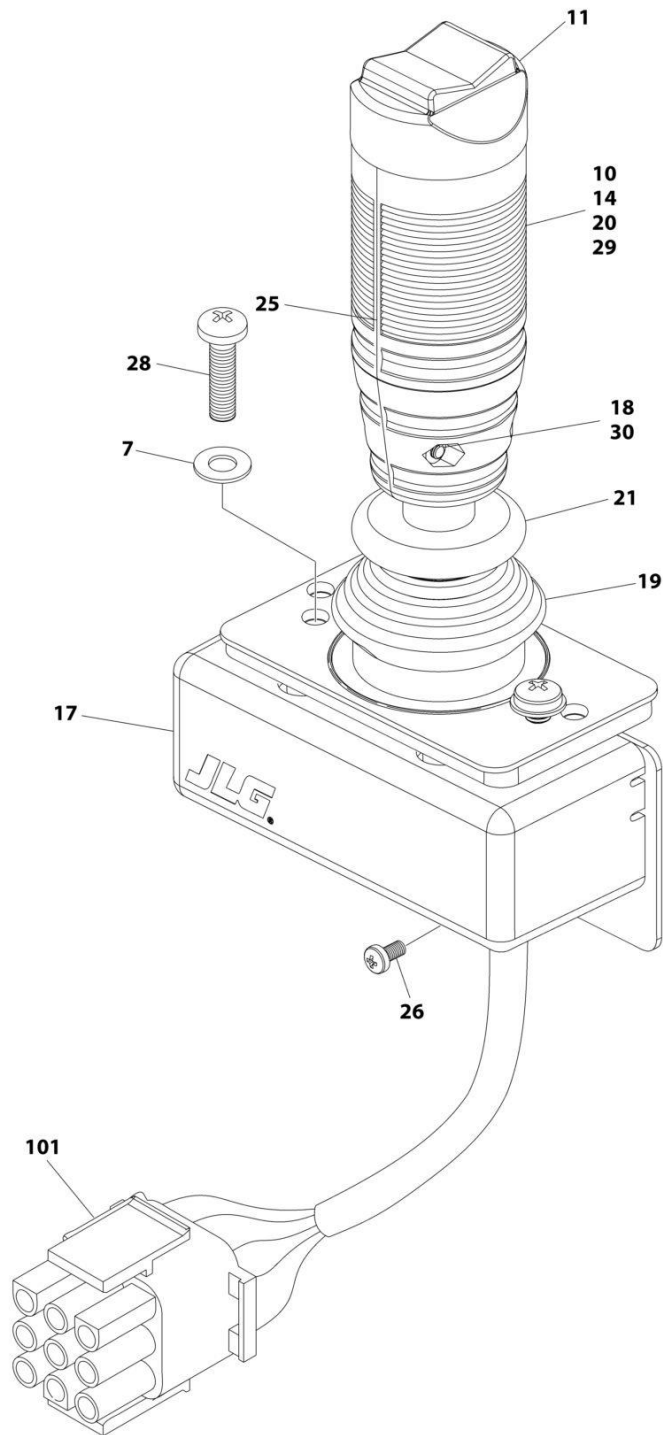
SECTION 5 - PLATFORM

FIGURE 5-21. FOOTSWITCH ASSEMBLY

ITEM	PART NUMBER	QTY	DESCRIPTION	REV
	1001117174	Ref	FOOTSWITCH ASSEMBLY	C
1	0100020	AR	Sealant	
2	1060918	7.5 ft/ 2.3m	Cable, Electrical - 18/3	
3	4460071	1	Connector, Strain Relief	
4	4460226	2	Socket, Female	
5	4460464	1	Pin, Male	
6	1001098122	3	Terminal	
7	1001117172	1	Footswitch	
7	70002902	1	Switch, 20Amp	
7	70002903	1	Gasket	
7	70002905	1	Cover	
7	70002904	1	Kit, Replacement Bolt	

SECTION 5 - PLATFORM

FIGURE 5-22. CONTROLLER ASSEMBLY- DRIVE/STEER



ART_1001166538

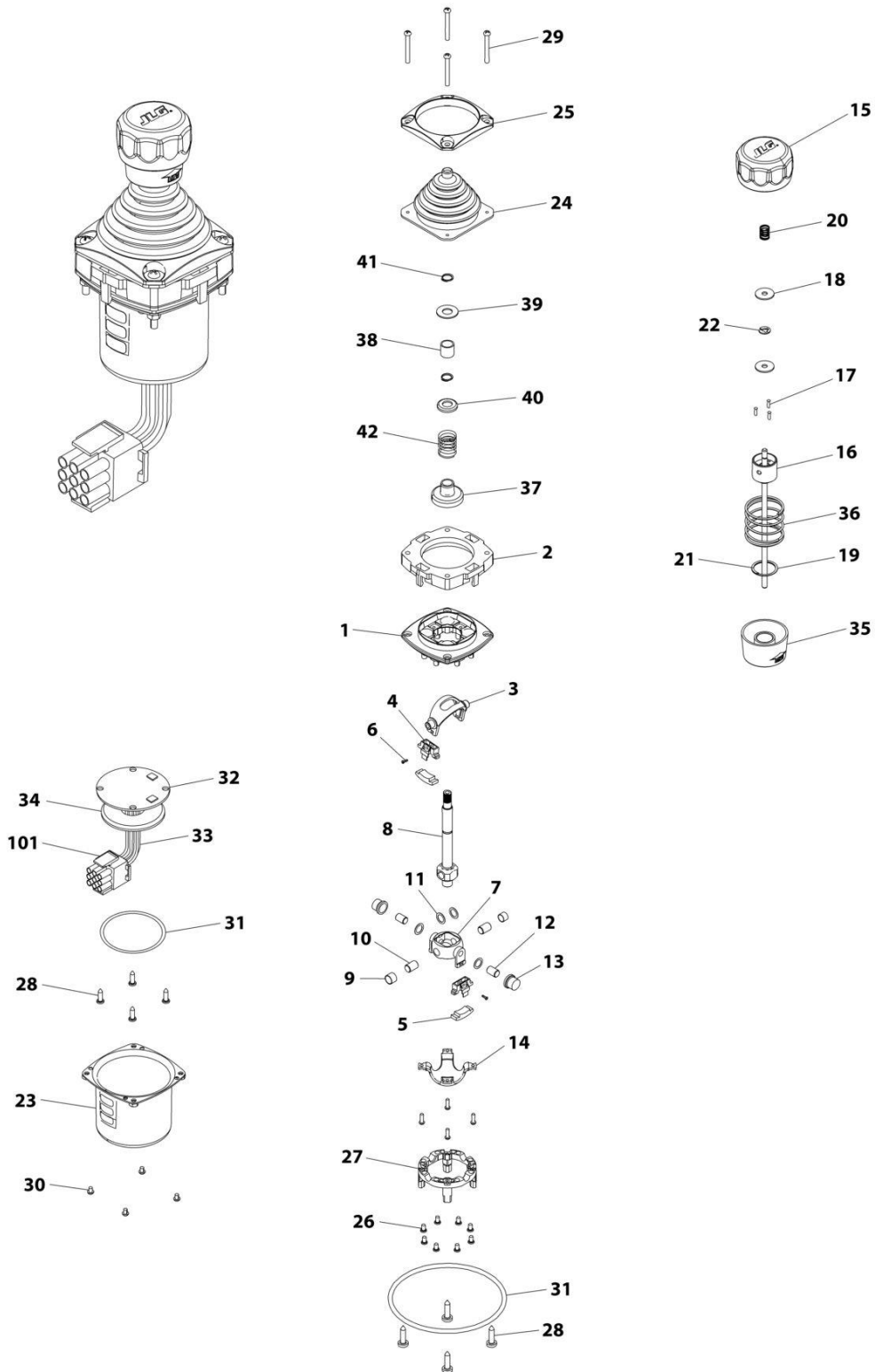
SECTION 5 - PLATFORM

FIGURE 5-22. CONTROLLER ASSEMBLY- DRIVE/STEER

ITEM	PART NUMBER	QTY	DESCRIPTION	REV
	1001166538	Ref	CONTROLLER ASSEMBLY - DRIVE AND STEER	G
		Ref	Note: For Replacement, Use p/n 1001212415.	
7	70004738	2	Washer	
10	70004739	1	Roller	
11	70004740	1	Boot, Switch	
14	70004741	2	Half, Handle	
17	70004742	1	Enclosure	
18	70004743	4	Nut	
19	70004744	NLA	Boot, Controller (Use p/n 70005230 Boot/Base Assembly)	
20	70004745	NLA	Tube, Locking (Use p/n 70005230 Boot/Base Assembly)	
21	70004746	NLA	Disc, Locking (Use p/n 70005230 Boot/Base Assembly)	
25	70004747	2	Seal, Rope	
26	70004748	1	Screw M3 x 6	
28	70004749	2	Screw M5 x 20	
29	70004750	1	Pin, Dowel	
30	70004751	4	Screw M3 x 16	
101	4460265	1	Connector - 9 Position	
101	4460226	7	Socket, Female	

SECTION 5 - PLATFORM

FIGURE 5-23. CONTROLLER ASSEMBLY - LIFT/SWING



ART_1001166539

SECTION 5 - PLATFORM

FIGURE 5-23. CONTROLLER ASSEMBLY - LIFT/SWING

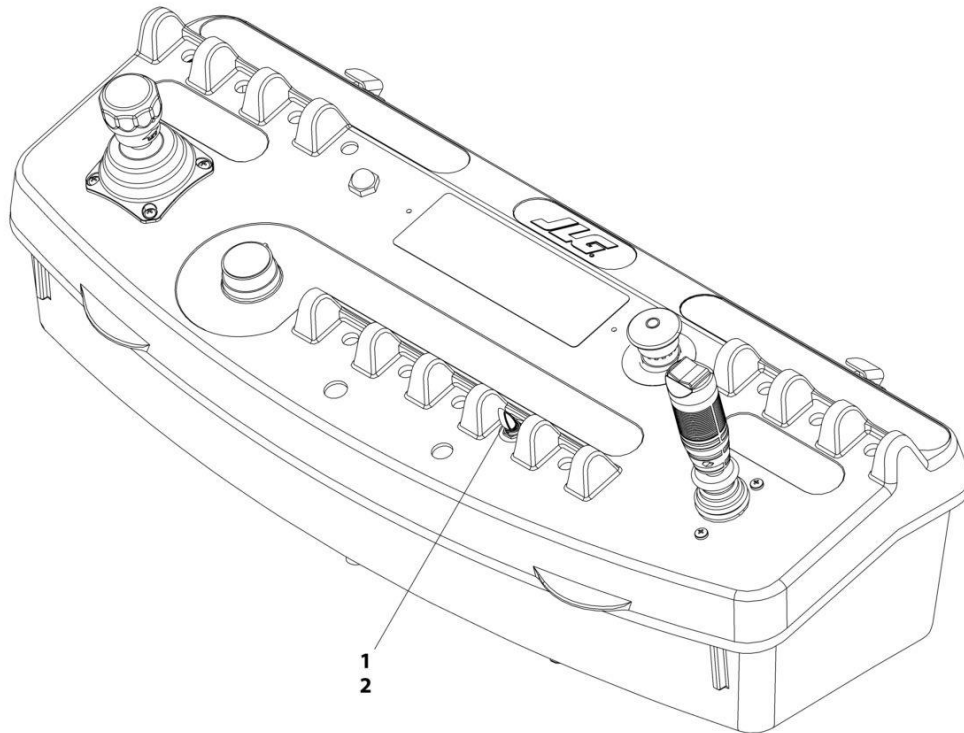
ITEM	PART NUMBER	QTY	DESCRIPTION	REV
	1001166539	Ref	CONTROLLER ASSEMBLY	E
		Ref	Note: Original Equipment Controller May Have Been Replaced with Service Replacement Controller. Visually Identify Controller Before Ordering Parts.	
		Ref	Note: For Replacement, Use p/n 1001129555	
1	See Note	NSS	Main Cast Body (Note: Not Available - Purchase Complete Assembly)	
2	70004752	1	Adapter	
3	See Note	NSS	Pivot Arm, Plastic (Note: Not Available - Purchase Complete Assembly)	
4	See Note	NSS	Holder, Magnet (Note: Not Available - Purchase Complete Assembly)	
5	See Note	NSS	Arc, Magnet (Note: Not Available - Purchase Complete Assembly)	
6	See Note	NSS	Screw (Note: Not Available for Purchase)	
7	See Note	NSS	Pivot Arm, Cast (Note: Not Available - Purchase Complete Assembly)	
8	See Note	NSS	Shaft, Main (Note: Not Available - Purchase Complete Assembly)	
9	See Note	NSS	Bearing (Note: Not Available - Purchase Complete Assembly)	
10	See Note	NSS	Pin (Note: Not Available - Purchase Complete Assembly)	
11	See Note	NSS	Shim (Note: Not Available - Purchase Complete Assembly)	
12	See Note	NSS	Pin (Note: Not Available - Purchase Complete Assembly)	
13	See Note	NSS	Bearing (Note: Not Available - Purchase Complete Assembly)	
14	See Note	NSS	Dome, Centering (Note: Not Available - Purchase Complete Assembly)	
15	70004753	1	Cap	
16	70004754	1	Insert, Cap	
17	70004755	3	Pin	
18	70004756	2	Washer	
19	70004757	1	Pin, Centering	
20	70004758	1	Spring	
21	70004759	1	Ring, Retaining	
22	70004760	1	E-Ring	
23	70004761	1	Can, Enclosure	
24	70004762	1	Boot	
25	70004763	1	Bezel	
26	See Note	NSS	Screw (Note: Not Available for Purchase)	
27	See Note	NSS	Base Mounting (Note: Not Available - Purchase Complete Assembly)	
28	See Note	NSS	Screw (Note: Not Available for Purchase)	
29	70004764	4	Screw	
30	70004765	4	Screw	
31	70004766	1	O-Ring	
32	See Note	NSS	Plate (Note: Not Available - Purchase Complete Assembly)	
33	See Note	NSS	Harness (Note: Not Available - Purchase Complete Assembly)	
34	70004767	1	Grommet, Rubber	
35	70004768	1	Housing	
36	70004769	1	Spring	
37	70004770	1	Stopper	
38	70004771	1	Spacer	
39	70004772	1	Washer	
40	70004773	1	Disc	

SECTION 5 - PLATFORM

ITEM	PART NUMBER	QTY	DESCRIPTION	REV
41	70004774	2	Ring, Retaining	
42	70004775	1	Spring	
101	4460265	1	Connector - 9 Position	
101	4460226	6	Socket, Female	

SECTION 5 - PLATFORM

FIGURE 5-24. JIB SWITCH INSTALLATION



ART_0271340

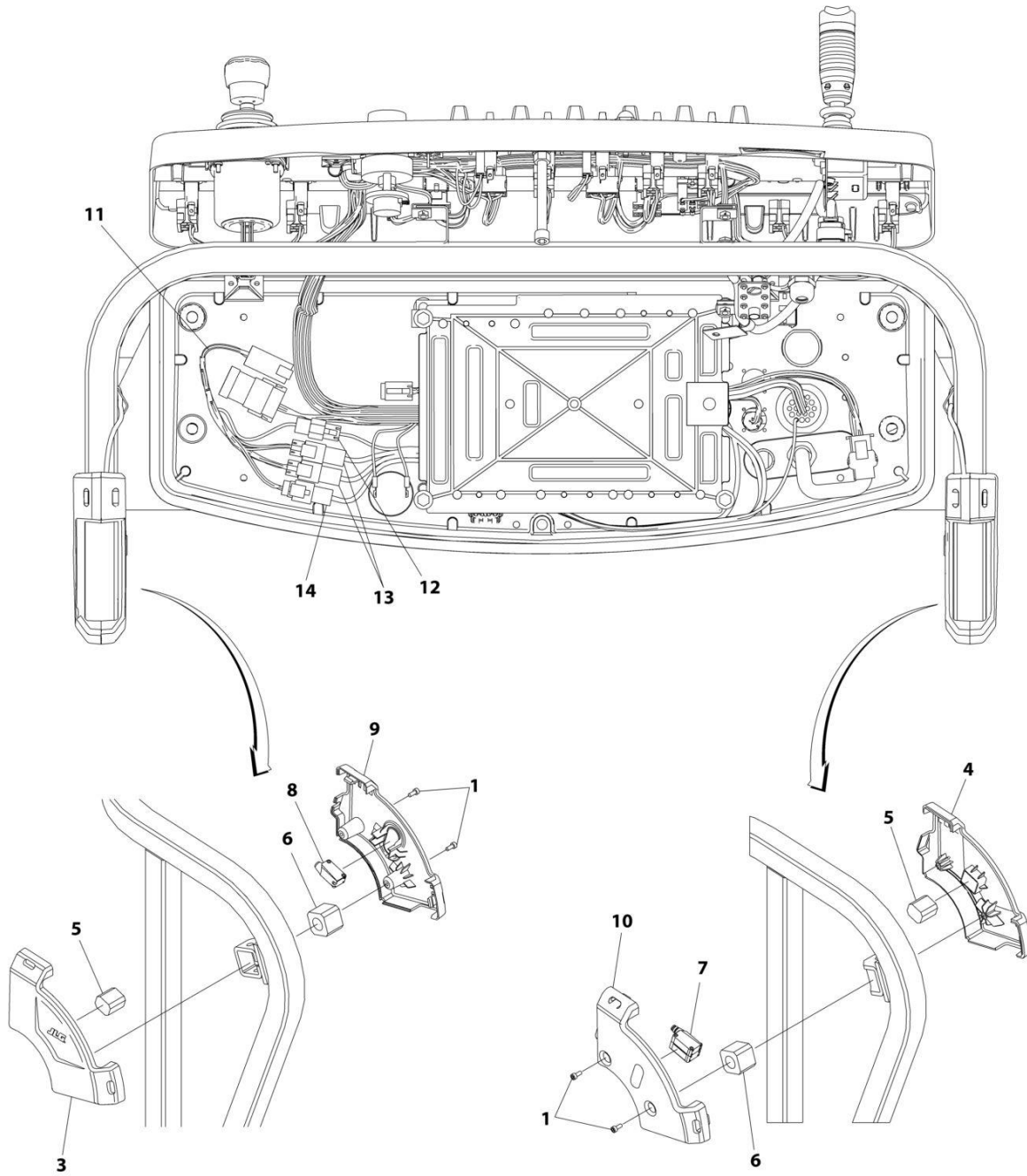
SECTION 5 - PLATFORM

FIGURE 5-24. JIB SWITCH INSTALLATION

ITEM	PART NUMBER	QTY	DESCRIPTION	REV
	0271340	Ref	JIB SWITCH INSTALLATION	1/A
1	4360328	1	Switch, Toggle	
2	3790012	1	O-Ring	

SECTION 5 - PLATFORM

FIGURE 5-25. SKYEYE INSTALLATION



ART_1001229341

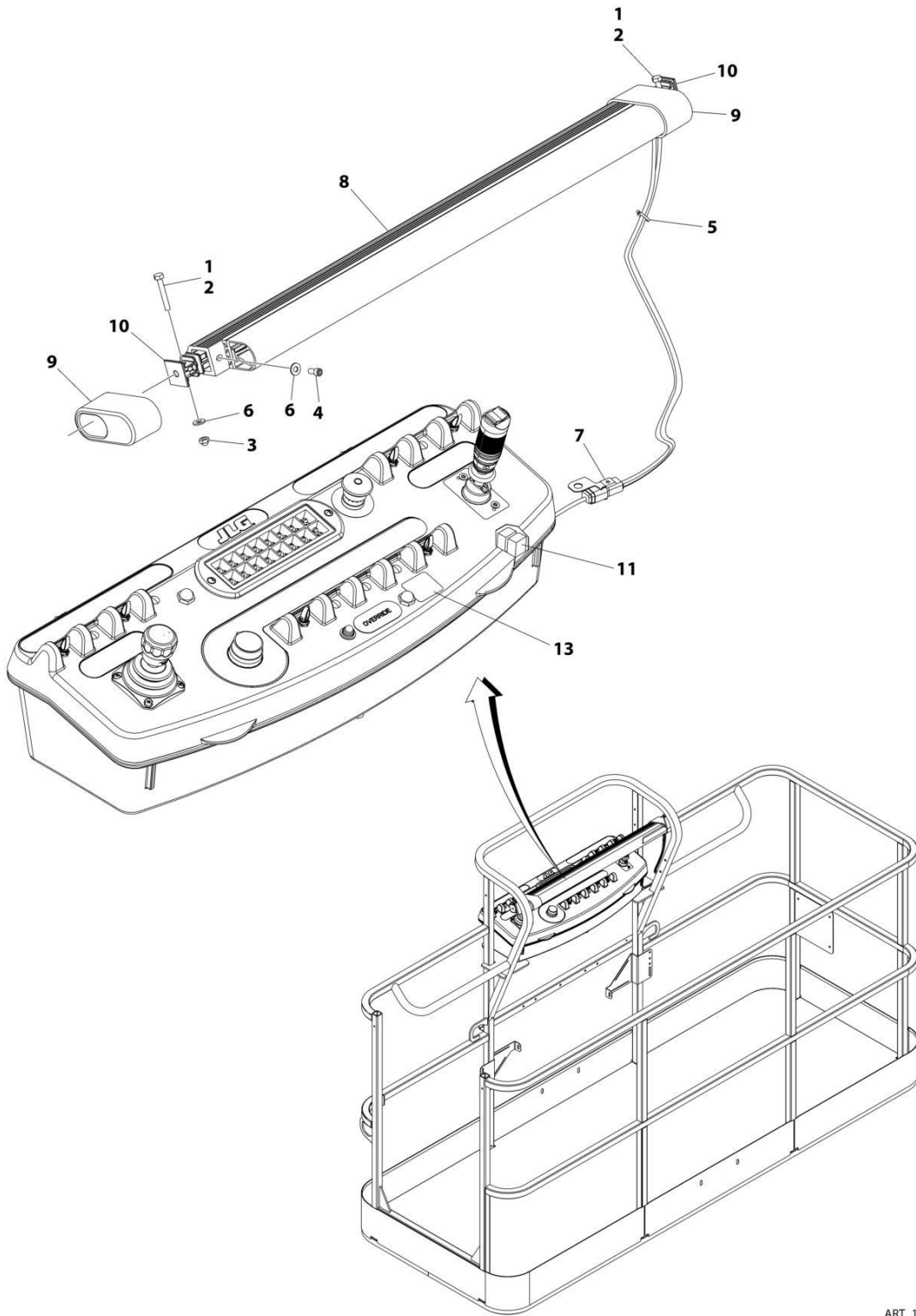
SECTION 5 - PLATFORM

FIGURE 5-25. SKYEYE INSTALLATION

ITEM	PART NUMBER	QTY	DESCRIPTION	REV
	1001229341	Ref	SKYEYE INSTALLATION	B
1	4031505	4	Bolt M4 x 10	
2	4240033	AR	Tie-Strap (Not Shown)	
3	1001227633	1	Housing, LH Outer	
4	1001227634	1	Housing, RH Outer	
5	1001227985	2	Shim	
6	1001227987	2	Shim	
7	1001228224	2	Sensor, Receiver	
8	1001228225	1	Sensor, Emitter	
9	1001232164	1	Housing, LH Inner	
10	1001232165	1	Housing, RH Inner	
11	1001237865	1	Harness, Skyeeye Intermediate (See Separate Breakdown in ELECTRICAL Section)	
12	1001238319	NLA	Harness, Skyeeye Drain Jumper	
12	1001187674	1	Plug, Male - 2 Position	
12	4460942	1	Terminal	
12	4460466	1	Plug, Terminal	
12	4460508	1	Pin, Male	
13	1001237863	2	Harness, Skyeeye Receiver (See Separate Breakdown in ELECTRICAL Section)	
14	1001237864	1	Harness, Skyeeye Emitter (See Separate Breakdown in ELECTRICAL Section)	

SECTION 5 - PLATFORM

FIGURE 5-26. SKYGUARD BAR INSTALLATION



ART_1001238495

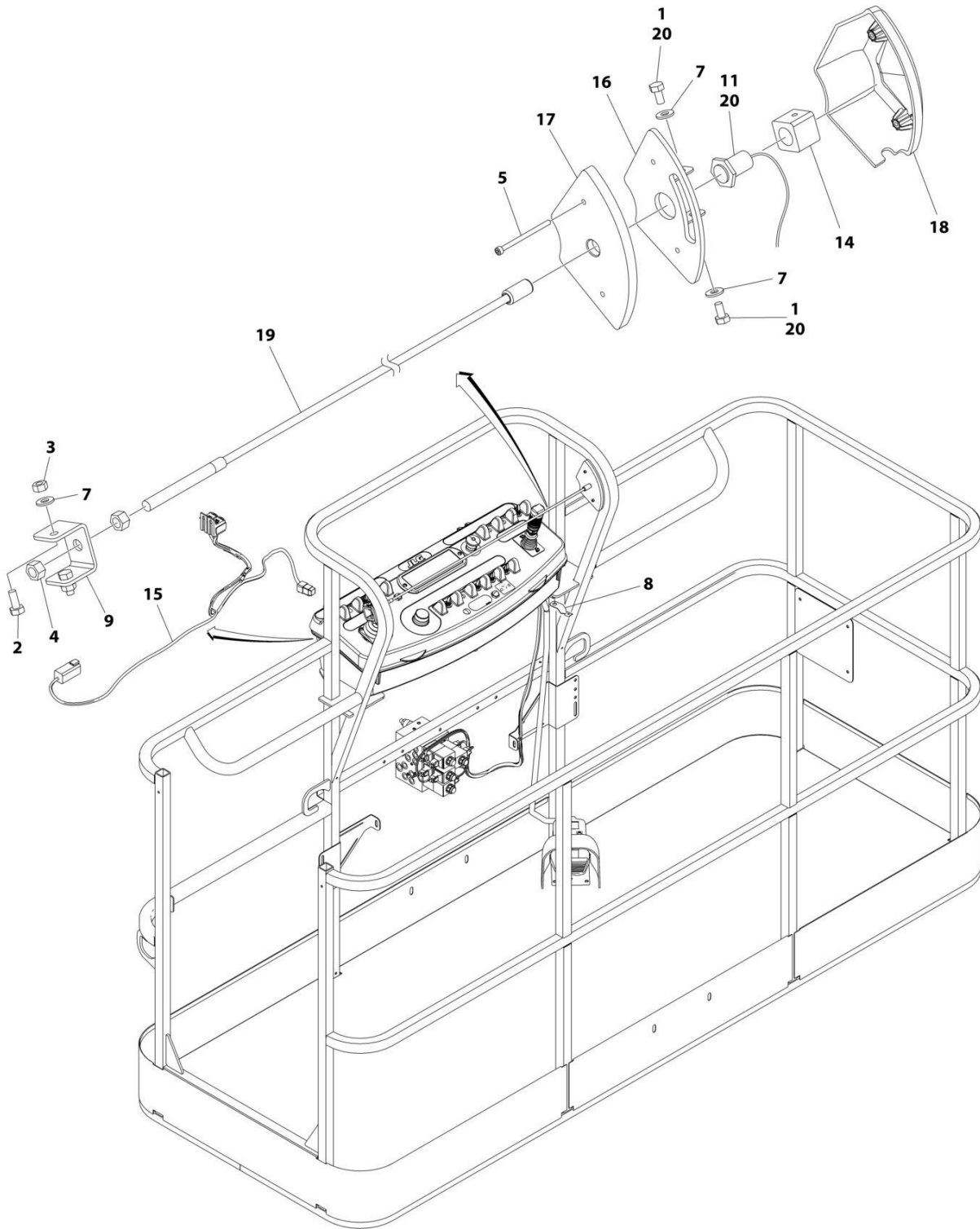
SECTION 5 - PLATFORM

FIGURE 5-26. SKYGUARD BAR INSTALLATION

ITEM	PART NUMBER	QTY	DESCRIPTION	REV
	1001238495	Ref	SKYGUARD BAR INSTALLATION	A
1	0100011	AR	Compound, Locking	
2	0641414	2	Bolt 1/4 x 1-3/4	
3	3300430	2	Nut 1/4	
4	3931408	2	Capscrew 1/4 x 1/2	
5	4240033	8	Tie-Strap	
6	4711400	6	Washer 1/4	
7	1001120328	1	Mount	
8	1001137673	1	SkyGuard Switch Assembly	
9	1001186517	2	Cover, Platform Sensor	
10	1001209664	2	Support, Block	
11	1001186431	2	Relay	
12	1001225580	1	Interface Harness Assembly (Not Shown - Located Inside Console Box) (See Separate Breakdown in ELECTRICAL Section)	
13	1001144433	1	Decal - No Weight SkyGuard	

SECTION 5 - PLATFORM

FIGURE 5-27. SKYLINE INSTALLATION



ART_1001238559_D

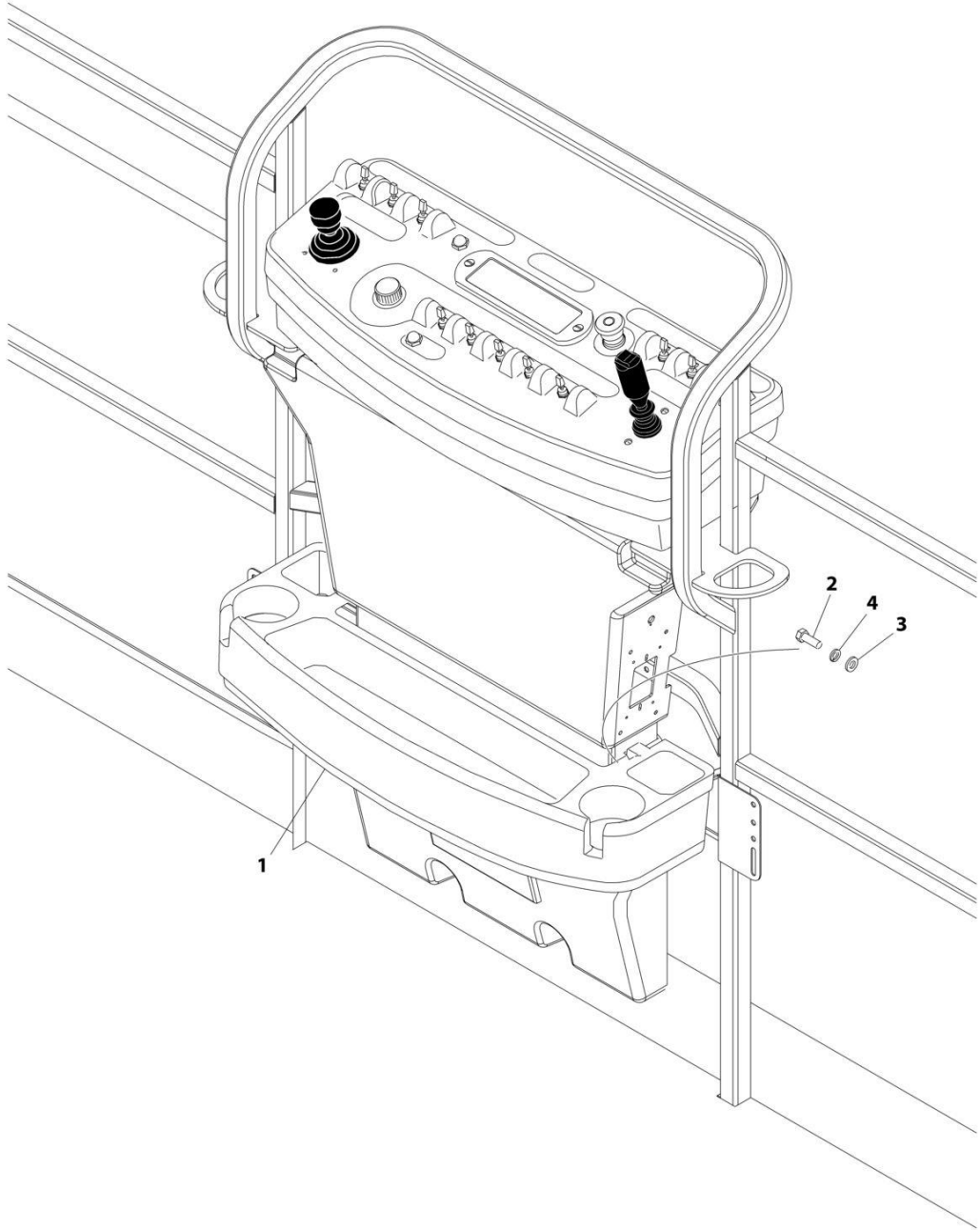
SECTION 5 - PLATFORM

FIGURE 5-27. SKYLINE INSTALLATION

ITEM	PART NUMBER	QTY	DESCRIPTION	REV
	1001238559	Ref	SKYLINE INSTALLATION	D
1	0641404	2	Bolt 1/4 x 1/2	
2	0641405	2	Bolt 1/4 x 5/8	
3	3311405	2	Nut 1/4	
4	3311601	2	Nut 3/8	
5	4031516	2	Capscrew M4 x 60	
6	4240033	AR	Tie-Strap (Not Shown)	
7	4711400	4	Washer 1/4	
8	1001120328	1	Mount	
9	1001232642	1	Bracket	
11	1001232667	1	Sensor, Proximity	
11	1001311034	1	Sensor, Proximity	
14	1001236552	1	Block	
15	1001238418	1	Harness, Skyline (See Separate Breakdown in ELECTRICAL Section)	
16	1001238472	1	Mount	
17	1001254473	1	Housing, LH	
18	1001241965	1	Housing, RH	
19	1001254472	1	Rod	
20	0100011	AR	Compound, Locking	

SECTION 5 - PLATFORM

FIGURE 5-28. STORAGE TRAY INSTALLATION - CENTER



ART_1580012

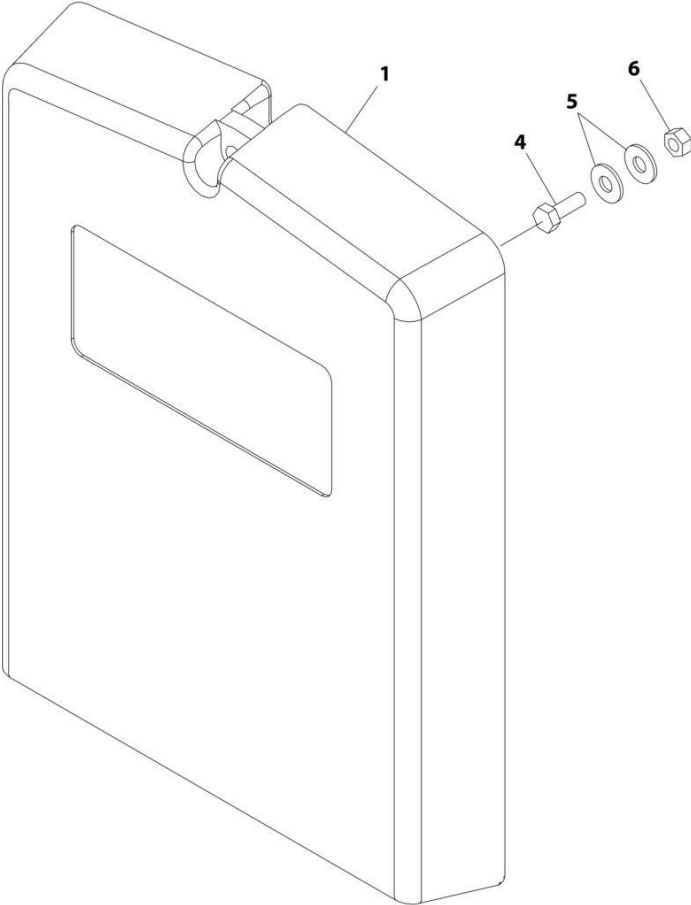
SECTION 5 - PLATFORM

FIGURE 5-28. STORAGE TRAY INSTALLATION - CENTER

ITEM	PART NUMBER	QTY	DESCRIPTION	REV
	1580012	Ref	TRAY ASSEMBLY	C
1	See Note	NSS	Tray, Storage (Center) (Note: Purchase p/n 1580012)	
2	0641406	2	Bolt 1/4 x 3/4	
3	4751400	2	Washer 1/4	
4	4761400	2	Washer 1/4	

SECTION 5 - PLATFORM

FIGURE 5-29. MANUAL STORAGE BOX INSTALLATION



ART_0258671

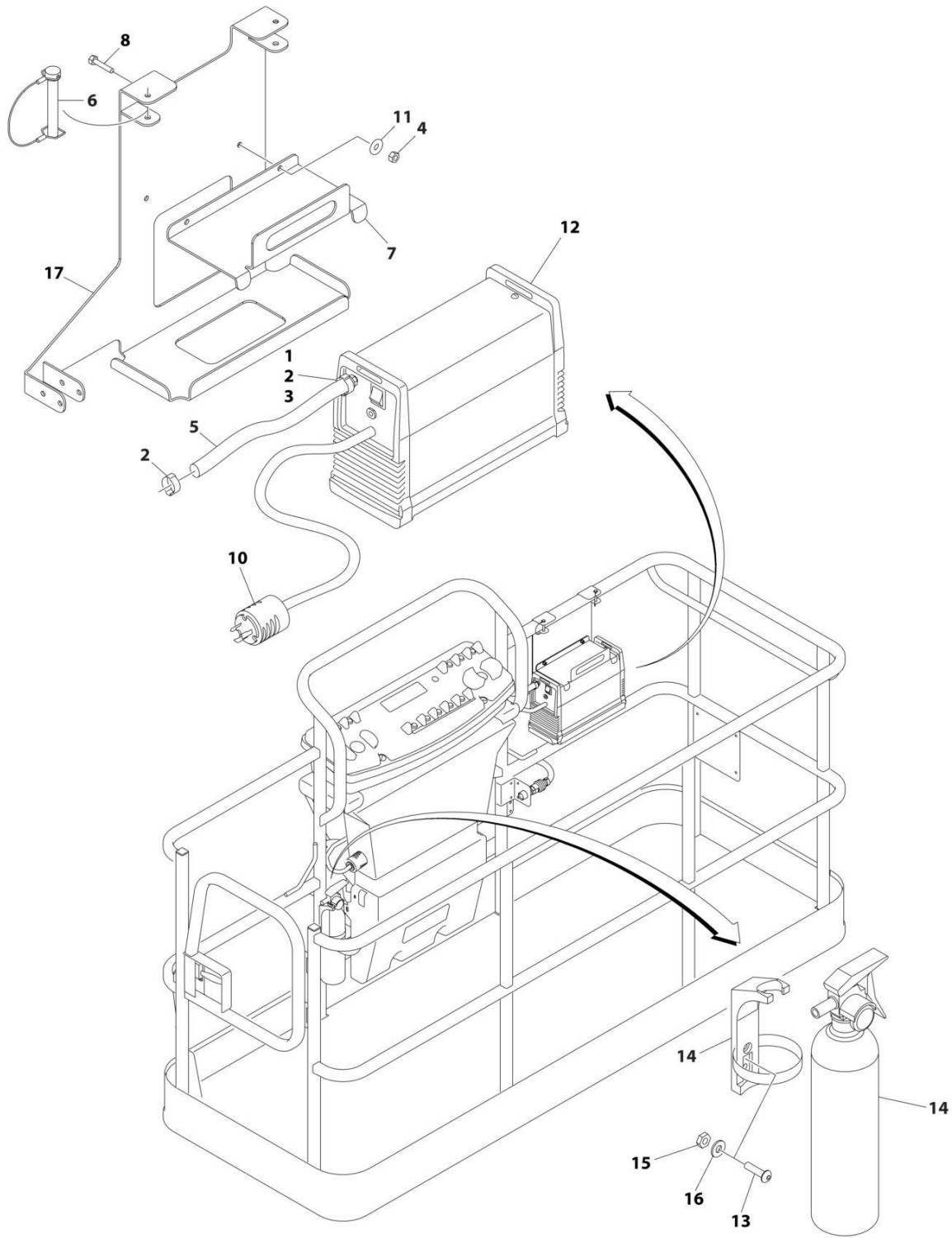
SECTION 5 - PLATFORM

FIGURE 5-29. MANUAL STORAGE BOX INSTALLATION

ITEM	PART NUMBER	QTY	DESCRIPTION	REV
	0258671	Ref	MANUAL STORAGE BOX INSTALLATION	C
1	0860520	1	Box, Manual Storage	
4	0641406	4	Bolt 1/4 x 3/4	
5	4751400	8	Washer 1/4	
6	3311405	4	Nut 1/4	

SECTION 5 - PLATFORM

FIGURE 5-30. SKYCUTTER INSTALLATION



ART_1001098149_D

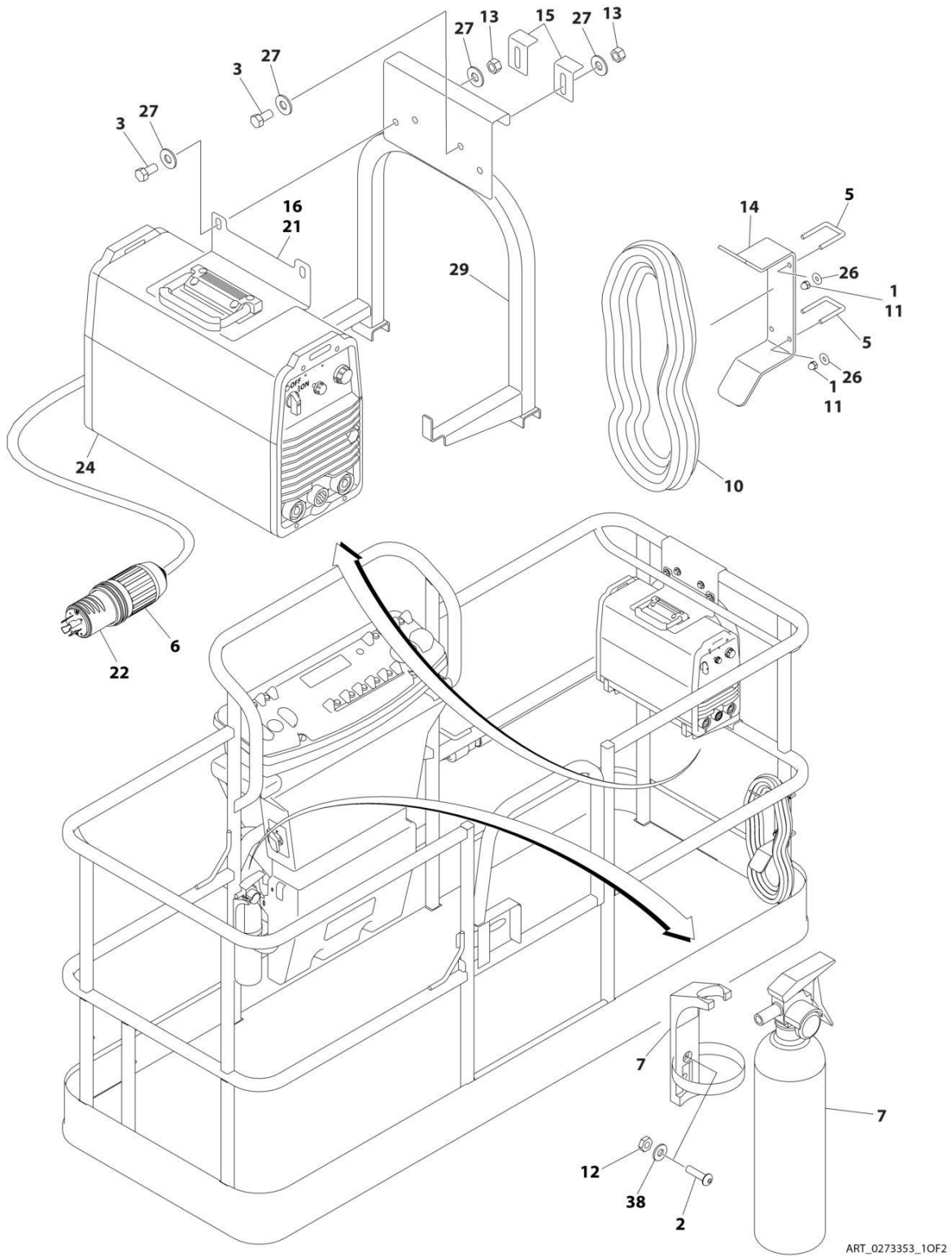
SECTION 5 - PLATFORM

FIGURE 5-30. SKYCUTTER INSTALLATION

ITEM	PART NUMBER	QTY	DESCRIPTION	REV
	1001098149	Ref	SKYCUTTER INSTALLATION	D
		Ref	Note: When replacing platform on machines with SkyCutter option, new bracket p/n 1001145405 must be purchased to accommodate SkyCutter components.	
1	0100020	AR	Sealant	
2	1320177	2	Clamp, Hose	
3	2180832	1	Fitting, NPT/Barbed	
4	3290605	2	Nut M6	
5	2720160	3 ft /.9m	Hose	
6	3421453	3	Pin	
7	3576799	1	Plate, Hold-Down	
8	4010608	2	Screw M6 x 16	
10	4460971	1	Plug, Twistlock	
11	4811700	2	Washer M6	
12	1001098012	1	Plasma Cutter Assembly (See Separate Breakdown in this Section)	
13	0630518	2	Screw #10 x 3/4	
14	2030010	1	Extinguisher, Fire	
15	3311005	2	Nut #10	
16	4751000	2	Washer #10	
17	1001145405	1	Support	

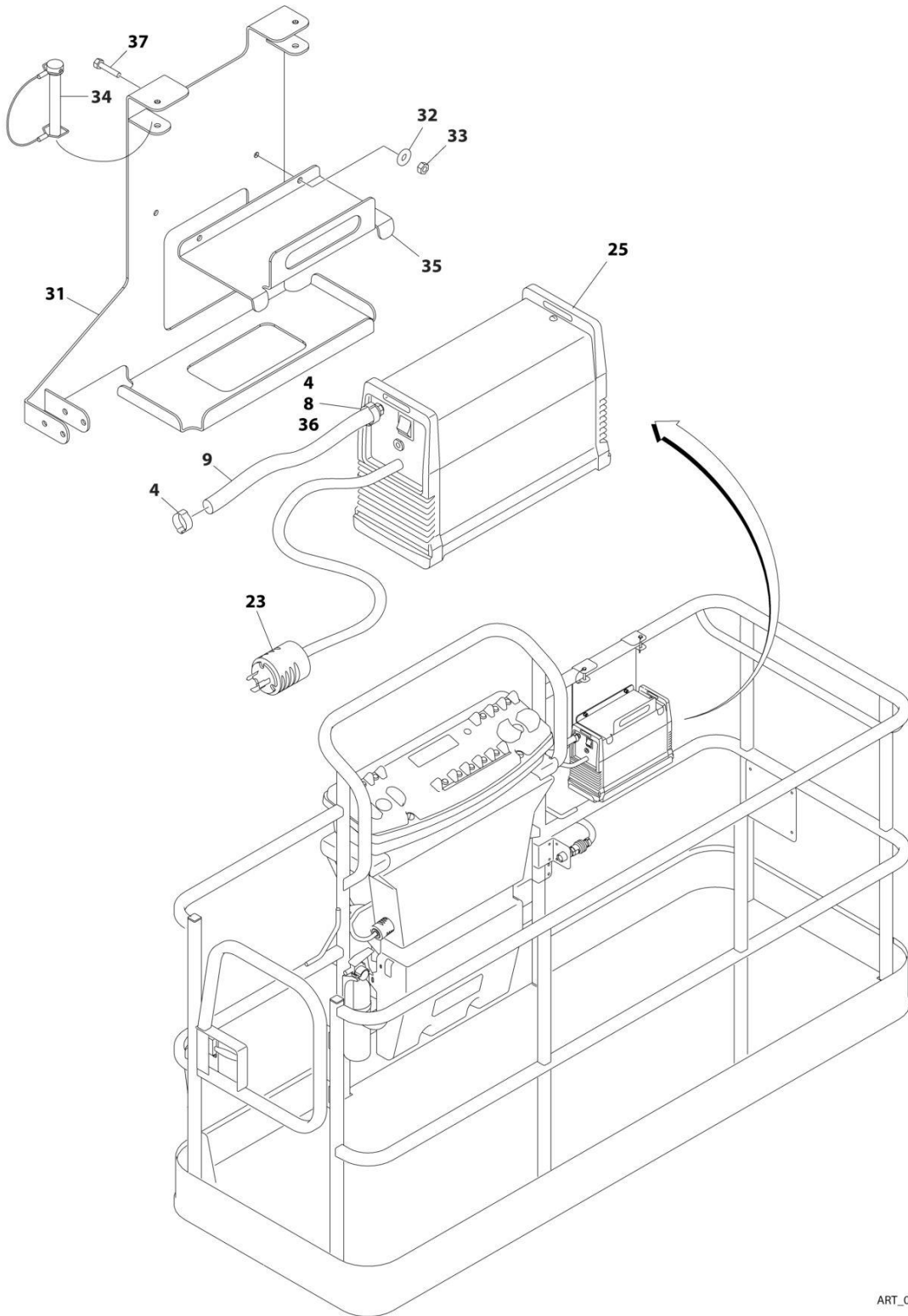
SECTION 5 - PLATFORM

FIGURE 5-31. SKYWELDER/SKYCUTTER COMBO INSTALLATION (60HZ)



ART_0273353_10F2

SECTION 5 - PLATFORM



ART_0273353_20F2

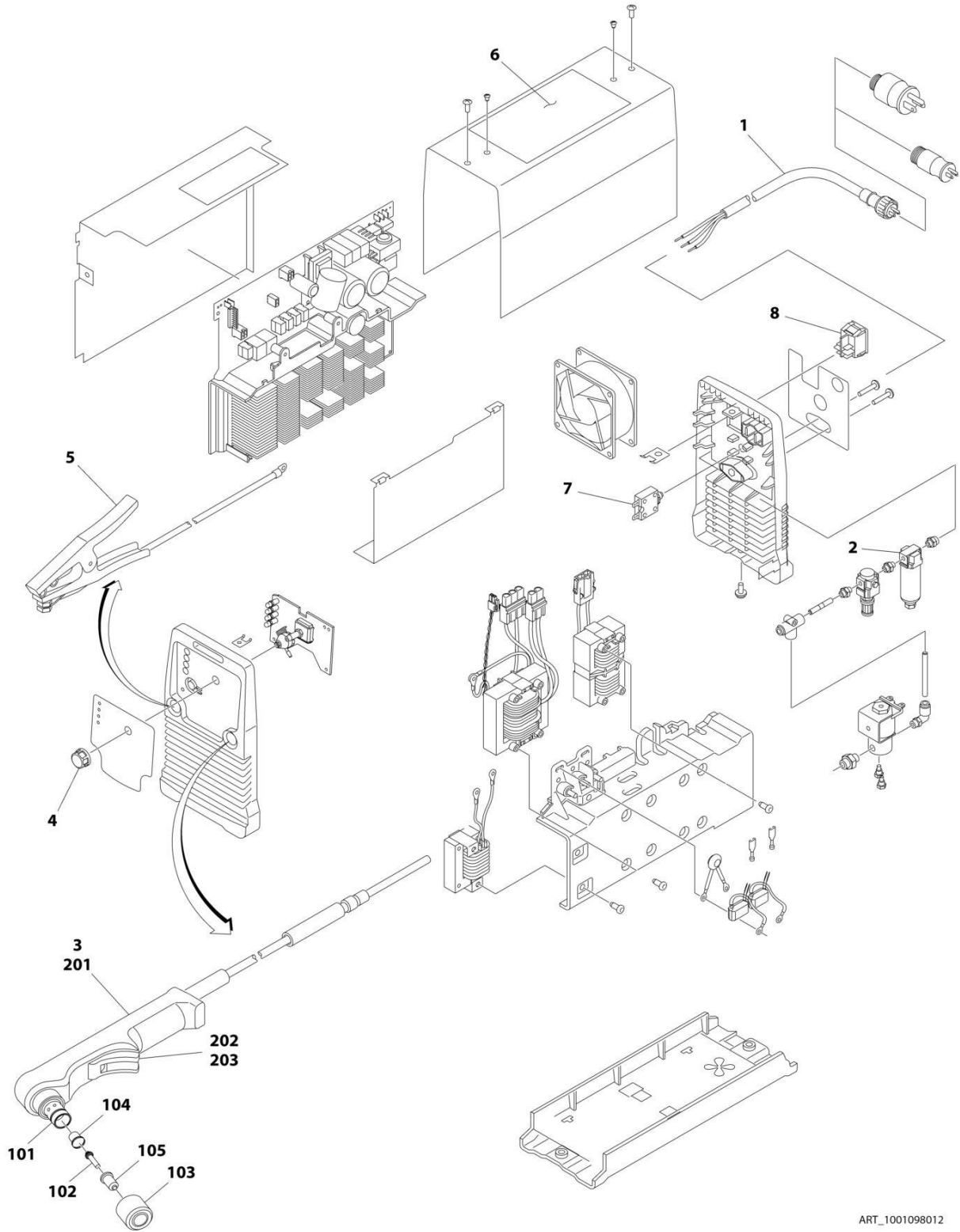
SECTION 5 - PLATFORM

FIGURE 5-31. SKYWELDER/SKYCUTTER COMBO INSTALLATION (60HZ)

ITEM	PART NUMBER	QTY	DESCRIPTION	REV
	0273353	Ref	SKYWELDER/SKYCUTTER COMBO INSTALLATION (60HZ)	G
1	0100011	AR	Compound, Locking	
2	0630518	2	Screw #10 x 3/4	
3	0641606	4	Bolt 3/8 x 3/4	
4	1320177	2	Clamp	
5	1320302	2	Clamp	
6	1671093	1	Cover, Plug	
7	2030010	1	Extinguisher, Fire	
8	2180832	1	Fitting, Barbed/NPT	
9	2720160	4.5 ft /1.37m	Hose	
10	2902217	1	Weld Leads Kit	
11	3300151	4	Nut 1/4	
12	3311005	2	Nut #10	
13	3311605	4	Nut 3/8	
14	3573400	1	Bracket	
15	3577121	2	Angle	
16	3573642	1	Plate	
20	4240099	AR	Tie-Strap (Not Shown)	
21	4420037	2.36 ft /.71m	Tape	
22	4460962	1	Plug, Twist Lock	
23	4460971	1	Plug, Twist Lock	
24	4530028	1	Welder Assembly (See Separate Breakdown in this section)	
25	1001098012	1	Plasma Cutter Assembly (See Separate Breakdown in this Section)	
26	4751400	4	Washer 1/4	
27	4751600	8	Washer 3/8	
29	4846627	1	Support	
31	1001145405	1	Bracket	
32	4811700	2	Washer M6	
33	3290605	2	Nut M6	
34	3421453	3	Pin	
35	3576799	1	Plate, Hold-Down	
36	0100020	1	Sealant	
37	4010608	2	Screw M6 x 16	
38	4751000	2	Washer #10	

SECTION 5 - PLATFORM

FIGURE 5-32. PLASMA CUTTER ASSEMBLY



ART_1001098012

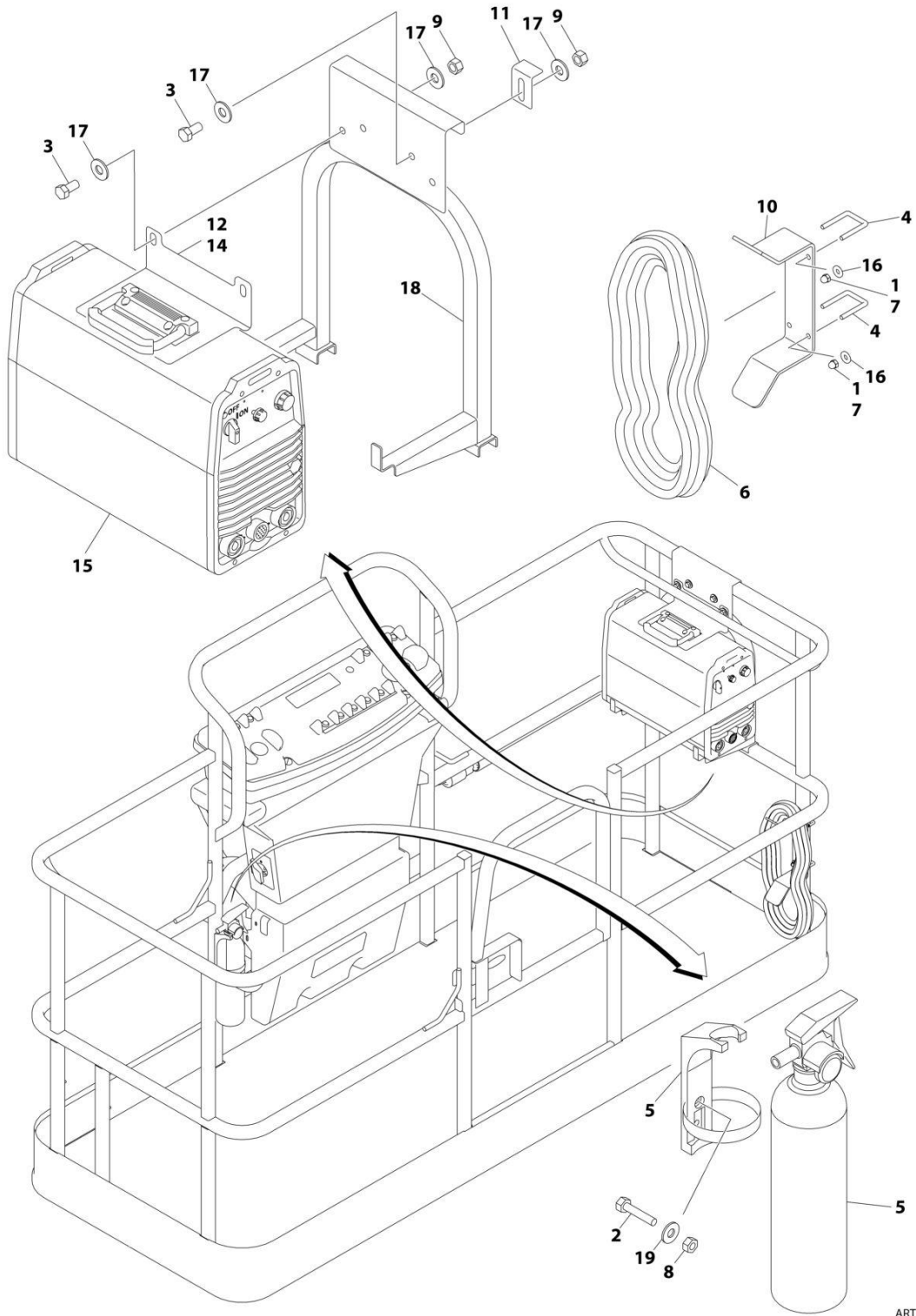
SECTION 5 - PLATFORM

FIGURE 5-32. PLASMA CUTTER ASSEMBLY

ITEM	PART NUMBER	QTY	DESCRIPTION	REV
	1001098012	Ref	PLASMA CUTTER ASSEMBLY	A
		Ref	Note: For Other Components, contact your Miller Welder Dealer.	
1	70001424	1	Cable, Power	
1	70001425	1	Decal - Voltage Warning	
2	70001427	1	Filter, Regulator	
3	70001428	1	Torch Assembly (See Items 101-203 for Breakdown)	
4	7024471	1	Knob	
5	70001429	1	Clamp with Cable	
6	70001430	1	Decal - Caution	
7	70001431	1	Breaker, Circuit	
8	70001432	1	Switch, Rocker	
	70001428	Ref	TORCH ASSEMBLY	
101	7024530	1	O-Ring	
102	7024531	1	Electrode	
103	7024532	1	Cup, Retaining	
104	7024533	1	Swirl Ring	
105	7024534	1	Tip	
201	7024535	1	Handle, Torch	
202	7024536	1	Switch	
203	7024537	1	Trigger	

SECTION 5 - PLATFORM

FIGURE 5-33. SKYWELDER INSTALLATION (50HZ)



ART_0272521_F

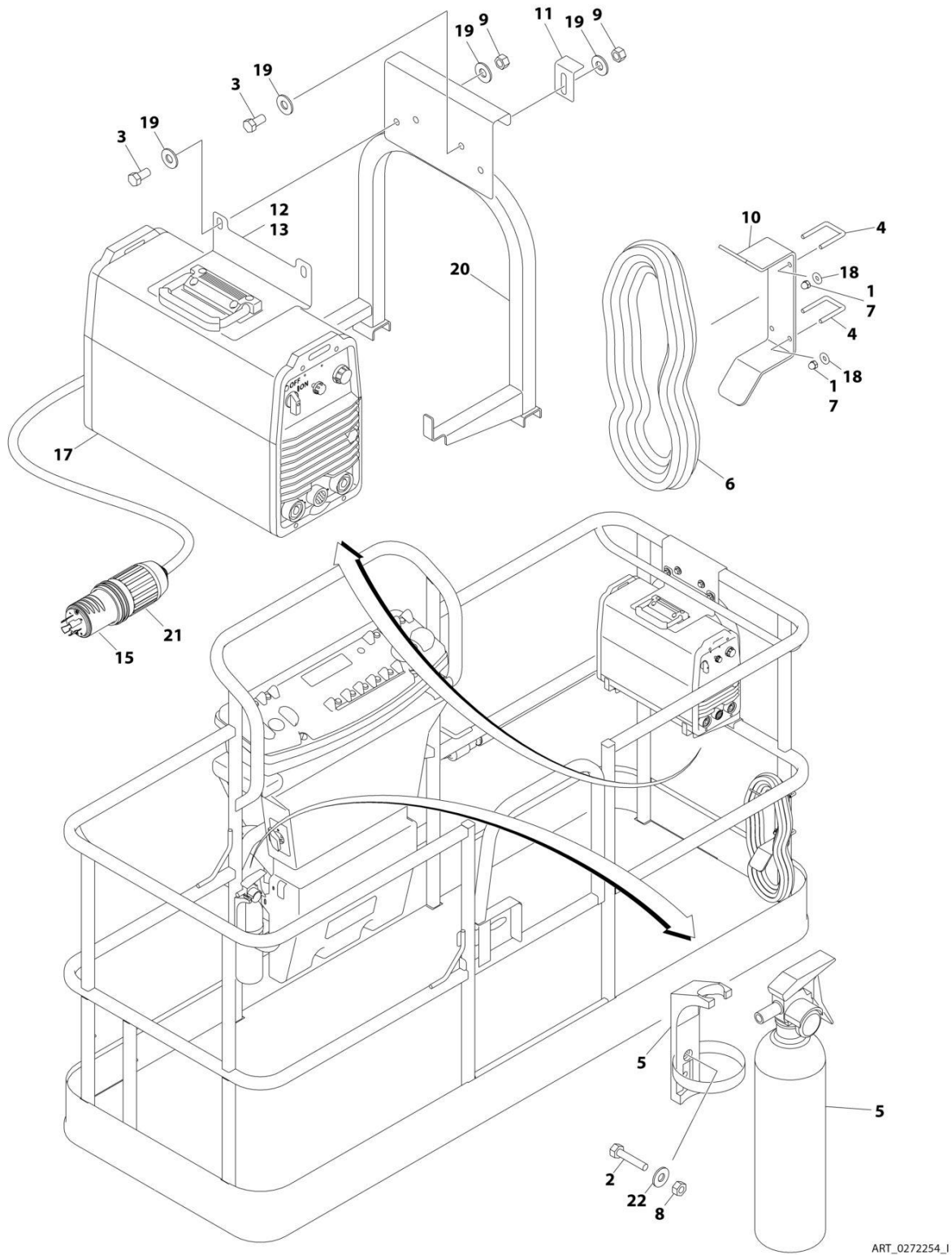
SECTION 5 - PLATFORM

FIGURE 5-33. SKYWELDER INSTALLATION (50HZ)

ITEM	PART NUMBER	QTY	DESCRIPTION	REV
	0272521	Ref	SKYWELDER INSTALLATION	F
1	0100011	AR	Compound, Locking	
2	0630518	2	Screw #10 x 3/4	
3	0641606	4	Bolt 3/8 x 3/4	
4	1320302	2	U-Clamp	
5	2030010	1	Extinguisher, Fire	
6	2902217	1	Weld Leads Kit	
7	3300151	4	Nut 1/4	
8	3311005	2	Nut #10	
9	3311605	4	Nut 3/8	
10	3573400	1	Bracket	
11	3577121	2	Angle	
12	3573642	1	Plate	
13	4240099	AR	Tie-Strap (Not Shown)	
14	4420037	AR	Tape	
15	4530028	1	Welder Assembly (See Separate Breakdown in this Section)	
16	4751400	4	Washer 1/4	
17	4751600	8	Washer 3/8	
18	4846627	1	Support	
19	4751000	2	Washer #10	

SECTION 5 - PLATFORM

FIGURE 5-34. SKYWELDER INSTALLATION (60HZ)



ART_0272254_I

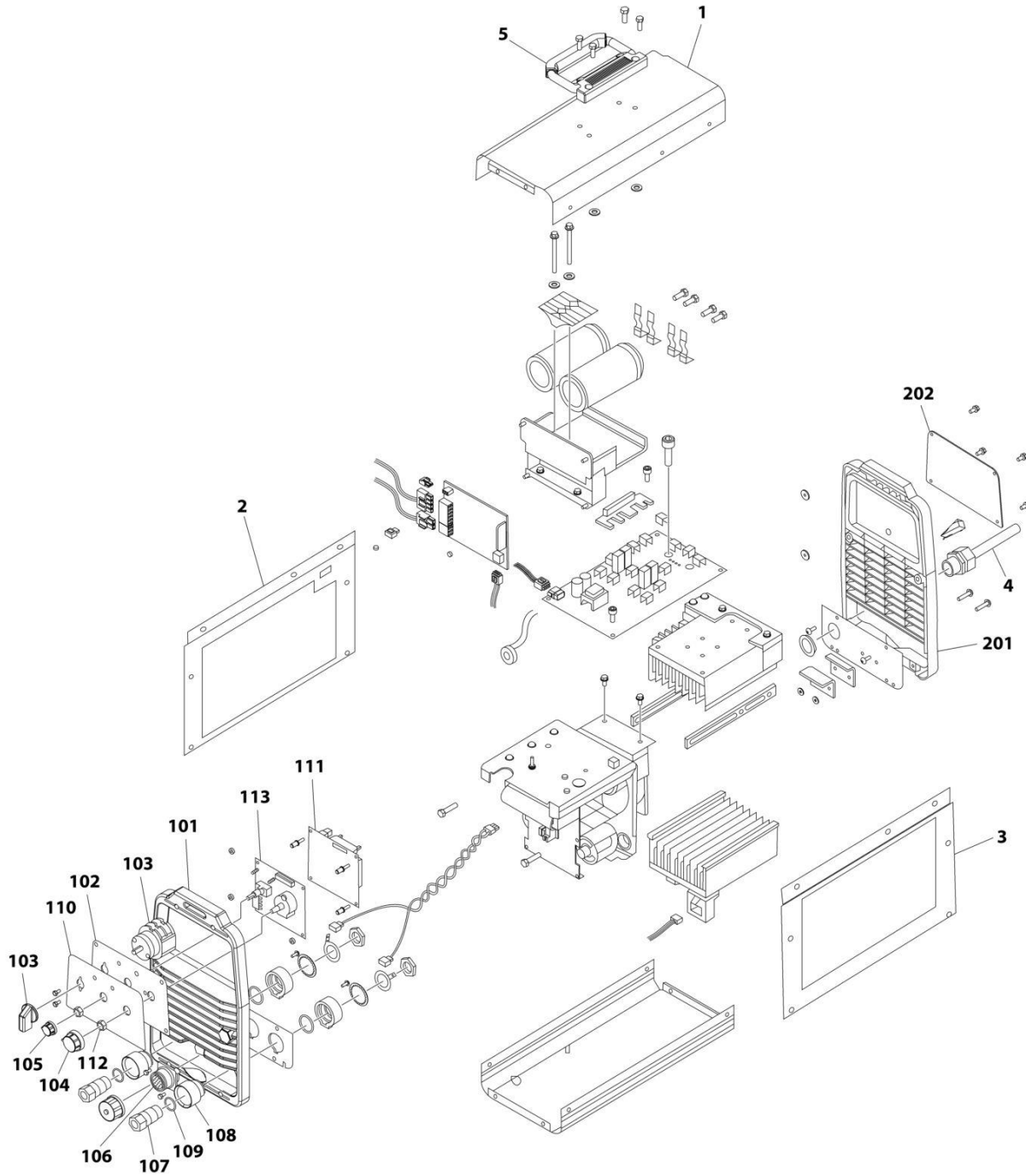
SECTION 5 - PLATFORM

FIGURE 5-34. SKYWELDER INSTALLATION (60HZ)

ITEM	PART NUMBER	QTY	DESCRIPTION	REV
	0272254	Ref	SKYWELDER INSTALLATION	1
1	0100011	AR	Compound, Locking	
2	0630518	2	Screw #10 x 3/4	
3	0641606	4	Bolt 3/8 x 3/4	
4	1320302	2	U-Clamp	
5	2030010	1	Extinguisher, Fire	
6	2902217	1	Weld Leads Kit	
7	3300151	4	Nut 1/4	
8	3311005	2	Nut #10	
9	3311605	4	Nut 3/8	
10	3573400	1	Bracket	
11	3577121	2	Angle	
12	3573642	1	Plate	
13	4420037	AR	Tape	
14	4240099	AR	Tie-Strap (Not Shown)	
15	4460962	1	Plug, Male Twistlock	
17	4530028	1	Welder Assembly (See Separate Breakdown in this Section)	
18	4751400	4	Washer 1/4	
19	4751600	8	Washer 3/8	
20	4846627	1	Support	
21	1671093	1	Cover, Plug	
22	4751000	2	Washer #10	

SECTION 5 - PLATFORM

FIGURE 5-35. WELDER ASSEMBLY



ART_4530028

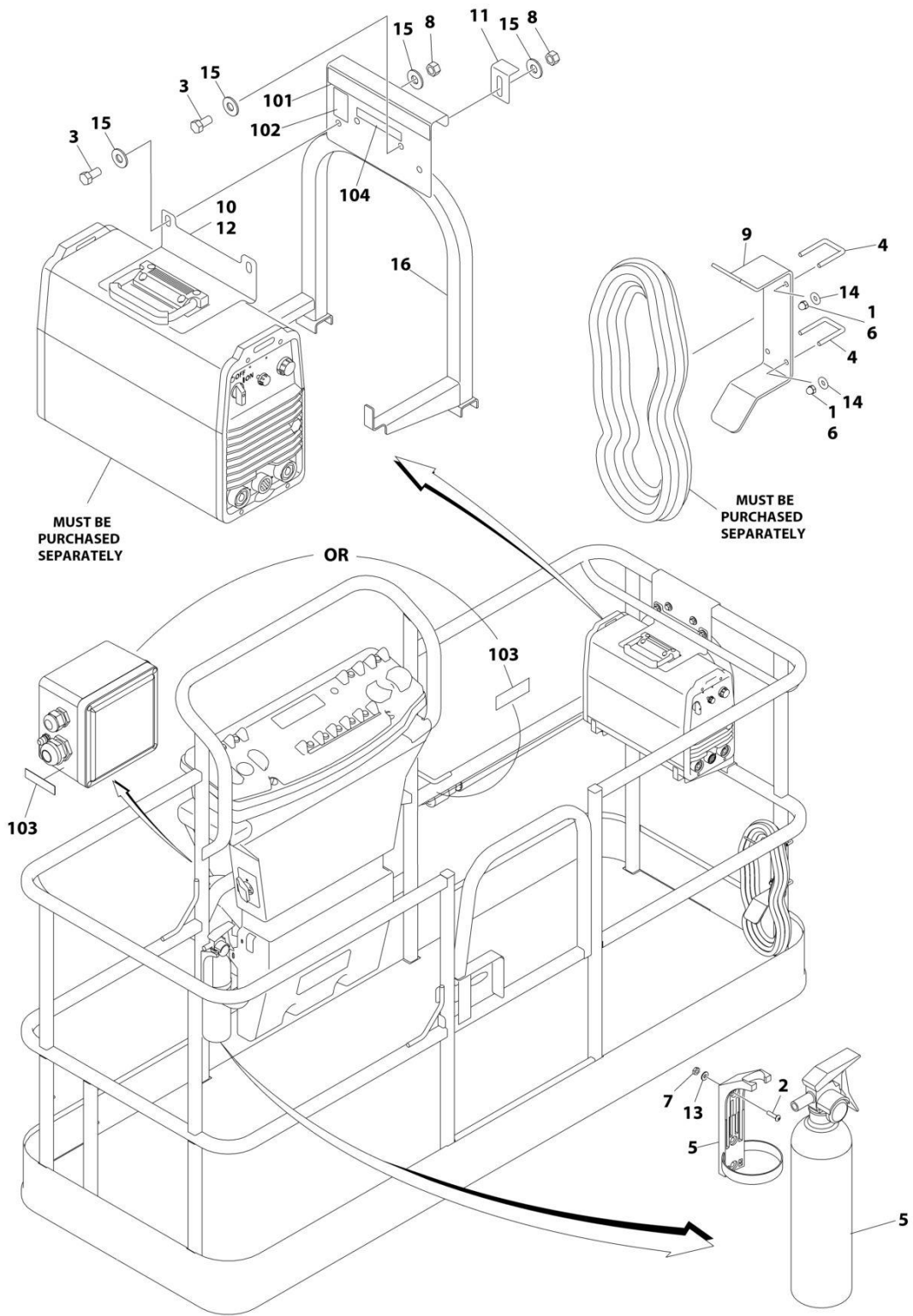
SECTION 5 - PLATFORM

FIGURE 5-35. WELDER ASSEMBLY

ITEM	PART NUMBER	QTY	DESCRIPTION	REV
	4530028	Ref	WELDER ASSEMBLY	B
		Ref	Note: For Other Components, contact your Miller Welder Dealer.	
1	7027773	1	Cover, Top	
1	7027774	1	Decal - Static Precautionary Warning	
2	See Note	NSS	Panel, LH Side (Note: Part of Item 1. Purchase Item 1)	
3	See Note	NSS	Panel, RH Side (Note: Part of Item 1. Purchase Item 1)	
4	7024467	1	Cable, Power	
4	7027775	1	Decal - Electrical Shock Warning (Not Shown)	
5	7027776	1	Handle, Carrying	
101	7024462	1	Panel, Front	
102	7024463	1	Panel, Console	
103	7024469	1	Switch with Lead	
104	7024470	1	Knob	
105	7024471	1	Knob	
106	7024472	1	Receptacle with Leads and Plugs	
107	7024473	2	Receptacle, Twistlock Female	
108	7024474	2	Insulator	
109	7024475	2	O-Ring	
110	7027777	1	Nameplate	
111	7027779	1	Circuit Card Assembly (Process Control)	
112	7024478	2	Nut	
113	7027778	1	Circuit Card Assembly (Operator Interface)	
201	7024462	1	Panel, Rear	
202	7027780	1	Panel, Cover	

SECTION 5 - PLATFORM

FIGURE 5-36. SKYWELDER PREP PACKAGE (60HZ)



ART_1001128527_B

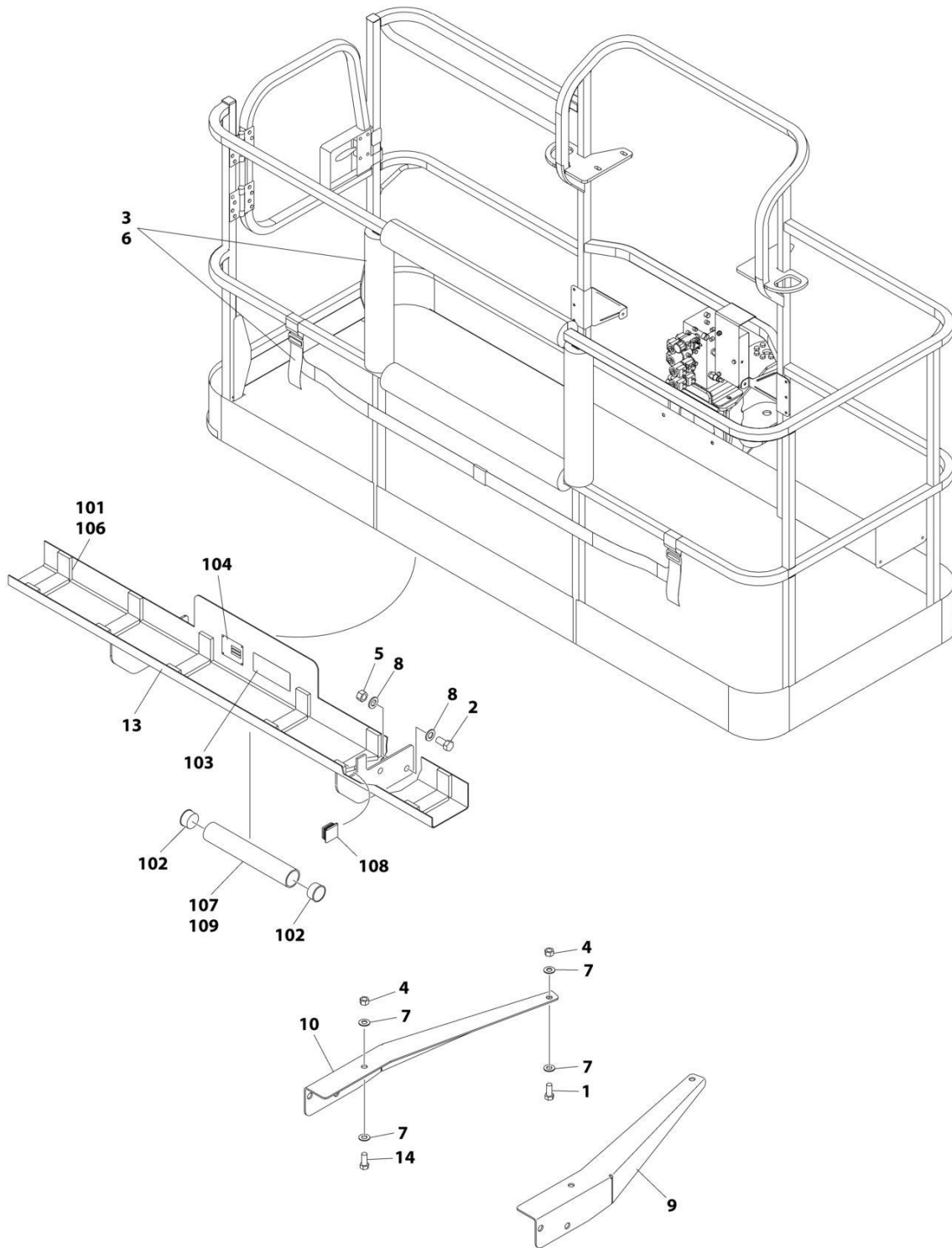
SECTION 5 - PLATFORM

FIGURE 5-36. SKYWELDER PREP PACKAGE (60HZ)

ITEM	PART NUMBER	QTY	DESCRIPTION	REV
	1001128527	Ref	SKYWELDER PREP PACKAGE	B
1	0100011	AR	Compound, Locking	
2	0630518	2	Screw #10 x 3/4	
3	0641606	4	Bolt 3/8 x 3/4	
4	1320302	2	U-Clamp	
5	2030010	1	Extinguisher, Fire	
6	3300151	4	Nut 1/4	
7	3311005	2	Nut #10	
8	3311605	4	Nut 3/8	
9	3573400	1	Bracket	
10	3573642	1	Plate	
11	3577121	2	Angle	
12	4420037	AR	Tape	
13	4751000	2	Washer #10	
14	4751400	4	Washer 1/4	
15	4751600	8	Washer 3/8	
16	4846627	1	Support	
	1001128556	Ref	SKYWELDER DECAL INSTALLATION	C
101	1702868	1	Decal - No Hands	
102	1705305	1	Decal - Weld Lead	
103	1705375	1	Decal - 240V - 3 Phase - 60Hz	
104	1001228988	1	Decal - Weight	

SECTION 5 - PLATFORM

FIGURE 5-37. SKYGLAZIER INSTALLATION (ALL SPECS EXCEPT CHINA AND JAPANESE SPECS)



ART_1001172578_C

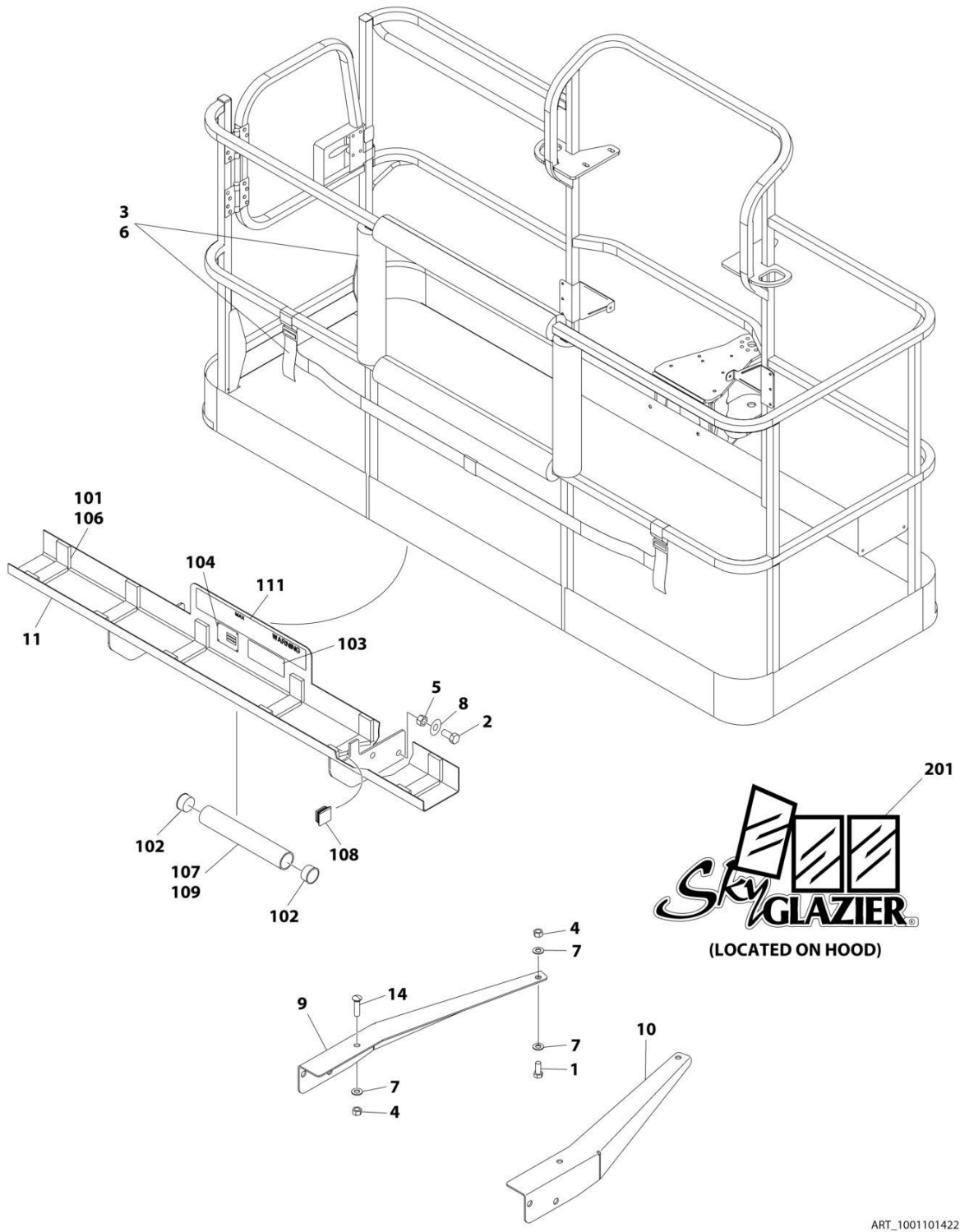
SECTION 5 - PLATFORM

FIGURE 5-37. SKYGLAZIER INSTALLATION (ALL SPECS EXCEPT CHINA AND JAPANESE SPECS)

ITEM	PART NUMBER	QTY	DESCRIPTION	REV
	1001172578	Ref	SKYGLAZIER INSTALLATION	C
1	0642012	2	Bolt 5/8 x 1-1/2	
2	0642212	4	Bolt 3/4 x 1-1/2	
3	2902212	1	Bumpers and Strap Kit	
3	0940102	1	Bumper Only	
3	4240149	1	Strap Only	
4	3312005	1	Nut 5/8	
5	3312205	4	Nut 3/4	
6	4420014	AR	Tape	
7	4712000	6	Washer 5/8	
8	4712200	8	Washer 3/4	
9	1001099366	1	Support	
10	1001099367	1	Support	
13	1001172577	1	Tray Assembly (See Items 101-109 for Breakdown)	
14	8310129	2	Bolt 3/4 x 2-1/2	
	1001172577	Ref	TRAY ASSEMBLY	C
101	0100081	AR	Adhesive	
102	1120555	2	Cap, Tube	
103	1701509	1	Decal - Manual	
104	See Note	NSS	Nameplate - Serial Number (Note: Not Available for Purchase)	
106	3340956	1	Pad Kit	
107	3460334	1	Tube	
108	3520071	2	Plug	
109	4420066	AR	Tape, Double Sided	

SECTION 5 - PLATFORM

FIGURE 5-38. SKYGLAZIER INSTALLATION (ENGLISH LANGUAGE DECALS)



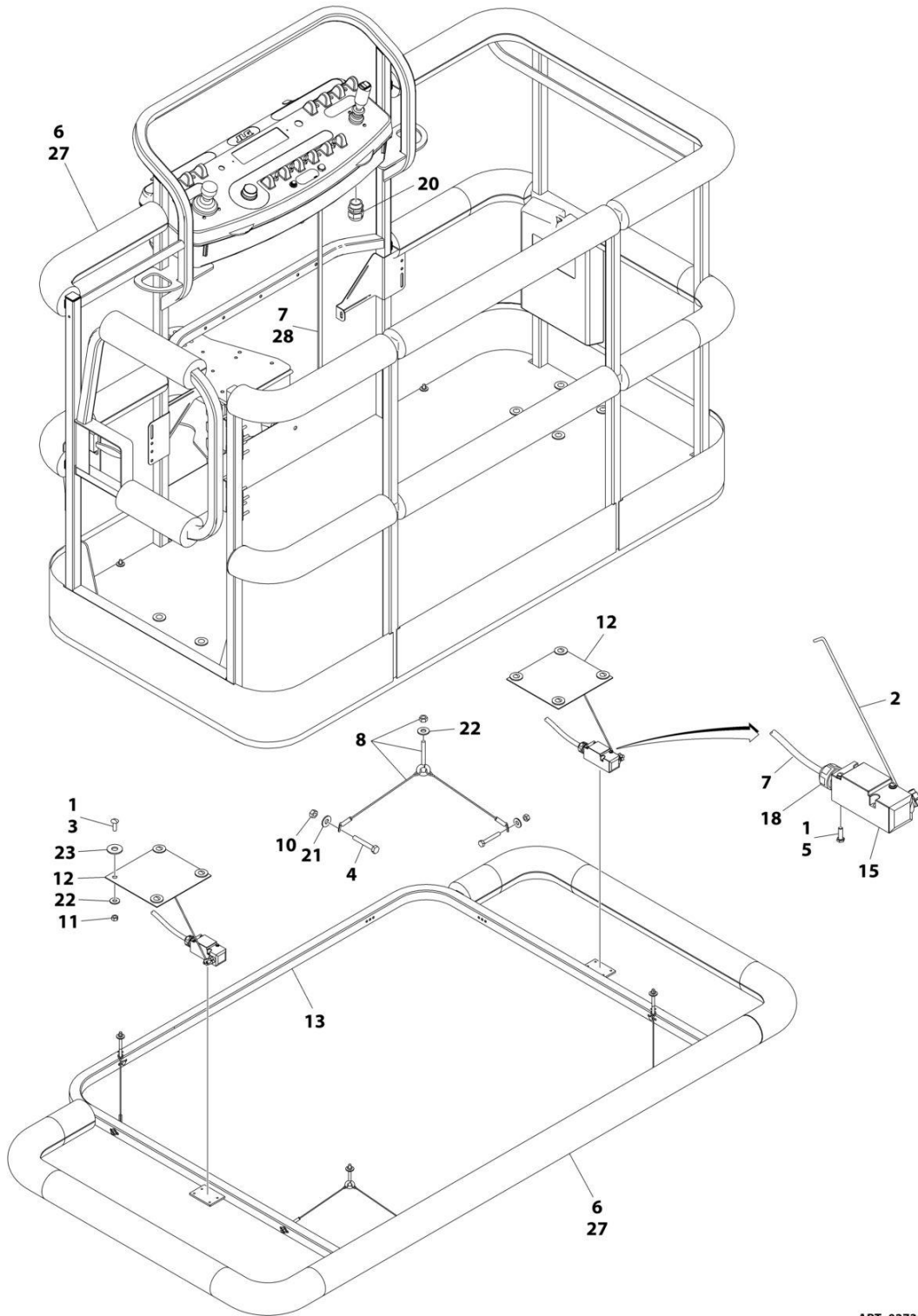
SECTION 5 - PLATFORM

FIGURE 5-38. SKYGLAZIER INSTALLATION (ENGLISH LANGUAGE DECALS)

ITEM	PART NUMBER	QTY	DESCRIPTION	REV
	1001101422	Ref	SKYGLAZIER INSTALLATION	C
1	0642012	2	Bolt 5/8 x 1-1/2	
2	0642212	4	Bolt 3/4 x 1-1/2	
3	2902212	1	Bumpers and Strap Kit	
3	0940102	1	Bumper Only	
3	4240149	1	Strap Only	
4	3312005	4	Nut 5/8	
5	3312205	4	Nut 3/4	
6	4420014	AR	Tape	
7	4712000	6	Washer 5/8	
8	4712200	8	Washer 3/4	
9	1001099366	1	Support	
10	1001099367	1	Support	
11	1001101421	1	Tray Assembly (See Items 101-111 for Breakdown)	
14	8310129	2	Bolt 3/4 x 2-1/2	
	1001101421	Ref	TRAY ASSEMBLY	F
101	0100081	AR	Adhesive	
102	1120555	2	Cap, Tube	
103	1701509	1	Decal - Manual	
104	See Note	NSS	Nameplate - Serial Number (Note: Not Available for Purchase)	
106	3340956	1	Pad Kit	
107	3460334	1	Tube	
108	3520071	2	Plug	
109	4420066	AR	Tape, Double Sided	
111	1001163131	2	Decal - Glazier Capacity	
	0272418	Ref	SKYGLAZIER DECAL INSTALLATION	4
201	1705358	2	Decal - SkyGlazier	

SECTION 5 - PLATFORM

FIGURE 5-39. SOFT TOUCH SYSTEM INSTALLATION - 6FT/1.83M PLATFORM



ART_0273824_E

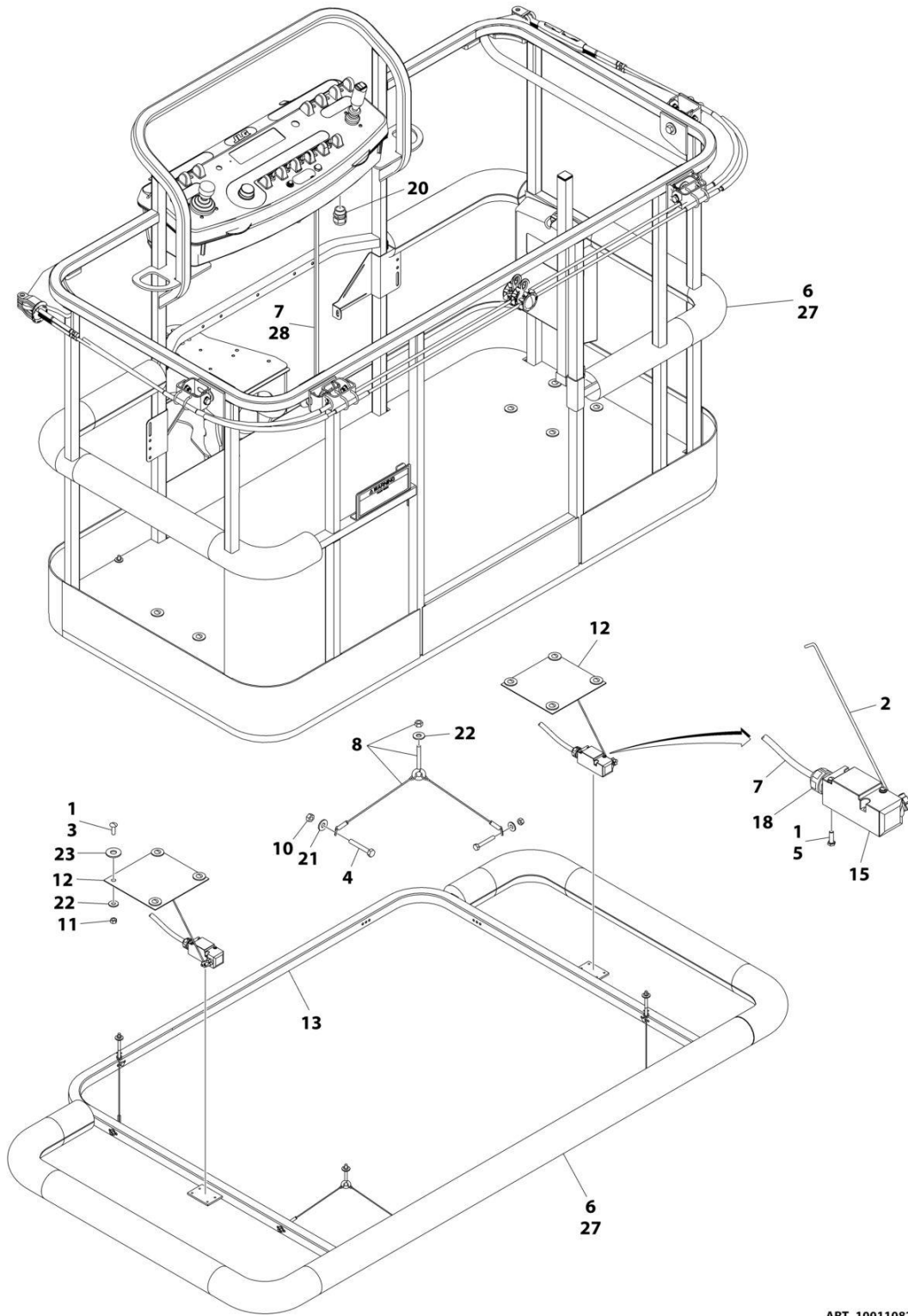
SECTION 5 - PLATFORM

FIGURE 5-39. SOFT TOUCH SYSTEM INSTALLATION - 6FT/1.83M PLATFORM

ITEM	PART NUMBER	QTY	DESCRIPTION	REV
	0273824	Ref	SOFT TOUCH SYSTEM INSTALLATION	E
1	0100011	AR	Compound, Locking	
2	0200048	2	Arm, Switch	
3	0630462	8	Bolt	
4	0641414	8	Bolt 1/4 x 1-3/4	
5	0731005	4	Bolt #10 x 5/8	
6	0940134	1	Bumper Kit (Includes Corners and Enough Straight Material for One Platform)	
6	0940092	AR	Bumper (Corner)	
6	0940094	AR	Bumper (12ft Length)	
7	1060341	23 ft/7m	Cable, Soft Touch - 16/2	
8	1060903	4	Wire Rope and Eyebolt Assembly	
10	3311401	8	Nut 1/4	
11	3311501	8	Nut 5/16	
12	3575359	2	Plate, Switch Strike	
13	3641569	1	Rail, Soft Touch	
14	4240099	7	Tie-Strap (Not Shown)	
15	4360057	2	Switch, Limit	
18	4460049	2	Connector, Strain Relief	
19	4460234	7	Tie-Strap (Not Shown)	
20	4460425	1	Connector, Strain Relief	
21	4751400	8	Washer 1/4	
22	4751500	12	Washer 5/16	
23	4751800	8	Washer 1/2	
27	1001197017	AR	Tie-Strap	
28	4460226	4	Socket	

SECTION 5 - PLATFORM

FIGURE 5-40. SOFT TOUCH SYSTEM INSTALLATION - 6FT/1.83M FALL ARREST PLATFORM



ART_1001108256_D

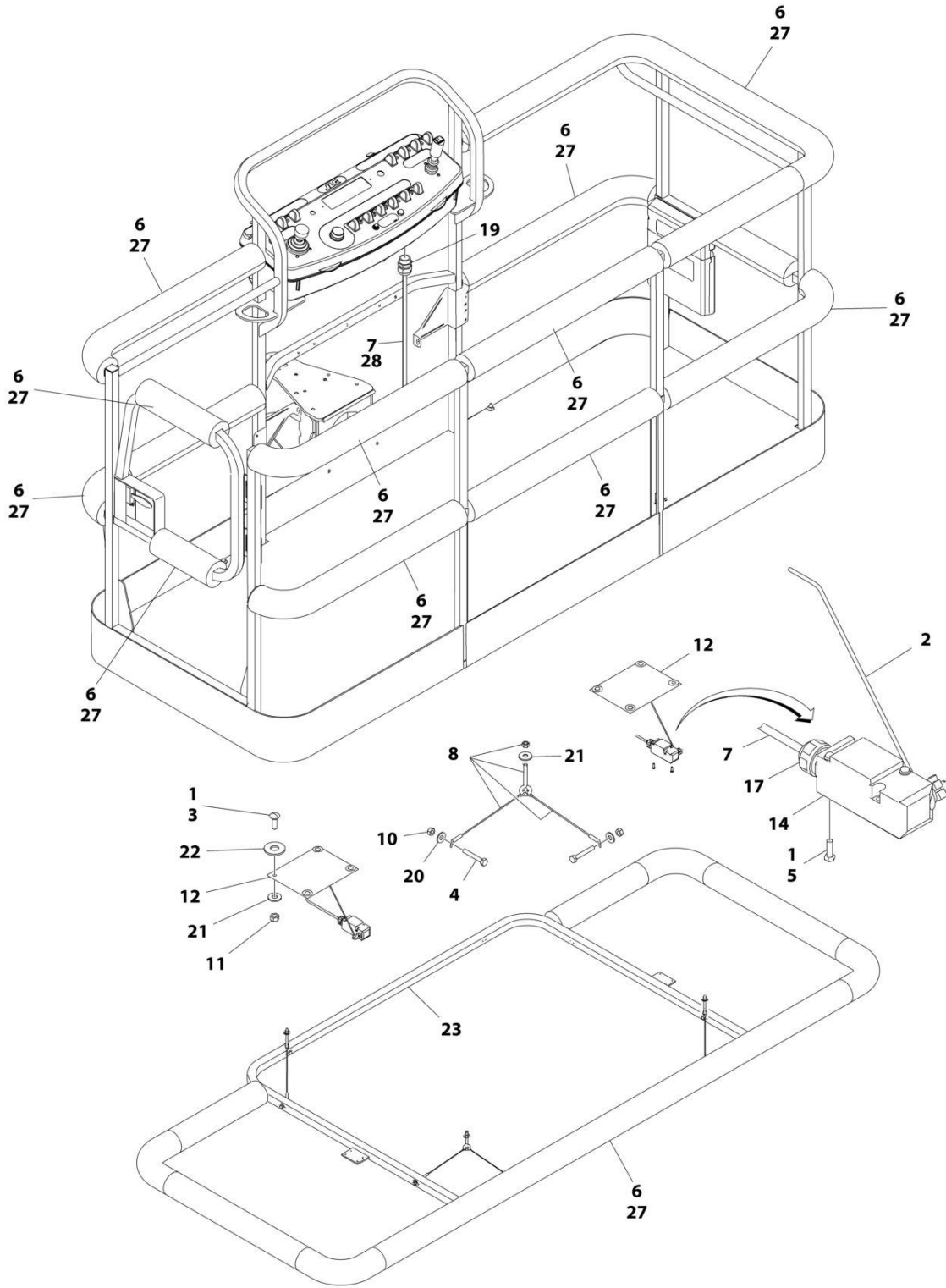
SECTION 5 - PLATFORM

FIGURE 5-40. SOFT TOUCH SYSTEM INSTALLATION - 6FT/1.83M FALL ARREST PLATFORM

ITEM	PART NUMBER	QTY	DESCRIPTION	REV
	1001108256	Ref	SOFT TOUCH INSTALLATION	D
1	0100011	AR	Compound, Locking	
2	0200048	2	Arm, Switch	
3	0630462	8	Bolt	
4	0641414	8	Bolt 1/4 x 1-3/4	
5	0731005	4	Bolt #10 x 5/8	
6	0940177	1	Bumper Kit (Includes Corners and Enough Straight Material for One Platform)	
6	0940092	8	Bumper (Corner)	
6	0940094	AR	Bumper (12ft Length)	
7	1060341	23 ft/7m	Cable, Soft Touch - 16/2	
8	1060903	4	Wire Rope and Eyebolt Assembly	
10	3311401	8	Nut 1/4	
11	3311501	8	Nut 5/16	
12	3575359	2	Plate, Switch Strike	
13	3641569	1	Rail, Soft Touch	
14	4240099	7	Tie-Strap (Not Shown)	
15	4360057	2	Switch, Limit	
18	4460049	2	Connector, Strain Relief	
19	4460234	7	Tie-Strap (Not Shown)	
20	4460425	1	Connector, Strain Relief	
21	4751400	8	Washer 1/4	
22	4751500	9	Washer 5/16	
23	4751800	8	Washer 1/2	
27	1001197017	AR	Strap, Cable Tie (Yellow)	
28	4460226	4	Socket	

SECTION 5 - PLATFORM

FIGURE 5-41. SOFT TOUCH SYSTEM INSTALLATION - 8FT/2.44M PLATFORM



ART_0272427_H

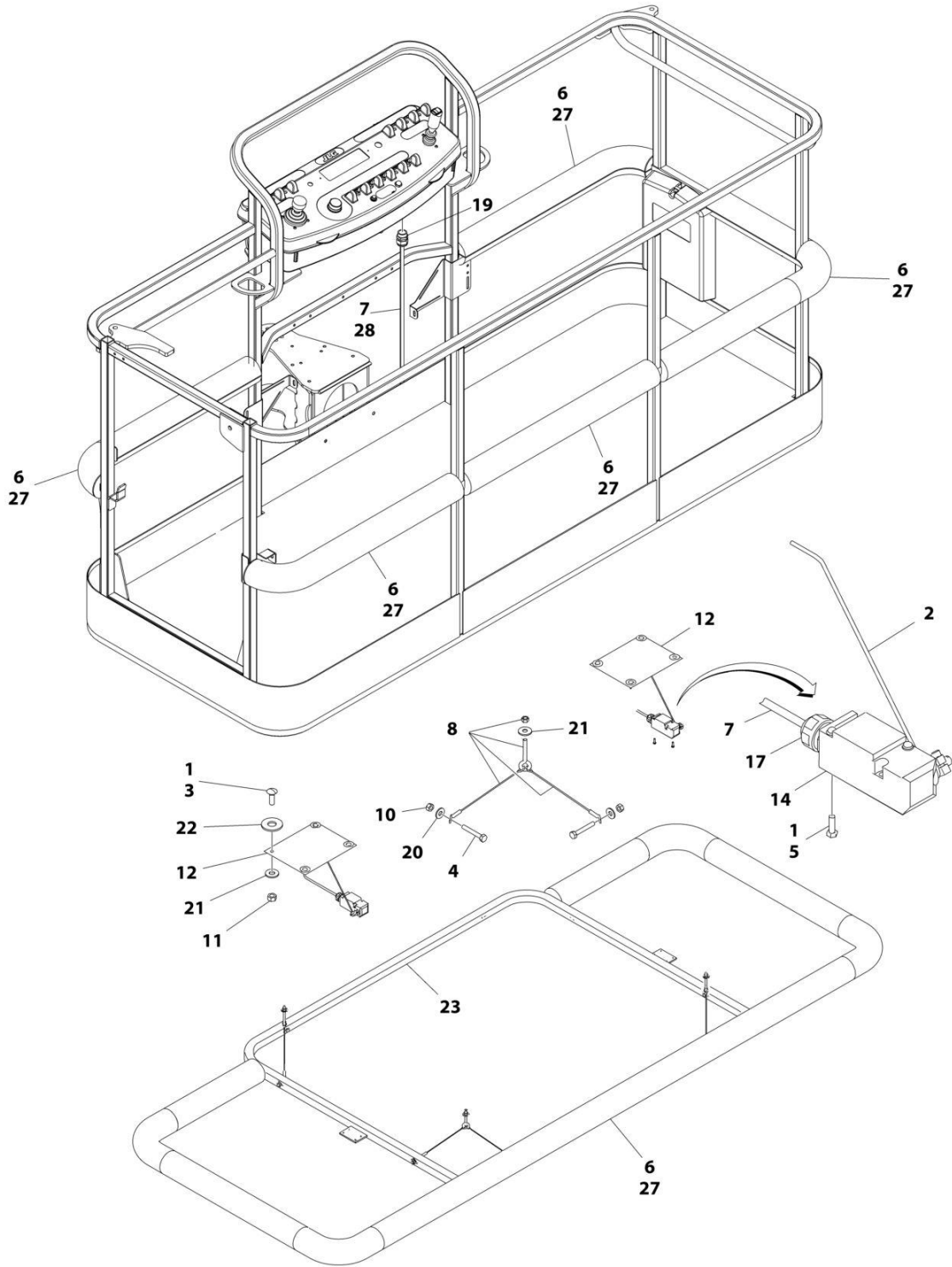
SECTION 5 - PLATFORM

FIGURE 5-41. SOFT TOUCH SYSTEM INSTALLATION - 8FT/2.44M PLATFORM

ITEM	PART NUMBER	QTY	DESCRIPTION	REV
	0272427	Ref	SOFT TOUCH INSTALLATION - 36IN X 8FT (91.5CM X 2.44M) PLATFORM	H
1	0100011	AR	Compound, Locking	
2	0200048	2	Arm, Switch	
3	0630462	8	Bolt	
4	0641414	8	Bolt 1/4 x 1-3/4	
5	0721005	4	Bolt #10 x 5/8	
6	0940103	1	Bumper Kit (Includes Corners and Enough Straight Material for One Platform)	
6	0940092	12	Bumper (Corner)	
6	0940094	AR	Bumper (12ft Length)	
7	1060341	23 ft/7m	Cable, Soft Touch - 16/2	
8	1060903	4	Wire Rope and Eyebolt Assembly	
10	3311401	8	Nut 1/4	
11	3311501	8	Nut 5/16	
12	3574091	2	Plate, Switch Strike	
13	4240099	7	Tie-Strap (Not Shown)	
14	4360057	2	Switch, Limit	
17	4460049	2	Connector, Strain Relief	
18	4460234	7	Tie-Strap (Not Shown)	
19	4460425	1	Connector, Strain Relief	
20	4751400	8	Washer 1/4	
21	4751500	12	Washer 5/16	
22	4751800	8	Washer 1/2	
23	4846673	1	Rail, Soft Touch	
27	1001197017	AR	Tie-Strap	
28	4460226	1	Socket	

SECTION 5 - PLATFORM

FIGURE 5-42. SOFT TOUCH SYSTEM INSTALLATION - 8FT/2.44M FALL ARREST PLATFORM



ART_0273706_E

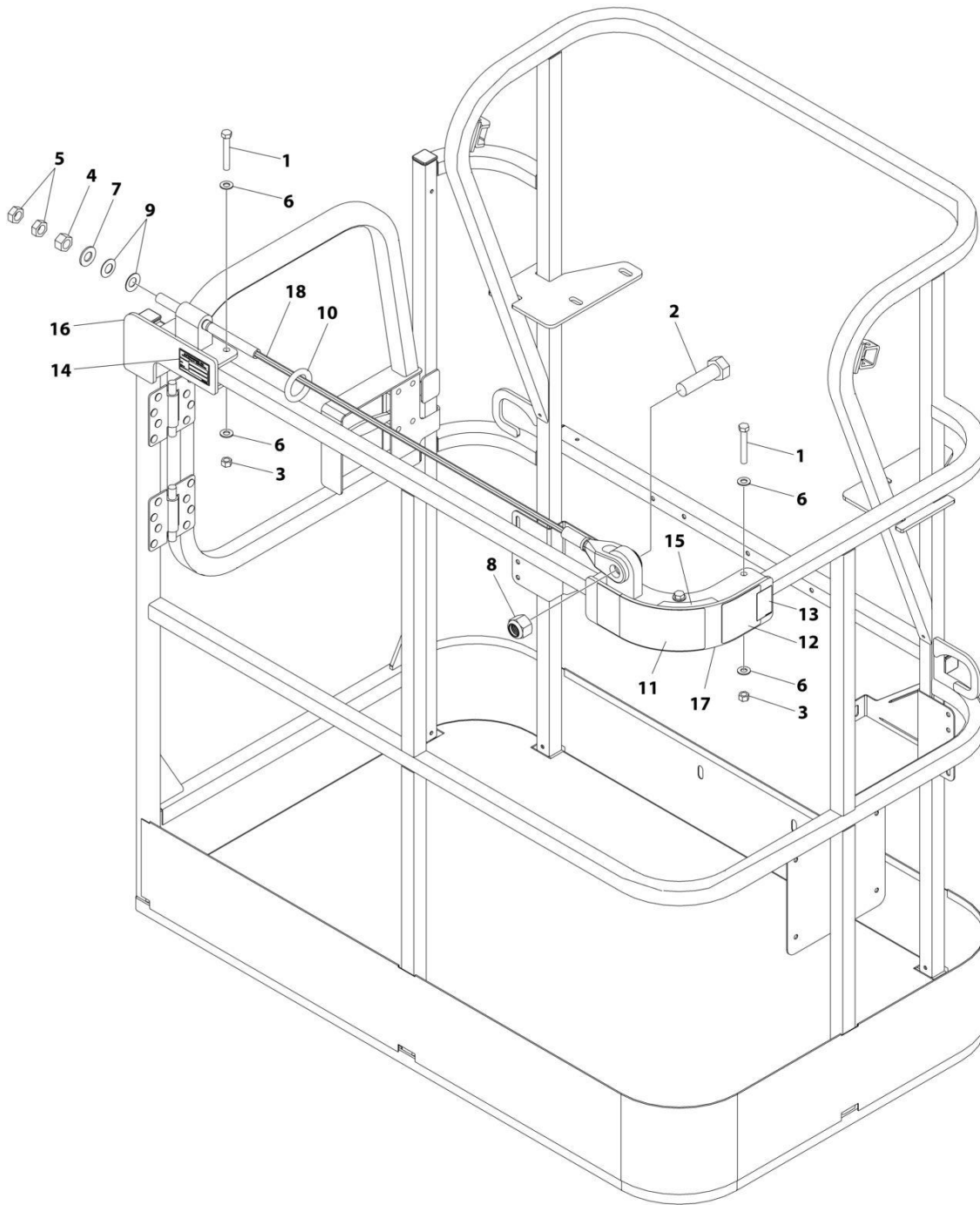
SECTION 5 - PLATFORM

FIGURE 5-42. SOFT TOUCH SYSTEM INSTALLATION - 8FT/2.44M FALL ARREST PLATFORM

ITEM	PART NUMBER	QTY	DESCRIPTION	REV
	0273706	Ref	SOFT TOUCH INSTALLATION	E
1	0100011	AR	Compound, Locking	
2	0200048	2	Arm, Switch	
3	0630462	8	Bolt	
4	0641414	8	Bolt 1/4 x 1-3/4	
5	0721005	4	Bolt #10 x 5/8	
6	0940133	1	Bumper Kit (Includes Corners and Enough Straight Material for One Platform)	
6	0940092	8	Bumper (Corner)	
6	0940094	AR	Bumper (12ft Length)	
7	1060341	23 ft/7m	Cable, Soft Touch - 16/2	
8	1060903	4	Wire Rope and Eyebolt Assembly	
10	3311401	8	Nut 1/4	
11	3311501	8	Nut 5/16	
12	3574091	2	Plate, Switch Strike	
13	4240099	7	Tie-Strap (Not Shown)	
14	4360057	2	Switch, Limit	
17	4460049	2	Connector, Strain Relief	
18	4460234	7	Tie-Strap (Not Shown)	
19	4460425	1	Connector, Strain Relief	
20	4751400	8	Washer 1/4	
21	4751500	12	Washer 5/16	
22	4751800	8	Washer 1/2	
23	4846673	1	Rail, Soft Touch	
27	1001197017	AR	Tie-Strap	
28	4460226	4	Socket	

SECTION 5 - PLATFORM

FIGURE 5-43. FALL ARREST INSTALLATION (BOLT-ON) 30IN X 4FT (76CM X 1.22M) PLATFORM



ART_1001261338

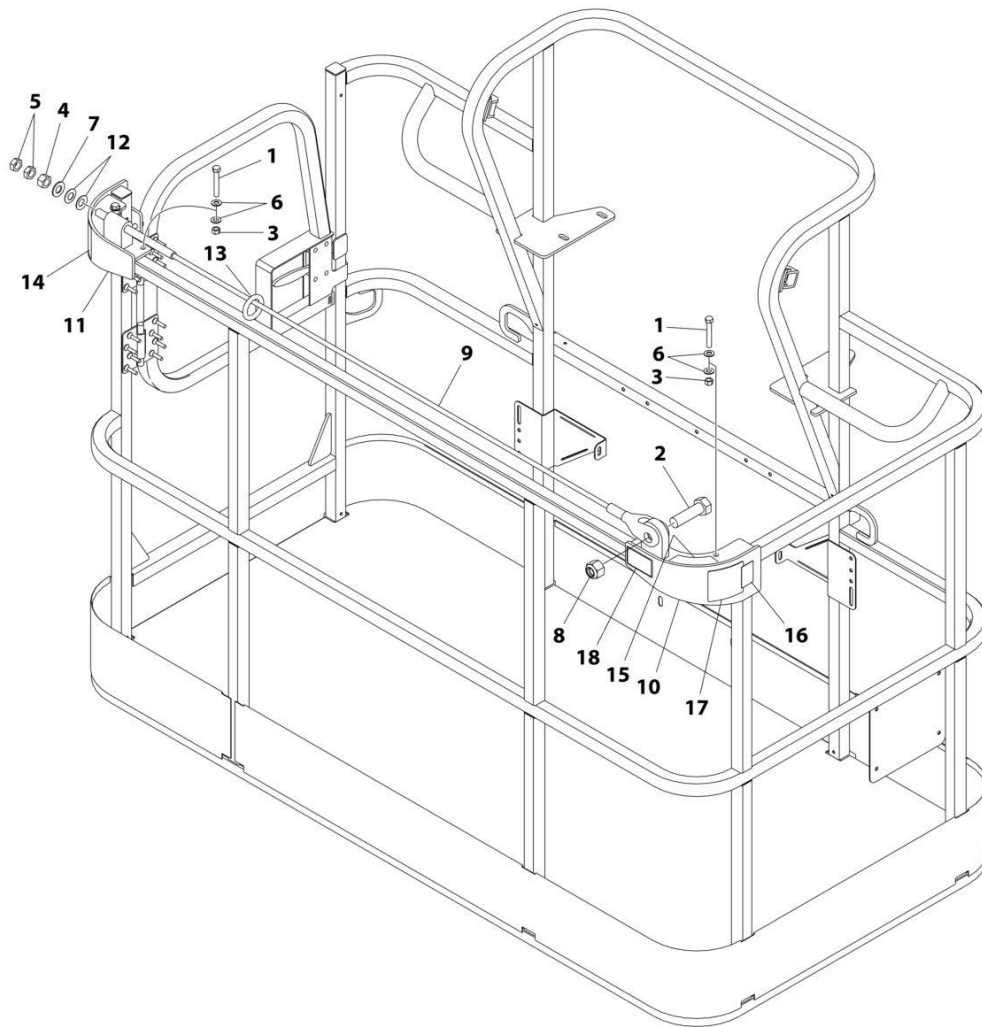
SECTION 5 - PLATFORM

FIGURE 5-43. FALL ARREST INSTALLATION (BOLT-ON) 30IN X 4FT (76CM X 1.22M) PLATFORM

ITEM	PART NUMBER	QTY	DESCRIPTION	REV
	1001261338	Ref	FALL ARREST INSTALLATION	A
1	0681620	6	Bolt 3/8 x 2-1/2	
2	0682424	1	Bolt 7/8 x 3	
3	3271605	6	Nut 3/8	
4	3272001	1	Nut 5/8	
5	3312002	2	Nut 5/8	
6	4711600	12	Washer 3/8	
7	4712000	1	Washer 5/8	
8	88521214	1	Nut 7/8	
9	1001236891	2	Washer	
10	1001236895	1	Ring	
11	1001238263	1	Decal - Warning Falling Hazard	
12	1001248140	1	Decal - Bolt Fall Arrest Re-Cert	
13	1001248141	1	Decal - Incription	
14	See Note	NSS	Nameplate - Manufacturers Serial Number (Note: Not Available for Purchase)	
15	1001252629	1	Decal - Weight	
16	1001257271	1	Bracket (RH)	
17	1001257274	1	Bracket (LH)	
18	1001261335	1	Rope	

SECTION 5 - PLATFORM

FIGURE 5-44. FALL ARREST INSTALLATION (BOLT-ON) 36IN X 6FT (91.2CM X 1.82M) PLATFORM



ART_1001236747

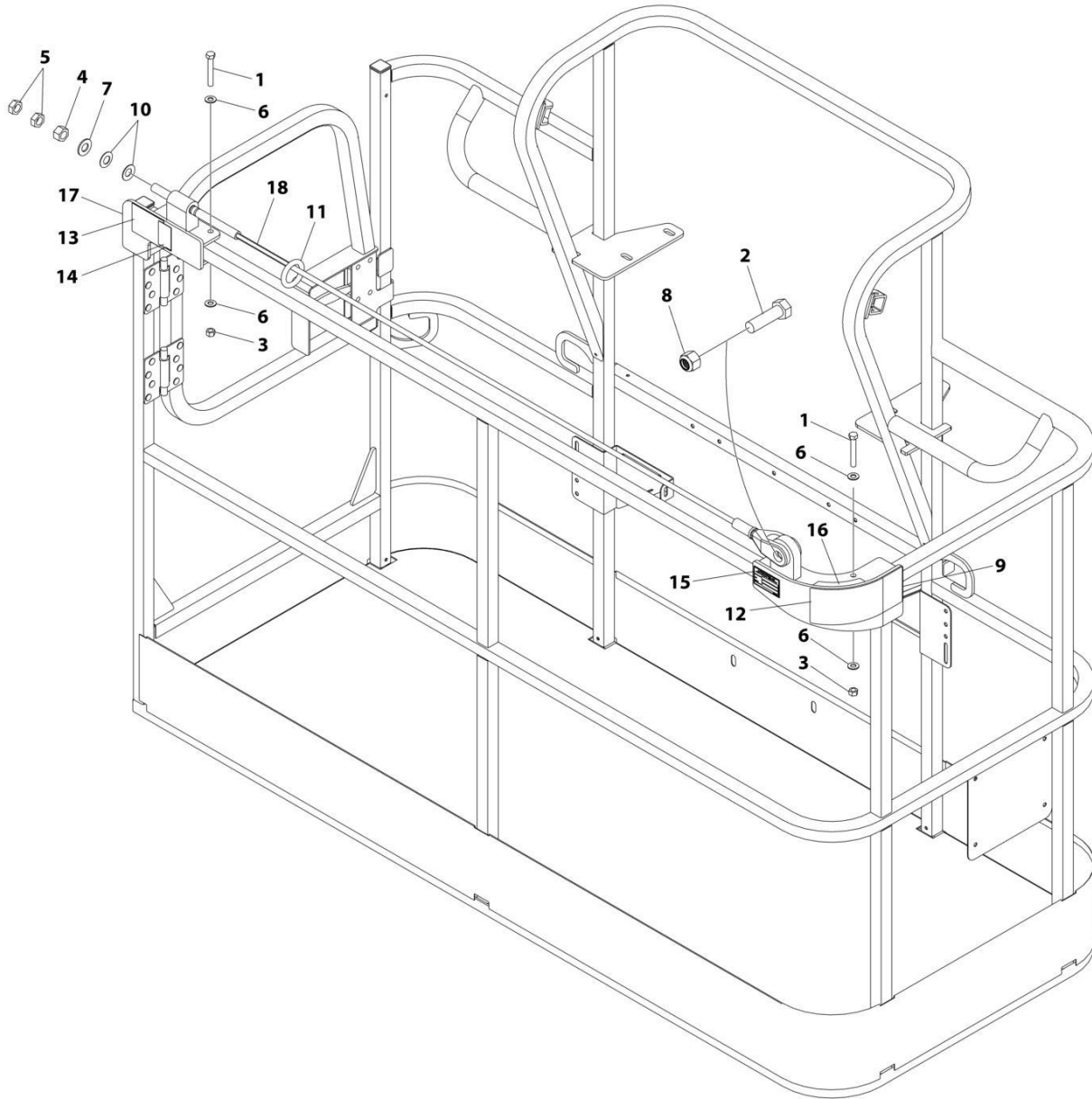
SECTION 5 - PLATFORM

FIGURE 5-44. FALL ARREST INSTALLATION (BOLT-ON) 36IN X 6FT (91.2CM X 1.82M) PLATFORM

ITEM	PART NUMBER	QTY	DESCRIPTION	REV
	1001236747	Ref	FALL ARREST INSTALLATION (BOLT - ON) 6FT/1.82M PLATFORM	C
1	0681620	6	Bolt 3/8 x 2-1/2	
2	0682424	1	Bolt 7/8 x 3	
3	3271605	6	Nut 3/8	
4	3272001	1	Nut 5/8	
5	3312002	2	Nut 5/8	
6	4711600	12	Washer 3/8	
7	4712000	1	Washer 5/8	
8	88521214	1	Nut 7/8	
9	1001231950	1	Rope	
10	1001232010	1	Bracket (RH)	
11	1001232011	1	Bracket (LH)	
12	1001236891	2	Washer	
13	1001236895	1	Ring	
14	1001238263	1	Decal - Warning Falling Hazard	
15	1001252629	1	Decal - Weight	
16	1001248140	1	Decal - Bolt Fall Arrest Re-Cert	
17	1001248141	1	Decal - Inscription	

SECTION 5 - PLATFORM

FIGURE 5-45. FALL ARREST INSTALLATION (BOLT-ON) 30IN X 6FT (76CM X 1.83M) PLATFORM



ART_1001261339

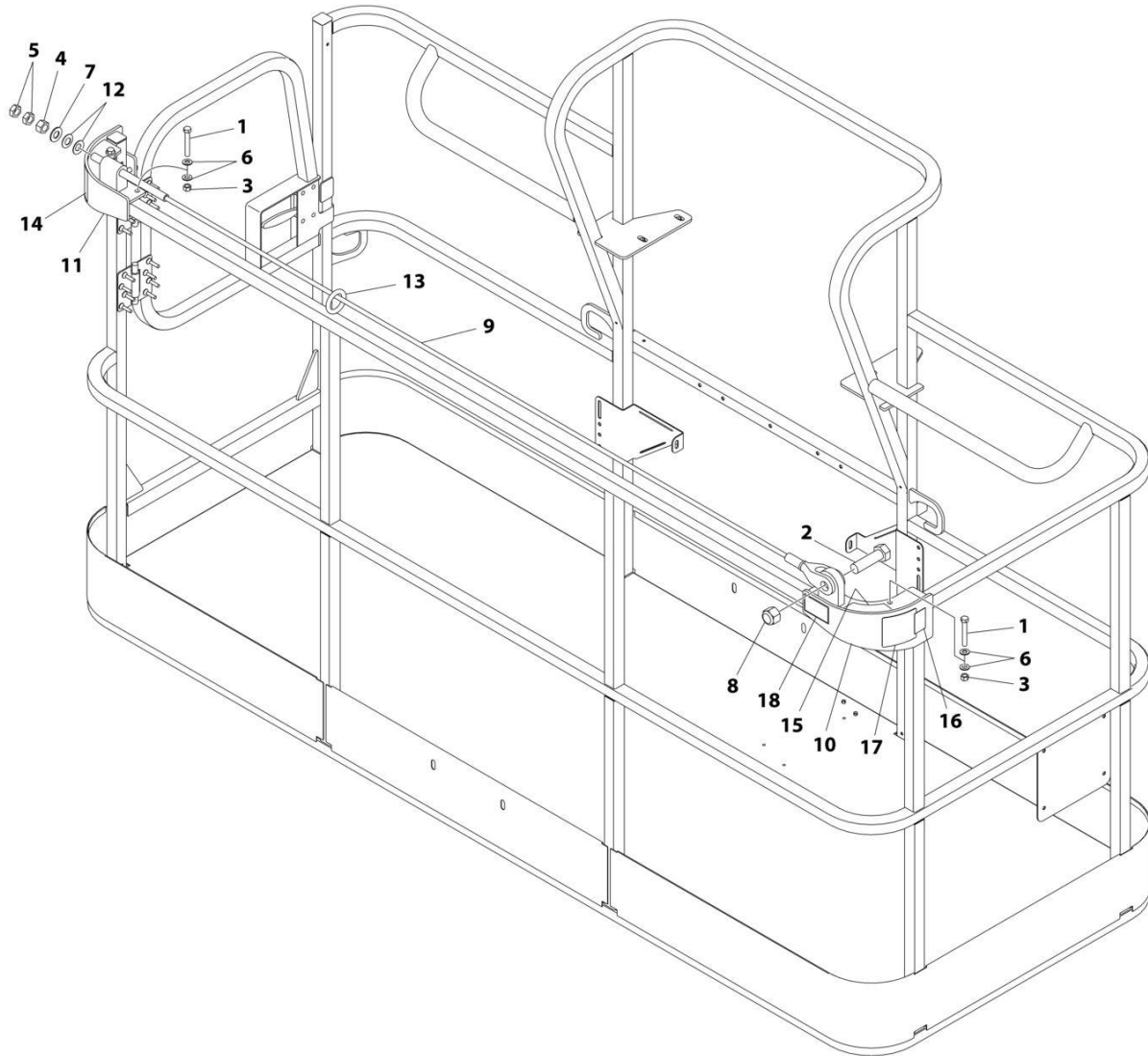
SECTION 5 - PLATFORM

FIGURE 5-45. FALL ARREST INSTALLATION (BOLT-ON) 30IN X 6FT (76CM X 1.83M) PLATFORM

ITEM	PART NUMBER	QTY	DESCRIPTION	REV
	1001261339	Ref	FALL ARREST INSTALLATION (BOLT-ON) 30IN X 6FT (76CM X 1.83M) PLATFORM	A
1	0681620	6	Bolt 3/8 x 2-1/2	
2	0682424	1	Bolt 7/8 x 3	
3	3271605	6	Nut 3/8	
4	3272001	1	Nut 5/8	
5	3312002	2	Nut 5/8	
6	4711600	12	Washer 3/8	
7	4712000	1	Washer 5/8	
8	88521214	1	Nut 7/8	
9	1001232010	1	Bracket	
10	1001236891	2	Washer	
11	1001236895	1	Ring	
12	1001238263	1	Decal - Warning Falling Hazard	
13	1001248140	1	Decal - Bolt Fall Arrest Re-Cert	
14	1001248141	1	Decal - Incription	
15	See Note	NSS	Nameplate - Manufacturers Serial Number (Note: Not Available for Purchase)	
16	1001252629	1	Decal - Weight	
17	1001257271	1	Bracket	
18	1001261336	1	Rope	

SECTION 5 - PLATFORM

FIGURE 5-46. FALL ARREST INSTALLATION (BOLT-ON) 36IN X 8FT (91.5CM X 2.4M) PLATFORM



ART_1001236746

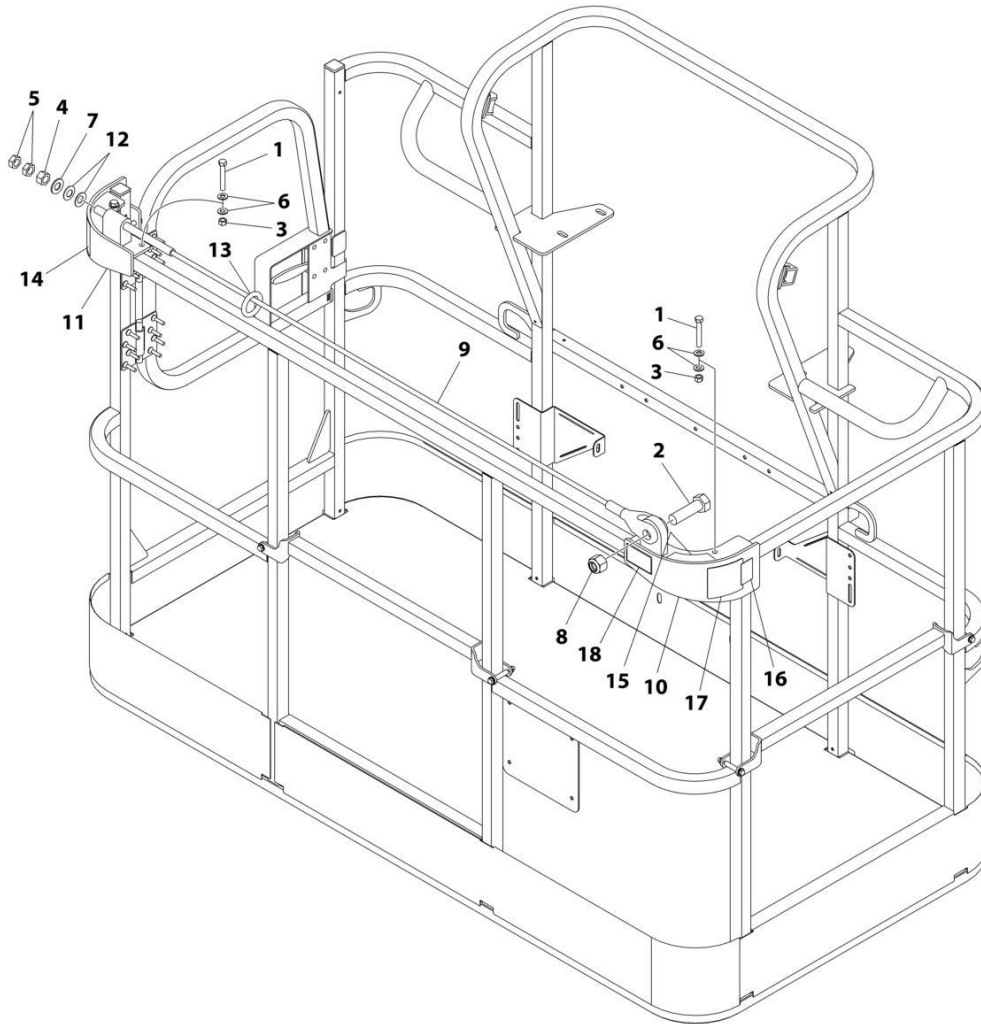
SECTION 5 - PLATFORM

FIGURE 5-46. FALL ARREST INSTALLATION (BOLT-ON) 36IN X 8FT (91.5CM X 2.4M) PLATFORM

ITEM	PART NUMBER	QTY	DESCRIPTION	REV
	1001236746	Ref	FALL ARREST INSTALLATION (BOLT - ON) 8FT/2.4M PLATFORM	C
1	0681620	6	Bolt 3/8 x 2-1/2	
2	0682424	1	Bolt 7/8 x 3	
3	3271605	6	Nut 3/8	
4	3272001	1	Nut 5/8	
5	3312002	2	Nut 5/8	
6	4711600	12	Washer 3/8	
7	4712000	1	Washer 5/8	
8	88521214	1	Nut 7/8	
9	1001231949	1	Rope	
10	1001232010	1	Bracket (RH)	
11	1001232011	1	Bracket (LH)	
12	1001236891	2	Washer	
13	1001236895	1	Ring	
14	1001238263	1	Decal - Warning Falling Hazard	
15	1001252629	1	Decal - Weight 23LBS/10.4KG	
16	1001248140	1	Decal - Bolt Fall Arrest Re-Cert	
17	1001248141	1	Decal - Inscription	

SECTION 5 - PLATFORM

FIGURE 5-47. FALL ARREST INSTALLATION (BOLT-ON) 36IN X 6FT (91.5CM X 1.82M) TRI-ENTRY PLATFORM)



ART_1001238463

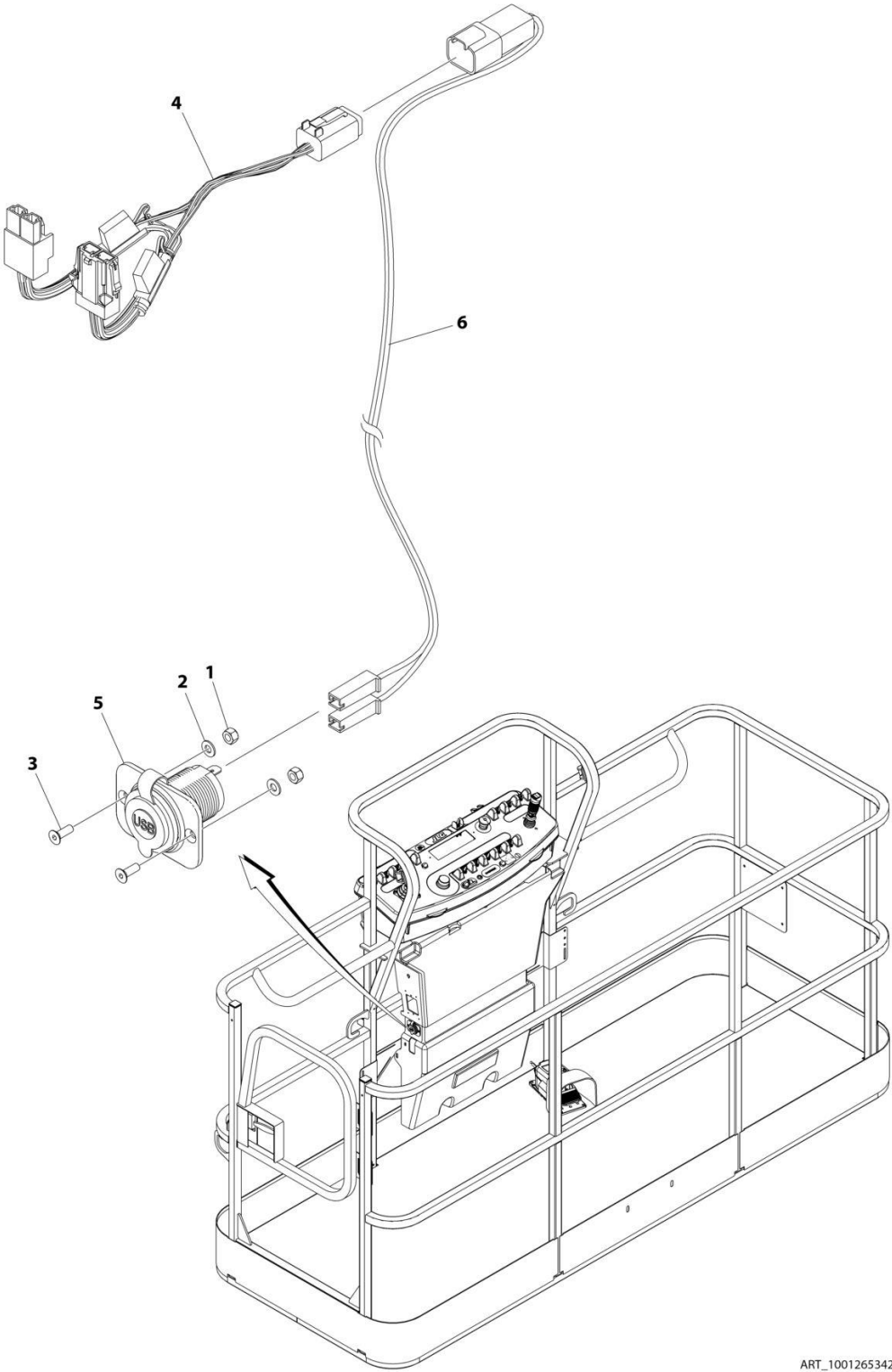
SECTION 5 - PLATFORM

FIGURE 5-47. FALL ARREST INSTALLATION (BOLT-ON) 36IN X 6FT (91.5CM X 1.82M) TRI-ENTRY PLATFORM)

ITEM	PART NUMBER	QTY	DESCRIPTION	REV
	1001238463	Ref	FALL ARREST INSTALLATION (BOLT - ON) 6FT/1.82M PLATFORM	C
1	0681620	6	Bolt 3/8 x 2-1/2	
2	0682424	1	Bolt 7/8 x 3	
3	3271605	6	Nut 3/8	
4	3272001	1	Nut 5/8	
5	3312002	2	Nut 5/8	
6	4711600	12	Washer 3/8	
7	4712000	1	Washer 5/8	
8	88521214	1	Nut 7/8	
9	1001231950	1	Rope	
10	1001232010	1	Bracket (RH)	
11	1001232011	1	Bracket (LH)	
12	1001236891	2	Washer	
13	1001236895	1	Ring	
14	1001238263	1	Decal - Warning Falling Hazard	
15	1001252629	1	Decal - Weight	
16	1001248140	1	Decal - Bolt Fall Arrest Re-Cert	
17	1001248141	1	Decal - Inscription	

SECTION 5 - PLATFORM

FIGURE 5-48. USB CHARGER INSTALLATION



ART_1001265342

SECTION 5 - PLATFORM

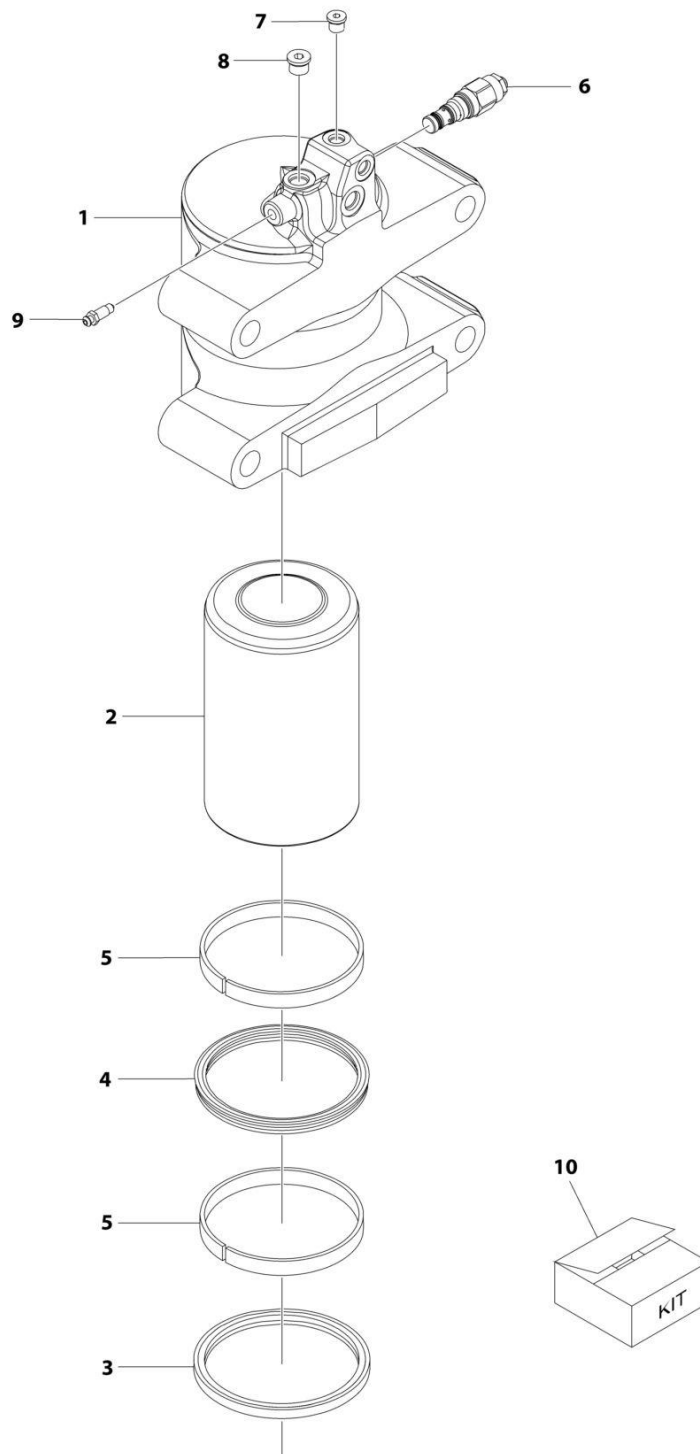
FIGURE 5-48. USB CHARGER INSTALLATION

ITEM	PART NUMBER	QTY	DESCRIPTION	REV
	1001265342	Ref	USB CHARGER INSTALLATION	A
1	3290405	2	Nut M4	
2	4811400	2	Washer M4	
3	1001097244	2	Screw M4 x 12	
4	1001120484	1	Harness, Work Lights	
4	4460879	1	Plug, Male - 2 Position	
4	4460887	2	Terminal	
4	2400060	2	Fuseholder Includes Cover	
4	8229249	2	Fuse, 3 Amp	
4	4460884	1	Connector - 4 Position	
4	4460465	4	Socket, Female	
4	1001120471	1	Connector - 2 Position	
4	1001120477	2	Terminal	
5	1001210636	1	Receptacle, USB	
6	1001265163	1	Harness, USB	A
6	4460260	2	Cover, Terminal	
6	4460259	2	Terminal	
6	4460932	1	Receptacle, Bussbar - 4 Position	
6	4460464	2	Pin, Male	
6	4460466	2	Plug, Terminal	

SECTION 6 - CYLINDER

SECTION 6 - CYLINDER

FIGURE 6-1. AXLE LOCKOUT CYLINDER ASSEMBLY



ART_1001204560

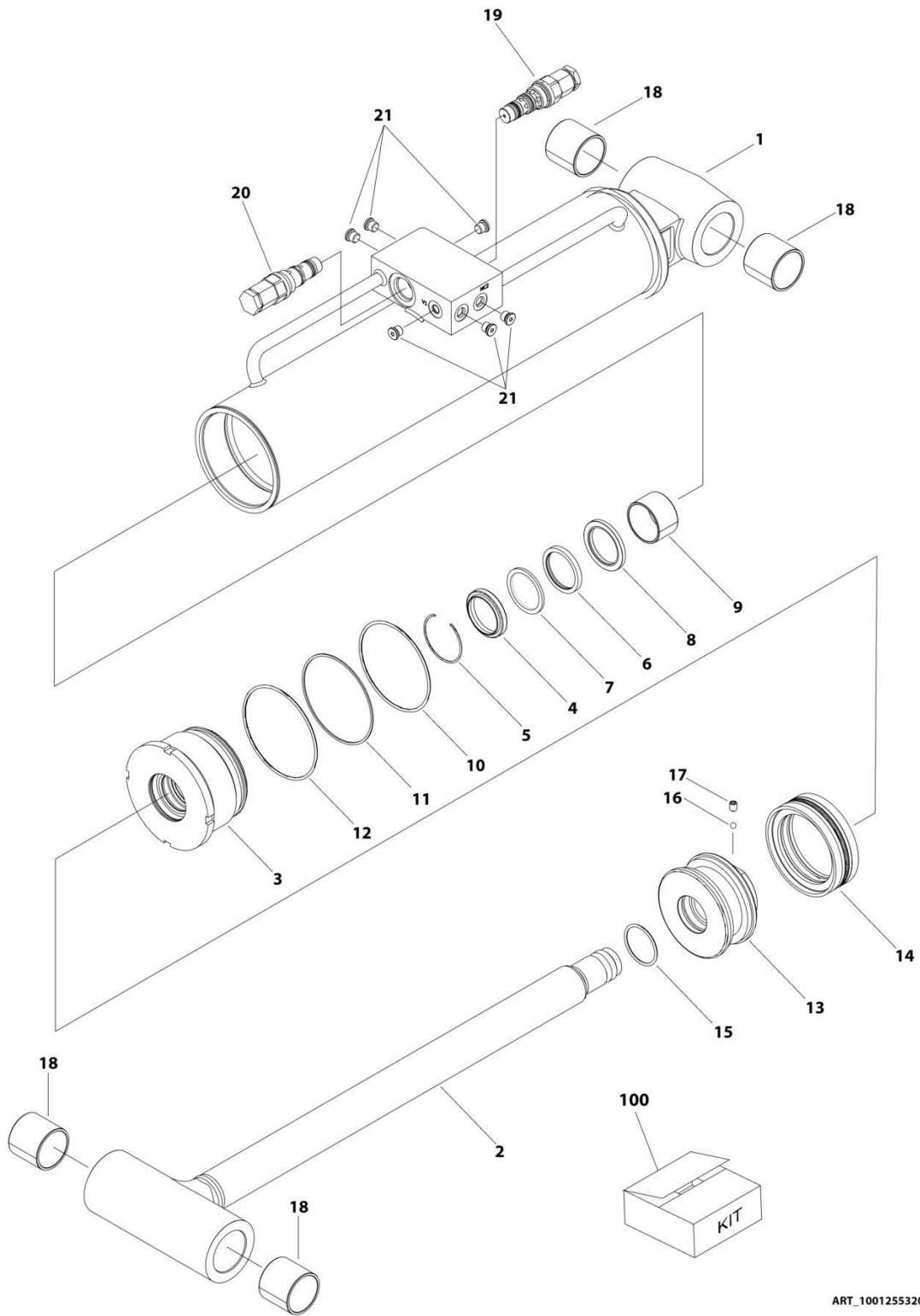
SECTION 6 - CYLINDER

FIGURE 6-1. AXLE LOCKOUT CYLINDER ASSEMBLY

ITEM	PART NUMBER	QTY	DESCRIPTION	REV
	1001204560	Ref	AXLE LOCKOUT CYLINDER ASSEMBLY	D
1	1001154126	1	Barrel	
2	1001154687	1	Rod	
3	See Note	NSS	Wiper (Note: Use Item 10)	
4	See Note	NSS	Seal, Rod (Note: Use Item 10)	
5	See Note	NSS	Ring, Wear (Note: Use Item 10)	
6	1001117372	1	Cartridge, Valve (Counterbalance)	
6	70002842	1	Seal Kit - 1001117372 Valve (1 Per Assembly)	
7	2220883	1	Plug, O-Ring	
8	2220885	1	Plug, O-Ring	
9	4640858	1	Valve, Bleeder	
10	1001098167	1	Seal Kit (Includes Items 3-5)	

SECTION 6 - CYLINDER

FIGURE 6-2. LEVEL CYLINDER ASSEMBLY - PLATFORM SLAVE



ART_1001255320

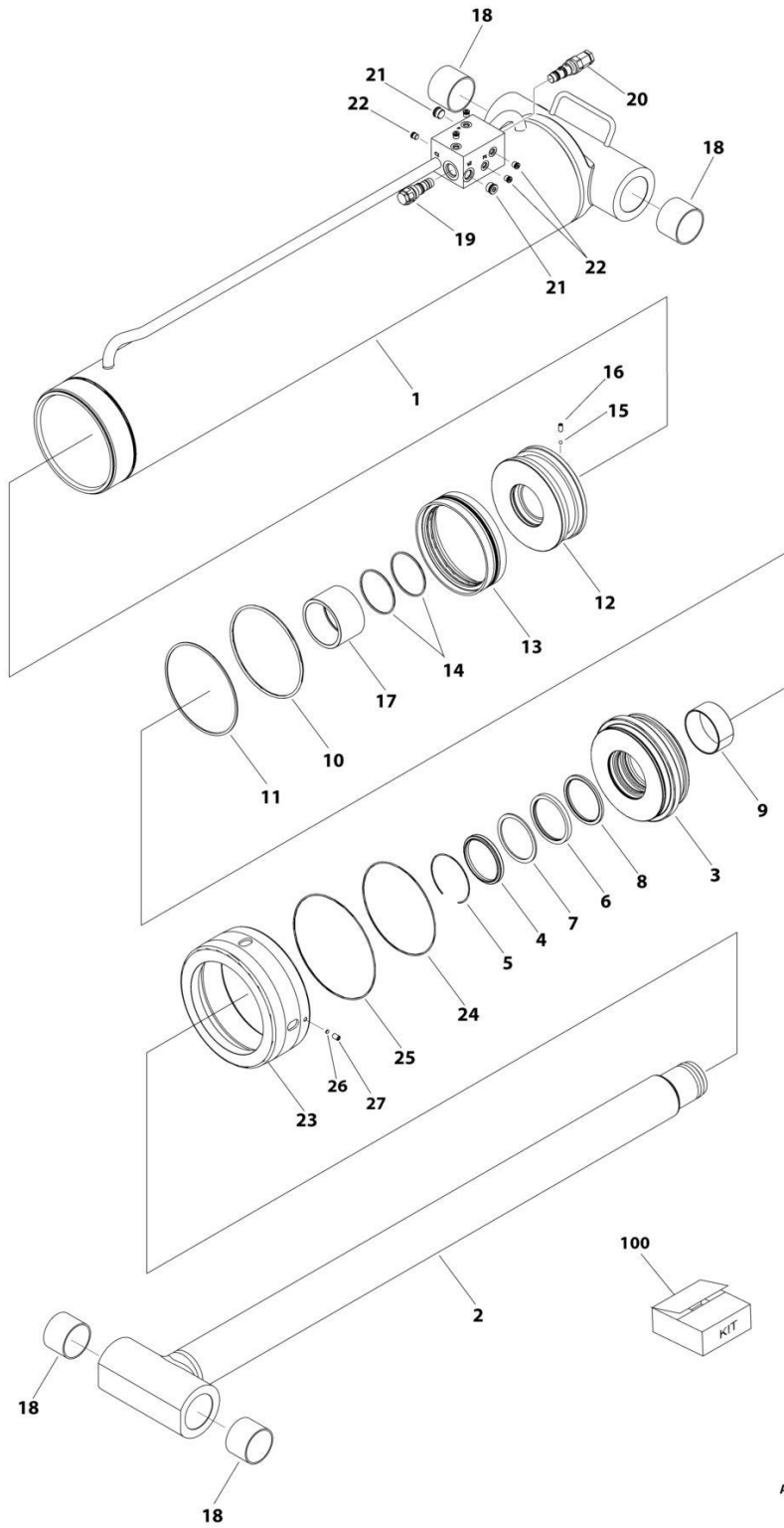
SECTION 6 - CYLINDER

FIGURE 6-2. LEVEL CYLINDER ASSEMBLY - PLATFORM SLAVE

ITEM	PART NUMBER	QTY	DESCRIPTION	REV
	1001255320	Ref	LEVEL (SLAVE) CYLINDER ASSEMBLY	C
		Ref	Note: Original Cylinder may have been replaced with Service Replacement. Identify PN Stamped on Cylinder Before Ordering Parts.	
1	See Note	NSS	Barrel (Note: Not Available for Purchase)	
2	70007523	1	Rod	
3	70007157	1	Head	
4	See Note	NSS	Wiper (Note: Use Item 100)	
5	70002410	1	Ring, Retaining	
6	See Note	NSS	Seal (Note: Use Item 100)	
7	See Note	NSS	Ring, Back-up (Note: Use Item 100)	
8	See Note	NSS	Ring, Buffer (Note: Use Item 100)	
9	70004237	1	Ring, Wear	
10	See Note	NSS	O-Ring (Note: Use Item 100)	
11	See Note	NSS	Ring, Back-up (Note: Use Item 100)	
12	See Note	NSS	O-Ring (Note: Use Item 100)	
13	70007161	1	Piston	
14	See Note	NSS	Seal (Note: Use Item 100)	
15	See Note	NSS	O-Ring (Note: Use Item 100)	
16	70022564	1	Steel Ball	
17	70023369	1	Screw, Set	
18	70007159	4	Bushing	
19	4640605	1	Valve, Cartridge	
19	2900792	1	Seal Kit - 4640605 Valve	
20	4640932	1	Valve, Cartridge	
20	7011112	1	Seal Kit - 4640932 Valve	
21	2220883	6	Plug, O-Ring	
100	70007524	1	Seal Kit (Includes Items 4, 6-8, 10-12, 14 & 15)	

SECTION 6 - CYLINDER

FIGURE 6-3. LEVEL CYLINDER ASSEMBLY - UPRIGHT



ART_1001251041

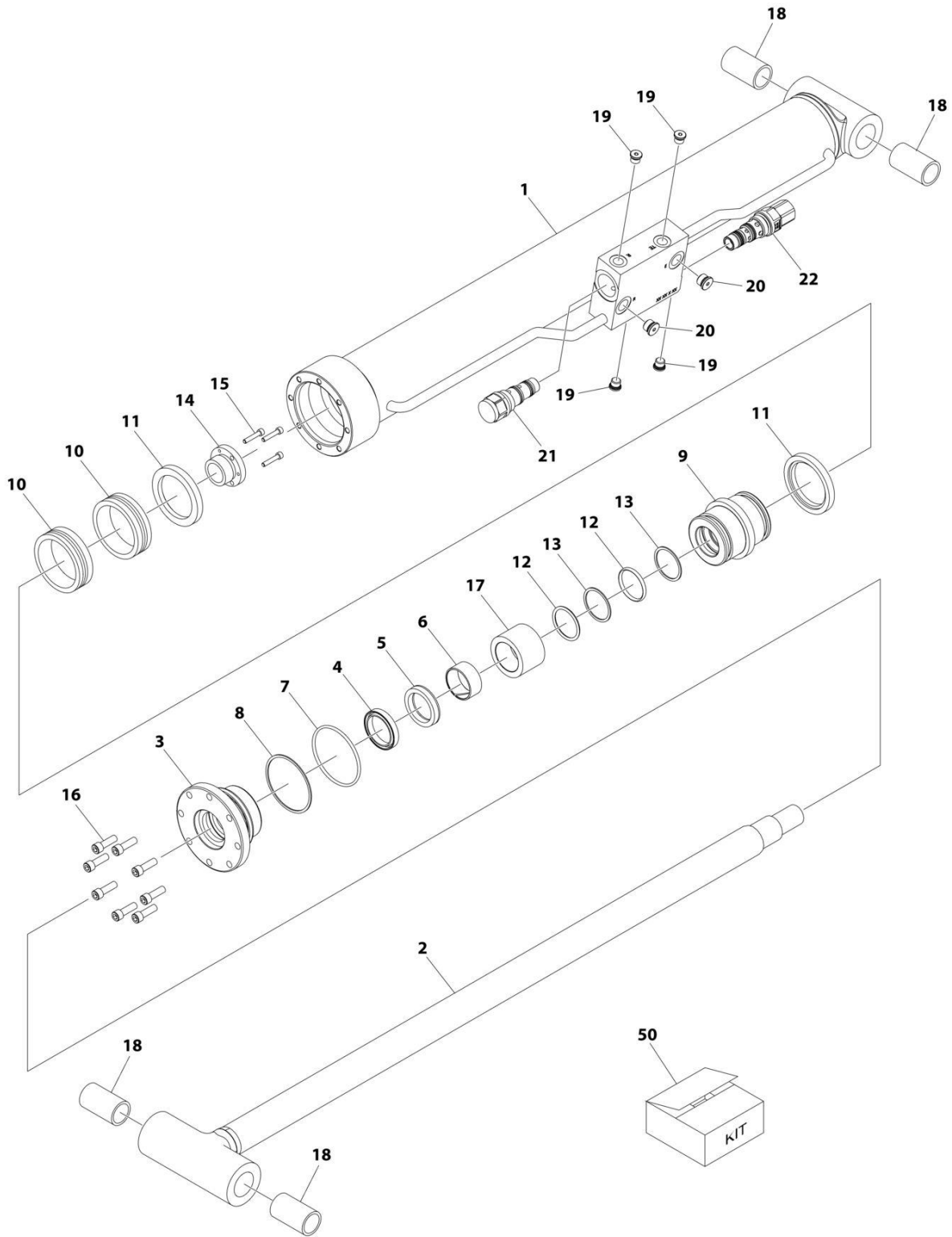
SECTION 6 - CYLINDER

FIGURE 6-3. LEVEL CYLINDER ASSEMBLY - UPRIGHT

ITEM	PART NUMBER	QTY	DESCRIPTION	REV
	1001251041	Ref	LIFT CYLINDER ASSEMBLY	C
		Ref	Note: Original Cylinder may have been replaced with Service Replacement. Identify PN Stamped on Cylinder Before Ordering Parts.	
1	See Note	NSS	Barrel (Note: Not Available for Purchase)	
2	70007427	1	Rod	
3	70007422	1	Head	
4	See Note	NSS	Wiper (Note: Use Item 100)	
5	70023380	1	Ring, Retaining	
6	See Note	NSS	Seal (Note: Use Item 100)	
7	See Note	NSS	Ring, Back-up (Note: Use Item 100)	
8	See Note	NSS	Ring, Buffer (Note: Use Item 100)	
9	70007423	1	Ring, Wear	
10	See Note	NSS	O-Ring (Note: Use Item 100)	
11	See Note	NSS	Ring, Back-up (Note: Use Item 100)	
12	70007428	1	Piston	
13	See Note	NSS	Seal (Note: Use Item 100)	
14	See Note	NSS	O-Ring (Note: Use Item 100)	
15	70022564	1	Steel Ball	
16	70007246	1	Screw, Set	
17	70007429	1	Spacer	
18	0962102	4	Bushing	
19	4640509	1	Cartridge, Valve	
19	2900792	1	Seal Kit - 4640509 Valve	
20	4640605	1	Cartridge, Valve	
20	2900792	1	Seal Kit - 4640605 Valve	
21	2220886	2	Plug, O-Ring	
22	2220883	5	Plug, O-Ring	
23	70007278	1	Cap	
24	See Note	1	O-Ring (Note: Use Item 100)	
25	See Note	NSS	O-Ring (Note: Use Item 100)	
26	70007282	1	Insert, Locking	
27	70026287	1	Screw, Set	
100	70007430	1	Seal Kit (Includes Items 4, 6-8, 10, 11, 13, 14, 24 & 25)	

SECTION 6 - CYLINDER

FIGURE 6-4. LIFT CYLINDER ASSEMBLY - JIB



ART_1001264991

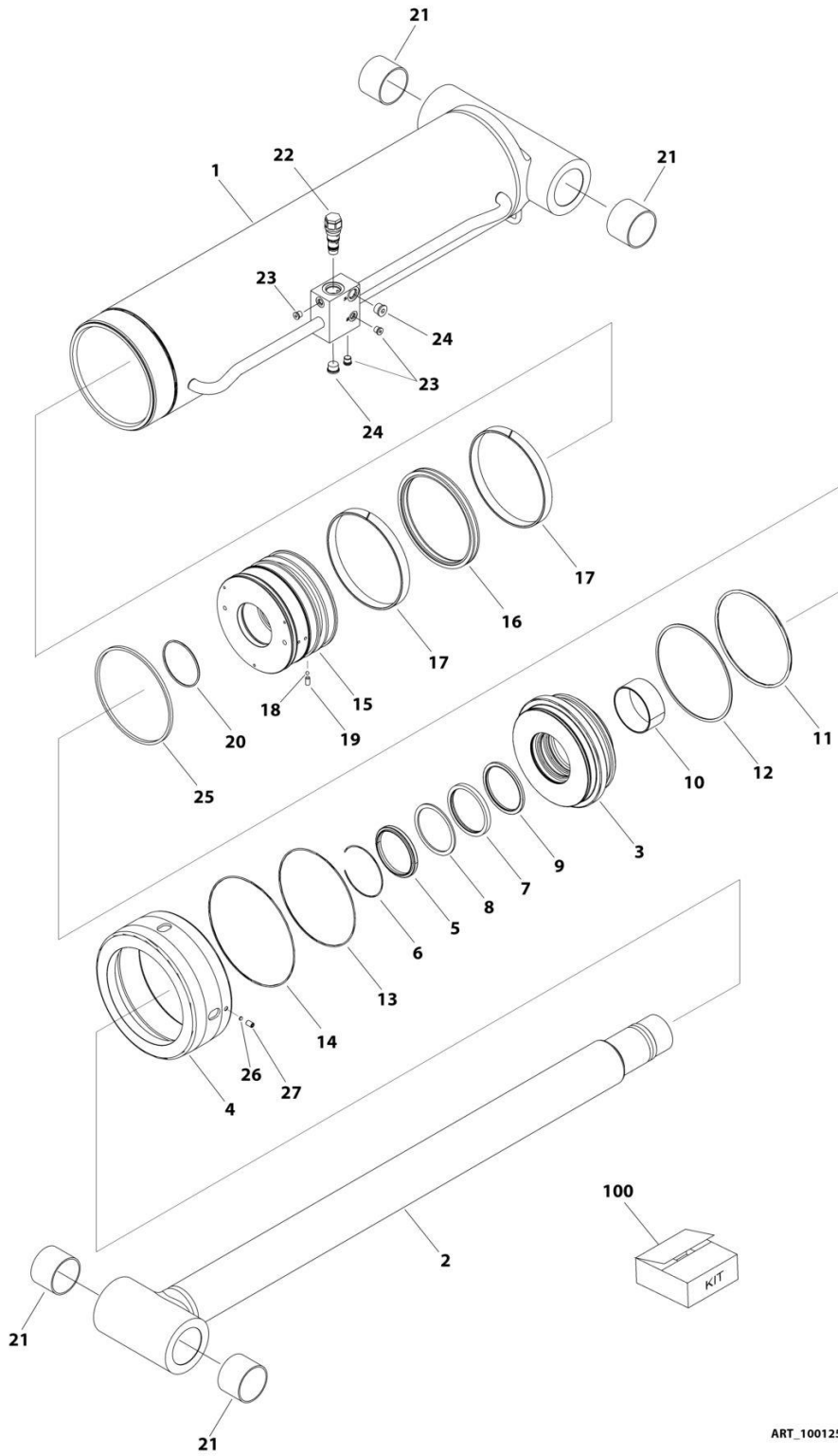
SECTION 6 - CYLINDER

FIGURE 6-4. LIFT CYLINDER ASSEMBLY - JIB

ITEM	PART NUMBER	QTY	DESCRIPTION	REV
	1001264991	Ref	LIFT CYLINDER ASSEMBLY - JIB	B
		Ref	Note: Original Cylinder May Have Been Replaced with Service Replacement. Identify PN Stamped on Cylinder Before Ordering Parts.	
1	See Note	NSS	Barrel (Note: Use PN 1001264991)	
2	70006734	1	Rod	
3	70006649	1	Head	
4	See Note	NSS	Wiper (Note: Use Item 50)	
5	See Note	NSS	Seal, Rod (Note: Use Item 50)	
6	See Note	NSS	Ring, Wear (Note: Use Item 50)	
7	See Note	NSS	O-Ring (Note: Use Item 50)	
8	See Note	NSS	Ring, Back-up (Note: Use Item 50)	
9	70006650	1	Piston	
10	See Note	NSS	Ring, Hydro Lock (Note: Use Item 50)	
11	See Note	NSS	Ring, Guide Lock (Note: Use Item 50)	
12	See Note	NSS	O-Ring (Note: Use Item 50)	
13	See Note	NSS	Ring, Back-up (Note: Use Item 50)	
14	0961893	1	Bushing, Tapered	
15	0630534	3	Capscrew	
16	70006735	8	Capscrew	
17	70006736	1	Spacer	
18	0962336	4	Bearing	
19	70023370	4	Plug	
20	70023371	2	Plug	
21	4640509	1	Cartridge, Counterbalance Valve	
21	2900792	1	Seal Kit - 4640509 Valve	
22	1001263800	1	Cartridge, Counterbalance Valve	
22	70004186	1	Seal Kit - 1001263800 Valve	
50	1001138795	1	Seal Kit - 1001264991 Cylinder (Includes Items 4-8 & 10-13)	

SECTION 6 - CYLINDER

FIGURE 6-5. LIFT CYLINDER ASSEMBLY - MAIN BOOM



ART_1001251010

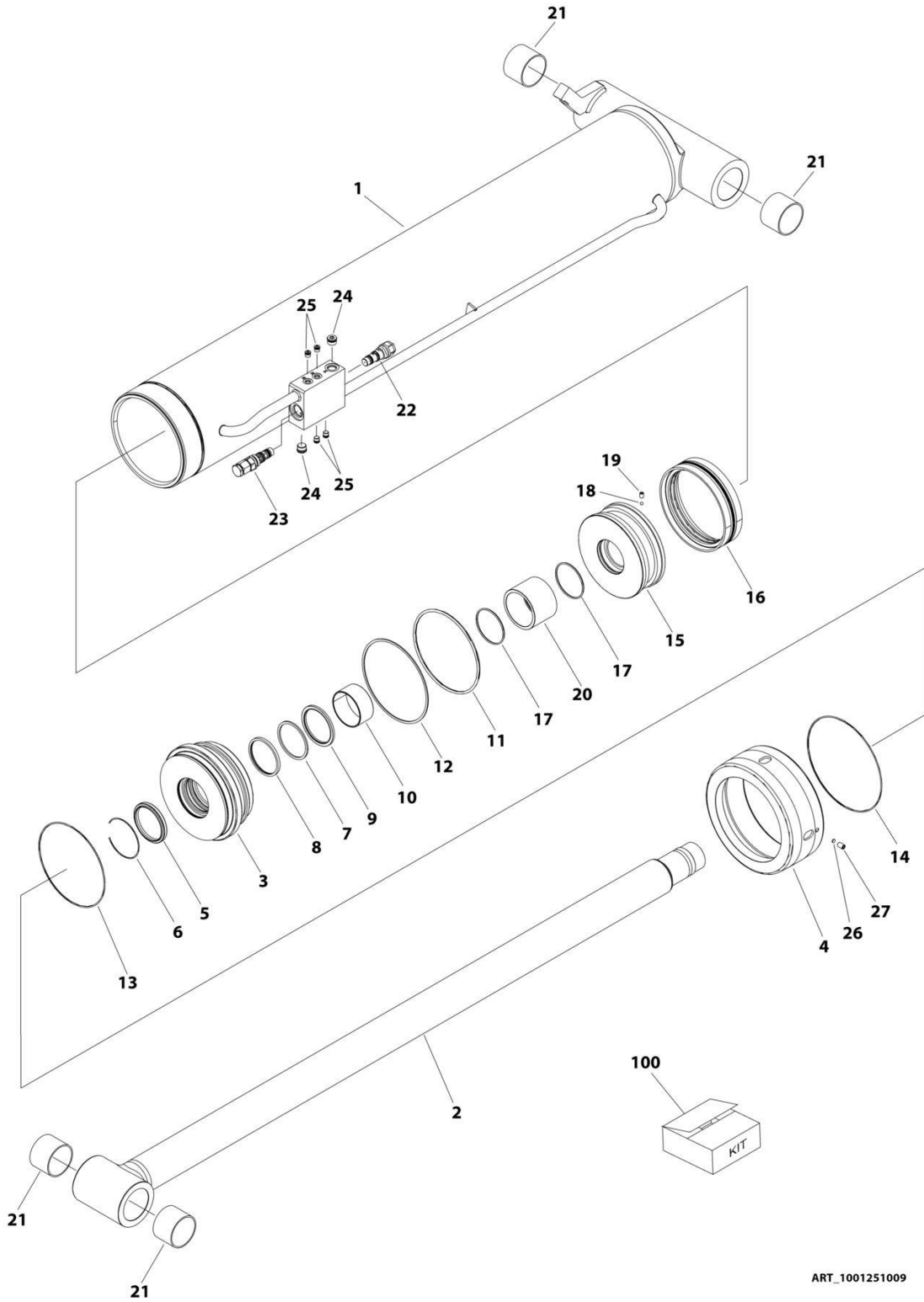
SECTION 6 - CYLINDER

FIGURE 6-5. LIFT CYLINDER ASSEMBLY - MAIN BOOM

ITEM	PART NUMBER	QTY	DESCRIPTION	REV
	1001251010	Ref	LIFT CYLINDER ASSEMBLY	C
		Ref	Note: Original Cylinder may have been replaced with Service Replacement. Identify PN Stamped on Cylinder Before Ordering Parts.	
1	See Note	NSS	Barrel (Note: Not Available for Purchase)	
2	70007421	1	Rod	
3	70007422	1	Head	
4	70007278	1	Cap	
5	See Note	NSS	Wiper (Note: Use Item 100)	
6	70023380	1	Ring, Retaining	
7	See Note	NSS	Seal (Note: Use Item 100)	
8	See Note	NSS	Ring, Back-up (Note: Use Item 100)	
9	See Note	NSS	Ring, Buffer (Note: Use Item 100)	
10	70007423	1	Ring, Wear	
11	See Note	NSS	O-Ring (Note: Use Item 100)	
12	See Note	NSS	Ring, Back-up (Note: Use Item 100)	
13	See Note	NSS	O-Ring (Note: Use Item 100)	
14	See Note	NSS	O-Ring (Note: Use Item 100)	
15	70007424	1	Piston	
16	See Note	NSS	Seal (Note: Use Item 100)	
17	See Note	NSS	Ring, Wear (Note: Use Item 100)	
18	70022564	1	Steel Ball	
19	70007246	1	Screw, Set	
20	See Note	1	O-Ring (Note: Use Item 100)	
21	0962102	4	Bushing	
22	4640509	1	Cartridge, Valve	
22	2900792	1	Seal Kit - 4640509 Valve	
23	2220883	3	Plug, O-Ring	
24	2220886	2	Plug, O-Ring	
25	70007425	1	Ring, Piston	
26	70007282	1	Insert, Locking	
27	70026287	1	Screw, Set	
100	70007426	1	Seal Kit (Includes Items 5, 7-9, 11-14, 16, 17 & 20)	

SECTION 6 - CYLINDER

FIGURE 6-6. LIFT CYLINDER ASSEMBLY - TOWER BOOM



ART_1001251009

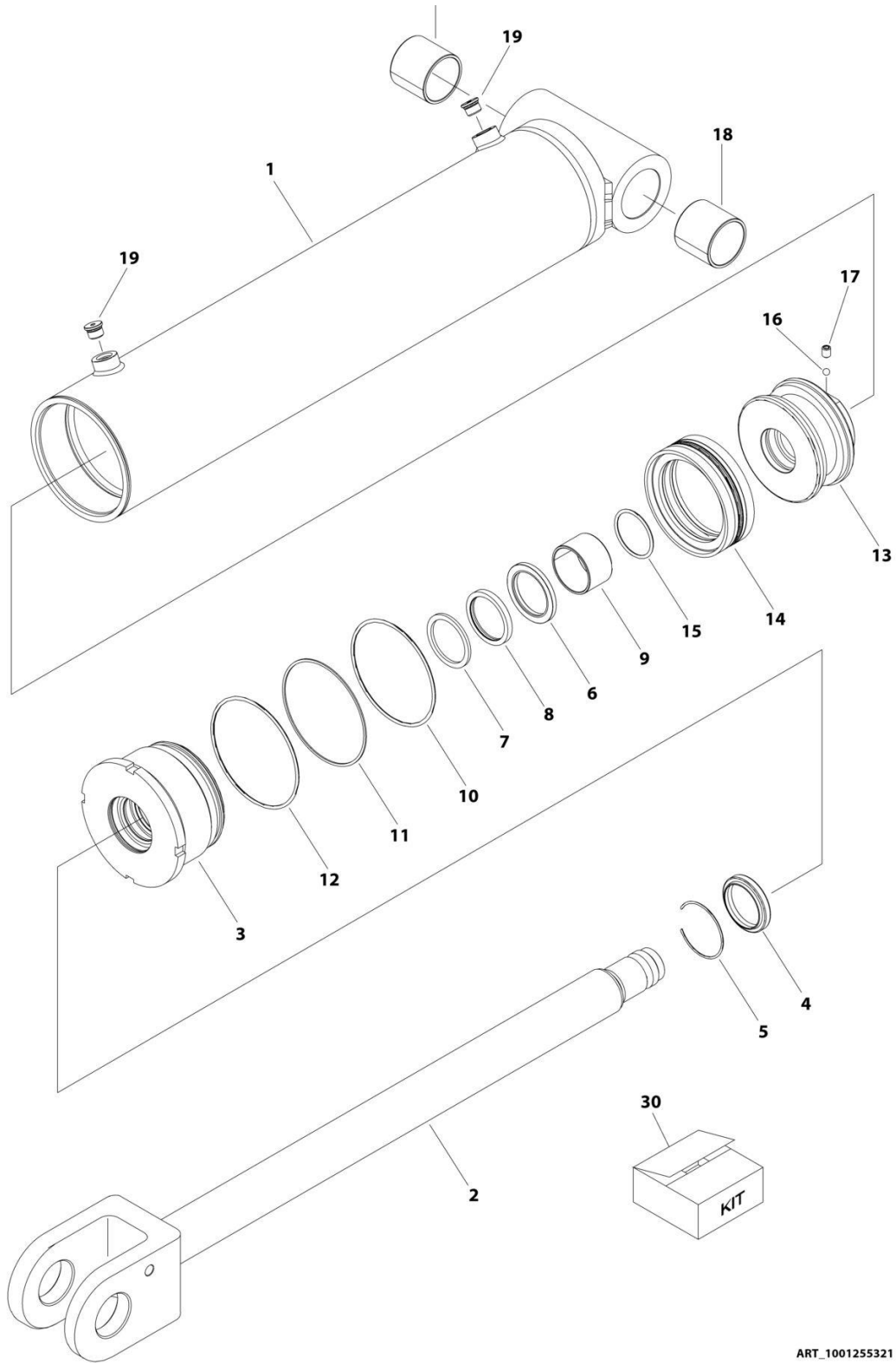
SECTION 6 - CYLINDER

FIGURE 6-6. LIFT CYLINDER ASSEMBLY - TOWER BOOM

ITEM	PART NUMBER	QTY	DESCRIPTION	REV
	1001251009	Ref	LIFT CYLINDER ASSEMBLY	C
		Ref	Note: Original Cylinder may have been replaced with Service Replacement. Identify PN Stamped on Cylinder Before Ordering Parts.	
1	See Note	NSS	Barrel (Note: Not Available for Purchase)	
2	70007419	1	Rod	
3	70007277	1	Head	
4	70007278	1	Cap	
5	See Note	NSS	Wiper (Note: Use Item 100)	
6	70027750	1	Ring, Retaining	
7	See Note	NSS	Seal (Note: Use Item 100)	
8	See Note	NSS	Ring, Back-up (Note: Use Item 100)	
9	See Note	NSS	Ring, Buffer (Note: Use Item 100)	
10	70007279	1	Ring, Wear	
11	See Note	NSS	O-Ring (Note: Use Item 100)	
12	See Note	NSS	Ring, Back-up (Note: Use Item 100)	
13	See Note	NSS	O-Ring (Note: Use Item 100)	
14	See Note	NSS	O-Ring (Note: Use Item 100)	
15	70007280	1	Piston	
16	See Note	NSS	Seal (Note: Use Item 100)	
17	See Note	NSS	O-Ring (Note: Use Item 100)	
18	70022564	1	Steel Ball	
19	70029468	1	Screw, Set	
20	70007420	1	Spacer	
21	0962102	4	Bushing	
22	4640509	1	Cartridge, Valve	
22	2900792	1	Seal Kit - 4640509 Valve	
23	4640605	1	Cartridge, Valve	
23	2900792	1	Seal Kit - 4640605 Valve	
24	2220886	1	Plug, O-Ring	
25	2220883	4	Plug, O-Ring	
26	70007282	1	Insert, Locking	
27	70026287	1	Screw, Set	
100	70007283	1	Seal Kit (Includes Items 5, 7-9, 11-14, 16 & 17)	

SECTION 6 - CYLINDER

FIGURE 6-7. MASTER CYLINDER ASSEMBLY



ART_1001255321

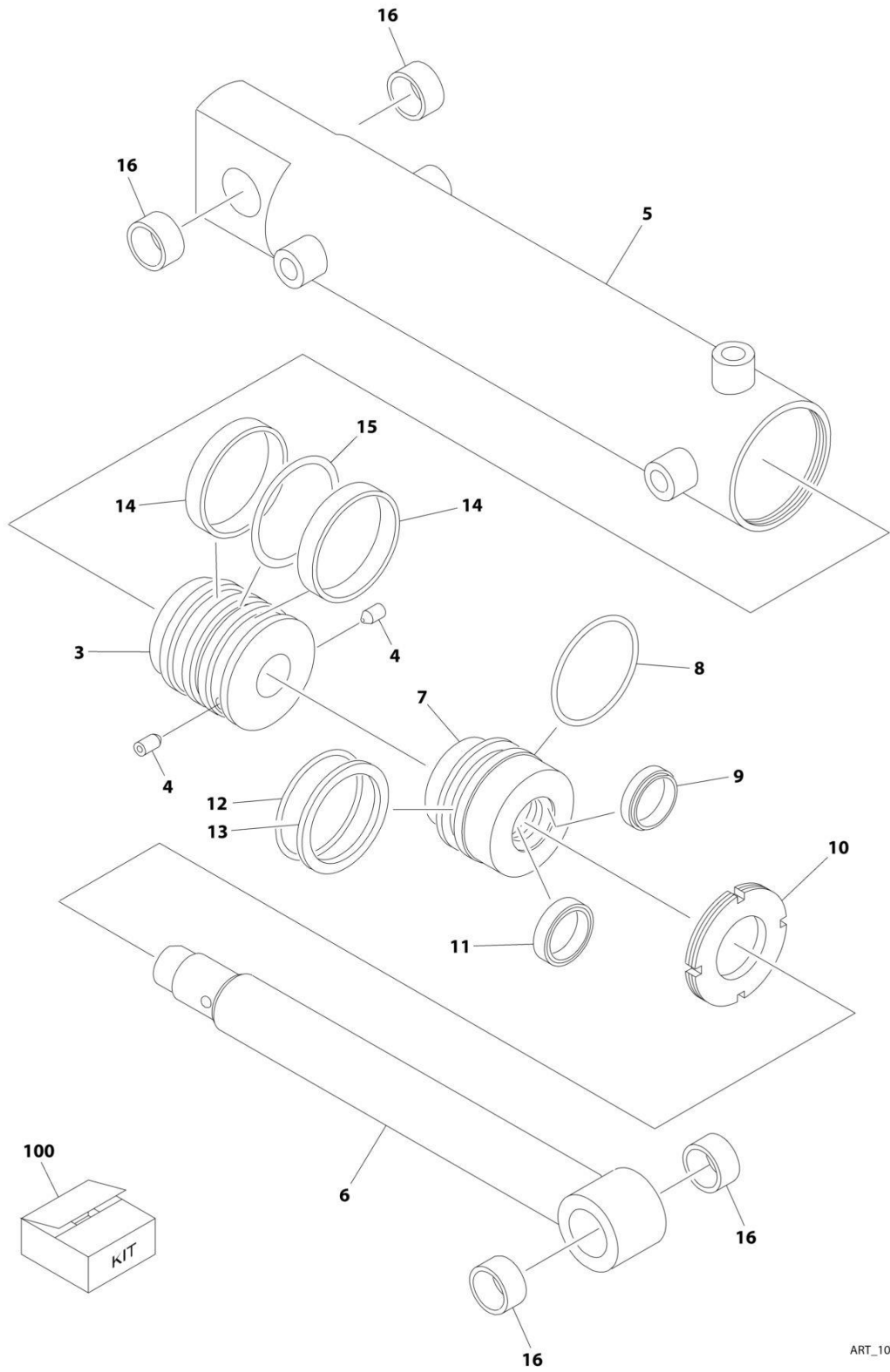
SECTION 6 - CYLINDER

FIGURE 6-7. MASTER CYLINDER ASSEMBLY

ITEM	PART NUMBER	QTY	DESCRIPTION	REV
	1001255321	Ref	MASTER CYLINDER ASSEMBLY	E
		Ref	Note: Original Cylinder may have been replaced with Service Replacement. Identify PN Stamped on Cylinder Before Ordering Parts.	
1	See Note	NSS	Barrel (Note: Not Available for Purchase)	
2	70007525	1	Rod	
3	70007157	1	Head	
4	See Note	NSS	Wiper (Note: Use Item 30)	
5	70002410	1	Ring, Retaining	
6	See Note	NSS	Seal, Rod (Note: Use Item 30)	
7	See Note	NSS	Ring, Back-up (Note: Use Item 30)	
8	See Note	NSS	Ring, Buffer (Note: Use Item 30)	
9	70004237	1	Ring, Wear	
10	See Note	NSS	O-Ring (Note: Use Item 30)	
11	See Note	NSS	Ring, Back-up (Note: Use Item 30)	
12	See Note	NSS	O-Ring (Note: Use Item 30)	
13	70007161	1	Piston	
14	See Note	NSS	Ring, Lock (Note: Use Item 30)	
15	See Note	NSS	O-Ring (Note: Use Item 30)	
16	70022564	1	Steel Ball	
17	70023369	1	Screw, Set	
18	70007159	1	Bushing	
19	2220885	2	Plug, O-Ring	
30	70007524	1	Seal Kit (Includes Items 4, 6-8, 10-12, 14 & 15)	

SECTION 6 - CYLINDER

FIGURE 6-8. STEER CYLINDER ASSEMBLY



ART_1001150539

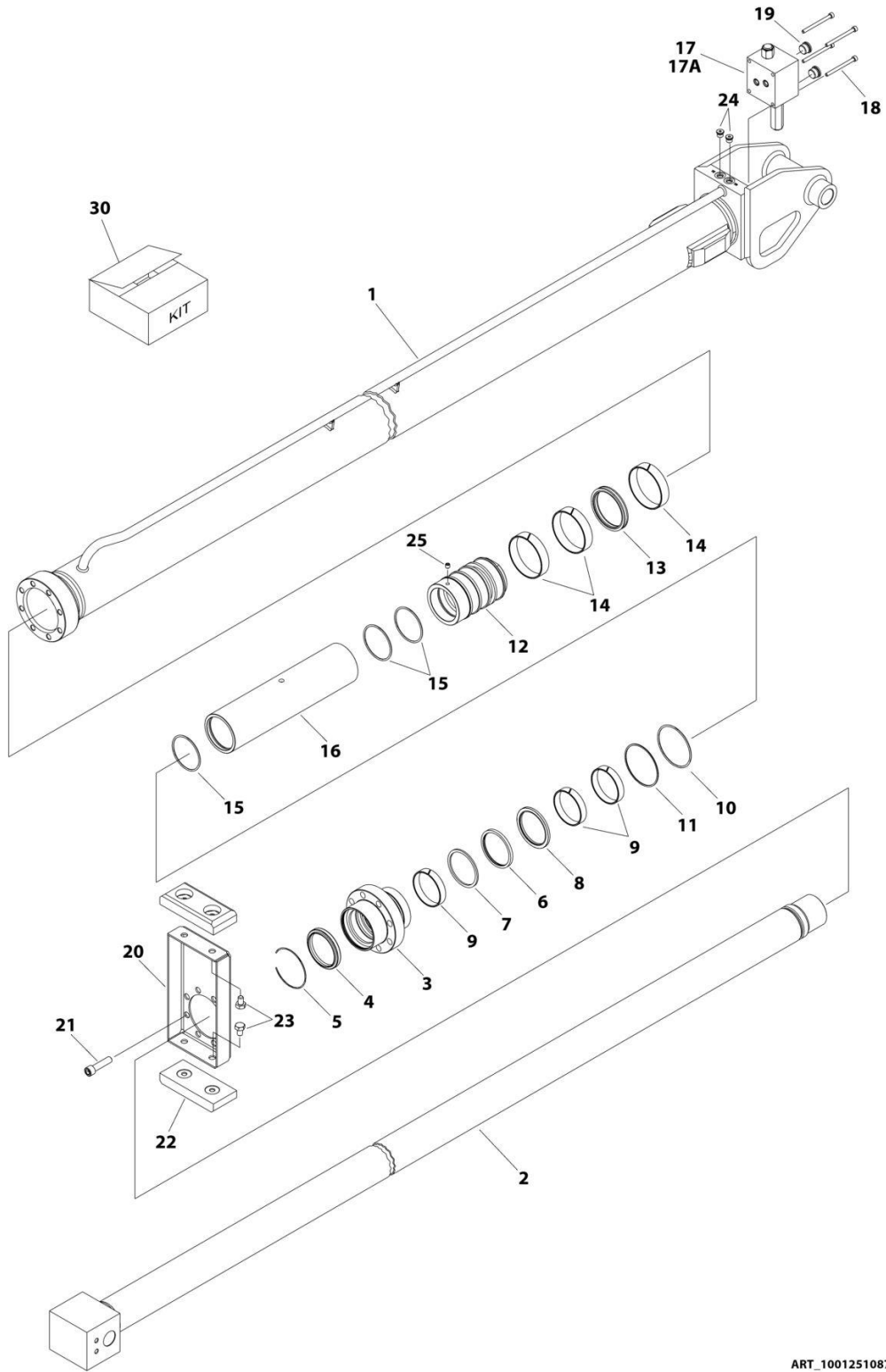
SECTION 6 - CYLINDER

FIGURE 6-8. STEER CYLINDER ASSEMBLY

ITEM	PART NUMBER	QTY	DESCRIPTION	REV
	1001150539	Ref	STEER CYLINDER ASSEMBLY	F
		Ref	Note: Original Cylinder may have been replaced with Service Replacement. Identify PN Stamped on Cylinder Before Ordering Parts.	
3	70002744	1	Piston	
4	70002745	2	Setscrew M6 x 10	
5	70004381	1	Barrel	
6	70004382	1	Rod	
7	70002748	1	Head	
8	See Note	NSS	Ring (Note: Use Item 100)	
9	See Note	NSS	Wiper (Note: Use Item 100)	
10	70002749	1	Nut, Spanner	
11	See Note	NSS	Seal (Note: Use Item 100)	
12	See Note	NSS	O-Ring (Note: Use Item 100)	
13	See Note	NSS	Ring, Back-up (Note: Use Item 100)	
14	See Note	NSS	Ring, Wear (Note: Use Item 100)	
15	See Note	NSS	Seal (Note: Use Item 100)	
16	0962152	4	Bushings	
100	70002751	1	Seal Kit (Includes Items 8, 9 & 11-15)	

SECTION 6 - CYLINDER

FIGURE 6-9. TELESCOPE CYLINDER ASSEMBLY - MAIN BOOM



ART_1001251087

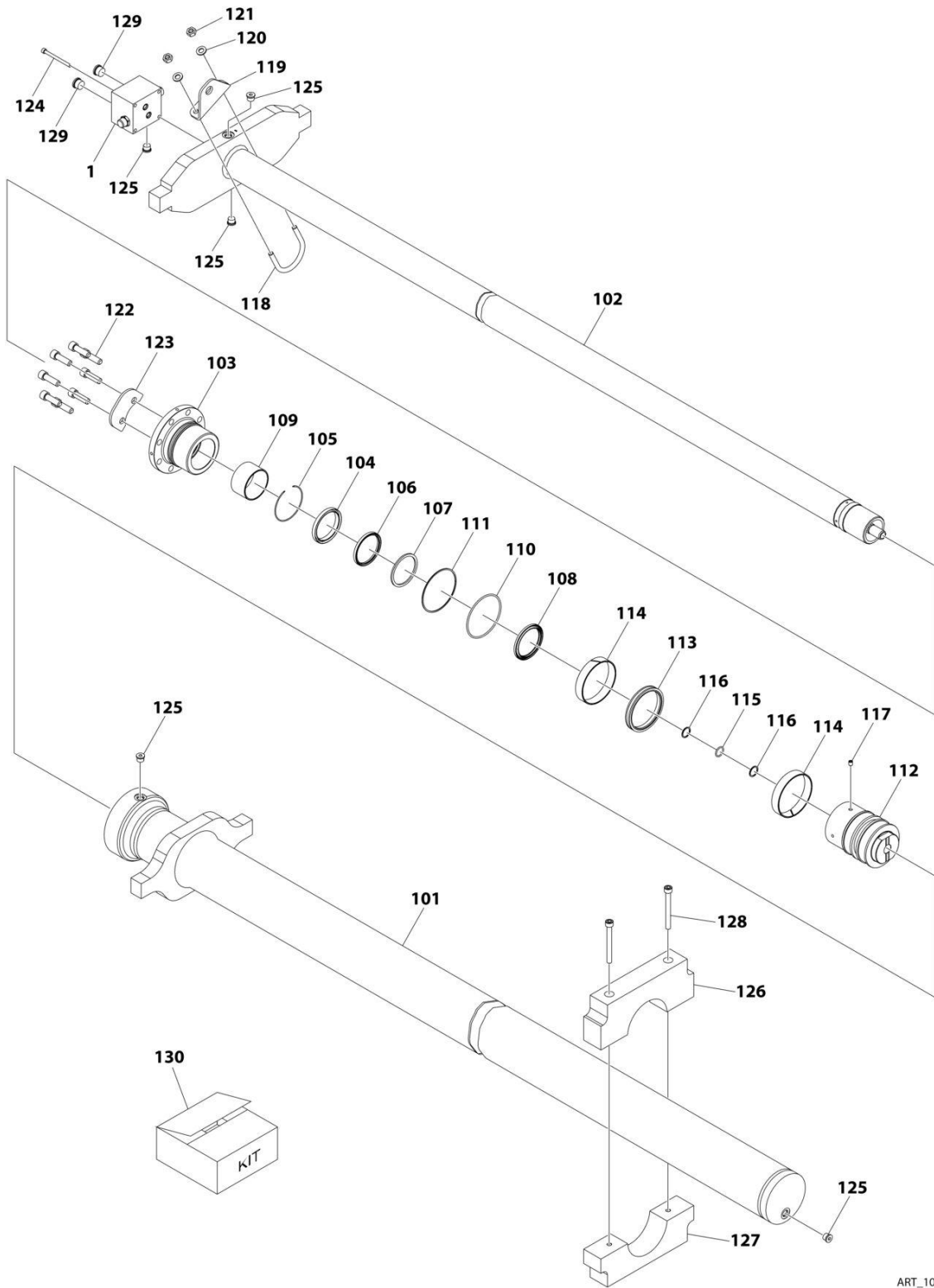
SECTION 6 - CYLINDER

FIGURE 6-9. TELESCOPE CYLINDER ASSEMBLY - MAIN BOOM

ITEM	PART NUMBER	QTY	DESCRIPTION	REV
	1001251087	Ref	TELESCOPE CYLINDER ASSEMBLY	A
		Ref	Note: Original Cylinder may have been replaced with Service Replacement. Identify PN Stamped on Cylinder Before Ordering Parts.	
1	See Note	NSS	Barrel (Note: Not Available for Purchase)	
2	70007514	1	Rod	
3	70007515	1	Head	
4	See Note	NSS	Wiper (Note: Use Item 30)	
5	70027259	1	Ring, Retaining	
6	See Note	NSS	Seal, Rod (Note: Use Item 30)	
7	See Note	NSS	Ring, Back-up (Note: Use Item 30)	
8	See Note	NSS	Ring, Buffer (Note: Use Item 30)	
9	See Note	NSS	Ring, Wear (Note: Use Item 30)	
10	See Note	NSS	O-Ring (Note: Use Item 30)	
11	See Note	NSS	Ring, Back-up (Note: Use Item 30)	
12	70007516	1	Piston	
13	See Note	NSS	Seal, Piston (Note: Use Item 30)	
14	See Note	NSS	Ring, Wear (Note: Use Item 30)	
15	See Note	NSS	O-Ring (Note: Use Item 30)	
16	70007517	1	Spacer	
17	4641033	1	Valve Assembly (No serviceable parts - sold as assembly only)	
17A	7024508	2	O-Ring (Between Valve and Cylinder Barrel)	
18	70006802	4	Capscrew M6	
19	2220886	2	Plug, O-Ring	
20	70007518	1	Plate	
21	70007519	8	Capscrew M12	
22	70007520	2	Pad, Wear	
23	70007521	4	Bolt M10	
24	2220883	2	Plug, O-Ring	
25	70006799	1	Screw, Set	
30	70007522	1	Seal Kit (Includes Items 4, 6, 7, 9-11 & 13-15)	

SECTION 6 - CYLINDER

FIGURE 6-10. TELESCOPE CYLINDER ASSEMBLY - TOWER BOOM



ART_1001251086

SECTION 6 - CYLINDER

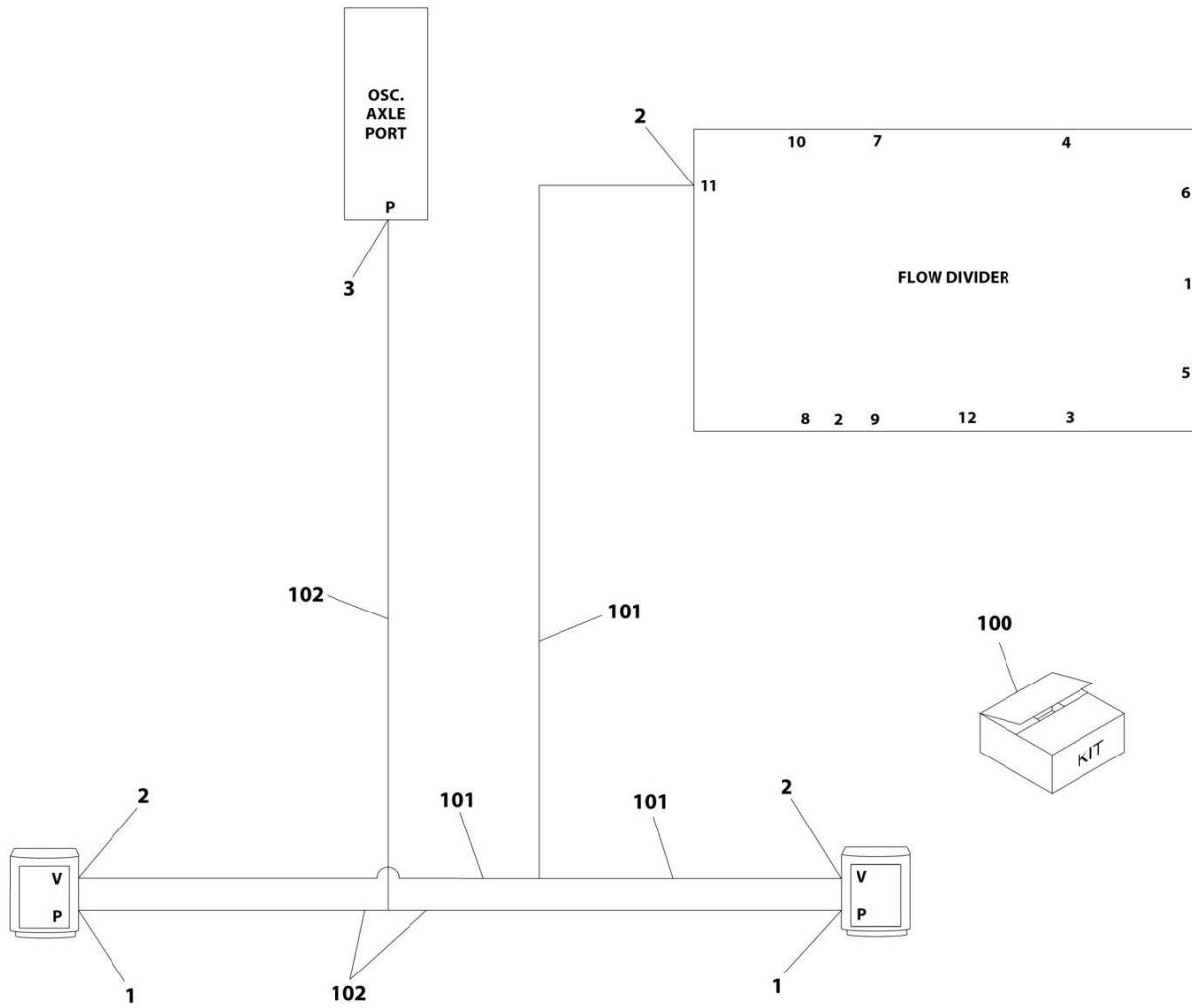
FIGURE 6-10. TELESCOPE CYLINDER ASSEMBLY - TOWER BOOM

ITEM	PART NUMBER	QTY	DESCRIPTION	REV
	1001251086	Ref	TELESCOPE CYLINDER ASSEMBLY - TOWER BOOM	A
		Ref	Note: Original Cylinder May Have Been Replaced with Service Replacement. Identify PN Stamped on Cylinder Before Ordering Parts.	
1	4641032	1	Valve Assembly (No serviceable parts - sold as assembly only)	
1	7002388	1	Seal Kit	
101	See Note	NSS	Tube (Note: Not Available for Purchase)	
102	70008199	1	Rod	
103	70008200	1	Head	
104	See Note	NSS	Wiper, Dust (Note: Use Item 130)	
105	70050795	1	Ring, Retaining	
106	See Note	NSS	Seal, Rod (Note: Use Item 130)	
107	See Note	NSS	Ring, Backup (Note: Use Item 130)	
108	See Note	NSS	Ring, Buffer (Note: Use Item 130)	
109	70008201	1	Bushing	
110	See Note	NSS	O-Ring (Note: Use Item 130)	
111	See Note	NSS	Ring, Backup (Note: Use Item 130)	
112	70008202	1	Piston	
113	See Note	NSS	Seal, Piston (Note: Use Item 130)	
114	See Note	NSS	Ring, Wear (Note: Use Item 130)	
115	See Note	NSS	O-Ring (Note: Use Item 130)	
116	See Note	1	Ring, Backup (Note: Use Item 130)	
117	70005839	1	Setscrew	
118	70008203	1	U-Bolt M10 x 1.5	
119	70008204	1	Plate	
120	70006344	2	Washer M10	
121	70005594	2	Nut M12	
122	70008205	8	Bolt M12 x 40	
123	70008206	1	Plate	
124	70007981	4	Bolt M6 x 75	
125	2220885	5	Plug 9/16	
126	70008207	1	Pad	
127	70008208	1	Pad	
128	70008209	2	Bolt M10 x 95	
129	2220886	1	Plug 3/4	
130	70008210	1	Seal Kit (Includes Items 104, 106-108, 110-111 & 113-116)	

SECTION 7 - HYDRAULIC

SECTION 7 - HYDRAULIC

FIGURE 7-1. HYDRAULIC DIAGRAM - AXLE (OSCILLATING)



ART_1001157400

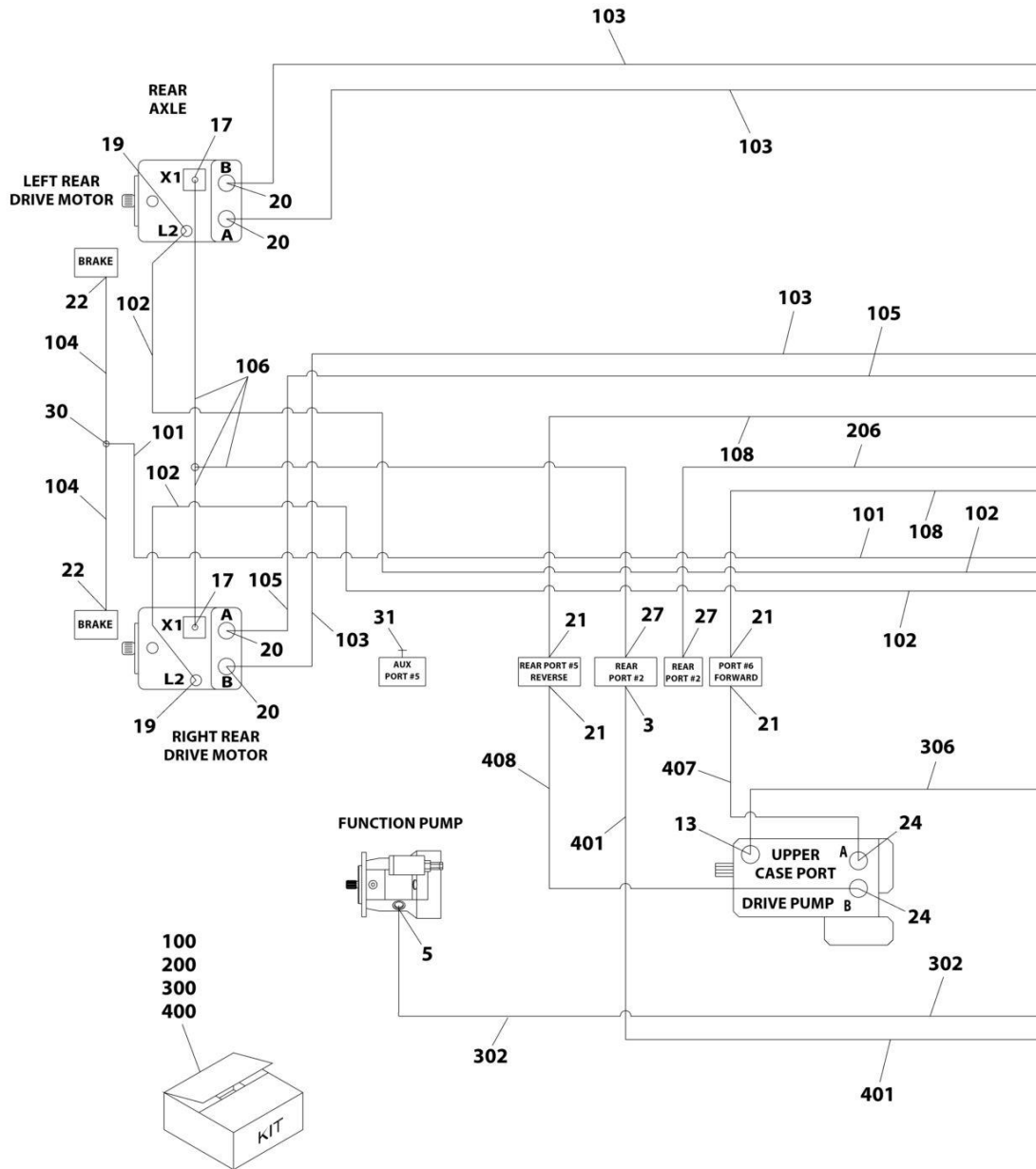
SECTION 7 - HYDRAULIC

FIGURE 7-1. HYDRAULIC DIAGRAM - AXLE (OSCILLATING)

ITEM	PART NUMBER	QTY	DESCRIPTION	REV
	1001157400	Ref	AXLE LOCKOUT HYDRAULIC DIAGRAM	G
1	2110404	2	Fitting, Straight ORFS/ORB	
2	2110606	3	Fitting, Straight ORFS/ORB	
3	2110408	1	Fitting, Straight ORFS/ORB	
100	1001270068	1	Hose Lockout Kit	
101	1001198336	1	Hose with Crimped Tee	
102	1001198339	1	Hose with Crimped Tee	

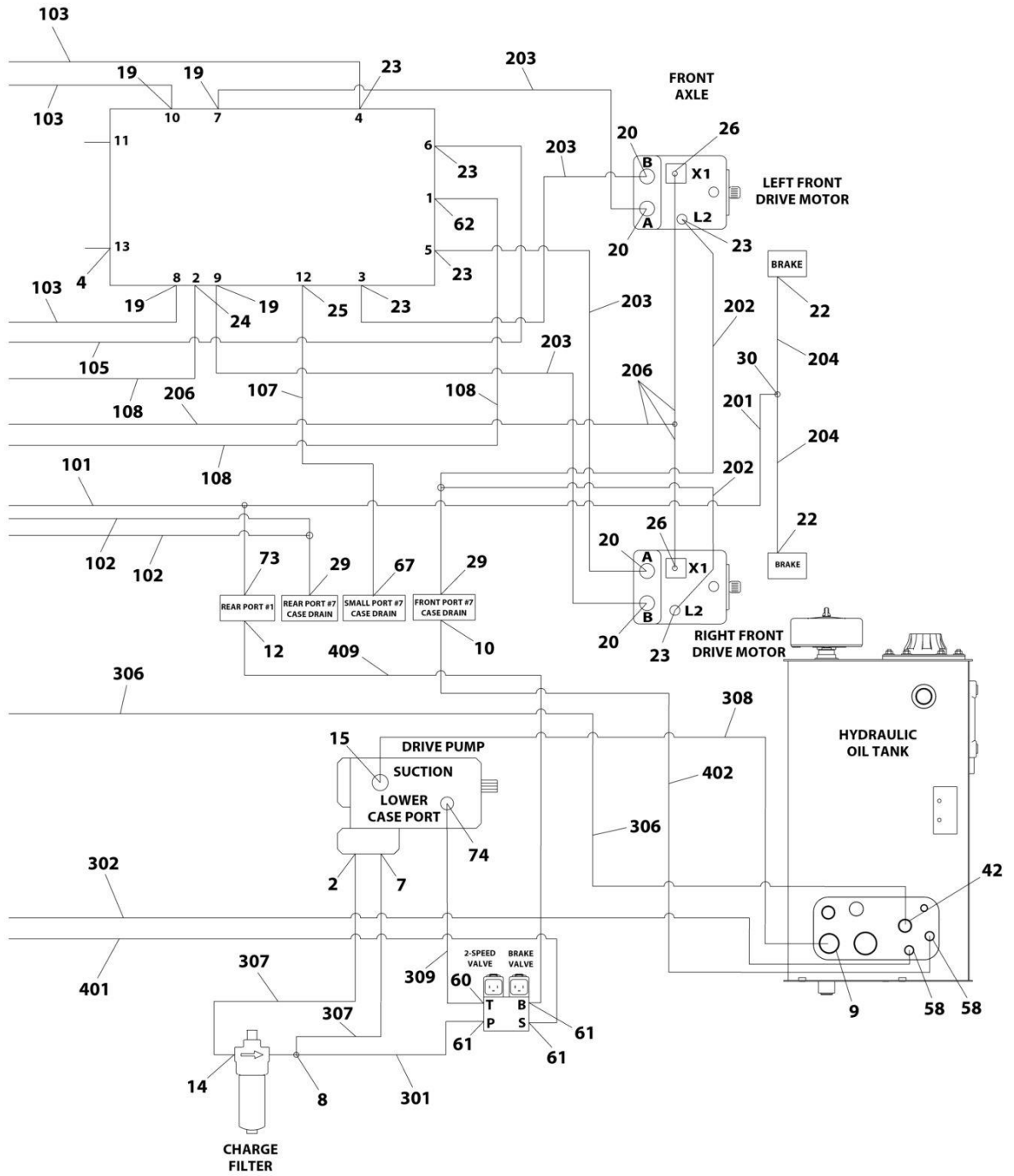
SECTION 7 - HYDRAULIC

FIGURE 7-2. HYDRAULIC DIAGRAM - DRIVE (4WD/2WS WITHOUT TOW PACKAGE/WITHOUT ARCTIC PACKAGE)



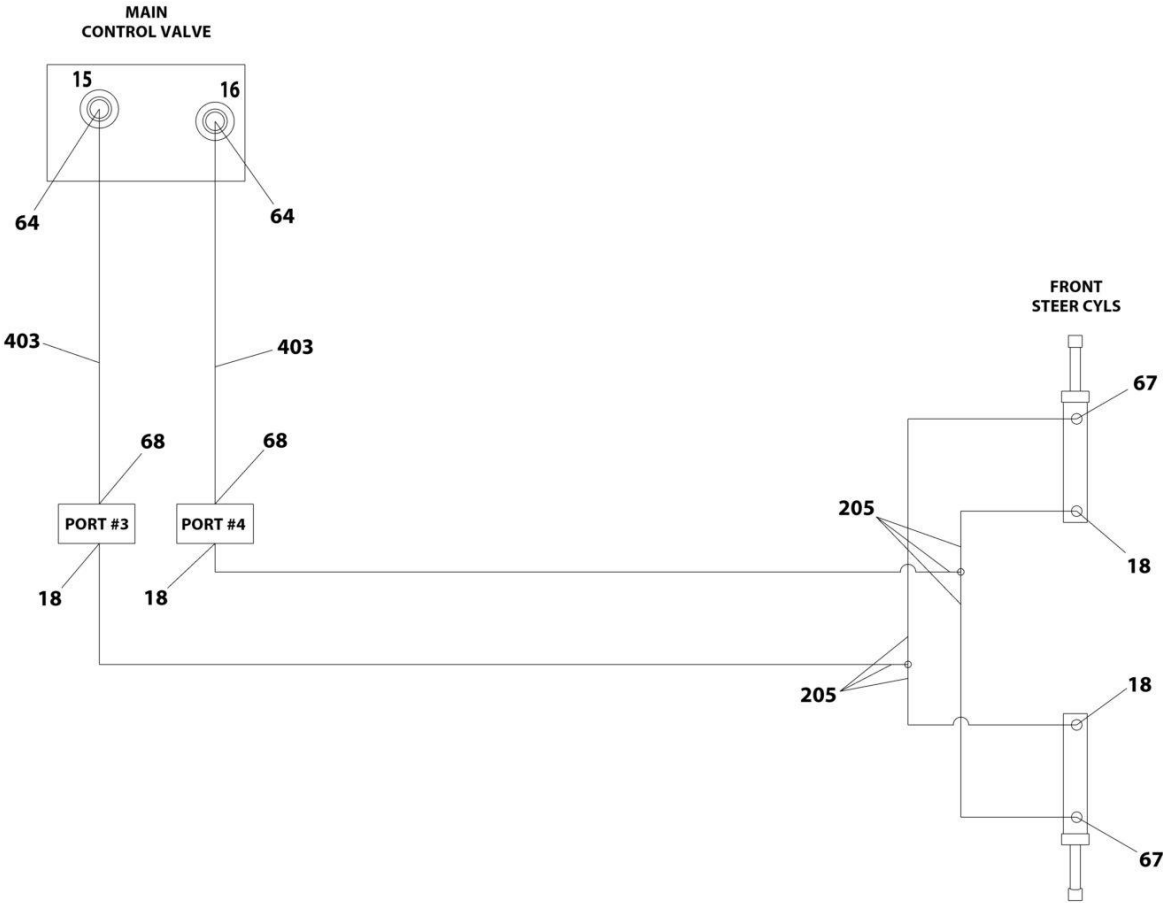
ART_1001178204_1OF3

SECTION 7 - HYDRAULIC



ART_1001178204_2OF3

SECTION 7 - HYDRAULIC



ART_1001178204_30F3

SECTION 7 - HYDRAULIC

FIGURE 7-2. HYDRAULIC DIAGRAM - DRIVE (4WD/2WS WITHOUT TOW PACKAGE/WITHOUT ARCTIC PACKAGE)

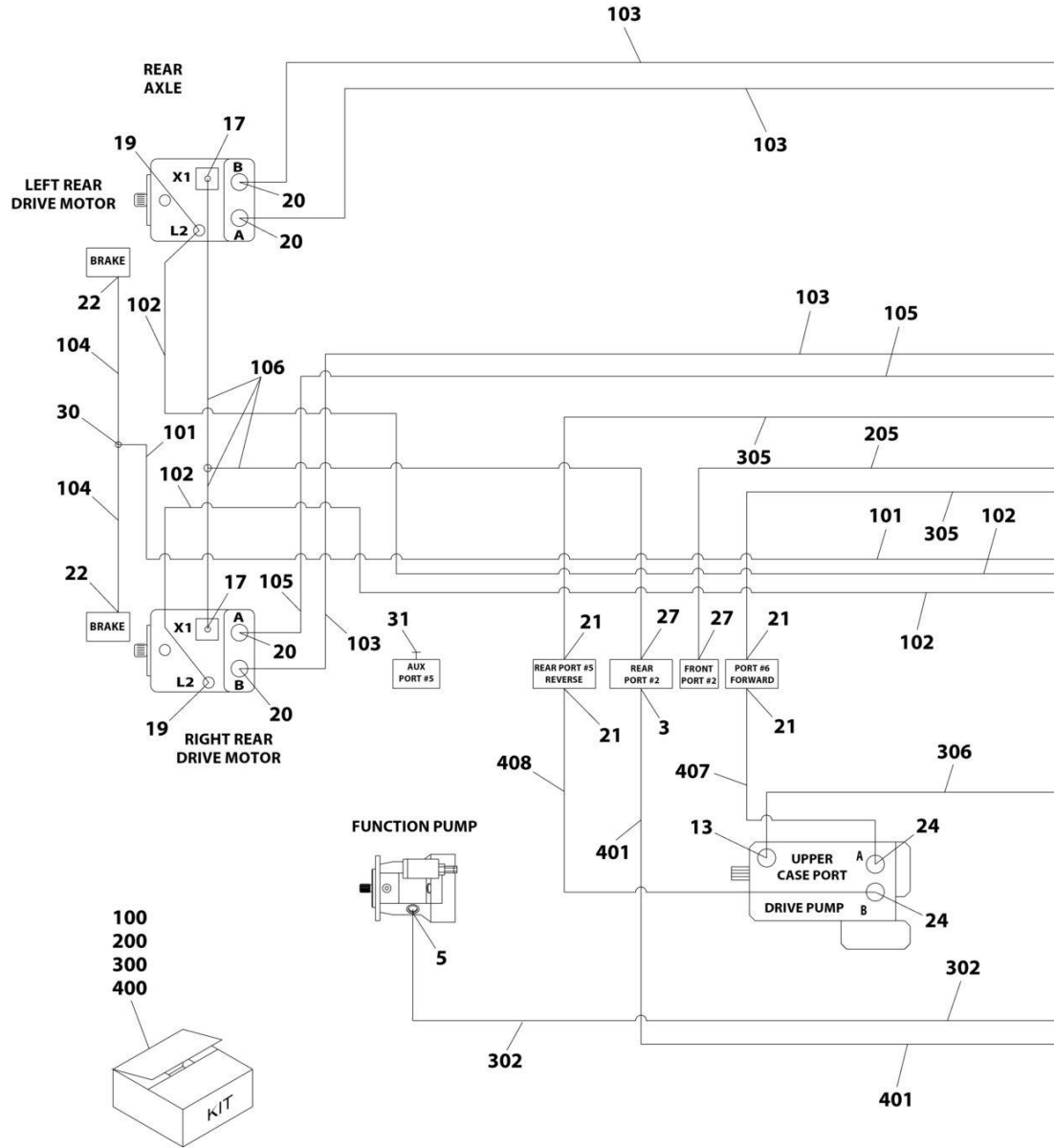
ITEM	PART NUMBER	QTY	DESCRIPTION	REV
	1001178204	Ref	DRIVE HYDRAULIC DIAGRAM - 4WD/2WS	J
2	2220800	1	Fitting, Straight ORB/FL	
3	2220582	1	Fitting, Straight ORB/FL	
4	2220238	1	Plug	
5	2220671	1	Fitting, 90 JIC/ORB	
7	2220374	1	Fitting, Straight JIC/ORB	
8	1001199394	1	Fitting, Tee JIC/ORB/JIC	
9	2220380	1	Fitting, Straight ORB/FL	
10	2220375	1	Fitting, Straight ORB/FL	
12	2220468	1	Fitting, Straight ORB/FL	
13	2220578	1	Fitting, 90 JIC/ORB	
14	2220596	1	Fitting, 90 JIC/FL	
15	8770050	1	Fitting, 90 JIC/ORB	
17	2110406	2	Fitting, Straight ORFS/ORB	
18	2110606	4	Fitting, Straight ORFS/ORB	
19	2110808	6	Fitting, Straight ORFS/ORB	
20	2110812	8	Fitting, Straight ORFS/ORB	
21	2111616	4	Fitting, Straight ORFS/ORB	
22	2110404	4	Fitting, Straight ORFS/ORB	
23	2130808	6	Fitting, 90 ORFS/ORB	
24	2131616	3	Fitting, 90 ORFS/ORB	
25	2130604	1	Fitting, 90 ORFS/ORB	
26	2130406	2	Fitting, 90 ORFS/ORB	
27	2150406	2	Fitting, 45 ORFS/ORB	
29	2170408	2	Fitting, Tee ORFS/ORFS/ORB	
30	2170504	2	Fitting, Tee ORFS	
31	2220237	1	Plug	
42	2220451	1	Fitting, Straight JIC/ORB	
58	2220373	2	Fitting, Straight JIC/ORB	
60	2220940	1	Fitting, 90 ORB/FL	
61	2220466	3	Fitting, 90 ORB/FL	
62	2151616	1	Fitting, 90 ORFS/ORB	
64	2220371	2	Fitting, Straight JIC/ORB	
67	2130606	3	Fitting, 90 ORFS/ORB	
68	2220473	2	Fitting, 90 ORB/FL	
73	1001198338	1	Fitting, Tee ORFS/ORB	
74	1001215296	1	Fitting, 90 JIC/SORB	
100	1001270069	1	Arctic Towbar Hose Kit	
101	2753622	1	Hose	
102	2753686	2	Hose	
103	2753971	3	Hose	
104	2754337	2	Hose	
105	2754338	1	Hose	
106	1001198340	1	Hose	
107	2753626	1	Hose	
108	2753634	1	Hose	
200	1001270630	1	Front Hose Kit	
201	2753542	1	Hose	
202	2753628	2	Hose	

SECTION 7 - HYDRAULIC

ITEM	PART NUMBER	QTY	DESCRIPTION	REV
203	2753970	4	Hose	
204	2754512	2	Hose	
205	1001198333	2	Hose	
206	1001198341	1	Hose	
300	1001270090	1	Arctic Towbar Hose Kit	
301	2752434	1	Hose	
302	2752938	1	Hose	
306	1001188135	1	Hose	
307	2752495	1	Hose	
308	2752754	1	Hose	
309	1001151354	1	Hose	
400	1001270091	1	Arctic Towbar Hose Kit	
401	2751399	1	Hose	
402	2751500	1	Hose	
403	2752489	2	Hose	
407	1001156332	1	Hose	
408	1001156333	1	Hose	
409	2752997	1	Hose	

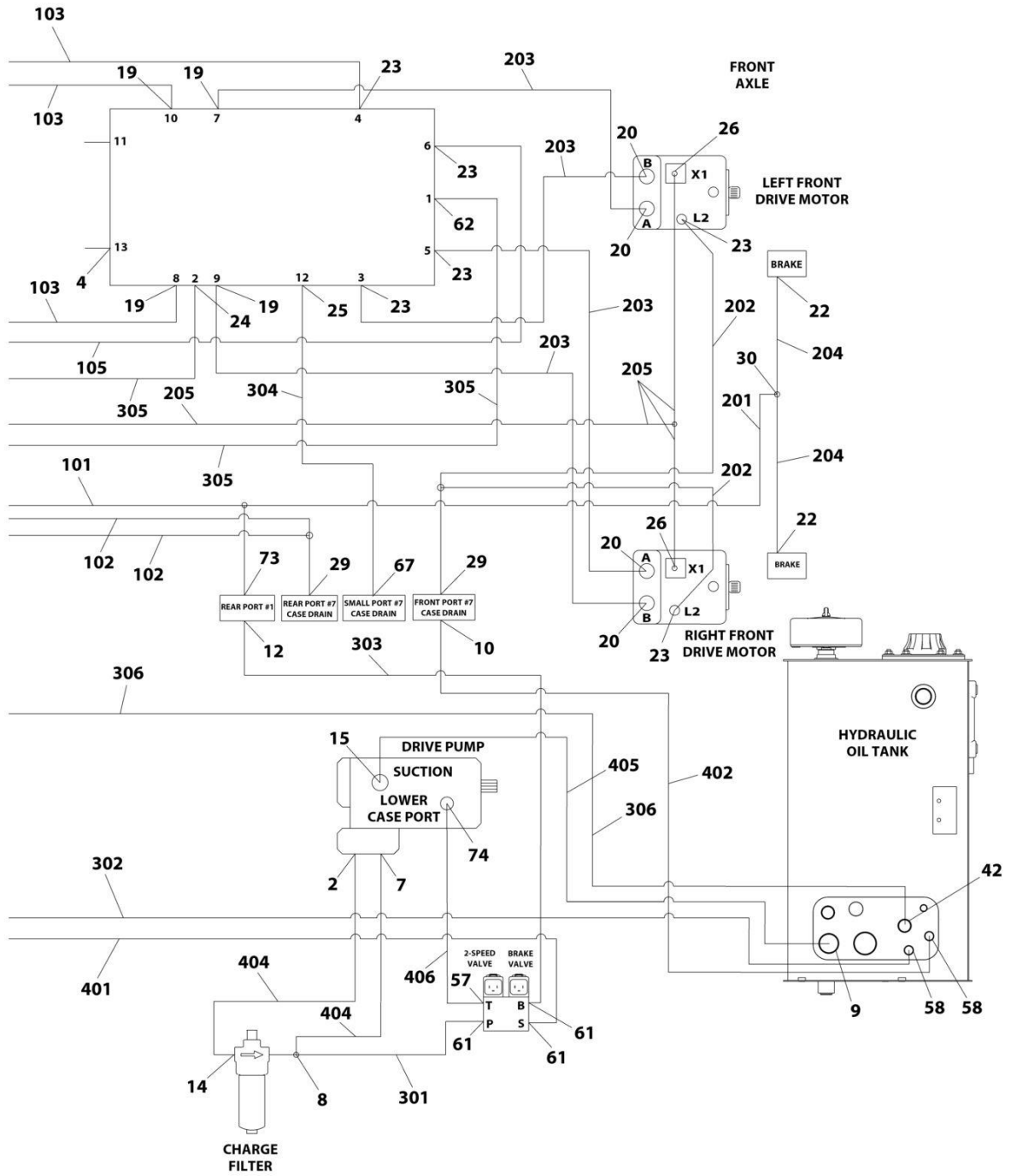
SECTION 7 - HYDRAULIC

FIGURE 7-3. HYDRAULIC DIAGRAM - DRIVE (4WD/2WS WITHOUT TOW PACKAGE/WITH ARCTIC PACKAGE)



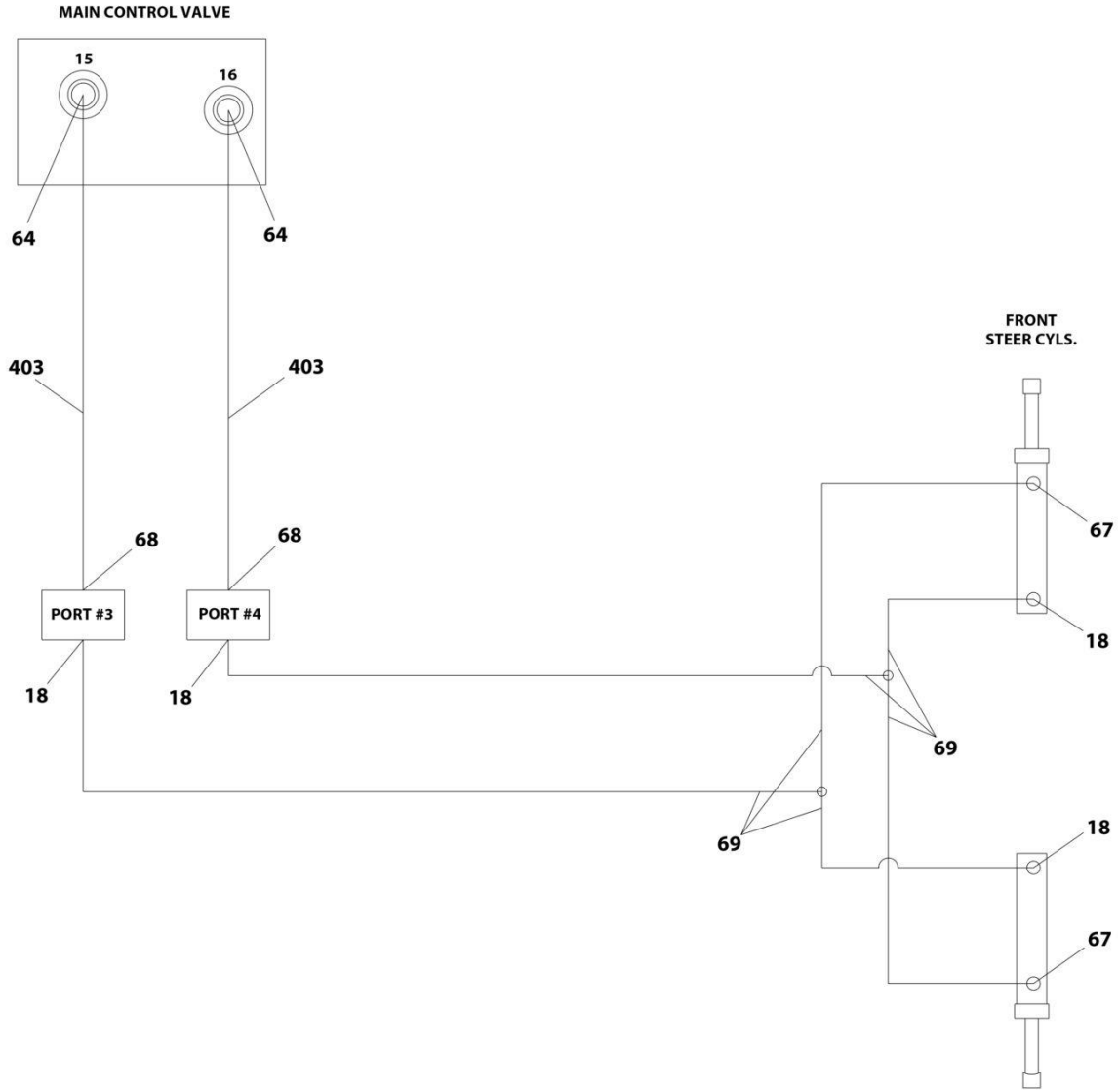
ART_1001178205_10F3

SECTION 7 - HYDRAULIC



ART_1001178205_2OF3

SECTION 7 - HYDRAULIC



ART_1001178205_3OF3

SECTION 7 - HYDRAULIC

FIGURE 7-3. HYDRAULIC DIAGRAM - DRIVE (4WD/2WS WITHOUT TOW PACKAGE/WITH ARCTIC PACKAGE)

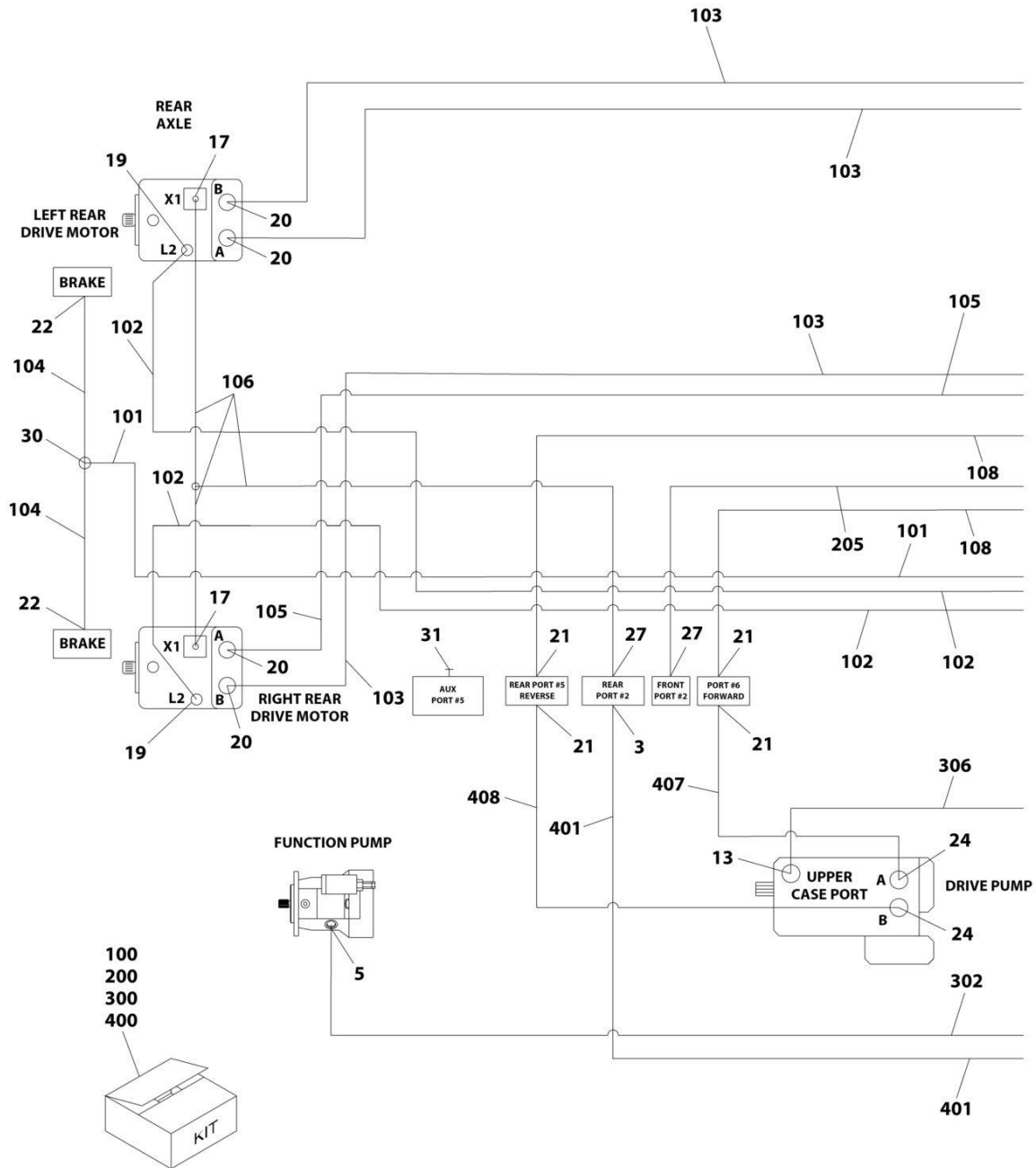
ITEM	PART NUMBER	QTY	DESCRIPTION	REV
	1001178205	Ref	DRIVE HYDRAULIC DIAGRAM - 4WD/2WS	H
2	2220800	1	Fitting, Straight ORB/FL	
3	2220582	1	Fitting, Straight ORB/FL	
4	2220238	1	Plug	
5	2220671	1	Fitting, 90 JIC/ORB	
7	2220374	1	Fitting, Straight JIC/ORB	
8	1001199394	1	Fitting, Tee JIC/ORB/JIC	
9	2220380	1	Fitting, Straight ORB/FL	
10	2220375	1	Fitting, Straight ORB/FL	
12	2220468	1	Fitting, Straight ORB/FL	
13	2220578	1	Fitting, 90 JIC/ORB	
14	2220596	1	Fitting, 90 JIC/FL	
15	8770050	1	Fitting, 90 JIC/ORB	
17	2110406	2	Fitting, Straight ORFS/ORB	
18	2110606	4	Fitting, Straight ORFS/ORB	
19	2110808	6	Fitting, Straight ORFS/ORB	
20	2110812	8	Fitting, Straight ORFS/ORB	
21	2111616	4	Fitting, Straight ORFS/ORB	
22	2110404	4	Fitting, Straight ORFS/ORB	
23	2130808	6	Fitting, 90 ORFS/ORB	
24	2131616	3	Fitting, 90 ORFS/ORB	
25	2130604	1	Fitting, 90 ORFS/ORB	
26	2130406	2	Fitting, 90 ORFS/ORB	
27	2150406	2	Fitting, 45 ORFS/ORB	
29	2170408	2	Fitting, Tee ORFS/ORFS/ORB	
30	2170504	2	Fitting, Tee ORFS	
31	2220237	1	Plug	
42	2220451	1	Fitting, Straight JIC/ORB	
57	2220940	1	Fitting, 90 ORB/FL	
58	2220373	2	Fitting, Straight JIC/ORB	
61	2220466	3	Fitting, 90 ORB/FL	
62	2151616	1	Fitting, 90 ORFS/ORB	
64	2220371	2	Fitting, Straight JIC/ORB	
67	2130606	3	Fitting, 90 ORFS/ORB	
68	2220473	2	Fitting, 90 ORB/FL	
69	1001198333	2	Hose	
73	1001198338	1	Fitting, Tee ORFS/ORB	
74	1001215296	1	Fitting, 90 JIC/SORB	
100	1001270069	1	Arctic Towbar Hose Kit	
101	2753622	1	Hose	
102	2753686	2	Hose	
103	2753971	3	Hose	
104	2754337	2	Hose	
105	2754338	1	Hose	
106	1001198340	1	Hose	
200	1001270073	1	Arctic Towbar Hose Kit	
201	2753542	1	Hose	
202	2754720	2	Hose	
203	2754743	4	Hose	

SECTION 7 - HYDRAULIC

ITEM	PART NUMBER	QTY	DESCRIPTION	REV
204	1001106957	2	Hose	
205	1001204269	1	Hose	
300	1001270090	1	Arctic Towbar Hose Kit	
301	2752434	1	Hose	
302	2752938	1	Hose	
303	2752997	1	Hose	
304	2753626	1	Hose	
305	2753634	2	Hose	
306	1001188135	1	Hose	
400	1001270091	1	Arctic Towbar Hose Kit	
401	2751399	1	Hose	
402	2751500	1	Hose	
403	2752489	2	Hose	
404	2752495	2	Hose	
405	2752754	1	Hose	
406	1001151354	1	Hose	
407	1001156332	1	Hose	
408	1001156333	1	Hose	

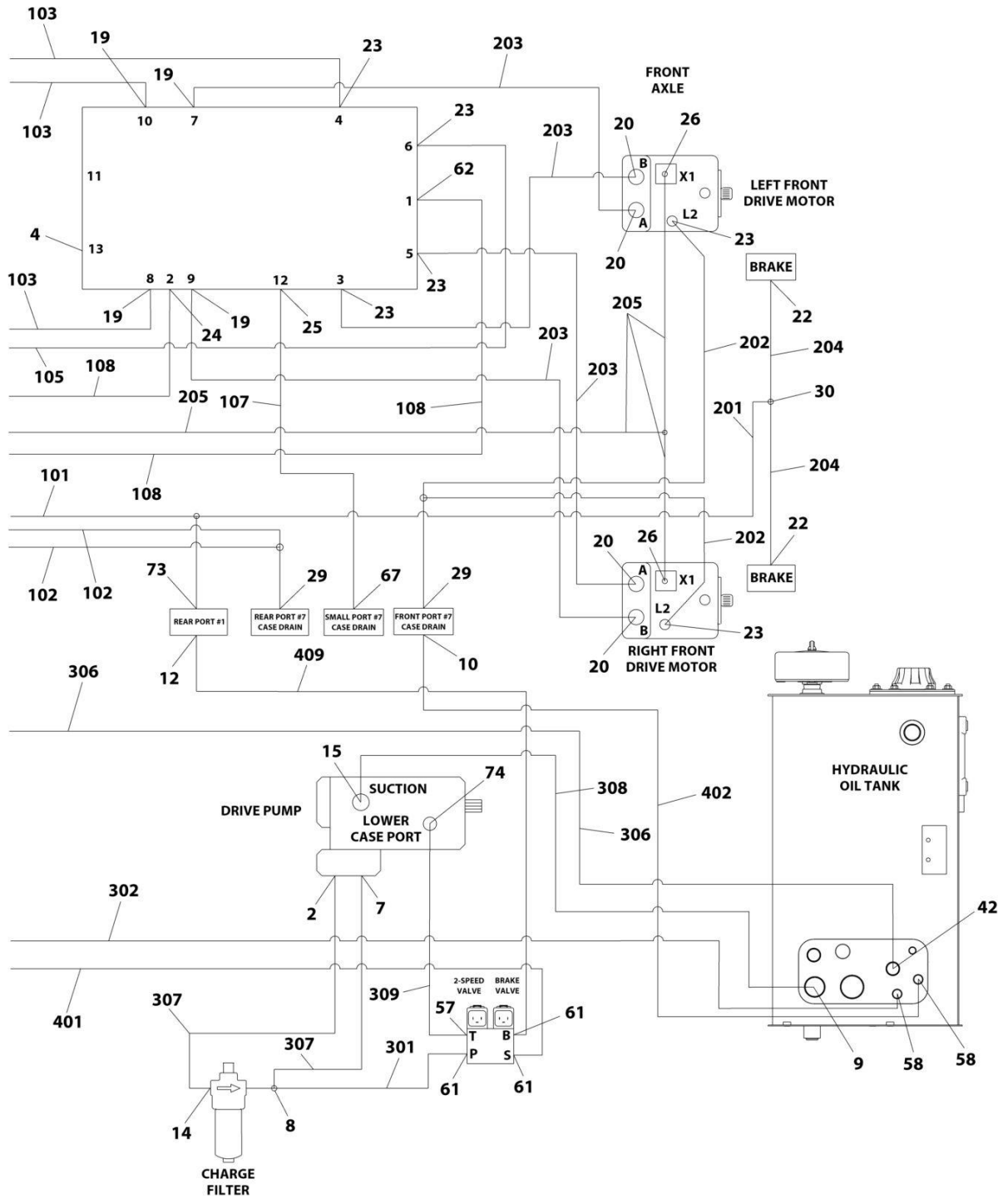
SECTION 7 - HYDRAULIC

FIGURE 7-4. HYDRAULIC DIAGRAM - DRIVE (4WD/2WS WITH TOW PACKAGE/WITHOUT ARCTIC PACKAGE)



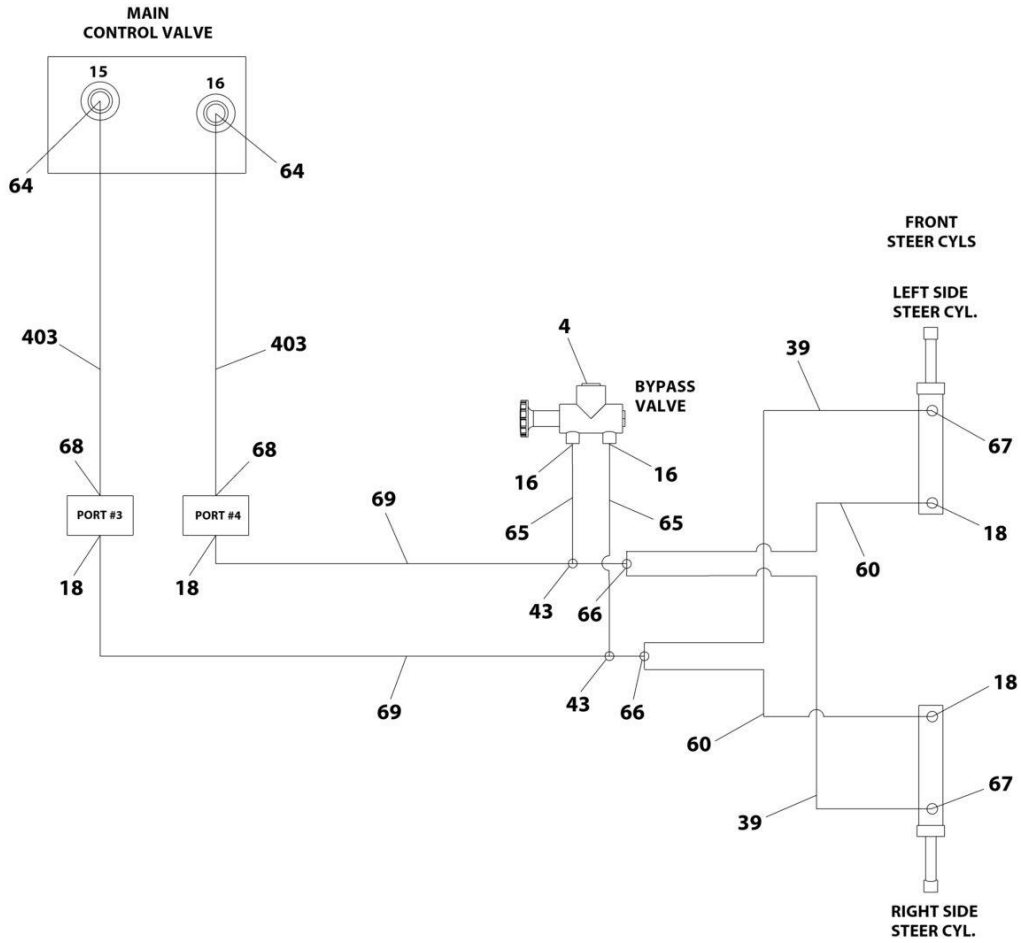
ART_1001217196_10F3

SECTION 7 - HYDRAULIC



ART_1001217196_20F3

SECTION 7 - HYDRAULIC



ART_1001217196_3OF3

SECTION 7 - HYDRAULIC

FIGURE 7-4. HYDRAULIC DIAGRAM - DRIVE (4WD/2WS WITH TOW PACKAGE/WITHOUT ARCTIC PACKAGE)

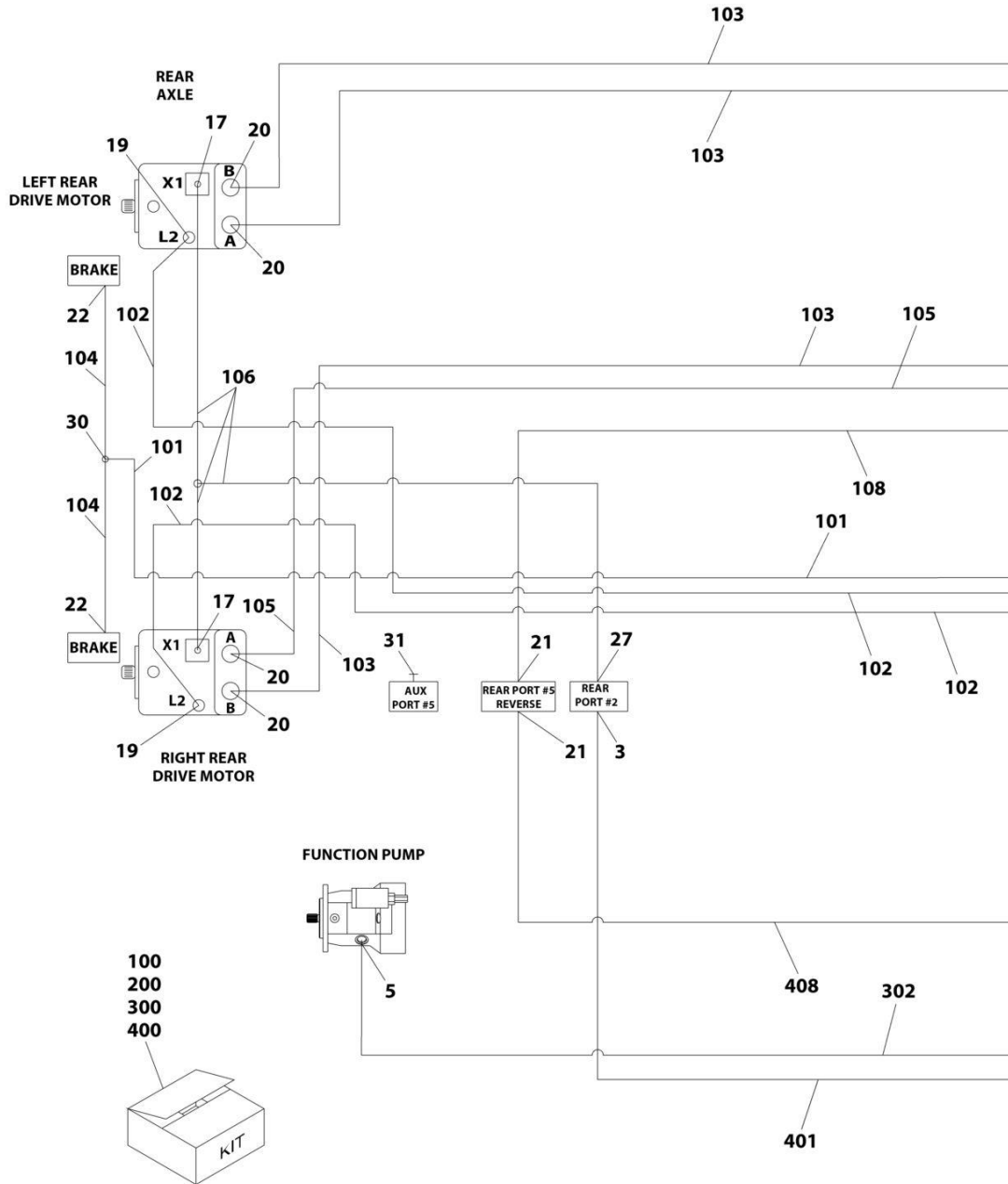
ITEM	PART NUMBER	QTY	DESCRIPTION	REV
	1001217196	Ref	Drive Hydraulic Diagram - 4WD/2WS	D
2	2220800	1	Fitting, Straight ORB/FL	
3	2220582	1	Fitting, Straight ORB/FL	
4	2220238	2	Plug	
5	2220671	1	Fitting, 90 JIC/ORB	
7	2220374	1	Fitting, Straight JIC/ORB	
8	1001199394	1	Fitting, Tee JIC/ORB/JIC	
9	2220380	1	Fitting, Straight ORB/FL	
10	2220375	1	Fitting, Straight ORB/FL	
12	2220468	1	Fitting, Straight ORB/FL	
13	2220578	1	Fitting, 90 JIC/ORB	
14	2220596	1	Fitting, 90 ORB/FL	
15	8770050	1	Fitting, 90 JIC/ORB	
16	2110608	2	Fitting, Straight ORFS/ORB	
17	2110406	2	Fitting, Straight ORFS/ORB	
18	2110606	4	Fitting, Straight ORFS/ORB	
19	2110808	6	Fitting, Straight ORFS/ORB	
20	2110812	8	Fitting, Straight ORFS/OBS	
21	2131616	4	Fitting, 90 ORFS/ORB	
22	2110404	4	Fitting, Straight ORFS/ORB	
23	2130808	6	Fitting, 90 ORFS/ORB	
24	2111616	3	Fitting, Straight ORFS/ORB	
25	2130604	1	Fitting, 90 ORFS/OBS	
26	2130406	2	Fitting, 90 ORFS/OBS	
27	2150406	2	Fitting, 45 ORFS/ORB	
29	2170408	2	Fitting, Tee ORFS/ORFS/OBS	
30	2170504	2	Fitting, Tee ORFS	
31	2220237	1	Plug	
39	2753656	2	Hose	
42	2220451	1	Fitting, Straight JIC/ORB	
43	2170706	2	Fitting, Tee - ORFS/ORFS/ORFS	
57	2220940	1	Fitting, 90 ORB/FL	
58	2220373	2	Fitting, Straight JIC/ORB	
60	1001159340	2	Hose	
61	2220466	3	Fitting, 90 ORB/FL	
62	2151616	1	Fitting, 45 ORFS/ORB	
64	2220371	2	Fitting, Straight JIC/ORB	
65	2753879	2	Hose	
66	2170506	2	Fitting, Tee ORFS/ORFS/ORFS	
67	2130606	3	Fitting, 90 ORFS/ORB	
68	2220473	2	Fitting, 90 ORB/FL	
69	2753732	2	Hose	
73	1001198338	1	Fitting, Tee ORFS/ORB	
74	1001215296	1	Fitting, 90 JIC/SORB	
100	1001270069	1	Arctic Towbar Hose Kit	
101	2753622	1	Hose	
102	2753686	2	Hose	
103	2753971	3	Hose	
104	2754337	2	Hose	

SECTION 7 - HYDRAULIC

ITEM	PART NUMBER	QTY	DESCRIPTION	REV
105	2754338	1	Hose	
106	1001198340	1	Hose	
107	2753626	1	Hose	
108	2753634	1	Hose	
200	1001270073	1	Arctic Towbar Hose Kit	
201	2753542	1	Hose	
202	2754720	2	Hose	
203	2754743	4	Hose	
204	1001106957	2	Hose	
205	1001204269	1	Hose	
300	1001270090	1	Arctic Towbar Hose Kit	
301	2752434	1	Hose	
302	2752938	1	Hose	
306	1001188135	1	Hose	
307	2752495	1	Hose	
308	2752754	1	Hose	
309	1001151354	1	Hose	
400	1001270091	1	Arctic Towbar Hose Kit	
401	2751399	1	Hose	
402	2751500	1	Hose	
403	2752489	2	Hose	
407	1001156332	1	Hose	
408	1001156333	1	Hose	
409	2752997	1	Hose	

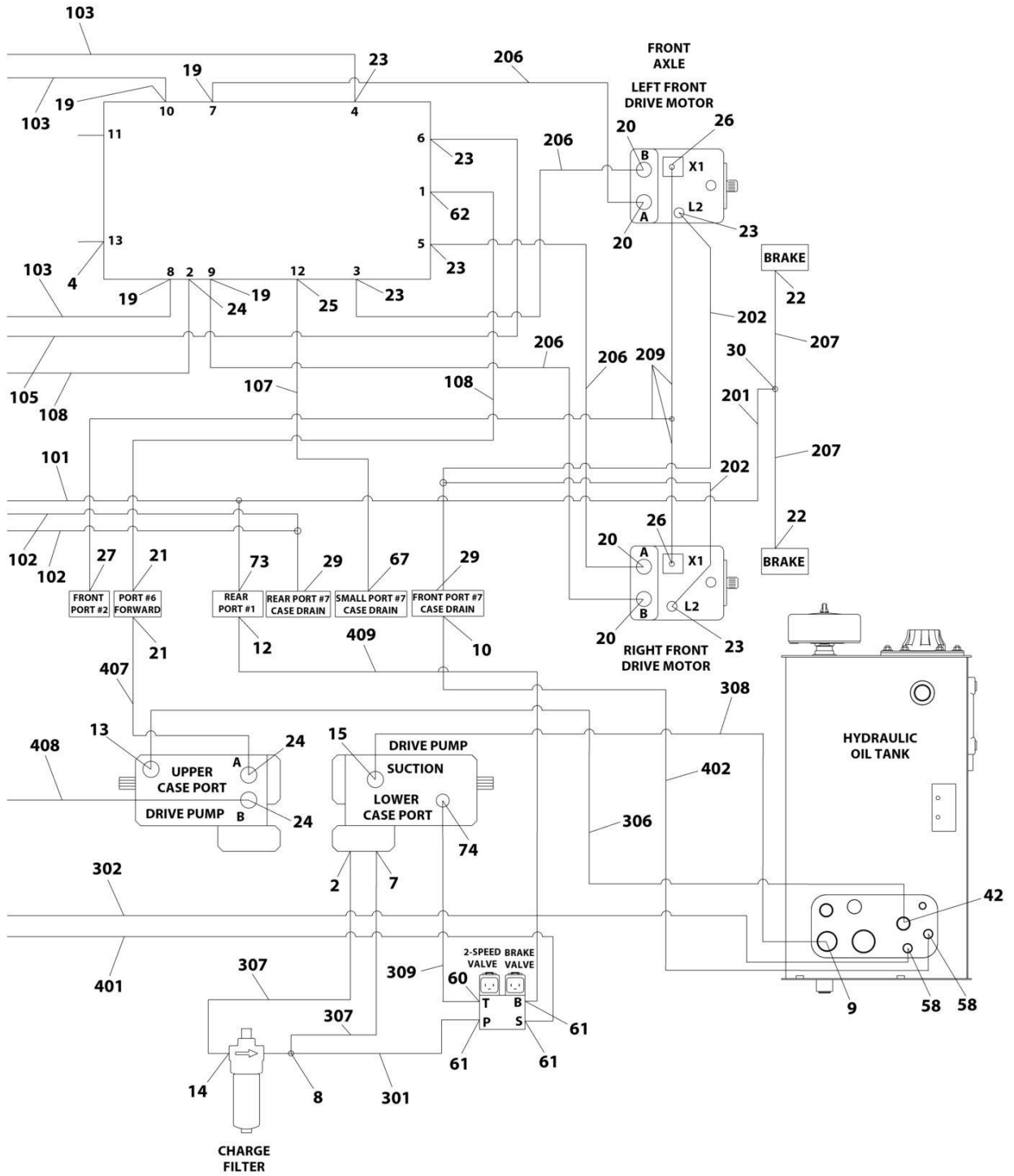
SECTION 7 - HYDRAULIC

FIGURE 7-5. HYDRAULIC DIAGRAM - DRIVE (4WD/2WS WITH TOW PACKAGE/WITH ARCTIC PACKAGE)



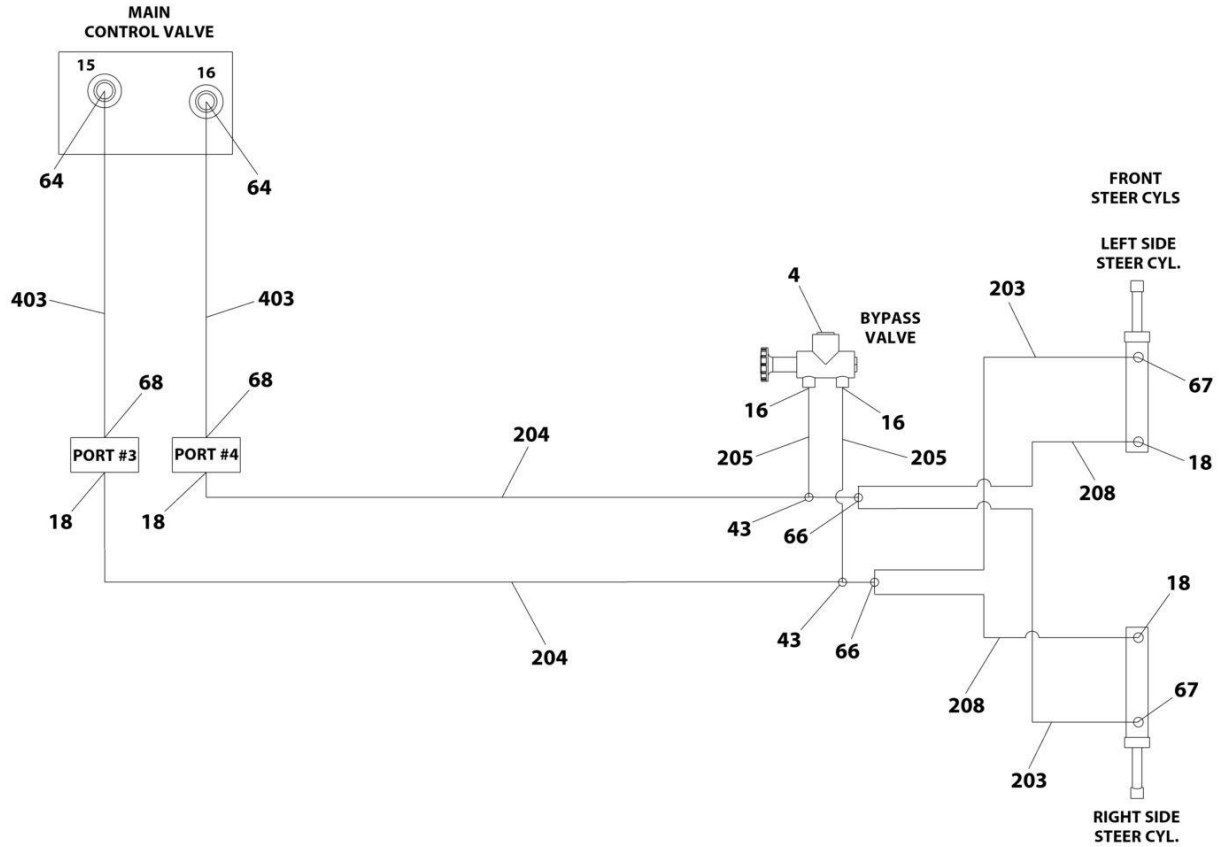
ART_1001217195_10F3

SECTION 7 - HYDRAULIC



ART_1001217195_2OF3

SECTION 7 - HYDRAULIC



ART_1001217195_3OF3

SECTION 7 - HYDRAULIC

FIGURE 7-5. HYDRAULIC DIAGRAM - DRIVE (4WD/2WS WITH TOW PACKAGE/WITH ARCTIC PACKAGE)

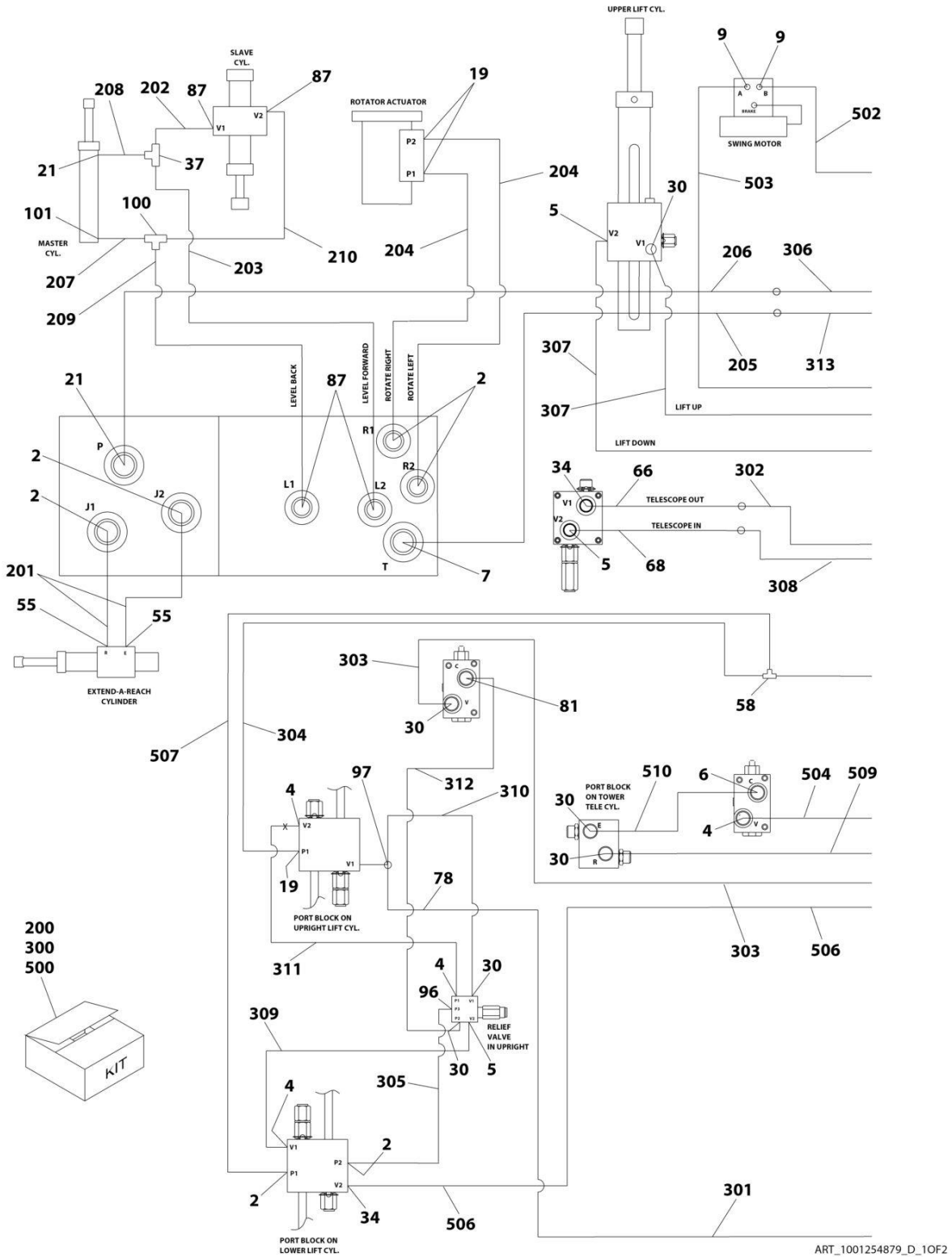
ITEM	PART NUMBER	QTY	DESCRIPTION	REV
	1001217195	Ref	HYDRAULIC DIAGRAM - DRIVE (4WD/2WS)	D
2	2220800	1	Fitting, Straight ORB/FL	
3	2220582	1	Fitting, Straight ORB/FL	
4	2220238	2	Plug	
5	2220671	1	Fitting, 90 JIC/ORB	
7	2220374	1	Fitting, Straight JIC/ORB	
8	1001199394	1	Fitting, Tee JIC/ORB/JIC	
9	2220380	1	Fitting, Straight ORB/FL	
10	2220375	1	Fitting, Straight ORB/FL	
12	2220468	1	Fitting, Straight ORB/FL	
13	2220578	1	Fitting, 90 JIC/ORB	
14	2220596	1	Fitting, 90 ORB/FL	
15	8770050	1	Fitting, 90 JIC/ORB	
16	2110608	2	Fitting, Straight ORFS/ORB	
17	2110406	2	Fitting, Straight ORFS/ORB	
18	2110606	4	Fitting, Straight ORFS/ORB	
19	2110808	6	Fitting, Straight ORFS/ORB	
20	2110812	8	Fitting, Straight ORFS/OBS	
21	2131616	4	Fitting, 90 ORFS/ORB	
22	2110404	4	Fitting, Straight ORFS/ORB	
23	2130808	6	Fitting, 90 ORFS/ORB	
24	2111616	3	Fitting, Straight ORFS/ORB	
25	2130604	1	Fitting, 90 ORFS/OBS	
26	2130406	2	Fitting, 90 ORFS/OBS	
27	2150406	2	Fitting, 45 ORFS/ORB	
29	2170408	2	Fitting, Tee ORFS/ORFS/OBS	
30	2170504	2	Fitting, Tee ORFS	
31	2220237	1	Plug	
42	2220451	1	Fitting, Straight JIC/ORB	
43	2170706	2	Fitting, Tee - ORFS/ORFS/ORFS	
58	2220373	2	Fitting, Straight JIC/ORB	
60	2220940	1	Fitting, 90 ORB/FL	
61	2220466	3	Fitting, 90 ORB/FL	
62	2151616	1	Fitting, 45 ORFS/ORB	
64	2220371	2	Fitting, Straight JIC/ORB	
66	2170506	2	Fitting, Tee ORFS/ORFS/ORFS	
67	2130606	3	Fitting, 90 ORFS/ORB	
68	2220473	2	Fitting, 90 ORB/FL	
73	1001198338	1	Fitting, Tee ORFS/ORB	
74	1001215296	1	Fitting, 90 JIC/SORB	
100	1001270069	1	Arctic Two-Bar Hose Kit	
101	2753622	1	Hose	
102	2753686	2	Hose	
103	2753971	3	Hose	
104	2754337	2	Hose	
105	2754338	1	Hose	
106	1001198340	1	Hose	
107	2753626	1	Hose	
108	2753634	1	Hose	

SECTION 7 - HYDRAULIC

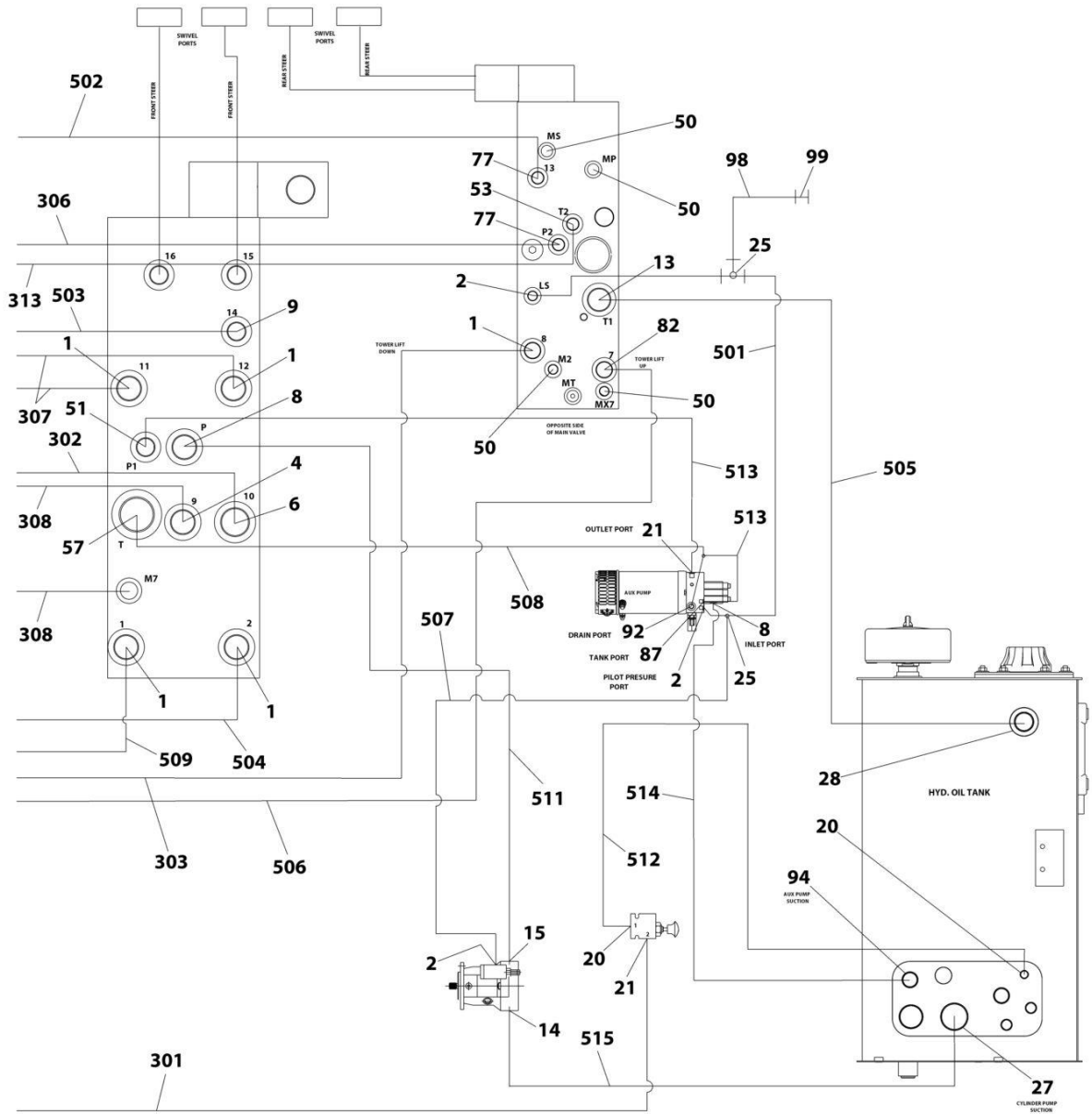
ITEM	PART NUMBER	QTY	DESCRIPTION	REV
200	1001270096	1	Towbar Front Hose Kit	
201	2753542	1	Hose	
202	2753628	2	Hose	
203	2753656	2	Hose	
204	2753732	2	Hose	
205	2753879	2	Hose	
206	2753970	4	Hose	
207	2754512	2	Hose	
208	1001159340	2	Hose	
209	1001198341	1	Hose	
300	1001270090	1	Arctic Twobar Hose Kit	
301	2752434	1	Hose	
302	2752938	1	Hose	
306	1001188135	1	Hose	
307	2752495	1	Hose	
308	2752754	1	Hose	
309	1001151354	1	Hose	
400	1001270091	1	Arctic Twobar Hose Kit	
401	2751399	1	Hose	
402	2751500	1	Hose	
403	2752489	2	Hose	
407	1001156332	1	Hose	
408	1001156333	1	Hose	
409	2752997	1	Hose	

SECTION 7 - HYDRAULIC

FIGURE 7-6. HYDRAULIC DIAGRAM - STANDARD



SECTION 7 - HYDRAULIC



ART_1001254879_D_20F2

SECTION 7 - HYDRAULIC

FIGURE 7-6. HYDRAULIC DIAGRAM - STANDARD

ITEM	PART NUMBER	QTY	DESCRIPTION	REV
	1001254879	Ref	STANDARD HYDRAULIC DIAGRAM	D
1	2220381	5	Fitting, Straight ORB/FL	
2	2220415	9	Fitting, Straight ORB/FL	
3	2753442	2	Hose	
4	2220373	5	Fitting, Straight ORB/FL	
5	2220500	3	Fitting, 45 ORB/FL	
6	2220947	2	Fitting, Straight ORB/FL	
7	2220600	1	Fitting, Straight JIC/ORB	
8	2220593	2	Fitting, Straight ORB/FL	
9	2220371	3	Fitting, Straight ORB/FL	
13	1001179329	1	Fitting, Straight JIC/ORB	
14	2220737	1	Split Flange Kit #24	
15	2220478	1	Split Flange Kit #16	
19	2220466	3	Fitting, 90 ORB/FL	
20	2220582	2	Fitting, Straight JIC/ORB	
21	2220473	4	Fitting, 90 ORB/FL	
25	2220605	2	Fitting, Tee FL/FL	
27	2220765	1	Fitting, Straight ORB/FL	
28	2220377	1	Fitting, Straight JIC/ORB	
30	2220596	6	Fitting, 90 ORB/FL	
34	2220852	2	Fitting, Straight ORB/FL	
37	2220490	1	Fitting, Tee FL/FL	
50	2221086	4	Fitting, Diagnostic Test Port, EM3A	
51	4640780	1	Fitting, Check Valve	
53	1001136881	1	Fitting, 45 ORB/FG	
55	2220472	2	Fitting, 90 ORB/FL (800AJ)	
57	2220577	1	Fitting, Straight ORB/FL	
58	2221034	1	Fitting, Tee FL/FL/ORB	
66	2752767	1	Hose	
68	2753190	1	Hose	
77	2220501	2	Fitting, 45 ORB/FL	
78	4567757	1	Tube	
79	4100062	4	Protection, Hose (Not Shown - Located at Tower Boom Power Track)	
81	2221036	1	Fitting, 90 ORB/FL	
82	2220950	1	Fitting, 45 ORB/FL	
87	2220603	5	Fitting, Straight ORB/FL	
92	2220899	1	Fitting, Tee ORB/FL/FL	
94	2220451	1	Fitting, Straight JIC/ORB	
96	2220468	1	Fitting, Straight JIC/ORB	
97	1001215289	1	Fitting, Tee JIC/ORB/JIC	
98	2752995	1	Hose	
99	91143177	1	Fitting - Diagnostic Test Port	
100	2220362	1	Fitting, Tee FL/FL/FL	
101	2220726	1	Adapter, 90 SJIC/ORB	
102	1001136358	1	Sleeve, Abrasion (Not Shown)	
103	4240032	2	Tie-Strap (Not Shown)	
200	1001256059	1	Upper Boom Hose Kit	
202	1001119602	1	Hose	
203	1001155673	1	Hose	

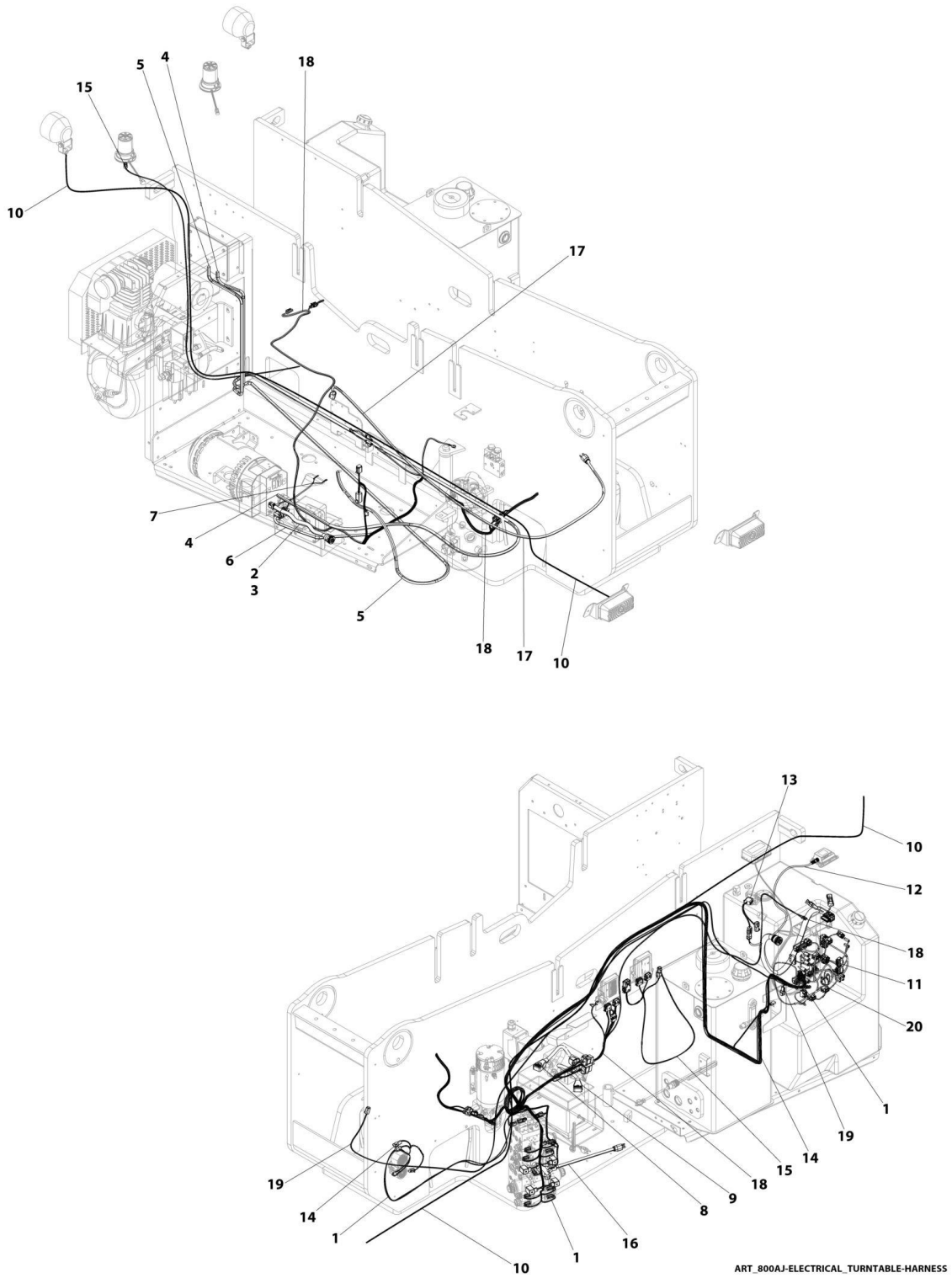
SECTION 7 - HYDRAULIC

ITEM	PART NUMBER	QTY	DESCRIPTION	REV
204	1001159707	2	Hose	
205	1001254846	1	Hose	
206	1001254847	1	Hose	
207	1001259466	1	Hose	
208	1001259467	1	Hose	
209	1001259468	1	Hose	
210	1001259470	1	Hose	
300	1001183226	1	Lower Boom Hose Kit	
301	2752468	1	Hose	
302	2752766	1	Hose	
303	2752930	1	Hose	
304	2752978	1	Hose	
305	2753008	1	Hose	
306	2753123	1	Hose	
307	2753189	2	Hose	
308	2753191	1	Hose	
309	2753195	1	Hose	
310	2753196	1	Hose	
311	2753197	1	Hose	
312	2753199	1	Hose	
313	1001182162	1	Hose	
500	1001270089	1	Turntable Hose Kit	
501	2752434	1	Hose	
502	2752461	1	Hose	
503	2752484	1	Hose	
504	2752494	1	Hose	
505	2752723	1	Hose	
506	2752768	1	Hose	
507	2753010	2	Hose	
508	2753118	1	Hose	
509	2753192	1	Hose	
510	2753200	1	Hose	
511	2753231	1	Hose	
512	2753274	1	Hose	
513	1001109690	2	Hose	
514	1001149410	1	Hose	
515	1001179079	1	Hose	

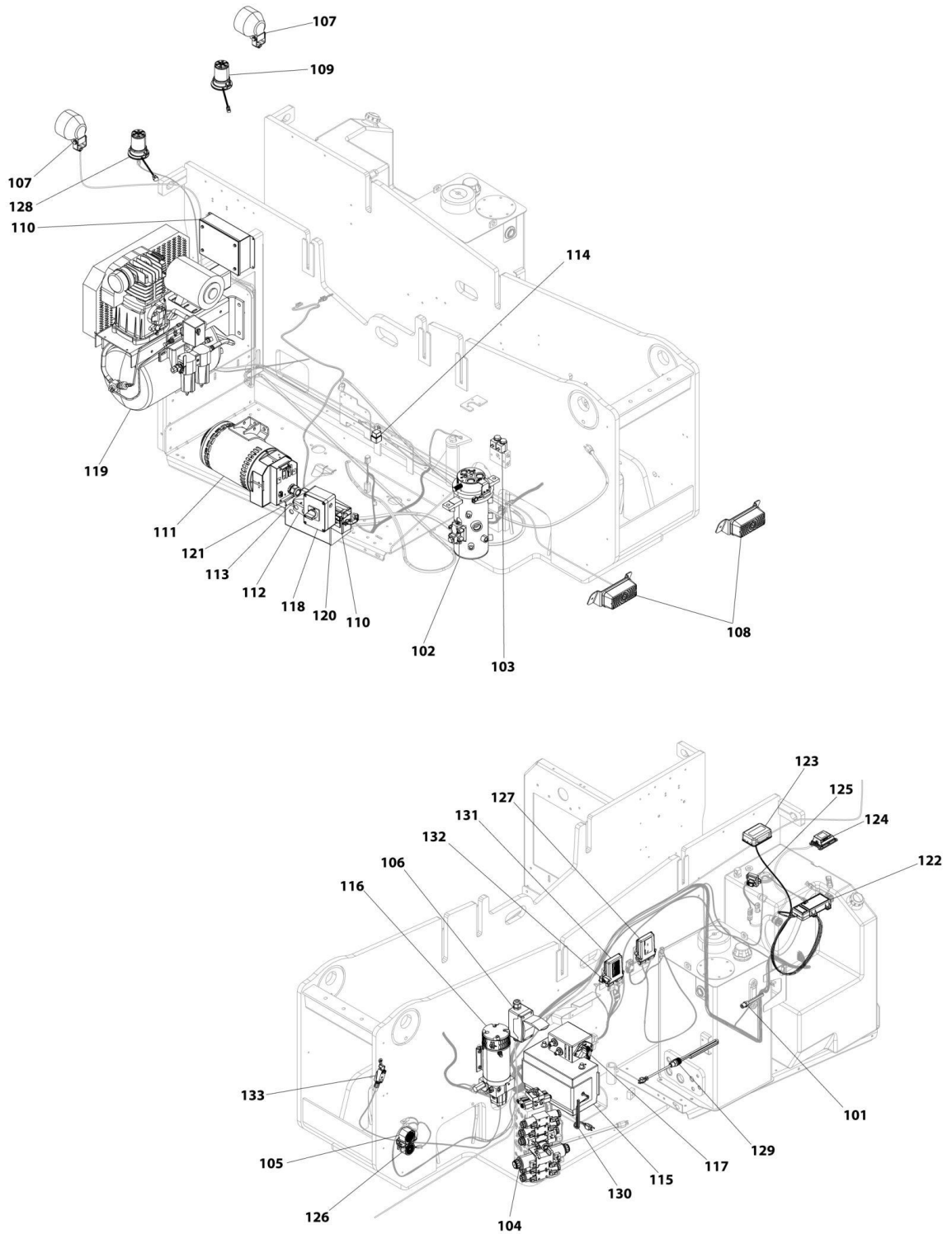
SECTION 8 - ELECTRICAL

SECTION 8 - ELECTRICAL

FIGURE 8-1. 800AJ HC3 ELECTRICAL LAYOUT

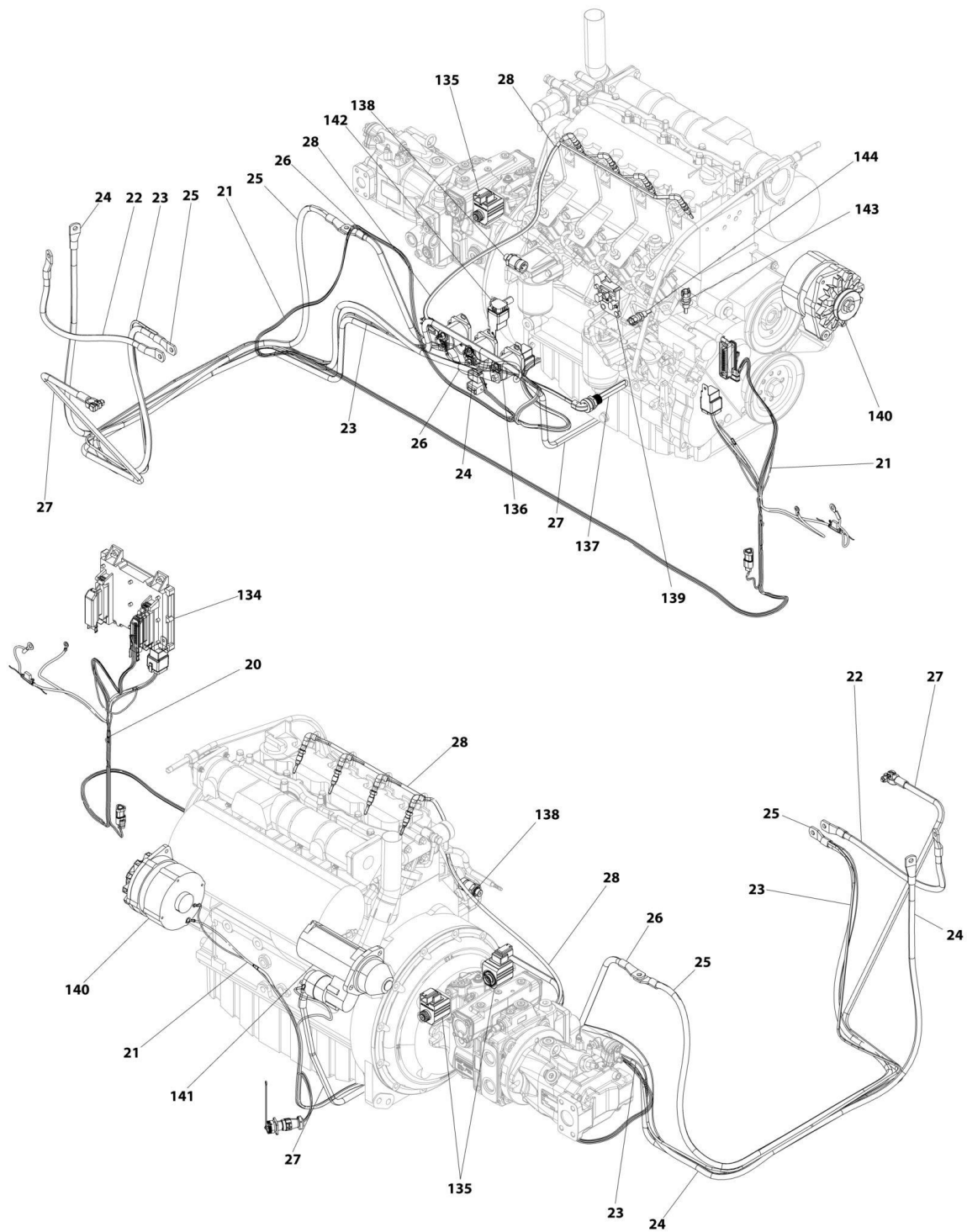


SECTION 8 - ELECTRICAL



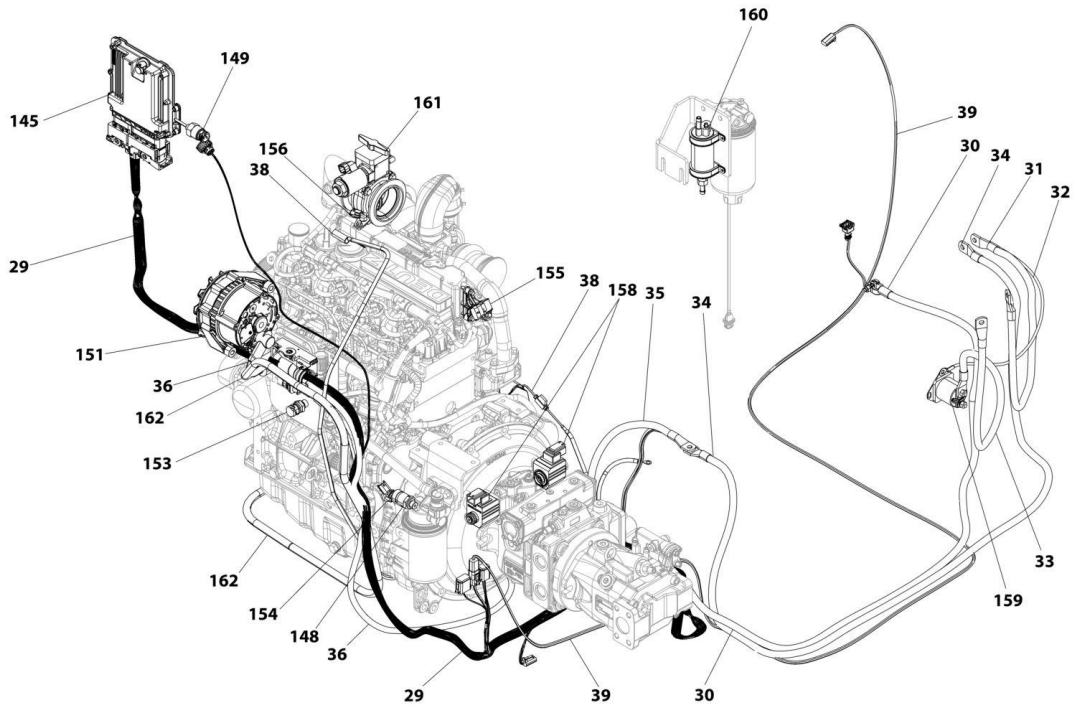
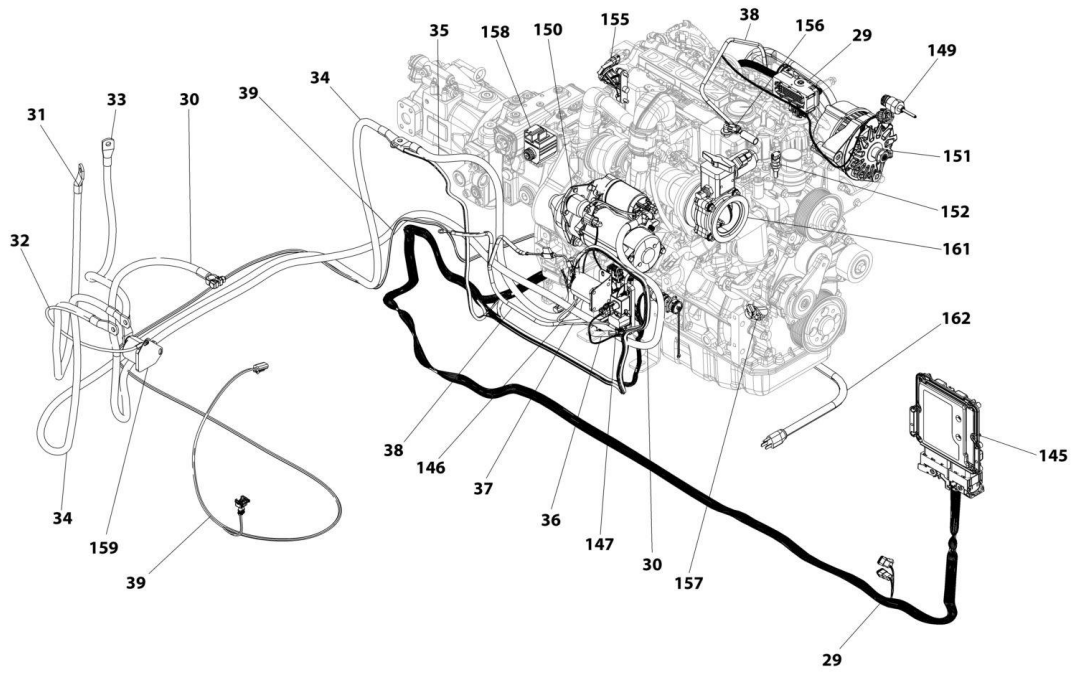
ART_800AJ-ELECTRICAL_TURNTABLE-COMPONENT

SECTION 8 - ELECTRICAL



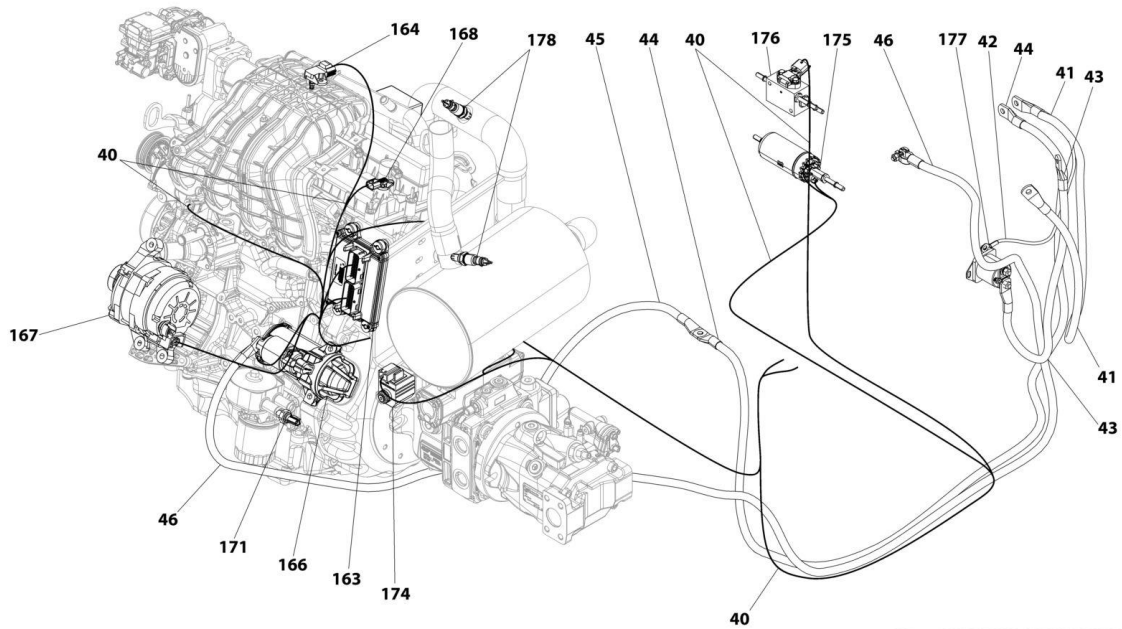
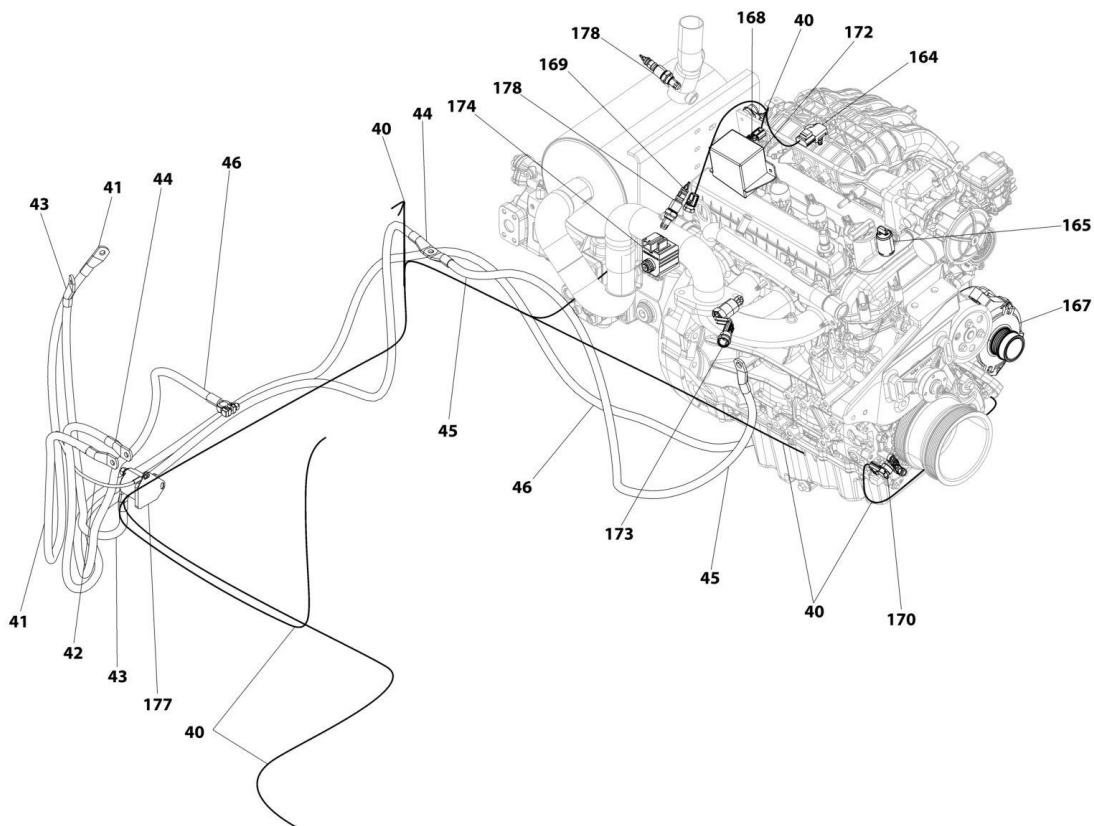
ART_800AJ-ELECTRICAL_ENGINE_DEUTZ-D2011

SECTION 8 - ELECTRICAL



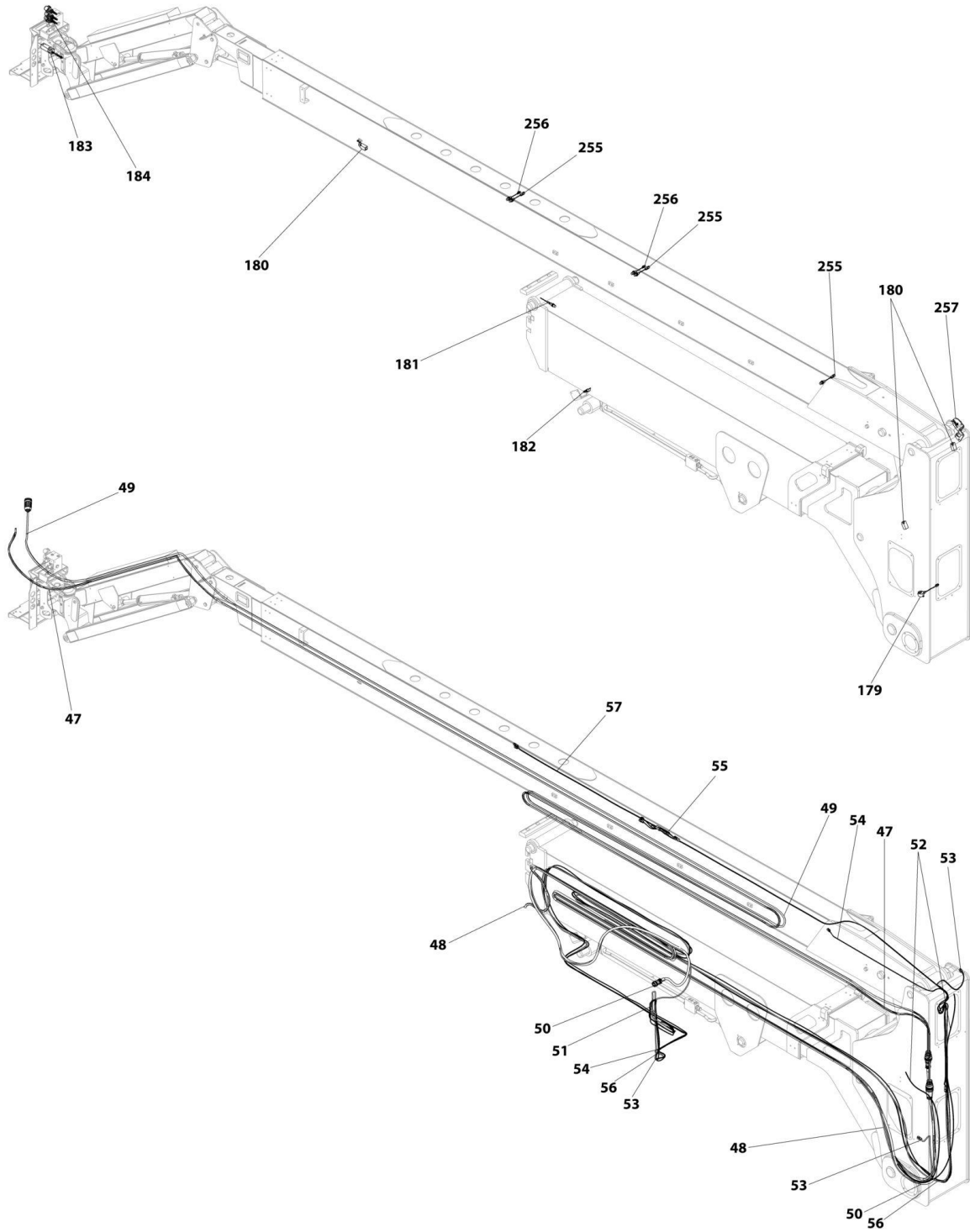
ART_800AJ-ELECTRICAL_ENGINE_DEUTZ-2.9L4

SECTION 8 - ELECTRICAL



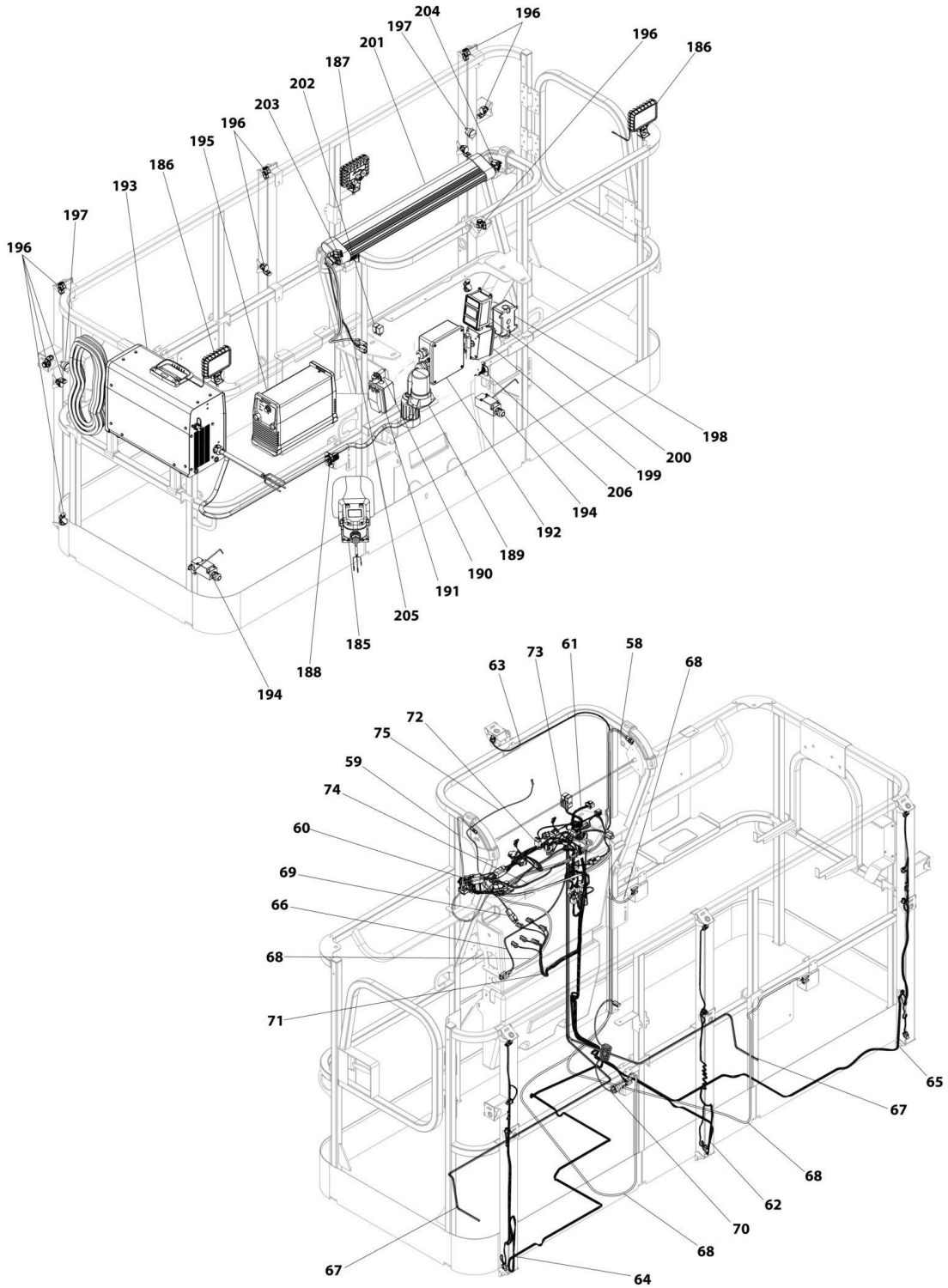
ART_800AJ-ELECTRICAL_ENGINE_FORD-DF

SECTION 8 - ELECTRICAL



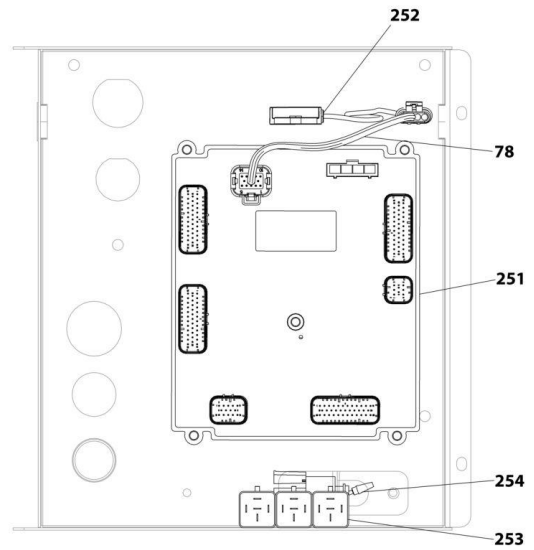
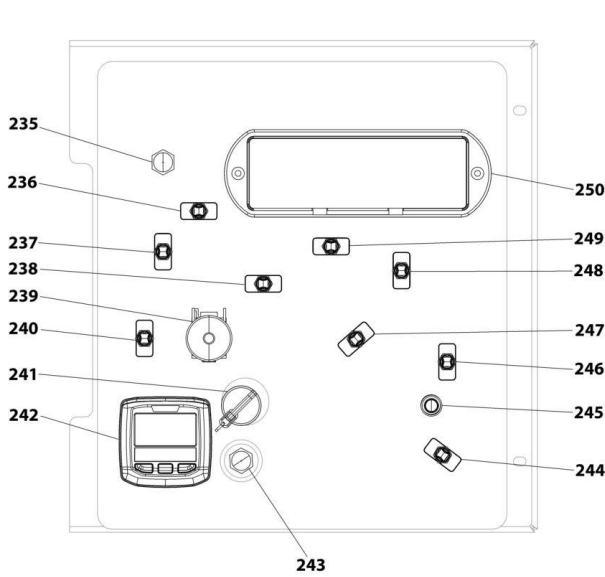
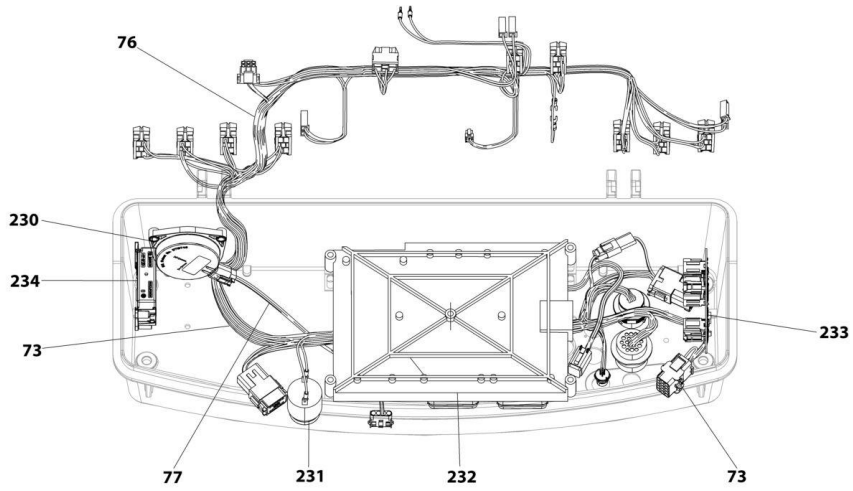
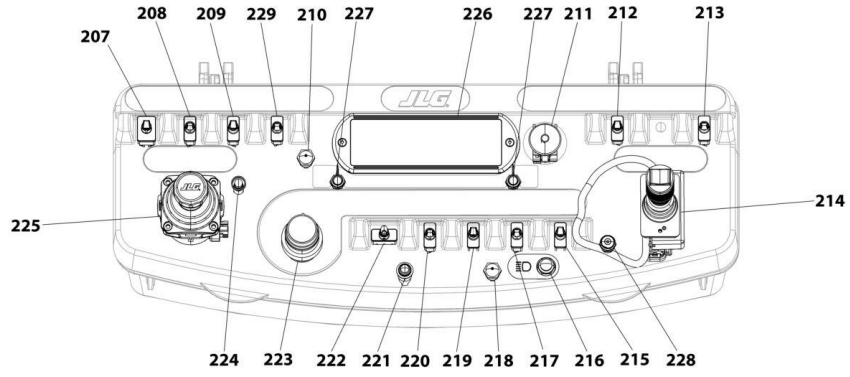
ART_800AJ_HC3-ELECTRICAL_BOOM

SECTION 8 - ELECTRICAL



ART_800AJ_HC3-ELECTRICAL_PLATFORM

SECTION 8 - ELECTRICAL



ART_800AJ_HC3-ELECTRICAL_CONTROLS

SECTION 8 - ELECTRICAL

FIGURE 8-1. 800AJ HC3 ELECTRICAL LAYOUT

ITEM	PART NUMBER	QTY	DESCRIPTION	REV
		Ref	HARNESS LIST	
		Ref	Note: This figure is for part identification only.	
1		Ref	Harness, Main Valve	
2		Ref	Harness, 7500W Generator	
3		Ref	Harness, 4000W Generator	
4		Ref	Harness, Generator to Control Box	
5		Ref	Harness, Generator Control Box to Engine	
6		Ref	Harness, 2500W Generator	
7		Ref	Harness, Hourmeter	
8		Ref	Cable, Battery (+) to Disconnect	
9		Ref	Cable, Battery (-) to Disconnect	
10		Ref	Harness, Head and Tail Light	
11		Ref	Harness, Clearsky	
12		Ref	Harness, Telematics	
13		Ref	Harness, Xirgo Jumper	
14		Ref	Harness, White Noise Alarm	
15		Ref	Harness, Strobe Light Control	
16		Ref	3-Way Plug	
17		Ref	Cable, Extension	
18		Ref	Harness, ASOV	
19		Ref	Harness, Tower Stow	
20		Ref	Harness, Ground Control	
21		Ref	Harness, Engine	
22		Ref	Cable, Battery (-) to Aux Pump	
23		Ref	Cable, Battery (-) to Relay	
24		Ref	Cable, Aux Pump to Relay	
25		Ref	Cable, Battery (-) to Ground	
26		Ref	Cable, Engine Ground	
27		Ref	Cable, Battery (+) to Starter	
28		Ref	Harness, Glow Plug	
29		Ref	Harness, Engine	
30		Ref	Cable, Battery (+) to Starter	
31		Ref	Cable, Battery (-) to Aux Pump	
32		Ref	Cable, Battery (-) to Relay	
33		Ref	Cable, Aux Pump to Relay	
34		Ref	Cable, Battery (-) to Ground	
35		Ref	Cable, Engine Ground	
36		Ref	Harness, Alternator Power	
37		Ref	Harness, Glow Plug Fuse	
38		Ref	Heater, Breather	
39		Ref	Harness, Fuel Pump	
40		Ref	Harness, Engine	
41		Ref	Cable, Battery (-) to Aux Pump	
42		Ref	Cable, Battery (-) to Relay	
43		Ref	Cable, Aux Pump to Relay	
44		Ref	Cable, Battery (-) to Ground	
45		Ref	Cable, Engine Ground	
46		Ref	Cable, Battery (+) to Starter	
47		Ref	Cable, AC Ground to Platform (Upper)	
48		Ref	Cable, AC Ground to Platform (Lower)	

SECTION 8 - ELECTRICAL

ITEM	PART NUMBER	QTY	DESCRIPTION	REV
49		Ref	Cable, Boom (Upper)	
50		Ref	Cable, Boom (Lower)	
51		Ref	Harness, Tilt Sensor	
52		Ref	Harness, Proximity Sensor	
53		Ref	Harness, Main Boom Angle Sensor	
54		Ref	Harness, Transport Proximity Sensor	
55		Ref	Harness, Capacity (Upper)	
56		Ref	Harness, Capacity (Lower)	
57		Ref	Harness, Capacity Proximity (Upper)	
58		Ref	Harness, SkyEye Receiver	
59		Ref	Harness, SkyEye Emitter	
60		Ref	Harness, SkyEye Intermediate	
61		Ref	Harness, SkySense Main	
62		Ref	Harness, SkySense Mid Tube	
63		Ref	Harness SkySense Overhead Sensor	
64		Ref	Harness, SkySense Left Tube	
65		Ref	Harness, SkySense Right Tube	
66		Ref	Harness, USB	
67		Ref	Cable, Soft Touch	
68		Ref	Harness, Portable Work Light	
69		Ref	Harness, Portable Light Power	
70		Ref	Harness, Portable Work Light Extension	
71		Ref	Harness, Platform Valve	
72		Ref	Harness, Platform Work Light	
73		Ref	Harness, SkyLine	
74		Ref	Harness, SkyGuard	
75		Ref	Harness, Platform Strobe Light	
76		Ref	Harness, Platform Console	
77		Ref	Harness, Tilt Sensor	
78		Ref	Harness, Tilt Sensor	
		Ref	COMPONENT LIST	
101		Ref	Sensor, Fuel Level	
102		Ref	Rotary Coupling	
103		Ref	Solenoids, Axle Valve	
104		Ref	Solenoids, Main Control Valve	
105		Ref	Alarm	
106		Ref	AC Breaker Box	
107		Ref	Headlight	
108		Ref	Taillight	
109		Ref	Light, Strobe (Amber)	
110		Ref	Box, Generator Control	
111		Ref	Generator	
112		Ref	Generator Junction Box	
113		Ref	Light, Generator	
114		Ref	Relay	
115		Ref	Battery	
116		Ref	Auxiliary Pump/Motor	
117		Ref	Switch, Battery Disconnect	
118		Ref	Box, Air Compressor Control	
119		Ref	Air Compressor	
120		Ref	Transformer, Cold Weather	

SECTION 8 - ELECTRICAL

ITEM	PART NUMBER	QTY	DESCRIPTION	REV
121		Ref	Generator Hourmeter	
122		Ref	Module, ClearSky Telematics CANBUS	
123		Ref	Antenna, ClearSky Telematics	
124		Ref	Module, ClearSky Telematics 3-Wire	
125		Ref	Voltage Regulator, ClearSky Telematics	
126		Ref	Alarm, White Noise	
127		Ref	Module, Strobe Control	
128		Ref	Light, Strobe	
129		Ref	Heater, Immersion	
130		Ref	Heater, Battery	
131		Ref	Module, ASOV Control	
132		Ref	Switch, ASOV	
133		Ref	Sensor, Tower Stow	
134		Ref	Module, Engine Control	
135		Ref	Solenoids, Hydrostatic Pump	
136		Ref	Relays	
137		Ref	Heater, Engine Block	
138		Ref	Sensor, Temperature	
139		Ref	Sensor	
140		Ref	Alternator	
141		Ref	Starter	
142		Ref	Sensor, Speed	
143		Ref	Sensor, Engine Coolant Temperature	
144		Ref	Sensor, Pressure	
145		Ref	Module, Engine Control	
146		Ref	Relay	
147		Ref	Relay	
148		Ref	Sensor, Pressure	
149		Ref	Sensor, Coolant Level	
150		Ref	Starter	
151		Ref	Alternator	
152		Ref	Sensor, Engine Coolant Temperature	
153		Ref	Sensor, Pressure	
154		Ref	Sensor, Speed	
155		Ref	Sensor, Oil Pressure	
156		Ref	Sensor, Temperature	
157		Ref	Sensor, Speed	
158		Ref	Solenoids, Hydrostatic Pump	
159		Ref	Relay	
160		Ref	Fuel Pump	
161		Ref	Air Shut Off Valve (ASOV)	
162		Ref	Heater, Engine Block	
163		Ref	Module, Engine Control	
164		Ref	Sensor, TMAP	
165		Ref	Solenoid, Timing	
166		Ref	Starter	
167		Ref	Alternator	
168		Ref	Sensor, Speed	
169		Ref	Engine Coolant Temperature Sensor	
170		Ref	Sensor, Speed	
171		Ref	Sensor, Oil Pressure	

SECTION 8 - ELECTRICAL

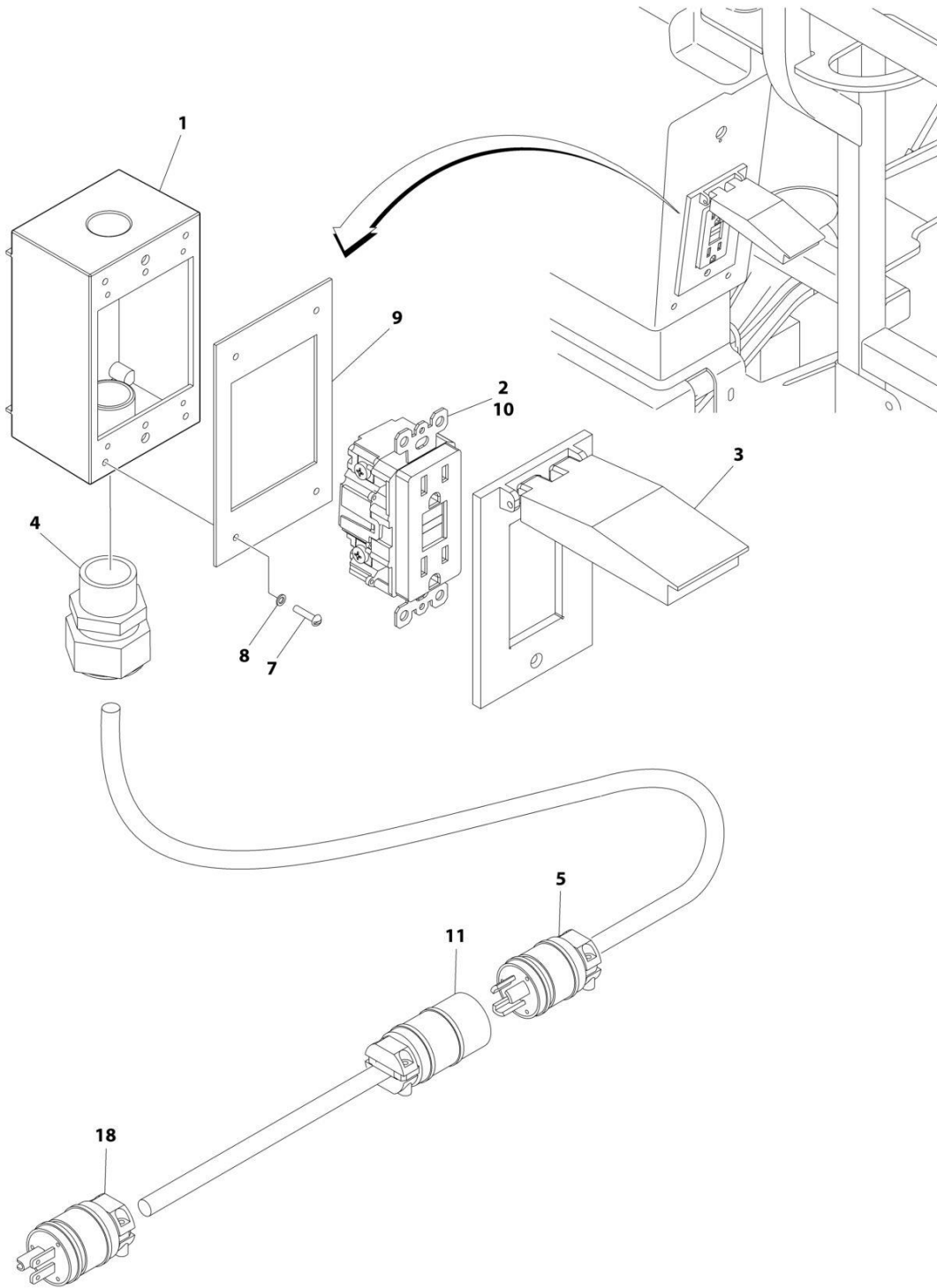
ITEM	PART NUMBER	QTY	DESCRIPTION	REV
172		Ref	Fuse Box	
173		Ref	Heater, Engine Block	
174		Ref	Solenoids, Hydrostatic Pump	
175		Ref	Fuel Pump	
176		Ref	Fuel Block	
177		Ref	Relay	
178		Ref	Sensor, O2	
179		Ref	Sensor, Tilt	
180		Ref	Sensor, Transport Position	
181		Ref	Sensor, Proximity	
182		Ref	Sensor, Proximity	
183		Ref	Cell, Load Sensing	
184		Ref	Solenoids, Platform Valve	
185		Ref	Footswitch	
186		Ref	Platform Work Light	
187		Ref	Portable Work Light	
188		Ref	AC Receptacle	
189		Ref	Light, Platform Strobe	
190		Ref	Switch, Generator	
191		Ref	AC Receptacle	
192		Ref	Junction Box	
193		Ref	Welding Machine	
194		Ref	Switch, Soft Touch Limit	
195		Ref	Plasma Cutter	
196		Ref	Sensor, SkySense	
197		Ref	Alarm	
198		Ref	AC Receptacle	
199		Ref	AC Receptacle	
200		Ref	AC Receptacle/Breaker Box	
201		Ref	Switch, SkyGuard	
202		Ref	Relay	
203		Ref	Sensor, SkyEye Receiver	
204		Ref	Sensor, SkyEye Emitter	
205		Ref	Sensor, SkyLine Proximity	
206		Ref	USB Receptacle	
207		Ref	Switch, Drive Speed/ Torque Select	
208		Ref	Switch, Steer Select	
209		Ref	Switch, Platform Leveling Override	
210		Ref	Switch, Horn	
211		Ref	Switch, Emergency Stop	
212		Ref	Switch, Start/Auxilliary Power	
213		Ref	Switch, Drive Orientation Override	
214		Ref	Controller, Drive/Steer	
215		Ref	Switch, Boom Telescope	
216		Ref	Switch, Lights	
217		Ref	Switch, Jib Up/Down	
218		Ref	Switch, Soft Touch/SkyGuard/SkySense Override	
219		Ref	Switch, Tower Telescope	
220		Ref	Switch, Tower Lift	
221		Ref	Light, Soft Touch/SkyGuard/SkySense Indicator	
222		Ref	Switch, Platform Rotate	

SECTION 8 - ELECTRICAL

ITEM	PART NUMBER	QTY	DESCRIPTION	REV
223		Ref	Switch, Function Speed Control	
224		Ref	Light, Boom Stow Indicator	
225		Ref	Controller, Main Lift/Swing	
226		Ref	Display, Platform	
227		Ref	Light, SkySense Indicator	
228		Ref	Switch, SkySense	
229		Ref	Switch, Fuel Select	
230		Ref	Sensor, Tilt	
231		Ref	Alarm	
232		Ref	Module, Platform	
233		Ref	Module, SkySense Control	
234		Ref	Module, SkySense Sensor	
235		Ref	Switch, Diesel Particulate Filter (DPF)	
236		Ref	Switch, Platform Rotate	
237		Ref	Switch, Platform Leveling Override	
238		Ref	Switch, Jib Up/Down	
239		Ref	Switch, Emergency Stop	
240		Ref	Switch, Engine Start/ Auxiliary Power	
241		Ref	Switch, Key	
242		Ref	Display, Ground	
243		Ref	Switch, Machine Safety System Override (MSSO)	
244		Ref	Switch, Turntable Swing	
245		Ref	Light, Boom Stow/ASOV Indicator	
246		Ref	Switch, Tower Lift	
247		Ref	Switch, Tower Telescope	
248		Ref	Switch, Boom Lift	
249		Ref	Switch, Boom Telescope	
250		Ref	Indicator Panel	
251		Ref	Module, Ground Control	
252		Ref	Sensor, Tilt	
253		Ref	Relay	
254		Ref	Switch, Cribbing	
255		Ref	Sensor, Proximity	
256		Ref	Sensor, Proximity	
257		Ref	Sensor, Boom Angle	

SECTION 8 - ELECTRICAL

FIGURE 8-2. AC BOX AT PLATFORM INSTALLATION - 110V GFI RECEPTACLE (ALL SPECS EXCEPT AUSTRALIAN, CE & UK CA SPECS)



ART_0272259

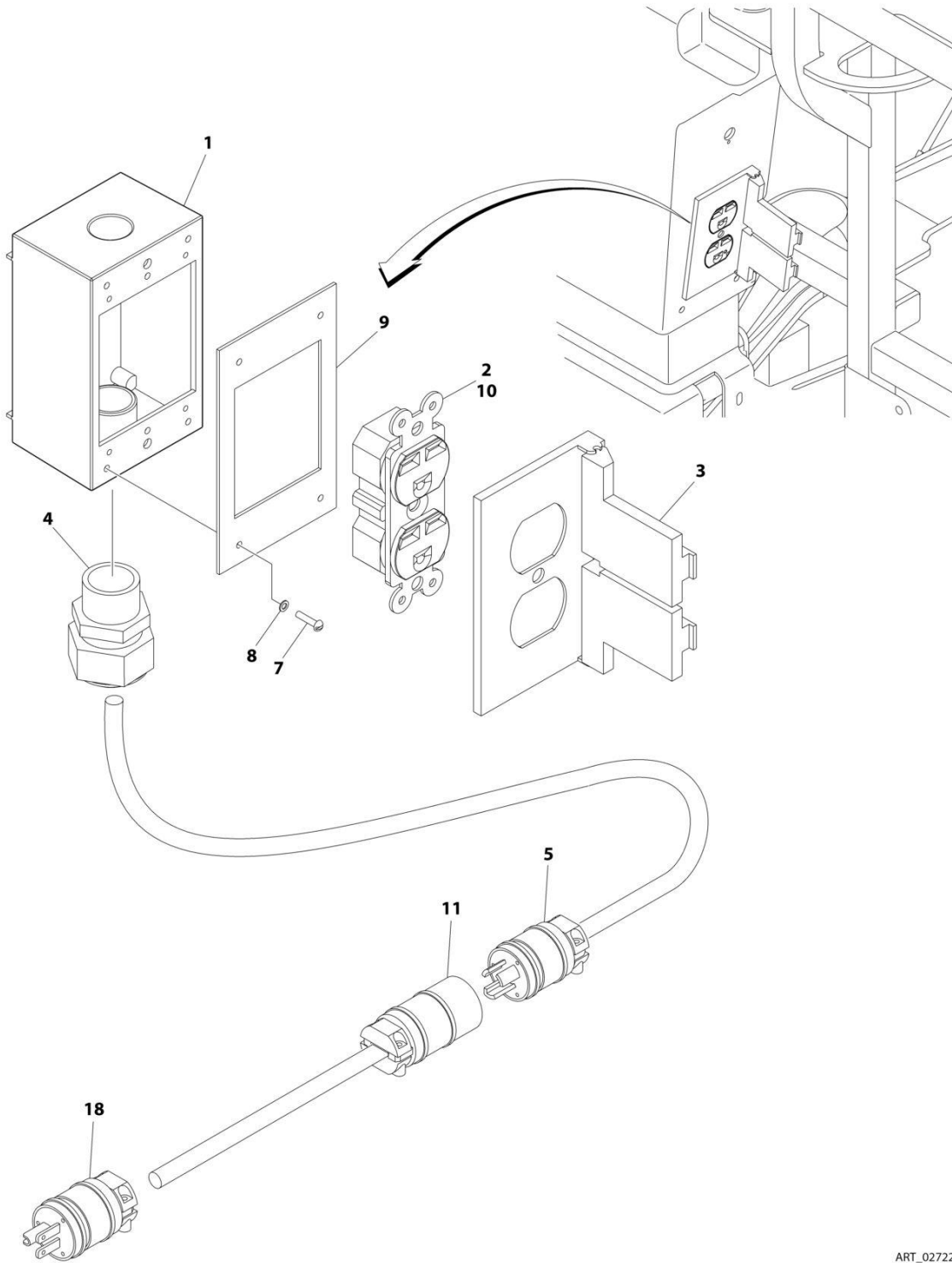
SECTION 8 - ELECTRICAL

FIGURE 8-2. AC BOX AT PLATFORM INSTALLATION - 110V GFI RECEPTACLE (ALL SPECS EXCEPT AUSTRALIAN, CE & UK CA SPECS)

ITEM	PART NUMBER	QTY	DESCRIPTION	REV
	0272259	Ref	AC BOX AT PLATFORM INSTALLATION - 110V GFI RECEPTACLE	C
1	0860038	1	Box, Switch	
2	4460346	1	Receptacle	
3	1001110873	1	Shield, Cover	
4	4460051	1	Connector, Strain Relief	
5	1001213584	1	Plug, Male	
7	3910610	4	Screw #6 x 5/8	
8	4760600	4	Washer #6	
9	3960422	1	Gasket	
10	4460315	3	Terminal, Spade	
11	1001213585	1	Receptacle, Female	
18	4460205	1	Plug, Male	

SECTION 8 - ELECTRICAL

FIGURE 8-3. AC BOX AT PLATFORM INSTALLATION - 220V (ANSI, CSA & JAPANESE SPECS)



ART_0272260

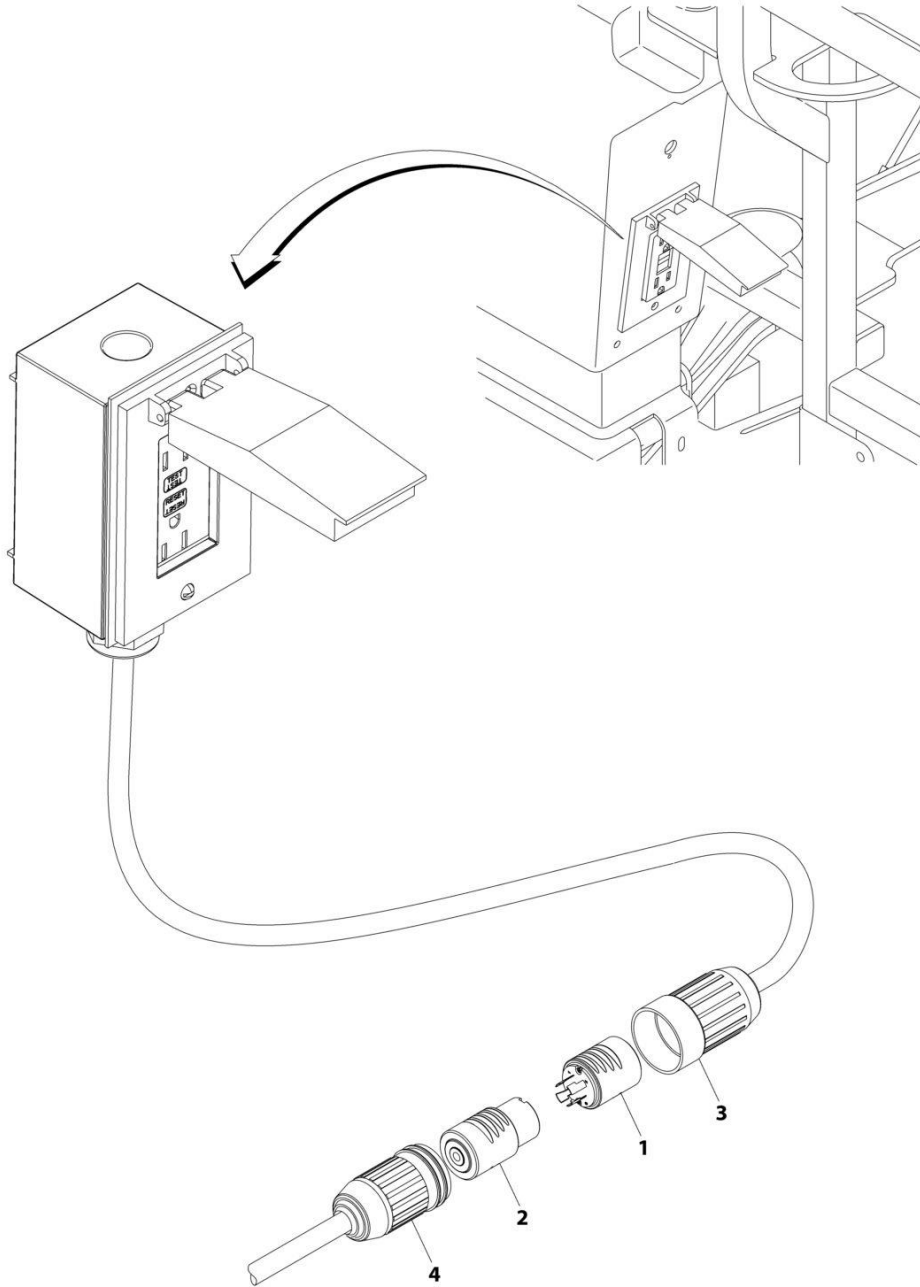
SECTION 8 - ELECTRICAL

FIGURE 8-3. AC BOX AT PLATFORM INSTALLATION - 220V (ANSI, CSA & JAPANESE SPECS)

ITEM	PART NUMBER	QTY	DESCRIPTION	REV
	0272260	Ref	AC BOX AT PLATFORM INSTALLATION - 220V	C
1	0860038	1	Box, Switch	
2	4460125	1	Receptacle	
3	4060092	1	Shield	
4	4460051	1	Connector, Strain Relief	
5	1001213584	2	Plug, Male	
7	3910610	4	Screw #6 x 5/8	
8	4760600	4	Washer #6	
9	3960422	1	Gasket	
10	4460315	1	Terminal, Spade	
11	1001213585	1	Receptacle, Female	
18	4460233	1	Plug, Male	

SECTION 8 - ELECTRICAL

FIGURE 8-4. AC BOX AT PLATFORM MID-BOOM PLUG INSTALLATION (WITH 4000W/60HZ GENERATOR) (ANSI, ANSI EXPORT, CSA & JAPANESE SPECS)



ART_1001160272

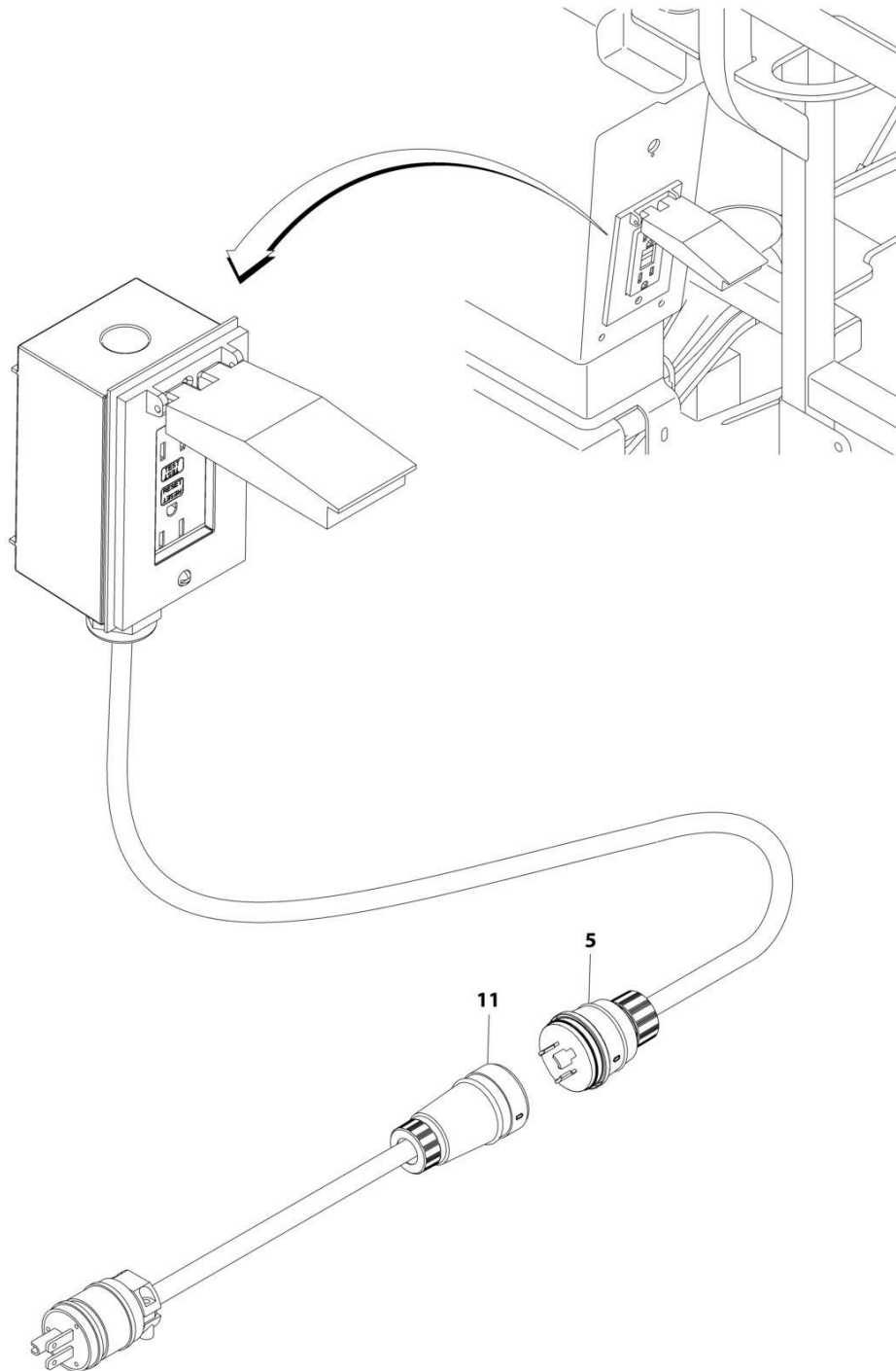
SECTION 8 - ELECTRICAL

FIGURE 8-4. AC BOX AT PLATFORM MID-BOOM PLUG INSTALLATION (WITH 4000W/60HZ GENERATOR) (ANSI, ANSI EXPORT, CSA & JAPANESE SPECS)

ITEM	PART NUMBER	QTY	DESCRIPTION	REV
	1001160272	Ref	AC CABLE CONNECTOR INSTALLATION – 4000W GENERATOR	A
1	4460962	1	Plug, Male	
2	4460963	1	Connector	
3	1671092	1	Cover	
4	1671093	1	Plug	

SECTION 8 - ELECTRICAL

FIGURE 8-5. AC BOX AT PLATFORM MID-BOOM PLUG INSTALLATION (WITHOUT 7500W SKYPOWER GENERATOR) (ALL SPECS EXCEPT ANSI, JAPANESE & CSA SPECS)



ART_0256202

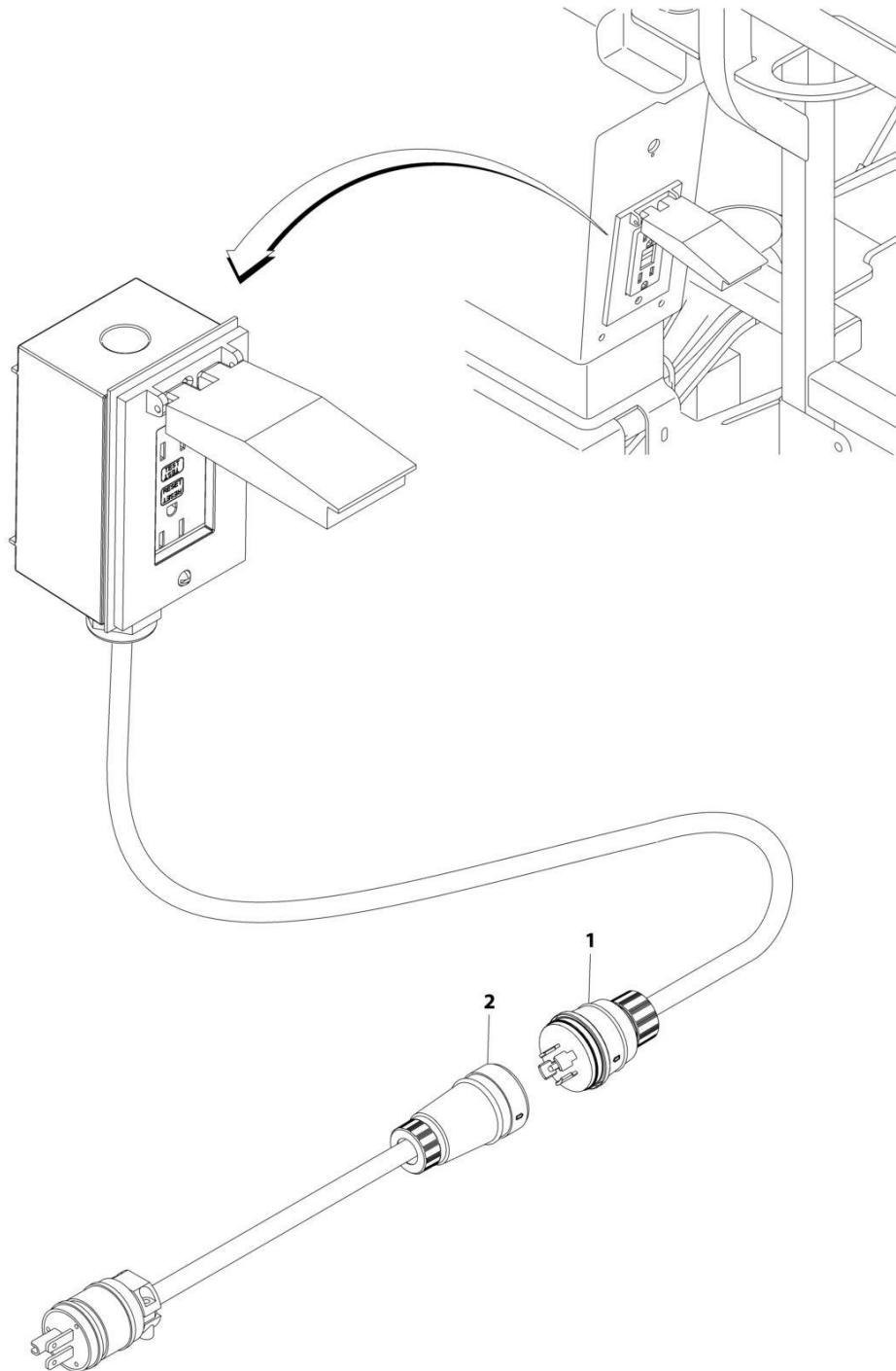
SECTION 8 - ELECTRICAL

FIGURE 8-5. AC BOX AT PLATFORM MID-BOOM PLUG INSTALLATION (WITHOUT 7500W SKYPOWER GENERATOR) (ALL SPECS EXCEPT ANSI, JAPANESE & CSA SPECS)

ITEM	PART NUMBER	QTY	DESCRIPTION	REV
	0256202	Ref	AC BOX AT PLATFORM MID-BOOM PLUG INSTALLATION	D
5	1001213584	1	Plug	
11	1001213585	1	Receptacle	

SECTION 8 - ELECTRICAL

FIGURE 8-6. AC BOX AT PLATFORM MID-BOOM PLUG INSTALLATION (WITH 7500W SKYPOWER GENERATOR)



ART_0272433

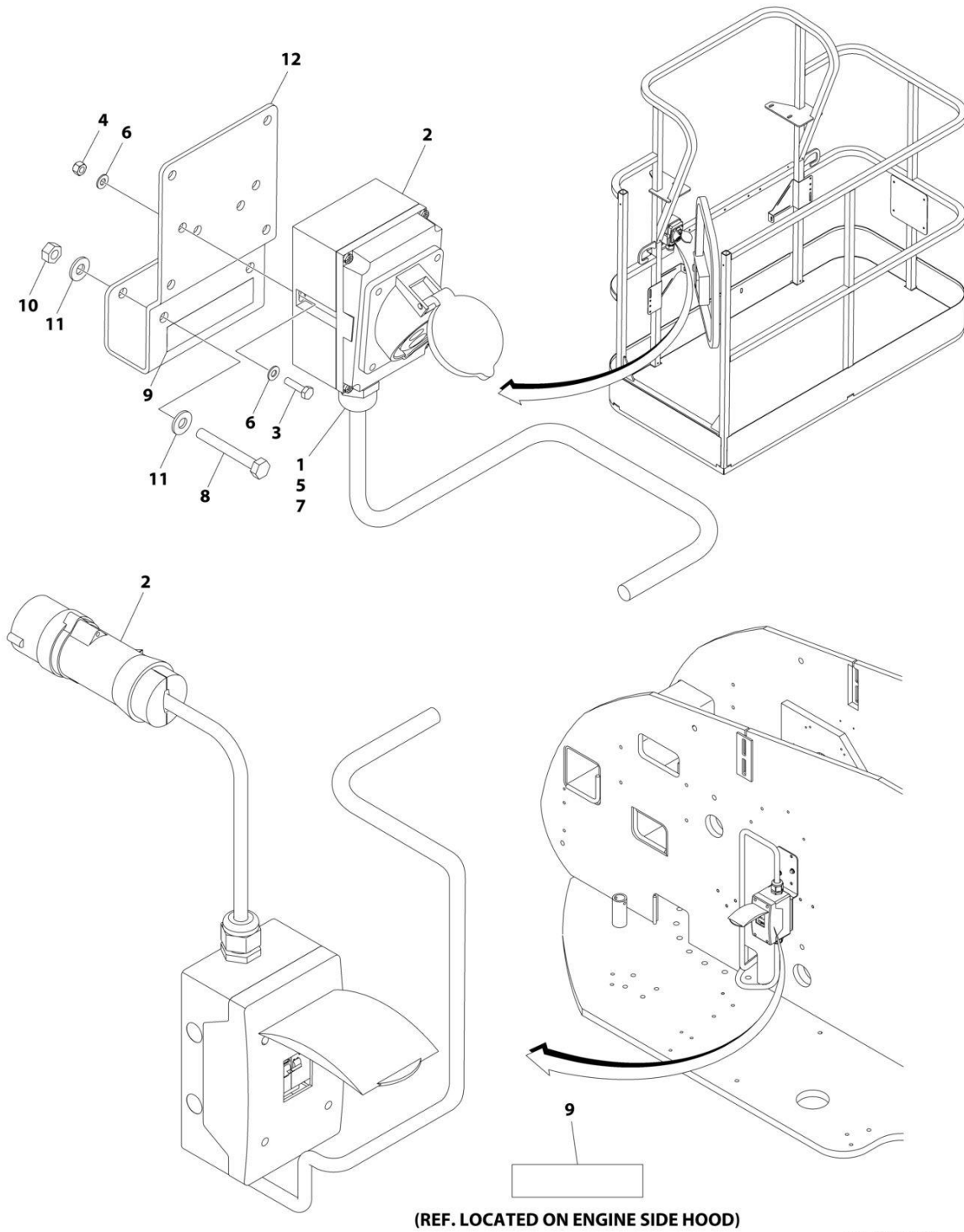
SECTION 8 - ELECTRICAL

FIGURE 8-6. AC BOX AT PLATFORM MID-BOOM PLUG INSTALLATION (WITH 7500W SKYPOWER GENERATOR)

ITEM	PART NUMBER	QTY	DESCRIPTION	REV
	0272433	Ref	AC CABLE INSTALLATION - 110V/220V	D
1	1001218622	1	Plug, Male	
2	1001218623	1	Plug, Female	

SECTION 8 - ELECTRICAL

**FIGURE 8-7. AC BOX AT PLATFORM INSTALLATION - 110V IEC YELLOW (CE & UK CA SPECS)
(MACHINES WITH 2500W GENERATOR OR NO GENERATOR OPTION)**



ART_1001091969

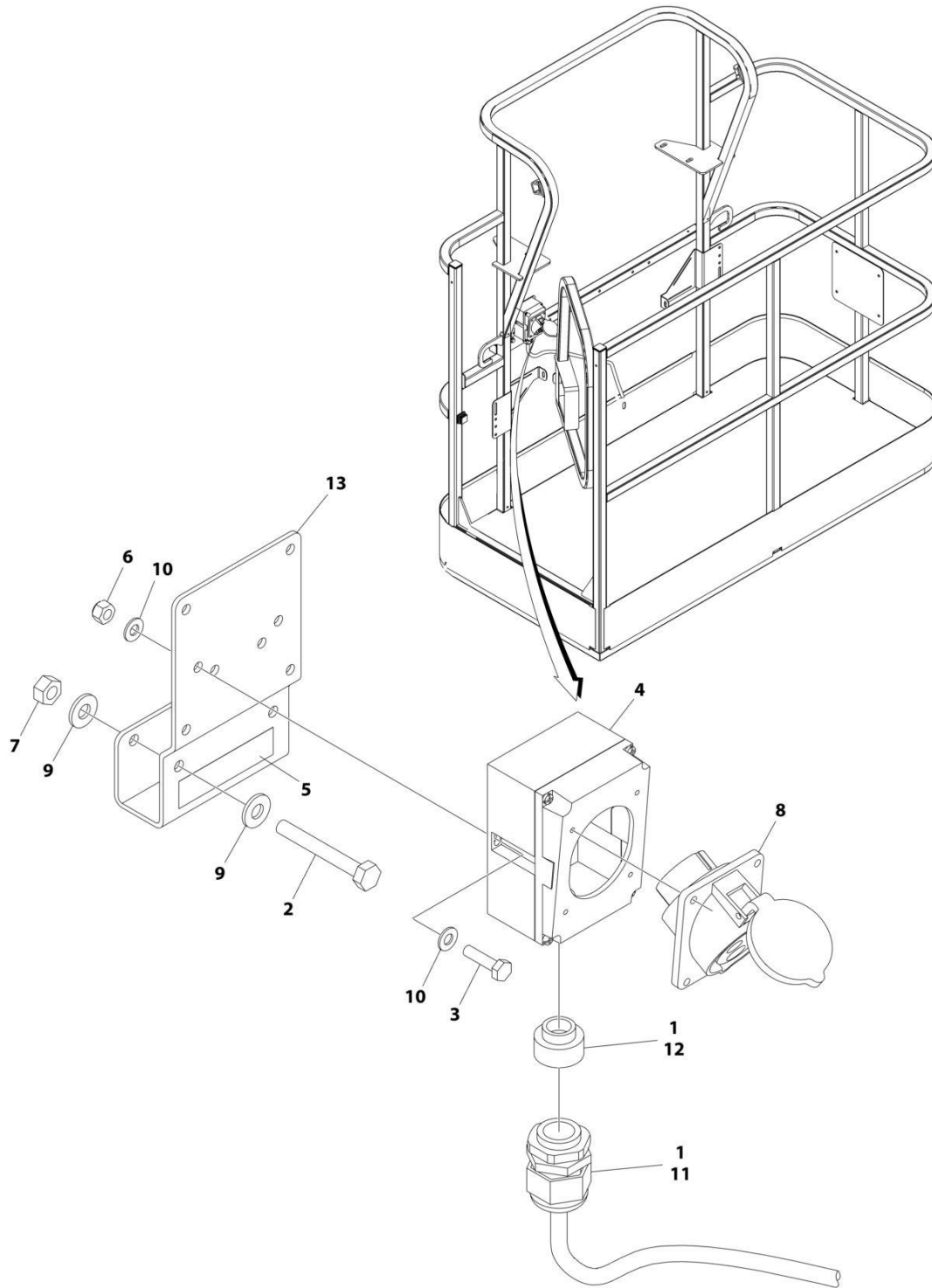
SECTION 8 - ELECTRICAL

**FIGURE 8-7. AC BOX AT PLATFORM INSTALLATION - 110V IEC YELLOW (CE & UK CA SPECS)
(MACHINES WITH 2500W GENERATOR OR NO GENERATOR OPTION)**

ITEM	PART NUMBER	QTY	DESCRIPTION	REV
	1001091969	Ref	AC BOX AT PLATFORM INSTALLATION - 110V IEC YELLOW	D
1	0100020	AR	Sealant, Pipe	
2	0275216	1	Receptacle Box Kit (See Separate Breakdown in this Section)	
3	0700408	2	Bolt M4 x 16	
4	3290405	2	Nut M4	
5	1001101196	1	Adapter	
6	4811400	4	Washer M4	
7	1001101191	1	Connector, Strain Relief	
8	0641416	2	Bolt 1/4 x 2	
9	1705325	2	Decal - 110V	
10	3311405	2	Nut 1/4	
11	4711400	4	Washer 1/4	
12	1001193018	1	Bracket	

SECTION 8 - ELECTRICAL

**FIGURE 8-8. AC BOX AT PLATFORM INSTALLATION - 110V IEC YELLOW (CE & UK CA SPECS)
(MACHINES WITH 4000W GENERATOR)**



ART_1001206253

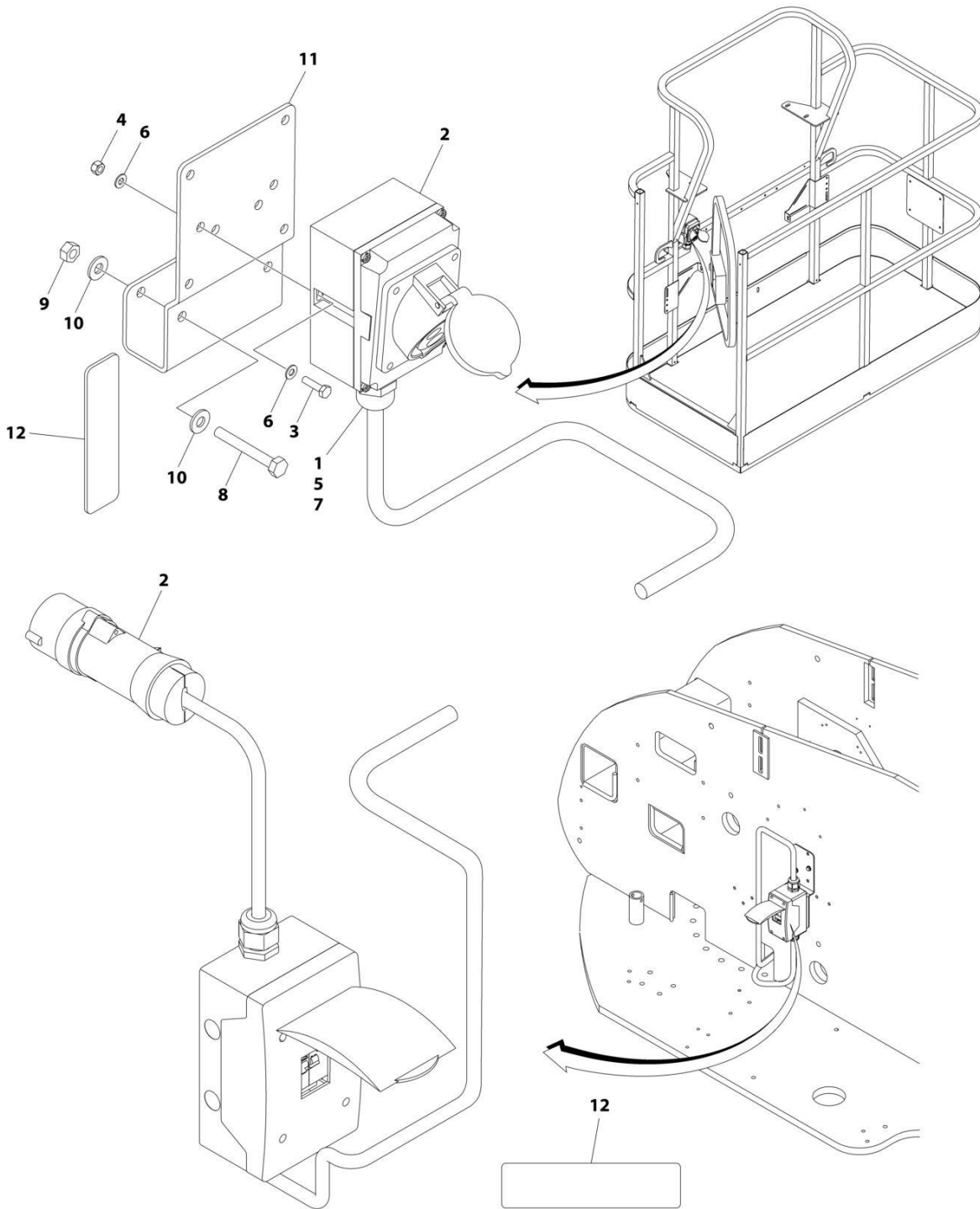
SECTION 8 - ELECTRICAL

**FIGURE 8-8. AC BOX AT PLATFORM INSTALLATION - 110V IEC YELLOW (CE & UK CA SPECS)
(MACHINES WITH 4000W GENERATOR)**

ITEM	PART NUMBER	QTY	DESCRIPTION	REV
	1001206253	Ref	AC BOX AT PLATFORM INSTALLATION - 110V IEC 60309 YELLOW WITHOUT 4000W GENERATOR	A
1	0100020	AR	Sealant, Pipe	
2	0641416	2	Bolt 1/4 x 2	
3	0700408	2	Bolt M4 x 16	
4	0861781	1	Box, Switch	
5	1705325	1	Decal - 110V	
6	3290405	2	Nut M4	
7	3311405	2	Nut 1/4	
8	4461198	1	Receptacle	
9	4711400	4	Washer 1/4	
10	4811400	4	Washer M4	
11	1001101191	1	Connector, Strain Relief	
12	1001101196	1	Adapter	
13	1001193018	1	Bracket, AC Receptacle	

SECTION 8 - ELECTRICAL

**FIGURE 8-9. AC BOX AT PLATFORM INSTALLATION - 220V IEC BLUE (CE & UK CA SPECS)
(MACHINES WITH 2500W GENERATOR OR NO GENERATOR OPTION)**



(REF. LOCATED ON ENGINE SIDE HOOD)

ART_1001091970

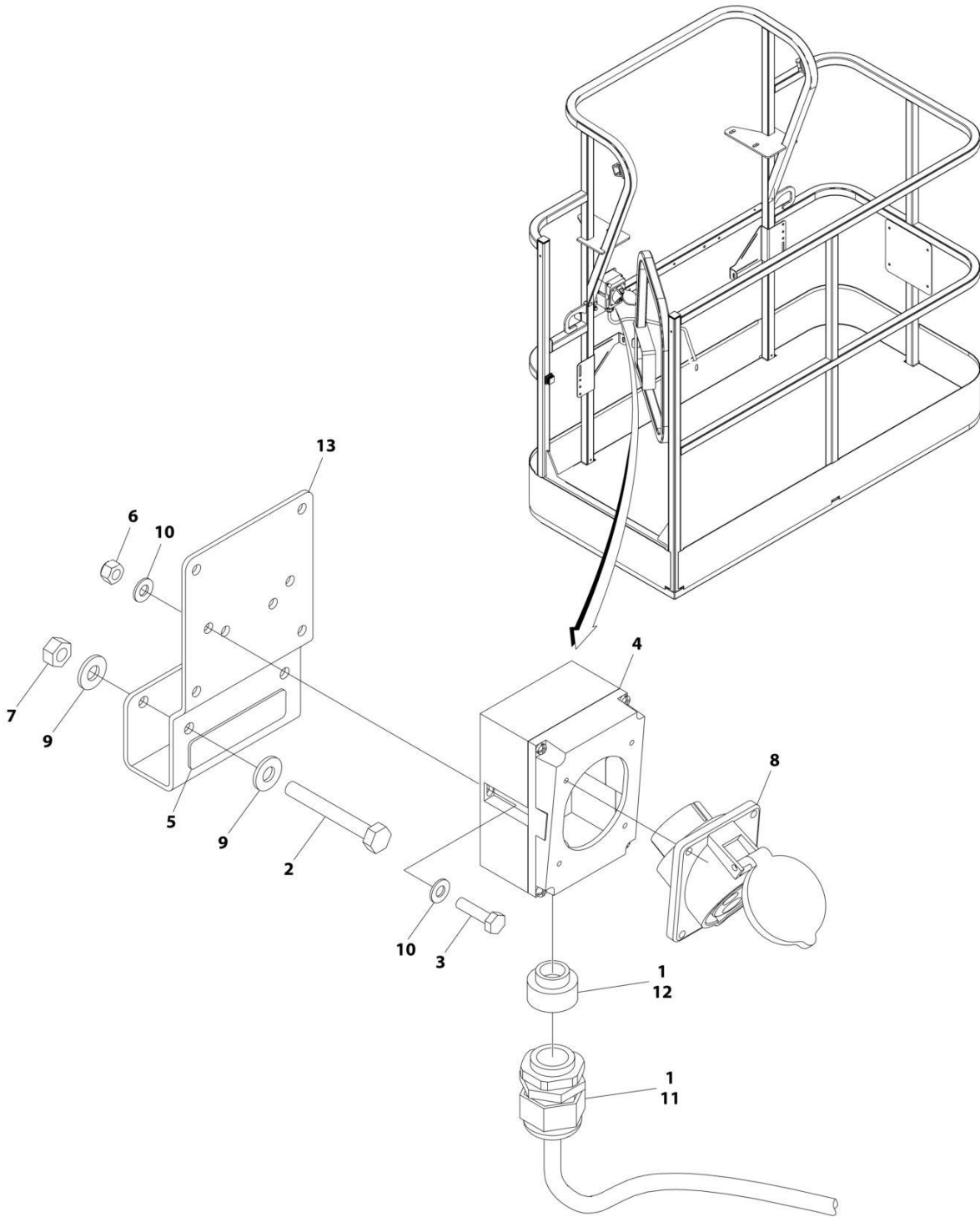
SECTION 8 - ELECTRICAL

**FIGURE 8-9. AC BOX AT PLATFORM INSTALLATION - 220V IEC BLUE (CE & UK CA SPECS)
(MACHINES WITH 2500W GENERATOR OR NO GENERATOR OPTION)**

ITEM	PART NUMBER	QTY	DESCRIPTION	REV
	1001091970	Ref	AC BOX AT PLATFORM INSTALLATION - 220V IEC BLUE	D
1	0100020	AR	Sealant, Pipe	
2	0275217	1	Receptacle Box Kit (See Separate Breakdown in this Section)	
3	0700408	2	Bolt M4 x 16	
4	3290405	2	Nut M4	
5	1001101196	1	Adapter	
6	4811400	4	Washer M4	
7	1001101191	1	Connector, Strain Relief	
8	0641416	2	Bolt 1/4 x 2	
9	3311405	2	Nut 1/4	
10	4711400	4	Washer 1/4	
11	1001193018	1	Bracket	
12	3251242	2	Decal - 240V/50Hz	

SECTION 8 - ELECTRICAL

FIGURE 8-10. AC BOX AT PLATFORM INSTALLATION - 220V IEC BLUE (CE & UK CA SPECS)
(MACHINES WITH 4000W GENERATOR)



ART_1001206254

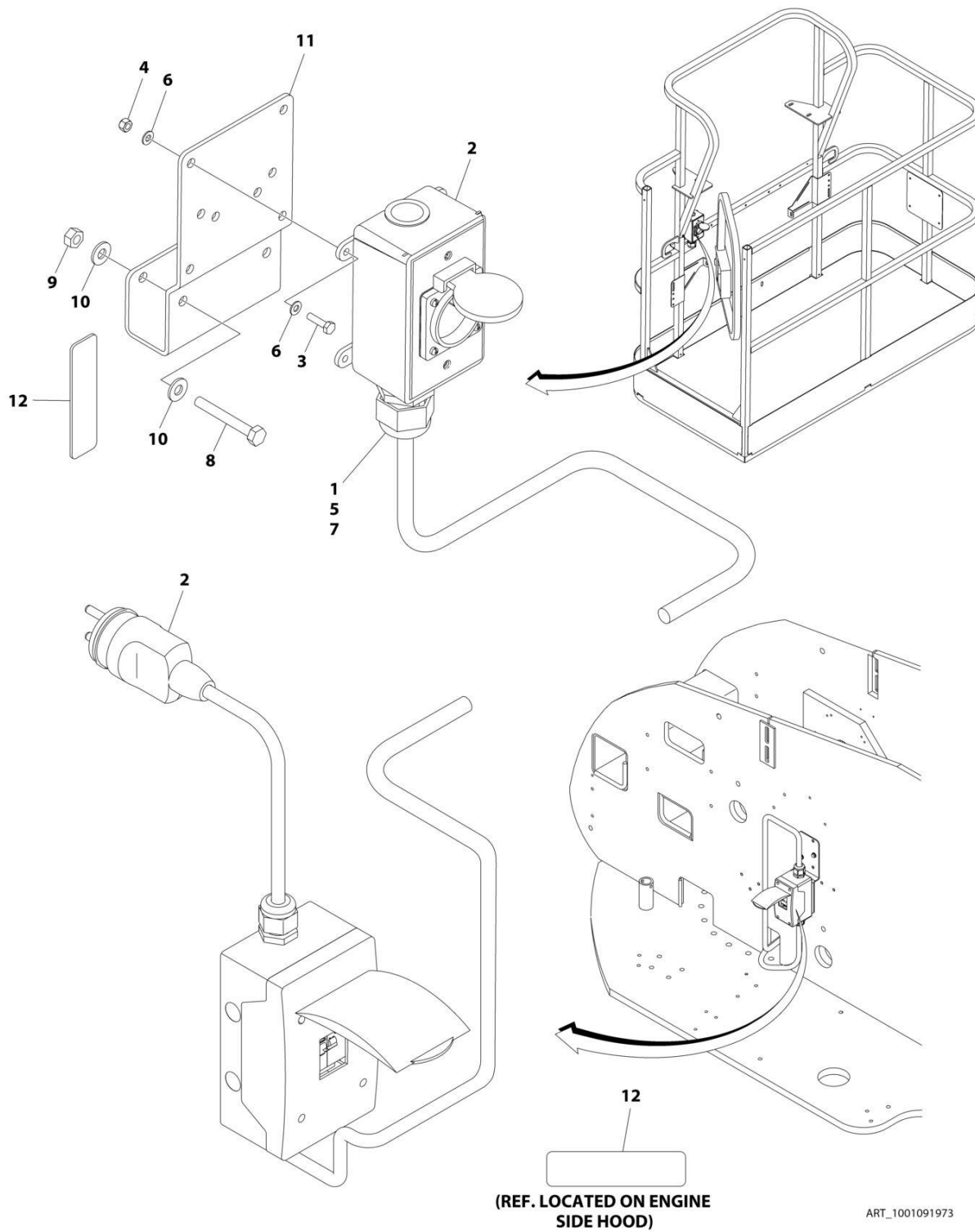
SECTION 8 - ELECTRICAL

**FIGURE 8-10. AC BOX AT PLATFORM INSTALLATION - 220V IEC BLUE (CE & UK CA SPECS)
(MACHINES WITH 4000W GENERATOR)**

ITEM	PART NUMBER	QTY	DESCRIPTION	REV
	1001206254	Ref	AC BOX AT PLATFORM INSTALLATION - 220V IEC BLUE	A
1	0100020	AR	Sealant, Pipe	
2	0641416	2	Bolt 1/4 x 2	
3	0700408	2	Bolt M4 x 16	
4	0861781	1	Box, Switch	
5	3251242	1	Decal - 240V/50Hz	
6	3290405	2	Nut M4	
7	3311405	2	Nut 1/4	
8	4461201	1	Receptacle	
9	4711400	4	Washer 1/4	
10	4811400	4	Washer M4	
11	1001101191	1	Connector, Strain Relief	
12	1001101196	1	Adapter	
13	1001193018	1	Bracket, AC Receptacle	

SECTION 8 - ELECTRICAL

FIGURE 8-11. AC BOX AT PLATFORM INSTALLATION - 220V CEE7 POST GROUND (CE & UK CA SPECS) (MACHINES WITH 2500W GENERATOR OR NO GENERATOR OPTION)



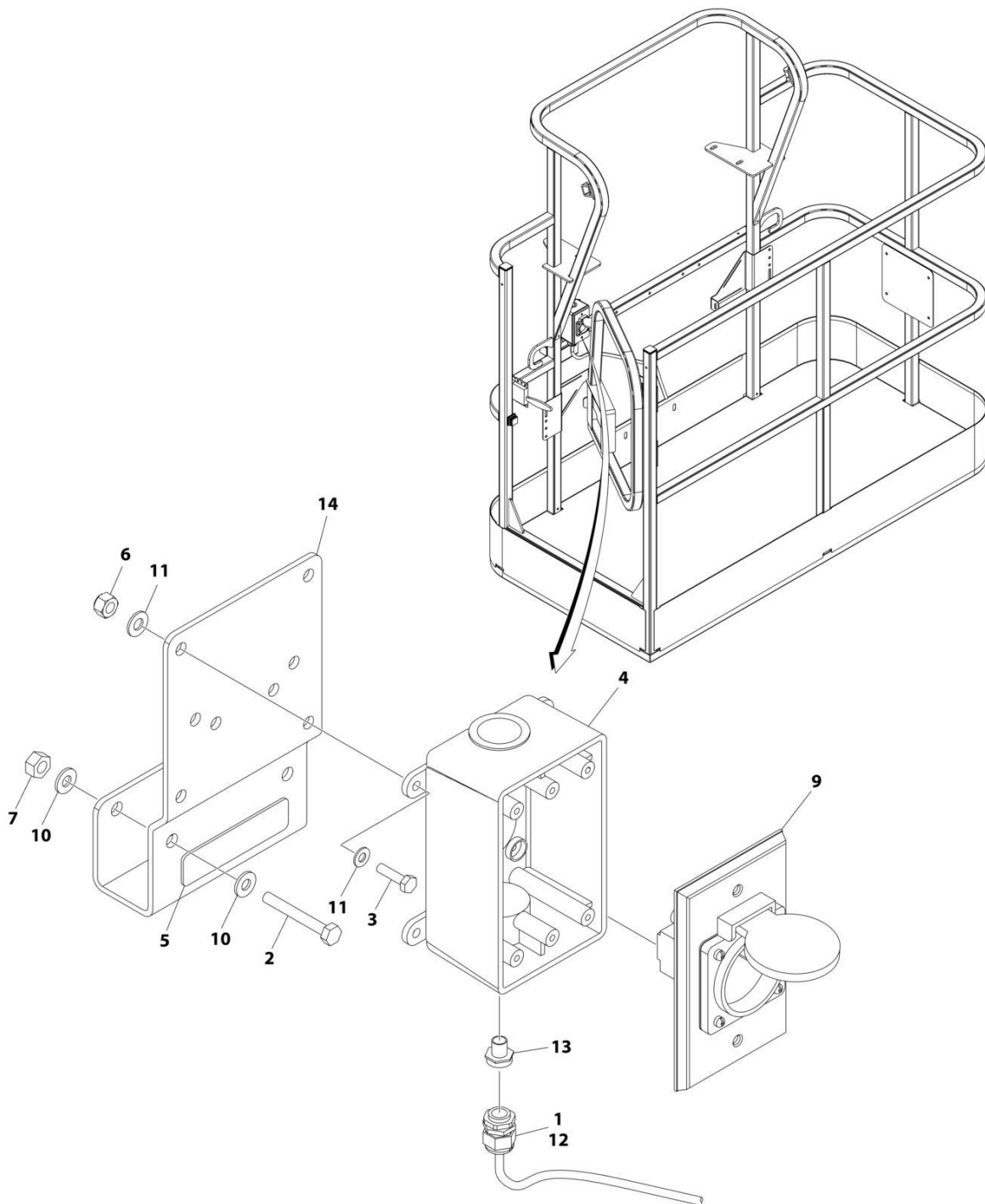
SECTION 8 - ELECTRICAL

FIGURE 8-11. AC BOX AT PLATFORM INSTALLATION - 220V CEE7 POST GROUND (CE & UK CA SPECS) (MACHINES WITH 2500W GENERATOR OR NO GENERATOR OPTION)

ITEM	PART NUMBER	QTY	DESCRIPTION	REV
	1001091973	Ref	AC BOX AT PLATFORM INSTALLATION - 220V CEE7 2X4 BOX POST GROUND	F
1	0100020	AR	Sealant, Pipe	
2	0275452	1	Receptacle Box Kit (See Separate Breakdown in this Section)	
3	0700408	4	Bolt M4 x 16	
4	3290405	4	Nut M4	
5	1001101197	1	Adapter	
6	4811400	8	Washer M4	
7	1001101191	1	Connector, Strain Relief	
8	0641416	2	Bolt 1/4 x 2	
9	3311405	2	Nut 1/4	
10	4711400	4	Washer 1/4	
11	1001193018	1	Bracket	
12	3251242	2	Decal - 240V/50Hz	
13	4460806	2	Terminal, Fork (Not Shown)	
14	1001205958	1	Terminal (Not Shown)	

SECTION 8 - ELECTRICAL

FIGURE 8-12. AC BOX AT PLATFORM INSTALLATION - 220V CEE7 POST GROUND (CE & UK CA SPECS) (MACHINES WITH 4000W GENERATOR)



ART_1001206250

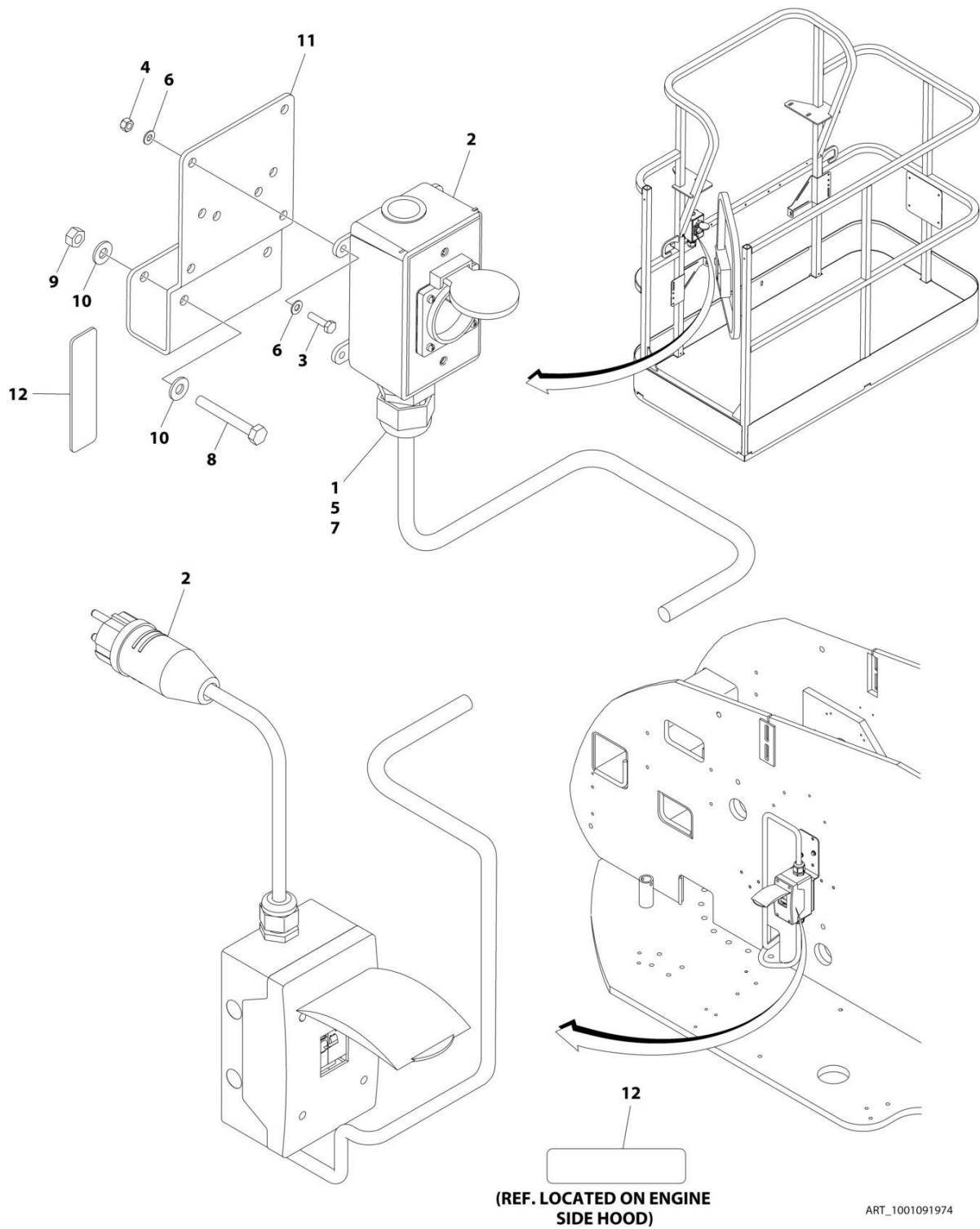
SECTION 8 - ELECTRICAL

FIGURE 8-12. AC BOX AT PLATFORM INSTALLATION - 220V CEE7 POST GROUND (CE & UK CA SPECS) (MACHINES WITH 4000W GENERATOR)

ITEM	PART NUMBER	QTY	DESCRIPTION	REV
	1001206250	Ref	AC BOX AT PLATFORM INSTALLATION - 220V CEE7 2X4 BOX POST GROUND	A
1	0100020	AR	Sealant, Pipe	
2	0641416	2	Bolt 1/4 x 2	
3	0700408	4	Bolt M4 x 16	
4	0861731	1	Box, Switch	
5	3251242	1	Decal - 240V/50Hz	
6	3290405	4	Nut M4	
7	3311405	2	Nut 1/4	
8	4460806	2	Terminal, Fork (Not Shown)	
9	4461244	1	Receptacle	
10	4711400	4	Washer 1/4	
11	4811400	8	Washer M4	
12	1001101191	1	Connector, Strain Relief	
13	1001101197	1	Adapter	
14	1001193018	1	Bracket, AC Receptacle	
15	1001205958	1	Terminal (Not Shown)	

SECTION 8 - ELECTRICAL

FIGURE 8-13. AC BOX AT PLATFORM INSTALLATION - 220V CEE7 SIDE GROUND (CE & UK CA SPECS) (MACHINES WITH 2500W GENERATOR OR NO GENERATOR OPTION)



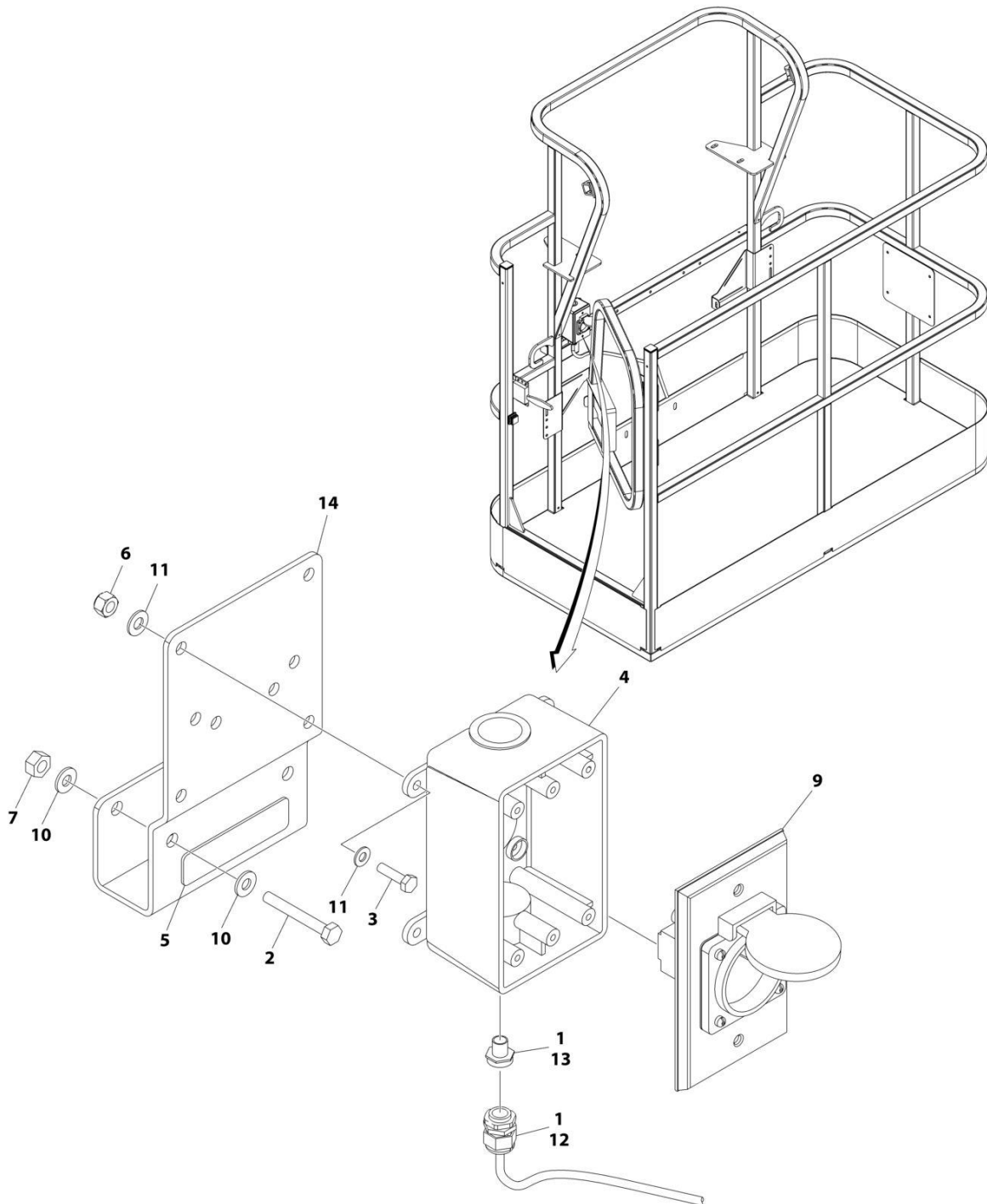
SECTION 8 - ELECTRICAL

FIGURE 8-13. AC BOX AT PLATFORM INSTALLATION - 220V CEE7 SIDE GROUND (CE & UK CA SPECS) (MACHINES WITH 2500W GENERATOR OR NO GENERATOR OPTION)

ITEM	PART NUMBER	QTY	DESCRIPTION	REV
	1001091974	Ref	AC BOX AT PLATFORM INSTALLATION - 220V CEE7 2X4 BOX SIDE GROUND	F
1	0100020	AR	Sealant, Pipe	
2	0275453	1	Receptacle Box Kit (See Separate Breakdown in this Section)	
3	0700408	4	Bolt M4 x 16	
4	3290405	4	Nut M4	
5	1001101197	1	Adapter	
6	4811400	8	Washer M4	
7	1001101191	1	Connector, Strain Relief	
8	0641416	2	Bolt 1/4 x 2	
9	3311405	2	Nut 1/4	
10	4711400	4	Washer 1/4	
11	1001193018	1	Bracket	
12	3251242	2	Decal - 240V/50Hz	
13	4460806	2	Terminal, Fork (Not Shown)	
14	1001205958	1	Terminal (Not Shown)	

SECTION 8 - ELECTRICAL

FIGURE 8-14. AC BOX AT PLATFORM INSTALLATION - 220V CEE7 SIDE GROUND (CE & UK CA SPECS) (MACHINES WITH 4000W GENERATOR)



ART_1001206251

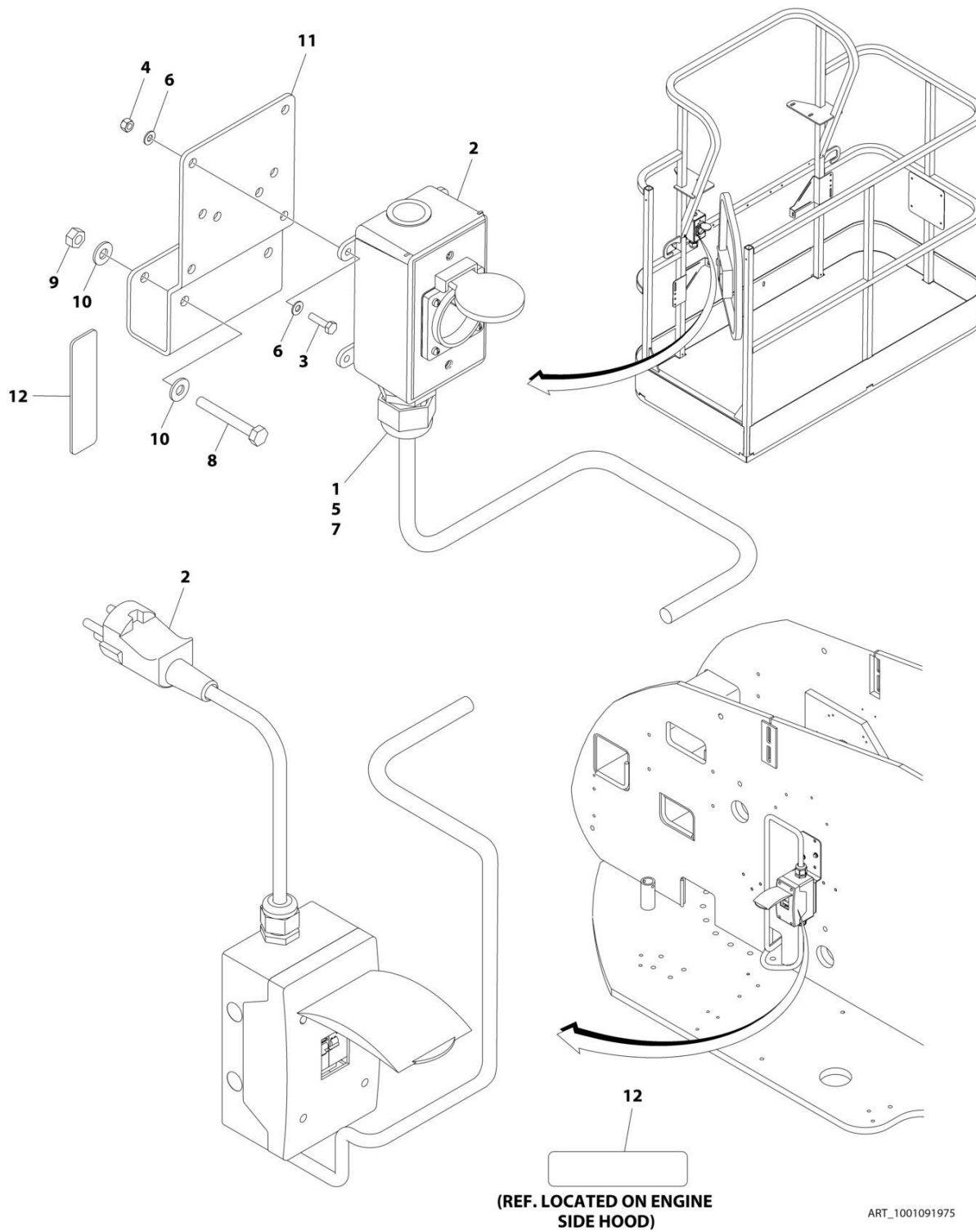
SECTION 8 - ELECTRICAL

FIGURE 8-14. AC BOX AT PLATFORM INSTALLATION - 220V CEE7 SIDE GROUND (CE & UK CA SPECS) (MACHINES WITH 4000W GENERATOR)

ITEM	PART NUMBER	QTY	DESCRIPTION	REV
	1001206251	Ref	AC BOX AT PLATFORM INSTALLATION - 220V CEE7 2X4 BOX SIDE GROUND	A
1	0100020	AR	Sealant, Pipe	
2	0641416	2	Bolt 1/4 x 2	
3	0700408	4	Bolt M4 x 16	
4	0861731	1	Box, Switch	
5	3251242	1	Decal - 240V/50Hz	
6	3290405	4	Nut M4	
7	3311405	2	Nut 1/4	
8	4460806	2	Terminal, Fork (Not Shown)	
9	4461245	1	Receptacle	
10	4711400	4	Washer 1/4	
11	4811400	8	Washer M4	
12	1001101191	1	Connector, Strain Relief	
13	1001101197	1	Adapter	
14	1001193018	1	Bracket, AC Receptacle	
15	1001205958	1	Terminal (Not Shown)	

SECTION 8 - ELECTRICAL

FIGURE 8-15. AC BOX AT PLATFORM INSTALLATION - 220V AFSINT 107 KEYED GROUND (CE & UK CA SPECS) (MACHINES WITH 2500W GENERATOR OR NO GENERATOR OPTION)



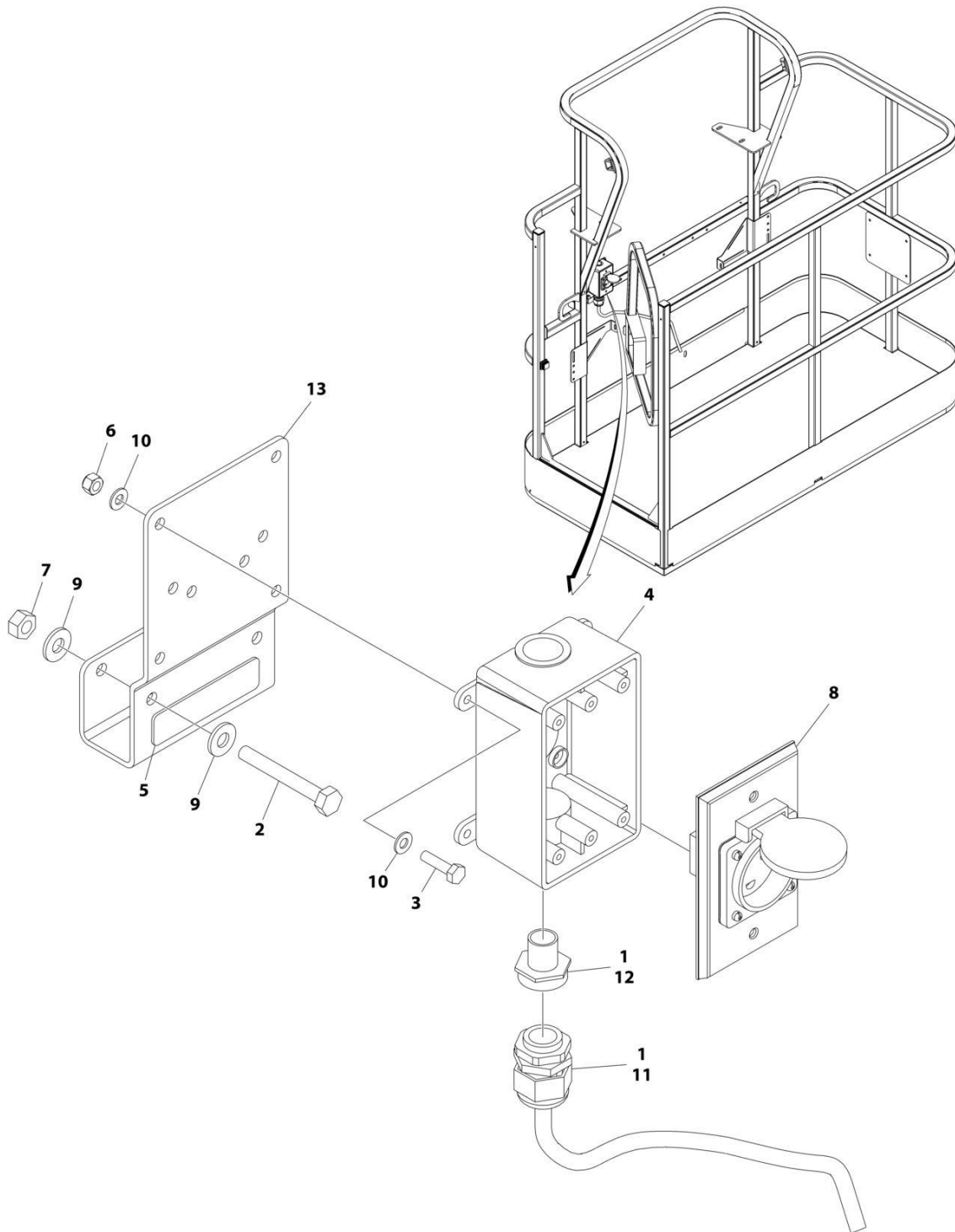
SECTION 8 - ELECTRICAL

FIGURE 8-15. AC BOX AT PLATFORM INSTALLATION - 220V AFSINT 107 KEYED GROUND (CE & UK CA SPECS) (MACHINES WITH 2500W GENERATOR OR NO GENERATOR OPTION)

ITEM	PART NUMBER	QTY	DESCRIPTION	REV
	1001091975	Ref	AC BOX AT PLATFORM INSTALLATION - 220V AFSINT 107 2X4 BOX KEYED GROUND	F
1	0100020	AR	Sealant, Pipe	
2	0275454	1	Receptacle Box Kit (See Separate Breakdown in this Section)	
3	0700408	4	Bolt M4 x 16	
4	3290405	4	Nut M4	
5	1001101197	1	Adapter	
6	4811400	8	Washer M4	
7	1001101191	1	Connector, Strain Relief	
8	0641416	2	Bolt 1/4 x 2	
9	3311405	2	Nut 1/4	
10	4711400	4	Washer 1/4	
11	1001193018	1	Bracket	
12	3251242	2	Decal - 240V/50Hz	
13	1001205958	3	Terminal (Not Shown)	

SECTION 8 - ELECTRICAL

FIGURE 8-16. AC BOX AT PLATFORM INSTALLATION - 220V AFSINT 107 KEYED GROUND (CE & UK CA SPECS) (MACHINES WITH 4000W GENERATOR)



ART_1001206252

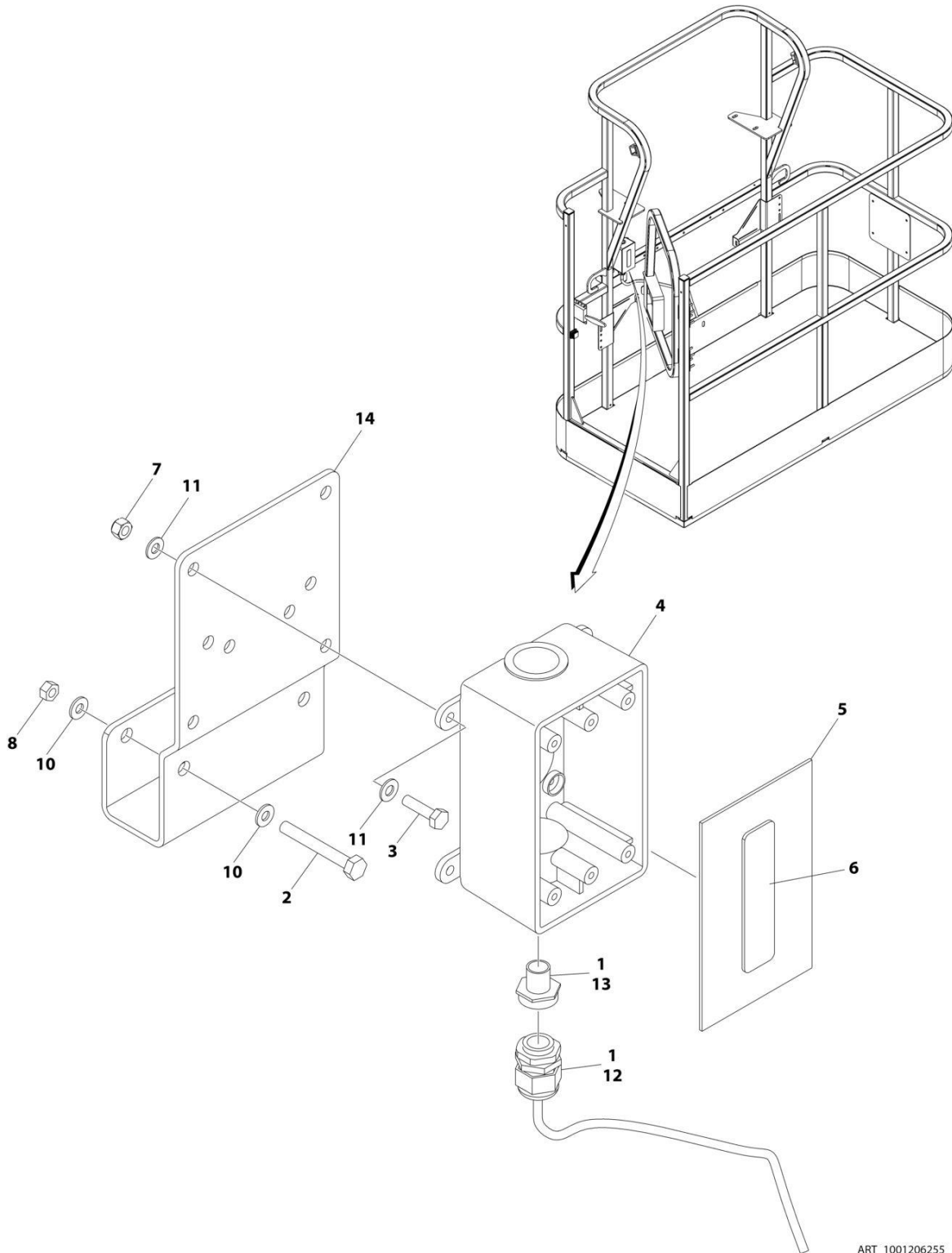
SECTION 8 - ELECTRICAL

FIGURE 8-16. AC BOX AT PLATFORM INSTALLATION - 220V AFSINT 107 KEYED GROUND (CE & UK CA SPECS) (MACHINES WITH 4000W GENERATOR)

ITEM	PART NUMBER	QTY	DESCRIPTION	REV
	1001206252	Ref	AC BOX AT PLATFORM INSTALLATION - 220V AFSINT 107 2x4 BOX KEYED GROUND	A
1	0100020	AR	Sealant, Pipe	
2	0641416	2	Bolt 1/4 x 2	
3	0700408	4	Bolt M4 x 16	
4	0861731	1	Box, Switch	
5	3251242	1	Decal - 240V/50Hz	
6	3290405	4	Nut M4	
7	3311405	2	Nut 1/4	
8	4461246	1	Receptacle	
9	4711400	4	Washer 1/4	
10	4811400	8	Washer M4	
11	1001101191	1	Connector, Strain Relief	
12	1001101197	1	Adapter	
13	1001193018	1	Bracket, AC Receptacle	
14	1001205958	3	Terminal (Not Shown)	

SECTION 8 - ELECTRICAL

FIGURE 8-17. AC BOX AT PLATFORM INSTALLATION - 220V (2X4 BOX & COVER ONLY - LOCALLY SUPPLIED RECEPTACLE) (4000W GENERATOR)



ART_1001206255

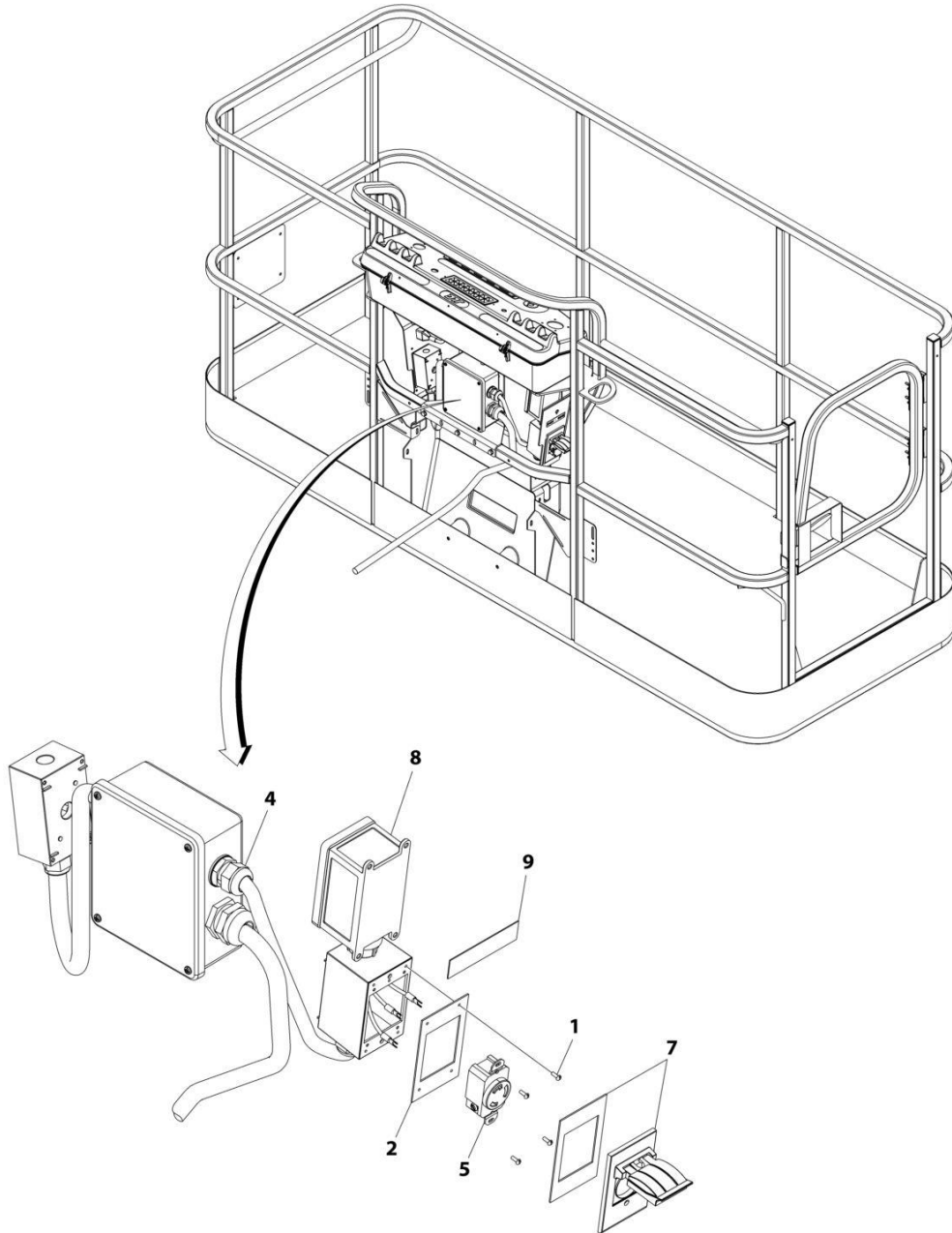
SECTION 8 - ELECTRICAL

FIGURE 8-17. AC BOX AT PLATFORM INSTALLATION - 220V (2X4 BOX & COVER ONLY - LOCALLY SUPPLIED RECEPTACLE) (4000W GENERATOR)

ITEM	PART NUMBER	QTY	DESCRIPTION	REV
	1001206255	Ref	AC BOX AT PLATFORM INSTALLATION - BOX WITH COVER (2X4 BOX) WITH 4000W GENERATOR	A
1	0100020	AR	Sealant, Pipe	
2	0641416	2	Bolt 1/4 x 2	
3	0700408	4	Bolt M4 x 16	
4	0861731	1	Box, Switch	
5	1670603	1	Cover	
6	3251242	1	Decal - 240V-50Hz	
7	3290405	4	Nut M4	
8	3311405	2	Nut 1/4	
10	4711400	4	Washer 1/4	
11	4811400	8	Washer M4	
12	1001101191	1	Connector, Strain Relief	
13	1001101197	1	Adapter	
14	1001193018	1	Bracket, AC Receptacle	

SECTION 8 - ELECTRICAL

FIGURE 8-18. AC BOX AT PLATFORM INSTALLATION - 240V GFCI RECEPTACLE (ALL SPECS EXCEPT CE, UK CA, AUSTRALIAN & CHINESE SPECS WITH 4000W SKYPOWER GENERATOR)



ART_1001171131

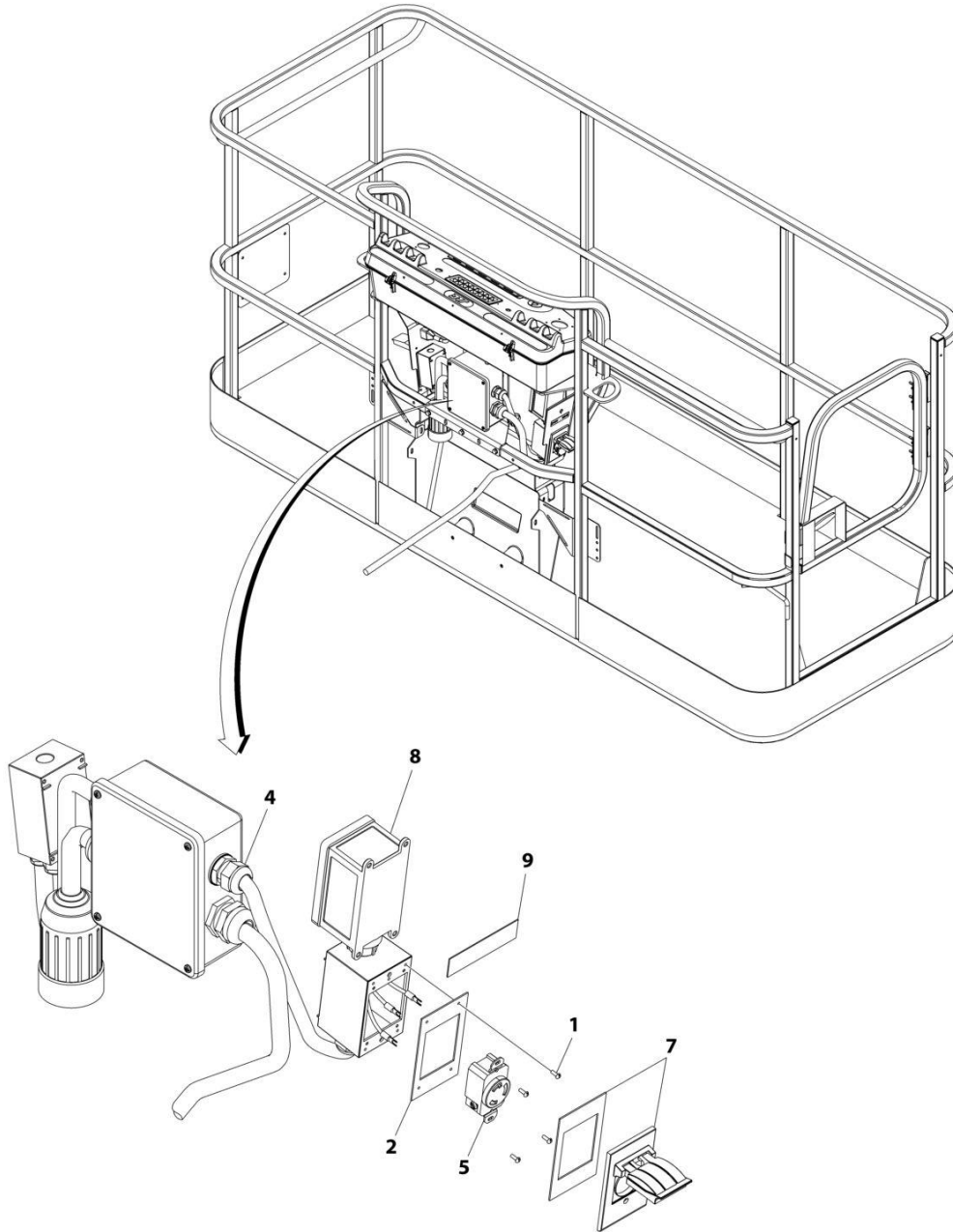
SECTION 8 - ELECTRICAL

FIGURE 8-18. AC BOX AT PLATFORM INSTALLATION - 240V GFCI RECEPTACLE (ALL SPECS EXCEPT CE, UK CA, AUSTRALIAN & CHINESE SPECS WITH 4000W SKYPOWER GENERATOR)

ITEM	PART NUMBER	QTY	DESCRIPTION	REV
	1001171131	Ref	AC BOX AT PLATFORM INSTALLATION - 240V RECEPTACLE	B
1	3910606	4	Screw 6 x 3/8	
2	3960422	1	Gasket	
3	4240018	AR	Tie-Strap (Not Shown)	
4	4460425	1	Connector, Strain Relief	
5	1001176862	1	Receptacle	
7	1001110872	1	Cover, Receptacle	
8	1001159120	1	Receptacle/Breaker Box Assembly	
8	1001148675	1	Box, Receptacle	
8	1001159118	1	Breaker GFCI 30Amp 240VAC	
8	4460612	1	Connector, Strain Relief	
8	1001159119	1	Connector (Between Boxes)	
9	1705374	1	Decal - 240V/60Hz	

SECTION 8 - ELECTRICAL

FIGURE 8-19. AC BOX AT PLATFORM INSTALLATION - 240V GFCI RECEPTACLE (ALL SPECS EXCEPT CE, UK CA, AUSTRALIAN & CHINESE SPECS WITH 7500W SKYPOWER GENERATOR)



ART_1001159121

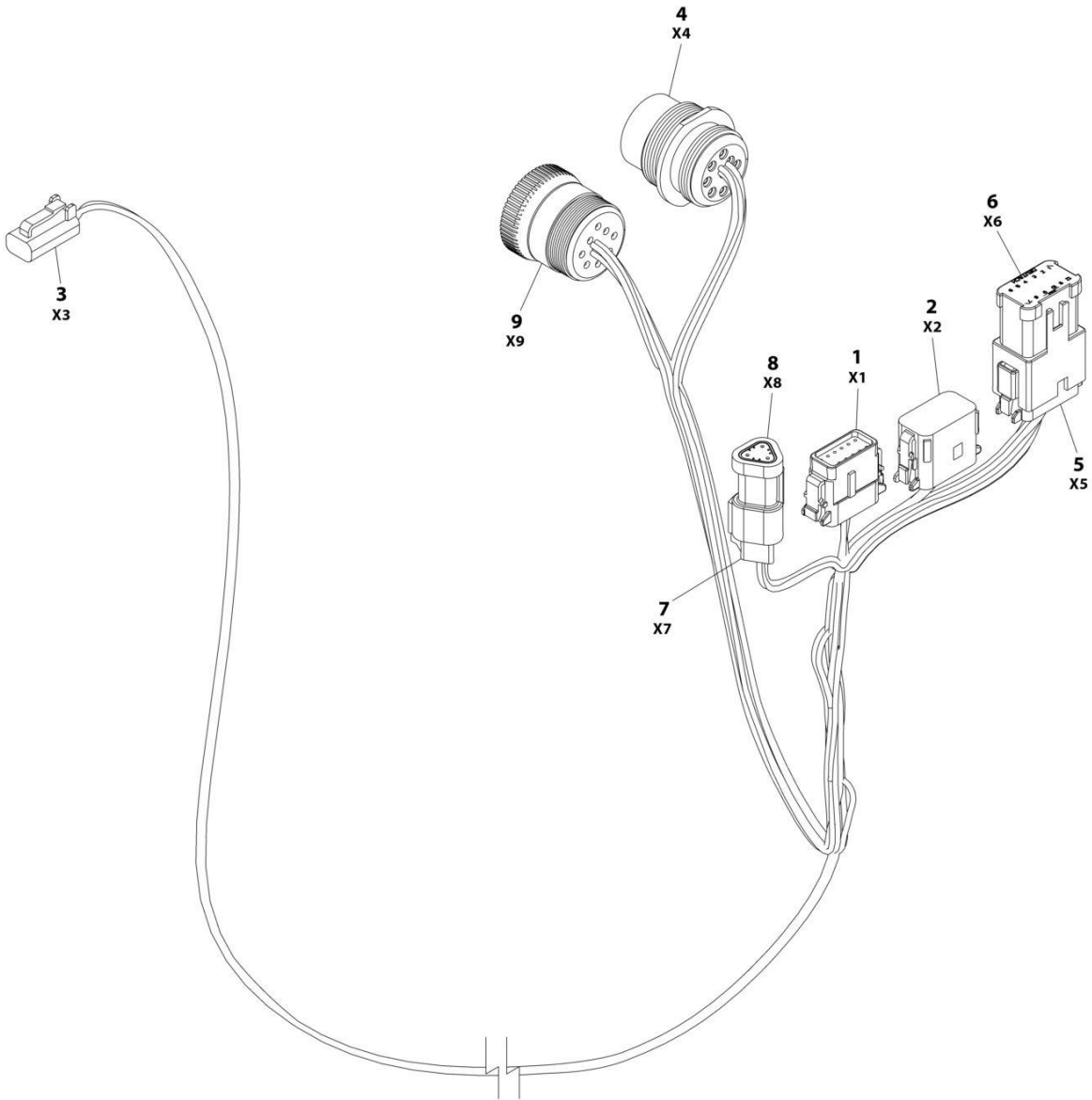
SECTION 8 - ELECTRICAL

FIGURE 8-19. AC BOX AT PLATFORM INSTALLATION - 240V GFCI RECEPTACLE (ALL SPECS EXCEPT CE, UK CA, AUSTRALIAN & CHINESE SPECS WITH 7500W SKYPOWER GENERATOR)

ITEM	PART NUMBER	QTY	DESCRIPTION	REV
	1001159121	Ref	AC BOX AT PLATFORM INSTALLATION - 240V RECEPTACLE	B
1	3910606	4	Screw 6 x 3/8	
2	3960422	1	Gasket	
3	4240018	AR	Tie-Strap (Not Shown)	
4	4460425	1	Connector, Strain Relief	
5	4460958	1	Receptacle	
7	1001110872	1	Cover, Receptacle	
8	1001159120	1	Receptacle/Breaker Box Assembly	
8	1001148675	1	Box, Receptacle	
8	1001159118	1	Breaker Box Assembly	
8	4460612	1	Connector, Strain Relief	
8	1001159119	1	Connector (Between Boxes)	
9	1705374	1	Decal - 240V/60Hz	

SECTION 8 - ELECTRICAL

FIGURE 8-20. BEACON CONTROL HARNESS (BLUE AND RED STROBE LIGHTS)



ART_1001142736

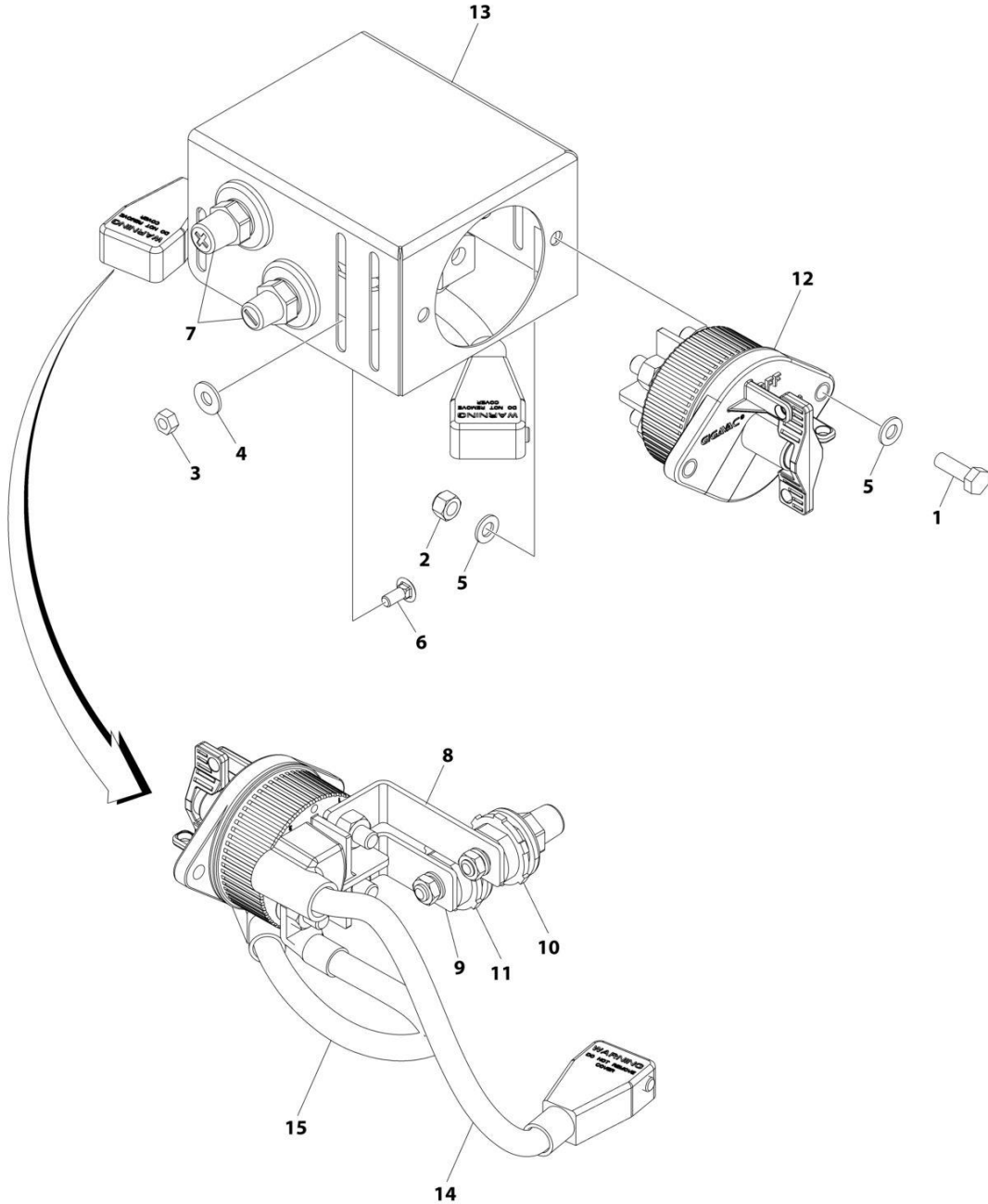
SECTION 8 - ELECTRICAL

FIGURE 8-20. BEACON CONTROL HARNESS (BLUE AND RED STROBE LIGHTS)

ITEM	PART NUMBER	QTY	DESCRIPTION	REV
	1001142736	Ref	STROBE LIGHT HARNESS	F
1	1001116808	1	Plug, Male - 12 Position	
1	4460928	3	Socket, Female	
1	4460518	9	Plug, Terminal	
2	1001116774	1	Plug, Male - 12 Position	
2	4460928	3	Socket, Female	
2	4460518	9	Plug, Terminal	
3	4460891	1	Plug, Male - 2 Position	
3	4460465	2	Socket, Female	
4	1001112612	1	Connector - 9 Position	
4	4460464	6	Pin, Male	
4	4460466	3	Plug, Terminal	
5	4460933	1	Plug, Male - 12 Position	
5	4460465	12	Socket, Female	
6	1001119020	1	Bussbar - 12 Position	
7	4461095	1	Plug, Male - 3 Position	
7	4460465	3	Socket, Female	
8	4461070	1	Bussbar - 3 Position	
9	1001112796	1	Connector - 9 Position	
9	4460465	6	Socket, Female	
9	4460466	3	Plug, Terminal	

SECTION 8 - ELECTRICAL

FIGURE 8-21. BATTERY DISCONNECT



ART_1001236304

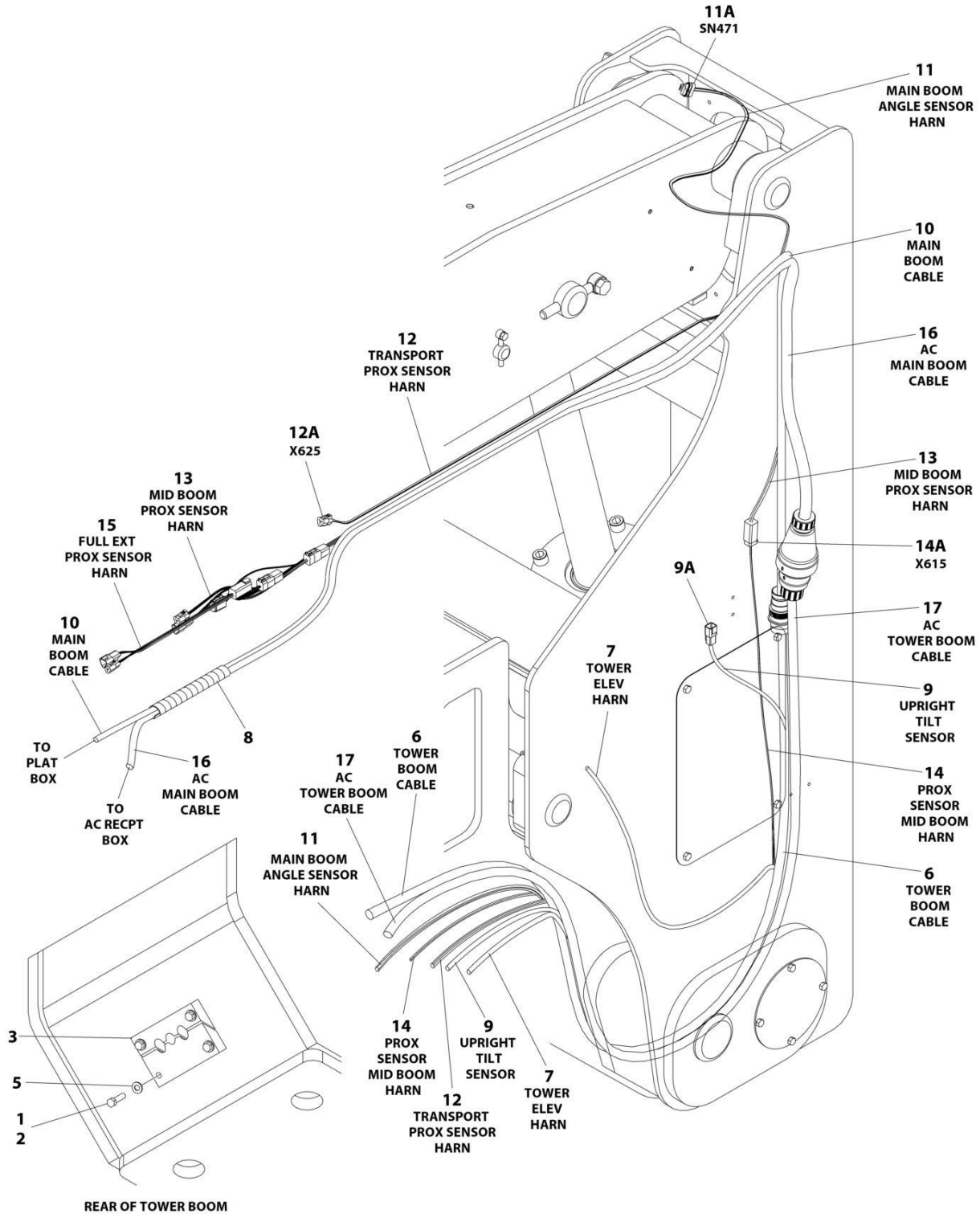
SECTION 8 - ELECTRICAL

FIGURE 8-21. BATTERY DISCONNECT

ITEM	PART NUMBER	QTY	DESCRIPTION	REV
	1001236304	Ref	BATTERY DISCONNECT SWITCH INSTALLATION	A
1	0760812	2	Bolt M8 x 25	
2	3290805	2	Nut M8	
3	3311405	3	Nut 1/4	
4	4751400	3	Washer 1/4	
5	4811900	4	Washer M8	
6	88411013	3	Bolt 1/4 x 3/4	
7	1001206476	1	Connectors, Post	
8	1001209432	1	Bussbar	
9	1001209474	1	Bussbar	
10	1001214570	1	Connector (Red)	
11	1001214571	1	Connector (Black)	
12	1001225346	1	Switch, Battery	
13	1001226531	1	Mount	
14	1001236504	1	Cable, Battery (+)	
15	1001236505	1	Cable, Battery (-)	

SECTION 8 - ELECTRICAL

FIGURE 8-22. BOOM CABLES INSTALLATION - WITH 2500W GENERATOR



ART_1001257902

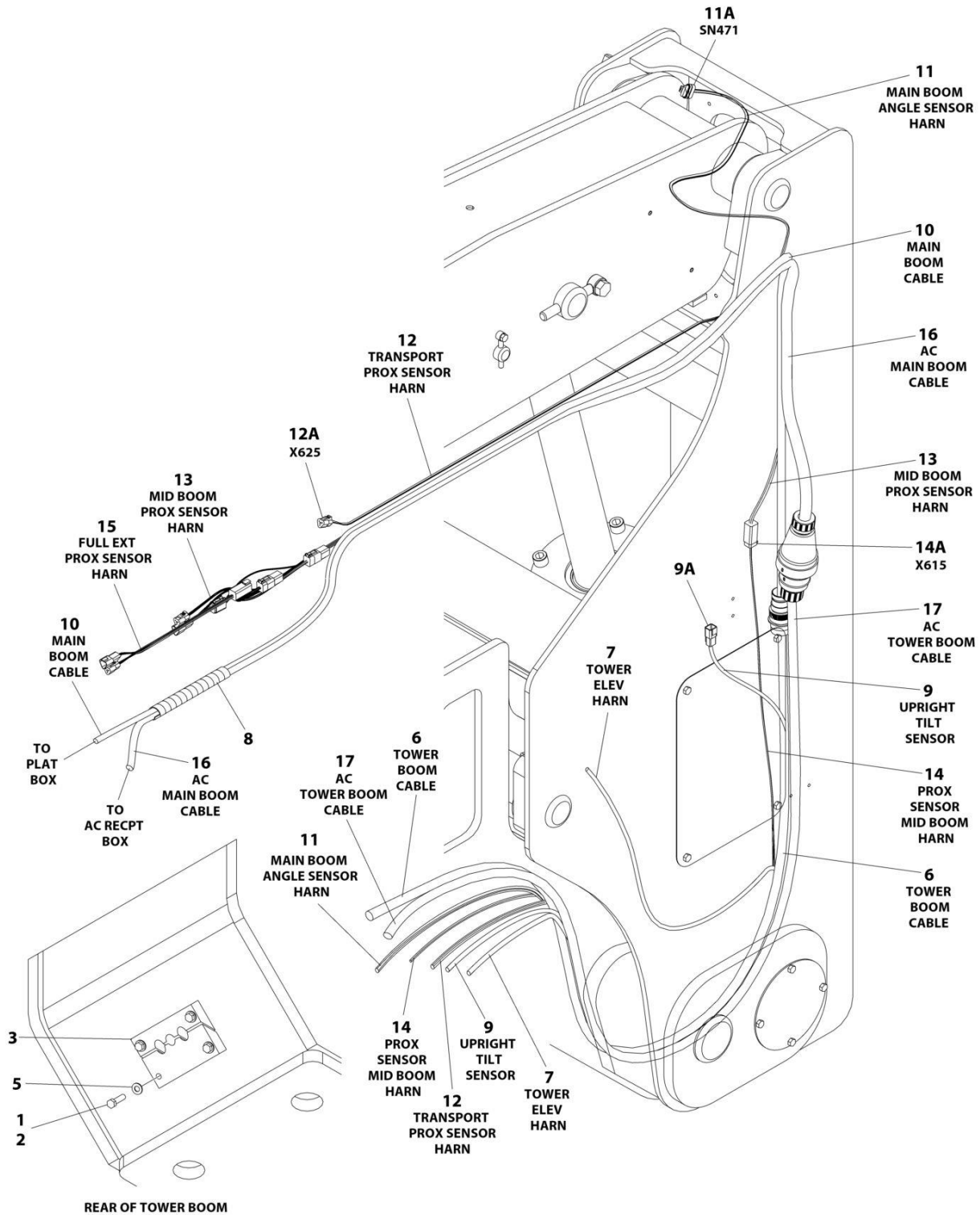
SECTION 8 - ELECTRICAL

FIGURE 8-22. BOOM CABLES INSTALLATION - WITH 2500W GENERATOR

ITEM	PART NUMBER	QTY	DESCRIPTION	REV
	1001257902	Ref	BOOM CABLES INSTALLATION	A
1	0100011	AR	Compound, Locking	
2	0641612	4	Bolt 3/8 x 1-1/2	
3	1320256	1	Clamp, Block	
4	4240033	3	Tie, Cable (Not Shown)	
5	4711600	4	Washer 3/8	
6	4922576	1	Boom Cable - Tower Boom (See Separate Breakdown in this Section)	
7	4922578	1	Harness, Tower Boom Elevation Limit Switch	
8	1001181923	1	Shield, Cable/Hose	
9	1001227359	1	Harness, Tilt Sensor Harness	
9	4460944	3	Socket, Female (at GC Box)	
9A	1001097051	1	Connector - 4 Position	
9A	1001097082	1	Terminal	
9A	4460518	1	Plug, Terminal	
10	1001227488	1	Boom Cable - Main Boom (See Separate Breakdown in this Section)	
11	1001258707	1	Harness, Main Boom Angle Sensor	
11A	1001230931	1	Connector - 6 Position	
11A	1001116748	6	Terminal	
12	1001258708	1	Harness, Transport Proximity Sensor	
12A	4460539	1	Plug, Male - 3 Position	
12A	4460465	3	Socket, Female	
13	1001258709	1	Harness, Mid Boom Proximity Sensor (Main Boom) (See Separate Breakdown in this Section)	
14	1001258710	1	Cable, Middle Boom Proximity Sensor, Lower	
14A	4460894	1	Plug, Male - 6 Position	
14A	4460465	6	Socket, Female	
15	1001258711	1	Cable, Full Extension Proximity Sensor	
16	4922218	1	AC Cable, 10/3 (Main Boom)	
17	4922220	1	AC Cable, 10/3 (Tower Boom)	

SECTION 8 - ELECTRICAL

FIGURE 8-23. BOOM CABLES INSTALLATION - WITH 4000W GENERATOR (50HZ)



ART_1001257902

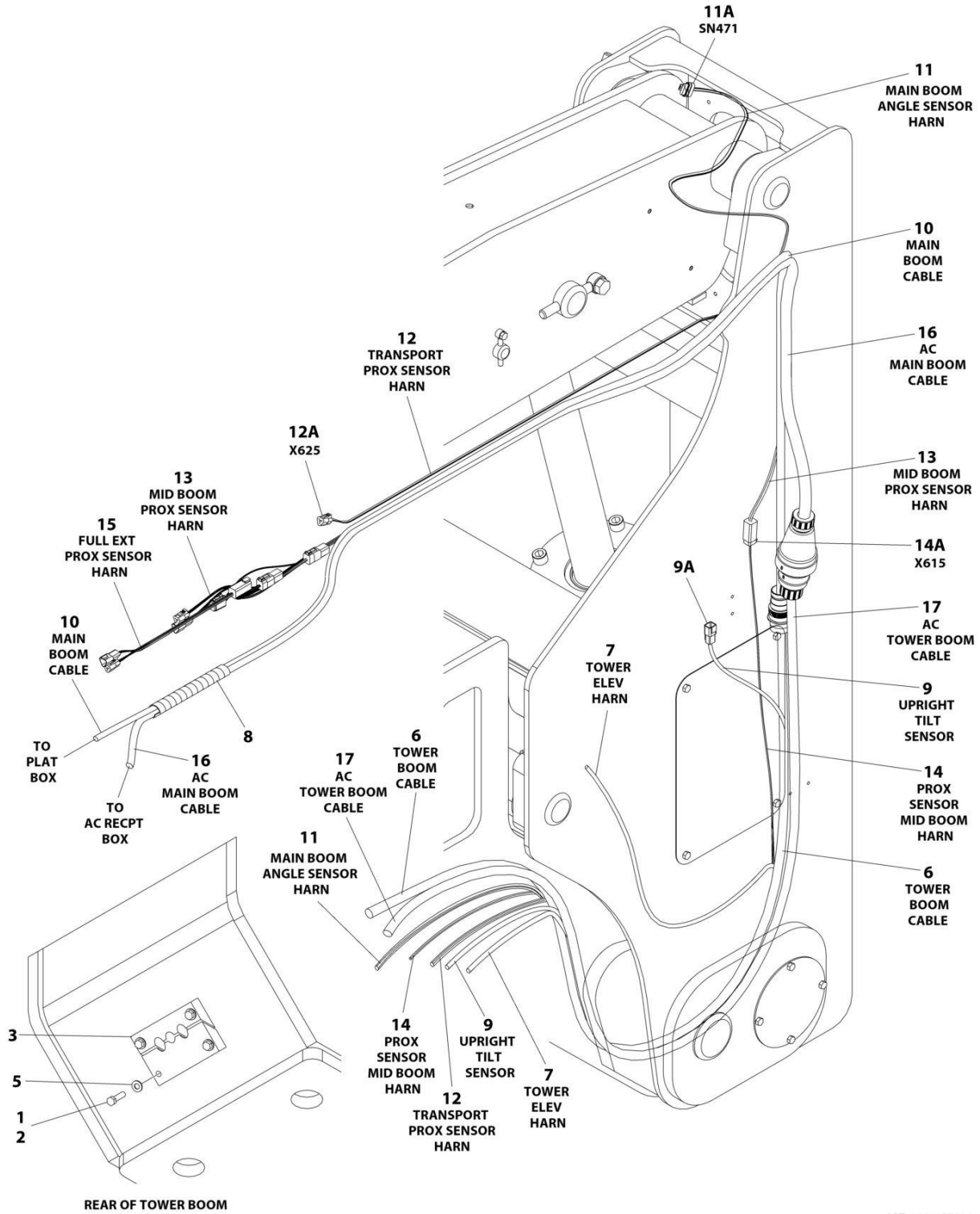
SECTION 8 - ELECTRICAL

FIGURE 8-23. BOOM CABLES INSTALLATION - WITH 4000W GENERATOR (50HZ)

ITEM	PART NUMBER	QTY	DESCRIPTION	REV
	1001257902	Ref	BOOM CABLES INSTALLATION	A
1	0100011	AR	Compound, Locking	
2	0641612	4	Bolt 3/8 x 1-1/2	
3	1320256	1	Clamp, Block	
4	4240033	3	Tie, Cable (Not Shown)	
5	4711600	4	Washer 3/8	
6	4922576	1	Boom Cable - Tower Boom (See Separate Breakdown in this Section)	
7	4922578	1	Harness, Tower Boom Elevation Limit Switch	
8	1001181923	1	Shield, Cable/Hose	
9	1001227359	1	Harness, Tilt Sensor Harness	
9	4460944	3	Socket, Female (at GC Box)	
9A	1001097051	1	Connector - 4 Position	
9A	1001097082	1	Terminal	
9A	4460518	1	Plug, Terminal	
10	1001227488	1	Boom Cable - Main Boom (See Separate Breakdown in this Section)	
11	1001258707	1	Harness, Main Boom Angle Sensor	
11A	1001230931	1	Connector - 6 Position	
11A	1001116748	6	Terminal	
12	1001258708	1	Harness, Transport Proximity Sensor	
12A	4460539	1	Plug, Male - 3 Position	
12A	4460465	3	Socket, Female	
13	1001258709	1	Harness, Mid Boom Proximity Sensor (Main Boom) (See Separate Breakdown in this Section)	
14	1001258710	1	Cable, Middle Boom Proximity Sensor, Lower	
14A	4460894	1	Plug, Male - 6 Position	
14A	4460465	6	Socket, Female	
15	1001258711	1	Cable, Full Extension Proximity Sensor	
16	4922218	1	AC Cable, 10/3 (Main Boom)	
17	4922220	1	AC Cable, 10/3 (Tower Boom)	

SECTION 8 - ELECTRICAL

FIGURE 8-24. BOOM CABLES INSTALLATION - WITH 4000W GENERATOR (60HZ)



ART_1001257904

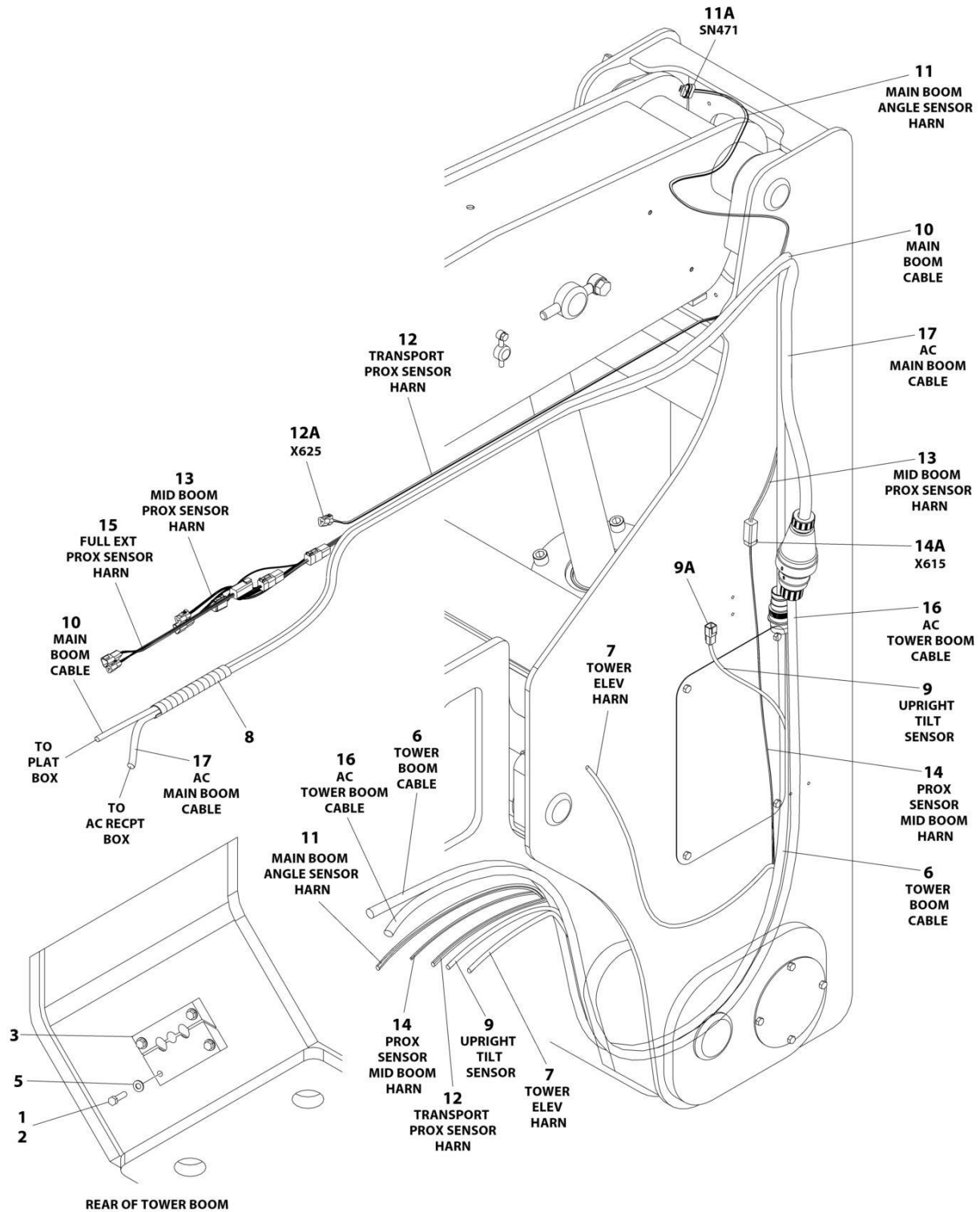
SECTION 8 - ELECTRICAL

FIGURE 8-24. BOOM CABLES INSTALLATION - WITH 4000W GENERATOR (60HZ)

ITEM	PART NUMBER	QTY	DESCRIPTION	REV
	1001257904	Ref	BOOM CABLES INSTALLATION	A
1	0100011	AR	Compound, Locking	
2	0641612	4	Bolt 3/8 x 1-1/2	
3	1320256	1	Clamp, Block	
4	4240033	3	Tie, Cable (Not Shown)	
5	4711600	4	Washer 3/8	
6	4922576	1	Boom Cable - Tower Boom (See Separate Breakdown in this Section)	
7	4922578	1	Harness, Tower Boom Elevation Limit Switch	
8	1001181923	1	Shield, Cable/Hose	
9	1001227359	1	Harness, Tilt Sensor Harness	
9	4460944	3	Socket, Female (at GC Box)	
9A	1001097051	1	Connector - 4 Position	
9A	1001097082	1	Terminal	
9A	4460518	1	Plug, Terminal	
10	1001227488	1	Boom Cable - Main Boom (See Separate Breakdown in this Section)	
11	1001258707	1	Harness, Main Boom Angle Sensor	
11A	1001230931	1	Connector - 6 Position	
11A	1001116748	6	Terminal	
12	1001258708	1	Harness, Transport Proximity Sensor	
12A	4460539	1	Plug, Male - 3 Position	
12A	4460465	3	Socket, Female	
13	1001258709	1	Harness, Mid Boom Proximity Sensor (Main Boom) (See Separate Breakdown in this Section)	
14	1001258710	1	Cable, Middle Boom Proximity Sensor, Lower	
14A	4460894	1	Plug, Male - 6 Position	
14A	4460465	6	Socket, Female	
15	1001258711	1	Cable, Full Extension Proximity Sensor	
16	1001156695	1	AC Cable, 10/4 (Main Boom)	
17	1001156693	1	AC Cable, 10/4 (Tower Boom)	

SECTION 8 - ELECTRICAL

FIGURE 8-25. BOOM CABLES INSTALLATION - WITH 7500W SKYPOWER GENERATOR



ART_1001257903

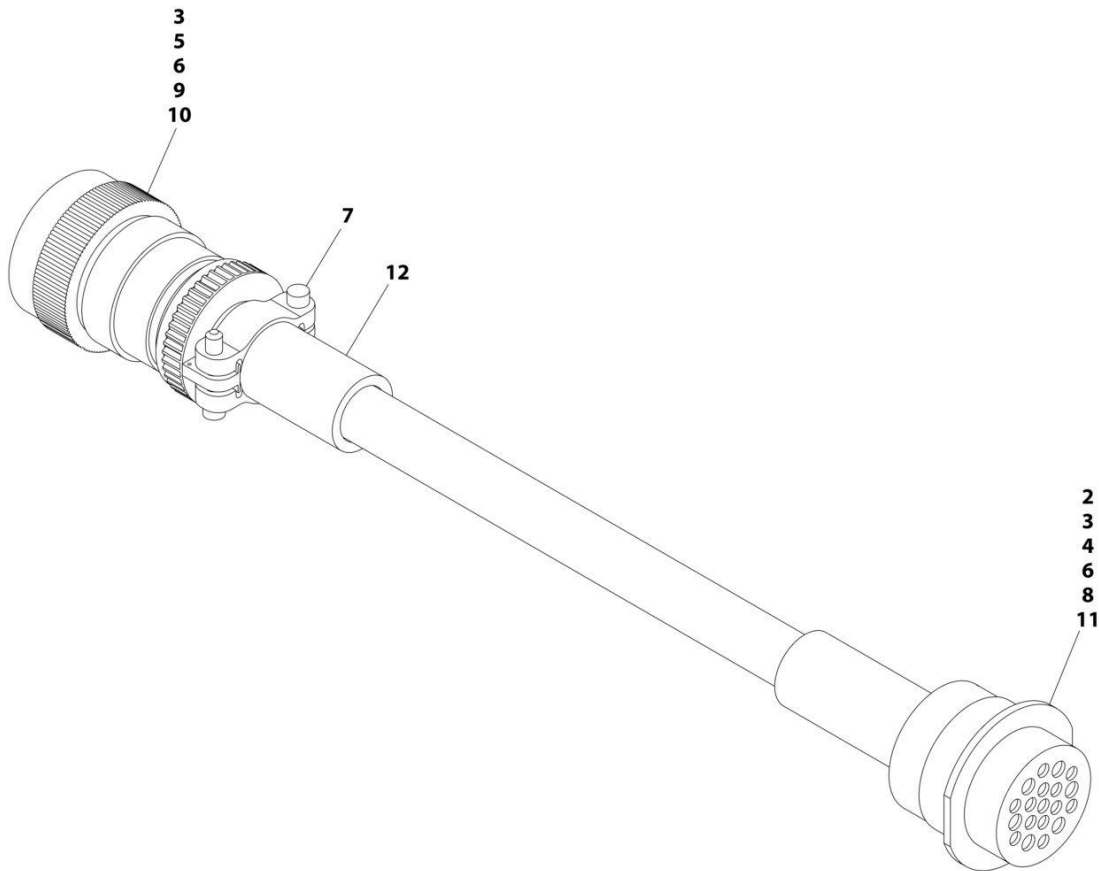
SECTION 8 - ELECTRICAL

FIGURE 8-25. BOOM CABLES INSTALLATION - WITH 7500W SKYPOWER GENERATOR

ITEM	PART NUMBER	QTY	DESCRIPTION	REV
	1001257903	Ref	BOOM CABLES INSTALLATION	A
1	0100011	AR	Compound, Locking	
2	0641612	4	Bolt 3/8 x 1-1/2	
3	1320256	1	Clamp, Block	
4	4240033	3	Tie, Cable (Not Shown)	
5	4711600	4	Washer 3/8	
6	4922576	1	Boom Cable - Tower Boom (See Separate Breakdown in this Section)	
7	4922578	1	Harness, Tower Boom Elevation Limit Switch	
8	1001181923	1	Shield, Cable/Hose	
9	1001227359	1	Harness, Tilt Sensor Harness	
9	4460944	3	Socket, Female (at GC Box)	
9A	1001097051	1	Connector - 4 Position	
9A	1001097082	1	Terminal	
9A	4460518	1	Plug, Terminal	
10	1001227488	1	Boom Cable - Main Boom (See Separate Breakdown in this Section)	
11	1001258707	1	Harness, Main Boom Angle Sensor	
11A	1001230931	1	Connector - 6 Position	
11A	1001116748	6	Terminal	
12	1001258708	1	Harness, Transport Proximity Sensor	
12A	4460539	1	Plug, Male - 3 Position	
12A	4460465	3	Socket, Female	
13	1001258709	1	Harness, Mid Boom Proximity Sensor (Main Boom) (See Separate Breakdown in this Section)	
14	1001258710	1	Cable, Middle Boom Proximity Sensor, Lower	
14A	4460894	1	Plug, Male - 6 Position	
14A	4460465	6	Socket, Female	
15	1001258711	1	Cable, Full Extension Proximity Sensor	
16	1001125125	1	AC Cable, 8/5 (Tower Boom)	
17	1001125127	1	AC Cable, 8/5 (Main Boom)	

SECTION 8 - ELECTRICAL

FIGURE 8-26. BOOM CABLE - MAIN BOOM



ART_1001227488

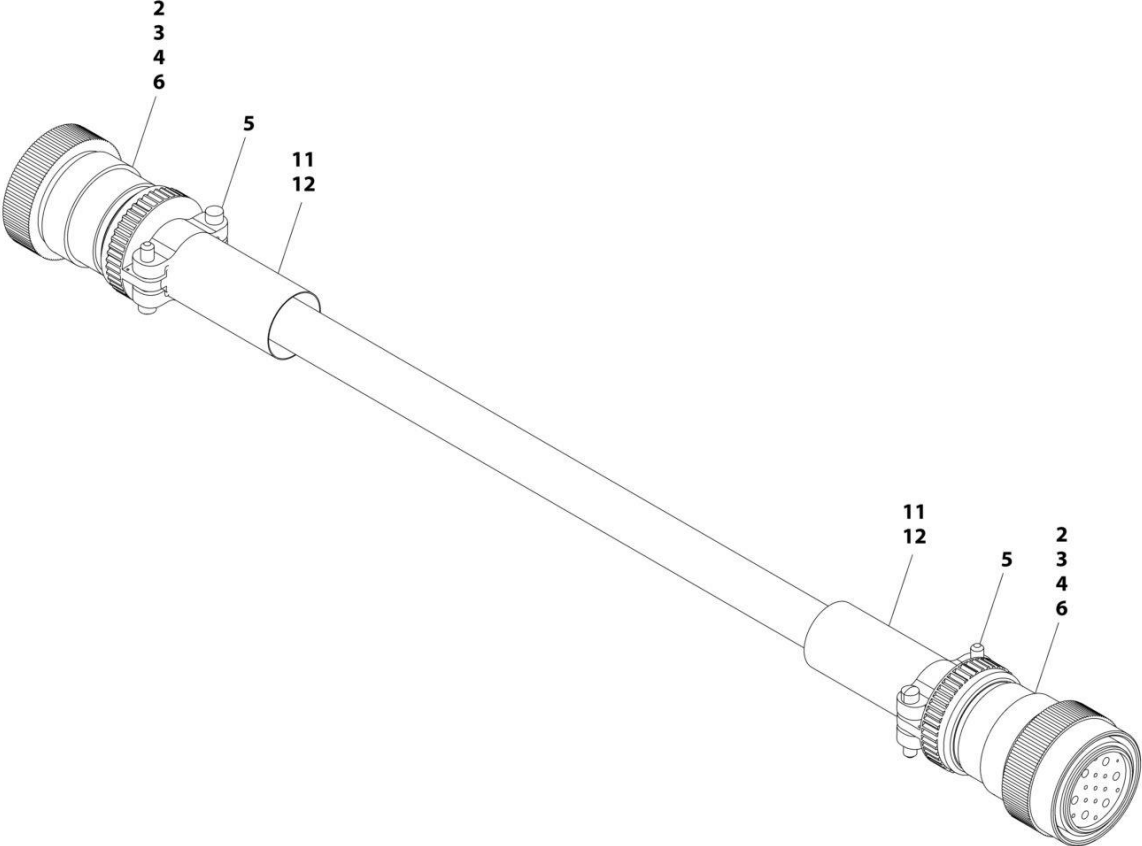
SECTION 8 - ELECTRICAL

FIGURE 8-26. BOOM CABLE - MAIN BOOM

ITEM	PART NUMBER	QTY	DESCRIPTION	REV
	1001227488	Ref	BOOM CABLE - MAIN BOOM	A
2	2820031	AR	Heatshrink	
3	2820118	AR	Heatshrink, Clear	
4	4460464	8	Pin, Male	
5	4460465	11	Socket, Female	
6	4460466	11	Plug, Terminal	
7	4460473	1	Clamp	
8	4460508	4	Pin, Male	
9	4460509	4	Socket, Female	
10	4460865	1	Connector - 19 Position	
11	4460866	1	Connector - 19 Position	
12	1001226400	1	Insulate, Heatshrink	

SECTION 8 - ELECTRICAL

FIGURE 8-27. BOOM CABLE (TOWER BOOM)



ART_4922576

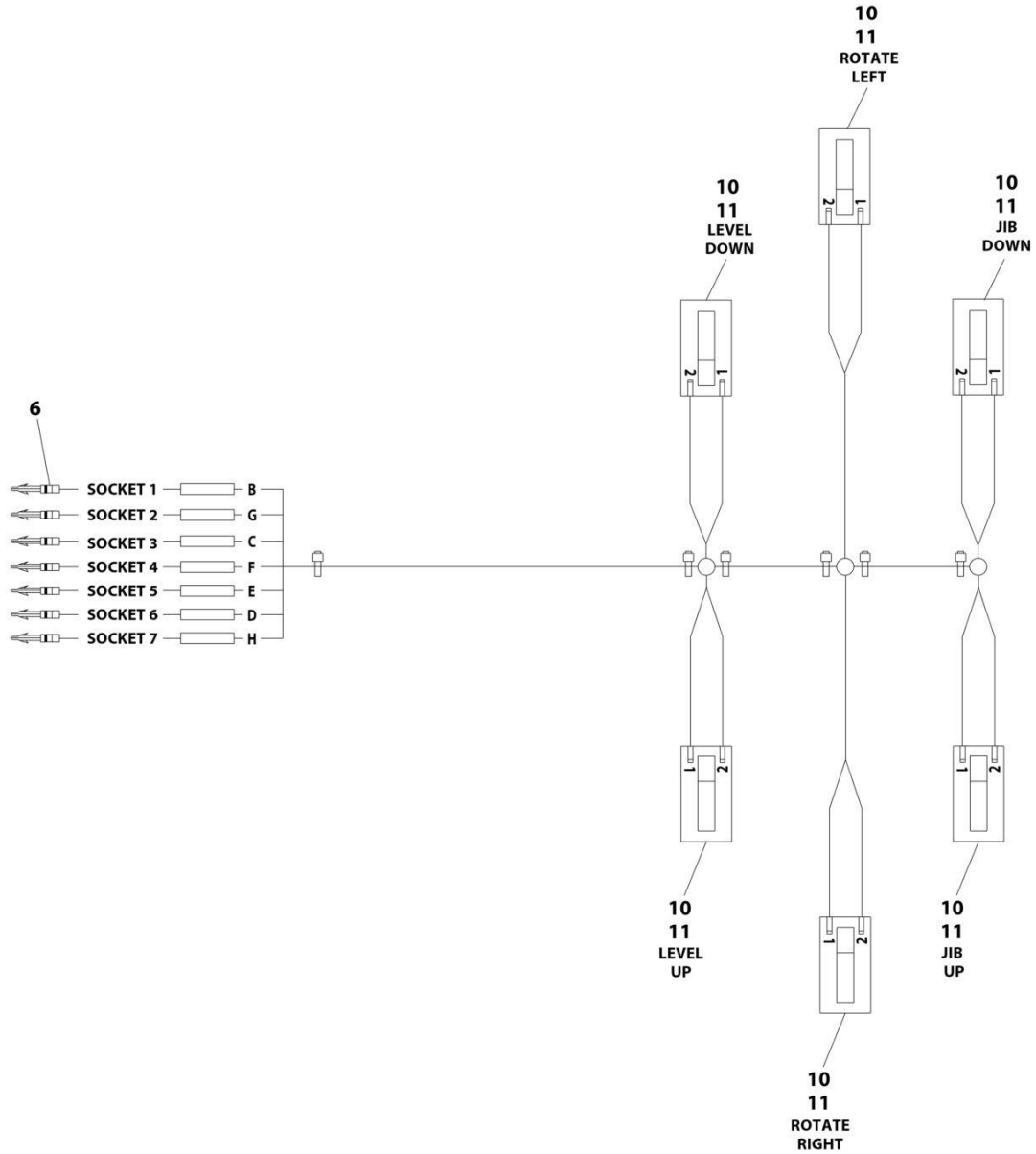
SECTION 8 - ELECTRICAL

FIGURE 8-27. BOOM CABLE (TOWER BOOM)

ITEM	PART NUMBER	QTY	DESCRIPTION	REV
	4922576	Ref	BOOM CABLE - TOWER BOOM	E
2	4460465	22	Socket, Female	
3	4460865	2	Connector - 19 Position	
4	4460509	8	Socket, Female	
5	4460473	2	Clamp	
6	4460466	8	Plug, Terminal	
11	2820118	AR	Heatshrink, Clear	
12	1001226400	AR	Insulate, Heatshrink	

SECTION 8 - ELECTRICAL

FIGURE 8-28. BOOM VALVE HARNESS



ART_1001139135

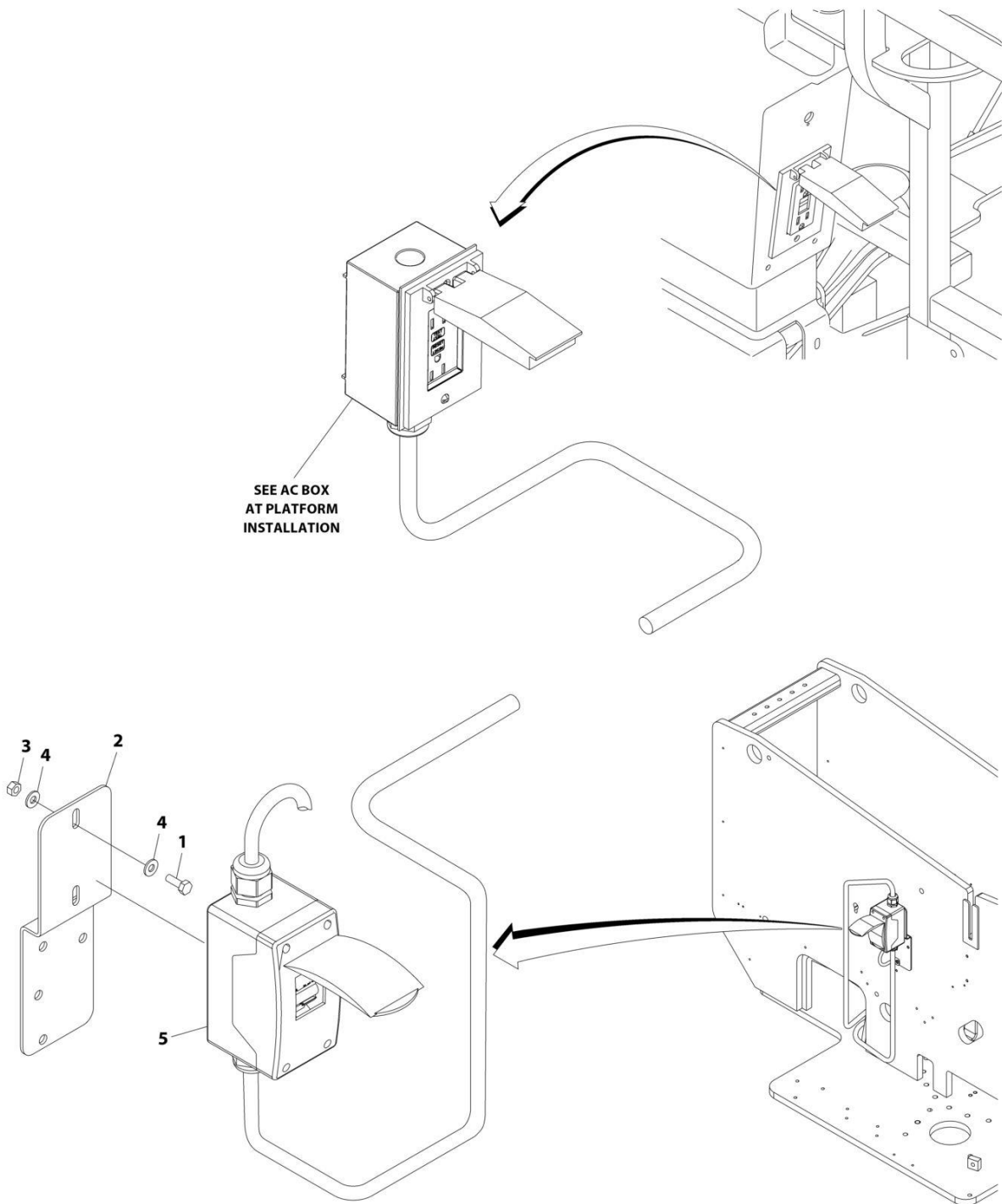
SECTION 8 - ELECTRICAL

FIGURE 8-28. BOOM VALVE HARNESS

ITEM	PART NUMBER	QTY	DESCRIPTION	REV
	1001139135	Ref	BOOM VALVE HARNESS	3
6	4460226	7	Terminal, Socket	
10	4460891	6	Deutsch connector	
11	1001116692	12	Socket	

SECTION 8 - ELECTRICAL

FIGURE 8-29. BREAKER BOX INSTALLATION (BRAZIL SPECS)



ART_1001171016

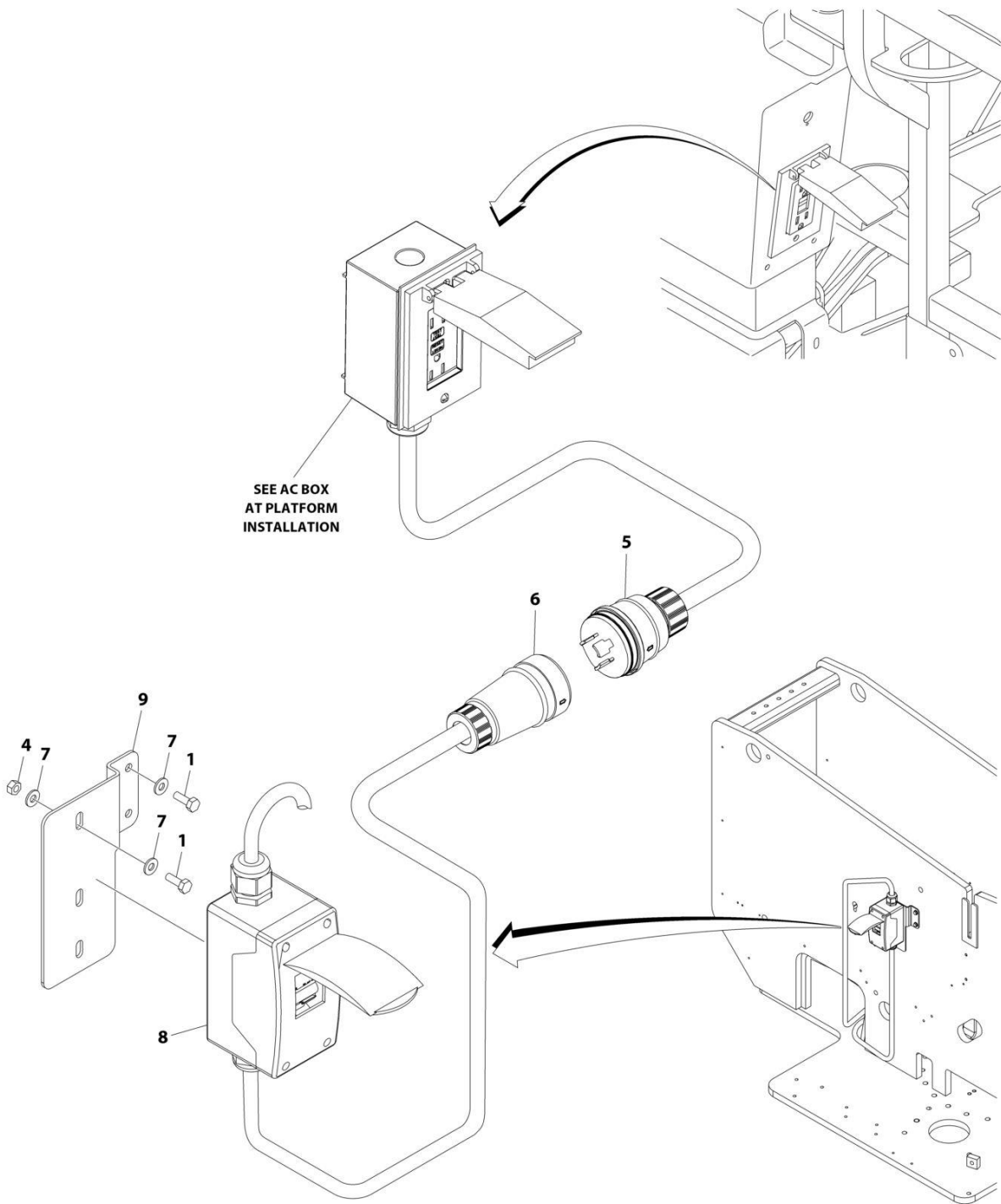
SECTION 8 - ELECTRICAL

FIGURE 8-29. BREAKER BOX INSTALLATION (BRAZIL SPECS)

ITEM	PART NUMBER	QTY	DESCRIPTION	REV
	1001171016	Ref	AC BREAKER BOX INSTALLATION	B
1	0641406	2	Bolt 1/4 x 3/4	
2	0903697	1	Bracket	
3	3311405	2	Nut 1/4	
4	4711400	4	Washer 1/4	
5	1001109654	1	Breaker Box Kit - With 2 Breakers (See Separate Breakdown in this Section)	

SECTION 8 - ELECTRICAL

FIGURE 8-30. BREAKER BOX INSTALLATION (CE & UK CA SPECS WITHOUT 4000W GENERATOR)



ART_1001177710

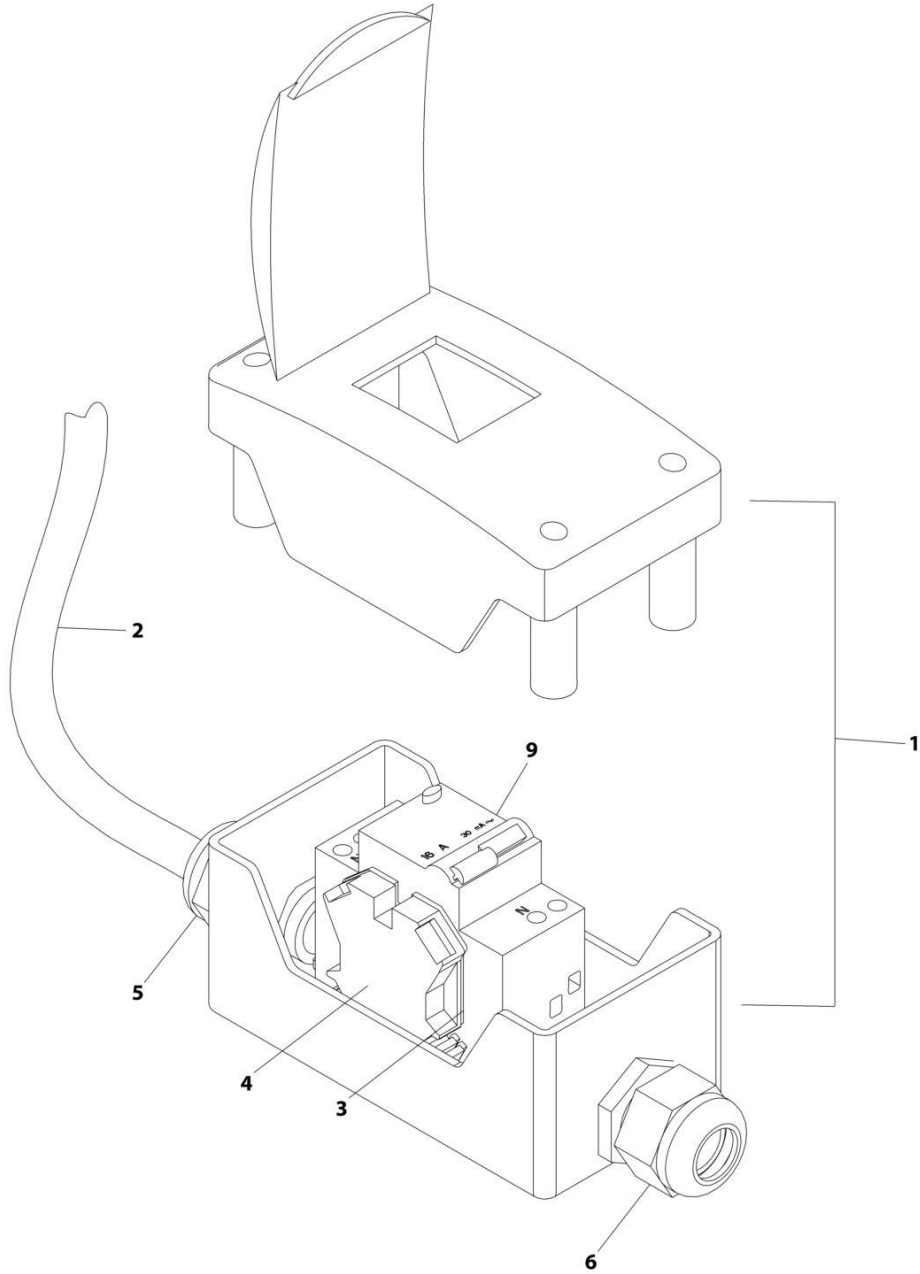
SECTION 8 - ELECTRICAL

FIGURE 8-30. BREAKER BOX INSTALLATION (CE & UK CA SPECS WITHOUT 4000W GENERATOR)

ITEM	PART NUMBER	QTY	DESCRIPTION	REV
	1001177710	Ref	AC BREAKER BOX INSTALLATION	D
1	0641406	4	Bolt 1/4 x 3/4	
4	3311405	2	Nut 1/4	
5	1001213584	1	Plug, Male	
6	1001213585	1	Receptacle, Female	
7	4711400	6	Washer 1/4	
8	1001109654	1	Breaker Box Kit - With 2 Breakers (See Separate Breakdown in this Section)	
9	1001177035	1	Bracket	

SECTION 8 - ELECTRICAL

FIGURE 8-31. BREAKER BOX KIT - ONE DOUBLE 16AMP BREAKER (BRAZIL, CE & UK CA SPECS WITHOUT 4000W GENERATOR)



ART_1001109654

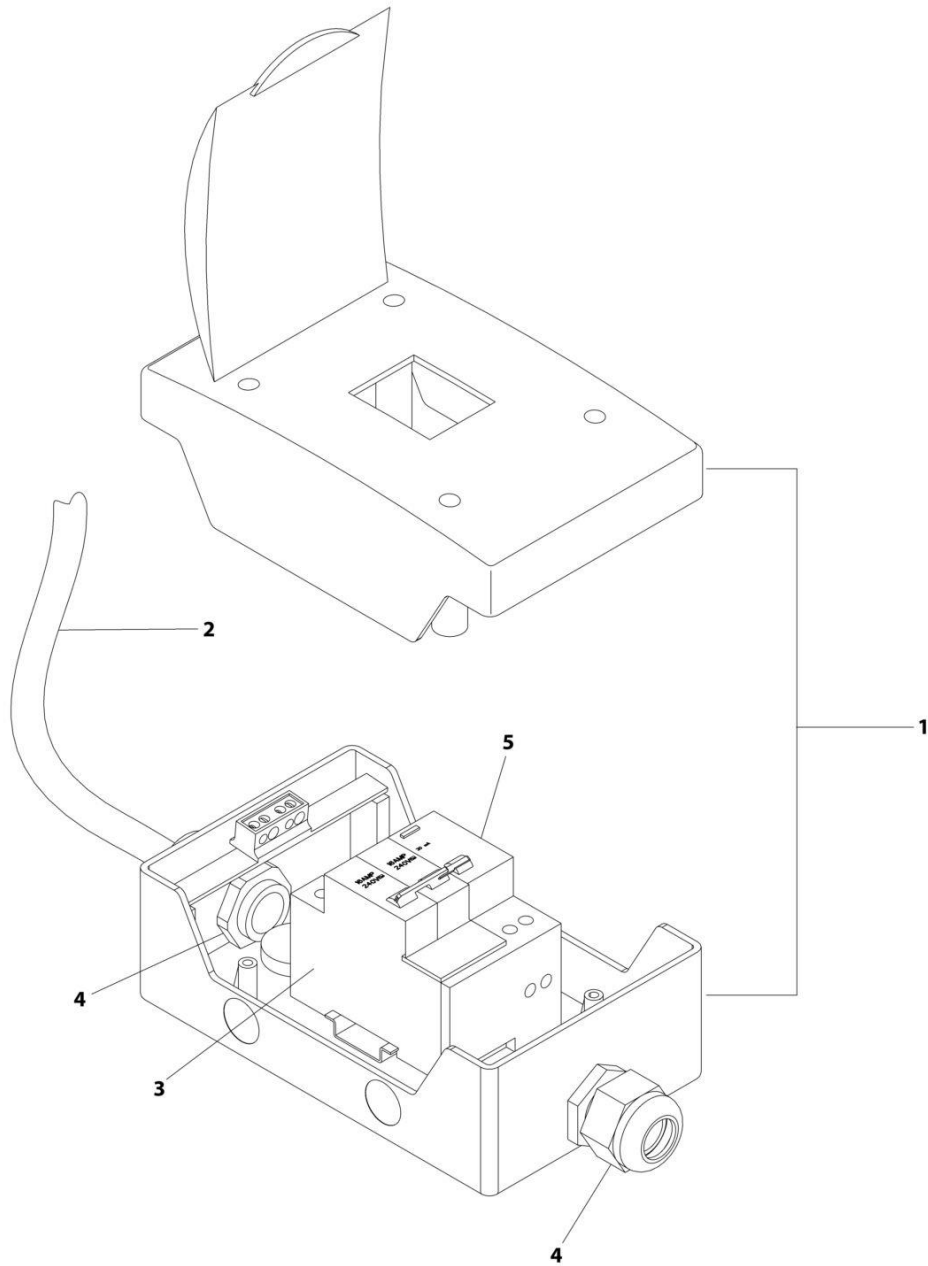
SECTION 8 - ELECTRICAL

FIGURE 8-31. BREAKER BOX KIT - ONE DOUBLE 16AMP BREAKER (BRAZIL, CE & UK CA SPECS WITHOUT 4000W GENERATOR)

ITEM	PART NUMBER	QTY	DESCRIPTION	REV
	1001109654	Ref	BREAKER BOX KIT	C
1	0861880	1	Box, Breaker	
2	1060908	12 ft/ 3.6m	Cable 12/3	
3	4460956	1	Barrier, Terminal Block End	
4	4460957	1	Block, Terminal	
5	1001097150	1	Connector, Strain Relief	
6	1001101191	1	Connector, Strain Relief	
9	1001181045	1	Breaker - 30mA/16Amp	
10	1001100231	3	Terminal (Not Shown)	

SECTION 8 - ELECTRICAL

FIGURE 8-32. BREAKER BOX KIT - WITH 3 BREAKERS (CE & UK CA SPECS WITH 4000W GENERATOR)



ART_1001205690

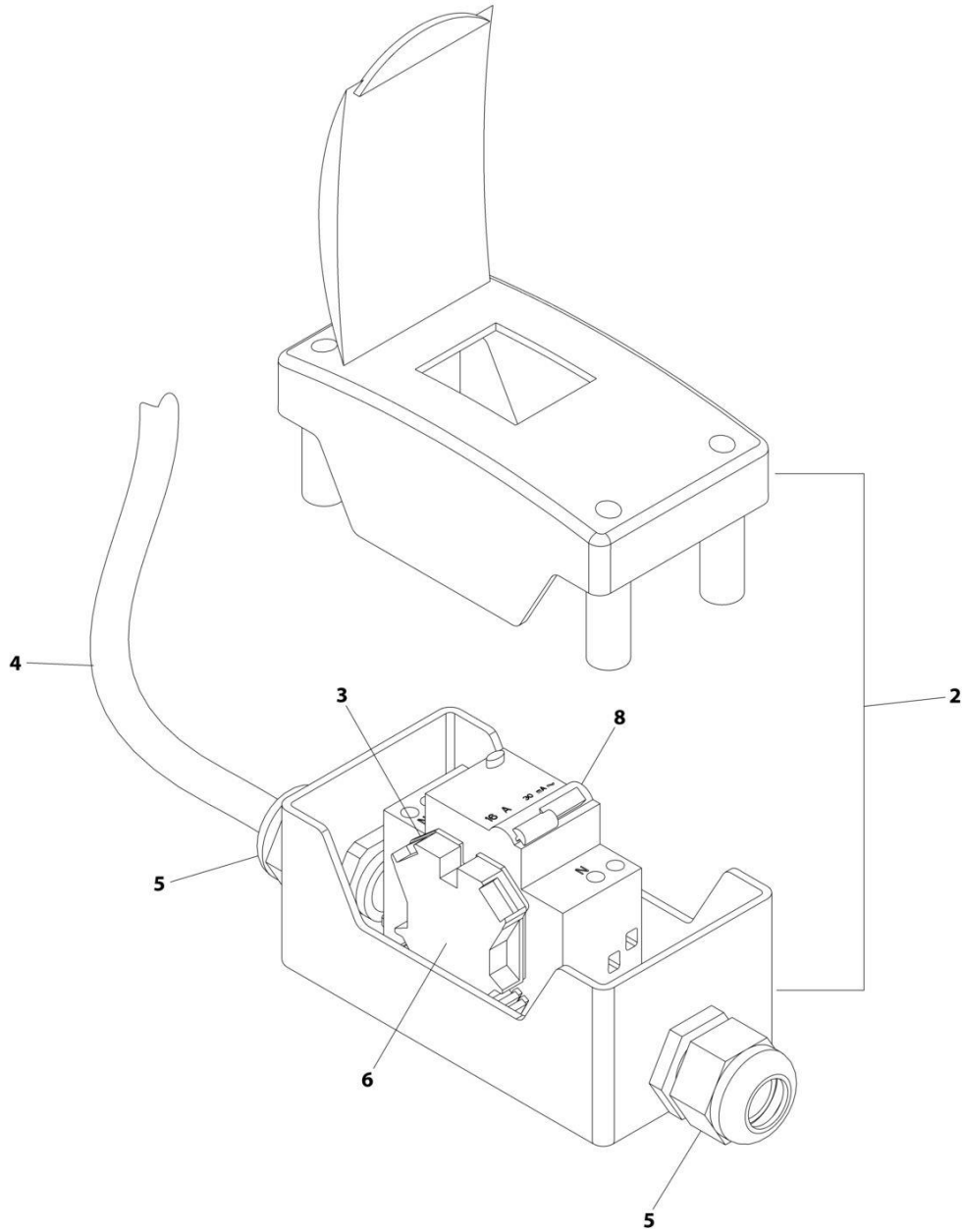
SECTION 8 - ELECTRICAL

FIGURE 8-32. BREAKER BOX KIT - WITH 3 BREAKERS (CE & UK CA SPECS WITH 4000W GENERATOR)

ITEM	PART NUMBER	QTY	DESCRIPTION	REV
	1001205690	Ref	BREAKER BOX KIT	B
1	1001152483	1	Box, Breaker	
2	1060545	12 ft / 3.6m	Cable, Electrical 10/3	
3	1001189172	1	Breaker 16Amp Double	
4	1001101191	2	Connector, Strain Relief	
5	1001189171	1	Breaker 30mA	

SECTION 8 - ELECTRICAL

FIGURE 8-33. BREAKER BOX KIT - ONE DOUBLE 16AMP BREAKER (CE & UK CA SPECS WITH 4000W GENERATOR)



ART_1001165368_B

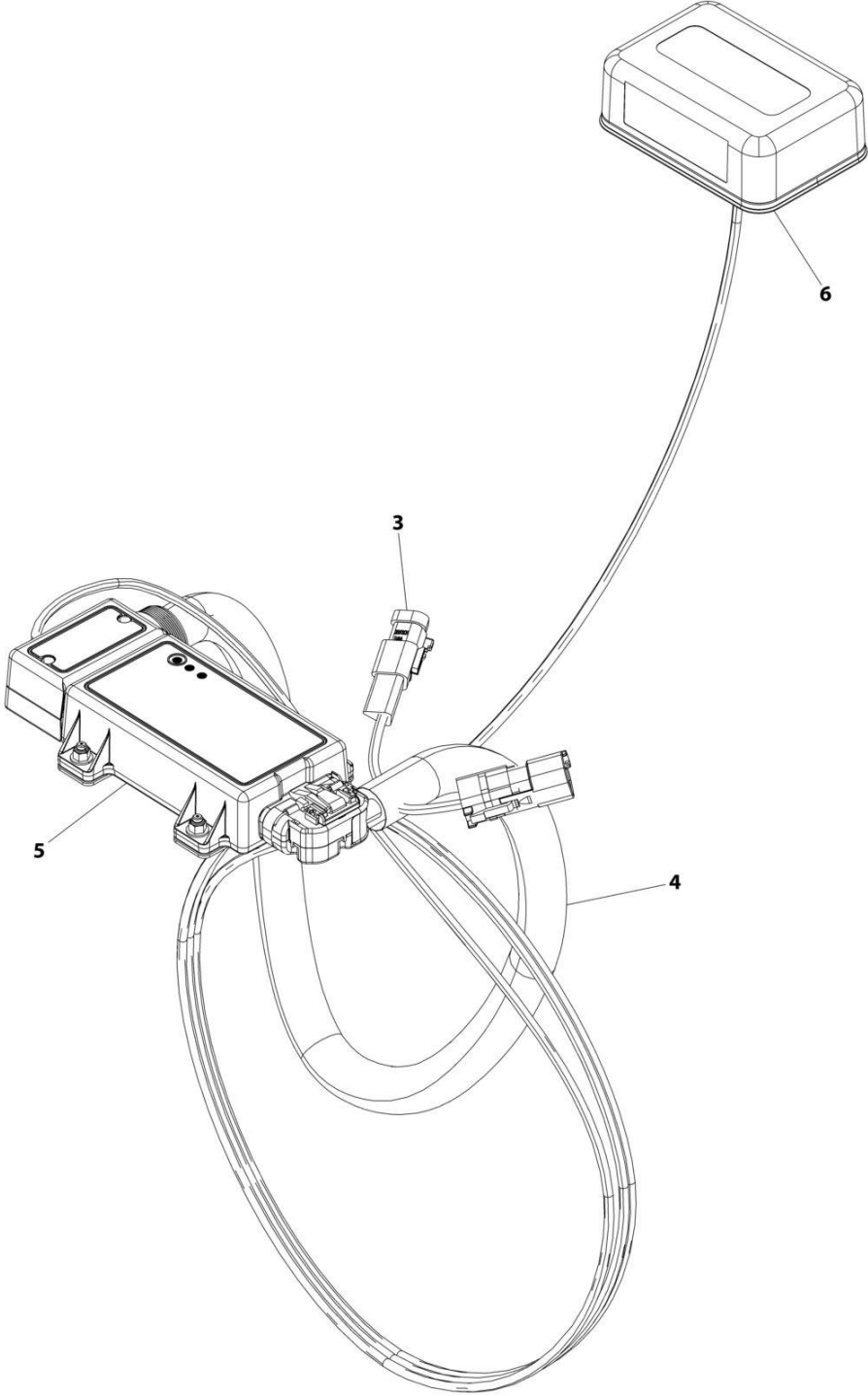
SECTION 8 - ELECTRICAL

FIGURE 8-33. BREAKER BOX KIT - ONE DOUBLE 16AMP BREAKER (CE & UK CA SPECS WITH 4000W GENERATOR)

ITEM	PART NUMBER	QTY	DESCRIPTION	REV
	1001165368	Ref	BREAKER BOX KIT	B
2	0861880	1	Box, Circuit Breaker	
3	4460956	1	Barrier, Terminal Block End	
4	1060545	12 ft/ 3.6m	Cable, Electrical 10/3	
5	1001101191	2	Connector, Strain Relief	
6	4460957	1	Block, Terminal	
8	1001181045	1	Breaker 30mA/16Amp	

SECTION 8 - ELECTRICAL

FIGURE 8-34. CLEARSKY INSTALLATION - CANBUS (ANSI SPECS)



ART_1001227448

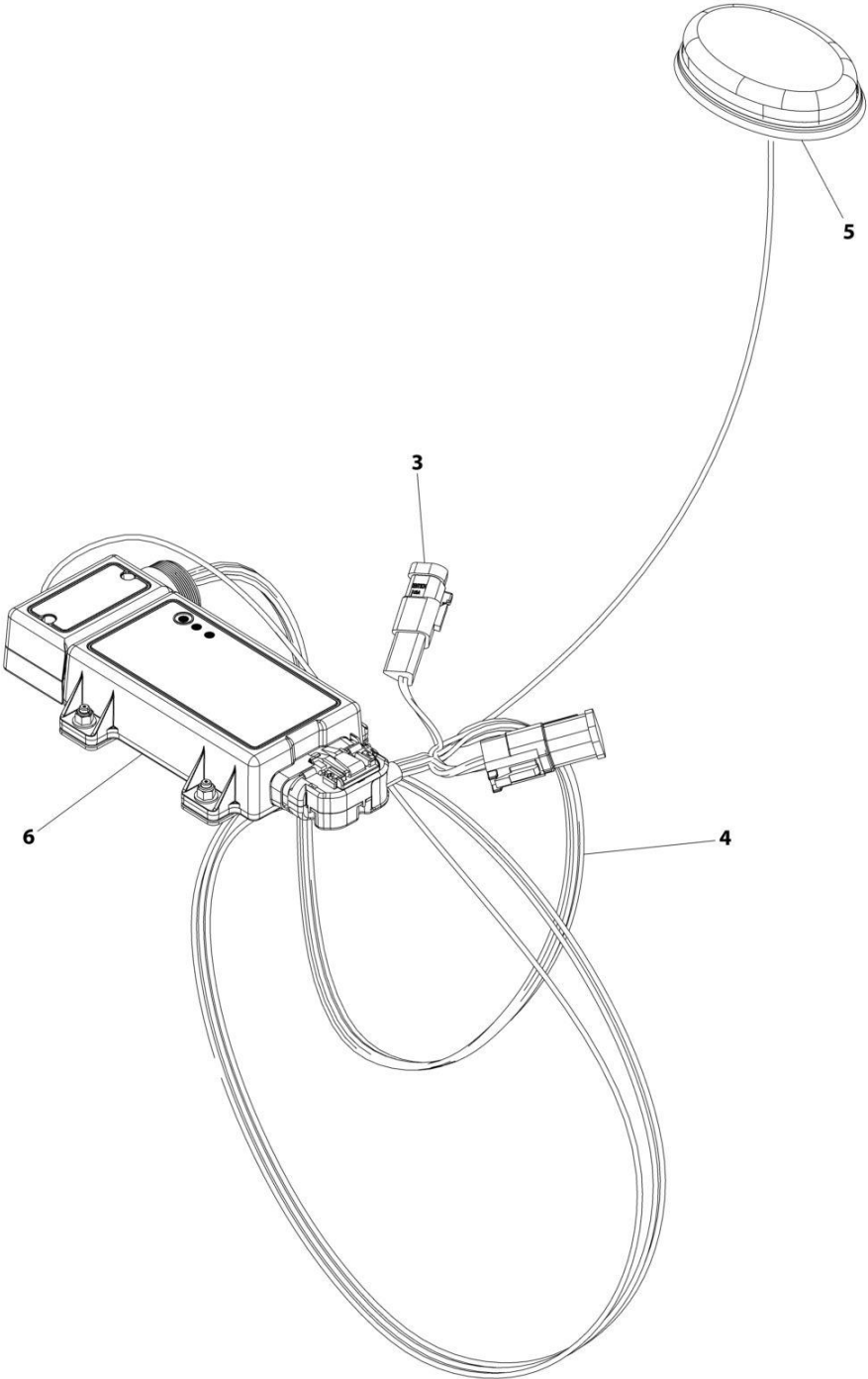
SECTION 8 - ELECTRICAL

FIGURE 8-34. CLEARSKY INSTALLATION - CANBUS (ANSI SPECS)

ITEM	PART NUMBER	QTY	DESCRIPTION	REV
	1001227448	REF	CLEARSKY INSTALLATION - CANBUS	B
1	4240032	AR	Tie-Strap (Not Shown)	
2	4460234	AR	Mount, Cable -Tie (Not Shown)	
3	1001116815	1	Plug, Connector	
4	1001226739	1	ClearSky Telematics Harness (See Separate Breakdown in this Section)	
5	1001262322	1	Module, ClearSky	
6	1001262326	1	Antenna	

SECTION 8 - ELECTRICAL

FIGURE 8-35. CLEARSKY INSTALLATION - CANBUS (AUSTRALIAN SPECS)



ART_1001246473

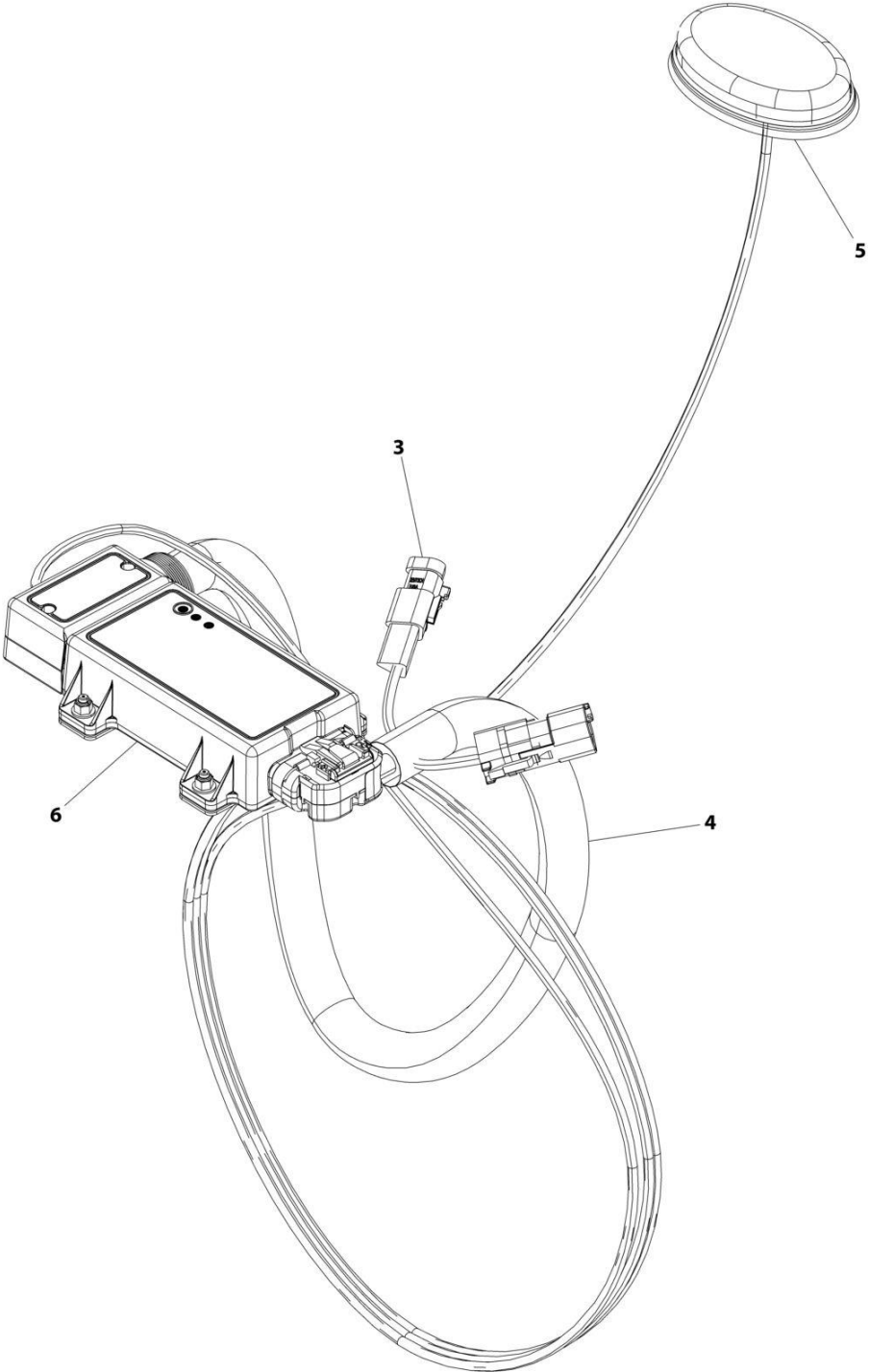
SECTION 8 - ELECTRICAL

FIGURE 8-35. CLEARSKY INSTALLATION - CANBUS (AUSTRALIAN SPECS)

ITEM	PART NUMBER	QTY	DESCRIPTION	REV
	1001246473	REF	CLEARSKY INSTALLATION - CANBUS	A
1	4240032	AR	Tie-Strap (Not Shown)	
2	4460234	AR	Mount, Cable -Tie (Not Shown)	
3	1001116815	1	Plug, Connector	
4	1001226739	1	ClearSky Telematics Harness (See Separate Breakdown in this Section)	
5	1001226799	1	Antenna	
6	1001246144	1	Module, ClearSky	

SECTION 8 - ELECTRICAL

FIGURE 8-36. CLEARSKY INSTALLATION - CANBUS (CE SPECS)



ART_1001228949

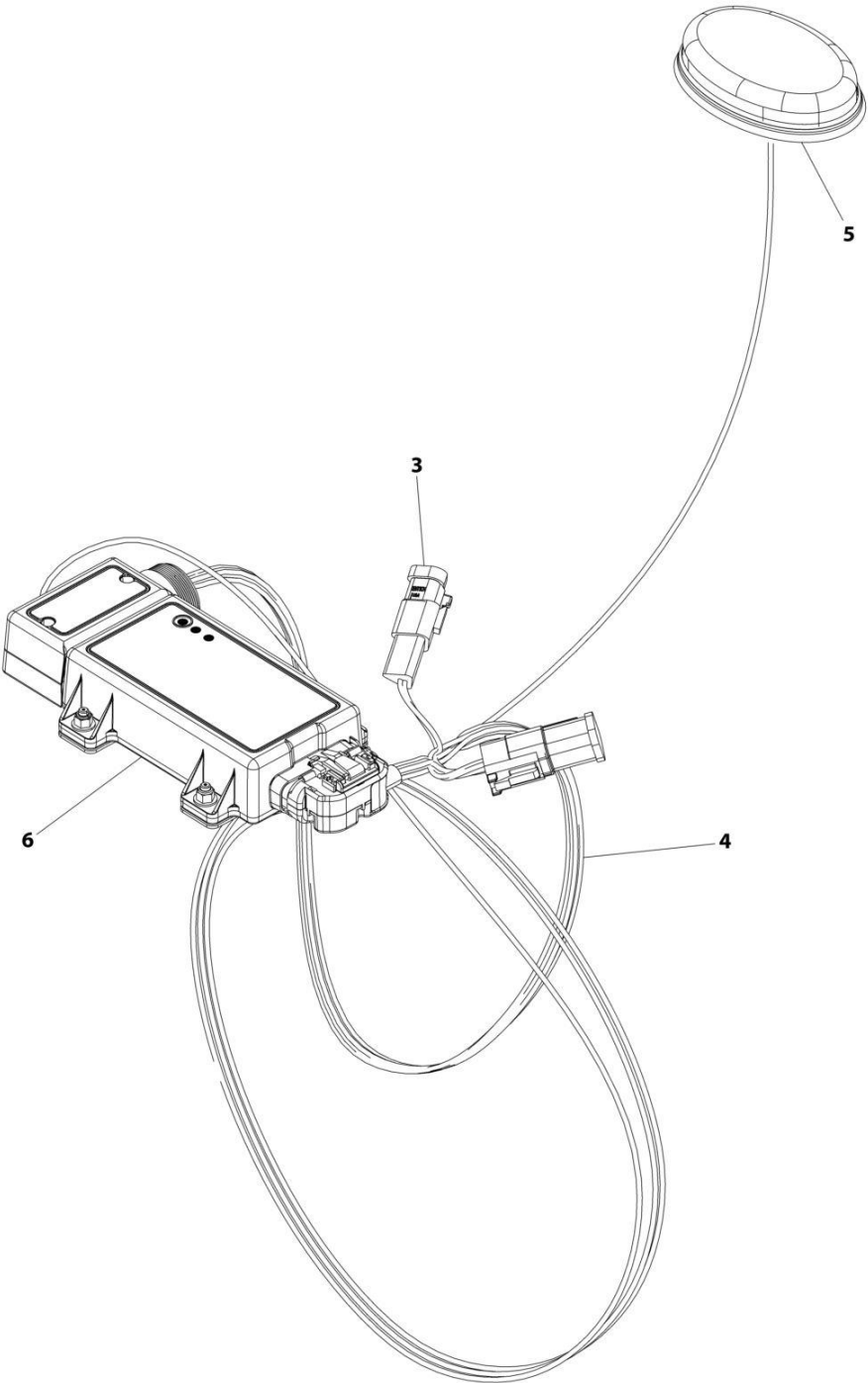
SECTION 8 - ELECTRICAL

FIGURE 8-36. CLEARSKY INSTALLATION - CANBUS (CE SPECS)

ITEM	PART NUMBER	QTY	DESCRIPTION	REV
	1001228949	REF	CLEARSKY INSTALLATION - CANBUS	A
1	4240032	AR	Tie-Strap (Not Shown)	
2	4460234	AR	Mount, Cable -Tie (Not Shown)	
3	1001116815	1	Plug, Connector	
4	1001226739	1	ClearSky Telematics Harness (See Separate Breakdown in this Section)	
5	1001226799	1	Antenna	
6	1001228954	1	Module, ClearSky	

SECTION 8 - ELECTRICAL

FIGURE 8-37. CLEARSKY INSTALLATION - CANBUS (CHINA SPECS)



ART_1001246474

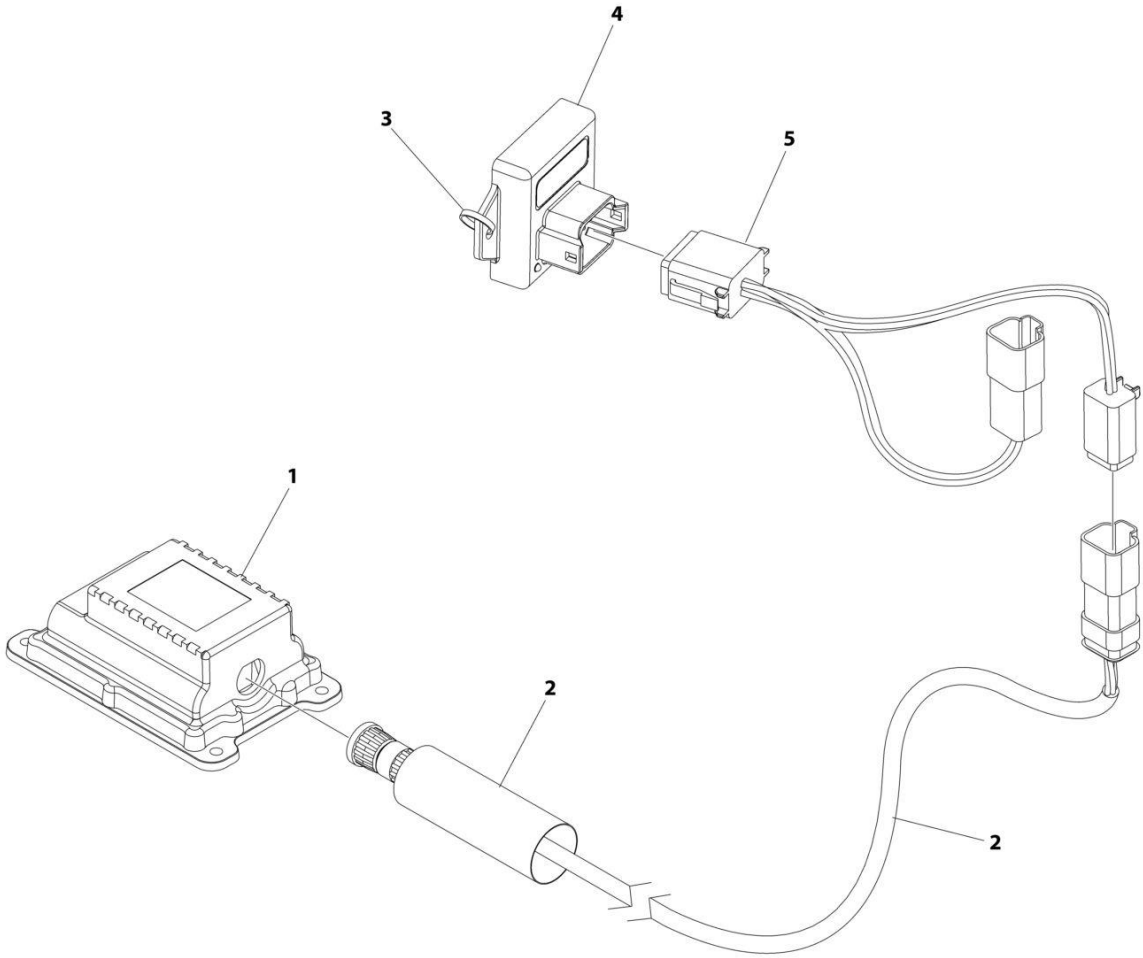
SECTION 8 - ELECTRICAL

FIGURE 8-37. CLEARSKY INSTALLATION - CANBUS (CHINA SPECS)

ITEM	PART NUMBER	QTY	DESCRIPTION	REV
	1001246474	Ref	CLEARSKY INSTALLATION - CANBUS	A
1	4240032	AR	Tie-Strap (Not Shown)	
2	4460234	AR	Mount, Cable -Tie (Not Shown)	
3	1001116815	1	Plug, Connector	
4	1001226739	1	ClearSky Telematics Harness (See Separate Breakdown in this Section)	
5	1001226799	1	Antenna	
6	1001246145	1	Module, ClearSky	

SECTION 8 - ELECTRICAL

FIGURE 8-38. CLEARSKY INSTALLATION - 3-WIRE (ANSI & CSA SPECS)



ART_1001229107

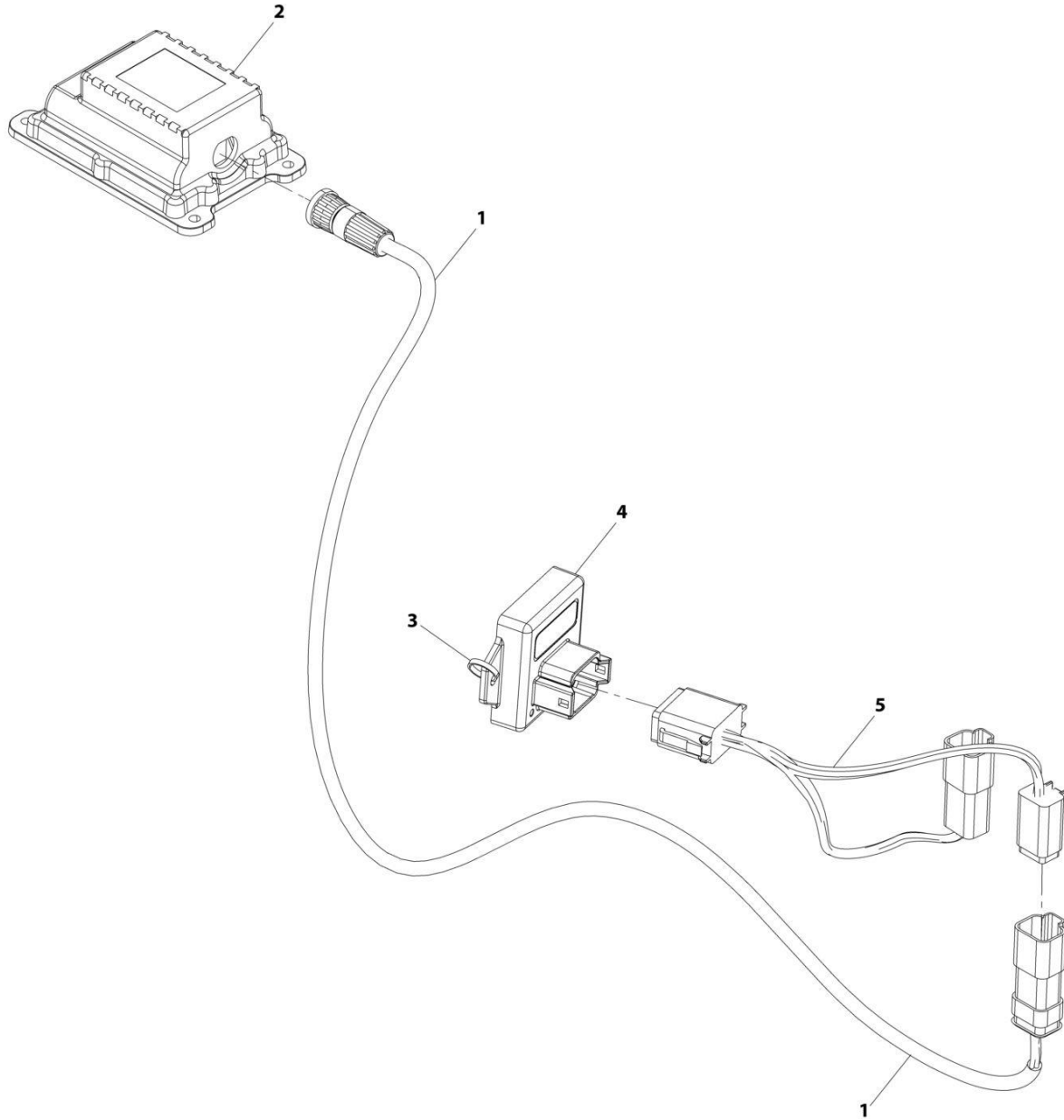
SECTION 8 - ELECTRICAL

FIGURE 8-38. CLEARSKY INSTALLATION - 3-WIRE (ANSI & CSA SPECS)

ITEM	PART NUMBER	QTY	DESCRIPTION	REV
	1001229107	Ref	CLEARSKY INSTALLATION 3-WIRE	D
1	1001226328	1	Module, 3W TCU	
2	1001227066	1	Telematics ClearSky Harness (See Separate Breakdown in this Section)	
3	4240032	AR	Tie-Strap	
4	1001262960	1	Voltage Regulator	
5	1001262963	1	Harness, Xirgo Jumper	

SECTION 8 - ELECTRICAL

FIGURE 8-39. CLEARSKY INSTALLATION - 3-WIRE (ANSI EXPORT, CE & UK CA SPECS)



ART_1001233237

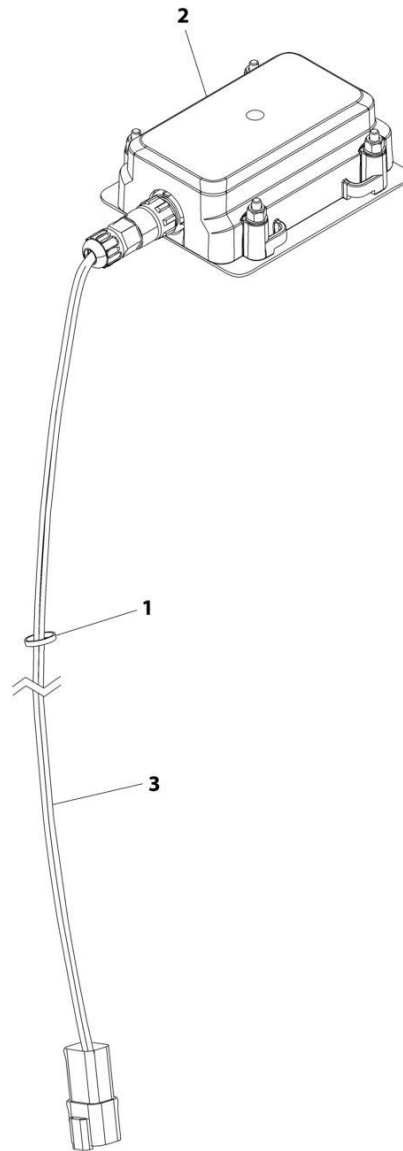
SECTION 8 - ELECTRICAL

FIGURE 8-39. CLEARSKY INSTALLATION - 3-WIRE (ANSI EXPORT, CE & UK CA SPECS)

ITEM	PART NUMBER	QTY	DESCRIPTION	REV
	1001233237	Ref	Clearsky Installation 3-Wire (CE)	E
1	1001227066	1	Telematics Harness (See Separate Breakdown in this Section)	
2	1001233236	1	Module, 3W TCU	
3	4240032	AR	Tie Strap	
4	1001262960	1	Voltage Regulator	
5	1001262963	1	Harness, Xirgo Jumper	

SECTION 8 - ELECTRICAL

FIGURE 8-40. CLEARSKY INSTALLATION 3-WIRE CONNECTION (ALL SPECS)



ART_1001276610

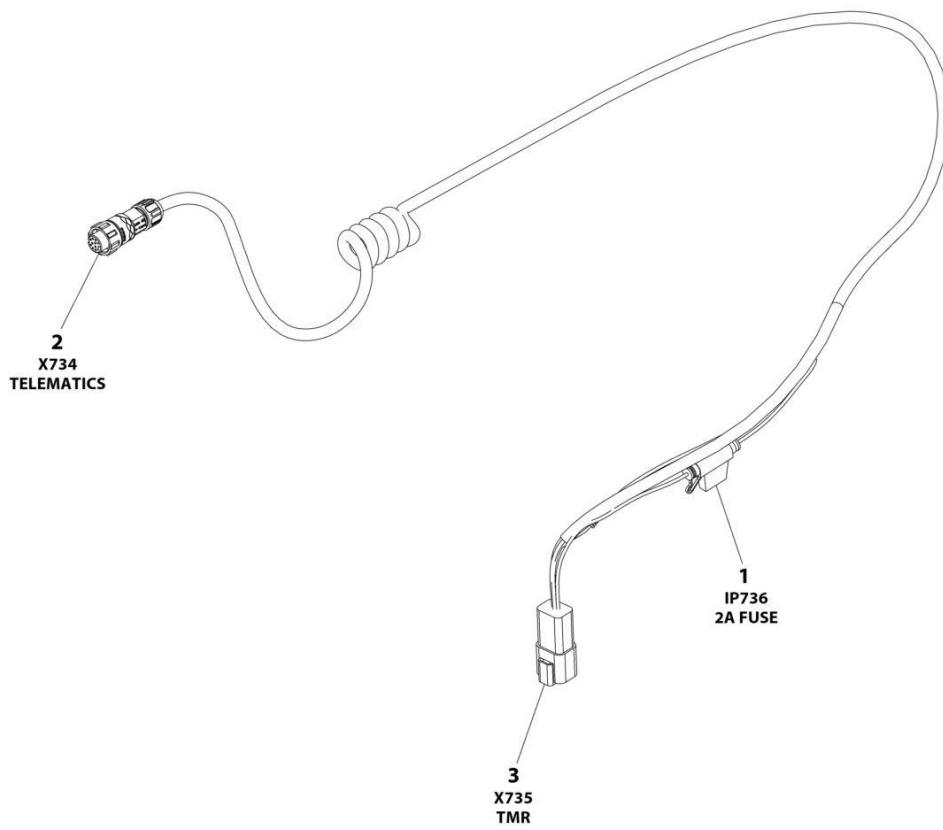
SECTION 8 - ELECTRICAL

FIGURE 8-40. CLEARSKY INSTALLATION 3-WIRE CONNECTION (ALL SPECS)

ITEM	PART NUMBER	QTY	DESCRIPTION	REV
	1001276610	Ref	CLEARSKY INSTALLATION 3-WIRE CONNECTION	A
1	4240032	AR	Tie-Strap	
2	1001272659	1	Telematics Control Module Assembly (Note: Re-calibration Required when Replaced)	
3	1001273012	1	ClearSky Harness (See Separate Breakdown in this Section)	

SECTION 8 - ELECTRICAL

FIGURE 8-41. CLEARSKY TELEMATCIS HARNESS (3-WIRE)



ART_1001273012

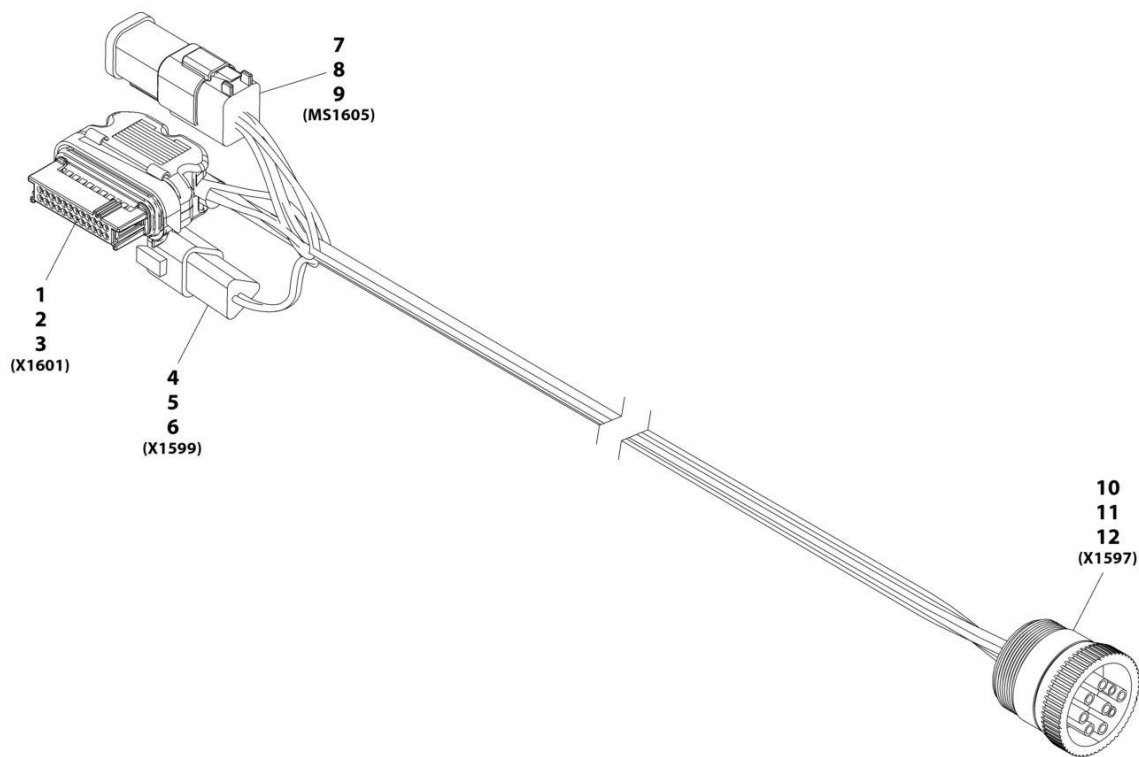
SECTION 8 - ELECTRICAL

FIGURE 8-41. CLEARSKY TELEMATICS HARNESS (3-WIRE)

ITEM	PART NUMBER	QTY	DESCRIPTION	REV
	1001273012	Ref	CLEARSKY TELEMATICS HARNESS - GT1030	D
1	1001255901	1	Fuseholder	
1	1001196634	1	Fuse - 2Amp	
2	1001272997	1	Connector - 12 Position	
2		Ref	Terminal	
3	4460932	1	Receptacle, Female - 4 Position	
3	4460464	4	Pin, Male	

SECTION 8 - ELECTRICAL

FIGURE 8-42. CLEARSKY TELEMATICS HARNESS (CANBUS)



ART_1001226739-A

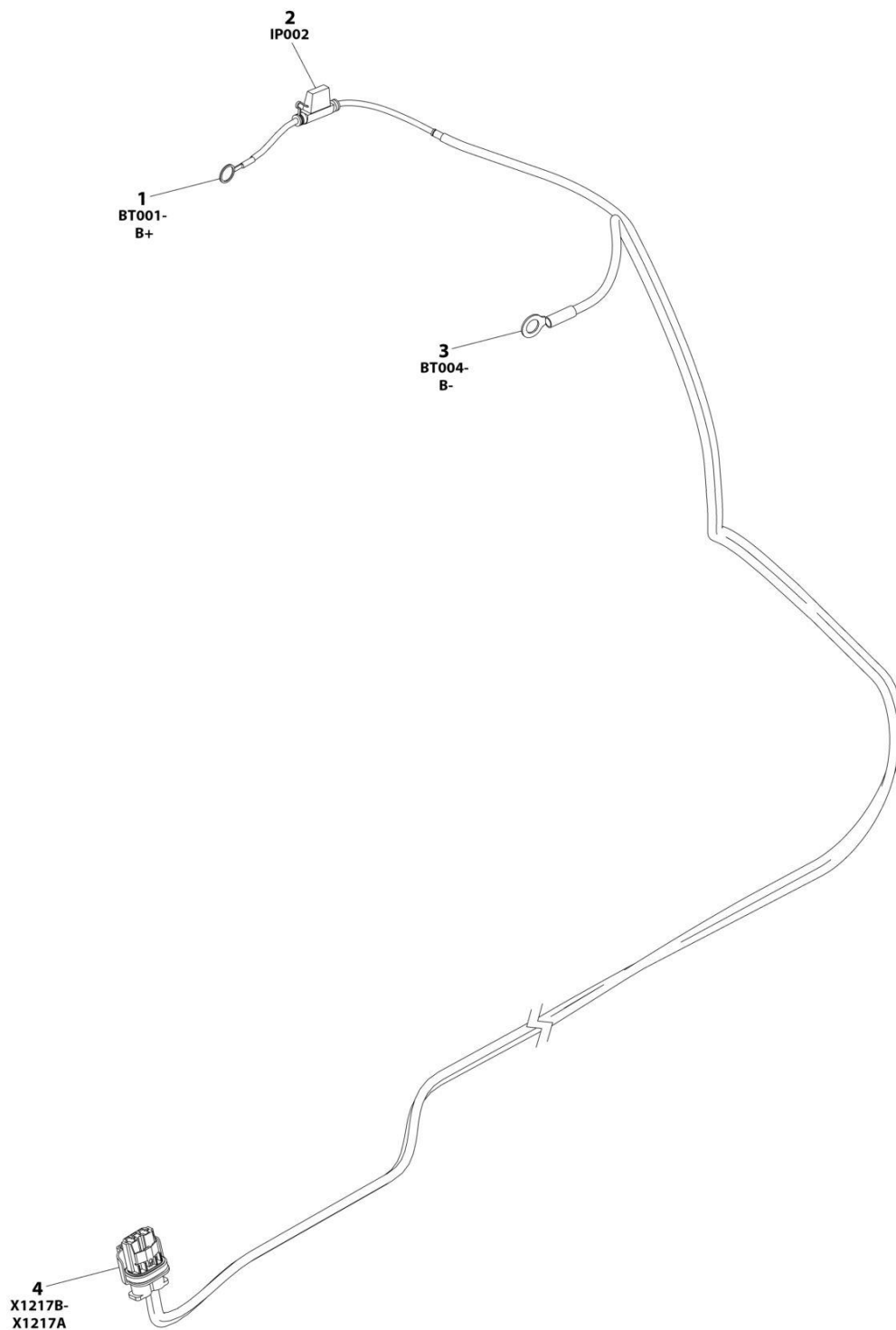
SECTION 8 - ELECTRICAL

FIGURE 8-42. CLEARSKY TELEMATCIS HARNESS (CANBUS)

ITEM	PART NUMBER	QTY	DESCRIPTION	REV
	1001226739	Ref	Clearsky Harness	A
1	1001226636	1	Connector	
2	1001116731	16	Plug, Terminal	
3	1001226637	8	Terminal	
4	1001144147	1	Connector	
5	4460464	2	Terminal	
6	4460466	1	Plug, Terminal	
7	4460894	1	Connector	
8	4460465	6	Terminal	
9	1001226541	1	Connector- 6 Pin Bussbar	
10	1001112796	1	Connector	
11	4460465	8	Terminal	
12	4460466	1	Plug, Terminal	

SECTION 8 - ELECTRICAL

FIGURE 8-43. ECU POWER JUMPER HARNESS



ART_1001289593

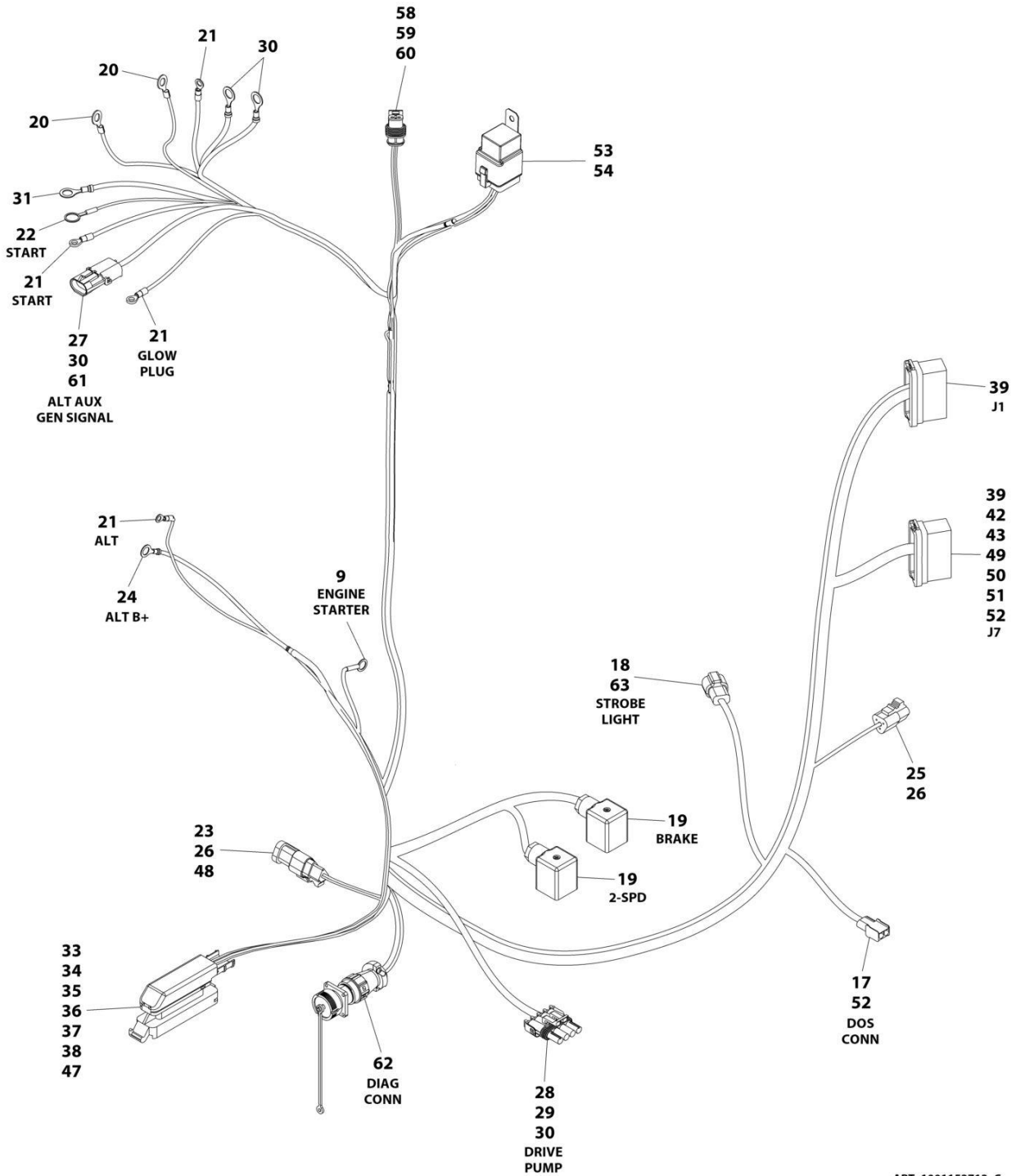
SECTION 8 - ELECTRICAL

FIGURE 8-43. ECU POWER JUMPER HARNESS

ITEM	PART NUMBER	QTY	DESCRIPTION	REV
	1001289593	Ref	ECU POWER JUMPER HARNESS	A
1	4460019	1	Terminal Ring	
2	1001172064	1	Fuse Holder	
2	1001172065	1	Fuse 30Amp	
3	8220164	1	Terminal Ring	
4	1001142938	1	Connector	
4	1001142940	2	Terminal	
4	1001142941	2	Seal	

SECTION 8 - ELECTRICAL

FIGURE 8-44. ENGINE HARNESS - DEUTZ D2011 ENGINES (Prior to SN 0300298303)



ART_1001153713_C

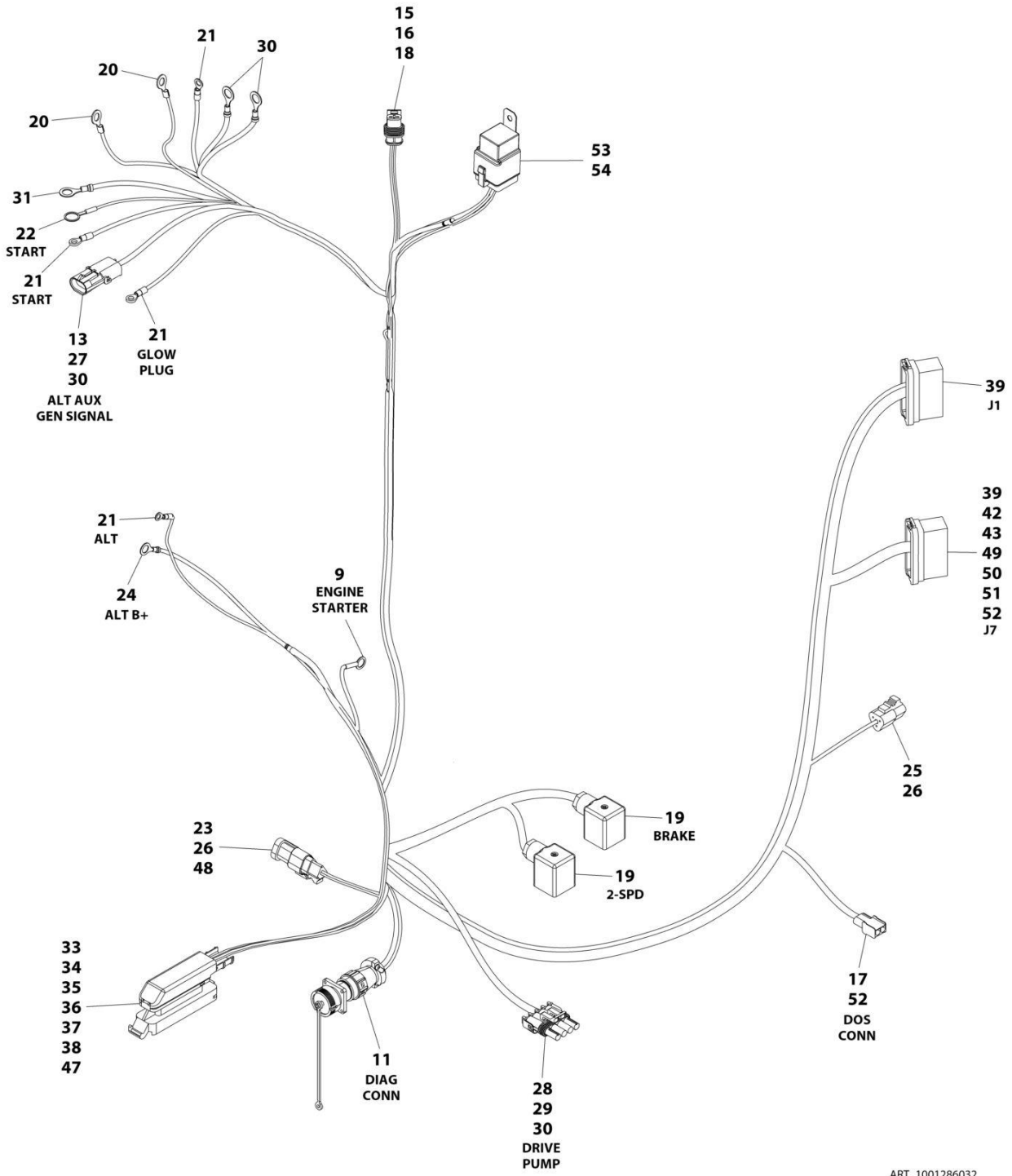
SECTION 8 - ELECTRICAL

FIGURE 8-44. ENGINE HARNESS - DEUTZ D2011 ENGINES (Prior to SN 0300298303)

ITEM	PART NUMBER	QTY	DESCRIPTION	REV
	1001153713	Ref	ENGINE HARNESS - DEUTZ D2011 ENGINES	C
9	4460142	1	Terminal - Ring	
17	4460424	1	Connector - 2 Position	
18	4460464	2	Pin, Male	
19	1001263923	2	Connector, Din	
20	4460312	2	Terminal, Ring	
21	4460313	4	Terminal, Ring	
22	4460019	1	Terminal, Ring	
23	4461070	1	Connector - 3 Position	
24	4460043	1	Terminal, Ring 16 GA 1/4 Stud	
25	4460539	1	Position Plug, Male - 3 Position	
26	4460944	6	Socket, Female	
27	4460979	2	Pin, Male	
28	4460460	1	Connector	
29	4460457	4	Sleeve	
30	4460458	6	Seal	
31	4460670	3	Terminal, Ring	
33	4461052	1	Conenctor - 25 Position	
34	4461005	5	Terminal	
35	4461060	2	Terminal	
36	4461006	5	Seal	
37	4461054	2	Seal	
38	4461008	18	Plug, Terminal	
39	4460871	10	Socket, Female	
42	4460464	1	Terminal	
43	4460887	1	Terminal	
47	4461053	1	Cover	
48	4461095	1	Plug, Male - 3 Position	
49	4460465	2	Socket, Female	
50	4460259	1	Terminal	
51	4460260	1	Cover, Terminal	
52	4460226	4	Socket, Female	
53	4460374	1	Plug	
54	4460375	4	Terminal	
58	1001102290	1	Connector	
59	1001102304	2	Seal	
60	1001102291	2	Terminal	
61	4461157	1	Connector - 2 Position	
62	2902443	1	Kit, Receptacle	
62	4461073	1	Cap, Dust	
63	4460897	1	Connector	

SECTION 8 - ELECTRICAL

FIGURE 8-45. ENGINE HARNESS - DEUTZ D2011 ENGINES (SN 0300298303 to Present)



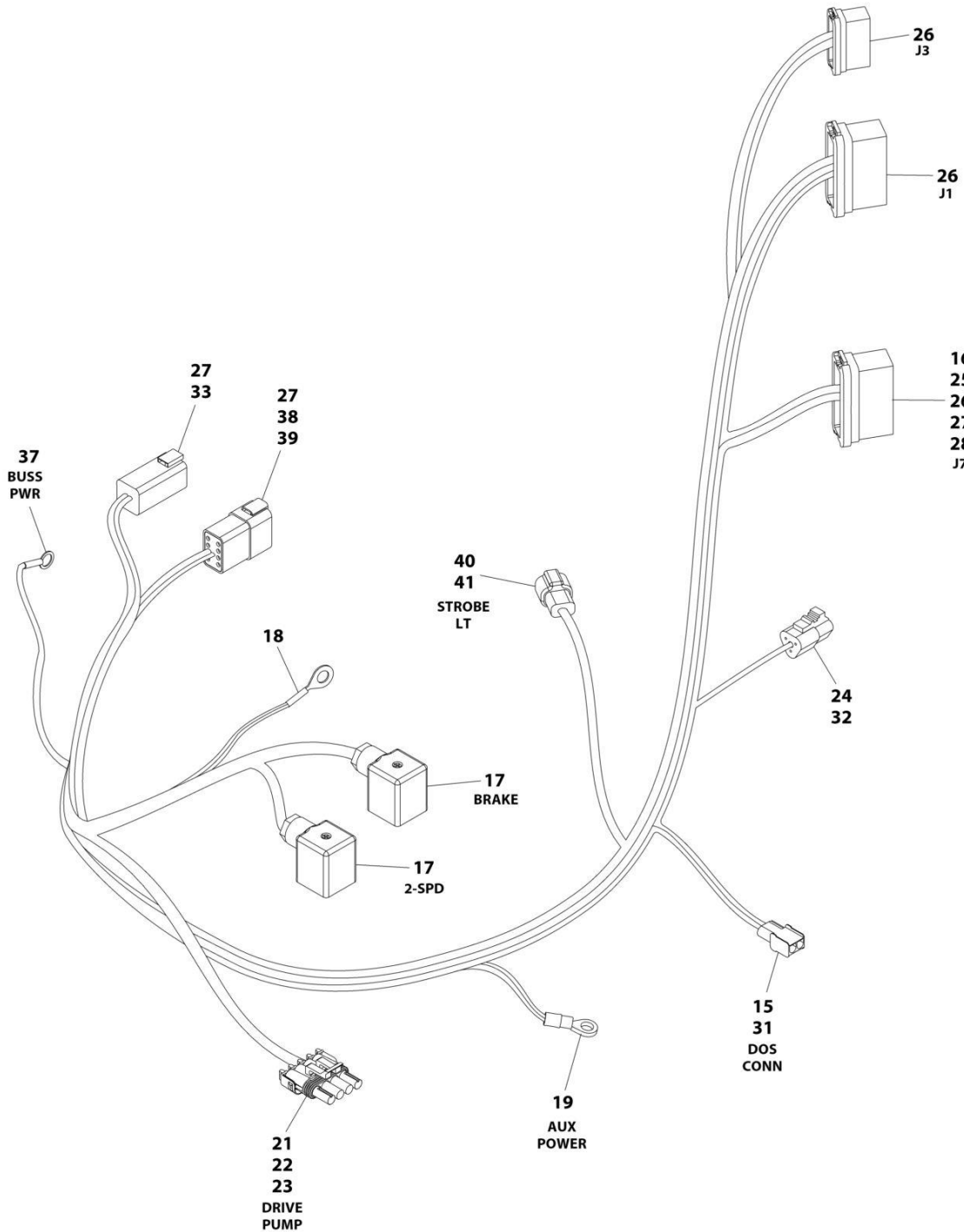
SECTION 8 - ELECTRICAL

FIGURE 8-45. ENGINE HARNESS - DEUTZ D2011 ENGINES (SN 0300298303 to Present)

ITEM	PART NUMBER	QTY	DESCRIPTION	REV
	1001286032	Ref	ENGINE HARNESS - DEUTZ D2011 ENGINES	A
9	4460142	1	Terminal, Ring	
11	2902443	1	Kit, Receptacle	
11	4461073	1	Cap, Dust	
13	4461157	1	Connector	
15	1001102290	1	Connector	
16	1001102291	2	Terminal	
17	4460424	1	Connector	
18	1001102304	2	Seal	
19	1001263923	2	Connector	
20	4460312	2	Terminal, Ring	
21	4460313	4	Terminal, Ring	
22	4460019	1	Terminal, Ring	
23	4461070	1	Connector	
24	4460043	1	Terminal, Ring	
25	4460539	1	Pin	
26	4460944	6	Socket	
27	4460979	2	Pin	
28	4460460	1	Connector	
29	4460457	4	Sleeve	
30	4460458	6	Seal	
31	4460670	3	Terminal, Ring	
33	4461052	1	Connector	
34	4461005	5	Terminal	
35	4461060	2	Terminal	
36	4461006	5	Seal	
37	4461054	2	Seal	
38	4461008	18	Plug, Terminal	
39	4460871	10	Socket	
43	4460887	1	Terminal	
47	4461053	1	Cover	
48	4461095	1	Pin	
49	4460465	2	Socket	
50	4460259	1	Terminal	
51	4460260	1	Cover, Terminal	
52	4460226	4	Socket	
53	4460374	1	Plug	
54	4460375	4	Terminal	

SECTION 8 - ELECTRICAL

FIGURE 8-46. ENGINE HARNESS - DEUTZ TD2.9L4 ENGINES (Prior to SN 0300298303)



ART_1001165776

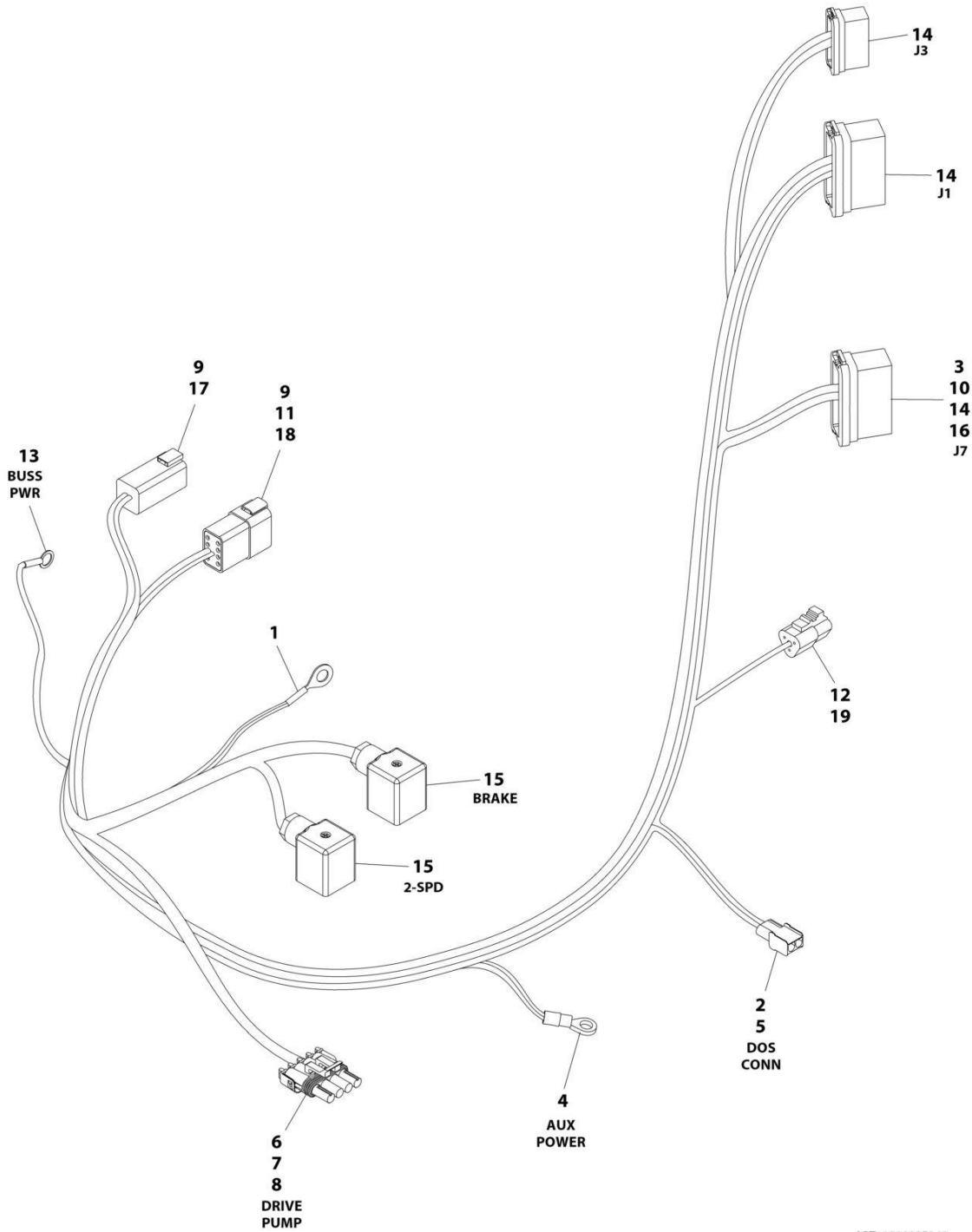
SECTION 8 - ELECTRICAL

FIGURE 8-46. ENGINE HARNESS - DEUTZ TD2.9L4 ENGINES (Prior to SN 0300298303)

ITEM	PART NUMBER	QTY	DESCRIPTION	REV
	1001165776	Ref	ENGINE HARNESS - DEUTZ TD2.9L4 ENGINES	F
15	4460424	1	Connector - 2 Position	
16	4460268	1	Socket, Female	
17	4460880	2	Connector, Din	
18	4460019	1	Terminal, Ring	
19	4460313	1	Terminal, Ring	
21	4460460	1	Connector	
22	4460457	4	Terminal	
23	4460458	4	Seal	
24	4460539	1	Connector - 3 Position	
25	4460465	3	Socket, Female	
26	4460871	11	Socket, Female	
27	4460464	11	Pin, Male	
28	4460887	1	Terminal	
31	4460226	2	Socket, Female	
32	4460944	3	Socket, Female	
33	4460899	1	Receptacle, Female - 6 Position	
37	4460738	1	Terminal, Ring	
38	4460931	1	Plug, Male	
39	4460466	4	Plug, Terminal	
40	4460897	1	Connector - 2 Position	
41	1001116693	2	Terminal	

SECTION 8 - ELECTRICAL

FIGURE 8-47. ENGINE HARNESS - DEUTZ TD2.9L4 ENGINES (SN 0300298303 to Present)



ART_1001285369

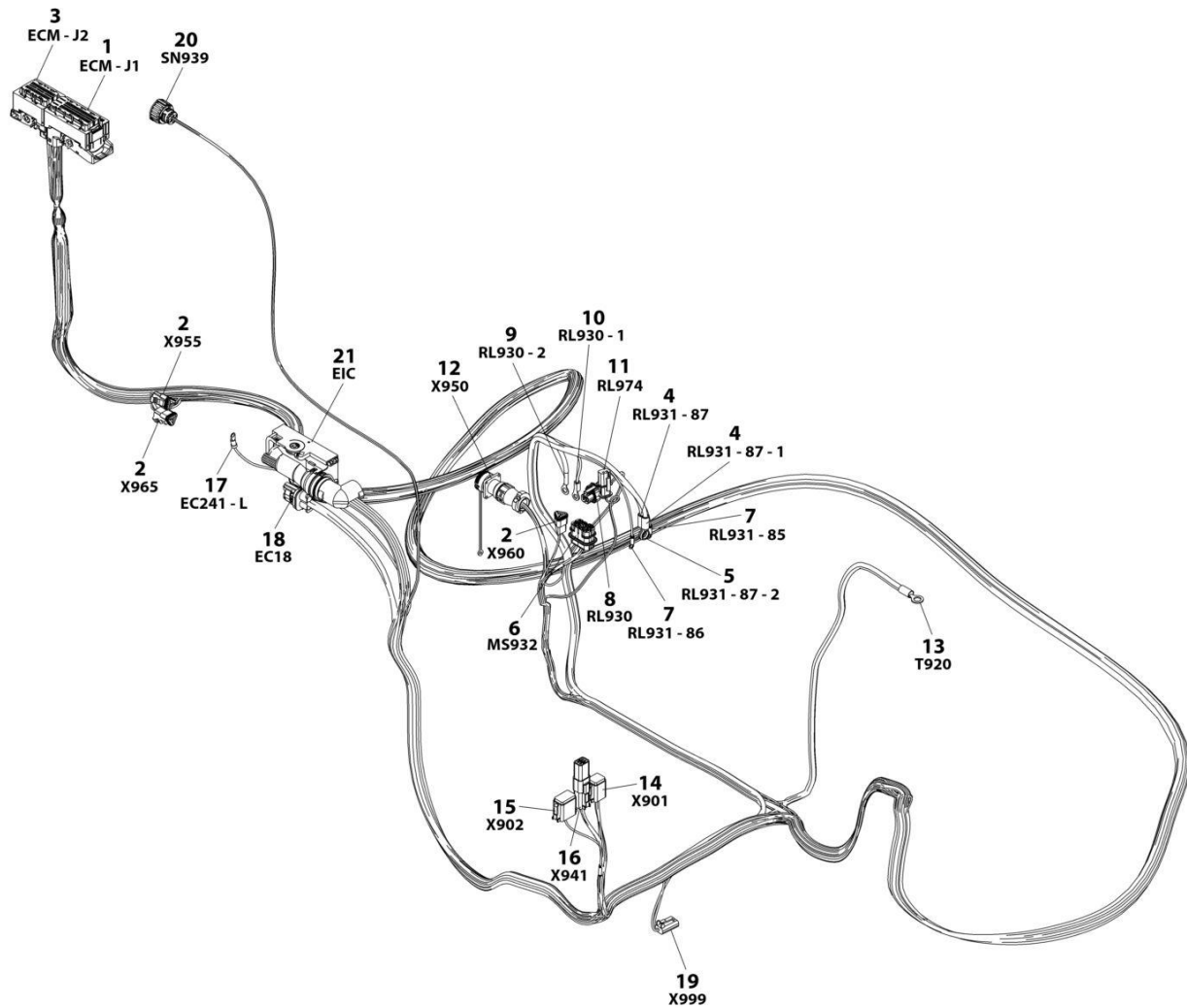
SECTION 8 - ELECTRICAL

FIGURE 8-47. ENGINE HARNESS - DEUTZ TD2.9L4 ENGINES (SN 0300298303 to Present)

ITEM	PART NUMBER	QTY	DESCRIPTION	REV
	1001285369	Ref	ENGINE HARNESS - DEUTZ TD2.9L4 ENGINES	A
1	4460019	1	Connector	
2	4460226	2	Socket	
3	4460268	1	Socket	
4	4460313	1	Terminal, Ring	
5	4460424	1	Connector	
6	4460457	4	Terminal	
7	4460458	4	Seal	
8	4460460	1	Connector	
9	4460464	10	Pin	
10	4460465	3	Socket	
11	4460466	4	Plug, Terminal	
12	4460539	1	Connector	
13	4460738	1	Terminal, Ring	
14	4460871	11	Socket	
15	4460880	2	Connector	
16	4460887	1	Terminal	
17	4460899	1	Connector	
18	4460931	1	Connector	
19	4460944	3	Socket	

SECTION 8 - ELECTRICAL

FIGURE 8-48. ENGINE HARNESS - DEUTZ TD2.9L4 ENGINES AND DEUTZ TD2.9L4 (STAGE V PRE-BUY) ENGINES



ART_1001143726

SECTION 8 - ELECTRICAL

FIGURE 8-48. ENGINE HARNESS - DEUTZ TD2.9L4 ENGINES AND DEUTZ TD2.9L4 (STAGE V PRE-BUY) ENGINES

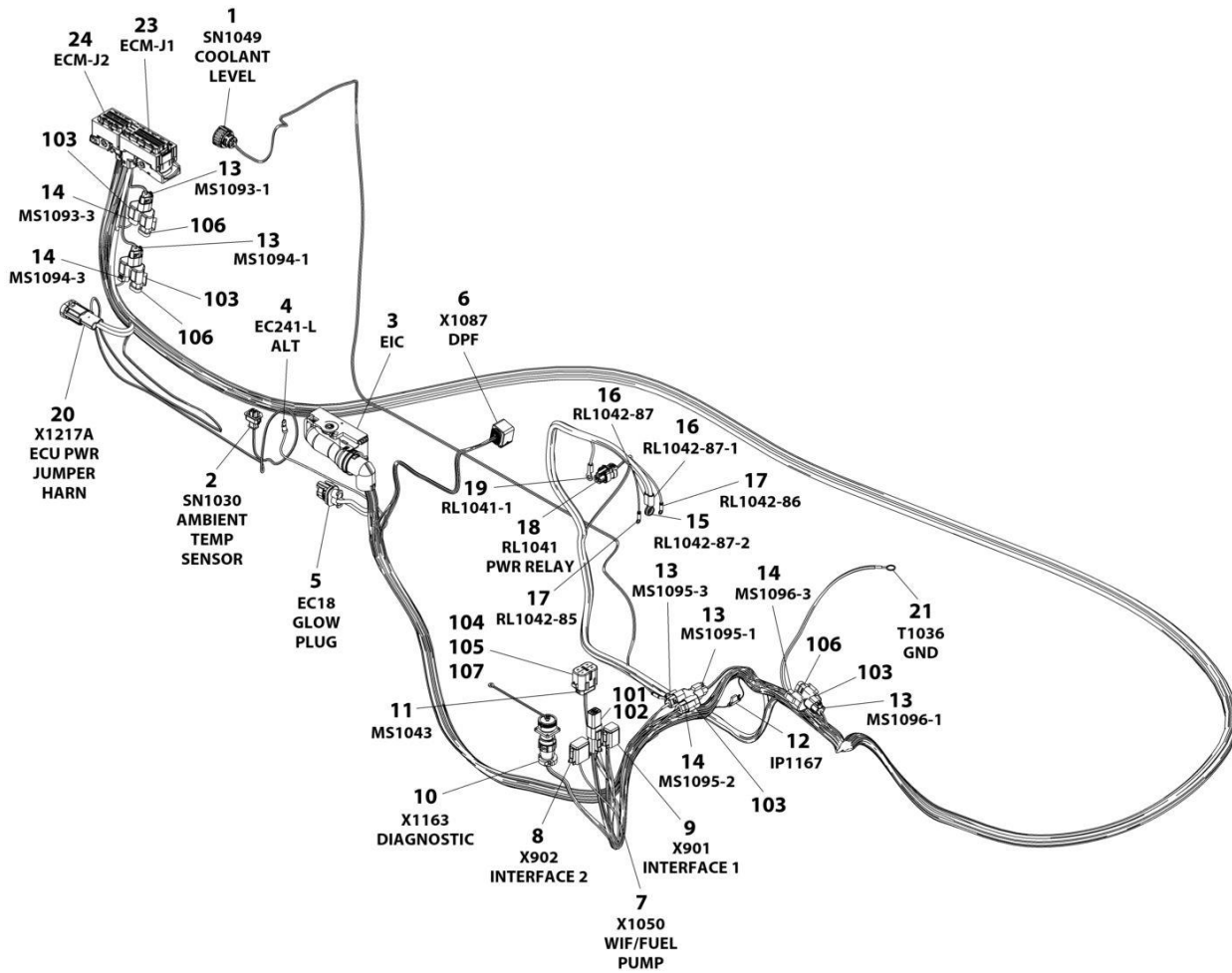
ITEM	PART NUMBER	QTY	DESCRIPTION	REV
	1001143726	Ref	ENGINE HARNESS	L
1	1001133956	1	Connector - 94 Position	
1	1001126351	2	Terminal	
1	1001126352	6	Terminal	
1	1001126384	21	Terminal	
1	1001126357	2	Plug, Terminal	
1	1001126356	63	Plug, Terminal	
2	4461095	3	Plug, Male - 3 Position	
2	4460944	6	Socket, Female	
2	4460466	3	Plug, Terminal	
3	1001133957	1	Connector - 60 Position	
3	1001126351	13	Terminal	
3	1001126384	17	Terminal	
3	1001126357	11	Plug, Terminal	
3	1001126356	19	Plug, Terminal	
4	1001117107	2	Terminal, Ring	
5	4460703	1	Terminal, Ring	
6	80484084	1	Plug, Male - 8 Position	
6	8229242	1	Fuse - 5Amp	
6	80983191	1	Fuse - 10Amp	
6	1001116728	4	Socket, Female	
6	1001116727	4	Plug, Terminal	
6	4460458	4	Seal, Terminal	
6	1001147264	1	Cap	
7	4460247	2	Terminal, Ring	
8	1001116952	1	Plug, Male - 2 Position	
8	4460465	2	Socket, Female	
9	1001117106	1	Terminal, Ring	
10	4460043	1	Terminal, Ring	
11	1001138110	1	Connector - 2 Position	
11	1001138111	2	Terminal	
11	1001138113	2	Seal	
12	2902443	1	Receptacle Kit	
12	4461073	1	Cap, Dust	
12	4461071	6	Terminal	
13	8220115	1	Terminal, Ring	
14	4460894	1	Plug, Male - 6 Position	
14	4460465	3	Socket, Female	
14	4460944	2	Socket, Female	
14	4460466	1	Plug, Terminal	
15	4460930	1	Plug, Male - 8 Position	
15	4460465	1	Socket, Female	
15	4460466	7	Plug, Terminal	
16	1001220379	1	Plug, Male - 4 Position	
16	4460465	2	Socket, Female	
16	4460942	2	Socket, Female	
16	4460932	1	Receptacle, Bussbar - 4 Position	
17	4460042	1	Terminal, Ring	
18	1001142938	1	Plug, Male - 2 Position	

SECTION 8 - ELECTRICAL

ITEM	PART NUMBER	QTY	DESCRIPTION	REV
18	1001142940	2	Terminal	
18	1001142941	2	Seal	
19	4460891	1	Plug, Male - 4 Position	
19	4460465	2	Socket, Female	
19	1001171403	1	Resistor Assembly	
19	4460897	1	Receptacle, Female - 4 Position	
20	1001133714	1	Connector - 4 Position	
20	1001133715	3	Terminal	
20	1001135650	3	Seal, Terminal	
20	1001135651	1	Plug, Terminal	
21	1001126362	1	Connector - 62 Position	
21	1001126363	23	Terminal	
21	1001126392	10	Terminal	
21	1001126365	2	Terminal	
21	1001126391	23	Plug, Terminal	
21	4461008	4	Plug, Terminal	
21	1001256506	2	Seal, Terminal	
21	1001126364	21	Seal, Terminal	
21	1001223459	10	Seal, Terminal	
21	4461008	4	Plug, Terminal	
21	1001151856	1	Elbow	

SECTION 8 - ELECTRICAL

FIGURE 8-49. ENGINE HARNESS - DEUTZ TD2.9L4 (STAGE V) ENGINES



ART_1001276644

SECTION 8 - ELECTRICAL

FIGURE 8-49. ENGINE HARNESS - DEUTZ TD2.9L4 (STAGE V) ENGINES

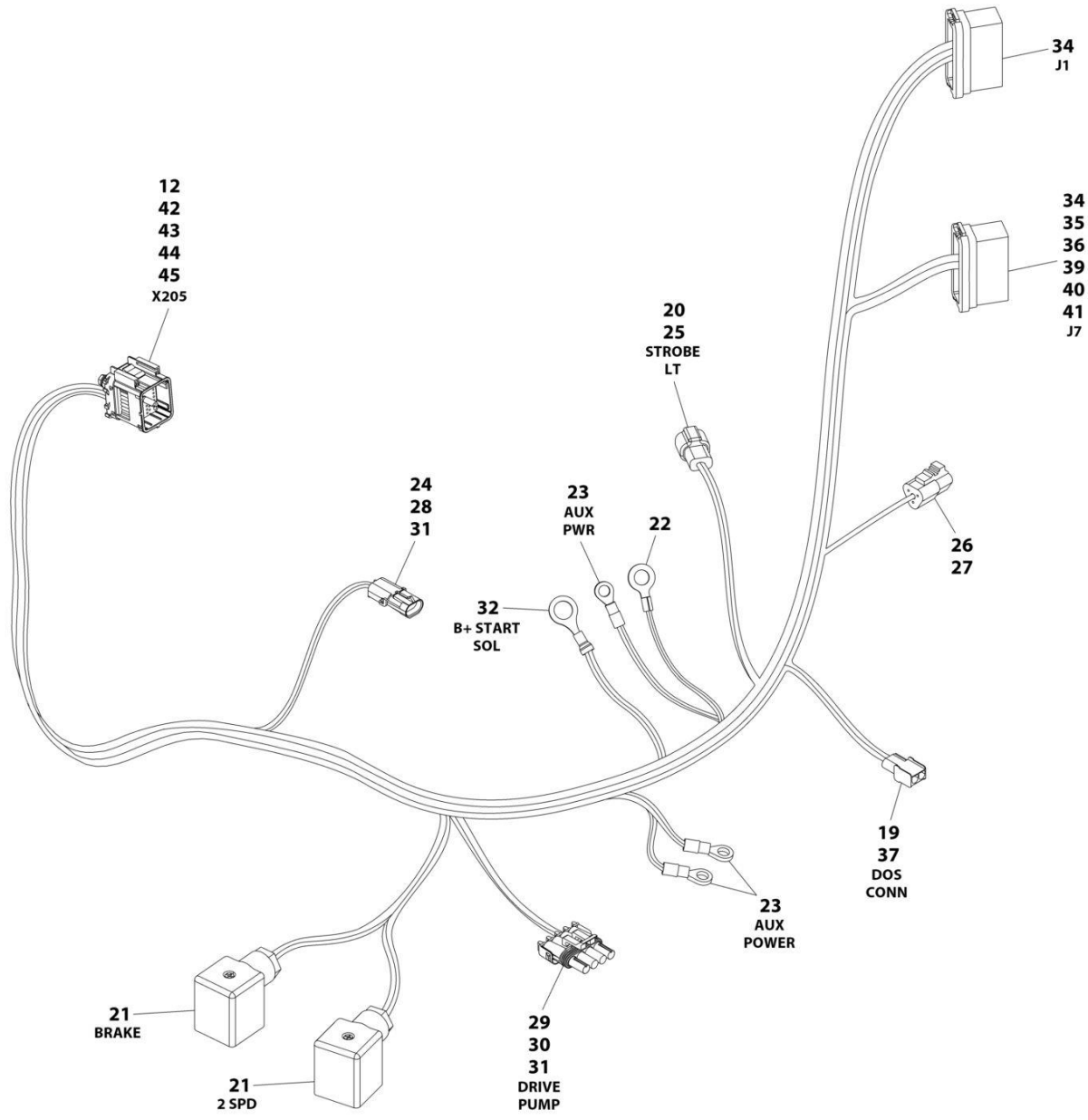
ITEM	PART NUMBER	QTY	DESCRIPTION	REV
	1001276644	Ref	Engine Harness - Deutz Engines	B
1	1001133714	1	Connector	
1	1001133715	3	Terminal	
1	1001135650	3	Seal, Terminal	
1	1001135651	1	Plug, Terminal	
2	1001126487	1	Connector	
2	1001167635	2	Terminal	
2	1001126485	2	Seal, Terminal	
3	1001126362	1	Connector	
3	1001126363	37	Terminal	
3	1001126392	12	Terminal	
3	1001126391	7	Plug, Terminal	
3	4461008	4	Plug, Terminal	
3	1001167632	2	Terminal	
3	1001126364	37	Seal, Terminal	
3	1001223459	12	Seal, Terminal	
3	4461054	2	Seal, Terminal	
4	4460042	1	Terminal, Ring	
5	1001142938	1	Plug	
5	1001142940	2	Terminal	
5	1001142941	2	Seal	
6	1001239202	1	Connector	
6	1001126363	7	Terminal	
6	1001126391	1	Plug, Terminal	
6	1001126364	7	Seal, Terminal	
7	4460884	1	Connector	
7	4460465	2	Socket	
7	4460942	2	Socket	
8	4460930	1	Plug	
8	4460465	1	Socket	
8	4460466	7	Plug, Terminal	
9	4460894	1	Plug	
9	4460465	2	Socket	
9	4460944	2	Socket	
9	4460466	2	Plug, Terminal	
10	2902443	1	Receptacle Kit	
10	4461073	1	Cap, Dust	
10	4461071	6	Terminal	
11	80484084	1	Plug	
11	4460748	4	Seal, Terminal	
11	4460746	3	Terminal	
11	1001234800	1	Terminal	
11	4460458	4	Seal, Terminal	
12	1001170764	1	Fuse Holder, Includes Resistor	
12	1001197719	1	Resistor 0.5W	
13	1001116812	5	Plug	
13	4460944	10	Socket	
13	4460466	5	Plug, Terminal	
14	4460539	4	Connector	
14	4460944	8	Socket	

SECTION 8 - ELECTRICAL

ITEM	PART NUMBER	QTY	DESCRIPTION	REV
14	4460466	4	Plug, Terminal	
15	4460703	1	Terminal, Ring	
16	1001117107	2	Terminal, Ring	
17	4460247	2	Terminal, Ring	
18	1001116952	1	Plug	
18	4460465	2	Socket	
19	4460043	1	Terminal, Ring	
20	1001289552	1	Connector	
20	1001289553	2	Socket	
20	1001142941	2	Seal	
21	4460019	1	Terminal, Ring	
23	1001133956	1	Connector	
23	1001126351	3	Terminal	
23	1001182361	6	Terminal	
23	1001230934	25	Terminal	
23	1001230935	55	Plug, Terminal	
23	1001252527	4	Terminal	
23	1001230936	1	Plug, Terminal	
23	1001182365	6	Seal, Terminal	
24	1001133957	1	Connector	
24	1001126351	13	Terminal	
24	1001230935	10	Plug, Terminal	
24	1001230934	26	Terminal	
24	1001230936	11	Plug, Terminal	
101	4460466	4	Seal, Terminal	
102	4460932	1	Connector	
103	4460945	4	Receptacle	
104	8229242	1	Fuse - 5Amp	
105	80983191	1	Fuse - 10Amp	
106	1001116815	3	Connector	
107	1001147264	1	Cap	

SECTION 8 - ELECTRICAL

FIGURE 8-50. ENGINE HARNESS - FORD ENGINES (Prior to SN 0300298303)



ART_1001216230

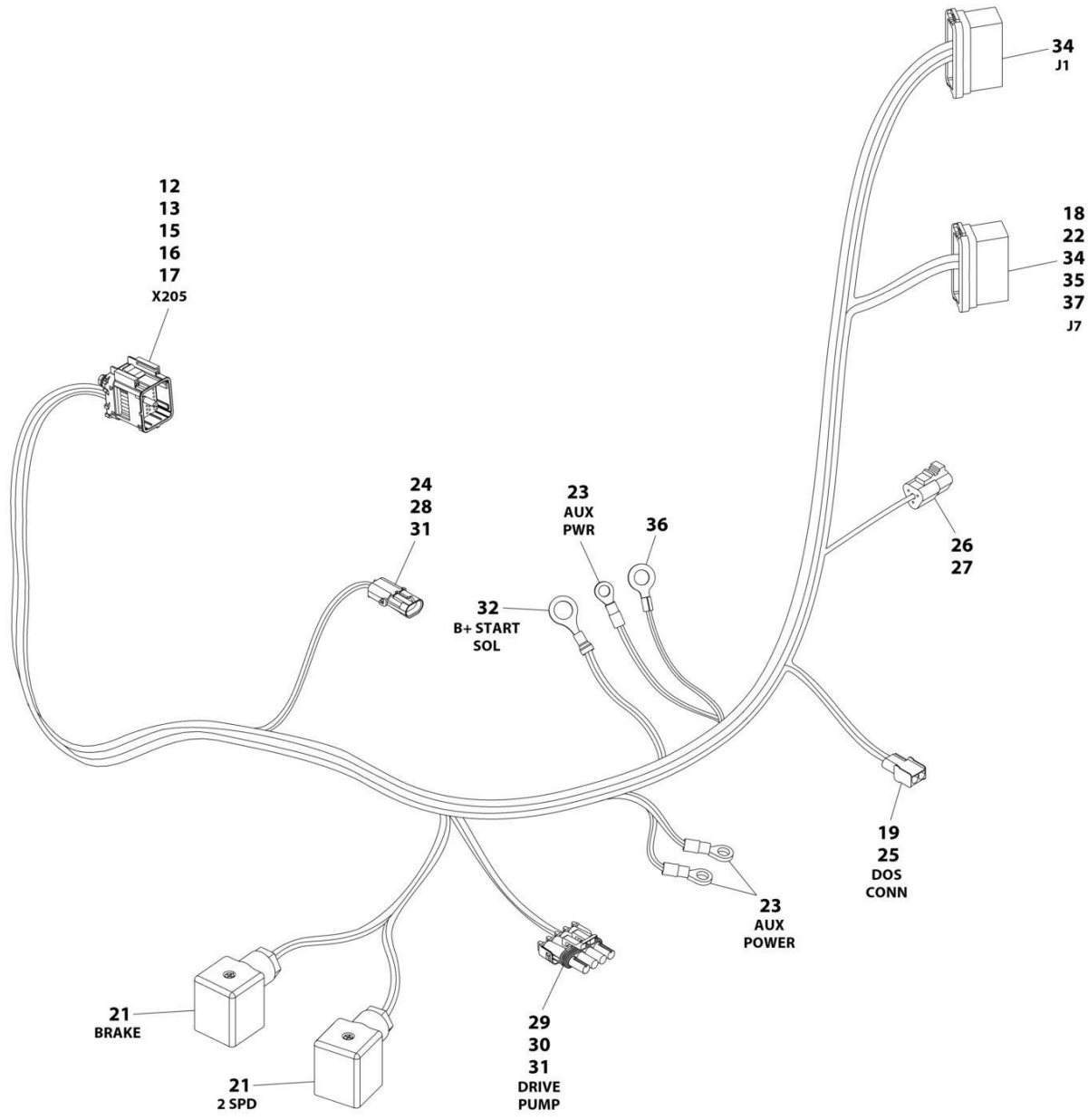
SECTION 8 - ELECTRICAL

FIGURE 8-50. ENGINE HARNESS - FORD ENGINES (Prior to SN 0300298303)

ITEM	PART NUMBER	QTY	DESCRIPTION	REV
	1001216230	Ref	ENGINE HARNESS - FORD ENGINES	C
12	1001216213	3	Terminal, Plug	
19	4460424	1	Connector - 2 Position	
20	1001116693	2	Terminal	
21	4460880	2	Connector, Din	
22	4460312	1	Terminal, Ring	
23	4460313	3	Terminal, Ring	
24	4460979	2	Terminal	
25	4460897	1	Receptacle, Female - 4 Position	
26	4460539	1	Plug, Male - 3 Position	
27	4460944	3	Socket, Female	
28	4461157	1	Connector - 2 Position	
29	4460460	1	Connector - 4 Position	
30	4460457	4	Sleeve	
31	4460458	6	Seal	
32	4460738	1	Terminal, Ring	
34	4460871	9	Socket	
35	4460464	1	Pin, Male	
36	4460887	1	Terminal	
37	4460226	3	Socket, Female	
39	4460465	2	Socket, Female	
40	4460259	1	Terminal	
41	4460260	1	Cover Terminal	
42	1001215016	NLA	Connector, Ford - 42 Position (Use p/n 1001265676)	
42	1001265676	1	Connector, Ford - 42 Position Kit	
43	1001215091	5	Terminal	
44	1001215534	33	Plug, Terminal	
45	1001216212	1	Terminal	

SECTION 8 - ELECTRICAL

FIGURE 8-51. ENGINE HARNESS - FORD ENGINES (SN 0300298303 to Present)



ART_1001286033

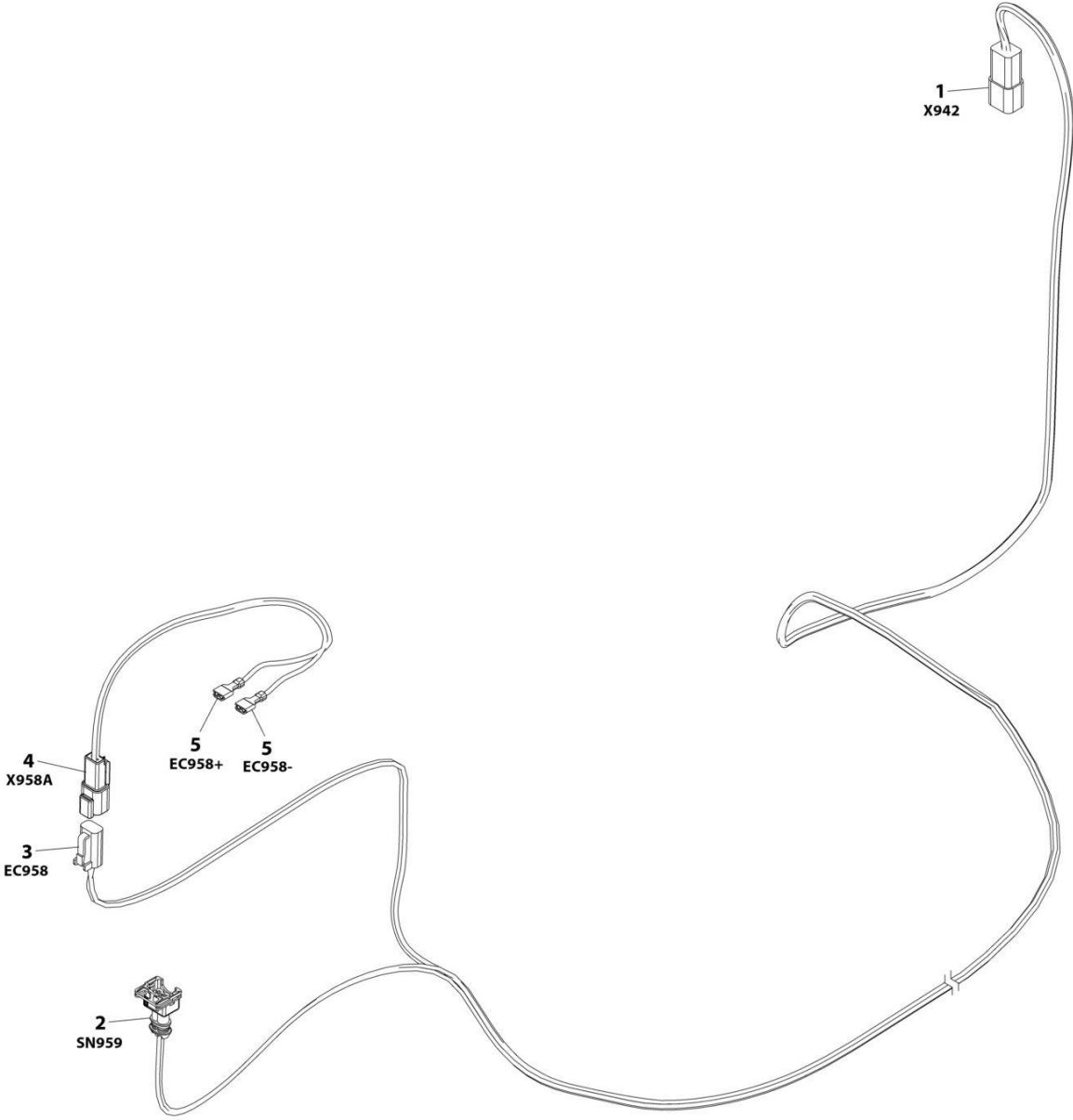
SECTION 8 - ELECTRICAL

FIGURE 8-51. ENGINE HARNESS - FORD ENGINES (SN 0300298303 to Present)

ITEM	PART NUMBER	QTY	DESCRIPTION	REV
	1001286033	Ref	ENGINE HARNESS - FORD ENGINES	A
12	1001216213	3	Terminal, Plug	
13	1001216212	1	Terminal	
15	1001215534	33	Plug, Terminal	
16	1001215091	5	Terminal	
17	1001215016	NLA	Connector	
17	1001265676	1	Connector	
18	4460260	1	Cover Terminal	
19	4460424	1	Connector	
21	4460880	2	Connector	
22	4460259	1	Terminal	
23	4460313	3	Terminal, Ring	
24	4460979	2	Terminal	
25	4460226	3	Socket	
26	4460539	1	Pin	
27	4460944	3	Socket	
28	4461157	1	Connector	
29	4460460	1	Connector	
30	4460457	4	Sleeve	
31	4460458	6	Seal	
32	4460738	1	Terminal, Ring	
34	4460871	9	Socket	
35	4460465	2	Socket	
36	4460312	1	Terminal, Ring	
37	4460887	1	Terminal	

SECTION 8 - ELECTRICAL

FIGURE 8-52. FUEL PUMP HARNESS - DEUTZ TD2.9L4 ENGINES



ART_1001138491

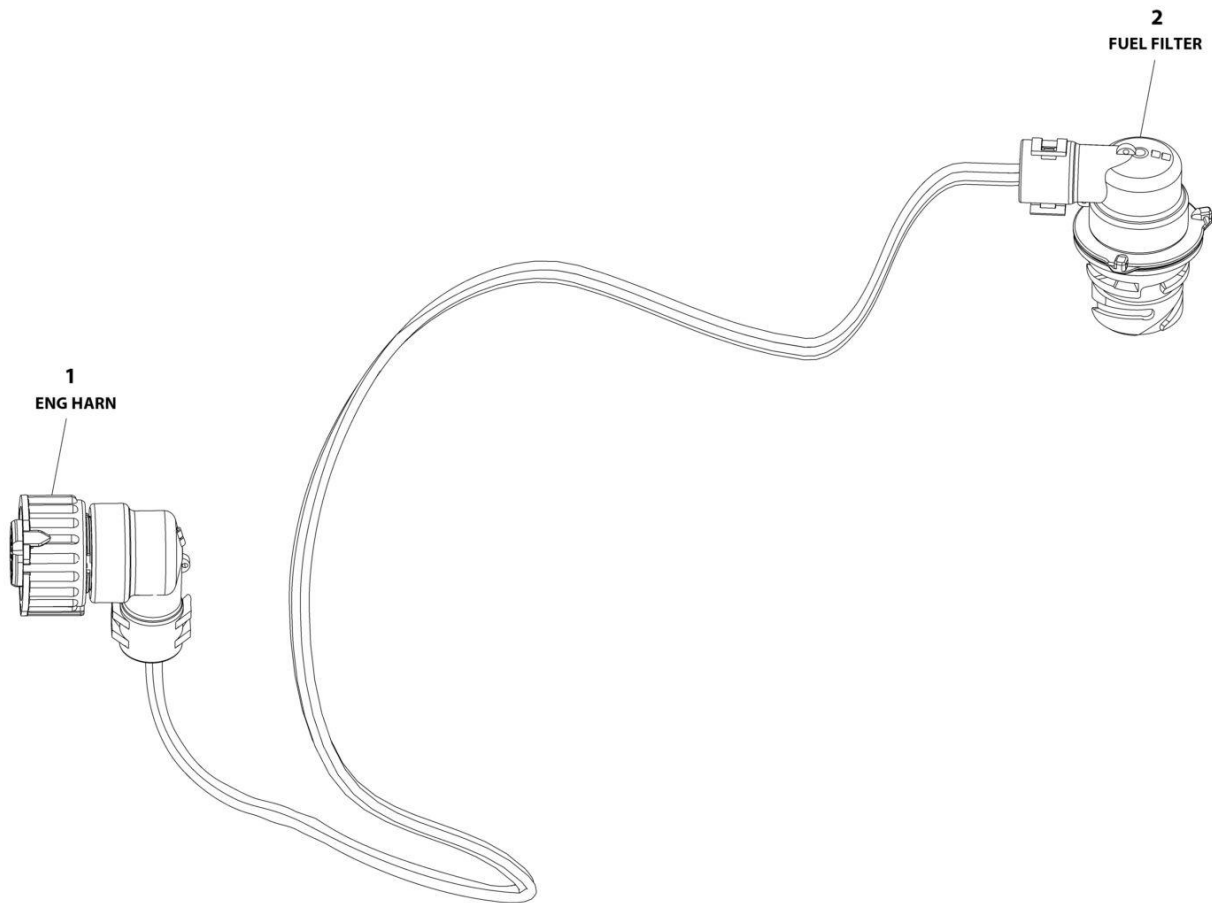
SECTION 8 - ELECTRICAL

FIGURE 8-52. FUEL PUMP HARNESS - DEUTZ TD2.9L4 ENGINES

ITEM	PART NUMBER	QTY	DESCRIPTION	REV
	1001138491	Ref	FUEL PUMP HARNESS	D
1	4460932	1	Receptacle, Female - 4 Position	
1	4460941	2	Pin, Male	
1	4460464	2	Pin, Male	
2	1001116983	1	Plug, Male - 2 Position	
2	1001116710	2	Socket, Female	
2	4461054	2	Seal	
3	4460891	1	Plug, Male - 2 Position	
3	4460942	2	Socket, Female	
4	4460897	1	Connector - 2 Position	
4	4460941	2	Pin, Male	
5	8220051	2	Terminal, Ring	

SECTION 8 - ELECTRICAL

FIGURE 8-53. FUEL HARNESS - DEUTZ TD2.9L4 (STAGE V) ENGINE



ART_1001245913

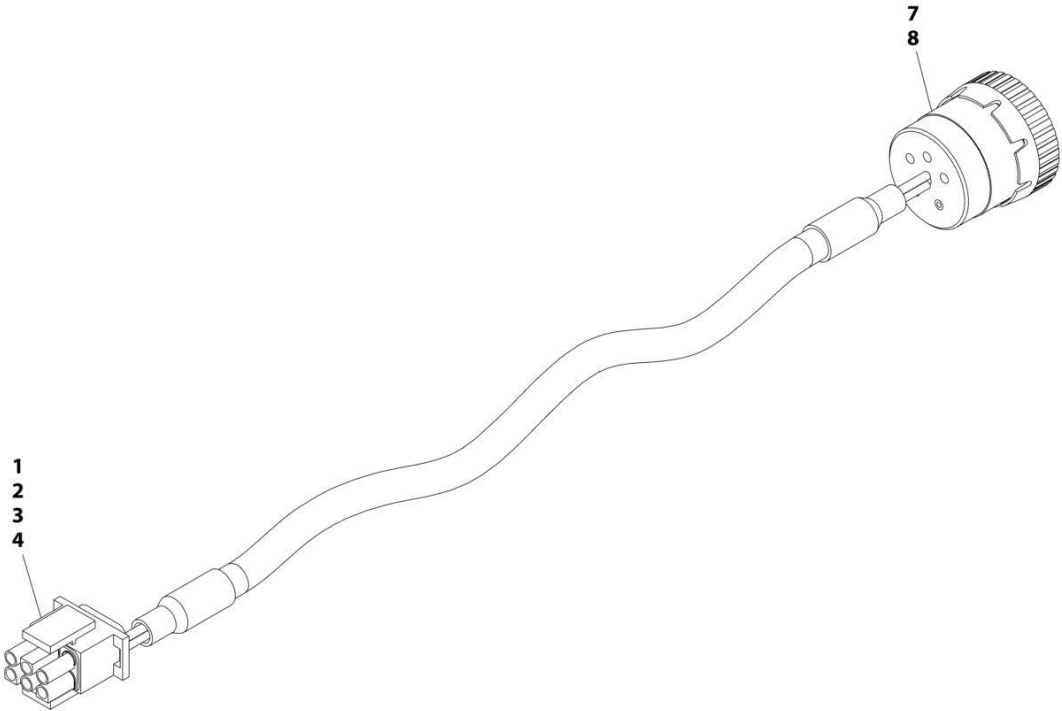
SECTION 8 - ELECTRICAL

FIGURE 8-53. FUEL HARNESS - DEUTZ TD2.9L4 (STAGE V) ENGINE

ITEM	PART NUMBER	QTY	DESCRIPTION	REV
	1001245913	Ref	FUEL HARNESS - DEUTZ (STAGE V) ENGINE	D
1	1001148842	1	Connector - 4 Position	
1	1001148841	4	Pin, Male	
1	1001135650	4	Seal	
2	1001133714	1	Plug, Male - 4 Position	
2	1001133715	4	Socket, Female	
2	1001135650	4	Seal	

SECTION 8 - ELECTRICAL

FIGURE 8-54. GENERATOR HARNESS - 4000W GENERATOR



ART_1001152532

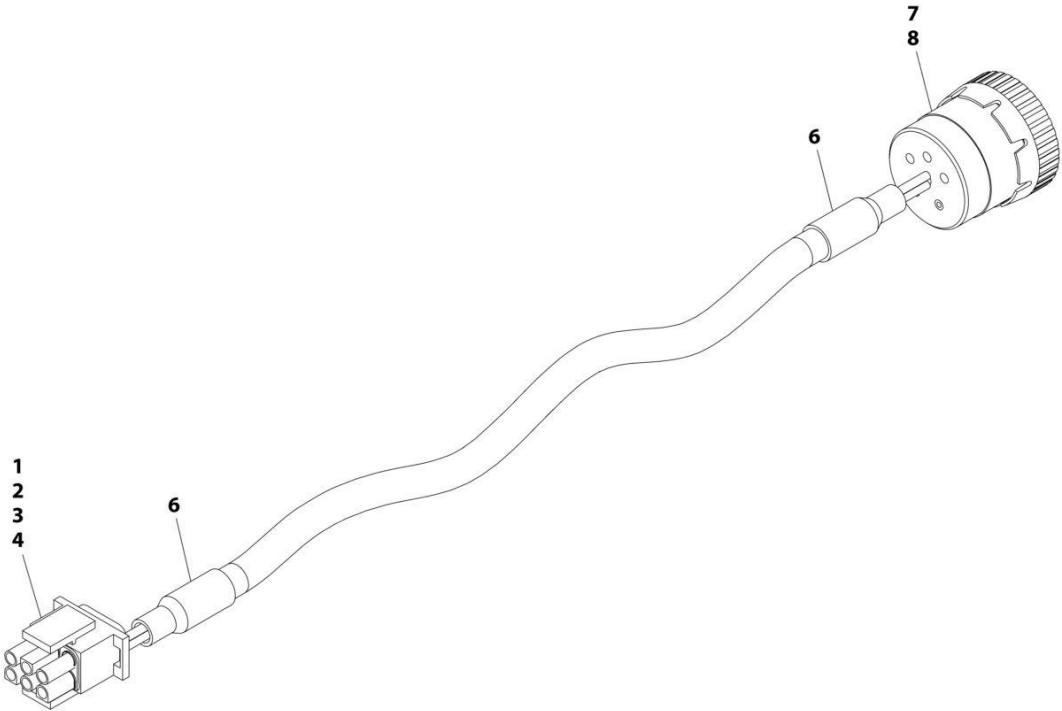
SECTION 8 - ELECTRICAL

FIGURE 8-54. GENERATOR HARNESS - 4000W GENERATOR

ITEM	PART NUMBER	QTY	DESCRIPTION	REV
	1001152532	Ref	GENERATOR HARNESS	A
1	4460225	1	Connector - 6 Position	
2	4460268	2	Socket, Female	
3	4460807	1	Seal	
4	4460808	1	Seal	
7	4460465	2	Socket, Female	
8	77363233	1	Connector - 6 Position	

SECTION 8 - ELECTRICAL

FIGURE 8-55. GENERATOR HARNESS - 7500W SKYPOWER GENERATOR



ART_4922925

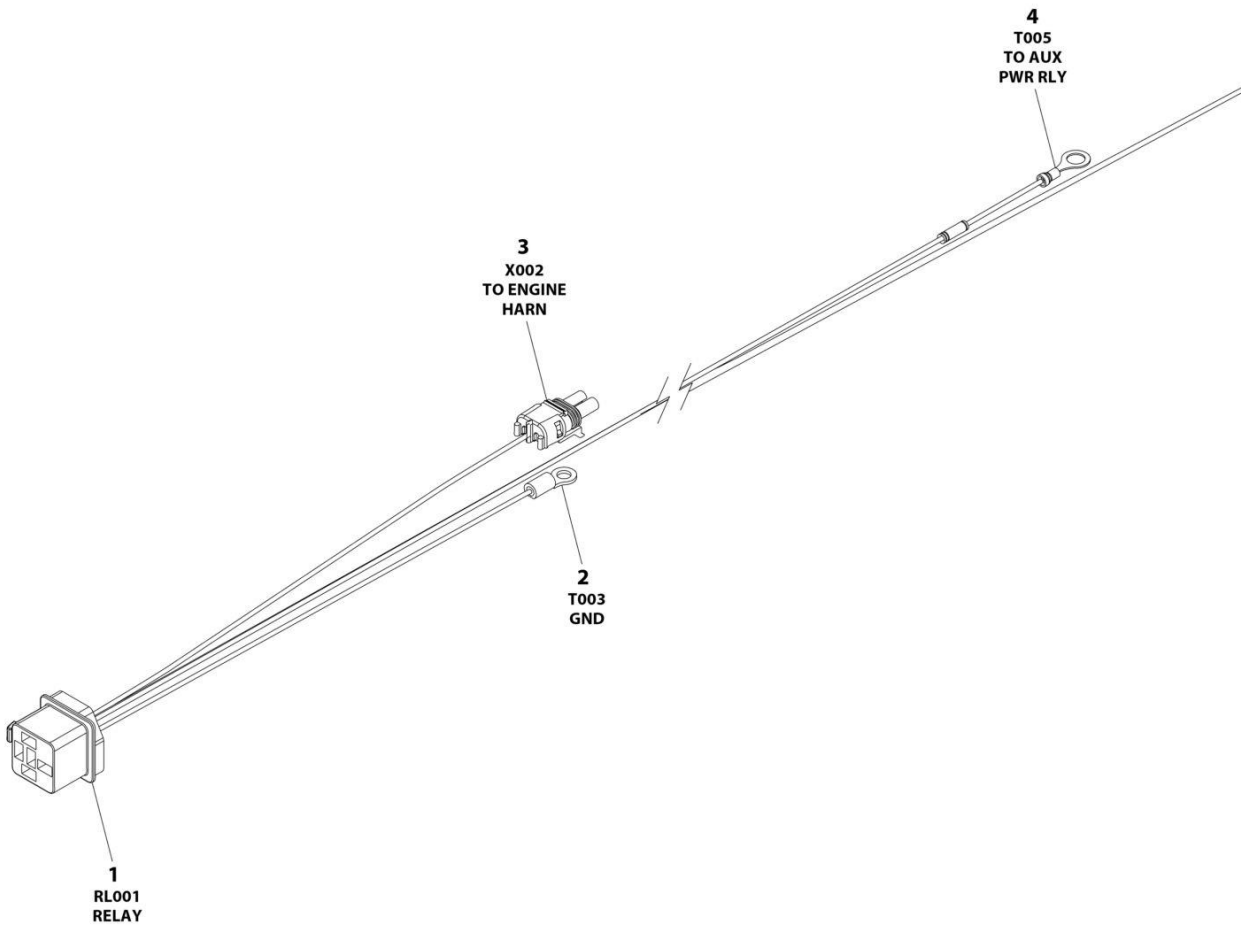
SECTION 8 - ELECTRICAL

FIGURE 8-55. GENERATOR HARNESS - 7500W SKYPOWER GENERATOR

ITEM	PART NUMBER	QTY	DESCRIPTION	REV
	4922925	Ref	GENERATOR TO CONTROL BOX HARNESS (7500W GENERATOR)	C
1	4460225	1	Plug, Male - 2 Position	
2	4460268	6	Socket, Female	
3	4460807	1	Seal	
4	4460808	1	Seal	
6	2820019	AR	Heat Shrink	
7	4460465	6	Socket, Female	
8	77363233	1	Connector - 6 Position	

SECTION 8 - ELECTRICAL

FIGURE 8-56. GENERATOR TO ENGINE HARNESS - 2500W (FORD ENGINES)



ART_4923445

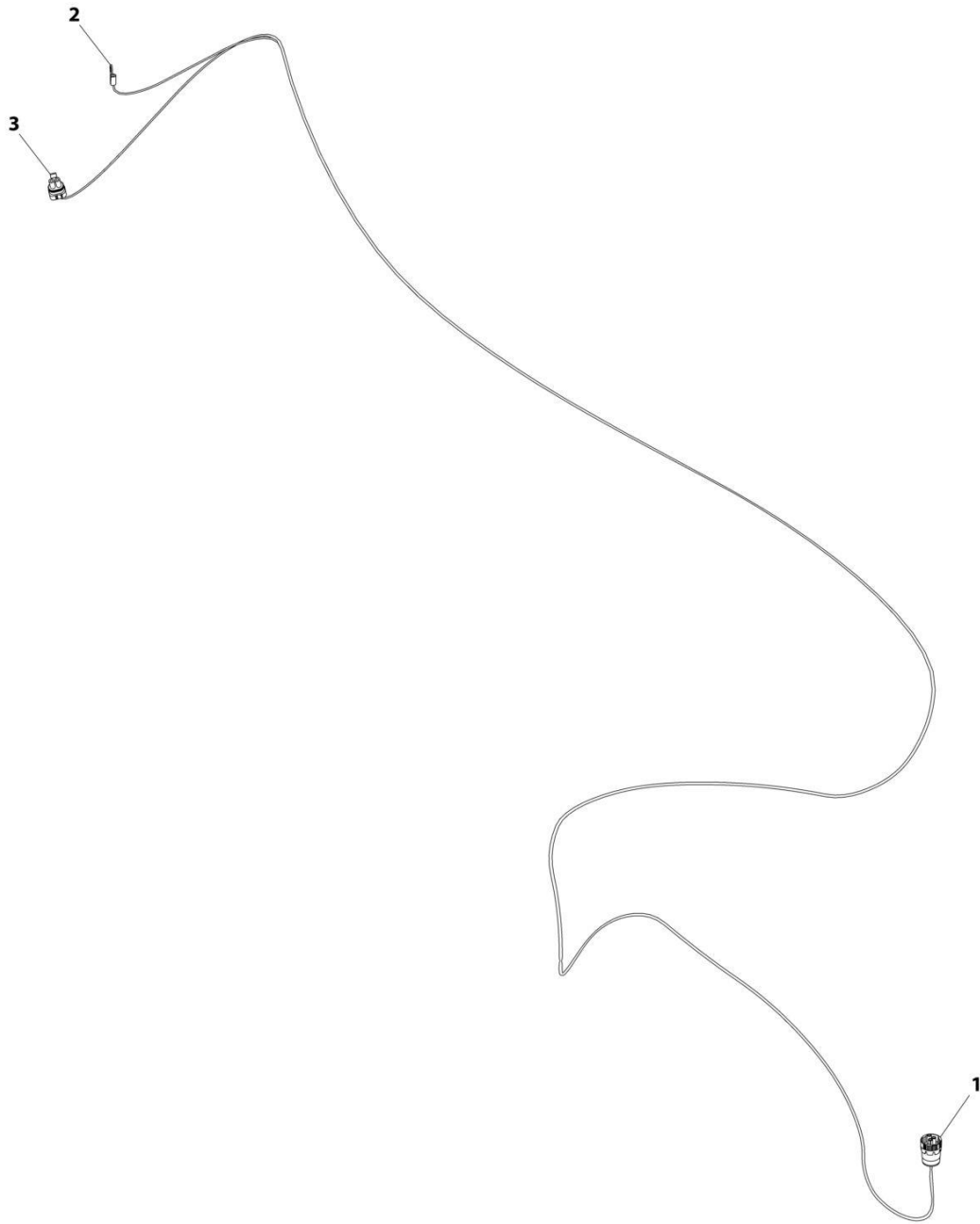
SECTION 8 - ELECTRICAL

FIGURE 8-56. GENERATOR TO ENGINE HARNESS - 2500W (FORD ENGINES)

ITEM	PART NUMBER	QTY	DESCRIPTION	REV
	4923445	Ref	GENERATOR TO ENGINE HARNESS	B
1	4460374	1	Plug, Sealed Relay	
1	1001116734	2	Socket, Female	
1	1001116733	2	Socket, Female	
2	4460043	1	Terminal, Ring	
3	4460742	1	Plug, Male - 2 Position	
3	4460457	1	Socket, Female	
3	4460458	1	Seal, Terminal	
3	1001116727	1	Plug, Terminal	
4	4460670	1	Terminal, Ring	

SECTION 8 - ELECTRICAL

FIGURE 8-57. GENERATOR TO ENGINE HARNESS - 4000W (DEUTZ D2011 ENGINES)



ART_1001153197

SECTION 8 - ELECTRICAL

FIGURE 8-57. GENERATOR TO ENGINE HARNESS - 4000W (DEUTZ D2011 ENGINES)

ITEM	PART NUMBER	QTY	DESCRIPTION	REV
	1001153197	Ref	GENERATOR TO ENGINE HARNESS	B
1	4460967	1	Plug, Male - 3 Position	
1	4460465	2	Socket, Female	
2	4460043	1	Terminal, Ring	
3	4460742	1	Plug, Male - 2 Position	
3	4460743	1	Socket, Female	
3	4460458	1	Seal, Terminal	
3	1001116727	1	Plug, Terminal	

SECTION 8 - ELECTRICAL

FIGURE 8-58. GENERATOR TO ENGINE HARNESS - 4000W (DEUTZ TD2.9L4 ENGINES)



ART_1001153259

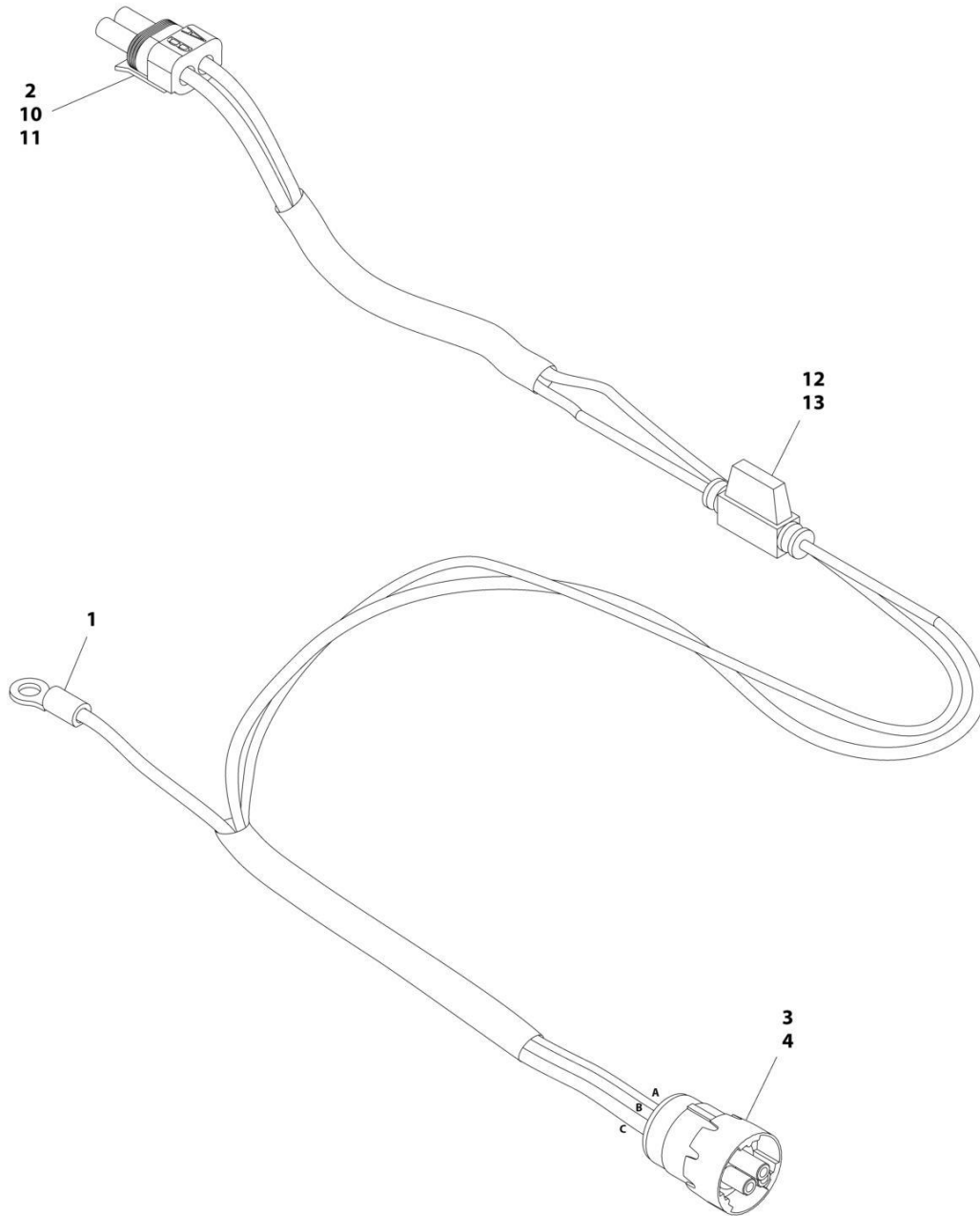
SECTION 8 - ELECTRICAL

FIGURE 8-58. GENERATOR TO ENGINE HARNESS - 4000W (DEUTZ TD2.9L4 ENGINES)

ITEM	PART NUMBER	QTY	DESCRIPTION	REV
	1001153259	Ref	GENERATOR TO PLATFORM HARNESS (4000W-60HZ GENERATOR)	B
1	4460967	1	Connector - 3 Position	
1	4460465	2	Socket, Female	
2	4460465	2	Socket, Female	

SECTION 8 - ELECTRICAL

FIGURE 8-59. GENERATOR TO ENGINE HARNESS - 7500W SKYPOWER GENERATOR (DEUTZ D2011 ENGINES)



ART_1001152429

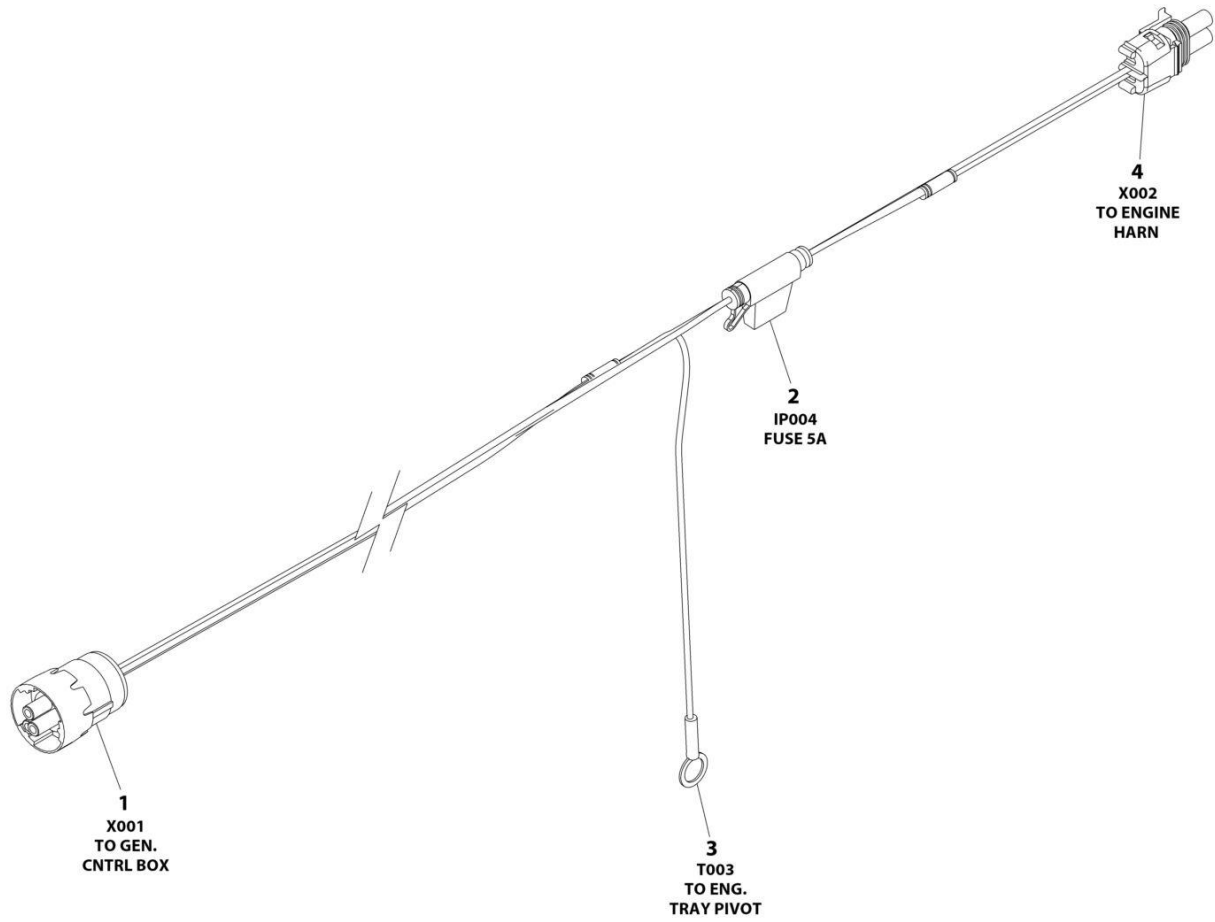
SECTION 8 - ELECTRICAL

FIGURE 8-59. GENERATOR TO ENGINE HARNESS - 7500W SKYPOWER GENERATOR (DEUTZ D2011 ENGINES)

ITEM	PART NUMBER	QTY	DESCRIPTION	REV
	1001152429	Ref	GENERATOR TO ENGINE HARNESS	C
1	4460043	1	Terminal, Ring	
2	4460742	1	Plug, Male - 2 Position	
3	4460967	1	Connector - 3 Position	
4	4460465	3	Socket, Female	
10	4460743	2	Terminal, Female	
11	4460458	2	Seal	
12	2400060	1	Fuseholder (Includes Cover)	
13	2400064	1	Fuse - 5Amp	

SECTION 8 - ELECTRICAL

FIGURE 8-60. GENERATOR TO ENGINE HARNESS - 7500W SKYPOWER (FORD DF 2.5L ENGINES)



ART_1001257972

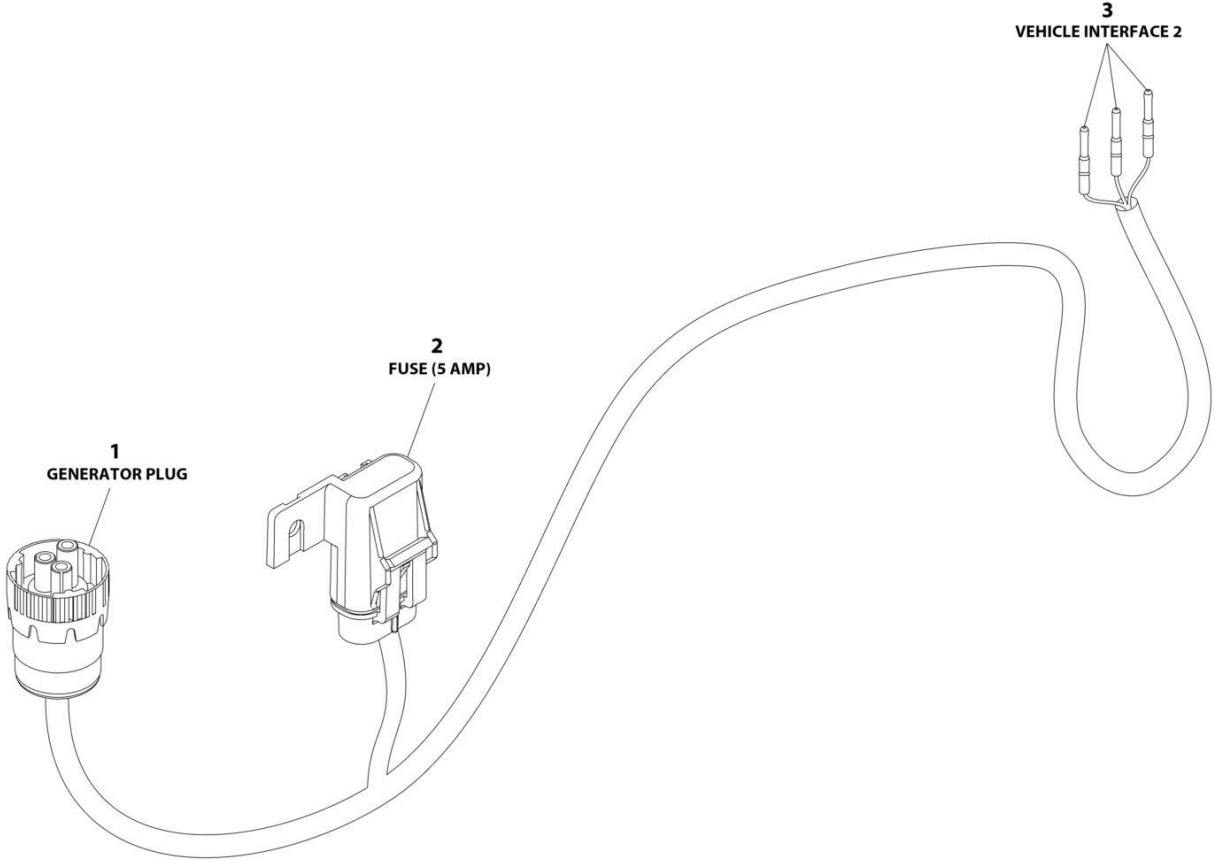
SECTION 8 - ELECTRICAL

FIGURE 8-60. GENERATOR TO ENGINE HARNESS - 7500W SKYPOWER (FORD DF 2.5L ENGINES)

ITEM	PART NUMBER	QTY	DESCRIPTION	REV
	1001257972	Ref	GENERATOR TO ENGINE HARNESS	A
1	4460967	1	Plug, Male - 3 Position	
1	4460465	3	Socket, Female	
2	2400060	1	Fuse-holder (Includes Cover)	
2	2400064	1	Fuse - 5Amp	
3	4460256	1	Terminal, Ring	
4	4460742	1	Plug, Male - 2 Position	
4	4460457	2	Socket, Female	
4	4460458	2	Seal, Terminal	

SECTION 8 - ELECTRICAL

FIGURE 8-61. GENERATOR HARNESS - 7500W SKYPOWER (DEUTZ TD2.9L4 T4F ENGINES)



ART_1001119968

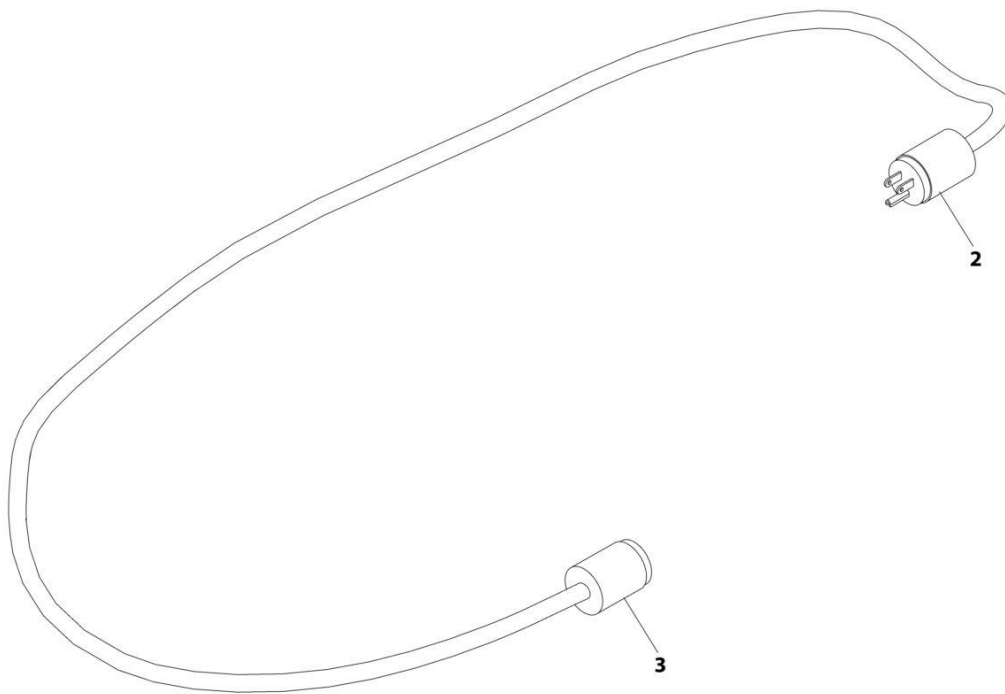
SECTION 8 - ELECTRICAL

FIGURE 8-61. GENERATOR HARNESS - 7500W SKYPOWER (DEUTZ TD2.9L4 T4F ENGINES)

ITEM	PART NUMBER	QTY	DESCRIPTION	REV
	1001119968	Ref	GENERATOR HARNESS - 7500W GENERATOR	C
1	4460967	1	Connector - 3 Position	
1	4460465	3	Socket, Female	
2	1001117078	1	Connector, Metri-Pack with 5Amp Fuse	
3	4460465	3	Socket, Female	

SECTION 8 - ELECTRICAL

FIGURE 8-62. GENERATOR TO REAR OF BOOM HARNESS - 110V



ART_4921829

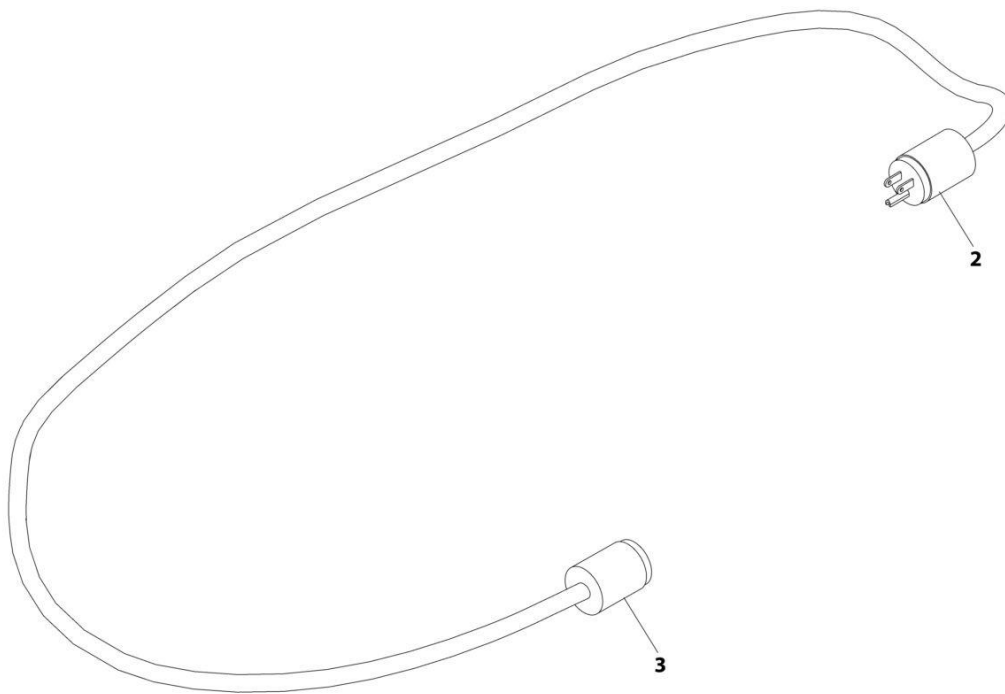
SECTION 8 - ELECTRICAL

FIGURE 8-62. GENERATOR TO REAR OF BOOM HARNESS - 110V

ITEM	PART NUMBER	QTY	DESCRIPTION	REV
	4921829	Ref	GENERATOR TO REAR OF BOOM HARNESS - 110V	Z-A
2	4460205	1	Plug, Male	
3	4460134	1	Connector, Female	

SECTION 8 - ELECTRICAL

FIGURE 8-63. GENERATOR TO REAR OF BOOM HARNESS - 220V



ART_4921955

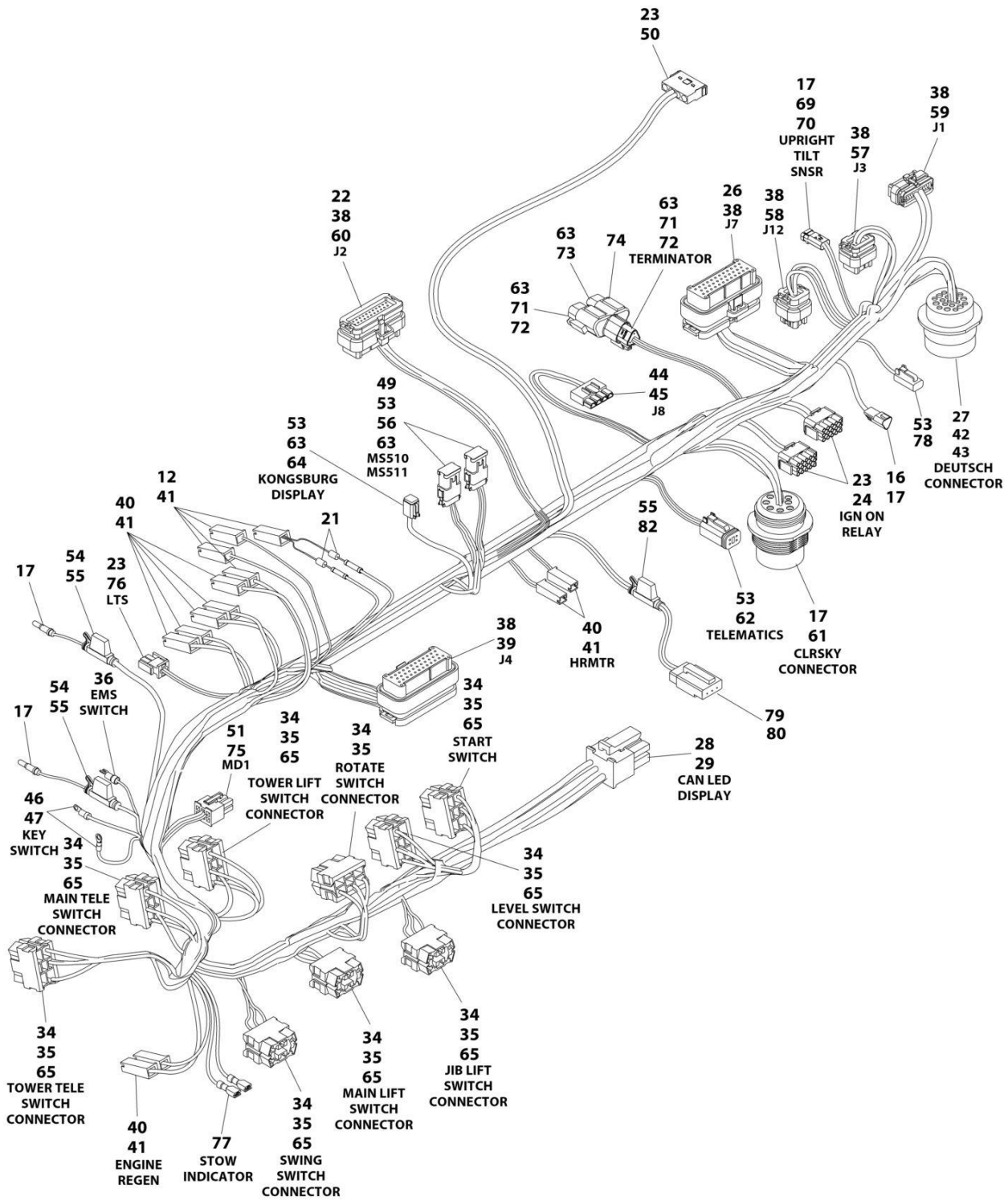
SECTION 8 - ELECTRICAL

FIGURE 8-63. GENERATOR TO REAR OF BOOM HARNESS - 220V

ITEM	PART NUMBER	QTY	DESCRIPTION	REV
	4921955	Ref	GENERATOR TO REAR OF BOOM HARNESS - 220V	A
2	4460233	1	Terminal, Plug	
3	4460701	1	Terminal, Connector	

SECTION 8 - ELECTRICAL

FIGURE 8-64. GROUND CONTROL BOX HARNESS (Prior to SN 0300298303)



ART_1001266628

SECTION 8 - ELECTRICAL

FIGURE 8-64. GROUND CONTROL BOX HARNESS (Prior to SN 0300298303)

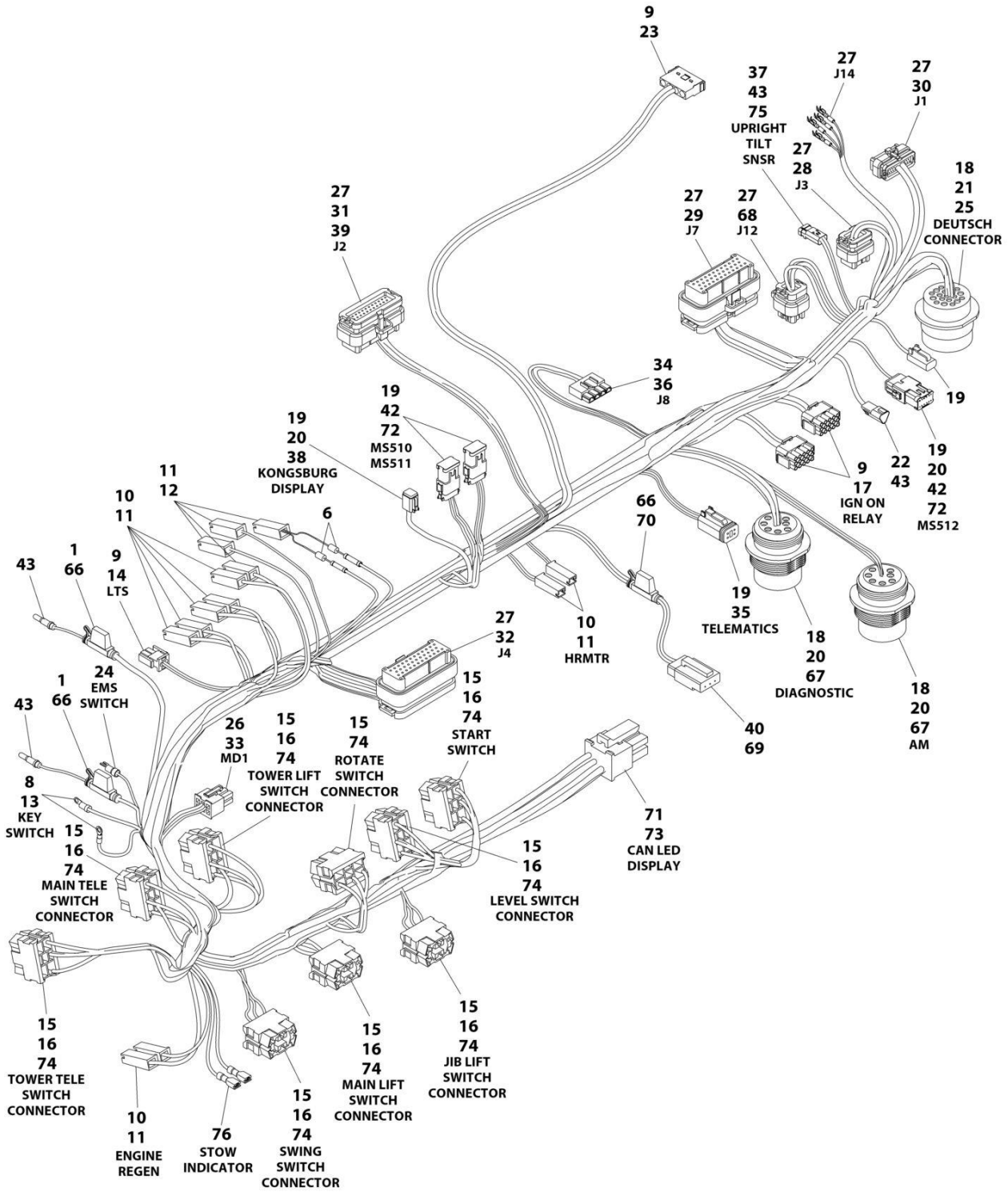
ITEM	PART NUMBER	QTY	DESCRIPTION	REV
	1001266628	Ref	GROUND CONTROL BOX HARNESS	C
12	4460297	4	Terminal	
16	4460536	1	Receptacle, Female - 3 Position	
17	4460943	12	Pin, Male	
21	3990010	2	Diode, 6 Amp	
22	4460905	2	Seal, Terminal	
23	4460227	36	Pin, Male	
24	4460434	2	Plug Male - 15 Position	
26	4460873	1	Connector - 35 Position	
27	4460508	4	Terminal	
28	1001237667	1	Plug Male - 6 Position	
29	1001237668	5	Terminal	
34	1001159186	18	Terminal	
35	4460418	9	Connector, Switch	
36	4460806	5	Terminal, Fork	
38	4460871	84	Socket, Female	
39	4460876	1	Connector - 35 Position	
40	4460259	15	Terminal	
41	4460260	19	Housing, Terminal	
42	4460464	13	Pin, Male	
43	4460866	1	Connector - 19 Position	
44	4460878	1	Plug Male - 4 Position	
45	4460887	3	Terminal	
46	4460142	4	Terminal, Ring	
47	4460313	3	Terminal	
49	1001119020	2	Connector, Buss Bar - 12 Position	
50	4460761	1	Receptacle, Female - 4 Position	
51	4460868	AR	Terminal	
53	4460465	35	Socket, Female	
54	2400060	2	Fuse Holder with Cover	
55	8229242	3	Fuse 5Amp	
56	4460933	2	Plug, Male - 12 Position	
57	4460872	1	Connector - 14 Position	
58	1001113961	1	Connector - 8 Position	
59	4460874	1	Connector - 35 Position	
60	4460875	1	Connector - 35 Position	
61	1001112612	1	Connector - 9 Position	
62	4460884	1	Plug, Male - 4 Position	
63	4460466	7	Plug, Terminal	
64	4460894	1	Plug, Male - 6 Position	
65	4460419	8	Terminal	
69	1001229530	1	Receptacle, Female - 3 Position	
70	1001200497	1	Plug, Male - 3 Position	
71	1001116812	2	Plug, Male - 3 Position	
72	4460944	4	Socket, Female	
73	1001116815	1	Plug, Male - 3 Position	
74	4460945	1	Connector, 3-Way Tee	
75	4460877	4	Terminal	
76	4460320	1	Connector - 2 Position	
77	1001201885	2	Terminal	

SECTION 8 - ELECTRICAL

ITEM	PART NUMBER	QTY	DESCRIPTION	REV
78	4460891	1	Plug, Male - 2 Position	
79	4460911	1	Connector - 3 Position	
80	1001116694	3	Terminal	
82	2400060	AR	Fuse Holder with Cover (Prior to PVC 2201)	
82	1001255901	AR	Fuse Holder with Cover (PVC 2201 to Present)	

SECTION 8 - ELECTRICAL

FIGURE 8-65. GROUND CONTROL BOX HARNESS (SN 0300298303 to Present)



ART_1001285346

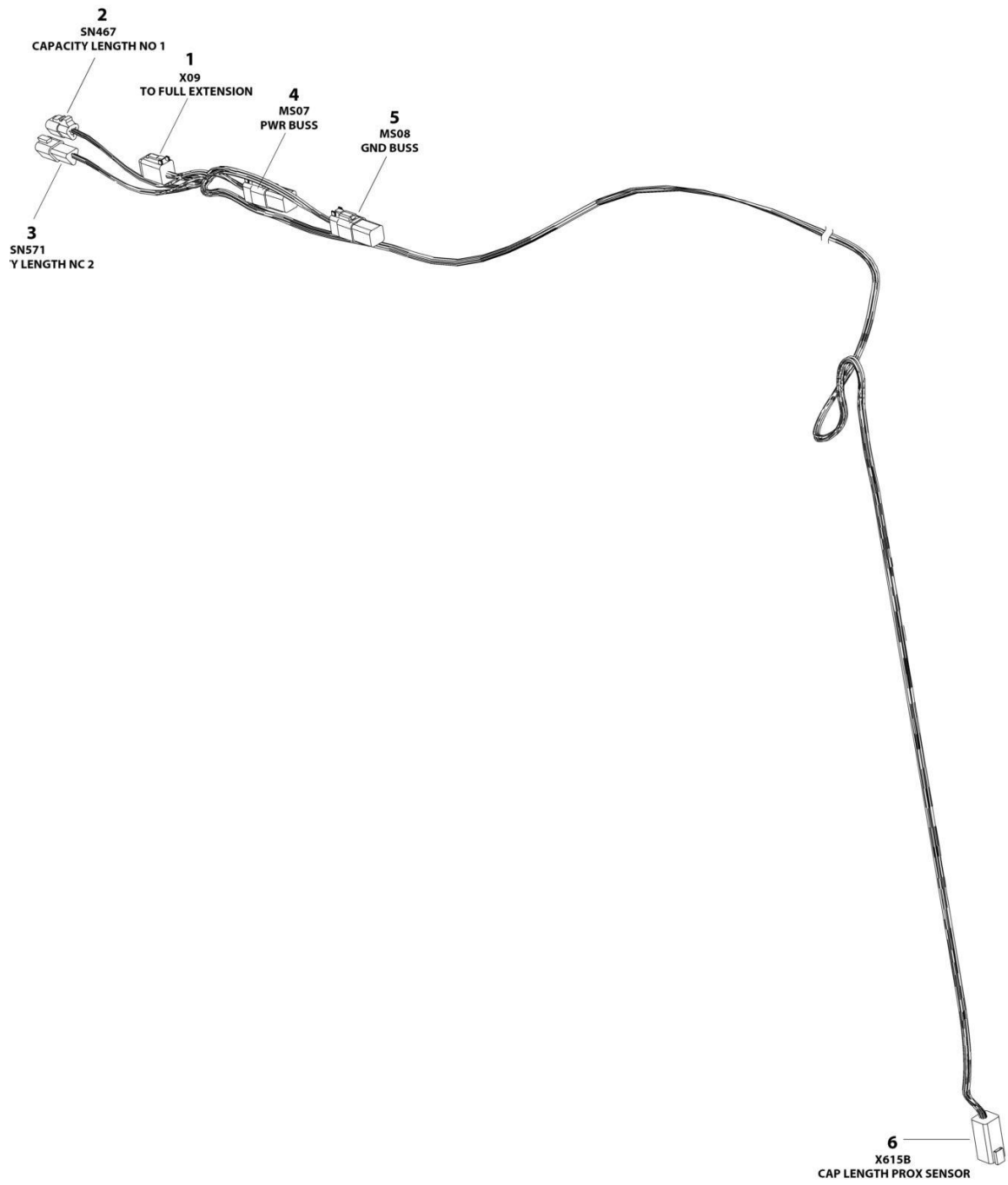
SECTION 8 - ELECTRICAL

FIGURE 8-65. GROUND CONTROL BOX HARNESS (SN 0300298303 to Present)

ITEM	PART NUMBER	QTY	DESCRIPTION	REV
	1001285346	Ref	GROUND CONTROL BOX HARNESS	C
1	2400060	2	Fuse Holder	
6	3990010	2	Diode, 6 Amp	
8	4460142	4	Terminal, Ring	
9	4460227	36	Pin	
10	4460259	11	Socket	
11	4460260	15	Housing, Terminal	
12	4460297	4	Socket	
13	4460313	3	Terminal, Ring	
14	4460320	1	Connector	
15	4460418	9	Connector, Switch	
16	4460419	8	Socket	
17	4460434	2	Connector	
18	4460464	27	Terminal	
19	4460465	45	Terminal	
20	4460466	9	Plug, Terminal	
21	4460508	4	Pin	
22	4460536	1	Connector	
23	4460761	1	Connector	
24	4460806	5	Terminal, Fork	
25	4460866	1	Terminal	
26	4460868	1	Connector	
27	4460871	88	Socket	
28	4460872	1	Connector	
29	4460873	1	Connector	
30	4460874	1	Connector	
31	4460875	1	Connector	
32	4460876	1	Connector	
33	4460877	4	Socket	
34	4460878	1	Housing, Terminal	
35	4460884	1	Connector	
36	4460887	3	Socket	
37	1001229530	1	Connector	
38	4460894	1	Plug	
39	4460905	2	Seal	
40	4460911	1	Plug, Terminal	
42	4460933	3	Connector	
43	4460943	8	Terminal	
66	8229242	3	Fuse 5 Amp	
67	1001112612	2	Connector	
67	1001249095	2	Connector	
68	1001113961	1	Plug	
69	1001116694	3	Terminal	
70	1001255901	1	Fuse Holder	
71	1001237668	5	Socket	
72	1001119020	3	Connector	
73	1001237667	1	Connector	
74	1001159186	18	Socket	
75	1001200497	1	Connector	
76	1001201885	2	Terminal	

SECTION 8 - ELECTRICAL

FIGURE 8-66. MID BOOM PROXIMITY SENSOR HARNESS



ART_1001258709

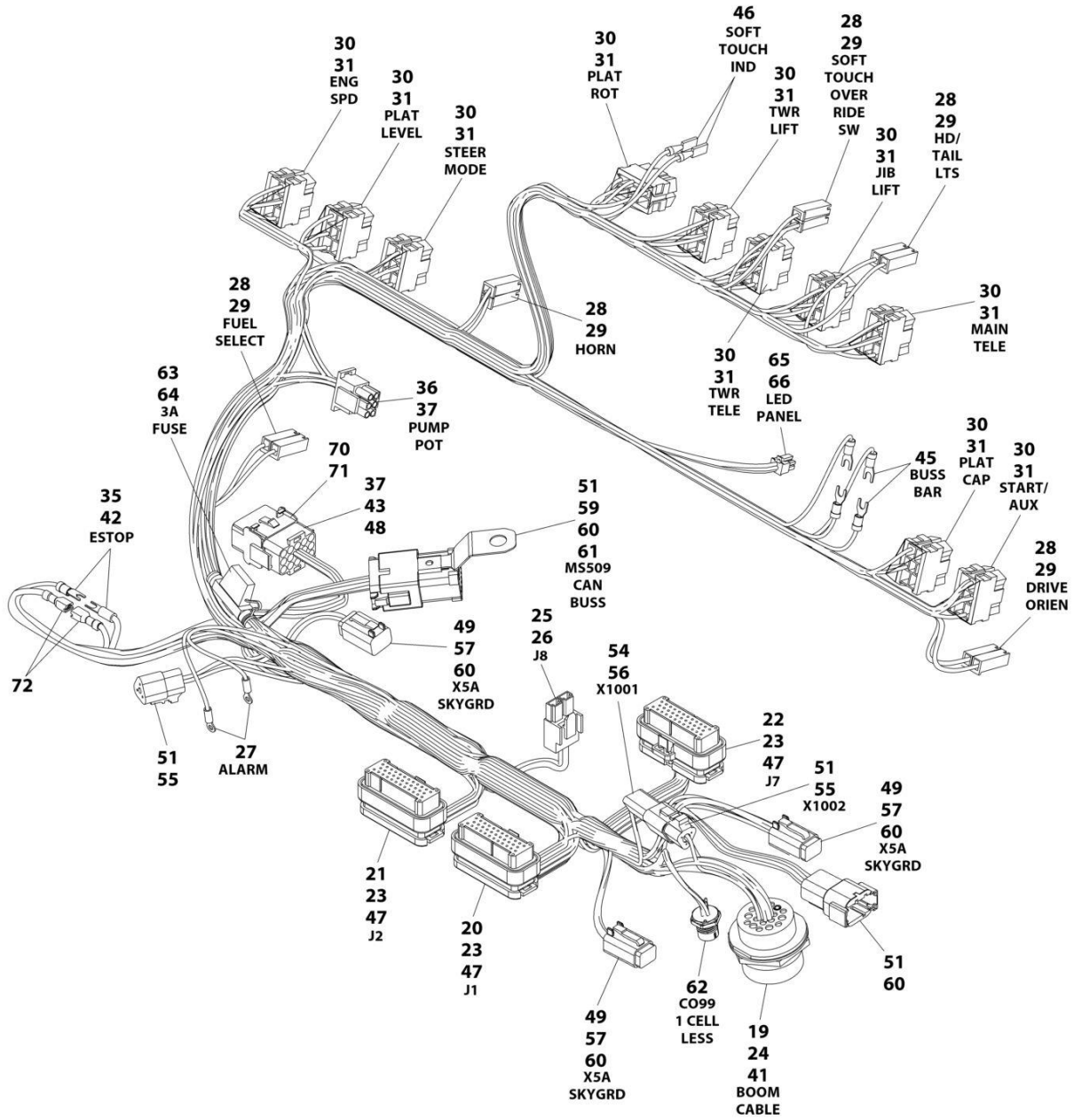
SECTION 8 - ELECTRICAL

FIGURE 8-66. MID BOOM PROXIMITY SENSOR HARNESS

ITEM	PART NUMBER	QTY	DESCRIPTION	REV
	1001258709	Ref	MID BOOM PROX SENSOR HARNESS	B
1	4460894	1	Plug, Male - 6 Position	
1	4460465	6	Socket, Female	
2	4460539	1	Plug, Male - 3 Position	
2	4460465	3	Socket, Female	
3	4460536	1	Receptacle, Female - 3 Position	
3	4460464	3	Pin, Male	
4	4460894	2	Plug, Male - 6 Position	
4	4460465	10	Socket, Female	
4	4460466	2	Plug, Terminal	
4	4460892	2	Connector, Buss Bar - 6 Position	
5	4460899	1	Connector - 6 Position	
5	4460465	6	Socket, Female	

SECTION 8 - ELECTRICAL

FIGURE 8-67. PLATFORM CONSOLE BOX HARNESS



ART_1001266648

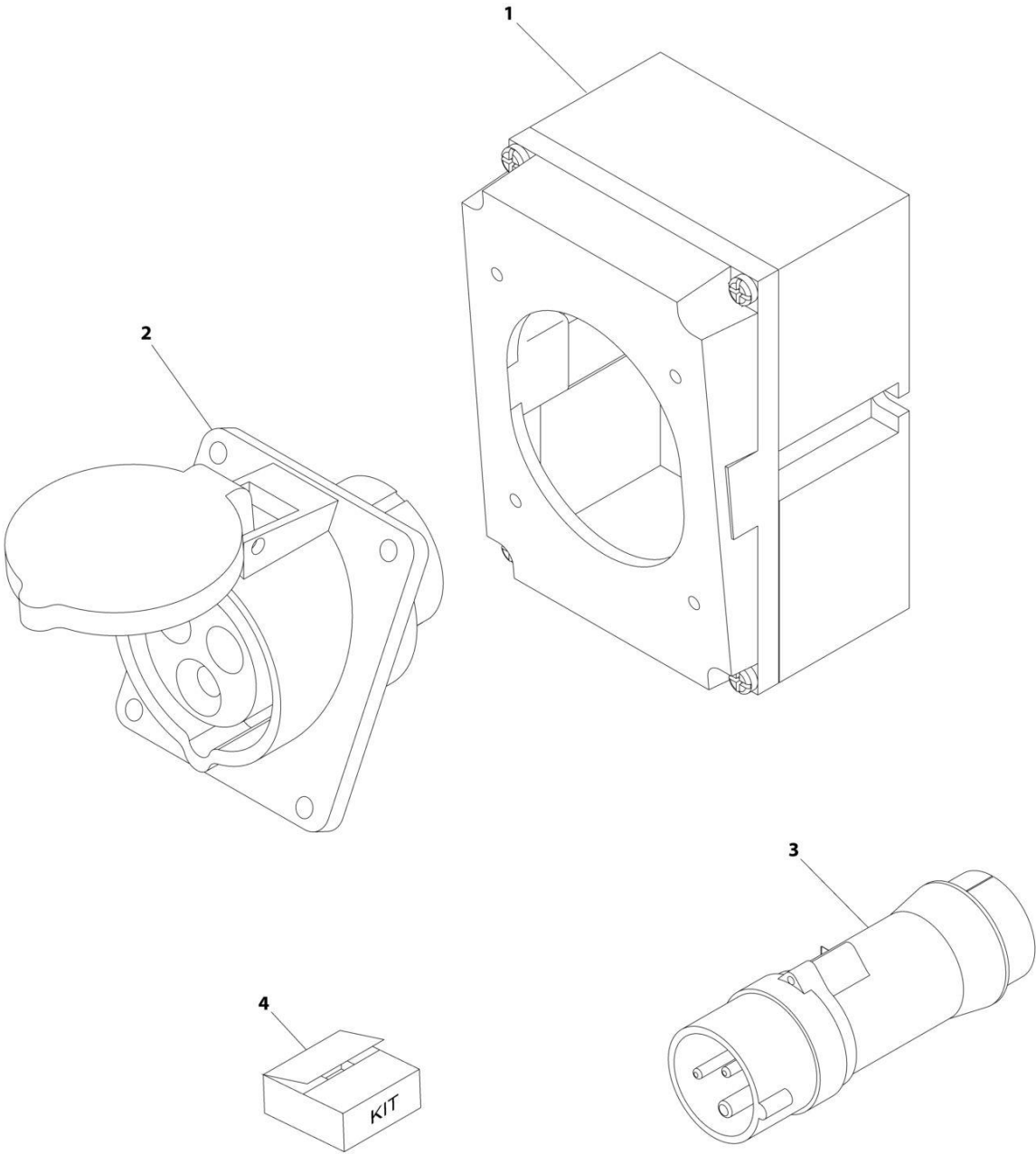
SECTION 8 - ELECTRICAL

FIGURE 8-67. PLATFORM CONSOLE BOX HARNESS

ITEM	PART NUMBER	QTY	DESCRIPTION	REV
	1001266648	Ref	PLATFORM CONSOLE BOX HARNESS	B
19	4460866	1	Connector - 19 Position	
20	4460874	1	Connector - 35 Position	
21	4460875	1	Connector - 35 Position	
22	4460873	1	Connector - 35 Position	
23	4460871	81	Socket, Female	
24	4460464	6	Pin, Male	
25	4460879	1	Plug, Male - 2 Position	
26	4460887	2	Terminal	
27	1001098122	2	Terminal, Ring	
28	4460260	10	Housing, Terminal	
29	4460259	10	Terminal	
30	4460418	9	Connector, Switch	
31	4460419	27	Terminal	
32	4120035	14	Socket, Light (Not Shown)	
33	4460634	14	Socket, Lamp (Single Wire) (Not Shown)	
34	4460635	14	Socket, Lamp (Double Wire) (Not Shown)	
35	4460888	1	Terminal, Fork	
36	4460225	1	Plug, Male - 6 Position	
37	4460227	31	Pin, Male	
41	4460508	3	Pin, Male	
42	4460806	1	Terminal, Fork	
43	4460434	2	Connector - 15 Position	
44	2920129	14	Bulb (Not Shown)	
45	4460183	4	Terminal, Fork	
46	4460016	2	Terminal	
47	4460905	24	Plug, Terminal	
48	4460267	1	Pin, Male	
49	4460465	5	Socket, Female	
51	4460944	11	Socket, Female	
54	4460536	1	Receptacle, Female - 3 Position	
55	4460539	1	Plug, Male - 3 Position	
56	4460943	3	Pin, Male	
57	4460894	2	Plug, Male - 6 Position	
59	4460933	2	Plug, Male - 12 Position	
60	4460466	5	Plug, Terminal	
61	1001119020	1	Connector, Buss Bar - 12 Position	
62	1001213447	1	Connector - 5 Position	
63	2400060	1	Fuseholder Includes Cover	
64	8229249	1	Fuse, 3 Amp	
65	1001237667	1	Plug, Male - 6 Position	
66	1001237668	4	Socket, Female	
70	4460708	2	Connector - 15 Position	
71	4460226	2	Socket, Female	
72	1001201885	2	Terminal	

SECTION 8 - ELECTRICAL

FIGURE 8-68. RECEPTACLE BOX KIT - 110V IEC YELLOW (CE & UK CA SPECS)



ART_0275216

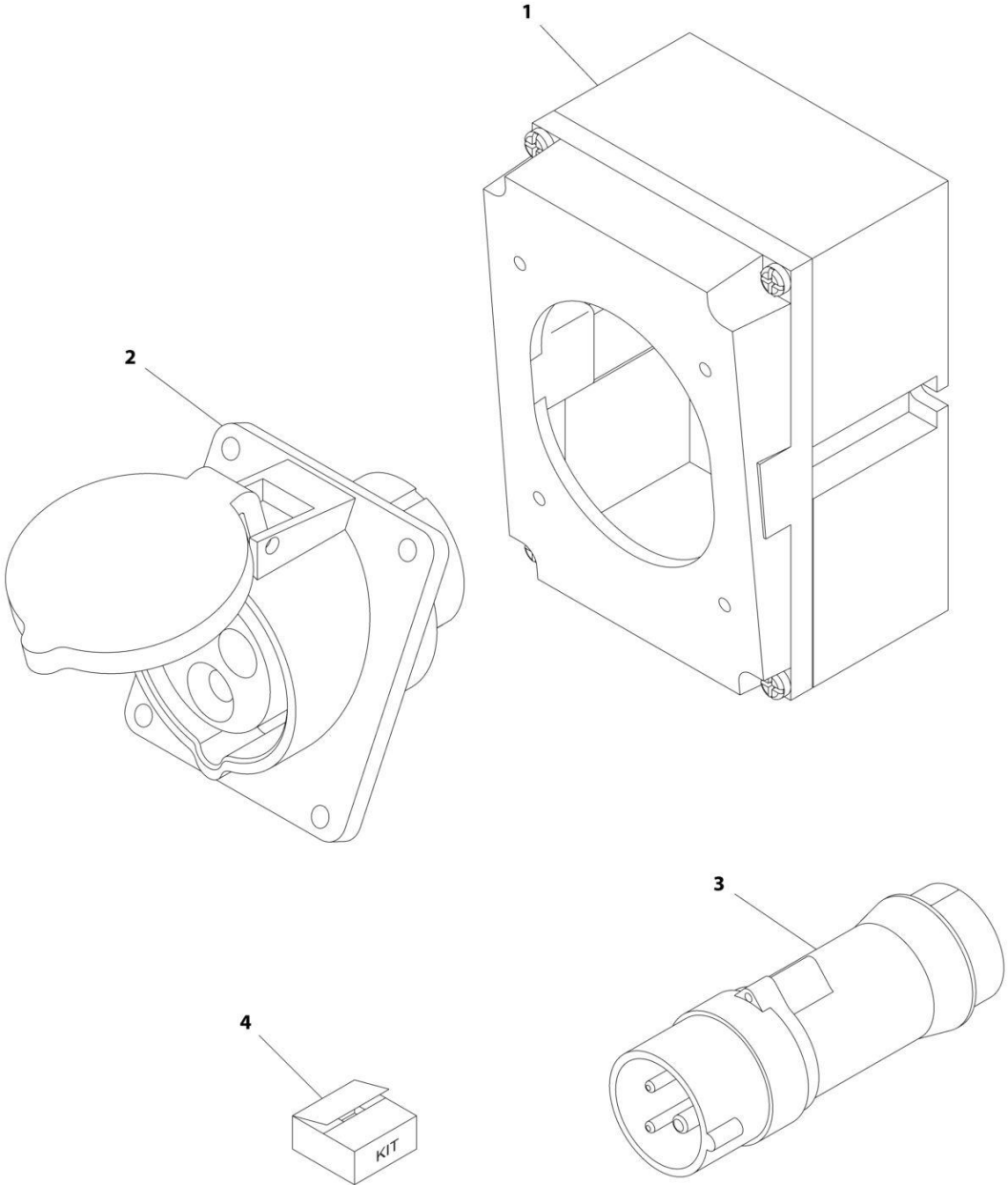
SECTION 8 - ELECTRICAL

FIGURE 8-68. RECEPTACLE BOX KIT - 110V IEC YELLOW (CE & UK CA SPECS)

ITEM	PART NUMBER	QTY	DESCRIPTION	REV
	0275216	Ref	RECEPTACLE BOX KIT - 110V IEC YELLOW	B
1	0861781	1	Box, Switch	
2	4461198	1	Receptacle	
3	4461196	1	Plug, Male	
4	1001100341	1	Plug and Socket Kit (Includes Items 1-3 and Female Plug p/n 4461197)	

SECTION 8 - ELECTRICAL

FIGURE 8-69. RECEPTACLE BOX KIT - 220V IEC BLUE (CE & UK CA SPECS)



ART_0275217

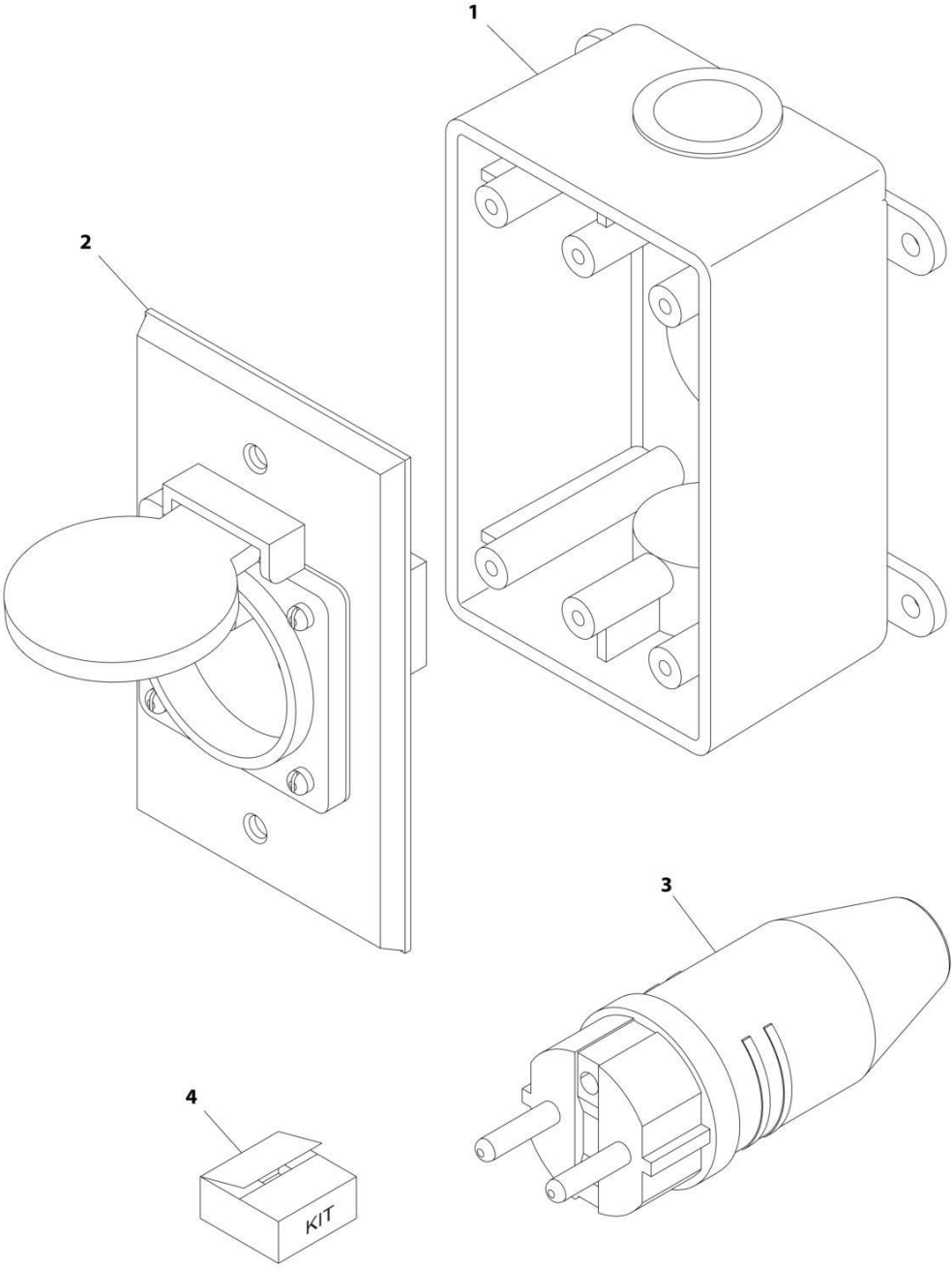
SECTION 8 - ELECTRICAL

FIGURE 8-69. RECEPTACLE BOX KIT - 220V IEC BLUE (CE & UK CA SPECS)

ITEM	PART NUMBER	QTY	DESCRIPTION	REV
	0275217	Ref	RECEPTACLE BOX KIT - 220V IEC BLUE	B
1	0861781	1	Box, Switch	
2	4461201	1	Receptacle	
3	4461199	1	Plug, Male	
4	1001100342	1	Plug and Socket Kit (Includes Items 1-3 and Female Plug p/n 4461200)	

SECTION 8 - ELECTRICAL

FIGURE 8-70. RECEPTACLE BOX KIT - 220V CEE7 POST GROUND 2X4 BOX (CE & UK CA SPEC)



ART_0275452-C

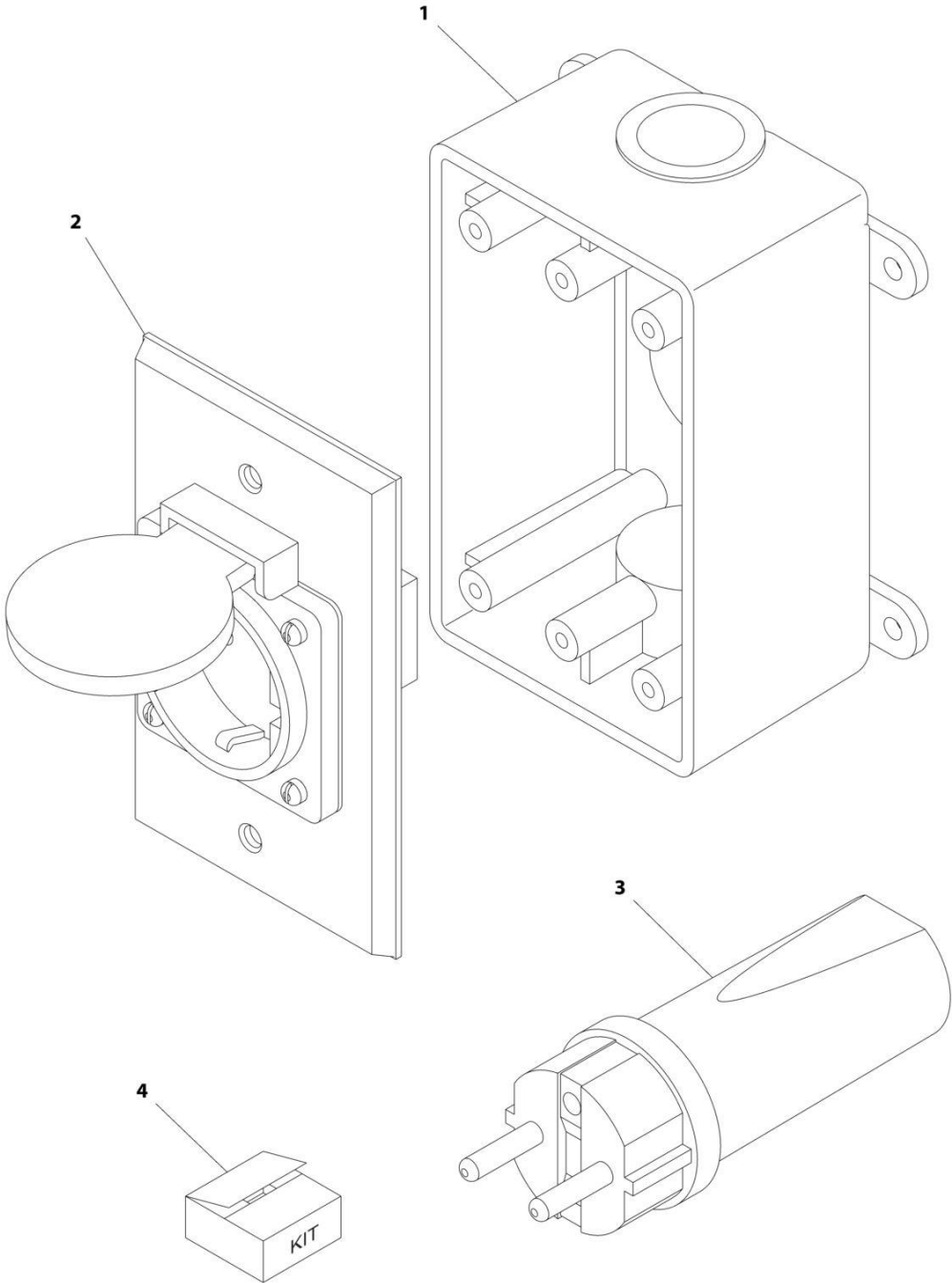
SECTION 8 - ELECTRICAL

FIGURE 8-70. RECEPTACLE BOX KIT - 220V CEE7 POST GROUND 2X4 BOX (CE & UK CA SPEC)

ITEM	PART NUMBER	QTY	DESCRIPTION	REV
	0275452	Ref	RECEPTACLE BOX KIT - 220V CEE7 POST GROUND 2IN X 4IN BOX	C
1	0861731	1	Box, Switch	
2	4461244	1	Receptacle	
3	4461205	1	Plug, Male	
4	1001100345	1	Plug and Socket Kit (Includes Items 1-3 and Female Plug p/n 4461203)	

SECTION 8 - ELECTRICAL

FIGURE 8-71. RECEPTACLE BOX KIT - 220V CEE7 SIDE GROUND 2X4 BOX (CE & UK CA SPEC)



ART_0275453

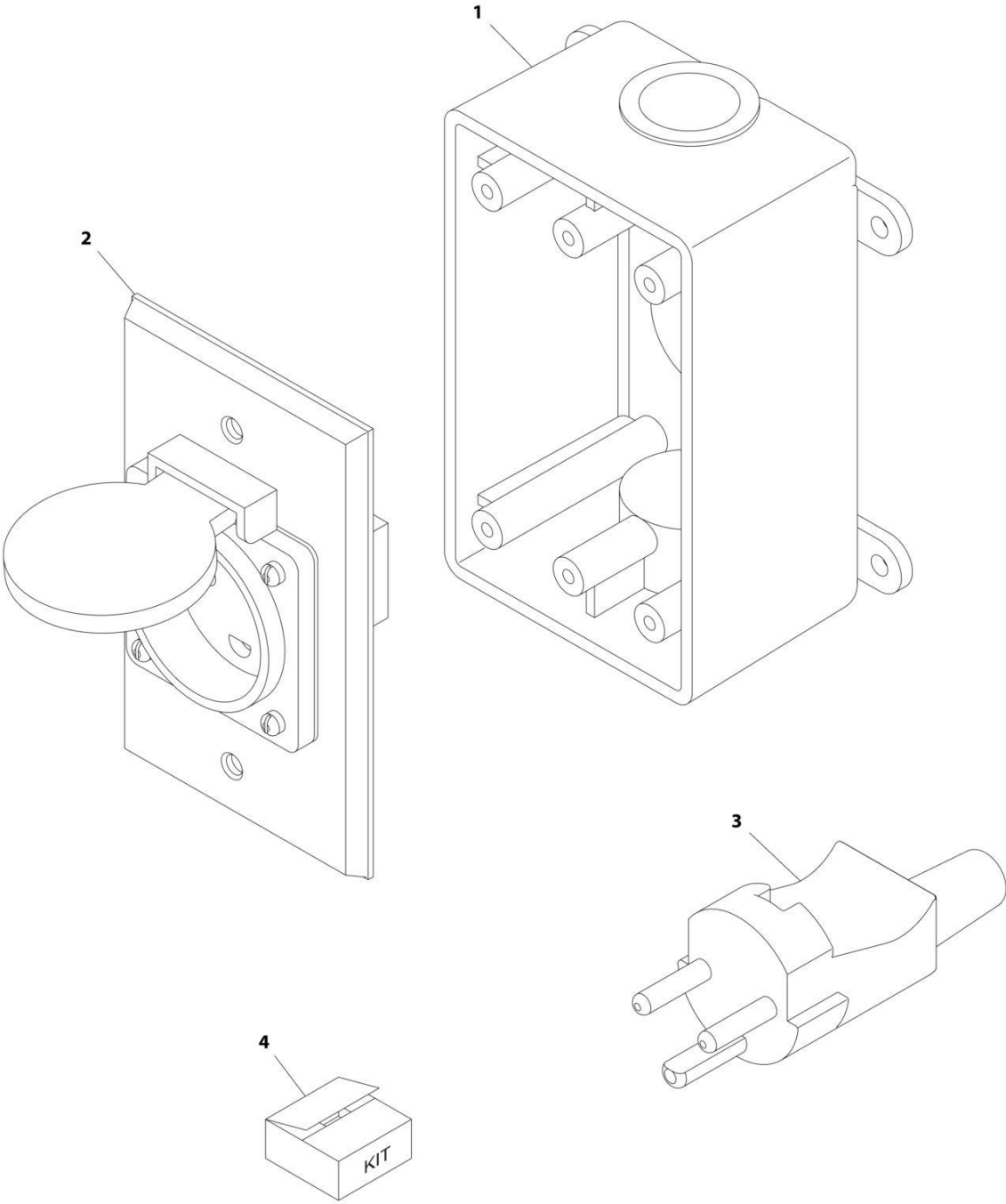
SECTION 8 - ELECTRICAL

FIGURE 8-71. RECEPTACLE BOX KIT - 220V CEE7 SIDE GROUND 2X4 BOX (CE & UK CA SPEC)

ITEM	PART NUMBER	QTY	DESCRIPTION	REV
	0275453	Ref	RECEPTACLE BOX KIT - 220V CEE7 SIDE GROUND	B
1	0861731	1	Box, Switch	
2	4461245	1	Receptacle	
3	4461205	1	Plug, Male	
4	1001100347	1	Plug and Socket Kit (Includes Items 1-3 and Female Plug p/n 4461206)	

SECTION 8 - ELECTRICAL

FIGURE 8-72. RECEPTACLE BOX KIT - 220V AFSINT107 KEYED GROUND (CE & UK CA SPECS)



ART_0275454

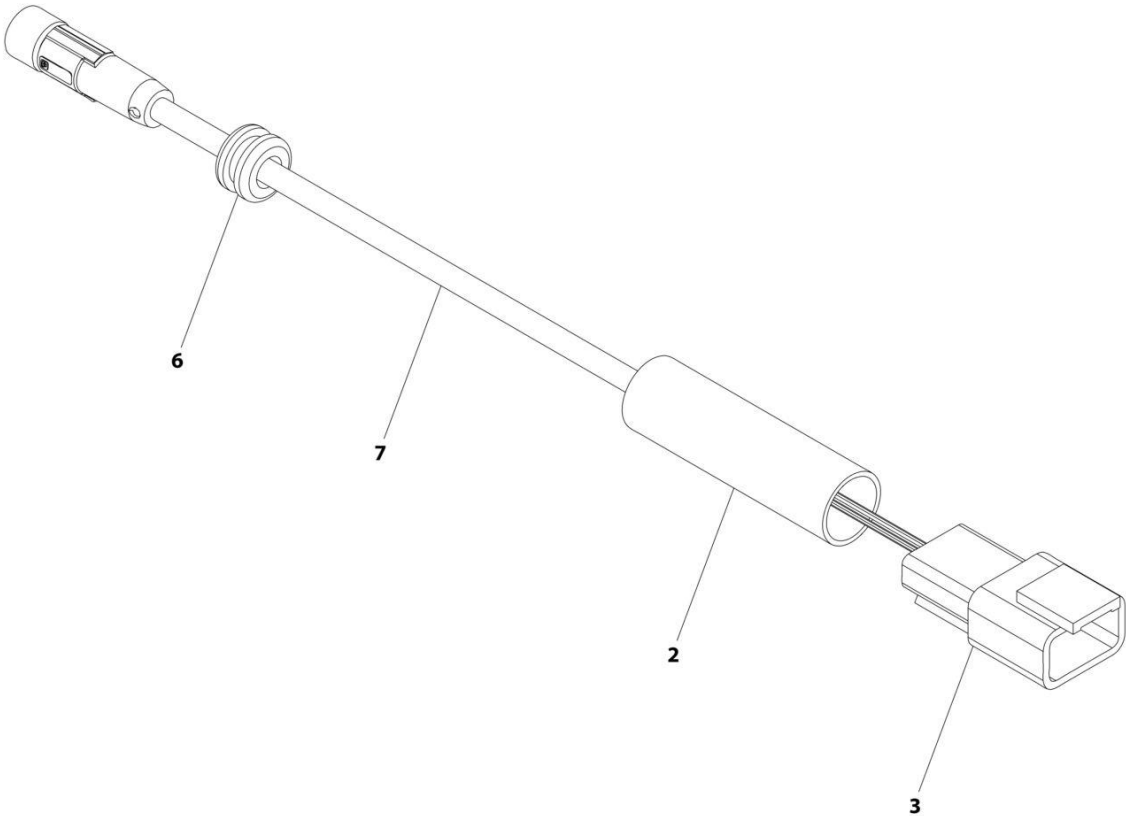
SECTION 8 - ELECTRICAL

FIGURE 8-72. RECEPTACLE BOX KIT - 220V AFSINT107 KEYED GROUND (CE & UK CA SPECS)

ITEM	PART NUMBER	QTY	DESCRIPTION	REV
	0275454	Ref	RECEPTACLE BOX KIT - 220V AFSINT 107	B
1	0861731	1	Box, Switch	
2	4461246	1	Receptacle	
3	4461249	1	Plug, Male	
4	1001100346	1	Plug and Socket Kit (Includes Items 1-3 and Female Plug p/n 4461250)	

SECTION 8 - ELECTRICAL

FIGURE 8-73. SKYEYE EMITTER HARNESS



ART_1001237864

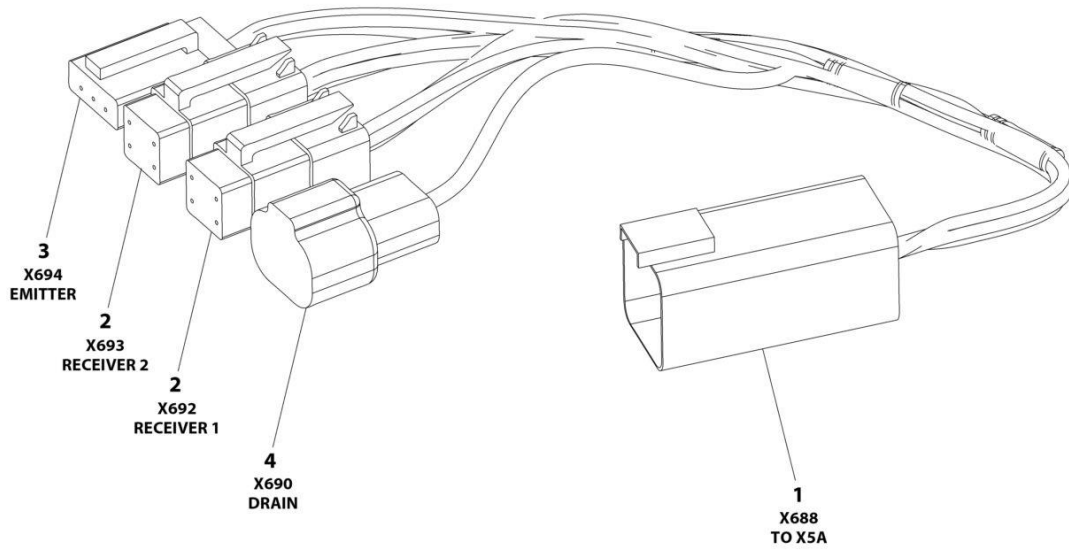
SECTION 8 - ELECTRICAL

FIGURE 8-73. SKYEYE EMITTER HARNESS

ITEM	PART NUMBER	QTY	DESCRIPTION	REV
	1001237864	Ref	SKYEYE EMITTER HARNESS	A
2	2820247	AR	Tubing, Heat Shrink	
3	4460910	1	Connector - 3 Position	
3	1001119620	3	Pin, Male	
6	1001227996	1	Grommet	
7	1001237862	1	Cable, M8 Female Cordset	

SECTION 8 - ELECTRICAL

FIGURE 8-74. SKYEYE INTERMEDIATE HARNESS



ART_1001237865

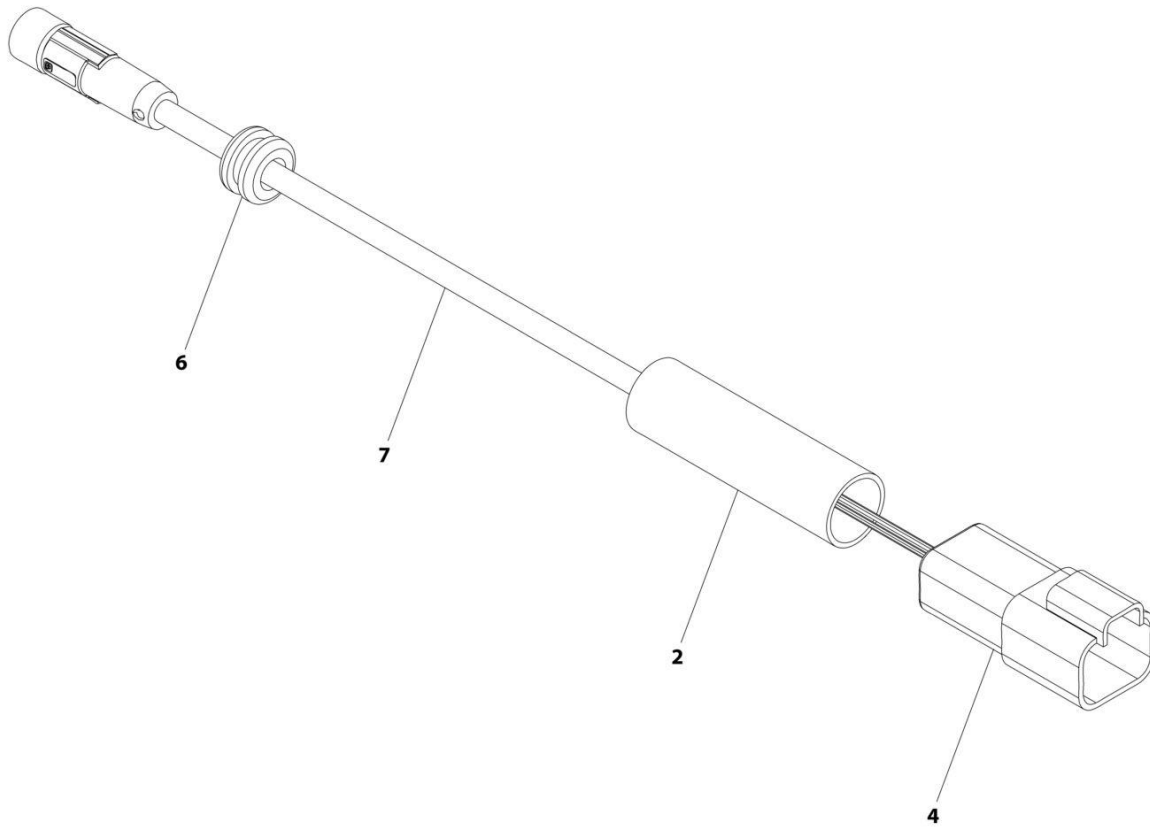
SECTION 8 - ELECTRICAL

FIGURE 8-74. SKYEYE INTERMEDIATE HARNESS

ITEM	PART NUMBER	QTY	DESCRIPTION	REV
	1001237865	Ref	SKYEYE INTERMEDIATE HARNESS	A
1	4460899	1	Connector - 6 Position	
1	4460943	4	Pin, Male	
1	4460466	2	Plug, Terminal	
2	4461077	2	Connector - 4 Position	
2	1001119619	8	Socket, Female	
3	4460911	1	Connector - 3 Position	
3	1001119619	3	Socket, Female	
4	1001187681	1	Connector - 2 Position	
4	4460941	1	Pin, Male	
4	4460466	1	Plug, Terminal	

SECTION 8 - ELECTRICAL

FIGURE 8-75. SKYEYE RECEIVER HARNESS



ART_1001237863

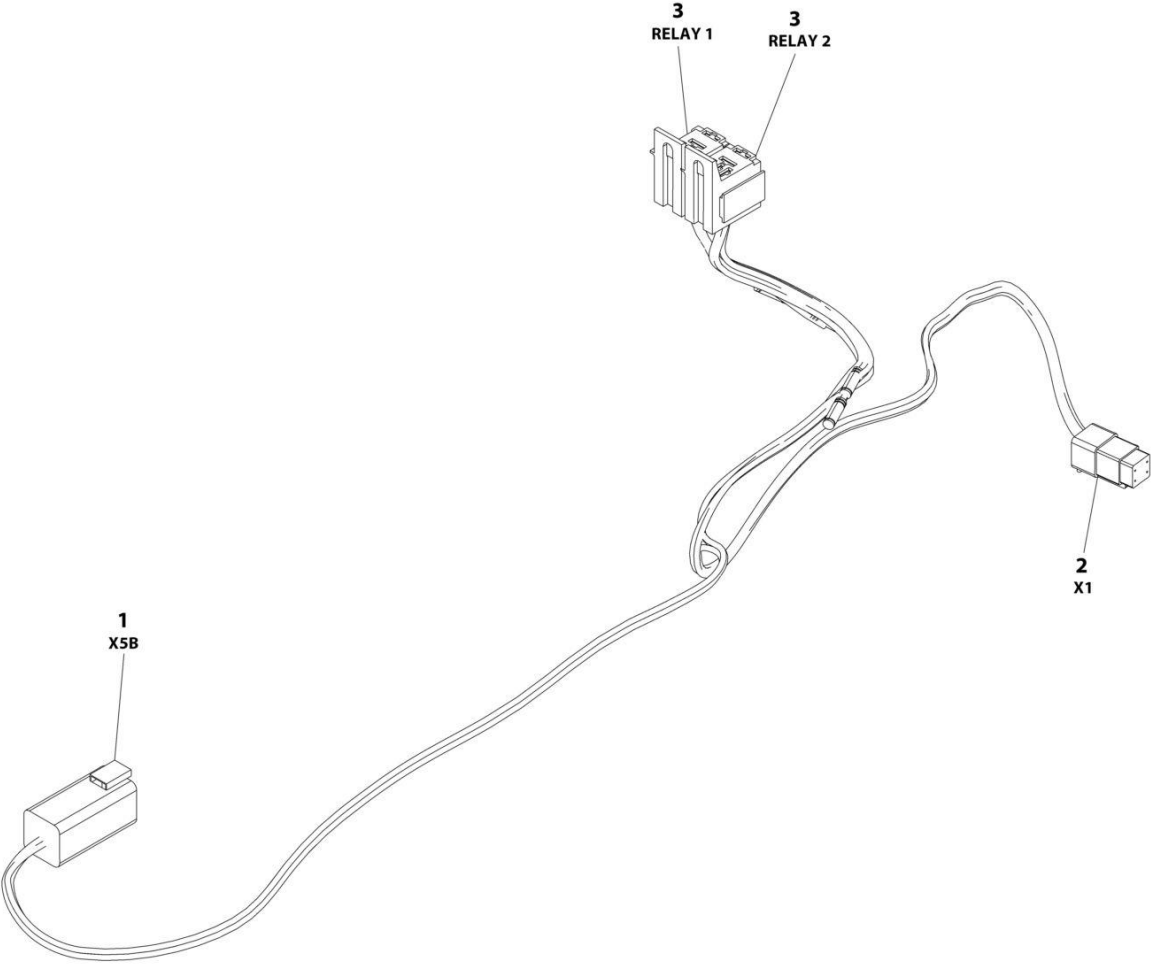
SECTION 8 - ELECTRICAL

FIGURE 8-75. SKYEYE RECEIVER HARNESS

ITEM	PART NUMBER	QTY	DESCRIPTION	REV
	1001237863	Ref	SKYEYE RECEIVER HARNESS	A
2	2820247	AR	Tubing, Heat Shrink	
4	1001097051	1	Connector - 4 Position	
4	1001119620	4	Pin, Male	
6	1001227996	1	Grommet	
7	1001237862	1	Cable, M8 Female Cordset	

SECTION 8 - ELECTRICAL

FIGURE 8-76. SKYLINE HARNESS



ART_1001238418

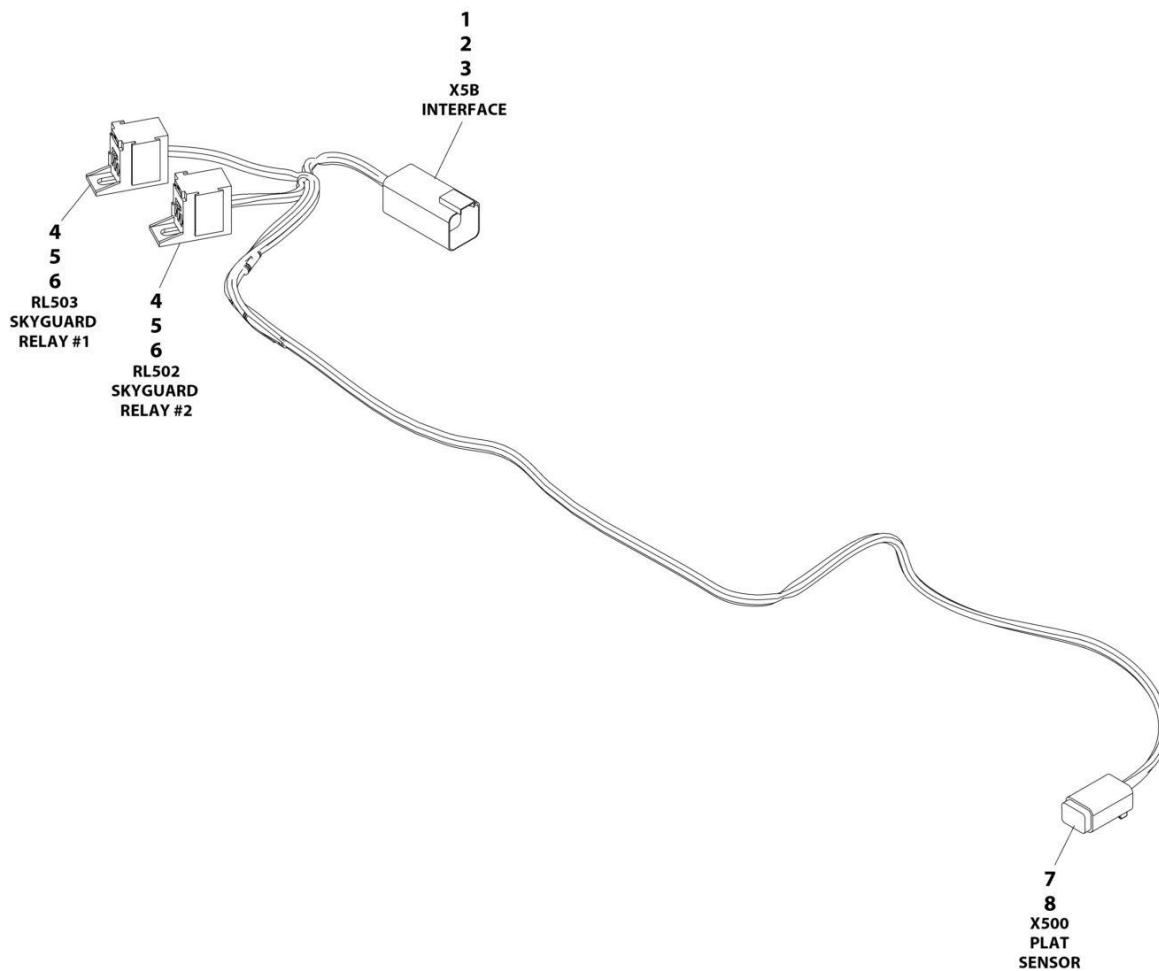
SECTION 8 - ELECTRICAL

FIGURE 8-76. SKYLINE HARNESS

ITEM	PART NUMBER	QTY	DESCRIPTION	REV
	1001238418	Ref	SKYLINE HARNESS	B
1	4460899	1	Connector - 6 Position	
1	4460464	4	Pin, Male	
1	4460466	2	Plug, Terminal	
2	4461077	1	Connector - 4 Position	
2	1001126009	4	Socket, Female	
3	1001186432	2	Plug, Relay	
3	1001118388	5	Terminal	
3	1001118384	3	Terminal	
3	3740086	2	Relay	

SECTION 8 - ELECTRICAL

FIGURE 8-77. SKYGUARD INTERFACE HARNESS



ART_1001225580_E

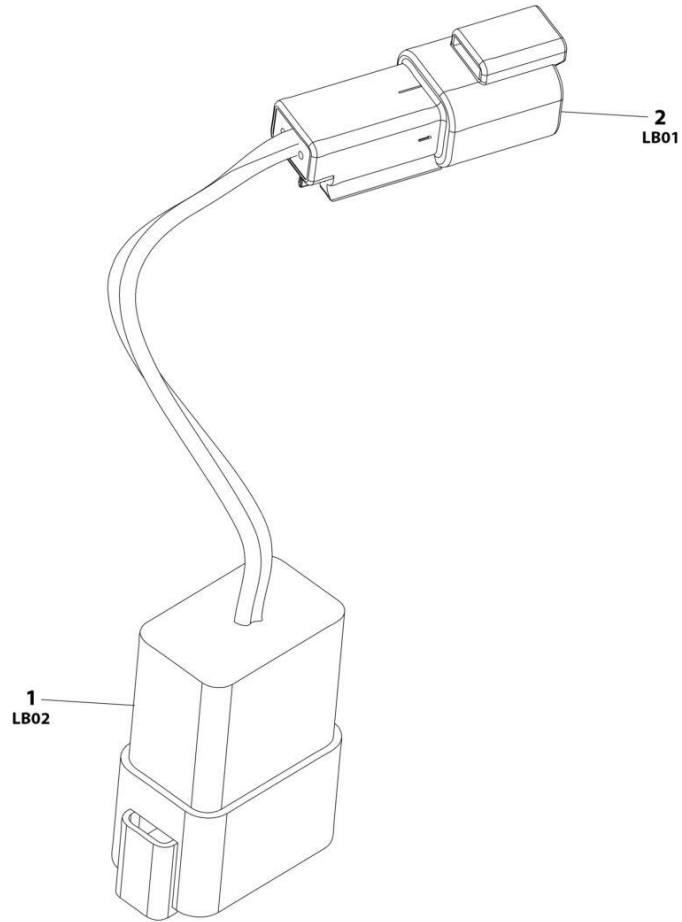
SECTION 8 - ELECTRICAL

FIGURE 8-77. SKYGUARD INTERFACE HARNESS

ITEM	PART NUMBER	QTY	DESCRIPTION	REV
	1001225580	Ref	PLATFORM INTERFACE HARNESS - WITH 1 CELL LSS	E
1	4460899	1	Connector	
2	4460464	4	Terminal	
3	4460466	2	Plug	
4	1001186432	2	Connector	
5	1001253375	4	Terminal	
6	1001104519	4	Terminal	
7	4460884	1	Connector	
8	4460465	4	Terminal	

SECTION 8 - ELECTRICAL

FIGURE 8-78. STROBE LIGHT JUMPER HARNESS



ART_1001283776

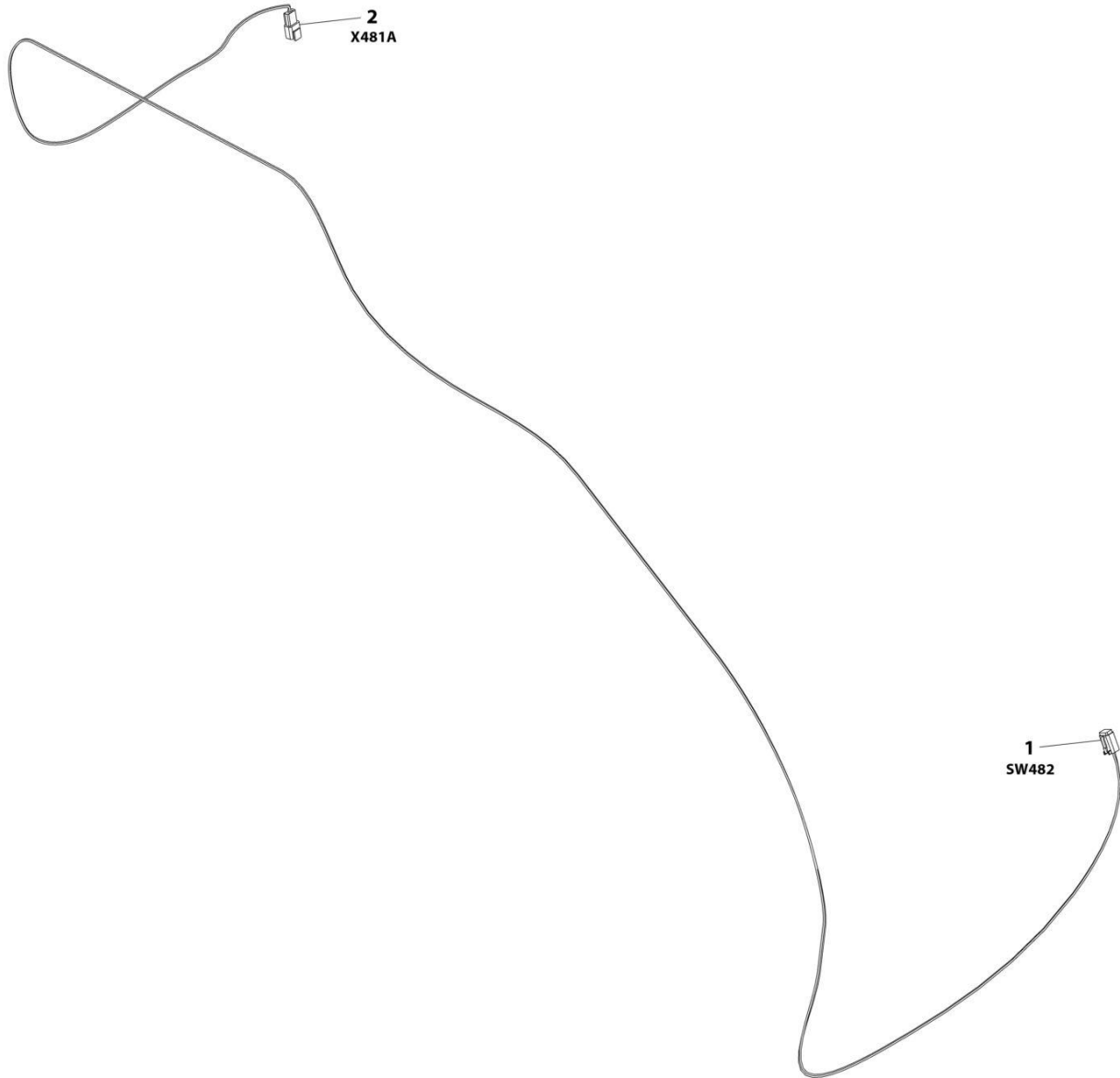
SECTION 8 - ELECTRICAL

FIGURE 8-78. STROBE LIGHT JUMPER HARNESS

ITEM	PART NUMBER	QTY	DESCRIPTION	REV
	1001283776	Ref	STROBE LIGHT HARNESS (AMBER)	A
1	4460931	1	Connector	
1	4460464	2	Pin	
1	4460466	6	Plug	
2	4460897	1	Connector	
2	4460464	2	Pin	

SECTION 8 - ELECTRICAL

FIGURE 8-79. TOWER STOW HARNESS



ART_1001266829

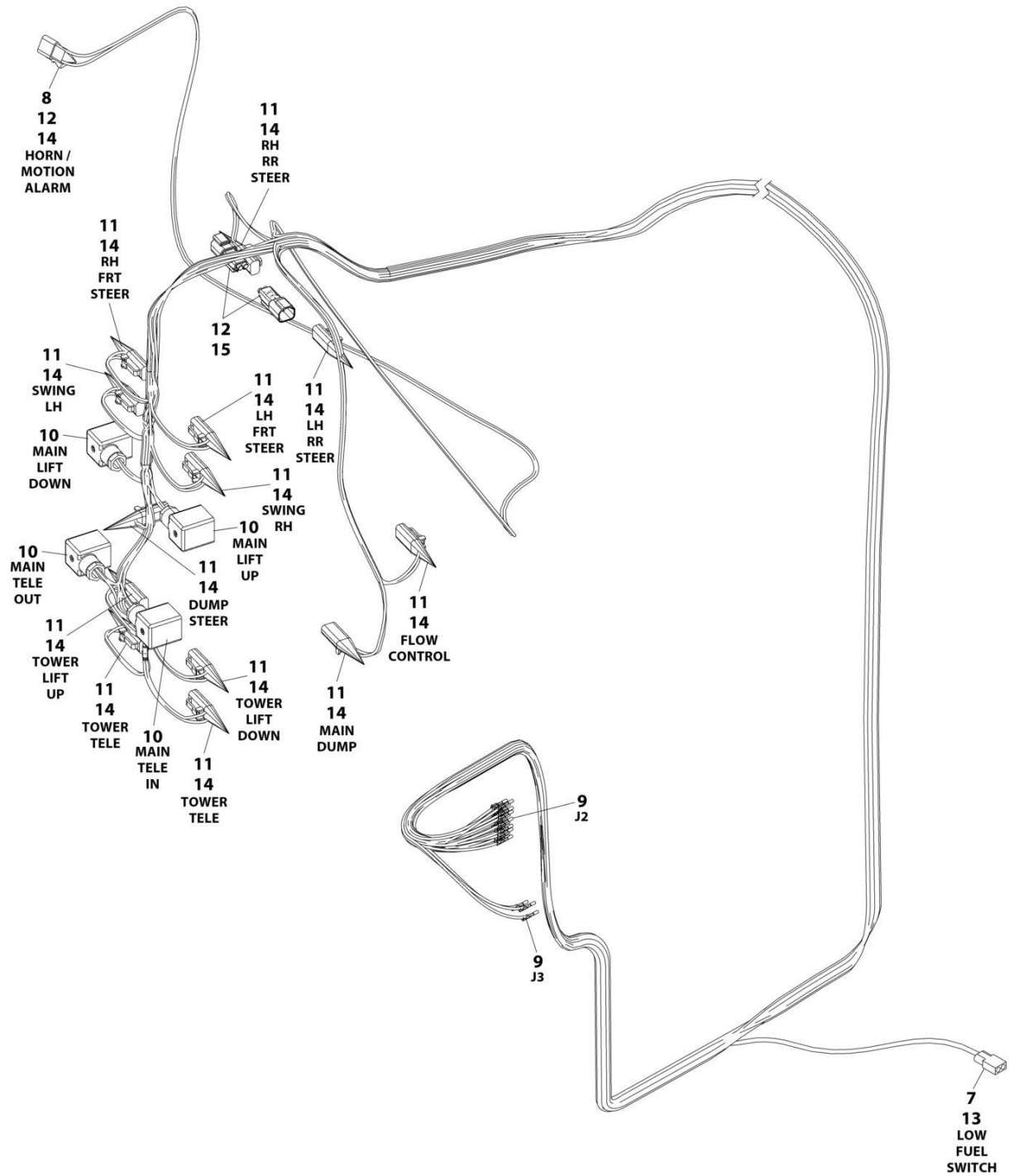
SECTION 8 - ELECTRICAL

FIGURE 8-79. TOWER STOW HARNESS

ITEM	PART NUMBER	QTY	DESCRIPTION	REV
	1001266829	Ref	TOWER STOW HARNESS	A
1	4460884	1	Connector	
1	4460465	2	Socket, Female	
1	4460466	2	Plug	
2	4460910	1	Connector	
2	1001116695	2	Pin	
2	4460518	1	Plug	

SECTION 8 - ELECTRICAL

FIGURE 8-80. VALVE HARNESS (Prior to SN 0300298303)



ART_1001170808_G

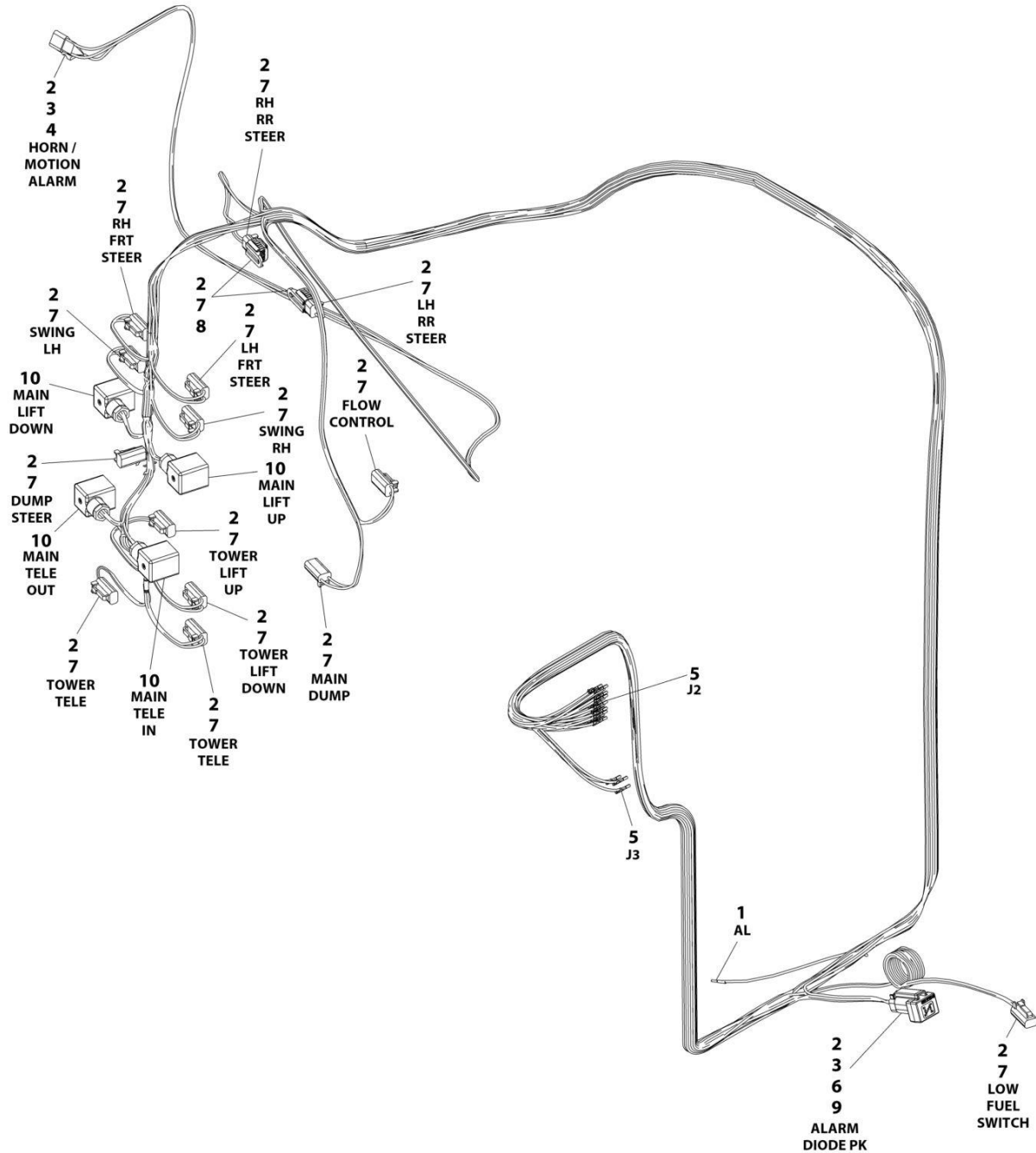
SECTION 8 - ELECTRICAL

FIGURE 8-80. VALVE HARNESS (Prior to SN 0300298303)

ITEM	PART NUMBER	QTY	DESCRIPTION	REV
	1001170808	Ref	VALVE HARNESS	G
7	4460268	2	Socket, Female	
8	4460539	1	Plug, Male - 3 Position	
9	4460871	27	Socket, Female	
10	1001263923	4	Connector, Din	
11	4460891	13	Plug, Male - 2 Position	
12	4460466	5	Plug, Terminal	
13	4460424	1	Receptacle, Female - 2 Position	
14	4460465	28	Socket, Female	
15	4460897	2	Receptacle, Female - 2 Position	

SECTION 8 - ELECTRICAL

FIGURE 8-81. VALVE HARNESS (SN 0300298303 to Present)



ART_1001285016

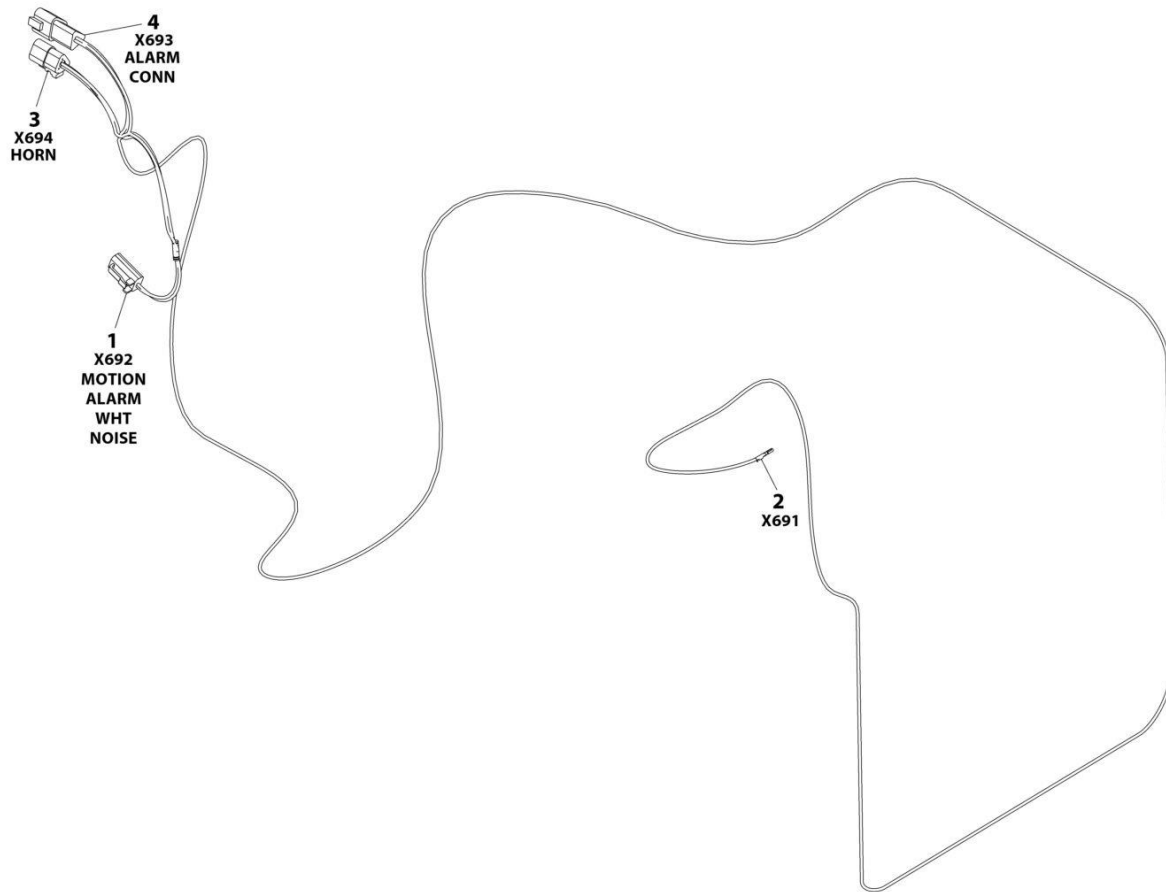
SECTION 8 - ELECTRICAL

FIGURE 8-81. VALVE HARNESS (SN 0300298303 to Present)

ITEM	PART NUMBER	QTY	DESCRIPTION	REV
	1001285016	Ref	VALVE HARNESS	D
1	4460464	1	Terminal	
2	4460465	33	Socket	
3	4460466	3	Plug, Terminal	
4	4460539	1	Connector	
5	4460871	27	Socket	
6	4460884	1	Connector	
7	4460891	14	Connector	
8	1001144295	2	Cap, Dust	
9	1001152266	1	Connector	
10	1001263923	4	Connector	
11	4460897	1	Connector (Not Shown)	

SECTION 8 - ELECTRICAL

FIGURE 8-82. WHITE NOISE ALARM HARNESS



ART_1001243682

SECTION 8 - ELECTRICAL

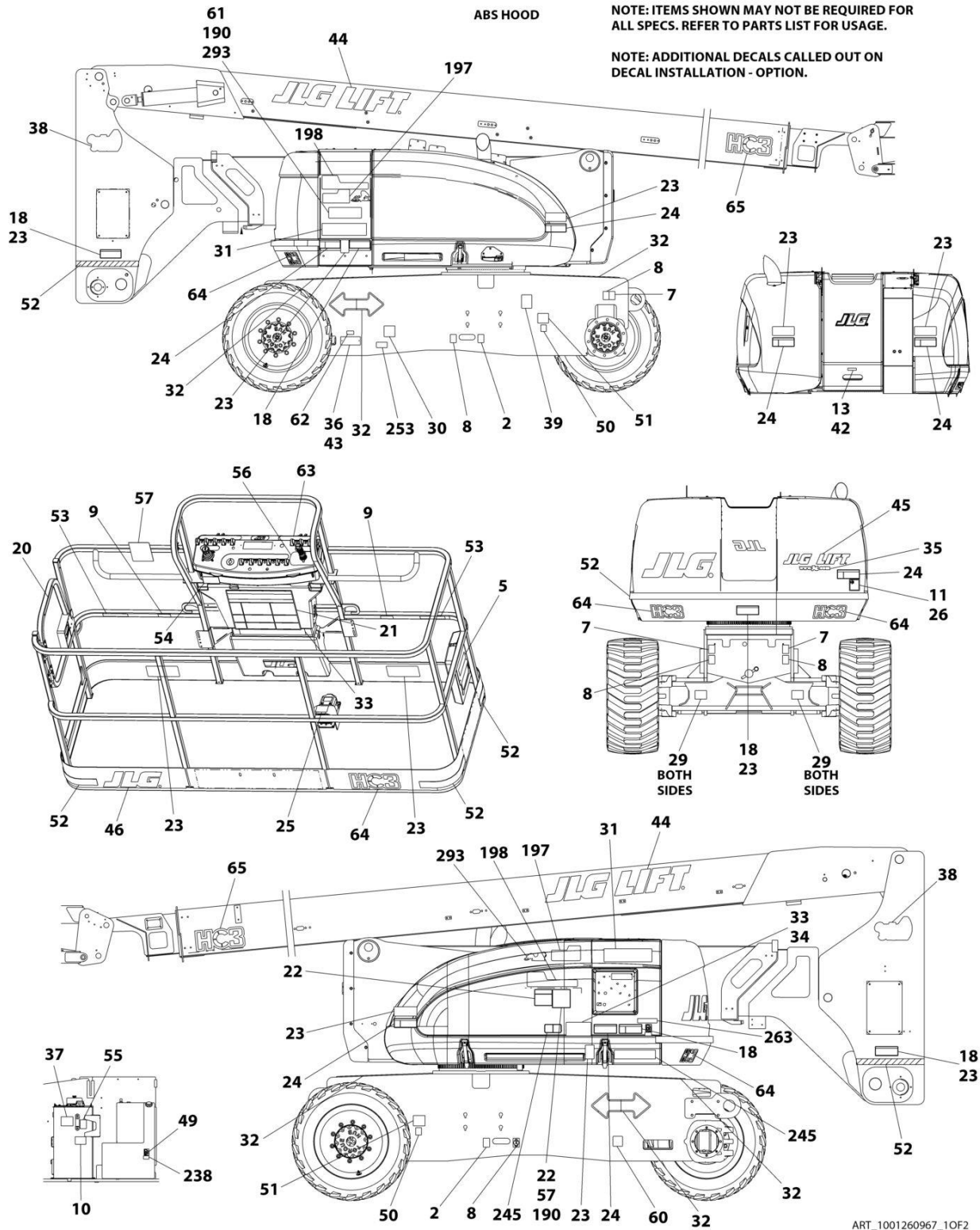
FIGURE 8-82. WHITE NOISE ALARM HARNESS

ITEM	PART NUMBER	QTY	DESCRIPTION	REV
	1001243682	Ref	WHITE NOISE ALARM HARNESS	A
1	4460891	1	Plug, Male - 2 Position	
1	4460465	2	Socket, Female	
2	4460871	1	Terminal	
3	4460539	1	Plug, Male- 3 Position	
3	4460465	3	Socket, Female	
4	4460536	1	Receptacle, Female- 3 Position	
4	4460464	3	Pin, Male	

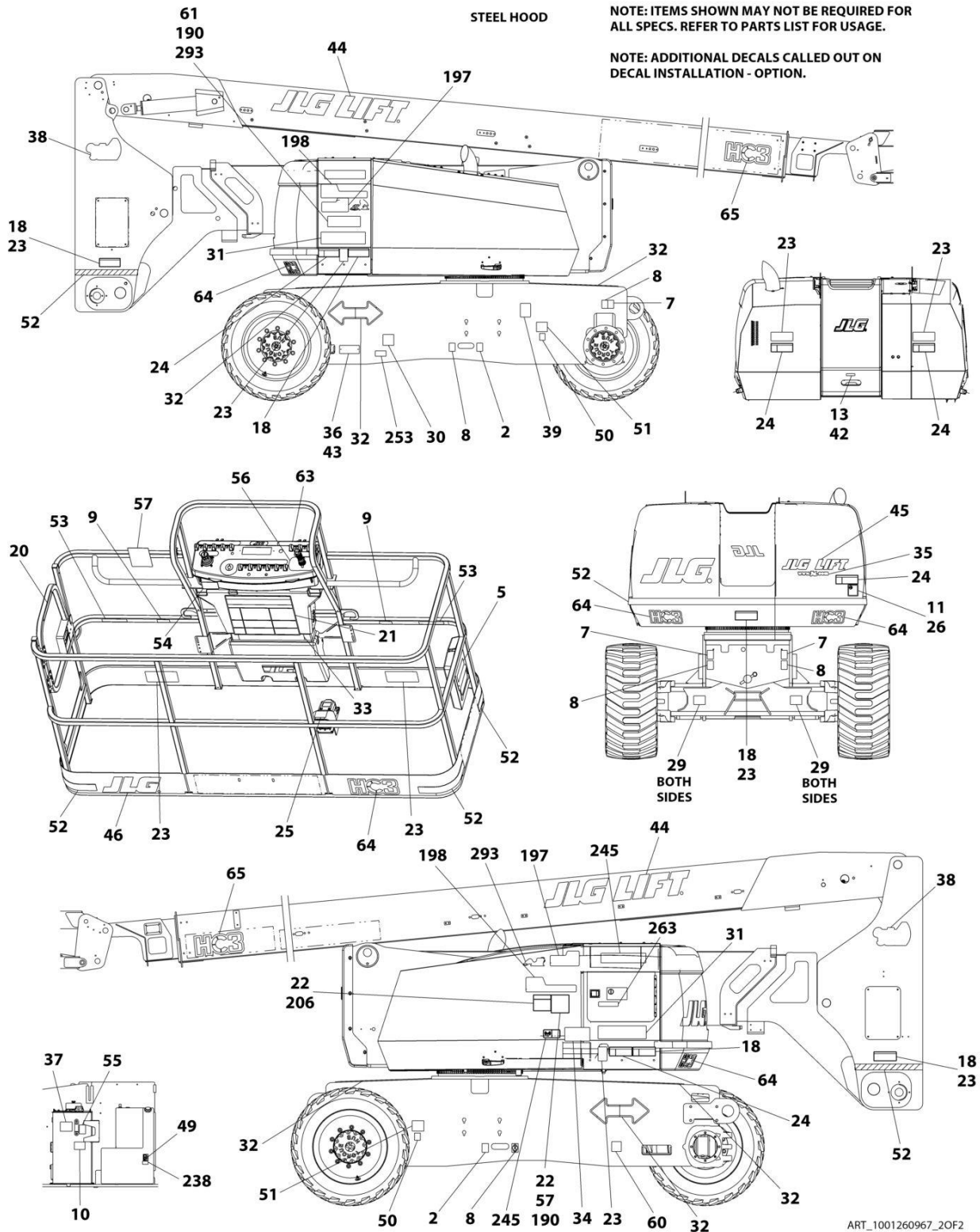
SECTION 9 - DECALS

SECTION 9 - DECALS

FIGURE 9-1. DECAL INSTALLATION (ANSI SPECS)



SECTION 9 - DECALS



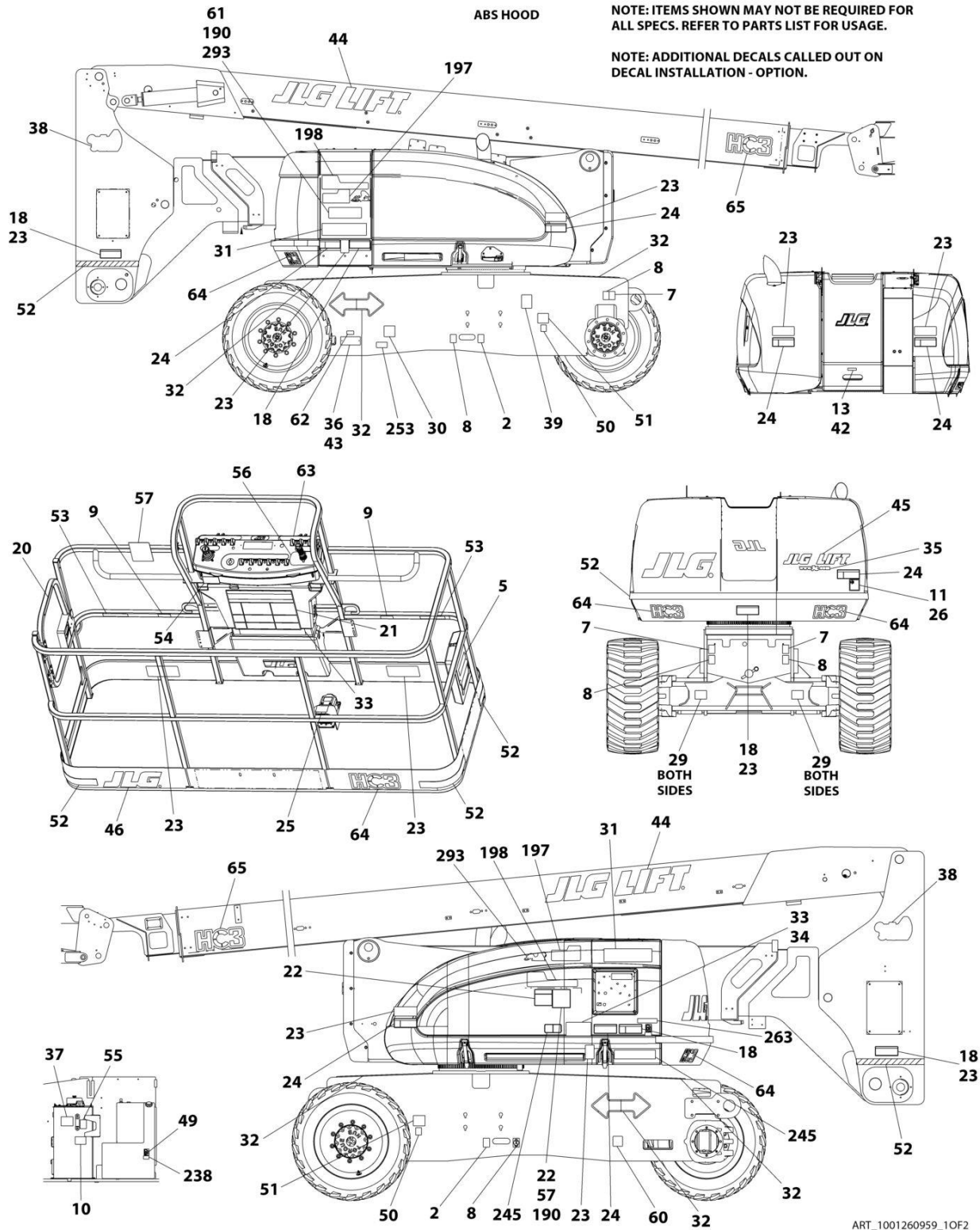
SECTION 9 - DECALS

FIGURE 9-1. DECAL INSTALLATION (ANSI SPECS)

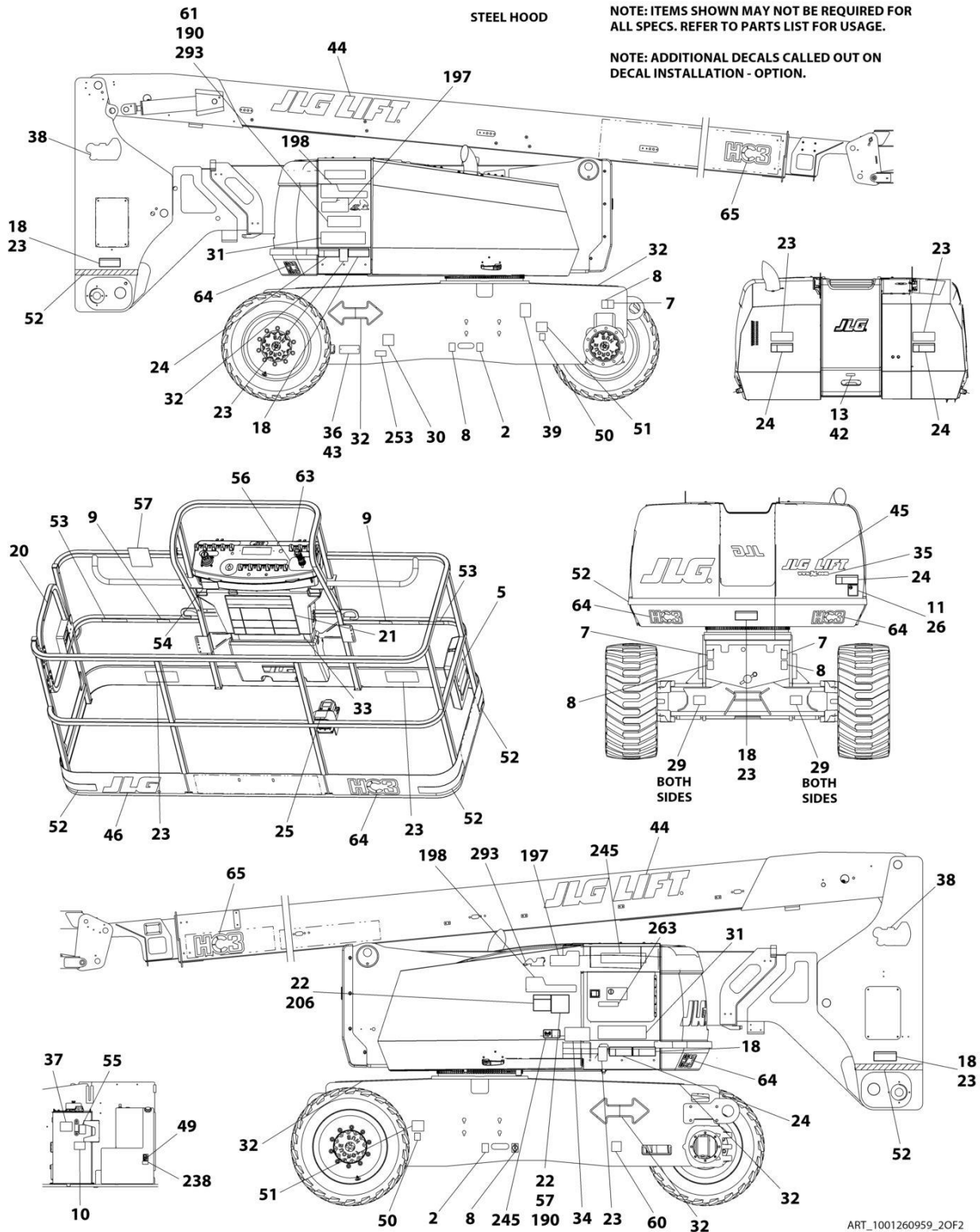
ITEM	PART NUMBER	QTY	DESCRIPTION	REV
	1001260967	Ref	DECAL INSTALLATION	E
	1001260969	Ref	REFERENCE CHART	B
2	1701499	2	Decal - No Lifting	
5	1701509	1	Decal - Manual	
7	1703811	4	Decal - Lifting Lug	
8	1703814	6	Decal - Tie Down	
9	1704277	3	Decal - Lanyard Attach Graphic	
10	1704412	1	Decal - Hydraulic Oil Chart	
13	3251243	1	Nameplate - 120V-60Hz	
18	1703953	5	Decal - Warning Crushing	
20	1702868	2	Decal - No Hands	
21	1703797	1	Decal - Warning/Danger	
22	1705336	1	Decal - Warning Inspection	
23	1703804	4	Decal - Warning Crushing	
24	1703805	5	Decal - Danger Electrocuton	
25	3252347	1	Decal - Footswitch	
29	1703482	4	Decal - Maximum Tire Load	
30	See Note	NSS	Decal - Bar Code (Note: Not Available for Purchase)	
31	1001267312	2	Decal - 800AJ	
32	1701501	4	Decal - Arrow	
33	1001234425	1	Decal - Warning Maximum Capacity	
34	1001234426	1	Decal - Warning Maximum Capacity	
37	1001096141	1	Decal - Upright Level Override	
38	1703959	2	Decal - Quick Stick	
39	1001131269	1	Decal - Patent	
43	3820001	2	Rivet	
52	4420051	23 ft /7m	Tape, Safety	
56	1705351	1	Decal - Drive/Steer Instructions	
60	1001223055	1	Decal - Yearly Inspection	
61	1001263941	1	Decal - Lift Diagram	
62	1001223453	1	Decal - ICES	
63	1001131168	1	Decal - Stop	

SECTION 9 - DECALS

FIGURE 9-2. DECAL INSTALLATION (AUSTRALIAN SPECS)



SECTION 9 - DECALS



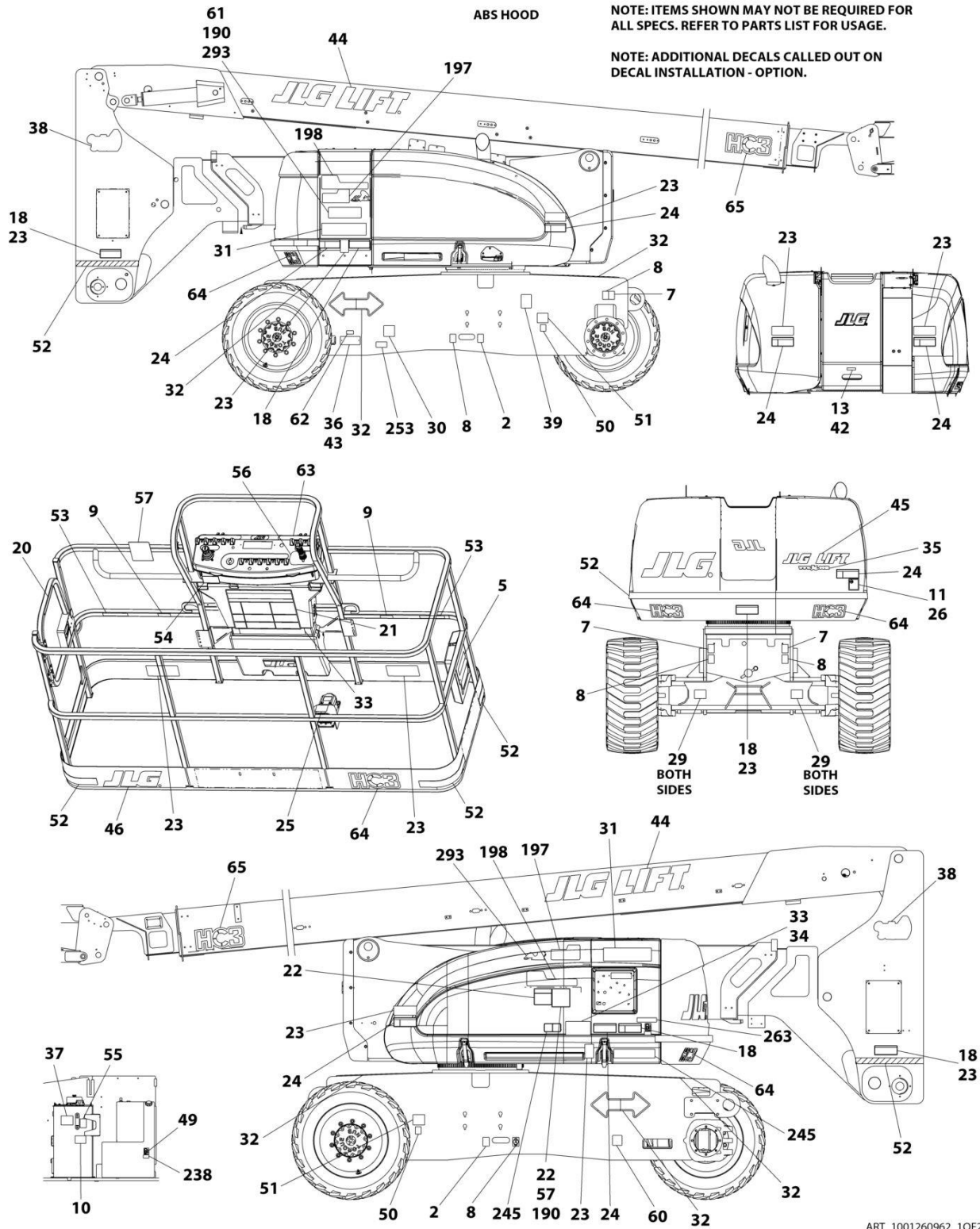
SECTION 9 - DECALS

FIGURE 9-2. DECAL INSTALLATION (AUSTRALIAN SPECS)

ITEM	PART NUMBER	QTY	DESCRIPTION	REV
	1001260959	Ref	DECAL INSTALLATION	D
	1001260969	Ref	REFERENCE CHART	B
2	1701499	2	Decal - No Lifting	
5	1701509	1	Decal - Manual	
7	1703811	4	Decal - Lifting Lug	
8	1703814	6	Decal - Tie Down	
9	1704277	3	Decal - Lanyard Attach Graphic	
10	1704412	1	Decal - Hydraulic Oil Chart	
21	1705921	1	Decal - Tipping	
22	1705822	1	Decal - Danger	
23	1701518	9	Decal - Warning Crushing	
24	1705961	5	Decal - Danger Electrocution	
25	1705828	1	Decal - Footswitch	
29	1703482	4	Decal - Maximum Tire Load	
30	See Note	NSS	Decal - Bar Code (Note: Not Available for Purchase)	
31	1001267312	2	Decal - 800AJ	
32	1701501	4	Decal - Arrow	
33	1001234439	2	Decal - Warning Maximum Capacity	
37	1705977	1	Decal - Upright Level	
38	1703959	2	Decal - Quick Stick	
43	3820001	2	Rivet	
52	4420051	23 ft /7m	Tape, Safety	
57	1001112551	1	Decal - Emergency Control	
61	1001263941	1	Decal - Lift Diagram	
63	1001184618	1	Decal - Stop	

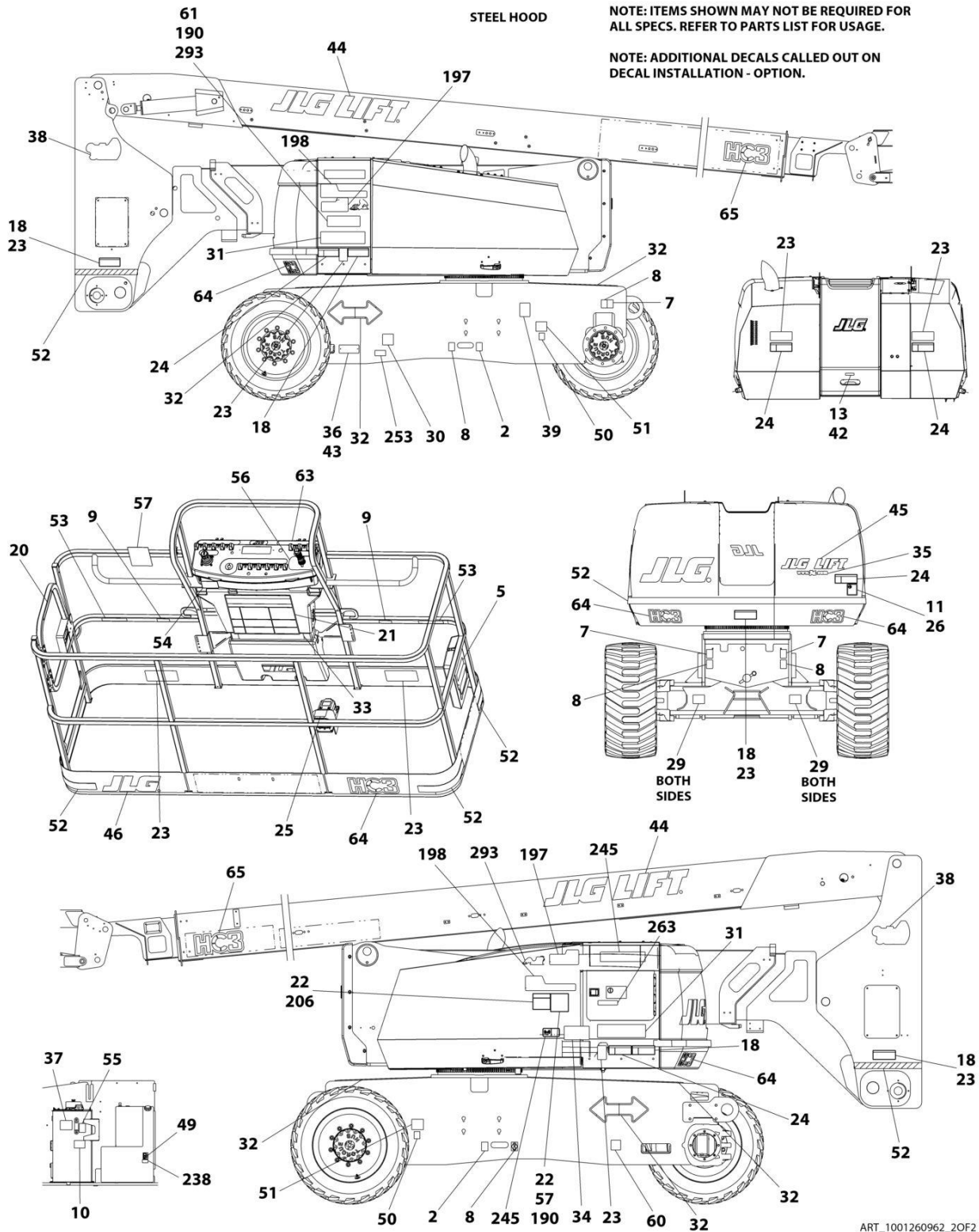
SECTION 9 - DECALS

FIGURE 9-3. DECAL INSTALLATION (BRAZILIAN SPECS)



ART_1001260962_10F2

SECTION 9 - DECALS



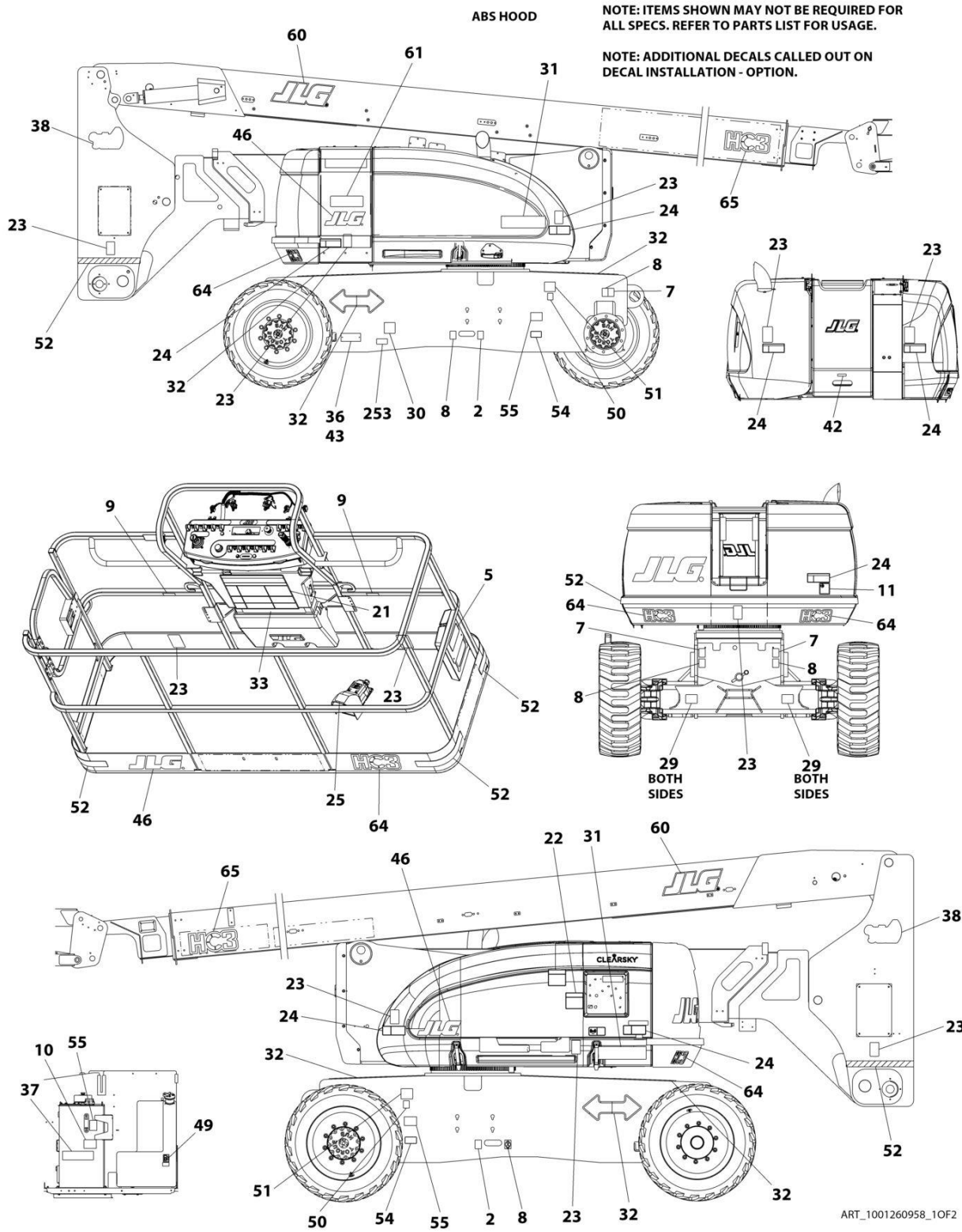
SECTION 9 - DECALS

FIGURE 9-3. DECAL INSTALLATION (BRAZILIAN SPECS)

ITEM	PART NUMBER	QTY	DESCRIPTION	REV
	1001260962	Ref	DECAL INSTALLATION	D
	1001260969	Ref	REFERENCE CHART	B
2	1701499	2	Decal - No Lifting	
5	1701509	1	Decal - Manual	
7	1703811	4	Decal - Lifting Lug	
8	1703814	6	Decal - Tie Down	
9	1704277	3	Decal - Lanyard Attach Graphic	
10	1704412	1	Decal - Hydraulic Oil Chart	
18	1703943	5	Decal - Warning Crushing	
20	1705967	2	Decal - No Hands	
21	1705895	1	Decal - Warning/Danger	
22	1705896	1	Decal - Warning Inspection	
23	1705898	4	Decal - Warning Crushing	
24	1705897	5	Decal - Danger Electrocution	
25	1705902	1	Decal - Footswitch	
29	1703482	4	Decal - Maximum Tire Load	
30	See Note	NSS	Decal - Bar Code (Note: Not Available for Purchase)	
31	1001267312	2	Decal - 800AJ	
32	1701501	4	Decal - Arrow	
33	1001234437	1	Decal - Warning Maximum Capacity	
34	1001234438	1	Decal - Warning Maximum Capacity	
37	1705977	1	Decal - Upright Level	
38	1703959	2	Decal - Quick Stick	
43	3820001	2	Rivet	
52	4420051	23 ft /7m	Tape, Safety	
56	1705905	1	Decal - Drive/Steer	
60	1001224052	1	Decal - Yearly Inspection	
61	1001263941	1	Decal - Lift Diagram	
63	1001184618	1	Decal - Stop	

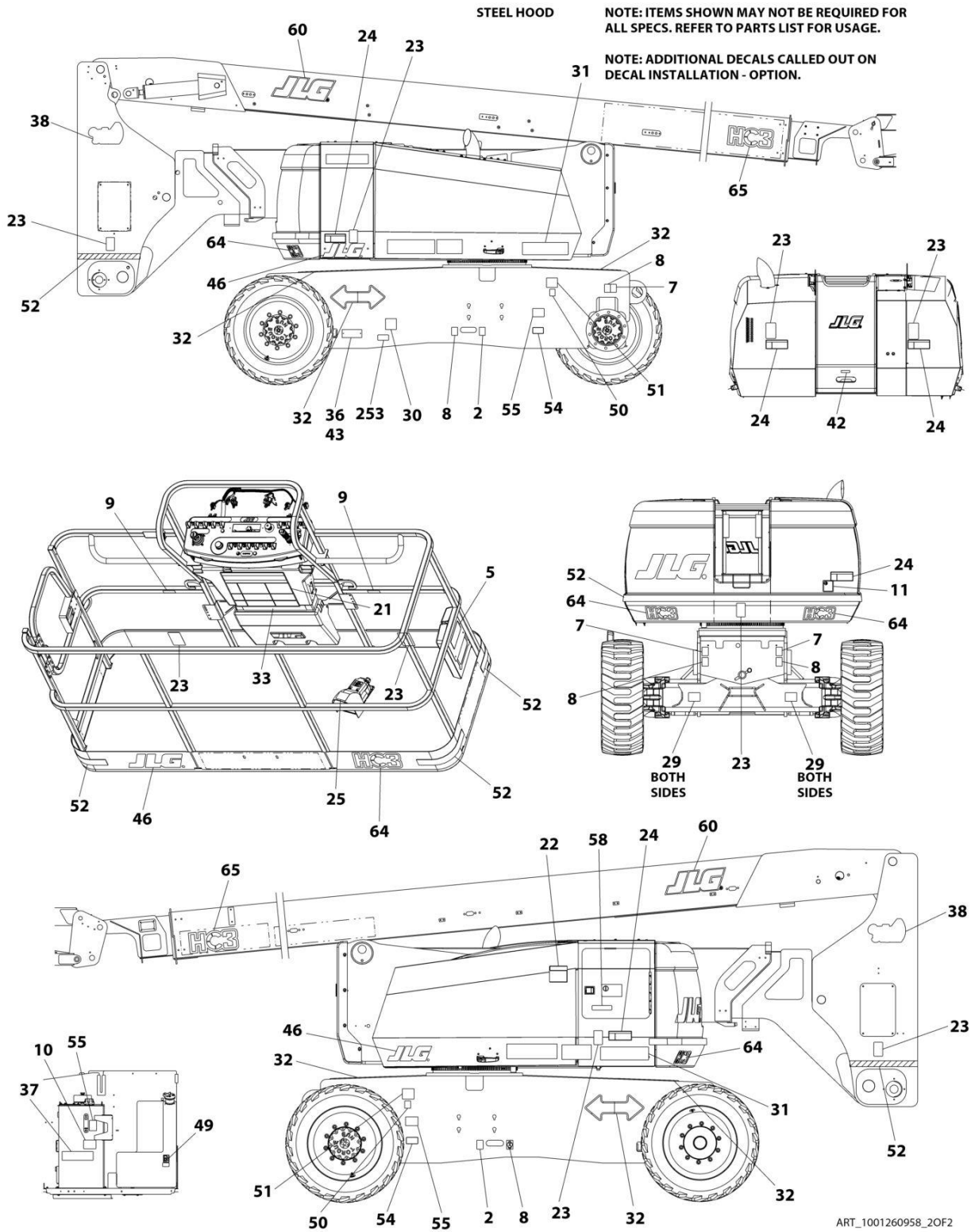
SECTION 9 - DECALS

FIGURE 9-4. DECAL INSTALLATION (CE & UK CA SPECS)



ART_1001260958_10F2

SECTION 9 - DECALS



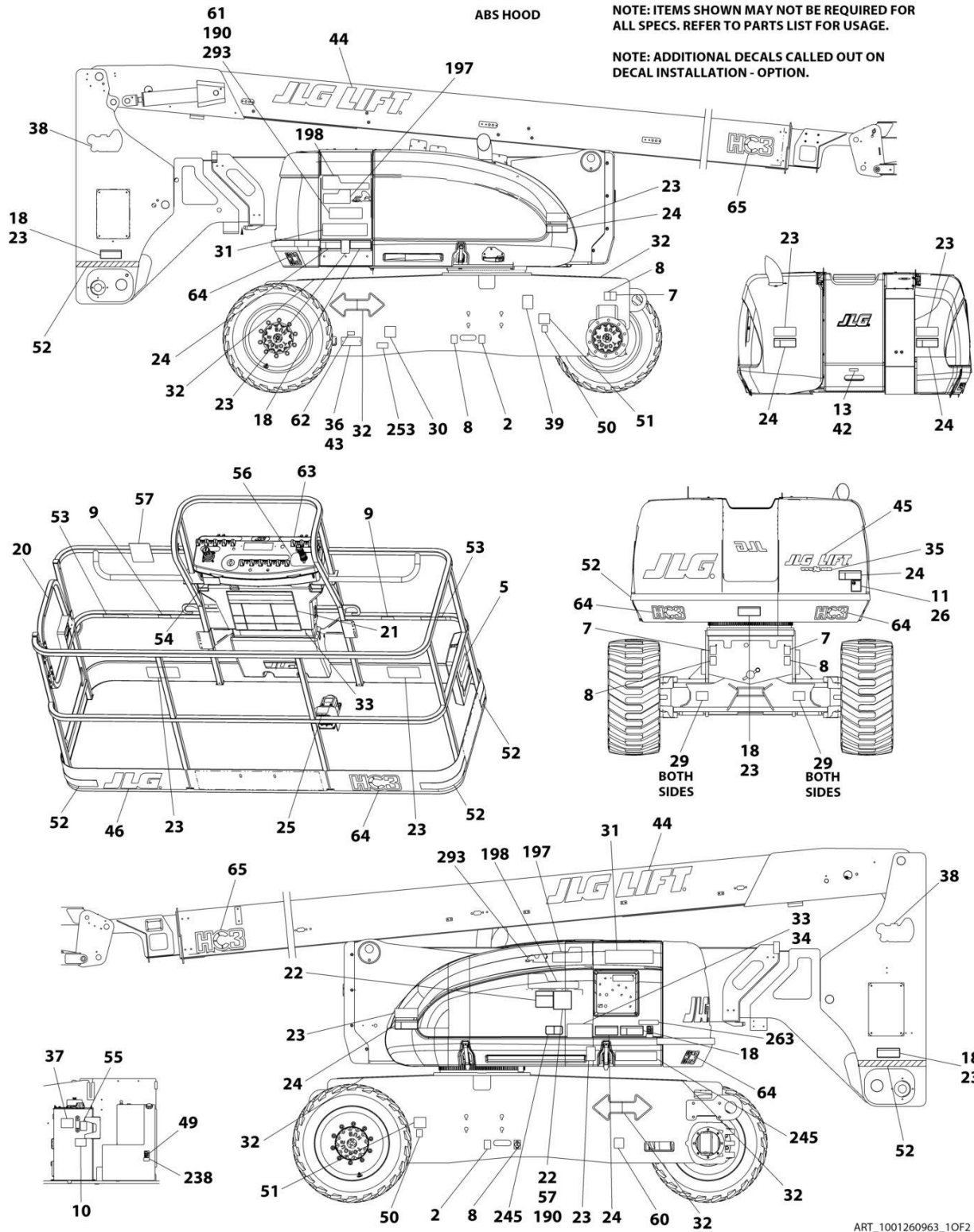
SECTION 9 - DECALS

FIGURE 9-4. DECAL INSTALLATION (CE & UK CA SPECS)

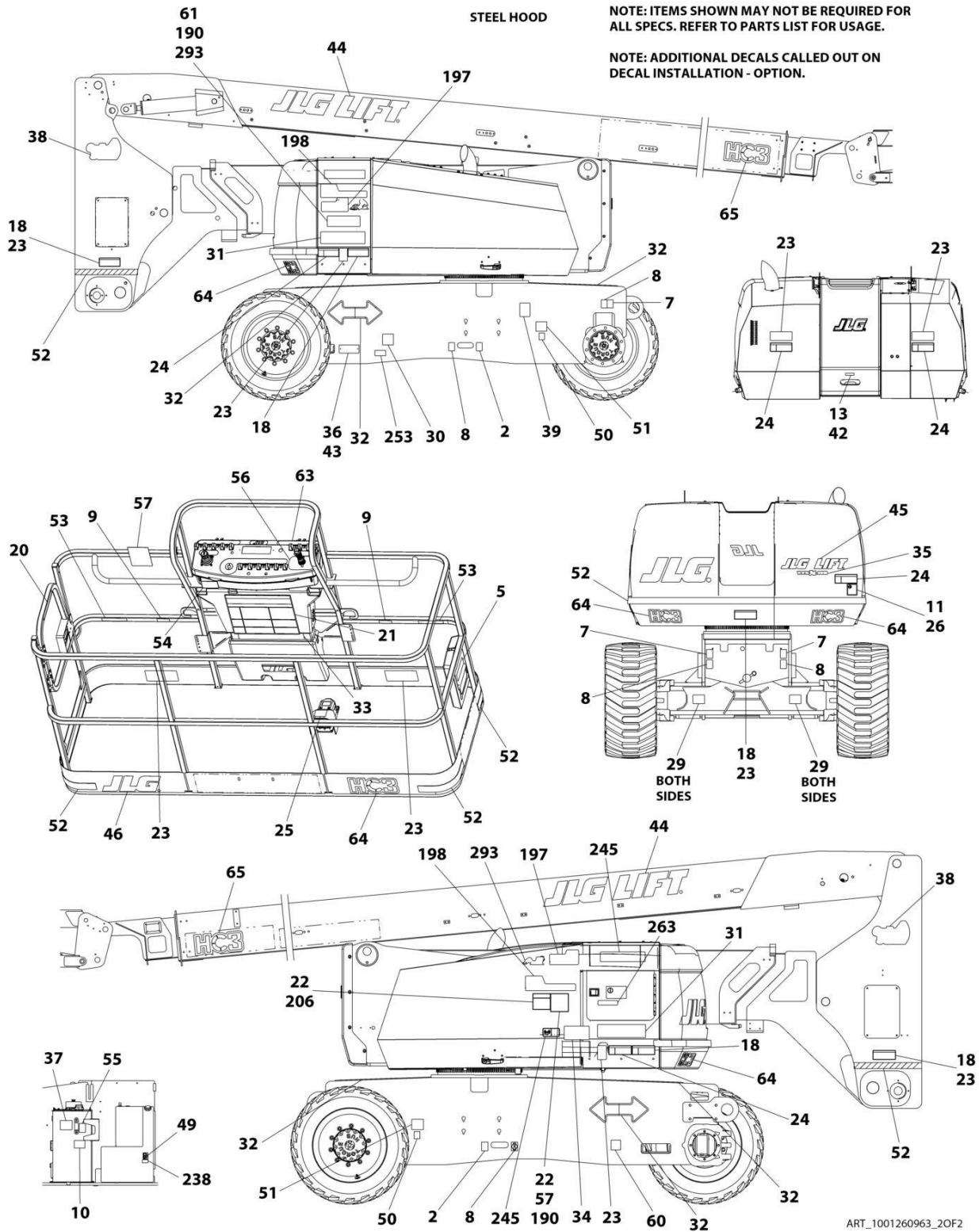
ITEM	PART NUMBER	QTY	DESCRIPTION	REV
	1001260958	Ref	DECAL INSTALLATION	D
	1001260968	Ref	REFERENCE CHART	B
2	1701499	2	Decal - No Lifting	
5	1701509	1	Decal - Manual	
7	1703811	4	Decal - Lifting Lug	
8	1703814	6	Decal - Tie Down	
9	1704277	3	Decal - Lanyard Attach Graphic	
10	1704412	1	Decal - Hydraulic Oil Chart	
21	1705921	1	Decal - Tipping	
22	1705822	1	Decal - Danger	
23	1701518	9	Decal - Warning Crushing	
24	1705961	5	Decal - Danger Electrocution	
25	1705828	1	Decal - Footswitch	
29	1703482	4	Decal - Maximum Tire Load	
30	See Note	NSS	Decal - Bar Code (Note: Not Available for Purchase)	
31	1001267312	2	Decal - 800AJ	
32	1701501	4	Decal - Arrow	
33	1001234439	1	Decal - Warning Maximum Capacity	
37	1705977	1	Decal - Upright Level	
38	1703959	2	Decal - Quick Stick	
43	3820001	2	Rivet	
52	4420051	23 ft /7m	Tape, Safety	
61	1001263941	1	Decal - Lift Diagram	
63	1001184618	1	Decal - Stop	

SECTION 9 - DECALS

FIGURE 9-5. DECAL INSTALLATION (CHINA SPECS)



SECTION 9 - DECALS



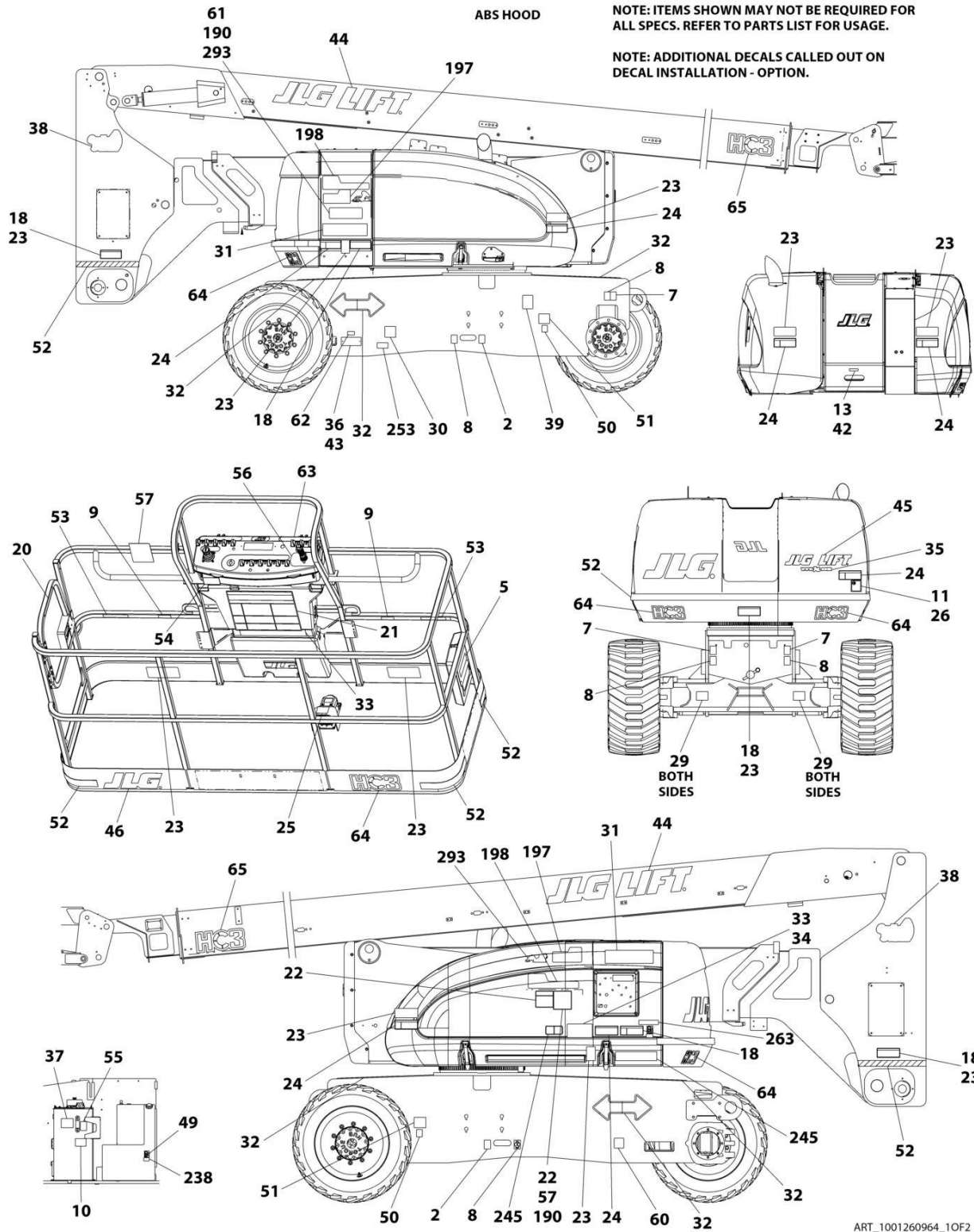
SECTION 9 - DECALS

FIGURE 9-5. DECAL INSTALLATION (CHINA SPECS)

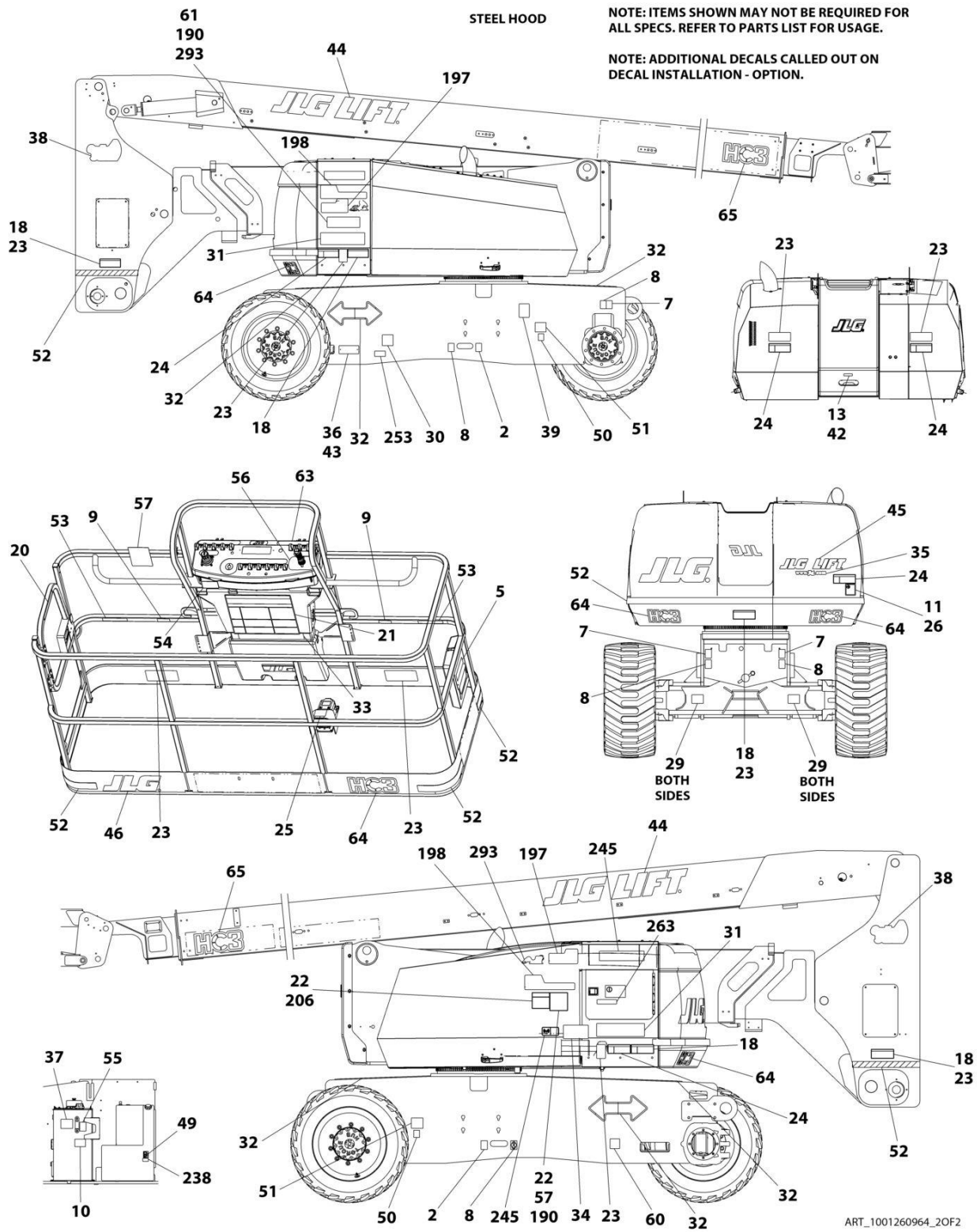
ITEM	PART NUMBER	QTY	DESCRIPTION	REV
	1001260963	Ref	DECAL INSTALLATION	D
	1001260969	Ref	REFERENCE CHART	B
2	1701499	2	Decal - No Lifting	
5	1701509	1	Decal - Manual	
7	1703811	4	Decal - Lifting Lug	
8	1703814	6	Decal - Tie Down	
9	1704277	3	Decal - Lanyard Attach Graphic	
10	1704412	1	Decal - Hydraulic Oil Chart	
18	1703943	5	Decal - Warning Crushing	
20	1705968	2	Decal - No Hands	
21	1703925	1	Decal - Warning/Danger	
22	1705348	1	Decal - Warning Inspection	
23	1703949	4	Decal - Warning Crushing	
24	1703937	5	Decal - Danger Electrocution	
25	1703982	1	Decal - Footswitch	
29	1703482	4	Decal - Maximum Tire Load	
30	See Note	NSS	Decal - Bar Code (Note: Not Available for Purchase)	
31	1001267312	2	Decal - 800AJ	
32	1701501	4	Decal - Arrow	
33	1001234435	1	Decal - Warning Maximum Capacity	
34	1001234436	1	Decal - Warning Maximum Capacity	
37	1705977	1	Decal - Upright Level	
38	1703959	2	Decal - Quick Stick	
43	3820001	2	Rivet	
52	4420051	23 ft /7m	Tape, Safety	
60	1001224050	1	Decal - Yearly Inspection	
61	1001263941	1	Decal - Lift Diagram	
63	1001184618	1	Decal - Stop	

SECTION 9 - DECALS

FIGURE 9-6. DECAL INSTALLATION (CSA SPECS)



SECTION 9 - DECALS



ART_1001260964_2OF2

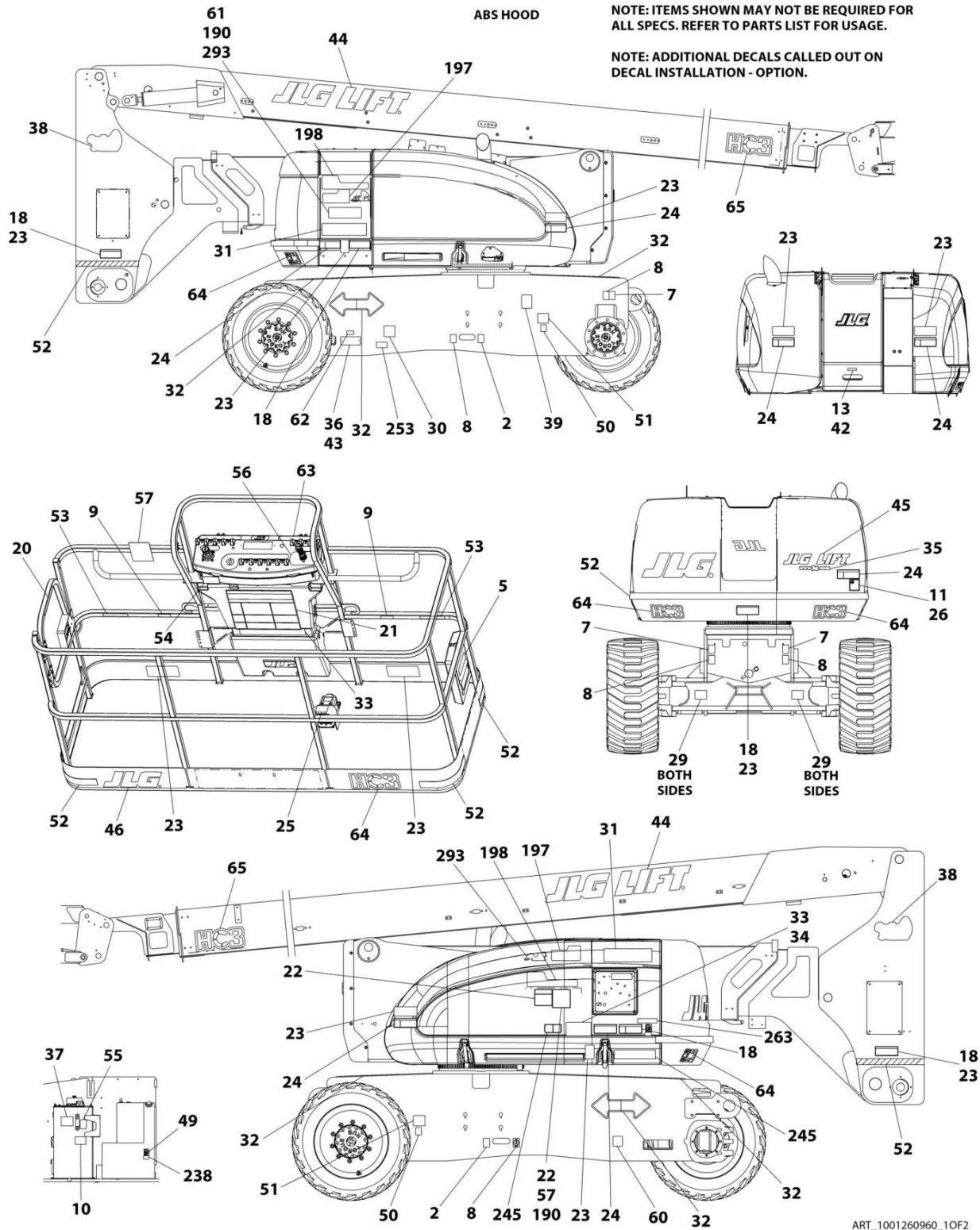
SECTION 9 - DECALS

FIGURE 9-6. DECAL INSTALLATION (CSA SPECS)

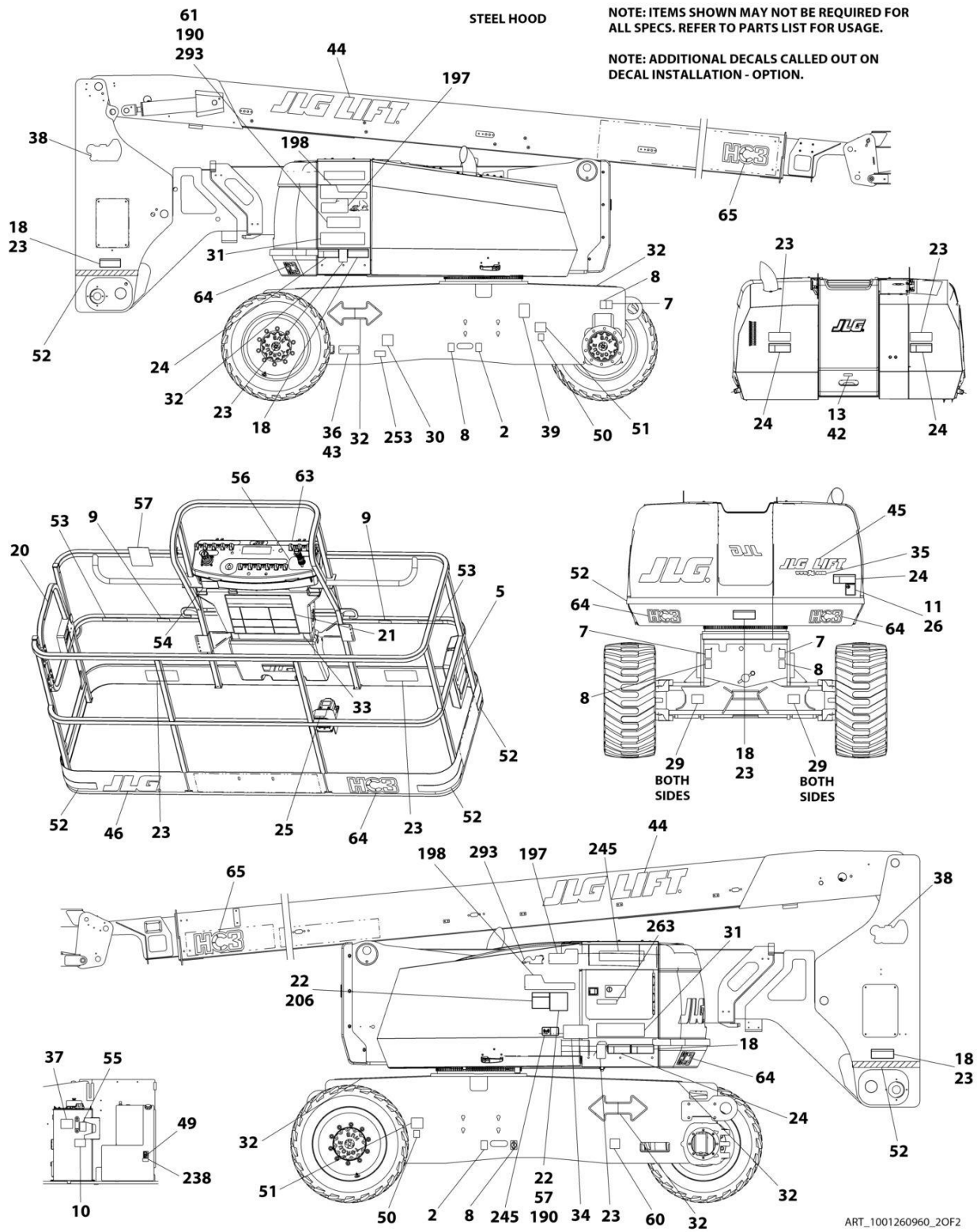
ITEM	PART NUMBER	QTY	DESCRIPTION	REV
	1001260964	Ref	DECAL INSTALLATION	D
	1001260969	Ref	REFERENCE CHART	B
2	1701499	2	Decal - No Lifting	
5	1701509	1	Decal - Manual	
7	1703811	4	Decal - Lifting Lug	
8	1703814	6	Decal - Tie Down	
9	1704277	3	Decal - Lanyard Attach Graphic	
10	1704412	1	Decal - Hydraulic Oil Chart	
13	3251243	1	Decal - Nameplate	
18	1703942	5	Decal - Warning Crushing	
20	1704000	2	Decal - No Hands	
21	1703924	1	Decal - Warning/Danger	
22	1705347	1	Decal - Warning Inspection	
23	1703948	4	Decal - Warning Crushing	
24	1703936	5	Decal - Danger Electrocution	
25	1703984	1	Decal - Footswitch	
29	1703482	4	Decal - Maximum Tire Load	
30	See Note	NSS	Decal - Bar Code (Note: Not Available for Purchase)	
31	1001267312	2	Decal - 800AJ	
32	1701501	4	Decal - Arrow	
33	1001234433	1	Decal - Warning Maximum Capacity	
34	1001234434	1	Decal - Warning Maximum Capacity	
37	1705977	1	Decal - Upright Level	
38	1703959	2	Decal - Quick Stick	
43	3820001	2	Rivet	
52	4420051	23 ft /7m	Tape, Safety	
56	1705429	1	Decal - Drive/Steer	
60	1001223971	1	Decal - Yearly Inspection	
61	1001263941	1	Decal - Lift Diagram	
62	1001223453	1	Decal - ICES	
63	1001184618	1	Decal - Stop	

SECTION 9 - DECALS

FIGURE 9-7. DECAL INSTALLATION (JAPANESE SPECS)



SECTION 9 - DECALS



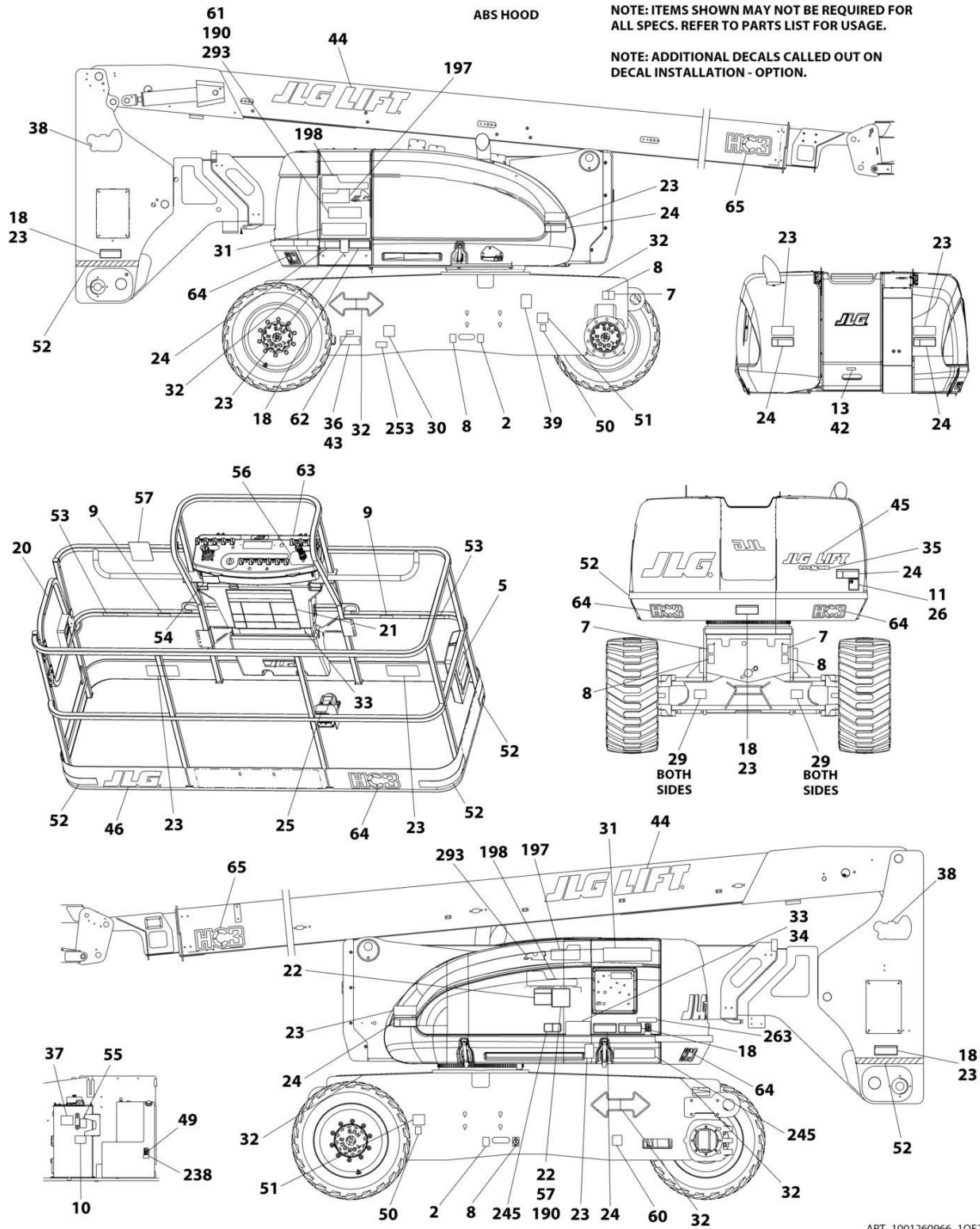
SECTION 9 - DECALS

FIGURE 9-7. DECAL INSTALLATION (JAPANESE SPECS)

ITEM	PART NUMBER	QTY	DESCRIPTION	REV
	1001260960	Ref	DECAL INSTALLATION	D
	1001260969	Ref	REFERENCE CHART	B
2	1701499	2	Decal - No Lifting	
5	1701509	1	Decal - Manual	
7	1703811	4	Decal - Lifting Lug	
8	1703814	6	Decal - Tie Down	
9	1704277	3	Decal - Lanyard Attach Graphic	
10	1704412	1	Decal - Hydraulic Oil Chart	
13	3251243	1	Decal - Nameplate	
18	1703944	5	Decal - Warning Crushing	
21	1703926	1	Decal - Warning/Danger	
22	1705344	1	Decal - Warning Inspection	
23	1703950	4	Decal - Warning Crushing	
24	1703938	5	Decal - Danger Electrocution	
25	1703980	1	Decal - Footswitch	
29	1703482	4	Decal - Maximum Tire Load	
30	See Note	NSS	Decal - Bar Code (Note: Not Available for Purchase)	
31	1001267312	2	Decal - 800AJ	
32	1701501	4	Decal - Arrow	
33	1001234428	1	Decal - Warning Maximum Capacity	
34	1001234429	1	Decal - Warning Maximum Capacity	
37	1705977	1	Decal - Upright Level	
38	1703959	2	Decal - Quick Stick	
43	3820001	2	Rivet	
52	4420051	23 ft /7m	Tape, Safety	
56	1705426	1	Decal - Drive/Steer	
60	1001224053	1	Decal - Yearly Inspection	
61	1001263941	1	Decal - Lift Diagram	
63	1001184618	1	Decal - Stop	

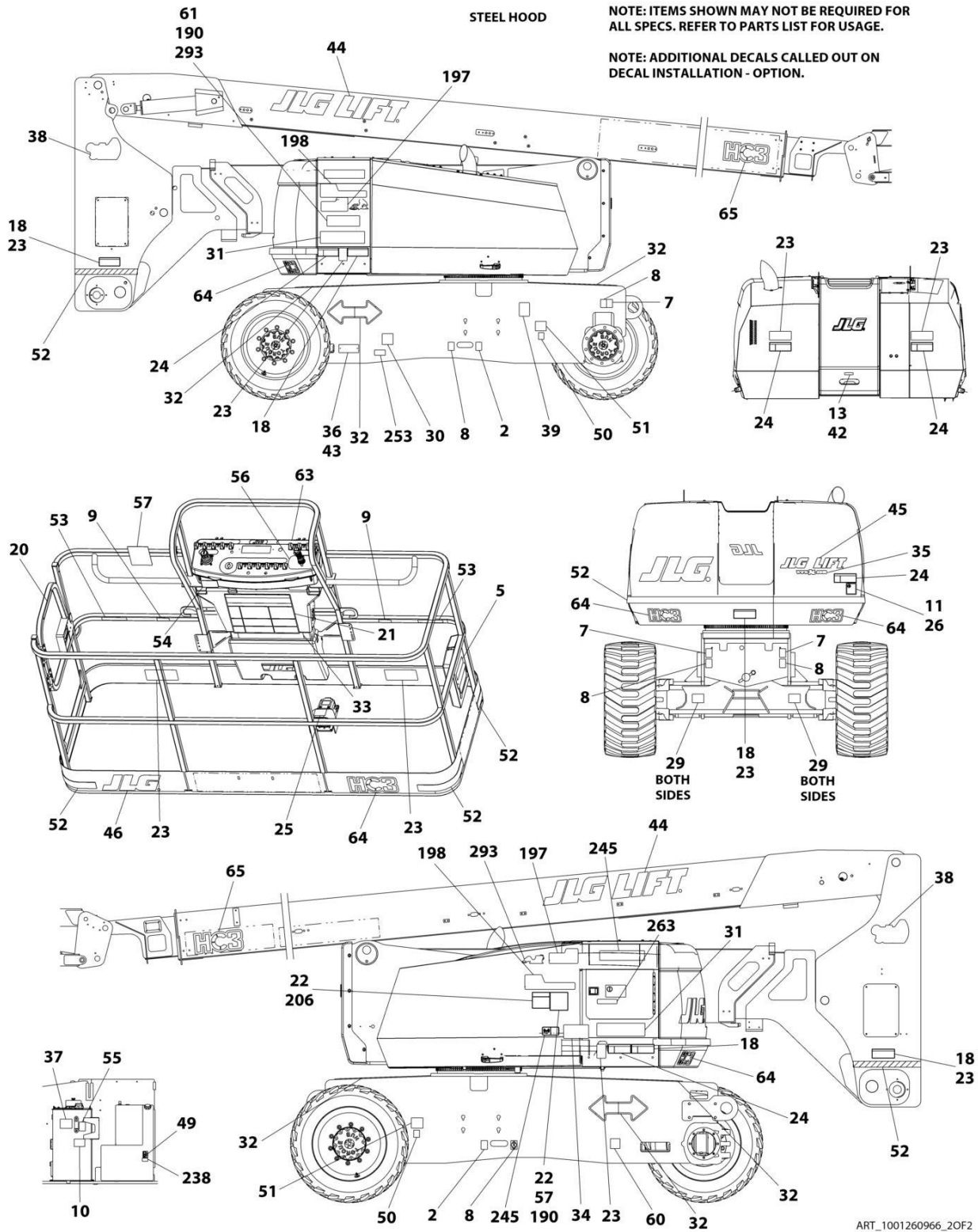
SECTION 9 - DECALS

FIGURE 9-8. DECAL INSTALLATION (KOREAN SPECS)



ART_1001260966_10F2

SECTION 9 - DECALS



ART_1001260966_20F2

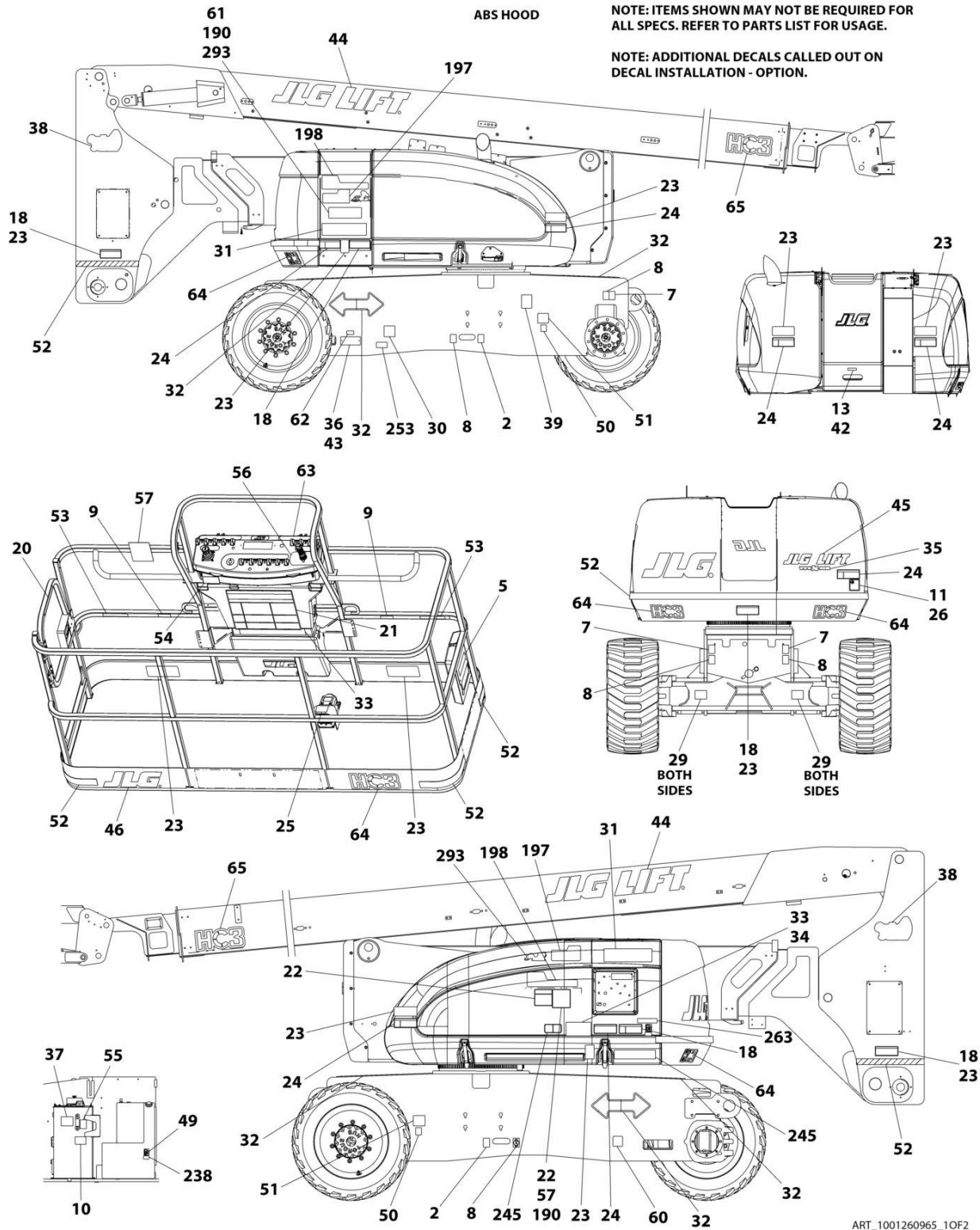
SECTION 9 - DECALS

FIGURE 9-8. DECAL INSTALLATION (KOREAN SPECS)

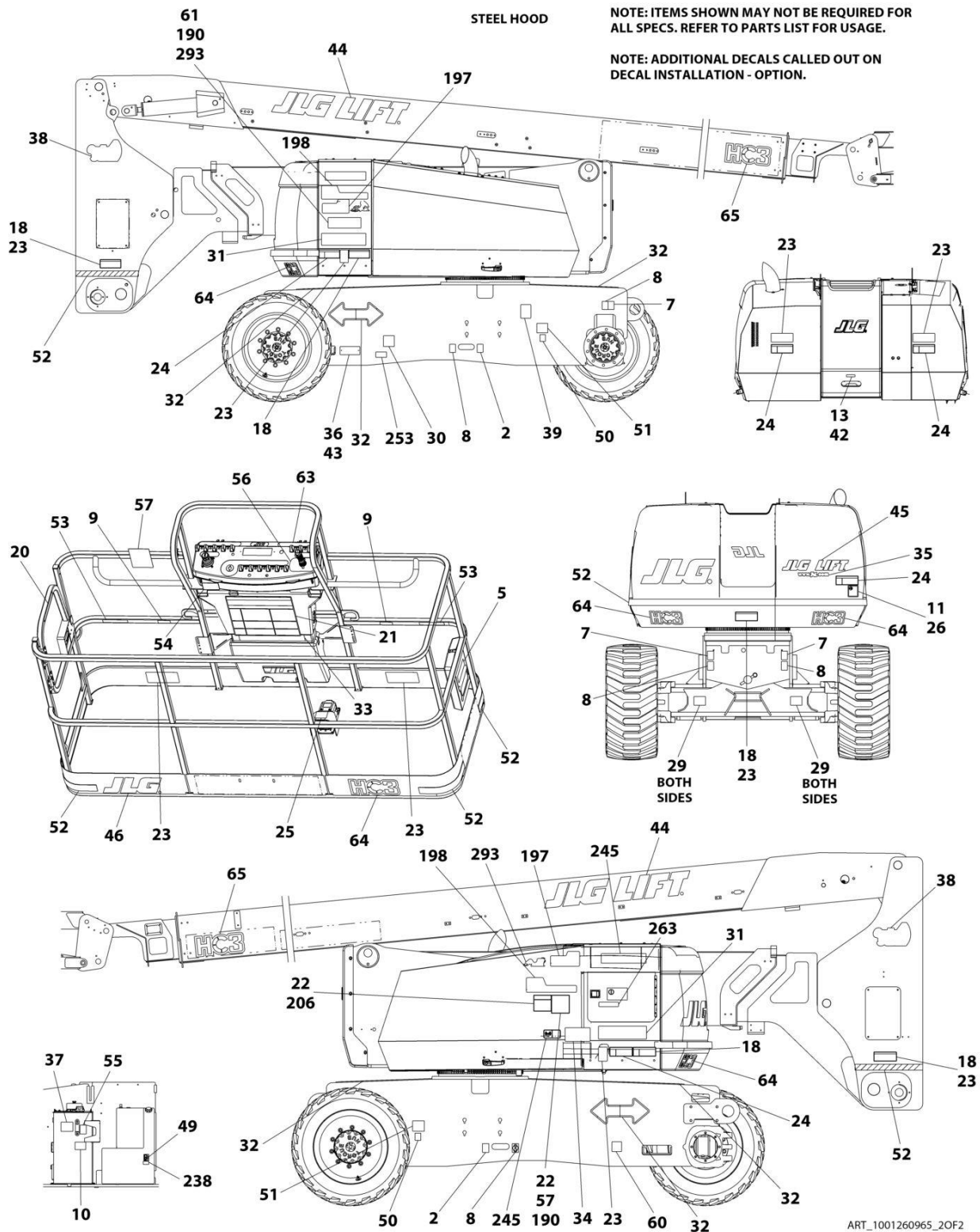
ITEM	PART NUMBER	QTY	DESCRIPTION	REV
	1001260966	Ref	DECAL INSTALLATION	D
	1001260969	Ref	REFERENCE CHART	B
1	1001263941	1	Decal - Lift Diagram	
2	1701499	2	Decal - No Lifting	
5	1701509	1	Decal - Manual	
7	1703811	4	Decal - Lifting Lug	
8	1703814	6	Decal - Tie Down	
9	1704277	3	Decal - Lanyard Attach Graphic	
10	1704412	1	Decal - Hydraulic Oil Chart	
18	1703945	5	Decal - Warning Crushing	
20	1705969	2	Decal - No Hands	
22	1703927	1	Decal - Warning/Danger	
23	1703951	4	Decal - Warning Crushing	
24	1703939	5	Decal - Danger Electrocution	
25	1703981	1	Decal - Footswitch	
29	1703482	4	Decal - Maximum Tire Load	
30	See Note	NSS	Decal - Bar Code (Note: Not Available for Purchase)	
31	1001267312	2	Decal - 800AJ	
32	1701501	4	Decal - Arrow	
33	1001234430	1	Decal - Warning Maximum Capacity	
34	1001235585	1	Decal - Warning Maximum Capacity	
37	1705977	1	Decal - Upright Level	
38	1703959	2	Decal - Quick Stick	
43	3820001	2	Rivet	
52	4420051	23 ft /7m	Tape, Safety	
56	1705427	1	Decal - Drive/Steer Instructions	
60	1001224048	1	Decal - Yearly Inspection	
63	1001184618	1	Decal - Stop	

SECTION 9 - DECALS

FIGURE 9-9. DECAL INSTALLATION (LATIN AMERICAN SPECS)



SECTION 9 - DECALS



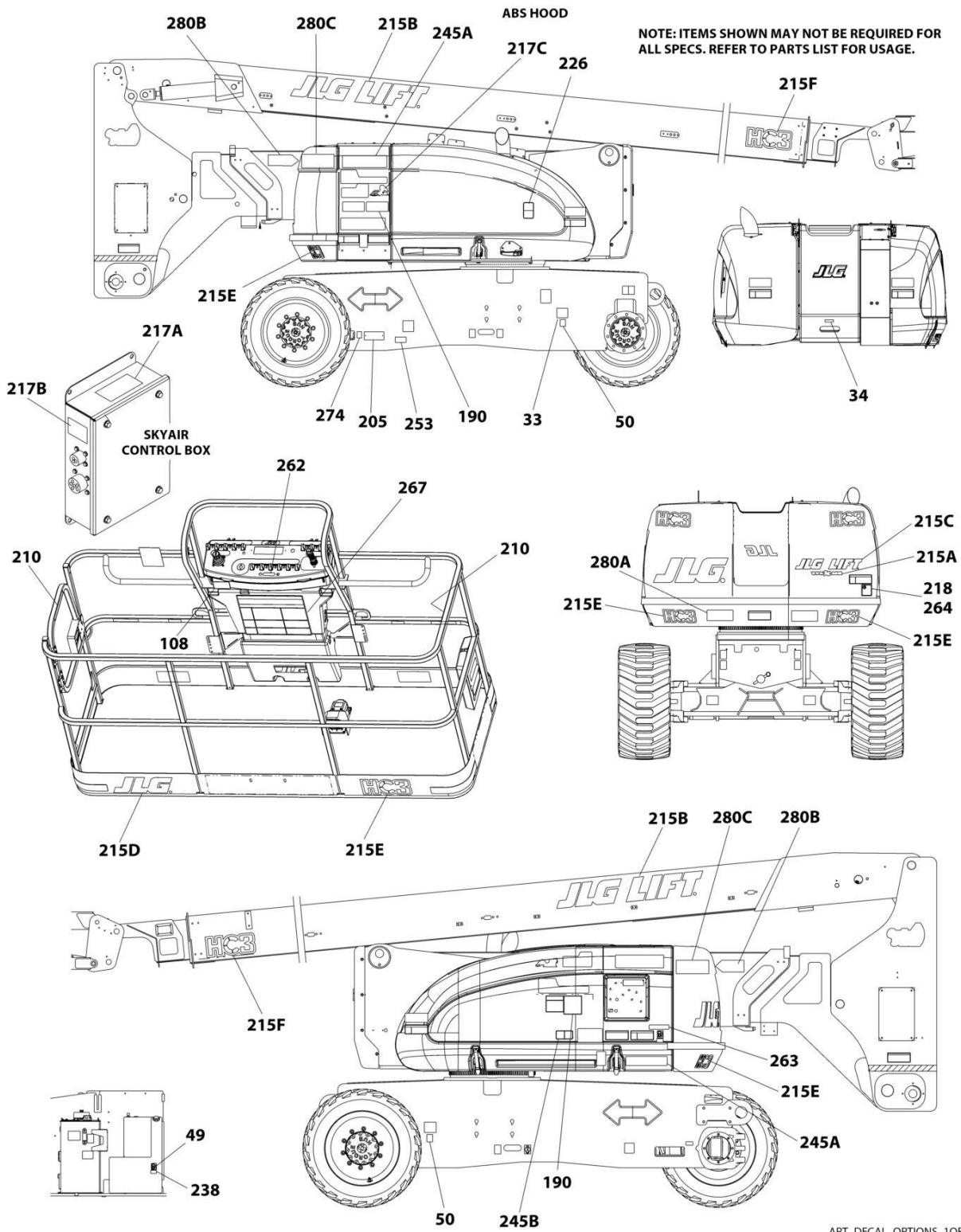
SECTION 9 - DECALS

FIGURE 9-9. DECAL INSTALLATION (LATIN AMERICAN SPECS)

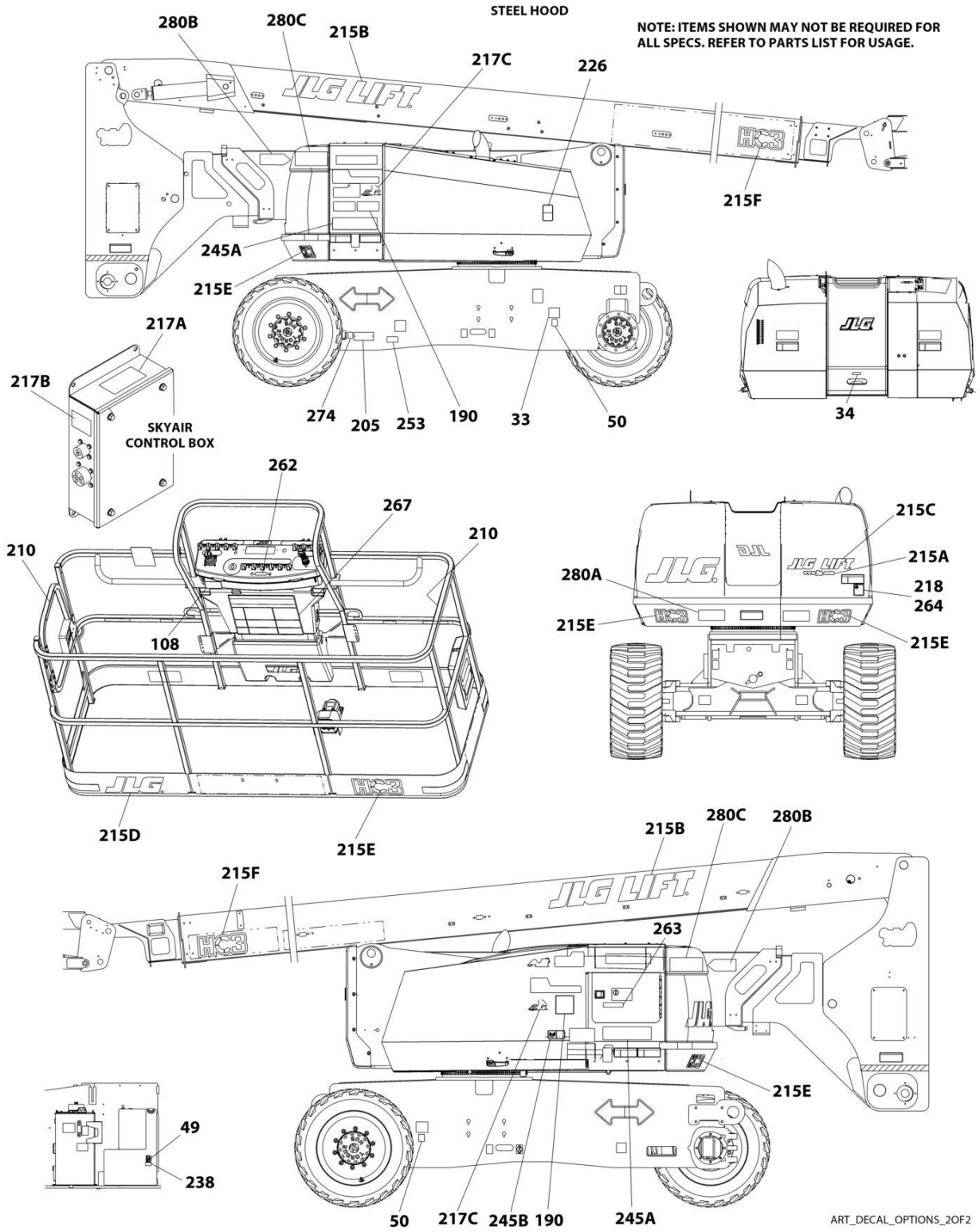
ITEM	PART NUMBER	QTY	DESCRIPTION	REV
	1001260965	Ref	DECAL INSTALLATION	D
	1001260969	Ref	REFERENCE CHART	B
2	1701499	2	Decal - No Lifting	
5	1701509	1	Decal - Manual	
7	1703811	4	Decal - Lifting Lug	
8	1703814	6	Decal - Tie Down	
9	1704277	3	Decal - Lanyard Attach Graphic	
10	1704412	1	Decal - Hydraulic Oil Chart	
18	1703943	5	Decal - Warning Crushing	
20	1704001	2	Decal - No Hands	
21	1703923	1	Decal - Warning/Danger	
22	1705917	1	Decal - Warning Inspection	
23	1703947	4	Decal - Warning Crushing	
24	1703935	5	Decal - Danger Electrocution	
25	1703983	1	Decal - Footswitch	
29	1703482	4	Decal - Maximum Tire Load	
30	See Note	NSS	Decal - Bar Code (Note: Not Available for Purchase)	
31	1001267312	2	Decal - 800AJ	
32	1701501	4	Decal - Arrow	
33	1001234431	1	Decal - Warning Maximum Capacity	
34	1001234432	1	Decal - Warning Maximum Capacity	
37	1705977	1	Decal - Upright Level	
38	1703959	2	Decal - Quick Stick	
43	3820001	2	Rivet	
52	4420051	23 ft /7m	Tape, Safety	
60	1001224049	1	Decal - Yearly Inspection	
61	1001263941	1	Decal - Lift Diagram	
63	1001184618	1	Decal - Stop	

SECTION 9 - DECALS

FIGURE 9-10. DECAL INSTALLATION - OPTIONS



SECTION 9 - DECALS



ART_DECAL_OPTIONS_20F2

SECTION 9 - DECALS

FIGURE 9-10. DECAL INSTALLATION - OPTIONS

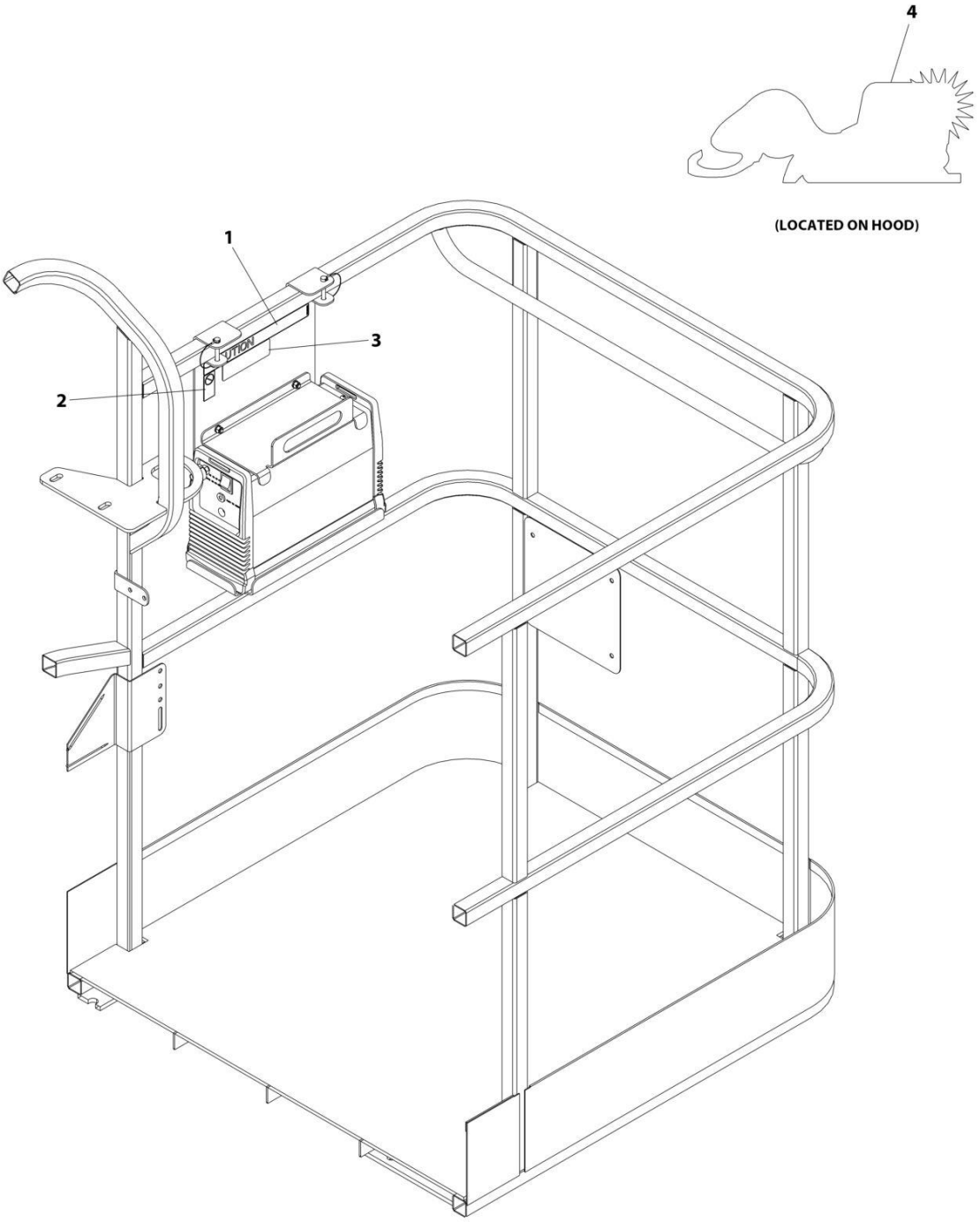
ITEM	PART NUMBER	QTY	DESCRIPTION	REV
		Ref	DECAL INSTALLATION - OPTIONS	
33	1700818	1	Decal - Fuel (LP Gas Machines) (English Language) (ANSI, CSA & Australian Specs)	
33	1704271	1	Decal - Fuel (LP Gas Machines) (English/French Languages) (CSA Specs)	
33	1702720	1	Decal - Fuel (LP Gas Machines) (English/Spansih Languages) (ANSI Export Specs)	
34	3251242	1	Nameplate - 240-50HZ (CE & UK CA Specs)	
49	1701505	1	Decal - Fuel (Diesel)	
49	1701542	1	Decal - Fuel (Gas)	
50	1701543	2	Decal - LP Gas (LP GASS Machines)	
108	1001231801	1	Decal - Warning Proposition 65 (ANSI Specs)	
190		Ref	Decal Installation - SkyGlazier Options:	
190	1001262102	1	Decal Installation - SkyGlazier (ANSI/CSA Specs)	
190	1001262105	1	Decal Installation - SkyGlazier (Australian Specs)	
190	1001262104	1	Decal Installation - SkyGlazier (Brazil & Chinese Specs)	
190	1001262103	1	Decal Installation - SkyGlazier (Latin American & Chinese Specs)	
205	See Note	1	Nameplate - Manufacturers Serial Number (Note: Not Available for Purchase)	
210	1702868	2	Decal - No Hands (English Language)	
210	1705968	2	Decal - No Hands (English/Chinese Language)	
210	1704000	2	Decal - No Hands (English/French Language)	
210	1705969	2	Decal - No Hands (English/Korean Language)	
210	1705967	2	Decal - No Hands (English/Portuguese Language)	
210	1704001	2	Decal - No Hands (English/Spanish Language)	
215	1001260957	1	Decal - Logo Installation (All Specs Except CE & UK CA Specs)	A
215	1001263022	1	Decal - Logo Installation (CE & UK CA Specs)	A
215A	1704885	1	Decal - Website	
215B	1702861	2	Decal - JLG Lift	
215C	1702774	2	Decal - JLG Lift	
215D	1702773	1	Decal - JLG	
215E	1001244212	1	Decal - HC3	
215F	1001256906	1	Decal - HC3	
215G	1001159323	1	Decal - JLG (CE & UK CA Specs) (Not Shown)	
217	0273687	Ref	Decal - SkyAir (Machines with SkyAir Option)	
217A	1705836	1	Decal - Hazardous Voltage	
217B	1705837	1	Decal - Air Compressor	
217C	1705886	1	Decal - SkyAir	
218	3251813	1	Decal - USA	
226	1704972	1	Decal - Warning Explosion/ Fire (English Language) (Diesel Machines) (ANSI Specs)	
226	1706098	1	Decal - Warning Explosion/Fire (English Language) (Diesel Machines) (Australian, CE & UK CA Specs)	
226	1706059	1	Decal - Warning Explosion/Fire (English/Portuguese Language) (Diesel Machines) (Brazil Specs)	
226	1706060	1	Decal - Warning Explosion/Fire (English/Chinese Language) (Diesel Machines) (Chinese Specs)	
226	1706064	1	Decal - Warning Explosion/Fire (English Language) (Diesel Machines) (CSA Specs)	
226	1706062	1	Decal - Warning Explosion/Fire (English/Japanes Language) (Diesel Machines) (Japanese Specs)	

SECTION 9 - DECALS

ITEM	PART NUMBER	QTY	DESCRIPTION	REV
226	1706061	1	Decal - Warning Explosion/Fire (English/Korean Language) (Diesel Machines) (Korean Specs)	
226	1706063	1	Decal - Warning Explosion/Fire - (English/Spanish Language) (Diesel Machines) (Latin American Specs)	
238	1001125387	1	Decal - Ultra Low Sulfur Fuel (Diesel Machines) (ANSI & CSA Specs)	
238	1001139654	1	Decal - Ultra Low Sulfur Fuel (Diesel Machines) (CE, UK CA & Chinese Specs)	
245	1001127094	Ref	Decal Installation - ClearSky (Machines with ClearSky Option)	
245A	1001116208	2	Decal - ClearSky	
245B	1001120989	1	Decal - Radio Frequency	
253	1001143852	1	Decal - Emission Compliance (Diesel Machines) (ANSI Export, Australian, China, CE & UK CA Specs)	
262	1001141300	1	Decal - SkyGuard Override (Machines without Soft Touch Option)	
262	1001141302	1	Decal - SkyGuard Override (Machines with Soft Touch Option)	
263	1001197408	1	Decal - MSSO (CE & UK CA Specs)	
264	1705980	1	Decal - Sound Power (106dB) (Machines with Deutz D2011 Engines) (Australian, CE & UK CA Specs)	
	1001191525	1	Decal - Sound Power (108dB) (Machines with Deutz TD2.9L4 Stage V Engines) (CE & UK CA Specs)	
267	1001200124	1	Decal - Quick Start Guide (Danish Language)	
267	1001200121	1	Decal - Quick Start Guide (Dutch Language)	
267	1001180861	1	Decal - Quick Start Guide (English Language)	
267	1001200120	1	Decal - Quick Start Guide (French Language)	
267	1001200122	1	Decal - Quick Start Guide (German Language)	
267	1001200127	1	Decal - Quick Start Guide (Norwegian Language)	
267	1001200125	1	Decal - Quick Start Guide (Swedish Language)	
267	1001200126	1	Decal - Quick Start Guide (Spanish Language)	
274	1001214030	Ref	Decal Installation- EAC (Russian/CIS Specs)	
274	1001173703	1	Decal - EAC	
280	1001220864	Ref	Decal Kit - Boom Transport Position	
280A	1001220512	2	Decal - Lower Boom	
280B	1001220510	2	Decal - Warning Arrow	
280C	1001220511	2	Decal - Warning Stripe	

SECTION 9 - DECALS

FIGURE 9-11. SKYCUTTER DECAL INSTALLATION



ART_0272599

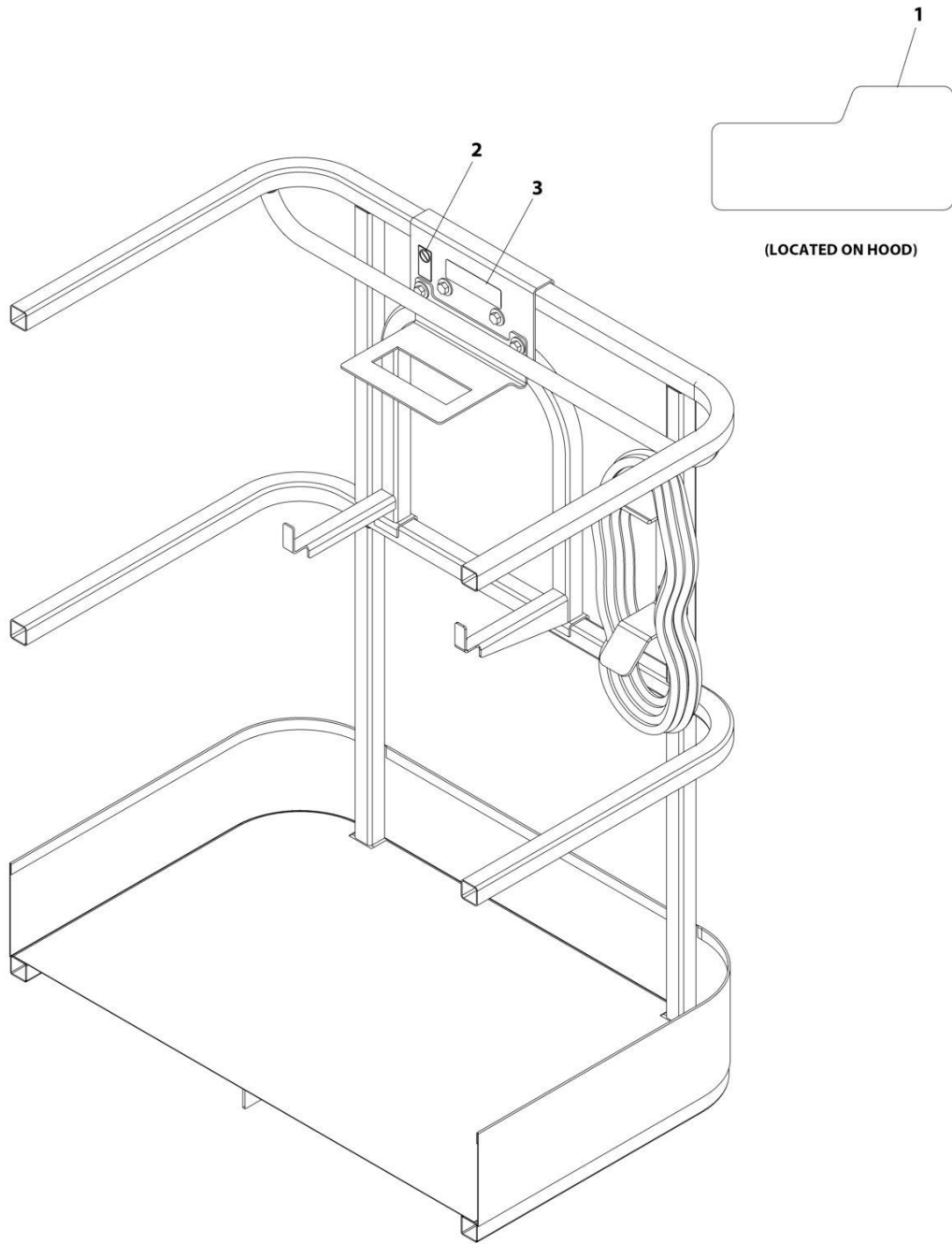
SECTION 9 - DECALS

FIGURE 9-11. SKYCUTTER DECAL INSTALLATION

ITEM	PART NUMBER	QTY	DESCRIPTION	REV
	0272599	Ref	SKYCUTTER DECAL INSTALLATION	C
1	1702868	1	Decal - No Hands	
2	1705305	1	Decal - Weld Leads	
3	1001252627	1	Decal - Weight	
4	1705490	2	Decal - SkyCutter	

SECTION 9 - DECALS

FIGURE 9-12. SKYWELDER DECAL INSTALLATION - 50HZ



ART_0272588

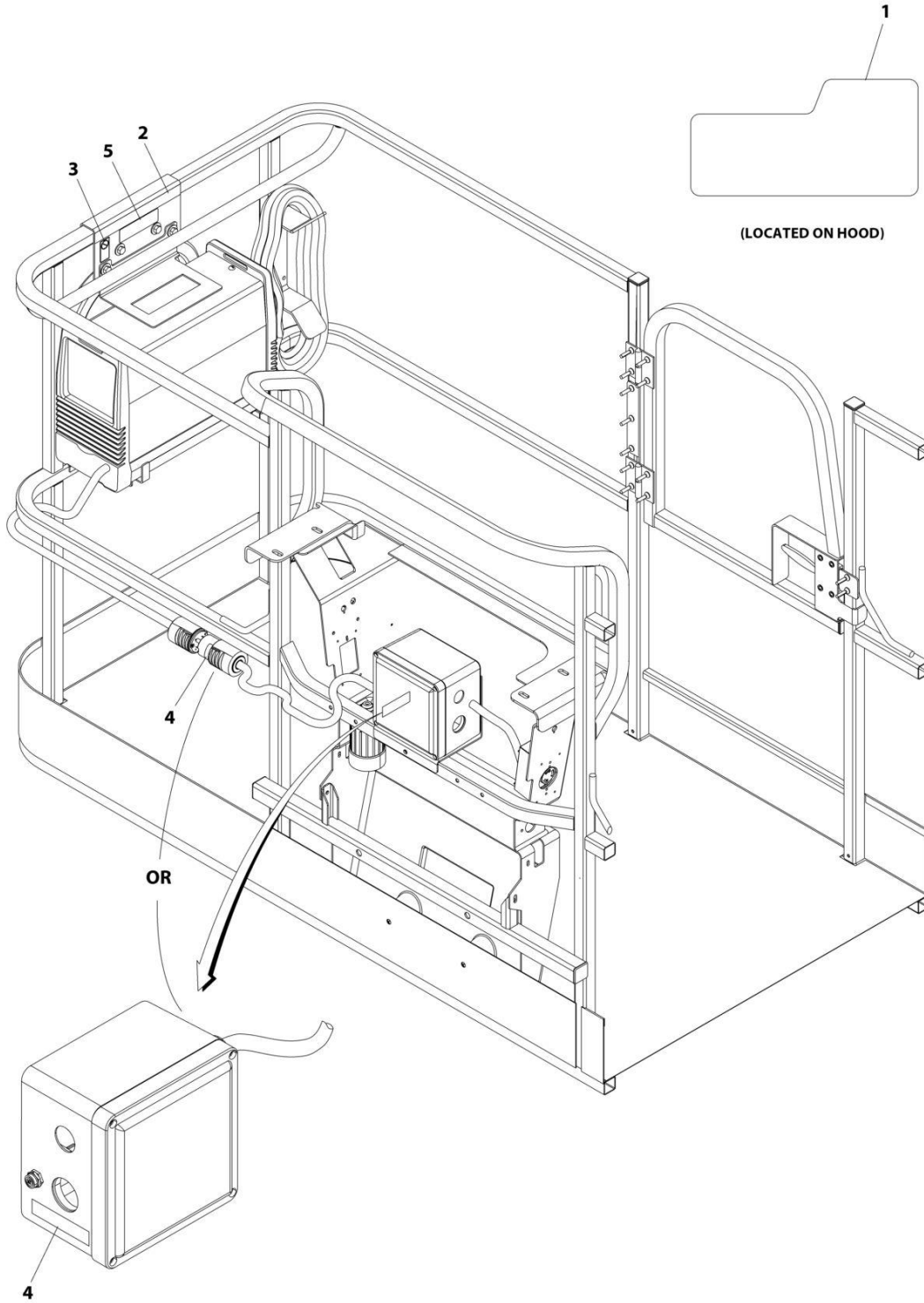
SECTION 9 - DECALS

FIGURE 9-12. SKYWELDER DECAL INSTALLATION - 50HZ

ITEM	PART NUMBER	QTY	DESCRIPTION	REV
	0272588	Ref	SKYWELDER DECAL INSTALLATION - 50Hz	B
1	1705355	2	Decal - SkyWelder	
2	1705305	1	Decal - Weld Lead	
3	1001228988	1	Decal - Weight	

SECTION 9 - DECALS

FIGURE 9-13. DECAL INSTALLATION - SKYWELDER (60HZ)



ART_0272448_C

SECTION 9 - DECALS

FIGURE 9-13. DECAL INSTALLATION - SKYWELDER (60HZ)

ITEM	PART NUMBER	QTY	DESCRIPTION	REV
	0272448	Ref	SKYWELDER DECAL INSTALLATION - 60Hz	C
1	1705355	2	Decal - SkyWelder	
2	1702868	1	Decal - No Hands	
3	1705305	1	Decal - Weld Lead	
4	1705375	1	Decal - 240V - 3 Phase - 60Hz	
5	1001228988	1	Decal - Weight	

SECTION 10 - RECOMMENDED SERVICE PARTS STOCK

SECTION 10 - RECOMMENDED SERVICE PARTS STOCK

SECTION 10 - RECOMMENDED SERVICE PARTS STOCK

FIGURE 10-1. RECOMMENDED SERVICE PARTS STOCK

ITEM	PART NUMBER	QTY	DESCRIPTION	REV
	Note	Ref	Note: The following list will service one machine (built to current production per date on the front cover) with emergency repair parts which can be installed in the field. Parts from the list should be replaced when inventory is depleted to keep service parts stock supplied. For further information, contact your JLG dealer or the JLG Industries Parts Department.	
	4360070	1	Breaker, Circuit 15Amp (4000W/60HZ & 7500W Generators)	
	1001189172	1	Breaker, Circuit 16Amp Double (Breaker Box Kit with Three Breakers)	
	4360542	1	Breaker, Circuit 20Amp (2500W/60HZ Generators)	
	7024485	1	Breaker, Circuit 30Amp (7500W Generators with Deutz D2011 or Ford Engines)	
	70006095	1	Breaker, Circuit 30Amp (7500W Generator with Deutz TD2.9L4 Engine and 7500W/60HZ Generator with Deutz D2011 Engine)	
	1001181045	1	Breaker, Circuit 30mA/16Amp (Breaker Box Kit with One Double Breaker)	
	1001189171	1	Breaker, Circuit 30mA (Breaker Box Kit with Three Breakers)	
	1001159118	1	Breaker GFCI 30Amp 240VAC (240V AC Box at Platform)	
	70001431	1	Breaker, Circuit (Plasma Cutter)	
	70005708	1	Breather Assembly (Hydraulic Tank)	
	70002386	1	Coil (Boom Control Valve Assembly)	
	7012944	1	Coil (Control Valve Installation)	
	7018991	1	Coil (Control Valve Assembly)	
	70004460	1	Coil (Control Valve Assembly)	
	70004463	1	Coil (Control Valve Assembly)	
	70004595	1	Coil (Control Valve Assembly)	
	70004653	1	Coil (Control Valve Assembly)	
	70006956	1	Coil (Control Valve Assembly)	
	4360476	1	Contactora (Ground Control Boxes and Platform Console Boxes)	
	7020176	1	Contactora (Ground Control Boxes and Platform Console Boxes)	
	4360407	1	Controller, Speed (Platform Console Box)	
	1001129555	1	Controller Assembly (Lift and Swing) (Platform Console Box)	
	1001212415	1	Controller Assembly (Drive and Steer) (Platform Console Box)	
	1001117174	1	Controller, Footswitch	
	3990010	1	Diode, 6 Amp (Ground Control Box Harness)	
		Ref	Engine - Deutz D2011	
	70004020	12	Filter, Air	
	7016328	12	Filter, Fuel	
	7016331	12	Filter, Oil	
	7027795	1	Module, Control	
	3740067	1	Relay	
	3740080	1	Relay	
	70004058	1	Relay	
		Ref	Engine - Deutz TD2.9L4	
	91403102	12	Filter, Air	
	70025153	12	Filter, Fuel (Frame Mounted Filter)	
	70025161	12	Filter, Fuel (Engine Mounted Filter)	
	7016331	12	Filter, Oil	
	1001196634	2	Fuse, 2Amp (Breather Heater Harness)	
	8229242	2	Fuse, 5Amp	

SECTION 10 - RECOMMENDED SERVICE PARTS STOCK

ITEM	PART NUMBER	QTY	DESCRIPTION	REV
	80983191	2	Fuse, 10Amp	
	70023592	2	Fuse, 20Amp	
	70023593	2	Fuse, 30Amp	
	70025210	1	Module, ECU	
	3740067	1	Relay	
	70005648	1	Relay	
	1001117308	1	Relay	
		Ref	Engine - Deutz TD2.9L4 (Stage V)	
	91403102	12	Filter, Air	
	70025153	12	Filter, Fuel (Frame Mounted Filter)	
	70025161	12	Filter, Fuel (Engine Mounted Filter)	
	7016331	12	Filter, Oil	
	1001196634	2	Fuse, 2Amp (Breather Heater Harness)	
	8229242	2	Fuse, 5Amp	
	80983191	2	Fuse, 10Amp	
	70023592	2	Fuse, 20Amp	
	70023593	2	Fuse, 30Amp	
	70025210	1	Module, ECU	
	3740067	1	Relay	
	70005648	1	Relay	
	1001117308	1	Relay	
		Ref	Engine - Deutz TD2.9L4 (China III)	
	91403102	12	Filter, Air	
	1001225432	12	Filter, Fuel (Engine Mounted Filter)	
	1001225430	12	Filter, Fuel (Frame Mounted Filter)	
	7016331	12	Filter, Oil	
	70025210	1	Module, ECU	
	3740067	1	Relay	
	70005648	1	Relay	
	1001117308	1	Relay	
		Ref	Engine - Ford	
	70005008	12	Filter, Primary Air	
	70006460	12	Filter, Secondary Air	
	70006155	12	Filter, Fuel	
	70006213	12	Filter, Oil	
	70006175	2	Fuse, 20Amp	
	70006176	1	Module, Engine Control Unit	
	3740067	1	Relay	
	70006171	1	Relay	
	70006172	1	Relay	
	2120210	12	Element, Filter (Control Valves Installation)	
	8229249	2	Fuse, 3Amp (USB Charger & Platform Console Box Harness)	
	2400064	2	Fuse, 5Amp (Generator to Engine Harness)	
	8229242	2	Fuse, 5Amp (Control Box Harness)	
	2860030	1	Key, Replacement (Ground Control Boxes)	
	2940074	1	Latch (Platform Assemblies with Gates)	
	1001142683	1	Module, Control (Strobe Light Installations)	
	1001103667	1	Module, Ground Control	
	1001106938	1	Module, Platform	
	3740080	1	Relay (2500W Generators and 7500W Generator with Ford Engine)	
	70006553	1	Relay (4000W Generators)	

SECTION 10 - RECOMMENDED SERVICE PARTS STOCK

ITEM	PART NUMBER	QTY	DESCRIPTION	REV
	3740049	1	Relay (Ground Control Boxes)	
	3740086	1	Relay (SkyLine Harness)	
	1001186431	1	Relay (SkyGuard)	
	1001204939	1	Sensor, Angle (Boom Valves and Proximity Switches Installation)	
	1001094400	1	Sensor, Dual Axis (Boom Valves and Proximity Switches Installation)	
	1001228225	1	Sensor, Emitter (SkyEye)	
	4360436	1	Sensor, Fuel Level (Tank Installations)	
	4360578	1	Sensor, Limit (Boom Valves and Proximity Switches Installation and Transport Position Switch)	
	1001172271	1	Sensor, Limit (Boom Valves and Proximity Switches Installation with Tower Stow)	
	4360057	1	Sensor, Limit (Soft Touch Installation)	
	7026638	1	Sensor, Pressure (Air Compressor)	
	4360498	1	Sensor, Proximity (Boom Valves and Proximity Switches Installation)	
	4360499	1	Sensor, Proximity (Boom Valves and Proximity Switches Installation)	
	1001170847	1	Sensor, Proximity (Boom Valves and Proximity Switches Installation)	
	1001182570	1	Sensor, Proximity (Boom Valves and Proximity Switches Installation)	
	1001232667	1	Sensor, Proximity (SkyLine)	
	4360517	1	Sensor, Proximity (Rotary Coupling)	
	1001228224	1	Sensor, Receiver (SkyEye)	
	1001225346	1	Switch, Battery (Battery Disconnect Installation)	
	4360475	1	Switch, Emergency Stop (Ground Control and Platform Conosole Boxes)	
	4360469	1	Switch, Key (Ground Control Boxes)	
	70001432	1	Switch, Rocker (Plasma Cutter)	
	4360387	1	Switch, Push Button (CE & UK CA Ground Control Boxes, Platform Console Boxes, and Soft Touch)	
	4360274	1	Switch, Push Button (Ground Control Boxes with Deutz Stage V Engine)	
	4360336	1	Switch, Toggle (Generator Installations)	
	1001155045	1	Switch, Toggle (Ground Control and Platform Console Boxes)	
	4360328	1	Switch, Toggle (Jib Switch Installation)	
	4360331	1	Switch, Toggle (Platform Console Boxes)	
	1001159256	1	Switch, Toggle (Platform Console Boxes)	
	7024469	1	Switch with Lead (Welder Assembly)	

SECTION 11 - SPECIAL OPTIONS/ACCESSORES/KITS

SECTION 11 - SPECIAL OPTIONS/ACCESSORES/KITS

SECTION 11 - SPECIAL OPTIONS/ACCESSORES/KITS

FIGURE 11-1. SPECIAL OPTIONS/ACCESSORES/KITS

ITEM	PART NUMBER	QTY	DESCRIPTION	REV
		Ref	Note: This list is to accommodate machines ordered with special equipment. Options may not be applicable to all models. For more specific parts information contact JLG Parts Department.	
		Ref	MISCELLANEOUS SPECIAL OPTIONS/ACCESSORES/KITS	
	1001229762	Ref	Air Intake Shut-off Valve (Deutz TD2.9L4 Engines) (Factory Installed)	
	1001260970	Ref	Airline to Platform Installation - 1/2in	
	1001092092	Ref	Airline to Platform Installation - 1/2in (Cold Weather Package)	
	1001249695	Ref	Analyzer and Cable Kit	
	1001249941	Ref	Battery Powered Analyzer Installation Kit	
	1001260886	Ref	Bellows Installation - Boom	
	1001158259	Ref	Bellows Installation - Chassis (Fixed Axle 2WS)	
	2910887	Ref	Boom Wear Pad Kit	
	1001260858	Ref	Boom Wipers Installation	
	1001233047	Ref	Breather Heater Kit (Deutz TD2.9L4 Engines)	
	1001172045	Ref	Cable Ladder Carrier Installation	
		Ref	ClearSky Telematics Kits (Dealer Installed)	
	1001242409	Ref	ClearSky Telematics Access Control Add-on Kit	
	1001243183	Ref	ClearSky Telematics Access Control Add-on Kit - Canbus (ANSI & CSA Specs)	
	1001243184	Ref	ClearSky Telematics Access Control Add-on Kit - Canbus (ANSI Export, CE & UK CA Specs)	
	1001246142	Ref	ClearSky Telematics Add-On Kit (Australian Specs)	
	1001119939	Ref	ClearSky Telematics Add-On Kit (ANSI Spec)	
	1001119947	Ref	ClearSky Telematics Add-On Kit (CSA Spec)	
	1001276923	Ref	ClearSky Telematics Add-On Kit (Contact JLG for Approved Countries)	
	1001289850	Ref	ClearSky (Telematics) CS550 Installation	
	1001293369	Ref	Hood Plug Installation	
	1001178208	Ref	Cold Weather Package Installation - Deutz D2011 Engines	
	1001178207	Ref	Cold Weather Package Installation - Deutz TD2.9L4 Engines	
	1001255807	Ref	Cold Weather Package Installation - Deutz TD2.9L4 (Stage V) Engines	
	1001219840	Ref	Cold Weather Package Installation - Ford Engines	
	0274883	Ref	Cold Weather Transformer Installation (ANSI Export, Australian, China and Japanese Specs Only)	
	1001115918	Ref	Cribbing Installation	
	1001264254	Ref	Cylinder Kit - Level/Upright (Includes 2 Cylinders - Tower Lift & Upright Level)	
	1001264148	Ref	Cylinder Kit - Lift (Includes 1 Cylinder and Service info)	
		Ref	Decals Kits:	
	1001273008	Ref	Machine - ANSI	
	1001108721	Ref	Platform	
	1001273009	Ref	Platform - ANSI	
	1001119563	Ref	Platform Console	
	1001273010	Ref	Platform Console - ANSI	
	2902396	Ref	Drive/Steer Cutout Kit	
	1001148902	Ref	Electrical Connector Kits - Amp	
	1001148903	Ref	Electrical Connector Kits - Deutsch DT	
	1001148904	Ref	Electrical Connector Kits - Deutsch HD	

SECTION 11 - SPECIAL OPTIONS/ACCESSORIES/KITS

ITEM	PART NUMBER	QTY	DESCRIPTION	REV
	1001148905	Ref	Electrical Connector Kits - Packard	
	1001148906	Ref	Electrical Connector Kits - Various	
	1001218022	Ref	Engine Block Heater Installation - Ford Engines	
	1001108962	Ref	Exhaust Rain Cap Installation (Australian, CE & UK CA Specs)	
	1001269630	Ref	Fall Arrest (Bolt-On) Add-On Kit (30inch x 4 Ft/1.22m Platform)	
	1001269629	Ref	Fall Arrest (Bolt-On) Add-On Kit (30inch x 5 Ft/1.52m Platform)	
	1001269631	Ref	Fall Arrest (Bolt-On) Add-On Kit (30inch x 6 Ft/1.82m Platform)	
	1001237883	Ref	Fall Arrest (Bolt-On) Add-On Kit (6 Ft/1.82m Platform) (ANSI, ANSI Export, China, CSA & Japanese Specs)	
	1001237882	Ref	Fall Arrest (Bolt-On) Add-On Kit (8 Ft/2.4m Platform) (ANSI, ANSI Export, China, CSA & Japanese Specs)	
		Ref	Fan Cover/Grille Options	
	1001182599	Ref	Fan Cover Installation (Deutz D2011 Engines)	
	1001177694	Ref	Fan Grille Installation (Deutz TD2.9L4 Engines and Deutz TD2.9L4 (Stage V) Engines (Modine Radiator)	
		Ref	Filter Kits:	
		Ref	Combined Filter Kit Options (Hydraulic/Air and Fuel/Engine Oil)	
	1001241774	Ref	Deutz D2011 Engine Machines	
	1001195533	Ref	Deutz TD2.9L4 Engine Machines	
	1001241776	Ref	Ford Engine Machines	
	1001139099	Ref	Fire Extinguisher Installation (20lb)	
	1001274833	Ref	Floor Mat Add-on Kit (30x48 Platform) (Dealer Installed)	
	1001274831	Ref	Floor Mat Add-on Kit (30x72 Platform) (Dealer Installed)	
	1001274830	Ref	Floor Mat Add-on Kit (36x72 Platform) (Dealer Installed)	
	1001274829	Ref	Floor Mat Add-on Kit (36x96 Platform) (Dealer Installed)	
	1001117294	Ref	Footswitch Shield (Note: Move Decal to Shield)	
	1001205441	Ref	Fuel Cap Cover Installation (Red) (Note: Lock p/n 1001102157 must be Purchased Separately)	
	1001202749	Ref	Fuel Cap Cover Installation (Black) (Note: Lock p/n 1001102157 must be Purchased Separately)	
	1001191395	Ref	Fuel Cap Cover Installation (Green) (Diesel Machines) (Note: Lock p/n 1001102157 must be Purchased Separately)	
	1001094475	Ref	Generator Hourmeter Installation	
	0257195	Ref	Government Warranty Decal Installation	
	1001281423	Ref	Hostile Environment Add-on Kit - Boom/Turntable	
	1001241413	Ref	Hostile Environment Add-on Kit - 2WD	
	1001241415	Ref	Hostile Environment Add-on Kit - 4WD	
	1001209632	Ref	Hose Kit - Platform Valve	
	1001268736	Ref	Jib Link Kit	
	1001148971	Ref	Lanyard (Bolt-On) Kit Installation	
		Ref	Light Options:	
	1001286022	Ref	Limit Switch Replacement Kit (Roller Switch	
	0271768	Ref	Headlights & Taillights Installation (ABS Hoods)	
	1001164786	Ref	Headlights & Taillights Installation (Steel Hoods)	
	0273485	Ref	Platform Worklights Installation	
	1001257561	Ref	Portable Worklights Installation	
	1001152965	Ref	Strobe Light Installation - Platform Mounted (Amber)	
	1001236951	Ref	Low Temperature Cutout Installation (Russian Specs)	
	1001290375	Ref	Oil Drain Kit (Ford Engines)	
		Ref	Oil Cooler Options:	
	1001156172	Ref	Oil Cooler Installation - Deutz D2011 Engine Machines	
	1001184569	Ref	Oil Cooler Installation - Deutz TD2.9L4 Engine and Deutz TD2.9L4 (Stage V) Engine Machines	

SECTION 11 - SPECIAL OPTIONS/ACCESSORIES/KITS

ITEM	PART NUMBER	QTY	DESCRIPTION	REV
	1001219633	Ref	Oil Cooler Installation - Ford Engine Machines	
	1001200700	Ref	Oil Cooler Replacement Kit (RCP to YMER)	
	1001272166	Ref	Pipe Rack Kit	
	1001195304	Ref	Platform Console Cover Installation (Factory Installed)	
	1001266290	Ref	Platform Console Enclosure Cover Installation - Steel (Factory Installed)	
	1001270482	Ref	Platform Console Enclosure Cover Installation - Steel (Dealer Installed)	
	2915228	Ref	Platform Conversion Kit (Front to Side Entry)	
	1001142504	Ref	Platform Entry Kit - Drop Bar (Replaces Swing Gate with Drop Bar)	
	1001142505	Ref	Platform Entry Kit - Swing Gate (Replaces Drop Bar with Swing Gate)	
		Ref	Platform Mesh to Mid Rail Installation (Factory Installed)	
			Options:	
	1001266098	Ref	Platform Mesh to Mid Rail Installation - 3ft x 8ft Platforms (Vinyl) (ANSI, ANSI Export, Australian, China, and CSA Specs)	
	1001269389	Ref	Platform Mesh to Mid Rail Installation - 3ft x 8ft Platforms (Steel) (ANSI, ANSI Export, Australian, China, and CSA Specs)	
		Ref	Platform Mesh to Mid Rail Add-on Kits (Dealer Installed):	
	1001281457	Ref	Platform Mesh to Mid Rail Add-on Kit - 36IN x 8FT (Dealer Installed)	
		Ref	Platform Mesh to Top Rail Installation (Factory Installed) Options:	
	1001272182	Ref	Platform Mesh to Top Rail Installation - 2.5ft x 4ft Platforms (Steel) (ANSI, ANSI Export, China, and CSA Specs)	
	1001266807	Ref	Platform Mesh to Top Rail Installation - 2.5ft x 4ft Platforms (Vinyl) (ANSI, ANSI Export, China, and CSA Specs)	
	1001271642	Ref	Platform Mesh to Top Rail Installation - 3ft x 6ft Platforms (Steel) (ANSI, ANSI Export, China, and CSA Specs)	
	1001266489	Ref	Platform Mesh to Top Rail Installation - 3ft x 6ft Platforms (Vinyl) (ANSI, ANSI Export, China, and CSA Specs)	
	1001269187	Ref	Platform Mesh to Top Rail Installation - 3ft x 8ft Platforms (Steel) (ANSI, ANSI Export, China, and CSA Specs)	
	1001266056	Ref	Platform Mesh to Top Rail Installation - 3ft x 8ft Platforms (Vinyl) (ANSI, ANSI Export, China, and CSA Specs)	
		Ref	Platform Mesh to Top Rail Add-on Kits (Dealer Installed):	
	1001281456	Ref	Platform Mesh to Top Rail Add-on Kit - 30in x 6ft Platforms (Dealer Installed) (ANSI/ANSI Export, CSA, and China Specs)	
	1001281453	Ref	Platform Mesh to Top Rail Add-on Kit - 3ft x 6ft Platforms (Dealer Installed) (ANSI/ANSI Export, CSA, and China Specs)	
	1001281452	Ref	Platform Mesh to Top Rail Add-on Kit - 3ft x 8ft Platforms (Dealer Installed) (ANSI/ANSI Export, CSA, and China Specs)	
	0272733	Ref	Platform, Top Rail Extension Installation - 3ft x 6ft Platforms	
	0272725	Ref	Platform, Top Rail Extension Installation - 3ft x 8ft Platforms	
	1580013	Ref	Platform Storage Tray	
	1001209059	Ref	Platform Work Surface Installation	
	1001162546	Ref	Pump Coupling Replacement Kit	
	1001199488	Ref	Radiator Replacement Kit (RCP to Modine Radiator)	
	1001190888	Ref	Service Kits	R
	1001241547	Ref	SkyEye Housing Kit (Left Side)	
	1001241548	Ref	SkyEye Housing Kit (Right Side)	
	1001247073	Ref	SkyEye Retrofit Kit	
	1001206477	Ref	SkyGuard Complete Add-On Kit (Blue Beacon) (UGM Machines) (Note: Requires 7500W SkyPower Generator)	

SECTION 11 - SPECIAL OPTIONS/ACCESSORIES/KITS

ITEM	PART NUMBER	QTY	DESCRIPTION	REV
	1001210026	Ref	SkyGuard Complete Add-On Kit (Red Beacon) (UGM Machines) (Note: Requires 7500W SkyPower Generator)	
	1001137672	Ref	SkyGuard Platform Sensor Kit (UGM Machines)	
	1001137440	1	SkyGuard Sensor Harness	
	1001186431	2	Relay	
	1001206311	Ref	SkyGuard Strobe Light Kit - Hood Mounted (Blue Beacon)	
	1001210025	Ref	SkyGuard Strobe Light Kit - Hood Mounted (Red Beacon)	
	1001250595	Ref	SkyGuard 6-Pin Retrofit Installation Kit	
	1001249052	Ref	SkyGuard Retrofit Kit (Dealer Installed)	
	1001262016	Ref	SkyLine Add-on (Dealer Installed)	
	1001252033	Ref	SkySense/Enhanced Detection System (EDS) Level 1 (2-Bar) Add-on Kit (Dealer Installed)	
	1001252034	Ref	SkySense/Enhanced Detection System (EDS) Level 2 (3-Bar) Add-on Kit (Dealer Installed)	
	1001253618	Ref	SkySense/Enhanced Detection System (EDS) Level 1 (2-Bar) Module Kit (Dealer Installed)	
	1001253619	Ref	SkySense/Enhanced Detection System (EDS) Level 2 (3-Bar) Module Kit (Dealer Installed)	
	1001250465	Ref	SkySense/Enhanced Detection System (EDS) Level 1 (2-Bar) Installation Kit (Factory Installed)	
	1001250466	Ref	SkySense/Enhanced Detection System (EDS) Level 2 (3-Bar) Installation Kit (Factory Installed)	
	1001282461	Ref	SkySense Padding Installation - For 30 x 48 Platforms equipped with SkySense	
	1001275643	Ref	SkySense Padding Installation - For 30 x 72 Platforms equipped with SkySense	
	1001275642	Ref	SkySense Padding Installation - For 36 x 72 Platforms equipped with SkySense	
	1001269655	Ref	SkySense Padding Installation - For 36 x 96 Platforms equipped with SkySense	
	1001231235	Ref	SkyWelder Locking Bracket	
	1001157013	Ref	Softtouch Counterweight Installation (Required with Soft Touch Option)	
		Ref	Tools for Service	
	1600244	1	Analyzer, Machine System	
	7002840	1	Antirotation Pin Removal Tool	
	8896941	1	Wire Stripper	
	7002821	1	Wire Crimper (To install wire ends to wires)	
	7002823	1	Pin/Socket Extractor - Universal (To Remove Pins/Sockets from Connectors)	
	4460467	1	Extractor - 16-18 Gauge (For Removal of Pin/Sockets from Deutsch Connectors)	
	4460510	1	Extractor - 12-14 Gauge (For Removal of Pin/Sockets from Deutsch Connectors)	
	7002822	1	Screwdriver, Potentiometer (To Adjust Drive Controllers)	
	7016654	1	Screwdriver, Magnetic	
	7004275	1	Seal Installation Tool - 1in	
	7004276	1	Seal Installation Tool - 1-1/2in	
	7002826	1	Seal Installation Tool - 2in	
	7016655	1	Wire Rope Sheave Gauge	
	7016652	1	Huck Bolt Fastener (For Small Huck Bolts Only)	
	70000017	1	ADE Software CD	
	1001137005	1	Software Cable Kit	
	70005663	1	Tool, Port Plate for Pump p/n 1001142522	
	1001258953	Ref	Tower Stow Indicator Add-on Kit (Dealer Installed)	

SECTION 11 - SPECIAL OPTIONS/ACCESSORES/KITS

ITEM	PART NUMBER	QTY	DESCRIPTION	REV
	2915094	Ref	Turntable Bearing Kit	
	1001262959	Ref	Voltage Regulator Relocation Kit	
	1001273007	Ref	Wear Pad Kit	
	0258827	Ref	Weld Lead	
	1001228544	Ref	Wheel Drive Kit (Replaces Hub 2780272)	
	0256196	Ref	Wheel Covers	
		Ref	Platform Mesh to Top Rail Installation (Factory Installed):	

SECTION 11 - SPECIAL OPTIONS/ACCESSORES/KITS

PART NUMBER INDEX

SECTION 11 - SPECIAL OPTIONS/ACCESSORES/KITS

0100009....117, 121, 129, 133, 141, 149, 157, 161, 169, 173, 181, 189, 197, 201, 209, 213, 555, 559	225, 227, 372, 376, 443, 453, 461, 469, 477, 509, 513, 555, 559 0100062 ... 93, 95, 97, 99, 101, 103, 286, 290, 326, 332, 338, 344, 386, 392, 466, 474	0630407 ... 326, 332, 338, 344 0630427 509, 513 0630462 ... 605, 607, 609, 611 0630467 505 0630485 250, 254, 258 0630518 ... 221, 563, 585, 588, 593, 595, 599 0630534 633 0630548 ... 117, 121, 125, 129, 133, 137, 141, 145, 149, 153, 157, 161, 165, 169, 173, 177, 181, 185, 189, 193, 197, 201, 205, 209, 213, 217	0641506....117, 121, 125, 129, 133, 137, 141, 145, 149, 153, 157, 161, 165, 169, 173, 177, 181, 185, 189, 193, 197, 201, 205, 209, 213, 217, 238, 242, 245, 271 0641507..... 505 0641508....43, 45, 93, 95, 97, 99, 101, 103, 237, 241, 245, 250, 254, 258, 275, 277, 297, 302, 305, 309, 313, 372, 376, 437, 439, 443, 447, 509, 513 0641510.....286, 290 0641511.....513 0641512.....286, 290 0641516....457, 461, 465, 469, 473, 477, 481 0641518....326, 332, 338, 344 0641560.....27 0641604....489, 509, 513 0641605....326, 332, 338, 344, 503 064160641, 51, 238, 242, 246, 269, 286, 290, 489, 491, 501, 503, 588, 593, 595, 599 0641607....23, 25, 69, 71, 73, 75, 77, 79, 81, 83, 85, 87, 89, 91, 93, 95, 97, 99, 101, 103, 250, 254, 258, 372, 376, 439, 491, 493, 501 0641608....237, 238, 241, 242, 245, 246, 251, 255, 258, 261, 263, 265, 326, 332, 338, 344, 423, 489, 491, 493, 509, 513 0641609....237, 241, 245, 250, 254, 258, 269, 286, 290, 326, 332, 338, 344, 425, 427, 433, 491, 493 0641610....233, 235, 271, 275, 277, 286, 290, 297, 301, 305, 309, 313, 361, 363, 365, 367, 372, 376, 421, 437, 447, 493, 551, 553 0641611.....67, 297, 301, 305, 309, 313, 489 0641612....326, 332, 338, 344, 372, 376, 491, 735, 737, 739, 741 0641614....51, 69, 71, 73, 75, 77, 79, 81, 83, 85, 87, 89, 91, 93, 95, 97, 99, 101, 103 0641615.....493 0641616....271, 449, 453, 458, 461, 470, 478, 493 0641617.....39
0100011....19, 21, 23, 25, 27, 41, 43, 45, 51, 63, 67, 69, 71, 73, 75, 77, 79, 81, 83, 85, 87, 89, 91, 93, 95, 97, 99, 101, 103, 111, 113, 117, 121, 125, 129, 133, 137, 141, 145, 149, 153, 157, 161, 165, 169, 173, 177, 181, 185, 189, 193, 197, 201, 205, 209, 213, 217, 223, 237, 241, 245, 246, 250, 251, 254, 255, 258, 259, 267, 269, 275, 277, 281, 283, 286, 290, 297, 301, 305, 309, 313, 317, 319, 321, 323, 326, 332, 338, 344, 361, 365, 367, 372, 376, 379, 381, 384, 390, 395, 397, 399, 425, 427, 437, 439, 443, 447, 449, 453, 457, 461, 465, 469, 473, 477, 481, 489, 491, 493, 495, 499, 501, 503, 505, 509, 513, 517, 521, 525, 531, 533, 535, 537, 543, 545, 547, 577, 579, 588, 593, 595, 599, 605, 607, 609, 611, 735, 737, 739, 741	0100079 421, 461, 477 0100081 ... 250, 254, 258, 501, 601, 603 0140011 555, 559 0140044 223 0181949 39 0200048 ... 605, 607, 609, 611 0200742 437, 447 0232121 43, 45, 47 0256196 920 0256202 701 0257195 917 0258567 517 0258671 583 0258728 433 0258827 920 0259420 503 0270888 33 0271090 33 0271091 33 0271340 573 0271768 917 0272254 595 0272259 695 0272260 697 0272418 603 0272427 609 0272433 703 0272435 ... 474, 478, 482 0272448 909 0272521 593 0272588 907 0272589 466, 470 0272599 905 0272725 918 0272733 918 0273353 588 0273485 917 0273687 902 0273706 611 0273824 605 0274031 267 0274883 916 0275216 705, 833 0275217 709, 835 0275452 713, 837 0275453 717, 839 0275454 721, 841 0360406 47 0362770 ... 237, 241, 245 0400075 111, 113 0440237 495 0440244 63 0480121 437, 447 0480126 449, 465 0480129 457, 474 0561185 493 0561295 491	0641407 ... 117, 121, 125, 129, 133, 137, 141, 145, 149, 153, 157, 161, 165, 169, 173, 177, 181, 185, 189, 193, 197, 201, 205, 209, 213, 217, 225, 281, 283, 286, 290, 379, 381, 429 0641408 ... 250, 254, 258, 373, 377, 509, 513, 551, 553 0641409 267, 275, 278 0641410 41, 267, 269, 275, 277, 286, 290 0641412 ... 297, 301, 305, 309, 313 0641414 51, 555, 559, 577, 605, 607, 609, 611 0641416 ... 705, 707, 709, 711, 713, 715, 717, 719, 721, 723, 725 0641418 51, 505, 521, 525, 531, 533, 535, 537, 543, 545, 547 0641420 372, 376	
0100035....229, 233, 363, 517, 555, 559			
0100038.....493			
0100048....117, 121, 125, 129, 133, 137, 141, 145, 149, 153, 157, 161, 165, 169, 173, 177, 181, 185, 189, 193, 197, 201, 205, 209, 213, 217, 223,			

SECTION 11 - SPECIAL OPTIONS/ACCESSORES/KITS

0641618 466, 474	0701025 344	0801496.....493	0962520 ... 449, 453, 457,
0641622 503	0701026 399	0801594.....493	461, 466, 469, 474,
0641624 501, 503	0710827 397	0811608....69, 71, 73, 75,	477, 481
0641648 501	0711014 386, 392	77, 79, 81, 83, 85, 87,	1001001939 286, 290
0641708 ... 326, 332, 338,	0711020 384, 390	89, 91, 93, 95, 97, 99,	1001080707 ... 81, 83, 85,
344	0711215 338	101, 103	87, 89, 91
0641772 ... 437, 439, 443,	0711216 397	0811610.....250, 254, 258	1001091460 29
447	0711223 386, 392	0811612.....111, 113	1001091461 29
0641806 338, 493	0711414 425, 427	0811812....237, 241, 245,	1001091969 705
0641808 ... 275, 277, 297,	0720804 39	250, 254, 258	1001091970 709
301, 305, 309, 313,	0721005 609, 611	0860038....458, 461, 469,	1001091973 713
317, 319, 321, 323,	0721006 ... 237, 241, 245,	473, 477, 481, 695, 697	1001091974 717
372, 376, 379, 381,	361, 363, 365, 367,	0860520.....583	1001091975 721
449, 453, 457, 461,	437, 439, 447, 555, 559	0861538....474, 477, 481	1001092092 916
465, 469, 473, 477	0721008 ... 238, 242, 246	0861572.....466, 469	1001093382 111, 113
064181023, 25, 267, 269,	0731005 ... 71, 75, 79, 83,	0861642.....267, 269	1001094400 509, 513,
489	87, 91, 95, 99, 103,	0861731....715, 719, 723,	914
0641812 67, 281, 283,	605, 607	725, 837, 839, 841	1001094475 917
317, 319, 321, 323,	0741605 ... 326, 332, 338,	0861781....707, 711, 833,	1001094595 281, 283,
379, 381, 439	344	835	317, 319, 321, 323,
0641818 ... 93, 95, 97, 99,	0741606 509, 513	0861880.....753, 757	379, 381, 409
101, 103, 427, 433, 435	0741607 ... 449, 453, 458,	0902143....237, 241, 245	1001096141 866
0641820 67, 286, 290,	461, 469, 477, 481	0902161....237, 241, 245	1001096736 509, 513
425	0741609 25	0902219....237, 241, 245	1001097051 735, 737,
0641840 489	0760605 ... 326, 332, 338,	0902223....237, 241, 245	739, 741, 847
0642010 ... 275, 277, 372,	344, 395	0902412....237, 241, 245	1001097082 735, 737,
376	0760606 482	0902426....237, 241, 245	739, 741
0642012 ... 297, 301, 305,	0760608 384, 390	0902491....237, 241, 245	1001097150 753
309, 313, 601, 603	0760610 ... 384, 390, 397,	0902888....457, 461, 465,	1001097244 623
0642038 47	443, 481	469, 473, 477, 481	1001098012 585, 588,
0642212 19, 21, 601, 603	0760612 ... 118, 122, 126,	0903088.....267, 269	591
0642214 489	130, 134, 138, 142,	0903242.....67	1001098122 565, 831
0642620 489	146, 150, 154, 158,	0903308.....237	1001098149 585
0651406 51	162, 166, 170, 174,	0903697.....749	1001098167 627
0681608 19, 21, 275, 277,	178, 182, 186, 190,	0940049....237, 241, 245,	1001098828 499
297, 301, 305, 309,	194, 198, 202, 206,	250, 254, 258	1001099121 238
313, 328, 334, 346, 499	210, 214, 218, 384, 390	0940070....286, 290, 326,	1001099137 237
0681620 ... 613, 615, 617,	0760615 397	332, 338, 344, 386, 392	1001099138 237, 238
619, 621	0760807 395	0940071....237, 241, 245	1001099366 601, 603
0681814 539, 549	0760810 ... 326, 332, 338,	0940088....238, 242, 245	1001099367 601, 603
0681820 ... 326, 332, 338,	344, 372, 376, 384,	0940092....605, 607, 609,	1001099837 501
344	390, 499	611	1001099869 447
0681822 27, 328, 334,	0760812 ... 384, 390, 733	0940094....605, 607, 609,	1001100231 753
338, 344, 539, 549	0760814 ... 344, 384, 390	611	1001100234 447
0682016 27	0760815 ... 344, 384, 390	0940102.....601, 603	1001100321 447
0682023 63	0760817 397	0940103.....609	1001100341 833
0682032 63	0761008 ... 298, 302, 313,	0940133.....611	1001100342 835
0682216 57	372, 376	0940134.....605	1001100345 837
0682236 19, 21	0761012 495	0940177.....607	1001100346 841
0682424 ... 613, 615, 617,	0761014 ... 384, 390, 435,	0961845....521, 525, 531,	1001100347 839
619, 621	499	533, 535, 537, 543,	1001100825 379, 381,
0700408 ... 705, 707, 709,	0761015 ... 328, 334, 338,	545, 547	417
711, 713, 715, 717,	344, 384, 390, 495	0961893.....633	1001101191 705, 707,
719, 721, 723, 725	0761016 ... 384, 390, 443	0961947.....497	709, 711, 713, 715,
0700615 233, 235	0761018 481	0961986....286, 290, 326,	717, 719, 721, 723,
0700618 ... 251, 255, 259	0761210 ... 326, 332, 338,	332, 338, 344, 384, 390	725, 753, 755, 757
0700624 495	344	0962051.....433, 435	1001101196 705, 707,
0700808 286, 290	0761212 485, 489	0962102 19, 21, 491, 493,	709, 711
0700810 384, 390	0761216 499	631, 635, 637	1001101197 713, 715,
0700812 384, 390	0771014 384, 390	0962122.....493	717, 719, 721, 723, 725
0700814 ... 328, 334, 338,	0771212 ... 297, 301, 305,	0962152.....25, 641	1001101421 603
384, 390	309, 313, 326, 332, 344	0962181.....25	1001101422 603
0700816 397	0771414 ... 286, 290, 326,	0962270.....539, 549	1001101600 275, 277
0700818 397	332, 338, 344	0962336.....633	1001101623 238
0701014 397	0771415 ... 328, 334, 338,	0962348.....25	1001101673 238
0701020 495	344, 449, 458, 466, 474	0962449.....447	1001102290 779, 781
0701022 346	0801132 489, 493		1001102291 779, 781

SECTION 11 - SPECIAL OPTIONS/ACCESSORES/KITS

1001102304.....779, 781	1001116727 787, 807, 809	1001126363 788, 791	1001138494.....525, 531, 533, 535, 537, 543, 545, 547
1001103308.....117, 121, 125, 129, 133, 137, 141, 145, 149, 153, 157, 161, 165, 169, 173, 177, 181, 185, 189, 193, 197, 201, 205, 209, 213, 217	1001116728 787	1001126364 788, 791	1001138514.....525, 531, 533, 537, 543, 547
1001103667.....117, 129, 141, 149, 157, 169, 181, 189, 197, 209, 913	1001116731 775	1001126365 788	1001138557.....327, 333, 339, 345
1001103810.....23, 25	1001116733 807	1001126384 787	1001138565.....449
1001104519.....851	1001116734 807	1001126391 788, 791	1001138566.....449, 453, 457, 462
1001106481.....517	1001116748 735, 737, 739, 741	1001126392 788, 791	1001138671.....489
1001106736.....117, 121, 125, 129, 133, 137, 141, 145, 149, 153, 157, 161, 165, 169, 173, 177, 181, 185, 189, 193, 197, 201, 205, 209, 213, 217	1001116774 731	1001126485 791	1001138795.....633
1001106938.....555, 559, 913	1001116808 731	1001126487 791	1001138827.....327, 333
1001106957.....660, 666	1001116812 791, 823	1001127094 903	1001139099.....917
1001106974.....67	1001116815 759, 761, 763, 765, 792, 823	1001128527 599	1001139135.....556, 560, 747
1001107529.....67	1001116952 787, 792	1001128556 599	1001139240.....327, 333, 346
1001108256.....607	1001116983 799	1001128901 385, 391	1001139357.....450, 457
1001108721.....916	1001116983 799	1001129555 912	1001139409.....327, 333, 339, 345
1001108962.....917	1001117078 817	1001129858 457	1001139654.....903
1001109654.....749, 751, 753	1001117106 787	1001131168 866	1001139952.....457
1001109690.....677	1001117107 787, 792	1001131269 866	1001140312.....334
1001110166.....250, 254, 258	1001117140 242, 246	1001133714 788, 791, 801	1001140346.....461
100111042551, 269, 275, 278, 297, 301, 305, 309, 313	1001117172 565	1001133715 788, 791, 801	1001140347.....453
1001110434.....555, 559	1001117174 555, 559, 565, 912	1001133956 787, 792	1001140429.....521, 525, 531, 533, 535, 537, 543, 545, 547
1001110872.....727, 729	1001117219 251, 255, 259	1001133957 787, 792	1001140448.....327, 333, 339, 346
1001110873.....458, 462, 473, 477, 482, 695	1001117234 250, 254, 258	1001134289 495, 497	1001140450.....327, 333, 339, 346
1001111514...93, 97, 101	1001117249 250, 254	1001134488 327, 333, 385, 392	1001140454.....327, 333, 339, 346
1001112551 870	1001117294 917	1001135138 327, 333, 339, 345	1001140564.....327, 333
1001112588 437	1001117307 250, 254, 258	1001135650 788, 791, 801	1001141300.....903
1001112589 437, 447	1001117308 327, 333, 339, 345, 913	1001135651 788, 791	1001141302.....903
1001112612.....731, 823, 827	1001117372 627	1001135679 327, 333	1001141304.....327, 333, 339, 345
1001112796 731, 775	1001117598 250, 254, 258	1001136104 481	1001141370.....327, 333, 339, 345
1001113047 250, 254, 258	1001118133... 93, 95, 97, 99, 101, 103	1001136358 676	1001141419.....339
1001113961 823, 827	1001118384 849	1001136400 501	1001141421.....477
1001115387 473	1001118388 849	1001136834 327, 333, 339, 345	1001141422.....469
1001115389 465	1001118666 489, 491	1001136881 676	1001141585.....327, 333, 339, 345, 385, 391
1001115405 437	1001119020 731, 823, 827, 831	1001137005 919	1001141586.....339
1001115409 447	1001119563 916	1001137276 327, 333, 339, 345	1001141718.....365, 367
1001115918 916	1001119602 676	1001137336 381	1001141870.....361, 363, 367
1001116208 903	1001119619 845	1001137364 129, 133, 137, 149, 153, 169, 173, 177, 189, 193, 209, 213, 217, 559	1001141995.....327, 333, 339, 345, 385, 391
1001116290.....251, 255, 259	1001119620 843, 847	1001137672 919	1001142031.....429, 431
1001116456 261	1001119939 916	1001137673 577	1001142032.....429, 431
1001116457 265	1001119947 916	1001138110 787	1001142501.....297, 301, 305, 309, 361, 363, 365, 367
1001116692 747	1001119968 469, 477, 817	1001138111 787	1001142504.....918
1001116693 783, 795	1001120328 577, 579	1001138113 787	1001142505.....918
1001116694 824, 827	1001120471 623	1001138173 327, 333, 339, 345, 385, 391	1001142623.....339
1001116695 855	1001120477 623	1001138175 327, 333, 339, 346, 385, 391	1001142643.....453, 462, 470, 478
1001116710 799	1001120989 903	1001138228 327, 333, 339, 345	1001142645.....453, 470
	1001121122 258	1001138248 327, 333, 339, 345, 386, 391	1001142646.....462, 478
	1001121123 258	1001138489 327, 334, 339, 346	1001142683.....233, 235, 913
	1001125125 741	1001138491 297, 301, 305, 309, 313, 799	
	1001125127 741		
	1001125387 903		
	1001125492 57		
	1001126009 849		
	1001126351 787, 792		
	1001126352 787		
	1001126356 787		
	1001126357 787		
	1001126362 788, 791		

SECTION 11 - SPECIAL OPTIONS/ACCESSORES/KITS

1001142722 233, 235	1001149706.....286, 290	1001154687.....627	1001157525 465, 466, 469, 470
1001142736 233, 235, 731	1001149793.....287, 291	1001154875.....21	1001157528 466, 470, 474, 478, 482
1001142938 777, 787, 791	1001149908.....413	1001154931.....25	1001157592 473, 474, 478, 482
1001142940 777, 788, 791	1001150260.....237, 241, 246, 250, 254, 258	1001155035.....25	1001157612 250, 254, 258
1001142941 777, 788, 791, 792	1001150372.....23, 25	1001155041.....443	1001157726 250, 254, 258
1001143390 287, 291, 327, 333, 339, 345	1001150539...23, 25, 641	1001155043.....117, 121, 125, 129, 133, 137, 141, 145, 149, 153, 157, 161, 165, 169, 173, 177, 181, 185, 189, 193, 197, 201, 205, 209, 213, 217	1001157769 466, 475
1001143449 429, 431	1001150561.....261	1001155044.....117, 121, 125, 130, 133, 137, 141, 145, 149, 153, 157, 161, 165, 169, 173, 177, 181, 185, 189, 193, 197, 201, 205, 209, 213, 217, 556, 560	1001157867 250, 254, 258
1001143483 431	1001150890.....427	1001155045.....118, 121, 125, 130, 133, 137, 141, 145, 149, 153, 157, 161, 165, 169, 173, 177, 181, 185, 189, 193, 197, 201, 205, 209, 213, 217, 556, 560, 914	1001158007 466, 470, 474, 478, 482
1001143484 429	1001150915.....287, 291	1001155143.....275, 277	1001158008 466, 470, 474, 478, 482
1001143525 429, 431	1001150918.....277, 302, 376	1001155194.....21	1001158077 250, 254, 259
1001143607 241, 242	1001150937.....23, 25	1001155199.....25	1001158167 261
1001143609 241	1001150998.....287, 291	10011552429.....466, 475, 813	1001158175 250, 254, 259
1001143611 242	1001151010.....39	10011552457.....457, 462	1001158187 41
1001143726 327, 333, 345, 787	1001151034.....23	10011552459.....287, 291	1001158188 41
1001143736 297, 301, 305, 309, 313	1001151070.....275, 277	10011552483.....755	1001158203 41
1001143797 327, 333, 339, 345	1001151252.....427	10011552489.....328, 334, 339, 345	1001158258 43
1001143852 903	1001151253.....425	1001155250.....470	1001158259 916
1001143858 241, 246	1001151354.....654, 660, 666, 672	1001155252.....466, 470, 474, 478, 482	1001158364 223
1001143860 429	1001151856.....788	10011552532.....450, 454, 458, 462, 803	1001158522 43, 45
1001143907 328, 333, 339, 345	1001151980.....23	10011552566.....242	1001159118 727, 729, 912
1001144147 775	1001152175.....117, 121, 129, 133, 141, 149, 157, 161, 169, 173, 181, 189, 197, 201, 209, 213	1001152719.....19	1001159119 727, 729
1001144295 859	1001152266.....859	1001152965.....917	1001159120 727, 729
1001144433 577	1001152429.....466, 475, 813	1001153197.....450, 457, 809	1001159121 729
1001144438 269	1001152457.....457, 462	1001153259.....454, 462, 811	1001159186 823, 827
1001144438 269	1001152459.....287, 291	1001153282.....287, 291, 326, 334, 339, 345, 405	1001159256 556, 560, 914
1001144447 269	1001152483.....755	1001153359.....297, 301, 305, 309, 313, 372, 377	1001159323 902
1001144527 263	1001152489.....328, 334, 339, 345	1001153396.....281, 286	1001159340 665, 672
1001144629 523, 527, 529, 535, 541, 545	1001152520.....470	1001153414.....287, 291	1001159707 677
1001145154 328, 333, 339, 346	1001152525.....466, 470, 474, 478, 482	1001153435.....242	1001160077 229, 231
1001145405 585, 588	1001152532.....450, 454, 458, 462, 803	1001153713.....117, 121, 129, 133, 141, 149, 779	1001160272 699
1001146273 286, 290	1001152566.....242	1001153749.....509, 513	1001160780 43, 45
1001146588 306, 310, 339	1001152719.....19	1001153779.....283, 290	1001161089 250, 254, 259
1001147264 787, 792	1001152965.....917	1001154126.....627	1001161355 23, 25
1001147812 286, 290	1001153197.....450, 457, 809	1001154236.....275, 281	1001161399 23, 25
1001147813 286, 290	1001153259.....454, 462, 811	1001154237.....277, 283	1001162335 328, 334, 361
1001147820 286, 290	1001153282.....287, 291, 326, 334, 339, 345, 405	1001154238.....275	1001162497 275, 278, 297, 301, 305, 309, 313, 372, 377
1001147823 286, 290, 293	1001153359.....297, 301, 305, 309, 313, 372, 377	1001154405.....297, 301, 305, 309, 361, 363, 365, 367, 423	1001162546 918
1001148138 439	1001153396.....281, 286	1001154584.....19	1001162915 255
1001148652 491	1001153414.....287, 291		1001163101 263
1001148675 727, 729	1001153435.....242		1001163131 603
1001148841 801	1001153713.....117, 121, 129, 133, 141, 149, 779		1001163599 439, 453, 462, 469, 477
1001148842 801	1001153749.....509, 513		1001164786 917
1001148902 916	1001153779.....283, 290		1001165035 297, 301, 305, 309, 313, 386, 390
1001148903 916	1001154126.....627		1001165350 495
1001148904 916	1001154236.....275, 281		1001165368 449, 454, 757
1001148905 917	1001154237.....277, 283		1001165657 23, 25
1001148906 917	1001154238.....275		1001165776 158, 161, 170, 173, 182, 190, 783
1001148971 917	1001154405.....297, 301, 305, 309, 361, 363, 365, 367, 423		
1001149160 395	1001154584.....19		
1001149410 677			
1001149639 385, 391			
1001149673 242, 246			
1001149703 425			
1001149704 286, 290			
1001149705 286, 290			

SECTION 11 - SPECIAL OPTIONS/ACCESSORES/KITS

1001165842.....339	1001177359 328, 334, 340, 346	1001186254 251, 255, 259	1001197719.....791
1001166538.....556, 560, 567	1001177694 917	1001186333 539	1001198333.....654, 659
1001166539.....556, 560, 569	1001177710 751	1001186334 549	1001198336.....649
1001166806.....45	1001177844 328, 334, 340, 345	1001186375 525	1001198338.....653, 659, 665, 671
1001167042.....328, 334, 339, 345	1001177845 328, 334, 340, 345	1001186378 531	1001198339.....649
1001167565.....499	1001178057 ... 69, 71, 81, 83, 93, 95, 105	1001186379 533	1001198340.....653, 659, 666, 671
1001167567499	1001178174 69, 71	1001186382 543	1001198341.....654, 672
1001167596.....499	1001178175 93, 95	1001186383 541	1001199394.....653, 659, 665, 671
1001167632791	1001178178 277	1001186384 529	1001199488.....918
1001167635791	1001178204 653	1001186385 527	1001199733.....421
1001168018.....385, 391	1001178205 659	1001186387 523	1001200054.....505
1001168402.....499	1001178207 916	1001186426 385, 391	1001200120.....903
1001169054.....328, 334, 340, 345, 385, 391	1001178208 916	1001186431 577, 914, 919	1001200121.....903
1001169138.....328, 334, 340, 345, 385, 391	1001178223 328, 334, 340, 346	1001186432 849, 851	1001200122.....903
100116975435	1001178797 423	1001186985 328, 334, 340, 346	1001200124.....903
100116975535	1001178876 328, 334	1001187674 575	1001200125.....903
100116975635	1001179040 ... 81, 85, 89	1001187681 845	1001200126.....903
100116975735	1001179079 677	1001187781 384, 390	1001200127.....903
1001169967385, 391	1001179154 474, 478, 482	1001187781 384, 390	1001200491.....499
1001170035.....385, 391	1001179329 676	1001188135 654, 660, 666, 672	1001200497.....509, 513, 823, 827
1001170764791	1001179837 439	1001188622 499	1001200700.....918
1001170808.....118, 122, 130, 134, 142, 150, 158, 162, 170, 174, 182, 190, 198, 201, 210, 213, 857	1001179912 449	1001188844 499	1001201351.....499
1001170847509, 513, 914	1001180001 439	1001188874 118, 122, 126, 130, 134, 138, 142, 146, 150, 154, 158, 162, 166, 170, 174, 178, 182, 186, 190, 194, 198, 201, 205, 210, 214, 217	1001201885.....823, 827, 831
1001171016749	1001180052 440	1001188884 421	1001202280.....421
1001171125461	1001180218 453	1001188887 421	1001202281.....421
1001171131727	1001180287 439	1001188972 277, 302, 377	1001202368.....327, 333, 340
1001171403788	1001180620 328, 334, 340, 345, 385, 391	1001189001 499	1001202687.....499
1001171482.....118, 130, 142, 145, 150, 154, 158, 170, 182, 186, 190, 194, 198, 210	1001180861 903	1001189002 499	1001202749.....917
1001172045916	1001181045 753, 757, 912	1001189171 755, 912	1001203655.....539
1001172064777	1001181243 440	1001189172 755, 912	1001203656.....549
1001172065777	1001181895 334	1001189979 386, 391	1001204269.....660, 666
1001172271513, 914	1001181899 328, 332, 345	1001190610 328, 334, 340, 346	1001204325.....328, 334, 340, 346
1001172577601	1001181923 735, 737, 739, 741	1001190888 918	1001204560...19, 21, 627
1001172578601	1001182162 677	1001190985 499	1001204667.....421
1001172760556, 560	1001182361 792	1001191395 917	1001204715.....509, 513
1001173535386, 392	1001182365 792	1001191525 903	1001204725.....499
1001173703903	1001182570 509, 513, 914	1001191599 359	1001204939.....509, 514, 914
1001173876254	1001182599 917	1001191610 385, 391	1001205441.....917
1001173878263	1001182806 225	1001191620 306, 310, 340	1001205690.....755
100117389769, 73, 77	1001182997 ... 69, 71, 73, 77, 81, 83, 85, 89, 93, 95, 97, 101, 103	10011919207 489	1001205958.....713, 715, 717, 719, 721, 723
1001174040499	1001183226 677	1001192027 489	1001206250.....715
1001174486372, 377	1001184569 917	1001193018 705, 707, 709, 711, 713, 715, 717, 719, 721, 723, 725	1001206251.....719
1001174745429, 431	1001184618 870, 874, 878, 882, 886, 890, 894, 898	1001195304 918	1001206252.....723
1001174746431	1001184626 551, 553	1001195533 917	1001206253.....707
1001176027317, 326	1001184682 227	1001195967 429	1001206254.....711
1001176035319, 332	1001185281 556, 560	1001196382 482	1001206255.....725
1001176329385, 391	1001185667 297, 317	1001196634 369, 773, 912, 913	1001206311.....919
1001176469142, 146, 150, 154, 182, 186, 190, 194	1001185670 297	1001196768 251, 255, 259	1001206476.....733
1001176862727	1001185671 301, 319	1001197017 605, 607, 609, 611	1001206477.....918
1001177035450, 454, 751	1001186251 250, 254, 259	1001197408 903	1001207558.....237, 241, 246

SECTION 11 - SPECIAL OPTIONS/ACCESSORES/KITS

1001209664 577	1001217183..... 385, 391	1001221203..... 346	1001227634 575
1001209982 37	1001217185..... 385, 391	1001221212..... 313, 345	1001227666 386, 392
1001210025 919	1001217186..... 385, 391	1001221219..... 345	1001227667 386, 392
1001210026 919	1001217191..... 379, 384	1001221397..... 417	1001227769 395
1001210448 397, 401	1001217192..... 373, 379	1001221464..... 379	1001227772 397
1001210636 623	1001217195..... 671	1001221488..... 372, 376	1001227985 575
1001211556 353	1001217196..... 665	1001221498..... 482	1001227987 575
1001211582 510, 514	1001217199..... 372	1001221545..... 397	1001227996 843, 847
1001211588 509, 513	1001217317..... 385, 391	1001221615..... 386, 392	1001228170 51, 53
1001211794 395, 397	1001217477..... 417	1001222033..... 386, 392	1001228215 521
1001212223 469, 477	1001217478..... 417	1001222641..... 397	1001228224 575, 914
1001212415 912	1001217543..... 385, 391	1001222817..... 423	1001228225 575, 914
1001213447 831	1001218022..... 917	1001223042..... 385, 391	1001228243 545
1001213584 695, 697, 701, 751	1001218085..... 379, 381	1001223055..... 866	1001228375 547
1001213585 695, 697, 701, 751	1001218089..... 417	1001223453..... 866, 886	1001228376 535
1001213705 489	1001218362..... 385, 392	1001223459 788, 791	1001228377 537
1001213810 395	1001218449..... 385, 392	1001223584..... 384, 390	1001228544 920
1001213882 556, 560	1001218547..... 435	1001223591 346, 357	1001228949 763
1001214030 903	1001218572..... 111, 113	1001223923..... 385, 391	1001228954 763
1001214570 733	1001218622..... 703	1001223971 886	1001228988 599, 907, 909
1001214571 733	1001218623..... 703	1001224048..... 894	1001229107 767
1001214827 397	1001218930..... 482	1001224049..... 898	1001229341 575
1001215016 795, 797	1001219219..... 27, 29	1001224050..... 882	1001229530 823, 827
1001215091 795, 797	1001219259..... 385, 392	1001224052..... 874	1001229542 327, 333
1001215289 676	1001219345..... 385, 392	1001224053..... 890	1001229762 916
1001215296 653, 659, 665, 671	1001219361..... 385, 392	1001224486..... 386, 392	1001229810 57, 60
1001215384 397	1001219363..... 385, 392	1001224489..... 386, 392	1001230032 423
1001215534 795, 797	1001219364..... 373, 377	1001224936..... 346	1001230635 327, 333, 340, 346
1001215681 385, 391	1001219365..... 373, 377	1001224940..... 346	1001230931 735, 737, 739, 741
1001215974 385, 391	1001219366..... 373, 377	1001225346..... 733, 914	1001230934 792
1001216015 439	1001219367..... 373, 377	1001225430..... 354, 357, 913	1001230935 792
1001216065 395, 397	1001219368..... 373, 377	1001225431 354	1001230936 792
1001216071 397	1001219369..... 373, 377	1001225432..... 358, 913	1001231235 919
1001216075 385, 391	1001219370..... 373, 377	1001225442..... 385, 391	1001231801 902
1001216092 385, 391	1001219480..... 385, 392	1001225510..... 386, 392	1001231886 225
1001216144 397	1001219601..... 118, 122, 126, 130, 134, 138, 142, 146, 150, 154, 158, 162, 166, 170, 174, 178, 182, 186, 190, 194, 198, 202, 206, 210, 214, 218	1001225580..... 577, 851	1001231888 69, 71, 73, 75, 77, 79, 81, 83, 85, 87, 89, 91
1001216201 385, 391	1001219608..... 381, 390	1001225745..... 281, 283, 317, 319, 321, 323, 379, 381, 407	1001231949 619
1001216212 795, 797	1001219609..... 377, 381	1001226285 365	1001231950 615, 621
1001216213 795, 797	1001219610..... 376	1001226328..... 767	1001232010 615, 617, 619, 621
1001216220 413	1001219611..... 385, 392	1001226400..... 743, 745	1001232011 615, 619, 621
1001216230 198, 202, 210, 214, 795	1001219612..... 385, 392	1001226531..... 733	1001232164 575
1001216300 399	1001219613..... 385, 392	1001226541..... 775	1001232165 575
1001216390 482	1001219618..... 481	1001226636..... 775	1001232642 579
1001216391 444	1001219619..... 443	1001226637 775	1001232667 579, 914
1001216393 391	1001219630..... 444	1001226739..... 759, 761, 763, 765, 775	1001232842 369
1001216531 386, 392	1001219632..... 444	1001226799..... 761, 763, 765	1001233047 916
1001216532 379, 381	1001219633..... 918	1001226872..... 521	1001233089 345
1001216534 379, 381	1001219809..... 373, 377	1001226923..... 423	1001233236 769
1001216535 379, 381	1001219840..... 916	1001227066..... 767, 769	1001233237 769
1001216568 372, 377	1001219881..... 435	1001227224..... 313, 365, 367	1001233763 302, 369
1001216619 399	1001220002..... 259	1001227359..... 735, 737, 739, 741	1001234425 866
1001216630 499	1001220067..... 259	1001227448..... 759	1001234428 890
1001216768 395	1001220141..... 417	1001227488..... 735, 737, 739, 741, 743	1001234429 890
1001216769 395	1001220189..... 265	1001227614..... 323, 344	1001234430 894
1001216910 385, 391, 395	1001220190..... 258	1001227615..... 313, 323	1001234431 898
1001216919 385, 391	1001220379..... 787	1001227616..... 313	1001234432 898
1001217032 385, 391	1001220404..... 399	1001227620..... 313	1001234433 886
1001217046 385, 391	1001220510..... 903	1001227633..... 575	1001234434 886
1001217090 385, 391	1001220511..... 903		1001234435 882
1001217170 379, 381	1001220512..... 903		
1001217174 385, 391	1001220864..... 903		
1001217175 385, 391			

SECTION 11 - SPECIAL OPTIONS/ACCESSORES/KITS

1001234436.....882	1001241965..... 579	1001253658..... 501	1001260964.....886
1001234437..... 874	1001242255..... 233	1001253677..... 505, 507	1001260965.....898
1001234438..... 874	1001242256..... 235	1001253724..... 501	1001260966.....894
1001234439.....870, 878	1001242409..... 916	1001253789..... 509	1001260967.....866
1001234800..... 791	1001243183..... 916	1001253880..... 501	1001260968.....878
1001234811.....495, 497	1001243184..... 916	1001254317..... 501	1001260969.....866, 870,
1001235585.....894	1001243414..... 251, 255,	1001254472..... 579	874, 882, 886, 890,
1001235860.....305, 309	259	1001254473..... 579	894, 898
1001235949.....340, 363	1001243645..... 37	1001254632..... 501	1001260970.....916
1001236303..... 113	1001243682..... 225, 227,	1001254846..... 677	1001261045.....340
1001236304..... 733	861	1001254847..... 677	1001261085.....340
1001236334.....415	1001243895..... 369	1001254879..... 676	1001261272.....503
1001236335.....415	1001244212..... 902	1001255133..... 499	1001261274.....503
1001236386.....245	1001245049..... 37	1001255320..... 489, 629	1001261335.....613
1001236387.....246	1001245913..... 340, 801	1001255321..... 489, 639	1001261336.....617
1001236389.....246	1001246142..... 916	1001255807..... 916	1001261338.....613
1001236504..... 733	1001246144..... 761	1001255880..... 509, 514	1001261339.....617
1001236505..... 733	1001246145..... 765	1001255882..... 510, 514	1001262016.....919
1001236552.....579	1001246473..... 761	1001255901..... 773, 824,	1001262102.....902
1001236746.....619	1001246474..... 765	827	1001262103.....902
1001236747.....615	1001247013..... 313	1001256059..... 676	1001262104.....902
1001236871.....246	1001247073..... 918	1001256267..... 489	1001262105.....902
1001236891.....613, 615,	1001247358..... 39	1001256506..... 788	1001262322.....759
617, 619, 621	1001247359..... 386, 392	1001256879..... 306, 310	1001262326.....759
1001236895.....613, 615,	1001247453..... 509, 513	1001256906..... 902	1001262959.....920
617, 619, 621	1001247468..... 499	1001257271..... 613, 617	1001262960.....767, 769
1001236951.....917	1001247846..... 491	1001257274..... 613	1001262963.....767, 769
1001237142.....489	1001247847..... 491	1001257278..... 346	1001263022.....902
1001237545.....563	1001247848..... 489, 491	1001257283..... 419	1001263352.....118, 130,
1001237547.....221	1001248140..... 613, 615,	1001257397..... 489	158, 170, 198, 210
1001237667.....823, 827,	617, 619, 621	1001257412..... 346	1001263353.....142, 146,
831	1001248141..... 613, 615,	1001257561..... 917	150, 154, 182, 186,
1001237668.....823, 827,	617, 619, 621	1001257902..... 735, 737	190, 194
831	1001249052..... 919	1001257903..... 741	1001263355.....150, 154
1001237862.....843, 847	1001249095..... 827	1001257904..... 739	1001263356.....130, 134,
1001237863.....575, 847	1001249695..... 916	1001257972..... 483, 815	138, 170, 174, 178,
1001237864.....575, 843	1001249824..... 501	1001258707..... 735, 737,	210, 214, 218
1001237865.....575, 845	1001249941..... 916	739, 741	1001263357.....190, 194
1001237882.....917	1001249942..... 327, 333,	1001258708..... 735, 737,	1001263360.....169, 173,
1001237883.....917	349	739, 741	177
1001237949.....489	1001250292..... 251, 255,	1001258709..... 735, 737,	1001263361.....129, 133,
1001238169.....495	259	739, 741, 829	137
1001238263.....613, 615,	1001250293..... 250, 254,	1001258710..... 735, 737,	1001263362.....149, 153
617, 619, 621	258	739, 741	1001263363.....209, 213,
1001238268.....340	1001250384..... 501	1001258711..... 735, 737,	217
1001238319.....575	1001250465..... 919	739, 741	1001263364.....189, 193
1001238331.....489, 495	1001250466..... 919	1001258800..... 340	1001263587.....556, 560
1001238333.....495	1001250531..... 509, 513	1001258953..... 919	1001263588.....553, 559
1001238398.....495	1001250535..... 489	1001259466..... 677	1001263612.....509, 514
1001238418.....579, 849	1001250595..... 919	1001259467..... 677	1001263800.....633
1001238421.....499	1001250643..... 81, 83	1001259468..... 677	1001263923.....779, 781,
1001238463.....621	1001250737..... 491	1001259470..... 677	857, 859
1001238472.....579	1001251009..... 489, 637	1001260277..... 51, 505	1001263941.....866, 870,
1001238495.....577	1001251010..... 489, 635	1001260412..... 328, 334,	874, 878, 882, 886,
1001238559.....579	1001251041..... 489, 631	340, 346	890, 894, 898
1001239202.....791	1001251086..... 493, 645	1001260413..... 328, 334,	1001264148.....916
1001239347.....227	1001251087..... 491, 643	340, 346	1001264239.....553
1001239462..... 113	1001252033..... 919	1001260475..... 514	1001264254.....916
1001239470..... 111	1001252034..... 919	1001260858..... 916	1001264991.....495, 633
1001241385.....225	1001252315..... 489	1001260886..... 916	1001265163.....623
1001241403.....221, 563	1001252527..... 792	1001260937..... 560	1001265342.....623
1001241413.....917	1001252627..... 905	1001260957..... 902	1001265676.....795, 797
1001241415.....917	1001252629..... 613, 615,	1001260958..... 878	1001266056.....918
1001241547.....918	617, 619, 621	1001260959..... 870	1001266069.....551, 555
1001241548.....918	1001253375..... 851	1001260960..... 890	1001266073.....551
1001241774.....917	1001253618..... 919	1001260962..... 874	1001266098.....918
1001241776.....917	1001253619..... 919	1001260963..... 882	1001266290.....918

SECTION 11 - SPECIAL OPTIONS/ACCESSORES/KITS

1001266489 918	1001272997..... 773	1001284873.....73, 75	1120601 ... 238, 242, 245,
1001266499 346	1001273007.....920	1001284874.....97, 99	250, 254, 258
1001266525 328, 334,	1001273008..... 916	1001284961...95, 99, 103	1180346 503
345	1001273009..... 916	1001284962.....71, 75, 91	1260017 43, 45, 65
1001266628 118, 122,	1001273010..... 916	1001284963.....79, 83, 87	1260135 47
130, 134, 142, 150,	1001273012..... 771, 773	1001285016.....125, 137,	1320011 313
158, 162, 170, 174,	1001274219.... 71, 75, 79,	145, 153, 165, 177,	1320016 286, 290
182, 190, 198, 202,	83, 87, 91, 95, 99, 103	186, 194, 205, 217, 859	1320022 275, 277, 421
210, 214, 823	1001274829..... 917	1001285346.....126, 138,	1320061 ... 297, 302, 305,
1001266648 556, 560,	1001274830..... 917	146, 154, 166, 178,	309, 313
831	1001274831..... 917	186, 194, 206, 218, 827	1320110 384, 390
1001266807 918	1001274833..... 917	1001285349.....485	1320127 39
1001266829 514, 855	1001275149.....231	1001285369.....165, 177,	1320176 275, 277
1001266874 142, 146	1001275642..... 919	185, 193, 785	1320177 585, 588
1001266875 157, 161,	1001275643..... 919	1001285677....77, 79, 89,	1320218 39
165	1001276143..... 118, 122,	91, 101, 103, 109	1320220 39
1001266876 118, 122,	126, 130, 134, 138,	1001285832.....77, 79	1320223 ... 93, 95, 97, 99,
126, 158, 162, 166,	142, 146, 150, 154,	1001285833.....101, 103	101, 103, 286, 290
198, 202, 206	158, 162, 166, 170,	1001285834.....89, 91	1320224 275, 278
1001266878 182, 186	174, 178, 182, 186,	1001286022.....917	1320250 503
1001266893 117, 121,	190, 194, 198, 202,	1001286032.....125, 137,	1320256 ... 735, 737, 739,
125	206, 210, 214, 218	145, 153, 781	741
1001266894 141, 145	1001276610..... 771	1001286033.....205, 218,	1320288 501
1001266895 197, 201,	1001276644.....340, 791	797	1320289 501
205	1001276923..... 916	1001286622.....231	1320302 ... 588, 593, 595,
1001266896 181, 185	1001277592..... 340, 353	1001287467125, 137,	599
1001267256 327, 333,	1001277598..... 321, 338	145, 153, 165, 177,	1320318 ... 449, 453, 457,
346	1001277606..... 306, 310,	185, 193, 205, 217	461, 465, 469, 473, 477
1001267312 866, 870,	321	1001287536.....485	1321283 372, 376
874, 878, 882, 886,	1001277828..... 513	1001288113485	1321339 ... 275, 277, 297,
890, 894, 898	1001278844..... 229	1001289552792	302, 305, 309, 313,
1001267678 ... 73, 75, 85,	1001278845..... 233	1001289553792	372, 376
87, 97, 99, 107	1001278850..... 229, 233,	1001289593.....310, 777	1321384 238, 242, 246
1001268736 917	235	1001289850916	1380147 433, 435
1001269187 918	1001280403..... 122, 126,	1001289874.....251, 255,	1580012 581
1001269389 918	134, 138, 162, 166,	259	1580013 918
1001269629 917	174, 178, 202, 206,	1001290021237, 241,	1600244 919
1001269630 917	214, 218	245	1670603 725
1001269631 917	1001280600..... 117, 121,	1001290252.....385, 391	1670842 ... 237, 241, 245,
1001269655 919	125, 129, 133, 137,	1001290375917	250, 254, 258
1001270068 649	145, 153, 157, 161,	1001290382.....251, 259	1670844 489
1001270069 653, 659,	165, 169, 173, 177,	1001290383255	1670850 489
665, 671	185, 193, 197, 201,	1001293369916	1671034 495
1001270073 659, 666	205, 209, 213, 217	1001303818.....386, 392	1671092... 474, 478, 482,
1001270089 677	1001281192..... 340	1001311034579	699
1001270090 654, 660,	1001281298..... 485	1060341 ... 605, 607, 609,	1671093 588, 595, 699
666, 672	1001281301..... 485	611	1671228 ... 237, 238, 241,
1001270091 654, 660,	1001281304..... 485	1060343.....474, 478, 482	242, 245, 246
666, 672	1001281305..... 485	1060545.....755, 757	1671230 238
1001270096 672	1001281307..... 485	1060626.....277, 301, 376	1671231 ... 238, 242, 246
1001270099 246	1001281309..... 485	1060637...275, 277, 317,	1671232 ... 238, 242, 246
1001270482 918	1001281310..... 485	319, 321, 323, 379, 381	1671233 237
1001270594 229, 231	1001281311..... 485	1060903... 605, 607, 609,	1671314 555, 559
1001270630 653	1001281359..... 485	611	1700818 902
1001271642 918	1001281360..... 485	1060908.....753	1701499... 866, 870, 874,
1001271794 118, 122,	1001281423..... 917	1060918.....565	878, 882, 886, 890,
126, 130, 134, 138,	1001281452..... 918	1062255.....306, 310	894, 898
142, 146, 150, 154,	1001281453..... 918	10702077..466, 470, 474,	1701501 ... 866, 870, 874,
158, 162, 166, 170,	1001281456..... 918	478, 482	878, 882, 886, 890,
174, 178, 182, 186,	1001281457..... 918	10702082..466, 470, 474,	894, 898
190, 194, 198, 202,	1001281656..... 485	478, 482	1701505 ... 275, 277, 297,
206, 210, 214, 218	1001281703..... 221, 563	10836804..122, 125, 134,	301, 305, 309, 313, 902
1001272166 918	1001282106..... 221, 563	138, 162, 165, 174,	1701509... 601, 603, 866,
1001272182 918	1001282461..... 919	178, 201, 205, 213, 217	870, 874, 878, 882,
1001272659 771	1001283776..... 231, 853	1120510.....489	886, 890, 894, 898
1001272681 233	1001284101..... 485	1120555.....601, 603	1701518 870, 878
1001272682 235	1001284872..... 85, 87		1701542 372, 376, 902

SECTION 11 - SPECIAL OPTIONS/ACCESSORIES/KITS

1701543.....372, 376, 902	1704885 902	2110404 ... 649, 653, 659, 665, 671	2220375.... 653, 659, 665, 671
1702565.....555, 559	1704972 902	2110406 ... 653, 659, 665, 671	2220377.....676
1702566.....555, 559	1705014 539, 549	2110408 649	2220380.... 653, 659, 665, 671
1702567.....555, 559	1705090 43	2110606 ... 649, 653, 659, 665, 671	2220381.....676
1702720.....902	1705305 ... 599, 905, 907, 909	2110608 665, 671	2220415.....676
1702773.....539, 549, 902	1705325 705, 707	2110808 ... 653, 659, 665, 671	2220418.....39
1702774.....902	1705336 866	2110812 ... 653, 659, 665, 671	2220451.... 286, 290, 653, 659, 665, 671, 676
1702861.....902	1705344 890	2111616 ... 653, 659, 665, 671	2220466.... 653, 659, 665, 671, 676
1702868....599, 866, 902, 905, 909	1705347 886	2120209 51	2220468.... 653, 659, 665, 671, 676
1702941....277, 301, 376	1705348 882	2120210 51, 913	2220472.....676
1702942....277, 301, 376	1705351 866	2130406 ... 653, 659, 665, 671	2220473.... 653, 659, 665, 671, 676
1702943....277, 301, 376	1705355 907, 909	2130604 ... 653, 659, 665, 671	2220478.....676
1702944....277, 301, 376	1705358 603	2130606 ... 653, 659, 665, 671	2220490.....676
1703162....286, 290, 326, 332, 338, 344, 384, 390	1705374 ... 458, 461, 727, 729	2130808 ... 653, 659, 665, 671	2220500.....676
1703482....866, 870, 874, 878, 882, 886, 890, 894, 898	1705375 ... 475, 479, 482, 599, 909	2130808 ... 653, 659, 665, 671	2220501.....676
1703797 866	1705387 ... 458, 461, 475, 479, 482	2131616 ... 653, 659, 665, 671	2220507.....676
1703804 866	1705426 890	2150406 ... 653, 659, 665, 671	2220578.... 653, 659, 665, 671
1703805 866	1705427 894	2151616 ... 653, 659, 665, 671	2220582.... 653, 659, 665, 671, 676
1703811....866, 870, 874, 878, 882, 886, 890, 894, 898	1705429 886	2170408 ... 653, 659, 665, 671	2220593.....676
1703814....866, 870, 874, 878, 882, 886, 890, 894, 898	1705460 ... 466, 470, 474, 479, 482	2170504 ... 653, 659, 665, 671	2220596.... 653, 659, 665, 671, 676
1703923 898	1705461 466, 470	2170506 665, 671	2220600.....676
1703924 886	1705489 ... 449, 453, 466, 470	2170706 665, 671	2220603.....676
1703925 882	1705490 905	2180348 ... 275, 277, 386, 392, 421	2220605.....676
1703926 890	1705822 870, 878	2180387 39	2220671.... 653, 659, 665, 671
1703927 894	1705828 870, 878	2180388 39	2220726.....676
1703935 898	1705836 902	2180389 39	2220737.....676
1703936 886	1705837 902	2180418 39, 372, 376, 386, 392	2220750.....267, 269
1703937 882	1705886 902	2180467 384, 390	2220765.....676
1703938 890	1705895 874	2180832 ... 297, 301, 305, 309, 313, 585, 588	2220800.... 653, 659, 665, 671
1703939 894	1705896 874	2200222 ... 69, 71, 73, 75, 77, 79	2220816.....421, 423
1703942 886	1705897 874	2200233 93, 95, 97, 99	2220852.....676
1703943....874, 882, 898	1705902 874	2220237 ... 653, 659, 665, 671	2220883..... 31, 507, 627, 629, 631, 635, 637, 643
1703944 890	1705905 874	2220238 ... 653, 659, 665, 671	2220885....627, 639, 645
1703945 894	1705917 898	2220362 676	2220886....31, 631, 635, 637, 643, 645
1703947 898	1705921 870, 878	2220371 ... 653, 659, 665, 671, 676	2220888.....31
1703948 886	1705961 870, 878	2220373 ... 653, 659, 665, 671, 676	2220899.....676
1703949 882	1705967 874, 902	2220374 ... 653, 659, 665, 671	2220940.... 653, 659, 665, 671
1703950 890	1705968 882, 902	2220252 267, 269	2220947.....676
1703951 894	1705969 894, 902	2220261 39, 386, 392	2220950.....676
1703953 866	1705977 ... 870, 874, 878, 882, 886, 890, 894, 898	2220313 ... 275, 277, 297, 301, 305, 309, 313	2221024.....39
1703959....866, 870, 874, 878, 882, 886, 890, 894, 898	1705980 903	2220315 ... 326, 332, 338, 344	2221034.....676
1703980 890	1706059 902	2220362 676	2221036.....676
1703981 894	1706060 902	2220371 ... 653, 659, 665, 671, 676	2221037.....267, 269
1703982 882	1706061 903	2220373 ... 653, 659, 665, 671, 676	2221086.....676
1703983 898	1706062 902	2220374 ... 653, 659, 665, 671	2221176....275, 277, 372, 376
1703984 886	1706063 903	2220377 ... 653, 659, 665, 671, 676	2221197..... 39, 372, 376
1704000.....886, 902	1706064 902	2220378 ... 653, 659, 665, 671, 676	2300016.....27
1704001 898, 902	1706098 902	2220379 ... 653, 659, 665, 671, 676	2400060....369, 623, 813, 815, 823, 824, 827, 831
1704260.....555, 559	1706385 539, 549	2220380 ... 653, 659, 665, 671	2400064....813, 815, 913
1704271 902	1706957 45	2220381 ... 653, 659, 665, 671	2410014.....539, 549
1704277....866, 870, 874, 878, 882, 886, 890, 894, 898	1706960 45	2220382 ... 653, 659, 665, 671	2420203....437, 439, 443
1704412....866, 870, 874, 878, 882, 886, 890, 894, 898	2030010 ... 585, 588, 593, 595, 599	2220383 ... 653, 659, 665, 671	
1704578.....43	2060025 286, 290	2220384 ... 653, 659, 665, 671	
	2080040 ... 250, 254, 258, 523, 527, 529, 535, 541, 545	2220385 ... 653, 659, 665, 671	
	2080072 ... 250, 254, 258		

SECTION 11 - SPECIAL OPTIONS/ACCESSORES/KITS

2460048 465, 473	2753542 ... 653, 659, 666,	3020029.....63	145, 149, 153, 157,
2460051 443	672	3020037.....321	161, 165, 169, 173,
2460055 437	2753622 ... 653, 659, 665,	3020039.....19, 21	177, 181, 185, 189,
2560136 555, 559	671	3160348.....27, 31	193, 197, 201, 205,
2560187 251, 255, 259	2753626 ... 653, 660, 666,	3200401....287, 291, 326,	209, 213, 217
2580024 277, 301, 376	671	332, 338, 344, 425, 427	3300353 ... 117, 121, 125,
2580062 291	2753628 653, 672	3200406.....286, 290	129, 133, 137, 141,
2600209 238, 242, 246	2753634 ... 653, 660, 666,	3250872.....43	145, 149, 153, 157,
2600233 238, 242, 246	671	3251102....437, 439, 443,	161, 165, 169, 173,
2600244 237, 241, 245	2753656 665, 672	447, 449, 453, 457, 461	177, 181, 185, 189,
2600281 ... 523, 527, 529,	2753686 ... 653, 659, 665,	3251242....709, 711, 713,	193, 197, 201, 205,
535, 541, 545	671	715, 717, 719, 721,	209, 213, 217, 555, 559
2720015 326, 332, 344	2753732 665, 672	723, 725, 902	3300364 250, 254, 258
2720058 ... 275, 277, 386,	2753879 665, 672	3251243....437, 443, 458,	3300396... 457, 462, 466,
390, 421	2753970 654, 672	461, 475, 479, 482,	470, 474, 478, 482
2720144 39	2753971 ... 653, 659, 665,	866, 886, 890	3300408 ... 117, 121, 125,
2720160 585, 588	671	3251813.....902	129, 133, 137, 141,
2720340 ... 326, 332, 338,	2754337 ... 653, 659, 665,	3252347.....866	145, 149, 153, 157,
344	671	3252507.....447	161, 165, 169, 173,
2720398 286, 290	2754338 ... 653, 659, 666,	3252764....465, 469, 473,	177, 181, 185, 189,
2720545 267, 269	671	477, 481	193, 197, 201, 205,
2750532 ... 275, 277, 298,	2754512 654, 672	3271601.....246, 501	209, 213, 217, 221, 563
302, 305, 309, 313	2754720 659, 666	3271605....501, 613, 615,	3300430 577
2751399 ... 654, 660, 666,	2754743 659, 666	617, 619, 621	3300454 267, 269
672	2792700 45	3271801....326, 332, 338,	3310401 326, 332, 344
2751500 ... 654, 660, 666,	2820019 805	344	3310601 433, 435
672	2820031 ... 437, 439, 443,	3271805.....67, 539, 549	3310605 509, 513
2752434 ... 654, 660, 666,	447, 449, 453, 458,	3272001....613, 615, 617,	3310801 509, 513
672, 677	461, 466, 469, 474,	619, 621	3310805 39
2752461 677	477, 481, 743	3290405....229, 231, 233,	3311001 ... 237, 238, 241,
2752468 677	2820035 369	235, 372, 376, 623,	242, 245, 246, 361,
2752484 677	2820118 743, 745	705, 707, 709, 711,	363, 365, 367, 466,
2752489 ... 654, 660, 666,	2820233 238	713, 715, 717, 719,	470, 474, 478, 482
672	2820234 238	721, 723, 725	3311005 ... 437, 439, 443,
2752494 677	2820235 238	3290505....372, 376, 447	447, 458, 461, 465,
2752495 ... 654, 660, 666,	2820247 843, 847	3290601....251, 255, 259,	470, 474, 478, 481,
672	2840016 433, 435	384, 390, 397, 443, 481	555, 559, 585, 588,
2752723 677	2860012 437	3290605....118, 122, 126,	593, 595, 599
2752754 ... 654, 660, 666,	2860030 ... 117, 121, 125,	130, 134, 138, 142,	331140143, 45, 605, 607,
672	129, 133, 137, 141,	146, 150, 154, 158,	609, 611
2752766 677	145, 149, 153, 157,	162, 166, 170, 174,	3311405 ... 117, 121, 125,
2752767 676	161, 165, 169, 173,	178, 182, 186, 190,	129, 133, 137, 141,
2752768 677	177, 181, 185, 189,	194, 198, 202, 206,	145, 149, 153, 157,
2752930 677	193, 197, 201, 205,	210, 214, 218, 384,	161, 165, 169, 173,
2752938 ... 654, 660, 666,	209, 213, 217, 913	390, 585, 588	177, 181, 185, 189,
672	2900708 51	3290606....525, 531, 533,	193, 197, 201, 205,
2752978 677	2900756 27	537, 543, 547	209, 213, 217, 225,
2752995 676	2900792 ... 629, 631, 633,	3290607....233, 235, 384,	227, 237, 241, 245,
2752997 ... 654, 660, 666,	635, 637	390	250, 254, 258, 261,
672	2902212 601, 603	3290801....344, 372, 376,	263, 267, 269, 271,
2753008 677	2902217 588, 593, 595	384, 390	275, 278, 281, 283,
2753010 677	2902396 916	3290805....384, 390, 733	286, 290, 297, 301,
2753118 677	2902443 ... 779, 781, 787,	3290806.....499	305, 309, 313, 317,
2753123 677	791	3291001....384, 390, 499	319, 321, 323, 326,
2753189 677	2910887 916	3291005....328, 334, 338,	332, 338, 344, 372,
2753190 676	2915094 63, 920	344, 384, 390, 495, 499	376, 379, 381, 429,
2753191 677	2915228 918	3291007.....435	431, 449, 453, 505,
2753192 677	2920028 555, 559	3291201....384, 390, 444,	509, 513, 551, 553,
2753195 677	2920029 555, 559	481, 499	579, 583, 705, 707,
2753196 677	2920129 831	3291205.....499	709, 711, 713, 715,
2753197 677	2940045 ... 250, 254, 258	3300007 27	717, 719, 721, 723,
2753199 677	2940074 ... 523, 527, 529,	3300151....521, 525, 531,	725, 733, 749, 751
2753200 677	535, 541, 545, 913	533, 535, 537, 543,	3311501 ... 238, 242, 245,
2753231 677	2940088 238, 242, 246	545, 547, 588, 593,	250, 254, 258, 509,
2753274 677	2940173 251, 255, 258	595, 599	513, 605, 607, 609, 611
2753442 676	2940188 238, 242, 245	3300205....117, 121, 125,	3311505 ... 27, 93, 95, 97,
	3020021 405	129, 133, 137, 141,	99, 101, 103, 237, 241,

SECTION 11 - SPECIAL OPTIONS/ACCESSORES/KITS

245, 251, 255, 259, 286, 290, 326, 332, 338, 344, 469, 477, 481, 505	3422457 491	3576755 ... 93, 95, 97, 99, 101, 103	161, 165, 169, 173, 177, 181, 185, 189, 193, 197, 201, 205, 209, 213, 217
3311508....457, 461, 465, 473	3422532 ... 281, 283, 317, 319, 321, 323, 379, 381	3576799 585, 588	3900283.....501
3311601....69, 71, 73, 75, 77, 79, 81, 83, 85, 87, 89, 91, 237, 241, 245, 250, 254, 258, 503, 556, 560, 579	3422681 489	3577121 ... 588, 593, 595, 599	3900293.....57
3311602.....503	3422683 489	3580134 447	3900316....242, 250, 254, 258
3311605....39, 69, 71, 73, 75, 77, 79, 81, 83, 85, 87, 89, 91, 93, 95, 97, 99, 101, 103, 237, 238, 241, 242, 245, 250, 254, 258, 261, 263, 265, 269, 271, 275, 277, 286, 290, 326, 332, 338, 344, 361, 363, 365, 367, 372, 376, 423, 425, 427, 433, 437, 447, 501, 503, 539, 549, 551, 553, 588, 593, 595, 599	3422684 489	3580158 437, 447	3900349.....555, 559
3311705....437, 439, 443, 447	3422685 489	3580276 437, 439	3900363....251, 255, 259
3311801.....27, 275, 277, 317, 319, 321, 323, 439, 449, 453, 458, 461, 465, 469, 474, 477, 509, 513	3422686 489	3580314 481	3910408....326, 332, 344
3311805....286, 290, 379, 381, 425, 427, 433, 435	3422687 489	3580317 ... 449, 453, 458, 461, 466, 469, 474, 477, 481	3910606....458, 461, 473, 477, 481, 727, 729
331200147	3422690 491	3580318 ... 458, 461, 474, 477	3910608.....433, 435
3312002....57, 613, 615, 617, 619, 621	3422729 489	3580319 ... 449, 453, 466, 469	3910610.....695, 697
3312005.....601, 603	3422790 23, 25	3580320 ... 326, 332, 449, 458, 466, 474	3910804....117, 121, 125, 129, 133, 137, 141, 145, 149, 153, 157, 161, 165, 169, 173, 177, 181, 185, 189, 193, 197, 201, 205, 209, 213, 217
3312205.....601, 603	3422848 25	3580324 443	3930606.....509, 513
3312602....229, 231, 233, 235	3422861 495	3600386 267, 269, 271	3930816.....517
3321501....238, 242, 245	3422867 495	3641569 605, 607	3930820....510, 513, 514
3322201.....67	3430616 556, 560	3720021 267, 269	3930824.....509, 513
3340764.....501	3430816 433, 435	3740049 ... 117, 121, 125, 129, 133, 137, 141, 145, 149, 153, 157, 161, 165, 169, 173, 177, 181, 185, 189, 193, 197, 201, 205, 209, 213, 217, 914	3931016....457, 461, 465, 469, 473, 477, 481
3340828.....493	3450404 433, 435	3740067 ... 286, 290, 297, 301, 305, 309, 313, 372, 376, 912, 913	3931408.....577
3340835.....489, 493	3460334 601, 603	3740080 ... 286, 290, 437, 439, 443, 447, 481, 912, 913	3931424.....269
3340840.....501	3470003 556, 560	3740086 849, 914	3931432....326, 332, 338, 344, 509, 513
3340859.....503	3520026 555, 559	3760170 47, 65	3931436.....509, 513
3340871.....491	3520027 555, 559	3790012 ... 372, 376, 551, 553, 555, 559, 573	3931512....326, 332, 338, 344
3340881.....493	3520028 ... 437, 439, 443	3790044 ... 281, 283, 317, 319, 321, 323, 379, 381	3931628.....326, 332
3340941.....501	3520030 ... 251, 255, 258	3820001 43, 866, 870, 874, 878, 882, 886, 890, 894, 898	3931644.....384, 390
3340943.....501	3520031 ... 117, 121, 125, 129, 133, 137, 141, 145, 149, 153, 157, 161, 165, 169, 173, 177, 181, 185, 189, 193, 197, 201, 205, 209, 213, 217	3820020 ... 523, 527, 529, 535, 541, 545	3952020.....57
3340956.....601, 603	3520035 ... 117, 121, 129, 133, 141, 149, 157, 161, 169, 173, 181, 189, 197, 201, 209, 213, 509, 513, 517	3841143 ... 275, 277, 297, 301, 305, 309, 313, 372, 376, 491, 495, 499	3960389....237, 241, 245, 250, 254, 258, 275, 277
3340966.....25	3520054 ... 286, 290, 346, 555, 559	3841203 489	3960407.....286, 290
3380434.....551, 553	3520071 601, 603	3841287 19, 21, 489	3960422....458, 461, 473, 477, 481, 695, 697, 727, 729
3380444....237, 241, 245	3520072 ... 521, 523, 525, 527, 529, 531, 533, 535, 537, 539, 541, 543, 545, 547, 549	3841340 51, 503	3960438....238, 242, 246
3380535.....517	3520189 466, 470	3841356 489	3960453.....237
3420292.....43, 45	3520192 466, 470	3841406 501	3960462....238, 242, 246
3420372.....47	3520193 509, 513	3841520 23, 25	3960464....238, 242, 246
3420447.....47	3520198 ... 521, 523, 525, 527, 529, 531, 533, 535, 537, 541, 543, 545, 547	3900054 539, 549	3960468....286, 290, 317, 319, 321, 323
3421453.....585, 588	3537445 433	3900210 ... 250, 251, 254, 255, 258, 259	3960469....286, 290, 317, 319, 321, 323, 379, 381
3421565.....65	3537446 433, 435	3900232 ... 237, 238, 241, 245, 246, 501	3960470....237, 241, 245
342241723, 25	3538047 19, 21	3900239 489	3960526.....27
3422446....275, 277, 297, 301, 305, 309, 313, 372, 376	3570928 509, 513	3900259 491	3980007....277, 301, 376
	3571712 237	3900262 503	3990010....823, 827, 912
	3572423 ... 93, 95, 97, 99, 101, 103	3900268 ... 117, 121, 125, 129, 133, 137, 141, 145, 149, 153, 157,	4010303.....510, 514
	3572606 509, 513		4010608.....585, 588
	3572607 509, 513		4010618....525, 531, 533, 537, 543, 547
	3573400 ... 588, 593, 595, 599		4031505.....575
	3573642 ... 588, 593, 595, 599		4031509....229, 231, 233, 235
	3574091 609, 611		4031516.....579
	3575359 605, 607		4031608.....447
	3575874 267, 269		4031711.....384, 390

SECTION 11 - SPECIAL OPTIONS/ACCESSORES/KITS

4031914 ... 326, 332, 338, 344	4300157 ... 449, 458, 465, 474	4460016.....831	177, 181, 185, 189, 193, 197, 201, 205, 209, 213, 217, 457, 462, 466, 470, 474, 478, 482
4032014 326, 332	4340706 493	4460019.....777, 779, 781, 783, 785, 792	
4032015 ... 449, 457, 465, 474	4340747 267	4460027.....437, 439, 443	
4060092 697	4360057 ... 605, 607, 609, 611, 914	4460042.....787, 791	
4060802 ... 437, 439, 443, 447, 449, 453, 457, 461, 465, 469, 473, 477, 481	4360070 ... 457, 462, 466, 470, 474, 478, 482, 912	4460043....369, 779, 781, 787, 792, 807, 809, 813	4460428 267, 555, 559
4060805 ... 286, 290, 326, 332, 338, 344, 386, 392, 509, 513	4360274 ... 181, 185, 189, 193, 914	4460049....605, 607, 609, 611	4460434 823, 827, 831
4070410 237, 241, 245	4360328 573, 914	4460051 695, 697	4460457 ... 779, 781, 783, 785, 795, 797, 807, 815
4070411 237, 241, 245	4360331 551, 553, 914	4460071 458, 461, 474, 477, 481, 565	4460458 ... 779, 781, 783, 785, 787, 791, 795, 797, 807, 809, 813, 815
4070412 237, 241, 245	4360336 ... 372, 376, 437, 439, 443, 447, 449, 453, 457, 461, 465, 469, 473, 477, 481, 914	4460125.....697	4460460 ... 779, 781, 783, 785, 795, 797
4070450 47	4360387 ... 141, 145, 149, 153, 181, 185, 189, 193, 555, 559, 914	4460134.....819	4460464... 565, 623, 731, 743, 773, 775, 779, 783, 785, 795, 799, 823, 827, 829, 831, 849, 851, 853, 859, 861
4070560 47	4360407 ... 555, 559, 912	4460190.....437, 439, 443	4460465 ... 229, 231, 233, 235, 623, 731, 735, 737, 739, 741, 743, 745, 775, 779, 781, 783, 785, 787, 788, 791, 792, 795, 797, 803, 805, 809, 811, 813, 815, 817, 823, 827, 829, 831, 851, 855, 857, 859, 861
4070561 47	4360436 ... 69, 73, 77, 81, 85, 89, 93, 97, 101, 914	4460205.....695, 819	
4070585 437	4360469 ... 117, 121, 125, 129, 133, 137, 141, 145, 149, 153, 157, 161, 165, 169, 173, 177, 181, 185, 189, 193, 197, 201, 205, 209, 213, 217, 914	4460224.....453, 555, 559	
4070863 491	4360475 ... 117, 121, 125, 129, 133, 137, 141, 145, 149, 153, 157, 161, 165, 169, 173, 177, 181, 185, 189, 193, 197, 201, 205, 209, 213, 217, 555, 559, 914	4460225.....803, 805, 831	
4070864 491	4360476 ... 117, 121, 125, 129, 133, 137, 141, 145, 149, 153, 157, 161, 165, 169, 173, 177, 181, 185, 189, 193, 197, 201, 205, 209, 213, 217, 555, 559, 914	4460226....555, 559, 565, 567, 570, 605, 607, 609, 611, 747, 779, 781, 783, 785, 795, 797, 831	
4070878 19, 21	4360498 509, 513, 914	4460227....555, 559, 823, 827, 831	
4070879 19, 21	4360499 509, 513, 914	4460233.....697, 821	4460466... 575, 623, 731, 743, 745, 775, 783, 785, 787, 791, 792, 823, 827, 829, 831, 845, 849, 851, 853, 855, 857, 859
4070897 491, 493	4360517 67, 914	4460234....231, 555, 559, 605, 607, 609, 611, 759, 761, 763, 765	
4070898 491, 493	4360542 ... 437, 439, 443, 912	4460247.....787, 792	
4070929 493	4360578 ... 509, 513, 517, 914	4460256.....815	
4070967 493	4400275 39	4460259....623, 779, 781, 795, 797, 823, 827, 831	
4070968 493	4400420 39	4460260....623, 779, 781, 795, 797, 823, 827, 831	
4070969 501	4420014 601, 603	4460261.....567, 570	
4070991 ... 117, 121, 125, 129, 133, 137, 141, 145, 149, 153, 157, 161, 165, 169, 173, 177, 181, 185, 189, 193, 197, 201, 205, 209, 213, 217	4420037 ... 588, 593, 595, 599	4460267.....831	
4071007 493	4420038 ... 69, 71, 73, 75, 77, 79, 81, 83, 85, 87, 89, 91, 93, 95, 97, 99, 101, 103	4460268....783, 785, 803, 805, 857	
4071059 25	4420051 43, 45, 866, 870, 874, 878, 882, 886, 890, 894, 898	4460294.....453	
4071122 372, 376	4420060 447, 517	4460297.....823, 827	
4100062 676	4420066 601, 603	4460312....779, 781, 795, 797	
4120035 831	4460007 555, 559	4460313....779, 781, 783, 785, 795, 797, 823, 827	
4160139 237, 241, 245		4460315.....695, 697	
4160143 237, 241, 245		4460320.....823, 827	
4160194 250, 254, 258		4460321.....443	
4240017 231		4460346....458, 461, 473, 477, 481, 695	
4240018 ... 439, 447, 449, 453, 457, 461, 465, 469, 473, 477, 727, 729		4460374....779, 781, 807	
4240032 ... 233, 235, 676, 759, 761, 763, 765, 767, 769, 771		4460375.....779, 781	
4240033 ... 233, 235, 297, 301, 313, 509, 513, 575, 577, 579, 735, 737, 739, 741		4460418....823, 827, 831	
4240099 ... 305, 309, 326, 332, 338, 344, 369, 373, 376, 384, 390, 443, 588, 593, 595, 605, 607, 609, 611		4460419....823, 827, 831	
4240113 ... 69, 71, 73, 75, 77, 79, 81, 83, 85, 87, 89, 91		4460424....779, 781, 783, 785, 795, 797, 857	
4240149 601, 603		4460425....457, 462, 466, 470, 474, 478, 482, 605, 607, 609, 611, 727, 729	
4280296 41		4460426....117, 121, 125, 129, 133, 137, 141, 145, 149, 153, 157, 161, 165, 169, 173,	4460428 ... 267, 555, 559 4460434 823, 827, 831 4460457 ... 779, 781, 783, 785, 795, 797, 807, 815 4460458 ... 779, 781, 783, 785, 787, 791, 795, 797, 807, 809, 813, 815 4460460 ... 779, 781, 783, 785, 795, 797 4460464... 565, 623, 731, 743, 773, 775, 779, 783, 785, 795, 799, 823, 827, 829, 831, 849, 851, 853, 859, 861 4460465 ... 229, 231, 233, 235, 623, 731, 735, 737, 739, 741, 743, 745, 775, 779, 781, 783, 785, 787, 788, 791, 792, 795, 797, 803, 805, 809, 811, 813, 815, 817, 823, 827, 829, 831, 851, 855, 857, 859, 861 4460466... 575, 623, 731, 743, 745, 775, 783, 785, 787, 791, 792, 823, 827, 829, 831, 845, 849, 851, 853, 855, 857, 859 4460467 919 4460470 ... 117, 121, 125, 129, 133, 137, 141, 145, 149, 153, 157, 161, 165, 169, 173, 177, 181, 185, 189, 193, 197, 201, 205, 209, 213, 217, 555, 559 4460471 ... 117, 121, 125, 129, 133, 137, 141, 145, 149, 153, 157, 161, 165, 169, 173, 177, 181, 185, 189, 193, 197, 201, 205, 209, 213, 217, 555, 559 4460473 743, 745 4460488 ... 117, 121, 125, 129, 133, 137, 141, 145, 149, 153, 157, 161, 165, 169, 173, 177, 181, 185, 189, 193, 197, 201, 205, 209, 213, 217, 233, 235 4460496... 117, 121, 125, 129, 133, 137, 141, 145, 149, 153, 157, 161, 165, 169, 173, 177, 181, 185, 189, 193, 197, 201, 205, 209, 213, 217 4460497 ... 117, 121, 125, 129, 133, 137, 141,

SECTION 11 - SPECIAL OPTIONS/ACCESSORES/KITS

145, 149, 153, 157, 161, 165, 169, 173, 177, 181, 185, 189, 193, 197, 201, 205, 209, 213, 217	4460887 ... 623, 779, 781, 783, 785, 795, 797, 823, 827, 831	4461198 707, 833	365, 367, 372, 376, 421, 423, 439, 449, 453, 458, 461, 466, 469, 474, 477, 491, 493, 501, 503, 509, 513, 556, 560, 613, 615, 617, 619, 621, 735, 737, 739, 741
4460508....575, 743, 823, 827, 831	4460888 831	4461199 835	4711700....326, 332, 338, 345, 421, 439, 443
4460509.....743, 745	4460891 ... 229, 231, 233, 235, 731, 747, 788, 799, 824, 857, 859, 861	4461201 711, 835	4711800....338, 433, 435, 449, 457, 465, 473, 539, 549
4460510.....919	4460892 829	4461205 837, 839	4712000....601, 603, 613, 615, 617, 619, 621
4460518....731, 735, 737, 739, 741, 855	4460894 ... 735, 737, 739, 741, 775, 787, 791, 823, 827, 829, 831	4461244 715, 837	4712200.....601, 603
4460526....117, 121, 125, 129, 133, 137, 141, 145, 149, 153, 157, 161, 165, 169, 173, 177, 181, 185, 189, 193, 197, 201, 205, 209, 213, 217	4460897 ... 779, 783, 788, 795, 799, 853, 857, 859	4461245 719, 839	4740036.....47
4460536....823, 827, 829, 831, 861	4460899 ... 783, 785, 829, 845, 849, 851	4461246 723, 841	4740057.....57
4460539....735, 737, 739, 741, 779, 781, 783, 785, 791, 795, 797, 829, 831, 857, 859, 861	4460905 823, 827, 831	4461249 841	4740076....237, 241, 245
4460612.....727, 729	4460910 843, 855	4462641 457	4740119.....433
4460633.....267, 269	4460911 824, 827, 845	4520253 33	4740155.....25
4460634.....831	4460928 731	4520256 37	4740256.....23, 25
4460635.....831	4460930 787, 791	4530028 ... 588, 593, 595, 597	4740274....286, 290, 425, 427
4460670....779, 781, 807	4460931 783, 785, 853	4567757 676	4740362.....551, 553
4460701821	4460932 ... 623, 773, 787, 792, 799	4568119 ... 93, 95, 97, 99, 101, 103	4740397....117, 121, 125, 129, 133, 137, 141, 145, 149, 153, 157, 161, 165, 169, 173, 177, 181, 185, 189, 193, 197, 201, 205, 209, 213, 217, 437, 447, 555, 559
4460703.....787, 792	4460933 ... 731, 823, 827, 831	4640751 ... 326, 332, 338, 344	4740444....181, 185, 189, 193
4460708....555, 559, 831	4460941 799, 845	4640780 676	4740463.....23, 25
4460722.....369	4460942 ... 575, 787, 791, 799	4640858 627	4740472.....19, 21
4460738....783, 785, 795, 797	4460943 ... 823, 827, 831, 845	4640866 51	4740473.....23, 25
4460742....807, 809, 813, 815	4460944 ... 735, 737, 739, 741, 779, 781, 783, 785, 787, 791, 795, 797, 823, 831	4640932 629	4740500....238, 242, 246
4460743.....809, 813	4460945 792, 823	4641022 ... 93, 95, 97, 99, 101, 103	4740518....117, 121, 125, 129, 133, 137, 141, 145, 149, 153, 157, 161, 165, 169, 173, 177, 181, 185, 189, 193, 197, 201, 205, 209, 213, 217
4460746.....791	4460956 753, 757	4641032 645	4750400....326, 332, 345
4460748.....791	4460957 753, 757	4641033 643	4750800.....39
4460761555, 559, 823, 827	4460958 729	4641122 33, 35, 37	4751000....71, 75, 79, 83, 87, 91, 95, 99, 103, 238, 241, 242, 245, 246, 437, 443, 447, 458, 461, 466, 469, 474, 477, 481, 555, 559, 585, 588, 593, 595, 599
4460806....713, 715, 717, 719, 823, 827, 831	4460962 588, 595, 699	4641303 27	4751400...41, 43, 45, 117, 121, 125, 129, 133, 137, 141, 145, 149, 153, 157, 161, 165, 169, 173, 177, 181, 185, 189, 193, 197, 201, 205, 209, 213, 217, 238, 241, 245, 250, 251, 254, 255, 258, 259, 261, 263, 281, 283, 317, 319,
4460807803, 805	4460963 ... 474, 478, 482, 699	4641317 51	
4460808.....803, 805	4460967 ... 809, 811, 813, 815, 817	4641435 509, 513	
4460865.....743, 745	4460968 ... 447, 509, 513, 517	4711000 ... 361, 363, 365, 367, 439, 466, 470, 474, 478, 482	
4460866....743, 823, 827, 831	4460971 585, 588	4711400 51, 117, 121, 125, 129, 133, 137, 141, 145, 149, 153, 157, 161, 165, 169, 173, 177, 181, 185, 189, 193, 197, 201, 205, 209, 213, 217, 223, 225, 227, 267, 269, 275, 277, 286, 290, 297, 301, 305, 309, 313, 326, 332, 338, 344, 372, 376, 429, 431, 449, 453, 457, 461, 465, 469, 473, 477, 481, 505, 521, 525, 531, 533, 535, 537, 543, 545, 547, 577, 579, 705, 707, 709, 711, 713, 715, 717, 719, 721, 723, 725, 749, 751	
4460868.....823, 827	4460979 ... 779, 781, 795, 797	4711500 ... 27, 93, 95, 97, 99, 101, 103, 251, 255, 259, 326, 332, 338, 345, 469, 477, 481, 505, 509, 513	
4460871779, 781, 783, 785, 795, 797, 823, 827, 831, 857, 859, 861	4461005 779, 781	4711600 . 19, 21, 51, 238, 242, 246, 269, 286, 290, 297, 301, 305, 309, 313, 361, 363,	
4460872.....823, 827	4461006 779, 781		
4460873....823, 827, 831	4461008 ... 779, 781, 788, 791		
4460874....823, 827, 831	4461052 779, 781		
4460875....823, 827, 831	4461053 779, 781		
4460876.....823, 827	4461054 ... 779, 781, 791, 799		
4460877.....823, 827	4461060 779, 781		
4460878.....823, 827	4461070 731, 779, 781		
4460879.....623, 831	4461071 787, 791		
4460880....783, 785, 795, 797	4461073 ... 779, 781, 787, 791		
4460884....623, 791, 823, 827, 851, 855, 859	4461077 845, 849		
	4461095 ... 731, 779, 781, 787		
	4461157 ... 779, 781, 795, 797		
	4461196 833		

SECTION 11 - SPECIAL OPTIONS/ACCESSORES/KITS

321, 323, 326, 332,	4812000 ... 298, 302, 313,	70000123.....447	70002085..... 60
338, 345, 372, 376,	327, 333, 339, 345,	70000342.....497	70002088.. 465, 473, 482
379, 381, 509, 513,	372, 376, 384, 390,	70000345..294, 349, 353,	70002112. 81, 83, 85, 87,
517, 551, 553, 555,	397, 435, 443, 499	359	89, 91, 105, 107
559, 581, 583, 588,	4812002 384, 390, 399	70000619..466, 469, 474,	7000213 60
593, 595, 599, 605,	4812100 ... 297, 301, 305,	477, 481	7000217 60
607, 609, 611, 733	309, 313, 327, 333,	70000797.....31	70002200 293
4751500 43, 45, 111, 113,	339, 345, 397, 485, 499	70000800.....294	70002234 293
238, 241, 245, 250,	4812200 ... 286, 290, 327,	70000863..465, 469, 473,	7000224 29
254, 258, 326, 332,	333, 339, 345, 425,	478, 482	7000228 60
338, 345, 437, 439,	427, 443	70000912.....293	7000229 60
447, 457, 461, 466,	4843777 47	70000913.....293	70002290 465, 473
473, 605, 607, 609, 611	4844817 495	70000914.....293	70002291 470, 478
4751600 ... 39, 41, 69, 71,	4844958 65	70000915.....293	70002297 . 465, 469, 473,
73, 75, 77, 79, 81, 83,	4845680 503	70000916.....293	478, 482
85, 87, 89, 91, 93, 95,	4846627 ... 588, 593, 595,	70000917.....293	7000230 60
97, 99, 101, 103, 233,	599	70000918.....293	70002386 507, 912
235, 238, 241, 242,	4846673 609, 611	70000919.....293	7000239 29
245, 246, 250, 254,	4860225 33, 35	70001002.....293	7000240 29
258, 261, 263, 265,	4871700 482	70001100..465, 469, 473,	70002410 629, 639
271, 275, 277, 286,	4891500 ... 117, 121, 125,	478, 482	70002415 294
290, 297, 301, 305,	129, 133, 137, 141,	70001181.....294	70002416 294
309, 313, 327, 333,	145, 149, 153, 157,	70001248.....67	70002417 294
338, 345, 372, 376,	161, 165, 169, 173,	70001384..465, 469, 473,	7000246 60
425, 427, 437, 447,	177, 181, 185, 189,	478, 482	70002460 . 465, 470, 473,
588, 593, 595, 599	193, 197, 201, 205,	70001385..... 465, 473	478, 481
4751800 ... 67, 93, 95, 97,	209, 213, 217, 339, 443	70001424.....591	7000247 60
99, 101, 103, 267, 269,	4891600 67, 251, 255,	70001425.....591	7000248 60
275, 277, 317, 319,	259, 433, 499	70001427.....591	7000253 60
321, 323, 379, 381,	4891800 27, 281, 283,	70001428.....591	7000255 60
539, 549, 605, 607,	317, 319, 321, 323,	70001429.....591	7000257 60
609, 611	327, 333, 339, 345,	70001430.....591	70002715 . 93, 95, 97, 99,
4752000 ... 275, 277, 297,	379, 381, 433, 435,	70001431..... 591, 912	101, 103
301, 305, 309, 313,	439, 453, 461, 469, 477	70001432..... 591, 914	70002716 . 93, 95, 97, 99,
372, 376	4892000 27, 63	70001435.....293	101, 103
4760600 695, 697	4892200 19, 21	70001663.....271	70002718 .. 294, 354, 357
4761000 238, 242, 245	4892600001..... 499	70001696...465, 473, 481	70002744 641
4761400 581	4921829 444, 819	70001697.....497	70002745 641
4761600 271, 551, 553	4921955 821	7000180.....358	70002748 641
4762000 47	4922218 735, 737	70001835.....293	70002749 641
4770600 433, 435	4922220 735, 737	70001836.....293	70002751 641
4791400 ... 286, 290, 449,	4922576 ... 735, 737, 739,	70001837.....293	70002814 105
453, 457, 461, 465,	741, 745	70001841.....293	7000283 29
469, 474, 477	4922578 ... 735, 737, 739,	70001844.....294	70002838 105, 107
4811400 ... 229, 231, 233,	741	70001850.....293	70002839 105, 107
235, 623, 705, 707,	4922641 ... 437, 440, 444,	70001866.....293	7000284 29
709, 711, 713, 715,	447, 462, 466, 469,	70001868.....293	70002842 627
717, 719, 721, 723, 725	475, 477, 483	70001870..293, 349, 354,	7000289 29
4811600 447	4922666 555, 559	357	70002902 565
4811700 ... 118, 122, 126,	4922925 ... 466, 469, 474,	70001871.....293	70002903 565
130, 134, 138, 142,	477, 481, 805	70001872.....294	70002904 565
146, 150, 154, 158,	4923379 286, 290	70001953...465, 473, 482	70002905 565
162, 166, 170, 174,	4923445 444, 807	70001954.....409	70002948 267, 269
178, 182, 186, 190,	5240800 328, 334, 339	70001955.....409	70003019 53
194, 198, 202, 206,	5241000 384, 390	70001956.....409	70003136 293
210, 214, 218, 233,	5241200 ... 384, 390, 481,	70001957.....409	70003454 67
235, 384, 390, 397,	499	70001966..449, 453, 457,	70003464 293
443, 481, 525, 531,	5250605 395, 397	461, 465, 470, 473,	70003465 293
533, 537, 543, 547,	5250810 328, 334	478, 481, 482	70003466 293
585, 588	5251008 499	70001973..465, 470, 473,	70003472 293
4811702 ... 327, 333, 339,	5251010 339	478, 482	70003475 293
345, 395	5251016 499	70001974..465, 470, 473,	70003478 293
4811900 ... 327, 333, 339,	5251210 305, 309	478, 482	70003631 .. 470, 478, 481
345, 372, 376, 384,	5260600 395, 397	70002013.....501	70003708 . 449, 453, 457,
390, 395, 397, 499, 733	5272010 386, 390	70002014.....501	461, 465, 470, 473,
4811902 ... 328, 334, 339,	70000017 919	70002064.....507	478, 482
345, 384, 390, 397	70000044 293	70002066.....60	

SECTION 11 - SPECIAL OPTIONS/ACCESSORES/KITS

70003709..449, 453, 457, 461, 465, 470, 473, 478, 482	70004349..... 407	70004757..... 569	70005932..... 359
70003784.....555, 559	70004350..... 407	70004758..... 569	70005933..... 359
70003935.....27	70004351..... 407	70004759..... 569	70005934..... 359
70003936.....27	70004352..... 407	70004760..... 569	70005938..... 354, 357
70003989..... 115	70004381..... 641	70004761..... 569	70005941..... 349, 354
70003992..... 115	70004382..... 641	70004762..... 569	70005942... 349, 354, 357
70003993..... 115	70004457..... 53	70004763..... 569	70006093..... 469, 478
70004020...286, 290, 912	70004459..... 53	70004764..... 569	70006094..... 470, 478
70004037.....60	70004460..... 53, 912	70004765..... 569	70006095.. 470, 473, 478, 912
70004040.....60	70004461..... 53, 54	70004766..... 569	70006096..... 470, 478
70004041.....60	70004463..... 53, 912	70004767..... 569	70006097..... 470, 478
70004042.....60	70004501..... 358	70004768..... 569	70006134..... 395
70004043.....60	70004504..... 350, 353	70004769..... 569	70006135..... 395
70004044.....60	70004505.. 349, 354, 357	70004770..... 569	70006136..... 395
70004045.....60	70004506.. 349, 354, 357	70004771..... 569	70006144..... 349, 357
70004047.....60	70004507.. 349, 354, 357	70004772..... 569	70006145..... 401
70004050.....53	70004508.. 349, 354, 357	70004773..... 569	70006147..... 401
70004051.....53	70004509.. 349, 354, 357	70004774..... 570	70006150..... 401
70004052.....53	70004510.. 349, 354, 357	70004775..... 570	70006151..... 401
70004055.....53	70004511..... 358	70004795..... 105, 107	70006152..... 401
70004056.....293	70004513..... 358	70005008.. 386, 391, 913	70006153..... 401
70004058.....293, 912	70004584..... 53	70005171..... 349, 354	70006154..... 401
70004060.....293	70004594..... 53	70005172.. 349, 354, 357	70006155..... 401, 913
70004092..449, 453, 457, 461, 470, 478	70004595..... 53, 912	70005173.. 349, 354, 357	70006157..... 401
70004094.....470, 478	70004596..... 53	70005176..... 349, 354	70006158..... 401
70004098..457, 462, 470, 478	70004597..... 53	70005177.. 349, 354, 358	70006159..... 401
70004099..453, 461, 470, 478	70004598..... 53	70005181..... 358	70006160..... 401
70004125..... 115	70004653..... 53, 912	70005184.. 350, 353, 358	70006161..... 401
70004149..93, 95, 97, 99, 101, 103	70004657..... 53	70005188..... 358	70006162..... 401
70004151.....507	70004665..... 53	70005189..... 358	70006163..... 401
70004169...465, 473, 482	70004667..... 53	70005191..... 350, 359	70006164..... 401
70004171...449, 457, 482	70004676 . 449, 453, 457, 461	70005194..... 53	70006165..... 401
70004183.....405	70004677..... 449	70005195..... 53	70006166..... 401
70004184..69, 71, 73, 75, 77, 79	70004678 . 449, 453, 457, 461	70005196..... 53	70006167..... 401
70004186.....633	70004679 . 449, 453, 457, 461	70005197..... 53	70006168..... 401
70004199..... 105, 107	70004680 . 449, 453, 457, 461	70005198..... 53	70006169..... 401
70004237.....629, 639	70004681..... 449, 453	70005199..... 54	70006170..... 401
70004272.....293	70004682 . 449, 453, 457, 462	70005200..... 54	70006171..... 401, 913
70004276...350, 353, 359	70004683..... 449, 453	70005201..... 54	70006172..... 401, 913
70004277...350, 354, 359	70004684..... 457	70005202..... 54	70006173..... 401
70004279.....349	70004685..... 457, 462	70005203..... 60	70006174..... 401
70004280...294, 354, 357	70004686..... 453	70005458..... 407	70006175..... 401, 913
70004282.....359	70004687..... 461	70005459..... 407	70006176..... 401, 913
70004287.....293	70004738..... 567	70005460..... 407	70006177..... 401
70004289.....294	70004739..... 567	70005461..... 407	70006178..... 401
70004329.....407	70004740..... 567	70005462..... 407	70006179..... 401
70004331.....407	70004741..... 567	70005463..... 407	70006180..... 401
70004332.....407	70004742..... 567	70005464..... 407	70006181..... 401
70004333.....407	70004743..... 567	70005465..... 407	70006182..... 401
70004336.....407	70004744..... 567	70005504..... 353	70006183..... 401
70004337.....407	70004745..... 567	70005527..... 350, 359	70006184..... 401
70004338.....407	70004746..... 567	70005594..... 645	70006185..... 401
70004340.....407	70004747..... 567	70005647..... 350, 359	70006186..... 401
70004342.....407	70004748..... 567	70005648.. 350, 359, 913	70006187..... 401
70004343.....407	70004749..... 567	70005663..... 919	70006188..... 401
70004344.....407	70004750..... 567	70005708..... 105, 912	70006189..... 401
70004345.....407	70004751..... 567	70005839..... 645	70006191..... 401
70004346.....407	70004752..... 569	70005916..... 294	70006194..... 401
70004347.....407	70004753..... 569	70005917..... 294	70006195..... 401
70004348.....407	70004754..... 569	70005920..... 349, 357	70006196..... 402
	70004755..... 569	70005922..... 357	70006197..... 402
	70004756..... 569	70005923..... 358	70006198..... 402
		70005924..... 358	70006199..... 402
		70005926..... 358	70006200..... 402
		70005928..... 358	70006202..... 402
		70005929..... 350, 358	70006203..... 402
		70005931.. 350, 353, 358	

SECTION 11 - SPECIAL OPTIONS/ACCESSORES/KITS

70006205	402	70007246	631, 635	70023371	633	70025183	350, 358
70006206	402	70007277	637	70023380	631, 635	70025184	350, 358
70006207	402	70007278 ..	631, 635, 637	70023592 ..	327, 333, 913	70025185	358
70006208	402	70007279	637	70023593 ..	327, 333, 913	70025192	359
70006213	402, 913	70007280	637	70023859	53	70025200	350, 358
70006215	402	70007282 ..	631, 635, 637	70023860	53	70025203	358
70006217	402	70007283	637	70023862	53	70025205	349
70006219	402	70007325	350, 353	7002388	645	70025210 ..	350, 358, 913
70006221	402	70007326	349, 353	70024441	107	70025212	350, 359
70006225	402	70007331	350	70024484	359	70025231 ..	349, 353, 359
70006232	402	70007354	349, 353	70024488	357	70025233	359
70006233	401	70007355	350	70024494	349, 357	70025235	350, 358
70006235	402	70007419	637	70024502	358	70025239	349, 358
70006236	402	70007420	637	70024504	353	70025240	358
70006264	357	70007421	635	70024505	353	70025242	350, 354
70006265	357	70007422	631, 635	70024507 ..	350, 353, 359	70025477	359
70006266	357	70007423	631, 635	70024509	350, 359	70025660	357
70006294	350	70007424	635	70024513 ..	349, 353, 357	70025733	359
70006304	60	70007425	635	70024517	349, 357	70025752	294
70006344	645	70007426	635	70024904 ..	349, 354, 357	70025753	294
70006403	423	70007427	631	70024905 ..	349, 354, 357	70025788	350
70006404	423	70007428	631	70024906 ..	349, 354, 357	70026210 ..	350, 353, 359
70006405	423	70007429	631	70024912	350, 353	70026287 ..	631, 635, 637
70006406	423	70007430	631	70024915	350, 359	70026995	359
70006407	423	70007446	507	70024917	350, 359	70027259	643
70006408	423	70007489	350	70024918	359	70027405	353
70006409	423	70007508 ..	81, 83, 85, 87, 89, 91	70024920 ..	350, 353, 358, 359	70027432	354
70006410	423	70007514	643	70024922	350, 359	70027750	637
70006460 ..	386, 391, 913	70007515	643	70024924	349, 357	70028185	357
70006461	386, 391	70007516	643	70024925	349, 357	7002821	919
70006552 ..	449, 453, 457, 462	70007517	643	70024961	349, 357	7002822	919
70006553 ..	449, 453, 457, 462, 913	70007518	643	70025077	359	7002823	919
70006649	633	70007519	643	70025082 ..	293, 294, 357	7002826	919
70006650	633	70007520	643	70025084	358	7002840	919
70006652	350, 359	70007521	643	70025101	358	70028538 ..	350, 358, 359
70006653	350, 359	70007522	643	70025101	358	70028540	350, 353
70006673	29	70007523	629	70025107	358	70028802	358
70006674	29	70007524	629, 639	70025109	358	70029407	353
70006675	29	70007525	639	70025111	349, 357	70029409	353
70006676	29	70007603	353	70025112	358	70029433	350
70006677	29	70007725	107	70025115	358	70029451	349
70006678	29	70007726	107	70025120	350, 359	70029468	637
70006678	29	70007727	107	70025124	358	70029517	350, 353
70006680	29	70007803	353	70025130	353, 359	70029520	350, 353
70006684	29	70007981	645	70025132	359	70029557	353
70006685	29	70008199	645	70025133	358	70029797	350
70006690	29	70008200	645	70025135 ..	349, 354, 357	70030097	354
70006691	29	70008201	645	70025139	357	70030099	354
70006692	29	70008202	645	70025140	349, 357	70030359	354
70006734	633	70008202	645	70025142 ..	350, 353, 358	70030360	353
70006735	633	70008203	645	70025144 ..	349, 354, 357	70030381	354
70006736	633	70008204	645	70025145 ..	349, 354, 357	70031055	353
70006799	643	70008205	645	70025146	349, 357	70031095	349
70006802	643	70008206	645	70025148	358	70031136	353
70006832	29	70008207	645	70025151	350, 358	70031138	353
70006833	29	70008208	645	70025152 ..	349, 354, 357	70031143	353
70006941	357	70008209	645	70025153 ..	349, 912, 913	70031144	353
7000695	294	70008210	645	70025154	349, 357	70031388	353
70006955	53	70008422	354	70025155	358	70031474	353
70006956	53, 912	70008538	354	70025158	358	70031475	353
70006957	53	70008564	353	70025161 ..	350, 912, 913	7004275	919
70006961	53	70009020	373, 377	70025164 ..	349, 353, 359	7004276	919
70007108	402	7001928	29	70025175	358	7004906	407
70007157	629, 639	70022564 ..	629, 631, 635, 637, 639	70025179	358, 359	7004907	407
70007159	629, 639	70023369	629, 639	70025180	358	7004908	407
70007161	629, 639	70023370	633	70025181 ..	349, 354, 357	70050795	645
				70025182	350, 358	7007415	409, 410

SECTION 11 - SPECIAL OPTIONS/ACCESSORES/KITS

7007437.....	31	7020109 ...	437, 439, 443,	7023957	409	7026507.....	67
7007438.....	31	447		7023958	409	7026509.....	67
7007439.....	31	7020110 ...	437, 439, 443,	7023960	409	7026597....	465, 470, 473,
7007446.....	31	447		7023961	409	478, 481	
7007633.....	60	7020111 ...	437, 439, 443,	7023962	409	7026626....	465, 470, 473,
7010492.....	60	447		7023964	409, 410	478, 482	
7010543.....	51	7020175 ...	117, 121, 125,	7023965	409	7026632.....	271
7011112.....	629	129, 133, 137, 141,		7023966	410	7026633.....	271
7011333.....	509, 513	145, 149, 153, 157,		7023967	410	7026634.....	271
7011342.....	509, 513	161, 165, 169, 173,		7024021	53	7026635.....	271
70124410.....	294	177, 181, 185, 189,		7024100	60	7026636.....	271
70124440.....	294	193, 197, 201, 205,		7024149	29	7026637.....	271
7012513....	437, 439, 443,	209, 213, 217, 555, 559		7024151	29	7026638.....	271, 914
447		7020176 ...	117, 121, 125,	7024154	29	7026639.....	271
7012514....	437, 439, 443,	129, 133, 137, 141,		7024190	29	7026640.....	271
447		145, 149, 153, 157,		7024191	29	7026641.....	272
7012558....	437, 439, 443	161, 165, 169, 173,		7024404	67	7026642.....	272
7012773.....	53	177, 181, 185, 189,		7024441	105	7026643.....	272
7012914.....	507	193, 197, 201, 205,		7024462	597	7026644.....	272
7012918.....	507	209, 213, 217, 555,		7024463	597	7026645.....	272
7012941.....	51	559, 912		7024467	597	7026646.....	272
7012944.....	51, 912	7020190 ...	437, 439, 443,	7024469	597, 914	7026647.....	272
7012953.....	505, 507	447		7024470	597	7026648.....	272
7012959.....	51	7020403	293	7024471	591, 597	7026649.....	272
7012965.....	507	7020408	293	7024472	597	7026650.....	272
7012967.....	507	7020465 ...	293, 349, 354,	7024473	597	7026651.....	271
7012970.....	505	357		7024474	597	7026652.....	271
7012989.....	507	7020468	293	7024475	597	7026653.....	271
7012998.....	507	7020471	294	7024478	597	7026654.....	271
7016314....	69, 71, 73, 75,	7020479	293	7024484	465, 473	7026655.....	271
77, 79		7020492	353, 358	7024485 ...	465, 473, 481,	7026656.....	271
7016328.....	293, 912	7021249	31	912		7026658.....	272
7016331....	293, 349, 354,	7021275	31, 410	7024488 ...	466, 469, 474,	7026659.....	271
357, 912, 913		7021276	31	477, 481		7026660.....	271
7016652.....	919	7021277	31	7024489 ...	466, 469, 474,	7026661.....	271
7016654.....	919	7021375	53, 54	477, 481		7027053.....	275, 277
7016655.....	919	7021625	27	7024508	643	7027084....	297, 301, 305,
7017023.....	60	7021639	27	7024530	591	309, 314, 372, 377	
7017028.....	29, 60	7021653	507	7024531	591	7027085....	297, 301, 305,
7017047.....	29	7022162	401	7024532	591	309, 314, 372, 377	
7017070.....	60	7022302	31	7024533	591	7027086....	297, 302, 305,
7017072.....	60	7022305	31	7024534	591	309, 314, 372, 377	
7017080.....	60	7022310	31	7024535	591	7027087....	297, 302, 305,
7017082.....	29	7022311	31, 410	7024536	591	309, 314	
7017085.....	60	7022312	31	7024537	591	7027088....	297, 302, 305,
7017142.....	497	7022314	31, 410	7024561	465, 473	309, 314, 372, 377	
7017159.....	497	7022318	409	7024579 ...	294, 349, 354,	7027092.....	275, 277
7017162.....	497	7022326	31	357		7027093.....	275, 277
7017163.....	497	7022328	31	7024598	433, 435	7027094.....	275, 277
7017164.....	497	7022368	31	7024704	60	7027095.....	275, 277
7017172.....	497	7022371	31	7024762	60	7027236.....	293
7017192.....	497	7022372	31	7024763	60	7027276.....	293
7017195.....	497	7022397	27	7024782	29	7027404.....	402
7017402.....	507	7022399	27	7024784	60	7027773.....	597
7017452.....	507	7023907	31	7024854	31	7027774.....	597
7017466.....	51	7023908	31	7024864	410	7027775.....	597
7018942.....	54	7023910	31	7024866	410	7027776.....	597
7018951.....	54	7023911	507	7024867	409	7027777.....	597
7018991.....	53, 912	7023917	27	7024868	31, 409	7027778.....	597
7018992.....	53	7023933	27	7024881	27	7027779.....	597
7019680....	437, 439, 443	7023947	409	7026188 ...	465, 473, 481	7027780.....	597
7020064.....	503	7023948	409	7026197	67	7027781.....	267, 269
7020065.....	503	7023949	409	7026199 ...	437, 439, 443	7027782.....	267, 269
7020066.....	503	7023950	409	7026503	67	7027783.....	267, 269
7020067.....	503	7023951	409	7026504	67	7027784.....	267, 269
7020108....	437, 439, 443,	7023952	409	7026505	67	7027790.....	293
447		7023956	409	7026506	67	7027791.....	293

SECTION 11 - SPECIAL OPTIONS/ACCESSORES/KITS

7027792	293	8220164	777	8405102.....	384, 391	8580420	41
7027795	294, 912	8229242 ...	787, 792, 823,	8405104.....	327, 333, 339,	85941018	372, 376
7027796	294	827, 912, 913		345, 384, 391		8770050 ...	653, 659, 665,
7027799 ...	465, 470, 473,	8229249 ...	623, 831, 913	8405203.....	384, 391	671	
478, 481		8270147 ...	275, 277, 297,	8405204.....	339	88261024	505
7027887 ...	437, 439, 443,	301, 305, 309, 314,		8406102....	298, 302, 305,	88261039	242
447		372, 377		309, 313, 327, 333, 345		88411013	733
77143013 .	117, 121, 125,	8273291	386, 391	8406109....	327, 333, 339,	88521008	509, 513
129, 133, 137, 141,		8305401	384, 390	345, 385, 391		88521205	111, 113
145, 149, 153, 157,		8307109	384, 390	8406110....	327, 333, 339,	88521214 .	613, 615, 617,
161, 165, 169, 173,		8310070 ...	250, 254, 258	345		619, 621	
177, 181, 185, 189,		8310129	601, 603	8406201....	269, 339, 373,	88662523 ..	250, 254, 258
193, 197, 201, 205,		8310548	384, 390	377, 386, 392		8896941	919
209, 213, 217		83304173	105, 107	8410001.....	385, 391	91143177	676
77363233	803, 805	8405006 ...	297, 301, 305,	8410009.....	386, 392	91164079	507
80344004	29	309, 313, 361, 363,		8410011....	327, 333, 339,	91203039 ..	499, 509, 513
80484084	787, 791	365, 367, 384, 390, 423		345, 385, 391		91401281	111
80934561	67	8405007 ...	327, 333, 339,	8410013....	297, 301, 305,	91403102 .	327, 334, 346,
80983191 ..	787, 792, 913	345		309, 313, 327, 333,		912, 913	
8220051	799	8405009 ...	327, 333, 339,	339, 345			
8220115	787	345, 384, 391		85031405.....	339		



**Corporate Office
JLG Industries, Inc.
1 JLG Drive
McConnellsburg, PA 17233-9533 USA
☎ (717) 485-5161 (Corporate)
☎ (877) 554-5438 (Customer Support)
📠 (717) 485-6417**

**Visit our website for JLG Worldwide Locations.
www.jlg.com**



OSHKOSH™