



---

# Illustrated Parts Manual

***Model  
H340AJ***

**PVC  
2207**

**P/N  
31220346**

**November 15, 2022 - Rev B**

**ANSI**

**CE**



**UK  
CA**

**AS/NZS**



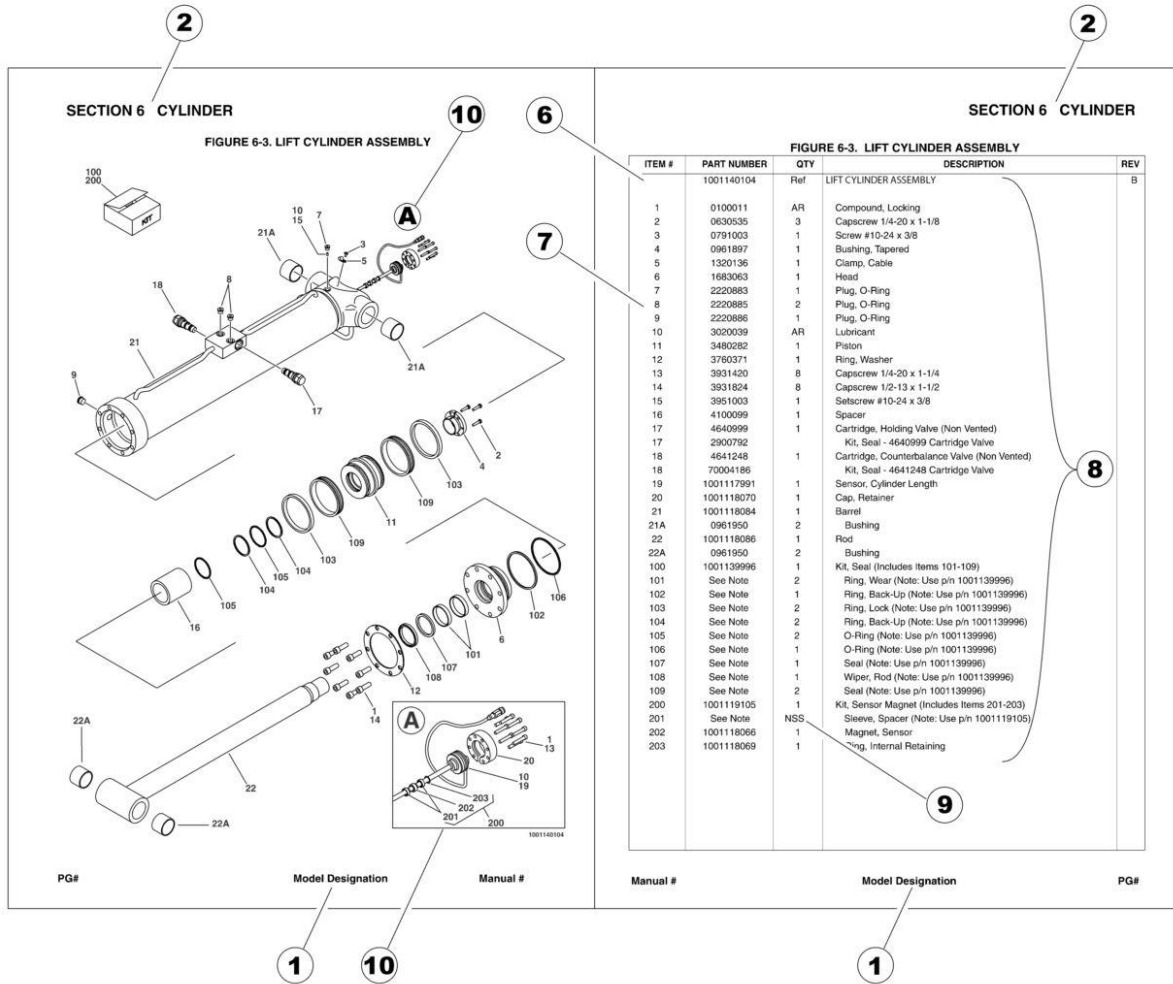
An Oshkosh Corporation Company



## **REVISION LOG**

July 1, 2022 - A - Original Issue of Manual (Edited to BM 1001247761 Rev I)  
November 15, 2022 - B - Revised Manual (Edited to BM 1001247761 Rev J)

# GENERAL INFORMATION



## 1) MACHINE IDENTIFICATION

Machines are identified by model and in some cases a combination of models, serial number (SN) or regional standard (i.e ANSI, CE, CSA). Components may also be identified by SN or manufacturer. Common components that may be identified by these characteristics are engines and hydraulic components.

## 2) PARTS MANUAL ORGANIZATION

Product information in this manual is organized under section titles. Frame, Cylinder, Hydraulic and Electrical are a few examples. Each section is organized by figure and page number. The information within the Figure is then organized by item number, part number, description and corresponding illustration (s).

## 3) TABLE OF CONTENTS (NOT SHOWN)

A table of contents is found toward the beginning of the manual. Figure number, description and page number are provided for quick reference to the page containing the related information.

## 4) RECOMMENDED SPARE PARTS (NOT SHOWN)

The Recommended Spare Parts List, located near the end of the manual, reference most frequently used maintenance parts.

## 5) PART NUMBER INDEX (NOT SHOWN)

A numerical index listing all part numbers and the corresponding page number(s) appears at the back of the manual.

## GENERAL INFORMATION

### 6) NON-SERVICED PARTS

In some instances, it is necessary to display non-serviced parts, assemblies or installations. In the case of assemblies and installations there will be a Ref in the Qty. column. In case of parts that are not available for service within assemblies or components, there will be a NSS (Not Sold Separately) or NLA (No Longer Available) listed in the Qty. column of the manual.

### 7) PARTS LIST ITEM NUMBERS

Numbers shown in the item# column correspond to numbers used in the associated illustration (s). Item numbers which are missing from the sequence in the parts list are not used on that page.

### 8) INDENTED PARTS DESCRIPTION

An indented part description is included in the item under which it is indented.

### 9) ABBREVIATION AND SYMBOLS

AC.....	Alternating Current	L.....	Liter
ADE.....	Advanced Design Electronics	LB(LBS).....	Pounds
AG.....	Agricultural	LCD.....	Liquid Crystal Display
ANSI.....	American National Standards Institute	LED.....	Light Emitting Diodes
AR.....	As Required	LH.....	Left Hand
ASSY.....	Assembly	LRC.....	Low Rated Countries
AUS.....	Australia	LSS.....	Load Sensing System
AUX.....	Auxiliary	M(m).....	Metric/Meter
AWG.....	American Wire Gauge	MM(mm).....	Milimeter
B/M.....	Bill of Material	mA.....	Miliamps
CAC.....	Charge Air Cooler	NLA.....	No Longer Available
CE.....	European Conformity	NPT.....	National Pipe Threads
CCW.....	Counter Clockwise	NSS.....	Not Sold Separately
CM.....	Centimeter	OD.....	Outside Diameter
CW.....	Clockwise	ORB.....	O-Ring Boss
CSA.....	Canadian Standards Association	ORFS.....	O-Ring Face Seal
CYL.....	Cylinder	OZ (oz).....	Ounces
DIA.....	Diameter	PG.....	Page
DC.....	Direct Current	PN.....	Part Number
DEF.....	Diesel Exhaust Fluid	QT(qt.).....	Quarts
EMS.....	Emergency Stop	QTY.....	Quantity
ENG.....	Engine	REF.....	Reference
FT(ft).....	Feet	REV.....	Revision Level
GA(Ga).....	Gauge	RH.....	Right Hand
HRC.....	High Rated Countries	SAE.....	Society of Automotive Engineers
HVAC.....	Heating, Ventilating, and Air Conditioning	SN.....	Serial Number
HYD.....	Hydraulic	SPEC(S).....	Specifications
Hz.....	Hertz	T/T.....	Turntable
ID.....	Inside Diameter	UGM.....	Universal Ground Module
IN.....	inches	V.....	Volts
ISO.....	International Organization for Standards	W.....	Watts
JIC.....	Joint Industry Council	#.....	Number
KG.....	Kilogram		

### 10) ILLUSTRATION REFERENCE LETTERS

When necessary, illustrations may contain reference letters that are intended to track information (i. e. hoses, harnesses) from one point to another or to track visual enlargement of components to show details that may be located in another area on the illustration.

*Note: Due to continuous product improvements, JLG Industries, Inc. reserves the right to make specification changes without prior notification. Contact JLG Industries, Inc. for updated information.*



# TABLE OF CONTENTS

SECTION 1 - FRAME.....	11
FIGURE 1-1. STEERING INSTALLATION.....	12
FIGURE 1-2. OSCILLATING AXLE INSTALLATION.....	14
FIGURE 1-3. CONTROL VALVES INSTALLATION - FRAME.....	16
FIGURE 1-4. OSCILLATING AXLE VALVE ASSEMBLY.....	18
FIGURE 1-5. DRIVE INSTALLATION.....	20
FIGURE 1-6. DRIVE MOTOR ASSEMBLY.....	22
FIGURE 1-7. DRIVE HUB ASSEMBLY.....	24
FIGURE 1-8. TIRE AND WHEEL INSTALLATION - 7X18 SOLID.....	26
FIGURE 1-9. TIRE AND WHEEL INSTALLATION - 7X18 SOLID NON-MARKING.....	28
FIGURE 1-10. TIRE AND WHEEL INSTALLATION - 9X20 FOAM-FILLED.....	30
FIGURE 1-11. TIRE AND WHEEL INSTALLATION - 9X20 FOAM-FILLED NON-MARKING.....	32
FIGURE 1-12. BATTERIES INSTALLATION.....	34
FIGURE 1-13. ELECTRICAL PLATE ASSEMBLY.....	36
FIGURE 1-14. FRAME SHIELDS INSTALLATION.....	38
SECTION 2 - TURNTABLE.....	41
FIGURE 2-1. CONTROL VALVE INSTALLATION - TURNTABLE.....	42
FIGURE 2-2. MAIN CONTROL VALVE ASSEMBLY.....	44
FIGURE 2-3. SWING DRIVE INSTALLATION.....	46
FIGURE 2-4. SWING MOTOR ASSEMBLY.....	48
FIGURE 2-5. SWING BEARING ASSEMBLY.....	50
FIGURE 2-6. TANKS AND PUMP ASSEMBLY.....	52
FIGURE 2-7. HYDRAULIC PUMP MOTOR ASSEMBLY.....	54
FIGURE 2-8. GROUND CONTROLS INSTALLATION - ALL SPECS EXCEPT CE & UK CA SPECS.....	56
FIGURE 2-9. GROUND CONTROL BOX ASSEMBLY - DISPLAY WITH BUTTONS (ALL SPECS EXCEPT CE & UK CA SPECS).....	58
FIGURE 2-10. GROUND CONTROL BOX ASSEMBLY - DISPLAY WITHOUT BUTTONS (ALL SPECS EXCEPT CE & UK CA SPECS).....	60
FIGURE 2-11. GROUND CONTROL INSTALLATION - CE & UK CA SPEC.....	62
FIGURE 2-12. GROUND CONTROL BOX ASSEMBLY - DISPLAY WITH BUTTONS (CE & UK CA SPECS).....	64
FIGURE 2-13. GROUND CONTROL BOX ASSEMBLY - DISPLAY WITHOUT BUTTONS (CE & UK CA SPECS).....	66
FIGURE 2-14. LIGHT PANEL INSTALLATION.....	68
FIGURE 2-15. BATTERY CHARGER INSTALLATION - 110V PLUG.....	70
FIGURE 2-16. BATTERY CHARGER INSTALLATION - LOCALLY SUPPLIED PLUG.....	72
FIGURE 2-17. BATTERY CHARGER ASSEMBLY.....	74
FIGURE 2-18. ELECTRICAL COMPONENTS INSTALLATION.....	76
FIGURE 2-19. BEACON LIGHT INSTALLATION - AMBER (OPTIONAL).....	80
FIGURE 2-20. BEACON LIGHT INSTALLATION - BLUE.....	82
FIGURE 2-21. BEACON LIGHT INSTALLATION - RED.....	84
FIGURE 2-22. WHITE NOISE ALARM INSTALLATION (AMBIENT).....	86
FIGURE 2-23. WHITE NOISE ALARM INSTALLATION (CONSTANT).....	88
FIGURE 2-24. HOODS INSTALLATION.....	90
FIGURE 2-25. HOOD ASSEMBLY - TANK SIDE.....	94
FIGURE 2-26. HOOD ASSEMBLY - ENGINE SIDE.....	96
SECTION 3 - ENGINE.....	99
FIGURE 3-1. KUBOTA ENGINE INSTALLATION.....	100
FIGURE 3-2. KUBOTA ENGINE AND GENERATOR SUB-ASSEMBLY.....	104
FIGURE 3-3. KUBOTA ENGINE ASSEMBLY.....	106
FIGURE 3-4. KUBOTA ENGINE COMPONENTS.....	110
FIGURE 3-5. ENGINE COUPLING ASSEMBLY.....	114
FIGURE 3-6. GENERATOR ASSEMBLY.....	116
FIGURE 3-7. CATALYTIC MUFFLER INSTALLATION - OPTIONAL.....	118
SECTION 4 - BOOM.....	121
FIGURE 4-1. BOOM AND CYLINDERS INSTALLATION - WITHOUT ARCTIC PACKAGE.....	122
FIGURE 4-2. BOOM AND CYLINDERS INSTALLATION - WITH ARCTIC PACKAGE.....	124
FIGURE 4-3. TOWER BOOM ASSEMBLY.....	126
FIGURE 4-4. MAIN BOOM ASSEMBLY.....	128
FIGURE 4-5. JIB ASSEMBLY - WITHOUT ARCTIC PACKAGE.....	130
FIGURE 4-6. JIB ASSEMBLY - WITH ARCTIC PACKAGE.....	132

# TABLE OF CONTENTS

FIGURE 4-7. PLATFORM ROTATOR ASSEMBLY - WITHOUT ARCTIC PACKAGE .....	134
FIGURE 4-8. PLATFORM ROTATOR ASSEMBLY - WITH ARCTIC PACKAGE .....	136
FIGURE 4-9. PLATFORM SUPPORT INSTALLATION - WITH 1 CELL LSS .....	138
FIGURE 4-10. POWER TRACK INSTALLATION .....	140
FIGURE 4-11. CONTROL VALVES INSTALLATION - BOOM .....	142
FIGURE 4-12. FLY BOOM VALVE ASSEMBLY .....	144
FIGURE 4-13. BOOM UPRIGHT VALVE ASSEMBLY .....	146
SECTION 5 - PLATFORM.....	149
FIGURE 5-1. PLATFORM ASSEMBLY - 30IN X 4FT (76CM X 1.22M) - GATE ENTRY .....	150
FIGURE 5-2. PLATFORM ASSEMBLY - 30IN X 5FT (76CM X 1.52M) - GATE ENTRY .....	152
FIGURE 5-3. PLATFORM ASSEMBLY - 30IN X 4FT (76CM X 1.22M) - DROP BAR ENTRY .....	154
FIGURE 5-4. PLATFORM ASSEMBLY - 30IN X 5FT (76CM X 1.52M) - DROP BAR ENTRY .....	156
FIGURE 5-5. PLATFORM ASSEMBLY - 30IN X 3FT (76CM X 91.5CM) - WITH DROP BAR .....	158
FIGURE 5-6. TRAY INSTALLATION .....	160
FIGURE 5-7. CONSOLE AND FOOTSWITCH INSTALLATION .....	162
FIGURE 5-8. CONSOLE AND FOOTSWITCH ASSEMBLY .....	164
FIGURE 5-9. LIGHT PANEL INSTALLATION .....	168
FIGURE 5-10. DRIVE/STEER CONTROLLER ASSEMBLY .....	170
FIGURE 5-11. LIFT/SWING CONTROLLER ASSEMBLY .....	172
FIGURE 5-12. FOOTSWITCH ASSEMBLY .....	176
FIGURE 5-13. USB CHARGER INSTALLATION .....	178
FIGURE 5-14. SKYGUARD SYSTEM INSTALLATION .....	180
FIGURE 5-15. SKYEYE INSTALLATION .....	182
FIGURE 5-16. SKYLINE INSTALLATION .....	184
SECTION 6 - CYLINDER .....	187
FIGURE 6-1. AXLE LOCKOUT CYLINDER ASSEMBLY .....	188
FIGURE 6-2. LEVEL (PLATFORM SLAVE) CYLINDER ASSEMBLY .....	190
FIGURE 6-3. LIFT (JIB) CYLINDER ASSEMBLY .....	192
FIGURE 6-4. LIFT (MAIN BOOM) CYLINDER ASSEMBLY .....	194
FIGURE 6-5. LIFT (TOWER BOOM) CYLINDER ASSEMBLY .....	196
FIGURE 6-6. MASTER CYLINDER ASSEMBLY .....	198
FIGURE 6-7. STEER CYLINDER ASSEMBLY .....	200
FIGURE 6-8. TELESCOPE CYLINDER ASSEMBLY .....	202
SECTION 7 - HYDRAULIC .....	205
FIGURE 7-1. HYDRAULIC SYSTEM INSTALLATION - WITHOUT ARCTIC PACKAGE .....	206
SECTION 8 - ELECTRICAL .....	213
FIGURE 8-1. AC BOX AT PLATFORM INSTALLATION - LOCALLY SUPPLIED COMPONENTS (ANSI EXPORT, AUSTRALIAN AND CHINA SPECS) .....	214
FIGURE 8-2. AC BOX AT PLATFORM INSTALLATION - LOCALLY SUPPLIED (CE & UK CA SPEC) .....	216
FIGURE 8-3. AC BOX AT PLATFORM INSTALLATION - 110V (ANSI, ANSI EXPORT, CSA, JAPANESE AND CHINA SPECS) .....	218
FIGURE 8-4. AC BOX AT PLATFORM INSTALLATION - 110V IEC YELLOW (CE & UK CA SPEC) .....	220
FIGURE 8-5. AC BOX AT PLATFORM INSTALLATION - 220V (CSA SPEC) .....	222
FIGURE 8-6. AC BOX AT PLATFORM INSTALLATION - 220V IEC BLUE (CE & UK CA SPEC) .....	224
FIGURE 8-7. AC BOX AT PLATFORM INSTALLATION - 220V CEE7 POST GROUND WITH 70MM X 70MM BOX (CE & UK CA SPEC) .....	226
FIGURE 8-8. AC BOX AT PLATFORM INSTALLATION - 220V CEE7 SIDE GROUND WITH 70MM X 70MM BOX (CE & UK CA SPEC) .....	228
FIGURE 8-9. AC BOX AT PLATFORM INSTALLATION - 220V CEE7 POST GROUND WITH 2IN X 4IN BOX (CE & UK CA SPEC) .....	230
FIGURE 8-10. AC BOX AT PLATFORM INSTALLATION - 220V CEE7 SIDE GROUND WITH 2IN X 4IN BOX (CE & UK CA SPEC) .....	232
FIGURE 8-11. AC BOX AT PLATFORM INSTALLATION - 220V AFSINT 107 KEYED GROUND WITH 2IN X 4IN BOX (CE & UK CA SPEC) .....	234
FIGURE 8-12. AC POWER TO PLATFORM CABLE - MAIN BOOM (WITHOUT ARCTIC PACKAGE) .....	236
FIGURE 8-13. AC POWER TO PLATFORM CABLE - MAIN BOOM (WITH ARCTIC PACKAGE) .....	238
FIGURE 8-14. AC POWER TO PLATFORM CABLE - TOWER BOOM (WITHOUT ARCTIC PACKAGE) .....	240
FIGURE 8-15. AC POWER TO PLATFORM CABLE - TOWER BOOM (WITH ARCTIC PACKAGE) .....	242
FIGURE 8-16. BOOM CABLES, HARNESSSES AND CLAMPS INSTALLATION - WITHOUT ARCTIC PACKAGE .....	244



# TABLE OF CONTENTS

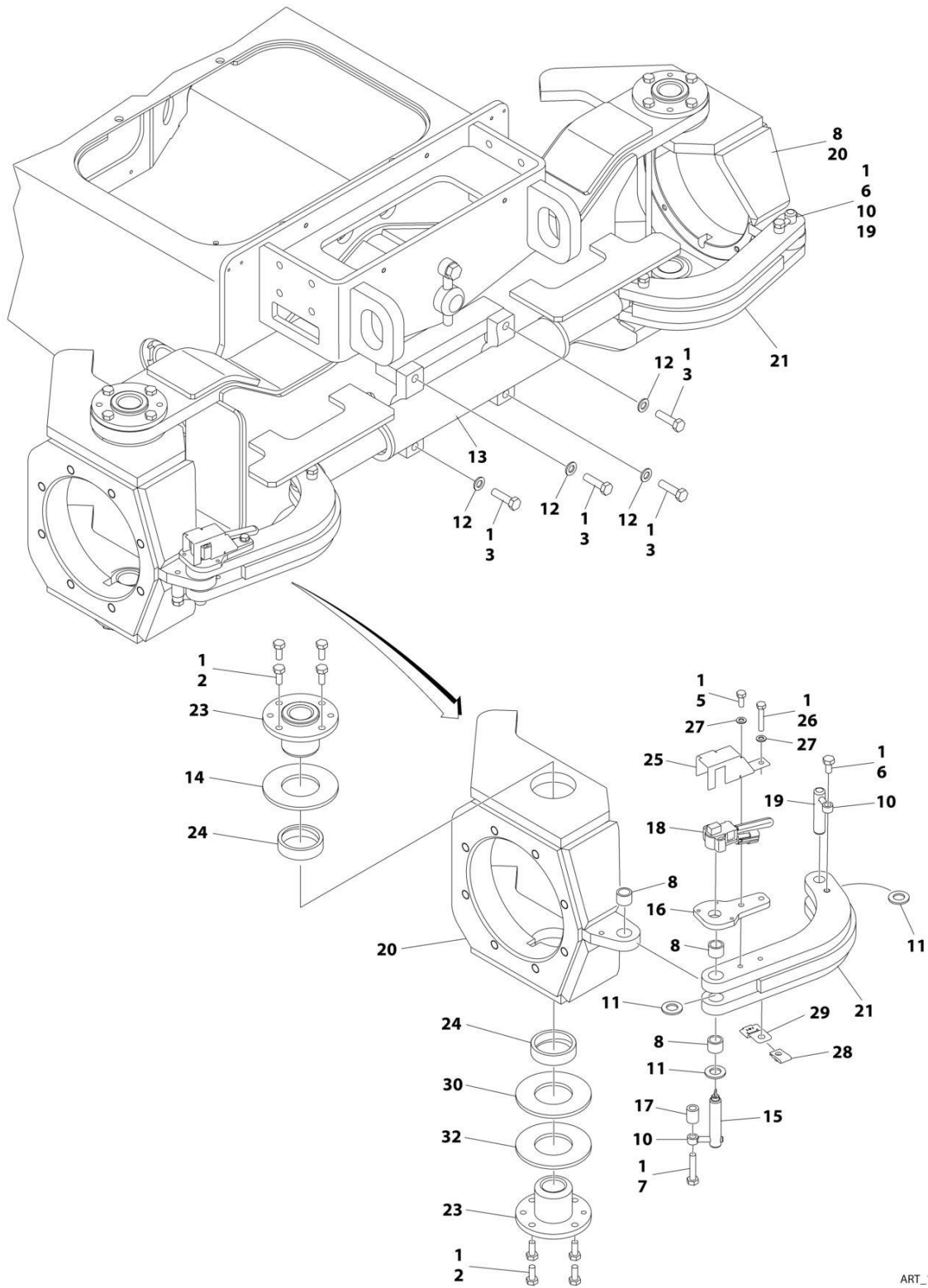
FIGURE 8-17. BOOM CABLES, HARNESES AND CLAMPS INSTALLATION - WITH ARCTIC PACKAGE.....	248
FIGURE 8-18. BOOM HARNESS - MAIN .....	252
FIGURE 8-19. BOOM HARNESS - TOWER.....	254
FIGURE 8-20. BREAKER BOX KIT (CE & UK CA SPEC) .....	256
FIGURE 8-21. CHARGER HARNESS.....	258
FIGURE 8-22. DRIVE CABLES INSTALLATION.....	260
FIGURE 8-23. DRIVE HARNESS - REAR RIGHT .....	262
FIGURE 8-24. DRIVE HARNESS - REAR LEFT .....	264
FIGURE 8-25. DRIVE HARNESS - FRONT WITH STEER .....	266
FIGURE 8-26. DRIVE HARNESS - FRONT WITHOUT STEER .....	268
FIGURE 8-27. ENGINE CABLES INSTALLATION.....	270
FIGURE 8-28. ENGINE HARNESS .....	272
FIGURE 8-29. GENERATOR HARNESS.....	274
FIGURE 8-30. GROUND CONTROL HARNESS .....	276
FIGURE 8-31. GROUND TO PLATFORM CABLE - MAIN BOOM (WITHOUT ARCTIC PACKAGE) .....	280
FIGURE 8-32. GROUND TO PLATFORM CABLE - MAIN BOOM (WITH ARCTIC PACKAGE) .....	282
FIGURE 8-33. GROUND TO PLATFORM CABLE - TOWER BOOM (WITHOUT ARCTIC PACKAGE) .....	284
FIGURE 8-34. GROUND TO PLATFORM CABLE - TOWER BOOM (WITH ARCTIC PACKAGE) .....	286
FIGURE 8-35. PLATFORM CONSOLE HARNESS - WITH SKYGUARD.....	288
FIGURE 8-36. PLATFORM INTERFACE HARNESS.....	292
FIGURE 8-37. PLATFORM TO BOOM VALVE HARNESS .....	294
FIGURE 8-38. AC BOX AT PLATFORM INSTALLATION - 110V IEC YELLOW (CE & UK CA SPEC) .....	296
FIGURE 8-39. RECEPTACLE BOX KIT - 220V IEC BLUE (CE & UK CA SPEC) .....	298
FIGURE 8-40. RECEPTACLE BOX KIT - 220V CEE7 POST GROUND 70MM X 70MM BOX (CE & UK CA SPEC) .....	300
FIGURE 8-41. RECEPTACLE BOX KIT - 220V CEE7 SIDE GROUND 70MM X 70MM BOX (CE & UK CA SPEC) .....	302
FIGURE 8-42. RECEPTACLE BOX KIT - 220V CEE7 POST GROUND 2IN X 4IN BOX (CE & UK CA SPEC) .....	304
FIGURE 8-43. RECEPTACLE BOX KIT - 220V CEE7 SIDE GROUND 2IN X 4IN BOX (CE & UK CA SPEC) .....	306
FIGURE 8-44. RECEPTACLE BOX KIT - 220V AFSINT 107 (CE & UK CA SPEC) .....	308
FIGURE 8-45. RECEPTACLE INSTALLATION - 12V.....	310
FIGURE 8-46. SKYLINE HARNESS.....	312
FIGURE 8-47. SKYEYE INTERMEDIATE HARNESS .....	314
FIGURE 8-48. SKYEYE RECEIVER HARNESS .....	316
FIGURE 8-49. SKYEYE EMITTER HARNESS .....	318
FIGURE 8-50. STROBE LIGHT HARNESS (BLUE AND RED LIGHTS) .....	320
FIGURE 8-51. TRACTION HARNESS .....	322
FIGURE 8-52. TURNTABLE HARNESS .....	324
FIGURE 8-53. VALVE HARNESS .....	328
SECTION 9 - DECALS .....	331
FIGURE 9-1. DECALS INSTALLATION – ANSI, ANSI EXPORT CSA AND CHINA SPECS (ENGLISH).....	332
FIGURE 9-2. DECALS INSTALLATION - AUSTRALIAN SPEC (ENGLISH).....	334
FIGURE 9-3. DECALS INSTALLATION - BRAZIL SPEC (PORTUGUESE/SPANISH) .....	336
FIGURE 9-4. DECALS INSTALLATION - CE & UK CA SPECS (ENGLISH).....	338
FIGURE 9-5. DECALS INSTALLATION - CSA SPEC (FRENCH/ENGLISH) .....	340
FIGURE 9-6. DECALS INSTALLATION - CHINESE SPEC (CHINESE/ENGLISH) .....	342
FIGURE 9-7. DECALS INSTALLATION - JAPANESE SPEC (JAPANESE/ENGLISH) .....	344
FIGURE 9-8. DECALS INSTALLATION - KOREAN SPEC (KOREAN/ENGLISH) .....	346
FIGURE 9-9. DECALS INSTALLATION - LATIN AMERICA SPEC (SPANISH/ENGLISH) .....	348
FIGURE 9-10. DECALS INSTALLATION - OPTIONS.....	350
SECTION 10 - RECOMMENDED SERVICE PARTS STOCK.....	353
FIGURE 10-1. RECOMMENDED SERVICE PARTS STOCK .....	354
SECTION 11 - SPECIAL OPTIONS/ACCESSORIES/KITS.....	357
FIGURE 11-1. SPECIAL OPTIONS/ACCESSORIES/KITS .....	358
PART NUMBER INDEX .....	360



**SECTION 1 - FRAME**

# SECTION 1 - FRAME

## FIGURE 1-1. STEERING INSTALLATION



ART\_1001161115

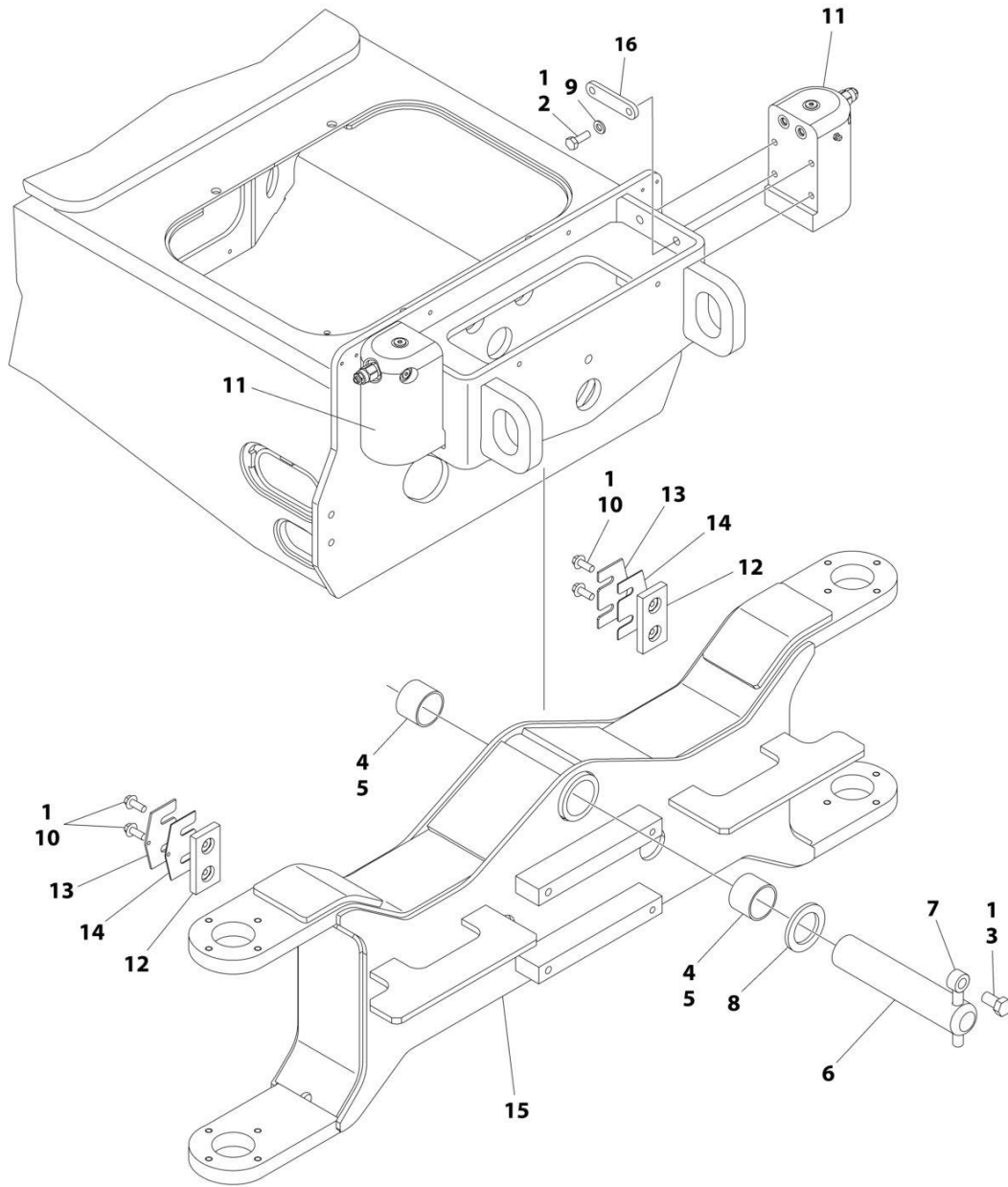
# SECTION 1 - FRAME

## FIGURE 1-1. STEERING INSTALLATION

ITEM	PART NUMBER	QTY	DESCRIPTION	REV
	1001161115	Ref	STEERING INSTALLATION	K
1	0100011	AR	Compound, Locking	
2	0701012	16	Bolt M10 X 25	
3	0701217	4	Bolt M12 X 45	
5	0760810	1	Bolt M8 X 20	
6	0761010	3	Bolt M10 X 20	
7	0761018	1	Bolt M10 X 50	
8	0962140	6	Bearing	
10	3841520	4	Keeper, Pin	
11	4740086	5	Washer, Thrust	
12	4812100	4	Washer M12	
13	1001116788	1	Steer Cylinder Assembly (See Separate Breakdown in CYLINDER Section)	
14	4740505	2	Washer, Thrust	
15	1001161110	1	Pin, Sensor	
16	1001161113	1	Bracket, Sensor Pin	
17	1001161114	1	Spacer	
18	1001161117	1	Switch, Rotary Angle Sensor	
18	4460536	1	Receptacle, Female - 3 Position	
18	4460464	1	Pin, Male	
19	1001168669	3	Pin	
20	1001169015	2	Spindle	
21	1001169028	2	Link, Tie Rod	
23	1001169030	4	Kingpin	
24	1001169129	4	Bearing	
25	1001188866	1	Bracket, Sensor	
26	0760818	1	Bolt M8 x 50	
27	4811900	2	Washer M8	
28	1001149160	1	Nut, Tinnerman M8	
29	1001155967	1	Holder, Connector	
30	1001208285	2	Washer	
31	4240018	2	Tie-Strap (Not Shown)	
32	1001164885	AR	Washer, Shim	

# SECTION 1 - FRAME

## FIGURE 1-2. OSCILLATING AXLE INSTALLATION



ART\_1001169213

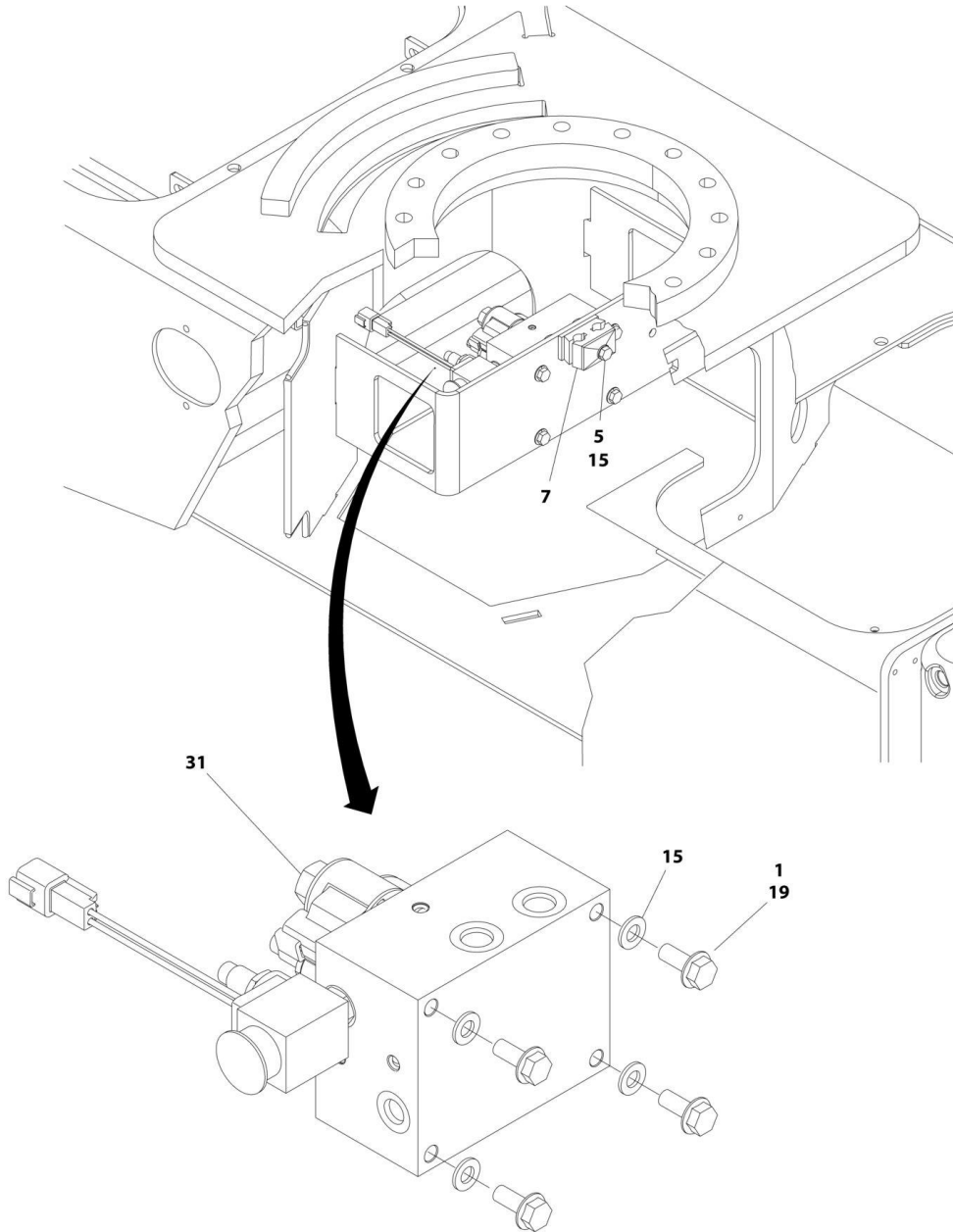
## SECTION 1 - FRAME

### FIGURE 1-2. OSCILLATING AXLE INSTALLATION

ITEM	PART NUMBER	QTY	DESCRIPTION	REV
	1001169213	Ref	OSCILLATING AXLE INSTALLATION	C
1	0100011	AR	Compound, Locking	
2	0761015	1	Bolt M10 x 35	
3	0761614	1	Bolt M16 x 30	
4	0961950	2	Bushing	
5	3020029	AR	Lubricant	
6	3422592	1	Pin, Axle Pivot	
7	3841258	1	Keeper, Pin	
8	4740158	1	Thrustwasher	
9	5241000	8	Washer M10	
10	5251012	4	Bolt M10 x 25	
11	1001116361	2	Lockout Cylinder Assembly (See Separate Breakdown in CYLINDER Section)	
12	1001118511	2	Pad, Wear	
13	1001118518	2	Shim 11Ga	
14	1001118519	4	Shim 16Ga	
15	1001169027	1	Axle	
16	1001210981	4	Shim	

# SECTION 1 - FRAME

## FIGURE 1-3. CONTROL VALVES INSTALLATION - FRAME



ART\_1001167238\_10F3



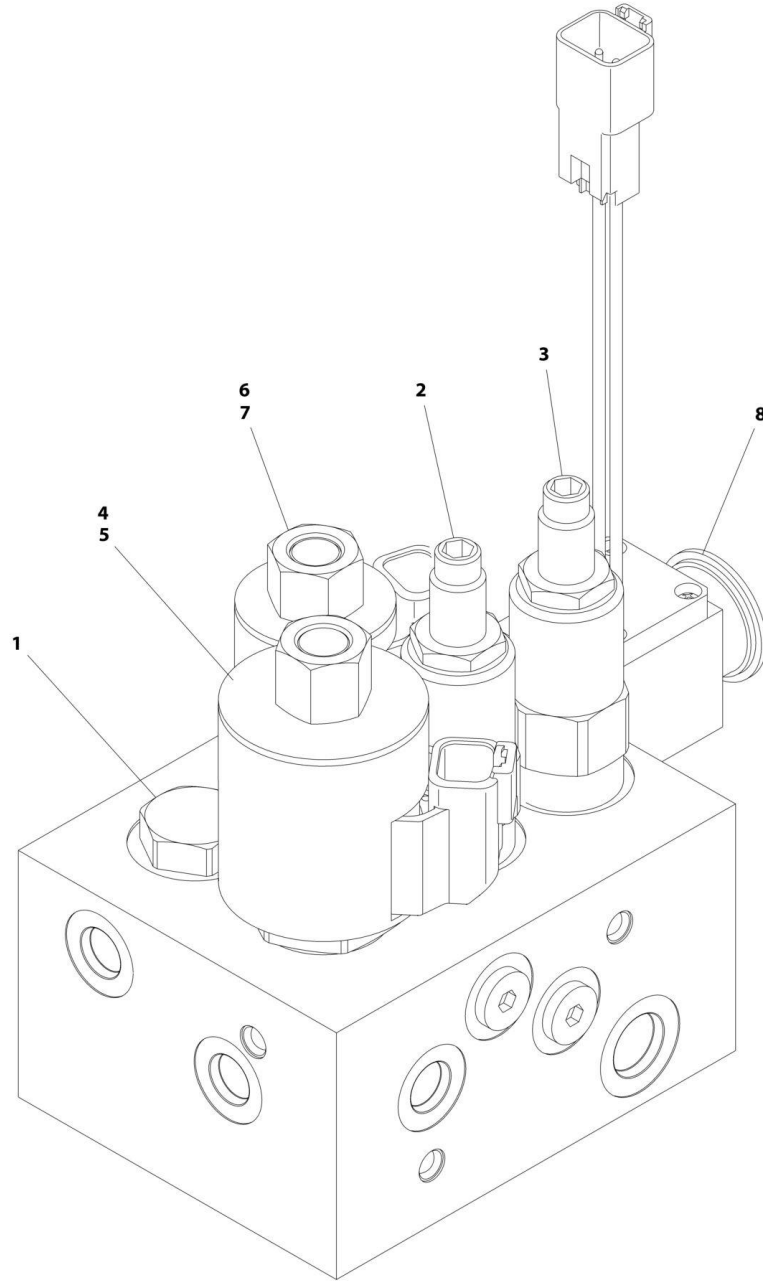
## SECTION 1 - FRAME

### FIGURE 1-3. CONTROL VALVES INSTALLATION - FRAME

ITEM	PART NUMBER	QTY	DESCRIPTION	REV
	1001167238	Ref	CONTROL VALVES INSTALLATION - FRAME	I
1	0100011	AR	Compound, Locking	
5	0700815	1	Bolt M8 x 35	
7	1320159	1	Clamp	
15	4811900	5	Washer M8	
19	5250810	14	Bolt M8 x 20	
31	1001165144	1	Oscillating Axle Valve Assembly (See Separate Breakdown in this Section)	

# SECTION 1 - FRAME

## FIGURE 1-4. OSCILLATING AXLE VALVE ASSEMBLY



ART\_1001165144

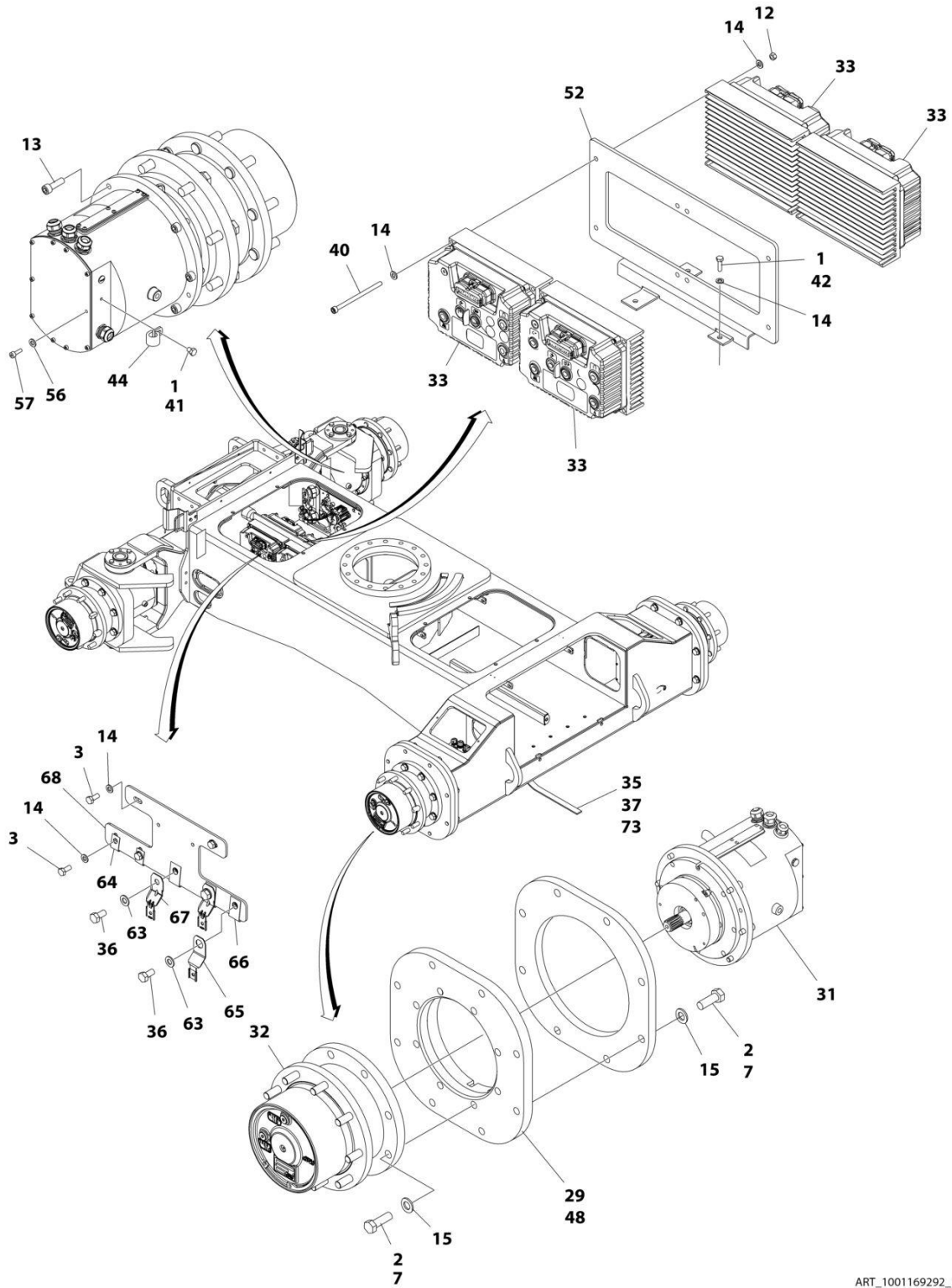
## SECTION 1 - FRAME

**FIGURE 1-4. OSCILLATING AXLE VALVE ASSEMBLY**

ITEM	PART NUMBER	QTY	DESCRIPTION	REV
	1001165144	Ref	OSCILLATING AXLE VALVE ASSEMBLY	D
1	4641129	1	Cartridge, Check Valve	
1	7012540	1	Seal Kit - 4641129 Valve	
2	70004787	1	Cartridge, Valve	
2	7021653	1	Seal Kit - 70004787 Valve	
3	70004788	1	Cartridge, Relief Valve	
3	7012998	1	Seal Kit - 70004788 Valve	
4	7017455	1	Cartridge, Valve Less Coil (Primary Axle Release)	
4	7017463	1	Seal Kit - 7017455 Valve	
5	70050516	1	Coil	
6	7017408	1	Cartridge, Valve Less Coil (Secondary Axle Release)	
6	7012907	1	Seal Kit - 7017408 Valve	
7	70002963	1	Coil	
8	70004789	1	Switch, Pressure	

# SECTION 1 - FRAME

## FIGURE 1-5. DRIVE INSTALLATION



ART\_1001169292\_1OF2

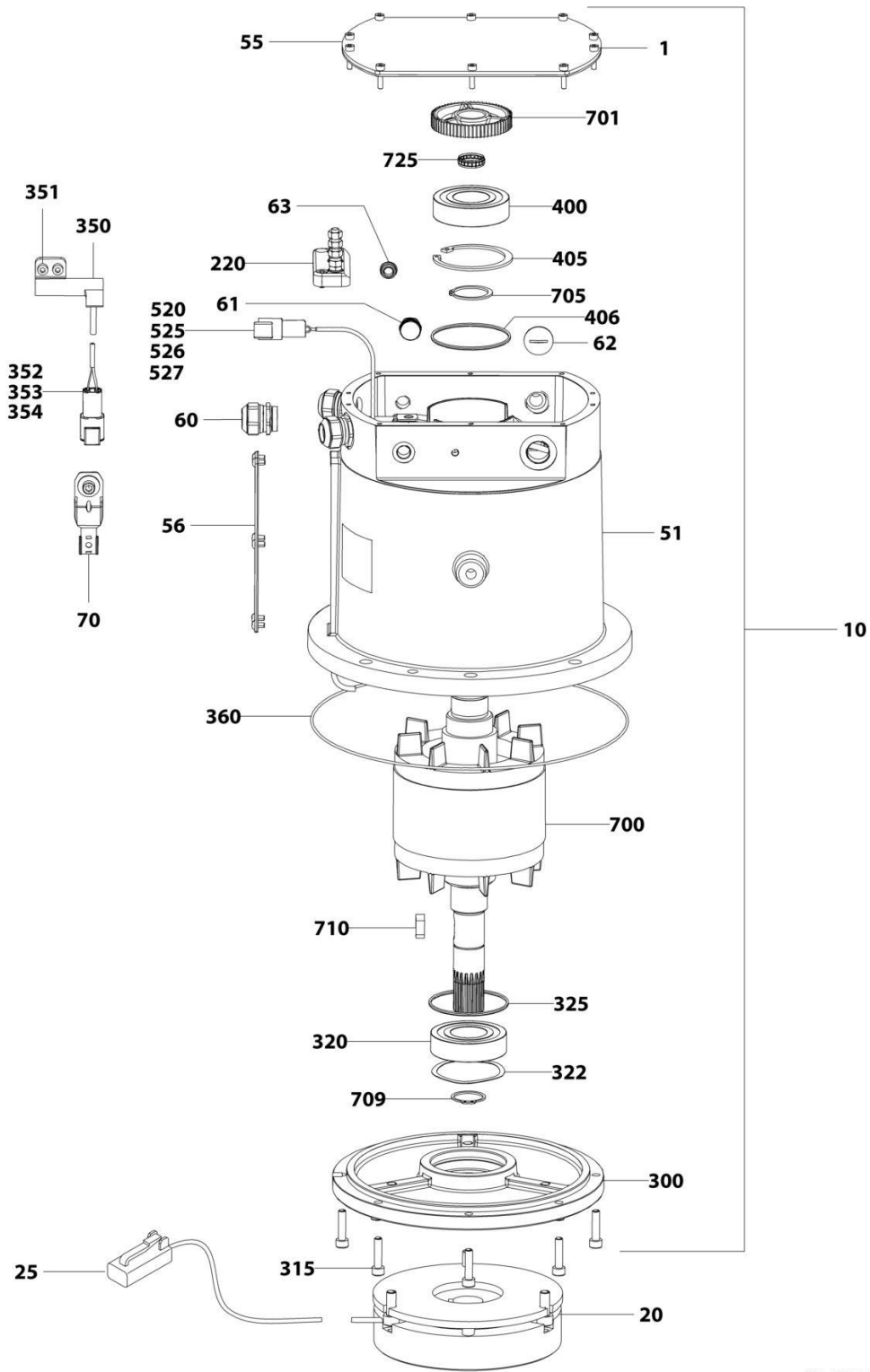
# SECTION 1 - FRAME

## FIGURE 1-5. DRIVE INSTALLATION

ITEM	PART NUMBER	QTY	DESCRIPTION	REV
	1001169292	Ref	DRIVE INSTALLATION	S
1	0100011	AR	Compound, Locking	
2	0100019	AR	Compound, Locking	
3	0760607	2	Bolt M6 x 14	
7	0771618	48	Bolt M16 x 50	
12	3290601	8	Nut M6	
13	4032009	24	Capscrew M10 x 25	
14	4811700	30	Washer M6	
15	5241600	48	Washer M16	
29	1001168400	2	Flange	
31	1001169683	4	Drive Motor Assembly (See Separate Breakdown in this Section)	
32	1001242519	4	Drive Hub Assembly (See Separate Breakdown in this Section)	
33	1001170140	4	Module, Drive	
35	4240084	1	Strap, Anti-Static	
36	0760808	AR	Bolt M8 x 16	
37	4811902	1	Washer M8	
40	5271723	8	Capscrew M6 x 100	
41	0760605	4	Bolt M6 X 10	
42	0760610	4	Bolt M6 x 20	
44	1320041	2	Clamp	
48	3020039	AR	Lubricant	
52	1001179948	1	Plate, Mounting	
56	4811400	1	Washer M4	
57	4031507	1	Capscrew M4 x 16	
63	4811900	5	Washer M8	
64	1001130220	6	Nut, Tinnerman M6	
65	1001141581	1	Mount, Connector	
66	1001149160	3	Nut, Tinnerman M8	
67	1001155743	2	Holder	
68	1001197294	1	Plate	
73	4191707	1	Screw M6 x 16	

# SECTION 1 - FRAME

## FIGURE 1-6. DRIVE MOTOR ASSEMBLY



ART\_1001169683

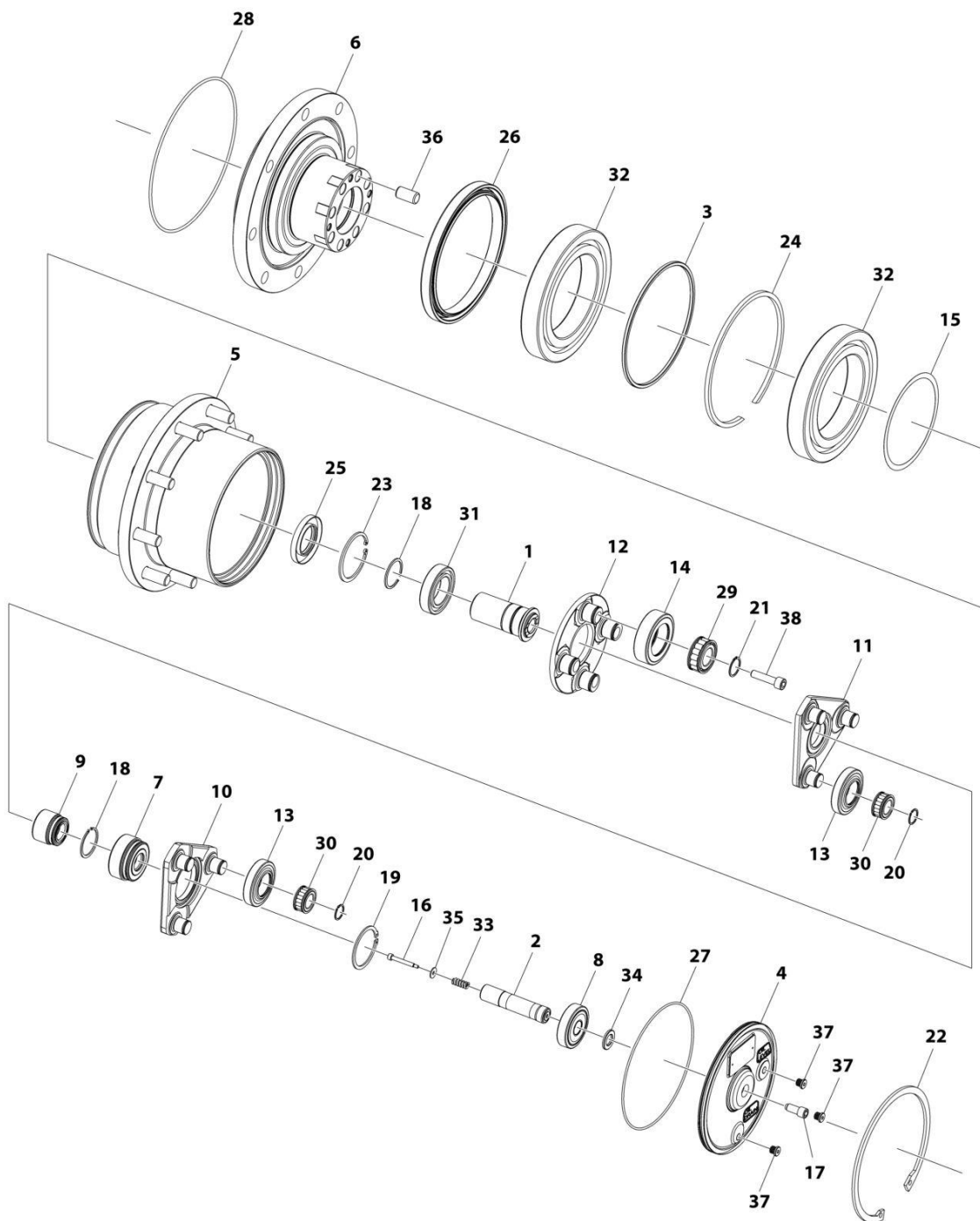
# SECTION 1 - FRAME

## FIGURE 1-6. DRIVE MOTOR ASSEMBLY

ITEM	PART NUMBER	QTY	DESCRIPTION	REV
	1001169683	Ref	DRIVE MOTOR ASSEMBLY	H
1	4031507	10	Capscrew M4 x 16	
10	70004797	1	Motor, Replacement without Brake (Includes Items 51-63, 220-325 & 360-725)	
20	70004798	1	Brake Assembly	
25	4461290	1	Plug, Male - 2 Position	
25	4460516	1	Pin, Male	
51	See Note	1	Stator (Note: Not Available - Use p/n 70004797)	
55	70004799	1	Cover, End	
56	70004800	1	Cover, Access	
60	70004801	4	Connector, Strain Relief	
61	70004802	1	Plug, Pressure	
62	70004803	1	Plug	
63	70004804	1	Plug	
70	70004805	3	Clip, Mounting	
220	70004806	1	Board, Terminal	
300	70004807	1	Cap, End	
315	70004808	6	Capscrew M6 x 25	
320	70004809	1	Bearing, Ball	
322	70004810	1	Washer, Wavy	
325	70004811	1	O-Ring	
350	70004812	1	Sensor, Speed	
351	70004813	2	Capscrew M5 x 16	
352	4460516	4	Pin, Male	
353	See Note	1	Lock, Wedge (Note: Include in Item 354 - Use p/n 4461076)	
354	4461076	1	Receptacle, Female - 4 Position	
360	70004814	1	O-Ring	
400	70004809	1	Bearing, Ball	
405	70004815	1	Circle-Clip	
406	70004811	1	O-Ring	
520	70004816	1	Sensor, Temperature	
525	4460516	1	Pin, Male	
526	See Note	1	Lock, Wedge (Note: Included with Item 527 - Use p/n 70004827)	
527	70004827	1	Receptacle, Female - 2 Position	
700	70004817	1	Armature	
701	70004818	1	Wheel, Sensor	
705	70004819	1	Circle-Clip	
709	70004820	1	Circle-Clip	
710	70004821	1	Key	
725	70004822	1	Ring, Tolerance	

# SECTION 1 - FRAME

## FIGURE 1-7. DRIVE HUB ASSEMBLY



ART\_1001242519



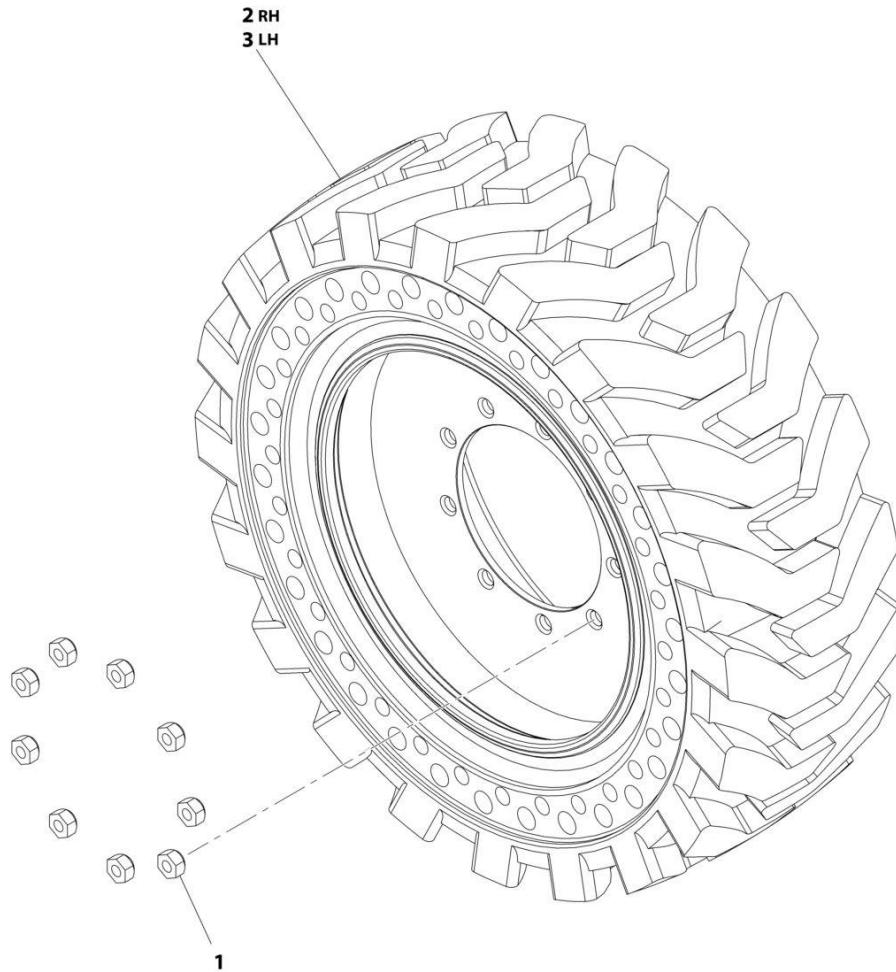
# SECTION 1 - FRAME

## FIGURE 1-7. DRIVE HUB ASSEMBLY

ITEM	PART NUMBER	QTY	DESCRIPTION	REV
	1001242519	Ref	HUB ASSEMBLY	A
1	70005063	1	Shaft, Input	
2	70005062	1	Shaft, Internal	
3	70007221	1	Spacer	
4	70007220	1	Cover	
5	See Note	NSS	Body, Wheel	
6	70007219	1	Spindle	
7	70007218	1	Sun Gear (Intermediate Stage)	
8	70007217	1	Sun Gear (Fast Stage)	
9	70007216	1	Sun Gear (Power Stage)	
10	70007215	1	Carrier (Fast Stage)	
11	70007214	1	Carrier (Intermediate Stage)	
12	70007213	1	Carrier (Power Stage)	
13	70007212	6	Planet Gear (Fast Stage)	
14	70007211	4	Planet Gear (Power Stage)	
15	70005047	1	Shim	
16	70005045	1	Screw M4	
17	70005044	1	Screw M10 x 1	
18	70005043	2	Ring, Retaining	
19	70005042	1	Ring, Retaining	
20	70005041	6	Ring, Retaining	
21	70005040	4	Ring, Retaining	
22	70005038	1	Ring, Retaining	
23	70005037	1	Ring, Retaining	
24	70007210	1	Ring, Retaining	
25	70005035	1	Seal	
26	70007209	1	Seal	
27	70005032	1	O-Ring	
28	70005031	1	O-Ring	
29	70005029	4	Bearing, Roller	
30	70005028	6	Bearing, Roller	
31	70005027	1	Bearing, Ball	
32	70007208	2	Bearing, Ball	
33	70005025	1	Spring	
34	70005024	1	Washer	
35	70005022	1	Washer M5	
36	70005560	8	Pin	
37	70005020	3	Plug M10	
38	70005019	4	Capscrew M10 x 40	

# SECTION 1 - FRAME

FIGURE 1-8. TIRE AND WHEEL INSTALLATION - 7X18 SOLID



ART\_100118641

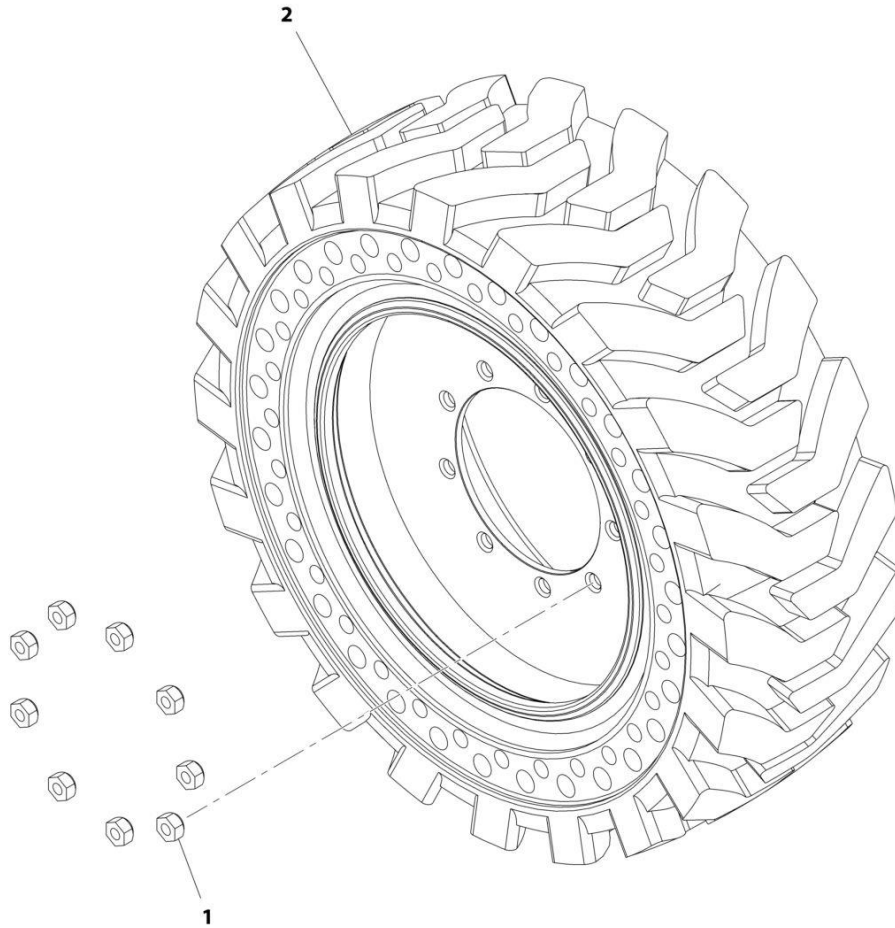
## SECTION 1 - FRAME

### FIGURE 1-8. TIRE AND WHEEL INSTALLATION - 7X18 SOLID

ITEM	PART NUMBER	QTY	DESCRIPTION	REV
	1001118641	Ref	TIRE AND WHEEL INSTALLATION - 7X18 SOLID	C
		Ref	Note: Due to critical stability weights, only replace tire and wheel assemblies with like components.	
1	3300106	36	Lugnut (9 per Wheel)	
2	1001118649	2	Tire and Wheel Assembly - 7 x 18 Solid Right Side (Note: No Serviceable Parts - Replace Complete Sets per Axle)	
3	1001121678	2	Tire and Wheel Assembly - 7 x 18 Solid Left Side (Note: No Serviceable Parts - Replace Complete Sets per Axle)	

# SECTION 1 - FRAME

FIGURE 1-9. TIRE AND WHEEL INSTALLATION - 7X18 SOLID NON-MARKING



ART\_100118644

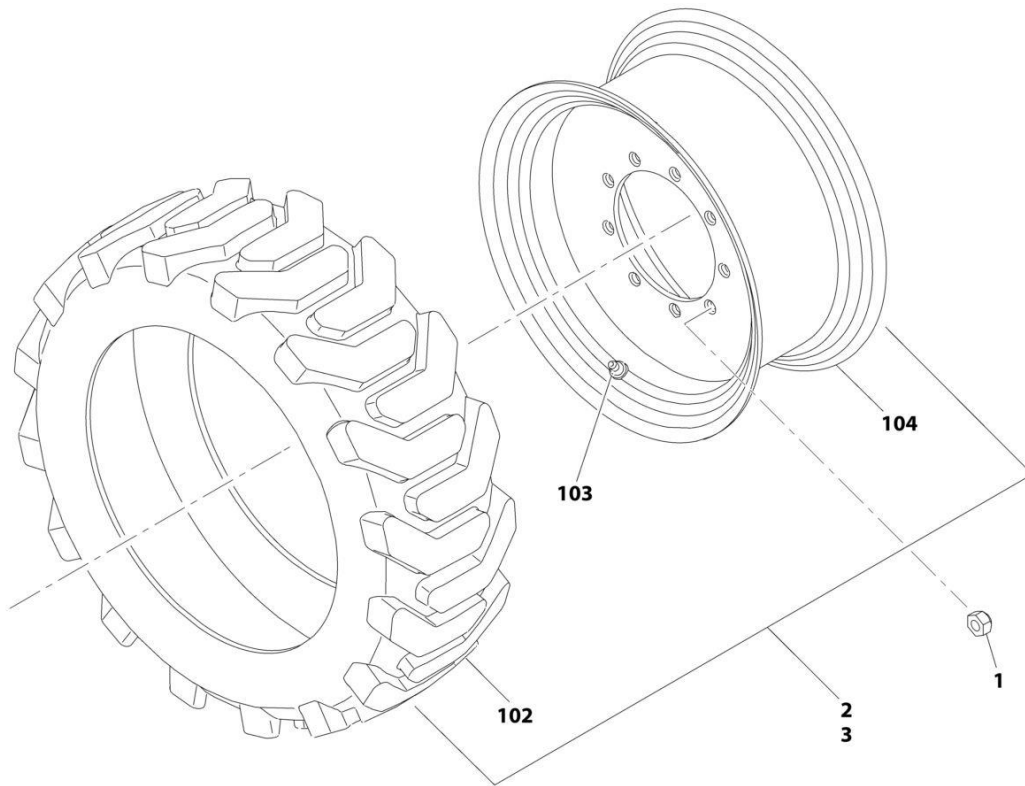
## SECTION 1 - FRAME

**FIGURE 1-9. TIRE AND WHEEL INSTALLATION - 7X18 SOLID NON-MARKING**

ITEM	PART NUMBER	QTY	DESCRIPTION	REV
	1001118644	Ref	TIRE AND WHEEL INSTALLATION - 7X18 SOLID NON-MARKING	C
		Ref	Note: Due to critical stability weights, only replace tire and wheel assemblies with like components.	
1	3300106	36	Lugnut (9 per Wheel)	
2	1001118654	2	Tire and Wheel Assembly - 7 x 18 Solid (RH) (Note: No Serviceable Parts - Replace Complete Sets per Axle)	
2	1001121672	2	Tire and Wheel Assembly - 7 x 18 Solid (LH) (Note: No Serviceable Parts - Replace Complete Sets per Axle)	

# SECTION 1 - FRAME

FIGURE 1-10. TIRE AND WHEEL INSTALLATION - 9X20 FOAM-FILLED



ART\_1001115773

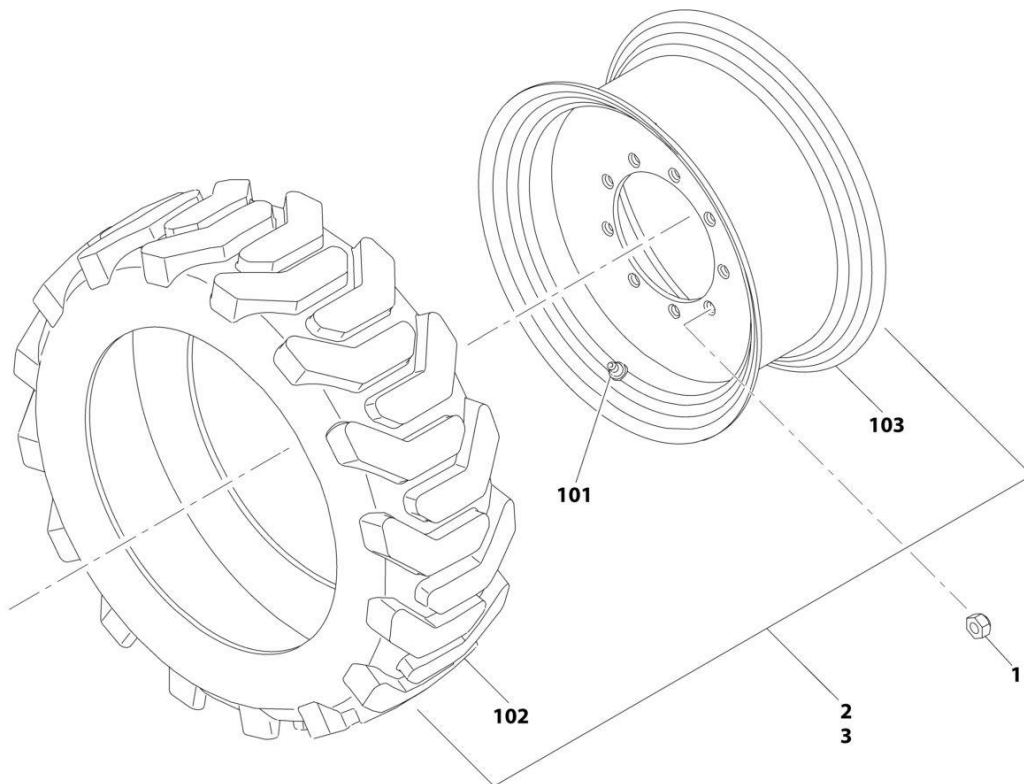
## SECTION 1 - FRAME

**FIGURE 1-10. TIRE AND WHEEL INSTALLATION - 9X20 FOAM-FILLED**

ITEM	PART NUMBER	QTY	DESCRIPTION	REV
	1001115773	Ref	TIRE AND WHEEL INSTALLATION - 9X20 FOAM-FILLED	B
		Ref	Note: Due to critical stability weights, only replace tire and wheel assemblies with like components.	
1	3300106	36	Lugnut (9 per Wheel)	
2	1001117131	2	Tire and Wheel Assembly - 9 x 20 Foam-Filled Left Side	E
3	1001117132	2	Tire and Wheel Assembly - 9 x 20 Foam-Filled Right Side	D
		Ref	Note: Assemblies may require ballast/foam filling to manufacture's specifications prior to installing on a machine. Refer to Operation and Safety or Service and Maintenance Manuals. Purchase individual tire and/or rim only if able to foam fill tire and wheel assembly, otherwise, purchase complete assembly.	
102	4520605	4	Tire - IN265/50D20	
103	4640113	4	Valve, Air	
104	1001117129	4	Rim for 20 x 9 (Use with IN265/50D20 Tires)	

# SECTION 1 - FRAME

## FIGURE 1-11. TIRE AND WHEEL INSTALLATION - 9X20 FOAM-FILLED NON-MARKING



ART\_100118642



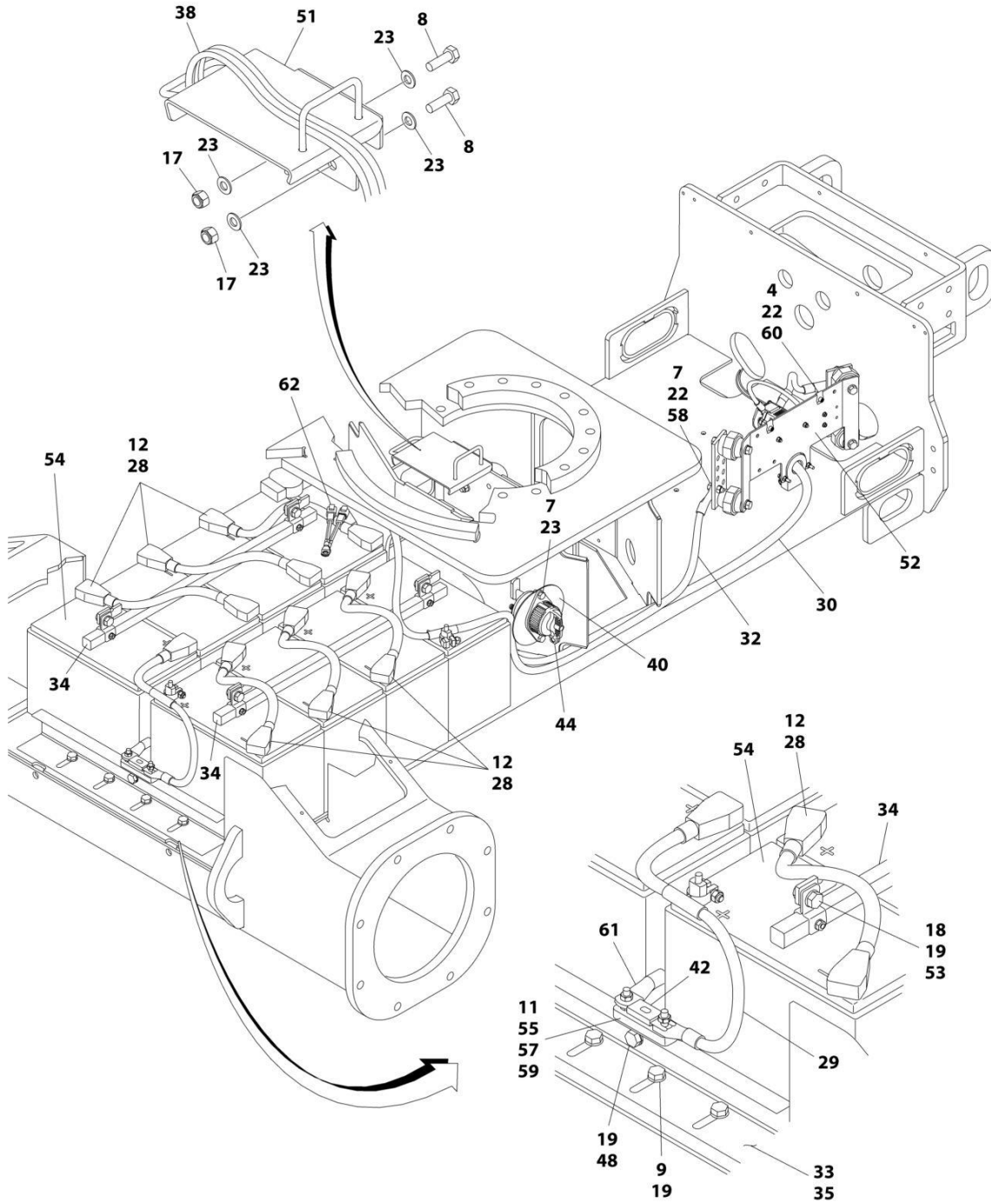
## SECTION 1 - FRAME

**FIGURE 1-11. TIRE AND WHEEL INSTALLATION - 9X20 FOAM-FILLED NON-MARKING**

ITEM	PART NUMBER	QTY	DESCRIPTION	REV
	1001118642	Ref	TIRE AND WHEEL INSTALLATION - 9X20 FOAM-FILLED NON-MARKING	B
		Ref	Note: Due to critical stability weights, only replace tire and wheel assemblies with like components.	
1	3300106	36	Lugnut (9 per Wheel)	
2	1001118650	2	Tire and Wheel Assembly - 9 x 20 Foam-Filled Non-Marking Right Side	D
3	1001118651	2	Tire and Wheel Assembly - 9 x 20 Foam-Filled Non-Marking Left Side	D
		Ref	Note: Assemblies may require ballast/foam filling to manufacturer's specifications prior to installing on a machine. Refer to Operation and Safety or Service and Maintenance Manuals. Purchase individual tire and/or rim only if able to foam fill tire and wheel assembly, otherwise, purchase complete assembly.	
101	4640113	4	Valve, Air	
102	1001118660	4	Tire - IN265/50D20 Non-Marking	
103	1001117129	4	Rim for 20 x 9 (Use with IN265/50D20 Tires)	

# SECTION 1 - FRAME

## FIGURE 1-12. BATTERIES INSTALLATION



ART\_1001162045

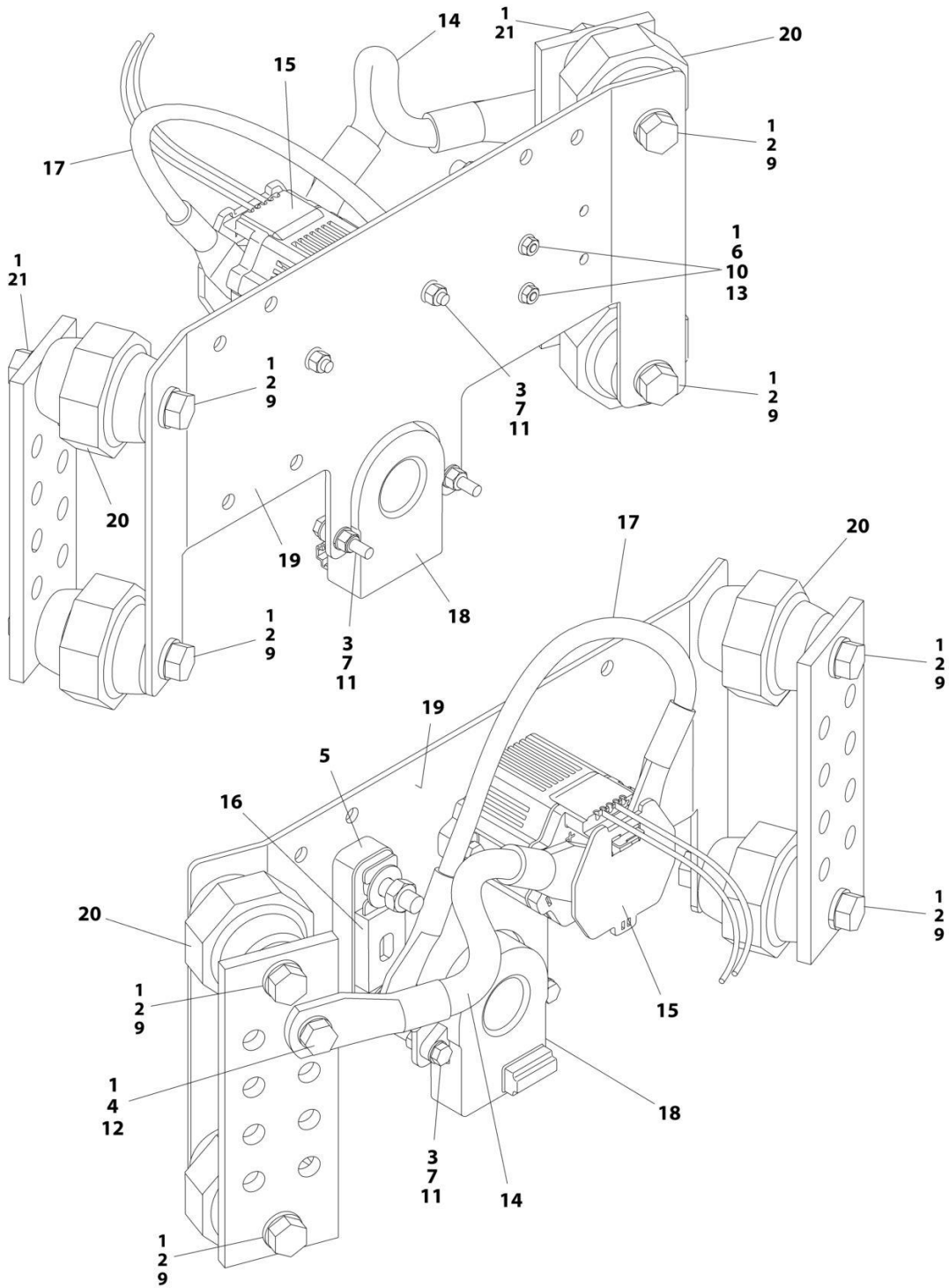
# SECTION 1 - FRAME

## FIGURE 1-12. BATTERIES INSTALLATION

ITEM	PART NUMBER	QTY	DESCRIPTION	REV
	1001162045	Ref	BATTERIES INSTALLATION	K
4	0700610	2	Bolt M6 x 20	
7	0760808	4	Bolt M8 x 16	
8	0760812	2	Bolt M8 x 25	
9	0761010	4	Bolt M10 x 20	
11	2400044	1	Block, Fuse Mounting	
12	0100051	AR	Grease, Terminal	
17	3290805	2	Nut M8	
18	3291005	4	Nut M10	
19	4812000	13	Washer M10	
22	4811700	2	Washer M6	
23	4811900	6	Washer M8	
28	1001161935	6	Cable, Battery (Battery – to Battery +)	
29	1001161936	1	Cable, Battery (Battery + to Fuse)	
30	1001161937	1	Cable, Battery (Fuse to Contactor)	
32	1001161947	1	Cable, Battery (Battery – to Bussbar)	
33	1001162046	1	Support, Stop	
34	1001162047	2	Holddown Assembly - Battery	
34	1001162048	2	Rod, Holddown (1 per Assembly)	
34	1001162049	4	Bracket, Holddown (2 per Assembly)	
35	1001162050	2	Liner, Tray	
38	1001167538	1	Harness, Battery Charger (See Separate Breakdown in ELECTRICAL Section)	
40	1001170102	1	Plate, Disconnect Cover	
42	1001170365	1	Fuse, 400 Amp	
44	1001170483	1	Switch, Battery Disconnect	
48	0761020	1	Bolt M10 x 60	
51	1001171777	1	Mount, Cable Routing	
52	1001184133	1	Electrical Plate Assembly (See Separate Breakdown in this Section)	
53	0761012	4	Bolt M10 x 25	
54	0400209	8	Battery	
55	3290401	2	Nut M4	
57	4811400	2	Washer M4	
58	4831900	2	Washer M8	
59	8310612	2	Screw M4 x 20	
60	1001130220	2	Nut, Tinnerman M6	
61	1001184022	1	Cable, Battery (Fuse to Disconnect)	
62	1001225131	2	Harness, Temp Sensor	
62	1001102771	1	Sensor, Temperature	
62	4460897	1	Connector - 2 Position	
62	4460464	2	Pin, Male	

# SECTION 1 - FRAME

## FIGURE 1-13. ELECTRICAL PLATE ASSEMBLY



ART\_1001184133

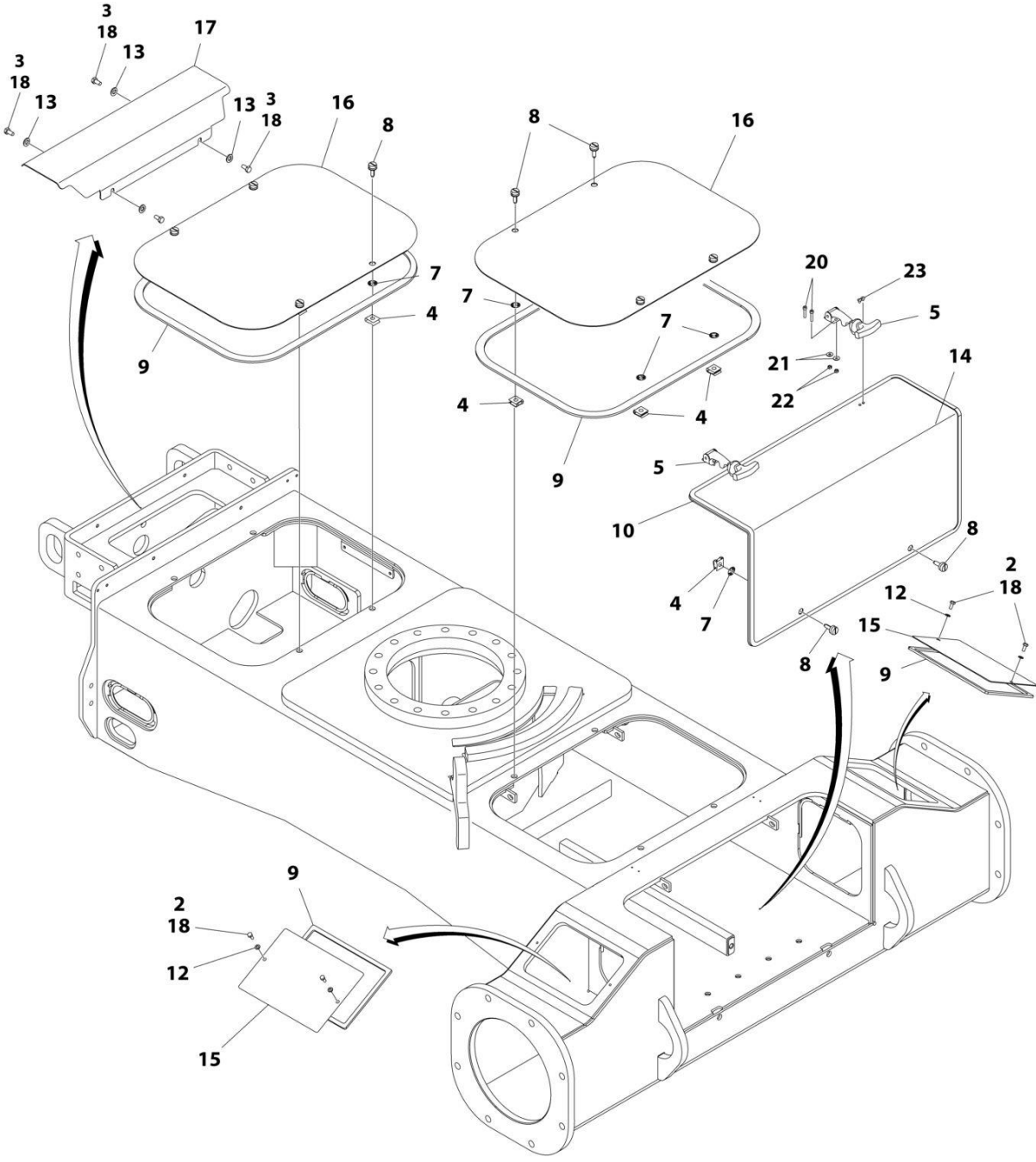
# SECTION 1 - FRAME

## FIGURE 1-13. ELECTRICAL PLATE ASSEMBLY

ITEM	PART NUMBER	QTY	DESCRIPTION	REV
	1001184133	Ref	ELECTRICAL PLATE ASSEMBLY	H
1	0100011	AR	Compound, Locking	
2	0641606	8	Bolt 3/8-16 x 3/4	
3	0760512	4	Bolt M5 x 25	
4	0760808	1	Bolt M8 x 16	
5	2400044	1	Block, Fuse Mounting	
6	3290401	2	Nut M4	
7	3290505	4	Nut M5	
9	4761600	8	Washer 3/8	
10	4811400	2	Washer M4	
11	4811600	6	Washer M5	
12	4831900	1	Washer M8	
13	8310612	2	Screw M4 x 20	
14	1001161938	1	Cable, Battery (Fuse to Bussbar)	
15	1001272006	1	Contactator	
16	1001170484	1	Fuse 125 Amp	
17	1001170861	1	Cable, Battery (Contactator to Fuse)	
18	1001183548	1	Sensor, Current	
19	1001184135	1	Plate	
20	1001184137	2	Bussbar Assembly	
21	0641608	4	Bolt 3/8-16 x 1	

# SECTION 1 - FRAME

## FIGURE 1-14. FRAME SHIELDS INSTALLATION



ART\_1001161872

# SECTION 1 - FRAME

## FIGURE 1-14. FRAME SHIELDS INSTALLATION

ITEM	PART NUMBER	QTY	DESCRIPTION	REV
	1001161872	Ref	FRAME SHIELDS INSTALLATION	E
2	0760607	4	Bolt M6 x 14	
3	0760808	4	Bolt M8 x 16	
4	1380138	10	Clip	
5	2940095	2	Latch, Rubber Tee	
7	3760308	10	Retainer	
8	3900174	10	Screw, Thumb	
9	1001113047	18.7 ft /5.7m	Seal	
10	3960447	7.8 ft /2.4m	Seal	
12	4811700	4	Washer M6	
13	4812000	4	Washer M10	
14	1001161873	1	Cover, Rear Axle	
15	1001161874	2	Cover, Rear Motor	
16	1001161876	2	Cover, Battery	
17	1001161878	1	Cover, Front Frame	
18	0100011	AR	Compound, Locking	
20	5271609	4	Capscrew M5 x 25	
21	4811602	4	Washer M5	
22	3290505	4	Nut M5	
23	3820019	4	Rivet	

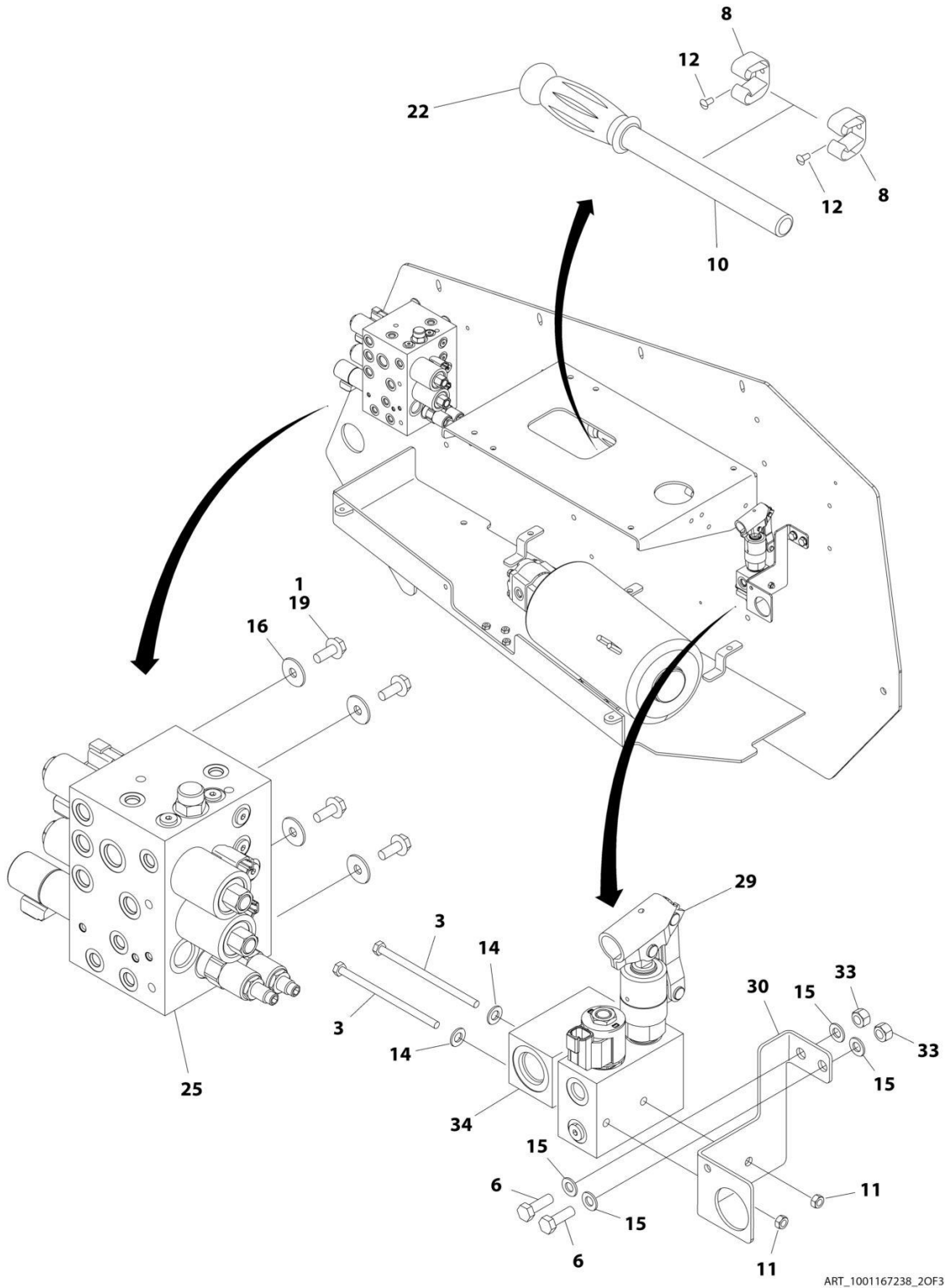




**SECTION 2 - TURNTABLE**

# SECTION 2 - TURNTABLE

## FIGURE 2-1. CONTROL VALVE INSTALLATION - TURNTABLE



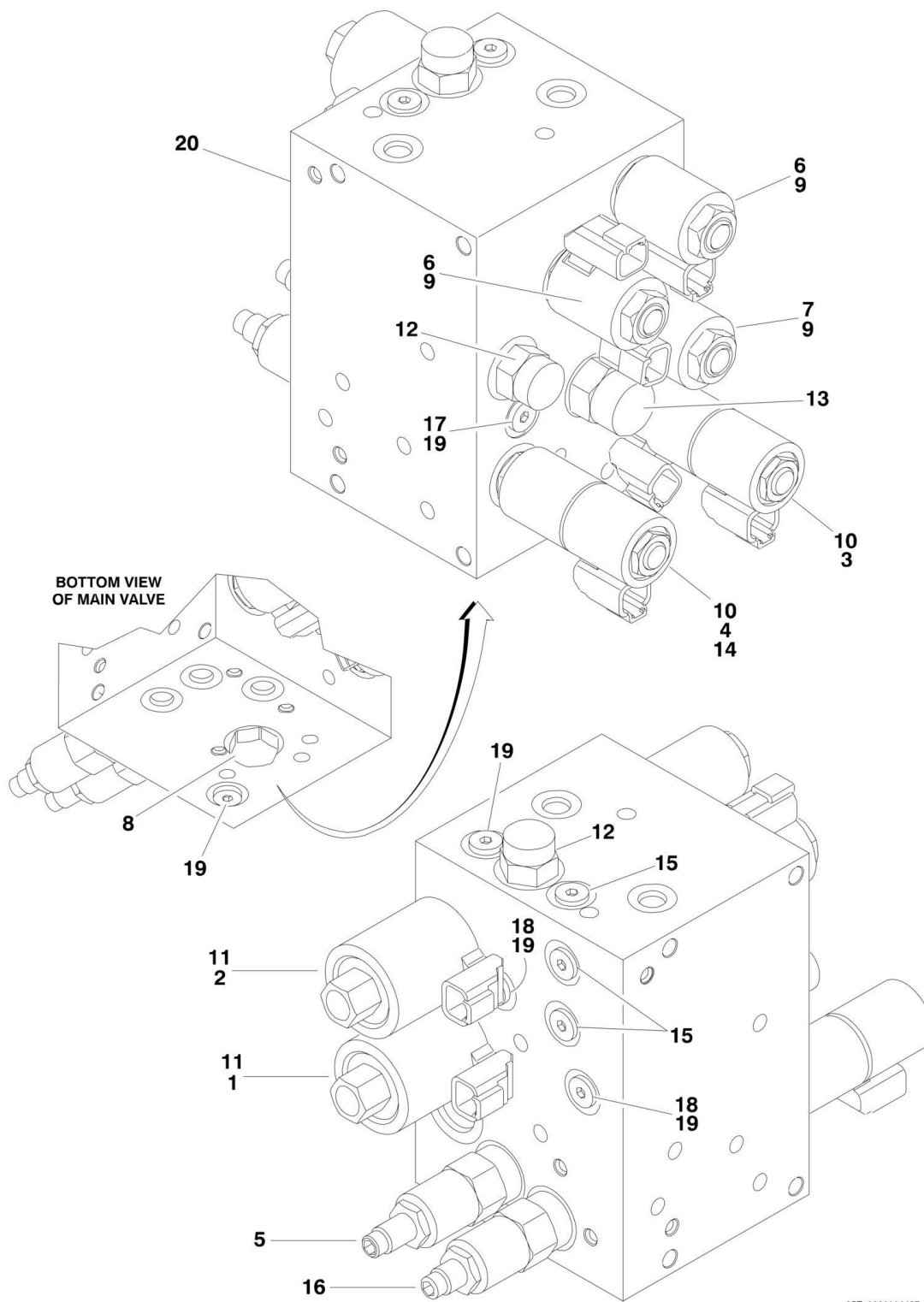
## SECTION 2 - TURNTABLE

**FIGURE 2-1. CONTROL VALVE INSTALLATION - TURNTABLE**

ITEM	PART NUMBER	QTY	DESCRIPTION	REV
	1001167238	Ref	CONTROL VALVES INSTALLATION - TURNTABLE	I
1	0100011	AR	Compound, Locking	
3	0700628	2	Bolt M6 x 110	
6	0760812	2	Bolt M8 x 25	
8	1380136	2	Clip, Gripper	
10	2560122	1	Handle, Pump	
11	3290601	2	Nut M6	
12	3820020	2	Rivet	
14	4811700	2	Washer M6	
15	4811900	5	Washer M8	
16	4811902	4	Washer M8	
19	5250810	14	Bolt M8 x 20	
22	1001114761	1	Grip, Handle	
25	1001116487	1	Main Control Valve Assembly (See Separate Breakdown in this Section)	
29	1001210829	1	Manual Pump Assembly	
29	70005722	1	Cartridge, Hand Pump	
29	7017496	1	Seal Kit - Hand Pump	
29	7017467	1	Cartridge, Solenoid Valve Less Coil	
29	7012967	1	Seal Kit - Cartridge	
29	70002386	1	Coil	
30	1001162614	1	Bracket	
33	3290805	2	Nut M8	
34	1001183406	1	Valve, Junction	

# SECTION 2 - TURNTABLE

## FIGURE 2-2. MAIN CONTROL VALVE ASSEMBLY



ART\_100116487

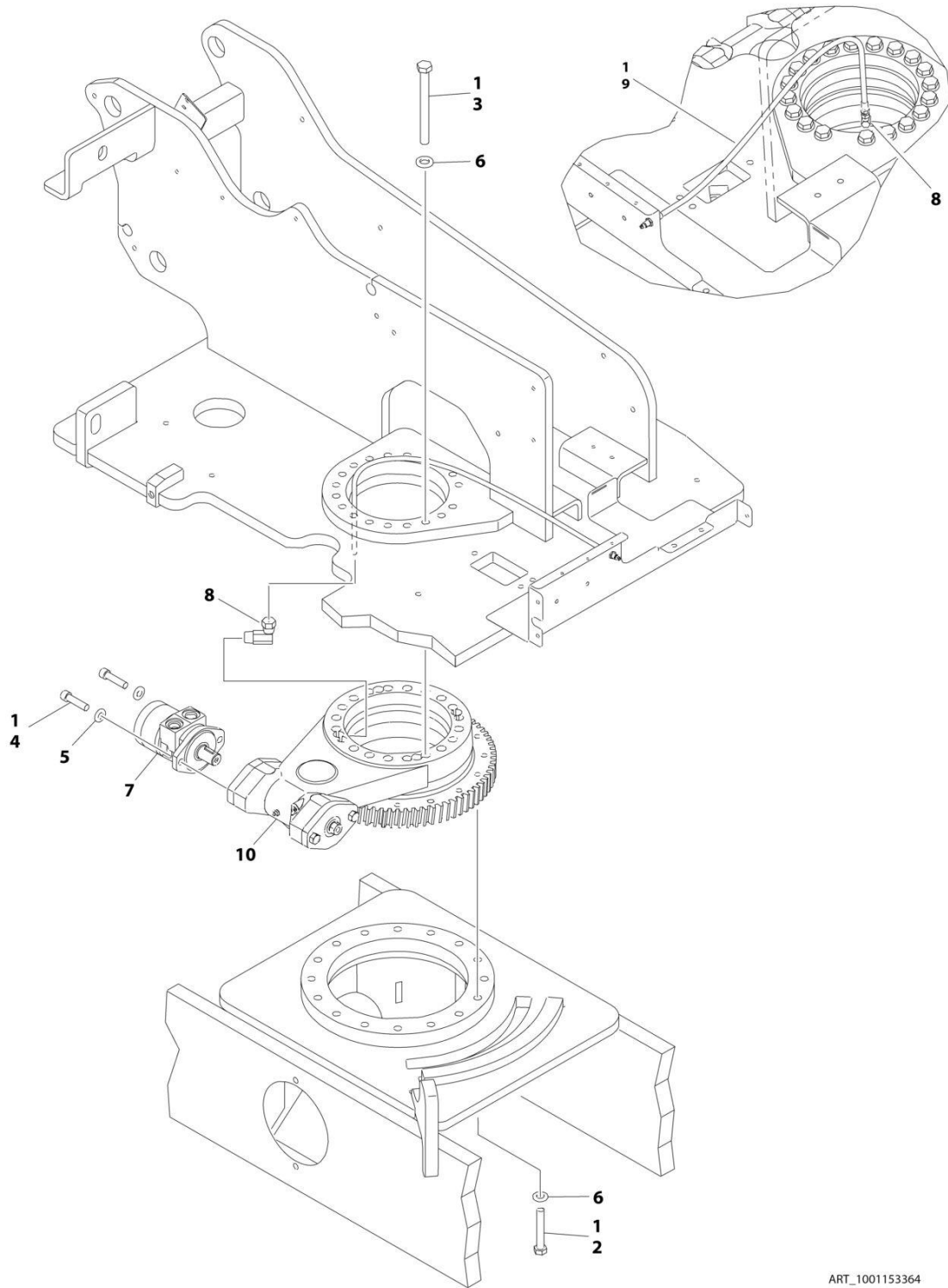
## SECTION 2 - TURNTABLE

### FIGURE 2-2. MAIN CONTROL VALVE ASSEMBLY

ITEM	PART NUMBER	QTY	DESCRIPTION	REV
	1001116487	Ref	MAIN VALVE ASSEMBLY	1
1	70002964	1	Cartridge, Solenoid Valve with Relief (without Coil)	
1	7017496	1	Seal Kit - 70002964 Cartridge	
2	70002965	1	Cartridge, Solenoid Valve with Relief (without Coil)	
2	7017496	1	Seal Kit - 70002965 Cartridge	
3	70002966	1	Cartridge, Solenoid Valve (without Coil) (Swing)	
3	70002967	1	Seal Kit - 70002966 Cartridge	
4	70002966	1	Cartridge, Solenoid Valve (without Coil) (Steer)	
4	70002967	1	Seal Kit - 70002966 Cartridge	
5	70002968	1	Cartridge, Relief Valve	
5	7012998	1	Seal Kit - 70002968 Cartridge	
6	70002969	2	Cartridge, Solenoid Valve (without Coil) (Upper and Lower Lift)	
6	7010543	2	Seal Kit - Cartridge	
7	70002970	1	Cartridge, Solenoid Valve (without Coil) (Flow Control)	
7	7010543	1	Seal Kit - 70002970 Cartridge	
8	10837580	1	Cartridge, Shuttle Valve	
8	7010543	1	Seal Kit - 108377580 Cartridge	
9	70002971	3	Coil	
10	70002386	4	Coil	
11	70003788	2	Coil	
12	70002972	2	Cartridge, Pressure Compensator Valve	
12	7010543	2	Seal Kit - 70002972 Cartridge	
13	70002973	1	Cartridge, Pressure Compensator Valve	
13	7010543	1	Seal Kit - 70002973 Cartridge	
14	70002974	1	Disc, Check Valve	
15	70003757	3	Cartridge, Check Valve	
15	70002976	3	Seal Kit - 70003757 Cartridges	
16	70002977	1	Cartridge, Crossover Relief	
16	7021653	1	Seal Kit - 70002977 Cartridge	
17	See Note	1	Orifice .060 (Note: Not Available for Purchase)	
18	See Note	2	Orifice .100 (Note: Not Available for Purchase)	
19	7017406	5	Plug	
20	See Note	1	Block (Note: Not Available for Purchase)	

# SECTION 2 - TURNTABLE

## FIGURE 2-3. SWING DRIVE INSTALLATION



ART\_1001153364

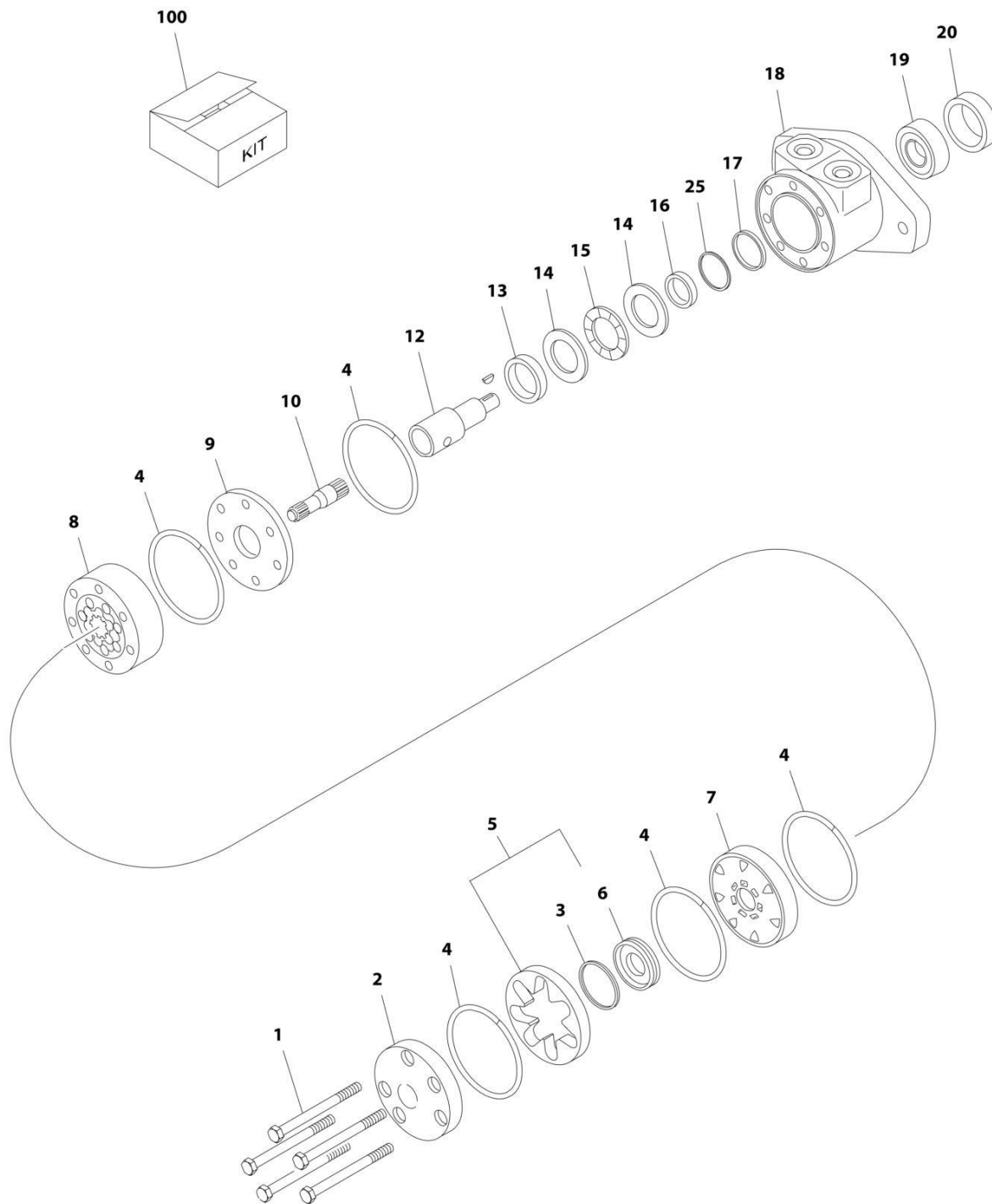
## SECTION 2 - TURNTABLE

### FIGURE 2-3. SWING DRIVE INSTALLATION

ITEM	PART NUMBER	QTY	DESCRIPTION	REV
	1001153364	Ref	SWING DRIVE INSTALLATION	C
1	0100019	AR	Compound, Locking	
2	0711426	16	Bolt M14 x 90 Grade 10.9	
3	0711432	19	Bolt M14 x 150 Grade 10.9	
4	3931832	2	Capscrew 1/2-13 x 2	
5	4740171	2	Washer 1/2	
6	5241400	2	Washer M14	
7	1001107781	1	Swing Motor Assembly (See Separate Breakdown in this Section)	
8	2220124	1	Fitting, Adapter NPT	
9	1001118961	1	Hose, Remote Grease Line (Includes Grease Fitting)	
10	1001153015	1	Swing Bearing and Rotation Box Assembly (See Separate Breakdown in this Section)	

# SECTION 2 - TURNTABLE

## FIGURE 2-4. SWING MOTOR ASSEMBLY



ART\_1001107781



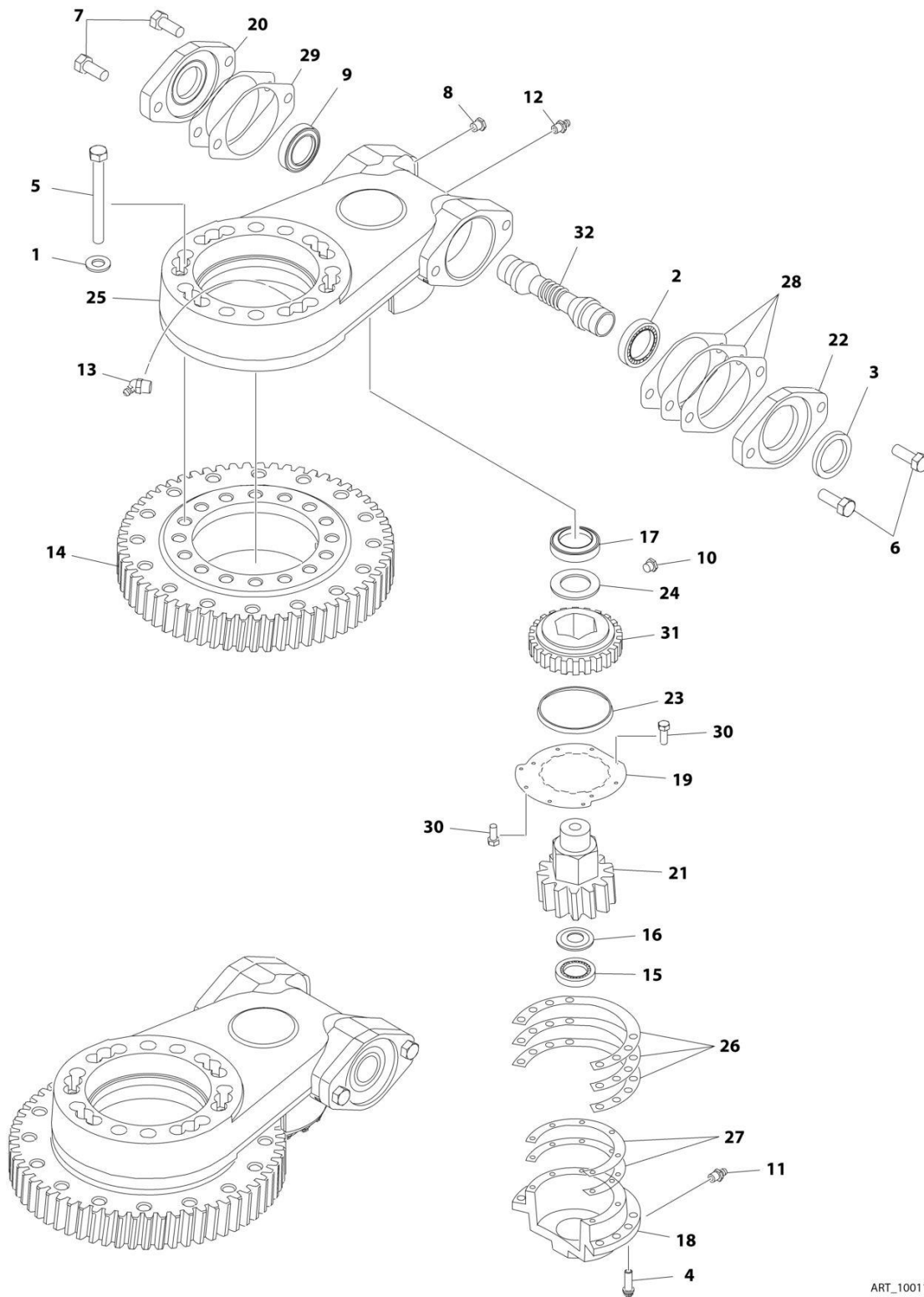
## SECTION 2 - TURNTABLE

### FIGURE 2-4. SWING MOTOR ASSEMBLY

ITEM	PART NUMBER	QTY	DESCRIPTION	REV
	1001107781	Ref	SWING MOTOR ASSEMBLY	A
1	70002311	5	Bolt	
2	7004035	1	Cover, End	
3	See Note	1	Seal, Commutator (Note: Use p/n 7024389)	
4	See Note	5	Seal, Ring (Note: Use p/n 7024389)	
5	7024453	1	Commutator and Ring Assembly	
6	See Note	1	Ring (Note: Use p/n 7024453)	
7	7024379	1	Manifold	
8	70002312	1	Rotor Set	
9	7024380	1	Plate, Wear	
10	70002313	1	Link, Drive	
12	70000088	1	Shaft, Coupling	
12	70000089	1	Key, Woodruff	
13	7024381	1	Bushing, Bronze	
14	7004043	2	Washer, Thrust	
15	7004044	1	Bearing, Thrust	
16	See Note	1	Seal, Inner (Note: Use p/n 7024389)	
17	See Note	1	Washer, Back-up (Note: Use p/n 7024389)	
18	See Note	1	Housing (Note: Not Available - Purchase Complete Assembly)	
19	7024390	1	Bearing	
20	See Note	1	Seal (Note: Use p/n 7024389)	
25	See Note	1	Washer, Back-up (Note: Use p/n 7024389)	
100	7024389	1	Seal Kit (Includes Items 3, 4, 16, 17, 20 & 25)	

# SECTION 2 - TURNTABLE

## FIGURE 2-5. SWING BEARING ASSEMBLY



ART\_1001153015

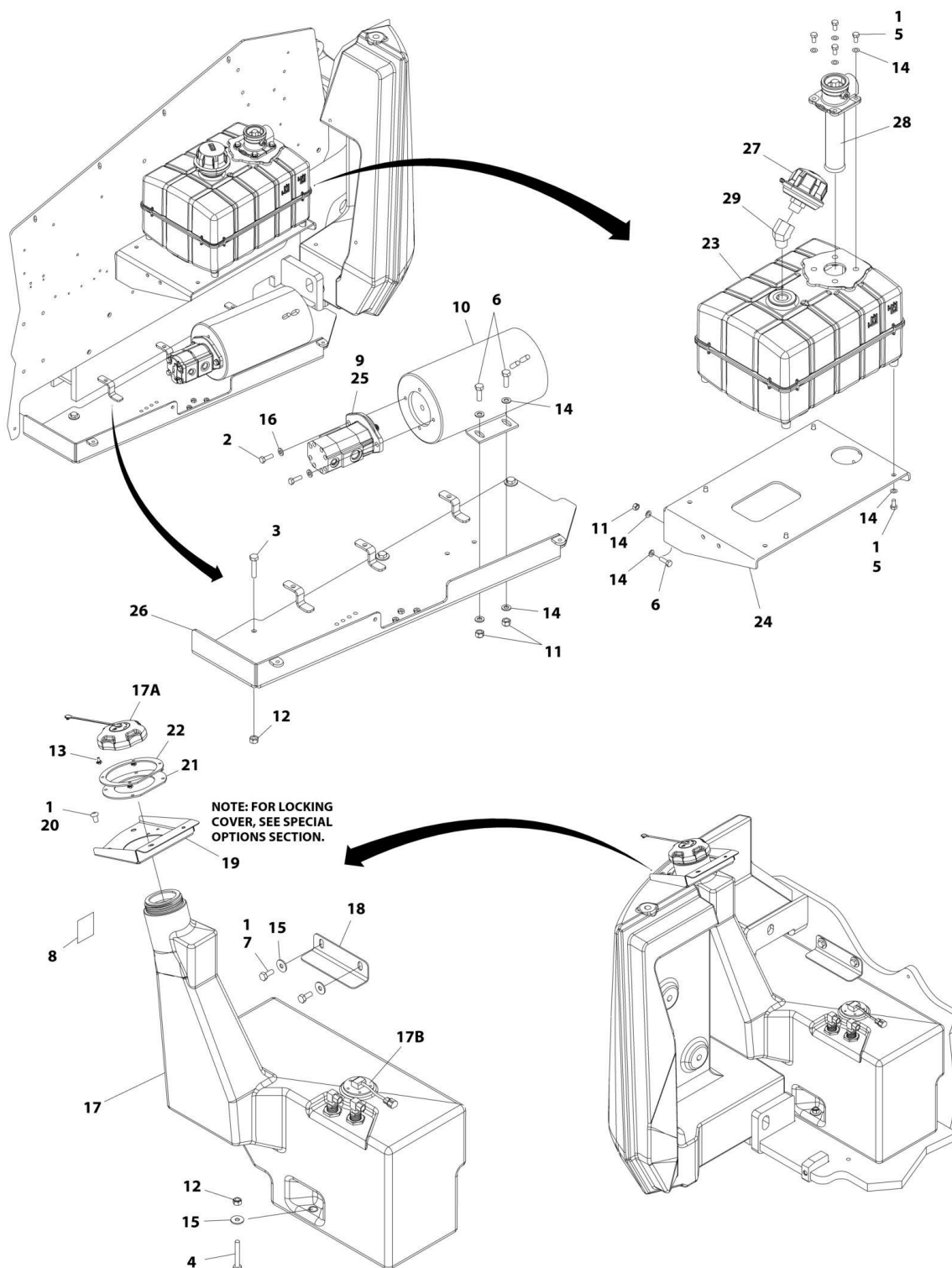
## SECTION 2 - TURNTABLE

### FIGURE 2-5. SWING BEARING ASSEMBLY

ITEM	PART NUMBER	QTY	DESCRIPTION	REV
	1001153015	Ref	SWING BEARING ASSEMBLY	B
1	7026041	2	Washer 5/16	
2	70002643	2	Cup, Bearing	
2	70002644	2	Cone, Bearing	
3	70002645	1	Seal	
4	70002646	8	Bolt 5/16 x 7/8	
5	70003138	2	Bolt 5/16 x 2-1/2	
6	70002647	2	Bolt 1/2 x 1	
7	70002648	2	Bolt 1/2 x 1-1/4	
8	70002649	1	Vent, Pressure	
9	70002650	1	Seal	
10	70003139	1	Plug 1/4	
11	70002651	1	Fitting, Grease 1/4	
12	70002652	1	Fitting, Grease 1/8 Straight	
13	7027359	1	Fitting, Grease 1/8 90	
14	1001160531	1	Turntable Bearing Kit (Includes Bearing and Hardware (was p/n 1001143932 & 70003140)	
15	70002656	1	Cup, Bearing	
15	70002657	1	Cone, Bearing	
16	70002658	1	Ring, Grease	
17	7026048	1	Cup, Bearing	
17	7026049	1	Cone, Bearing	
18	70002659	1	Cap, Gear	
19	70003141	1	Plate, Cover	
20	70002661	1	Cap, Worm	
21	70003142	1	Pinion, Output	
22	70002663	1	Adapter, Motor	
23	70002664	1	Seal, Face	
24	7026052	1	Spacer, Washer	
25	See Note	1	Housing (Note: Not Available - Purchase Complete Assembly)	
26	70002665	1	Shim .0075 Natural	
26	70002666	1	Shim .005 Blue	
26	70002667	1	Shim .003 Green	
27	70002668	1	Shim .005 Blue	
27	70002669	1	Shim .020 Yellow	
28	7027352	1	Gasket .010 Brown	
28	7027351	1	Gasket .0075 Clear	
28	7027350	1	Gasket .005 Blue	
29	7027353	1	Gasket .020 Yellow	
30	70000681	10	Bolt #6 x 3/8	
31	70002670	1	Gear, Worm	
32	70002671	1	Shaft, Worm	

# SECTION 2 - TURNTABLE

## FIGURE 2-6. TANKS AND PUMP ASSEMBLY



ART\_1001169196

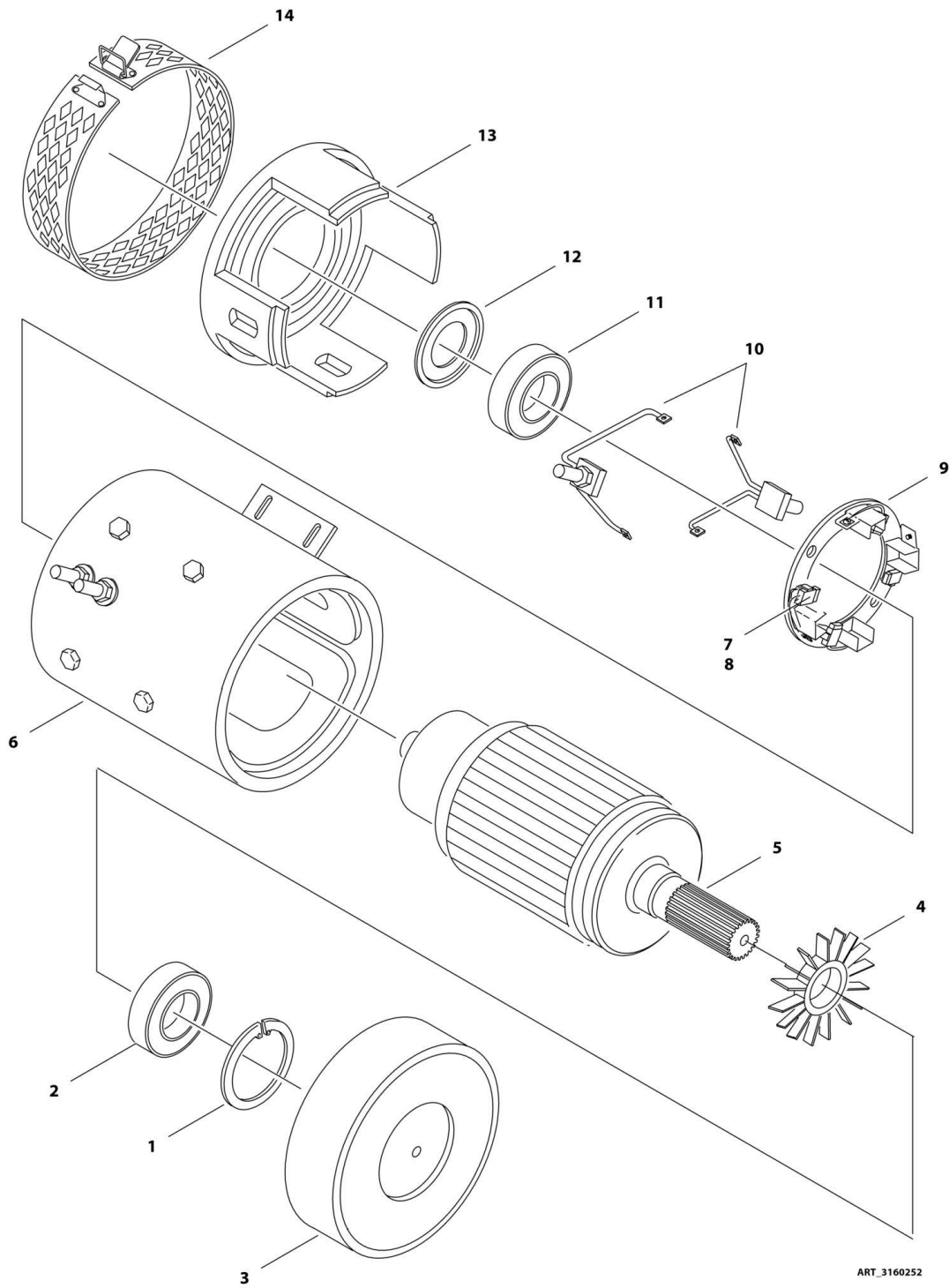
## SECTION 2 - TURNTABLE

### FIGURE 2-6. TANKS AND PUMP ASSEMBLY

ITEM	PART NUMBER	QTY	DESCRIPTION	REV
	1001169196	Ref	TANKS AND PUMP INSTALLATION	H
1	0100011	AR	Compound, Locking	
2	0700812	2	Bolt M8 x 25	
3	0701018	3	Bolt M10 x 50	
4	0701022	1	Bolt M10 x 70	
5	0760808	8	Bolt M8 x 16	
6	0760812	8	Bolt M8 x 25	
7	0761012	2	Bolt M10 x 25	
8	1701505	1	Decal - Diesel Fuel	
9	3020037	AR	Lubricant, Coupling	
10	3160252	1	Hydraulic Pump Motor Assembly (See Separate Breakdown in this Section)	
11	3290805	8	Nut M8	
12	3291005	4	Nut M10	
13	3820032	4	Rivet	
14	4811900	24	Washer M8	
15	4812002	9	Washer M10	
16	4891500	2	Washer 5/16	
17	1001117897	1	Fuel Tank Assembly (Note: Parts listed below are the only service parts available. For any other parts, source locally or purchase complete tank p/n 1001117897)	
17A	1001128798	1	Cap, Fill	
17B	1001118262	1	Sender (Includes Seal - Seal Not Sold Separately)	
17B	0721004	5	Screw #10-24 x 1/2	
18	1001118509	1	Support, Tank	
19	1001118510	1	Shield, Tank Neck	
20	1001119527	2	Screw M10 x 12	
21	1001128781	1	Seal, Tank Neck	
22	1001128782	1	Ring, Tank Neck	
23	1001162117	1	Tank, Hydraulic	
24	1001162748	1	Bracket, Tank	
25	1001205844	1	Hydraulic Pump Assembly (Note: Seal Kit is only replacement part. For all other components, replace complete assembly)	
25	70005818	1	Seal Kit - 1001205844 Pump	
26	1001169195	1	Shield	
27	1001178594	1	Filler/Air Breather Filter	
28	1001178731	1	Filter, Oil Return	
28	1001178595	1	Element, Filter	
29	1001205158	1	Fitting, 45 NPT	

# SECTION 2 - TURNTABLE

## FIGURE 2-7. HYDRAULIC PUMP MOTOR ASSEMBLY



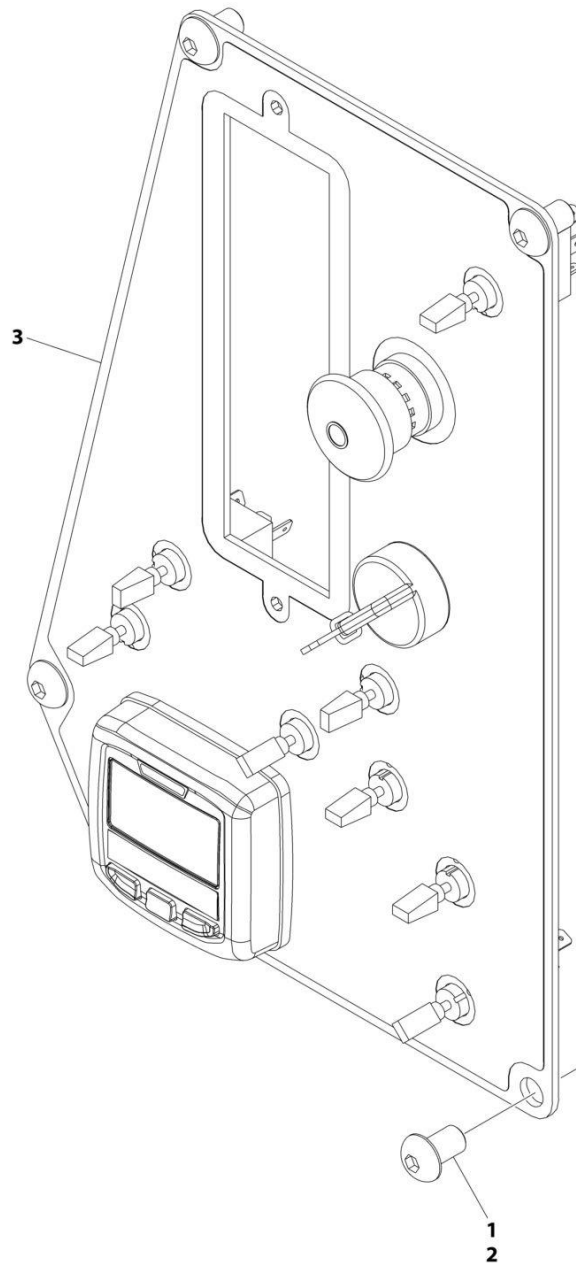
## SECTION 2 - TURNTABLE

**FIGURE 2-7. HYDRAULIC PUMP MOTOR ASSEMBLY**

ITEM	PART NUMBER	QTY	DESCRIPTION	REV
	3160252	Ref	MOTOR ASSEMBLY	C
1	7020291	1	Ring, Retaining	
2	7020292	1	Bearing (Shaft End)	
3	7020293	1	Endhead, Shaft	
4	7020294	1	Fan	
5	7020295	1	Armature Assembly	
6	7020296	1	Field Coil/Case Kit	
7	7012548	8	Spring, Brush	
8	7020297	8	Brush	
9	7020298	1	Box Assembly - Brush	
10	7020299	1	Lead Kit, Brush Wire	
11	7012545	1	Bearing (Commutator End)	
12	7012549	1	Washer	
13	7023200	1	Endhead, Commutator	
14	7023272	1	Headband Assembly	

## SECTION 2 - TURNTABLE

FIGURE 2-8. GROUND CONTROLS INSTALLATION - ALL SPECS EXCEPT CE & UK CA SPECS



ART\_1001247069\_B



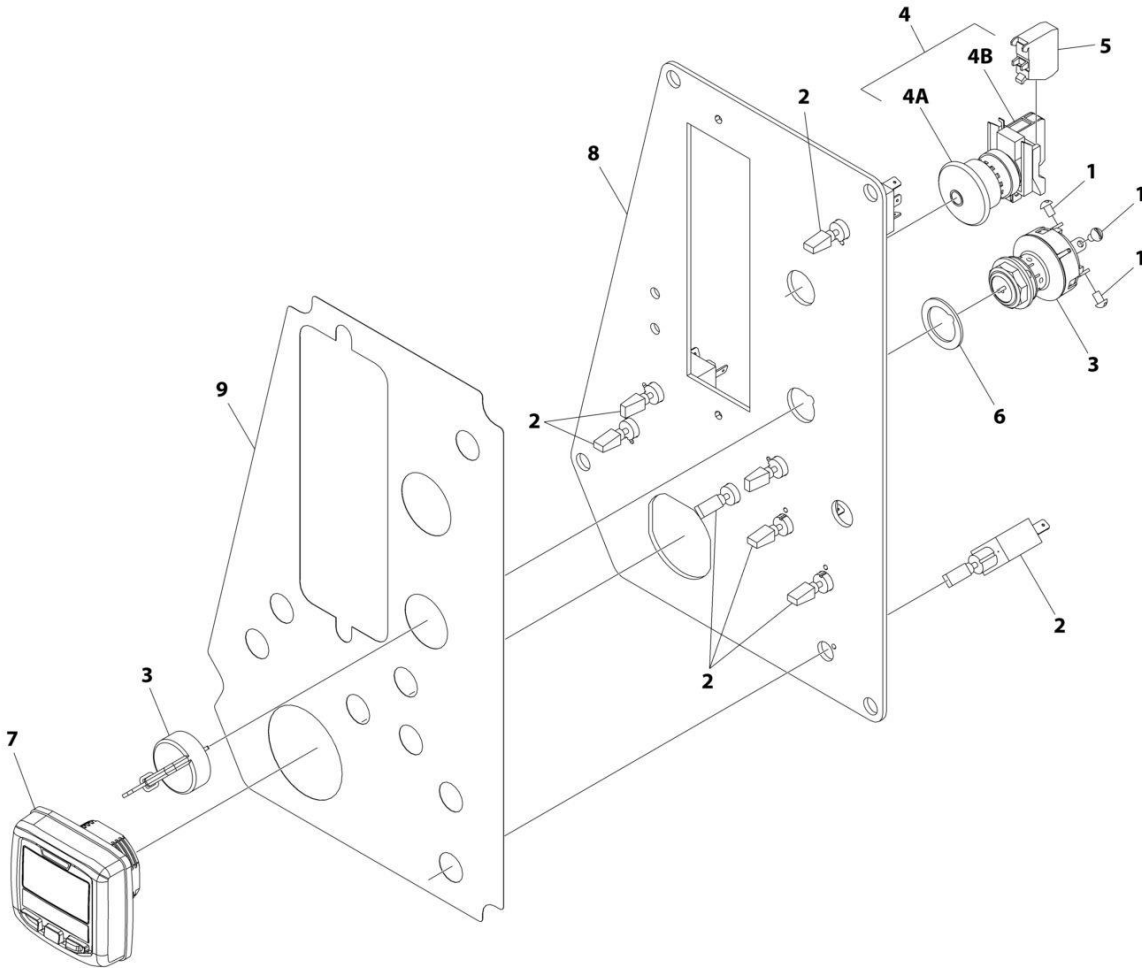
## SECTION 2 - TURNTABLE

**FIGURE 2-8. GROUND CONTROLS INSTALLATION - ALL SPECS EXCEPT CE & UK CA SPECS**

ITEM	PART NUMBER	QTY	DESCRIPTION	REV
	1001247069	Ref	GROUND CONTROL PANEL INSTALLATION	B
1	0100011	AR	Compound, Locking	
2	1001119527	4	Screw M10 x 16	
3	1001266046	1	Ground Control Assembly (See Separate Breakdown in this Section)	

# SECTION 2 - TURNTABLE

FIGURE 2-9. GROUND CONTROL BOX ASSEMBLY - DISPLAY WITH BUTTONS (ALL SPECS EXCEPT CE & UK CA SPECS)



ART\_1001266046

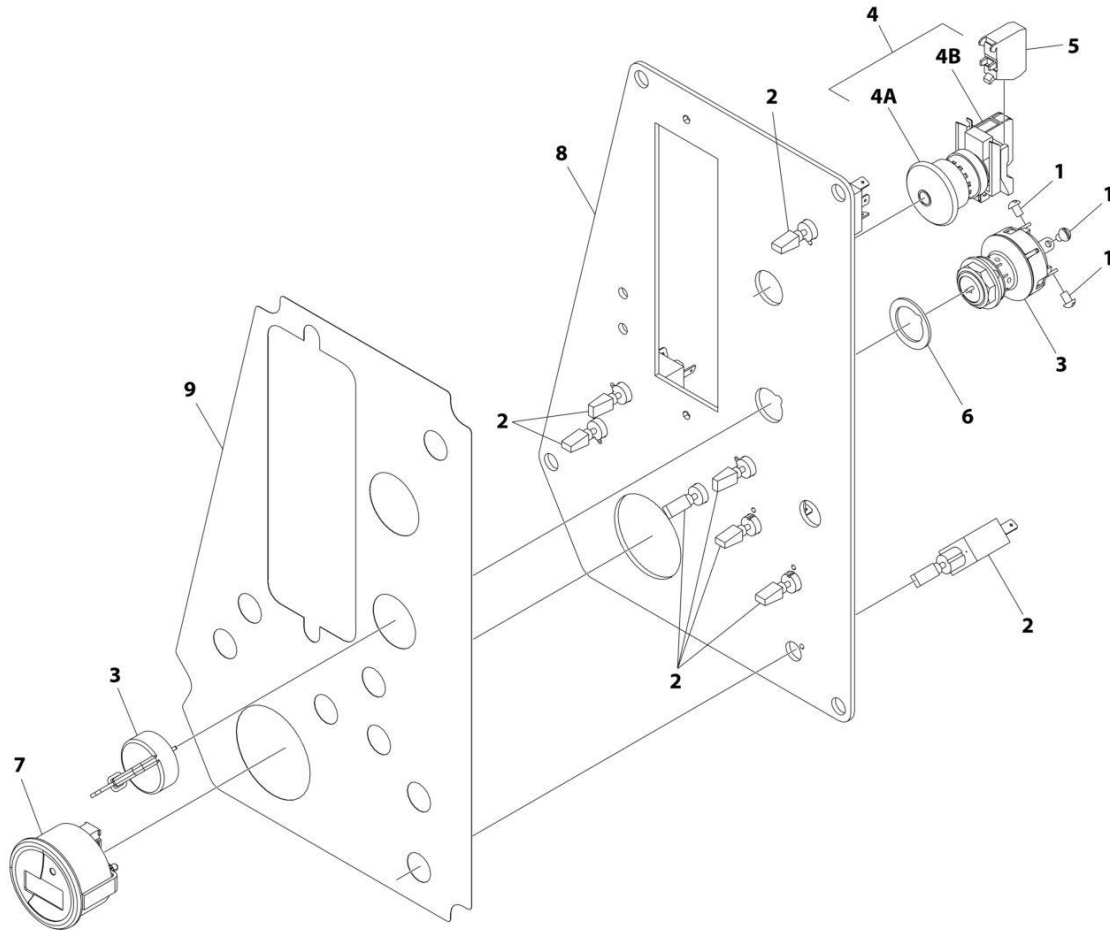
## SECTION 2 - TURNTABLE

**FIGURE 2-9. GROUND CONTROL BOX ASSEMBLY - DISPLAY WITH BUTTONS (ALL SPECS EXCEPT CE & UK CA SPECS)**

ITEM	PART NUMBER	QTY	DESCRIPTION	REV
	1001266046	Ref	GROUND CONTROL ASSEMBLY	A
1	3910804	6	Screw #8-32 x 1/4	
2	4360328	8	Switch, Toggle	
3	4360469	1	Switch, Key	
3	2860030	1	Key, Replacement	
4	4360475	1	Switch, Emergency Stop	
4A	7020175	1	Cap	
4B	7020176	1	Block, Switch Contact	
5	4360476	1	Block, Switch Contact	
6	1001151393	1	Shim	
7	1001171482	1	Display	
8	1001266040	1	Panel	
9	1001266041	1	Decal - Ground Control	

## SECTION 2 - TURNTABLE

FIGURE 2-10. GROUND CONTROL BOX ASSEMBLY - DISPLAY WITHOUT BUTTONS (ALL SPECS EXCEPT CE & UK CA SPECS)



ART\_1001266046\_B

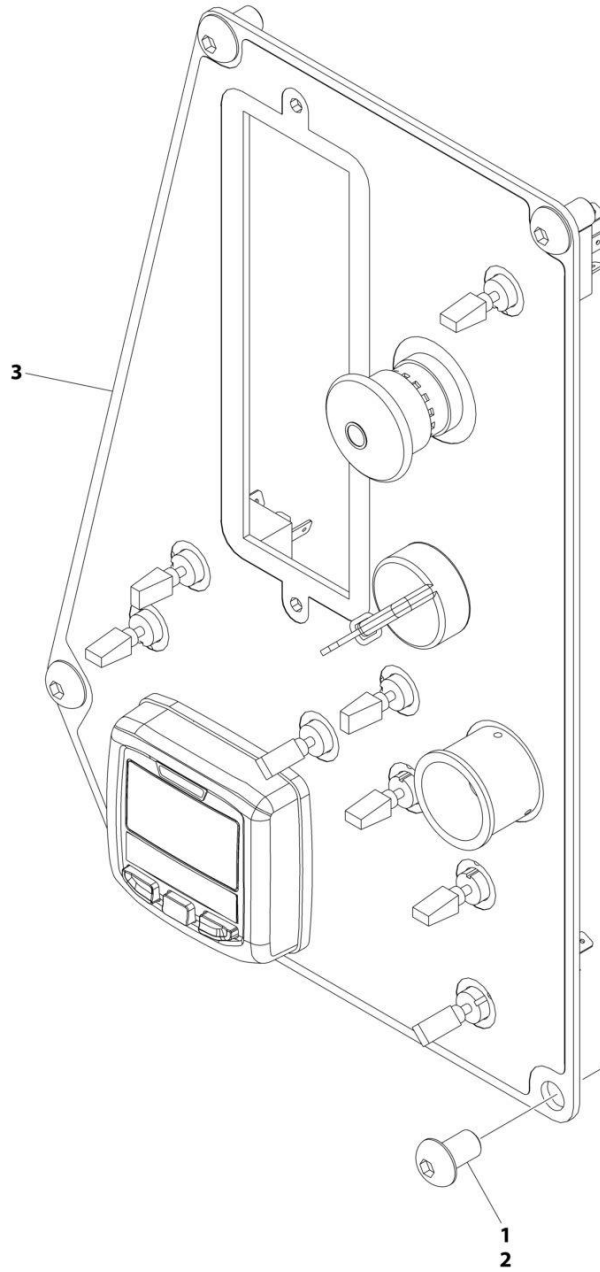
## SECTION 2 - TURNTABLE

**FIGURE 2-10. GROUND CONTROL BOX ASSEMBLY - DISPLAY WITHOUT BUTTONS (ALL SPECS EXCEPT CE & UK CA SPECS)**

ITEM	PART NUMBER	QTY	DESCRIPTION	REV
	1001266046	Ref	GROUND CONTROL ASSEMBLY	B
1	3910804	6	Screw #8-32 x 1/4	
2	4360328	8	Switch, Toggle	
3	4360469	1	Switch, Key	
3	2860030	1	Key, Replacement	
4	4360475	1	Switch, Emergency Stop	
4A	7020175	1	Cap	
4B	7020176	1	Block, Switch Contact	
5	4360476	1	Block, Switch Contact	
6	1001151393	1	Shim	
7	1001109503	1	Display	
8	1001280406	1	Panel	
9	1001266041	1	Decal - Ground Control	

# SECTION 2 - TURNTABLE

FIGURE 2-11. GROUND CONTROL INSTALLATION - CE & UK CA SPEC



ART\_1001247071\_B

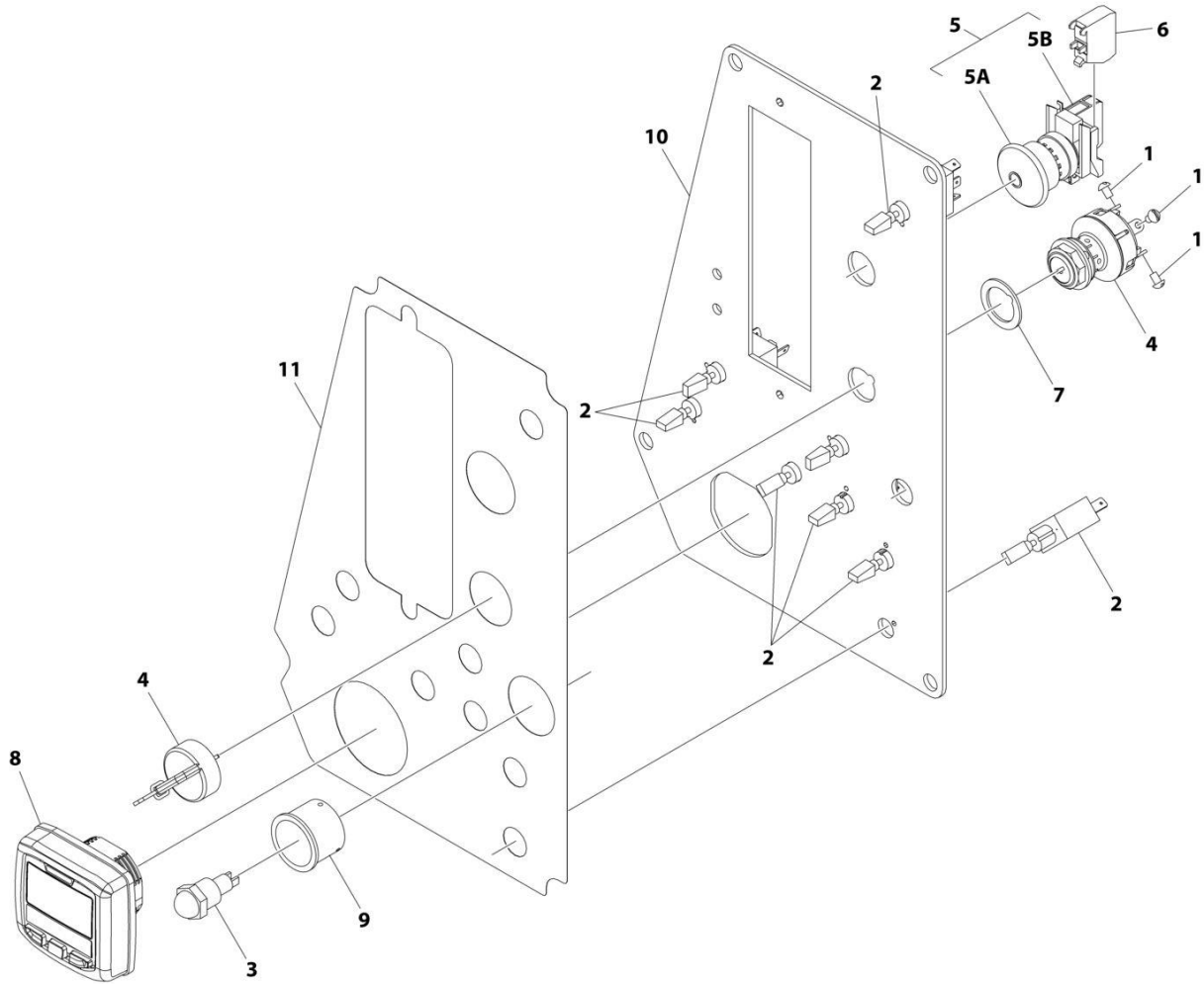
## SECTION 2 - TURNTABLE

FIGURE 2-11. GROUND CONTROL INSTALLATION - CE & UK CA SPEC

ITEM	PART NUMBER	QTY	DESCRIPTION	REV
1	1001247071 0100011	Ref AR	GROUND CONTROL PANEL INSTALLATION (MSSO) Compound, Locking	B
2	1001119527	4	Screw M10 x 16	
3	1001266047	1	Ground Control Assembly (See Separate Breakdown in this Section)	

# SECTION 2 - TURNTABLE

FIGURE 2-12. GROUND CONTROL BOX ASSEMBLY - DISPLAY WITH BUTTONS (CE & UK CA SPECS)



ART\_1001266047



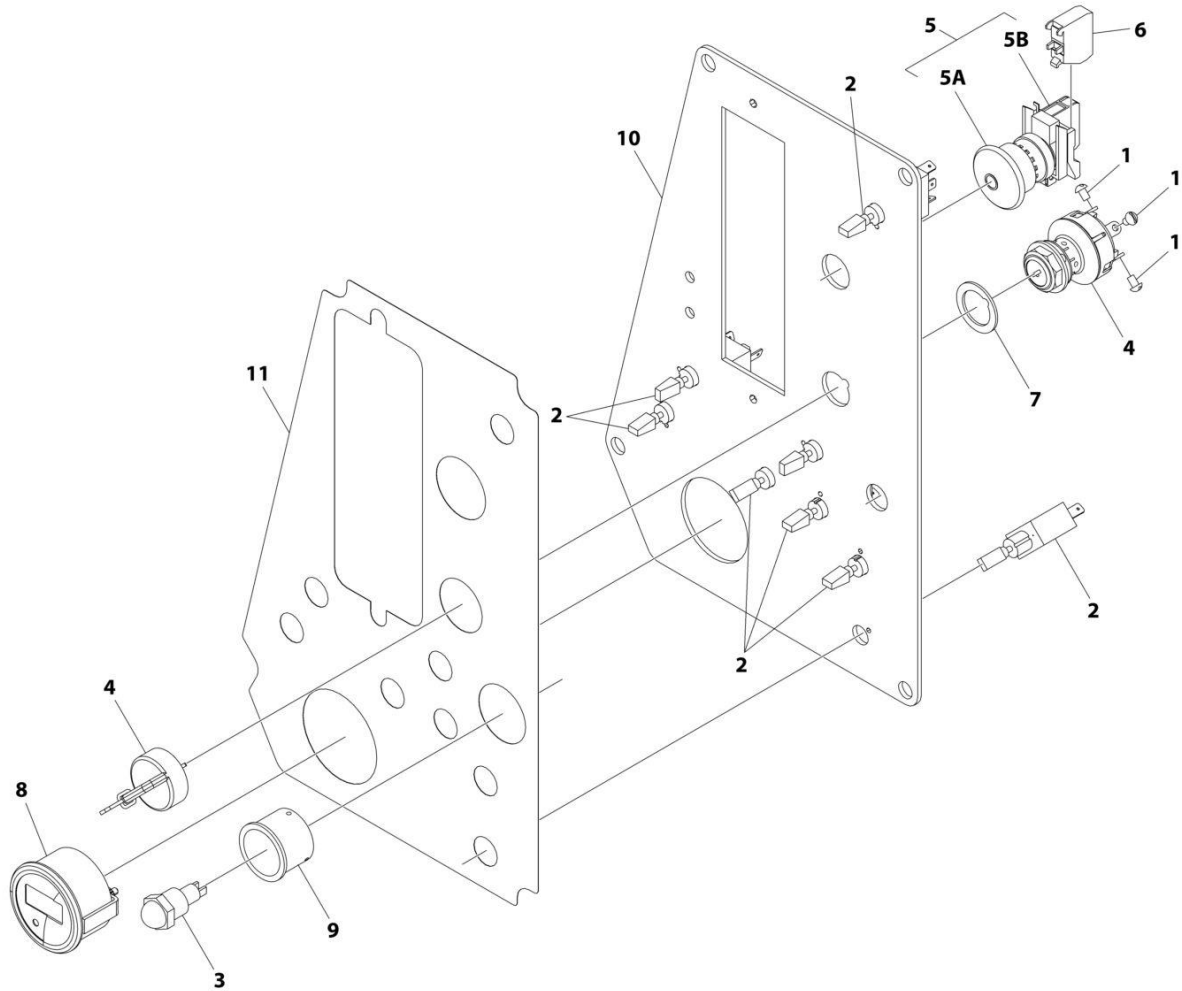
## SECTION 2 - TURNTABLE

**FIGURE 2-12. GROUND CONTROL BOX ASSEMBLY - DISPLAY WITH BUTTONS (CE & UK CA SPECS)**

ITEM	PART NUMBER	QTY	DESCRIPTION	REV
	1001266047	Ref	GROUND CONTROL ASSEMBLY	A
1	3910804	6	Screw #8-32 x 1/4	
2	4360328	8	Switch, Toggle	
3	4360387	1	Switch, Push Button	
4	4360469	1	Switch, Key	
4	2860030	1	Key, Replacement	
5	4360475	1	Switch, Emergency Stop	
5A	7020175	1	Cap	
5B	7020176	1	Block, Switch Contact	
6	4360476	1	Block, Switch Contact	
7	1001151393	1	Shim	
8	1001171482	1	Display	
9	1001176469	1	Shroud	
10	1001266040	1	Panel	
11	1001266043	1	Decal - Ground Control	

# SECTION 2 - TURNTABLE

FIGURE 2-13. GROUND CONTROL BOX ASSEMBLY - DISPLAY WITHOUT BUTTONS (CE & UK CA SPECS)



ART\_1001266047\_B

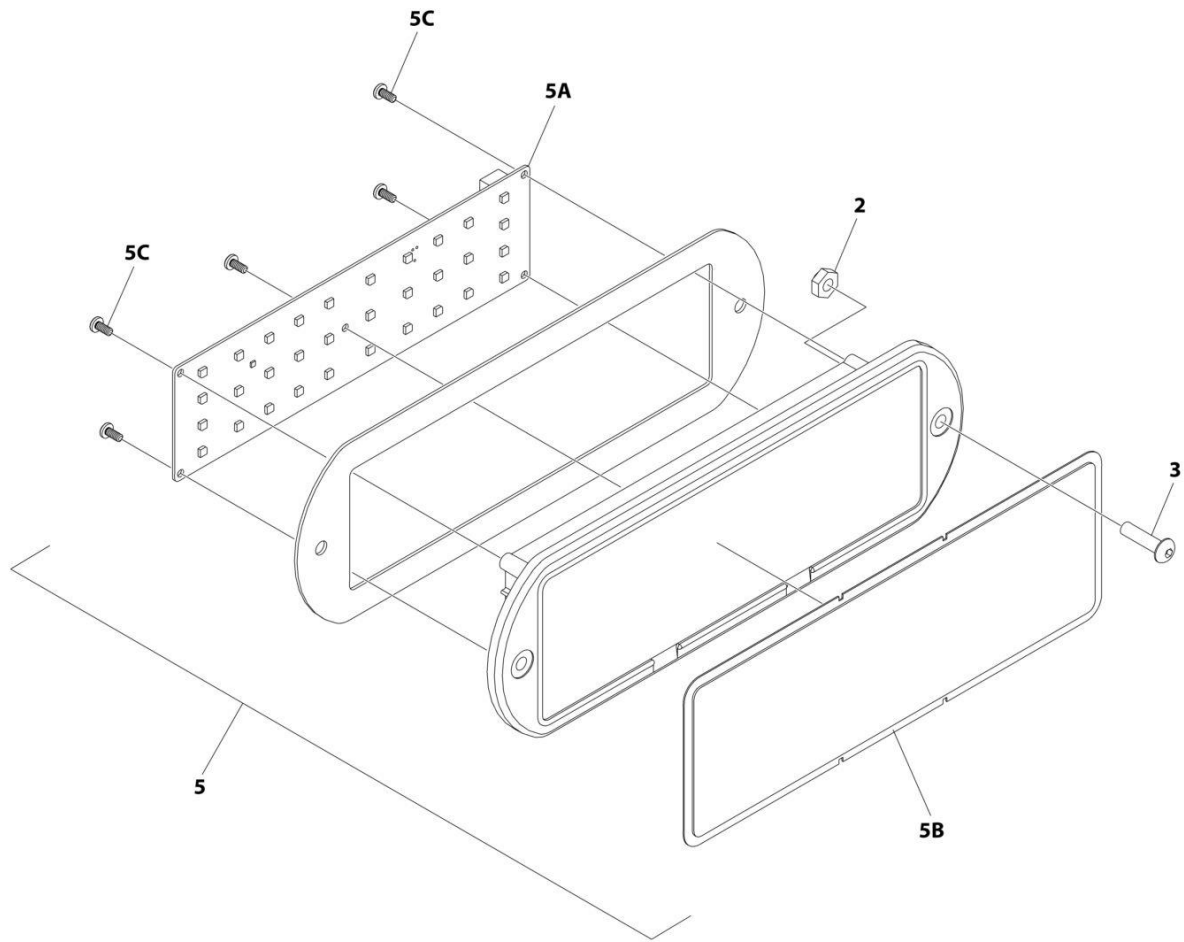
## SECTION 2 - TURNTABLE

**FIGURE 2-13. GROUND CONTROL BOX ASSEMBLY - DISPLAY WITHOUT BUTTONS (CE & UK CA SPECS)**

ITEM	PART NUMBER	QTY	DESCRIPTION	REV
	1001266047	Ref	GROUND CONTROL ASSEMBLY	B
1	3910804	6	Screw #8-32 x 1/4	
2	4360328	8	Switch, Toggle	
3	4360387	1	Switch, Push Button	
4	4360469	1	Switch, Key	
4	2860030	1	Key, Replacement	
5	4360475	1	Switch, Emergency Stop	
5A	7020175	1	Cap	
5B	7020176	1	Block, Switch Contact	
6	4360476	1	Block, Switch Contact	
7	1001151393	1	Shim	
8	1001109503	1	Display	
9	1001176469	1	Shroud	
10	1001280406	1	Panel	
11	1001266043	1	Decal - Ground Control	

# SECTION 2 - TURNTABLE

## FIGURE 2-14. LIGHT PANEL INSTALLATION



ART\_1001245178\_10F2

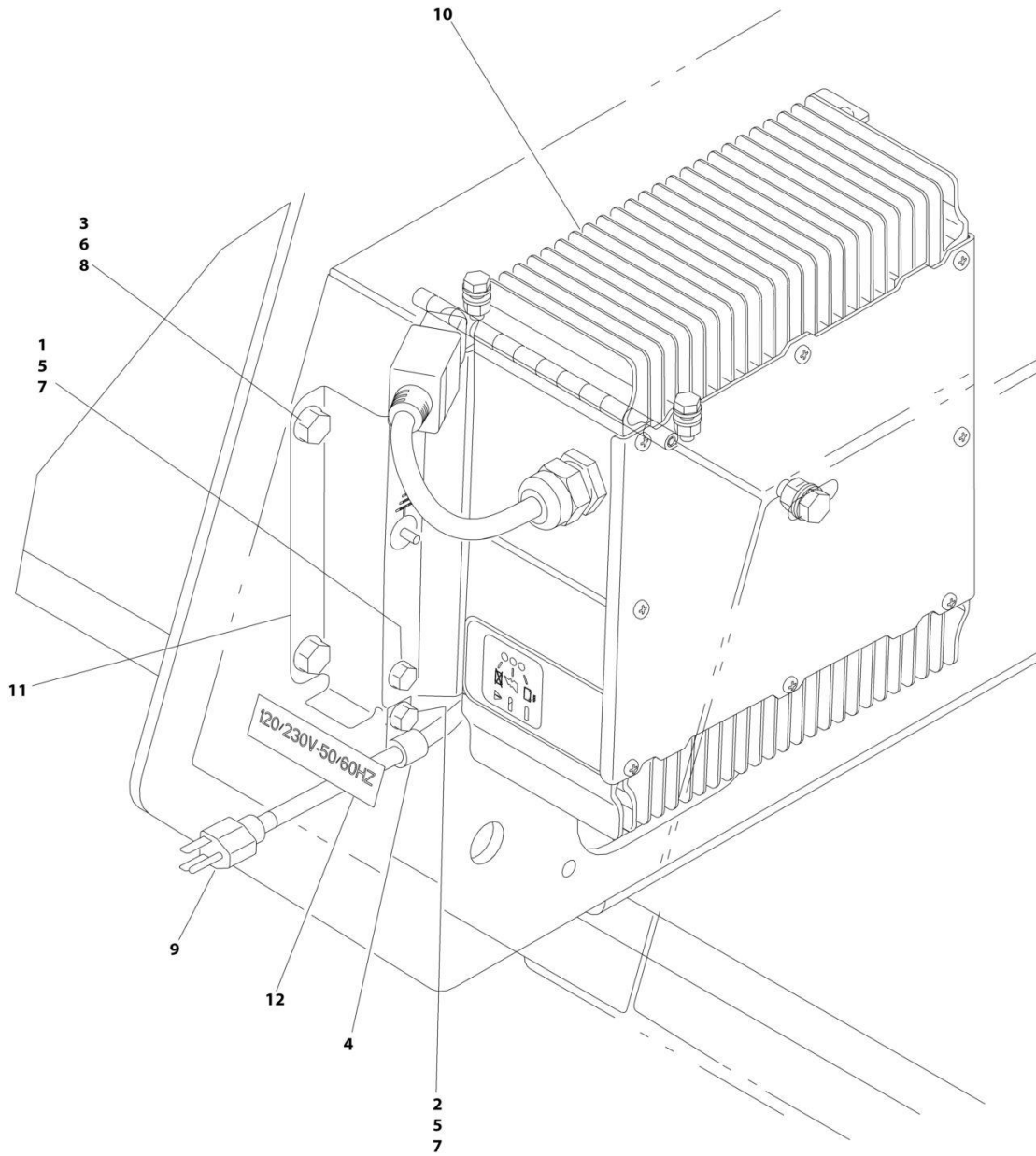
## SECTION 2 - TURNTABLE

### FIGURE 2-14. LIGHT PANEL INSTALLATION

ITEM	PART NUMBER	QTY	DESCRIPTION	REV
	1001245178	Ref	LIGHT PANEL INSTALLTION - GROUND CONTROL	B
2	3300408	2	Nut, Nylon Insert	
3	0630518	1	Screw #10 x 3/4	
5	1001245209	1	Light Panel Assembly	F
5A	1001238732	1	Panel, LED Light	
5B	1001245163	1	Lens, I-Con	
5C		Ref	Screw	

# SECTION 2 - TURNTABLE

## FIGURE 2-15. BATTERY CHARGER INSTALLATION - 110V PLUG



ART\_1001174019

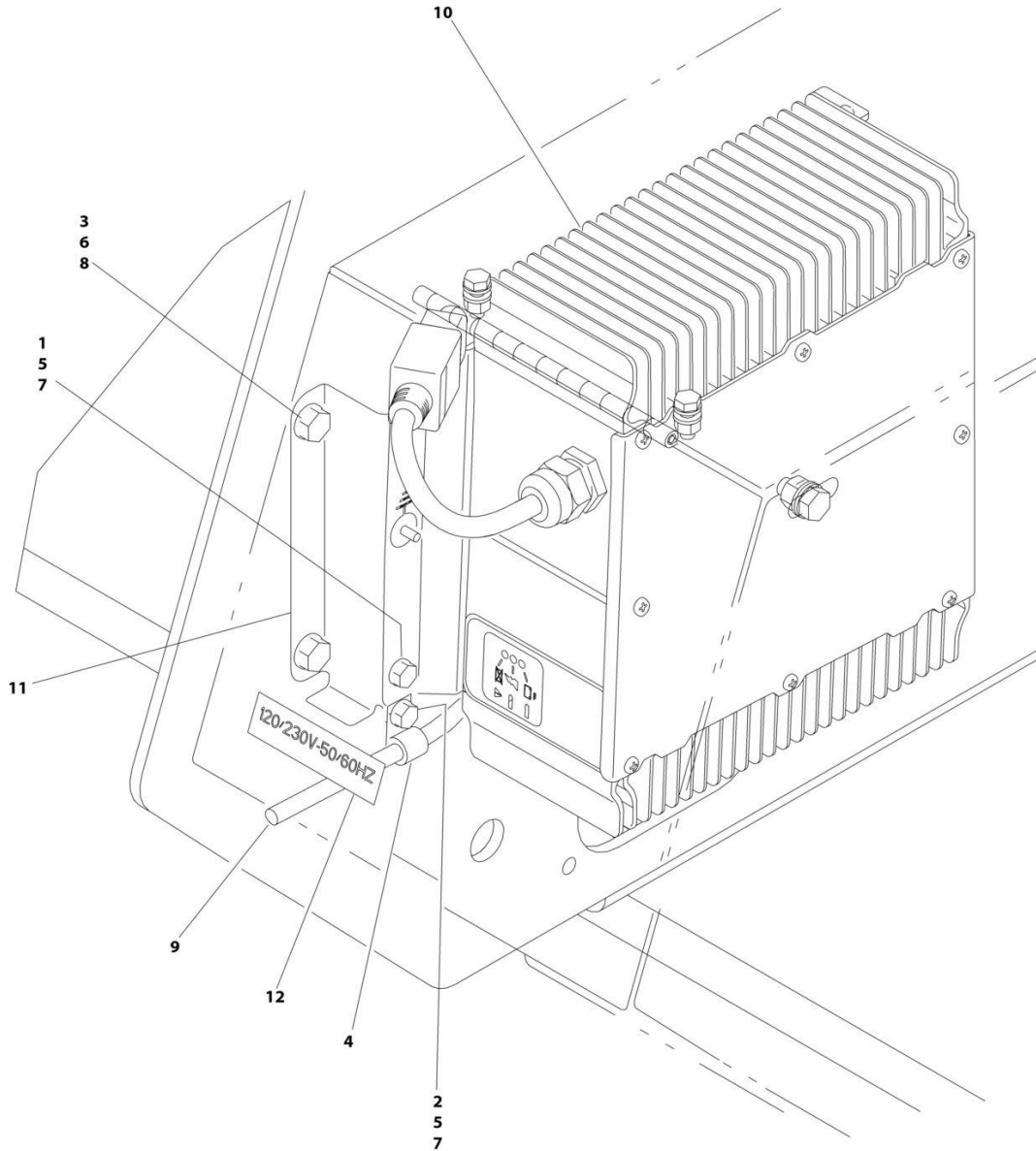
## SECTION 2 - TURNTABLE

**FIGURE 2-15. BATTERY CHARGER INSTALLATION - 110V PLUG**

ITEM	PART NUMBER	QTY	DESCRIPTION	REV
	1001174019	Ref	BATTERY CHARGER INSTALLATION - 110V PLUG	C
1	0760608	4	Bolt M6 x 16	
2	0760610	1	Bolt M6 x 20	
3	0760812	4	Bolt M8 x 25	
4	1321293	1	Clamp	
5	3290605	5	Nut M6	
6	3290805	4	Nut M8	
7	4811700	10	Washer M6	
8	4811900	8	Washer M8	
9	1001103257	1	Cable, AC Battery Charger Input	
10	1001197707	1	Battery Charger Assembly (See Separate Breakdown in this Section)	
11	1001169420	2	Plate	
12	1001186845	1	Decal - 120/230V - 50/60Hz	

# SECTION 2 - TURNTABLE

## FIGURE 2-16. BATTERY CHARGER INSTALLATION - LOCALLY SUPPLIED PLUG



ART\_1001174020



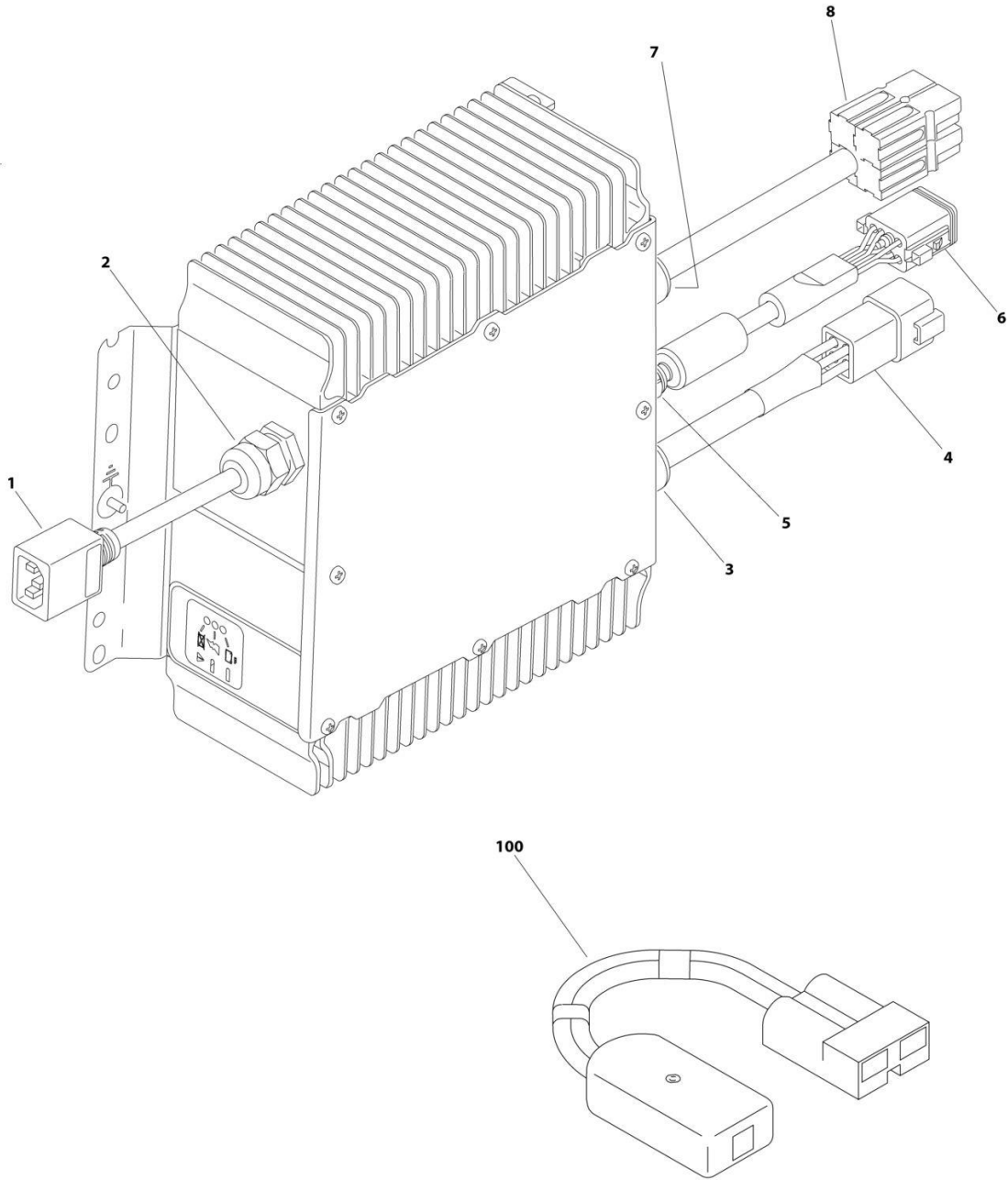
## SECTION 2 - TURNTABLE

**FIGURE 2-16. BATTERY CHARGER INSTALLATION - LOCALLY SUPPLIED PLUG**

ITEM	PART NUMBER	QTY	DESCRIPTION	REV
	1001174020	Ref	BATTERY CHARGER INSTALLATION - LOCALLY SUPPLIED PLUG	C
1	0760608	4	Bolt M6 x 16	
2	0760610	1	Bolt M6 x 20	
3	0760812	4	Bolt M8 x 25	
4	1321293	1	Clamp	
5	3290605	5	Nut M6	
6	3290805	4	Nut M8	
7	4811700	10	Washer M6	
8	4811900	8	Washer M8	
9	1001103258	1	Cable, AC Input Charger	
10	1001197707	1	Battery Charger Assembly (See Separate Breakdown in this Section)	
11	1001169420	2	Plate	
12	1001186845	1	Decal - 120/230V - 50/60Hz	

# SECTION 2 - TURNTABLE

## FIGURE 2-17. BATTERY CHARGER ASSEMBLY



ART\_1001197707

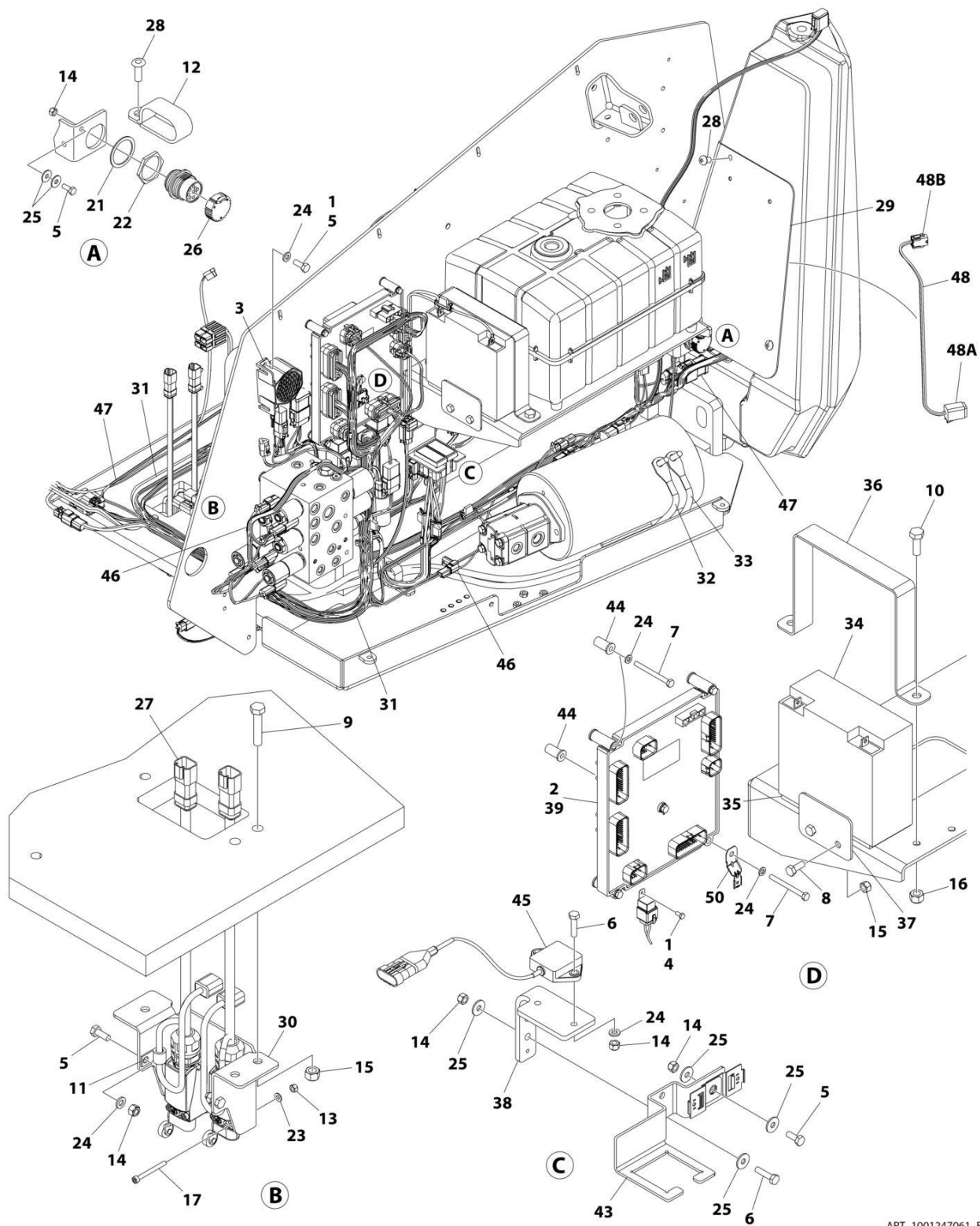
## SECTION 2 - TURNTABLE

**FIGURE 2-17. BATTERY CHARGER ASSEMBLY**

ITEM	PART NUMBER	QTY	DESCRIPTION	REV
	1001197707	Ref	BATTERY CHARGER ASSEMBLY	C
1	See Note	1	Harness with Connector (Note: Not Available for Purchase)	
2	See Note	1	Connector, Strain Relief (Note: Not Available for Purchase)	
3	See Note	1	Connector, Strain Relief (Note: Not Available for Purchase)	
4	1001116811	1	Receptacle, Female - 4 Position	
5	See Note	1	Connector, Strain Relief (Note: Not Available for Purchase)	
6	4460930	1	Plug, Male - 8 Position	
7	See Note	1	Connector, Strain Relief (Note: Not Available for Purchase)	
8	See Note	1	Connector - 4 Position	
100	2915230	1	BATTERY CHARGER REPROGRAM CONTROLLER KIT (Includes Controller, Software and Instructions)	

# SECTION 2 - TURNTABLE

## FIGURE 2-18. ELECTRICAL COMPONENTS INSTALLATION



ART\_1001247061\_E

## SECTION 2 - TURNTABLE

### FIGURE 2-18. ELECTRICAL COMPONENTS INSTALLATION

ITEM	PART NUMBER	QTY	DESCRIPTION	REV
	1001247061	Ref	ELECTRICAL COMPONENTS INSTALLATION	E
1	0100011	AR	Compound, Locking	
2	0100048	AR	Grease, Terminal	
3	0140043	1	Alarm	
4	0760505	3	Bolt M5 x 10	
5	0760608	6	Bolt M6 x 16	
6	0760612	4	Bolt M6 x 25	
7	0760621	5	Bolt M6 x 65	
8	0760810	2	Bolt M8 x 20	
9	0760816	3	Bolt M8 x 40	
10	0761014	2	Bolt M10 x 30	
11	1321293	2	Clamp	
12	1321716	AR	Clamp	
13	3290405	4	Nut M4	
14	3290605	8	Nut M6	
15	3290805	5	Nut M8	
16	3291005	2	Nut M10	
17	4031512	4	Capscrew M4 x 40	
18	4240018	AR	Tie-Strap (Not Shown)	
19	4240032	AR	Tie-Strap (Not Shown)	
20	4460234	AR	Mount, Tie-Strap (Not Shown)	
21	4460496	1	Washer	
22	4460497	1	Nut	
23	4811400	4	Washer M4	
24	4811700	11	Washer M6	
25	4811702	7	Washer M6	
26	1001106736	1	Cap, Dust	
27	1001119176	2	Switch, Limit	
27	4460464	4	Pin, Male	
27	1001119170	1	Switch, Limit (Roller)	
27	1001129407	1	Receptacle, Female - 4 Position	
28	1001119527	3	Screw M10 x 12	
29	1001125291	1	Shield	
30	1001141710	1	Plate	
31	1001165923	1	Turntable Harness Assembly (See Separate Breakdown in ELECTRICAL Section)	
32	1001168662	1	Cable, Pump Motor (+)	
33	1001168663	1	Cable, Pump Motor (-)	
34	1001172394	1	Battery	
35	1001172395	1	Insulation	
36	1001172396	1	Strap, Battery	
37	1001172541	1	Bracket	
38	1001180464	1	Plate, Mounting	
39	1001284340	1	Module, UGM	
40	1001197941	1	Ferrite (Not Shown - Located on Items 37 & 38)	
41	1001197942	1	Ferrite (Not Shown - Located on Item 34)	
42	1001197943	1	Ferrite (Not Shown - Located on Item 36)	
43	1001201939	1	Bracket	
44	1001203719	5	Nut M6	
45	1001219601	1	Sensor	

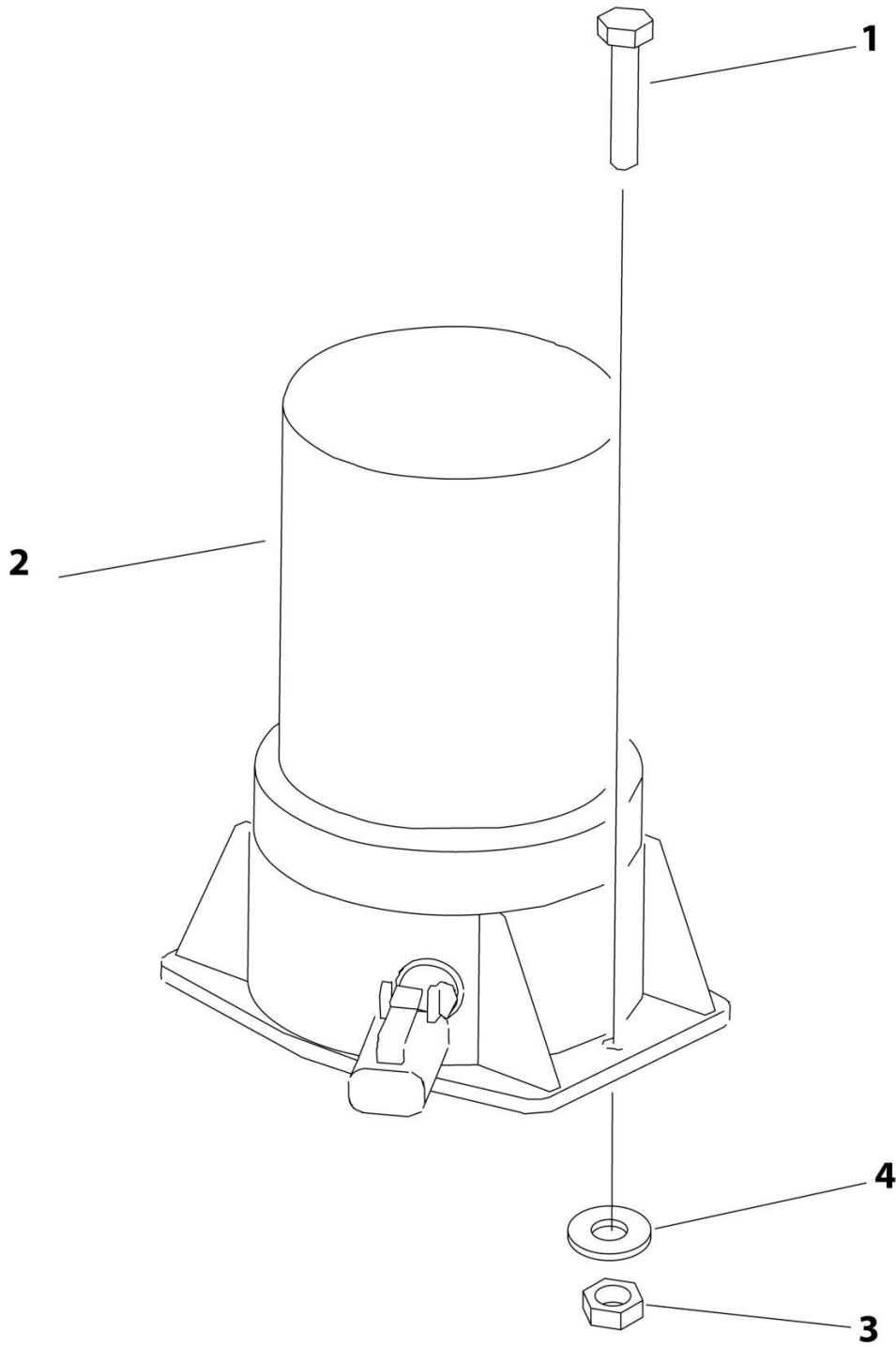
## SECTION 2 - TURNTABLE

ITEM	PART NUMBER	QTY	DESCRIPTION	REV
46	1001283534	1	Valve Harness Assembly (See Separate Breakdown in ELECTRICAL Section)	
47	1001283533	1	Ground Control Harness (See Separate Breakdown in ELECTRICAL Section)	
48	1001266066	1	Harness, Display (For Display with Buttons only)	
48A	4460894	1	Connector	
48A	4460465	4	Socket	
48A	4460466	2	Plug	
48B	1001132049	1	Connector	
48B	1001132050	4	Pin	
50	1001155743	1	Mount, Connector	



# SECTION 2 - TURNTABLE

FIGURE 2-19. BEACON LIGHT INSTALLATION - AMBER (OPTIONAL)



ART\_1001172773



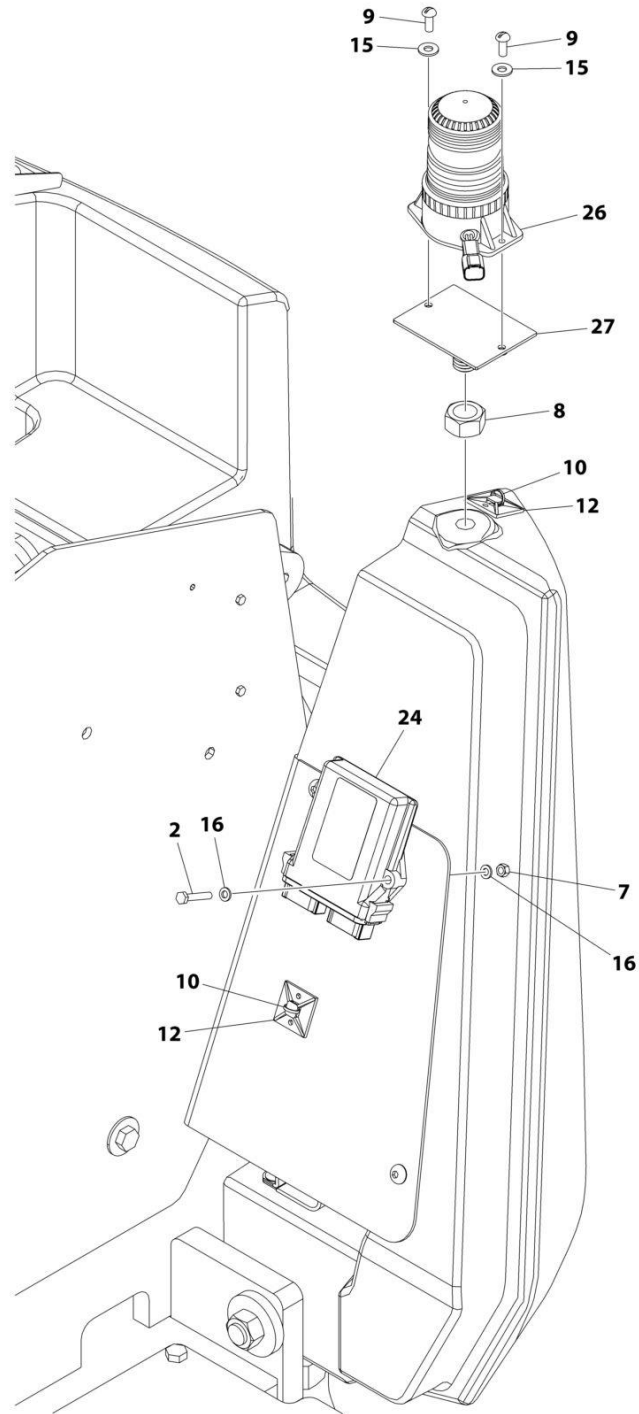
## SECTION 2 - TURNTABLE

**FIGURE 2-19. BEACON LIGHT INSTALLATION - AMBER (OPTIONAL)**

ITEM	PART NUMBER	QTY	DESCRIPTION	REV
	1001172773	Ref	STROBE LIGHT INSTALLATION - AMBER (OPTIONAL)	C
1	4031509	2	Bolt M4 X 25	
2	1001270594	1	Strobe Light Assembly	
2	7016319	1	Bulb	
2	7016372	1	Lens	
2	4460891	1	Plug, Male - 2 Position	
2	4460465	1	Socket, Female	
3	3290405	2	Nut M4	
4	4811400	4	Washer M4	
5	3292001	1	Nut M20	
6	1001283776	1	Strobe Light Harness Jumper	
7	1001286584	1	CSB Mount	

# SECTION 2 - TURNTABLE

## FIGURE 2-20. BEACON LIGHT INSTALLATION - BLUE



ART\_1001242849

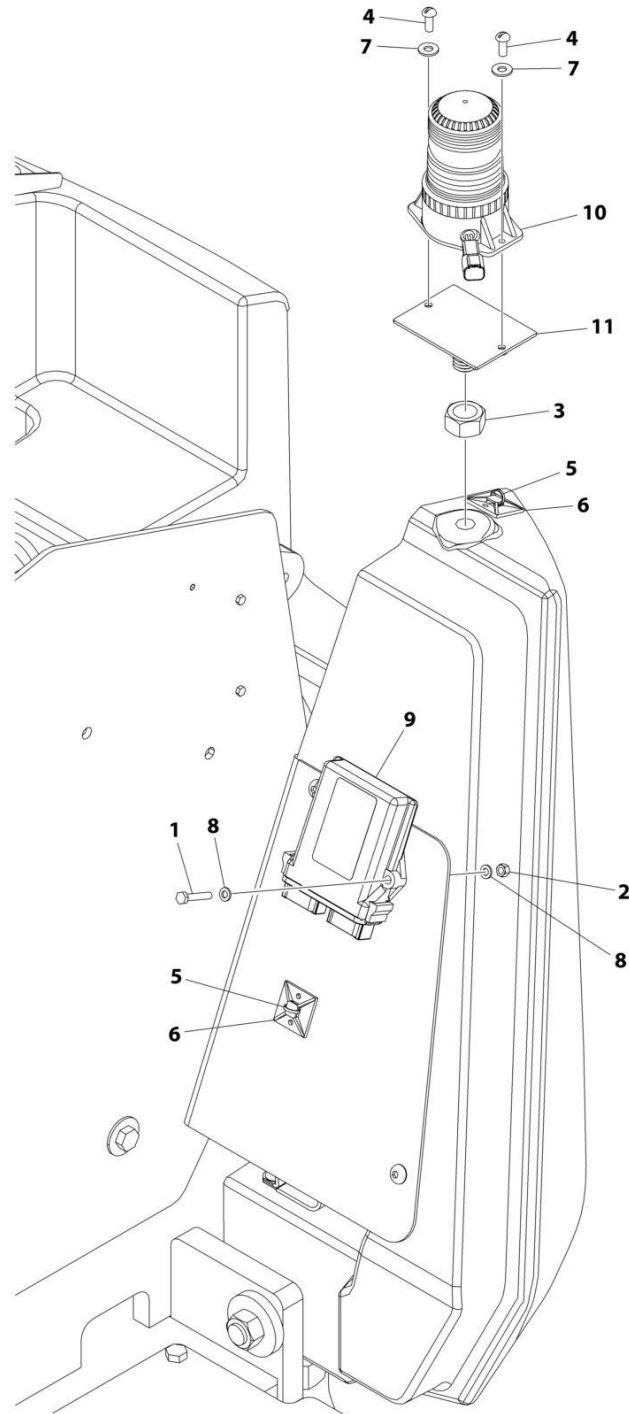
## SECTION 2 - TURNTABLE

**FIGURE 2-20. BEACON LIGHT INSTALLATION - BLUE**

ITEM	PART NUMBER	QTY	DESCRIPTION	REV
	1001242849	Ref	BEACON LIGHT INSTALLATION - BLUE	D
2	0700615	2	Bolt M6 x 35	
7	3290607	2	Nut M6	
9	4031509	2	Bolt M4 x 25	
10	4240032	2	Tie-Strap	
12	4460488	2	Base, Mounting	
15	4811400	4	Washer M4	
16	4811700	4	Washer M6	
24	1001142683	1	Module, Beacon Control	
26	1001272681	1	Light, Strobe	
26	7028909	1	Connector - 2 Position	
26	4460943	2	Pin, Male	
28	1001142736	1	Strobe Light Control Harness (Not Shown - See Separate Breakdown in ELECTRICAL Section)	
29	3290405	1	Nut M4	
30	1001285733	1	Alert Beacon Jumper Harness	
31	2540020	1	Grommet	

# SECTION 2 - TURNTABLE

## FIGURE 2-21. BEACON LIGHT INSTALLATION - RED



ART\_1001242850

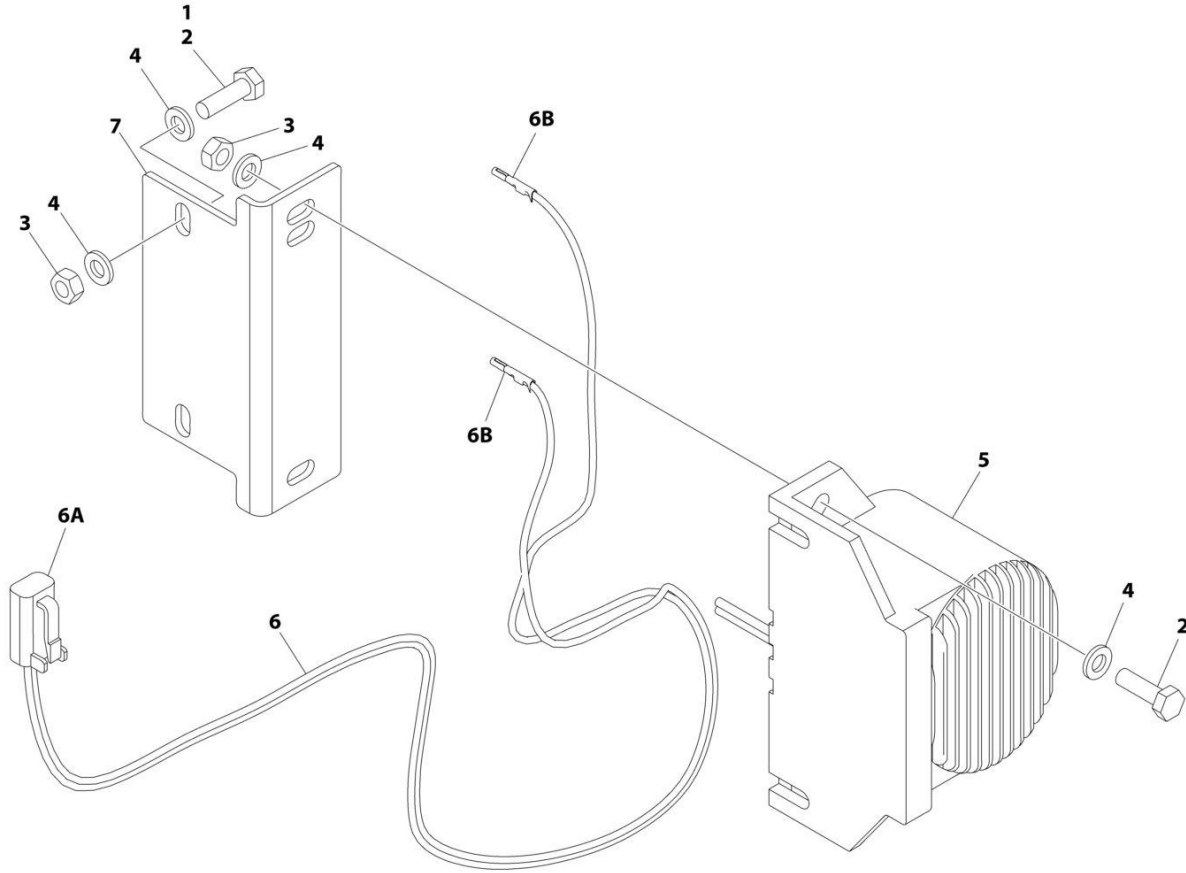
## SECTION 2 - TURNTABLE

**FIGURE 2-21. BEACON LIGHT INSTALLATION - RED**

ITEM	PART NUMBER	QTY	DESCRIPTION	REV
	1001242850	Ref	BEACON LIGHT INSTALLATION - RED	B
1	0700615	2	Bolt M6 x 35	
2	3290607	2	Nut M6	
13	3290405	2	Nut M4	
4	4031509	1	Screw #10 x 1/2	
5	4240032	2	Tie-Strap	
6	4460488	2	Base, Mounting	
7	4811400	2	Washer #10	
8	4811700	4	Washer M6	
9	1001142683	1	Module, Beacon Control	
10	1001272682	1	Light, Strobe	
10	7028909	1	Connector - 2 Position	
10	4460943	2	Pin, Male	
12	1001142736	1	Strobe Light Control Harness (Not Shown - See Separate Breakdown in ELECTRICAL Section)	
14	1001285733	1	Beacon Jumper Harness	
15	2540020	1	Grommet	

# SECTION 2 - TURNTABLE

## FIGURE 2-22. WHITE NOISE ALARM INSTALLATION (AMBIENT)



ART\_1001206737

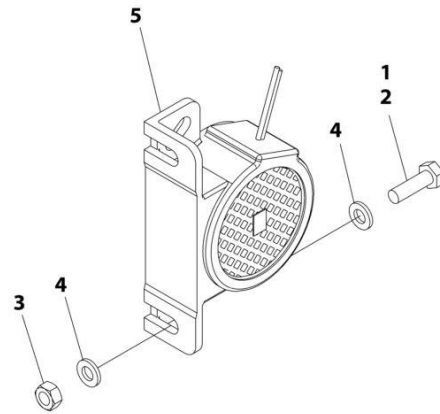
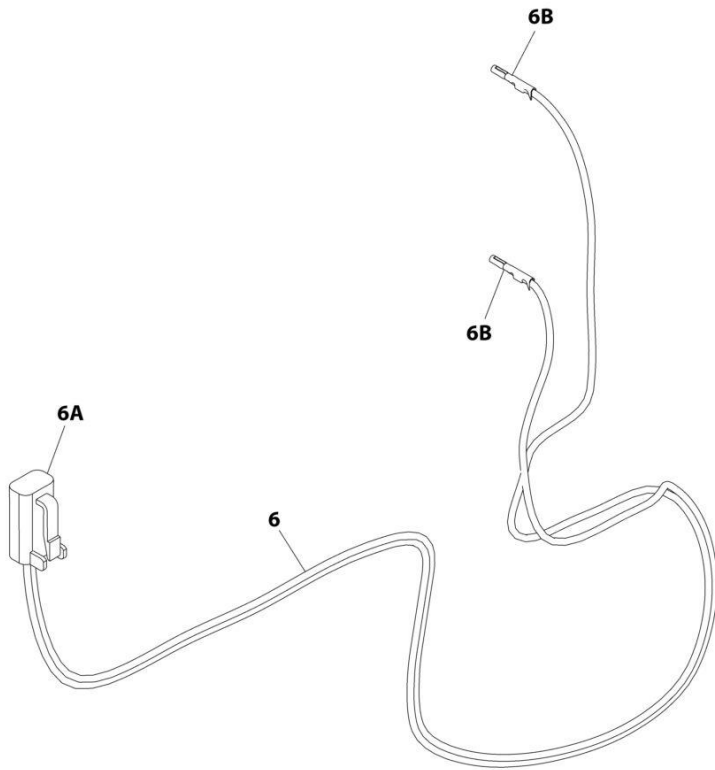
## SECTION 2 - TURNTABLE

### FIGURE 2-22. WHITE NOISE ALARM INSTALLATION (AMBIENT)

ITEM	PART NUMBER	QTY	DESCRIPTION	REV
	1001206737	Ref	WHITE NOISE ALARM INSTALLATION	C
1	0100011	AR	Compound, Locking	
2	0760610	4	Bolt M6 x 20	
3	3290601	4	Nut M6	
4	4811700	8	Washer M6	
5	1001182806	1	Alarm	
6	1001190663	1	White Noise Motion Alarm Harness	
6A	4460891	1	Plug, Male - 2 Position	
6A	4460465	1	Socket, Female	
6B	4460871	2	Socket, Female	
7	1001231886	1	Plate	

# SECTION 2 - TURNTABLE

FIGURE 2-23. WHITE NOISE ALARM INSTALLATION (CONSTANT)



ART\_1001263178



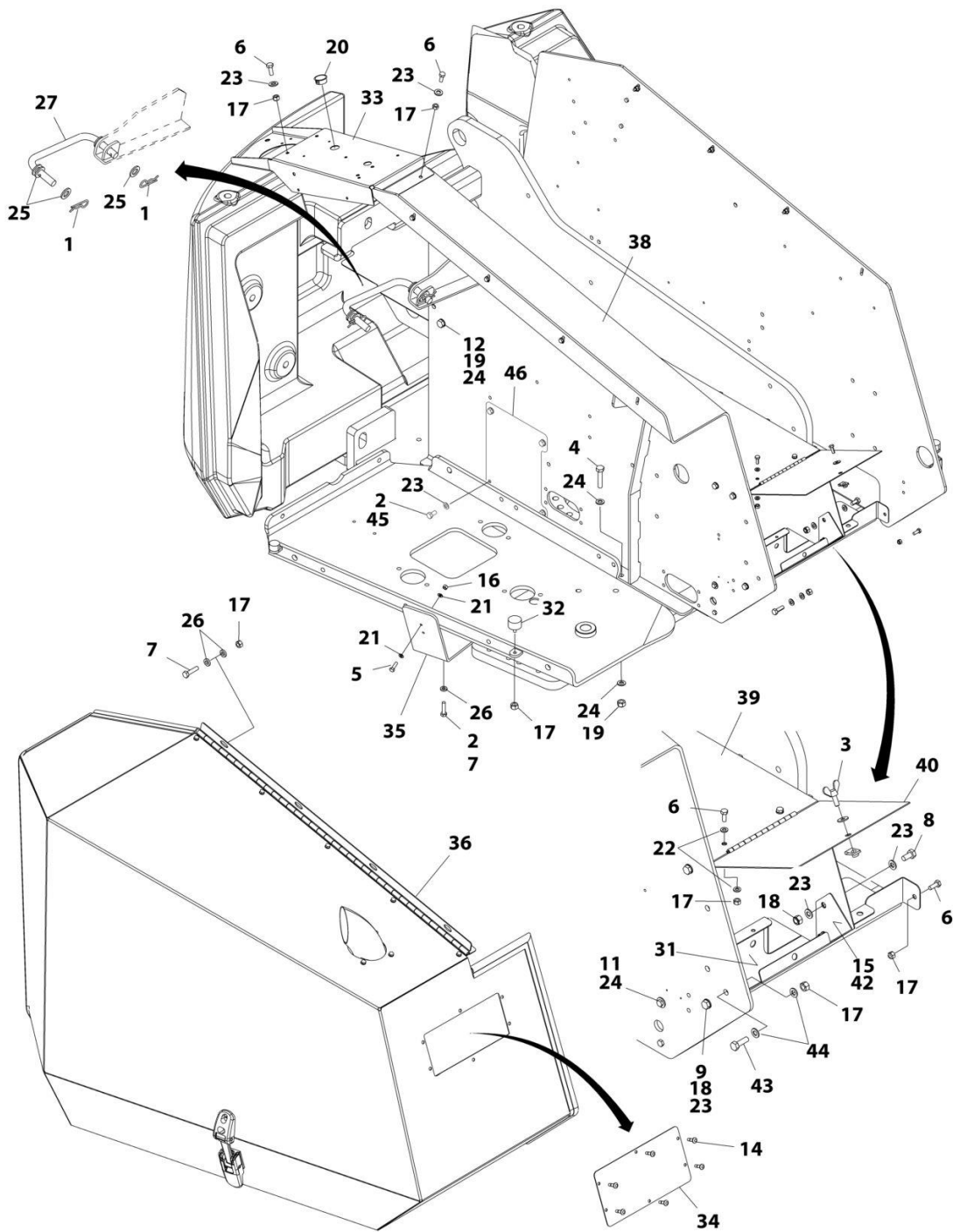
## SECTION 2 - TURNTABLE

### FIGURE 2-23. WHITE NOISE ALARM INSTALLATION (CONSTANT)

ITEM	PART NUMBER	QTY	DESCRIPTION	REV
	1001263178	Ref	WHITE NOISE ALARM INSTALLATION (CONSTANT)	A
1	0100011	AR	Compound, Locking	
2	0760610	2	Bolt M6 x 20	
3	3290601	2	Nut M6	
4	4811700	4	Washer M6	
5	1001184682	1	Alarm	
6	1001190663	1	White Noise Motion Alarm Harness	
6A	4460891	1	Plug, Male - 2 Position	
6A	4460465	1	Socket, Female	
6B	4460871	2	Socket, Female	

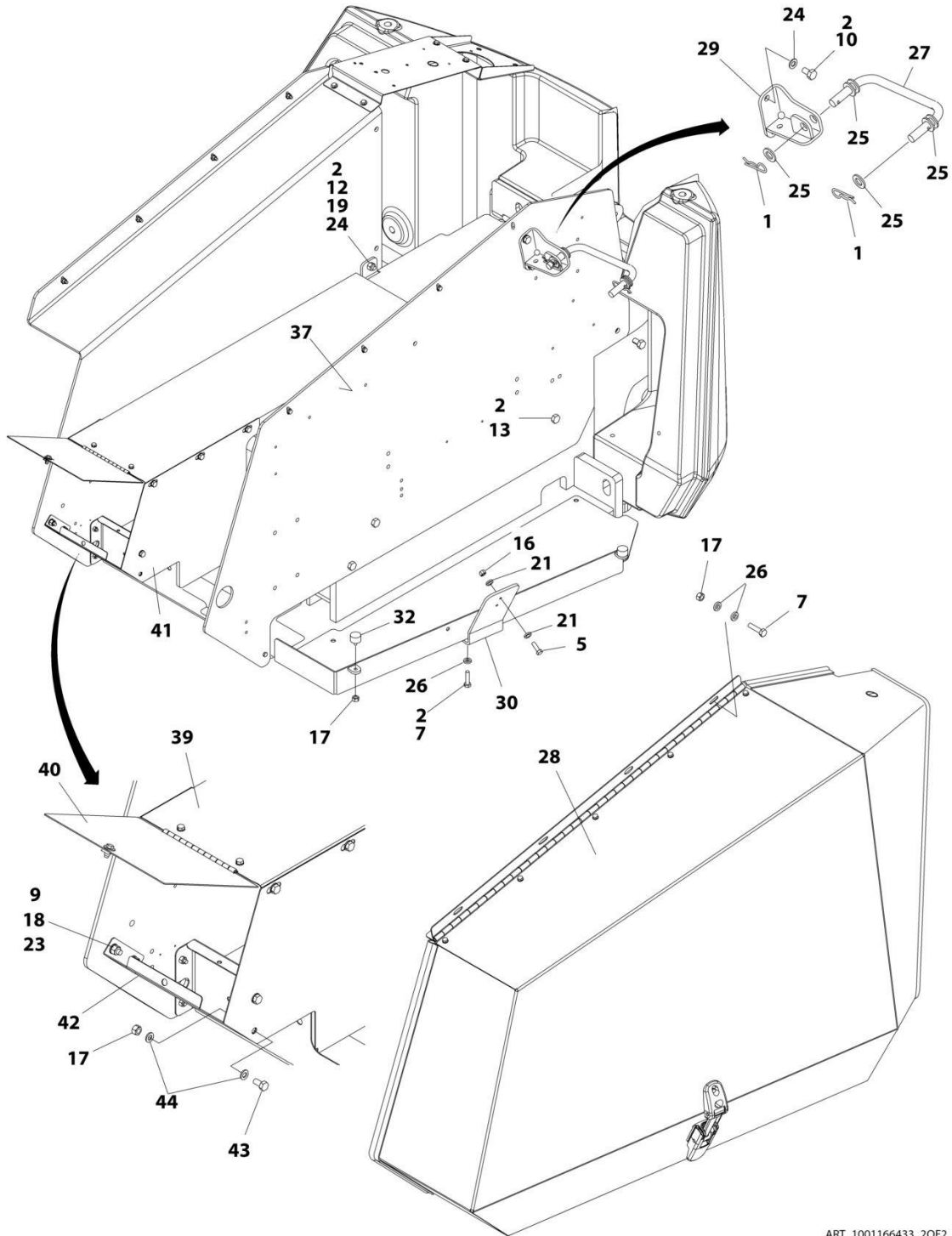
# SECTION 2 - TURNTABLE

## FIGURE 2-24. HOODS INSTALLATION



ART\_1001166433\_10F2

# SECTION 2 - TURNTABLE



ART\_1001166433\_20F2

## SECTION 2 - TURNTABLE

FIGURE 2-24. HOODS INSTALLATION

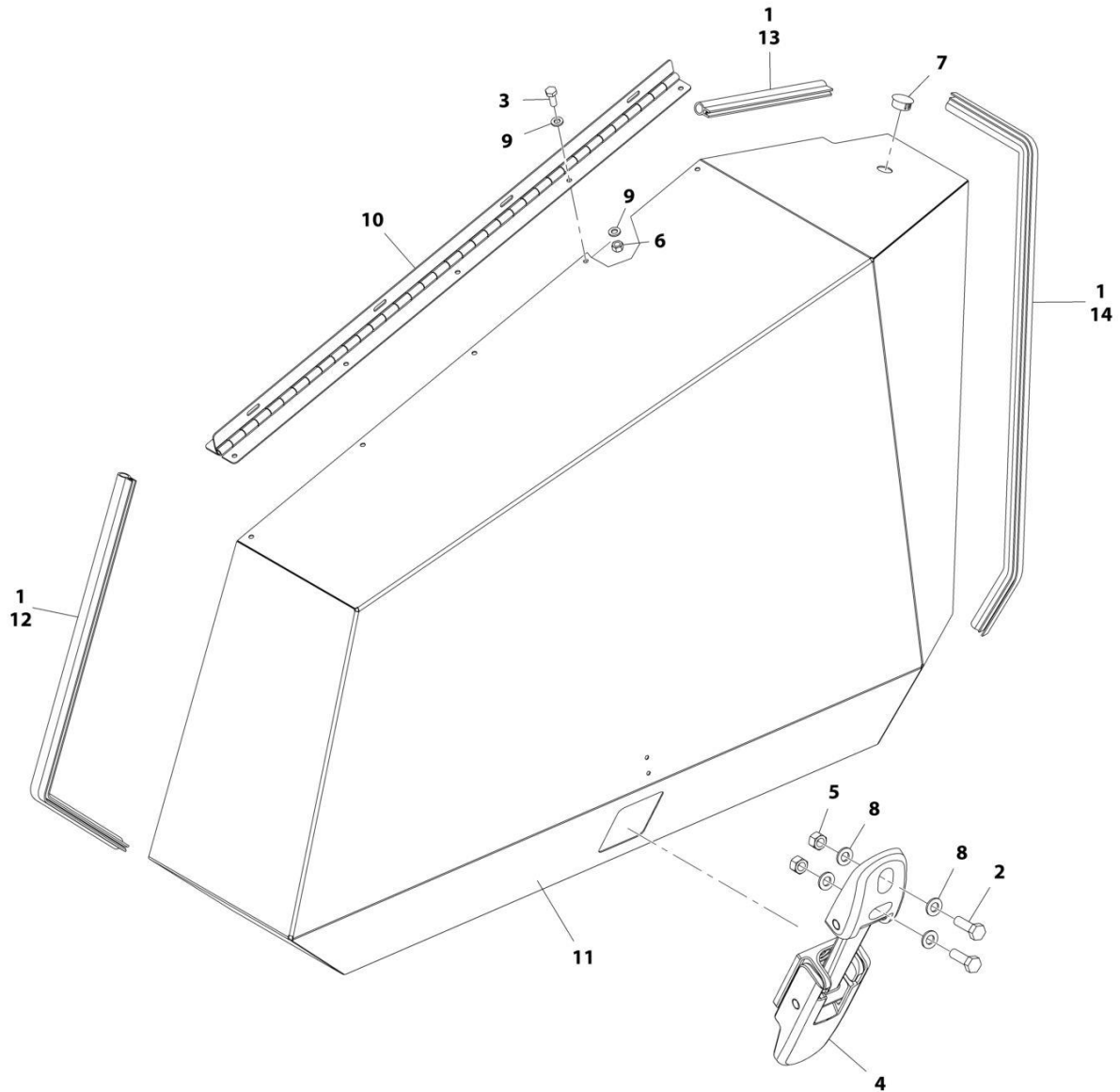
ITEM	PART NUMBER	QTY	DESCRIPTION	REV
	1001166433	Ref	HOODS INSTALLATION	I
1	80325	4	Hairpin	
2	0100011	AR	Compound, Locking	
3	0641506	1	Bolt 5/16-18 x 3/4	
3	0700608	1	Bolt M6 x 16	
3	1001204948	1	Wing-Bolt M6	
4	0701019	2	Bolt M10 x 55	
5	0760508	4	Bolt M5 x 16	
6	0760608	8	Bolt M6 x 16	
7	0760612	14	Bolt M6 x 25	
8	0760808	5	Bolt M8 x 16	
9	0760812	4	Bolt M8 x 25	
10	0761009	2	Bolt M10 x 18	
11	0761011	3	Bolt M10 x 22	
12	0761014	1	Bolt M10 x 30	
13	0761210	4	Bolt M12 x 20	
14	2080040	6	Huck, Fastener	
15	2080050	1	Rivnut	
15	1001130220	1	Nut, Tinnerman	
16	3290505	4	Nut M5	
17	3290605	21	Nut M6	
18	3290805	9	Nut M8	
19	3291005	3	Nut M10	
20	3520030	1	Plug	
21	4811600	8	Washer M5	
22	4811700	4	Washer M6	
23	4811900	26	Washer M8	
24	4812000	10	Washer M10	
25	4812300	8	Washer M16	
26	5240600	22	Washer M6	
27	1001117282	2	Rod, Prop	
28	1001118361	1	Hood Assembly - Tank Side (See Separate Breakdown in this Section)	
29	1001119080	1	Bracket	
30	1001119083	1	Mount, Latch	
31	1001119085	1	Tray	
32	1001119092	4	Bumper	
33	1001286749	1	Panel, Filler	
34	1001137451	1	Panel	
35	1001146824	1	Mount, Latch	
36	1001147441	1	Hood Assembly - Engine Side (See Separate Breakdown in this Section)	
37	1001161537	1	Plate, Hood	
38	1001168234	1	Mount	
39	1001169415	1	Plate, Cover	
40	1001169417	1	Plate, Cover	
41	1001169418	1	Plate, Cover	
42	1001169419	1	Plate, Cover	
43	0760610	1	Bolt M6 x 20	
44	4811702	2	Washer M6	

## SECTION 2 - TURNTABLE

ITEM	PART NUMBER	QTY	DESCRIPTION	REV
45	0700808	4	Bolt M8 x 16	
46	1001207961	1	Plate	

# SECTION 2 - TURNTABLE

## FIGURE 2-25. HOOD ASSEMBLY - TANK SIDE



**NOTE: REPLACEMENT DECALS MUST BE ORDERED SEPERATELY - SEE DECALS SECTION FOR BREAKDOWN**

ART\_1001118361

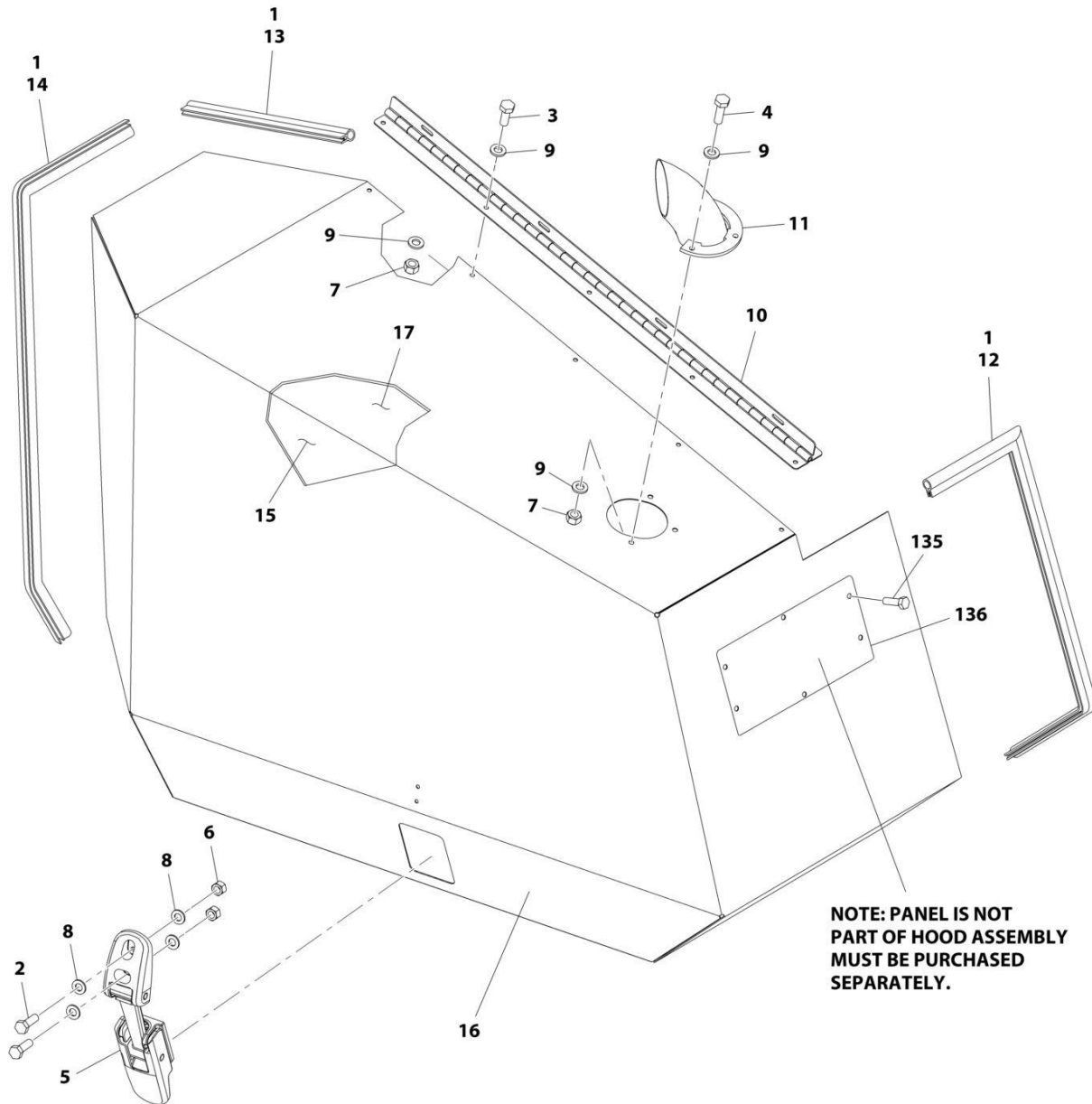
## SECTION 2 - TURNTABLE

### FIGURE 2-25. HOOD ASSEMBLY - TANK SIDE

ITEM	PART NUMBER	QTY	DESCRIPTION	REV
	1001118361	Ref	HOOD ASSEMBLY - TANK SIDE	B
1	0100081	AR	Adhesive	
2	0760508	2	Bolt M5 x 16	
3	0760608	5	Bolt M6 x 16	
4	2940109	1	Latch	
5	3290505	2	Nut M5	
6	3290605	5	Nut M6	
7	3520030	1	Plug, Hole	
8	4811600	4	Washer M5	
9	4811700	10	Washer M6	
10	1001117281	1	Hinge	
11	See Note	NSS	Hood, Replacement (Note: Use p/n 1001118361)	
12	1001119089	1	Seal	
13	1001119090	1	Seal	
14	1001119091	1	Seal	

# SECTION 2 - TURNTABLE

## FIGURE 2-26. HOOD ASSEMBLY - ENGINE SIDE



**NOTE: REPLACEMENT DECALS MUST BE ORDERED SEPERATELY - SEE DECALS SECTION FOR BREAKDOWN**

ART\_1001147441



## SECTION 2 - TURNTABLE

**FIGURE 2-26. HOOD ASSEMBLY - ENGINE SIDE**

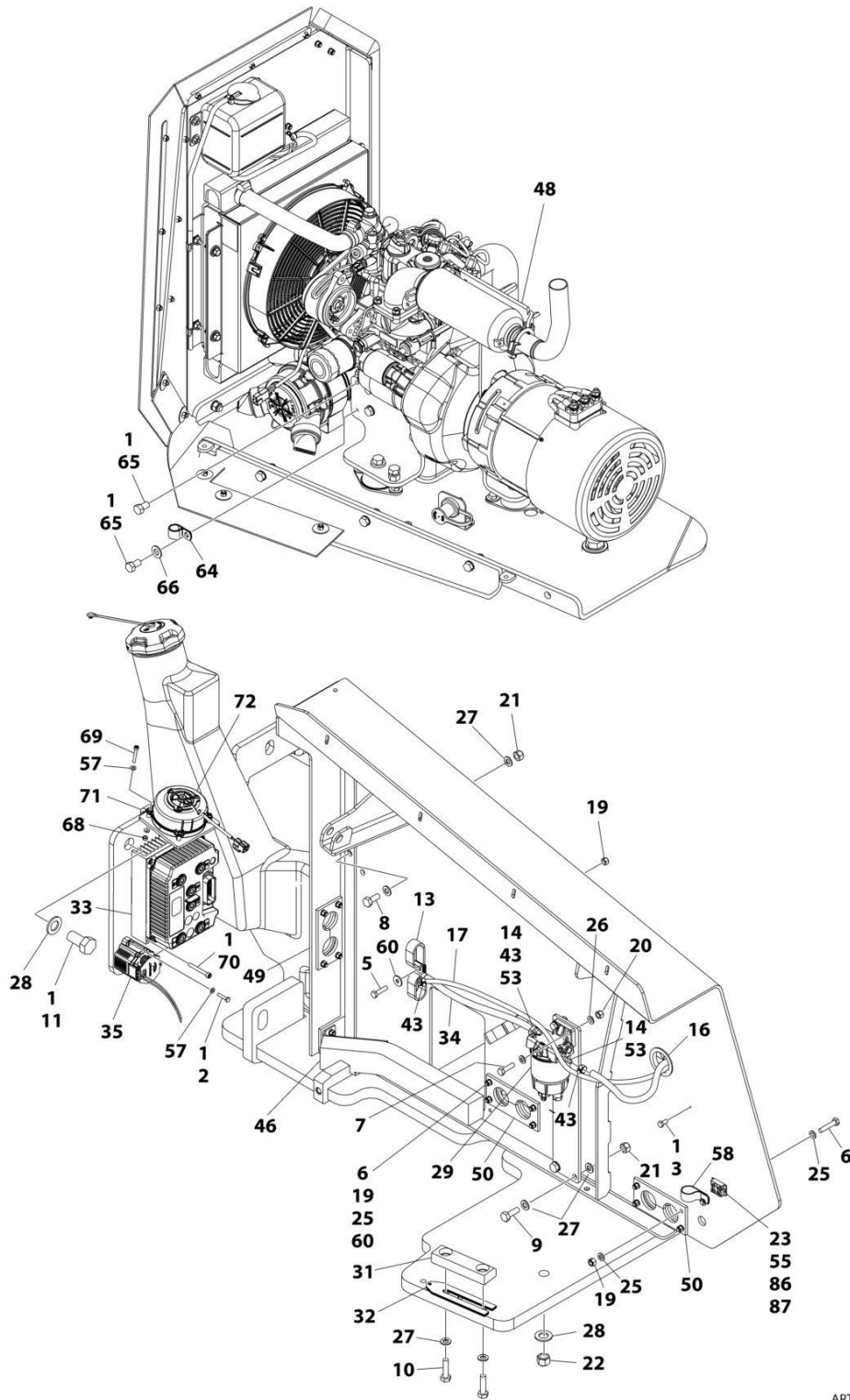
ITEM	PART NUMBER	QTY	DESCRIPTION	REV
	1001147441	Ref	HOOD ASSEMBLY - ENGINE SIDE	A
1	0100081	AR	Adhesive	
2	0760508	2	Bolt M5 x 16	
3	0760608	5	Bolt M6 x 16	
4	0760610	3	Bolt M6 x 20	
5	2940109	1	Latch	
6	3290505	2	Nut M5	
7	3290605	8	Nut M6	
8	4811600	4	Washer M5	
9	4811700	16	Washer M6	
10	1001117281	1	Hinge	
11	1001119077	1	Pipe, Exhaust	
12	1001119086	1	Seal	
13	1001119087	1	Seal	
14	1001119088	1	Seal	
15	1001120749	1	Insulate, Heat Shield	
16	See Note	1	Hood, Replacement (Note: Use p/n 1001147441)	
17	1001147440	1	Insulate, Heat Shield	
135	2080040	10	Fastener, Huck	
136	1001137451	1	Panel (Note: Not Part of Hood Assembly. Must be Purchased separately)	



**SECTION 3 - ENGINE**

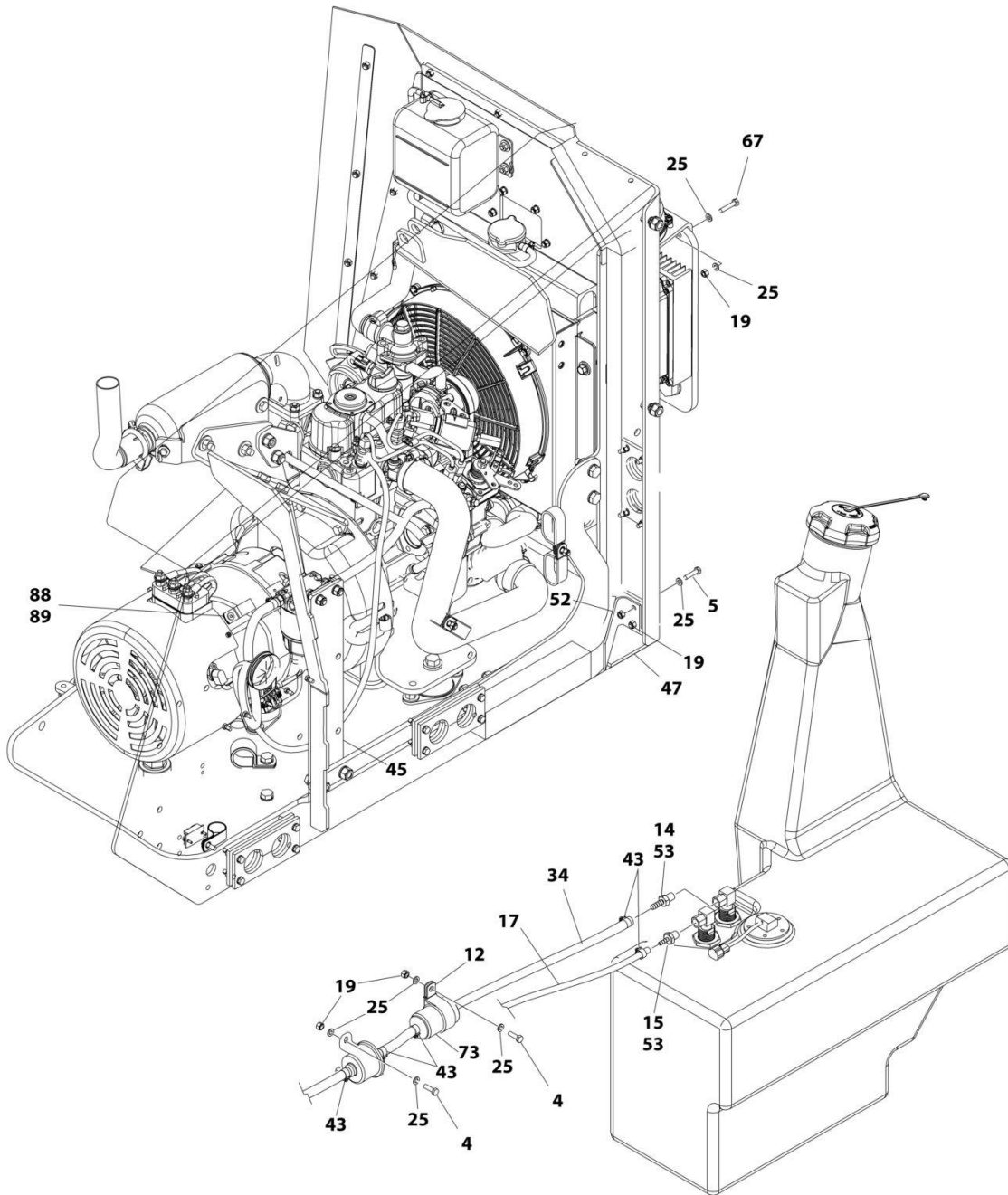
# SECTION 3 - ENGINE

## FIGURE 3-1. KUBOTA ENGINE INSTALLATION



ART\_1001168098\_10F3

# SECTION 3 - ENGINE



ART\_1001168098\_2OF3

# SECTION 3 - ENGINE

## FIGURE 3-1. KUBOTA ENGINE INSTALLATION

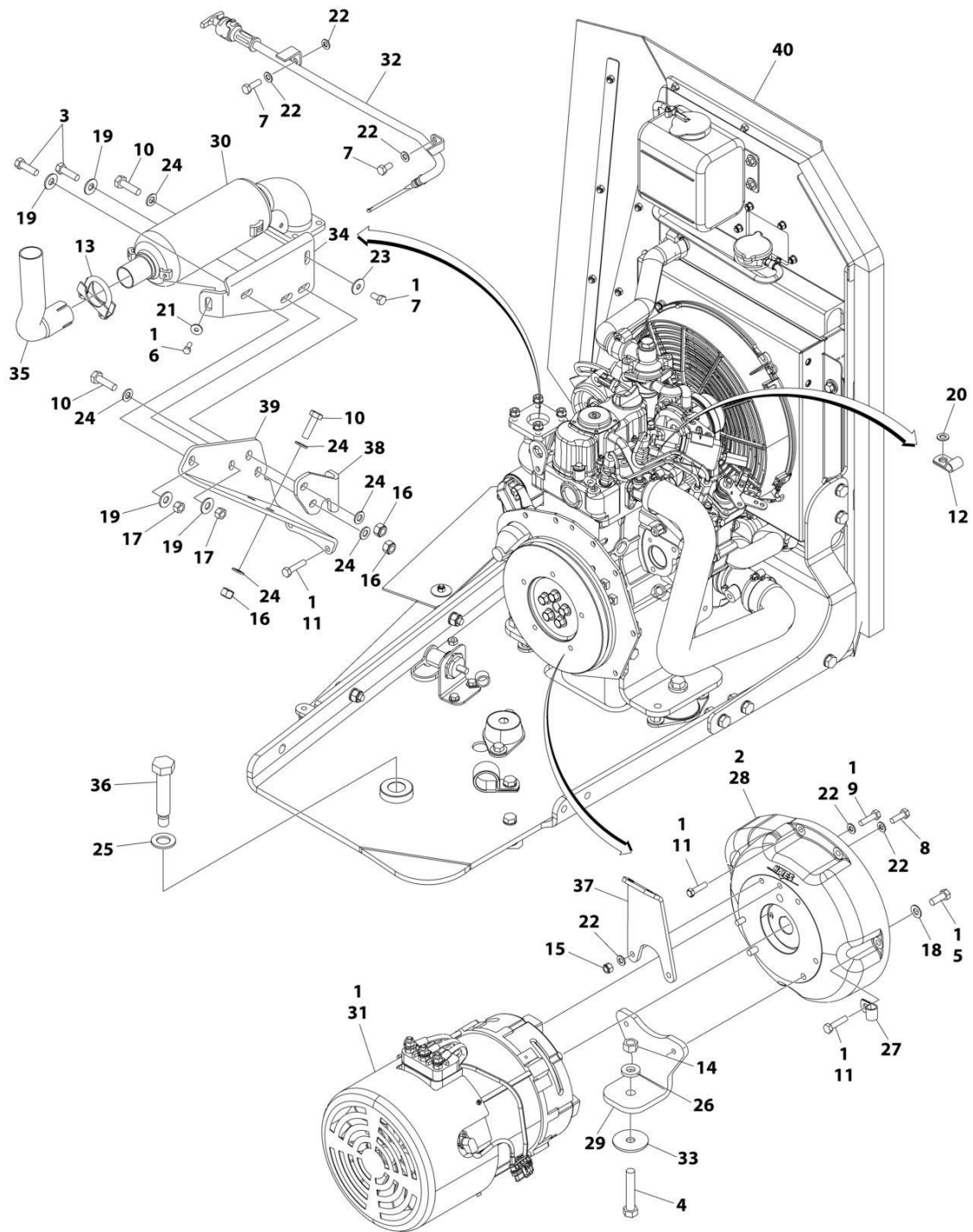
ITEM	PART NUMBER	QTY	DESCRIPTION	REV
	1001168098	Ref	KUBOTA ENGINE INSTALLATION	K
1	0100011	AR	Compound, Locking	
2	0760410	2	Bolt M4 x 20	
3	0760505	5	Bolt M5 x 10	
4	0760610	3	Bolt M6 x 20	
5	0760612	4	Bolt M6 x 25	
6	0760614	12	Bolt M6 x 30	
7	0760814	2	Bolt M8 x 30	
8	0761012	2	Bolt M10 x 25	
9	0761014	2	Bolt M10 x 30	
10	0761016	2	Bolt M10 x 40	
11	0762016	2	Bolt M20 x 40	
12	1320265	1	Clamp	
13	1321716	4	Clamp, Double	
14	2180348	3	Fitting NPT X BARB	
15	2180666	1	Fitting NPT X BARB	
16	2540045	1	Grommet	
17	2720271	70 in/1.6m	Hose	
19	3290605	21	Nut M6	
20	3290805	2	Nut M8	
21	3291005	4	Nut M10	
22	3291605	1	Nut M16	
23	0760306	2	Capscrew M3 x 12	
25	4811700	38	Washer M6	
26	4811900	4	Washer M8	
27	4812000	8	Washer M10	
28	4812500	3	Washer M20	
29	1001190609	1	Fuel Filter/Water Separator Assembly	
29	70005293	1	Head, Mounting	
29	70005294	1	Plug, Vent	
29	70005296	1	Element & Gasket Kit (Includes Element, Head Gasket & Bowl O-Ring)	
29	70005295	1	Gasket, Head	
29	70005297	1	O-Ring, Bowl	
29	70002901	1	Bowl Kit - Water Separator (Includes Bowl, Drain & Plug)	
29	70004070	1	Drain, Self-Vented	
29	70004069	1	Plug, Drain	
31	1001120087	1	Pad, Wear	
32	1001120090	AR	Shim M1.5	
33	1001155934	1	Controller, Generator	
34	2720058	45 in/ 1.2m	Hose	
35	1001159665	1	Relay, Contactor	
42	1001168237	1	Plate, Mounting	
43	1320022	10	Clamp	
45	1001168236	1	Plate, Mounting	
46	1001168242	1	Seal, Foam	
47	1001168240	1	Shield, Rubber	
48	1001238241	1	Engine and Generator Assembly (See Separate Breakdown in this Section)	

## SECTION 3 - ENGINE

ITEM	PART NUMBER	QTY	DESCRIPTION	REV
49	1001168239	1	Bracket, Mounting	
50	1001168244	6	Shield, Cable	
52	1001168241	1	Bracket, Mounting	
53	0100020	AR	Sealant	
54	4240018	AR	Tie-Strap (Not Shown)	
55	1001159754	1	Module, Diode	
57	4811400	10	Washer M4	
58	1320130	1	Clamp	
60	4811702	2	Washer M6	
61	0100083	1	Grease, Terminal	
64	91043147	1	Support	
65	0641605	2	Bolt 3/8-16 x 5/8	
66	4711600	1	Washer 3/8	
67	0700614	2	Bolt M6 x 30	
68	3290405	4	Nut M4	
69	4031510	4	Capscrew M4 x 30	
70	4031714	4	Capscrew M6 x 50	
71	1001189105	1	Bracket	
72	1001189108	1	Fan, Controller Cooling	
73	1001190545	1	Strainer, Fuel	
86	3290301	2	Nut M3	
87	1001110544	2	Washer M3	
88	8406201	1	Clip	
89	1001091102	1	Washer M4	

# SECTION 3 - ENGINE

## FIGURE 3-2. KUBOTA ENGINE AND GENERATOR SUB-ASSEMBLY



ART\_1001238241



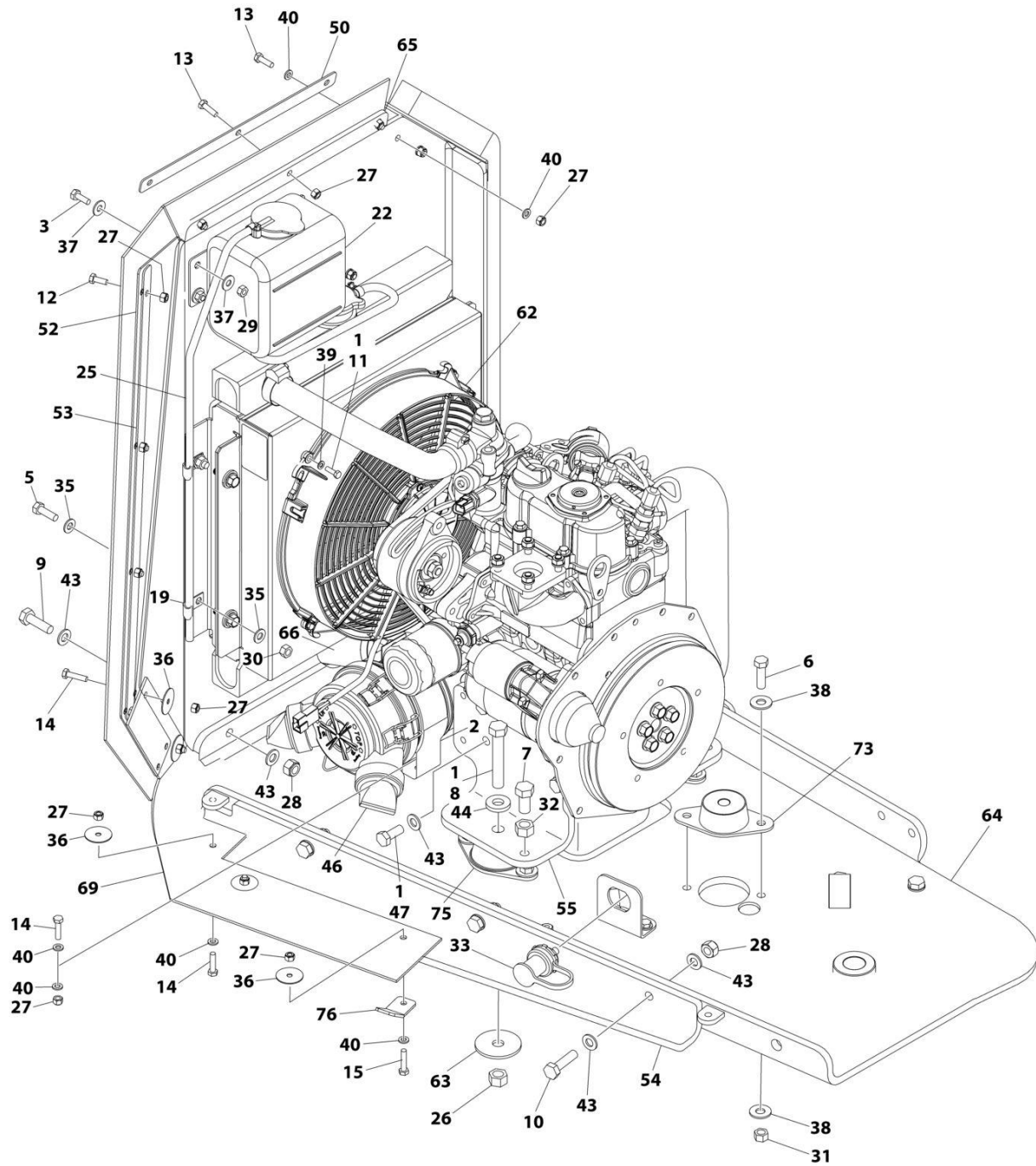
## SECTION 3 - ENGINE

**FIGURE 3-2. KUBOTA ENGINE AND GENERATOR SUB-ASSEMBLY**

ITEM	PART NUMBER	QTY	DESCRIPTION	REV
	1001238241	Ref	KUBOTA ENGINE AND GENERATOR SUB-ASSEMBLY	D
1	0100011	AR	Compound, Locking	
2	0100019	AR	Compound, Locking (Not Shown)	
3	0641610	2	Bolt 3/8 x 1-1/4	
4	0641822	1	Bolt 1/2 x 2-3/4	
5	0681608	2	Bolt 3/8 x 1 (Grade 8)	
6	0760608	1	Bolt M6 x 16	
7	0760808	2	Bolt M8 x 16	
8	0760812	4	Bolt M8 x 25	
9	0760814	2	Bolt M8 x 30	
10	0761015	4	Bolt M10 x 35	
11	0770815	3	Bolt M8 x 35 Grade 10.5	
12	1320136	1	Clamp	
13	1320274	1	Clamp	
14	3271801	1	Nut 1/2-13	
15	3290805	2	Nut M8	
16	3291005	4	Nut M10	
17	3311605	2	Nut 3/8	
18	4711600	2	Washer 3/8	
19	4751600	4	Washer 3/8	
20	4811600	1	Washer M5	
21	4811702	1	Washer M6	
22	4811900	10	Washer M8	
23	4811902	1	Washer M8	
24	4812000	8	Washer M10	
25	4812500	1	Washer M20	
26	4891800	1	Washer 1/2	
27	85941016	1	Clamp	
28	1001157406	1	Engine Coupling Assembly (See Separate Breakdown in this Section)	
29	1001157903	1	Mount, Rear Engine	
30	1001162823	1	Muffler, Standard	
31	1001165751	1	Generator Assembly (See Separate Breakdown in this Section)	
32	1001167516	1	Dipstick	
33	1001168018	1	Washer	
34	1001168232	1	Bracket	
35	1001168233	1	Pipe, Exhaust	
36	1001176304	1	Bolt 2 x 80	
37	1001189794	1	Bracket	
38	1001189795	1	Bracket	
39	1001189868	1	Bracket	
40	1001238239	1	Engine Assembly without Generator (See Separate Breakdown in this Section)	

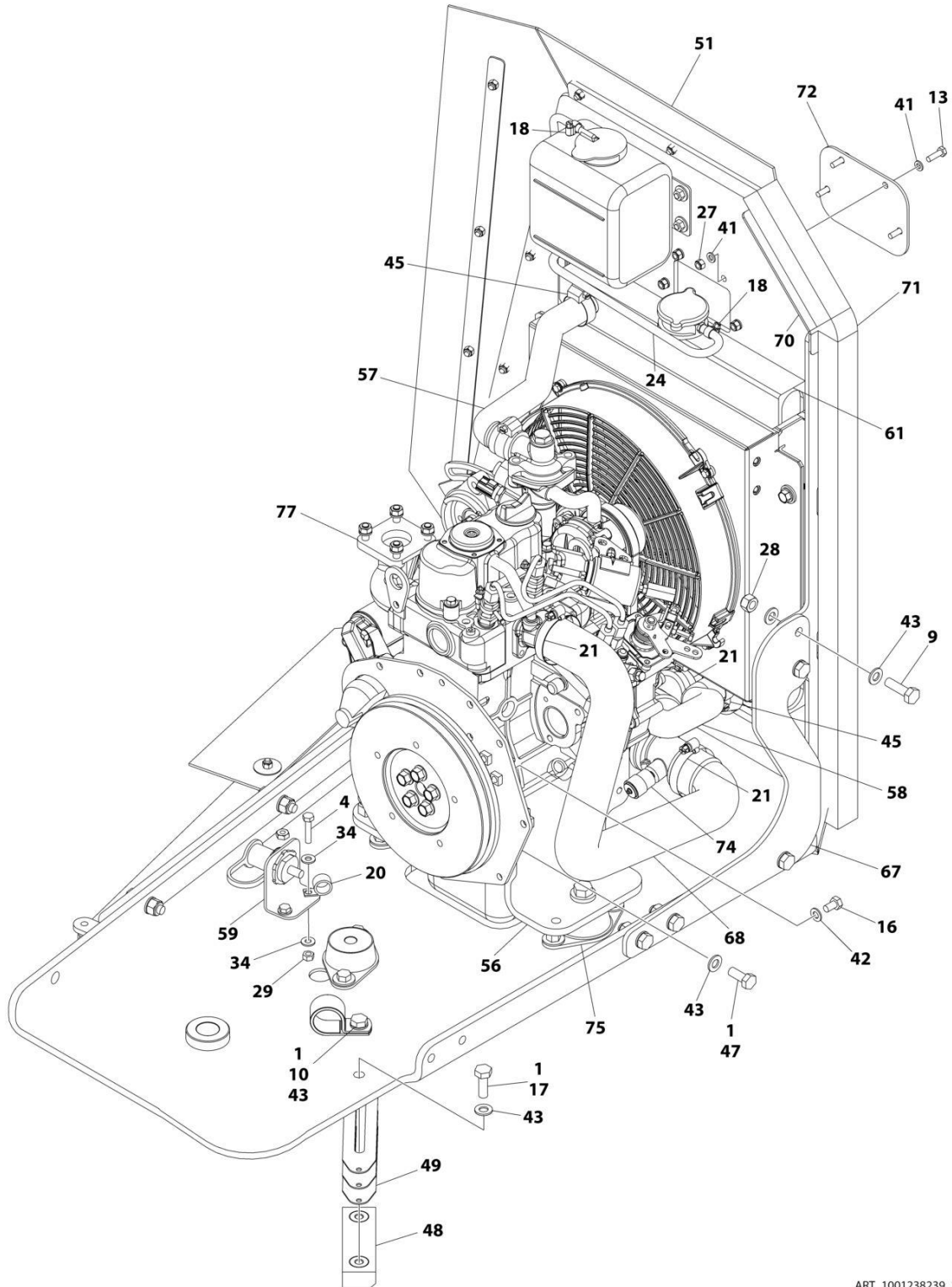
# SECTION 3 - ENGINE

## FIGURE 3-3. KUBOTA ENGINE ASSEMBLY



ART\_1001238239\_10F2

# SECTION 3 - ENGINE



ART\_1001238239\_20F2

# SECTION 3 - ENGINE

## FIGURE 3-3. KUBOTA ENGINE ASSEMBLY

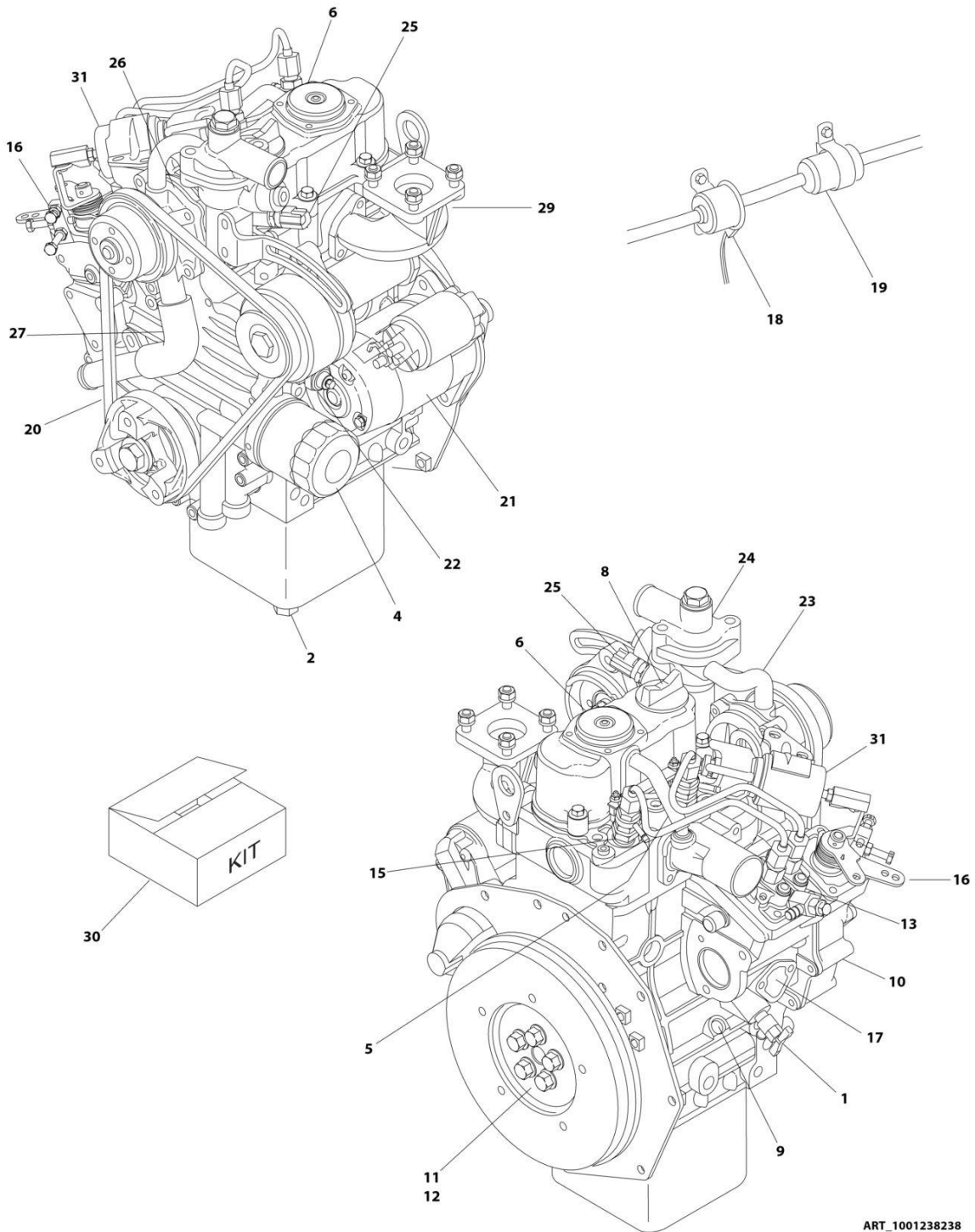
ITEM	PART NUMBER	QTY	DESCRIPTION	REV
	1001238239	Ref	KUBOTA ENGINE ASSEMBLY	D
1	0100011	AR	Compound, Locking	
2	0340045	1	Band, Mounting	
3	0641406	4	Bolt 1/4-20 x 3/4	
4	0641410	2	Bolt 1/4-20 x 1-1/4	
5	0641508	4	Bolt 5/16-18 x 1	
6	0641610	6	Bolt 3/8-16 x 1-1/4	
7	0641808	1	Bolt 1/2-13 x 1	
8	0641824	2	Bolt 1/2-13 x 3	
9	0701015	5	Bolt M10 x 35	
10	0701016	4	Bolt M10 x 40	
11	0760508	4	Bolt M5 x 16	
12	0760608	5	Bolt M6 x 16	
13	0760610	12	Bolt M6 x 20	
14	0760612	5	Bolt M6 x 25	
15	0760613	2	Bolt M6 x 28	
16	0760807	2	Bolt M8 x 14	
17	0761014	1	Bolt M10 x 30	
18	1320022	3	Clamp	
19	1320222	2	Clamp	
20	1320224	1	Clamp	
21	1321682	3	Clamp	
22	1580011	1	Tank, Overflow	
24	2720058	20 in/ 51cm	Hose	
25	2720271	29 in/ 74cm	Hose	
26	3271801	2	Nut 1/2-13	
27	3290605	24	Nut M6	
28	3291005	10	Nut M10	
29	3311405	6	Nut 1/4-20	
30	3311501	4	Nut 5/16-18	
31	3311605	6	Nut 3/8-16	
32	3311801	1	Nut 1/2-13	
33	4460611	1	Terminal, Battery	
34	4711400	4	Washer 1/4	
35	4711500	8	Washer 5/16	
36	4740362	5	Washer 1/4	
37	4751400	8	Washer 1/4	
38	4751600	12	Washer 3/8	
39	4811600	4	Washer M5	
40	4811700	11	Washer M6	
41	4811702	8	Washer M8	
42	4811900	2	Washer M8	
43	4812000	30	Washer M10	
44	4891800	2	Washer 1/2	
45	8405102	4	Clamp	
46	1001118280	1	Air Filter Assembly	
46	7015004	1	Element, Air Filter	
46	1340069	1	Valve, Vacuum	

## SECTION 3 - ENGINE

ITEM	PART NUMBER	QTY	DESCRIPTION	REV
46	7015005	1	Cover	
47	1001118746	8	Bolt M10 x 25	
48	1001120087	1	Pad, Wear	
49	1001120090	3	Shim M1.5	
50	1001123018	1	Plate, Support	
51	1001147365	1	Seal	
52	1001147642	1	Plate, Support	
53	1001147643	1	Plate, Support	
54	1001148975	1	Plate	
55	1001156603	1	Bracket, Engine Mounting (LH)	
56	1001156604	1	Bracket, Engine Mounting (RH)	
57	1001158075	1	Hose, Radiator (Top)	
58	1001158076	1	Hose, Radiator (Bottom)	
59	1001158314	1	Mount, Battery Post	
61	1001271310	1	Radiator	
61	70007885	1	Cap, Radiator	
62	1001163363	1	Fan	
63	1001168018	2	Washer	
64	1001168222	1	Tray	
65	1001168224	1	Mount, Radiator	
66	1001168225	1	Hose	
67	1001168226	1	Gusset	
68	1001168227	1	Hose	
69	1001168228	1	Shield, Rubber	
70	1001168229	1	Bracket	
71	1001168230	1	Seal	
72	1001168238	1	Plate	
73	1001170571	1	Mount, Motor	
74	1001170981	1	Indicator, Air Intake Restriction	
75	1001187235	2	Mount, Motor	
76	1001202223	2	Bracket	
77	1001238238	1	Engine, Kubota (See Separate Breakdown in this Section)	

# SECTION 3 - ENGINE

## FIGURE 3-4. KUBOTA ENGINE COMPONENTS



ART\_1001238238

## SECTION 3 - ENGINE

**FIGURE 3-4. KUBOTA ENGINE COMPONENTS**

ITEM	PART NUMBER	QTY	DESCRIPTION	REV
	1001238238	Ref	KUBOTA ENGINE COMPONENTS	A
1	70004524	1	Valve, Drain	
2	7023154	1	Plug, Drain	
2	70002315	1	Gasket, Oil Pan Drain	
3	70004828	1	Gasket, Cylinder Head (Not Shown)	
4	7017980	1	Filter, Oil	
4	7017914	1	Fitting, Oil Filter	
5	70004829	1	Pipe (Inserts into Valve Cover)	
5	70004832	1	Tube, Breather	
5	70004855	1	Pipe (Inserts into Inlet Manifold)	
6	70003060	1	Valve, Breather Compensation	
6	70003061	1	Cover, Breather	
6	7017934	4	Screw	
7	70004830	1	Gasket, Cylinder Head (Not Shown)	
8	70002318	1	Cap, Oil Fill	
8	70004311	1	O-Ring, Oil Filler Cap	
9	1001167516	1	Dipstick	
10	70004294	1	Pump, Oil	
10	70004295	1	Gasket, Oil Pump	
10	70004296	1	Key, Oil Pump Shaft	
11	7017982	1	Gasket, Rear Bearing Case	
11	7017983	1	Seal, Rear Main	
11	7017984	1	Gasket, Rear Case	
12	70004833	1	Flywheel Assembly (Includes Ring Gear)	
12	70004297	1	Ring Gear	
12	70004834	5	Bolt, Flywheel	
13	70004836	1	Injection Pump Assembly	
13	70004837	AR	Shim .175mm	
13	70004838	AR	Shim .200mm	
13	70004839	AR	Shim .250mm	
13	70004840	AR	Shim .300mm	
13	70004841	AR	Shim .350mm	
14	7017988	1	Gasket, Speed Control Plate (Not Shown)	
15	70004540	2	Nut	
15	7023167	2	Gasket, Nozzle	
15	7023168	2	Seal, Nozzle Heat	
15	70004539	1	Pipe, Overflow (Includes Clips)	
15	70004537	1	Screw, Air Bleeder	
15	70004538	1	Gasket, Bleeder Screw	
15	70004398	2	Glow Plug	
16	70004843	1	Spring, Start	
16	70004844	1	Spring	
16	70004846	1	Spring, Governer	
16	70004847	1	Fork Assembly	
17	70004849	1	Pump, Fuel	
17	7017995	1	Gasket, Fuel Pump	
17	70004848	2	Bolt, Fuel Pump	
18	70005228	1	Pump, Electric Fuel	
19	7017992	1	Filter, Inline Fuel	
20	7023107	1	V-Belt	

## SECTION 3 - ENGINE

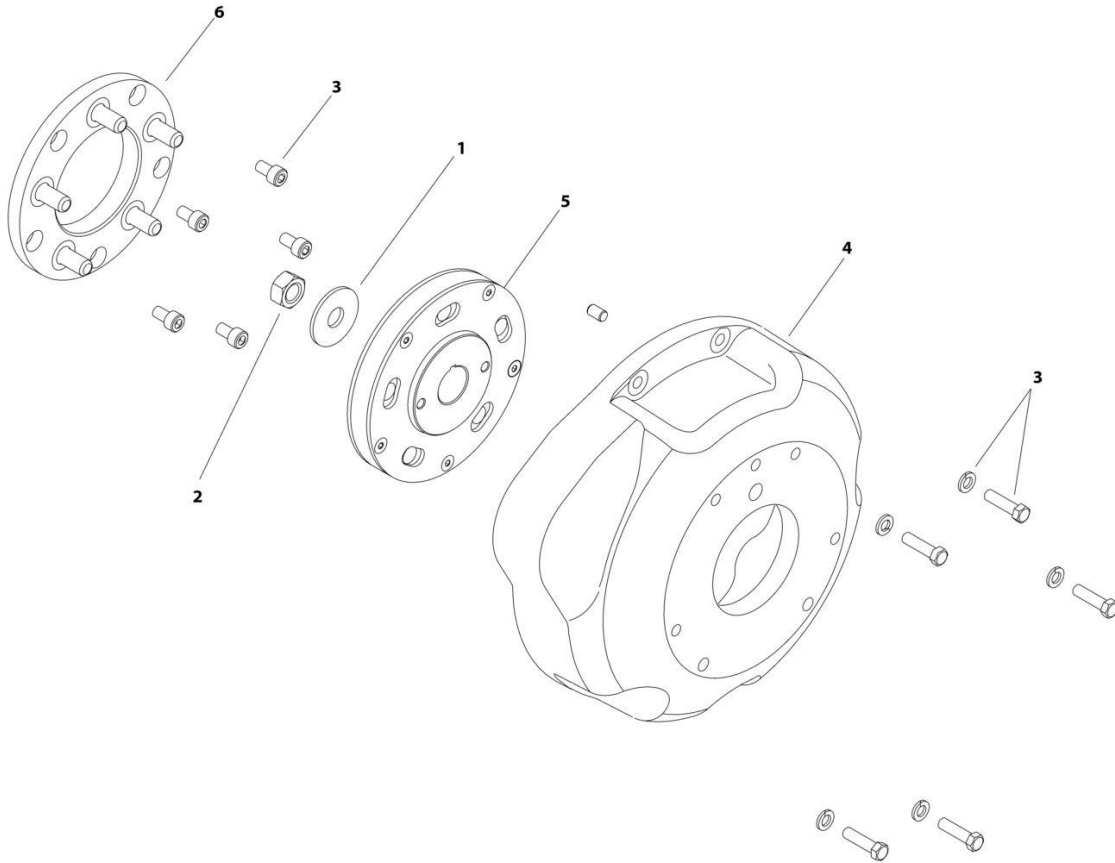
ITEM	PART NUMBER	QTY	DESCRIPTION	REV
21	70006008	1	Starter	
21	70004305	1	Switch, Starter	
22	7017901	1	Switch, Oil	
23	70004829	1	Pipe, Water Return (Short)	
23	70004851	1	Pipe, Water Return (Long)	
24	70004852	1	Cover, Thermostat/Water Outlet	
24	7023170	1	Thermostat	
24	7023114	1	Gasket, Thermostat	
24	70004306	1	Gasket, Water Flange to Cylinder Head	
25	70003064	1	Sensor, Water Temperature	
25	70003063	1	Seal, Water Temperature Sensor	
26	70004853	1	Pump, Water	
26	70004854	1	Gasket, Water Pump to Block	
27	70004912	1	Hose	
27	70004913	2	Clamp, Band	
28	70004856	1	Gasket, Inlet Manifold (Not Shown)	
29	7023124	1	Gasket, Exhaust Manifold to Muffler	
29	70004859	4	Stud (Manifold to Muffler)	
29	70004857	1	Gasket, Exhaust (Manifold to Cylinder Head)	
29	70004858	4	Stud (Manifold to Cylinder Head)	
30	70004860	1	Gasket Kit - Upper	
30	70004861	1	Gasket Kit - Lower	
31	70006007	1	Solenoid, Stop	





# SECTION 3 - ENGINE

## FIGURE 3-5. ENGINE COUPLING ASSEMBLY



ART\_1001157406

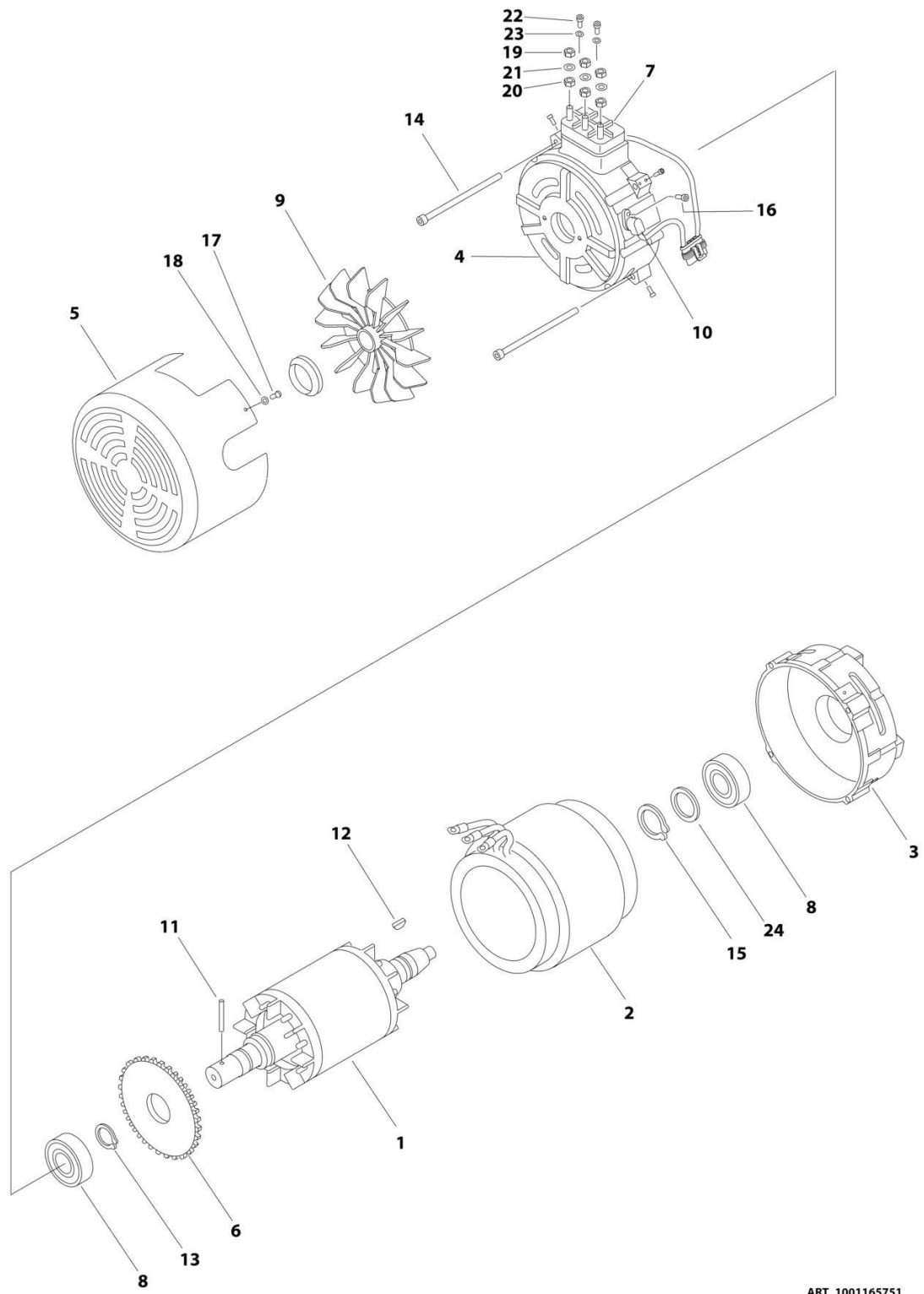
## SECTION 3 - ENGINE

### FIGURE 3-5. ENGINE COUPLING ASSEMBLY

ITEM	PART NUMBER	QTY	DESCRIPTION	REV
	1001157406	Ref	ENGINE COUPLING ASSEMBLY	B
1	See Note	1	Washer M14 (Note: Not Available - Purchase Locally)	
2	See Note	1	Nut M14 (Note: Not Available - Purchase Locally)	
3	70004790	1	Bolt Kit (Includes qty 5 each of M8 Lockwashers, 16mm Length Capscrews & 30mm Length Capscrews)	
4	70004791	1	Cover, Coupling	
5	70004792	1	Hub Coupling Assembly	
6	70004793	1	Plate, Mounting	

# SECTION 3 - ENGINE

## FIGURE 3-6. GENERATOR ASSEMBLY



ART\_1001165751

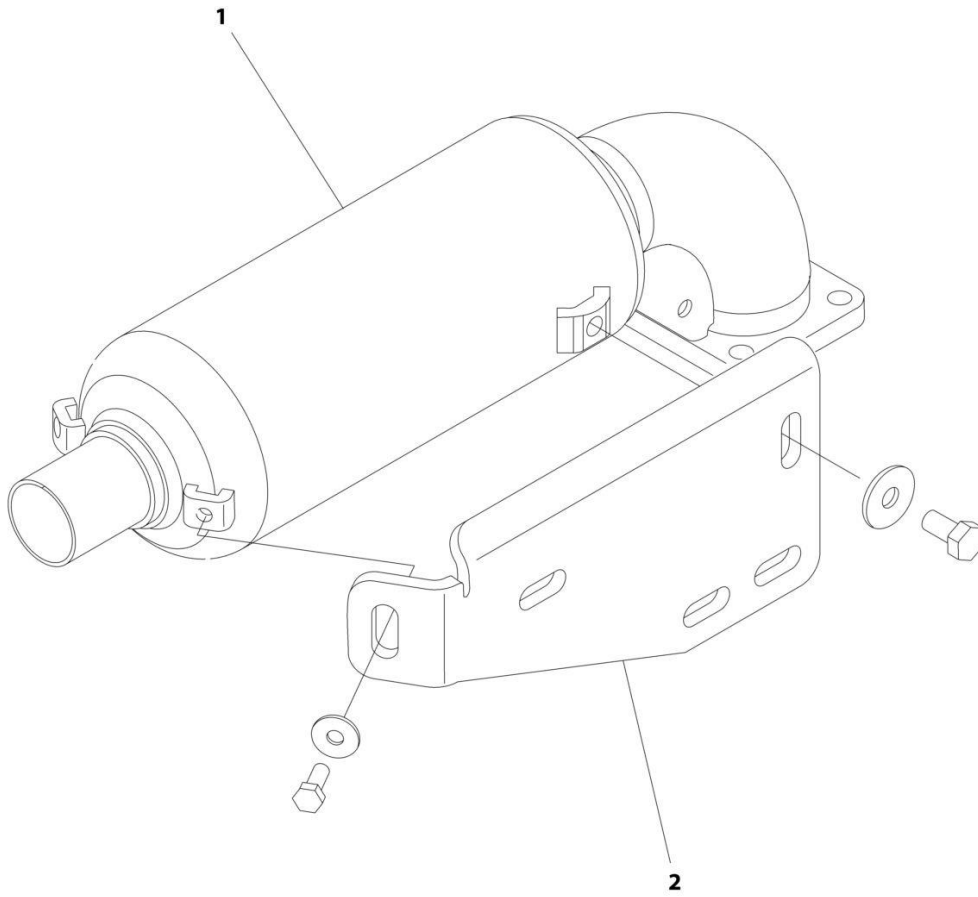
## SECTION 3 - ENGINE

### FIGURE 3-6. GENERATOR ASSEMBLY

ITEM	PART NUMBER	QTY	DESCRIPTION	REV
	1001165751	Ref	GENERATOR ASSEMBLY	C
1	70004984	1	Rotor	
2	70004985	1	Stator	
3	70004986	1	Flange	
4	70004987	1	Flange	
5	70004988	1	Cover, Fan	
6	70004989	1	Wheel, Impulse	
7	70004990	1	Block, Terminal	
8	70004991	1	Bearing	
9	70004992	1	Fan with Lock Ring	
10	70004993	1	Sensor	
11	70004994	1	Rollpin	
12	70004995	1	Key	
13	70004996	1	Ring, Retaining	
14	70004997	4	Screw M8 x 150	
15	70004998	1	Ring, Retaining	
16	70004999	1	Screw M6 x 16	
17	70005000	4	Screw M5 x 8	
18	70005001	4	Washer M5	
19	70005002	3	Nut M8	
20	70005003	3	Nut M8	
21	70005004	3	Spacer	
22	70005005	2	Screw M8 x 16	
23	70005006	2	Washer	
24	70005007	1	Ring	

# SECTION 3 - ENGINE

## FIGURE 3-7. CATALYTIC MUFFLER INSTALLATION - OPTIONAL



ART\_1001169719

## SECTION 3 - ENGINE

**FIGURE 3-7. CATALYTIC MUFFLER INSTALLATION - OPTIONAL**

ITEM	PART NUMBER	QTY	DESCRIPTION	REV
	1001169719	Ref	CATALYTIC MUFFLER INSTALLATION - OPTIONAL	B
1	1001171823	1	Muffler, Spark Arresting/Catalytic	
2	1001171914	1	Bracket	

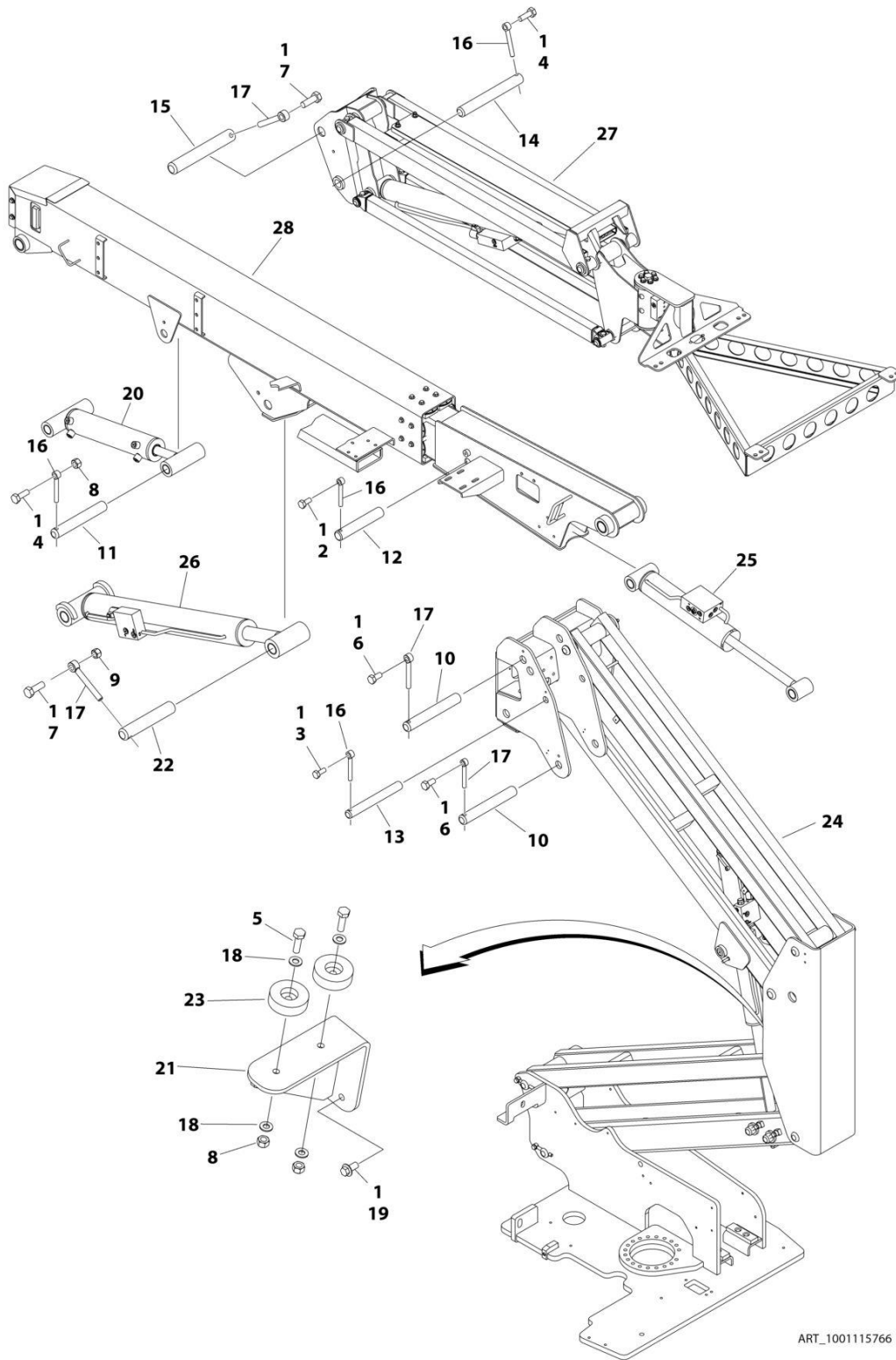




**SECTION 4 - BOOM**

# SECTION 4 - BOOM

## FIGURE 4-1. BOOM AND CYLINDERS INSTALLATION - WITHOUT ARCTIC PACKAGE



ART\_1001115766

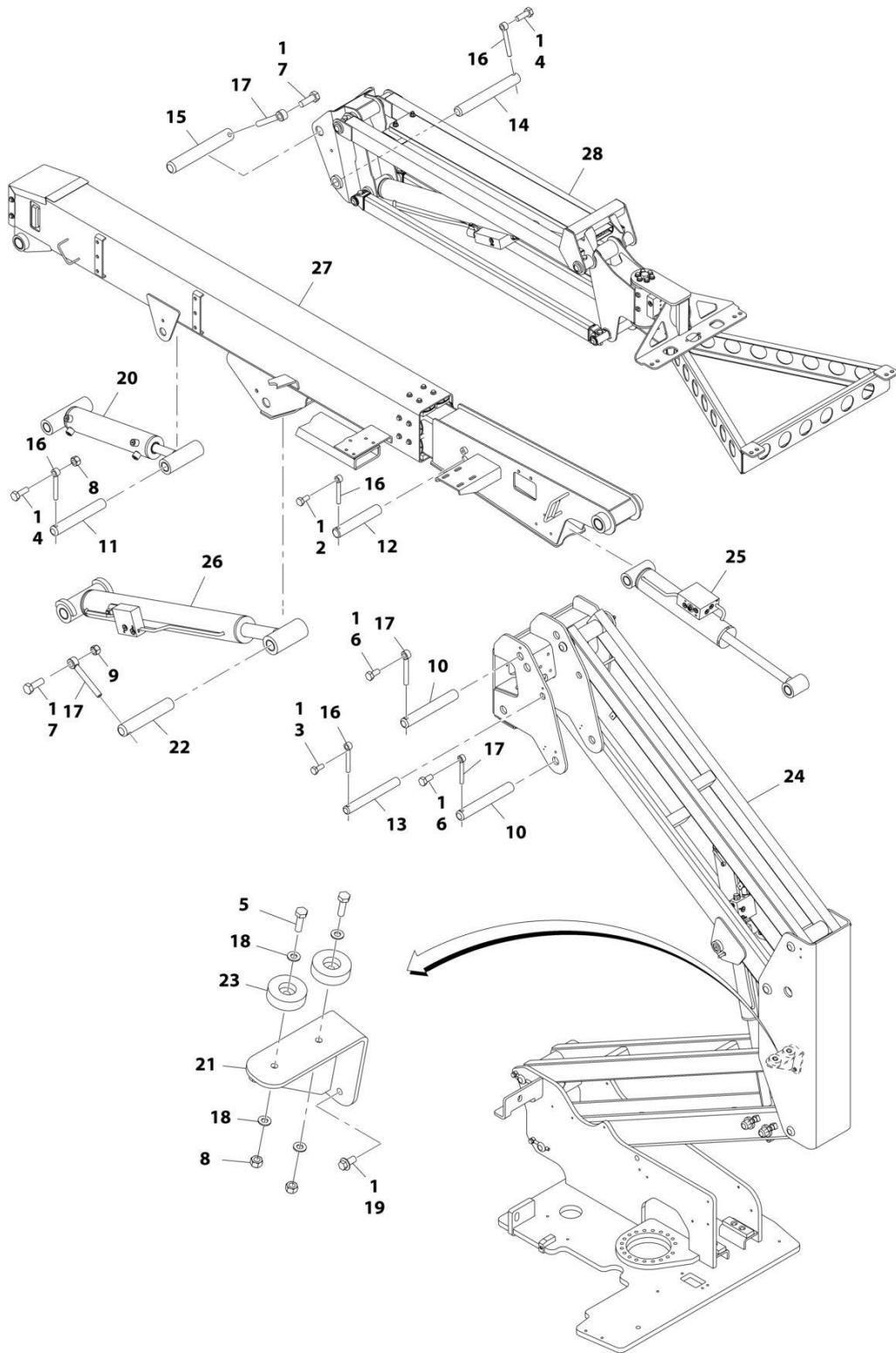
## SECTION 4 - BOOM

**FIGURE 4-1. BOOM AND CYLINDERS INSTALLATION - WITHOUT ARCTIC PACKAGE**

ITEM	PART NUMBER	QTY	DESCRIPTION	REV
	1001115766	Ref	BOOM AND CYLINDERS INSTALLATION - WITHOUT ARCTIC PACKAGE	D
1	0100011	AR	Compound, Locking	
2	0761011	1	Bolt M10 x 22	
3	0761012	1	Bolt M10 x 25	
4	0761014	2	Bolt M10 x 30	
5	0761015	2	Bolt M10 x 35	
6	0761212	2	Bolt M12 x 25	
7	0761215	2	Bolt M12 x 35	
8	3291005	3	Nut M10	
9	3291205	1	Nut M12	
10	3422576	2	Pin	
11	3422582	1	Pin	
12	3422709	1	Pin	
13	3422790	1	Pin	
14	3422792	1	Pin	
15	3422814	1	Pin	
16	3841143	4	Keeper, Pin	
17	3841203	4	Keeper, Pin	
18	4812000	4	Washer M10	
19	5251010	3	Bolt M10 x 20	
20	1001120976	1	Master Cylinder Assembly (See Separate Breakdown in CYLINDER Section)	
21	1001125235	1	Rest, Boom	
22	1001109528	1	Pin	
23	1001112607	2	Pad, Boom Rest	
24	1001115672	1	Tower Boom Assembly (See Separate Breakdown in this Section)	
25	1001225990	1	Level Cylinder Assembly - Platform (Slave) (See Separate Breakdown in CYLINDER Section)	
26	1001117640	1	Lift Cylinder Assembly - Main Boom (See Separate Breakdown in CYLINDER Section)	
27	1001117884	1	Jib Assembly (See Separate Breakdown in this Section)	
28	1001117885	1	Main Boom Assembly (See Separate Breakdown in this Section)	

# SECTION 4 - BOOM

## FIGURE 4-2. BOOM AND CYLINDERS INSTALLATION - WITH ARCTIC PACKAGE



ART\_1001119371

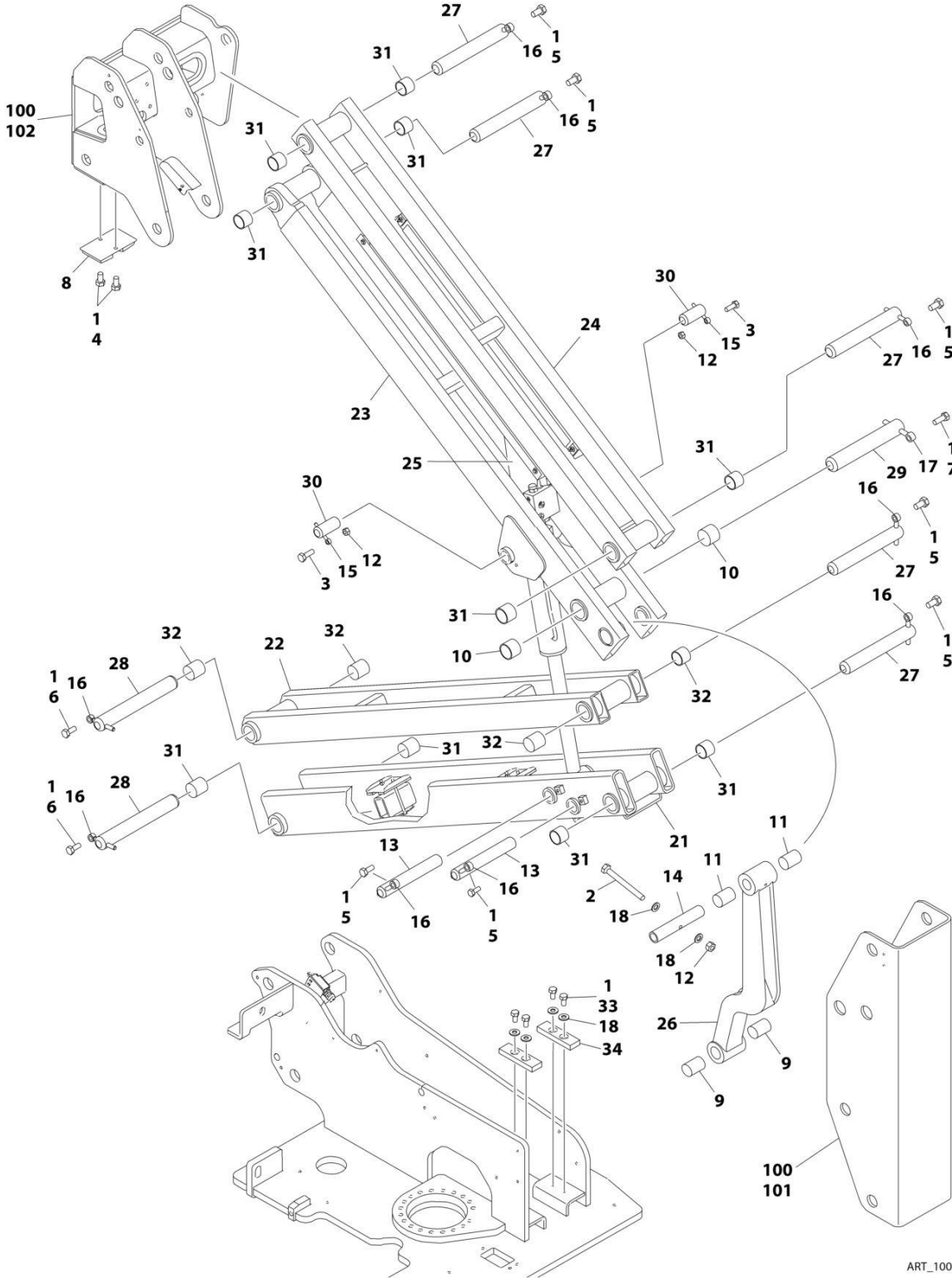
## SECTION 4 - BOOM

**FIGURE 4-2. BOOM AND CYLINDERS INSTALLATION - WITH ARCTIC PACKAGE**

ITEM	PART NUMBER	QTY	DESCRIPTION	REV
	1001119371	Ref	BOOM AND CYLINDERS INSTALLATION - WITH ARCTIC PACKAGE	D
1	0100011	AR	Compound, Locking	
2	0761011	1	Bolt M10 x 22	
3	0761012	1	Bolt M10 x 25	
4	0761014	2	Bolt M10 x 30	
5	0761015	2	Bolt M10 x 35	
6	0761212	2	Bolt M12 x 25	
7	0761215	2	Bolt M12 x 35	
8	3291005	3	Nut M10	
9	3291205	1	Nut M12	
10	3422576	2	Pin	
11	3422582	1	Pin	
12	3422709	1	Pin	
13	3422790	1	Pin	
14	3422792	1	Pin	
15	3422814	1	Pin	
16	3841143	4	Keeper, Pin	
17	3841203	4	Keeper, Pin	
18	4812000	4	Washer M10	
19	5251010	3	Bolt M10 x 20	
20	1001120976	1	Master Cylinder Assembly (See Separate Breakdown in CYLINDER Section)	
21	1001125235	1	Rest, Boom	
22	1001109528	1	Pin	
23	1001112607	2	Pad, Boom Rest	
24	1001115672	1	Tower Boom Assembly (See Separate Breakdown in this Section)	
25	1001225990	1	Level Cylinder Assembly - Platform (Slave) (See Separate Breakdown in CYLINDER Section)	
26	1001117640	1	Lift Cylinder Assembly - Main Boom (See Separate Breakdown in CYLINDER Section)	
27	1001117885	1	Main Boom Assembly Options (See Separate Breakdown in this Section)	
28	1001119370	1	Jib Assembly (See Separate Breakdown in this Section)	

# SECTION 4 - BOOM

## FIGURE 4-3. TOWER BOOM ASSEMBLY



ART\_1001115672

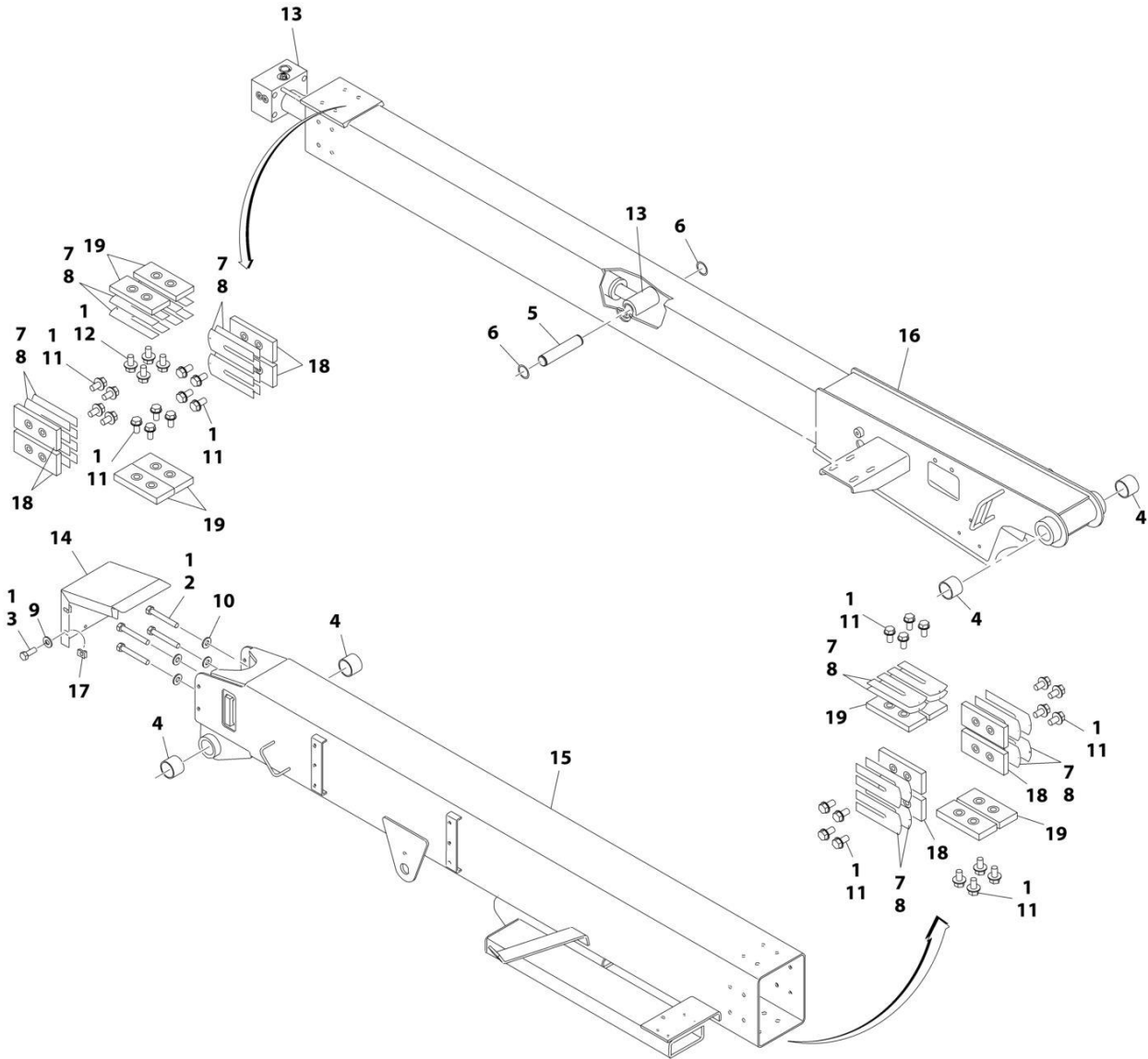
## SECTION 4 - BOOM

### FIGURE 4-3. TOWER BOOM ASSEMBLY

ITEM	PART NUMBER	QTY	DESCRIPTION	REV
	1001115672	Ref	TOWER BOOM ASSEMBLY	D
1	0100011	AR	Compound, Locking	
2	0701027	1	Bolt M10 x 100	
3	0761015	2	Bolt M10 x 35	
4	0761210	2	Bolt M12 x 20	
5	0761212	7	Bolt M12 x 25	
6	0761214	2	Bolt M12 x 30	
7	0761615	2	Bolt M16 x 35	
8	0940048	1	Bumper	
9	0961948	2	Bearing	
10	0962224	2	Bearing	
11	0962259	2	Bearing	
12	3291005	3	Nut M10	
13	3422787	2	Pin	
14	3422788	1	Pin	
15	3841143	2	Keeper, Pin	
16	3841203	9	Keeper, Pin	
17	3841258	1	Keeper, Pin	
18	4812000	6	Washer M10	
21	1001115657	1	Link, Lower Boom (Bottom)	
22	1001115661	1	Link, Lower Boom (Top)	
23	1001115663	1	Link, Mid Boom (Bottom)	
24	1001115669	1	Link, Mid Boom (Top)	
25	1001122527	1	Lift Cylinder Assembly - Tower Boom (See Separate Breakdown in CYLINDER Section)	
26	1001115870	1	Link, Timing	
27	1001116546	5	Pin	
28	1001116547	2	Pin	
29	1001116548	1	Pin	
30	1001116549	2	Pin	
31	1001118665	10	Bearing	
32	1001118666	4	Bearing	
33	0761010	4	Bolt M10 x 20	
34	3340758	2	Pad, Wear	
100	1001231153	1	Lower Upright Boom Kit	
101	1001115649	1	Upright, Lower	
102	1001115650	1	Upright, Upper	

# SECTION 4 - BOOM

## FIGURE 4-4. MAIN BOOM ASSEMBLY



ART\_1001117885



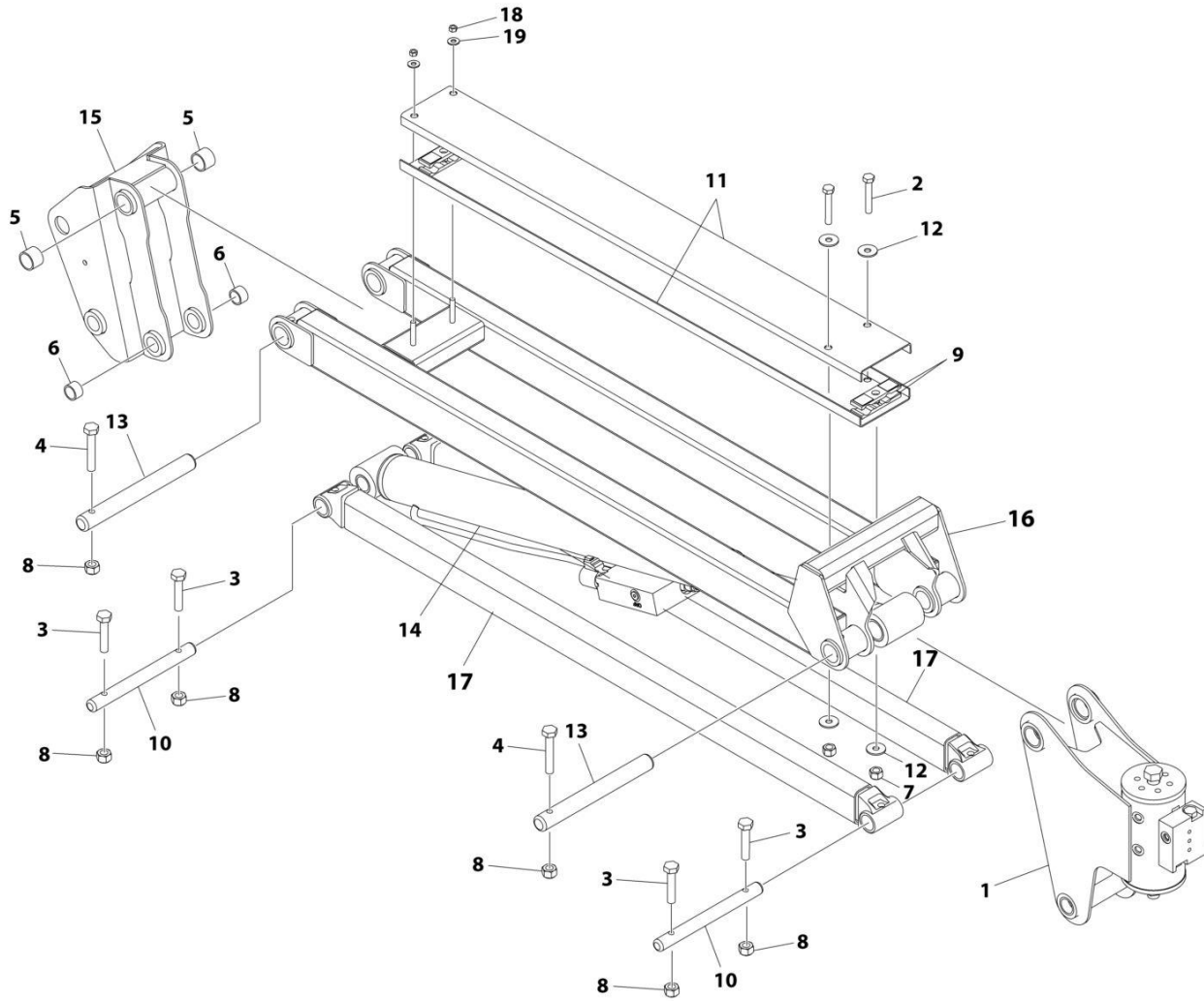
## SECTION 4 - BOOM

**FIGURE 4-4. MAIN BOOM ASSEMBLY**

ITEM	PART NUMBER	QTY	DESCRIPTION	REV
	1001117885	Ref	MAIN BOOM ASSEMBLY	C
1	0100011	AR	Compound, Locking	
2	0711227	4	Bolt M12 x 100 Grade 10.9	
3	0760812	4	Bolt M8 x 25	
4	0961948	4	Bushing	
5	3422745	1	Pin	
6	3760115	2	Ring, Retaining	
7	4070897	16	Shim 18Ga	
8	4070898	12	Shim 11Ga	
9	4811902	4	Washer M8	
10	5241200	4	Washer M12	
11	5251010	28	Bolt M10 x 20	
12	5251012	4	Bolt M10 x 25	
13	1001120974	1	Telescope Cylinder Assembly (See Separate Breakdown in CYLINDER Section)	
14	1001108290	1	Cover, Boom End	
15	1001116876	1	Boom, Base	
16	1001116877	1	Boom, Fly	
17	1001118274	4	Nut, Retainer M8	
18	1001118287	8	Pad, Wear	
19	1001118288	8	Pad, Wear	

# SECTION 4 - BOOM

## FIGURE 4-5. JIB ASSEMBLY - WITHOUT ARCTIC PACKAGE



ART\_1001117884\_D

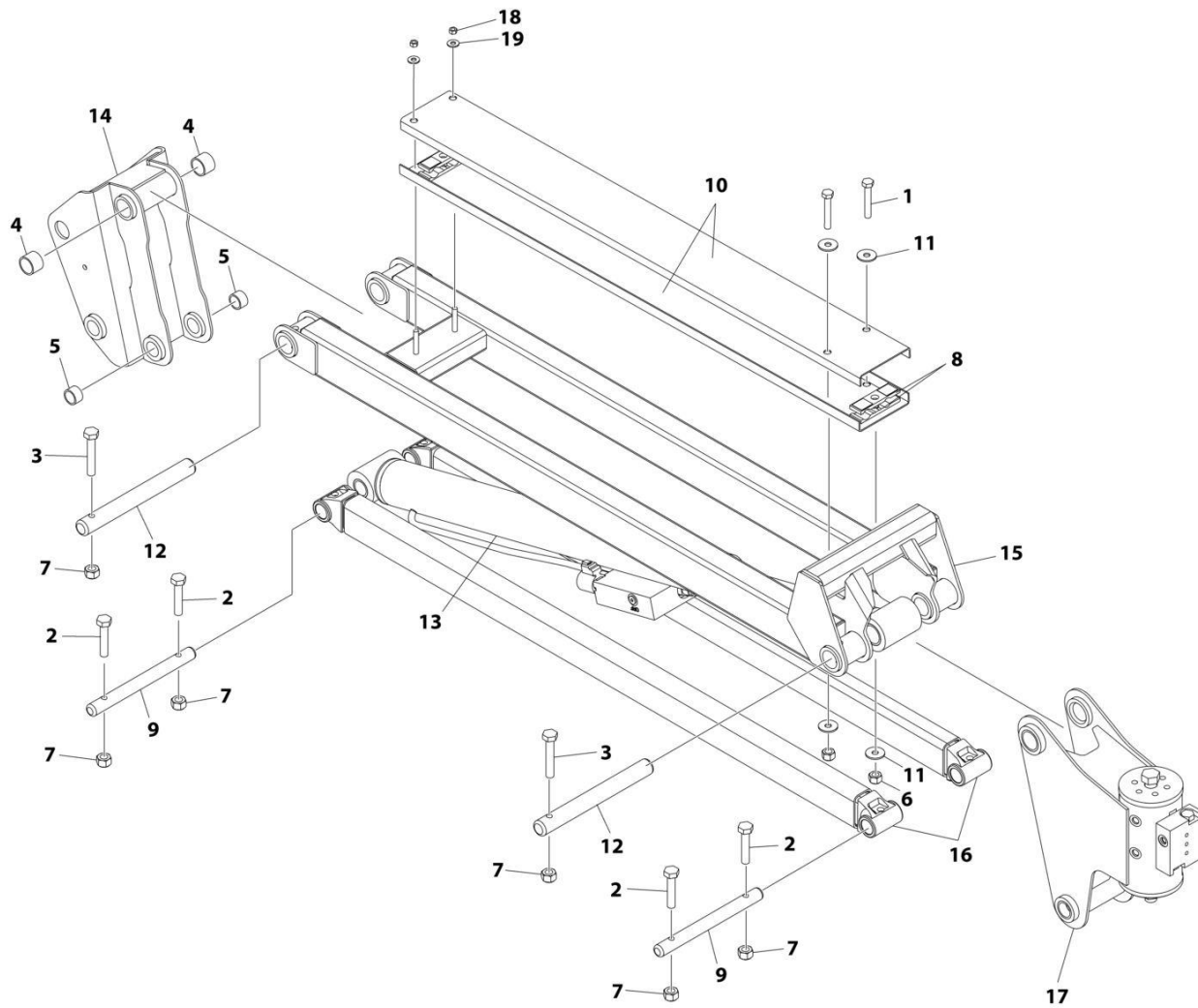
## SECTION 4 - BOOM

**FIGURE 4-5. JIB ASSEMBLY - WITHOUT ARCTIC PACKAGE**

ITEM	PART NUMBER	QTY	DESCRIPTION	REV
	1001117884	Ref	JIB ASSEMBLY - WITHOUT ARCTIC PACKAGE	D
1	0060044	1	Platform Rotator Assembly (See Separate Breakdown in this Section)	
2	0700818	2	Bolt M8 x 50	
3	0701018	4	Bolt M10 x 50	
4	0701020	2	Bolt M10 x 60	
5	0961951	2	Bushing	
6	0962292	2	Bushing	
7	3290805	2	Nut M8	
8	3291005	6	Nut M10	
9	3340860	4	Pad, Rubber	
10	3422791	2	Pin	
11	3572551	2	Channel, Hose Carrier	
12	4811902	4	Washer M8	
13	3422794	2	Pin	
14	1001123004	1	Lift Cylinder Assembly - Jib (See Separate Breakdown in CYLINDER Section)	
15	1001118394	1	Pivot, Jib	
16	4846278	1	Link, Jib (Top)	
17	1001094670	2	Link, Jib (Bottom)	
18	3311501	2	Nut 5/16	
19	4751500	2	Washer 5/16	

# SECTION 4 - BOOM

## FIGURE 4-6. JIB ASSEMBLY - WITH ARCTIC PACKAGE



ART\_1001119370\_D

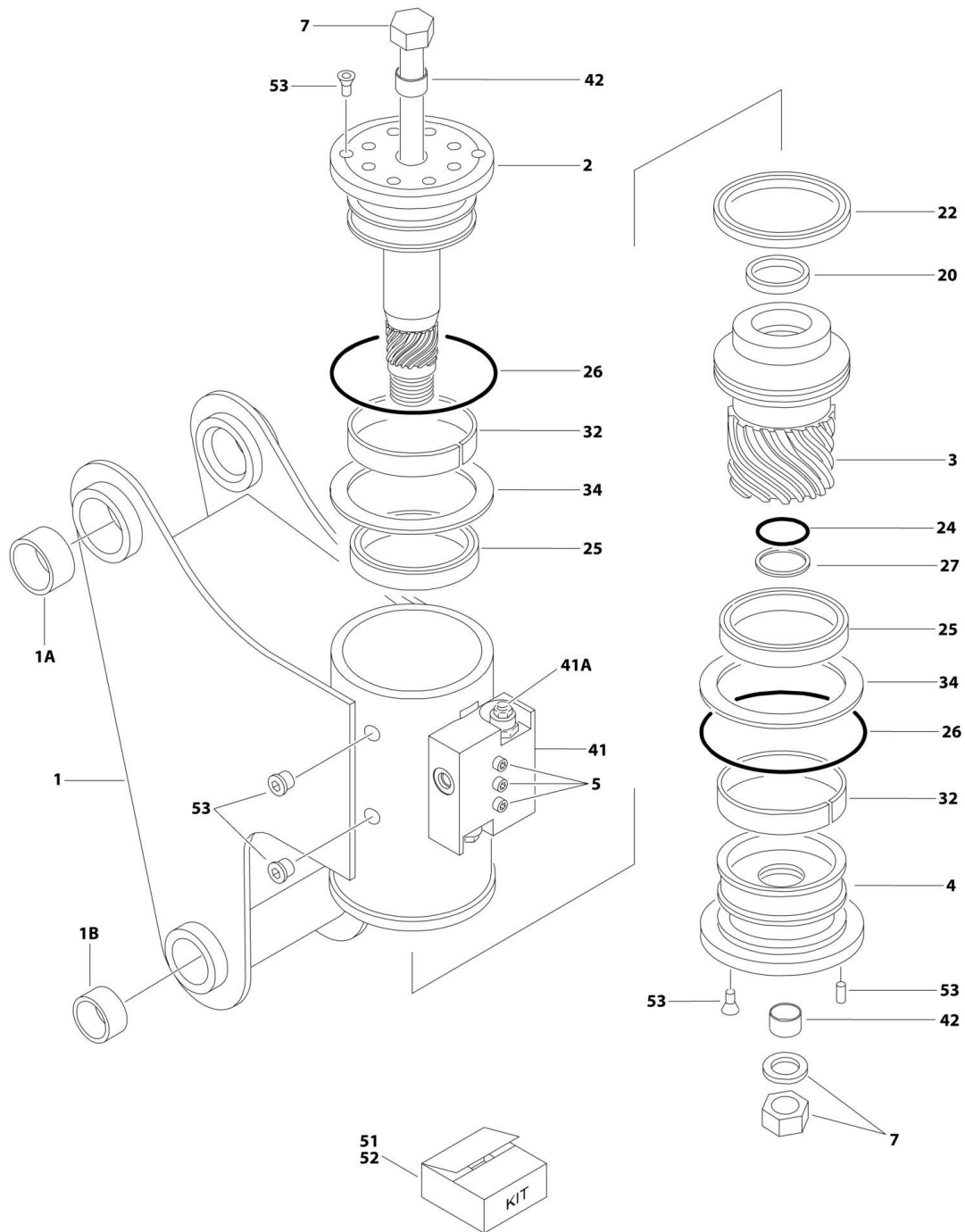
## SECTION 4 - BOOM

**FIGURE 4-6. JIB ASSEMBLY - WITH ARCTIC PACKAGE**

ITEM	PART NUMBER	QTY	DESCRIPTION	REV
	1001119370	Ref	JIB ASSEMBLY - WITH ARCTIC PACKAGE	D
1	0700818	2	Bolt M8 x 50	
2	0701018	4	Bolt M10 x 50	
3	0701020	2	Bolt M10 x 60	
4	0961951	2	Bushing	
5	0962292	2	Bushing	
6	3290805	2	Nut M8	
7	3291005	6	Nut M10	
8	3340860	4	Pad, Rubber	
9	3422791	2	Pin	
10	3572551	2	Channel, Hose Carrier	
11	4811902	4	Washer M8	
12	3422794	2	Pin	
13	1001123004	1	Lift Cylinder Assembly - Jib (See Separate Breakdown in CYLINDER Section)	
14	1001118394	1	Pivot, Jib	
15	4846278	1	Link, Jib (Top)	
16	1001094670	2	Link, Jib (Bottom)	
17	1001119369	1	Platform Rotator Assembly (See Separate Breakdown in this Section)	
18	3311501	2	Nut 5/16	
19	4751500	2	Washer 5/16	

# SECTION 4 - BOOM

## FIGURE 4-7. PLATFORM ROTATOR ASSEMBLY - WITHOUT ARCTIC PACKAGE



ART\_0060044

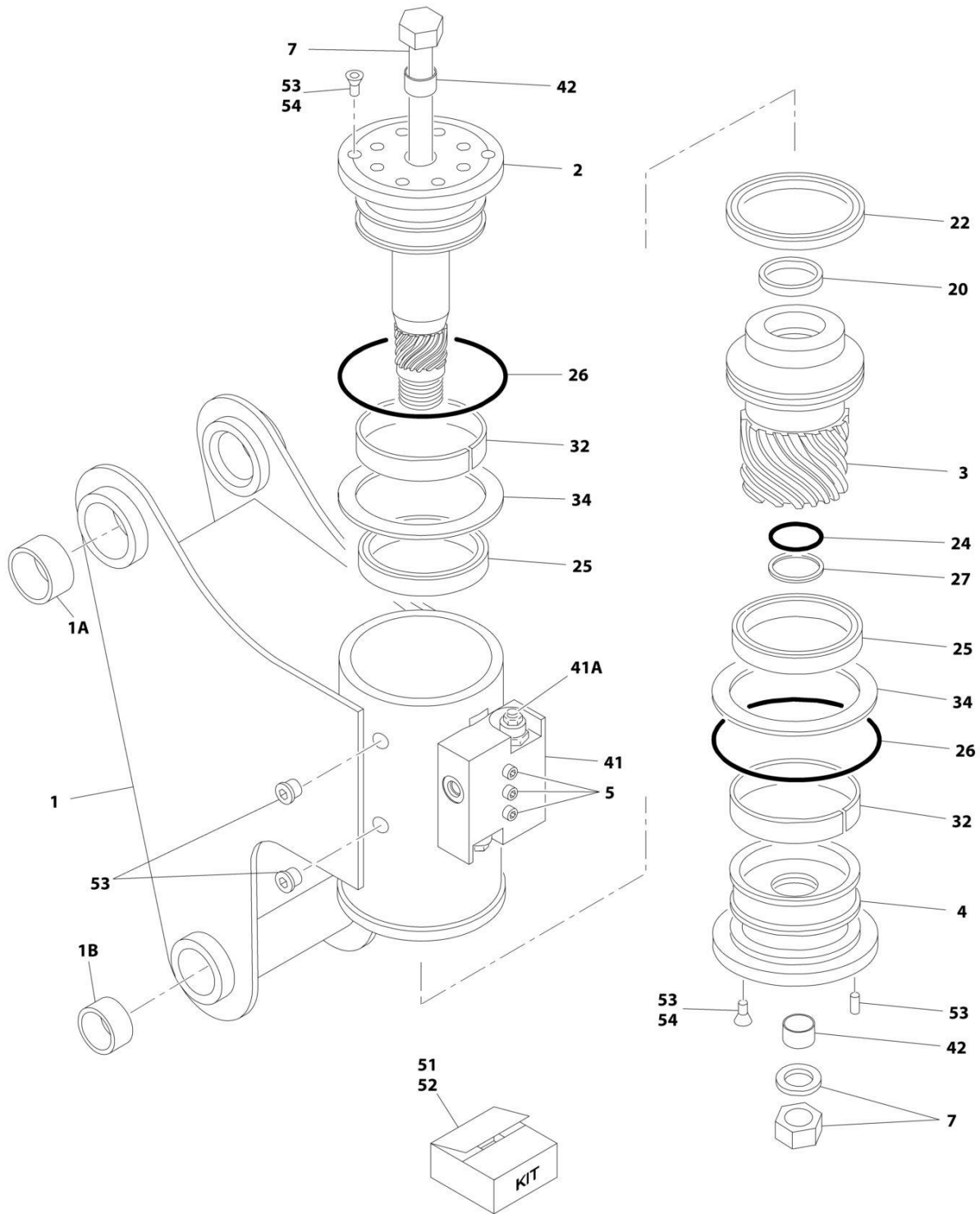
## SECTION 4 - BOOM

**FIGURE 4-7. PLATFORM ROTATOR ASSEMBLY - WITHOUT ARCTIC PACKAGE**

ITEM	PART NUMBER	QTY	DESCRIPTION	REV
	0060044	Ref	ROTATOR ASSEMBLY	D
1	See Note	1	Case/Bracket Weldment (Note: Not Available - Purchase Complete Assembly)	
1A	0962257	2	Bushing	
1B	0961947	2	Bushing	
2	7017120	1	Shaft (Rotator with Helac Control #25928)	
2	7017196	1	Shaft (Rotator with Helac Control #26962)	
3	7017121	1	Piston Sleeve (Rotator with Helac Control #25928)	
3	7027900	1	Piston Sleeve (Rotator with Helac Control #26962)	
4	See Note	1	Cap, End (Rotator with Helac Control #25928) (Note: Use p/n 0060044)	
4	7027901	1	Cap, End (Rotator with Helac Control #26962)	
5	See Note	3	Capscrew 1/4 x 1-1/2, Grade 8 (Note: Not Available - Purchase Locally)	
7	7017126	1	Tie Rod Assembly	
20	See Note	NSS	Seal, Rod (Note: Use Item 52)	
22	See Note	NSS	Seal, Piston (Note: Use Item 52)	
24	See Note	NSS	Seal, Cap (Note: Use Item 52)	
25	See Note	NSS	Packing, Bearing (Note: Use Item 52)	
26	See Note	NSS	Seal (Note: Use Item 52)	
27	See Note	NSS	Ring, Back-Up Cap (Note: Use Item 52)	
32	See Note	NSS	Bearing, Shaft (Note: Use Item 51)	
34	See Note	2	Washer, Thrust (Note: Use Item 51)	
41	7017172	1	Counterbalance Valve Assembly (Helac p/n 24327, 26553 or 26554 Stamped Beside Mounting Screws)	
41A	7011323	2	Valve, Cartridge (Helac p/n 24327 Valve)	
41A	2900770	2	Seal Kit - 7011323 Cartridge (1 Per Assembly)	
41A	7017192	2	Valve Cartridge (Helac p/n 26553 or 26554) (No Seal Kit Available)	
42	70004323	1	Bushing, Shaft	
51	7017122	1	Bearing Kit (Includes Items 32-34)	
52	7017127	1	Seal Kit - Standard (Includes Items 20,22,24,25,26 & 27)	
52	70000341	1	Seal Kit - Low Temperature (Includes Items 20,22,24,25,26 & 27)	
53	7017123	1	Hardware Kit	

# SECTION 4 - BOOM

## FIGURE 4-8. PLATFORM ROTATOR ASSEMBLY - WITH ARCTIC PACKAGE



ART\_1001119369



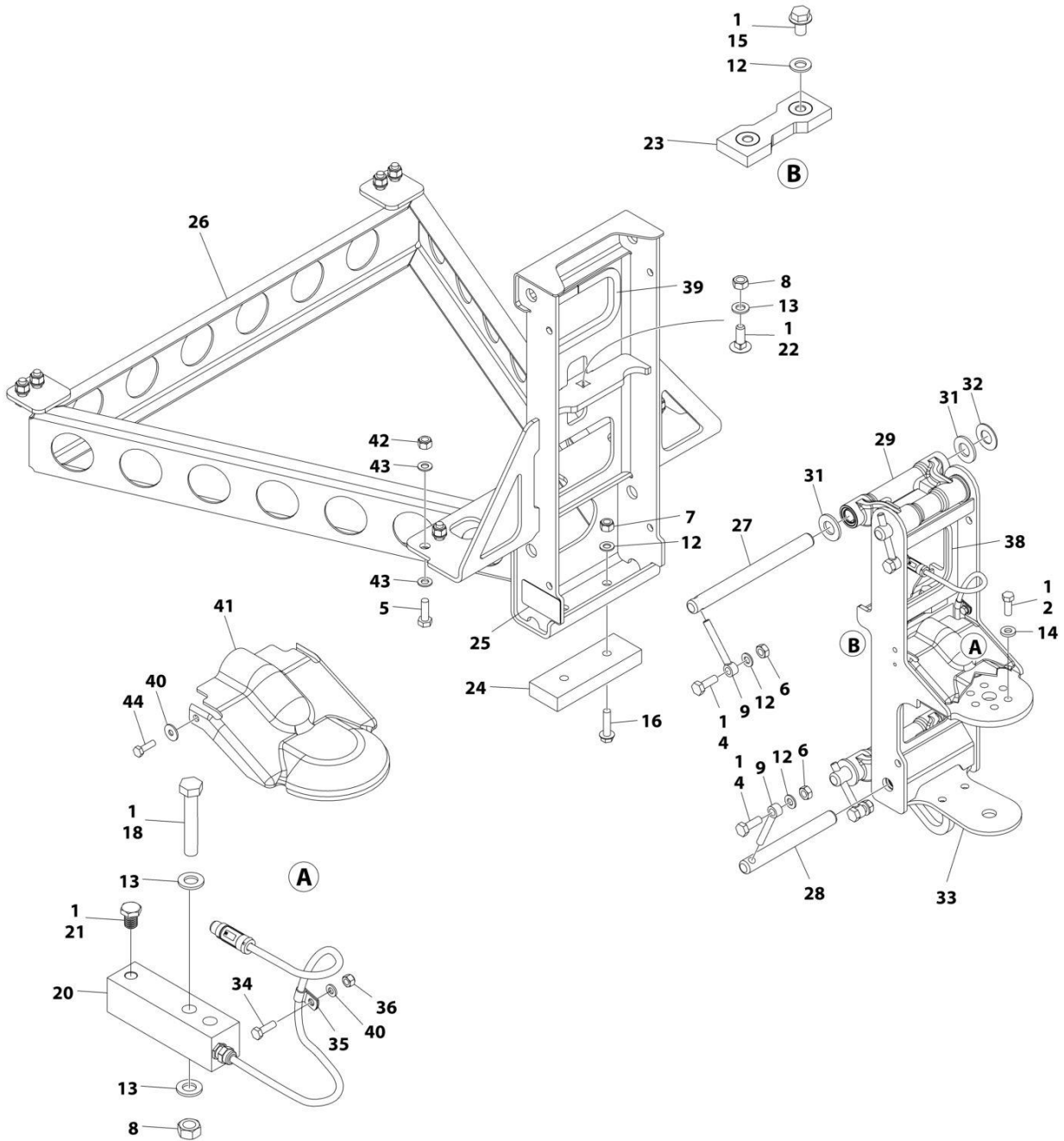
## SECTION 4 - BOOM

**FIGURE 4-8. PLATFORM ROTATOR ASSEMBLY - WITH ARCTIC PACKAGE**

ITEM	PART NUMBER	QTY	DESCRIPTION	REV
	1001119369	Ref	PLATFORM ROTATOR ASSEMBLY - WITH ARCTIC PACKAGE	B
1	See Note	1	Case/Bracket Weldment (Note: Not Available - Purchase Complete Assembly)	
1A	0962257	2	Bushing	
1B	0961947	2	Bushing	
2	7017196	1	Shaft	
3	7027900	1	Piston Sleeve	
4	7027901	1	Cap, End	
5	See Note	3	Capscrew, 1/4 x 1-1/2 Grade 8 (Note: Not Available - Purchase Locally)	
7	7017126	1	Tie Rod Assembly	
20	See Note	1	Seal, Rod (Note: Use Item 52)	
22	See Note	1	Seal, Piston (Note: Use Item 52)	
24	See Note	1	Seal, Cap (Note: Use Item 52)	
25	See Note	2	Packing, Bearing (Note: Use Item 52)	
26	See Note	2	Seal (Note: Use Item 52)	
27	See Note	1	Ring, Back-up Cap (Note: Use Item 52)	
32	See Note	2	Bearing, Shaft (Note: Use Item 51)	
34	See Note	2	Washer, Thrust (Note: Use Item 51)	
41	7017172	1	Counterbalance Valve Assembly	
41A	7017192	2	Valve Cartridge (No Seal Kit Available)	
42	70004323	2	Bushing, Shaft	
51	7017122	1	Bearing Kit (Includes Items 32-34)	
52	70004322	1	Seal Kit (Includes Items 20, 22, 24, 25, 26 & 27)	
53	7017123	1	Hardware Kit	
54	70001697	4	Screw 1/4 x 3/8 Grade 8	

# SECTION 4 - BOOM

## FIGURE 4-9. PLATFORM SUPPORT INSTALLATION - WITH 1 CELL LSS



ART\_1001217227\_F

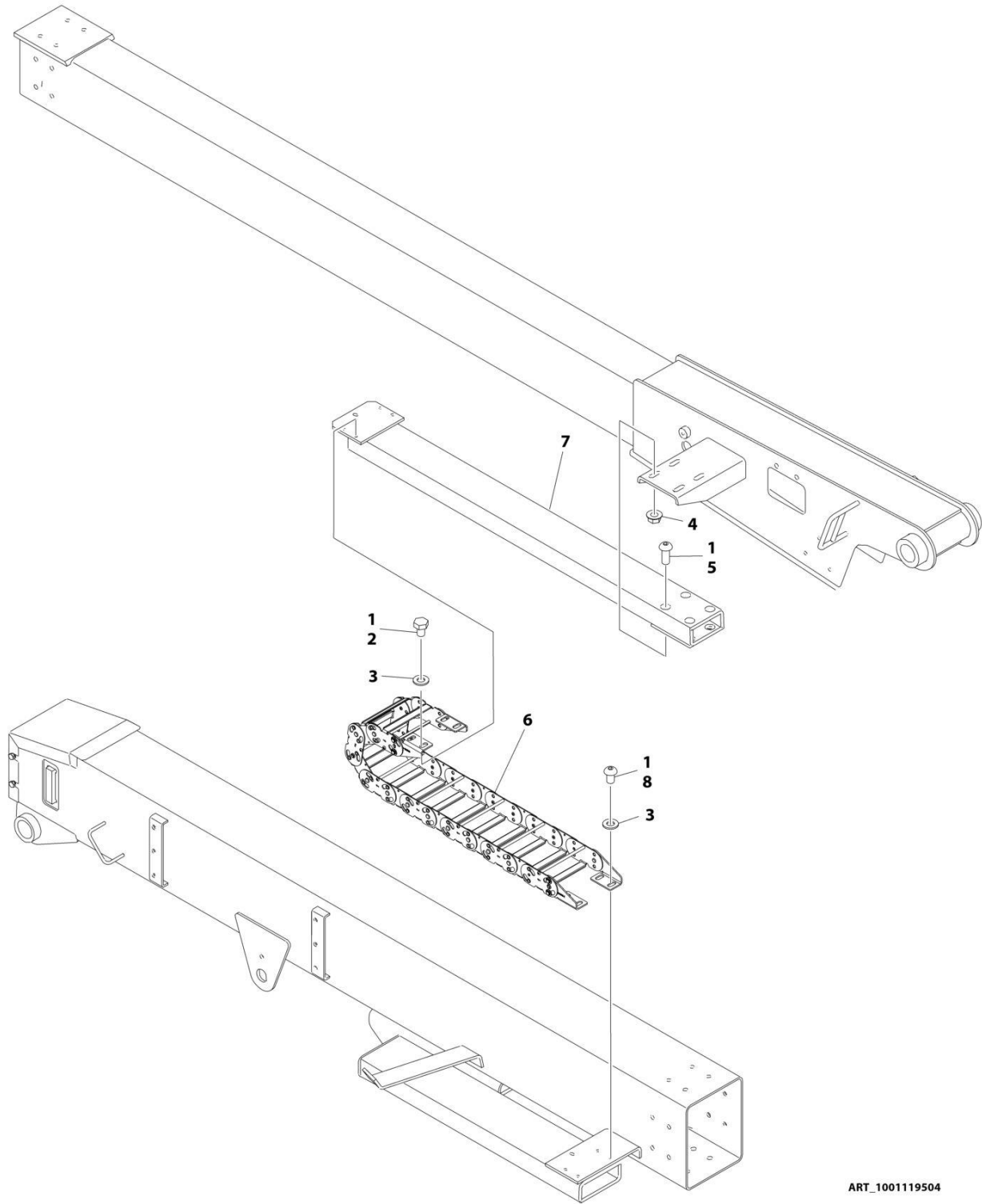
## SECTION 4 - BOOM

**FIGURE 4-9. PLATFORM SUPPORT INSTALLATION - WITH 1 CELL LSS**

ITEM	PART NUMBER	QTY	DESCRIPTION	REV
	1001217227	Ref	PLATFORM SUPPORT INSTALLATION - WITH 1 CELL LSS	F
1	0100011	AR	Compound, Locking	
2	0681608	6	Bolt 3/8 x 1	
4	0761014	4	Bolt M10 x 30	
5	0761215	8	Bolt M12 x 35	
6	3291001	4	Nut M10	
7	3291005	2	Nut M10	
8	3291201	3	Nut M12	
9	3841143	4	Keeper, Pin	
12	4812000	8	Washer M10	
13	4812100	5	Washer M12	
14	4891600	6	Washer 3/8	
15	5251008	2	Bolt M10 x 16	
16	5251016	2	Bolt M10 x 40	
18	1001098828	2	Bolt M12 x 70 Grade 10.9	
20	1001247468	1	Gauge, Load Sensing	
21	1001188622	1	Screw	
22	1001188844	1	Bolt M12 x 35	
23	1001190985	1	Pad, Wear	
24	1001200491	1	Pad, Wear	
25	1001216630	2	Decal - Tie Down/No Lift	
26	1001217228	1	Platform Support	
27	1001217242	2	Pin	
28	1001217243	2	Pin	
29	1001217244	2	Link	
31	1001217253	8	Bearing, Thrust	
32	1001217254	4	Bearing, Thrust	
33	1001217267	1	Support	
34	0760610	1	Bolt M6 x 20	
35	1320136	1	Clamp	
36	3290605	1	Nut M6	
38	4060804	14.4 in/ 36.5cm	Shield	
39	4060805	15.9 in/ 40.5 cm	Shield	
40	4811702	3	Washer M6	
41	1001228627	1	Cover	
42	3291205	8	Nut M12	
43	5241200	16	Washer M12	
44	0760606	2	Bolt M6 x 12	

# SECTION 4 - BOOM

## FIGURE 4-10. POWER TRACK INSTALLATION



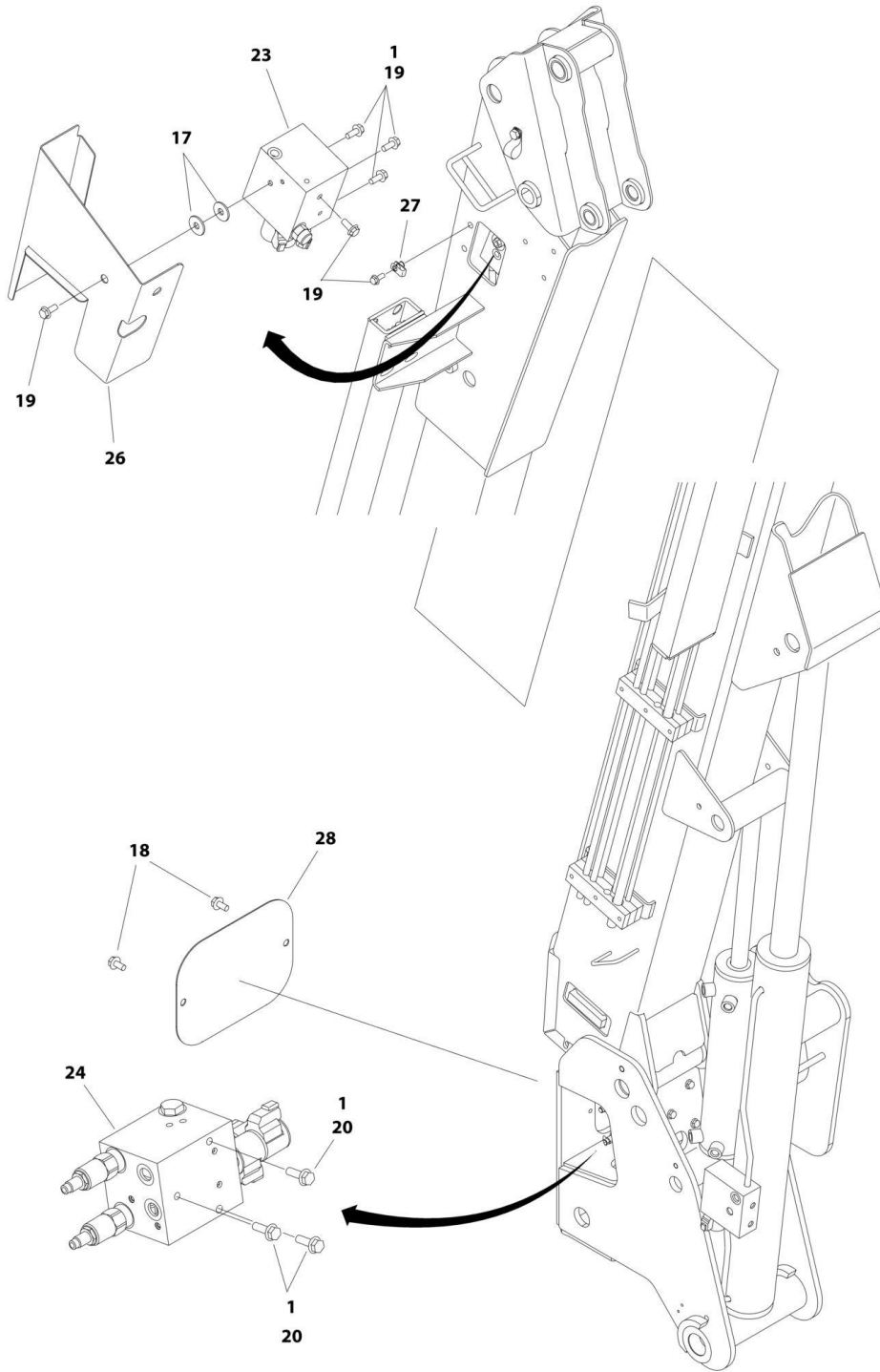
ART\_1001119504

FIGURE 4-10. POWER TRACK INSTALLATION

ITEM	PART NUMBER	QTY	DESCRIPTION	REV
	1001119504	Ref	POWER TRACK INSTALLATION	C
1	0100011	AR	Compound, Locking	
2	0761007	4	Bolt M10 x 14	
3	4812000	8	Washer M10	
4	5221000	4	Nut M10 Grade 10.9	
5	8310668	4	Screw M10 x 25 Grade 10.9	
6	1001224891	1	Carrier, Power Track	
6	70006269	1	Repair Kit (Includes 10 Link Section of Track)	
6	70006280	1	Bracket Kit (Includes 4 Mounting Feet and Hardware to Attach to Track)	
7	1001119513	1	Tube, Support	
8	1001119527	4	Screw M10 x 16	

# SECTION 4 - BOOM

## FIGURE 4-11. CONTROL VALVES INSTALLATION - BOOM



ART\_1001167238\_30F3

## SECTION 4 - BOOM

**FIGURE 4-11. CONTROL VALVES INSTALLATION - BOOM**

ITEM	PART NUMBER	QTY	DESCRIPTION	REV
	1001167238	Ref	CONTROL VALVES INSTALLATION - BOOM	I
1	0100011	AR	Compound, Locking	
17	4812002	2	Washer M10	
18	5250808	2	Bolt M8 x 16	
19	5250810	14	Bolt M8 x 20	
20	5250812	3	Bolt M8 x 25	
23	1001116228	1	Fly Boom Valve Assembly (See Separate Breakdown in this Section)	
24	1001136244	1	Boom Upright Valve Assembly (See Separate Breakdown in this Section)	
26	1001116835	1	Shield	
27	1001118274	1	Nut M8	
28	1001118595	1	Cover	

# SECTION 4 - BOOM

## FIGURE 4-12. FLY BOOM VALVE ASSEMBLY

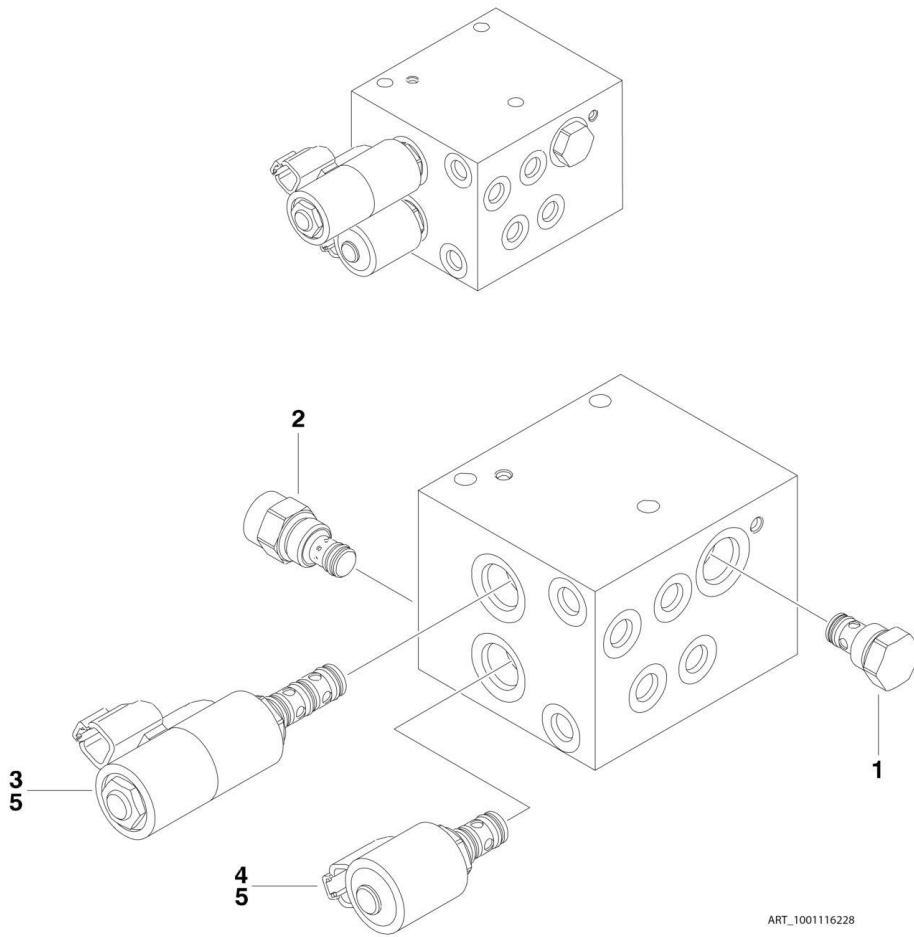


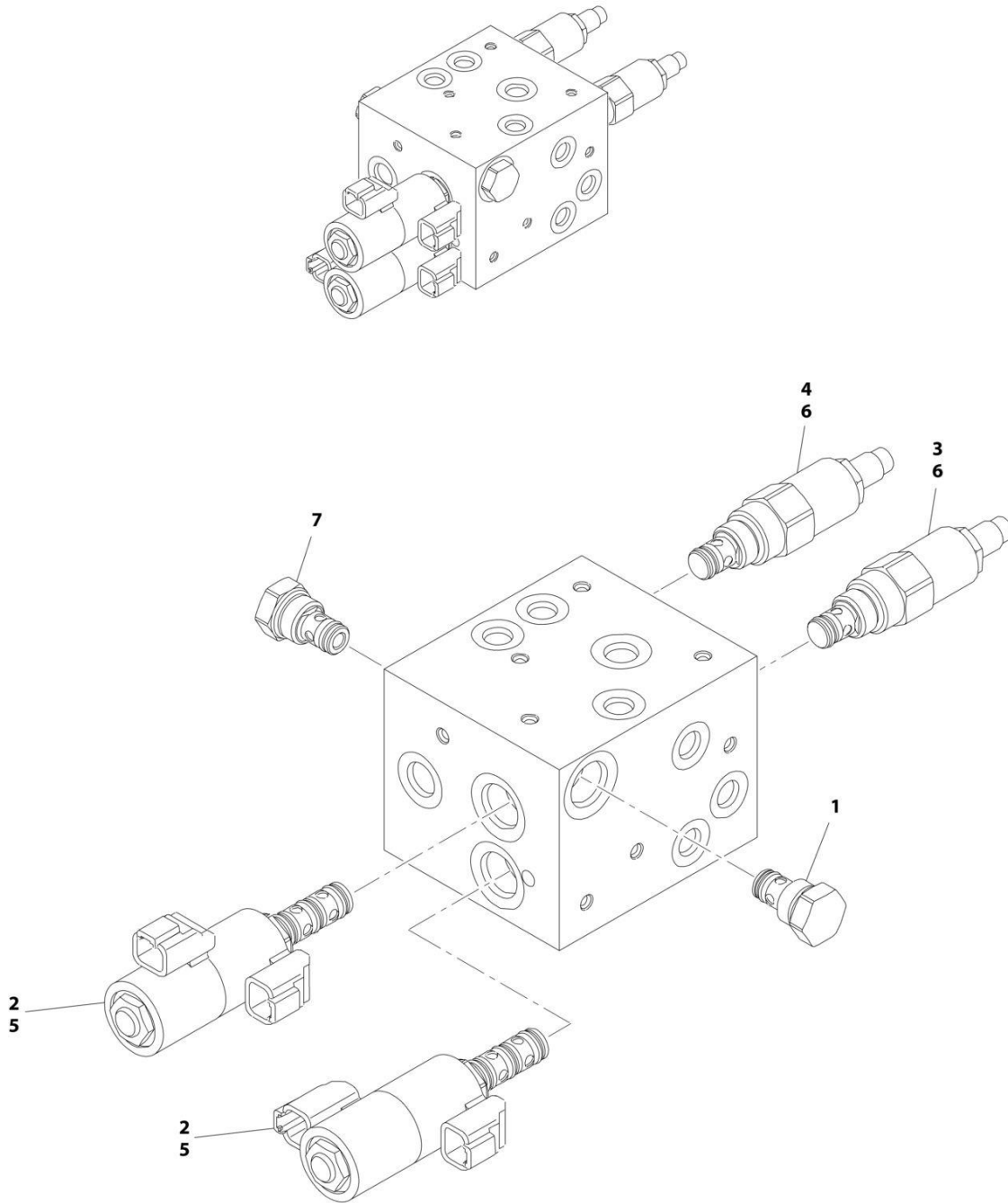


FIGURE 4-12. FLY BOOM VALVE ASSEMBLY

ITEM	PART NUMBER	QTY	DESCRIPTION	REV
	1001116228	Ref	FLY BOOM VALVE ASSEMBLY	D
1	7012955	1	Cartridge, Check Valve	
1	7012967	1	Seal Kit - 7012955 Cartridge	
2	7023970	1	Cartridge, Flow Regulator	
2	7012953	1	Seal Kit - 7023970 Cartridge	
3	7017452	1	Cartridge, Solenoid Valve (without Coil) (Rotate)	
3	7017402	1	Seal Kit - 7017452 Cartridge	
4	7012941	1	Cartridge, Solenoid Valve (without Coil) (Jib)	
4	7010543	1	Seal Kit - 7012941 Cartridge	
5	70002386	3	Coil	

# SECTION 4 - BOOM

## FIGURE 4-13. BOOM UPRIGHT VALVE ASSEMBLY



ART\_1001136244

## SECTION 4 - BOOM

**FIGURE 4-13. BOOM UPRIGHT VALVE ASSEMBLY**

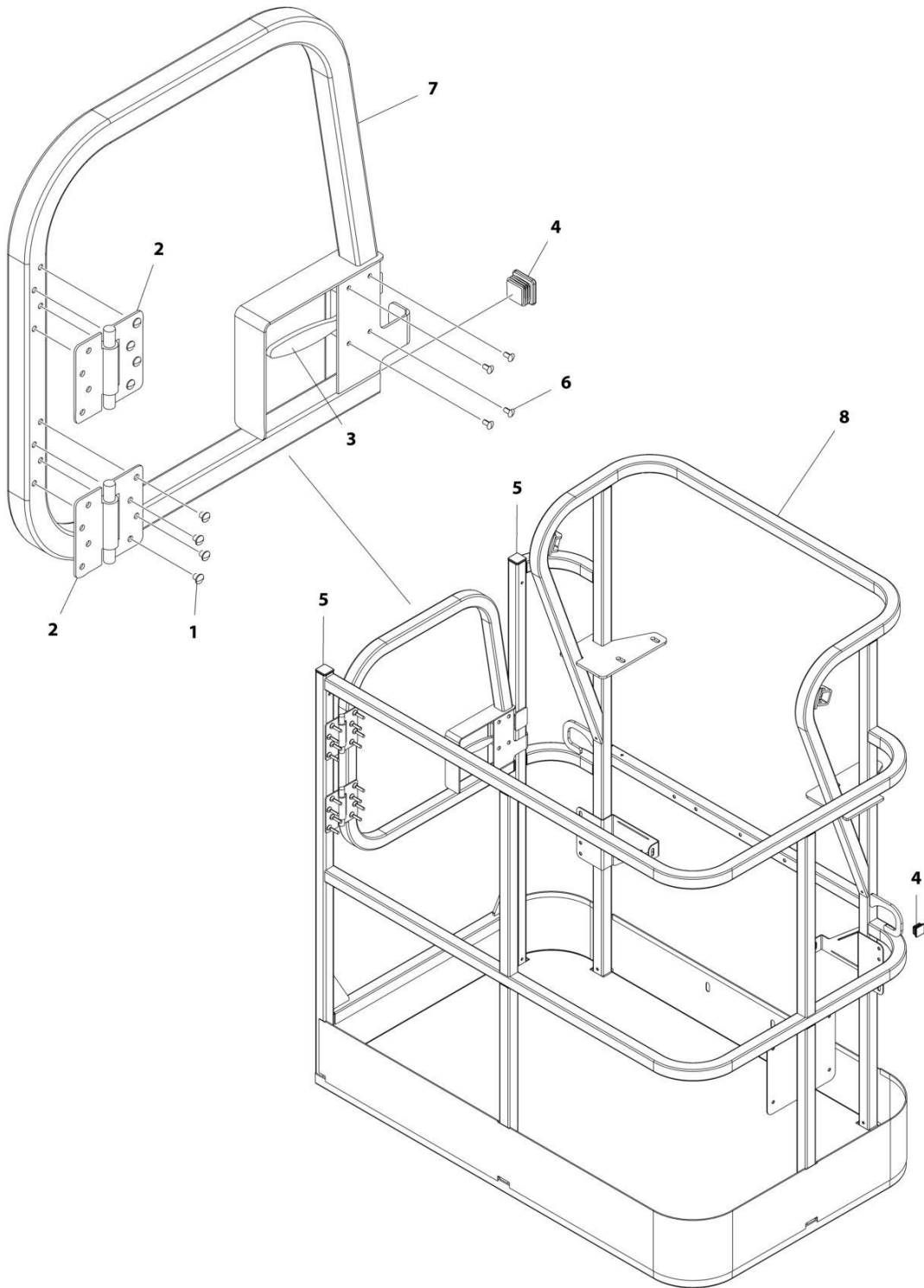
ITEM	PART NUMBER	QTY	DESCRIPTION	REV
	1001136244	Ref	BOOM UPRIGHT VALVE ASSEMBLY	C
1	7012955	2	Cartridge, Check Valve	
1	7012967	2	Seal Kit - 7012955 Cartridge	
2	7017452	2	Cartridge, Solenoid Valve (without Coil) (Telescope/Platform Level)	
2	7017402	2	Seal Kit - 7017452 Cartridge	
3	7017427	1	Cartridge, Relief	
3	7012998	1	Seal Kit - 7017427 Cartridge	
4	70002954	1	Cartridge, Relief	
4	7012998	1	Seal Kit - 70002954 Cartridge	
5	70002963	4	Coil	
6	See Note	2	Orifice (Note: Not Available for Purchase)	
7	7017498	1	Piston, Pilot	



**SECTION 5 - PLATFORM**

# SECTION 5 - PLATFORM

FIGURE 5-1. PLATFORM ASSEMBLY - 30IN X 4FT (76CM X 1.22M) - GATE ENTRY



ART\_1001186387

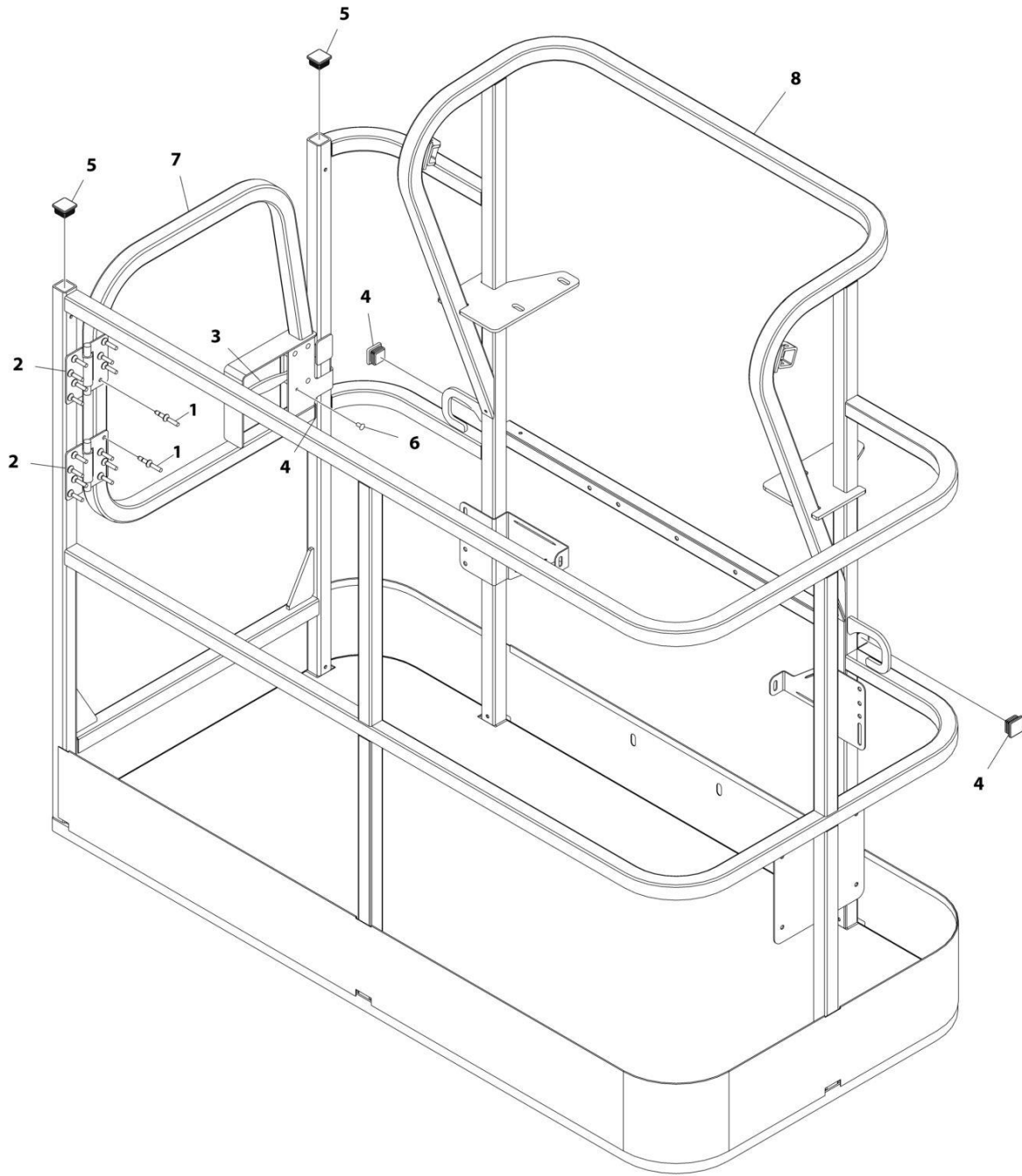
# SECTION 5 - PLATFORM

**FIGURE 5-1. PLATFORM ASSEMBLY - 30IN X 4FT (76CM X 1.22M) - GATE ENTRY**

ITEM	PART NUMBER	QTY	DESCRIPTION	REV
	1001186387	Ref	PLATFORM ASSEMBLY	C
		Ref	Note: Platform and Mesh must be ordered separately for Platforms with Mesh. See SPECIAL OPTIONS SECTION for Mesh Installations.	
		Ref	Note: Replacement Decals Must be Ordered Separately - See DECALS SECTION.	
1	2080040	16	Fastener, Huck	
2	2600281	2	Hinge, Self-Closing	
3	2940074	1	Latch	
4	3520072	3	Plug	
5	3520198	2	Plug	
6	3820020	4	Rivet	
7	1001144629	1	Gate	
8	See Note	1	Platform (Note: Not Available - Purchase Platform Assembly)	

# SECTION 5 - PLATFORM

FIGURE 5-2. PLATFORM ASSEMBLY - 30IN X 5FT (76CM X 1.52M) - GATE ENTRY



ART\_1001186386



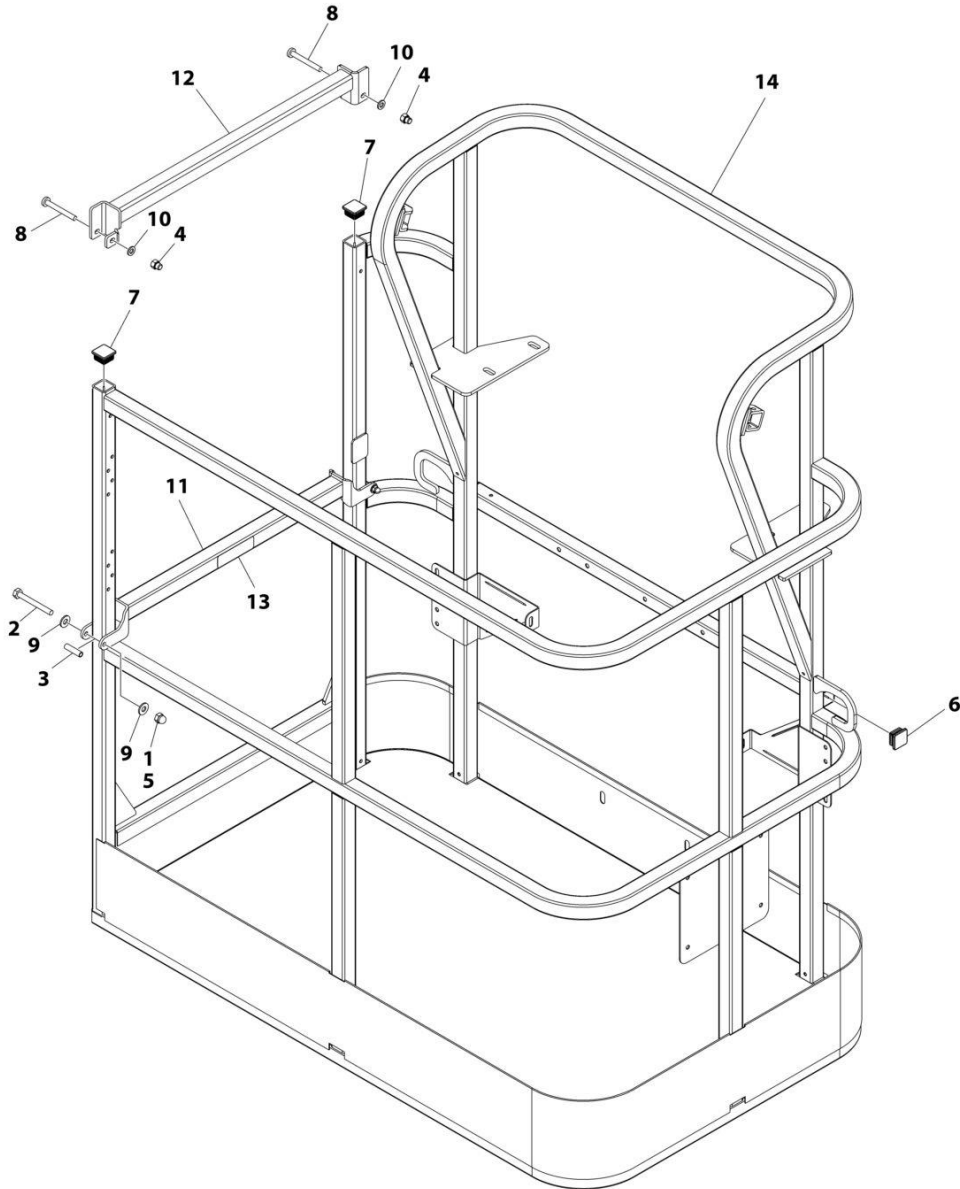
# SECTION 5 - PLATFORM

**FIGURE 5-2. PLATFORM ASSEMBLY - 30IN X 5FT (76CM X 1.52M) - GATE ENTRY**

ITEM	PART NUMBER	QTY	DESCRIPTION	REV
	1001186386	Ref	PLATFORM ASSEMBLY	C
		Ref	Note: Platform and Mesh must be ordered separately for Platforms with Mesh. See SPECIAL OPTIONS SECTION for Mesh Installations.	
		Ref	Note: Replacement Decals Must be Ordered Separately - See DECALS SECTION.	
1	2080040	16	Fastener, Huck	
2	2600281	2	Hinge, Self-Closing	
3	2940074	1	Latch	
4	3520072	3	Plug	
5	3520198	2	Plug	
6	3820020	4	Rivet	
7	1001144629	1	Gate	
8	See Note	NSS	Platform (Note: Not Available - Purchase Platform Assembly)	

# SECTION 5 - PLATFORM

FIGURE 5-3. PLATFORM ASSEMBLY - 30IN X 4FT (76CM X 1.22M) - DROP BAR ENTRY



ART\_1001186375

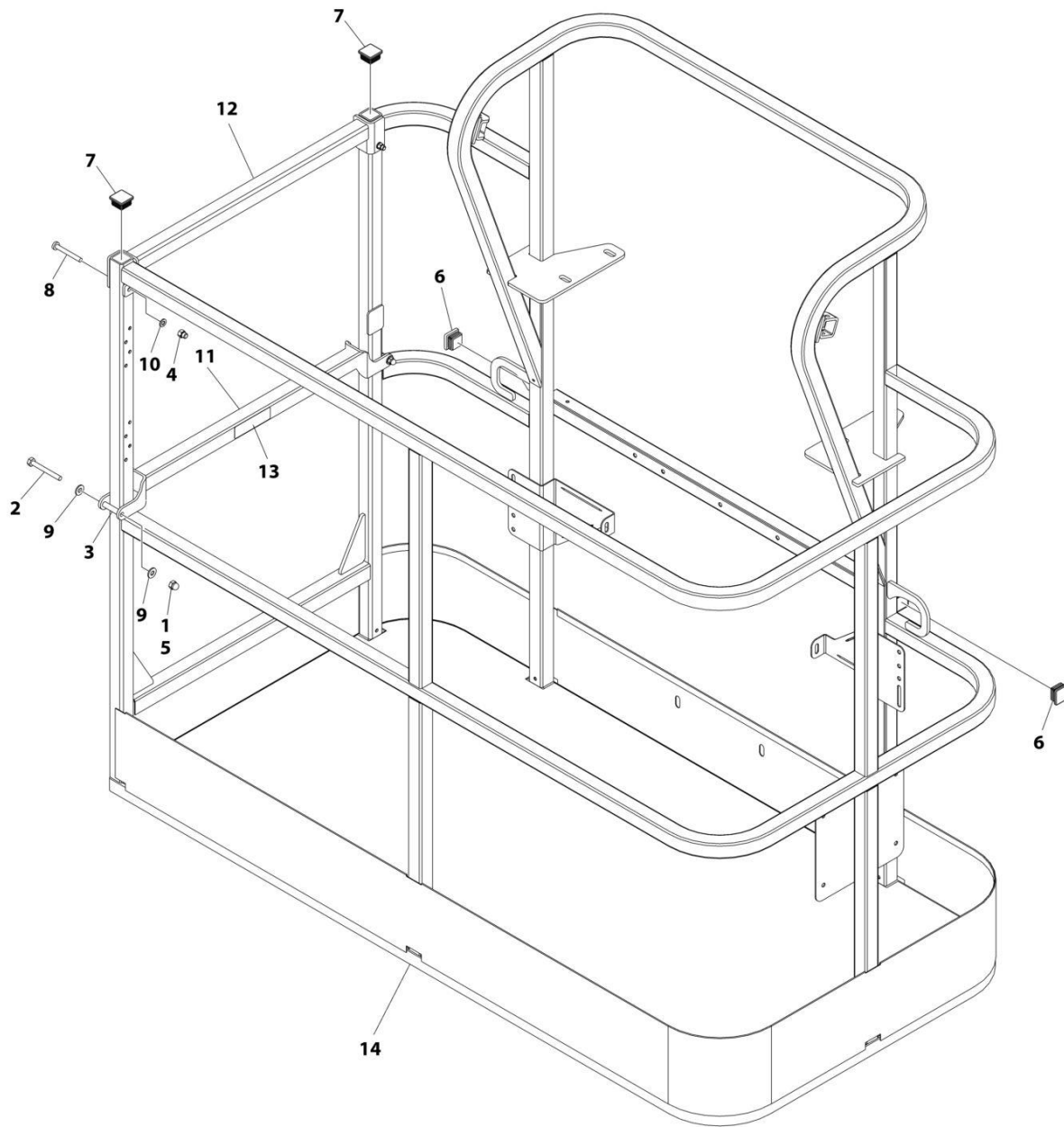
# SECTION 5 - PLATFORM

**FIGURE 5-3. PLATFORM ASSEMBLY - 30IN X 4FT (76CM X 1.22M) - DROP BAR ENTRY**

ITEM	PART NUMBER	QTY	DESCRIPTION	REV
	1001186375	Ref	PLATFORM ASSEMBLY	B
		Ref	Note: Platform and Mesh must be ordered separately for Platforms with Mesh. See SPECIAL OPTIONS SECTION for Mesh Installations.	
		Ref	Note: Replacement Decals Must be Ordered Separately - See DECALS SECTION.	
1	0100011	AR	Compound, Locking	
2	0641418	2	Bolt 1/4 x 2-1/4	
3	0961845	2	Bushing	
4	3290606	2	Nut M6	
5	3300151	2	Nut 1/4	
6	3520072	2	Plug	
7	3520198	2	Plug	
8	4010618	2	Screw M6 x 50	
9	4711400	4	Washer 1/4	
10	4811700	2	Washer M6	
11	1001138494	1	Bar, Drop	
12	1001138514	1	Rail - Top	
13	1001140429	1	Decal - Drop Bar	
14	See Note	1	Platform (Note: Not Available - Purchase Platform Assembly)	

# SECTION 5 - PLATFORM

FIGURE 5-4. PLATFORM ASSEMBLY - 30IN X 5FT (76CM X 1.52M) - DROP BAR ENTRY



ART\_1001186377

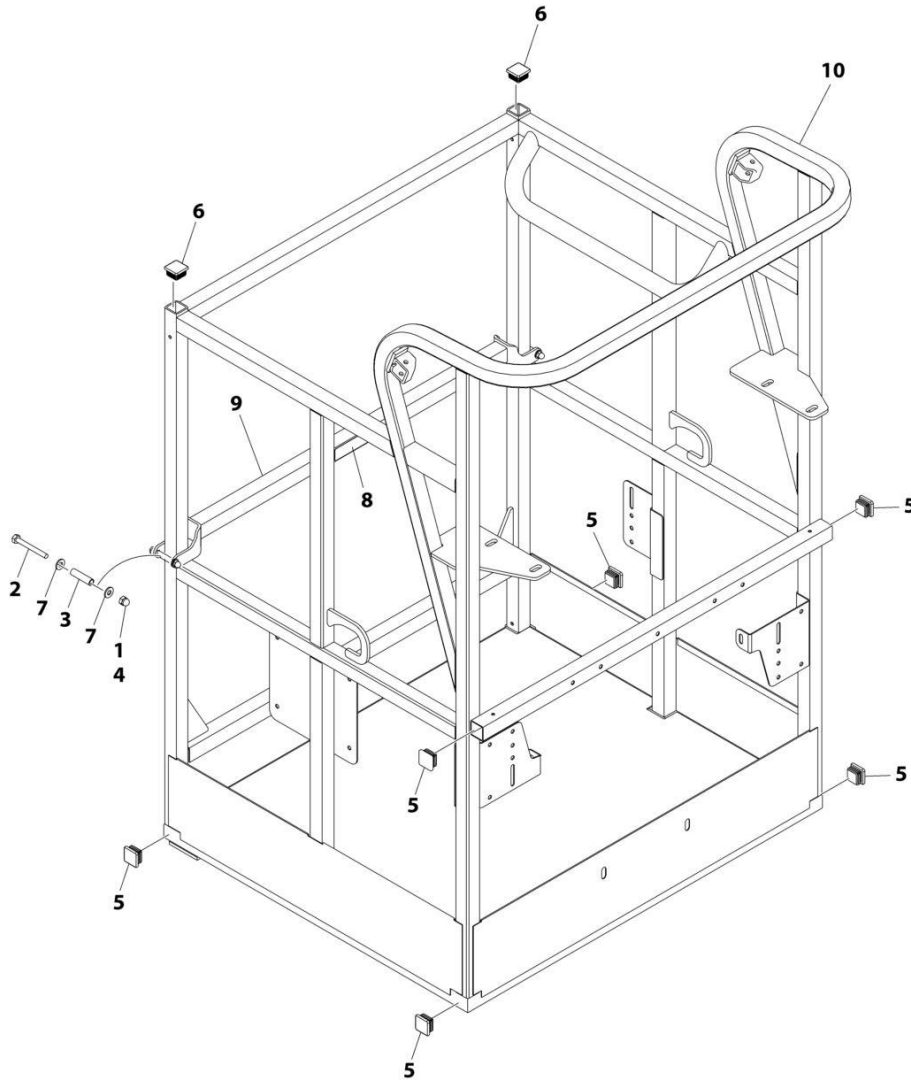
# SECTION 5 - PLATFORM

**FIGURE 5-4. PLATFORM ASSEMBLY - 30IN X 5FT (76CM X 1.52M) - DROP BAR ENTRY**

ITEM	PART NUMBER	QTY	DESCRIPTION	REV
	1001186377	Ref	PLATFORM ASSEMBLY	C
		Ref	Note: Platform and Mesh must be ordered separately for Platforms with Mesh. See SPECIAL OPTIONS SECTION for Mesh Installations.	
		Ref	Note: Replacement Decals Must be Ordered Separately - See DECALS SECTION.	
1	0100011	AR	Compound, Locking	
2	0641420	2	Bolt 1/4 x 2-1/2	
3	0961845	2	Bushing	
4	3290606	2	Nut M6	
5	3300151	2	Nut 1/4	
6	3520072	2	Plug	
7	3520198	2	Plug	
8	4010618	2	Screw M6 x 50	
9	4711400	4	Washer 1/4	
10	4811700	2	Washer M6	
11	1001138494	1	Bar, Drop	
12	1001138514	1	Rail (Top)	
13	1001140429	1	Decal - Drop Bar	
14	See Note	NSS	Platform (Note: Not Available - Purchase Platform Assembly)	

# SECTION 5 - PLATFORM

FIGURE 5-5. PLATFORM ASSEMBLY - 30IN X 3FT (76CM X 91.5CM) - WITH DROP BAR



ART\_1001228215

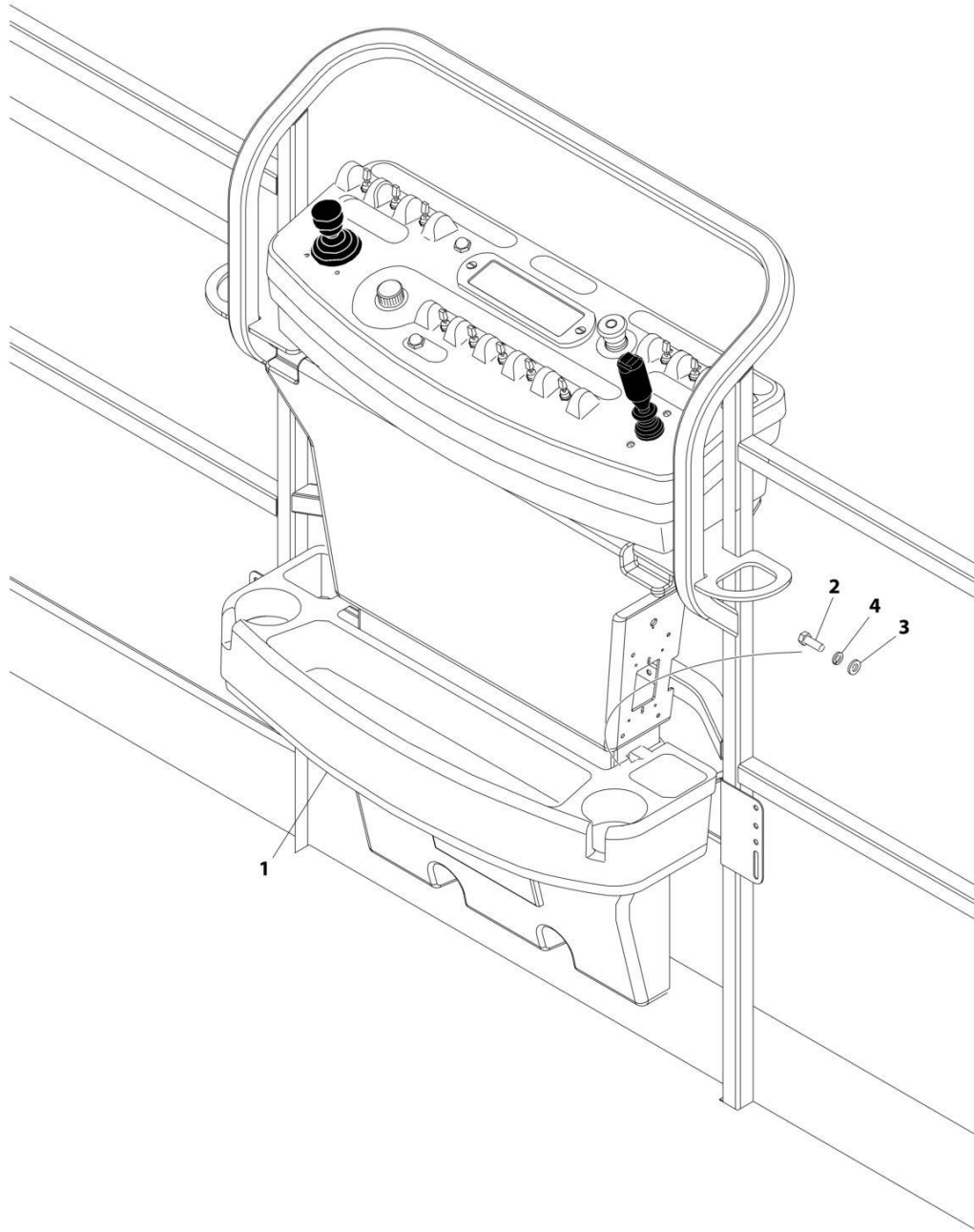
# SECTION 5 - PLATFORM

**FIGURE 5-5. PLATFORM ASSEMBLY - 30IN X 3FT (76CM X 91.5CM) - WITH DROP BAR**

ITEM	PART NUMBER	QTY	DESCRIPTION	REV
	1001228215	Ref	PLATFORM ASSEMBLY	A
	See Note	Ref	Note: Platform and Mesh must be ordered separately for Platforms with Mesh. See SPECIAL OPTIONS SECTION for Mesh Installations.	
	See Note	Ref	Note: Replacement Decals Must be Ordered Separately - See DECAL SECTION.	
1	0100011	AR	Compound, Locking	
2	0641418	2	Bolt 1/4 x 2-1/4	
3	0961845	2	Bushing	
4	3300151	2	Nut 1/4	
5	3520072	6	Cap, Plug	
6	3520198	2	Cap, Plug	
7	4711400	4	Washer 1/4	
8	1001140429	1	Decal - Drop Bar	
9	1001226872	1	Bar, Drop	
10	See Note	NSS	Platform (Note: Not Available - Purchase Platform Assembly)	

# SECTION 5 - PLATFORM

## FIGURE 5-6. TRAY INSTALLATION



ART\_1580012



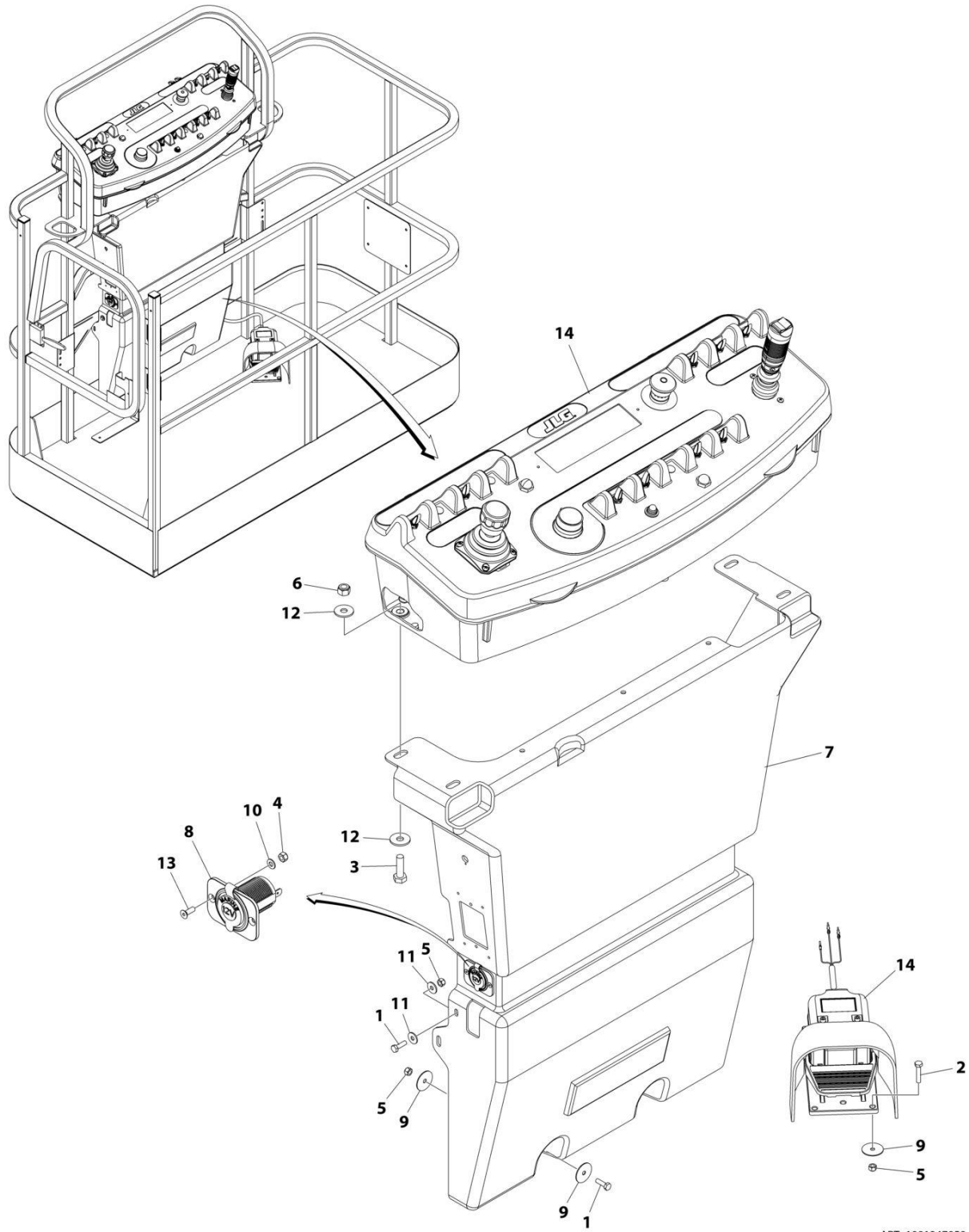
**SECTION 5 - PLATFORM**

**FIGURE 5-6. TRAY INSTALLATION**

ITEM	PART NUMBER	QTY	DESCRIPTION	REV
	1580012	Ref	TRAY ASSEMBLY	C
1	See Note	NSS	Tray, Storage (Center) (Note: Purchase p/n 1580012)	
2	0641406	2	Bolt 1/4 x 3/4	
3	4751400	2	Washer 1/4	
4	4761400	2	Washer 1/4	

# SECTION 5 - PLATFORM

## FIGURE 5-7. CONSOLE AND FOOTSWITCH INSTALLATION



ART\_1001247059

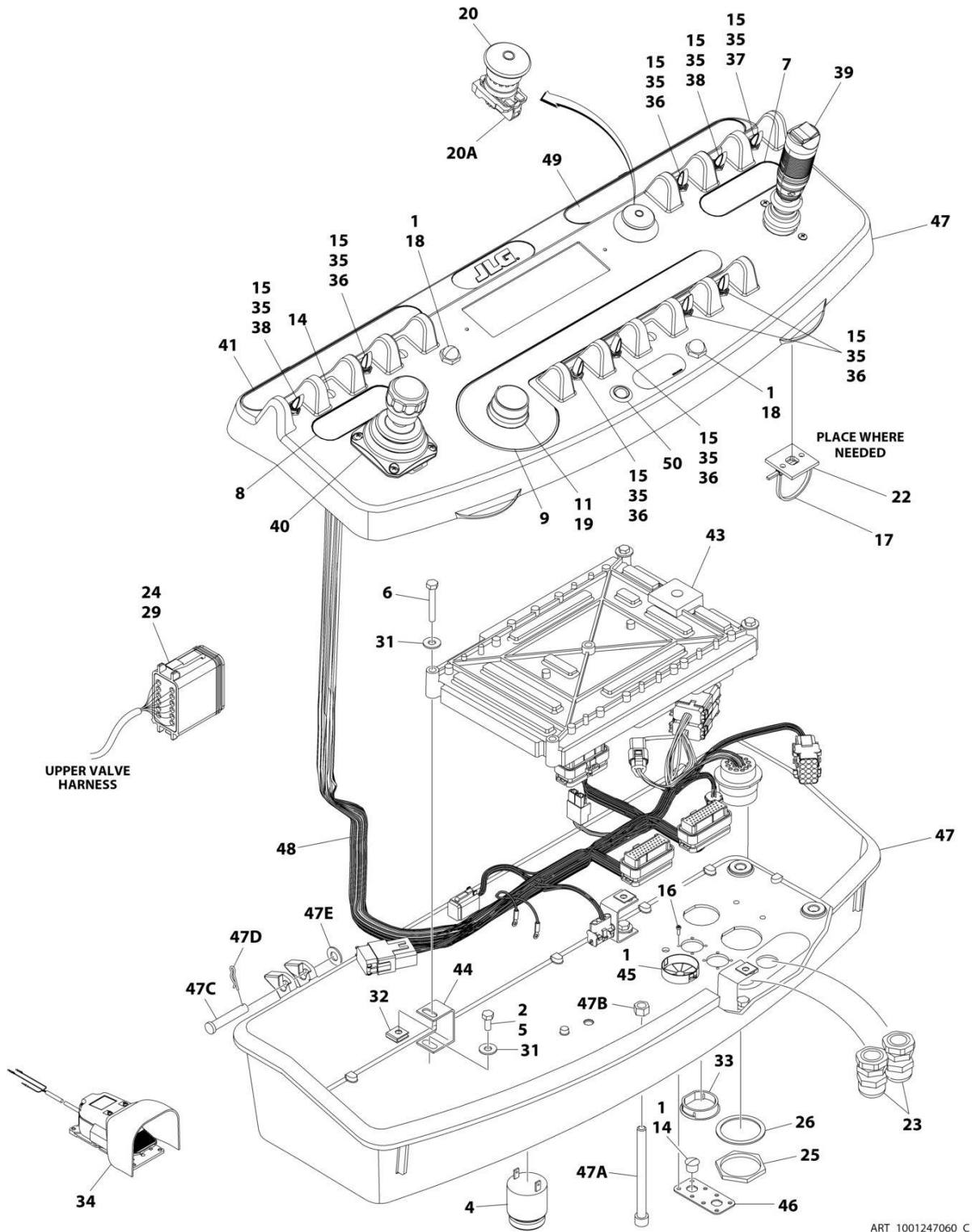
**SECTION 5 - PLATFORM**

**FIGURE 5-7. CONSOLE AND FOOTSWITCH INSTALLATION**

ITEM	PART NUMBER	QTY	DESCRIPTION	REV
	1001247059	Ref	CONSOLE AND FOOTSWITCH INSTALLATION	B
1	0700610	4	Bolt M6 x 20	
2	0760614	4	Bolt M6 x 30	
3	0761015	4	Bolt M10 x 35	
4	3290405	2	Nut M4	
5	3290605	8	Nut M6	
6	3291005	4	Nut M10	
7	3380434	1	Panel, Decal Mount	
8	4461012	1	Terminal, Receptacle	
9	4740362	8	Washer 1/4	
10	4811400	2	Washer M4	
11	4811702	4	Washer M6	
12	4812002	8	Washer M10	
13	1001097244	2	Screw M4 x 12	
14	1001247060	1	Console and Footswitch Assembly (See Separate Breakdown in this Section)	

# SECTION 5 - PLATFORM

## FIGURE 5-8. CONSOLE AND FOOTSWITCH ASSEMBLY



ART\_1001247060\_C

## SECTION 5 - PLATFORM

### FIGURE 5-8. CONSOLE AND FOOTSWITCH ASSEMBLY

ITEM	PART NUMBER	QTY	DESCRIPTION	REV
	1001247060	Ref	CONSOLE AND FOOTSWITCH ASSEMBLY	C
1	0100009	AR	Sealant	
2	0100035	AR	Compound, Locking	
4	0140011	1	Alarm	
5	0641405	4	Bolt 1/4 x 5/8	
6	0641414	4	Bolt 1/4 x 1-3/4	
7	1702565	1	Decal (Drive and Steer)	
8	1702566	1	Decal (Lift and Swing)	
9	1702567	1	Decal (Function Speed)	
10	1704260	1	Decal (EMS)	
11	2560136	1	Handle, Knob	
14	3520054	4	Plug, Hole	
15	3790012	9	O-Ring	
16	3900349	8	Capscrew M2.5	
17	4240099	AR	Tie-Strap (Not Shown)	
18	4360387	2	Switch, Pushbutton	
19	4360407	1	Controller, Speed	
19	4460224	1	Receptacle, Female - 6 Position	
19	4460226	6	Socket, Female	
19	See Note	NSS	Gasket "Top Hat" (Included with Switch) (Note: Not Available - Purchase Complete Controller.)	
19	70003784	1	Seal	
20	1001274559	1	Switch, Emergency Stop	
20	7020175	1	Cap, Red	
20A	7020176	1	Contact Block	
22	4460234	6	Base, Mounting	
23	4460428	2	Connector, Strain Relief	
24	4460466	7	Seal, Plug	
25	4460470	1	Nut	
26	4460471	1	Washer	
29	4460933	1	Plug, Male - 12 Position	
31	4751400	8	Washer 1/4	
32	3300353	4	Nut, Tinnerman	
33	1001110434	1	Plug, Hole	
34	1001117174	1	Footswitch Assembly (Not Shown - See Separate Breakdown in this Section)	
35	1001155044	9	Nut 15/32	
36	1001155045	6	Switch, Toggle	
37	1001159256	1	Switch, Toggle	
38	1001161710	2	Switch, Toggle	
39	1001166538	NLA	Drive/Steer Controller Assembly (Use p/n 1001212415) (See Separate Breakdown in this Section)	
40	1001166539	NLA	Lift/Swing Controller Assembly (Use p/n 1001129555) (See Separate Breakdown in this Section)	
41	1001169092	1	Decal (Horn)	
42	1001169422	1	Platform to Boom Valves Harness Assembly (Not Shown - See Separate Breakdown in ELECTRICAL SECTION)	
43	1001169594	1	Module, Platform (Note: Re-calibration Required when Replaced)	
44	1001172760	4	Bracket, Support	
45	1001185281	1	Plug, Hole	
46	1001213882	1	Mount	

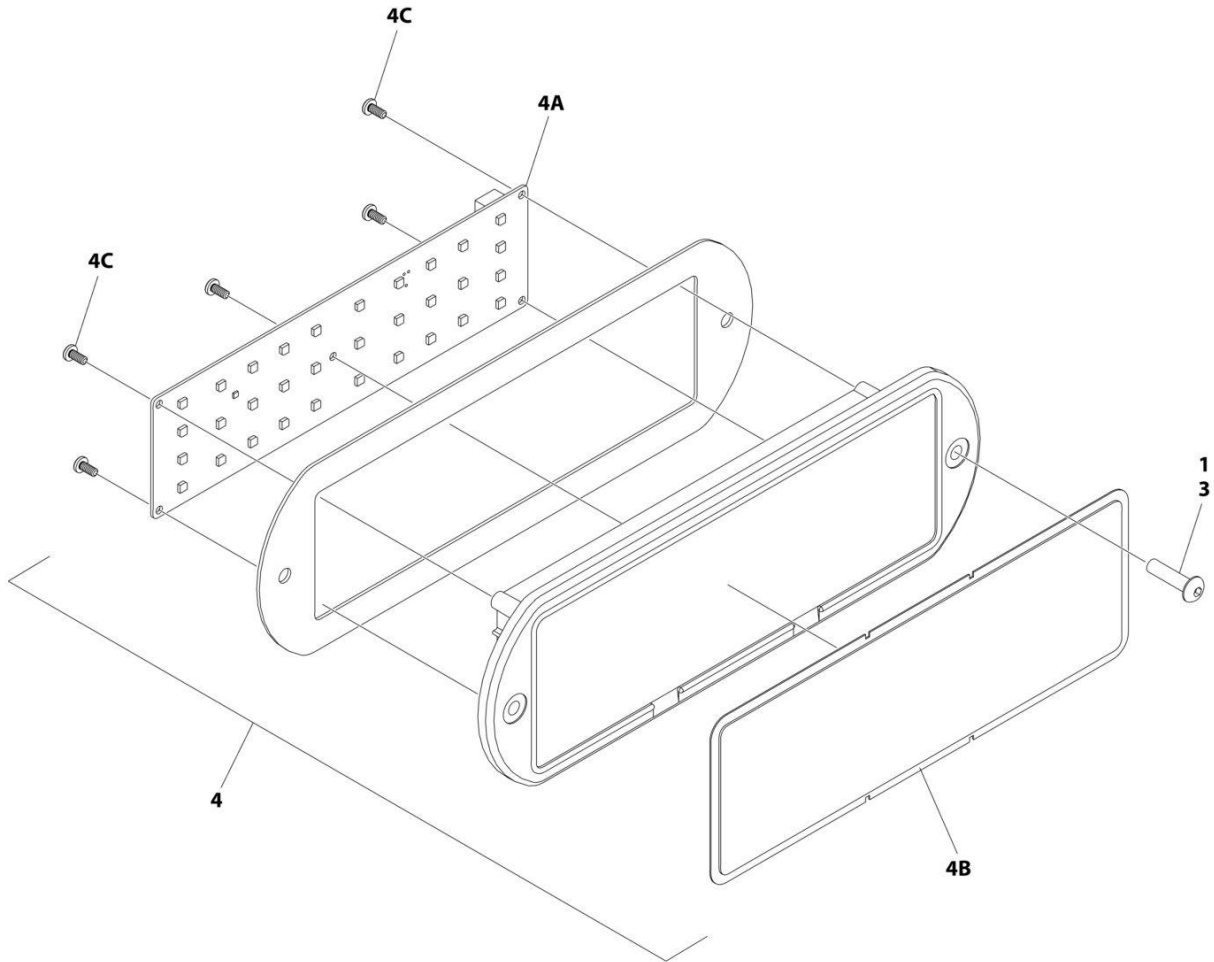
## SECTION 5 - PLATFORM

ITEM	PART NUMBER	QTY	DESCRIPTION	REV
47	1001215228	1	Box, Console	
47A	0630568	1	Capscrew 3/8 x 4-1/2	
47B	3311601	1	Nut 3/8	
47C	3430616	2	Pin	
47D	3470003	2	Pin, Cotter	
47E	4711600	2	Washer 3/8	
48	1001245668	1	Platform Console Harness Assembly (See Separate Breakdown in ELECTRICAL Section)	
49	1001247540	1	Decal - Stop and Start	
50	1001206532	1	Lamp, Indicator	



# SECTION 5 - PLATFORM

## FIGURE 5-9. LIGHT PANEL INSTALLATION



ART\_1001245178\_2OF2



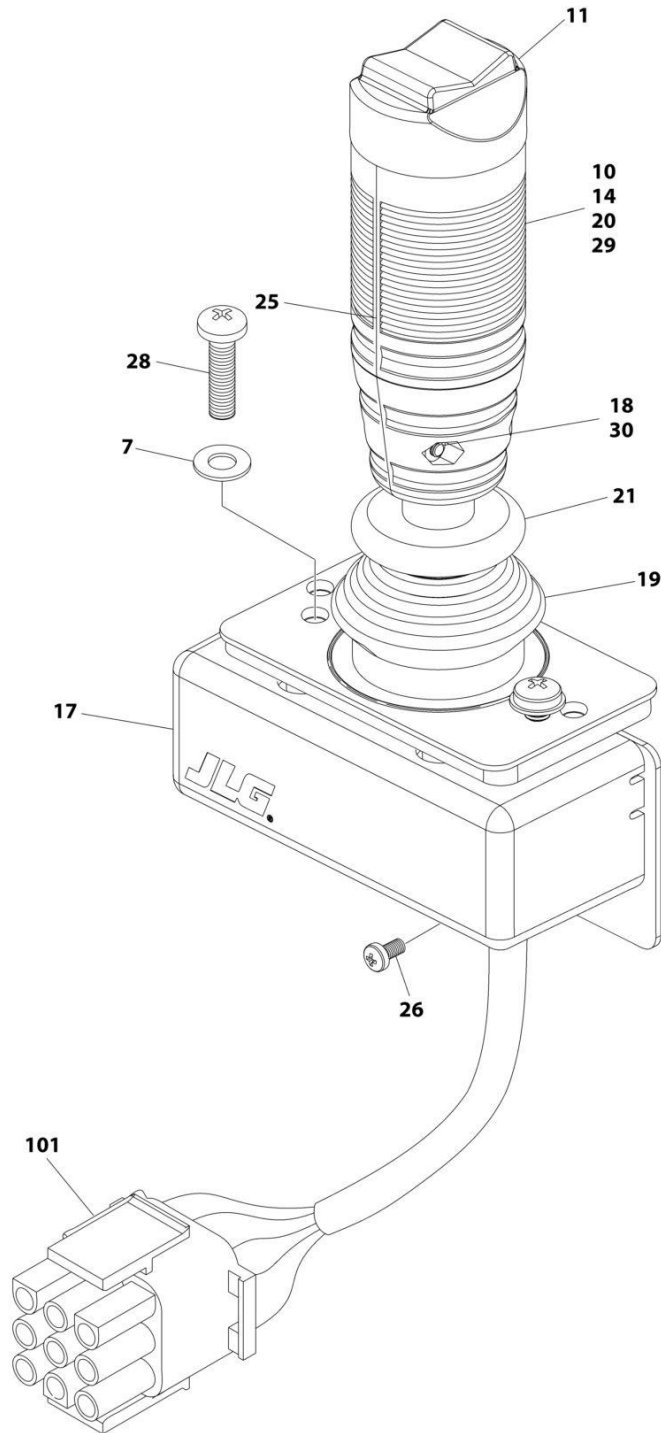
**SECTION 5 - PLATFORM**

**FIGURE 5-9. LIGHT PANEL INSTALLATION**

<b>ITEM</b>	<b>PART NUMBER</b>	<b>QTY</b>	<b>DESCRIPTION</b>	<b>REV</b>
	1001245178	Ref	LIGHT PANEL INSTALLATION - PLATFORM CONSOLE	B
1	0100035	AR	Compound, Locking	
3	0630518	1	Screw #10 x 3/4	
5	1001245207	1	Light Panel Assembly	F
4A	1001238732	1	Panel, LED Light	
4B	1001245161	1	Lens, I-Con	
4C		Ref	Screw	

# SECTION 5 - PLATFORM

## FIGURE 5-10. DRIVE/STEER CONTROLLER ASSEMBLY



ART\_1001166538

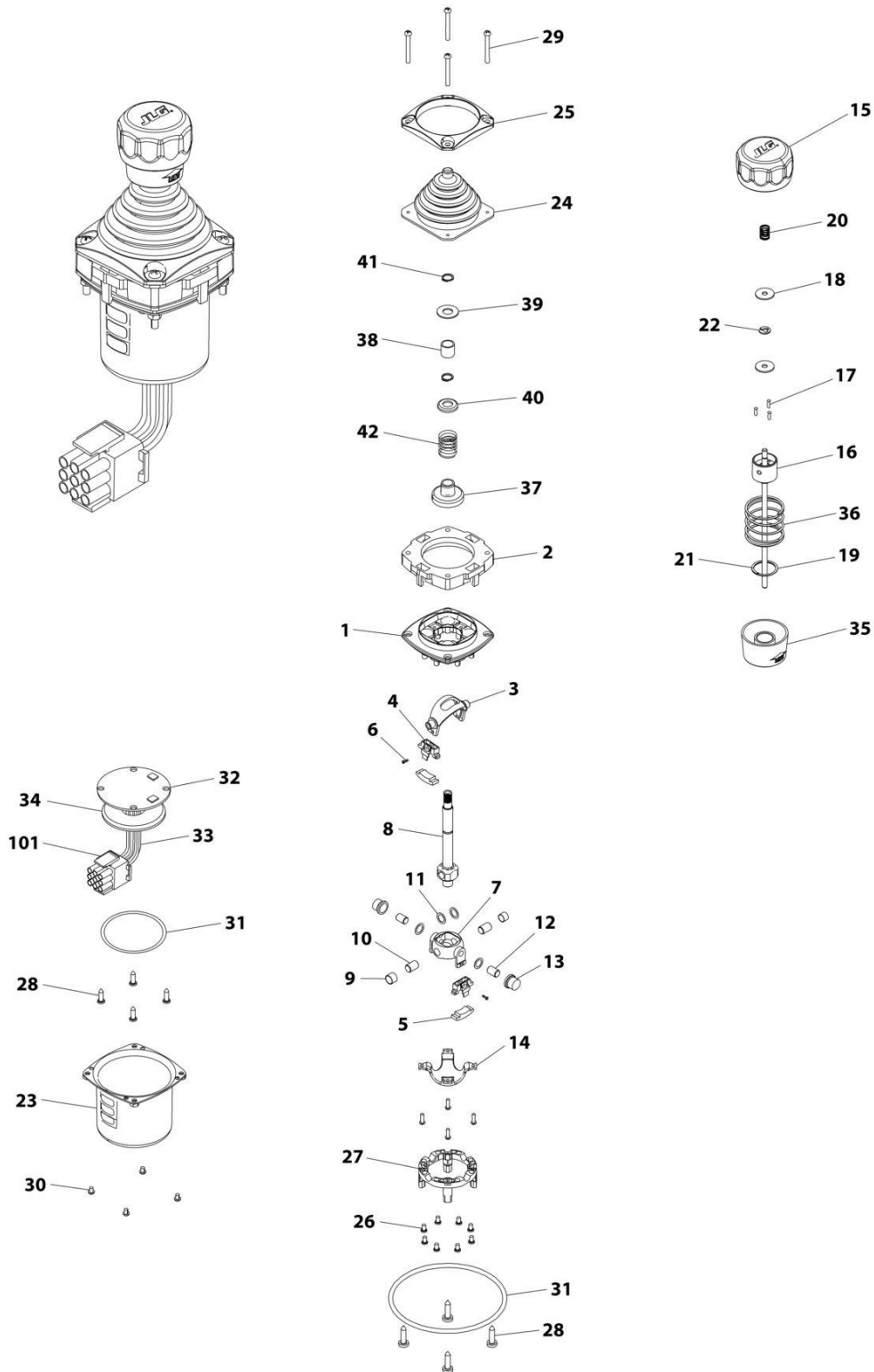
# SECTION 5 - PLATFORM

**FIGURE 5-10. DRIVE/STEER CONTROLLER ASSEMBLY**

ITEM	PART NUMBER	QTY	DESCRIPTION	REV
	1001166538	Ref	CONTROLLER ASSEMBLY - DRIVE AND STEER	G
		Ref	Note: For Replacement, Use p/n 1001212415.	
7	70004738	2	Washer	
10	70004739	1	Roller	
11	70004740	1	Boot, Switch	
14	70004741	2	Half, Handle	
17	70004742	1	Enclosure	
18	70004743	4	Nut	
19	70004744	NLA	Boot, Controller (Use p/n 70005230 Boot/Base Assembly)	
20	70004745	NLA	Tube, Locking (Use p/n 70005230 Boot/Base Assembly)	
21	70004746	NLA	Disc, Locking (Use p/n 70005230 Boot/Base Assembly)	
25	70004747	2	Seal, Rope	
26	70004748	1	Screw M3 x 6	
28	70004749	2	Screw M5 x 20	
29	70004750	1	Pin, Dowel	
30	70004751	4	Screw M3 x 16	
101	4460265	1	Connector - 9 Position	
101	4460226	7	Socket, Female	

# SECTION 5 - PLATFORM

## FIGURE 5-11. LIFT/SWING CONTROLLER ASSEMBLY



ART\_1001166539

## SECTION 5 - PLATFORM

### FIGURE 5-11. LIFT/SWING CONTROLLER ASSEMBLY

ITEM	PART NUMBER	QTY	DESCRIPTION	REV
	1001166539	Ref	CONTROLLER ASSEMBLY	E
		Ref	Note: Original Equipment Controller May Have Been Replaced with Service Replacement Controller. Visually Identify Controller Before Ordering Parts.	
		Ref	Note: For Replacement, Use p/n 1001129555	
1	See Note	NSS	Main Cast Body (Note: Not Available - Purchase Complete Assembly)	
2	70004752	1	Adapter	
3	See Note	NSS	Pivot Arm, Plastic (Note: Not Available - Purchase Complete Assembly)	
4	See Note	NSS	Holder, Magnet (Note: Not Available - Purchase Complete Assembly)	
5	See Note	NSS	Arc, Magnet (Note: Not Available - Purchase Complete Assembly)	
6	See Note	NSS	Screw (Note: Not Available for Purchase)	
7	See Note	NSS	Pivot Arm, Cast (Note: Not Available - Purchase Complete Assembly)	
8	See Note	NSS	Shaft, Main (Note: Not Available - Purchase Complete Assembly)	
9	See Note	NSS	Bearing (Note: Not Available - Purchase Complete Assembly)	
10	See Note	NSS	Pin (Note: Not Available - Purchase Complete Assembly)	
11	See Note	NSS	Shim (Note: Not Available - Purchase Complete Assembly)	
12	See Note	NSS	Pin (Note: Not Available - Purchase Complete Assembly)	
13	See Note	NSS	Bearing (Note: Not Available - Purchase Complete Assembly)	
14	See Note	NSS	Dome, Centering (Note: Not Available - Purchase Complete Assembly)	
15	70004753	1	Cap	
16	70004754	1	Insert, Cap	
17	70004755	3	Pin	
18	70004756	2	Washer	
19	70004757	1	Pin, Centering	
20	70004758	1	Spring	
21	70004759	1	Ring, Retaining	
22	70004760	1	E-Ring	
23	70004761	1	Can, Enclosure	
24	70004762	1	Boot	
25	70004763	1	Bezel	
26	See Note	NSS	Screw (Note: Not Available for Purchase)	
27	See Note	NSS	Base Mounting (Note: Not Available - Purchase Complete Assembly)	
28	See Note	NSS	Screw (Note: Not Available for Purchase)	
29	70004764	4	Screw	
30	70004765	4	Screw	
31	70004766	1	O-Ring	
32	See Note	NSS	Plate (Note: Not Available - Purchase Complete Assembly)	
33	See Note	NSS	Harness (Note: Not Available - Purchase Complete Assembly)	
34	70004767	1	Grommet, Rubber	
35	70004768	1	Housing	
36	70004769	1	Spring	
37	70004770	1	Stopper	
38	70004771	1	Spacer	
39	70004772	1	Washer	
40	70004773	1	Disc	

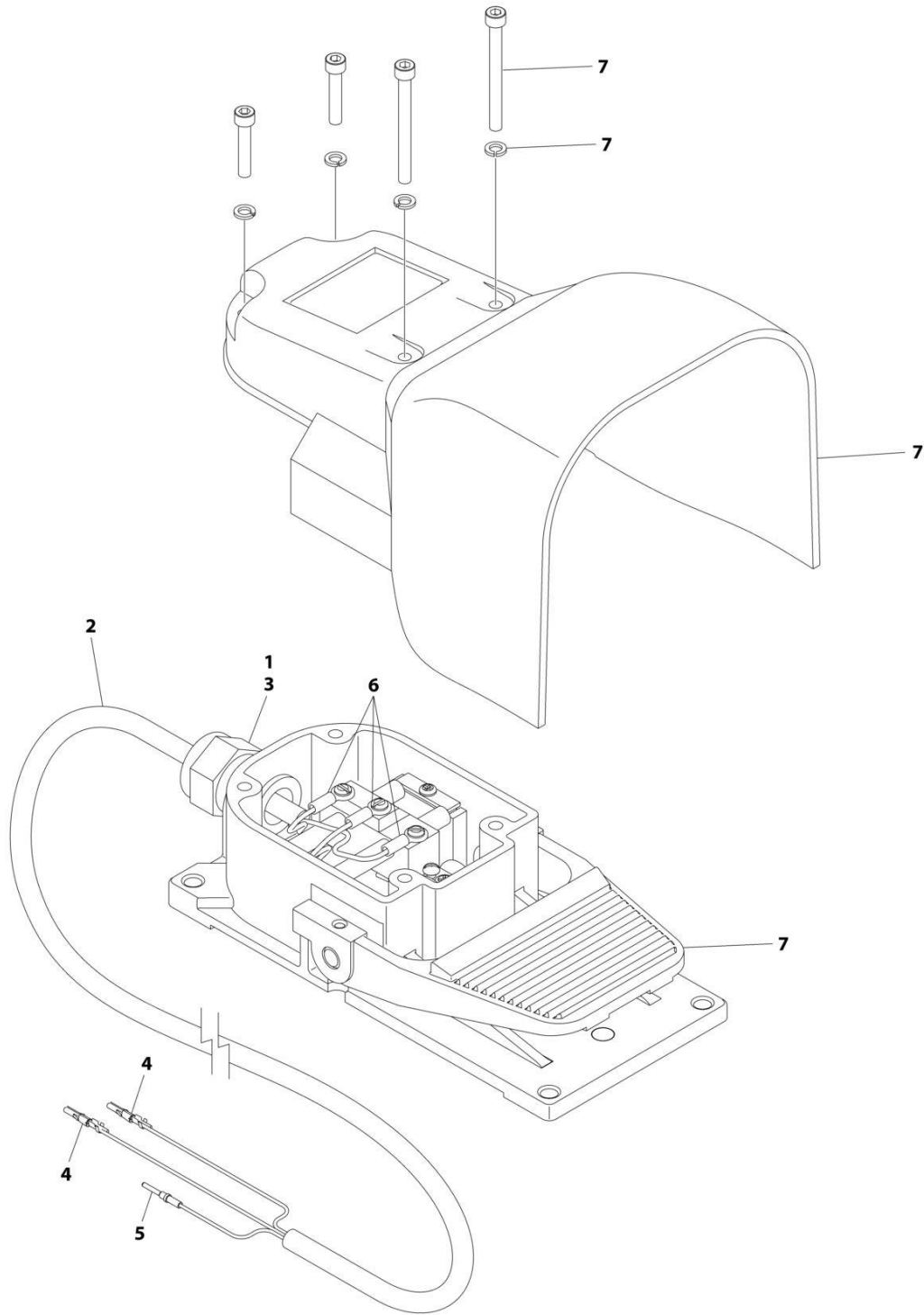
## SECTION 5 - PLATFORM

ITEM	PART NUMBER	QTY	DESCRIPTION	REV
41	70004774	2	Ring, Retaining	
42	70004775	1	Spring	
101	4460265	1	Connector - 9 Position	
101	4460226	6	Socket, Female	



# SECTION 5 - PLATFORM

## FIGURE 5-12. FOOTSWITCH ASSEMBLY



ART\_1001117174



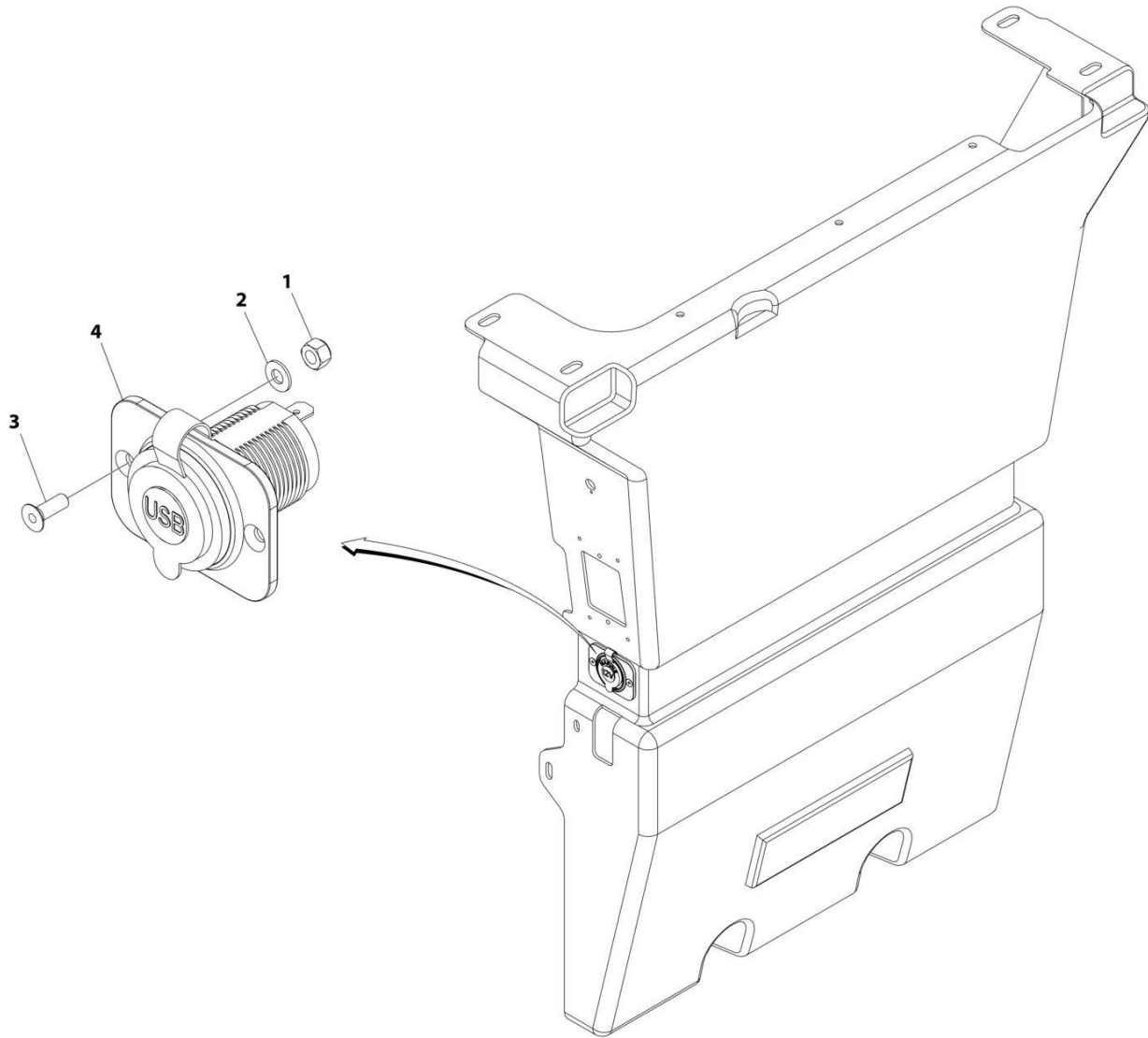
**SECTION 5 - PLATFORM**

**FIGURE 5-12. FOOTSWITCH ASSEMBLY**

ITEM	PART NUMBER	QTY	DESCRIPTION	REV
	1001117174	Ref	FOOTSWITCH ASSEMBLY	B
1	0100020	AR	Sealant	
2	1060918	7.5 ft/ 2.3m	Cable, Electrical - 18/3	
3	4460071	1	Connector, Strain Relief	
4	4460226	2	Socket, Female	
5	4460464	1	Pin, Male	
6	1001098122	3	Terminal	
7	1001117172	1	Footswitch	
7	70002902	1	Switch, 20Amp	
7	70002903	1	Gasket	
7	70002905	1	Cover	
7	70002904	1	Kit, Replacement Bolt	

# SECTION 5 - PLATFORM

## FIGURE 5-13. USB CHARGER INSTALLATION



ART\_1001274828

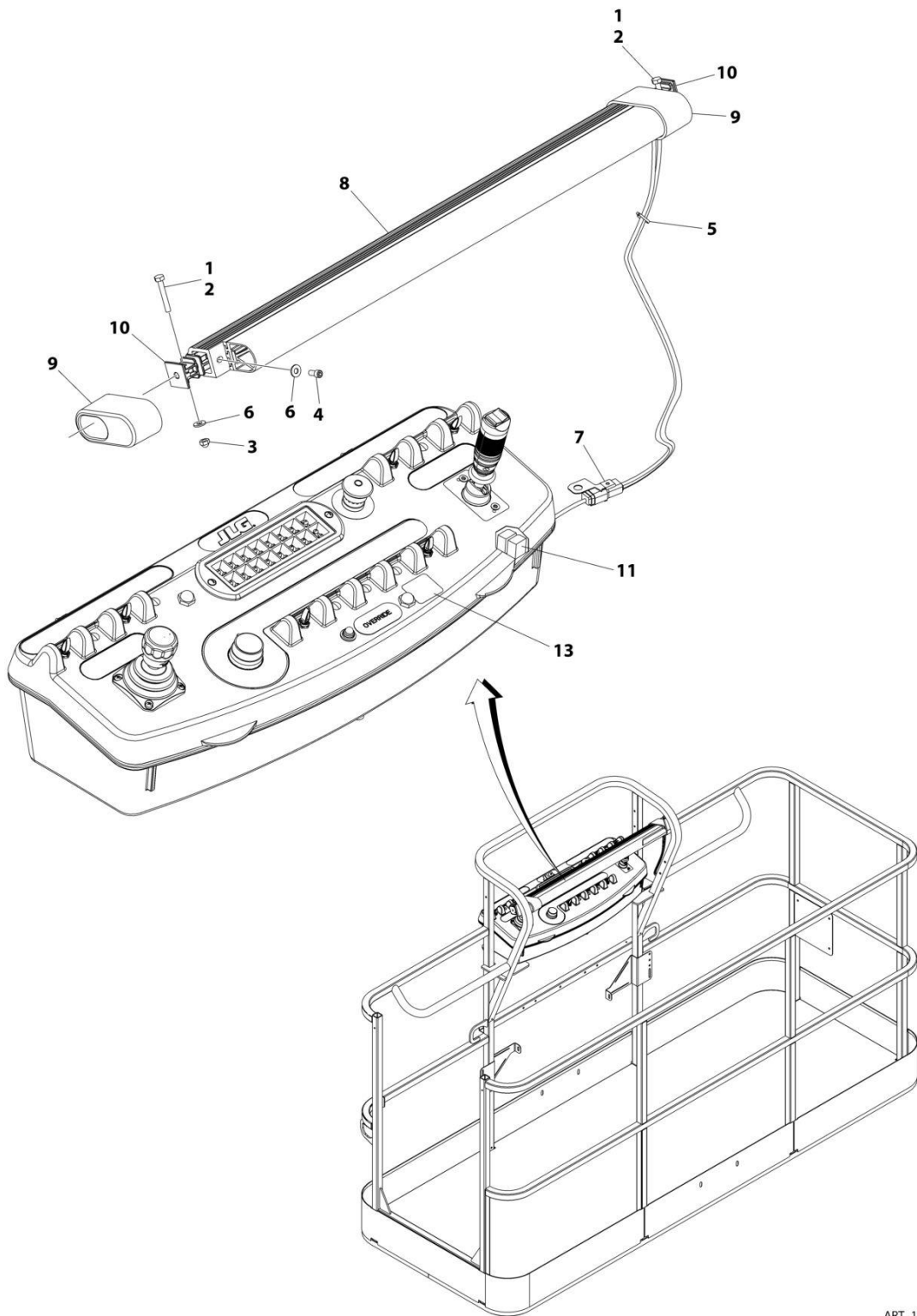
**SECTION 5 - PLATFORM**

**FIGURE 5-13. USB CHARGER INSTALLATION**

ITEM	PART NUMBER	QTY	DESCRIPTION	REV
	1001274828	Ref	USB CHARGER INSTALLATION	A
1	3290405	2	Nut M4	
2	4811400	2	Washer M4	
3	1001097244	2	Screw M4 x 12	
4	1001210636	1	Receptacle, USB	

# SECTION 5 - PLATFORM

## FIGURE 5-14. SKYGUARD SYSTEM INSTALLATION



ART\_1001238495

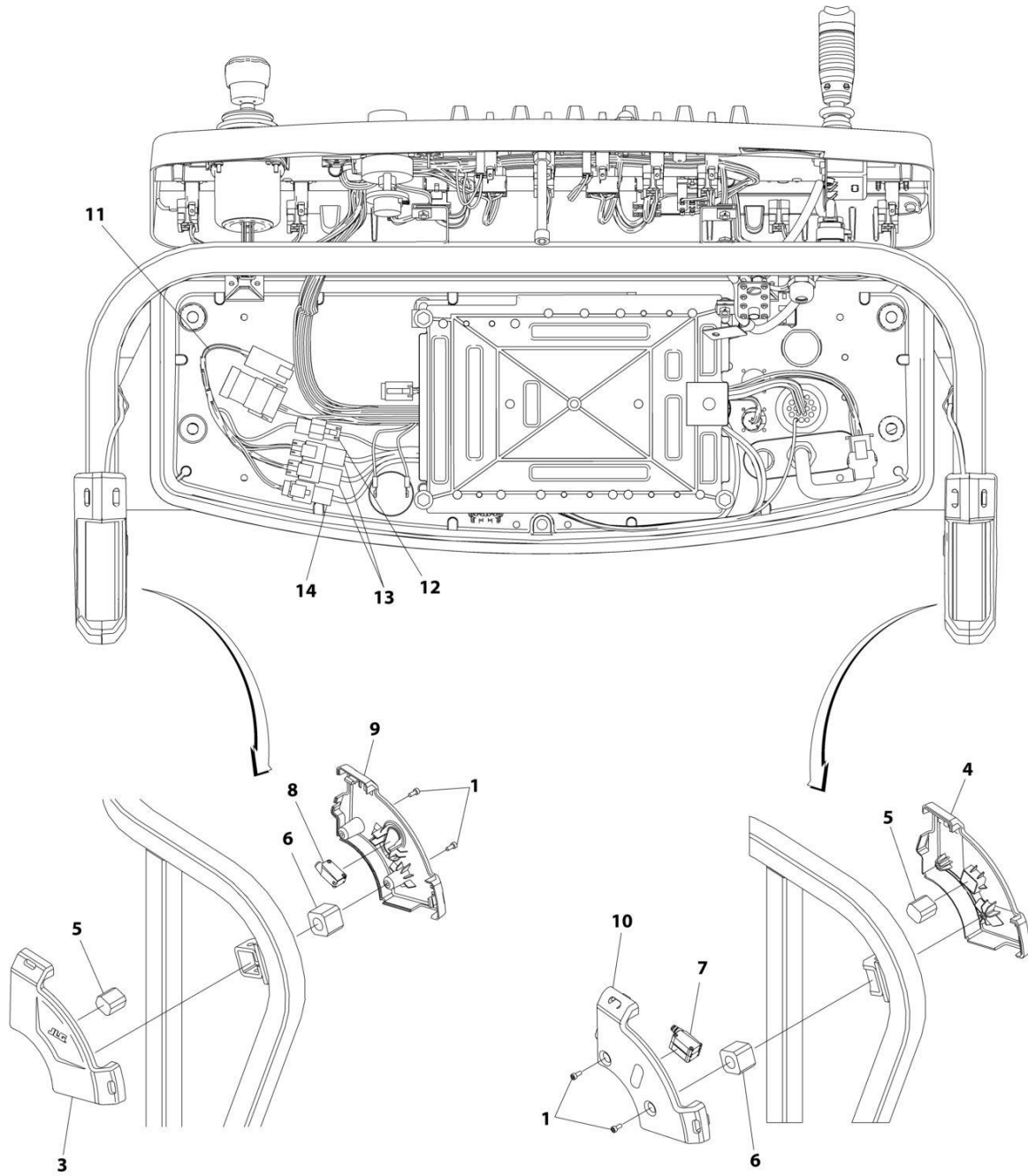
## SECTION 5 - PLATFORM

**FIGURE 5-14. SKYGUARD SYSTEM INSTALLATION**

ITEM	PART NUMBER	QTY	DESCRIPTION	REV
	1001238495	Ref	SKYGUARD BAR INSTALLATION	A
1	0100011	AR	Compound, Locking	
2	0641414	2	Bolt 1/4 x 1-3/4	
3	3300430	2	Nut 1/4	
4	3931408	2	Capscrew 1/4 x 1/2	
5	4240033	8	Tie-Strap	
6	4711400	6	Washer 1/4	
7	1001120328	1	Mount	
8	1001137673	1	SkyGuard Switch Assembly	
9	1001186517	2	Cover, Platform Sensor	
10	1001209664	2	Support, Block	
11	1001186431	2	Relay	
12	1001225580	1	Interface Harness Assembly (Not Shown - Located Inside Console Box) (See Separate Breakdown in ELECTRICAL Section)	
13	1001144433	1	Decal - No Weight SkyGuard	

# SECTION 5 - PLATFORM

## FIGURE 5-15. SKYEYE INSTALLATION



ART\_1001229341

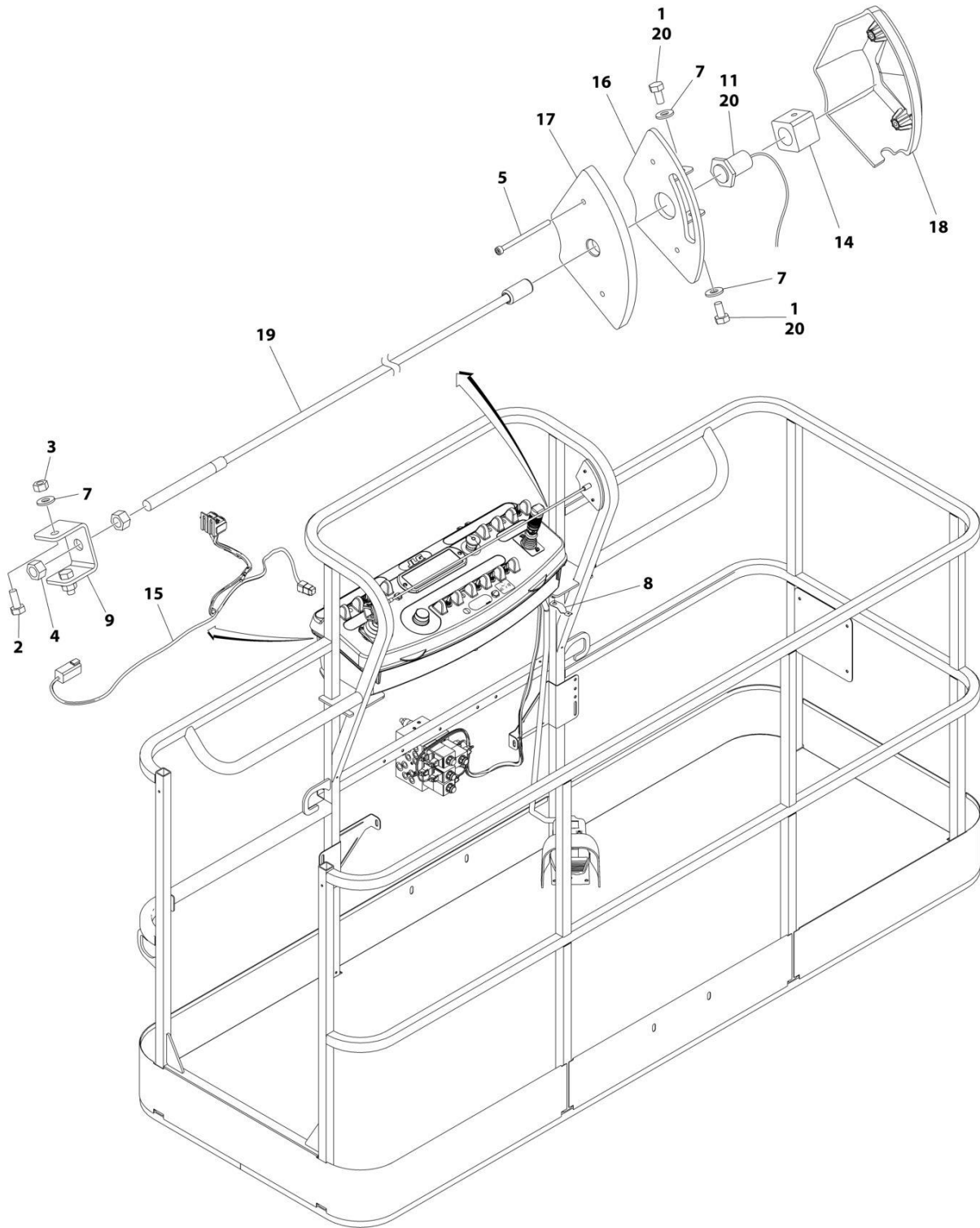
**SECTION 5 - PLATFORM**

**FIGURE 5-15. SKYEYE INSTALLATION**

ITEM	PART NUMBER	QTY	DESCRIPTION	REV
	1001229341	Ref	SKYEYE INSTALLATION	B
1	4031505	4	Bolt M4 x 10	
2	4240033	AR	Tie-Strap (Not Shown)	
3	1001227633	1	Housing, LH Outer	
4	1001227634	1	Housing, RH Outer	
5	1001227985	2	Shim	
6	1001227987	2	Shim	
7	1001228224	2	Sensor, Receiver	
8	1001228225	1	Sensor, Emitter	
9	1001232164	1	Housing, LH Inner	
10	1001232165	1	Housing, RH Inner	
11	1001237865	1	Harness, Skyeeye Intermediate (See Separate Breakdown in ELECTRICAL Section)	
12	1001238319	NLA	Harness, Skyeeye Drain Jumper	
12	1001187674	1	Plug, Male - 2 Position	
12	4460942	1	Terminal	
12	4460466	1	Plug, Terminal	
12	4460508	1	Pin, Male	
13	1001237863	2	Harness, Skyeeye Receiver (See Separate Breakdown in ELECTRICAL Section)	
14	1001237864	1	Harness, Skyeeye Emitter (See Separate Breakdown in ELECTRICAL Section)	

# SECTION 5 - PLATFORM

## FIGURE 5-16. SKYLINE INSTALLATION



ART\_1001238559\_D



# SECTION 5 - PLATFORM

## FIGURE 5-16. SKYLINE INSTALLATION

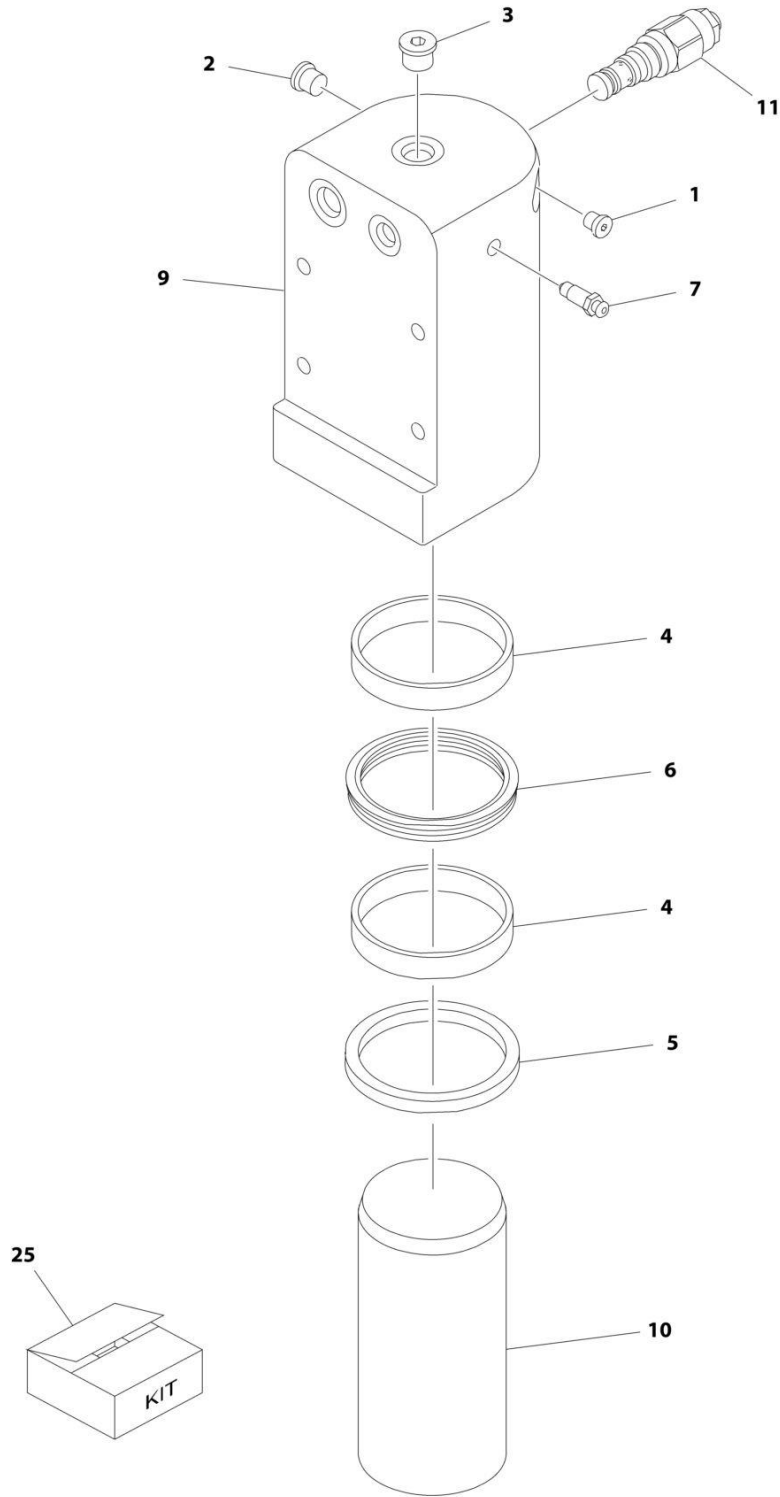
ITEM	PART NUMBER	QTY	DESCRIPTION	REV
	1001238559	Ref	SKYLINE INSTALLATION	D
1	0641404	2	Bolt 1/4 x 1/2	
2	0641405	2	Bolt 1/4 x 5/8	
3	3311405	2	Nut 1/4	
4	3311601	2	Nut 3/8	
5	4031516	2	Capscrew M4 x 60	
6	4240033	AR	Tie-Strap (Not Shown)	
7	4711400	4	Washer 1/4	
8	1001120328	1	Mount	
9	1001232642	1	Bracket	
11	1001232667	1	Sensor, Proximity	
14	1001236552	1	Block	
15	1001238418	1	Harness, Skyline (See Separate Breakdown in ELECTRICAL Section)	
16	1001238472	1	Mount	
17	1001254473	1	Housing, LH	
18	1001241965	1	Housing, RH	
19	1001254472	1	Rod	
20	0100011	AR	Compound, Locking	



**SECTION 6 - CYLINDER**

# SECTION 6 - CYLINDER

## FIGURE 6-1. AXLE LOCKOUT CYLINDER ASSEMBLY



ART\_1001116361

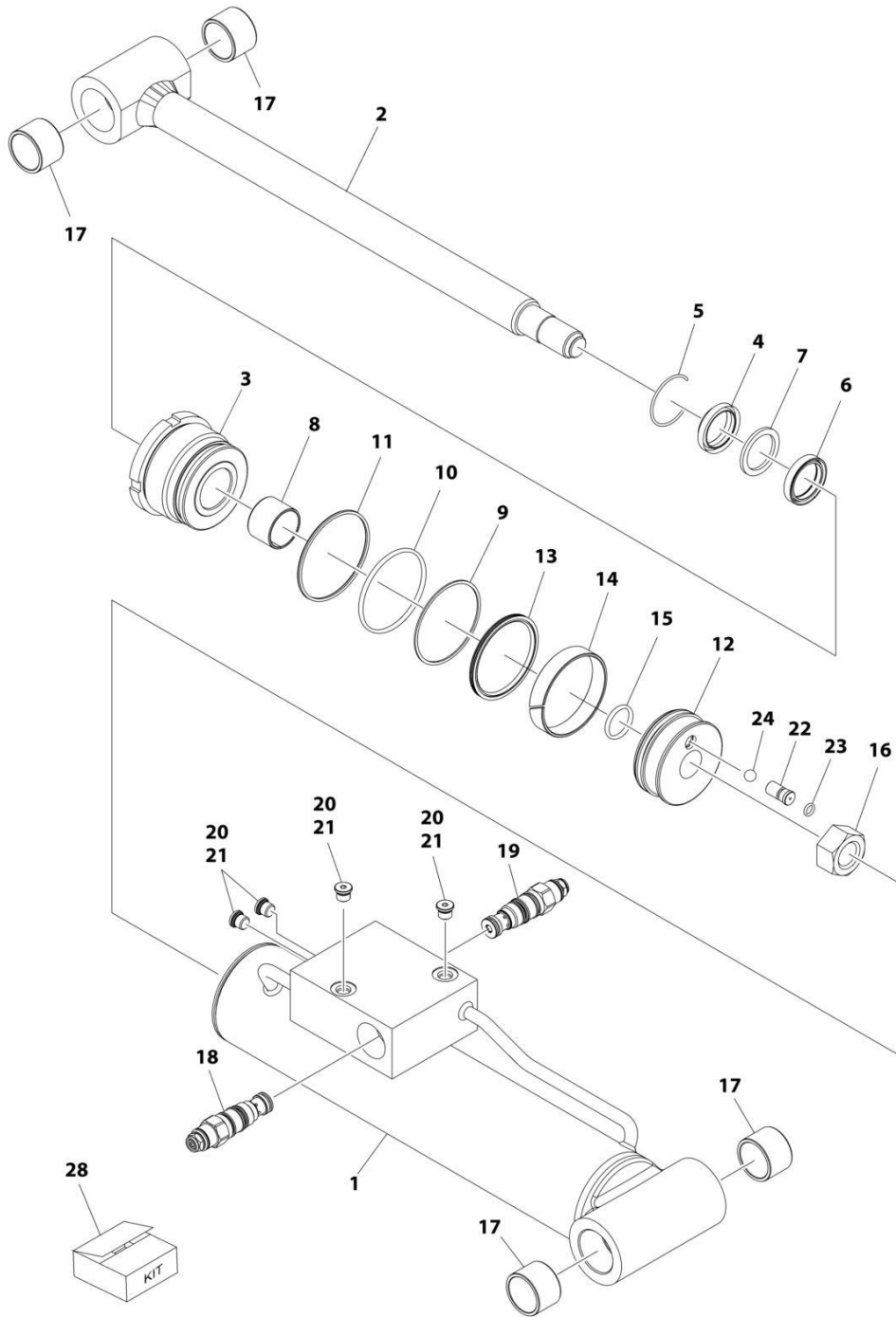
**SECTION 6 - CYLINDER**

**FIGURE 6-1. AXLE LOCKOUT CYLINDER ASSEMBLY**

ITEM	PART NUMBER	QTY	DESCRIPTION	REV
	1001116361	Ref	AXLE LOCKOUT CYLINDER ASSEMBLY	G
		Ref	Note: Original Cylinder May Have Been Replaced with Service Replacement. Identify PN Stamped on Cylinder Before Ordering Parts.	
1	2220881	1	Plug, O-Ring	
2	2220883	1	Plug, O-Ring	
3	2220885	1	Plug, O-Ring	
4	See Note	NSS	Ring, Wear (Note: Use Item 25)	
5	See Note	NSS	Wiper (Note: Use Item 25)	
6	See Note	NSS	Seal, Rod (Note: Use Item 25)	
7	4640858	1	Bleeder	
9	1001117365	1	Barrel	
10	1001117366	1	Rod	
11	1001117372	1	Cartridge, Valve	
11	70002842	1	Seal Kit - 1001117372 Valve	
25	1001116378	1	Seal Kit (Includes Items 4-6)	

# SECTION 6 - CYLINDER

## FIGURE 6-2. LEVEL (PLATFORM SLAVE) CYLINDER ASSEMBLY



ART\_1001225990

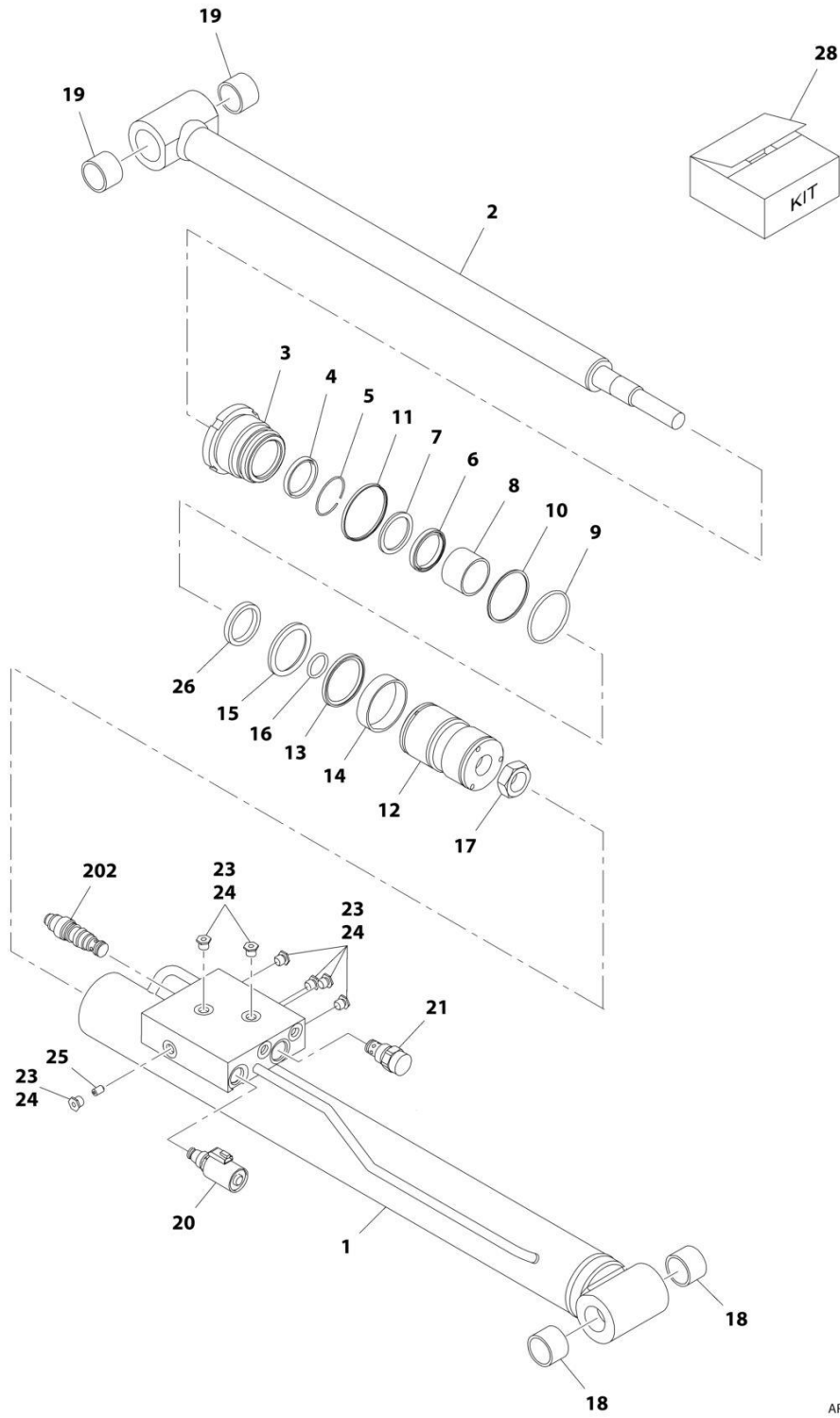
## SECTION 6 - CYLINDER

**FIGURE 6-2. LEVEL (PLATFORM SLAVE) CYLINDER ASSEMBLY**

ITEM	PART NUMBER	QTY	DESCRIPTION	REV
	1001225990	Ref	LEVEL (PLATFORM SLAVE) CYLINDER ASSEMBLY	A
		Ref	Note: Original Cylinder may have been replaced with Service Replacement. Identify PN Stamped on Cylinder Before Ordering Parts.	
1	70003131	1	Barrel	
2	70003132	1	Rod	
3	70003085	1	Head	
4	See Note	NSS	Wiper (Note: Use Item 28)	
5	70002366	1	Ring, Retaining	
6	See Note	NSS	Seal, Rod (Note: Use Item 28)	
7	See Note	NSS	Ring, Back-up (Note: Use Item 28)	
8	70005695	1	Bearing	
9	See Note	NSS	O-Ring (Note: Use Item 28)	
10	See Note	NSS	Ring, Back-up (Note: Use Item 28)	
11	See Note	NSS	O-Ring (Note: Use Item 28)	
12	70003133	1	Piston	
13	See Note	NSS	Seal, Piston (Note: Use Item 28)	
14	See Note	NSS	Ring, Wear (Note: Use Item 28)	
15	See Note	NSS	Ring, Wear (Note: Use Item 28)	
16	70002335	1	Nut	
17	0961951	4	Bushing, Garmax	
18	70002413	1	Cartridge, Valve	
18	2900770	1	Seal Kit - 70002413 Valve	
19	1001168210	1	Cartridge, Valve	
19	2900770	1	Seal Kit - 1001168210 Valve	
20	2220883	4	Plug	
21	See Note	NSS	O-Ring (Note: Not Available - Purchase Locally)	
22	70005973	1	Valve Seat	
23	70005974	1	O-Ring	
24	70006353	1	Steel Ball	
28	70003134	1	Seal Kit (Includes Items 4, 6, 7, 9, 10, 11, 13, 14 & 15)	
100		Ref	REPAIR TOOLS (NOT SHOWN)	
100	70003089	1	Press, Wiper	
100	70003090	1	Press, Bushing (Use with Rod Bearing)	
100	70003091	1	Tool, Bushing Removal (Use with Rod Bearing)	
100	70003092	1	Tool, Head Seal Protection	
100	70003081	1	Tool, Piston Seal Protection	
100	70003093	1	Press, Bushing (Use with Pin Mounting Bushings)	
100	70003094	1	Tool, Bushing Removal (Use with Pin Mounting Bushings)	

# SECTION 6 - CYLINDER

## FIGURE 6-3. LIFT (JIB) CYLINDER ASSEMBLY



ART\_1001123004



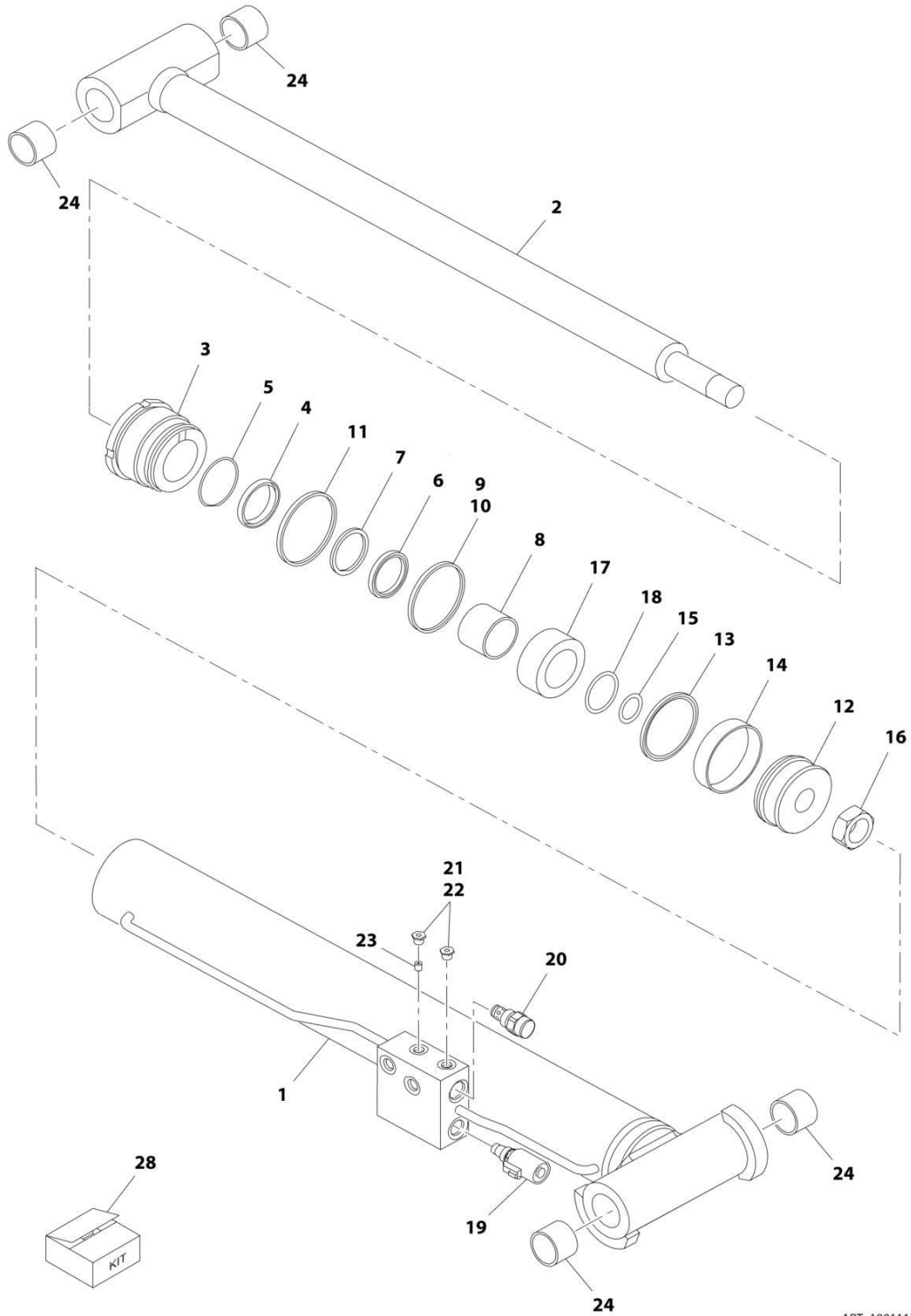
## SECTION 6 - CYLINDER

### FIGURE 6-3. LIFT (JIB) CYLINDER ASSEMBLY

ITEM	PART NUMBER	QTY	DESCRIPTION	REV
	1001123004	Ref	LIFT (JIB) CYLINDER ASSEMBLY	D
		Ref	Note: Original Cylinder may have been replaced with Service Replacement. Identify PN Stamped on Cylinder Before Ordering Parts.	
1	70003122	1	Barrel	
2	70002375	1	Rod	
3	70003123	1	Head	
4	See Note	NSS	Wiper (Note: Use Item 28)	
5	70002373	1	Ring, Retaining	
6	See Note	NSS	Seal, Rod (Note: Use Item 28)	
7	See Note	NSS	Ring, Back-up (Note: Use Item 28)	
8	70002372	1	Bearing	
9	See Note	NSS	O-Ring (Note: Use Item 28)	
10	See Note	NSS	Ring, Back-up (Note: Use Item 28)	
11	See Note	NSS	O-Ring (Note: Use Item 28)	
12	70003124	1	Piston	
13	70003125	1	Seal, Piston	
14	See Note	NSS	Ring, Wear (Note: Use Item 28)	
15	See Note	NSS	O-Ring (Note: Use Item 28)	
16	See Note	NSS	Ring, Piston (Note: Use Item 28)	
17	70002335	1	Nut	
18	70003118	2	Bushing	
19	0961951	2	Bushing, Garmax (was p/n 70003087)	
20	7024884	1	Cartridge, Solenoid Valve	
20	7012967	1	Seal Kit - 7024884 Valve	
20	70002386	1	Coil	
21	70003076	1	Cartridge, Check Valve	
21	7017496	1	Seal Kit - 70003076 Valve	
23	70023370	7	Plug	
24	See Note	7	O-Ring (Note: Not Available - Purchase Locally)	
25	70002334	1	Orifice	
26	70003453	1	Spacer	
28	70003125	1	Seal Kit (Includes Items 4, 6, 7, 9, 10, 11, 13, 14, 15 & 16)	
100		Ref	REPAIR TOOLS (NOT SHOWN)	
100	70003126	1	Press, Wiper	
100	70003127	1	Press, Bushing (Use with Rod Bearing)	
100	70003128	1	Tool, Bushing Removal (Use with Rod Bearing)	
100	70003129	1	Tool, Head Seal Protection	
100	70003130	1	Tool, Piston Seal Protection	
100	70003093	1	Press, Bushing (Use with Pin Mounting Bushings)	
100	70003094	1	Tool, Bushing Removal (Use with Pin Mounting Bushings)	
	1001199460	Ref	JIB LIFT CYLINDER ASSEMBLY	A
202	1001199306	1	Cartridge, Counter Balance Valve	
202	2900770	1	Seal Kit - 1001199306 Valve	

# SECTION 6 - CYLINDER

## FIGURE 6-4. LIFT (MAIN BOOM) CYLINDER ASSEMBLY



ART\_100117640

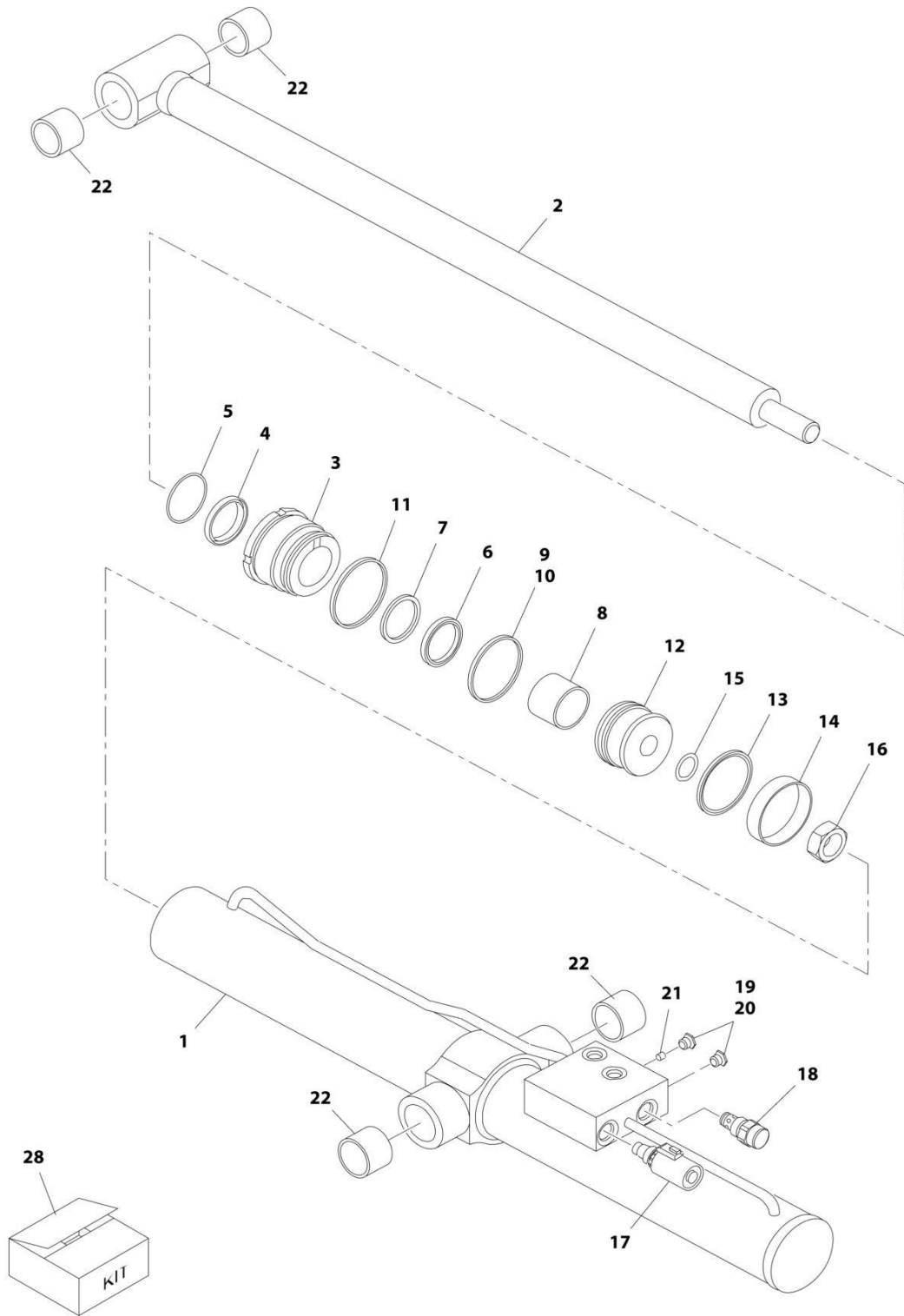
## SECTION 6 - CYLINDER

**FIGURE 6-4. LIFT (MAIN BOOM) CYLINDER ASSEMBLY**

ITEM	PART NUMBER	QTY	DESCRIPTION	REV
	1001117640	Ref	MAIN BOOM LIFT CYLINDER ASSEMBLY	H
		Ref	Note: Original Cylinder May Have Been Replaced with Service Replacement. Identify PN Stamped on Cylinder Before Ordering Parts.	
1	70003103	1	Barrel	
2	70003104	1	Rod	
3	70003105	1	Head	
4	See Note	NSS	Wiper (Note: Use Item 28)	
5	70002412	1	Ring, Retaining	
6	See Note	NSS	Seal, Rod (Note: Use Item 28)	
7	See Note	NSS	Ring, Back-up (Note: Use Item 28)	
8	70022565	1	Bearing	
9	See Note	NSS	O-Ring (Note: Use Item 28)	
10	See Note	NSS	Ring, Back-up (Note: Use Item 28)	
11	See Note	NSS	O-Ring (Note: Use Item 28)	
12	70003106	1	Piston	
13	See Note	NSS	Seal, Piston (Note: Use Item 28)	
14	See Note	NSS	Ring, Wear (Note: Use Item 28)	
15	See Note	NSS	O-Ring (Note: Use Item 28)	
16	70002335	1	Nut	
17	70002344	1	Spacer	
18	See Note	NSS	O-Ring (Note: Use Item 28)	
19	7024884	1	Cartridge, Solenoid Valve	
19	7012967	1	Seal Kit - 7024884 Valve	
19	70002386	1	Coil	
20	70003076	1	Cartridge, Check Valve	
20	7017496	1	Seal Kit - 70003076 Valve	
21	70023370	7	Plug	
22	See Note	7	O-Ring (Note: Not Available - Purchase Locally)	
23	70002334	1	Orifice	
24	0961948	2	Bushing, Garmax (was p/n 70003107)	
28	70003108	1	Seal Kit (Includes Items 4, 6, 7, 9, 10, 11, 13, 14, 15 & 18)	
100		Ref	REPAIR TOOLS (NOT SHOWN)	
100	70003109	1	Press, Wiper	
100	70003110	1	Press, Bushing (Use with Rod Bearing)	
100	70003111	1	Tool, Bushing Removal (Use with Rod Bearing)	
100	70003112	1	Tool, Head Seal Protection	
100	70003113	1	Tool, Piston Seal Protection	
100	70003082	1	Press, Bushing (Use with Pin Mounting Bushings)	
100	70003083	1	Tool, Bushing Removal (Use with Pin Mounting Bushings)	

# SECTION 6 - CYLINDER

## FIGURE 6-5. LIFT (TOWER BOOM) CYLINDER ASSEMBLY



ART\_1001122527

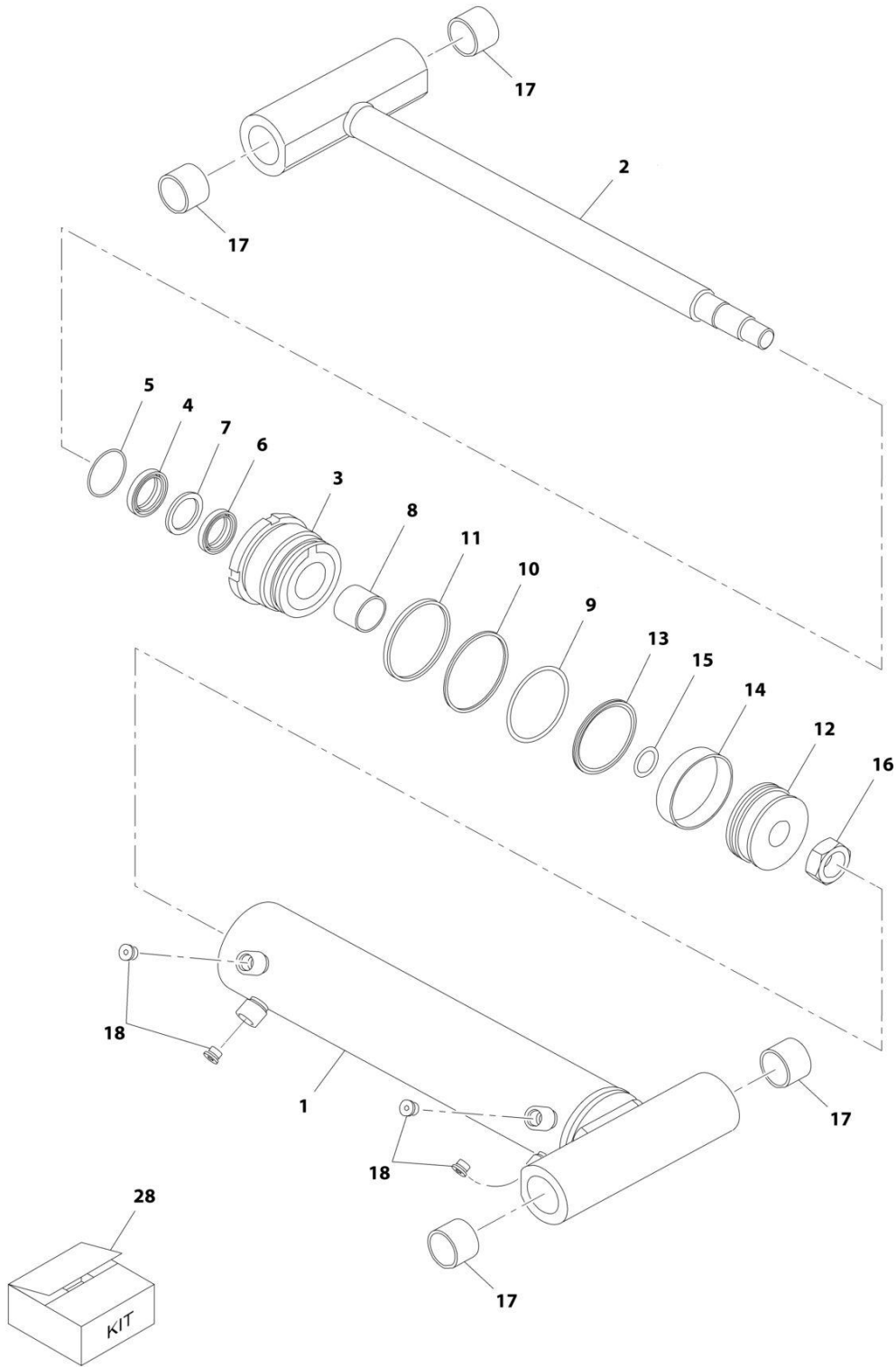
## SECTION 6 - CYLINDER

### FIGURE 6-5. LIFT (TOWER BOOM) CYLINDER ASSEMBLY

ITEM	PART NUMBER	QTY	DESCRIPTION	REV
	1001122527	Ref	LIFT (TOWER BOOM) CYLINDER ASSEMBLY	D
		Ref	Note: Original Cylinder may have been replaced with Service Replacement. Identify PN Stamped on Cylinder Before Ordering Parts.	
1	70003071	1	Barrel	
2	70003072	1	Rod	
3	70003073	1	Head	
4	See Note	NSS	Wiper (Note: Use Item 28)	
5	70002410	1	Ring, Retaining	
6	See Note	NSS	Seal, Rod (Note: Use Item 28)	
7	See Note	NSS	Ring, Back-up (Note: Use Item 28)	
8	70002337	1	Bearing	
9	See Note	NSS	O-Ring (Note: Use Item 28)	
10	See Note	NSS	Ring, Back-up (Note: Use Item 28)	
11	See Note	NSS	O-Ring (Note: Use Item 28)	
12	70003074	1	Piston	
13	See Note	NSS	Seal, Piston (Note: Use Item 28)	
14	See Note	NSS	Ring, Wear (Note: Use Item 28)	
15	See Note	NSS	O-Ring (Note: Use Item 28)	
16	70002335	1	Nut	
17	7024884	1	Cartridge, Solenoid Valve	
17	7012967	1	Seal Kit - 7024884 Valve	
17	70002386	1	Coil	
18	70003076	1	Cartridge, Check Valve	
18	7017496	1	Seal Kit - 70003076 Valve	
19	70023370	2	Plug	
20	See Note	2	O-Ring (Note: Not Available - Purchase Locally)	
21	70002334	1	Orifice	
22	0961948	4	Bushing, Garmax (was p/n 70003107)	
28	70003075	1	Seal Kit (Includes Items 4, 6, 7, 9, 10, 11, 13, 14 & 15)	
100		Ref	REPAIR TOOLS (NOT SHOWN)	
100	70003077	1	Press, Wiper	
100	70003078	1	Press, Bushing (Use with Rod Bearing)	
100	70003079	1	Tool, Bushing Removal (Use with Rod Bearing)	
100	70003080	1	Tool, Head Seal Protection	
100	70003081	1	Tool, Piston Seal Protection	
100	70003082	1	Press, Bushing (Use with Pin Mounting Bushings)	
100	70003083	1	Tool, Bushing Removal (Use with Pin Mounting Bushings)	

# SECTION 6 - CYLINDER

## FIGURE 6-6. MASTER CYLINDER ASSEMBLY



ART\_1001120976

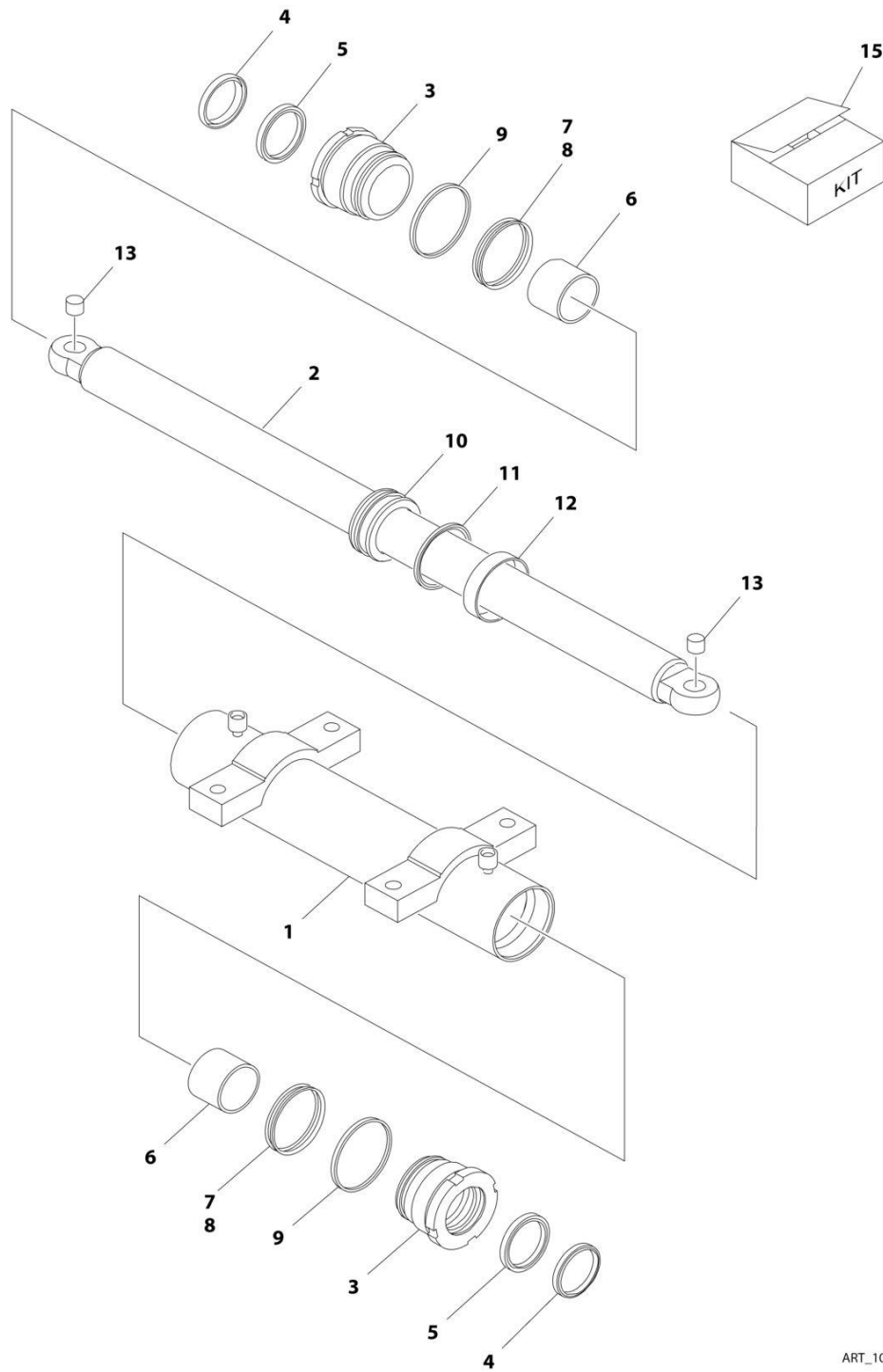
## SECTION 6 - CYLINDER

**FIGURE 6-6. MASTER CYLINDER ASSEMBLY**

ITEM	PART NUMBER	QTY	DESCRIPTION	REV
	1001120976	Ref	MASTER CYLINDER ASSEMBLY	B
		Ref	Note: Original Cylinder may have been replaced with Service Replacement. Identify PN Stamped on Cylinder Before Ordering Parts.	
1	70003084	1	Barrel	
2	70002354	1	Rod	
3	70003085	1	Head	
4	See Note	NSS	Wiper (Note: Use Item 28)	
5	70002366	1	Ring, Retaining	
6	See Note	NSS	Seal, Rod (Note: Use Item 28)	
7	See Note	NSS	Ring, Back-up (Note: Use Item 28)	
8	70002352	1	Bearing	
9	See Note	NSS	O-Ring (Note: Use Item 28)	
10	See Note	NSS	Ring, Back-up (Note: Use Item 28)	
11	See Note	NSS	O-Ring (Note: Use Item 28)	
12	70003086	1	Piston	
13	See Note	NSS	Seal, Piston (Note: Use Item 28)	
14	See Note	NSS	Ring, Wear (Note: Use Item 28)	
15	See Note	NSS	O-Ring (Note: Use Item 28)	
16	70002335	1	Nut	
17	0961951	4	Bushing, Garmax (was p/n 70003087)	
18	70023371	4	Plug	
28	70003088	1	Seal Kit (Includes Items 4, 6, 7, 9, 10, 11, 13, 14 & 15)	
100		Ref	REPAIR TOOLS (NOT SHOWN)	
100	70003089	1	Press, Wiper	
100	70003090	1	Press, Bushing (Use with Rod Bearing)	
100	70003091	1	Tool, Bushing Removal (Use with Rod Bearing)	
100	70003092	1	Tool, Head Seal Protection	
100	70003081	1	Tool, Piston Seal Protection	
100	70003093	1	Press, Bushing (Use with Pin Mounting Bushings)	
100	70003094	1	Tool, Bushing Removal (Use with Pin Mounting Bushings)	

# SECTION 6 - CYLINDER

## FIGURE 6-7. STEER CYLINDER ASSEMBLY



ART\_1001116788



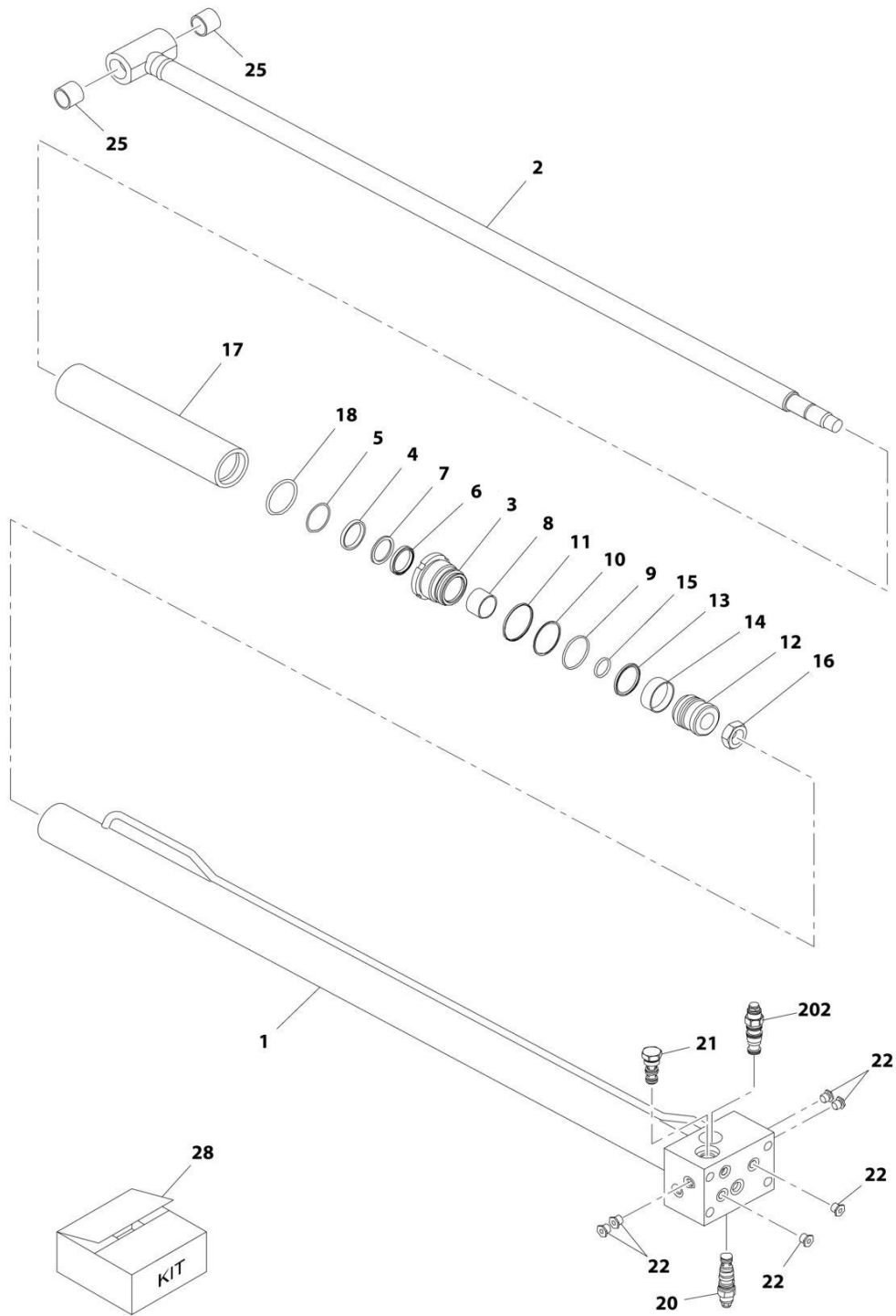
## SECTION 6 - CYLINDER

### FIGURE 6-7. STEER CYLINDER ASSEMBLY

ITEM	PART NUMBER	QTY	DESCRIPTION	REV
	1001116788	Ref	STEER CYLINDER ASSEMBLY	C
		Ref	Note: Original Cylinder may have been replaced with Service Replacement. Identify PN Stamped on Cylinder Before Ordering Parts.	
1	70003095	1	Barrel	
2	70003096	1	Rod	
3	70003098	2	Head	
4	See Note	NSS	Wiper (Note: Use Item 15)	
5	See Note	NSS	Seal, Rod (Note: Use Item 15)	
6	70002337	2	Bearing	
7	See Note	NSS	O-Ring (Note: Use Item 15)	
8	See Note	NSS	Ring, Back-up (Note: Use Item 15)	
9	See Note	NSS	O-Ring (Note: Use Item 15)	
10	70003097	1	Piston	
11	See Note	NSS	Seal, Piston (Note: Use Item 15)	
12	See Note	NSS	Ring, Wear (Note: Use Item 15)	
13	70002380	4	Bushing, Garmax	
15	70003099	1	Seal Kit (Includes Items 4, 5, 7, 8, 9, 11 & 12)	
100		Ref	REPAIR TOOLS (NOT SHOWN)	
100	70003077	1	Press, Wiper	
100	70003078	1	Press, Bushing (Use with Rod Bearing)	
100	70003079	1	Tool, Bushing Removal (Use with Rod Bearing)	
100	70003080	1	Tool, Head Seal Protection	
100	70003100	1	Tool, Piston Seal Protection	
100	70003101	1	Press, Bushing (Use with Pin Mounting Bushings)	
100	70003102	1	Tool, Bushing Removal (Use with Pin Mounting Bushings)	

# SECTION 6 - CYLINDER

## FIGURE 6-8. TELESCOPE CYLINDER ASSEMBLY



ART\_1001120974

## SECTION 6 - CYLINDER

### FIGURE 6-8. TELESCOPE CYLINDER ASSEMBLY

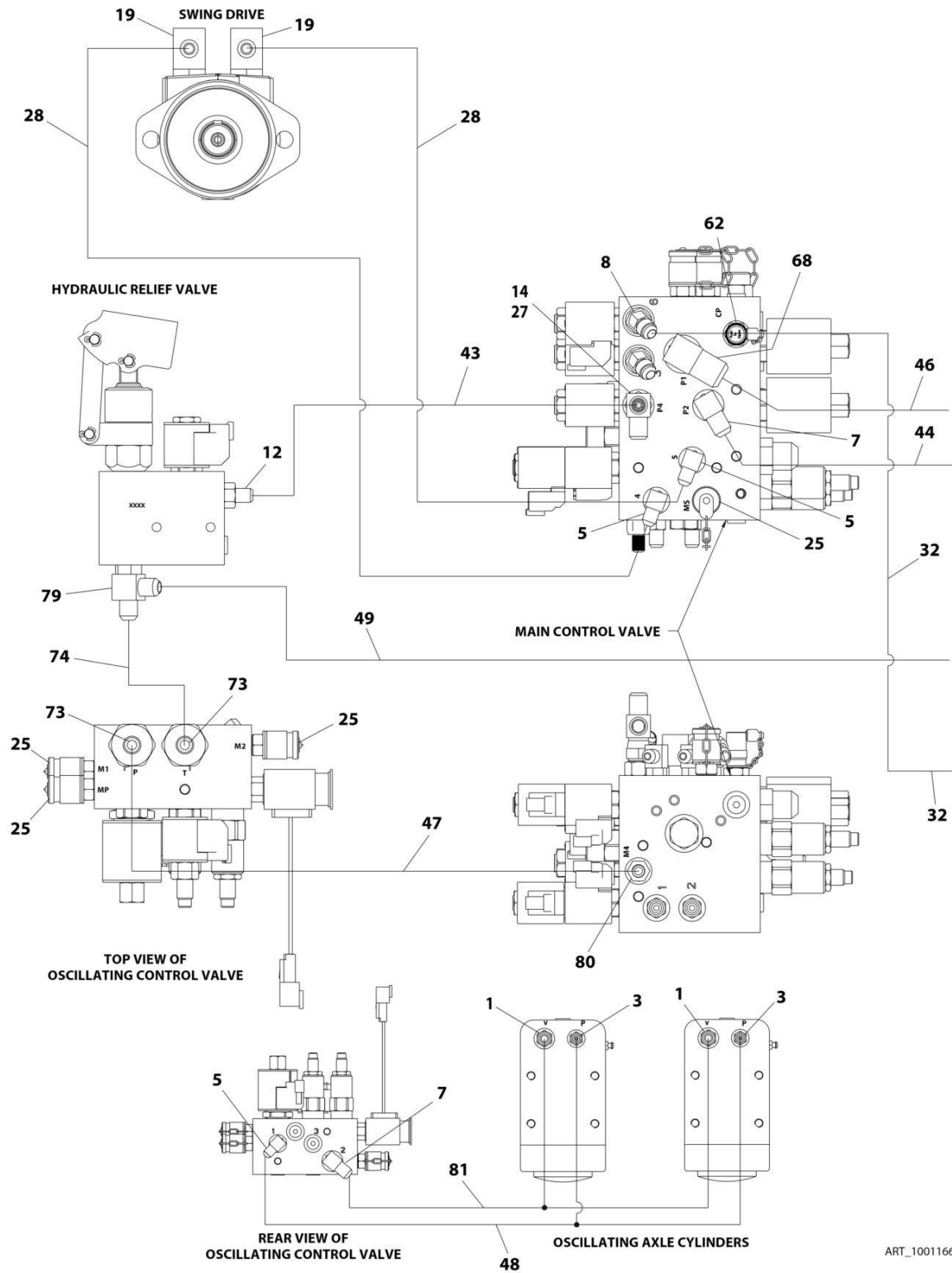
ITEM	PART NUMBER	QTY	DESCRIPTION	REV
	1001120974	Ref	TELESCOPE CYLINDER ASSEMBLY	C
		Ref	Note: Original Cylinder may have been replaced with Service Replacement. Identify PN Stamped on Cylinder Before Ordering Parts.	
1	70003114	1	Barrel	
2	70003115	1	Rod	
3	70003116	1	Head	
4	See Note	NSS	Wiper (Note: Use Item 28)	
5	70002366	1	Ring, Retaining	
6	See Note	NSS	Seal, Rod (Note: Use Item 28)	
7	See Note	NSS	Ring, Back-up (Note: Use Item 28)	
8	70002352	1	Bearing	
9	See Note	NSS	O-Ring (Note: Use Item 28)	
10	See Note	NSS	Ring, Back-up (Note: Use Item 28)	
11	See Note	NSS	O-Ring (Note: Use Item 28)	
12	70003117	1	Piston	
13	See Note	NSS	Seal, Piston (Note: Use Item 28)	
14	See Note	NSS	Ring, Wear (Note: Use Item 28)	
15	See Note	NSS	O-Ring (Note: Use Item 28)	
16	70002335	1	Nut	
17	70002364	1	Spacer	
18	See Note	NSS	O-Ring (Note: Use Item 28)	
20	70002389	1	Cartridge, Counterbalance Valve	
20	2900770	1	Seal Kit - 70002389 Valve	
21	10837580	1	Cartridge, Load Shuttle Valve	
21	7010543	1	Seal Kit - 10837580 Valve	
22	70023370	6	Plug	
25	70003118	2	Bushing	
28	70003119	1	Seal Kit (Includes Items 4, 6, 7, 9, 10, 11, 13, 14, 15 & 18)	
100		Ref	REPAIR TOOLS (NOT SHOWN)	
100	70003089	1	Press, Wiper	
100	70003090	1	Press, Bushing (Use with Rod Bearing)	
100	70003091	1	Tool, Bushing Removal (Use with Rod Bearing)	
100	70003092	1	Tool, Head Seal Protection	
100	70003120	1	Press, Bushing (Use with Pin Mounting Bushings)	
100	70003121	1	Tool, Bushing Removal (Use with Pin Mounting Bushings)	
	1001199461	Ref	TELESCOPE CYLINDER ASSEMBLY	A
202	1001199306	1	Cartridge, Counter Balance Valve	
202	2900770	1	Seal Kit - 1001199306 Valve	



**SECTION 7 - HYDRAULIC**

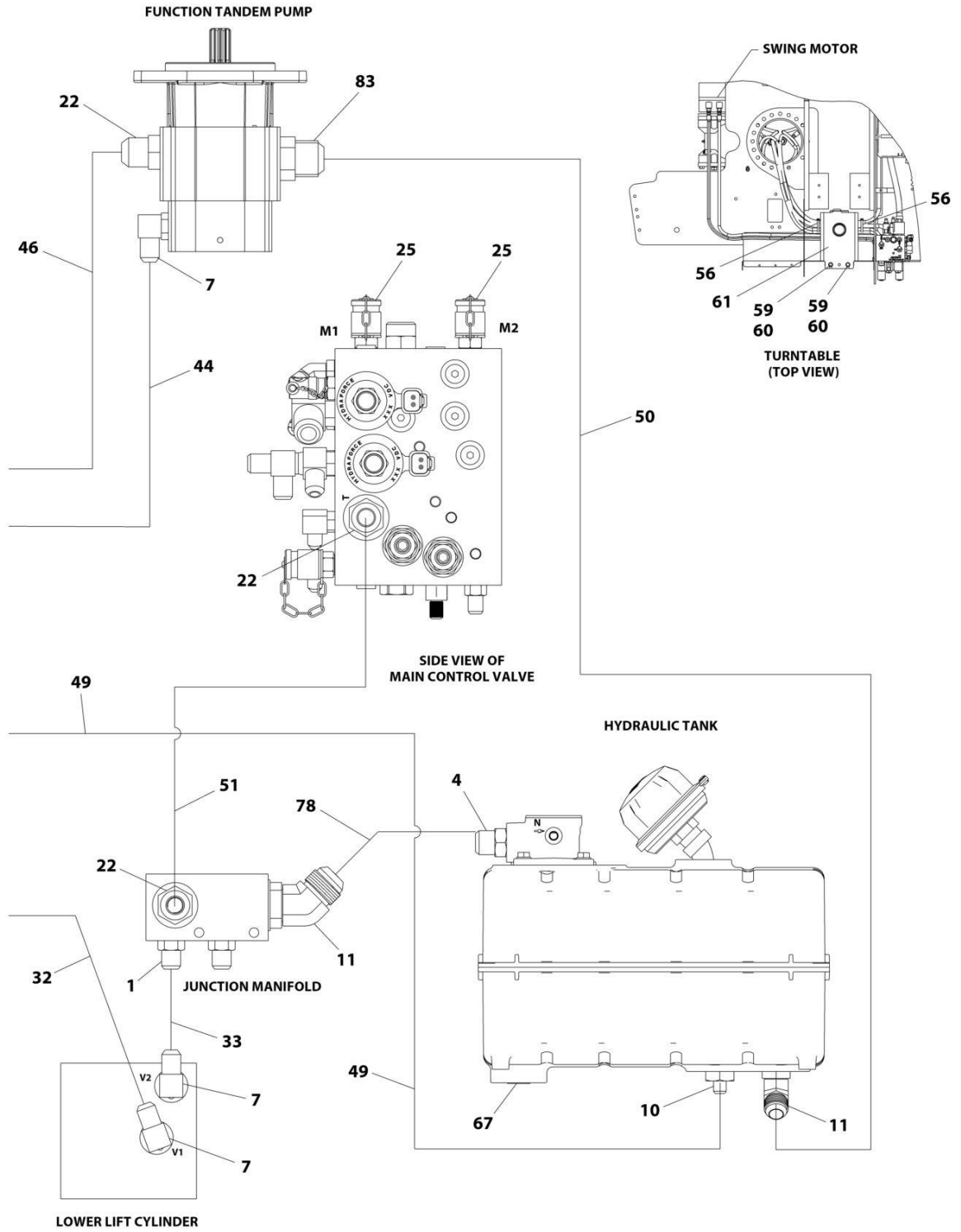
# SECTION 7 - HYDRAULIC

## FIGURE 7-1. HYDRAULIC SYSTEM INSTALLATION - WITHOUT ARCTIC PACKAGE



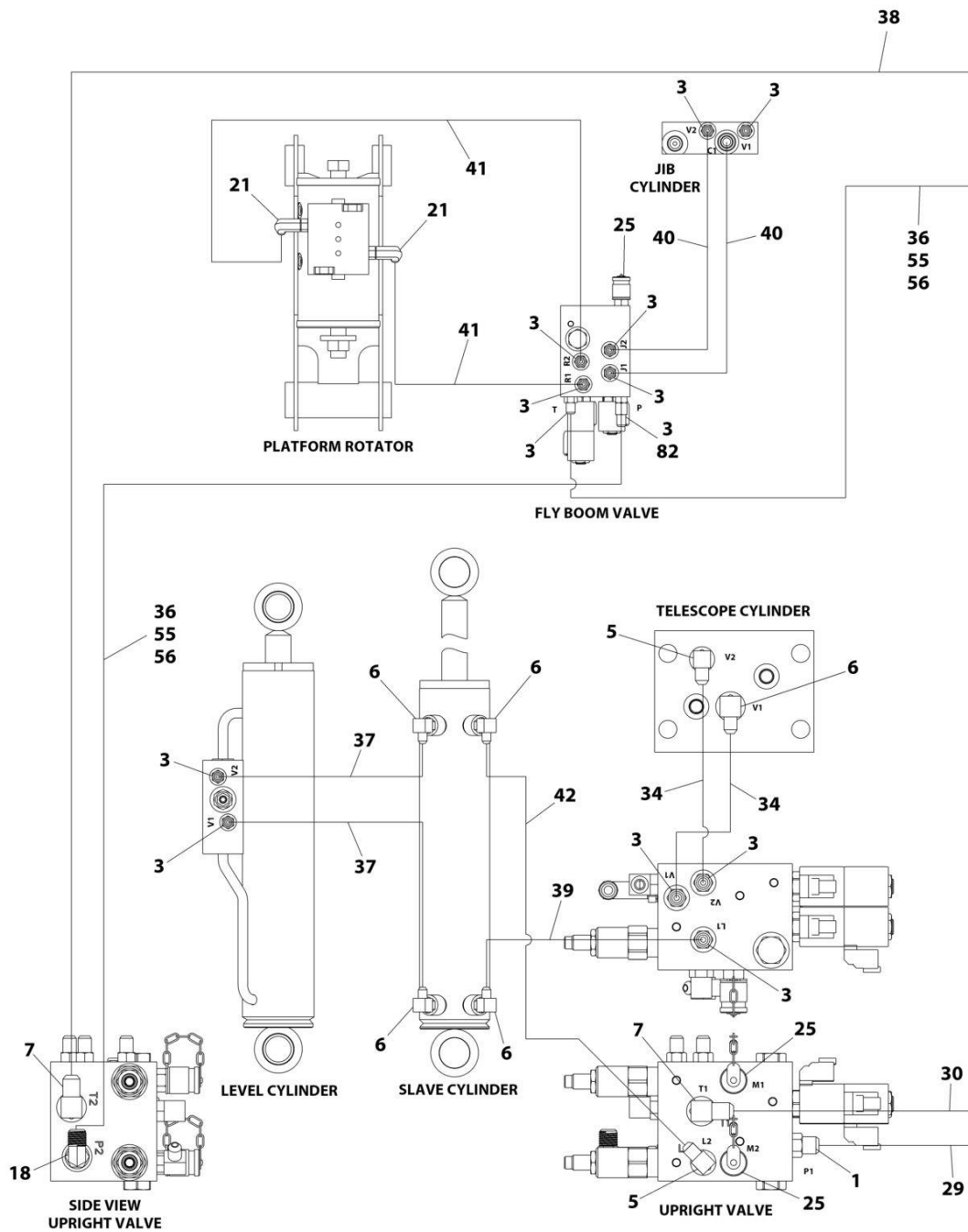
ART\_1001166848\_10F4

# SECTION 7 - HYDRAULIC



ART\_1001166848\_2OF4

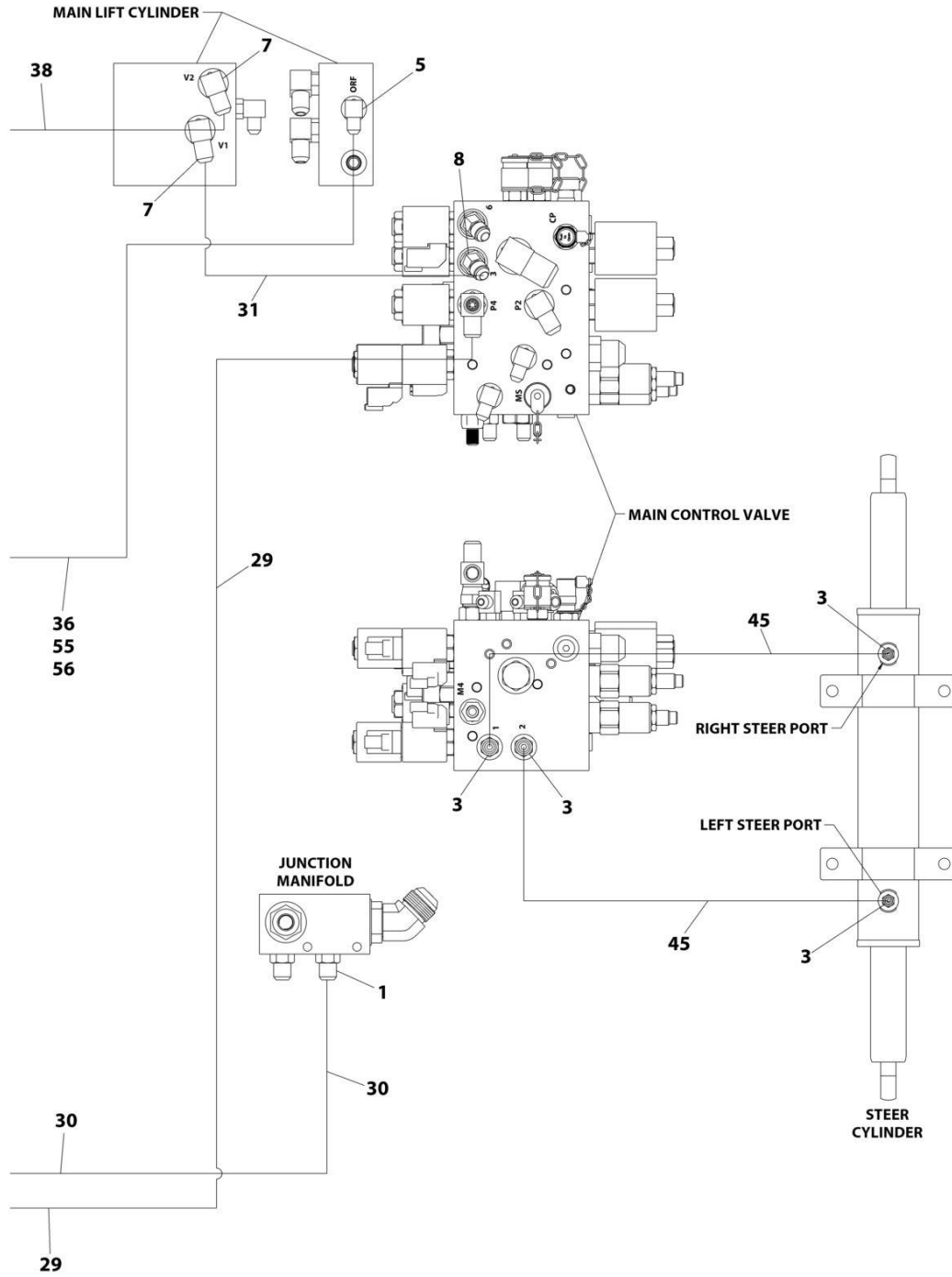
# SECTION 7 - HYDRAULIC



ART\_1001166848\_3OF4



# SECTION 7 - HYDRAULIC



ART\_1001166848\_4OF4

# SECTION 7 - HYDRAULIC

## FIGURE 7-1. HYDRAULIC SYSTEM INSTALLATION - WITHOUT ARCTIC PACKAGE

ITEM	PART NUMBER	QTY	DESCRIPTION	REV
	1001166848	Ref	HYDRAULIC SYSTEM INSTALLATION - WITHOUT ARCTIC PACKAGE	M
1	2220371	5	Fitting, Straight JIC/ORB	
3	2220415	19	Fitting, Straight JIC/ORB	
4	2220451	1	Fitting, Straight JIC/ORB	
5	2220466	6	Fitting, 90 JIC/ORB	
6	2220472	5	Fitting, 90 JIC/ORB	
7	2220473	9	Fitting, 90 JIC/ORB	
8	2220501	2	Fitting, 45 JIC/ORB	
10	2220577	1	Fitting, Straight JIC/ORB	
11	2220498	2	Fitting, 45 JIC/ORB	
12	2220582	1	Fitting, Straight JIC/ORB	
14	2220635	1	Fitting, Tee JIC/FSJIC/JIC	
18	2220819	1	Fitting, 90 JIC/ORB	
19	2220828	2	Fitting, 90 JIC/ORB	
21	2220940	2	Fitting, 90 JIC/ORB	
22	2220947	3	Fitting, Straight JIC/ORB	
25	2221086	9	Fitting, Test Port	
27	80233041	1	Fitting, Check	
28	1001119525	2	Hose	
29	1001119572	1	Hose	
30	1001119577	1	Hose	
31	1001119593	1	Hose	
32	1001119594	1	Hose	
33	1001119595	1	Hose	
34	1001119596	2	Hose	
35	1001119597	1	Hose	
36	1001119598	1	Hose	
37	1001119600	2	Hose	
38	1001119602	1	Hose	
39	1001119603	1	Hose	
40	1001119604	2	Hose	
41	1001119605	2	Hose	
42	1001121966	1	Hose	
43	1001127705	1	Hose	
44	1001167206	1	Hose	
45	1001167207	2	Hose	
46	1001167208	1	Hose	
47	1001167210	1	Hose	
48	1001168702	1	Hose	
49	1001172556	1	Hose	
50	1001172557	1	Hose	
51	1001172558	1	Hose	
55	4100066	1	Sleeve, Hose Wrap	
56	4240018	AR	Tie-Strap	
59	5250810	2	Bolt M8 X 20	
60	8310686	2	Retainer M8	
61	1001121221	1	Cover, Tray	
62	1001119455	1	Valve, Oil Sampling	
67	2220887	1	Plug ORB	

## SECTION 7 - HYDRAULIC

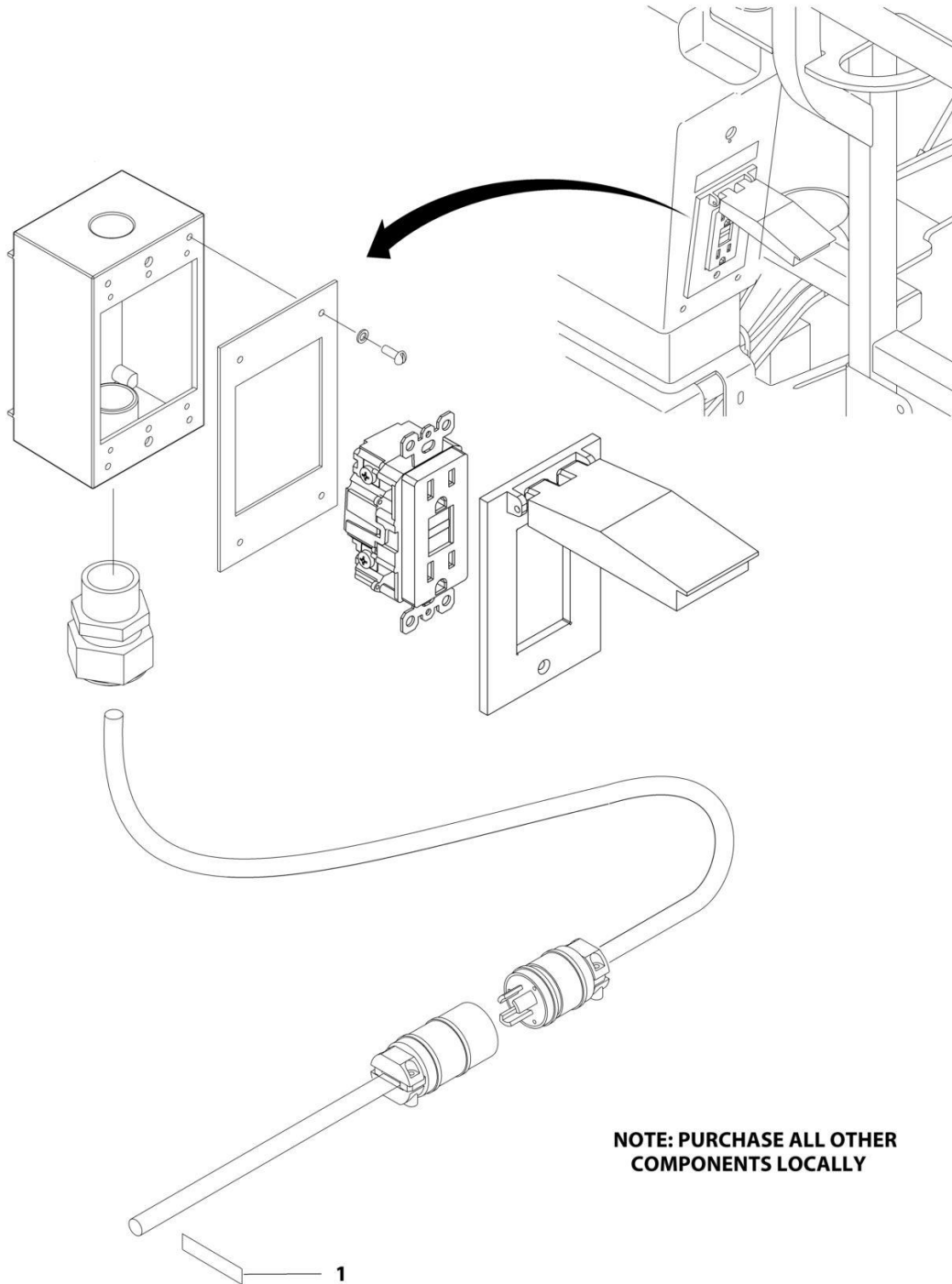
ITEM	PART NUMBER	QTY	DESCRIPTION	REV
68	2221042	1	Fitting, 90 JIC/ORB	
73	1001152155	2	Fitting, Straight JIC/ORB	
74	1001178795	1	Hose	
78	1001183675	1	Hose	
79	2220606	1	Fitting, Tee JIC/ORB/JIC	
80	1001189611	1	Valve, Check	
81	1001197509	1	Hose	
82	2220914	1	Orifice	
83	2220408	1	Fitting, Straight JIC/ORB	



**SECTION 8 - ELECTRICAL**

## SECTION 8 - ELECTRICAL

FIGURE 8-1. AC BOX AT PLATFORM INSTALLATION - LOCALLY SUPPLIED COMPONENTS (ANSI EXPORT, AUSTRALIAN AND CHINA SPECS)



ART\_100119870

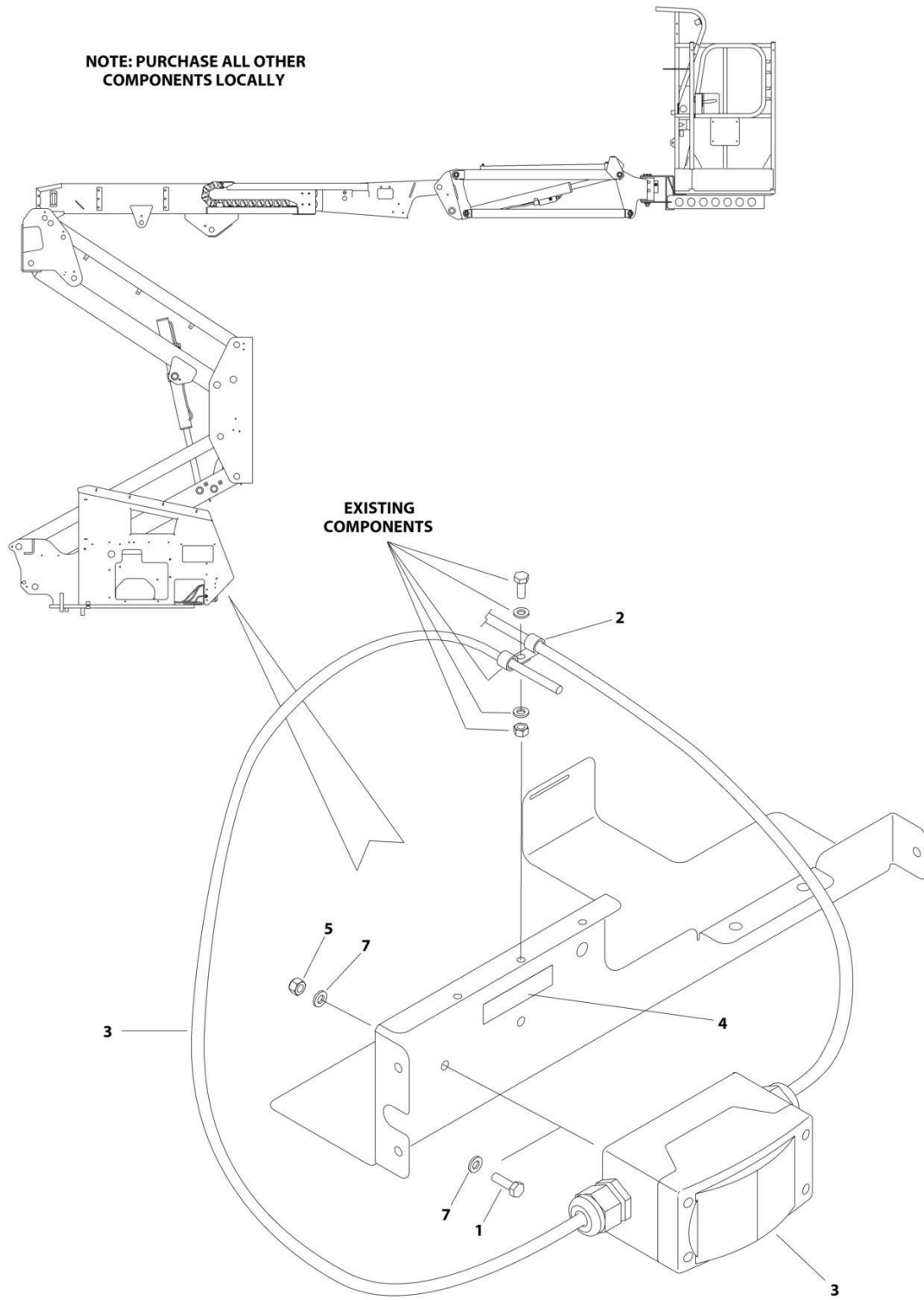
## SECTION 8 - ELECTRICAL

**FIGURE 8-1. AC BOX AT PLATFORM INSTALLATION - LOCALLY SUPPLIED COMPONENTS (ANSI EXPORT, AUSTRALIAN AND CHINA SPECS)**

ITEM	PART NUMBER	QTY	DESCRIPTION	REV
	1001119870	Ref	AC BOX AT PLATFORM INSTALLATION - LOCALLY SUPPLIED COMPONENTS	A
1	3251243	1	Decal - 120V-60Hz	

# SECTION 8 - ELECTRICAL

## FIGURE 8-2. AC BOX AT PLATFORM INSTALLATION - LOCALLY SUPPLIED (CE & UK CA SPEC)



ART\_1001130588



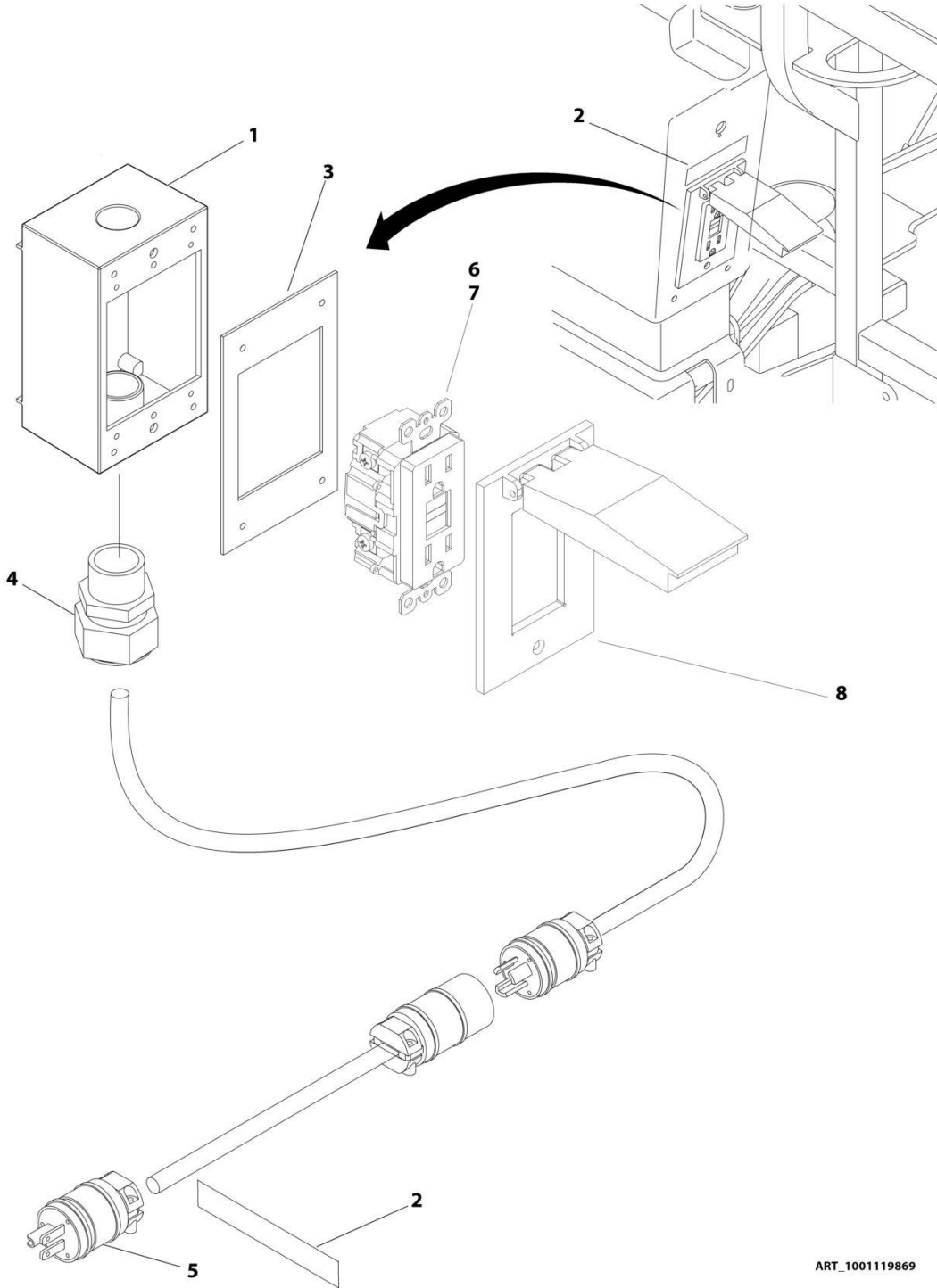
## SECTION 8 - ELECTRICAL

**FIGURE 8-2. AC BOX AT PLATFORM INSTALLATION - LOCALLY SUPPLIED (CE & UK CA SPEC)**

ITEM	PART NUMBER	QTY	DESCRIPTION	REV
	1001130588	Ref	AC BOX AT PLATFORM INSTALLATION - LOCALLY SUPPLIED COMPONENTS	A
1	0760610	2	Bolt M6 x 20	
2	1320043	1	Clamp	
3	2902549	1	Breaker Box Kit (See Separate Breakdown in this Section)	
4	3252507	1	Decal - 220V - 50/60Hz	
5	3290605	2	Nut M6	
6	4460121	3	Cap, Wire (Not Shown - Located inside Receptacle Box)	
7	4811700	4	Washer M6	

# SECTION 8 - ELECTRICAL

FIGURE 8-3. AC BOX AT PLATFORM INSTALLATION - 110V (ANSI, ANSI EXPORT, CSA, JAPANESE AND CHINA SPECS)



ART\_1001119869

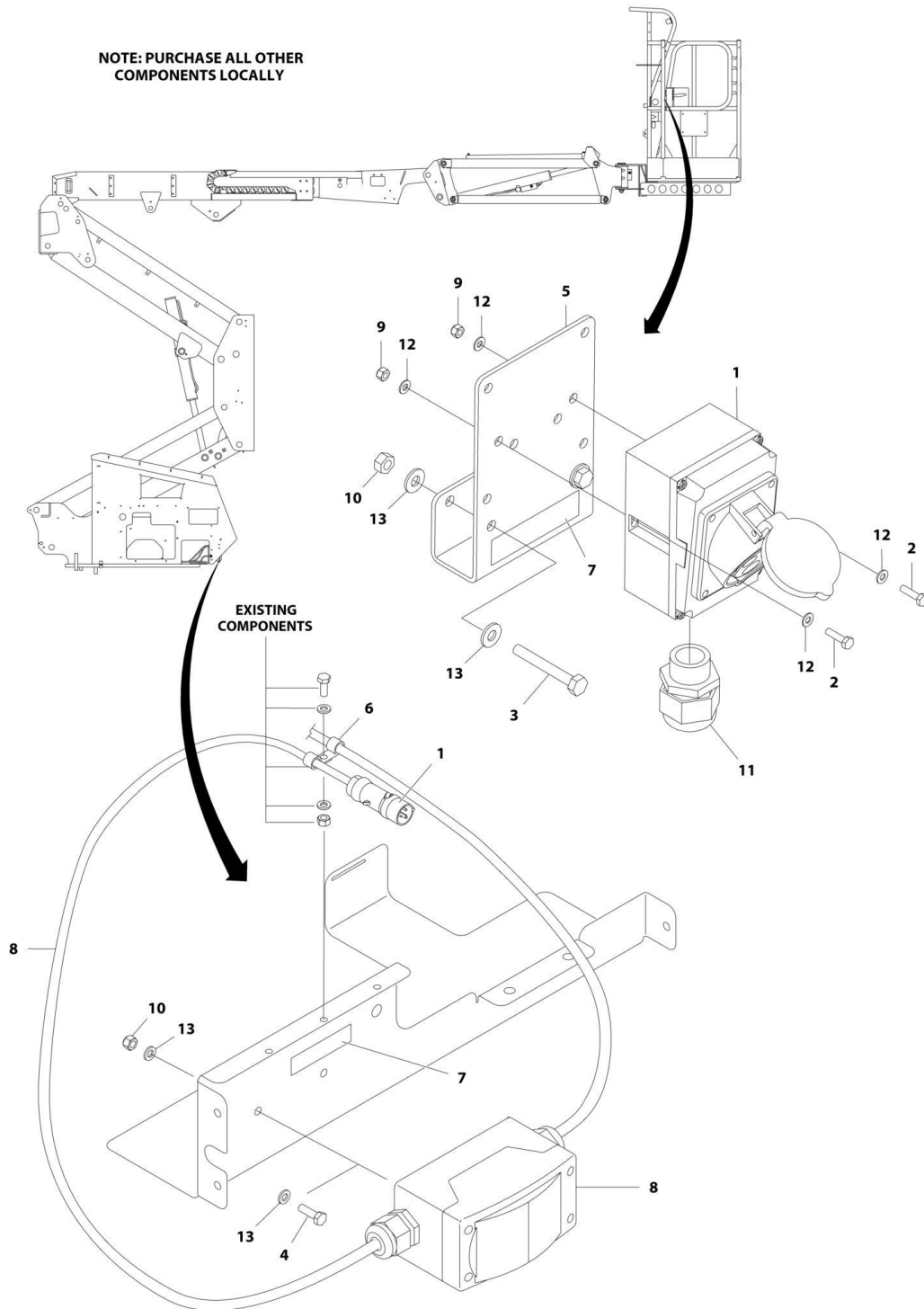
## SECTION 8 - ELECTRICAL

**FIGURE 8-3. AC BOX AT PLATFORM INSTALLATION - 110V (ANSI, ANSI EXPORT, CSA, JAPANESE AND CHINA SPECS)**

ITEM	PART NUMBER	QTY	DESCRIPTION	REV
	1001119869	Ref	AC BOX AT PLATFORM INSTALLATION - 110V	A
1	0860038	1	Box, Switch	
2	3251243	2	Decal - 120V - 60Hz	
3	3960422	1	Gasket	
4	4460071	1	Connector, Strain Relief	
5	4460205	1	Plug, Male	
6	4460315	3	Terminal, Spade	
7	4460346	1	Receptacle	
8	1001110873	1	Shield, Cover	

# SECTION 8 - ELECTRICAL

## FIGURE 8-4. AC BOX AT PLATFORM INSTALLATION - 110V IEC YELLOW (CE & UK CA SPEC)



ART\_1001119875

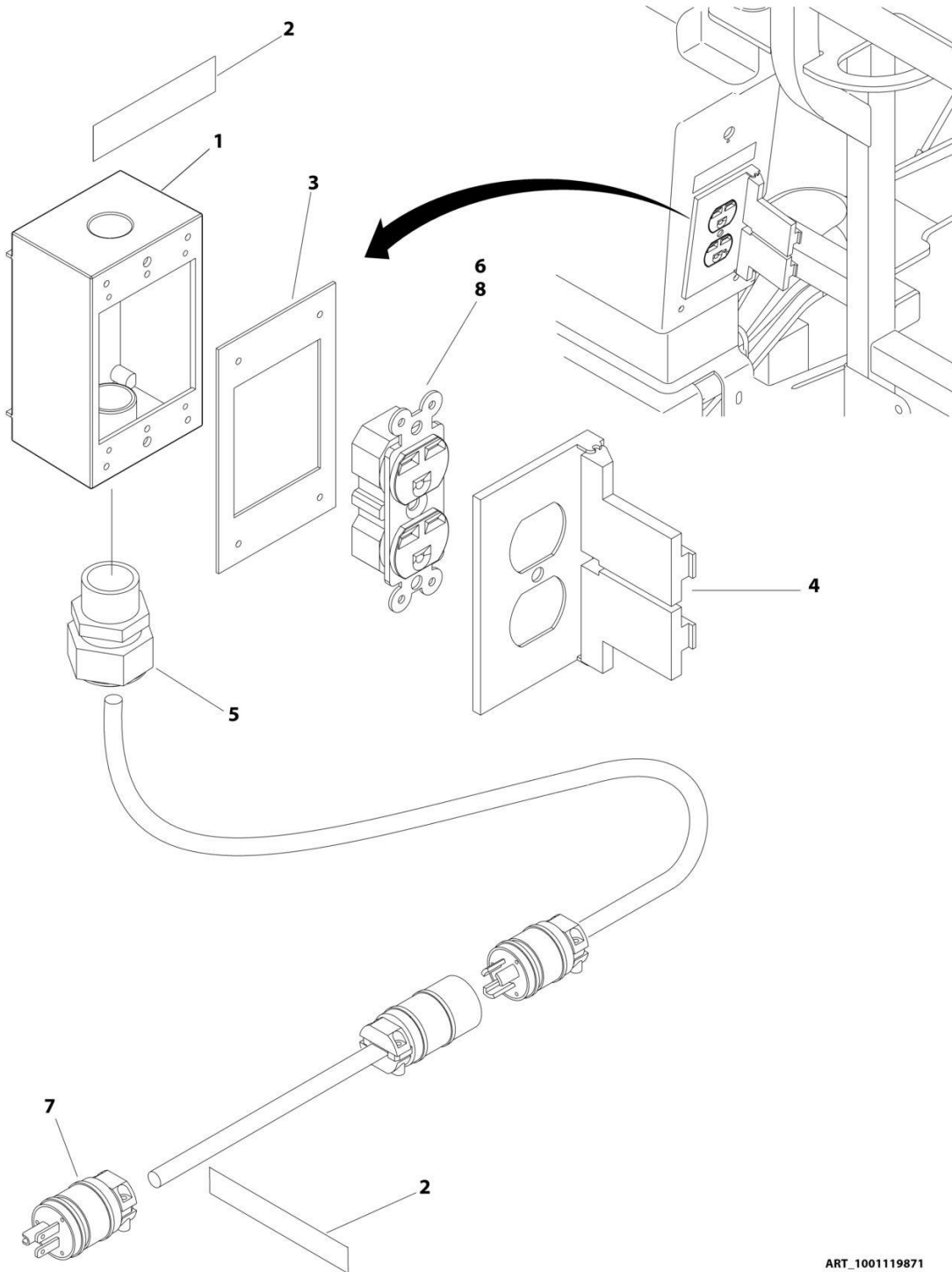
## SECTION 8 - ELECTRICAL

**FIGURE 8-4. AC BOX AT PLATFORM INSTALLATION - 110V IEC YELLOW (CE & UK CA SPEC)**

ITEM	PART NUMBER	QTY	DESCRIPTION	REV
	1001119875	Ref	AC BOX AT PLATFORM INSTALLATION - 110V IEC YELLOW	B
1	0275216	1	Receptacle Box Kit (See Separate Breakdown in this Section)	
2	0700408	2	Bolt M4 x 16	
3	0700618	2	Bolt M6 x 50	
4	0760610	2	Bolt M6 x 20	
5	1001193018	1	Bracket	
6	1320043	1	Clamp	
7	1705325	2	Decal - 120V - 50Hz	
8	2902549	1	Breaker Box Kit (See Separate Breakdown in this Section)	
9	3290405	2	Nut M4	
10	3290605	4	Nut M6	
11	4460968	1	Connector, Strain Relief	
12	4811400	4	Washer M4	
13	4811700	8	Washer M6	

# SECTION 8 - ELECTRICAL

## FIGURE 8-5. AC BOX AT PLATFORM INSTALLATION - 220V (CSA SPEC)



ART\_100119871

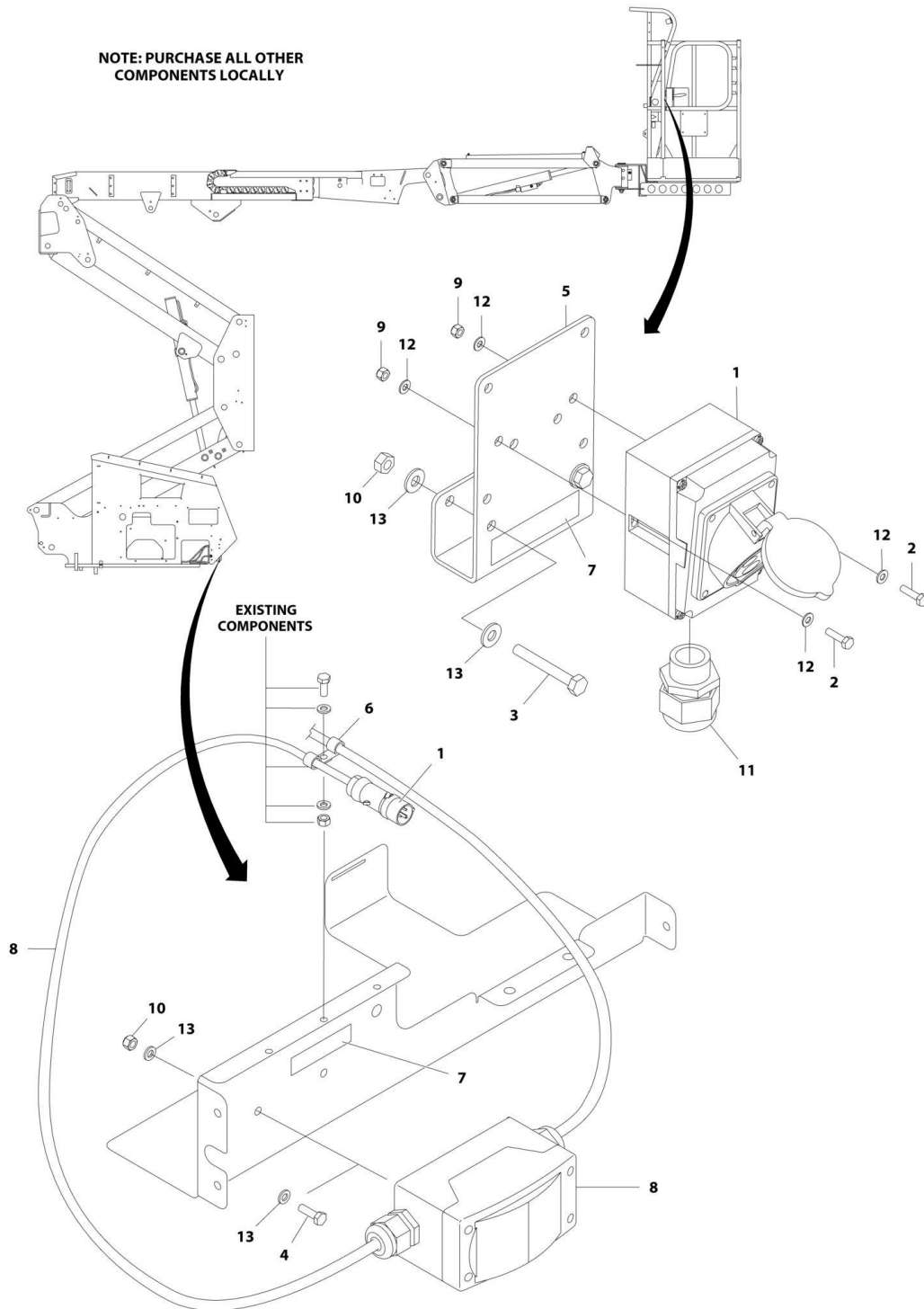
## SECTION 8 - ELECTRICAL

**FIGURE 8-5. AC BOX AT PLATFORM INSTALLATION - 220V (CSA SPEC)**

ITEM	PART NUMBER	QTY	DESCRIPTION	REV
	1001119871	Ref	AC BOX AT PLATFORM INSTALLATION - 220V	A
1	0860038	1	Box, Switch	
2	3252507	2	Decal - 220V - 50/60Hz	
3	3960422	1	Gasket	
4	4060092	1	Shield, Weather	
5	4460071	1	Connector, Strain Relief	
6	4460125	1	Receptacle	
7	4460233	1	Plug, Male	
8	4460315	3	Terminal, Spade	

# SECTION 8 - ELECTRICAL

## FIGURE 8-6. AC BOX AT PLATFORM INSTALLATION - 220V IEC BLUE (CE & UK CA SPEC)



ART\_1001119876



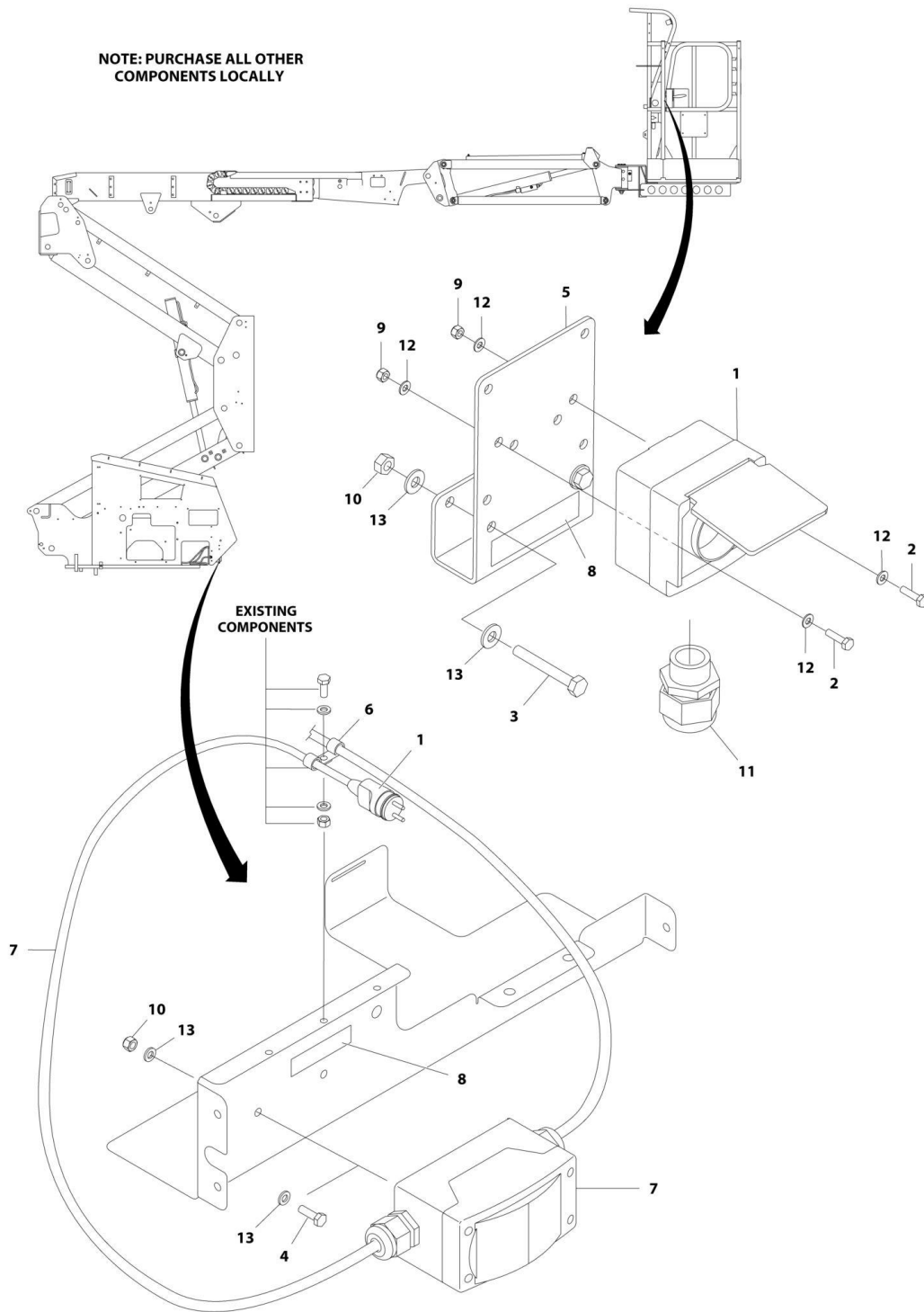
## SECTION 8 - ELECTRICAL

**FIGURE 8-6. AC BOX AT PLATFORM INSTALLATION - 220V IEC BLUE (CE & UK CA SPEC)**

ITEM	PART NUMBER	QTY	DESCRIPTION	REV
	1001119876	Ref	AC BOX AT PLATFORM INSTALLATION - 220V IEC BLUE	B
1	0275217	1	Receptacle Box Kit (See Separate Breakdown in this Section)	
2	0700408	2	Bolt M4 x 16	
3	0700618	2	Bolt M6 x 50	
4	0760610	2	Bolt M6 x 20	
5	1001193018	1	Bracket	
6	1320043	1	Clamp	
7	3252507	2	Decal - 220V - 50/60Hz	
8	2902549	1	Breaker Box Kit (See Separate Breakdown in this Section)	
9	3290405	2	Nut M4	
10	3290605	4	Nut M6	
11	4460968	1	Connector, Strain Relief	
12	4811400	4	Washer M4	
13	4811700	8	Washer M6	

# SECTION 8 - ELECTRICAL

## FIGURE 8-7. AC BOX AT PLATFORM INSTALLATION - 220V CEE7 POST GROUND WITH 70MM X 70MM BOX (CE & UK CA SPEC)



ART\_1001115788

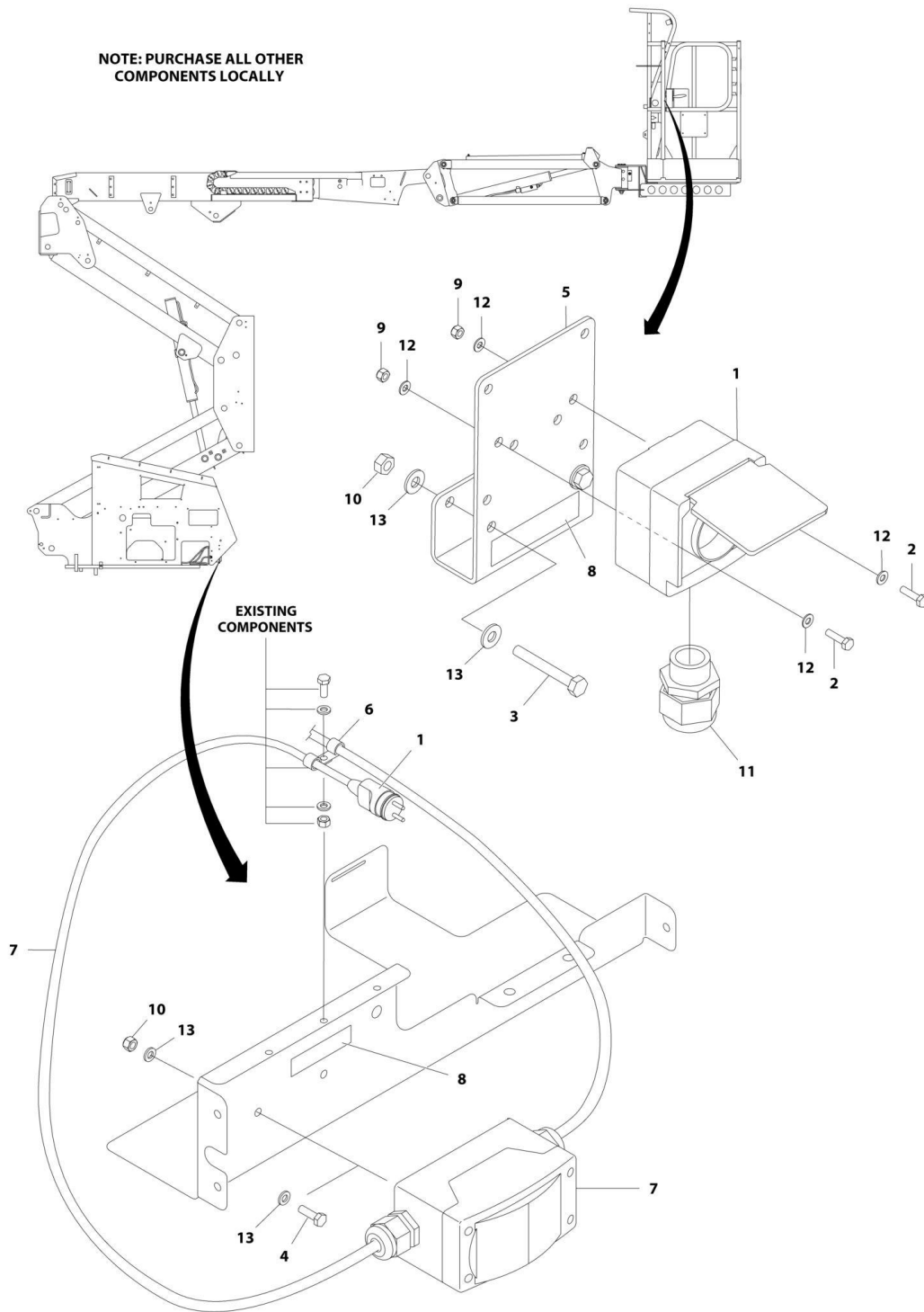
## SECTION 8 - ELECTRICAL

**FIGURE 8-7. AC BOX AT PLATFORM INSTALLATION - 220V CEE7 POST GROUND WITH 70MM X 70MM BOX (CE & UK CA SPEC)**

ITEM	PART NUMBER	QTY	DESCRIPTION	REV
	1001115788	Ref	AC BOX AT PLATFORM INSTALLATION - 220V CEE7 POST GROUND WITH 70MM X 70MM BOX (CE & UK CA SPEC)	B
1	0275218	1	Receptacle Box Kit (See Separate Breakdown in this Section)	
2	0700408	2	Bolt M4 x 16	
3	0700618	2	Bolt M6 x 50	
4	0760610	2	Bolt M6 x 20	
5	1001193018	1	Bracket	
6	1320043	1	Clamp	
7	2902549	1	Breaker Box Kit (See Separate Breakdown in this Section)	
8	3252507	2	Decal - 220V - 50/60Hz	
9	3290405	2	Nut M4	
10	3290605	4	Nut M6	
11	4460968	1	Connector, Strain Relief	
12	4811400	4	Washer M4	
13	4811700	8	Washer M6	

# SECTION 8 - ELECTRICAL

## FIGURE 8-8. AC BOX AT PLATFORM INSTALLATION - 220V CEE7 SIDE GROUND WITH 70MM X 70MM BOX (CE & UK CA SPEC)



ART\_1001119877

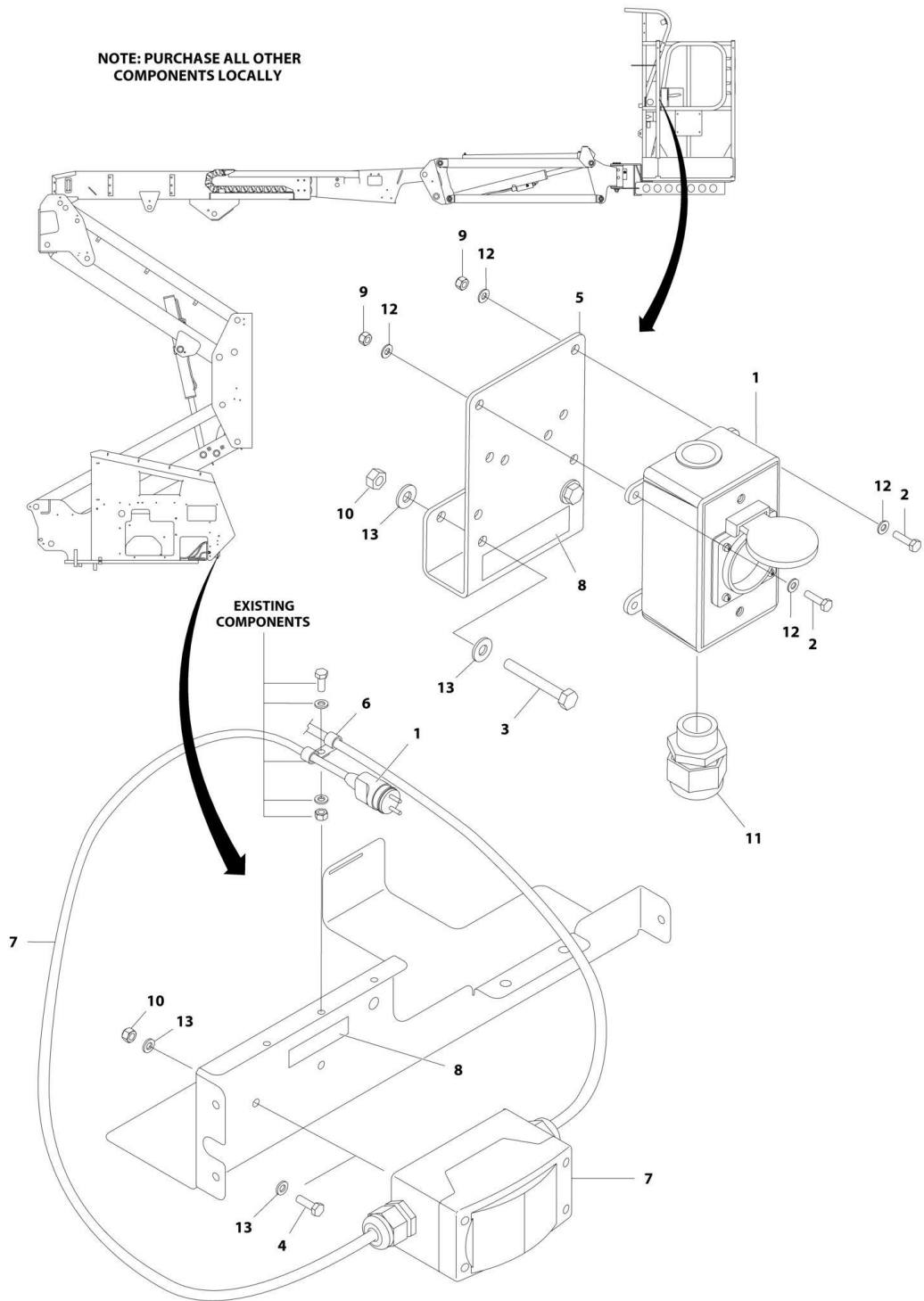
## SECTION 8 - ELECTRICAL

**FIGURE 8-8. AC BOX AT PLATFORM INSTALLATION - 220V CEE7 SIDE GROUND WITH 70MM X 70MM BOX (CE & UK CA SPEC)**

ITEM	PART NUMBER	QTY	DESCRIPTION	REV
	1001119877	Ref	AC BOX AT PLATFORM INSTALLATION - 220V CEE7 SIDE GROUND WITH 70MM X 70MM BOX	B
1	0275219	1	Receptacle Box Kit (See Separate Breakdown in this Section)	
2	0700408	2	Bolt M4 x 16	
3	0700618	2	Bolt M6 x 50	
4	0760610	2	Bolt M6 x 20	
5	1001193018	1	Bracket	
6	1320043	1	Clamp	
7	2902549	1	Breaker Box Kit (See Separate Breakdown in this Section)	
8	3252507	2	Decal - 220V - 50/60Hz	
9	3290405	2	Nut M4	
10	3290605	4	Nut M6	
11	4460968	1	Connector, Strain Relief	
12	4811400	4	Washer M4	
13	4811700	8	Washer M6	

# SECTION 8 - ELECTRICAL

## FIGURE 8-9. AC BOX AT PLATFORM INSTALLATION - 220V CEE7 POST GROUND WITH 2IN X 4IN BOX (CE & UK CA SPEC)



ART\_1001119872

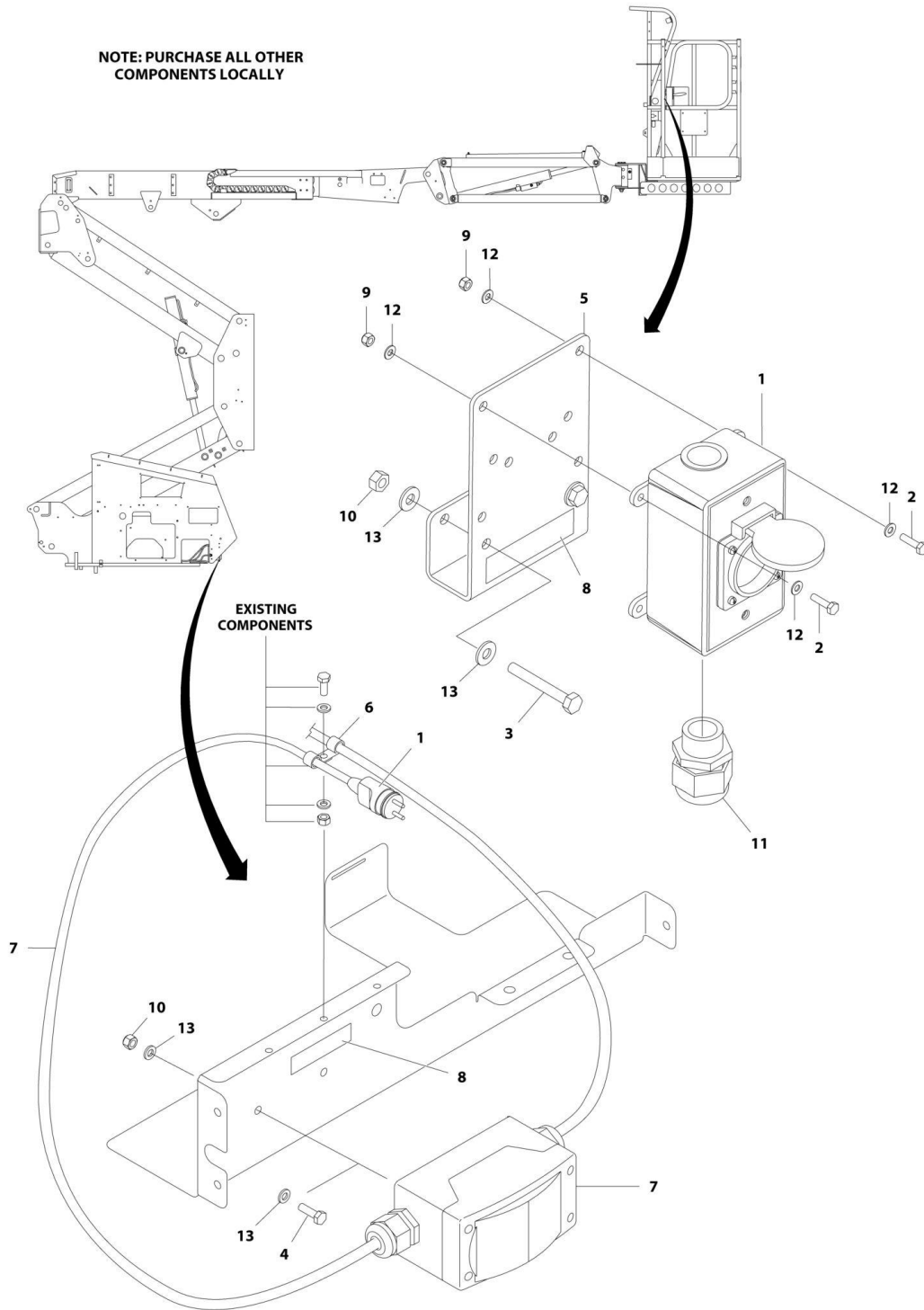
## SECTION 8 - ELECTRICAL

**FIGURE 8-9. AC BOX AT PLATFORM INSTALLATION - 220V CEE7 POST GROUND WITH 2IN X 4IN BOX (CE & UK CA SPEC)**

ITEM	PART NUMBER	QTY	DESCRIPTION	REV
	1001119872	Ref	AC BOX AT PLATFORM INSTALLATION - 220V CEE7 POST GROUND WITH 2IN X 4IN BOX	C
1	0275452	1	Receptacle Box Kit (See Separate Breakdown in this Section)	
2	0700408	4	Bolt M4 x 16	
3	0700618	2	Bolt M6 x 50	
4	0760610	2	Bolt M6 x 20	
5	1001193018	1	Bracket	
6	1320043	1	Clamp	
7	2902549	1	Breaker Box Kit (See Separate Breakdown in this Section)	
8	3252507	2	Decal - 220V - 50/60Hz	
9	3290405	4	Nut M4	
10	3290605	4	Nut M6	
11	4460662	1	Connector, Strain Relief	
12	4811400	8	Washer M4	
13	4811700	8	Washer M6	

# SECTION 8 - ELECTRICAL

## FIGURE 8-10. AC BOX AT PLATFORM INSTALLATION - 220V CEE7 SIDE GROUND WITH 2IN X 4IN BOX (CE & UK CA SPEC)



ART\_1001119873



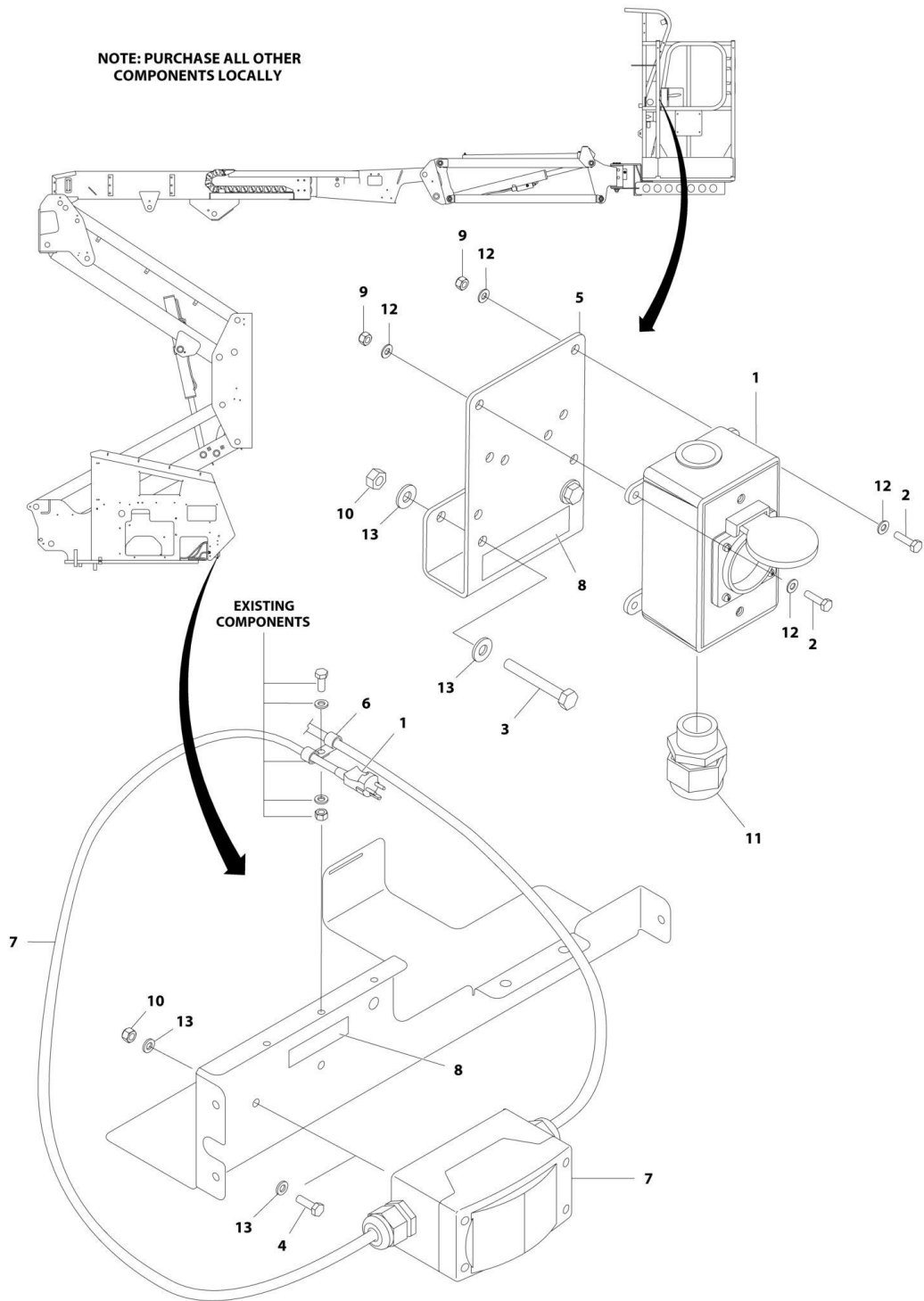
## SECTION 8 - ELECTRICAL

**FIGURE 8-10. AC BOX AT PLATFORM INSTALLATION - 220V CEE7 SIDE GROUND WITH 2IN X 4IN BOX (CE & UK CA SPEC)**

ITEM	PART NUMBER	QTY	DESCRIPTION	REV
	100119873	Ref	AC BOX AT PLATFORM INSTALLATION - 220V CEE7 SIDE GROUND WITH 2IN X 4IN BOX	B
1	0275453	1	Receptacle Box Kit (See Separate Breakdown in this Section)	
2	0700408	4	Bolt, M4 x 16	
3	0700618	2	Bolt M6 x 50	
4	0760610	2	Bolt M6 x 20	
5	1001193018	1	Bracket	
6	1320043	1	Clamp	
7	2902549	1	Breaker Box Kit (See Separate Breakdown in this Section)	
8	3252507	2	Decal - 220V - 50/60Hz	
9	3290405	4	Nut M4	
10	3290605	4	Nut M6	
11	4460968	1	Connector, Strain Relief	
12	4811400	8	Washer M4	
13	4811700	8	Washer M6	

# SECTION 8 - ELECTRICAL

## FIGURE 8-11. AC BOX AT PLATFORM INSTALLATION - 220V AFSINT 107 KEYED GROUND WITH 2IN X 4IN BOX (CE & UK CA SPEC)



ART\_1001119874

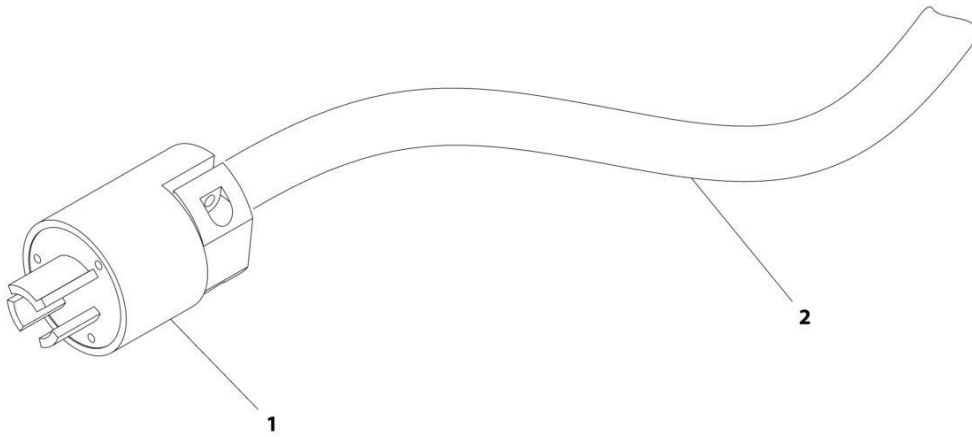
## SECTION 8 - ELECTRICAL

**FIGURE 8-11. AC BOX AT PLATFORM INSTALLATION - 220V AFSINT 107 KEYED GROUND WITH 2IN X 4IN BOX (CE & UK CA SPEC)**

ITEM	PART NUMBER	QTY	DESCRIPTION	REV
	1001119874	Ref	AC BOX AT PLATFORM INSTALLATION - 220V AFSINT 107 KEYED GROUND WITH 2IN X 4IN BOX	C
1	0275454	1	Receptacle Box Kit (See Separate Breakdown in this Section)	
2	0700408	4	Bolt M4 x 16	
3	0700618	2	Bolt M6 x 50	
4	0760610	2	Bolt M6 x 20	
5	1001193018	1	Bracket	
6	1320043	1	Clamp	
7	2902549	1	Breaker Box Kit (See Separate Breakdown in this Section)	
8	3252507	2	Decal - 220V - 50/60Hz	
9	3290405	4	Nut M4	
10	3290605	4	Nut M6	
11	4460662	1	Connector, Strain Relief	
12	4811400	8	Washer M4	
13	4811700	8	Washer M6	

## SECTION 8 - ELECTRICAL

FIGURE 8-12. AC POWER TO PLATFORM CABLE - MAIN BOOM (WITHOUT ARTIC PACKAGE)



ART\_1001119140

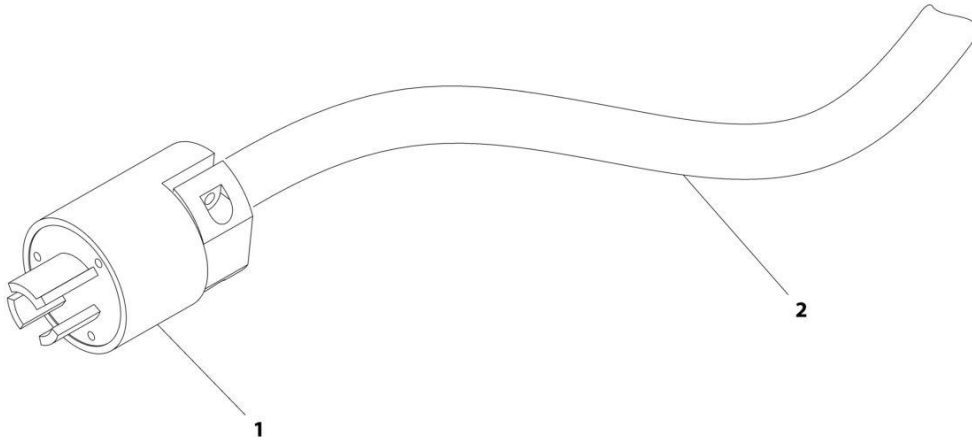
## SECTION 8 - ELECTRICAL

**FIGURE 8-12. AC POWER TO PLATFORM CABLE - MAIN BOOM (WITHOUT ARTIC PACKAGE)**

ITEM	PART NUMBER	QTY	DESCRIPTION	REV
	1001119140	Ref	AC POWER TO PLATFORM CABLE - MAIN BOOM (WITHOUT ARCTIC PACKAGE)	C
1	1001120204	1	Plug, Male	
2	4923505	1	Cable, 14/3	

# SECTION 8 - ELECTRICAL

FIGURE 8-13. AC POWER TO PLATFORM CABLE - MAIN BOOM (WITH ARCTIC PACKAGE)



ART\_1001119955

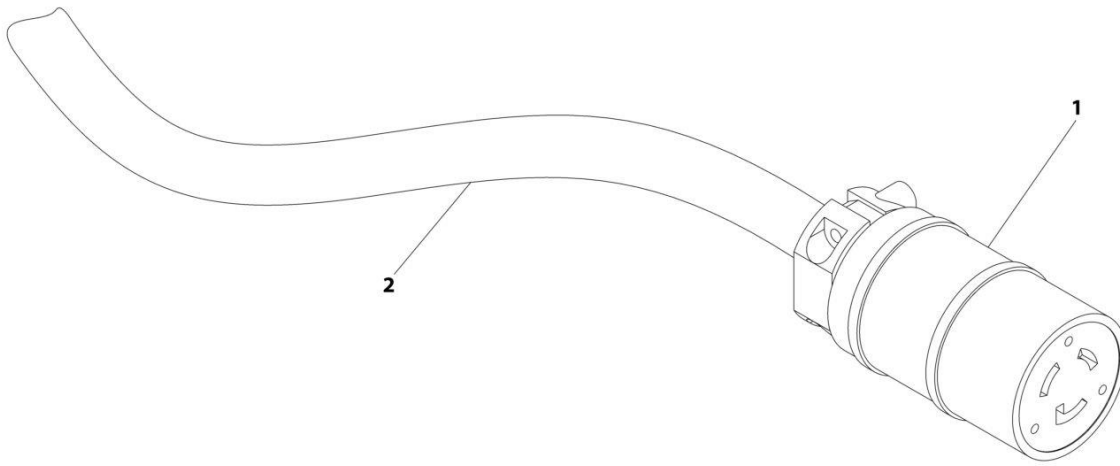
## SECTION 8 - ELECTRICAL

**FIGURE 8-13. AC POWER TO PLATFORM CABLE - MAIN BOOM (WITH ARCTIC PACKAGE)**

ITEM	PART NUMBER	QTY	DESCRIPTION	REV
	1001119955	Ref	AC POWER TO PLATFORM CABLE - MAIN BOOM (WITH ARCTIC PACKAGE)	B
1	1001120204	1	Plug, Male	
2	4923463	1	Cable, 12/3	

## SECTION 8 - ELECTRICAL

FIGURE 8-14. AC POWER TO PLATFORM CABLE - TOWER BOOM (WITHOUT ARTIC PACKAGE)



ART\_1001119139



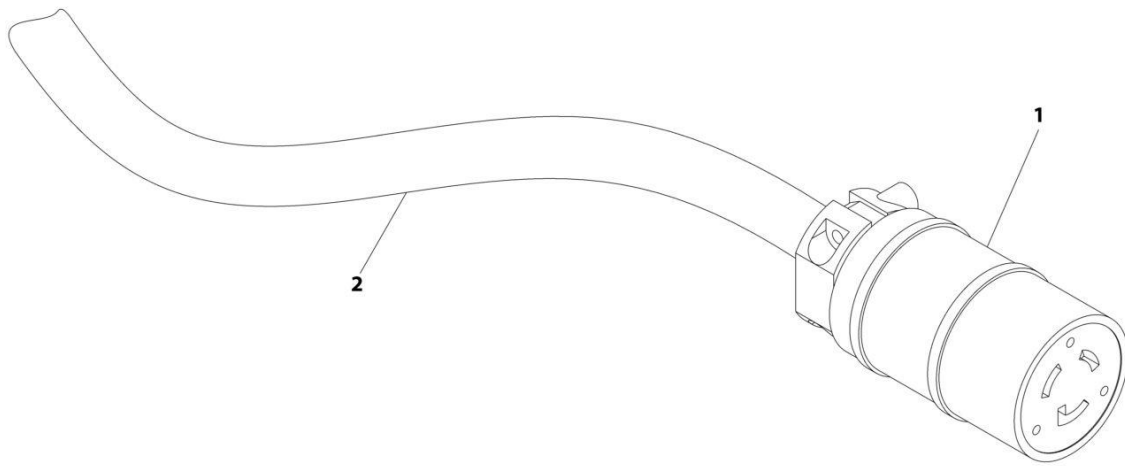
## SECTION 8 - ELECTRICAL

**FIGURE 8-14. AC POWER TO PLATFORM CABLE - TOWER BOOM (WITHOUT ARTIC PACKAGE)**

ITEM	PART NUMBER	QTY	DESCRIPTION	REV
	1001119139	Ref	AC POWER TO PLATFORM CABLE - TOWER BOOM (WITHOUT ARTIC PACKAGE)	B
1	1001120205	1	Connector, Female	
2	4923505	1	Cable, 14/3	

## SECTION 8 - ELECTRICAL

FIGURE 8-15. AC POWER TO PLATFORM CABLE - TOWER BOOM (WITH ARTIC PACKAGE)



ART\_1001119956

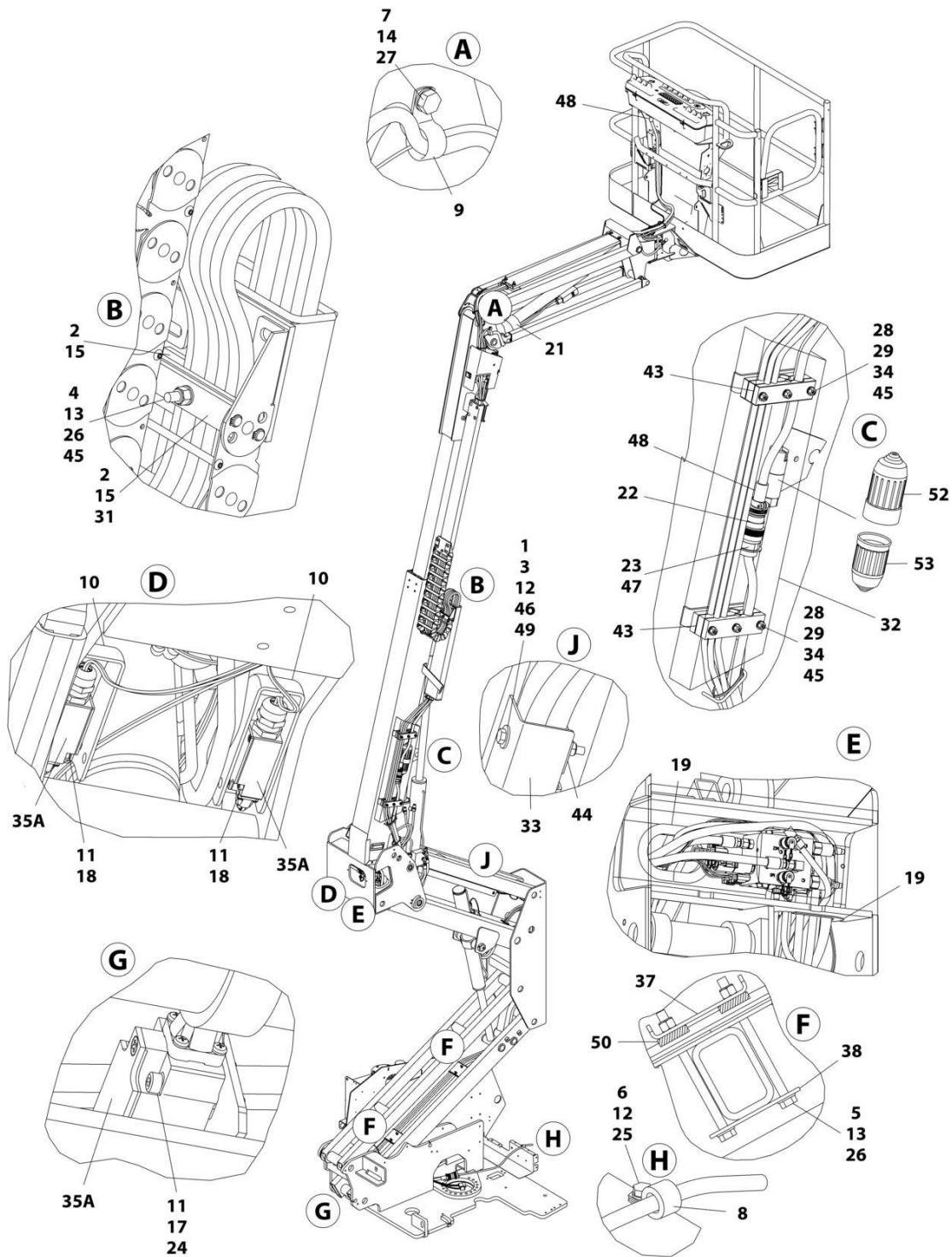
## SECTION 8 - ELECTRICAL

**FIGURE 8-15. AC POWER TO PLATFORM CABLE - TOWER BOOM (WITH ARTIC PACKAGE)**

ITEM	PART NUMBER	QTY	DESCRIPTION	REV
	1001119956	Ref	AC POWER TO PLATFORM CABLE - TOWER BOOM (WITH ARTIC PACKAGE)	A
1	1001120205	1	Connector, Female	
2	4923463	1	Cable, 12/3	

# SECTION 8 - ELECTRICAL

FIGURE 8-16. BOOM CABLES, HARNESSES AND CLAMPS INSTALLATION - WITHOUT ARCTIC PACKAGE



ART\_1001115784

## SECTION 8 - ELECTRICAL

**FIGURE 8-16. BOOM CABLES, HARNESSSES AND CLAMPS INSTALLATION - WITHOUT ARCTIC PACKAGE**

ITEM	PART NUMBER	QTY	DESCRIPTION	REV
	1001115784	Ref	BOOM CABLES, HARNESSSES AND CLAMPS INSTALLATION - WITHOUT ARCTIC PACKAGE	G
1	0100011	AR	Compound, Locking	
2	0100081	1	Adhesive	
3	0760621	4	Bolt M6 x 65	
4	0700820	2	Bolt M8 x 60	
5	0700829	4	Bolt M8 x 120	
6	0760608	1	Bolt M6 x 16 (Not Shown - Use with Item 8)	
7	0761012	1	Bolt M10 x 25	
8	1320043	1	Clamp (Not Shown - Located at Rear of T/T)	
9	1320130	1	Clamp	
10	1670899	2	Cover, Switch	
11	3290405	6	Nut M4	
12	3290605	5	Nut M6	
13	3290805	6	Nut M8	
14	3291005	1	Nut M10	
15	3340939	4	Pad, Rubber	
17	4031510	2	Capscrew M4 x 30	
18	4031512	4	Capscrew M4 x 40	
19	4060808	1.8 ft /55cm	Flex-Trim	
20	4240018	AR	Tie-Strap (Not Shown)	
21	4240156	1	Strap, Cinch	
22	4460865	1	Connector - 19 Position	
23	4460866	1	Connector - 19 Position	
24	4811400	2	Washer M4	
25	4811700	2	Washer M6 (Not Shown - Use with Item 8)	
26	4811900	8	Washer M8	
27	4812000	2	Washer M10	
28	5260800	6	Nut M8	
29	5281920	6	Screw M8 x 80	
31	1001106757	2	Plate	
32	1001107152	1	Plate	
33	1001116433	2	Guard, Hose	
34	1001118274	6	Nut M8	
35	1001118292	1	Tower Boom Harness Assembly (Not Shown - See Separate Breakdown in this Section)	
35A	4360548	3	Switch, Limit	
37	1001118592	2	Plate, Hose Clamp	
38	1001118593	2	Plate, Hose Clamp	
39	1001119018	1	Ground to Platform Cable - Main (Not Shown - See Separate Breakdown in this Section)	
40	1001119019	1	Ground to Platform Cable - Tower (Not Shown - See Separate Breakdown in this Section)	
41	1001119139	1	AC Power to Platform Cable - Tower Boom (Not Shown - See Separate Breakdown in this Section)	
42	1001119140	1	AC Power to Platform Cable - Main Boom (Not Shown - See Separate Breakdown in this Section)	
43	1001119194	2	Clamp	
44	1001119197	4	Clamp	

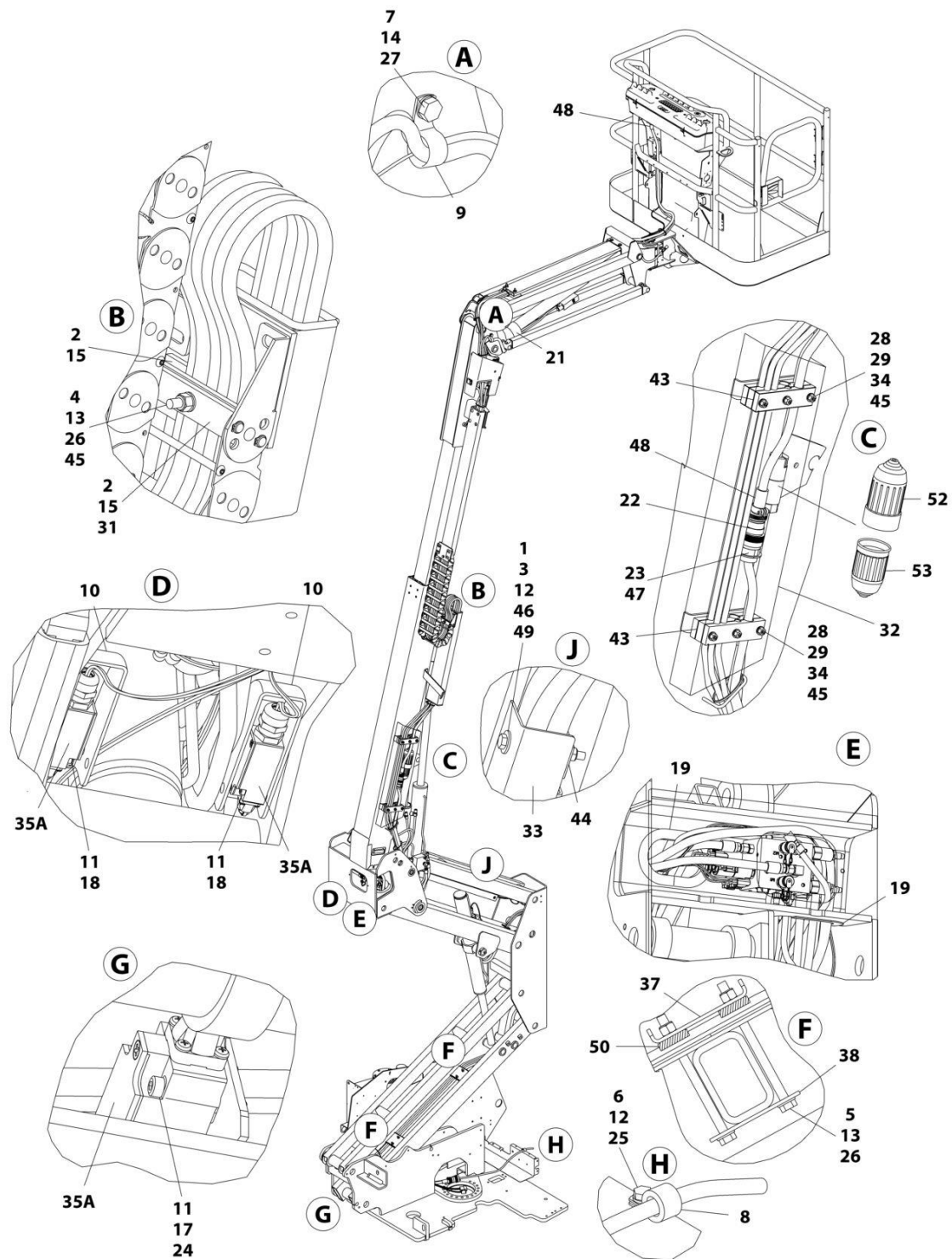
## SECTION 8 - ELECTRICAL

ITEM	PART NUMBER	QTY	DESCRIPTION	REV
45	1001119228	8	Nut M8	
46	0760605	2	Bolt M6 x 10	
47	2820031	AR	Heat Shrink	
48	4460473	1	Clamp, Cable	
49	4811702	10	Washer M6	
50	3340901	4	Pad, Rubber	
51	1001140524	1	Main Boom Harness Assembly (Not Shown - See Separate Breakdown in this Section)	
52	1671092	1	Cover, Connection	
53	1671093	1	Cover, Plug	



# SECTION 8 - ELECTRICAL

## FIGURE 8-17. BOOM CABLES, HARNESSES AND CLAMPS INSTALLATION - WITH ARCTIC PACKAGE



ART\_1001119937



## SECTION 8 - ELECTRICAL

**FIGURE 8-17. BOOM CABLES, HARNESSSES AND CLAMPS INSTALLATION - WITH ARCTIC PACKAGE**

ITEM	PART NUMBER	QTY	DESCRIPTION	REV
	1001119937	Ref	BOOM CABLES, HARNESSSES AND CLAMPS INSTALLATION - WITH ARCTIC PACKAGE	G
1	0100011	AR	Compound, Locking	
2	0100081	1	Adhesive	
3	0760621	4	Bolt M6 x 65	
4	0700820	2	Bolt M8 x 60	
5	0700829	4	Bolt M8 x 120	
6	0760608	1	Bolt M6 x 16 (Not Shown - Use with Item 8)	
7	0761012	1	Bolt M10 x 25	
8	1320041	1	Clamp	
9	1320130	1	Clamp	
10	1670899	2	Cover, Switch	
11	3290405	6	Nut M4	
12	3290605	5	Nut M6	
13	3290805	6	Nut M8	
14	3291005	1	Nut M10	
15	3340939	4	Pad, Rubber	
17	4031510	2	Capscrew M4 x 30	
18	4031512	4	Capscrew M4 x 40	
19	4060808	1.8 ft /55cm	Flex-Trim	
20	4240018	AR	Tie-Strap (Not Shown)	
21	4240156	1	Strap, Cinch	
22	4460865	1	Connector - 19 Position	
23	4460866	1	Connector - 19 Position	
24	4811400	2	Washer M4	
25	4811700	2	Washer M6 (Not Shown - Use with Item 8)	
26	4811900	8	Washer M8	
27	4812000	2	Washer M10	
28	5260800	6	Nut M8	
29	5281920	6	Screw M8 x 80	
31	1001106757	2	Plate	
32	1001107152	1	Plate	
33	1001116433	2	Guard, Hose	
34	1001118274	6	Nut M8	
35	1001118292	1	Tower Boom Harness Assembly (Not Shown - See Separate Breakdown in this Section)	
35A	4360548	3	Switch, Limit	
37	1001118592	2	Plate, Hose Clamp	
38	1001118593	2	Plate, Hose Clamp	
39	1001119953	1	Ground to Platform Cable - Main (Not Shown - See Separate Breakdown in this Section)	
40	1001119954	1	Ground to Platform Cable - Tower (Not Shown - See Separate Breakdown in this Section)	
41	1001119955	1	AC Power to Platform Cable - Main Boom (Not Shown - See Separate Breakdown in this Section)	
42	1001119956	1	AC Power to Platform Cable - Tower Boom (Not Shown - See Separate Breakdown in this Section)	
43	1001119195	2	Clamp	
44	1001119197	4	Clamp	

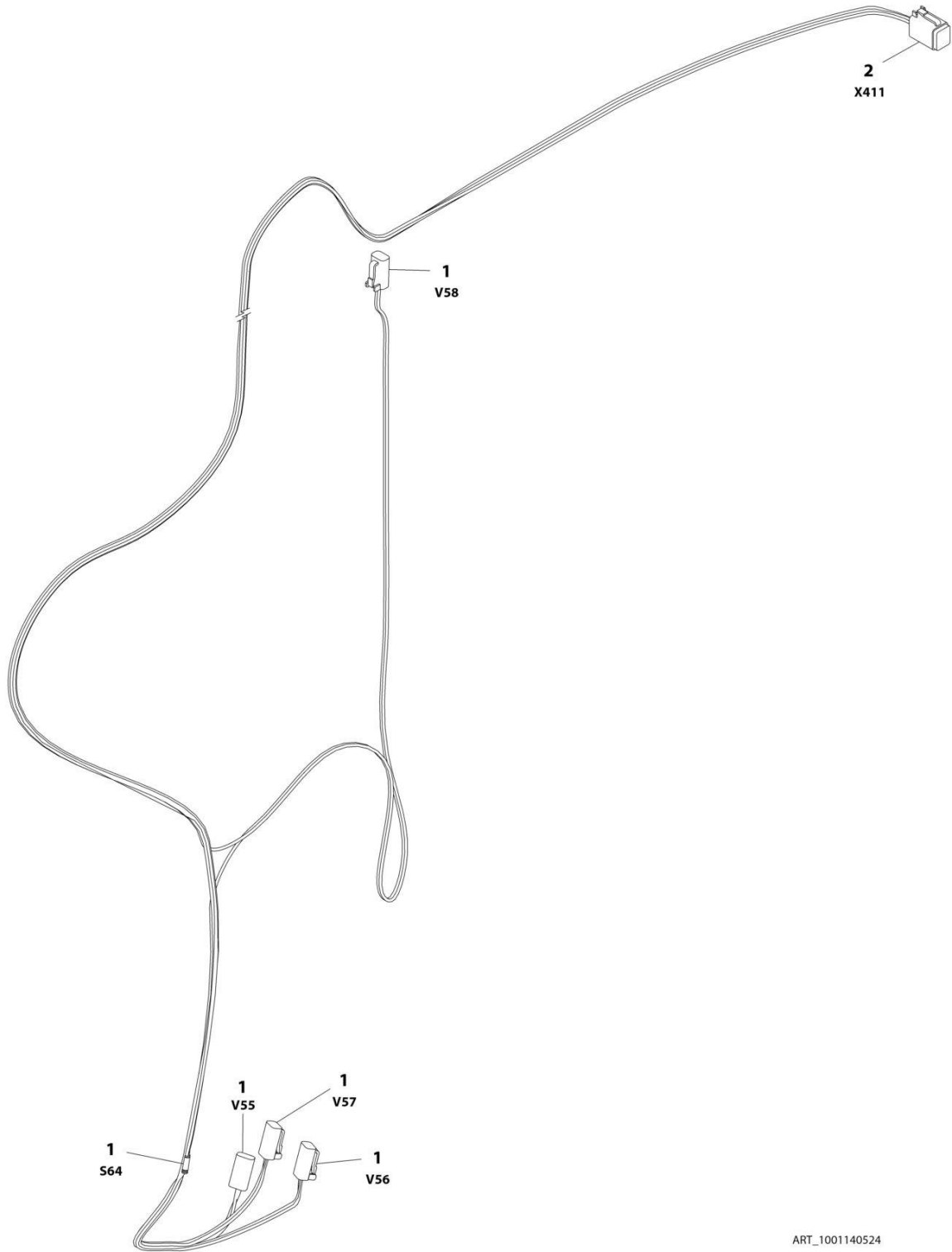
## SECTION 8 - ELECTRICAL

ITEM	PART NUMBER	QTY	DESCRIPTION	REV
45	1001119228	8	Nut M8	
46	0760605	2	Bolt M6 x 10	
47	2820031	AR	Heat Shrink	
48	4460473	1	Clamp, Cable	
49	4811702	10	Washer M6	
50	3340901	4	Pad, Rubber	
51	1001140524	1	Main Boom Harness Assembly (Not Shown - See Separate Breakdown in this Section)	
52	1671092	1	Cover, Connection	
53	1671093	1	Cover, Plug	



# SECTION 8 - ELECTRICAL

## FIGURE 8-18. BOOM HARNESS - MAIN



ART\_1001140524

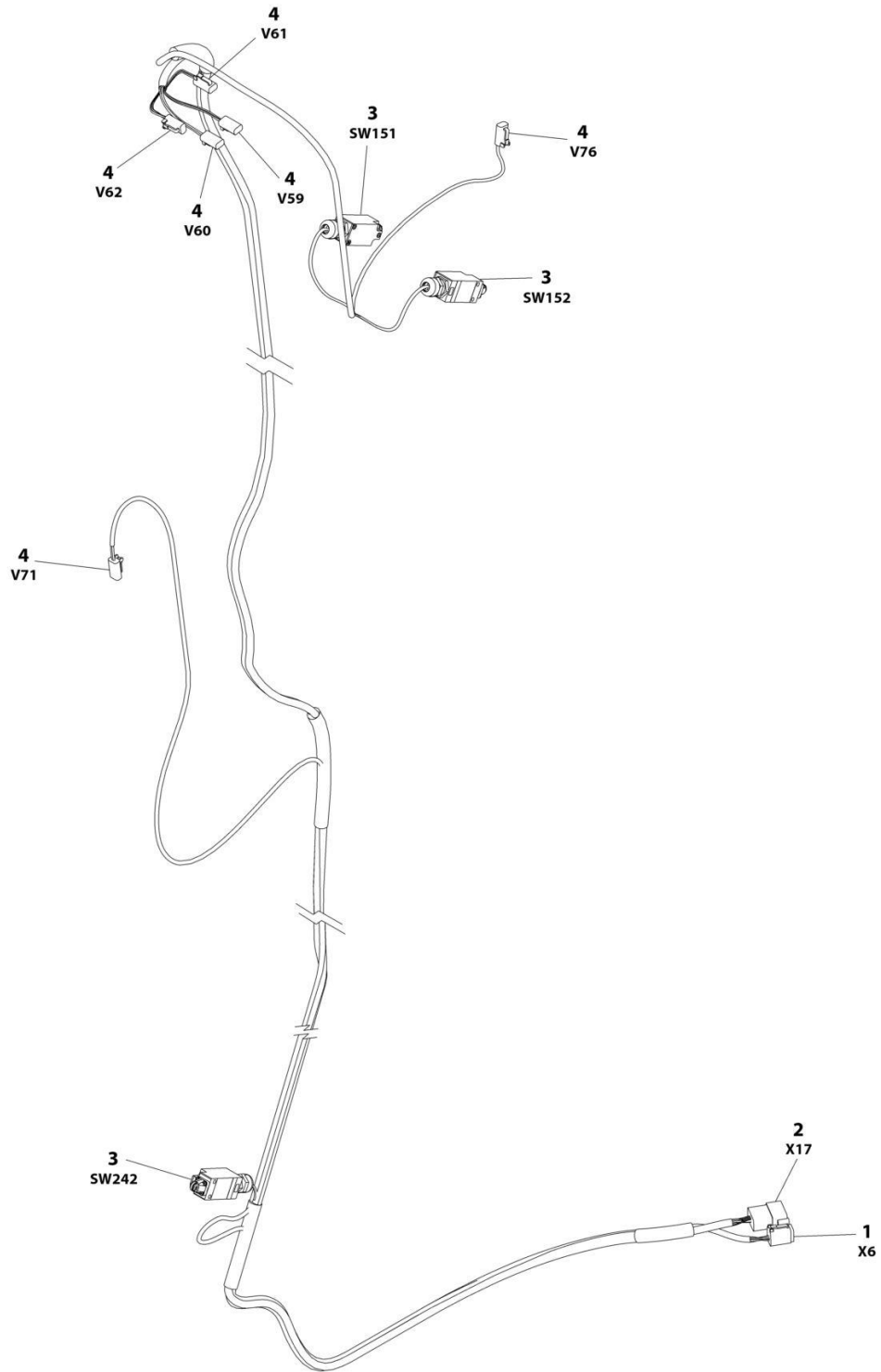
## SECTION 8 - ELECTRICAL

### FIGURE 8-18. BOOM HARNESS - MAIN

ITEM	PART NUMBER	QTY	DESCRIPTION	REV
	1001140524	Ref	BOOM HARNESS - MAIN	A
1	4460891	4	Plug, Male - 2 Position	
1	4460465	8	Socket, Female	
2	4460894	1	Plug, Male - 6 Position	
2	4460465	5	Socket, Female	
2	4460466	1	Plug, Terminal	

# SECTION 8 - ELECTRICAL

## FIGURE 8-19. BOOM HARNESS - TOWER



ART\_1001118292

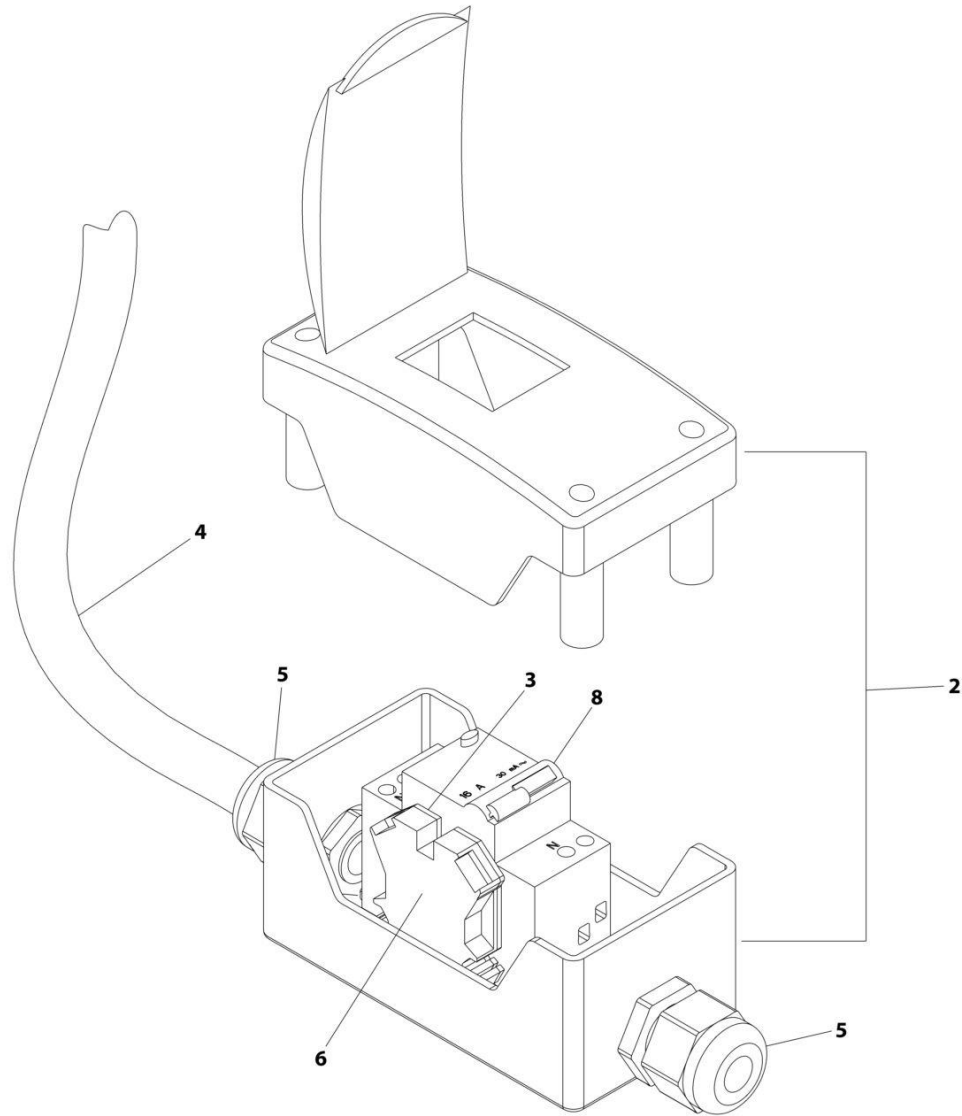
## SECTION 8 - ELECTRICAL

### FIGURE 8-19. BOOM HARNESS - TOWER

ITEM	PART NUMBER	QTY	DESCRIPTION	REV
	1001118292	Ref	BOOM HARNESS - LIMIT SWITCHES AND UPRIGHT VALVE	D
1	4460894	1	Plug, Male - 6 Position	
1	4460465	6	Socket, Female	
2	4460970	1	Receptacle, Female - 12 Position	
2	4460464	9	Pin, Male	
2	4460466	3	Plug, Terminal	
3	4360548	3	Switch, Limit	
3	4460968	3	Connector, Strain Relief	
3	0962449	3	Bushing	
4	4460891	6	Plug, Male - 2 Position	
4	4460465	12	Socket, Female	
5	1001257690	1	Connector, Strain Relief 90 (Not Shown)	

# SECTION 8 - ELECTRICAL

## FIGURE 8-20. BREAKER BOX KIT (CE & UK CA SPEC)



ART\_2902549



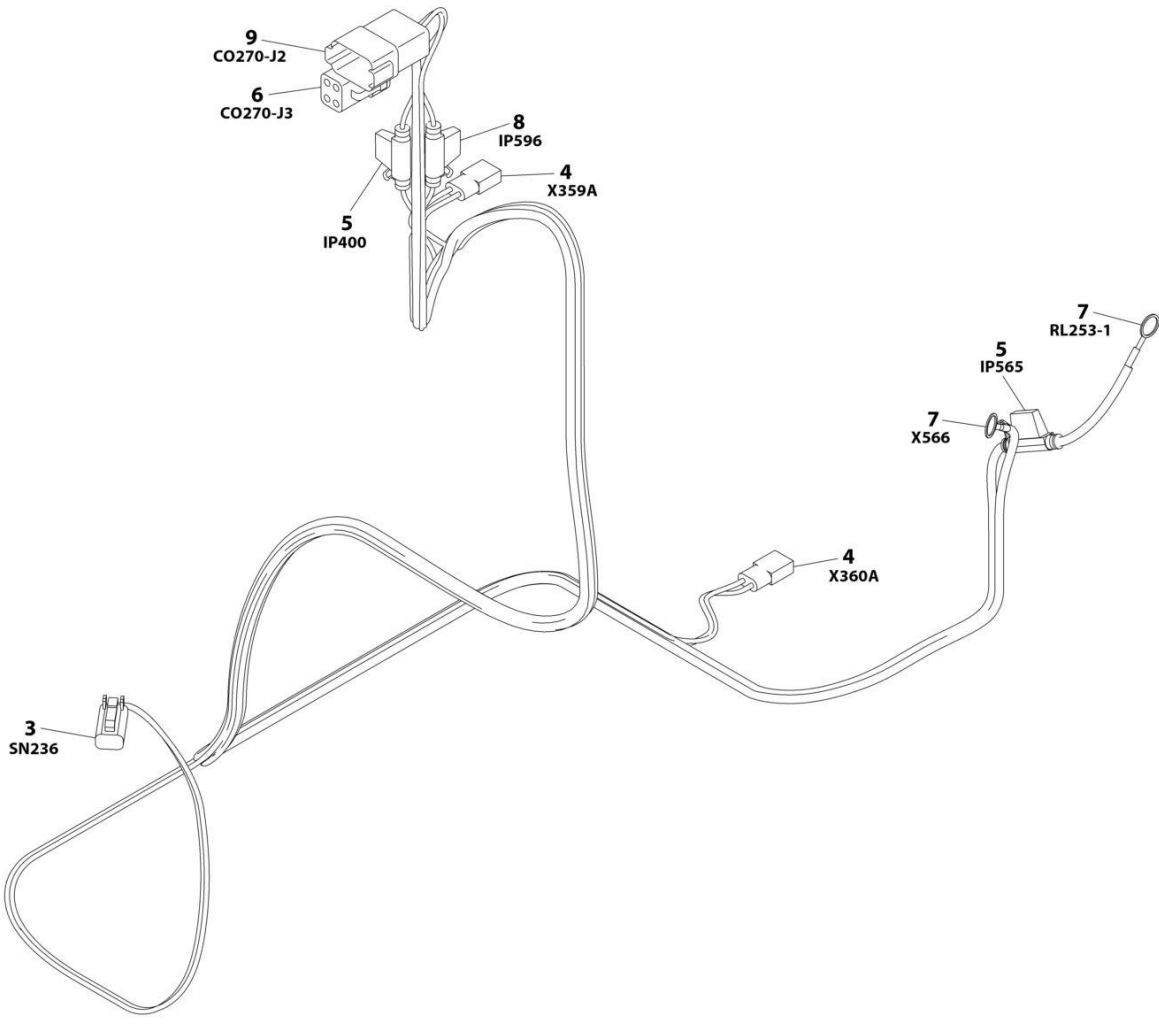
## SECTION 8 - ELECTRICAL

**FIGURE 8-20. BREAKER BOX KIT (CE & UK CA SPEC)**

ITEM	PART NUMBER	QTY	DESCRIPTION	REV
	2902549	Ref	BREAKER BOX KIT - 110/220V 16AMP BREAKER	F
2	0861880	1	Box	
3	4460956	1	Barrier, Terminal	
4	1060908	6 ft/1.8m	Cable, 12/3	
5	1001097150	2	Connector, Strain Relief	
6	4460957	1	Block, Terminal	
8	1001181045	1	Breaker, Combination 16Amp/30mAmp	

# SECTION 8 - ELECTRICAL

## FIGURE 8-21. CHARGER HARNESS



ART\_1001167538

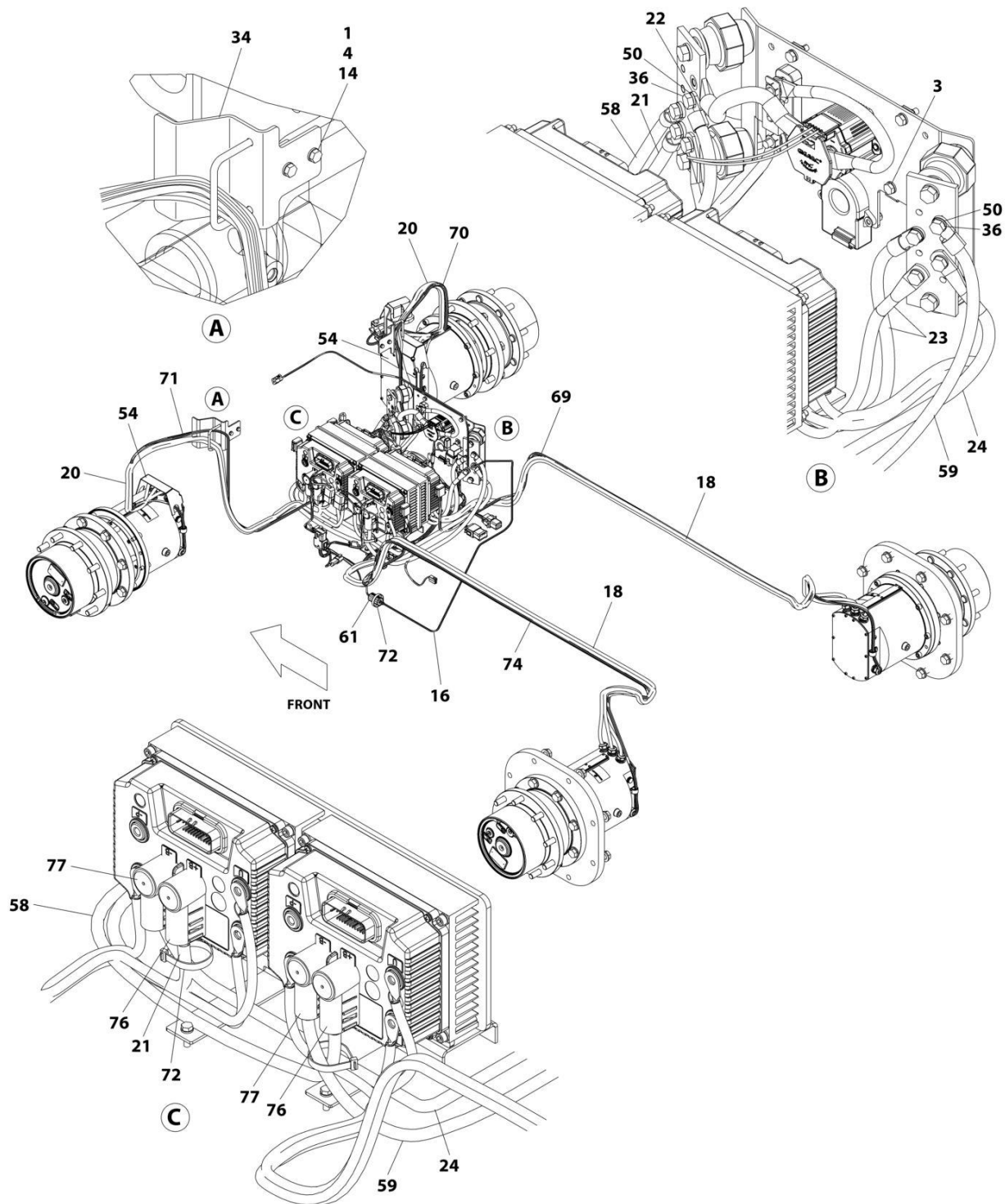
## SECTION 8 - ELECTRICAL

### FIGURE 8-21. CHARGER HARNESS

ITEM	PART NUMBER	QTY	DESCRIPTION	REV
	1001167538	Ref	CHARGER HARNESS	H
3	4460891	1	Connector - 2 Position	
3	4460942	2	Socket, Female	
4	4460424	2	Connector - 2 Position	
4	4460268	4	Socket, Female	
5	1001170763	2	Fuseholder Less Fuse	
5	1001170762	2	Fuse 30Amp	
6	1001116810	1	Connector - 4 Position	
6	4460509	4	Terminal	
7	4460019	2	Ring, Terminal	
8	2400060	1	Fuseholder Less Fuse	
8	1001186489	1	Fuse 2Amp	
9	4460931	1	Connector - 8 Position	
9	4460464	2	Pin, Male	
9	4460466	6	Plug, Terminal	

# SECTION 8 - ELECTRICAL

## FIGURE 8-22. DRIVE CABLES INSTALLATION



ART\_1001169292\_2OF2

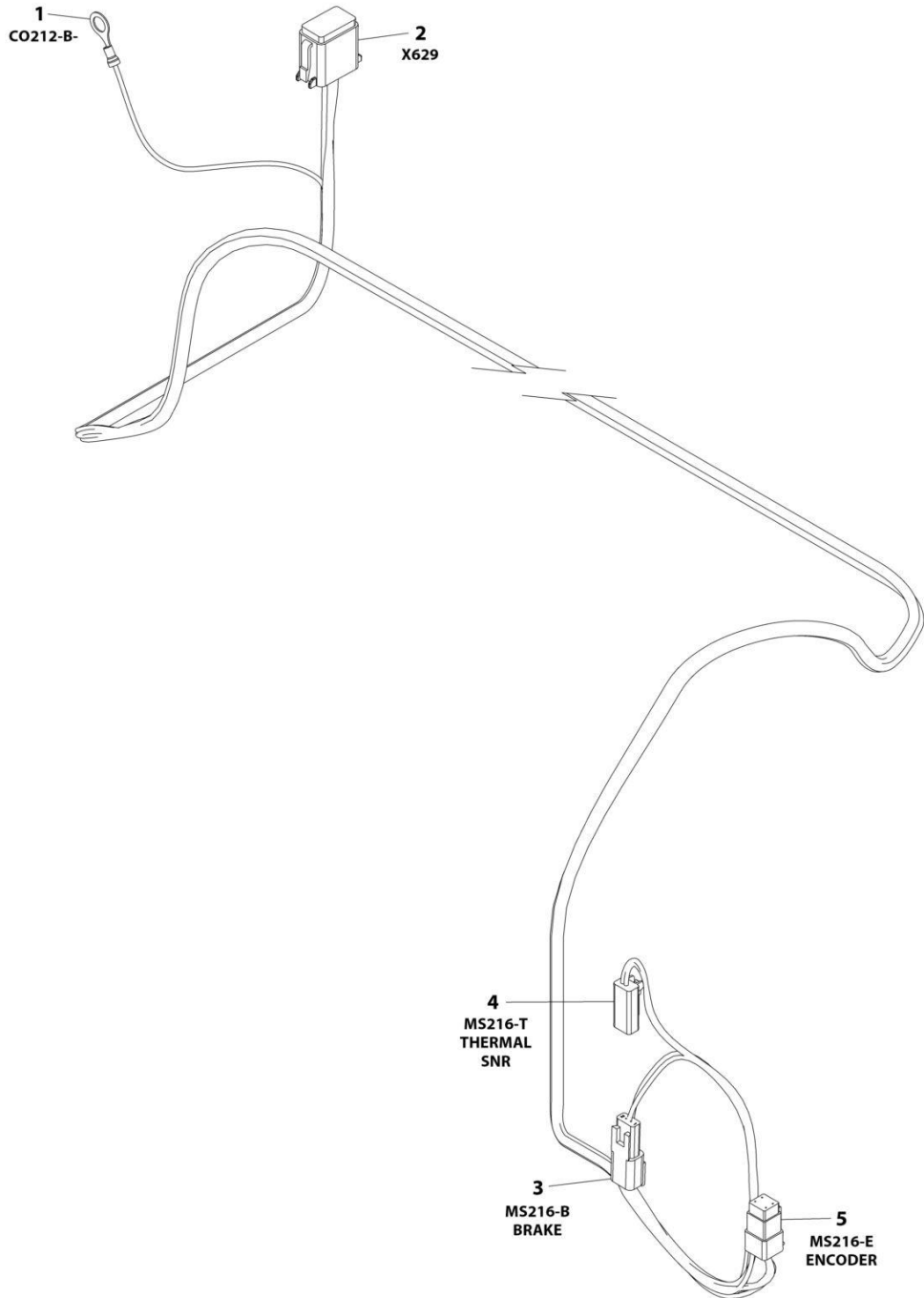
## SECTION 8 - ELECTRICAL

**FIGURE 8-22. DRIVE CABLES INSTALLATION**

ITEM	PART NUMBER	QTY	DESCRIPTION	REV
	1001169292	Ref	DRIVE CABLES INSTALLATION	T
1	0100011	AR	Compound, Locking	
3	0760607	2	Bolt M6 x 14	
4	0760608	4	Bolt M6 x 16	
14	4811700	4	Washer M6	
16	1001161871	1	Harness, Traction (See Separate Breakdown in this Section)	
18	1001161891	2	Cable, Rear Drive	
20	1001161924	2	Cable, Front Drive	
21	1001161943	1	Cable, Bussbar to Controller B+ (Operators LH Side)	
22	1001161944	2	Cable, Bussbar to Controller B+ (Operators RH Side)	
23	1001161948	2	Cable, Bussbar B- to Controller B- (Operators RH Side)	
24	1001161949	1	Cable, Bussbar B- to Controller B- (Operators LH Side)	
34	1001171301	2	Bracket	
36	0760808	AR	Bolt M8 x 16	
50	4831900	8	Washer M8	
54	1001184793	2	Bracket	
58	1001193549	1	Cable, Bussbar to Controller B+ (Operators LH Side)	
59	1001193550	1	Cable, Bussbar to Controller B+ (Operators LH Side)	
61	1001197942	AR	Ferrite	
69	1001190529	1	Harness, Rear Right Drive (See Separate Breakdown in this Section)	
70	1001190530	1	Harness, Front Drive with Steer (See Separate Breakdown in this Section)	
71	1001190531	1	Harness, Front Drive without Steer (See Separate Breakdown in this Section)	
72	4240018	AR	Tie-Strap	
74	1001211947	1	Harness, Rear Left Drive (See Separate Breakdown in this Section)	
76	1001225558	4	Boot, Red	
77	1001225557	4	Boot, Black	

# SECTION 8 - ELECTRICAL

## FIGURE 8-23. DRIVE HARNESS - REAR RIGHT



ART\_1001190529

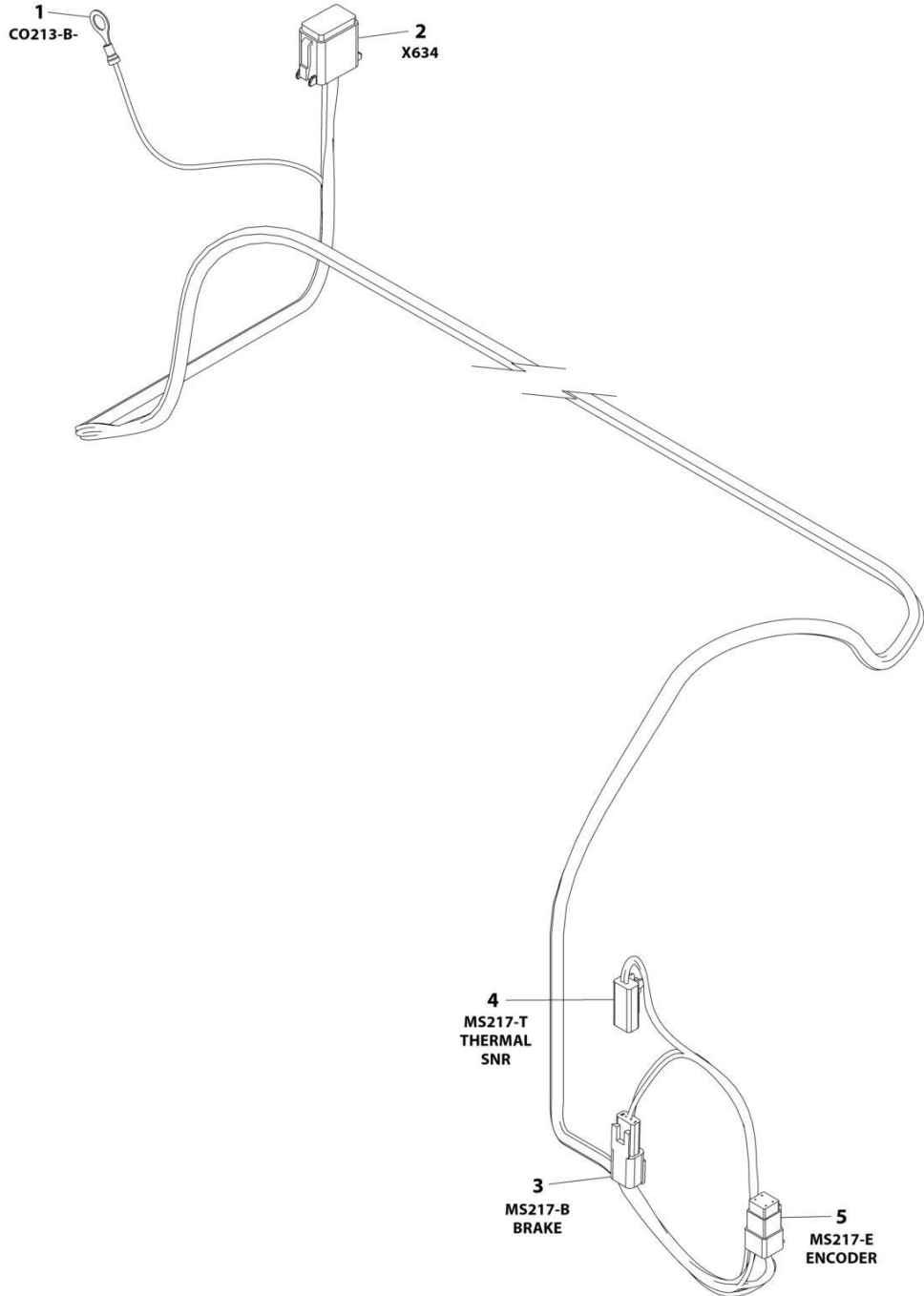
## SECTION 8 - ELECTRICAL

### FIGURE 8-23. DRIVE HARNESS - REAR RIGHT

ITEM	PART NUMBER	QTY	DESCRIPTION	REV
	1001190529	Ref	DRIVE HARNESS - REAR RIGHT	F
1	4460702	1	Terminal, Ring	
2	4460930	1	Plug, Male - 8 Position	
2	4460465	8	Socket, Female	
3	1001153612	1	Receptacle, Female - 2 Position	
3	4460929	2	Pin, Male	
4	4461290	1	Plug, Male - 2 Position	
4	4460928	2	Socket, Female	
5	4461077	1	Plug, Male - 4 Position	
5	4460928	4	Socket, Female	

# SECTION 8 - ELECTRICAL

## FIGURE 8-24. DRIVE HARNESS - REAR LEFT



ART\_1001211947



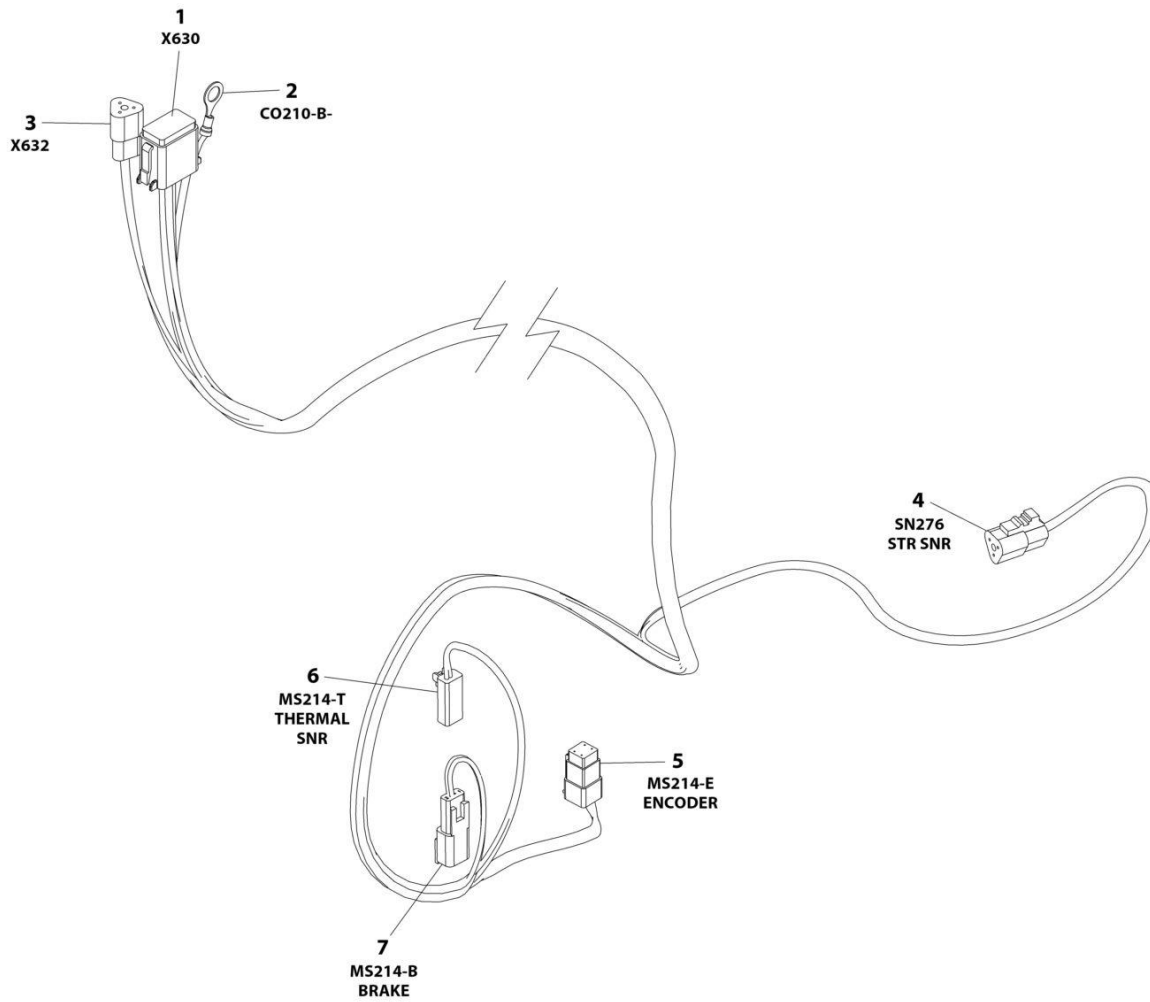
## SECTION 8 - ELECTRICAL

### FIGURE 8-24. DRIVE HARNESS - REAR LEFT

ITEM	PART NUMBER	QTY	DESCRIPTION	REV
	1001211947	Ref	DRIVE HARNESS - REAR LEFT	B
1	4460702	1	Terminal, Ring	
2	4460930	1	Plug, Male - 8 Position	
2	4460465	8	Socket, Female	
3	1001153612	1	Receptacle, Female - 2 Position	
3	4460929	2	Pin, Male	
4	4461290	1	Plug, Male - 2 Position	
4	4460928	2	Socket, Female	
5	4461077	1	Plug, Male - 4 Position	
5	4460928	4	Socket, Female	

# SECTION 8 - ELECTRICAL

## FIGURE 8-25. DRIVE HARNESS - FRONT WITH STEER



ART\_1001190530

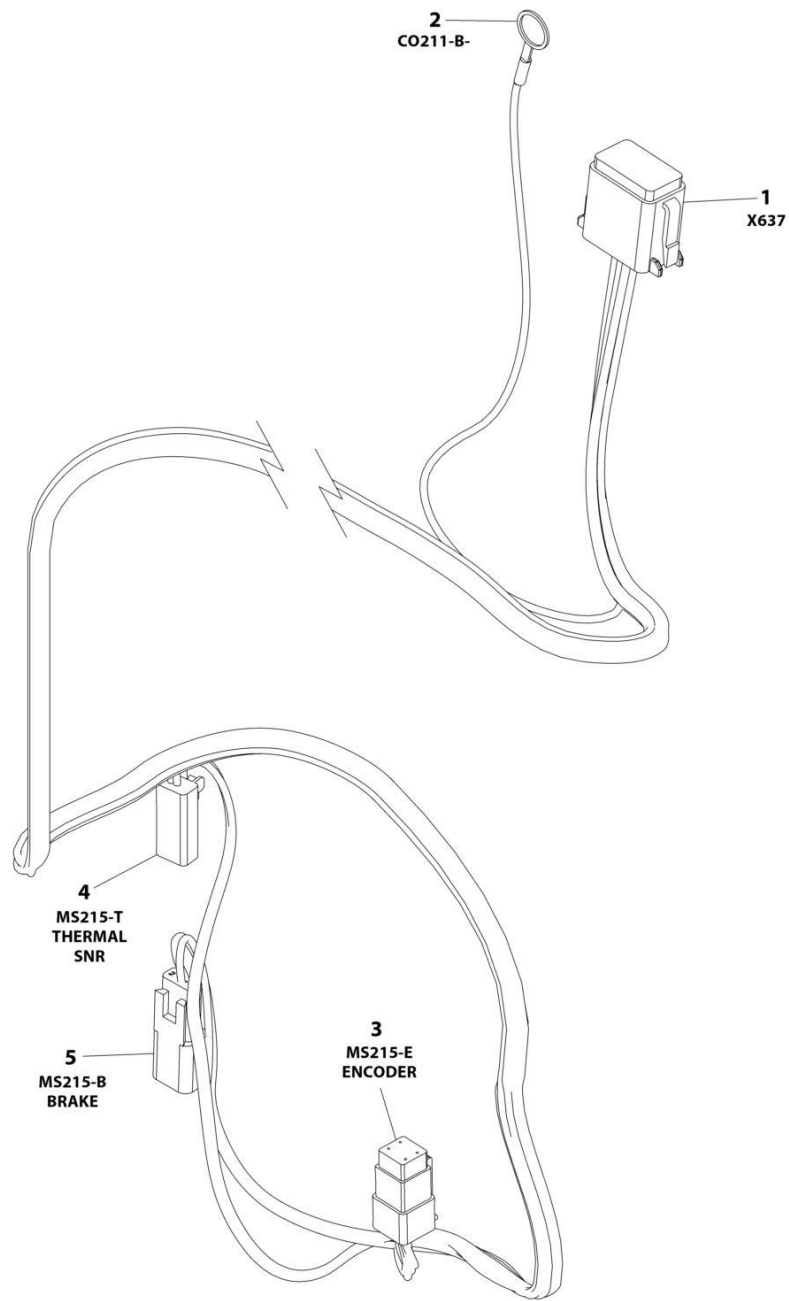
## SECTION 8 - ELECTRICAL

**FIGURE 8-25. DRIVE HARNESS - FRONT WITH STEER**

ITEM	PART NUMBER	QTY	DESCRIPTION	REV
	1001190530	Ref	DRIVE HARNESS - FRONT WITH STEER	E
1	4460930	1	Plug, Male - 8 Position	
1	4460465	8	Socket, Female	
2	4460702	1	Terminal, Ring	
3	4460539	2	Plug, Male - 3 Position	
3	4460465	4	Socket, Female	
4	4460539	2	Plug, Male - 3 Position	
4	4460944	4	Socket, Female	
5	4461077	1	Plug, Male - 4 Position	
5	4460928	4	Socket, Female	
6	4461290	1	Plug, Male - 2 Position	
6	4460928	2	Socket, Female	
7	1001153612	1	Receptacle, Female - 2 Position	
7	4460929	2	Pin, Male	

# SECTION 8 - ELECTRICAL

## FIGURE 8-26. DRIVE HARNESS - FRONT WITHOUT STEER



ART\_1001190531

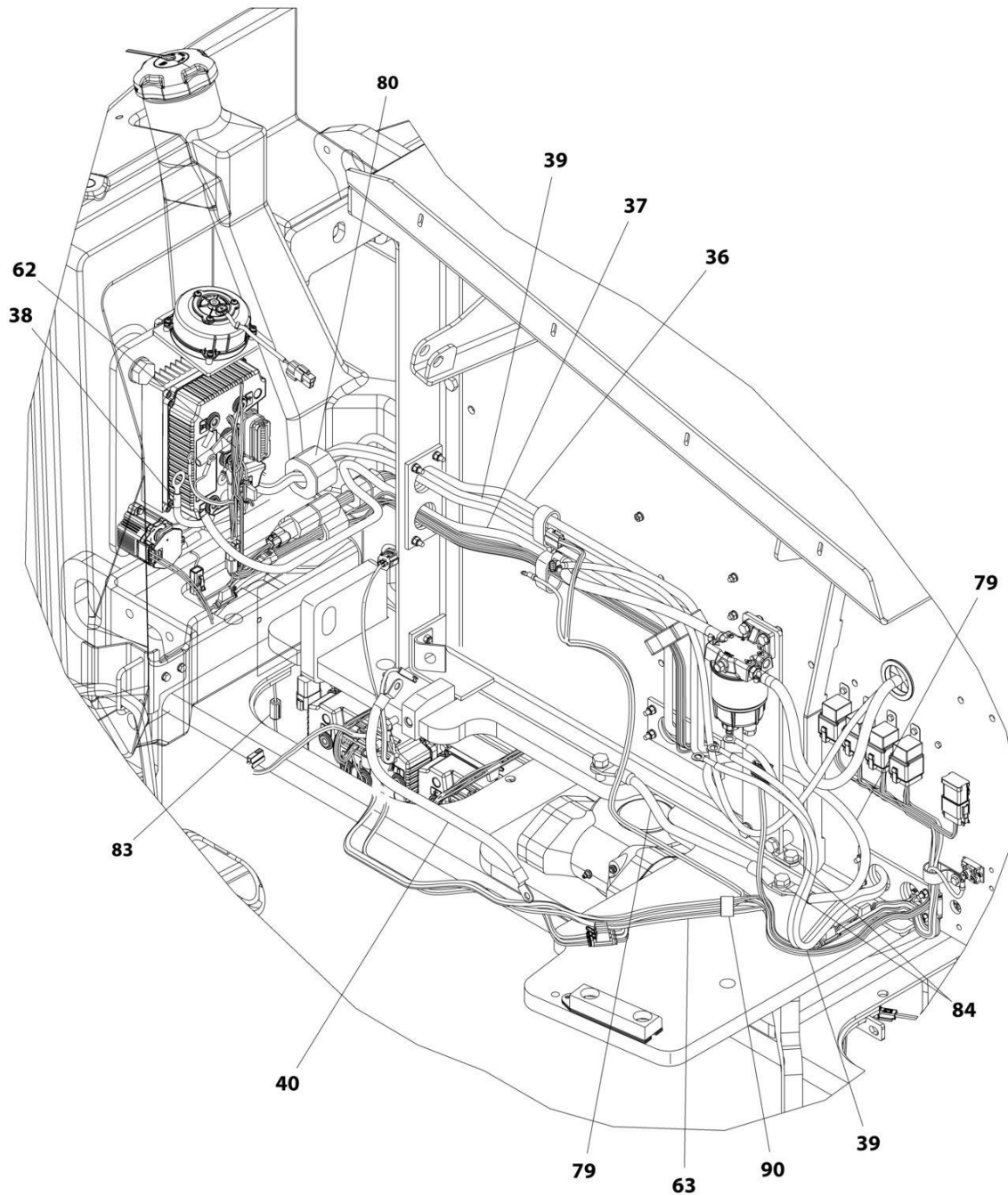
## SECTION 8 - ELECTRICAL

### FIGURE 8-26. DRIVE HARNESS - FRONT WITHOUT STEER

ITEM	PART NUMBER	QTY	DESCRIPTION	REV
	1001190531	Ref	DRIVE HARNESS - FRONT WITHOUT STEER	F
1	4460930	1	Plug, Male - 8 Position	
1	4460465	8	Socket, Female	
2	4460702	1	Terminal, Ring	
3	4461077	1	Plug, Male - 4 Position	
3	4460928	4	Socket, Female	
4	4461290	1	Plug, Male - 2 Position	
4	4460928	2	Socket, Female	
5	1001153612	1	Receptacle, Female - 2 Position	
5	4460929	2	Pin, Male	

# SECTION 8 - ELECTRICAL

## FIGURE 8-27. ENGINE CABLES INSTALLATION



ART\_1001168098\_30F3

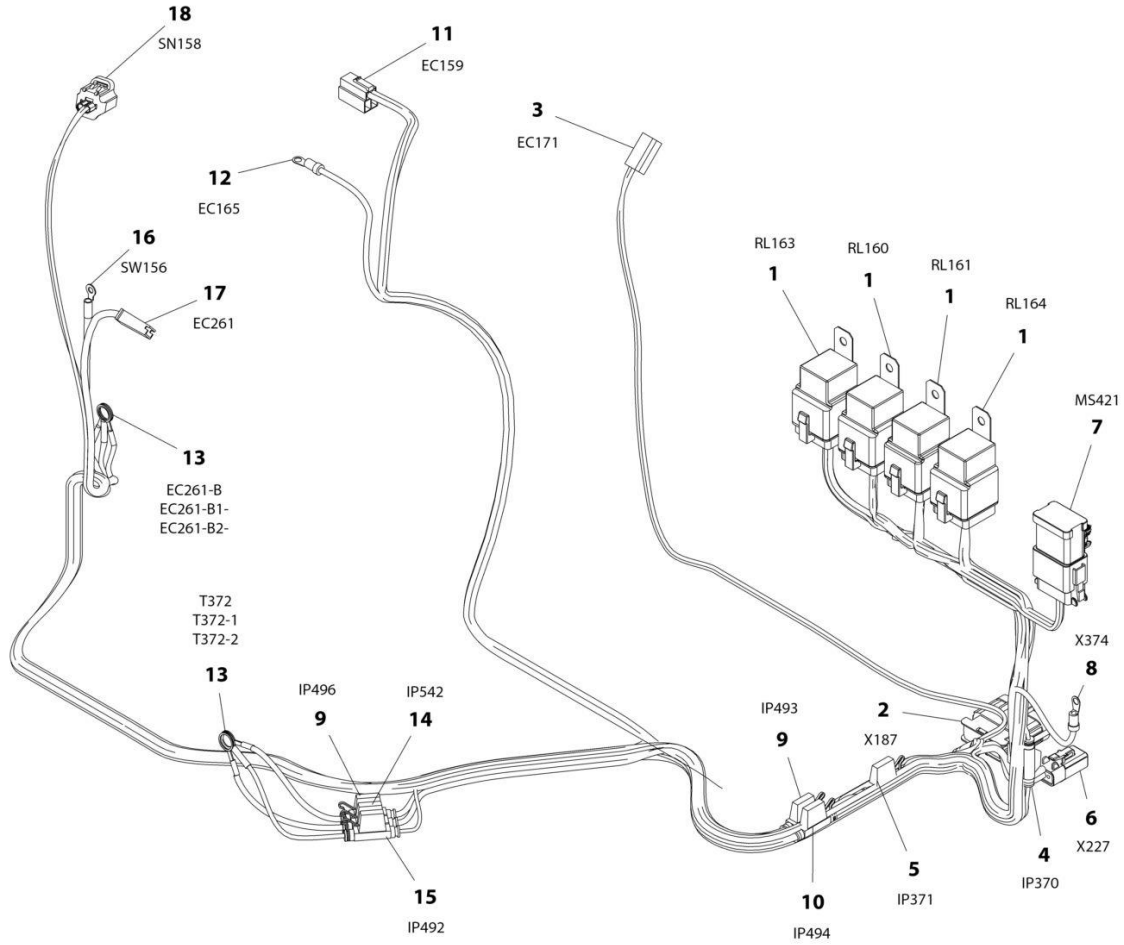
## SECTION 8 - ELECTRICAL

**FIGURE 8-27. ENGINE CABLES INSTALLATION**

ITEM	PART NUMBER	QTY	DESCRIPTION	REV
	1001168098	Ref	ENGINE CABLES INSTALLATION	K
36	1001164412	1	Cable, Drive Controller Positive to Zapi Controller	
37	1001164418	1	Cable, Drive Controller Negative to Zapi Controller	
38	1001164494	1	Cable, Controller to Zapi Controller	
39	1001164495	1	Cable, Generator	
40	1001164654	1	Cable, Positive Jumper	
62	1001177378	1	Generator Harness Assembly (See Separate Breakdown in this Section)	
63	1001177433	1	Engine Harness Assembly (See Separate Breakdown in this Section)	
74	0760808	2	Bolt M8 x 16 (Not Shown - Attaches Item 37 at Frame Module and Item 79 to Engine)	
75	4831900	2	Washer M8 (Not Shown - Attaches Item 37 at Frame Module and Item 79 to Engine)	
77	4240033	AR	Tie-Strap (Not Shown)	
79	1001197652	1	Strap, Ground	
80	1001197941	1	Ferrite	
83	1001197944	1	Ferrite	
84	4872000	2	Washer M10	
85	4792000	1	Washer 5/8 (Not Shown - Use with Item 74)	
90	85031405	1	Support	

# SECTION 8 - ELECTRICAL

## FIGURE 8-28. ENGINE HARNESS



ART\_1001177433



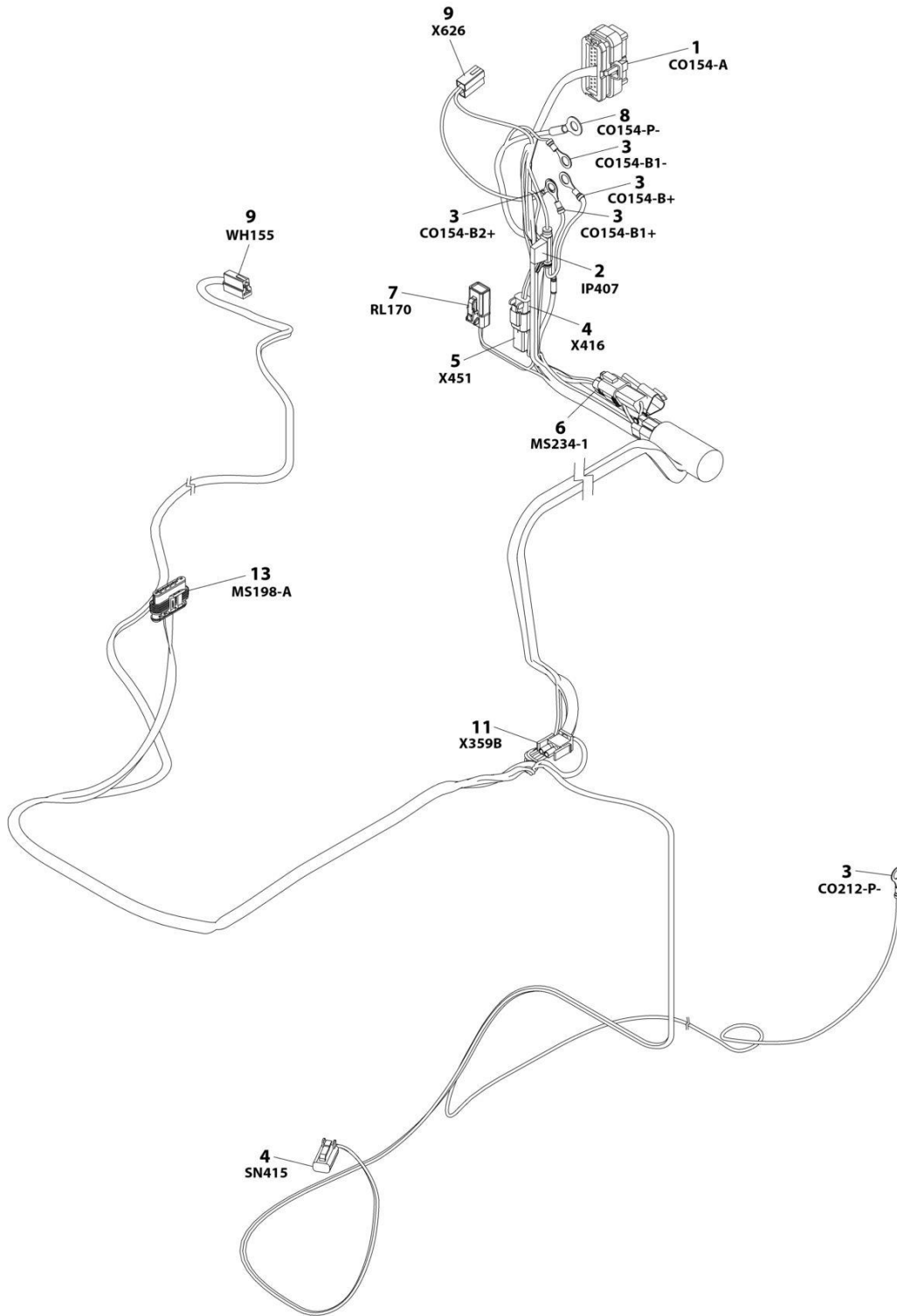
# SECTION 8 - ELECTRICAL

## FIGURE 8-28. ENGINE HARNESS

ITEM	PART NUMBER	QTY	DESCRIPTION	REV
	1001177433	Ref	ENGINE HARNESS	G
1	1001118282	5	Plug, Male - 5 Position	
1	1001116734	6	Terminal, Female	
1	1001116733	2	Terminal, Female	
1	1001116732	8	Terminal, Female	
2	4461109	1	Plug, Male - 16 Position	
2	4461111	9	Pin, Male	
2	4461222	7	Plug, Terminal	
3	1001118744	1	Receptacle, Female - 2 Position	
3	1001116720	2	Terminal	
4	2400060	1	Fuseholder with Cover	
4	See Note	1	Fuse - 10Amp (Note: Not Available Purchase Locally)	
5	2400060	1	Fuseholder with Cover	
5	See Note	1	Fuse - 3Amp (Note: Not Available Purchase Locally)	
6	4461018	2	Connector - 2 Position	
6	4460509	1	Socket, Female	
7	4460836	5	Connector - 12 Position	
7	4460465	7	Socket, Female	
7	4460466	1	Plug, Terminal	
7	4460837	1	Connector, Bussbar	
7	1001121172	1	Bracket, Mounting	
8	4460142	1	Terminal, Ring	
9	2400066	2	Fuseholder with Cover	
9	8229245	2	Fuse 30Amp	
10	2400066	1	Fuseholder with Cover	
10	8229247	1	Fuse 25Amp	
11	1001172074	1	Connector - 3 Position	
11	1001125033	2	Terminal	
11	1001118745	1	Terminal	
12	4460142	1	Terminal, Ring	
13	4460019	6	Terminal, Ring	
14	2400066	1	Fuseholder with Cover	
14	8229246	1	Fuse - 20Amp	
15	2400066	1	Fuseholder with Cover	
15	See Note	1	Fuse - 2Amp	
16	8220007	1	Terminal, Ring	
17	4460260	1	Housing, Terminal	
17	4460259	1	Terminal	
18	1001118657	1	Connector - 2 Position	
18	1001118658	2	Terminal	

# SECTION 8 - ELECTRICAL

## FIGURE 8-29. GENERATOR HARNESS



ART\_1001177378

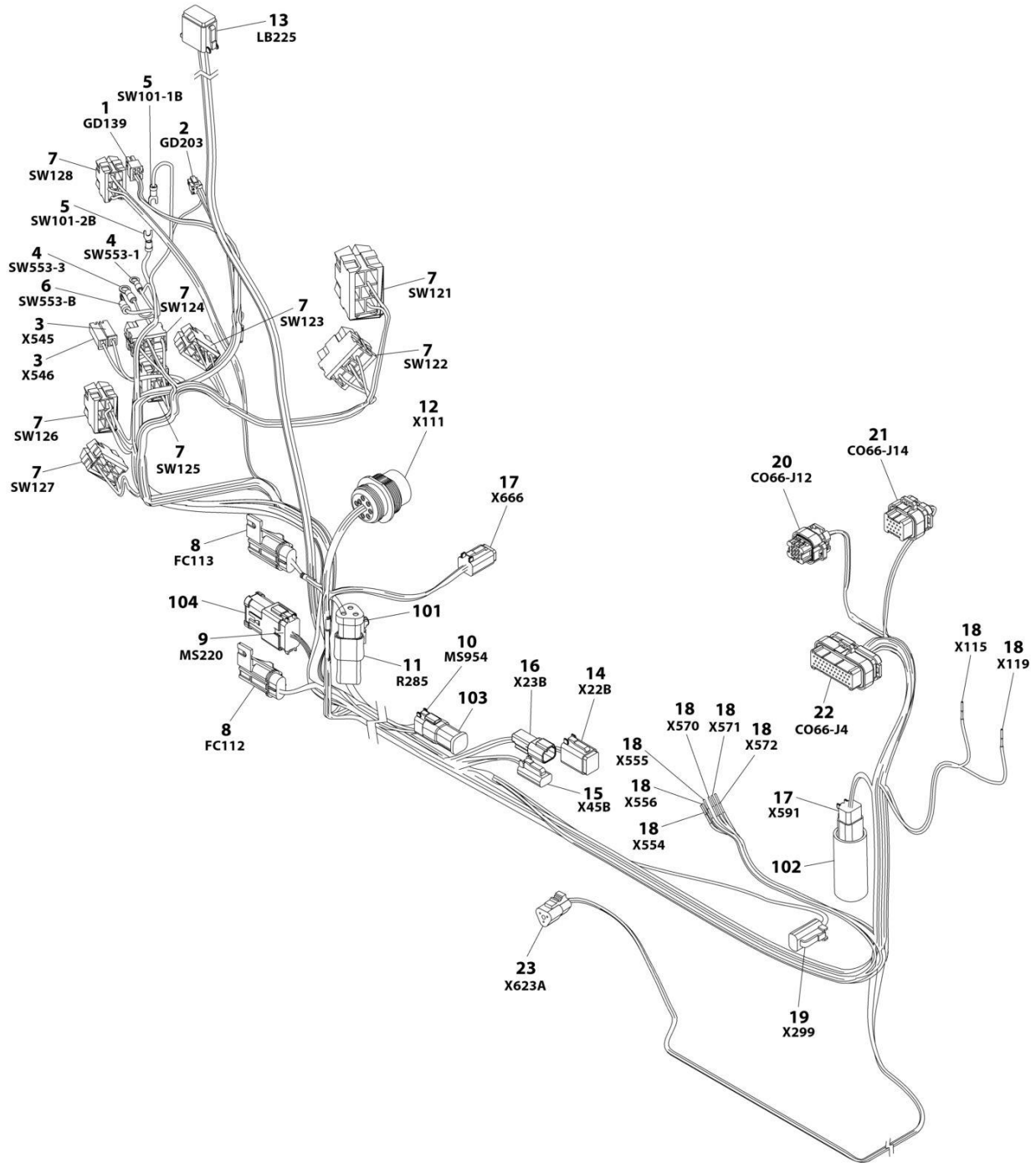
## SECTION 8 - ELECTRICAL

### FIGURE 8-29. GENERATOR HARNESS

ITEM	PART NUMBER	QTY	DESCRIPTION	REV
	1001177378	Ref	GENERATOR HARNESS	1
1	4460873	1	Connector - 35 Position	
1	4460871	12	Socket, Female	
1	4460905	23	Plug, Terminal	
2	2400060	1	Fuseholder	
2	1001170760	1	Fuse 10Amp	
3	4460670	5	Terminal, Ring	
4	4460891	2	Plug, Male - 2 Position	
4	4460465	4	Socket, Female	
5	4460897	1	Receptacle, Female	
5	See Note	1	Resistor 10K Ohm 1/4Watt (Note: Not Available - Purchase Locally)	
5	1001135350	1	Cap, Heat Shrink	
6	1001116812	1	Plug, Male - 3 Position	
6	4460944	3	Socket, Female	
6	1001220644	1	Harness, Jumper	
6	1001186231	1	Connector, Fuse/Resistor	
7	4461290	1	Plug, Male - 2 Position	
7	1001126008	2	Terminal	
8	8220045	1	Terminal, Ring	
9	4460994	2	Receptacle, Female - 2 Position	
9	1001116723	4	Terminal, Female	
11	4460320	1	Plug, Male - 2 Position	
11	4460267	2	Pin, Male	
13	4461117	1	Connector - 6 Position	

# SECTION 8 - ELECTRICAL

## FIGURE 8-30. GROUND CONTROL HARNESS



ART\_1001283533

# SECTION 8 - ELECTRICAL

## FIGURE 8-30. GROUND CONTROL HARNESS

ITEM	PART NUMBER	QTY	DESCRIPTION	REV
	1001283533	REF	GROUND CONTROL HARNESS	A
1	4460868	1	Connector - 6 Position	
1	4460877	4	Terminal	
2	1001237667	1	Connector - 6 Position	
2	1001237668	5	Terminal	
3	4460260	2	Housing, Terminal	
3	4460259	2	Terminal	
4	4460313	2	Terminal, Ring	
5	4460115	2	Terminal, Fork	
6	4460042	1	Terminal, Ring	
7	4460418	8	Connector - 3 Position	
7	4460419	31	Terminal	
8	1001117078	2	Fuse Assembly (Includes Fuse, Holder, Cover)	
8	See Note	2	Fuse - 5Amp ATO (Note: Not Available - Purchase p/n 1001117078)	
8	4460419	4	Terminal	
9	4460933	1	Plug, Male - 12 Position	
9	4460465	11	Socket, Female	
9	4460466	1	Plug, Terminal	
10	4460894	1	Connector - 6 Position	
10	4460465	6	Socket, Female	
11	1001144147	1	Connector	
11	4460943	2	Pin, Male	
11	4460466	1	Plug, Terminal	
12	1001112612	1	Connector - 9 Position	
12	4460464	3	Pin, Male	
12	4460943	3	Pin, Male	
12	4460466	3	Plug, Terminal	
12	4460496	1	Washer	
12	4460497	1	Nut	
13	4460930	1	Connector - 8 Position	
13	4460465	8	Socket, Female	
14	4460894	1	Connector - 6 Position	
14	4460465	3	Socket, Female	
14	4460466	3	Plug, Terminal	
15	4460891	2	Connector - 2 Position	
15	4460465	2	Socket, Female	
16	4460897	1	Connector - 2 Position	
16	4460464	2	Pin, Male	
17	4460884	2	Connector - 4 Position	
17	4460465	8	Socket, Female	
18	4460465	8	Socket, Female	
19	4460891	1	Connector - 2 Position	
19	4460465	1	Socket, Female	
19	4460466	1	Plug, Terminal	
20	1001113961	1	Connector - 8 Position	
20	4460905	5	Plug, Terminal	
20	4460871	3	Socket, Female	
21	1001246859	1	Connector	
21	4460871	4	Socket, Female	

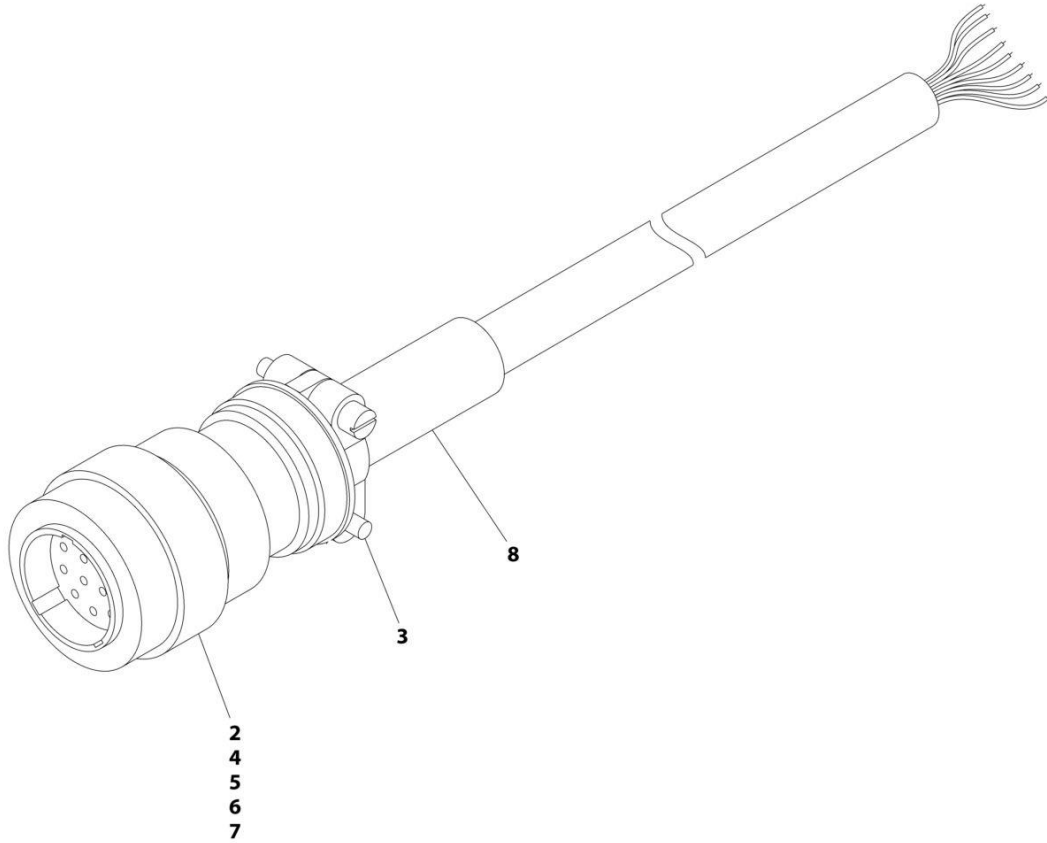
## SECTION 8 - ELECTRICAL

ITEM	PART NUMBER	QTY	DESCRIPTION	REV
21	4460905	10	Plug, Terminal	
22	4460876	1	Connector - 35 Position	
22	4460905	16	Plug, Terminal	
22	4460871	19	Socket, Female	
23	4460539	1	Connector - 3 Position	
23	4460944	3	Socket, Female	
101	1001116815	1	Connector - 3 Position	
102	1001186231	1	Connector, Fuse/Resistor	
103	1001226541	1	Connector, DT 6 Pin 2X3 Bussbar	
104	1001259130	1	Connector, 4X3 Bussbar	



# SECTION 8 - ELECTRICAL

FIGURE 8-31. GROUND TO PLATFORM CABLE - MAIN BOOM (WITHOUT ARCTIC PACKAGE)



ART\_1001119018



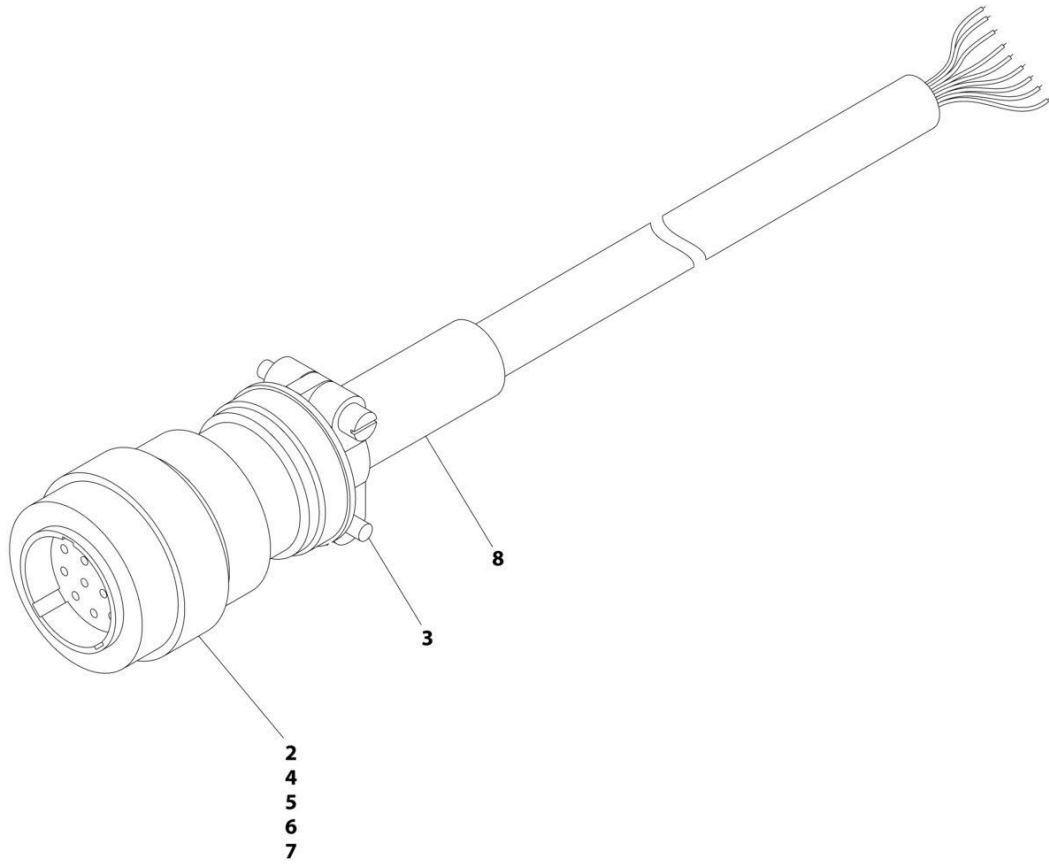
## SECTION 8 - ELECTRICAL

**FIGURE 8-31. GROUND TO PLATFORM CABLE - MAIN BOOM (WITHOUT ARCTIC PACKAGE)**

ITEM	PART NUMBER	QTY	DESCRIPTION	REV
	1001119018	Ref	GROUND TO PLATFORM CABLE - MAIN BOOM (WITHOUT ARCTIC PACKAGE)	C
2	4460865	1	Connector - 19 Position	
3	4460473	1	Clamp, Cable	
4	4460465	22	Socket, Female	
5	4460509	8	Socket, Female	
6	4460466	4	Plug, Terminal	
7	2820118	AR	Heat Shrink	
8	1001226400	1	Heat Shrink	

# SECTION 8 - ELECTRICAL

FIGURE 8-32. GROUND TO PLATFORM CABLE - MAIN BOOM (WITH ARCTIC PACKAGE)



ART\_100119953

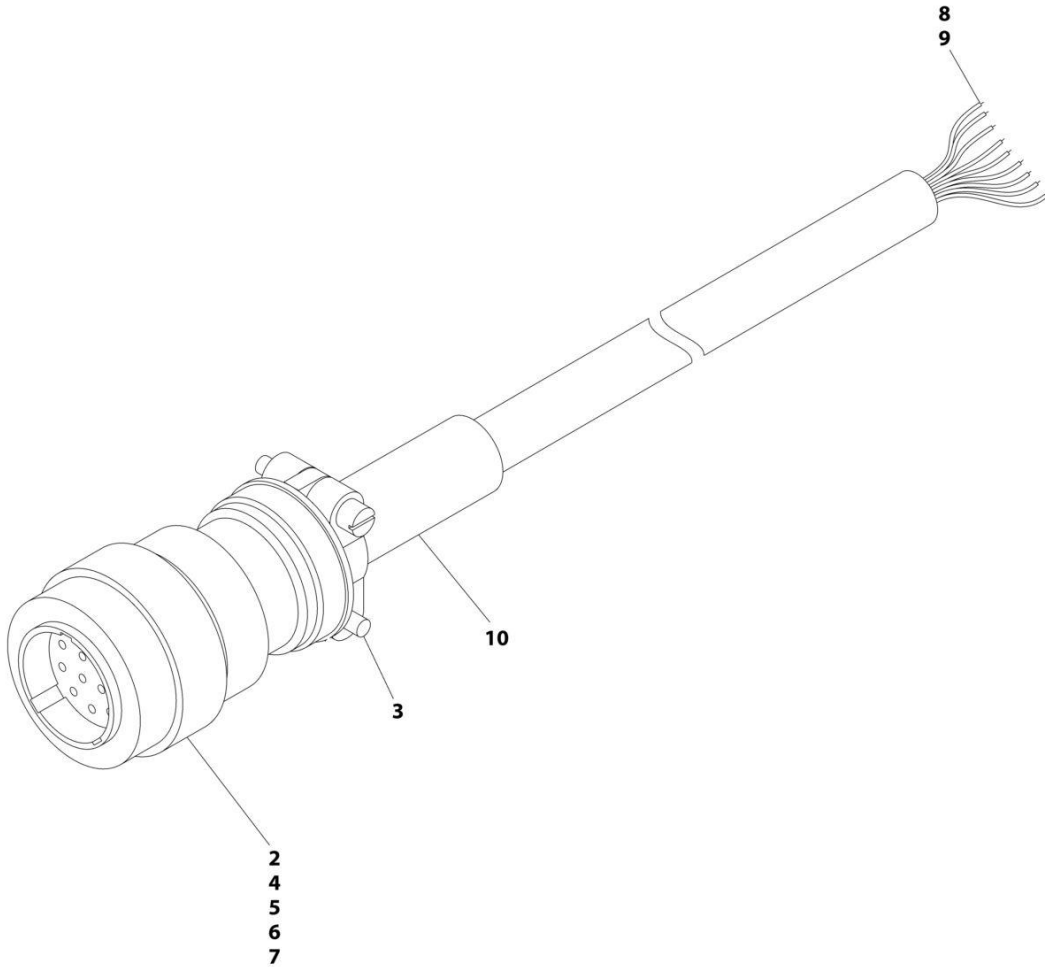
## SECTION 8 - ELECTRICAL

**FIGURE 8-32. GROUND TO PLATFORM CABLE - MAIN BOOM (WITH ARCTIC PACKAGE)**

ITEM	PART NUMBER	QTY	DESCRIPTION	REV
	1001119953	Ref	GROUND TO PLATFORM CABLE - MAIN BOOM (WITH ARCTIC PACKAGE)	D
2	4460865	1	Connector - 19 Position	
3	4460473	1	Clamp, Cable	
4	4460465	22	Socket, Female	
5	4460509	8	Socket, Female	
6	4460466	4	Plug, Terminal	
7	2820118	AR	Heat Shrink	
8	1001226400	1	Heat Shrink	

# SECTION 8 - ELECTRICAL

FIGURE 8-33. GROUND TO PLATFORM CABLE - TOWER BOOM (WITHOUT ARCTIC PACKAGE)



ART\_100119019

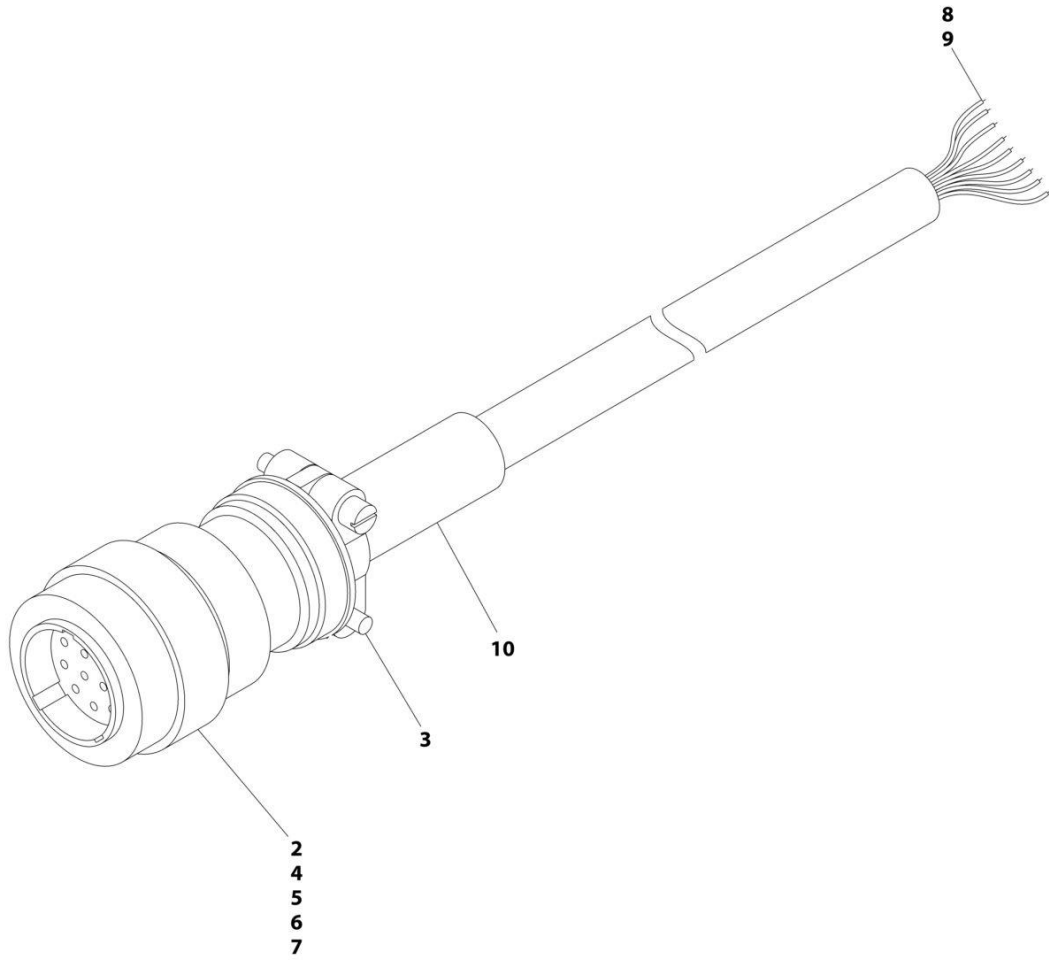
## SECTION 8 - ELECTRICAL

**FIGURE 8-33. GROUND TO PLATFORM CABLE - TOWER BOOM (WITHOUT ARCTIC PACKAGE)**

ITEM	PART NUMBER	QTY	DESCRIPTION	REV
	1001119019	Ref	GROUND TO PLATFORM CABLE - TOWER BOOM (WITHOUT ARCTIC PACKAGE)	B
2	4460865	1	Connector - 19 Position	
3	4460473	1	Clamp, Cable	
4	4460465	11	Socket, Female	
5	4460509	4	Socket, Female	
6	4460466	4	Plug, Terminal	
7	2820118	AR	Heat Shrink	
8	4460464	11	Pin, Male	
9	4460508	4	Pin, Male	
10	1001226400	1	Heat Shrink	

# SECTION 8 - ELECTRICAL

FIGURE 8-34. GROUND TO PLATFORM CABLE - TOWER BOOM (WITH ARCTIC PACKAGE)



ART\_100119954

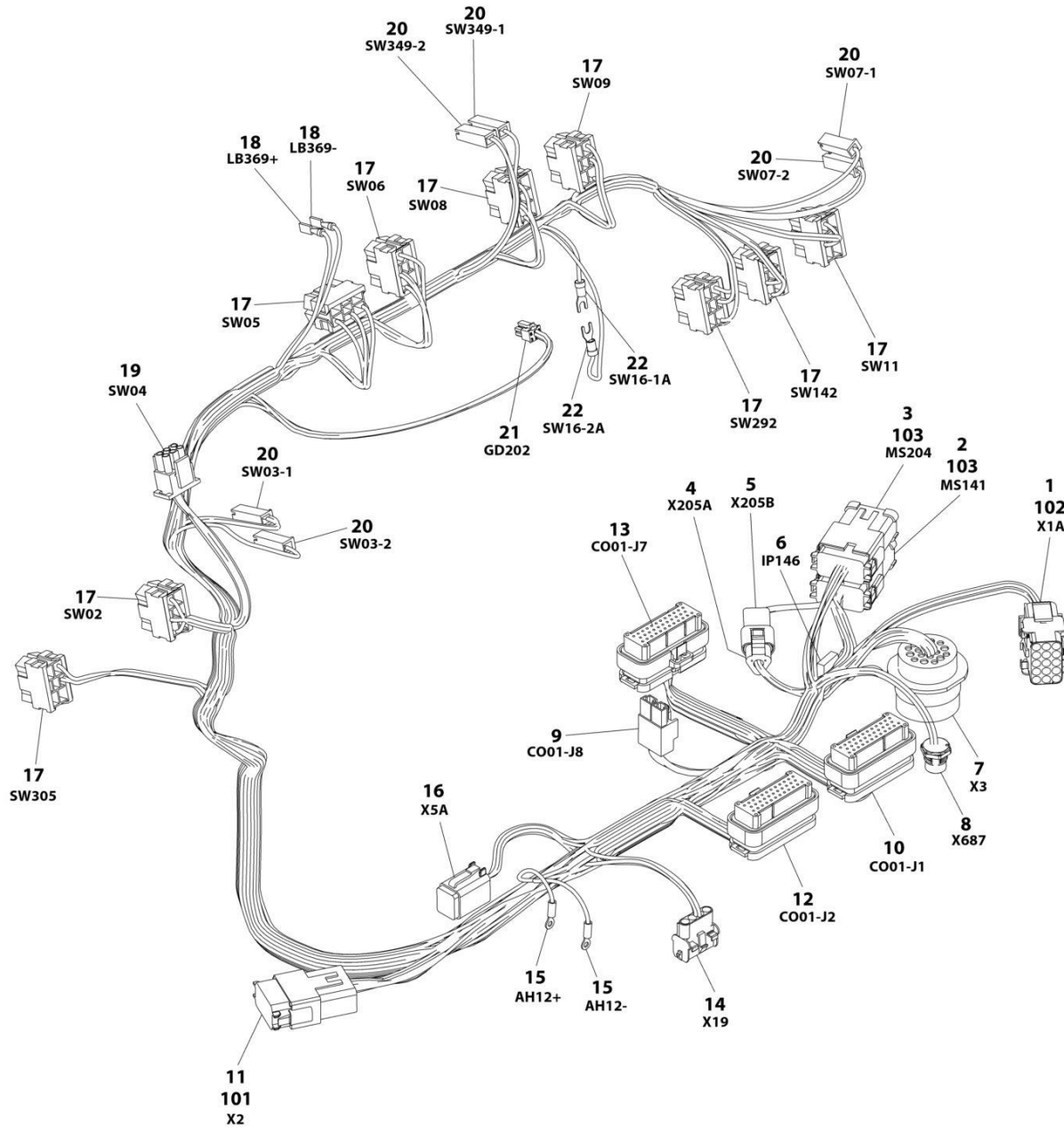
## SECTION 8 - ELECTRICAL

**FIGURE 8-34. GROUND TO PLATFORM CABLE - TOWER BOOM (WITH ARCTIC PACKAGE)**

ITEM	PART NUMBER	QTY	DESCRIPTION	REV
	1001119954	Ref	GROUND TO PLATFORM CABLE - TOWER BOOM (WITH ARCTIC PACKAGE)	C
2	4460865	1	Connector - 19 Position	
3	4460473	1	Clamp, Cable	
4	4460465	11	Socket, Female	
5	4460509	4	Socket, Female	
6	4460466	4	Plug, Terminal	
7	2820118	AR	Heat Shrink	
8	4460464	11	Pin, Male	
9	4460508	4	Pin, Male	
10	1001226400	1	Heat Shrink	

# SECTION 8 - ELECTRICAL

## FIGURE 8-35. PLATFORM CONSOLE HARNESS - WITH SKYGUARD



ART\_1001245668



## SECTION 8 - ELECTRICAL

**FIGURE 8-35. PLATFORM CONSOLE HARNESS - WITH SKYGUARD**

ITEM	PART NUMBER	QTY	DESCRIPTION	REV
	1001245668	REF	PLATFORM CONSOLE HARNESS	C
1	4460434	1	Connector - 15 Position	
1	4460267	8	Pin, Male	
2	4460933	1	Connector - 12 Position	
2	4460944	9	Socket, Female	
2	4460466	3	Plug, Terminal	
3	4460933	1	Connector - 12 Position	
3	4460944	11	Socket, Female	
3	4460466	1	Plug, Terminal	
4	4460539	1	Connector - 3 Position	
4	4460465	3	Socket, Female	
5	4460536	1	Connector - 3 Position	
5	4460464	3	Pin, Male	
6	1001170763	1	Fuseholder	
7	4460866	1	Connector - 19 Position	
7	4460943	3	Pin, Male	
7	4460508	2	Pin, Male	
7	4460466	11	Plug, Terminal	
8	1001213447	1	Connector - 5 Position	
9	4460879	1	Connector - 2 Position	
9	4460887	2	Terminal	
10	4460874	1	Connector - 35 Position (Natural)	
10	4460871	24	Socket, Female	
10	4460905	11	Plug, Terminal	
11	4460970	1	Connector - 12 Position	
11	4460464	9	Pin, Male	
11	4460943	3	Pin, Male	
12	4460875	1	Connector - 35 Position (Gray)	
12	4460871	12	Socket, Female	
12	4460905	23	Plug, Terminal	
13	4460873	1	Connector - 35 Position (Black)	
13	4460871	21	Socket, Female	
13	4460905	14	Plug, Terminal	
14	4460761	1	Connector - 4 Position	
14	4460227	4	Pin, Male	
15	1001098122	2	Terminal, Ring	
16	4460894	1	Connector - 6 Position	
16	4460465	6	Socket, Female	
17	4460418	9	Connector - 6 Position	
17	4460419	29	Terminal	
18	4460016	2	Terminal	
19	4460225	5	Connector - 6 Position	
19	4460227	6	Pin, Male	
20	4460260	6	Connector - 1 Position	
20	4460259	6	Terminal	
21	1001237667	1	Connector - 6 Position	
21	1001237668	4	Terminal	
22	4460183	2	Terminal, Fork	
101	4460933	1	Connector - 12 Position	
102	4460708	1	Receptacle, Female 15 Position	

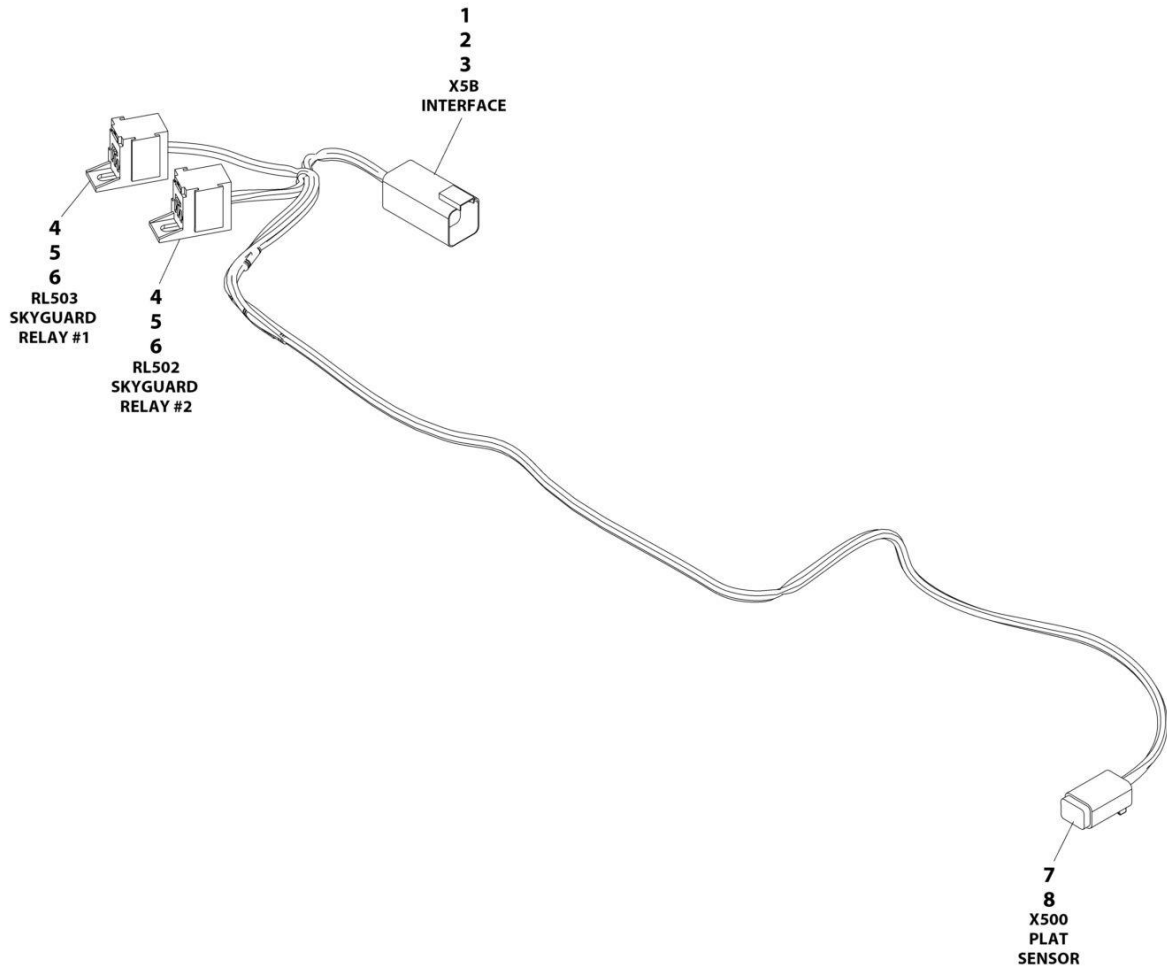
## SECTION 8 - ELECTRICAL

ITEM	PART NUMBER	QTY	DESCRIPTION	REV
103	1001119020	2	Connector - 12 Position Buss Bar	



# SECTION 8 - ELECTRICAL

## FIGURE 8-36. PLATFORM INTERFACE HARNESS



ART\_1001225580\_E

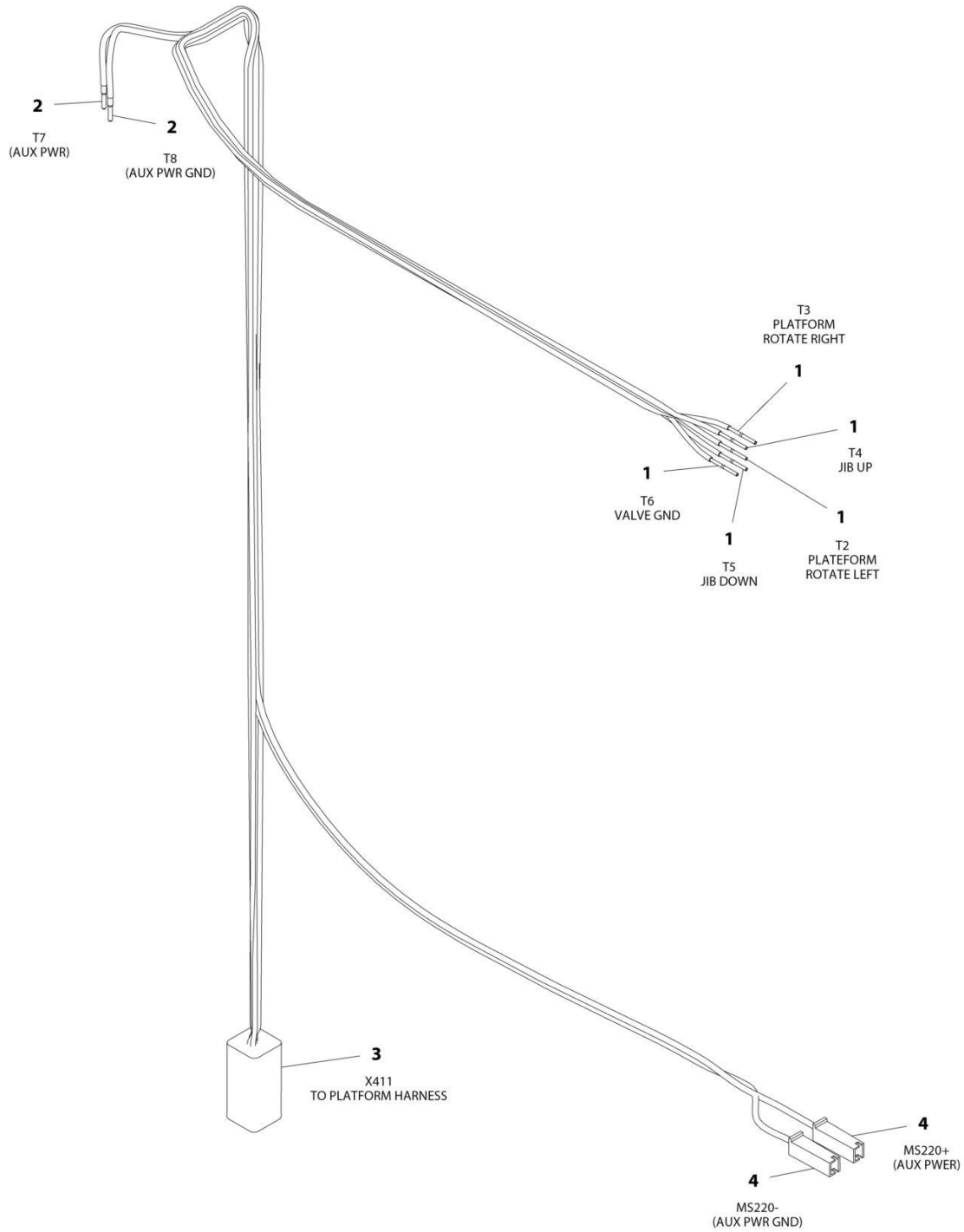
## SECTION 8 - ELECTRICAL

### FIGURE 8-36. PLATFORM INTERFACE HARNESS

ITEM	PART NUMBER	QTY	DESCRIPTION	REV
	1001225580	Ref	PLATFORM INTERFACE HARNESS - WITH 1 CELL LSS	E
1	4460899	1	Connector	
2	4460464	4	Terminal	
3	4460466	2	Plug	
4	1001186432	2	Connector	
5	1001253375	4	Terminal	
6	1001104519	4	Terminal	
7	4460884	1	Connector	
8	4460465	4	Terminal	

# SECTION 8 - ELECTRICAL

## FIGURE 8-37. PLATFORM TO BOOM VALVE HARNESS



ART\_1001169422

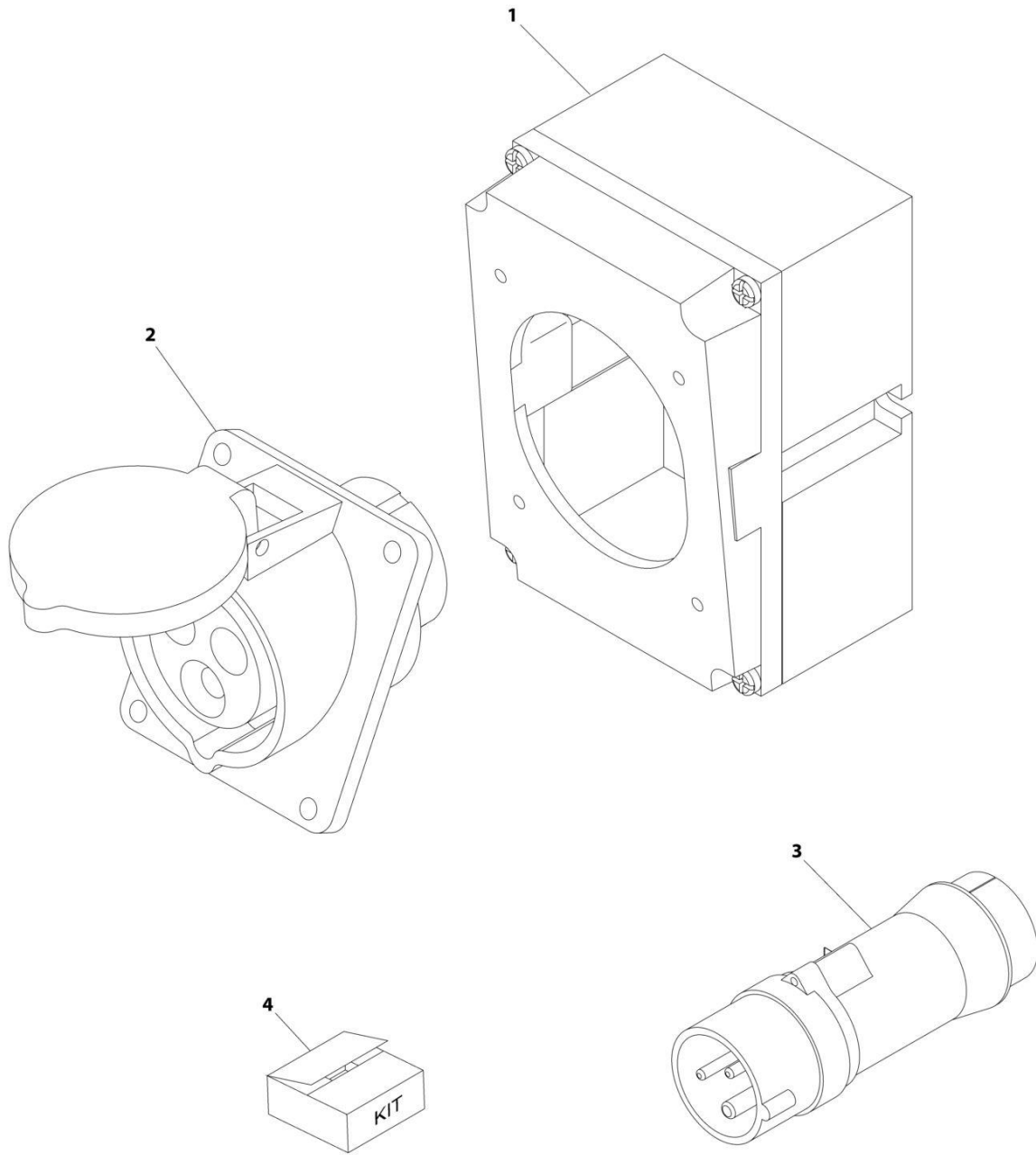
## SECTION 8 - ELECTRICAL

### FIGURE 8-37. PLATFORM TO BOOM VALVE HARNESS

ITEM	PART NUMBER	QTY	DESCRIPTION	REV
	1001169422	Ref	PLATFORM TO BOOM HARNESS	A
1	4460465	5	Socket, Female	
2	4460508	2	Pin, Male	
3	4460899	1	Connector - 6 Position	
3	4460464	5	Pin, Male	
3	4460466	1	Plug, Terminal	
4	4460260	2	Connector - 1 Position	
4	4460259	2	Terminal	

# SECTION 8 - ELECTRICAL

FIGURE 8-38. AC BOX AT PLATFORM INSTALLATION - 110V IEC YELLOW (CE & UK CA SPEC)



ART\_0275216



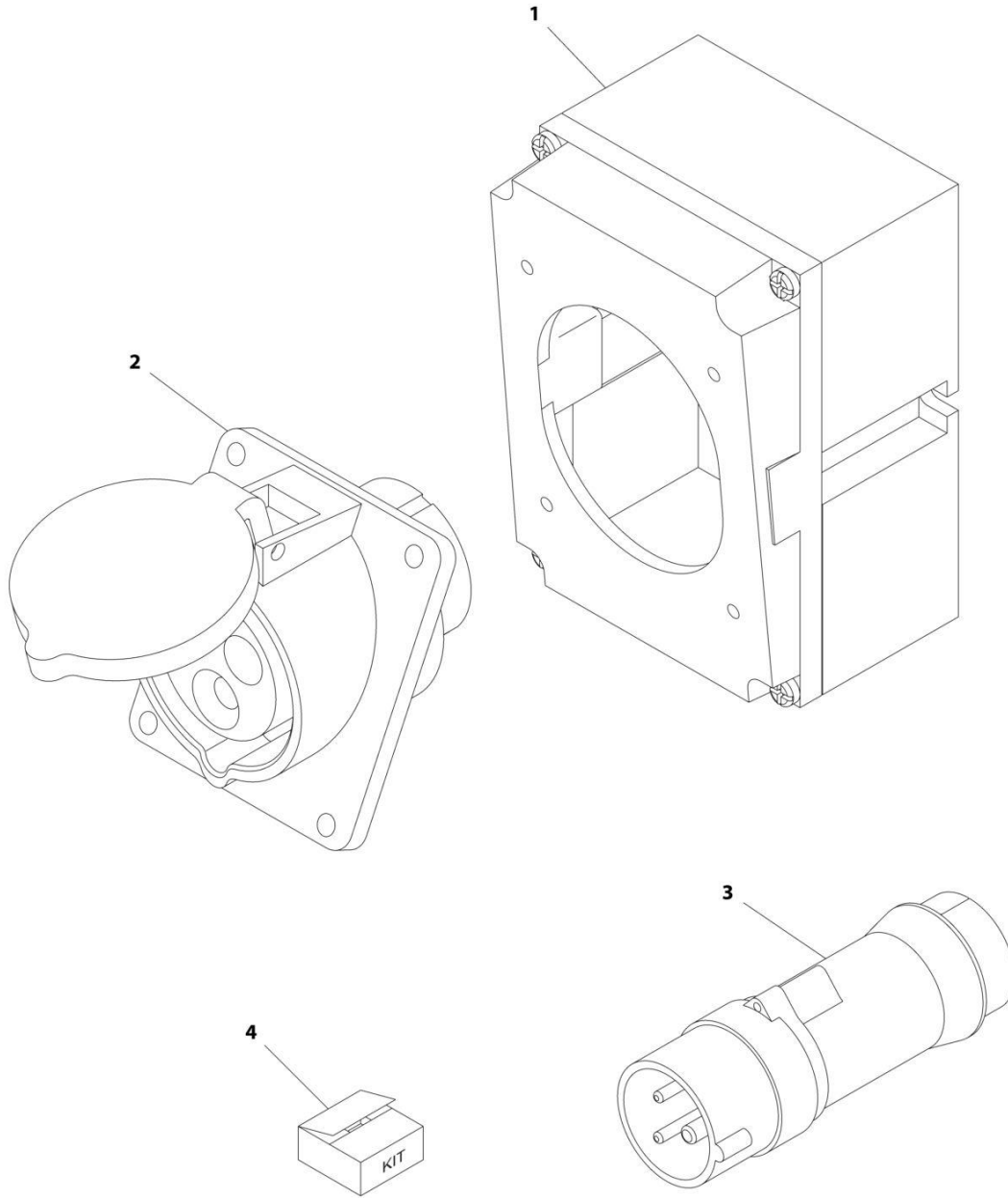
## SECTION 8 - ELECTRICAL

**FIGURE 8-38. AC BOX AT PLATFORM INSTALLATION - 110V IEC YELLOW (CE & UK CA SPEC)**

ITEM	PART NUMBER	QTY	DESCRIPTION	REV
	0275216	Ref	RECEPTACLE BOX KIT - 110V IEC YELLOW	B
1	0861781	1	Box, Switch	
2	4461198	1	Receptacle	
3	4461196	1	Plug, Male	
4	1001100341	1	Plug and Socket Kit (Includes Items 1-3 and Female Plug p/n 4461197)	

# SECTION 8 - ELECTRICAL

FIGURE 8-39. RECEPTACLE BOX KIT - 220V IEC BLUE (CE & UK CA SPEC)



ART\_0275217

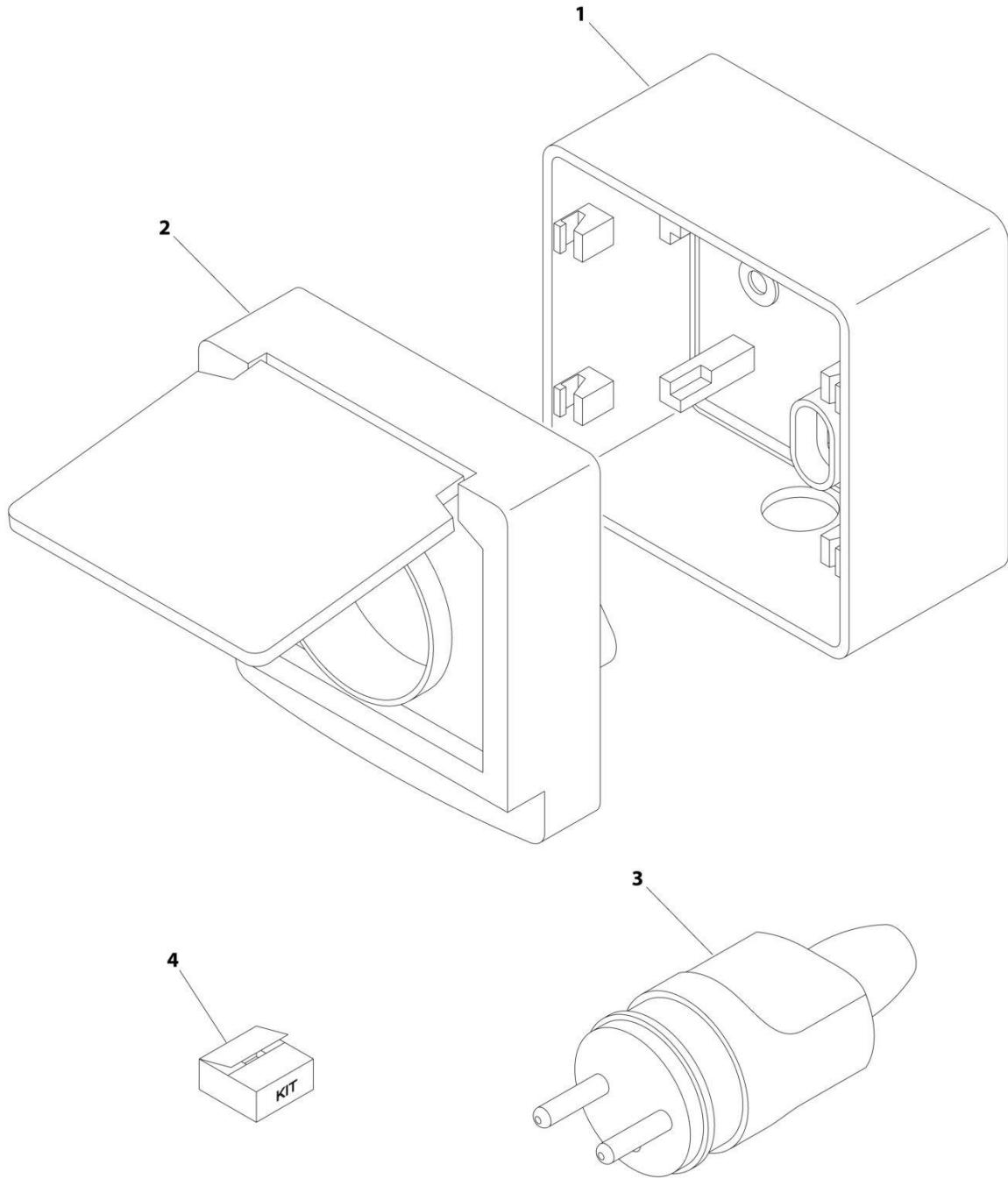
## SECTION 8 - ELECTRICAL

**FIGURE 8-39. RECEPTACLE BOX KIT - 220V IEC BLUE (CE & UK CA SPEC)**

ITEM	PART NUMBER	QTY	DESCRIPTION	REV
	0275217	Ref	RECEPTACLE BOX KIT - 220V IEC BLUE	B
1	0861781	1	Box, Switch	
2	4461201	1	Receptacle	
3	4461199	1	Plug, Male	
4	1001100342	1	Plug and Socket Kit (Includes Items 1-3 and Female Plug p/n 4461200)	

# SECTION 8 - ELECTRICAL

FIGURE 8-40. RECEPTACLE BOX KIT - 220V CEE7 POST GROUND 70MM X 70MM BOX (CE & UK CA SPEC)



ART\_0275218\_C

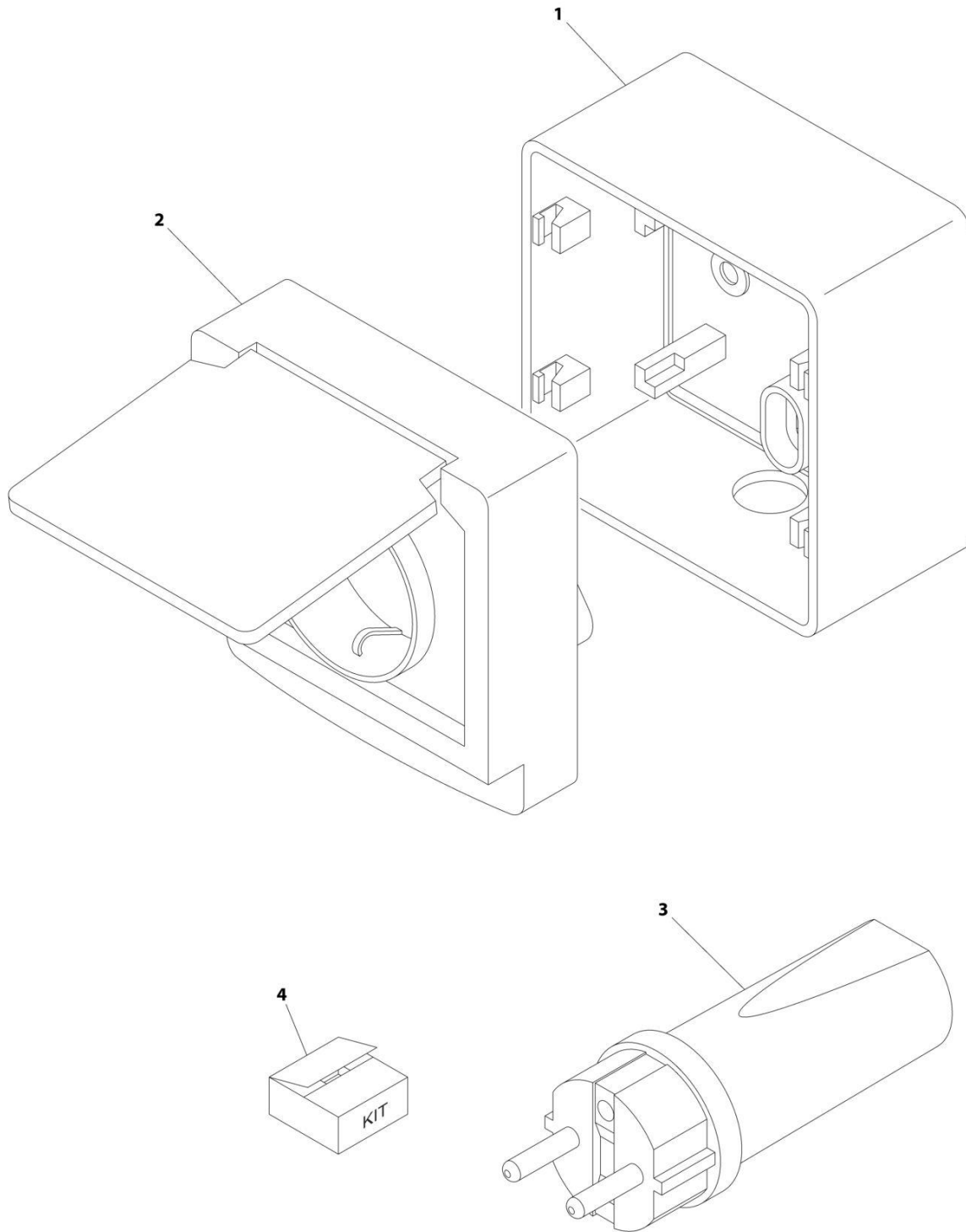
## SECTION 8 - ELECTRICAL

**FIGURE 8-40. RECEPTACLE BOX KIT - 220V CEE7 POST GROUND 70MM X 70MM BOX (CE & UK CA SPEC)**

ITEM	PART NUMBER	QTY	DESCRIPTION	REV
	0275218	Ref	RECEPTACLE BOX KIT - 220V CEE7 POST GROUND 70MM X 70MM BOX	C
1	1001141967	1	Box, Switch	
2	1001141968	1	Receptacle	
3	4461205	1	Plug, Male	
4	1001141971	1	Plug and Socket Kit (Includes Items 1-3 and Female Plug p/n 4461206)	

# SECTION 8 - ELECTRICAL

FIGURE 8-41. RECEPTACLE BOX KIT - 220V CEE7 SIDE GROUND 70MM X 70MM BOX (CE & UK CA SPEC)



ART\_0275219

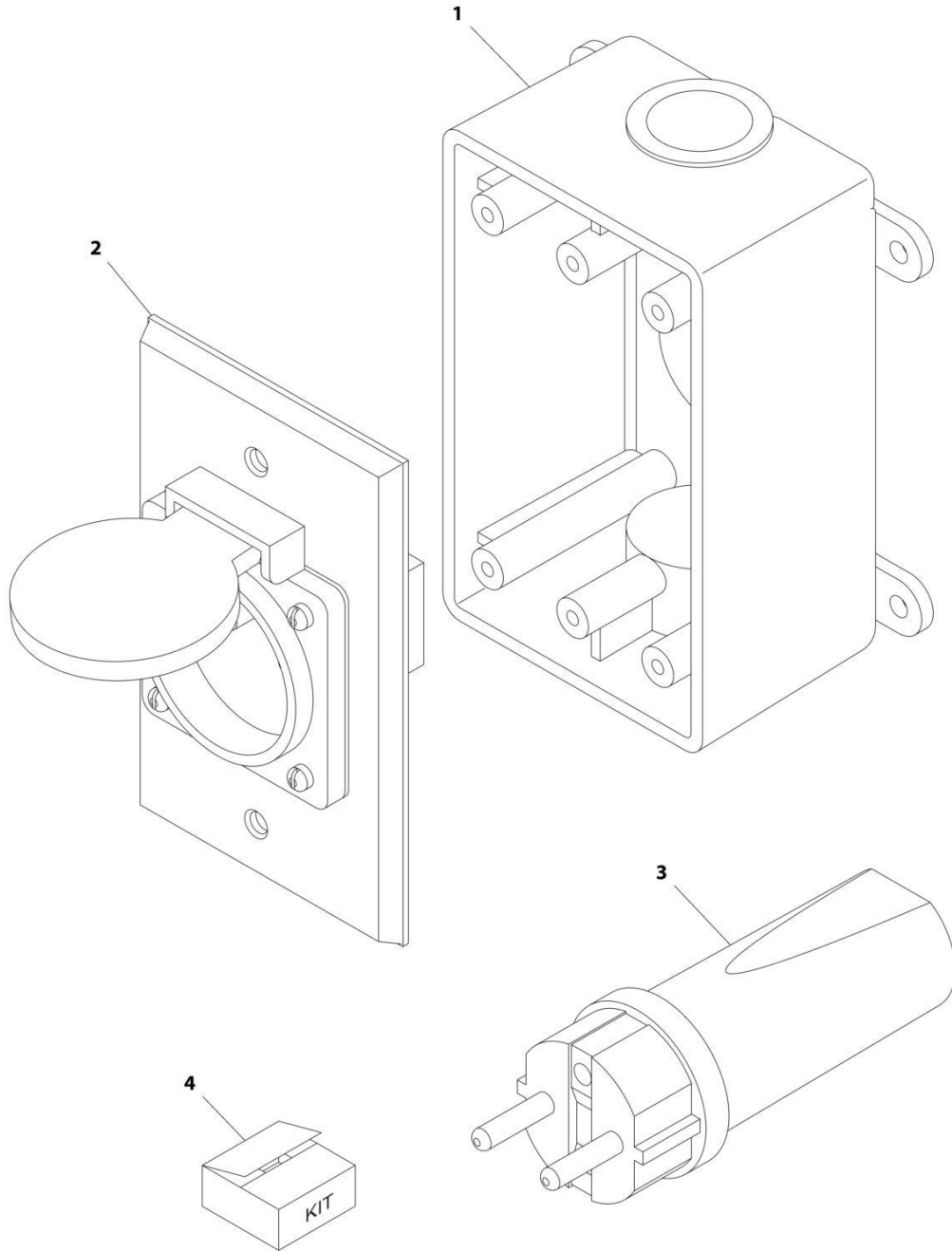
## SECTION 8 - ELECTRICAL

**FIGURE 8-41. RECEPTACLE BOX KIT - 220V CEE7 SIDE GROUND 70MM X 70MM BOX (CE & UK CA SPEC)**

ITEM	PART NUMBER	QTY	DESCRIPTION	REV
	0275219	Ref	RECEPTACLE BOX KIT - 220V CEE7 SIDE GROUND 70MM X 70MM BOX	B
1	1001141967	1	Box, Switch	
2	1001141969	1	Receptacle	
3	4461205	1	Plug, Male	
4	1001141970	1	Plug and Socket Kit (Includes Items 1-3 and Female Plug p/n 4461206)	

# SECTION 8 - ELECTRICAL

FIGURE 8-42. RECEPTACLE BOX KIT - 220V CEE7 POST GROUND 2IN X 4IN BOX (CE & UK CA SPEC)



ART\_0275452



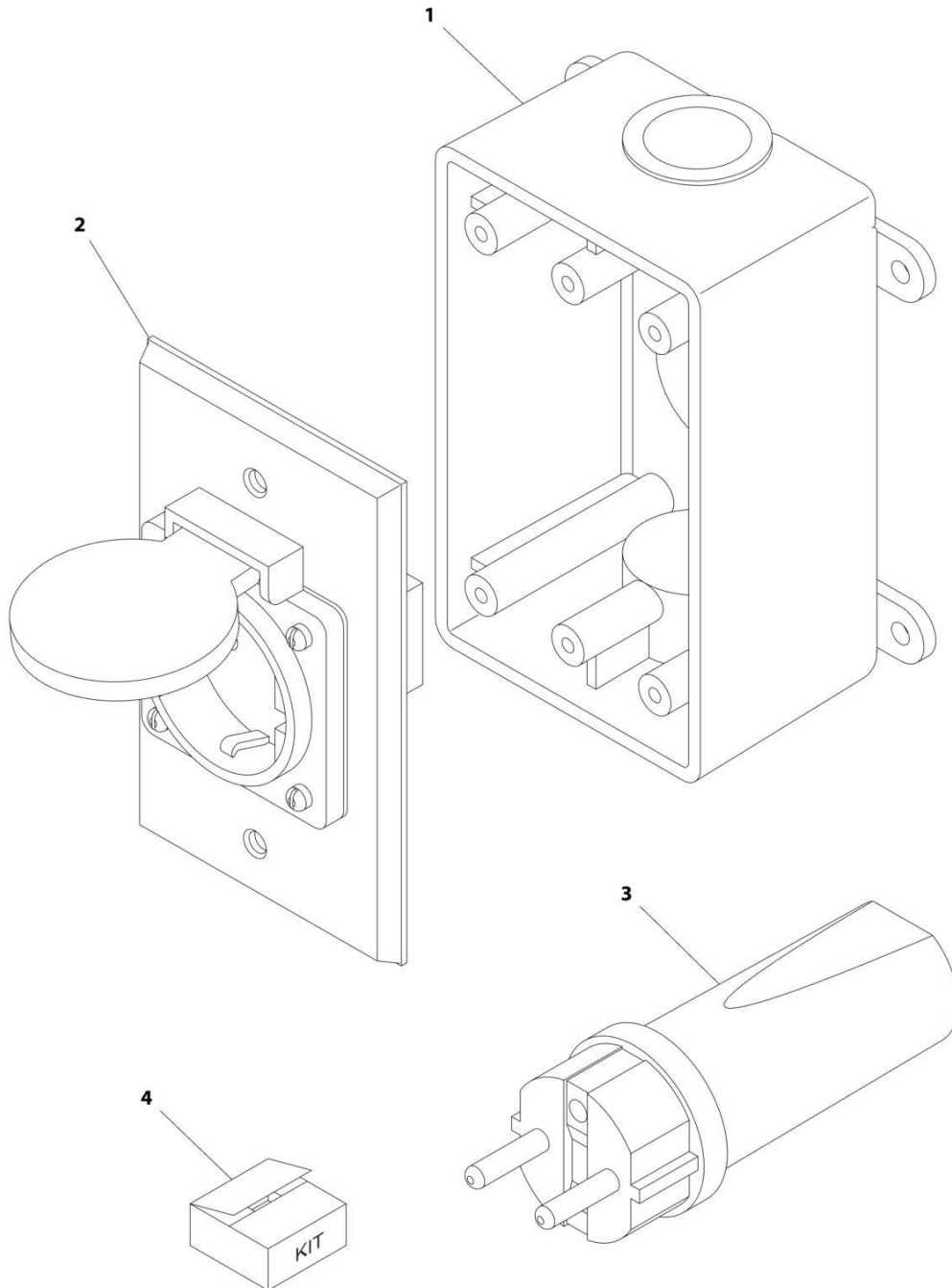
## SECTION 8 - ELECTRICAL

**FIGURE 8-42. RECEPTACLE BOX KIT - 220V CEE7 POST GROUND 2IN X 4IN BOX (CE & UK CA SPEC)**

ITEM	PART NUMBER	QTY	DESCRIPTION	REV
	0275452	Ref	RECEPTACLE BOX KIT - 220V CEE7 POST GROUND	C
1	0861731	1	Box, Switch	
2	4461244	1	Receptacle	
3	4461205	1	Plug, Male	
4	1001100345	1	Plug and Socket Kit (Includes Items 1-3 and Female Plug p/n 4461206)	

# SECTION 8 - ELECTRICAL

FIGURE 8-43. RECEPTACLE BOX KIT - 220V CEE7 SIDE GROUND 2IN X 4IN BOX (CE & UK CA SPEC)



ART\_0275453

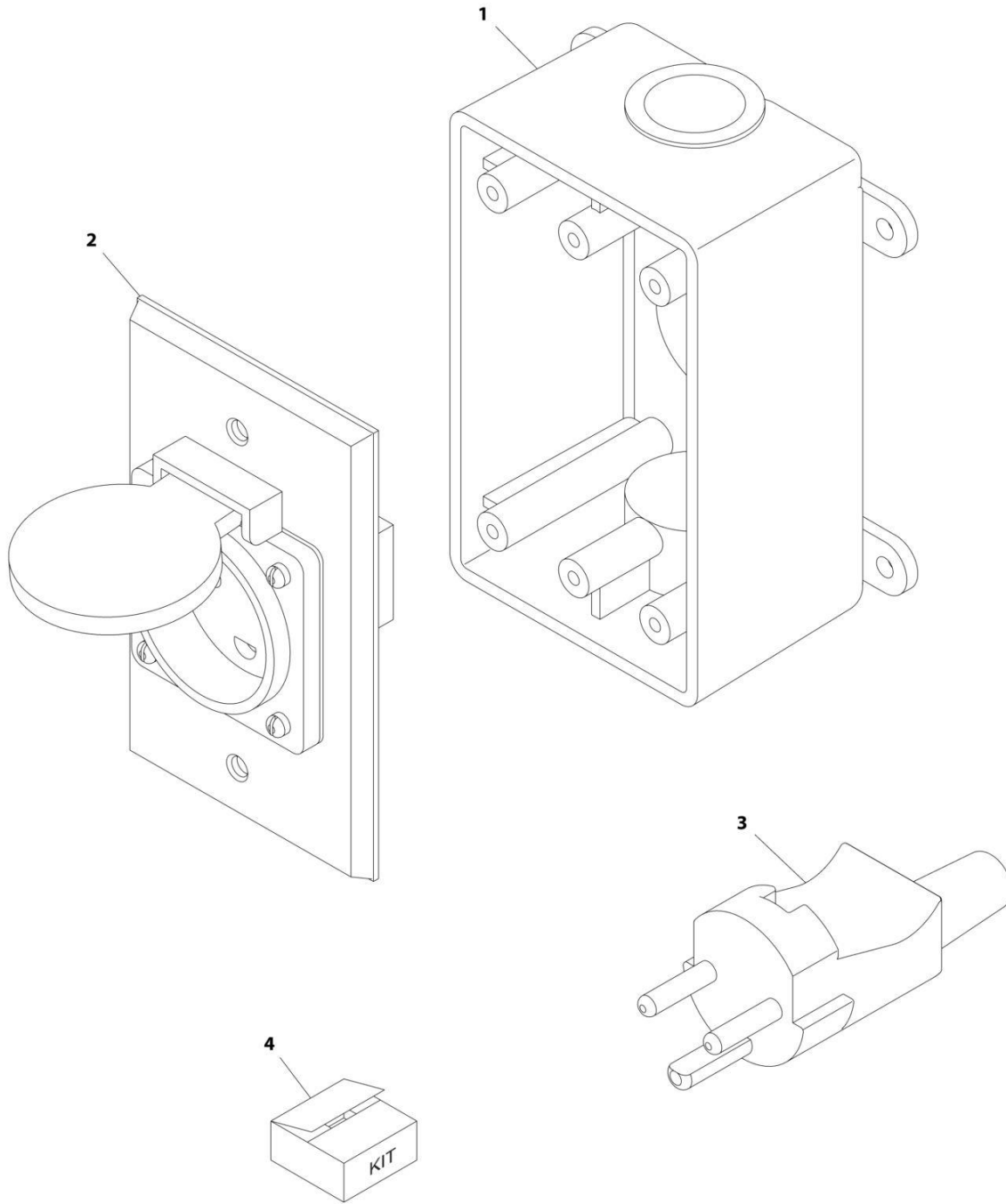
## SECTION 8 - ELECTRICAL

**FIGURE 8-43. RECEPTACLE BOX KIT - 220V CEE7 SIDE GROUND 2IN X 4IN BOX (CE & UK CA SPEC)**

ITEM	PART NUMBER	QTY	DESCRIPTION	REV
	0275453	Ref	RECEPTACLE BOX KIT - 220V CEE7 SIDE GROUND	B
1	0861731	1	Box, Switch	
2	4461245	1	Receptacle	
3	4461205	1	Plug, Male	
4	1001100347	1	Plug and Socket Kit (Includes Items 1-3 and Female Plug p/n 4461206)	

# SECTION 8 - ELECTRICAL

FIGURE 8-44. RECEPTACLE BOX KIT - 220V AFSINT 107 (CE & UK CA SPEC)



ART\_0275454

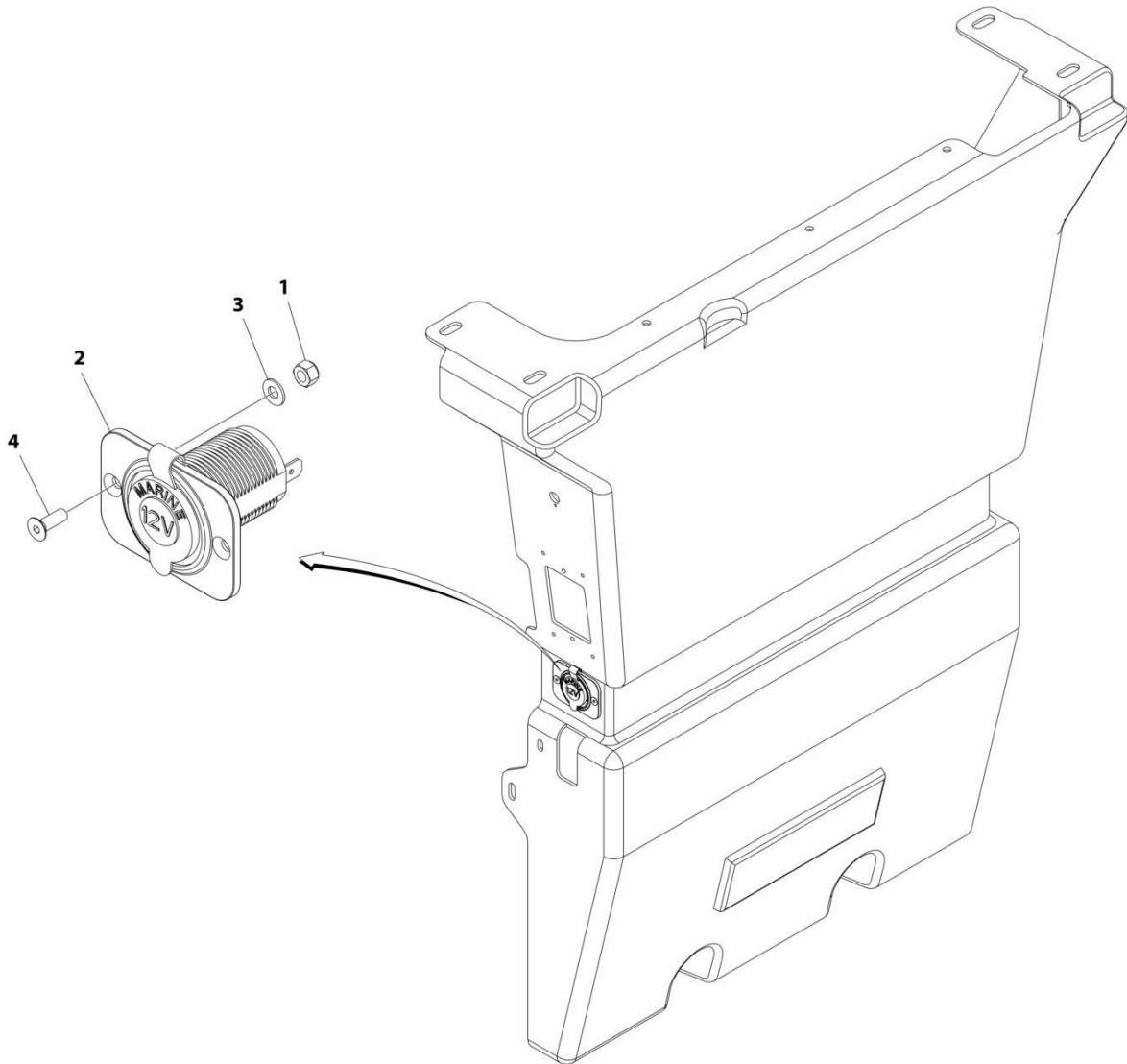
## SECTION 8 - ELECTRICAL

**FIGURE 8-44. RECEPTACLE BOX KIT - 220V AFSINT 107 (CE & UK CA SPEC)**

ITEM	PART NUMBER	QTY	DESCRIPTION	REV
	0275454	Ref	RECEPTACLE BOX KIT - 220V AFSINT 107	B
1	0861731	1	Box, Switch	
2	4461246	1	Receptacle	
3	4461249	1	Plug, Male	
4	1001100346	1	Plug and Socket Kit (Includes Items 1-3 and Female Plug p/n 4461250)	

# SECTION 8 - ELECTRICAL

## FIGURE 8-45. RECEPTACLE INSTALLATION - 12V



ART\_1001274814

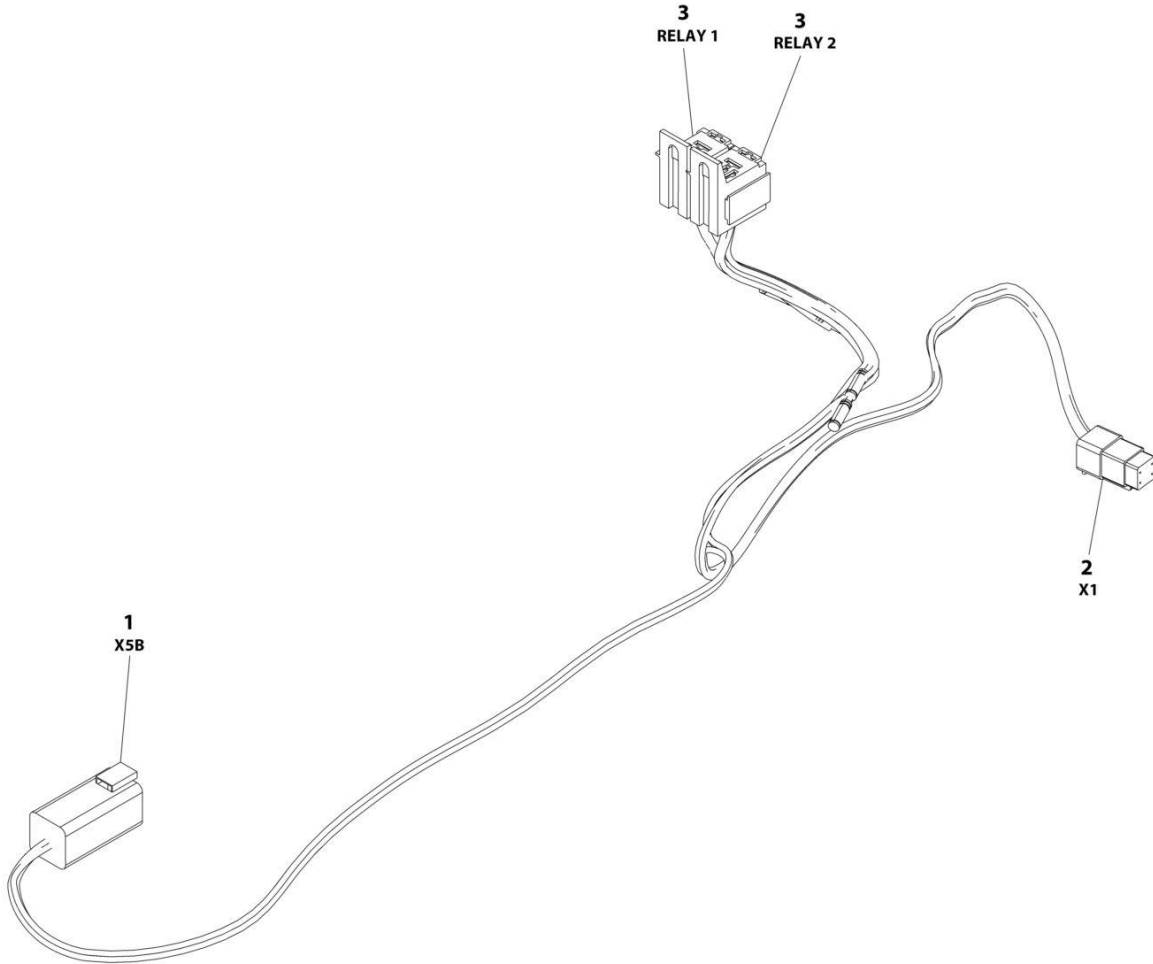
## SECTION 8 - ELECTRICAL

### FIGURE 8-45. RECEPTACLE INSTALLATION - 12V

ITEM	PART NUMBER	QTY	DESCRIPTION	REV
	1001274814	Ref	RECEPTACLE INSTALLATION - 12V	A
1	3290405	2	Nut M4	
2	4461012	1	Receptacle - 12V	
3	4811400	2	Washer M4	
4	1001097244	2	Screw M4 x 12	

# SECTION 8 - ELECTRICAL

## FIGURE 8-46. SKYLINE HARNESS



ART\_1001238418



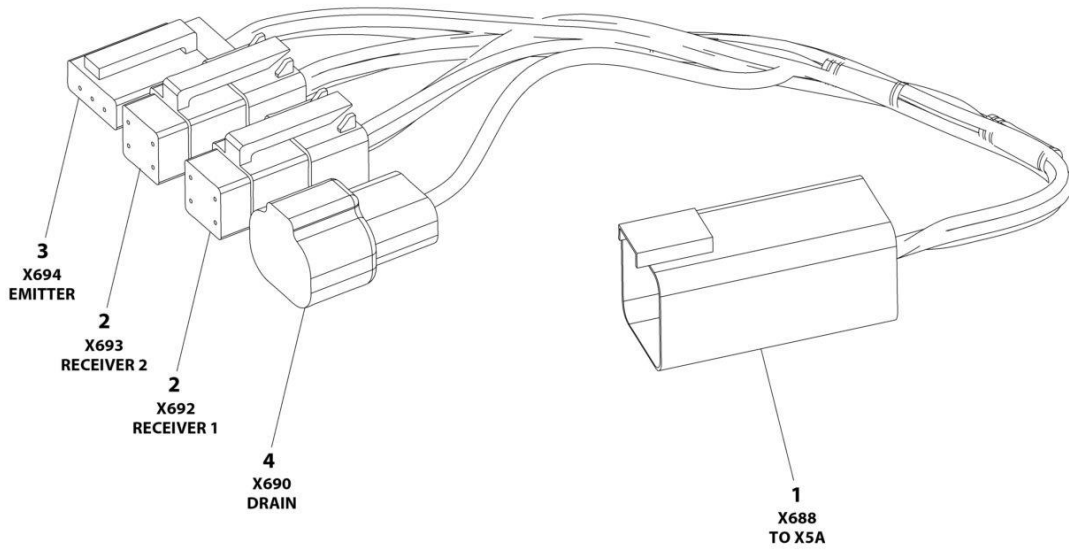
# SECTION 8 - ELECTRICAL

## FIGURE 8-46. SKYLINE HARNESS

ITEM	PART NUMBER	QTY	DESCRIPTION	REV
	1001238418	Ref	SKYLINE HARNESS	B
1	4460899	1	Connector - 6 Position	
1	4460464	4	Pin, Male	
1	4460466	2	Plug, Terminal	
2	4461077	1	Connector - 4 Position	
2	1001126009	4	Socket, Female	
3	1001186432	2	Plug, Relay	
3	1001118388	5	Terminal	
3	1001118384	3	Terminal	
3	3740086	2	Relay	

# SECTION 8 - ELECTRICAL

## FIGURE 8-47. SKYEYE INTERMEDIATE HARNESS



ART\_1001237865

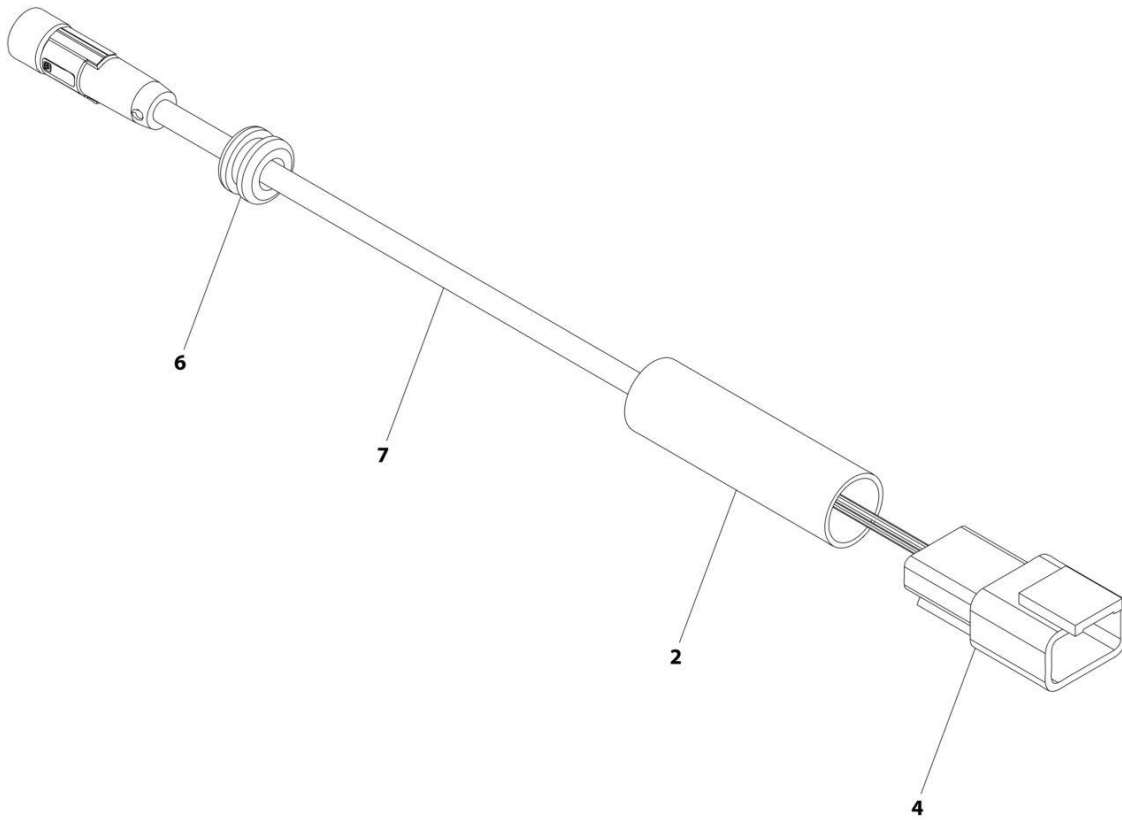
## SECTION 8 - ELECTRICAL

### FIGURE 8-47. SKYEYE INTERMEDIATE HARNESS

ITEM	PART NUMBER	QTY	DESCRIPTION	REV
	1001237865	Ref	SKYEYE INTERMEDIATE HARNESS	A
1	4460899	1	Connector - 6 Position	
1	4460943	4	Pin, Male	
1	4460466	2	Plug, Terminal	
2	4461077	2	Connector - 4 Position	
2	1001119619	8	Socket, Female	
3	4460911	1	Connector - 3 Position	
3	1001119619	3	Socket, Female	
4	1001187681	1	Connector - 2 Position	
4	4460941	1	Pin, Male	
4	4460466	1	Plug, Terminal	

# SECTION 8 - ELECTRICAL

## FIGURE 8-48. SKYEYE RECEIVER HARNESS



ART\_1001237863\_B

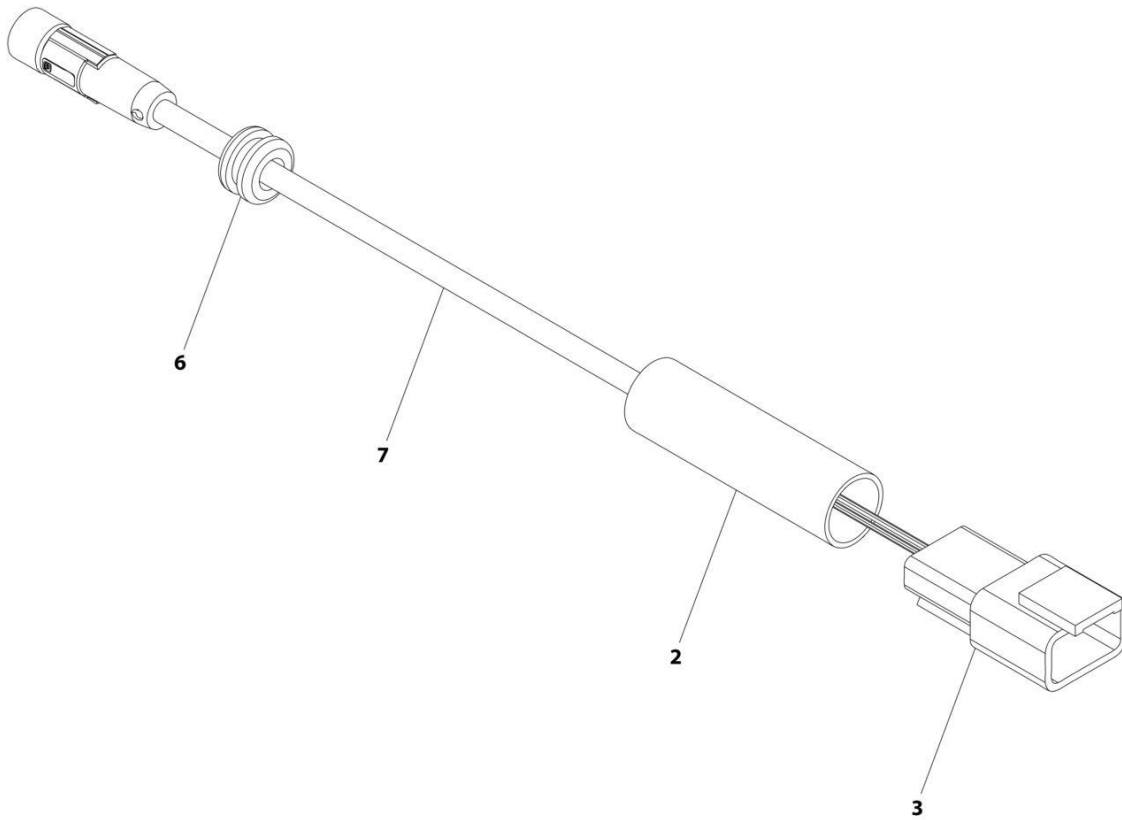
## SECTION 8 - ELECTRICAL

### FIGURE 8-48. SKYEYE RECEIVER HARNESS

ITEM	PART NUMBER	QTY	DESCRIPTION	REV
	1001237863	Ref	SKYEYE RECEIVER HARNESS	B
2	2820247	AR	Tubing, Heat Shrink	
4	1001097051	1	Connector - 4 Position	
4	1001119620	4	Pin, Male	
6	1001227996	1	Grommet	
7	1001258495	1	Cable, M8 Female Cordset	

# SECTION 8 - ELECTRICAL

## FIGURE 8-49. SKYEYE EMITTER HARNESS



ART\_1001237864\_B

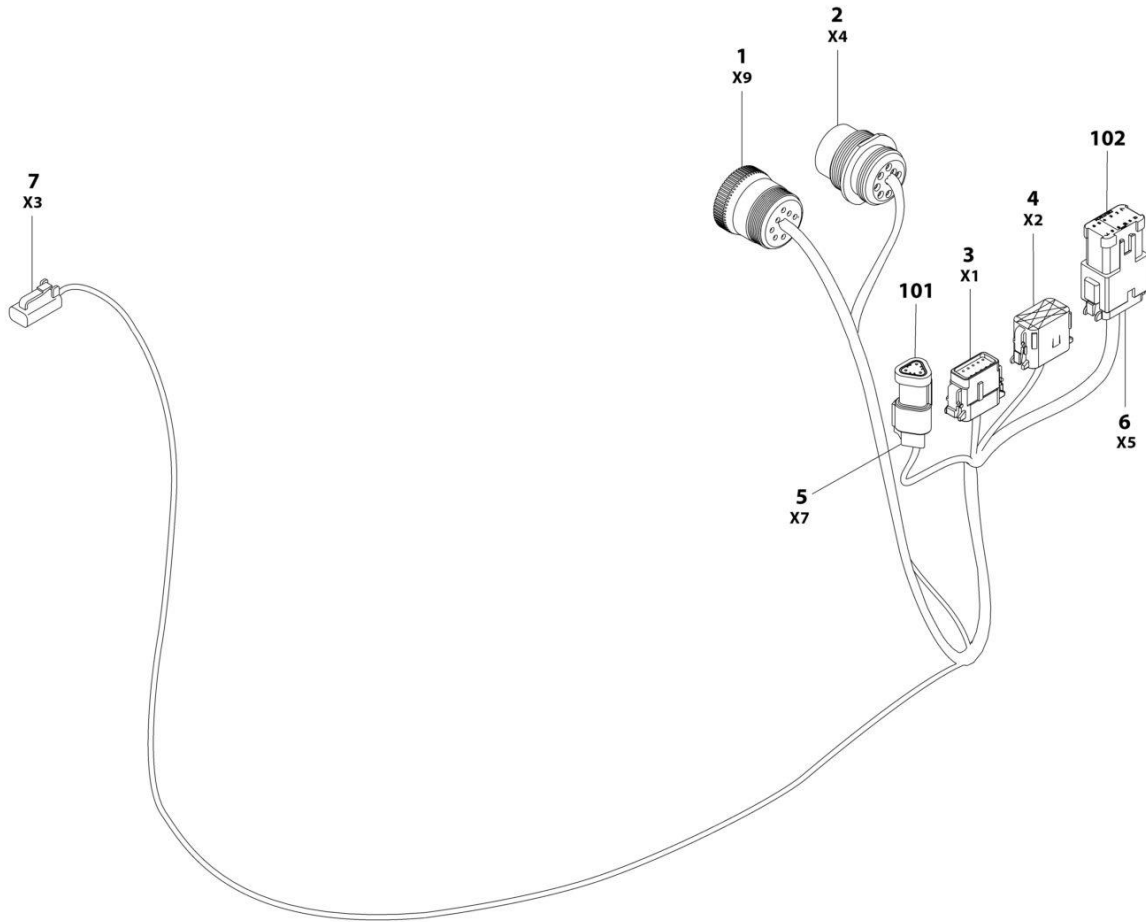
## SECTION 8 - ELECTRICAL

### FIGURE 8-49. SKYEYE EMITTER HARNESS

ITEM	PART NUMBER	QTY	DESCRIPTION	REV
	1001237864	Ref	SKYEYE EMITTER HARNESS	B
2	2820247	AR	Tubing, Heat Shrink	
3	4460910	1	Connector - 3 Position	
3	1001119620	3	Pin, Male	
6	1001227996	1	Grommet	
7	1001258495	1	Cable, M8 Female Cordset	

# SECTION 8 - ELECTRICAL

## FIGURE 8-50. STROBE LIGHT HARNESS (BLUE AND RED LIGHTS)



ART\_1001142736



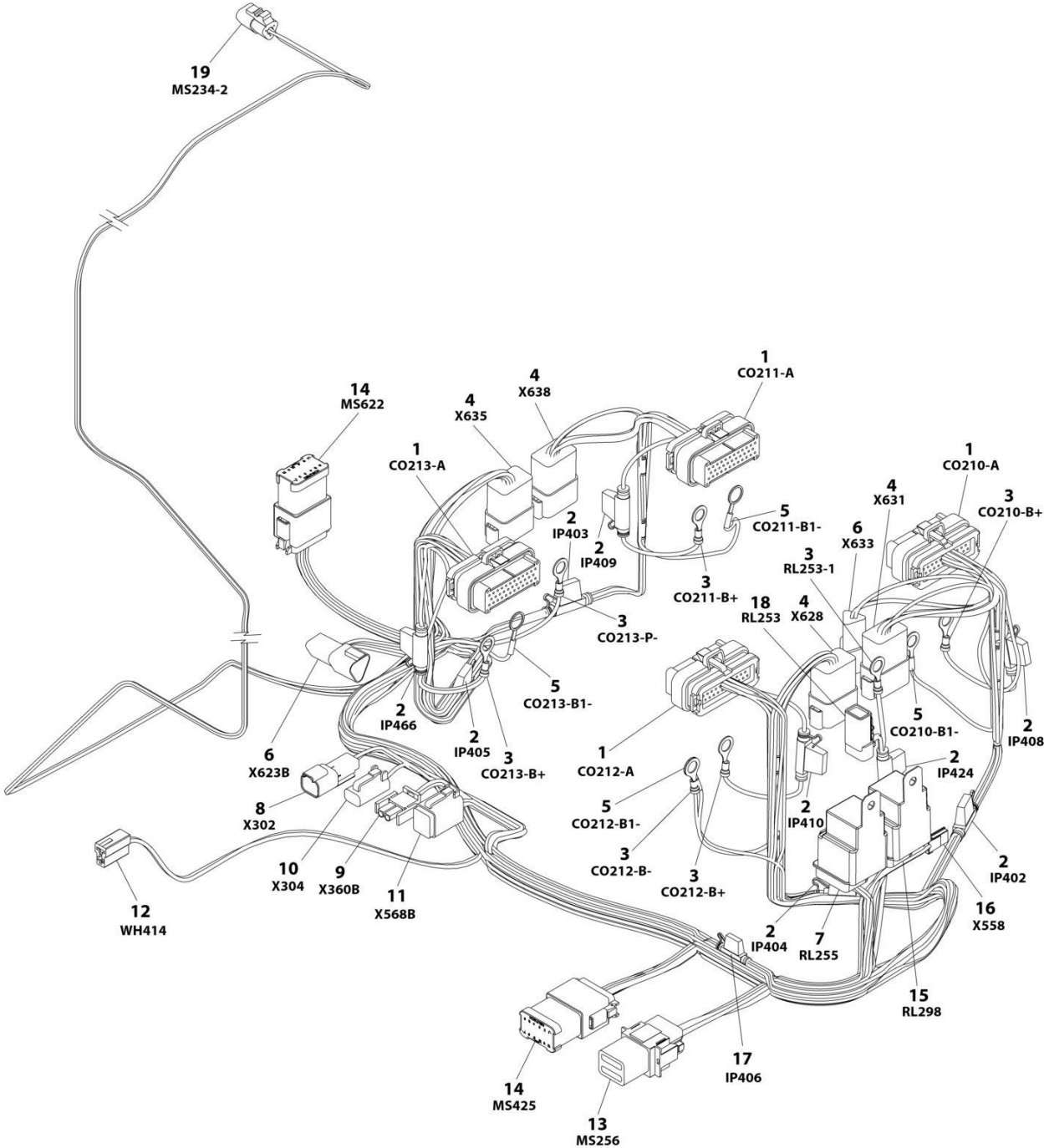
## SECTION 8 - ELECTRICAL

**FIGURE 8-50. STROBE LIGHT HARNESS (BLUE AND RED LIGHTS)**

ITEM	PART NUMBER	QTY	DESCRIPTION	REV
	1001142736	Ref	STROBE LIGHT HARNESS (BLUE AND RED LIGHTS)	F
1	1001112796	1	Connector - 9 Position	
1	4460465	6	Socket, Female	
1	4460466	3	Plug, Socket	
2	1001112612	1	Connector - 9 Position	
2	4460464	6	Pin, Male	
2	4460466	3	Plug, Socket	
3	1001116808	1	Connector - 12 Position	
3	4460928	3	Socket, Female	
3	4460518	9	Plug, Socket	
4	1001116774	1	Connector - 12 Position	
4	4460928	3	Socket, Female	
4	4460518	9	Plug, Socket	
5	4461095	1	Connector - 3 Position	
5	4460465	3	Socket, Female	
6	4460933	1	Connector - 12 Position	
6	4460465	12	Socket, Female	
7	4460891	1	Connector - 2 Position	
7	4460465	2	Socket, Female	
101	4461070	1	Connector - 3 Position	
102	1001119020	1	Connector, Female Bussbar - 12 Position	

# SECTION 8 - ELECTRICAL

## FIGURE 8-51. TRACTION HARNESS



ART\_1001161871\_K

## SECTION 8 - ELECTRICAL

### FIGURE 8-51. TRACTION HARNESS

ITEM	PART NUMBER	QTY	DESCRIPTION	REV
	1001161871	Ref	TRACTION HARNESS	K
1	4460873	4	Connector - 35 Position	
1	4460871	59	Socket, Female	
1	4460905	81	Plug, Terminal	
2	1001255901	9	Fuseholder with Cover	
2	1001170760	9	Fuse 10Amp	
3	4460670	7	Terminal, Ring	
4	4460931	4	Receptacle, Female - 8 Position	
4	4460464	32	Pin, Male	
5	4460703	4	Terminal, Ring	
6	4460536	2	Receptacle, Female - 3 Position	
6	4460464	6	Pin, Male	
7	1001117057	1	Connector, Relay	
7	1001116732	3	Terminal	
7	1001166733	1	Terminal	
7	1001171295	1	Relay	
8	4460897	1	Receptacle, Female - 2 Position	
8	4460464	2	Pin, Male	
9	4460320	1	Plug, Male - 2 Position	
9	4460267	2	Terminal	
10	4460891	1	Plug, Male - 2 Position	
10	4460465	1	Socket, Female	
10	4460466	1	Plug, Terminal	
11	4460894	1	Plug, Male - 6 Position	
11	4460465	5	Socket, Female	
11	4460466	1	Plug, Terminal	
12	4460994	1	Receptacle, Female - 2 Position	
12	1001116723	2	Terminal	
13	4460851	1	Plug, Male - 12 Position	
13	4460465	7	Socket, Female	
13	4460466	1	Plug, Terminal	
13	4460852	1	Bussbar - 12 Position	
14	4460933	1	Plug, Male - 12 Position	
14	4460944	12	Socket, Female	
14	1001119020	2	Bussbar - 12 Position	
15	1001117057	1	Connector, Relay	
15	1001116732	4	Terminal	
15	1001171295	1	Relay	
16	1001183402	1	Connector - 4 Position	
16	1001183405	4	Terminal	
17	1001255901	1	Fuseholder with Cover	
17	8229242	1	Fuse 5Amp	
18	1001126245	1	Receptacle, Female - 2 Position	
18	1001126008	2	Terminal	



# SECTION 8 - ELECTRICAL

## FIGURE 8-52. TURNTABLE HARNESS

ITEM	PART NUMBER	QTY	DESCRIPTION	REV
	1001165923	Ref	TURNTABLE HARNESS	H
1	4460873	1	Connector - 35 Position (Black)	
1	4460871	24	Socket, Female	
1	4460905	11	Plug, Terminal	
2	4460878	1	Connector - 4 Position	
2	4460887	4	Terminal	
3	2400066	2	Fuseholder Less Fuse	
3	8229244	2	Fuse 15Amp	
4	4460874	1	Connector - 35 Position (Natural)	
4	4460871	20	Socket, Female	
4	4460905	15	Plug, Terminal	
5	4460761	1	Connector - 4 Position	
5	4460227	4	Pin, Male	
6	4460894	1	Connector - 6 Position	
6	4460465	4	Socket, Female	
6	4460466	2	Plug, Terminal	
6	4460892	1	Connector - 6 Position Bussbar	
6	1001121172	1	Mount, Terminal	
7	4460836	1	Connector - 12 Position	
7	4460465	5	Socket, Female	
7	4460466	7	Plug, Terminal	
7	4460837	1	Connector - 12 Position Bussbar	
7	1001121172	1	Mount, Terminal	
8	1001172064	1	Fuseholder Less Fuse	
8	1001172227	1	Fuse 40Amp ATO	
9	2400066	1	Fuseholder Less Fuse	
9	2400065	1	Fuse 30 Amp	
10	2400066	1	Fuseholder Less Fuse	
10	2400064	1	Fuse 5Amp	
11	3990010	2	Diode 6Amp	
12	4460312	1	Ring, Terminal	
12	1001176230	1	Boot, Battery	
13	4461018	1	Connector - 2 Position	
13	4460509	2	Socket, Female	
14	1001117025	3	Connector - 5 Position Relay	
14	1001116734	4	Terminal, Female	
14	1001116732	6	Terminal, Female	
14	1001116733	2	Terminal, Female	
15	4460930	1	Connector - 8 Position	
15	4460465	3	Socket, Female	
15	4460466	3	Plug, Terminal	
16	1001184846	2	Connector - 10 Position Bussbar	
16	4460509	15	Socket, Female	
16	4460466	5	Plug, Terminal	
17	4460312	1	Ring, Terminal	
17	1001176229	1	Boot, Battery	
18	1001103012	1	Connector - 4 Position	
18	1001107854	1	Socket, Female	
19	4460933	2	Connector - 12 Position	
19	4460465	14	Socket, Female	

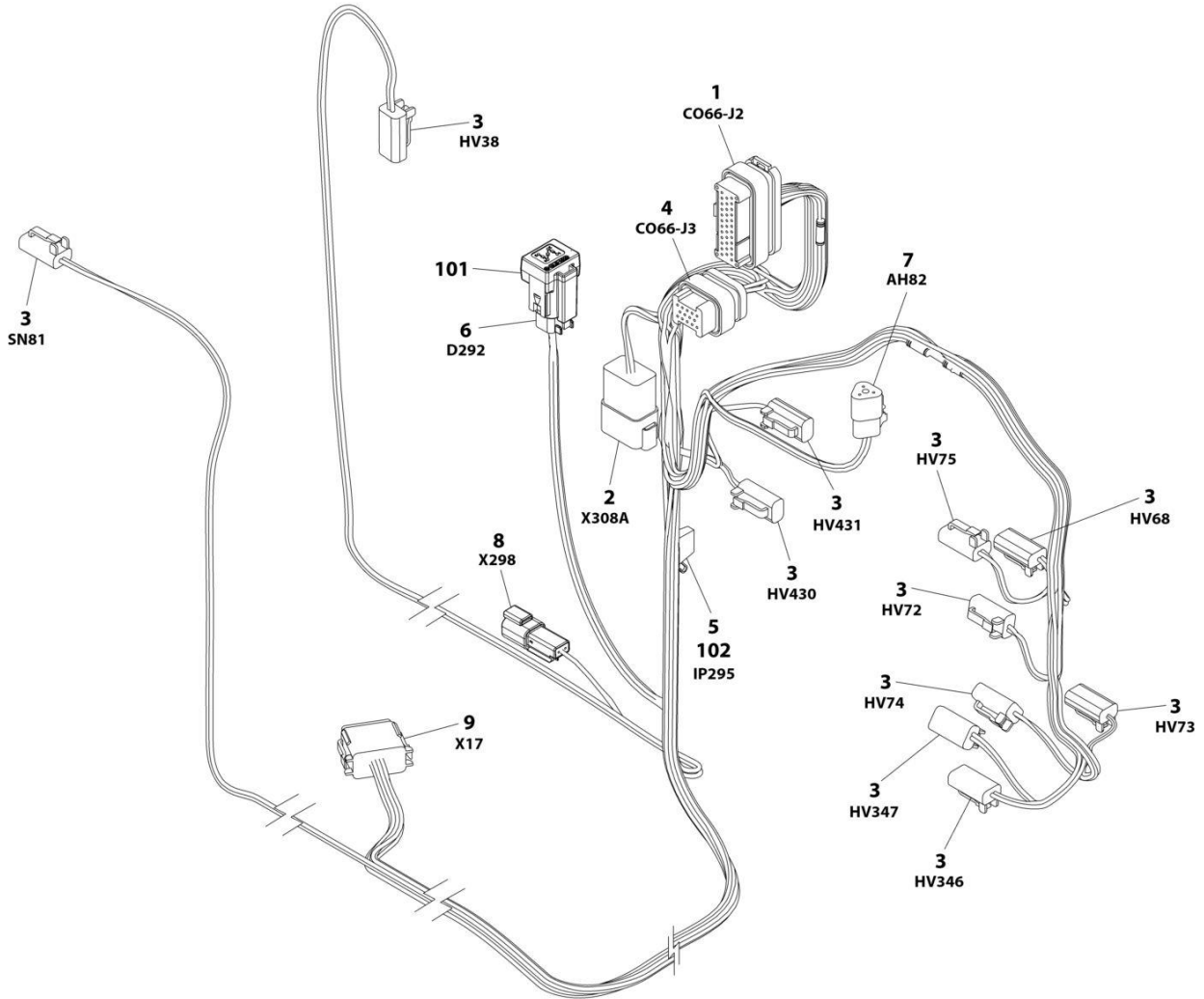
## SECTION 8 - ELECTRICAL

ITEM	PART NUMBER	QTY	DESCRIPTION	REV
19	4460466	10	Plug, Terminal	
19	1001119020	2	Connector, Bussbar	
19	1001155967	2	Bracket, Mounting	
20	4460897	3	Connector - 2 Position	
20	4460464	6	Pin, Male	
21	4460899	3	Connector - 6 Position	
21	4460464	14	Pin, Male	
21	4460466	4	Plug, Terminal	
22	2400060	1	Fuseholder Less Fuse	
22	See Note	1	Fuse 10Amp (Note: Not Available - Purchase Locally)	
23	4460891	5	Connector - 2 Position	
23	4460465	10	Socket, Female	
24	4460884	2	Connector - 4 Position	
24	4460465	7	Socket, Female	
24	4460466	1	Plug, Terminal	
25	4461110	1	Connector - 16 Position	
25	4461112	9	Terminal, Female	
25	4461222	7	Plug, Terminal	
26	4461017	1	Connector - 2 Position	
26	4460508	2	Pin, Male	
27	4460142	3	Ring, Terminal	
28	1001151788	1	Connector - 4 Position	
28	1001151824	2	Terminal	
29	4460866	1	Connector - 19 Position	
29	4460943	3	Pin, Male	
29	4460508	4	Pin, Male	
29	4460464	4	Pin, Male	
29	4460466	8	Plug, Terminal	



# SECTION 8 - ELECTRICAL

## FIGURE 8-53. VALVE HARNESS



ART\_1001283534



## SECTION 8 - ELECTRICAL

### FIGURE 8-53. VALVE HARNESS

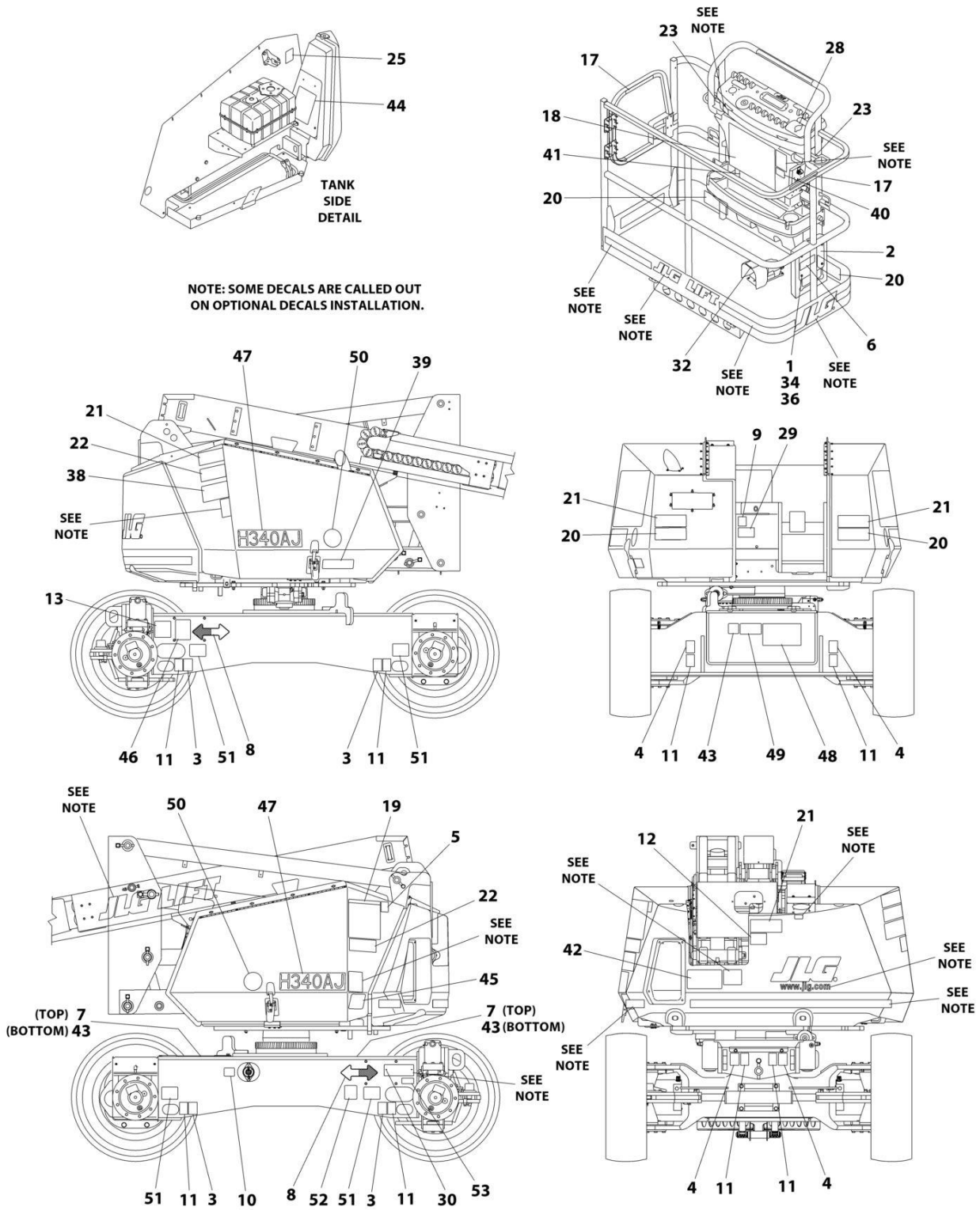
ITEM	PART NUMBER	QTY	DESCRIPTION	REV
	1001283534	Ref	VALVE HARNESS	A
1	4460875	1	Connector - 35 Position	
1	4460871	27	Socket, Female	
1	4460905	8	Plug, Terminal	
2	4460931	1	Connector - 8 Position	
2	4460464	3	Pin, Male	
2	4460466	5	Plug, Terminal	
3	4460891	11	Connector - 2 Position	
3	4460465	22	Socket, Female	
4	4460872	1	Connector - 14 Position	
4	4460871	7	Socket, Female	
4	4460905	7	Plug, Terminal	
5	2400060	1	Fuse Holder	
6	4460884	1	Plug, Male - 4 Position	
7	4460539	1	Connector - 3 Position	
7	4460465	3	Socket, Female	
8	4460897	1	Receptacle, Female - 2 Position	
8	4460464	1	Pin, Male	
8	4460466	1	Plug, Terminal	
9	4460933	1	Connector - 12 Position	
9	4460465	9	Socket, Female	
9	4460466	3	Plug, Terminal	
101	1001152266	1	Connector - 4 Position	
102	1001196636	1	Connector with Diode	



**SECTION 9 - DECALS**

# SECTION 9 - DECALS

FIGURE 9-1. DECALS INSTALLATION – ANSI, ANSI EXPORT CSA AND CHINA SPECS (ENGLISH)



ART\_1001247062

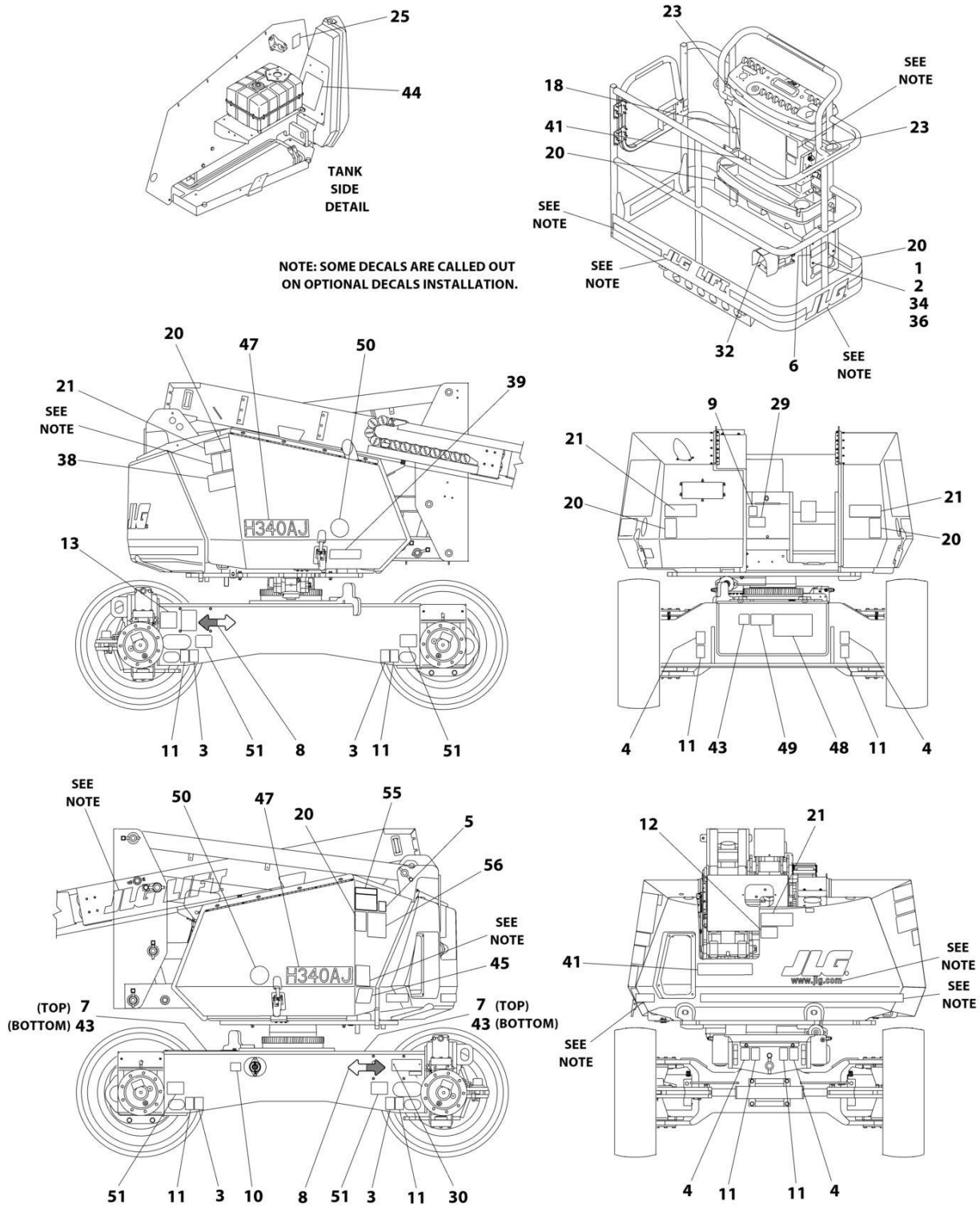
## SECTION 9 - DECALS

**FIGURE 9-1. DECALS INSTALLATION – ANSI, ANSI EXPORT CSA AND CHINA SPECS (ENGLISH)**

ITEM	PART NUMBER	QTY	DESCRIPTION	REV
	1001247062	Ref	DECALS INSTALLATION	F
1	0760610	4	Bolt M6 x 20	
2	0860520	1	Box, Manual Storage	
3	1701499	4	Decal - No Tie-Down/No Lift	
4	1701500	4	Decal - Lift	
5	1701504	1	Decal - Hydraulic Oil	
6	1701509	1	Decal - Manual	
7	1701529	2	Decal - Arrow	
8	1701642	2	Decal - Arrow	
9	1701644	1	Decal - Battery Charger	
10	1702155	1	Decal - Battery Disconnect	
11	1702300	8	Decal - Tie-Down	
12	1702391	1	Decal - Crushing	
13	See Note	1	Decal - Bar Code (Note: Not Available for Purchase)	
17	1702868	2	Decal - No Hands	
18	1703797	1	Decal - Danger/Warning	
19	1703798	1	Decal - Danger/Warning	
20	1703804	4	Decal - Warning Crushing	
21	1703805	4	Decal - Electrocution	
22	1703953	2	Decal - Warning Crushing	
23	1704277	2	Decal - Lanyard Attach	
25	1704412	1	Decal - Hydraulic Oil	
28	1705351	1	Decal - Drive/Steer Instructions	
29	1705929	1	Decal - Charger	
30	2080057	2	Fastener	
32	3252347	1	Nameplate - Footswitch	
34	3290605	4	Nut M6	
36	4811700	8	Washer M6	
38	1001284677	1	Decal - Lift Diagram	
39	1001119981	1	Decal - Manual Turntable Rotate	
40	1001120002	1	Decal - No Pipe Racks	
41	1001253920	1	Decal - Warning Single Cap	
42	1001253921	1	Decal - Warning Single Cap	
43	1001125483	3	Decal - Pressure Wash	
44	1001127549	1	Decal - Manual Descent	
45	1001127588	1	Decal - Manual Descent	
46	1001131269	1	Decal - Patent	
47	1001267324	2	Decal - H340AJ	
48	1001170061	1	Decal - Cable Routing	
49	1001170676	1	Decal - Tip Over	
50	1001174449	2	Decal - Hybrid	
51	1001182809	4	Decal - Tire Load	
52	1001223055	1	Decal - Yearly Inspection	
53	1001228370	1	Decal - ICES	

# SECTION 9 - DECALS

## FIGURE 9-2. DECALS INSTALLATION - AUSTRALIAN SPEC (ENGLISH)



ART\_1001169311

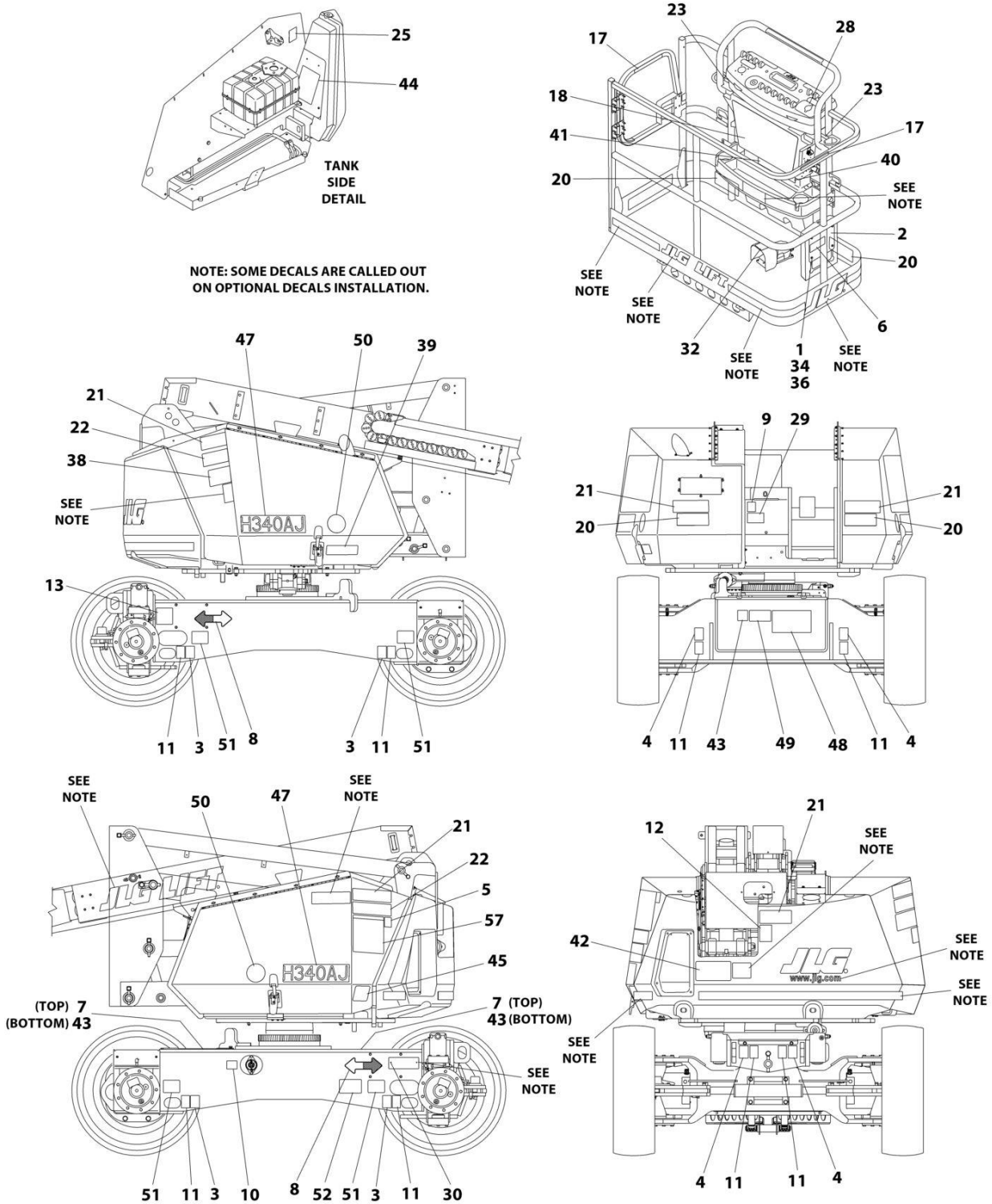
## SECTION 9 - DECALS

**FIGURE 9-2. DECALS INSTALLATION - AUSTRALIAN SPEC (ENGLISH)**

ITEM	PART NUMBER	QTY	DESCRIPTION	REV
	1001169311	Ref	DECALS INSTALLATION - AUSTRALIAN SPEC (ENGLISH)	J
1	0760610	4	Bolt M6 x 20	
2	0860520	1	Box, Manual Storage	
3	1701499	4	Decal - No Tie-Down/No Lift	
4	1701500	4	Decal - Lift	
5	1701504	1	Decal - Hydraulic Oil	
6	1701509	1	Decal - Manual	
7	1701529	2	Decal - Arrow	
8	1701642	2	Decal - Arrow	
9	1701644	1	Decal - Battery Charger	
10	1702155	1	Decal - Battery Disconnect	
11	1702300	8	Decal - Tie-Down	
12	1701517	1	Decal - Crushing	
13	See Note	1	Decal - Bar Code (Note: Not Available for Purchase)	
18	1705921	1	Decal - Tipping/Electrocution	
20	1701518	6	Decal - Crushing	
21	1705961	4	Decal - Electrocution	
23	1704277	2	Decal - Lanyard Attach	
25	1704412	1	Decal - Hydraulic Oil	
29	1706077	1	Decal - Battery Charger	
30	2080057	2	Fastener	
32	1705828	1	Decal - Footswitch	
34	3290605	4	Nut M6	
36	4811700	8	Washer M6	
38	1001284677	1	Decal - Lift Diagram	
39	1001119981	1	Decal - Manual Turntable Rotate	
41	1705978	2	Decal - Capacity 230KG	
43	1001125483	3	Decal - Pressure Wash	
44	1001127549	1	Decal - Manual Descent	
45	1001127588	1	Decal - Manual Descent	
47	1001267324	2	Decal - H340AJ	
48	1001170061	1	Decal - Cable Routing	
49	1001170060	1	Decal - Tip Over	
50	1001174449	2	Decal - Hybrid	
51	1001182809	4	Decal - Tire Load	
55	1705822	1	Decal - Electrocution/Safety Manual	
56	1001112551	1	Decal - Emergency Controls	

# SECTION 9 - DECALS

## FIGURE 9-3. DECALS INSTALLATION - BRAZIL SPEC (PORTUGUESE/SPANISH)



ART\_1001247067



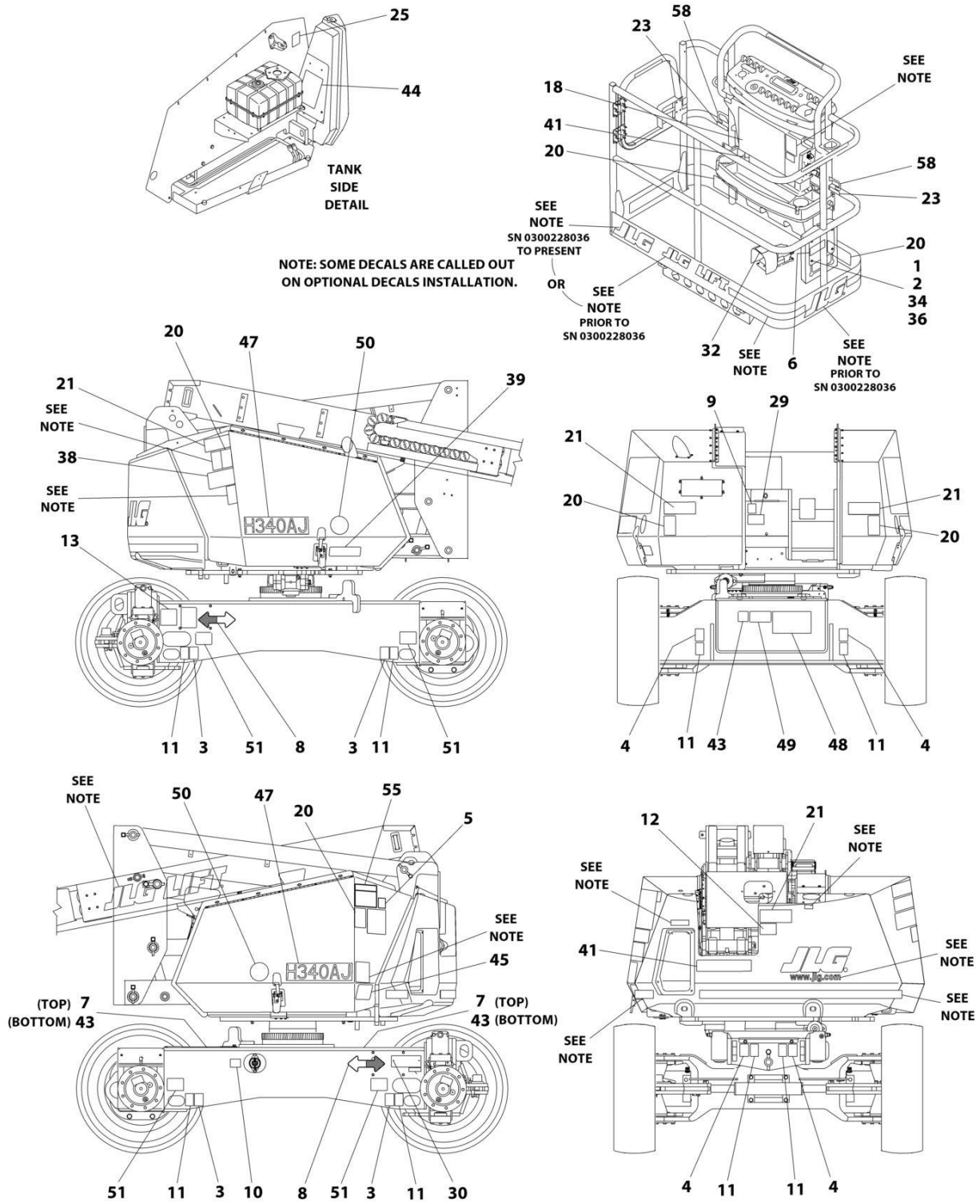
## SECTION 9 - DECALS

**FIGURE 9-3. DECALS INSTALLATION - BRAZIL SPEC (PORTUGUESE/SPANISH)**

ITEM	PART NUMBER	QTY	DESCRIPTION	REV
	1001247067	Ref	DECALS INSTALLATION	E
1	0760610	4	Bolt M6 x 20	
2	0860520	1	Box, Manual Storage	
3	1701499	4	Decal - No Tie-Down/No Lift	
4	1701500	4	Decal - Lift	
5	1701504	1	Decal - Hydraulic Oil	
6	1701509	1	Decal - Manual	
7	1701529	2	Decal - Arrow	
8	1701642	2	Decal - Arrow	
9	1701644	1	Decal - Battery Charger	
10	1702155	1	Decal - Battery Disconnect	
11	1702300	8	Decal - Tie-Down	
12	1001113170	1	Decal - Hand Crushing	
13	See Note	1	Decal - Bar Code (Note: Not Available for Purchase)	
17	1704002	2	Decal - No Hand	
18	1703928	1	Decal - Danger/Warning	
20	1703952	4	Decal - Warning Crushing	
21	1703940	5	Decal - Electrocution	
22	1703946	2	Decal - Warning Crushing	
23	1704277	2	Decal - Lanyard Attach	
25	1704412	1	Decal - Hydraulic Oil Chart	
28	1001113680	1	Decal - Drive/Steer Instructions	
29	1706089	1	Decal - Battery Charging Instructions	
30	2080057	2	Fastener	
32	1703985	1	Decal, Foot Switch	
34	3290605	4	Nut M6	
36	4811700	8	Washer M6	
38	1001284677	1	Decal - Lift Diagram	
39	1001119981	1	Decal - Manual Turntable Rotate	
40	1001120282	1	Decal - No Pipe Racks	
41	1001253928	1	Decal - Warning Single Cap	
42	1001253929	1	Decal - Warning Single Cap	
43	1001125483	3	Decal - Pressure Wash	
44	1001127549	1	Decal - Manual Descent	
45	1001127588	1	Decal - Manual Descent	
47	1001267324	2	Decal - H340AJ	
48	1001170061	1	Decal - Cable Routing	
49	1001170670	1	Decal - Tip-over	
50	1001174449	2	Decal - Hybrid	
51	1001182809	4	Decal - Tire Load	
52	1001224052	1	Decal - Yearly Inspection	
57	1705349	1	Decal - Warning Inspection	

# SECTION 9 - DECALS

## FIGURE 9-4. DECALS INSTALLATION - CE & UK CA SPECS (ENGLISH)



ART\_1001169317

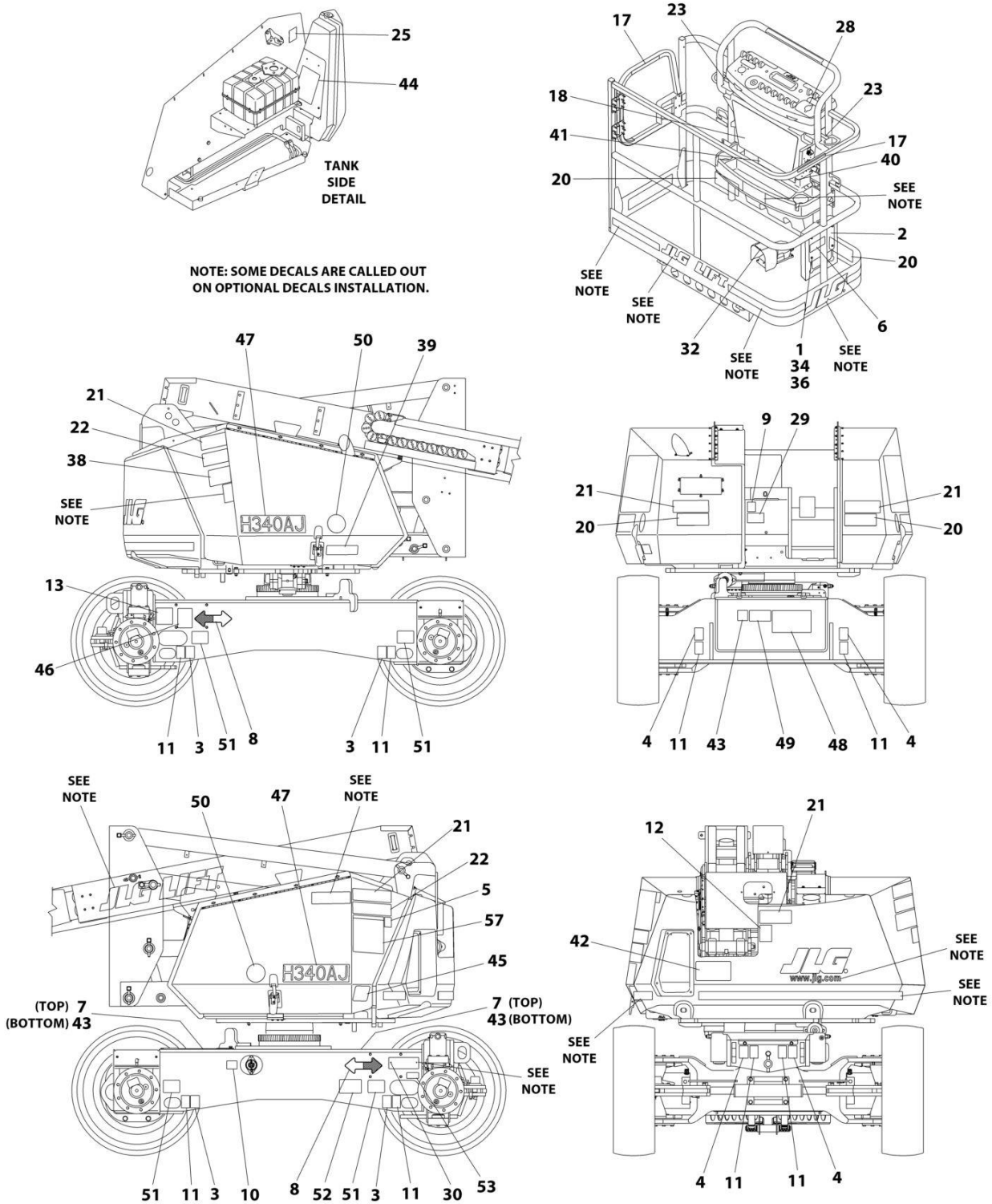
## SECTION 9 - DECALS

**FIGURE 9-4. DECALS INSTALLATION - CE & UK CA SPECS (ENGLISH)**

ITEM	PART NUMBER	QTY	DESCRIPTION	REV
	1001169317	Ref	DECALS INSTALLATION - CE & UK CA SPEC (ENGLISH)	K
1	0760610	4	Bolt M6 x 20	
2	0860520	1	Box, Manual Storage	
3	1701499	4	Decal - No Tie-Down/No Lift	
4	1701500	4	Decal - Lift	
5	1701504	1	Decal - Hydraulic Oil	
6	1701509	1	Decal - Manual	
7	1701529	2	Decal - Arrow	
8	1701642	2	Decal - Arrow	
9	1701644	1	Decal - Battery Charger	
10	1702155	1	Decal - Battery Disconnect	
11	1702300	8	Decal - Tie-Down	
12	1701517	1	Decal - Crushing	
13	See Note	1	Decal - Bar Code (Note: Not Available for Purchase)	
18	1705921	1	Decal - Tipping/Electrocution	
20	1701518	6	Decal - Crushing	
21	1705961	4	Decal - Electrocution	
23	1704277	2	Decal - Lanyard Attach	
25	1704412	1	Decal - Hydraulic Oil	
29	1706077	1	Decal - Battery Charger	
30	2080057	2	Fastener	
32	1705828	1	Decal - Footswitch	
34	3290605	4	Nut M6	
36	4811700	8	Washer M6	
38	1001284677	1	Decal - Lift Diagram	
39	1001119981	1	Decal - Manual Turntable Rotate	
41	1705978	2	Decal - Capacity 230KG	
43	1001125483	3	Decal - Pressure Wash	
44	1001127549	1	Decal - Manual Descent	
45	1001127588	1	Decal - Manual Descent	
47	1001267324	2	Decal - H340AJ	
48	1001170061	1	Decal - Cable Routing	
49	1001170060	1	Decal - Tip Over	
50	1001174449	2	Decal - Hybrid	
51	1001182809	4	Decal - Tire Load	
55	1705822	1	Decal - Electrocution/Safety Manual	
58	1001141678	2	Plate, Lanyard	

# SECTION 9 - DECALS

## FIGURE 9-5. DECALS INSTALLATION - CSA SPEC (FRENCH/ENGLISH)



ART\_1001247065

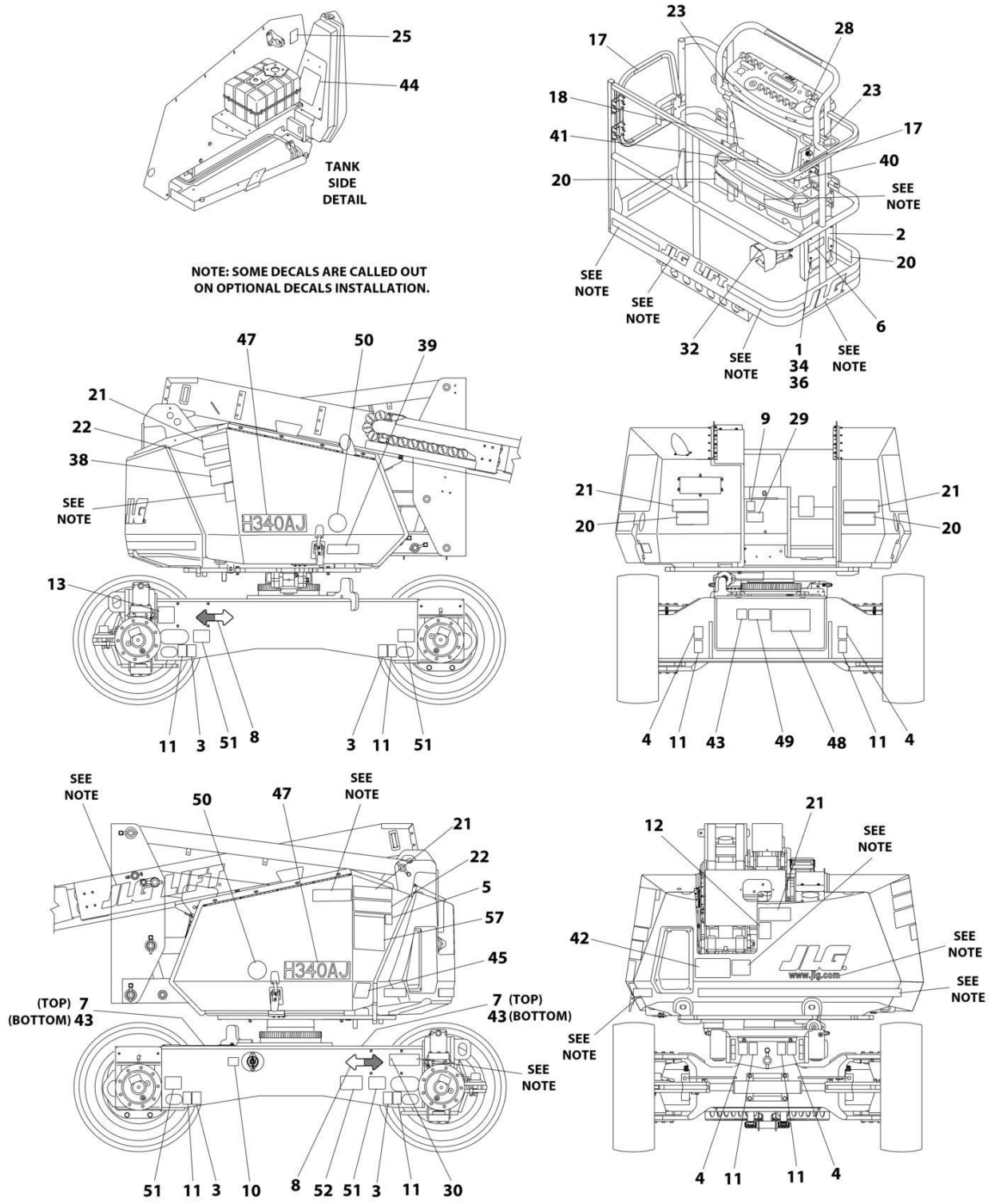
## SECTION 9 - DECALS

**FIGURE 9-5. DECALS INSTALLATION - CSA SPEC (FRENCH/ENGLISH)**

ITEM	PART NUMBER	QTY	DESCRIPTION	REV
	1001247065	Ref	DECALS INSTALLATION	E
1	0760610	4	Bolt M6 x 20	
2	0860520	1	Box, Manual Storage	
3	1701499	4	Decal - No Tie-Down/No Lift	
4	1701500	4	Decal - Lift	
5	1701504	1	Decal - Hydraulic Oil	
6	1701509	1	Decal - Manual	
7	1701529	2	Decal - Arrow	
8	1701642	2	Decal - Arrow	
9	1701644	1	Decal - Battery Charger	
10	1702155	1	Decal - Battery Disconnect	
11	1702300	8	Decal - Tie-Down	
12	1001113169	1	Decal - Hand Crushing	
13	See Note	1	Decal - Bar Code (Note: Not Available for Purchase)	
17	1704000	2	Decal - No Hand	
18	1703924	1	Decal - Danger/Warning	
20	1703948	4	Decal - Warning Crushing	
21	1703936	5	Decal - Electrocution	
22	1703942	2	Decal - Warning Crushing	
23	1704277	2	Decal - Lanyard Attach	
25	1704412	1	Decal - Hydraulic Oil Chart	
28	1705429	1	Decal - Drive/Steer Instructions	
29	1706097	1	Decal - Battery Charging Instructions	
30	2080057	2	Fastener	
32	1703984	1	Decal - Foot Switch	
34	3290605	4	Nut M6	
36	4811700	8	Washer M6	
38	1001284677	1	Decal - Lift Diagram	
39	1001119981	1	Decal - Manual Turntable Rotate	
40	1001120004	1	Decal - No Pipe Racks	
41	1001253922	1	Decal - Warning Single Cap	
42	1001253923	1	Decal - Warning Single Cap	
43	1001125483	3	Decal - Pressure Wash	
44	1001127549	1	Decal - Manual Descent	
45	1001127588	1	Decal - Manual Descent	
46	1001131269	1	Decal - Patent Boom Lifts	
47	1001267324	2	Decal - H340AJ	
48	1001170061	1	Decal - Cable Routing	
49	1001170672	1	Decal - Tip-over	
50	1001174449	2	Decal - Hybrid	
51	1001182809	4	Decal - Tire Load	
52	1001223971	1	Decal - Yearly Inspection	
53	1001228370	1	Decal - ICES	
57	1705347	1	Decal - Warning Inspection	

# SECTION 9 - DECALS

## FIGURE 9-6. DECALS INSTALLATION - CHINESE SPEC (CHINESE/ENGLISH)



ART\_1001247066

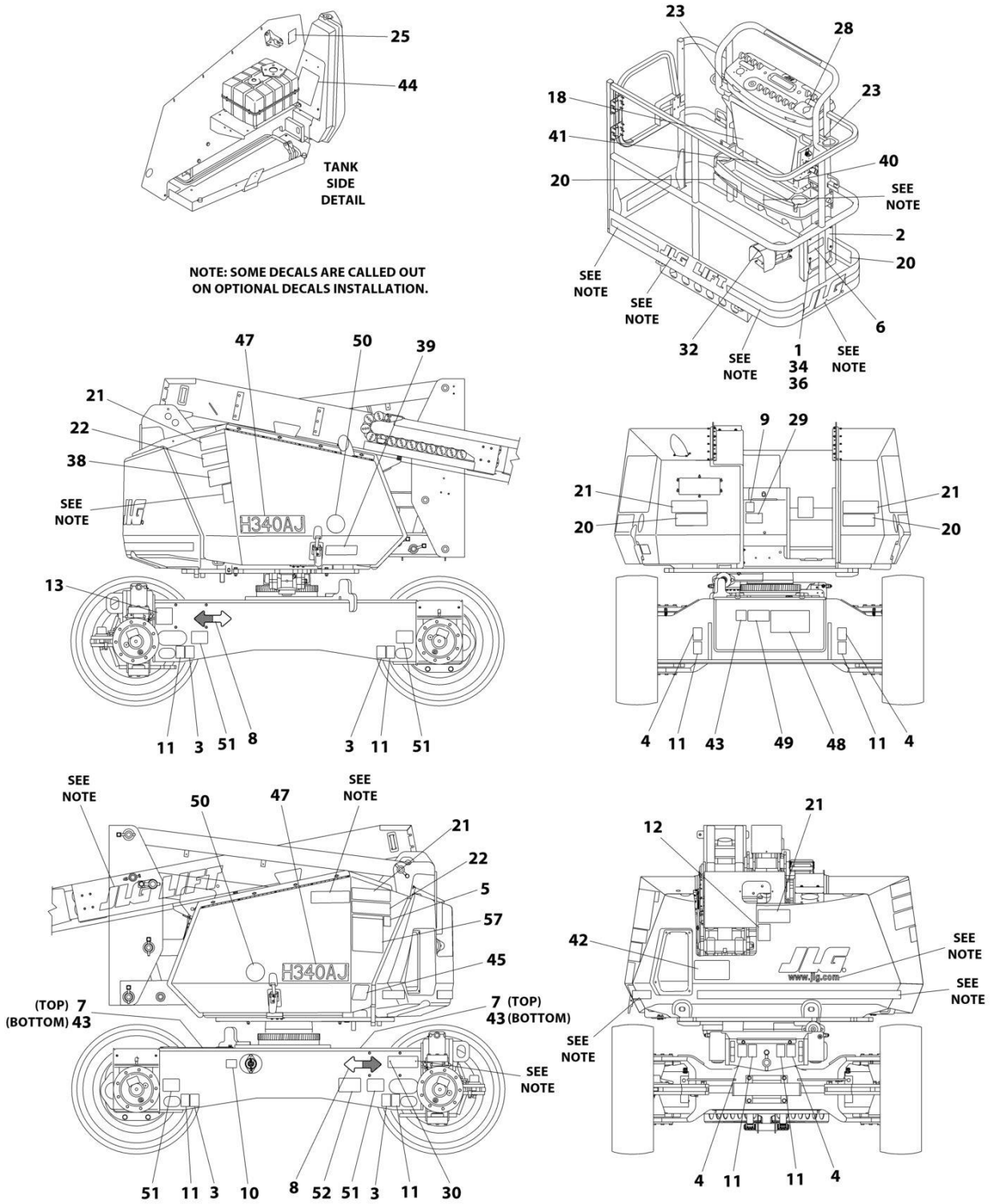
## SECTION 9 - DECALS

**FIGURE 9-6. DECALS INSTALLATION - CHINESE SPEC (CHINESE/ENGLISH)**

ITEM	PART NUMBER	QTY	DESCRIPTION	REV
	1001247066	Ref	DECALS INSTALLATION	F
1	0760610	4	Bolt M6 x 20	
2	0860520	1	Box, Manual Storage	
3	1701499	4	Decal - No Tie-Down/No Lift	
4	1701500	4	Decal - Lift	
5	1701504	1	Decal - Hydraulic Oil	
6	1701509	1	Decal - Manual	
7	1701529	2	Decal - Arrow	
8	1701642	2	Decal - Arrow	
9	1701644	1	Decal - Battery Charger	
10	1702155	1	Decal - Battery Disconnect	
11	1702300	8	Decal - Tie-Down	
12	1001113168	1	Decal - Hand Crushing	
13	See Note	1	Decal - Bar Code (Note: Not Available for Purchase)	
17	1705968	2	Decal - No Hand	
18	1703925	1	Decal - Danger/Warning	
20	1703949	4	Decal - Warning Crushing	
21	1703937	5	Decal - Drive/Steer Instructions	
22	1703943	2	Decal - Warning Crushing	
23	1704277	2	Decal - Lanyard Attach	
25	1704412	1	Decal - Hydraulic Oil Chart	
28	1705430	1	Decal - Drive/Steer Instructions	
29	1706093	1	Decal - Battery Charging Instructions	
30	2080057	2	Fastener	
32	1703982	1	Decal - Foot Switch	
34	3290605	4	Nut M6	
36	4811700	8	Washer M6	
38	1001284677	1	Decal - Lift Diagram	
39	1001119981	1	Decal - Manual Turntable Rotate	
40	1001120281	1	Decal - No Pipe Racks	
41	1001253926	1	Decal - Warning Single Cap	
42	1001253927	1	Decal - Warning Single Cap	
43	1001125483	3	Decal - Pressure Wash	
44	1001127549	1	Decal - Manual Descent	
45	1001127588	1	Decal - Manual Descent	
47	1001267324	2	Decal - H340AJ	
48	1001170061	1	Decal - Cable Routing	
49	1001170671	1	Decal - Tip-over	
50	1001174449	2	Decal - Hybrid	
51	1001182809	4	Decal - Tire Load	
52	1001224050	1	Decal - Yearly Inspection	
57	1705348	1	Decal - Electrocutation	

# SECTION 9 - DECALS

## FIGURE 9-7. DECALS INSTALLATION - JAPANESE SPEC (JAPANESE/ENGLISH)



ART\_1001247063



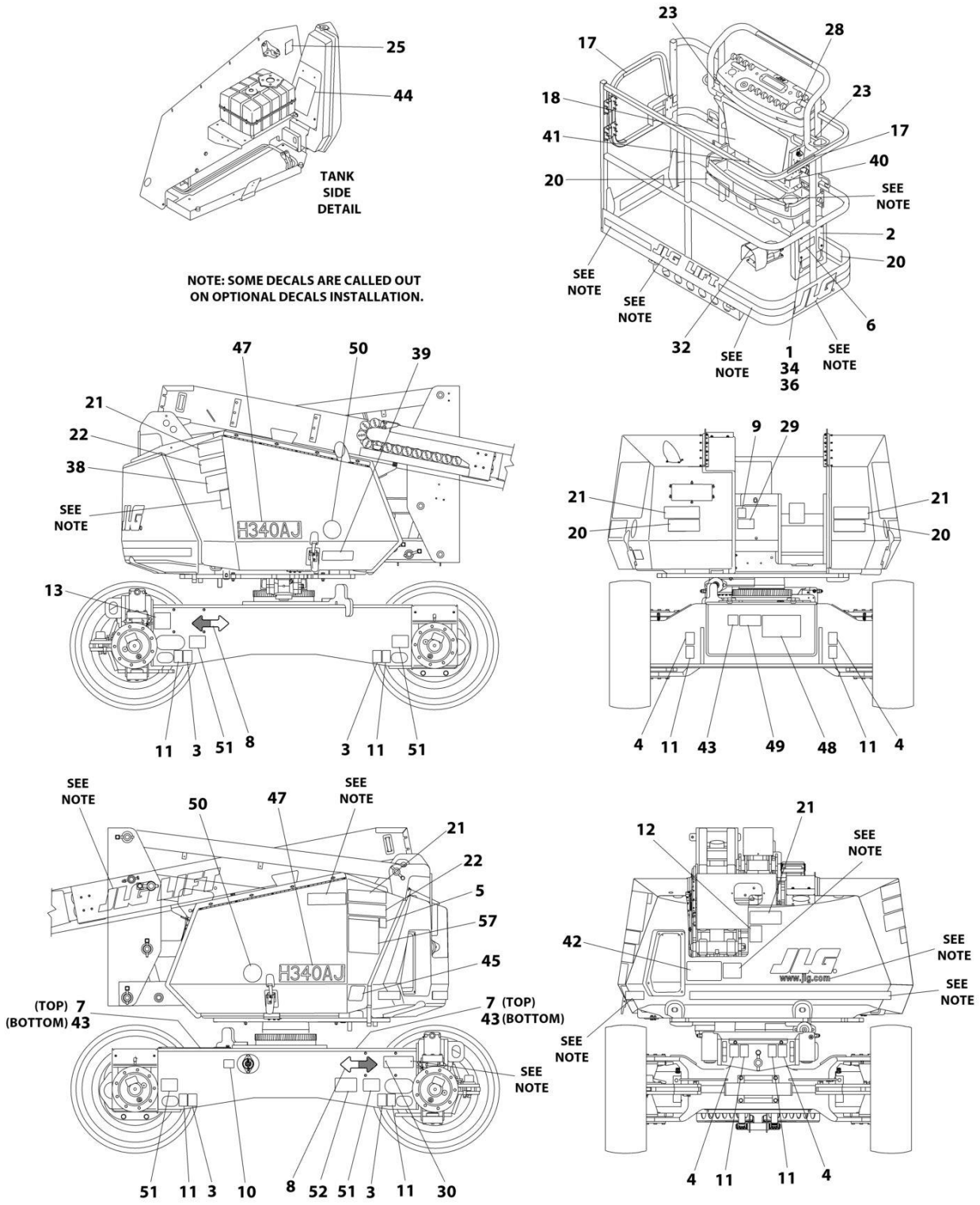
## SECTION 9 - DECALS

**FIGURE 9-7. DECALS INSTALLATION - JAPANESE SPEC (JAPANESE/ENGLISH)**

ITEM	PART NUMBER	QTY	DESCRIPTION	REV
	1001247063	Ref	DECALS INSTALLATION	F
1	0760610	4	Bolt M6 x 20	
2	0860520	1	Box, Manual Storage	
3	1701499	4	Decal - No Tie-Down/No Lift	
4	1701500	4	Decal - Lift	
5	1701504	1	Decal - Hydraulic Oil	
6	1701509	1	Decal - Manual	
7	1701529	2	Decal - Arrow	
8	1701642	2	Decal - Arrow	
9	1701644	1	Decal - Battery Charger	
10	1702155	1	Decal - Battery Disconnect	
11	1702300	8	Decal - Tie-Down	
12	1001113166	1	Decal - Hand Crushing	
13	See Note	1	Decal - Bar Code (Note: Not Available for Purchase)	
18	1703926	1	Decal - Danger/Warning	
20	1703950	4	Decal - Warning Crushing	
21	1703938	5	Decal - Electrocution	
22	1703944	2	Decal - Warning Crushing	
23	1704277	2	Decal - Lanyard Attach	
25	1704412	1	Decal - Hydraulic Oil Chart	
28	1705426	1	Decal - Drive/Steer Instructions	
29	1706077	1	Decal - Battery Charging Instructions	
30	2080057	2	Fastener	
32	1703980	1	Decal - Foot Switch	
34	3290605	4	Nut M6	
36	4811700	8	Washer M6	
38	1001284677	1	Decal - Lift Diagram	
39	1001119981	1	Decal - Manual Turntable Rotate	
40	1001120279	1	Decal - No Pipe Racks	
41	1001253932	1	Decal - Warning Single Cap	
42	1001253933	1	Decal - Warning Single Cap	
43	1001125483	3	Decal - Pressure Wash	
44	1001127549	1	Decal - Manual Descent	
45	1001127588	1	Decal - Manual Descent	
47	1001267324	2	Decal - H340AJ	
48	1001170061	1	Decal - Cable Routing	
49	1001170674	1	Decal - Tip-over	
50	1001174449	2	Decal - Hybrid	
51	1001182809	4	Decal - Tire Load	
52	1001224053	1	Decal - Yearly Inspection	
57	1705344	1	Decal - Warning Inspection	

# SECTION 9 - DECALS

## FIGURE 9-8. DECALS INSTALLATION - KOREAN SPEC (KOREAN/ENGLISH)



ART\_1001247064

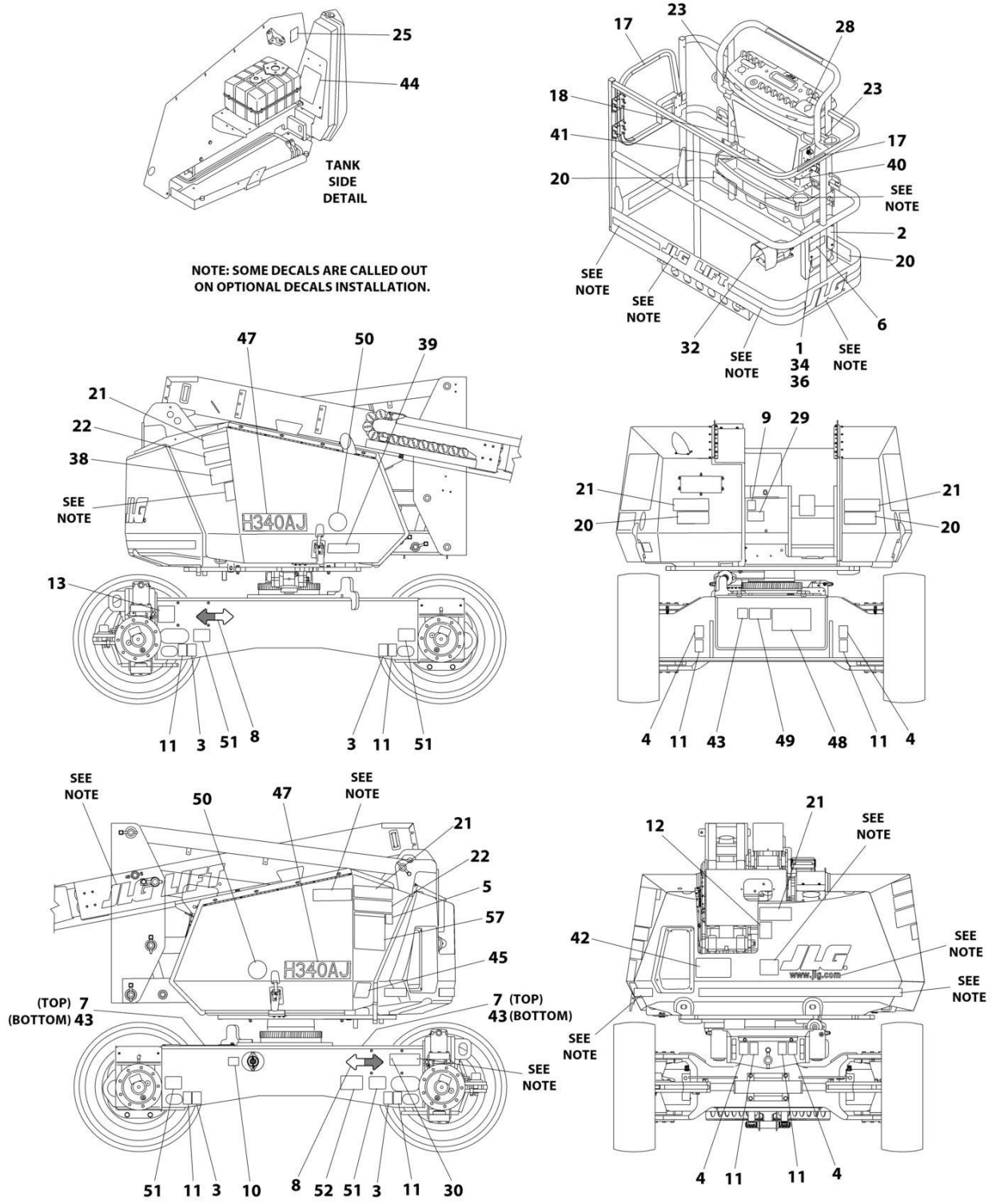
## SECTION 9 - DECALS

**FIGURE 9-8. DECALS INSTALLATION - KOREAN SPEC (KOREAN/ENGLISH)**

ITEM	PART NUMBER	QTY	DESCRIPTION	REV
	1001247064	Ref	DECALS INSTALLATION	F
1	0760610	4	Bolt M6 x 20	
2	0860520	1	Box, Manual Storage	
3	1701499	4	Decal - No Tie-Down/No Lift	
4	1701500	4	Decal - Lift	
5	1701504	1	Decal - Hydraulic Oil	
6	1701509	1	Decal - Manual	
7	1701529	2	Decal - Arrow	
8	1701642	2	Decal - Arrow	
9	1701644	1	Decal - Battery Charger	
10	1702155	1	Decal - Battery Disconnect	
11	1702300	8	Decal - Tie-Down	
12	1001113509	1	Decal - Hand Crushing	
13	See Note	1	Decal - Bar Code (Note: Not Available for Purchase)	
17	1705969	2	Decal - Caution No Hands	
18	1703927	1	Decal - Danger/Warning	
20	1703951	4	Decal - Warning Crushing	
21	1703939	5	Decal - Electrocution	
22	1703945	2	Decal - Warning Crushing	
23	1704277	2	Decal - Lanyard Attach	
25	1704412	1	Decal - Hydraulic Oil Chart	
28	1705427	1	Decal - Drive/Steer Instructions	
29	1001171296	1	Decal - Charging/Fire	
30	2080057	2	Fastener	
32	1703981	1	Decal - Foot Switch	
34	3290605	4	Nut M6	
36	4811700	8	Washer M6	
38	1001284677	1	Decal - Lift Diagram	
39	1001119981	1	Decal - Manual Turntable Rotate	
40	1001120280	1	Decal - No Pipe Racks	
41	1001253924	1	Decal - Warning Single Cap	
42	1001253925	1	Decal - Warning Single Cap	
43	1001125483	3	Decal - Pressure Wash	
44	1001127549	1	Decal - Manual Descent	
45	1001127588	1	Decal - Manual Descent	
47	1001267324	2	Decal - H340AJ	
48	1001170061	1	Decal - Cable Routing	
49	1001170673	1	Decal - Tip-over	
50	1001174449	2	Decal - Hybrid	
51	1001182809	4	Decal - Tire Load	
52	1001224048	1	Decal - Yearly Inspection	
57	1705345	1	Decal - Warning Inspection	

# SECTION 9 - DECALS

## FIGURE 9-9. DECALS INSTALLATION - LATIN AMERICA SPEC (SPANISH/ENGLISH)



ART\_1001247068

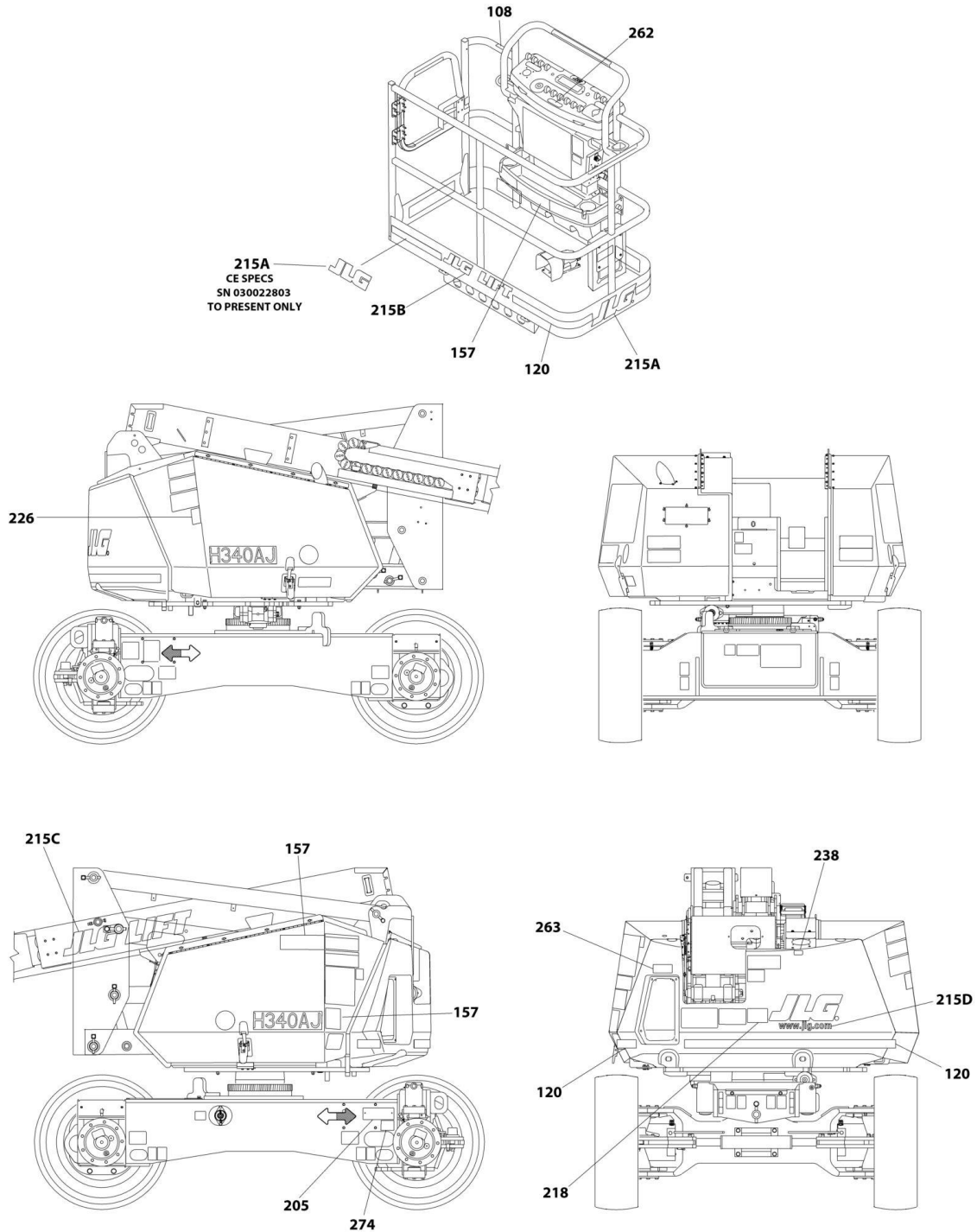
## SECTION 9 - DECALS

**FIGURE 9-9. DECALS INSTALLATION - LATIN AMERICA SPEC (SPANISH/ENGLISH)**

ITEM	PART NUMBER	QTY	DESCRIPTION	REV
	1001247068	Ref	DECAL INSTALLATION	E
1	0760610	4	Bolt M6 x 20	
2	0860520	1	Box, Manual Storage	
3	1701499	4	Decal - No Tie-Down/No Lift	
4	1701500	4	Decal - Lift	
5	1701504	1	Decal - Hydraulic Oil	
6	1701509	1	Decal - Manual	
7	1701529	2	Decal - Arrow	
8	1701642	2	Decal - Arrow	
9	1701644	1	Decal - Battery Charger	
10	1702155	1	Decal - Battery Disconnect	
11	1702300	8	Decal - Tie-Down	
12	1001113171	1	Decal - Hand Crushing	
13	See Note	1	Decal - Bar Code (Note: Not Available for Purchase)	
17	1704001	2	Decal - No Hand	
18	1703923	1	Decal - Danger/Warning	
20	1703947	4	Decal - Warning Crushing	
21	1703935	5	Decal - Electrocution	
22	1703941	2	Decal - Warning Crushing	
23	1704277	2	Decal - Lanyard Attach	
25	1704412	1	Decal - Hydraulic Oil Chart	
28	1705910	1	Decal - Drive/Steer Instructions	
29	1706085	1	Decal - Battery Charging Instructions	
30	2080057	2	Fastener	
32	1703983	1	Decal, Foot Switch	
34	3290605	4	Nut M6	
36	4811700	8	Washer M6	
38	1001284677	1	Decal - Lift Diagram	
39	1001119981	1	Decal - Manual Turntable Rotate	
40	1001120283	1	Decal - No Pipe Racks	
41	1001253930	1	Decal - Warning Single Cap	
42	1001253931	1	Decal - Warning Single Cap	
43	1001125483	3	Decal - Pressure Wash	
44	1001127549	1	Decal - Manual Descent	
45	1001127588	1	Decal - Manual Descent	
47	1001267324	2	Decal - H340AJ	
48	1001170061	1	Decal - Cable Routing	
49	1001170669	1	Decal - Tip-over	
50	1001174449	2	Decal - Hybrid	
51	1001182809	4	Decal - Tire Load	
52	1001224049	1	Decal - Yearly Inspection	
57	1705917	1	Decal - Warning Inspection	

# SECTION 9 - DECALS

## FIGURE 9-10. DECALS INSTALLATION - OPTIONS



ART\_DECAL\_OPTIONS

## SECTION 9 - DECALS

**FIGURE 9-10. DECALS INSTALLATION - OPTIONS**

ITEM	PART NUMBER	QTY	DESCRIPTION	REV
		Ref	OPTIONAL DECALS INSTALLATION	
108	1001231801	1	Decal - Warning Proposition 65 (ANSI Specs)	
120	4420051	AR	Tape, Safety	
157	1704286	2	Decal - Generator Warning (ANSI, ANSI Export, CSA and China Specs)	
157	1001093687	2	Decal - Generator Warning (Australian, CE & UK CA Specs)	
157	1704373	2	Decal - Generator Warning (Brazil Specs)	
157	1704368	2	Decal - Generator Warning (CSA Specs)	
157	1704372	2	Decal - Generator Warning (Chinese Specs)	
157	1704369	2	Decal - Generator Warning (Japanese Specs)	
157	1704370	2	Decal - Generator Warning (Korean Specs)	
157	1704371	2	Decal - Generator Warning (Latin America Specs)	
205	See Note	1	Nameplate - Manufacturers Serial Number (Note: Not Available for Purchase)	
215	1001110613	Ref	JLG Logo Installation	B
215A	1702773	1	Decal - JLG	
215B	1702774	1	Decal - JLG Lift (3in)	
215C	1702860	1	Decal - JLG Lift (5in)	
215D	1704885	1	Decal - Website	
218	3251813	1	Decal - USA (ANSI, ANSI Export & CSA Specs)	
226	1704972	1	Decal - Warning Explosion/Fire (ANSI & CSA Specs)	
226	1706098	1	Decal - Warning Explosion/Fire (Australian, CE & UK CA Specs)	
226	1706059	1	Decal - Warning Explosion/Fire (Brazil Specs)	
226	1706064	1	Decal - Warning Explosion/Fire (CSA Specs)	
226	1706060	1	Decal - Warning Explosion/Fire (Chinese Specs)	
226	1706062	1	Decal - Warning Explosion/Fire (Japanese Specs)	
226	1706061	1	Decal - Warning Explosion/Fire (Korean Specs)	
226	1706063	1	Decal - Warning Explosion/Fire (Latin America Specs)	
238	1001108923	1	Decal - Low Sulfer Fuel Spec (ANSI & CSA Specs Only)	
238	1001139654	1	Decal - Ultra Low Sulphur Diesel Fuel (Japanese, CE & UK CA Specs Only)	
262	1001141300	1	Decal - SkyGuard Override	
263	1001189882	1	Decal - MSSO	
274	1001214029	Ref	EAC Decal Installation (Russia/CIS Specs)	
274	1001173703	1	Decal - EAC	





## **SECTION 10 - RECOMMENDED SERVICE PARTS STOCK**

## **SECTION 10 - RECOMMENDED SERVICE PARTS STOCK**

# SECTION 10 - RECOMMENDED SERVICE PARTS STOCK

## FIGURE 10-1. RECOMMENDED SERVICE PARTS STOCK

ITEM	PART NUMBER	QTY	DESCRIPTION	REV
		Ref	Note: The following list will service one machine (built to current production per date on the front cover) with emergency repair parts which can be installed in the field. Parts from the list should be replaced when inventory is depleted to keep service parts stock supplied. For further information, contact your JLG dealer or the JLG Industries Parts Department.	
	1001181045	1	Breaker, Combination 16Amp/30mAmp (CE & UK CA Specs)	
	1001178594	12	Air Breather Filter (Hydraulic Tank)	
	70050516	1	Coil (Oscillating Axle Valve)	
	70002963	1	Coil (Upright & Oscillating Axle Valves)	
	70002386	1	Coil (Boom, Manual Pump & Main Control Valves & Lift Cylinders)	
	70002971	1	Coil (Main Control Valves)	
	70003788	1	Coil (Main Control Valves)	
	1001272006	1	Contactora (Frame)	
	1001212415	1	Drive/Steer Controller Assembly	
	1001129555	1	Lift/Swing Controller Assembly	
	4360407	1	Controller, Speed	
	3990010	2	Diode 6Amp	
	1001178595	12	Element, Filter (Hudraulic Tank)	
		Ref	Engine Componets - Kubota	
	1001155934	1	Controller, Generator	
	7015004	12	Element, Air Filter	
	7017980	12	Filter, Oil	
	7017992	12	Filter, Inline Fuel	
	1001159665	1	Relay, Contactora	
	1001170365	2	Fuse, 400 Amp (at Batteries)	
	1001170484	2	Fuse 125 Amp (Electrical Plate)	
	1001186489	2	Fuse 2Amp (Charger Harness)	
	1001170762	2	Fuse 30Amp (Charger Harness)	
	8229245	2	Fuse 30Amp (Engine Harness)	
	8229247	2	Fuse 25Amp (Engine Harness)	
	8229246	2	Fuse - 20Amp (Engine Harness)	
	1001170760	2	Fuse 10Amp (Traction Harness)	
	8229242	2	Fuse 5Amp (Traction Harness)	
	8229244	2	Fuse 15Amp (Turntable Harness)	
	1001172227	2	Fuse 40Amp ATO (Turntable Harness)	
	2400065	2	Fuse 30 Amp (Turntable Harness)	
	2400064	2	Fuse 5Amp (Turntable Harness)	
	2860030	1	Key, Replacement (Ground Controls)	
	2940074	1	Latch (Gate Entry Platform)	
	1001170140	1	Module, Drive	
	1001183213	1	Module, UGM	
	1001142683	1	Module, Beacon Control (Blue and Red Beacons)	
	1001159754	2	Module, Diode	
	1001169594	1	Module, Platform	
	1001186431	1	Relay (SkyGuard)	
	3740086	1	Relay (SkyLine)	
	1001171295	1	Relay	
	1001161117	1	Switch, Rotary Angle Sensor (Steer)	

## SECTION 10 - RECOMMENDED SERVICE PARTS STOCK

ITEM	PART NUMBER	QTY	DESCRIPTION	REV
	70004812	1	Sensor, Speed (Drive Motor)	
	70004816	1	Sensor, Temperature (Drive Motor)	
	1001102771	1	Sensor, Temperature (Battery)	
	1001183548	1	Sensor, Current (Electrical Plate)	
	1001219601	1	Sensor (Tilt)	
	70004993	1	Sensor (Generator)	
	1001228225	1	Sensor, Emitter (SkyEye)	
	1001228224	1	Sensor, Receiver (SkyEye)	
	1001232667	1	Sensor, Proximity (SkyLine)	
	1001170483	1	Switch, Battery Disconnect	
	4360328	1	Switch, Toggle (Ground Controls)	
	4360469	1	Switch, Key (Ground Controls)	
	4360475	1	Switch, Emergency Stop (Ground Controls Controls)	
	1001274559	1	Switch, Emergency Stop (Platform Controls)	
	4360476	1	Block, Switch Contact (Ground Controls & Platform Controls)	
	4360387	1	Switch, Pushbutton (Ground Controls & Platform Controls)	
	1001117174	1	Footswitch Assembly Platform)	
	1001155045	1	Switch, Toggle (Platform Controls)	
	1001159256	1	Switch, Toggle (Platform Controls)	
	1001161710	1	Switch, Toggle (Platform Controls)	
	1001137673	1	Switch, SkyGuard Bar	
	1001119170	1	Switch, Limit (Electrical Components)	
	4460548	1	Switch, Limit (Boom)	



**SECTION 11 - SPECIAL OPTIONS/ACCESSORIES/KITS**

**SECTION 11 - SPECIAL OPTIONS/ACCESSORIES/KITS**

# SECTION 11 - SPECIAL OPTIONS/ACCESSORIES/KITS

FIGURE 11-1. SPECIAL OPTIONS/ACCESSORIES/KITS

ITEM	PART NUMBER	QTY	DESCRIPTION	REV
	1001287192	Ref	No Strobe Light Installation	
		Ref	Note: This list is to accommodate machines ordered with special equipment. Options may not be applicable to all models. For more specific parts information contact JLG Parts Department.	
		Ref	SPECIAL OPTIONS/ACCESSORIES/KITS	
	1001119028	Ref	Airline Installation (Machines without Arctic Package)	
	1001119378	Ref	Airline Installation (Machines with Arctic Package)	
	1001119803	Ref	Bellows Installation (Boom & Chassis)	
	1001119962	Ref	Boom Wipers Installation	
	1001172045	Ref	Cable Carrier Tray Installation	
	1001270716	Ref	White Noise Alarm (Constant) Add-on Kit (Dealer Installed)	
		Ref	<b>ClearSky Telematics Add-on Kits (Dealer Installed)</b>	
	1001276923	Ref	ClearSky (Telematics) Add-on Kit (Dealer Installed) - 3 Wire Connection	
		Ref	ClearSky Telematics Installations (Factory Installed)	
	1001227454	Ref	ClearSky (Telematics) Installation (Factory Installed) - Canbus Connection (All Specs Except China Specs)	
	1001228956	Ref	ClearSky (Telematics) Installation (Factory Installed) - Canbus Connection (ANSI Export, CE & UK CA Specs) ClearSky (Telematics) Installation (Factory Installed) - Canbus Connection (Australian Specs)	
	1001246486	Ref	ClearSky (Telematics) Installation (Factory Installed) - Canbus Connection (Australian Specs)	
	1001246487	Ref	ClearSky (Telematics) Installation (Factory Installed) - Canbus Connection (China Specs)	
	1001276610	Ref	ClearSky (Telematics) Installation (Factory Installed) - 3 Wire Connection	
	1001169720	Ref	Cold Weather Package	
	1001276007	Ref	Controller Service Kit - Drive/Steer	
	1001276008	Ref	Controller Service Kit - Lift/Swing	
	1001169732	Ref	Cribbing Switch Installation (ANSI Specs)	
	1001119459	Ref	Decals - ClearSky (All Specs Except Japanese Specs)	
	1001117294	Ref	Footswitch Shield Installation	
	1001209659	Ref	Fuel Cap Cover (Lockable) (Black)	
	1001209658	Ref	Fuel Cap Cover (Lockable) (Green)	
	1001120103	Ref	Ground Control Cover Installation	
	1001173326	Ref	Hot Weather Package	
	1001173140	Ref	Inverter Installation - 110V-50Hz (ANSI Export Spec)	
	1001169725	Ref	Inverter Installation - 120V-50/60Hz (ANSI, ANSI Export, CSA, Japanese and China Spec)	
	1001173139	Ref	Inverter Installation - 230V-50Hz (CE & UK CA Spec)	
	1001169724	Ref	Inverter Installation - 240V-50Hz (ANSI Export, CSA and China Spec)	
	1001169723	Ref	Lights Installation - Chassis Worklights	
	1001170104	Ref	Lights Installation - Headlights and Taillights	
	1001120466	Ref	Lights Installation - Platform Worklights	
	1001183407	Ref	Low Temperature Cutout Installation (Russian Specs)	
	1001272166	Ref	Pipe Rack Add-on Kit (Dealer Installed)	
	1001195304	Ref	Platform Console Cover Installation	
	1580013	Ref	Platform Corner Storage Tray	
	1001274833	Ref	Platform Floormat Add-on Kit - 30IN x 48IN Platform (Dealer	

## SECTION 11 - SPECIAL OPTIONS/ACCESSORIES/KITS

ITEM	PART NUMBER	QTY	DESCRIPTION	REV
			Installed)	
	1001274832	Ref	Platform Floormat Add-on Kit - 30IN x 60IN Platform (Dealer Installed)	
		Ref	<b>Platform Mesh Add-on Kits (Dealer Installed):</b>	
	1001281461	Ref	Platform Mesh to Midrail Add-on Kit - 30in x 48in Platforms (Dealer Installed)	
	1001281460	Ref	Platform Mesh to Midrail Add-on Kit - 30in x 60in Platforms (Dealer Installed)	
	1001281456	Ref	Platform Mesh to Top Add-on Kit - 30in x 48in Platforms (Dealer Installed)	
	1001281455	Ref	Platform Mesh to Top Add-on Kit - 30in x 60in Platforms (Dealer Installed)	
		Ref	<b>Platform Mesh Installations (Factory Installed):</b>	
	1001140318	Ref	Platform Mesh to Midrail Installation - 30in x 48in Platforms (Factory Installed)	
	1001140315	Ref	Platform Mesh to Midrail Installation - 30in x 60in Platforms (Factory Installed)	
	0273147	Ref	Platform Mesh to Toprail Installation - 30in x 48in Platforms (Factory Installed)	
	0273146	Ref	Platform Mesh to Toprail Installation - 30in x 60in Platforms (Factory Installed)	
	1001266969	Ref	Platform Plastic Mesh to Midrail Installation - 30in x 48in Platforms (Factory Installed)	
	1001266799	Ref	Platform Plastic Mesh to Midrail Installation - 30in x 60in Platforms (Factory Installed)	
	1001266807	Ref	Platform Plastic Mesh to Toprail Installation - 30in x 48in Platforms (Factory Installed)	
	1001266801	Ref	Platform Plastic Mesh to Toprail Installation - 30in x 60in Platforms (Factory Installed)	
	1001103617	Ref	Platform Rail Extension Installation (30in x 48in Platforms)	
	1001103558	Ref	Platform Rail Extension Installation (30in x 60in Platforms)	
	1001209059	Ref	Platform Work Surface	
	1001169726	Ref	Security Lock (Programmable) Installation	
	1001279422	Ref	Service Tools & Kits	C
	1001277842	Ref	UGM2 Module Kit	
	1001274249	Ref	USB Charger Port Add-on Kit (Dealer Installed)	
	1001270755	Ref	White Noise Alarm (Ambient) Add-on Kit (Dealer Installed)	

# SECTION 11 - SPECIAL OPTIONS/ACCESSORIES/KITS

## PART NUMBER INDEX



## SECTION 11 - SPECIAL OPTIONS/ACCESSORIES/KITS

0060044 ..... 131, 135	0701018 ..... 53, 131, 133	0860520.....333, 335, 337,	1001113961 .....277
0100009 .....165	0701019 ..... 92	339, 341, 343, 345,	1001114761 .....43
0100011 .... 13, 15, 17, 21,	0701020 .....131, 133	347, 349	1001115649 ..... 127
37, 39, 43, 53, 57, 63,	0701022 .....53	0861731 .....305, 307, 309	1001115650 ..... 127
77, 87, 89, 92, 102,	0701027 ..... 127	0861781 .....297, 299	1001115657 ..... 127
105, 108, 123, 125,	0701217 ..... 13	0861880 ..... 257	1001115661 ..... 127
127, 129, 139, 141,	0711227 ..... 129	0940048 ..... 127	1001115663 ..... 127
143, 155, 157, 159,	0711426 ..... 47	0961845 .....155, 157, 159	1001115669 ..... 127
181, 185, 245, 249, 261	0711432 ..... 47	0961947 ..... 135, 137	1001115672 .....123, 125,
0100019 .....21, 47, 105	0721004 .....53	0961948.....127, 129, 195,	127
0100020 ..... 103, 177	0760306 ..... 102	197	1001115766 ..... 123
0100035 ..... 165, 169	0760410 ..... 102	0961950 ..... 15	1001115773 .....31
0100048 .....77	0760505 .....77, 102	0961951 .....131, 133, 191,	1001115784 .....245
0100051 .....35	0760508 ... 92, 95, 97, 108	193, 199	1001115788 .....227
0100081 .95, 97, 245, 249	0760512 .....37	0962140 ..... 13	1001115870 ..... 127
0100083 .....103	0760605 ..... 21, 246, 250	0962224 ..... 127	1001116228 .....143, 145
0140011 .....165	0760606 ..... 139	0962257 ..... 135, 137	1001116361 ..... 15, 189
0140043 .....77	0760607 ..... 21, 39, 261	0962259 ..... 127	1001116378 ..... 189
0273146 .....359	0760608 .... 71, 73, 77, 92,	0962292 ..... 131, 133	1001116433 .....245, 249
0273147 .....359	95, 97, 105, 108, 245,	0962449 ..... 255	1001116487 .....43, 45
0275216 ..... 221, 297	249, 261	1001091102 ..... 103	1001116546 ..... 127
0275217 ..... 225, 299	0760610 .... 21, 71, 73, 87,	1001093687 ..... 351	1001116547 ..... 127
0275218 ..... 227, 301	89, 92, 97, 102, 108,	1001094670 ..... 131, 133	1001116548 ..... 127
0275219 ..... 229, 303	139, 217, 221, 225,	1001097051 ..... 317	1001116549 ..... 127
0275452 ..... 231, 305	227, 229, 231, 233,	1001097150 ..... 257	1001116720 .....273
0275453 ..... 233, 307	235, 333, 335, 337,	1001097244 ..... 163, 179,	1001116723 .....275, 323
0275454 ..... 235, 309	339, 341, 343, 345,	311	1001116732 .....273, 323,
0340045 .....108	347, 349	1001098122 ..... 177, 289	325
0400209 .....35	0760612 .77, 92, 102, 108	1001098828 ..... 139	1001116733 .....273, 325
0630518 ..... 69, 169	0760613 .....108	1001100341 ..... 297	1001116734 .....273, 325
0630568 .....166	0760614 .....102, 163	1001100342 ..... 299	1001116774 .....321
0641404 .....185	0760621 ..... 77, 245, 249	1001100345 ..... 305	1001116788 .....13, 201
0641405 ..... 165, 185	0760807 ..... 108	1001100346 ..... 309	1001116808 .....321
0641406 ..... 108, 161	0760808 .... 21, 35, 37, 39,	1001100347 ..... 307	1001116810 .....259
0641410 .....108	53, 92, 105, 261, 271	1001102771 ..... 35, 355	1001116811 ..... 75
0641414 ..... 165, 181	0760810 .....13, 77	1001103012 ..... 325	1001116812 .....275
0641418 ..... 155, 159	0760812 .... 35, 43, 53, 71,	1001103257 ..... 71	1001116815 .....278
0641420 .....157	73, 92, 105, 129	1001103258 ..... 73	1001116835 .....143
0641506 .....92	0760814 .....102, 105	1001103558 ..... 359	1001116876 ..... 129
0641508 .....108	0760816 ..... 77	1001103617 ..... 359	1001116877 ..... 129
0641605 .....103	0760818 ..... 13	1001104519 ..... 293	1001117025 .....325
0641606 .....37	0761007 ..... 141	1001106736 ..... 77	1001117057 .....323
0641608 .....37	0761009 .....92	1001106757 .....245, 249	1001117078 .....277
0641610 ..... 105, 108	0761010 ..... 13, 35, 127	1001107152 .....245, 249	1001117129 .....31, 33
0641808 .....108	0761011 ..... 92, 123, 125	1001107781 ..... 47, 49	1001117131 .....31
0641822 .....105	0761012 35, 53, 102, 123,	1001107854 ..... 325	1001117132 .....31
0641824 .....108	125, 245, 249	1001108290 ..... 129	1001117172 ..... 177
0681608 ..... 105, 139	0761014 77, 92, 102, 108,	1001108923 ..... 351	1001117174 .....165, 177,
0700408 .... 221, 225, 227,	123, 125, 139	1001109503 .....61, 67	355
229, 231, 233, 235	0761015 ..... 15, 105, 123,	1001109528 ..... 123, 125	1001117281 .....95, 97
0700608 .....92	125, 127, 163	1001110434 ..... 165	1001117282 .....92
0700610 ..... 35, 163	0761016 .....102	1001110544 ..... 103	1001117294 ..... 358
0700614 .....103	0761018 ..... 13	1001110613 ..... 351	1001117365 ..... 189
0700615 ..... 83, 85	0761020 ..... 35	1001110873 ..... 219	1001117366 ..... 189
0700618 .... 221, 225, 227,	0761210 .....92, 127	1001112551 ..... 335	1001117372 ..... 189
229, 231, 233, 235	0761212 .... 123, 125, 127	1001112607 ..... 123, 125	1001117640 .....123, 125,
0700628 .....43	0761214 ..... 127	1001112612 .....277, 321	195
0700808 .....93	0761215 .... 123, 125, 139	1001112796 ..... 321	1001117884 .....123, 131
0700812 .....53	0761614 ..... 15	1001113047 ..... 39	1001117885 .....123, 125,
0700815 .....17	0761615 ..... 127	1001113166 ..... 345	129
0700818 ..... 131, 133	0762016 .....102	1001113168 ..... 343	1001117897 .....53
0700820 ..... 245, 249	0770815 ..... 105	1001113169 ..... 341	1001118262 .....53
0700829 ..... 245, 249	0771618 .....21	1001113170 ..... 337	1001118274 .....129, 143,
0701012 .....13	0860038 .....219, 223	1001113171 ..... 349	245, 249
0701015 .....108		1001113509 ..... 347	1001118280 ..... 108
0701016 .....108		1001113680 ..... 337	1001118282 .....273

## SECTION 11 - SPECIAL OPTIONS/ACCESSORIES/KITS

10011 18287 ..... 129	10011 19572 ..... 210	10011 26008 ..... 275, 323	10011 55743 ..... 21, 78
10011 18288 ..... 129	10011 19577 ..... 210	10011 26009 ..... 313	10011 55934 ..... 102, 354
10011 18292 ..... 245, 249, 255	10011 19593 ..... 210	10011 26245 ..... 323	10011 55967 ..... 13, 326
10011 18361 ..... 92, 95	10011 19594 ..... 210	10011 27549 ..... 333, 335, 337, 339, 341, 343, 345, 347, 349	10011 56603 ..... 109
10011 18384 ..... 313	10011 19595 ..... 210	10011 27588 ..... 333, 335, 337, 339, 341, 343, 345, 347, 349	10011 56604 ..... 109
10011 18388 ..... 313	10011 19596 ..... 210	10011 27705 ..... 210	10011 57406 ..... 105, 115
10011 18394 ..... 131, 133	10011 19597 ..... 210	10011 28781 ..... 53	10011 57903 ..... 105
10011 18509 ..... 53	10011 19598 ..... 210	10011 28782 ..... 53	10011 58075 ..... 109
10011 18510 ..... 53	10011 19600 ..... 210	10011 28798 ..... 53	10011 58076 ..... 109
10011 18511 ..... 15	10011 19602 ..... 210	10011 29407 ..... 77	10011 58314 ..... 109
10011 18518 ..... 15	10011 19603 ..... 210	10011 29555 ..... 354	10011 59256 ..... 165, 355
10011 18519 ..... 15	10011 19604 ..... 210	10011 30220 ..... 21, 35, 92	10011 59665 ..... 102, 354
10011 18592 ..... 245, 249	10011 19605 ..... 210	10011 30588 ..... 217	10011 59754 ..... 103, 354
10011 18593 ..... 245, 249	10011 19619 ..... 315	10011 31269 ..... 333, 341	10011 60531 ..... 51
10011 18595 ..... 143	10011 19620 ..... 317, 319	10011 32049 ..... 78	10011 61110 ..... 13
10011 18641 ..... 27	10011 19803 ..... 358	10011 32050 ..... 78	10011 61113 ..... 13
10011 18642 ..... 33	10011 19869 ..... 219	10011 32050 ..... 78	10011 61114 ..... 13
10011 18644 ..... 29	10011 19870 ..... 215	10011 35350 ..... 275	10011 61115 ..... 13
10011 18649 ..... 27	10011 19871 ..... 223	10011 36244 ..... 143, 147	10011 61117 ..... 13, 354
10011 18650 ..... 33	10011 19872 ..... 231	10011 37451 ..... 92, 97	10011 61537 ..... 92
10011 18651 ..... 33	10011 19873 ..... 233	10011 37673 ..... 181, 355	10011 61710 ..... 165, 355
10011 18654 ..... 29	10011 19874 ..... 235	10011 38494 ..... 155, 157	10011 61871 ..... 261, 323
10011 18657 ..... 273	10011 19875 ..... 221	10011 38514 ..... 155, 157	10011 61872 ..... 39
10011 18658 ..... 273	10011 19876 ..... 225	10011 39654 ..... 351	10011 61873 ..... 39
10011 18660 ..... 33	10011 19877 ..... 229	10011 40315 ..... 359	10011 61874 ..... 39
10011 18665 ..... 127	10011 19937 ..... 249	10011 40318 ..... 359	10011 61876 ..... 39
10011 18666 ..... 127	10011 19953 ..... 249, 283	10011 40429 ..... 155, 157, 159	10011 61878 ..... 39
10011 18744 ..... 273	10011 19954 ..... 249, 287	10011 40524 ..... 246, 250, 253	10011 61891 ..... 261
10011 18745 ..... 273	10011 19955 ..... 239, 249	10011 41300 ..... 351	10011 61924 ..... 261
10011 18746 ..... 109	10011 19956 ..... 243, 249	10011 41581 ..... 21	10011 61935 ..... 35
10011 18961 ..... 47	10011 19962 ..... 358	10011 41678 ..... 339	10011 61936 ..... 35
10011 19018 ..... 245, 281	10011 19981 ..... 333, 335, 337, 339, 341, 343, 345, 347, 349	10011 41710 ..... 77	10011 61937 ..... 35
10011 19019 ..... 245, 285	10011 20002 ..... 333	10011 41967 ..... 301, 303	10011 61938 ..... 37
10011 19020 ..... 290, 321, 323, 326	10011 20004 ..... 341	10011 41968 ..... 301	10011 61943 ..... 261
10011 19028 ..... 358	10011 20087 ..... 102, 109	10011 41969 ..... 303	10011 61944 ..... 261
10011 19077 ..... 97	10011 20090 ..... 102, 109	10011 41970 ..... 303	10011 61947 ..... 35
10011 19080 ..... 92	10011 20103 ..... 358	10011 41971 ..... 301	10011 61948 ..... 261
10011 19083 ..... 92	10011 20204 ..... 237, 239	10011 42683 ..... 83, 85, 354	10011 61949 ..... 261
10011 19085 ..... 92	10011 20205 ..... 241, 243	10011 42736 ..... 83, 85, 321	10011 62045 ..... 35
10011 19086 ..... 97	10011 20279 ..... 345	10011 44147 ..... 277	10011 62046 ..... 35
10011 19087 ..... 97	10011 20280 ..... 347	10011 44433 ..... 181	10011 62047 ..... 35
10011 19088 ..... 97	10011 20281 ..... 343	10011 44629 ..... 151, 153	10011 62048 ..... 35
10011 19089 ..... 95	10011 20282 ..... 337	10011 46824 ..... 92	10011 62049 ..... 35
10011 19090 ..... 95	10011 20283 ..... 349	10011 47365 ..... 109	10011 62050 ..... 35
10011 19091 ..... 95	10011 20328 ..... 181, 185	10011 47440 ..... 97	10011 62117 ..... 53
10011 19092 ..... 92	10011 20466 ..... 358	10011 47441 ..... 92, 97	10011 62614 ..... 43
10011 19139 ..... 241, 245	10011 20749 ..... 97	10011 47642 ..... 109	10011 62748 ..... 53
10011 19140 ..... 237, 245	10011 20974 ..... 129, 203	10011 47643 ..... 109	10011 62823 ..... 105
10011 19170 ..... 77, 355	10011 20976 ..... 123, 125, 199	10011 48975 ..... 109	10011 63363 ..... 109
10011 19176 ..... 77	10011 21172 ..... 273, 325	10011 49160 ..... 13, 21	10011 64412 ..... 271
10011 19194 ..... 245	10011 21221 ..... 210	10011 51393 ..... 59, 61, 65, 67	10011 64418 ..... 271
10011 19195 ..... 249	10011 21672 ..... 29	10011 51788 ..... 326	10011 64494 ..... 271
10011 19197 ..... 245, 249	10011 21678 ..... 27	10011 51824 ..... 326	10011 64495 ..... 271
10011 19228 ..... 246, 250	10011 21966 ..... 210	10011 52155 ..... 211	10011 64654 ..... 271
10011 19369 ..... 133, 137	10011 22527 ..... 127, 197	10011 52266 ..... 329	10011 64885 ..... 13
10011 19370 ..... 125, 133	10011 23004 ..... 131, 133, 193	10011 53015 ..... 47, 51	10011 65144 ..... 17, 19
10011 19371 ..... 125	10011 23018 ..... 109	10011 53364 ..... 47	10011 65751 ..... 105, 117
10011 19378 ..... 358	10011 25033 ..... 273	10011 53612 ..... 263, 265, 267, 269	10011 65923 ..... 77, 325
10011 19455 ..... 210	10011 25235 ..... 123, 125	10011 55044 ..... 165	10011 66433 ..... 92
10011 19459 ..... 358	10011 25291 ..... 77	10011 55045 ..... 165, 355	10011 66538 ..... 165, 171
10011 19504 ..... 141	10011 25483 ..... 333, 335, 337, 339, 341, 343, 345, 347, 349		10011 66539 ..... 165, 173
10011 19513 ..... 141			10011 66733 ..... 323
10011 19525 ..... 210			10011 66848 ..... 210
10011 19527 ..... 53, 57, 63, 77, 141			10011 67206 ..... 210
			10011 67207 ..... 210
			10011 67208 ..... 210
			10011 67210 ..... 210

## SECTION 11 - SPECIAL OPTIONS/ACCESSORIES/KITS

1001167238 ... 17, 43, 143	1001170571 ..... 109	1001184022 ..... 35	1001209658 ..... 358
1001167516 ..... 105, 111	1001170669 ..... 349	1001184133 ..... 35, 37	1001209659 ..... 181
1001167538 ..... 35, 259	1001170670 ..... 337	1001184135 ..... 37	1001209664 ..... 179
1001168018 ..... 105, 109	1001170671 ..... 343	1001184137 ..... 37	1001210636 ..... 43
1001168098 ..... 102, 271	1001170672 ..... 341	1001184682 ..... 89	1001210829 ..... 15
1001168210 ..... 191	1001170673 ..... 347	1001184793 ..... 261	1001210981 ..... 261, 265
1001168222 ..... 109	1001170674 ..... 345	1001184846 ..... 325	1001212415 ..... 354
1001168224 ..... 109	1001170676 ..... 333	1001185281 ..... 275, 278	1001213447 ..... 165
1001168225 ..... 109	1001170760 ..... 275, 323, 354	1001186231 ..... 155	1001213882 ..... 351
1001168226 ..... 109	1001170762 ..... 259, 354	1001186375 ..... 157	1001214029 ..... 166
1001168227 ..... 109	1001170763 ..... 259, 289	1001186377 ..... 153	1001215228 ..... 139
1001168228 ..... 109	1001170766 ..... 37	1001186386 ..... 151	1001216630 ..... 139
1001168229 ..... 109	1001170861 ..... 109	1001186387 ..... 181, 354	1001217227 ..... 139
1001168230 ..... 109	1001170981 ..... 323, 354	1001186431 ..... 293, 313	1001217228 ..... 139
1001168232 ..... 105	1001171295 ..... 347	1001186432 ..... 259, 354	1001217242 ..... 139
1001168233 ..... 105	1001171296 ..... 261	1001186489 ..... 181	1001217243 ..... 139
1001168234 ..... 92	1001171301 ..... 59, 65	1001186517 ..... 71, 73	1001217244 ..... 139
1001168236 ..... 102	1001171482 ..... 35	1001186845 ..... 109	1001217253 ..... 139
1001168237 ..... 102	1001171777 ..... 119	1001187235 ..... 183	1001217254 ..... 139
1001168238 ..... 109	1001171823 ..... 119	1001187674 ..... 315	1001217267 ..... 275
1001168239 ..... 103	1001171914 ..... 358	1001187681 ..... 139	1001219601 ..... 355
1001168240 ..... 102	1001172045 ..... 325	1001188622 ..... 139	1001220644 ..... 333
1001168241 ..... 103	1001172064 ..... 273	1001188844 ..... 103	1001220655 ..... 341
1001168242 ..... 102	1001172074 ..... 325, 354	1001188866 ..... 103	1001223971 ..... 347
1001168244 ..... 21	1001172227 ..... 77	1001189105 ..... 211	1001224048 ..... 349
1001168400 ..... 77	1001172394 ..... 77	1001189108 ..... 105	1001224049 ..... 343
1001168662 ..... 77	1001172395 ..... 77	1001189611 ..... 105	1001224050 ..... 337
1001168663 ..... 13	1001172396 ..... 210	1001189794 ..... 105	1001224052 ..... 345
1001168669 ..... 210	1001172541 ..... 210	1001189795 ..... 141	1001224053 ..... 141
1001168702 ..... 13	1001172556 ..... 210	1001189868 ..... 261, 263	1001225131 ..... 261
1001169015 ..... 15	1001172557 ..... 165	1001189882 ..... 261, 269	1001225557 ..... 261
1001169027 ..... 13	1001172558 ..... 81	1001190529 ..... 103	1001225558 ..... 181, 293
1001169028 ..... 13	1001172760 ..... 358	1001190530 ..... 102	1001225580 ..... 123, 125, 191
1001169030 ..... 165	1001172773 ..... 358	1001190531 ..... 87, 89	1001226400 ..... 281, 283, 285, 287
1001169092 ..... 13	1001173139 ..... 139	1001190545 ..... 221, 225, 227, 229, 231, 233, 235	1001226541 ..... 159
1001169129 ..... 53	1001173140 ..... 358	1001190609 ..... 261	1001226872 ..... 358
1001169195 ..... 53	1001173326 ..... 358	1001190663 ..... 358	1001227454 ..... 183
1001169196 ..... 15	1001173703 ..... 329	1001190666 ..... 21	1001227633 ..... 183
1001169213 ..... 21, 261	1001174019 ..... 211	1001190985 ..... 183	1001227634 ..... 183
1001169292 ..... 335	1001174020 ..... 183	1001190988 ..... 183	1001227985 ..... 183
1001169311 ..... 339	1001174449 ..... 65, 67	1001191908 ..... 271	1001227987 ..... 317, 319
1001169317 ..... 92	1001177378 ..... 271, 275	1001191909 ..... 71, 73, 75	1001228215 ..... 159
1001169415 ..... 92	1001177433 ..... 271, 273	1001191941 ..... 77, 271	1001228224 ..... 183, 355
1001169417 ..... 92	1001178594 ..... 53, 354	1001191942 ..... 77, 261	1001228225 ..... 183, 355
1001169418 ..... 92	1001178595 ..... 53, 354	1001191943 ..... 77	1001228370 ..... 333, 341
1001169419 ..... 92	1001178731 ..... 53	1001191944 ..... 271	1001228627 ..... 139
1001169420 ..... 71, 73	1001178795 ..... 211	1001191945 ..... 193, 203	1001228956 ..... 358
1001169422 ..... 165, 295	1001179948 ..... 21	1001191946 ..... 193	1001229341 ..... 183
1001169594 ..... 165, 354	1001180464 ..... 203	1001191947 ..... 203	1001231153 ..... 127
1001169683 ..... 21, 23	1001181045 ..... 257, 354	1001200491 ..... 139	1001231801 ..... 351
1001169719 ..... 119	1001182806 ..... 87	1001200492 ..... 77	1001231886 ..... 87
1001169720 ..... 358	1001182809 ..... 333, 335, 337, 339, 341, 343, 345, 347, 349	1001202223 ..... 109	1001232164 ..... 183
1001169721 ..... 358	1001183213 ..... 354	1001203719 ..... 77	1001232165 ..... 183
1001169722 ..... 358	1001183402 ..... 323	1001204948 ..... 92	1001232642 ..... 185
1001169723 ..... 358	1001183403 ..... 53	1001205158 ..... 53	1001232667 ..... 185, 355
1001169724 ..... 358	1001183404 ..... 53	1001205844 ..... 166	1001236552 ..... 185
1001169725 ..... 359	1001183405 ..... 166	1001206532 ..... 87	1001237667 ..... 277, 289
1001169726 ..... 358	1001183406 ..... 87	1001207961 ..... 93	1001237668 ..... 277, 289
1001170060 ..... 335, 339	1001183407 ..... 93	1001208285 ..... 13	1001237863 ..... 183, 317
1001170061 ..... 333, 335, 337, 339, 341, 343, 345, 347, 349	1001183548 ..... 37, 355	1001209059 ..... 359	1001237864 ..... 183, 319
1001170102 ..... 35	1001183675 ..... 211		1001237865 ..... 183, 315
1001170104 ..... 358			
1001170140 ..... 21, 354			
1001170365 ..... 35, 354			
1001170483 ..... 35, 355			
1001170484 ..... 37, 354			

## SECTION 11 - SPECIAL OPTIONS/ACCESSORIES/KITS

1001238238 ..... 109, 111	1001266969 ..... 359	1701499 ..... 333, 335, 337, 339, 341, 343, 345, 347, 349	1703980 ..... 345
1001238239 ..... 105, 108	1001267324 ..... 333, 335, 337, 339, 341, 343, 345, 347, 349	1701500 ..... 333, 335, 337, 339, 341, 343, 345, 347, 349	1703981 ..... 347
1001238241 ..... 102, 105	1001270594 ..... 81	1701504 ..... 333, 335, 337, 339, 341, 343, 345, 347, 349	1703982 ..... 343
1001238319 ..... 183	1001270716 ..... 358	1701505 ..... 53	1703983 ..... 349
1001238418 ..... 185, 313	1001270755 ..... 359	1701509 ..... 333, 335, 337, 339, 341, 343, 345, 347, 349	1703984 ..... 341
1001238472 ..... 185	1001271310 ..... 109	1701517 ..... 335, 339	1703985 ..... 337
1001238495 ..... 181	1001272006 ..... 37, 354	1701518 ..... 335, 339	1704000 ..... 341
1001238559 ..... 185	1001272166 ..... 358	1701529 ..... 333, 335, 337, 339, 341, 343, 345, 347, 349	1704001 ..... 349
1001238732 ..... 69, 169	1001272681 ..... 83	1701642 ..... 333, 335, 337, 339, 341, 343, 345, 347, 349	1704002 ..... 337
1001241965 ..... 185	1001272682 ..... 85	1701644 ..... 333, 335, 337, 339, 341, 343, 345, 347, 349	1704260 ..... 165
1001242519 ..... 21, 25	1001274249 ..... 359	1701645 ..... 333, 335, 337, 339, 341, 343, 345, 347, 349	1704277 ..... 333, 335, 337, 339, 341, 343, 345, 347, 349
1001242849 ..... 83	1001274559 ..... 165, 355	1701646 ..... 333, 335, 337, 339, 341, 343, 345, 347, 349	1704286 ..... 351
1001242850 ..... 85	1001274814 ..... 311	1702155 ..... 333, 335, 337, 339, 341, 343, 345, 347, 349	1704368 ..... 351
1001245161 ..... 169	1001274828 ..... 179	1702156 ..... 333, 335, 337, 339, 341, 343, 345, 347, 349	1704369 ..... 351
1001245163 ..... 69	1001274832 ..... 359	1702300 ..... 333, 335, 337, 339, 341, 343, 345, 347, 349	1704370 ..... 351
1001245178 ..... 69, 169	1001274833 ..... 358	1702391 ..... 333	1704371 ..... 351
1001245207 ..... 169	1001276007 ..... 358	1702565 ..... 165	1704372 ..... 351
1001245209 ..... 69	1001276008 ..... 358	1702566 ..... 165	1704373 ..... 351
1001245668 ..... 166, 289	1001276610 ..... 358	1702567 ..... 165	1704412 ..... 333, 335, 337, 339, 341, 343, 345, 347, 349
1001246486 ..... 358	1001276923 ..... 358	1702773 ..... 351	1704885 ..... 351
1001246487 ..... 358	1001277842 ..... 359	1702774 ..... 351	1704972 ..... 351
1001246859 ..... 277	1001279422 ..... 359	1702860 ..... 351	1705325 ..... 221
1001247059 ..... 163	1001280406 ..... 61, 67	1702868 ..... 333	1705344 ..... 345
1001247060 ..... 163, 165	1001281455 ..... 359	1703797 ..... 333	1705345 ..... 347
1001247061 ..... 77	1001281456 ..... 359	1703804 ..... 333	1705347 ..... 341
1001247062 ..... 333	1001281460 ..... 359	1703805 ..... 333	1705348 ..... 343
1001247063 ..... 345	1001281461 ..... 359	1703923 ..... 349	1705349 ..... 337
1001247064 ..... 347	1001283533 ..... 78, 277	1703924 ..... 341	1705351 ..... 333
1001247065 ..... 341	1001283534 ..... 78, 329	1703925 ..... 343	1705426 ..... 345
1001247066 ..... 343	1001283776 ..... 81	1703926 ..... 345	1705427 ..... 347
1001247067 ..... 337	1001284340 ..... 77	1703927 ..... 347	1705429 ..... 341
1001247068 ..... 349	1001284677 ..... 333, 335, 337, 339, 341, 343, 345, 347, 349	1703928 ..... 337	1705430 ..... 343
1001247069 ..... 57	1001285733 ..... 83, 85	1703935 ..... 349	1705822 ..... 335, 339
1001247071 ..... 63	1001286584 ..... 81	1703936 ..... 341	1705828 ..... 335, 339
1001247468 ..... 139	1001286749 ..... 92	1703937 ..... 343	1705910 ..... 349
1001247540 ..... 166	1001287192 ..... 358	1703938 ..... 345	1705917 ..... 349
1001253375 ..... 293	1060908 ..... 257	1703939 ..... 347	1705921 ..... 335, 339
1001253920 ..... 333	1060918 ..... 177	1703940 ..... 337	1705929 ..... 333
1001253921 ..... 333	10837580 ..... 45, 203	1703941 ..... 349	1705961 ..... 335, 339
1001253922 ..... 341	1320022 ..... 102, 108	1703942 ..... 341	1705968 ..... 343
1001253923 ..... 341	1320041 ..... 21, 249	1703943 ..... 343	1705969 ..... 347
1001253924 ..... 347	1320043 ..... 217, 221, 225, 227, 229, 231, 233, 235, 245	1703944 ..... 345	1705978 ..... 335, 339
1001253925 ..... 347	1320130 ..... 103, 245, 249	1703945 ..... 347	1706059 ..... 351
1001253926 ..... 343	1320136 ..... 105, 139	1703946 ..... 337	1706060 ..... 351
1001253927 ..... 343	1320159 ..... 17	1703947 ..... 349	1706061 ..... 351
1001253928 ..... 337	1320222 ..... 108	1703948 ..... 341	1706062 ..... 351
1001253929 ..... 337	1320224 ..... 108	1703949 ..... 343	1706063 ..... 351
1001253930 ..... 349	1320265 ..... 102	1703950 ..... 345	1706064 ..... 351
1001253931 ..... 349	1320274 ..... 105	1703945 ..... 347	1706077 ..... 335, 339, 345
1001253932 ..... 345	1321293 ..... 71, 73, 77	1703946 ..... 337	1706085 ..... 349
1001253933 ..... 345	1321682 ..... 108	1703947 ..... 349	1706089 ..... 337
1001254472 ..... 185	1321716 ..... 77, 102	1703948 ..... 341	1706093 ..... 343
1001254473 ..... 185	1340069 ..... 108	1703949 ..... 343	1706097 ..... 341
1001255901 ..... 323	1380136 ..... 43	1703950 ..... 345	1706098 ..... 351
1001257690 ..... 255	1380138 ..... 39	1703951 ..... 347	2080040 ..... 92, 97, 151, 153
1001258495 ..... 317, 319	1580011 ..... 108	1703952 ..... 337	2080050 ..... 92
1001259130 ..... 278	1580012 ..... 161	1703953 ..... 333	2080057 ..... 333, 335, 337, 339, 341, 343, 345, 347, 349
1001263178 ..... 89	1580013 ..... 358		2180348 ..... 102
1001266040 ..... 59, 65	1670899 ..... 245, 249		2180666 ..... 102
1001266041 ..... 59, 61	1671092 ..... 246, 250		2220124 ..... 47
1001266043 ..... 65, 67	1671093 ..... 246, 250		2220371 ..... 210
1001266046 ..... 57, 59, 61			
1001266047 ..... 63, 65, 67			
1001266066 ..... 78			
1001266799 ..... 359			
1001266801 ..... 359			
1001266807 ..... 359			

## SECTION 11 - SPECIAL OPTIONS/ACCESSORIES/KITS

2220408 .....211	3290505 .... 37, 39, 92, 95, 97	3841143.....123, 125, 127, 139	4460259 .... 273, 277, 289, 295
2220415 .....210	3290601 .... 21, 43, 87, 89	3841203.....123, 125, 127	4460260 .... 273, 277, 289, 295
2220451 .....210	3290605 .... 71, 73, 77, 92, 95, 97, 102, 108, 139, 163, 217, 221, 225, 227, 229, 231, 233, 235, 245, 249, 333, 335, 337, 339, 341, 343, 345, 347, 349	3841258..... 15, 127	4460265 .....171, 174
2220466 .....210		3841520..... 13	4460267 ..... 275, 289, 323
2220472 .....210		3900174..... 39	4460268 .....259
2220473 .....210		3900349..... 165	4460312 .....325
2220498 .....210		3910804.....59, 61, 65, 67	4460313 .....277
2220501 .....210		3931408..... 181	4460315 .....219, 223
2220577 .....210		3931832..... 47	4460320 .....275, 323
2220582 .....210		3960422.....219, 223	4460346 .....219
2220606 .....211	3290606 .....155, 157	3960447..... 39	4460418 .....277, 289
2220635 .....210	3290607 .....83, 85	3990010..... 325, 354	4460419 .....277, 289
2220819 .....210	3290805 .... 35, 43, 53, 71, 73, 77, 92, 102, 105, 131, 133, 245, 249	4010618..... 155, 157	4460424 .....259
2220828 .....210		4031505..... 183	4460428 ..... 165
2220881 .....189	3291001 ..... 139	4031507.....21, 23	4460434 .....289
2220883 ..... 189, 191	3291005 .... 35, 53, 77, 92, 102, 105, 108, 123, 125, 127, 131, 133, 139, 163, 245, 249	4031509.....81, 83, 85	4460464 .. 13, 35, 77, 177, 255, 259, 277, 285, 287, 289, 293, 295, 313, 321, 323, 326, 329
2220885 .....189		4031510.....103, 245, 249	4460465 .... 78, 81, 87, 89, 253, 255, 263, 265, 267, 269, 273, 275, 277, 281, 283, 285, 287, 289, 293, 295, 321, 323, 325, 326, 329
2220887 .....210		4031512.....77, 245, 249	4460466 ..... 78, 165, 183, 253, 255, 259, 273, 277, 281, 283, 285, 287, 289, 293, 295, 313, 315, 321, 323, 325, 326, 329
2220914 .....211		4031516..... 185	4460470 ..... 165
2220940 .....210		4031714..... 103	4460471 ..... 165
2220947 .....210	3291201 ..... 139	4032009..... 21	4460473 .... 246, 250, 281, 283, 285, 287
2221042 .....211	3291205 .... 123, 125, 139	4060092..... 223	4460488 .....83, 85
2221086 .....210	3291605 .....102	4060804..... 139	4460496 .....77, 277
2400044 ..... 35, 37	3292001 .....81	4060805..... 139	4460497 .....77, 277
2400060 ....259, 273, 275, 326, 329	3300106 ..... 27, 29, 31, 33	4060808.....245, 249	4460508 .... 183, 285, 287, 289, 295, 326
2400064 ..... 325, 354	3300151 ..... 155, 157, 159	4070897..... 129	4460509 .... 259, 273, 281, 283, 285, 287, 325
2400065 ..... 325, 354	3300353 ..... 165	4070898..... 129	4460516 .....23
2400066 ..... 273, 325	3300408 .....69	4100066..... 210	4460518 .....321
2540020 ..... 83, 85	3300430 .....181	4191707..... 21	4460536 ..... 13, 289, 323
2540045 .....102	3311405 .....108, 185	4240018 13, 77, 103, 210, 245, 249, 261	4460539 .... 267, 278, 289, 329
2560122 .....43	3311501 .... 108, 131, 133	4240032.....77, 83, 85	4460548 ..... 355
2560136 .....165	3311601 .....166, 185	4240033....181, 183, 185, 271	4460611 ..... 108
2600281 ..... 151, 153	3311605 .....105, 108	4240084..... 21	4460662 .....231, 235
2720058 ..... 102, 108	3311801 .....108	4240099..... 165	4460670 .....275, 323
2720271 ..... 102, 108	3340758 .....127	4240156.....245, 249	4460702 .... 263, 265, 267, 269
2820031 ..... 246, 250	3340860 .....131, 133	4360328.....59, 61, 65, 67, 355	4460703 .....323
2820118 ....281, 283, 285, 287	3340901 .....246, 250	4360387 .65, 67, 165, 355	4460708 .....289
2820247 ..... 317, 319	3340939 .....245, 249	4360407 .....165, 354	4460761 .....289, 325
2860030 ....59, 61, 65, 67, 354	3380434 .....163	4360469.....59, 61, 65, 67, 355	4460836 .....273, 325
2900770 .... 135, 191, 193, 203	3422576 .....123, 125	4360475.....59, 61, 65, 67, 355	4460837 .....273, 325
2902549 ....217, 221, 225, 227, 229, 231, 233, 235, 257	3422582 .....123, 125	4360476.....59, 61, 65, 67, 355	4460851 .....323
2915230 .....75	3422592 ..... 15	4360548.....245, 249, 255	4460852 .....323
2940074 ..... 151, 153, 354	3422709 .....123, 125	4420051..... 351	4460865 .... 245, 249, 281, 283, 285, 287
2940095 ..... 39	3422745 .....129	4460016..... 289	4460866 .... 245, 249, 289, 326
2940109 ..... 95, 97	3422787 .....127	4460019.....259, 273	4460868 .....277
3020029 .....15	3422788 .....127	4460042 .....277	
3020037 .....53	3422790 .....123, 125	4460071 .....177, 219, 223	
3020039 .....21	3422791 .....131, 133	4460115..... 277	
3160252 ..... 53, 55	3422792 .....123, 125	4460121..... 217	
3251243 ..... 215, 219	3422794 .....131, 133	4460125..... 223	
3251813 .....351	3422814 .....123, 125	4460142.....273, 326	
3252347 .....333	3430616 .....166	4460183..... 289	
3252507 ....217, 223, 225, 227, 229, 231, 233, 235	3470003 .....166	4460205.....219	
3271801 ..... 105, 108	3520030 .....92, 95	4460224 ..... 165	
3290301 .....103	3520054 .....165	4460225..... 289	
3290401 ..... 35, 37	3520072 .... 151, 153, 155, 157, 159	4460226....165, 171, 174, 177	
3290405 ....77, 81, 83, 85, 103, 163, 179, 221, 225, 227, 229, 231, 233, 235, 245, 249, 311	3520198 .... 151, 153, 155, 157, 159	4460227 .....289, 325	
	3572551 .....131, 133	4460233..... 223	
	3740086 .....313, 354	4460234 .....77, 165	
	3760115 .....129		
	3760308 ..... 39		
	3790012 .....165		
	3820019 ..... 39		
	3820020 ..... 43, 151, 153		
	3820032 .....53		

## SECTION 11 - SPECIAL OPTIONS/ACCESSORIES/KITS

4460871 87, 89, 275, 277, 278, 289, 323, 325, 329	4461205 .... 301, 303, 305, 307	5221000..... 141	70002669..... 51
4460872..... 329	4461222 .....273, 326	5240600..... 92	70002670..... 51
4460873.....275, 289, 323, 325	4461244 ..... 305	5241000..... 15	70002671..... 51
4460874.....289, 325	4461245 ..... 307	5241200..... 129, 139	70002842..... 189
4460875.....289, 329	4461246 ..... 309	5241400..... 47	70002901..... 102
4460876..... 278	4461249 ..... 309	5241600..... 21	70002902..... 177
4460877..... 277	4461290 ..... 23, 263, 265, 267, 269, 275	5250808..... 143	70002903..... 177
4460878..... 325	4520605 ..... 31	5250810. 17, 43, 143, 210	70002904..... 177
4460879..... 289	4640113 .....31, 33	5250812..... 143	70002905..... 177
4460884.....277, 293, 326, 329	4640858 ..... 189	5251008..... 139	70002954..... 147
4460887.....289, 325	4641129 ..... 19	5251010.....123, 125, 129	70002963..... 19, 147, 354
4460891...81, 87, 89, 253, 255, 259, 275, 277, 321, 323, 326, 329	4711400 .... 108, 155, 157, 159, 181, 185	5251012..... 15, 129	70002964..... 45
4460892..... 325	4711500 ..... 108	5251016..... 139	70002965..... 45
4460894.....78, 253, 255, 277, 289, 323, 325	4711600 .... 103, 105, 166	5260800..... 245, 249	70002966..... 45
4460897.....35, 275, 277, 323, 326, 329	4740086 ..... 13	5271609..... 39	70002967..... 45
4460899.....293, 295, 313, 315, 326	4740158 ..... 15	5271723..... 21	70002968..... 45
4460905.....275, 277, 278, 289, 323, 325, 329	4740171 ..... 47	5281920..... 245, 249	70002969..... 45
4460910..... 319	4740362 .....108, 163	70000088..... 49	70002970..... 45
4460911..... 315	4740505 ..... 13	70000089..... 49	70002971..... 45, 354
4460928.....263, 265, 267, 269, 321	4751400 .... 108, 161, 165	70000341..... 135	70002972..... 45
4460929.....263, 265, 267, 269	4751500 .....131, 133	70000681..... 51	70002973..... 45
4460930.....75, 263, 265, 267, 269, 277, 325	4751600 .....105, 108	70001697..... 137	70002974..... 45
4460931.....259, 323, 329	4761400 ..... 161	70002311..... 49	70002976..... 45
4460933.....165, 277, 289, 321, 323, 325, 329	4761600 ..... 37	70002312..... 49	70002977..... 45
4460941..... 315	4792000 .....271	70002313..... 49	70003060..... 111
4460942..... 183, 259	4811400 .... 21, 35, 37, 77, 81, 83, 85, 103, 163, 179, 221, 225, 227, 229, 231, 233, 235, 245, 249, 311	70002315..... 111	70003061..... 111
4460943 83, 85, 277, 289, 315, 326	4811600 .... 37, 92, 95, 97, 105, 108	70002318..... 111	70003063..... 112
4460944.....267, 275, 278, 289, 323	4811602 ..... 39	70002334....193, 195, 197	70003064..... 112
4460956..... 257	4811700 .... 21, 35, 39, 43, 71, 73, 77, 83, 85, 87, 89, 92, 95, 97, 102, 108, 155, 157, 217, 221, 225, 227, 229, 231, 233, 235, 245, 249, 261, 333, 335, 337, 339, 341, 343, 345, 347, 349	70002335...191, 193, 195, 197, 199, 203	70003071..... 197
4460957..... 257	4811702 77, 92, 103, 105, 108, 139, 163, 246, 250	70002337..... 197, 201	70003072..... 197
4460968.....221, 225, 227, 229, 233, 255	4811900 .... 13, 17, 21, 35, 43, 53, 71, 73, 92, 102, 105, 108, 245, 249	70002344..... 195	70003073..... 197
4460970.....255, 289	4811902 21, 43, 105, 129, 131, 133	70002352..... 199, 203	70003074..... 197
4460994.....275, 323	4812000 .. 35, 39, 92, 102, 105, 108, 123, 125, 127, 139, 141, 245, 249	70002354..... 199	70003075..... 197
4461012..... 163, 311	4812002 ..... 53, 143, 163	70002364..... 203	70003076... 193, 195, 197
4461017..... 326	4812100 ..... 13, 139	70002366....191, 199, 203	70003077..... 197, 201
4461018.....273, 325	4812300 ..... 92	70002372..... 193	70003078..... 197, 201
4461070..... 321	4812500 ..... 102, 105	70002373..... 193	70003079..... 197, 201
4461076..... 23	4831900 . 35, 37, 261, 271	70002375..... 193	70003080..... 197, 201
4461077.....263, 265, 267, 269, 313, 315	4846278 .....131, 133	70002380..... 201	70003081 ... 191, 197, 199
4461095..... 321	4872000 .....271	70002386..... 43, 45, 145, 193, 195, 197, 354	70003082..... 195, 197
4461109..... 273	4891500 ..... 53	70002389..... 203	70003083..... 195, 197
4461110..... 326	4891600 ..... 139	70002410..... 197	70003084..... 199
4461111..... 273	4891800 .....105, 108	70002412..... 195	70003085..... 191, 199
4461112..... 326	4923463 .....239, 243	70002413..... 191	70003086..... 199
4461117..... 275	4923505 .....237, 241	70002414..... 195	70003088..... 199
4461196..... 297		70002643..... 51	70003089 .. 191, 199, 203
4461198..... 297		70002644..... 51	70003090 ... 191, 199, 203
4461199..... 299		70002645..... 51	70003091 ... 191, 199, 203
4461201..... 299		70002646..... 51	70003092 ... 191, 199, 203
		70002647..... 51	70003093 ... 191, 193, 199
		70002648..... 51	70003094 ... 191, 193, 199
		70002649..... 51	70003095..... 201
		70002650..... 51	70003096..... 201
		70002651..... 51	70003097..... 201
		70002652..... 51	70003098..... 201
		70002656..... 51	70003099..... 201
		70002657..... 51	70003100..... 201
		70002658..... 51	70003101..... 201
		70002659..... 51	70003102..... 201
		70002661..... 51	70003103..... 195
		70002663..... 51	70003104..... 195
		70002664..... 51	70003105..... 195
		70002665..... 51	70003106..... 195
		70002666..... 51	70003108..... 195
		70002667..... 51	70003109..... 195
		70002668..... 51	70003110..... 195
			70003111..... 195

## SECTION 11 - SPECIAL OPTIONS/ACCESSORIES/KITS

70003112	195	70004757	173	70004846	111	70005296	102
70003113	195	70004758	173	70004847	111	70005297	102
70003114	203	70004759	173	70004848	111	70005560	25
70003115	203	70004760	173	70004849	111	70005695	191
70003116	203	70004761	173	70004851	112	70005722	43
70003117	203	70004762	173	70004852	112	70005818	53
70003118	193, 203	70004763	173	70004853	112	70005973	191
70003119	203	70004764	173	70004854	112	70005974	191
70003120	203	70004765	173	70004855	111	70006007	112
70003121	203	70004766	173	70004856	112	70006008	112
70003122	193	70004767	173	70004857	112	70006269	141
70003123	193	70004768	173	70004858	112	70006280	141
70003124	193	70004769	173	70004859	112	70006353	191
70003125	193	70004770	173	70004860	112	70007208	25
70003126	193	70004771	173	70004861	112	70007209	25
70003127	193	70004772	173	70004912	112	70007210	25
70003128	193	70004773	173	70004913	112	70007211	25
70003129	193	70004774	174	70004984	117	70007212	25
70003130	193	70004775	174	70004985	117	70007213	25
70003131	191	70004787	19	70004986	117	70007214	25
70003132	191	70004788	19	70004987	117	70007215	25
70003133	191	70004789	19	70004988	117	70007216	25
70003134	191	70004790	115	70004989	117	70007217	25
70003138	51	70004791	115	70004990	117	70007218	25
70003139	51	70004792	115	70004991	117	70007219	25
70003141	51	70004793	115	70004992	117	70007220	25
70003142	51	70004797	23	70004993	117, 355	70007221	25
70003453	193	70004798	23	70004994	117	70007885	109
70003757	45	70004799	23	70004995	117	70022565	195
70003784	165	70004800	23	70004996	117	70023370	193, 195, 197, 203
70003788	45, 354	70004801	23	70004997	117	70023371	199
70004069	102	70004802	23	70004998	117	7004035	49
70004070	102	70004803	23	70004999	117	7004043	49
70004294	111	70004804	23	70005000	117	7004044	49
70004295	111	70004805	23	70005001	117	70050516	19, 354
70004296	111	70004806	23	70005002	117	7010543	45, 145, 203
70004297	111	70004807	23	70005003	117	7011323	135
70004305	112	70004808	23	70005004	117	7012540	19
70004306	112	70004809	23	70005005	117	7012545	55
70004311	111	70004810	23	70005006	117	7012548	55
70004322	137	70004811	23	70005007	117	7012549	55
70004323	135, 137	70004812	23, 355	70005019	25	7012907	19
70004398	111	70004813	23	70005020	25	7012941	145
70004524	111	70004814	23	70005022	25	7012953	145
70004537	111	70004815	23	70005024	25	7012955	145, 147
70004538	111	70004816	23, 355	70005025	25	7012967	43, 145, 147, 193, 195, 197
70004539	111	70004817	23	70005027	25	7012998	19, 45, 147
70004540	111	70004818	23	70005028	25	7015004	108, 354
70004738	171	70004819	23	70005029	25	7015005	109
70004739	171	70004820	23	70005031	25	7016319	81
70004740	171	70004821	23	70005032	25	7016372	81
70004741	171	70004822	23	70005035	25	7017120	135
70004742	171	70004827	23	70005037	25	7017121	135
70004743	171	70004828	111	70005038	25	7017122	135, 137
70004744	171	70004829	111, 112	70005040	25	7017123	135, 137
70004745	171	70004830	111	70005041	25	7017126	135, 137
70004746	171	70004832	111	70005042	25	7017127	135
70004747	171	70004833	111	70005043	25	7017172	135, 137
70004748	171	70004834	111	70005044	25	7017192	135, 137
70004749	171	70004836	111	70005045	25	7017196	135, 137
70004750	171	70004837	111	70005047	25	7017402	145, 147
70004751	171	70004838	111	70005062	25	7017406	45
70004752	173	70004839	111	70005063	25	7017408	19
70004753	173	70004840	111	70005228	111	7017427	147
70004754	173	70004841	111	70005293	102	7017452	145, 147
70004755	173	70004843	111	70005294	102		
70004756	173	70004844	111	70005295	102		

## SECTION 11 - SPECIAL OPTIONS/ACCESSORIES/KITS

7017455.....	19	7020291.....	55	7024379.....	49	80325.....	92
7017463.....	19	7020292.....	55	7024380.....	49	8220007.....	273
7017467.....	43	7020293.....	55	7024381.....	49	8220045.....	275
7017496 43, 45, 193, 195, 197		7020294.....	55	7024389.....	49	8229242.....	323, 354
7017498.....	147	7020295.....	55	7024390.....	49	8229244.....	325, 354
7017901.....	112	7020296.....	55	7024453.....	49	8229245.....	273, 354
7017914.....	111	7020297.....	55	7024884.....	193, 195, 197	8229246.....	273, 354
7017934.....	111	7020298.....	55	7026041.....	51	8229247.....	273, 354
7017980.....	111, 354	7020299.....	55	7026048.....	51	8310612.....	35, 37
7017982.....	111	7021653.....	19, 45	7026049.....	51	8310668.....	141
7017983.....	111	7023107.....	111	7026052.....	51	8310686.....	210
7017984.....	111	7023114.....	112	7027350.....	51	8405102.....	108
7017988.....	111	7023124.....	112	7027351.....	51	8406201.....	103
7017992.....	111, 354	7023154.....	111	7027352.....	51	85031405.....	271
7017995.....	111	7023167.....	111	7027353.....	51	85941016.....	105
7020175.....	59, 61, 65, 67, 165	7023168.....	111	7027359.....	51	91043147.....	103
7020176.....	59, 61, 65, 67, 165	7023170.....	112	7027900.....	135, 137		
		7023200.....	55	7027901.....	135, 137		
		7023272.....	55	7028909.....	83, 85		
		7023970.....	145	80233041.....	210		







**Corporate Office  
JLG Industries, Inc.  
1 JLG Drive  
McConnellsburg, PA 17233-9533 USA**  
☎ **(717) 485-5161 (Corporate)**  
☎ **(877) 554-5438 (Customer Support)**  
📠 **(717) 485-6417**

**Visit our website for JLG Worldwide Locations.  
[www.jlg.com](http://www.jlg.com)**



**OSHKOSH™**