



Illustrated Parts Manual

***Model
H800AJ***

**PVC
2207**

**P/N
31220349
July 17, 2023 - Rev C**

ANSI

CE



**UK
CA**

AS/NZS



An Oshkosh Corporation Company

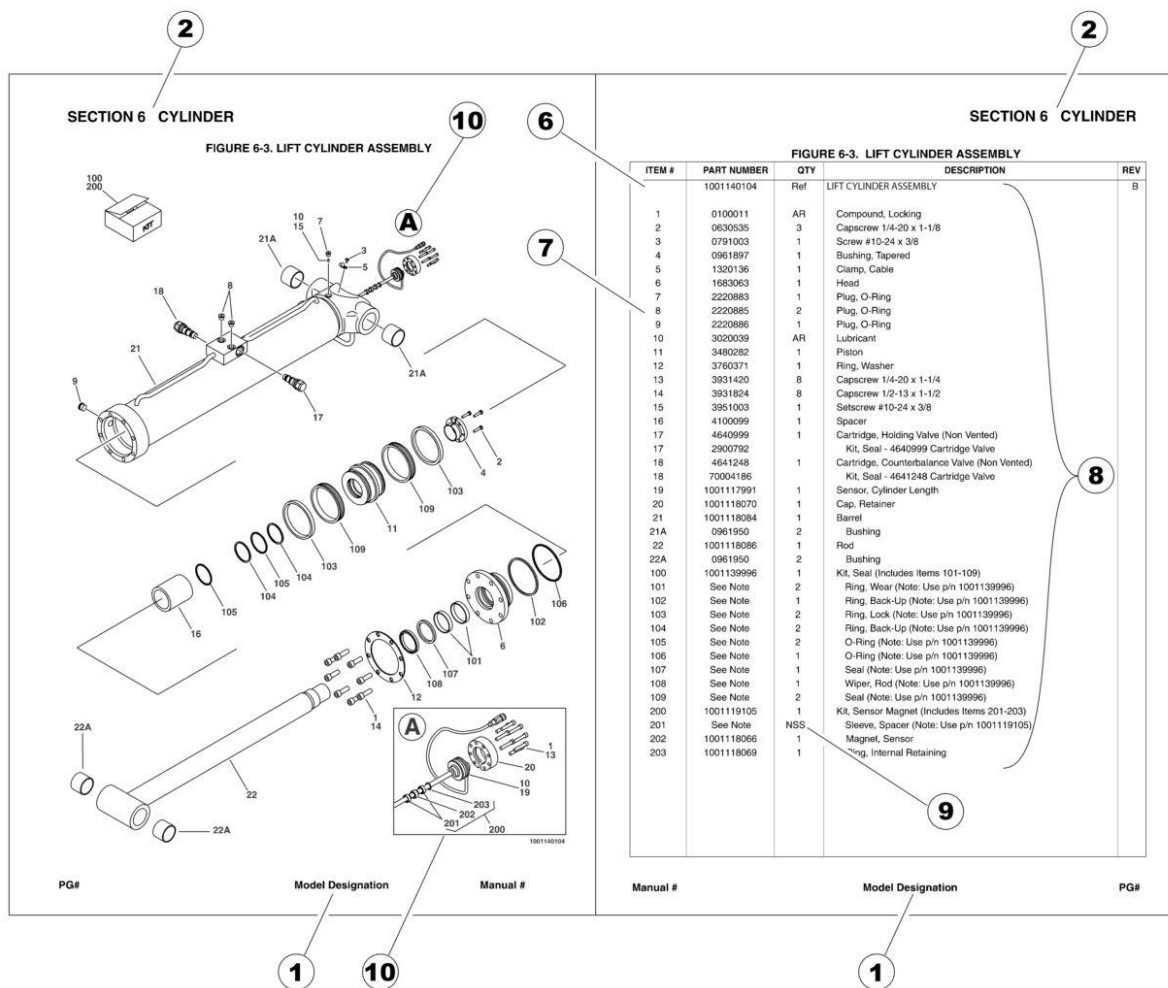
REVISION LOG

July 11, 2022 - A - Original Issue Of Manual (Edited to B/M 1001247762 Rev J)

November 15, 2022 - B - Revised Manual (Edited to B/M 1001247762 Rev K)

July 17, 2023 - C - Revised Manual (Edited to B/M 1001247762 Rev K)

GENERAL INFORMATION



1) MACHINE IDENTIFICATION

Machines are identified by model and in some cases a combination of models, serial number (SN) or regional standard (i.e ANSI, CE, CSA). Components may also be identified by SN or manufacturer. Common components that may be identified by these characteristics are engines and hydraulic components.

2) PARTS MANUAL ORGANIZATION

Product information in this manual is organized under section titles. Frame, Cylinder, Hydraulic and Electrical are a few examples. Each section is organized by figure and page number. The information within the Figure is then organized by item number, part number, description and corresponding illustration (s).

3) TABLE OF CONTENTS (NOT SHOWN)

A table of contents is found toward the beginning of the manual. Figure number, description and page number are provided for quick reference to the page containing the related information.

4) RECOMMENDED SPARE PARTS (NOT SHOWN)

The Recommended Spare Parts List, located near the end of the manual, reference most frequently used maintenance parts.

5) PART NUMBER INDEX (NOT SHOWN)

A numerical index listing all part numbers and the corresponding page number(s) appears at the back of the manual.

GENERAL INFORMATION

6) NON-SERVICED PARTS

In some instances, it is necessary to display non-serviced parts, assemblies or installations. In the case of assemblies and installations there will be a Ref in the Qty. column. In case of parts that are not available for service within assemblies or components, there will be a NSS (Not Sold Separately) or NLA (No Longer Available) listed in the Qty. column of the manual.

7) PARTS LIST ITEM NUMBERS

Numbers shown in the item# column correspond to numbers used in the associated illustration (s). Item numbers which are missing from the sequence in the parts list are not used on that page.

8) INDENTED PARTS DESCRIPTION

An indented part description is included in the item under which it is indented.

9) ABBREVIATION AND SYMBOLS

AC.....	Alternating Current	L.....	Liter
ADE.....	Advanced Design Electronics	LB(LBS).....	Pounds
AG.....	Agricultural	LCD.....	Liquid Crystal Display
ANSI.....	American National Standards Institute	LED.....	Light Emitting Diodes
AR.....	As Required	LH.....	Left Hand
ASSY.....	Assembly	LRC.....	Low Rated Countries
AUS.....	Australia	LSS.....	Load Sensing System
AUX.....	Auxiliary	M(m).....	Metric/Meter
AWG.....	American Wire Gauge	MM(mm).....	Milimeter
B/M.....	Bill of Material	mA.....	Miliamps
CAC.....	Charge Air Cooler	NLA.....	No Longer Available
CE.....	European Conformity	NPT.....	National Pipe Threads
CCW.....	Counter Clockwise	NSS.....	Not Sold Separately
CM.....	Centimeter	OD.....	Outside Diameter
CW.....	Clockwise	ORB.....	O-Ring Boss
CSA.....	Canadian Standards Association	ORFS.....	O-Ring Face Seal
CYL.....	Cylinder	OZ (oz).....	Ounces
DIA.....	Diameter	PG.....	Page
DC.....	Direct Current	PN.....	Part Number
DEF.....	Diesel Exhaust Fluid	QT(qt.).....	Quarts
EMS.....	Emergency Stop	QTY.....	Quantity
ENG.....	Engine	REF.....	Reference
FT(ft).....	Feet	REV.....	Revision Level
GA(Ga).....	Gauge	RH.....	Right Hand
HRC.....	High Rated Countries	SAE.....	Society of Automotive Engineers
HVAC.....	Heating, Ventilating, and Air Conditioning	SN.....	Serial Number
HYD.....	Hydraulic	SPEC(S).....	Specifications
Hz.....	Hertz	T/T.....	Turntable
ID.....	Inside Diameter	UGM.....	Universal Ground Module
IN.....	inches	V.....	Volts
ISO.....	International Organization for Standards	W.....	Watts
JIC.....	Joint Industry Council	#.....	Number
KG.....	Kilogram		

10) ILLUSTRATION REFERENCE LETTERS

When necessary, illustrations may contain reference letters that are intended to track information (i. e. hoses, harnesses) from one point to another or to track visual enlargement of components to show details that may be located in another area on the illustration.

Note: Due to continuous product improvements, JLG Industries, Inc. reserves the right to make specification changes without prior notification. Contact JLG Industries, Inc. for updated information.

TABLE OF CONTENTS

SECTION 1 - FRAME.....	13
FIGURE 1-1. AXLE INSTALLATION - WITHOUT TOW PACKAGE.....	14
FIGURE 1-2. AXLE INSTALLATION - WITH TOW PACKAGE.....	16
FIGURE 1-3. STEER INSTALLATION - WITHOUT TOW PACKAGE.....	18
FIGURE 1-4. STEER INSTALLATION - WITH TOW PACKAGE.....	20
FIGURE 1-5. WHEEL DRIVE AND FRAME VALVES INSTALLATION.....	22
FIGURE 1-6. DRIVE HUB/BRAKE ASSEMBLY.....	24
FIGURE 1-7. DRIVE MOTOR ASSEMBLY.....	26
FIGURE 1-8. TIRE & WHEEL INSTALLATION - 15-625 NHS FOAM-FILLED.....	28
FIGURE 1-9. TIRE AND WHEEL INSTALLATION - 18-625 NHS FOAM-FILLED.....	30
FIGURE 1-10. TIRE AND WHEEL INSTALLATION - 18-625 NHS FOAM-FILLED NON-MARKING.....	32
FIGURE 1-11. FRAME SHIELDS INSTALLATION.....	34
FIGURE 1-12. TOW PACKAGE INSTALLATION (OPTIONAL) (ANSI, SPECS).....	36
FIGURE 1-13. TOW BAR ASSEMBLY.....	38
SECTION 2 - TURNTABLE.....	41
FIGURE 2-1. VALVES INSTALLATION.....	42
FIGURE 2-2. MAIN VALVE ASSEMBLY.....	44
FIGURE 2-3. BRAKE/2 SPEED VALVE ASSEMBLY.....	48
FIGURE 2-4. SWING DRIVE INSTALLATION.....	50
FIGURE 2-5. SWING MOTOR/HUB ASSEMBLY.....	52
FIGURE 2-6. TURNTABLE BEARING AND LUBE INSTALLATION.....	56
FIGURE 2-7. TURNTABLE LOCK INSTALLATION.....	58
FIGURE 2-8. ROTARY COUPLING INSTALLATION.....	60
FIGURE 2-9. TANKS INSTALLATION.....	62
FIGURE 2-10. HYDRAULIC TANK ASSEMBLY.....	64
FIGURE 2-11. FUEL TANK ASSEMBLY (Prior to SN 0300297362).....	66
FIGURE 2-12. FUEL TANK ASSEMBLY (SN 0300297362 to Present).....	68
FIGURE 2-13. OIL COOLER INSTALLATION.....	70
FIGURE 2-14. BATTERY BOXES INSTALLATION.....	72
FIGURE 2-15. BATTERY CHARGERS INSTALLATION (FACTORY SUPPLIED 220V PLUG).....	76
FIGURE 2-16. BATTERY CHARGERS INSTALLATION (CUSTOMER SUPPLIED PLUG).....	78
FIGURE 2-17. ELECTRICAL SYSTEM INSTALLATION (Prior to SN 0300297362).....	80
FIGURE 2-18. ELECTRICAL SYSTEM INSTALLATION (SN 0300297362 to Present).....	82
FIGURE 2-19. IMG CONTROL BOX ASSEMBLY.....	84
FIGURE 2-20. ELECTRICAL ASSEMBLY - 12V FUSE BOX.....	88
FIGURE 2-21. GROUND CONTROL BOX ASSEMBLY.....	90
FIGURE 2-22. LIGHT PANEL INSTALLATION - GROUND CONTROL (Prior to SN 0300297362).....	92
FIGURE 2-23. LIGHT PANEL INSTALLATION - GROUND CONTROL (SN 0300297362 to Present).....	94
FIGURE 2-24. GROUND CONTROL PANEL DECAL INSTALLATION (WITHOUT MSSO & WITHOUT TOWER STOW).....	96
FIGURE 2-25. GROUND CONTROL PANEL DECAL INSTALLATION (WITHOUT MSSO & WITH TOWER STOW).....	98
FIGURE 2-26. GROUND CONTROL PANEL DECAL INSTALLATION (WITH MSSO & WITHOUT TOWER STOW).....	100
FIGURE 2-27. GROUND CONTROL PANEL DECAL INSTALLATION (WITH MSSO & WITH TOWER STOW).....	102
FIGURE 2-28. ALARM INSTALLATION.....	104
FIGURE 2-29. WHITE NOISE ALARM INSTALLATION - ADJUSTABLE AMBIENT.....	106
FIGURE 2-30. WHITE NOISE MOTION ALARM INSTALLATION - AMBIENT.....	108
FIGURE 2-31. STROBE LIGHT INSTALLATION - AMBER.....	110
FIGURE 2-32. STROBE LIGHT INSTALLATION - BLUE.....	112
FIGURE 2-33. STROBE LIGHT INSTALLATION - RED (OPTIONAL).....	114
FIGURE 2-34. HEAT SHIELD AND ACCESS PANELS INSTALLATION.....	116
FIGURE 2-35. HOODS INSTALLATION.....	118
FIGURE 2-36. HOOD ASSEMBLY - TANK SIDE.....	122
FIGURE 2-37. HOOD ASSEMBLY - ENGINE SIDE.....	124
SECTION 3 - ENGINE.....	127
FIGURE 3-1. ENGINE INSTALLATION.....	128
FIGURE 3-2. ENGINE AND PUMPS SUB-ASSEMBLY.....	132
FIGURE 3-3. ENGINE AND TRAY ASSEMBLY.....	134
FIGURE 3-4. ENGINE AND GENERATOR ASSEMBLY.....	138
FIGURE 3-5. ENGINE AND CLUTCH ASSEMBLY.....	140
FIGURE 3-6. ENGINE FAN MOUNTING ASSEMBLY.....	142
FIGURE 3-7. KUBOTA ENGINE COMPONENTS.....	144
FIGURE 3-8. GENERATOR ASSEMBLY.....	148

TABLE OF CONTENTS

FIGURE 3-9. VARIABLE PUMP ASSEMBLY	150
FIGURE 3-10. HYDROSTATIC PUMP ASSEMBLY	154
FIGURE 3-11. FUEL/WATER SEPARATOR ASSEMBLY	156
FIGURE 3-12. ENGINE HOOD Baffles INSTALLATION	158
FIGURE 3-13. TRAY JACK INSTALLATION	160
FIGURE 3-14. 4000W GENERATOR INSTALLATION - 220V/50HZ (OPTIONAL)	162
FIGURE 3-15. 7500W SKYPOWER GENERATOR INSTALLATION - 220V/50HZ (OPTIONAL)	166
FIGURE 3-16. 7500W SKYPOWER GENERATOR INSTALLATION - 110V/60HZ (OPTIONAL)	170
 SECTION 4 - BOOM.....	 173
FIGURE 4-1. BOOM AND CYLINDER INSTALLATION.....	174
FIGURE 4-2. MAIN BOOM ASSEMBLY	176
FIGURE 4-3. TOWER BOOM ASSEMBLY	178
FIGURE 4-4. JIB ASSEMBLY	180
FIGURE 4-5. ROTATOR ASSEMBLY	182
FIGURE 4-6. POWER TRACK INSTALLATION - MAIN BOOM	184
FIGURE 4-7. POWER TRACK INSTALLATION - TOWER BOOM	186
FIGURE 4-8. BOOM VALVES INSTALLATION	188
FIGURE 4-9. BOOM VALVE ASSEMBLY	190
FIGURE 4-10. BOOM VALVE AND LIMIT SWITCHES INSTALLATION (WITHOUT TOWER STOW)	192
FIGURE 4-11. BOOM VALVE AND LIMIT SWITCHES INSTALLATION (WITH TOWER STOW)	194
FIGURE 4-12. TILT SENSOR INSTALLATION.....	196
FIGURE 4-13. TRANSPORT POSITION SWITCH INSTALLATION (CE & UK CA SPECS)	198
FIGURE 4-14. PLATFORM SUPPORT INSTALLATION	200
 SECTION 5 - PLATFORM	 203
FIGURE 5-1. PLATFORM ASSEMBLY - 30IN X 4FT (76CM X 1.22M) WITH SWING GATE	204
FIGURE 5-2. PLATFORM ASSEMBLY - 30IN X 4FT (76CM X 1.22M) WITH DROP BAR	206
FIGURE 5-3. PLATFORM ASSEMBLY - 30IN X 6FT (76CM X 1.83M) WITH SWING GATE	208
FIGURE 5-4. PLATFORM ASSEMBLY - 30IN X 6FT (76CM X 1.83M) WITH DROP BAR	210
FIGURE 5-5. PLATFORM ASSEMBLY - 36IN X 6FT (91.5CM X 1.83M) WITH SWING GATE	212
FIGURE 5-6. PLATFORM ASSEMBLY - 36IN X 6FT (91.5CM X 1.83M) WITH DROP BAR	214
FIGURE 5-7. PLATFORM ASSEMBLY - 36IN X 6FT (91.5CM X 1.83M) WITH FALL ARREST (ANSI, ANSI EXPORT, CHINA & CSA SPECS)	216
FIGURE 5-8. PLATFORM ASSEMBLY - 36IN X 8FT (91.5CM X 2.44M) WITH SWING GATE	218
FIGURE 5-9. PLATFORM ASSEMBLY - 36IN X 8FT (91.5CM X 2.44M) WITH DROP BAR	220
FIGURE 5-10. PLATFORM ASSEMBLY - 36IN X 8FT (91.5CM X 2.44M) WITH FALL ARREST	222
FIGURE 5-11. TRAY ASSEMBLY	224
FIGURE 5-12. PLATFORM CONSOLE AND FOOTSWITCH INSTALLATION (WITHOUT TOWER STOW)	226
FIGURE 5-13. PLATFORM CONSOLE AND FOOTSWITCH INSTALLATION (WITH TOWER STOW)	228
FIGURE 5-14. PLATFORM CONSOLE BOX ASSEMBLY (WITHOUT TOWER STOW)	230
FIGURE 5-15. PLATFORM CONSOLE BOX ASSEMBLY (WITH TOWER STOW)	234
FIGURE 5-16. LIGHT PANEL INSTALLATION (Prior to SN 0300297362)	238
FIGURE 5-17. LIGHT PANEL INSTALLATION (SN 0300297362 to Present)	240
FIGURE 5-18. JIB SWITCH INSTALLATION	242
FIGURE 5-19. CONTROLLER ASSEMBLY (DRIVE AND STEER)	244
FIGURE 5-20. CONTROLLER ASSEMBLY (LIFT AND SWING)	246
FIGURE 5-21. FOOTSWITCH ASSEMBLY	250
FIGURE 5-22. SOFT TOUCH INSTALLATION - 6FT (1.83M) PLATFORM (OPTIONAL)	252
FIGURE 5-23. SOFT TOUCH INSTALLATION - 6FT (1.83M) FALL ARREST PLATFORM (OPTIONAL)	254
FIGURE 5-24. SOFT TOUCH INSTALLATION - 8FT (2.4M) PLATFORM (OPTIONAL)	256
FIGURE 5-25. SOFT TOUCH INSTALLATION - 8FT (2.4M) FALL ARREST PLATFORM (OPTIONAL)	258
FIGURE 5-26. SKYEYE INSTALLATION	260
FIGURE 5-27. SKYGUARD BAR INSTALLATION	262
FIGURE 5-28. SKYLINE INSTALLATION	264
FIGURE 5-29. SKYGLAZIER INSTALLATION (ANSI, ANSI EXPORT, AUSTRALIAN & CSA SPECS)	266
FIGURE 5-30. SKYWELDER INSTALLATION (50HZ)	268
FIGURE 5-31. SKYWELDER INSTALLATION (60HZ)	270
FIGURE 5-32. SKYWELDER PREP PACKAGE (60HZ)	272
FIGURE 5-33. WELDER ASSEMBLY	274
FIGURE 5-34. FALL ARREST INSTALLATION (BOLT-ON) 30IN X 4FT (76CM X 1.22M) PLATFORM	276
FIGURE 5-35. FALL ARREST INSTALLATION (BOLT-ON) 36IN X 6FT (91.2CM X 1.82M) PLATFORM	278
FIGURE 5-36. FALL ARREST INSTALLATION (BOLT-ON) 30IN X 6FT (76CM X 1.83M) PLATFORM	280
FIGURE 5-37. FALL ARREST INSTALLATION (BOLT-ON) 36IN X 8FT (91.5CM X 2.4M) PLATFORM	282

TABLE OF CONTENTS

SECTION 6 - CYLINDER	285
FIGURE 6-1. AXLE LOCKOUT CYLINDER ASSEMBLY	286
FIGURE 6-2. LEVEL (SLAVE) CYLINDER ASSEMBLY - JIB	288
FIGURE 6-3. LEVEL (SLAVE) CYLINDER ASSEMBLY - UPRIGHT	290
FIGURE 6-4. LIFT CYLINDER ASSEMBLY - JIB	292
FIGURE 6-5. LIFT CYLINDER ASSEMBLY - MAIN BOOM	294
FIGURE 6-6. LIFT CYLINDER ASSEMBLY - TOWER BOOM	296
FIGURE 6-7. MASTER CYLINDER ASSEMBLY	298
FIGURE 6-8. STEER CYLINDER ASSEMBLY	300
FIGURE 6-9. TELESCOPE CYLINDER ASSEMBLY - MAIN BOOM	302
FIGURE 6-10. TELESCOPE CYLINDER ASSEMBLY - TOWER BOOM	304
SECTION 7 - HYDRAULIC	307
FIGURE 7-1. AXLE LOCKOUT HYDRAULIC DIAGRAM	308
FIGURE 7-2. DRIVE HYDRAULIC DIAGRAM	310
FIGURE 7-3. STANDARD HYDRAULIC DIAGRAM	316
FIGURE 7-4. TOW HYDRAULIC DIAGRAM	320
SECTION 8 - ELECTRICAL	323
FIGURE 8-1. AC BOX AT PLATFORM INSTALLATION - 110V GFI RECEPTACLE (ALL SPECS EXCEPT AUSTRALIAN, CE & UK CA SPECS)	324
FIGURE 8-2. AC BOX AT PLATFORM INSTALLATION - 110V IEC YELLOW (CE & UK CA SPECS) (MACHINES WITHOUT 4000W GENERATOR)	326
FIGURE 8-3. AC BOX AT PLATFORM INSTALLATION - 110V IEC YELLOW (CE & UK CA SPECS) (MACHINES WITH 4000W GENERATOR)	328
FIGURE 8-4. AC BOX AT PLATFORM INSTALLATION - 220V (ANSI, CSA & JAPANESE SPECS)	330
FIGURE 8-5. AC BOX AT PLATFORM INSTALLATION - 220V IEC BLUE (CE & UK CA SPECS) (MACHINES WITHOUT 4000W GENERATOR)	332
FIGURE 8-6. AC BOX AT PLATFORM INSTALLATION - 220V IEC BLUE (CE & UK CA SPECS) (MACHINES WITH 4000W GENERATOR)	334
FIGURE 8-7. AC BOX AT PLATFORM INSTALLATION - 220V CEE7 2X4 POST GROUND (CE & UK CA SPECS) (MACHINES WITHOUT 4000W GENERATOR)	336
FIGURE 8-8. AC BOX AT PLATFORM INSTALLATION - 220V CEE7 2X4 POST GROUND (CE & UK CA SPECS) (MACHINES WITH 4000W GENERATOR)	338
FIGURE 8-9. AC BOX AT PLATFORM INSTALLATION - 220V CEE7 2X4 SIDE GROUND (CE & UK CA SPECS) (MACHINES WITHOUT 4000W GENERATOR)	340
FIGURE 8-10. AC BOX AT PLATFORM INSTALLATION - 220V CEE7 2X4 SIDE GROUND (CE & UK CA SPECS) (MACHINES WITH 4000W GENERATOR)	342
FIGURE 8-11. AC BOX AT PLATFORM INSTALLATION - 220V AFSINT 107 (CE & UK CA SPECS) (MACHINES WITHOUT 4000W GENERATOR)	344
FIGURE 8-12. AC BOX AT PLATFORM INSTALLATION - 220V AFSINT 107 (CE & UK CA SPECS) (MACHINES WITH 4000W GENERATOR)	346
FIGURE 8-13. AC BOX AT PLATFORM INSTALLATION - BOX WITH COVER (ANSI EXPORT, AUSTRALIAN, CHINA & JAPANESE SPECS)	348
FIGURE 8-14. AC BOX AT PLATFORM INSTALLATION - 240V RECEPTACLE (WITH 4000W GENERATOR) (ALL SPECS EXCEPT ANSI & CSA SPECS)	350
FIGURE 8-15. AC BOX AT PLATFORM INSTALLATION - 240V RECEPTACLE (WITH 7500W SKYPOWER GENERATOR) (ANSI & CSA SPECS)	352
FIGURE 8-16. AC BOX AT PLATFORM MID-BOOM PLUG INSTALLATION (WITHOUT 7500W SKYPOWER GENERATOR) (ALL SPECS EXCEPT ANSI & CSA SPECS)	354
FIGURE 8-17. AC BOX AT PLATFORM MID-BOOM PLUG INSTALLATION (WITH 7500W SKYPOWER GENERATOR)	356
FIGURE 8-18. AC BREAKER BOX INSTALLATION - WITH 2 BREAKERS (CE & UK CA SPECS WITH 4000W GENERATOR)	358
FIGURE 8-19. AC BREAKER BOX INSTALLATION - WITH 2 BREAKERS (BRAZIL SPECS)	360
FIGURE 8-20. AC BREAKER BOX INSTALLATION - WITH 3 BREAKERS (CE & UK CA SPECS WITH 4000W GENERATOR)	362
FIGURE 8-21. BATTERY CABLES INSTALLATION	364
FIGURE 8-22. BATTERY STACK HARNESS (LH)	366
FIGURE 8-23. BATTERY STACK HARNESS (RH)	368
FIGURE 8-24. BOOM VALVE HARNESS	370
FIGURE 8-25. BOOM CABLES INSTALLATION (MACHINES WITHOUT GENERATOR)	372
FIGURE 8-26. BOOM CABLES INSTALLATION (AUSTRALIAN SPECS WITH 4000W GENERATOR)	374
FIGURE 8-27. BOOM CABLES INSTALLATION (CE & UK CA SPECS WITH 4000W GENERATOR)	376
FIGURE 8-28. BOOM CABLES INSTALLATION (ALL SPECS EXCEPT CE & UK CA SPECS WITH 7500W GENERATOR) ...	378

TABLE OF CONTENTS

FIGURE 8-29. BOOM CABLE - MAIN BOOM.....	380
FIGURE 8-30. BOOM CABLE - TOWER BOOM	382
FIGURE 8-31. BREAKER BOX KIT - WITH 2 BREAKERS (CE & UK CA SPECS WITHOUT 4000W GENERATOR & BRAZIL SPECS).....	384
FIGURE 8-32. BREAKER BOX KIT - WITH 2 BREAKERS (CE & UK CA SPECS WITH 4000W GENERATOR).....	386
FIGURE 8-33. BREAKER BOX KIT - WITH 3 BREAKERS (CE & UK CA SPECS WITH 4000W GENERATOR).....	388
FIGURE 8-34. CLEARSKY INSTALLATION - 3 WIRE GT1030.....	390
FIGURE 8-35. CLEARSKY INSTALLATION - CANBUS (ANSI SPECS)	392
FIGURE 8-36. CLEARSKY INSTALLATION - CANBUS (AUSTRALIAN SPECS).....	394
FIGURE 8-37. CLEARSKY INSTALLATION - CANBUS (CE SPECS).....	396
FIGURE 8-38. CLEARSKY INSTALLATION - CANBUS (CHINA SPECS)	398
FIGURE 8-39. CLEARSKY TELEMATCIS HARNESS (3-WIRE).....	400
FIGURE 8-40. CLEARSKY TELEMATCIS HARNESS (CANBUS)	402
FIGURE 8-41. CHARGER HARNESS	404
FIGURE 8-42. CONTROL HARNESS.....	406
FIGURE 8-43. ELECTRICAL SYSTEM INSTALLATION (Prior to SN 0300297362).....	408
FIGURE 8-44. ELECTRICAL SYSTEM INSTALLATION (SN 0300297362 to Present).....	410
FIGURE 8-45. ENGINE HARNESS - KUBOTA.....	412
FIGURE 8-46. ENGINE TRAY HARNESS	414
FIGURE 8-47. GENERATOR HARNESS - 4000W	416
FIGURE 8-48. GENERATOR HARNESS - 7500W SKYPOWER	418
FIGURE 8-49. GENERATOR HARNESS - 4000W AND 7500W SKYPOWER.....	420
FIGURE 8-50. GROUND CONTROL BOX HARNESS	422
FIGURE 8-51. H-BRIDGE/CLUTCH HARNESS	424
FIGURE 8-52. HYBRID 84V HARNESS	426
FIGURE 8-53. MAIN VALVE HARNESS (Prior to SN 0300297362)	428
FIGURE 8-54. MAIN VALVE HARNESS (SN 0300297362 to Present)	430
FIGURE 8-55. PLATFORM CONSOLE BOX HARNESS.....	432
FIGURE 8-56. RECEPTACLE BOX KIT - 110V IEC YELLOW (CE & UK CA SPEC).....	436
FIGURE 8-57. RECEPTACLE BOX KIT - 220V IEC BLUE (CE & UK CA SPEC)	438
FIGURE 8-58. RECEPTACLE BOX KIT - 220V CEE7 POST GROUND 2X4 BOX (CE & UK CA SPEC).....	440
FIGURE 8-59. RECEPTACLE BOX KIT - 220V CEE7 SIDE GROUND (CE & UK CA SPEC)	442
FIGURE 8-60. RECEPTACLE BOX KIT - 220V AFSINT 107 (CE & UK CA SPEC)	444
FIGURE 8-61. RESOLVER/CONVERTER/INVERTER HARNESS	446
FIGURE 8-62. SKYEYE INTERMEDIATE HARNESS	448
FIGURE 8-63. SKYEYE RECEIVER HARNESS.....	450
FIGURE 8-64. SKYEYE EMITTER HARNESS	452
FIGURE 8-65. SKYGUARD INTERFACE HARNESS.....	454
FIGURE 8-66. SKYLINE HARNESS	456
FIGURE 8-67. STROBE LIGHT CONTROL HARNESS (BLUE & RED LIGHTS)	458
FIGURE 8-68. TURNTABLE HARNESS.....	460
FIGURE 8-69. TURNTABLE/FUSE PANEL HARNESS.....	462
FIGURE 8-70. USB RECEPTACLE INSTALLATION.....	464
FIGURE 8-71. WHITE NOISE ALARM HARNESS	466
SECTION 9 - DECALS	469
FIGURE 9-1. DECAL INSTALLATION - ANSI SPECS (ENGLISH LANGUAGE).....	470
FIGURE 9-2. DECAL INSTALLATION - AUSTRALIAN SPECS (ENGLISH LANGUAGE).....	472
FIGURE 9-3. DECAL INSTALLATION - BRAZIL SPECS (ENGLISH/PORTUGUESE LANGUAGES)	474
FIGURE 9-4. DECAL INSTALLATION - CE & UK CA SPECS (ENGLISH LANGUAGE).....	476
FIGURE 9-5. DECAL INSTALLATION - CHINA SPECS (ENGLISH/CHINESE LANGUAGES).....	478
FIGURE 9-6. DECAL INSTALLATION - CSA SPECS (ENGLISH/FRENCH LANGUAGES)	480
FIGURE 9-7. DECAL INSTALLATION - JAPANESE SPECS (ENGLISH/JAPANESE LANGUAGES)	482
FIGURE 9-8. DECAL INSTALLATION - KOREAN SPECS (ENGLISH/KOREAN LANGUAGES)	484
FIGURE 9-9. DECAL INSTALLATION - LATIN AMERICAN SPECS (ENGLISH/SPANISH LANGUAGES)	486
FIGURE 9-10. DECALS INSTALLATION - OPTIONS.....	488
FIGURE 9-11. DECAL INSTALLATION - SKYWELDER - 50HZ.....	490
FIGURE 9-12. DECAL INSTALLATION - SKYWELDER - 60HZ.....	492
SECTION 10 - RECOMMENDED SERVICE PARTS STOCK.....	495
FIGURE 10-1. RECOMMENDED SERVICE PARTS STOCK.....	496
SECTION 11 - SPECIAL OPTIONS/ACCESSORIES/KITS.....	499
FIGURE 11-1. SPECIAL OPTIONS/ACCESSORIES/KITS.....	500

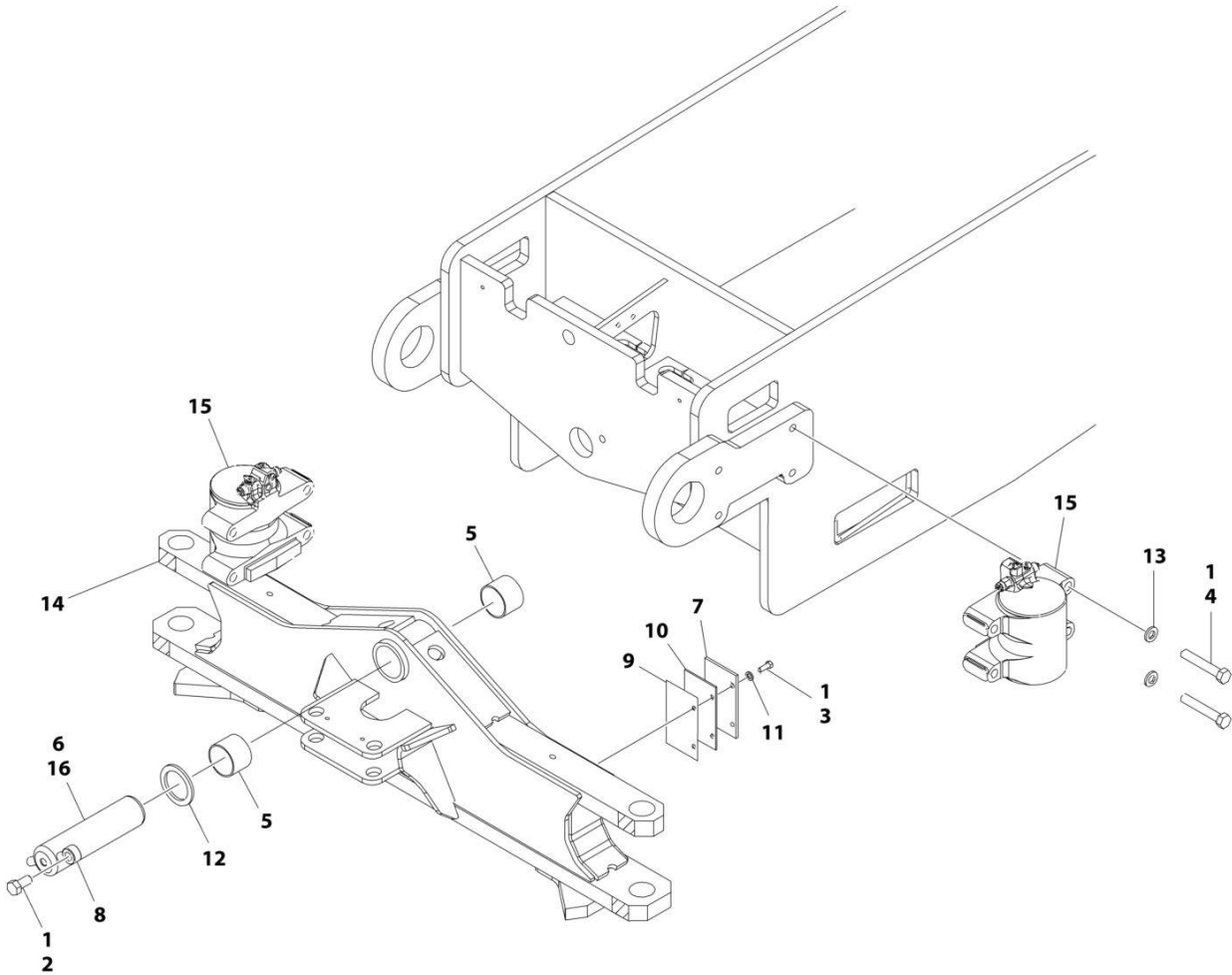
TABLE OF CONTENTS

PART NUMBER INDEX 503

SECTION 1 - FRAME

SECTION 1 - FRAME

FIGURE 1-1. AXLE INSTALLATION - WITHOUT TOW PACKAGE



ART_1001154584

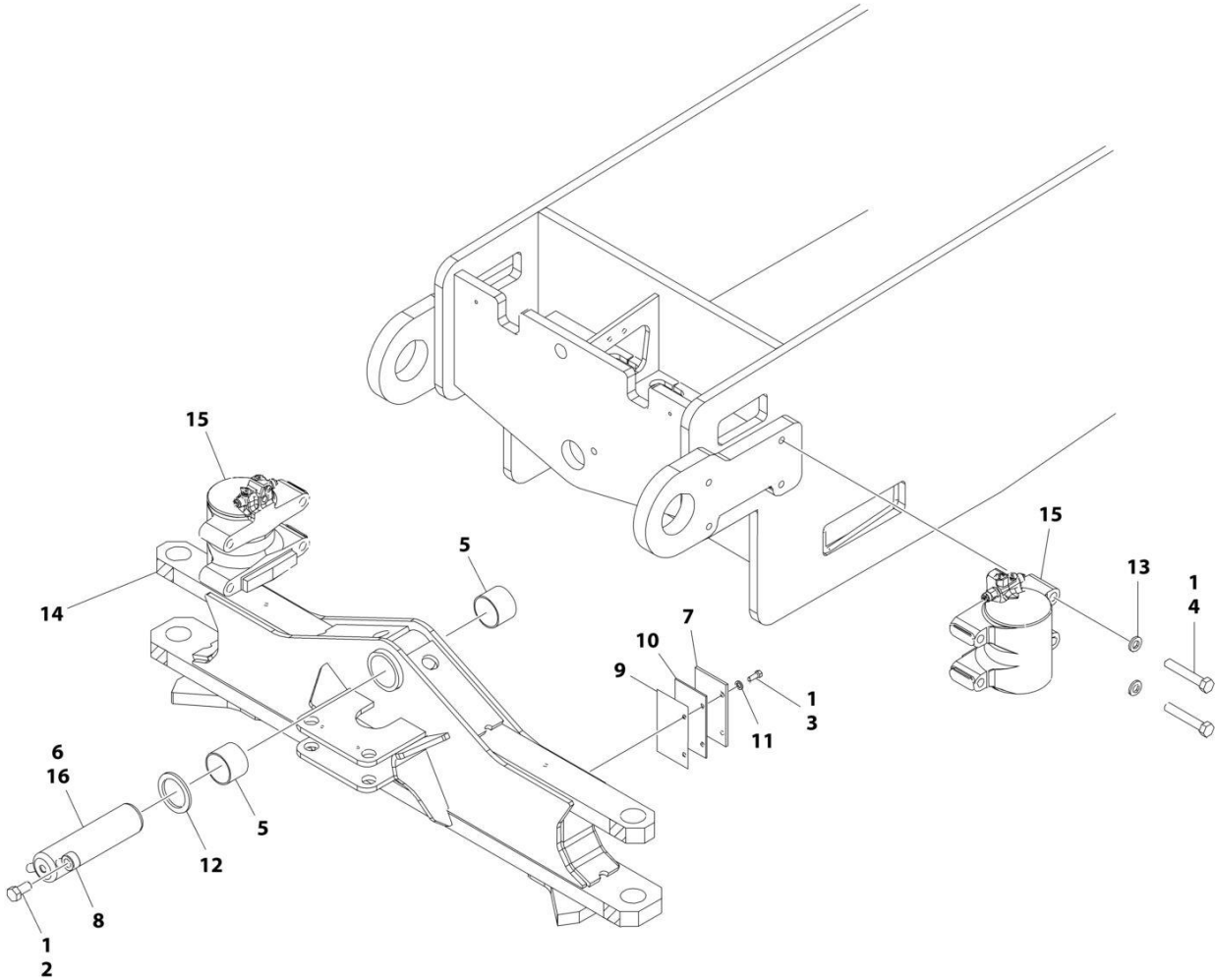
SECTION 1 - FRAME

FIGURE 1-1. AXLE INSTALLATION - WITHOUT TOW PACKAGE

ITEM	PART NUMBER	QTY	DESCRIPTION	REV
	1001154584	Ref	AXLE INSTALLATION	D
1	0100011	AR	Compound, Locking	
2	0642212	1	Bolt 3/4 x 1-1/2	
3	0681608	4	Bolt 3/8 x 1 Grade 8	
4	0682236	8	Bolt 3/4 x 4-1/2 Grade 8	
5	0962102	2	Bushing	
6	3020039	AR	Lubricant	
7	3538047	2	Shim .25	
8	3841287	1	Keeper, Pin	
9	4070878	AR	Shim 16 Gauge	
10	4070879	AR	Shim 11 Gauge	
11	4711600	4	Washer 3/8	
12	4740472	1	Washer	
13	4892200	8	Washer 3/4	
14	1001152719	1	Axle	
15	1001204560	2	Axle Lockout Cylinder Assembly (See Separate Breakdown in CYLINDER SECTION)	
16	1001156710	1	Pin	

SECTION 1 - FRAME

FIGURE 1-2. AXLE INSTALLATION - WITH TOW PACKAGE



ART_1001155194

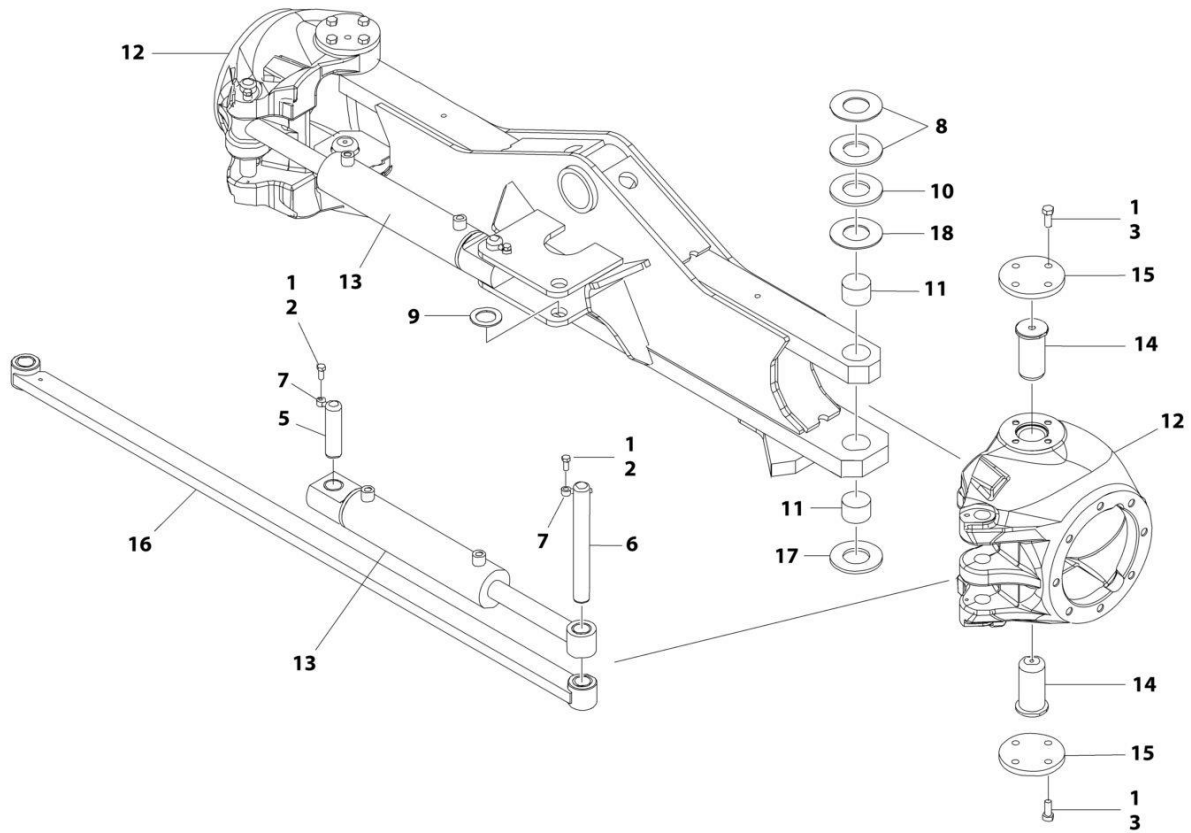
SECTION 1 - FRAME

FIGURE 1-2. AXLE INSTALLATION - WITH TOW PACKAGE

ITEM	PART NUMBER	QTY	DESCRIPTION	REV
	1001155194	Ref	AXLE INSTALLATION	D
1	0100011	AR	Compound, Locking	
2	0642212	1	Bolt 3/4 x 1-1/2	
3	0681608	4	Bolt 3/8 x 1 Grade 8	
4	0682236	8	Bolt 3/4 x 4-1/2 Grade 8	
5	0962102	2	Bushing	
6	3020039	AR	Lubricant	
7	3538047	2	Shim .25	
8	3841287	1	Keeper, Pin	
9	4070878	AR	Shim 16 Gauge	
10	4070879	AR	Shim 11 Gauge	
11	4711600	4	Washer 3/8	
12	4740472	1	Washer	
13	4892200	8	Washer 3/4	
14	1001154875	1	Axle	
15	1001204560	2	Axle Lockout Cylinder Assembly (See Separate Breakdown in CYLINDER SECTION)	
16	1001156710	1	Pin	

SECTION 1 - FRAME

FIGURE 1-3. STEER INSTALLATION - WITHOUT TOW PACKAGE



ART_1001151034

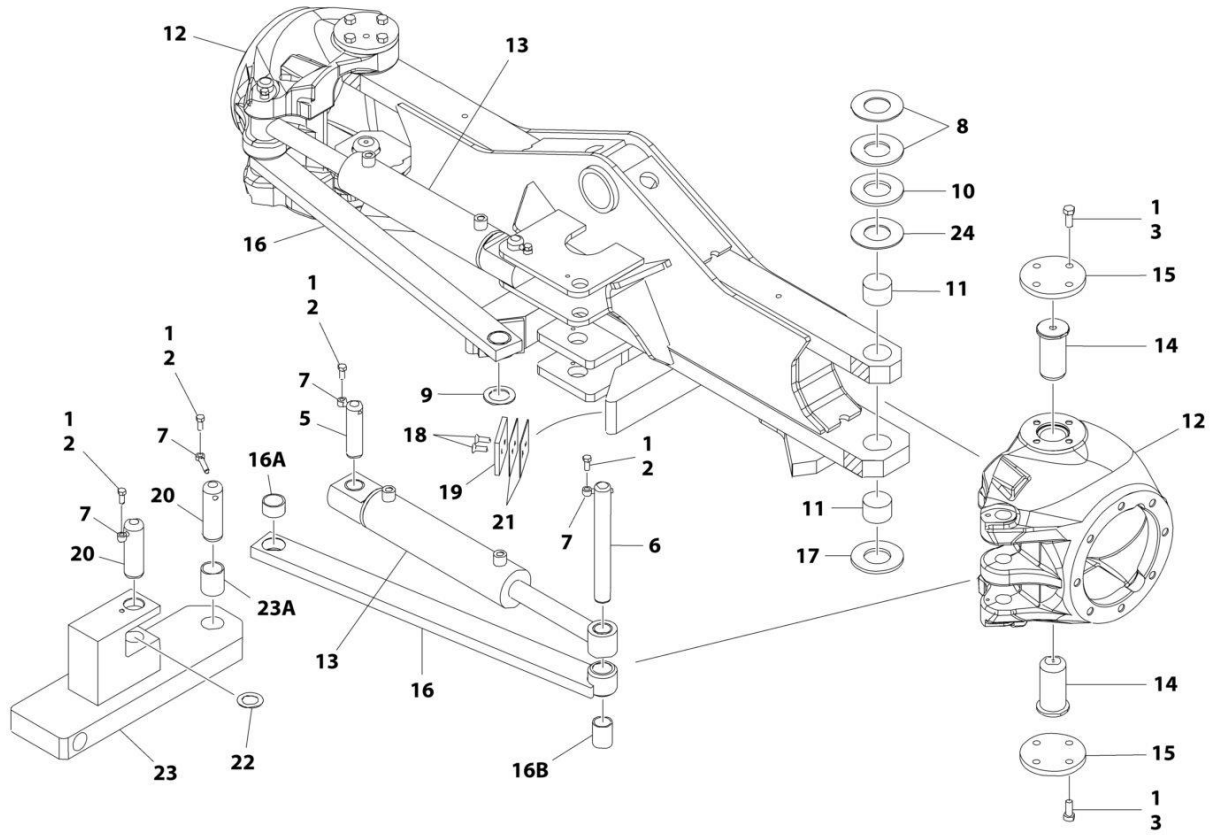
SECTION 1 - FRAME

FIGURE 1-3. STEER INSTALLATION - WITHOUT TOW PACKAGE

ITEM	PART NUMBER	QTY	DESCRIPTION	REV
	1001151034	Ref	STEER INSTALLATION	H
1	0100011	AR	Compound, Locking	
2	0641607	4	Bolt 3/8 x 7/8	
3	0641810	16	Bolt 1/2 x 1-1/4	
5	3422417	2	Pin	
6	3422790	2	Pin	
7	3841520	4	Keeper, Pin	
8	4740256	AR	Washer, Thrust	
9	4740473	2	Washer	
10	1001103810	AR	Washer, Thrust	
11	1001165657	4	Bearing	
12	1001150372	2	Spindle	
13	1001150539	2	Steer Cylinder Assembly (See Separate Breakdown in CYLINDER SECTION)	
14	1001161355	4	Kingpin	
15	1001150937	4	Plate	
16	1001151980	1	Tie-Rod	
17	1001161399	2	Washer, Thrust	
18	4740463	AR	Washer, Thrust	

SECTION 1 - FRAME

FIGURE 1-4. STEER INSTALLATION - WITH TOW PACKAGE



ART_1001155192

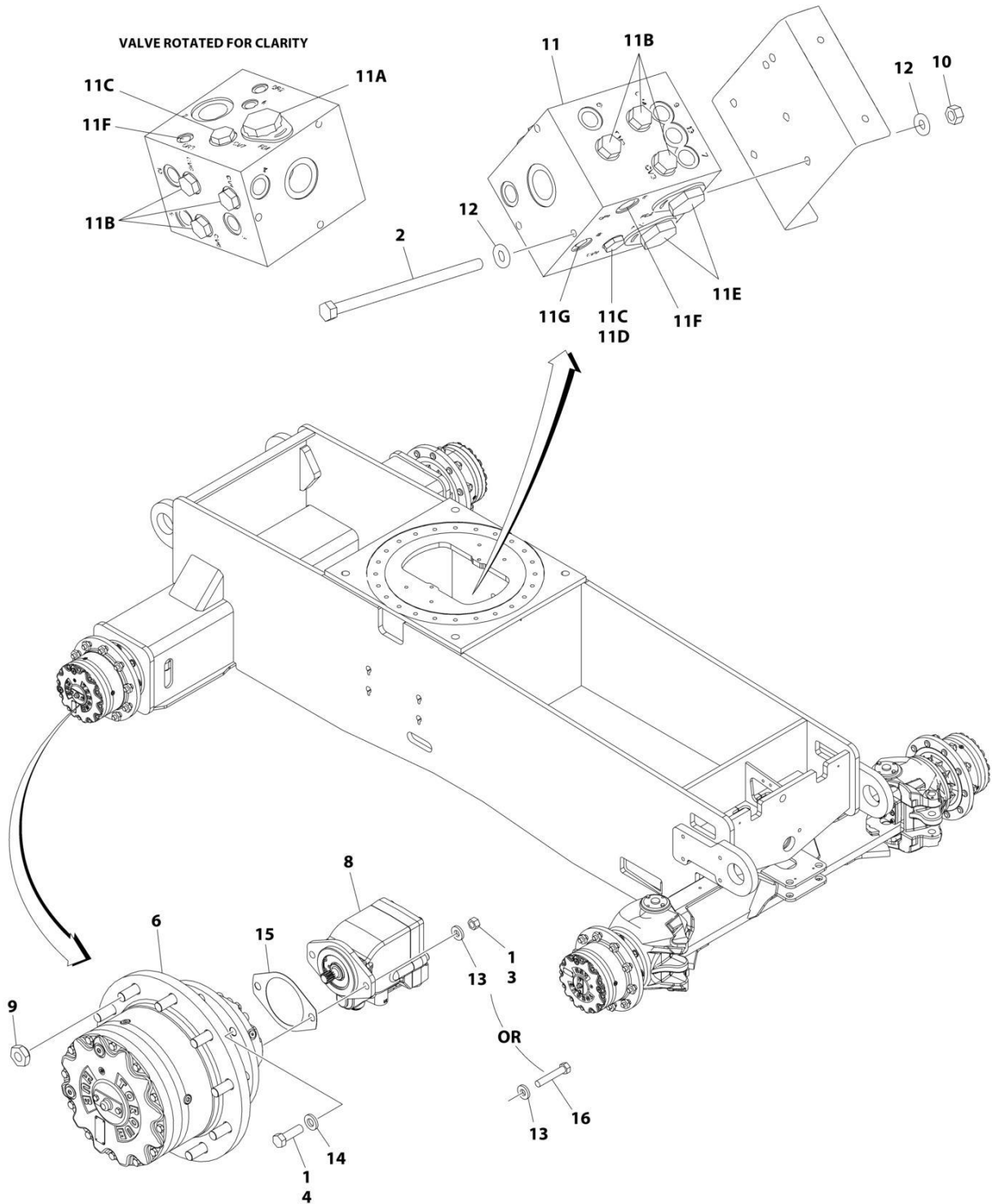
SECTION 1 - FRAME

FIGURE 1-4. STEER INSTALLATION - WITH TOW PACKAGE

ITEM	PART NUMBER	QTY	DESCRIPTION	REV
	1001155192	Ref	STEER INSTALLATION	G
1	0100011	AR	Compound, Locking	
2	0641607	6	Bolt 3/8 x 7/8	
3	0641810	16	Bolt 1/2 x 1-1/4	
5	3422417	2	Pin	
6	3422790	2	Pin	
7	3841520	6	Keeper, Pin	
8	4740256	AR	Washer, Thrust	
9	4740473	2	Washer	
10	1001103810	AR	Washer, Thrust	
11	1001165657	4	Bearing	
12	1001150372	2	Spindle	
13	1001150539	2	Steer Cylinder Assembly (See Separate Breakdown in CYLINDER SECTION)	
14	1001161355	4	Kingpin	
15	1001150937	4	Plate	
16	1001154931	2	Tie-Rod	
16A	0962181	1	Bushing	
16B	0962152	1	Bushing	
17	1001161399	2	Washer, Thrust	
18	0741609	4	Screw 3/8 x 1-1/8	
19	3340966	2	Pad, Stop	
20	3422848	2	Pin, Hitch	
21	4071059	AR	Shim 16 Gauge	
22	4740155	3	Washer, Thrust	
23	1001155035	1	Link	
23A	0962348	1	Bushing	
24	4740463	AR	Washer, Thrust	

SECTION 1 - FRAME

FIGURE 1-5. WHEEL DRIVE AND FRAME VALVES INSTALLATION



ART_1001157016

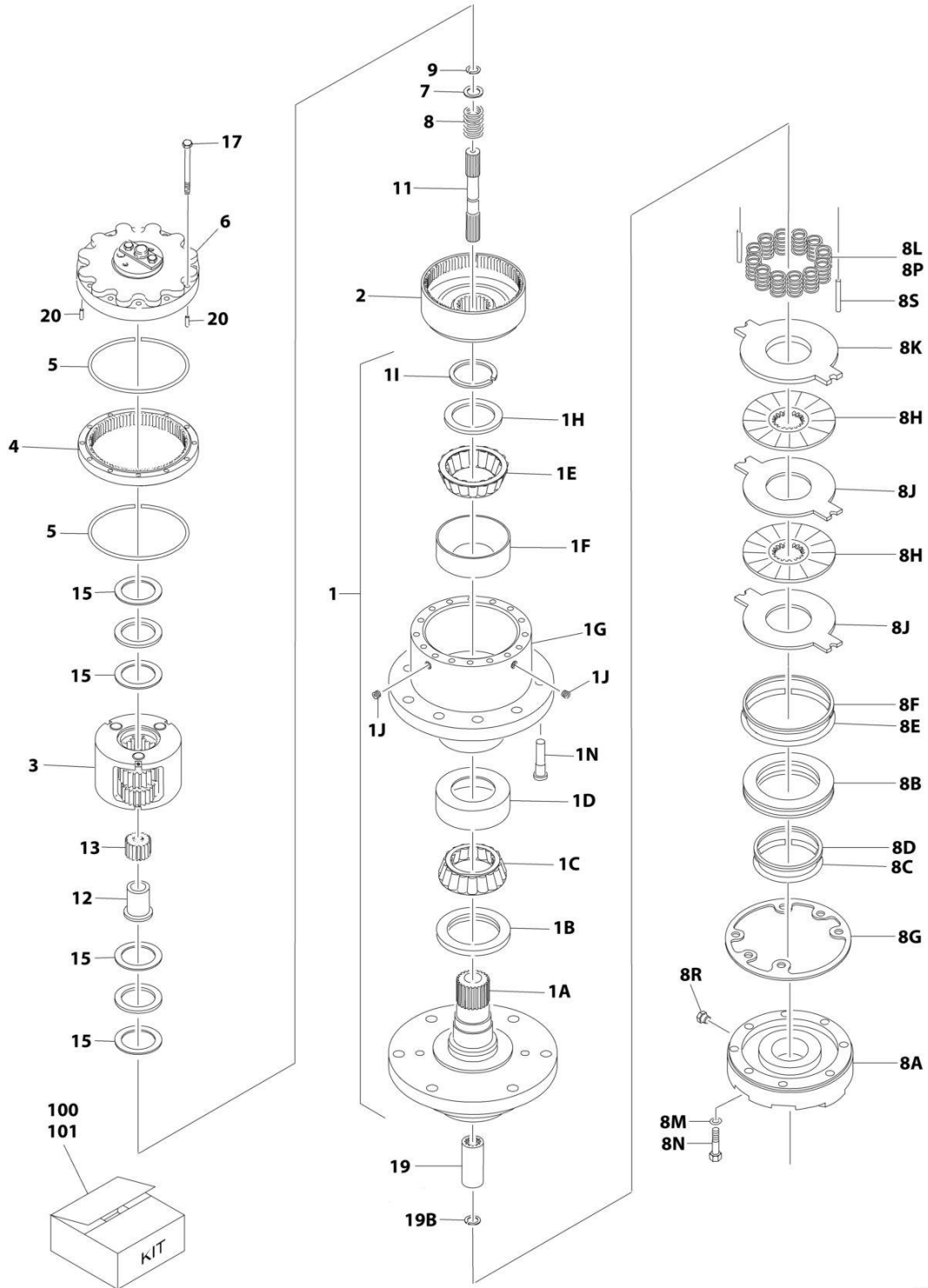
SECTION 1 - FRAME

FIGURE 1-5. WHEEL DRIVE AND FRAME VALVES INSTALLATION

ITEM	PART NUMBER	QTY	DESCRIPTION	REV
	1001157016	Ref	WHEEL DRIVE AND FRAME VALVES INSTALLATION	E
1	0100011	AR	Compound, Locking	
2	0641560	3	Bolt 5/16 x 7-1/2	
3	3311801	8	Nut 1/2	
4	0682016	32	Bolt 5/8 x 2 Grade 8	
5	2300016	AR	Fluid, Hydraulic (Not Shown)	
6	1001219219	4	Drive Hub Assembly (See Separate Breakdown in this Section)	
8	3160348	4	Drive Motor Assembly (See Separate Breakdown in this Section)	
9	3300007	40	Nut, Wheel	
10	3311505	3	Nut 5/16	
11	4641303	1	Flow Divider Valve Assembly	C
11A	7023933	1	Cartridge, Flow Divider	
11A	7021625	1	Seal Kit - 7023933 Cartridge	
11B	7022397	6	Cartridge, Check	
11B	7022399	6	Seal Kit - 7022397 Cartridge	
11C	7021639	2	Cartridge, Check Valves	
11C	2900756	2	Seal Kit - 7021639 Cartridge	
11D	7024881	1	Piston, Pilot	
11E	7023917	2	Cartridge, Flow Divider	
11E	7021625	2	Seal Kit - 7023917 Cartridge	
11F	70003935	2	Orifice	
11G	70003936	1	Orifice	
12	4711500	6	Washer 5/16	
13	4891800	8	Washer 1/2	
14	4892000	32	Washer 5/8	
15	3960526	2	Gasket	
16	0681822	4	Bolt 1/2 x 2-3/4	

SECTION 1 - FRAME

FIGURE 1-6. DRIVE HUB/BRAKE ASSEMBLY



ART_1001219219

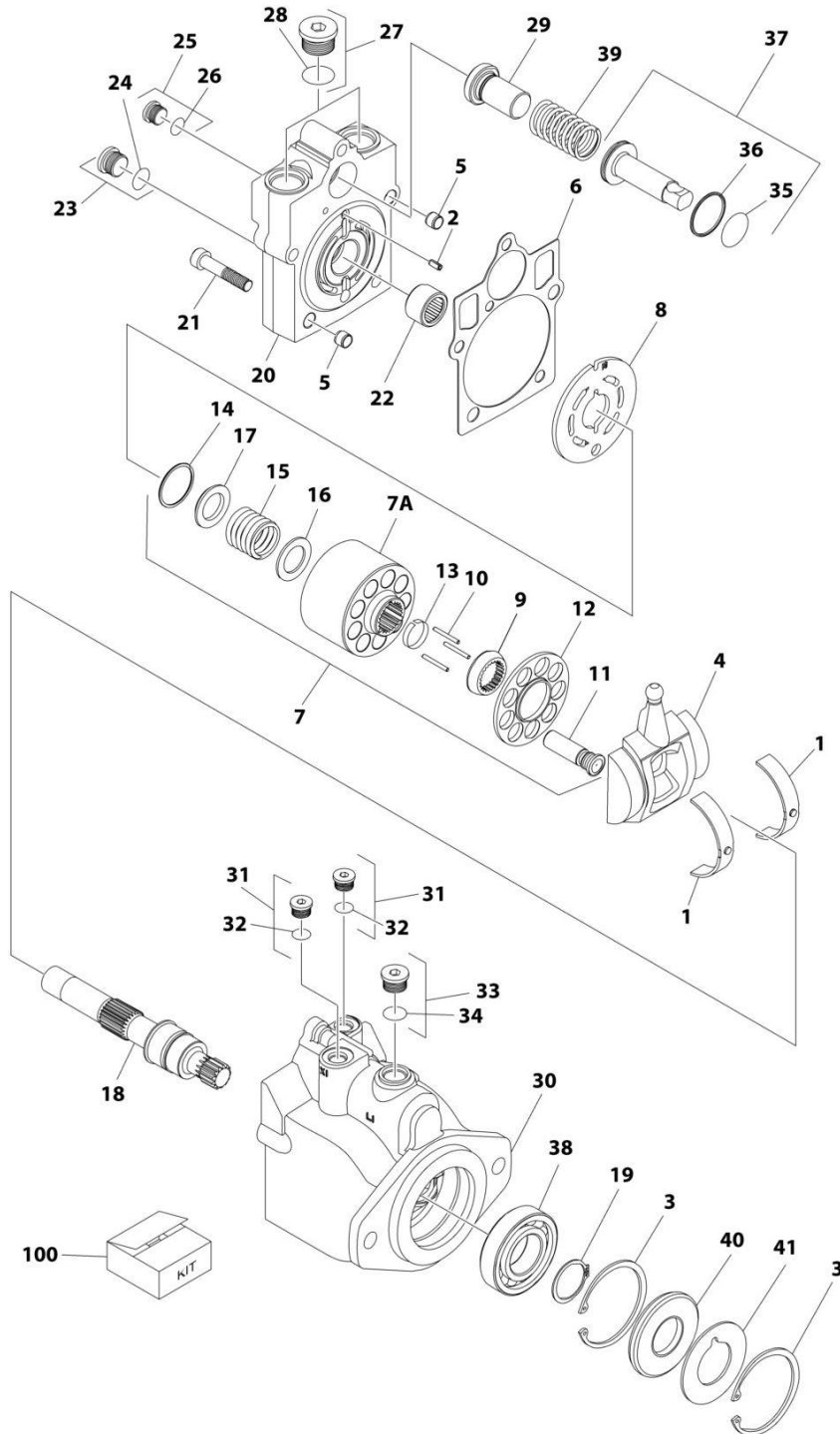
SECTION 1 - FRAME

FIGURE 1-6. DRIVE HUB/BRAKE ASSEMBLY

ITEM	PART NUMBER	QTY	DESCRIPTION	REV
	1001219219	Ref	DRIVE HUB/BRAKE ASSEMBLY	C
1	See Note	NSS	Spindle/Housing Assembly (Note: Not Available - Purchase Individual Components)	
1A	70006677	1	Spindle	
1B	70006678	1	Seal	
1C	1001091460	1	Cone, Bearing	
1D	1001091460	1	Cup, Bearing	
1E	1001091461	1	Cone, Bearing	
1F	1001091461	1	Cup, Bearing	
1G	See Note	NSS	Housing (Note: Not Available - Not Available for Purchase)	
1H	7000239	1	Thrustwasher	
1I	7000240	1	Ring, Retaining	
1J	7001928	1	Plug, Pipe	
1N	See Note	NSS	Stud, Wheel (Note: Not Available - Not Available for Purchase)	
2	7024782	1	Gear, Ring	
3	70006673	1	Carrier Assembly	
4	7024151	1	Gear, Internal	
5	7000224	2	O-Ring	
6	70006674	NSS	Cover Assembly (Note: Not Available - Not Available for Purchase)	
7	70006691	1	Thrustwasher	
8	7000283	1	Spring	
8A	7024191	1	Housing, Piston	
8B	70006684	1	Piston	
8C	See Note	NSS	O-Ring (Note: Use Item 101)	
8D	See Note	NSS	Ring, Back-up (Note: Use Item 101)	
8E	See Note	NSS	O-Ring (Note: Use Item 101)	
8F	See Note	NSS	Ring, Back-up (Note: Use Item 101)	
8G	See Note	NSS	Gasket (Note: Use Items 100 & 101)	
8H	See Note	NSS	Brake, Stator (Note: Use Item 100)	
8J	See Note	NSS	Brake, Rotor (Note: Use Item 100)	
8K	See Note	NSS	Plate, Pressure (Note: Use Item 100)	
8L	80344004	10	Spring	
8M	70006685	6	Capscrew	
8N	70006690	6	Lockwasher	
8P	70006680	2	Spring	
8R	7017082	2	Plug	
8S	7024190	2	Pin, Dowel	
9	7000284	1	Ring, Retaining	
11	70006675	1	Shaft, Input	
12	7024154	1	Spacer, Input	
13	7024149	1	Gear, Sun	
15	70006692	2	Thrustwasher	
17	7000289	12	Bolt 3/8 x 2-1/2in (Grade 8)	
19	70006676	1	Coupling	
19B	7017028	1	Ring, Retaining	
20	7017047	2	Pin, Dowel	
100	70006832	1	Friction Disc Kit (Includes Items 8G, 8H, 8J & 8K)	
101	70006833	1	Seal Kit (Includes Items - 8C-8G)	

SECTION 1 - FRAME

FIGURE 1-7. DRIVE MOTOR ASSEMBLY



ART_3160348

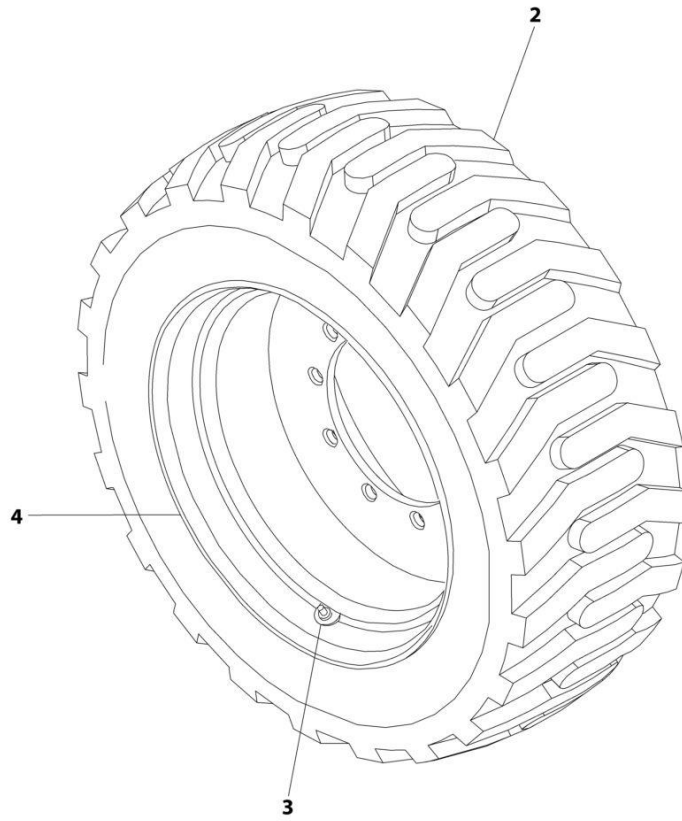
SECTION 1 - FRAME

FIGURE 1-7. DRIVE MOTOR ASSEMBLY

ITEM	PART NUMBER	QTY	DESCRIPTION	REV
	3160348	Ref	DRIVE MOTOR ASSEMBLY	D
1	7022302	2	Bearing, Journal	
2	7007446	1	Pin	
3	7007438	2	Ring, Retaining	
4	7022305	1	Swash Plate	
5	See Note	2	Pin (Note: Not Available for Purchase)	
6	See Note	NSS	Gasket (Note: Use Item 100)	
7	7023907	1	Cylinder Block Kit (Includes Items 7A & 9-17)	
7A	See Note	NSS	Block, Cylinder (Note: Use Item 7)	
8	7023908	1	Plate, Valve	
9	7021277	1	Guide, Slipper Retainer	
10	7021275	3	Pin, Slipper Hold Down	
11	See Note	NSS	Piston Assembly (Note: Use Item 7)	
12	7022310	1	Retainer, Slipper	
13	7021276	1	Retainer, Hold Down Pin	
14	7022311	1	Ring, Retaining	
15	7022312	1	Spring	
16	7024868	1	Washer	
17	7022314	1	Retainer, Spring	
18	7023910	1	Shaft	
19	7007439	1	Ring, Retaining	
20	70000797	1	Cap, End - Axial	
21	7022368	5	Screw	
22	7021249	1	Bearing, Needle	
23	2220886	1	Plug (Includes Item 24)	
24	See Note	1	O-Ring (Note: Use Item 23 or 100)	
25	2220883	1	Plug (Includes Item 26)	
26	See Note	NSS	O-Ring (Note: Use Item 25 or 100)	
27	2220888	2	Plug (Includes Item 28)	
28	See Note	NSS	O-Ring (Note: Use Item 27 or 100)	
29	7022372	1	Seat, Spring	
30	See Note	NSS	Housing (Note: Not Available - Purchase Complete Assembly)	
31	2220883	2	Plug (Includes Item 32)	
32	See Note	NSS	O-Ring (Note: Use Item 31 or 100)	
33	2220886	1	Plug (Includes Item 34)	
34	See Note	NSS	O-Ring (Note: Use Item 33 or 100)	
35	See Note	NSS	O-Ring (Note: Use Item 100)	
36	See Note	NSS	Ring, Seal (Note: Use Item 100)	
37	7024854	1	Piston, Servo (Includes Items 35 & 36)	
38	7007437	1	Bearing	
39	7022326	1	Spring	
40	See Note	1	Seal, Lip (Note: Use Item 100)	
41	7022371	1	Washer, Support	
		Ref	KIT OPTIONS:	
100	7022328	1	Seal Kit (Includes Items 6, 24, 26, 28, 32, 34, 35, 36 & 40)	

SECTION 1 - FRAME

FIGURE 1-8. TIRE & WHEEL INSTALLATION - 15-625 NHS FOAM-FILLED



ART_0270886

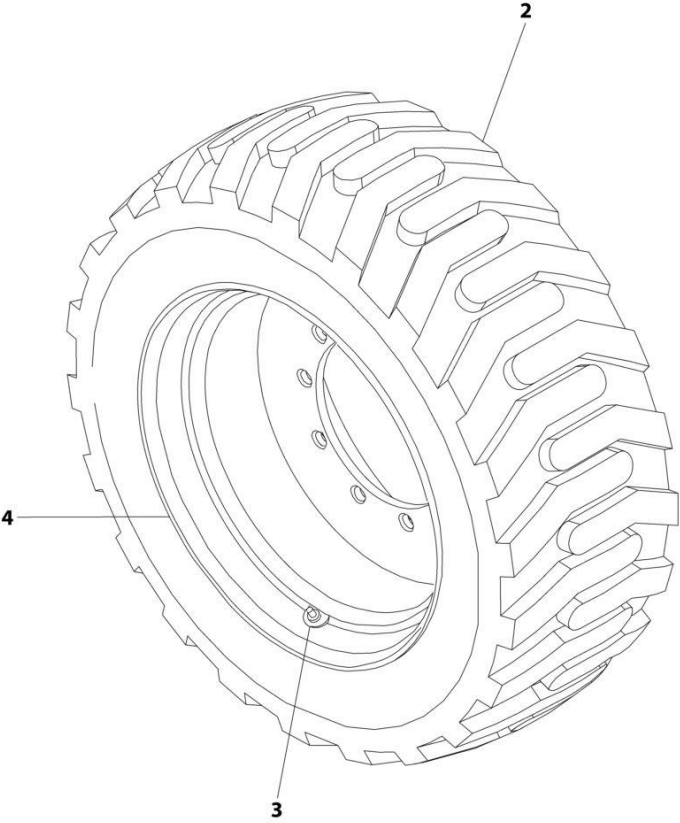
SECTION 1 - FRAME

FIGURE 1-8. TIRE & WHEEL INSTALLATION - 15-625 NHS FOAM-FILLED

ITEM	PART NUMBER	QTY	DESCRIPTION	REV
	0270886	Ref	TIRE AND WHEEL INSTALLATION	D
	0271085	2	Tire and Wheel Assembly - 15-625 NHS Foam-Filled LH Side	I
	0271086	2	Tire and Wheel Assembly - 15-625 NHS Foam-Filled RH Side	I
		Ref	Note: Assemblies may require ballast/foam filling to manufacturer's specifications prior to installing on a machine. Refer to Operation and Safety or Service and Maintenance Manuals.	
		Ref	Purchase individual tire and/or rim only if able to foam fill tire and wheel assembly, otherwise, purchase complete assembly.	
2	4520252	1	Tire 15-625	
3	4641122	1	Valve, Air	
4	4860224	1	Rim, Wheel - 13 x 24.5 Rim	

SECTION 1 - FRAME

FIGURE 1-9. TIRE AND WHEEL INSTALLATION - 18-625 NHS FOAM-FILLED



ART_0270888

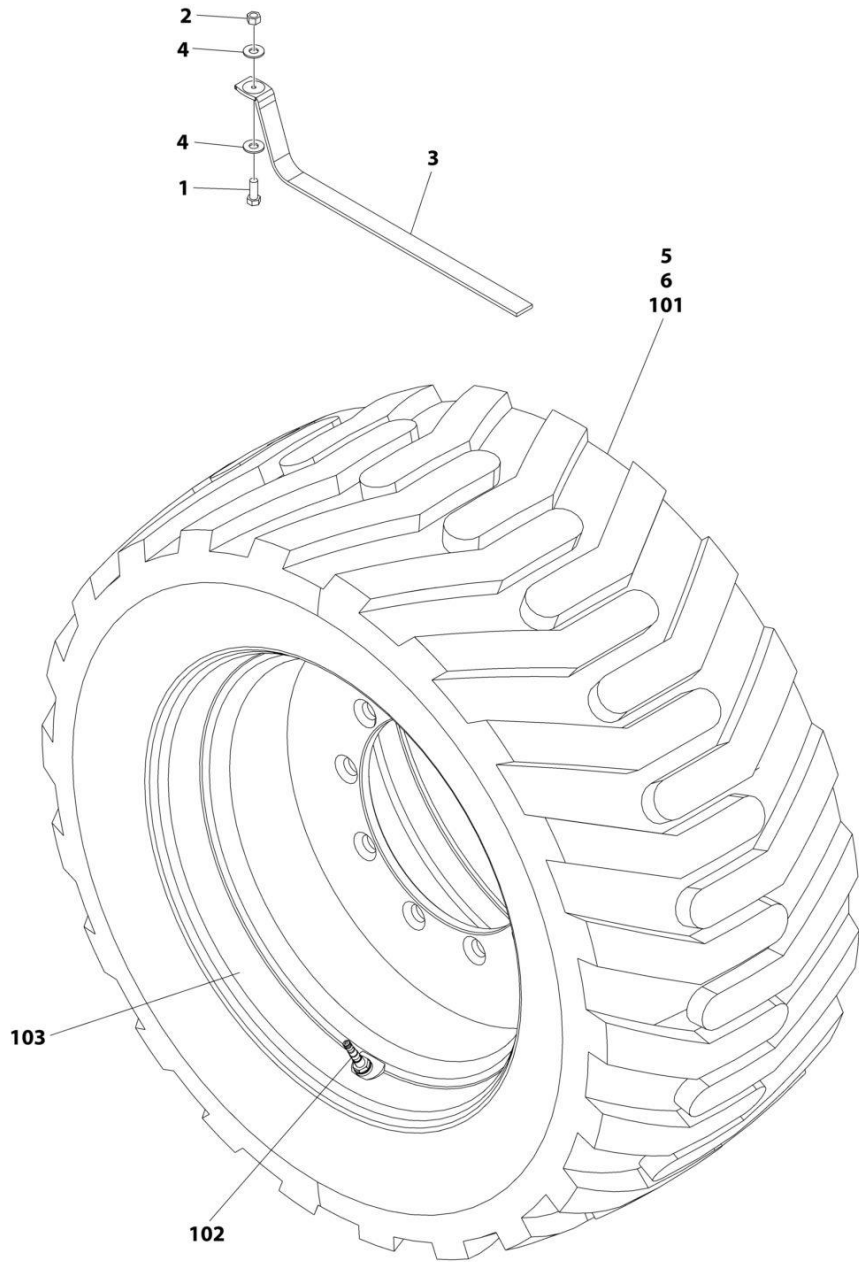
SECTION 1 - FRAME

FIGURE 1-9. TIRE AND WHEEL INSTALLATION - 18-625 NHS FOAM-FILLED

ITEM	PART NUMBER	QTY	DESCRIPTION	REV
	0270888	Ref	TIRE AND WHEEL INSTALLATION	C
	0271090	2	Tire and Wheel Assembly - 18-625 NHS Foam-Filled LH Side	G
	0271091	2	Tire and Wheel Assembly - 18-625 NHS Foam-Filled RH Side	G
		Ref	Note: Assemblies may require ballast/foam filling to manufacturer's specifications prior to installing on a machine. Refer to Operation and Safety or Service and Maintenance Manuals.	
		Ref	Purchase individual tire and/or rim only if able to foam fill tire and wheel assembly, otherwise, purchase complete assembly.	
2	4520253	1	Tire 18-625	
3	4641122	1	Valve, Air	
4	4860225	1	Rim, Wheel - 15 x 24.5 Rim	

SECTION 1 - FRAME

FIGURE 1-10. TIRE AND WHEEL INSTALLATION - 18-625 NHS FOAM-FILLED NON-MARKING



ART_1001236435

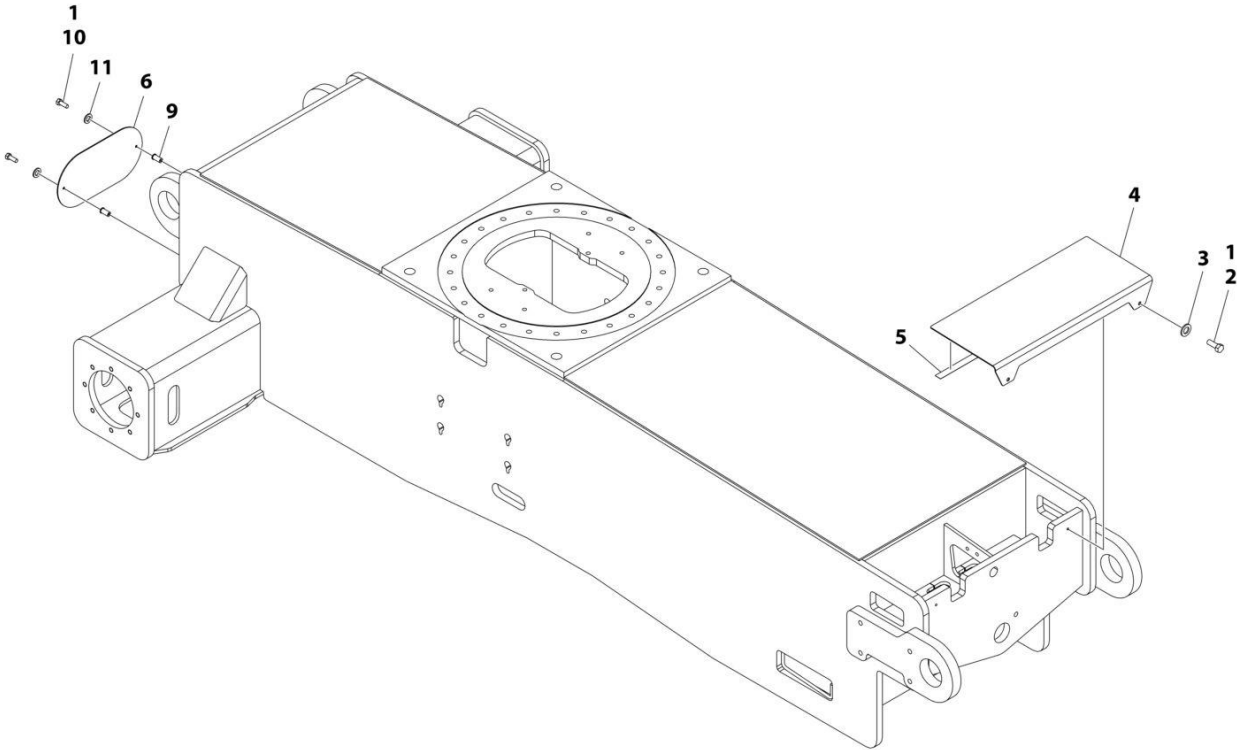
SECTION 1 - FRAME

FIGURE 1-10. TIRE AND WHEEL INSTALLATION - 18-625 NHS FOAM-FILLED NON-MARKING

ITEM	PART NUMBER	QTY	DESCRIPTION	REV
	1001236435	Ref	TIRE AND WHEEL INSTALLATION	A
1	0641608	1	Bolt 3/8 x 1	
2	3311605	1	Nut 3/8	
3	4240084	1	Strap, Anti-Static	
4	4751600	2	Washer 3/8	
5	1001169755	2	Tire and Wheel Assembly - 18-625 NHS Foam-Filled Non-Marking LH Side	D
6	1001169756	2	Tire and Wheel Assembly - 18-625 NHS Foam-Filled Non-Marking RH Side	D
		Ref	Note: Assemblies may require ballast/foam filling to manufacturer's specifications prior to installing on a machine. Refer to Operation and Safety or Service and Maintenance Manuals.	
		Ref	Purchase individual tire and/or rim only if able to foam fill tire and wheel assembly, otherwise, purchase complete assembly.	
101	1001169754	1	Tire 18-625 Non-Marking	
102	4641122	1	Valve, Air	
103	4860225	1	Rim, Wheel - 15 x 24.5 Rim	

SECTION 1 - FRAME

FIGURE 1-11. FRAME SHIELDS INSTALLATION



ART_1001158203

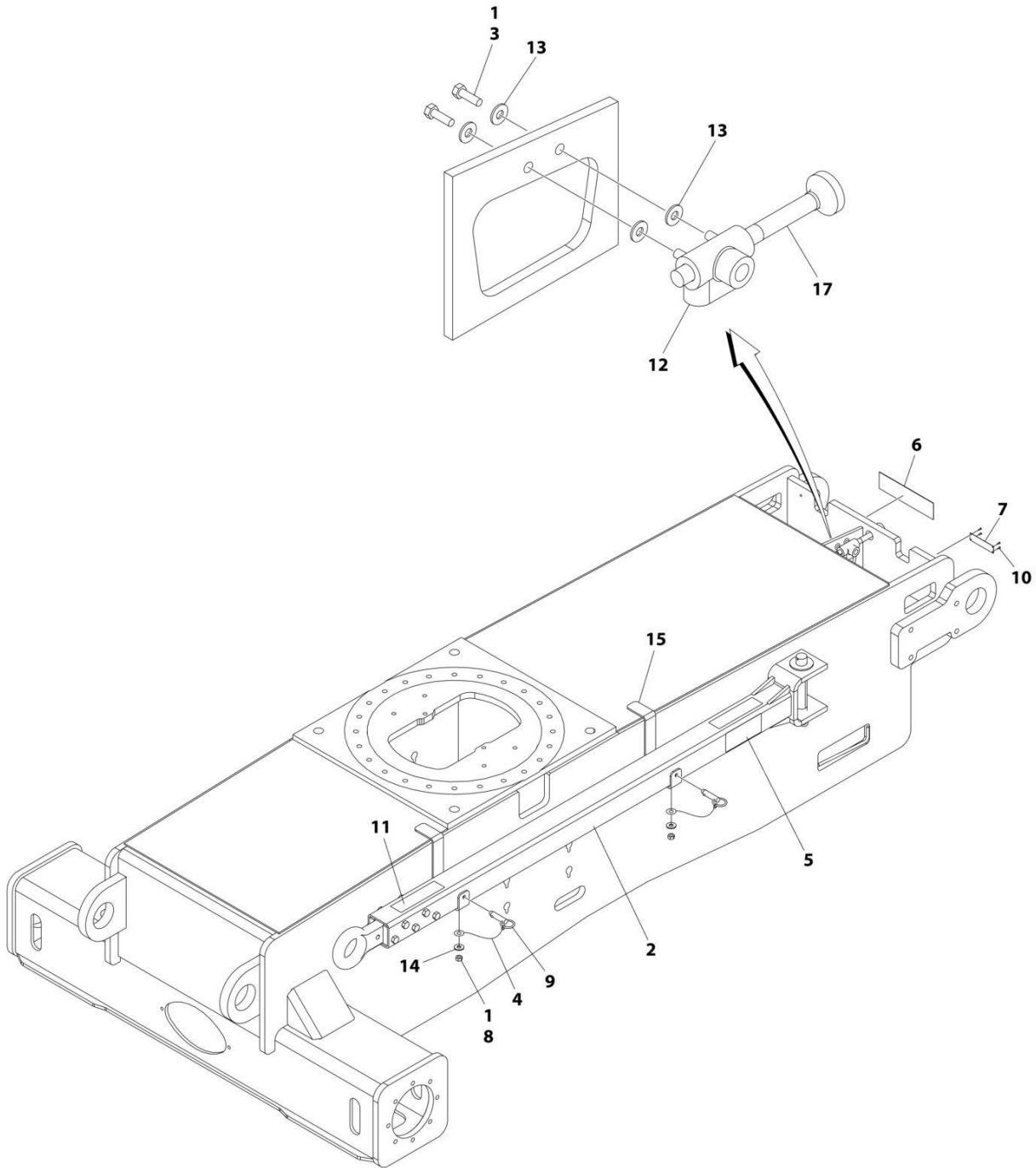
SECTION 1 - FRAME

FIGURE 1-11. FRAME SHIELDS INSTALLATION

ITEM	PART NUMBER	QTY	DESCRIPTION	REV
	1001158203	Ref	FRAME SHIELDS INSTALLATION	D
1	0100011	AR	Compound, Locking	
2	0641606	2	Bolt 3/8 x 3/4	
3	4751600	2	Washer 3/8	
4	1001158187	1	Cover	
5	4280296	27 in/ 68cm	Trim	
6	1001158188	1	Cover	
9	8580420	2	Nut, Well	
10	0641410	2	Bolt 1/4 x 1-1/4	
11	4751400	2	Washer 1/4	

SECTION 1 - FRAME

FIGURE 1-12. TOW PACKAGE INSTALLATION (OPTIONAL) (ANSI, SPECS)



ART_1001158258

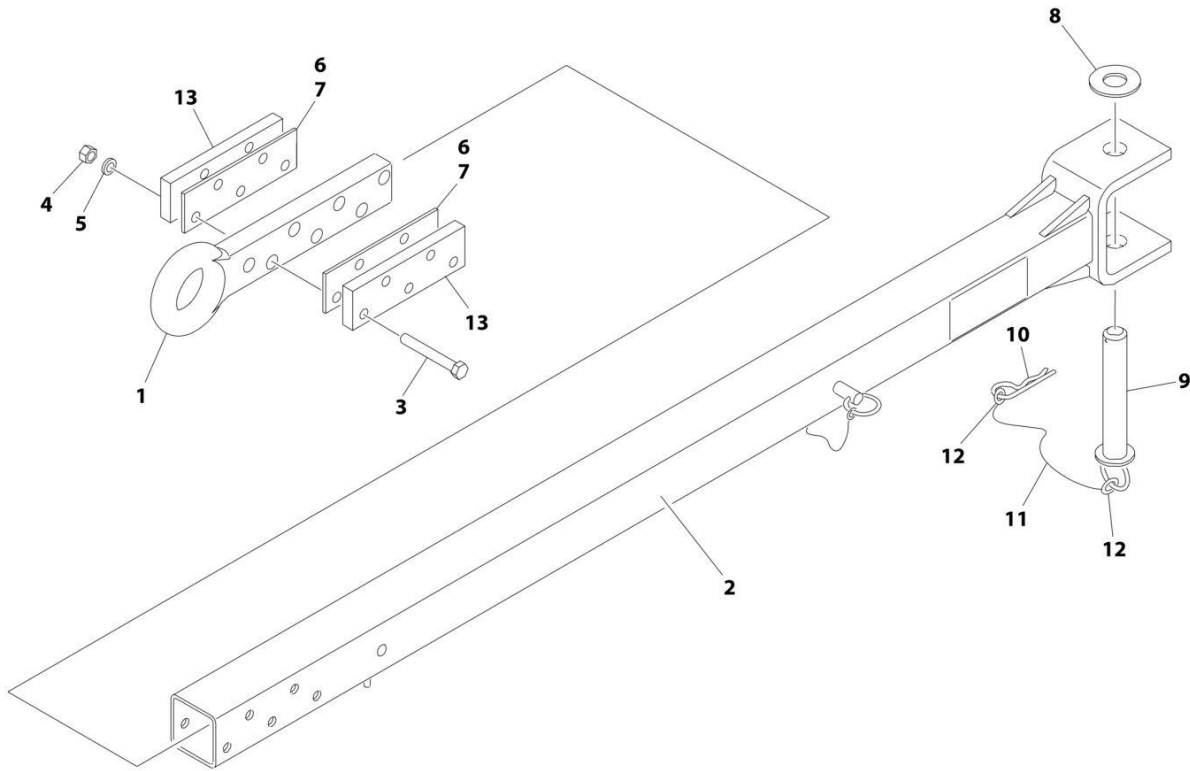
SECTION 1 - FRAME

FIGURE 1-12. TOW PACKAGE INSTALLATION (OPTIONAL) (ANSI, SPECS)

ITEM	PART NUMBER	QTY	DESCRIPTION	REV
	1001158258	Ref	TOW PACKAGE INSTALLATION	B
1	0100011	AR	Compound, Locking	
2	0232121	1	Tow Bar Assembly (See Separate Breakdown in this Section)	
3	0641508	2	Bolt 5/16 x 1	
4	1260017	2 ft/0.3m	Chain	
5	1704578	2	Decal - Crushing	
6	1705090	1	Decal - Towing Instructions	
7	3250872	1	Nameplate - Steer/Tow Valve	
8	3311401	2	Nut 1/4	
9	3420292	2	Pin	
10	3820001	4	Rivet, Pop	
11	4420051	2 ft/0.3m	Tape	
12	4640261	1	Valve, Float Position	
13	4751500	4	Washer 5/16	
14	4751400	2	Washer 1/4	
15	1001158522	2	Bracket	
17	1001160780	1	Rod, Extension	

SECTION 1 - FRAME

FIGURE 1-13. TOW BAR ASSEMBLY



ART_232121

SECTION 1 - FRAME

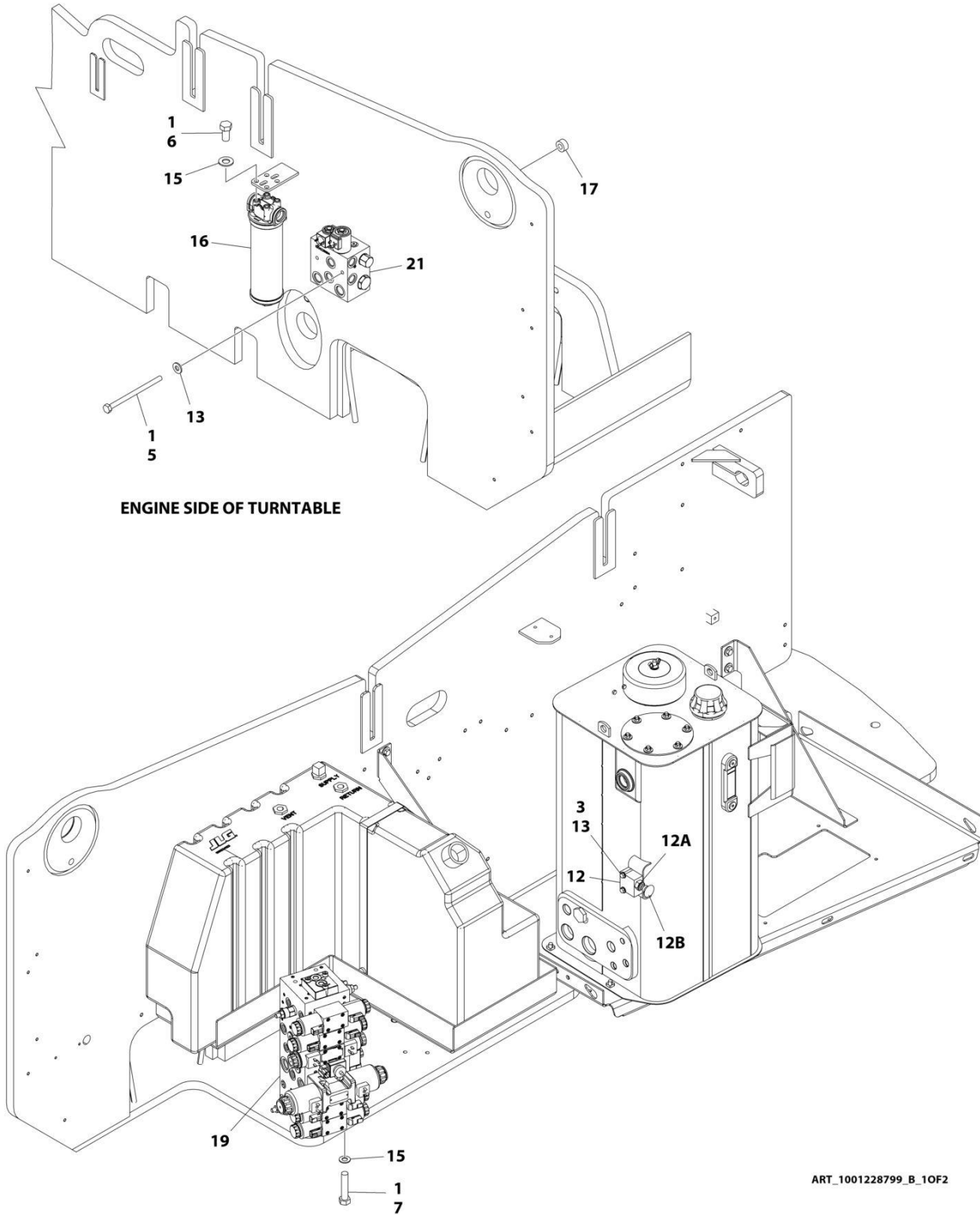
FIGURE 1-13. TOW BAR ASSEMBLY

ITEM	PART NUMBER	QTY	DESCRIPTION	REV
	0232121	Ref	TOW BAR ASSEMBLY	7-G
1	0360406	1	Bar, Draw	
2	4843777	1	Bar, Tow	
3	0642038	5	Bolt 5/8 x 4-3/4	
4	3312001	5	Nut 5/8	
5	4762000	5	Washer 5/8	
6	4070450	AR	Shim	
7	4070561	AR	Shim	
8	4740036	1	Washer 1-1/2	
9	3420447	1	Pin	
10	3420372	1	Pin	
11	1260135	1	Chain	
12	3760170	2	Ring	
13	4070560	2	Shim	

SECTION 2 - TURNTABLE

SECTION 2 - TURNTABLE

FIGURE 2-1. VALVES INSTALLATION



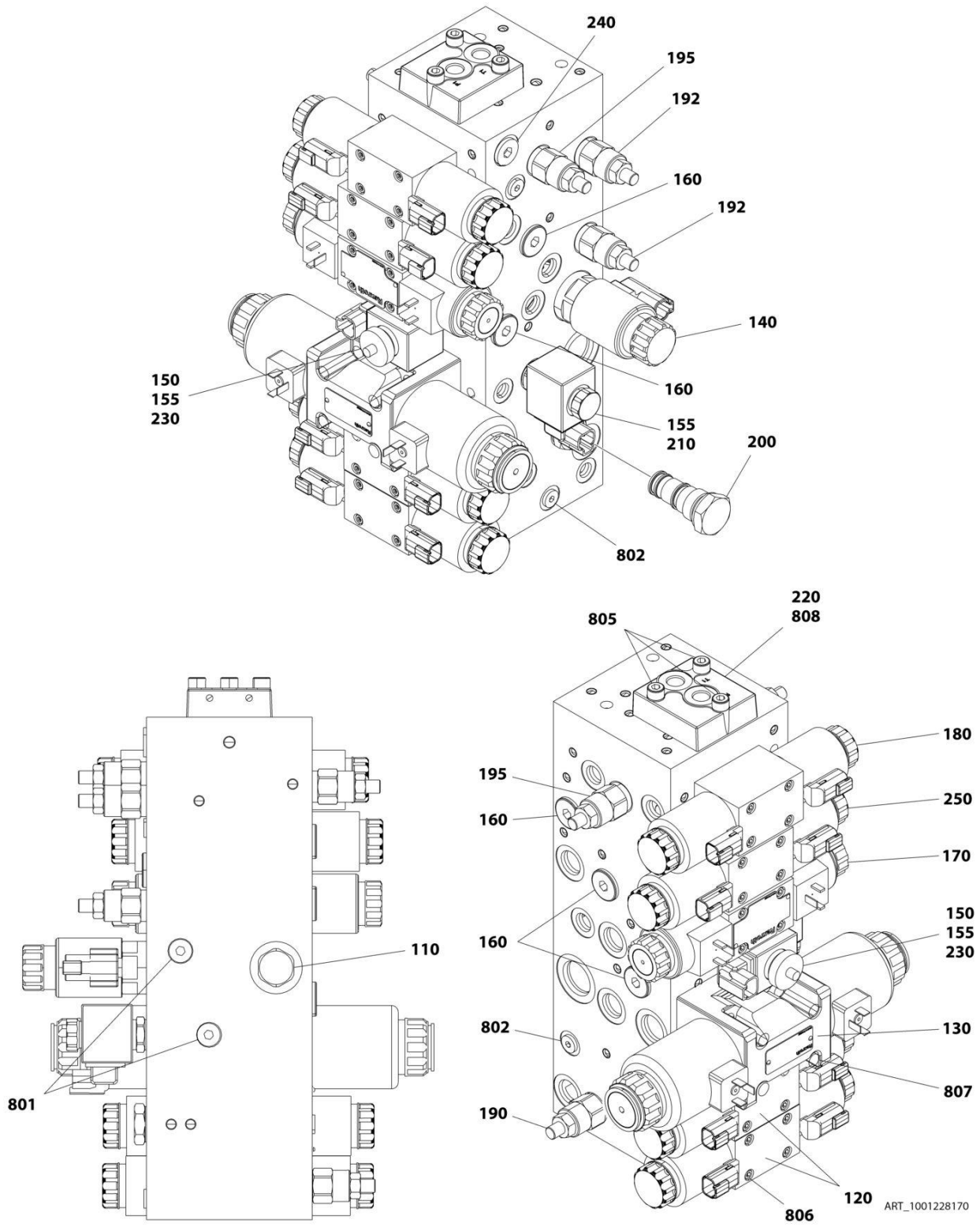
SECTION 2 - TURNTABLE

FIGURE 2-1. VALVES INSTALLATION

ITEM	PART NUMBER	QTY	DESCRIPTION	REV
	1001228799	Ref	VALVES INSTALLATION	B
1	0100011	AR	Compound, Locking	
3	0641414	2	Bolt 1/4 x 1-3/4	
5	0641432	2	Bolt 1/4 x 4	
6	0641606	4	Bolt 3/8 x 3/4	
7	0641614	3	Bolt 3/8 x 1-3/4	
12	4640866	1	Level Valve Assembly	
12A	7017466	1	Cartridge	
12A	2900708	1	Seal Kit	
12B	7012959	1	Knob	
13	4711400	8	Washer 1/4	
15	4711600	9	Washer 3/8	
16	1001108617	1	Pressure Filter Assembly	
16	70002231	1	Element, Filter	
17	1001110425	2	Spacer	
19	1001228170	1	Main Valve Assembly (See Separate Breakdown in this Section)	
21	1001226814	1	Brake/2 Speed Valve Assembly (See Separate Breakdown in this Section)	

SECTION 2 - TURNTABLE

FIGURE 2-2. MAIN VALVE ASSEMBLY



SECTION 2 - TURNTABLE

FIGURE 2-2. MAIN VALVE ASSEMBLY

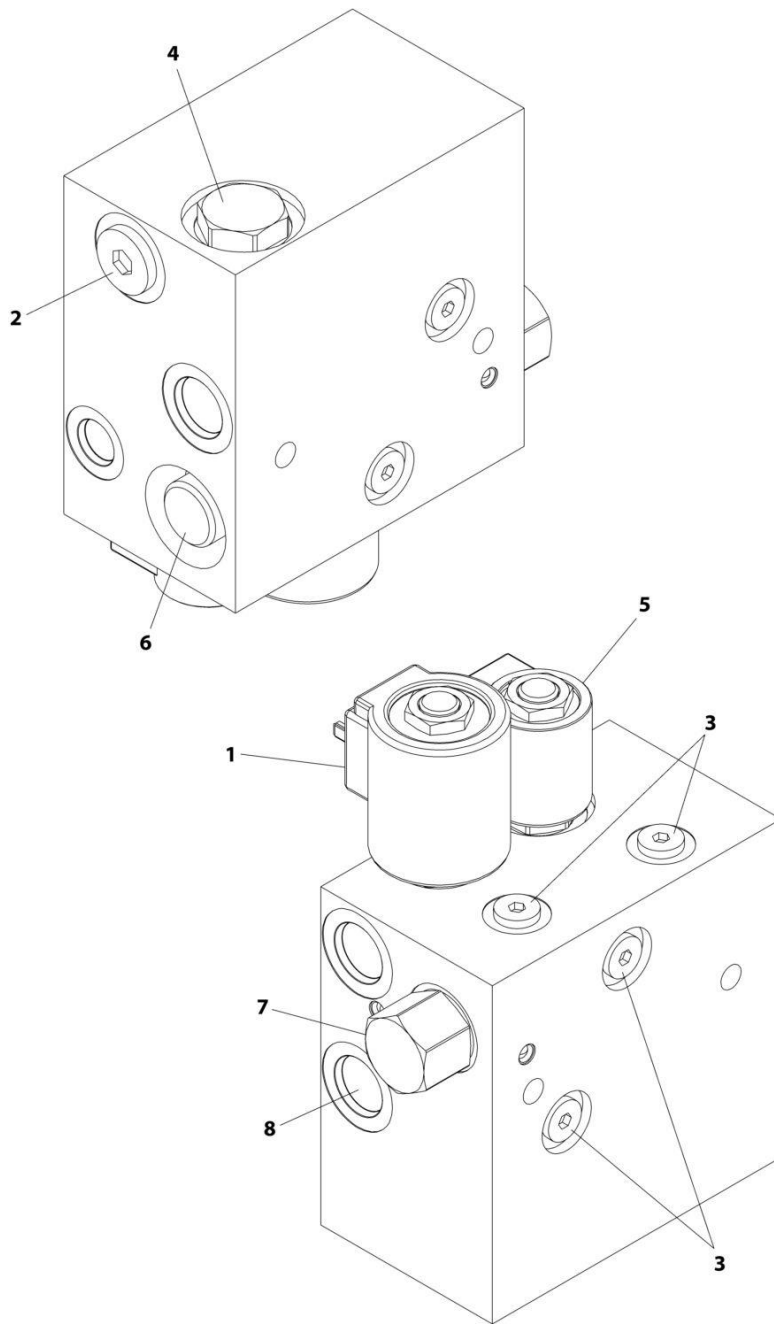
ITEM	PART NUMBER	QTY	DESCRIPTION	REV
	1001228170	Ref	MAIN VALVE ASSEMBLY	C
110	70005194	1	Valve, Check Cartridge	
110	70004584	1	Seal Kit - 70005194 Valve	
120	70004459	2	Valve Assembly (Tower Tele and Tower Lift)	
120	7012773	2	Seal Kit - 70004459 Valve	
120	70004460	4	Coil	
120	7021375	4	Nut, Coil	
120	70004461	4	O-Ring, Pole Tube	
130	70006955	1	Valve Assembly (Upper Tele)	
130	70006957	1	Seal Kit - 70006955 Valve	
130	70006956	2	Coil	
140	70004657	1	Valve, Cartridge (Flow Control)	
140	70004594	1	Seal Kit - 70004657 Valve	
140	70004595	1	Coil	
140	70004596	1	O-Ring, Pole Tube	
140	70004597	1	Nut, Coil	
150	70004598	1	Valve, Cartridge Less Coil (Steer Dump)	
150	70004055	1	Seal Kit - 70004598 Valve	
155	70004653	2	Coil	
155	70004051	2	Nut, Coil	
160	70023859	5	Valve, Shuffle Cartridge	
160	70023860	5	Seal Kit - 70023859 Valve	
170	7018992	1	Valve Assembly (Upper Lift)	
170	7024021	1	Seal Kit - 7018992 Valve	
170	7018991	2	Coil	
170	7021375	2	Nut, Coil	
170	70004461	2	O-Ring, Pole Tube	
180	70005195	1	Valve Assembly (Front Steer)	
180	7012773	1	Seal Kit - 70005195 Valve	
180	70004463	2	Coil	
180	7021375	2	Nut, Coil	
180	70004461	2	O-Ring, Pole Tube	
190	70003019	1	Valve, Relief Catridge (was PN 70006959)	
190	See Note	NSS	Seal Kit - Valve (Note: Not Available for Purchase)	
192	70003019	1	Valve, Relief Catridge (was PN 70006960)	
192	See Note	NSS	Seal Kit - Valve (Note: Not Available for Purchase)	
195	70003019	1	Valve, Relief Catridge (was PN 70006958)	
195	See Note	NSS	Seal Kit - Valve (Note: Not Available for Purchase)	
200	70004665	1	Valve, Check - Catridge	
200	70023862	1	Seal Kit - 70004665 Valve	
210	70004457	1	Valve, Cartridge Less Coil (Main Dump)	
210	70004050	1	Seal Kit - 70004665 Valve	
210	70004653	1	Coil	
220	70004667	1	Cover	
230	70005196	1	Orifice .118	
240	70005197	1	Plug (2WS)	
240	70004052	1	Seal Kit - 70005197 Plug	
250	70005198	1	Valve Assembly (Swing)	
250	70006961	1	Seal Kit - 70005198 Valve	
250	70004463	2	Coil	

SECTION 2 - TURNTABLE

ITEM	PART NUMBER	QTY	DESCRIPTION	REV
250	7021375	2	Nut, Coil	
250	70004461	2	O-Ring, Pole Tube	
801	70005199	2	Plug	
802	70005200	4	Plug	
805	70005201	3	Capscrew	
806	7018942	20	Capscrew	
807	7018951	4	Capscrew	
808	70005202	2	O-Ring	

SECTION 2 - TURNTABLE

FIGURE 2-3. BRAKE/2 SPEED VALVE ASSEMBLY



ART_1001226814

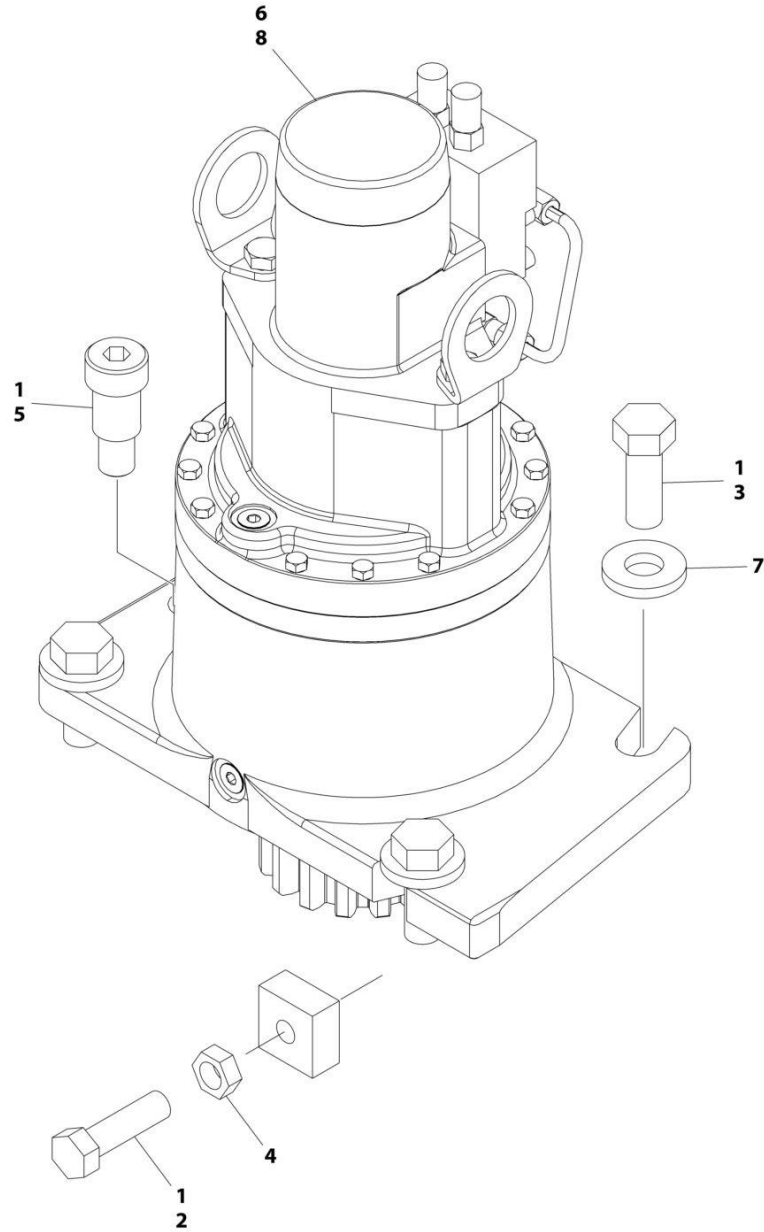
SECTION 2 - TURNTABLE

FIGURE 2-3. BRAKE/2 SPEED VALVE ASSEMBLY

ITEM	PART NUMBER	QTY	DESCRIPTION	REV
	1001226814	Ref	BRAKE/2 SPEED VALVE ASSEMBLY	E
1	7012995	1	Valve, Cartridge	
1	7012518	1	Seal Kit - 7012995 Valve	
1	7012943	1	Nut, Coil	
2	2220886	1	Plug, O-Ring	
3	2220883	1	Plug, O-Ring	
4	4641192	1	Valve, Cartridge	
4	7017496	1	Seal Kit - 4641192 Valve	
5	7012941	1	Valve, Cartridge	
5	7010543	1	Seal Kit - 7012941 Valve	
5	7012944	1	Nut, Coil	
6	7012989	1	Valve, Cartridge	
6	7012953	1	Seal Kit - 7012989 Valve	
7	7012928	1	Valve, Cartridge	
7	70003649	1	Seal Kit - 7012928 Valve	
8	70003975	1	Plug, Orifice	

SECTION 2 - TURNTABLE

FIGURE 2-4. SWING DRIVE INSTALLATION



ART_1001156136_B

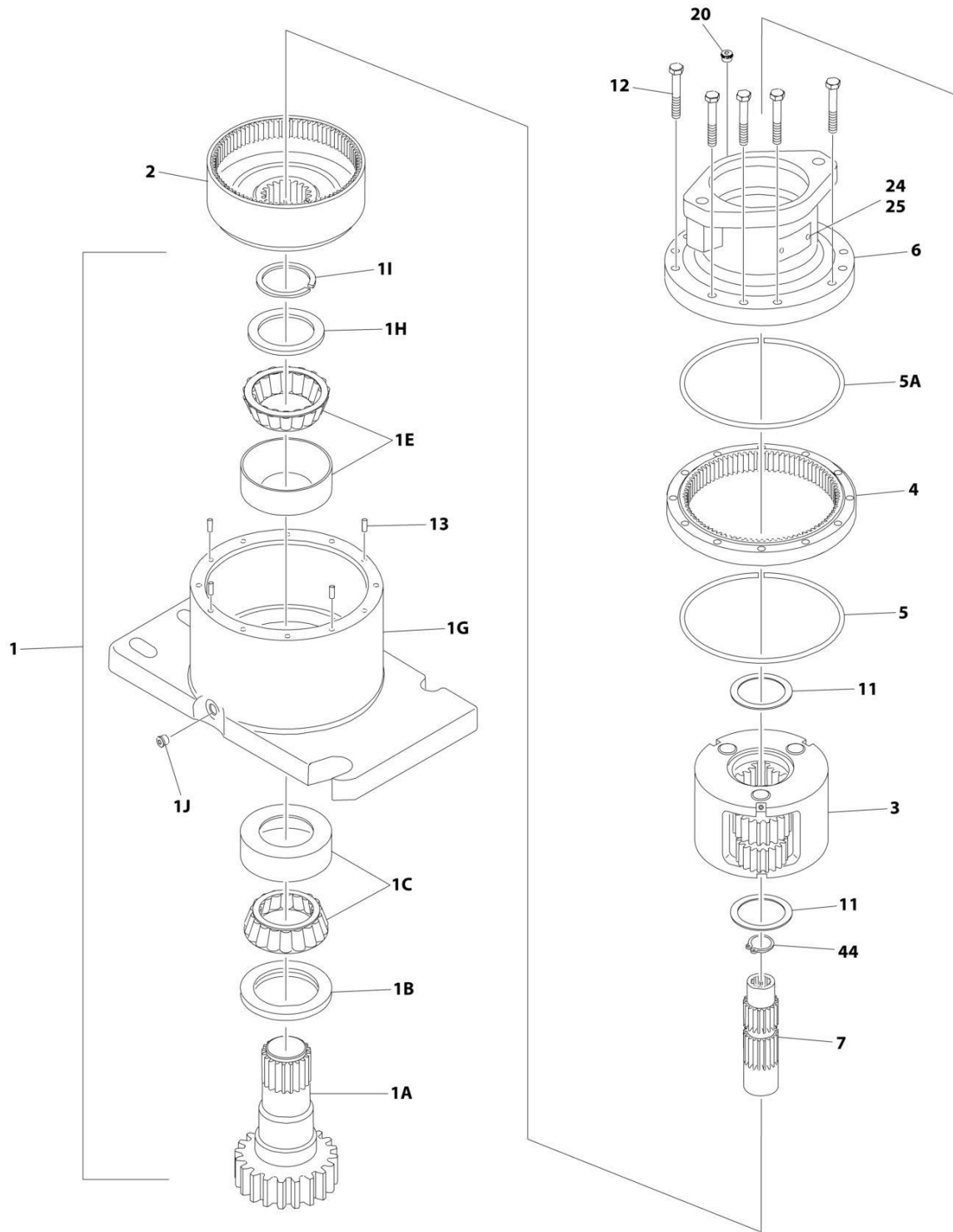
SECTION 2 - TURNTABLE

FIGURE 2-4. SWING DRIVE INSTALLATION

ITEM	PART NUMBER	QTY	DESCRIPTION	REV
	1001156136	Ref	SWING DRIVE INSTALLATION	B
1	0100019	AR	Compound, Locking	
2	3952020	1	Setscrew 5/8 x 2-1/2	
3	0682216	4	Bolt 3/4 x 2 Grade 8	
4	3312002	1	Nut 5/8	
5	3900293	1	Screw 1 x 1-1/4	
6	1001125492	1	Shim	
7	4740057	4	Washer	
8	1001229810	1	Swing Motor/Hub Assembly (See Separate Breakdown in this Section)	

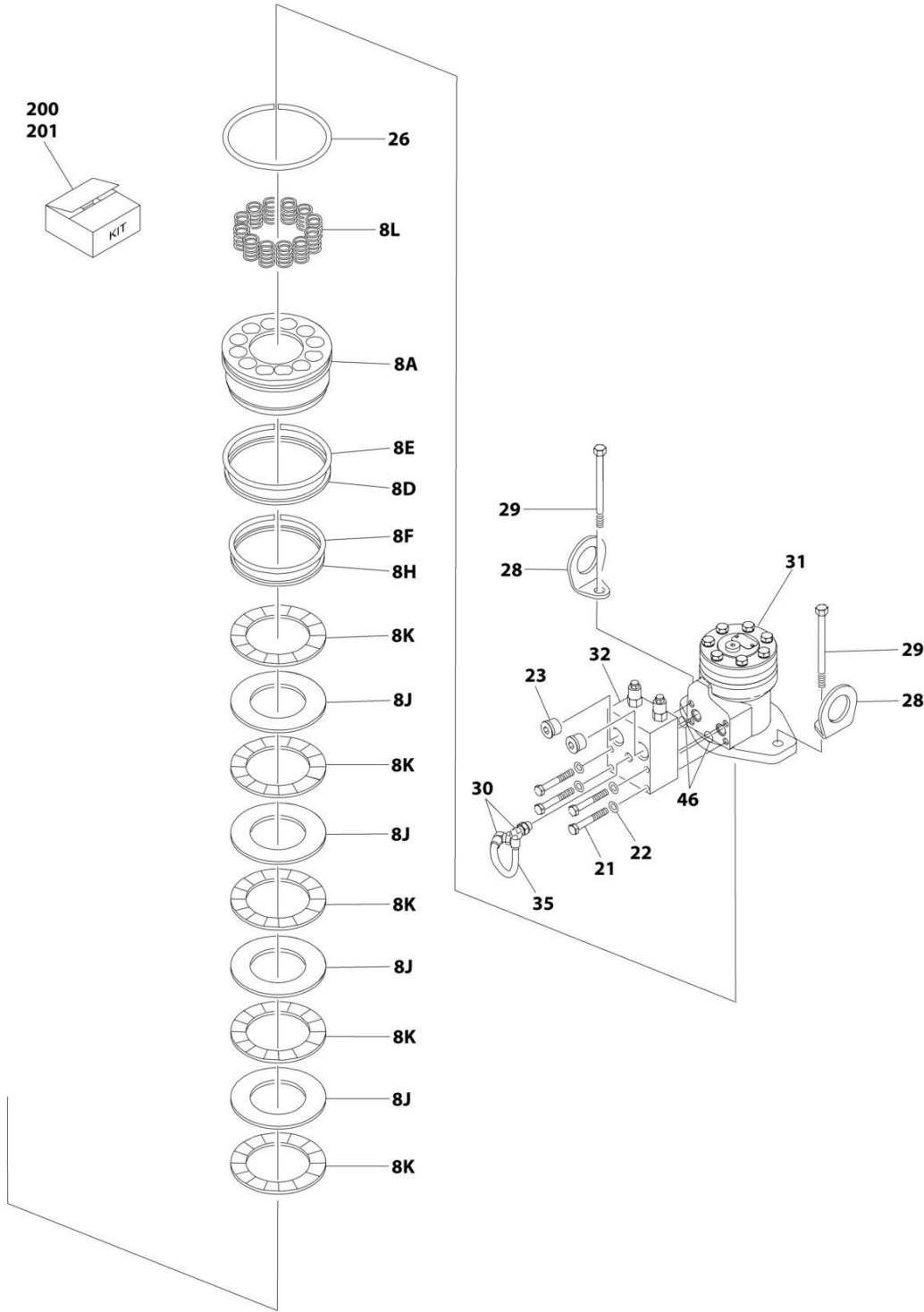
SECTION 2 - TURNTABLE

FIGURE 2-5. SWING MOTOR/HUB ASSEMBLY



ART_1001229810_10F2

SECTION 2 - TURNTABLE



ART_1001229810_20F2

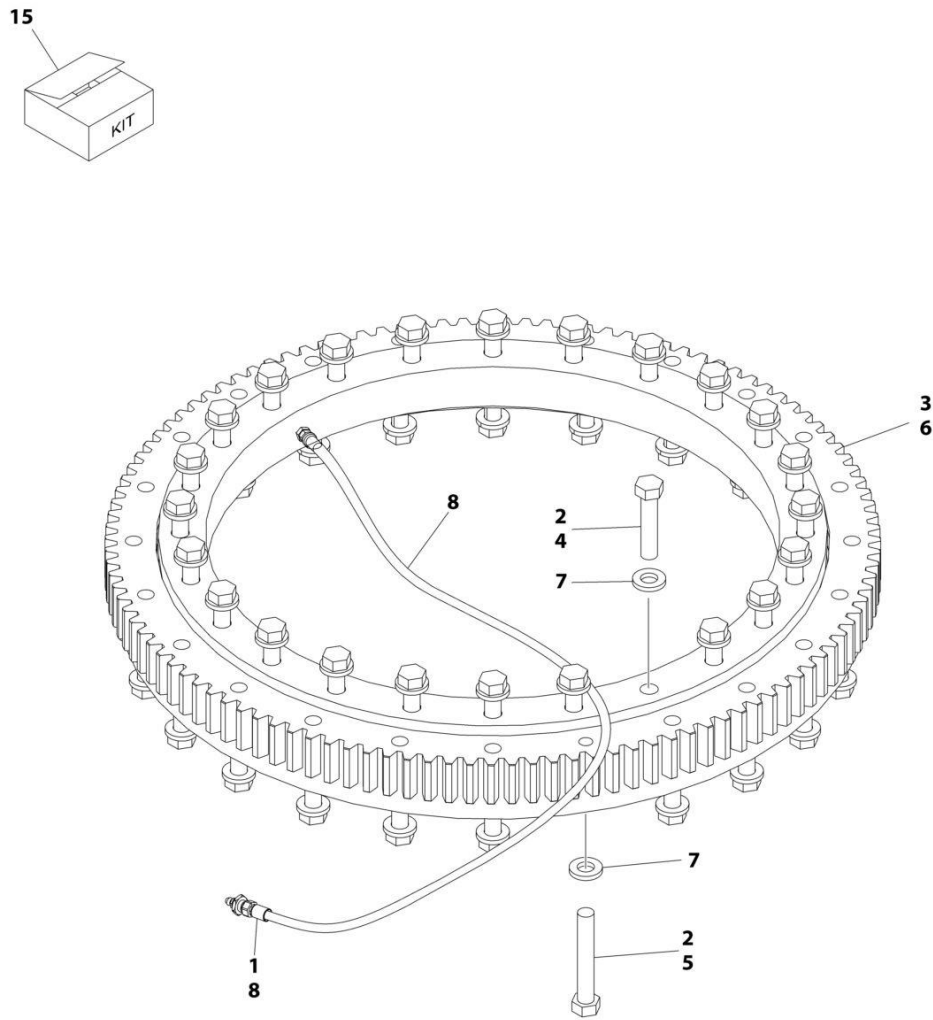
SECTION 2 - TURNTABLE

FIGURE 2-5. SWING MOTOR/HUB ASSEMBLY

ITEM	PART NUMBER	QTY	DESCRIPTION	REV
	1001229810	Ref	SWING MOTOR/HUB ASSEMBLY	C
1	See Note	1	Housing/Shaft Assembly (Note: Not Available - Purchase Individual Components)	
1A	7010492	1	Shaft, Output	
1B	7000228	1	Seal, Lip	
1C	7000255	1	Bearing Kit (Includes Cup and Cone)	
1E	7000257	1	Bearing Kit (Includes Cup and Cone)	
1G	7024762	1	Housing	
1H	7007633	1	Washer, Thrust	
1I	7000229	1	Ring, Retaining	
1J	7017072	1	Plug, Pipe	
2	7000246	1	Gear, Internal	
3	7000247	1	Carrier Assembly	
4	7000248	1	Gear, Ring	
5	7000230	1	O-Ring	
5A	7017070	1	O-Ring	
6	1001229810	NSS	Housing, Brake (Note: Not Available - Purchase Complete Assembly)	
7	70005203	1	Gear, Sun	
8A	70004037	1	Piston	
8D	70004041	1	O-Ring	
8E	70004044	1	Ring, Back-up	
8F	70004042	1	O-Ring	
8H	70004043	1	Ring, Back-up	
8J	70002085	4	Disc, Rotor	
8K	70002085	5	Disc, Stator	
8L	70002066	14	Spring	
11	7000253	2	Washer, Thrust	
12	7000217	12	Bolt 3/8 x 2-1/4 Grade 8	
13	7017080	4	Pin, Dowel	
20	7017072	1	Plug, Pipe	
21	7024704	4	Bolt 5/16 x 2 Grade 8	
22	70004045	4	Washer	
23	7017023	2	Plug, Pipe	
24	See Note	NSS	Plate, ID (Note: Not Available for Purchase)	
25	See Note	NSS	Rivet (Note: Not Available for Purchase)	
26	7024763	1	O-Ring	
28	See Note	NSS	Lug, Lifting (Note: Not Available for Purchase)	
29	70004040	2	Bolt 1/2 x 1 (Grade 8)	
30	7017085	2	Elbow	
31	70006304	1	Motor Assembly	
32	7024784	1	Valve Assembly - Complete (No Serviceable Parts)	
35	70004047	1	Tube	
44	7017028	1	Ring, Internal Retaining	
45	7000213	2	O-Ring	
		Ref	KIT OPTIONS:	
200	7024100	1	Seal Kit - Swing Hub (Includes Items 1B, 1I, 5, 5A & 11)	
201	70002085	1	Disc Kit - Swing Brake (Includes Items 8J & 8K)	

SECTION 2 - TURNTABLE

FIGURE 2-6. TURNTABLE BEARING AND LUBE INSTALLATION



ART_1001157049

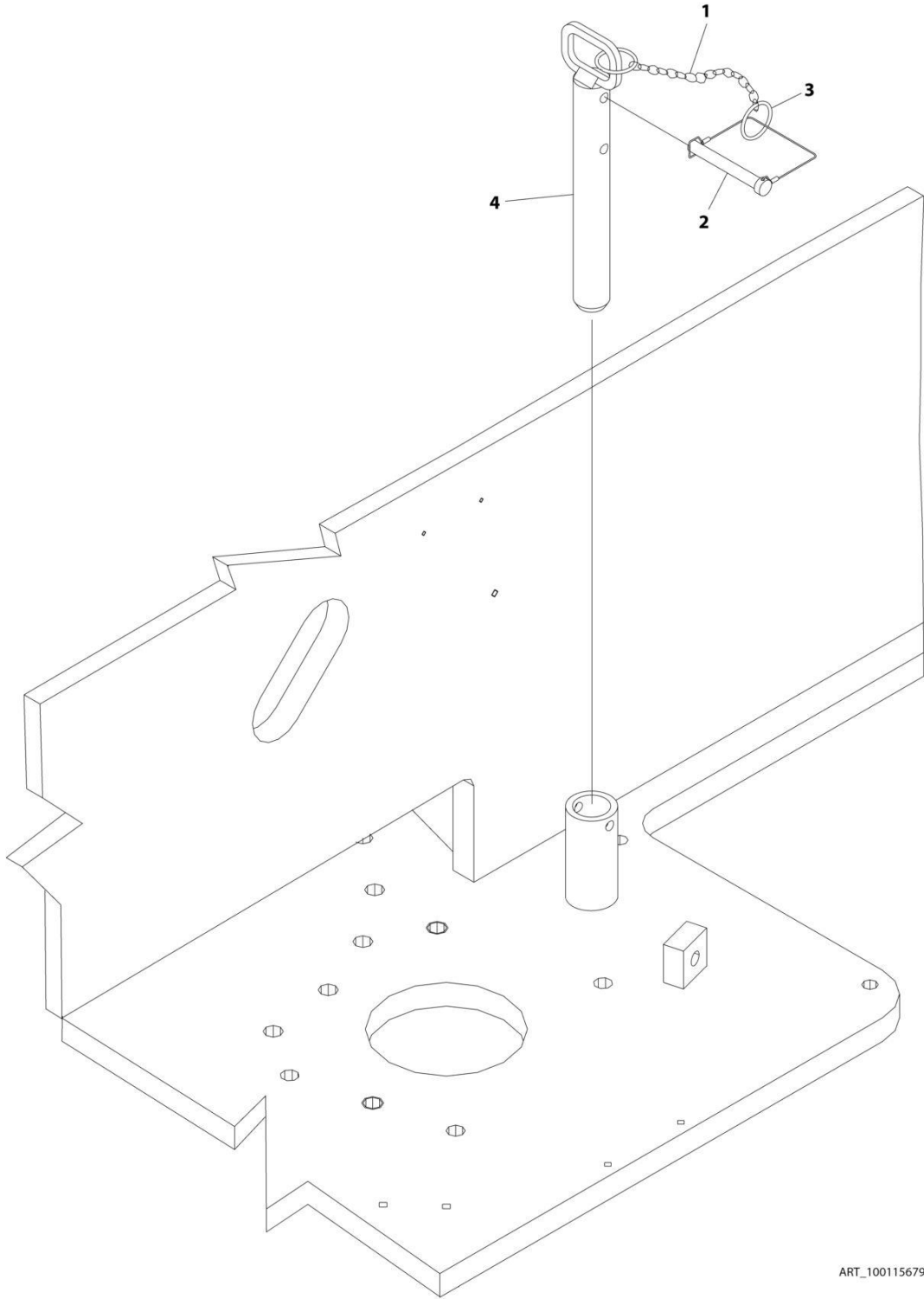
SECTION 2 - TURNTABLE

FIGURE 2-6. TURNTABLE BEARING AND LUBE INSTALLATION

ITEM	PART NUMBER	QTY	DESCRIPTION	REV
	1001157049	Ref	TURNTABLE BEARING AND LUBE INSTALLATION	B
1	0100011	AR	Compound, Locking	
2	0100019	AR	Compound, Locking	
3	0440244	1	Bearing, Turntable	
4	0682023	24	Bolt 5/8 x 2-7/8 Grade 8	
5	0682032	24	Bolt 5/8 x 4 Grade 8	
6	3020029	AR	Lubricant	
7	4892000	48	Washer 5/8	
8	1001157058	1	Hose	
15	2915094	1	Turntable Bearing Kit	

SECTION 2 - TURNTABLE

FIGURE 2-7. TURNTABLE LOCK INSTALLATION



ART_1001156798

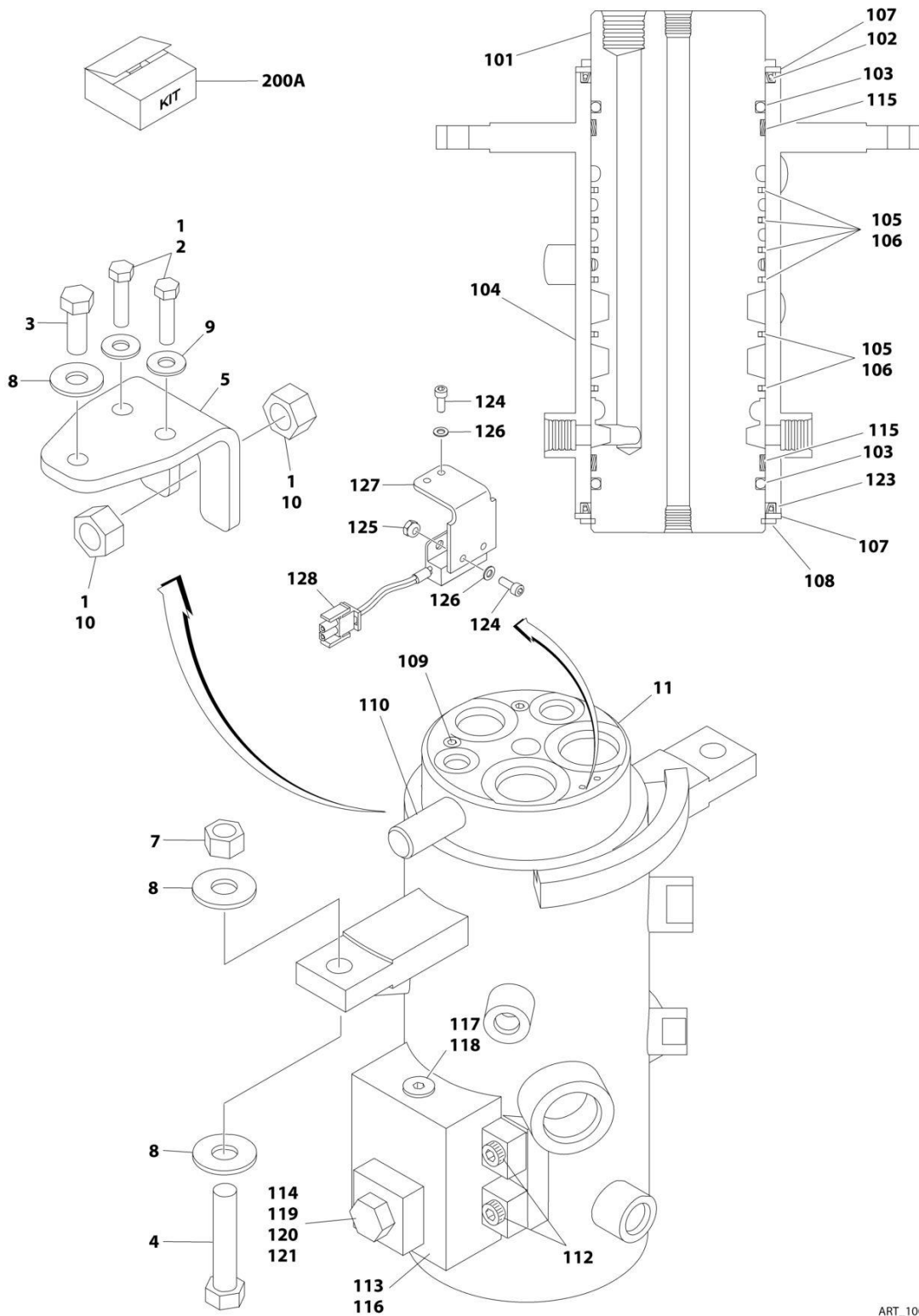
SECTION 2 - TURNTABLE

FIGURE 2-7. TURNTABLE LOCK INSTALLATION

ITEM	PART NUMBER	QTY	DESCRIPTION	REV
	1001156798	Ref	TURNTABLE LOCK INSTALLATION	A
1	1260017	9 in/23cm	Chain	
2	3421565	1	Pin, Snap	
3	3760170	2	Ring, Quick Release	
4	4844958	1	Pin	

SECTION 2 - TURNTABLE

FIGURE 2-8. ROTARY COUPLING INSTALLATION



ART_1001107529

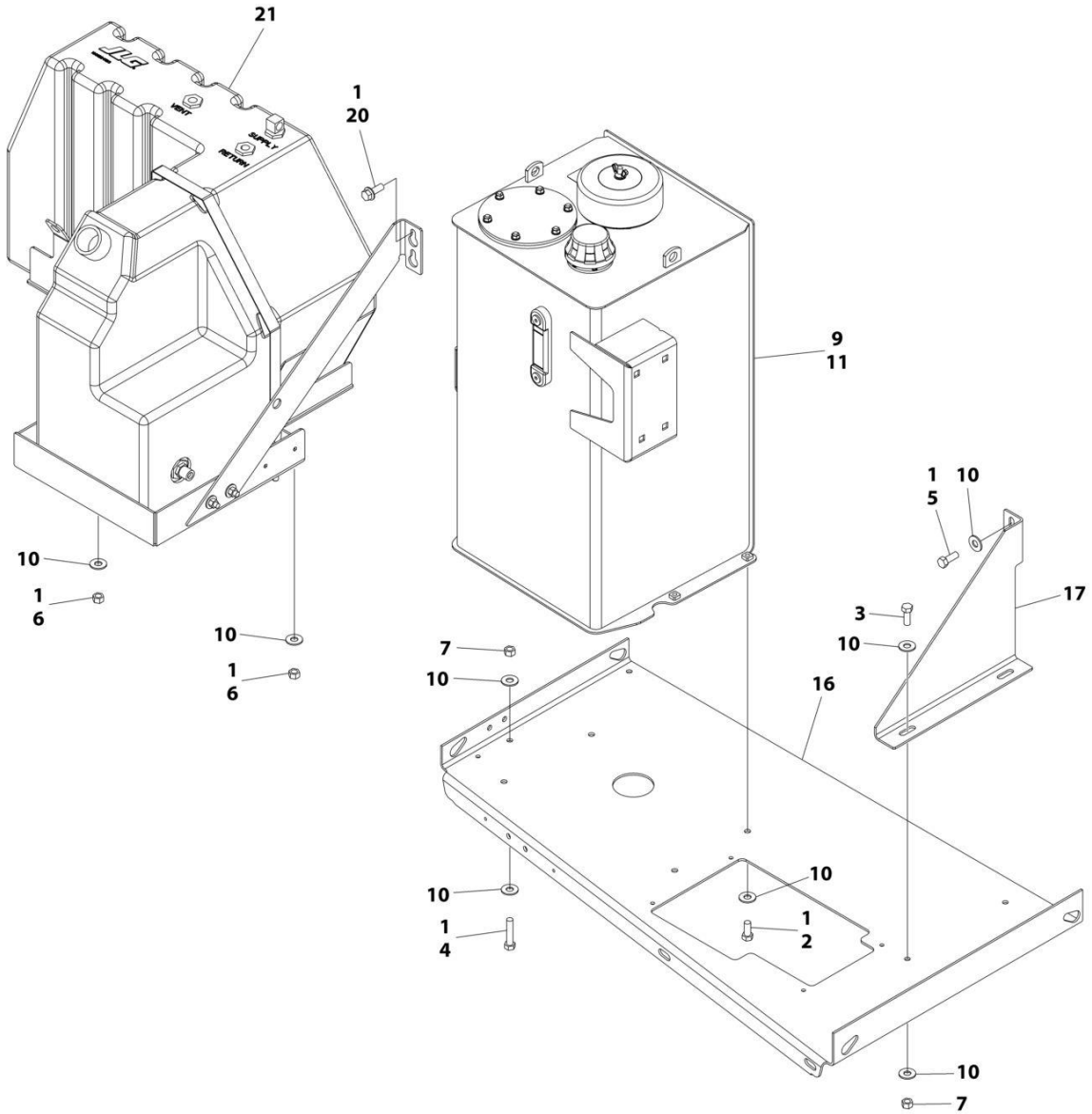
SECTION 2 - TURNTABLE

FIGURE 2-8. ROTARY COUPLING INSTALLATION

ITEM	PART NUMBER	QTY	DESCRIPTION	REV
	1001107529	Ref	ROTARY COUPLING INSTALLATION	B
1	0100011	AR	Compound, Locking	
2	0641611	2	Bolt 3/8 x 1-3/8	
3	0641812	1	Bolt 1/2 x 1-1/2	
4	0641820	2	Bolt 1/2 x 2-1/2	
5	0903242	1	Bracket	
7	3271805	2	Nut 1/2	
8	4751800	5	Washer 1/2	
9	4891600	2	Washer 3/8	
10	3322201	2	Nut 3/4	
11	1001106974	1	Coupling, Rotary Assembly (See Items 101-128 for Breakdown)	
	1001106974	Ref	ROTARY COUPLING ASSEMBLY	B
101	See Note	NSS	Body (Note: Not Available - Purchase Complete Assembly)	
102	See Note	NSS	Seal (Note: Use Item 200A)	
103	See Note	NSS	O-Ring (Note: Use Item 200A)	
104	See Note	NSS	Housing (Note: Not Available - Purchase Complete Assembly)	
105	See Note	NSS	Seal, Cap (Note: Use Item 200A)	
106	See Note	NSS	O-Ring (Note: Use Item 200A)	
107	7026503	2	Ring	
108	7026504	1	Ring, Retaining	
109	80934561	AR	Plug	
110	See Note	NSS	Lug, Torque (Note: Not Available for Purchase)	
112	7026197	4	Bolt 5/16 x 1-1/4	
113	See Note	NSS	O-Ring (Note: Use Item 200A)	
114	See Note	NSS	O-Ring (Note: Use Item 200A)	
115	See Note	NSS	Bearing (Note: Use Item 200A)	
116	7024404	1	Block Valve Assembly	
117	7026505	1	Plug	
118	7026506	1	Valve, Check	
119	7026507	1	Plug	
120	See Note	NSS	Plunger, Valve (Note: Use p/n 7024404)	
121	7026509	1	Spring, Compression	
123	See Note	NSS	Seal (Note: Use Item 200A)	
124	See Note	NSS	Capscrew #10 x 1/2 (Note: Not Available for Purchase)	
125	See Note	NSS	Nut #10 (Note: Not Available for Purchase)	
126	See Note	NSS	Flatwasher #10 (Note: Not Available for Purchase)	
127	70003454	1	Bracket, Switch Mounting	
128	4360517	1	Switch, Proximity	
200A	70001248	1	Seal Kit (Includes Items 102, 103, 105, 106, 113, 114, 115 & 123)	

SECTION 2 - TURNTABLE

FIGURE 2-9. TANKS INSTALLATION



ART_1001223977

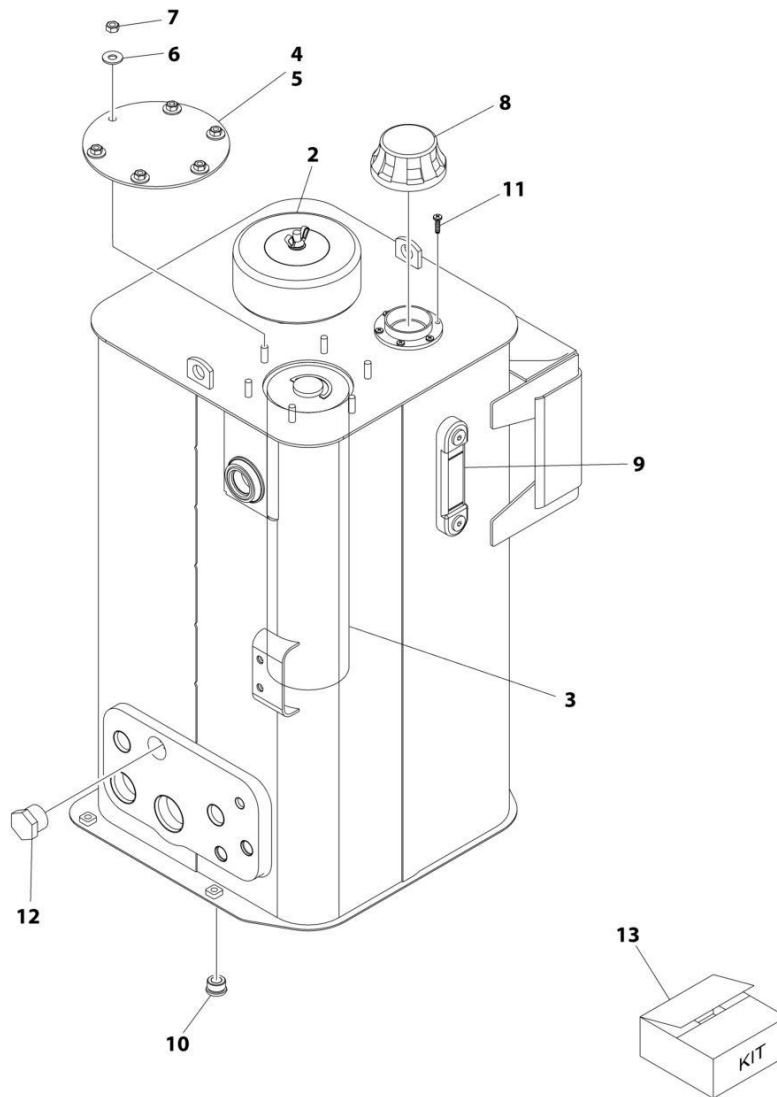
SECTION 2 - TURNTABLE

FIGURE 2-9. TANKS INSTALLATION

ITEM	PART NUMBER	QTY	DESCRIPTION	REV
	1001223977	Ref	TANKS INSTALLATION	C
1	0100011	AR	Compound, Locking	
2	0641607	4	Bolt 3/8 x 7/8	
3	0641608	2	Bolt 3/8 x 1	
4	0641614	2	Bolt 3/8 x 1-3/4	
5	0681608	2	Bolt 3/8 x 1	
6	3311601	2	Nut 3/8	
7	3311605	4	Nut 3/8	
9	4420038	26 in/ 0.66m	Tape	
10	4751600	16	Washer 3/8	
11	1001178057	1	Hydraulic Tank Assembly (See Separate Breakdown in this Section)	
16	1001227338	1	Tray	
17	1001227383	1	Bracket	
20	0811608	2	Screw 3/8 x 1	
21	1001233641	1	Fuel Tank Assembly (See Separate Breakdown in this Section)	

SECTION 2 - TURNTABLE

FIGURE 2-10. HYDRAULIC TANK ASSEMBLY



ART_1001178057

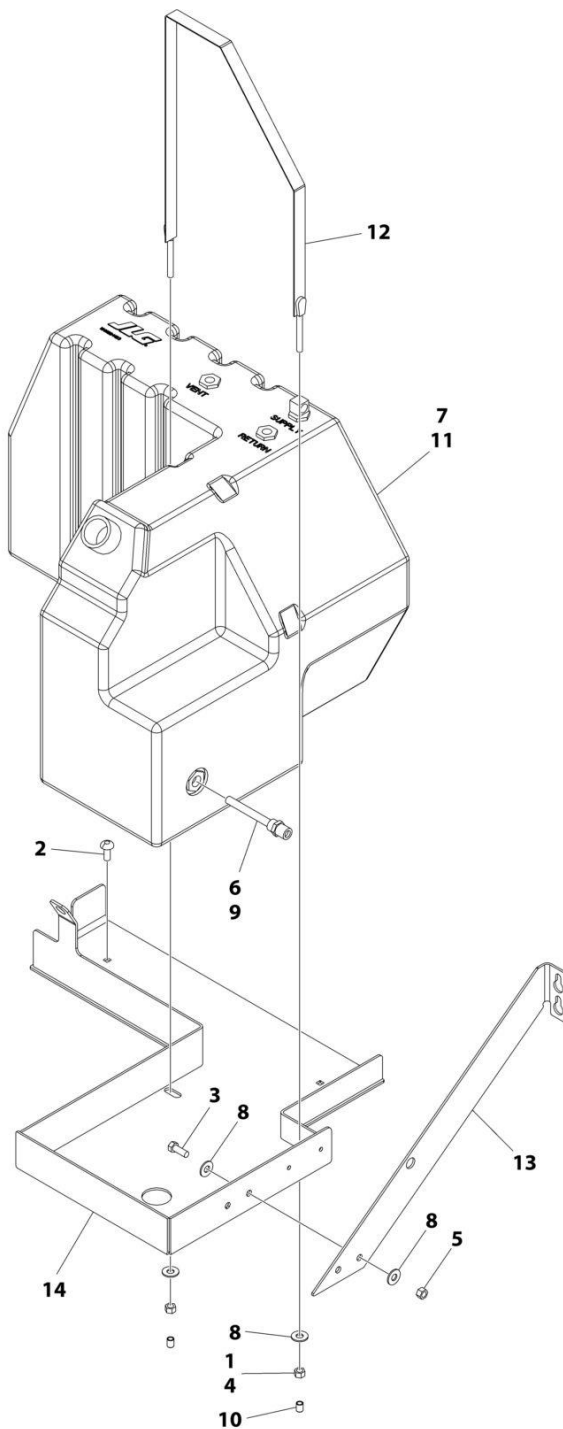
SECTION 2 - TURNTABLE

FIGURE 2-10. HYDRAULIC TANK ASSEMBLY

ITEM	PART NUMBER	QTY	DESCRIPTION	REV
	1001178057	Ref	HYDRAULIC TANK ASSEMBLY	D
2	70005708	1	Breather Assembly (Includes Breather, Element and Wingnut)	
2	See Note	NSS	Element, Breather (Note: Use p/n 70005708 or Item 13)	
3	See Note	NSS	Element, Hydraulic (Note: Use Item 13)	
4	70002839	1	Gasket	
5	See Note	NSS	Cover (Note: Not Available for Purchase)	
6	83304173	6	Washer 5/16	
7	70004199	6	Nut 5/16	
8	70002838	1	Cap, Fill	
9	7024441	1	Gauge, Level	
10	70002112	1	Plug	
11	70004795	6	Screw #10 x 3/4	
12	See Note	NSS	Plug (Note: Not Available - Purchase Locally)	
13	70002814	1	Hydraulic Tank Service Kit (Includes Items 2-4)	

SECTION 2 - TURNTABLE

FIGURE 2-11. FUEL TANK ASSEMBLY (Prior to SN 0300297362)



ART_1001233641

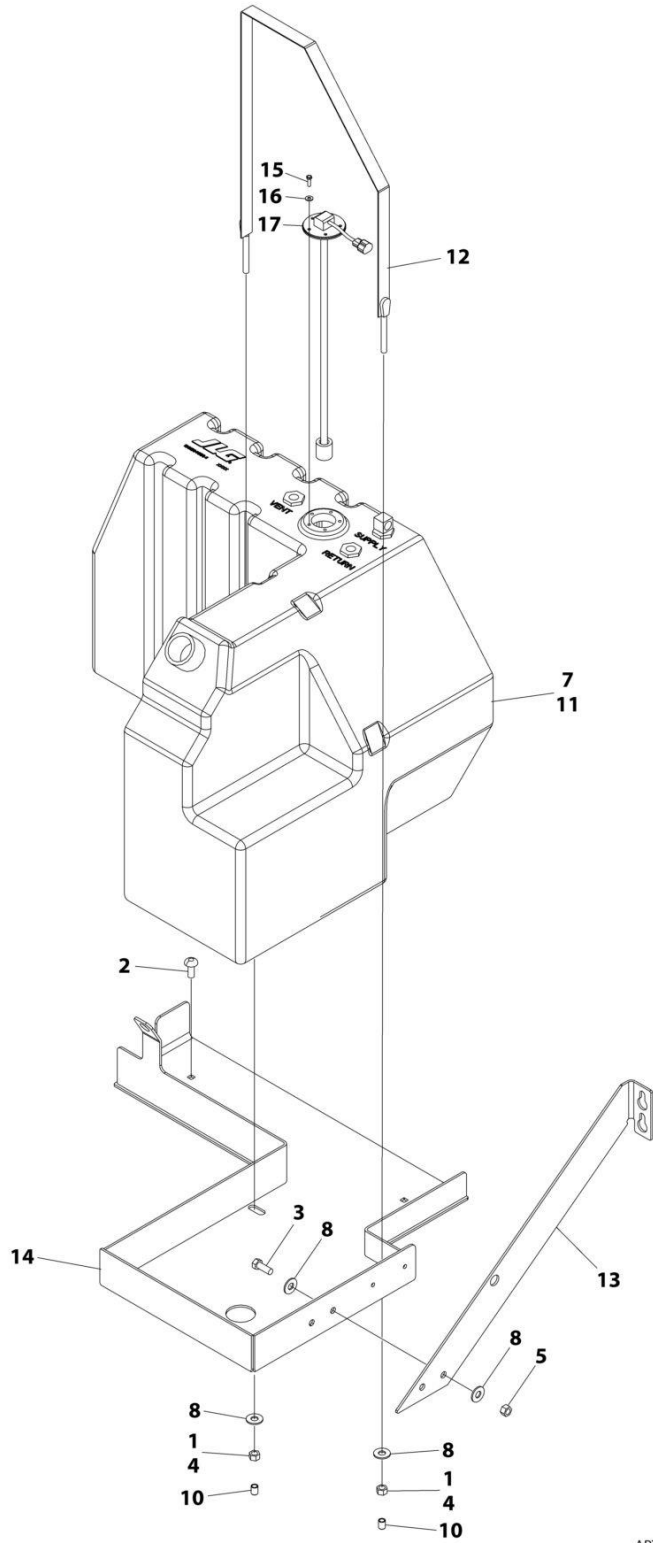
SECTION 2 - TURNTABLE

FIGURE 2-11. FUEL TANK ASSEMBLY (Prior to SN 0300297362)

ITEM	PART NUMBER	QTY	DESCRIPTION	REV
	1001233641	Ref	FUEL TANK ASSEMBLY	A
1	0100011	AR	Compound, Locking	
2	0630446	2	Bolt 3/8 x 1	
3	0641608	2	Bolt 3/8 x 1	
4	3311601	2	Nut 3/8	
5	3311605	2	Nut 3/8	
6	4360436	1	Switch, Fuel Level	
7	4420038	37 in/ 0.94m	Tape	
8	4751600	6	Washer 3/8	
9	1001182997	AR	Adhesive	
10	1001218572	2	Cap	
11	1001224123	1	Tank, Fuel	
11	See Note	NSS	Cap (Note: Not Available at time of Printing)	
11	See Note	NSS	Tube, Pick-up (Note: Not Available at time of Printing)	
12	1001224384	1	Strap	
13	1001233635	1	Bracket	
14	1001233640	1	Tray	

SECTION 2 - TURNTABLE

FIGURE 2-12. FUEL TANK ASSEMBLY (SN 0300297362 to Present)



ART_1001233641_B

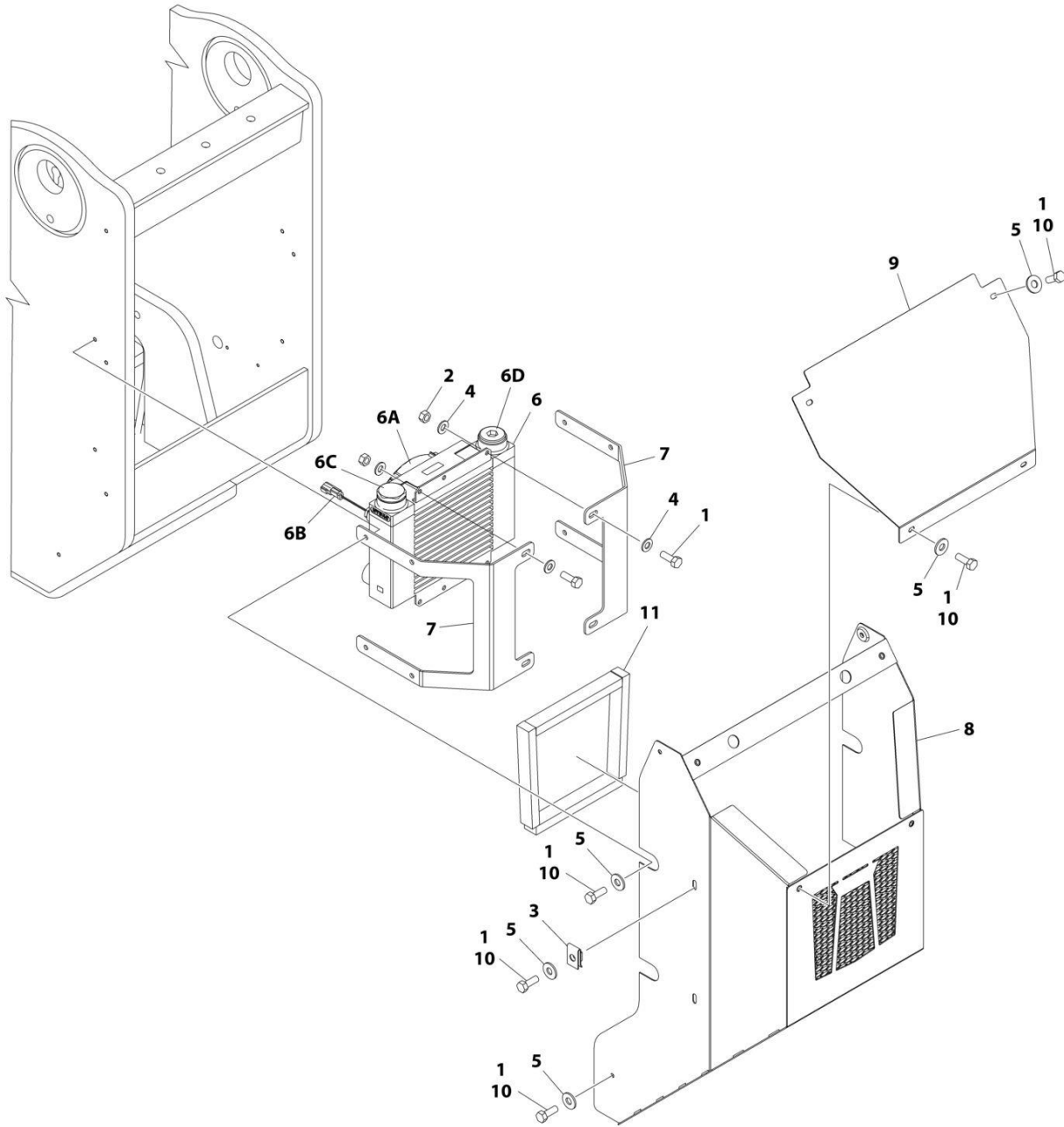
SECTION 2 - TURNTABLE

FIGURE 2-12. FUEL TANK ASSEMBLY (SN 0300297362 to Present)

ITEM	PART NUMBER	QTY	DESCRIPTION	REV
	1001233641	Ref	FUEL TANK ASSEMBLY	B
1	0100011	AR	Compound, Locking	
2	0630446	2	Bolt 3/8 x 1	
3	0641608	2	Bolt 3/8 x 1	
4	3311601	2	Nut 3/8	
5	3311605	2	Nut 3/8	
7	4420038	37 in/ 0.94m	Tape	
8	4751600	6	Washer 3/8	
9	1001182997	AR	Adhesive (Not Shown)	
10	1001218572	2	Cap	
11	1001284959	1	Tank, Fuel	
11	See Note	NSS	Cap (Note: Not Available at time of Printing)	
11	See Note	NSS	Tube, Pick-up (Note: Not Available at time of Printing)	
12	1001224384	1	Strap	
13	1001233635	1	Bracket	
14	1001233640	1	Tray	
15	0731005	5	Bolt #10 x 5/8	
16	4751000	5	Washer #10	
17	1001285015	1	Gauge, Fuel Level With Connector	
17	4460897	1	Terminal	
17	1001274218	1	Gauge, Fuel Level	
17	1001287769	1	Gasket	

SECTION 2 - TURNTABLE

FIGURE 2-13. OIL COOLER INSTALLATION



ART_1001223981

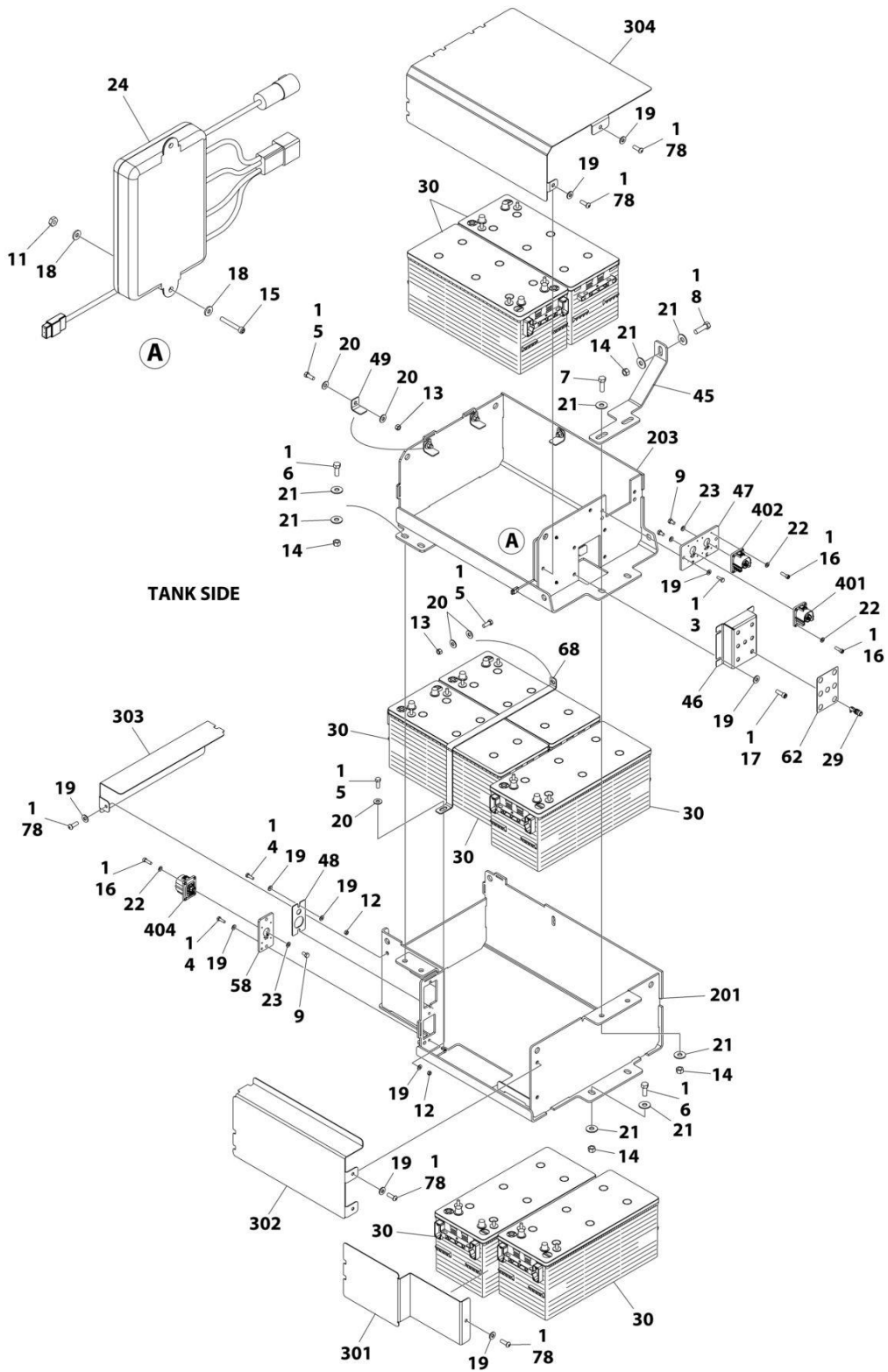
SECTION 2 - TURNTABLE

FIGURE 2-13. OIL COOLER INSTALLATION

ITEM	PART NUMBER	QTY	DESCRIPTION	REV
	1001223981	Ref	COOLER INSTALLATION	C
1	0641507	20	Bolt 5/16 x 7/8	
2	3271505	4	Nut 5/16	
3	3300364	1	Nut, Tinnerman 5/16	
4	4711500	8	Washer 5/16	
5	4751500	16	Washer 5/16	
6	1001225804	1	Cooler Assembly	
6A	70006577	1	Fan/Motor Assembly	
6A	4460994	1	Plug, Male - 2 Position (Fan/Motor)	
6A	4460993	2	Terminal (Fan/Motor)	
6B	70006576	1	Thermostat	
6B	4460891	1	Plug, Male - 2 Position (Thermostat)	
6B	4460465	2	Socket, Female (Thermostat)	
6C	70006578	1	Valve, By-Pass	
6D	70006579	1	Plug	
7	1001227198	2	Bracket	
8	1001227869	1	Cover, Vented	
9	1001227870	1	Cover	
10	0100011	AR	Compound, Locking	
11	1001233249	4	Seal	

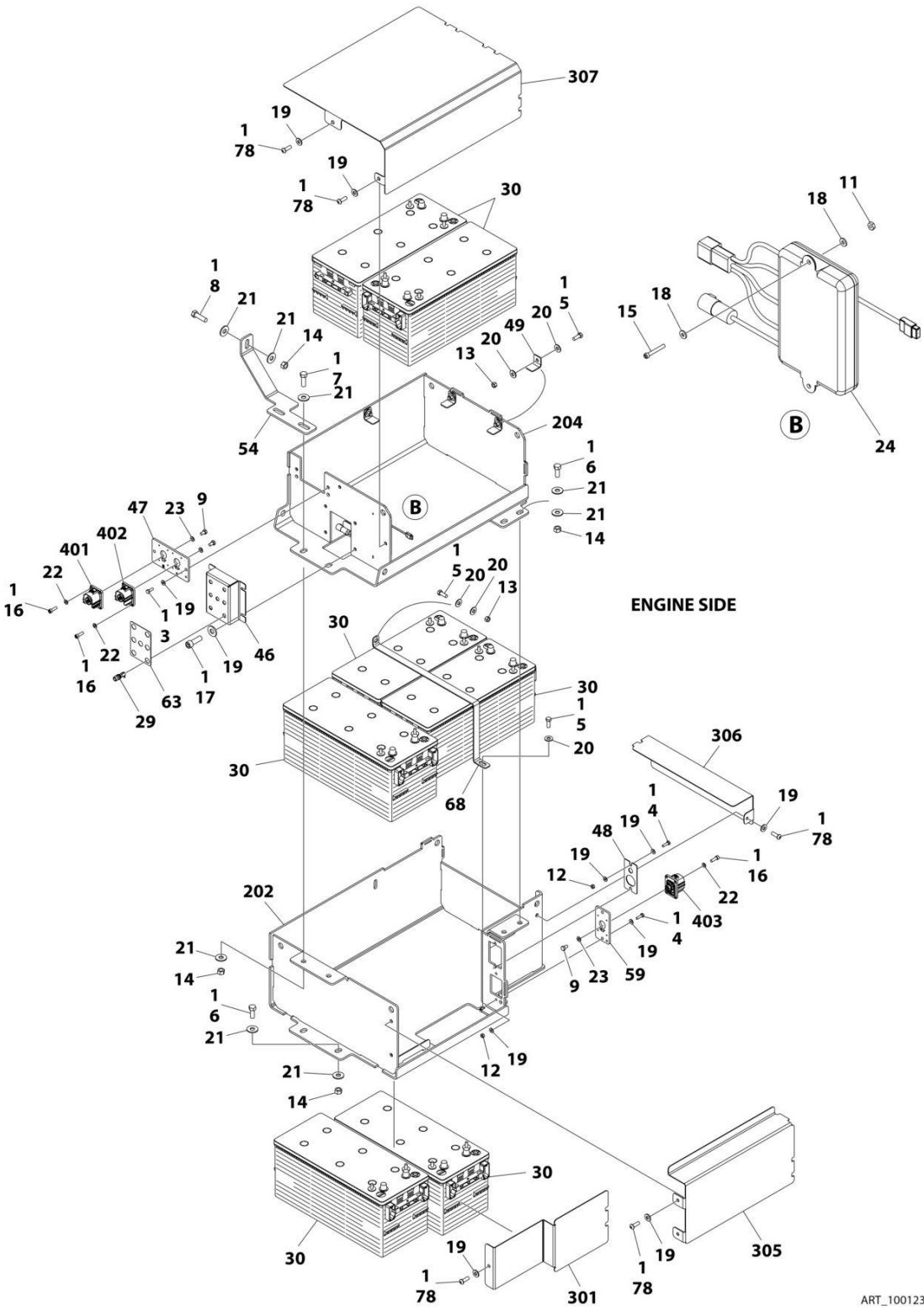
SECTION 2 - TURNTABLE

FIGURE 2-14. BATTERY BOXES INSTALLATION



ART_1001231700_10F3

SECTION 2 - TURNTABLE



ART_1001231700_2OF3

SECTION 2 - TURNTABLE

FIGURE 2-14. BATTERY BOXES INSTALLATION

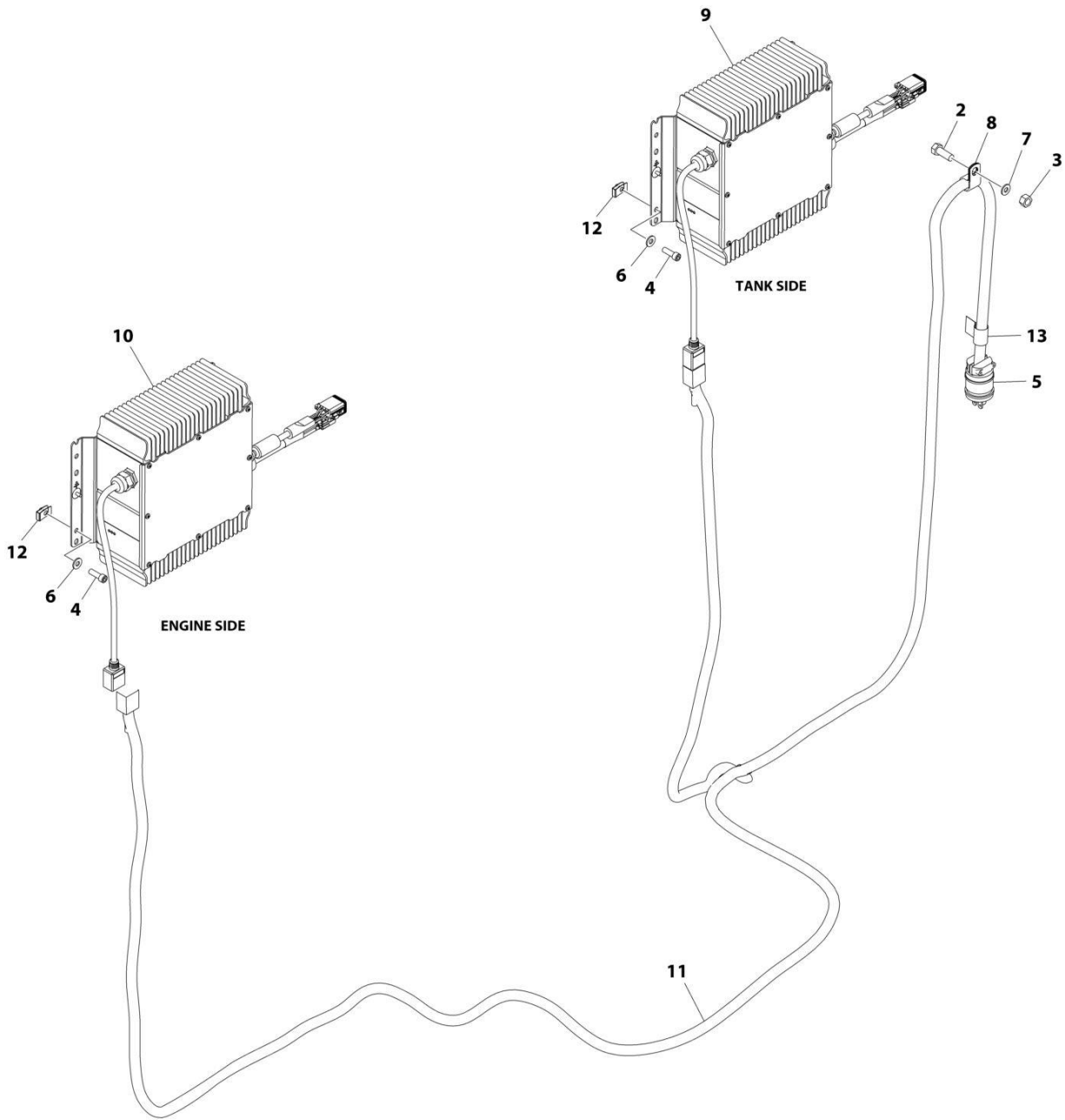
ITEM	PART NUMBER	QTY	DESCRIPTION	REV
	1001231700	Ref	BATTERY BOXES INSTALLATION	G
1	0100011	AR	Compound, Locking	
3	0641406	4	Bolt 1/4 x 3/4	
4	0641407	8	Bolt 1/4 x 7/8	
5	0641608	16	Bolt 3/8 x 1	
6	0641810	12	Bolt 1/2 x 1-1/4	
7	0641812	4	Bolt 1/2 x 1-1/2	
8	0641814	2	Bolt 1/2 x 1-3/4	
9	0760807	6	Bolt M8 x 14	
11	3310605	4	Nut #6	
12	3311401	8	Nut 1/4	
13	3311601	14	Nut 3/8	
14	3311801	18	Nut 1/2	
15	3930616	4	Capscrew #6 x 1	
16	3931010	24	Capscrew #10 x 5/8	
17	3931412	8	Capscrew 1/4 x 3/4	
18	4710600	8	Washer #6	
19	4711400	40	Washer 1/4	
20	4751600	30	Washer 3/8	
21	4751800	36	Washer 1/2	
22	4811600	24	Washer M5	
23	4811900	6	Washer M8	
24	1001222358	2	Regulator	
29	1001226935	14	Fuseholder	
30	1001231249	14	Battery	
45	1001231596	1	Plate	
46	1001231597	2	Mount	
47	1001231598	2	Mount	
48	1001231599	2	Cover	
49	1001231600	12	Plate	
54	1001231655	1	Plate	
58	1001231839	1	Mount	
59	1001231840	1	Mount	
62	1001230711	1	Decal - Tank Battery Stack Fuses	
63	1001230712	1	Decal - Engine Battery Stack Fuses	
68	1001233737	2	Plate	
73	4240099	2	Tie-Strap (Not Shown)	
78	0641405	12	Bolt 1/4 x 5/8	
200	1001233443	1	Battery Box Kit (Not Shown)	
201	1001231569	1	Box, Battery	
202	1001231570	1	Box, Battery	
203	1001231581	1	Box, Battery (Tank Side)	
204	1001231582	1	Box, Battery (Engine Side)	
300	1001233444	1	Battery Covers Kit (Not Shown)	
301	1001231601	2	Cover, Battery Box	
302	1001231606	1	Cover, Battery Box	
303	1001231607	1	Cover, Battery Box	
304	1001231608	1	Cover, Battery Box	
305	1001231656	1	Cover, Battery Box	
306	1001231657	1	Cover, Battery Box	

SECTION 2 - TURNTABLE

ITEM	PART NUMBER	QTY	DESCRIPTION	REV
307	1001231658	1	Cover, Battery Box	
400	1001233446	1	Connector Kit (Not Shown)	
401	1001223195	2	Connector	
402	1001223196	2	Connector	
403	1001223198	1	Connector	
404	1001223200	1	Connector	

SECTION 2 - TURNTABLE

FIGURE 2-15. BATTERY CHARGERS INSTALLATION (FACTORY SUPPLIED 220V PLUG)



ART_1001223124

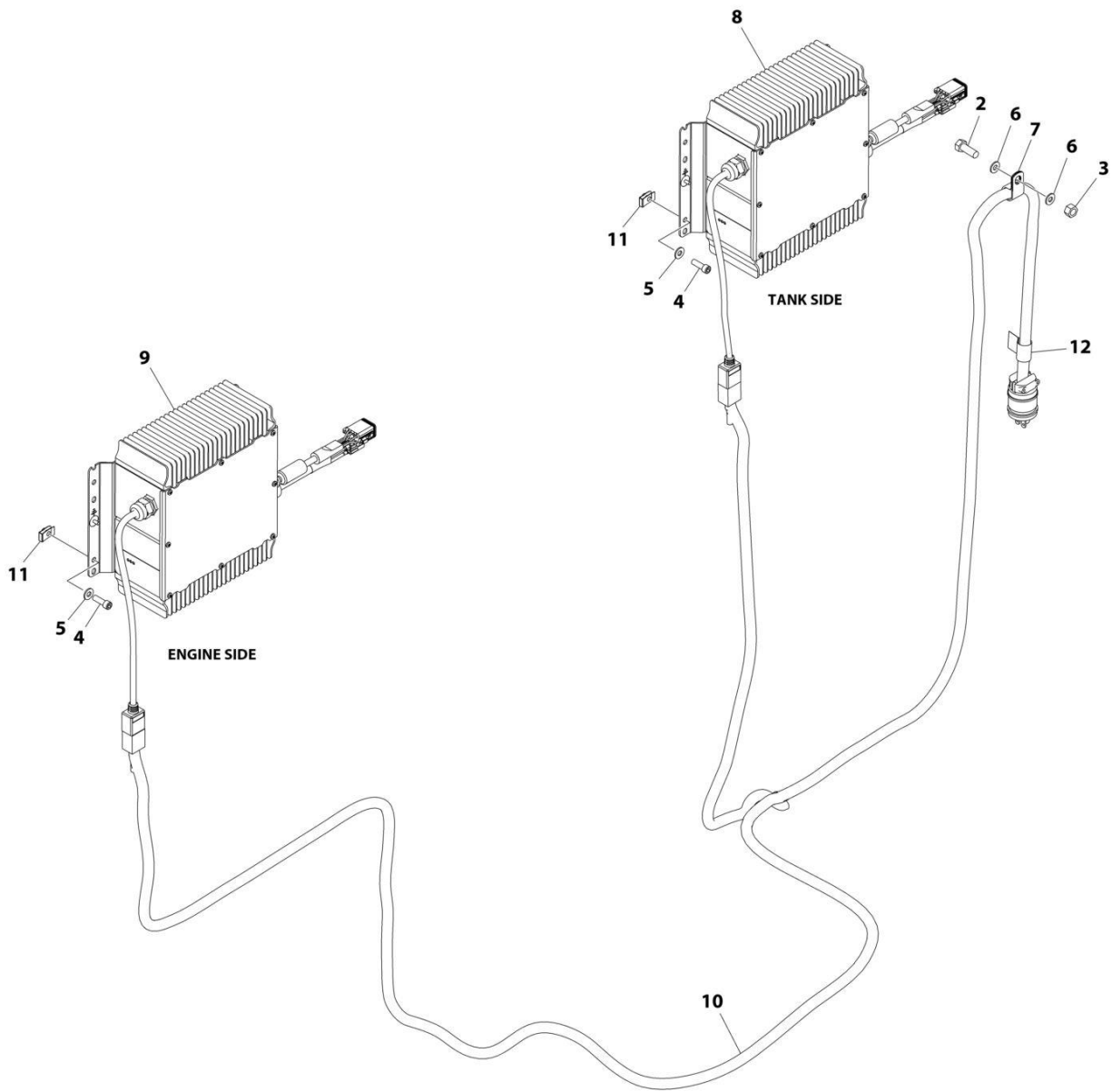
SECTION 2 - TURNTABLE

FIGURE 2-15. BATTERY CHARGERS INSTALLATION (FACTORY SUPPLIED 220V PLUG)

ITEM	PART NUMBER	QTY	DESCRIPTION	REV
	1001223124	Ref	BATTERY CHARGERS INSTALLATION	F
2	0641608	1	Bolt 3/8 x 1	
3	3311605	1	Nut 3/8	
4	3931412	8	Capscrew 1/4 x 3/4	
5	4460233	1	Plug	
6	4711400	8	Washer 1/4	
7	4711600	2	Washer 3/8	
8	1320061	1	Clamp	
9	1001222359	1	Charger, Battery (Primary)	
10	1001222360	1	Charger, Battery (Secondary)	
11	1001226031	1	Cable, AC	
12	3300454	8	Nut, Tinnerman 1/4	
13	1001238309	1	Decal - 240V Heater Cord	

SECTION 2 - TURNTABLE

FIGURE 2-16. BATTERY CHARGERS INSTALLATION (CUSTOMER SUPPLIED PLUG)



ART_1001227901_F

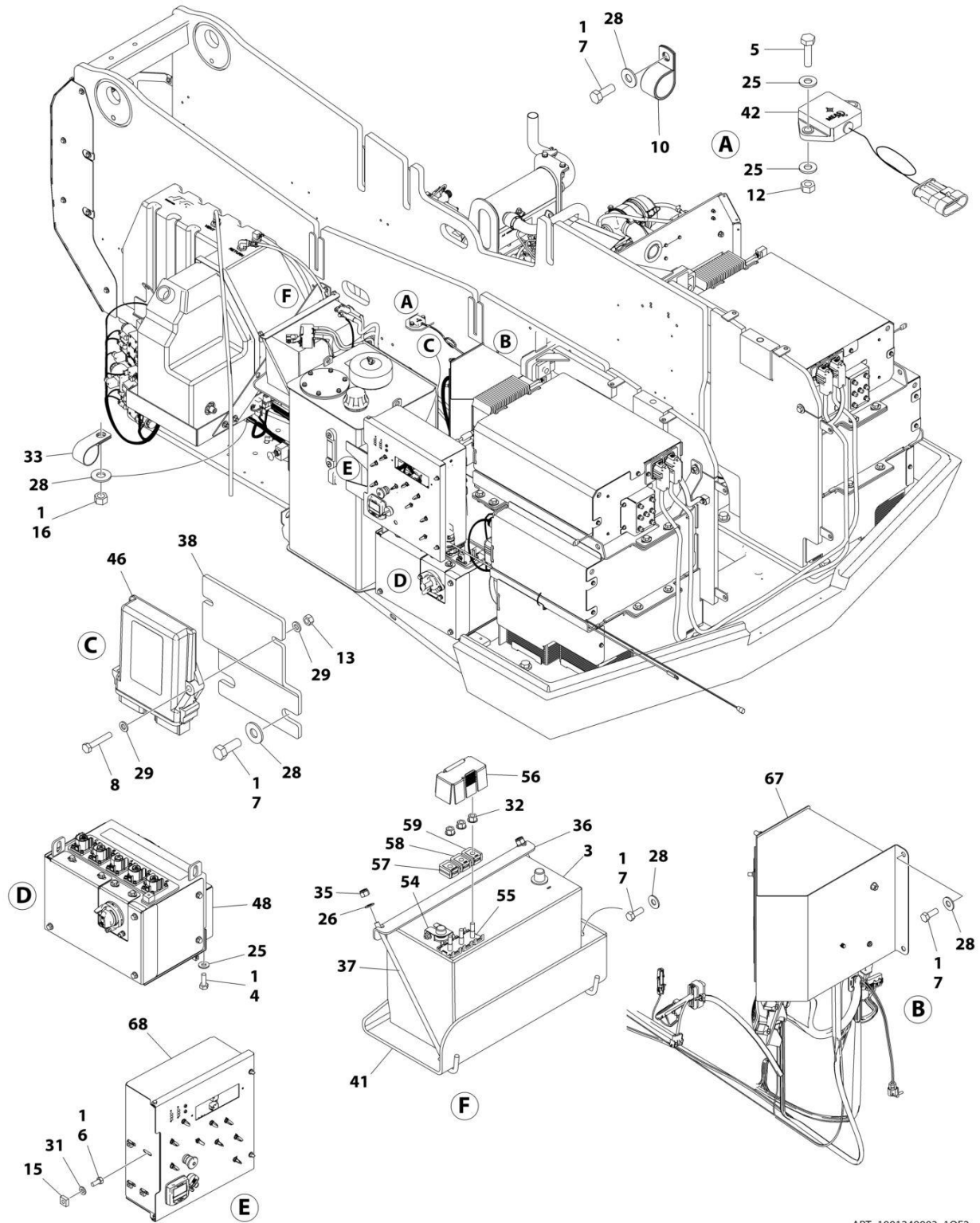
SECTION 2 - TURNTABLE

FIGURE 2-16. BATTERY CHARGERS INSTALLATION (CUSTOMER SUPPLIED PLUG)

ITEM	PART NUMBER	QTY	DESCRIPTION	REV
	1001227901	Ref	BATTERY CHARGERS INSTALLATION	F
2	0641608	1	Bolt 3/8 x 1	
3	3311605	1	Nut 3/8	
4	3931412	8	Capscrew 1/4 x 3/4	
5	4711400	8	Washer 1/4	
6	4711600	2	Washer 3/8	
7	1320061	1	Clamp	
8	1001222359	1	Charger, Battery (Primary)	
9	1001222360	1	Charger, Battery (Secondary)	
10	1001264430	1	Cable, AC	
11	3300454	8	Nut 1/4	
12	1001238309	1	Decal - 240V Heater Cord	

SECTION 2 - TURNTABLE

FIGURE 2-17. ELECTRICAL SYSTEM INSTALLATION (Prior to SN 0300297362)



ART_1001249003_10F2

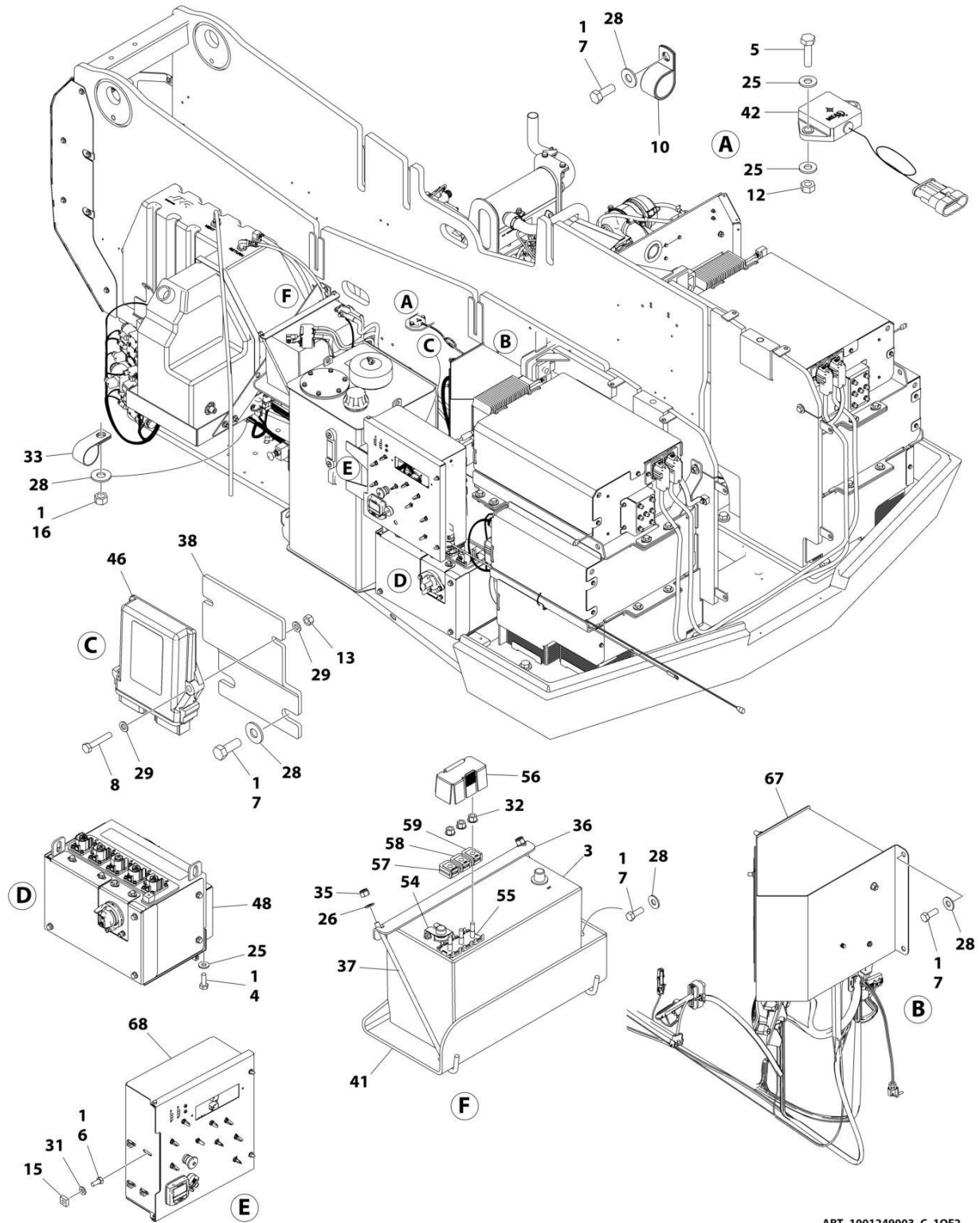
SECTION 2 - TURNTABLE

FIGURE 2-17. ELECTRICAL SYSTEM INSTALLATION (Prior to SN 0300297362)

ITEM	PART NUMBER	QTY	DESCRIPTION	REV
	1001249003	Ref	ELECTRICAL SYSTEM INSTALLATION	B
1	0100011	AR	Compound, Locking	
3	0400075	1	Battery	
4	0641406	4	Bolt 1/4 x 3/4	
5	0641408	2	Bolt 1/4 x 1	
6	0641506	4	Bolt 5/16 x 3/4	
7	0681608	10	Bolt 3/8 x 1	
8	0700615	2	Bolt M6 x 35	
10	1320060	1	Clamp	
12	3271405	2	Nut 1/4	
13	3290607	2	Nut M6	
15	3300205	4	Nut, Retainer	
16	3311601	2	Nut 3/8	
17	4061032	1	Shield (Not Shown - Located over Hydraulic Pump)	
20	4240099	2	Tie-Strap (Not Shown)	
25	4711400	8	Washer 1/4	
26	4711500	2	Washer 5/16	
28	4751600	12	Washer 3/8	
29	4811700	4	Washer M6	
31	4891500	4	Washer 5/16	
32	5260818	3	Nut M8	
33	8406201	2	Clip	
35	88521205	2	Nut 5/16	
36	91401281	1	Bracket	
37	1001093382	2	J-Bolt	
38	1001142722	1	Bracket	
41	1001162497	1	Tray, Battery	
42	1001219601	1	Sensor, Tilt	
46	1001223583	1	Module, HEC Control (Note: Recalibration Required when Replaced)	
48	1001226120	1	IMG Control Box Assembly (See Separate Breakdown in this Section)	
54	1001226929	1	Terminal	
55	1001226930	1	Stud Assembly	
56	1001226931	1	Boot, Red	
57	1001226932	1	Fuse 40Amp	
58	1001226933	1	Fuse 80Amp	
59	1001226934	1	Shunt	
67	1001249004	1	Fuse Box Assembly (See Separate Breakdown in this Section)	
68	1001249005	1	Ground Control Box Assembly (See Separate Breakdown in this Section)	

SECTION 2 - TURNTABLE

FIGURE 2-18. ELECTRICAL SYSTEM INSTALLATION (SN 0300297362 to Present)



ART_1001249003_C_10F2

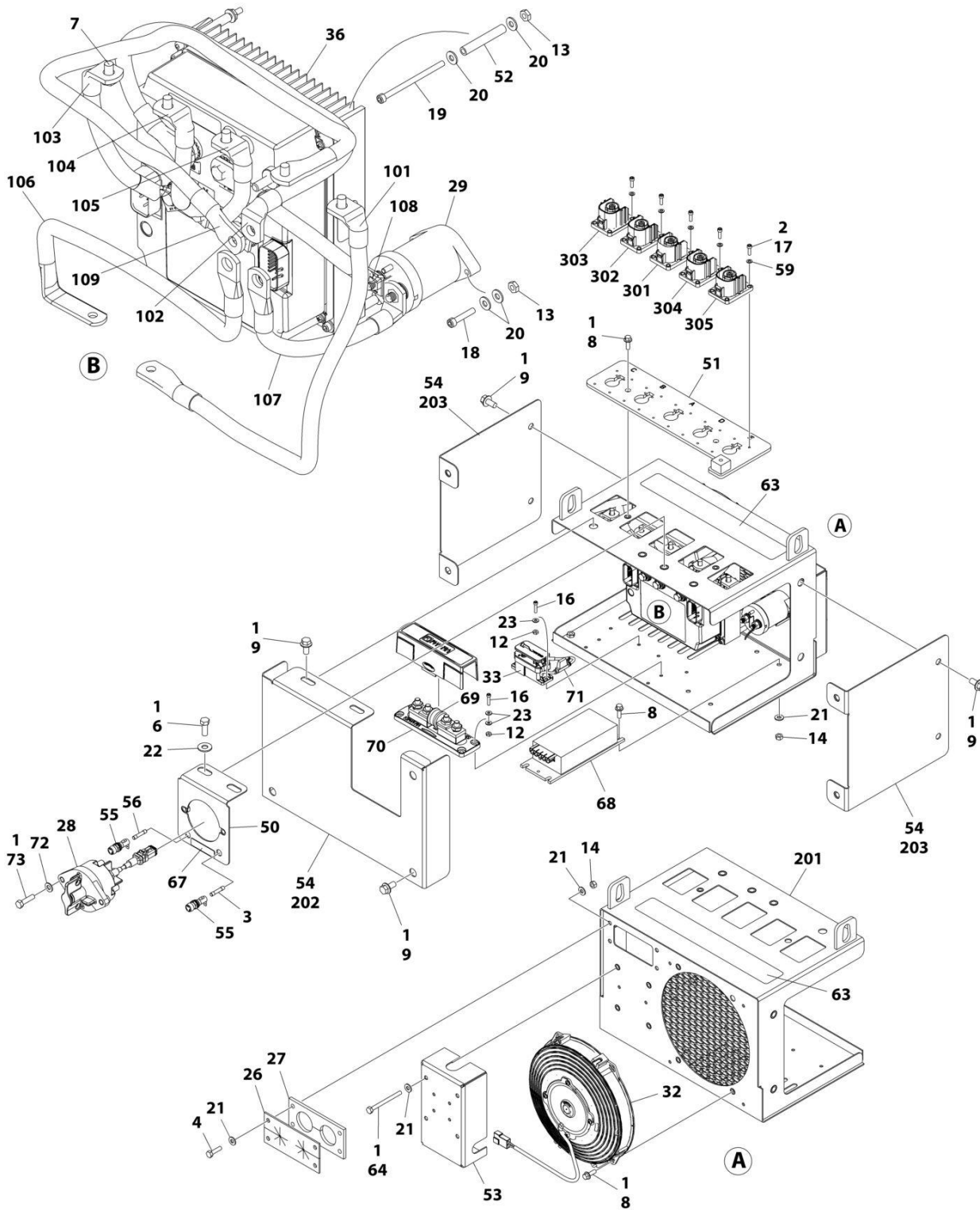
SECTION 2 - TURNTABLE

FIGURE 2-18. ELECTRICAL SYSTEM INSTALLATION (SN 0300297362 to Present)

ITEM	PART NUMBER	QTY	DESCRIPTION	REV
	1001249003	Ref	ELECTRICAL SYSTEM INSTALLATION	C
1	0100011	AR	Compound, Locking	
3	0400075	1	Battery	
4	0641406	4	Bolt 1/4 x 3/4	
5	0641408	2	Bolt 1/4 x 1	
6	0641506	4	Bolt 5/16 x 3/4	
7	0681608	10	Bolt 3/8 x 1	
8	0700615	2	Bolt M6 x 35	
10	1320060	1	Clamp	
12	3271405	2	Nut 1/4	
13	3290607	2	Nut M6	
15	3300205	4	Nut, Retainer	
16	3311601	2	Nut 3/8	
17	4061032	1	Shield (Not Shown - Located over Hydraulic Pump)	
20	4240099	2	Tie-Strap (Not Shown)	
25	4711400	8	Washer 1/4	
26	4711500	2	Washer 5/16	
28	4751600	12	Washer 3/8	
29	4811700	4	Washer M6	
31	4891500	4	Washer 5/16	
32	5260818	3	Nut M8	
33	8406201	2	Clip	
35	88521205	2	Nut 5/16	
36	91401281	1	Bracket	
37	1001093382	2	J-Bolt	
38	1001142722	1	Bracket	
41	1001162497	1	Tray, Battery	
42	1001219601	1	Sensor, Tilt	
46	1001223583	1	Module, HEC Control (Note: Recalibration Required when Replaced)	
48	1001226120	1	IMG Control Box Assembly (See Separate Breakdown in this Section)	
54	1001226929	1	Terminal	
55	1001226930	1	Stud Assembly	
56	1001226931	1	Boot, Red	
57	1001226932	1	Fuse 40Amp	
58	1001226933	1	Fuse 80Amp	
59	1001226934	1	Shunt	
67	1001249004	1	Fuse Box Assembly (See Separate Breakdown in this Section)	
68	1001249005	1	Ground Control Box Assembly (See Separate Breakdown in this Section)	

SECTION 2 - TURNTABLE

FIGURE 2-19. IMG CONTROL BOX ASSEMBLY



ART_1001226120

SECTION 2 - TURNTABLE

FIGURE 2-19. IMG CONTROL BOX ASSEMBLY

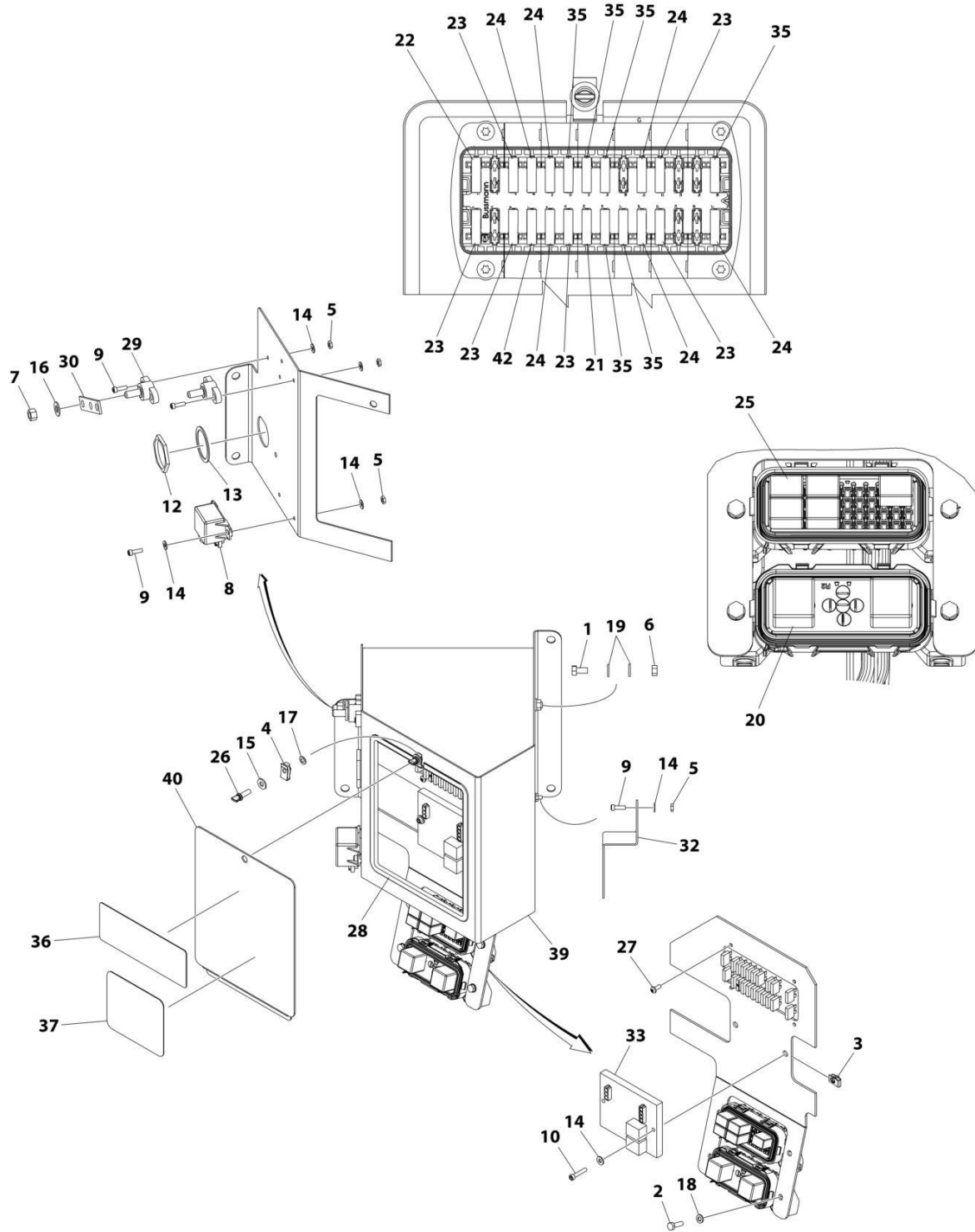
ITEM	PART NUMBER	QTY	DESCRIPTION	REV
	1001226120	Ref	IMG CONTROL BOX ASSEMBLY	J
1	0100011	AR	Compound, Locking	
2	0100035	AR	Compound, Locking	
3	1001234314	1	Fuse 10Amp	
4	0641408	4	Bolt 1/4 x 1	
6	0641608	2	Bolt 3/8 x 1	
7	0760807	5	Bolt M8 x 14	
8	0811406	10	Screw 1/4 x 3/4	
9	0811606	9	Screw 3/8 x 3/4	
12	3310805	8	Nut #8	
13	3311005	6	Nut #10	
14	3311405	8	Nut 1/4	
16	3930812	8	Capscrew #8 x 3/4	
17	3931010	20	Capscrew #10 x 5/8	
18	3931016	2	Capscrew #10 x 1	
19	3931048	4	Capscrew #10 x 3	
20	4711000	12	Washer #10	
21	4711400	16	Washer 1/4	
22	4751600	2	Washer 3/8	
23	4750800	12	Washer #8	
26	1001168243	1	Shield	
27	1001168244	1	Shield	
28	1001236759	1	Switch, STDP Interlock	
29	1001222340	1	Relay, Main Contactor	
32	1001222363	1	Fan, Cooling	
33	1001222365	2	Relay	
36	1001222879	1	Controller, IMG (Note: Recalibration Required when Replaced)	
50	1001236967	1	Plate, IMG Disconnect Switch	
51	1001226146	1	Mount, IMG Connector	
52	1001226190	4	Sleeve	
53	1001226492	1	Cover Assembly	
53	1001224943	1	Converter	
53	1001226489	1	Cover	
54	1001113047	95 in/ 2.4m	Seal	
55	1001226935	2	Holder, Fuse	
56	1001228440	1	Fuse 15Amp	
59	4811600	20	Washer M5	
63	1001227763	1	Decal - Header Label IMG Box	
64	0641424	4	Bolt 1/4 x 3	
67	1001230714	1	Decal - IMG Fuse	
68	1001233188	1	Converter	
69	1001233198	1	Fuse 200Amp - 400Amp	
70	1001233203	1	Holder, Fuse	
71	1001234488	2	Electrical Assembly - Flyback Diode	
72	4711500	2	Washer 5/16	
73	0641510	2	Bolt 5/16 x 1-1/4	
100	1001233442	1	IMG Box Cable Kit	B
101	1001222375	1	Cable - Battery to Fuse	
102	1001222378	1	Cable - Negative to IMG	

SECTION 2 - TURNTABLE

ITEM	PART NUMBER	QTY	DESCRIPTION	REV
103	1001223916	1	Cable - IMG (U) to Box	
104	1001223917	1	Cable - IMG (V) to Box	
105	1001223918	1	Cable - IMG (W) to Box	
106	1001223951	1	Cable - Fuse to Rotary Disc	
107	1001223952	1	Cable - Rotary Disc to Main Controller	
108	1001223953	1	Cable - Main Controller to IMG	
109	1001230507	1	Cable (Negative to Bulkhead)	
200	1001233445	1	IMG Box Plate Kit	B
201	1001226121	1	Box	
202	1001226124	1	Cover, Front	
203	1001230154	2	Panel	
300	1001233447	1	IMG Cable Connector Kit	A
301	1001222915	1	Connector	
302	1001223195	1	Connector	
303	1001223196	1	Connector	
304	1001223198	1	Connector	
305	1001223200	1	Connector	

SECTION 2 - TURNTABLE

FIGURE 2-20. ELECTRICAL ASSEMBLY - 12V FUSE BOX



ART_1001249004

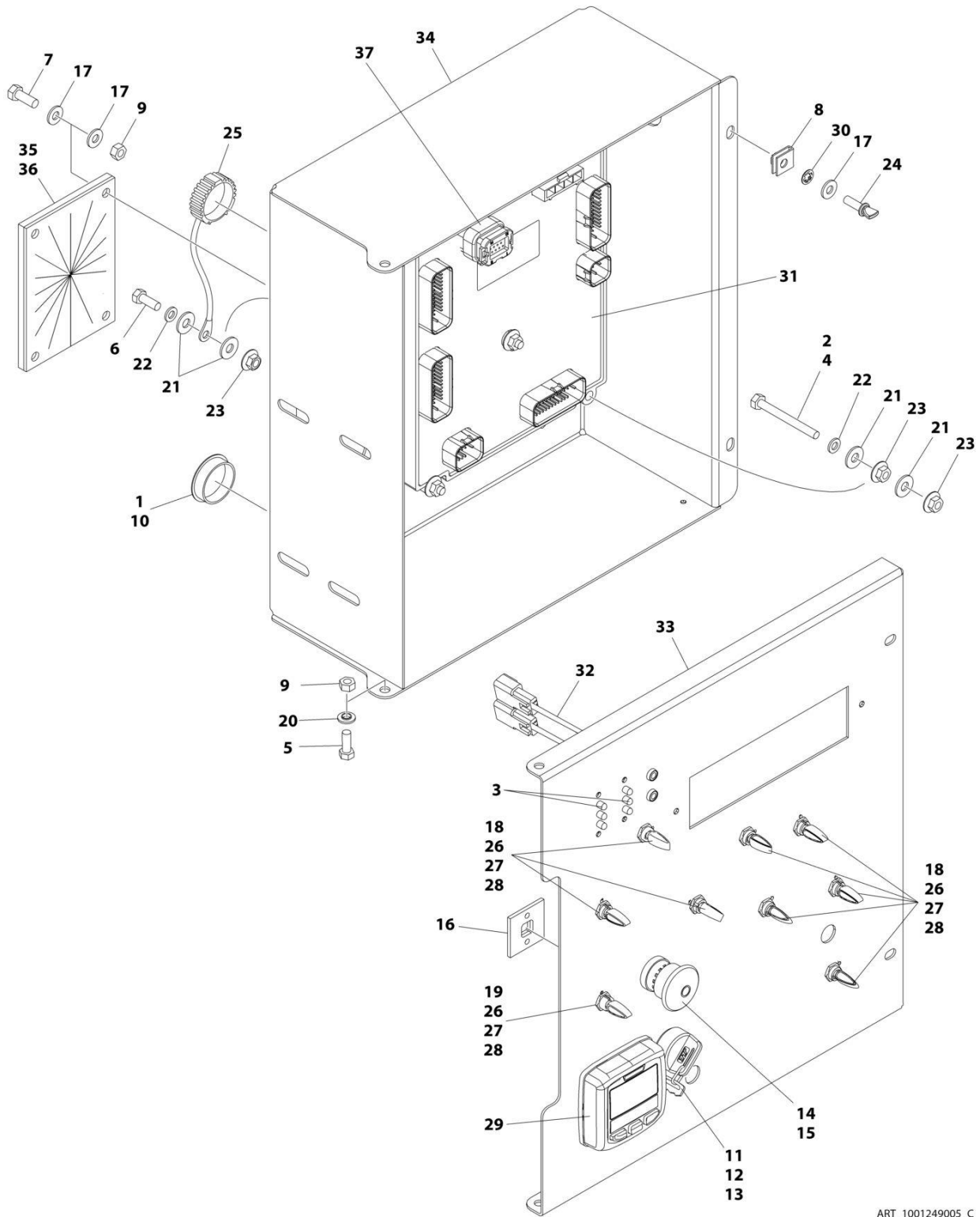
SECTION 2 - TURNTABLE

FIGURE 2-20. ELECTRICAL ASSEMBLY - 12V FUSE BOX

ITEM	PART NUMBER	QTY	DESCRIPTION	REV
	1001249004	Ref	ELECTRICAL ASSEMBLY - 12V FUSE BOX	B
1	0641505	1	Bolt 5/16 x 5/8	
2	0760610	4	Bolt M6 x 20	
3	3300365	2	Nut, Retainer	
4	3300454	1	Nut, Tinnerman 1/4	
5	3311005	7	Nut #10	
6	3311505	1	Nut 5/16	
7	3311605	1	Nut 3/8	
8	3740112	1	Relay	
9	3931010	7	Capscrew #10 x 5/8	
10	3931016	2	Capscrew #10 x 1	
11	4240099	1	Tie-Strap (Not Shown)	
12	4460470	1	Nut	
13	4460471	1	Washer	
14	4711000	11	Washer #10	
15	4711400	1	Washer 1/4	
16	4711600	1	Washer 3/8	
17	4771200	1	Washer #12	
18	4811700	4	Washer M6	
19	4891500	2	Washer 5/16	
20	8225117	2	Relay	
21	8229234	1	Fuse - 10 Amp	
22	8229236	1	Fuse - 30 Amp	
23	8229237	6	Fuse - 15 Amp	
24	8229261	6	Fuse - 5 Amp	
25	1001095704	5	Relay	
26	1001103308	1	Screw 1/4 x 3/4	
27	1001108134	4	Screw #10 x 1/2	
28	1001113047	2.7 ft/ 0.82m	Trim	
29	1001120750	2	Stud	
30	1001128241	1	Bussbar	
31	1001146588	2	Tie-Strap (Not Shown)	
32	1001159162	1	Bracket	
33	1001223581	1	Control, H-Bridge	
34	1001226404	1	Harness - H-Bridge/Clutch (Not Shown) (See Separate Breakdown in ELECTRICAL SECTION)	
35	1001227788	6	Fuse - 2 Amp	
36	1001229790	1	Decal - Fuse Box	
37	1001229791	1	Decal - Relays	
38	1001230522	1	Turntable-Fuse Panel Harness (Not Shown) (See Separate Breakdown in ELECTRICAL SECTION)	
39	1001232495	1	Box, Fuse	
40	1001232499	1	Cover	
41	1001245030	1	Engine Harness (Not Shown) (See Separate Breakdown in ELECTRICAL SECTION)	
42	1001247362	1	Fuse - 40 Amp	

SECTION 2 - TURNTABLE

FIGURE 2-21. GROUND CONTROL BOX ASSEMBLY



ART_1001249005_C

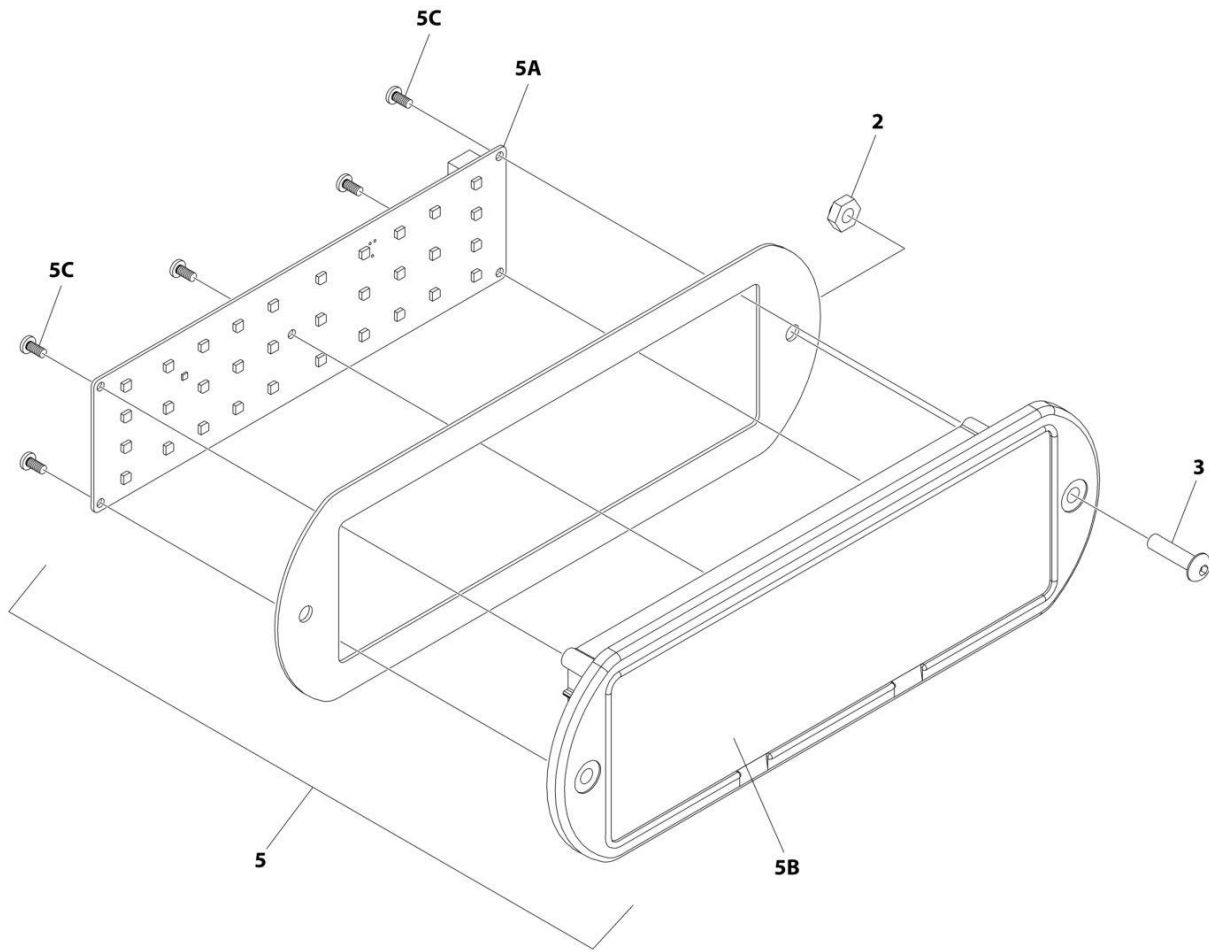
SECTION 2 - TURNTABLE

FIGURE 2-21. GROUND CONTROL BOX ASSEMBLY

ITEM	PART NUMBER	QTY	DESCRIPTION	REV
	1001249005	Ref	GROUND CONTROL BOX ASSEMBLY	C
1	0100009	AR	Sealant	
2	0100011	AR	Compound, Locking	
3	0610131	2	LED P/C Board	
4	0630548	5	Bolt 2-1/2	
5	0641405	2	Bolt 1/4 x 5/8	
6	0641407	1	Bolt 1/4 x 7/8	
7	0641408	4	Bolt 1/4 x 1	
8	3300353	2	Nut, Tinnerman	
9	3311405	6	Nut 1/4	
10	3520035	1	Plug	
11	3910804	6	Screw #8 x 1/4	
12	4070991	1	Shim .125	
13	4360469	1	Switch, Key	
13	2860030	1 Set	Key, Replacement	
14	4360475	1	Switch, Emergency Stop	
14	7020175	1	Cap, Mushroom	
14	7020176	1	Block, Contact	
15	4360476	1	Switch, Contact Block	
16	4460488	6	Mount, Tie-Strap	
17	4711400	10	Washer 1/4	
18	4740397	8	Washer	
19	4740444	1	Washer	
20	4740518	2	Washer	
21	4751400	12	Washer 1/4	
22	4761400	6	Washer 1/4	
23	77143013	11	Nut 1/4	
24	1001103308	2	Screw 1/4 x 3/4	
25	1001106736	1	Cap, Dust	
26	1001155043	9	Washer	
27	1001155044	9	Nut 15/32	
28	1001155045	9	Switch, Toggle	
29	1001171482	1	Gauge, Display	
30	1001188874	2	Nut	
31	1001284800	1	Module, Ground Control (Note: Recalibration Required when Replaced)	
32	1001225120	2	Lamp	
33	1001264703	1	Lid	
34	1001225969	1	Box	
35	1001229017	1	Shield, Cable	
36	1001229018	1	Trim, Shield	
37	1001246859	1	Connector, 14 Position Gray	

SECTION 2 - TURNTABLE

FIGURE 2-22. LIGHT PANEL INSTALLATION - GROUND CONTROL (Prior to SN 0300297362)



ART_1001245177_B_10F2

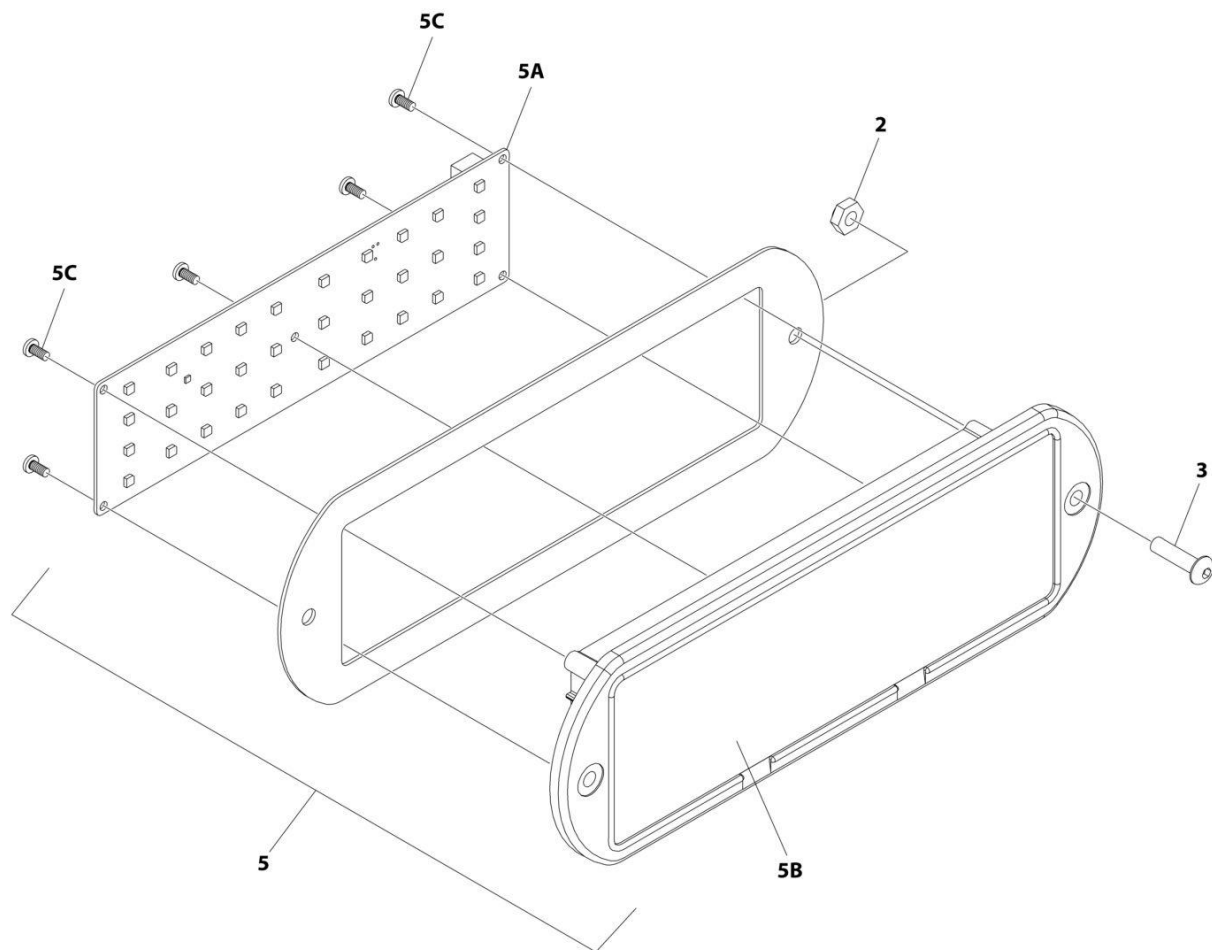
SECTION 2 - TURNTABLE

FIGURE 2-22. LIGHT PANEL INSTALLATION - GROUND CONTROL (Prior to SN 0300297362)

ITEM	PART NUMBER	QTY	DESCRIPTION	REV
	1001245177	Ref	LIGHT PANEL INSTALLATION - GROUND CONTROL	B
2	3300408	2	Nut, Nylon Insert	
3	0630518	2	Screw #10 x 3/4	
5	1001245208	1	Light Panel Assembly	F
5A	1001238732	1	Panel, LED Light	
5B	1001245162	1	Lens, I-Con	
5C		Ref	Screw	

SECTION 2 - TURNTABLE

FIGURE 2-23. LIGHT PANEL INSTALLATION - GROUND CONTROL (SN 0300297362 to Present)



ART_1001245177_C_1OF2

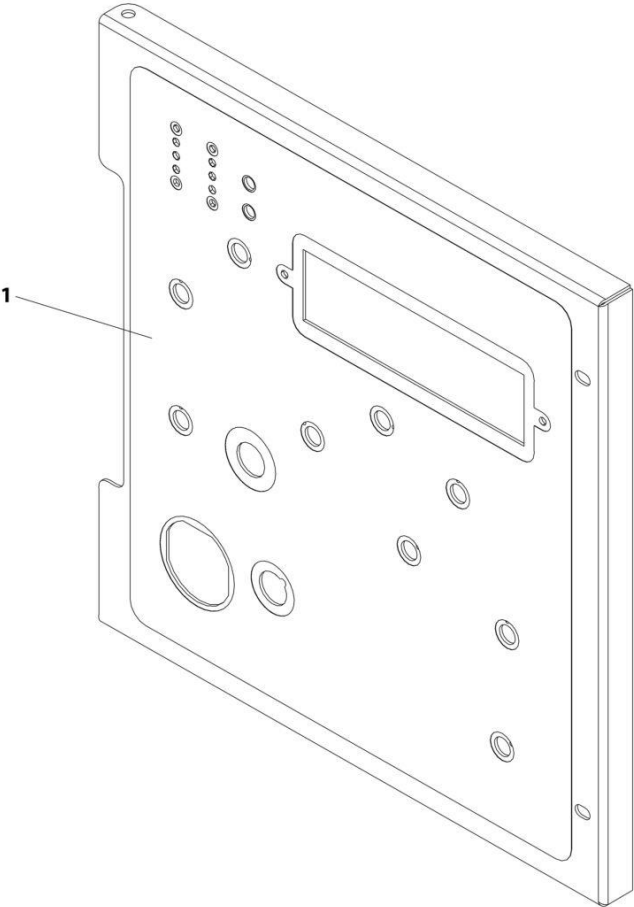
SECTION 2 - TURNTABLE

FIGURE 2-23. LIGHT PANEL INSTALLATION - GROUND CONTROL (SN 0300297362 to Present)

ITEM	PART NUMBER	QTY	DESCRIPTION	REV
	1001245177	Ref	LIGHT PANEL INSTALLATION - GROUND CONTROL	C
2	3300408	2	Nut, Nylon Insert	
3	0630518	2	Screw #10 x 3/4	
5	1001281718	1	Light Panel Assembly	A
5A	1001238732	1	Panel, LED Light	
5B	1001281706	1	Lens, I-Con	
5C		Ref	Screw	

SECTION 2 - TURNTABLE

FIGURE 2-24. GROUND CONTROL PANEL DECAL INSTALLATION (WITHOUT MSSO & WITHOUT TOWER STOW)



ART_1001249014

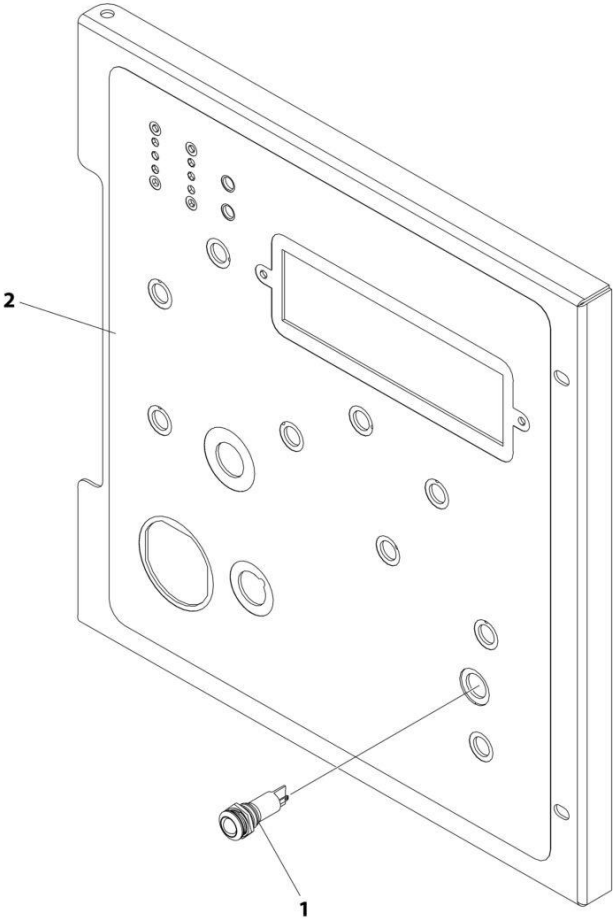
SECTION 2 - TURNTABLE

FIGURE 2-24. GROUND CONTROL PANEL DECAL INSTALLATION (WITHOUT MSSO & WITHOUT TOWER STOW)

ITEM	PART NUMBER	QTY	DESCRIPTION	REV
1	1001249018	1	GROUND CONTROL PANEL DECAL INSTALLATION (WITHOUT MSSO) Decal - Ground Control Box	A

SECTION 2 - TURNTABLE

FIGURE 2-25. GROUND CONTROL PANEL DECAL INSTALLATION (WITHOUT MSSO & WITH TOWER STOW)



ART_1001264701

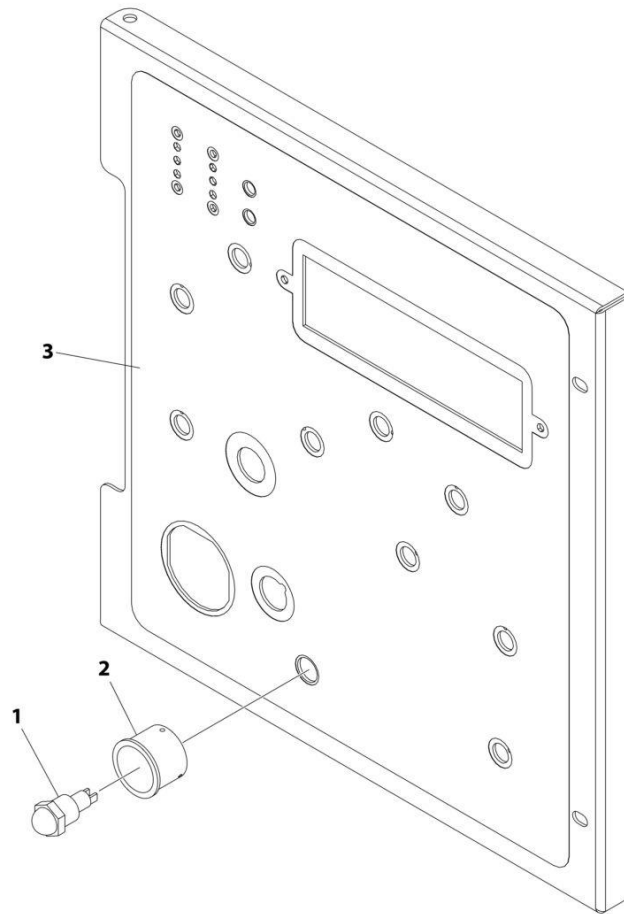
SECTION 2 - TURNTABLE

FIGURE 2-25. GROUND CONTROL PANEL DECAL INSTALLATION (WITHOUT MSSO & WITH TOWER STOW)

ITEM	PART NUMBER	QTY	DESCRIPTION	REV
	1001264701	Ref	GROUND CONTROL PANEL DECAL INSTALLATION (WITHOUT MSSO & WITH TOWER STOW)	A
1	1001137364	1	Lamp, LED Indicator Green	
2	1001264698	1	Decal - Ground Control Box	

SECTION 2 - TURNTABLE

FIGURE 2-26. GROUND CONTROL PANEL DECAL INSTALLATION (WITH MSSO & WITHOUT TOWER STOW)



ART_1001249015

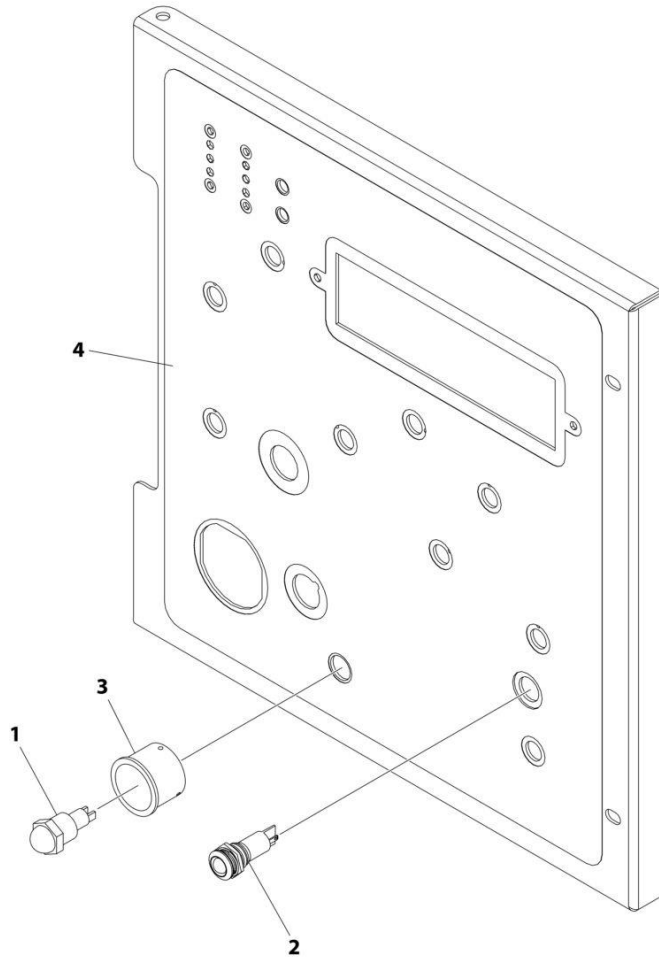
SECTION 2 - TURNTABLE

FIGURE 2-26. GROUND CONTROL PANEL DECAL INSTALLATION (WITH MSSO & WITHOUT TOWER STOW)

ITEM	PART NUMBER	QTY	DESCRIPTION	REV
	1001249015	Ref	GROUND CONTROL PANEL DECAL INSTALLATION (WITH MSSO)	A
1	4360387	1	Switch, Push Button	
2	1001176469	1	Shroud, Switch	
3	1001249019	1	Decal - Ground Control Box	

SECTION 2 - TURNTABLE

FIGURE 2-27. GROUND CONTROL PANEL DECAL INSTALLATION (WITH MSSO & WITH TOWER STOW)



ART_1001264807

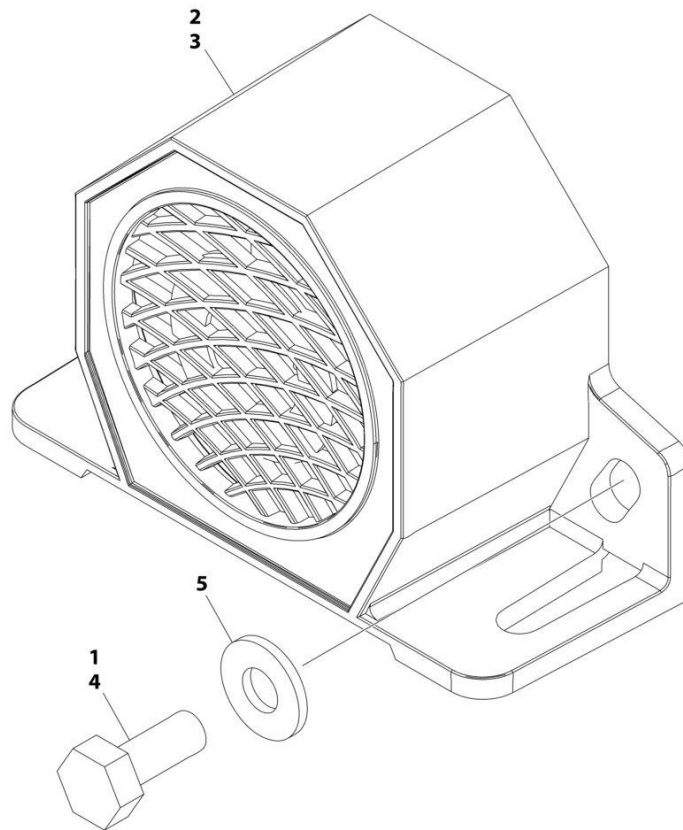
SECTION 2 - TURNTABLE

FIGURE 2-27. GROUND CONTROL PANEL DECAL INSTALLATION (WITH MSSO & WITH TOWER STOW)

ITEM	PART NUMBER	QTY	DESCRIPTION	REV
	1001264807	Ref	GROUND CONTROL PANEL DECAL INSTALLATION (WITH MSSO & WITH TOWER STOW)	A
1	4360387	1	Switch, Push Button	
2	1001137364	1	Lamp, LED Indicator Green	
3	1001176469	1	Shroud, Switch	
4	1001264804	1	Decal - Ground Control Box	

SECTION 2 - TURNTABLE

FIGURE 2-28. ALARM INSTALLATION



ART_1001158364

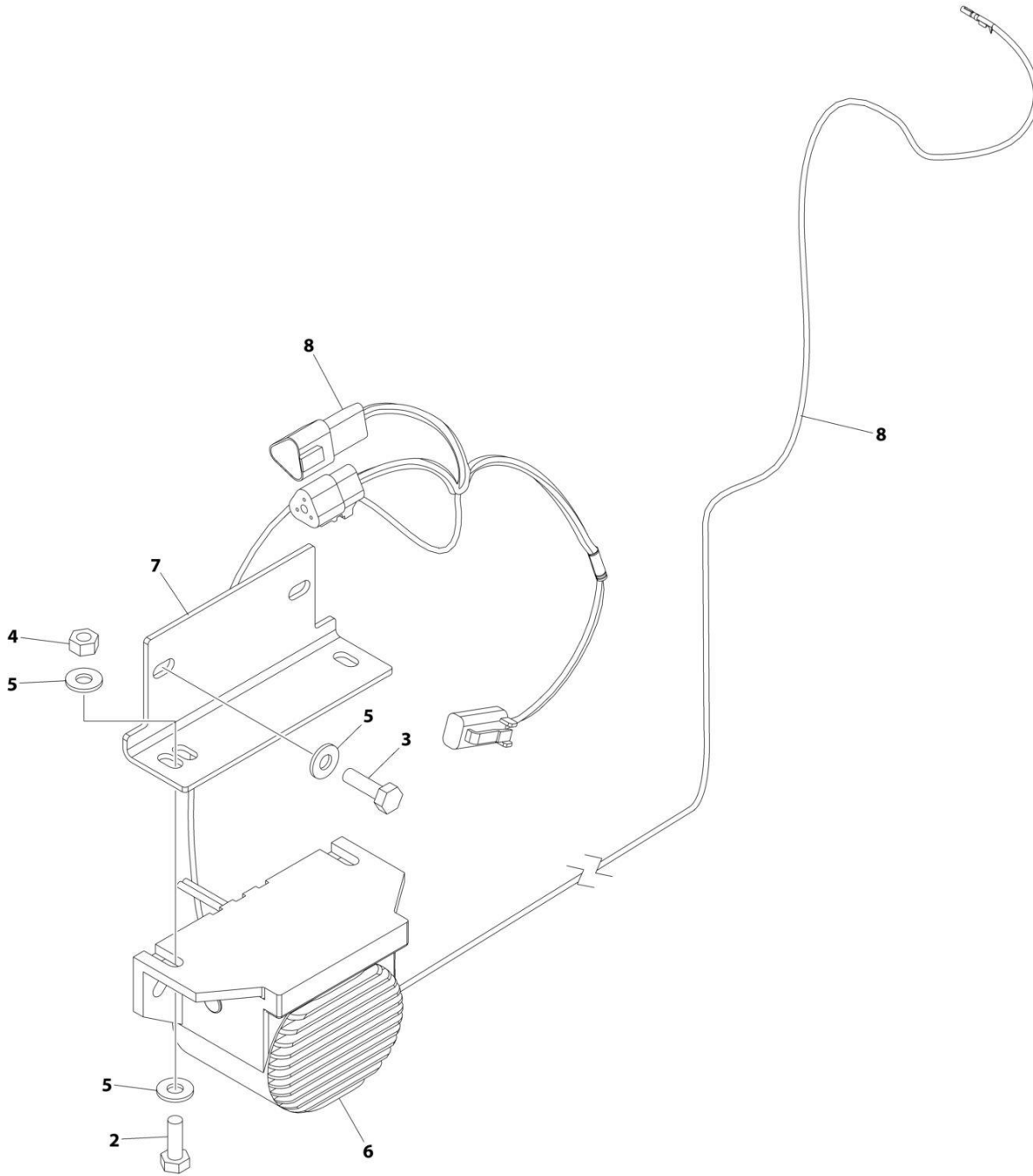
SECTION 2 - TURNTABLE

FIGURE 2-28. ALARM INSTALLATION

ITEM	PART NUMBER	QTY	DESCRIPTION	REV
	1001158364	Ref	ALARM INSTALLATION	A
1	0100011	AR	Compound, Locking	
2	0100048	AR	Grease, Dielectric	
3	0140044	1	Alarm	
4	0641405	2	Bolt 1/4 x 5/8	
5	4711400	2	Washer 1/4	

SECTION 2 - TURNTABLE

FIGURE 2-29. WHITE NOISE ALARM INSTALLATION - ADJUSTABLE AMBIENT



ART_1001241385

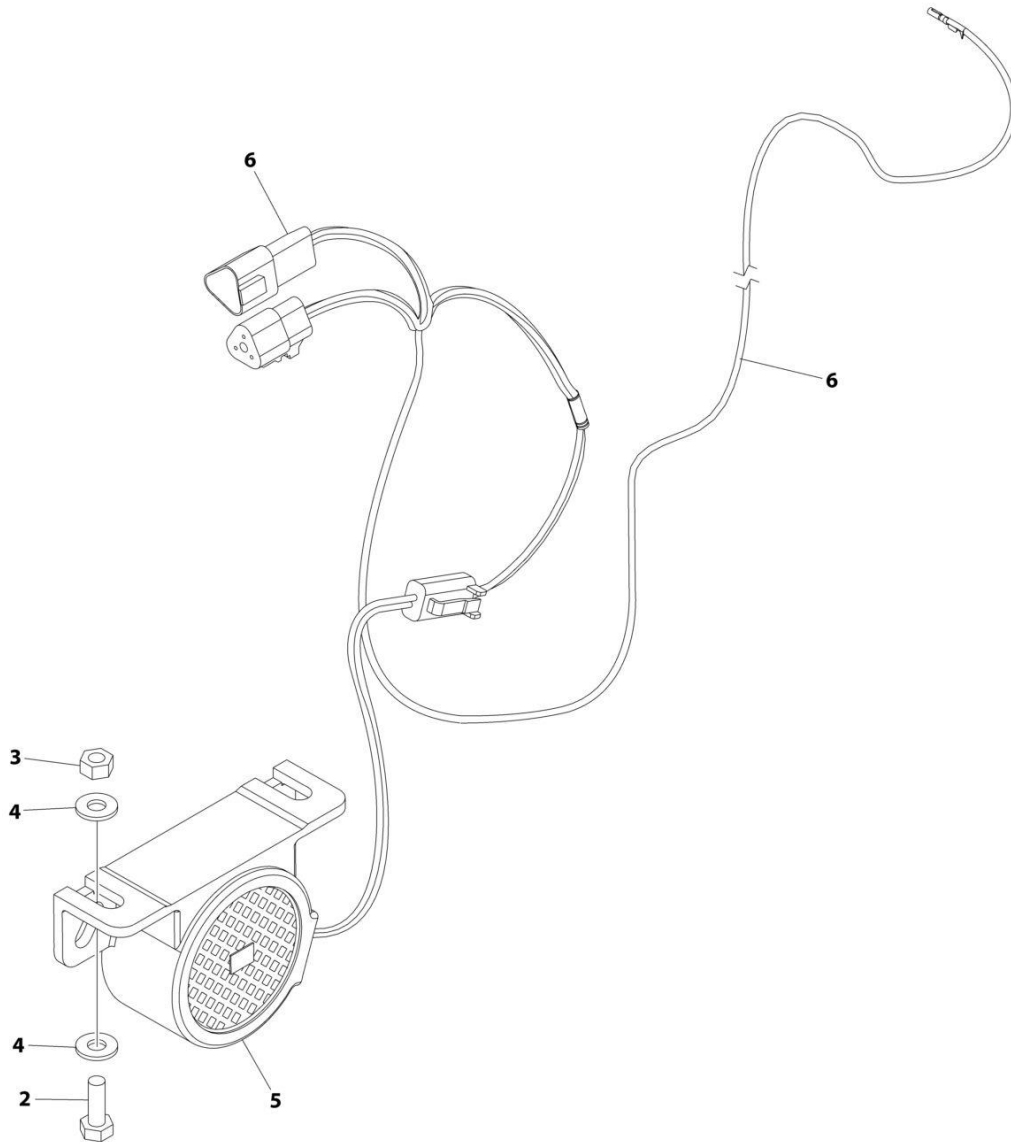
SECTION 2 - TURNTABLE

FIGURE 2-29. WHITE NOISE ALARM INSTALLATION - ADJUSTABLE AMBIENT

ITEM	PART NUMBER	QTY	DESCRIPTION	REV
	1001241385	Ref	WHITE NOISE ALARM INSTALLATION	A
1	0100048	AR	Compound, Silicone (Not Shown)	
2	0641406	2	Bolt 1/4 x 3/4	
3	0641407	2	Bolt 1/4 x 7/8	
4	3311405	2	Nut 1/4	
5	4711400	6	Washer 1/4	
6	1001182806	1	Alarm	
7	1001231886	1	Plate	
8	1001243682	1	White Noise Motion Alarm Harness (See Separate Breakdown in this Section)	

SECTION 2 - TURNTABLE

FIGURE 2-30. WHITE NOISE MOTION ALARM INSTALLATION - AMBIENT



ART_1001239347

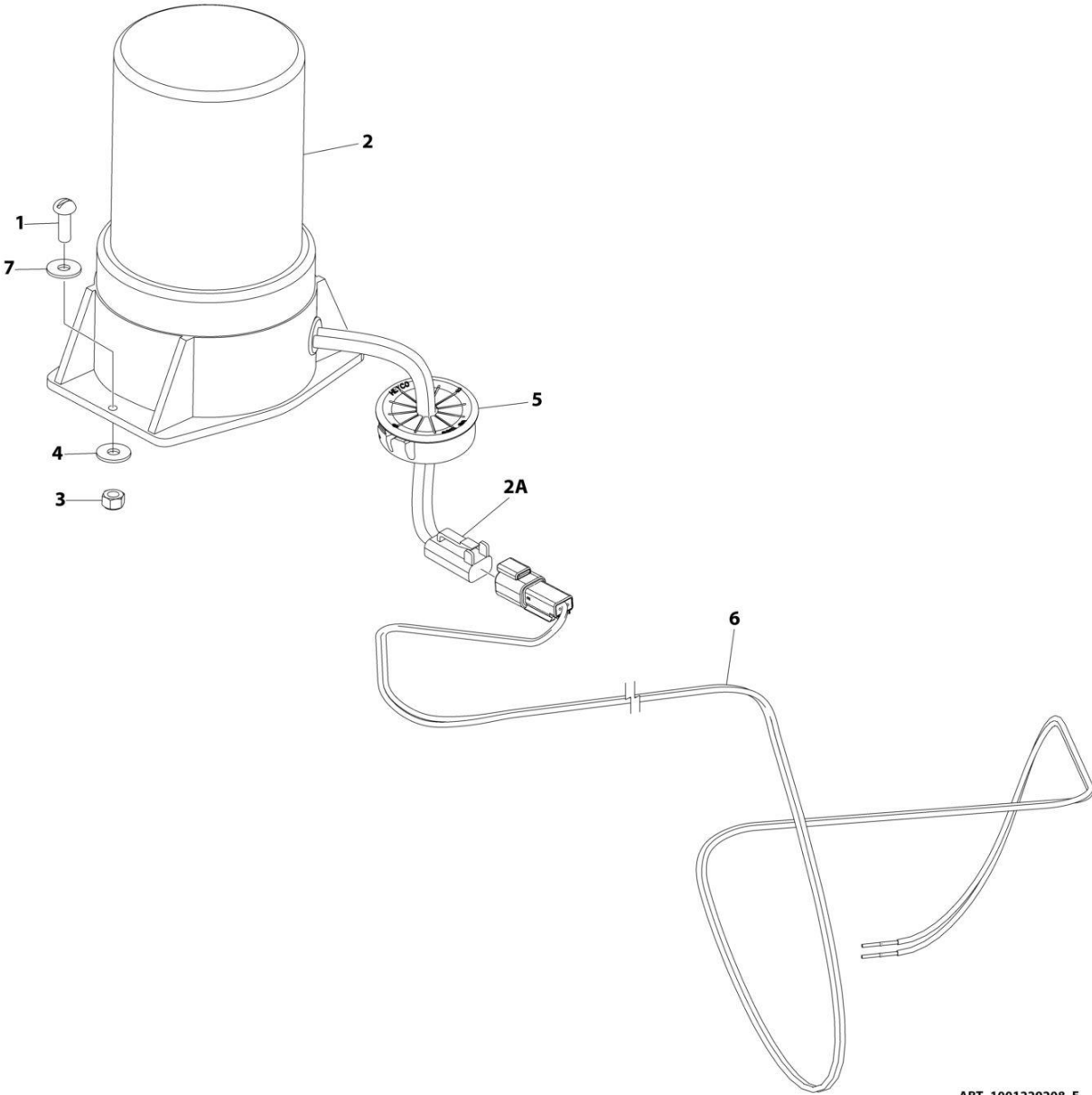
SECTION 2 - TURNTABLE

FIGURE 2-30. WHITE NOISE MOTION ALARM INSTALLATION - AMBIENT

ITEM	PART NUMBER	QTY	DESCRIPTION	REV
	1001239347	Ref	WHITE NOISE MOTION ALARM INSTALLATION	A
1	0100048	AR	Compound, Silicone (Not Shown)	
2	0641406	2	Bolt 1/4 x 3/4	
3	3311405	2	Nut 1/4	
4	4711400	4	Washer 1/4	
5	1001184682	1	Alarm	
6	1001243682	1	White Noise Motion Alarm Harness (See Separate Breakdown in this Section)	

SECTION 2 - TURNTABLE

FIGURE 2-31. STROBE LIGHT INSTALLATION - AMBER



ART_1001229208_E

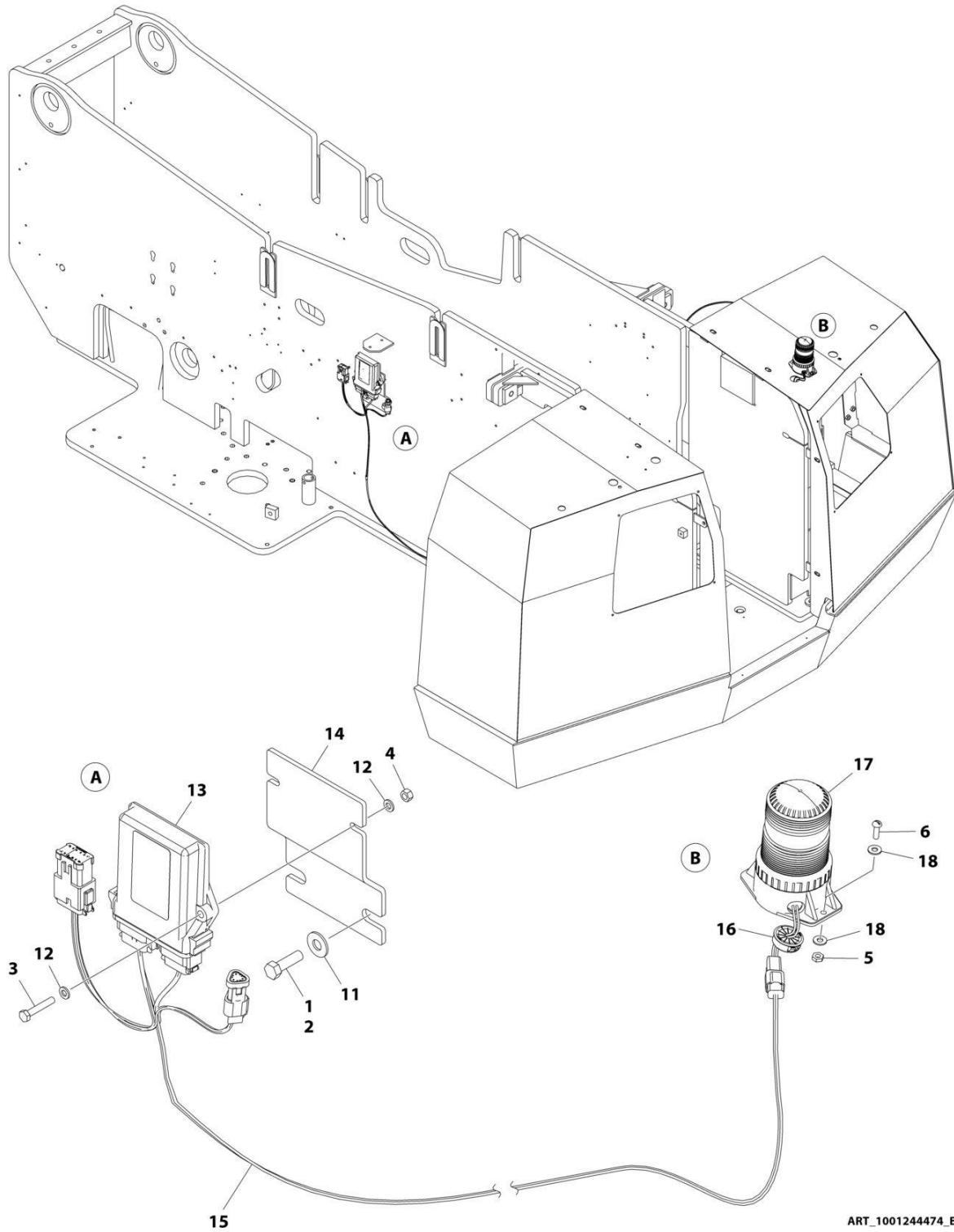
SECTION 2 - TURNTABLE

FIGURE 2-31. STROBE LIGHT INSTALLATION - AMBER

ITEM	PART NUMBER	QTY	DESCRIPTION	REV
	1001229208	Ref	STROBE LIGHT INSTLLATION	E
1	4031509	2	Capscrew M4 x 25	
2	1001270594	1	Lamp, Strobe Beacon	
2A	4460891	1	Plug, Male - 2 Position	
2A	4460465	2	Socket, Female	
3	3290405	2	Nut, Lock M4	
5	1001169085	1	Grommet	
6	1001231263	1	Cable, Strobe	
6	4460897	1	Receptacle, Female	
6	4460464	2	Pin, Male	
6	4460226	2	Socket, Female	
7	4811400	2	Washer M4	

SECTION 2 - TURNTABLE

FIGURE 2-32. STROBE LIGHT INSTALLATION - BLUE



ART_1001244474_B

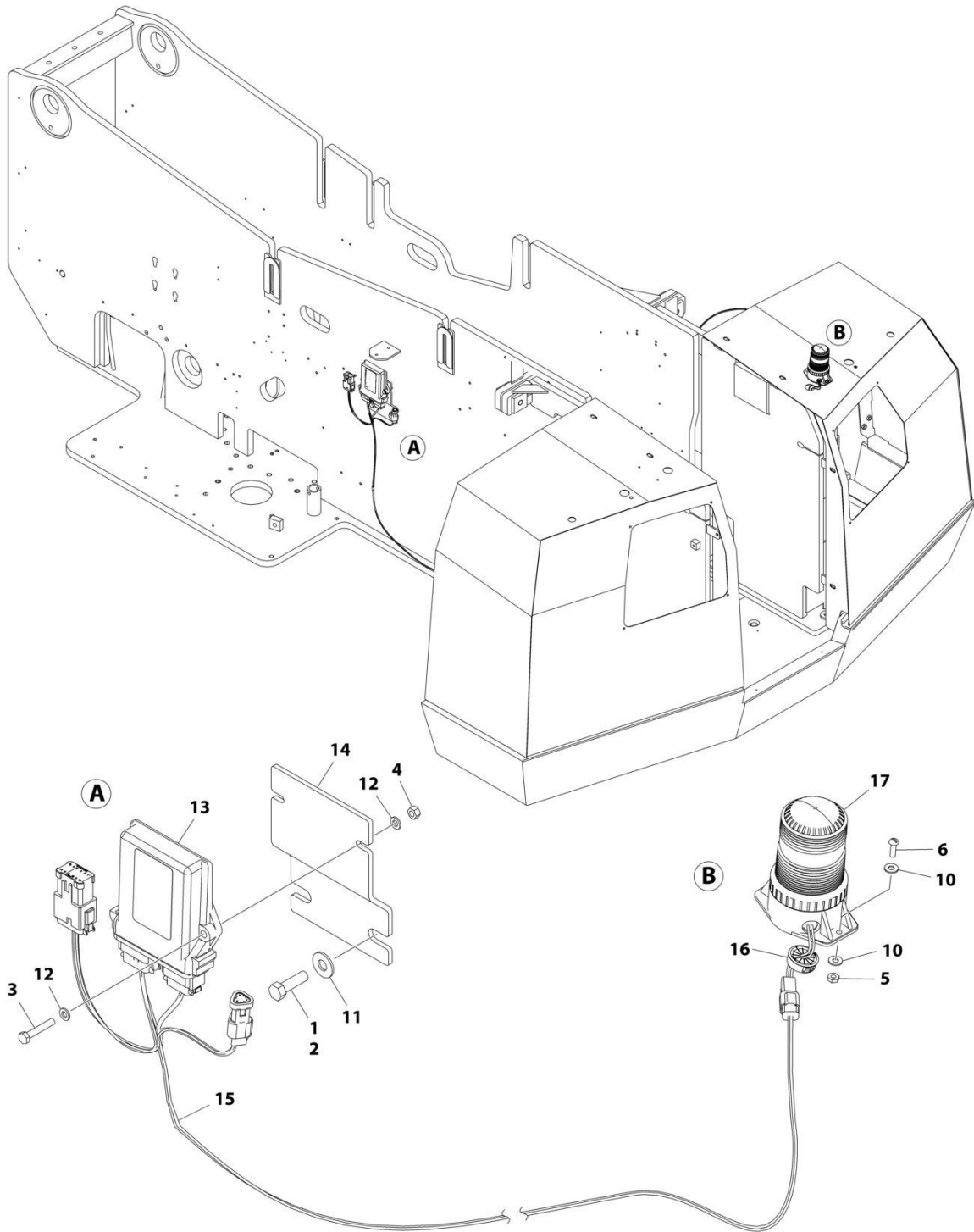
SECTION 2 - TURNTABLE

FIGURE 2-32. STROBE LIGHT INSTALLATION - BLUE

ITEM	PART NUMBER	QTY	DESCRIPTION	REV
	1001244474	Ref	STROBE LIGHT INSTALLATION	B
1	0100011	AR	Compound, Locking	
2	0641610	2	Bolt 3/8 x 1-1/4	
3	0700615	2	Bolt M6 x 35	
4	3290607	2	Nut, Lock M6	
5	3290405	2	Nut, Lock M4	
6	4031509	2	Capscrew M4 x 25	
7	4240032	AR	Tie-Strap (Not Shown)	
8	4240033	AR	Tie-Strap (Not Shown)	
9	4460488	AR	Mount, Tie-Strap (Not Shown)	
11	4751600	2	Washer 3/8	
12	4811700	4	Washer M6	
13	1001142683	1	Module, Beacon Light	
14	1001142722	1	Bracket	
15	1001142736	1	Beacon Control Harness (See Separate Breakdown in ELECTRICAL Section)	
16	1001169085	1	Grommet	
17	1001272681	1	Light, Strobe (Blue)	
17	4460891	1	Connector	
17	4460465	2	Socket	
18	4811400	2	Washer M4	

SECTION 2 - TURNTABLE

FIGURE 2-33. STROBE LIGHT INSTALLATION - RED (OPTIONAL)



ART_1001244475

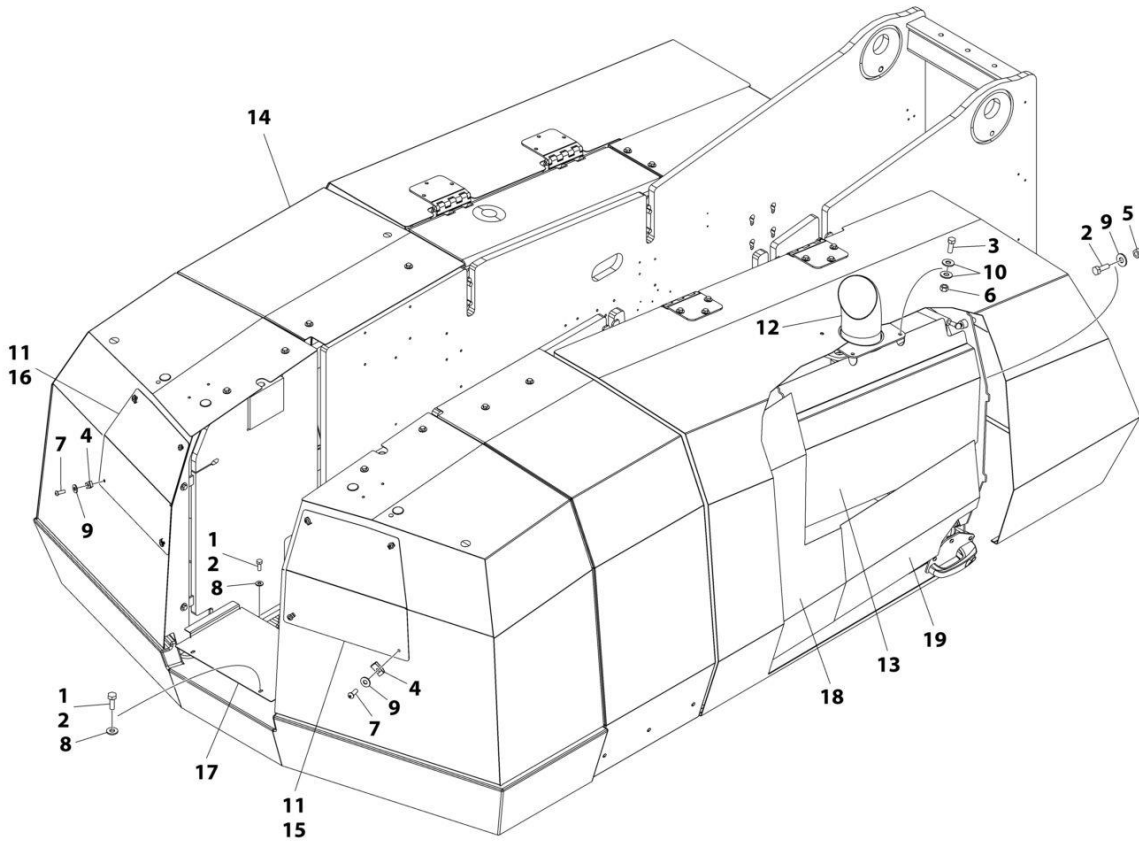
SECTION 2 - TURNTABLE

FIGURE 2-33. STROBE LIGHT INSTALLATION - RED (OPTIONAL)

ITEM	PART NUMBER	QTY	DESCRIPTION	REV
	1001244475	Ref	STROBE LIGHT INSTALLATION	A
1	0100011	AR	Compound, Locking	
2	0641610	2	Bolt 3/8 x 1-1/4	
3	0700615	2	Bolt M6 x 35	
4	3290607	2	Nut M6	
5	3311005	2	Nut #10	
6	3911010	2	Screw #10 x 5/8	
7	4240032	AR	Tie-Strap (Not Shown)	
8	4240033	AR	Tie-Strap (Not Shown)	
9	4460488	AR	Mount, Tie-Strap (Not Shown)	
10	4751000	4	Washer #10	
11	4751600	2	Washer 3/8	
12	4811700	4	Washer M6	
13	1001142683	1	Module, Beacon Light	
14	1001142722	1	Bracket	
15	1001142736	1	Beacon Control Harness (See Separate Breakdown in ELECTRICAL SECTION)	
16	1001169085	1	Grommet	
17	1001207004	1	Light, Strobe (Red)	

SECTION 2 - TURNTABLE

FIGURE 2-34. HEAT SHIELD AND ACCESS PANELS INSTALLATION



ART_1001227307

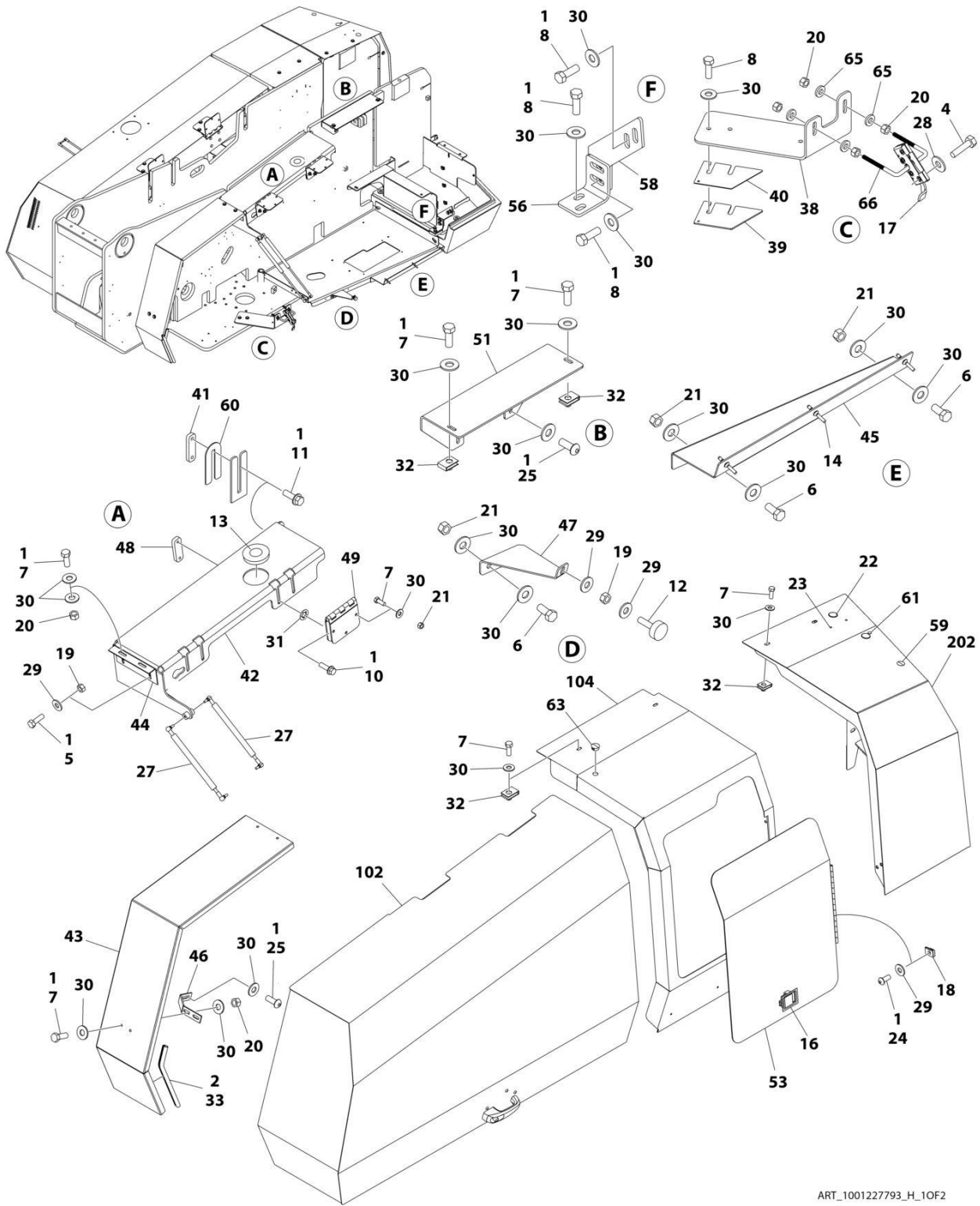
SECTION 2 - TURNTABLE

FIGURE 2-34. HEAT SHIELD AND ACCESS PANELS INSTALLATION

ITEM	PART NUMBER	QTY	DESCRIPTION	REV
	1001227307	Ref	HEAT SHIELD AND ACCESS PANELS INSTALLATION	E
1	0100011	AR	Compound, Locking	
2	0641406	7	Bolt 1/4 x 3/4	
3	0641608	4	Bolt 3/8 x 1	
4	3300454	8	Nut, Tinnerman 1/4	
5	3311405	3	Nut 1/4	
6	3311605	4	Nut 3/8	
7	3900258	8	Screw 1/4 x 3/4	
8	4711400	4	Washer 1/4	
9	4751400	11	Washer 1/4	
10	4751600	8	Washer 3/8	
11	1001113047	11 ft/ 3.3m	Seal	
12	1001144527	1	Pipe, Exhaust	
13	1001163101	1	Heat Shield	
14	1001227793	1	Hood Installation (See Separate Breakdown in this Section)	
15	1001228113	1	Panel, Access	
16	1001228475	1	Panel, Access	
17	1001229098	1	Cover	
18	1001235839	1	Insulate	
19	1001236370	1	Insulate	

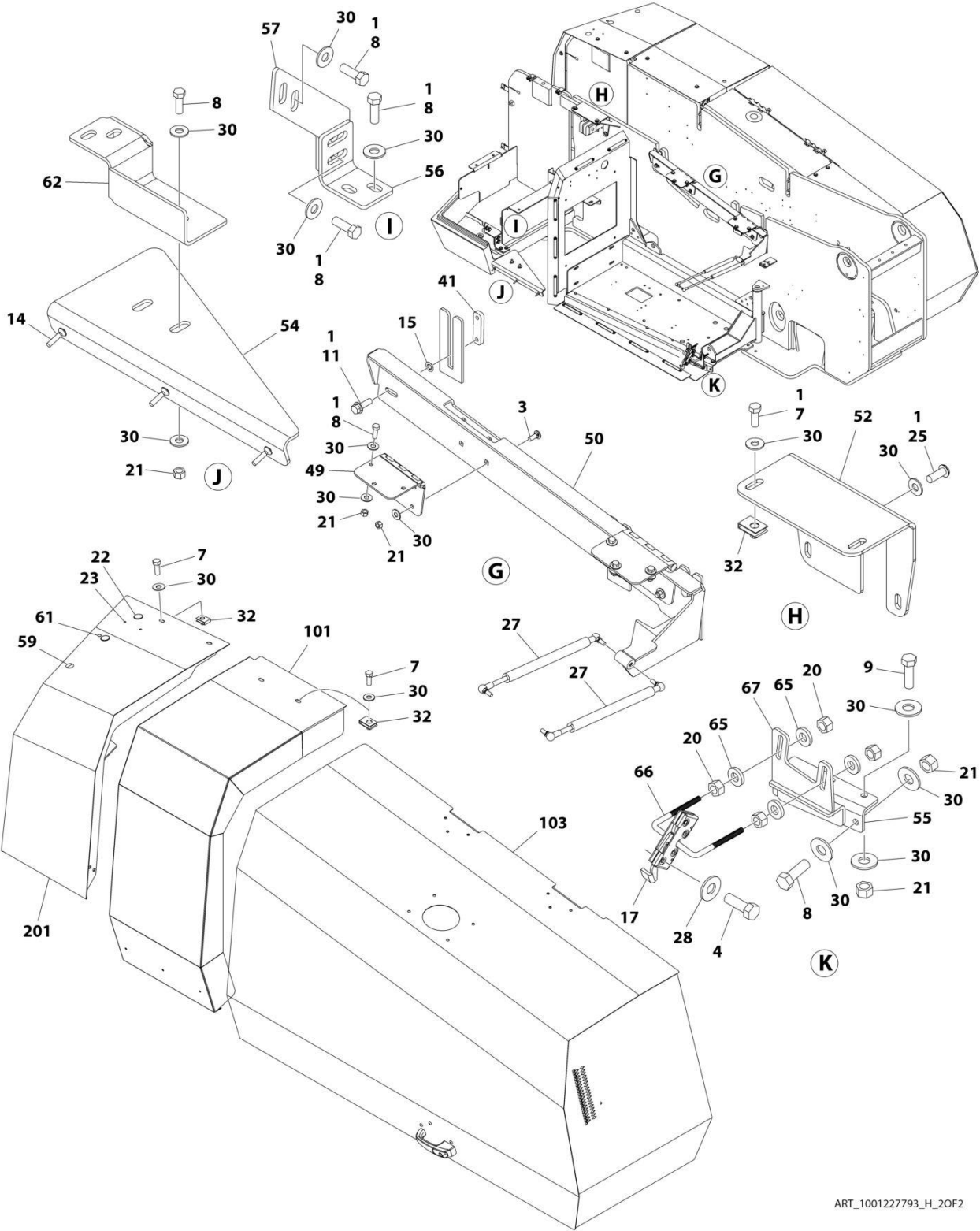
SECTION 2 - TURNTABLE

FIGURE 2-35. HOODS INSTALLATION



ART_1001227793_H_10F2

SECTION 2 - TURNTABLE



ART_1001227793_H_20F2

SECTION 2 - TURNTABLE

FIGURE 2-35. HOODS INSTALLATION

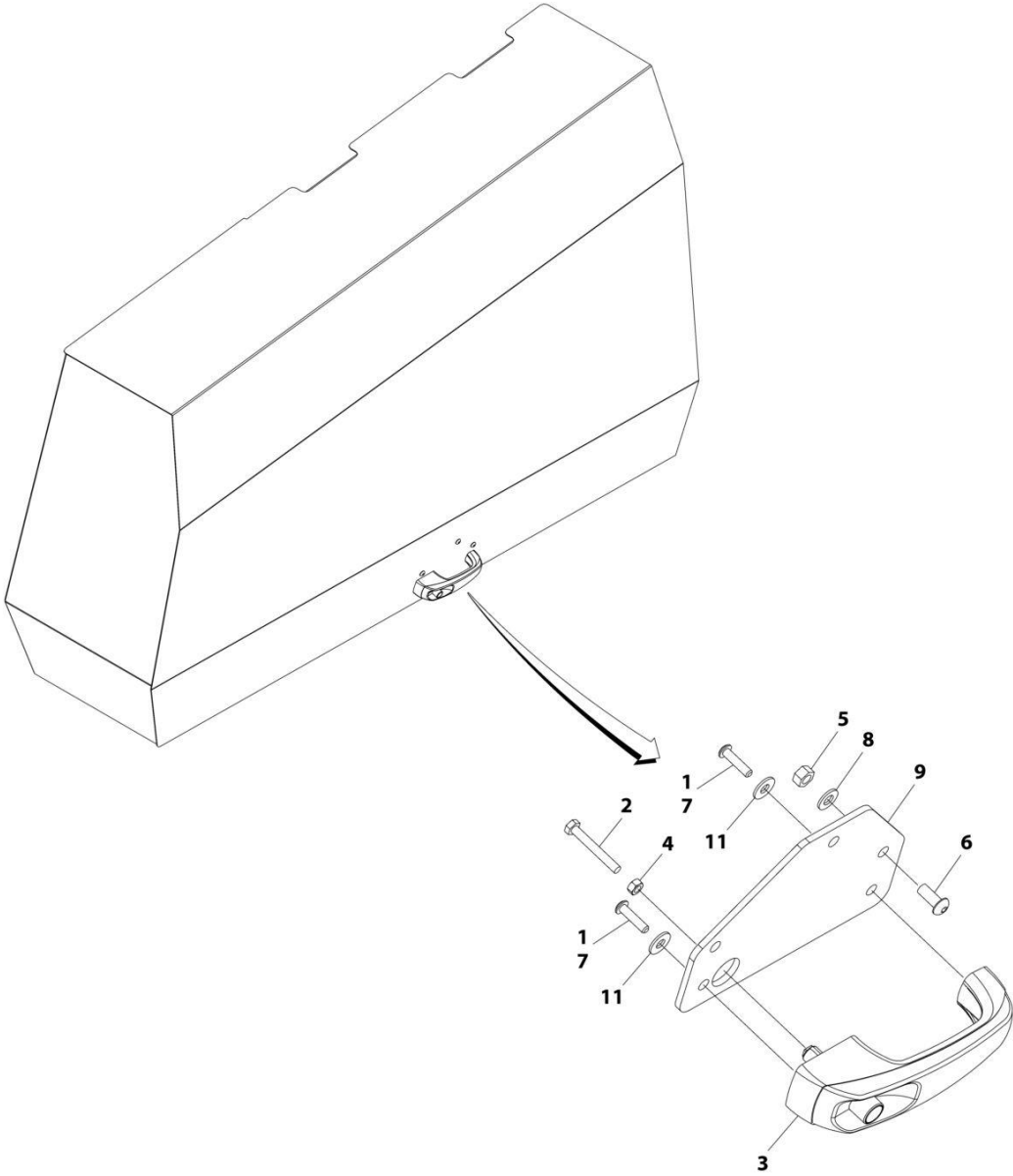
ITEM	PART NUMBER	QTY	DESCRIPTION	REV
	1001227793	Ref	HOODS INSTALLATION	H
1	0100011	AR	Compound, Locking	
2	0100081	AR	Adhesive	
3	0630485	8	Bolt	
4	0641408	8	Bolt 1/4 x 1	
5	0641508	2	Bolt 5/16 x 1	
6	0641607	4	Bolt 3/8 x 7/8	
7	0641608	22	Bolt 3/8 x 1	
8	0641609	26	Bolt 3/8 x 1-1/8	
9	0641610	2	Bolt 3/8 x 1-1/4	
10	0811610	8	Screw 3/8 x 1-1/4	
11	0811812	8	Screw 1/2 x 1-1/2	
12	0940049	1	Stopper	
13	1120601	1	Plug	
14	2080040	6	Fastener	
15	2080072	4	Fastener	
16	2940045	1	Latch	
17	2940173	2	Latch	
18	3300364	3	Nut, Tinnerman 5/16	
19	3311501	4	Nut 5/16	
20	3311601	8	Nut 3/8	
21	3311605	30	Nut 3/8	
22	3520032	4	Plug	
23	3520173	4	Plug	
24	3900210	3	Screw 5/16 x 3/4	
25	3900316	7	Screw 3/8 x 1	
27	4160194	4	Spring, Gas	
28	4751400	8	Washer 1/4	
29	4751500	7	Washer 5/16	
30	4751600	85	Washer 3/8	
31	8310070	8	Pushnut 3/8	
32	88662523	12	Nut, Tinnerman	
33	1001110166	4.9 ft/ 1.5m	Seal	
34	1001113047	6.4 ft/ 2m	Seal	
38	1001250293	1	Bracket	
39	1001121122	AR	Shim 3mm	
40	1001121123	AR	Shim 1.5mm	
41	1001150260	4	Plate	
42	1001155895	1	Mount	
43	1001155899	1	Spacer	
44	1001157612	1	Bracket	
45	1001230008	1	Bracket	
46	1001230014	1	Bracket	
47	1001161089	1	Bracket	
48	1001186251	1	Plate	
49	1001186254	1	Hinge	
50	1001196768	1	Mount	
51	1001226452	1	Bracket	
52	1001226453	1	Bracket	

SECTION 2 - TURNTABLE

ITEM	PART NUMBER	QTY	DESCRIPTION	REV
53	1001227731	1	Door	
54	1001227735	1	Bracket	
55	1001227798	1	Mount	
56	1001228359	2	Bracket	
57	1001228403	1	Bracket	
58	1001228517	1	Bracket	
59	1001131130	2	Plug	
60	1001230010	AR	Shim	
61	1001226421	2	Plug	
62	1001235518	1	Bracket	
63	3520030	1	Plug	
64	4060805	9 in/ 0.23m	Flex-Trim	
65	4891600	8	Washer 3/8	
66	1001243414	2	U-Bolt 3/8	
67	1001250292	1	Bracket	
100	1001227794	Ref	Hood Kit	
101	1001117219	1	Hood, Engine Side (Fixed)	
102	1001157209	1	Hood Assembly - Tank Side (See Separate Breakdown in this Section)	
103	1001232084	1	Hood Assembly - Engine Side (Note: Heat Shield must be Installed Before Being put back into Service) (See Separate Breakdown in this Section)	
104	1001227734	1	Hood, Tank Side (Fixed)	
200	1001229556	Ref	Battery Cover Kit	
201	1001228882	1	Cover, Engine Side (Rear)	
202	1001228945	1	Cover, Tank Side (Rear)	

SECTION 2 - TURNTABLE

FIGURE 2-36. HOOD ASSEMBLY - TANK SIDE



ART_1001157209

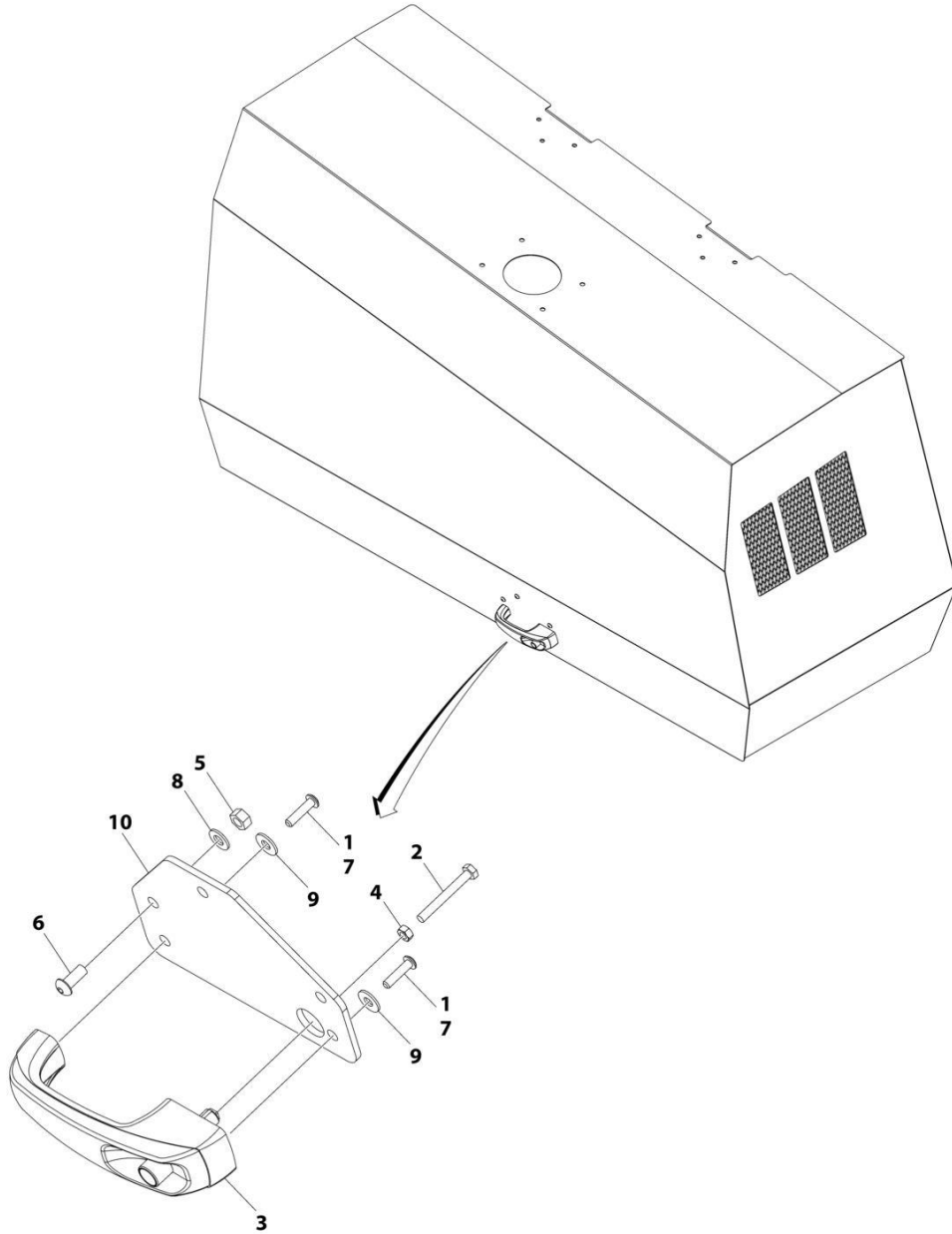
SECTION 2 - TURNTABLE

FIGURE 2-36. HOOD ASSEMBLY - TANK SIDE

ITEM	PART NUMBER	QTY	DESCRIPTION	REV
	1001157209	Ref	HOOD ASSEMBLY	B
1	0100011	AR	Compound, Locking	
2	0700617	1	Bolt M6 x 45	
3	2560187	1	Handle, Push Button	
4	3290601	1	Nut M6	
5	3311505	3	Nut 5/16	
6	3900210	3	Screw 5/16 x 3/4	
7	3900363	2	Screw M6 x 25	
8	4711500	3	Washer 5/16	
9	1001116290	1	Plate, Latch Mounting	
11	4751400	2	Washer 1/4	

SECTION 2 - TURNTABLE

FIGURE 2-37. HOOD ASSEMBLY - ENGINE SIDE



ART_1001232084

SECTION 2 - TURNTABLE

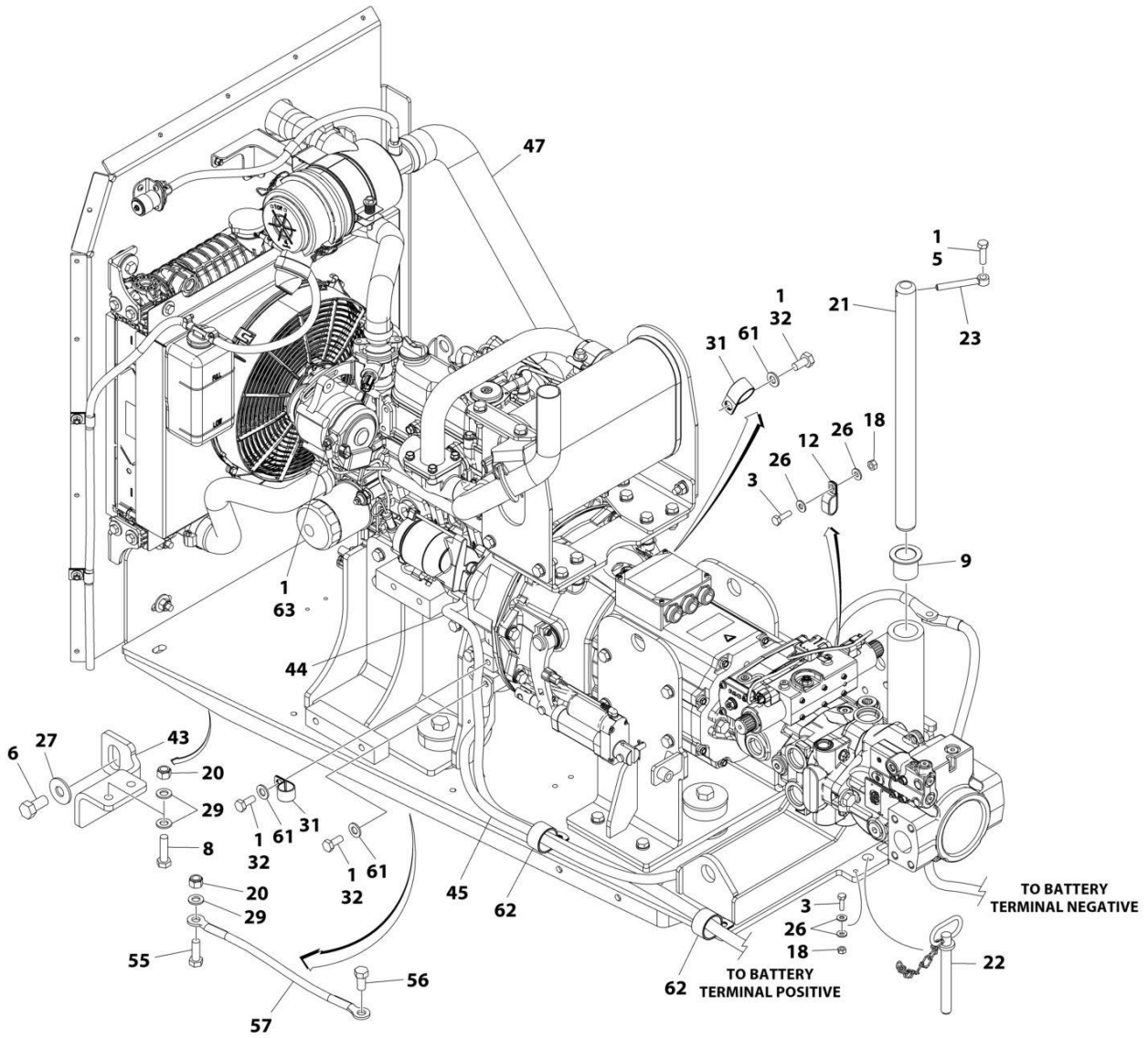
FIGURE 2-37. HOOD ASSEMBLY - ENGINE SIDE

ITEM	PART NUMBER	QTY	DESCRIPTION	REV
	1001232084	Ref	HOOD ASSEMBLY	B
1	0100011	AR	Compound, Locking	
2	0700618	1	Bolt M6 x 50	
3	2560187	1	Handle, Push Button	
4	3290601	1	Nut M6	
5	3311505	3	Nut 5/16	
6	3900210	3	Screw 5/16 x 3/4	
7	3900363	2	Screw M6 x 25	
8	4711500	3	Washer 5/16	
9	4751400	2	Washer 1/4	
10	1001116290	1	Plate, Latch Mounting	

SECTION 3 - ENGINE

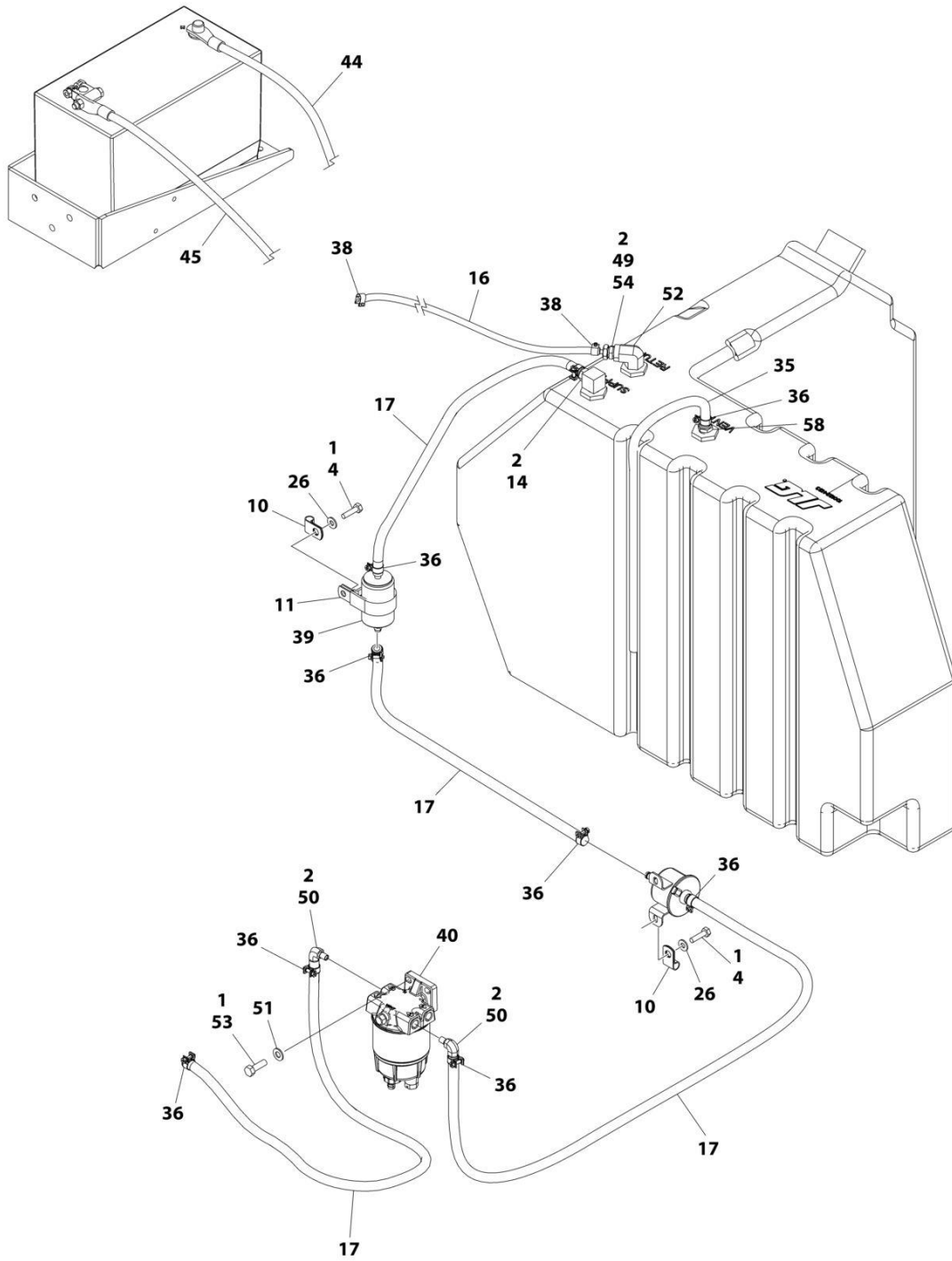
SECTION 3 - ENGINE

FIGURE 3-1. ENGINE INSTALLATION



ART_1001226669_1_10F2

SECTION 3 - ENGINE



ART_1001226669_I_2OF2

SECTION 3 - ENGINE

FIGURE 3-1. ENGINE INSTALLATION

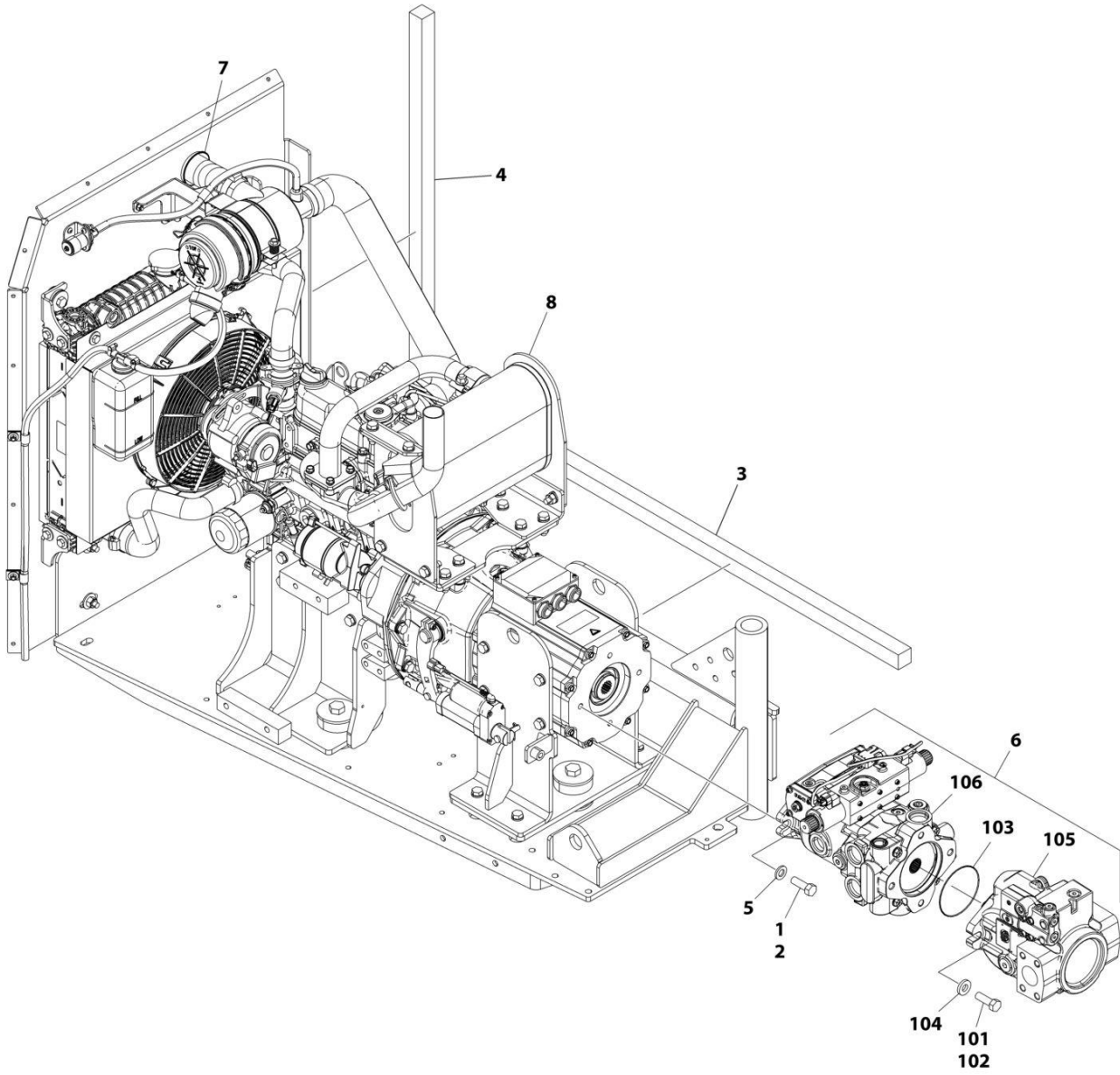
ITEM	PART NUMBER	QTY	DESCRIPTION	REV
	1001226669	Ref	ENGINE INSTALLATION	I
1	0100011	AR	Compound, Locking	
2	0100020	AR	Sealant	
3	0641407	2	Bolt 1/4 x 7/8	
4	0641408	3	Bolt 1/4 x 1	
5	0641610	1	Bolt 3/8 x 1-1/4	
6	0642016	1	Bolt 5/8 x 2	
8	0701217	2	Bolt M12 x 45	
9	0961986	2	Bearing	
10	1320263	2	Clamp	
11	1320265	1	Clamp	
12	1321385	1	Clamp	
14	2180348	1	Fitting, NPT/Barbed	
16	2720271	13 ft/ 3.97m	Hose	
17	2720058	12.5 ft/ 3.8m	Hose	
18	3271405	2	Nut 1/4	
20	3291205	3	Nut M12	
21	3422446	1	Pin	
22	3422533	1	Pin	
23	3841143	1	Keeper, Pin	
25	4240099	3	Tie-Strap (Not Shown)	
26	4711400	7	Washer 1/4	
27	4752000	1	Washer 5/8	
29	4812100	5	Washer M12	
31	80683013	2	Clamp	
32	1001118746	3	Bolt M10 x 25	
35	1001165035	50 in/ 127cm	Hose	
36	1001174486	9	Clamp	
38	1001185585	2	Clamp	
39	1001190545	1	Filter, Fuel	
40	1001190609	1	Fuel/Water Separator Assembly (See Separate Breakdown in this Section)	
42	1001230605	1	Engine Harness (Not Shown) (See Separate Breakdown in ELECTRICAL SECTION)	
43	1001236341	1	Plate	
44	1001225731	1	Cable, Battery (Positive)	
45	1001225733	1	Cable, Battery (Negative)	
46	1001225985	1	Cable, Alternator (Not Shown)	
47	1001237933	1	Engine and Pumps Sub-Assembly (See Separate Breakdown in this Section)	
49	2220250	1	Fitting NPT/NPT	
50	2221046	2	Fitting, 90	
51	4711500	2	Washer 5/16	
52	8540205	1	Fitting, 90 FNPTF/NPTF	
53	0641508	2	Bolt 5/16 x 1	
54	2180666	1	Fitting, NPT/Barbed	
55	0761215	1	Bolt M12 x 35	
56	0641808	1	Bolt 1/2 x 1	

SECTION 3 - ENGINE

ITEM	PART NUMBER	QTY	DESCRIPTION	REV
57	1060637	1	Lanyard	
58	2180876	1	Fitting, NPT/Barbed	
59	1001232528	1	Seal (Not Shown)	
61	4812000	3	Washer M10	
62	85841150	2	Clamp	
63	3290601	1	Nut M6	
100	1001237291	1	Battery Cable Kit (Includes Items 44 & 45) (Not Shown)	

SECTION 3 - ENGINE

FIGURE 3-2. ENGINE AND PUMPS SUB-ASSEMBLY



ART_1001237933

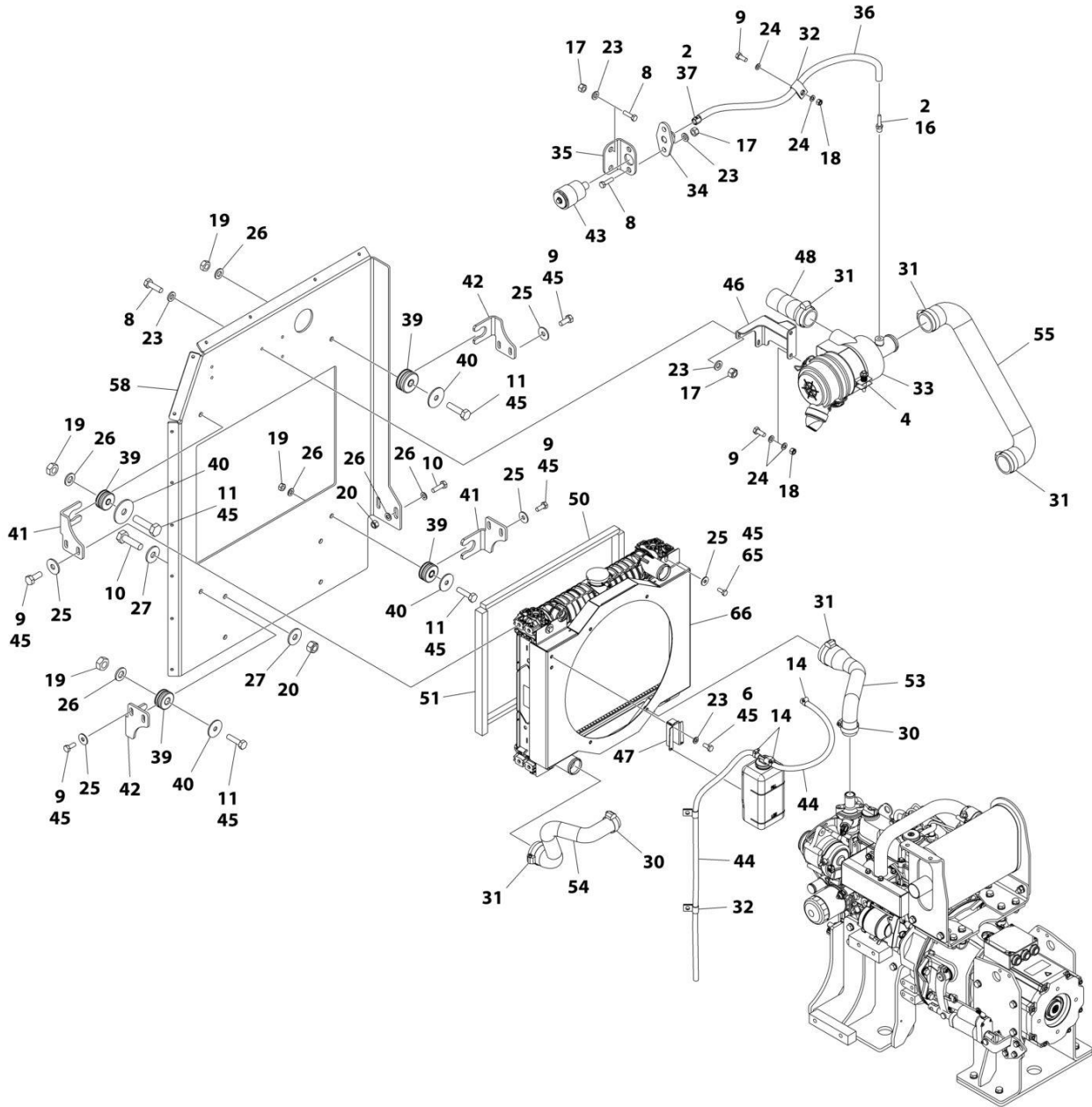
SECTION 3 - ENGINE

FIGURE 3-2. ENGINE AND PUMPS SUB-ASSEMBLY

ITEM	PART NUMBER	QTY	DESCRIPTION	REV
	1001237933	Ref	ENGINE AND PUMPS SUB-ASSEMBLY	A
1	0100011	AR	Compound, Locking	
2	0641812	2	Bolt 1/2 x 1-1/2	
3	3960468	1	Seal	
4	3960469	1	Seal	
5	5241200	2	Washer M12	
6	1001226551	1	Pump Sub-Assembly (Includes Items 101-106)	
7	1001232529	1	Seal	
8	1001237932	1	Engine Assembly (See Separate Breakdown in this Section)	
101	0100011	AR	Compound, Locking	
102	0641812	2	Bolt 1/2 x 1-1/2	
103	3790044	1	O-Ring	
104	4891800	2	Washer 1/2	
105	1001094595	1	Variable Pump Assembly (See Separate Breakdown in this Section)	
106	1001225745	1	Hydrostatic Pump Assembly (See Separate Breakdown in this Section)	

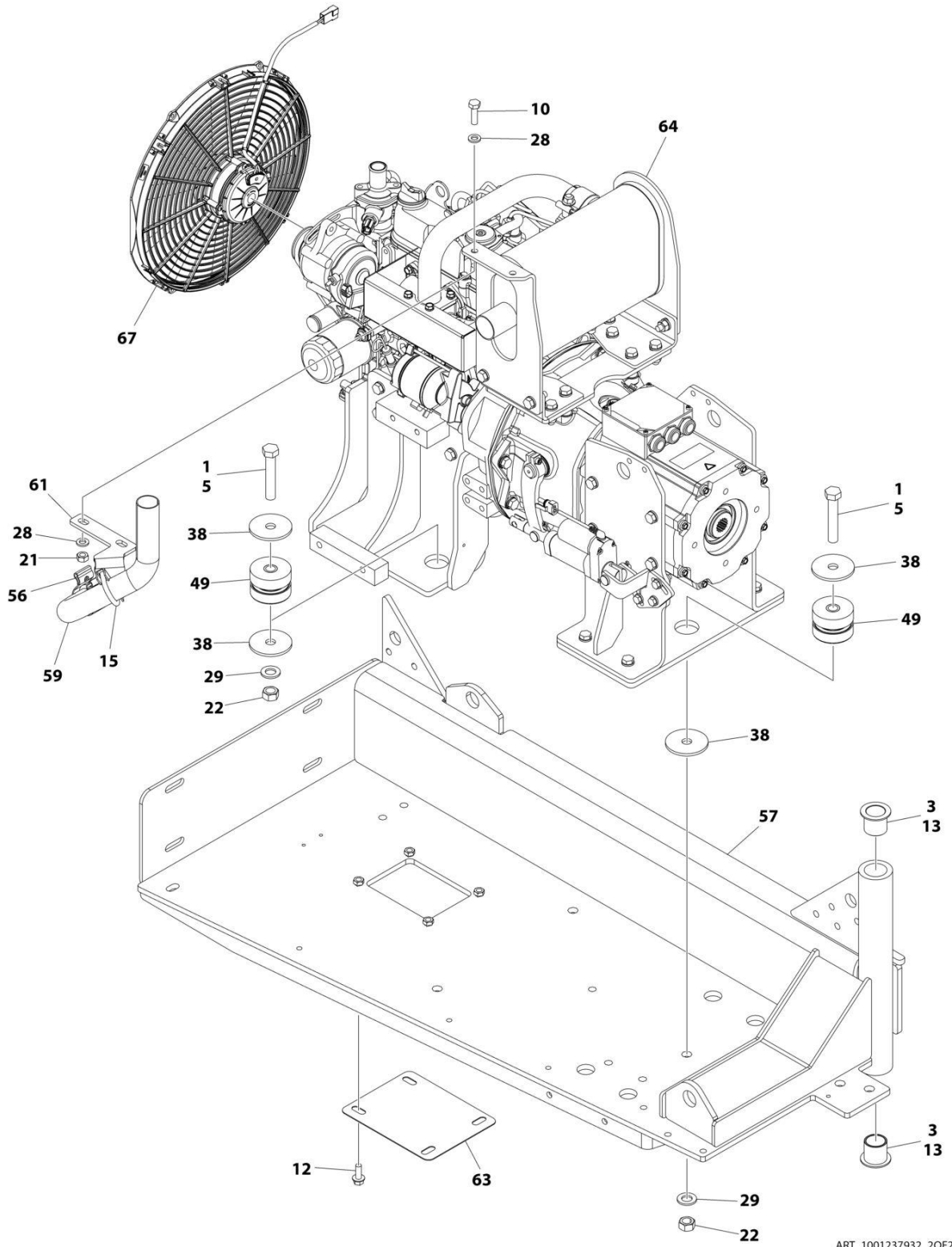
SECTION 3 - ENGINE

FIGURE 3-3. ENGINE AND TRAY ASSEMBLY



ART_1001237932_1OF2

SECTION 3 - ENGINE



ART_1001237932_2OF2

SECTION 3 - ENGINE

FIGURE 3-3. ENGINE AND TRAY ASSEMBLY

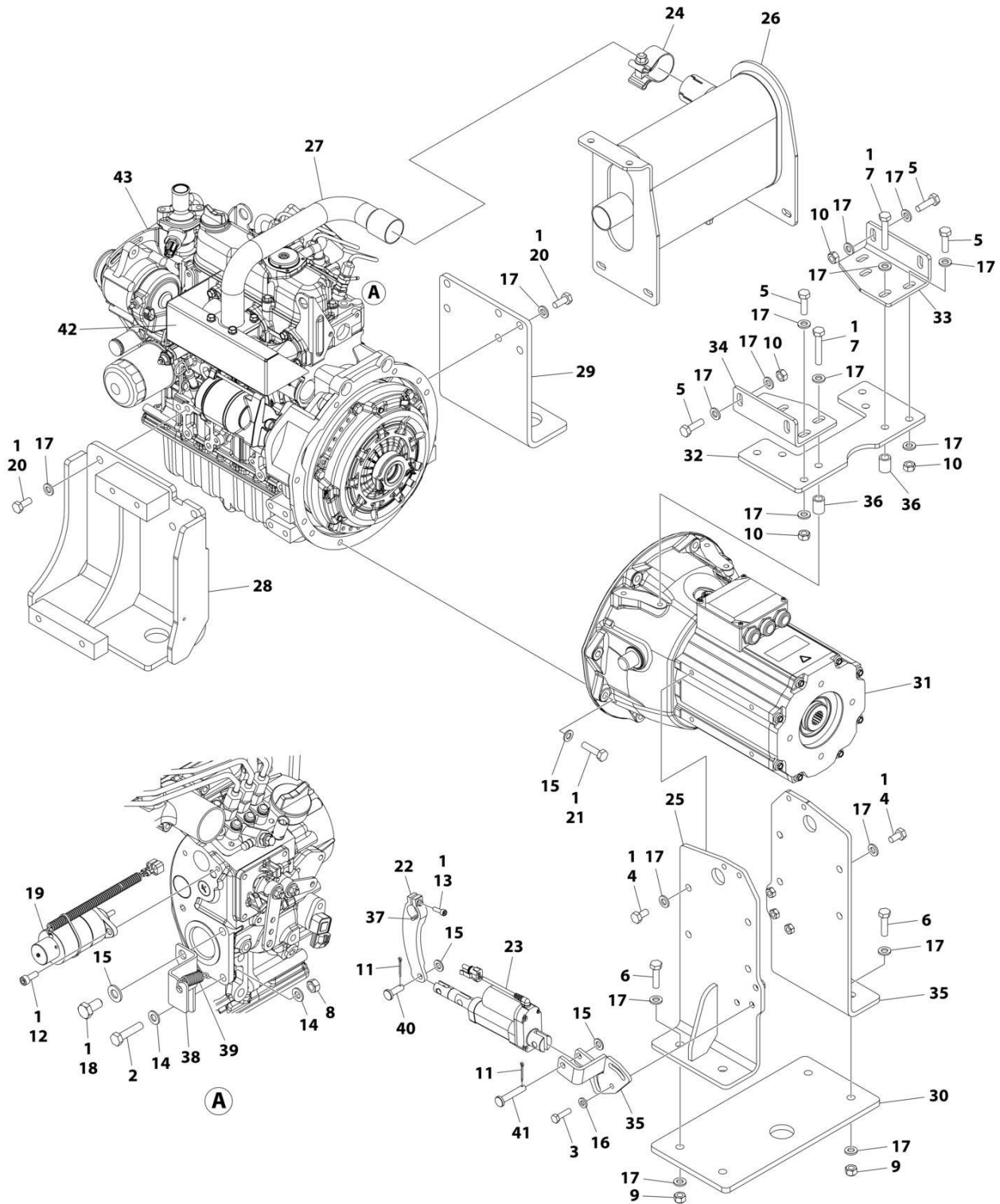
ITEM	PART NUMBER	QTY	DESCRIPTION	REV
	1001237932	Ref	ENGINE AND TRAY ASSEMBLY	B
1	0100011	AR	Compound, Locking	
2	0100020	AR	Sealant	
3	0100062	AR	Adhesive	
4	0340045	1	Band	
5	0711626	3	Bolt M16 x 90 Grade 10.9	
6	0760607	2	Bolt M6 x 14	
8	0760610	7	Bolt M6 x 20	
9	0760810	10	Bolt M8 x 20	
10	0761015	8	Bolt M10 x 35	
11	0761016	4	Bolt M10 x 40	
12	0811608	4	Screw 3/8 x 1	
13	0961986	2	Bearing	
14	1320022	3	Clamp	
15	1320274	1	Clamp	
16	2220315	1	Fitting, Straight Barbed	
17	3290605	7	Nut M6	
18	3290805	2	Nut M8	
19	3291001	4	Nut M10	
20	3291005	6	Nut M10	
21	3291007	2	Nut M10	
22	3331611	3	Nut M16	
23	4811700	12	Washer M6	
24	4811900	4	Washer M8	
25	4811902	12	Washer M8	
26	4812000	8	Washer M10	
27	4812002	8	Washer M10	
28	5241000	4	Washer M10	
29	5241600	3	Washer M16	
30	8405102	2	Clamp	
31	8405104	5	Clamp	
32	8406110	3	Clip	
33	1001118280	1	Air Filter Assembly	
33	7015004	1	Element, Air Filter	
34	1001138173	1	Support	
35	1001138175	1	Bracket	
36	1001138248	18 in/ 44cm	Tube	
37	1001141995	1	Fitting, NPT/Barbed	
38	1001146219	6	Washer	
39	1001169054	4	Isolator	
40	1001169138	4	Pad	
41	1001169967	2	Bracket	
42	1001170035	2	Bracket	
43	1001170981	1	Indicator, Air Intake Restriction	
44	1001172533	50 in/ 1.3m	Hose	
45	1001180620	AR	Adhesive	
46	1001182980	1	Bracket	
47	1001182982	1	Mount	

SECTION 3 - ENGINE

ITEM	PART NUMBER	QTY	DESCRIPTION	REV
48	1001182983	1	Tube	
49	1001190164	3	Mount, Motor	
50	1001217183	2	Seal	
51	1001217185	2	Seal	
53	1001222882	1	Tube, Coolant Inlet	
54	1001222883	1	Tube, Coolant Outlet	
55	1001222884	1	Tube	
56	1001223302	1	Clamp	
57	1001223405	1	Tray	
58	1001223787	1	Plate, Radiator	
59	1001223987	1	Pipe, Exhaust	
61	1001229561	1	Support	
63	1001232375	1	Panel	
64	1001237931	1	Engine and Generator Assembly (See Separate Breakdown in this Section)	
65	0760808	4	Bolt M8 x 16	
66	1001214690	1	Radiator	
67	1001247415	1	Fan Mounting Assembly (See Separate Breakdown in this Section)	

SECTION 3 - ENGINE

FIGURE 3-4. ENGINE AND GENERATOR ASSEMBLY



ART_1001237931

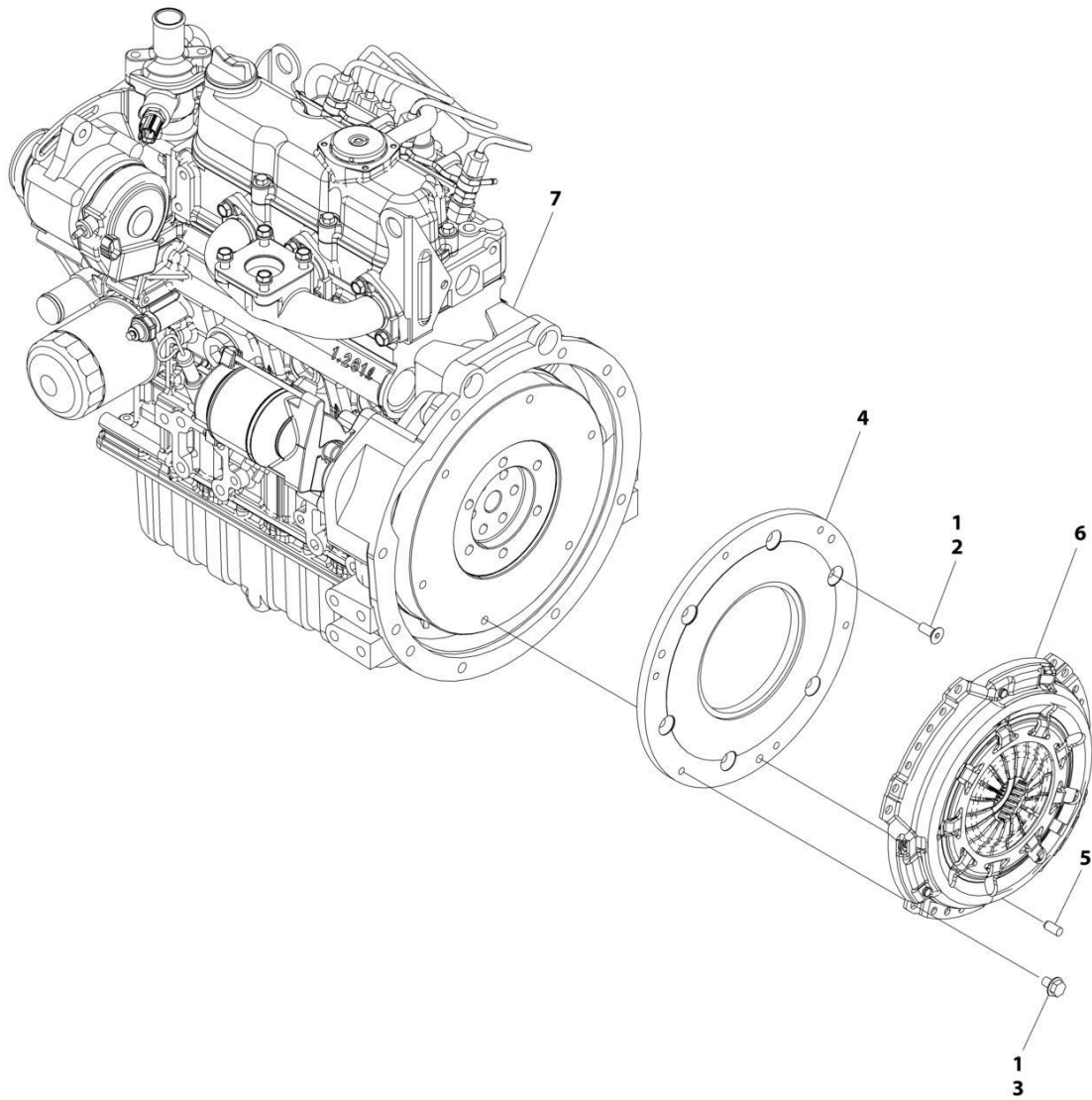
SECTION 3 - ENGINE

FIGURE 3-4. ENGINE AND GENERATOR ASSEMBLY

ITEM	PART NUMBER	QTY	DESCRIPTION	REV
	1001237931	Ref	ENGINE AND GENERATOR ASSEMBLY	A
1	0100011	AR	Compound, Locking	
2	0700815	1	Bolt M8 x 35	
3	0760814	3	Bolt M8 x 30	
4	0761010	8	Bolt M10 x 20	
5	0761015	8	Bolt M10 x 35	
6	0761016	4	Bolt M10 x 40	
7	0761020	4	Bolt M10 x 60	
8	3290807	1	Nut M8	
9	3291005	4	Nut M10 x 1.5	
10	3291007	8	Nut M10	
11	3450304	2	Pin, Cotter 3/32 x 1	
12	4031707	2	Bolt M6 x 16	
13	4031708	1	Capscrew M6 x 20	
14	4811900	2	Washer M8	
15	4812000	11	Washer M10	
16	5240800	3	Washer M8	
17	5241000	48	Washer M10	
18	8303511	1	Bolt M10 x 20	
19	1001118579	1	Actuator	
20	1001118746	12	Bolt M10 x 25	
21	1001186919	8	Bolt M10 x 40	
22	1001222784	1	Lever	
23	1001223088	1	Actuator	
24	1001223302	1	Clamp	
25	1001223721	2	Support	
26	1001223744	1	Muffler	
27	1001223842	1	Pipe, Exhaust	
28	1001223997	1	Mount, Engine	
29	1001224000	1	Mount, Engine	
30	1001224009	1	Plate	
31	1001224585	1	Generator Assembly (See Separate Breakdown in this Section)	
32	1001225093	1	Plate	
33	1001225094	1	Plate	
34	1001225095	1	Plate	
35	1001225104	1	Mount	
36	1001225429	4	Spacer	
37	1001228723	1	Key	
38	1001231323	1	Plate	
39	1001232181	1	Spring	
40	1001235452	1	Pin	
41	1001235453	1	Pin	
42	1001236206	1	Shield	
43	1001237919	1	Engine and Clutch Assembly (See Separate Breakdown in this Section)	

SECTION 3 - ENGINE

FIGURE 3-5. ENGINE AND CLUTCH ASSEMBLY



ART_1001237919

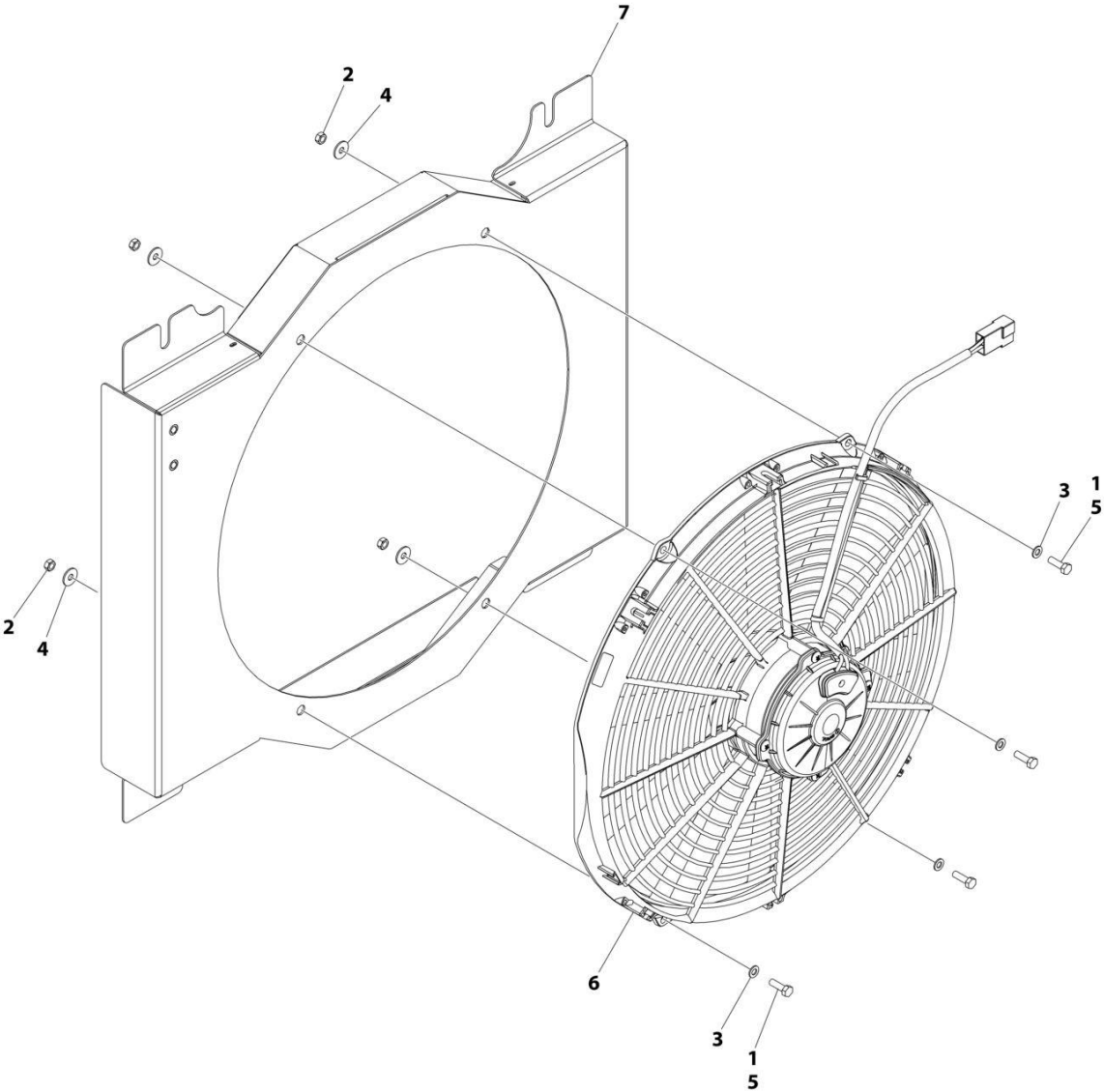
SECTION 3 - ENGINE

FIGURE 3-5. ENGINE AND CLUTCH ASSEMBLY

ITEM	PART NUMBER	QTY	DESCRIPTION	REV
	1001237919	Ref	ENGINE AND CLUTCH ASSEMBLY	A
1	0100011	AR	Compound, Locking	
2	3900382	6	Screw	
3	5250806	6	Bolt M8 x 12	
4	1001222783	1	Adapter	
5	1001223061	3	Pin	
6	1001223148	1	Clutch	
7	1001237918	1	Kubota Engine Components (See Separate Breakdown in this Section)	

SECTION 3 - ENGINE

FIGURE 3-6. ENGINE FAN MOUNTING ASSEMBLY



ART_1001247415

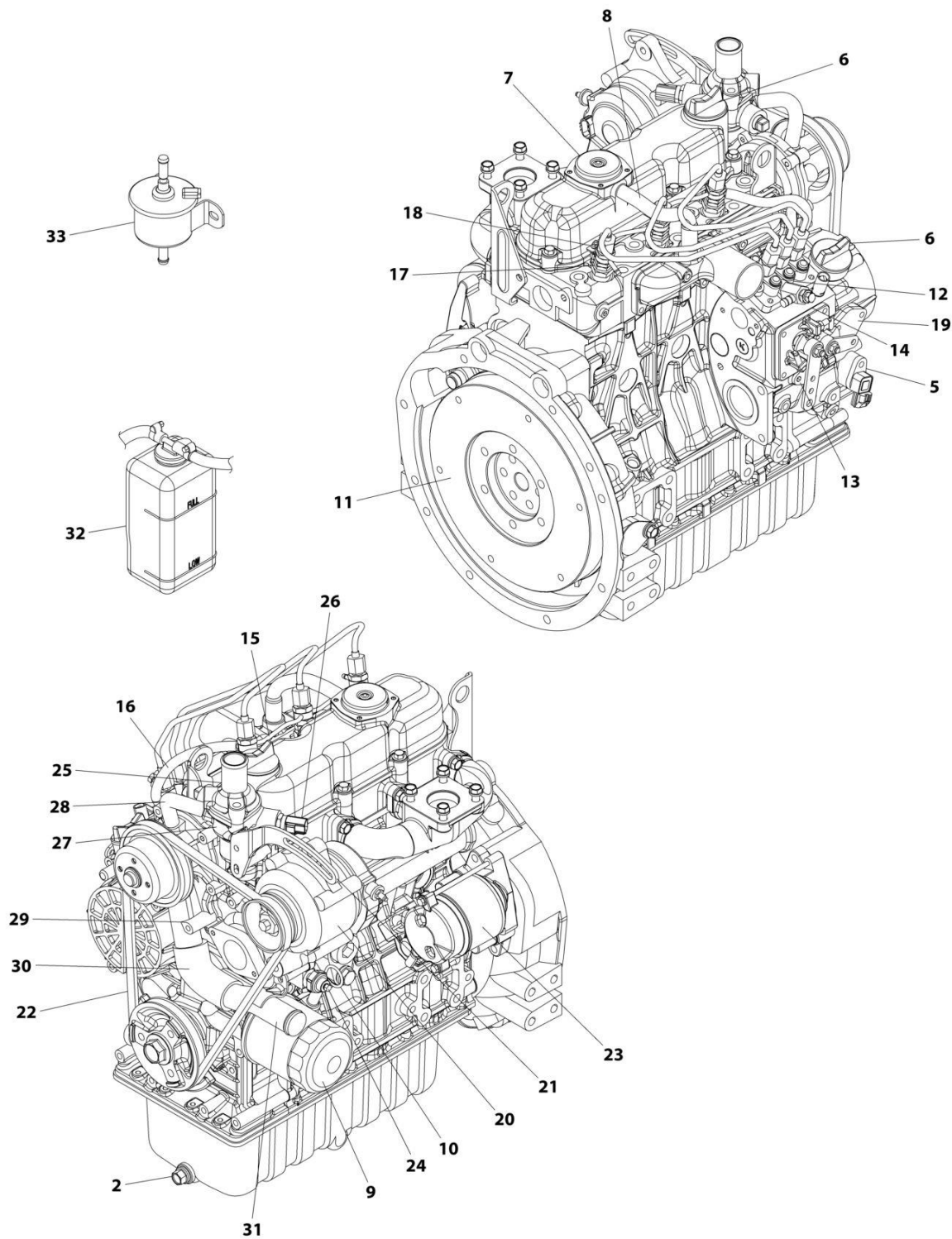
SECTION 3 - ENGINE

FIGURE 3-6. ENGINE FAN MOUNTING ASSEMBLY

ITEM	PART NUMBER	QTY	DESCRIPTION	REV
	1001247415	Ref	ENGINE FAN MOUNTING ASSEMBLY	A
1	0760508	4	Bolt M5 x 16	
2	3290501	4	Nut M5	
3	4811600	4	Washer M5	
4	4811602	4	Washer M5	
5	1001180620	AR	Compound, Locking	
6	1001222465	1	Fan	
7	1001225072	1	Shroud	

SECTION 3 - ENGINE

FIGURE 3-7. KUBOTA ENGINE COMPONENTS



ART_1001237918

SECTION 3 - ENGINE

FIGURE 3-7. KUBOTA ENGINE COMPONENTS

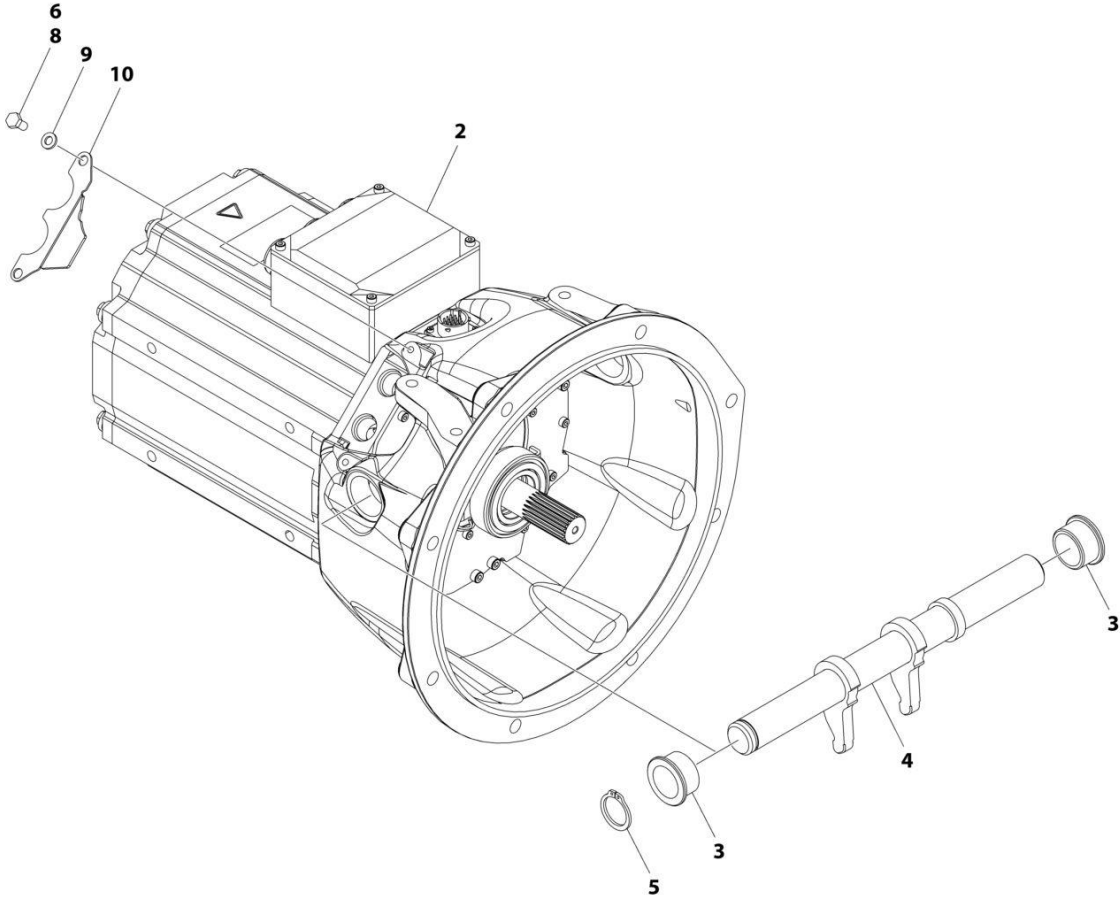
ITEM	PART NUMBER	QTY	DESCRIPTION	REV
	1001237918	Ref	KUBOTA ENGINE COMPONENTS	B
1	7023154	1	Plug, Drain (Not Shown - Located on bottom of Oil Pan)	
1	70002315	1	Seal	
2	70004525	1	Plug, Drain	
2	70004526	1	Seal	
3	70005220	1	Gasket, Head (Not Shown)	
3	70005221	1	Gasket, Valve Cover (Not Shown)	
3	7023149	1	Gasket, Intake Manifold (Not Shown)	
3	7023148	1	Gasket, Exhaust Manifold (Not Shown)	
3	7023124	1	Gasket, Muffler (Not Shown)	
3	70005226	1	Gasket, Upper Kit (Not Shown)	
3	70005227	1	Gasket, Lower Kit (Not Shown)	
4	7023157	1	Seal, Oil (Not Shown - Crankshaft Seal)	
5	70007505	1	Sensor	
6	70002318	2	Cap, Filler	
6	70004311	2	O-Ring	
7	70003060	1	Valve, Breather	
7	70003061	1	Cover, Beather	
7	7017934	4	Screw	
8	70002316	1	Pipe, Water Return	
8	70002317	1	Tube, Breather	
8	70004530	1	Clamp	
8	70004531	1	Clamp	
9	70004395	1	Filter, Oil	
9	7017913	1	Washer	
9	7017914	1	Pipe, Joint	
10	70006667	1	Dipstick	
11	70005224	1	Gear, Rim	
12	7023164	1	Pump, Injector	
12	70002319	1	Shim (0.175mm)	
12	70002320	1	Shim (0.200mm)	
12	70002321	1	Shim (0.250mm)	
12	70002322	1	Shim (0.300mm)	
12	70002323	1	Shim (0.350mm)	
12	70004842	2	Stud	
13	7023165	1	Gasket	
14	70004397	1	Gasket	
15	70004536	1	Over Flow Pipe Assembly (To injectors)	
16	70004539	1	Over Flow Pipe Assembly (To Injector Pump)	
16	70004537	1	Seal	
16	70004538	1	Seal	
17	70004399	3	Injector	
17	70004540	3	Nut	
17	7023167	3	Seal	
17	7023168	3	Seal, Heat	
18	70004398	3	Plug, Glow	
18	70004544	1	Cord, Glow Plug	
19	70004400	1	Gasket, Fuel Pump	
20	70006661	1	Alternator	
21	70006664	1	Adjustment Arm	

SECTION 3 - ENGINE

ITEM	PART NUMBER	QTY	DESCRIPTION	REV
22	70006665	1	Belt	
23	7023144	1	Starter	
24	7017901	1	Oil Pressure Switch	
25	7023170	1	Thermostat	
25	70002326	1	Gasket	
26	70003064	1	Sensor, Water Temperature	
26	70003063	1	Seal	
27	7023145	1	Gasket, Thermostat Housing	
28	7017958	1	Pipe, Water Return	
29	70002327	1	Pump, Water	
29	70002328	1	Gasket	
30	7017963	1	Pipe, Water	
31	70002330	1	Pipe, Water	
32	7023126	1	Tank, Reserve	
33	70005228	1	Pump, Fuel	

SECTION 3 - ENGINE

FIGURE 3-8. GENERATOR ASSEMBLY



ART_1001224585

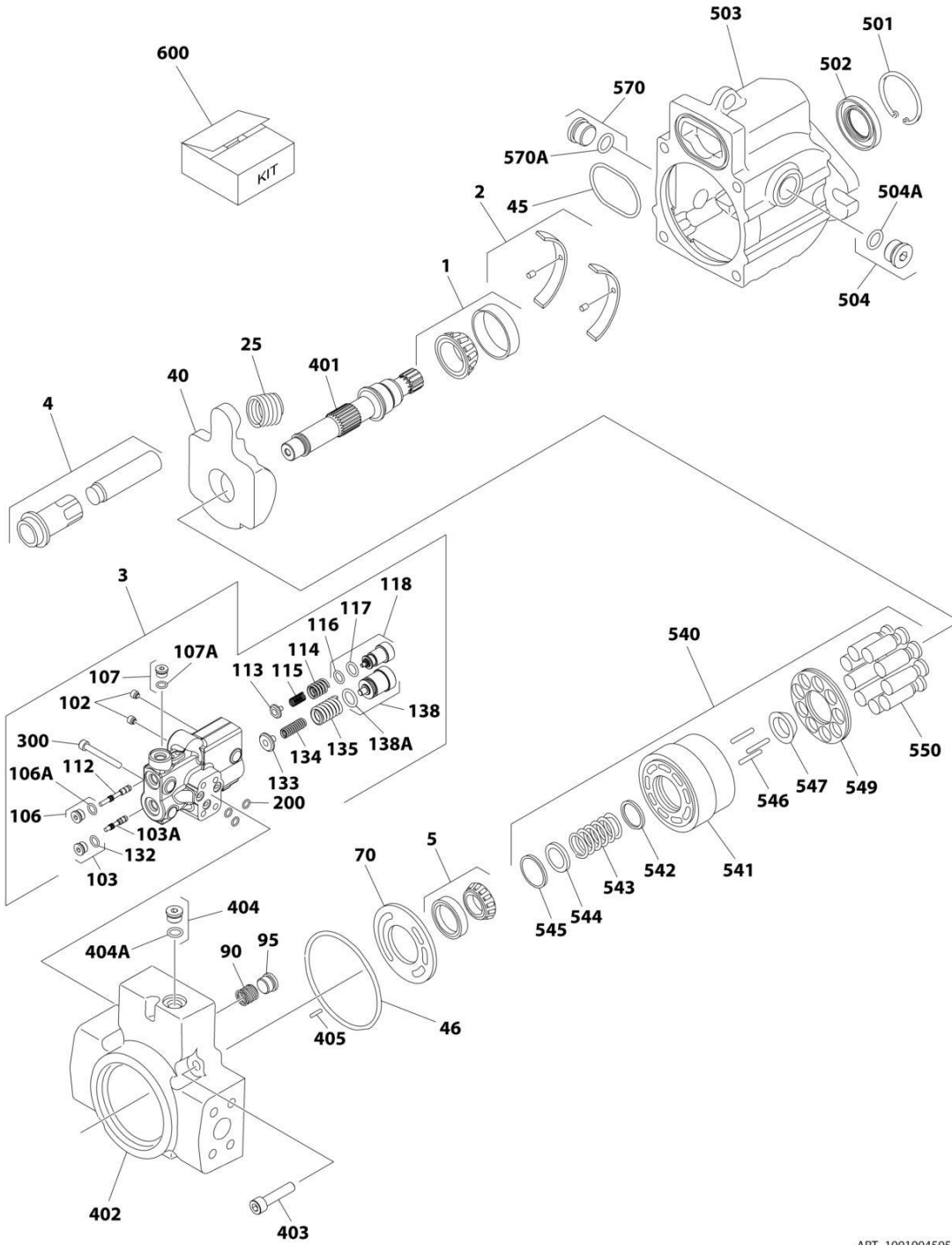
SECTION 3 - ENGINE

FIGURE 3-8. GENERATOR ASSEMBLY

ITEM	PART NUMBER	QTY	DESCRIPTION	REV
	1001224585	Ref	GENERATOR ASSEMBLY	C
2	1001221813	1	Generator Components (Note: No Serviceable Components)	
3	1001222731	2	Bearing	
4	1001222797	1	Release Shaft Assembly	
5	1001223059	1	Ring, Snap	
6	0100011	AR	Compound, Locking	
8	0760606	2	Bolt M6 x 12	
9	4811700	2	Washer M6	
10	1001227909	1	Cover	

SECTION 3 - ENGINE

FIGURE 3-9. VARIABLE PUMP ASSEMBLY



ART_1001094595

SECTION 3 - ENGINE

FIGURE 3-9. VARIABLE PUMP ASSEMBLY

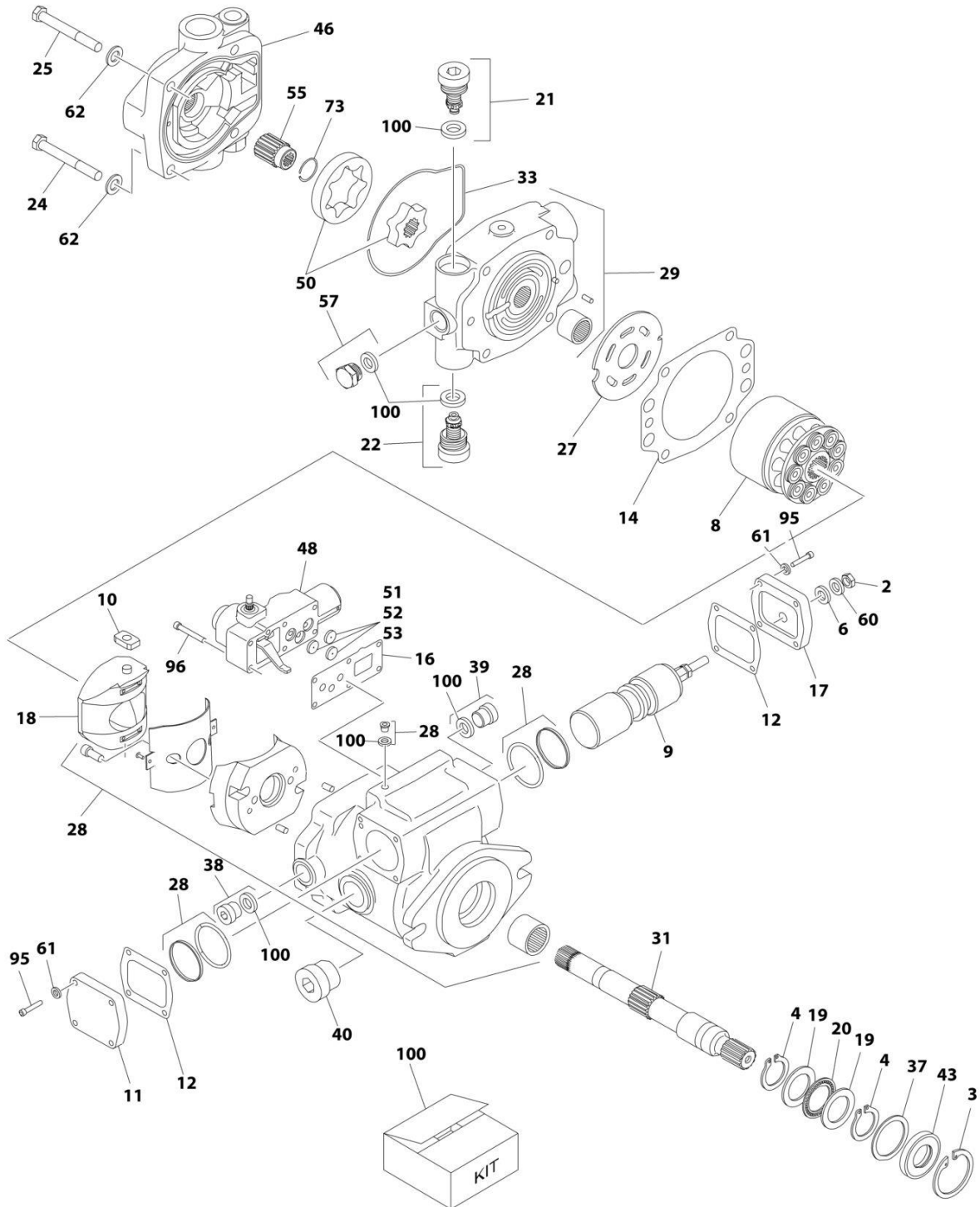
ITEM	PART NUMBER	QTY	DESCRIPTION	REV
	1001094595	Ref	VARIABLE PUMP ASSEMBLY	A
1	7023947	1	Bearing, Front (Includes Cup and Cone)	
2	7023948	1	Bearings, Swash Plate (Includes Both Sides and Pins)	
3	7023956	1	Control Valve Assembly (Includes Items 102-300)	
4	7023949	1	Servo Piston Assembly	
5	7023950	1	Bearing, Rear (Includes Cup and Cone)	
25	7023951	1	Spring	
40	7023952	1	Swash Plate	
45	See Note	NSS	O-Ring (Note: Use Item 600)	
46	See Note	NSS	O-Ring (Note: Use Item 600)	
70	70001954	1	Plate, Valve	
90	70001955	1	Spring, Check Valve	
95	70001956	1	Poppet, Check Valve	
102	See Note	NSS	Setscrew (Note: Use Item 3)	
103	See Note	NSS	Plug (Note: Use Item 3)	
103A	See Note	NSS	O-Ring (Note: Use Item 600)	
106	See Note	NSS	Plug (Note: Use Item 3)	
106A	See Note	NSS	O-Ring (Note: Use Item 600)	
107	See Note	NSS	Plug (Note: Use Item 3)	
107A	See Note	NSS	O-Ring (Note: Use Item 600)	
112	See Note	NSS	Spool, Control (Note: Use Item 3)	
113	See Note	NSS	Guide, Spring (Note: Use Item 3)	
114	See Note	NSS	Spring (Note: Use Item 3)	
115	See Note	NSS	Spring (Note: Use Item 3)	
116	See Note	NSS	O-Ring (Note: Use Item 600)	
117	See Note	NSS	Ring, Back-up (Note: Use Item 600)	
118	See Note	NSS	Plug, Adjusting (Note: Use Item 3)	
132	See Note	NSS	Spool, Control (Note: Use Item 3)	
133	See Note	NSS	Guide, Spring (Note: Use Item 3)	
134	See Note	NSS	Spring (Note: Use Item 3)	
135	See Note	NSS	Spring (Note: Use Item 3)	
138	See Note	NSS	Plug, PC Adjusting (Note: Use Item 3)	
138A	See Note	NSS	O-Ring (Note: Use Item 600)	
200	See Note	NSS	Ring, Seal (Note: Use Item 600)	
300	7023957	4	Screw	
401	7023958	1	Shaft	
402	70001957	1	Cap, End	
403	7023960	4	Screw	
404	7022318	1	Plug	
404A	See Note	NSS	O-Ring (Note: Use Item 600)	
405	7023961	1	Pin	
501	7023962	1	Ring, Retaining	
502	See Note	NSS	Seal, Lip (Note: Use Item 600)	
503	See Note	NSS	Housing (Note: Not Available - Purchase Assembly)	
504	7023964	1	Plug	
504A	7007415	1	O-Ring	
540	7023965	1	Cylinder Block Assembly	
541	See Note	NSS	Block, Cylinder (Note: Use Item 540)	
542	7024868	1	Washer	
543	7024867	1	Spring	

SECTION 3 - ENGINE

ITEM	PART NUMBER	QTY	DESCRIPTION	REV
544	7022314	1	Retainer, Spring	
545	7022311	1	Ring, Retaining	
546	7021275	3	Pin, Slipper	
547	7024864	1	Guide, Slipper	
549	7024866	1	Retainer, Slipper	
550	7023966	9	Piston Assembly	
570	7023964	1	Plug	
570A	7007415	1	O-Ring	
600	7023967	1	Seal Kit - Complete (Includes Items 45, 46, 103A, 106A, 107A, 118, 138A, 200, 444A & 502)	

SECTION 3 - ENGINE

FIGURE 3-10. HYDROSTATIC PUMP ASSEMBLY



ART_1001225745

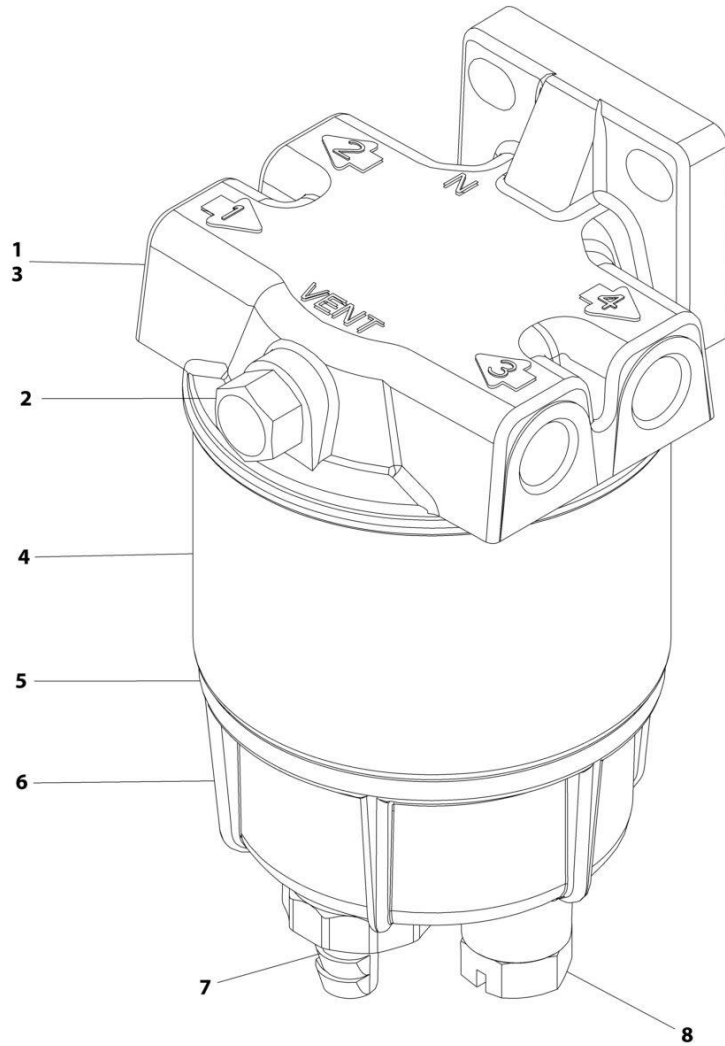
SECTION 3 - ENGINE

FIGURE 3-10. HYDROSTATIC PUMP ASSEMBLY

ITEM	PART NUMBER	QTY	DESCRIPTION	REV
	1001225745	Ref	HYDROSTATIC PUMP ASSEMBLY	A
2	70004329	1	Nut	
3	See Note	NSS	Ring, Retaining (Note: Use Item 100)	
4	See Note	NSS	Ring, Retaining (Note: Use Item 100)	
6	See Note	NSS	Washer, Seal (Note: Use Item 100)	
8	70004331	1	Cylinder Block Assembly	
9	70004332	1	Servo Piston Assembly	
10	70004333	1	Follower, Servo Piston	
11	70005458	1	Cover	
12	See Note	NSS	Gasket, Cover (Note: Use Item 100)	
14	See Note	NSS	Gasket, Housing (Note: Use Item 100)	
16	See Note	NSS	Gasket, Control Housing (Note: Use Item 100)	
17	70005459	1	Cover	
18	70004336	1	Camplate Assembly	
19	7004907	2	Race, Thrust	
20	7004908	1	Bearing, Thrust	
21	70004337	1	Relief Valve Assembly	
22	70004337	1	Relief Valve Assembly	
24	70004338	2	Capscrew	
25	70004338	2	Capscrew	
27	70004340	1	Plate, Valve	
28	See Note	NSS	Housing (Note: Not Available - Purchase Assembly)	
29	70005460	1	End Cover Assembly	
31	70004342	1	Shaft, Drive	
33	See Note	NSS	O-Ring (Note: Use Item 100)	
37	7004906	1	Washer	
38	70005461	1	Plug	
39	70005461	1	Plug	
40	70005462	1	Plug	
43	See Note	NSS	Seal, Shaft (Note: Use Item 100)	
46	70004343	1	Adapter, Charge Pump	
48	70004344	1	Servo Control Assembly	
50	70004345	1	Gerotor	
51	70004346	1	Orifice	
52	70004346	1	Orifice	
53	70004346	1	Orifice	
55	70004347	1	Coupler	
57	70005463	1	Plug	
60	70004348	1	Washer	
61	70004349	8	Washer	
62	70004350	4	Washer	
73	70004351	1	Ring, Retaining	
95	70005464	8	Capscrew	
96	70005465	6	Capscrew	
100	70004352	1	Seal Kit - Pump (Includes Items 3, 4, 6, 12, 14, 16, 33 & 43 and Valve and Plug O-Rings and Seals)	

SECTION 3 - ENGINE

FIGURE 3-11. FUEL/WATER SEPARATOR ASSEMBLY



ART_1001190609

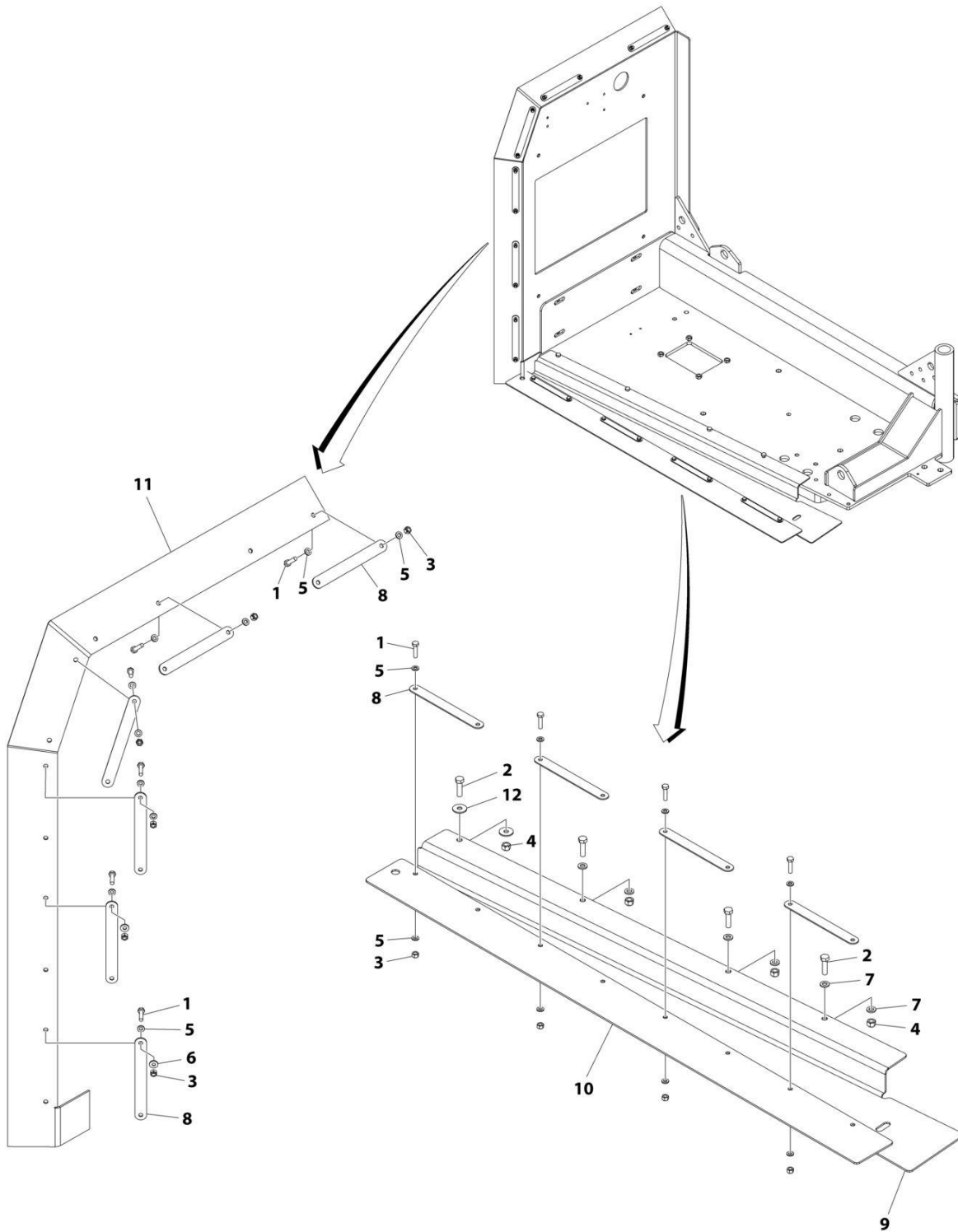
SECTION 3 - ENGINE

FIGURE 3-11. FUEL/WATER SEPARATOR ASSEMBLY

ITEM	PART NUMBER	QTY	DESCRIPTION	REV
	1001190609	Ref	FUEL/WATER SEPARATOR ASSEMBLY - DIESEL ENGINES	B
1	70005293	1	Head, Mounting	
2	70005294	1	Plug	
3	70005295	1	Gasket, Head	
4	70005296	1	Element	
5	70005297	1	O-Ring	
6	70002901	1	Bowl	
7	70004070	1	Drain, Self Venting	
8	70004069	1	Plug	

SECTION 3 - ENGINE

FIGURE 3-12. ENGINE HOOD Baffles INSTALLATION



ART_1001227743

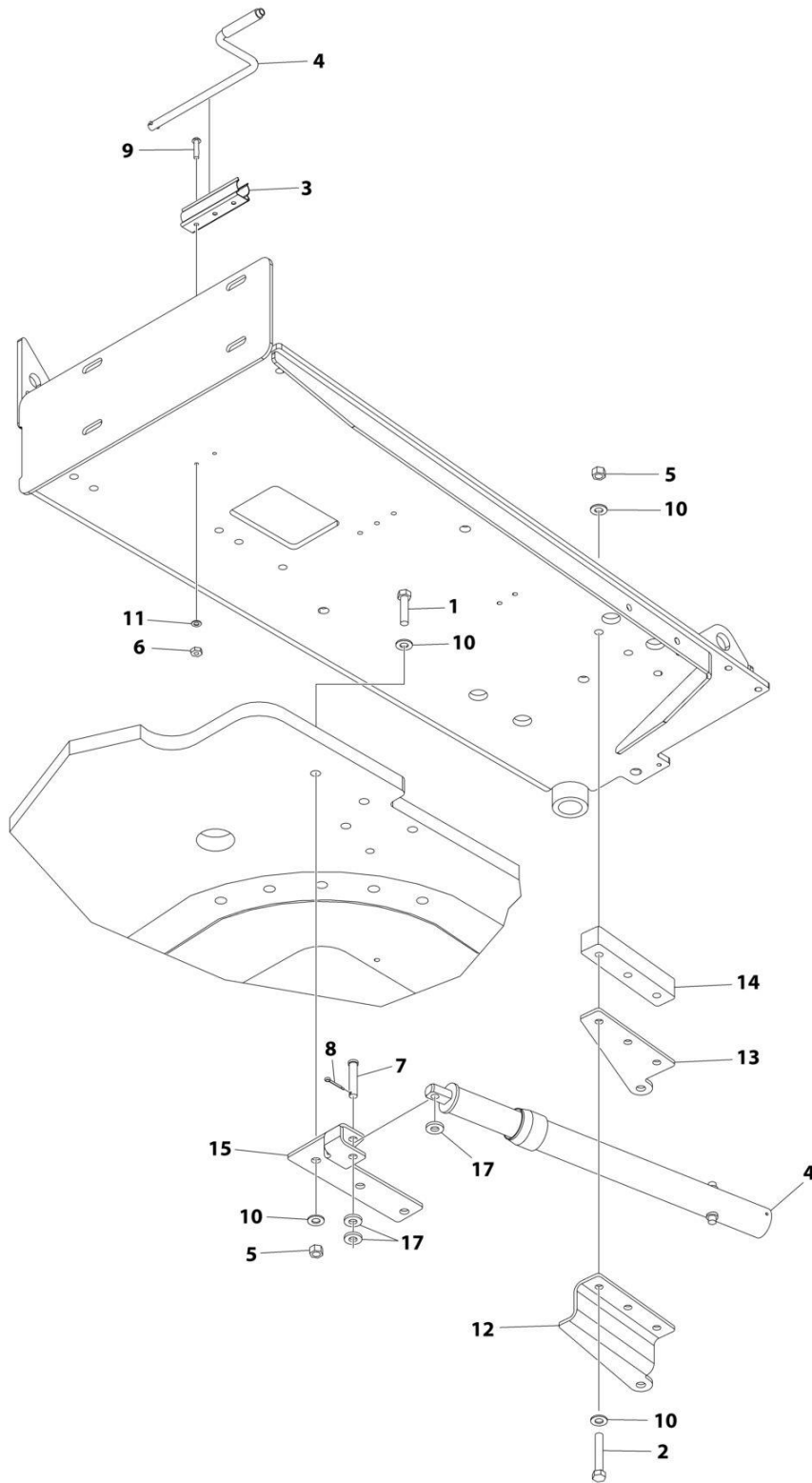
SECTION 3 - ENGINE

FIGURE 3-12. ENGINE HOOD BAFFLES INSTALLATION

ITEM	PART NUMBER	QTY	DESCRIPTION	REV
	1001227743	Ref	ENGINE HOOD BAFFLES INSTALLATION	C
1	0760612	20	Bolt M6 x 25	
2	0760814	4	Bolt M8 x 30	
3	3290605	20	Nut M6	
4	3290805	4	Nut M8	
5	4811700	38	Washer M6	
6	4811702	2	Washer M6	
7	4811900	6	Washer M8	
8	1001167164	10	Support	
9	1001227740	1	Plate	
10	1001227741	1	Seal	
11	1001227742	1	Seal	
12	4811902	2	Washer M8	

SECTION 3 - ENGINE

FIGURE 3-13. TRAY JACK INSTALLATION



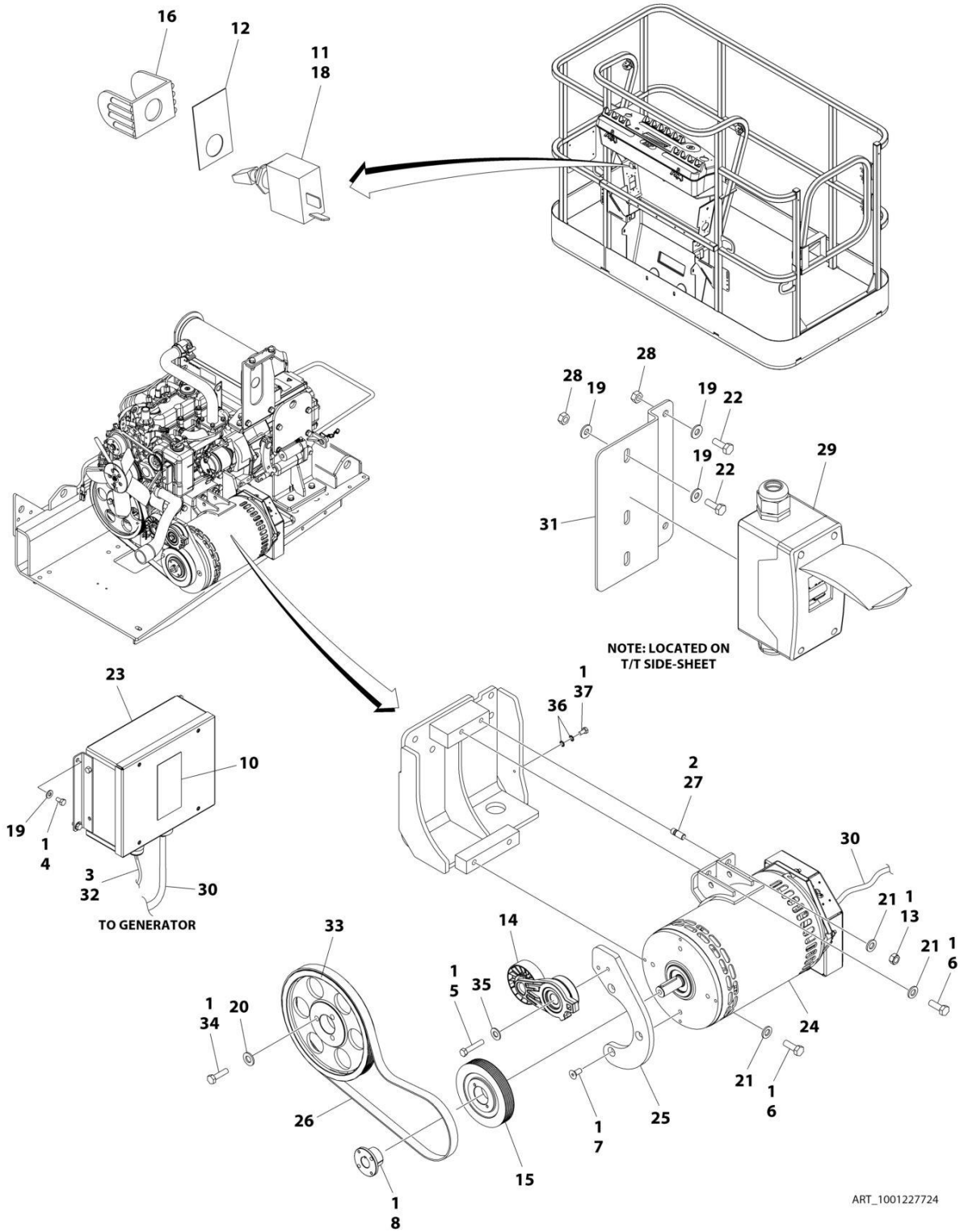
ART_1001229066_D

FIGURE 3-13. TRAY JACK INSTALLATION

ITEM	PART NUMBER	QTY	DESCRIPTION	REV
	1001229066	Ref	TRAY JACK INSTALLATION	D
1	0641816	3	Bolt 1/2 x 2	
2	0641824	3	Bolt 1/2 x 3	
3	1380147	1	Clip	
4	2840018	1	Jack and Handle Assembly	
4	7024599	1	Handle	
5	3271805	6	Nut 1/2 Grade 8	
6	3310601	2	Nut #6	
7	3430820	1	Pin	
8	3450404	1	Pin, Cotter 1/8 x 1	
9	3910610	2	Screw #6 x 5/8	
10	4711800	11	Washer 1/2	
11	4770600	2	Washer #6	
12	1001175073	1	Support	
13	1001175074	1	Support	
14	1001243869	1	Shim	
15	1001229067	1	Bracket	
17	4891800	3	Washer 1/2	

SECTION 3 - ENGINE

FIGURE 3-14. 4000W GENERATOR INSTALLATION - 220V/50HZ (OPTIONAL)



SECTION 3 - ENGINE

FIGURE 3-14. 4000W GENERATOR INSTALLATION - 220V/50HZ (OPTIONAL)

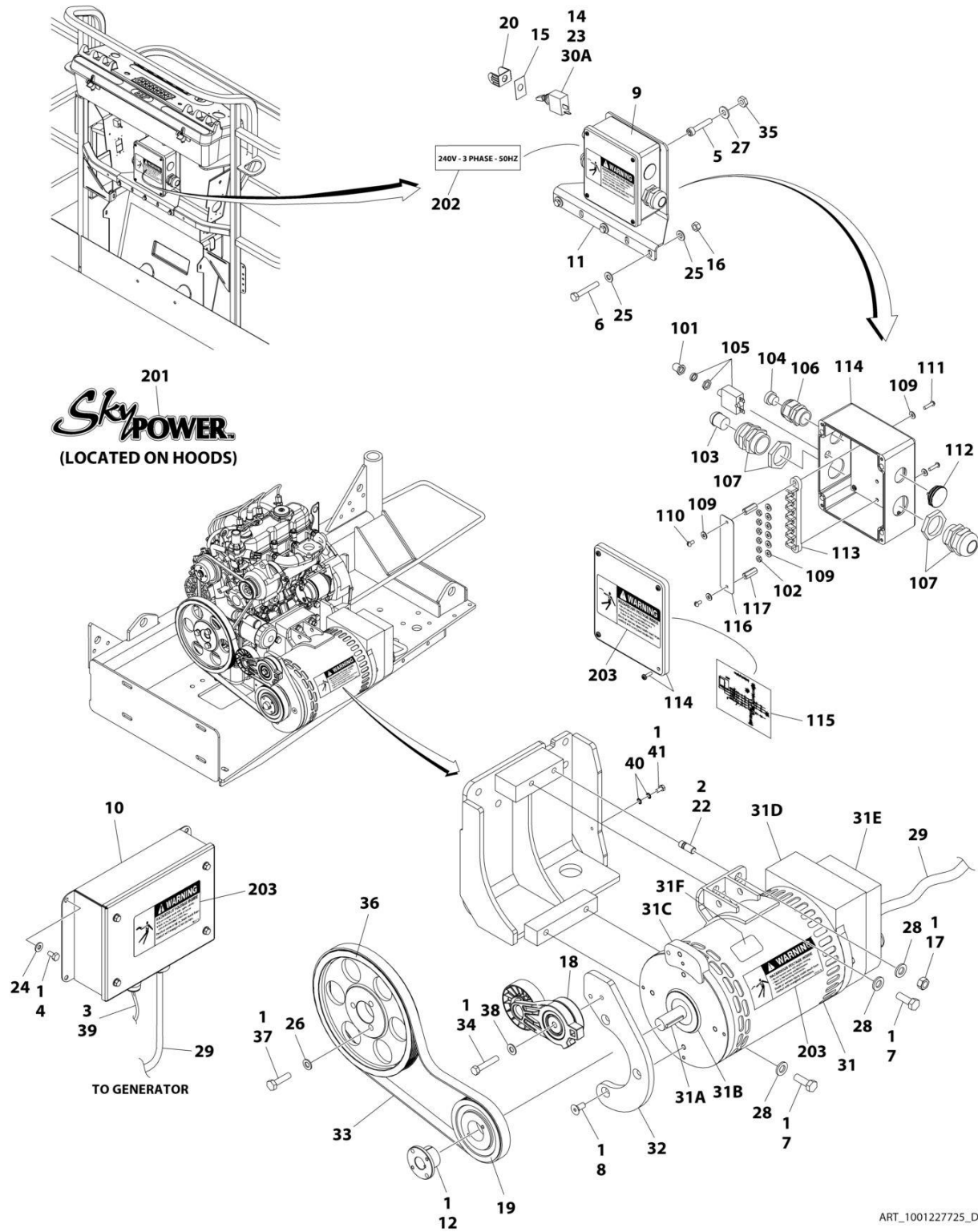
ITEM	PART NUMBER	QTY	DESCRIPTION	REV
	1001227724	Ref	4000W GENERATOR INSTALLATION	E
1	0100011	AR	Compound, Locking	
2	0100019	AR	Compound, Locking	
3	0100048	AR	Grease, Dielectric	
4	0641404	4	Bolt 1/4 x 1/2	
5	0641616	1	Bolt 3/8 x 2	
6	0761215	3	Bolt M12 x 35	
7	0741607	3	Screw 3/8 x 7/8	
8	0962520	1	Bushing, Split	
10	1705489	2	Decal - Hazardous Voltage	
11	2820031	AR	Heatshrink	
12	3251102	1	Nameplate - Generator	
13	3291201	1	Nut M12	
14	3580317	1	Tensioner, Belt	
15	1001244352	1	Pully	
16	4060802	1	Guard, Switch	
17	4240018	1	Tie-Strap (Not Shown)	
18	4360336	1	Switch, Toggle	
19	4711400	4	Washer 1/4	
20	4812000	3	Washer M10	
21	5241200	4	Washer M12	
22	0641406	4	Bolt 1/4 x 3/4	
23	1001138566	1	Box, Control	
24	1001206119	1	Generator Assembly	
24	70003709	1	Ring, Retaining (External)	
24	70003708	1	Ring, Retaining (Internal)	
24	70001966	1	Bearing	
24	70004092	1	Endbell (Shaft End)	
24	70004171	1	Key	
24	70004676	1	Rotor	
24	70005624	1	Stator	
24	70004678	1	Endbell (Rear)	
24	70004679	1	Cover, Endbell (Rear)	
24	70004680	1	Enclosure, Wiring	
24	70004681	1	Cover, Enclosure	
24	70004682	1	Switch, Reset (Located on Enclosure Cover)	
24	70004098	1	Connector, Strain Relief (Located on Enclosure Cover)	
24	70004683	1	Bushing, Connector (Use p/n 70004098)	
24	70001973	1	Decal - Warning Pinch Point	
25	1001244926	1	Plate, Tensioner	
26	1001248171	1	V-Belt	
27	1001196382	1	Stud	
28	3311405	4	Nut 1/4	
29	1001165368	1	Breaker Box Kit (See Separate Breakdown in ELECTRICAL SECTION)	
30	1001152532	1	Generator Harness (Generator Control Box to Generator) (See Separate Breakdown in ELECTRICAL SECTION)	
31	1001229080	1	Bracket	
32	1001231225	1	Harness, Generator Enable (Generator Control Box to Engine Harness) (See Separate Breakdown in ELECTRICAL SECTION)	

SECTION 3 - ENGINE

ITEM	PART NUMBER	QTY	DESCRIPTION	REV
32	4460967	1	Plug, Male - 2 Position	
32	4460465	1	Socket, Female	
33	1001183726	1	Pulley	
34	1001186919	3	Bolt M10 x 40	
35	4711600	1	Washer 3/8	
36	4871700	2	Washer M6	
37	0760606	1	Bolt M6 x 12	

SECTION 3 - ENGINE

FIGURE 3-15. 7500W SKYPOWER GENERATOR INSTALLATION - 220V/50HZ (OPTIONAL)



SECTION 3 - ENGINE

FIGURE 3-15. 7500W SKYPOWER GENERATOR INSTALLATION - 220V/50HZ (OPTIONAL)

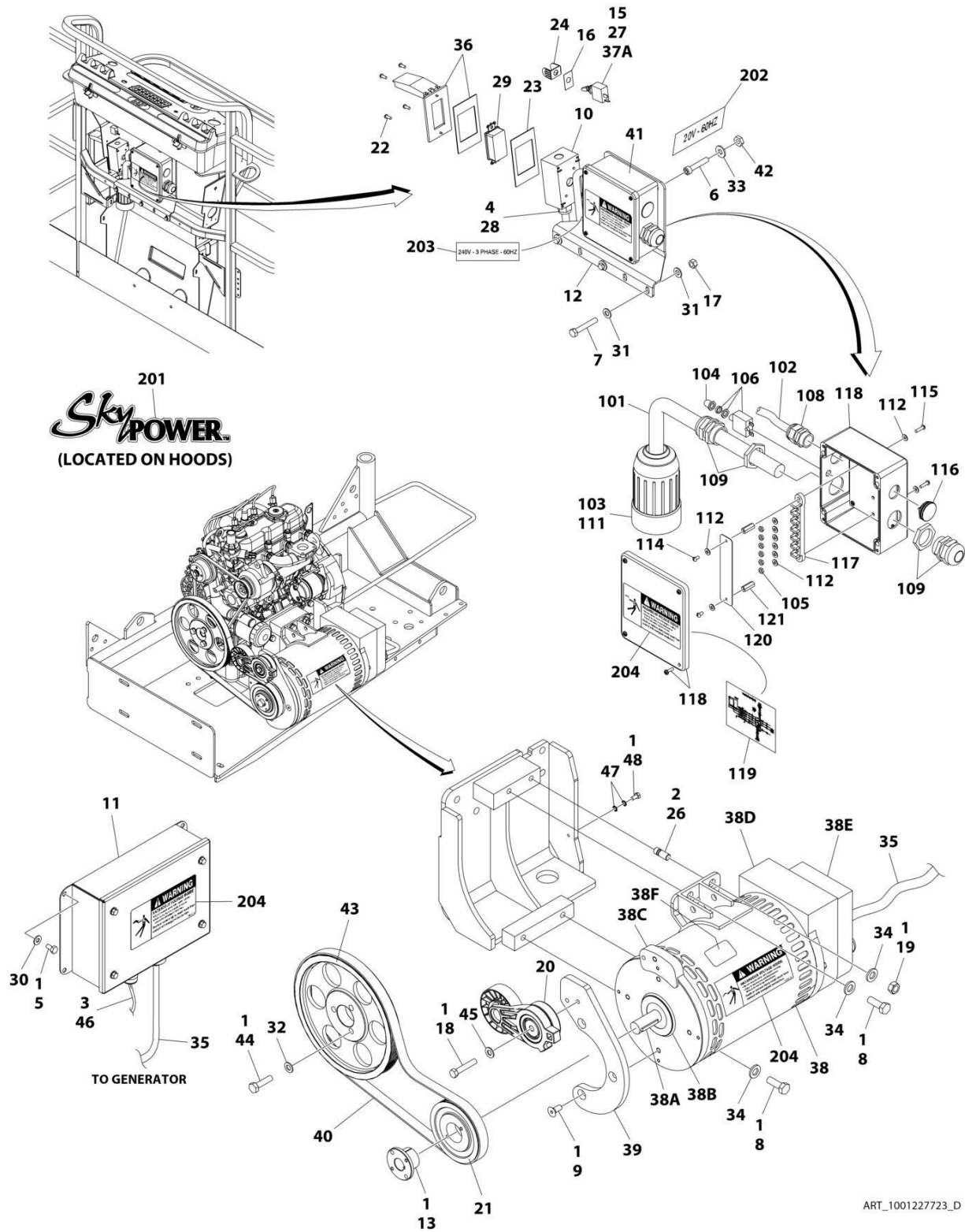
ITEM	PART NUMBER	QTY	DESCRIPTION	REV
	1001227725	Ref	7500W SKYPOWER GENERATOR INSTALLATION	D
1	0100011	AR	Compound, Locking	
2	0100019	AR	Compound, Locking	
3	0100048	AR	Grease, Dielectric	
4	0641404	4	Bolt 1/4 x 1/2	
5	3931016	4	Capscrew #10 x 1	
6	0641516	3	Bolt 5/16 x 2	
7	0761215	3	Bolt M12 x 35	
8	0741607	3	Screw 3/8 x 7/8	
9	1001157525	1	Junction Box Assembly (See Items 101-117 for Breakdown)	
10	0861572	1	Box, Control	
10	7024488	1	Card, Circuit - Generator Power (Not Shown)	
10	See Note	1	Fuse (Note: Not Available - Purchase Locally)	
10	7024489	1	Card, Circuit - Control (Not Shown)	
10		Ref	Note: When replacing card, rocker switch on card must be set for required application.	
10	70000619	1	Circuit Card Harness	
10	77363232	1	Connector - 6 Position	
10	See Note	NSS	Connector - 3 Position (Note: Not Available for Purchase)	
11	0902888	1	Bracket	
12	0962520	1	Bushing	
14	2820031	AR	Heatshrink	
15	3252764	1	Nameplate - AC & Weld	
16	3311505	3	Nut 5/16	
17	3291201	1	Nut M12	
18	3580317	1	Tensioner, Belt	
19	3580319	1	Pulley	
20	4060802	1	Guard, Switch	
21	4240018	1	Tie-Strap (Not Shown)	
22	1001196382	1	Stud	
23	4360336	1	Switch, Toggle	
24	4711400	4	Washer 1/4	
25	4711500	6	Washer 5/16	
26	4812000	3	Washer M10	
27	4751000	4	Washer #10	
28	5241200	4	Washer M12	
29	4922925	1	Generator Harness (See Separate Breakdown in ELECTRICAL Section)	
30	1001231260	1	Generator Wiring Diagram (Not Shown)	
30A	4922641	1	Switch Harness	
31	1001155348	1	Generator Assembly	
31	70001100	1	Rotor (Includes p/n 70001384 & 70000863) (Not Shown)	
31	70001384	1	Bearing, Shaft (Rear) (Not Shown)	
31	70000863	1	Fan, Generator (Not Shown)	
31	70004093	1	Stator (Not Shown)	
31	70002297	2	Stud 1/4 x 12-7/8 (Not Shown)	
31	70003631	1	Brushholder Assembly (Not Shown)	
31A	70004099	1	Key	
31B	70001966	1	Bearing, Ball Radial (Located in Belt Tensioner Endbell)	
31B	70003709	1	Ring, Retaining (Small)	

SECTION 3 - ENGINE

ITEM	PART NUMBER	QTY	DESCRIPTION	REV
31B	70003708	1	Ring, Retaining (Large)	
31C	70004092	1	Endbell, Belt Tensioner	
31D	70004094	1	Endbell, Brush Block	
31E	70004096	1	Shroud Assembly	
31E	7027799	1	Block, Connector - 6 Position (Not Shown)	
31E	70002460	6	Nut, Brass (Attaches p/n 7027799 to Cover) (Not Shown)	
31E	7024485	1	Breaker, Circuit 30Amp (Not Shown)	
31E	70001696	1	Boot, Breaker (Not Shown)	
31E	7026597	1	Connector with Leads (Not Shown)	
31E	7026626	1	Connector with Pins (Not Shown)	
31E	70004098	1	Clamp, Cable (Not Shown)	
31E	70004095	1	Plate, End Panel (Not Shown)	
31E	70004097	1	Insulator, End Panel (Not Shown)	
31E	70001974	1	Decal - Terminal Connections (Not Shown)	
31F	70001973	1	Decal - Warning Moving Parts	
32	1001227526	1	Plate, Tensioner	
33	1001235296	1	V-Belt	
34	0641616	1	Bolt 3/8 x 2	
35	3311005	4	Nut #10	
36	1001183726	1	Pulley	
37	1001186919	3	Bolt M10 x 40	
38	4711600	1	Washer 3/8	
39	1001231225	1	Harness, Generator Enable (See Separate Breakdown in ELECTRICAL Section)	
40	4871700	2	Washer M6	
41	0760606	1	Bolt M6 x 12	
	1001157525	Ref	JUNCTION BOX ASSEMBLY	B
101	3300396	1	Cover, Fuse	
102	3311001	6	Nut #10	
103	3520189	1	Plug (50Hz Spec Only)	
104	3520192	1	Plug	
105	4360070	1	Circuit Breaker - 15Amp	
106	4460425	1	Strain Relief, Terminal	
107	4460426	2	Connector, Strain Relief	
109	4711000	11	Washer #10	
110	10702077	2	Screw #10 x 3/8	
111	10702082	2	Screw #10 x 3/4	
112	1001152525	1	Plug	
113	1001157520	1	Block, Terminal	
114	1001157521	1	Box, Junction	
115	1001157528	1	Decal - Wiring Schematic	
116	1001158007	1	Cover, PVC	
117	1001158008	2	Stand-Off	
	0272589	Ref	DECAL INSTALLATION	A
201	1705460	2	Decal - SkyPower	
202	1705461	1	Decal - 240V - 3 Phase	
203	1705489	3	Decal - Hazardous Voltage	

SECTION 3 - ENGINE

FIGURE 3-16. 7500W SKYPOWER GENERATOR INSTALLATION - 110V/60HZ (OPTIONAL)



SECTION 3 - ENGINE

FIGURE 3-16. 7500W SKYPOWER GENERATOR INSTALLATION - 110V/60HZ (OPTIONAL)

ITEM	PART NUMBER	QTY	DESCRIPTION	REV
	1001227723	Ref	7500W SKYPOWER GENERATOR INSTALLATION	D
1	0100011	AR	Compound, Locking	
2	0100019	AR	Compound, Locking	
3	0100048	AR	Grease, Dielectric	
4	0100079	AR	Sealant	
5	0641404	4	Bolt 1/4 x 1/2	
6	3931016	4	Capscrew #10 x 1	
7	0641516	3	Bolt 5/16 x 2	
8	0761215	3	Bolt M12 x 35	
9	0741607	3	Screw 3/8 x 7/8	
10	0860038	1	Box, Switch	
11	0861538	1	Control Box Assembly	
11	7024488	1	Card, Circuit - Generator Power	
11	See Note	NSS	Fuse (Note: Not Available - Purchase Locally)	
11	7024489	1	Card, Circuit - Control	
11	70000619	1	Harness, Control Box (Internal)	
12	0902888	1	Bracket	
13	0962520	1	Bushing	
15	2820031	AR	Heatshrink	
16	3252764	1	Nameplate - AC & Weld	
17	3311505	3	Nut 5/16	
18	0641616	1	Bolt 3/8 x 2	
19	3291201	1	Nut M12	
20	3580317	1	Pulley	
21	3580318	1	Pulley	
22	3910606	4	Screw #6 x 3/8	
23	3960422	1	Gasket	
24	4060802	1	Guard, Switch	
25	4240018	1	Tie-Strap (Not Shown)	
26	1001196382	1	Stud	
27	4360336	1	Switch, Toggle	
28	4460071	1	Connector, Strain Relief	
29	4460346	1	Receptacle	
30	4711400	4	Washer 1/4	
31	4711500	6	Washer 5/16	
32	4812000	3	Washer M10	
33	4751000	4	Washer #10	
34	5241200	4	Washer M12	
35	4922925	1	Generator Harness (See Separate Breakdown in ELECTRICAL Section)	
36	1001110873	1	Cover	
37	1001231260	1	Generator Wiring Diagram (Not Shown)	
37A	4922641	1	Switch Harness	
38	1001155348	1	Generator Assembly	
38	70004093	1	Stator (Not Shown)	
38	70002297	2	Stud 1/4 x 12-7/8 (Not Shown)	
38	70003631	1	Brushholder Assembly (Not Shown)	
38A	70004099	1	Key	
38B	70001966	1	Bearing, Ball Radial (Located in Belt Tensioner Endbell)	
38B	70003709	1	Ring, Retaining (Small)	

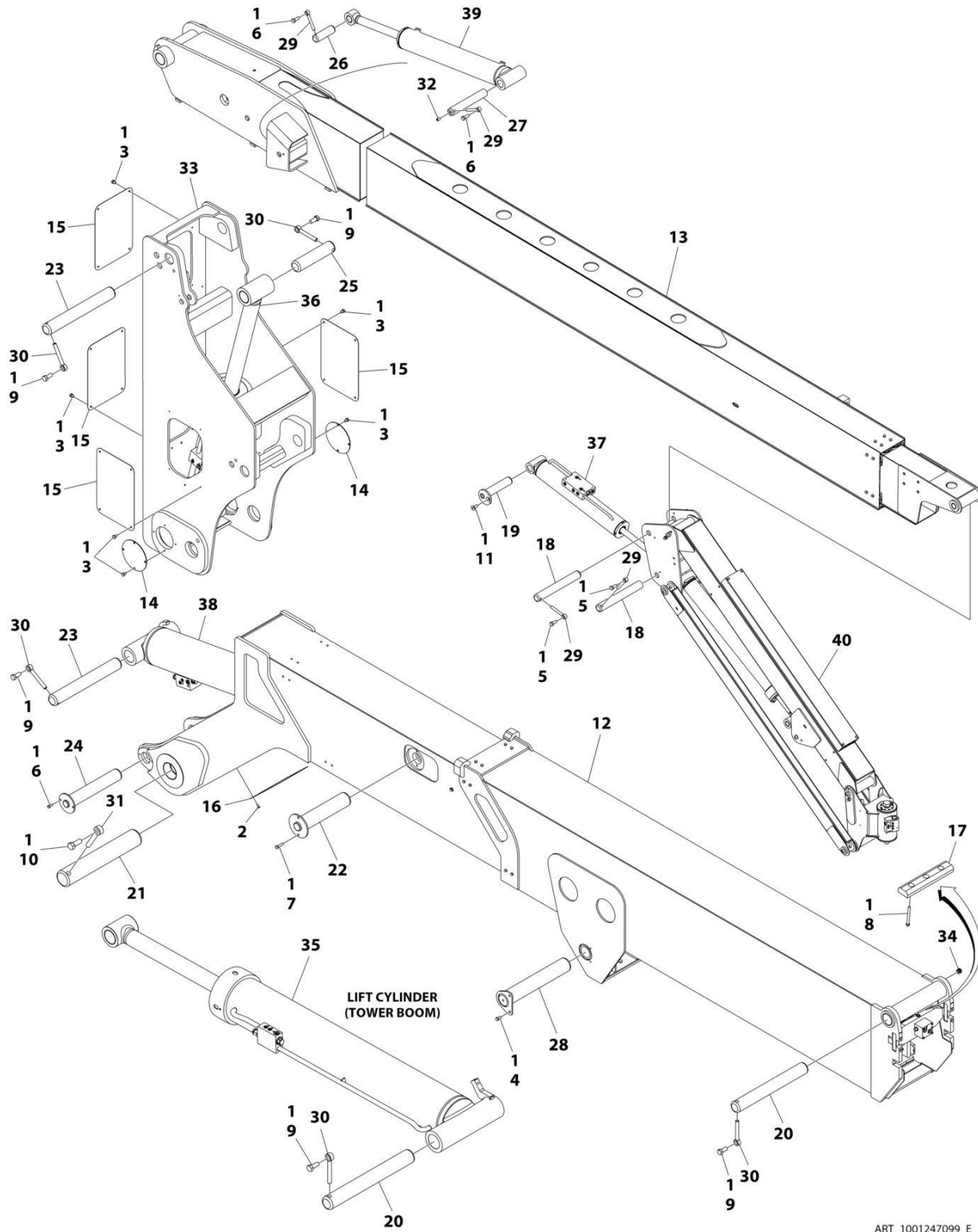
SECTION 3 - ENGINE

ITEM	PART NUMBER	QTY	DESCRIPTION	REV
38B	70003708	1	Ring, Retaining (Large)	
38C	70004092	1	Endbell, Belt Tensioner	
38D	70004094	1	Endbell, Brush Block	
38E	70004096	1	Shroud Assembly	
38E	7027799	1	Block, Connector - 6 Position (Not Shown)	
38E	70002460	6	Nut Brass (Attaches p/n 7027799 to Cover) (Not Shown)	
38E	7024485	1	Breaker, Circuit 30Amp (Not Shown)	
38E	70001696	1	Boot, Breaker (Not Shown)	
38E	7026597	1	Connector with Leads (Not Shown)	
38E	7026626	1	Connector with Pins (Not Shown)	
38E	70004098	1	Clamp, Cable (Not Shown)	
38E	70004095	1	Plate, End Panel (Not Shown)	
38E	70004097	1	Insulator, End Panel (Not Shown)	
38E	70001974	1	Decal - Terminal Connections (Not Shown)	
38F	70001973	1	Decal - Warning Moving Parts	
39	1001227526	1	Plate, Tensioner	
40	1001235519	1	V-Belt	
41	1001157592	1	Junction Box Assembly (See Items 101-121 for Breakdown)	
42	3311005	4	Nut #10	
43	1001183726	1	Pulley	
44	1001186919	3	Bolt M10 x 40	
45	4711600	1	Washer 3/8	
46	1001231225	1	Harness, Generator Enable (See Separate Breakdown in ELECTRICAL Section)	
47	4871700	2	Washer M6	
48	0760606	1	Bolt M6 x 12	
	1001157592	Ref	JUNCTION BOX ASSEMBLY	C
101	1060343	1.5 ft/ 0.5m	Cable, Electrical 10/4	
102	1001179154	2.5 ft/ 0.8m	Cable, Electrical 12/3	
103	1671092	1	Cover	
104	3300396	1	Cover, Fuse	
105	3311001	6	Nut #10	
106	4360070	1	Circuit Breaker - 15Amp	
108	4460425	1	Strain Relief, Terminal	
109	4460426	2	Connector, Strain Relief	
111	4460963	1	Connector	
112	4711000	10	Washer #10	
114	10702077	2	Screw #10 x 3/8	
115	10702082	2	Screw #10 x 3/4	
116	1001152525	1	Plug	
117	1001157520	1	Block, Terminal	
118	1001157521	1	Box, Junction	
119	1001157528	1	Decal - Wiring Schematic	
120	1001158007	1	Cover, PVC	
121	1001158008	2	Stand-Off	
	0272435	Ref	DECAL INSTALLATION	D
201	1705460	2	Decal - SkyPower	
202	3251243	1	Decal - 120V/60Hz	
203	1705375	1	Decal - 240V/3Phase	
204	1705387	3	Decal - Hazardous Voltage	

SECTION 4 - BOOM

SECTION 4 - BOOM

FIGURE 4-1. BOOM AND CYLINDER INSTALLATION



ART_1001247099_E

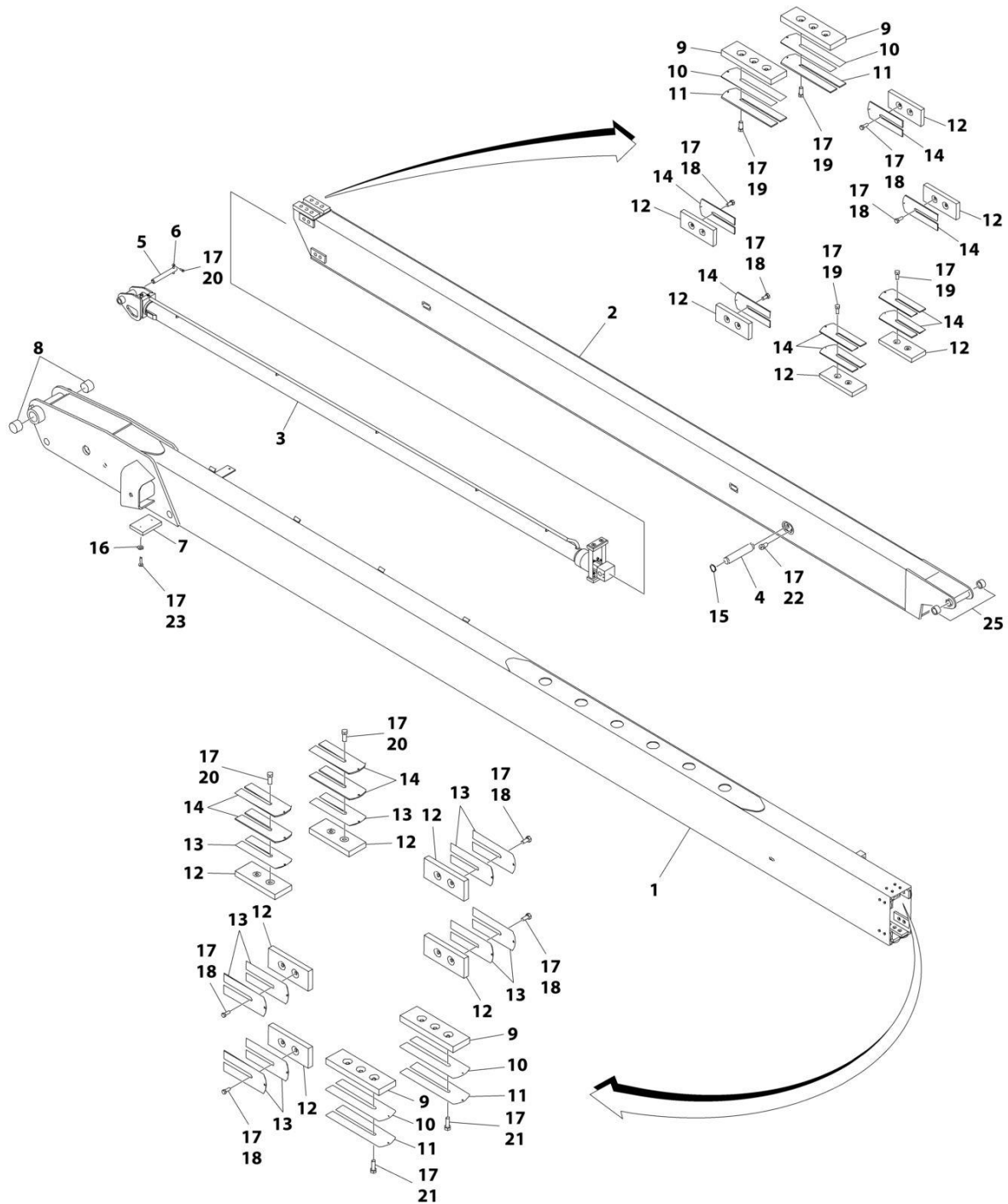
SECTION 4 - BOOM

FIGURE 4-1. BOOM AND CYLINDER INSTALLATION

ITEM	PART NUMBER	QTY	DESCRIPTION	REV
	1001247099	Ref	BOOM INSTALLATION	E
1	0100011	AR	Compound, Locking	
2	0641404	4	Bolt 1/4 x 1/2	
3	0641604	24	Bolt 3/8 x 1/2	
4	0641606	2	Bolt 3/8 x 3/4	
5	0641607	2	Bolt 3/8 x 7/8	
6	0641608	4	Bolt 3/8 x 1	
7	0641611	2	Bolt 3/8 x 1-3/8	
8	0641840	3	Bolt 1/2 x 5	
9	0642214	5	Bolt 3/4 x 1-3/4	
10	0642620	1	Bolt 1 x 2-1/2	
11	0741607	1	Screw 3/8 x 7/8	
12	0801132	1	Boom Assembly - Tower (See Separate Breakdown in this Section)	
13	0801136	1	Boom Assembly - Main (See Separate Breakdown in this Section)	
14	1120510	2	Cover, Upright	
15	1670844	4	Cover, Upright	
16	1670850	1	Cover, Tower Fly	
17	3340835	1	Pad Rest	
18	3422561	2	Pin	
19	3422583	1	Pin	
20	3422681	2	Pin	
21	3422683	1	Pin	
22	3422684	1	Pin	
23	3422685	2	Pin	
24	3422686	1	Pin	
25	3422687	1	Pin	
26	3422688	1	Pin	
27	3422689	1	Pin	
28	3422729	1	Pin	
29	3841143	4	Keeper, Pin	
30	3841287	5	Keeper, Pin	
31	3841356	1	Keeper, Pin	
32	3900239	1	Set Screw	
33	4845593	1	Upright	
34	1001213705	1	Cap	
35	1001251009	1	Lift Cylinder Assembly - Tower Boom (See Separate Breakdown in CYLINDER Section)	
36	1001251010	1	Lift Cylinder Assembly - Main Boom (See Separate Breakdown in CYLINDER Section)	
37	1001251030	1	Level Cylinder Assembly - Platform Slave (See Separate Breakdown in CYLINDER Section)	
38	1001251041	1	Level Cylinder Assembly - Upright (See Separate Breakdown in CYLINDER Section)	
39	1001251050	1	Master Cylinder Assembly (See Separate Breakdown in CYLINDER Section)	
40	1001247147	1	Jib Assembly (See Separate Breakdown in this Section)	

SECTION 4 - BOOM

FIGURE 4-2. MAIN BOOM ASSEMBLY



ART_0801136

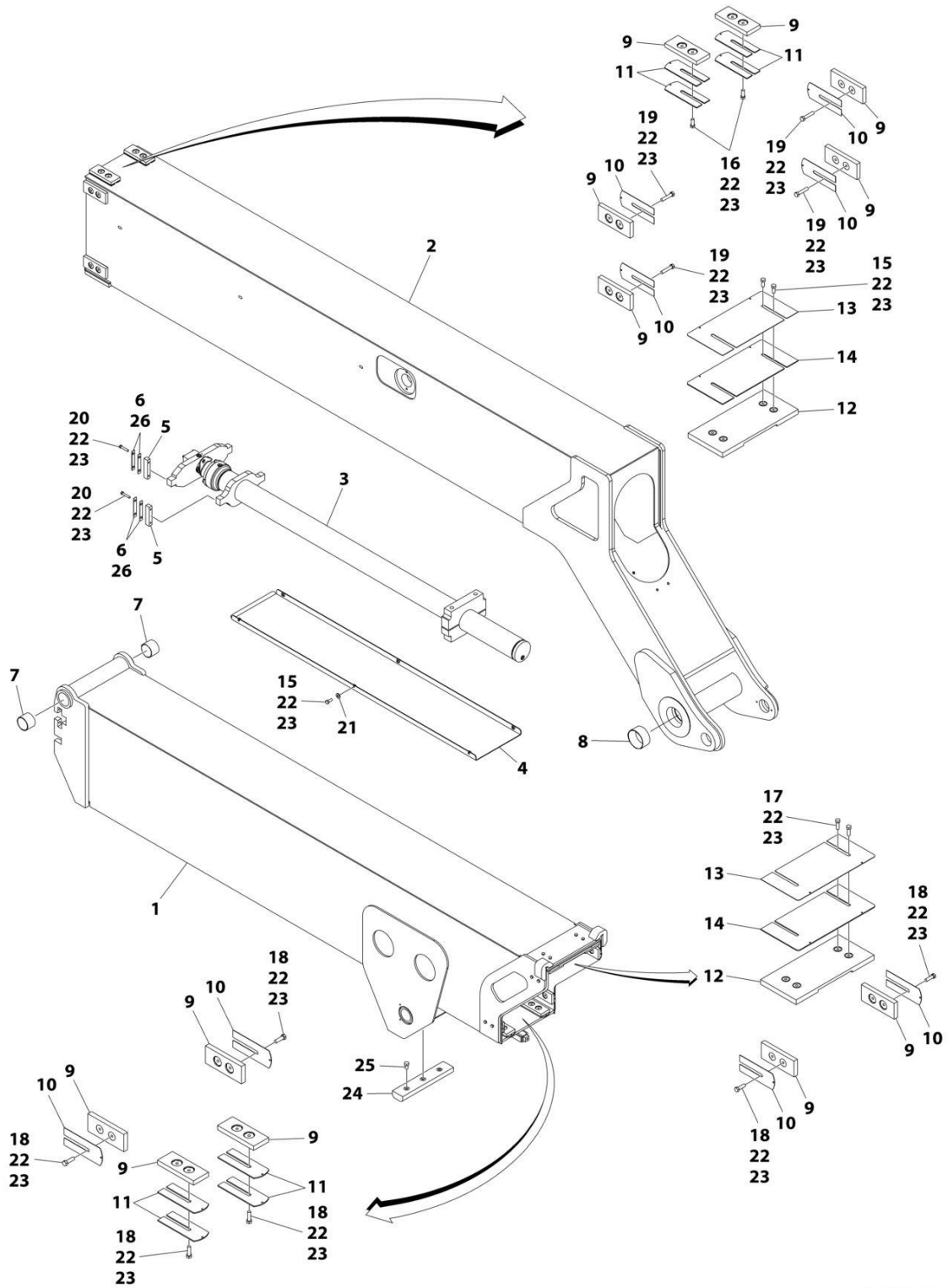
SECTION 4 - BOOM

FIGURE 4-2. MAIN BOOM ASSEMBLY

ITEM	PART NUMBER	QTY	DESCRIPTION	REV
	0801136	Ref	MAIN BOOM ASSEMBLY	N
1	0801591	1	Base, Boom	
2	0801573	1	Fly, Boom	
3	1001228087	1	Telescope Cylinder Assembly (See Separate Breakdown in CYLINDER SECTION)	
4	3422457	1	Pin	
5	3422690	1	Pin	
6	3841143	1	Keeper, Pin	
7	0561295	1	Block, Boom Rest	
8	0962102	2	Bushing	
9	3340871	4	Pad, Wear	
10	4070863	4	Shim 1/8	
11	4070864	4	Shim .05	
12	1001148652	12	Pad, Wear	
13	4070897	10	Shim .05	
14	4070898	12	Shim 1/8	
15	3760133	2	Ring, Retaining	
16	4711600	2	Washer 3/8	
17	0100011	AR	Compound, Locking	
18	0641606	16	Bolt 3/8 x 3/4	
19	0641607	10	Bolt 3/8 x 7/8	
20	0641608	5	Bolt 3/8 x 1	
21	0641609	6	Bolt 3/8 x 1-1/8	
22	3900259	4	Bolt, Shoulder	
23	0641612	2	Bolt 3/8 x 1-1/2	
25	0961951	2	Bushing	

SECTION 4 - BOOM

FIGURE 4-3. TOWER BOOM ASSEMBLY



ART_0801132_I

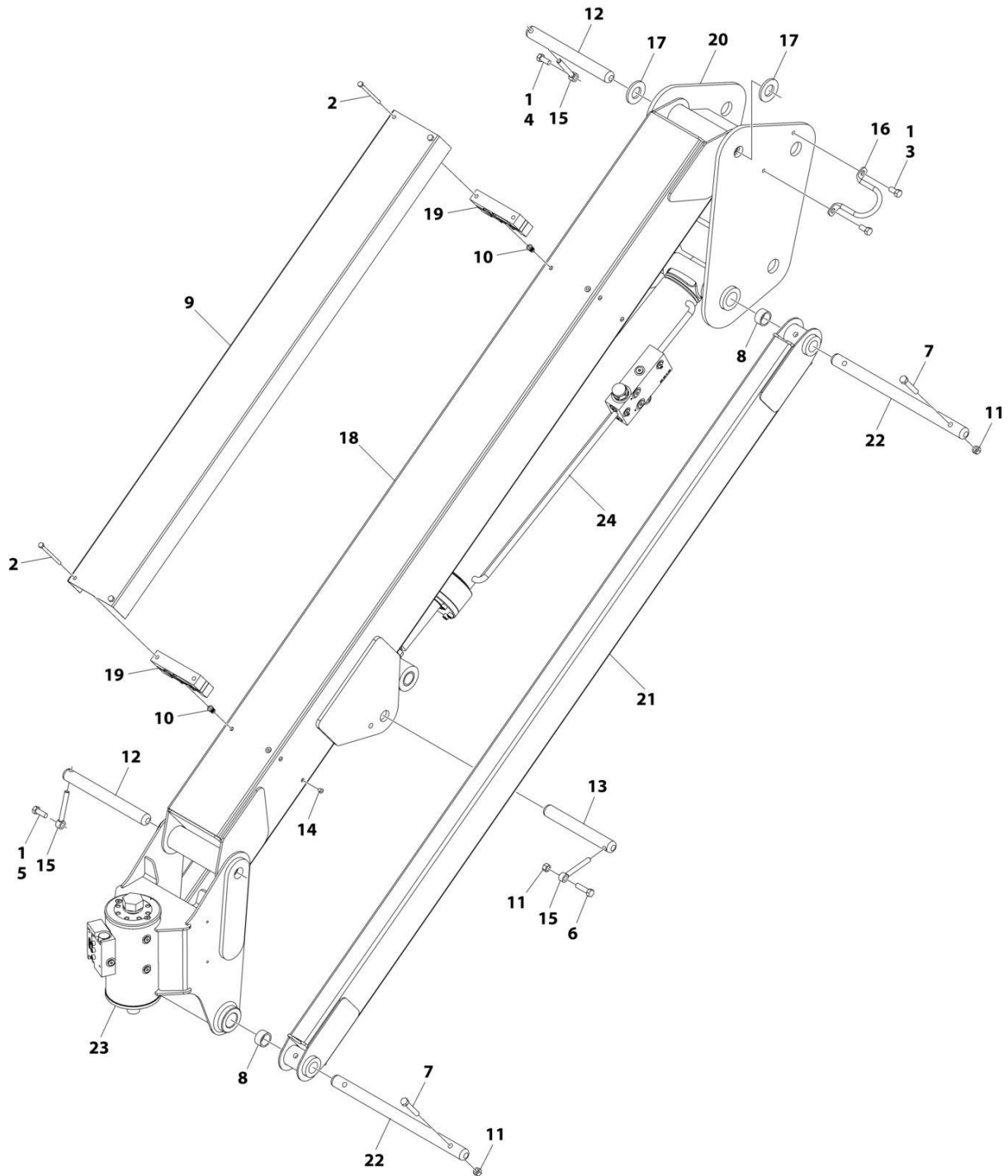
SECTION 4 - BOOM

FIGURE 4-3. TOWER BOOM ASSEMBLY

ITEM	PART NUMBER	QTY	DESCRIPTION	REV
	0801132	Ref	TOWER BOOM ASSEMBLY	I
1	0801594	1	Base, Boom	
2	0801496	1	Fly, Boom	
3	1001251086	1	Tower Telescope Cylinder Assembly (See Separate Breakdown in CYLINDER Section)	
4	4340706	1	Support	
5	0561185	4	Block, Attach	
6	4070929	4	Shim 1/16	
7	0962102	2	Bushing	
8	0962122	2	Bushing	
9	3340881	12	Pad, Wear	
10	4070897	8	Shim .05	
11	4070898	8	Shim .12	
12	3340828	2	Pad, Wear	
13	4070967	2	Shim .05	
14	4070968	2	Shim .12	
15	0641607	10	Bolt 3/8 x 7/8	
16	0641608	4	Bolt 3/8 x 1	
17	0641609	4	Bolt 3/8 x 1-1/8	
18	0641610	12	Bolt 3/8 x 1-1/4	
19	0641615	8	Bolt 3/8 x 1-7/8	
20	0641616	8	Bolt 3/8 x 2	
21	4711600	6	Washer 3/8	
22	0100011	AR	Compound, Locking	
23	0100038	AR	Primer, Locking	
24	3340835	1	Pad, Boom Rest	
25	0641806	3	Bolt 1/2 x 3/4	
26	4071007	4	Shim 20Ga	

SECTION 4 - BOOM

FIGURE 4-4. JIB ASSEMBLY



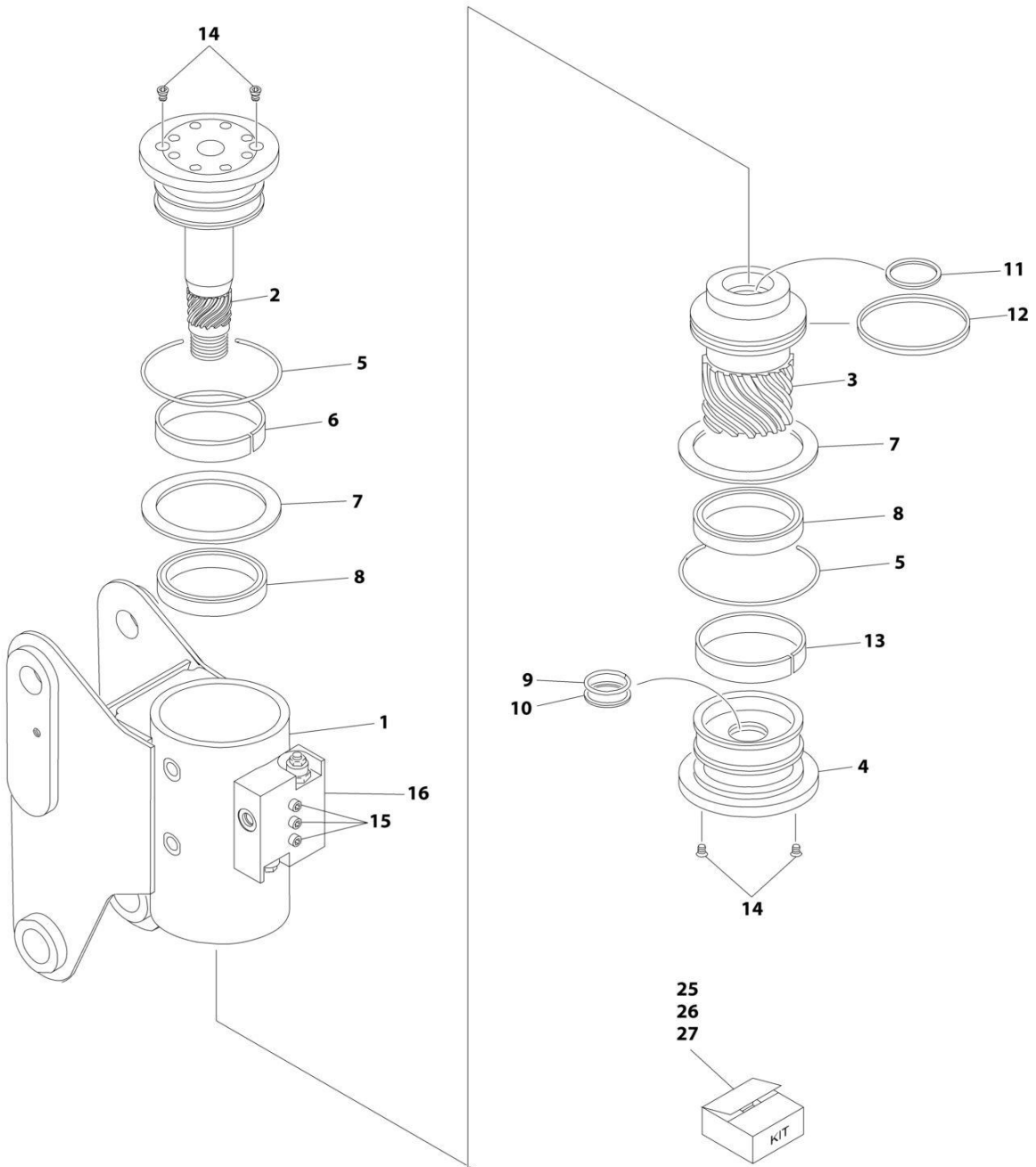
ART_1001247147_C

FIGURE 4-4. JIB ASSEMBLY

ITEM	PART NUMBER	QTY	DESCRIPTION	REV
	1001247147	Ref	JIB ASSEMBLY	C
1	0100011	AR	Compound, Locking	
2	0700626	4	Bolt M6 x 90	
3	0641606	2	Bolt 3/8 x 3/4	
4	0641607	1	Bolt 3/8 x 7/8	
5	0641608	1	Bolt 3/8 x 1	
6	0641611	1	Bolt 3/8 x 1-3/8	
7	0641618	4	Bolt 3/8 x 2-1/4	
8	0961947	6	Bearing	
9	1671034	1	Cover	
10	1001176636	4	Fastner M6	
11	3311605	5	Nut 3/8	
12	3422860	2	Pin	
13	3422867	1	Pin	
14	3520034	8	Plug	
15	3841143	3	Keeper, Pin	
16	3841340	1	Loop, Hose	
17	4740439	2	Washer	
18	4844816	1	Tube (Top)	
19	1001165350	2	Block, Clamp	
20	1001170548	1	Pivot	
21	4844817	2	Link	
22	3422861	2	Pin	
23	1001217780	1	Rotator Assembly (See Separate Breakdown in this Section)	
24	1001248012	1	Lift Cylinder Assembly - Jib (See Separate Breakdown in CYLINDER Section)	

SECTION 4 - BOOM

FIGURE 4-5. ROTATOR ASSEMBLY



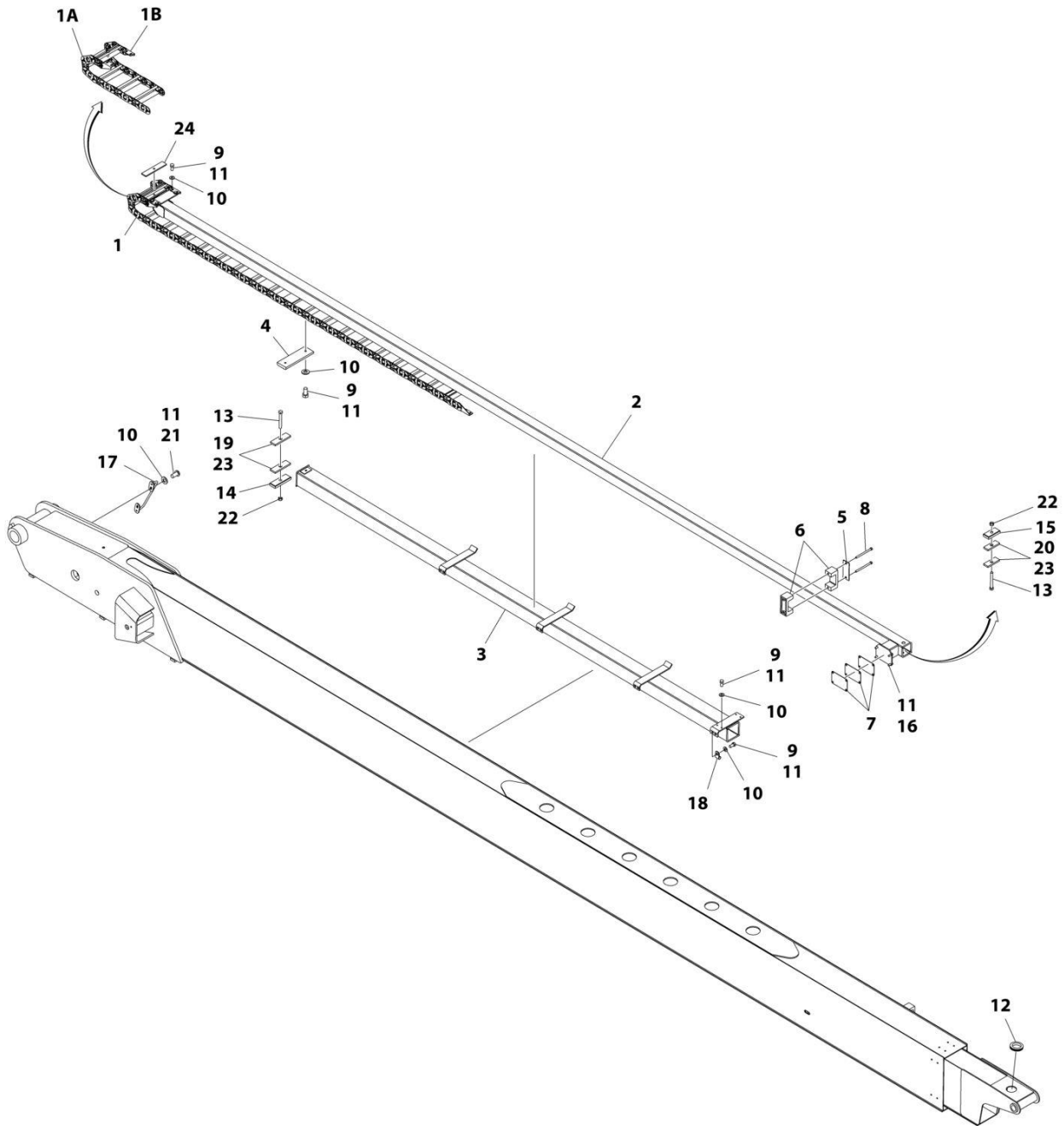
ART_1001217780

FIGURE 4-5. ROTATOR ASSEMBLY

ITEM	PART NUMBER	QTY	DESCRIPTION	REV
	1001217780	Ref	ROTATOR ASSEMBLY	A
1	See Note	NSS	Housing/Ring Gear Assembly (Note: Not Available - Purchase Complete Assembly)	
2	7017162	1	Shaft	
2	7017195	2	Bushing, Shaft	
3	7017163	1	Piston/Sleeve Assembly	
4	7017164	1	Cap, End	
5	See Note	NSS	O-Ring (Note: Use Item 25)	
6	See Note	NSS	Bearing, Shaft (Note: Use Item 26)	
7	See Note	NSS	Washer, Thrust (Note: Use Item 26)	
8	See Note	NSS	Packing, Bearing (Note: Use Item 25)	
9	See Note	NSS	Seal, Cap (Note: Use Item 25)	
10	See Note	NSS	Ring, Back-up Cap (Note: Use Item 25)	
11	See Note	NSS	Seal, Rod (Note: Use Item 25)	
12	See Note	NSS	Seal, Piston (Note: Use Item 25)	
13	See Note	NSS	Bearing, Cap (Note: Use Item 26)	
14	70001697	6	Capscrew 1/4 x 3/8 Grade 8	
15	See Note	3	Bolt 1/4 x 1-1/2 Grade 8 (Note: Not Available - Purchase Locally)	
16	7017172	1	Valve Assembly	
16	7017192	2	Cartridge, Valve	
16	See Note	NSS	Seal Kit - 7017192 Valve (Note: Not Available - Purchase Cartridge)	
16	See Note	NSS	Cartridge, Valve (Not Shown - Located on Side of Block) (Note: Not Available - Purchase Complete Valve)	
16	See Note	NSS	Seal Kit - Valve Located on Side of Block (Note: Not Available - Purchase Cartridge)	
25	70000342	1	Seal Kit (Includes Items 5, 8-12 & 27)	
26	7017159	1	Bearing Kit (Includes Items 6, 7 & 13)	
27	7017142	1	Hardware Kit (Includes Dowel Pins, Plugs and Item 14)	

SECTION 4 - BOOM

FIGURE 4-6. POWER TRACK INSTALLATION - MAIN BOOM



ART_0258077

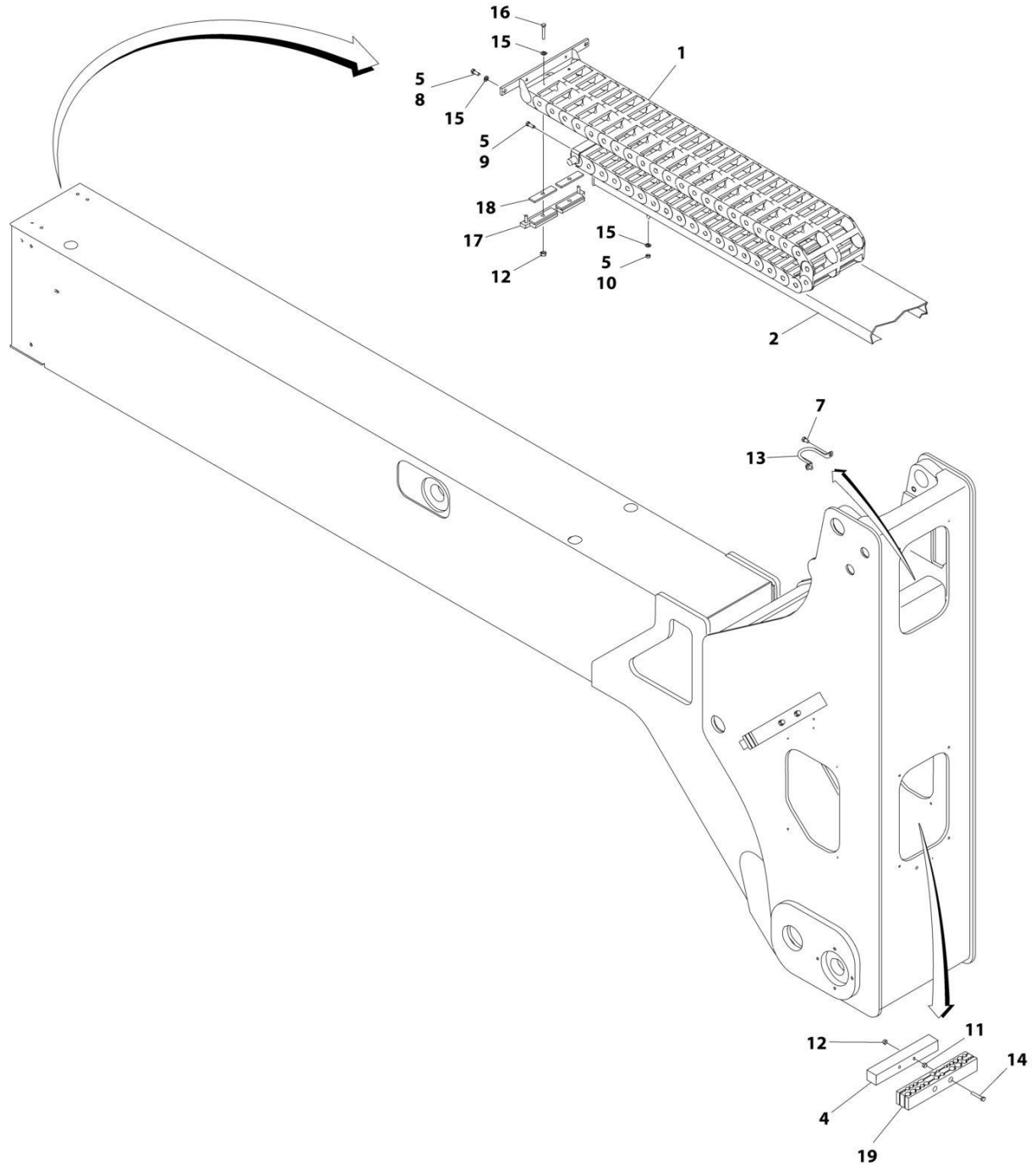
SECTION 4 - BOOM

FIGURE 4-6. POWER TRACK INSTALLATION - MAIN BOOM

ITEM	PART NUMBER	QTY	DESCRIPTION	REV
	0258077	Ref	POWER TRACK INSTALLATION	K
1	1001099837	1	Track, Power	
1A	70002013	AR	Carrier Repair Section (Includes 1 Pin Assembly for each end)	
1B	70002014	1	Mounting Foot Kit (Includes Both Pair of Feet)	
2	1001170527	1	Tube, Push	
3	4845730	1	Support	
4	3340840	1	Pad	
5	1001136400	1	Plate, Backing	
6	3340764	2	Pad	
7	4070969	3	Shim 16 Gauge	
8	0641640	2	Bolt 3/8 x 5	
9	0641606	18	Bolt 3/8 x 3/4	
10	4711600	20	Washer 3/8	
11	0100011	AR	Compound, Locking	
12	4060805	8 in/ 20cm	Flex-Trim	
13	0641624	2	Bolt 3/8 x 3	
14	1320289	1	Clamp	
15	1320288	1	Clamp	
16	0641607	4	Bolt 3/8 x 7/8	
17	3841406	1	Loop, Hose	
18	91203039	1	Pad	
19	3340943	2	Pad, Rubber	
20	3340941	2	Pad	
21	3900283	2	Screw 3/8 x 3/4	
22	3311605	2	Nut 3/8	
23	0100081	AR	Adhesive	
24	4071052	2	Shim 1/4	

SECTION 4 - BOOM

FIGURE 4-7. POWER TRACK INSTALLATION - TOWER BOOM



ART_1001261274

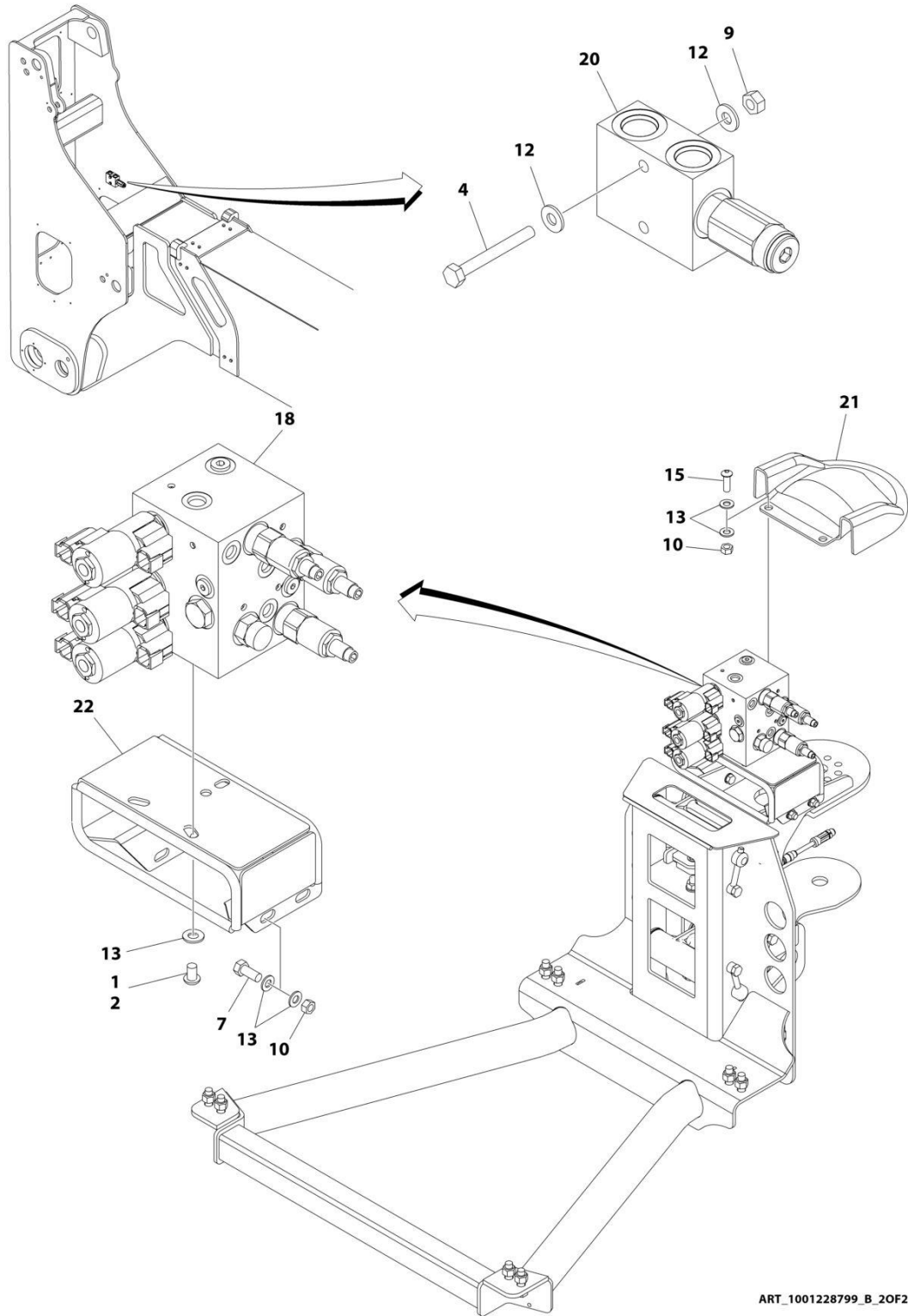
SECTION 4 - BOOM

FIGURE 4-7. POWER TRACK INSTALLATION - TOWER BOOM

ITEM	PART NUMBER	QTY	DESCRIPTION	REV
	1001261274	Ref	POWER TRACK INSTALLATION	B
1	1180346	1	Track, Power	
1	7020064	1	Bracket, End (Moving)	
1	7020065	1	Bracket, End (Fixed)	
1	7020066	1	Section, Repair	
1	7020067	1	Link, Repair	
2	4845680	1	Tube, Hose	
4	1320250	2	Bar	
5	0100011	AR	Compound, Locking	
7	0641605	2	Bolt 3/8 x 5/8	
8	0641606	2	Bolt 3/8 x 3/4	
9	0641622	2	Bolt 3/8 x 2-3/4	
10	3311601	4	Nut 3/8	
11	3311602	4	Nut 3/8	
12	3311605	6	Nut 3/8	
13	3841340	1	Rod, Hose Loop	
14	3900262	4	Bolt 3/8 x 4-3/4	
15	4711600	8	Washer 3/8	
16	0641624	2	Bolt 3/8 x 3	
17	0259420	1	Clamp	
18	3340859	2	Pad	
19	1001261272	2	Clamp, Block	

SECTION 4 - BOOM

FIGURE 4-8. BOOM VALVES INSTALLATION



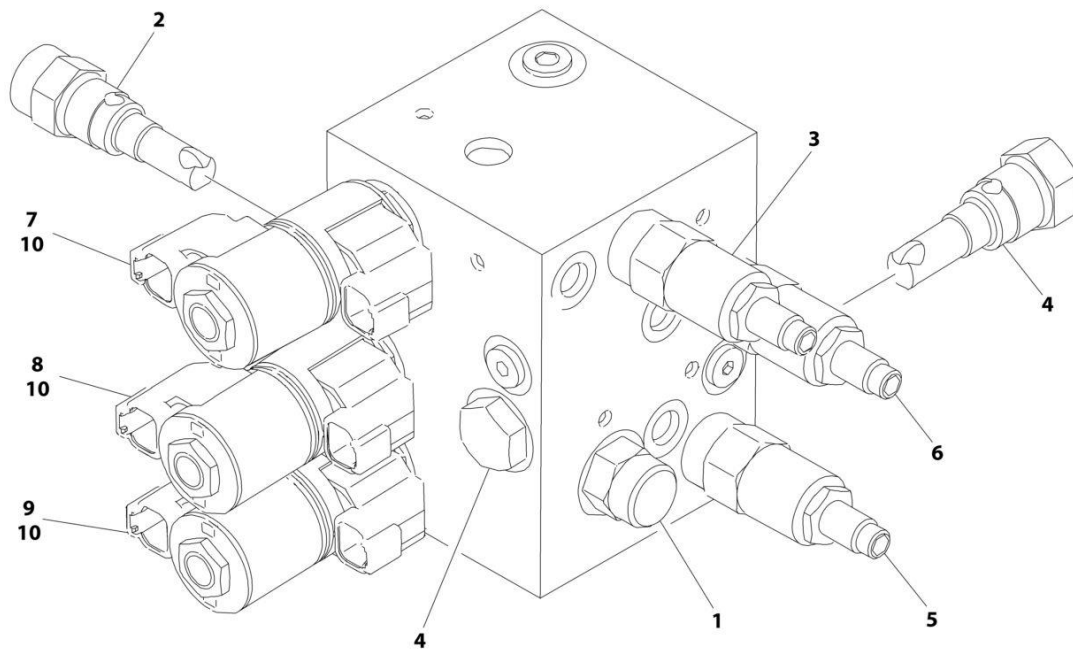
ART_1001228799_B_20F2

FIGURE 4-8. BOOM VALVES INSTALLATION

ITEM	PART NUMBER	QTY	DESCRIPTION	REV
	1001228799	Ref	BOOM VALVES INSTALLATION	B
1	0100011	AR	Compound, Locking	
2	0630467	3	Screw 5/16 x 1/2	
4	0641418	2	Bolt 1/4 x 2-1/4	
7	0641607	4	Bolt 3/8 x 7/8	
9	3311405	2	Nut 1/4	
10	3311505	6	Nut 5/16	
12	4711400	8	Washer 1/4	
13	4711500	15	Washer 5/16	
15	88261024	2	Capscrew 5/16 x 1	
18	1001152565	1	Boom Valve Assembly (See Separate Breakdown in this Section)	
20	1001200054	1	Valve Assembly (Relief)	
20	7012970	1	Cartridge, Valve	
20	7012953	1	Seal Kit - 7012970 Valve	
21	1001207969	1	Cover	
22	1001208994	1	Mount	

SECTION 4 - BOOM

FIGURE 4-9. BOOM VALVE ASSEMBLY



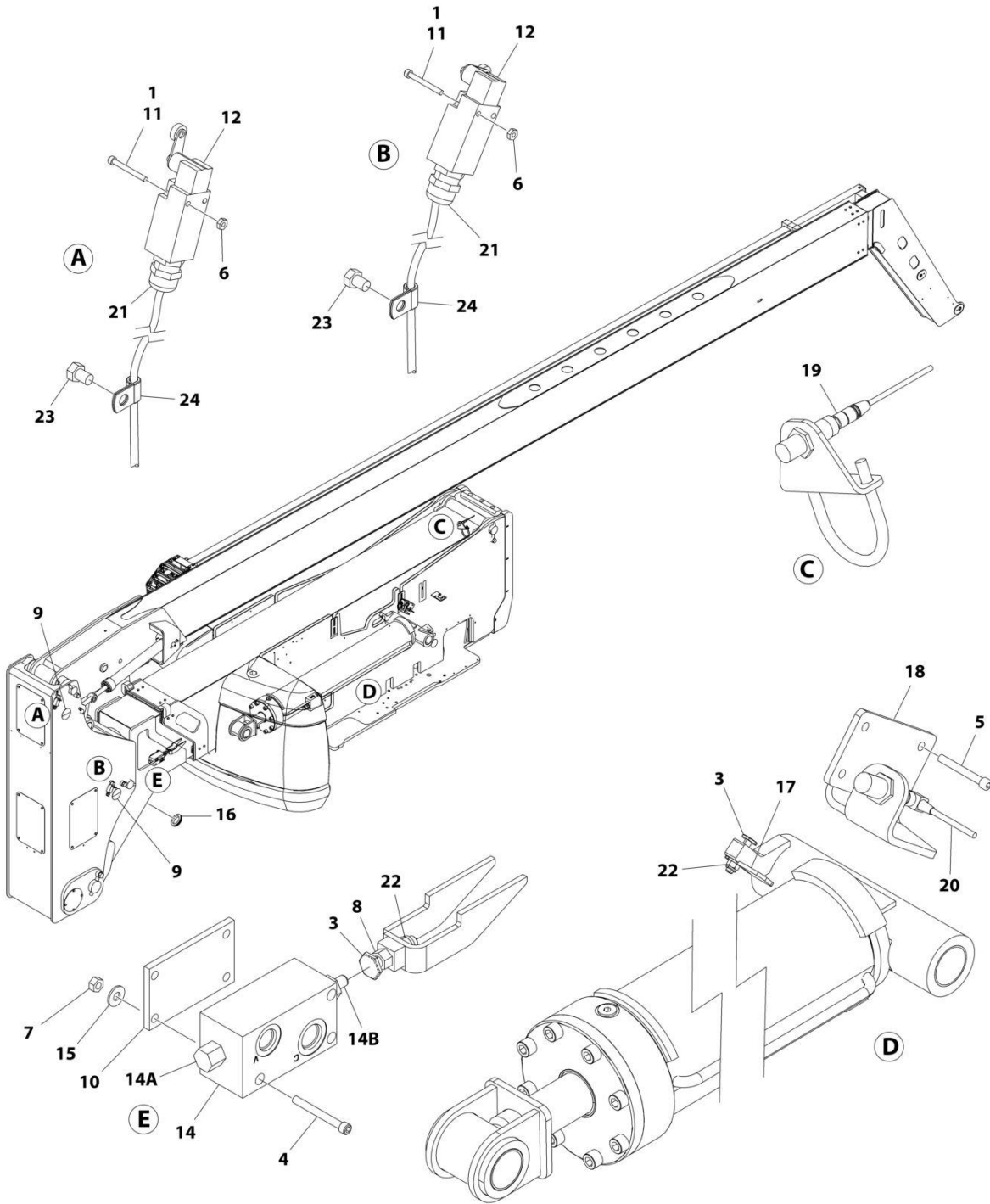
ART_1001152565

FIGURE 4-9. BOOM VALVE ASSEMBLY

ITEM	PART NUMBER	QTY	DESCRIPTION	REV
	1001152565	Ref	BOOM VALVE ASSEMBLY	C
1	7012989	1	Valve, Flow	
1	7012953	1	Seal Kit - 7012989 Valve	
2	7012965	1	Valve, Flow	
2	7012953	1	Seal Kit - 7012965 Valve	
3	70003790	1	Valve, Relief	
3	7021653	1	Seal Kit - 70003790 Valve	
4	7012914	2	Valve, Cartridge	
4	7012918	2	Seal Kit - 7012914 Valve	
5	7023911	1	Valve, Relief	
5	7012967	1	Seal Kit - 7023911 Valve	
6	7023912	1	Valve, Relief	
6	7012967	1	Seal Kit - 7023912 Valve	
7	7017452	1	Valve, Solenoid (Jib)	
7	7017402	2	Seal Kit - 7017452 Valve	
8	7017452	1	Valve, Solenoid (Platform Level)	
8	7017402	1	Seal Kit - 7017452 Valve	
9	7017452	1	Valve, Solenoid (Rotator)	
9	7017402	2	Seal Kit - 7017452 Valve	
10	70002386	6	Coil	
11	70002064	2	Plug, Orifice (Not Shown)	
12	7017406	2	Plug (Not Shown)	

SECTION 4 - BOOM

FIGURE 4-10. BOOM VALVE AND LIMIT SWITCHES INSTALLATION (WITHOUT TOWER STOW)



ART_0258217

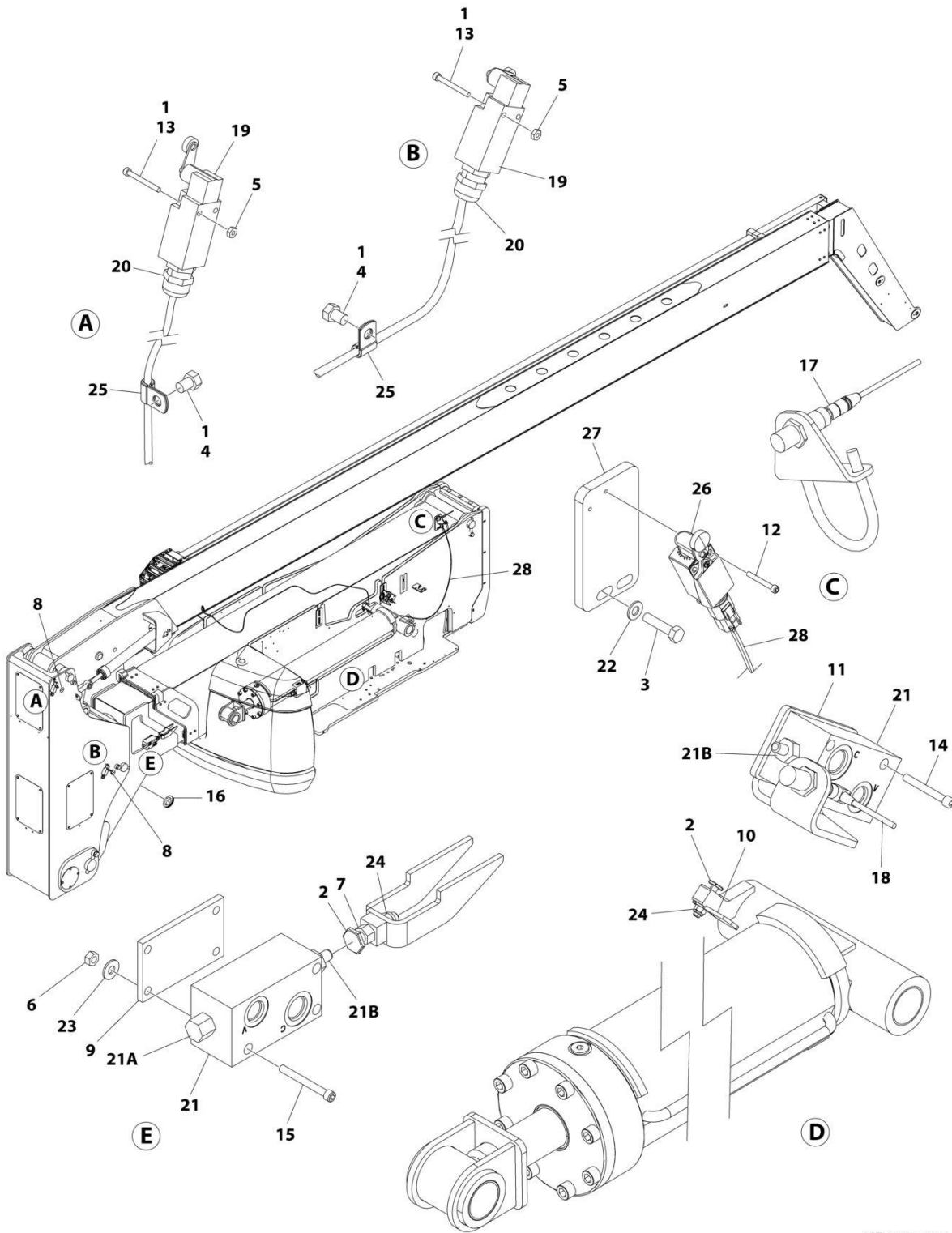
SECTION 4 - BOOM

FIGURE 4-10. BOOM VALVE AND LIMIT SWITCHES INSTALLATION (WITHOUT TOWER STOW)

ITEM	PART NUMBER	QTY	DESCRIPTION	REV
	0258217	Ref	BOOM VALVE AND LIMIT SWITCHES INSTALLATION	S
1	0100011	AR	Compound, Locking	
3	0630427	2	Bolt	
4	3931436	3	Capscrew 1/4 x 2-1/4	
5	3931464	3	Capscrew 1/4 x 4	
5	3931432	3	Capscrew 1/4 x 2	
6	3310801	4	Nut #8	
7	3311405	AR	Nut 1/4	
8	3311801	1	Nut 1/2	
9	3520035	2	Plug	
10	3570928	2	Plate, Spacer	
11	3930824	2	Capscrew #8 x 1-1/2	
12	4360578	2	Switch, Limit	
14	4641435	2	Valve, Switch	
14A	7011342	2	Valve, Check (1 Per Assembly)	
14A	7011333	2	Seal Kit - Check Valve (1 Per Assembly)	
14B	See Note	NSS	Valve, Plunger (1 Per Assembly) (Note: Not Available - Purchase Complete Valve Assembly)	
14B	See Note	NSS	Seal Kit (1 Per Assembly) (Note: Not Available for Purchase)	
15	4751400	AR	Washer 1/4	
16	4060805	7 in/25cm	Trim	
17	3572606	1	Plate, Switch Target	
18	3572607	1	Plate, Switch Mount	
19	4360498	1	Switch, Proximity	
20	4360499	1	Switch, Proximity	
21	4460968	2	Connector, Strain Relief	
22	88521008	2	Nut 1/2	
23	0641604	2	Bolt 3/8 x 1/2	
24	91203039	2	Clamp	

SECTION 4 - BOOM

FIGURE 4-11. BOOM VALVE AND LIMIT SWITCHES INSTALLATION (WITH TOWER STOW)



ART_1001266164

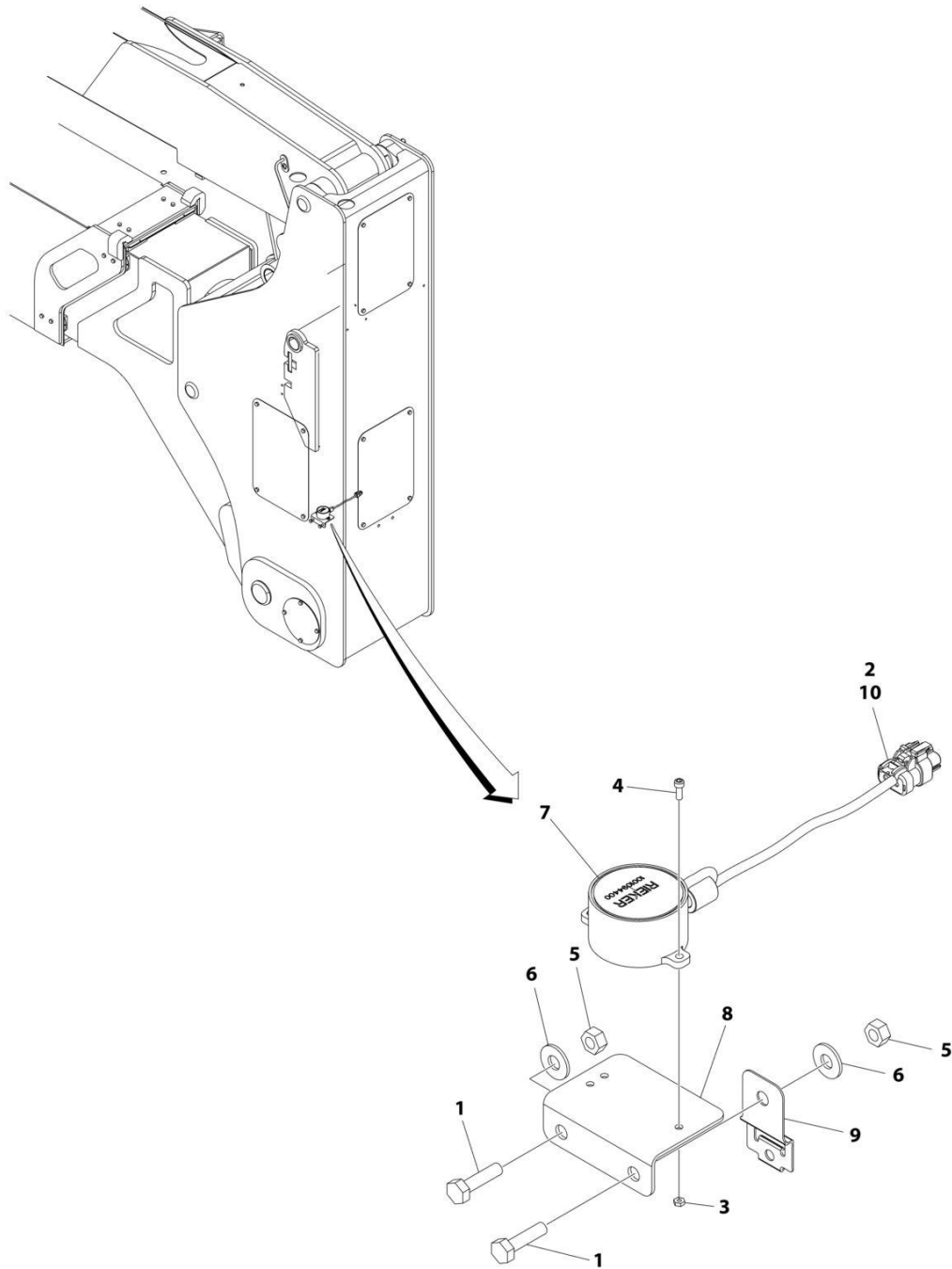
SECTION 4 - BOOM

FIGURE 4-11. BOOM VALVE AND LIMIT SWITCHES INSTALLATION (WITH TOWER STOW)

ITEM	PART NUMBER	QTY	DESCRIPTION	REV
	1001266164	Ref	BOOM VALVE AND LIMIT SWITCHES INSTALLATION	A
1	0100011	AR	Compound, Locking	
2	0630427	2	Bolt	
3	0641511	2	Bolt 5/16 x 1-3/8	
4	0641604	2	Bolt 3/8 x 1/2	
5	3310801	4	Nut #8	
6	3311405	3	Nut 1/4	
7	3311801	1	Nut 1/2	
8	3520035	2	Plug	
9	3570928	1	Plate, Spacer	
10	3572606	1	Plate, Switch Target	
11	3572607	1	Plate, Switch Mount	
12	3930820	2	Capscrew #8 x 1-1/4	
13	3930824	4	Capscrew #8 x 1-1/2	
14	3931432	3	Capscrew 1/4 x 2	
15	3931436	3	Capscrew 1/4 x 2-1/4	
16	4060805	6 in/1.9 m	Trim	
17	4360498	1	Switch, Proximity	
18	4360499	2	Switch, Proximity	
19	4360578	2	Switch, Limit	
20	4460968	2	Connector, Strain Relief	
21	4641435	2	Valve, Switch	
21A	7011342	2	Valve, Check (1 Per Assembly)	
21A	7011333	2	Seal Kit - Check Valve (1 Per Assembly)	
21B	See Note	NSS	Valve, Plunger (1 Per Assembly) (Note: Not Available - Purchase Complete Valve Assembly)	
21B	See Note	NSS	Seal Kit (1 Per Assembly) (Note: Not Available for Purchase)	
22	4711500	2	Washer 5/16	
23	4751400	3	Washer 1/4	
24	88521008	2	Nut 1/2	
25	91203039	2	Clamp	
26	1001172271	1	Switch, Roller Limit	
27	1001260475	1	Bracket, Limit Switch	
28	1001266829	1	Harness Tower Stow	
28	4460884	1	Plug, Male - 4 Position	
28	4460465	2	Socket, Female	
28	4460910	1	Connector	
28	1001116695	2	Terminal	

SECTION 4 - BOOM

FIGURE 4-12. TILT SENSOR INSTALLATION



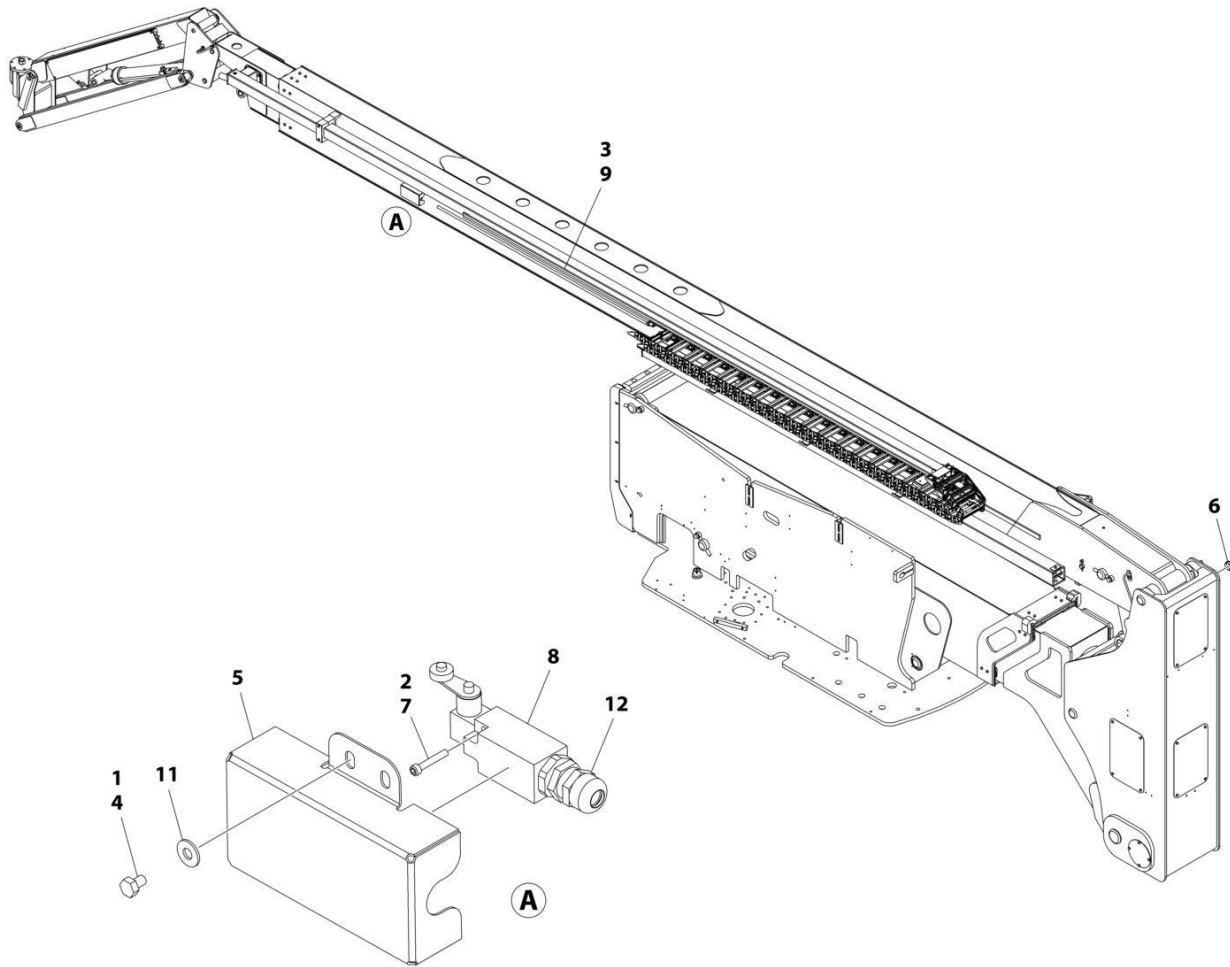
ART_0275733

FIGURE 4-12. TILT SENSOR INSTALLATION

ITEM	PART NUMBER	QTY	DESCRIPTION	REV
	0275733	Ref	TILT SENSOR INSTALLATION	B
1	0641408	2	Bolt 1/4 x 1	
2	0100048	AR	Grease, Dielectric	
3	3310605	3	Nut #6	
4	3930606	3	Screw #6 x 3/4	
5	3311405	2	Nut 1/4	
6	4751400	2	Washer 1/4	
7	1001094400	1	Sensor, Dual Axis	
8	1001096736	1	Bracket, Tilt Sensor	
9	1001153749	1	Clip	
10	1001200497	1	Connector - 3 Position	

SECTION 4 - BOOM

FIGURE 4-13. TRANSPORT POSITION SWITCH INSTALLATION (CE & UK CA SPECS)



ART_0258567

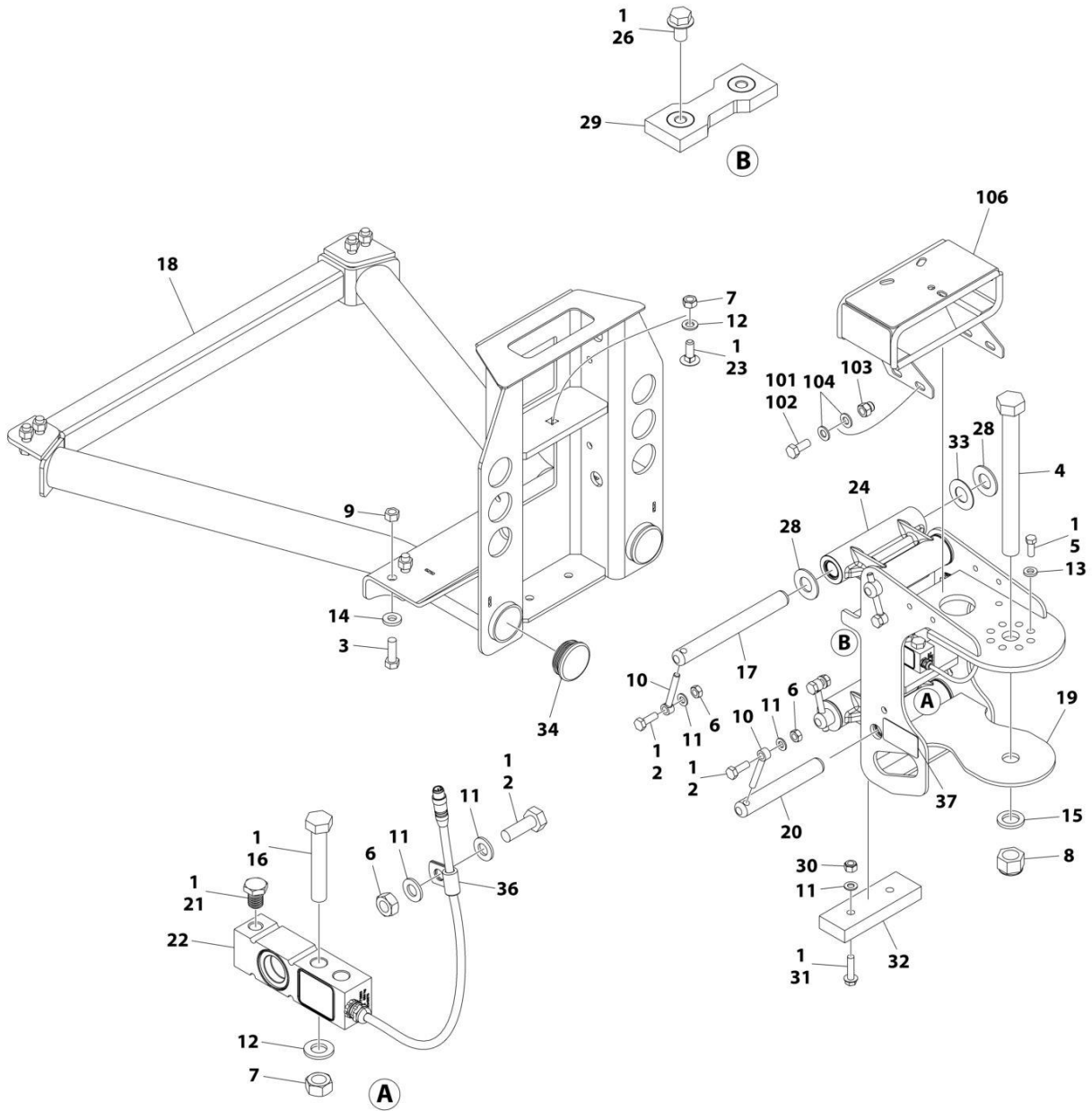
SECTION 4 - BOOM

FIGURE 4-13. TRANSPORT POSITION SWITCH INSTALLATION (CE & UK CA SPECS)

ITEM	PART NUMBER	QTY	DESCRIPTION	REV
	0258567	Ref	TRANSPORT POSITION SWITCH INSTALLATION	F
1	0100011	AR	Compound, Locking	
2	0100035	AR	Compound, Locking	
3	1001106481	1	Bar, Fiberglass	
4	0641403	4	Bolt 1/4 x 3/8	
5	3380535	1	Cover, Switch	
6	3520035	1	Plug, Cap	
7	3930816	2	Capscrew #8 x 1	
8	4360578	1	Switch, Limit	
9	4420060	AR	Tape	
11	4751400	4	Washer 1/4	
12	4460968	1	Connector, Strain Relief	

SECTION 4 - BOOM

FIGURE 4-14. PLATFORM SUPPORT INSTALLATION



ART_1001167596

SECTION 4 - BOOM

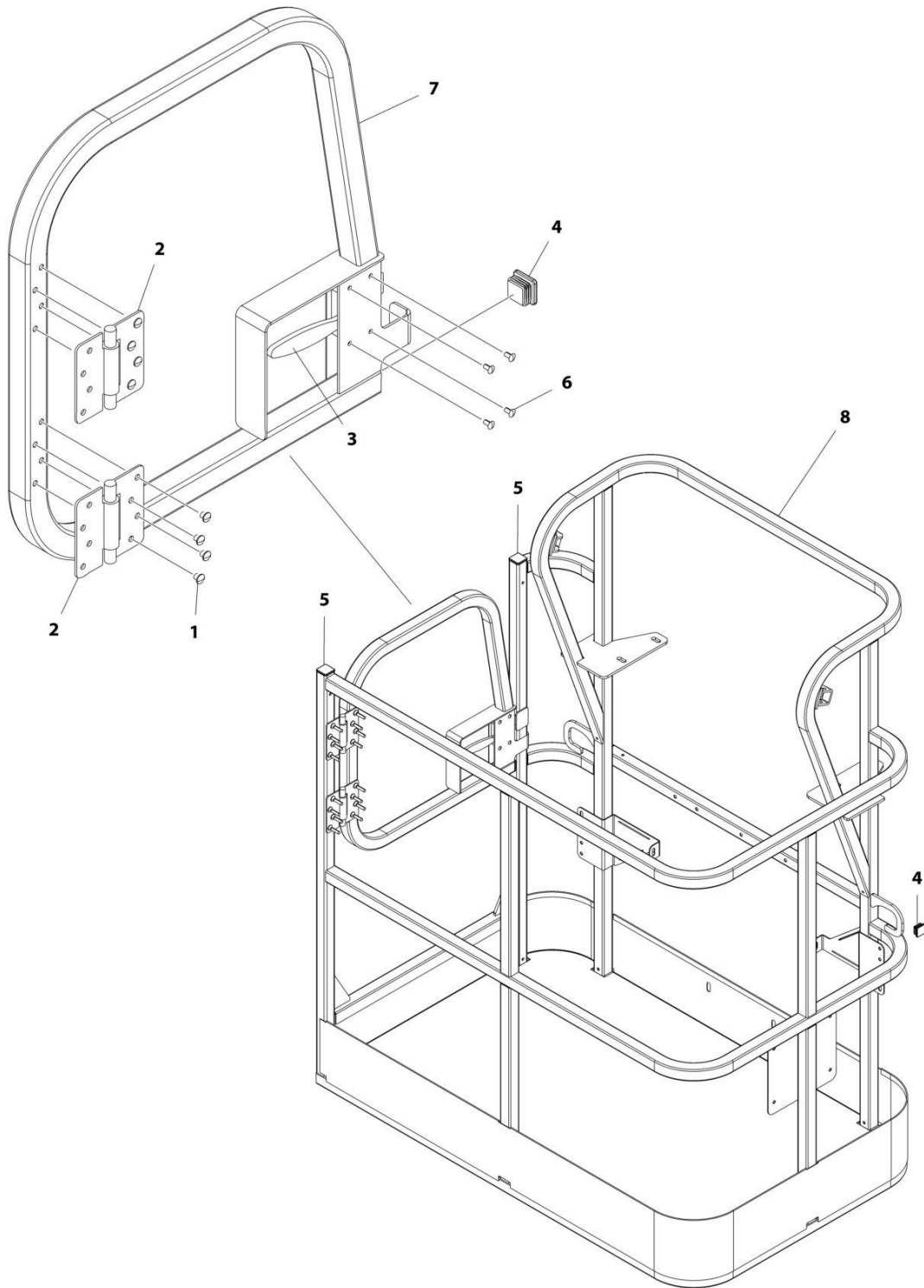
FIGURE 4-14. PLATFORM SUPPORT INSTALLATION

ITEM	PART NUMBER	QTY	DESCRIPTION	REV
	1001167596	Ref	PLATFORM SUPPORT INSTALLATION	N
1	0100011	AR	Compound, Locking	
2	0761014	5	Bolt M10 x 30	
3	0761216	8	Bolt M12 x 40	
4	1001255133	1	Bolt 1 x 11	
5	0681608	8	Bolt 3/8 x 1	
6	3291001	5	Nut M10	
7	3291201	3	Nut M12	
8	1001174040	1	Nut 1	
9	3291205	8	Nut M12	
10	3841143	4	Keeper, Pin	
11	4812000	8	Washer M10	
12	4812100	3	Washer M12	
13	4891600	8	Washer 3/8	
14	5241200	8	Washer M12	
15	4892600001	1	Washer 1	
16	1001098828	2	Bolt M12 x 70 Grade 10.9	
17	1001167565	2	Pin	
18	1001200494	1	Support, Platform	
19	1001167567	1	Support, Rotator	
20	1001168402	2	Pin	
21	1001188622	1	Screw	
22	1001247468	1	Gauge, Load Sensing	
23	1001188844	1	Bolt M12 x 35	
24	1001201351	2	Link	
26	5251008	2	Bolt M10 x 16	
28	1001189002	8	Bearing	
29	1001190985	1	Pad, Wear	
30	3291005	2	Nut M10	
31	5251016	2	Bolt M10 x 40	
32	1001200491	1	Pad, Wear	
33	1001189001	4	Bearing	
34	1001204725	2	Plug	
36	91203039	1	Clamp	
37	1001216630	2	Decal - Tie Down/No Lift	
38	1001238421	Ref	Kit, Platform Leveling (Not Shown)	
	1001202687	Ref	VALVE MOUNT INSTALLATION	B
101	0100011	AR	Compound, Locking	
102	0760810	4	Bolt M8 x 20	
103	3290806	4	Nut M8	
104	4811900	8	Washer M8	
106	1001208994	1	Mount, Valve	

SECTION 5 - PLATFORM

SECTION 5 - PLATFORM

FIGURE 5-1. PLATFORM ASSEMBLY - 30IN X 4FT (76CM X 1.22M) WITH SWING GATE



ART_1001186387

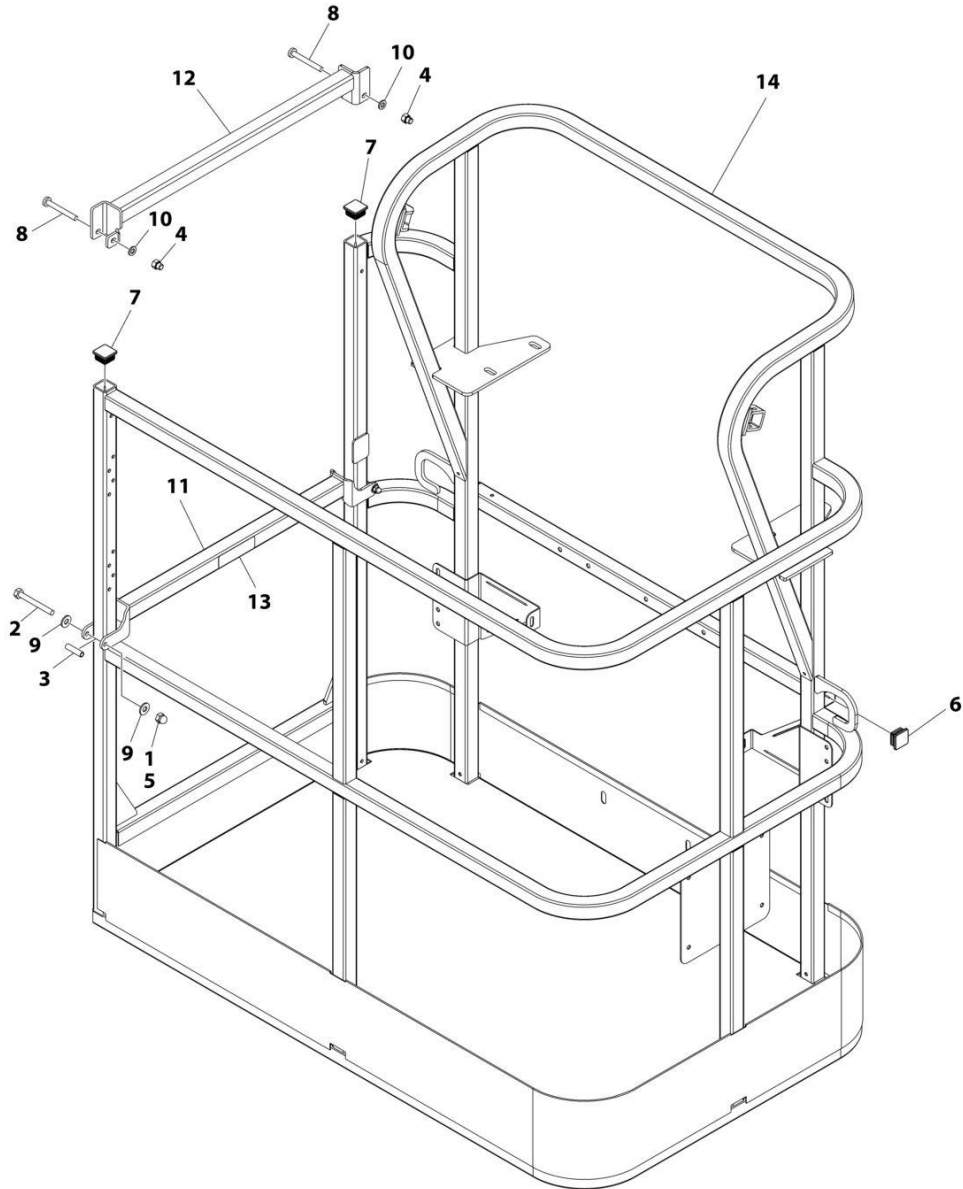
SECTION 5 - PLATFORM

FIGURE 5-1. PLATFORM ASSEMBLY - 30IN X 4FT (76CM X 1.22M) WITH SWING GATE

ITEM	PART NUMBER	QTY	DESCRIPTION	REV
	1001186387	Ref	PLATFORM ASSEMBLY	C
		Ref	Note: Platform and Mesh must be ordered separately for Platforms with Mesh. See SPECIAL OPTIONS SECTION for Mesh Installations.	
		Ref	Note: Replacement Decals Must be Ordered Separately - See DECALS SECTION.	
1	2080040	16	Fastener, Huck	
2	2600281	2	Hinge, Self-Closing	
3	2940074	1	Latch	
4	3520072	3	Plug	
5	3520198	2	Plug	
6	3820020	4	Rivet	
7	1001144629	1	Gate	
8	See Note	1	Platform (Note: Not Available - Purchase Platform Assembly)	

SECTION 5 - PLATFORM

FIGURE 5-2. PLATFORM ASSEMBLY - 30IN X 4FT (76CM X 1.22M) WITH DROP BAR



ART_1001186375

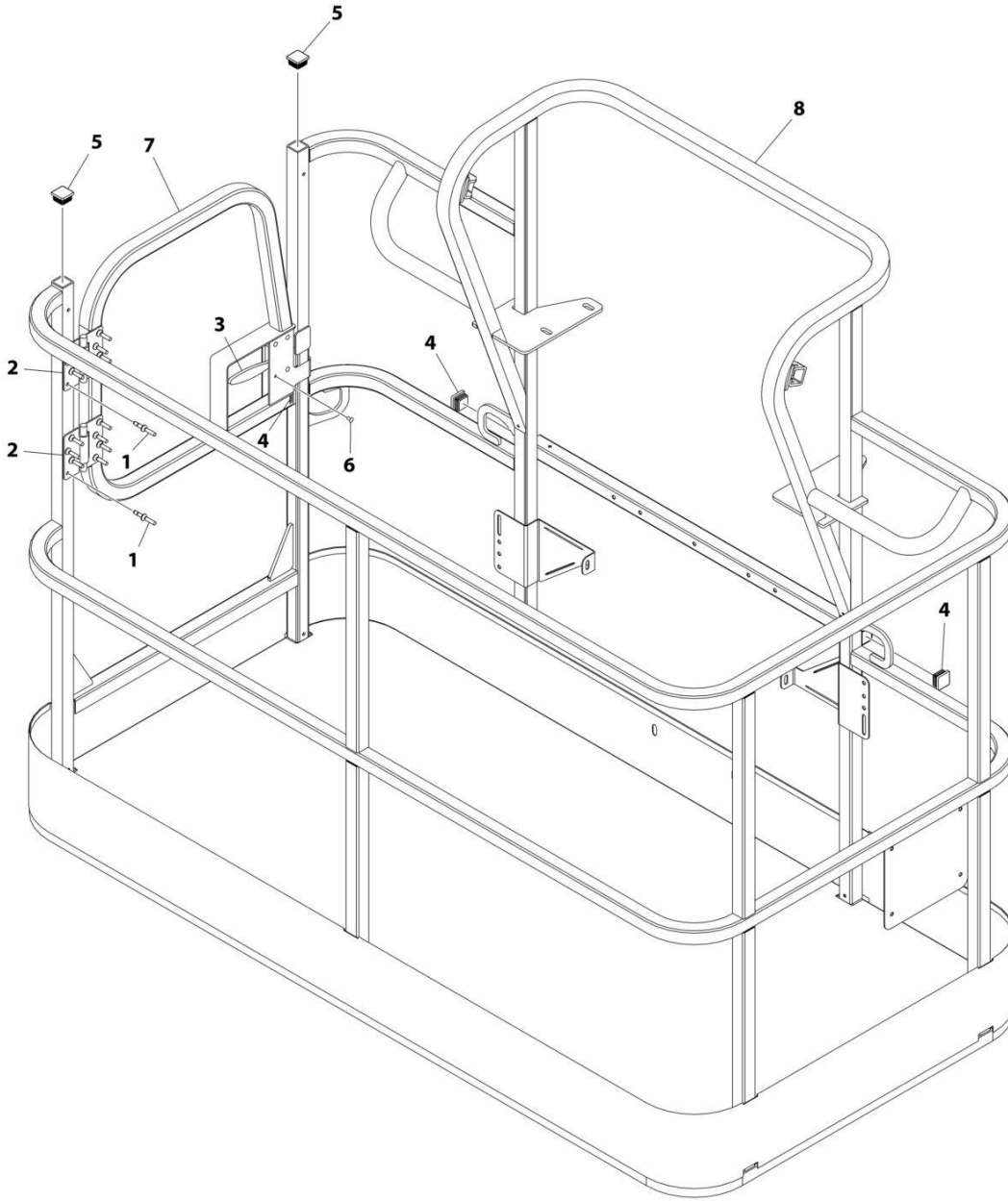
SECTION 5 - PLATFORM

FIGURE 5-2. PLATFORM ASSEMBLY - 30IN X 4FT (76CM X 1.22M) WITH DROP BAR

ITEM	PART NUMBER	QTY	DESCRIPTION	REV
	1001186375	Ref	PLATFORM ASSEMBLY	B
		Ref	Note: Platform and Mesh must be ordered separately for Platforms with Mesh. See SPECIAL OPTIONS SECTION for Mesh Installations.	
		Ref	Note: Replacement Decals Must be Ordered Separately - See DECALS SECTION.	
1	0100011	AR	Compound, Locking	
2	0641418	2	Bolt 1/4 x 2-1/4	
3	0961845	2	Bushing	
4	3290606	2	Nut M6	
5	3300151	2	Nut 1/4	
6	3520072	2	Plug	
7	3520198	2	Plug	
8	4010618	2	Screw M6 x 50	
9	4711400	4	Washer 1/4	
10	4811700	2	Washer M6	
11	1001138494	1	Bar, Drop	
12	1001138514	1	Rail - Top	
13	1001140429	1	Decal - Drop Bar	
14	See Note	1	Platform (Note: Not Available - Purchase Platform Assembly)	

SECTION 5 - PLATFORM

FIGURE 5-3. PLATFORM ASSEMBLY - 30IN X 6FT (76CM X 1.83M) WITH SWING GATE



ART_1001186385

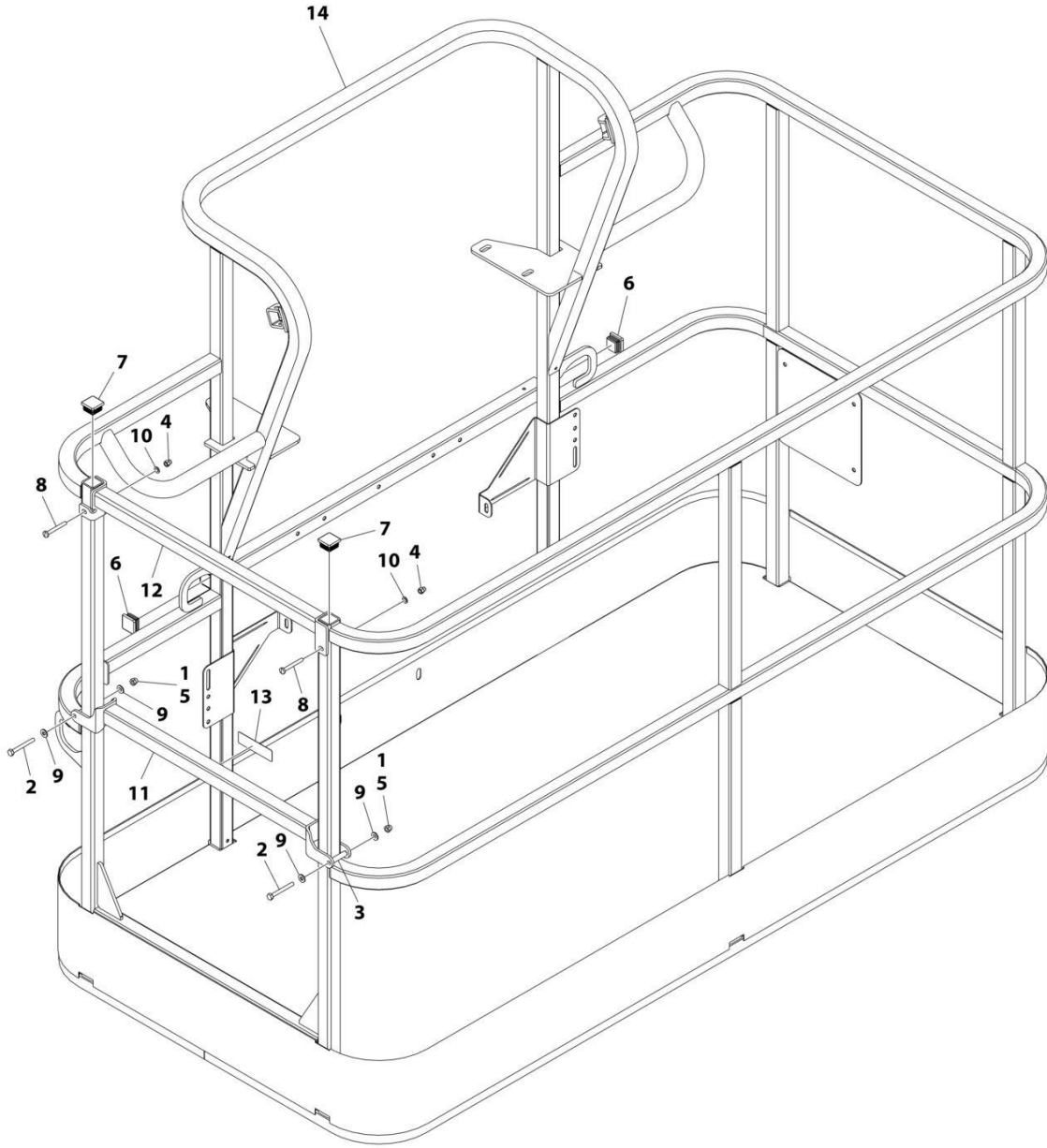
SECTION 5 - PLATFORM

FIGURE 5-3. PLATFORM ASSEMBLY - 30IN X 6FT (76CM X 1.83M) WITH SWING GATE

ITEM	PART NUMBER	QTY	DESCRIPTION	REV
	1001186385	Ref	PLATFORM ASSEMBLY	D
		Ref	Note: Platform and Mesh must be ordered separately for Platforms with Mesh. See SPECIAL OPTIONS SECTION for Mesh Installations.	
		Ref	Note: Replacement Decals Must be Ordered Separately - See DECALS SECTION.	
1	2080040	16	Fastener, Huck	
2	2600281	2	Hinge	
3	2940074	1	Latch	
4	3520072	3	Plug	
5	3520198	2	Plug	
6	3820020	4	Rivet	
7	1001144629	1	Gate	
8	See Note	NSS	Platform (Note: Not Available - Purchase Platform Assembly)	

SECTION 5 - PLATFORM

FIGURE 5-4. PLATFORM ASSEMBLY - 30IN X 6FT (76CM X 1.83M) WITH DROP BAR



ART_1001186378

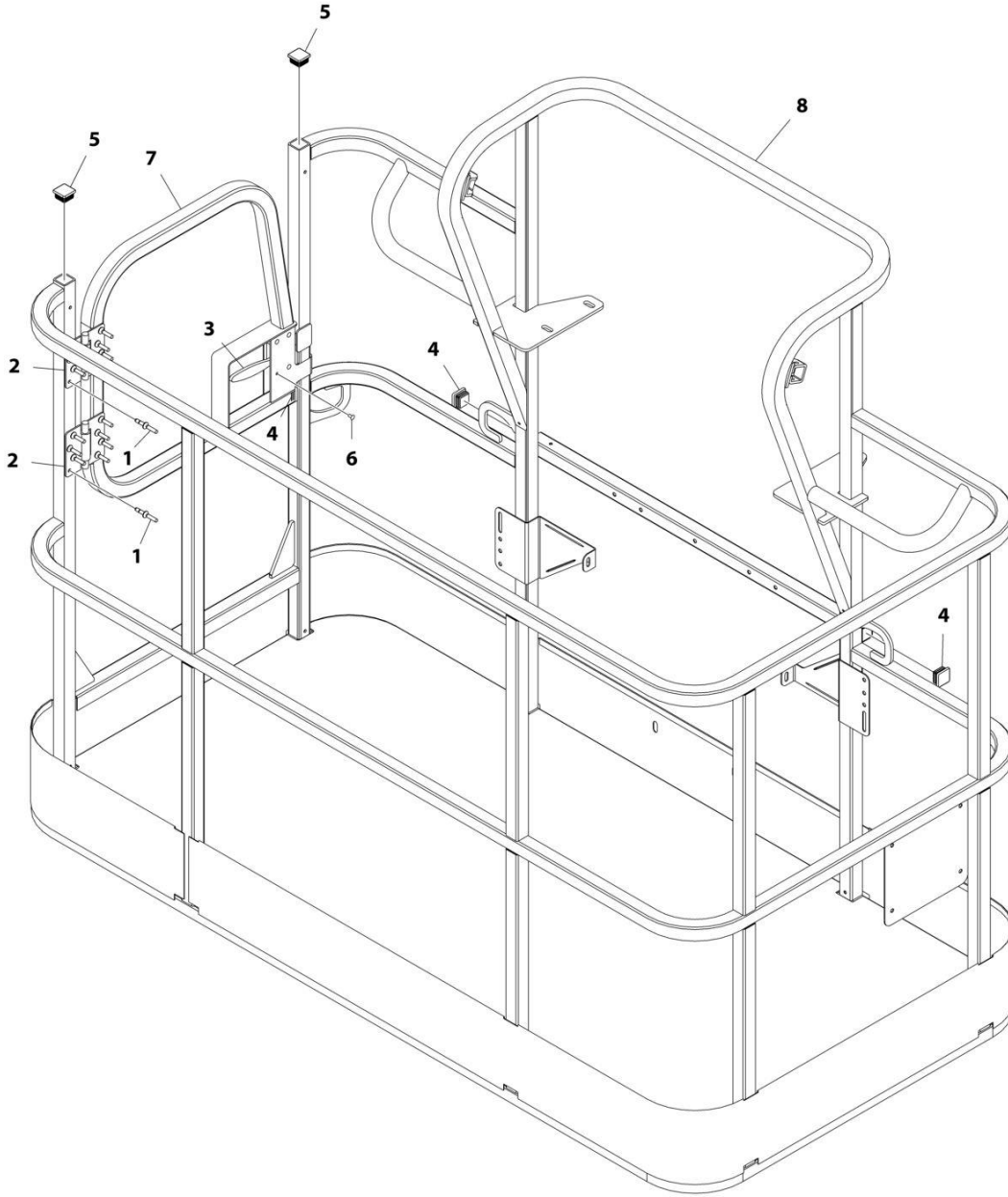
SECTION 5 - PLATFORM

FIGURE 5-4. PLATFORM ASSEMBLY - 30IN X 6FT (76CM X 1.83M) WITH DROP BAR

ITEM	PART NUMBER	QTY	DESCRIPTION	REV
	1001186378	Ref	PLATFORM ASSEMBLY	C
		Ref	Note: Platform and Mesh must be ordered separately for Platforms with Mesh. See SPECIAL OPTIONS SECTION for Mesh Installations.	
		Ref	Note: Replacement Decals Must be Ordered Separately - See DECALS SECTION.	
1	0100011	AR	Compound, Locking	
2	0641418	2	Bolt 1/4 x 2-1/4	
3	0961845	2	Bushing	
4	3290606	2	Nut M6	
5	3300151	2	Nut 1/4	
6	3520072	2	Plug	
7	3520198	2	Plug	
8	4010618	2	Screw M6 x 50	
9	4711400	4	Washer 1/4	
10	4811700	2	Washer M6	
11	1001138494	1	Bar, Drop	
12	1001138514	1	Rail (Top)	
13	1001140429	1	Decal - Drop Bar	
14	See Note	NSS	Platform (Note: Not Available - Purchase Platform Assembly)	

SECTION 5 - PLATFORM

FIGURE 5-5. PLATFORM ASSEMBLY - 36IN X 6FT (91.5CM X 1.83M) WITH SWING GATE



ART_1001186384

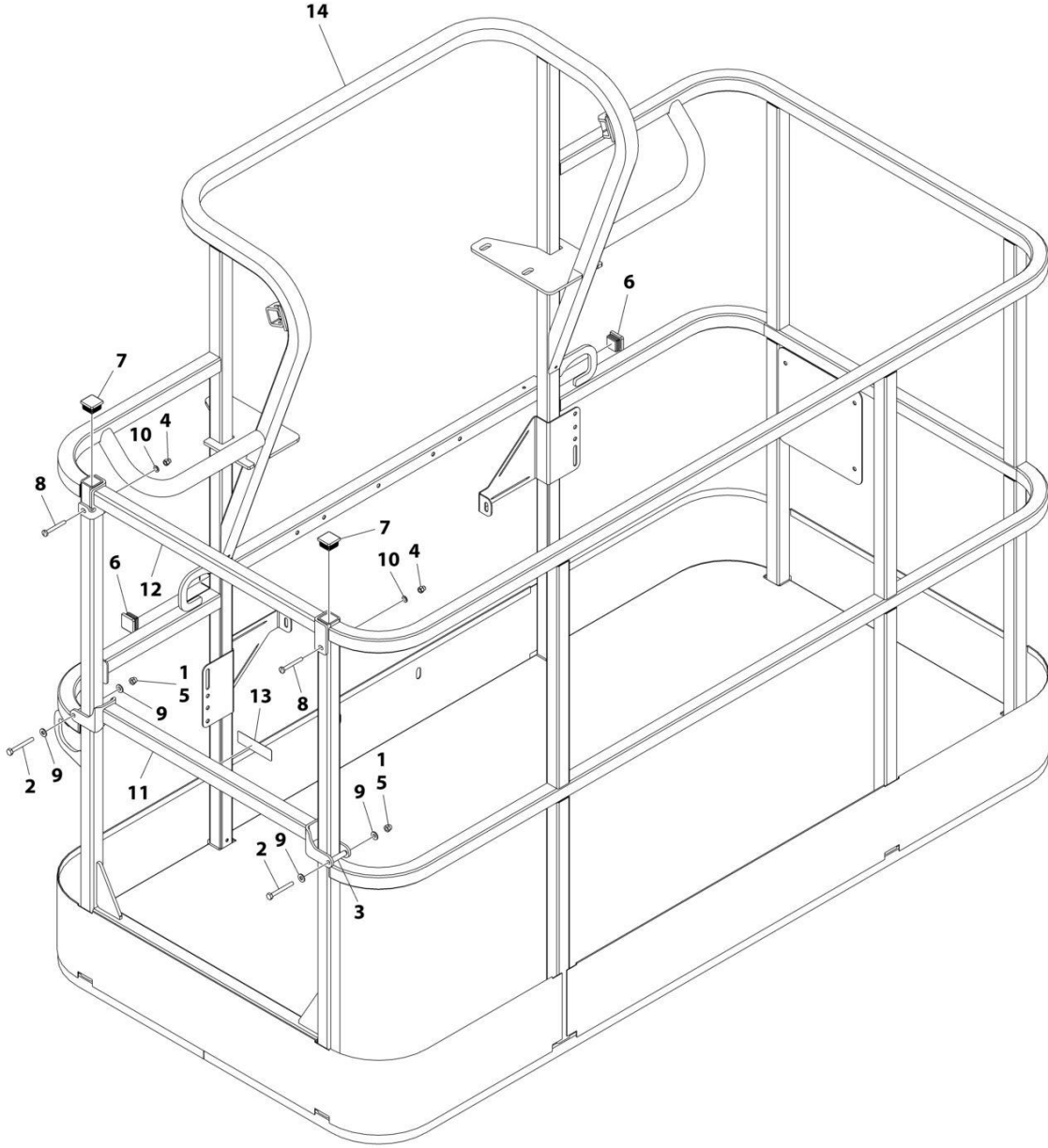
SECTION 5 - PLATFORM

FIGURE 5-5. PLATFORM ASSEMBLY - 36IN X 6FT (91.5CM X 1.83M) WITH SWING GATE

ITEM	PART NUMBER	QTY	DESCRIPTION	REV
	1001186384	Ref	PLATFORM ASSEMBLY - 36IN X 6FT (91.5CM X 1.83M) WITH SWING GATE	C
	See Note	Ref	Note: Platform and Mesh must be ordered separately for Platforms with Mesh. See SPECIAL OPTIONS SECTION for Mesh Installations.	
	See Note	Ref	Note: Replacement Decals Must be Ordered Separately - See DECALS SECTION.	
1	2080040	16	Fastener, Huck	
2	2600281	2	Hinge	
3	2940074	1	Latch	
4	3520072	3	Plug	
5	3520198	2	Plug	
6	3820020	4	Rivet	
7	1001144629	1	Gate	
8	See Note	NSS	Platform (Note: Not Available - Purchase Platform Assembly)	

SECTION 5 - PLATFORM

FIGURE 5-6. PLATFORM ASSEMBLY - 36IN X 6FT (91.5CM X 1.83M) WITH DROP BAR



ART_1001186379

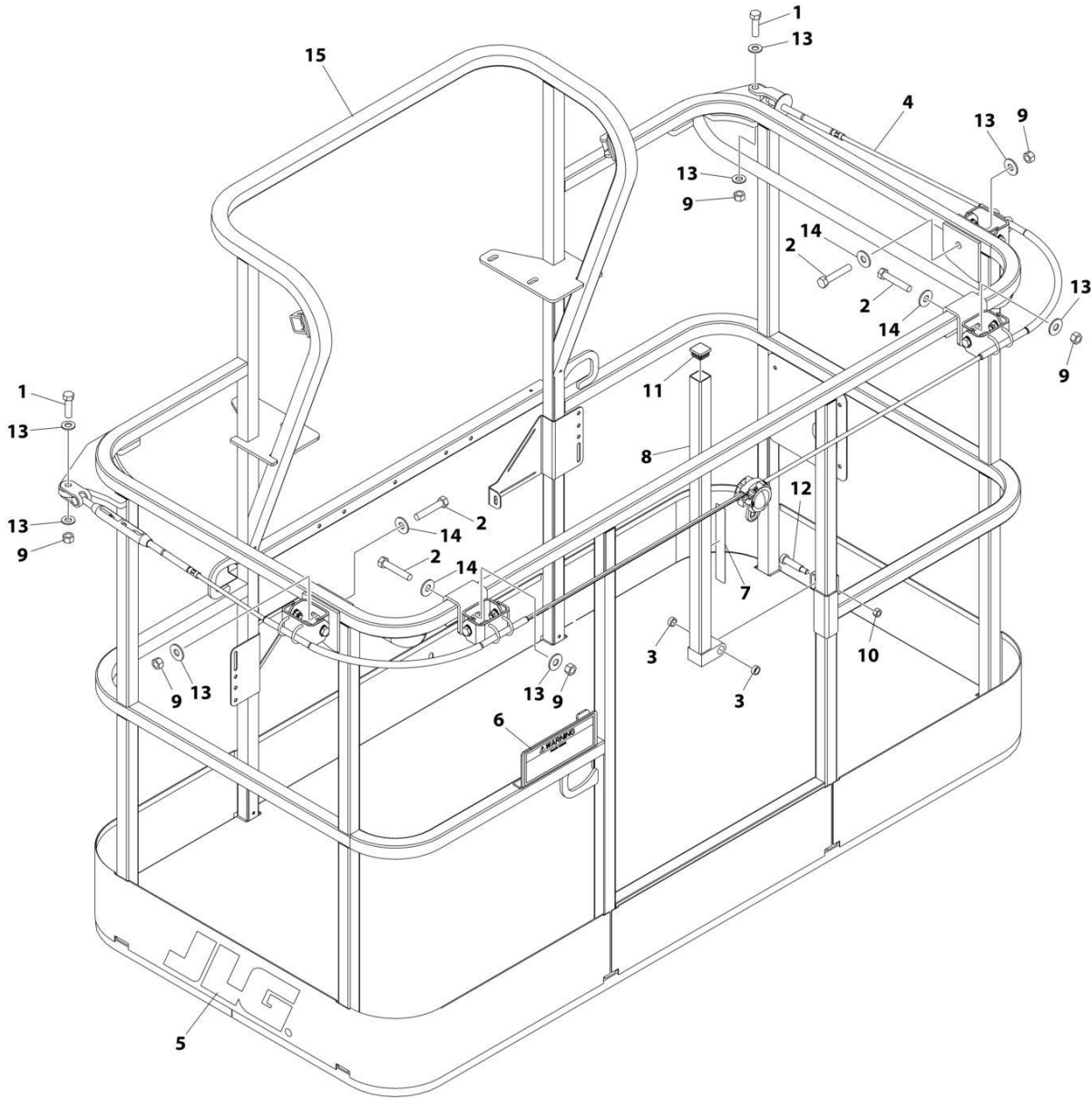
SECTION 5 - PLATFORM

FIGURE 5-6. PLATFORM ASSEMBLY - 36IN X 6FT (91.5CM X 1.83M) WITH DROP BAR

ITEM	PART NUMBER	QTY	DESCRIPTION	REV
	1001186379	Ref	PLATFORM ASSEMBLY - 36IN X 6FT (91.5CM X 1.83M) WITH DROP BAR	B
		Ref	Note: Platform and Mesh must be ordered separately for Platforms with Mesh. See SPECIAL OPTIONS SECTION for Mesh Installations.	
		Ref	Note: Replacement Decals Must be Ordered Separately - See DECALS SECTION.	
1	0100011	AR	Compound, Locking	
2	0641418	2	Bolt 1/4 x 2-1/4	
3	0961845	2	Bushing	
4	3290606	2	Nut M6	
5	3300151	2	Nut 1/4	
6	3520072	2	Plug	
7	3520198	2	Plug	
8	4010618	2	Screw M6 x 50	
9	4711400	4	Washer 1/4	
10	4811700	2	Washer M6	
11	1001138494	1	Bar, Drop	
12	1001138514	1	Rail (Top)	
13	1001140429	1	Decal - Drop Bar	
14	See Note	NSS	Platform (Note: Not Available - Purchase Platform Assembly)	

SECTION 5 - PLATFORM

FIGURE 5-7. PLATFORM ASSEMBLY - 36IN X 6FT (91.5CM X 1.83M) WITH FALL ARREST (ANSI, ANSI EXPORT, CHINA & CSA SPECS)



ART_1001186333

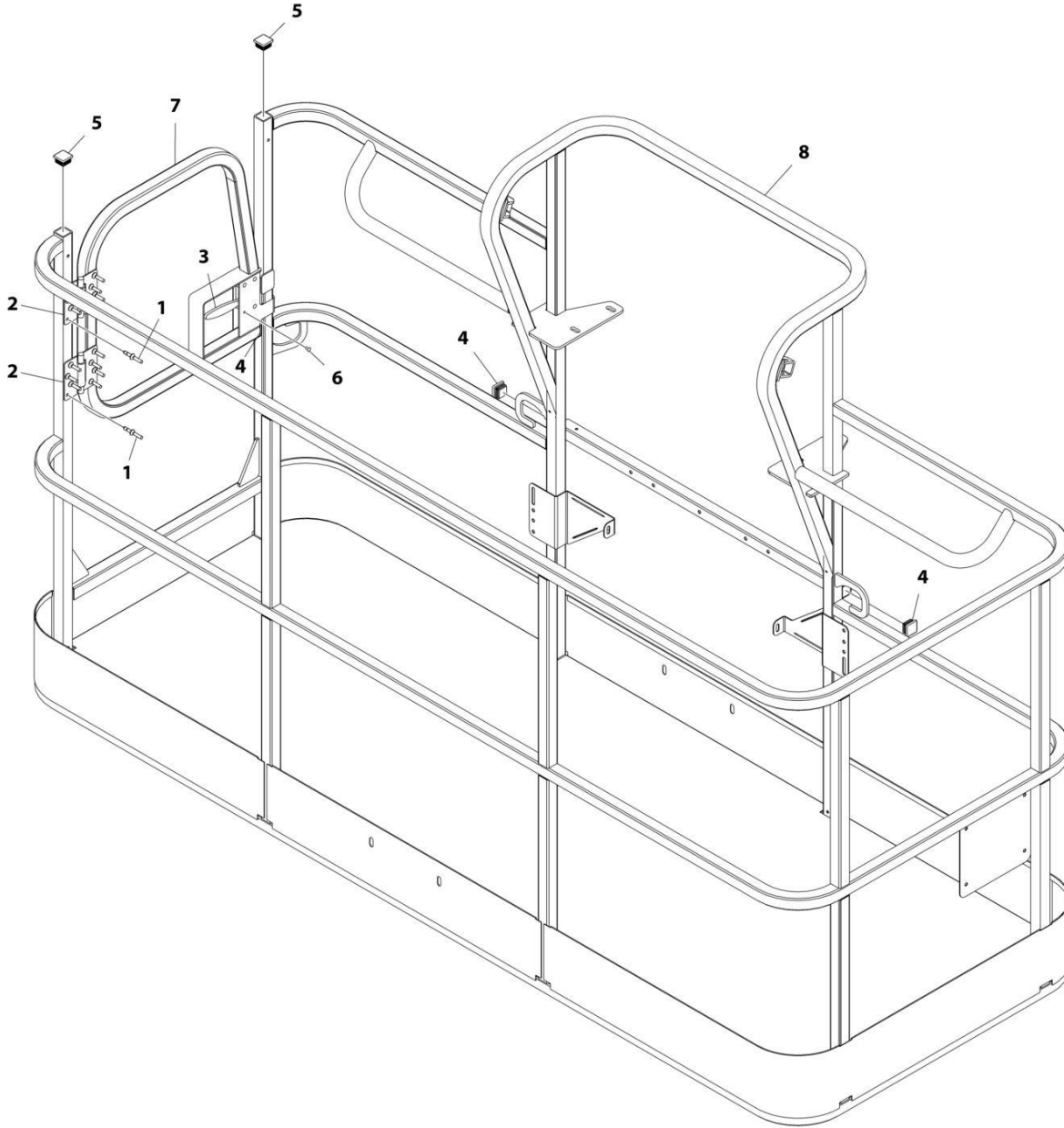
SECTION 5 - PLATFORM

FIGURE 5-7. PLATFORM ASSEMBLY - 36IN X 6FT (91.5CM X 1.83M) WITH FALL ARREST (ANSI, ANSI EXPORT, CHINA & CSA SPECS)

ITEM	PART NUMBER	QTY	DESCRIPTION	REV
	1001186333	Ref	PLATFORM ASSEMBLY	C
		Ref	Note: Replacement Decals Must be Ordered Separately - See DECALS SECTION.	
1	0681814	2	Bolt 1/2 x 1-3/4 Grade 8	
2	0681822	4	Bolt 1/2 x 2-3/4 Grade 8	
3	0962270	2	Bearing	
4	1001203655	1	Cable	
5	1702773	1	Decal - JLG	
6	1705014	1	Decal - Safety	
7	1706385	1	Decal - Drop Bar	
8	2410014	1	Bar, Drop	
9	3271805	6	Nut 1/2 Grade 8	
10	3311605	1	Nut 3/8	
11	3520072	1	Plug	
12	3900054	1	Bolt 1/2 x 1-3/4	
13	4711800	8	Washer 1/2	
14	4751800	4	Washer 1/2	
15	See Note	NSS	Platform (Note: Not Available - Purchase Platform Assembly)	

SECTION 5 - PLATFORM

FIGURE 5-8. PLATFORM ASSEMBLY - 36IN X 8FT (91.5CM X 2.44M) WITH SWING GATE



ART_1001186383

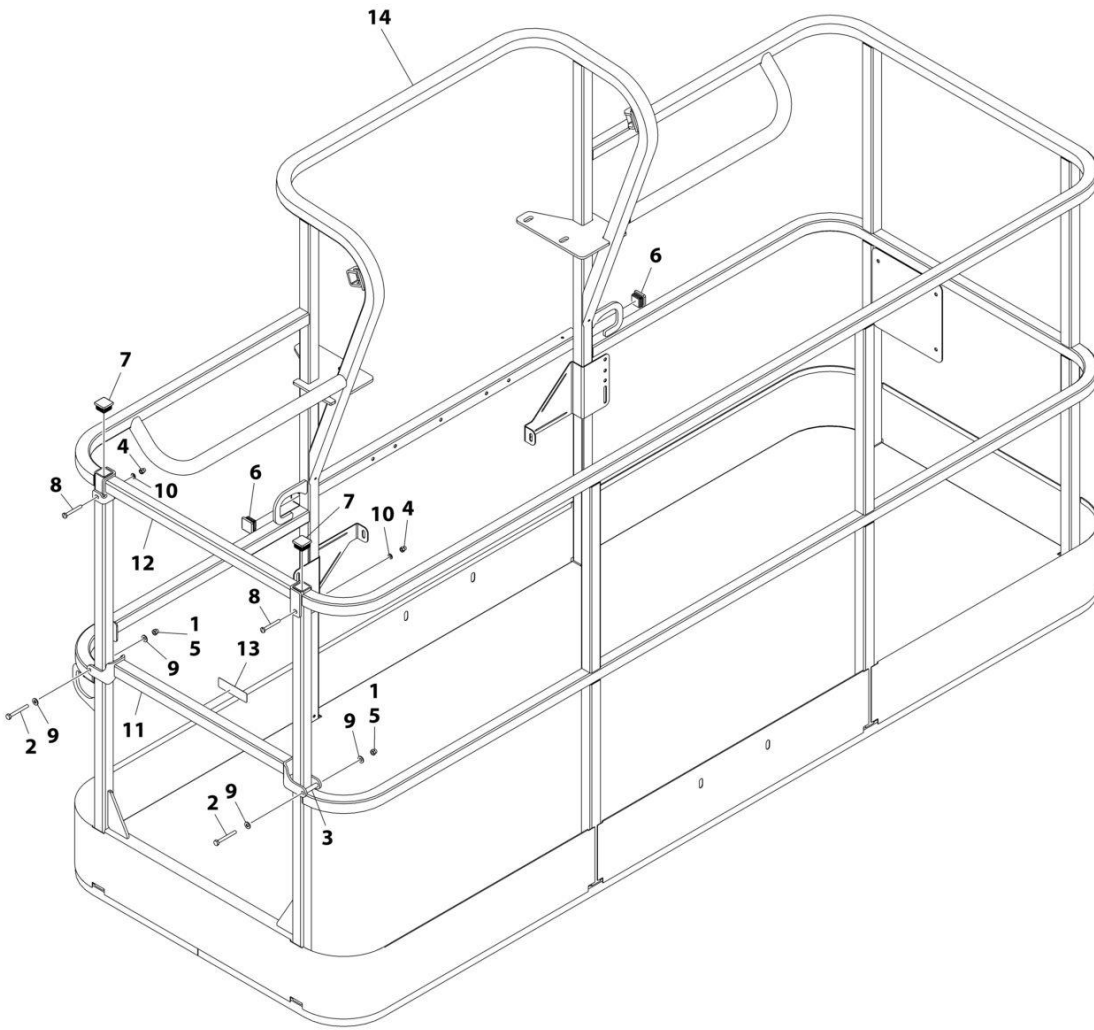
SECTION 5 - PLATFORM

FIGURE 5-8. PLATFORM ASSEMBLY - 36IN X 8FT (91.5CM X 2.44M) WITH SWING GATE

ITEM	PART NUMBER	QTY	DESCRIPTION	REV
	1001186383	Ref	PLATFORM ASSEMBLY - 36IN X 8FT (91.5CM X 2.44M) WITH SWING GATE	D
		Ref	Note: Platform and Mesh must be ordered separately for Platforms with Mesh. See SPECIAL OPTIONS SECTION for Mesh Installations.	
		Ref	Note: Replacement Decals Must be Ordered Separately - See DECALS SECTION.	
1	2080040	16	Fastener, Huck	
2	2600281	2	Hinge	
3	2940074	1	Latch	
4	3520072	3	Plug	
5	3520198	2	Plug	
6	3820020	4	Rivet	
7	1001144629	1	Gate	
8	See Note	NSS	Platform (Note: Not Available - Purchase Platform Assembly)	

SECTION 5 - PLATFORM

FIGURE 5-9. PLATFORM ASSEMBLY - 36IN X 8FT (91.5CM X 2.44M) WITH DROP BAR



ART_1001186382

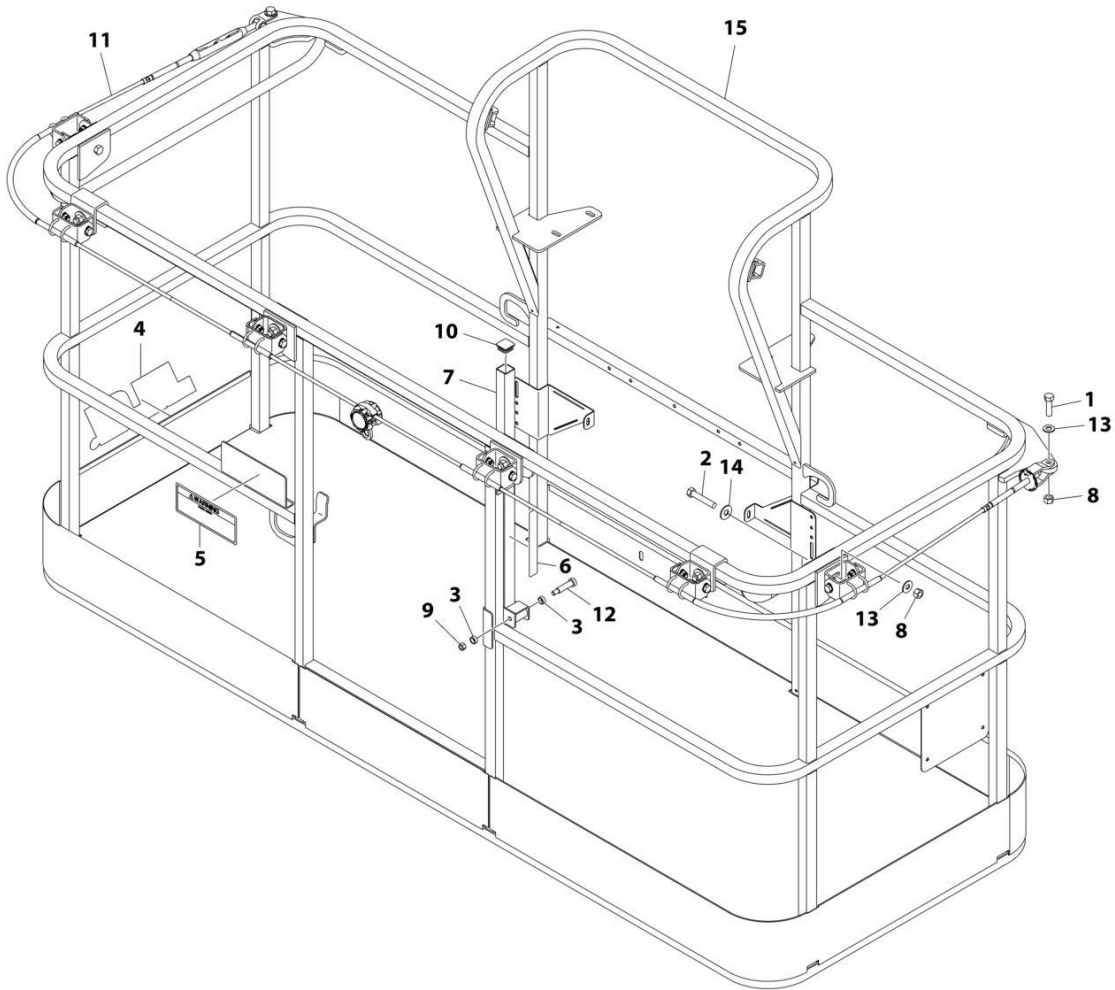
SECTION 5 - PLATFORM

FIGURE 5-9. PLATFORM ASSEMBLY - 36IN X 8FT (91.5CM X 2.44M) WITH DROP BAR

ITEM	PART NUMBER	QTY	DESCRIPTION	REV
	1001186382	Ref	PLATFORM ASSEMBLY - 36IN X 8FT (91.5CM X 2.44M) WITH DROP BAR	C
		Ref	Note: Platform and Mesh must be ordered separately for Platforms with Mesh. See SPECIAL OPTIONS SECTION for Mesh Installations.	
		Ref	Note: Replacement Decals Must be Ordered Separately - See DECALS SECTION.	
1	0100011	AR	Compound, Locking	
2	0641418	2	Bolt 1/4 x 2-1/4	
3	0961845	2	Bushing	
4	3290606	2	Nut M6	
5	3300151	2	Nut 1/4	
6	3520072	2	Plug	
7	3520198	2	Plug	
8	4010618	2	Screw M6 x 50	
9	4711400	4	Washer 1/4	
10	4811700	2	Washer M6	
11	1001138494	1	Bar, Drop	
12	1001138514	1	Rail (Top)	
13	1001140429	1	Decal - Drop Bar	
14	See Note	NSS	Platform (Note: Not Available - Purchase Platform Assembly)	

SECTION 5 - PLATFORM

FIGURE 5-10. PLATFORM ASSEMBLY - 36IN X 8FT (91.5CM X 2.44M) WITH FALL ARREST



ART_1001186334

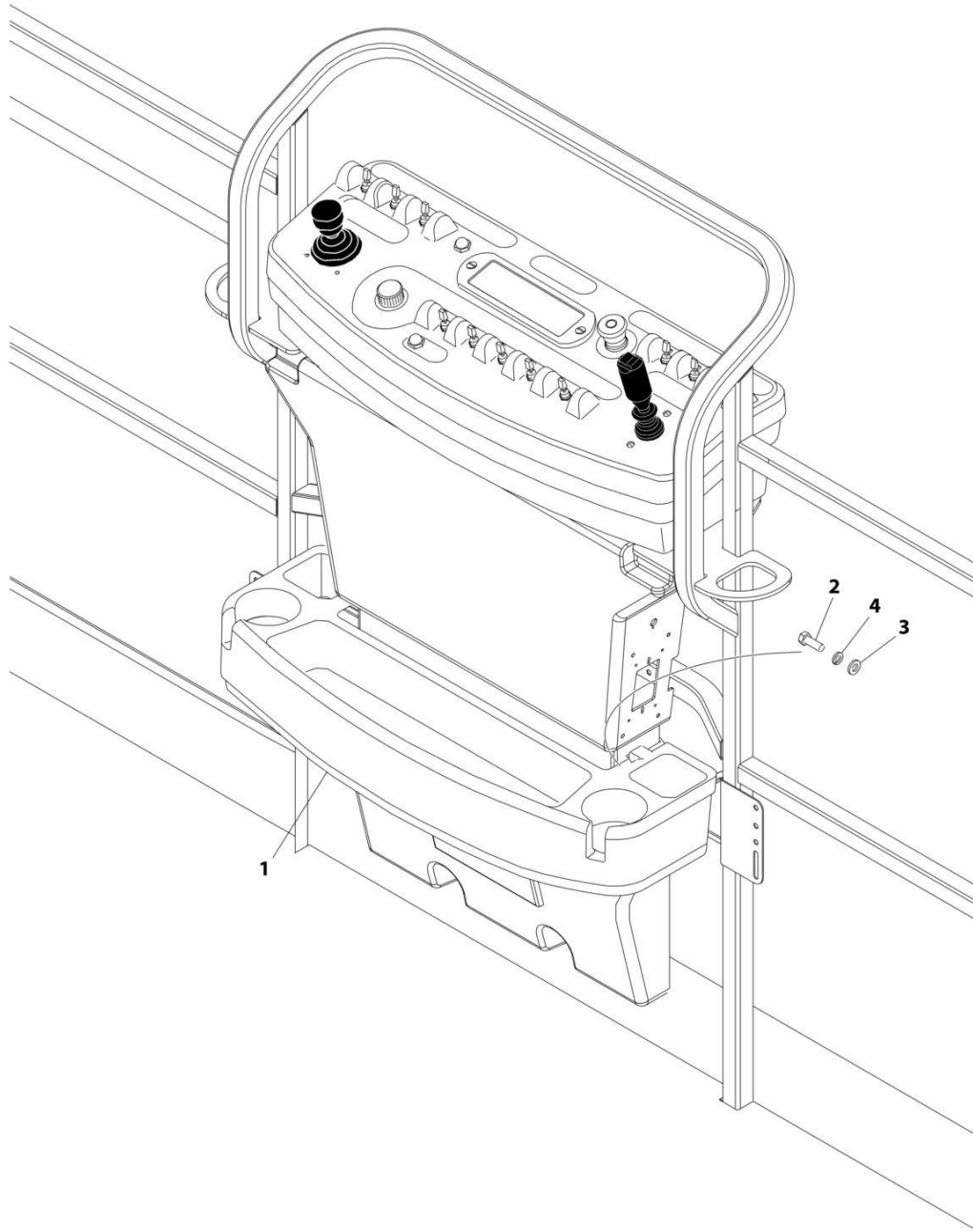
SECTION 5 - PLATFORM

FIGURE 5-10. PLATFORM ASSEMBLY - 36IN X 8FT (91.5CM X 2.44M) WITH FALL ARREST

ITEM	PART NUMBER	QTY	DESCRIPTION	REV
	1001186334	Ref	PLATFORM ASSEMBLY	D
		Ref	Note: Replacement Decals Must be Ordered Separately - See DECALS SECTION.	
1	0681814	2	Bolt 1/2 x 1-3/4 Grade 8	
2	0681822	6	Bolt 1/2 x 2-3/4 Grade 8	
3	0962270	2	Bearing	
4	1702773	1	Decal - JLG	
5	1705014	1	Decal - Safety	
6	1706385	1	Decal - Drop Bar	
7	2410014	1	Bar, Drop	
8	3271805	8	Nut 1/2 Grade 8	
9	3311605	1	Nut 3/8	
10	3520072	1	Plug	
11	1001203656	1	Cable	
12	3900054	1	Bolt 1/2 x 1-3/4	
13	4711800	2	Washer 1/2	
14	4751800	6	Washer 1/2	
15	See Note	NSS	Platform (Note: Purchase Platform Assembly)	

SECTION 5 - PLATFORM

FIGURE 5-11. TRAY ASSEMBLY



ART_1580012

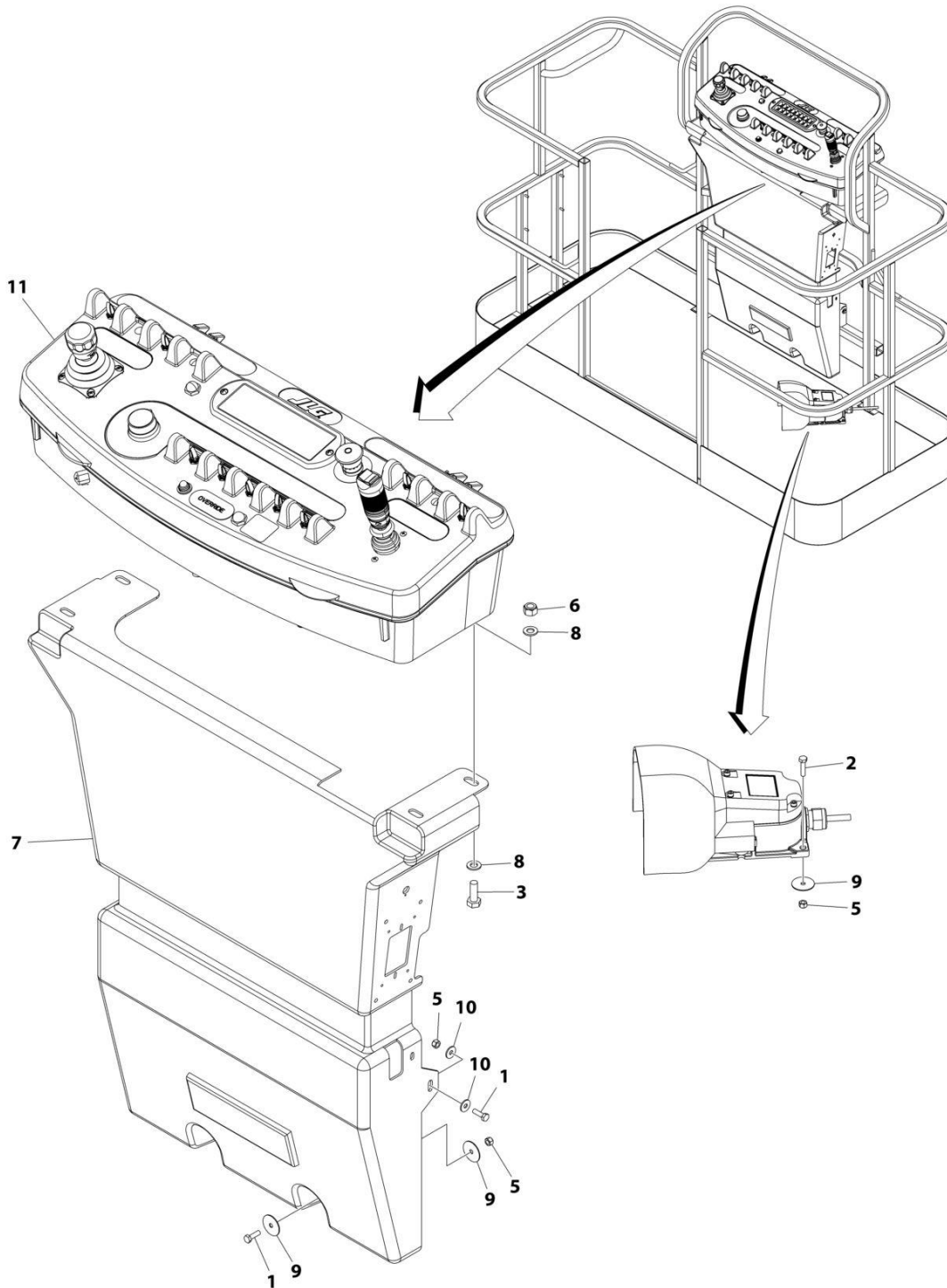
SECTION 5 - PLATFORM

FIGURE 5-11. TRAY ASSEMBLY

ITEM	PART NUMBER	QTY	DESCRIPTION	REV
	1580012	Ref	TRAY ASSEMBLY	C
1	See Note	NSS	Tray, Storage (Center) (Note: Purchase p/n 1580012)	
2	0641406	2	Bolt 1/4 x 3/4	
3	4751400	2	Washer 1/4	
4	4761400	2	Washer 1/4	

SECTION 5 - PLATFORM

FIGURE 5-12. PLATFORM CONSOLE AND FOOTSWITCH INSTALLATION (WITHOUT TOWER STOW)



ART_1001266074_B

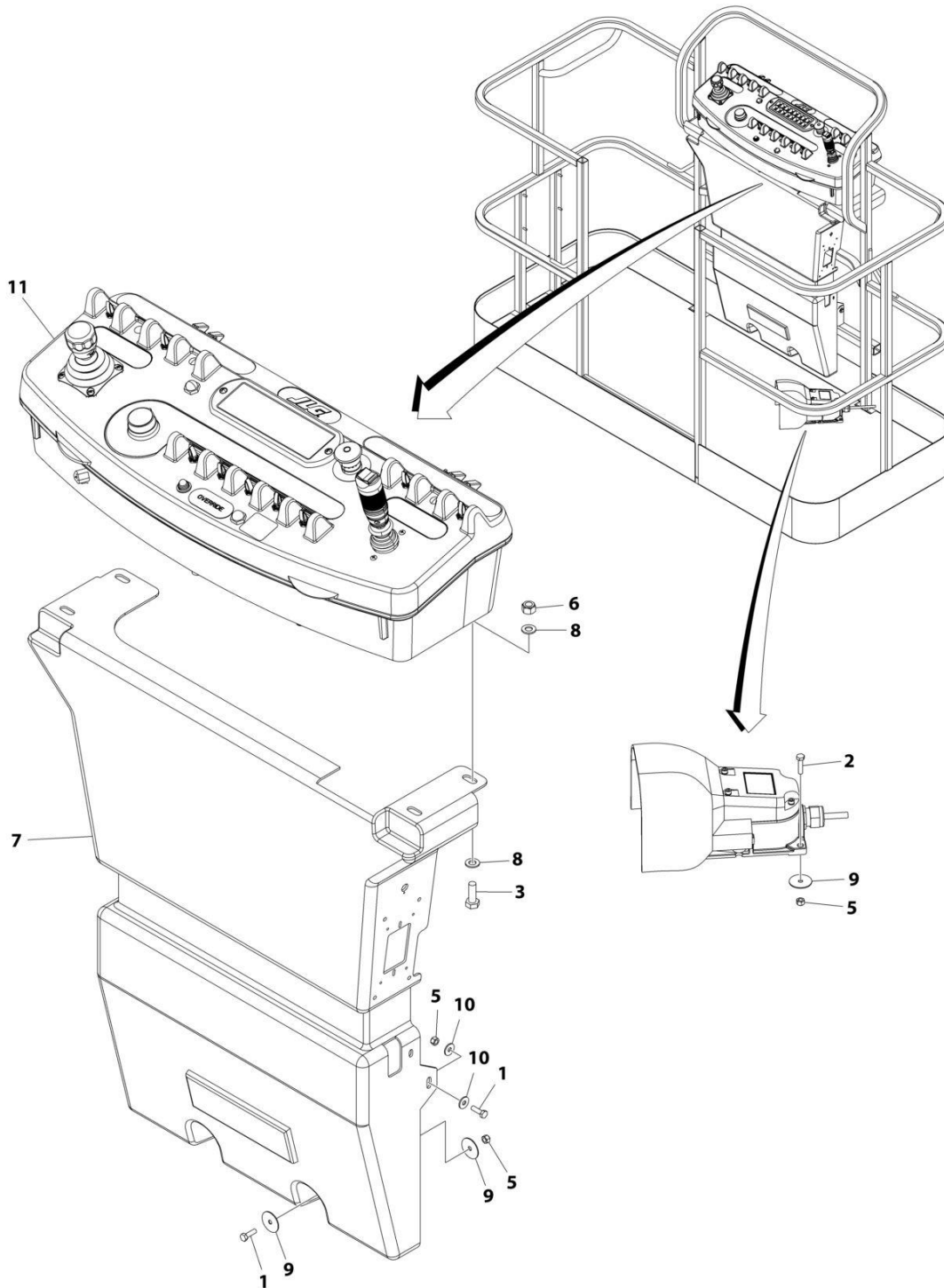
SECTION 5 - PLATFORM

FIGURE 5-12. PLATFORM CONSOLE AND FOOTSWITCH INSTALLATION (WITHOUT TOWER STOW)

ITEM	PART NUMBER	QTY	DESCRIPTION	REV
	1001266074	Ref	PLATFORM CONSOLE AND FOOTSWITCH INSTALLATION	B
1	0641406	4	Bolt 1/4 x 3/4	
2	0641408	3	Bolt 1/4 x 1	
3	0641610	4	Bolt 3/8 x 1-1/4	
5	3311405	7	Nut 1/4	
6	3311605	4	Nut 3/8	
7	3380434	1	Panel	
8	4711600	8	Washer 3/8	
9	4740362	7	Washer	
10	4751400	4	Washer 1/4	
11	1001266070	1	Platform Console Assembly (See Separate Breakdown in this Section)	

SECTION 5 - PLATFORM

FIGURE 5-13. PLATFORM CONSOLE AND FOOTSWITCH INSTALLATION (WITH TOWER STOW)



ART_1001264706_B

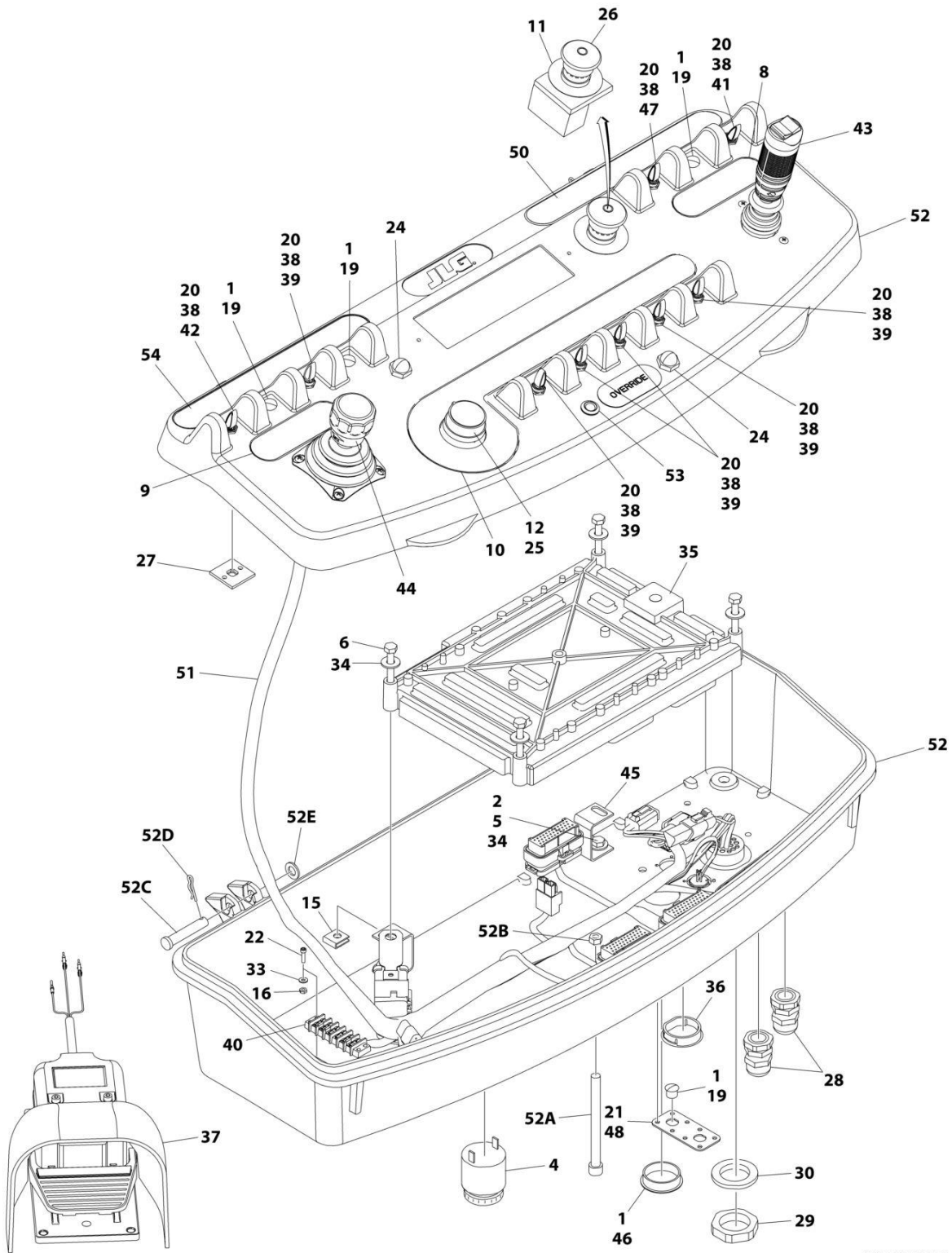
SECTION 5 - PLATFORM

FIGURE 5-13. PLATFORM CONSOLE AND FOOTSWITCH INSTALLATION (WITH TOWER STOW)

ITEM	PART NUMBER	QTY	DESCRIPTION	REV
	1001264706	Ref	PLATFORM CONSOLE AND FOOTSWITCH INSTALLATION	B
1	0641406	4	Bolt 1/4 x 3/4	
2	0641408	3	Bolt 1/4 x 1	
3	0641610	4	Bolt 3/8 x 1-1/4	
5	3311405	7	Nut 1/4	
6	3311605	4	Nut 3/8	
7	3380434	1	Panel	
8	4711600	8	Washer 3/8	
9	4740362	7	Washer	
10	4751400	4	Washer 1/4	
11	1001264705	1	Platform Console Assembly (See Separate Breakdown in this Section)	

SECTION 5 - PLATFORM

FIGURE 5-14. PLATFORM CONSOLE BOX ASSEMBLY (WITHOUT TOWER STOW)



ART_1001266070_B

SECTION 5 - PLATFORM

FIGURE 5-14. PLATFORM CONSOLE BOX ASSEMBLY (WITHOUT TOWER STOW)

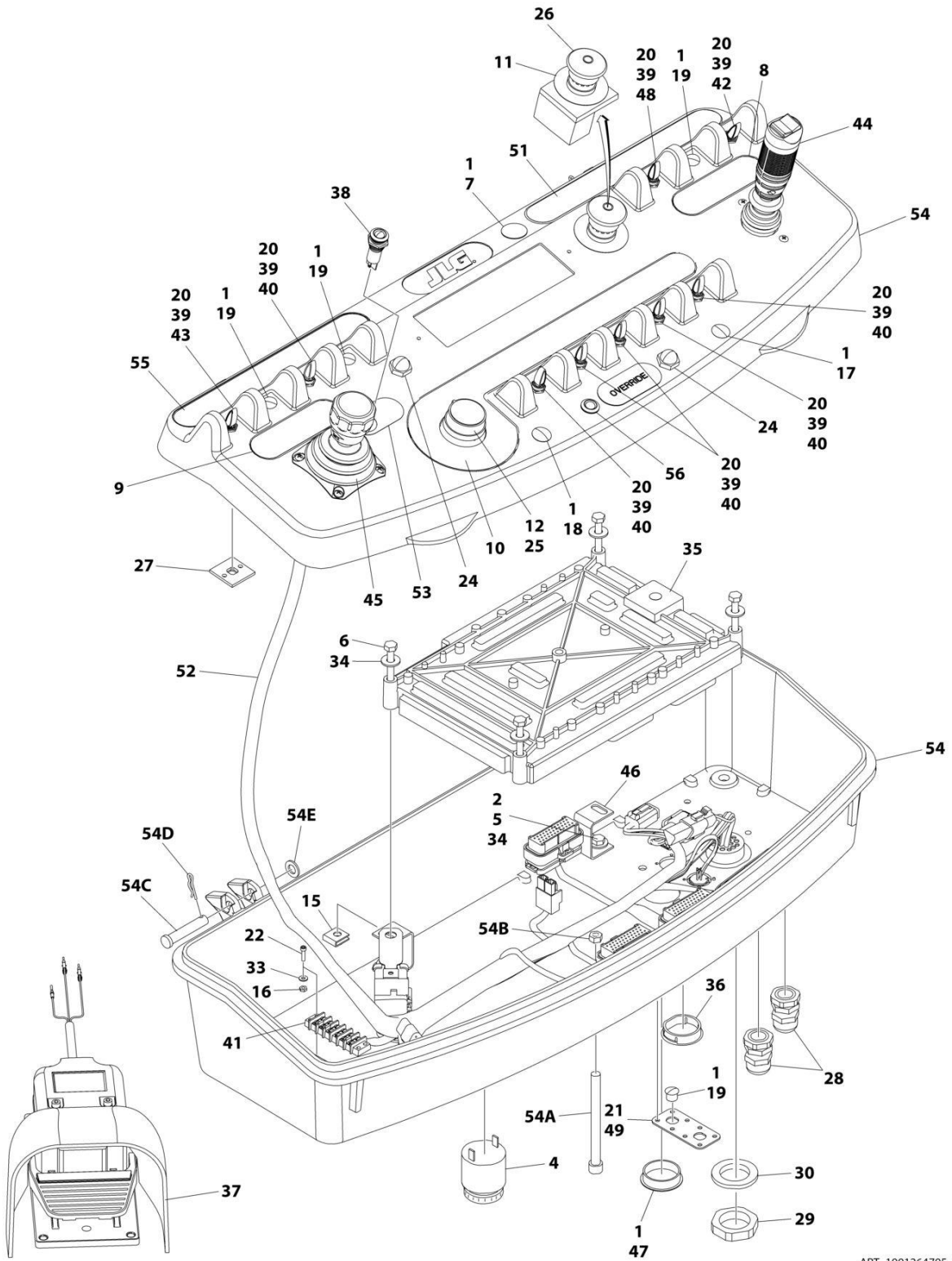
ITEM	PART NUMBER	QTY	DESCRIPTION	REV
	1001266070	Ref	CONSOLE BOX ASSEMBLY	B
1	0100009	AR	Sealant	
2	0100035	AR	Compound, Locking	
4	0140011	1	Alarm	
5	0641405	4	Bolt 1/4 x 5/8	
6	0641414	4	Bolt 1/4 x 1-3/4	
8	1702565	1	Decal - Drive and Steer	
9	1702566	1	Decal - Lift and Swing	
10	1702567	1	Decal - Function Speed	
11	1704260	1	Decal - Emergency Stop	
12	2560136	1	Handle, Knob	
15	3300353	4	Nut, Tinnerman	
16	3311005	2	Nut #10	
19	3520054	4	Plug	
20	3790012	9	O-Ring	
21	3900349	8	Capscrew M2.5 x 8	
22	3931016	2	Capscrew #10 x 1	
23	4240099	AR	Tie-Strap (Not Shown)	
24	4360387	2	Switch, Push Button	
25	4360407	1	Controller, Speed	
25	4460224	1	Receptacle, Female - 6 Position	
25	4460226	1	Socket, Female	
25	See Note	NLA	Gasket "Top Hat" (Included with Switch) (Note: Not Available for Purchase)	
25	70003784	1	Seal	
26	1001274559	1	Switch, Emergency Stop	
26	7020175	1	Cap, Red	
26	7020176	1	Block, Contact	
27	4460234	6	Mount, Tie-Strap	
28	4460428	2	Connector, Strain Relief	
29	4460470	1	Nut, Terminal	
30	4460471	1	Washer, Terminal	
33	4751000	2	Washer #10	
34	4751400	8	Washer 1/4	
35	1001106938	1	Module, Platform (Note: Re-calibration Required when Replaced)	
36	1001110434	1	Plug	
37	1001117174	1	Footswitch Assembly (See Separate Breakdown in this Section)	
38	1001155044	9	Nut 15/32	
39	1001155045	6	Switch, Toggle	
40	1001157292	1	Bussbar	
41	1001159256	1	Switch, Toggle	
42	1001161709	1	Switch, Toggle	
43	1001166538	1	Controller Assembly - Drive and Steer (Use p/n 1001212415) (See Separate Breakdown in this Section)	
44	1001166539	1	Controller Assembly - Lift and Swing (Use p/n 1001129555) (See Separate Breakdown in this Section)	
45	1001172760	4	Bracket	
46	1001185281	1	Plug	
47	1001211363	1	Switch, Toggle	
48	1001213882	1	Mount	

SECTION 5 - PLATFORM

ITEM	PART NUMBER	QTY	DESCRIPTION	REV
50	1001222709	1	Decal - Stop	
51	1001245026	1	Platform Console Harness (See Separate Breakdown in ELECTRICAL Section)	
52	1001215228	1	Console Box Assembly	
52A	0630568	1	Capscrew 3/8 x 4-1/2	
52B	3311601	1	Nut 3/8	
52C	3430616	2	Pin	
52D	3470003	2	Hairpin	
52E	4711600	2	Washer 3/8	
53	1001206532	1	Lamp, LED Indicator Yellow	
54	1001184626	1	Decal, Horn	

SECTION 5 - PLATFORM

FIGURE 5-15. PLATFORM CONSOLE BOX ASSEMBLY (WITH TOWER STOW)



ART_1001264705_B

SECTION 5 - PLATFORM

FIGURE 5-15. PLATFORM CONSOLE BOX ASSEMBLY (WITH TOWER STOW)

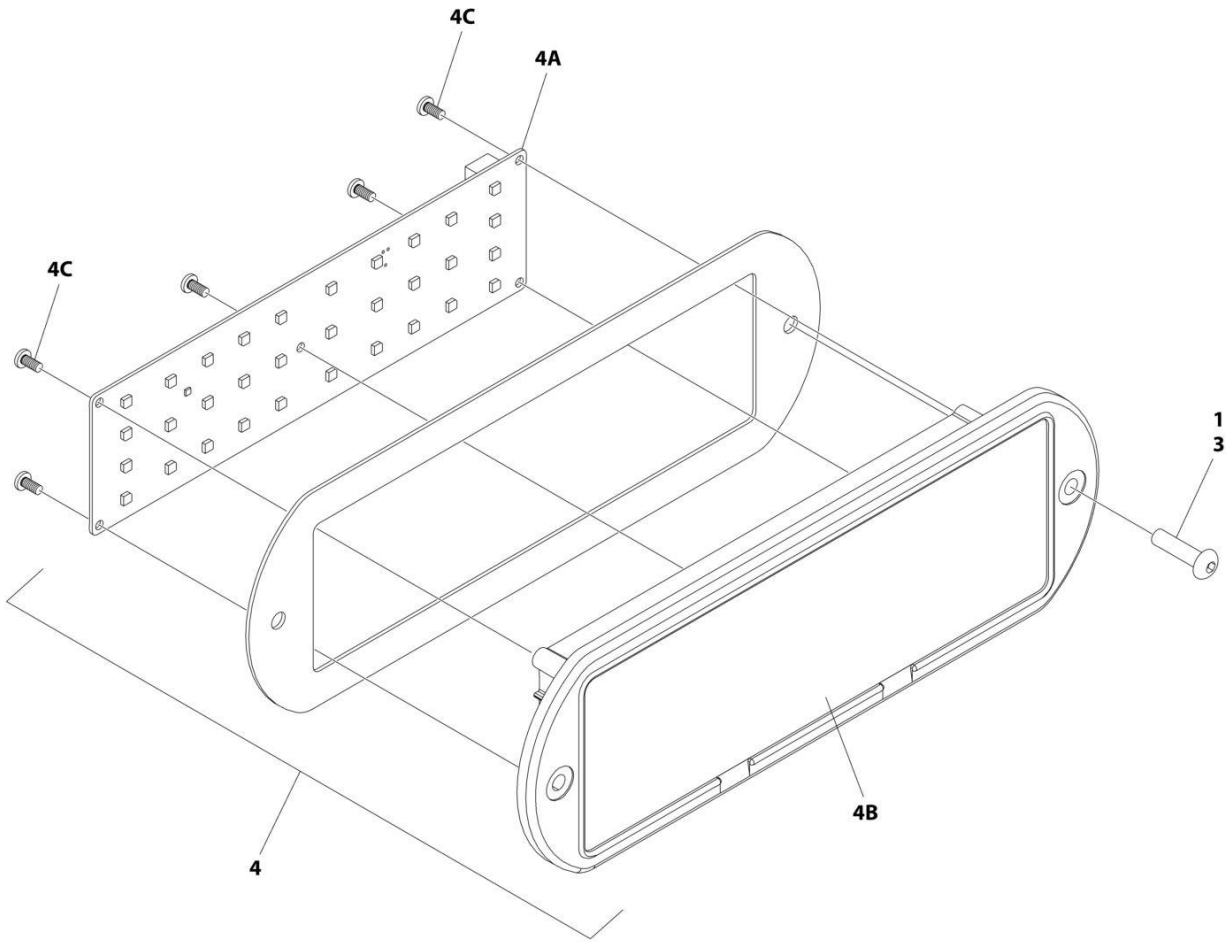
ITEM	PART NUMBER	QTY	DESCRIPTION	REV
	1001264705	Ref	CONSOLE BOX ASSEMBLY	B
1	0100009	AR	Sealant	
2	0100035	AR	Compound, Locking	
4	0140011	1	Alarm	
5	0641405	4	Bolt 1/4 x 5/8	
6	0641414	4	Bolt 1/4 x 1-3/4	
7	1671314	1	Cover, Box	
8	1702565	1	Decal - Drive and Steer	
9	1702566	1	Decal - Lift and Swing	
10	1702567	1	Decal - Function Speed	
11	1704260	1	Decal - Emergency Stop	
12	2560136	1	Handle, Knob	
15	3300353	4	Nut, Tinnerman	
16	3311005	2	Nut #10	
17	3520026	1	Plug, Hole	
18	3520027	1	Plug, Hole	
19	3520054	4	Plug	
20	3790012	9	O-Ring	
21	3900349	8	Capscrew M2.5 x 8	
22	3931016	2	Capscrew #10 x 1	
23	4240099	AR	Tie Strap (Not Shown)	
24	4360387	2	Switch, Push Button	
25	4360407	1	Controller, Speed	
25	4460224	1	Receptacle, Female - 6 Position	
25	4460226	1	Socket, Female	
25	See Note	NLA	Gasket "Top Hat" (Included with Switch) (Note: Not Available for Purchase)	
25	70003784	1	Seal	
26	1001274559	1	Switch, Emergency Stop	
26	7020175	1	Cap, Red	
26	7020176	1	Block, Contact	
27	4460234	6	Mount, Tie-Strap	
28	4460428	2	Connector, Strain Relief	
29	4460470	1	Nut, Terminal	
30	4460471	1	Washer, Terminal	
33	4751000	2	Washer #10	
34	4751400	8	Washer 1/4	
35	1001106938	1	Module, Platform (Note: Re-calibration Required when Replaced)	
36	1001110434	1	Plug	
37	1001117174	1	Footswitch Assembly (See Separate Breakdown in this Section)	
38	1001137364	1	Lamp, LED indicator Green	
39	1001155044	9	Nut 15/32	
40	1001155045	6	Switch, Toggle	
41	1001157292	1	Bussbar	
42	1001159256	1	Switch, Toggle	
43	1001161709	1	Switch, Toggle	
44	1001166538	1	Controller Assembly - Drive and Steer (Use p/n 1001212415) (See Separate Breakdown in this Section)	
45	1001166539	1	Controller Assembly - Lift and Swing (Use p/n 1001129555) (See Separate Breakdown in this Section)	

SECTION 5 - PLATFORM

ITEM	PART NUMBER	QTY	DESCRIPTION	REV
46	1001172760	4	Bracket	
47	1001185281	1	Plug	
48	1001211363	1	Switch, Toggle	
49	1001213882	1	Mount	
51	1001222709	1	Decal - Stop	
52	1001245026	1	Platform Console Harness (See Separate Breakdown in ELECTRICAL Section)	
53	1001260937	1	Decal - Tower Stow	
54	1001263587	1	Console Box Assembly	
54A	0630568	1	Capscrew 3/8 x 4-1/2	
54B	3311601	1	Nut 3/8	
54C	3430616	2	Pin	
54D	3470003	2	Hairpin	
54E	4711600	2	Washer 3/8	
55	1001184626	1	Decal - Horn	
56	1001206532	1	Lamp, LED Indicator Yellow	

SECTION 5 - PLATFORM

FIGURE 5-16. LIGHT PANEL INSTALLATION (Prior to SN 0300297362)



ART_1001245177_B_20F2

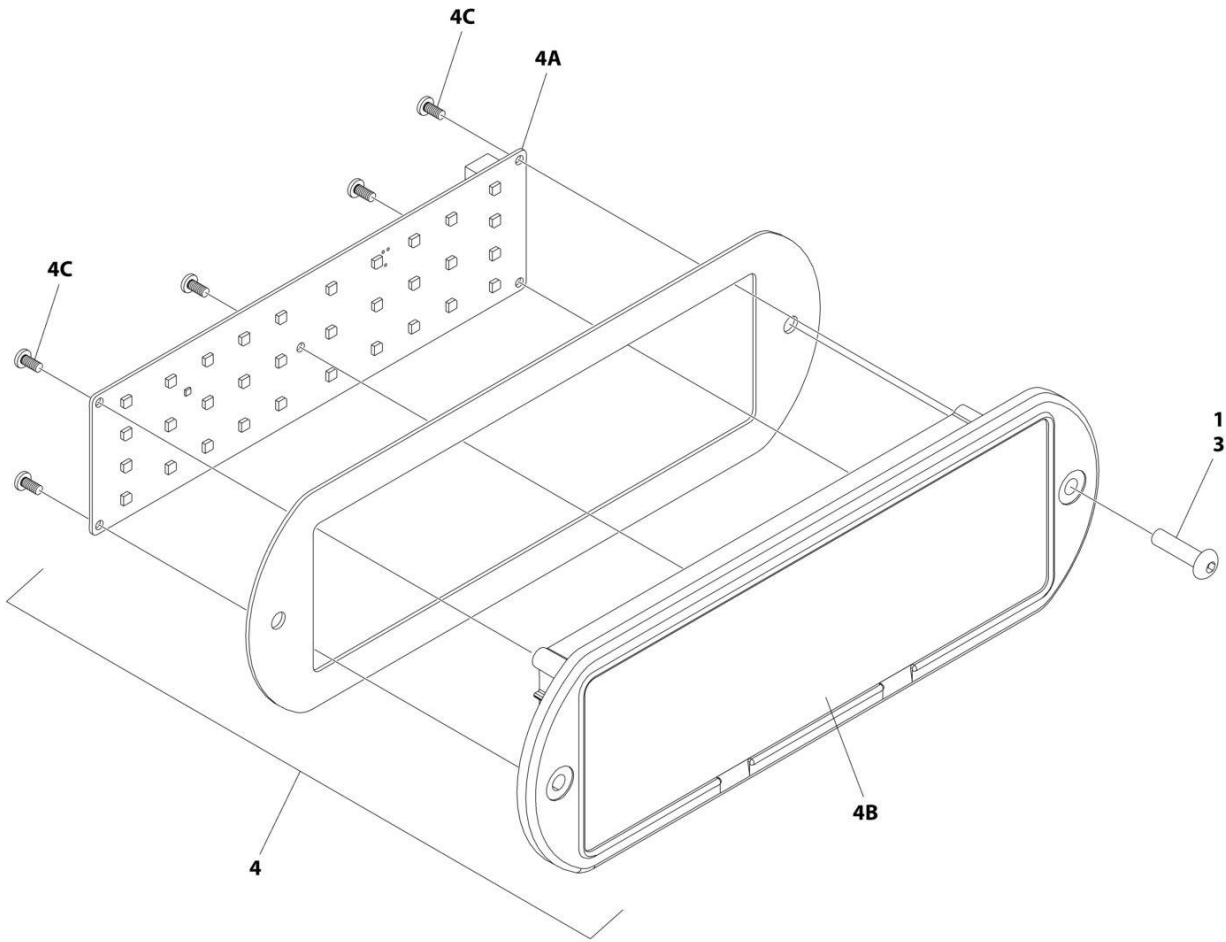
SECTION 5 - PLATFORM

FIGURE 5-16. LIGHT PANEL INSTALLATION (Prior to SN 0300297362)

ITEM	PART NUMBER	QTY	DESCRIPTION	REV
	1001245177	Ref	LIGHT PANEL INSTALLATION - PLATFORM CONSOLE	B
1	0100035	AR	Compound, Locking	
3	0630518	2	Screw #10 x 3/4	
4	1001245918	1	Light Panel Assembly	F
4A	1001238732	1	Panel, LED Light	
4B	1001245678	1	Lens, I-Con	
4C		Ref	Screw	

SECTION 5 - PLATFORM

FIGURE 5-17. LIGHT PANEL INSTALLATION (SN 0300297362 to Present)



ART_1001245177_C_20F2

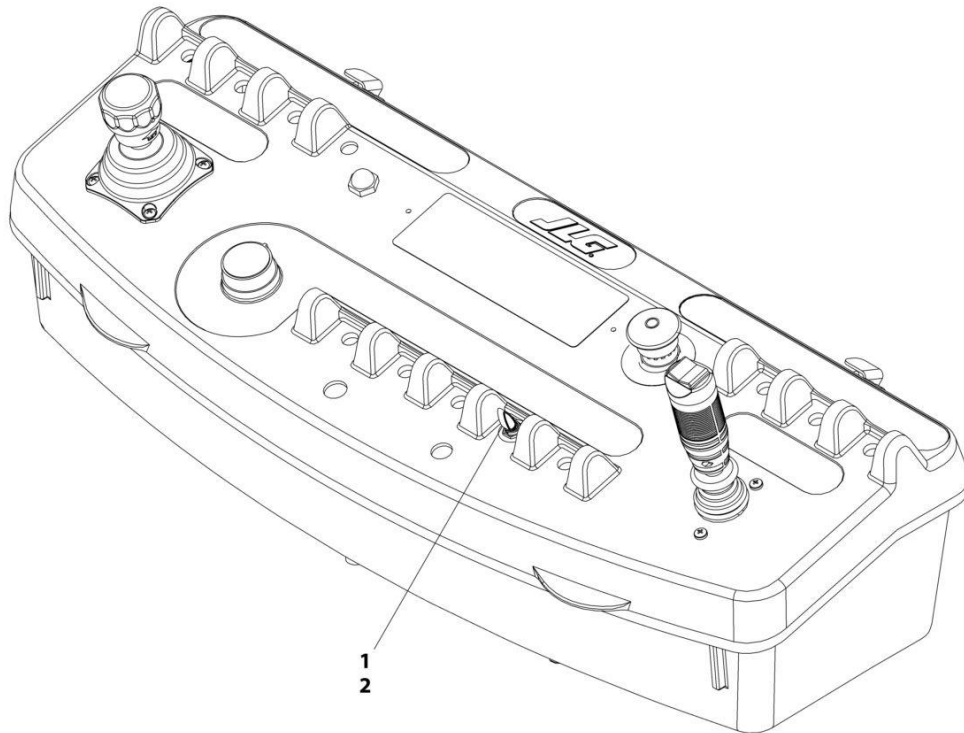
SECTION 5 - PLATFORM

FIGURE 5-17. LIGHT PANEL INSTALLATION (SN 0300297362 to Present)

ITEM	PART NUMBER	QTY	DESCRIPTION	REV
	1001245177	Ref	LIGHT PANEL INSTALLATION - PLATFORM CONSOLE	C
1	0100035	AR	Compound, Locking	
3	0630518	2	Screw #10 x 3/4	
4	1001281717	1	Light Panel Assembly	A
4A	1001238732	1	Panel, LED Light	
4B	1001281705	1	Lens, I-Con	
4C		Ref	Screw	

SECTION 5 - PLATFORM

FIGURE 5-18. JIB SWITCH INSTALLATION



ART_0271340

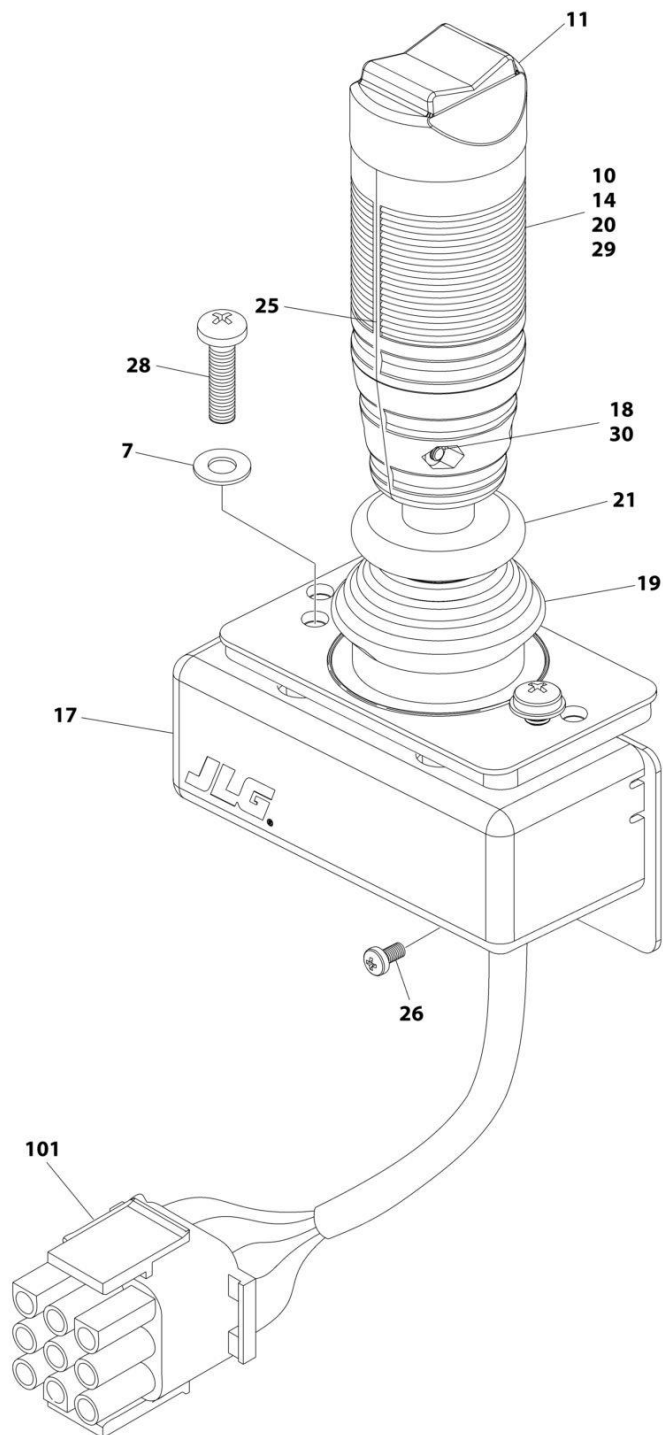
SECTION 5 - PLATFORM

FIGURE 5-18. JIB SWITCH INSTALLATION

ITEM	PART NUMBER	QTY	DESCRIPTION	REV
	0271340	Ref	JIB SWITCH INSTALLATION	1/A
1	4360328	1	Switch, Toggle	
2	3790012	1	O-Ring	

SECTION 5 - PLATFORM

FIGURE 5-19. CONTROLLER ASSEMBLY (DRIVE AND STEER)



ART_1001166538

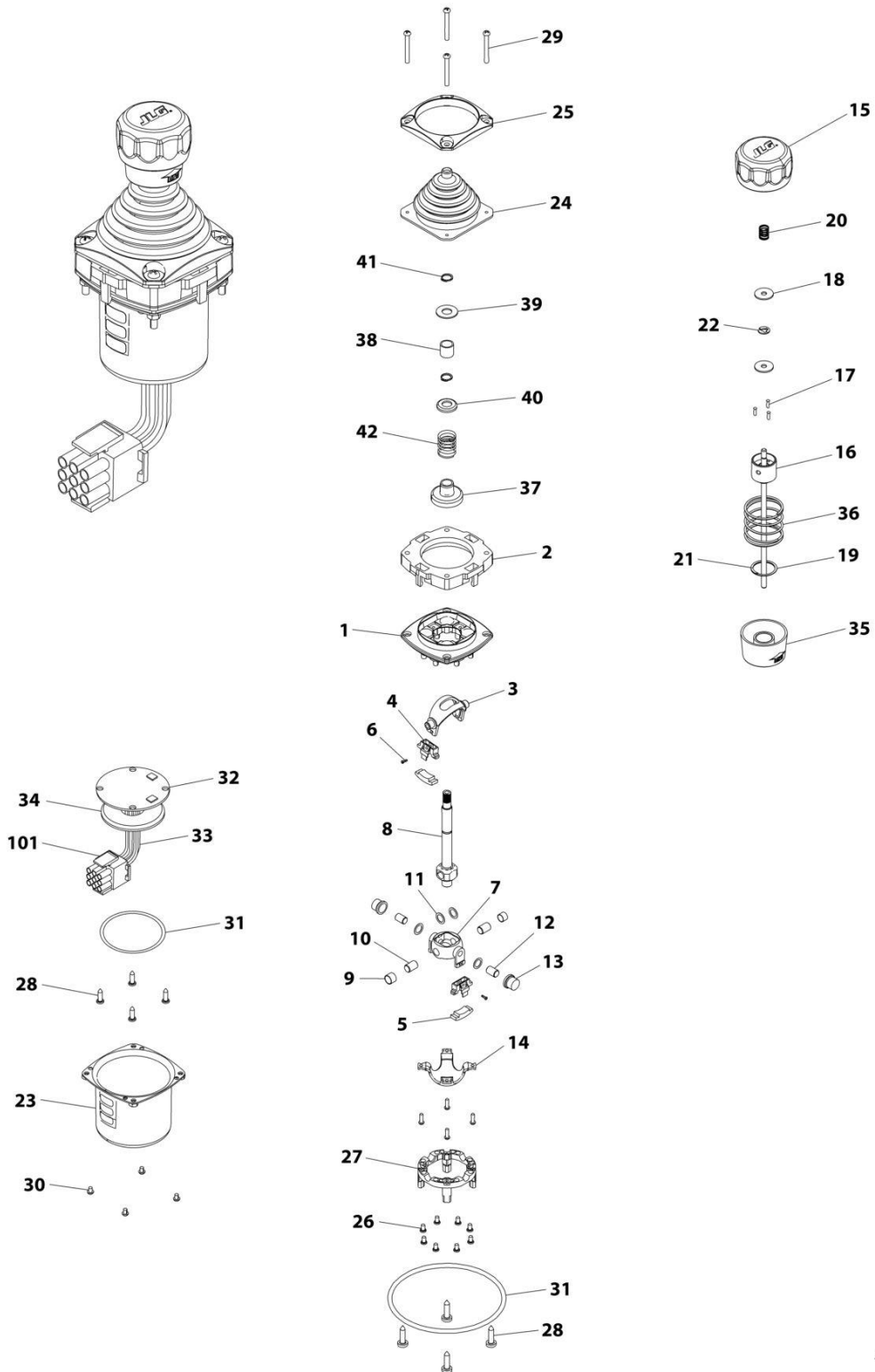
SECTION 5 - PLATFORM

FIGURE 5-19. CONTROLLER ASSEMBLY (DRIVE AND STEER)

ITEM	PART NUMBER	QTY	DESCRIPTION	REV
	1001166538	Ref	CONTROLLER ASSEMBLY - DRIVE AND STEER	G
		Ref	Note: For Replacement, Use p/n 1001212415.	
7	70004738	2	Washer	
10	70004739	1	Roller	
11	70004740	1	Boot, Switch	
14	70004741	2	Half, Handle	
17	70004742	1	Enclosure	
18	70004743	4	Nut	
19	70004744	NLA	Boot, Controller (Use p/n 70005230 Boot/Base Assembly)	
20	70004745	NLA	Tube, Locking (Use p/n 70005230 Boot/Base Assembly)	
21	70004746	NLA	Disc, Locking (Use p/n 70005230 Boot/Base Assembly)	
25	70004747	2	Seal, Rope	
26	70004748	1	Screw M3 x 6	
28	70004749	2	Screw M5 x 20	
29	70004750	1	Pin, Dowel	
30	70004751	4	Screw M3 x 16	
101	4460265	1	Connector - 9 Position	
101	4460226	7	Socket, Female	

SECTION 5 - PLATFORM

FIGURE 5-20. CONTROLLER ASSEMBLY (LIFT AND SWING)



ART_1001166539

SECTION 5 - PLATFORM

FIGURE 5-20. CONTROLLER ASSEMBLY (LIFT AND SWING)

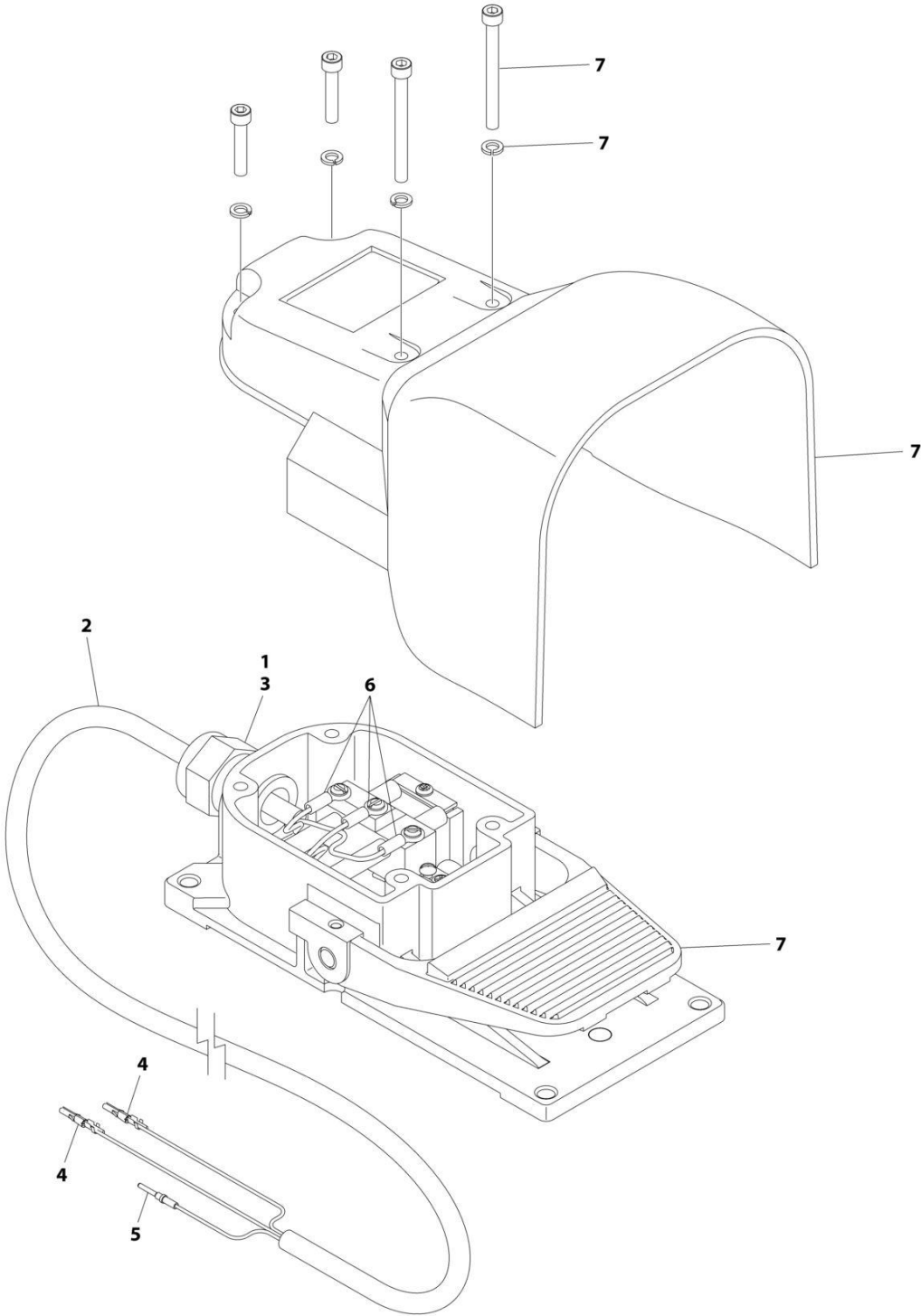
ITEM	PART NUMBER	QTY	DESCRIPTION	REV
	1001166539	Ref	CONTROLLER ASSEMBLY	E
		Ref	Note: Original Equipment Controller May Have Been Replaced with Service Replacement Controller. Visually Identify Controller Before Ordering Parts.	
		Ref	Note: For Replacement, Use p/n 1001129555	
1	See Note	NSS	Main Cast Body (Note: Not Available - Purchase Complete Assembly)	
2	70004752	1	Adapter	
3	See Note	NSS	Pivot Arm, Plastic (Note: Not Available - Purchase Complete Assembly)	
4	See Note	NSS	Holder, Magnet (Note: Not Available - Purchase Complete Assembly)	
5	See Note	NSS	Arc, Magnet (Note: Not Available - Purchase Complete Assembly)	
6	See Note	NSS	Screw (Note: Not Available for Purchase)	
7	See Note	NSS	Pivot Arm, Cast (Note: Not Available - Purchase Complete Assembly)	
8	See Note	NSS	Shaft, Main (Note: Not Available - Purchase Complete Assembly)	
9	See Note	NSS	Bearing (Note: Not Available - Purchase Complete Assembly)	
10	See Note	NSS	Pin (Note: Not Available - Purchase Complete Assembly)	
11	See Note	NSS	Shim (Note: Not Available - Purchase Complete Assembly)	
12	See Note	NSS	Pin (Note: Not Available - Purchase Complete Assembly)	
13	See Note	NSS	Bearing (Note: Not Available - Purchase Complete Assembly)	
14	See Note	NSS	Dome, Centering (Note: Not Available - Purchase Complete Assembly)	
15	70004753	1	Cap	
16	70004754	1	Insert, Cap	
17	70004755	3	Pin	
18	70004756	2	Washer	
19	70004757	1	Pin, Centering	
20	70004758	1	Spring	
21	70004759	1	Ring, Retaining	
22	70004760	1	E-Ring	
23	70004761	1	Can, Enclosure	
24	70004762	1	Boot	
25	70004763	1	Bezel	
26	See Note	NSS	Screw (Note: Not Available for Purchase)	
27	See Note	NSS	Base Mounting (Note: Not Available - Purchase Complete Assembly)	
28	See Note	NSS	Screw (Note: Not Available for Purchase)	
29	70004764	4	Screw	
30	70004765	4	Screw	
31	70004766	1	O-Ring	
32	See Note	NSS	Plate (Note: Not Available - Purchase Complete Assembly)	
33	See Note	NSS	Harness (Note: Not Available - Purchase Complete Assembly)	
34	70004767	1	Grommet, Rubber	
35	70004768	1	Housing	
36	70004769	1	Spring	
37	70004770	1	Stopper	
38	70004771	1	Spacer	
39	70004772	1	Washer	
40	70004773	1	Disc	

SECTION 5 - PLATFORM

ITEM	PART NUMBER	QTY	DESCRIPTION	REV
41	70004774	2	Ring, Retaining	
42	70004775	1	Spring	
101	4460265	1	Connector - 9 Position	
101	4460226	6	Socket, Female	

SECTION 5 - PLATFORM

FIGURE 5-21. FOOTSWITCH ASSEMBLY



ART_1001117174

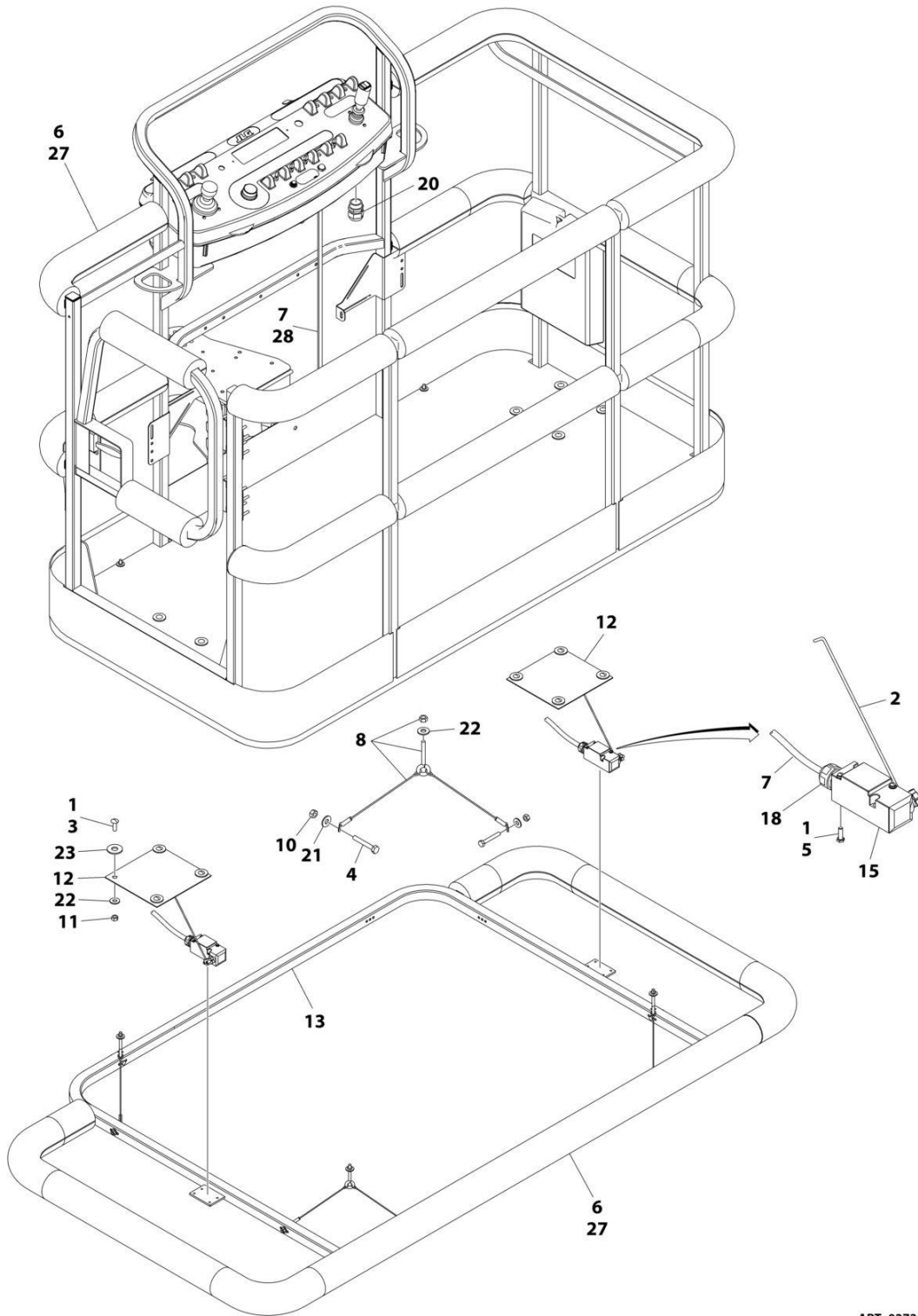
SECTION 5 - PLATFORM

FIGURE 5-21. FOOTSWITCH ASSEMBLY

ITEM	PART NUMBER	QTY	DESCRIPTION	REV
	1001117174	Ref	FOOTSWITCH ASSEMBLY	B
1	0100020	AR	Sealant	
2	1060918	7.5 ft/ 2.3m	Cable, Electrical - 18/3	
3	4460071	1	Connector, Strain Relief	
4	4460226	2	Socket, Female	
5	4460464	1	Pin, Male	
6	1001098122	3	Terminal	
7	1001117172	1	Footswitch	
7	70002902	1	Switch, 20Amp	
7	70002903	1	Gasket	
7	70002905	1	Cover	
7	70002904	1	Kit, Replacement Bolt	

SECTION 5 - PLATFORM

FIGURE 5-22. SOFT TOUCH INSTALLATION - 6FT (1.83M) PLATFORM (OPTIONAL)



ART_0273824_E

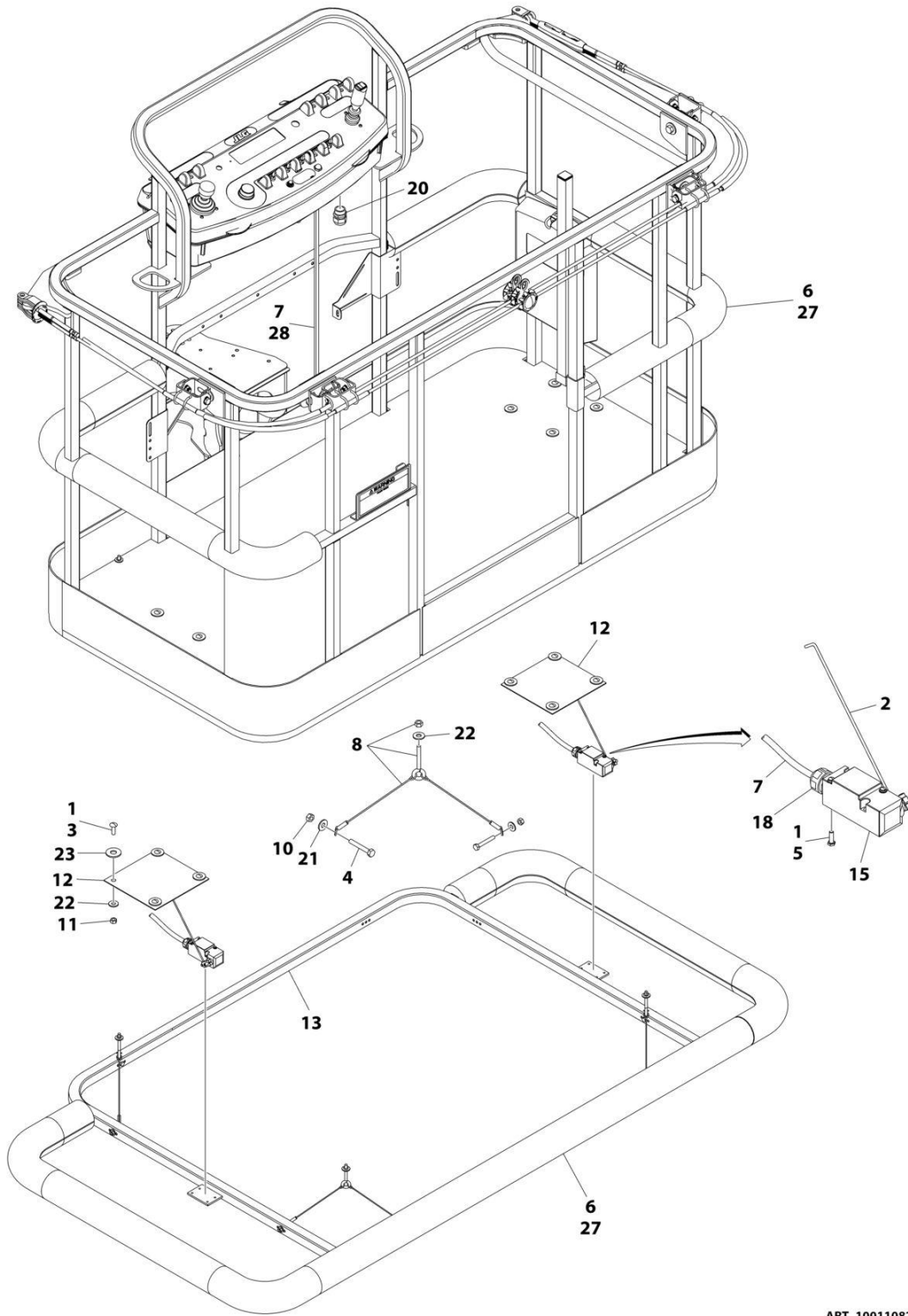
SECTION 5 - PLATFORM

FIGURE 5-22. SOFT TOUCH INSTALLATION - 6FT (1.83M) PLATFORM (OPTIONAL)

ITEM	PART NUMBER	QTY	DESCRIPTION	REV
	0273824	Ref	SOFT TOUCH SYSTEM INSTALLATION	E
1	0100011	AR	Compound, Locking	
2	0200048	2	Arm, Switch	
3	0630462	8	Bolt	
4	0641414	8	Bolt 1/4 x 1-3/4	
5	0731005	4	Bolt #10 x 5/8	
6	0940134	1	Bumper Kit (Includes Corners and Enough Straight Material for One Platform)	
6	0940092	AR	Bumper (Corner)	
6	0940094	AR	Bumper (12ft Length)	
7	1060341	23 ft/7m	Cable, Soft Touch - 16/2	
8	1060903	4	Wire Rope and Eyebolt Assembly	
10	3311401	8	Nut 1/4	
11	3311501	8	Nut 5/16	
12	3575359	2	Plate, Switch Strike	
13	3641569	1	Rail, Soft Touch	
14	4240099	7	Tie-Strap (Not Shown)	
15	4360057	2	Switch, Limit	
18	4460049	2	Connector, Strain Relief	
19	4460234	7	Tie-Strap (Not Shown)	
20	4460425	1	Connector, Strain Relief	
21	4751400	8	Washer 1/4	
22	4751500	12	Washer 5/16	
23	4751800	8	Washer 1/2	
27	1001197017	AR	Tie-Strap	
28	4460226	4	Socket	

SECTION 5 - PLATFORM

FIGURE 5-23. SOFT TOUCH INSTALLATION - 6FT (1.83M) FALL ARREST PLATFORM (OPTIONAL)



ART_1001108256_D

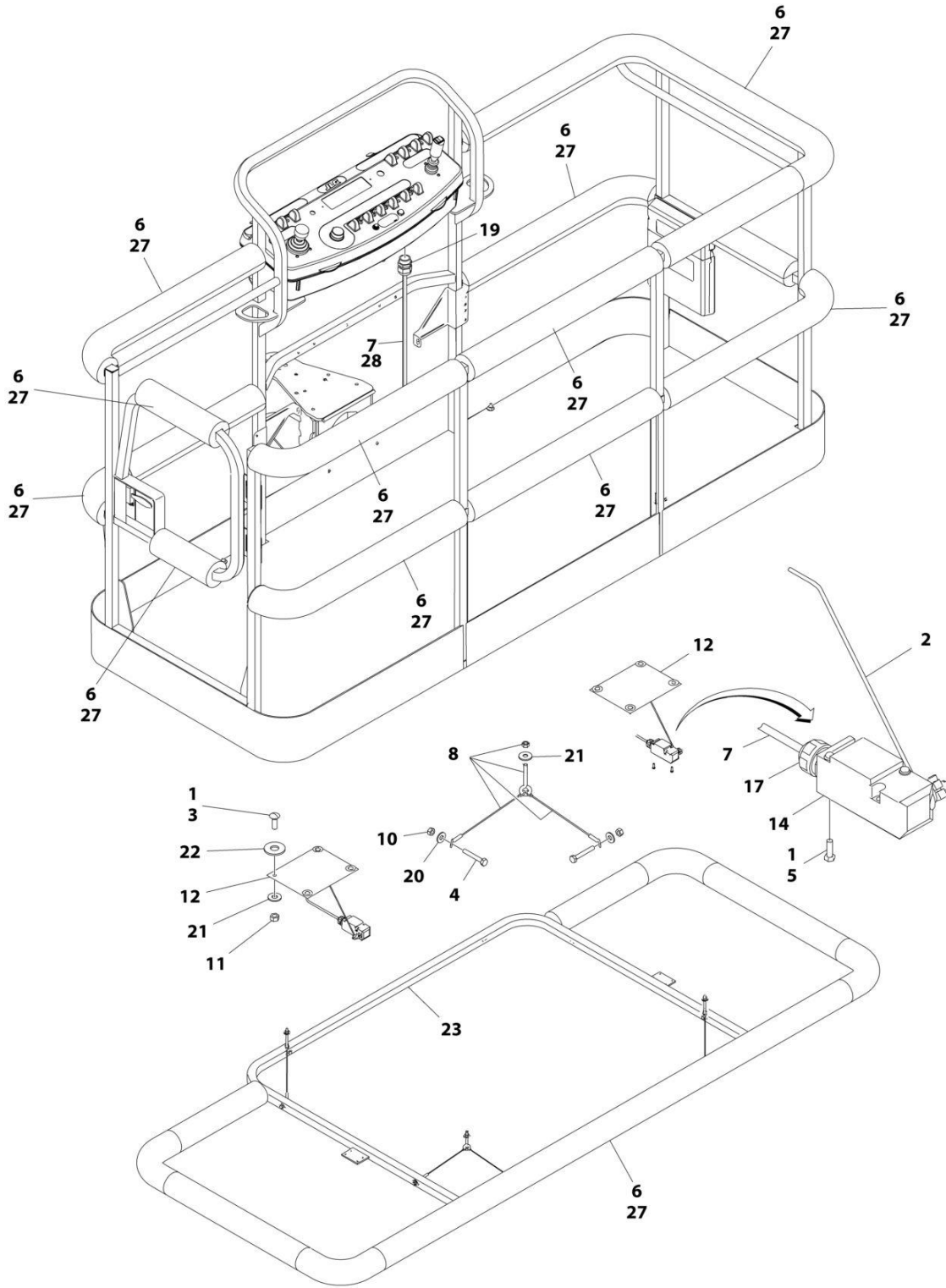
SECTION 5 - PLATFORM

FIGURE 5-23. SOFT TOUCH INSTALLATION - 6FT (1.83M) FALL ARREST PLATFORM (OPTIONAL)

ITEM	PART NUMBER	QTY	DESCRIPTION	REV
	1001108256	Ref	SOFT TOUCH INSTALLATION	D
1	0100011	AR	Compound, Locking	
2	0200048	2	Arm, Switch	
3	0630462	8	Bolt	
4	0641414	8	Bolt 1/4 x 1-3/4	
5	0731005	4	Bolt #10 x 5/8	
6	0940177	1	Bumper Kit (Includes Corners and Enough Straight Material for One Platform)	
6	0940092	8	Bumper (Corner)	
6	0940094	AR	Bumper (12ft Length)	
7	1060341	23 ft/7m	Cable, Soft Touch - 16/2	
8	1060903	4	Wire Rope and Eyebolt Assembly	
10	3311401	8	Nut 1/4	
11	3311501	8	Nut 5/16	
12	3575359	2	Plate, Switch Strike	
13	3641569	1	Rail, Soft Touch	
14	4240099	7	Tie-Strap (Not Shown)	
15	4360057	2	Switch, Limit	
18	4460049	2	Connector, Strain Relief	
19	4460234	7	Tie-Strap (Not Shown)	
20	4460425	1	Connector, Strain Relief	
21	4751400	8	Washer 1/4	
22	4751500	9	Washer 5/16	
23	4751800	8	Washer 1/2	
27	1001197017	AR	Strap, Cable Tie (Yellow)	
28	4460226	4	Socket	

SECTION 5 - PLATFORM

FIGURE 5-24. SOFT TOUCH INSTALLATION - 8FT (2.4M) PLATFORM (OPTIONAL)



ART_0272427_H

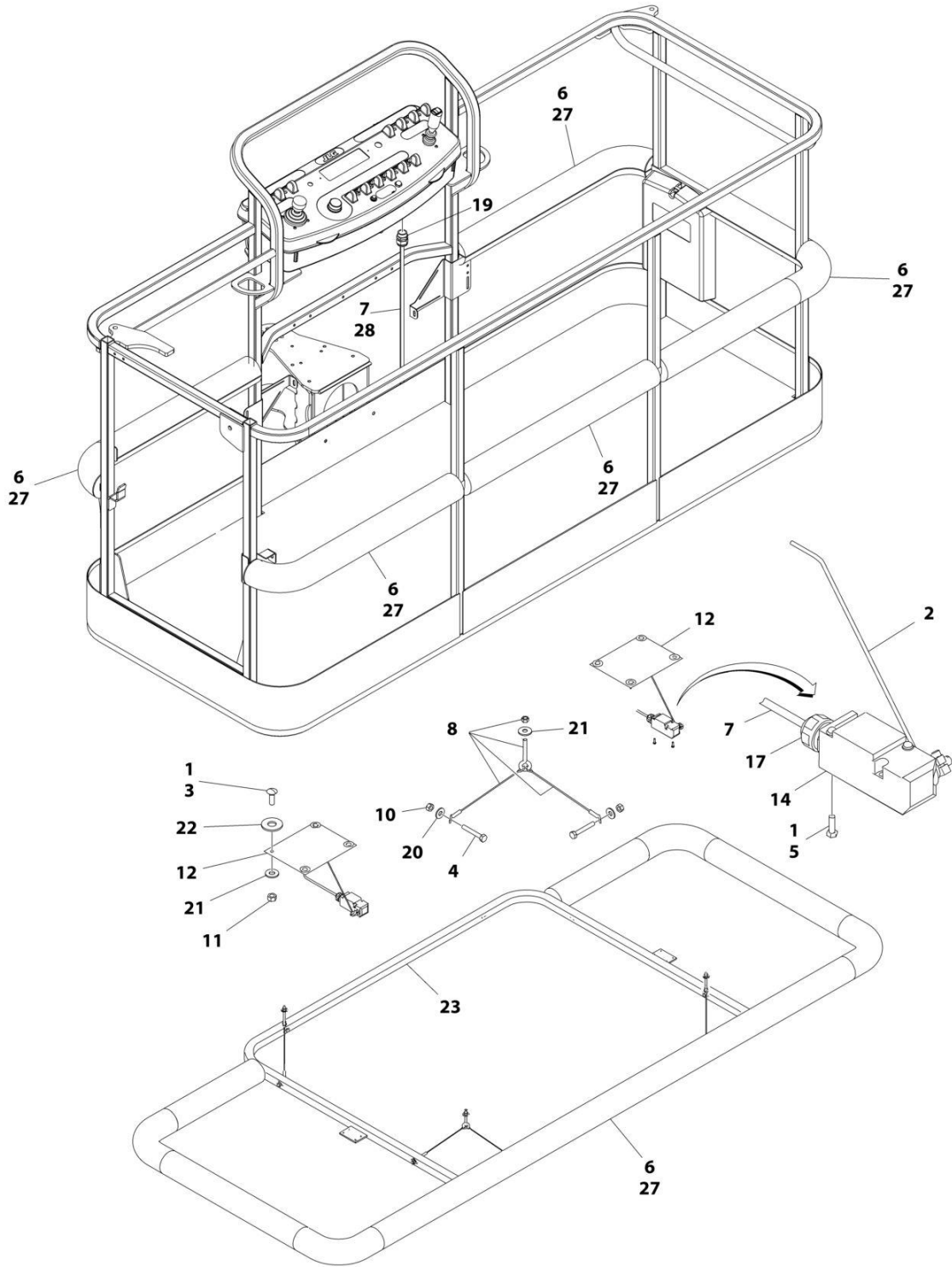
SECTION 5 - PLATFORM

FIGURE 5-24. SOFT TOUCH INSTALLATION - 8FT (2.4M) PLATFORM (OPTIONAL)

ITEM	PART NUMBER	QTY	DESCRIPTION	REV
	0272427	Ref	SOFT TOUCH INSTALLATION - 36IN X 8FT (91.5CM X 2.44M) PLATFORM	H
1	0100011	AR	Compound, Locking	
2	0200048	2	Arm, Switch	
3	0630462	8	Bolt	
4	0641414	8	Bolt 1/4 x 1-3/4	
5	0721005	4	Bolt #10 x 5/8	
6	0940103	1	Bumper Kit (Includes Corners and Enough Straight Material for One Platform)	
6	0940092	12	Bumper (Corner)	
6	0940094	AR	Bumper (12ft Length)	
7	1060341	23 ft/7m	Cable, Soft Touch - 16/2	
8	1060903	4	Wire Rope and Eyebolt Assembly	
10	3311401	8	Nut 1/4	
11	3311501	8	Nut 5/16	
12	3574091	2	Plate, Switch Strike	
13	4240099	7	Tie-Strap (Not Shown)	
14	4360057	2	Switch, Limit	
17	4460049	2	Connector, Strain Relief	
18	4460234	7	Tie-Strap (Not Shown)	
19	4460425	1	Connector, Strain Relief	
20	4751400	8	Washer 1/4	
21	4751500	12	Washer 5/16	
22	4751800	8	Washer 1/2	
23	4846673	1	Rail, Soft Touch	
27	1001197017	AR	Tie-Strap	
28	4460226	1	Socket	

SECTION 5 - PLATFORM

FIGURE 5-25. SOFT TOUCH INSTALLATION - 8FT (2.4M) FALL ARREST PLATFORM (OPTIONAL)



ART_0273706_E

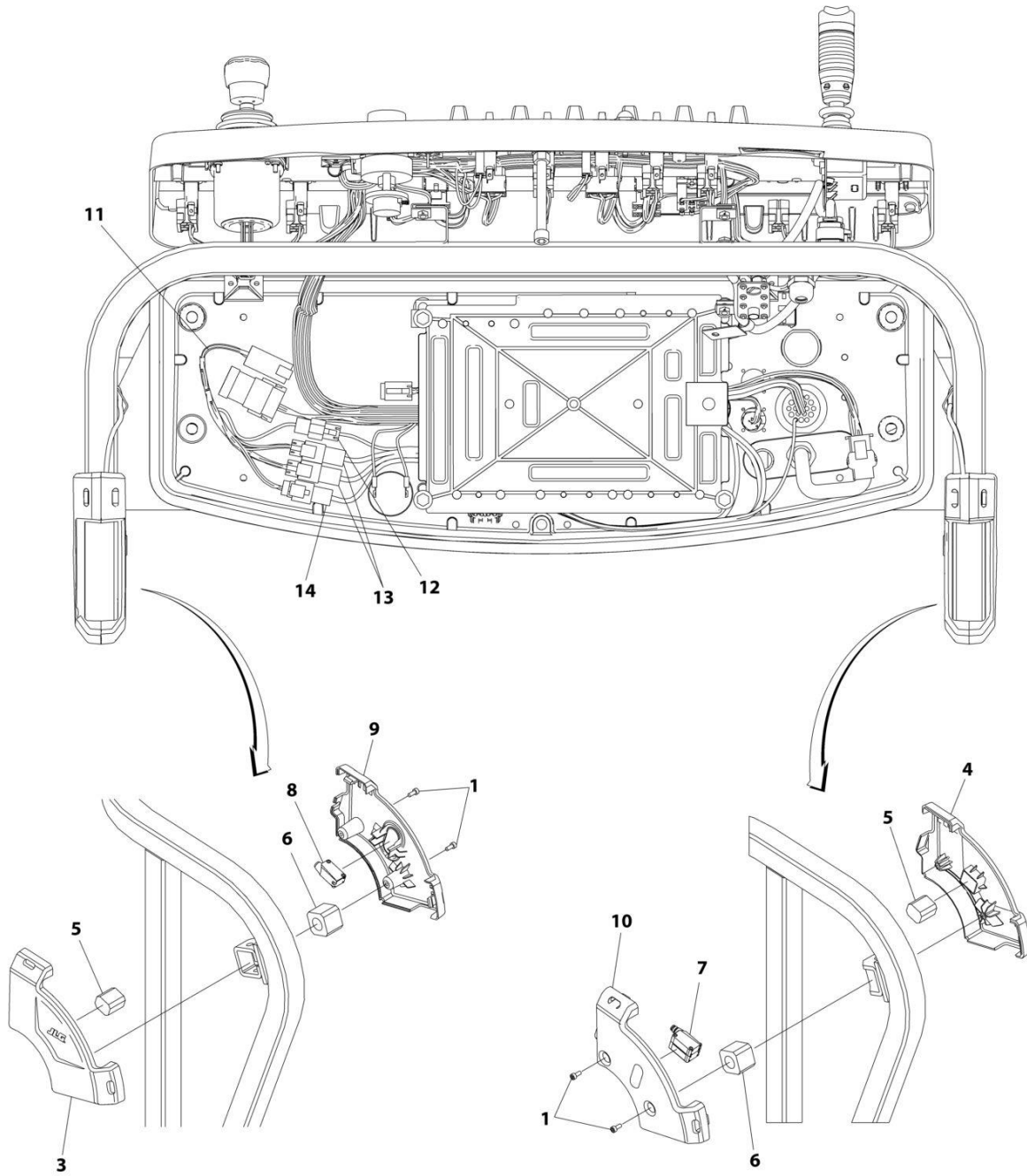
SECTION 5 - PLATFORM

FIGURE 5-25. SOFT TOUCH INSTALLATION - 8FT (2.4M) FALL ARREST PLATFORM (OPTIONAL)

ITEM	PART NUMBER	QTY	DESCRIPTION	REV
	0273706	Ref	SOFT TOUCH INSTALLATION	E
1	0100011	AR	Compound, Locking	
2	0200048	2	Arm, Switch	
3	0630462	8	Bolt	
4	0641414	8	Bolt 1/4 x 1-3/4	
5	0721005	4	Bolt #10 x 5/8	
6	0940133	1	Bumper Kit (Includes Corners and Enough Straight Material for One Platform)	
6	0940092	8	Bumper (Corner)	
6	0940094	AR	Bumper (12ft Length)	
7	1060341	23 ft/7m	Cable, Soft Touch - 16/2	
8	1060903	4	Wire Rope and Eyebolt Assembly	
10	3311401	8	Nut 1/4	
11	3311501	8	Nut 5/16	
12	3574091	2	Plate, Switch Strike	
13	4240099	7	Tie-Strap (Not Shown)	
14	4360057	2	Switch, Limit	
17	4460049	2	Connector, Strain Relief	
18	4460234	7	Tie-Strap (Not Shown)	
19	4460425	1	Connector, Strain Relief	
20	4751400	8	Washer 1/4	
21	4751500	12	Washer 5/16	
22	4751800	8	Washer 1/2	
23	4846673	1	Rail, Soft Touch	
27	1001197017	AR	Tie-Strap	
28	4460226	4	Socket	

SECTION 5 - PLATFORM

FIGURE 5-26. SKYEYE INSTALLATION



ART_1001229341

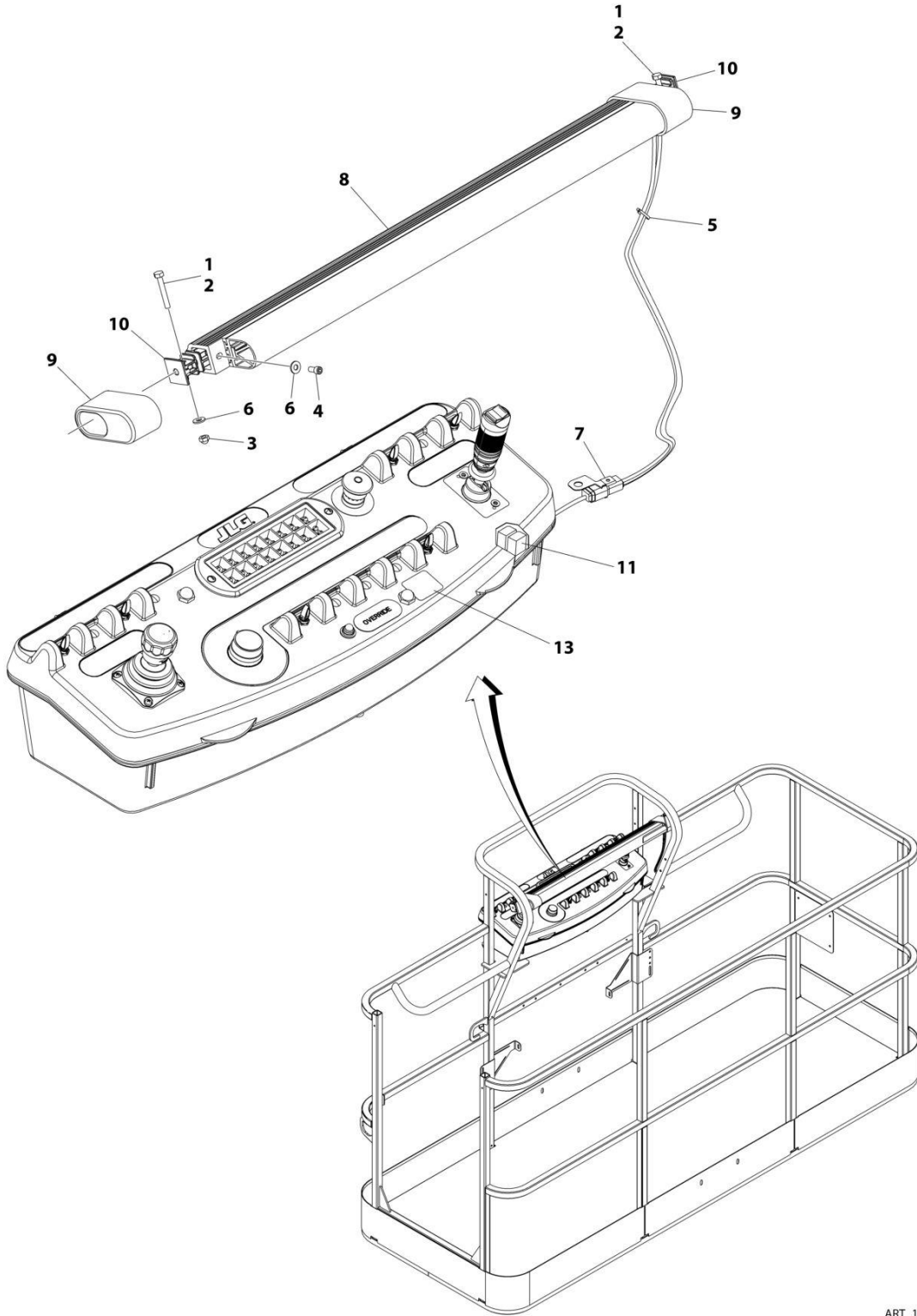
SECTION 5 - PLATFORM

FIGURE 5-26. SKYEYE INSTALLATION

ITEM	PART NUMBER	QTY	DESCRIPTION	REV
	1001229341	Ref	SKYEYE INSTALLATION	B
1	4031505	4	Bolt M4 x 10	
2	4240033	AR	Tie-Strap (Not Shown)	
3	1001227633	1	Housing, LH Outer	
4	1001227634	1	Housing, RH Outer	
5	1001227985	2	Shim	
6	1001227987	2	Shim	
7	1001228224	2	Sensor, Receiver	
8	1001228225	1	Sensor, Emitter	
9	1001232164	1	Housing, LH Inner	
10	1001232165	1	Housing, RH Inner	
11	1001237865	1	Harness, Skyeeye Intermediate (See Separate Breakdown in ELECTRICAL Section)	
12	1001238319	NLA	Harness, Skyeeye Drain Jumper	
12	1001187674	1	Plug, Male - 2 Position	
12	4460942	1	Terminal	
12	4460466	1	Plug, Terminal	
12	4460508	1	Pin, Male	
13	1001237863	2	Harness, Skyeeye Receiver (See Separate Breakdown in ELECTRICAL Section)	
14	1001237864	1	Harness, Skyeeye Emitter (See Separate Breakdown in ELECTRICAL Section)	

SECTION 5 - PLATFORM

FIGURE 5-27. SKYGUARD BAR INSTALLATION



ART_1001238495

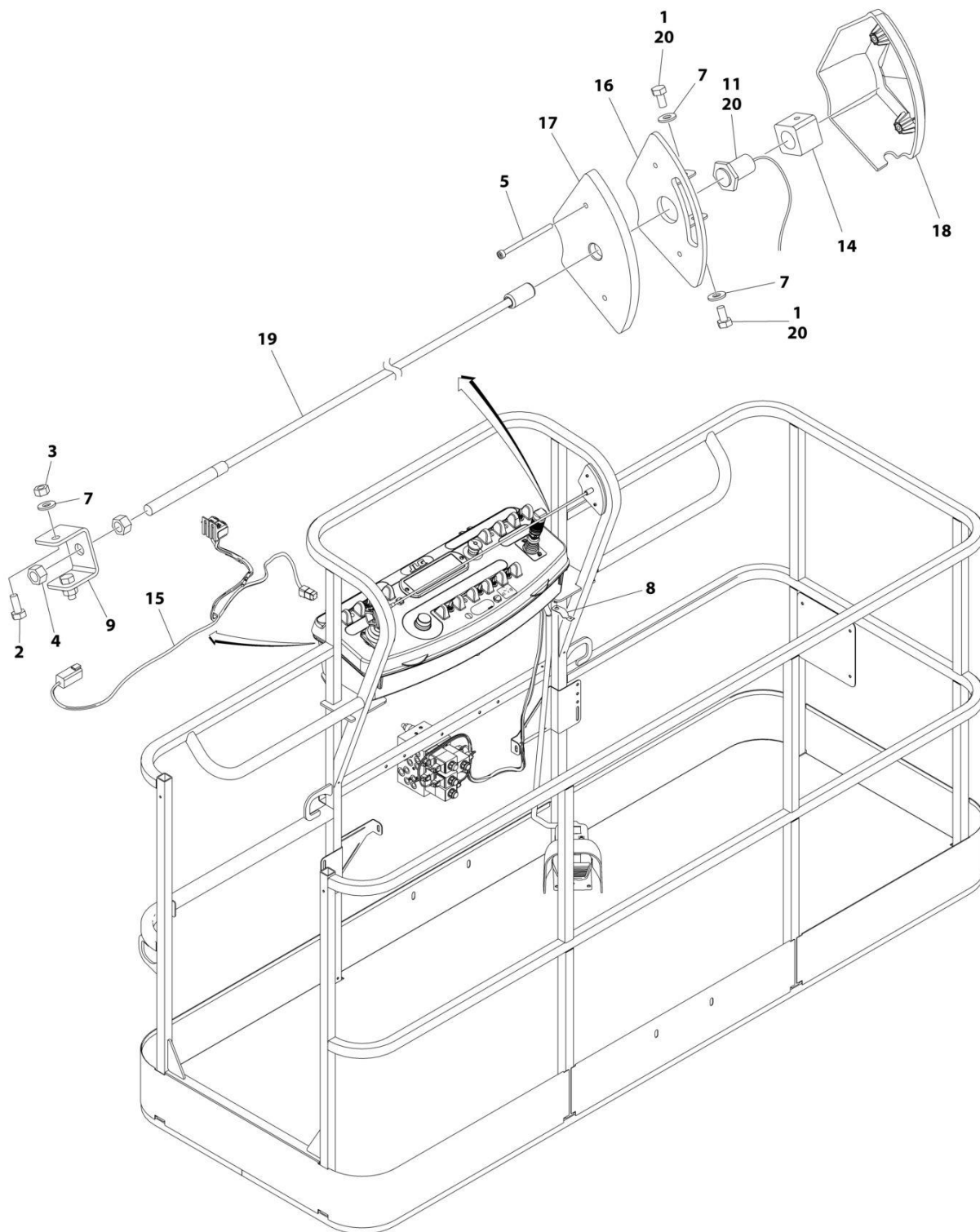
SECTION 5 - PLATFORM

FIGURE 5-27. SKYGUARD BAR INSTALLATION

ITEM	PART NUMBER	QTY	DESCRIPTION	REV
	1001238495	Ref	SKYGUARD BAR INSTALLATION	A
1	0100011	AR	Compound, Locking	
2	0641414	2	Bolt 1/4 x 1-3/4	
3	3300430	2	Nut 1/4	
4	3931408	2	Capscrew 1/4 x 1/2	
5	4240033	8	Tie-Strap	
6	4711400	6	Washer 1/4	
7	1001120328	1	Mount	
8	1001137673	1	SkyGuard Switch Assembly	
9	1001186517	2	Cover, Platform Sensor	
10	1001209664	2	Support, Block	
11	1001186431	2	Relay	
12	1001225580	1	Interface Harness Assembly (Not Shown - Located Inside Console Box) (See Separate Breakdown in ELECTRICAL Section)	
13	1001144433	1	Decal - No Weight SkyGuard	

SECTION 5 - PLATFORM

FIGURE 5-28. SKYLINE INSTALLATION



ART_1001238559_D

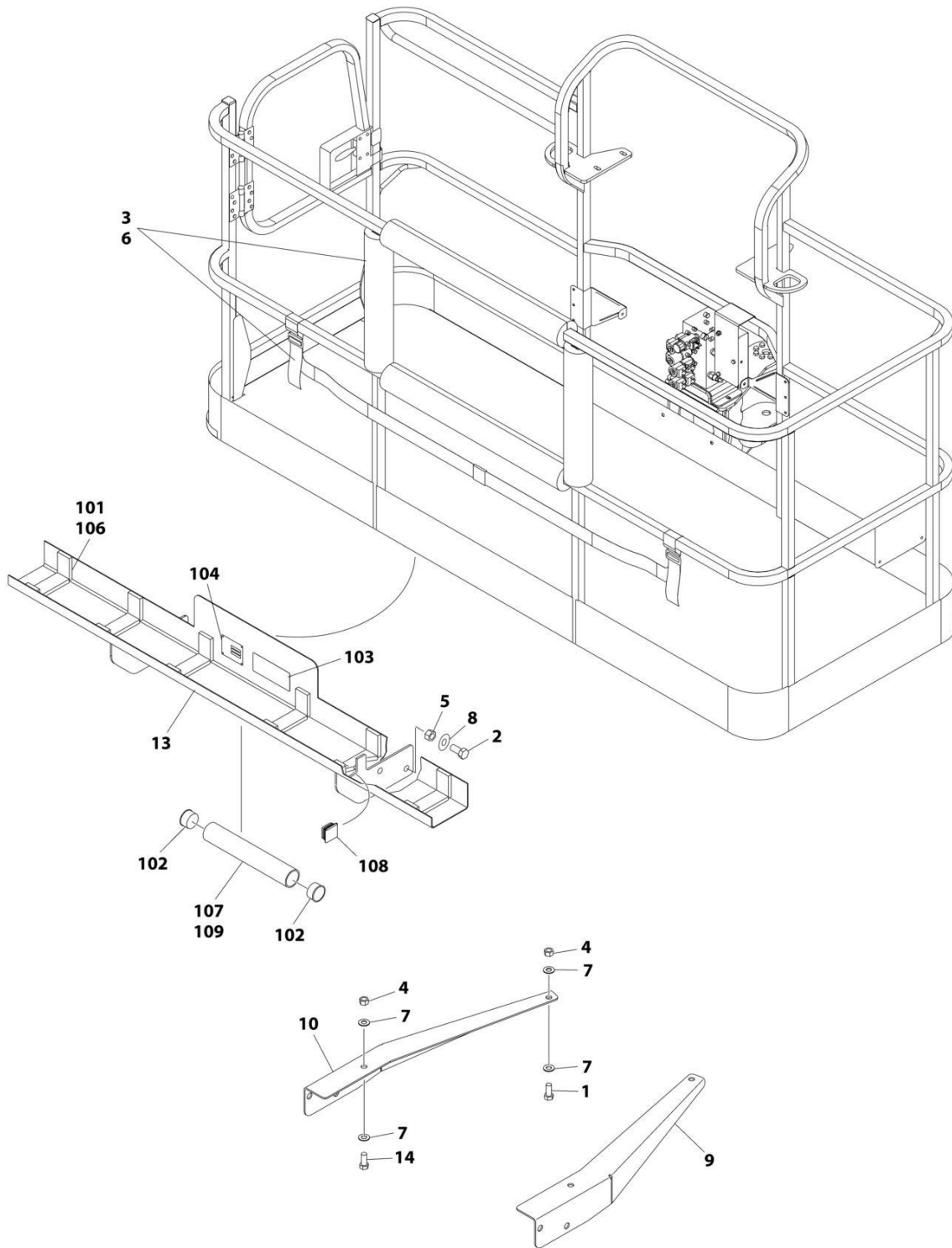
SECTION 5 - PLATFORM

FIGURE 5-28. SKYLINE INSTALLATION

ITEM	PART NUMBER	QTY	DESCRIPTION	REV
	1001238559	Ref	SKYLINE INSTALLATION	D
1	0641404	2	Bolt 1/4 x 1/2	
2	0641405	2	Bolt 1/4 x 5/8	
3	3311405	2	Nut 1/4	
4	3311601	2	Nut 3/8	
5	4031516	2	Capscrew M4 x 60	
6	4240033	AR	Tie-Strap (Not Shown)	
7	4711400	4	Washer 1/4	
8	1001120328	1	Mount	
9	1001232642	1	Bracket	
11	1001232667	1	Sensor, Proximity	
14	1001236552	1	Block	
15	1001238418	1	Harness, Skyline (See Separate Breakdown in ELECTRICAL Section)	
16	1001238472	1	Mount	
17	1001254473	1	Housing, LH	
18	1001241965	1	Housing, RH	
19	1001254472	1	Rod	
20	0100011	AR	Compound, Locking	

SECTION 5 - PLATFORM

FIGURE 5-29. SKYGLAZIER INSTALLATION (ANSI, ANSI EXPORT, AUSTRALIAN & CSA SPECS)



ART_1001172578

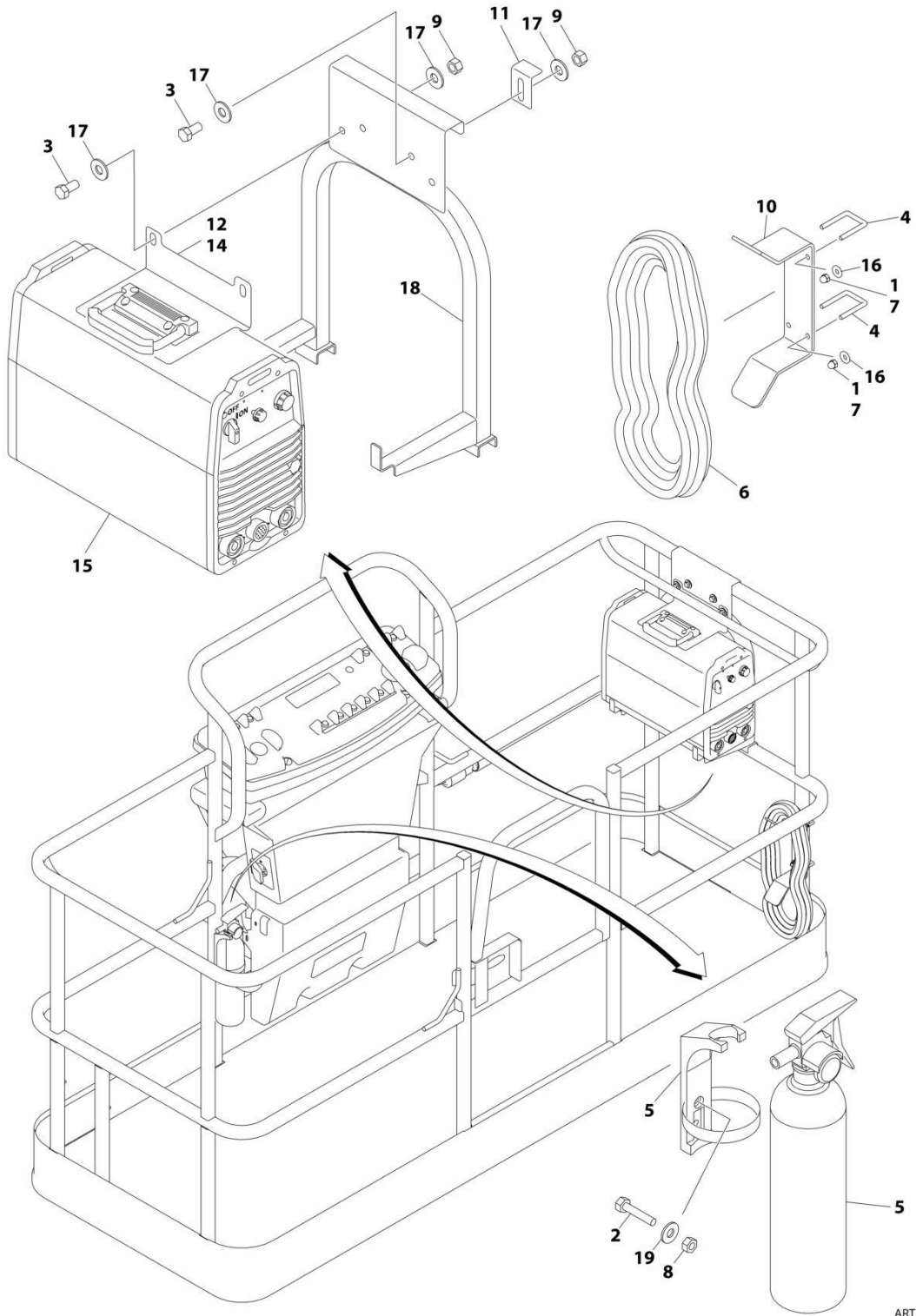
SECTION 5 - PLATFORM

FIGURE 5-29. SKYGLAZIER INSTALLATION (ANSI, ANSI EXPORT, AUSTRALIAN & CSA SPECS)

ITEM	PART NUMBER	QTY	DESCRIPTION	REV
	1001172578	Ref	SKYGLAZIER INSTALLATION	C
1	0642012	2	Bolt 5/8 x 1-1/2	
2	0642212	4	Bolt 3/4 x 1-1/2	
3	2902212	1	Bumpers and Strap Kit	
3	0940102	1	Bumper Only	
3	4240149	1	Strap Only	
4	3312005	1	Nut 5/8	
5	3312205	4	Nut 3/4	
6	4420014	AR	Tape	
7	4712000	6	Washer 5/8	
8	4712200	8	Washer 3/4	
9	1001099366	1	Support	
10	1001099367	1	Support	
13	1001172577	1	Tray Assembly (See Items 101-111 for Breakdown)	
14	8310129	2	Bolt 3/4 x 2-1/2	
	1001172577	Ref	TRAY ASSEMBLY	C
101	0100081	AR	Adhesive	
102	1120555	2	Cap, Tube	
103	1701509	1	Decal - Manual	
104	See Note	NSS	Nameplate - Serial Number (Note: Not Available for Purchase)	
106	3340956	1	Pad Kit	
107	3460334	1	Tube	
108	3520071	2	Plug	
109	4420066	AR	Tape, Double Sided	

SECTION 5 - PLATFORM

FIGURE 5-30. SKYWELDER INSTALLATION (50HZ)



ART_0272521_F

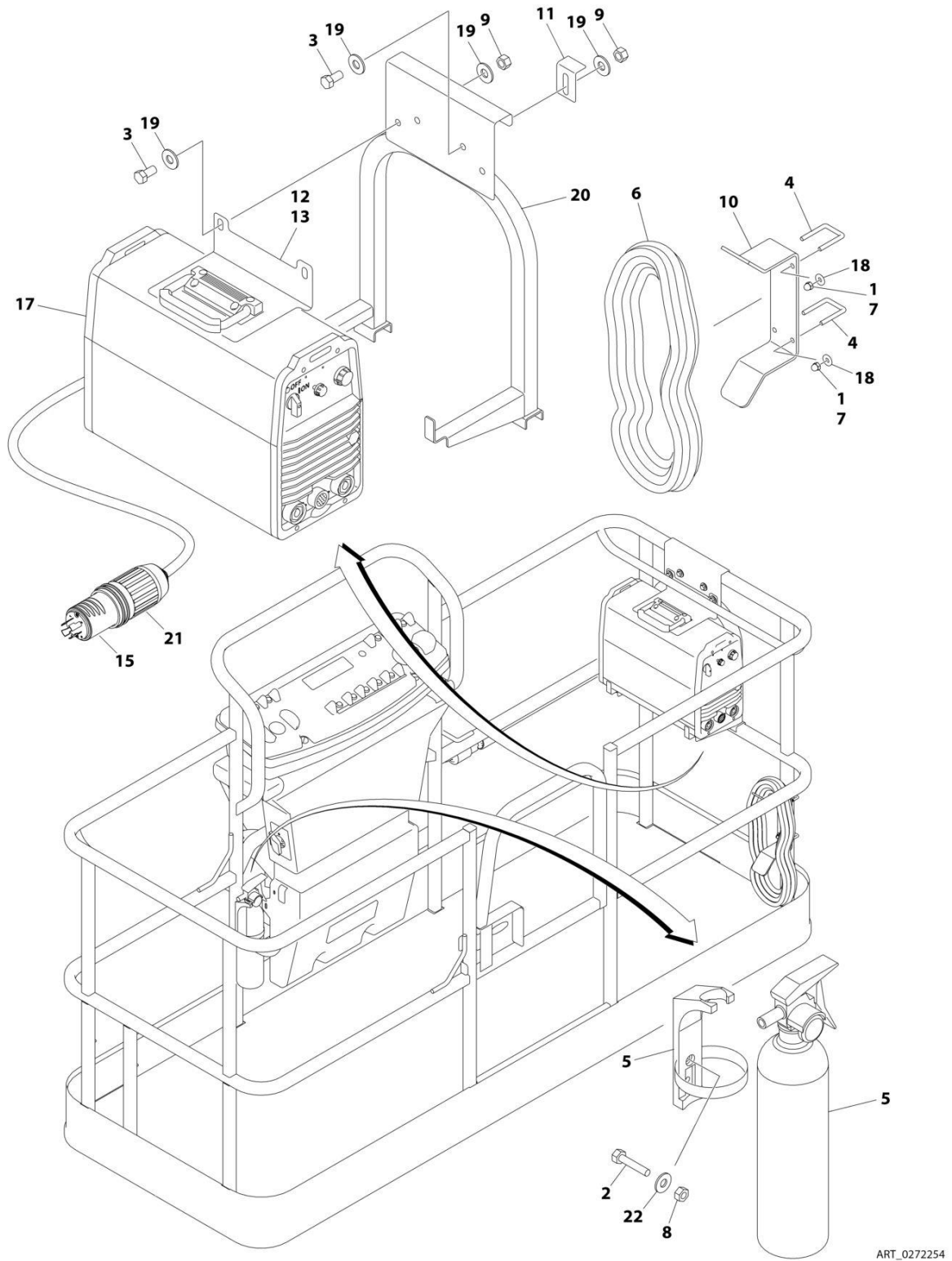
SECTION 5 - PLATFORM

FIGURE 5-30. SKYWELDER INSTALLATION (50HZ)

ITEM	PART NUMBER	QTY	DESCRIPTION	REV
	0272521	Ref	SKYWELDER INSTALLATION	F
1	0100011	AR	Compound, Locking	
2	0630518	2	Screw #10 x 3/4	
3	0641606	4	Bolt 3/8 x 3/4	
4	1320302	2	U-Clamp	
5	2030010	1	Extinguisher, Fire	
6	2902217	1	Weld Leads Kit	
7	3300151	4	Nut 1/4	
8	3311005	2	Nut #10	
9	3311605	4	Nut 3/8	
10	3573400	1	Bracket	
11	3577121	2	Angle	
12	3573642	1	Plate	
13	4240099	AR	Tie-Strap (Not Shown)	
14	4420037	AR	Tape	
15	4530028	1	Welder Assembly (See Separate Breakdown in this Section)	
16	4751400	4	Washer 1/4	
17	4751600	8	Washer 3/8	
18	4846627	1	Support	
19	4751000	2	Washer #10	

SECTION 5 - PLATFORM

FIGURE 5-31. SKYWELDER INSTALLATION (60HZ)



ART_0272254

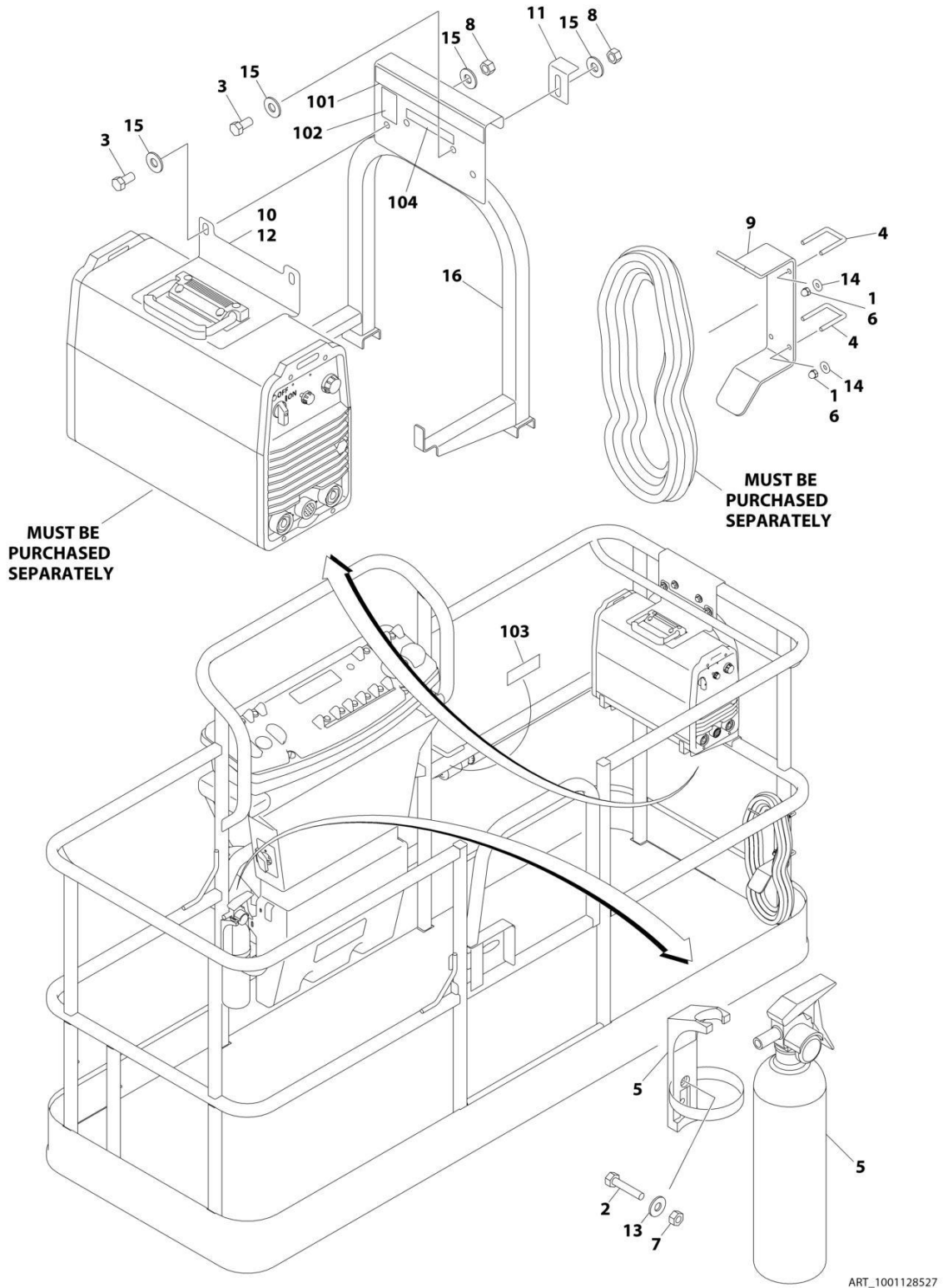
SECTION 5 - PLATFORM

FIGURE 5-31. SKYWELDER INSTALLATION (60HZ)

ITEM	PART NUMBER	QTY	DESCRIPTION	REV
	0272254	Ref	SKYWELDER INSTALLATION	1
1	0100011	AR	Compound, Locking	
2	0630518	2	Screw #10 x 3/4	
3	0641606	4	Bolt 3/8 x 3/4	
4	1320302	2	U-Clamp	
5	2030010	1	Extinguisher, Fire	
6	2902217	1	Weld Leads Kit	
7	3300151	4	Nut 1/4	
8	3311005	2	Nut #10	
9	3311605	4	Nut 3/8	
10	3573400	1	Bracket	
11	3577121	2	Angle	
12	3573642	1	Plate	
13	4420037	AR	Tape	
14	4240099	AR	Tie-Strap (Not Shown)	
15	4460962	1	Plug, Male Twistlock	
17	4530028	1	Welder Assembly (See Separate Breakdown in this Section)	
18	4751400	4	Washer 1/4	
19	4751600	8	Washer 3/8	
20	4846627	1	Support	
21	1671093	1	Cover, Plug	
22	4751000	2	Washer #10	

SECTION 5 - PLATFORM

FIGURE 5-32. SKYWELDER PREP PACKAGE (60HZ)



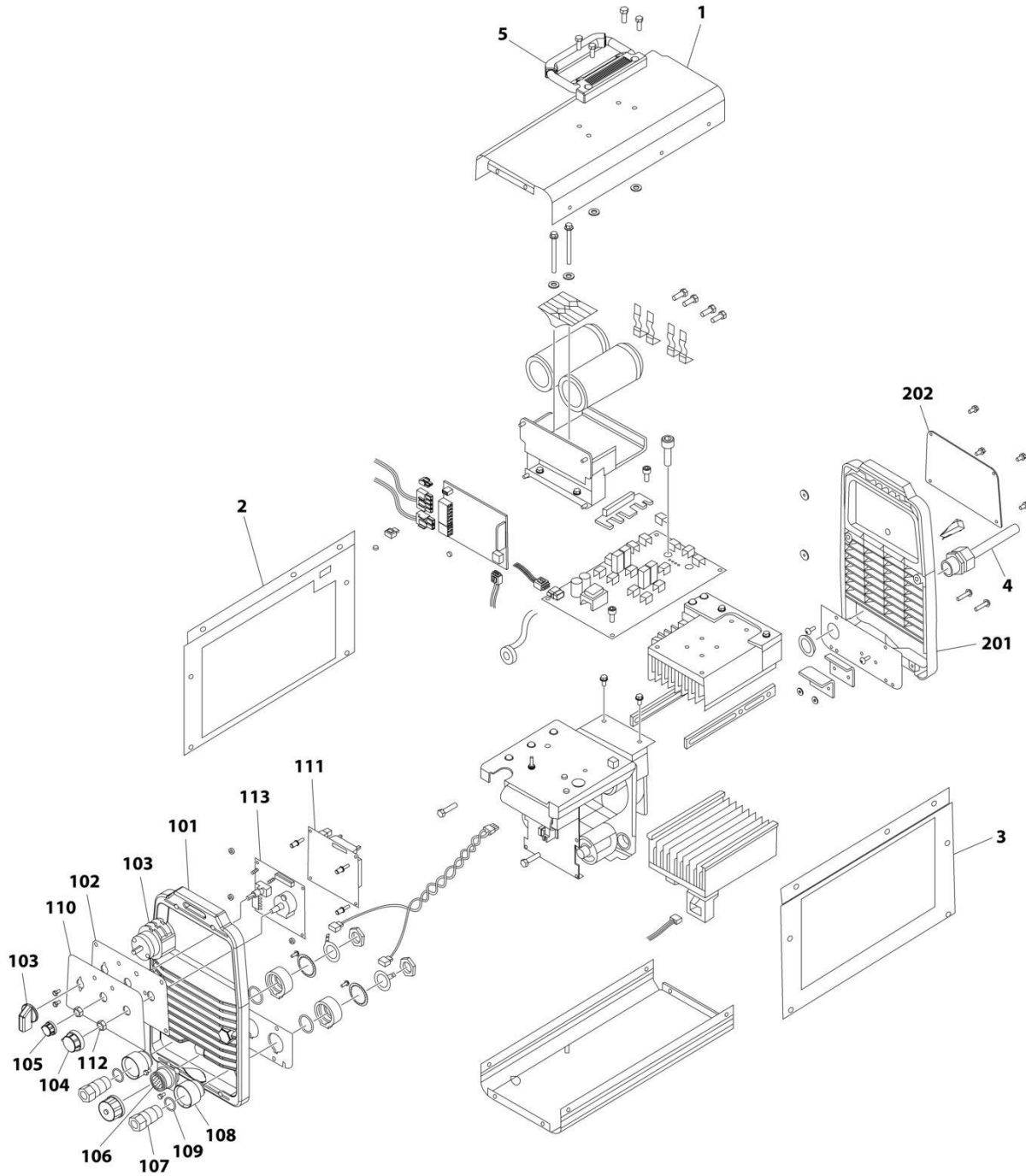
SECTION 5 - PLATFORM

FIGURE 5-32. SKYWELDER PREP PACKAGE (60HZ)

ITEM	PART NUMBER	QTY	DESCRIPTION	REV
	1001128527	Ref	SKYWELDER PREP PACKAGE (60HZ)	B
1	0100011	AR	Compound, Locking	
2	0630518	2	Screw #10 x 3/4	
3	0641606	4	Bolt 3/8 x 3/4	
4	1320302	2	U-Clamp	
5	2030010	1	Extinguisher, Fire	
6	3300151	4	Nut 1/4	
7	3311005	2	Nut #10	
8	3311605	4	Nut 3/8	
9	3573400	1	Bracket	
10	3573642	1	Plate	
11	3577121	2	Angle	
12	4420037	AR	Tape	
13	4751000	2	Washer #10	
14	4751400	4	Washer 1/4	
15	4751600	8	Washer 3/8	
16	4846627	1	Support	
	1001128556	Ref	SKYWELDER DECAL INSTALLATION	C
101	1702868	1	Decal - No Hands	
102	1705305	1	Decal - Weld Lead	
103	1705375	1	Decal - 240V - 3 Phase - 60Hz	
104	1001228988	1	Decal - Weight	

SECTION 5 - PLATFORM

FIGURE 5-33. WELDER ASSEMBLY



ART_4530028

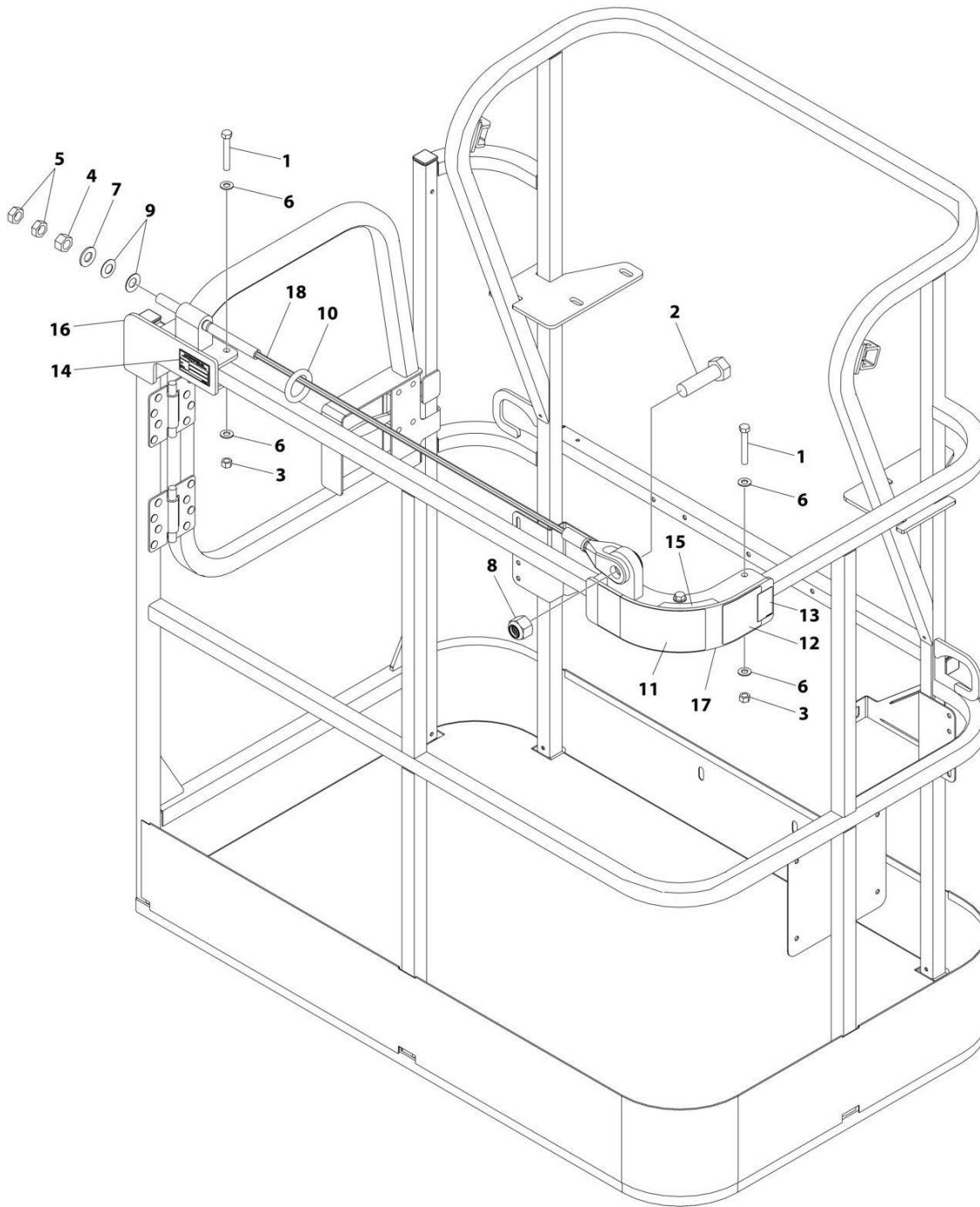
SECTION 5 - PLATFORM

FIGURE 5-33. WELDER ASSEMBLY

ITEM	PART NUMBER	QTY	DESCRIPTION	REV
	4530028	Ref	WELDER ASSEMBLY	B
		Ref	Note: For Other Components, contact your Miller Welder Dealer.	
1	7027773	1	Cover, Top	
1	7027774	1	Decal - Static Precautionary Warning	
2	See Note	NSS	Panel, LH Side (Note: Part of Item 1. Purchase Item 1)	
3	See Note	NSS	Panel, RH Side (Note: Part of Item 1. Purchase Item 1)	
4	7024467	1	Cable, Power	
4	7027775	1	Decal - Electrical Shock Warning (Not Shown)	
5	7027776	1	Handle, Carrying	
101	7024462	1	Panel, Front	
102	7024463	1	Panel, Console	
103	7024469	1	Switch with Lead	
104	7024470	1	Knob	
105	7024471	1	Knob	
106	7024472	1	Receptacle with Leads and Plugs	
107	7024473	2	Receptacle, Twistlock Female	
108	7024474	2	Insulator	
109	7024475	2	O-Ring	
110	7027777	1	Nameplate	
111	7027779	1	Circuit Card Assembly (Process Control)	
112	7024478	2	Nut	
113	7027778	1	Circuit Card Assembly (Operator Interface)	
201	7024462	1	Panel, Rear	
202	7027780	1	Panel, Cover	

SECTION 5 - PLATFORM

FIGURE 5-34. FALL ARREST INSTALLATION (BOLT-ON) 30IN X 4FT (76CM X 1.22M) PLATFORM



ART_1001261338

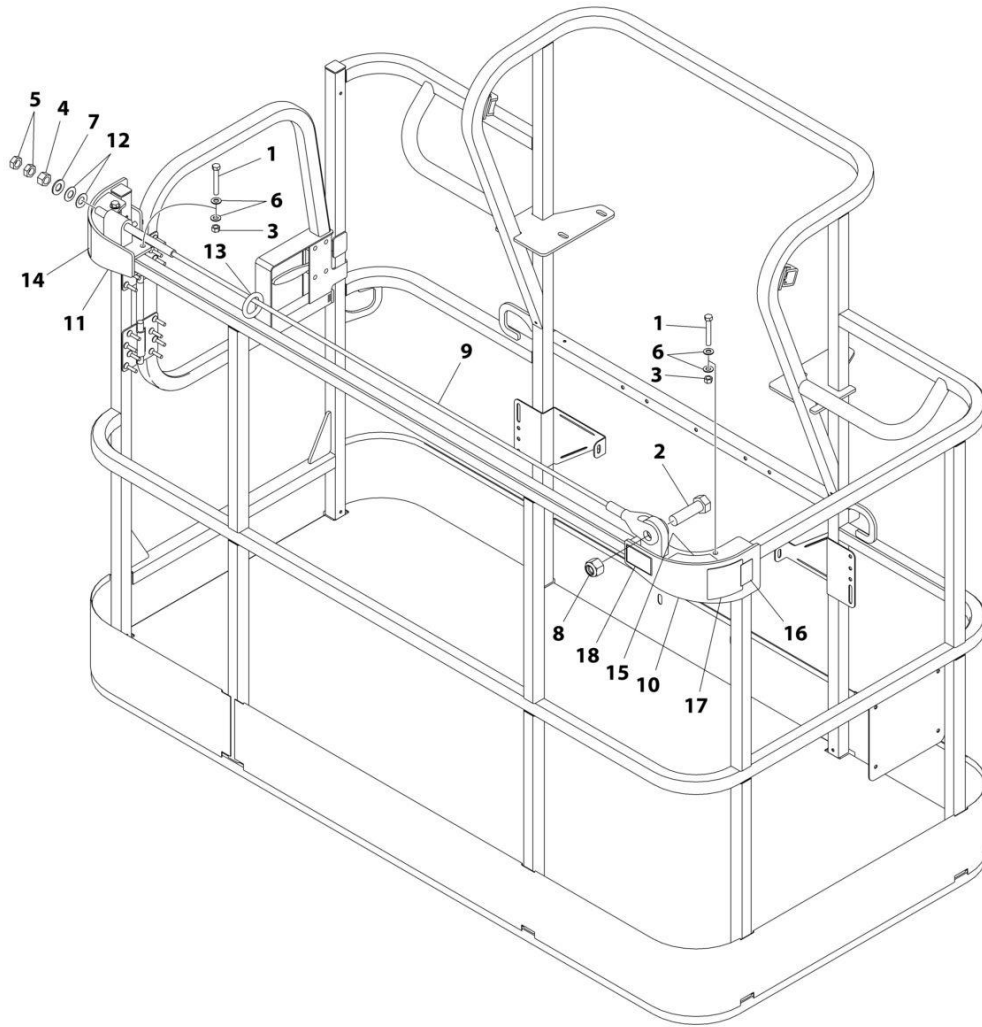
SECTION 5 - PLATFORM

FIGURE 5-34. FALL ARREST INSTALLATION (BOLT-ON) 30IN X 4FT (76CM X 1.22M) PLATFORM

ITEM	PART NUMBER	QTY	DESCRIPTION	REV
	1001261338	Ref	FALL ARREST INSTALLATION	A
1	0681620	6	Bolt 3/8 x 2-1/2	
2	0682424	1	Bolt 7/8 x 3	
3	3271605	6	Nut 3/8	
4	3272001	1	Nut 5/8	
5	3312002	2	Nut 5/8	
6	4711600	12	Washer 3/8	
7	4712000	1	Washer 5/8	
8	88521214	1	Nut 7/8	
9	1001236891	2	Washer	
10	1001236895	1	Ring	
11	1001238263	1	Decal - Warning Falling Hazard	
12	1001248140	1	Decal - Bolt Fall Arrest Re-Cert	
13	1001248141	1	Decal - Incription	
14	See Note	NSS	Nameplate - Manufacturers Serial Number (Note: Not Available for Purchase)	
15	1001252629	1	Decal - Weight	
16	1001257271	1	Bracket (RH)	
17	1001257274	1	Bracket (LH)	
18	1001261335	1	Rope	

SECTION 5 - PLATFORM

FIGURE 5-35. FALL ARREST INSTALLATION (BOLT-ON) 36IN X 6FT (91.2CM X 1.82M) PLATFORM



ART_1001236747

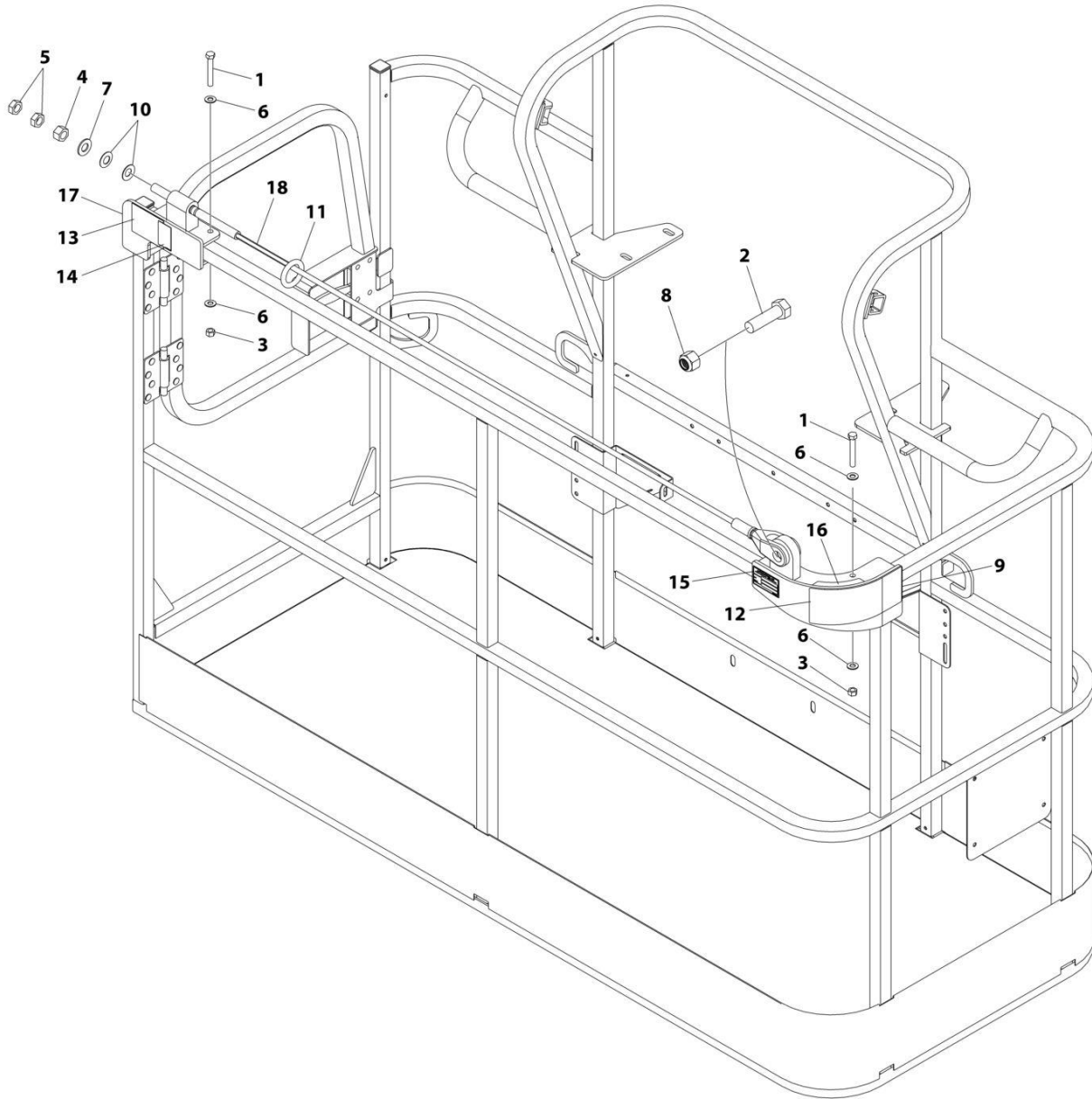
SECTION 5 - PLATFORM

FIGURE 5-35. FALL ARREST INSTALLATION (BOLT-ON) 36IN X 6FT (91.2CM X 1.82M) PLATFORM

ITEM	PART NUMBER	QTY	DESCRIPTION	REV
	1001236747	Ref	FALL ARREST INSTALLATION (BOLT - ON) 6FT/1.82M PLATFORM	C
1	0681620	6	Bolt 3/8 x 2-1/2	
2	0682424	1	Bolt 7/8 x 3	
3	3271605	6	Nut 3/8	
4	3272001	1	Nut 5/8	
5	3312002	2	Nut 5/8	
6	4711600	12	Washer 3/8	
7	4712000	1	Washer 5/8	
8	88521214	1	Nut 7/8	
9	1001231950	1	Rope	
10	1001232010	1	Bracket (RH)	
11	1001232011	1	Bracket (LH)	
12	1001236891	2	Washer	
13	1001236895	1	Ring	
14	1001238263	1	Decal - Warning Falling Hazard	
15	1001252629	1	Decal - Weight	
16	1001248140	1	Decal - Bolt Fall Arrest Re-Cert	
17	1001248141	1	Decal - Inscription	

SECTION 5 - PLATFORM

FIGURE 5-36. FALL ARREST INSTALLATION (BOLT-ON) 30IN X 6FT (76CM X 1.83M) PLATFORM



ART_1001261339

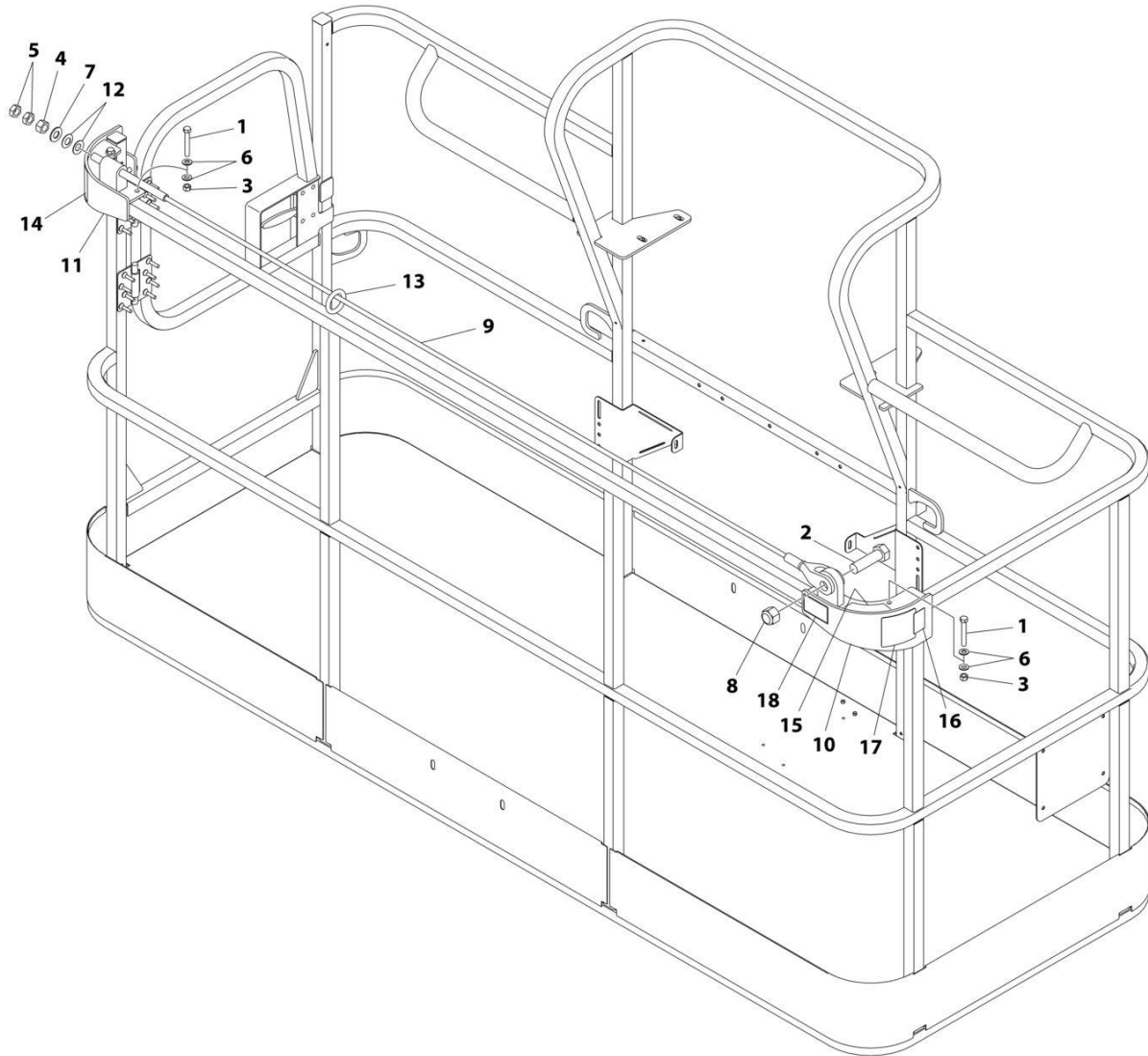
SECTION 5 - PLATFORM

FIGURE 5-36. FALL ARREST INSTALLATION (BOLT-ON) 30IN X 6FT (76CM X 1.83M) PLATFORM

ITEM	PART NUMBER	QTY	DESCRIPTION	REV
	1001261339	Ref	FALL ARREST INSTALLATION (BOLT-ON) 30IN X 6FT (76CM X 1.83M) PLATFORM	A
1	0681620	6	Bolt 3/8 x 2-1/2	
2	0682424	1	Bolt 7/8 x 3	
3	3271605	6	Nut 3/8	
4	3272001	1	Nut 5/8	
5	3312002	2	Nut 5/8	
6	4711600	12	Washer 3/8	
7	4712000	1	Washer 5/8	
8	88521214	1	Nut 7/8	
9	1001232010	1	Bracket	
10	1001236891	2	Washer	
11	1001236895	1	Ring	
12	1001238263	1	Decal - Warning Falling Hazard	
13	1001248140	1	Decal - Bolt Fall Arrest Re-Cert	
14	1001248141	1	Decal - Incription	
15	See Note	NSS	Nameplate - Manufacturers Serial Number (Note: Not Available for Purchase)	
16	1001252629	1	Decal - Weight	
17	1001257271	1	Bracket	
18	1001261336	1	Rope	

SECTION 5 - PLATFORM

FIGURE 5-37. FALL ARREST INSTALLATION (BOLT-ON) 36IN X 8FT (91.5CM X 2.4M) PLATFORM



ART_1001236746

SECTION 5 - PLATFORM

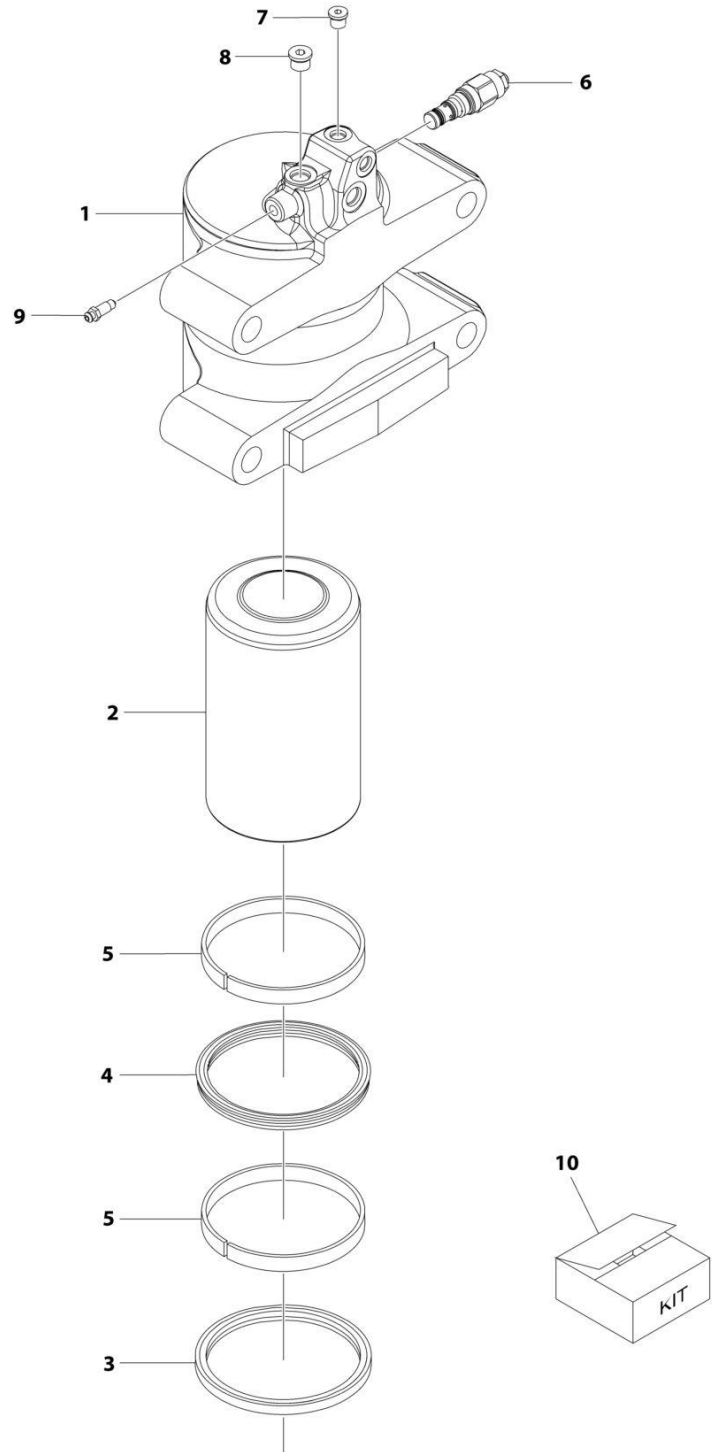
FIGURE 5-37. FALL ARREST INSTALLATION (BOLT-ON) 36IN X 8FT (91.5CM X 2.4M) PLATFORM

ITEM	PART NUMBER	QTY	DESCRIPTION	REV
	1001236746	Ref	FALL ARREST INSTALLATION (BOLT - ON) 8FT/2.4M PLATFORM	C
1	0681620	6	Bolt 3/8 x 2-1/2	
2	0682424	1	Bolt 7/8 x 3	
3	3271605	6	Nut 3/8	
4	3272001	1	Nut 5/8	
5	3312002	2	Nut 5/8	
6	4711600	12	Washer 3/8	
7	4712000	1	Washer 5/8	
8	88521214	1	Nut 7/8	
9	1001231949	1	Rope	
10	1001232010	1	Bracket (RH)	
11	1001232011	1	Bracket (LH)	
12	1001236891	2	Washer	
13	1001236895	1	Ring	
14	1001238263	1	Decal - Warning Falling Hazard	
15	1001252629	1	Decal - Weight 23LBS/10.4KG	
16	1001248140	1	Decal - Bolt Fall Arrest Re-Cert	
17	1001248141	1	Decal - Inscription	

SECTION 6 - CYLINDER

SECTION 6 - CYLINDER

FIGURE 6-1. AXLE LOCKOUT CYLINDER ASSEMBLY



ART_1001204560

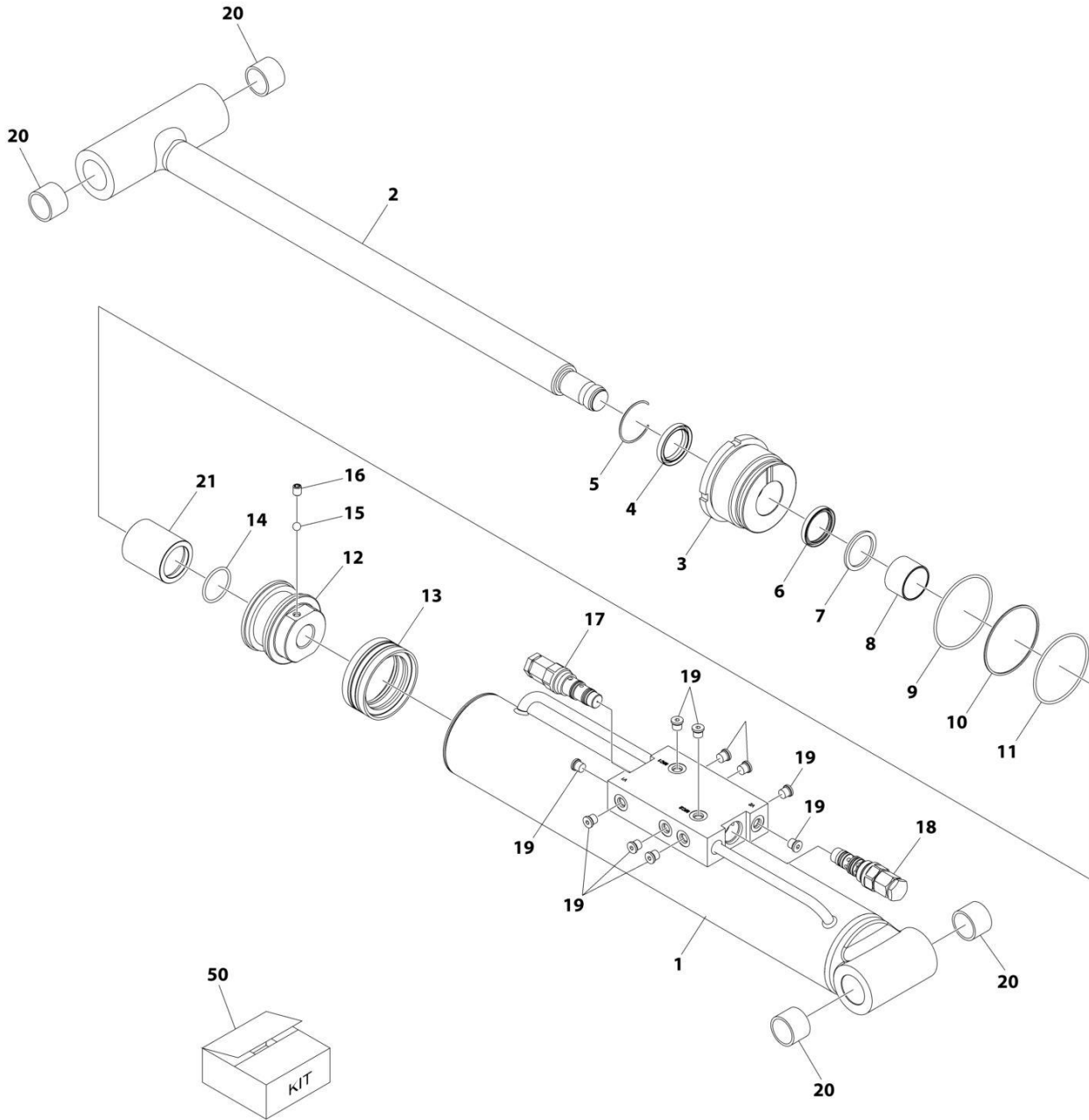
SECTION 6 - CYLINDER

FIGURE 6-1. AXLE LOCKOUT CYLINDER ASSMBLY

ITEM	PART NUMBER	QTY	DESCRIPTION	REV
	1001204560	Ref	AXLE LOCKOUT CYLINDER ASSEMBLY	D
1	1001154126	1	Barrel	
2	1001154687	1	Rod	
3	See Note	NSS	Wiper (Note: Use Item 10)	
4	See Note	NSS	Seal, Rod (Note: Use Item 10)	
5	See Note	NSS	Ring, Wear (Note: Use Item 10)	
6	1001117372	1	Cartridge, Valve (Counterbalance)	
6	70002842	1	Seal Kit - 1001117372 Valve (1 Per Assembly)	
7	2220883	1	Plug, O-Ring	
8	2220885	1	Plug, O-Ring	
9	4640858	1	Valve, Bleeder	
10	1001098167	1	Seal Kit (Includes Items 3-5)	

SECTION 6 - CYLINDER

FIGURE 6-2. LEVEL (SLAVE) CYLINDER ASSEMBLY - JIB



ART_1001251030

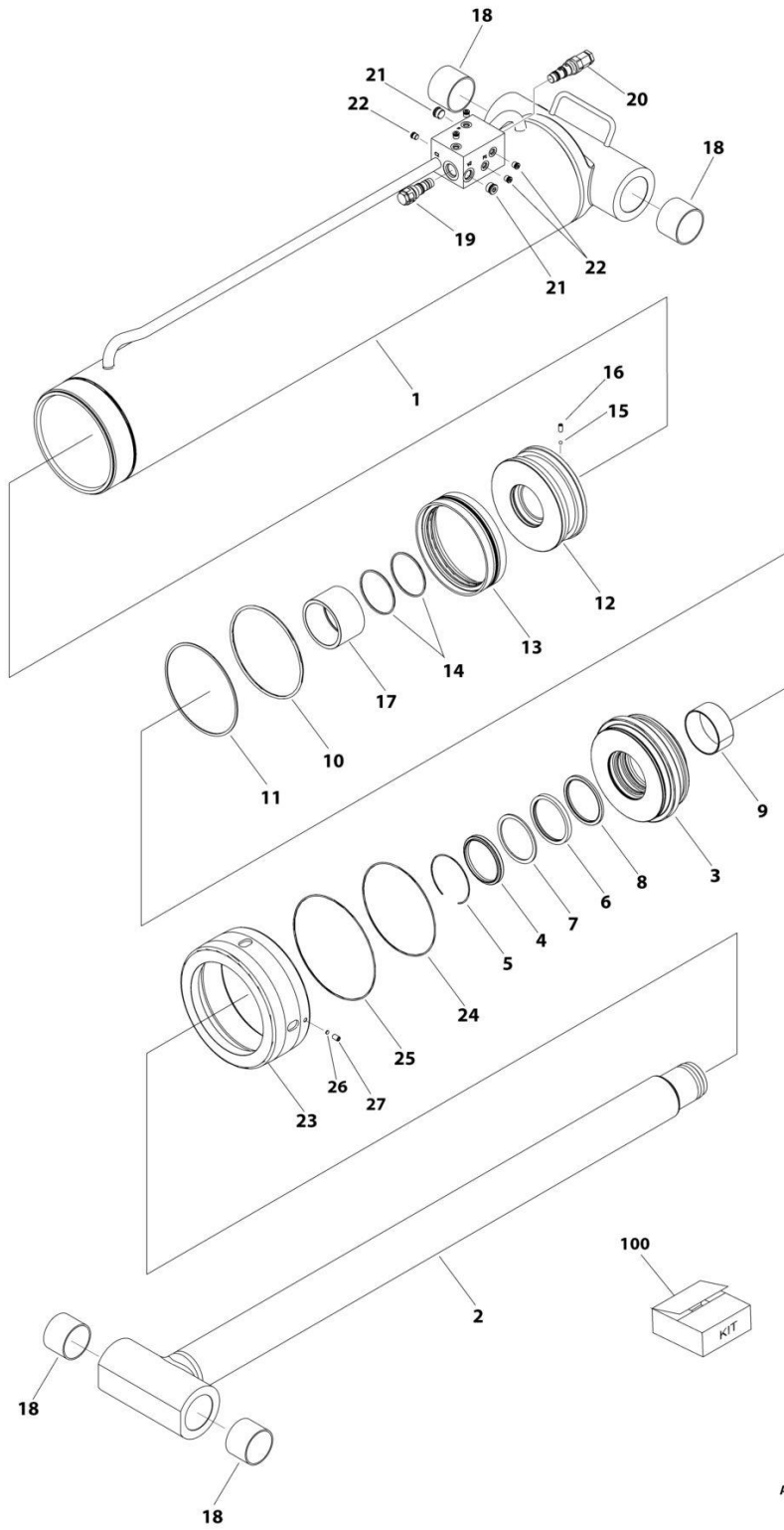
SECTION 6 - CYLINDER

FIGURE 6-2. LEVEL (SLAVE) CYLINDER ASSEMBLY - JIB

ITEM	PART NUMBER	QTY	DESCRIPTION	REV
	1001251030	Ref	LEVEL (SLAVE) CYLINDER ASSEMBLY	B
		Ref	Note: Cylinder May Have Been Replaced with Service Replacement. Identify PN Stamped Cylinder Before Ordering Parts.	
1	See Note	NSS	Barrel (Note: Use PN 1001251030)	
2	70007966	1	Rod	
3	70007967	1	Head	
4	See Note	NSS	Wiper (Note: Use Item 50)	
5	70002373	1	Ring, Retaining	
6	See Note	NSS	Seal, Rod (Note: Use Item 50)	
7	See Note	NSS	Ring, Back-up (Note: Use Item 50)	
8	70005143	1	Bearing	
9	See Note	NSS	O-Ring (Note: Use Item 50)	
10	See Note	NSS	Ring, Back-up (Note: Use Item 50)	
11	See Note	NSS	O-Ring (Note: Use Item 50)	
12	70005144	1	Piston	
13	See Note	NSS	Seal, Piston (Note: Use Item 50)	
14	See Note	NSS	O-Ring (Note: Use Item 50)	
15	70022564	1	Ball, Steel	
16	70006596	1	Setscrew M8 x 12	
17	4640932	1	Cartridge, Valve - Counterbalance	
17	7011112	1	Seal Kit - 4640932 Valve	
18	4640605	1	Cartridge, Valve - Counterbalance	
18	2900792	1	Seal Kit - 4640605 Valve	
19	70023370	10	Plug 7/16	
20	0961951	4	Bearing	
21	70007968	1	Spacer	
50	70007969	1	Seal Kit - 1001251030 Cylinder (Includes Items 4, 6, 7, 9-11, 13 & 14)	

SECTION 6 - CYLINDER

FIGURE 6-3. LEVEL (SLAVE) CYLINDER ASSEMBLY - UPRIGHT



ART_1001251041

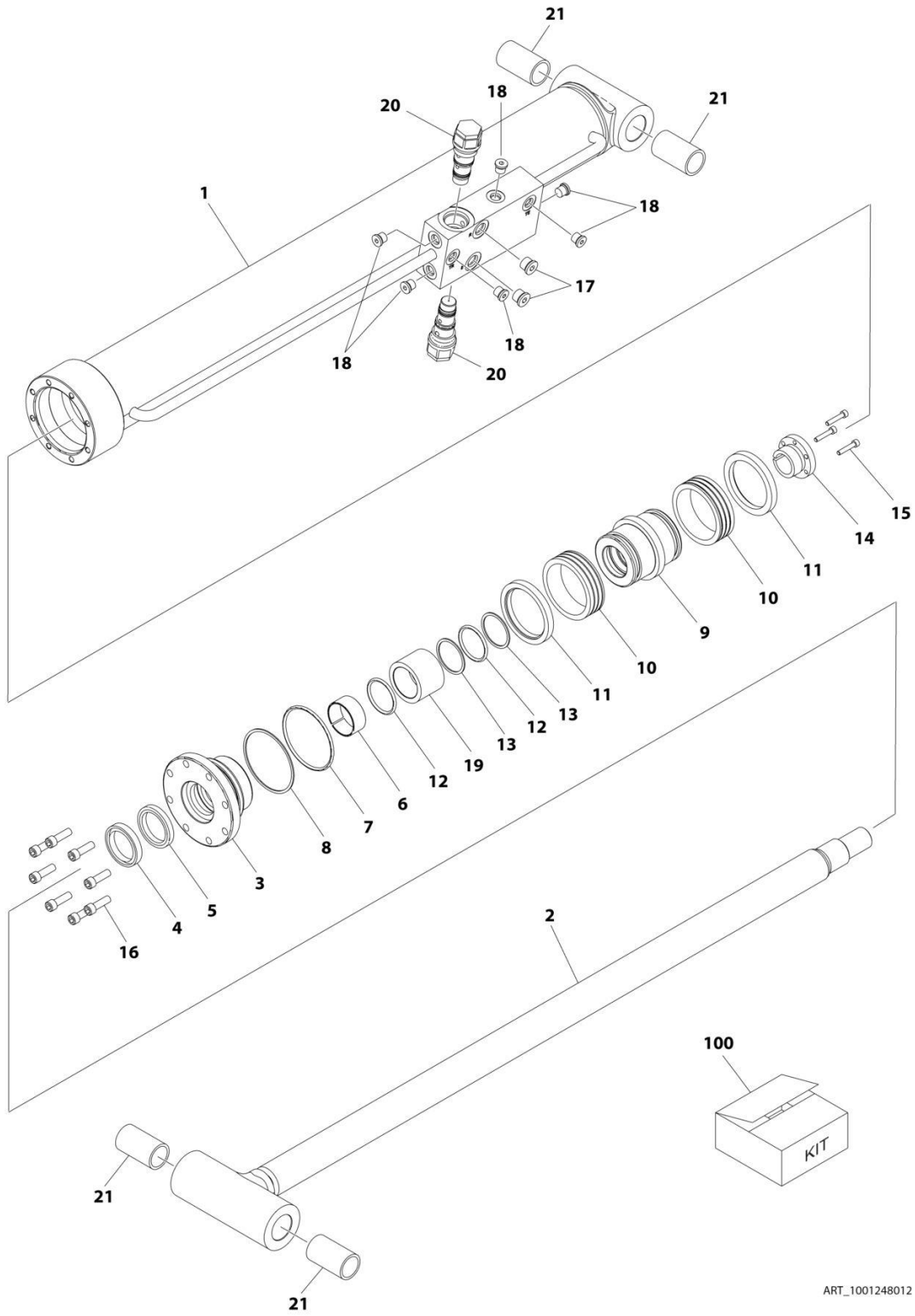
SECTION 6 - CYLINDER

FIGURE 6-3. LEVEL (SLAVE) CYLINDER ASSEMBLY - UPRIGHT

ITEM	PART NUMBER	QTY	DESCRIPTION	REV
	1001251041	Ref	LIFT CYLINDER ASSEMBLY	C
		Ref	Note: Original Cylinder may have been replaced with Service Replacement. Identify PN Stamped on Cylinder Before Ordering Parts.	
1	See Note	NSS	Barrel (Note: Not Available for Purchase)	
2	70007427	1	Rod	
3	70007422	1	Head	
4	See Note	NSS	Wiper (Note: Use Item 100)	
5	70023380	1	Ring, Retaining	
6	See Note	NSS	Seal (Note: Use Item 100)	
7	See Note	NSS	Ring, Back-up (Note: Use Item 100)	
8	See Note	NSS	Ring, Buffer (Note: Use Item 100)	
9	70007423	1	Ring, Wear	
10	See Note	NSS	O-Ring (Note: Use Item 100)	
11	See Note	NSS	Ring, Back-up (Note: Use Item 100)	
12	70007428	1	Piston	
13	See Note	NSS	Seal (Note: Use Item 100)	
14	See Note	NSS	O-Ring (Note: Use Item 100)	
15	70022564	1	Steel Ball	
16	70007246	1	Screw, Set	
17	70007429	1	Spacer	
18	0962102	4	Bushing	
19	4640509	1	Cartridge, Valve	
19	2900792	1	Seal Kit - 4640509 Valve	
20	4640605	1	Cartridge, Valve	
20	2900792	1	Seal Kit - 4640605 Valve	
21	2220886	2	Plug, O-Ring	
22	2220883	5	Plug, O-Ring	
23	70007278	1	Cap	
24	See Note	1	O-Ring (Note: Use Item 100)	
25	See Note	NSS	O-Ring (Note: Use Item 100)	
26	70007282	1	Insert, Locking	
27	70026287	1	Screw, Set	
100	70007430	1	Seal Kit (Includes Items 4, 6-8, 10, 11, 13, 14, 24 & 25)	

SECTION 6 - CYLINDER

FIGURE 6-4. LIFT CYLINDER ASSEMBLY - JIB



ART_1001248012

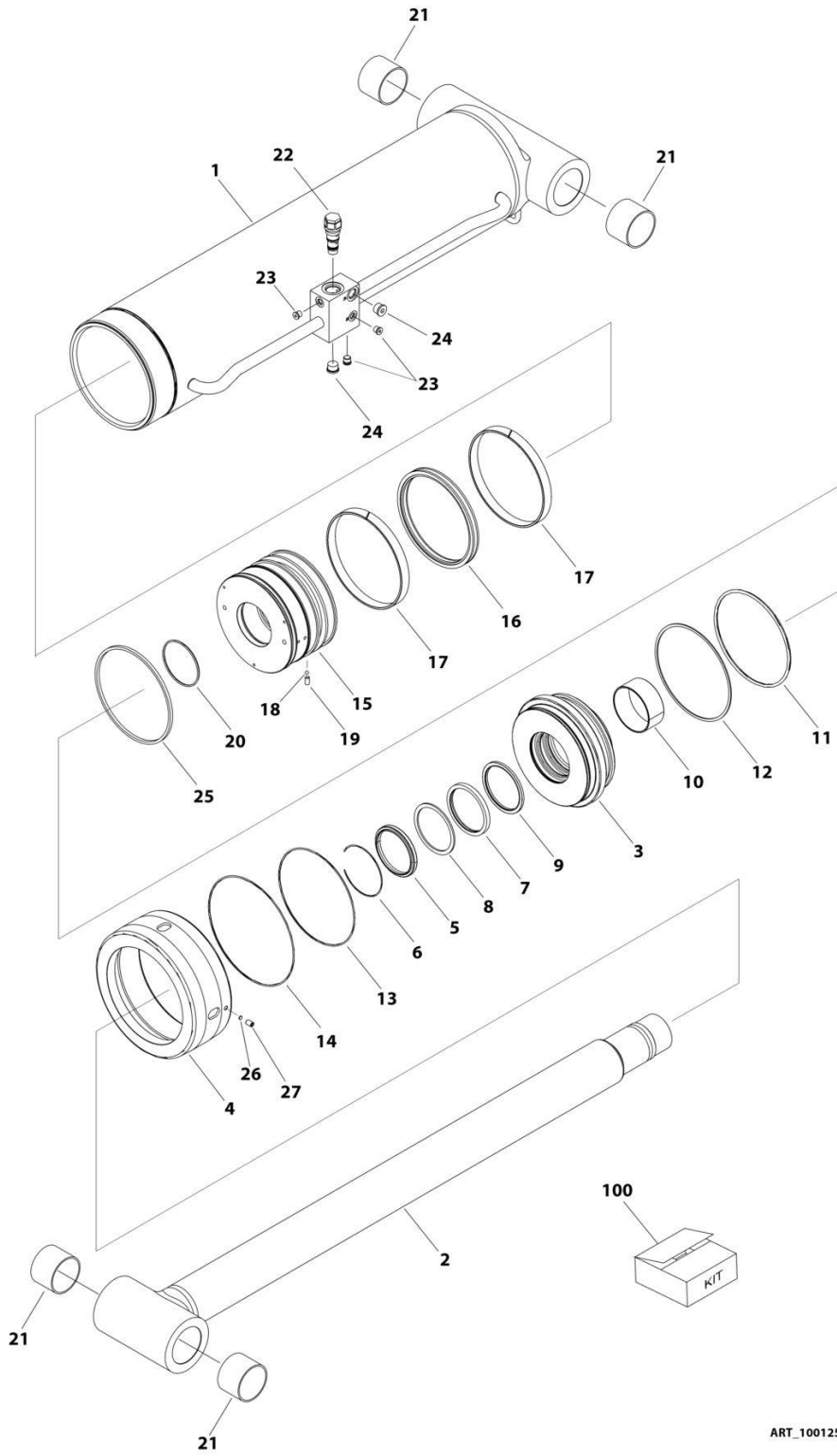
SECTION 6 - CYLINDER

FIGURE 6-4. LIFT CYLINDER ASSEMBLY - JIB

ITEM	PART NUMBER	QTY	DESCRIPTION	REV
	1001248012	Ref	LIFT CYLINDER ASSEMBLY - JIB	C
		Ref	Note: Original Cylinder May Have Been Replaced with Service Replacement. Identify PN Stamped on Cylinder Before Ordering Parts.	
1	See Note	NSS	Barrel (Note: Not Available for Purchase)	
2	70006734	1	Rod	
3	70006649	1	Head	
4	See Note	NSS	Wiper (Note: Use Item 100)	
5	See Note	NSS	Seal, Rod (Note: Use Item 100)	
6	See Note	NSS	Ring, Wear (Note: Use Item 100)	
7	See Note	NSS	O-Ring (Note: Use Item 100)	
8	See Note	NSS	Ring, Back-up (Note: Use Item 100)	
9	70006650	1	Piston	
10	See Note	NSS	Seal (Note: Use Item 100)	
11	See Note	NSS	Ring, Lock (Note: Use Item 100)	
12	See Note	NSS	O-Ring (Note: Use Item 100)	
13	See Note	NSS	Ring, Back-up (Note: Use Item 100)	
14	0961893	1	Bushing, Tapered	
15	0630534	3	Capscrew, Socket Head #10 x 1	
16	70006735	8	Capscrew 5/16	
17	2220885	2	Plug, O-Ring	
18	2220883	6	Plug, O-Ring	
19	70006736	1	Spacer	
20	4640509	2	Cartridge, Valve	
20	2900792	2	Seal Kit - 4640509 Valve	
21	0962336	4	Bushing	
100	1001138795	1	Seal Kit (Includes Items 4-8 & 10-13)	

SECTION 6 - CYLINDER

FIGURE 6-5. LIFT CYLINDER ASSEMBLY - MAIN BOOM



ART_1001251010

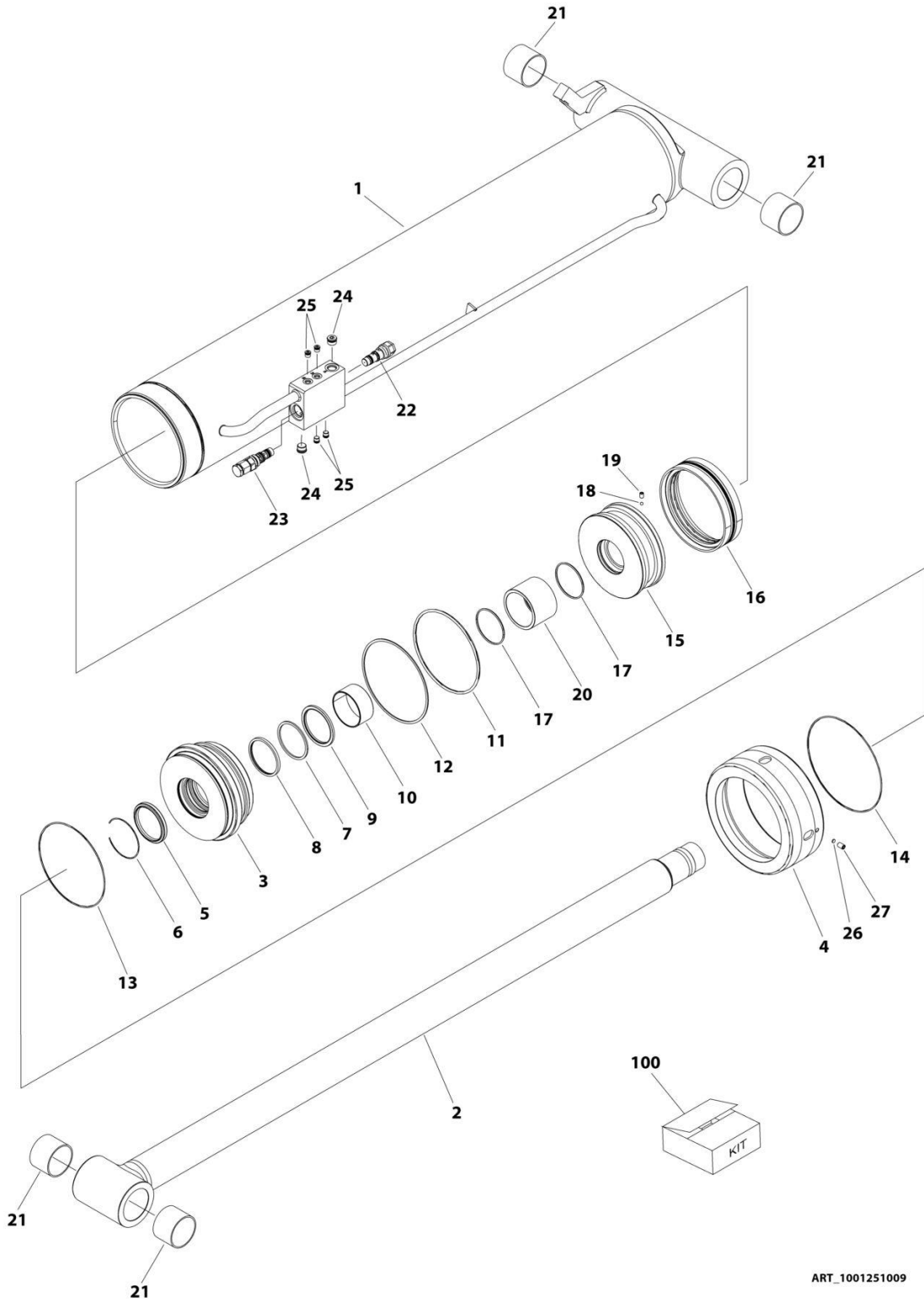
SECTION 6 - CYLINDER

FIGURE 6-5. LIFT CYLINDER ASSEMBLY - MAIN BOOM

ITEM	PART NUMBER	QTY	DESCRIPTION	REV
	1001251010	Ref	LIFT CYLINDER ASSEMBLY	C
		Ref	Note: Original Cylinder may have been replaced with Service Replacement. Identify PN Stamped on Cylinder Before Ordering Parts.	
1	See Note	NSS	Barrel (Note: Not Available for Purchase)	
2	70007421	1	Rod	
3	70007422	1	Head	
4	70007278	1	Cap	
5	See Note	NSS	Wiper (Note: Use Item 100)	
6	70023380	1	Ring, Retaining	
7	See Note	NSS	Seal (Note: Use Item 100)	
8	See Note	NSS	Ring, Back-up (Note: Use Item 100)	
9	See Note	NSS	Ring, Buffer (Note: Use Item 100)	
10	70007423	1	Ring, Wear	
11	See Note	NSS	O-Ring (Note: Use Item 100)	
12	See Note	NSS	Ring, Back-up (Note: Use Item 100)	
13	See Note	NSS	O-Ring (Note: Use Item 100)	
14	See Note	NSS	O-Ring (Note: Use Item 100)	
15	70007424	1	Piston	
16	See Note	NSS	Seal (Note: Use Item 100)	
17	See Note	NSS	Ring, Wear (Note: Use Item 100)	
18	70022564	1	Steel Ball	
19	70007246	1	Screw, Set	
20	See Note	1	O-Ring (Note: Use Item 100)	
21	0962102	4	Bushing	
22	4640509	1	Cartridge, Valve	
22	2900792	1	Seal Kit - 4640509 Valve	
23	2220883	3	Plug, O-Ring	
24	2220886	2	Plug, O-Ring	
25	70007425	1	Ring, Piston	
26	70007282	1	Insert, Locking	
27	70026287	1	Screw, Set	
100	70007426	1	Seal Kit (Includes Items 5, 7-9, 11-14, 16, 17 & 20)	

SECTION 6 - CYLINDER

FIGURE 6-6. LIFT CYLINDER ASSEMBLY - TOWER BOOM



ART_1001251009

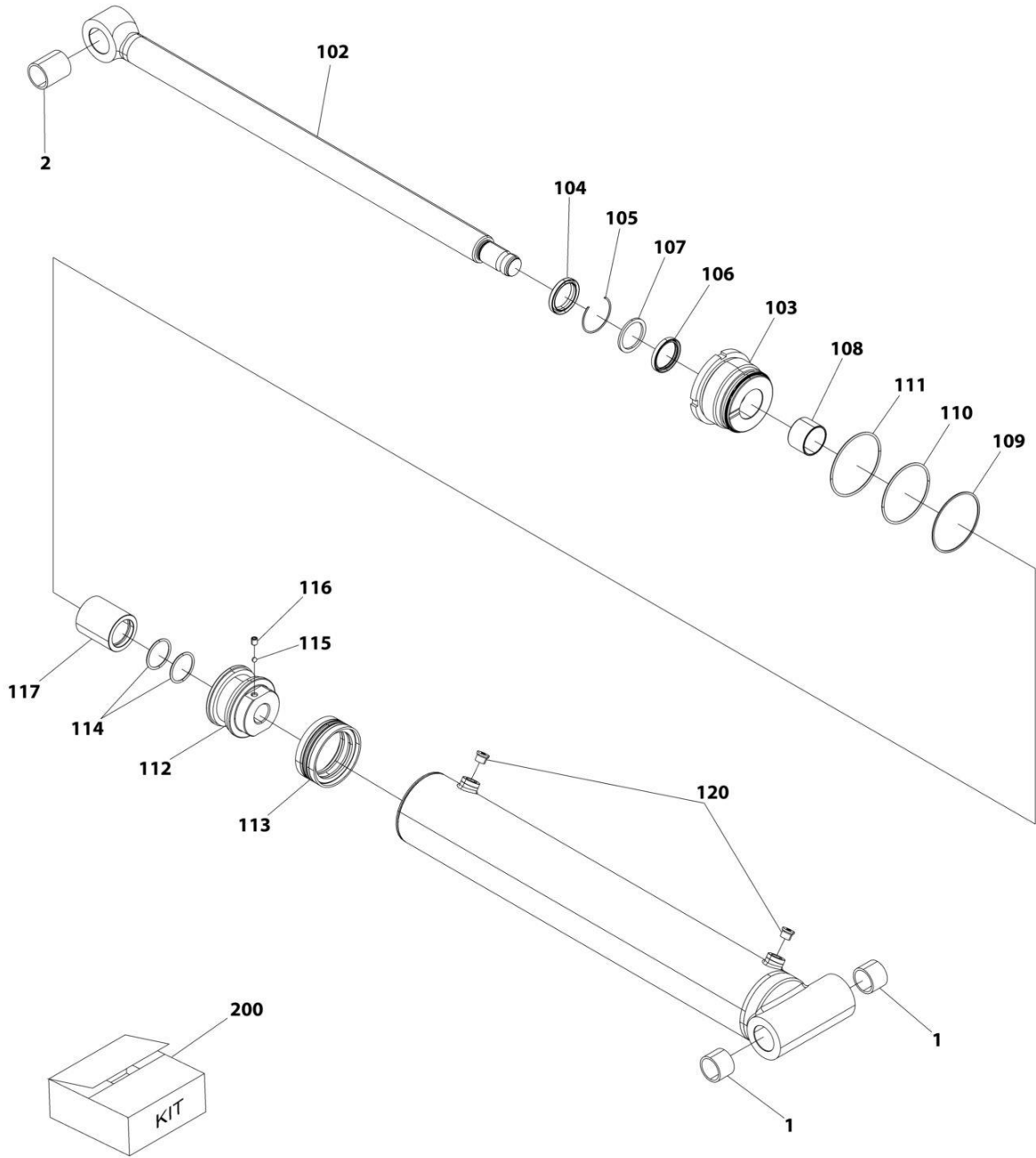
SECTION 6 - CYLINDER

FIGURE 6-6. LIFT CYLINDER ASSEMBLY - TOWER BOOM

ITEM	PART NUMBER	QTY	DESCRIPTION	REV
	1001251009	Ref	LIFT CYLINDER ASSEMBLY	C
		Ref	Note: Original Cylinder may have been replaced with Service Replacement. Identify PN Stamped on Cylinder Before Ordering Parts.	
1	See Note	NSS	Barrel (Note: Not Available for Purchase)	
2	70007419	1	Rod	
3	70007277	1	Head	
4	70007278	1	Cap	
5	See Note	NSS	Wiper (Note: Use Item 100)	
6	70027750	1	Ring, Retaining	
7	See Note	NSS	Seal (Note: Use Item 100)	
8	See Note	NSS	Ring, Back-up (Note: Use Item 100)	
9	See Note	NSS	Ring, Buffer (Note: Use Item 100)	
10	70007279	1	Ring, Wear	
11	See Note	NSS	O-Ring (Note: Use Item 100)	
12	See Note	NSS	Ring, Back-up (Note: Use Item 100)	
13	See Note	NSS	O-Ring (Note: Use Item 100)	
14	See Note	NSS	O-Ring (Note: Use Item 100)	
15	70007280	1	Piston	
16	See Note	NSS	Seal (Note: Use Item 100)	
17	See Note	NSS	O-Ring (Note: Use Item 100)	
18	70022564	1	Steel Ball	
19	70029468	1	Screw, Set	
20	70007420	1	Spacer	
21	0962102	4	Bushing	
22	4640509	1	Cartridge, Valve	
22	2900792	1	Seal Kit - 4640509 Valve	
23	4640605	1	Cartridge, Valve	
23	2900792	1	Seal Kit - 4640605 Valve	
24	2220886	1	Plug, O-Ring	
25	2220883	4	Plug, O-Ring	
26	70007282	1	Insert, Locking	
27	70026287	1	Screw, Set	
100	70007283	1	Seal Kit (Includes Items 5, 7-9, 11-14, 16 & 17)	

SECTION 6 - CYLINDER

FIGURE 6-7. MASTER CYLINDER ASSEMBLY



ART_1001251050

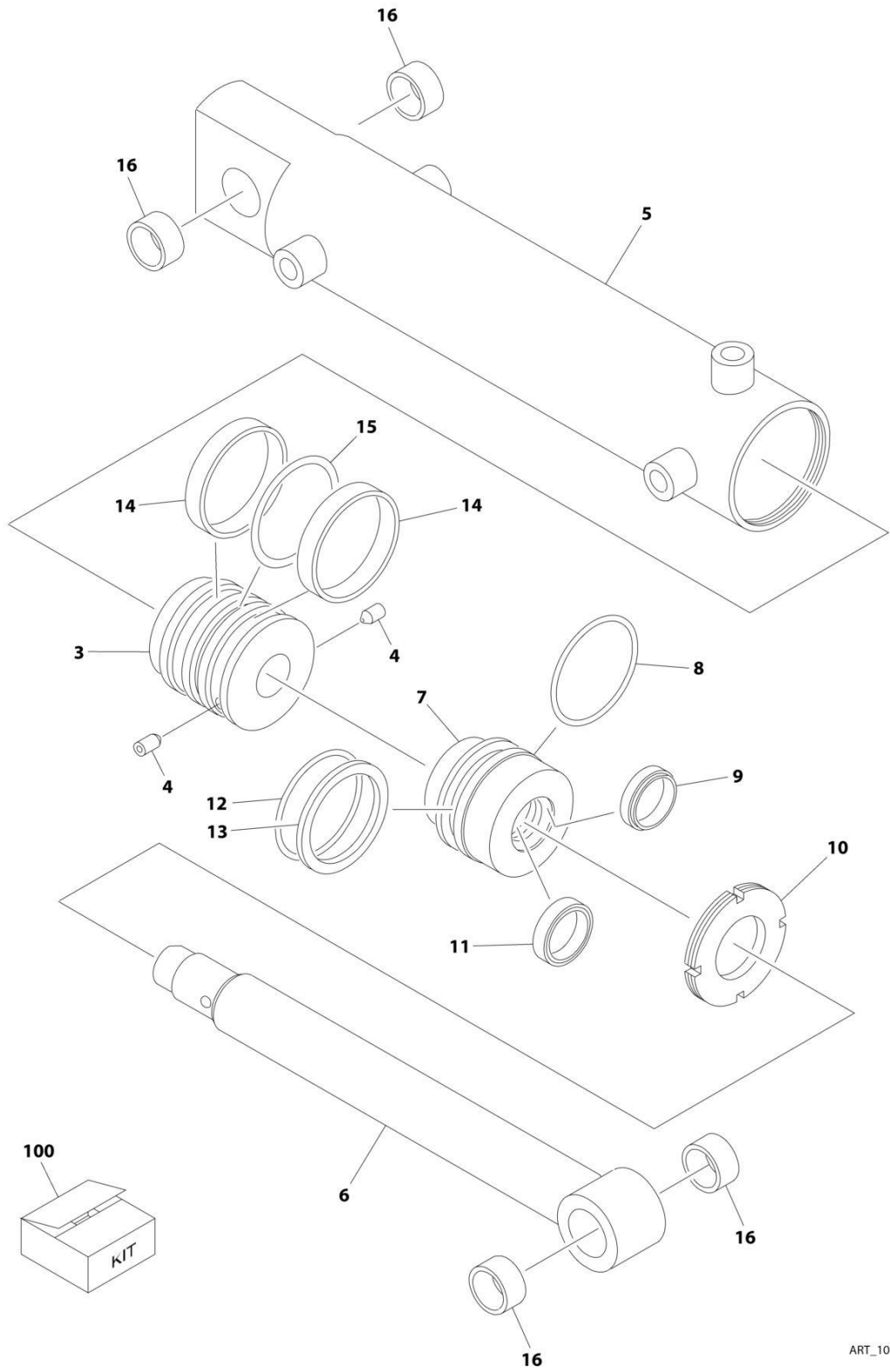
SECTION 6 - CYLINDER

FIGURE 6-7. MASTER CYLINDER ASSEMBLY

ITEM	PART NUMBER	QTY	DESCRIPTION	REV
	1001251050	Ref	MASTER CYLINDER ASSEMBLY	B
		Ref	Note: Cylinder May Have Been Replaced with Service Replacement. Identify PN Stamped Cylinder Before Ordering Parts.	
1	0961951	2	Bushing	
2	0962155	1	Bushing	
102	70007992	1	Rod	
103	70007967	1	Head	
104	See Note	NSS	Wiper (Note: Use Item 200)	
105	70002373	1	Ring, Retaining	
106	See Note	NSS	Seal (Note: Use Item 200)	
107	See Note	NSS	Ring (Note: Use Item 200)	
108	70005143	1	Bearing	
109	See Note	NSS	O-Ring (Note: Use Item 200)	
110	See Note	NSS	Ring (Note: Use Item 200)	
111	See Note	NSS	O-Ring (Note: Use Item 200)	
112	70005144	1	Piston	
113	See Note	NSS	Seal (Note: Use Item 200)	
114	See Note	NSS	O-Ring (Note: Use Item 200)	
115	70022564	1	Ball, Steel	
116	70006596	1	Setscrew M8 x 1-1/4	
117	70007968	1	Spacer	
120	2220885	2	Plug	
200	70007969	1	Seal Kit (Includes 104, 106, 107, 109-111, 113 & 114)	

SECTION 6 - CYLINDER

FIGURE 6-8. STEER CYLINDER ASSEMBLY



ART_1001150539

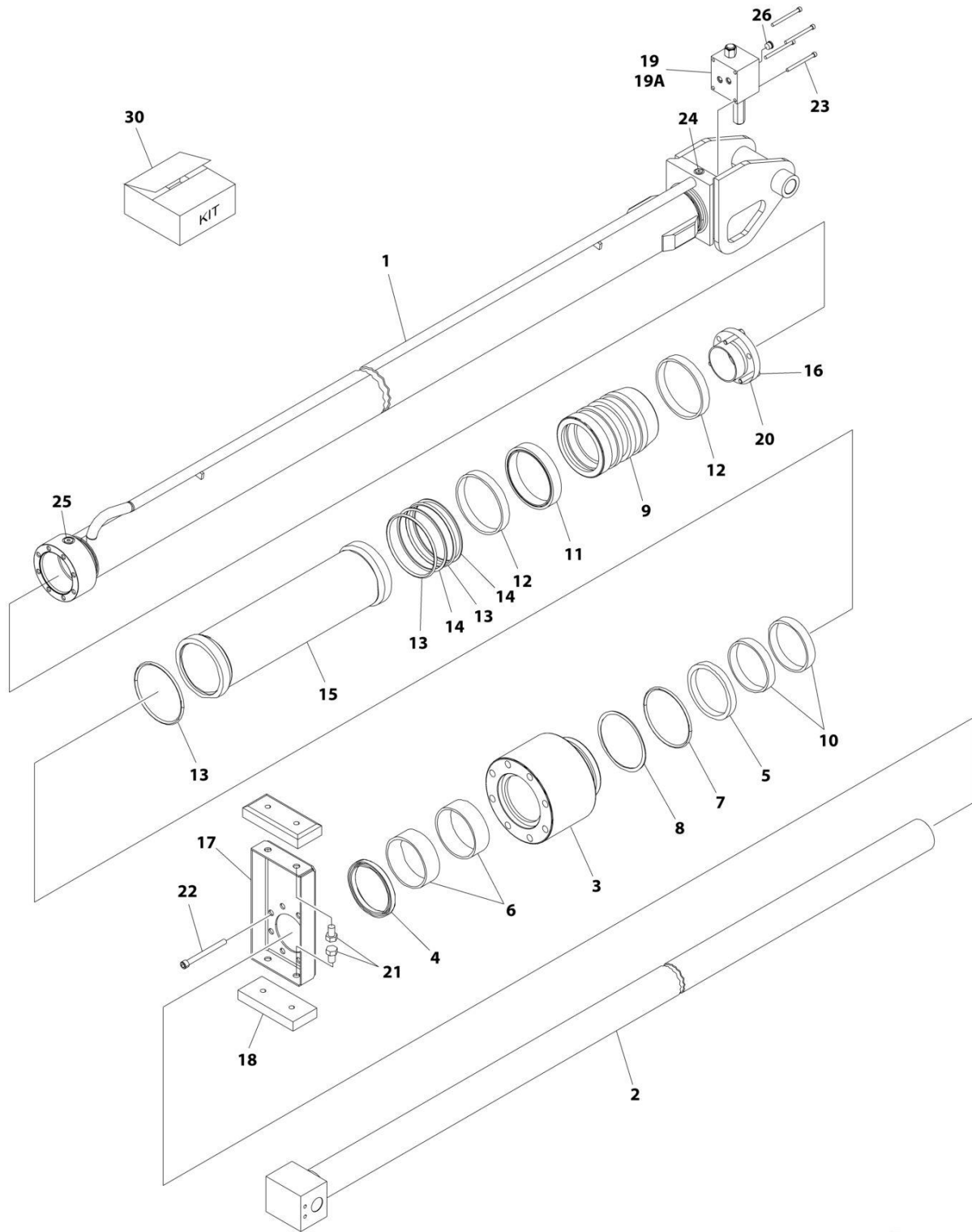
SECTION 6 - CYLINDER

FIGURE 6-8. STEER CYLINDER ASSEMBLY

ITEM	PART NUMBER	QTY	DESCRIPTION	REV
	1001150539	Ref	STEER CYLINDER ASSEMBLY	F
		Ref	Note: Original Cylinder may have been replaced with Service Replacement. Identify PN Stamped on Cylinder Before Ordering Parts.	
3	70002744	1	Piston	
4	70002745	2	Setscrew M6 x 10	
5	70004381	1	Barrel	
6	70004382	1	Rod	
7	70002748	1	Head	
8	See Note	NSS	Ring (Note: Use Item 100)	
9	See Note	NSS	Wiper (Note: Use Item 100)	
10	70002749	1	Nut, Spanner	
11	See Note	NSS	Seal (Note: Use Item 100)	
12	See Note	NSS	O-Ring (Note: Use Item 100)	
13	See Note	NSS	Ring, Back-up (Note: Use Item 100)	
14	See Note	NSS	Ring, Wear (Note: Use Item 100)	
15	See Note	NSS	Seal (Note: Use Item 100)	
16	0962152	4	Bushings	
100	70002751	1	Seal Kit (Includes Items 8, 9 & 11-15)	

SECTION 6 - CYLINDER

FIGURE 6-9. TELESCOPE CYLINDER ASSEMBLY - MAIN BOOM



ART_1001228087

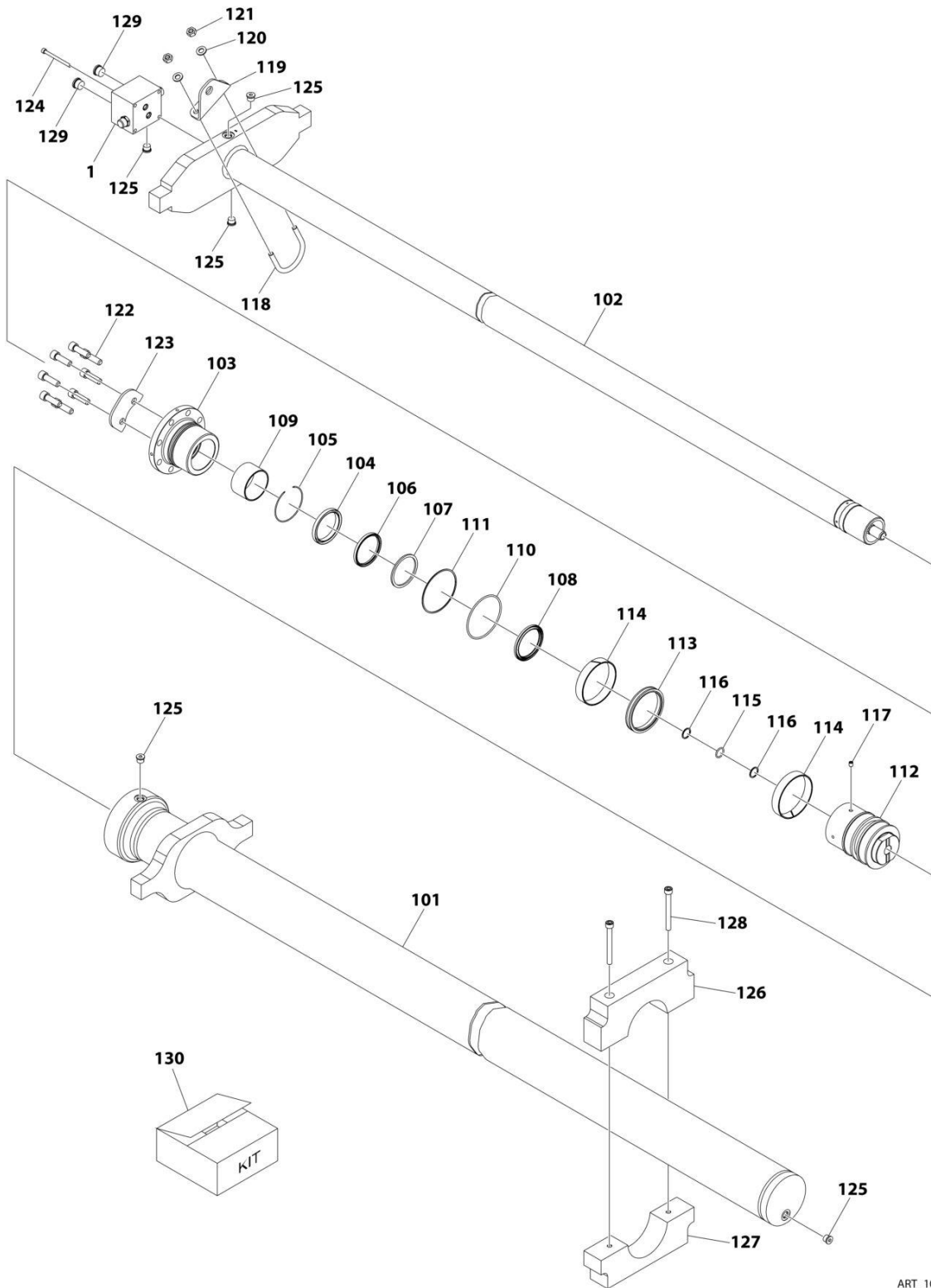
SECTION 6 - CYLINDER

FIGURE 6-9. TELESCOPE CYLINDER ASSEMBLY - MAIN BOOM

ITEM	PART NUMBER	QTY	DESCRIPTION	REV
	1001228087	Ref	TELESCOPE CYLINDER ASSEMBLY	F
		Ref	Note: Original Cylinder may have been replaced with Service Replacement. Identify PN Stamped on Cylinder Before Ordering Parts.	
1	See Note	NSS	Barrel (Note: Not Available for Purchase)	
2	70006669	1	Rod	
3	70006670	1	Head	
4	See Note	NSS	Wiper (Note: Use Item 30)	
5	See Note	NSS	Seal, Rod (Note: Use Item 30)	
6	See Note	NSS	Ring, Wear (Note: Use Item 30)	
7	See Note	NSS	O-Ring (Note: Use Item 30)	
8	See Note	NSS	Ring, Back-up (Note: Use Item 30)	
9	70006671	1	Piston	
10	See Note	NSS	Ring, Wear (Note: Use Item 30)	
11	See Note	NSS	Seal, Piston (Note: Use Item 30)	
12	See Note	NSS	Ring, Wear (Note: Use Item 30)	
13	See Note	NSS	O-Ring (Note: Use Item 30)	
14	See Note	NSS	Ring, Back-up (Note: Use Item 30)	
15	70006672	1	Spacer	
16	0961897	1	Bushing, Tapered	
17	3570775	1	Plate	
18	3340838	2	Pad, Wear	
19	4641033	1	Valve Assembly (No serviceable parts - sold as assembly only)	
19A	7024508	2	O-Ring (Between Valve and Cylinder Barrel)	
20	0630535	3	Bolt 1/4 x 1-1/8	
21	0641806	4	Bolt 1/2 x 3/4	
22	3931664	8	Capscrew 3/8 x 4	
23	3931448	4	Capscrew 1/4 x 3	
24	2220883	1	Plug, O-Ring	
25	2220885	AR	Plug, O-Ring	
26	2220886	1	Plug, O-Ring	
30	1001149391	1	Seal Kit (Includes Items 4-8 & 10-14)	

SECTION 6 - CYLINDER

FIGURE 6-10. TELESCOPE CYLINDER ASSEMBLY - TOWER BOOM



ART_1001251086

SECTION 6 - CYLINDER

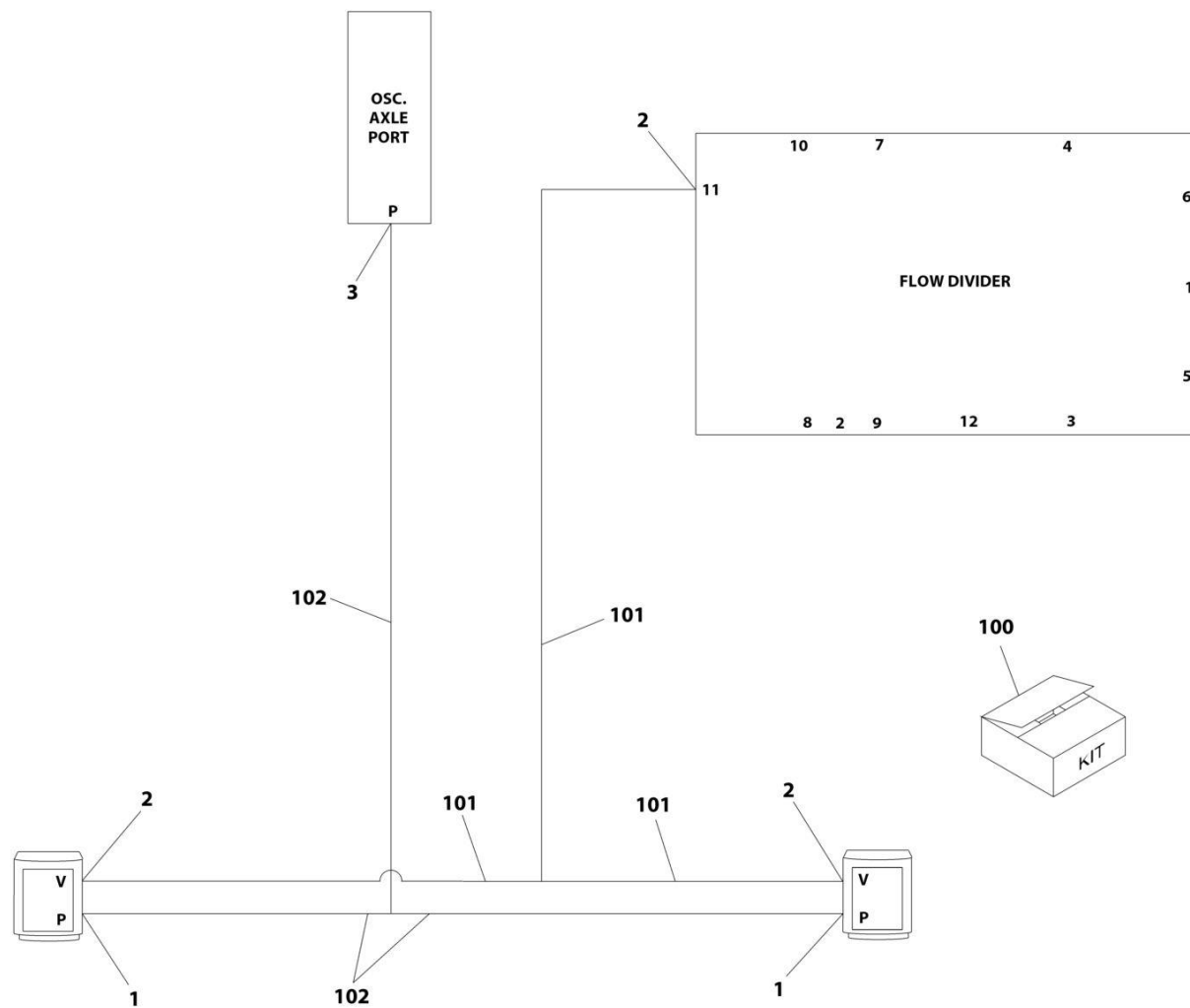
FIGURE 6-10. TELESCOPE CYLINDER ASSEMBLY - TOWER BOOM

ITEM	PART NUMBER	QTY	DESCRIPTION	REV
	1001251086	Ref	TELESCOPE CYLINDER ASSEMBLY - TOWER BOOM	A
		Ref	Note: Original Cylinder May Have Been Replaced with Service Replacement. Identify PN Stamped on Cylinder Before Ordering Parts.	
1	4641032	1	Valve Assembly (No serviceable parts - sold as assembly only)	
1	7002388	1	Seal Kit	
101	See Note	NSS	Tube (Note: Not Available for Purchase)	
102	70008199	1	Rod	
103	70008200	1	Head	
104	See Note	NSS	Wiper, Dust (Note: Use Item 130)	
105	70050795	1	Ring, Retaining	
106	See Note	NSS	Seal, Rod (Note: Use Item 130)	
107	See Note	NSS	Ring, Backup (Note: Use Item 130)	
108	See Note	NSS	Ring, Buffer (Note: Use Item 130)	
109	70008201	1	Bushing	
110	See Note	NSS	O-Ring (Note: Use Item 130)	
111	See Note	NSS	Ring, Backup (Note: Use Item 130)	
112	70008202	1	Piston	
113	See Note	NSS	Seal, Piston (Note: Use Item 130)	
114	See Note	NSS	Ring, Wear (Note: Use Item 130)	
115	See Note	NSS	O-Ring (Note: Use Item 130)	
116	See Note	1	Ring, Backup (Note: Use Item 130)	
117	70005839	1	Setscrew	
118	70008203	1	U-Bolt M10 x 1.5	
119	70008204	1	Plate	
120	70006344	2	Washer M10	
121	70005594	2	Nut M12	
122	70008205	8	Bolt M12 x 40	
123	70008206	1	Plate	
124	70007981	4	Bolt M6 x 75	
125	2220885	5	Plug 9/16	
126	70008207	1	Pad	
127	70008208	1	Pad	
128	70008209	2	Bolt M10 x 95	
129	2220886	1	Plug 3/4	
130	70008210	1	Seal Kit (Includes Items 104, 106-108, 110-111 & 113-116)	

SECTION 7 - HYDRAULIC

SECTION 7 - HYDRAULIC

FIGURE 7-1. AXLE LOCKOUT HYDRAULIC DIAGRAM



ART_1001157400

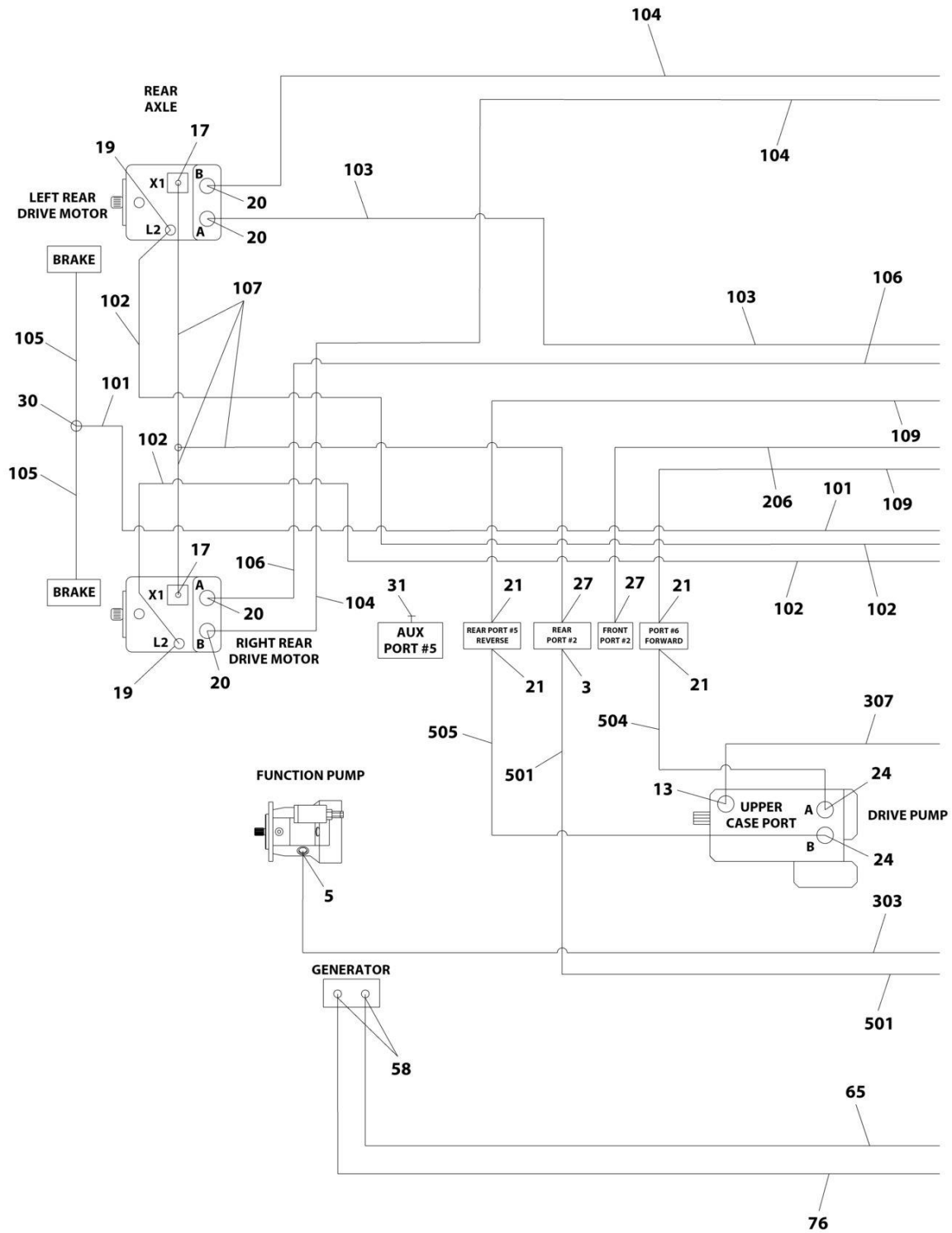
SECTION 7 - HYDRAULIC

FIGURE 7-1. AXLE LOCKOUT HYDRAULIC DIAGRAM

ITEM	PART NUMBER	QTY	DESCRIPTION	REV
	1001157400	Ref	AXLE LOCKOUT HYDRAULIC DIAGRAM	G
1	2110404	2	Fitting, Straight ORFS/ORB	
2	2110606	3	Fitting, Straight ORFS/ORB	
3	2110408	1	Fitting, Straight ORFS/ORB	
100	1001270068	1	Hose Lockout Kit	
101	1001198336	1	Hose with Crimped Tee	
102	1001198339	1	Hose with Crimped Tee	

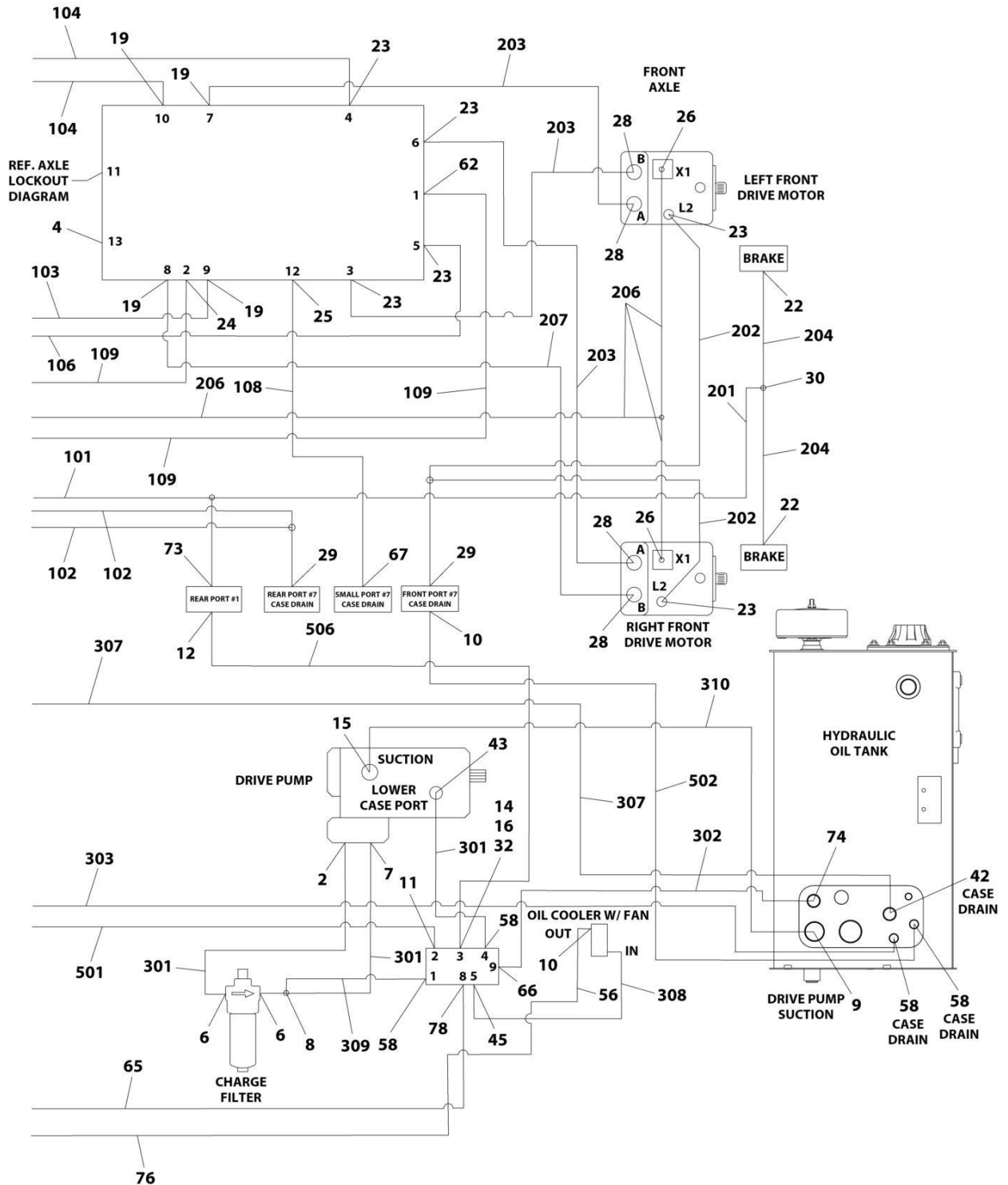
SECTION 7 - HYDRAULIC

FIGURE 7-2. DRIVE HYDRAULIC DIAGRAM



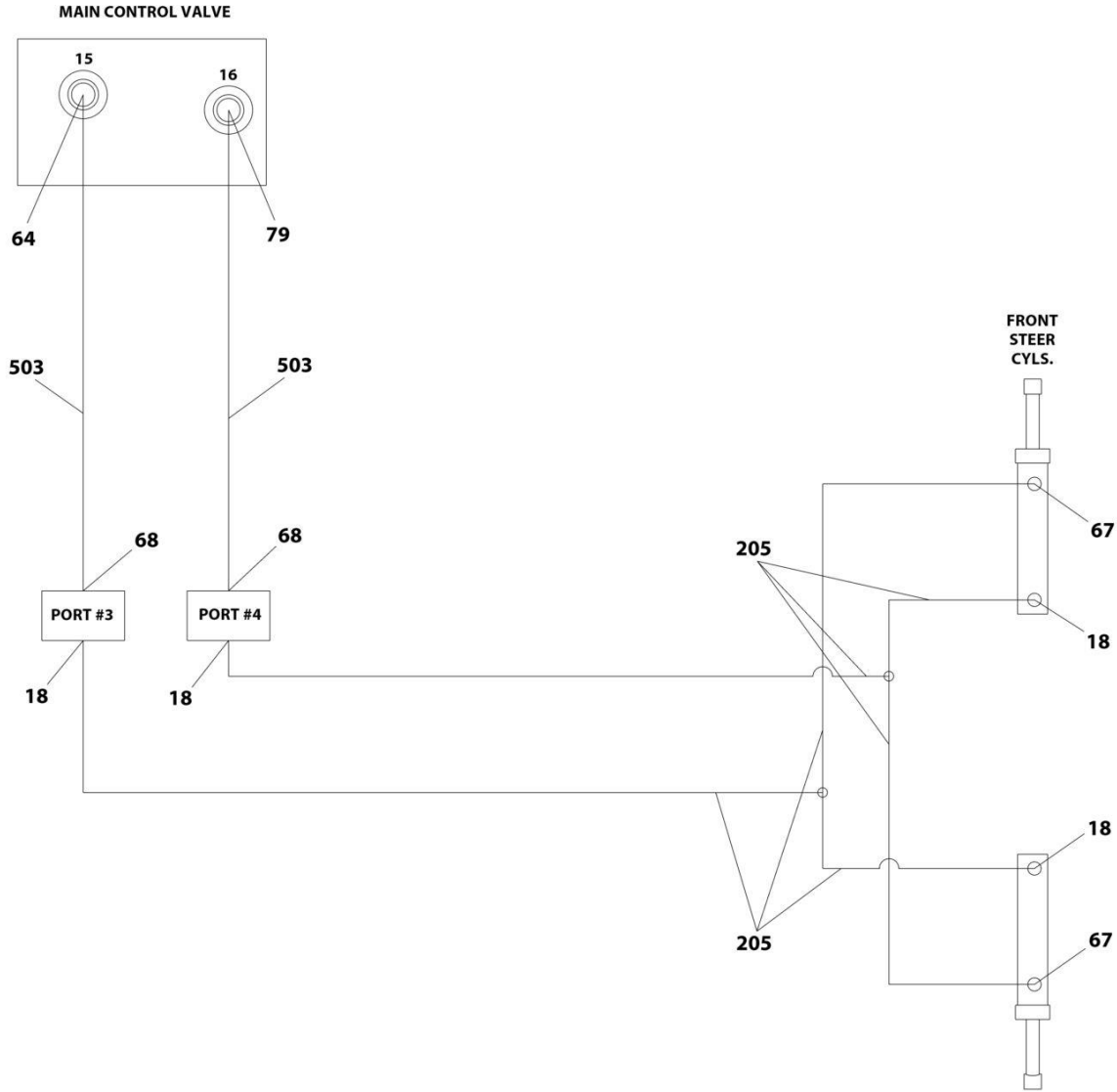
ART_1001227910_G_10F3

SECTION 7 - HYDRAULIC



ART_1001227910_G_20F3

SECTION 7 - HYDRAULIC



ART_1001227910_G_30F3

SECTION 7 - HYDRAULIC

FIGURE 7-2. DRIVE HYDRAULIC DIAGRAM

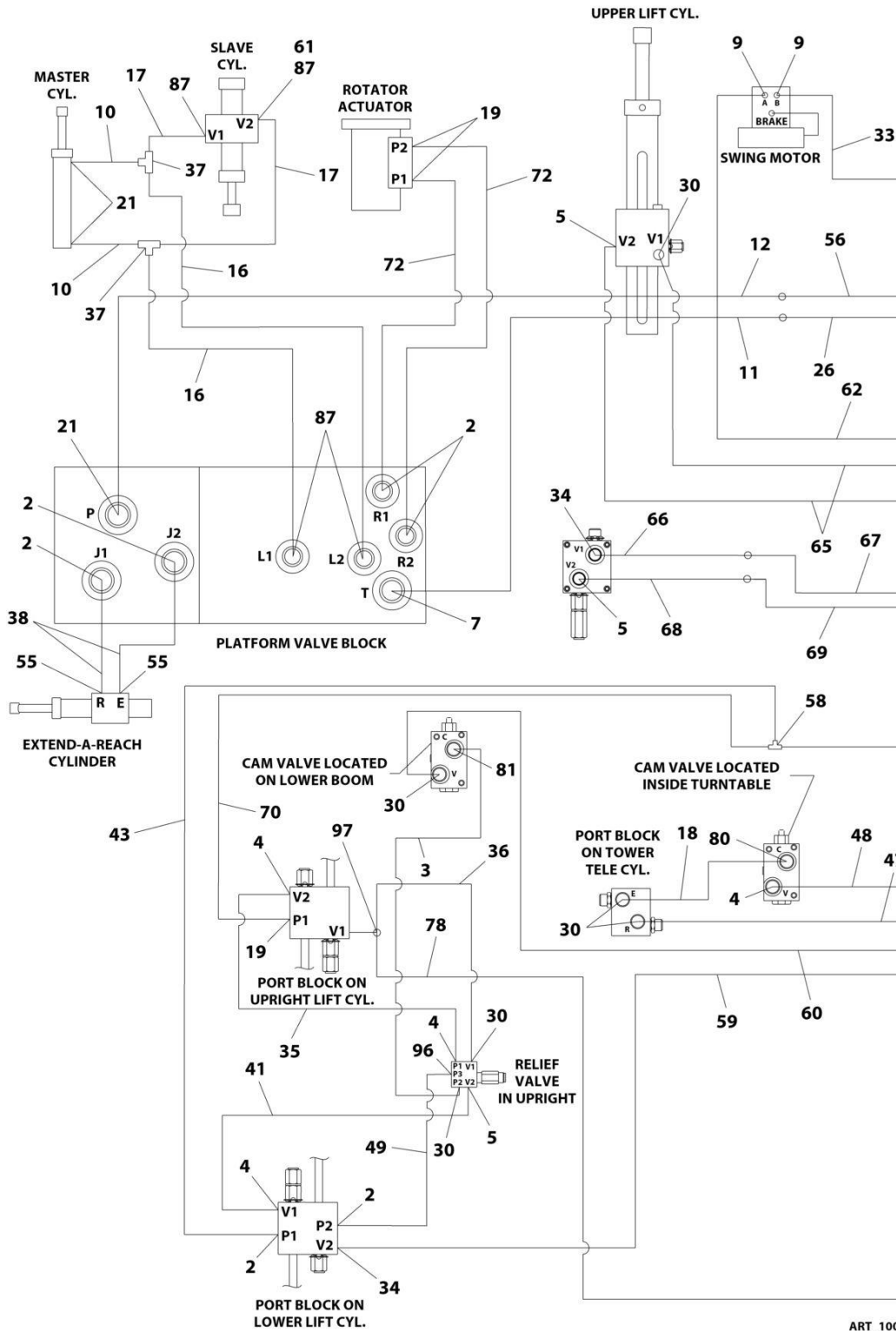
ITEM	PART NUMBER	QTY	DESCRIPTION	REV
	1001227910	Ref	DRIVE HYDRAULIC DIAGRAM	G
2	2220800	1	Fitting, Straight ORB/FL	
3	2220582	1	Fitting, Straight ORB/FL	
4	2220238	1	Fitting, Plug ORB	
5	2220671	1	Fitting, 90 JIC/ORB	
6	2220366	2	Fitting, 90 ORB	
7	2220374	1	Fitting, Straight JIC/ORB	
8	2220385	1	Fitting, Tee JIC	
9	2220380	1	Fitting, Straight ORB/FL	
10	2220375	3	Fitting, Straight ORB/FL	
11	2221040	1	Fitting, 45 JIC/ORB	
12	2220468	1	Fitting, Straight ORB/FL	
13	2220578	1	Fitting, 90 JIC/ORB	
14	1001228696	1	Fitting, Straight FORB/ORB	
15	8770050	1	Fitting, 90 JIC/ORB	
16	4641284	1	Valve, Check	
17	2110406	2	Fitting, Straight ORFS/ORB	
18	2110606	4	Fitting, Straight ORFS/ORB	
19	2110808	6	Fitting, Straight ORFS/ORB	
20	2110812	8	Fitting, Straight ORFS/ORB	
21	2111616	4	Fitting, Straight ORFS/ORB	
22	2110404	4	Fitting, Straight ORFS/ORB	
23	2130808	6	Fitting, 90 ORFS/ORB	
24	2131616	3	Fitting, 90 ORFS/ORB	
25	2130604	1	Fitting, 90 ORFS/ORB	
26	2130406	2	Fitting, 90 ORFS/ORB	
27	2150406	2	Fitting, 45 ORFS/ORB	
29	2170408	2	Fitting, Tee ORFS/ORFS/ORB	
30	2170504	2	Fitting, Tee ORFS	
31	2220237	1	Fitting, Plug ORB	
32	2220654	1	Fitting, 90 JIC/FSJIC	
42	2220451	1	Fitting, Straight JIC/ORB	
43	2221077	1	Fitting, 45	
45	2220500	1	Fitting, 45 JIC/ORB	
56	1001228678	1	Hose	
58	2220373	6	Fitting, Straight JIC/ORB	
62	2151616	1	Fitting, 45 ORFS/ORB	
64	2220371	1	Fitting, Straight JIC/ORB	
65	1001228679	1	Hose	
66	2221050	1	Fitting, 45 JIC/ORB	
67	2130606	3	Fitting, 90 ORFS/ORB	
68	2220473	2	Fitting, 90 ORB/FL	
73	1001198338	1	Fitting, Tee ORFS/ORB	
74	2220865	1	Fitting, Straight JIC/ORB	
76	2220683	1	Fitting, 45 JIC/FSJIC	
78	2220499	1	Fitting, 45 JIC/ORB	
79	2220998	1	Fitting, Straight JIC/ORB	
100	1001270080	1	Hose Rear Kit	
101	2753622	1	Hose	
102	2753686	1	Hose	

SECTION 7 - HYDRAULIC

ITEM	PART NUMBER	QTY	DESCRIPTION	REV
103	2753970	1	Hose	
104	2753971	1	Hose	
105	2754337	1	Hose	
106	2754338	1	Hose	
107	1001198340	1	Hose	
108	2753626	1	Hose	
109	2753634	1	Hose	
200	1001270081	1	Hose Front Kit	
201	2753542	1	Hose	
202	2753628	1	Hose	
203	2753970	1	Hose	
204	2754512	1	Hose	
205	1001198333	1	Hose	
206	1001198341	1	Hose	
207	1001233573	1	Hose	
300	1001270082	1	Hose Turntable Kit	
301	2752494	1	Hose	
302	2752765	1	Hose	
303	2752938	1	Hose	
307	1001188135	1	Hose	
308	1001196297	1	Hose	
309	2752493	1	Hose	
310	2752754	1	Hose	
500	1001270091	1	Hose Turntable Kit	
501	2751399	1	Hose	
502	2751500	1	Hose	
503	2752489	1	Hose	
504	1001156332	1	Hose	
505	1001156333	1	Hose	
506	2752997	1	Hose	

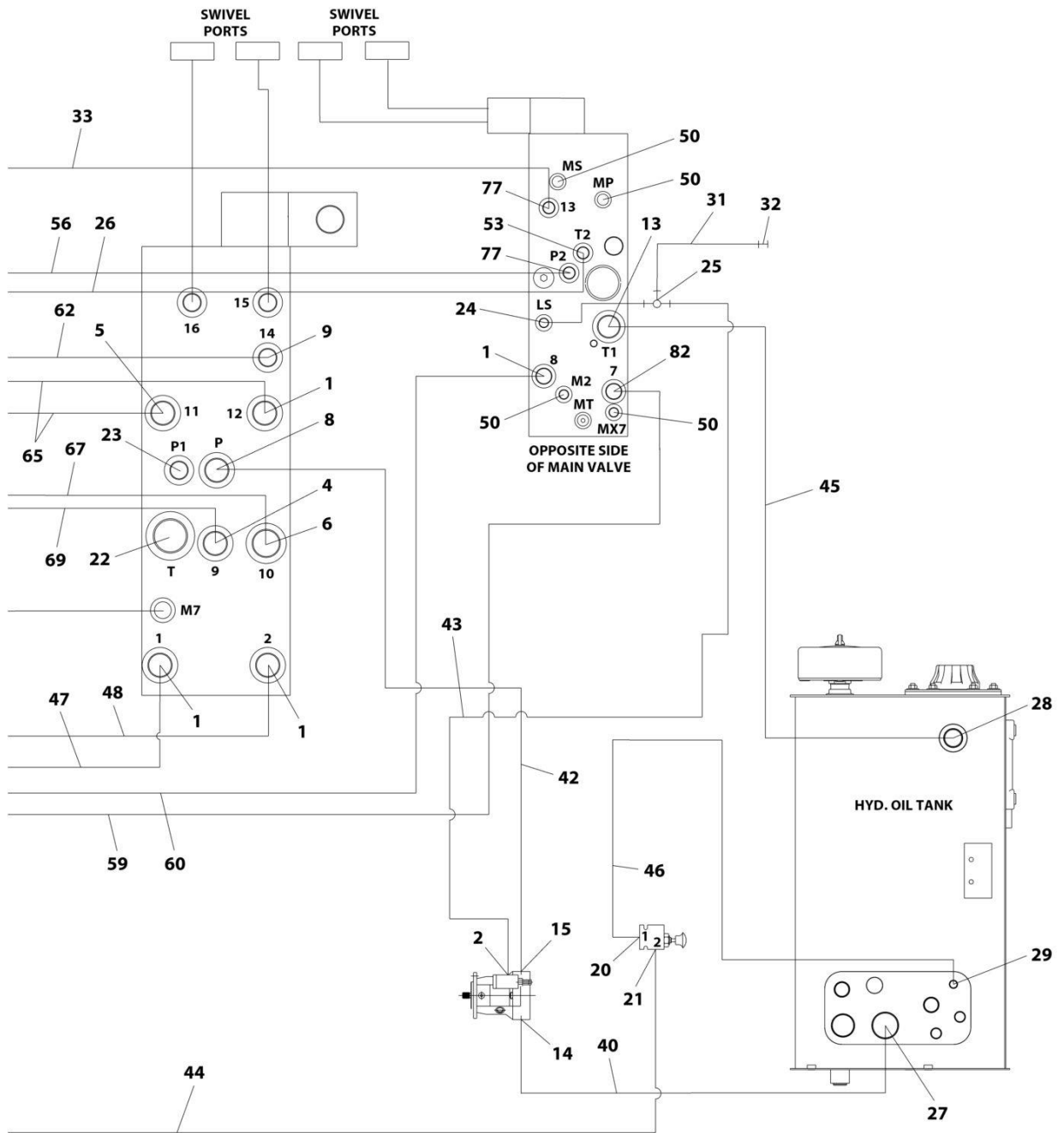
SECTION 7 - HYDRAULIC

FIGURE 7-3. STANDARD HYDRAULIC DIAGRAM



ART_1001227892_E_10F2

SECTION 7 - HYDRAULIC



ART_1001227892_E_20F2

SECTION 7 - HYDRAULIC

FIGURE 7-3. STANDARD HYDRAULIC DIAGRAM

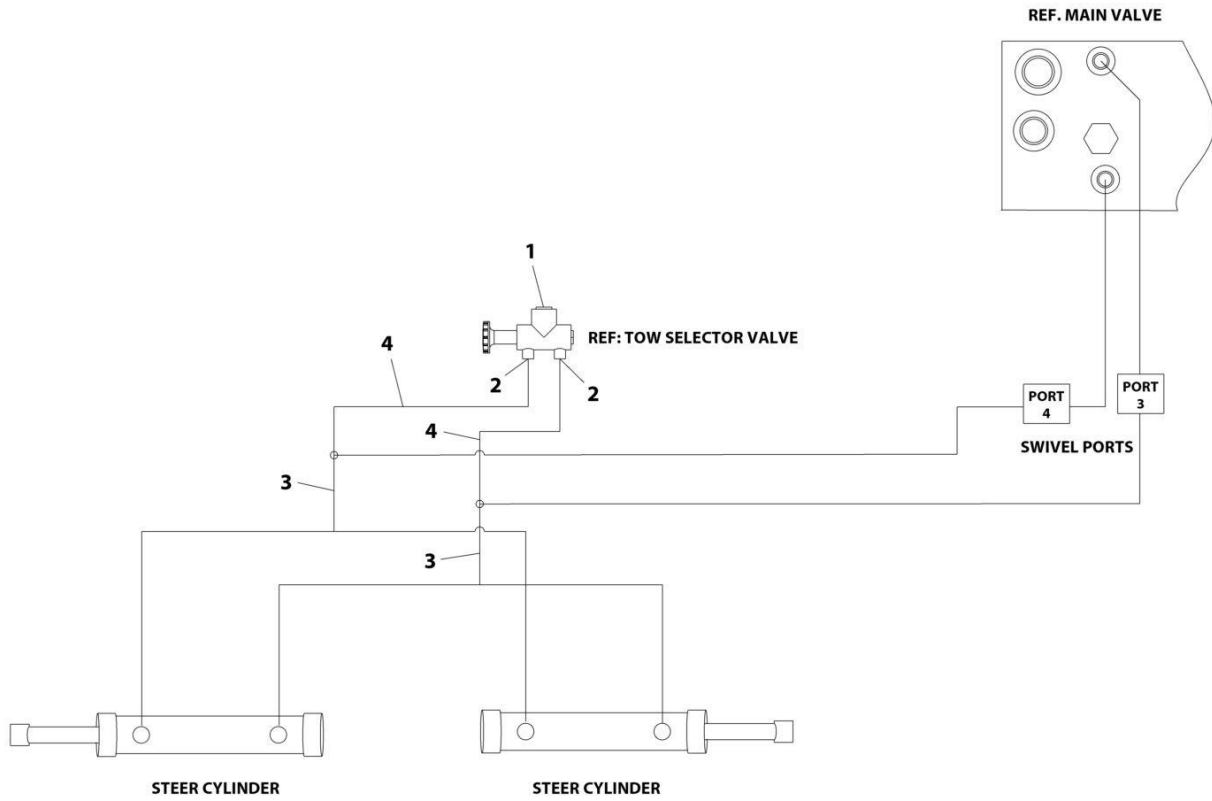
ITEM	PART NUMBER	QTY	DESCRIPTION	REV
	1001227892	Ref	STANDARD HYDRAULIC DIAGRAM	E
1	2220381	AR	Fitting, Straight ORB/JIC	
2	2220415	AR	Fitting, Straight ORB/JIC	
3	2753199	1	Hose	
4	2220373	AR	Fitting, Straight ORB/JIC	
5	2220500	3	Fitting, 45 ORB/JIC	
6	88662037	1	Adapter, Straight/JIC	
7	2220600	1	Adapter, Straight/JIC	
8	2220593	1	Fitting, Straight ORB/JIC	
9	2220371	3	Fitting, Straight ORB/JIC	
10	2753126	2	Hose	
11	1001179546	1	Hose	
12	1001179545	1	Hose	
13	1001179329	1	Hose	
14	2220737	1	Split Flange	
15	2220478	1	Split Flange	
16	1001155673	2	Hose	
17	1001119602	2	Hose	
18	2753200	1	Hose	
19	2220466	2	Fitting, 90 ORB/JIC	
20	2220582	1	Fitting, Straight ORB/JIC	
21	2220473	4	Fitting, 90 ORB/JIC	
22	2220240	1	Fitting, Plug ORB	
23	2220237	1	Fitting, Plug ORB	
24	2220923	1	Fitting, Straight ORB/JIC	
25	2220605	1	Fitting, Tee JIC/FSJIC/JIC	
26	1001182162	1	Hose	
27	2220765	1	Fitting, Straight ORB/FL	
28	2220377	1	Fitting, Straight JIC/ORB	
29	2220582	1	Fitting, Straight JIC/ORB	
30	2220596	6	Fitting, 90 ORB/FL	
31	2752995	1	Hose	
32	91143177	1	Fitting, Test	
33	2752461	1	Hose	
34	2220852	2	Fitting, Straight ORB/FL	
35	2753197	1	Hose	
36	2753196	1	Hose	
37	2220490	2	Fitting, Tee FL/FL	
38	2753442	2	Hose	
40	1001179079	1	Hose	
41	2753195	1	Hose	
42	2753231	1	Hose	
43	2753010	2	Hose	
44	2752468	1	Hose	
45	2752723	1	Hose	
46	2753274	1	Hose	
47	2753192	1	Hose	
48	2752494	1	Hose	
49	2753008	1	Hose	
50	2221086	4	Fitting, Test	

SECTION 7 - HYDRAULIC

ITEM	PART NUMBER	QTY	DESCRIPTION	REV
53	1001136881	1	Fitting, 45 ORB/FG	
55	2220472	2	Fitting, 90 ORB/FL	
56	2753123	1	Hose	
58	2221034	1	Fitting, Tee FL/FL/ORB	
59	2752768	1	Hose	
60	2752930	1	Hose	
61	4567139	1	Tube	
62	2752484	1	Hose	
65	2753189	2	Hose	
66	2752767	1	Hose	
67	2752766	1	Hose	
68	2753190	1	Hose	
69	2753191	1	Hose	
70	2752978	1	Hose	
72	1001159707	2	Hose	
77	2220501	2	Fitting, 45 ORB/FL	
78	4567757	1	Tube	
79	4100062	4	Protection, Hose (Not Shown - Located at Tower Boom Power Track)	
80	2220947	1	Fitting, O-Ring FL	
81	2221036	1	Fitting, 90 ORB/FL	
82	2220950	1	Fitting, 45 ORB/FL	
87	2220603	4	Fitting, Straight ORB/FL	
96	2220468	1	Fitting, Straight JIC/ORB	
97	1001215289	1	Fitting, Tee JIC/ORB/JIC	

SECTION 7 - HYDRAULIC

FIGURE 7-4. TOW HYDRAULIC DIAGRAM



ART_1001157401

SECTION 7 - HYDRAULIC

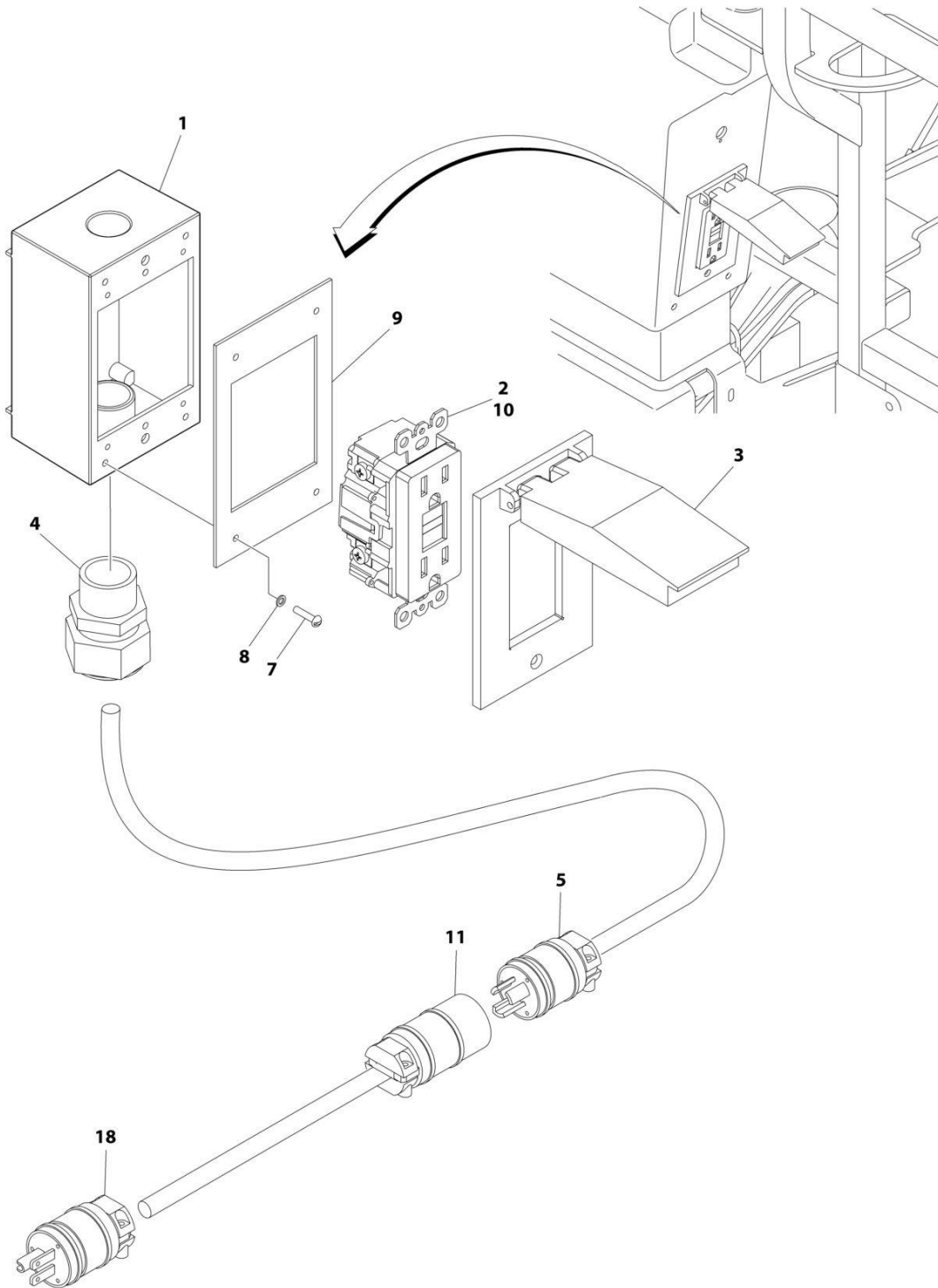
FIGURE 7-4. TOW HYDRAULIC DIAGRAM

ITEM	PART NUMBER	QTY	DESCRIPTION	REV
	1001157401	Ref	TOW HYDRAULIC DIAGRAM	B
1	2220238	1	Fitting, Plug ORB	
2	2110608	2	Fitting, Straight ORFS/ORB	
3	2170706	2	Fitting, Tee ORFS/ORFS/ORFS	
4	2753879	2	Hose	

SECTION 8 - ELECTRICAL

SECTION 8 - ELECTRICAL

FIGURE 8-1. AC BOX AT PLATFORM INSTALLATION - 110V GFI RECEPTACLE (ALL SPECS EXCEPT AUSTRALIAN, CE & UK CA SPECS)



ART_0272259

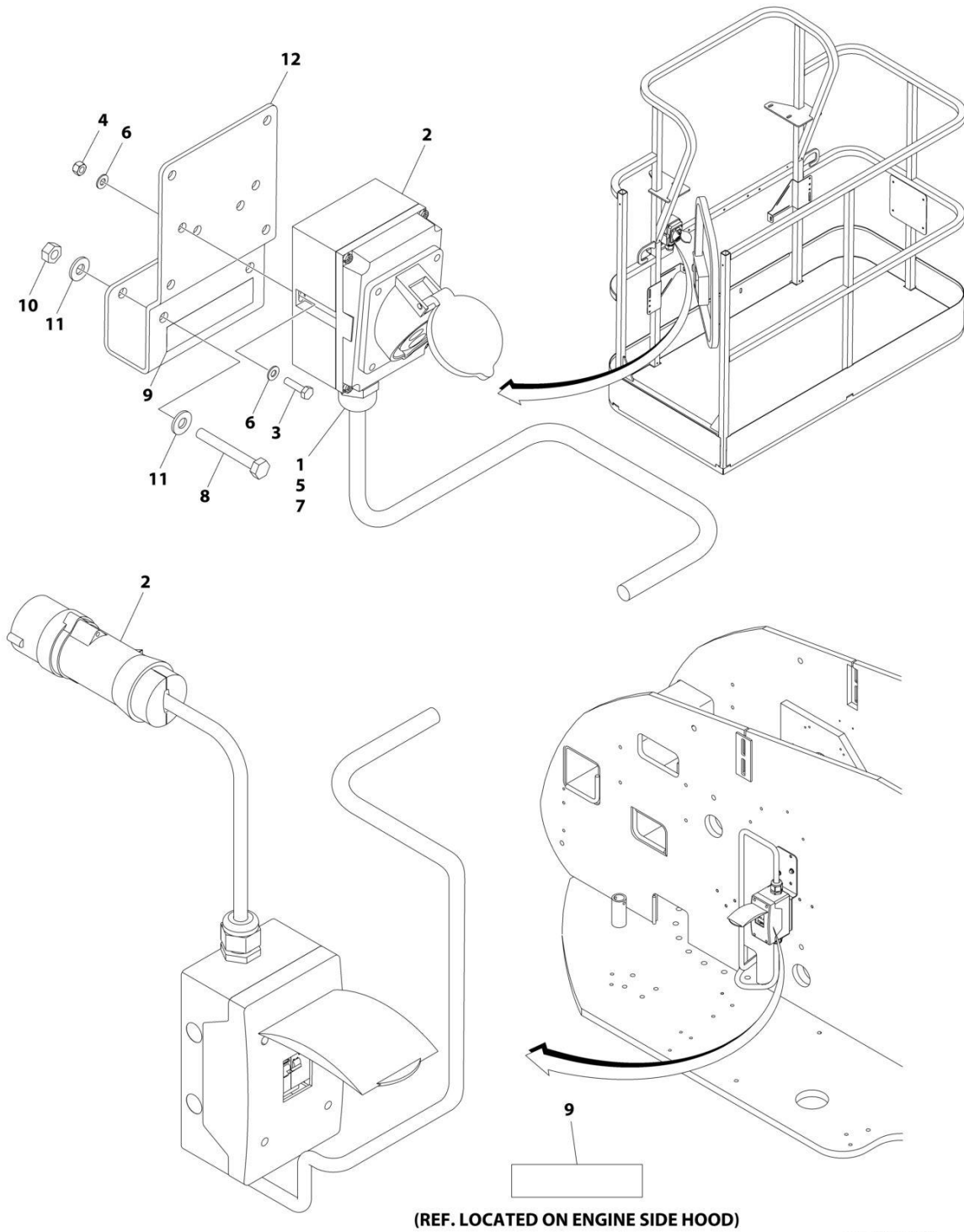
SECTION 8 - ELECTRICAL

FIGURE 8-1. AC BOX AT PLATFORM INSTALLATION - 110V GFI RECEPTACLE (ALL SPECS EXCEPT AUSTRALIAN, CE & UK CA SPECS)

ITEM	PART NUMBER	QTY	DESCRIPTION	REV
	0272259	Ref	AC BOX AT PLATFORM INSTALLATION - 110V GFI RECEPTACLE	C
1	0860038	1	Box, Switch	
2	4460346	1	Receptacle	
3	1001110873	1	Shield, Cover	
4	4460051	1	Connector, Strain Relief	
5	1001213584	1	Plug, Male	
7	3910610	4	Screw #6 x 5/8	
8	4760600	4	Washer #6	
9	3960422	1	Gasket	
10	4460315	3	Terminal, Spade	
11	1001213585	1	Receptacle, Female	
18	4460205	1	Plug, Male	

SECTION 8 - ELECTRICAL

**FIGURE 8-2. AC BOX AT PLATFORM INSTALLATION - 110V IEC YELLOW (CE & UK CA SPECS)
(MACHINES WITHOUT 4000W GENERATOR)**



ART_1001091969

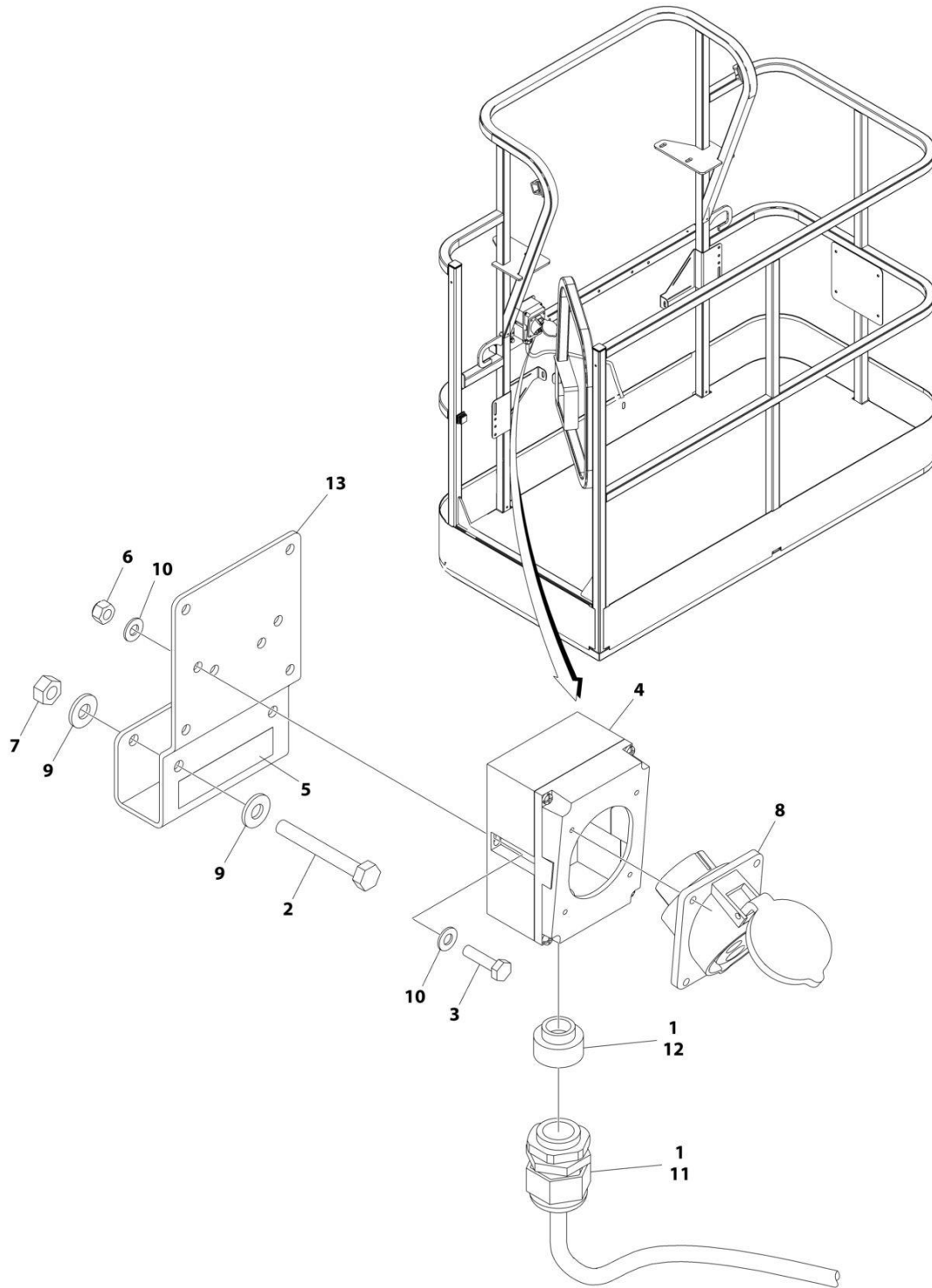
SECTION 8 - ELECTRICAL

**FIGURE 8-2. AC BOX AT PLATFORM INSTALLATION - 110V IEC YELLOW (CE & UK CA SPECS)
(MACHINES WITHOUT 4000W GENERATOR)**

ITEM	PART NUMBER	QTY	DESCRIPTION	REV
	1001091969	Ref	AC BOX AT PLATFORM INSTALLATION - 110V IEC YELLOW	D
1	0100020	AR	Sealant, Pipe	
2	0275216	1	Receptacle Box Kit (See Separate Breakdown in this Section)	
3	0700408	2	Bolt M4 x 16	
4	3290405	2	Nut M4	
5	1001101196	1	Adapter	
6	4811400	4	Washer M4	
7	1001101191	1	Connector, Strain Relief	
8	0641416	2	Bolt 1/4 x 2	
9	1705325	2	Decal - 110V	
10	3311405	2	Nut 1/4	
11	4711400	4	Washer 1/4	
12	1001193018	1	Bracket	

SECTION 8 - ELECTRICAL

**FIGURE 8-3. AC BOX AT PLATFORM INSTALLATION - 110V IEC YELLOW (CE & UK CA SPECS)
(MACHINES WITH 4000W GENERATOR)**



ART_1001206253

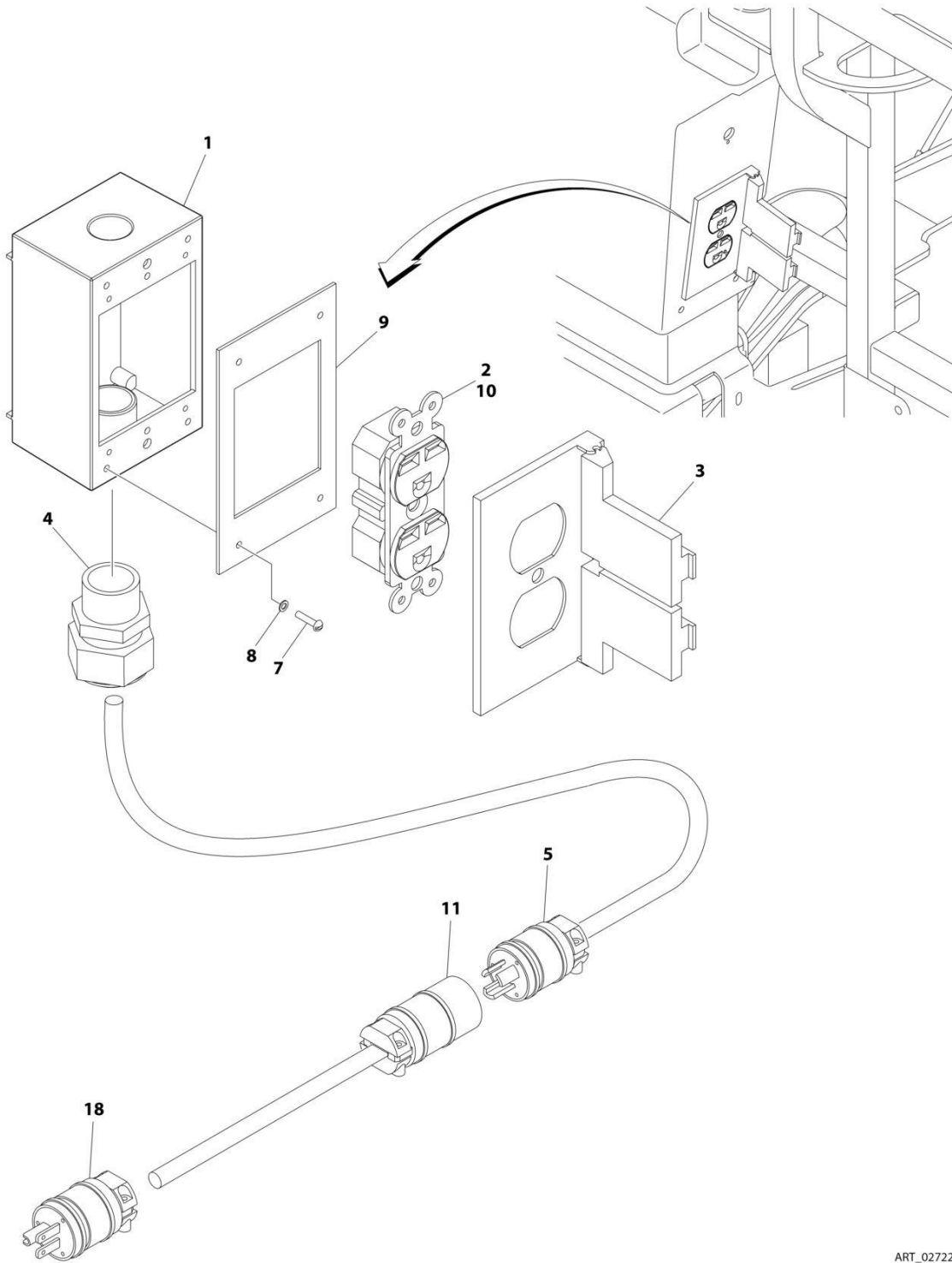
SECTION 8 - ELECTRICAL

**FIGURE 8-3. AC BOX AT PLATFORM INSTALLATION - 110V IEC YELLOW (CE & UK CA SPECS)
(MACHINES WITH 4000W GENERATOR)**

ITEM	PART NUMBER	QTY	DESCRIPTION	REV
	1001206253	Ref	AC BOX AT PLATFORM INSTALLATION - 110V IEC 60309 YELLOW WITHOUT 4000W GENERATOR	A
1	0100020	AR	Sealant, Pipe	
2	0641416	2	Bolt 1/4 x 2	
3	0700408	2	Bolt M4 x 16	
4	0861781	1	Box, Switch	
5	1705325	1	Decal - 110V	
6	3290405	2	Nut M4	
7	3311405	2	Nut 1/4	
8	4461198	1	Receptacle	
9	4711400	4	Washer 1/4	
10	4811400	4	Washer M4	
11	1001101191	1	Connector, Strain Relief	
12	1001101196	1	Adapter	
13	1001193018	1	Bracket, AC Receptacle	

SECTION 8 - ELECTRICAL

FIGURE 8-4. AC BOX AT PLATFORM INSTALLATION - 220V (ANSI, CSA & JAPANESE SPECS)



ART_0272260

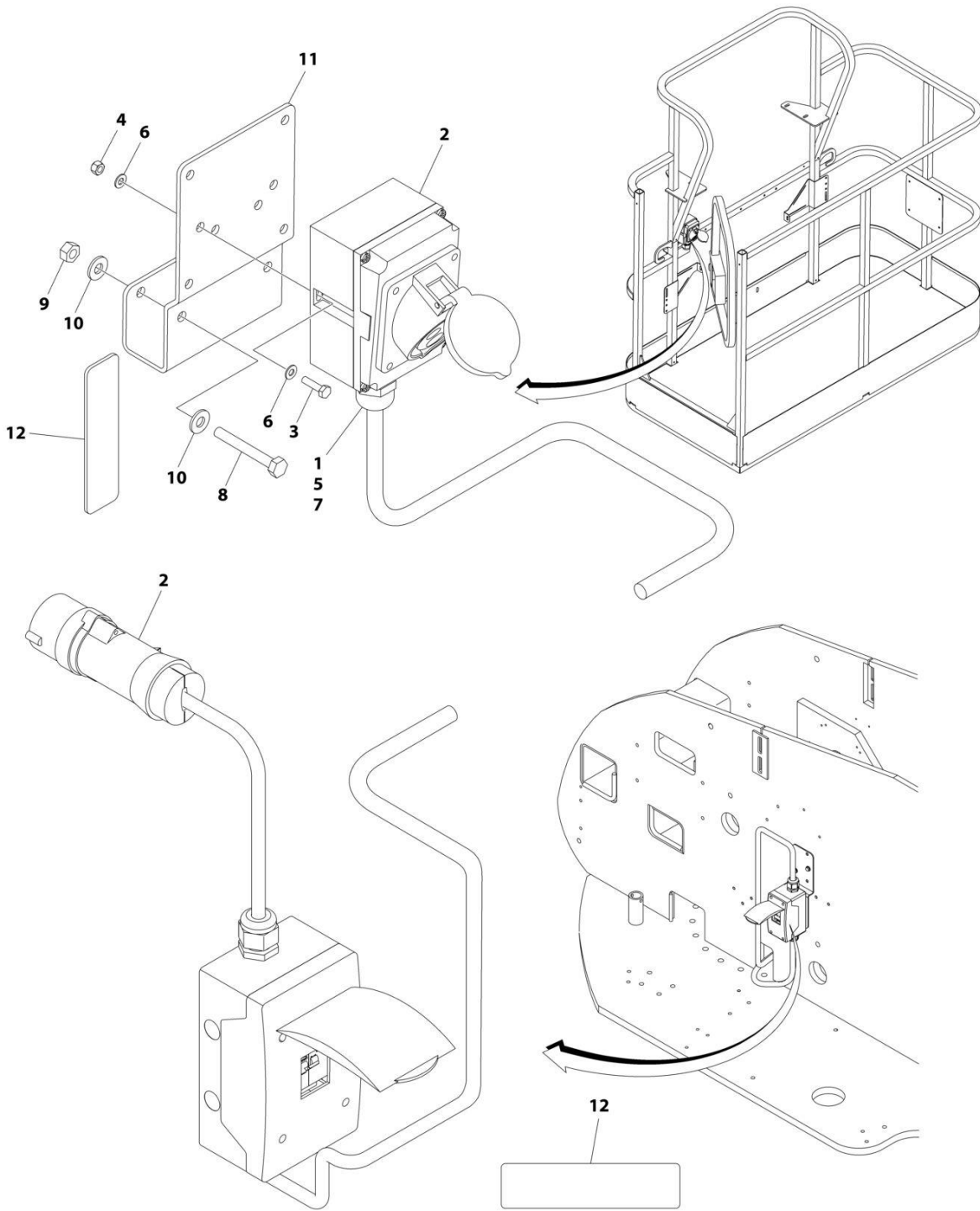
SECTION 8 - ELECTRICAL

FIGURE 8-4. AC BOX AT PLATFORM INSTALLATION - 220V (ANSI, CSA & JAPANESE SPECS)

ITEM	PART NUMBER	QTY	DESCRIPTION	REV
	0272260	Ref	AC BOX AT PLATFORM INSTALLATION - 220V	C
1	0860038	1	Box, Switch	
2	4460125	1	Receptacle	
3	4060092	1	Shield	
4	4460051	1	Connector, Strain Relief	
5	1001213584	2	Plug, Male	
7	3910610	4	Screw #6 x 5/8	
8	4760600	4	Washer #6	
9	3960422	1	Gasket	
10	4460315	1	Terminal, Spade	
11	1001213585	1	Receptacle, Female	
18	4460233	1	Plug, Male	

SECTION 8 - ELECTRICAL

**FIGURE 8-5. AC BOX AT PLATFORM INSTALLATION - 220V IEC BLUE (CE & UK CA SPECS)
(MACHINES WITHOUT 4000W GENERATOR)**



(REF. LOCATED ON ENGINE SIDE HOOD)

ART_1001091970

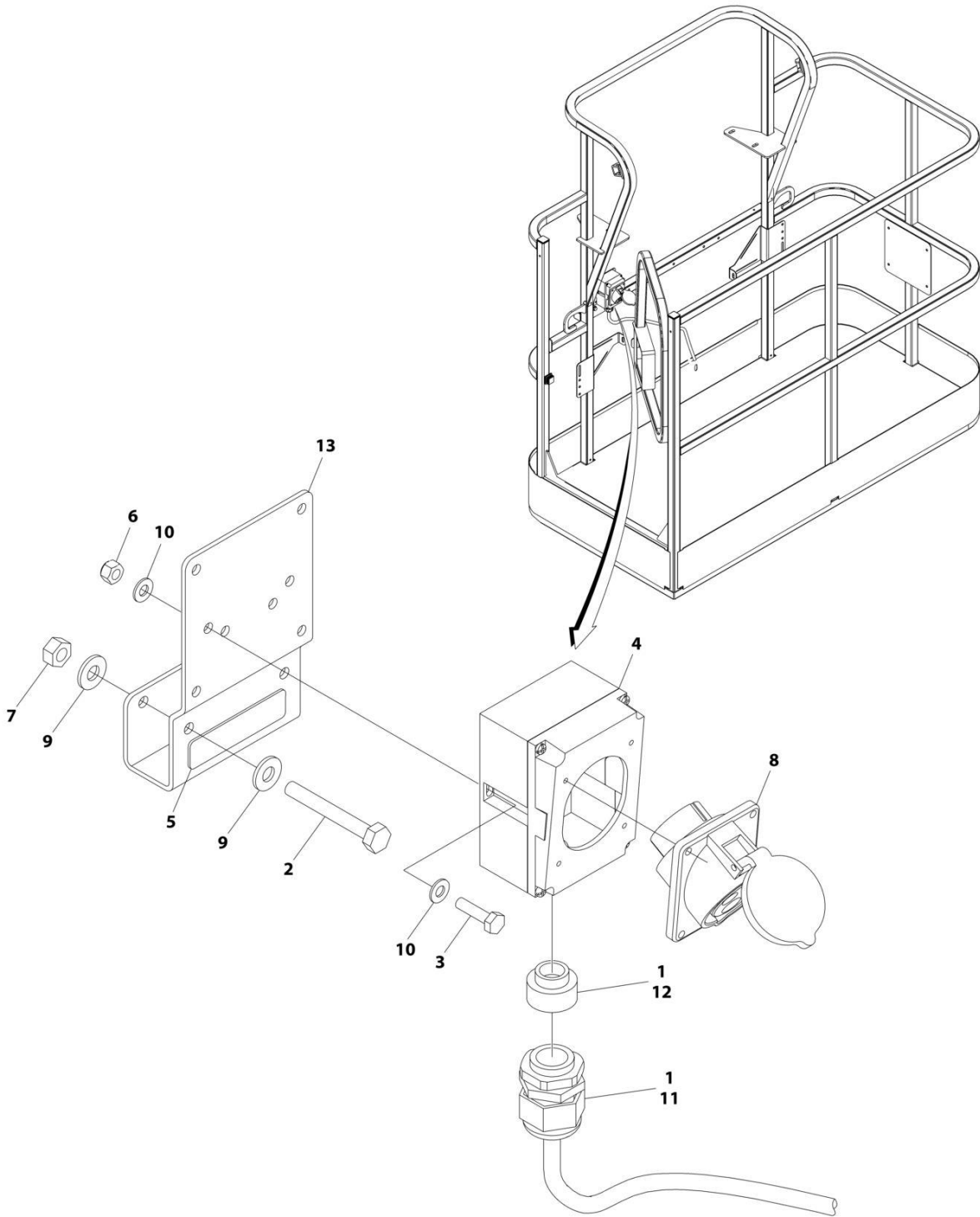
SECTION 8 - ELECTRICAL

**FIGURE 8-5. AC BOX AT PLATFORM INSTALLATION - 220V IEC BLUE (CE & UK CA SPECS)
(MACHINES WITHOUT 4000W GENERATOR)**

ITEM	PART NUMBER	QTY	DESCRIPTION	REV
	1001091970	Ref	AC BOX AT PLATFORM INSTALLATION - 220V IEC BLUE	D
1	0100020	AR	Sealant, Pipe	
2	0275217	1	Receptacle Box Kit (See Separate Breakdown in this Section)	
3	0700408	2	Bolt M4 x 16	
4	3290405	2	Nut M4	
5	1001101196	1	Adapter	
6	4811400	4	Washer M4	
7	1001101191	1	Connector, Strain Relief	
8	0641416	2	Bolt 1/4 x 2	
9	3311405	2	Nut 1/4	
10	4711400	4	Washer 1/4	
11	1001193018	1	Bracket	
12	3251242	2	Decal - 240V/50Hz	

SECTION 8 - ELECTRICAL

**FIGURE 8-6. AC BOX AT PLATFORM INSTALLATION - 220V IEC BLUE (CE & UK CA SPECS)
(MACHINES WITH 4000W GENERATOR)**



ART_1001206254

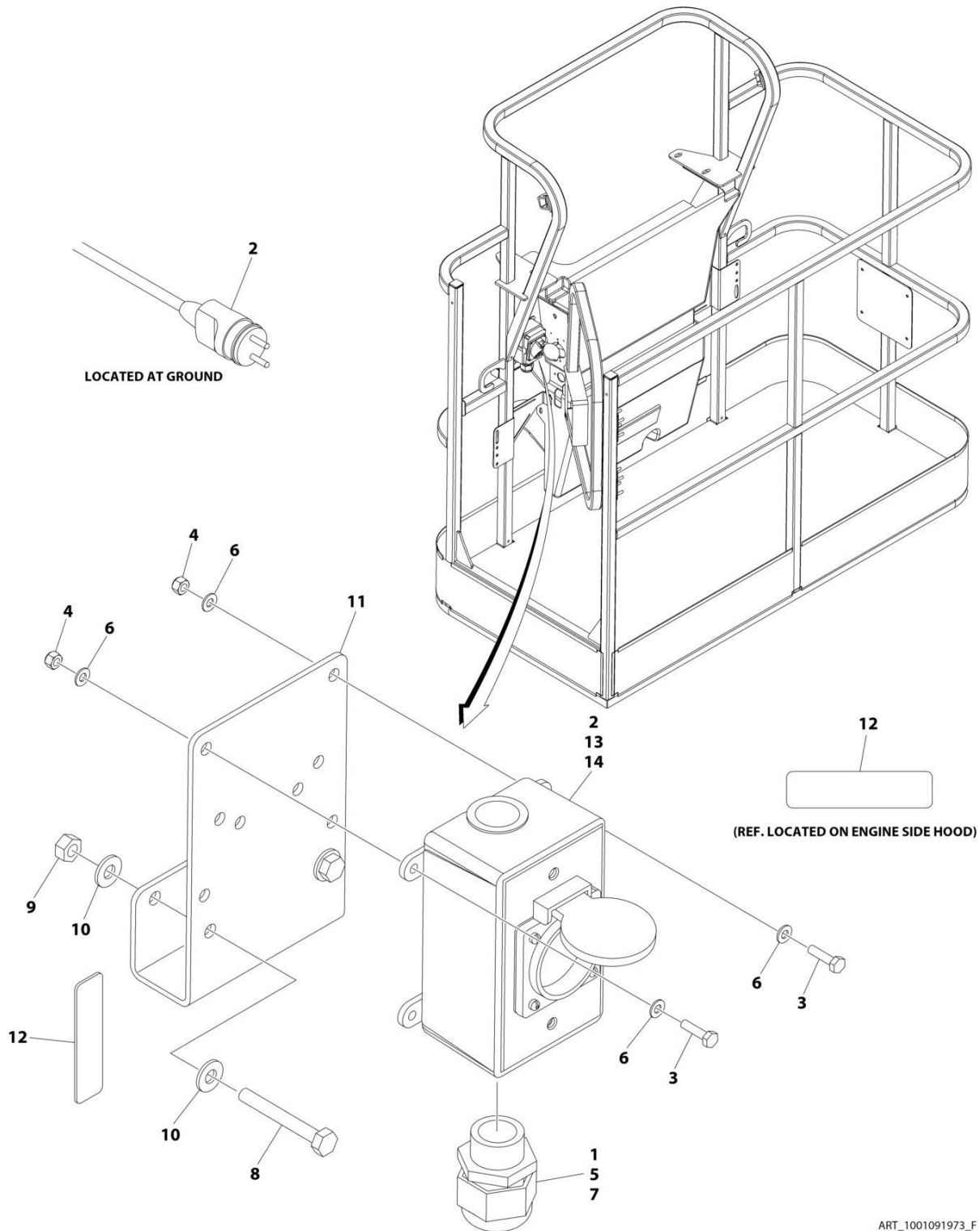
SECTION 8 - ELECTRICAL

**FIGURE 8-6. AC BOX AT PLATFORM INSTALLATION - 220V IEC BLUE (CE & UK CA SPECS)
(MACHINES WITH 4000W GENERATOR)**

ITEM	PART NUMBER	QTY	DESCRIPTION	REV
	1001206254	Ref	AC BOX AT PLATFORM INSTALLATION - 220V IEC BLUE	A
1	0100020	AR	Sealant, Pipe	
2	0641416	2	Bolt 1/4 x 2	
3	0700408	2	Bolt M4 x 16	
4	0861781	1	Box, Switch	
5	3251242	1	Decal - 240V/50Hz	
6	3290405	2	Nut M4	
7	3311405	2	Nut 1/4	
8	4461201	1	Receptacle	
9	4711400	4	Washer 1/4	
10	4811400	4	Washer M4	
11	1001101191	1	Connector, Strain Relief	
12	1001101196	1	Adapter	
13	1001193018	1	Bracket, AC Receptacle	

SECTION 8 - ELECTRICAL

FIGURE 8-7. AC BOX AT PLATFORM INSTALLATION - 220V CEE7 2X4 POST GROUND (CE & UK CA SPECS) (MACHINES WITHOUT 4000W GENERATOR)



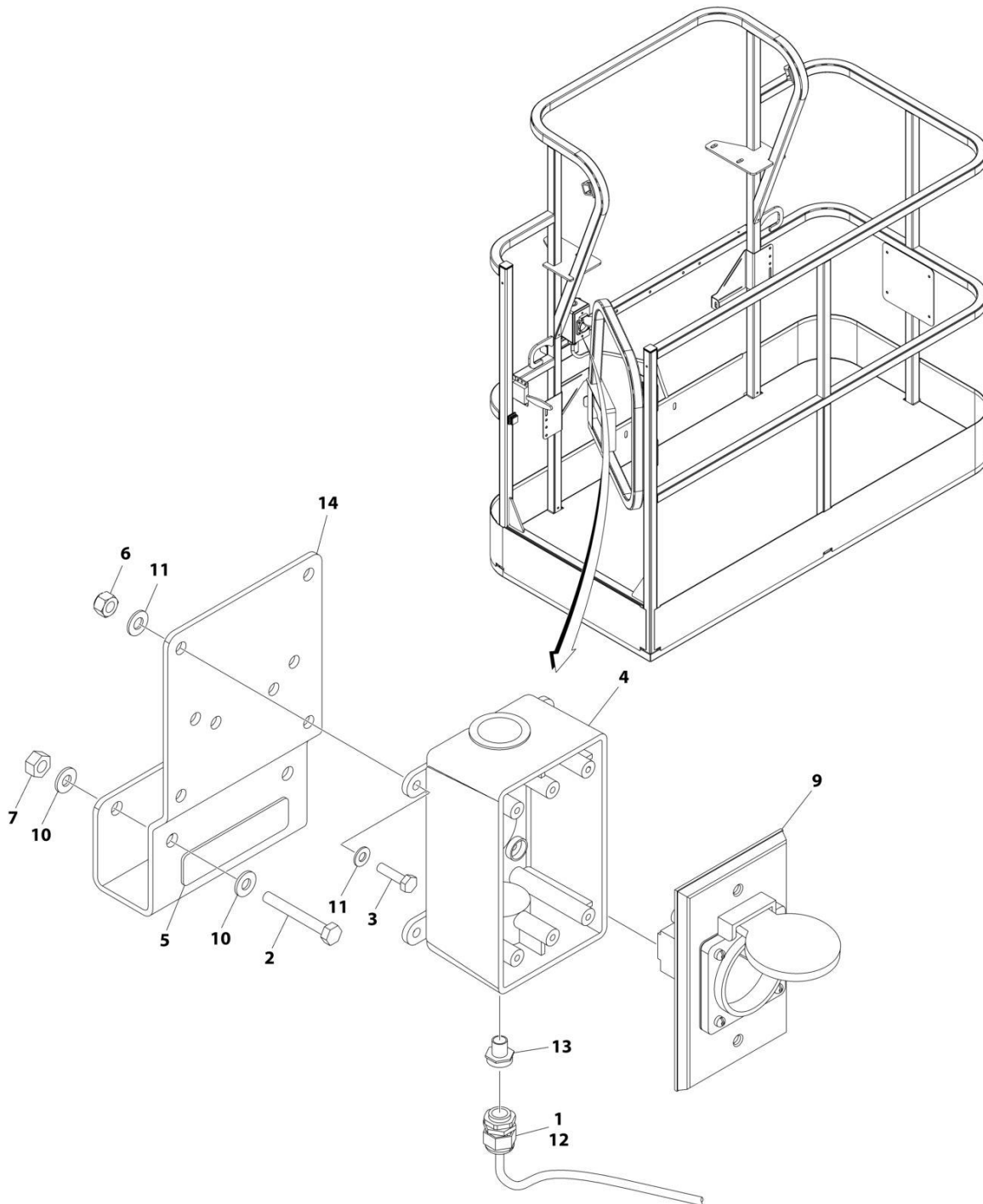
SECTION 8 - ELECTRICAL

FIGURE 8-7. AC BOX AT PLATFORM INSTALLATION - 220V CEE7 2X4 POST GROUND (CE & UK CA SPECS) (MACHINES WITHOUT 4000W GENERATOR)

ITEM	PART NUMBER	QTY	DESCRIPTION	REV
	1001091973	Ref	AC BOX AT PLATFORM INSTALLATION - 220V CEE7 2X4 BOX POST GROUND	F
1	0100020	AR	Sealant, Pipe	
2	0275452	1	Receptacle Box Kit (See Separate Breakdown in this Section)	
3	0700408	4	Bolt M4 x 16	
4	3290405	4	Nut M4	
5	1001101197	1	Adapter	
6	4811400	8	Washer M4	
7	1001101191	1	Connector, Strain Relief	
8	0641416	2	Bolt 1/4 x 2	
9	3311405	2	Nut 1/4	
10	4711400	4	Washer 1/4	
11	1001193018	1	Bracket	
12	3251242	2	Decal - 240V/50Hz	
13	4460806	2	Terminal, Fork (Not Shown)	
14	1001205958	1	Terminal (Not Shown)	

SECTION 8 - ELECTRICAL

FIGURE 8-8. AC BOX AT PLATFORM INSTALLATION - 220V CEE7 2X4 POST GROUND (CE & UK CA SPECS) (MACHINES WITH 4000W GENERATOR)



ART_1001206250

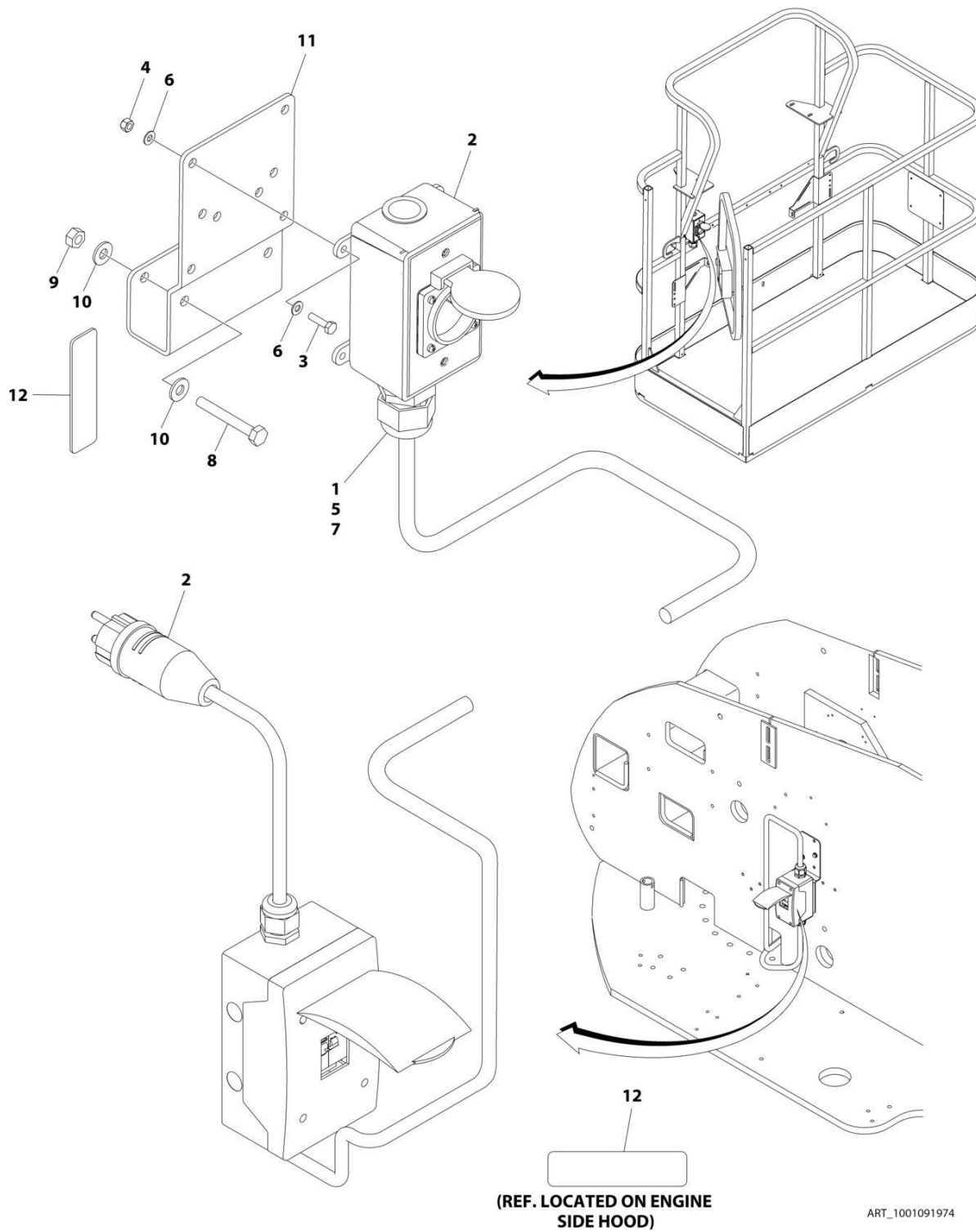
SECTION 8 - ELECTRICAL

FIGURE 8-8. AC BOX AT PLATFORM INSTALLATION - 220V CEE7 2X4 POST GROUND (CE & UK CA SPECS) (MACHINES WITH 4000W GENERATOR)

ITEM	PART NUMBER	QTY	DESCRIPTION	REV
	1001206250	Ref	AC BOX AT PLATFORM INSTALLATION - 220V CEE7 2X4 BOX POST GROUND	A
1	0100020	AR	Sealant, Pipe	
2	0641416	2	Bolt 1/4 x 2	
3	0700408	4	Bolt M4 x 16	
4	0861731	1	Box, Switch	
5	3251242	1	Decal - 240V/50Hz	
6	3290405	4	Nut M4	
7	3311405	2	Nut 1/4	
8	4460806	2	Terminal, Fork (Not Shown)	
9	4461244	1	Receptacle	
10	4711400	4	Washer 1/4	
11	4811400	8	Washer M4	
12	1001101191	1	Connector, Strain Relief	
13	1001101197	1	Adapter	
14	1001193018	1	Bracket, AC Receptacle	
15	1001205958	1	Terminal (Not Shown)	

SECTION 8 - ELECTRICAL

FIGURE 8-9. AC BOX AT PLATFORM INSTALLATION - 220V CEE7 2X4 SIDE GROUND (CE & UK CA SPECS) (MACHINES WITHOUT 4000W GENERATOR)



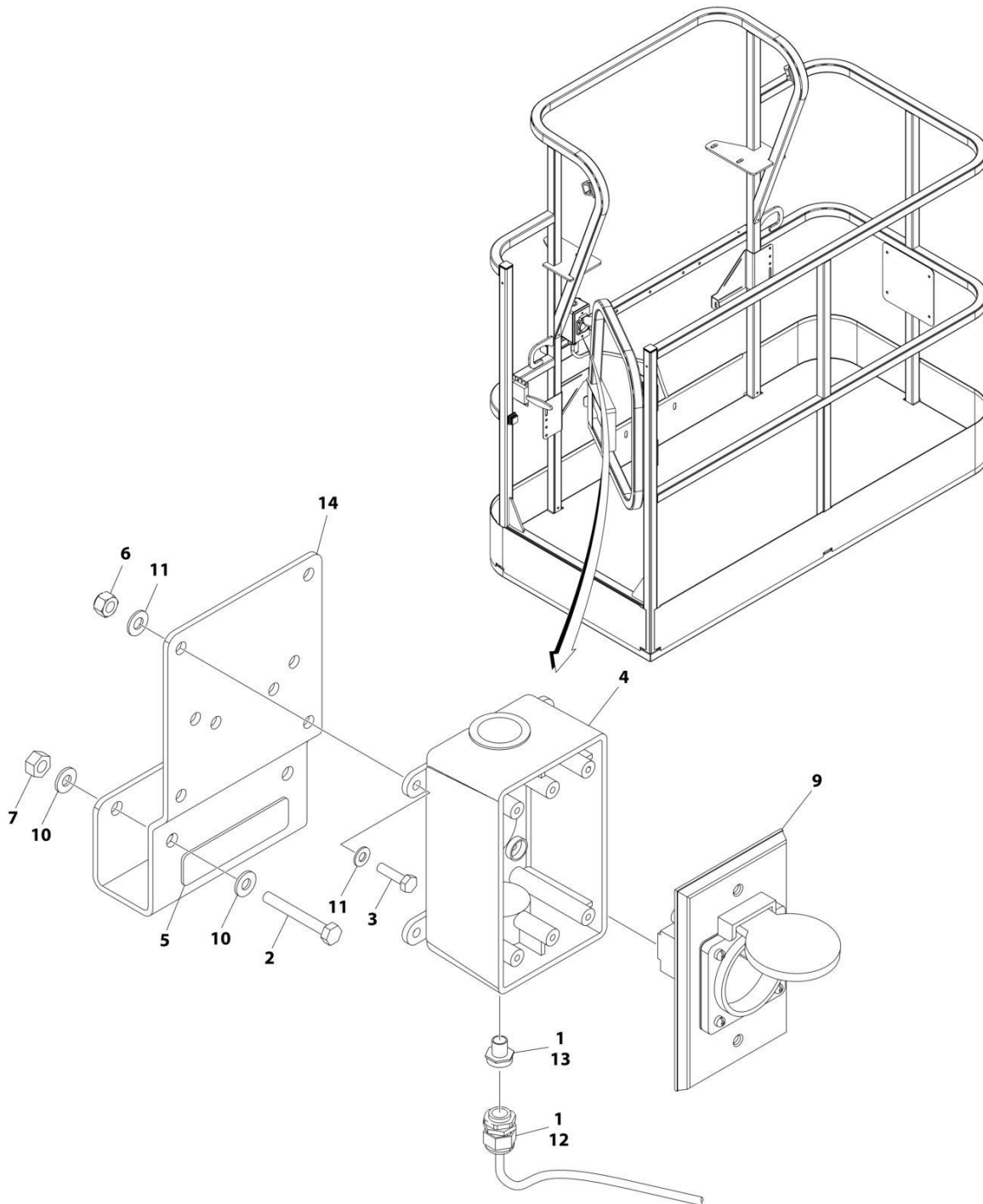
SECTION 8 - ELECTRICAL

FIGURE 8-9. AC BOX AT PLATFORM INSTALLATION - 220V CEE7 2X4 SIDE GROUND (CE & UK CA SPECS) (MACHINES WITHOUT 4000W GENERATOR)

ITEM	PART NUMBER	QTY	DESCRIPTION	REV
	1001091974	Ref	AC BOX AT PLATFORM INSTALLATION - 220V CEE7 2X4 BOX SIDE GROUND	F
1	0100020	AR	Sealant, Pipe	
2	0275453	1	Receptacle Box Kit (See Separate Breakdown in this Section)	
3	0700408	4	Bolt M4 x 16	
4	3290405	4	Nut M4	
5	1001101197	1	Adapter	
6	4811400	8	Washer M4	
7	1001101191	1	Connector, Strain Relief	
8	0641416	2	Bolt 1/4 x 2	
9	3311405	2	Nut 1/4	
10	4711400	4	Washer 1/4	
11	1001193018	1	Bracket	
12	3251242	2	Decal - 240V/50Hz	
13	4460806	2	Terminal, Fork (Not Shown)	
14	1001205958	1	Terminal (Not Shown)	

SECTION 8 - ELECTRICAL

FIGURE 8-10. AC BOX AT PLATFORM INSTALLATION - 220V CEE7 2X4 SIDE GROUND (CE & UK CA SPECS) (MACHINES WITH 4000W GENERATOR)



ART_1001206251

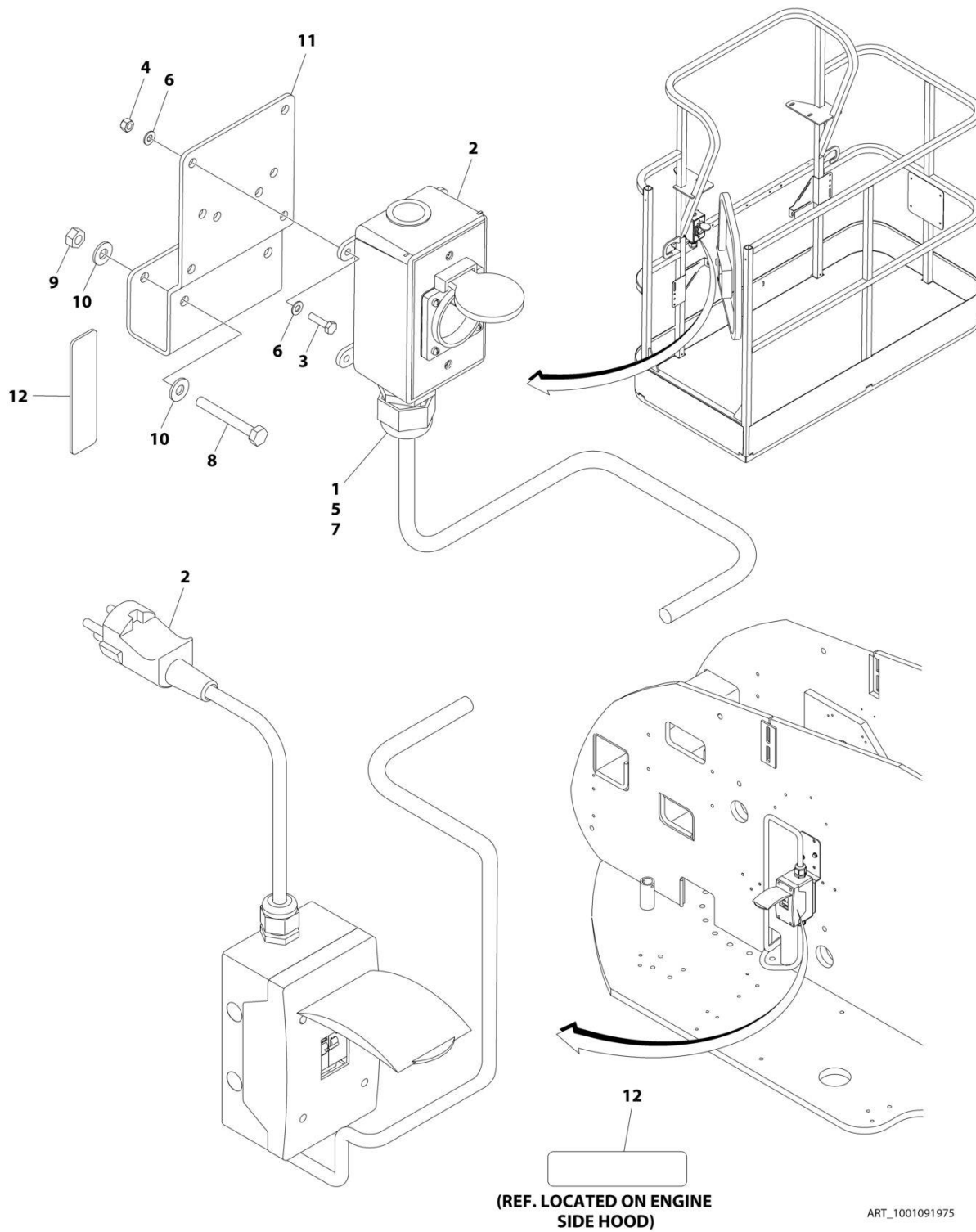
SECTION 8 - ELECTRICAL

FIGURE 8-10. AC BOX AT PLATFORM INSTALLATION - 220V CEE7 2X4 SIDE GROUND (CE & UK CA SPECS) (MACHINES WITH 4000W GENERATOR)

ITEM	PART NUMBER	QTY	DESCRIPTION	REV
	1001206251	Ref	AC BOX AT PLATFORM INSTALLATION - 220V CEE7 2X4 BOX SIDE GROUND	A
1	0100020	AR	Sealant, Pipe	
2	0641416	2	Bolt 1/4 x 2	
3	0700408	4	Bolt M4 x 16	
4	0861731	1	Box, Switch	
5	3251242	1	Decal - 240V/50Hz	
6	3290405	4	Nut M4	
7	3311405	2	Nut 1/4	
8	4460806	2	Terminal, Fork (Not Shown)	
9	4461245	1	Receptacle	
10	4711400	4	Washer 1/4	
11	4811400	8	Washer M4	
12	1001101191	1	Connector, Strain Relief	
13	1001101197	1	Adapter	
14	1001193018	1	Bracket, AC Receptacle	
15	1001205958	1	Terminal (Not Shown)	

SECTION 8 - ELECTRICAL

**FIGURE 8-11. AC BOX AT PLATFORM INSTALLATION - 220V AFSINT 107 (CE & UK CA SPECS)
(MACHINES WITHOUT 4000W GENERATOR)**



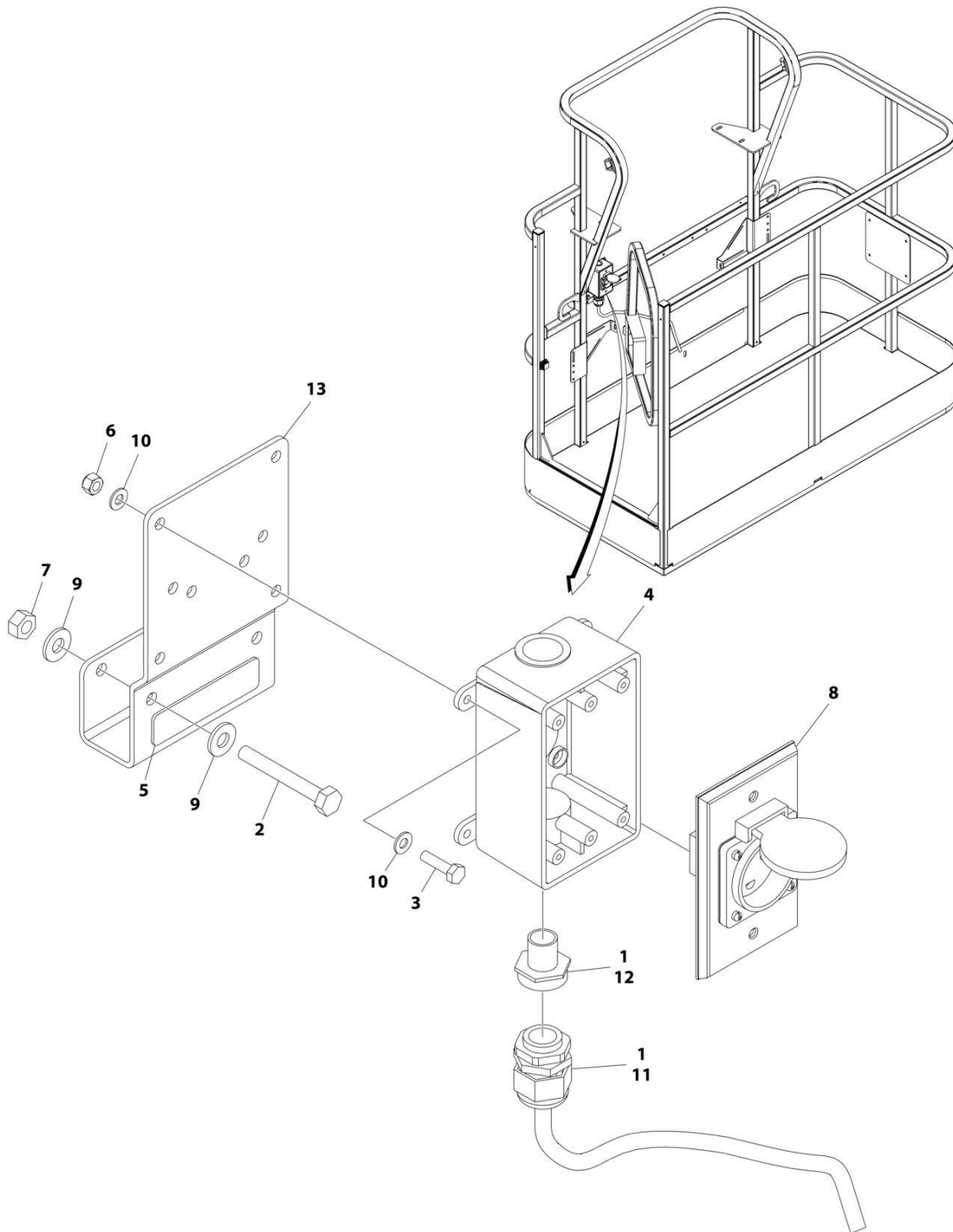
SECTION 8 - ELECTRICAL

**FIGURE 8-11. AC BOX AT PLATFORM INSTALLATION - 220V AFSINT 107 (CE & UK CA SPECS)
(MACHINES WITHOUT 4000W GENERATOR)**

ITEM	PART NUMBER	QTY	DESCRIPTION	REV
	1001091975	Ref	AC BOX AT PLATFORM INSTALLATION - 220V AFSINT 107 2X4 BOX KEYED GROUND	F
1	0100020	AR	Sealant, Pipe	
2	0275454	1	Receptacle Box Kit (See Separate Breakdown in this Section)	
3	0700408	4	Bolt M4 x 16	
4	3290405	4	Nut M4	
5	1001101197	1	Adapter	
6	4811400	8	Washer M4	
7	1001101191	1	Connector, Strain Relief	
8	0641416	2	Bolt 1/4 x 2	
9	3311405	2	Nut 1/4	
10	4711400	4	Washer 1/4	
11	1001193018	1	Bracket	
12	3251242	2	Decal - 240V/50Hz	
13	1001205958	3	Terminal (Not Shown)	

SECTION 8 - ELECTRICAL

**FIGURE 8-12. AC BOX AT PLATFORM INSTALLATION - 220V AFSINT 107 (CE & UK CA SPECS)
(MACHINES WITH 4000W GENERATOR)**



ART_1001206252

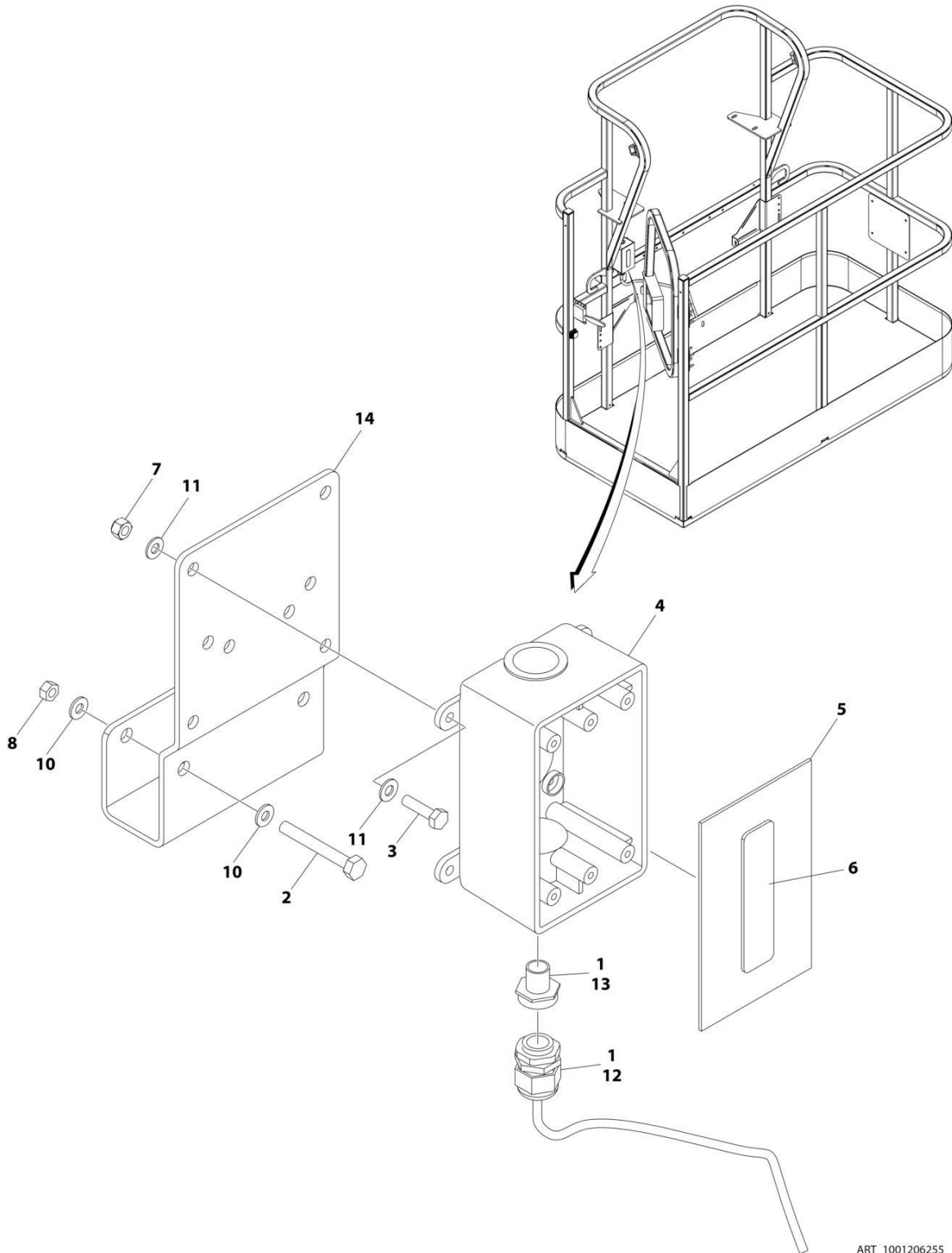
SECTION 8 - ELECTRICAL

**FIGURE 8-12. AC BOX AT PLATFORM INSTALLATION - 220V AFSINT 107 (CE & UK CA SPECS)
(MACHINES WITH 4000W GENERATOR)**

ITEM	PART NUMBER	QTY	DESCRIPTION	REV
	1001206252	Ref	AC BOX AT PLATFORM INSTALLATION - 220V AFSINT 107 2x4 BOX KEYED GROUND	A
1	0100020	AR	Sealant, Pipe	
2	0641416	2	Bolt 1/4 x 2	
3	0700408	4	Bolt M4 x 16	
4	0861731	1	Box, Switch	
5	3251242	1	Decal - 240V/50Hz	
6	3290405	4	Nut M4	
7	3311405	2	Nut 1/4	
8	4461246	1	Receptacle	
9	4711400	4	Washer 1/4	
10	4811400	8	Washer M4	
11	1001101191	1	Connector, Strain Relief	
12	1001101197	1	Adapter	
13	1001193018	1	Bracket, AC Receptacle	
14	1001205958	3	Terminal (Not Shown)	

SECTION 8 - ELECTRICAL

FIGURE 8-13. AC BOX AT PLATFORM INSTALLATION - BOX WITH COVER (ANSI EXPORT, AUSTRALIAN, CHINA & JAPANESE SPECS)



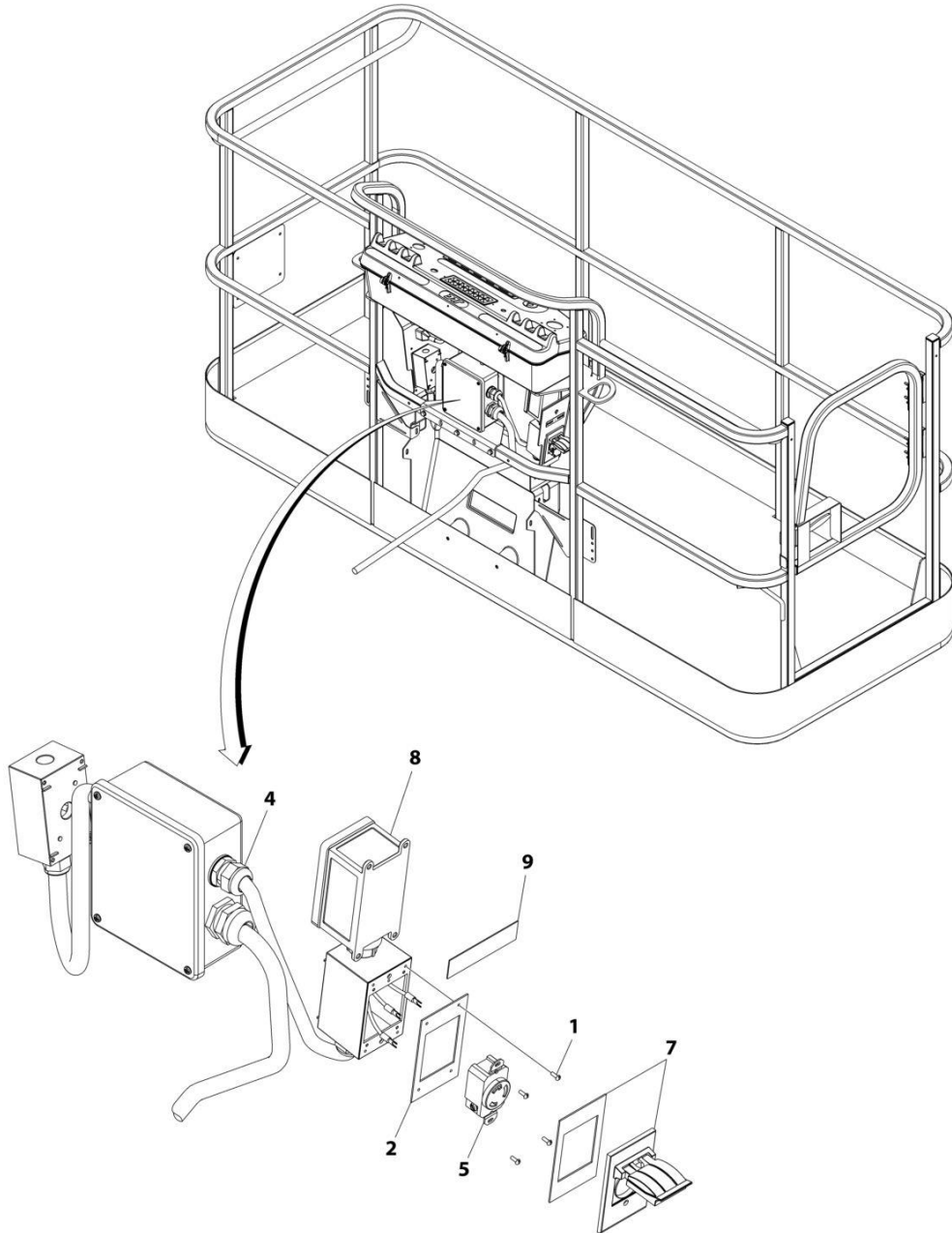
SECTION 8 - ELECTRICAL

FIGURE 8-13. AC BOX AT PLATFORM INSTALLATION - BOX WITH COVER (ANSI EXPORT, AUSTRALIAN, CHINA & JAPANESE SPECS)

ITEM	PART NUMBER	QTY	DESCRIPTION	REV
	1001206255	Ref	AC BOX AT PLATFORM INSTALLATION - BOX WITH COVER (2X4 BOX) WITH 4000W GENERATOR	A
1	0100020	AR	Sealant, Pipe	
2	0641416	2	Bolt 1/4 x 2	
3	0700408	4	Bolt M4 x 16	
4	0861731	1	Box, Switch	
5	1670603	1	Cover	
6	3251242	1	Decal - 240V-50Hz	
7	3290405	4	Nut M4	
8	3311405	2	Nut 1/4	
10	4711400	4	Washer 1/4	
11	4811400	8	Washer M4	
12	1001101191	1	Connector, Strain Relief	
13	1001101197	1	Adapter	
14	1001193018	1	Bracket, AC Receptacle	

SECTION 8 - ELECTRICAL

FIGURE 8-14. AC BOX AT PLATFORM INSTALLATION - 240V RECEPTACLE (WITH 4000W GENERATOR) (ALL SPECS EXCEPT ANSI & CSA SPECS)



ART_1001171131

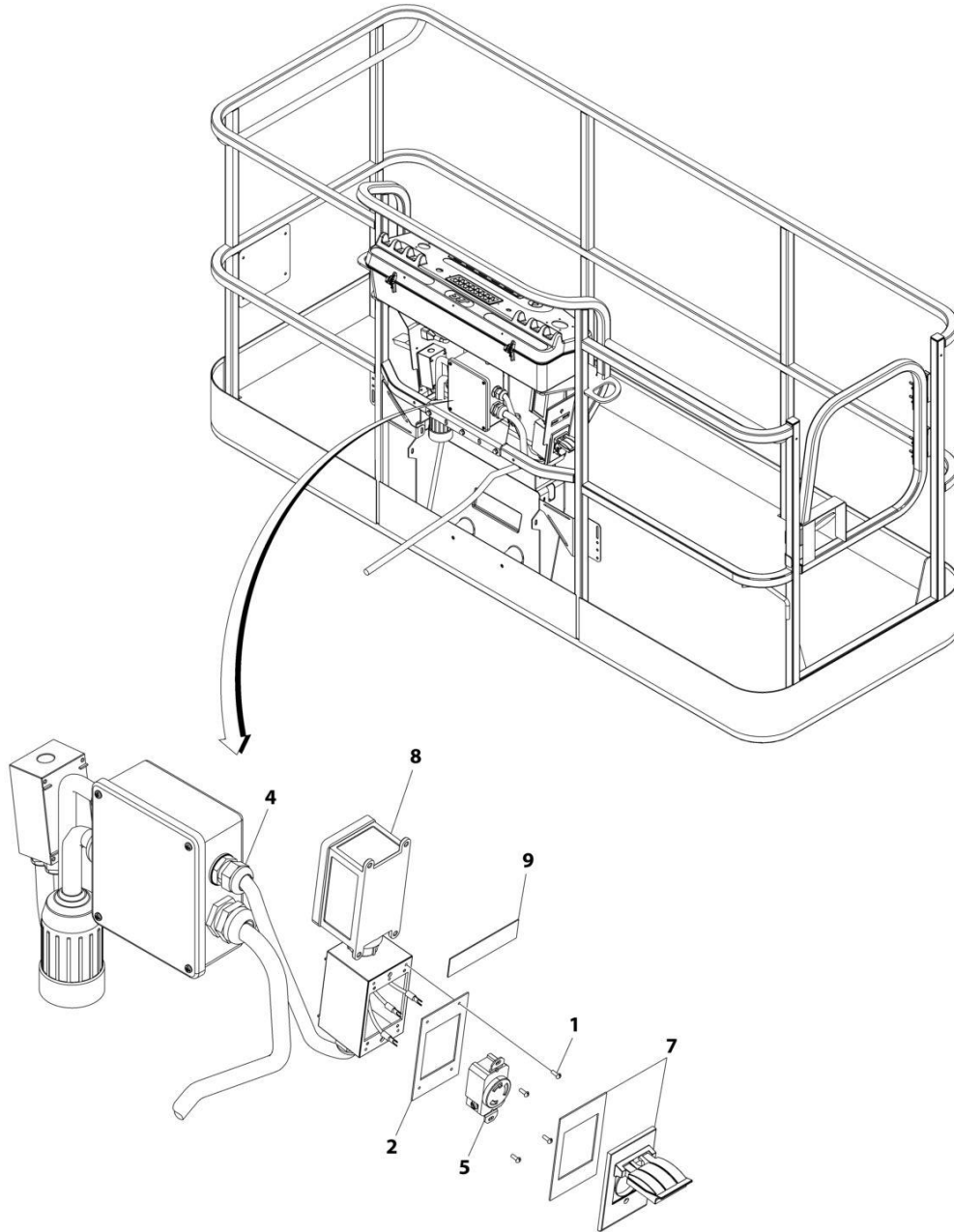
SECTION 8 - ELECTRICAL

FIGURE 8-14. AC BOX AT PLATFORM INSTALLATION - 240V RECEPTACLE (WITH 4000W GENERATOR) (ALL SPECS EXCEPT ANSI & CSA SPECS)

ITEM	PART NUMBER	QTY	DESCRIPTION	REV
	1001171131	Ref	AC BOX AT PLATFORM INSTALLATION - 240V RECEPTACLE	B
1	3910606	4	Screw 6 x 3/8	
2	3960422	1	Gasket	
3	4240018	AR	Tie-Strap (Not Shown)	
4	4460425	1	Connector, Strain Relief	
5	1001176862	1	Receptacle	
7	1001110872	1	Cover, Receptacle	
8	1001159120	1	Receptacle/Breaker Box Assembly	
8	1001148675	1	Box, Receptacle	
8	1001159118	1	Breaker GFCI 30Amp 240VAC	
8	4460612	1	Connector, Strain Relief	
8	1001159119	1	Connector (Between Boxes)	
9	1705374	1	Decal - 240V/60Hz	

SECTION 8 - ELECTRICAL

FIGURE 8-15. AC BOX AT PLATFORM INSTALLATION - 240V RECEPTACLE (WITH 7500W SKYPOWER GENERATOR) (ANSI & CSA SPECS)



ART_1001159121

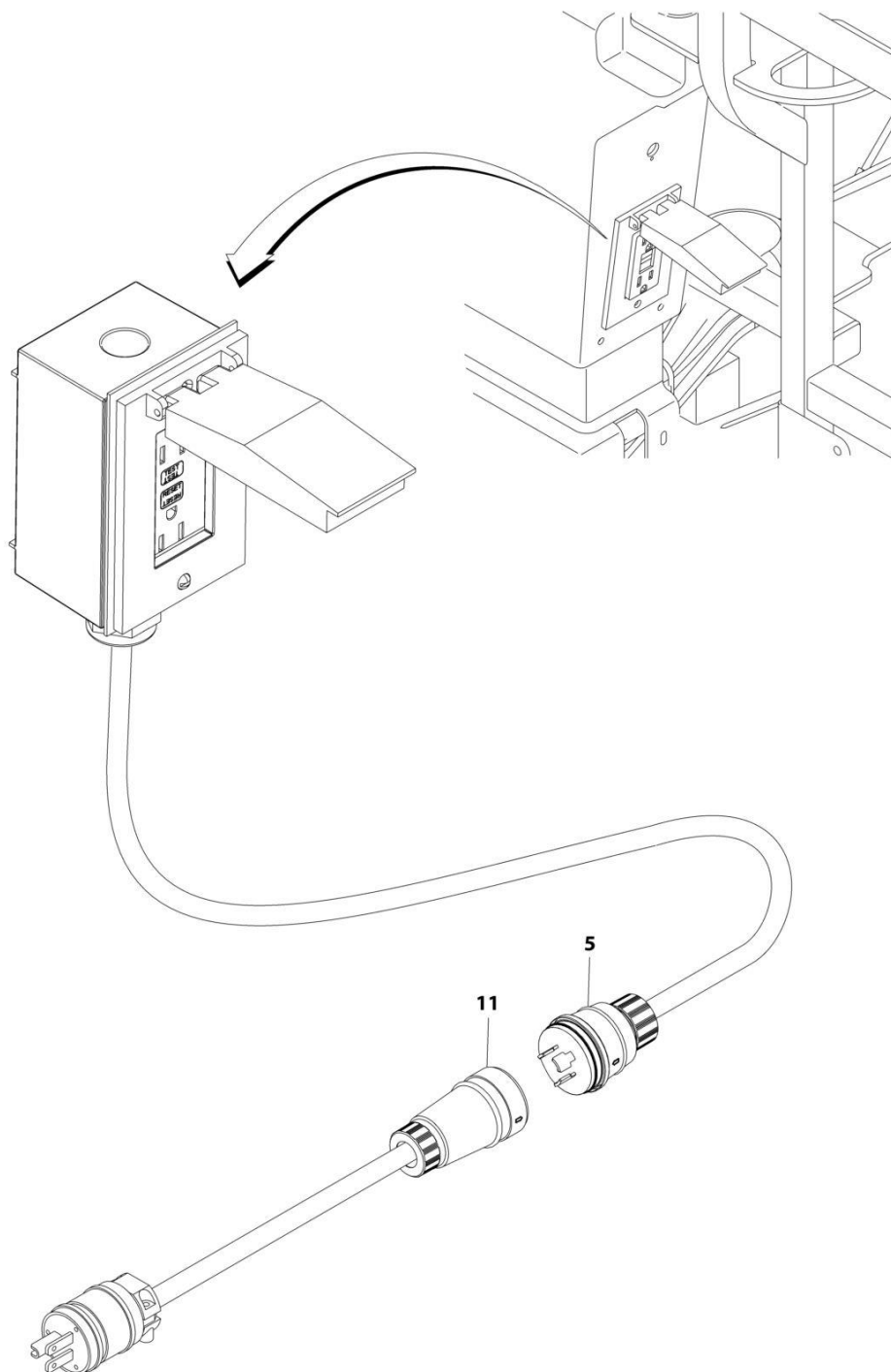
SECTION 8 - ELECTRICAL

FIGURE 8-15. AC BOX AT PLATFORM INSTALLATION - 240V RECEPTACLE (WITH 7500W SKYPOWER GENERATOR) (ANSI & CSA SPECS)

ITEM	PART NUMBER	QTY	DESCRIPTION	REV
	1001159121	Ref	AC BOX AT PLATFORM INSTALLATION - 240V RECEPTACLE	B
1	3910606	4	Screw 6 x 3/8	
2	3960422	1	Gasket	
3	4240018	AR	Tie-Strap (Not Shown)	
4	4460425	1	Connector, Strain Relief	
5	4460958	1	Receptacle	
7	1001110872	1	Cover, Receptacle	
8	1001159120	1	Receptacle/Breaker Box Assembly	
8	1001148675	1	Box, Receptacle	
8	1001159118	1	Breaker Box Assembly	
8	4460612	1	Connector, Strain Relief	
8	1001159119	1	Connector (Between Boxes)	
9	1705374	1	Decal - 240V/60Hz	

SECTION 8 - ELECTRICAL

FIGURE 8-16. AC BOX AT PLATFORM MID-BOOM PLUG INSTALLATION (WITHOUT 7500W SKYPOWER GENERATOR) (ALL SPECS EXCEPT ANSI & CSA SPECS)



ART_0256202

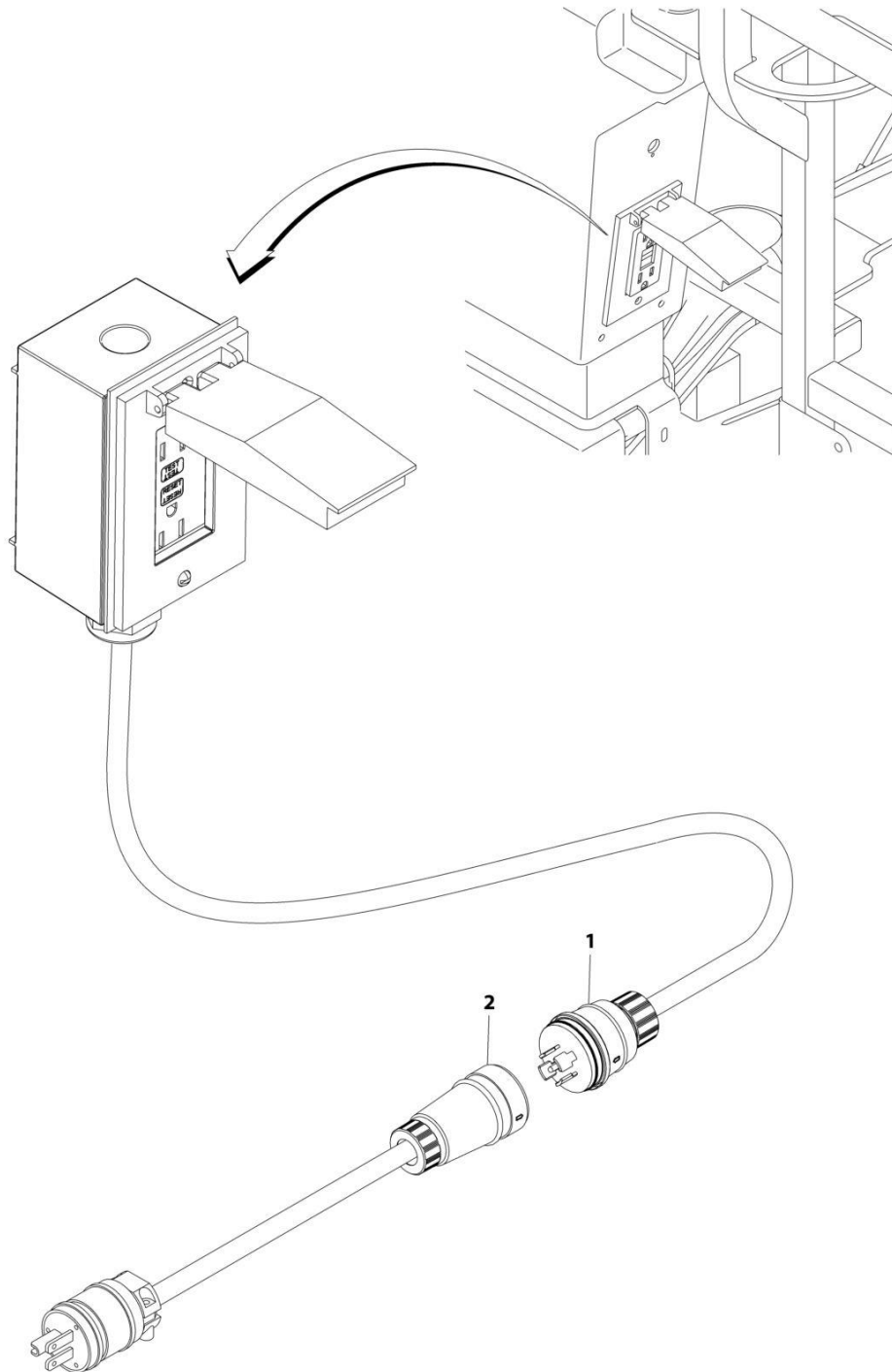
SECTION 8 - ELECTRICAL

FIGURE 8-16. AC BOX AT PLATFORM MID-BOOM PLUG INSTALLATION (WITHOUT 7500W SKYPOWER GENERATOR) (ALL SPECS EXCEPT ANSI & CSA SPECS)

ITEM	PART NUMBER	QTY	DESCRIPTION	REV
	0256202	Ref	AC BOX AT PLATFORM MID-BOOM PLUG INSTALLATION	D
5	1001213584	1	Plug	
11	1001213585	1	Receptacle	

SECTION 8 - ELECTRICAL

FIGURE 8-17. AC BOX AT PLATFORM MID-BOOM PLUG INSTALLATION (WITH 7500W SKYPOWER GENERATOR)



ART_0272433

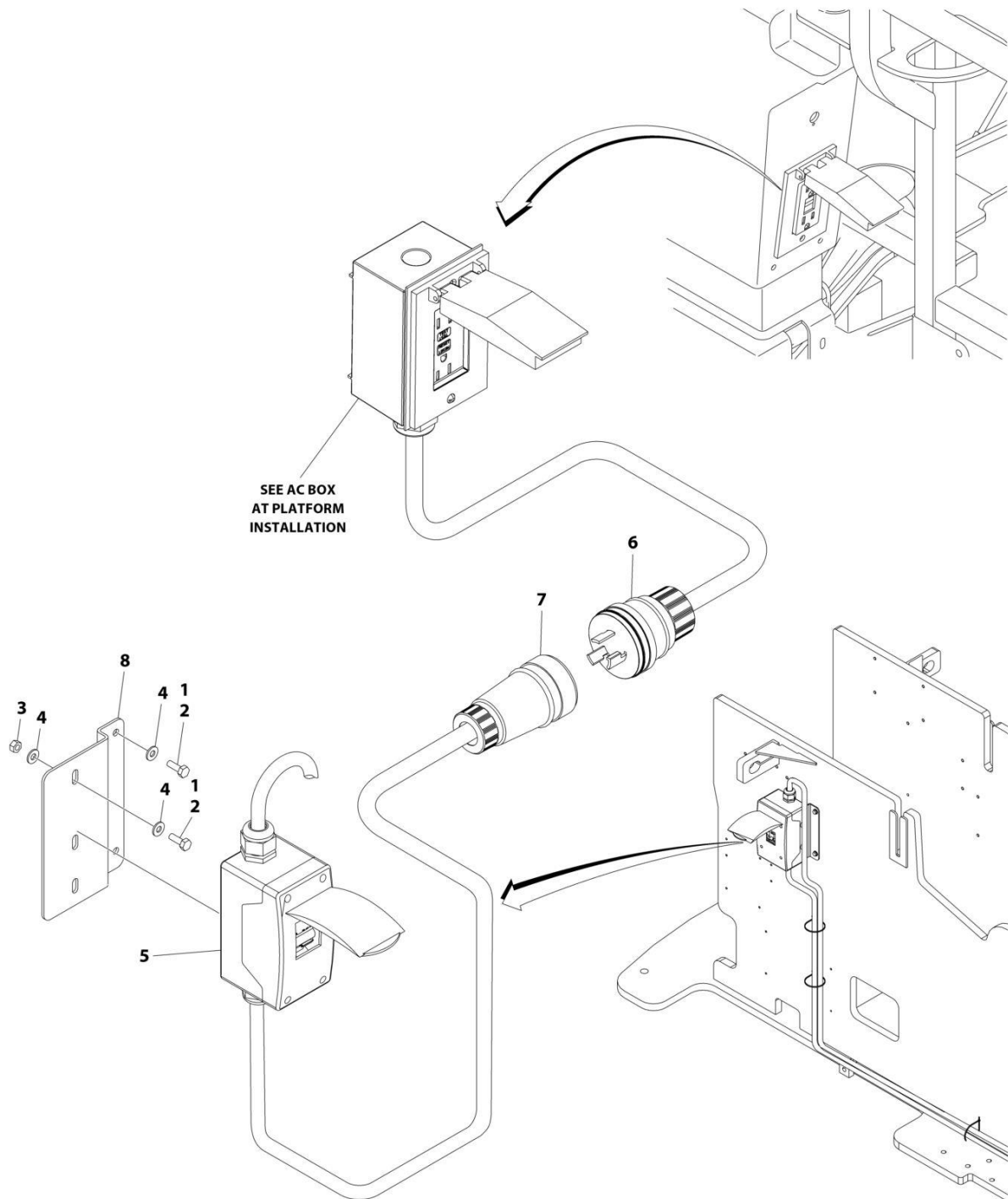
SECTION 8 - ELECTRICAL

FIGURE 8-17. AC BOX AT PLATFORM MID-BOOM PLUG INSTALLATION (WITH 7500W SKYPOWER GENERATOR)

ITEM	PART NUMBER	QTY	DESCRIPTION	REV
	0272433	Ref	AC CABLE INSTALLATION - 110V/220V	D
1	1001218622	1	Plug, Male	
2	1001218623	1	Plug, Female	

SECTION 8 - ELECTRICAL

FIGURE 8-18. AC BREAKER BOX INSTALLATION - WITH 2 BREAKERS (CE & UK CA SPECS WITH 4000W GENERATOR)



ART_1001236962

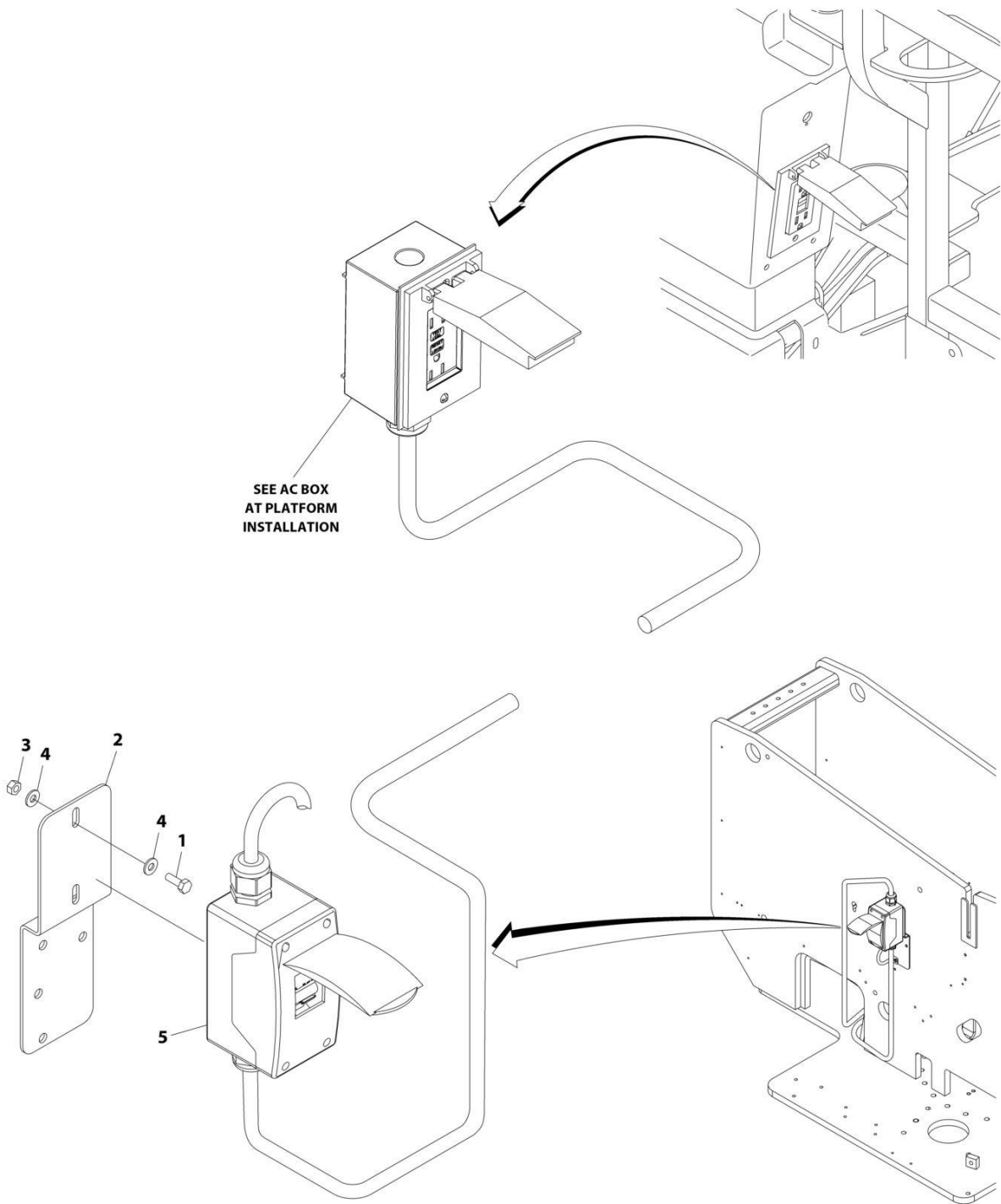
SECTION 8 - ELECTRICAL

FIGURE 8-18. AC BREAKER BOX INSTALLATION - WITH 2 BREAKERS (CE & UK CA SPECS WITH 4000W GENERATOR)

ITEM	PART NUMBER	QTY	DESCRIPTION	REV
	1001236962	Ref	AC BREAKER BOX INSTALLATION	A
1	0100011	AR	Compound, Locking	
2	0641406	4	Bolt 1/4 x 3/4	
3	3311405	2	Nut 1/4	
4	4711400	6	Washer 1/4	
5	1001165368	1	Breaker Box Kit - With 2 Breakers (See Separate Breakdown in this Section)	
6	1001213584	1	Plug, Male	
7	1001213585	1	Receptacle, Female	
8	1001229080	1	Bracket	
9	4240099	AR	Tie-Strap (Not Shown)	

SECTION 8 - ELECTRICAL

FIGURE 8-19. AC BREAKER BOX INSTALLATION - WITH 2 BREAKERS (BRAZIL SPECS)



ART_1001171016

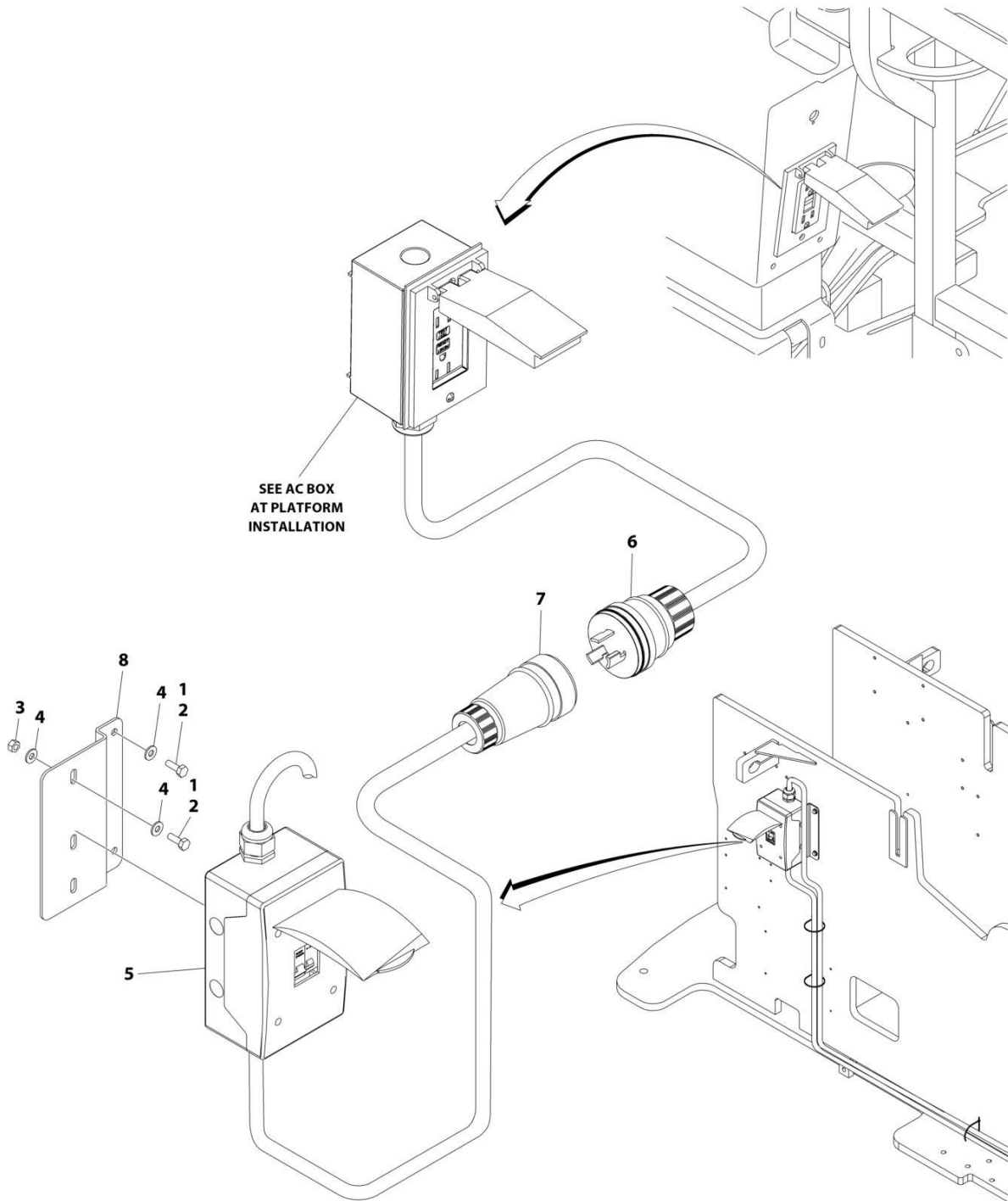
SECTION 8 - ELECTRICAL

FIGURE 8-19. AC BREAKER BOX INSTALLATION - WITH 2 BREAKERS (BRAZIL SPECS)

ITEM	PART NUMBER	QTY	DESCRIPTION	REV
	1001171016	Ref	AC BREAKER BOX INSTALLATION	A
1	0641406	2	Bolt 1/4 x 3/4	
2	0903697	1	Bracket	
3	3311405	2	Nut 1/4	
4	4711400	4	Washer 1/4	
5	1001109654	1	Breaker Box Kit - With 2 Breakers (See Separate Breakdown in this Section)	

SECTION 8 - ELECTRICAL

FIGURE 8-20. AC BREAKER BOX INSTALLATION - WITH 3 BREAKERS (CE & UK CA SPECS WITH 4000W GENERATOR)



ART_1001234588

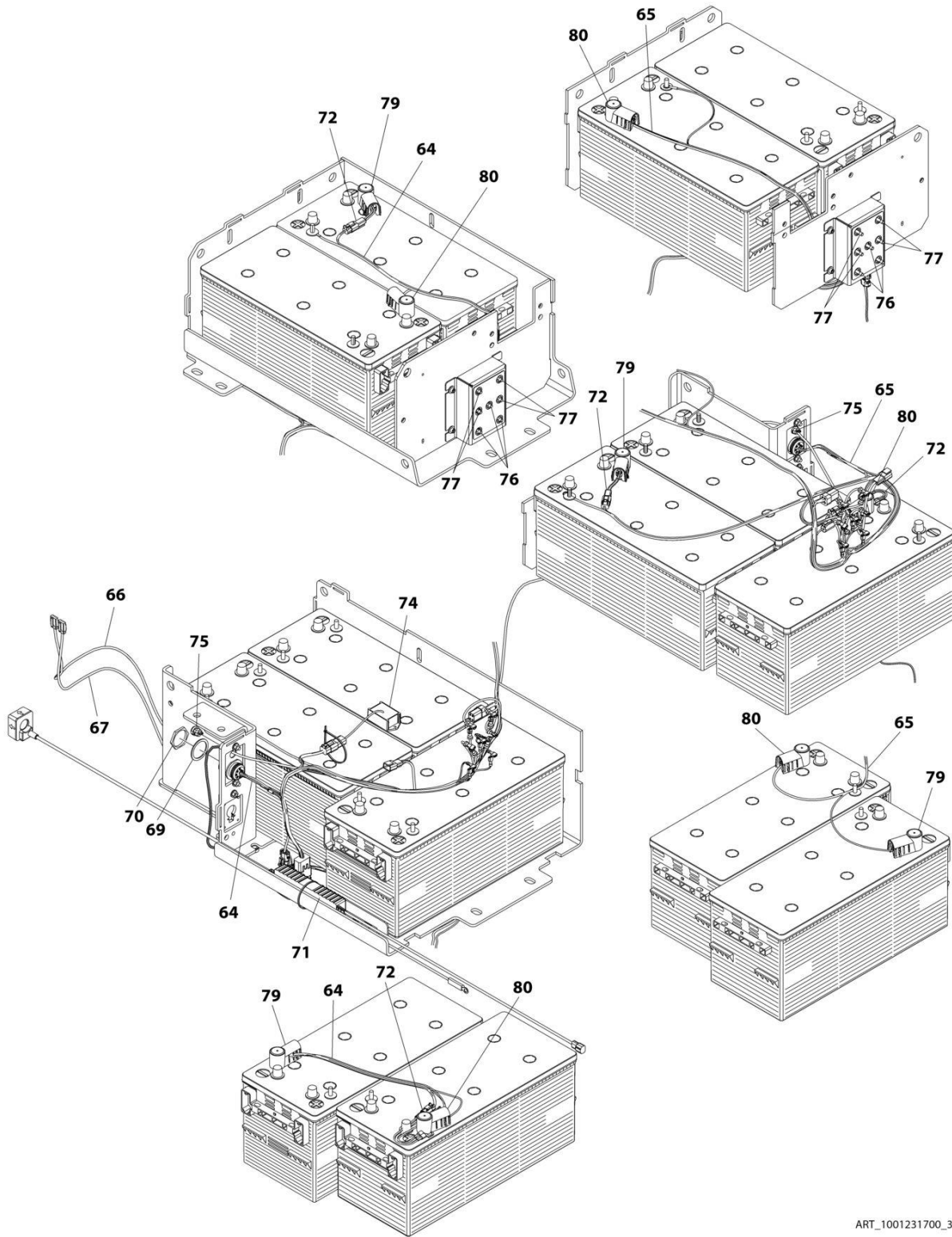
SECTION 8 - ELECTRICAL

FIGURE 8-20. AC BREAKER BOX INSTALLATION - WITH 3 BREAKERS (CE & UK CA SPECS WITH 4000W GENERATOR)

ITEM	PART NUMBER	QTY	DESCRIPTION	REV
	1001234588	Ref	AC BREAKER BOX INSTALLATION	A
1	0100011	AR	Compound, Locking	
2	0641406	4	Bolt 1/4 x 3/4	
3	3311405	2	Nut 1/4	
4	4711400	6	Washer 1/4	
5	1001205690	1	Breaker Box Kit - With 3 Breakers (See Separate Breakdown in this Section)	
6	1001213584	1	Plug, Male	
7	1001213585	1	Receptacle, Female	
8	1001229080	1	Bracket	
9	4240099	AR	Tie-Strap (Not Shown)	

SECTION 8 - ELECTRICAL

FIGURE 8-21. BATTERY CABLES INSTALLATION



ART_1001231700_30F3

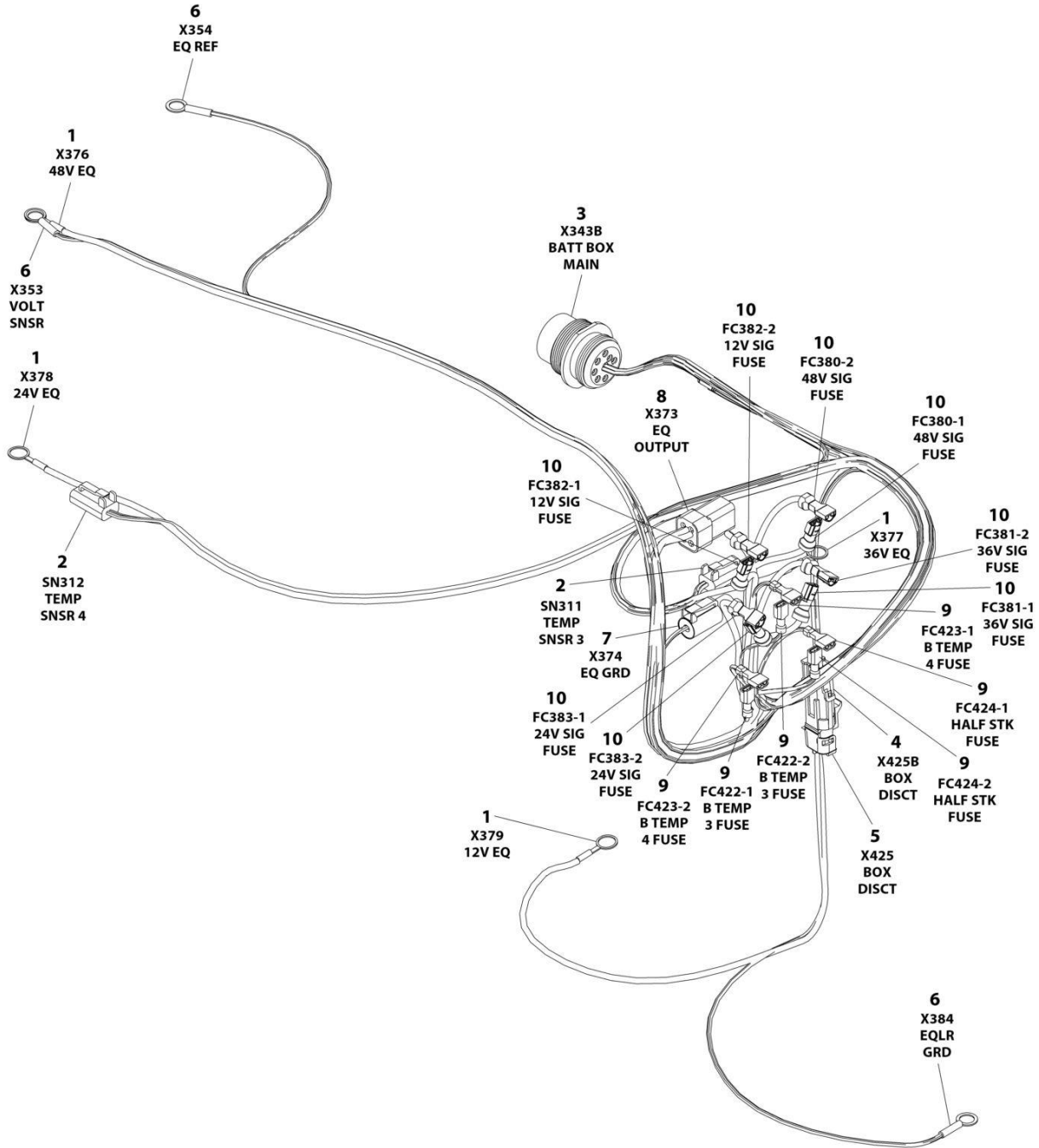
SECTION 8 - ELECTRICAL

FIGURE 8-21. BATTERY CABLES INSTALLATION

ITEM	PART NUMBER	QTY	DESCRIPTION	REV
	1001231700	Ref	BATTERY CABLES INSTALLATION	G
64	1001231685	1	Battery Stack Harness (RH) (See Separate Breakdown in this Section)	
65	1001231686	1	Battery Stack Harness (LH) (See Separate Breakdown in this Section)	
66	1001232840	1	Cable Equalizer LED (LH)	
66	4460910	1	Receptacle, Female - 3 Position	
66	1001126011	3	Terminal	
66	4460911	1	Plug, Male - 3 Position	
66	1001126008	3	Terminal	
67	1001232841	1	Cable Equalizer LED (RH)	
67	4460910	1	Receptacle, Female - 3 Position	
67	1001126011	3	Terminal	
67	4460911	1	Plug, Male - 3 Position	
67	1001126008	3	Terminal	
69	4460496	2	Washer	
70	4460497	2	Nut	
71	1001222336	1	Control, SOC Monitor	
72	1001225131	5	Temperature Sensor Harness	
74	1001227080	1	Terminator, Electrical	
75	1001233825	2	Connector, Strain Relief	
76	2400080	6	Fuse - 1 Amp	
77	1001234313	8	Fuse - 7.5 Amp	
79	1001225557	4	Boot (Black)	
80	1001225558	5	Boot (Red)	
81	4240032	AR	Tie-Strap (Not Shown)	
100	1001233440	1	Battery Connect Cable Kit (Not Shown)	
101	1001222379	1	Cable, Battery Jumper (+)	
102	1001222380	1	Cable, Battery Jumper (-)	
500	1001233448	2	Battery Box Cable Kit (Not Shown)	
501	1001231425	2	Cable, Battery Jumper (+) (1 Per Kit)	
502	1001231426	2	Cable, Battery Jumper (-) (1 Per Kit)	
503	1001231481	2	Cable, Battery Bulkhead (+) (1 Per Kit)	
504	1001231482	2	Cable, Battery Bulkhead (-) (1 Per Kit)	
505	1001231514	2	Cable, Battery Jumper (+) (1 Per Kit)	
506	1001231515	2	Cable, Battery Jumper (-) (1 Per Kit)	
507	1001231519	2	Cable, 84V Short (1 Per Kit)	
508	1001231520	2	Cable, 84V MID (1 Per Kit)	
509	1001231521	2	Cable, 84V Long (1 Per Kit)	
510	1001231522	2	Cable, 84V Bulkhead (1 Per Kit)	

SECTION 8 - ELECTRICAL

FIGURE 8-22. BATTERY STACK HARNESS (LH)



ART_1001231686

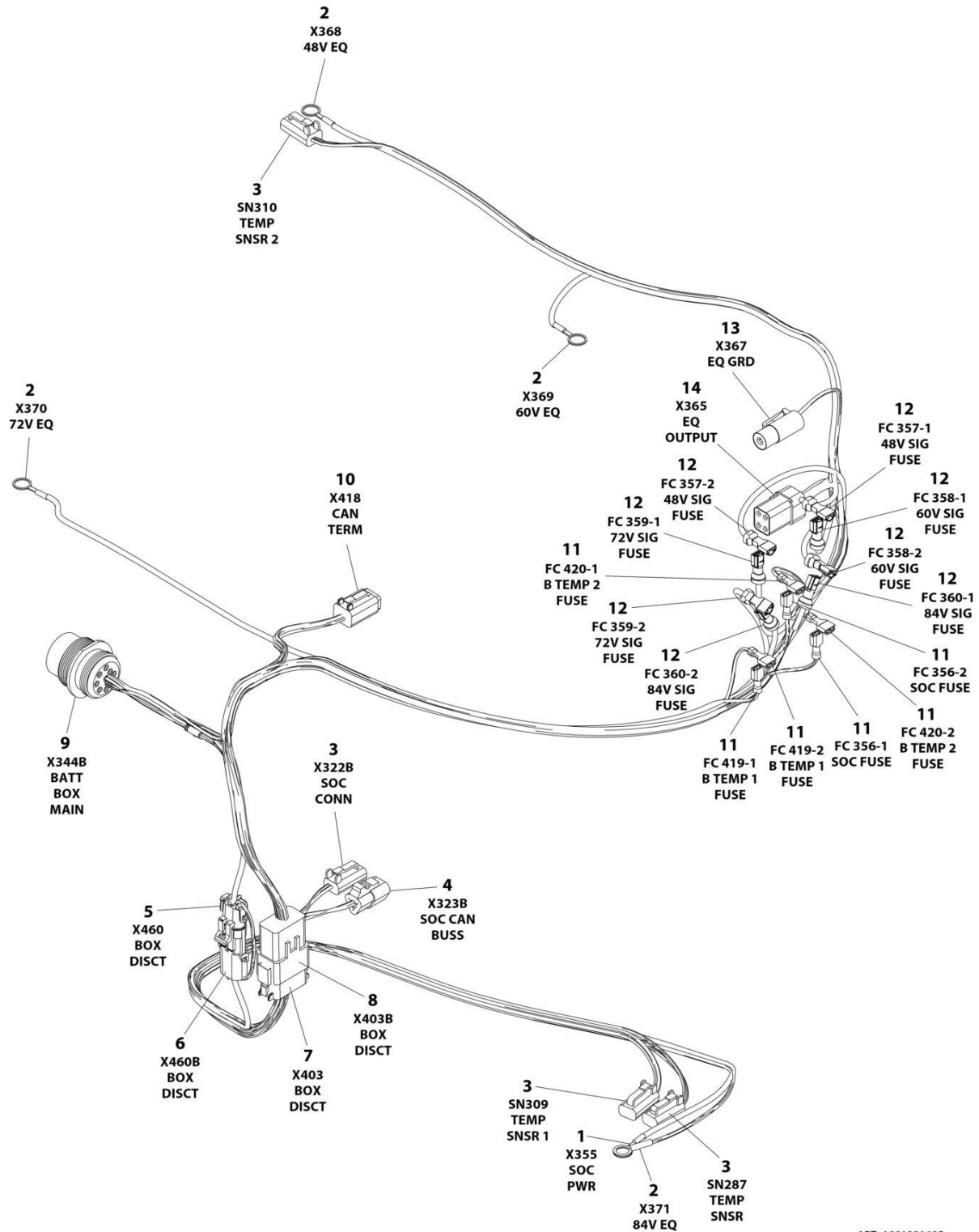
SECTION 8 - ELECTRICAL

FIGURE 8-22. BATTERY STACK HARNESS (LH)

ITEM	PART NUMBER	QTY	DESCRIPTION	REV
	1001231686	Ref	BATTERY STACK HARNESS	B
1	4460019	4	Terminal, Ring	
2	4460891	2	Plug, Male - 2 Position	
2	4460465	4	Socket, Female	
3	1001112612	1	Connector - 9 Position	
3	4460464	5	Pin, Male	
3	4460466	4	Plug, Terminal	
4	4461157	1	Receptacle, Female - 2 Position	
4	4460850	2	Terminal	
5	4460742	1	Plug, Male - 2 Position	
5	4460790	2	Terminal	
6	4460256	3	Terminal, Ring	
7	4461261	1	Plug, Male - 1 Position	
7	4460509	1	Socket, Female	
8	1001116810	1	Plug, Male - 4 Position	
8	4460509	8	Socket, Female	
9	8220051	6	Terminal	
10	8220043	8	Terminal	

SECTION 8 - ELECTRICAL

FIGURE 8-23. BATTERY STACK HARNESS (RH)



ART_1001231685

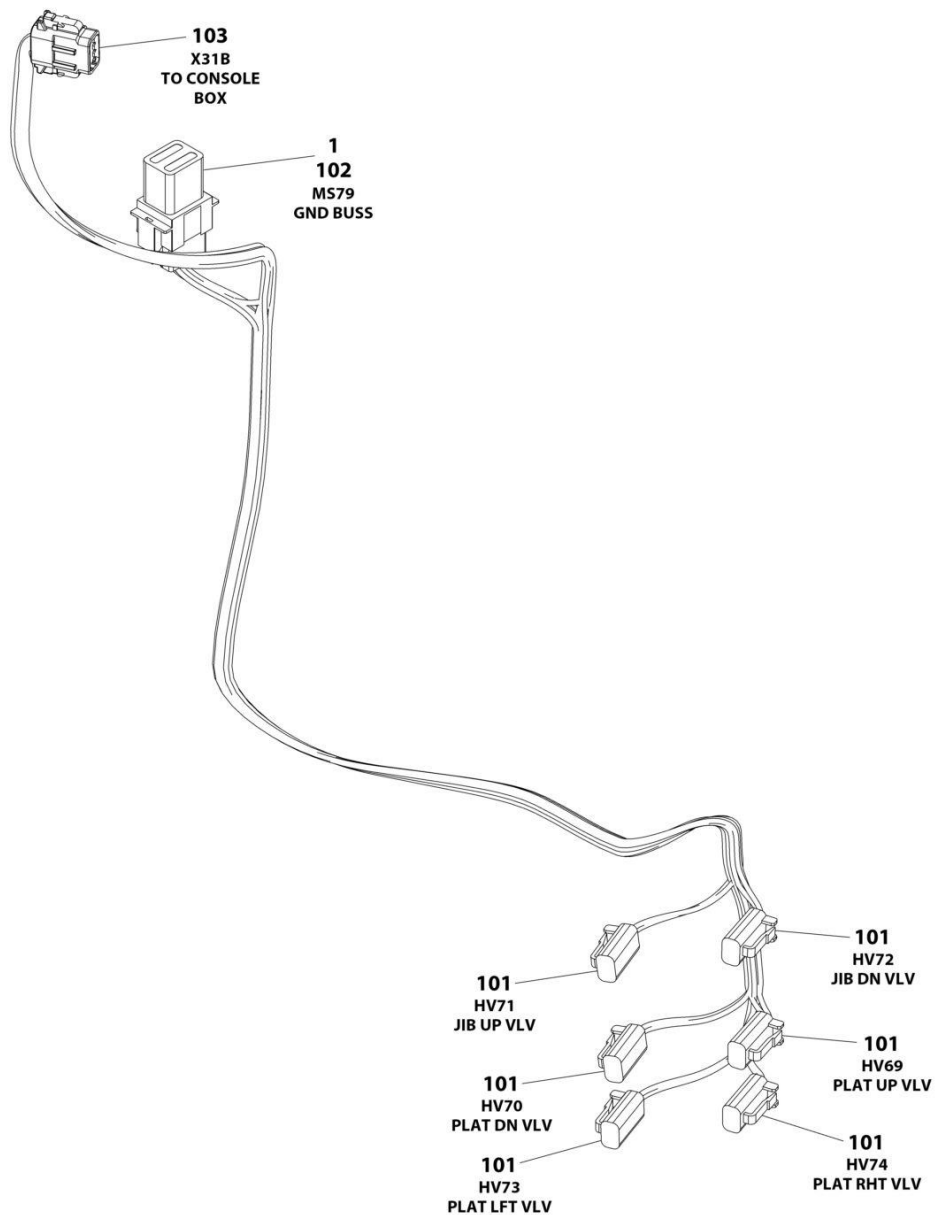
SECTION 8 - ELECTRICAL

FIGURE 8-23. BATTERY STACK HARNESS (RH)

ITEM	PART NUMBER	QTY	DESCRIPTION	REV
	1001231685	Ref	BATTERY STACK HARNESS	A
1	4460256	3	Terminal, Ring	
2	4460019	4	Terminal, Ring	
3	4460891	2	Plug, Male - 2 Position	
3	4460465	4	Socket, Female	
4	4460539	1	Plug, Male - 3 Position	
4	4460465	3	Socket, Female	
5	4461157	1	Receptacle, Female - 2 Position	
5	4460850	2	Terminal	
6	4460742	1	Plug, Male - 2 Position	
6	4460790	2	Terminal	
7	4460836	1	Plug, Male - 12 Position	
7	4460465	9	Socket, Female	
7	4460466	3	Plug, Terminal	
8	4460950	1	Receptacle, Female - 12 Position	
8	4460464	9	Pin, Male	
8	4460466	3	Plug, Terminal	
9	1001112612	1	Connector - 9 Position	
9	4460464	5	Pin, Male	
10	4460884	1	Plug, Male - 4 Position	
10	4460465	4	Socket, Female	
11	8220051	6	Terminal	
12	8220043	8	Terminal	
13	4461261	1	Plug, Male - 1 Position	
13	4460509	1	Socket, Female	
14	1001116810	1	Plug, Male - 4 Position	
14	4460509	8	Socket, Female	

SECTION 8 - ELECTRICAL

FIGURE 8-24. BOOM VALVE HARNESS



ART_1001222047

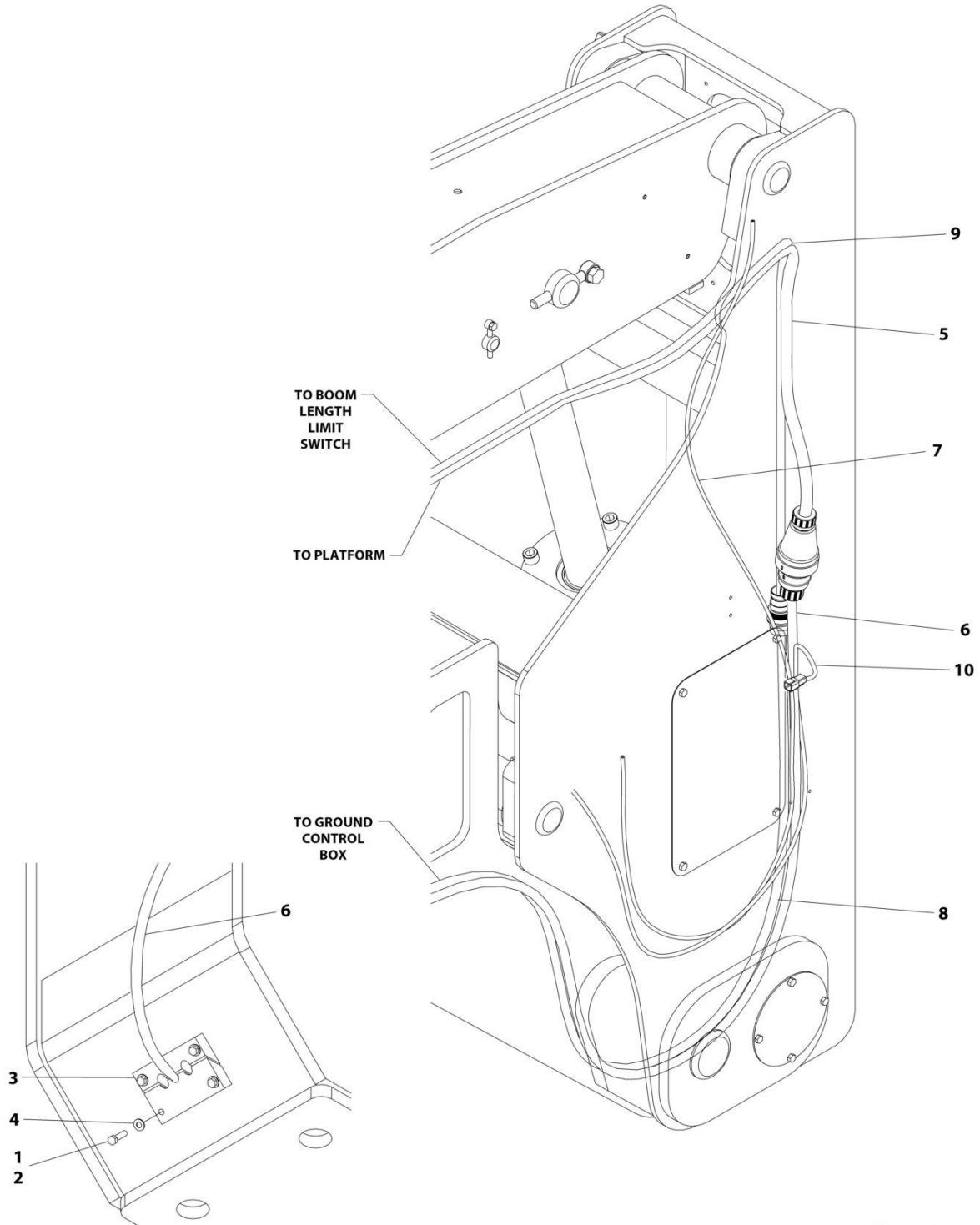
SECTION 8 - ELECTRICAL

FIGURE 8-24. BOOM VALVE HARNESS

ITEM	PART NUMBER	QTY	DESCRIPTION	REV
	1001222047	Ref	BOOM VALVE HARNESS	B
1	4460852	1	Connector, Buss - 8 Position	
101	4460891	6	Plug, Male - 2 Position	
101	4460465	12	Socket, Female	
102	4460851	1	Plug, Male - 8 Position	
102	4460465	8	Socket, Female	
103	1001190577	1	Plug, Male - 8 Position	
103	1001126008	7	Socket, Female	
103	4460518	1	Plug, Terminal	

SECTION 8 - ELECTRICAL

FIGURE 8-25. BOOM CABLES INSTALLATION (MACHINES WITHOUT GENERATOR)



ART_1001223433

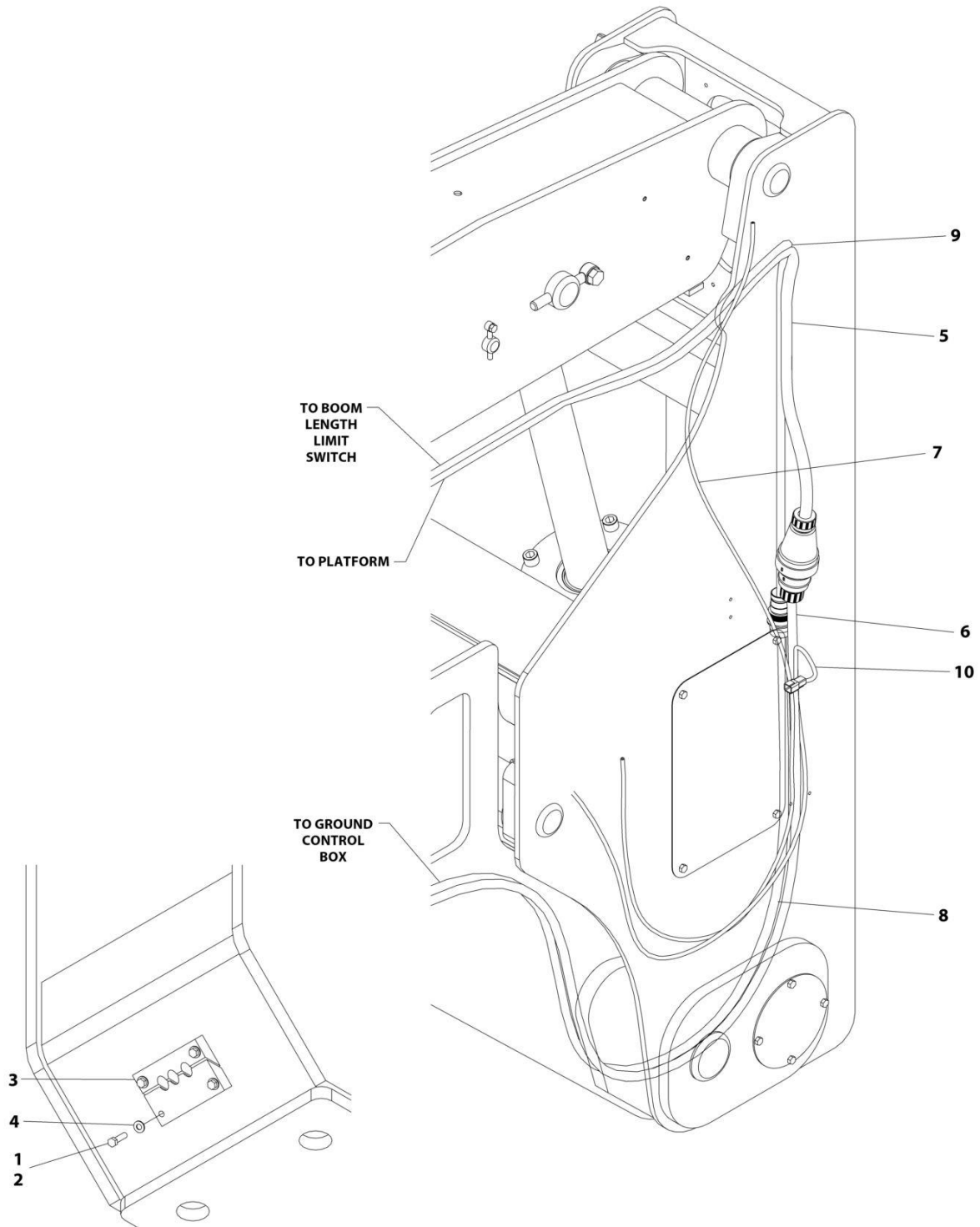
SECTION 8 - ELECTRICAL

FIGURE 8-25. BOOM CABLES INSTALLATION (MACHINES WITHOUT GENERATOR)

ITEM	PART NUMBER	QTY	DESCRIPTION	REV
	1001223433	Ref	BOOM CABLES INSTALLATION	D
1	0100011	AR	Compound, Locking	
2	0641612	4	Bolt 3/8 x 1-1/2	
3	1320256	1	Clamp, Block	
4	4711600	4	Washer 3/8	
5	4922216	1	AC Cable, 10/3 (Main Boom)	
6	4922217	1	AC Cable, 10/3 (Tower Boom)	
7	4922578	2	Cable, Main Boom Elevation Limit Switch	
8	1001222055	1	Boom Cable - Tower Boom (See Separate Breakdown in this Section)	
9	1001227356	1	Boom Cable - Main Boom (See Separate Breakdown in this Section)	
10	1001227359	1	Tilt Sensor Harness	
10	1001097051	1	Connector - 4 Position	
10	1001097082	3	Terminal	

SECTION 8 - ELECTRICAL

FIGURE 8-26. BOOM CABLES INSTALLATION (AUSTRALIAN SPECS WITH 4000W GENERATOR)



ART_1001227853

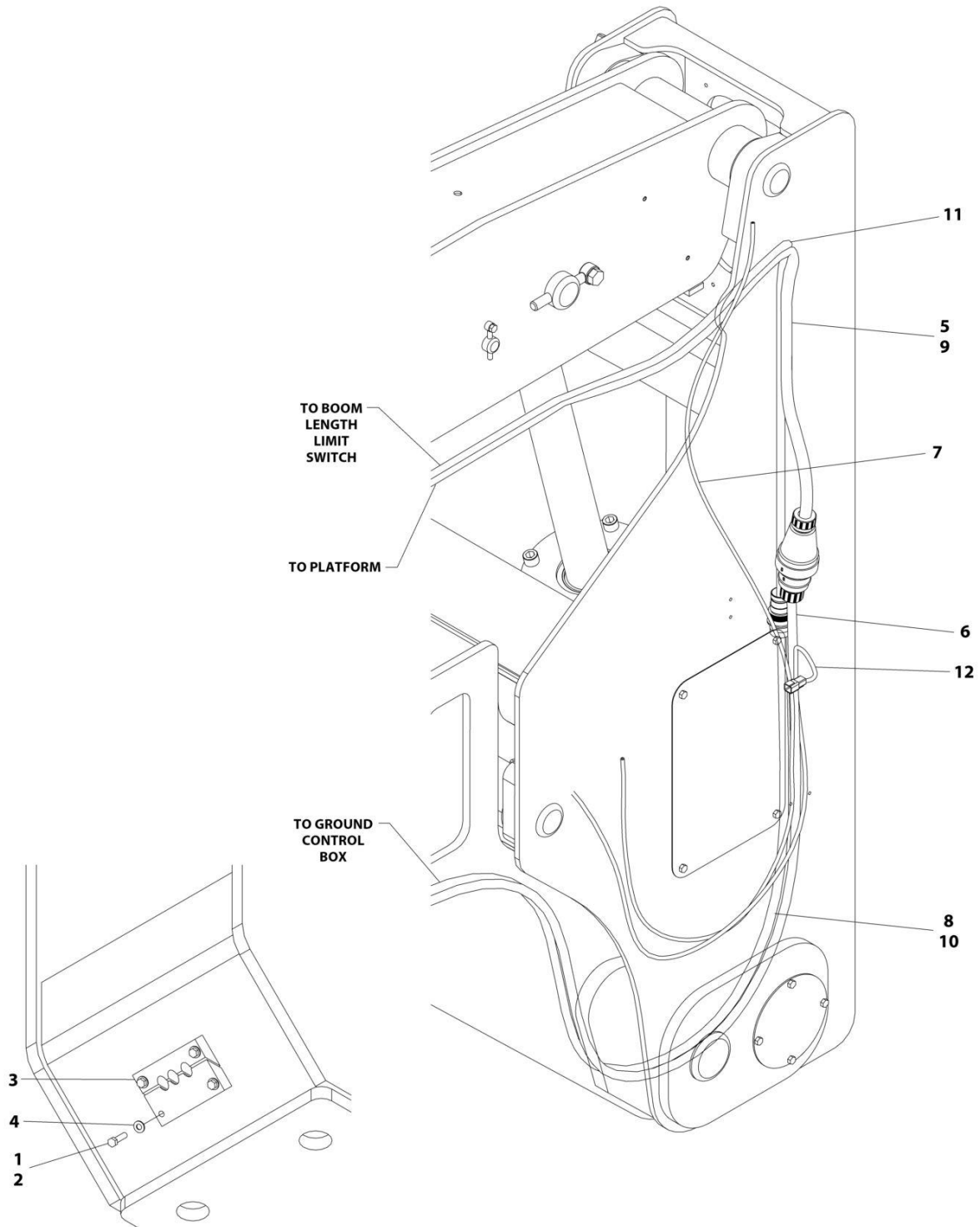
SECTION 8 - ELECTRICAL

FIGURE 8-26. BOOM CABLES INSTALLATION (AUSTRALIAN SPECS WITH 4000W GENERATOR)

ITEM	PART NUMBER	QTY	DESCRIPTION	REV
	1001227853	Ref	BOOM CABLES INSTALLATION	D
1	0100011	AR	Compound, Locking	
2	0641612	4	Bolt 3/8 x 1-1/2	
3	1320256	1	Clamp, Block	
4	4711600	4	Washer 3/8	
5	4922219	1	AC Cable - 10/3 (Main Boom)	
6	4922220	1	AC Cable - 10/3 (Tower Boom)	
7	4922578	2	Cable, Main Boom Elevation Limit Switch	
8	1001222055	1	Boom Cable - Tower Boom (See Separate Breakdown in this Section)	
9	1001227356	1	Boom Cable - Main Boom (See Separate Breakdown in this Section)	
10	1001227359	1	Tilt Sensor Harness	
10	1001097051	1	Connector - 4 Position	
10	1001097082	3	Terminal	
11	4240099	AR	Tie-Strap (Not Shown)	

SECTION 8 - ELECTRICAL

FIGURE 8-27. BOOM CABLES INSTALLATION (CE & UK CA SPECS WITH 4000W GENERATOR)



ART_1001227850

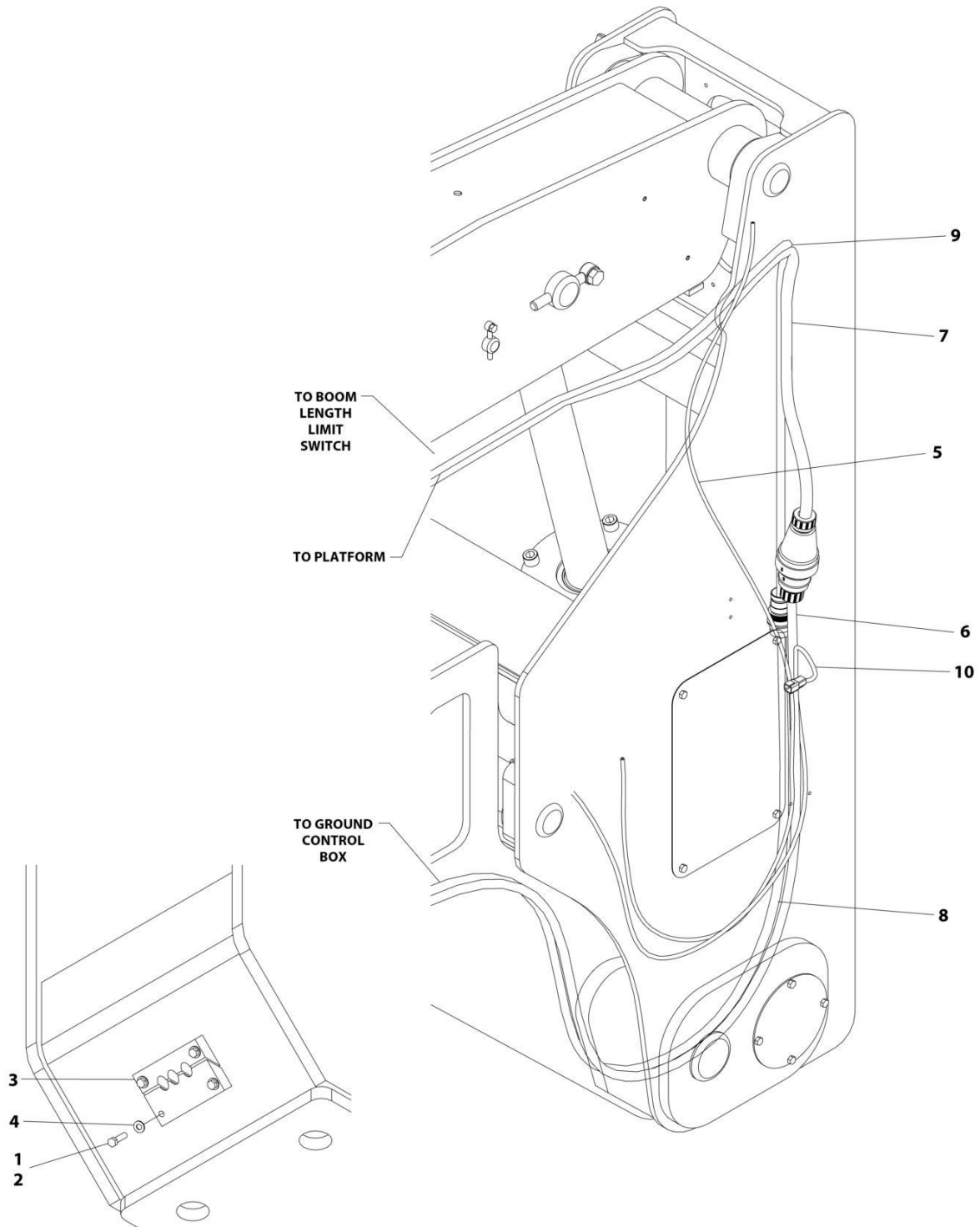
SECTION 8 - ELECTRICAL

FIGURE 8-27. BOOM CABLES INSTALLATION (CE & UK CA SPECS WITH 4000W GENERATOR)

ITEM	PART NUMBER	QTY	DESCRIPTION	REV
	1001227850	Ref	BOOM CABLES INSTALLATION	D
1	0100011	AR	Compound, Locking	
2	0641612	4	Bolt 3/8 x 1-1/2	
3	1320256	1	Clamp, Block	
4	4711600	4	Washer 3/8	
5	4922219	1	AC Cable - 10/3 (Main Boom)	
6	4922220	1	AC Cable - 10/3 (Tower Boom)	
7	4922578	2	Cable, Main Boom Elevation Limit Switch	
8	4922579	1	Boom Length Harness (Tower Boom)	
8	4460891	1	Plug, Male - 2 Position	
8	4460465	2	Socket, Female	
9	4922580	1	Boom Length Harness (Main Boom)	
9	4460897	1	Receptacle, Female	
9	4460464	2	Pin, Male	
10	1001222055	1	Boom Cable - Tower Boom (See Separate Breakdown in this Section)	
11	1001227356	1	Boom Cable - Main Boom (See Separate Breakdown in this Section)	
12	1001227359	1	Tilt Sensor Harness	
12	1001097051	1	Connector - 4 Position	
12	1001097082	3	Terminal	
13	4240099	AR	Tie-Strap (Not Shown)	

SECTION 8 - ELECTRICAL

FIGURE 8-28. BOOM CABLES INSTALLATION (ALL SPECS EXCEPT CE & UK CA SPECS WITH 7500W GENERATOR)



ART_1001227851

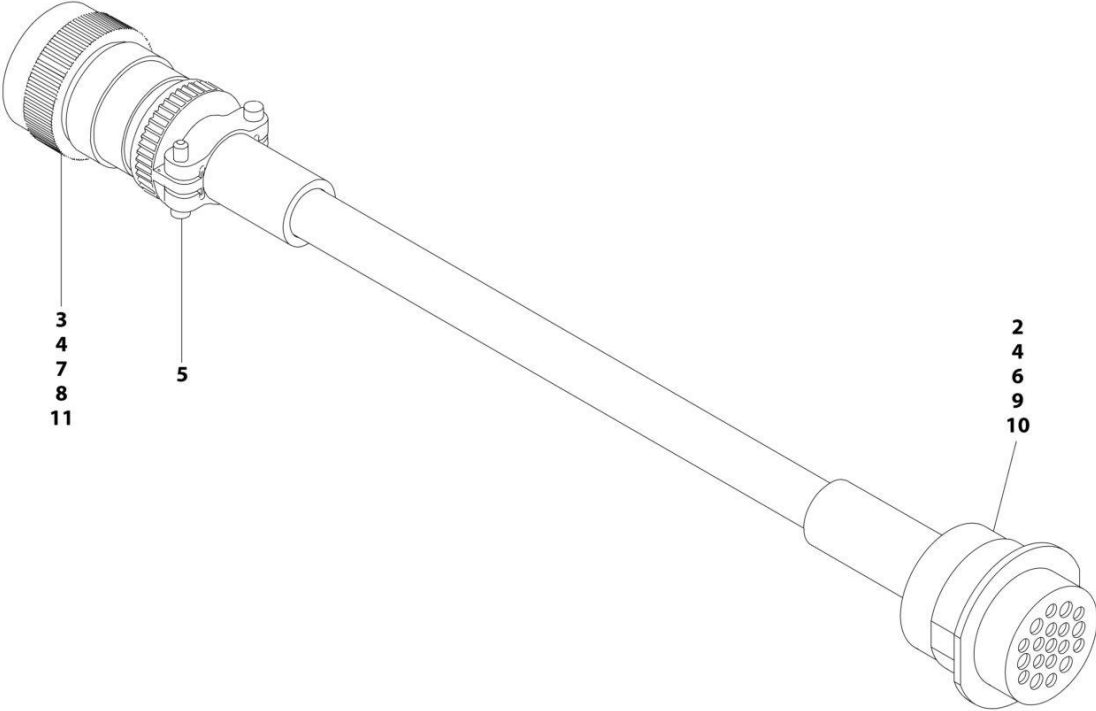
SECTION 8 - ELECTRICAL

FIGURE 8-28. BOOM CABLES INSTALLATION (ALL SPECS EXCEPT CE & UK CA SPECS WITH 7500W GENERATOR)

ITEM	PART NUMBER	QTY	DESCRIPTION	REV
	1001227851	Ref	BOOM CABLES INSTALLATION	D
1	0100011	AR	Compound, Locking	
2	0641612	4	Bolt 3/8 x 1-1/2	
3	1320256	1	Clamp, Block	
4	4711600	4	Washer 3/8	
5	4922578	2	Cable, Main Boom Elevation Limit Switch	
6	1001125125	1	AC Cable 8/5 (Tower Boom)	
7	1001125126	1	AC Cable 8/5 (Main Boom)	
8	1001222055	1	Boom Cable - Tower Boom (See Separate Breakdown in this Section)	
9	1001227356	1	Boom Cable - Main Boom (See Separate Breakdown in this Section)	
10	1001227359	1	Tilt Sensor Harness	
10	1001097051	1	Connector - 4 Position	
10	1001097082	3	Terminal	
13	4240099	AR	Tie-Strap (Not Shown)	

SECTION 8 - ELECTRICAL

FIGURE 8-29. BOOM CABLE - MAIN BOOM



AI

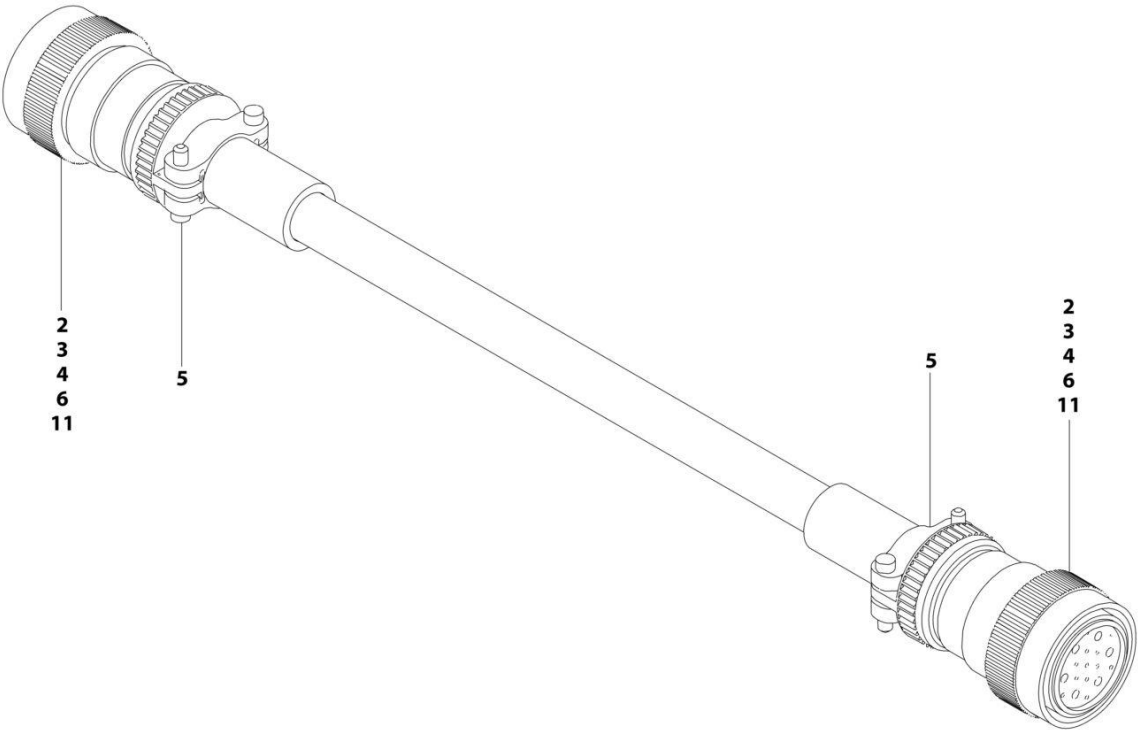
SECTION 8 - ELECTRICAL

FIGURE 8-29. BOOM CABLE - MAIN BOOM

ITEM	PART NUMBER	QTY	DESCRIPTION	REV
	1001227356	Ref	BOOM CABLE - MAIN BOOM	A
2	4460464	8	Pin, Male	
3	4460465	8	Socket, Female	
4	4460466	10	Plug, Terminal	
5	4460473	1	Clamp	
6	4460508	4	Pin, Male	
7	4460509	4	Socket, Female	
8	4460865	1	Connector - 19 Position	
9	4460866	1	Connector - 19 Position	
10	4460943	2	Pin, Male	
11	4460944	2	Socket, Female	

SECTION 8 - ELECTRICAL

FIGURE 8-30. BOOM CABLE - TOWER BOOM



ART_1001222055

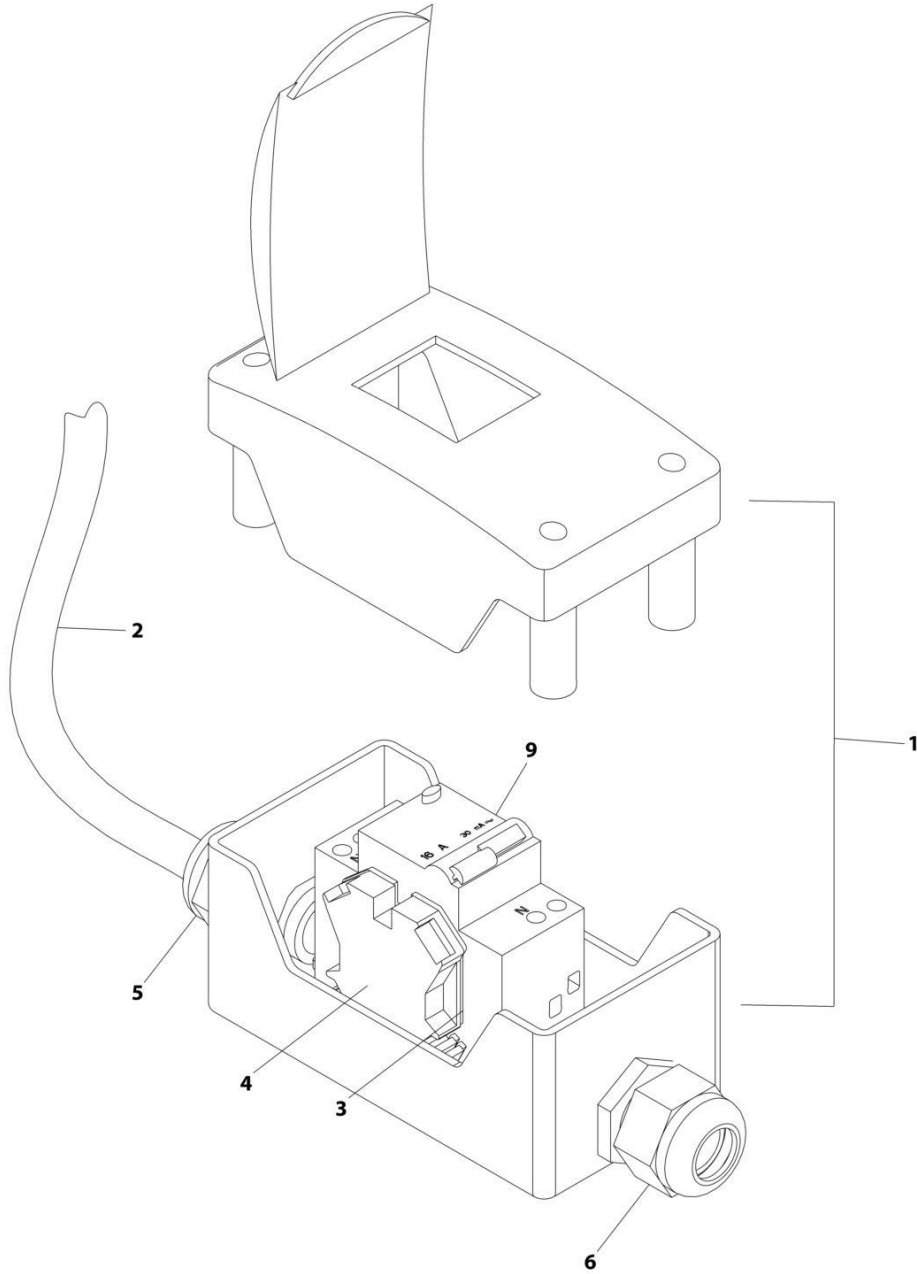
SECTION 8 - ELECTRICAL

FIGURE 8-30. BOOM CABLE - TOWER BOOM

ITEM	PART NUMBER	QTY	DESCRIPTION	REV
	1001222055	Ref	BOOM CABLE - TOWER BOOM	C
2	4460465	10	Socket, Female	
3	4460865	2	Connector - 19 Position	
4	4460509	8	Socket, Female	
5	4460473	2	Clamp	
6	4460466	10	Plug, Terminal	
11	4460944	10	Socket, Female	

SECTION 8 - ELECTRICAL

FIGURE 8-31. BREAKER BOX KIT - WITH 2 BREAKERS (CE & UK CA SPECS WITHOUT 4000W GENERATOR & BRAZIL SPECS)



ART_1001109654

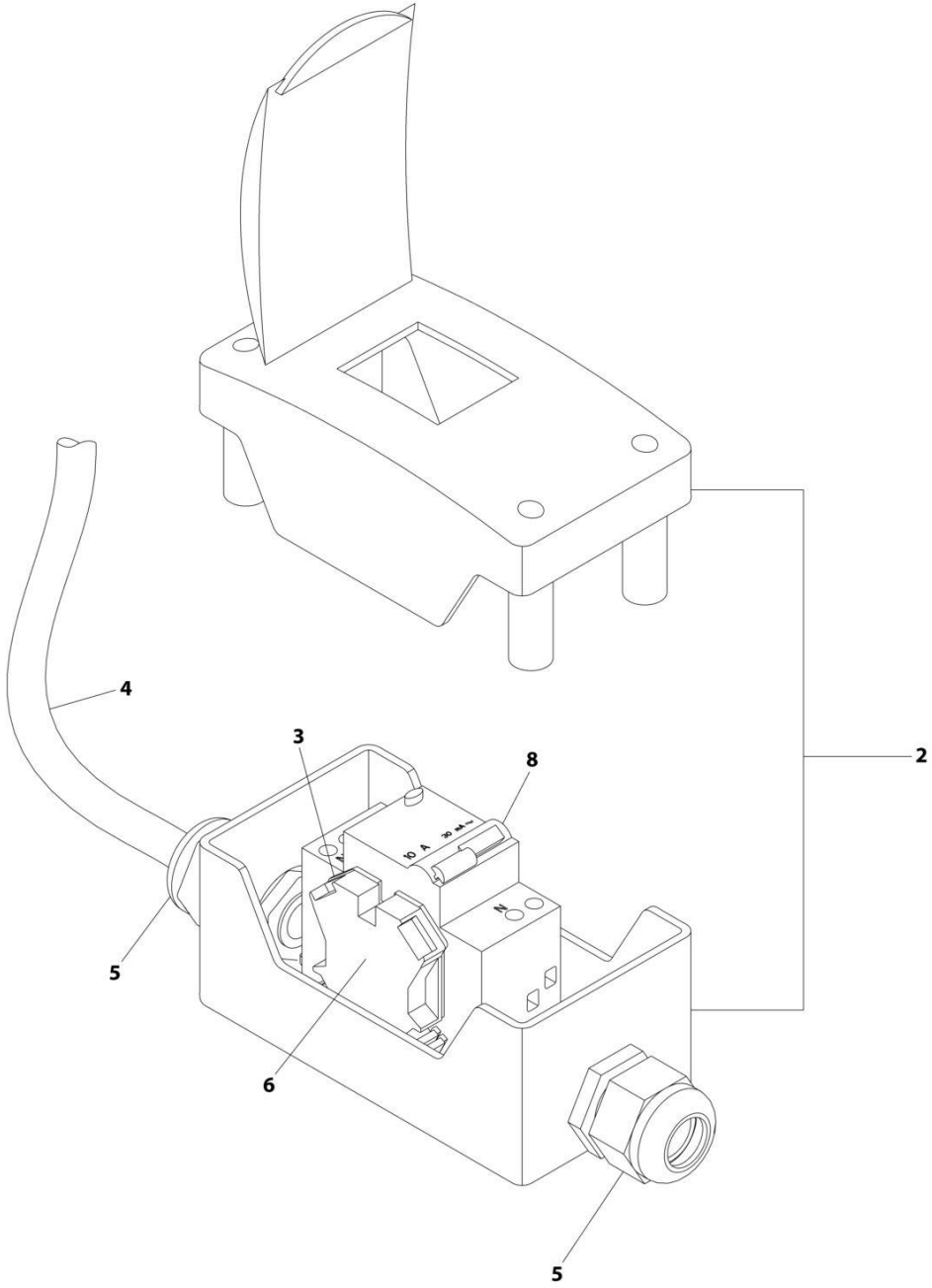
SECTION 8 - ELECTRICAL

FIGURE 8-31. BREAKER BOX KIT - WITH 2 BREAKERS (CE & UK CA SPECS WITHOUT 4000W GENERATOR & BRAZIL SPECS)

ITEM	PART NUMBER	QTY	DESCRIPTION	REV
	1001109654	Ref	BREAKER BOX KIT	B
1	0861880	1	Box, Breaker	
2	1060908	12 ft/ 3.6m	Cable 12/3	
3	4460956	1	Barrier, Terminal Block End	
4	4460957	1	Block, Terminal	
5	1001097150	1	Connector, Strain Relief	
6	1001101191	1	Connector, Strain Relief	
9	1001181045	1	Breaker - 30mA/16Amp	

SECTION 8 - ELECTRICAL

FIGURE 8-32. BREAKER BOX KIT - WITH 2 BREAKERS (CE & UK CA SPECS WITH 4000W GENERATOR)



ART_1001165368

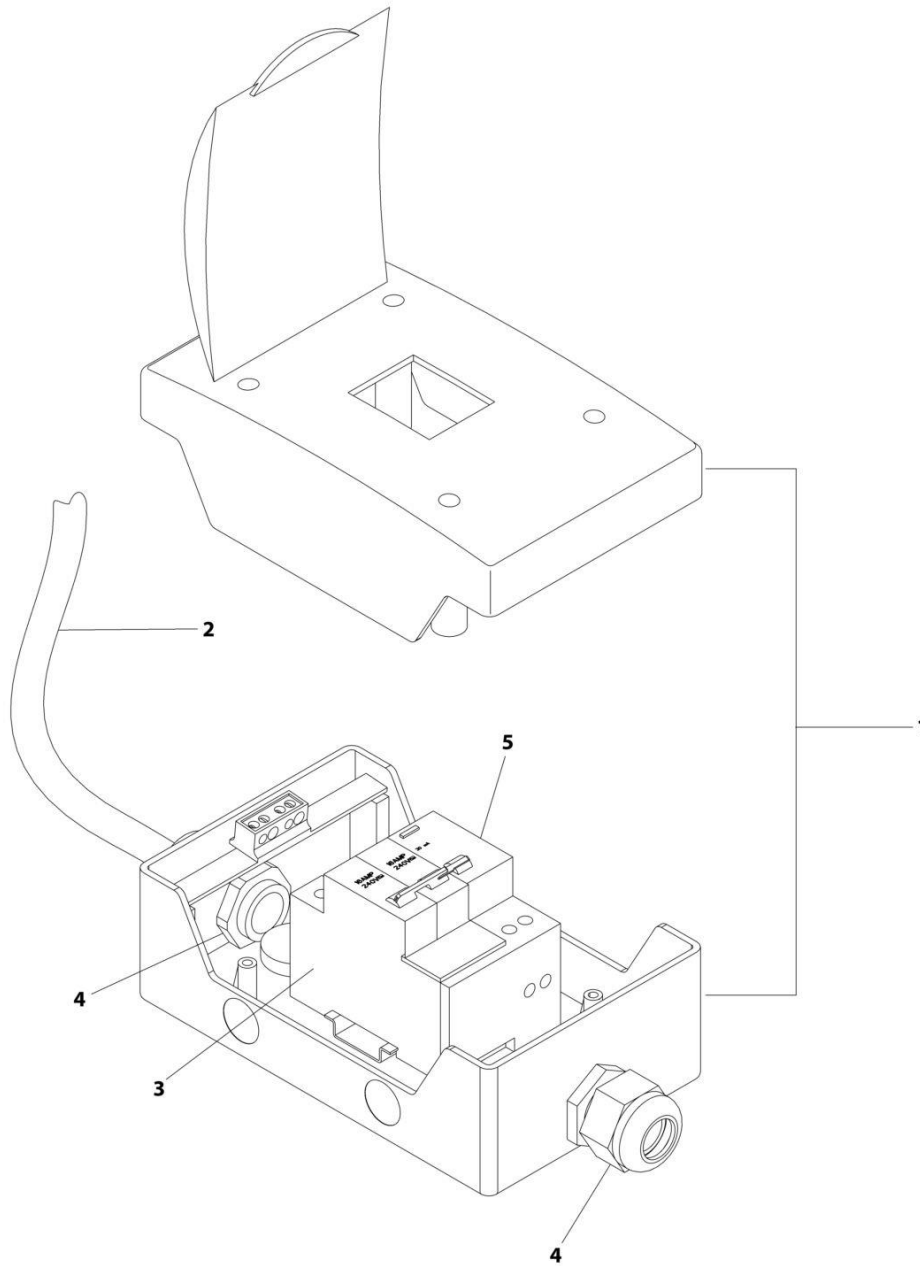
SECTION 8 - ELECTRICAL

FIGURE 8-32. BREAKER BOX KIT - WITH 2 BREAKERS (CE & UK CA SPECS WITH 4000W GENERATOR)

ITEM	PART NUMBER	QTY	DESCRIPTION	REV
	1001165368	Ref	BREAKER BOX KIT	B
2	0861880	1	Box, Circuit Breaker	
3	4460956	1	Barrier, Terminal Block End	
4	1060545	12 ft/ 3.6m	Cable, Electrical 10/3	
5	1001101191	2	Connector, Strain Relief	
6	4460957	1	Block, Terminal	
8	1001181045	1	Breaker 30mA/16Amp	

SECTION 8 - ELECTRICAL

FIGURE 8-33. BREAKER BOX KIT - WITH 3 BREAKERS (CE & UK CA SPECS WITH 4000W GENERATOR)



ART_1001205690

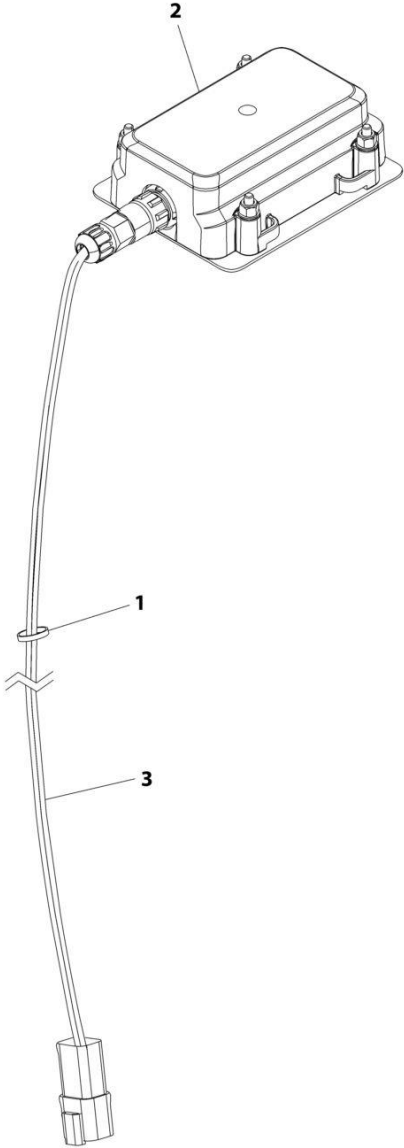
SECTION 8 - ELECTRICAL

FIGURE 8-33. BREAKER BOX KIT - WITH 3 BREAKERS (CE & UK CA SPECS WITH 4000W GENERATOR)

ITEM	PART NUMBER	QTY	DESCRIPTION	REV
	1001205690	Ref	BREAKER BOX KIT	B
1	1001152483	1	Box, Breaker	
2	1060545	12 ft / 3.6m	Cable, Electrical 10/3	
3	1001189172	1	Breaker 16Amp Double	
4	1001101191	2	Connector, Strain Relief	
5	1001189171	1	Breaker 30mA	

SECTION 8 - ELECTRICAL

FIGURE 8-34. CLEARSKY INSTALLATION - 3 WIRE GT1030



ART_1001276610

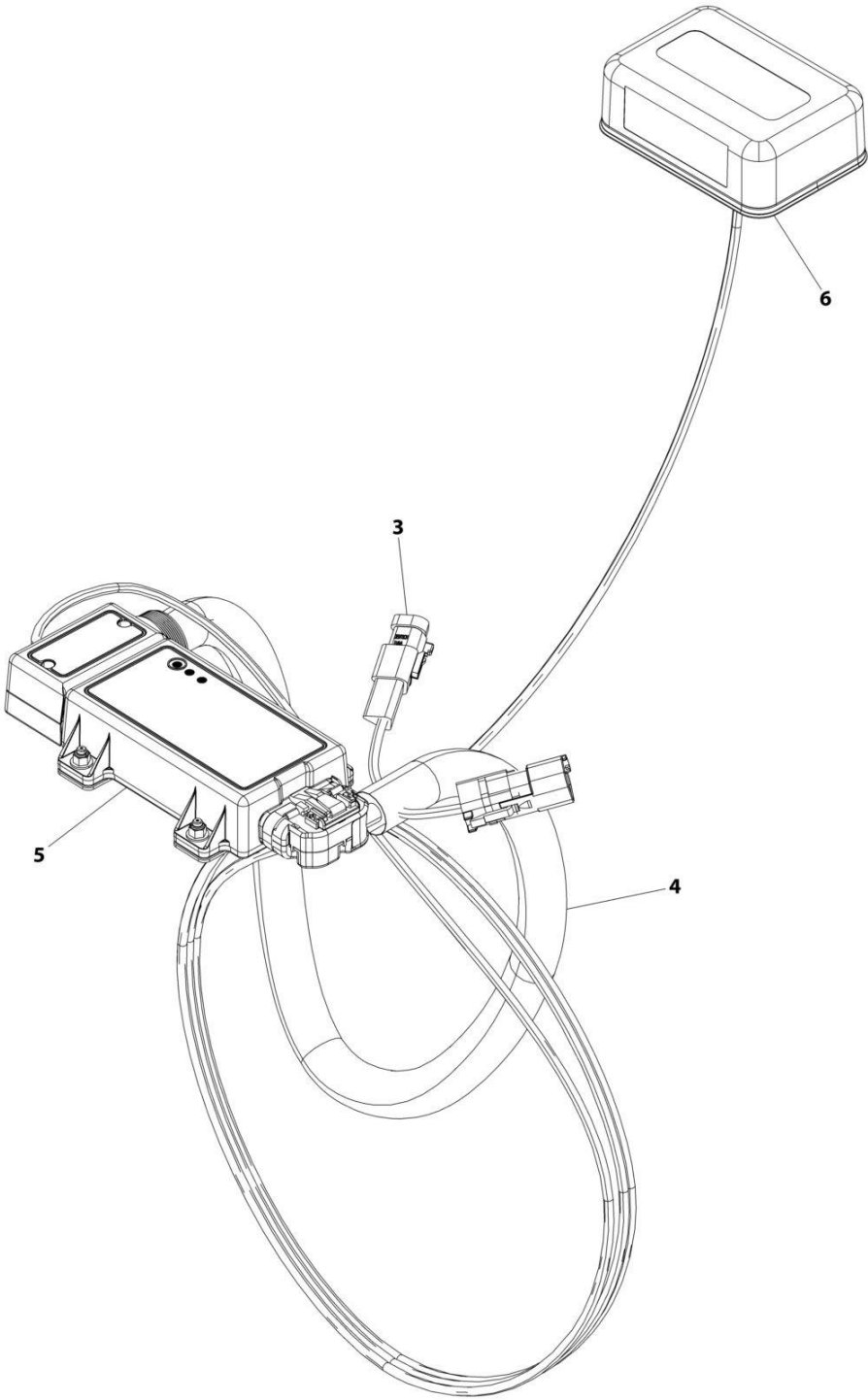
SECTION 8 - ELECTRICAL

FIGURE 8-34. CLEARSKY INSTALLATION - 3 WIRE GT1030

ITEM	PART NUMBER	QTY	DESCRIPTION	REV
	1001276610	Ref	CLEARSKY INSTALLATION 3-WIRE CONNECTION	A
1	4240032	AR	Tie-Strap	
2	1001272659	1	Telematics Control Module Assembly (Note: Re-calibration Required when Replaced)	
3	1001273012	1	ClearSky Harness (See Separate Breakdown in this Section)	

SECTION 8 - ELECTRICAL

FIGURE 8-35. CLEARSKY INSTALLATION - CANBUS (ANSI SPECS)



ART_1001227448

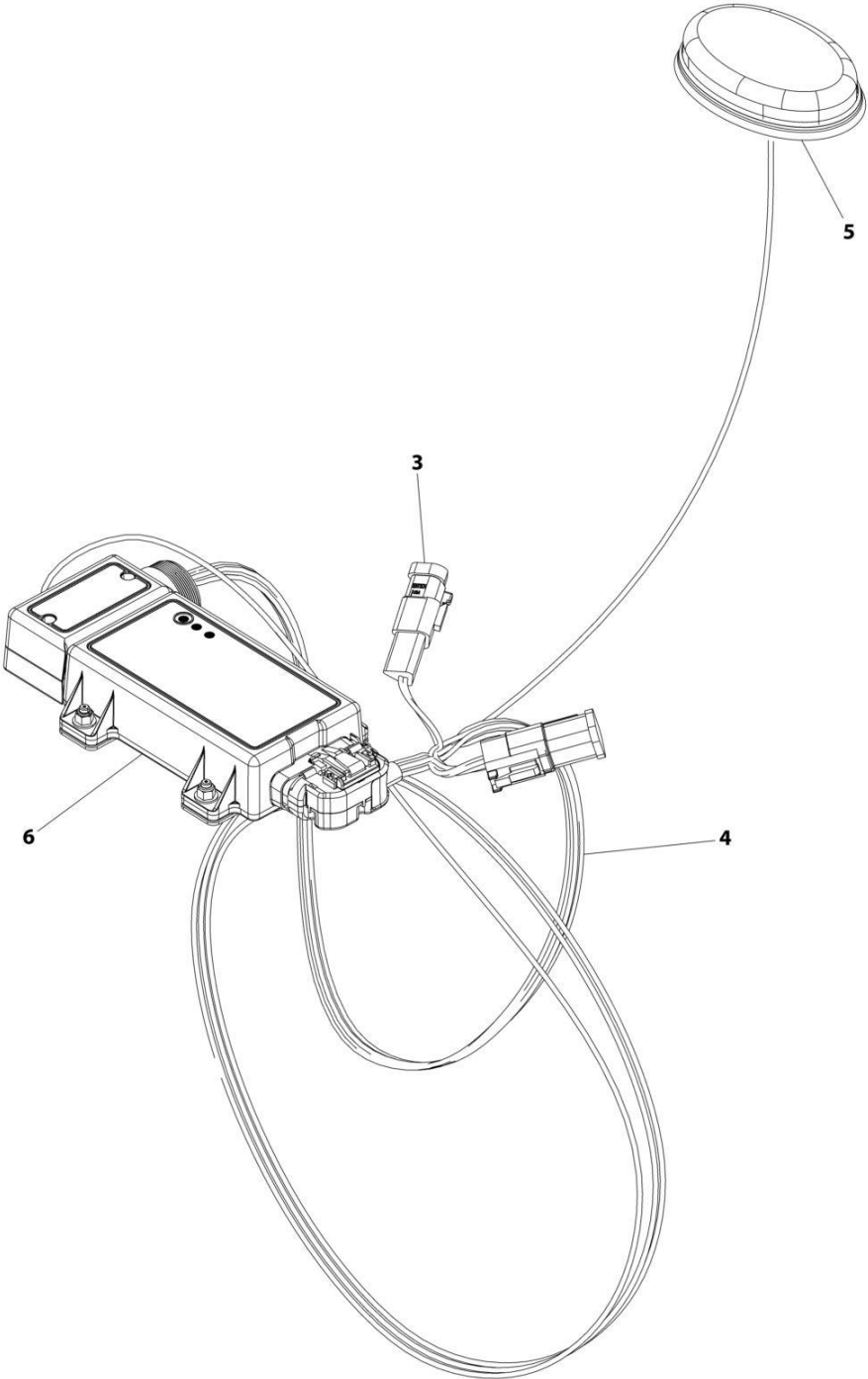
SECTION 8 - ELECTRICAL

FIGURE 8-35. CLEARSKY INSTALLATION - CANBUS (ANSI SPECS)

ITEM	PART NUMBER	QTY	DESCRIPTION	REV
	1001227448	REF	CLEARSKY INSTALLATION - CANBUS	B
1	4240032	AR	Tie-Strap (Not Shown)	
2	4460234	AR	Mount, Cable -Tie (Not Shown)	
3	1001116815	1	Plug, Connector	
4	1001226739	1	ClearSky Telematics Harness (See Separate Breakdown in this Section)	
5	1001262322	1	Module, ClearSky	
6	1001262326	1	Antenna	

SECTION 8 - ELECTRICAL

FIGURE 8-36. CLEARSKY INSTALLATION - CANBUS (AUSTRALIAN SPECS)



ART_1001246473

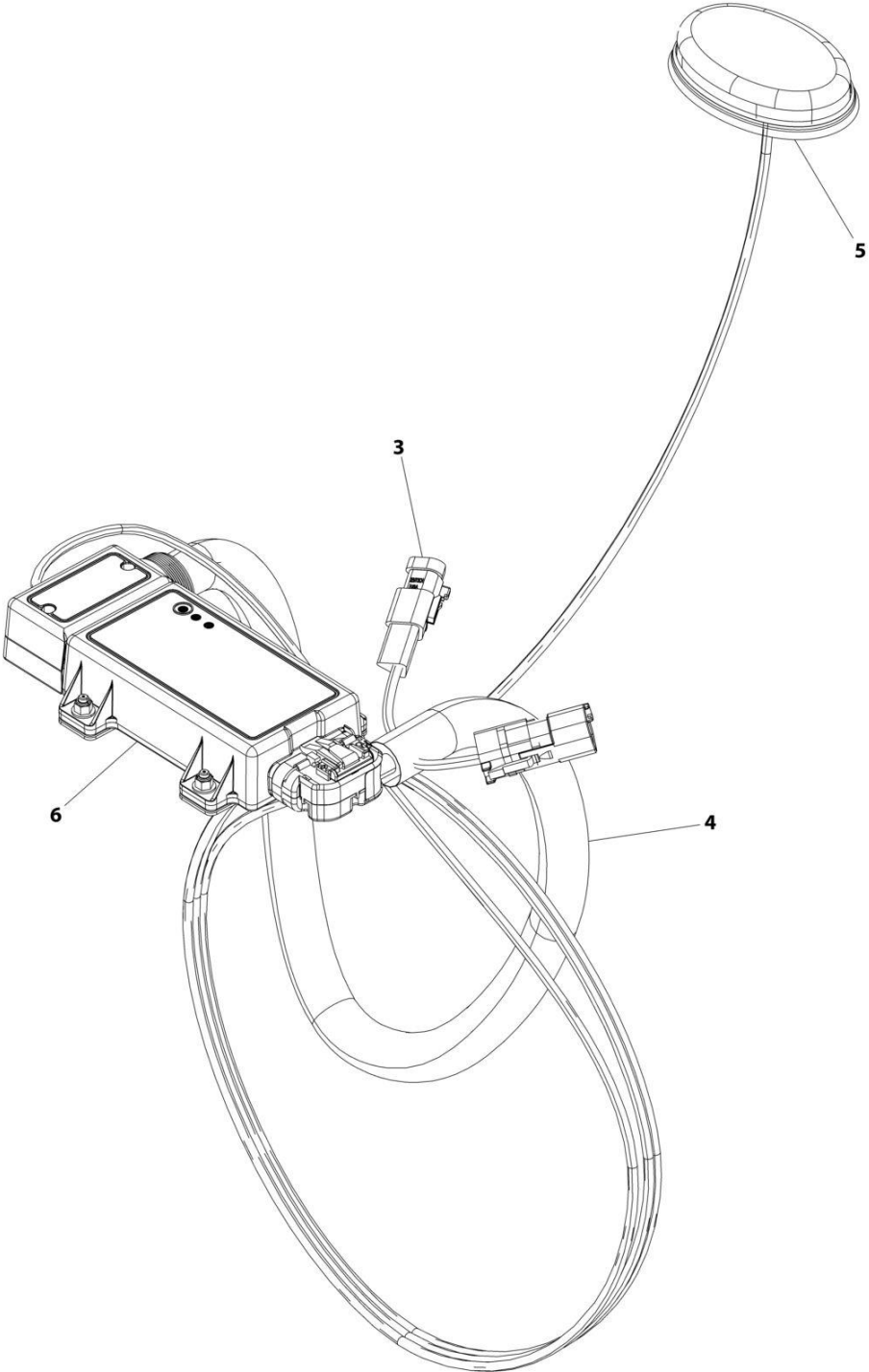
SECTION 8 - ELECTRICAL

FIGURE 8-36. CLEARSKY INSTALLATION - CANBUS (AUSTRALIAN SPECS)

ITEM	PART NUMBER	QTY	DESCRIPTION	REV
	1001246473	REF	CLEARSKY INSTALLATION - CANBUS	A
1	4240032	AR	Tie-Strap (Not Shown)	
2	4460234	AR	Mount, Cable -Tie (Not Shown)	
3	1001116815	1	Plug, Connector	
4	1001226739	1	ClearSky Telematics Harness (See Separate Breakdown in this Section)	
5	1001226799	1	Antenna	
6	1001246144	1	Module, ClearSky	

SECTION 8 - ELECTRICAL

FIGURE 8-37. CLEARSKY INSTALLATION - CANBUS (CE SPECS)



ART_1001228949

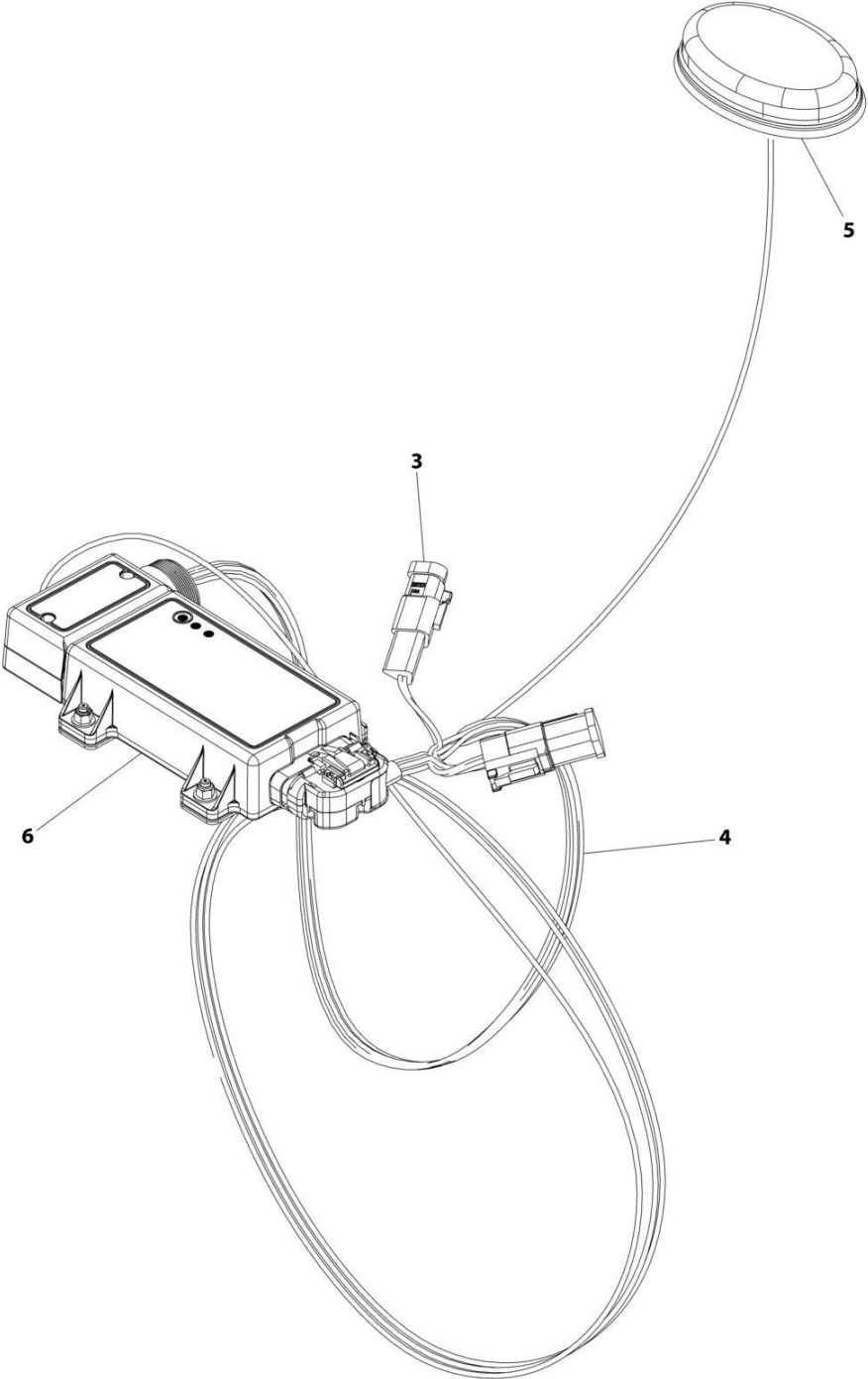
SECTION 8 - ELECTRICAL

FIGURE 8-37. CLEARSKY INSTALLATION - CANBUS (CE SPECS)

ITEM	PART NUMBER	QTY	DESCRIPTION	REV
	1001228949	REF	CLEARSKY INSTALLATION - CANBUS	A
1	4240032	AR	Tie-Strap (Not Shown)	
2	4460234	AR	Mount, Cable -Tie (Not Shown)	
3	1001116815	1	Plug, Connector	
4	1001226739	1	ClearSky Telematics Harness (See Separate Breakdown in this Section)	
5	1001226799	1	Antenna	
6	1001228954	1	Module, ClearSky	

SECTION 8 - ELECTRICAL

FIGURE 8-38. CLEARSKY INSTALLATION - CANBUS (CHINA SPECS)



ART_1001246474

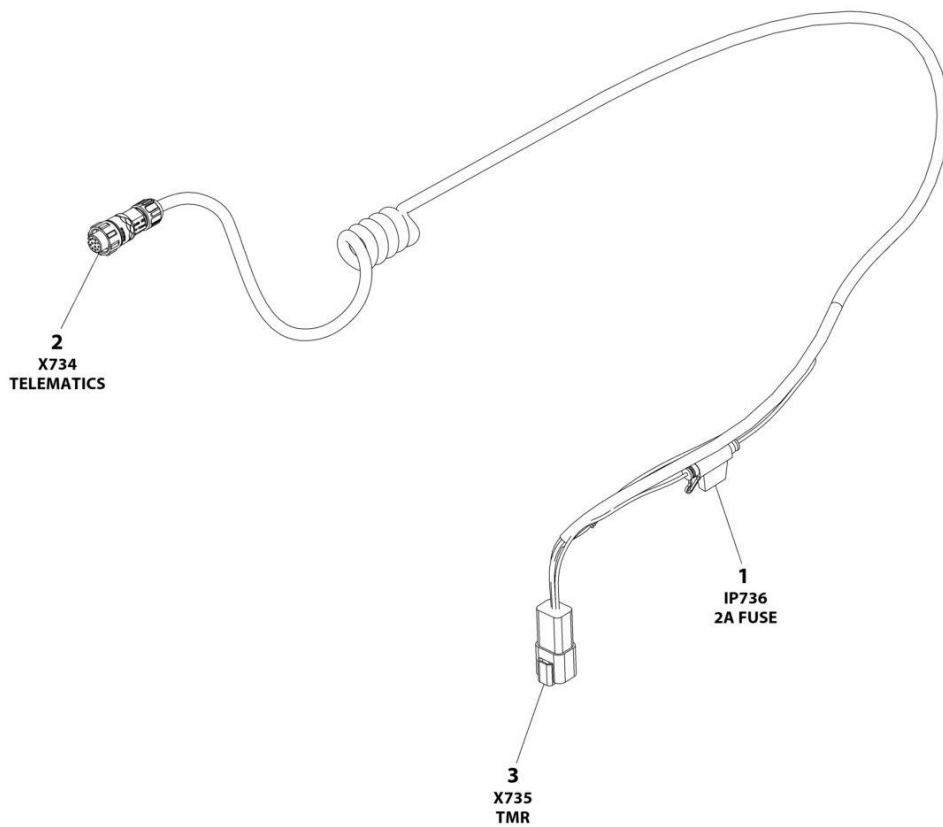
SECTION 8 - ELECTRICAL

FIGURE 8-38. CLEARSKY INSTALLATION - CANBUS (CHINA SPECS)

ITEM	PART NUMBER	QTY	DESCRIPTION	REV
	1001246474	Ref	CLEARSKY INSTALLATION - CANBUS	A
1	4240032	AR	Tie-Strap (Not Shown)	
2	4460234	AR	Mount, Cable -Tie (Not Shown)	
3	1001116815	1	Plug, Connector	
4	1001226739	1	ClearSky Telematics Harness (See Separate Breakdown in this Section)	
5	1001226799	1	Antenna	
6	1001246145	1	Module, ClearSky	

SECTION 8 - ELECTRICAL

FIGURE 8-39. CLEARSKY TELEMATCIS HARNESS (3-WIRE)



ART_1001273012

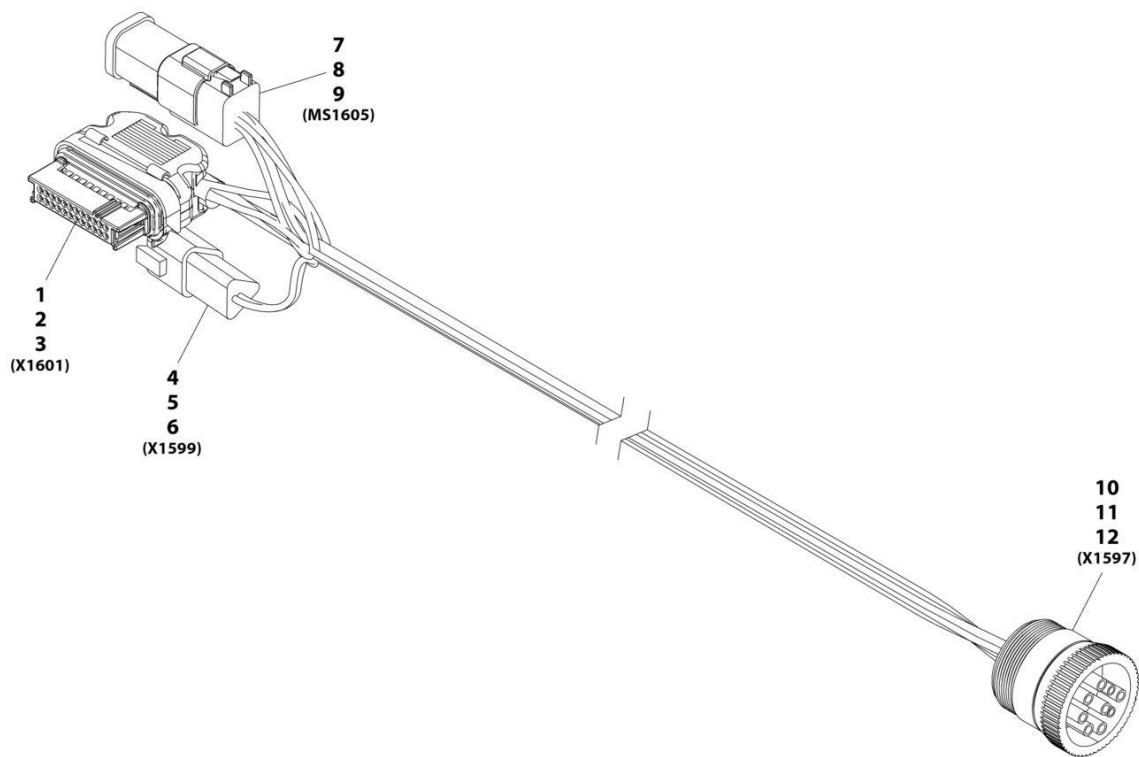
SECTION 8 - ELECTRICAL

FIGURE 8-39. CLEARSKY TELEMATCIS HARNESS (3-WIRE)

ITEM	PART NUMBER	QTY	DESCRIPTION	REV
	1001273012	Ref	CLEARSKY TELEMATICS HARNESS - GT1030	D
1	1001255901	1	Fuseholder	
1	1001196634	1	Fuse - 2Amp	
2	1001272997	1	Connector - 12 Position	
2		Ref	Terminal	
3	4460932	1	Receptacle, Female - 4 Position	
3	4460464	4	Pin, Male	

SECTION 8 - ELECTRICAL

FIGURE 8-40. CLEARSKY TELEMATICS HARNESS (CANBUS)



ART_1001226739-A

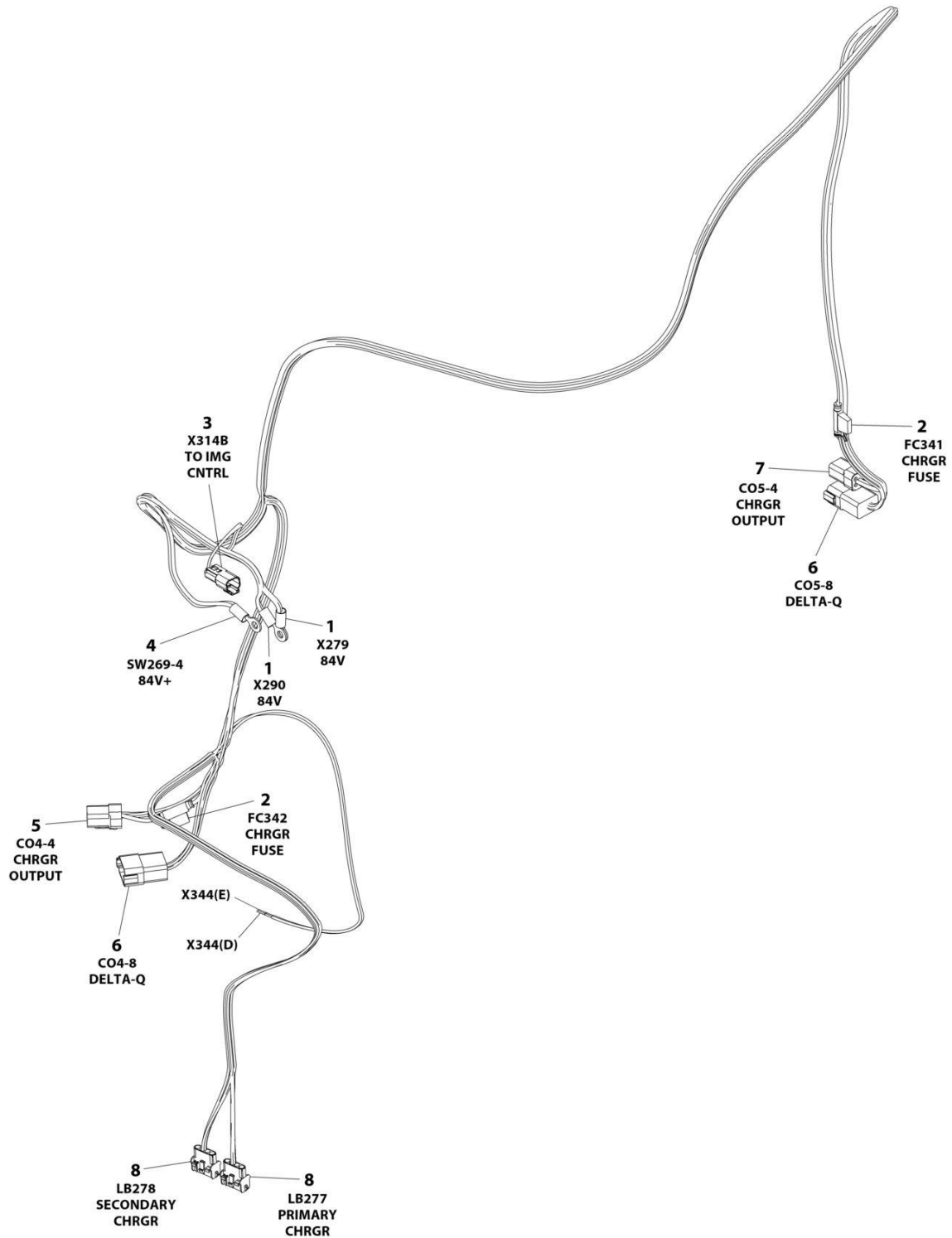
SECTION 8 - ELECTRICAL

FIGURE 8-40. CLEARSKY TELEMATCIS HARNESS (CANBUS)

ITEM	PART NUMBER	QTY	DESCRIPTION	REV
	1001226739	Ref	Clearsky Harness	A
1	1001226636	1	Connector	
2	1001116731	16	Plug, Terminal	
3	1001226637	8	Terminal	
4	1001144147	1	Connector	
5	4460464	2	Terminal	
6	4460466	1	Plug, Terminal	
7	4460894	1	Connector	
8	4460465	6	Terminal	
9	1001226541	1	Connector- 6 Pin Bussbar	
10	1001112796	1	Connector	
11	4460465	8	Terminal	
12	4460466	1	Plug, Terminal	

SECTION 8 - ELECTRICAL

FIGURE 8-41. CHARGER HARNESS



ART_1001222052

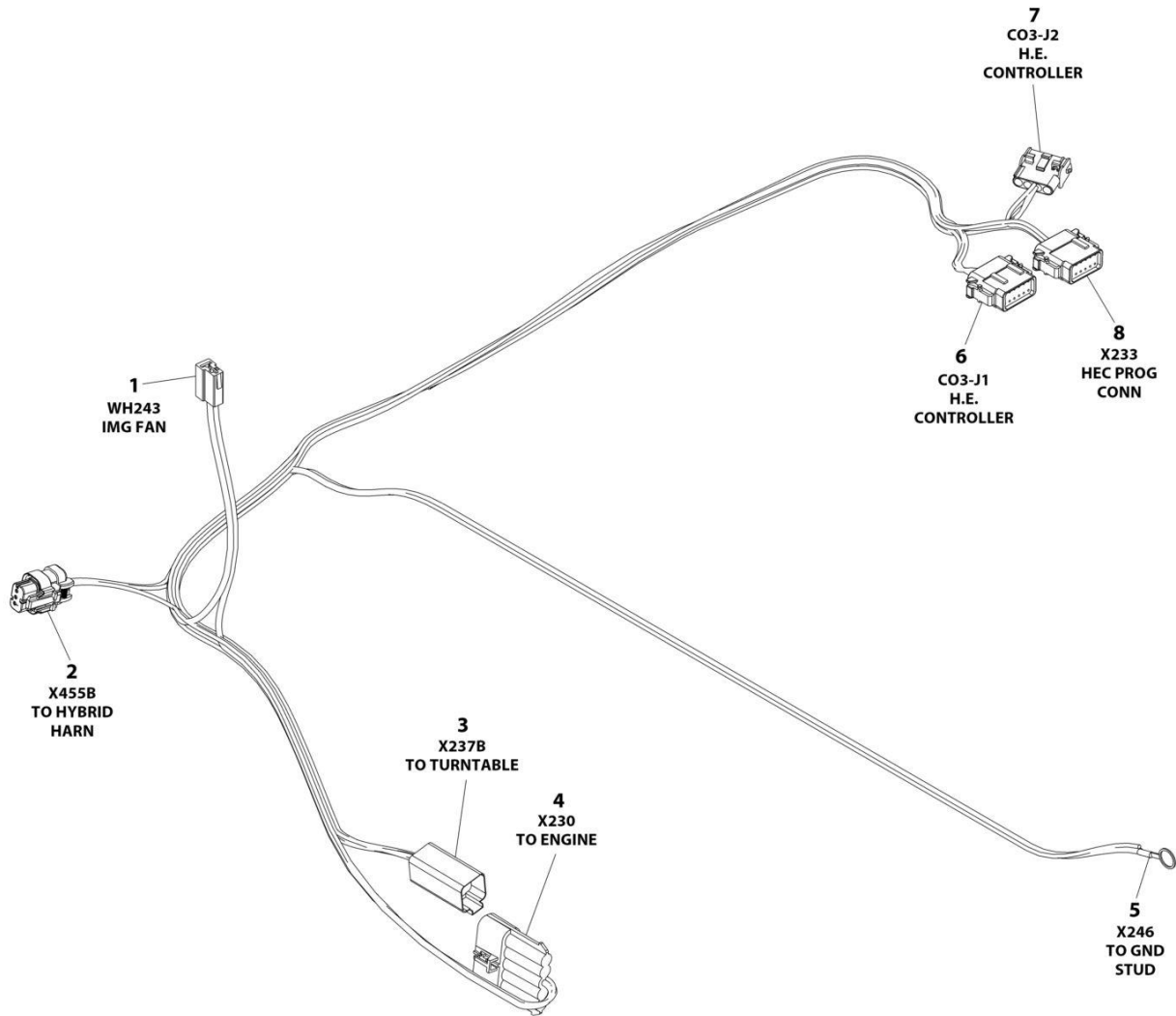
SECTION 8 - ELECTRICAL

FIGURE 8-41. CHARGER HARNESS

ITEM	PART NUMBER	QTY	DESCRIPTION	REV
	1001222052	Ref	CHARGER HARNESS	D
1	8220045	2	Terminal, Ring	
2	2400081	2	Fuseholder with Cover	
2	See Note	2	Fuse - 15 Amp (Note: Purchase Locally)	
3	4460897	1	Receptacle, Female - 2 Position	
3	4460464	2	Pin, Male	
4	1001130900	1	Terminal, Ring	
5	1001225476	1	Connector - 4 Position	
5	1001225591	4	Terminal	
6	4460931	2	Receptacle, Female - 8 Position	
6	4460464	17	Pin, Male	
6	4460466	2	Plug, Terminal	
7	1001225477	1	Connector - 4 Position	
7	1001225591	2	Terminal	
8	4460761	2	Receptacle, Female - 4 Position	
8	4460226	8	Socket, Female	

SECTION 8 - ELECTRICAL

FIGURE 8-42. CONTROL HARNESS



ART_1001228985

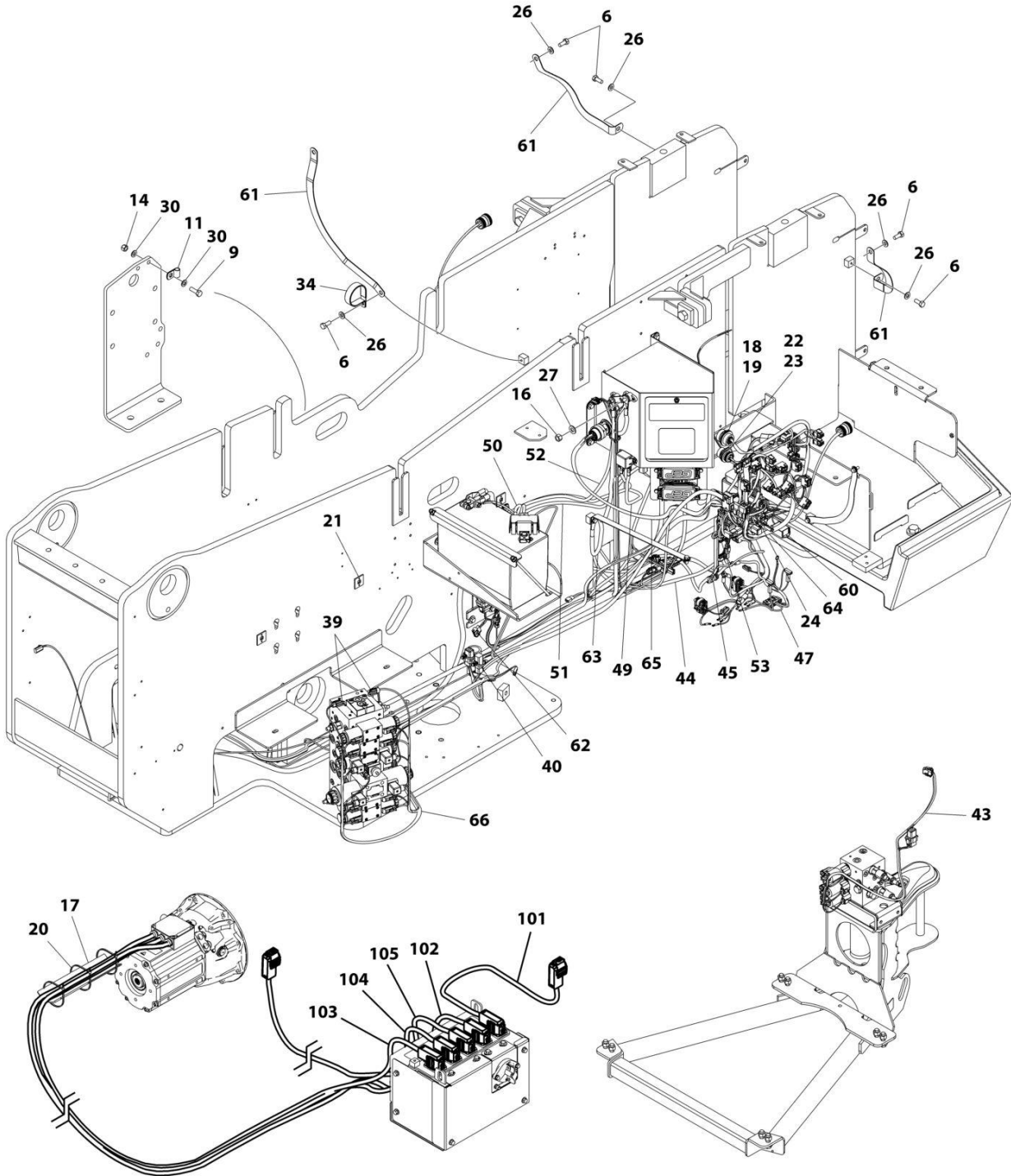
SECTION 8 - ELECTRICAL

FIGURE 8-42. CONTROL HARNESS

ITEM	PART NUMBER	QTY	DESCRIPTION	REV
	1001228985	Ref	CONTROL HARNESS	D
1	4460994	1	Housing, Terminal	
1	1001116723	2	Terminal	
2	1001200497	1	Plug, Male - 3 Position	
2	4460465	3	Socket, Female	
3	4460899	1	Receptacle, Female - 6 Position	
3	4460943	2	Pin, Male	
3	4460464	3	Pin, Male	
3	4460466	1	Plug, Terminal	
4	1001121727	1	Plug, Male - 5 Position	
4	1001116745	2	Socket, Female	
4	8220162	1	Socket, Female	
4	4460508	2	Seal	
4	80963067	1	Seal	
4	1001116727	2	Plug, Terminal	
5	8220019	1	Terminal, Ring	
6	1001116808	1	Plug, Male - 12 Position	
6	1001116694	5	Socket, Female	
6	4460518	7	Plug, Terminal	
7	1001116774	1	Plug, Male - 12 Position	
7	1001119619	2	Socket, Female	
7	1001116694	2	Socket, Female	
7	4460518	8	Plug, Terminal	
8	4460761	1	Receptacle, Female - 4 Position	
8	4460226	4	Socket, Female	

SECTION 8 - ELECTRICAL

FIGURE 8-43. ELECTRICAL SYSTEM INSTALLATION (Prior to SN 0300297362)



ART_1001249003_2OF2

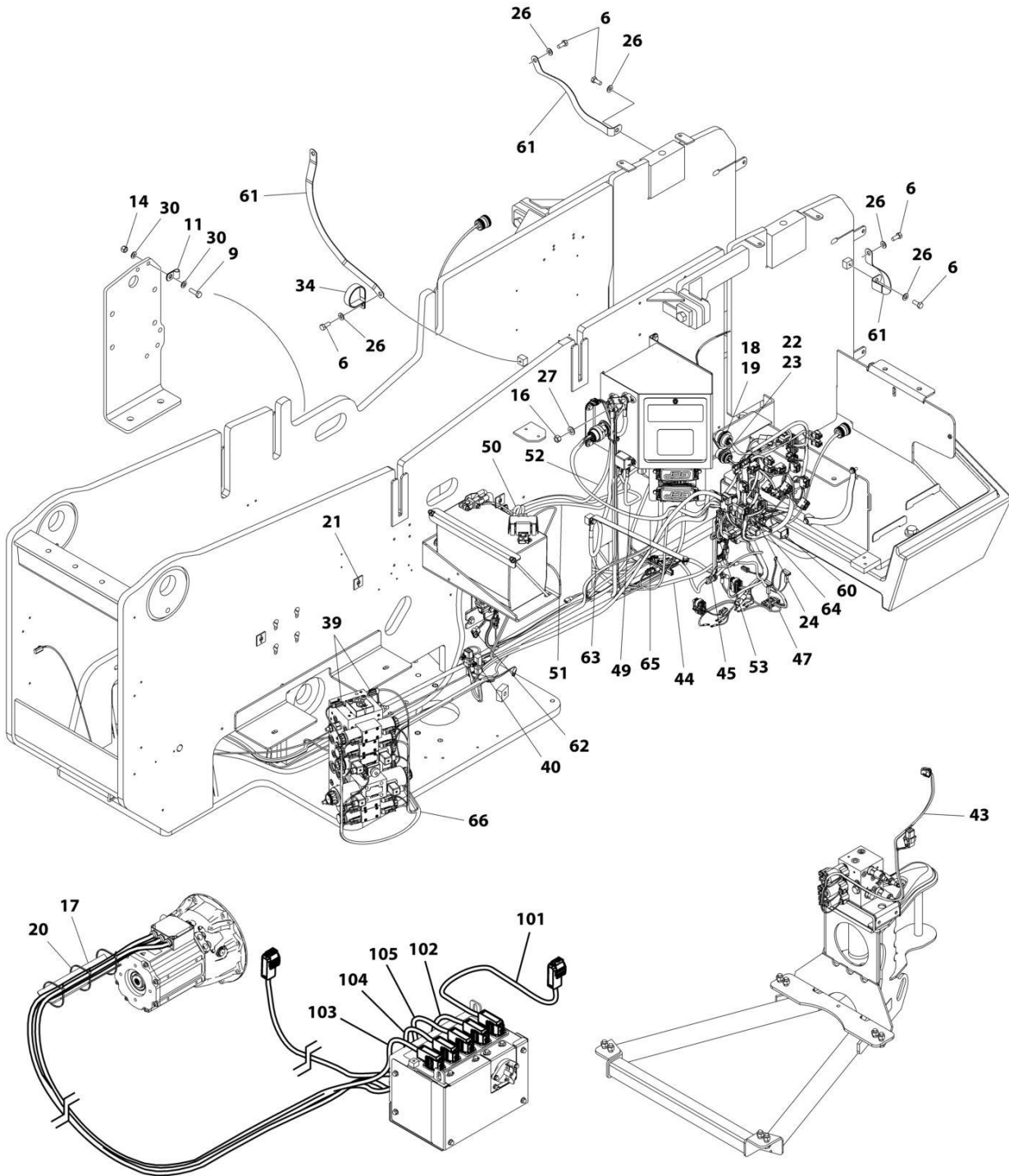
SECTION 8 - ELECTRICAL

FIGURE 8-43. ELECTRICAL SYSTEM INSTALLATION (Prior to SN 0300297362)

ITEM	PART NUMBER	QTY	DESCRIPTION	REV
	1001249003	Ref	ELECTRICAL SYSTEM INSTALLATION	B
2	0100048	AR	Grease, Dielectric (Not Shown)	
6	0641506	10	Bolt 5/16 x 3/4	
9	0760812	1	Bolt M8 x 25	
11	1320263	1	Clamp	
14	3290805	1	Nut M8	
16	3311601	1	Nut 3/8	
18	4460470	1	Nut	
19	4460471	1	Washer	
20	4240099	4	Tie-Strap	
21	4460488	3	Terminal, Mount	
22	4460496	1	Washer	
23	4460497	1	Nut	
24	4460708	2	Connector - 15 Position	
26	4711500	10	Washer 5/16	
27	4711600	1	Washer	
30	4811900	2	Washer M8	
34	8410001	1	Clamp	
39	1001144295	2	Cap	
40	1001146588	2	Tie-Strap (Not Shown)	
43	1001222047	1	Boom Valve Harness (See Separate Breakdown in this Section)	
44	1001222052	1	Charger Harness (See Separate Breakdown in this Section)	
45	1001222369	1	Resolver/Converter/Inverter Harness (See Separate Breakdown in this Section)	
47	1001225994	1	Hybrid 84V Harness (See Separate Breakdown in this Section)	
49	1001226267	1	Cable, Ignition Relay to Fusebox	
50	1001226268	1	Cable, Battery to Ignition Relay	
51	1001226269	1	Cable, B+ to Fuse	
52	1001226270	1	Cable, Negative to Stud	
53	1001226522	1	Cable, Resolver/Converter to Ignition Control	
60	1001227080	1	Electrical Assembly, Terminator (Connect to Item 72)	
61	1001227925	5	Cable, Ground Strap	
62	1001228985	1	Controller Harness (See Separate Breakdown in this Section)	
63	1001233420	1	Cable, Chassis Ground	
64	1001245027	1	Ground Control Harness (See Separate Breakdown in this Section)	
65	1001245028	1	Turntable Harness (See Separate Breakdown in this Section)	
66	1001245029	1	Main Valve Harness (See Separate Breakdown in this Section)	
100	1001233441	1	Cable, Battery to Ignition Kit (Not Shown)	
101	1001222370	1	Cable, System B+	
102	1001222371	1	Cable, System B- Ignition	
103	1001222372	1	Cable, 3 Phase Motor (U)	
104	1001223949	1	Cable, 3 Phase Motor (V)	
105	1001223950	1	Cable, 3 Phase Motor (W)	

SECTION 8 - ELECTRICAL

FIGURE 8-44. ELECTRICAL SYSTEM INSTALLATION (SN 0300297362 to Present)



ART_1001249003_C_20F2

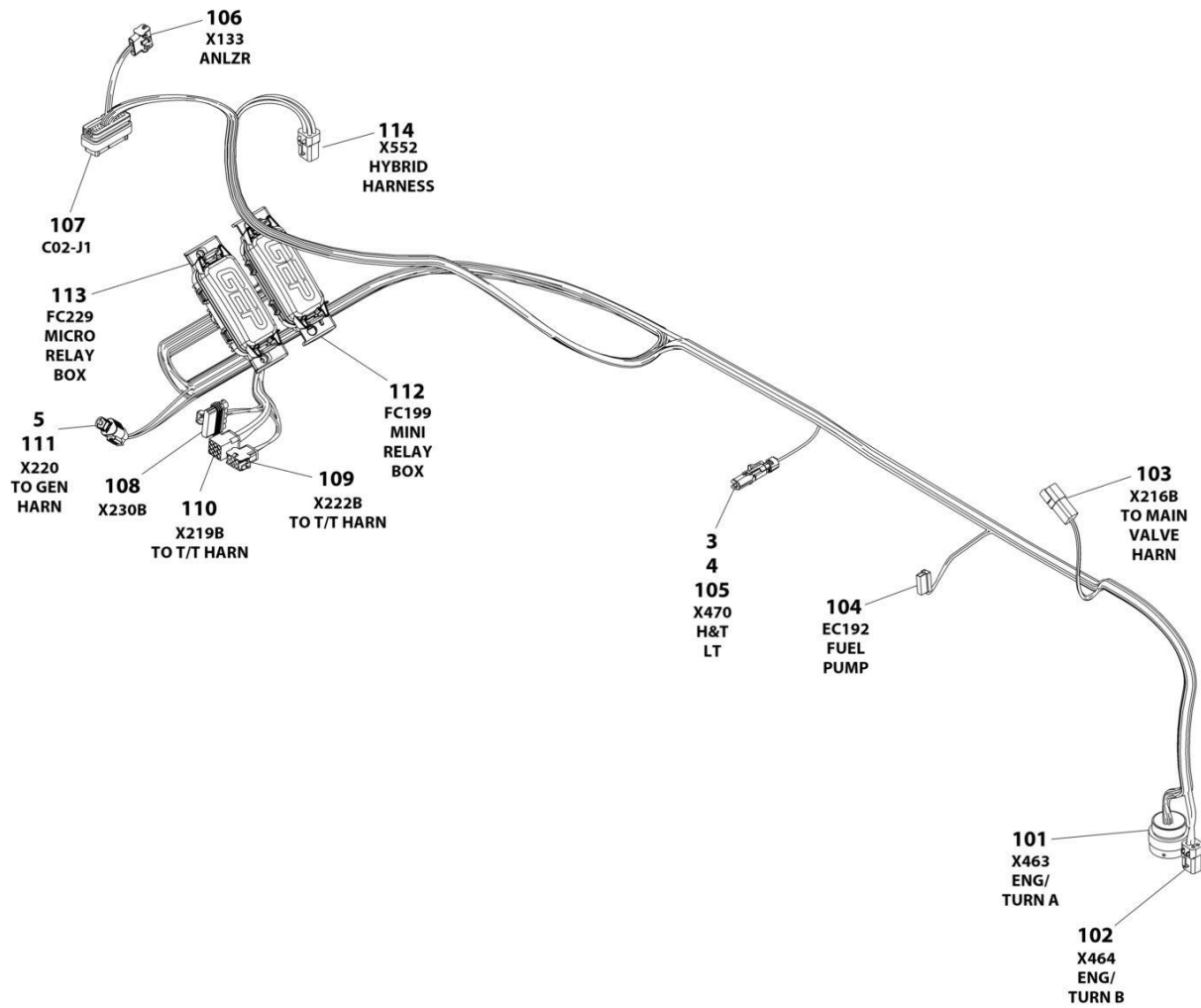
SECTION 8 - ELECTRICAL

FIGURE 8-44. ELECTRICAL SYSTEM INSTALLATION (SN 0300297362 to Present)

ITEM	PART NUMBER	QTY	DESCRIPTION	REV
	1001249003	Ref	ELECTRICAL SYSTEM INSTALLATION	C
2	0100048	AR	Grease, Dielectric (Not Shown)	
6	0641506	10	Bolt 5/16 x 3/4	
9	0760812	1	Bolt M8 x 25	
11	1320263	1	Clamp	
14	3290805	1	Nut M8	
16	3311601	1	Nut 3/8	
18	4460470	1	Nut	
19	4460471	1	Washer	
20	4240099	4	Tie-Strap	
21	4460488	3	Terminal, Mount	
22	4460496	1	Washer	
23	4460497	1	Nut	
24	4460708	2	Connector - 15 Position	
26	4711500	10	Washer 5/16	
27	4711600	1	Washer	
30	4811900	2	Washer M8	
34	8410001	1	Clamp	
39	1001144295	2	Cap	
40	1001146588	2	Tie-Strap (Not Shown)	
43	1001222047	1	Boom Valve Harness (See Separate Breakdown in this Section)	
44	1001222052	1	Charger Harness (See Separate Breakdown in this Section)	
45	1001222369	1	Resolver/Converter/Inverter Harness (See Separate Breakdown in this Section)	
47	1001225994	1	Hybrid 84V Harness (See Separate Breakdown in this Section)	
49	1001226267	1	Cable, Ignition Relay to Fusebox	
50	1001226268	1	Cable, Battery to Ignition Relay	
51	1001226269	1	Cable, B+ to Fuse	
52	1001226270	1	Cable, Negative to Stud	
53	1001226522	1	Cable, Resolver/Converter to Ignition Control	
60	1001227080	1	Electrical Assembly, Terminator (Connect to Item 72)	
61	1001227925	5	Cable, Ground Strap	
62	1001228985	1	Controller Harness (See Separate Breakdown in this Section)	
63	1001233420	1	Cable, Chassis Ground	
64	1001245027	1	Ground Control Harness (See Separate Breakdown in this Section)	
65	1001245028	1	Turntable Harness (See Separate Breakdown in this Section)	
66	1001282826	1	Main Valve Harness (See Separate Breakdown in this Section)	
100	1001233441	1	Cable, Battery to Ignition Kit (Not Shown)	
101	1001222370	1	Cable, System B+	
102	1001222371	1	Cable, System B- Ignition	
103	1001222372	1	Cable, 3 Phase Motor (U)	
104	1001223949	1	Cable, 3 Phase Motor (V)	
105	1001223950	1	Cable, 3 Phase Motor (W)	

SECTION 8 - ELECTRICAL

FIGURE 8-45. ENGINE HARNESS - KUBOTA



ART_1001245030

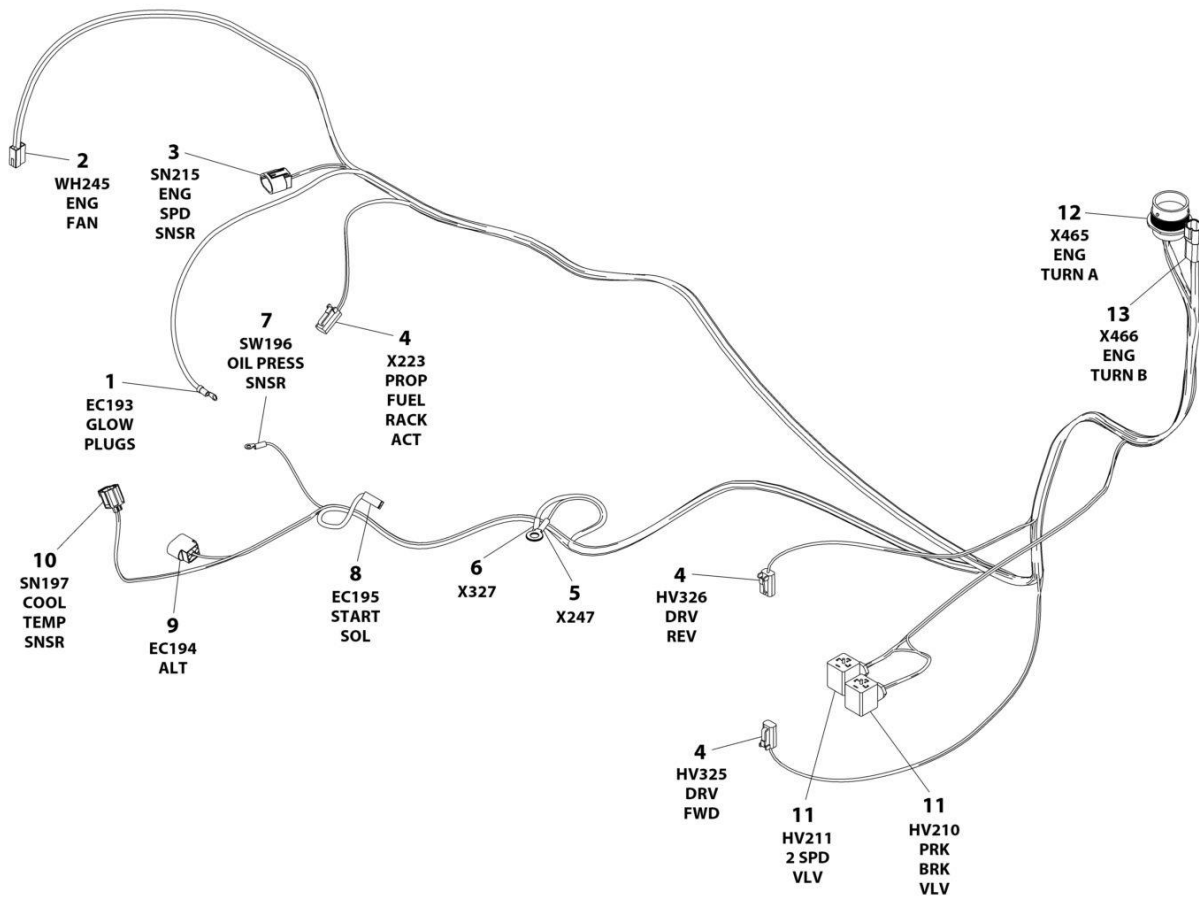
SECTION 8 - ELECTRICAL

FIGURE 8-45. ENGINE HARNESS - KUBOTA

ITEM	PART NUMBER	QTY	DESCRIPTION	REV
	1001245030	Ref	ENGINE HARNESS - KUBOTA	B
3	80963056	1	Connector - 1 Position	
4	1001116727	1	Plug	
5	1001144296	1	Cap	
101	1001147923	1	Connector - 24 Position	
101	4460465	17	Socket - Female	
101	4460466	7	Plug, Terminal	
102	1001200497	1	Plug, Male - 4 Position	
102	1001150611	3	Socket, Female	
102	4460466	1	Plug, Terminal	
103	4460932	1	Receptacle, Female - 4 Position	
103	4460464	4	Pin, Male	
104	1001118744	1	Housing, Terminal	
104	1001118745	2	Terminal	
105	80963055	1	Plug, Male - 1 Position	
105	4460457	1	Terminal	
105	4460458	1	Seal	
106	4460761	1	Receptacle, Female - 4 Position	
106	4460226	4	Socket - Female	
107	4460874	1	Connector - 35 Position	
107	4460871	25	Socket, Female	
107	4460905	10	Plug, Terminal	
108	1001121726	1	Receptacle, Female - 5 Position	
108	4460746	2	Terminal	
108	8220125	2	Terminal	
108	4460458	2	Seal	
108	80963067	2	Seal	
108	4460748	2	Plug, Terminal	
109	4460224	1	Receptacle, Female - 6 Position	
109	4460267	4	Pin, Male	
110	4460266	1	Receptacle, Female - 9 Position	
110	4460705	7	Pin, Male	
111	4460539	1	Plug, Male - 3 Position	
111	4460465	3	Socket, Female	
112	1001223460	1	Holder, Relay	
112	1001233761	5	Terminal	
112	8220099	3	Terminal	
112	1001234288	5	Seal	
112	1001234289	3	Seal	
112	1001234287	6	Plug, Terminal	
113	1001185964	1	Holder, Relay	
113	4460746	13	Terminal	
113	8220125	5	Terminal	
113	1001116747	1	Terminal	
113	4460458	13	Seal	
113	80963067	6	Seal	
113	4460789	1	Seal	
114	4460884	1	Plug, Male - 4 Position	
114	4460465	3	Socket, Female	
114	4460466	1	Plug, Terminal	

SECTION 8 - ELECTRICAL

FIGURE 8-46. ENGINE TRAY HARNESS



ART_1001230605

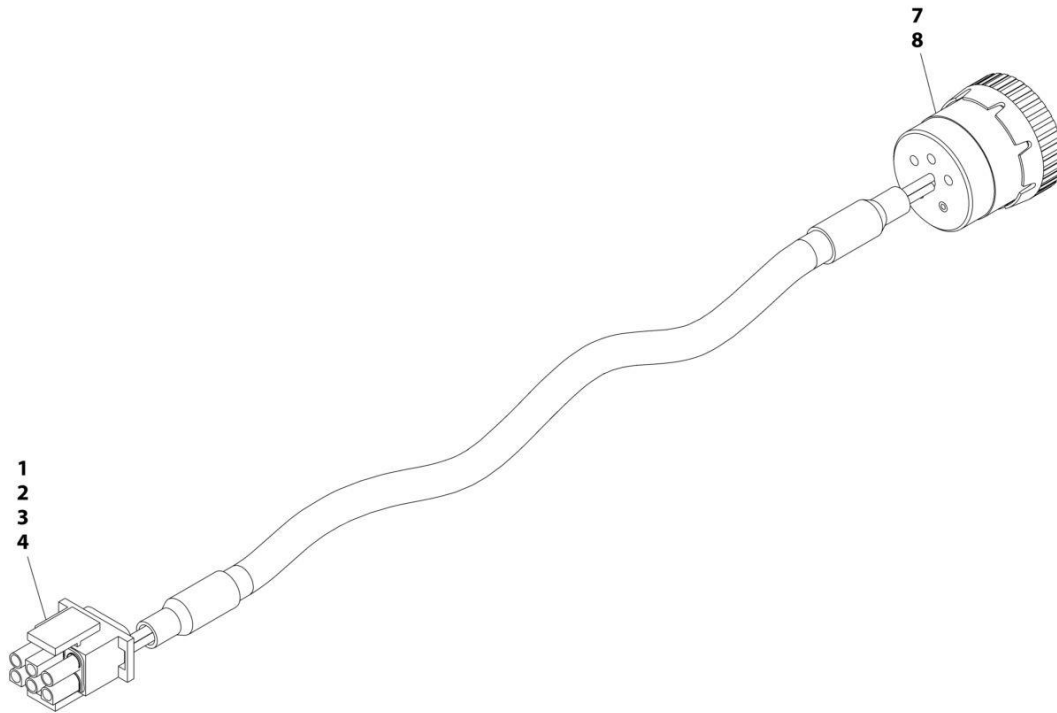
SECTION 8 - ELECTRICAL

FIGURE 8-46. ENGINE TRAY HARNESS

ITEM	PART NUMBER	QTY	DESCRIPTION	REV
	1001230605	Ref	ENGINE TRAY HARNESS	D
1	4460142	1	Terminal, Ring	
2	4460994	1	Housing, Terminal	
2	1001236489	2	Terminal	
3	1001223431	1	Connector - 3 Position	
3	1001223794	3	Socket, Female	
3	1001223797	3	Seal	
4	4460891	3	Plug, Male - 2 Position	
4	4460465	6	Socket, Female	
5	4460019	1	Terminal, Ring	
6	4460256	1	Terminal, Ring	
7	8220007	1	Terminal, Ring	
8	1001116995	1	Housing, Terminal	
8	1001236490	1	Terminal	
9	1001125748	1	Receptacle, Female - 3 Position	
9	1001129773	2	Pin, Male	
9	1001125773	1	Pin, Male	
9	1001129772	1	Seal	
10	1001118657	1	Plug, Male - 2 Position	
10	1001188387	2	Terminal	
10	1001118659	2	Seal	
11	4460880	2	Connector, DIN	
12	1001148106	1	Connector - 23 Position	
12	4460464	16	Pin, Male	
12	4460466	7	Plug, Terminal	
13	1001116811	1	Receptacle, Female - 4 Position	
13	1001150610	3	Pin, Male	
13	4460508	1	Pin, Male	

SECTION 8 - ELECTRICAL

FIGURE 8-47. GENERATOR HARNESS - 4000W



ART_1001152532

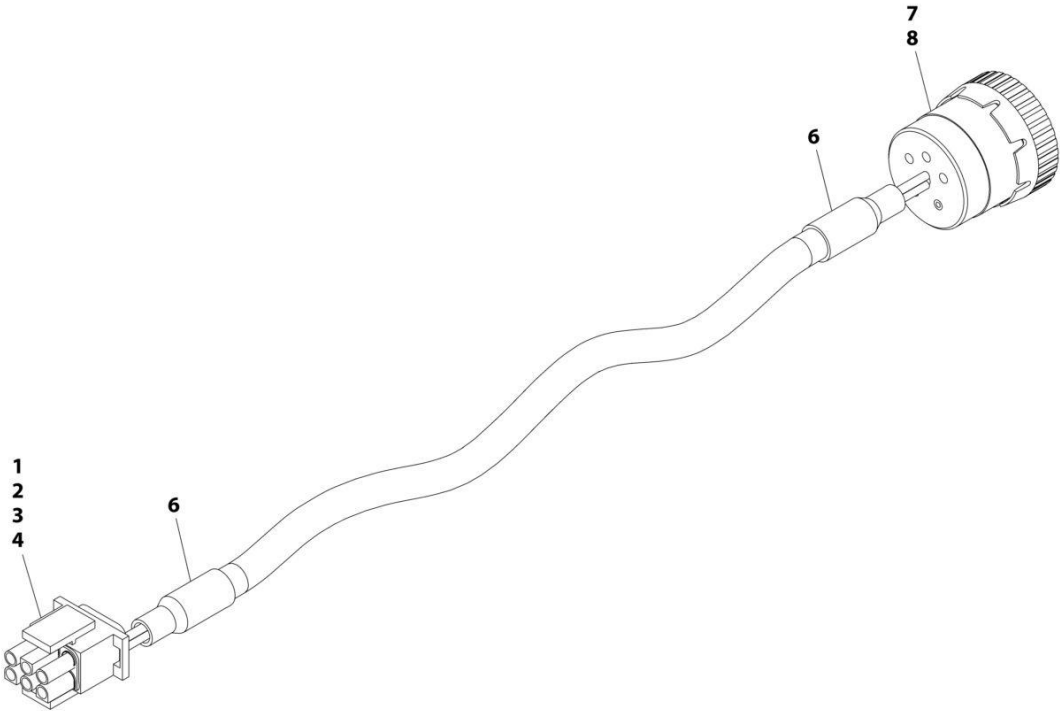
SECTION 8 - ELECTRICAL

FIGURE 8-47. GENERATOR HARNESS - 4000W

ITEM	PART NUMBER	QTY	DESCRIPTION	REV
	1001152532	Ref	GENERATOR HARNESS	A
1	4460225	1	Connector - 6 Position	
2	4460268	2	Socket, Female	
3	4460807	1	Seal	
4	4460808	1	Seal	
7	4460465	2	Socket, Female	
8	77363233	1	Connector - 6 Position	

SECTION 8 - ELECTRICAL

FIGURE 8-48. GENERATOR HARNESS - 7500W SKYPOWER



ART_4922925

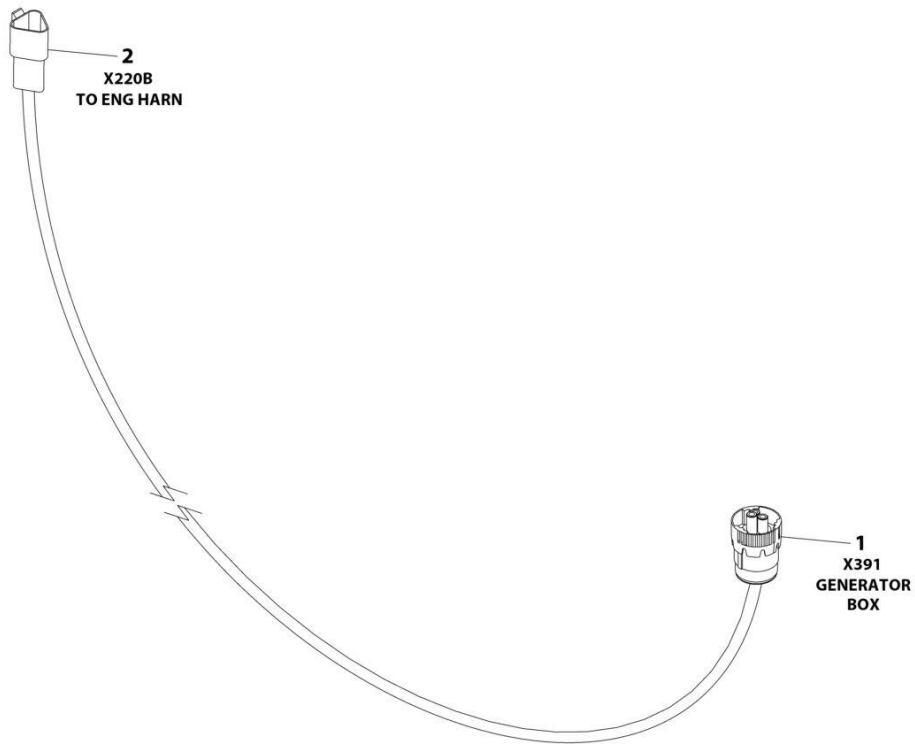
SECTION 8 - ELECTRICAL

FIGURE 8-48. GENERATOR HARNESS - 7500W SKYPOWER

ITEM	PART NUMBER	QTY	DESCRIPTION	REV
	4922925	Ref	GENERATOR TO CONTROL BOX HARNESS (7500W GENERATOR)	C
1	4460225	1	Plug, Male - 2 Position	
2	4460268	6	Socket, Female	
3	4460807	1	Seal	
4	4460808	1	Seal	
6	2820019	AR	Heat Shrink	
7	4460465	6	Socket, Female	
8	77363233	1	Connector - 6 Position	

SECTION 8 - ELECTRICAL

FIGURE 8-49. GENERATOR HARNESS - 4000W AND 7500W SKYPOWER



ART_1001231225

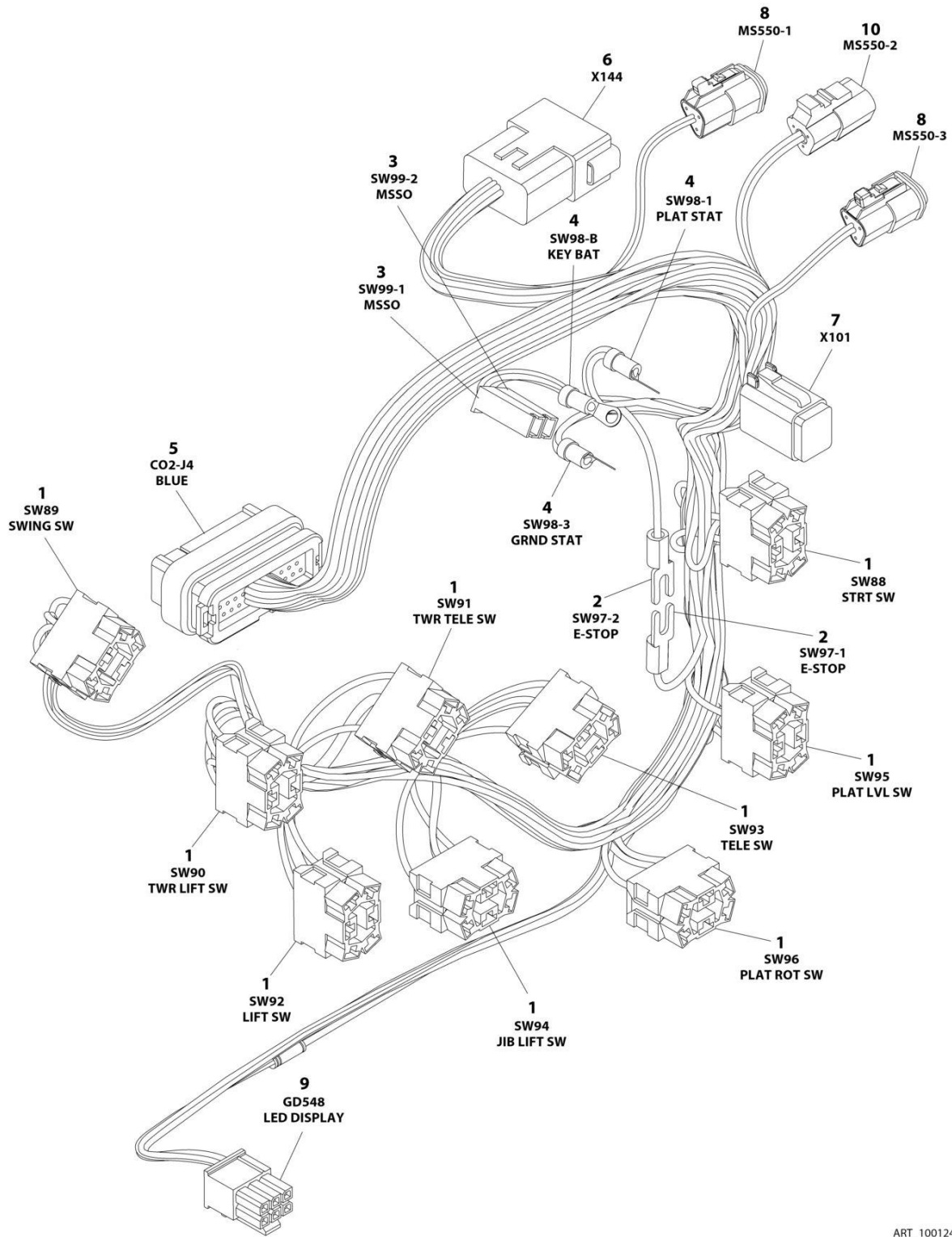
SECTION 8 - ELECTRICAL

FIGURE 8-49. GENERATOR HARNESS - 4000W AND 7500W SKYPOWER

ITEM	PART NUMBER	QTY	DESCRIPTION	REV
	1001231225	Ref	GENERATOR ENABLE HARNESS	A
1	4460967	1	Plug, Male - 3 Position	
1	4460465	3	Socket, Female	
2	4460536	1	Receptacle, Female - 3 Position	
2	4460464	3	Pin, Male	

SECTION 8 - ELECTRICAL

FIGURE 8-50. GROUND CONTROL BOX HARNESS



ART_1001245027

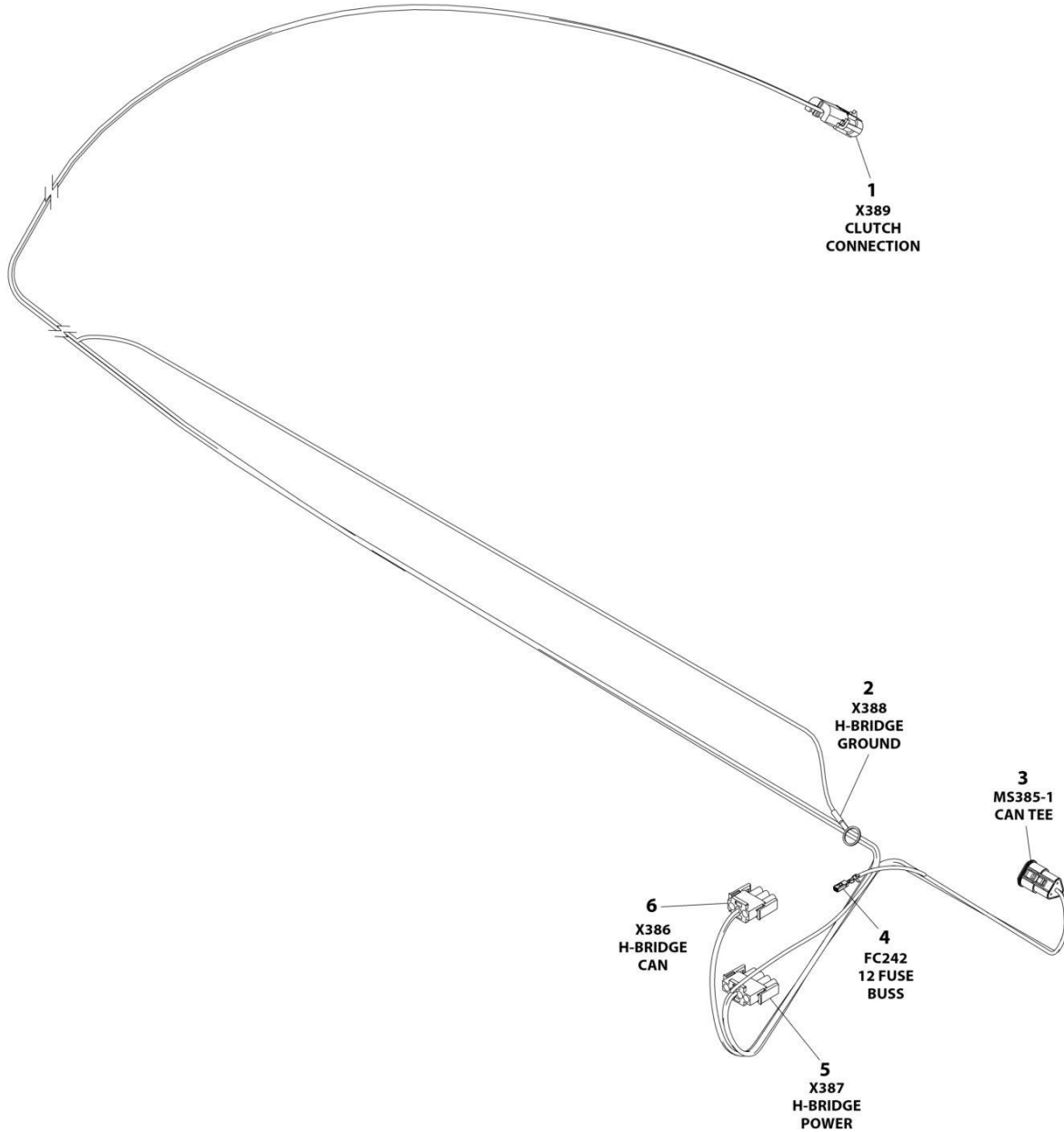
SECTION 8 - ELECTRICAL

FIGURE 8-50. GROUND CONTROL BOX HARNESS

ITEM	PART NUMBER	QTY	DESCRIPTION	REV
	1001245027	Ref	GROUND CONTROL HARNESS	B
1	4460418	9	Connector, Switch	
1	1001159186	19	Terminal	
1	4460419	16	Terminal	
2	4460144	2	Terminal, Ring	
3	4460260	2	Housing, Terminal	
3	4460259	2	Terminal	
4	4460042	3	Terminal, Ring	
5	4460876	1	Connector - 35 Position	
5	4460871	21	Socket, Female	
5	4460905	14	Plug, Terminal	
6	4460970	1	Receptacle, Female - 12 Position	
6	4460464	8	Pin, Male	
6	4460943	2	Pin, Male	
6	4460466	2	Plug, Terminal	
7	4460894	1	Plug, Male - 6 Position	
7	4460465	4	Socket, Female	
7	4460466	2	Plug, Terminal	
8	1001116812	2	Plug, Male - 3 Position	
8	4460944	4	Socket, Female	
8	4460466	2	Plug, Terminal	
9	1001237667	1	Connector - 6 Position	
9	1001237668	5	Terminal	
10	4460539	1	Plug, Male - 3 Position	
10	4460944	2	Socket Female	
10	4460466	1	Plug, Terminal	

SECTION 8 - ELECTRICAL

FIGURE 8-51. H-BRIDGE/CLUTCH HARNESS



ART_1001226404

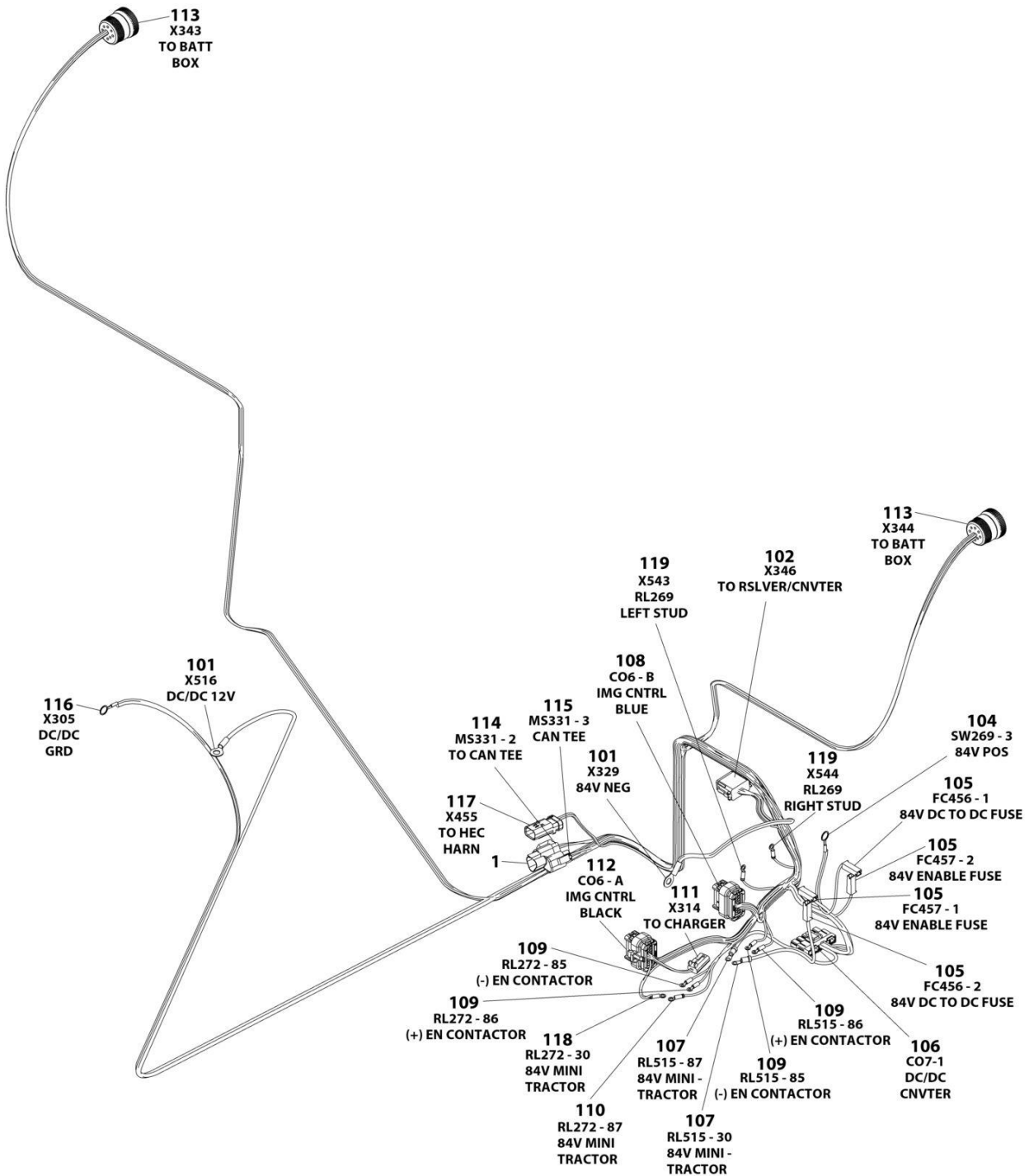
SECTION 8 - ELECTRICAL

FIGURE 8-51. H-BRIDGE/CLUTCH HARNESS

ITEM	PART NUMBER	QTY	DESCRIPTION	REV
	1001226404	Ref	H-BRIDGE/CLUTCH HARNESS	C
1	4461157	1	Receptacle, Female - 2 Position	
1	4460979	2	Socket, Female	
2	4460722	1	Terminal, Ring	
3	1001116812	1	Plug, Male - 3 Position	
3	4460944	2	Socket, Female	
3	4460466	1	Plug, Terminal	
4	1001189750	1	Terminal	
5	1001119031	1	Plug, Male - 4 Position	
5	4460268	4	Socket, Female	
6	4460326	1	Plug, Male - 3 Position	
6	4460268	3	Socket, Female	

SECTION 8 - ELECTRICAL

FIGURE 8-52. HYBRID 84V HARNESS



ART_1001225994_F

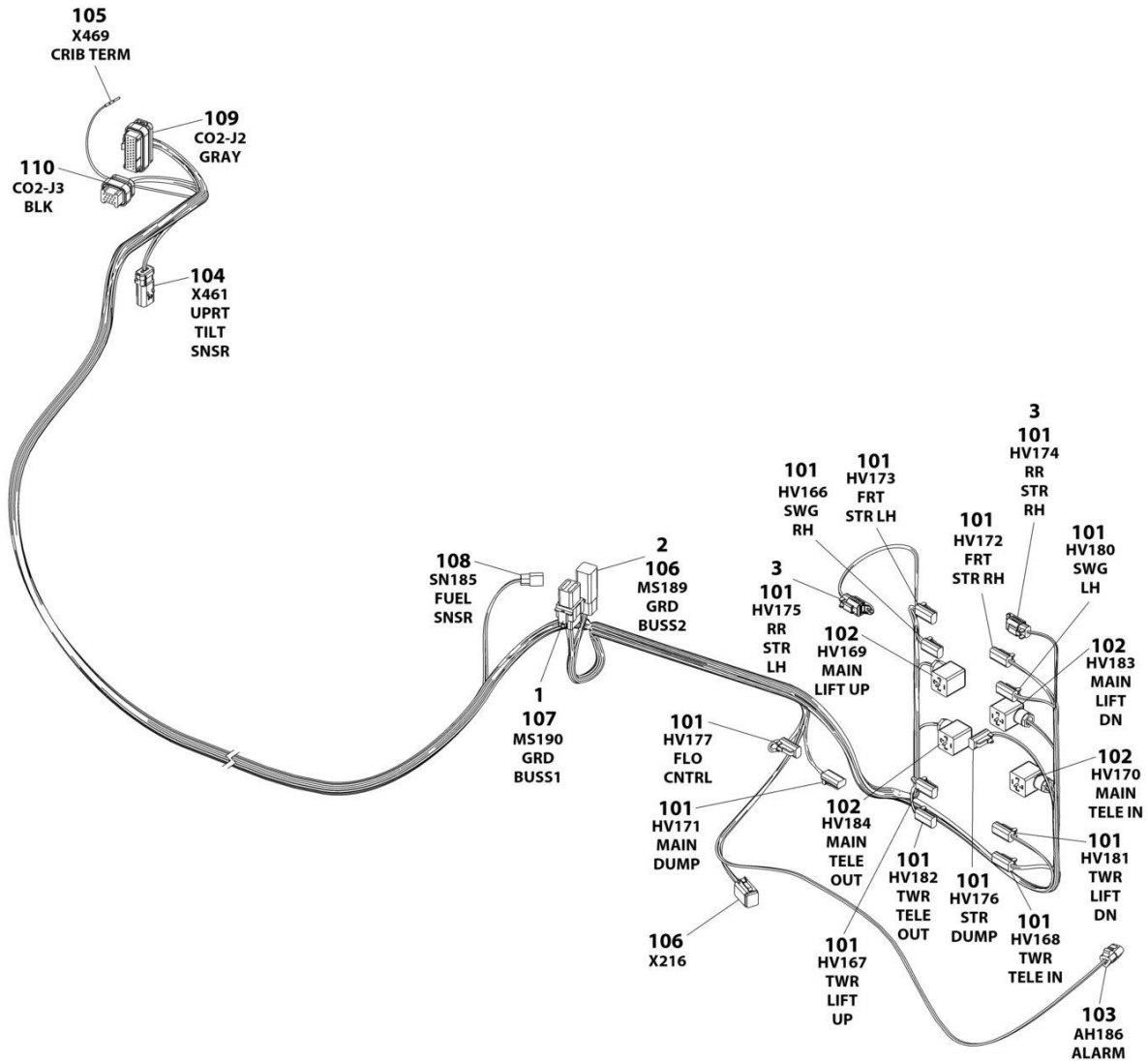
SECTION 8 - ELECTRICAL

FIGURE 8-52. HYBRID 84V HARNESS

ITEM	PART NUMBER	QTY	DESCRIPTION	REV
	1001225994	Ref	HYBRID 84V HARNESS	F
1	4460945	1	Receptacle, 3 Way	
101	8220045	2	Terminal, Ring	
102	4460836	1	Plug, Male - 12 Position	
102	4460465	9	Socket, Female	
102	4460466	3	Plug, Terminal	
104	8220029	1	Terminal, Ring	
105	4460260	4	Housing, Terminal	
105	4460259	4	Terminal	
106	1001117012	1	Receptacle, Female - 5 Position	
106	4460887	4	Terminal	
106	4461271	1	Plug, Terminal	
107	4460142	2	Terminal, Ring	
108	1001096138	1	Connector - 23 Position	
108	4460871	10	Socket, Female	
108	4460905	13	Plug, Terminal	
109	1001098122	4	Terminal, Ring	
110	4460247	1	Terminal, Ring	
111	4460891	1	Plug, Male - 2 Position	
111	4460465	2	Socket, Female	
112	1001116994	1	Connector - 23 Position	
112	4460871	12	Socket, Female	
112	4460905	11	Plug, Terminal	
113	1001112796	2	Connector - 9 Position	
113	4460465	13	Socket, Female	
113	4460466	4	Plug, Terminal	
114	4460539	1	Plug, Male - 3 Position	
114	4460944	2	Socket, Female	
114	4460466	1	Plug, Terminal	
115	1001116812	1	Plug, Male - 3 Position	
115	4460944	2	Socket, Female	
115	4460465	1	Socket, Female	
116	8220164	1	Terminal, Ring	
117	1001229530	1	Receptacle, Female - 3 Position	
117	4460464	2	Pin, Male	
117	4460466	1	Plug, Terminal	
118	4460042	1	Terminal, Ring	
119	4460427	2	Terminal, Ring	

SECTION 8 - ELECTRICAL

FIGURE 8-53. MAIN VALVE HARNESS (Prior to SN 0300297362)



ART_1001245029

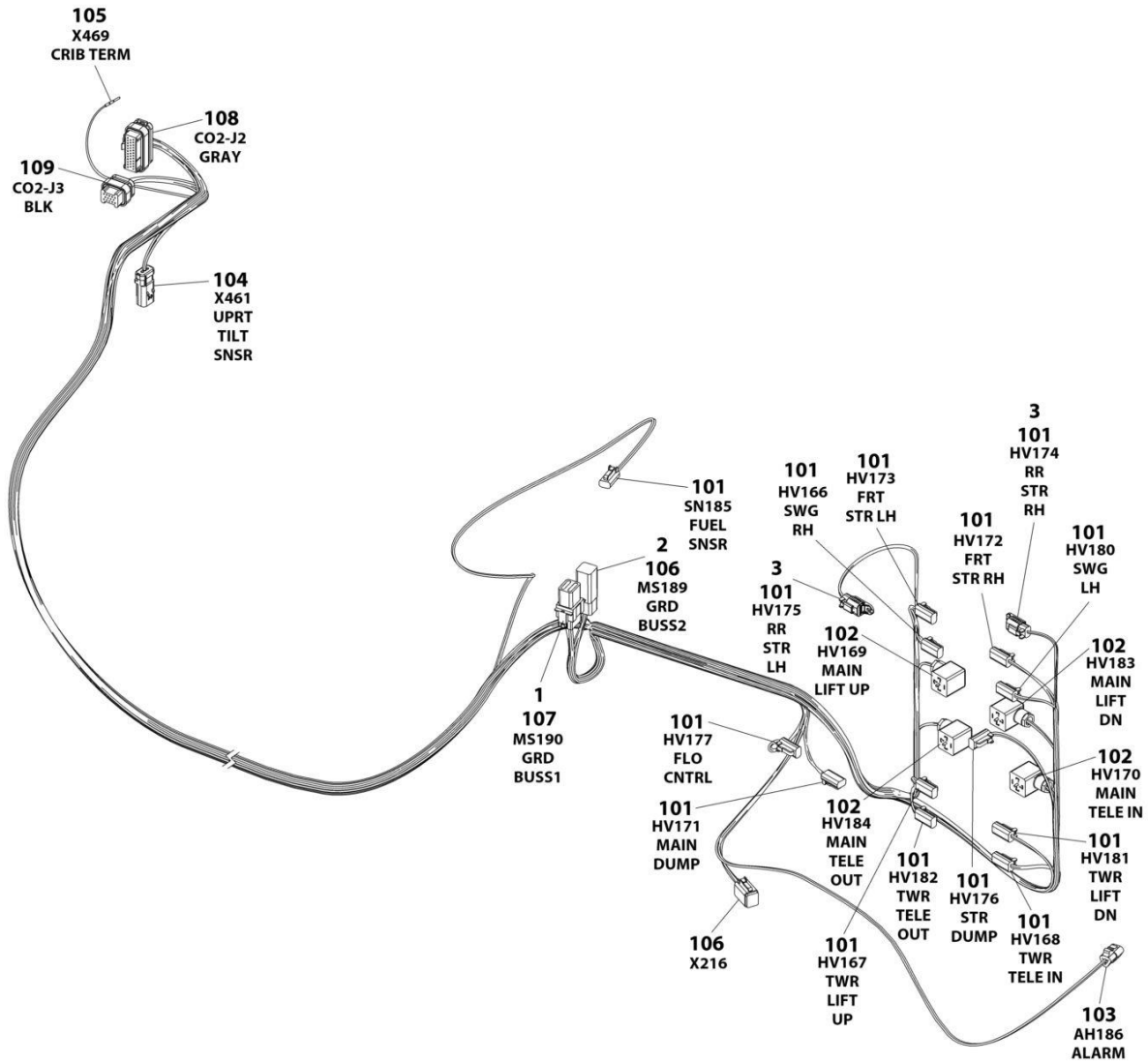
SECTION 8 - ELECTRICAL

FIGURE 8-53. MAIN VALVE HARNESS (Prior to SN 0300297362)

ITEM	PART NUMBER	QTY	DESCRIPTION	REV
	1001245029	Ref	MAIN VALVE HARNESS	B
1	4460852	1	Connector - 8 Position	
2	4460892	1	Bussbar - 6 Position	
3	1001144295	1	Cap	
101	4460891	13	Plug, Male - 2 Position	
101	4460465	26	Socket, Female	
102	4460880	4	Connector, DIN	
103	4460539	1	Plug, Male - 3 Position	
103	4460465	2	Socket, Female	
103	4460466	1	Plug, Terminal	
104	1001229530	1	Receptacle, Female - 3 Position	
104	4460943	3	Pin, Male	
105	4460227	1	Pin, Male	
106	4460894	2	Plug, Male - 6 Position	
106	4460465	10	Socket, Female	
106	4460466	2	Plug, Terminal	
107	4460851	1	Plug, Male - 8 Position	
107	4460465	8	Socket, Female	
108	4460424	1	Plug, Male - 2 Position	
108	4460268	2	Socket, Female	
109	4460875	1	Connector - 35 Position	
109	4460871	24	Socket, Female	
109	4460905	11	Plug, Terminal	
110	4460872	1	Connector - 14 Position	
110	4460871	10	Socket, Female	
110	4460905	4	Plug, Terminal	

SECTION 8 - ELECTRICAL

FIGURE 8-54. MAIN VALVE HARNESS (SN 0300297362 to Present)



ART_1001282826

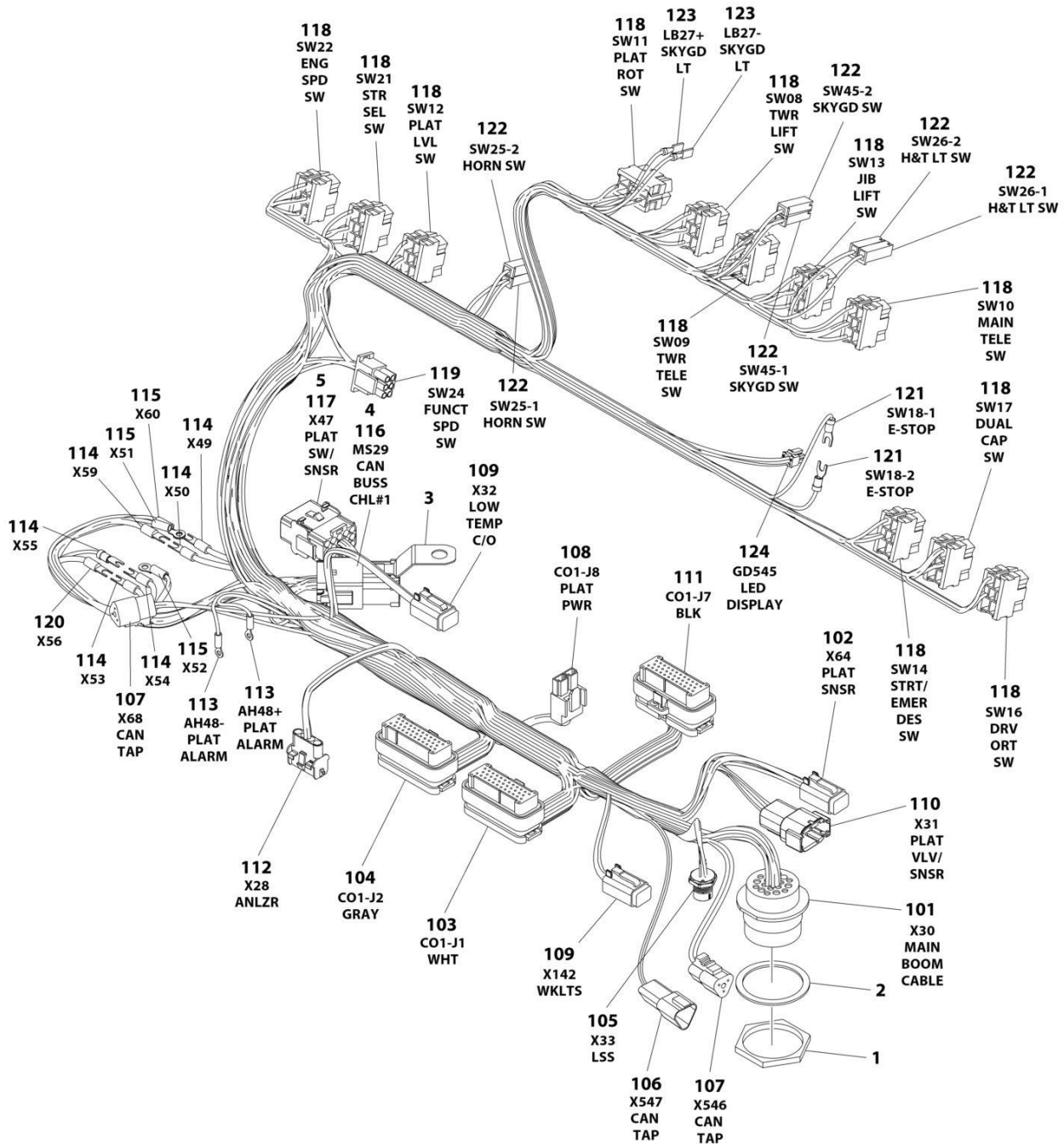
SECTION 8 - ELECTRICAL

FIGURE 8-54. MAIN VALVE HARNESS (SN 0300297362 to Present)

ITEM	PART NUMBER	QTY	DESCRIPTION	REV
	1001282826	Ref	MAIN VALVE HARNESS	A
1	4460852	1	Connector - 8 Position	
2	4460892	1	Bussbar - 6 Position	
3	1001144295	2	Cap	
101	4460891	14	Plug, Male - 2 Position	
101	4460465	28	Socket, Female	
102	4460880	4	Connector, DIN	
103	4460539	1	Plug, Male - 3 Position	
103	4460465	2	Socket, Female	
103	4460466	1	Plug, Terminal	
104	1001229530	1	Receptacle, Female - 3 Position	
104	4460943	3	Pin, Male	
105	4460227	1	Pin, Male	
106	4460894	2	Plug, Male - 6 Position	
106	4460465	10	Socket, Female	
106	4460466	2	Plug, Terminal	
107	4460851	1	Plug, Male - 8 Position	
107	4460465	8	Socket, Female	
108	4460875	1	Connector - 35 Position	
108	4460871	24	Socket, Female	
108	4460905	11	Plug, Terminal	
109	4460872	1	Connector - 14 Position	
109	4460871	10	Socket, Female	
109	4460905	4	Plug, Terminal	

SECTION 8 - ELECTRICAL

FIGURE 8-55. PLATFORM CONSOLE BOX HARNESS



ART_1001245026_E

SECTION 8 - ELECTRICAL

FIGURE 8-55. PLATFORM CONSOLE BOX HARNESS

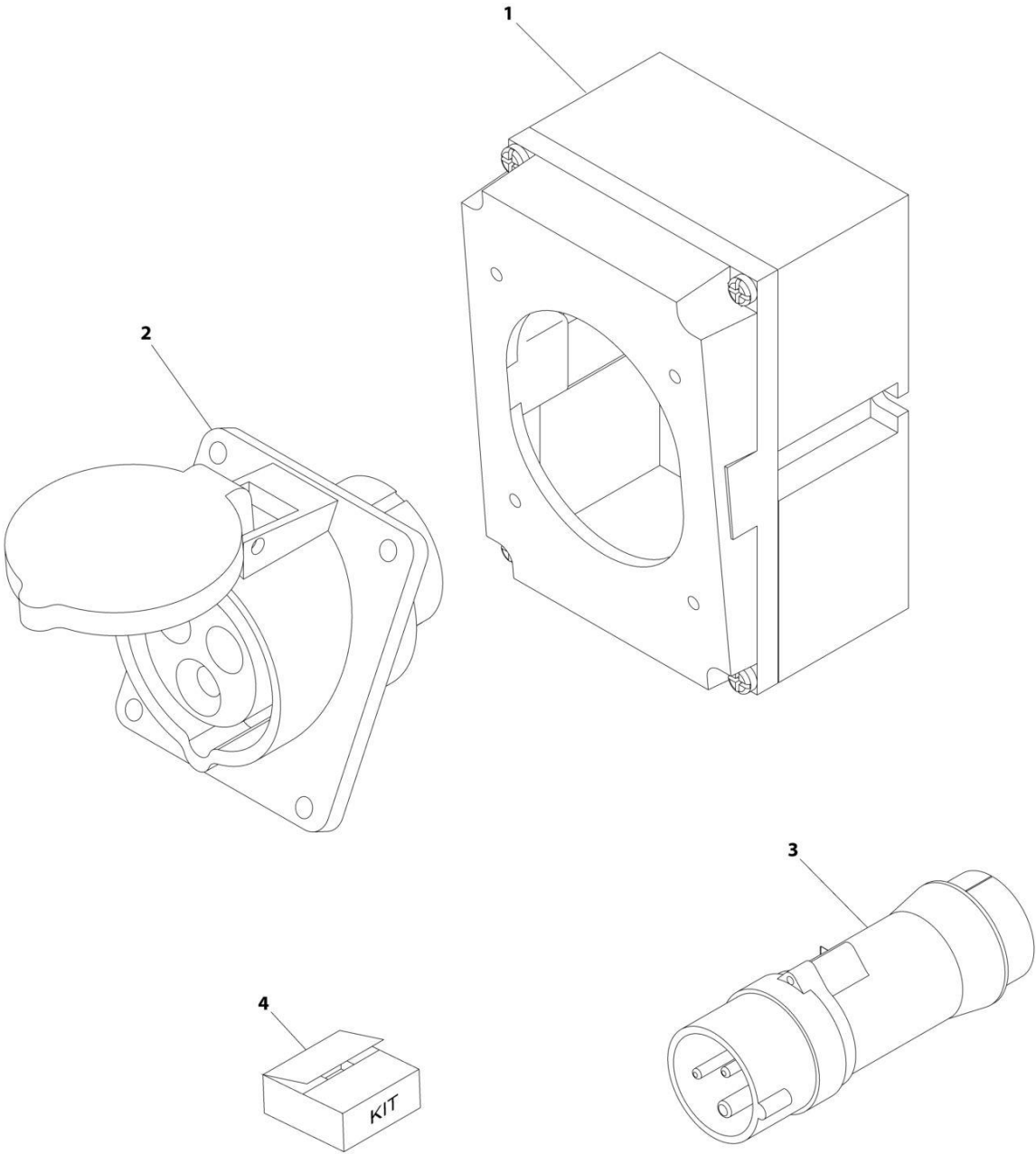
ITEM	PART NUMBER	QTY	DESCRIPTION	REV
	1001245026	Ref	PLATFORM CONSOLE BOX HARNESS	E
1	4460470	1	Nut	
2	4460471	1	Washer	
3	1001120328	1	Mount, Connector	
4	1001125677	1	Bussbar - 12 Position	
5	4460708	1	Terminal	
101	4460866	1	Connector - 19 Position	
101	4460943	2	Pin, Male	
101	4460464	3	Pin, Male	
101	4460508	4	Pin, Male	
101	4460466	10	Plug, Terminal	
102	4460894	1	Plug, Male - 6 Position	
102	4460465	4	Socket, Female	
102	4460466	2	Plug, Terminal	
103	4460874	1	Connector - 35 Position	
103	4460871	30	Socket, Female	
103	4460905	5	Plug, Terminal	
104	4460875	1	Connector - 35 Position	
104	4460871	9	Socket, Female	
104	4460905	26	Plug, Terminal	
105	1001213447	1	Receptacle, Female - 5 Position	
106	4460536	1	Receptacle, Female - 3 Position	
106	4460943	2	Pin, Male	
106	4460466	1	Plug, Terminal	
107	4460539	2	Plug, Male - 3 Position	
107	4460944	4	Socket, Female	
107	4460466	2	Plug, Terminal	
108	4460879	1	Receptacle, Female - 2 Position	
108	4460887	2	Terminal	
109	4460884	2	Plug, Male - 4 Position	
109	4460465	8	Socket, Female	
110	1001190578	1	Receptacle, Female - 8 Position	
110	1001126011	7	Terminal	
110	4460518	1	Plug, Terminal	
111	4460873	1	Connector - 35 Position	
111	4460871	22	Socket, Female	
111	4460905	13	Plug, Terminal	
112	4460761	1	Receptacle, Female - 4 Position	
112	4460227	4	Pin, Male	
113	1001098122	2	Terminal, Ring	
114	4460315	6	Terminal, Fork	
115	8220007	3	Terminal, Ring	
116	4460933	1	Plug, Male - 12 Position	
116	4460944	12	Socket, Female	
116	4460466	2	Plug, Terminal	
117	4460343	1	Plug, Male - 15 Position	
117	4460227	7	Pin, Male	
117	4460267	2	Pin, Male	
118	4460418	11	Connector, Switch	
118	4460419	22	Terminal	

SECTION 8 - ELECTRICAL

ITEM	PART NUMBER	QTY	DESCRIPTION	REV
118	1001159186	21	Terminal	
119	4460225	1	Plug, Male - 6 Position	
119	4460227	4	Pin, Male	
119	4460267	2	Pin, Male	
120	4460314	1	Terminal, Fork	
121	4460183	2	Terminal, Fork	
122	4460260	6	Housing, Terminal	
122	4460259	6	Terminal	
123	4460016	2	Terminal	
124	1001237667	1	Connector - 6 Position	
125	1001237668	4	Terminal	
126	1001201885	2	Terminal	

SECTION 8 - ELECTRICAL

FIGURE 8-56. RECEPTACLE BOX KIT - 110V IEC YELLOW (CE & UK CA SPEC)



ART_0275216

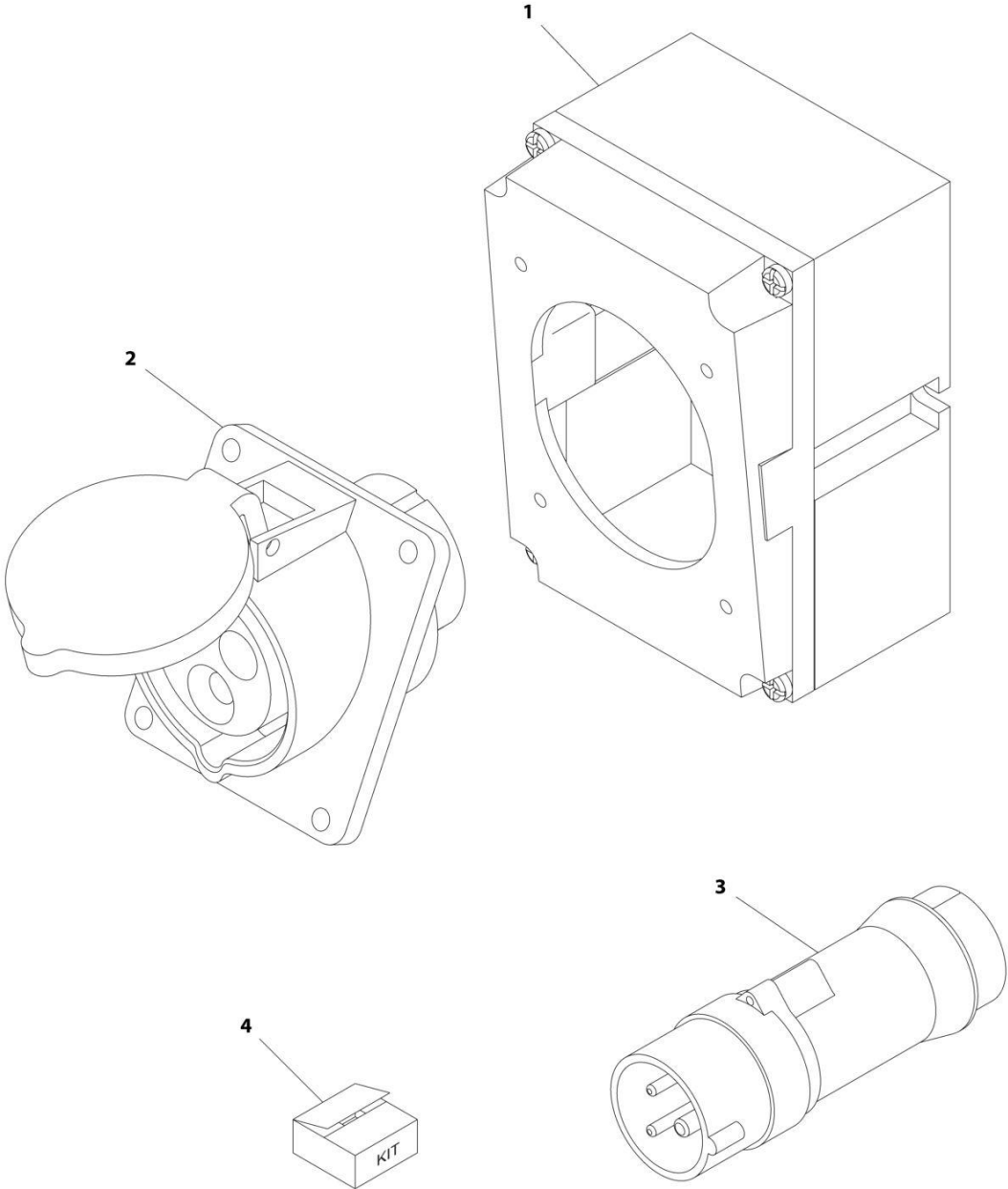
SECTION 8 - ELECTRICAL

FIGURE 8-56. RECEPTACLE BOX KIT - 110V IEC YELLOW (CE & UK CA SPEC)

ITEM	PART NUMBER	QTY	DESCRIPTION	REV
	0275216	Ref	RECEPTACLE BOX KIT - 110V IEC YELLOW	B
1	0861781	1	Box, Switch	
2	4461198	1	Receptacle	
3	4461196	1	Plug, Male	
4	1001100341	1	Plug and Socket Kit (Includes Items 1-3 and Female Plug p/n 4461197)	

SECTION 8 - ELECTRICAL

FIGURE 8-57. RECEPTACLE BOX KIT - 220V IEC BLUE (CE & UK CA SPEC)



ART_0275217

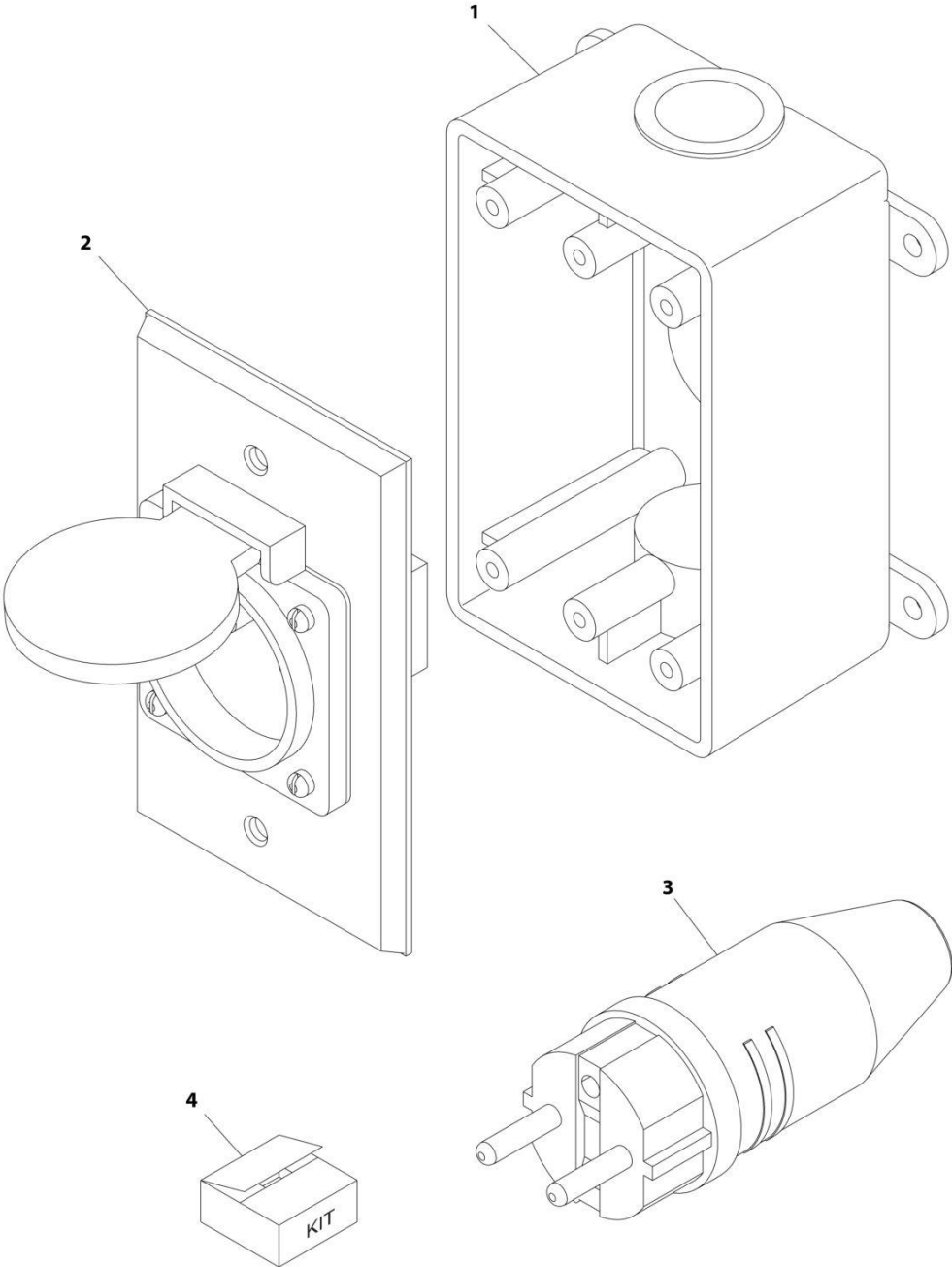
SECTION 8 - ELECTRICAL

FIGURE 8-57. RECEPTACLE BOX KIT - 220V IEC BLUE (CE & UK CA SPEC)

ITEM	PART NUMBER	QTY	DESCRIPTION	REV
	0275217	Ref	RECEPTACLE BOX KIT - 220V IEC BLUE	B
1	0861781	1	Box, Switch	
2	4461201	1	Receptacle	
3	4461199	1	Plug, Male	
4	1001100342	1	Plug and Socket Kit (Includes Items 1-3 and Female Plug p/n 4461200)	

SECTION 8 - ELECTRICAL

FIGURE 8-58. RECEPTACLE BOX KIT - 220V CEE7 POST GROUND 2X4 BOX (CE & UK CA SPEC)



ART_0275452-C

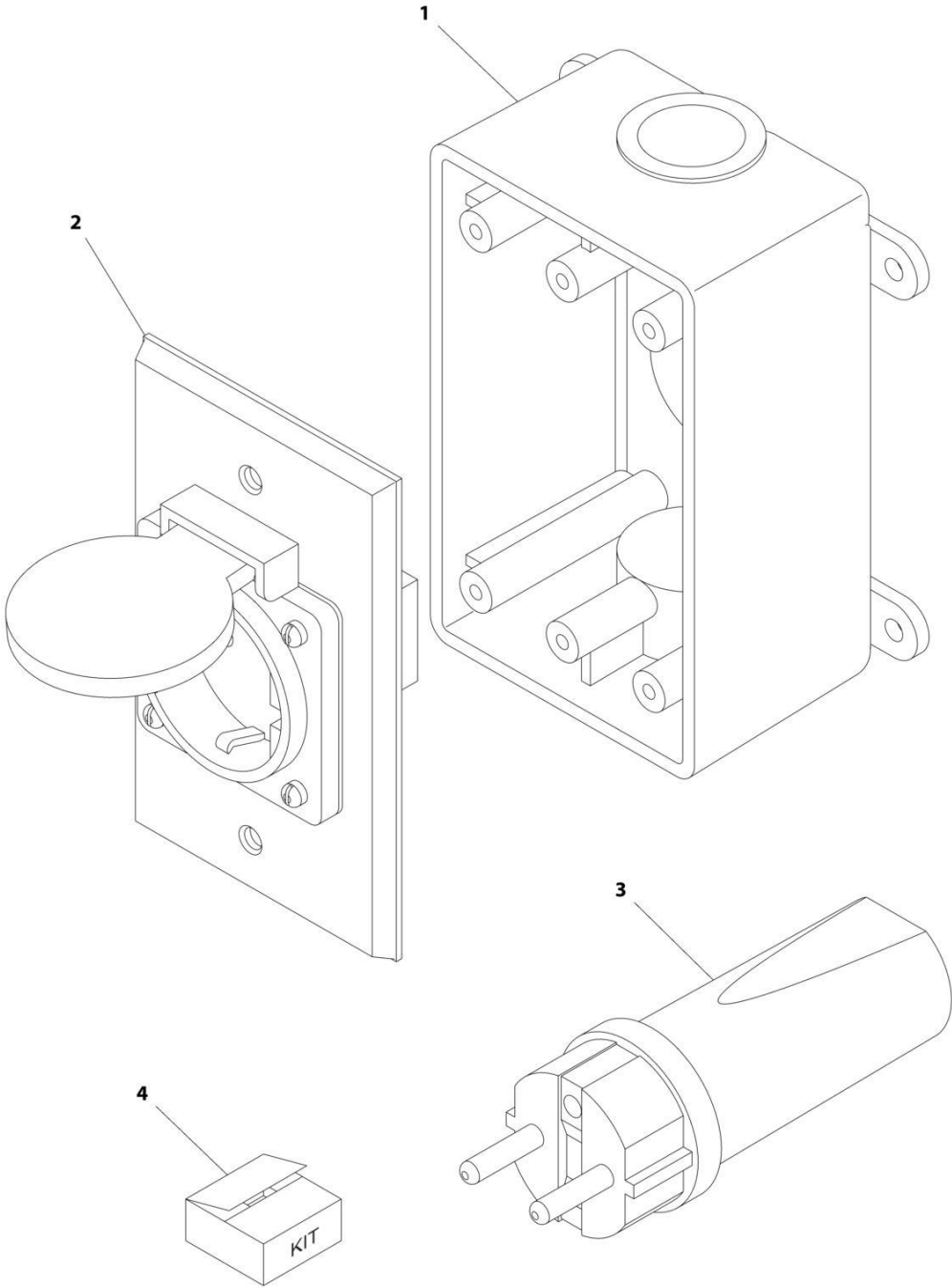
SECTION 8 - ELECTRICAL

FIGURE 8-58. RECEPTACLE BOX KIT - 220V CEE7 POST GROUND 2X4 BOX (CE & UK CA SPEC)

ITEM	PART NUMBER	QTY	DESCRIPTION	REV
	0275452	Ref	RECEPTACLE BOX KIT - 220V CEE7 POST GROUND 2IN X 4IN BOX	C
1	0861731	1	Box, Switch	
2	4461244	1	Receptacle	
3	4461205	1	Plug, Male	
4	1001100345	1	Plug and Socket Kit (Includes Items 1-3 and Female Plug p/n 4461203)	

SECTION 8 - ELECTRICAL

FIGURE 8-59. RECEPTACLE BOX KIT - 220V CEE7 SIDE GROUND (CE & UK CA SPEC)



ART_0275453

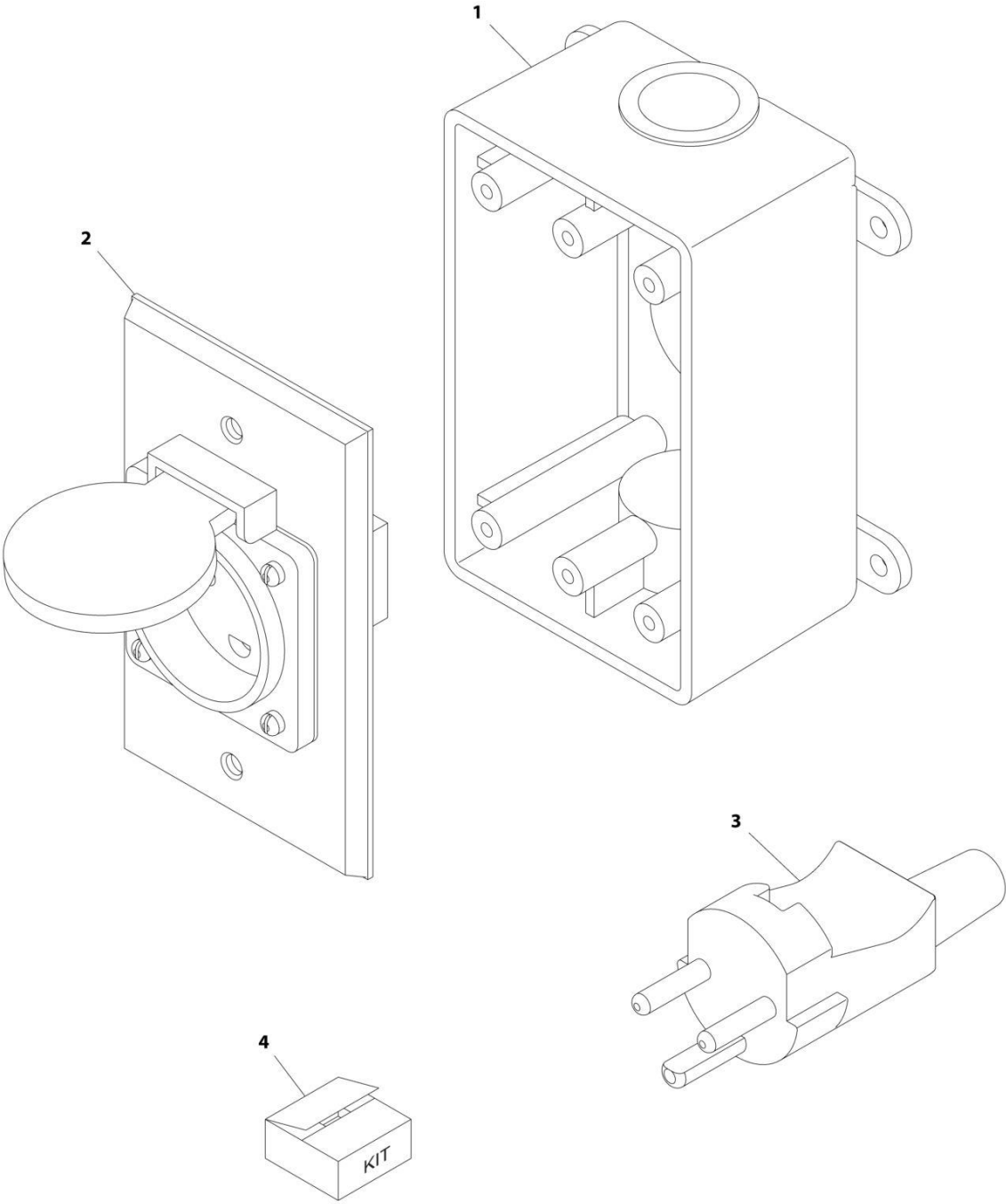
SECTION 8 - ELECTRICAL

FIGURE 8-59. RECEPTACLE BOX KIT - 220V CEE7 SIDE GROUND (CE & UK CA SPEC)

ITEM	PART NUMBER	QTY	DESCRIPTION	REV
	0275453	Ref	RECEPTACLE BOX KIT - 220V CEE7 SIDE GROUND	B
1	0861731	1	Box, Switch	
2	4461245	1	Receptacle	
3	4461205	1	Plug, Male	
4	1001100347	1	Plug and Socket Kit (Includes Items 1-3 and Female Plug p/n 4461206)	

SECTION 8 - ELECTRICAL

FIGURE 8-60. RECEPTACLE BOX KIT - 220V AFSINT 107 (CE & UK CA SPEC)



ART_0275454

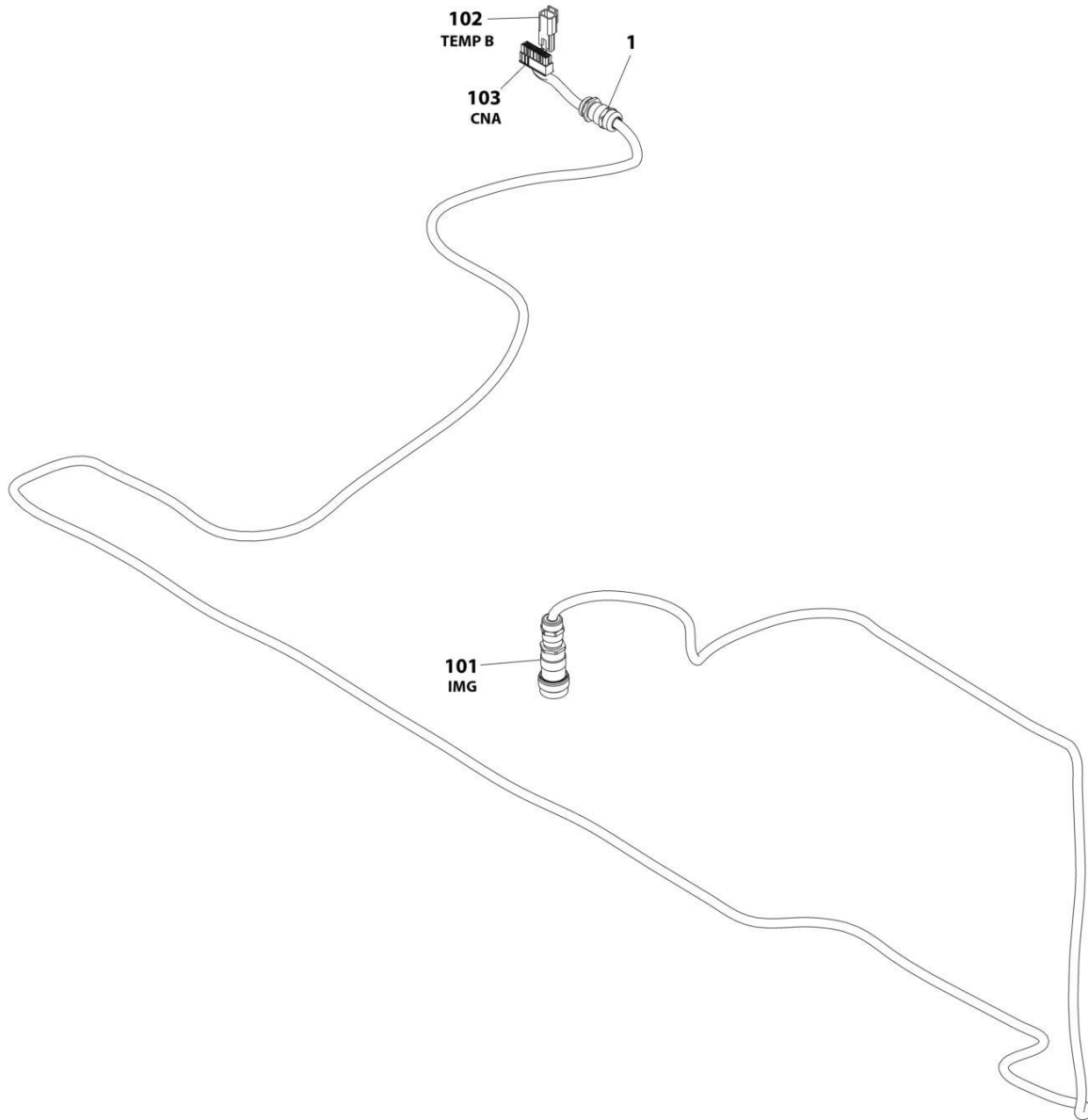
SECTION 8 - ELECTRICAL

FIGURE 8-60. RECEPTACLE BOX KIT - 220V AFSINT 107 (CE & UK CA SPEC)

ITEM	PART NUMBER	QTY	DESCRIPTION	REV
	0275454	Ref	RECEPTACLE BOX KIT - 220V AFSINT 107	B
1	0861731	1	Box, Switch	
2	4461246	1	Receptacle	
3	4461249	1	Plug, Male	
4	1001100346	1	Plug and Socket Kit (Includes Items 1-3 and Female Plug p/n 4461250)	

SECTION 8 - ELECTRICAL

FIGURE 8-61. RESOLVER/CONVERTER/INVERTER HARNESS



ART_1001222369

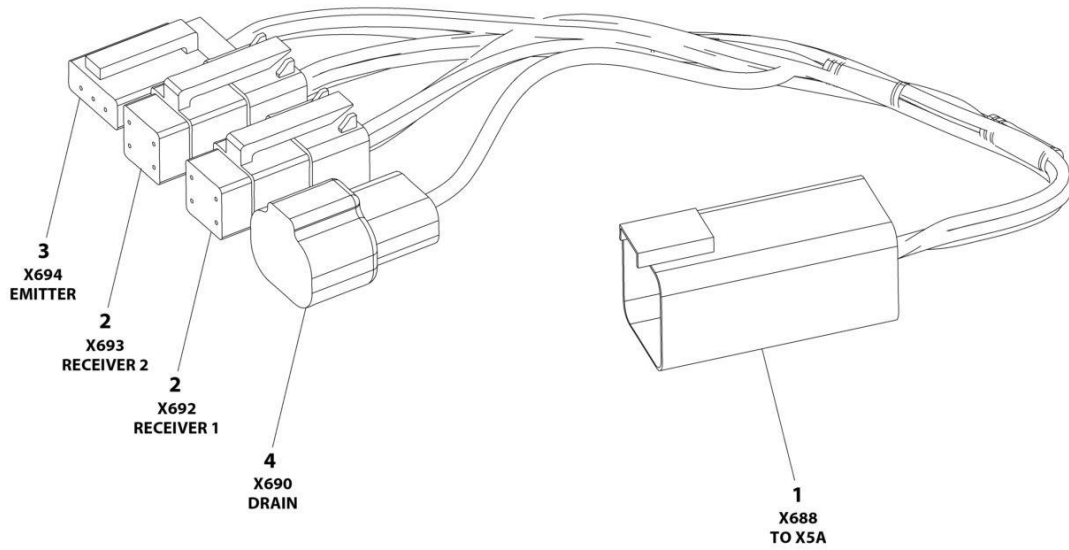
SECTION 8 - ELECTRICAL

FIGURE 8-61. RESOLVER/CONVERTER/INVERTER HARNESS

ITEM	PART NUMBER	QTY	DESCRIPTION	REV
	1001222369	Ref	RESOLVER/CONVERTER/INVERTER HARNESS	B
1	1001226468	1	Connector, Strain Relief	
101	1001226506	1	Connector - 19 Position	
102	1001153612	1	Receptacle, Female - 2 Position	
102	1001126010	2	Terminal	
103	1001225362	1	Connector - 16 Position	
103	4460877	6	Socket, Female	
103	1001228628	10	Plug, Terminal	
103	1001228629	1	Seal	

SECTION 8 - ELECTRICAL

FIGURE 8-62. SKYEYE INTERMEDIATE HARNESS



ART_1001237865

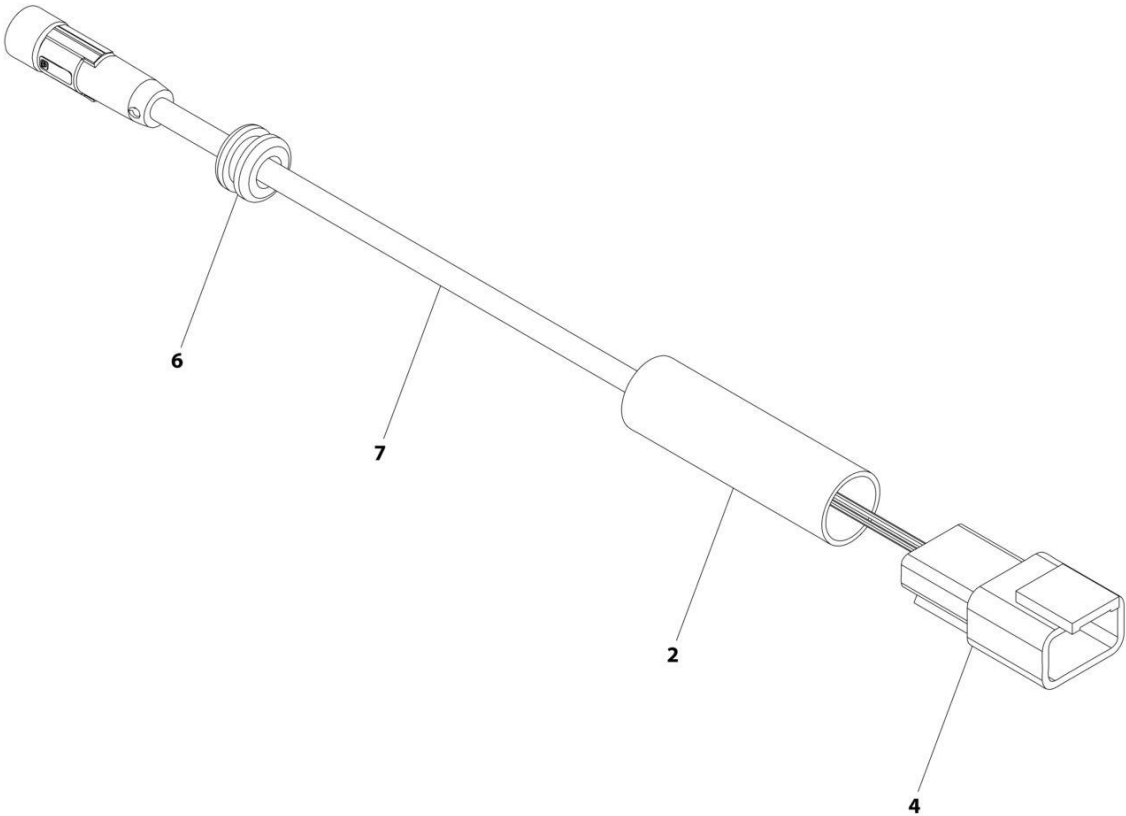
SECTION 8 - ELECTRICAL

FIGURE 8-62. SKYEYE INTERMEDIATE HARNESS

ITEM	PART NUMBER	QTY	DESCRIPTION	REV
	1001237865	Ref	SKYEYE INTERMEDIATE HARNESS	A
1	4460899	1	Connector - 6 Position	
1	4460943	4	Pin, Male	
1	4460466	2	Plug, Terminal	
2	4461077	2	Connector - 4 Position	
2	1001119619	8	Socket, Female	
3	4460911	1	Connector - 3 Position	
3	1001119619	3	Socket, Female	
4	1001187681	1	Connector - 2 Position	
4	4460941	1	Pin, Male	
4	4460466	1	Plug, Terminal	

SECTION 8 - ELECTRICAL

FIGURE 8-63. SKYEYE RECEIVER HARNESS



ART_1001237863_B

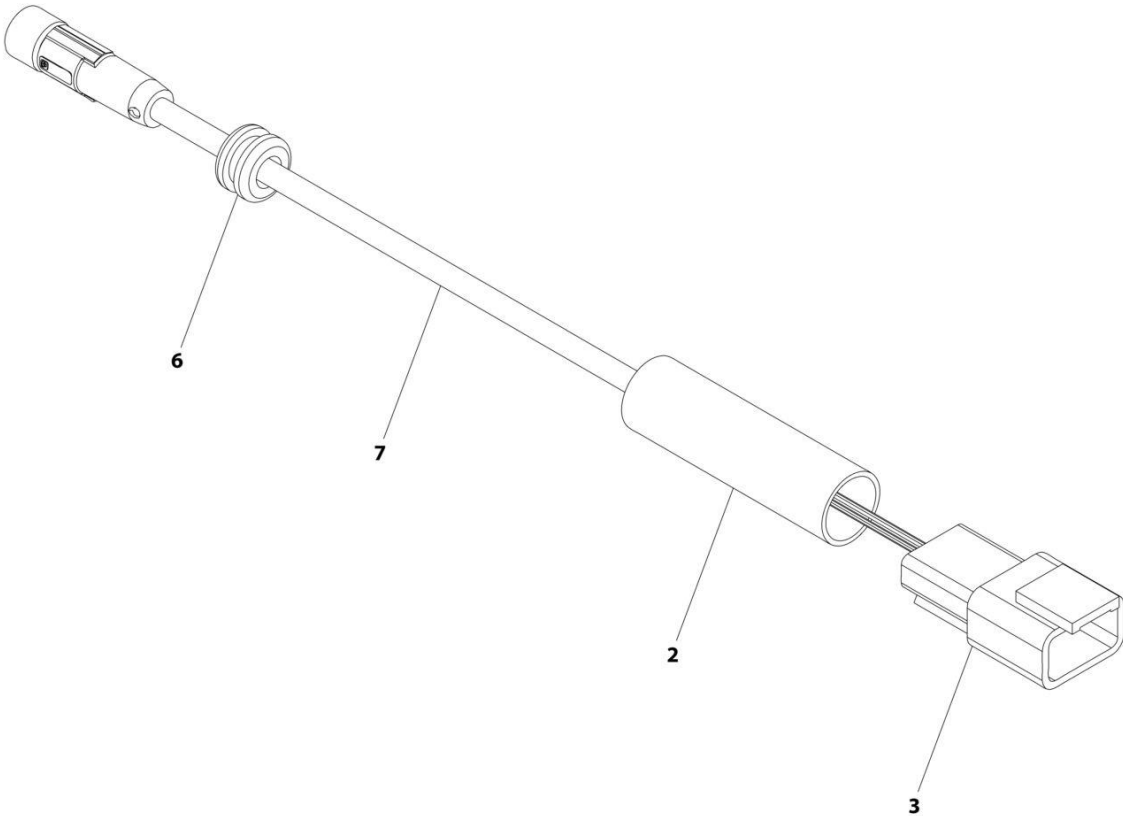
SECTION 8 - ELECTRICAL

FIGURE 8-63. SKYEYE RECEIVER HARNESS

ITEM	PART NUMBER	QTY	DESCRIPTION	REV
	1001237863	Ref	SKYEYE RECEIVER HARNESS	B
2	2820247	AR	Tubing, Heat Shrink	
4	1001097051	1	Connector - 4 Position	
4	1001119620	4	Pin, Male	
6	1001227996	1	Grommet	
7	1001258495	1	Cable, M8 Female Cordset	

SECTION 8 - ELECTRICAL

FIGURE 8-64. SKYEYE EMITTER HARNESS



ART_1001237864_B

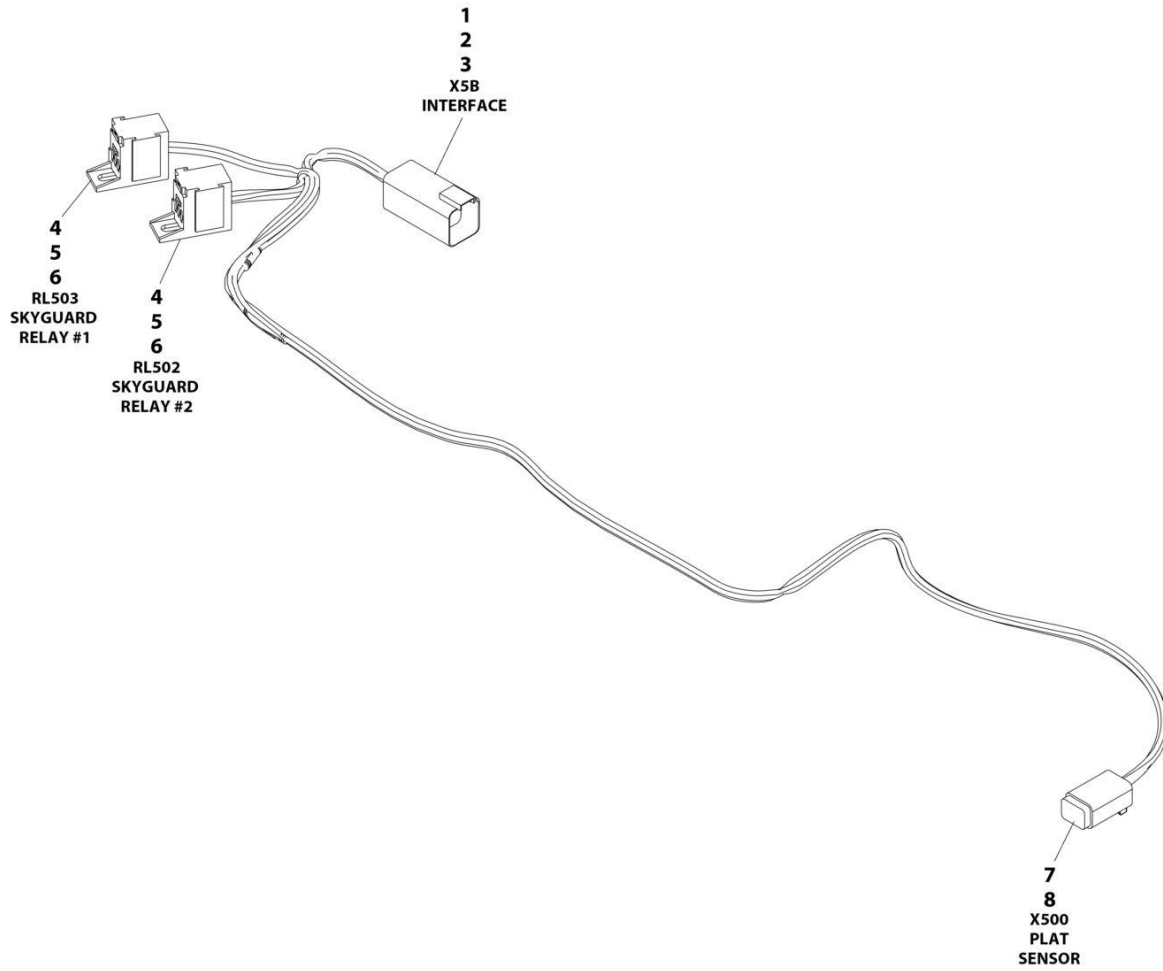
SECTION 8 - ELECTRICAL

FIGURE 8-64. SKYEYE EMITTER HARNESS

ITEM	PART NUMBER	QTY	DESCRIPTION	REV
	1001237864	Ref	SKYEYE EMITTER HARNESS	B
2	2820247	AR	Tubing, Heat Shrink	
3	4460910	1	Connector - 3 Position	
3	1001119620	3	Pin, Male	
6	1001227996	1	Grommet	
7	1001258495	1	Cable, M8 Female Cordset	

SECTION 8 - ELECTRICAL

FIGURE 8-65. SKYGUARD INTERFACE HARNESS



ART_1001225580

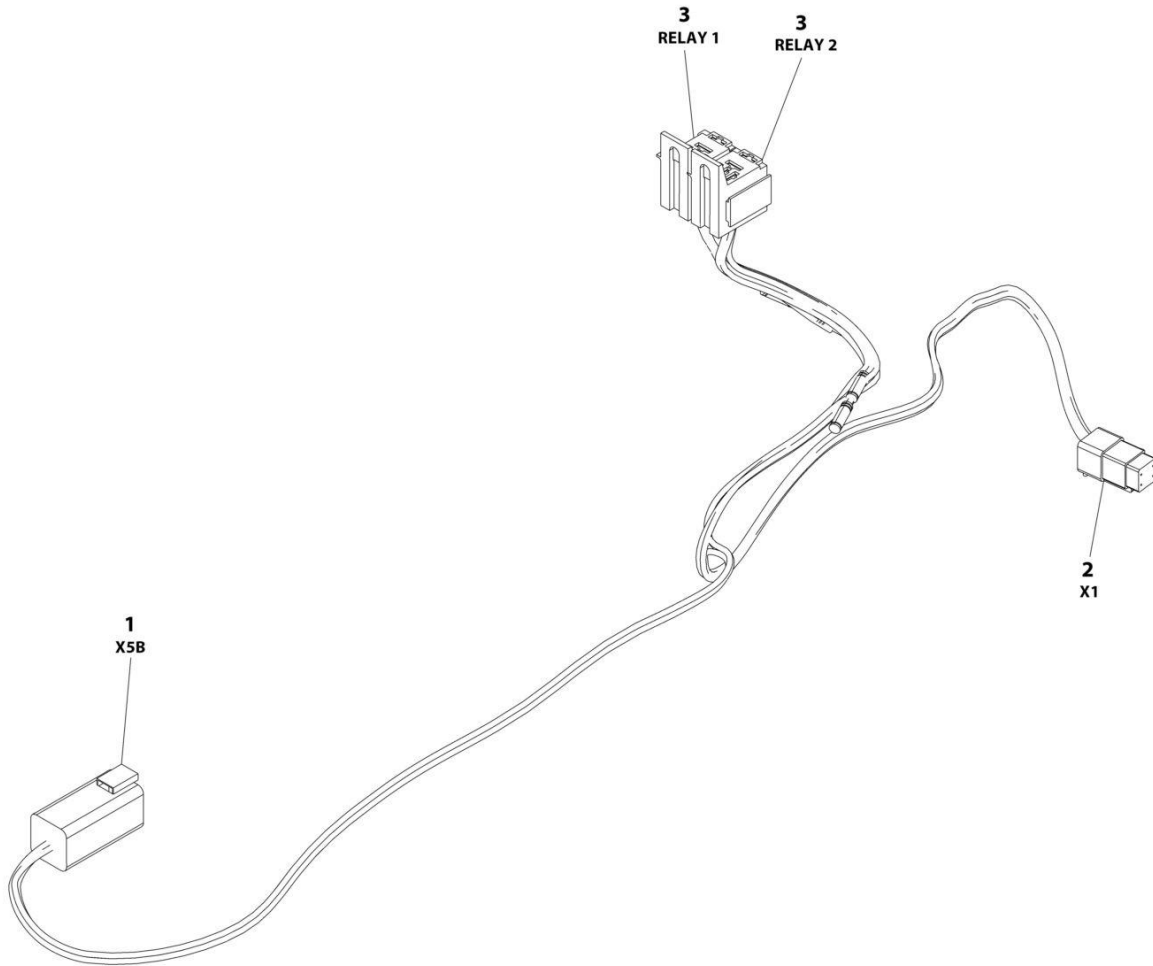
SECTION 8 - ELECTRICAL

FIGURE 8-65. SKYGUARD INTERFACE HARNESS

ITEM	PART NUMBER	QTY	DESCRIPTION	REV
	1001225580	Ref	INTERFACE HARNESS - WITH 1 CELL LSS	D
1	4460899	1	Connector	
2	4460464	4	Terminal	
3	4460466	2	Plug	
4	1001186432	2	Connector	
5	1001116720	4	Terminal	
6	1001118388	4	Terminal	
7	4460884	1	Connector	
8	4460465	4	Terminal	

SECTION 8 - ELECTRICAL

FIGURE 8-66. SKYLINE HARNESS



ART_1001238418

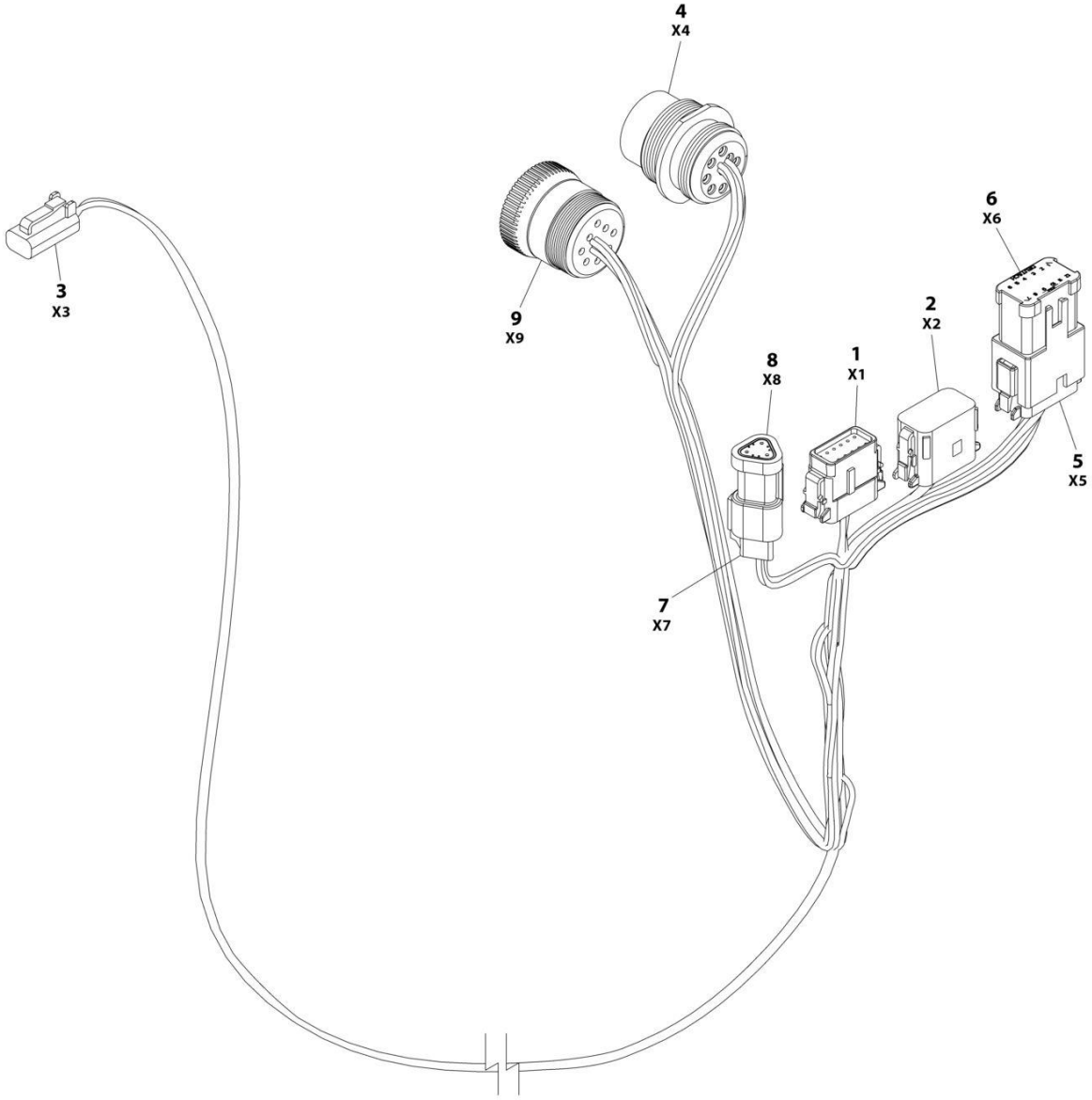
SECTION 8 - ELECTRICAL

FIGURE 8-66. SKYLINE HARNESS

ITEM	PART NUMBER	QTY	DESCRIPTION	REV
	1001238418	Ref	SKYLINE HARNESS	B
1	4460899	1	Connector - 6 Position	
1	4460464	4	Pin, Male	
1	4460466	2	Plug, Terminal	
2	4461077	1	Connector - 4 Position	
2	1001126009	4	Socket, Female	
3	1001186432	2	Plug, Relay	
3	1001118388	5	Terminal	
3	1001118384	3	Terminal	
3	3740086	2	Relay	

SECTION 8 - ELECTRICAL

FIGURE 8-67. STROBE LIGHT CONTROL HARNESS (BLUE & RED LIGHTS)



ART_1001142736

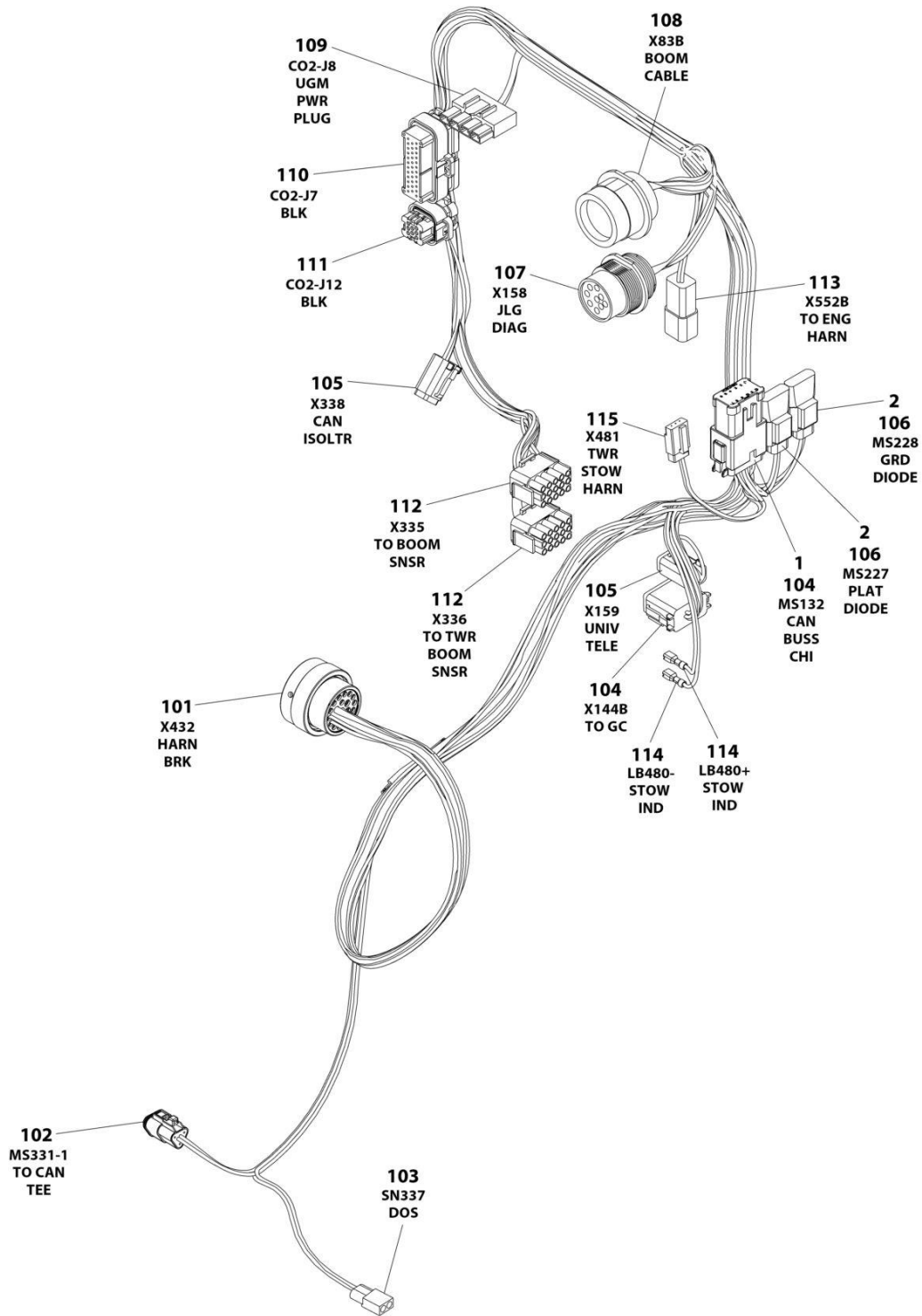
SECTION 8 - ELECTRICAL

FIGURE 8-67. STROBE LIGHT CONTROL HARNESS (BLUE & RED LIGHTS)

ITEM	PART NUMBER	QTY	DESCRIPTION	REV
	1001142736	Ref	STROBE LIGHT HARNESS	F
1	1001116808	1	Plug, Male - 12 Position	
1	4460928	3	Socket, Female	
1	4460518	9	Plug, Terminal	
2	1001116774	1	Plug, Male - 12 Position	
2	4460928	3	Socket, Female	
2	4460518	9	Plug, Terminal	
3	4460891	1	Plug, Male - 2 Position	
3	4460465	2	Socket, Female	
4	1001112612	1	Connector - 9 Position	
4	4460464	6	Pin, Male	
4	4460466	3	Plug, Terminal	
5	4460933	1	Plug, Male - 12 Position	
5	4460465	12	Socket, Female	
6	1001119020	1	Bussbar - 12 Position	
7	4461095	1	Plug, Male - 3 Position	
7	4460465	3	Socket, Female	
8	4461070	1	Bussbar - 3 Position	
9	1001112796	1	Connector - 9 Position	
9	4460465	6	Socket, Female	
9	4460466	3	Plug, Terminal	

SECTION 8 - ELECTRICAL

FIGURE 8-68. TURNTABLE HARNESS



ART_1001245028

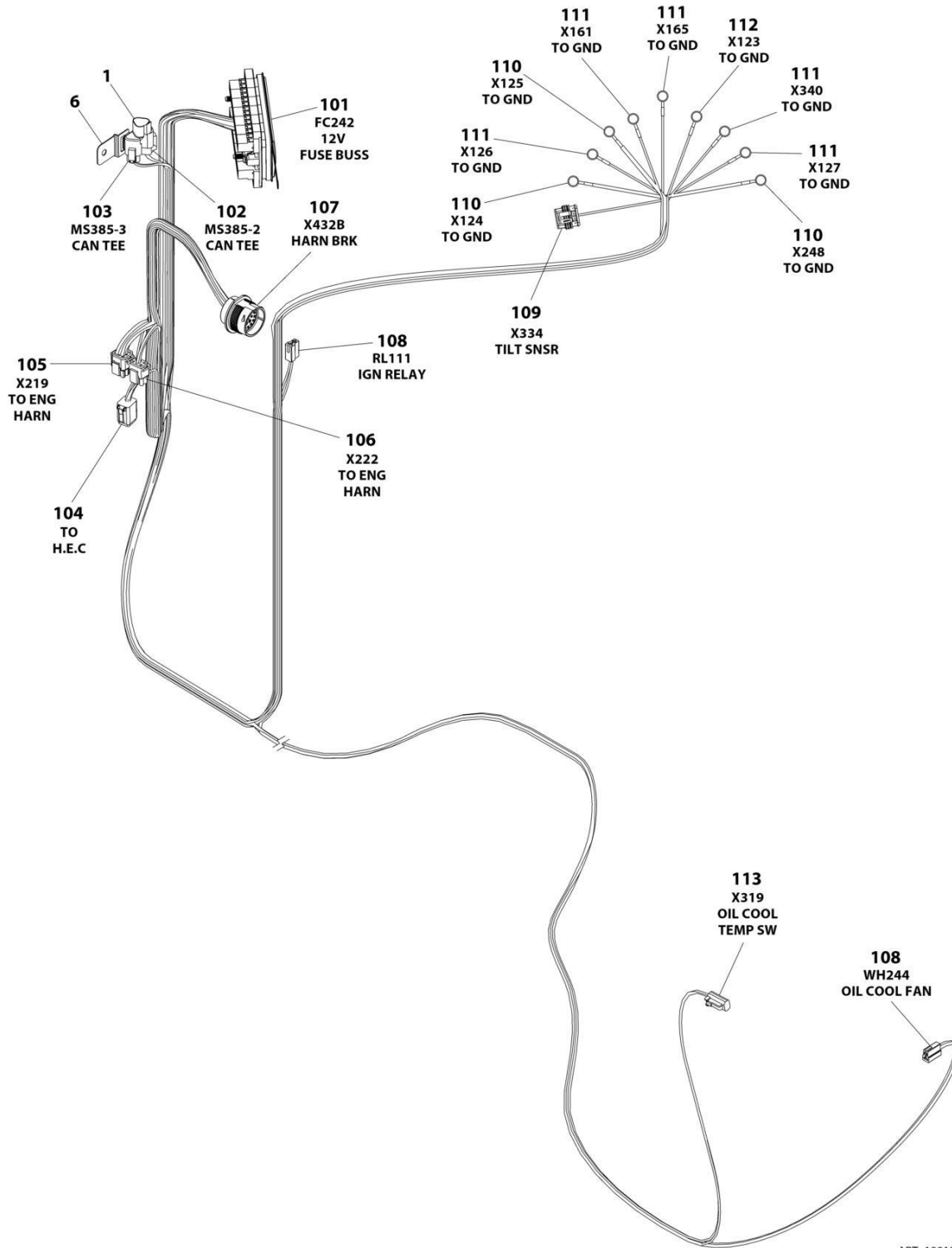
SECTION 8 - ELECTRICAL

FIGURE 8-68. TURNTABLE HARNESS

ITEM	PART NUMBER	QTY	DESCRIPTION	REV
	1001245028	Ref	TURNTABLE HARNESS	B
1	1001125677	1	Bussbar - 12 Position	
2	1001116816	2	Connector - 2 Position	
101	1001229233	1	Connector - 21 Position	
101	4460465	14	Socket, Female	
101	4460509	3	Socket, Female	
101	1001150611	1	Socket, Female	
101	4460466	3	Plug, Terminal	
102	1001116812	1	Plug, Male - 3 Position	
102	4460944	2	Socket, Female	
102	4460465	1	Socket, Female	
103	4460424	1	Plug, Male - 2 Position	
103	4460226	2	Socket, Female	
104	4460933	2	Plug, Male - 12 Position	
104	4460944	14	Socket, Female	
104	4460465	8	Socket, Female	
104	4460466	2	Plug, Terminal	
105	4460884	2	Plug, Male - 4 Position	
105	4460465	4	Socket, Female	
105	4460944	4	Socket, Female	
106	4460891	2	Plug, Male - 2 Position	
106	4460465	4	Socket, Female	
107	1001112612	1	Connector - 9 Position	
107	4460464	3	Pin, Male	
107	4460943	2	Pin, Male	
107	4460466	4	Plug, Terminal	
108	4460866	1	Connector - 19 Position	
108	4460464	5	Pin, Male	
108	4460943	2	Pin, Male	
108	4460508	4	Pin, Male	
108	4460466	8	Plug, Terminal	
109	4460878	1	Receptacle, Female - 4 Position	
109	4460887	2	Terminal	
110	4460873	1	Connector - 35 Position	
110	4460871	25	Socket, Female	
110	4460905	10	Plug, Terminal	
111	1001113961	1	Plug, Male - 8 Position	
111	4460871	4	Socket, Female	
111	4460905	4	Plug, Terminal	
112	4460434	2	Plug, Male - 15 Position	
112	4460227	24	Pin, Male	
112	4460267	2	Pin, Male	
113	4460932	1	Recepracle, Female - 4 Position	
113	4460464	3	Pin, Male	
113	4460466	1	Plug, Terminal	
114	1001201885	2	Terminal	
115	4460911	1	Plug, Male - 3 Position	
115	1001116694	2	Socket, Female	
115	4460518	1	Plug, Terminal	

SECTION 8 - ELECTRICAL

FIGURE 8-69. TURNTABLE/FUSE PANEL HARNESS



ART_1001230522

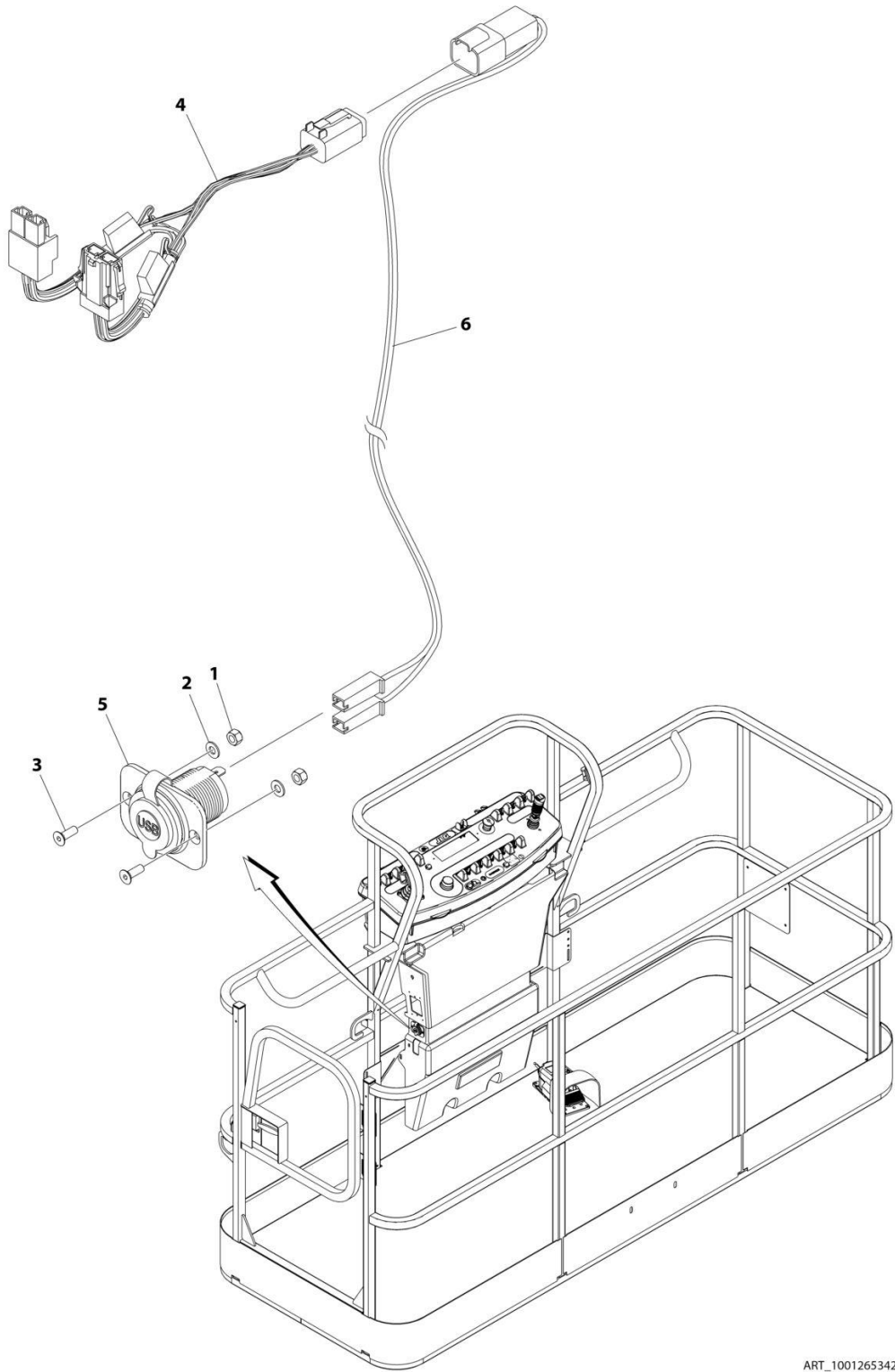
SECTION 8 - ELECTRICAL

FIGURE 8-69. TURNTABLE/FUSE PANEL HARNESS

ITEM	PART NUMBER	QTY	DESCRIPTION	REV
	1001230522	Ref	TURNTABLE/FUSE PANEL HARNESS	C
1	4460945	1	Receptacle, 3 Way	
6	1001153749	1	Mount, Connector	
101	1001225219	1	Connector - 28 Position	
101	1001189572	9	Terminal	
101	1001189571	3	Terminal	
101	1001189570	10	Terminal	
102	4460539	1	Plug, Male - 3 Position	
102	4460944	2	Socket, Female	
102	4460466	1	Plug, Terminal	
103	1001116812	1	Plug, Male - 3 Position	
103	4460944	2	Socket, Female	
103	4460466	1	Plug, Terminal	
104	4460894	1	Plug, Male - 6 Position	
104	4460465	5	Socket, Female	
104	4460466	1	Plug, Terminal	
105	4460265	1	Plug, Male - 9 Position	
105	4460906	8	Socket, Female	
106	4460225	1	Plug, Male - 6 Position	
106	4460268	4	Socket, Female	
107	1001229232	1	Connector - 21 Position	
107	4460464	14	Pin, Male	
107	4460508	4	Pin, Male	
107	4460466	3	Plug, Terminal	
108	4460994	2	Housing, Terminal	
108	1001116720	2	Terminal	
108	1001116716	2	Terminal	
109	1001103012	1	Plug, Male - 4 Position	
109	1001107854	4	Terminal	
109	1001104498	4	Seal	
110	4460019	3	Terminal, Ring	
111	4460722	5	Terminal, Ring	
112	1001225219	1	Terminal, Ring	
113	4460891	1	Plug, Male - 2 Position	
113	4460465	2	Socket, Female	

SECTION 8 - ELECTRICAL

FIGURE 8-70. USB RECEPTACLE INSTALLATION



ART_1001265342

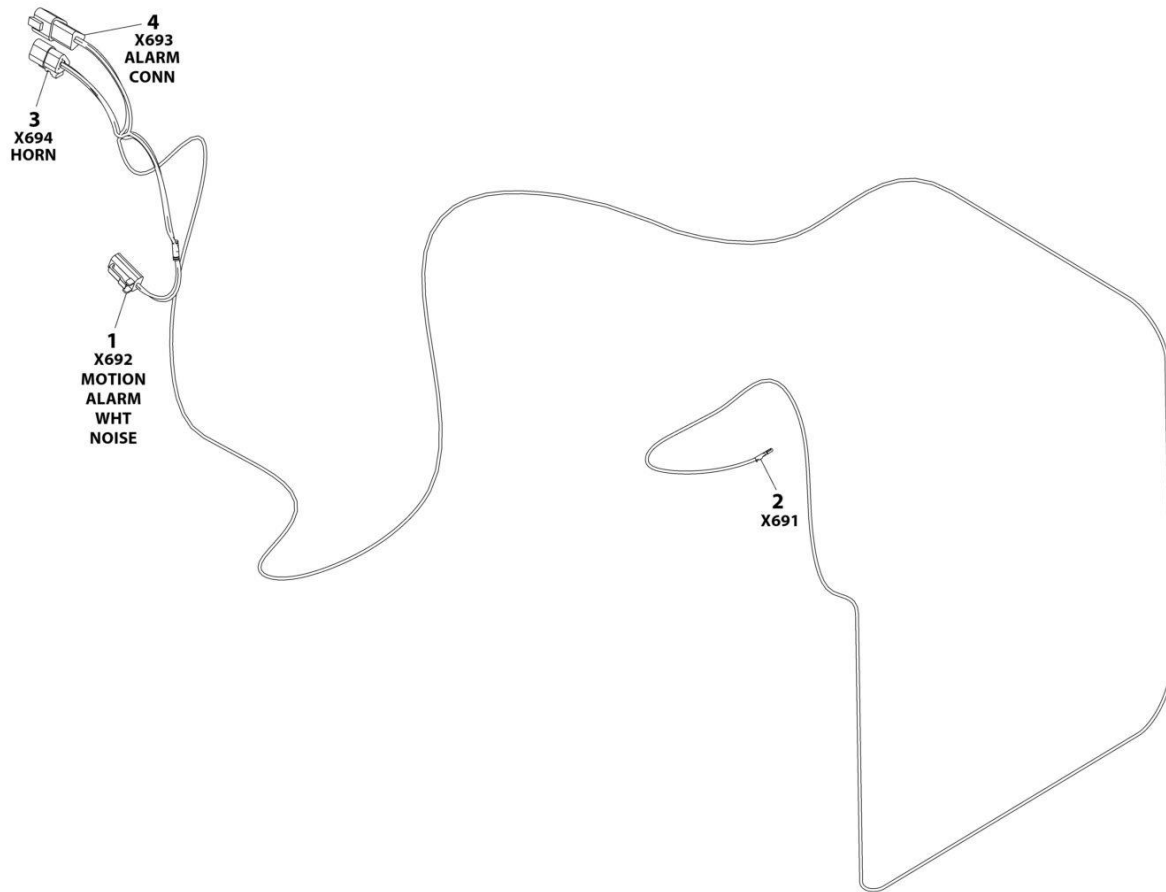
SECTION 8 - ELECTRICAL

FIGURE 8-70. USB RECEPTACLE INSTALLATION

ITEM	PART NUMBER	QTY	DESCRIPTION	REV
	1001265342	Ref	USB CHARGER INSTALLATION	A
1	3290405	2	Nut M4	
2	4811400	2	Washer M4	
3	1001097244	2	Screw M4 x 12	
4	1001120484	1	Harness, Work Lights	
4	4460879	1	Plug, Male - 2 Position	
4	4460887	2	Terminal	
4	2400060	2	Fuseholder Includes Cover	
4	8229249	2	Fuse, 3 Amp	
4	4460884	1	Connector - 4 Position	
4	4460465	4	Socket, Female	
4	1001120471	1	Connector - 2 Position	
4	1001120477	2	Terminal	
5	1001210636	1	Receptacle, USB	
6	1001265163	1	Harness, USB	A
6	4460260	2	Cover, Terminal	
6	4460259	2	Terminal	
6	4460932	1	Receptacle, Bussbar - 4 Position	
6	4460464	2	Pin, Male	
6	4460466	2	Plug, Terminal	

SECTION 8 - ELECTRICAL

FIGURE 8-71. WHITE NOISE ALARM HARNESS



ART_1001243682

SECTION 8 - ELECTRICAL

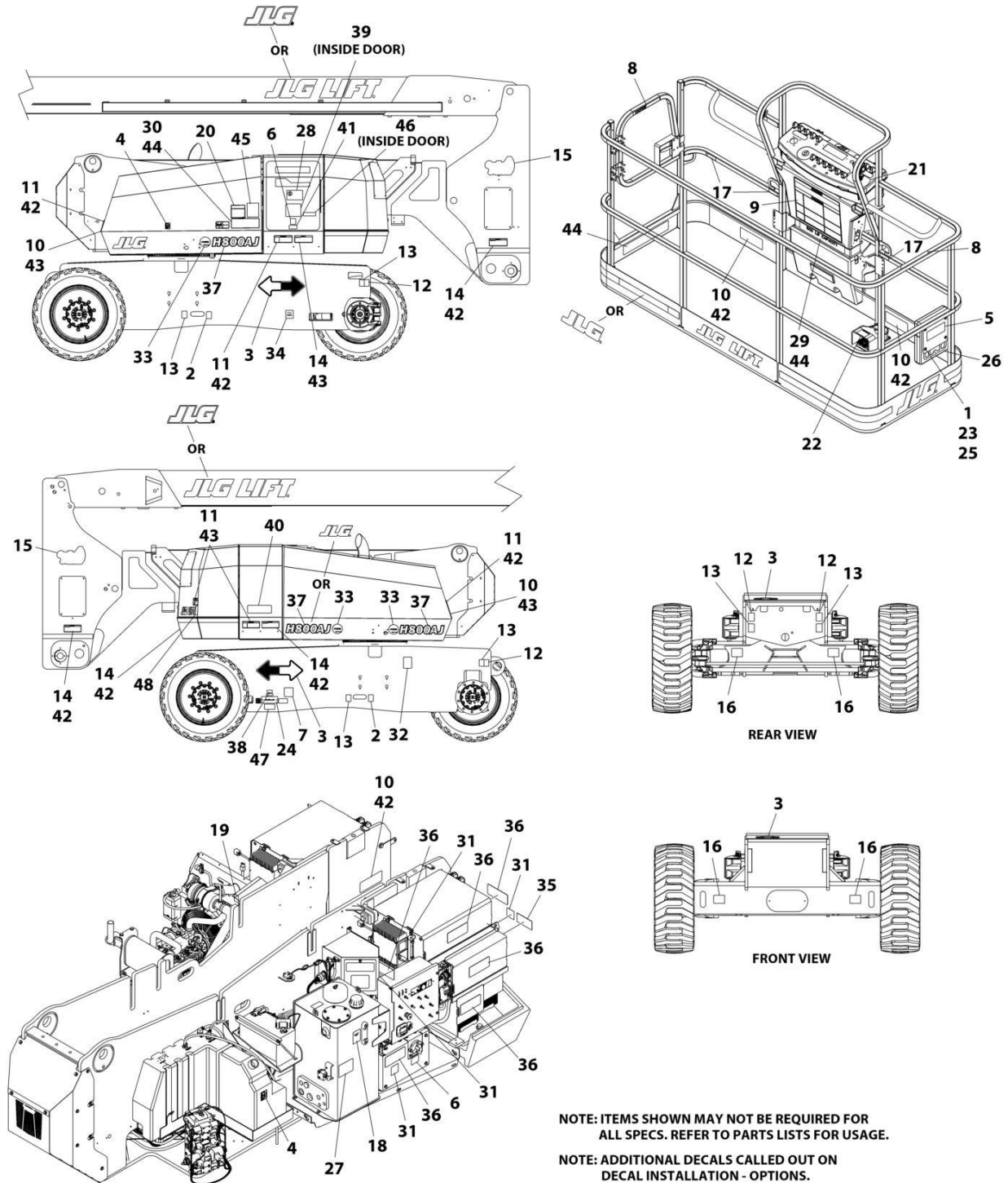
FIGURE 8-71. WHITE NOISE ALARM HARNESS

ITEM	PART NUMBER	QTY	DESCRIPTION	REV
	1001243682	Ref	WHITE NOISE ALARM HARNESS	A
1	4460891	1	Plug, Male - 2 Position	
1	4460465	2	Socket, Female	
2	4460871	1	Terminal	
3	4460539	1	Plug, Male- 3 Position	
3	4460465	3	Socket, Female	
4	4460536	1	Receptacle, Female- 3 Position	
4	4460464	3	Pin, Male	

SECTION 9 - DECALS

SECTION 9 - DECALS

FIGURE 9-1. DECAL INSTALLATION - ANSI SPECS (ENGLISH LANGUAGE)



NOTE: ITEMS SHOWN MAY NOT BE REQUIRED FOR ALL SPECS. REFER TO PARTS LISTS FOR USAGE.
 NOTE: ADDITIONAL DECALS CALLED OUT ON DECAL INSTALLATION - OPTIONS.

ART_1001249006

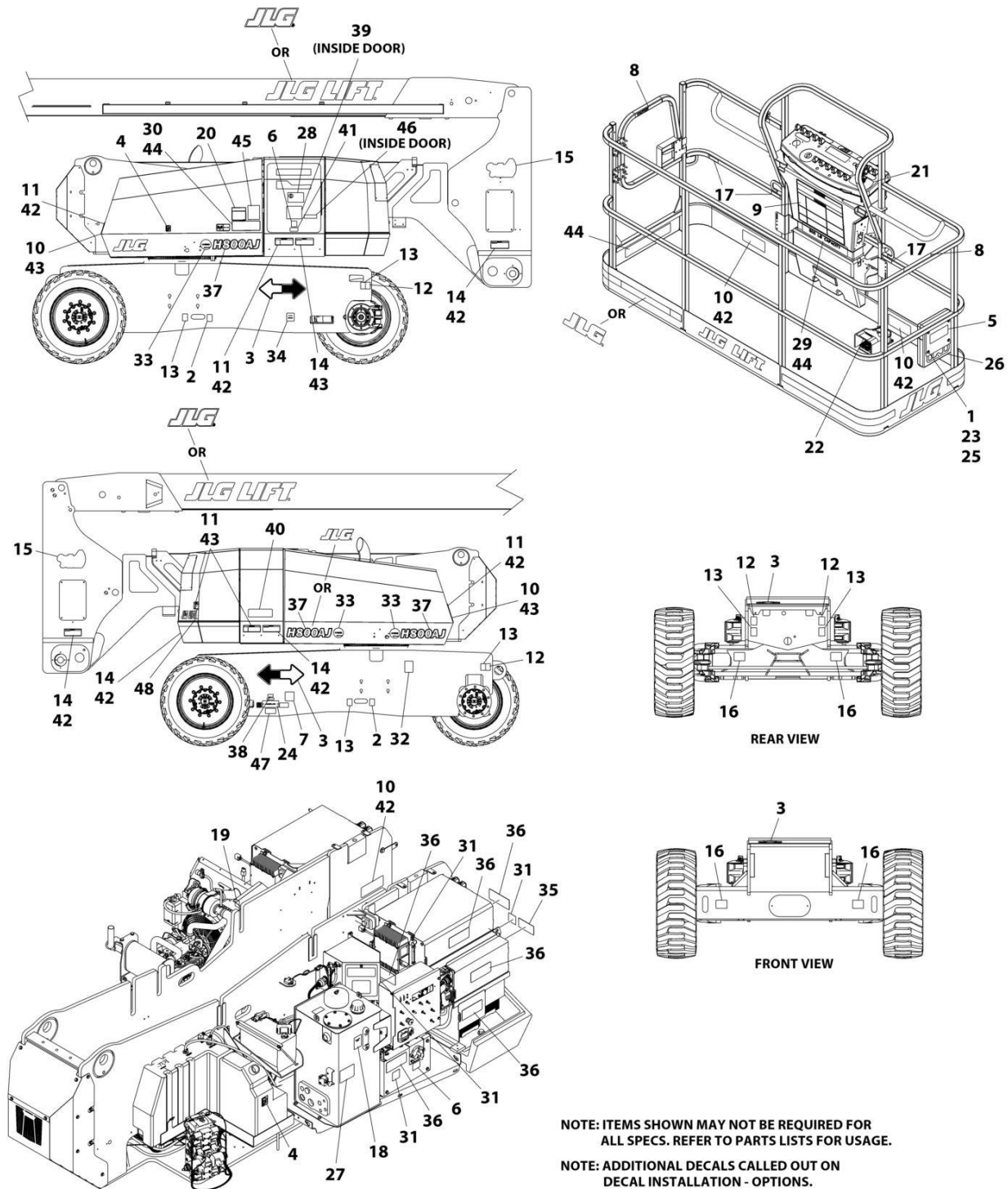
SECTION 9 - DECALS

FIGURE 9-1. DECAL INSTALLATION - ANSI SPECS (ENGLISH LANGUAGE)

ITEM	PART NUMBER	QTY	DESCRIPTION	REV
	1001249006	Ref	DECAL INSTALLATION - ANSI	D
	1001249013	Ref	DECAL INSTALLATION - REFERENCE CHART	C
1	0641406	4	Bolt 1/4 x 3/4	
2	1701499	2	Decal - No Tie Down/Lift	
3	1701501	4	Decal - Arrow	
4	1701505	2	Decal - Diesel Fuel	
5	1701509	1	Decal - Manual	
6	1702155	2	Decal - Battery Disconnect	
7	See Note	NSS	Decal - Bar Code (Note: Not Available for Purchase)	
8	1702868	2	Decal - No Hands	
9	1703797	1	Decal - Danger/Warning	
10	1703804	6	Decal - Warning/Crushing	
11	1703805	5	Decal - Electrocution	
12	1703811	4	Decal - Lifting Lug	
13	1703814	6	Decal - Tie Down	
14	1703953	5	Decal - Warning/Crushing	
15	1703959	2	Decal - Quik Stik	
16	1703960	4	Decal - Maximum Tire Load	
17	1704277	3	Decal - Lanyard Attach	
18	1704412	1	Decal - Hydraulic Oil	
19	1704972	1	Decal - Glow Plugs	
20	1705336	1	Decal - Danger/Warning	
21	1705351	1	Decal - Drive/Steer Instructions	
22	3252347	1	Nameplate - Footswitch	
23	3311405	4	Nut 1/4	
24	3820001	2	Rivet	
25	4751400	8	Washer 1/4	
26	91403230	1	Box, Manual Storage	
27	1001096141	1	Decal - Upright Level Override	
28	1001117307	1	Decal - Emergency Stop	
29	1001253920	1	Decal - Warning Single Cap	
30	1001253921	1	Decal - Warning Single Cap	
31	1001125483	6	Decal - Pressure Wash	
32	1001131269	1	Decal - Patent	
33	1001174449	2	Decal - Hybrid	
34	1001223055	1	Decal - Yearly Inspection	
35	1001223554	2	Decal - Warning Tip Over Hazard	
36	1001223556	9	Decal - Electric Shock Hazard	
37	1001267328	2	Decal - H800AJ	
38	1001228370	1	Decal - ICES	
39	1001228411	1	Decal - LED Indicator	
40	1001284688	1	Decal - Lifting Diagram	
41	1001233785	1	Decal - Charger Plug	

SECTION 9 - DECALS

FIGURE 9-2. DECAL INSTALLATION - AUSTRALIAN SPECS (ENGLISH LANGUAGE)



NOTE: ITEMS SHOWN MAY NOT BE REQUIRED FOR ALL SPECS. REFER TO PARTS LISTS FOR USAGE.
 NOTE: ADDITIONAL DECALS CALLED OUT ON DECAL INSTALLATION - OPTIONS.

ART_1001249548

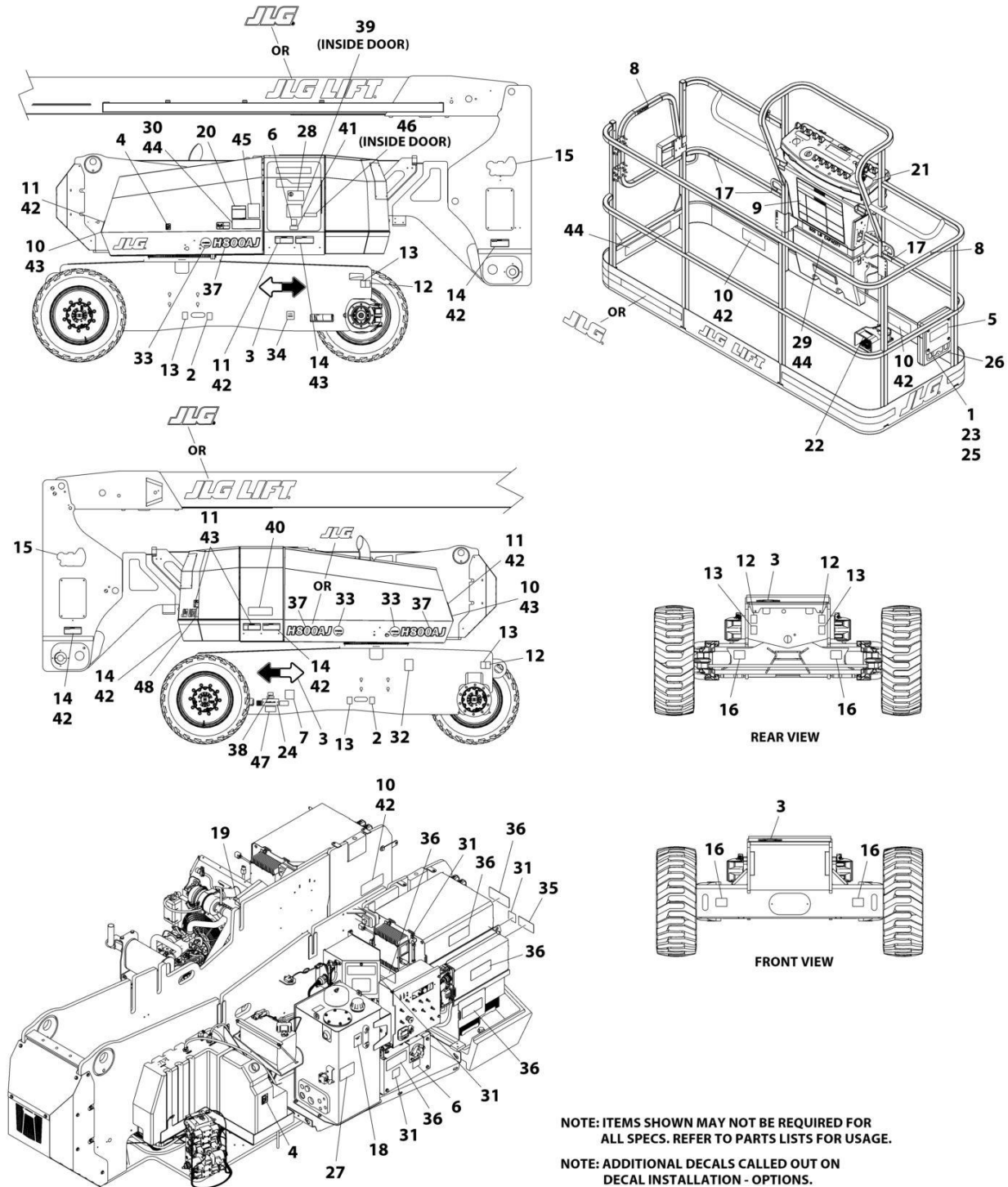
SECTION 9 - DECALS

FIGURE 9-2. DECAL INSTALLATION - AUSTRALIAN SPECS (ENGLISH LANGUAGE)

ITEM	PART NUMBER	QTY	DESCRIPTION	REV
	1001249548	Ref	DECAL INSTALLATION - AUSTRALIAN	C
	1001249013	Ref	DECAL INSTALLATION - REFERENCE CHART	C
1	0641406	4	Bolt 1/4 x 3/4	
2	1701499	2	Decal - No Tie Down/Lift	
3	1701501	4	Decal - Arrow	
4	1701505	2	Decal - Diesel Fuel	
5	1701509	1	Decal - Manual	
6	1702155	2	Decal - Battery Disconnect	
7	See Note	NSS	Decal - Bar Code (Note: Not Available for Purchase)	
9	1705921	1	Decal - Tipping/Electrocution	
12	1703811	4	Decal - Lifting Lug	
13	1703814	6	Decal - Tie Down	
15	1703959	2	Decal - Quik Stik	
16	1703960	4	Decal - Maximum Tire Load	
17	1704277	3	Decal - Lanyard Attach	
18	1704412	1	Decal - Hydraulic Oil	
19	1706098	1	Decal - Warning Ether Start	
20	1705822	1	Decal - Electrical/Safety Manual	
22	1705828	1	Nameplate - Footswitch	
23	3311405	4	Nut 1/4	
24	3820001	2	Rivet	
25	4751400	8	Washer 1/4	
26	91403230	1	Box, Manual Storage	
27	1705977	1	Decal - Upright Level Override	
28	1001117307	1	Decal - Emergency Stop	
31	1001125483	6	Decal - Pressure Wash	
33	1001174449	2	Decal - Hybrid	
35	1001223560	2	Decal - Tip Over Hazard	
36	1001223561	9	Decal - Shock Hazard	
37	1001267328	2	Decal - H800AJ	
39	1001228411	1	Decal - LED Indicator	
40	1001284688	1	Decal - Lifting Diagram	
41	1001233785	1	Decal - Charger Plug	
42	1701518	11	Decal - Crushing	
43	1705961	5	Decal - Electrocution	
44	1705978	3	Decal - 230KG Capacity	
45	1001112551	1	Decal - Emergency Controls	
47	1001232893	1	Decal - Wheel Assembly Mass	
48	1001237844	1	Decal - Sound Power Level	

SECTION 9 - DECALS

FIGURE 9-3. DECAL INSTALLATION - BRAZIL SPECS (ENGLISH/PORTUGUESE LANGUAGES)



NOTE: ITEMS SHOWN MAY NOT BE REQUIRED FOR ALL SPECS. REFER TO PARTS LISTS FOR USAGE.
 NOTE: ADDITIONAL DECALS CALLED OUT ON DECAL INSTALLATION - OPTIONS.

ART_1001249012

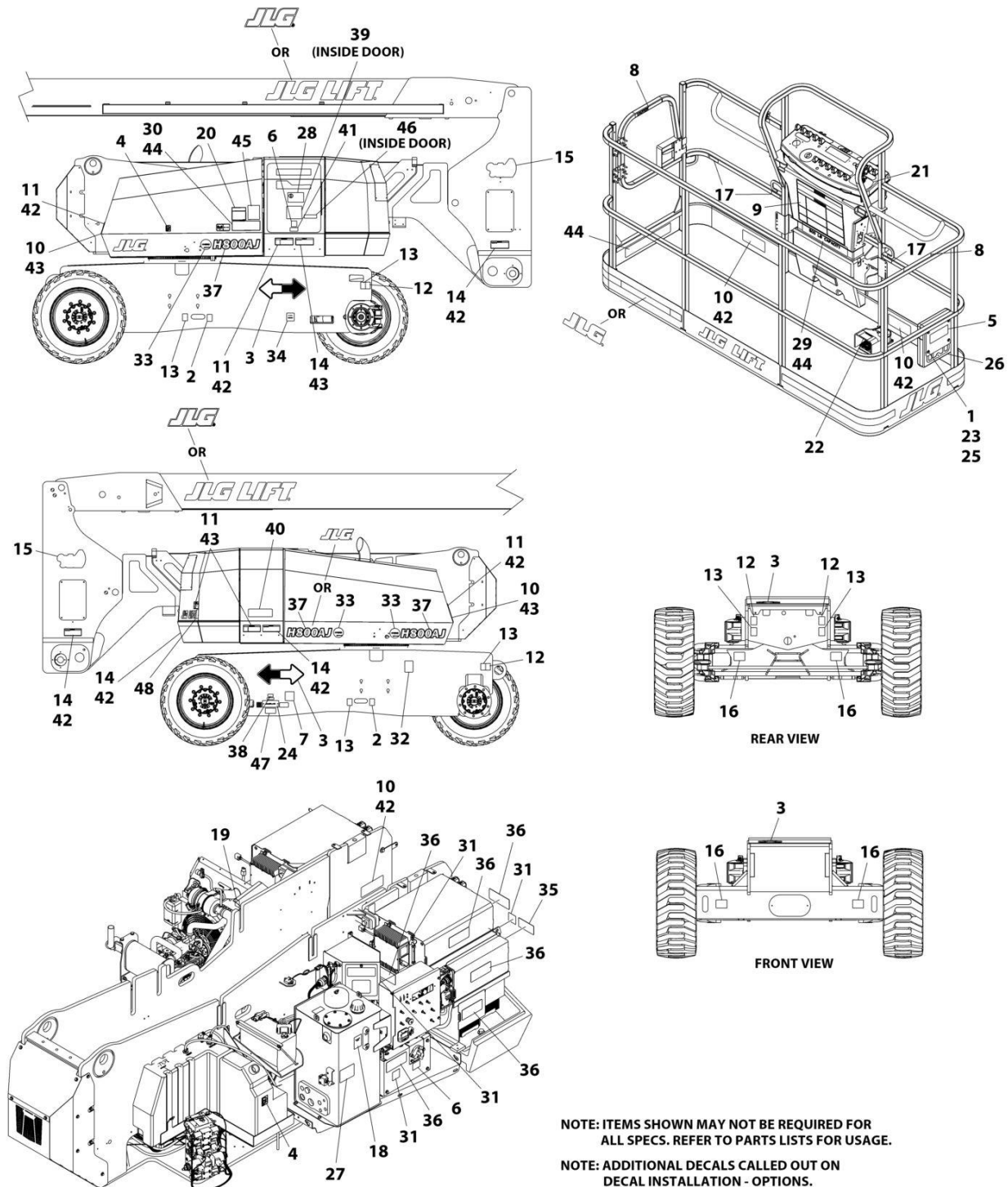
SECTION 9 - DECALS

FIGURE 9-3. DECAL INSTALLATION - BRAZIL SPECS (ENGLISH/PORTUGUESE LANGUAGES)

ITEM	PART NUMBER	QTY	DESCRIPTION	REV
	1001249012	Ref	DECAL INSTALLATION - BRAZIL	E
	1001249013	Ref	DECAL INSTALLATION - REFERENCE CHART	C
1	0641406	4	Bolt 1/4 X 3/4	
2	1701499	2	Decal - No Tie Down/Lift	
3	1701501	4	Decal - Arrow	
4	1701505	2	Decal - Diesel Fuel	
5	1701509	1	Decal - Manual	
6	1702155	2	Decal - Battery Disconnect	
7	See Note	NSS	Decal - Bar Code (Note: Not Available For Purchase)	
8	1705967	2	Decal - No Hands	
9	1705895	1	Decal - Danger/Warning	
10	1705898	6	Decal - Crushing	
11	1705897	5	Decal - Danger Electrocution	
12	1703811	4	Decal - Lifting Lug	
13	1703814	6	Decal - Tie Down	
14	1705903	5	Decal - Warning/Crushing	
15	1703959	2	Decal - Quik Stik	
16	1703960	4	Decal - Maximum Tire Load	
17	1704277	3	Decal - Lanyard Attach	
18	1704412	1	Decal - Hydraulic Oil	
19	1706059	1	Decal - Warning Explosion	
20	1705896	1	Decal - Warning Inspection	
21	1705905	1	Decal - Drive/Steer Instructions	
22	1705902	1	Decal - Footswitch	
23	3311405	4	Nut 1/4	
24	3820001	2	Rivet	
25	4751400	8	Washer 1/4	
26	91403230	1	Box, Manual Storage	
27	1705977	1	Decal - Upright Level Override	
28	1001117307	1	Decal - Emergency Stop	
29	1001253936	1	Decal - Warning Single Cap	
30	1001253937	1	Decal - Warning Single Cap	
31	1001125483	6	Decal - Pressure Wash	
33	1001174449	2	Decal - Hybrid	
34	1001224052	1	Decal - Yearly Inspection	
34	1001267885	1	Decal - Yearly Inspection	
35	1001233066	2	Decal - Tipping Hazard	
36	1001233011	9	Decal - Electrical Shock Hazard	
37	1001267328	2	Decal - H800AJ	
39	1001228411	1	Decal - LED Indicator	
40	1001284688	1	Decal - Lifting Diagram	
41	1001233785	1	Decal - Charger Plug	

SECTION 9 - DECALS

FIGURE 9-4. DECAL INSTALLATION - CE & UK CA SPECS (ENGLISH LANGUAGE)



NOTE: ITEMS SHOWN MAY NOT BE REQUIRED FOR ALL SPECS. REFER TO PARTS LISTS FOR USAGE.
 NOTE: ADDITIONAL DECALS CALLED OUT ON DECAL INSTALLATION - OPTIONS.

ART_1001249549

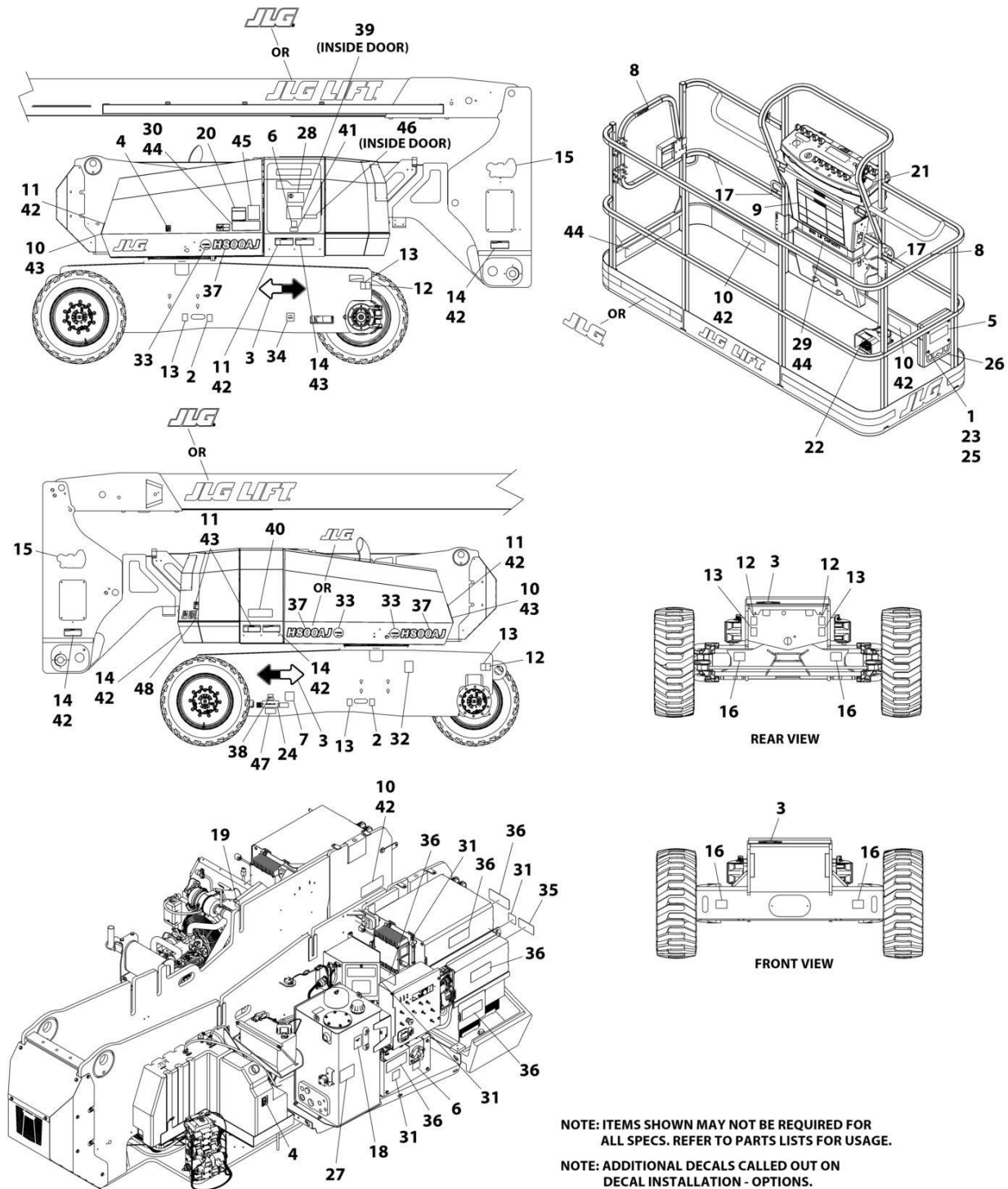
SECTION 9 - DECALS

FIGURE 9-4. DECAL INSTALLATION - CE & UK CA SPECS (ENGLISH LANGUAGE)

ITEM	PART NUMBER	QTY	DESCRIPTION	REV
	1001249549	Ref	DECAL INSTALLATION - CE & UK CA	C
	1001249013	Ref	DECAL INSTALLATION - REFERENCE CHART	C
1	0641406	4	Bolt 1/4 x 3/4	
2	1701499	2	Decal - No Tie Down/Lift	
3	1701501	4	Decal - Arrow	
4	1701505	2	Decal - Diesel Fuel	
5	1701509	1	Decal - Manual	
6	1702155	2	Decal - Battery Disconnect	
7	See Note	NSS	Decal - Bar Code (Note: Not Available for Purchase)	
9	1705921	1	Decal - Tipping/Electrocution	
12	1703811	4	Decal - Lifting Lug	
13	1703814	6	Decal - Tie Down	
15	1703959	2	Decal - Quik Stik	
16	1703960	4	Decal - Maximum Tire Load	
17	1704277	3	Decal - Lanyard Attach	
18	1704412	1	Decal - Hydraulic Oil	
19	1706098	1	Decal - Warning Ether Start	
20	1705822	1	Decal - Electrical/Safety Manual	
22	1705828	1	Nameplate - Footswitch	
23	3311405	4	Nut 1/4	
24	3820001	2	Rivet	
25	4751400	8	Washer 1/4	
26	91403230	1	Box, Manual Storage	
27	1705977	1	Decal - Upright Level Override	
28	1001117307	1	Decal - Emergency Stop	
31	1001125483	6	Decal - Pressure Wash	
33	1001174449	2	Decal - Hybrid	
35	1001223560	2	Decal - Tip Over Hazard	
36	1001223561	9	Decal - Shock Hazard	
37	1001267328	2	Decal - H800AJ	
39	1001228411	1	Decal - LED Indicator	
40	1001284688	1	Decal - Lifting Diagram	
41	1001233785	1	Decal - Charger Plug	
42	1701518	11	Decal - Crushing	
43	1705961	5	Decal - Electrocution	
44	1705978	2	Decal - 230KG Capacity	
46	1001189882	1	Decal - MSSO Operation	
48	1001237844	1	Decal - Sound Power Level	

SECTION 9 - DECALS

FIGURE 9-5. DECAL INSTALLATION - CHINA SPECS (ENGLISH/CHINESE LANGUAGES)



NOTE: ITEMS SHOWN MAY NOT BE REQUIRED FOR ALL SPECS. REFER TO PARTS LISTS FOR USAGE.
 NOTE: ADDITIONAL DECALS CALLED OUT ON DECAL INSTALLATION - OPTIONS.

ART_1001249010

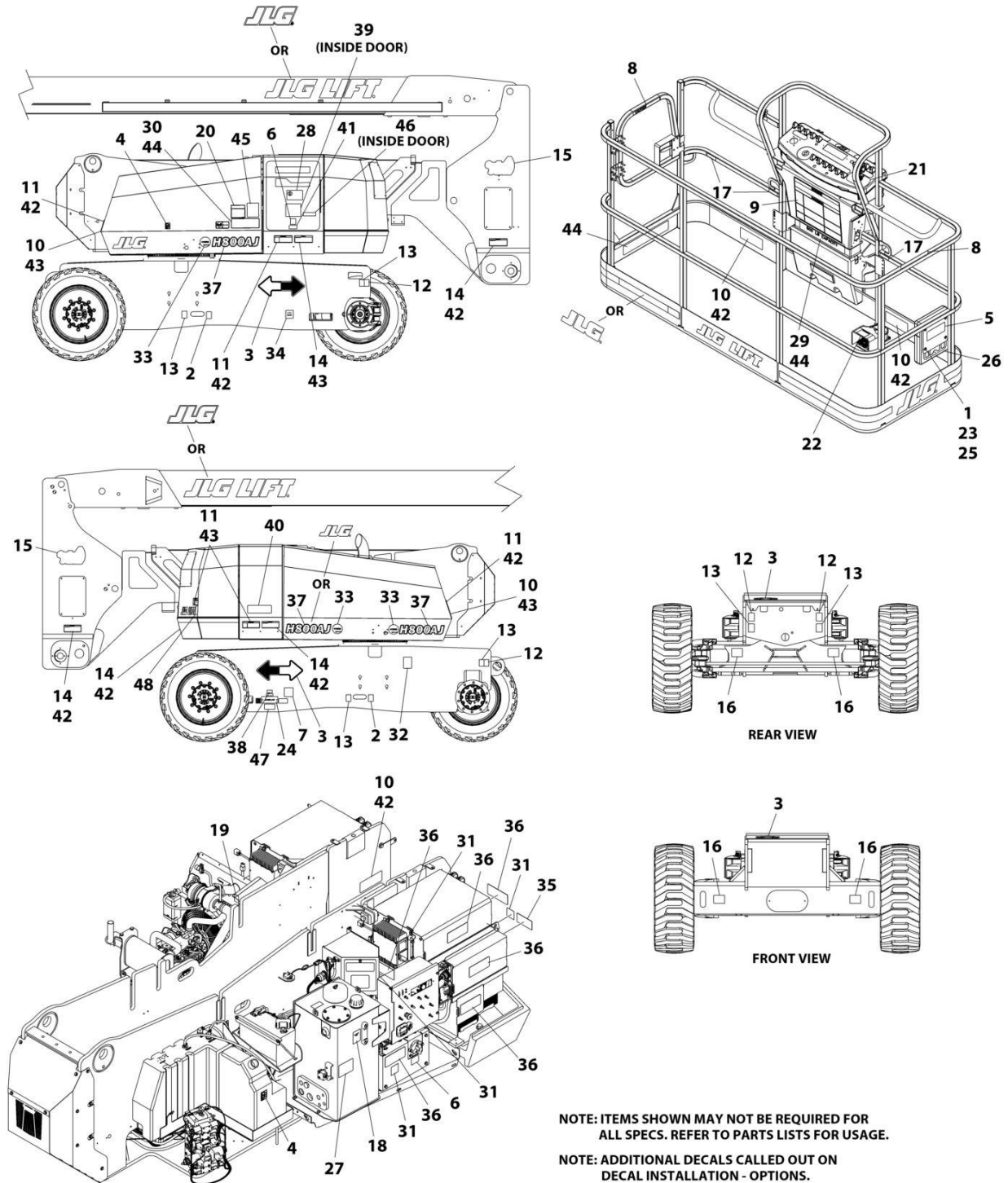
SECTION 9 - DECALS

FIGURE 9-5. DECAL INSTALLATION - CHINA SPECS (ENGLISH/CHINESE LANGUAGES)

ITEM	PART NUMBER	QTY	DESCRIPTION	REV
	1001249010	Ref	DECAL INSTALLATION - CHINA SPECS	D
	1001249013	Ref	DECAL INSTALLATION - REFERENCE CHART	C
1	0641406	4	Bolt 1/4 X 3/4	
2	1701499	2	Decal - No Tie Down/Lift	
3	1701501	4	Decal - Arrow	
4	1701505	2	Decal - Diesel Fuel	
5	1701509	1	Decal - Manual	
6	1702155	2	Decal - Battery Disconnect	
7	See Note	NSS	Decal - Bar Code (Note: Not Available for Purchase)	
8	1001116846	2	Decal - Caution No Hands	
9	1703925	1	Decal - Warning/Danger	
10	1703949	6	Decal - Crushing	
11	1001116851	5	Decal - Electrocution	
12	1703811	4	Decal - Lifting Lug	
13	1703814	6	Decal - Tie Down	
14	1703943	5	Decal - Warning/Crushing	
15	1703959	2	Decal - Quik Stik	
16	1703960	4	Decal - Maximum Tire Load	
17	1704277	3	Decal - Lanyard Attach	
18	1704412	1	Decal - Hydraulic Oil	
19	1706060	1	Decal - Warning Fire Hazard	
20	1001116849	1	Decal - Warning Inspection	
21	1705430	1	Decal - Drive Steer Instructions	
22	1703982	1	Decal - Footswitch	
23	3311405	4	Nut 1/4	
24	3820001	2	Rivet	
25	4751400	8	Washer 1/4	
26	91403230	1	Box, Manual Storage	
27	1705977	1	Decal - Upright Level Override	
28	1001117307	1	Decal - Emergency Stop	
29	1001253926	1	Decal - Warning Single Cap	
30	1001253927	1	Decal - Warning Single Cap	
31	1001125483	6	Decal - Pressure Wash	
33	1001174449	2	Decal - Hybrid	
34	1001224050	1	Decal - Yearly Inspection	
35	1001233065	2	Decal - Tipping Hazard	
36	1001233010	9	Decal - Electrical Shock Hazard	
37	1001267328	2	Decal - H800AJ	
39	1001228411	1	Decal - LED Indicator	
40	1001284688	1	Decal - Lifting Diagram	
41	1001233785	1	Decal - Charger Plug	

SECTION 9 - DECALS

FIGURE 9-6. DECAL INSTALLATION - CSA SPECS (ENGLISH/FRENCH LANGUAGES)



NOTE: ITEMS SHOWN MAY NOT BE REQUIRED FOR ALL SPECS. REFER TO PARTS LISTS FOR USAGE.
 NOTE: ADDITIONAL DECALS CALLED OUT ON DECAL INSTALLATION - OPTIONS.

ART_1001249009

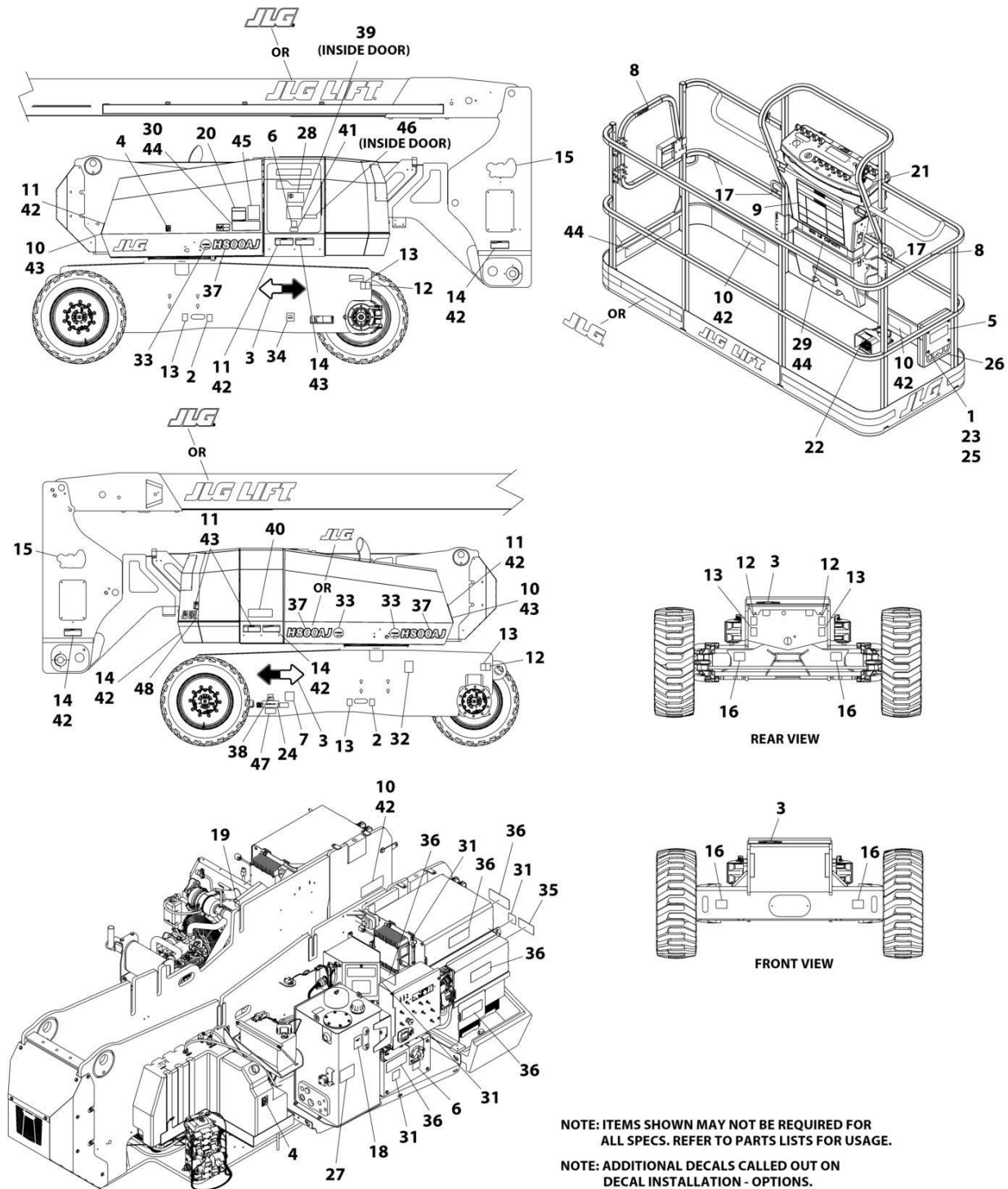
SECTION 9 - DECALS

FIGURE 9-6. DECAL INSTALLATION - CSA SPECS (ENGLISH/FRENCH LANGUAGES)

ITEM	PART NUMBER	QTY	DESCRIPTION	REV
	1001249009	Ref	DECAL INSTALLATION - CSA	D
	1001249013	Ref	DECAL INSTALLATION - REFERENCE CHART	C
1	0641406	4	Bolt, 1/4 x 3/4	
2	1701499	2	Decal - No Tie Down/Lift	
3	1701501	4	Decal - Arrow	
4	1701505	2	Decal - Diesel Fuel	
5	1701509	1	Decal - Manual	
6	1702155	2	Decal - Battery Disconnect	
7	See Note	NSS	Decal - Bar Code (Note: Not Available for Purchase)	
8	1704000	2	Decal - No Hands	
9	1703924	1	Decal - Warning/Danger	
10	1703948	6	Decal - Warning/Crushing	
11	1703936	5	Decal - Electrocution	
12	1703811	4	Decal - Lifting Lug	
13	1703814	6	Decal - Tie Down	
14	1703942	5	Decal - Crushing	
15	1703959	2	Decal - Quik Stik	
16	1703960	4	Decal - Maximum Tire Load	
17	1704277	3	Decal - Lanyard Attach	
18	1704412	1	Decal - Hydraulic Oil	
19	1706064	1	Decal - Warning Fire Hazard	
20	1705347	1	Decal - Warning Inspection	
21	1705429	1	Decal - Drive/Steer Instructions	
22	1703984	1	Decal - Footswitch	
23	3311405	4	Nut 1/4	
24	3820001	2	Rivet	
25	4751400	8	Washer 1/4	
26	91403230	1	Box, Manual Storage	
27	1705977	1	Decal - Upright Level Override	
28	1001117307	1	Decal - Emergency Stop	
29	1001253922	1	Decal - Warning Single Cap	
30	1001253923	1	Decal - Warning Single Cap	
31	1001125483	6	Decal - Pressure Wash	
32	1001131269	1	Decal - Patent	
33	1001174449	2	Decal - Hybrid	
34	1001223971	1	Decal - Yearly Inspection	
35	1001233063	2	Decal - Tipping Hazard	
36	1001233008	9	Decal - Electrical Shock Hazard	
37	1001267328	2	Decal - H800AJ	
38	1001228370	1	Decal - ICES	
39	1001228411	1	Decal - LED Indicator	
40	1001284688	1	Decal - Lifting Diagram	
41	1001233785	1	Decal - Charger Plug	

SECTION 9 - DECALS

FIGURE 9-7. DECAL INSTALLATION - JAPANESE SPECS (ENGLISH/JAPANESE LANGUAGES)



NOTE: ITEMS SHOWN MAY NOT BE REQUIRED FOR ALL SPECS. REFER TO PARTS LISTS FOR USAGE.
 NOTE: ADDITIONAL DECALS CALLED OUT ON DECAL INSTALLATION - OPTIONS.

ART_1001249007

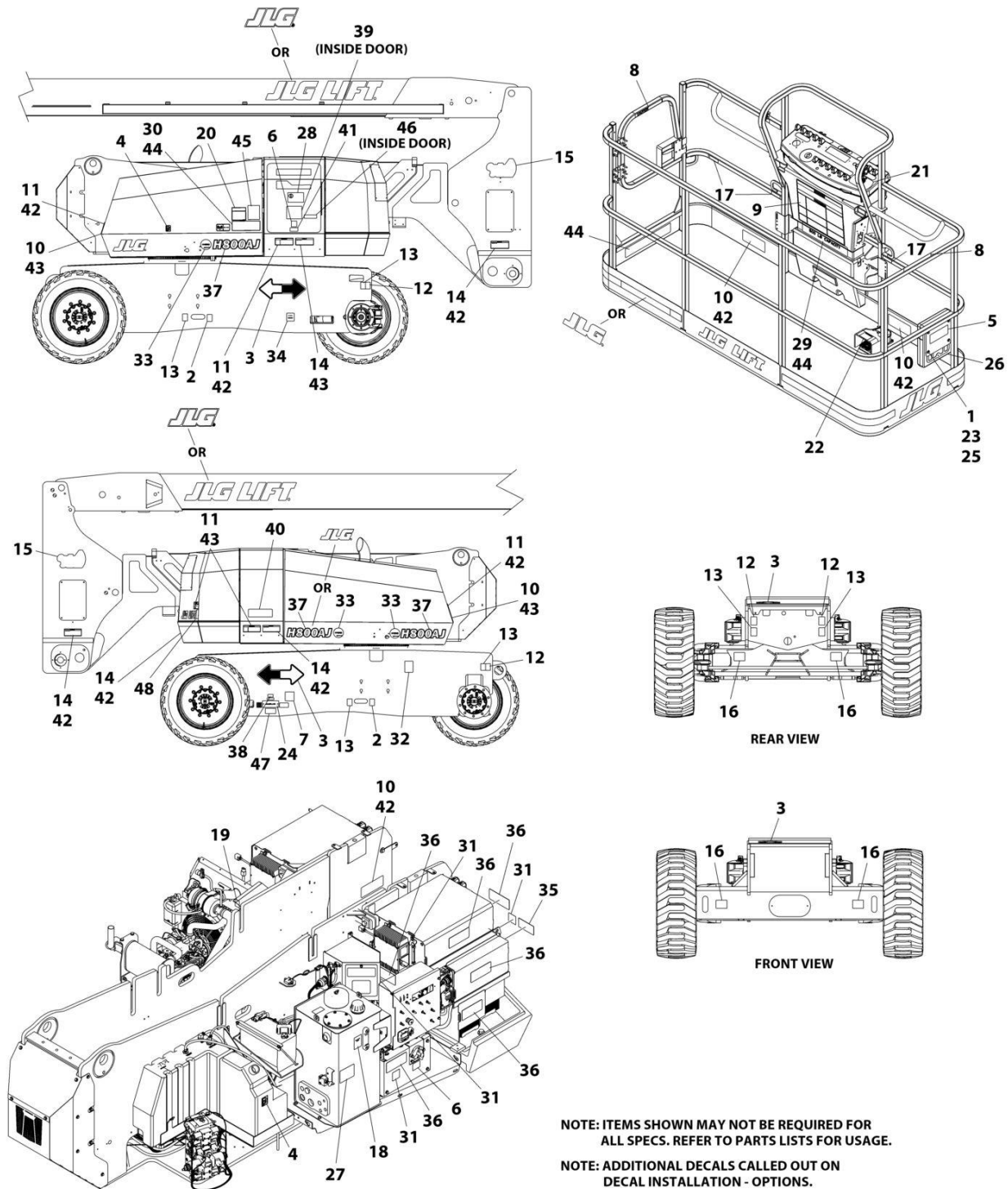
SECTION 9 - DECALS

FIGURE 9-7. DECAL INSTALLATION - JAPANESE SPECS (ENGLISH/JAPANESE LANGUAGES)

ITEM	PART NUMBER	QTY	DESCRIPTION	REV
	1001249007	Ref	DECAL INSTALLATION - JAPANESE	D
	1001249013	Ref	DECAL INSTALLATION - REFERENCE CHART	C
1	0641406	4	Bolt 1/4 x 3/4	
2	1701499	2	Decal - No Tie Down/Left	
3	1701501	4	Decal - Arrow	
4	1701505	2	Decal - Diesel Fuel	
5	1701509	1	Decal - Manual	
6	1702155	2	Decal - Battery Disconnect	
7	See Note	NSS	Decal - Bar Code (Note: Not Available for Purchase)	
9	1703926	1	Decal - Danger/Warning	
10	1703950	6	Decal - Crushing	
11	1703938	5	Decal - Electrocution	
12	1703811	4	Decal - Lifting Lug	
13	1703814	6	Decal - Tie Down	
14	1703944	5	Decal - Warning/Crushing	
15	1703959	2	Decal - Quik Stik	
16	1703960	4	Decal - Maximum Tire Load	
17	1704277	3	Decal - Lanyard Attach	
18	1704412	1	Decal - Hydraulic Oil	
19	1706062	1	Decal - Warning Explosion/Fire	
20	1705344	1	Decal - Warning Inspection	
21	1705426	1	Decal - Drive/Steer Instructions	
22	1703980	1	Decal - Footswitch	
23	3311405	4	Nut 1/4	
24	3820001	2	Rivet	
25	4751400	8	Washer 1/4	
26	91403230	1	Box, Manual Storage	
27	1705977	1	Decal - Upright Level Override	
28	1001117307	1	Decal - Emergency Stop	
29	1001253932	1	Decal - Warning Single Cap	
30	1001253933	1	Decal - Warning Single Cap	
31	1001125483	6	Decal - Pressure Wash	
33	1001174449	2	Decal - Hybrid	
34	1001224053	1	Decal - Yearly Inspection	
35	1001233068	2	Decal - Tipping Hazard	
36	1001233013	9	Decal - Electrical Shock Hazard	
37	1001267328	2	Decal - H800AJ	
39	1001228411	1	Decal - LED Indicator	
40	1001284688	1	Decal - Lifting Diagram	
41	1001233785	1	Decal - Charger Plug	

SECTION 9 - DECALS

FIGURE 9-8. DECAL INSTALLATION - KOREAN SPECS (ENGLISH/KOREAN LANGUAGES)



NOTE: ITEMS SHOWN MAY NOT BE REQUIRED FOR ALL SPECS. REFER TO PARTS LISTS FOR USAGE.
 NOTE: ADDITIONAL DECALS CALLED OUT ON DECAL INSTALLATION - OPTIONS.

ART_1001249008

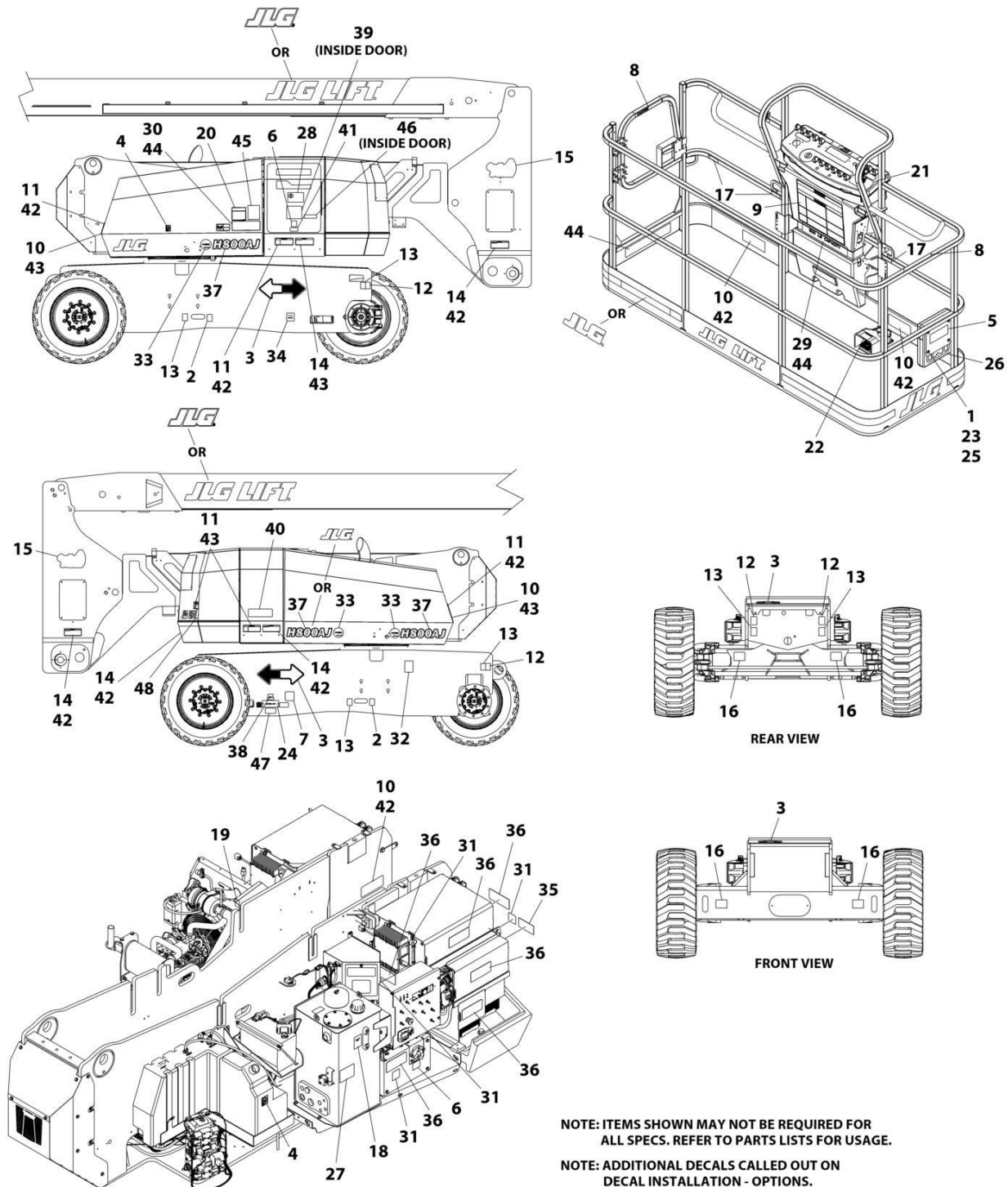
SECTION 9 - DECALS

FIGURE 9-8. DECAL INSTALLATION - KOREAN SPECS (ENGLISH/KOREAN LANGUAGES)

ITEM	PART NUMBER	QTY	DESCRIPTION	REV
	1001249008	Ref	DECAL INSTALLATION - KOREAN	D
	1001249013	Ref	DECAL INSTALLATION - REFERENCE CHART	C
1	0641406	4	Bolt 1/4 x 3/4	
2	1701499	2	Decal - No Tie Down/Lift	
3	1701501	4	Decal - Arrow	
4	1701505	2	Decal - Diesel Fuel	
5	1701509	1	Decal - Manual	
6	1702155	2	Decal - Battery Disconnect	
7	See Note	NSS	Decal - Bar Code (Note: Not Available for Purchase)	
8	1705969	2	Decal - No Hands	
9	1703797	1	Decal - Danger/Warning	
10	1703951	6	Decal - Warning/Crushing	
11	1703939	5	Decal - Electrocution	
12	1703811	4	Decal - Lifting Lug	
13	1703814	6	Decal - Tie Down	
14	1703945	5	Decal - Warning/Crushing	
15	1703959	2	Decal - Quik Stik	
16	1703960	4	Decal - Maximum Tire Load	
17	1704277	3	Decal - Lanyard Attach	
18	1704412	1	Decal - Hydraulic Oil	
19	1706061	1	Decal - Glow Plugs	
20	1705345	1	Decal - Danger/Warning	
21	1705427	1	Decal - Drive/Steer Instructions	
22	1703981	1	Nameplate - Footswitch	
23	3311405	4	Nut 1/4	
24	3820001	2	Rivet	
25	4751400	8	Washer 1/4	
26	91403230	1	Box, Manual Storage	
27	1705977	1	Decal - Upright Level Override	
28	1001117307	1	Decal - Emergency Stop	
29	1001253924	1	Decal - Warning Single Cap	
30	1001253925	1	Decal - Warning Single Cap	
31	1001125483	6	Decal - Pressure Wash	
33	1001174449	2	Decal - Hybrid	
34	1001224048	1	Decal - Yearly Inspection	
35	1001233064	2	Decal - Warning Tip Over Hazard	
36	1001233009	9	Decal - Electric Shock Hazard	
37	1001267328	2	Decal - H800AJ	
39	1001228411	1	Decal - LED Indicator	
40	1001284688	1	Decal - Lifting Diagram	
41	1001233785	1	Decal - Charger Plug	

SECTION 9 - DECALS

FIGURE 9-9. DECAL INSTALLATION - LATIN AMERICAN SPECS (ENGLISH/SPANISH LANGUAGES)



NOTE: ITEMS SHOWN MAY NOT BE REQUIRED FOR ALL SPECS. REFER TO PARTS LISTS FOR USAGE.
 NOTE: ADDITIONAL DECALS CALLED OUT ON DECAL INSTALLATION - OPTIONS.

ART_1001249011

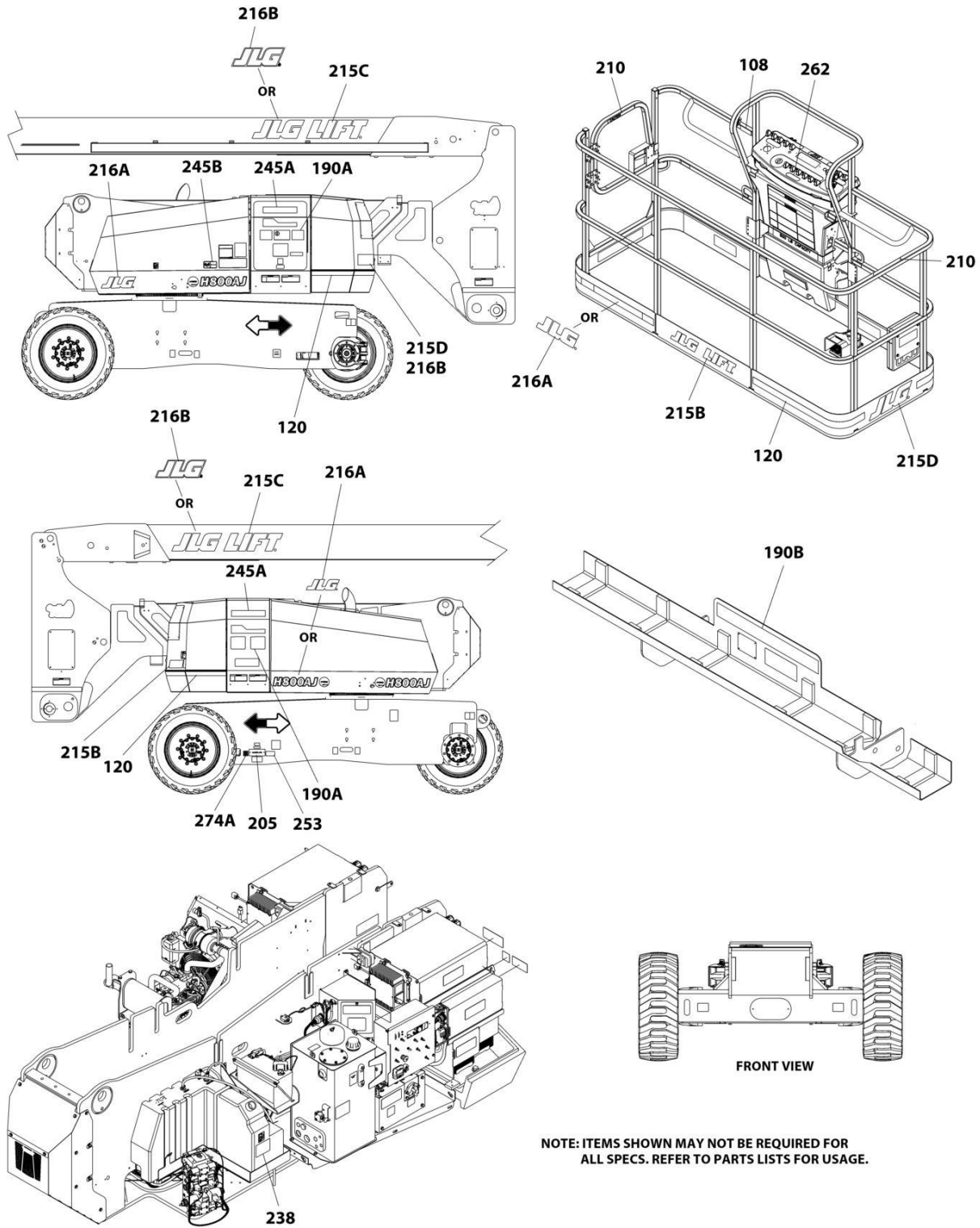
SECTION 9 - DECALS

FIGURE 9-9. DECAL INSTALLATION - LATIN AMERICAN SPECS (ENGLISH/SPANISH LANGUAGES)

ITEM	PART NUMBER	QTY	DESCRIPTION	REV
	1001249011	Ref	DECAL INSTALLATION - LATIN AMERICAN	D
	1001249013	Ref	DECAL INSTALLATION - REFERENCE CHART	C
1	0641406	4	Bolt 1/4 x 3/4	
2	1701499	2	Decal - No Tie Down/Lift	
3	1701501	4	Decal - Arrow	
4	1701505	2	Decal - Diesel Fuel	
5	1701509	1	Decal - Manual	
6	1702155	2	Decal - Battery Disconnect	
7	See Note	NSS	Decal - Bar Code (Note: Not Available for Purchase)	
8	1704001	2	Decal - No Hands	
9	1703923	1	Decal - Warning/Danger	
10	1703947	6	Decal - Warning/Crushing	
11	1703935	5	Decal - Electrocution	
12	1703811	4	Decal - Lifting Lug	
13	1703814	6	Decal - Tie Down	
14	1703941	5	Decal - Warning/Crushing	
15	1703959	2	Decal - Quik Stik	
16	1703960	4	Decal - Maximum Tire Load	
17	1704277	3	Decal - Lanyard Attach	
18	1704412	1	Decal - Hydraulic Oil	
19	1706063	1	Decal - Warning Fire Hazard	
20	1705917	1	Decal - Warning Inspection	
21	1705910	1	Decal - Drive/Steer Instructions	
22	1703983	1	Decal - Footswitch	
23	3311405	4	Nut 1/4	
24	3820001	2	Rivet	
25	4751400	8	Washer 1/4	
26	91403230	1	Box, Manual Storage	
27	1705977	1	Decal - Upright Level Override	
28	1001117307	1	Decal - Emergency Stop	
29	1001253930	1	Decal - Warning Single Cap	
30	1001253931	1	Decal - Warning Single Cap	
31	1001125483	6	Decal - Pressure Wash	
33	1001174449	2	Decal - Hybrid	
34	1001224049	1	Decal - Yearly Inspection	
35	1001233067	2	Decal - Tipping Hazard	
36	1001233012	9	Decal - Electrical Shock Hazard	
37	1001267328	2	Decal - H800AJ	
39	1001228411	1	Decal - LED Indicator	
40	1001284688	1	Decal - Lifting Diagram	
41	1001233785	1	Decal - Charger Plug	

SECTION 9 - DECALS

FIGURE 9-10. DECALS INSTALLATION - OPTIONS



NOTE: ITEMS SHOWN MAY NOT BE REQUIRED FOR ALL SPECS. REFER TO PARTS LISTS FOR USAGE.

ART_DECAL_OPTIONS

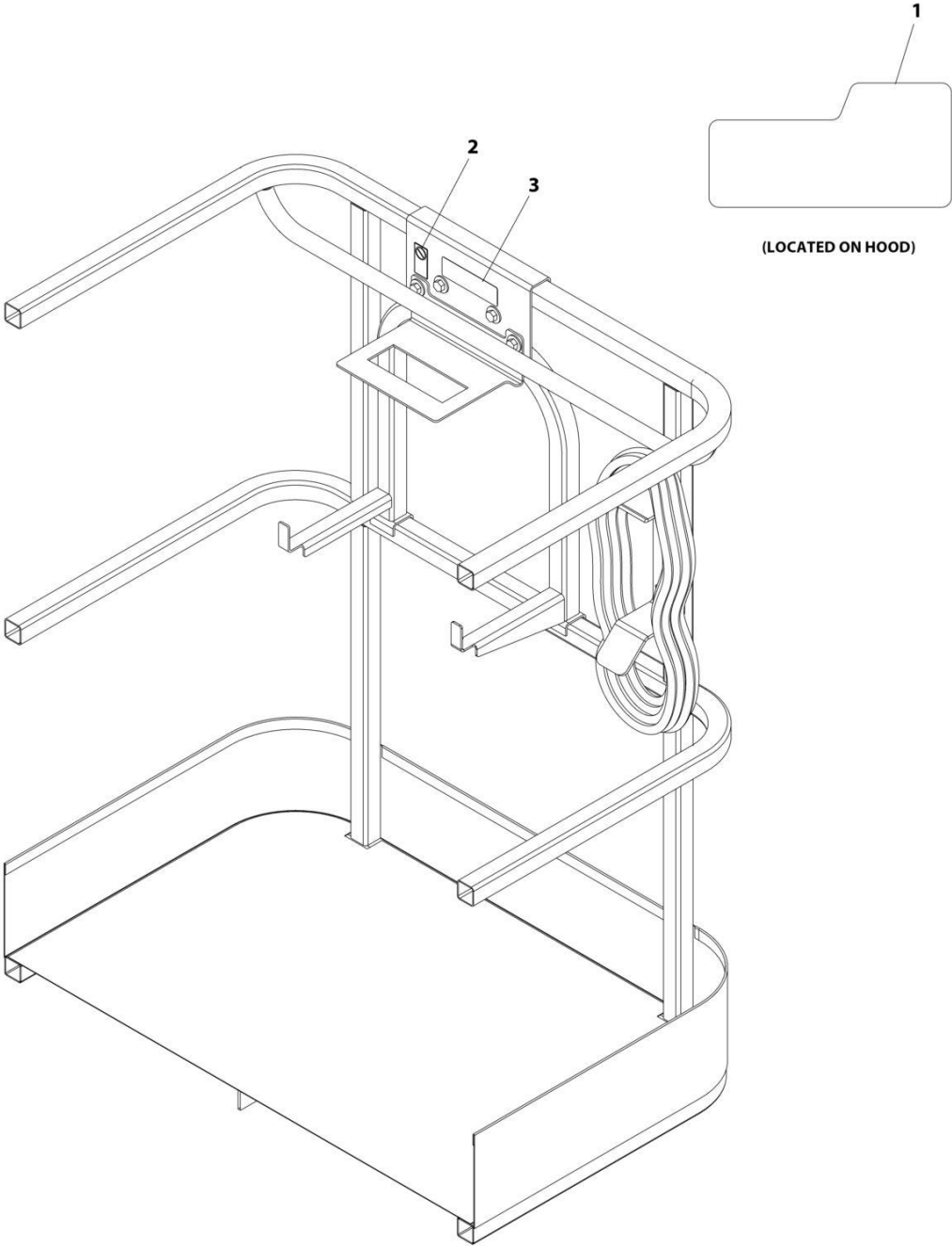
SECTION 9 - DECALS

FIGURE 9-10. DECALS INSTALLATION - OPTIONS

ITEM	PART NUMBER	QTY	DESCRIPTION	REV
	1001249013	Ref	DECAL INSTALLATION - REFERENCE CHART	A
	1001247762	Ref	DECAL INSTALLATION - OPTIONS	C
108	1001231801	1	Decal - Proposition 65 (ANSI Specs Only)	
120	4420051	23 ft /7m	Decal - Warning Stripes	
190	1001172570	Ref	Decal - Installation - SkyGlazier (English Language) (Not Shown)	C
190	1001172620	Ref	SkyGlazier Decal Installation (Australian Specs)	C
190	1001234945	Ref	SkyGlazier Decal Installation (Brazil Specs)	A
190	1001234944	Ref	SkyGlazier Decal Installation (Latin American Specs)	A
190A	1705358	2	Decal - SkyGalzier	
190B	1001199035	2	Decal - SkyGalzier Capacity (English Language)	
190B	1001199036	2	Decal - SkyGalzier Capacity (Australian Specs)	
190B	1001234947	2	Decal - SkyGalzier Capacity (Brazil Specs)	
190B	1001234946	2	Decal - SkyGalzier Capacity (Latin American Specs)	
205	See Note	NSS	Nameplate - Manufacturers Serial Number (Note: Not Available for Purchase)	
210		Ref	Decal - No Hands Options	
210	1702868	2	Decal - No Hands (ANSI/ANSI Export Specs) (English Language)	
210	1705967	2	Decal - No Hands (Brazil Specs) (Portuguese & Spanish Languages)	
210	1705968	2	Decal - No Hands (China Specs) (English & Chinese Languages)	
210	1704000	2	Decal - No Hands (CSA Specs) (English & French Languages)	
210	1705969	2	Decal - No Hands (Korean Specs) (English & Korean Languages)	
210	1704001	2	Decal - No Hands (Latin American Specs) (English & Spanish Languages)	
215	1001232986	Ref	Decal Installation - JLG Logo (All Specs Except CE & UK CA Specs) (Not Shown)	B
215A	1702773	1	Decal - JLG	
215B	1702774	2	Decal - JLG Lift	
215C	1702861	2	Decal - JLG Lift	
215D	1001159323	1	Decal - JLG	
216	1001235097	Ref	Decal Installation - JLG Logo (CE & UK CA Specs Only) (Not Shown)	A
216A	1702773	3	Decal - JLG	
216B	1001159323	3	Decal - JLG (CE & UK CA Specs Only)	
238	1001125387	1	Decal - Ultra Low Sulfur Fuel (ANSI & CSA Specs)	
238	1001139654	1	Decal - Ultra Low Sulfur Fuel (CE & UK CA Specs)	
245	1001127094	Ref	ClearSky Decals Installation	
245A	1001116208	2	Decal - ClearSky	
245B	1001120989	1	Decal - Radio Frequency	
253	1001143852	1	Decal - Emission Compliance (ANSI Export, Australian and China Specs)	
262	1001141300	1	Decal - SkyGuard Override (Without Soft-Touch)	
262	1001141302	1	Decal - SkyGuard Override (With Soft-Touch)	
274	1001214030	1	Decal - EAC Installation (CIS and Russia Specs)	
274A	1001173703	1	Decal - EAC	

SECTION 9 - DECALS

FIGURE 9-11. DECAL INSTALLATION - SKYWELDER - 50HZ



ART_0272588

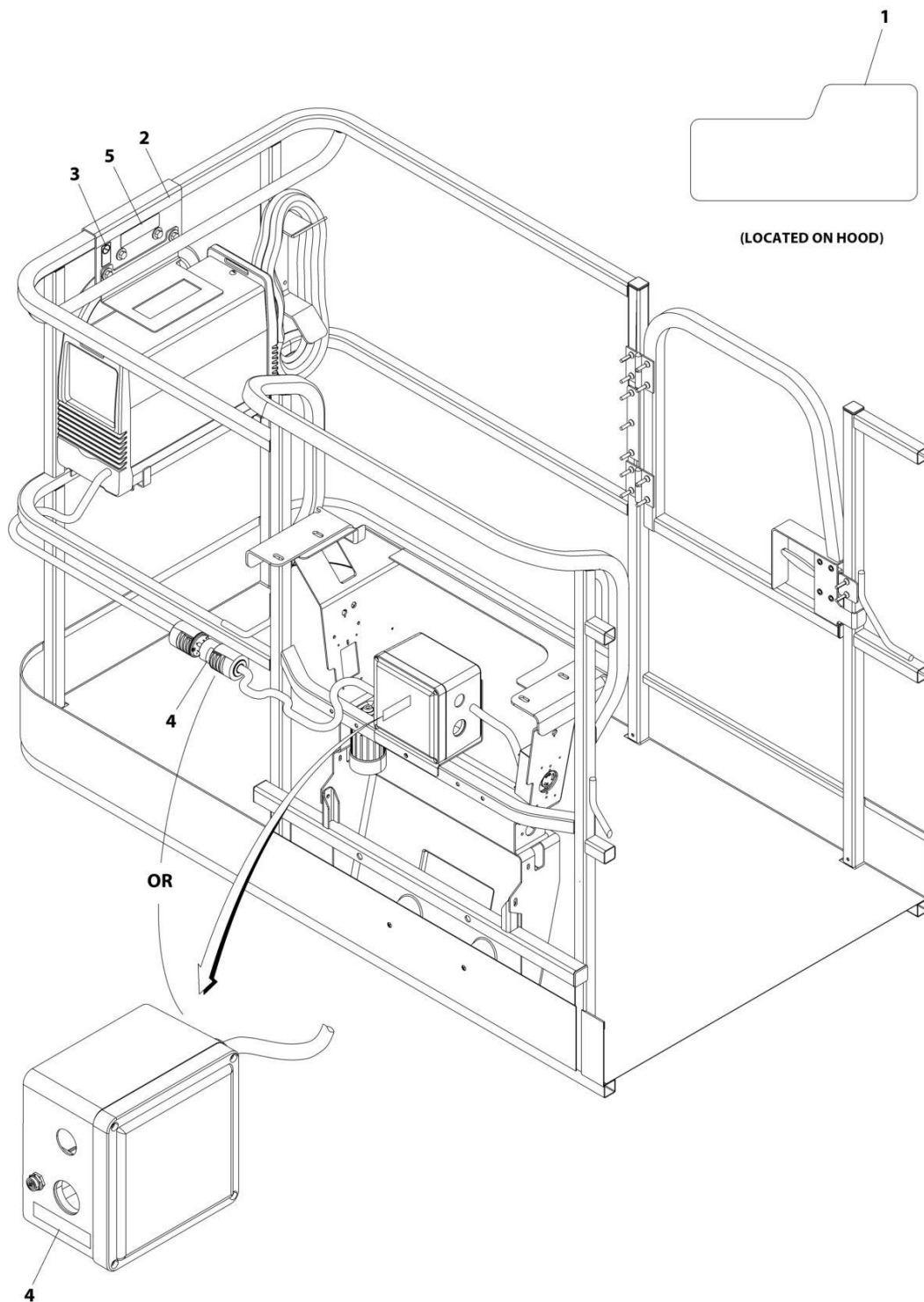
SECTION 9 - DECALS

FIGURE 9-11. DECAL INSTALLATION - SKYWELDER - 50HZ

ITEM	PART NUMBER	QTY	DESCRIPTION	REV
	0272588	Ref	SKYWELDER DECAL INSTALLATION - 50Hz	B
1	1705355	2	Decal - SkyWelder	
2	1705305	1	Decal - Weld Lead	
3	1001228988	1	Decal - Weight	

SECTION 9 - DECALS

FIGURE 9-12. DECAL INSTALLATION - SKYWELDER - 60HZ



ART_0272448_C

SECTION 9 - DECALS

FIGURE 9-12. DECAL INSTALLATION - SKYWELDER - 60HZ

ITEM	PART NUMBER	QTY	DESCRIPTION	REV
	0272448	Ref	SKYWELDER DECAL INSTALLATION - 60Hz	C
1	1705355	2	Decal - SkyWelder	
2	1702868	1	Decal - No Hands	
3	1705305	1	Decal - Weld Lead	
4	1705375	1	Decal - 240V - 3 Phase - 60Hz	
5	1001228988	1	Decal - Weight	

SECTION 10 - RECOMMENDED SERVICE PARTS STOCK

SECTION 10 - RECOMMENDED SERVICE PARTS STOCK

SECTION 10 - RECOMMENDED SERVICE PARTS STOCK

FIGURE 10-1. RECOMMENDED SERVICE PARTS STOCK

ITEM	PART NUMBER	QTY	DESCRIPTION	REV
		Ref	Note: The following list will service one machine (built to current production per date on the front cover) with emergency repair parts which can be installed in the field. Parts from the list should be replaced when inventory is depleted to keep service parts stock supplied. For further information, contact your JLG dealer or the JLG Industries Parts Department.	
	4360070	1	Breaker, 15Amp (7500W Generator)	
	1001189172	1	Breaker, 16Amp Double (Breaker Box with 3 Breakers)	
	7024485	1	Breaker, 30Amp (7500W Generator)	
	1001181045	1	Breaker, 30mA/16Amp (Breaker Box with 2 Breakers)	
	1001189171	1	Breaker, 30mA (Breaker Box with 3 Breakers)	
	1001159118	1	Breaker, GFCI 30Amp (AC Box 240V)	
	70004460	1	Coil (Main Valve)	
	70006956	1	Coil (Main Valve)	
	70004595	1	Coil (Main Valve)	
	70004653	1	Coil (Main Valve)	
	7018991	1	Coil (Main Valve)	
	70004463	1	Coil (Main Valve)	
	70002386	1	Coil (Boom Valve)	
	1001223581	1	Control, H-Bridge (Electrical Assembly)	
	1001222879	1	Control, IMG	
	1001222336	1	Control, SOC Monitor	
	1001166538	1	Controller, Drive/Steer	
	1001166539	1	Controller, Lift/Swing	
	4360407	1	Controller, Potentiometer	
	1001234488	2	Diode, Flyback (IMG Control Box)	
	70005296	12	Element (Fuel/Water Separator)	
	7015004	12	Element, Air Filter	
	70002231	12	Element, Pressure Filter	
	1001190545	12	Filter, Fuel	
	70004395	1	Filter, Oil (Kubota)	
	2400080	2	Fuse, 1A (Battery Cables Installation)	
	1001227788	2	Fuse, 2A (Electrical Assembly 12v Fuse Box)	
	8229249	2	Fuse, 3A (USB Charger)	
	8229261	2	Fuse, 5A (Electrical Assembly 12v Fuse Box)	
	1001234313	2	Fuse, 7.5A (Battery Cables Installation)	
	1001234314	2	Fuse, 10A (IMG Control Box)	
	8229234	2	Fuse, 10A (Electrical Assembly 12v Fuse Box)	
	1001228440	2	Fuse, 15A (IMG Control Box)	
	8229237	2	Fuse, 15A (Electrical Assembly 12v Fuse Box)	
	8229236	2	Fuse, 30A (Electrical Assembly 12v Fuse Box)	
	1001247362	2	Fuse, 40A (Electrical Assembly 12v Fuse Box)	
	1001226932	2	Fuse, 40A (Electrical System Installation)	
	1001226933	2	Fuse, 80A (Electrical System Installation)	
	1001233198	2	Fuse, 200A/400A (IMG Control Box)	
	1001226934	2	Fuse, SHUNT (Electrical System Installation)	
	2860030	1	Key, Replacement	
	2940074	1	Latch (Machines with Gate)	
	1001247468	1	Loadcell (Platform Support)	

SECTION 10 - RECOMMENDED SERVICE PARTS STOCK

ITEM	PART NUMBER	QTY	DESCRIPTION	REV
	1001142683	1	Module, Beacon Light (Red & Blue Beacons)	
	1001223583	1	Module, HEC Control (Electrical Installation)	
	1001284800	1	Module, Ground Control	
	1001106938	1	Module, Platform Control	
	3740086	1	Relay, 20Amp (SkyLine Harness)	
	1001095704	1	Relay, 35Amp (Electrical Assembly)	
	1001186431	1	Relay, 35Amp (SkyGuard Bar Installation)	
	8225117	1	Relay, 40Amp (Electrical Assembly)	
	1001222365	1	Relay, 50Amp (IMG Control Box)	
	3740112	1	Relay, 75Amp (Electrical Assembly)	
	1001222340	1	Relay, 500Amp Main Contactor (IMG Control Box)	
	1001094400	1	Sensor, Dual Axis (Tilt Sensor Installation)	
	1001228225	1	Sensor, Emitter (SkyEye)	
	4360436	1	Sensor, Fuel Level (Fuel Tank)	
	4360578	1	Sensor, Limit (Boom Valve & Limit Switch Installation & Transport Switch Installation)	
	1001172271	1	Sensor, Limit (Boom Valve & Limit Switch Installation with Tower Stow)	
	4360057	1	Sensor, Limit (Soft Touch)	
	1001232667	1	Sensor, Proximity (SkyLine)	
	4360498	1	Sensor, Proximity (Boom Valve & Limit Switch Installation)	
	4360499	1	Sensor, Proximity (Boom Valve & Limit Switch Installation)	
	4360517	1	Sensor, Proximity (Rotary Coupling)	
	1001228224	1	Sensor, Receiver (SkyEye)	
	1001137673	1	Sensor, SkyGuard Bar	
	1001225131	1	Sensor, Temperature (Battery Cables Installation)	
	1001219601	1	Sensor, Tilt (Electrical System Installation)	
	4360475	1	Switch, Emergency Stop	
	1001117174	1	Switch, Foot	
	4360469	1	Switch, Key	
	4360387	1	Switch, Pushbutton Yellow (Ground Control, Console Box & Soft Touch)	
	1001236759	1	Switch, STDP Interlock (IMG Control Box)	
	1001155045	1	Switch, Toggle (Ground Control & Console Box)	
	4360336	1	Switch, Toggle (With Generator)	
	1001211363	1	Switch, Toggle (Console Box)	
	1001159256	1	Switch, Toggle (Console Box)	
	1001161709	1	Switch, Toggle (Console Box)	
	4360328	1	Switch, Toggle (Jib Switch)	

SECTION 11 - SPECIAL OPTIONS/ACCESSORIES/KITS

SECTION 11 - SPECIAL OPTIONS/ACCESSORIES/KITS

SECTION 11 - SPECIAL OPTIONS/ACCESSORIES/KITS

FIGURE 11-1. SPECIAL OPTIONS/ACCESSORIES/KITS

ITEM	PART NUMBER	QTY	DESCRIPTION	REV
		Ref	Note: This list is to accommodate machines ordered with special equipment. Options may not be applicable to all models. For more specific parts information contact JLG Parts Department.	
	0258805	Ref	Airline to Platform Installation - 1/2in	
	1001092092	Ref	Airline to Platform Installation - 1/2in (With Arctic Package)	
	1001205028	Ref	Arctic Package Kit - With SkyPower (Dealer Installed)	
	1001205029	Ref	Arctic Package Kit - Without SkyPower (Dealer Installed)	
	0258737	Ref	Bellows Installation - Boom	
	1001158259	Ref	Bellows Installation - Chassis	
	2910887	Ref	Boom Wear Pad Kit	
	0258654	Ref	Boom Wipers Installation	
	1001172045	Ref	Cable/Ladder Carrier Installation (800AJ Only)	
		Ref	ClearSky Telematics Add-on Kits (Dealer Installed)	
	1001230187	Ref	ClearSky Telematics Add-on Kits - Canbus Connection (ANSI & CSA Specs)	
	1001234099	Ref	ClearSky Telematics Add-on Kits - Canbus Connection (CE & UK CA Specs)	
	1001246142	Ref	ClearSky Telematics Add-on Kit (Australian Specs)	
	1001276923	Ref	ClearSky Telematics Add-on Kit (Contact JLG for Approved Countries)	
	1001230504	Ref	ClearSky Telematics Add-on Kits - 3 Wire Connection (ANSI & CSA Specs)	
	1001234102	Ref	ClearSky Telematics Installation - 3 Wire Connection (CE & UK CA Specs)	
	1001242192	Ref	ClearSky Access Control Add-on Kit	
	1001243183	Ref	ClearSky Telematics Access Control Add-on Kit - Canbus (ANSI & CSA Specs)	
	1001243184	Ref	ClearSky Telematics Access Control Add-on Kit - Canbus (ANSI Export, CE & UK CA Specs)	
	1001238307	Ref	Charging Kit – 120V (Dual Plug)	
	1001235269	Ref	Clutch Actuator Installation Kit	
	1001227904	Ref	Cold Weather Package Installation - 120V (All Specs except Australian, China, CE & UK CA Specs)	
	1001232214	Ref	Cold Weather Package Installation - 240V (CE & UK CA Specs Only)	
	1001270482	Ref	Console Cover Kit	
	1001115918	Ref	Cribbing Installation	
		Ref	Decal Kit Options:	
	1001220864	Ref	Boom Transport Decal Kit	
	1001108721	Ref	Platform Decal Kit (ANSI Specs)	
	2902396	Ref	Drive/Steer Cutout Kit	
		Ref	Electrical Connector Kits	
	1001148902	Ref	Electrical Connector Kit - Amp	
	1001148903	Ref	Electrical Connector Kit - Deutsch DT	
	1001148904	Ref	Electrical Connector Kit - Deutsch HD	
	1001148905	Ref	Electrical Connector Kit - Packard	
	1001148906	Ref	Electrical Connector Kit - Various	
	1001108962	Ref	Exhaust Rain Cap Installation (Australian Specs)	
	1001139099	Ref	Fire Extinguisher Installation (20lb)	
	1001274833	Ref	Floor Mat Add-on Kit (30x48 Platform) (Dealer Installed)	
	1001274831	Ref	Floor Mat Add-on Kit (30x72 Platform) (Dealer Installed)	

SECTION 11 - SPECIAL OPTIONS/ACCESSORIES/KITS

ITEM	PART NUMBER	QTY	DESCRIPTION	REV
	1001274830	Ref	Floor Mat Add-on Kit (36x72 Platform) (Dealer Installed)	
	1001274829	Ref	Floor Mat Add-on Kit (36x96 Platform) (Dealer Installed)	
	1001117294	Ref	Footswitch Shield (Note: Move Decal to Shield)	
	1001202749	Ref	Fuel Cap Cover Installation (Black) (Note: Lock p/n 1001102157 must be Purchased Separately)	
	1001191395	Ref	Fuel Cap Cover Installation (Green) (Diesel Machines) (Note: Lock p/n 1001102157 must be Purchased Separately)	
	1001094475	Ref	Generator Hourmeter Installation	
	1001227816	Ref	Headlights and Taillights Installation	
	1001268736	Ref	Jib Link Kit	
	1001148971	Ref	Lanyard (Bolt-On) Kit Installation	
	1001272166	Ref	Pipe Rack Kit	
	1001195304	Ref	Platform Console Cover Installation (Factory Installed)	
	1001266290	Ref	Platform Console Cover Installation (Factory Installed)	
	1580013	Ref	Platform Corner Tray Installation	
	1001142504	Ref	Platform Entry Kit - Drop Bar (To Replace Swing Gate with Drop Bar)	
	1001142505	Ref	Platform Entry Kit - Swing Gate (To Replace Drop Bar with Swing Gate)	
	1001237883	Ref	Platform Fall Arrest Add-on Kit – 6Ft Platforms (Dealer Installed)	
	1001237882	Ref	Platform Fall Arrest Add-on Kit – 8Ft Platforms (Dealer Installed)	
	1001120467	Ref	Platform Floodlights Installation	
	1001272182	Ref	Platform Mesh (Steel) to Top Rail Installation - 2.5ft x 4ft Platforms (ANSI/ANSI Export, China and CSA Specs)	
	1001266807	Ref	Platform Mesh (Guardian Plastic) to Top Rail Installation - 2.5ft x 4ft Platforms (ANSI/ANSI Export, China and CSA Specs)	
	1001271642	Ref	Platform Mesh (Steel) to Top Rail Installation - 3ft x 6ft Platforms (ANSI/ANSI Export, China and CSA Specs)	
	1001266489	Ref	Platform Mesh (Guardian Plastic) to Top Rail Installation - 3ft x 6ft Platforms (ANSI/ANSI Export, China and CSA Specs)	
	1001269187	Ref	Platform Mesh (Steel) to Top Rail Installation - 3ft x 8ft Platforms (ANSI/ANSI Export, China and CSA Specs)	
	1001266056	Ref	Platform Mesh (Guardian Plastic) to Top Rail Installation - 3ft x 8ft Platforms (ANSI/ANSI Export, China and CSA Specs)	
		Ref	Platform Mesh to Mid Rail Add-On Kits: (ANSI Specs)	
	1001214478	Ref	30in x 4ft (76cm x 1.22m) with Gate	
	1001214524	Ref	30in x 6ft (76cm x 1.83m) with Gate	
	1001214540	Ref	36in x 6ft (91.5cm x 1.83m) with Gate	
	1001214548	Ref	36in x 8ft (91.5cm x 2.44m) with Gate	
	1001250035	Ref	Platform Sensor Retrofit Kit	
	0272733	Ref	Platform, Top Rail Extension Installation - 3ft x 6ft Platforms	
	0272725	Ref	Platform, Top Rail Extension Installation - 3ft x 8ft Platforms	
	1001120466	Ref	Platform Worklights Installation	
	1001209059	Ref	Platform Work Surface Installation	
	1001235160	Ref	Service Kits/Tools	K
	1001247073	Ref	SkyEye Retrofit Kit	
	1001241547	Ref	SkyEye Housing Repair Kit (LH)	
	1001241548	Ref	SkyEye Housing Repair Kit (RH)	
	1001205492	Ref	SkyGlazier Tray Kit (ANSI Specs)	
	1001197016	Ref	SkyGuard Platform Sensor Kit	
	1001250595	Ref	SkyGuard 6-Pin Retrofit Installation Kit	
	1001249052	Ref	SkyGuard Retrofit Kit (Dealer Installed)	
	1001262016	Ref	SkyLine Add-on Kit (Dealer Installed)	
	1001282461	Ref	SkySense Padding Installation - For 30 x 48 Platforms equipped	

SECTION 11 - SPECIAL OPTIONS/ACCESSORIES/KITS

ITEM	PART NUMBER	QTY	DESCRIPTION	REV
			with SkySense	
	1001275643	Ref	SkySense Padding Installation - For 30 x 72 Platforms equipped with SkySense	
	1001275642	Ref	SkySense Padding Installation - For 36 x 72 Platforms equipped with SkySense	
	1001269655	Ref	SkySense Padding Installation - For 36 x 96 Platforms equipped with SkySense	
	1001157013	Ref	Soft-Touch Counterweight Installation	
		Ref	Tools for Service	
	1600244	Ref	Analyzer, Machine System	
	1001249695	Ref	Analyzer, Machine System with Cable	
	1001249941	Ref	Analyzer, Machine System with Cable (Battery Powered)	
	1001137005	Ref	Software Cable Kit	
	7002840	Ref	Antirotation Pin Removal Tool	
	1001227898	Ref	Clutch Shaft Alignment Tool (Production)	
	1001234306	Ref	Clutch Shaft Alignment Tool (Service)	
	8896941	Ref	Wire Stripper	
	7002821	Ref	Wire Crimper (To install wire ends to wires)	
	7002823	Ref	Pin/Socket Extractor - Universal (To Remove Pins/Sockets from Connectors)	
	4460467	Ref	Extractor - 16-18 Gauge (For Removal of Pin/Sockets from Deutsch Connectors)	
	4460510	Ref	Extractor - 12-14 Gauge (For Removal of Pin/Sockets from Deutsch Connectors)	
	7002822	Ref	Screwdriver, Potentiometer (To Adjust Drive Controllers)	
	7016654	Ref	Screwdriver, Magnetic	
	7004275	Ref	Seal Installation Tool - 1in	
	7004276	Ref	Seal Installation Tool - 1-1/2in	
	7002826	Ref	Seal Installation Tool - 2in	
	7016652	Ref	Huck Bolt Fastener (For Small Huck Bolts Only)	
	70005663	Ref	Tool, Port Plate for Pump p/n 1001142522	
	1001263579	Ref	Tower Stow Indicator Add-on Kit (Dealer Installed)	
	2915094	Ref	Turntable Bearing Kit	
	1001277841	1	UGM2 RETROFIT Kit	
	1001262959	Ref	Voltage Regulator Relocation Add-on Kit (ClearSky) (Dealer Installed)	
	0258827	Ref	Weld Lead	
	0256196	Ref	Wheel Covers Installation	

SECTION 11 - SPECIAL OPTIONS/ACCESSORIES/KITS

PART NUMBER INDEX

SECTION 11 - SPECIAL OPTIONS/ACCESSORIES/KITS

0100009.....91, 231, 235	0273824 253	0641608 ... 33, 63, 67, 69, 74, 77, 79, 85, 117, 120, 175, 177, 179, 181	0760807.....74, 85
0100011....15, 17, 19, 21, 23, 35, 37, 43, 57, 61, 63, 67, 69, 71, 74, 81, 83, 85, 91, 105, 113, 115, 117, 120, 123, 125, 130, 133, 136, 139, 141, 149, 163, 167, 171, 175, 177, 179, 181, 185, 187, 189, 193, 195, 199, 201, 207, 211, 215, 221, 253, 255, 257, 259, 263, 265, 269, 271, 273, 359, 363, 373, 375, 377, 379	0275216 327, 437	0641609 120, 177, 179	0760808.....137
010001951, 57, 163, 167, 171	0275217 333, 439	0641610 ... 113, 115, 120, 130, 179, 227, 229	0760810.....136, 201
0100020....130, 136, 251, 327, 329, 333, 335, 337, 339, 341, 343, 345, 347, 349	0275452 337, 441	0641611 61, 175, 181	0760812.....409, 411
0100035.....85, 199, 231, 235, 239, 241	0275453 341, 443	0641612 ... 177, 373, 375, 377, 379	0760814.....139, 159
0100038.....179	0275454 345, 445	0641614 43, 63	0761010.....139
0100048....105, 107, 109, 163, 167, 171, 197, 409, 411	0275733 197	0641615 179	0761014.....201
0100062.....136	0340045 136	0641616 ... 163, 168, 171, 179	0761015.....136, 139
0100079.....171	0360406 39	0641618 181	0761016.....136, 139
0100081....120, 185, 267	0400075 81, 83	0641622 187	0761020.....139
0140011.....231, 235	0440244 57	0641624 185, 187	0761215....130, 163, 167, 171
0140044.....105	0561185 179	0641640 185	0761216.....201
0200048....253, 255, 257, 259	0561295 177	0641806 179, 303	0801132.....175, 179
0232121.....37, 39	0610131 91	0641808 130	0801136.....175, 177
0256196.....502	0630427 193, 195	0641810 19, 21, 74	0801496.....179
0256202.....355	0630446 67, 69	0641812 61, 74, 133	0801573.....177
0258077.....185	0630462... 253, 255, 257, 259	0641814 74	0801591.....177
0258217.....193	0630467 189	0641816 161	0801594.....179
0258567.....199	0630485 120	0641820 61	0811406.....85
0258654.....500	063051893, 95, 239, 241, 269, 271, 273	0641824 161	0811606.....85
0258737.....500	0630534 293	0641840 175	0811608.....63, 136
0258805.....500	0630535 303	0642012 267	0811610.....120
0258827.....502	0630548 91	0642016 130	0811812.....120
0259420.....187	0630568 232, 236	0642038 39	0860038....171, 325, 331
0270886.....29	0641403 199	0642212 15, 17, 267	0861538.....171
0270888.....31	0641404... 163, 167, 171, 175, 265	0642214 175	0861572.....167
0271085.....29	064140574, 91, 105, 231, 235, 265	0642620 175	0861731....339, 343, 347, 349, 441, 443, 445
0271086.....29	0641406 . 74, 81, 83, 107, 109, 117, 163, 225, 227, 229, 359, 361, 363, 471, 473, 475, 477, 479, 481, 483, 485, 487	0681608 ... 15, 17, 63, 81, 83, 201	0861781....329, 335, 437, 439
0271090.....31	0641407 74, 91, 107, 130	0681620 ... 277, 279, 281, 283	0861880.....385, 387
0271091.....31	0641408 ... 81, 83, 85, 91, 120, 130, 197, 227, 229	0681814 217, 223	0902888.....167, 171
0271340.....243	0641410 35	0681822 23, 217, 223	0903242.....61
0272254.....271	0641414 43, 231, 235, 253, 255, 257, 259, 263	0682016 23	0903697.....361
0272259.....325	0641416 ... 327, 329, 333, 335, 337, 339, 341, 343, 345, 347, 349	0682023 57	0940049.....120
0272260.....331	0641418 ... 189, 207, 211, 215, 221	0682032 57	0940092....253, 255, 257, 259
0272427.....257	0641424 85	0682216 51	0940094....253, 255, 257, 259
0272433.....357	0641432 43	0682236 15, 17	0940102.....267
0272435.....172	0641505 89	0682424 ... 277, 279, 281, 283	0940103.....257
0272448.....493	0641506 .81, 83, 409, 411	0700408 ... 327, 329, 333, 335, 337, 339, 341, 343, 345, 347, 349	0940133.....259
0272521.....269	0641507 71	0700615 81, 83, 113, 115	0940134.....253
0272588.....491	0641508 37, 120, 130	0700617 123	0940177.....255
0272589.....168	0641510 85	0700618 125	0961845....207, 211, 215, 221
0272725.....501	0641511 195	0700626 181	0961893.....293
0272733.....501	0641516 167, 171	0700815 139	0961897.....303
0273706.....259	0641560 23	0701217 130	0961947.....181
	0641604 175, 193, 195	0711626 136	0961951....177, 289, 299
	0641605 187	0721005 257, 259	0961986.....130, 136
	064160635, 43, 175, 177, 181, 185, 187, 269, 271, 273	0731005 69, 253, 255	0962102 15, 17, 177, 179, 291, 295, 297
	0641607 . 19, 21, 63, 120, 175, 177, 179, 181, 185, 189	0741607 ... 163, 167, 171, 175	0962122.....179
		0741609 21	0962152.....21, 301
		0760508 143	0962155.....299
		0760606 ... 149, 164, 168, 172	0962181.....21
		0760607 136	0962270.....217, 223
		0760610 89, 136	0962336.....293
		0760612 159	0962348.....21
			0962520....163, 167, 171
			1001091460.....25
			1001091461.....25
			1001091969.....327
			1001091970.....333

SECTION 11 - SPECIAL OPTIONS/ACCESSORIES/KITS

1001091973..... 337	1001113961.....461	1001125483.....471, 473,	1001148905..... 500
1001091974..... 341	1001115918.....500	475, 477, 479, 481,	1001148906..... 500
1001091975..... 345	1001116208.....489	483, 485, 487	1001148971..... 501
1001092092..... 500	1001116290..... 123, 125	1001125492.....51	1001149391..... 303
1001093382..... 81, 83	1001116694.....407, 461	1001125677.....433, 461	1001150260..... 120
1001094400..... 197, 497	1001116695.....195	1001125748.....415	1001150372..... 19, 21
1001094475..... 501	1001116716.....463	1001125773.....415	1001150539.. 19, 21, 301
1001094595..... 133, 151	1001116720.....455, 463	1001126008.....365, 371	1001150610..... 415
1001095704..... 89, 497	1001116723.....407	1001126009.....457	1001150611..... 413, 461
1001096138..... 427	1001116727.....407, 413	1001126010.....447	1001150937..... 19, 21
1001096141..... 471	1001116731.....403	1001126011.....365, 433	1001151034..... 19
1001096736..... 197	1001116745.....407	1001127094.....489	1001151980..... 19
1001097051..... 373, 375,	1001116747.....413	1001128241.....89	1001152483..... 389
377, 379, 451	1001116774.....407, 459	1001128527.....273	1001152525..... 168, 172
1001097082..... 373, 375,	1001116808.....407, 459	1001128556.....273	1001152532..... 163, 417
377, 379	1001116810.....367, 369	1001129772.....415	1001152565..... 189, 191
1001097150..... 385	1001116811.....415	1001129773.....415	1001152719..... 15
1001097244..... 465	1001116812.....423, 425,	1001130900.....405	1001153612..... 447
1001098122..... 251, 427,	427, 461, 463	1001131130.....121	1001153749..... 197, 463
433	1001116815.....393, 395,	1001131269.....471, 481	1001154126..... 287
1001098167..... 287	397, 399	1001136400.....185	1001154584..... 15
1001098828..... 201	1001116816.....461	1001136881.....319	1001154687..... 287
1001099366..... 267	1001116846.....479	1001137005.....502	1001154875..... 17
1001099367..... 267	1001116849.....479	1001137364.99, 103, 235	1001154931..... 21
1001099837..... 185	1001116851.....479	1001137673.....263, 497	1001155035..... 21
1001100341..... 437	1001116994.....427	1001138173.....136	1001155043..... 91
1001100342..... 439	1001116995.....415	1001138175.....136	1001155044 91, 231, 235
1001100345..... 441	1001117012.....427	1001138248.....136	1001155045 91, 231, 235,
1001100346..... 445	1001117172.....251	1001138494.....207, 211,	497
1001100347..... 443	1001117174.....231, 235,	215, 221,	1001155192..... 21
1001101191..... 327, 329,	251, 497	1001138514.....207, 211,	1001155194..... 17
333, 335, 337, 339,	1001117219..... 121	215, 221	1001155348..... 167, 171
341, 343, 345, 347,	1001117294..... 501	1001138566.....163	1001155673..... 318
349, 385, 387, 389	1001117307.....471, 473,	1001138795.....293	1001155895..... 120
1001101196..... 327, 329,	475, 477, 479, 481,	1001139099.....500	1001155899..... 120
333, 335	483, 485, 487	1001139654.....489	1001156136..... 51
1001101197..... 337, 339,	1001117372..... 287	1001140429.....207, 211,	1001156332..... 314
341, 343, 345, 347, 349	1001118280.....136	215, 221	1001156333..... 314
1001103012..... 463	1001118384.....457	1001141300.....489	1001156710..... 15, 17
1001103308..... 89, 91	1001118388.....455, 457	1001141302.....489	1001156798..... 59
1001103810..... 19, 21	1001118579.....139	1001141995.....136	1001157013..... 502
1001104498..... 463	1001118657.....415	1001142504.....501	1001157016..... 23
1001106481..... 199	1001118659.....415	1001142505.....501	1001157049..... 57
1001106736..... 91	1001118744.....413	1001142683.....113, 115,	1001157058..... 57
1001106938..... 231, 235,	1001118745.....413	497	1001157209..... 121, 123
497	1001118746.....130, 139	1001142722..81, 83, 113,	1001157292..... 231, 235
1001106974..... 61	1001119020.....459	115	1001157400..... 309
1001107529..... 61	1001119031.....425	1001142736.....113, 115,	1001157401..... 321
1001107854..... 463	1001119602.....318	459	1001157520..... 168, 172
1001108134..... 89	1001119619.....407, 449	1001143852.....489	1001157521..... 168, 172
1001108256..... 255	1001119620.....451, 453	1001144147.....403	1001157525..... 167, 168
1001108617..... 43	1001120328.....263, 265,	1001144295.....409, 411,	1001157528..... 168, 172
1001108721..... 500	433	429, 431	1001157592..... 172
1001108962..... 500	1001120466..... 501	1001144296.....413	1001157612..... 120
1001109654..... 361, 385	1001120467..... 501	1001144433.....263	1001158007..... 168, 172
1001110166..... 120	1001120471.....465	1001144527.....117	1001158008..... 168, 172
1001110425..... 43	1001120477.....465	1001144629.....205, 209,	1001158187..... 35
1001110434..... 231, 235	1001120484.....465	213, 219	1001158188..... 35
1001110872..... 351, 353	1001120750..... 89	1001146219.....136	1001158203..... 35
1001110873..... 171, 325	1001120989.....489	1001146588.89, 409, 411	1001158258..... 37
1001112551..... 473	1001121122.....120	1001147923.....413	1001158259..... 500
1001112612..... 367, 369,	1001121123.....120	1001148106.....415	1001158364..... 105
459, 461	1001121726.....413	1001148652.....177	1001158522..... 37
1001112796..... 403, 427,	1001121727.....407	1001148675.....351, 353	1001159118..... 351, 353,
459	1001125125.....379	1001148902.....500	496
1001113047 . 85, 89, 117,	1001125126.....379	1001148903.....500	1001159119..... 351, 353
120	1001125387.....489	1001148904.....500	1001159120..... 351, 353

SECTION 11 - SPECIAL OPTIONS/ACCESSORIES/KITS

1001159121.....353	1001179154..... 172	1001196634..... 401	1001218572.....67, 69
1001159162.....89	1001179329..... 318	1001196768..... 120	1001218622.....357
1001159186.....423, 434	1001179545..... 318	1001197016..... 501	1001218623.....357
1001159256.....231, 235, 497	1001179546..... 318	1001197017..... 253, 255, 257, 259	1001219219.....23, 25
1001159323.....489	1001180620..... 136, 143	1001198333..... 314	1001219601... 81, 83, 497
1001159707.....319	1001181045..... 385, 387, 496	1001198336..... 309	1001220864.....500
1001160780.....37	1001182162..... 318	1001198338..... 313	1001221813.....149
1001161089.....120	1001182806..... 107	1001198339..... 309	1001222047.....371, 409, 411
1001161355.....19, 21	1001182980..... 136	1001198340..... 314	1001222052.....405, 409, 411
1001161399.....19, 21	1001182982..... 136	1001198341..... 314	1001222055.....373, 375, 377, 379, 383
1001161709.....231, 235, 497	1001182983..... 137	1001199035..... 489	1001222336.....365, 496
1001162497.....81, 83	1001182997..... 67, 69	1001199036..... 489	1001222340.....85, 497
1001163101.....117	1001183726..... 164, 168, 172	1001200054..... 189	1001222358.....74
1001165035.....130	1001184626..... 232, 236	1001200491..... 201	1001222359.....77, 79
1001165350.....181	1001184682..... 109	1001200494..... 201	1001222360.....77, 79
1001165368.....163, 359, 387	1001185281..... 231, 236	1001200497..... 197, 407, 413	1001222363.....85
1001165657.....19, 21	1001185585..... 130	1001201351..... 201	1001222365.....85, 497
1001166538.....231, 235, 245, 496	1001185964..... 413	1001201885..... 434, 461	1001222369.....409, 411, 447
1001166539.....231, 235, 247, 496	1001186251..... 120	1001202687..... 201	1001222370.....409, 411
1001167164.....159	1001186254..... 120	1001202749..... 501	1001222371.....409, 411
1001167565.....201	1001186333..... 217	1001203655..... 217	1001222372.....409, 411
1001167567.....201	1001186334..... 223	1001203656..... 223	1001222375.....85
1001167596.....201	1001186375..... 207	1001204560.. 15, 17, 287	1001222378.....85
1001168243.....85	1001186378..... 211	1001204725..... 201	1001222379.....365
1001168244.....85	1001186379..... 215	1001205028..... 500	1001222380.....365
1001168402.....201	1001186382..... 221	1001205029..... 500	1001222465.....143
1001169054.....136	1001186383..... 219	1001205492..... 501	1001222709.....232, 236
1001169085.....111, 113, 115	1001186384..... 213	1001205690..... 363, 389	1001222731.....149
1001169138.....136	1001186385..... 209	1001205958..... 337, 339, 341, 343, 345, 347	1001222783.....141
1001169754.....33	1001186387..... 205	1001206119..... 163	1001222784.....139
1001169755.....33	1001186431..... 263, 497	1001206250..... 339	1001222797.....149
1001169756.....33	1001186432..... 455, 457	1001206251..... 343	1001222879.....85, 496
1001169967.....136	1001186433..... 263	1001206252..... 347	1001222882.....137
1001170035.....136	1001186517..... 263	1001206253..... 329	1001222883.....137
1001170527.....185	1001186919..... 139, 164, 168, 172	1001206254..... 335	1001222884.....137
1001170548.....181	1001187674..... 261	1001206255..... 349	1001222915.....86
1001170981.....136	1001187681..... 449	1001206532..... 232, 236	1001223055.....471
1001171016.....361	1001188135..... 314	1001207004..... 115	1001223059.....149
1001171131.....351	1001188387..... 415	1001207969..... 189	1001223061.....141
1001171482.....91	1001188622..... 201	1001208994..... 189, 201	1001223088.....139
1001172045.....500	1001188844..... 201	1001209059..... 501	1001223124.....77
1001172271.....195, 497	1001188874..... 91	1001209664..... 263	1001223148.....141
1001172533.....136	1001189001..... 201	1001210636..... 465	1001223195.....75, 86
1001172570.....489	1001189002..... 201	1001211363..... 231, 236, 497	1001223196.....75, 86
1001172577.....267	1001189171..... 389, 496	1001213447..... 433	1001223198.....75, 86
1001172578.....267	1001189172..... 389, 496	1001213584..... 325, 331, 355, 359, 363	1001223200.....75, 86
1001172620.....489	1001189570..... 463	1001213585..... 325, 331, 355, 359, 363	1001223302.....137, 139
1001172760.....231, 236	1001189571..... 463	1001214524..... 501	1001223405.....137
1001173703.....489	1001189572..... 463	1001214540..... 501	1001223431.....415
1001174040.....201	1001189750..... 425	1001214548..... 501	1001223433.....373
1001174449.....471, 473, 475, 477, 479, 481, 483, 485, 487	1001189882..... 477	1001214690..... 137	1001223460.....413
1001174486.....130	1001190164..... 137	1001215228..... 232	1001223554.....471
1001175073.....161	1001190545..... 130, 496	1001215289..... 319	1001223556.....471
1001175074.....161	1001190577..... 371	1001216630..... 201	1001223560.....473, 477
1001176469.....101, 103	1001190578..... 433	1001217183..... 137	1001223581.....89, 496
1001176636.....181	1001190609..... 130, 157	1001217185..... 137	1001223583...81, 83, 497
1001176862.....351	1001190985..... 201	1001217780..... 181, 183	1001223721.....139
1001178057.....63, 65	1001191395..... 501		1001223744.....139
1001179079.....318	1001193018..... 327, 329, 333, 335, 337, 339, 341, 343, 345, 347, 349		1001223787.....137
	1001195304..... 501		1001223794.....415
	1001196297..... 314		1001223797.....415
	1001196382..... 163, 167, 171		1001223842.....139

SECTION 11 - SPECIAL OPTIONS/ACCESSORIES/KITS

1001223916..... 86	1001226541..... 403	1001228359..... 121	1001231520..... 365
1001223917..... 86	1001226551..... 133	1001228370..... 471, 481	1001231521..... 365
1001223918..... 86	1001226636..... 403	1001228403..... 121	1001231522..... 365
1001223949..... 409, 411	1001226637..... 403	1001228411..... 471, 473, 475, 477, 479, 481, 483, 485, 487	1001231569..... 74
1001223950..... 409, 411	1001226669..... 130	1001228440..... 85, 496	1001231570..... 74
1001223951..... 86	1001226739..... 393, 395, 397, 399, 403	1001228475..... 117	1001231581..... 74
1001223952..... 86	1001226799..... 395, 397, 399	1001228517..... 121	1001231582..... 74
1001223971..... 481	1001226814..... 43, 49	1001228628..... 447	1001231597..... 74
1001223977..... 63	1001226929..... 81, 83	1001228629..... 447	1001231598..... 74
1001223981..... 71	1001226930..... 81, 83	1001228678..... 313	1001231599..... 74
1001223987..... 137	1001226931..... 81, 83	1001228679..... 313	1001231600..... 74
1001223997..... 139	1001226932... 81, 83, 496	1001228696..... 313	1001231601..... 74
1001224000..... 139	1001226933... 81, 83, 496	1001228723..... 139	1001231606..... 74
1001224009..... 139	1001226934... 81, 83, 496	1001228799..... 43, 189	1001231607..... 74
1001224048..... 485	1001226935..... 74, 85	1001228882..... 121	1001231608..... 74
1001224049..... 487	1001227080..... 365, 409, 411	1001228945..... 121	1001231655..... 74
1001224050..... 479	1001227198..... 71	1001228949..... 397	1001231656..... 74
1001224052..... 475	1001227307..... 117	1001228954..... 397	1001231657..... 74
1001224053..... 483	1001227338..... 63	1001228985..... 407, 409, 411	1001231658..... 75
1001224123..... 67	1001227356..... 373, 375, 377, 379, 381	1001228988..... 273, 491, 493	1001231685..... 365, 369
1001224384..... 67, 69	1001227359..... 373, 375, 377, 379	1001229017..... 91	1001231686..... 365, 367
1001224585..... 139, 149	1001227383..... 63	1001229018..... 91	1001231700..... 74, 365
1001224943..... 85	1001227448..... 393	1001229066..... 161	1001231801..... 489
1001225072..... 143	1001227526..... 168, 172	1001229067..... 161	1001231839..... 74
1001225093..... 139	1001227633..... 261	1001229080..... 163, 359, 363	1001231840..... 74
1001225094..... 139	1001227634..... 261	1001229098..... 117	1001231886..... 107
1001225095..... 139	1001227723..... 171	1001229208..... 111	1001231949..... 283
1001225104..... 139	1001227724..... 163	1001229232..... 463	1001231950..... 279
1001225120..... 91	1001227725..... 167	1001229233..... 461	1001232010..... 279, 281, 283
1001225131..... 365, 497	1001227731..... 121	1001229341..... 261	1001232011..... 279, 283
1001225219..... 463	1001227734..... 121	1001229530..... 427, 429, 431	1001232084..... 121, 125
1001225362..... 447	1001227735..... 121	1001229556..... 121	1001232164..... 261
1001225429..... 139	1001227740..... 159	1001229561..... 137	1001232165..... 261
1001225476..... 405	1001227741..... 159	1001229790..... 89	1001232181..... 139
1001225477..... 405	1001227742..... 159	1001229791..... 89	1001232214..... 500
1001225557..... 365	1001227743..... 159	1001229810..... 51, 54	1001232375..... 137
1001225558..... 365	1001227763..... 85	1001230008..... 120	1001232495..... 89
1001225580..... 263, 455	1001227788..... 89, 496	1001230010..... 121	1001232499..... 89
1001225591..... 405	1001227793..... 117, 120	1001230014..... 120	1001232528..... 131
1001225591..... 405	1001227794..... 121	1001230154..... 86	1001232529..... 133
1001225731..... 130	1001227798..... 121	1001230187..... 500	1001232642..... 265
1001225733..... 130	1001227816..... 501	1001230504..... 500	1001232667..... 265, 497
1001225745..... 133, 155	1001227850..... 377	1001230507..... 86	1001232840..... 365
1001225804..... 71	1001227851..... 379	1001230522..... 89, 463	1001232841..... 365
1001225969..... 91	1001227853..... 375	1001230605..... 130, 415	1001232893..... 473
1001225985..... 130	1001227869..... 71	1001230711..... 74	1001232986..... 489
1001225994..... 409, 411, 427	1001227870..... 71	1001230712..... 74	1001233008..... 481
1001226031..... 77	1001227892..... 318	1001230714..... 85	1001233009..... 485
1001226120..... 81, 83, 85	1001227898..... 502	1001231225..... 163, 168, 172, 421	1001233010..... 479
1001226121..... 86	1001227901..... 79	1001231249..... 74	1001233011..... 475
1001226124..... 86	1001227904..... 500	1001231260..... 167, 171	1001233012..... 487
1001226146..... 85	1001227909..... 149	1001231263..... 111	1001233013..... 483
1001226190..... 85	1001227910..... 313	1001231263..... 111	1001233063..... 481
1001226267..... 409, 411	1001227925..... 409, 411	1001231323..... 139	1001233064..... 485
1001226268..... 409, 411	1001227985..... 261	1001231425..... 365	1001233065..... 479
1001226269..... 409, 411	1001227987..... 261	1001231426..... 365	1001233066..... 475
1001226270..... 409, 411	1001227996..... 451, 453	1001231481..... 365	1001233067..... 487
1001226268..... 409, 411	1001228087..... 177, 303	1001231482..... 365	1001233068..... 483
1001226269..... 409, 411	1001228113..... 117	1001231514..... 365	1001233188..... 85
1001226270..... 409, 411	1001228170..... 43, 45	1001231515..... 365	1001233198..... 85, 496
1001226404..... 89, 425	1001228224..... 261, 497	1001231519..... 365	1001233203..... 85
1001226421..... 121	1001228225..... 261, 497		1001233249..... 71
1001226452..... 120			1001233420..... 409, 411
1001226453..... 120			1001233440..... 365
1001226468..... 447			1001233441..... 409, 411
1001226489..... 85			
1001226492..... 85			
1001226506..... 447			
1001226522..... 409, 411			

SECTION 11 - SPECIAL OPTIONS/ACCESSORIES/KITS

1001233442.....85	1001237931 137, 139	1001249005 81, 83, 91	1001264430.....79
1001233443.....74	1001237932 133, 136	1001249006 471	1001264698.....99
1001233444.....74	1001237933 130, 133	1001249007 483	1001264701.....99
1001233445.....86	1001238263 277, 279, 281, 283	1001249008 485	1001264703.....91
1001233446.....75	1001238307 500	1001249009 481	1001264705.....229, 235
1001233447.....86	1001238309 77, 79	1001249010 479	1001264706.....229
1001233448.....365	1001238319 261	1001249011 487	1001264804.....103
1001233573314	1001238418 265, 457	1001249012 475	1001264807.....103
100123363567, 69	1001238421 201	1001249013 471, 473, 475, 477, 479, 481, 483, 485, 487, 489	1001265163.....465
100123364067, 69	1001238472 265	1001249014 97	1001265342.....465
1001233641 63, 67, 69	1001238495 263	1001249015 101	1001266056.....501
100123373774	1001238559 265	1001249018 97	1001266070.....227, 231
1001233761413	1001238732 . 93, 95, 239, 241	1001249019 101	1001266074.....227
1001233785.....471, 473, 475, 477, 479, 481, 483, 485, 487	1001239347 109	1001249052 501	1001266164.....195
1001233825.....365	1001241385 107	1001249548 473	1001266290.....501
1001234099.....500	1001241547 501	1001249549 477	1001266489.....501
1001234102.....500	1001241548 501	1001249695 502	1001266807.....501
1001234287413	1001241965 265	1001249941 502	1001266829.....195
1001234288413	1001242192 500	1001250035 501	1001267328.....471, 473, 475, 477, 479, 481, 483, 485, 487
1001234289413	1001243183 500	1001250292 121	1001267885.....475
1001234306502	1001243184 500	1001250293 120	1001268736.....501
1001234313365, 496	1001243414 121	1001250595 501	1001269187.....501
100123431485, 496	1001243682 107, 109, 467	1001251009 175, 297	1001269655.....502
100123448885, 496	1001243869 161	1001251010 175, 295	1001270068.....309
1001234588363	1001244352 163	1001251030 175, 289	1001270080.....313
1001234944489	1001244474 113	1001251041 175, 291	1001270081.....314
1001234945489	1001244475 115	1001251050 175, 299	1001270082.....314
1001234946489	1001244926 163	1001251086 179, 305	1001270091.....314
1001234947489	1001245026 232, 236, 433	1001252629 277, 279, 281, 283	1001270482.....500
1001235097489	1001245027 409, 411, 423	1001253920 471	1001270594.....111
1001235160501	1001245028 409, 411, 461	1001253921 471	1001271642.....501
1001235269500	1001245029 409, 429	1001253922 481	1001272166.....501
1001235296168	1001245030 89, 413	1001253923 481	1001272182.....501
1001235452139	1001245162 93	1001253924 485	1001272659.....391
1001235453139	1001245177 . 93, 95, 239, 241	1001253925 485	1001272681.....113
1001235518121	1001245208 93	1001253926 479	1001272997.....401
1001235519172	1001245678 239	1001253927 479	1001273012.....391, 401
1001235839117	1001245918 239	1001253930 487	1001274218.....69
1001236206139	1001246142 500	1001253931 487	1001274559.....231, 235
1001236341130	1001246144 395	1001253932 483	1001274829.....501
1001236370117	1001246145 399	1001253933 483	1001274830.....501
100123643533	1001246473 395	1001253936 475	1001274831.....500
1001236489415	1001246474 399	1001253937 475	1001274833.....500
1001236490415	1001246859 91	1001254472 265	1001275642.....502
1001236552265	1001247073 501	1001254473 265	1001275643.....502
1001236746283	1001247099 175	1001255133 201	1001276610.....391
1001236747279	1001247147 175, 181	1001255901 401	1001276923.....500
100123675985, 497	1001247362 89, 496	1001257271 277, 281	1001277841.....502
1001236891277, 279, 281, 283	1001247415 137, 143	1001257274 277	1001281705.....241
1001236895277, 279, 281, 283	1001247468 201, 496	1001258495 451, 453	1001281706.....95
1001236962359	1001247762 489	1001260475 195	1001281717.....241
100123696785	1001248012 181, 293	1001260937 236	1001281718.....95
1001237291131	1001248140 277, 279, 281, 283	1001261272 187	1001282461.....501
1001237667423, 434	1001248141 277, 279, 281, 283	1001261274 187	1001282826.....411, 431
1001237668423, 434	1001249003 . 81, 83, 409, 411	1001261335 277	1001284688.....471, 473, 475, 477, 479, 481, 483, 485, 487
1001237844473, 477	1001249004 81, 83, 89	1001261336 281	1001284800.....91, 497
1001237863261, 451		1001261338 277	1001284959.....69
1001237864261, 453		1001261339 281	1001285015.....69
1001237865261, 449		1001262016 501	1001287769.....69
1001237882501		1001262322 393	1060341 253, 255, 257, 259
1001237883501		1001262326 393	1060343.....172
1001237918141, 145		1001262959 502	1060545.....387, 389
1001237919139, 141		1001263579 502	
		1001263587 236	

SECTION 11 - SPECIAL OPTIONS/ACCESSORIES/KITS

1060637 131	1703814 ... 471, 473, 475, 477, 479, 481, 483, 485, 487	1705895.....475	2220468 313, 319
1060903 ... 253, 255, 257, 259	1703923 487	1705896.....475	2220472 319
1060908 385	1703924 481	1705897.....475	2220473 313, 318
1060918 251	1703925 479	1705898.....475	2220478 318
10702077 168, 172	1703926 483	1705902.....475	2220490 318
10702082 168, 172	1703935 487	1705903.....475	2220499 313
1120510 175	1703936 481	1705905.....475	2220500 313, 318
1120555 267	1703938 483	1705910.....487	2220501 319
1120601 120	1703939 485	1705917.....487	2220578 313
1180346 187	1703941 487	1705921.....473, 477	2220582 313, 318
1260017 37, 59	1703942 481	1705961.....473, 477	2220593 318
1260135 39	1703943 479	1705967.....475, 489	2220596 318
1320022 136	1703944 483	1705968.....489	2220600 318
1320060 81, 83	1703945 485	1705969.....485, 489	2220603 319
1320061 77, 79	1703947 487	1705977 ... 473, 475, 477, 479, 481, 483, 485, 487	2220605 318
1320250 187	1703948 481	1705978.....473, 477	2220654 313
1320256 ... 373, 375, 377, 379	1703949 479	1706059.....475	2220671 313
1320263 ... 130, 409, 411	1703950 483	1706060.....479	2220683 313
1320265 130	1703951 485	1706061.....485	2220737 318
1320274 136	1703953 471	1706062.....483	2220765 318
1320288 185	1703959 ... 471, 473, 475, 477, 479, 481, 483, 485, 487	1706063.....487	2220800 313
1320289 185	1703960 ... 471, 473, 475, 477, 479, 481, 483, 485, 487	1706064.....481	2220852 318
1320302 ... 269, 271, 273	1703980 483	1706098.....473, 477	2220865 313
1321385 130	1703981 485	1706385.....217, 223	2220883 27, 49, 287, 291, 293, 295, 297, 303
1380147 161	1703982 479	2030010.....269, 271, 273	2220885 ... 287, 293, 299, 303, 305
1580012 225	1703983 487	2080040 ... 120, 205, 209, 213, 219	2220886 27, 49, 291, 295, 297, 303, 305
1580013 501	1703984 481	2080072.....120	2220888 27
1600244 502	1704000 481, 489	2110404.....309, 313	2220923 318
1670603 349	1704001 487, 489	2110406.....313	2220947 319
1670844 175	1704260 231, 235	2110408.....309	2220950 319
1670850 175	1704277 ... 471, 473, 475, 477, 479, 481, 483, 485, 487	2110606.....309, 313	2220998 313
1671034 181	1704412 ... 471, 473, 475, 477, 479, 481, 483, 485, 487	2110608.....321	2221034 319
1671092 172	1704578 37	2110808.....313	2221036 319
1671093 271	1704972 471	2110812.....313	2221040 313
1671314 235	1705014 217, 223	2111616.....313	2221046 130
1701499 ... 471, 473, 475, 477, 479, 481, 483, 485, 487	1705090 37	2130406.....313	2221050 313
1701501 ... 471, 473, 475, 477, 479, 481, 483, 485, 487	1705305 ... 273, 491, 493	2130604.....313	2221077 313
1701505 ... 471, 473, 475, 477, 479, 481, 483, 485, 487	1705325 327, 329	2130606.....313	2221086 318
1701509 ... 267, 471, 473, 475, 477, 479, 481, 483, 485, 487	1705336 471	2130808.....313	2300016 23
1701518 473, 477	1705344 483	2131616.....313	2400060 465
1702155 ... 471, 473, 475, 477, 479, 481, 483, 485, 487	1705345 485	2150406.....313	2400080 365, 496
1702565 231, 235	1705347 481	2151616.....313	2400081 405
1702566 231, 235	1705351 471	2170408.....313	2410014 217, 223
1702567 231, 235	1705355 491, 493	2170504.....313	2560136 231, 235
1702773 ... 217, 223, 489	1705358 489	2170706.....321	2560187 123, 125
1702774 489	1705374 351, 353	2180348.....130	2600281 ... 205, 209, 213, 219
1702861 489	1705375 ... 172, 273, 493	2180666.....130	2720058 130
1702868 ... 273, 471, 489, 493	1705387 172	2180876.....131	2720271 130
1703797 471, 485	1705426 483	2220237.....313, 318	2751399 314
1703804 471	1705427 485	2220238.....313, 321	2751500 314
1703805 471	1705429 481	2220240.....318	2752461 318
1703811 ... 471, 473, 475, 477, 479, 481, 483, 485, 487	1705430 479	2220250.....130	2752468 318
	1705430 479	2220315.....136	2752484 319
	1705460 168, 172	2220366.....313	2752489 314
	1705461 168	2220371.....313, 318	2752493 314
	1705489 163, 168	2220373.....313, 318	2752494 314, 318
	1705822 473, 477	2220374.....313	2752723 318
	1705828 473, 477	2220375.....313	2752754 314
		2220377 318	2752765 314
		2220380.....313	2752766 319
		2220381.....318	2752767 319
		2220385.....313	2752768 319
		2220415.....318	2752930 319
		2220451.....313	
		2220466.....318	

SECTION 11 - SPECIAL OPTIONS/ACCESSORIES/KITS

2752938.....314	3272001 ... 277, 279, 281, 283	3312002 51, 277, 279, 281, 283	3520198.....205, 207, 209, 211, 213, 215, 219, 221
2752978.....319	3290405 ... 111, 113, 327, 329, 333, 335, 337, 339, 341, 343, 345, 347, 349, 465	3312005 267	3538047..... 15, 17
2752995.....318	3290501 143	3312205 267	3570775..... 303
2752997.....314	3290601 123, 125, 131	3322201 61	3570928..... 193, 195
2753008.....318	3290605 136, 159	3331611 136	3572606..... 193, 195
2753010.....318	3290606 ... 207, 211, 215, 221	3340764 185	3572607..... 193, 195
2753123.....319	3290607 .81, 83, 113, 115	3340828 179	3573400..... 269, 271, 273
2753126.....318	3290805 ... 136, 159, 409, 411	3340835 175, 179	3573642..... 269, 271, 273
2753189.....319	3290806 201	3340838 303	3574091..... 257, 259
2753190.....319	3290807 139	3340840 185	3575359..... 253, 255
2753191.....319	3291001 136, 201	3340859 187	3577121..... 269, 271, 273
2753192.....318	3291005 136, 139, 201	3340871 177	3580317..... 163, 167, 171
2753195.....318	3291007 136, 139	3340881 179	3580318..... 171
2753196.....318	3291201 ... 163, 167, 171, 201	3340941 185	3580319..... 167
2753197.....318	3291205 130, 201	3340943 185	3641569..... 253, 255
2753199.....318	3300007 23	3340956 267	3740086..... 457, 497
2753200.....318	3300151 ... 207, 211, 215, 221, 269, 271, 273	3340966 21	3740112..... 89, 497
2753231.....318	3300205 81, 83	3380434 227, 229	3760133..... 177
2753274.....318	3300353 91, 231, 235	3380535 199	3760170..... 39, 59
2753442.....318	3300364 71, 120	3420292 37	3790012..... 231, 235, 243
2753542.....314	3300365 89	3420372 39	3790044..... 133
2753622.....313	3300396 168, 172	3420447 39	3820001..... 37, 471, 473, 475, 477, 479, 481, 483, 485, 487
2753626.....314	3300408 93, 95	3421565 59	3820020..... 205, 209, 213, 219
2753628.....314	3300430 263	3422417 19, 21	3841143.... 130, 175, 177, 181, 201
2753634.....314	3300454 ... 77, 79, 89, 117	3422446 130	3841287..... 15, 17, 175
2753686.....313	3310601 161	3422457 177	3841340..... 181, 187
2753879.....321	3310605 74, 197	3422533 130	3841356..... 175
2753970.....314	3310801 193, 195	3422561 175	3841406..... 185
2753971.....314	3310805 85	3422583 175	3841520..... 19, 21
2754337.....314	3311001 168, 172	3422681 175	3900054..... 217, 223
2754338.....314	3311005 85, 89, 115, 168, 172, 231, 235, 269, 271, 273	3422683 175	3900210.... 120, 123, 125
2754512.....314	3311401 37, 74, 253, 255, 257, 259	3422684 175	3900239..... 175
2820019.....419	3311405 85, 91, 107, 109, 117, 163, 189, 193, 195, 197, 227, 229, 265, 327, 329, 333, 335, 337, 339, 341, 343, 345, 347, 349, 359, 361, 363, 471, 473, 475, 477, 479, 481, 483, 485, 487	3422685 175	3900258..... 117
2820031..... 163, 167, 171	3311501 ... 120, 253, 255, 257, 259	3422686 175	3900259..... 177
2820247..... 451, 453	3311505 23, 89, 123, 125, 167, 171, 189	3422687 175	3900262..... 187
2840018..... 161	3311601 ... 63, 67, 69, 74, 81, 83, 120, 187, 232, 236, 265, 409, 411	3422688 175	3900283..... 185
2860030..... 91, 496	3311602 187	3422689 175	3900293..... 51
2900708..... 43	3311605 ... 33, 63, 67, 69, 77, 79, 89, 117, 120, 181, 185, 187, 217, 223, 227, 229, 269, 271, 273	3422690 177	3900316..... 120
2900756..... 23	3311801 .23, 74, 193, 195	3422729 175	3900349..... 231, 235
2900792.... 289, 291, 293, 295, 297	3312001 39	3422790 19, 21	3900363..... 123, 125
2902212..... 267		3422848 21	3900382..... 141
2902217..... 269, 271		3422860 181	3910606.... 171, 351, 353
2902396..... 500		3422861 181	3910610.... 161, 325, 331
2910887..... 500		3422867 181	3910804..... 91
2915094..... 57, 502		3430616 232, 236	3911010..... 115
2940045..... 120		3430820 161	3930606..... 197
2940074.... 205, 209, 213, 219, 496		3450304 139	3930616..... 74
2940173..... 120		3450404 161	3930812..... 85
3020029..... 57		3460334 267	3930816..... 199
3020039..... 15, 17		3470003 232, 236	3930820..... 195
3160348..... 23, 27		3520026 235	3930824..... 193, 195
3250872..... 37		3520027 235	3931010..... 74, 85, 89
3251102..... 163		3520030 121	3931016 85, 89, 167, 171, 231, 235
3251242.... 333, 335, 337, 339, 341, 343, 345, 347, 349		3520032 120	3931048..... 85
3251243..... 172		3520034 181	3931408..... 263
3252347..... 471		3520035 91, 193, 195, 199	3931412..... 74, 77, 79
3252764..... 167, 171		3520054 231, 235	3931432..... 193, 195
3271405..... 81, 83, 130		3520071 267	3931436..... 193, 195
3271505..... 71		3520072 ... 205, 207, 209, 211, 213, 215, 217, 219, 221, 223	3931448..... 303
3271605.... 277, 279, 281, 283		3520173 120	3931464..... 193
3271805..... 61, 161, 217, 223		3520189 168	3931664..... 303
		3520192 168	

SECTION 11 - SPECIAL OPTIONS/ACCESSORIES/KITS

3952020 51	4360517 61, 497	433, 455, 457, 459,	4460879 433, 465
3960422 ... 171, 325, 331,	4360578 ... 193, 195, 199,	461, 463, 465, 467	4460880 415, 429, 431
351, 353	497	4460465.....71, 111, 113,	4460884... 195, 369, 413,
3960468 133	4420014 267	164, 195, 367, 369,	433, 455, 461, 465
3960469 133	4420037 ... 269, 271, 273	371, 377, 381, 383,	4460887 ... 427, 433, 461,
3960526 23	4420038 63, 67, 69	403, 407, 413, 415,	465
4010618 ... 207, 211, 215,	4420051 37, 489	417, 419, 421, 423,	4460891 71, 111, 113,
221	4420060 199	427, 429, 431, 433,	367, 369, 371, 377,
4031505 261	4420066 267	455, 459, 461, 463,	415, 427, 429, 431,
4031509 111, 113	4460016 434	465, 467	459, 461, 463, 467
4031516 265	4460019 ... 367, 369, 415,	4460466....261, 367, 369,	4460892 429, 431
4031707 139	463	381, 383, 403, 405,	4460894 ... 403, 423, 429,
4031708 139	4460042 423, 427	407, 413, 415, 423,	431, 433, 463
4060092 331	4460049 ... 253, 255, 257,	425, 427, 429, 431,	4460897 69, 111, 377,
4060802 163, 167, 171	259	433, 449, 455, 457,	405
4060805 ... 121, 185, 193,	4460051 325, 331	459, 461, 463, 465	4460899 ... 407, 449, 455,
195	4460071 171, 251	4460467.....502	457
4061032 81, 83	4460125 331	4460470.....89, 231, 235,	4460905 ... 413, 423, 427,
4070450 39	4460142 415, 427	409, 411, 433	429, 431, 433, 461
4070560 39	4460144 423	4460471.....89, 231, 235,	4460906 463
4070561 39	4460183 434	409, 411, 433	4460910 195, 365, 453
4070863 177	4460205 325	4460473.....381, 383	4460911 ... 365, 449, 461
4070864 177	4460224 ... 231, 235, 413	4460488.....91, 113, 115,	4460928 459
4070878 15, 17	4460225 ... 417, 419, 434,	409, 411	4460931 405
4070879 15, 17	463	4460496.....365, 409, 411	4460932 ... 401, 413, 461,
4070897 177, 179	4460226 ... 111, 231, 235,	4460497.....365, 409, 411	465
4070898 177, 179	245, 248, 251, 253,	4460508....261, 381, 407,	4460933 433, 459, 461
4070929 179	255, 257, 259, 405,	415, 433, 461, 463	4460941 449
4070967 179	407, 413, 461	4460509....367, 369, 381,	4460942 261
4070968 179	4460227 ... 429, 431, 433,	383, 461	4460943 ... 381, 407, 423,
4070969 185	434, 461	4460510.....502	429, 431, 433, 449, 461
4070991 91	4460233 77, 331	4460518....371, 407, 433,	4460944 ... 381, 383, 423,
4071007 179	4460234 ... 231, 235, 253,	459, 461	425, 427, 433, 461, 463
4071052 185	255, 257, 259, 393,	4460536....421, 433, 467	4460945 427, 463
4071059 21	395, 397, 399	4460539....369, 413, 423,	4460950 369
4100062 319	4460247 427	427, 429, 431, 433,	4460956 385, 387
4160194 120	4460256 ... 367, 369, 415	463, 467	4460957 385, 387
4240018 ... 163, 167, 171,	4460259 ... 423, 427, 434,	4460612.....351, 353	4460958 353
351, 353	465	4460705.....413	4460962 271
4240032 ... 113, 115, 365,	4460260 ... 423, 427, 434,	4460708....409, 411, 433	4460963 172
391, 393, 395, 397, 399	465	4460722.....425, 463	4460967 164, 421
4240033 ... 113, 115, 261,	4460265 ... 245, 248, 463	4460742.....367, 369	4460968 ... 193, 195, 199
263, 265	4460266 413	4460746.....413	4460970 423
4240084 33	4460267 ... 413, 433, 434,	4460748.....413	4460979 425
4240099 ... 74, 81, 83, 89,	461	4460761....405, 407, 413,	4460993 71
130, 231, 235, 253,	4460268 ... 417, 419, 425,	433	4460994 71, 407, 415,
255, 257, 259, 269,	429, 463	4460789.....413	463
271, 359, 363, 375,	4460314 434	4460790.....367, 369	4461070 459
377, 379, 409, 411	4460315 ... 325, 331, 433	4460806....337, 339, 341,	4461077 449, 457
4240149 267	4460326 425	343	4461095 459
4280296 35	4460343 433	4460807.....417, 419	4461157 ... 367, 369, 425
4340706 179	4460346 171, 325	4460808.....417, 419	4461196 437
4360057 ... 253, 255, 257,	4460418 423, 433	4460836.....369, 427	4461198 329, 437
259, 497	4460419 423, 433	4460850.....367, 369	4461199 439
4360070 168, 172, 496	4460424 429, 461	4460851....371, 429, 431	4461201 335, 439
4360328 243, 497	4460425 ... 168, 172, 253,	4460852....371, 429, 431	4461205 441, 443
4360336 ... 163, 167, 171,	255, 257, 259, 351, 353	4460865.....381, 383	4461244 339, 441
497	4460426 168, 172	4460866....381, 433, 461	4461245 343, 443
4360387 ... 101, 103, 231,	4460427 427	4460871....413, 423, 427,	4461246 347, 445
235, 497	4460428 231, 235	429, 431, 433, 461, 467	4461249 445
4360407 231, 235, 496	4460434 461	4460872.....429, 431	4461261 367, 369
4360436 67, 497	4460457 413	4460873.....433, 461	4461271 427
4360469 91, 497	4460458 413	4460874.....413, 433	4520252 29
4360475 91, 497	4460464 ... 111, 251, 367,	4460875....429, 431, 433	4520253 31
4360476 91	369, 377, 381, 401,	4460876.....423	4530028 269, 271, 275
4360498 193, 195, 497	403, 405, 407, 413,	4460877 447	4567139 319
4360499 193, 195, 497	415, 421, 423, 427,	4460878.....461	4567757 319

SECTION 11 - SPECIAL OPTIONS/ACCESSORIES/KITS

4640261.....37	115, 117, 120, 269,	70000863 167	70002905.....251
4640509....291, 293, 295,	271, 273	70001100 167	70003019.....45
297	475180061, 74, 217, 223,	70001248 61	70003060.....145
4640605.....289, 291, 297	253, 255, 257, 259	70001384 167	70003061.....145
4640858.....287	4752000 130	70001696 168, 172	70003063.....146
4640866.....43	4760600 325, 331	70001697 183	70003064.....146
4640932.....289	4761400 91, 225	70001954 151	70003454.....61
4641032.....305	4762000 39	70001955 151	70003631..... 167, 171
4641033.....303	4770600 161	70001956 151	70003649.....49
4641122.....29, 31, 33	4771200 89	70001957 151	70003708... 163, 168, 172
4641192.....49	4811400 ... 111, 113, 327,	70001966 .. 163, 167, 171	70003709... 163, 167, 171
4641284.....313	329, 333, 335, 337,	70001973 .. 163, 168, 172	70003784..... 231, 235
4641303.....23	339, 341, 343, 345,	70001974 168, 172	70003790.....191
4641435..... 193, 195	347, 349, 465	70002013 185	70003935.....23
4710600.....74	4811600 74, 85, 143	70002014 185	70003936.....23
4711000.85, 89, 168, 172	4811602 143	70002064 191	70003975.....49
4711400....43, 74, 77, 79,	4811700. 81, 83, 89, 113,	70002066 54	70004037.....54
81, 83, 85, 89, 91, 105,	115, 136, 149, 159,	70002085 54	70004040.....54
107, 109, 117, 130,	207, 211, 215, 221	70002112 65	70004041.....54
163, 167, 171, 189,	4811702 159	7000213 54	70004042.....54
207, 211, 215, 221,	4811900 74, 136, 139,	7000217 54	70004043.....54
263, 265, 327, 329,	159, 201, 409, 411	70002231 43, 496	70004044.....54
333, 335, 337, 339,	4811902 136, 159	7000224 25	70004045.....54
341, 343, 345, 347,	4812000 ... 131, 136, 139,	7000228 54	70004047.....54
349, 359, 361, 363	163, 167, 171, 201	7000229 54	70004050.....45
4711500....23, 71, 81, 83,	4812002 136	70002297 167, 171	70004051.....45
85, 123, 125, 130, 167,	4812100 130, 201	7000230 54	70004052.....45
171, 189, 195, 409, 411	4843777 39	70002315 145	70004055.....45
4711600.... 15, 17, 43, 77,	4844816 181	70002316 145	70004069.....157
79, 89, 164, 168, 172,	4844817 181	70002317 145	70004070.....157
177, 179, 185, 187,	4844958 59	70002318 145	70004092... 163, 168, 172
227, 229, 232, 236,	4845593 175	70002319 145	70004093..... 167, 171
277, 279, 281, 283,	4845680 187	70002320 145	70004094..... 168, 172
373, 375, 377, 379,	4845730 185	70002321 145	70004095..... 168, 172
409, 411	4846627 ... 269, 271, 273	70002322 145	70004096..... 168, 172
4711800.... 161, 217, 223	4846673 257, 259	70002323 145	70004097..... 168, 172
4712000....267, 277, 279,	4860224 29	70002326 146	70004098... 163, 168, 172
281, 283	4860225 31, 33	70002327 146	70004099..... 167, 171
4712200.....267	4871700 164, 168, 172	70002328 146	70004171.....163
4740036.....39	4891500 81, 83, 89	70002330 146	70004199.....65
474005751	4891600 61, 121, 201	70002373 289, 299	70004311.....145
474015521	4891800 23, 133, 161	70002386 191, 496	70004329.....155
4740256..... 19, 21	4892000 23, 57	7000239 25	70004331.....155
4740362.....227, 229	4892200 15, 17	7000240 25	70004332.....155
474039791	4892600001 201	7000246 54	70004333.....155
4740439181	4922216 373	70002460 168, 172	70004336.....155
474044491	4922217 373	7000247 54	70004337.....155
4740463..... 19, 21	4922219 375, 377	7000248 54	70004338.....155
4740472..... 15, 17	4922220 375, 377	7000253 54	70004340.....155
4740473..... 19, 21	4922578 ... 373, 375, 377,	7000255 54	70004342.....155
4740518.....91	379	7000257 54	70004343.....155
4750800.....85	4922579 377	70002744 301	70004344.....155
4751000.....69, 115, 167,	4922580 377	70002745 301	70004345.....155
171, 231, 235, 269,	4922641 167, 171	70002748 301	70004346.....155
271, 273	4922925 ... 167, 171, 419	70002749 301	70004347.....155
4751400..35, 37, 91, 117,	5240800 139	70002751 301	70004348.....155
120, 123, 125, 193,	5241000 136, 139	70002814 65	70004349.....155
195, 197, 199, 225,	5241200 ... 133, 163, 167,	7000283 25	70004350.....155
227, 229, 231, 235,	171, 201	70002838 65	70004351.....155
253, 255, 257, 259,	5241600 136	70002839 65	70004352.....155
269, 271, 273, 471,	5250806 141	7000284 25	70004381.....301
473, 475, 477, 479,	5251008 201	70002842 287	70004382.....301
481, 483, 485, 487	5251016 201	7000289 25	70004395..... 145, 496
4751500 37, 71, 120, 253,	5260818 81, 83	70002901 157	70004397.....145
255, 257, 259	70000342 183	70002902 251	70004398.....145
4751600....33, 35, 63, 67,	70000619 167, 171	70002903 251	70004399.....145
69, 74, 81, 83, 85, 113,	70000797 27	70002904 251	70004400.....145

SECTION 11 - SPECIAL OPTIONS/ACCESSORIES/KITS

70004457	45	70004773	247	70006690	25	7004275	502
70004459	45	70004774	248	70006691	25	7004276	502
70004460	45, 496	70004775	248	70006692	25	7004906	155
70004461	45, 46	70004795	65	70006734	293	7004907	155
70004463	45, 496	70004842	145	70006735	293	7004908	155
70004525	145	70005143	289, 299	70006736	293	70050795	305
70004526	145	70005144	289, 299	70006832	25	7007415	151, 152
70004530	145	70005194	45	70006833	25	7007437	27
70004531	145	70005195	45	70006955	45	7007438	27
70004536	145	70005196	45	70006956	45, 496	7007439	27
70004537	145	70005197	45	70006957	45	7007446	27
70004538	145	70005198	45	70006961	45	7007633	54
70004539	145	70005199	46	70007246	291, 295	7010492	54
70004540	145	70005200	46	70007277	297	7010543	49
70004544	145	70005201	46	70007278	291, 295, 297	7011112	289
70004584	45	70005202	46	70007279	297	7011333	193, 195
70004594	45	70005203	54	70007280	297	7011342	193, 195
70004595	45, 496	70005220	145	70007282	291, 295, 297	7012518	49
70004596	45	70005221	145	70007283	297	7012773	45
70004597	45	70005224	145	70007419	297	7012914	191
70004598	45	70005226	145	70007420	297	7012918	191
70004653	45, 496	70005227	145	70007421	295	7012928	49
70004657	45	70005228	146	70007422	291, 295	7012941	49
70004665	45	70005293	157	70007423	291, 295	7012943	49
70004667	45	70005294	157	70007424	295	7012944	49
70004676	163	70005295	157	70007425	295	7012953	49, 189, 191
70004678	163	70005296	157, 496	70007426	295	7012959	43
70004679	163	70005297	157	70007427	291	7012965	191
70004680	163	70005458	155	70007428	291	7012967	191
70004681	163	70005459	155	70007429	291	7012970	189
70004682	163	70005460	155	70007430	291	7012989	49, 191
70004683	163	70005461	155	70007505	145	7012995	49
70004738	245	70005462	155	70007966	289	7015004	136, 496
70004739	245	70005463	155	70007967	289, 299	7016652	502
70004740	245	70005464	155	70007968	289, 299	7016654	502
70004741	245	70005465	155	70007969	289, 299	7017023	54
70004742	245	70005594	305	70007981	305	7017028	25, 54
70004743	245	70005624	163	70007992	299	7017047	25
70004744	245	70005663	502	70008199	305	7017070	54
70004745	245	70005708	65	70008200	305	7017072	54
70004746	245	70005839	305	70008201	305	7017080	54
70004747	245	70006304	54	70008202	305	7017082	25
70004748	245	70006344	305	70008203	305	7017085	54
70004749	245	70006576	71	70008204	305	7017142	183
70004750	245	70006577	71	70008205	305	7017159	183
70004751	245	70006578	71	70008206	305	7017162	183
70004752	247	70006579	71	70008207	305	7017163	183
70004753	247	70006596	289, 299	70008208	305	7017164	183
70004754	247	70006649	293	70008209	305	7017172	183
70004755	247	70006650	293	70008210	305	7017192	183
70004756	247	70006661	145	7001928	25	7017195	183
70004757	247	70006664	145	70022564	289, 291, 295, 297, 299	7017402	191
70004758	247	70006665	146	70023370	289	7017406	191
70004759	247	70006667	145	70023380	291, 295	7017452	191
70004760	247	70006669	303	70023859	45	7017466	43
70004761	247	70006670	303	70023860	45	7017496	49
70004762	247	70006671	303	70023862	45	7017901	146
70004763	247	70006672	303	7002388	305	7017913	145
70004764	247	70006673	25	70026287	291, 295, 297	7017914	145
70004765	247	70006674	25	70027750	297	7017934	145
70004766	247	70006675	25	7002821	502	7017958	146
70004767	247	70006676	25	7002822	502	7017963	146
70004768	247	70006677	25	7002823	502	7018942	46
70004769	247	70006678	25	7002826	502	7018951	46
70004770	247	70006680	25	7002840	502	7018991	45, 496
70004771	247	70006684	25	70029468	297	7018992	45
70004772	247	70006685	25			7020064	187

SECTION 11 - SPECIAL OPTIONS/ACCESSORIES/KITS

7020065.....	187	7023911	191	7024508	303	8220043.....	367, 369
7020066.....	187	7023912	191	7024599	161	8220045.....	405, 427
7020067.....	187	7023917	23	7024704	54	8220051.....	367, 369
7020175.....	91, 231, 235	7023933	23	7024762	54	8220099.....	413
7020176.....	91, 231, 235	7023947	151	7024763	54	8220125.....	413
7021249.....	27	7023948	151	7024782	25	8220162.....	407
7021275.....	27, 152	7023949	151	7024784	54	8220164.....	427
7021276.....	27	7023950	151	7024854	27	8225117.....	89, 497
7021277.....	27	7023951	151	7024864	152	8229234.....	89, 496
7021375.....	45, 46	7023952	151	7024866	152	8229236.....	89, 496
7021625.....	23	7023956	151	7024867	151	8229237.....	89, 496
7021639.....	23	7023957	151	7024868	27, 151	8229249.....	465, 496
7021653.....	191	7023958	151	7024881	23	8229261.....	89, 496
7022302.....	27	7023960	151	7026197	61	8303511.....	139
7022305.....	27	7023961	151	7026503	61	8310070.....	120
7022310.....	27	7023962	151	7026504	61	8310129.....	267
7022311.....	27, 152	7023964	151, 152	7026505	61	83304173.....	65
7022312.....	27	7023965	151	7026506	61	8405102.....	136
7022314.....	27, 152	7023966	152	7026507	61	8405104.....	136
7022318.....	151	7023967	152	7026509	61	8406110.....	136
7022326.....	27	7024021	45	7026597	168, 172	8406201.....	81, 83
7022328.....	27	7024100	54	7026626	168, 172	8410001.....	409, 411
7022368.....	27	7024149	25	7027773	275	8540205.....	130
7022371.....	27	7024151	25	7027774	275	8580420.....	35
7022372.....	27	7024154	25	7027775	275	85841150.....	131
7022397.....	23	7024190	25	7027776	275	8770050.....	313
7022399.....	23	7024191	25	7027777	275	88261024.....	189
7023124.....	145	7024404	61	7027778	275	88521008.....	193, 195
7023126.....	146	7024441	65	7027779	275	88521205.....	81, 83
7023144.....	146	7024462	275	7027780	275	88521214..	277, 279, 281, 283
7023145.....	146	7024463	275	7027799	168, 172	88662037.....	318
7023148.....	145	7024467	275	77143013	91	88662523.....	120
7023149.....	145	7024469	275	77363232	167	8896941.....	502
7023154.....	145	7024470	275	77363233	417, 419	91143177.....	318
7023157.....	145	7024471	275	80344004	25	91203039..	185, 193, 195, 201
7023164.....	145	7024472	275	80683013	130	91401281.....	81, 83
7023165.....	145	7024473	275	80934561	61	91403230..	471, 473, 475, 477, 479, 481, 483, 485, 487
7023167.....	145	7024474	275	80963055	413		
7023168.....	145	7024475	275	80963056	413		
7023170.....	146	7024478	275	80963067	407, 413		
7023907.....	27	7024485	168, 172, 496	8220007	415, 433		
7023908.....	27	7024488	167, 171	8220019	407		
7023910.....	27	7024489	167, 171	8220029	427		



**Corporate Office
JLG Industries, Inc.
1 JLG Drive
McConnellsburg, PA 17233-9533 USA
☎ (717) 485-5161 (Corporate)
☎ (877) 554-5438 (Customer Support)
📠 (717) 485-6417**

**Visit our website for JLG Worldwide Locations.
www.jlg.com**



OSHKOSH™