



Illustrated Parts Manual

Models **10MSP**

PVC
2208

P/N
31220636
July 15, 2024 - Rev C

ANSI

CE



**UK
CA**

AS/NZS



An Oshkosh Corporation Company

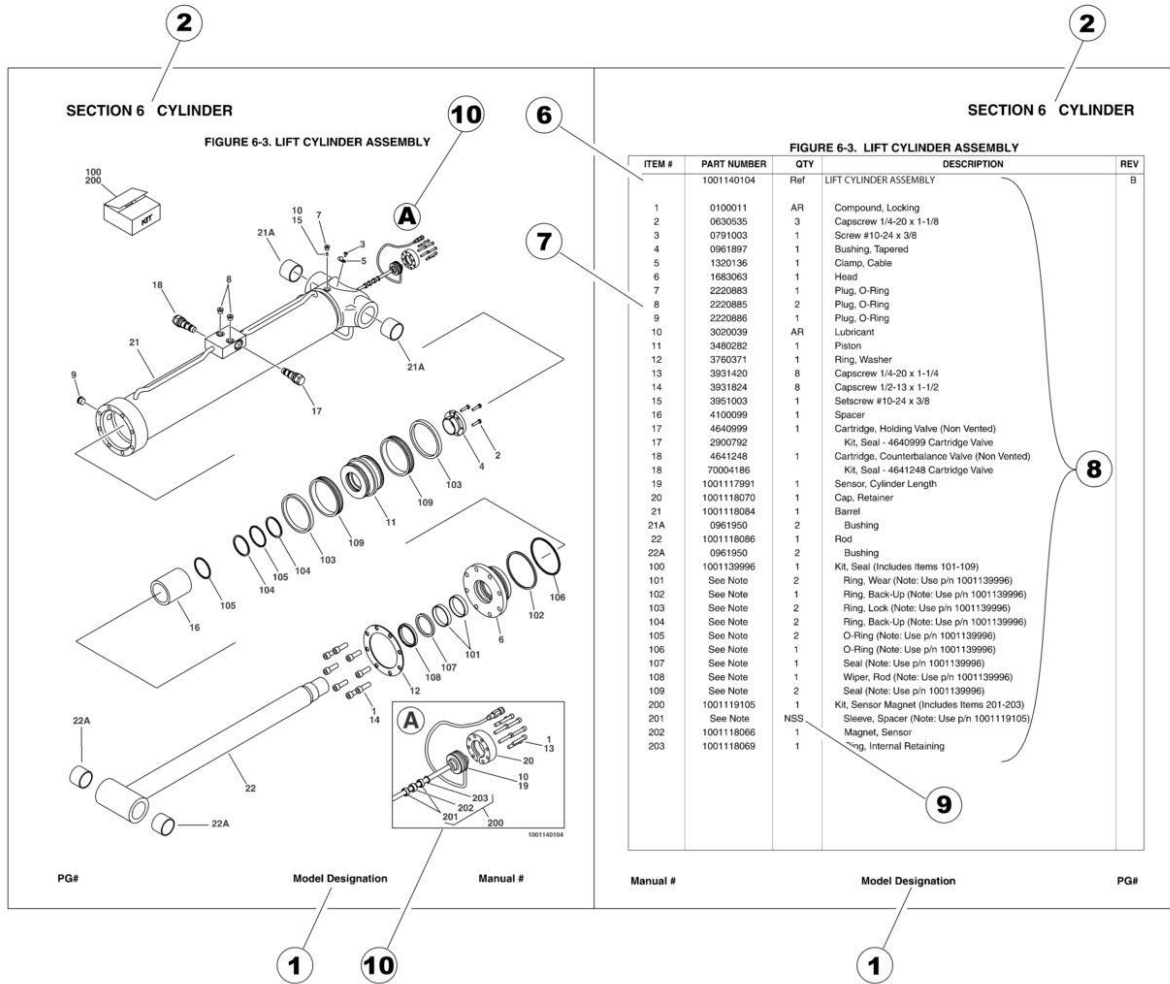
REVISION LOG

August 1, 2022 - A - Original Issue of Manual (Edited to B/M 1001250313 G)

August 28, 2023 - B - Revised Manual (Edited to B/M 1001250313 Revision G)

July 15, 2024 - C - Revised Manual (Edited to B/M 1001250313 Revision G)

GENERAL INFORMATION



1) MACHINE IDENTIFICATION

Machines are identified by model and in some cases a combination of models, serial number (SN) or regional standard (i.e ANSI, CE, CSA). Components may also be identified by SN or manufacturer. Common components that may be identified by these characteristics are engines and hydraulic components.

2) PARTS MANUAL ORGANIZATION

Product information in this manual is organized under section titles. Frame, Cylinder, Hydraulic and Electrical are a few examples. Each section is organized by figure and page number. The information within the Figure is then organized by item number, part number, description and corresponding illustration (s).

3) TABLE OF CONTENTS (NOT SHOWN)

A table of contents is found toward the beginning of the manual. Figure number, description and page number are provided for quick reference to the page containing the related information.

4) RECOMMENDED SPARE PARTS (NOT SHOWN)

The Recommended Spare Parts List, located near the end of the manual, reference most frequently used maintenance parts.

5) PART NUMBER INDEX (NOT SHOWN)

A numerical index listing all part numbers and the corresponding page number(s) appears at the back of the manual.

GENERAL INFORMATION

6) NON-SERVICED PARTS

In some instances, it is necessary to display non-serviced parts, assemblies or installations. In the case of assemblies and installations there will be a Ref in the Qty. column. In case of parts that are not available for service within assemblies or components, there will be a NSS (Not Sold Separately) or NLA (No Longer Available) listed in the Qty. column of the manual.

7) PARTS LIST ITEM NUMBERS

Numbers shown in the item# column correspond to numbers used in the associated illustration (s). Item numbers which are missing from the sequence in the parts list are not used on that page.

8) INDENTED PARTS DESCRIPTION

An indented part description is included in the item under which it is indented.

9) ABBREVIATION AND SYMBOLS

AC.....	Alternating Current	L.....	Liter
ADE.....	Advanced Design Electronics	LB(LBS).....	Pounds
AG.....	Agricultural	LCD.....	Liquid Crystal Display
ANSI.....	American National Standards Institute	LED.....	Light Emitting Diodes
AR.....	As Required	LH.....	Left Hand
ASSY.....	Assembly	LRC.....	Low Rated Countries
AUS.....	Australia	LSS.....	Load Sensing System
AUX.....	Auxiliary	M(m).....	Metric/Meter
AWG.....	American Wire Gauge	MM(mm).....	Milimeter
B/M.....	Bill of Material	mA.....	Miliamps
CAC.....	Charge Air Cooler	NLA.....	No Longer Available
CE.....	European Conformity	NPT.....	National Pipe Threads
CCW.....	Counter Clockwise	NSS.....	Not Sold Separately
CM.....	Centimeter	OD.....	Outside Diameter
CW.....	Clockwise	ORB.....	O-Ring Boss
CSA.....	Canadian Standards Association	ORFS.....	O-Ring Face Seal
CYL.....	Cylinder	OZ (oz).....	Ounces
DIA.....	Diameter	PG.....	Page
DC.....	Direct Current	PN.....	Part Number
DEF.....	Diesel Exhaust Fluid	QT(qt.).....	Quarts
EMS.....	Emergency Stop	QTY.....	Quantity
ENG.....	Engine	REF.....	Reference
FT(ft).....	Feet	REV.....	Revision Level
GA(Ga).....	Gauge	RH.....	Right Hand
HRC.....	High Rated Countries	SAE.....	Society of Automotive Engineers
HVAC.....	Heating, Ventilating, and Air Conditioning	SN.....	Serial Number
HYD.....	Hydraulic	SPEC(S).....	Specifications
Hz.....	Hertz	T/T.....	Turntable
ID.....	Inside Diameter	UGM.....	Universal Ground Module
IN.....	inches	V.....	Volts
ISO.....	International Organization for Standards	W.....	Watts
JIC.....	Joint Industry Council	#.....	Number
KG.....	Kilogram		

10) ILLUSTRATION REFERENCE LETTERS

When necessary, illustrations may contain reference letters that are intended to track information (i. e. hoses, harnesses) from one point to another or to track visual enlargement of components to show details that may be located in another area on the illustration.

Note: Due to continuous product improvements, JLG Industries, Inc. reserves the right to make specification changes without prior notification. Contact JLG Industries, Inc. for updated information.

TABLE OF CONTENTS

SECTION 1 - FRAME.....	11
FIGURE 1-1. BASE INSTALLATION.....	12
FIGURE 1-2. DRIVE MOTOR ASSEMBLY.....	14
FIGURE 1-3. COVERS INSTALLATION - MANUAL TRAY.....	16
FIGURE 1-4. COVERS INSTALLATION - POWER TRAY.....	18
FIGURE 1-5. TIE-DOWNS INSTALLATION.....	20
FIGURE 1-6. BUMPERS INSTALLATION (OPTIONAL).....	22
FIGURE 1-7. GUIDE ROLLER INSTALLATION (OPTIONAL).....	24
FIGURE 1-8. OBSTRUCTION SENSING PAD INSTALLATION (OPTIONAL).....	26
FIGURE 1-9. REMOTE MANUAL DESCENT INSTALLATION (OPTIONAL).....	28
SECTION 2 - CONTROLS.....	31
FIGURE 2-1. PUMP AND MOTOR ASSEMBLY.....	32
FIGURE 2-2. PUMP AND MOTOR ASSEMBLY (SN M130013853 to Present, Except SN M130014084 through M130014086).....	36
FIGURE 2-3. BATTERIES, ALARM AND STROBE INSTALLATION.....	38
FIGURE 2-4. BATTERY CHARGER INSTALLATION (WITHOUT CORD REEL).....	40
FIGURE 2-5. BATTERY CHARGER INSTALLATION (WITH CORD REEL).....	42
FIGURE 2-6. CHARGER PLUG INSTALLATION - CUSTOMER SUPPLIED PLUG.....	44
FIGURE 2-7. CHARGER PLUG INSTALLATION - 110V PLUG.....	46
FIGURE 2-8. CHARGER PLUG INSTALLATION - 110V IEC YELLOW PLUG (CE & UK CA SPECS).....	48
FIGURE 2-9. CHARGER PLUG INSTALLATION - 220V IEC BLUE PLUG (CE & UK CA SPECS).....	50
FIGURE 2-10. CHARGER PLUG INSTALLATION - 220V IEC KEYED GROUND PLUG (CE & UK CA SPECS).....	52
FIGURE 2-11. CHARGER PLUG INSTALLATION - 220V IEC POST GROUND PLUG (CE & UK CA SPECS).....	54
FIGURE 2-12. CHARGER PLUG INSTALLATION - 220V IEC SIDE GROUND PLUG (CE & UK CA SPECS).....	56
FIGURE 2-13. CHARGER PLUG INSTALLATION - 220V (AUSTRALIAN SPECS).....	58
FIGURE 2-14. GROUND CONTROL AND TRACTION MODULE INSTALLATION (ALL SPECS EXCEPT JAPANESE SPECS).....	60
FIGURE 2-15. GROUND CONTROL AND TRACTION MODULE INSTALLATION (CHINESE AND JAPANESE SPECS).....	62
FIGURE 2-16. PLATFORM CONTROL BOX ASSEMBLY.....	64
FIGURE 2-17. CONTROLLER ASSEMBLY.....	66
SECTION 3 - MAST.....	69
FIGURE 3-1. MAST INSTALLATION.....	70
FIGURE 3-2. MAST ASSEMBLY.....	72
FIGURE 3-3. MAST ASSEMBLY (SN M130013853 to Present, Except SN M130014084 through M130014086).....	76
SECTION 4 - PLATFORM.....	79
FIGURE 4-1. PLATFORM INSTALLATION - WITHOUT GATE LATCH.....	80
FIGURE 4-2. PLATFORM ASSEMBLY - WITHOUT GATE LATCH.....	82
FIGURE 4-3. PLATFORM INSTALLATION - WITH GATE LATCH.....	84
FIGURE 4-4. PLATFORM ASSEMBLY - WITH GATE LATCH.....	86
FIGURE 4-5. TRAY INSTALLATION - MANUAL.....	88
FIGURE 4-6. TRAY ASSEMBLY - MANUAL.....	90
FIGURE 4-7. TRAY INSTALLATION - POWER.....	92
FIGURE 4-8. PUMP ASSEMBLY - POWER TRAY.....	96
FIGURE 4-9. CARGO BELT INSTALLATION (OPTIONAL).....	98

TABLE OF CONTENTS

FIGURE 4-10. FLOORMAT INSTALLATION (OPTIONAL).....	100
FIGURE 4-11. SCANNER POCKET INSTALLATION (OPTIONAL).....	102
SECTION 5 - CYLINDER.....	105
FIGURE 5-1. LIFT CYLINDER ASSEMBLY.....	106
FIGURE 5-2. POWER TRAY CYLINDER ASSEMBLY.....	108
SECTION 6 - HYDRAULIC.....	111
FIGURE 6-1. HYDRAULIC SYSTEM INSTALLATION - STANDARD.....	112
FIGURE 6-2. HYDRAULIC SYSTEM INSTALLATION - STANDARD (SN M130013853 to Present, Except SN M130014084 through M130014086).....	114
FIGURE 6-3. HYDRAULIC SYSTEM INSTALLATION - STANDARD (SN M130015555 to Present, SN M130014959 through M130014971, Including M130015305).....	116
FIGURE 6-4. HYDRAULIC SYSTEM INSTALLATION - FIRE RESISTANT.....	118
FIGURE 6-5. HYDRAULIC SYSTEM INSTALLATION - FIRE RESISTANT (SN M130015555 to Present, SN M130014959 through M130014971, Including M130015305).....	120
SECTION 7 - ELECTRICAL.....	123
FIGURE 7-1. CABLES INSTALLATION.....	124
FIGURE 7-2. ELECTRICAL SYSTEM INSTALLATION - NO BATTERY.....	126
FIGURE 7-3. DRIVE MOTOR HARNESS.....	128
FIGURE 7-4. FOOTSWITCH JUMPER HARNESS.....	130
FIGURE 7-5. GROUND TO PLATFORM HARNESS.....	132
FIGURE 7-6. LED AND TEMPERATURE SENSOR HARNESS.....	134
FIGURE 7-7. PLATFORM BOX POWER HARNESS.....	136
FIGURE 7-8. PLATFORM CONTROLS HARNESS.....	138
FIGURE 7-9. TRAY HARNESS.....	140
SECTION 8 - DECALS.....	143
FIGURE 8-1. COMMON DECALS INSTALLATION - STANDARD PAINT.....	144
FIGURE 8-2. COMMON DECALS INSTALLATION - SPECIAL PAINT.....	146
FIGURE 8-3. DECAL INSTALLATION - ANSI SPECS (ENGLISH LANGUAGE) (MANUAL TRAY).....	148
FIGURE 8-4. DECAL INSTALLATION - ANSI SPECS (ENGLISH LANGUAGE) (POWER TRAY).....	150
FIGURE 8-5. DECAL INSTALLATION - AUSTRALIAN SPECS (ENGLISH LANGUAGE) (MANUAL TRAY).....	152
FIGURE 8-6. DECAL INSTALLATION - AUSTRALIAN SPECS (ENGLISH LANGUAGE) (POWER TRAY).....	154
FIGURE 8-7. DECAL INSTALLATION - BRAZIL SPECS (PORTUGUESE LANGUAGE) (MANUAL TRAY).....	156
FIGURE 8-8. DECAL INSTALLATION - BRAZIL SPECS (PORTUGUESE LANGUAGE) (POWER TRAY).....	158
FIGURE 8-9. DECAL INSTALLATION - CE & UK CA SPECS (ENGLISH LANGUAGE) (MANUAL TRAY).....	160
FIGURE 8-10. DECAL INSTALLATION - CE & UK CA SPECS (ENGLISH LANGUAGE) (POWER TRAY).....	162
FIGURE 8-11. DECAL INSTALLATION - CHINA SPECS (CHINESE LANGUAGE) (MANUAL TRAY).....	164
FIGURE 8-12. DECAL INSTALLATION - CHINA SPECS (CHINESE LANGUAGE) (POWER TRAY).....	166
FIGURE 8-13. DECAL INSTALLATION - CSA SPECS (FRENCH LANGUAGE) (MANUAL TRAY).....	168
FIGURE 8-14. DECAL INSTALLATION - CSA SPECS (FRENCH LANGUAGE) (POWER TRAY).....	170
FIGURE 8-15. DECAL INSTALLATION - JAPAN SPECS (JAPANESE LANGUAGE) (MANUAL TRAY).....	172
FIGURE 8-16. DECAL INSTALLATION - JAPAN SPECS (JAPANESE LANGUAGE) (POWER TRAY).....	174
FIGURE 8-17. DECAL INSTALLATION - LATIN AMERICAN SPECS (SPANISH LANGUAGE) (MANUAL TRAY).....	176
FIGURE 8-18. DECAL INSTALLATION - LATIN AMERICAN SPECS (SPANISH LANGUAGE) (POWER TRAY).....	178

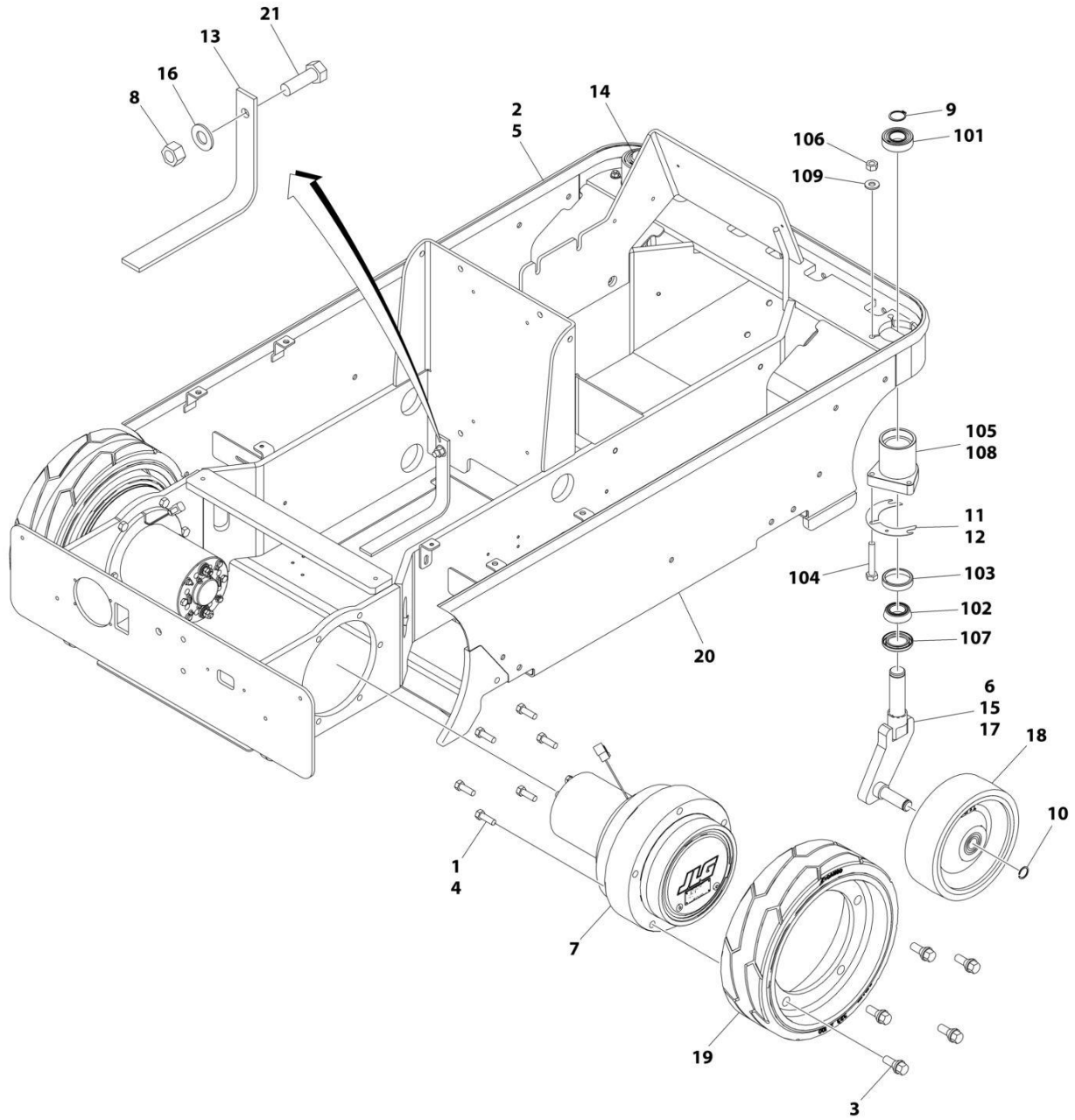
TABLE OF CONTENTS

SECTION 9 - RECOMMENDED SERVICE PARTS STOCK	181
FIGURE 9-1. RECOMMENDED SERVICE PARTS STOCK	182
SECTION 10 - SPECIAL OPTIONS/ACCESSORIES/KITS	183
FIGURE 10-1. SPECIAL OPTIONS/ACCESSORIES/KITS	184
PART NUMBER INDEX	185

SECTION 1 - FRAME

SECTION 1 - FRAME

FIGURE 1-1. BASE INSTALLATION



ART_1001228849

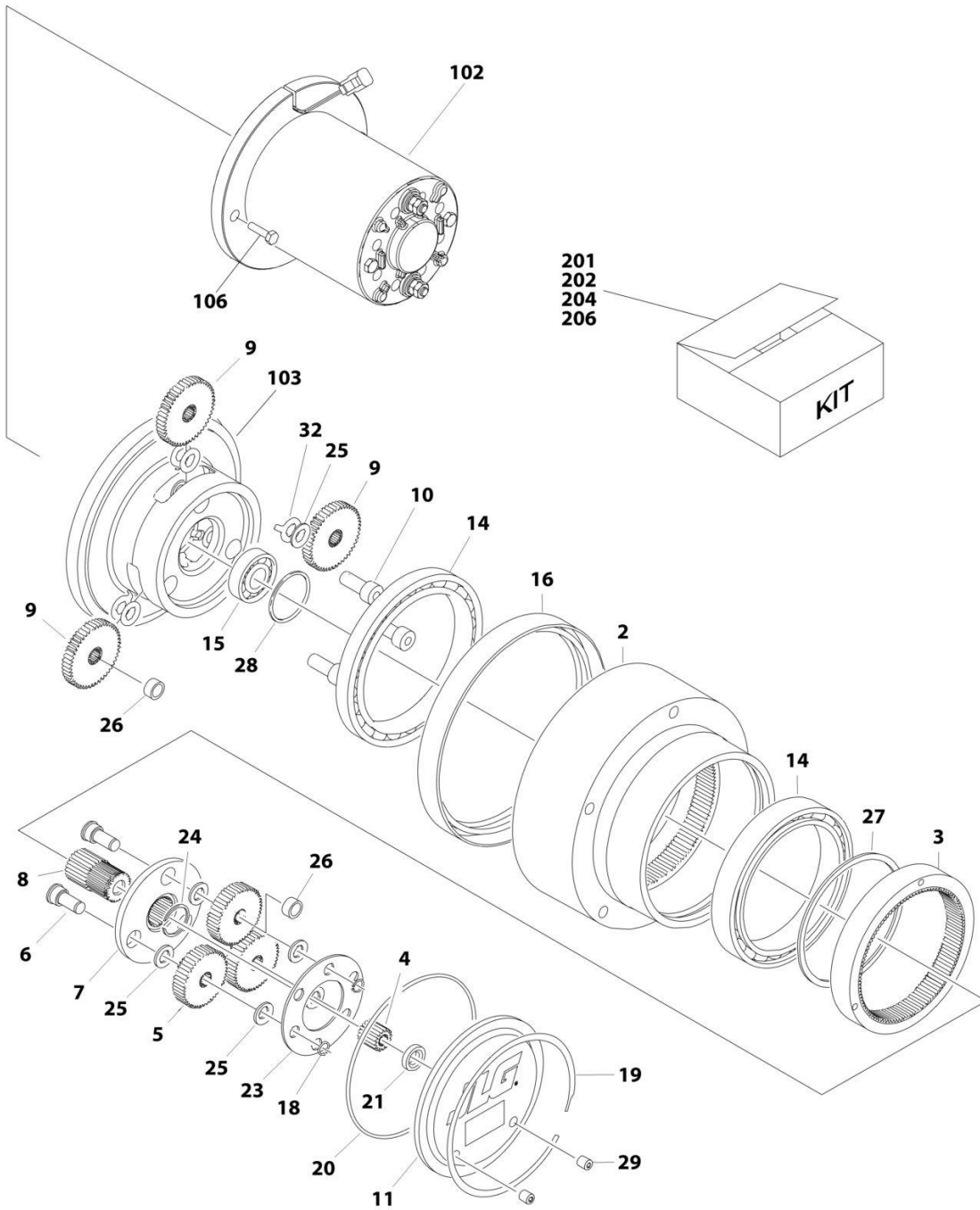
SECTION 1 - FRAME

FIGURE 1-1. BASE INSTALLATION

ITEM	PART NUMBER	QTY	DESCRIPTION	REV
	1001228849	Ref	BASE INSTALLATION	C
1	0100011	AR	Compound, Locking	
2	0100081	AR	Compound, Locking	
3	0630580	10	Bolt, Wheel	
4	0641609	12	Bolt 3/8 x 1-1/8	
5	0940132	1	Bumper, Chassis	
6	3020039	AR	Lubricant	
7	1001229310	2	Drive Motor Assembly (See Separate Breakdown in this Section)	
8	3311605	1	Nut 3/8	
9	3760115	2	Ring, Retaining	
10	3760496	2	Ring, Retaining	
11	4071113	AR	Shim .015	
12	4071114	AR	Shim .036	
13	4240147	1	Strap, Static	
14	4520342	1	Spindle (Left Side)	
15	4520343	1	Spindle (Right Side)	
16	4711600	1	Washer 3/8	
17	8882970	AR	Lubricant	
18	1001098810	2	Tire and Wheel Assembly	
19	1001114467	2	Tire and Wheel Assembly	
20	1001228850	NLA	Caster Assembly (Not Available - Purchase Individual Components)(Includes Items 101-109)	
21	0641607	1	Bolt 3/8 x 7/8	
	1001228850	Ref	CASTER ASSEMBLY	B
101	0440306	2	Bearing, Ball	
102	0440307	2	Bearing, Roller	
103	0440308	2	Bearing, Race	
104	0641413	6	Bolt 1/4 x 1-5/8	
104	0641414	6	Bolt 1/4 x 1-3/4	
105	3020029	AR	Grease	
106	3271405	6	Nut 1/4	
107	3960590	2	Seal	
108	4341155	2	Mount, Caster	
109	4711400	6	Washer 1/4	

SECTION 1 - FRAME

FIGURE 1-2. DRIVE MOTOR ASSEMBLY



ART_1001229310

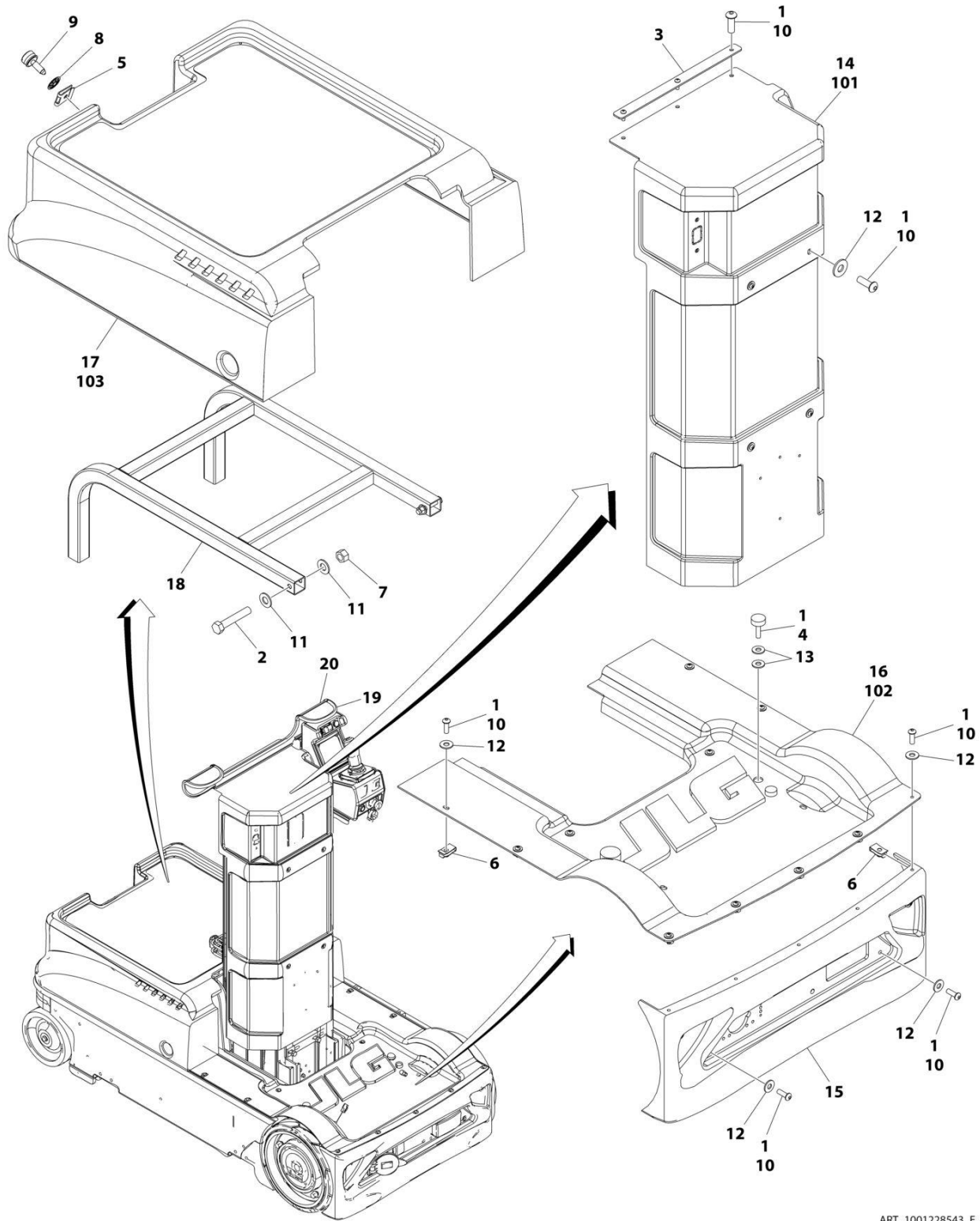
SECTION 1 - FRAME

FIGURE 1-2. DRIVE MOTOR ASSEMBLY

ITEM	PART NUMBER	QTY	DESCRIPTION	REV
	1001229310	Ref	DRIVE MOTOR ASSEMBLY	A
		Ref	HUB ASSEMBLY	
1	See Note	NSS	Spindle (Note: Purchase Complete Assembly)	
2	See Note	NSS	Hub (Note: Use Item 206)	
3	See Note	NSS	Ring, Input (Note: Use Item 204)	
4	70007194	1	Gear, Input Sun	
5	70007198	3	Gear, Input Planet	
6	70007196	3	Pin, Planet Gear	
7	70007197	1	Carrier	
8	70007195	1	Gear, Output Sun	
9	70007193	3	Gear, Output Planet (Includes Item 26)	
10	70007199	3	Pin, Output Planet	
11	See Note	NSS	Cover (Note: Use Item 201)	
14	See Note	NSS	Bearing, Main (Note: Use Item 202, 204 or 206)	
15	70007200	1	Bearing, Shaft	
16	See Note	NSS	Seal, Lip (Note: Use Item 202 or 206)	
17	7024786	1	Seal, Lip	
18	70007204	3	Ring, Retaining	
19	See Note	NSS	Ring, Retaining (Note: Use Item 201)	
20	See Note	NSS	O-Ring (Note: Use Item 201)	
21	See Note	NSS	Washer, Thrust (Note: Use Item 201)	
23	70007207	1	Plate, Thrust	
24	70007203	1	Ring, Retaining	
25	70007206	9	Washer, Thrust	
26	70007201	3	Bushing	
27	See Note	NSS	Ring, Retaining (Note: Use Item 204 or 206)	
28	70007202	1	Ring, Retaining	
29	See Note	NSS	Plug (Note: Use Item 201)	
32	70007205	3	Washer, Tanged	
		Ref	BRAKE AND MOTOR	
102	70007192	1	Motor, Electric	
103	70007190	1	Brake, Input	
106	70007191	2	Bolt M6 x 20	
		Ref	KIT OPTIONS	
201	7024747	1	Cover Kit (Includes Items 11, 19, 20, 21 & 29)	
202	7024748	1	Main Seal Kit (Includes Qty 1 of Items 14, 16 & 20)	
204	7024758	1	Input Ring Kit (Includes Items 3, 20, 27 & Qty 1 of Item 14)	
206	7024756	1	Hub Kit (Includes Items 2, 16, 20, 27 & Qty 1 of Item 14)	

SECTION 1 - FRAME

FIGURE 1-3. COVERS INSTALLATION - MANUAL TRAY



ART_1001228543_E

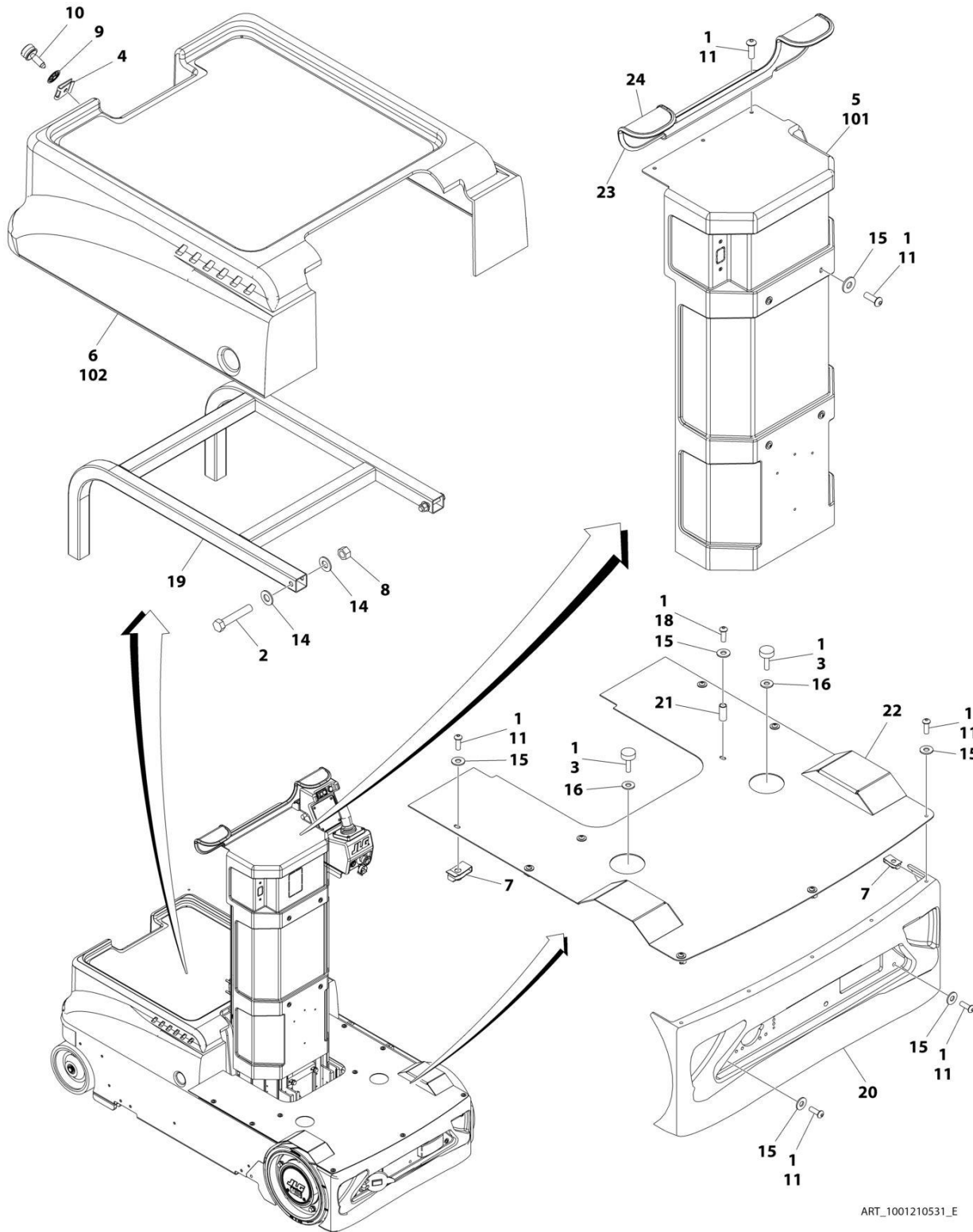
SECTION 1 - FRAME

FIGURE 1-3. COVERS INSTALLATION - MANUAL TRAY

ITEM	PART NUMBER	QTY	DESCRIPTION	REV
	1001228543	Ref	COVERS INSTALLATION	E
1	0100011	AR	Compound, Locking	
2	0641617	2	Bolt 3/8 x 2-1/8	
3	1001229778	1	Bracket	
4	0940049	2	Stopper	
5	1380169	1	Clip	
6	3300454	9	Nut, Tinnerman 1/4	
7	3311605	2	Nut 3/8	
8	3760308	1	Retainer	
9	3900174	1	Screw, Thumb	
10	3900258	22	Screw 1/4 x 3/4	
11	4711600	4	Washer 3/8	
12	4711400	19	Washer 1/4	
13	4740139	AR	Washer	
14	1001228538	1	Cover, Mast	
15	1001228539	1	Cover, Rear Bumper	
16	1001228540	1	Cover, Battery	
17	1001228541	1	Cover, Front	
18	1001228852	1	Support	
19	4060805	AR	Shield, Flex Trim	
20	1001234322	1	Plate, Platform Controls Guard	
100	1001233045	1	Kit, Hood / Covers, with OSS (10MSP)	
101	1001228538	NSS	Cover, Mast	
102	1001228540	NSS	Cover, Battery and Frame	
103	1001228541	NSS	Hood, Front Cover Assembly	

SECTION 1 - FRAME

FIGURE 1-4. COVERS INSTALLATION - POWER TRAY



ART_1001210531_E

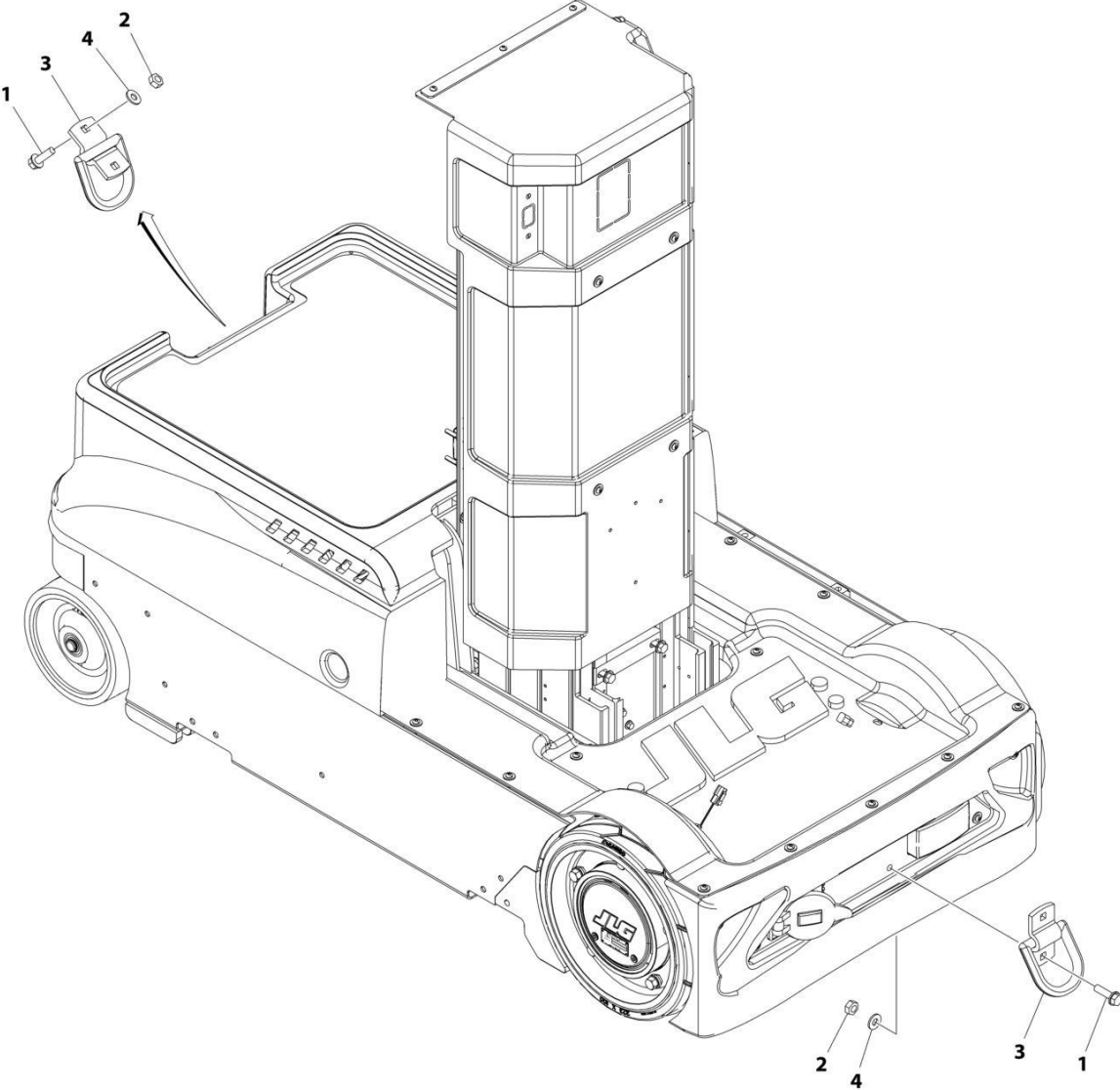
SECTION 1 - FRAME

FIGURE 1-4. COVERS INSTALLATION - POWER TRAY

ITEM	PART NUMBER	QTY	DESCRIPTION	REV
	1001210531	Ref	COVERS INSTALLATION	E
1	0100011	AR	Compound, Locking	
2	0641617	2	Screw 3/8 x 2-1/8	
3	0940049	2	Stopper	
4	1380169	1	Clip	
5	1001228538	1	Cover, Mast	
6	1001228541	1	Cover, Front	
7	3300454	9	Nut, Tinnerman 1/4	
8	3311605	2	Nut 3/8	
9	3760308	1	Retainer	
10	3900174	1	Screw, Thumb	
11	3900258	16	Screw 1/4 x 3/4	
14	4711600	4	Washer 3/8	
15	4751400	15	Washer 1/4	
16	4740139	2	Washer	
18	3911432	2	Screw 1/4 x 2	
19	1001228852	1	Support	
20	1001228539	1	Cover, Rear Bumper	
21	1001157665	2	Tube, Spacer	
22	1001171824	1	Cover, Battery	
23	4060805	AR	Shield, Flex Trim	
24	1001234322	1	Plate, Platform Controls Guard	
100	1001233046	1	Kit, Hood / Covers, with OSS (10MSP)	
101	See Note	NSS	Cover, Mast (Note: Use Item 100)	
102	See Note	NSS	Hood, Front Cover Assembly (Note: Use Item 100)	

SECTION 1 - FRAME

FIGURE 1-5. TIE-DOWNS INSTALLATION



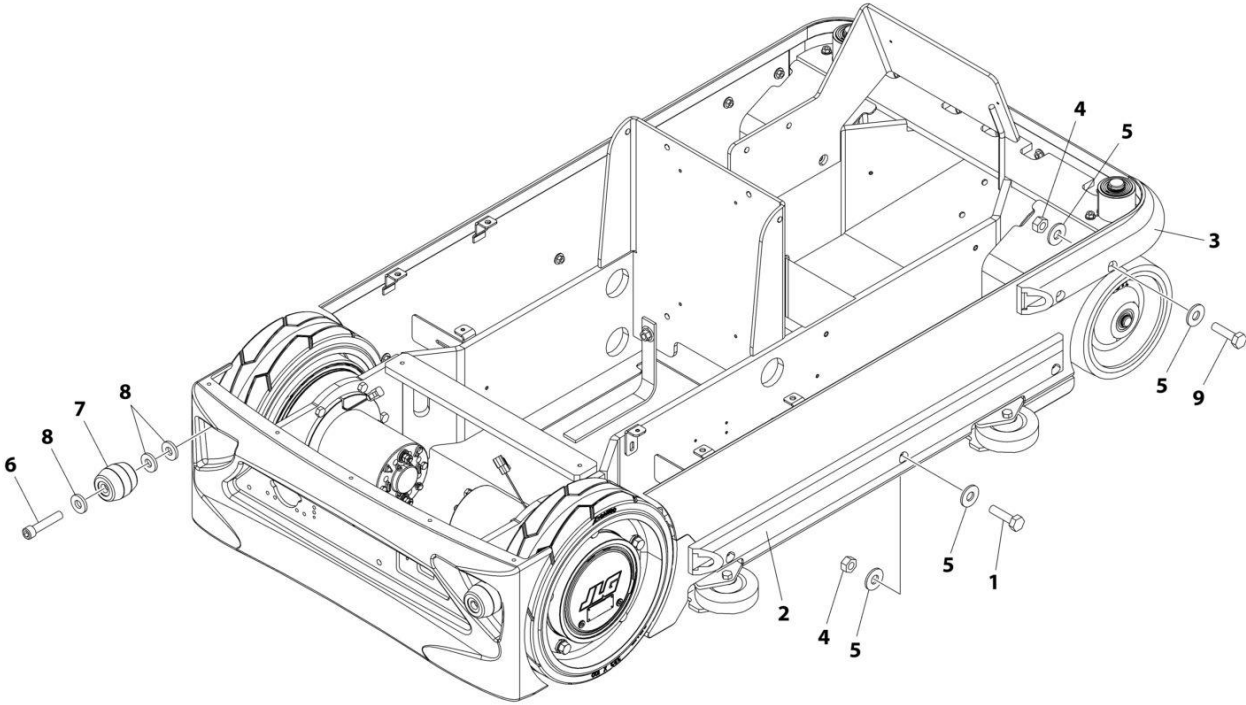
ART_0240114

FIGURE 1-5. TIE-DOWNS INSTALLATION

ITEM	PART NUMBER	QTY	DESCRIPTION	REV
	0240114	Ref	TIE-DOWNS INSTALLATION	A
1	0811610	4	Screw 3/8 x 1-1/4	
2	3311605	4	Nut 3/8	
3	3760365	2	Tie-Ring	
4	4711600	4	Washer 3/8	

SECTION 1 - FRAME

FIGURE 1-6. BUMPERS INSTALLATION (OPTIONAL)



ART_0274078_F

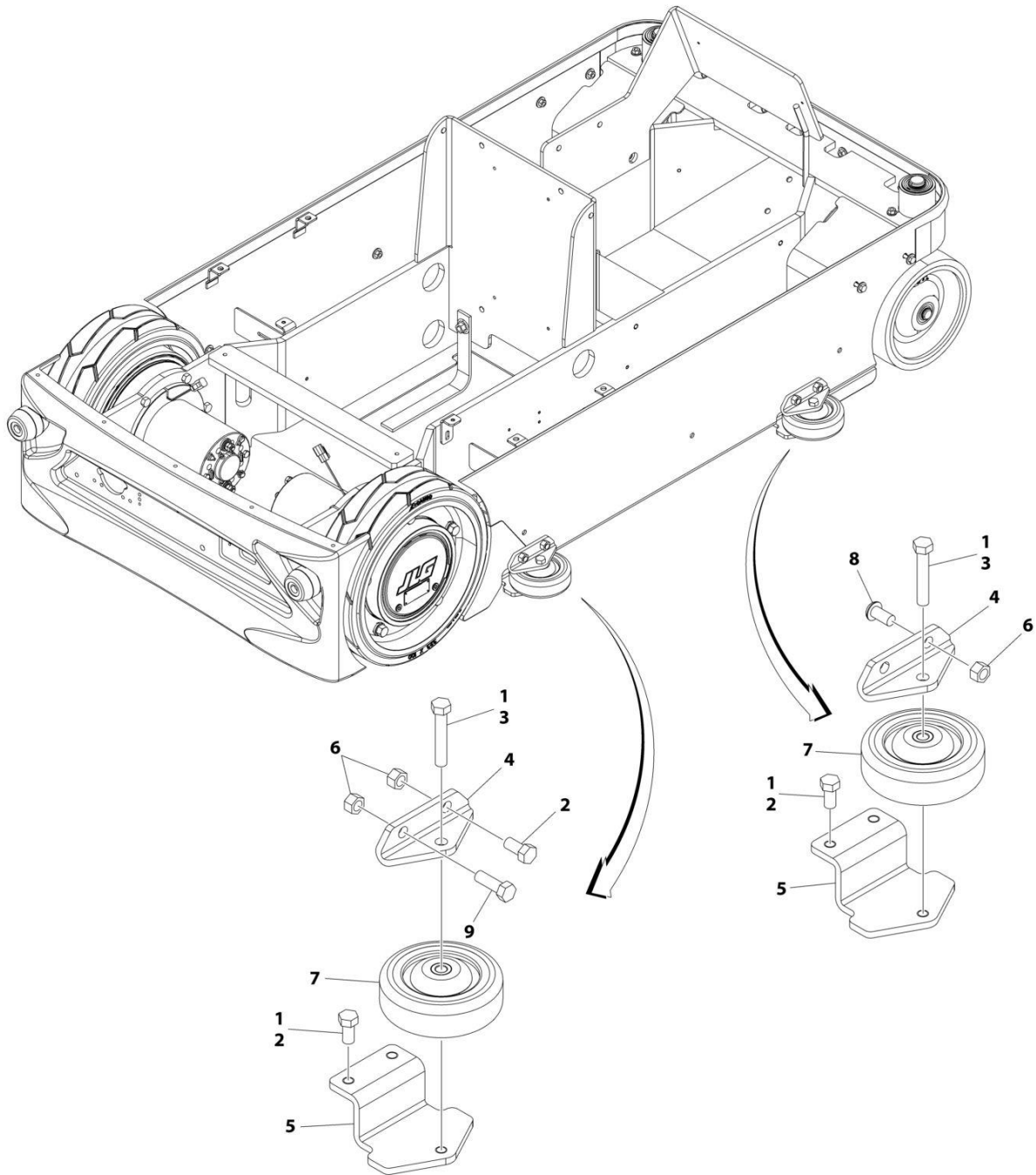
SECTION 1 - FRAME

FIGURE 1-6. BUMPERS INSTALLATION (OPTIONAL)

ITEM	PART NUMBER	QTY	DESCRIPTION	REV
	0274078	Ref	BUMPERS INSTALLATION	F
1	0641408	6	Bolt 1/4 x 1	
2	0940152	2	Bumper, Side	
3	1001204273	2	Bumper, Front	
4	3311405	AR	Nut 1/4	
5	4751400	AR	Washer 1/4	
6	3931420	2	Capscrew 1/4 x 1-1/4	
7	4160187	2	Spring, Rubber	
8	4891400	6	Washer 1/4	
9	0641410	8	Bolt 1/4 x 1-1/4	

SECTION 1 - FRAME

FIGURE 1-7. GUIDE ROLLER INSTALLATION (OPTIONAL)



ART_0240103

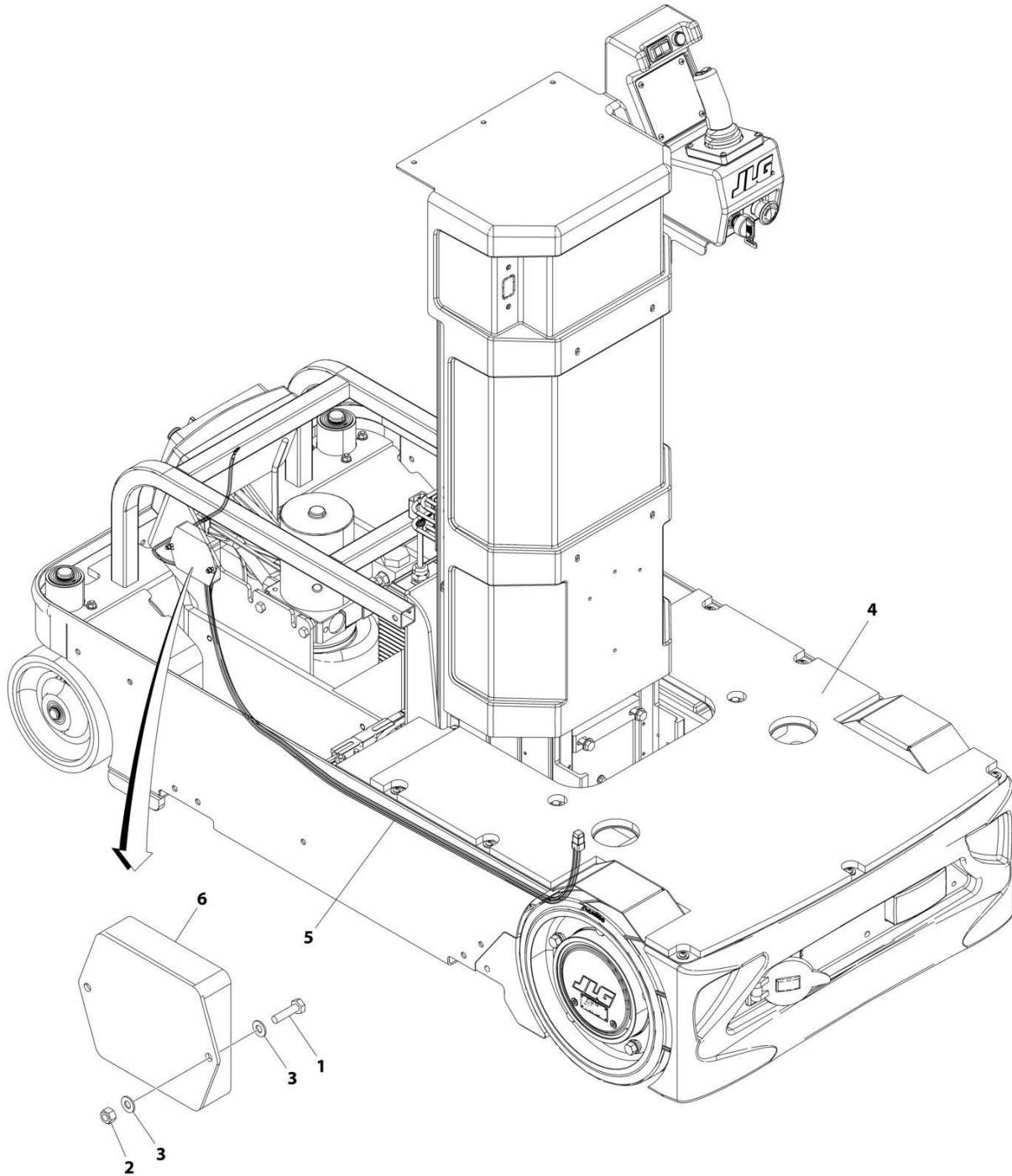
SECTION 1 - FRAME

FIGURE 1-7. GUIDE ROLLER INSTALLATION (OPTIONAL)

ITEM	PART NUMBER	QTY	DESCRIPTION	REV
	0240103	Ref	GUIDE ROLLER INSTALLATION	B
1	0100011	AR	Compound, Locking	
2	0641606	10	Bolt 3/8 x 3/4	
3	0641617	4	Bolt 3/8 x 2-1/8	
4	0903120	4	Bracket, Top Roller	
5	0903121	4	Bracket, Bottom Roller	
6	3311605	8	Nut 3/8	
7	4520352	4	Wheel	
8	3900283	4	Screw 3/8 x 3/4	
9	0641609	2	Bolt 3/8 x 1-1/8	

SECTION 1 - FRAME

FIGURE 1-8. OBSTRUCTION SENSING PAD INSTALLATION (OPTIONAL)



ART_1001210574

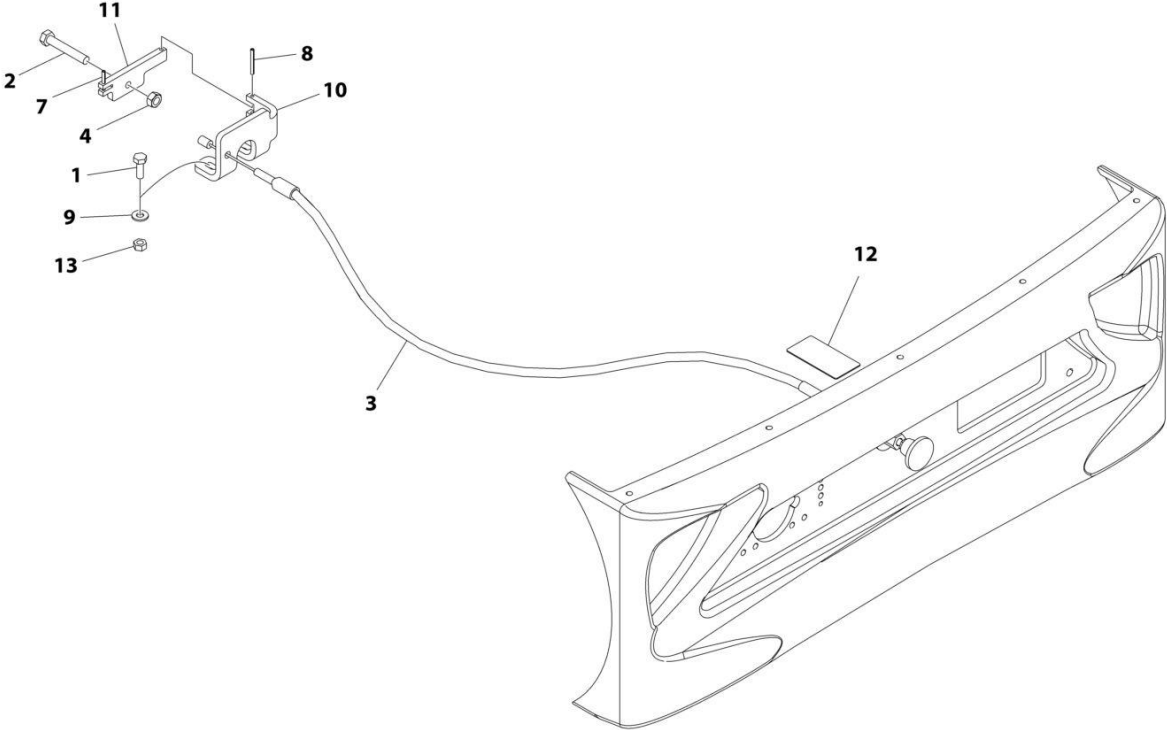
SECTION 1 - FRAME

FIGURE 1-8. OBSTRUCTION SENSING PAD INSTALLATION (OPTIONAL)

ITEM	PART NUMBER	QTY	DESCRIPTION	REV
	1001210574	Ref	OBSTRUCTION SENSING PAD INSTALLATION	A
1	0760408	2	Bolt M4 x 16	
2	3290405	2	Nut M4	
3	4811400	4	Washer M4	
4	1001210573	1	Pad, Obstruction Switch	
5	1001228994	1	Sensing Pad Harness	
6	1001229990	1	Relay	

SECTION 1 - FRAME

FIGURE 1-9. REMOTE MANUAL DESCENT INSTALLATION (OPTIONAL)



ART_1001206177_D

SECTION 1 - FRAME

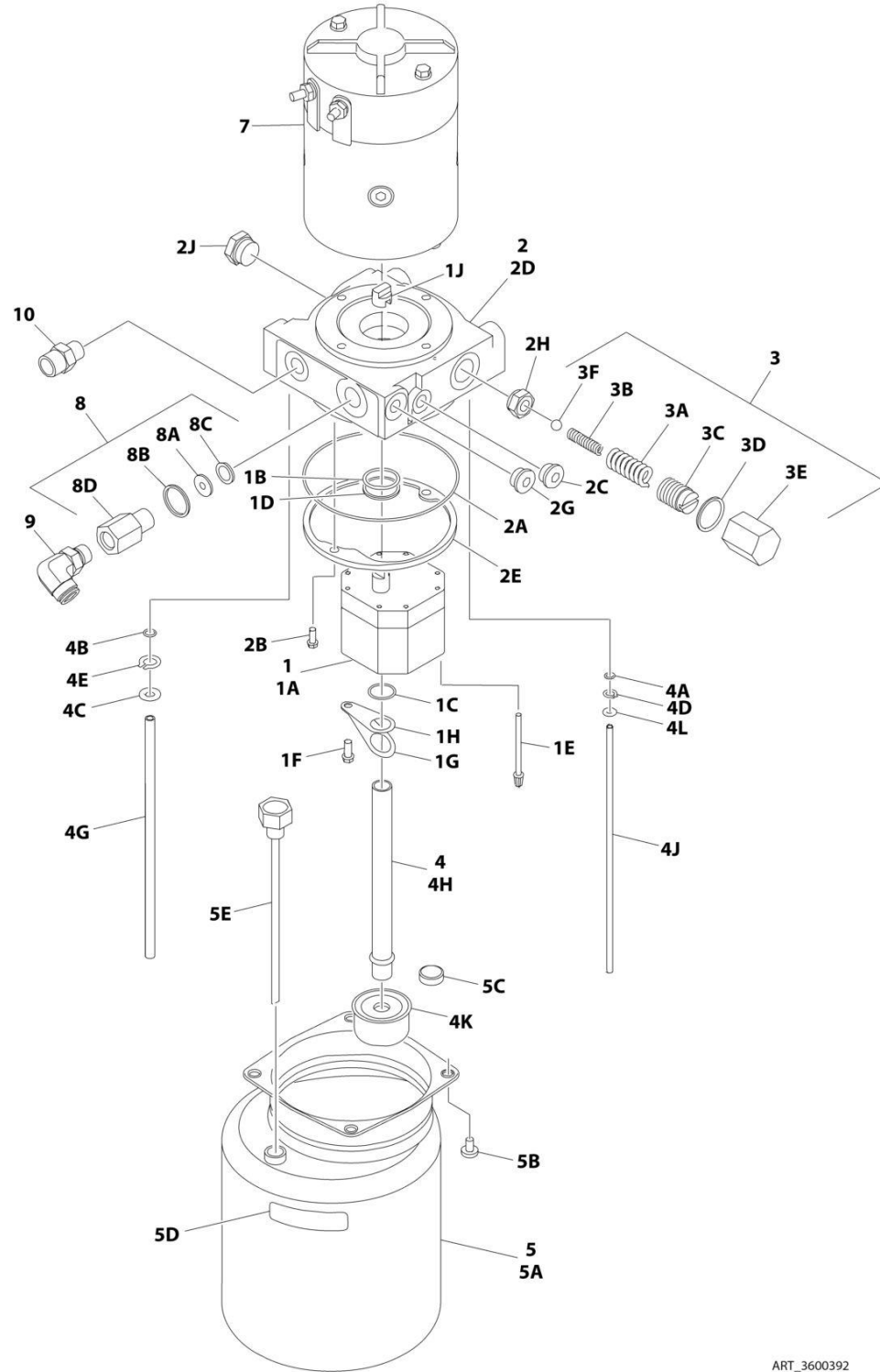
FIGURE 1-9. REMOTE MANUAL DESCENT INSTALLATION (OPTIONAL)

ITEM	PART NUMBER	QTY	DESCRIPTION	REV
	1001206177	Ref	REMOTE MANUAL DESCENT INSTALLATION	D
1	0641406	2	Bolt 1/4 x 3/4	
2	0760818	1	Bolt M8 x 50	
3	1001229725	1	Cable, Release	
4	3290801	1	Nut M8	
7	3440410	1	Rollpin	
8	3440418	1	Rollpin	
9	4711400	2	Washer 1/4	
10	1001201909	1	Bracket	
11	1001201910	1	Plate	
12	1001206261	1	Decal - Manual Descent	
13	3321402	2	Nut 1/4	

SECTION 2 - CONTROLS

SECTION 2 - CONTROLS

FIGURE 2-1. PUMP AND MOTOR ASSEMBLY



ART_3600392

SECTION 2 - CONTROLS

FIGURE 2-1. PUMP AND MOTOR ASSEMBLY

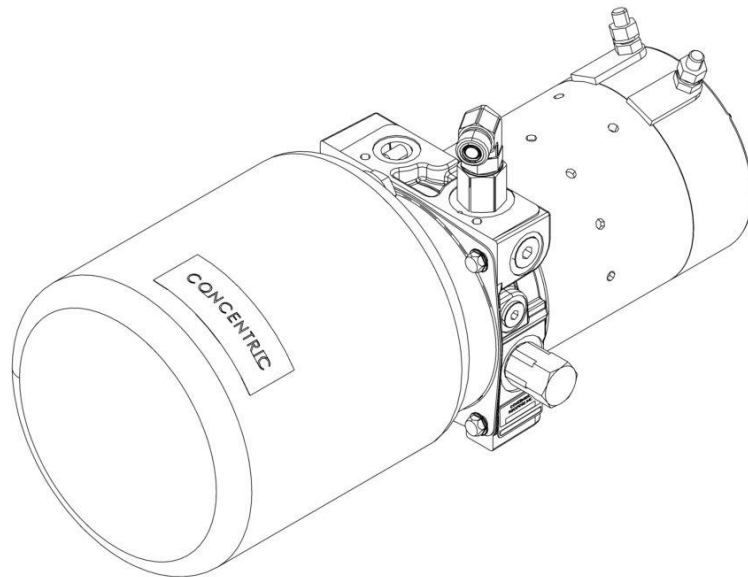
ITEM	PART NUMBER	QTY	DESCRIPTION	REV
	3600392	Ref	PUMP AND MOTOR ASSEMBLY	E
1	7027943	Ref	Pump Components Kit	
1A	See Note	NSS	Pump (Note: Use Item 1)	
1B	7027943	1	Seal	
1C	7011021	1	Seal	
1D	See Note	NSS	Seal (Note: Use Item 1)	
1E	7010928	4	Screw	
1F	7011033	1	Screw	
1G	See Note	NSS	Lockwasher (Note: Use Item 1)	
1H	See Note	NSS	Retainer (Note: Use Item 1)	
1J	7011016	1	Coupler	
2	7027944	Ref	Adaptor Components Kit	
2A	7011025	1	Seal	
2B	7011011	2	Screw	
2C	See Note	NSS	Plug (Note: Use Item 2)	
2D	See Note	NSS	Adaptor (Note: Use Item 2)	
2E	7011013	1	Retainer	
2F	See Note	NSS	Plug, Plastic (Not Shown) (Note: Use Item 2)	
2G	See Note	NSS	Plug, Steel (Note: Use Item 2)	
2H	See Note	NSS	Seat Assembly (Note: Use item 2)	
2J	See Note	NSS	Plug (Note: Use Item 2)	
3	7027945	Ref	Relief Valve Components Kit	
3A	7011008	1	Spring	
3B	7011017	1	Spring	
3C	7011009	1	Screw, Adjustment	
3D	See Note	NSS	Gasket (Note: Use Item 3)	
3E	7011004	1	Cap	
3F	See Note	NSS	Ball (Note: Use Item 3)	
4	7027946	Ref	Tube Components Kit	
4A	7011024	1	Seal	
4B	See Note	NSS	Seal (Note: Use Item 4)	
4C	See Note	NSS	Washer (Note: Use Item 4)	
4D	7011031	1	Ring, Retaining	
4E	7011032	1	Ring, Retaining	
4G	See Note	NSS	Tube (Note: Use Item 4)	
4H	See Note	NSS	Tube (Note: Use Item 4)	
4J	See Note	NSS	Tube (Note: Use Item 4)	
4K	7011029	1	Strainer	
4L	7011034	1	Spacer	
5	7027947	Ref	Tank Components Kit	
5A	See Note	NSS	Tank (Note: Use Item 5)	
5B	See Note	NSS	Screw (Note: Use Item 5)	
5C	7011027	1	Magnet	
5D	See Note	NSS	Label (Note: Use Item 5)	
5E	7011069	1	Breather/Dipstick	
6	See Note	1	Label (Not Shown) (Note: Not Available for Purchase)	
7	7027948	1	Motor Assembly	
7	See Note	NSS	Brush Kit (Note: Use Item 7)	
8	7027949	Ref	Return Port Components Kit	
8A	See Note	NSS	Seal (Note: Use Item 8)	

SECTION 2 - CONTROLS

ITEM	PART NUMBER	QTY	DESCRIPTION	REV
8B	See Note	NSS	Seal (Note: Use Item 8)	
8C	See Note	NSS	Washer (Note: Use Item 8)	
8D	See Note	NSS	Body, Return Port (Note: Use Item 8)	
9	2221185	1	Fitting, 90	
10	2110606	1	Fitting, Straight	

SECTION 2 - CONTROLS

FIGURE 2-2. PUMP AND MOTOR ASSEMBLY (SN M130013853 to Present, Except SN M130014084 through M130014086)



ART_1001303831

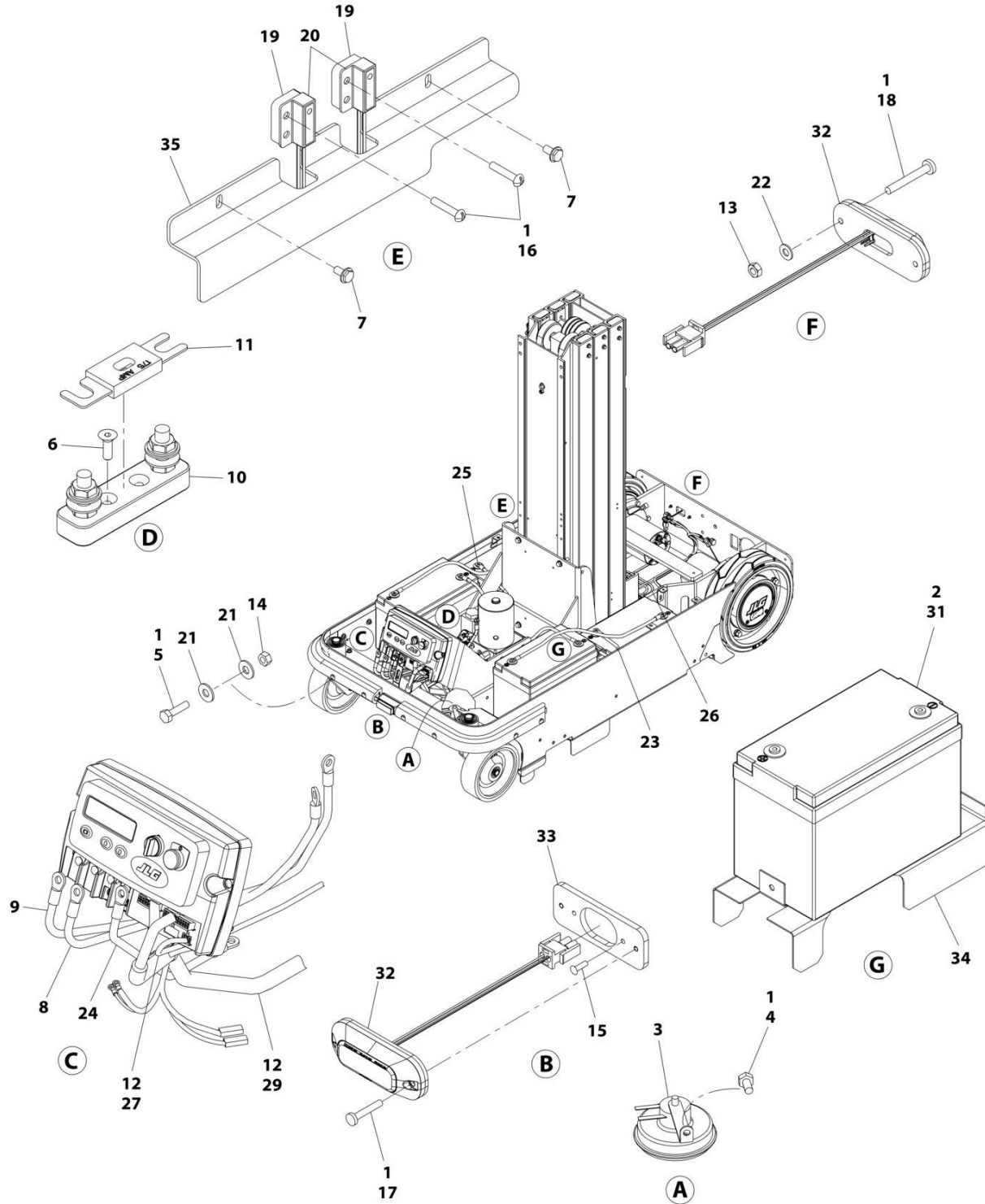
SECTION 2 - CONTROLS

FIGURE 2-2. PUMP AND MOTOR ASSEMBLY (SN M130013853 to Present, Except SN M130014084 through M130014086)

ITEM	PART NUMBER	QTY	DESCRIPTION	REV
	1001303831	Ref	PUMP AND MOTOR ASSEMBLY	B
	SEE NOTE	Ref	Note: No Available Service Parts at time of Printing	

SECTION 2 - CONTROLS

FIGURE 2-3. BATTERIES, ALARM AND STROBE INSTALLATION



ART_1001229682_B

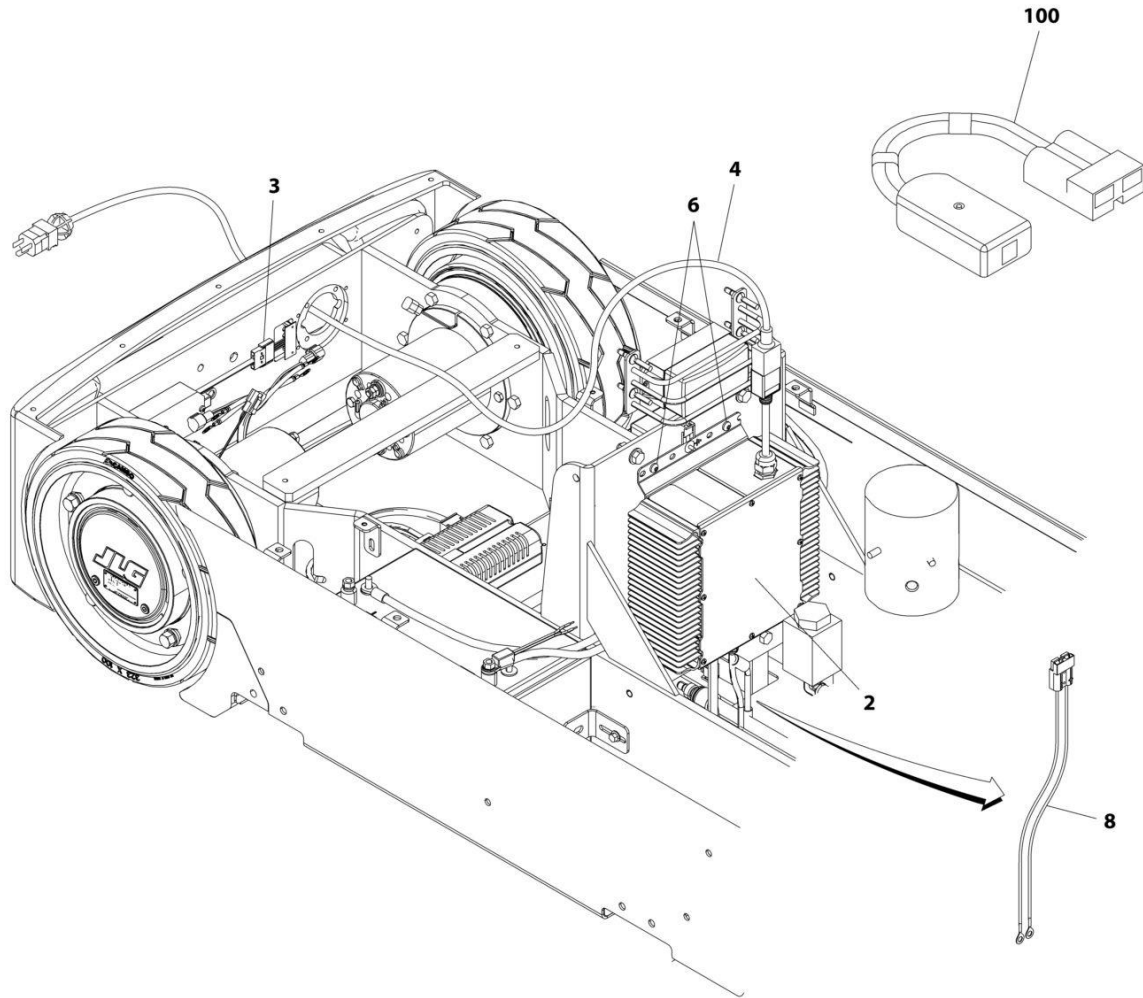
SECTION 2 - CONTROLS

FIGURE 2-3. BATTERIES, ALARM AND STROBE INSTALLATION

ITEM	PART NUMBER	QTY	DESCRIPTION	REV
	1001229682	Ref	BATTERIES, ALARM AND STROBE INSTALLATION	C
1	0100011	AR	Compound, Locking	
2	0100051	AR	Grease, Terminal	
3	0140022	1	Alarm	
4	0641404	1	Bolt 1/4 x 1/2	
5	0641408	8	Bolt 1/4 x 1	
6	0741005	2	Screw #10 x 5/8	
7	0791003	2	Screw #10 x 3/8	
8	1060943	1	Cable (GSM P+ to Pump+)	
9	1060944	1	Cable (GSM P- to Pump-)	
10	2400044	1	Fuse, Mounting Block	
11	2400069	1	Fuse 175Amp	
12	3020038	AR	Grease, Contact	
13	3290401	2	Nut M4	
14	3311405	8	Nut 1/4	
15	3820013	2	Rivet	
16	3931016	4	Screw 10-24 x 1	
17	4031509	2	Screw M4 x 25	
18	4031511	2	Screw M4 x 35	
19	4071084	2	Shim	
20	4360514	2	Switch, Proximity	
21	4751400	16	Washer 1/4	
22	4811400	2	Washer M4	
23	4923022	1	Cable (B+ to Fuse)	
24	4923023	1	Cable (Fuse to GSM)	
25	4923024	1	Cable (B- to GSM)	
26	4923028	1	Traction Module Power Harness	
27	4923029	1	Ground Station to Traction Module Harness	
28	4923383	1	Drive Motor Harness (Not Shown) (See Separate Breakdown in ELECTRICAL SECTION)	
29	4923446	1	Main (MSP) Harness	
30	1001121700	3	Cable (Battery B+ to B-) (Not Shown)	
31	1001177558	4	Battery	
32	1001187862	NLA	Light, Strobe (use PN1001258016)	
32	1001258016	2	Light, Strobe LED	
33	1001207630	NLA	Plate (use PN1001258436)	
33	1001258436	1	Plate	
34	1001229683	2	Plate	
35	1001229684	1	Shield, Wire	

SECTION 2 - CONTROLS

FIGURE 2-4. BATTERY CHARGER INSTALLATION (WITHOUT CORD REEL)



ART_0274898

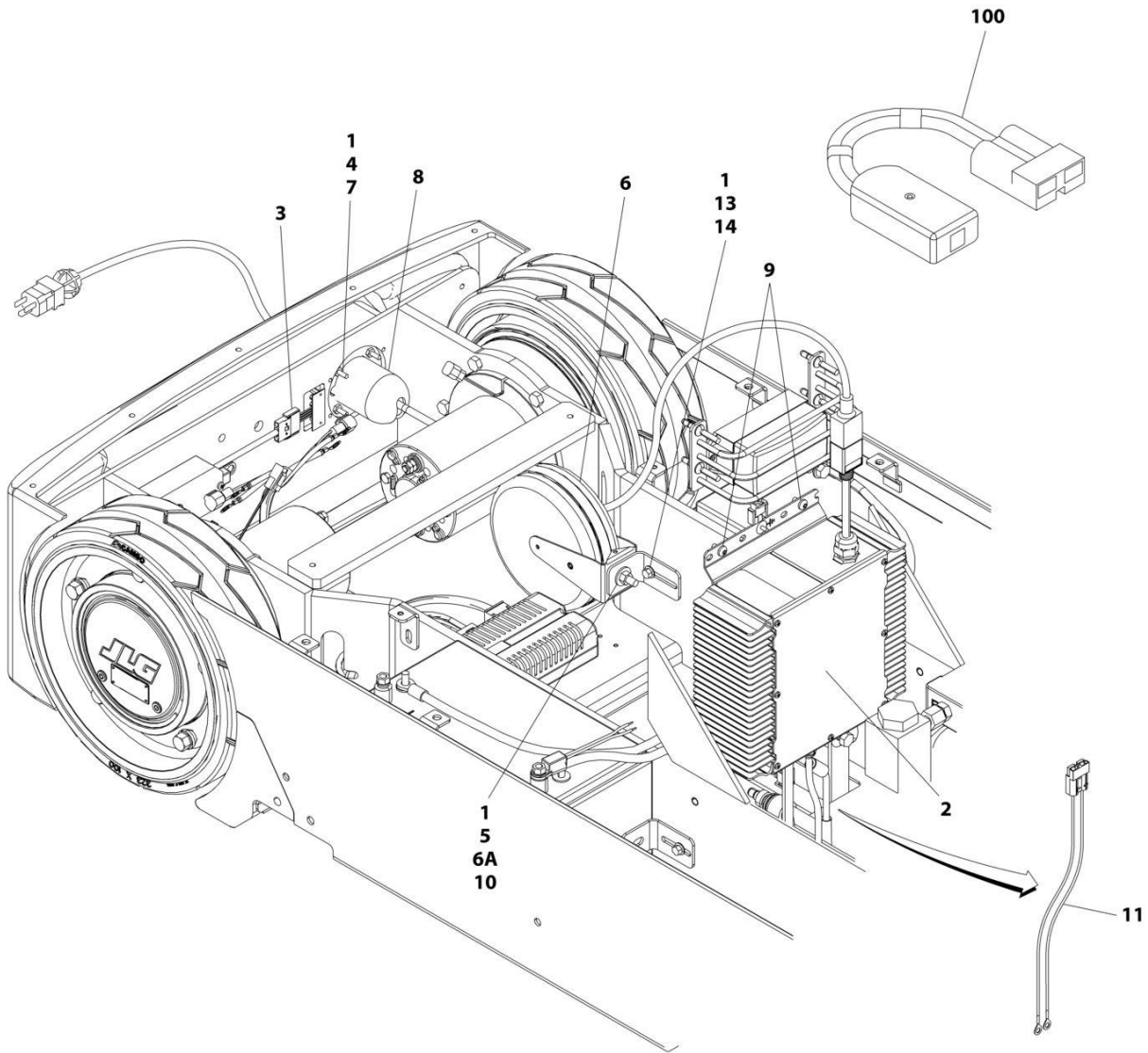
SECTION 2 - CONTROLS

FIGURE 2-4. BATTERY CHARGER INSTALLATION (WITHOUT CORD REEL)

ITEM	PART NUMBER	QTY	DESCRIPTION	REV
	0274898	Ref	BATTERY CHARGER INSTALLATION	F
		Ref	Note: Available on all Specs.	
2	1001136381	1	Battery Charger Assembly (No Serviceable Parts Available)	
3	0610131	1	LED, Board	
4	1060689	1	Cord, Electrical	
6	4191706	4	Screw M6 x 12	
8	4923438	1	Battery Charger Harness	
9	1001109821	1	LED and Temperature Sensor Harness (Not Shown) (See Separate Breakdown in ELECTRICAL SECTION)	
100	1600466	1	BATTERY CHARGER REPROGRAM CONTROLLER KIT (Use p/n 2915230)	

SECTION 2 - CONTROLS

FIGURE 2-5. BATTERY CHARGER INSTALLATION (WITH CORD REEL)



ART_0274900

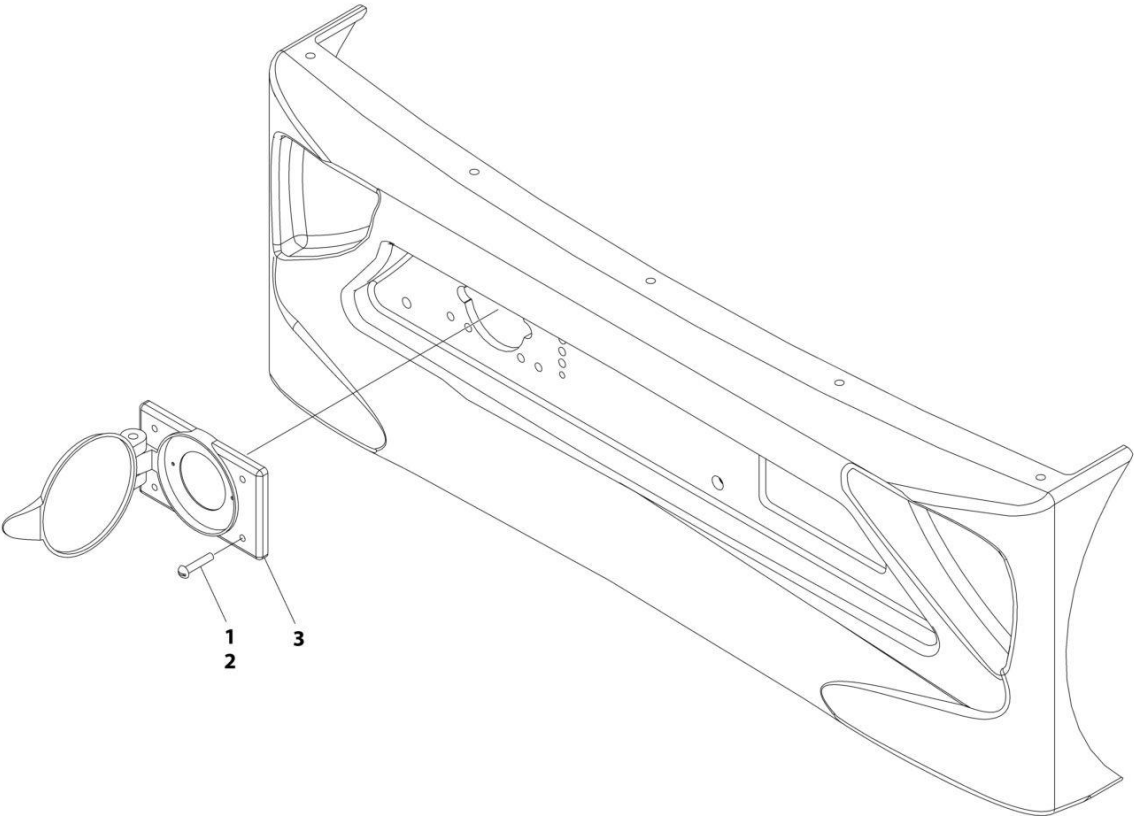
SECTION 2 - CONTROLS

FIGURE 2-5. BATTERY CHARGER INSTALLATION (WITH CORD REEL)

ITEM	PART NUMBER	QTY	DESCRIPTION	REV
	0274900	Ref	BATTERY CHARGER INSTALLATION	F
		Ref	Note: Available on ANSI, ANSI Export and CSA Specs.	
1	0100011	AR	Compound, Locking	
2	1001136381	1	Battery Charger Assembly (No Serviceable Parts Available)	
3	0610131	1	LED Board	
4	3311001	4	Nut #10	
5	3311501	1	Nut 5/16	
6	3680057	1	Reel, Charger Cord	
6A	0791508	1	Screw 5/16 x 1	
7	3911016	4	Screw #10 x 1	
8	4120046	1	Terminal, Inlet Socket, Cord Reel Stop	
9	4191706	4	Screw M6 x 12	
10	4751500	1	Washer 5/16	
11	4923438	1	Battery Charger Harness	
12	1001109821	1	LED and Temperature Sensor Harness (Not Shown) (See Separate Breakdown in ELECTRICAL SECTION)	
100	1600466	1	BATTERY CHARGER REPROGRAM CONTROLLER KIT (Use p/n 2915230)	

SECTION 2 - CONTROLS

FIGURE 2-6. CHARGER PLUG INSTALLATION - CUSTOMER SUPPLIED PLUG



ART_1001097456

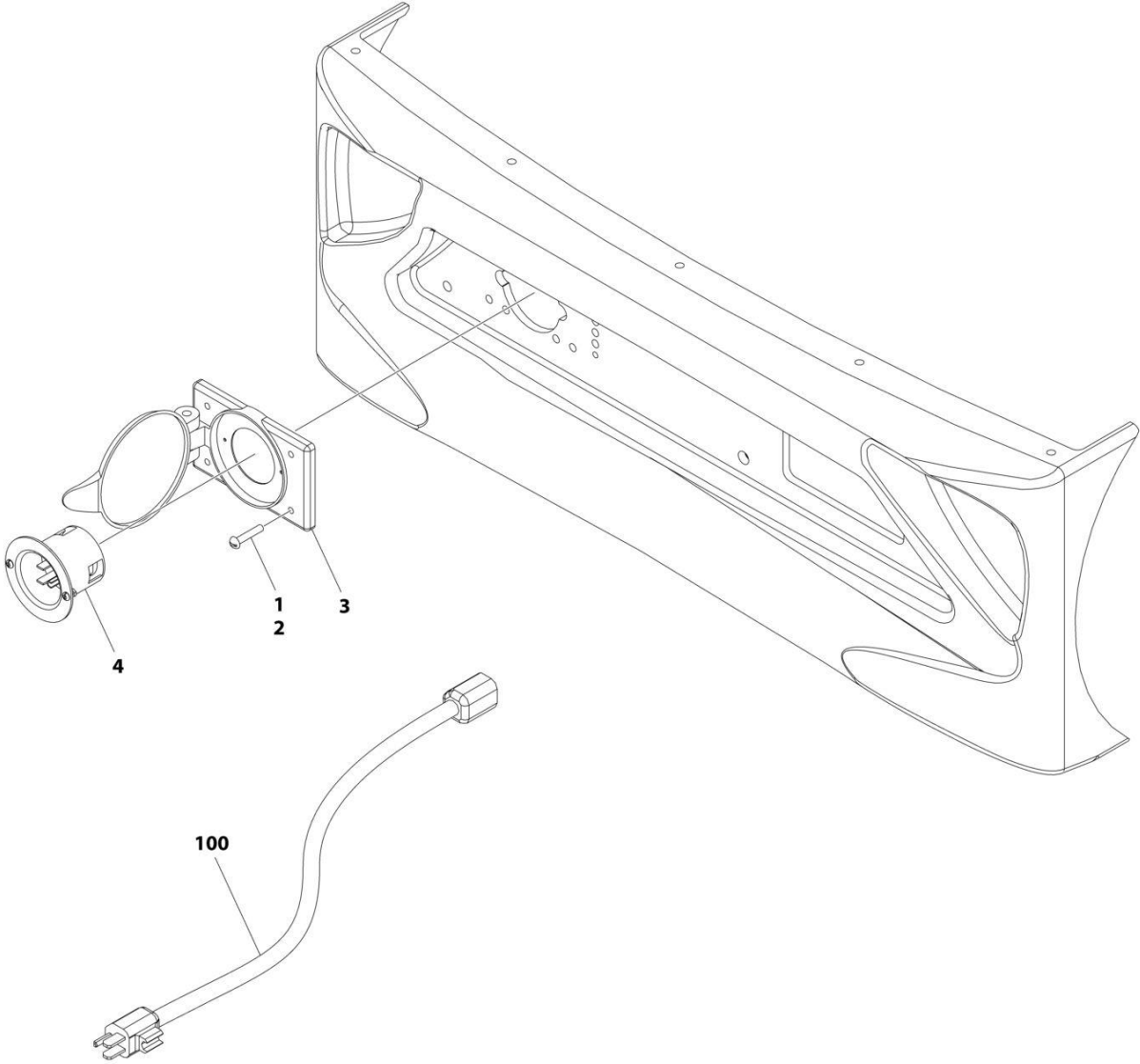
SECTION 2 - CONTROLS

FIGURE 2-6. CHARGER PLUG INSTALLATION - CUSTOMER SUPPLIED PLUG

ITEM	PART NUMBER	QTY	DESCRIPTION	REV
	1001097456	Ref	CHARGER PLUG INSTALLATION	A
1	0100011	AR	Compound, Locking	
2	3911016	4	Screw #10 x 1	
3	4460802	1	Cover, Weatherproof	

SECTION 2 - CONTROLS

FIGURE 2-7. CHARGER PLUG INSTALLATION - 110V PLUG



ART_1001097449

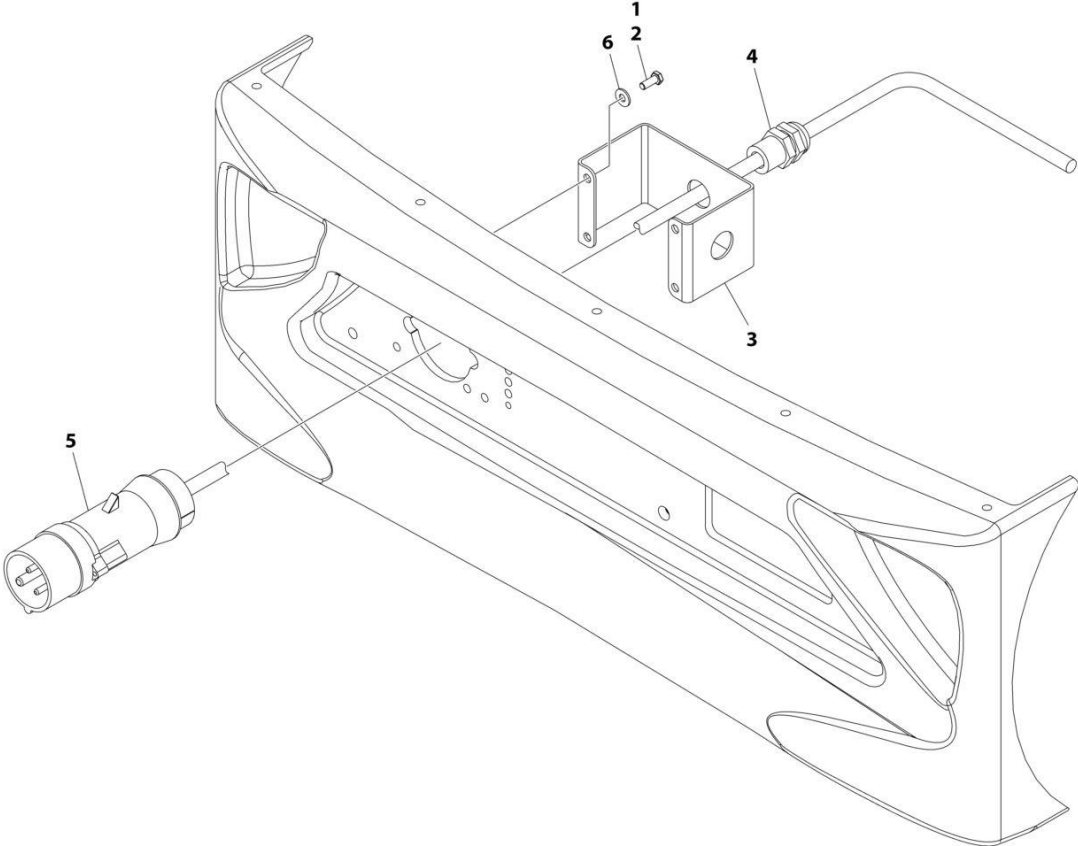
SECTION 2 - CONTROLS

FIGURE 2-7. CHARGER PLUG INSTALLATION - 110V PLUG

ITEM	PART NUMBER	QTY	DESCRIPTION	REV
	1001097449	Ref	CHARGER PLUG INSTALLATION - 110V PLUG	B
1	0100011	AR	Compound, Locking	
2	3911016	4	Screw #10 x 1	
3	4460802	1	Cover, Weatherproof	
4	4460803	1	Receptacle with Boot and Mounting Hardware	
100	4923174	6 ft/ 1.83m	CORD, EXTENSION (OPTIONAL)	

SECTION 2 - CONTROLS

FIGURE 2-8. CHARGER PLUG INSTALLATION - 110V IEC YELLOW PLUG (CE & UK CA SPECS)



ART_1001097453

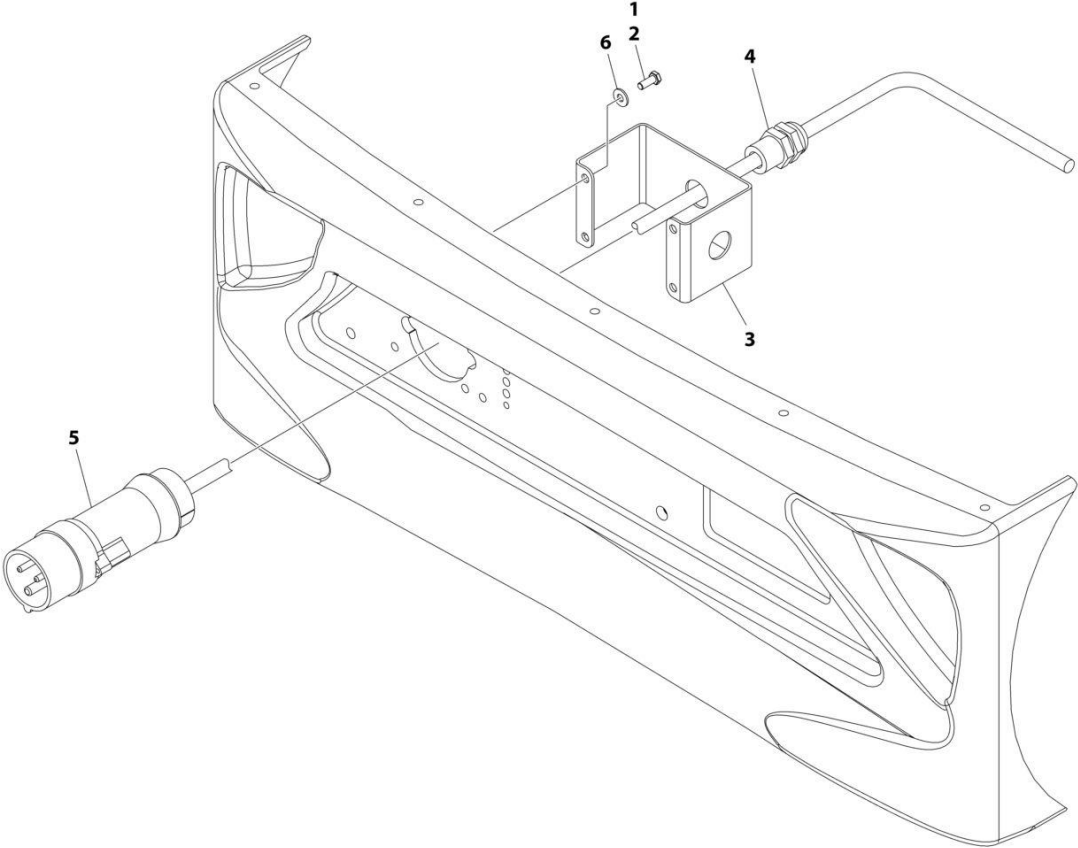
SECTION 2 - CONTROLS

FIGURE 2-8. CHARGER PLUG INSTALLATION - 110V IEC YELLOW PLUG (CE & UK CA SPECS)

ITEM	PART NUMBER	QTY	DESCRIPTION	REV
	1001097453	Ref	CHARGER PLUG INSTALLATION - 110V IEC YELLOW PLUG	B
1	0100011	AR	Compound, Locking	
2	0721004	4	Screw #10 x 1/2	
3	3571584	1	Plate	
4	4460428	1	Connector, Strain Relief	
5	4461196	1	Plug - 110V IEC Yellow	
6	4711000	4	Washer #10	

SECTION 2 - CONTROLS

FIGURE 2-9. CHARGER PLUG INSTALLATION - 220V IEC BLUE PLUG (CE & UK CA SPECS)



ART_1001097454

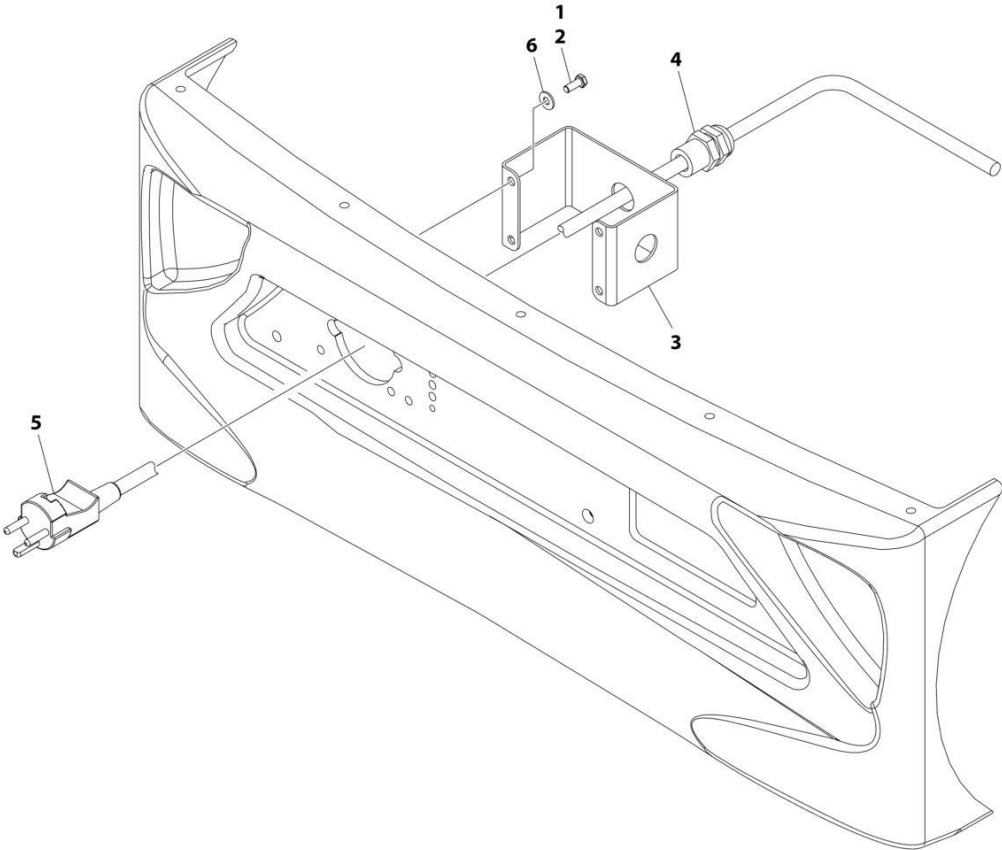
SECTION 2 - CONTROLS

FIGURE 2-9. CHARGER PLUG INSTALLATION - 220V IEC BLUE PLUG (CE & UK CA SPECS)

ITEM	PART NUMBER	QTY	DESCRIPTION	REV
	1001097454	Ref	CHARGER PLUG INSTALLATION - 220V IEC BLUE PLUG	B
1	0100011	AR	Compound, Locking	
2	0721004	4	Screw #10 x 1/2	
3	3571584	1	Plate	
4	4460428	1	Connector, Strain Relief	
5	4461199	1	Plug - 220V IEC Blue	
6	4711000	4	Washer #10	

SECTION 2 - CONTROLS

FIGURE 2-10. CHARGER PLUG INSTALLATION - 220V IEC KEYED GROUND PLUG (CE & UK CA SPECS)



ART_1001097452

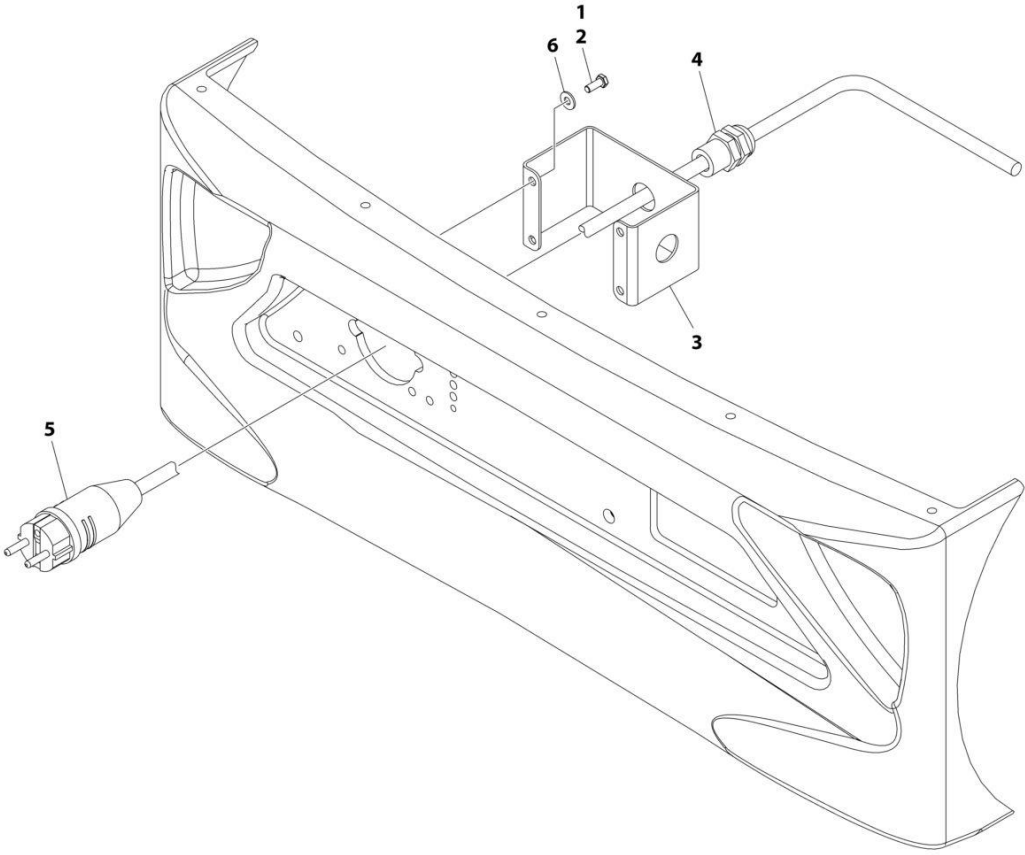
SECTION 2 - CONTROLS

FIGURE 2-10. CHARGER PLUG INSTALLATION - 220V IEC KEYED GROUND PLUG (CE & UK CA SPECS)

ITEM	PART NUMBER	QTY	DESCRIPTION	REV
	1001097452	Ref	CHARGER PLUG INSTALLATION - 220V IEC KEYED GROUND PLUG	B
1	0100011	AR	Compound, Locking	
2	0721004	4	Screw #10 x 1/2	
3	3571584	1	Plate	
4	4460428	1	Connector, Strain Relief	
5	4461249	1	Plug - 220V Keyed	
6	4711000	4	Washer #10	

SECTION 2 - CONTROLS

FIGURE 2-11. CHARGER PLUG INSTALLATION - 220V IEC POST GROUND PLUG (CE & UK CA SPECS)



ART_1001097450

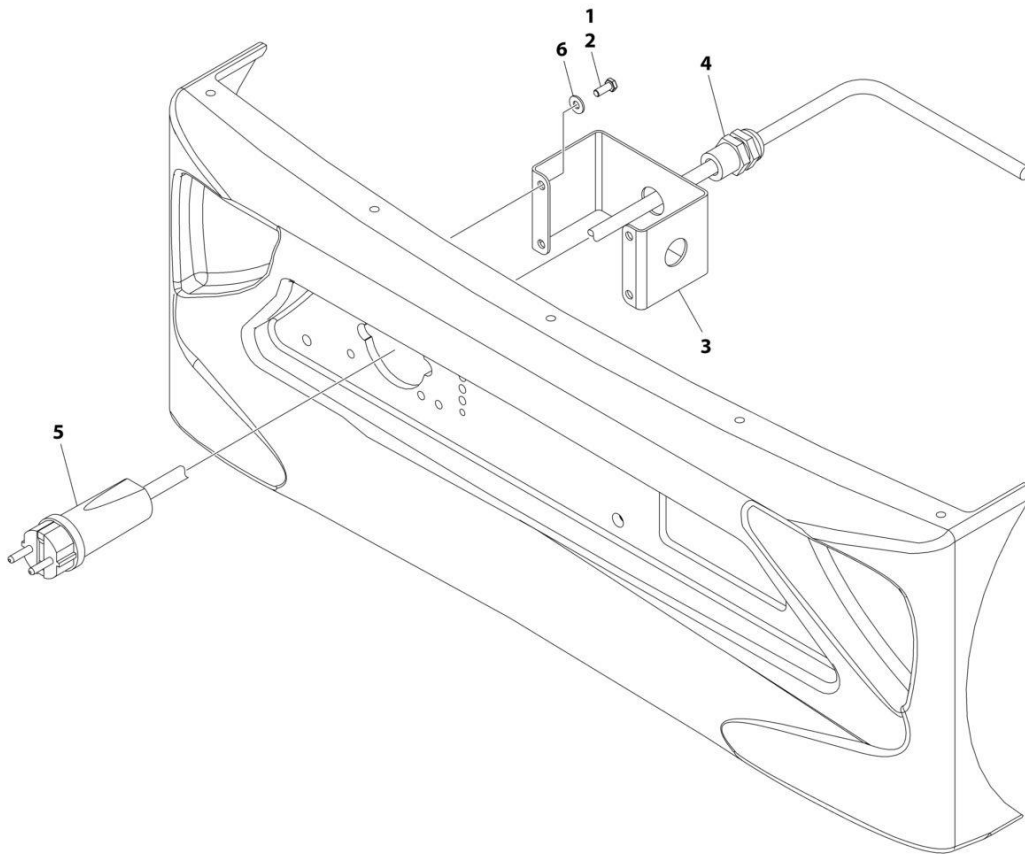
SECTION 2 - CONTROLS

FIGURE 2-11. CHARGER PLUG INSTALLATION - 220V IEC POST GROUND PLUG (CE & UK CA SPECS)

ITEM	PART NUMBER	QTY	DESCRIPTION	REV
	1001097450	Ref	CHARGER PLUG INSTALLATION - 220V IEC POST GROUND PLUG	C
1	0100011	AR	Compound, Locking	
2	0721004	4	Screw #10 x 1/2	
3	3571584	1	Plate	
4	4460428	1	Strain Relief, Connector	
5	4461205	1	Plug - 220V IEC Post Ground	
6	4711000	4	Washer #10	

SECTION 2 - CONTROLS

FIGURE 2-12. CHARGER PLUG INSTALLATION - 220V IEC SIDE GROUND PLUG (CE & UK CA SPECS)



ART_1001097451

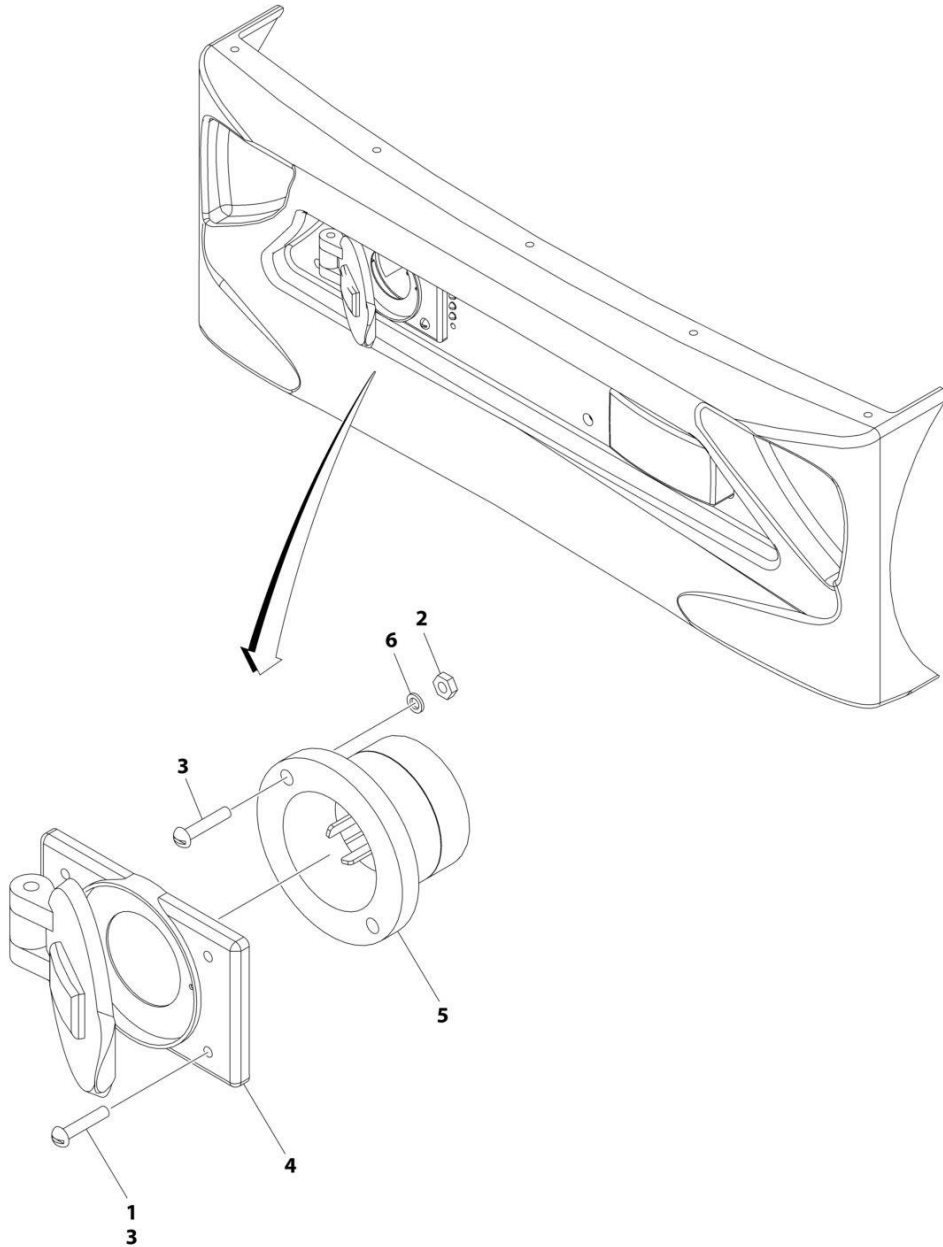
SECTION 2 - CONTROLS

FIGURE 2-12. CHARGER PLUG INSTALLATION - 220V IEC SIDE GROUND PLUG (CE & UK CA SPECS)

ITEM	PART NUMBER	QTY	DESCRIPTION	REV
	1001097451	Ref	CHARGER PLUG INSTALLATION - 220V IEC SIDE GROUND PLUG	B
1	0100011	AR	Compound, Locking	
2	0721004	4	Screw #10 x 1/2	
3	3571584	1	Plate	
4	4460428	1	Connector, Strain Relief	
5	4461205	1	Plug - 220V Side Ground	
6	4711000	4	Washer #10	

SECTION 2 - CONTROLS

FIGURE 2-13. CHARGER PLUG INSTALLATION - 220V (AUSTRALIAN SPECS)



ART_1001097455

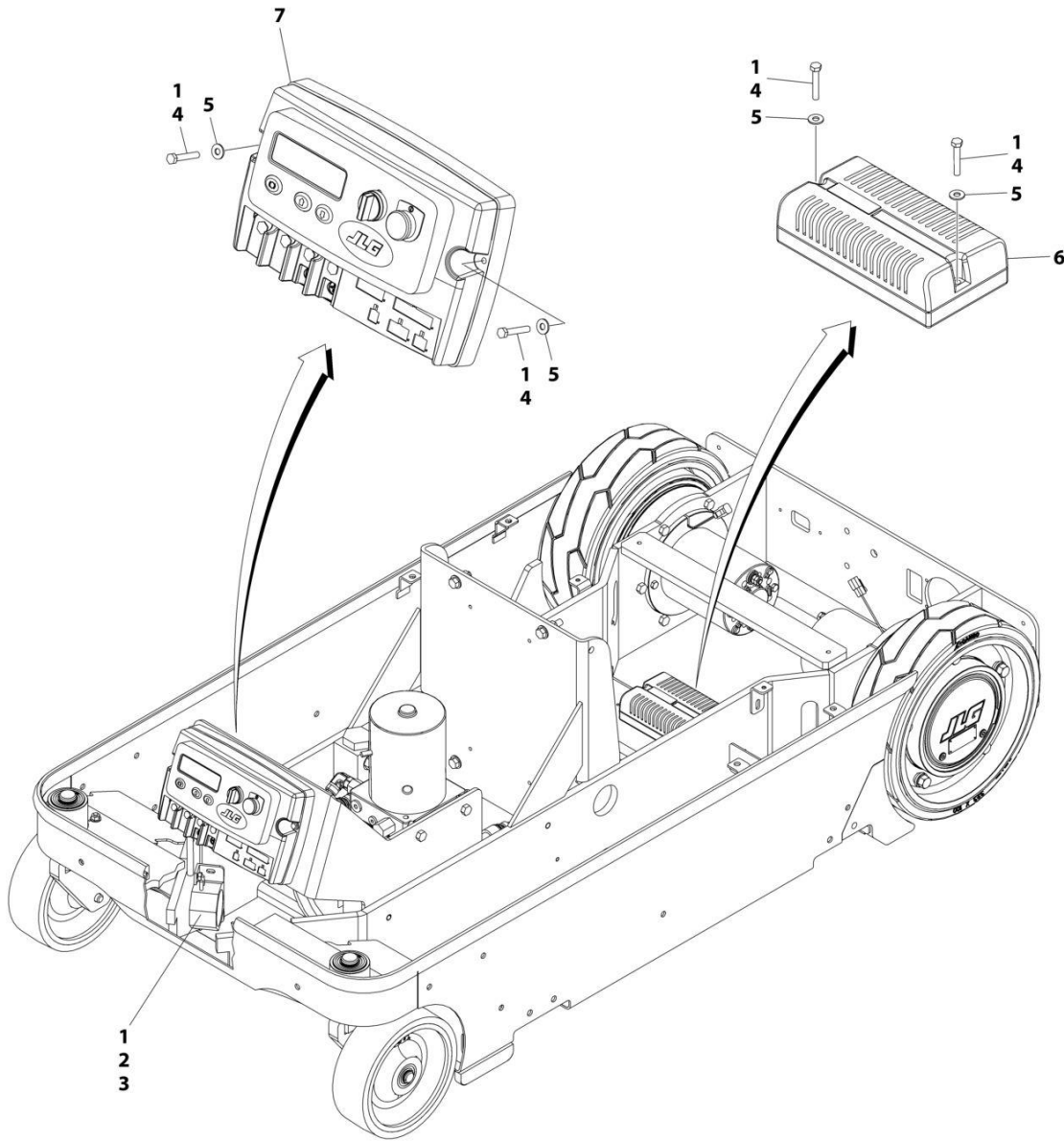
SECTION 2 - CONTROLS

FIGURE 2-13. CHARGER PLUG INSTALLATION - 220V (AUSTRALIAN SPECS)

ITEM	PART NUMBER	QTY	DESCRIPTION	REV
	1001097455	Ref	CHARGER PLUG INSTALLATION - 220V	C
1	0100011	AR	Compound, Locking	
2	3311001	1	Nut #10	
3	3911016	6	Screw #24 x 1	
4	4460802	1	Cover, Weatherproof	
5	4460940	1	Plug	
6	4761000	2	Washer #10	

SECTION 2 - CONTROLS

FIGURE 2-14. GROUND CONTROL AND TRACTION MODULE INSTALLATION (ALL SPECS EXCEPT JAPANESE SPECS)



ART_1001255261

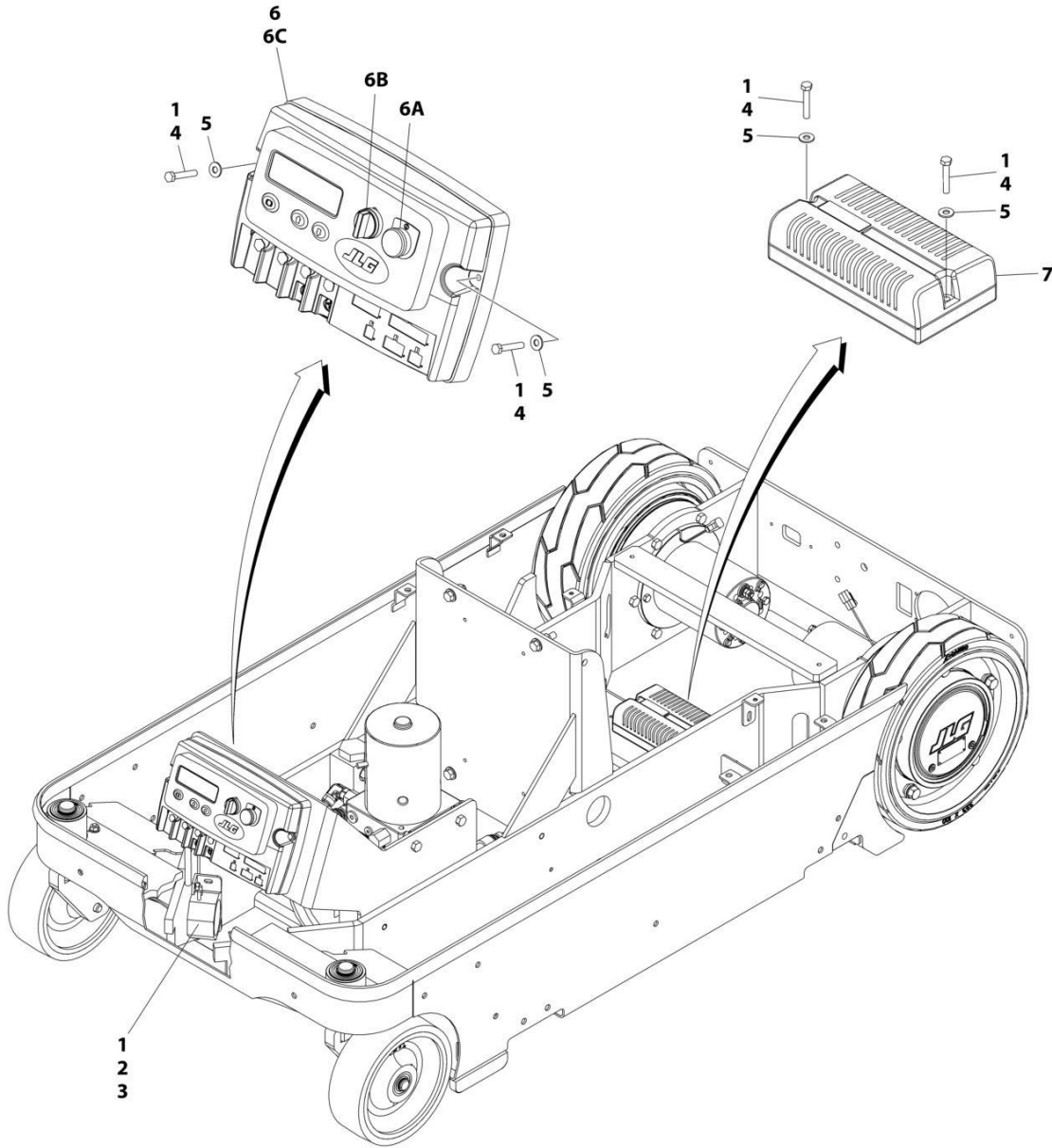
SECTION 2 - CONTROLS

FIGURE 2-14. GROUND CONTROL AND TRACTION MODULE INSTALLATION (ALL SPECS EXCEPT JAPANESE SPECS)

ITEM	PART NUMBER	QTY	DESCRIPTION	REV
	1001255261	Ref	GROUND CONTROL AND TRACTION MODULE INSTALLATION	A
1	0100011	AR	Compound, Locking	
2	0140033	1	Alarm	
3	0641404	2	Bolt 1/4 x 1/2	
4	0721010	4	Bolt #10 X 1-1/4	
5	4751000	4	Washer #10	
6	1001231450	1	Module, Traction	
7	1001255259	1	Ground Control Station/Module Assembly	

SECTION 2 - CONTROLS

FIGURE 2-15. GROUND CONTROL AND TRACTION MODULE INSTALLATION (CHINESE AND JAPANESE SPECS)



ART_1001255262

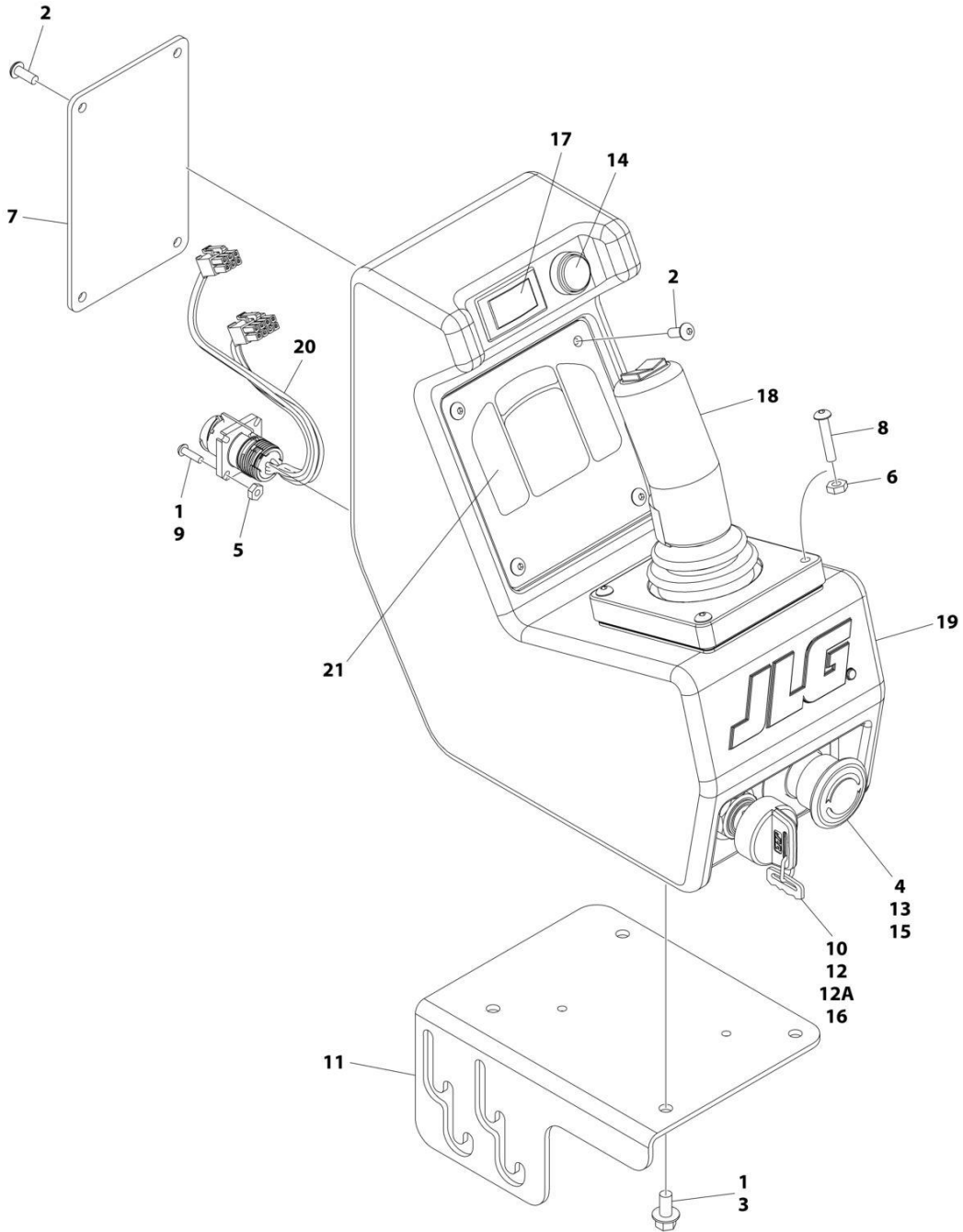
SECTION 2 - CONTROLS

FIGURE 2-15. GROUND CONTROL AND TRACTION MODULE INSTALLATION (CHINESE AND JAPANESE SPECS)

ITEM	PART NUMBER	QTY	DESCRIPTION	REV
	1001255262	Ref	GROUND CONTROL AND TRACTION MODULE INSTALLATION	A
1	0100011	AR	Compound, Locking	
2	0140033	1	Alarm	
3	0641404	2	Bolt 1/4 x 1/2	
4	0721010	4	Bolt #10 x 1-1/4	
5	4751000	4	Washer #10	
6	1001255260	1	Ground Control Station/Module Assembly	
7	1001231450	1	Module, Traction	

SECTION 2 - CONTROLS

FIGURE 2-16. PLATFORM CONTROL BOX ASSEMBLY



ART_1001228495

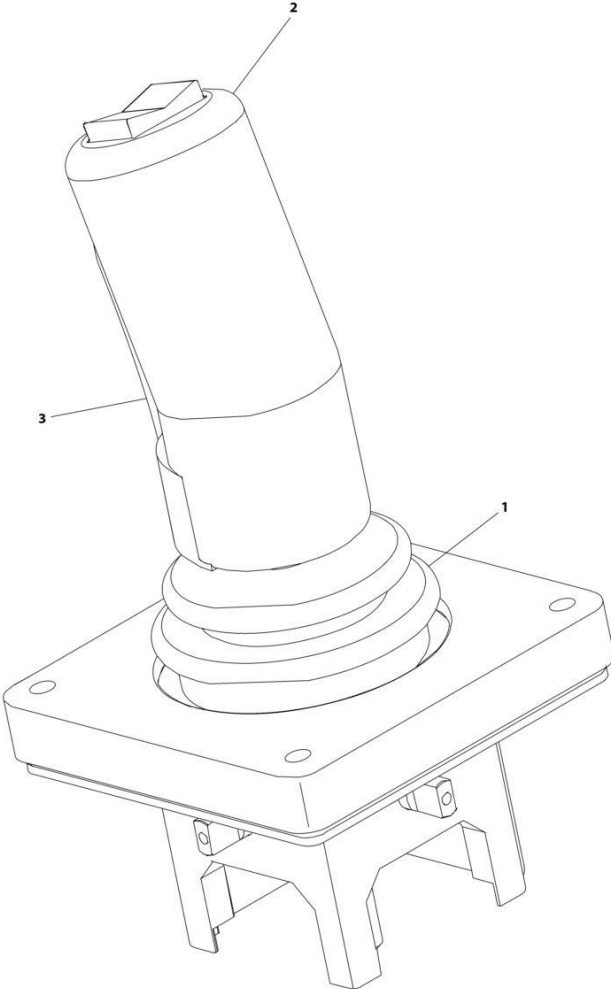
SECTION 2 - CONTROLS

FIGURE 2-16. PLATFORM CONTROL BOX ASSEMBLY

ITEM	PART NUMBER	QTY	DESCRIPTION	REV
	1001228495	Ref	PLATFORM CONTROL BOX ASSEMBLY	D
1	0100011	AR	Compound, Locking	
2	0630464	8	Screw #10 x 1/2	
3	0791404	4	Screw 1/4 x 1/2	
4	1706007	1	Decal - Emergency Stop	
5	3310601	4	Nut #6	
6	3311005	4	Nut #10	
7	3380540	1	Panel, Control Box	
8	3900189	4	Screw #10 x 1	
9	3910608	4	Screw #6 x 1/2	
10	3910804	2	Screw #8 x 1/4	
11	4340884	1	Mount, Control Box	
12	4360467	1	Switch, Key	
12A	2860030	1	Key, Replacement	
13	4360562	1	Switch, Emergency Stop	
14	4360567	1	Switch, Horn	
15	4923107	1	Emergency Stop Harness	
16	4923108	1	Key Switch Harness	
17	1001228835	1	Plug	
18	1001098192	1	Controller Assembly (See Separate Breakdown in this Section)	
19	1001098193	1	Box, Control	
20	1001227884	1	Power Harness (See Separate Breakdown in ELECTRICAL Section)	
21	1001228458	1	Module, Controller	

SECTION 2 - CONTROLS

FIGURE 2-17. CONTROLLER ASSEMBLY



ART_1001098192

SECTION 2 - CONTROLS

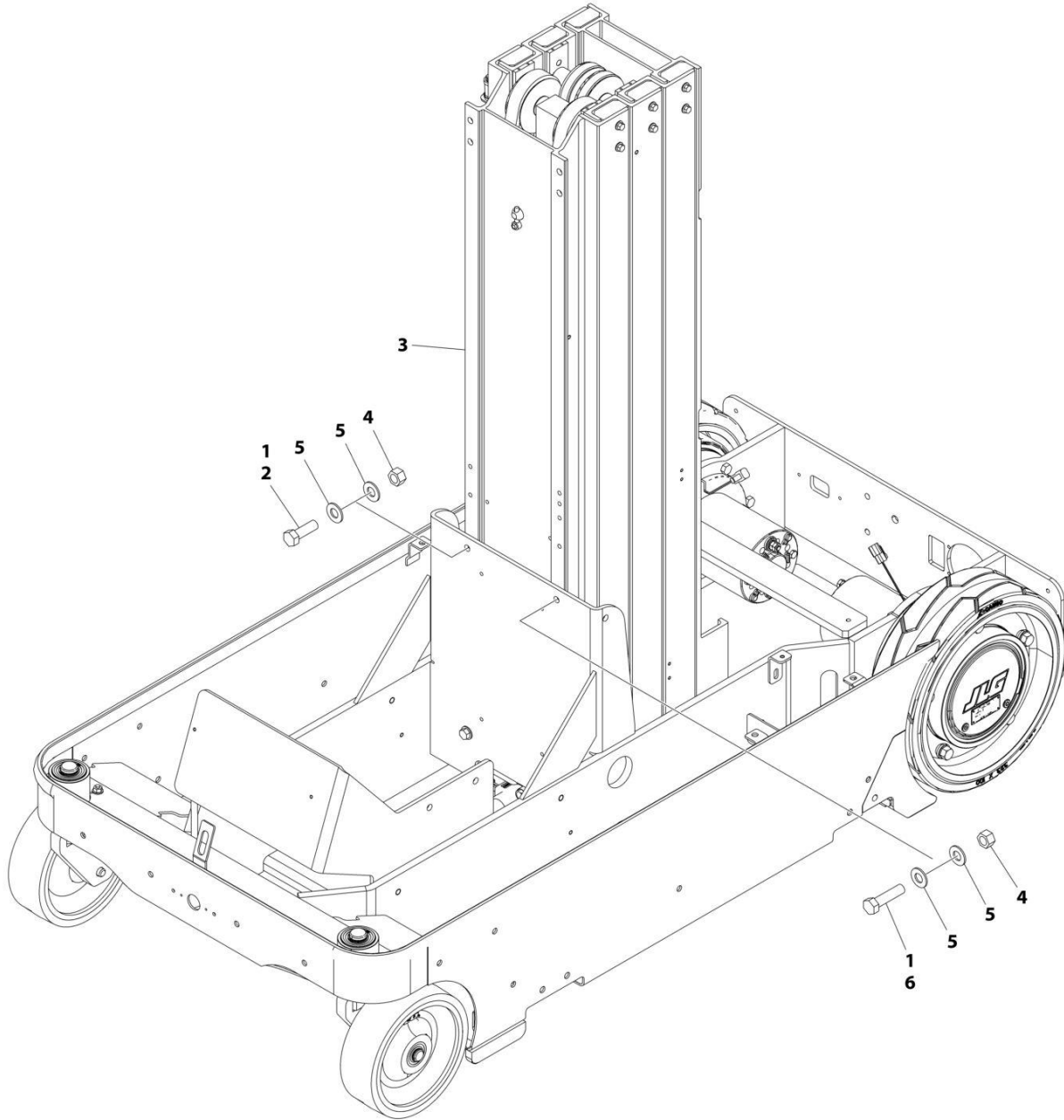
FIGURE 2-17. CONTROLLER ASSEMBLY

ITEM	PART NUMBER	QTY	DESCRIPTION	REV
	1001098192	Ref	CONTROLLER ASSEMBLY	A
1	70001250	1	Boot, Rubber (Base of Controller)	
1	7027766	1	Ring, Retaining	
1	70001251	1	Bezel, Mounting	
1	70001252	1	Gasket, Mounting	
2	70000084	1	Boot, Rubber (Steer Switch)	
2	70000082	2	Microswitch	
2	7027365	1	Actuator, Handle	
2	70000684	2	Screw	
2	70000686	2	Screw	
2	70000683	4	Washer, Neoprene	
2	70000685	2	Spacer	
2	70001253	1	Gasket, Handle	
3	7027765	1	Lever, Enable	
3	7027367	1	Switch, Push Button (Note: Not Shown - Located Behind Lever)	

SECTION 3 - MAST

SECTION 3 - MAST

FIGURE 3-1. MAST INSTALLATION



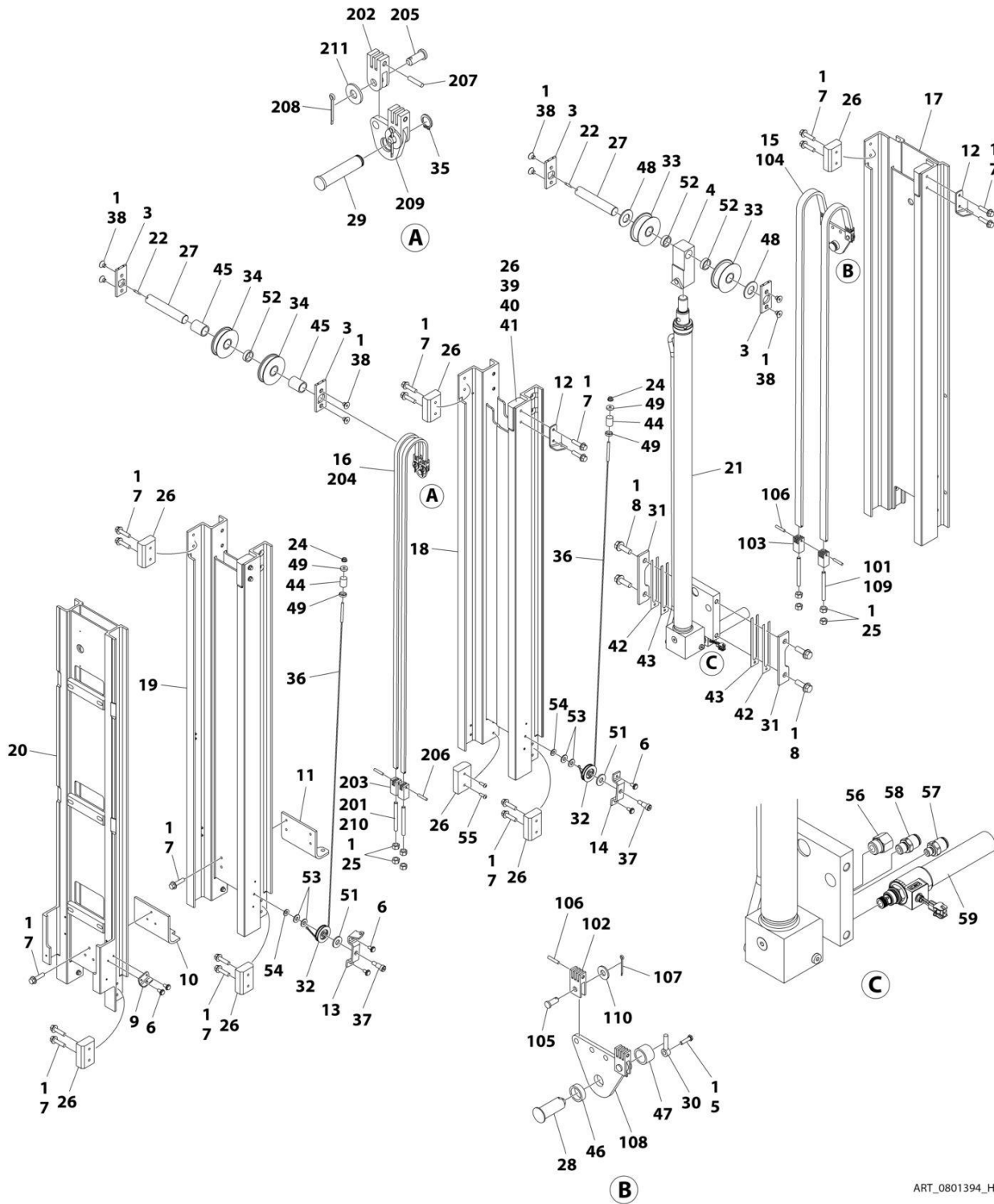
ART_0273545

FIGURE 3-1. MAST INSTALLATION

ITEM	PART NUMBER	QTY	DESCRIPTION	REV
	0273545	Ref	MAST INSTALLATION	B
1	0100019	AR	Compound, Locking	
2	0641609	3	Bolt 3/8 x 1-1/8	
3	0801394	1	Mast Assembly (See Separate Breakdown in this Section)	
4	3311601	4	Nut 3/8	
5	4711600	8	Washer 3/8	
6	0641612	1	Bolt 3/8 x 1-1/2	

SECTION 3 - MAST

FIGURE 3-2. MAST ASSEMBLY



ART_0801394_H

SECTION 3 - MAST

FIGURE 3-2. MAST ASSEMBLY

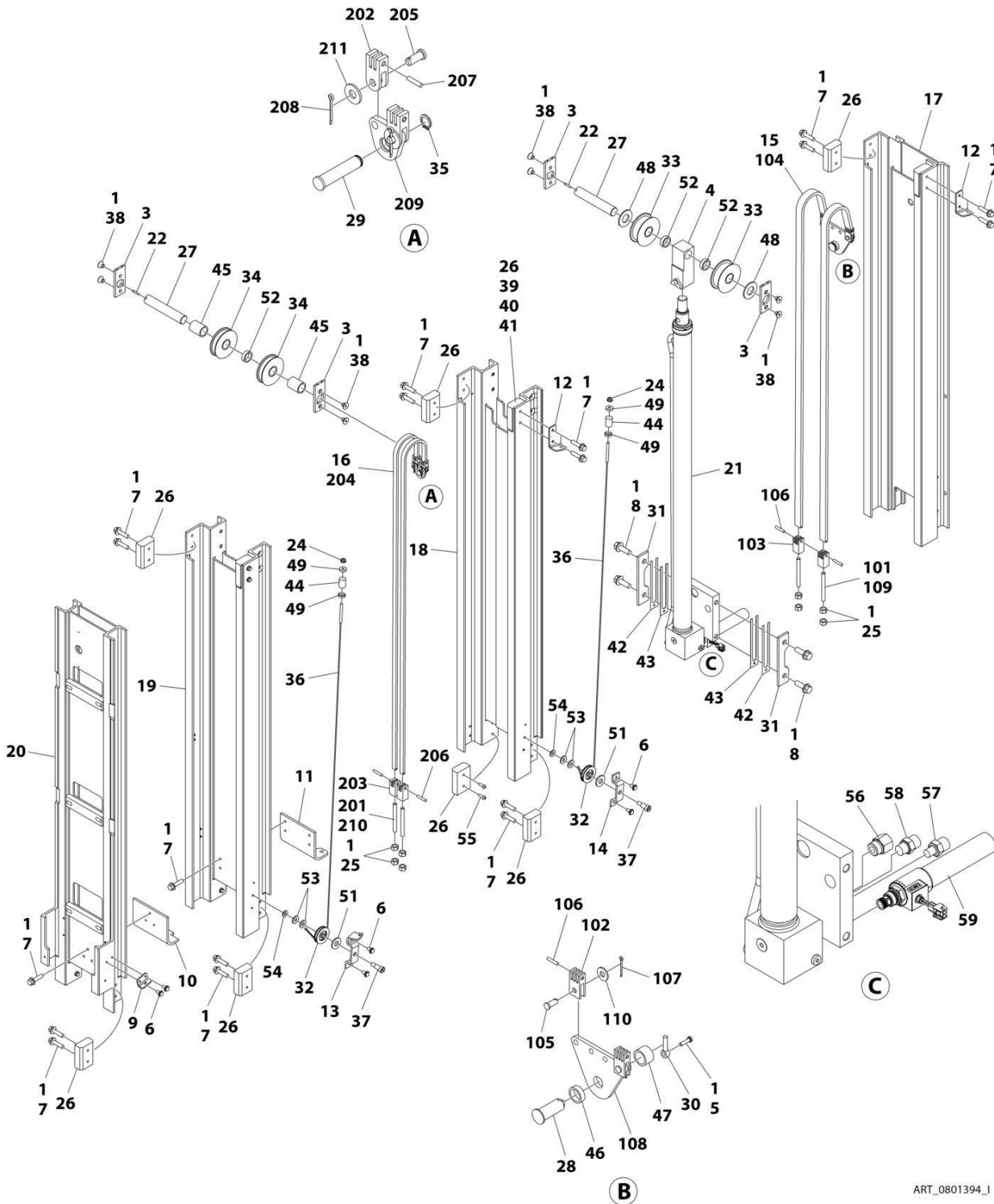
ITEM	PART NUMBER	QTY	DESCRIPTION	REV
	0801394	Ref	MAST ASSEMBLY	H
1	0100011	AR	Compound, Locking	
3	0362735	4	Bar, Support	
4	0561341	1	Block, Anchor	
5	0721006	1	Screw #10 x 3/4	
6	0791003	6	Screw #10 x 3/8	
7	0811408	29	Screw 1/4 x 1	
8	0791812	4	Screw 1/2 x 1-1/2	
9	0902047	1	Bracket, Sequence Cable	
10	0902423	1	Bracket, Chain Attach	
11	0902424	1	Bracket, Chain Attach	
12	0902431	2	Bracket, Sequence Cable	
13	0902445	1	Bracket, Sequence Cable	
14	0902698	1	Bracket, Sequence Cable	
15	1260375	1	Chain Assembly - #446 (See Items 101-110 for Breakdown)	
16	1260376	1	Chain Assembly - #444 (See Items 201-211 for Breakdown)	
17	1271567	1	Channel, Mast #1	
18	1271568	1	Channel, Mast #2	
19	1271569	1	Channel, Mast #3	
20	1271577	1	Channel, Header	
21	1001287011	1	Lift Cylinder Assembly (See Separate Breakdown in CYLINDER Section)	
22	2880310	2	Key	
23	3020041	AR	Lubricant (Not Shown - Used on Slides)	
24	3311408	2	Nut, Flanged 1/4	
24	3311401	2	Nut 1/4	
25	3311601	8	Nut 3/8	
26	3340845	12	Pad	
27	3422717	2	Pin	
28	3422750	1	Pin	
29	3422752	1	Pin	
30	3422757	1	Pin, Keeper	
31	3570893	2	Plate, Cylinder Mounting	
32	3580269	2	Sheave, Sequence Cable	
33	3580286	2	Sheave Assembly	
33	0440246	2	Bearing (1 Per Assembly)	
34	3580293	2	Sheave Assembly	
34	0440249	2	Bearing (1 Per Assembly)	
35	3760383	1	Ring, Retaining	
36	3890039	2	Cable, Sequence	
37	3900187	2	Screw, Shoulder	
38	3900192	8	Screw 3/8 x 1/2	
39	4070860	AR	Shim, Slide Pad	
40	4070861	AR	Shim, Slide Pad	
41	4070862	AR	Shim, Slide Pad	
42	4070970	AR	Shim, Cylinder Mount	
43	4070971	AR	Shim, Cylinder Mount	
44	4160124	2	Spring	
45	4567491	1	Tube, Spacer	
46	4567750	1	Tube, Spacer	

SECTION 3 - MAST

ITEM	PART NUMBER	QTY	DESCRIPTION	REV
47	4567751	1	Tube, Spacer	
48	4740007	2	Washer	
49	4740414	4	Washer, Cup	
51	4711500	2	Washer 5/16	
52	4569003	3	Tube, Spacer	
53	4711400	4	Washer 1/4	
54	4761400	2	Washer, Lock 1/4	
55	0630448	2	Screw 1/4 x 3/4	
56	2220591	1	Fitting, Straight FORB/ORB	
57	2221172	1	Fitting, #4 ORB - #6 Push Hose	
58	2221173	1	Fitting, #6 ORB - #6 Push Hose	
59	1001287646	1	Valve, Cartridge (Descent)	
60	0273417	Ref	Mast Kit (Includes Items 17-20) (Not Shown)	I
	1260375	Ref	CHAIN ASSEMBLY - #446 CHAIN	B
101	0100062	AR	Compound, Locking	
102	0561153	2	Block, Chain Anchor	
103	0561409	2	Block, Chain Anchor	
104	See Note	NLA	Chain (Note: Use p/n 1260375)	
105	3422338	2	Pin	
106	3422346	4	Pin	
107	3450304	2	Pin, Cotter	
108	3571101	1	Plate, Chain Adjustment	
109	4300111	2	Stud	
110	4751500	2	Washer 5/16	
	1260376	Ref	CHAIN ASSEMBLY - #444 CHAIN	C
201	0100019	AR	Compound, Locking	
202	0561149	2	Block, Chain Anchor	
203	0561408	2	Block, Chain Anchor	
204	See Note	NLA	Chain (Note: Use p/n 1260376)	
205	3422338	2	Pin	
206	3422346	2	Pin	
207	3422355	2	Pin	
208	3450304	2	Pin, Cotter	
209	3571103	1	Plate, Chain Adjustment	
210	4300111	2	Stud	
211	4751500	2	Washer 5/16	

SECTION 3 - MAST

FIGURE 3-3. MAST ASSEMBLY (SN M130013853 to Present, Except SN M130014084 through M130014086)



ART_0801394_I

SECTION 3 - MAST

FIGURE 3-3. MAST ASSEMBLY (SN M130013853 to Present, Except SN M130014084 through M130014086)

ITEM	PART NUMBER	QTY	DESCRIPTION	REV
	0801394	Ref	MAST ASSEMBLY	I
1	0100011	AR	Compound, Locking	
3	0362735	4	Bar, Support	
4	0561341	1	Block, Anchor	
5	0721006	1	Screw #10 x 3/4	
6	0791003	6	Screw #10 x 3/8	
7	0811408	29	Screw 1/4 x 1	
8	0791812	4	Screw 1/2 x 1-1/2	
9	0902047	1	Bracket, Sequence Cable	
10	0902423	1	Bracket, Chain Attach	
11	0902424	1	Bracket, Chain Attach	
12	0902431	2	Bracket, Sequence Cable	
13	0902445	1	Bracket, Sequence Cable	
14	0902698	1	Bracket, Sequence Cable	
15	1260375	1	Chain Assembly - #446 (See Items 101-110 for Breakdown)	
16	1260376	1	Chain Assembly - #444 (See Items 201-211 for Breakdown)	
17	1271567	1	Channel, Mast #1	
18	1271568	1	Channel, Mast #2	
19	1271569	1	Channel, Mast #3	
20	1271577	1	Channel, Header	
21	1001287011	1	Lift Cylinder Assembly (See Separate Breakdown in CYLINDER Section)	
22	2880310	2	Key	
23	3020041	AR	Lubricant (Not Shown - Used on Slides)	
24	3311408	2	Nut, Flanged 1/4	
24	3311401	2	Nut 1/4	
25	3311601	8	Nut 3/8	
26	3340845	12	Pad	
27	3422717	2	Pin	
28	3422750	1	Pin	
29	3422752	1	Pin	
30	3422757	1	Pin, Keeper	
31	3570893	2	Plate, Cylinder Mounting	
32	3580269	2	Sheave, Sequence Cable	
33	3580286	2	Sheave Assembly	
33	0440246	2	Bearing (1 Per Assembly)	
34	3580293	2	Sheave Assembly	
34	0440249	2	Bearing (1 Per Assembly)	
35	3760383	1	Ring, Retaining	
36	3890039	2	Cable, Sequence	
37	3900187	2	Screw, Shoulder	
38	3900192	8	Screw 3/8 x 1/2	
39	4070860	AR	Shim, Slide Pad	
40	4070861	AR	Shim, Slide Pad	
41	4070862	AR	Shim, Slide Pad	
42	4070970	AR	Shim, Cylinder Mount	
43	4070971	AR	Shim, Cylinder Mount	
44	4160124	2	Spring	
45	4567491	1	Tube, Spacer	

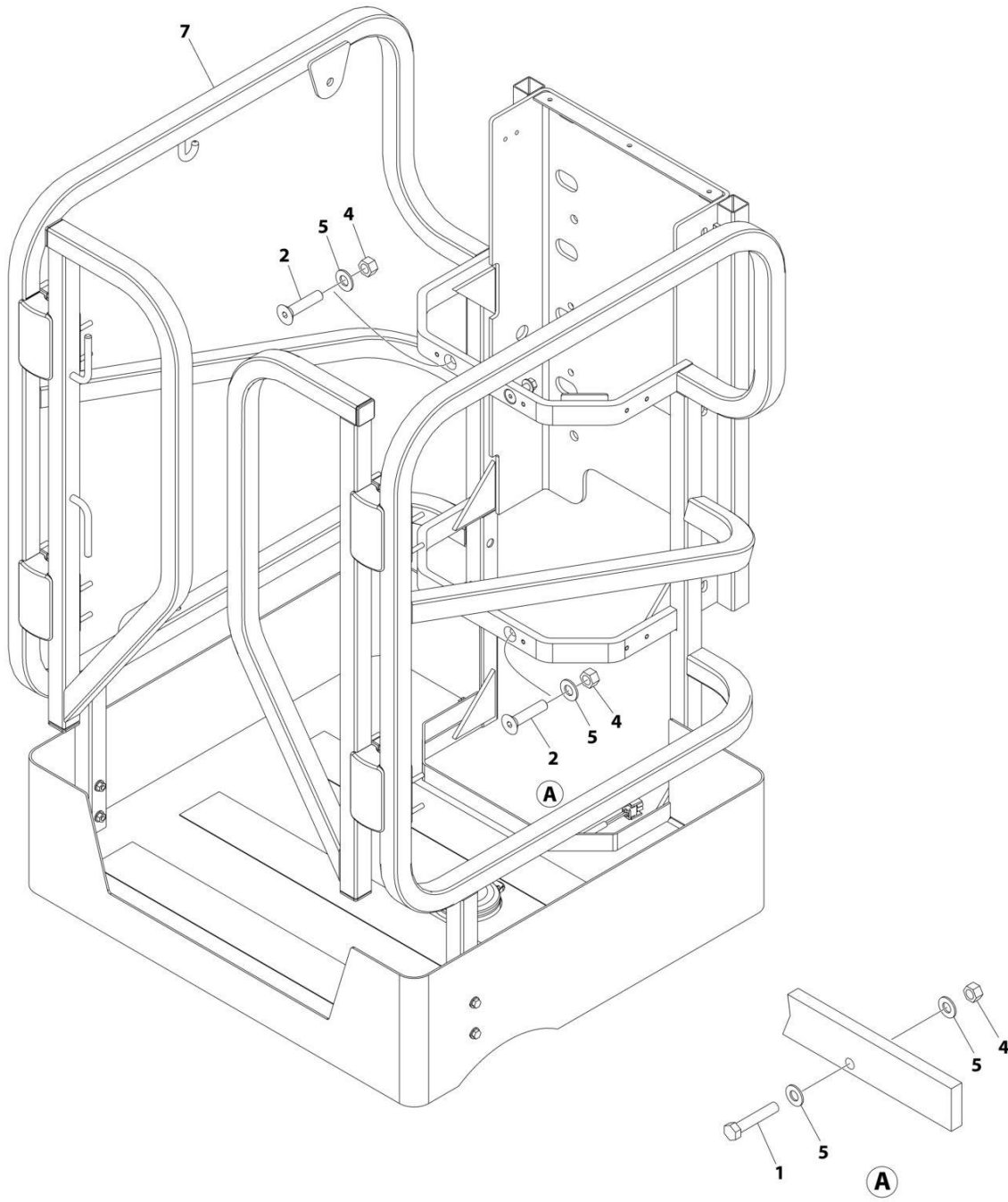
SECTION 3 - MAST

ITEM	PART NUMBER	QTY	DESCRIPTION	REV
46	4567750	1	Tube, Spacer	
47	4567751	1	Tube, Spacer	
48	4740007	2	Washer	
49	4740414	4	Washer, Cup	
51	4711500	2	Washer 5/16	
52	4569003	3	Tube, Spacer	
53	4711400	4	Washer 1/4	
54	4761400	2	Washer, Lock 1/4	
55	0630448	2	Screw 1/4 x 3/4	
56	2220591	1	Fitting, Straight FORB/ORB	
57	2110604	1	Fitting, #4 ORB - #6 Push Hose	
58	2110606	1	Fitting, #6 ORB - #6 Push Hose	
59	1001287646	1	Valve, Cartridge (Descent)	
60	0273417	Ref	Mast Kit (Includes Items 17-20) (Not Shown)	I
	1260375	Ref	CHAIN ASSEMBLY - #446 CHAIN	B
101	0100062	AR	Compound, Locking	
102	0561153	2	Block, Chain Anchor	
103	0561409	2	Block, Chain Anchor	
104	See Note	NLA	Chain (Note: Use p/n 1260375)	
105	3422338	2	Pin	
106	3422346	4	Pin	
107	3450304	2	Pin, Cotter	
108	3571101	1	Plate, Chain Adjustment	
109	4300111	2	Stud	
110	4751500	2	Washer 5/16	
	1260376	Ref	CHAIN ASSEMBLY - #444 CHAIN	C
201	0100019	AR	Compound, Locking	
202	0561149	2	Block, Chain Anchor	
203	0561408	2	Block, Chain Anchor	
204	See Note	NLA	Chain (Note: Use p/n 1260376)	
205	3422338	2	Pin	
206	3422346	2	Pin	
207	3422355	2	Pin	
208	3450304	2	Pin, Cotter	
209	3571103	1	Plate, Chain Adjustment	
210	4300111	2	Stud	
211	4751500	2	Washer 5/16	

SECTION 4 - PLATFORM

SECTION 4 - PLATFORM

FIGURE 4-1. PLATFORM INSTALLATION - WITHOUT GATE LATCH



ART_1001254425

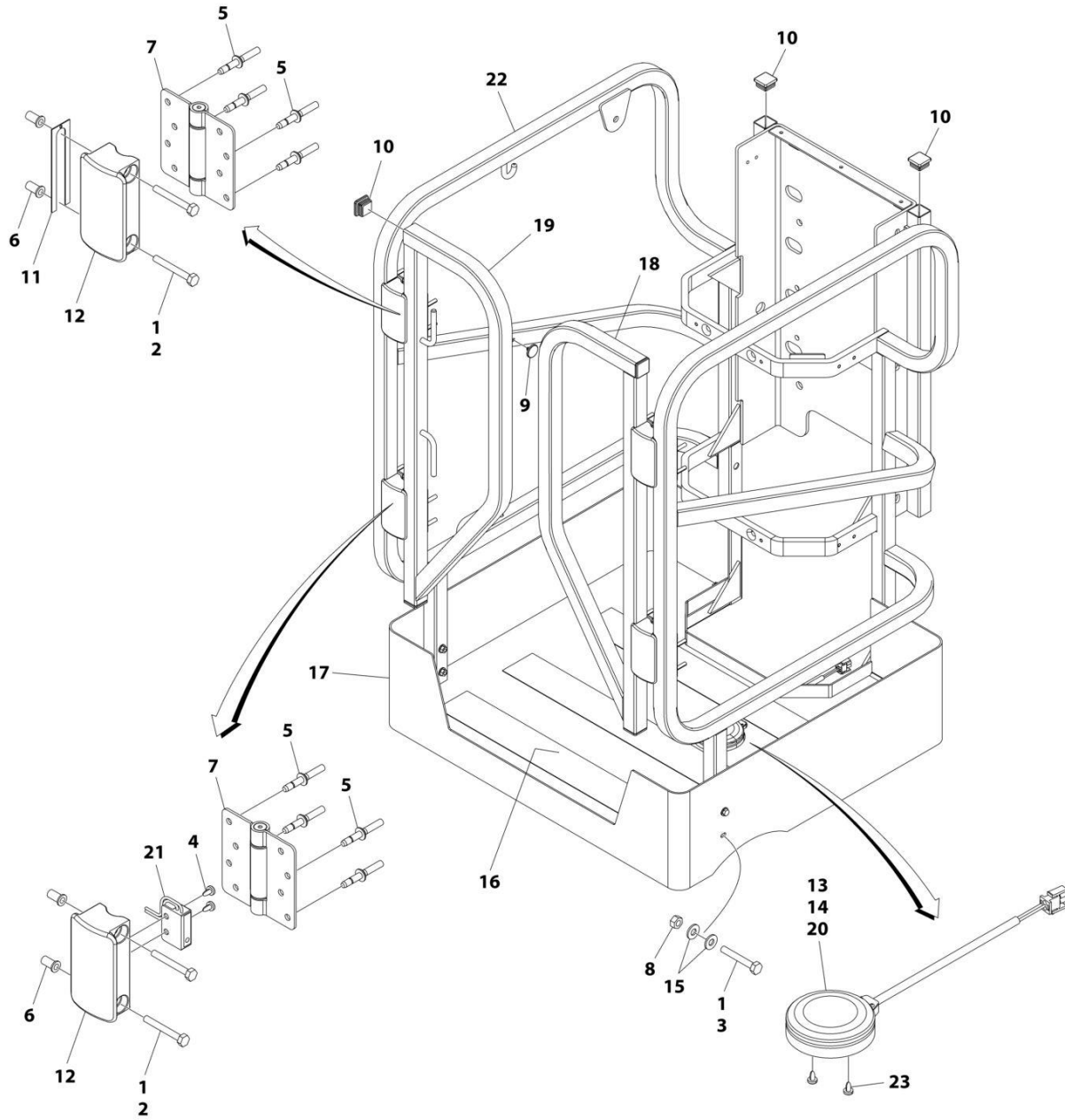
SECTION 4 - PLATFORM

FIGURE 4-1. PLATFORM INSTALLATION - WITHOUT GATE LATCH

ITEM	PART NUMBER	QTY	DESCRIPTION	REV
	1001254425	Ref	PLATFORM INSTALLATION	B
1	0641616	2	Bolt 3/8 x 2	
2	0741614	4	Screw 3/8 x 1-3/4	
4	3311605	6	Nut 3/8	
5	4711600	8	Washer 3/8	
7	1001254426	1	Platform Assembly (See Separate Breakdown in this Section)	

SECTION 4 - PLATFORM

FIGURE 4-2. PLATFORM ASSEMBLY - WITHOUT GATE LATCH



ART_1001254426

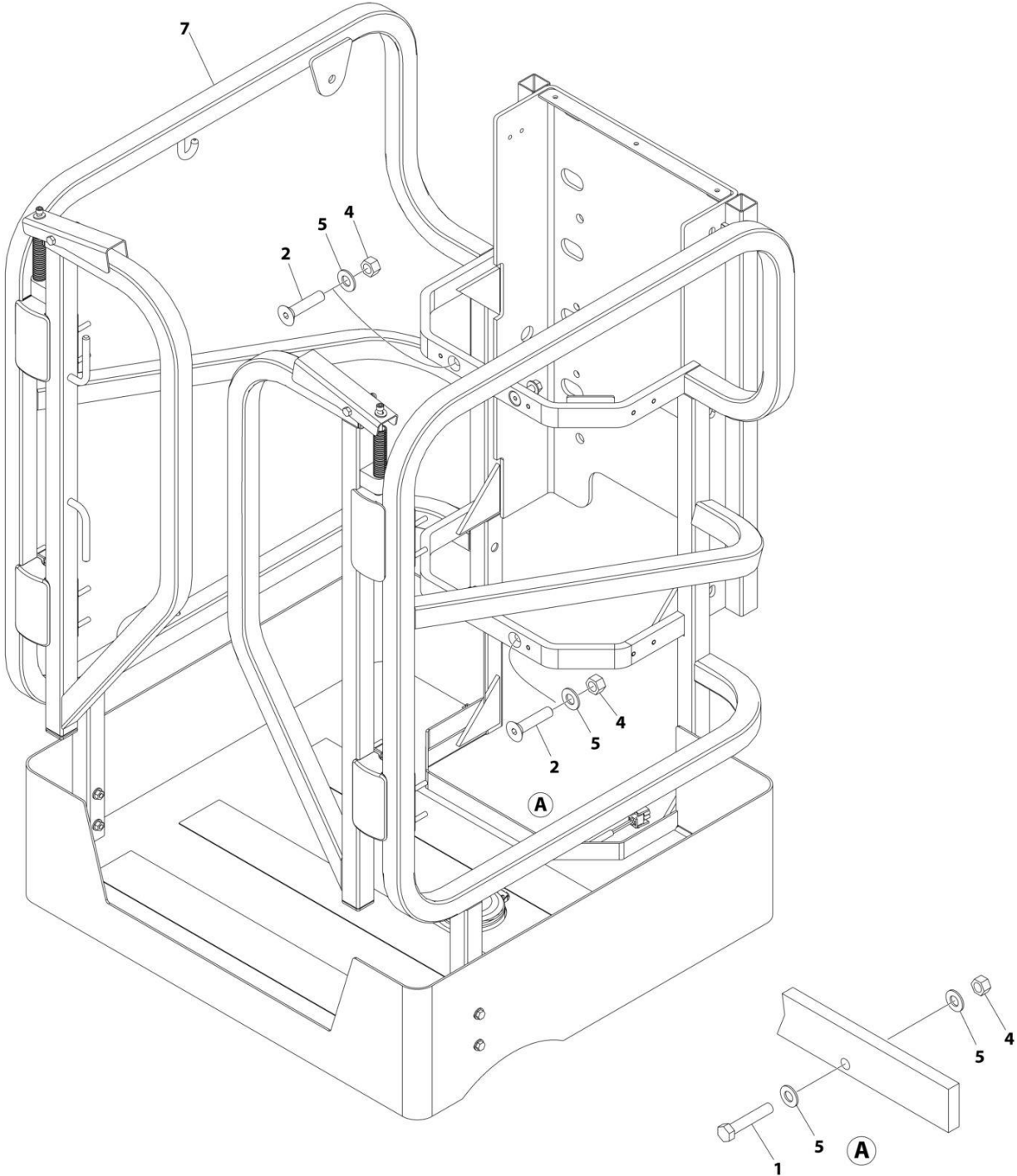
SECTION 4 - PLATFORM

FIGURE 4-2. PLATFORM ASSEMBLY - WITHOUT GATE LATCH

ITEM	PART NUMBER	QTY	DESCRIPTION	REV
	1001254426	Ref	PLATFORM ASSEMBLY	C
1	0100011	AR	Compound, Locking	
2	0641416	8	Bolt 1/4 x 2	
3	0681414	4	Bolt 1/4 x 1-3/4	
4	0751003	4	Screw	
5	2080040	16	Fastener	
6	2080043	8	Rivnut 1/4	
7	2600294	4	Hinge	
8	3311405	4	Nut 1/4	
9	3340962	2	Pad	
10	3520072	6	Plug	
11	4071095	AR	Shim 20Ga	
12	4220309	4	Stop, Gate	
13	4460035	1	Terminal	
14	4460320	1	Plug, Male - 2 Position	
15	4711400	8	Washer 1/4	
16	1001099638	3	Tape, Safety	
17	1001255194	1	Base	
18	1001228875	1	Gate (RH)	
19	1001228876	1	Gate (LH)	
20	1001229726	1	Footswitch	
21	1001230161	2	Switch, Proximity	
22	1001272917	1	Rail	
23	0751003	2	Screw #10 x 3/8	
23	3900205	2	Screw #10 x 5/8	

SECTION 4 - PLATFORM

FIGURE 4-3. PLATFORM INSTALLATION - WITH GATE LATCH



ART_1001254427

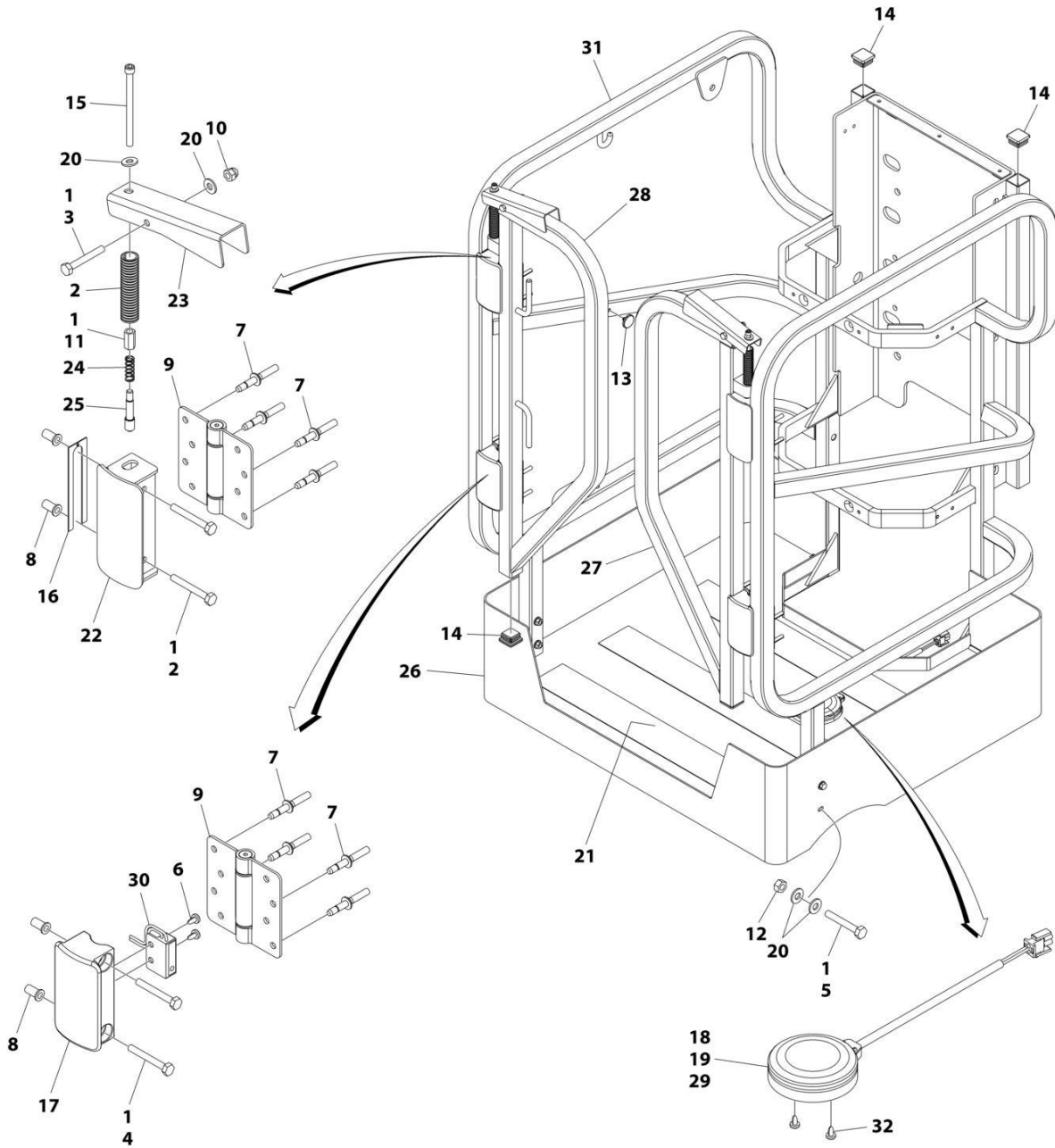
SECTION 4 - PLATFORM

FIGURE 4-3. PLATFORM INSTALLATION - WITH GATE LATCH

ITEM	PART NUMBER	QTY	DESCRIPTION	REV
	1001254427	Ref	PLATFORM INSTALLATION	B
1	0641616	2	Bolt 3/8 x 2	
2	0741614	4	Screw 3/8 x 1-3/4	
4	3311605	6	Nut 3/8	
5	4711600	8	Washer 3/8	
7	1001254428	1	Platform Assembly (See Separate Breakdown in this Section)	

SECTION 4 - PLATFORM

FIGURE 4-4. PLATFORM ASSEMBLY - WITH GATE LATCH



ART_1001254428

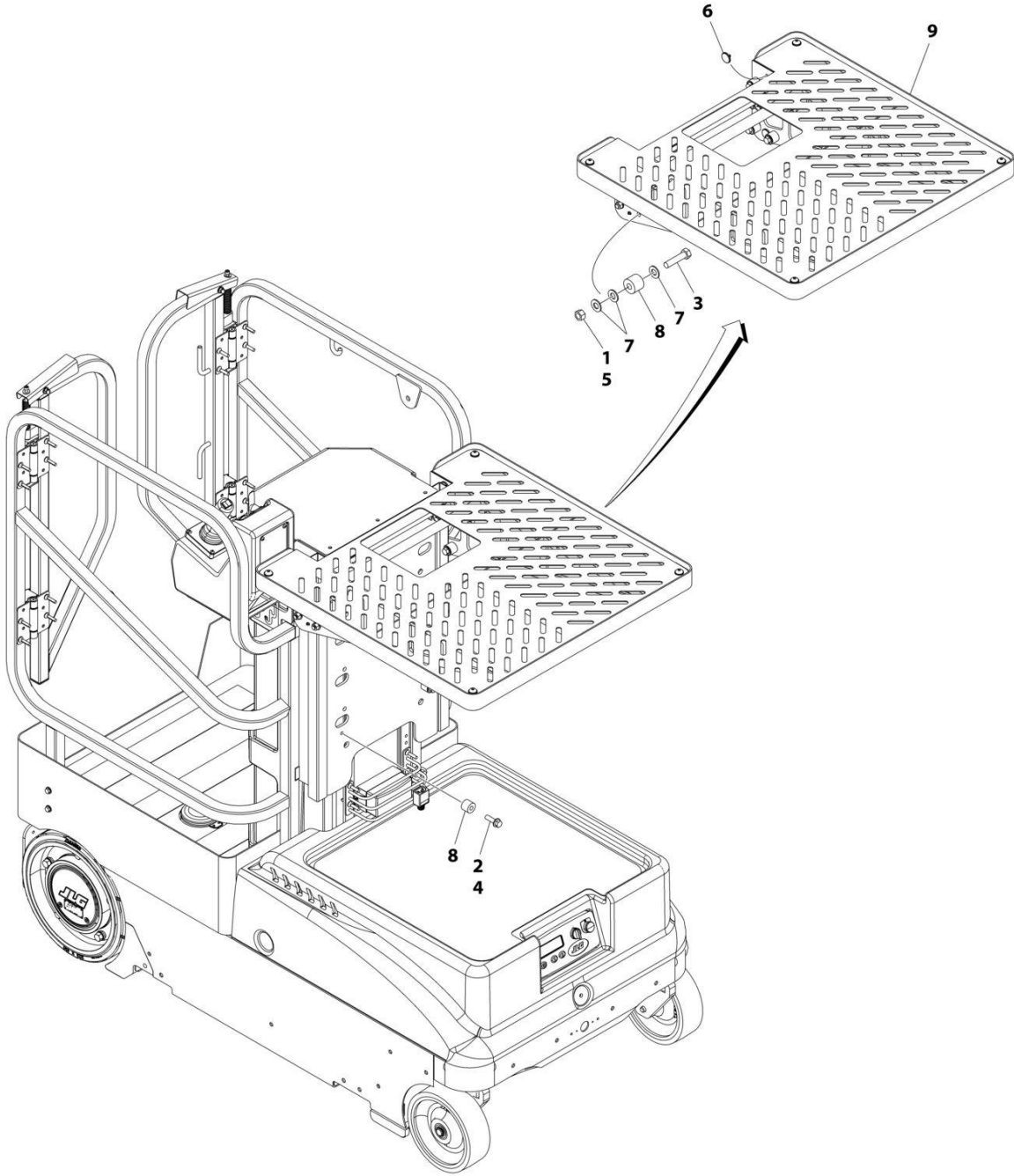
SECTION 4 - PLATFORM

FIGURE 4-4. PLATFORM ASSEMBLY - WITH GATE LATCH

ITEM	PART NUMBER	QTY	DESCRIPTION	REV
	1001254428	Ref	PLATFORM ASSEMBLY	C
1	0100011	AR	Compound, Locking	
2	280013	6 in/16cm	Conduit	
3	0641415	2	Bolt 1/4 x 1-7/8	
4	0641416	8	Bolt 1/4 x 2	
5	0681414	4	Bolt 1/4 x 1-3/4	
6	0751003	4	Screw	
7	2080040	16	Fastener	
8	2080043	8	Rivnut 1/4	
9	2600294	4	Hinge	
10	3300151	2	Nut 1/4	
11	3300381	2	Nut	
12	3311405	4	Nut 1/4	
13	3340962	2	Pad	
14	3520072	6	Plug	
15	3931456	2	Capscrew 1/4 x 3-1/2	
16	4071095	AR	Shim 20Ga	
17	4220309	2	Stop, Gate	
18	4460035	1	Terminal	
19	4460320	1	Plug, Male - 2 Position	
20	4711400	12	Washer 1/4	
21	1001099638	3	Tape, Safety	
22	1001100141	2	Stop, Gate	
23	1001100142	2	Handle	
24	1001100634	2	Spring	
25	1001101529	2	Pin, Plunger	
26	1001255194	1	Base	
27	1001228873	1	Gate (RH)	
28	1001228874	1	Gate (LH)	
29	1001229726	1	Footswitch	
30	1001230161	2	Switch, Proximity	
31	1001272917	1	Rail	
32	0751003	2	Screw #10 x 3/8	
32	3900205	2	Screw #10 x 3/8	

SECTION 4 - PLATFORM

FIGURE 4-5. TRAY INSTALLATION - MANUAL



ART_1001228847

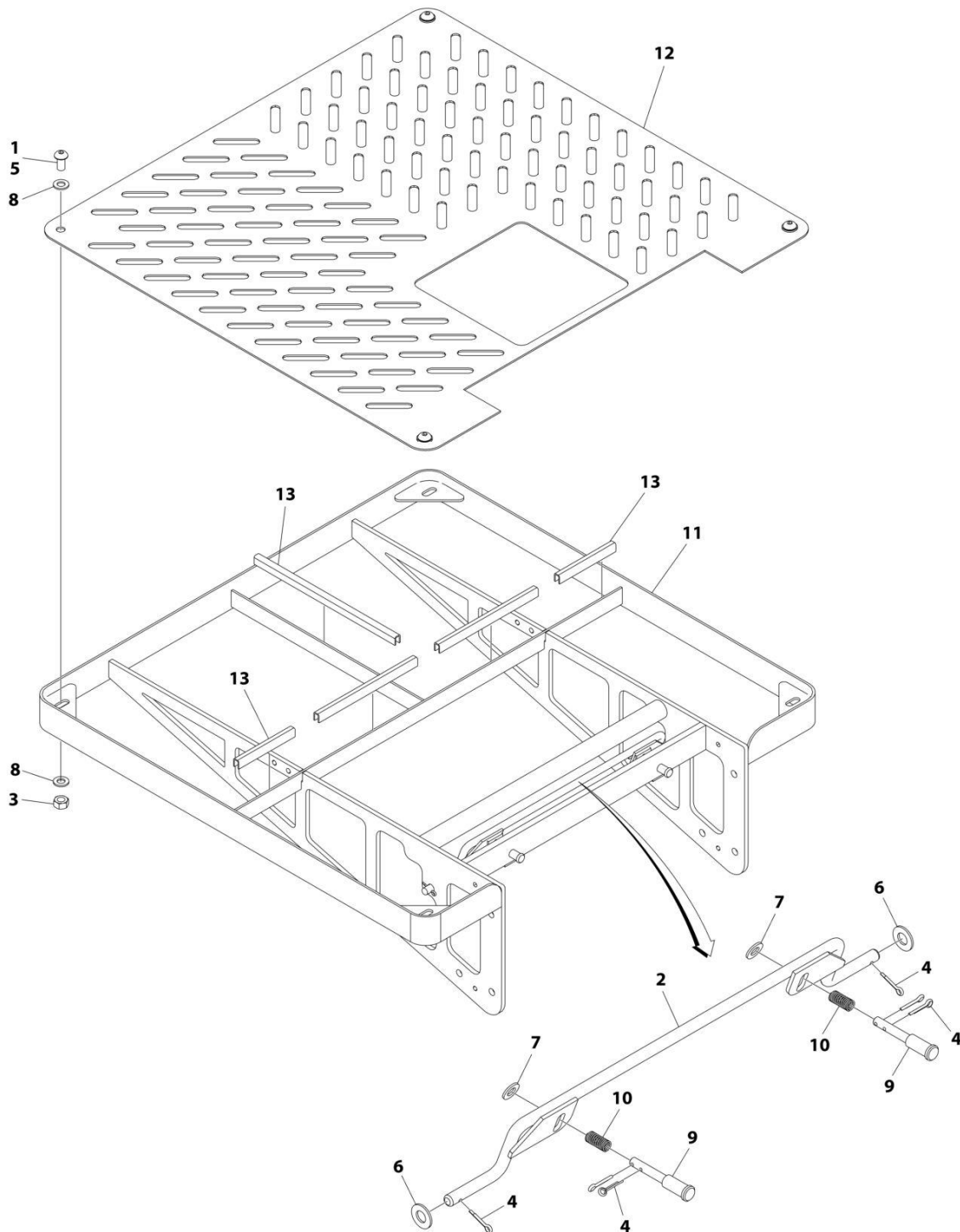
SECTION 4 - PLATFORM

FIGURE 4-5. TRAY INSTALLATION - MANUAL

ITEM	PART NUMBER	QTY	DESCRIPTION	REV
	1001228847	Ref	TRAY INSTALLATION	A
1	0100011	AR	Compound, Locking	
2	0100019	AR	Compound, Locking	
3	0641613	6	Bolt 3/8 x 1-5/8	
4	0811610	2	Screw 3/8 x 1-1/4	
5	3271601	6	Nut 3/8	
6	3340962	4	Pad	
7	4711600	18	Washer 3/8	
8	1001181407	8	Bar, Spacer	
9	1001228854	1	Tray Assembly (See Separate Breakdown in this Section)	

SECTION 4 - PLATFORM

FIGURE 4-6. TRAY ASSEMBLY - MANUAL



ART_1001228854

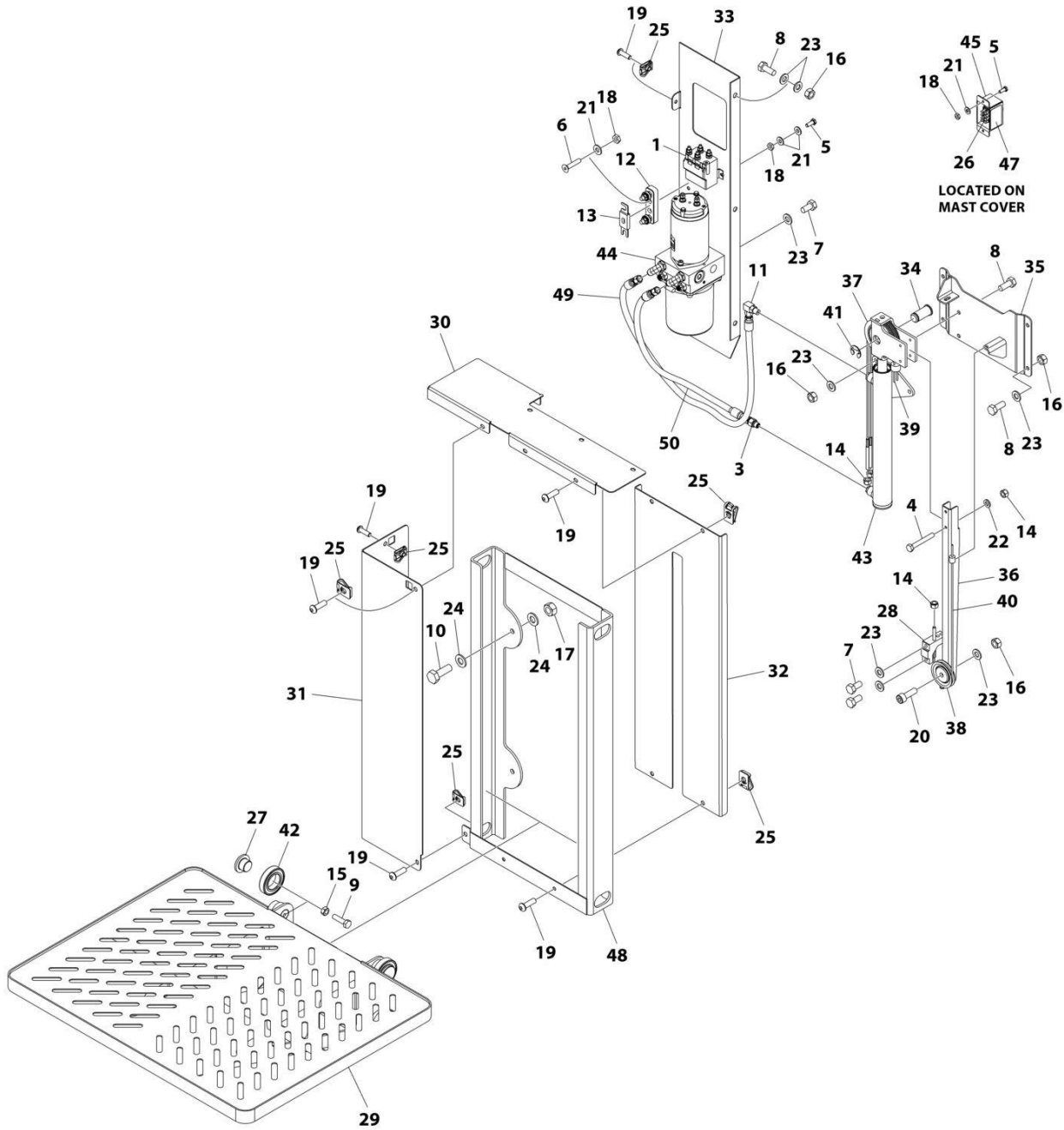
SECTION 4 - PLATFORM

FIGURE 4-6. TRAY ASSEMBLY - MANUAL

ITEM	PART NUMBER	QTY	DESCRIPTION	REV
	1001228854	Ref	TRAY ASSEMBLY	B
1	0100011	AR	Compound, Locking	
2	2940165	1	Latch	
3	3291007	4	Nut M10	
4	3450302	6	Pin .09 x 1/2	
5	3900393	4	Screw M10 x 20	
6	4711600	2	Washer 3/8	
7	4811900	2	Washer M8	
8	4812000	8	Washer M10	
9	1001171856	2	Pin, Plunger	
10	1001171869	2	Spring	
11	1001228848	1	Shelf	
12	1001228853	1	Plate	
13	4060805	2.6 in/0.8m	Trim	

SECTION 4 - PLATFORM

FIGURE 4-7. TRAY INSTALLATION - POWER



ART_1001228398_E

SECTION 4 - PLATFORM

FIGURE 4-7. TRAY INSTALLATION - POWER

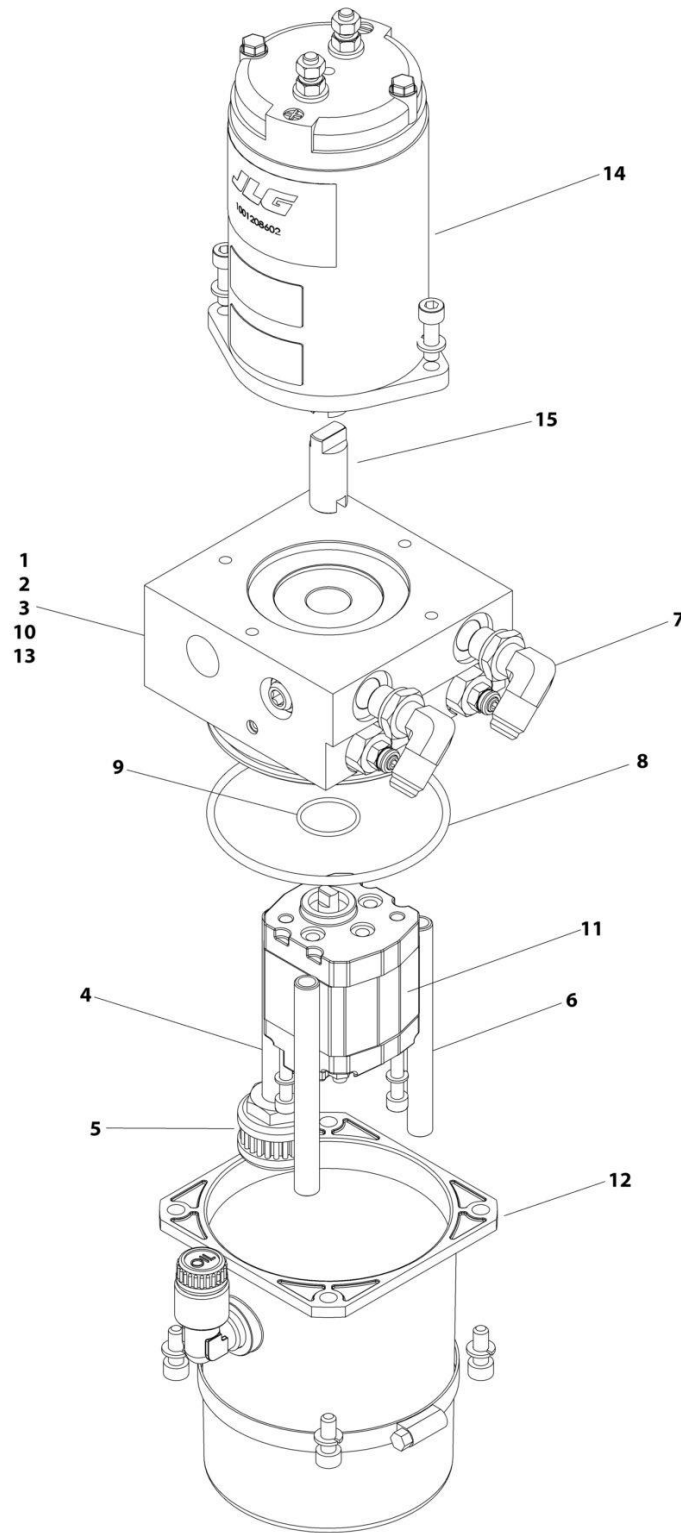
ITEM	PART NUMBER	QTY	DESCRIPTION	REV
	1001228398	Ref	TRAY INSTALLATION	E
1	260269	1	Inverter/Relay	
3	1001231257	1	Fitting, Flow Control	
4	0700617	2	Bolt M6 x 45	
5	0721004	4	Screw #10 x 1/2	
6	0741006	2	Screw #10 x 3/4	
7	0760807	4	Bolt M8 x 14	
8	0760810	10	Bolt M8 x 20	
9	0760814	4	Bolt M8 x 30	
10	0761014	4	Bolt M10 x 30	
11	2220466	1	Fitting, 90 JIC/ORB	
12	2400044	1	Fuse, Mounting Block	
13	2400054	1	Fuse 35Amp	
14	3290605	5	Nut M6	
15	3290801	4	Nut M8	
16	3290807	11	Nut M8	
17	3291007	4	Nut M10	
18	3311005	6	Nut #10	
19	3900364	9	Screw M6 x 20	
20	4031910	1	Capscrew M8 x 30	
21	4711000	8	Washer #10	
22	4811700	2	Washer M6	
23	4811900	18	Washer M8	
24	4812000	8	Washer M10	
25	8305919	9	Nut, Retainer M6	
26	1001164530	1	Switch	
27	1001204754	4	Pad	
28	1001204755	1	Bracket	
29	1001204756	1	Tray	
30	1001204770	1	Cover	
31	1001204771	1	Cover	
32	1001204772	1	Cover	
33	1001204779	1	Plate	
34	1001204783	1	Pin	
35	1001204787	1	Mount, Cylinder	
36	1001204791	1	Link	
37	1001205547	1	Pulley (Double)	
38	1001205548	1	Pulley (Single)	
39	1001205549	1	Cable (Double)	
40	1001205550	1	Cable (Single)	
41	1001205701	1	Circlip	
42	1001205719	4	Bearing	
43	1001205838	1	Power Tray Cylinder Assembly (See Separate Breakdown in CYLINDER SECTION)	
44	1001208602	1	Pump Assembly (See Separate Breakdown in this Section)	
45	1001210379	1	Cover	
46	1001210491	1	Tray Harness (Not Shown - See Separate Breakdown in ELECTRICAL SECTION)	
47	1001210530	1	Decal - Power Tray Up/Down	
48	1001228236	1	Channel	

SECTION 4 - PLATFORM

ITEM	PART NUMBER	QTY	DESCRIPTION	REV
49	1001229115	1	Hose	
50	1001229116	1	Hose	

SECTION 4 - PLATFORM

FIGURE 4-8. PUMP ASSEMBLY - POWER TRAY



ART_1001208602

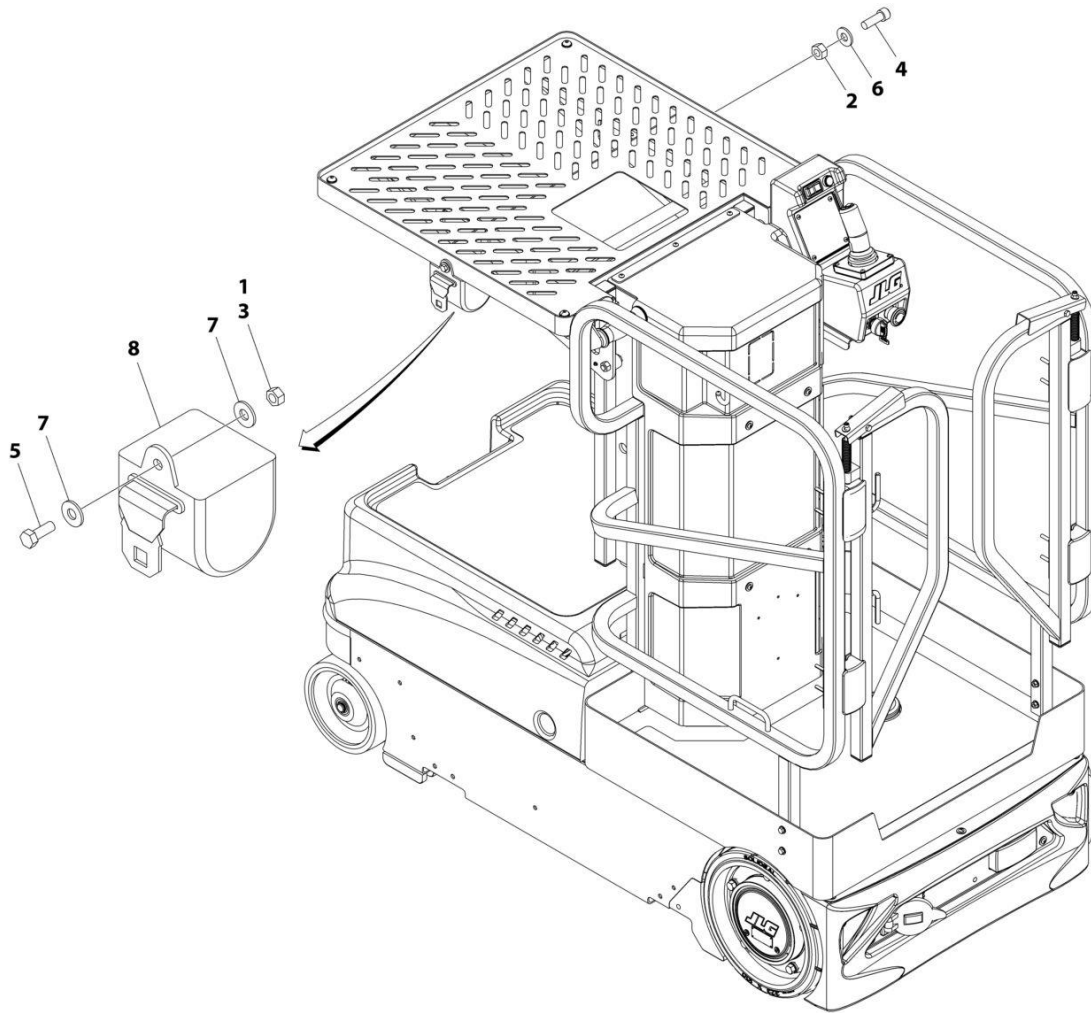
SECTION 4 - PLATFORM

FIGURE 4-8. PUMP ASSEMBLY - POWER TRAY

ITEM	PART NUMBER	QTY	DESCRIPTION	REV
	1001208602	Ref	PUMP ASSEMBLY	A
1	70007292	2	Spring, Check Valve	
2	70007293	1	Valve, Piloted Check	
3	70007294	1	Plug	
4	70007295	1	Pipe, Suction	
5	70007296	1	Filter	
6	70007297	2	Pipe, Drain	
7	70007298	2	Fitting 90	
8	70007299	1	O-Ring	
9	70007300	1	O-Ring	
10	70007301	2	Cartridge	
11	70007302	1	Kit, Gear Pump (Includes Screws)	
12	70007303	1	Kit, Tank (Includes Seal, Plugs, Tank, Screws, Washers and Clamp)	
13	70007304	1	Kit, Spool (Includes Spool, Spring and Seals)	
14	70007305	1	Kit, Motor (Includes Motor, Screws and Washers)	
15	70007306	1	Coupling	

SECTION 4 - PLATFORM

FIGURE 4-9. CARGO BELT INSTALLATION (OPTIONAL)



ART_1001091680

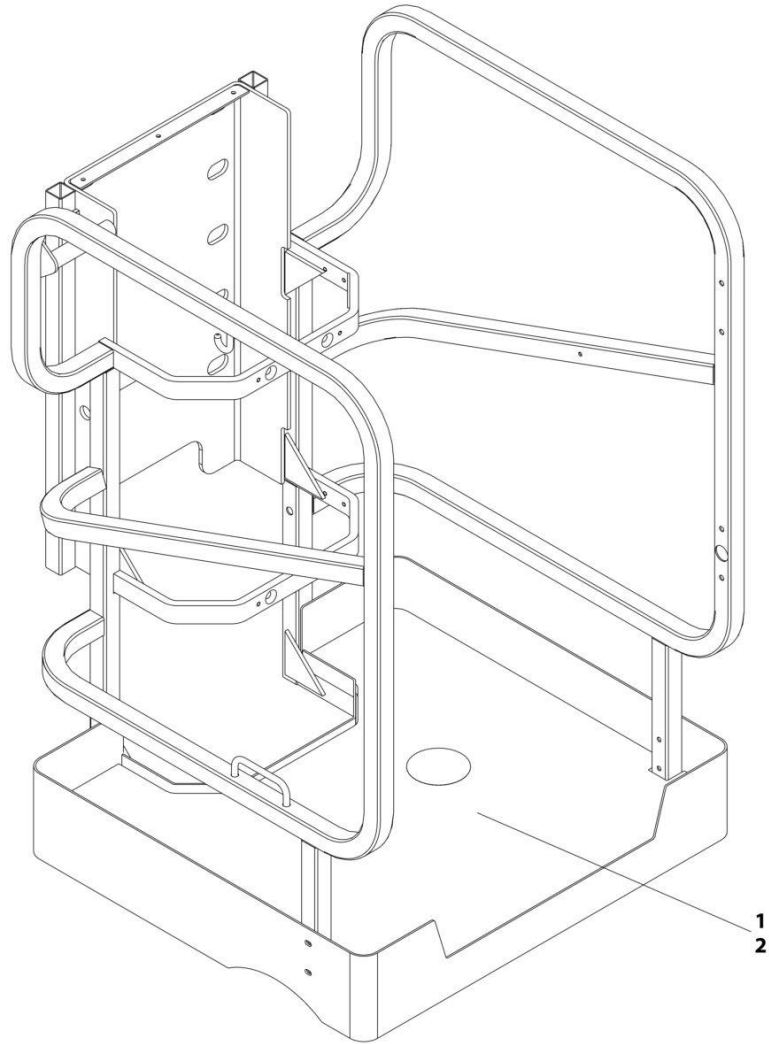
SECTION 4 - PLATFORM

FIGURE 4-9. CARGO BELT INSTALLATION (OPTIONAL)

ITEM	PART NUMBER	QTY	DESCRIPTION	REV
	1001091680	Ref	CARGO BELT INSTALLATION	B
1	0100011	AR	Compound, Locking	
2	3311405	1	Nut 1/4	
3	3311501	1	Nut 5/16	
4	3931412	1	Capscrew 1/4 x 3/4	
5	0641507	1	Bolt 5/16 x 7/8	
6	4711400	1	Washer 1/4	
7	4751500	2	Washer 5/16	
8	1001091679	1	Belt, Cargo	

SECTION 4 - PLATFORM

FIGURE 4-10. FLOORMAT INSTALLATION (OPTIONAL)



ART_1001222318

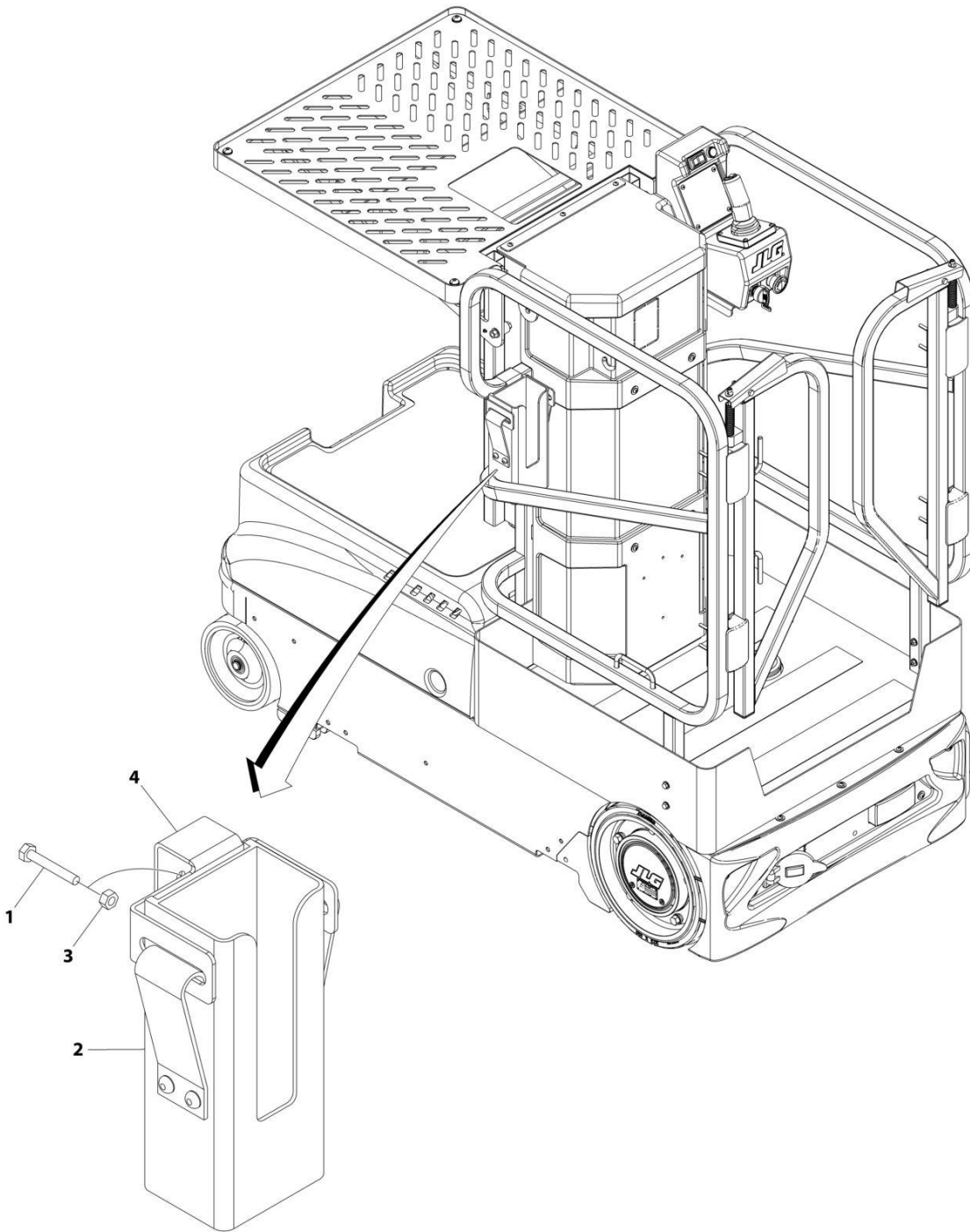
SECTION 4 - PLATFORM

FIGURE 4-10. FLOORMAT INSTALLATION (OPTIONAL)

ITEM	PART NUMBER	QTY	DESCRIPTION	REV
1	1001222318	Ref	FLOORMAT INSTALLATION	A
1	8882320	AR	Sealer, Seam	
2	1001206615	1	Floor Mat	

SECTION 4 - PLATFORM

FIGURE 4-11. SCANNER POCKET INSTALLATION (OPTIONAL)



ART_0240112

SECTION 4 - PLATFORM

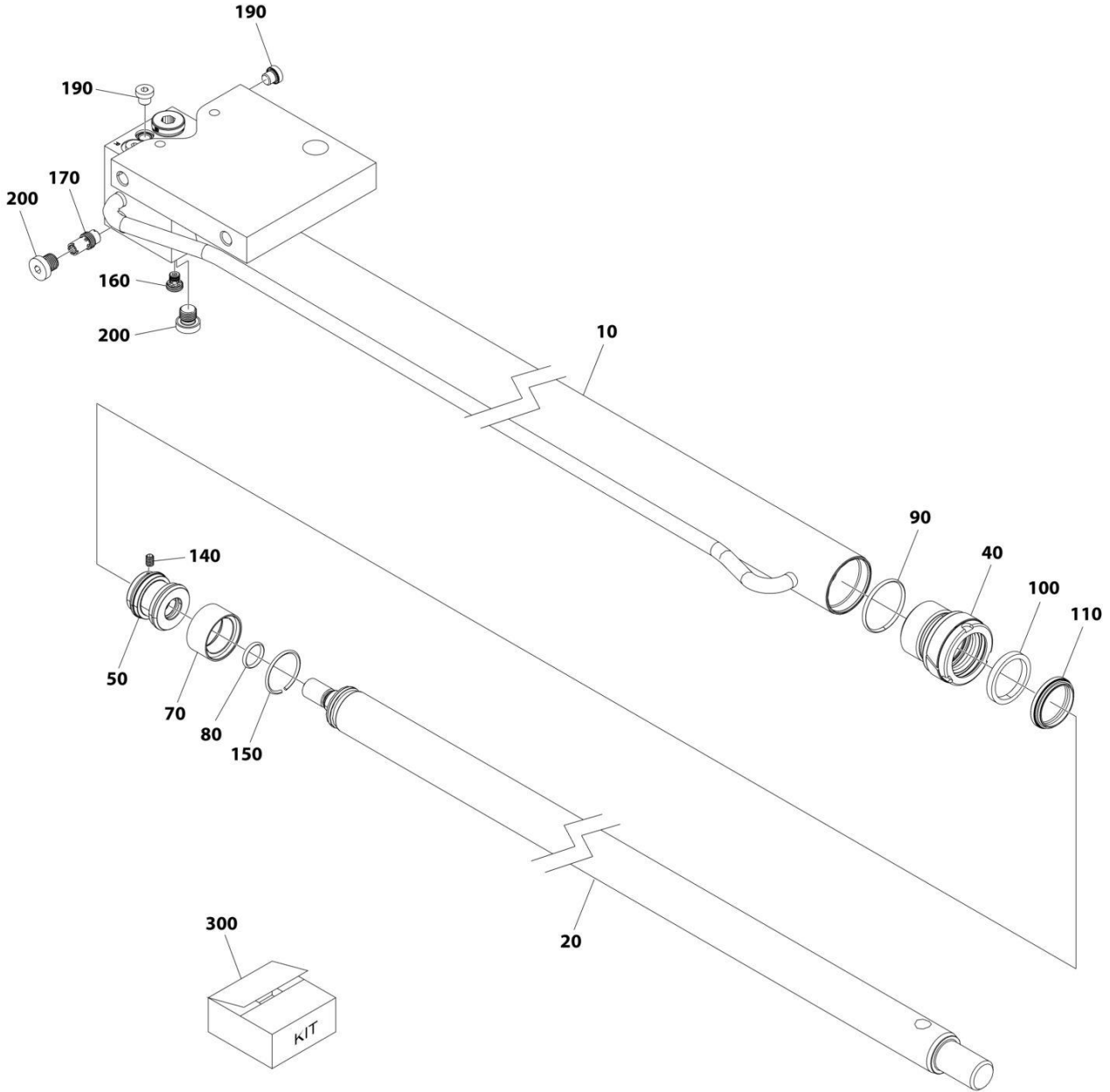
FIGURE 4-11. SCANNER POCKET INSTALLATION (OPTIONAL)

ITEM	PART NUMBER	QTY	DESCRIPTION	REV
	0240112	Ref	SCANNER POCKET INSTALLATION	B
1	0641414	1	Bolt 1/4 x 1-3/4	
2	1580031	1	Pocket, Scanner	
3	3311405	1	Nut 1/4	
4	4341005	1	Mount	

SECTION 5 - CYLINDER

SECTION 5 - CYLINDER

FIGURE 5-1. LIFT CYLINDER ASSEMBLY



ART_1001287011

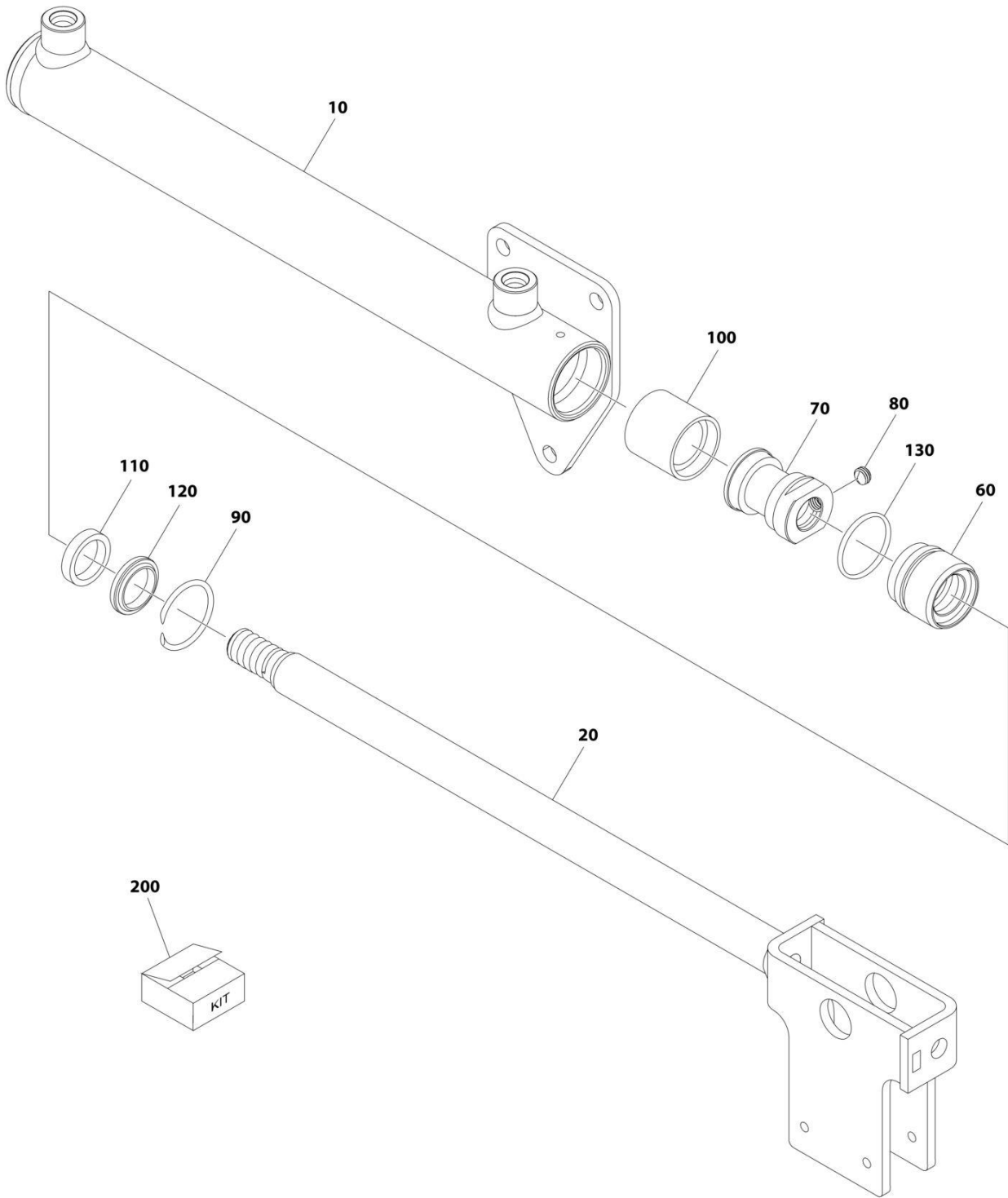
SECTION 5 - CYLINDER

FIGURE 5-1. LIFT CYLINDER ASSEMBLY

ITEM	PART NUMBER	QTY	DESCRIPTION	REV
	1001287011	Ref	LIFT CYLINDER ASSEMBLY	A
		Ref	Note: Original Cylinder May Have Been Replaced with Service Replacement. Identify PN Stamped on Cylinder Before Ordering Parts.	
10	See Note	NSS	Tube Weld Assembly Barrel (Note: Use PN 1001287011)	
20	See Note	NSS	Rod (Note: Use PN 1001287011)	
40	70007951	1	Head	
50	70007952	1	Piston	
70	See Note	NSS	Seal, Piston (Note: Use item 300)	
80	See Note	NSS	O-Ring (Note: Use item 300)	
90	See Note	NSS	O-Ring (Note: Use item 300)	
100	See Note	NSS	Seal, Head (Note: Use item 300)	
110	See Note	NSS	Wiper (Note: Use item 300)	
140	70007953	1	Capscrew M6 x 10	
150	70007954	1	Ring wire	
160	70007955	1	Cartridge, Check Valve	
170	70007956	1	Cartridge, Flow Control Valve	
190	70025961	2	Plug 1/8	
200	70024262	2	Screw 1/4	
300	70007957	1	Seal Kit (Includes Items 70, 80, 90, 100 & 110)	

SECTION 5 - CYLINDER

FIGURE 5-2. POWER TRAY CYLINDER ASSEMBLY



ART_1001205838

SECTION 5 - CYLINDER

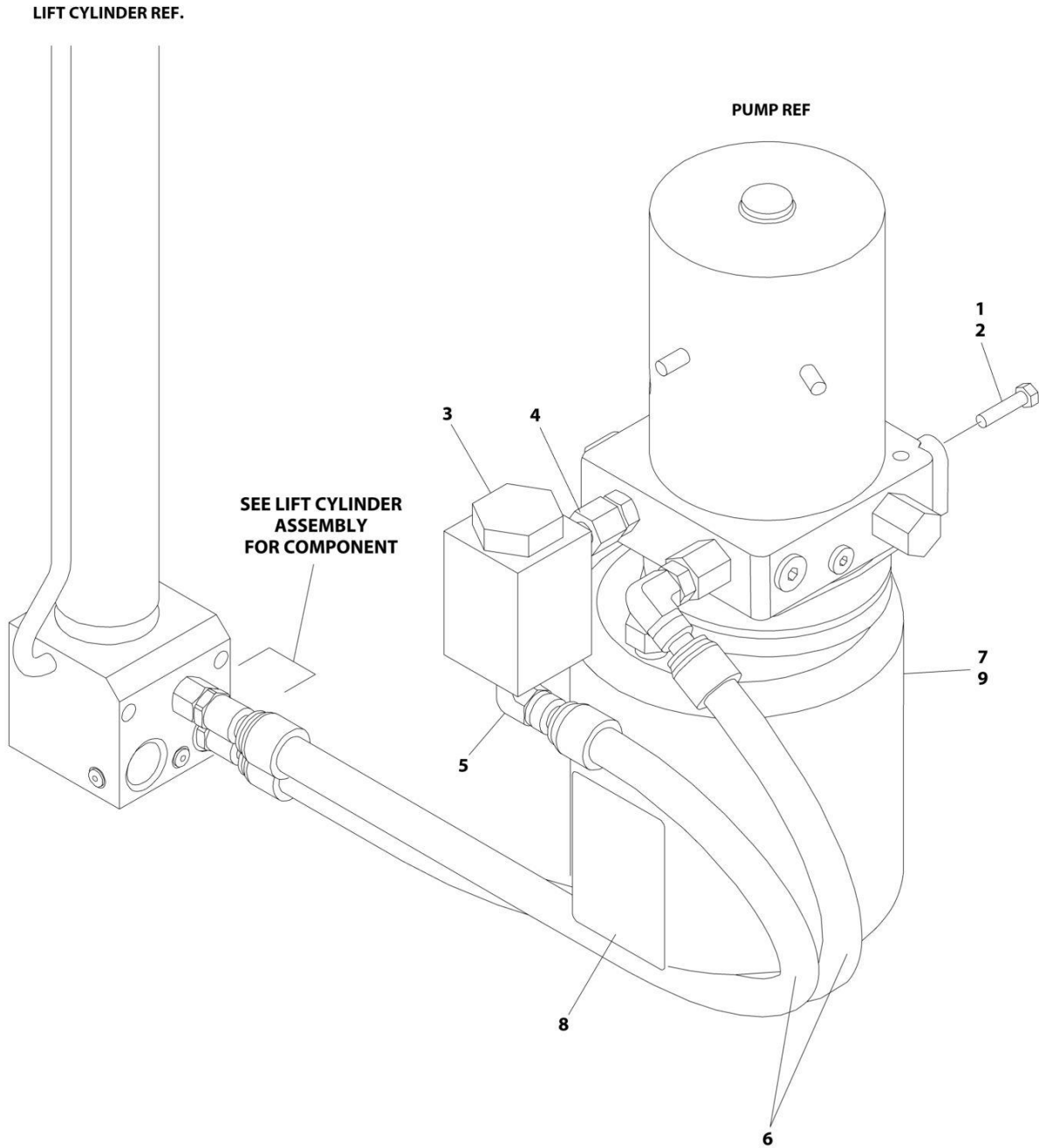
FIGURE 5-2. POWER TRAY CYLINDER ASSEMBLY

ITEM	PART NUMBER	QTY	DESCRIPTION	REV
	1001205838	Ref	POWER TRAY CYLINDER ASSEMBLY	A
		Ref	Note: Original Cylinder May Have Been Replaced with Service Replacement. Identify PN Stamped on Cylinder Before Ordering Parts.	
10	See Note	NSS	Barrel (Note: Purchase Complete Cylinder)	
20	70006456	1	Rod	
60	70022704	1	Head	
70	70022703	1	Piston	
80	70006457	1	Setscrew	
90	70022700	1	Ring, Wire	
100	See Note	NSS	Seal, Piston (Note: Use Item 200)	
110	See Note	NSS	Seal, Rod (Note: Use Item 200)	
120	See Note	NSS	Wiper (Note: Use Item 200)	
130	See Note	NSS	O-RingWiper (Note: Use Item 200)	
200	70022705	1	Seal Kit (Includes Items 100-130)	

SECTION 6 - HYDRAULIC

SECTION 6 - HYDRAULIC

FIGURE 6-1. HYDRAULIC SYSTEM INSTALLATION - STANDARD



ART_0273546

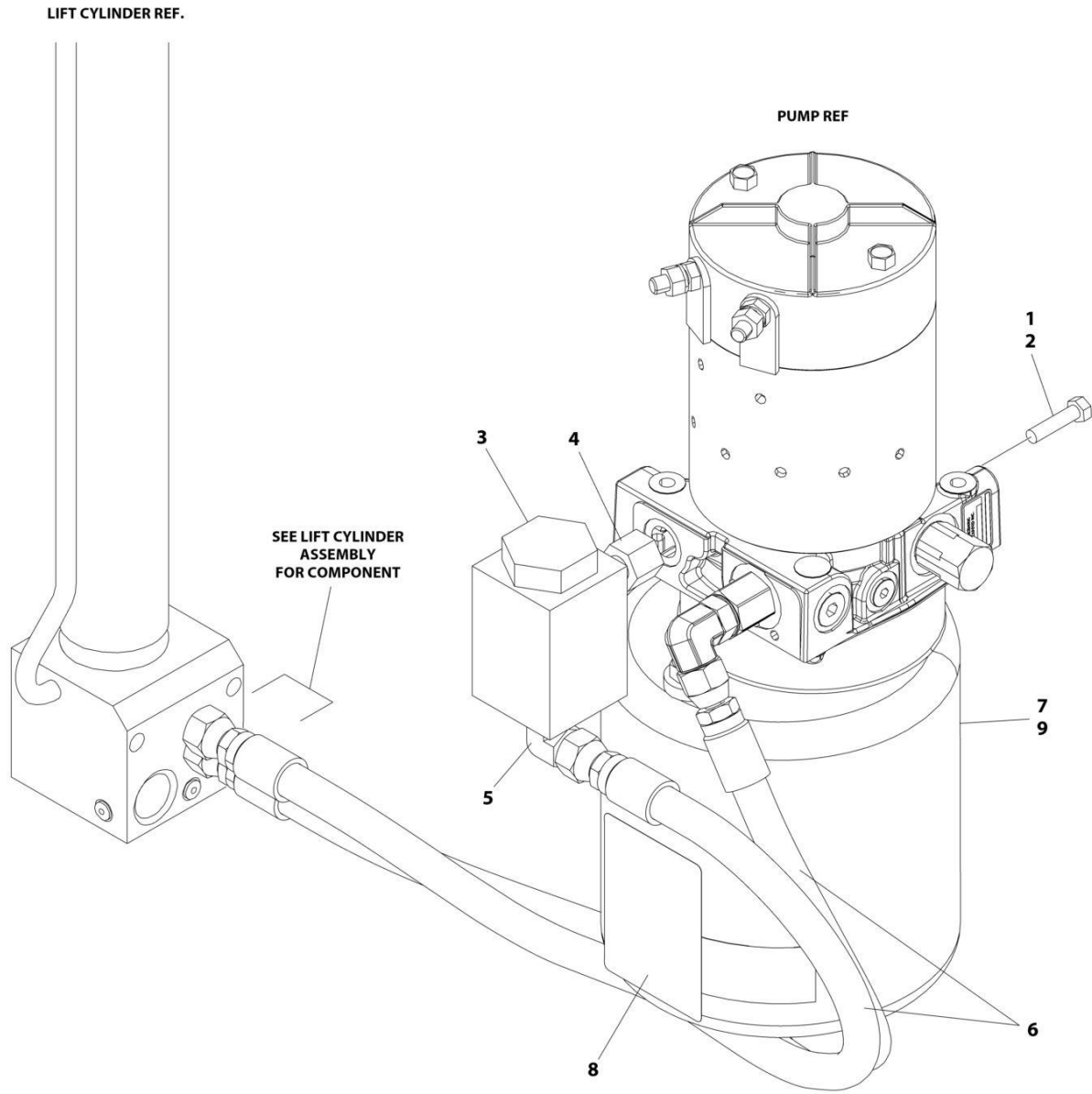
SECTION 6 - HYDRAULIC

FIGURE 6-1. HYDRAULIC SYSTEM INSTALLATION - STANDARD

ITEM	PART NUMBER	QTY	DESCRIPTION	REV
	0273546	Ref	HYDRAULIC SYSTEM INSTALLATION	E
1	0100011	AR	Compound, Locking	
2	0641606	2	Bolt 3/8 x 3/4	
3	2120183	1	Filter, In-Line Pressure	
4	2221123	1	Fitting, Straight ORFS/ORB	
5	2221185	1	Fitting, 90 ORB/Push Hose	
6	2754025	2	Hose	
7	3600392	1	Pump and Motor Assembly (See Separate Breakdown in CONTROLS SECTION)	
8	1704412	1	Decal - Hydraulic oil	
9	2300014	AR	Fluid, Hydraulic	

SECTION 6 - HYDRAULIC

FIGURE 6-2. HYDRAULIC SYSTEM INSTALLATION - STANDARD (SN M130013853 to Present, Except SN M130014084 through M130014086)



ART_0273546_F

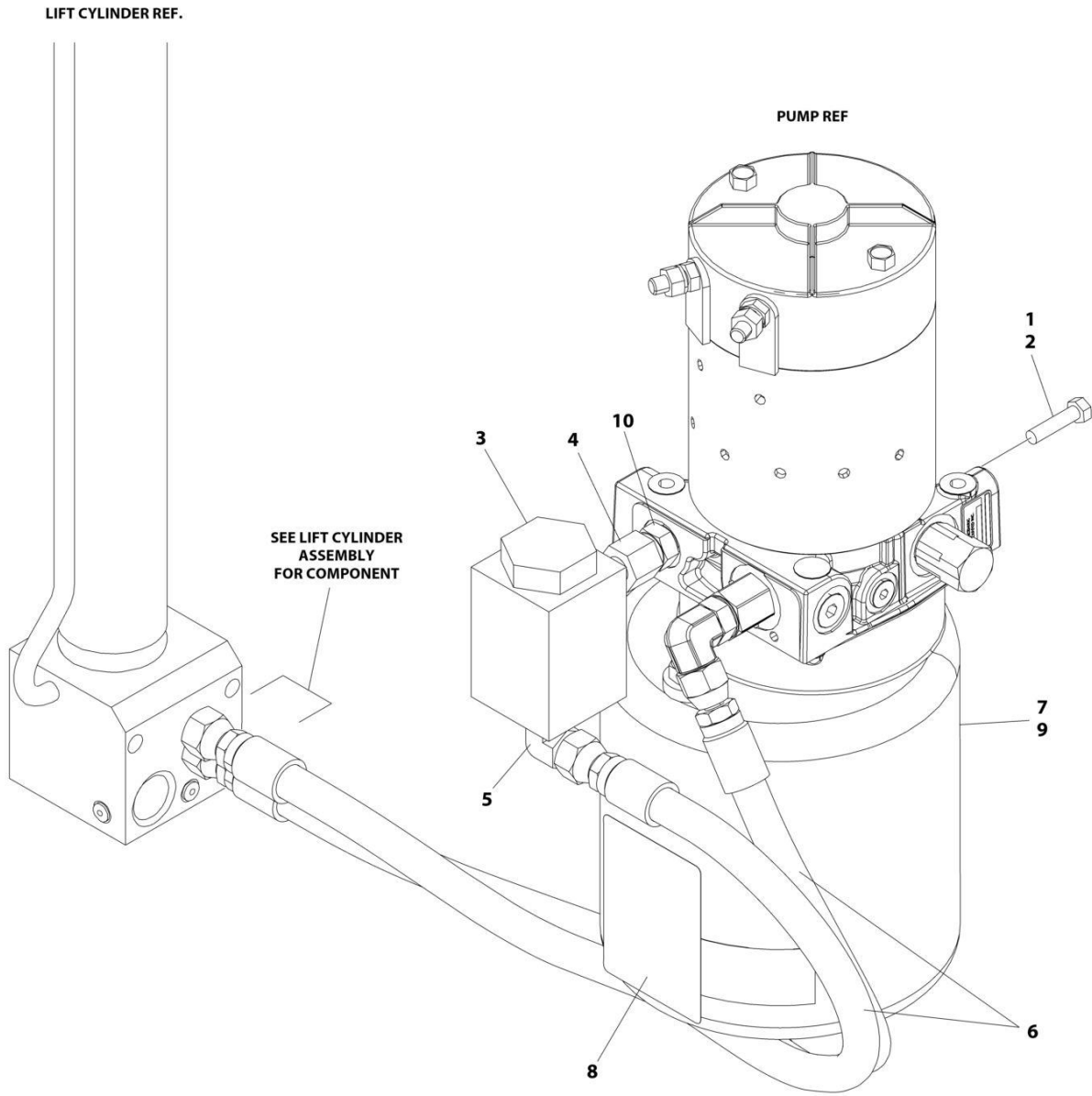
SECTION 6 - HYDRAULIC

FIGURE 6-2. HYDRAULIC SYSTEM INSTALLATION - STANDARD (SN M130013853 to Present, Except SN M130014084 through M130014086)

ITEM	PART NUMBER	QTY	DESCRIPTION	REV
	0273546	Ref	HYDRAULIC SYSTEM INSTALLATION	F
1	0100011	AR	Compound, Locking	
2	0641606	2	Bolt 3/8 x 3/4	
3	2120183	1	Filter, In-Line Pressure	
4	2221123	1	Fitting, Straight ORFS/ORB	
5	2130606	1	Fitting, 90 ORB/Push Hose	
6	1001304148	2	Hose	
7	1001303831	1	Pump and Motor Assembly (See Separate Breakdown in CONTROLS Section)	
8	1704412	1	Decal - Hydraulic oil	
9	2300014	AR	Fluid, Hydraulic	

SECTION 6 - HYDRAULIC

FIGURE 6-3. HYDRAULIC SYSTEM INSTALLATION - STANDARD (SN M13001555 to Present, SN M130014959 through M130014971, Including M130015305)



ART_0273546_G

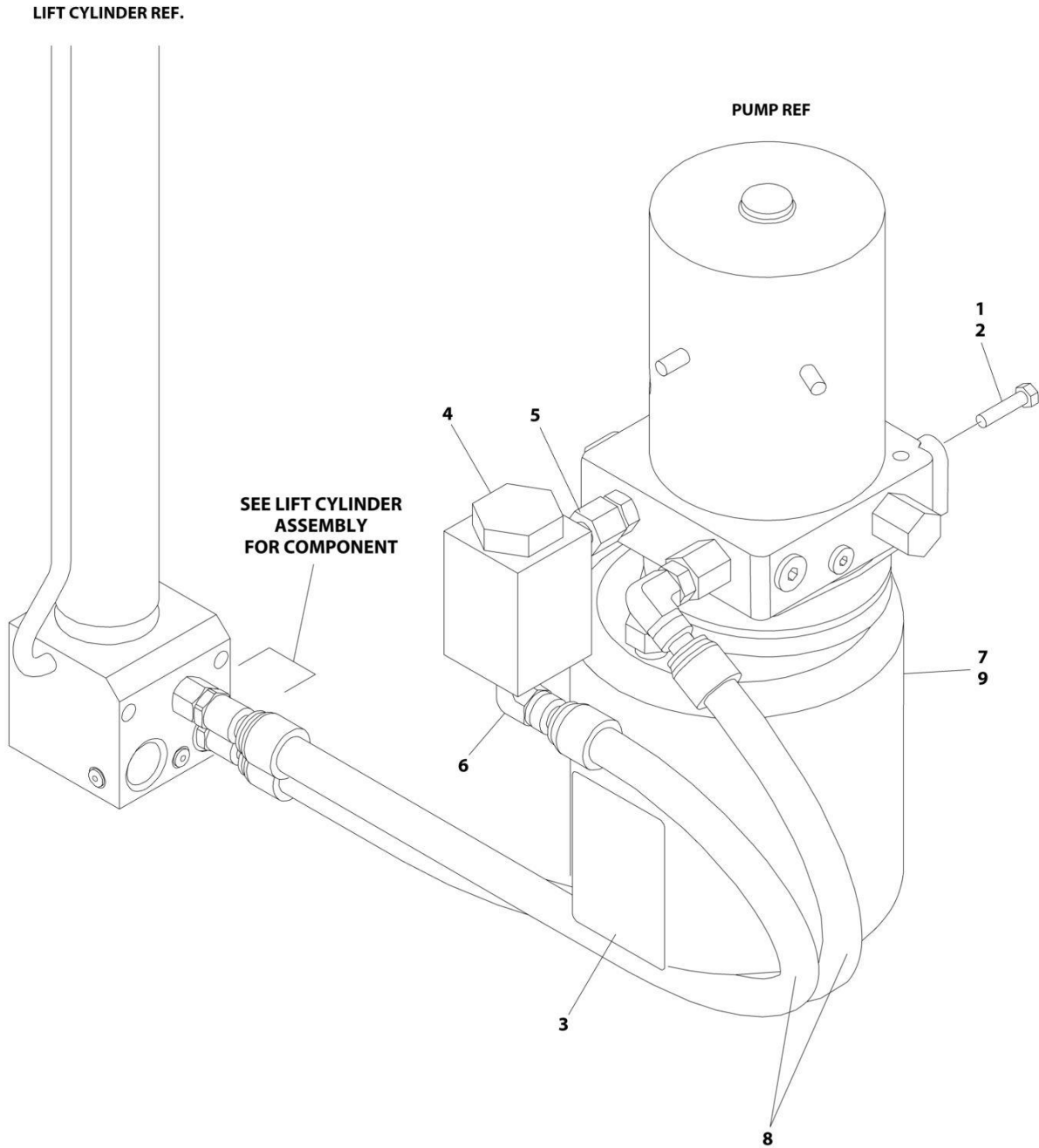
SECTION 6 - HYDRAULIC

FIGURE 6-3. HYDRAULIC SYSTEM INSTALLATION - STANDARD (SN M130015555 to Present, SN M130014959 through M130014971, Including M130015305)

ITEM	PART NUMBER	QTY	DESCRIPTION	REV
	0273546	Ref	HYDRAULIC SYSTEM INSTALLATION	G
1	0100011	AR	Compound, Locking	
2	0641606	2	Bolt 3/8 x 3/4	
3	2120183	1	Filter, In-Line Pressure	
4	2221123	1	Fitting, Straight ORFS/ORB	
5	2130606	1	Fitting, 90 ORB/Push Hose	
6	1001304148	2	Hose	
7	1001303831	1	Pump and Motor Assembly (See Separate Breakdown in CONTROLS Section)	
8	1704412	1	Decal - Hydraulic oil	
9	2300014	AR	Fluid, Hydraulic	
10	2110606	1	Fitting, Straight ORFS/ORB	

SECTION 6 - HYDRAULIC

FIGURE 6-4. HYDRAULIC SYSTEM INSTALLATION - FIRE RESISTANT



ART_0274181

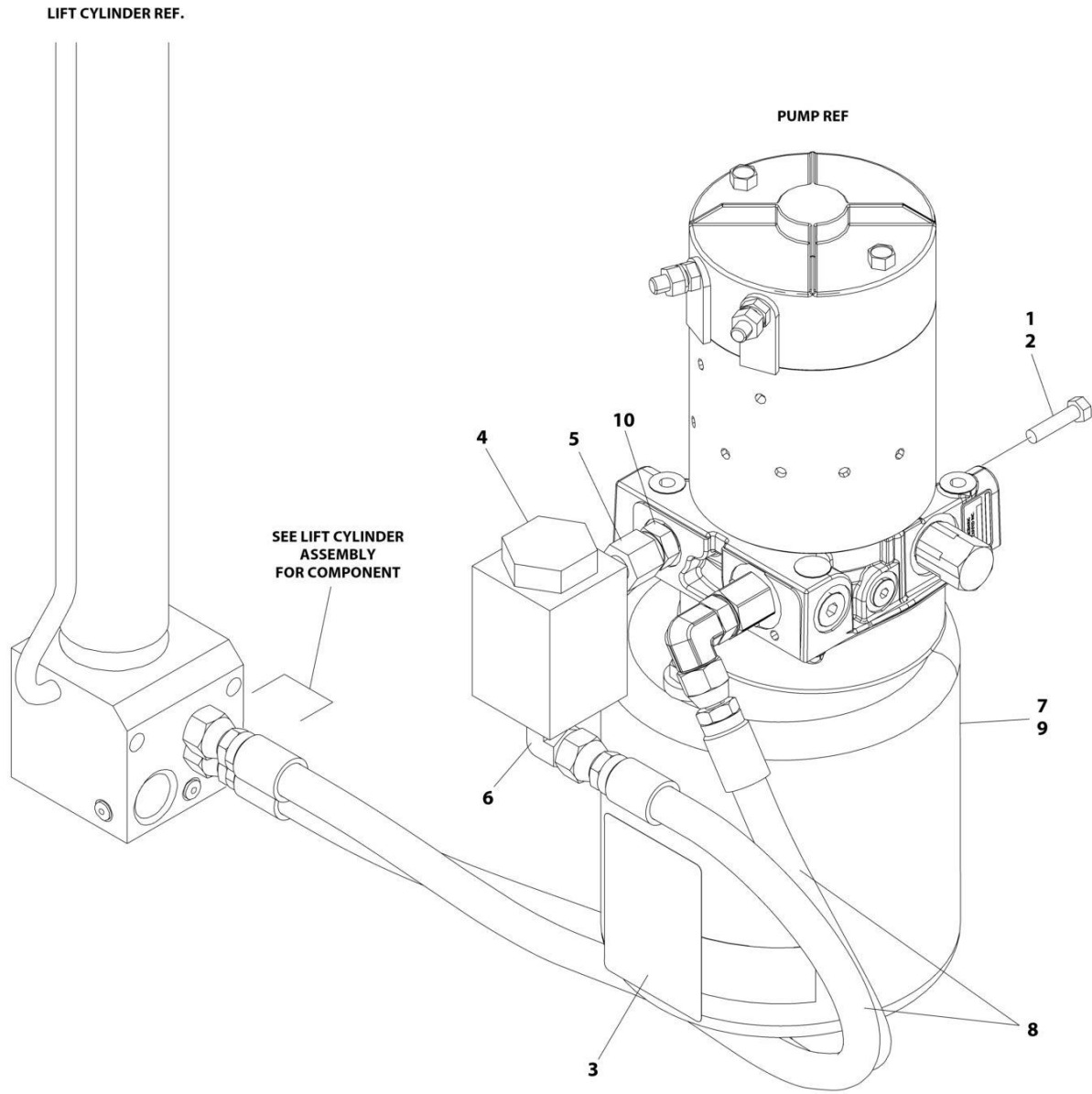
SECTION 6 - HYDRAULIC

FIGURE 6-4. HYDRAULIC SYSTEM INSTALLATION - FIRE RESISTANT

ITEM	PART NUMBER	QTY	DESCRIPTION	REV
	0274181	Ref	HYDRAULIC SYSTEM INSTALLATION	A
1	0100011	AR	Compound, Locking	
2	0641606	2	Bolt 3/8 x 3/4	
3	1704412	1	Decal - Hydraulic Oil	
4	2120183	1	Filter, In-Line Pressure	
5	2221123	1	Fitting, Straight ORFS/ORB	
6	2221185	1	Fitting, 90 ORB/Push Hose	
7	2300021	AR	Fluid, Hydraulic	
8	2754025	2	Hose	
9	3600392	1	Pump and Motor Assembly (See Separate Breakdown in CONTROLS SECTION)	

SECTION 6 - HYDRAULIC

FIGURE 6-5. HYDRAULIC SYSTEM INSTALLATION - FIRE RESISTANT (SN M13001555 to Present, SN M130014959 through M130014971, Including M130015305)



ART_0274181_B

SECTION 6 - HYDRAULIC

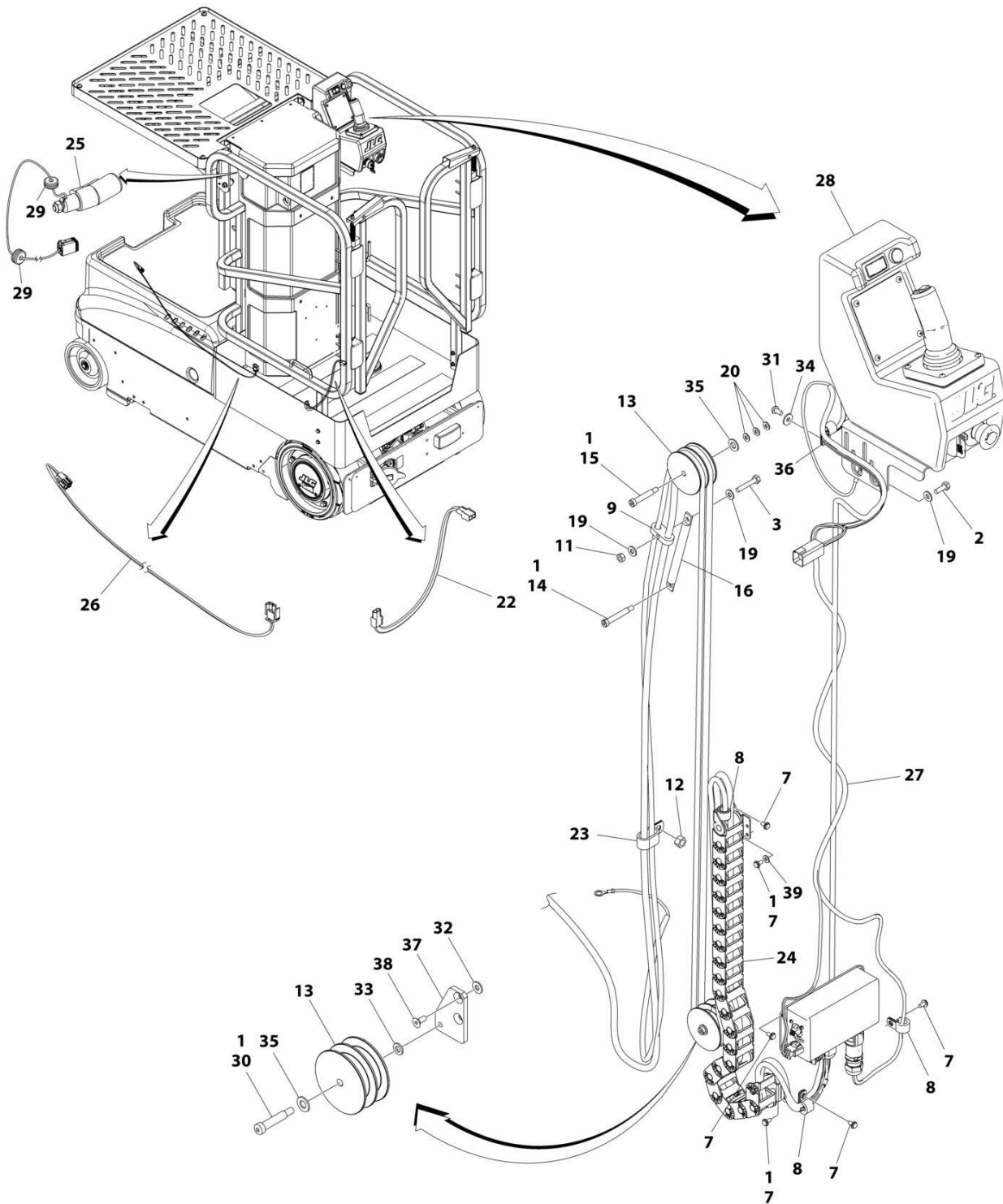
**FIGURE 6-5. HYDRAULIC SYSTEM INSTALLATION - FIRE RESISTANT (SN M130015555 to Present,
SN M130014959 through M130014971, Including M130015305)**

ITEM	PART NUMBER	QTY	DESCRIPTION	REV
	0274181	Ref	HYDRAULIC SYSTEM INSTALLATION	B
1	0100011	AR	Compound, Locking	
2	0641606	2	Bolt 3/8 x 3/4	
3	1704412	1	Decal - Hydraulic oil	
4	2120183	1	Filter, In-Line Pressure	
5	2221123	1	Fitting, Straight ORFS/ORB	
6	2130606	1	Fitting, 90 ORB/Push Hose	
7	2300021	AR	Fluid, Hydraulic	
8	1001304148	2	Hose	
9	1001303831	1	Pump and Motor Assembly (See Separate Breakdown in CONTROLS Section)	
10	2110606	1	Fitting, Straight ORFS/ORB	

SECTION 7 - ELECTRICAL

SECTION 7 - ELECTRICAL

FIGURE 7-1. CABLES INSTALLATION



ART_1001206460_G

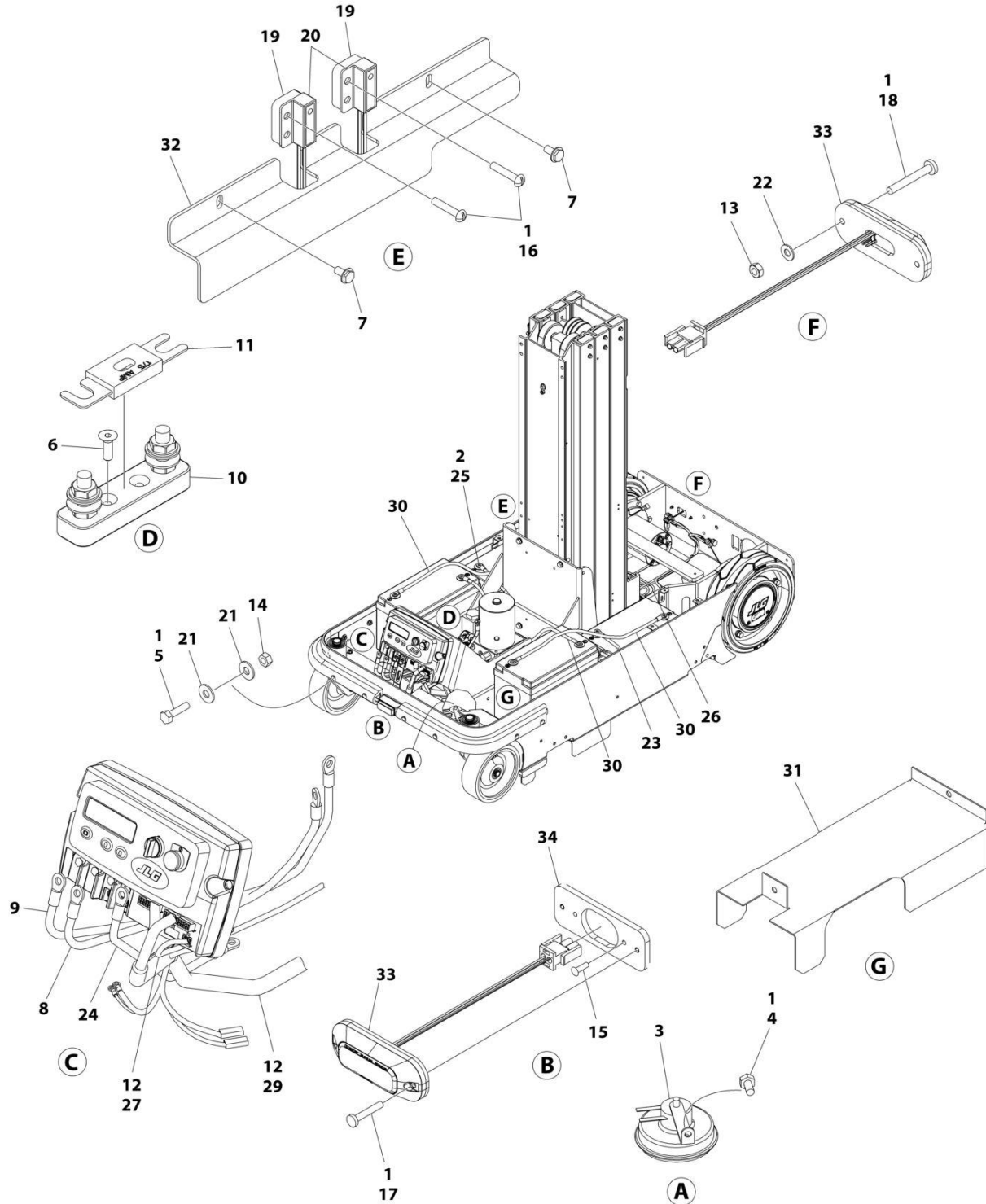
SECTION 7 - ELECTRICAL

FIGURE 7-1. CABLES INSTALLATION

ITEM	PART NUMBER	QTY	DESCRIPTION	REV
	1001206460	Ref	CABLES INSTALLATION	H
1	0100011	AR	Compound, Locking	
2	0641406	2	Bolt 1/4 x 3/4	
2	0641408	2	Bolt 1/4 x 1	
3	0641412	1	Bolt 1/4 x 1-1/2	
7	0791003	11	Screw #10 x 3/8	
8	1320041	3	Clamp	
9	1320149	1	Clamp	
10	3020038	AR	Grease, Terminal (Not Shown)	
11	3311405	1	Nut 1/4	
12	3311605	1	Nut 3/8	
13	3580344	2	Pulley	
14	3900264	1	Capscrew	
15	3900373	1	Capscrew	
16	4160130	1	Spring	
17	4240018	3	Tie-Strap (Not Shown)	
19	4711400	4	Washer 1/4	
20	4751200	3	Washer #12	
22	1001112143	1	Aux 2 Jumper Harness	
22	4460424	2	Receptacle, Female - 2 Position	
22	4460268	4	Socket, Female	
23	1001116792	1	Clamp	
24	1001207339	1	Ground to Platform Harness (See Separate Breakdown in this Section)	
25	1001208283	1	Switch, Left Hand Control	
26	1001215226	1	Footswitch Jumper Harness (See Separate Breakdown in this Section)	
27	1001227882	1	Platform Controls Harness (See Separate Breakdown in this Section)	
28	1001228495	1	Platform Control Box Assembly (See Separate Breakdown in CONTROLS Section)	
29	1001081050	2	Grommet	
30	3900200	1	Bolt 5/16 X 1-1/4	
31	4191706	1	Screw M6 x 12	
32	4711000	AR	Washer #10	
33	4761400	1	Washer 1/4	
34	4811702	1	Washer M6	
35	4811900	2	Washer M8	
36	8406112	1	Clip	
37	1001273307	1	Bracket, Pulley Mount	
38	0741004	2	Screw #10 x 1/2	
39	4750800	2	Washer #8	

SECTION 7 - ELECTRICAL

FIGURE 7-2. ELECTRICAL SYSTEM INSTALLATION - NO BATTERY



ART_1001272257

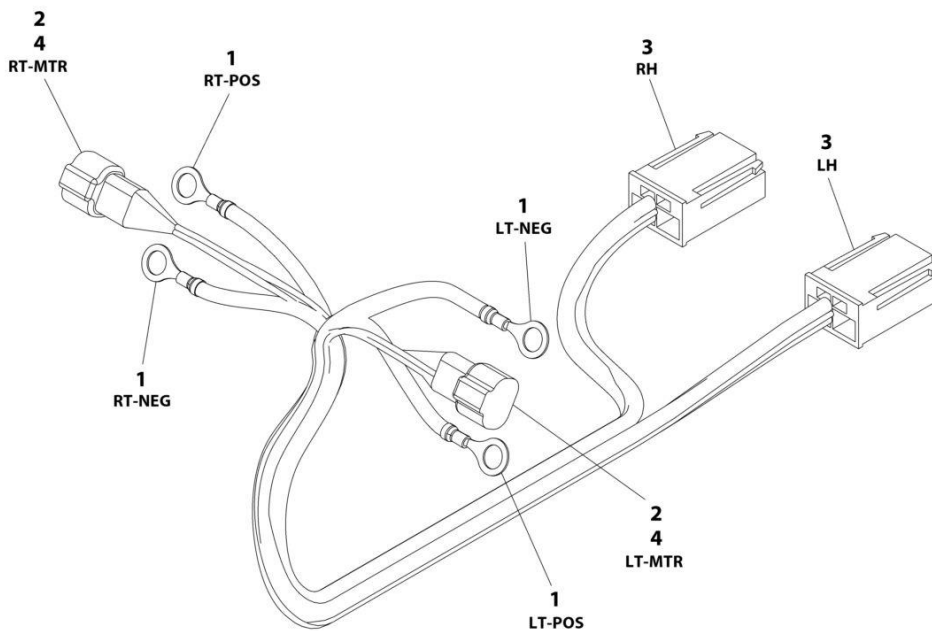
SECTION 7 - ELECTRICAL

FIGURE 7-2. ELECTRICAL SYSTEM INSTALLATION - NO BATTERY

ITEM	PART NUMBER	QTY	DESCRIPTION	REV
	1001272257	Ref	ELECTRICAL SYSTEM INSTALLATION - NO BATTERY	A
1	0100011	AR	Compound, Locking	
2	0100051	AR	Grease, Terminal	
3	0140022	1	Alarm	
4	0641404	1	Bolt 1/4 x 1/2	
5	0641408	8	Bolt 1/4 x 1	
6	0741005	2	Screw #10 x 5/8	
7	0791003	2	Screw #10 x 3/8	
8	1060943	1	Cable (GSM P+ to Pump+)	
9	1060944	1	Cable (GSM P- to Pump-)	
10	2400044	1	Fuse, Mounting Block	
11	2400069	1	Fuse 175Amp	
12	3020038	AR	Grease, Contact	
13	3290401	2	Nut M4	
14	3311405	8	Nut 1/4	
15	3820013	2	Rivet	
16	3931016	4	Screw 10-24 x 1	
17	4031509	2	Screw M4 x 25	
18	4031511	2	Screw M4 x 35	
19	4071084	2	Shim	
20	4360514	2	Switch, Proximity	
21	4751400	16	Washer 1/4	
22	4811400	2	Washer M4	
23	4923022	1	Cable (B+ to Fuse)	
24	4923023	1	Cable (Fuse to GSM)	
25	4923024	1	Cable (B- to GSM)	
26	4923028	1	Traction Module Power Harness	
27	4923029	1	Ground Station to Traction Module Harness	
28	4923383	1	Drive Motor Harness (Not Shown) (See Separate Breakdown in ELECTRICAL Section)	
29	4923446	1	Main (MSP) Harness	
30	1001121700	3	Cable (Battery B+ to B-) (Not Shown)	
31	1001229683	2	Plate	
32	1001229684	1	Shield, Wire	
33	1001258016	2	Light, Strobe LED	
34	1001258436	1	Plate	

SECTION 7 - ELECTRICAL

FIGURE 7-3. DRIVE MOTOR HARNESS



ART_4923383

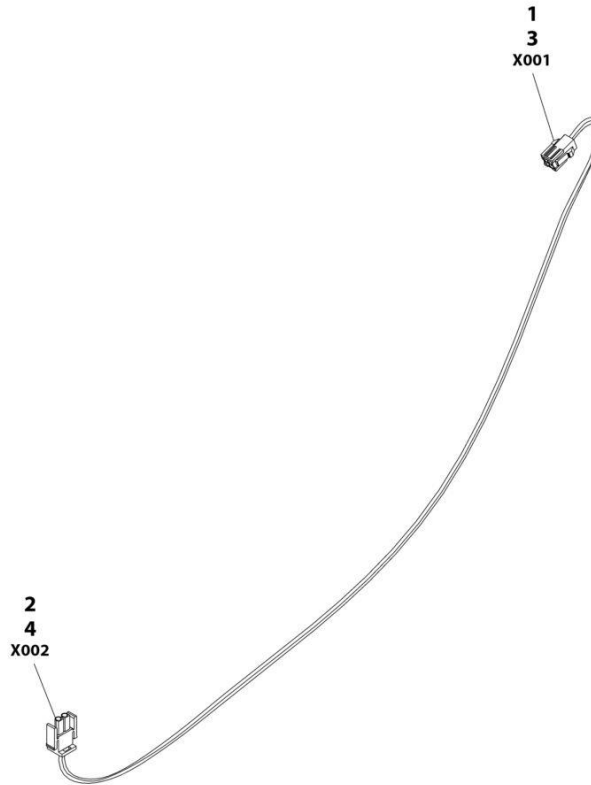
SECTION 7 - ELECTRICAL

FIGURE 7-3. DRIVE MOTOR HARNESS

ITEM	PART NUMBER	QTY	DESCRIPTION	REV
	4923383	Ref	DRIVE MOTOR HARNESS	E
1	4460738	4	Terminal, Ring	
2	4460897	2	Receptacle, Female - 2 Position	
3	4461108	2	Connector, P&G Drive Motor	
4	4460464	4	Pin, Male	

SECTION 7 - ELECTRICAL

FIGURE 7-4. FOOTSWITCH JUMPER HARNESS



ART_1001215226

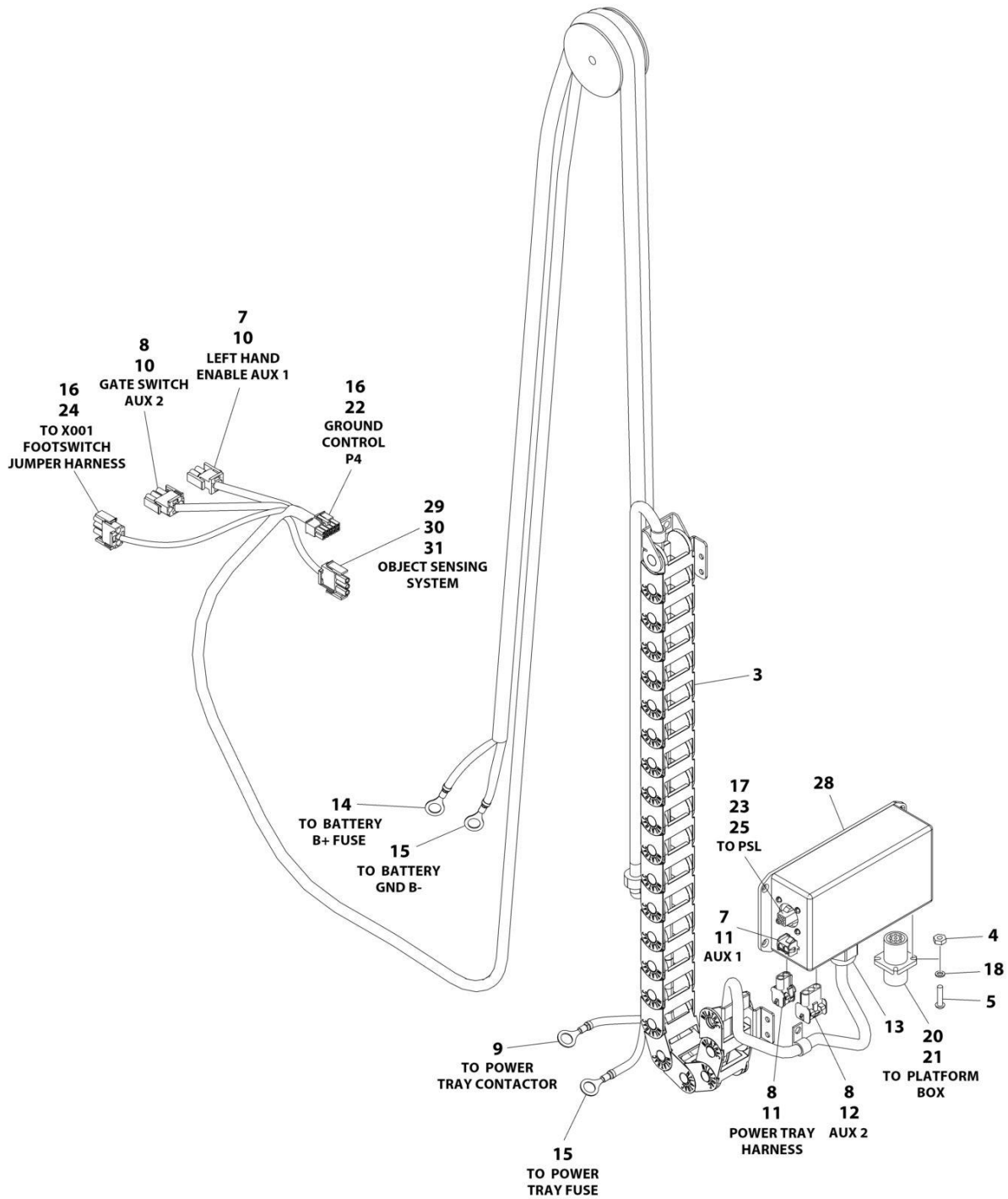
SECTION 7 - ELECTRICAL

FIGURE 7-4. FOOTSWITCH JUMPER HARNESS

ITEM	PART NUMBER	QTY	DESCRIPTION	REV
	1001215226	Ref	FOOTSWITCH JUMPER HARNESS	A
1	1001197889	1	Connector, 4 Position	
2	4460320	1	Plug, Male - 2 Position	
3	1001118156	2	Terminal	
4	4460226	2	Socket, Female	

SECTION 7 - ELECTRICAL

FIGURE 7-5. GROUND TO PLATFORM HARNESS



ART_1001207339

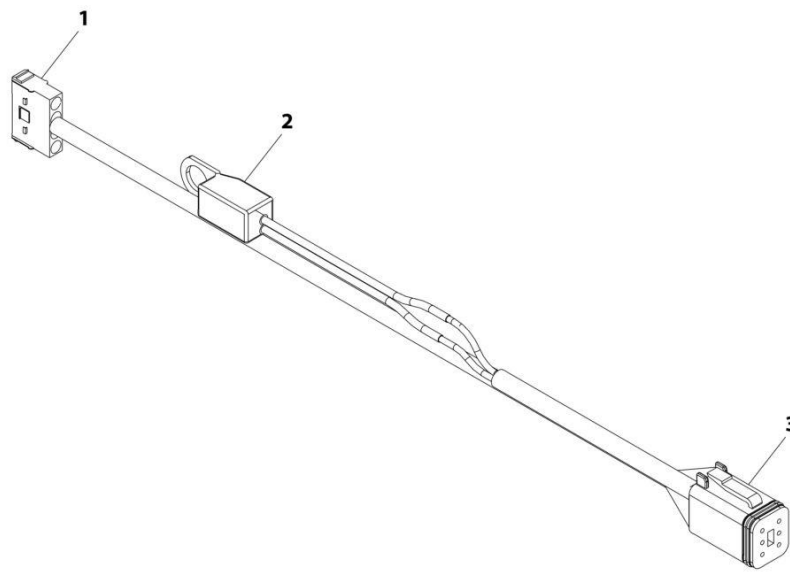
SECTION 7 - ELECTRICAL

FIGURE 7-5. GROUND TO PLATFORM HARNESS

ITEM	PART NUMBER	QTY	DESCRIPTION	REV
	1001207339	Ref	GROUND TO PLATFORM HARNESS	E
3	1180397	1	Power Track	
4	3310401	8	Nut #4	
5	3910408	8	Screw, #4 x 1/2	
7	4460226	4	Socket Contact	
8	4460267	7	Pin, Male	
9	4460312	1	Terminal, Ring	
10	4460320	2	Plug, Male 2 - Position	
11	4460424	2	Receptacle, Female - 2 Position	
12	4460445	1	Receptacle, Female - 3 Position	
13	4460633	1	Connector, Strain Relief	
14	4460670	1	Terminal, Ring	
15	4460738	2	Terminal, Ring	
16	4461023	10	Socket, Female	
17	4461025	2	Pin, Male	
18	4760400	8	Washer, #4	
20	1001215633	1	Connector - 9 Position	
21	1001215635	6	Pin, Male	
22	1001153723	1	Connector - 10 Position	
23	1001197889	1	Connector - 4 Position	
24	1001214996	1	Plug, Male - 4 Position	
25	1001215135	1	Plate, Adapter	
28	1001217893	1	Box, Junction	
29	4460465	2	Socket, Female	
30	4460891	1	Plug, Male - 2 Position	
31	1001144295	1	Cap	

SECTION 7 - ELECTRICAL

FIGURE 7-6. LED AND TEMPERATURE SENSOR HARNESS



ART_1001109821

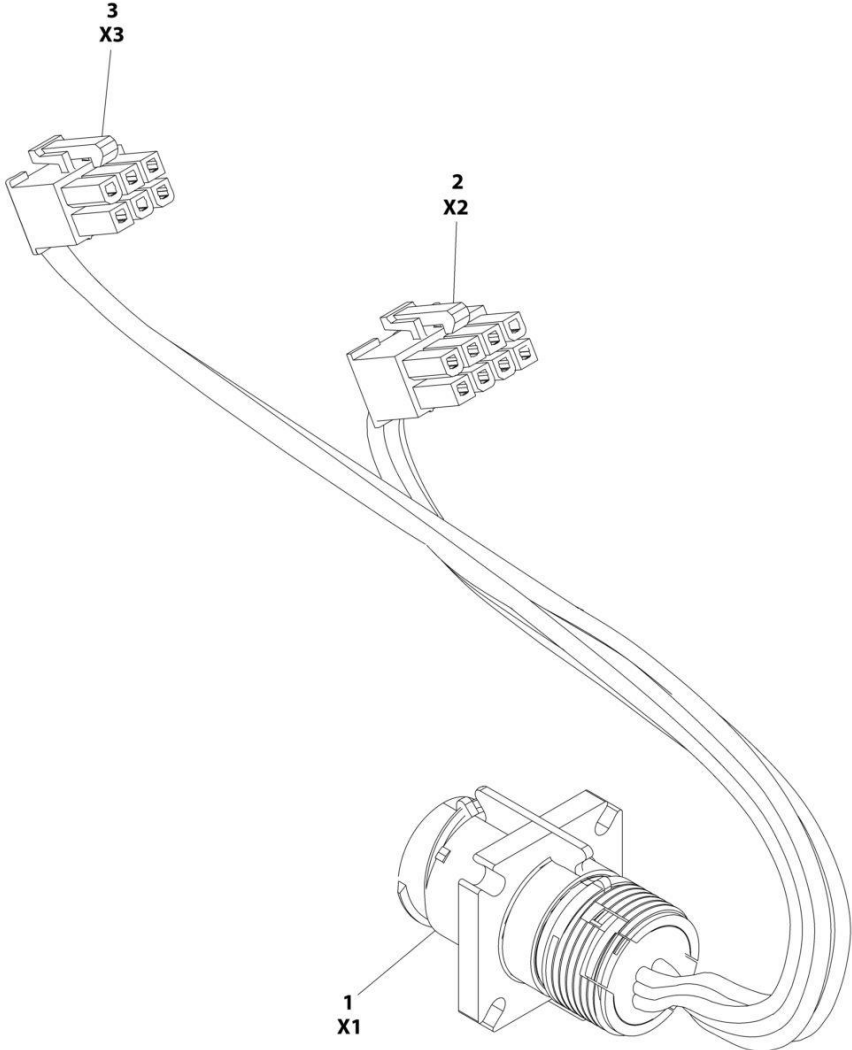
SECTION 7 - ELECTRICAL

FIGURE 7-6. LED AND TEMPERATURE SENSOR HARNESS

ITEM	PART NUMBER	QTY	DESCRIPTION	REV
	1001109821	Ref	LED AND TEMPERATURE SENSOR HARNESS	A
1	4460961	1	Receptacle, Female - 4 Position	
1	4460226	4	Socket, Female	
2	1001102771	1	Terminal, Temperature Sensor Ring	
3	4460894	1	Plug, Male - 6 Position	
3	4460465	6	Socket, Female	

SECTION 7 - ELECTRICAL

FIGURE 7-7. PLATFORM BOX POWER HARNESS



ART_1001227884

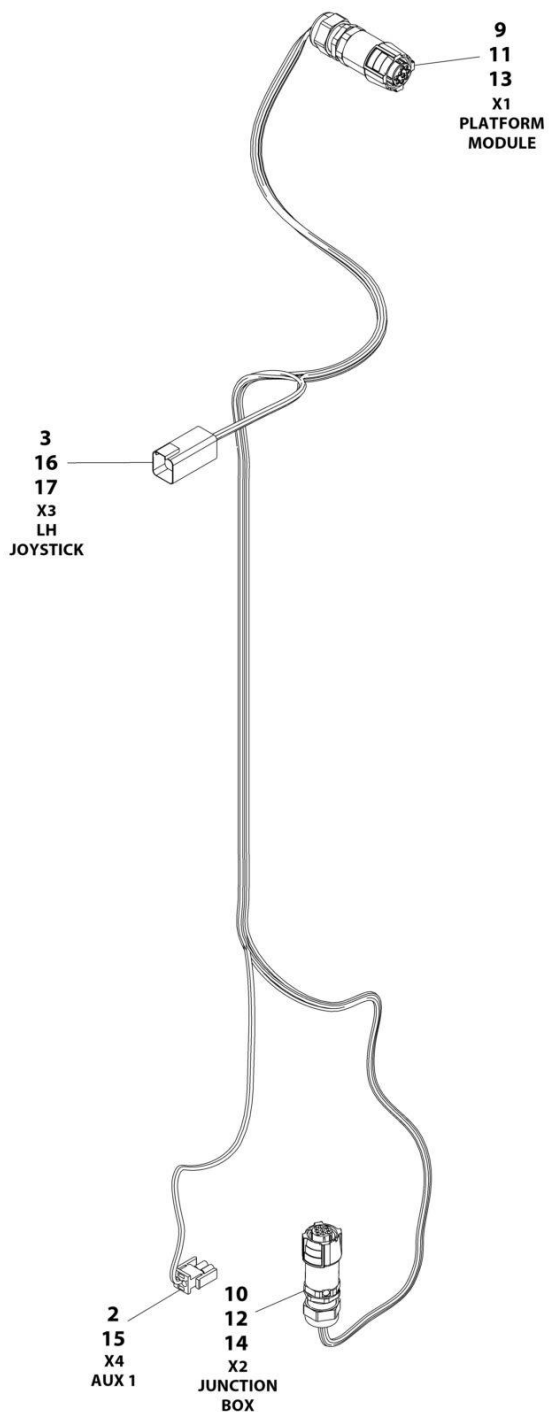
SECTION 7 - ELECTRICAL

FIGURE 7-7. PLATFORM BOX POWER HARNESS

ITEM	PART NUMBER	QTY	DESCRIPTION	REV
	1001227884	Ref	PLATFORM BOX POWER HARNESS	A
1	1001215633	1	Connector - 9 Position	
1	1001215635	8	Terminal	
2	1001151629	1	Plug, Male - 8 Position	
2	4461023	5	Socket, Female	
3	1001228387	1	Plug, Male - 6 Position	
3	4461023	3	Socket, Female	

SECTION 7 - ELECTRICAL

FIGURE 7-8. PLATFORM CONTROLS HARNESS



ART_1001227882

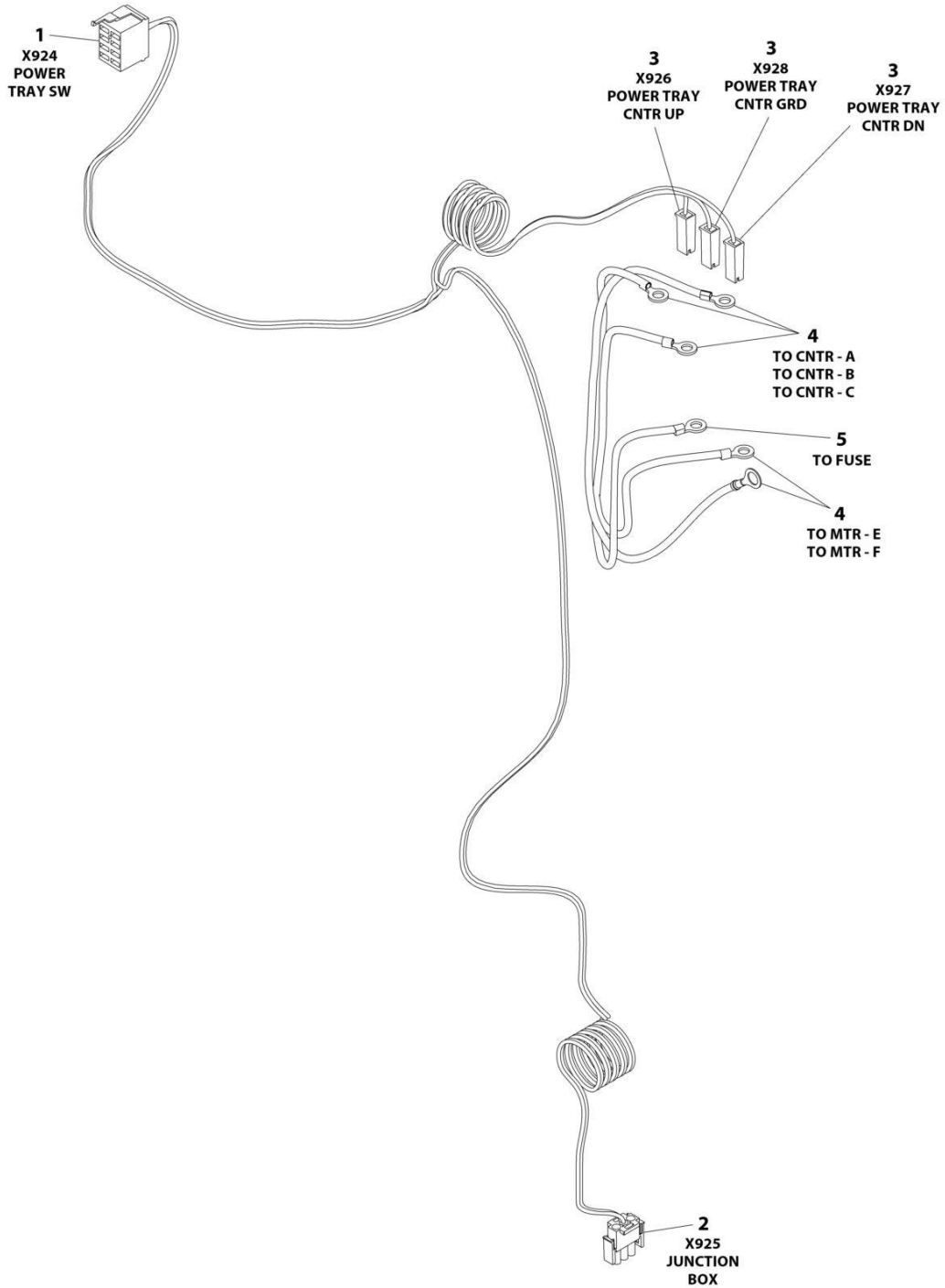
SECTION 7 - ELECTRICAL

FIGURE 7-8. PLATFORM CONTROLS HARNESS

ITEM	PART NUMBER	QTY	DESCRIPTION	REV
	1001227882	Ref	PLATFORM CONTROLS HARNESS	E
2	4460267	2	Pin, Male	
3	4460466	1	Terminal, Sealing Plug	
9	1001212654	9	Socket, Female	
10	1001212655	6	Socket, Female	
11	1001212656	1	Backshell	
12	1001212657	1	Backshell	
13	1001212660	1	Connector - 9 Position	
14	1001212661	1	Connector - 9 Position	
15	4460320	1	Plug, Male - 2 Position	
16	4460464	5	Pin, Male	
17	4460899	1	Receptacle, Female - 6 Position	

SECTION 7 - ELECTRICAL

FIGURE 7-9. TRAY HARNESS



ART_1001210491

SECTION 7 - ELECTRICAL

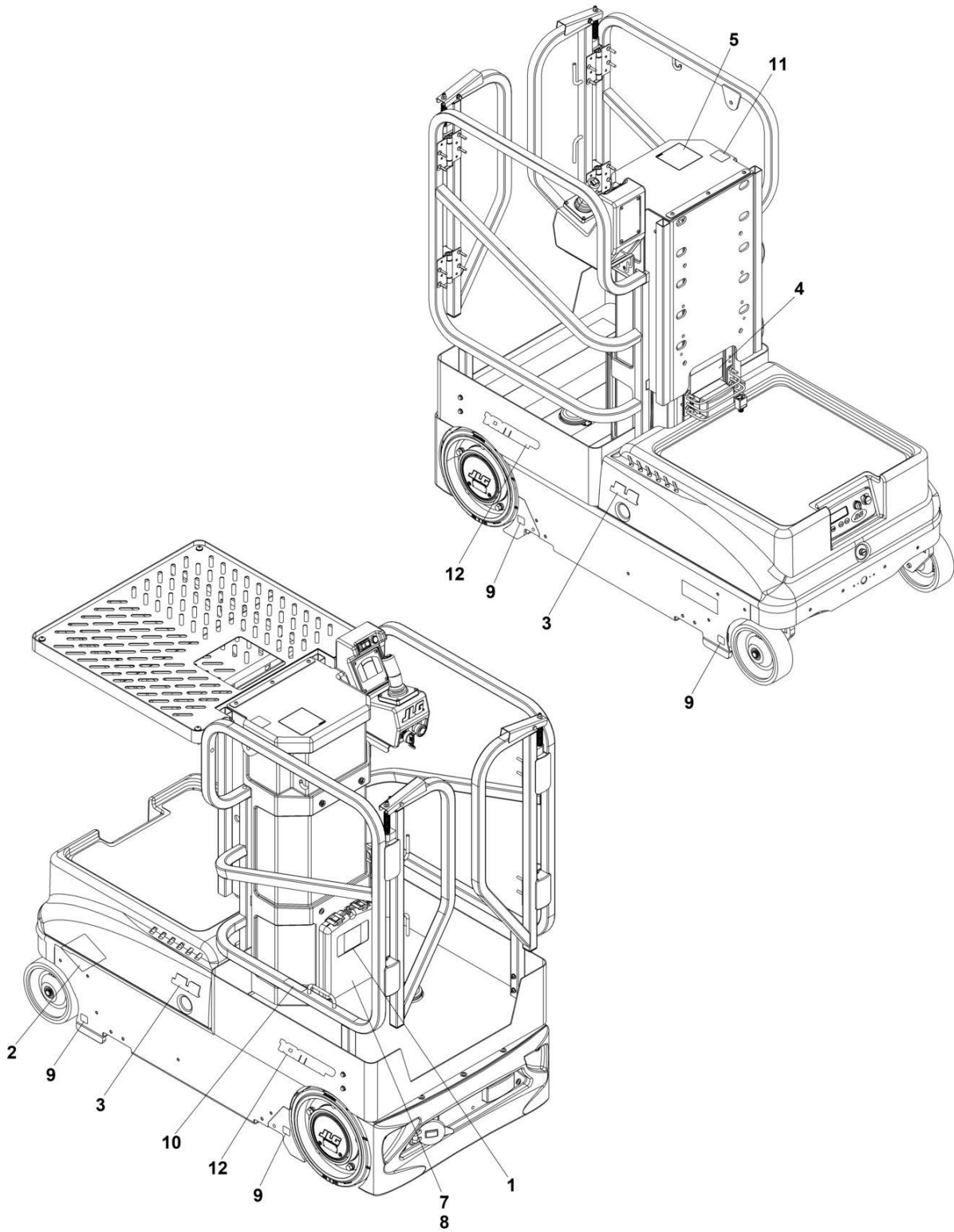
FIGURE 7-9. TRAY HARNESS

ITEM	PART NUMBER	QTY	DESCRIPTION	REV
	1001210491	Ref	TRAY HARNESS	A
1	8220904	1	Connector - 8 Position	
1	4460829	3	Terminal	
2	4460326	1	Plug, Male 2 - Position	
2	4460268	2	Socket, Female	
3	4460260	3	Cover, Terminal	
3	4460259	3	Terminal	
4	4460312	5	Terminal, Ring	
5	4460738	5	Terminal, Ring	

SECTION 8 - DECALS

SECTION 8 - DECALS

FIGURE 8-1. COMMON DECALS INSTALLATION - STANDARD PAINT



ART_1001271762

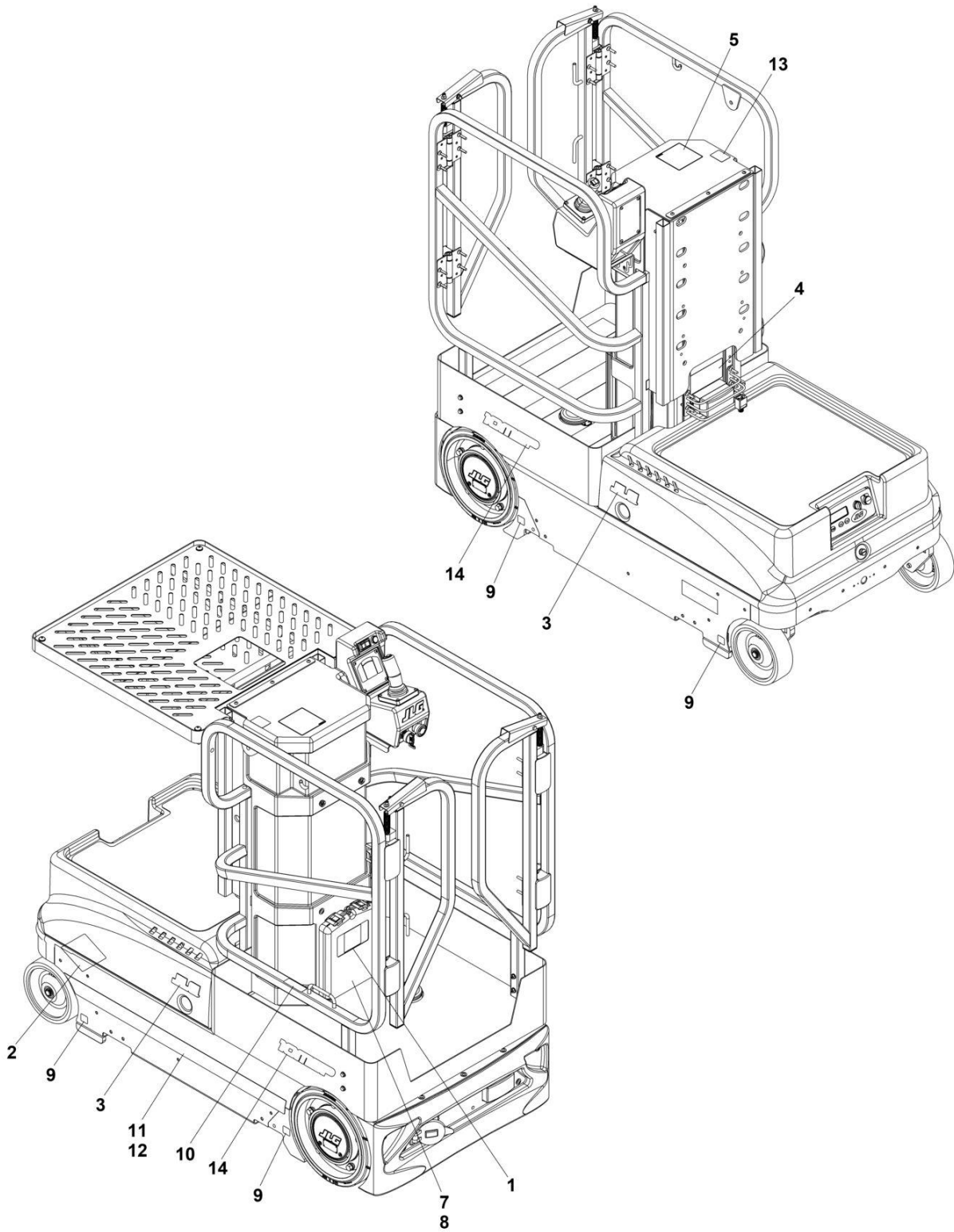
SECTION 8 - DECALS

FIGURE 8-1. COMMON DECALS INSTALLATION - STANDARD PAINT

ITEM	PART NUMBER	QTY	DESCRIPTION	REV
	1001271762	Ref	COMMON DECALS INSTALLATION	B
1	1701640	1	Decal - Manual	
2	See Note	NSS	Decal - Bar Code (Note: Not Available for Purchase)	
3	1703681	2	Decal - Logo	
4	1705992	1	Decal - Manual Decent Location	
5	1706131	1	Decal - Danger	
7	3820032	4	Rivet	
8	8990147	1	Holder, Manual	
9	1001143557	4	Decal - Maximum Wheel Load	
10	1001213582	1	Decal - Lanyard Attach	
11	1001230219	1	Decal - Lift	
12	1001271755	2	Decal, 10MSP	

SECTION 8 - DECALS

FIGURE 8-2. COMMON DECALS INSTALLATION - SPECIAL PAINT



ART_1001271763

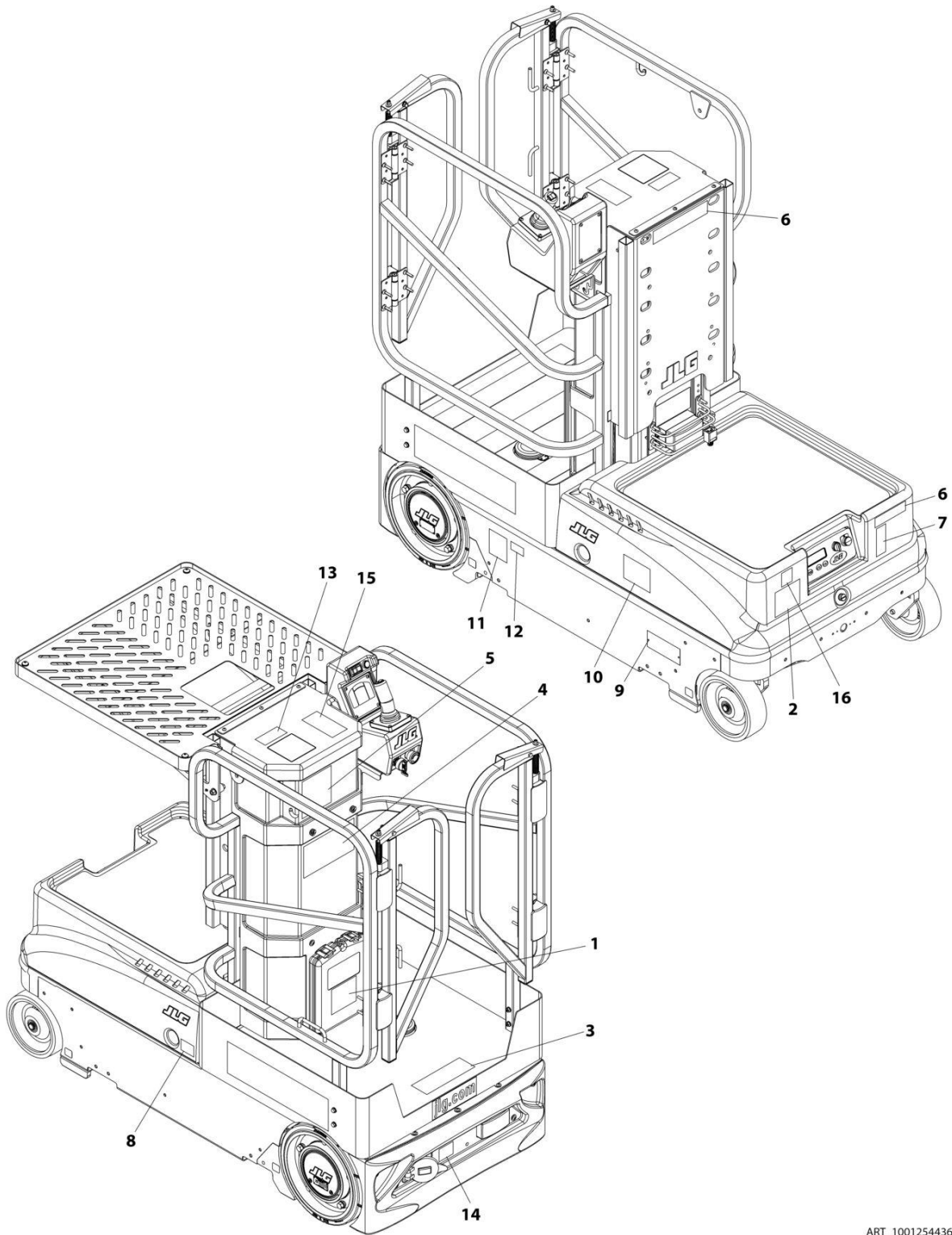
SECTION 8 - DECALS

FIGURE 8-2. COMMON DECALS INSTALLATION - SPECIAL PAINT

ITEM	PART NUMBER	QTY	DESCRIPTION	REV
	1001271763	Ref	COMMON DECALS INSTALLATION	C
1	1701640	1	Decal - Manual	
2	See Note	1	Decal - Bar Code (Note: Not Available for Purchase)	
3	1703681	2	Decal - Logo	
4	1705992	1	Decal - Manual Decent Location	
5	1706131	1	Decal - Danger	
7	3820032	4	Rivet	
8	8990147	1	Holder, Manual	
9	1001143557	4	Decal - Maximum Wheel Load	
10	1001213582	1	Decal - Lanyard Attach	
13	1001230219	1	Decal - Lift	
14	1001271755	2	Decal - 10MSP	

SECTION 8 - DECALS

FIGURE 8-3. DECAL INSTALLATION - ANSI SPECS (ENGLISH LANGUAGE) (MANUAL TRAY)



ART_1001254436

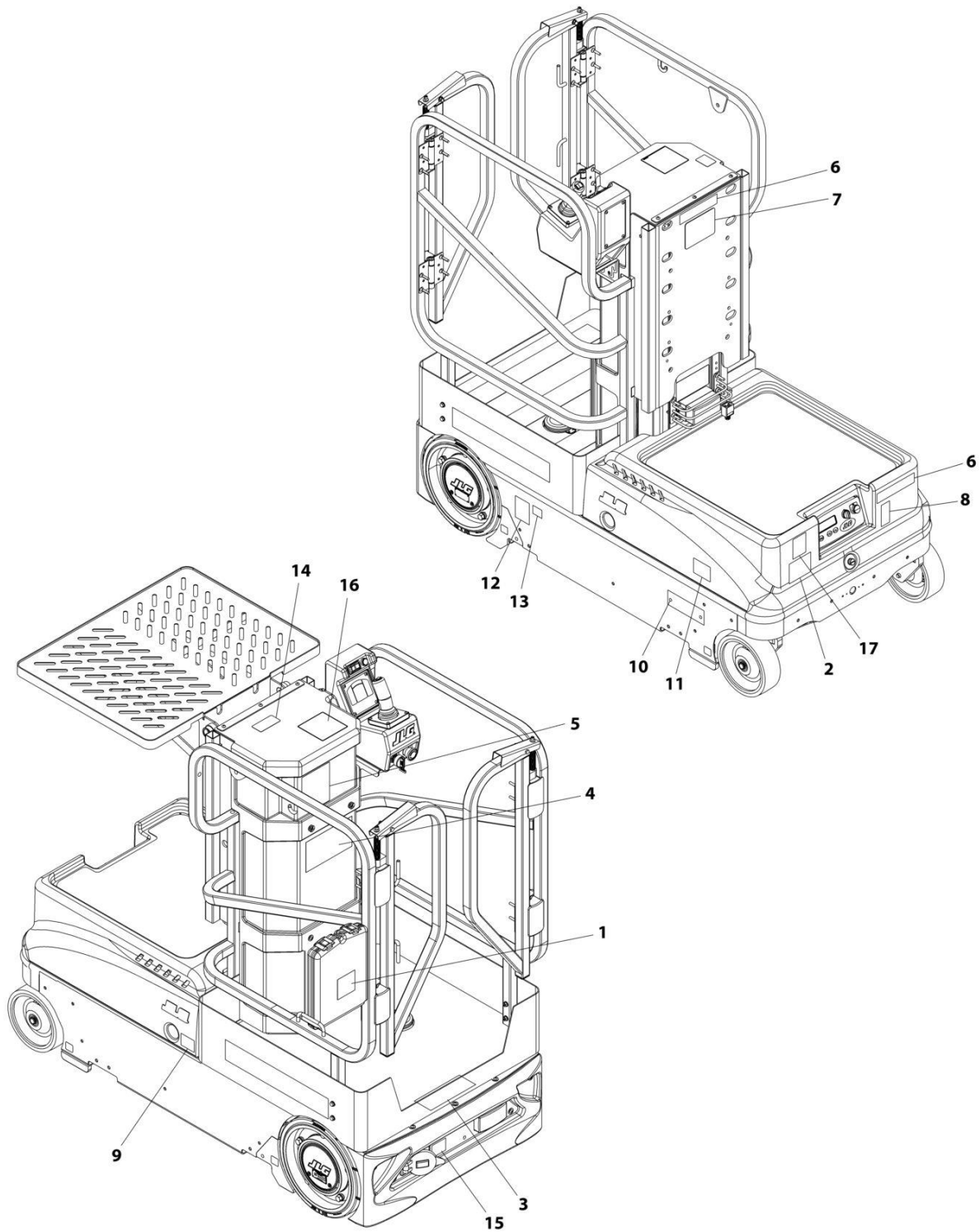
SECTION 8 - DECALS

FIGURE 8-3. DECAL INSTALLATION - ANSI SPECS (ENGLISH LANGUAGE) (MANUAL TRAY)

ITEM	PART NUMBER	QTY	DESCRIPTION	REV
	1001254436	Ref	DECALS INSTALLATION	A
1	3251813	1	Decal - USA	
2	1703781	1	Decal - Electrical Hazard	
3	1703786	1	Decal - Crushing Hazard	
4	1705937	1	Decal - Warning	
5	1705938	1	Decal - Danger	
6	1705995	2	Decal - Crushing Hazard	
7	1706617	1	Decal - No Riders	
8	1706740	1	Decal - Battery Disconnect	
9	2080057	2	Fastener	
10	1001131273	1	Decal - Patent	
11	1001223055	1	Decal - Yearly Inspection	
12	1001228370	1	Decal - ICES	
13	1001231801	1	Decal - Prop 65	
14	1001233054	1	Decal - Charger	
15	1001254432	1	Decal - Capacity	
16	1001255190	1	Decal - Capacity	

SECTION 8 - DECALS

FIGURE 8-4. DECAL INSTALLATION - ANSI SPECS (ENGLISH LANGUAGE) (POWER TRAY)



ART_1001254445

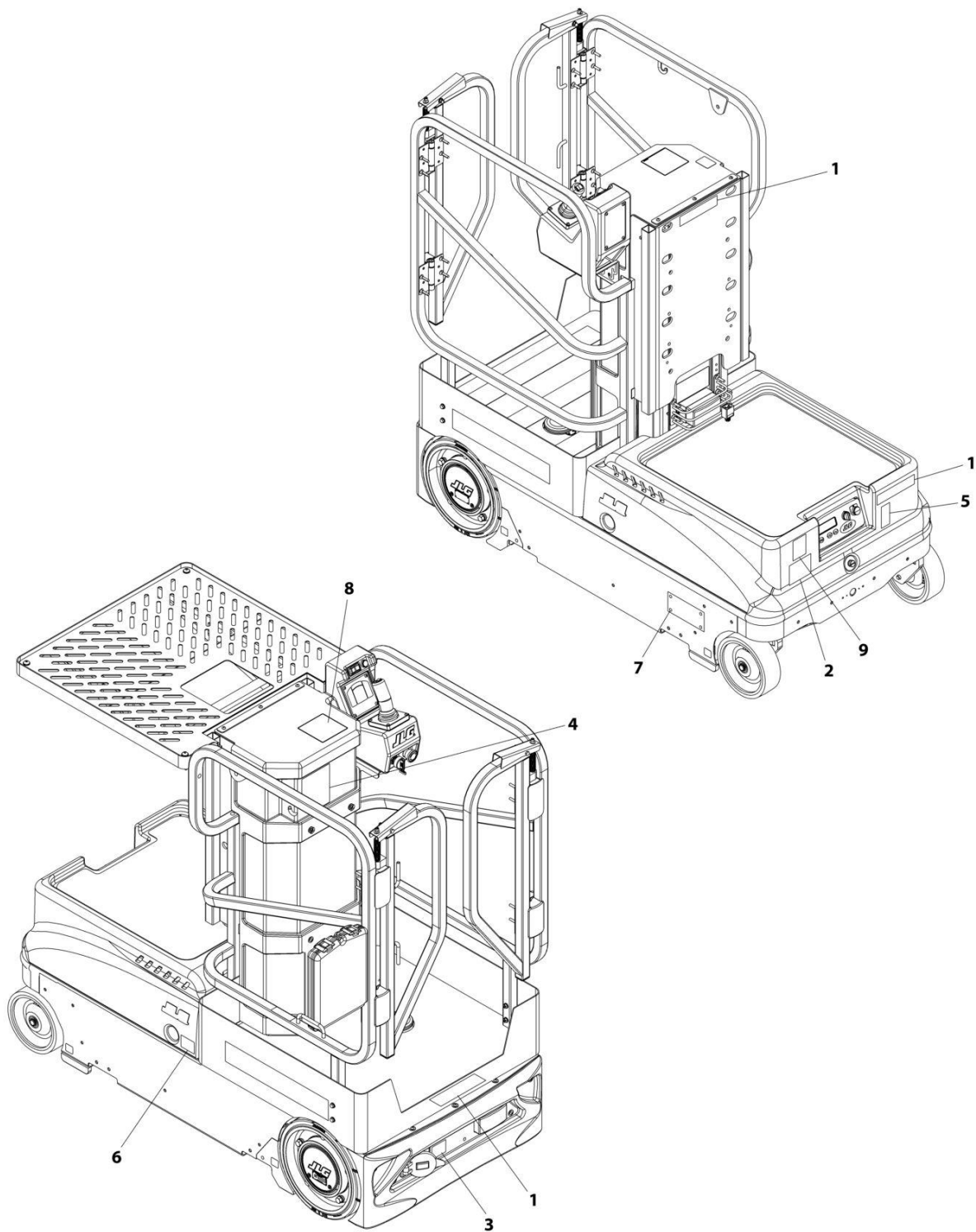
SECTION 8 - DECALS

FIGURE 8-4. DECAL INSTALLATION - ANSI SPECS (ENGLISH LANGUAGE) (POWER TRAY)

ITEM	PART NUMBER	QTY	DESCRIPTION	REV
	1001254445	Ref	DECALS INSTALLATION	B
1	1703779	1	Decal - USA (Black & White)	
1	3251813	1	Decal - USA (Color)	
2	1703781	1	Decal - Electrical Hazard	
3	1703786	1	Decal - Crushing Hazard	
4	1705937	1	Decal - Warning	
5	1705938	1	Decal - Danger	
6	1705995	2	Decal - Crushing Hazard	
7	1706302	1	Decal - Pinch Point	
8	1706617	1	Decal - No Riders	
9	1706740	1	Decal - Battery Disconnect	
10	2080057	2	Fastener	
11	1001131273	1	Decal - Patent	
12	1001223055	1	Decal - Yearly Inspection	
13	1001228370	1	Decal - ICES	
14	1001231801	1	Decal - Warning	
15	1001233054	1	Decal - Charger	
16	1001254433	1	Decal - Capacity	
17	1001255190	1	Decal - Capacity	

SECTION 8 - DECALS

FIGURE 8-5. DECAL INSTALLATION - AUSTRALIAN SPECS (ENGLISH LANGUAGE) (MANUAL TRAY)



ART_1001254442

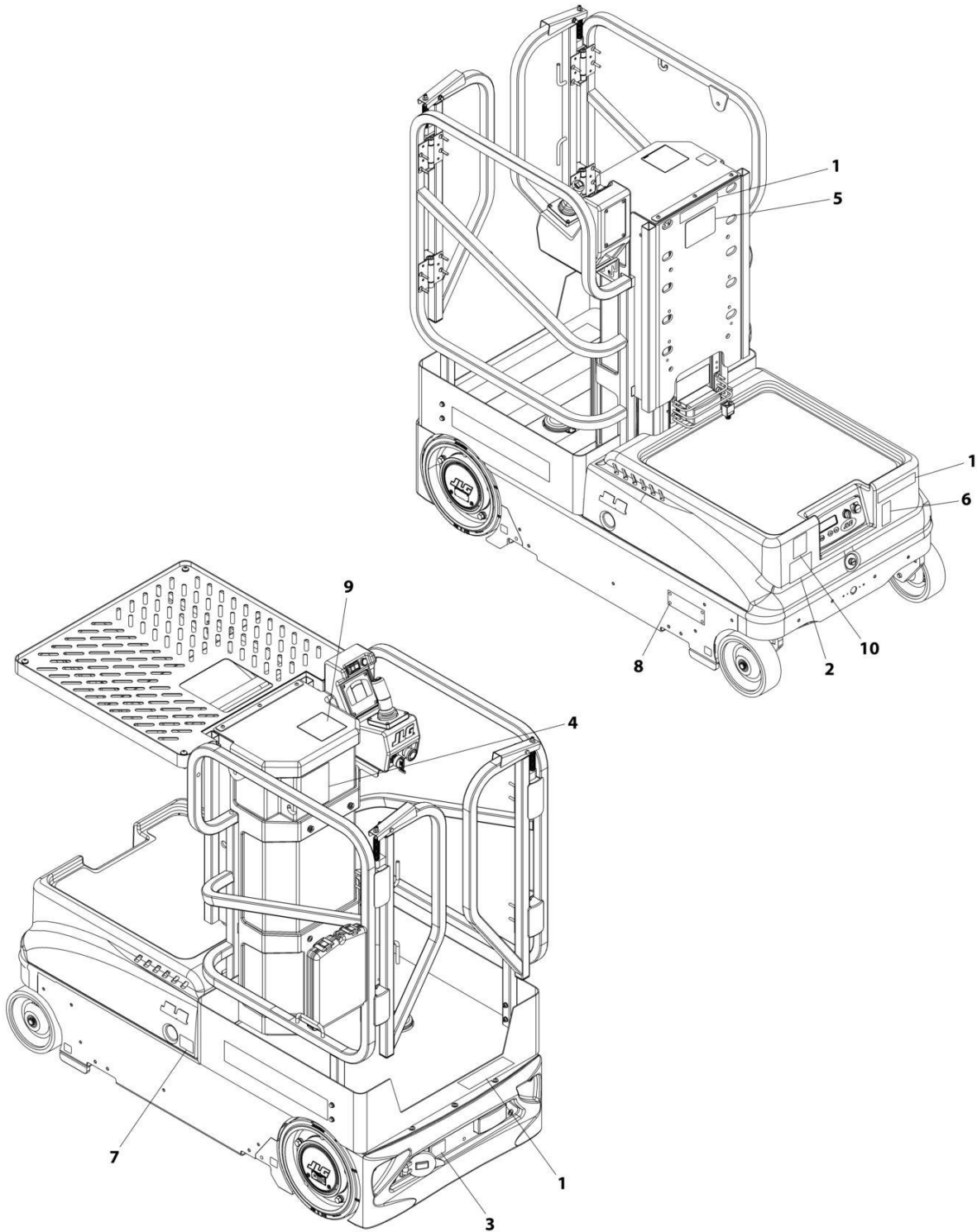
SECTION 8 - DECALS

FIGURE 8-5. DECAL INSTALLATION - AUSTRALIAN SPECS (ENGLISH LANGUAGE) (MANUAL TRAY)

ITEM	PART NUMBER	QTY	DESCRIPTION	REV
	1001254442	Ref	DECALS INSTALLATION	A
1	1705099	3	Decal - Crushing Hazard	
2	1705802	1	Decal - VP Electrocution	
3	1706077	1	Decal - Battery Charging	
4	1706078	1	Decal - Warning	
5	1706617	1	Decal - No Riders	
6	1706740	1	Decal - Battery Disconnect	
7	2080057	4	Fastener	
8	1001207206	1	Decal - Capacity	
9	1001255190	1	Decal - Capacity	

SECTION 8 - DECALS

FIGURE 8-6. DECAL INSTALLATION - AUSTRALIAN SPECS (ENGLISH LANGUAGE) (POWER TRAY)



ART_1001254451

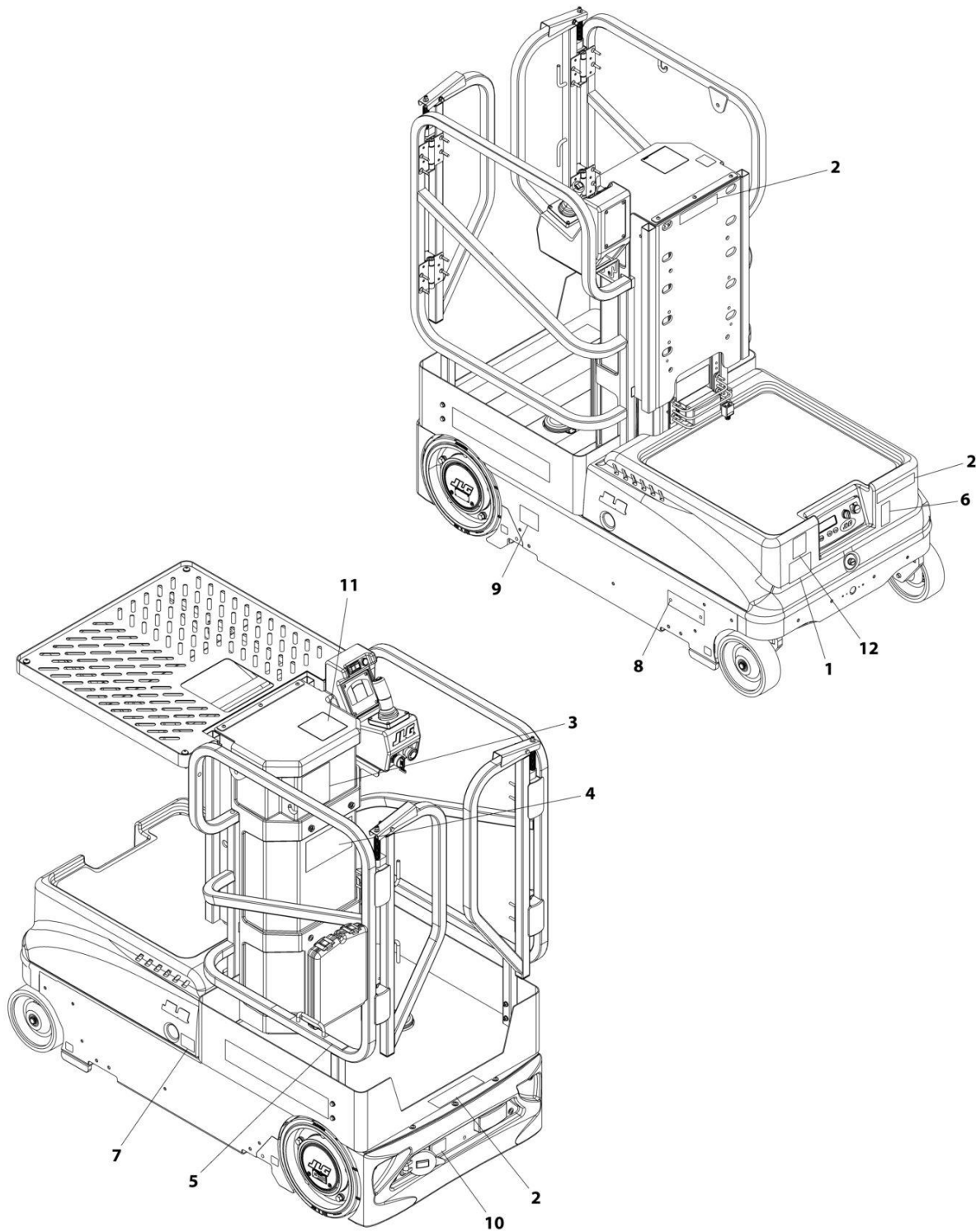
SECTION 8 - DECALS

FIGURE 8-6. DECAL INSTALLATION - AUSTRALIAN SPECS (ENGLISH LANGUAGE) (POWER TRAY)

ITEM	PART NUMBER	QTY	DESCRIPTION	REV
	1001254451	Ref	DECALS INSTALLATION	A
1	1705099	3	Decal - Crushing Hazard	
2	1705802	1	Decal - VP Electrocution	
3	1706077	1	Decal - Battery Charging Instruction	
4	1706078	1	Decal - Warning	
5	1706292	1	Decal - Pinch Point	
6	1706617	1	Decal - No Riders	
7	1706740	1	Decal - Battery Disconnect	
8	2080057	4	Fastener	
9	1001202686	1	Decal - Capacity	
10	1001255190	1	Decal - Capacity	

SECTION 8 - DECALS

FIGURE 8-7. DECAL INSTALLATION - BRAZIL SPECS (PORTUGUESE LANGUAGE) (MANUAL TRAY)



ART_1001254440

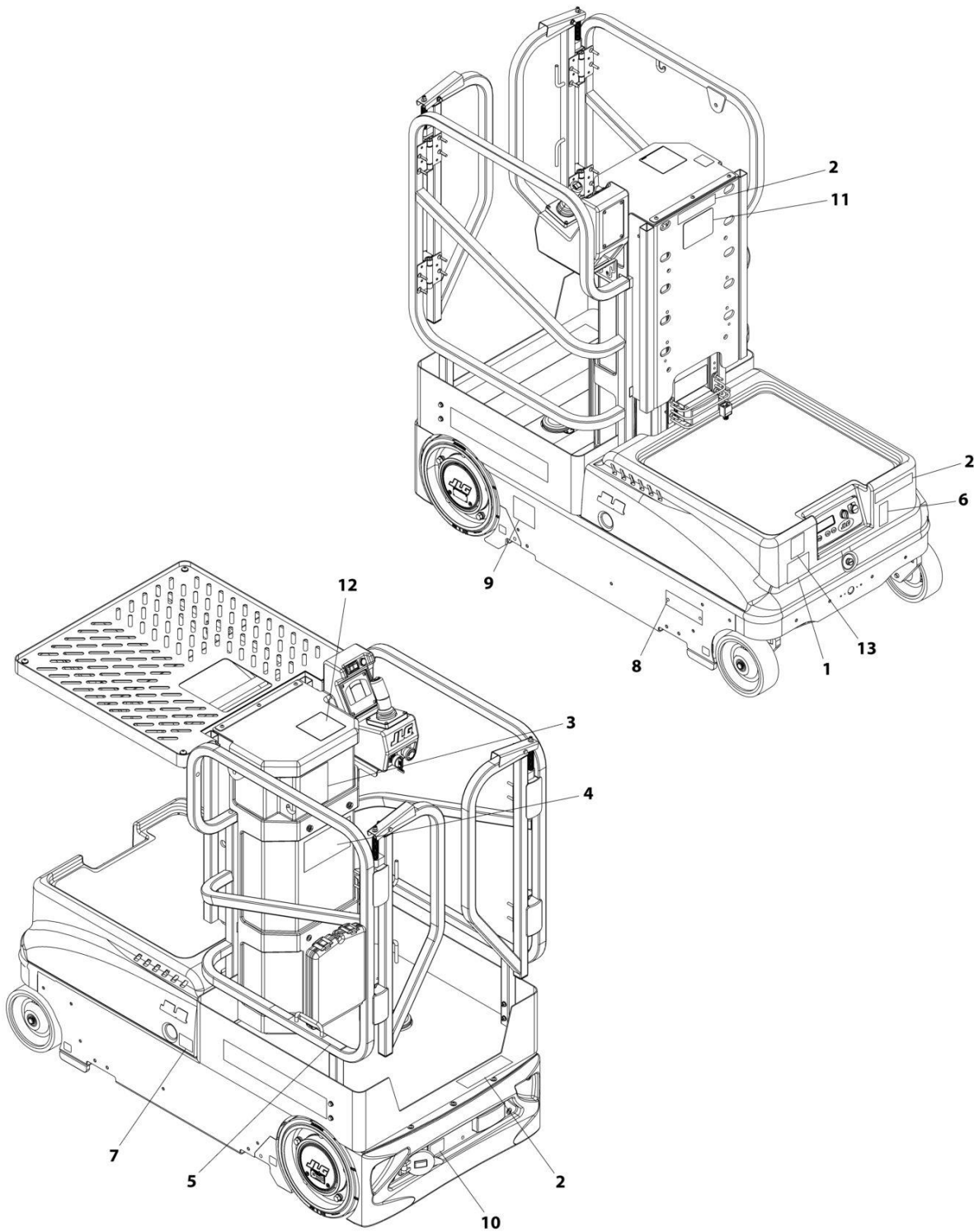
SECTION 8 - DECALS

FIGURE 8-7. DECAL INSTALLATION - BRAZIL SPECS (PORTUGUESE LANGUAGE) (MANUAL TRAY)

ITEM	PART NUMBER	QTY	DESCRIPTION	REV
	1001254440	Ref	DECALS INSTALLATION	A
1	1704021	1	Decal - Electrical Hazard	
2	1706086	3	Decal - Crushing Hazard	
3	1706087	1	Decal - Danger	
4	1706088	1	Decal - Warning	
5	1706118	1	Decal - Fall Restraint	
6	1706617	1	Decal - No Riders	
7	1706740	1	Decal - Battery Disconnect	
8	2080057	2	Fastener	
9	1001224052	1	Decal - Yearly Inspection	
10	1001233057	1	Decal - Battery Charging Instruction	
11	1001254432	1	Decal - Capacity	
12	1001255190	1	Decal - Capacity	

SECTION 8 - DECALS

FIGURE 8-8. DECAL INSTALLATION - BRAZIL SPECS (PORTUGUESE LANGUAGE) (POWER TRAY)



ART_1001254449

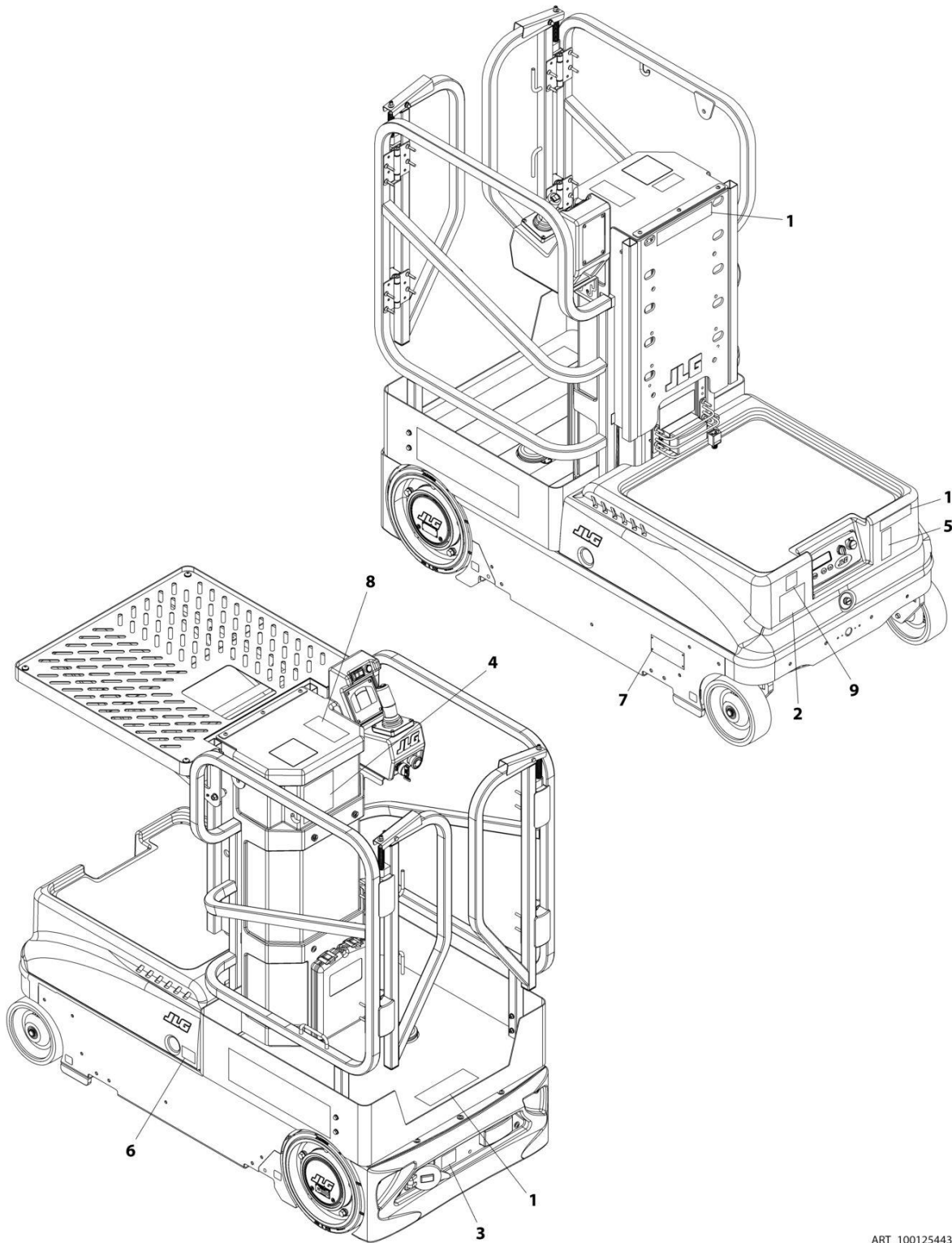
SECTION 8 - DECALS

FIGURE 8-8. DECAL INSTALLATION - BRAZIL SPECS (PORTUGUESE LANGUAGE) (POWER TRAY)

ITEM	PART NUMBER	QTY	DESCRIPTION	REV
	1001254449	Ref	DECALS INSTALLATION	A
1	1704021	1	Decal - Electrical Hazard	
2	1706086	3	Decal - Crushing Hazard	
3	1706087	1	Decal - Danger	
4	1706088	1	Decal - Warning	
5	1706118	1	Decal - Fall Restraint	
6	1706617	1	Decal - No Riders	
7	1706740	1	Decal - Battery Disconnect	
8	2080057	2	Fastener	
9	1001224052	1	Decal - Yearly Inspection	
10	1001233057	1	Decal - Battery Charging Instruction	
11	1001233728	1	Decal - Pinch Point	
12	1001254433	1	Decal - Capacity	
13	1001255190	1	Decal - Capacity	

SECTION 8 - DECALS

FIGURE 8-9. DECAL INSTALLATION - CE & UK CA SPECS (ENGLISH LANGUAGE) (MANUAL TRAY)



ART_1001254438

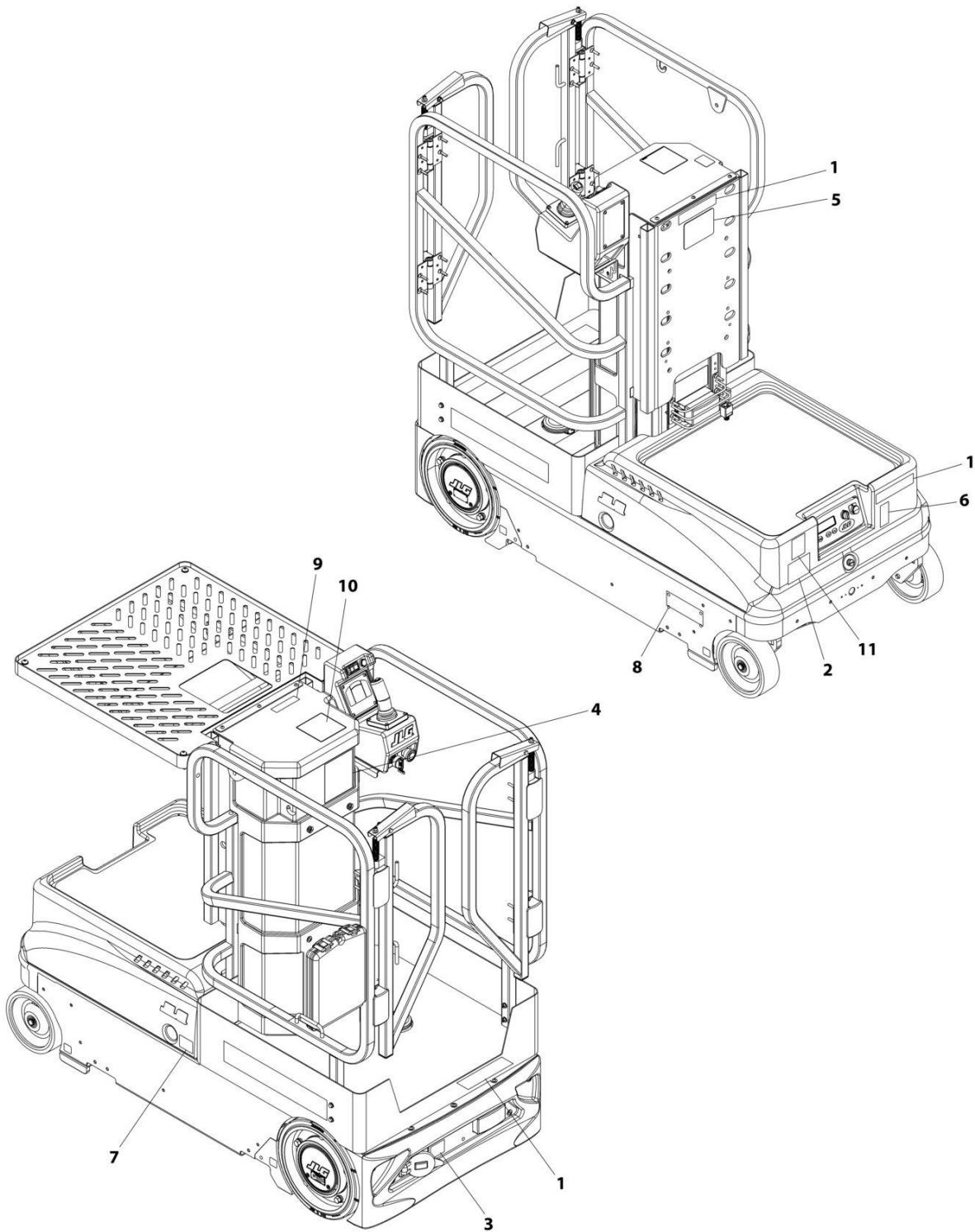
SECTION 8 - DECALS

FIGURE 8-9. DECAL INSTALLATION - CE & UK CA SPECS (ENGLISH LANGUAGE) (MANUAL TRAY)

ITEM	PART NUMBER	QTY	DESCRIPTION	REV
	1001254438	Ref	DECALS INSTALLATION	A
1	1705099	3	Decal - Crushing Hazard	
2	1705802	1	Decal - VP Electrocution	
3	1706077	1	Decal - Battery Charging Instruction	
4	1706078	1	Decal - Warning	
5	1706617	1	Decal - No Riders	
6	1706740	1	Decal - Battery Disconnect	
7	2080057	4	Fastener	
8	1001207206	1	Decal - Capacity	
9	1001255190	1	Decal - Capacity	

SECTION 8 - DECALS

FIGURE 8-10. DECAL INSTALLATION - CE & UK CA SPECS (ENGLISH LANGUAGE) (POWER TRAY)



ART_1001254447

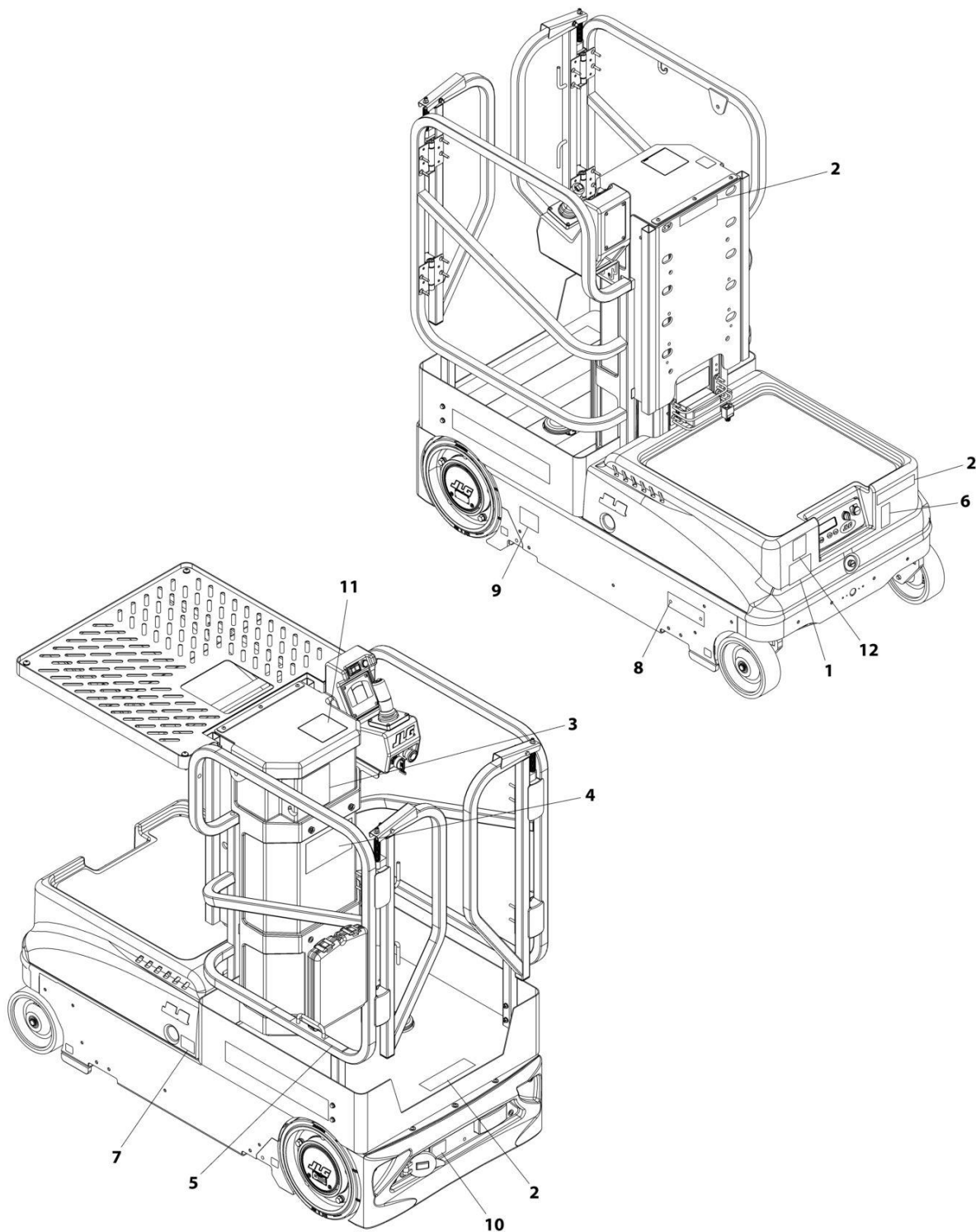
SECTION 8 - DECALS

FIGURE 8-10. DECAL INSTALLATION - CE & UK CA SPECS (ENGLISH LANGUAGE) (POWER TRAY)

ITEM	PART NUMBER	QTY	DESCRIPTION	REV
	1001254447	Ref	DECALS INSTALLATION	A
1	1705099	3	Decal - Crushing Hazard	
2	1705802	1	Decal - VP Electrocution	
3	1706077	1	Decal - Battery Charging Instruction	
4	1706078	1	Decal - Warning	
5	1706292	1	Decal - Pinch Point	
6	1706617	1	Decal - No Riders	
7	1706740	1	Decal - Battery Disconnect	
8	2080057	4	Fastener	
9	1001158844	1	Decal - Hand Crushing Hazard	
10	1001202686	1	Decal - Capacity	
11	1001255190	1	Decal - Capacity	

SECTION 8 - DECALS

FIGURE 8-11. DECAL INSTALLATION - CHINA SPECS (CHINESE LANGUAGE) (MANUAL TRAY)



ART_1001254441

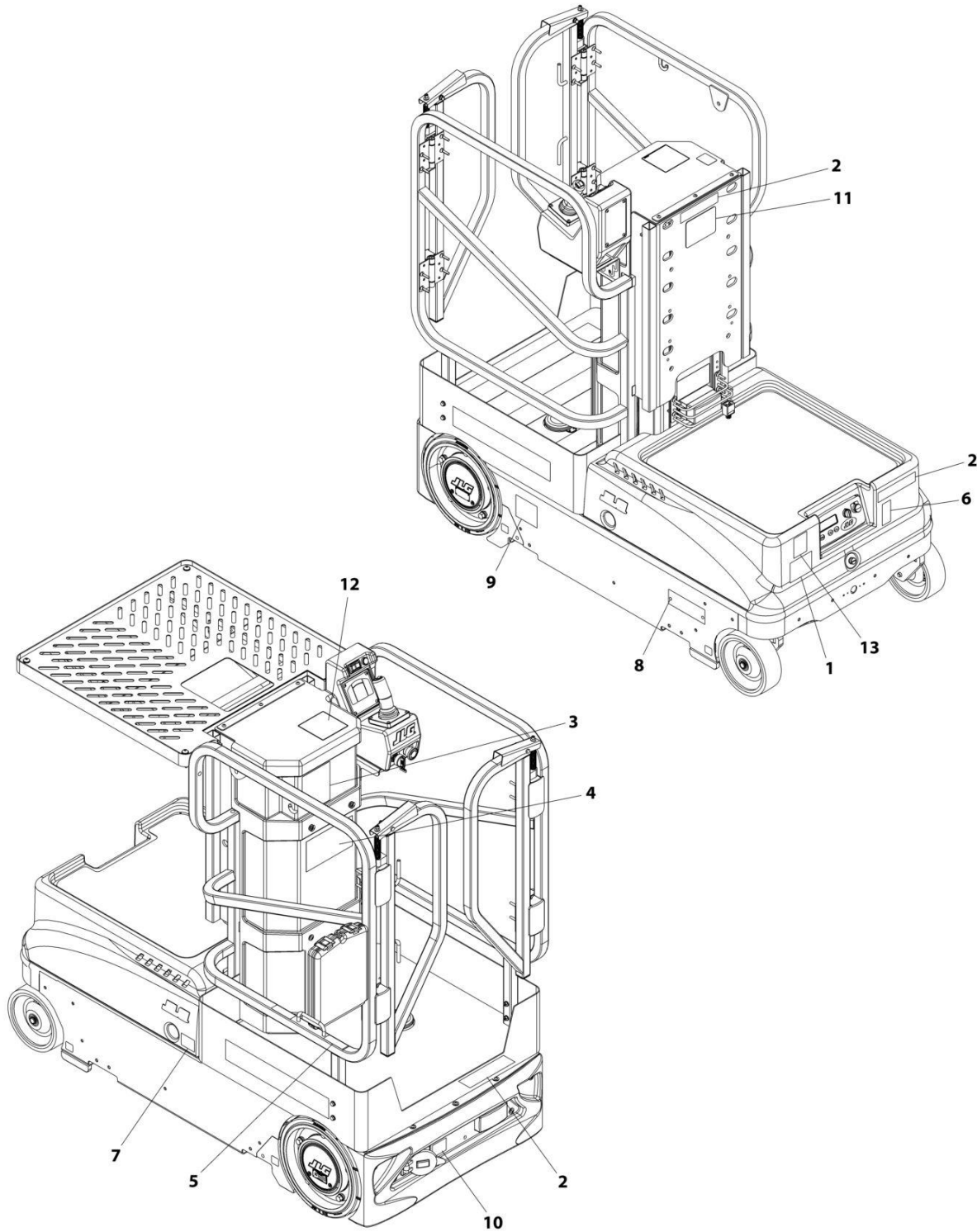
SECTION 8 - DECALS

FIGURE 8-11. DECAL INSTALLATION - CHINA SPECS (CHINESE LANGUAGE) (MANUAL TRAY)

ITEM	PART NUMBER	QTY	DESCRIPTION	REV
	1001254441	Ref	DECALS INSTALLATION	A
1	1704077	1	Decal - Electrical Hazard	
2	1706090	3	Decal - Crushing Hazard	
3	1706091	1	Decal - Danger	
4	1706092	1	Decal - Warning	
5	1706117	1	Decal - Fall Restraint	
6	1706617	1	Decal - No Riders	
7	1706740	1	Decal - Battery Disconnect	
8	2080057	2	Fastener	
9	1001224051	1	Decal - Yearly Inspection	
10	1001233058	1	Decal - Battery Charging Instruction	
11	1001254432	1	Decal - Capacity	
12	1001255190	1	Decal - Capacity	

SECTION 8 - DECALS

FIGURE 8-12. DECAL INSTALLATION - CHINA SPECS (CHINESE LANGUAGE) (POWER TRAY)



ART_1001254450

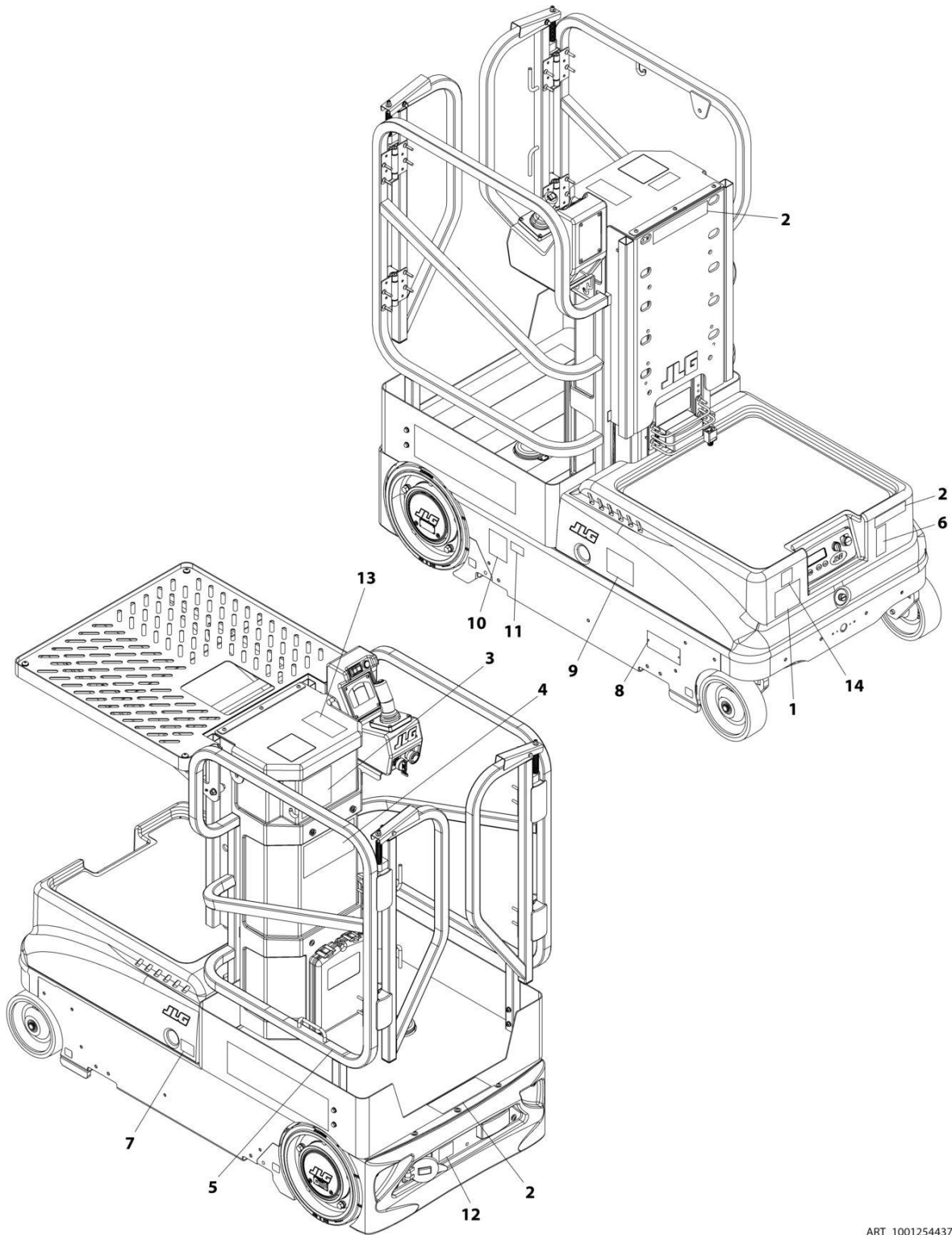
SECTION 8 - DECALS

FIGURE 8-12. DECAL INSTALLATION - CHINA SPECS (CHINESE LANGUAGE) (POWER TRAY)

ITEM	PART NUMBER	QTY	DESCRIPTION	REV
	1001254450	Ref	DECALS INSTALLATION	A
1	1704077	1	Decal - Electrical Hazard	
2	1706090	3	Decal - Crushing Hazard	
3	1706091	1	Decal - Danger	
4	1706092	1	Decal - Warning	
5	1706117	1	Decal - Fall Restraint	
6	1706617	1	Decal - No Riders	
7	1706740	1	Decal - Battery Disconnect	
8	2080057	2	Fastener	
9	1001224051	1	Decal - Yearly Inspection	
10	1001233058	1	Decal - Battery Charging Instruction	
11	1001233729	1	Decal - Pinch Point	
12	1001254433	1	Decal - Capacity	
13	1001255190	1	Decal - Capacity	

SECTION 8 - DECALS

FIGURE 8-13. DECAL INSTALLATION - CSA SPECS (FRENCH LANGUAGE) (MANUAL TRAY)



ART_1001254437

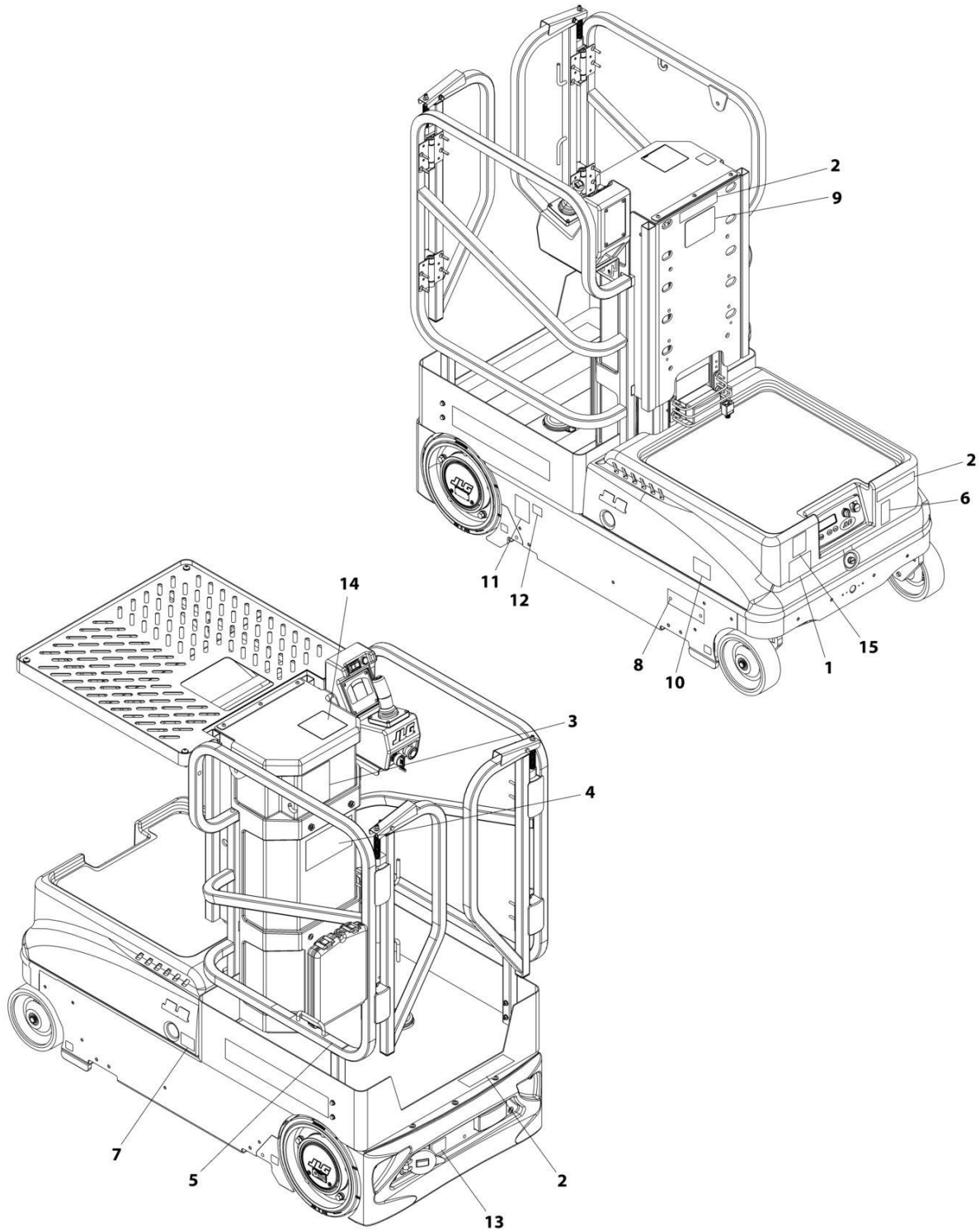
SECTION 8 - DECALS

FIGURE 8-13. DECAL INSTALLATION - CSA SPECS (FRENCH LANGUAGE) (MANUAL TRAY)

ITEM	PART NUMBER	QTY	DESCRIPTION	REV
	1001254437	Ref	DECALS INSTALLATION	A
1	1704795	1	Decal - Electrical Hazard	
2	1706094	3	Decal - Crushing Hazard	
3	1706095	1	Decal - Danger	
4	1706096	1	Decal - Warning	
5	1706119	1	Decal - Fall Restraint	
6	1706617	1	Decal - No Riders	
7	1706740	1	Decal - Battery Disconnect	
8	2080057	2	Fastener	
9	1001131273	1	Decal - Patent	
10	1001223971	1	Decal - Yearly Inspection	
11	1001228370	1	Decal - ICES	
12	1001233055	1	Decal - Battery Charging Instruction	
13	1001254432	1	Decal - Capacity	
14	1001255190	1	Decal - Capacity	

SECTION 8 - DECALS

FIGURE 8-14. DECAL INSTALLATION - CSA SPECS (FRENCH LANGUAGE) (POWER TRAY)



ART_1001254446

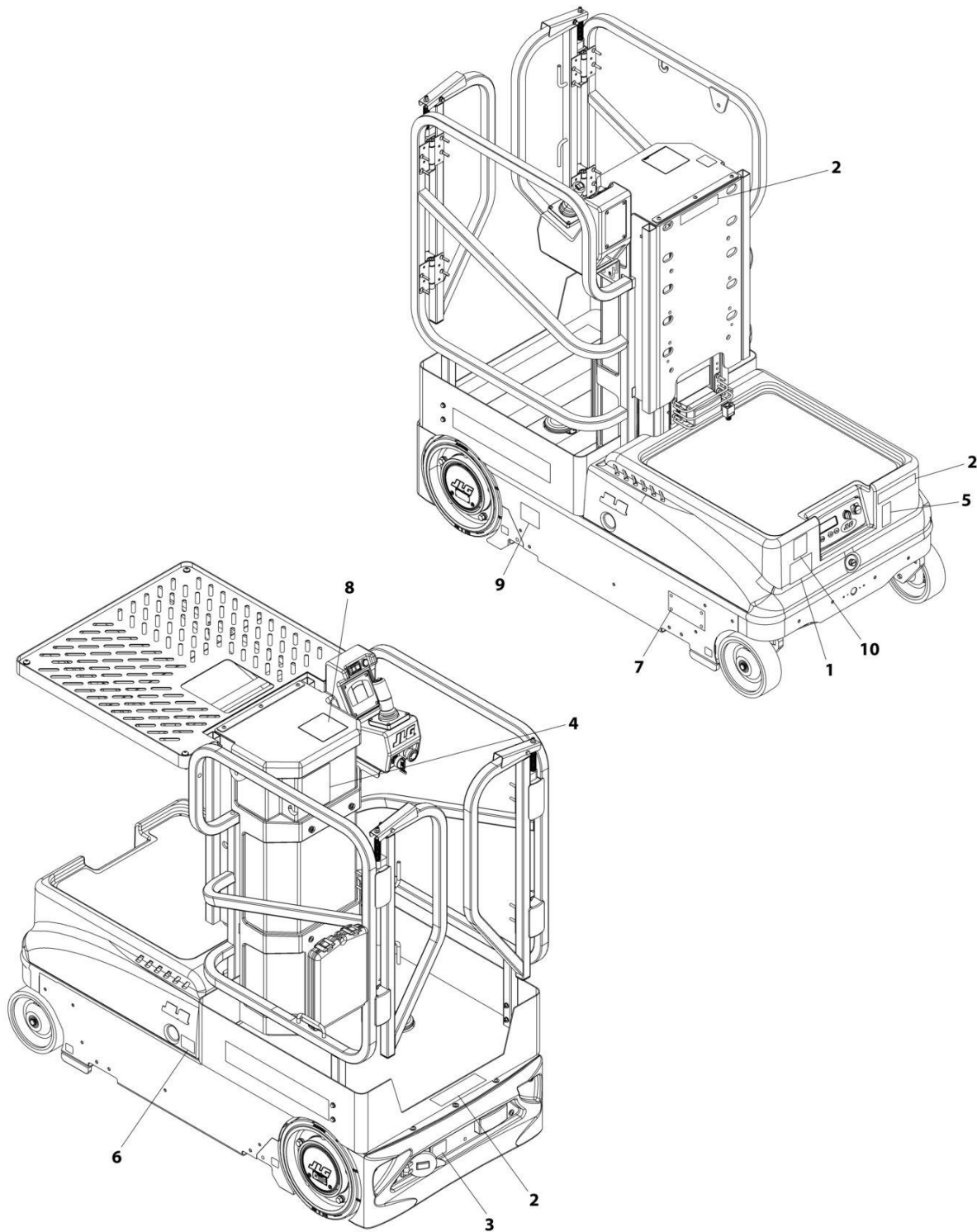
SECTION 8 - DECALS

FIGURE 8-14. DECAL INSTALLATION - CSA SPECS (FRENCH LANGUAGE) (POWER TRAY)

ITEM	PART NUMBER	QTY	DESCRIPTION	REV
	1001254446	Ref	DECALS INSTALLATION	A
1	1704795	1	Decal - Electrical Hazard	
2	1706094	3	Decal - Crushing Hazard	
3	1706095	1	Decal - Danger	
4	1706096	1	Decal - Warning	
5	1706119	1	Decal - Fall Restraint	
6	1706617	1	Decal - No Riders	
7	1706740	1	Decal - Battery Disconnect	
8	2080057	2	Fastener	
9	1001093992	1	Decal - Pinch Point	
10	1001131273	1	Decal - Patent	
11	1001223971	1	Decal - Yearly Inspection	
12	1001228370	1	Decal - Canada ICES-001	
13	1001233055	1	Decal - Battery Charging Instruction	
14	1001254433	1	Decal - Capacity	
15	1001255190	1	Decal - Capacity	

SECTION 8 - DECALS

FIGURE 8-15. DECAL INSTALLATION - JAPAN SPECS (JAPANESE LANGUAGE) (MANUAL TRAY)



ART_1001254443

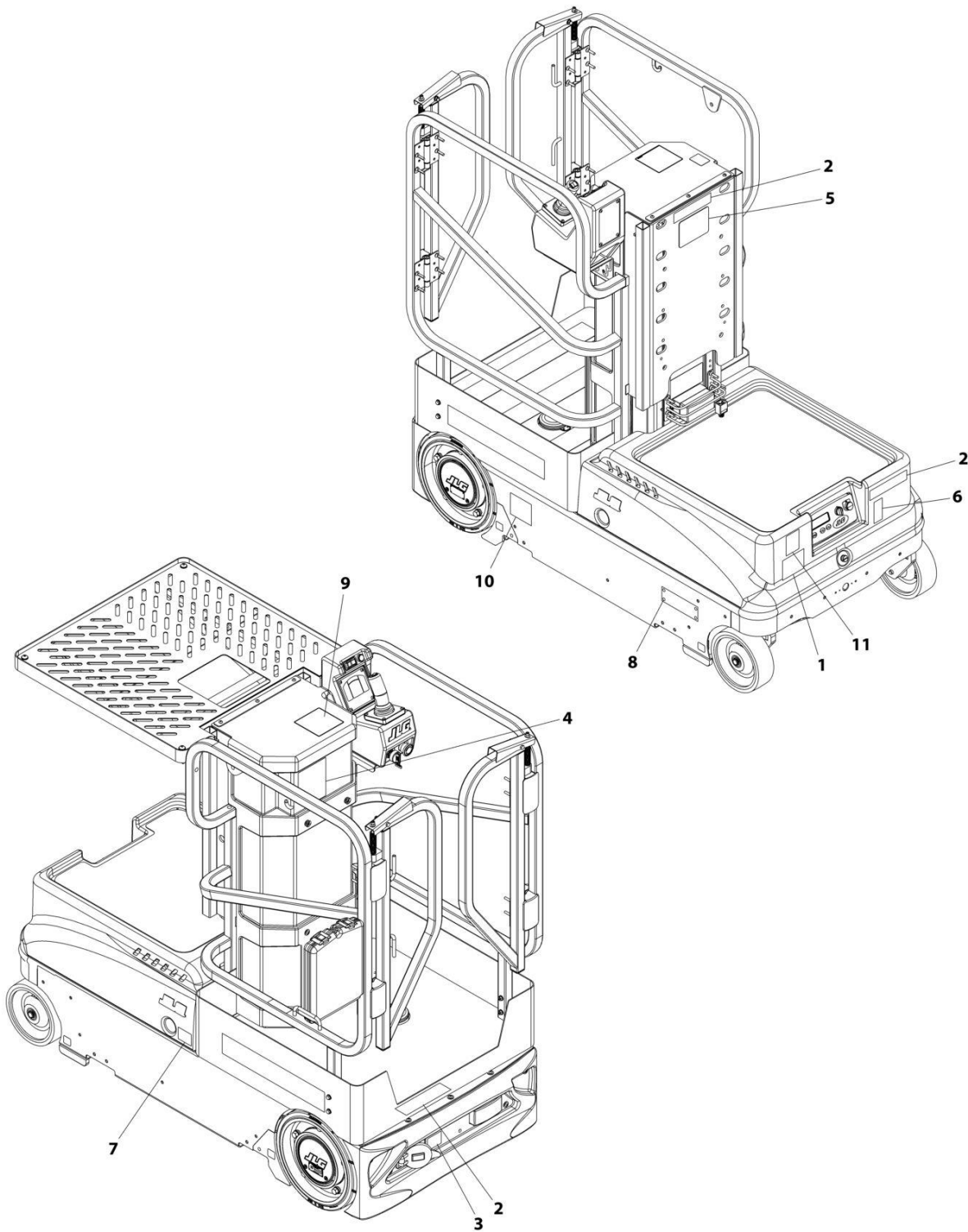
SECTION 8 - DECALS

FIGURE 8-15. DECAL INSTALLATION - JAPAN SPECS (JAPANESE LANGUAGE) (MANUAL TRAY)

ITEM	PART NUMBER	QTY	DESCRIPTION	REV
	1001254443	Ref	DECALS INSTALLATION	A
1	1704086	1	Decal - Electrical Hazard	
2	1705099	3	Decal - Crushing Hazard	
3	1706077	1	Decal - Battery Charging Instruction	
4	1706078	1	Decal - Warning	
5	1706617	1	Decal - No Riders	
6	1706740	1	Decal - Battery Disconnect	
7	2080057	4	Fastener	
8	1001207206	1	Decal - Capacity	
9	1001224053	1	Decal - Yearly Inspection	
10	1001255190	1	Decal - Capacity	

SECTION 8 - DECALS

FIGURE 8-16. DECAL INSTALLATION - JAPAN SPECS (JAPANESE LANGUAGE) (POWER TRAY)



ART_1001254452

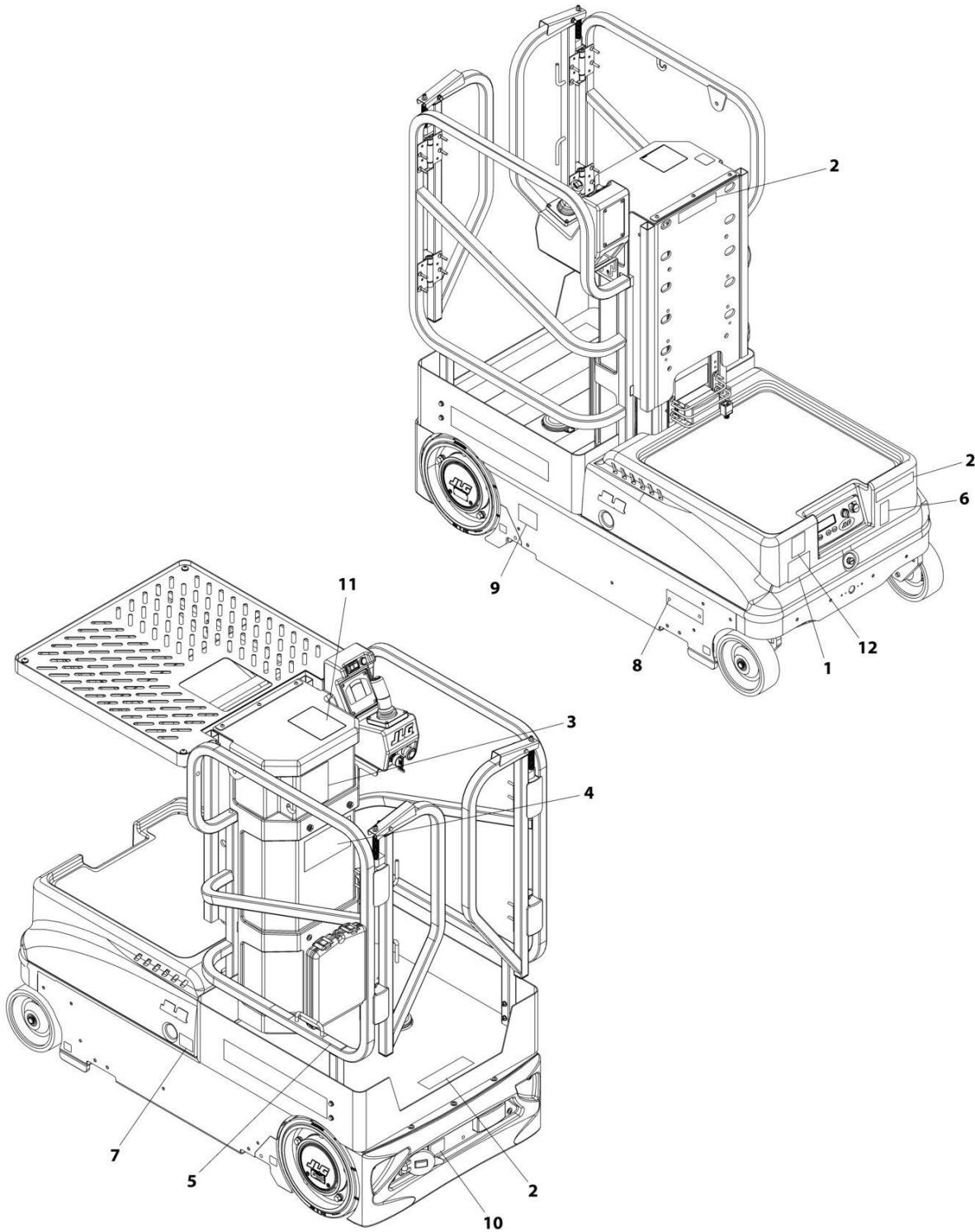
SECTION 8 - DECALS

FIGURE 8-16. DECAL INSTALLATION - JAPAN SPECS (JAPANESE LANGUAGE) (POWER TRAY)

ITEM	PART NUMBER	QTY	DESCRIPTION	REV
	1001254452	Ref	DECALS INSTALLATION	A
1	1704086	1	Decal - Electrical Hazard	
2	1705099	3	Decal - Crushing Hazard	
3	1706077	1	Decal - Battery Charging Instruction	
4	1706078	1	Decal - Warning	
5	1706292	1	Decal - Pinch Point	
6	1706617	1	Decal - No Riders	
7	1706740	1	Decal - Battery Disconnect	
8	2080057	4	Fastener	
9	1001202686	1	Decal - Capacity	
10	1001224053	1	Decal - Yearly Inspection	
11	1001255190	1	Decal - Capacity	

SECTION 8 - DECALS

FIGURE 8-17. DECAL INSTALLATION - LATIN AMERICAN SPECS (SPANISH LANGUAGE) (MANUAL TRAY)



ART_1001254439

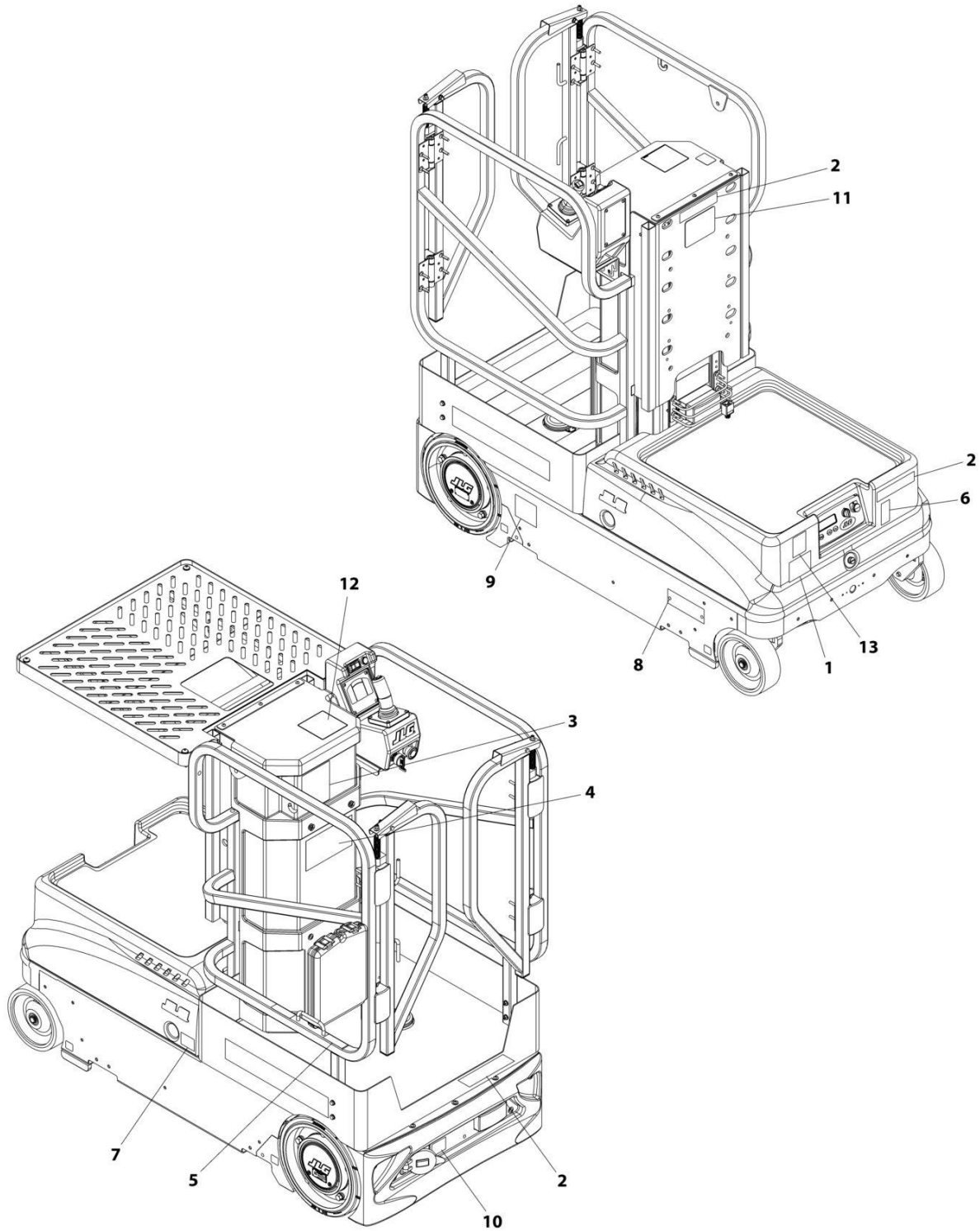
SECTION 8 - DECALS

FIGURE 8-17. DECAL INSTALLATION - LATIN AMERICAN SPECS (SPANISH LANGUAGE) (MANUAL TRAY)

ITEM	PART NUMBER	QTY	DESCRIPTION	REV
	1001254439	Ref	DECALS INSTALLATION	A
1	1704029	1	Decal - Electric Hazard	
2	1706082	3	Decal - Crushing Hazard	
3	1706083	1	Decal - Danger	
4	1706084	1	Decal - Warning	
5	1706116	1	Decal - Fall Restraint	
6	1706617	1	Decal - No Riders	
7	1706740	1	Decal - Battery Disconnect	
8	2080057	2	Fastener	
9	1001224049	1	Decal - Yearly Inspection	
10	1001233056	1	Decal - Battery Charging Instruction	
11	1001254432	1	Decal - Capacity	
12	1001255190	1	Decal - Capacity	

SECTION 8 - DECALS

FIGURE 8-18. DECAL INSTALLATION - LATIN AMERICAN SPECS (SPANISH LANGUAGE) (POWER TRAY)



ART_1001254448

SECTION 8 - DECALS

FIGURE 8-18. DECAL INSTALLATION - LATIN AMERICAN SPECS (SPANISH LANGUAGE) (POWER TRAY)

ITEM	PART NUMBER	QTY	DESCRIPTION	REV
	1001254448	Ref	DECALS INSTALLATION	A
1	1704029	1	Decal - Electrical Hazard	
2	1706082	3	Decal - Crushing Hazard	
3	1706083	1	Decal - Danger	
4	1706084	1	Decal - Warning	
5	1706116	1	Decal - Fall Restraint	
6	1706617	1	Decal - No Riders	
7	1706740	1	Decal - Battery Disconnect	
8	2080057	2	Fastener	
9	1001224049	1	Decal - Yearly Inspection	
10	1001233056	1	Decal - Battery Charging Instruction	
11	1001233727	1	Decal - Pinch Point	
12	1001254433	1	Decal - Capacity	
13	1001255190	1	Decal - Capacity	

SECTION 9 - RECOMMENDED SERVICE PARTS STOCK

SECTION 9 - RECOMMENDED SERVICE PARTS STOCK

SECTION 9 - RECOMMENDED SERVICE PARTS STOCK

FIGURE 9-1. RECOMMENDED SERVICE PARTS STOCK

ITEM	PART NUMBER	QTY	DESCRIPTION	REV
		Ref	Note: The following list will service one machine (built to current production per date on the front cover) with emergency repair parts which can be installed in the field. Parts from the list should be replaced when inventory is depleted to keep service parts stock supplied. For further information, contact your JLG dealer or the JLG Industries Parts Department.	
	7011069	1	Breather	
	70006455	1	Coil (Lift Cylinder)	
	1001098192	1	Controller Assembly	
	70007296	12	Filter (Power Tray Pump)	
	2120183	12	Filter, In-Line Pressure	
	2400054	2	Fuse 35Amp (Power Tray Installation)	
	2400069	2	Fuse 175 Amp	
	2860030	1	Key, Replacement	
	1001228458	1	Module, Controller	
	1001255259	1	Module, Ground Control Station (All Specs Except Japanese Specs)	
	1001255260	1	Module, Ground Control Station (Chinese and Japanese Specs)	
	1001231450	1	Module, Traction	
	1001229990	1	Relay (Obstruction Sensing Pad)	
	260269	1	Relay, Inverter (Power Tray Installation)	
	4360514	1	Sensor, Proximity (Batteries, Alarm & Strobe Installation)	
	1001230161	1	Sensor, Proximity (Platform Assembly)	
	1001164530	1	Switch (Power Tray Installation)	
	4360562	1	Switch, Emergency Stop	
	1001229726	1	Switch, Foot	
	4360567	1	Switch, Horn	
	4360467	1	Switch, Key	
	1001208283	1	Switch, Left Hand Control	
	1001210573	1	Switch, Obstruction Pad (Obstruction Sensing Pad)	

SECTION 10 - SPECIAL OPTIONS/ACCESSORIES/KITS

SECTION 10 - SPECIAL OPTIONS/ACCESSORIES/KITS

SECTION 10 - SPECIAL OPTIONS/ACCESSORIES/KITS

FIGURE 10-1. SPECIAL OPTIONS/ACCESSORIES/KITS

ITEM	PART NUMBER	QTY	DESCRIPTION	REV
		Ref	Note: This list is to accomodate machines ordered with special equipment. Options may not be applicable to all models. For more specific parts information contact JLG Parts Department.	
	1001266740	Ref	Beacon Lamp, 10MSP Kit	
	1001266741	Ref	Beacon Lamp, 10MSP Kit	
	DO_NOT_USE- 1001276923	Ref	ClearSky, GT1030 Kit	
	1001229107	Ref	ClearSky Telematics 3 Wire Installation (Factory Installed) (North American Specs)	
	1001233237	Ref	ClearSky Telematics 3 Wire Installation (Factory Installed) (CE & UK CA Spec) (Prior to SN 0130040292)	
	1001276919	Ref	ClearSky Telematics 3 Wire Installation (Factory Installed) (All Spec) (Prior to SN 0130040292)	
	1580029	Ref	Container, Shipping Skid (SN 0130040292 to Present)	
		Ref	Decals Installations	
	1001311428	Ref	Decal - 10MSP Decal Kit	
	1001229710	Ref	Decal - Clear Sky	
	1001214031	Ref	Decal - EAC (Russian/CIS Specs)	
	See Note	NSS	Nameplate - Serial Number (Note: Not Available for Purchase)	
	1001234482	Ref	Obstruction Sensing Pad Kit	
	1001234481	Ref	Power Material Tray Kit	
	1001234483	Ref	Remote Manual Decent Kit	
	1001213967	Ref	Security Lock Installation	
	1001234832	Ref	Service Kit	D
	31201384	Ref	Video Operators CD	
	1001262959	Ref	Voltage Regulator ClearSky Locate Kit	

SECTION 10 - SPECIAL OPTIONS/ACCESSORIES/KITS

PART NUMBER INDEX

SECTION 10 - SPECIAL OPTIONS/ACCESSORIES/KITS

0100011.....13, 17, 19, 25, 39, 43, 45, 47, 49, 51, 53, 55, 57, 59, 61, 63, 65, 73, 77, 83, 87, 89, 91, 99, 113, 115, 117, 119, 121, 125, 127	0760807..... 93	1001197889 131, 133	1001228398..... 93
0100019.....71, 74, 78, 89	0760810..... 93	1001201909 29	1001228458..... 65, 182
0100051.....39, 127	0760814..... 93	1001201910 29	1001228495..... 65, 125
0100062.....74, 78	0760818..... 29	1001202686 155, 163, 175	1001228538..... 17, 19
0100081..... 13	0761014..... 93	1001204273 23	1001228539..... 17, 19
0140022.....39, 127	0791003. 39, 73, 77, 125, 127	1001204754 93	1001228540..... 17
0140033.....61, 63	0791404..... 65	1001204755 93	1001228541..... 17, 19
0240103.....25	0791508..... 43	1001204756 93	1001228543..... 17
0240112..... 103	0791812..... 73, 77	1001204770 93	1001228835..... 65
0240114.....21	0801394..... 71, 73, 77	1001204771 93	1001228847..... 89
0273417.....74, 78	0811408..... 73, 77	1001204772 93	1001228848..... 91
0273545.....71	0811610..... 21, 89	1001204779 93	1001228849..... 13
0273546.....113, 115, 117	0902047..... 73, 77	1001204783 93	1001228850..... 13
0274078.....23	0902423..... 73, 77	1001204787 93	1001228852..... 17, 19
0274181..... 119, 121	0902424..... 73, 77	1001204791 93	1001228853..... 91
0274898.....41	0902431..... 73, 77	1001205547 93	1001228854..... 89, 91
0274900.....43	0902445..... 73, 77	1001205548 93	1001228873..... 87
0362735.....73, 77	0902698..... 73, 77	1001205549 93	1001228874..... 87
0440246.....73, 77	0903120..... 25	1001205550 93	1001228875..... 83
0440249.....73, 77	0903121..... 25	1001205701 93	1001228876..... 83
0440306..... 13	0940049..... 17, 19	1001205719 93	1001228994..... 27
0440307..... 13	0940132..... 13	1001205838 93, 109	1001229107..... 184
0440308..... 13	0940152..... 23	1001206177 29	1001229115..... 94
0561149.....74, 78	1001081050..... 125	1001206261 29	1001229116..... 94
0561153.....74, 78	1001091679..... 99	1001206460 125	1001229310..... 13, 15
0561341.....73, 77	1001091680..... 99	1001206615 101	1001229682..... 39
0561408.....74, 78	1001093992..... 171	1001207206 153, 161, 173	1001229683..... 39, 127
0561409.....74, 78	1001097449..... 47	1001207339 125, 133	1001229684..... 39, 127
0610131.....41, 43	1001097450..... 55	1001207630 39	1001229710..... 184
0630448.....74, 78	1001097451..... 57	1001208283 125, 182	1001229725..... 29
0630464.....65	1001097452..... 53	1001208602 93, 97	1001229726... 83, 87, 182
0630580..... 13	1001097453..... 49	1001210379 93	1001229778..... 17
0641404...39, 61, 63, 127	1001097454..... 51	1001210491 93, 141	1001229990..... 27, 182
0641406.....29, 125	1001097455..... 59	1001210530 93	1001230161... 83, 87, 182
0641408.23, 39, 125, 127	1001097456..... 45	1001210531 19	1001230219..... 145, 147
0641410.....23	1001098192.. 65, 67, 182	1001210573 27, 182	1001231257..... 93
0641412..... 125	1001098193..... 65	1001210574 27	1001231450... 61, 63, 182
0641413..... 13	1001098810..... 13	1001212654 139	1001231801..... 149, 151
0641414..... 13, 103	1001099638..... 83, 87	1001212655 139	1001233045..... 17
0641415.....87	1001100141..... 87	1001212656 139	1001233046..... 19
0641416.....83, 87	1001100142..... 87	1001212657 139	1001233054..... 149, 151
0641507.....99	1001100634..... 87	1001212660 139	1001233055..... 169, 171
0641606.....25, 113, 115, 117, 119, 121	1001101529..... 87	1001212661 139	1001233056..... 177, 179
0641607..... 13	1001102771..... 135	1001213582 145, 147	1001233057..... 157, 159
0641609..... 13, 25, 71	1001109821.. 41, 43, 135	1001213967 184	1001233058..... 165, 167
0641612.....71	1001112143..... 125	1001214031 184	1001233237..... 184
0641613.....89	1001114467..... 13	1001214996 133	1001233727..... 179
0641616.....81, 85	1001116792..... 125	1001215135 133	1001233728..... 159
0641617..... 17, 19, 25	1001118156..... 131	1001215226 125, 131	1001233729..... 167
0681414.....83, 87	1001121700..... 39, 127	1001215633 133, 137	1001234322..... 17, 19
0700617.....93	1001131273..... 149, 151, 169, 171	1001215635 133, 137	1001234481..... 184
0721004....49, 51, 53, 55, 57, 93	1001136381..... 41, 43	1001217893 133	1001234482..... 184
0721006.....73, 77	1001143557..... 145, 147	1001222318 101	1001234483..... 184
0721010.....61, 63	1001144295..... 133	1001223055 149, 151	1001234832..... 184
0741004..... 125	1001151629..... 137	1001223971 169, 171	1001254425..... 81
0741005.....39, 127	1001153723..... 133	1001224049 177, 179	1001254426..... 81, 83
0741006.....93	1001157665..... 19	1001224051 165, 167	1001254427..... 85
0741614.....81, 85	1001158844..... 163	1001224052 157, 159	1001254428..... 85, 87
0751003.....83, 87	1001164530..... 93, 182	1001224053 173, 175	1001254432..... 149, 157, 165, 169, 177
0760408.....27	1001171824..... 19	1001227882 125, 139	1001254433..... 151, 159, 167, 171, 179
	1001171856..... 91	1001227884 65, 137	1001254436..... 149
	1001171869..... 91	1001228236 93	1001254437..... 169
	1001177558..... 39	1001228370 149, 151, 169, 171	1001254438..... 161
	1001181407..... 89	1001228387 137	1001254439..... 177
	1001187862..... 39		1001254440..... 157

SECTION 10 - SPECIAL OPTIONS/ACCESSORIES/KITS

1001254441	165	1704795	169, 171	280013.....	87	3890039.....	73, 77
1001254442	153	1705099 ...	153, 155, 161, 163, 173, 175	2860030.....	65, 182	3900174.....	17, 19
1001254443	173	1705802 ...	153, 155, 161, 163	2880310.....	73, 77	3900187.....	73, 77
1001254445	151	1705937	149, 151	2940165.....	91	3900189.....	65
1001254446	171	1705938	149, 151	3020029.....	13	3900192.....	73, 77
1001254447	163	1705992	145, 147	3020038.....	39, 125, 127	3900200.....	125
1001254448	179	1705995	149, 151	3020039.....	13	3900205.....	83, 87
1001254449	159	1706007	65	3020041.....	73, 77	3900258.....	17, 19
1001254450	167	1706077 ...	153, 155, 161, 163, 173, 175	31201384.....	184	3900264.....	125
1001254451	155	1706078 ...	153, 155, 161, 163, 173, 175	3251813.....	149, 151	3900283.....	25
1001254452	175	1706082	177, 179	3271405.....	13	3900364.....	93
1001255190	149, 151, 153, 155, 157, 159, 161, 163, 165, 167, 169, 171, 173, 175, 177, 179	1706083	177, 179	3271601.....	89	3900373.....	125
1001255194	83, 87	1706084	177, 179	3290401.....	39, 127	3900393.....	91
1001255259	61, 182	1706086	157, 159	3290405.....	27	3910408.....	133
1001255260	63, 182	1706087	157, 159	3290605.....	93	3910608.....	65
1001255261	61	1706088	157, 159	3290801.....	29, 93	3910804.....	65
1001255262	63	1706090	165, 167	3290807.....	93	3911016....	43, 45, 47, 59
1001258016	39, 127	1706091	165, 167	3291007.....	91, 93	3911432.....	19
1001258436	39, 127	1706092	165, 167	3300151.....	87	3931016.....	39, 127
1001262959	184	1706094	169, 171	3300381.....	87	3931412.....	99
1001266740	184	1706095	169, 171	3300454.....	17, 19	3931420.....	23
1001266741	184	1706096	169, 171	3310401.....	133	3931456.....	87
1001271755	145, 147	1706099	165, 167	3310601.....	65	3960590.....	13
1001271762	145	1706094	169, 171	3311001.....	43, 59	4031509.....	39, 127
1001271763	147	1706095	169, 171	3311005.....	65, 93	4031511.....	39, 127
1001272257	127	1706096	169, 171	3311401.....	73, 77	4031910.....	93
1001272917	83, 87	1706116	177, 179	3311405....	23, 39, 83, 87, 99, 103, 125, 127	4060805.....	17, 19, 91
1001273307	125	1706117	165, 167	3311408.....	73, 77	4070860.....	73, 77
1001276919	184	1706118	157, 159	3311501.....	43, 99	4070861.....	73, 77
1001287011 ..	73, 77, 107	1706119	169, 171	3311601.....	71, 73, 77	4070862.....	73, 77
1001287646	74, 78	1706131	145, 147	3311605....	13, 17, 19, 21, 25, 81, 85, 125	4070970.....	73, 77
1001303831 ..	37, 115, 117, 121	1706292 ...	155, 163, 175	3311605....	13, 17, 19, 21, 25, 81, 85, 125	4070971.....	73, 77
1001304148	115, 117, 121	1706302	151	3321402.....	29	4071084.....	39, 127
1001311428	184	1706617 ...	149, 151, 153, 155, 157, 159, 161, 163, 165, 167, 169, 171, 173, 175, 177, 179	3340845.....	73, 77	4071095.....	83, 87
1060689	41	1706740 ...	149, 151, 153, 155, 157, 159, 161, 163, 165, 167, 169, 171, 173, 175, 177, 179	3340962.....	83, 87, 89	4071113.....	13
1060943	39, 127	2080040	83, 87	3380540.....	65	4071114.....	13
1060944	39, 127	2080043	83, 87	3422338.....	74, 78	4120046.....	43
1180397	133	2080057 ...	149, 151, 153, 155, 157, 159, 161, 163, 165, 167, 169, 171, 173, 175, 177, 179	3422346.....	74, 78	4160124.....	73, 77
1260375	73, 74, 77, 78	2110604	78	3422355.....	74, 78	4160130.....	125
1260376	73, 74, 77, 78	2110606	34, 78, 117, 121	3422717.....	73, 77	4160187.....	23
1271567	73, 77	2120183 ...	113, 115, 117, 119, 121, 182	3422750.....	73, 77	4191706.....	41, 43, 125
1271568	73, 77	2130606	115, 117, 121	3422752.....	73, 77	4220309.....	83, 87
1271569	73, 77	2220466	93	3422757.....	73, 77	4240018.....	125
1271577	73, 77	2220591	74, 78	3440410.....	29	4240147.....	13
1320041	125	2221123 ...	113, 115, 117, 119, 121	3440418.....	29	4300111.....	74, 78
1320149	125	2221172	74	3450302.....	91	4340884.....	65
1380169	17, 19	2221173	74	3450304.....	74, 78	4341005.....	103
1580029	184	2221185	34, 113, 119	3520072.....	83, 87	4341155.....	13
1580031	103	2300014	113, 115, 117	3570893.....	73, 77	4360467.....	65, 182
1600466	41, 43	2300021	119, 121	3571101.....	74, 78	4360514.....	39, 127, 182
1701640	145, 147	2400044	39, 93, 127	3571103.....	74, 78	4360562.....	65, 182
1703681	145, 147	2400054	93, 182	3571584....	49, 51, 53, 55, 57	4360567.....	65, 182
1703779	151	2400069	39, 127, 182	3580269.....	73, 77	4460035.....	83, 87
1703781	149, 151	2600294	83, 87	3580286.....	73, 77	4460226....	131, 133, 135
1703786	149, 151	260269	93, 182	3580293.....	73, 77	4460259.....	141
1704021	157, 159	2754025	113, 119	3580344.....	125	4460260.....	141
1704029	177, 179			3600392.....	33, 113, 119	4460267.....	133, 139
1704077	165, 167			3680057.....	43	4460268.....	125, 141
1704086	173, 175			3760115.....	13	4460312.....	133, 141
1704412 ...	113, 115, 117, 119, 121			3760308.....	17, 19	4460320 83, 87,	131, 133, 139
				3760365.....	21	4460326.....	141
				3760383.....	73, 77	4460424.....	125, 133
				3760496.....	13	4460428 ...	49, 51, 53, 55, 57
				3820013.....	39, 127	4460445.....	133
				3820032.....	145, 147	4460464.....	129, 139

SECTION 10 - SPECIAL OPTIONS/ACCESSORIES/KITS

4460465.....	133, 135	4751400...19, 23, 39, 127	70007196	15	7011004.....	33
4460466.....	139	4751500.... 43, 74, 78, 99	70007197	15	7011008.....	33
4460633.....	133	4760400	70007198	15	7011009.....	33
4460670.....	133	4761000	70007199	15	7011011.....	33
4460738.....	129, 133, 141	4761400	70007200	15	7011013.....	33
4460802.....	45, 47, 59	4811400	70007201	15	7011016.....	33
4460803.....	47	4811700	70007202	15	7011017.....	33
4460829.....	141	4811702	70007203	15	7011021.....	33
4460891.....	133	4811900	70007204	15	7011024.....	33
4460894.....	135	4812000	70007205	15	7011025.....	33
4460897.....	129	4891400	70007206	15	7011027.....	33
4460899.....	139	4923022	70007207	15	7011029.....	33
4460940.....	59	4923023	70007292	97	7011031.....	33
4460961.....	135	4923024	70007293	97	7011032.....	33
4461023.....	133, 137	4923028	70007294	97	7011033.....	33
4461025.....	133	4923029	70007295	97	7011034.....	33
4461108.....	129	4923107	70007296	97, 182	7011069.....	33, 182
4461196.....	49	4923108	70007297	97	7024747.....	15
4461199.....	51	4923174	70007298	97	7024748.....	15
4461205.....	55, 57	4923383	70007299	97	7024756.....	15
4461249.....	53	4923438	70007300	97	7024758.....	15
4520342.....	13	4923446	70007301	97	7024786.....	15
4520343.....	13	70000082	70007302	97	7027365.....	67
4520352.....	25	70000084	70007303	97	7027367.....	67
4567491.....	73, 77	70000683	70007304	97	7027765.....	67
4567750.....	73, 78	70000684	70007305	97	7027766.....	67
4567751.....	74, 78	70000685	70007306	97	7027943.....	33
4569003.....	74, 78	70000686	70007951	107	7027944.....	33
4711000....	49, 51, 53, 55, 57, 93, 125	70001250	70007952	107	7027945.....	33
4711400....	13, 17, 29, 74, 78, 83, 87, 99, 125	70001251	70007953	107	7027946.....	33
4711500.....	74, 78	70001252	70007954	107	7027947.....	33
4711600....	13, 17, 19, 21, 71, 81, 85, 89, 91	70001253	70007955	107	7027948.....	33
4740007.....	74, 78	70006455	70007956	107	7027949.....	33
4740139.....	17, 19	70006456	70007957	107	8220904.....	141
4740414.....	74, 78	70006457	70022700	109	8305919.....	93
4750800.....	125	70007190	70022703	109	8406112.....	125
4751000.....	61, 63	70007191	70022704	109	8882320.....	101
4751200.....	125	70007192	70022705	109	8882970.....	13
		70007193	70024262	107	8990147.....	145, 147
		70007194	70025961	107	DO_NOT_USE-	
		70007195	7010928	33	1001276923.....	184



Corporate Office
JLG Industries, Inc.
1 JLG Drive
McConnellsburg, PA 17233-9533 USA
☎ **(717) 485-5161 (Corporate)**
☎ **(877) 554-5438 (Customer Support)**
📠 **(717) 485-6417**

Visit our website for JLG Worldwide Locations.
www.jlg.com



OSHKOSH™