



Illustrated Parts Manual

Models
E18MCL
E18MML
E18MSP

P/N
31221301

July 15, 2024 - Rev E

ANSI

CE



**UK
CA**

AS/NZS



An Oshkosh Corporation Company

REVISION LOG

September 1, 2022 - A - Original Issue of Manual (Edited to B/M 1001280000 Revision E)

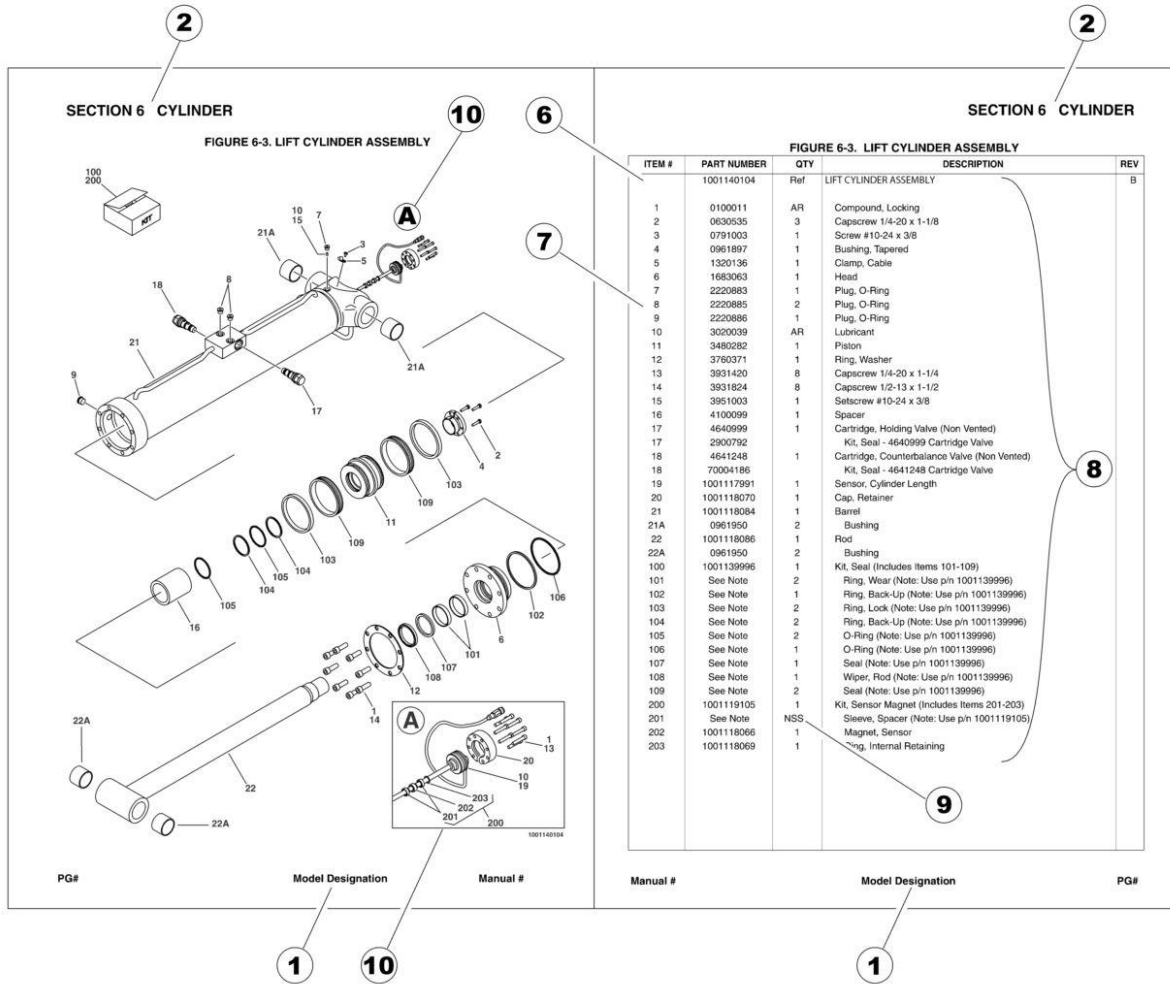
May 1, 2023 - B - Revised Manual (Edited to B/M 1001280000 Revision F)

August 28, 2023 - C - Revised Manual (Edited to B/M 1001280000 Revision G)

January 15, 2024 - D - Revised Manual (Edited to B/M 1001280000 Revision G)

July 15, 2024 - E - Revised Manual (Edited to B/M 1001280000 Revision G)

GENERAL INFORMATION



1) MACHINE IDENTIFICATION

Machines are identified by model and in some cases a combination of models, serial number (SN) or regional standard (i.e ANSI, CE, CSA). Components may also be identified by SN or manufacturer. Common components that may be identified by these characteristics are engines and hydraulic components.

2) PARTS MANUAL ORGANIZATION

Product information in this manual is organized under section titles. Frame, Cylinder, Hydraulic and Electrical are a few examples. Each section is organized by figure and page number. The information within the Figure is then organized by item number, part number, description and corresponding illustration (s).

3) TABLE OF CONTENTS (NOT SHOWN)

A table of contents is found toward the beginning of the manual. Figure number, description and page number are provided for quick reference to the page containing the related information.

4) RECOMMENDED SPARE PARTS (NOT SHOWN)

The Recommended Spare Parts List, located near the end of the manual, reference most frequently used maintenance parts.

5) PART NUMBER INDEX (NOT SHOWN)

A numerical index listing all part numbers and the corresponding page number(s) appears at the back of the manual.

GENERAL INFORMATION

6) NON-SERVICED PARTS

In some instances, it is necessary to display non-serviced parts, assemblies or installations. In the case of assemblies and installations there will be a Ref in the Qty. column. In case of parts that are not available for service within assemblies or components, there will be a NSS (Not Sold Separately) or NLA (No Longer Available) listed in the Qty. column of the manual.

7) PARTS LIST ITEM NUMBERS

Numbers shown in the item# column correspond to numbers used in the associated illustration (s). Item numbers which are missing from the sequence in the parts list are not used on that page.

8) INDENTED PARTS DESCRIPTION

An indented part description is included in the item under which it is indented.

9) ABBREVIATION AND SYMBOLS

AC.....	Alternating Current	L.....	Liter
ADE.....	Advanced Design Electronics	LB(LBS).....	Pounds
AG.....	Agricultural	LCD.....	Liquid Crystal Display
ANSI.....	American National Standards Institute	LED.....	Light Emitting Diodes
AR.....	As Required	LH.....	Left Hand
ASSY.....	Assembly	LRC.....	Low Rated Countries
AUS.....	Australia	LSS.....	Load Sensing System
AUX.....	Auxiliary	M(m).....	Metric/Meter
AWG.....	American Wire Gauge	MM(mm).....	Milimeter
B/M.....	Bill of Material	mA.....	Miliamps
CAC.....	Charge Air Cooler	NLA.....	No Longer Available
CE.....	European Conformity	NPT.....	National Pipe Threads
CCW.....	Counter Clockwise	NSS.....	Not Sold Separately
CM.....	Centimeter	OD.....	Outside Diameter
CW.....	Clockwise	ORB.....	O-Ring Boss
CSA.....	Canadian Standards Association	ORFS.....	O-Ring Face Seal
CYL.....	Cylinder	OZ (oz).....	Ounces
DIA.....	Diameter	PG.....	Page
DC.....	Direct Current	PN.....	Part Number
DEF.....	Diesel Exhaust Fluid	QT(qt.).....	Quarts
EMS.....	Emergency Stop	QTY.....	Quantity
ENG.....	Engine	REF.....	Reference
FT(ft).....	Feet	REV.....	Revision Level
GA(Ga).....	Gauge	RH.....	Right Hand
HRC.....	High Rated Countries	SAE.....	Society of Automotive Engineers
HVAC.....	Heating, Ventilating, and Air Conditioning	SN.....	Serial Number
HYD.....	Hydraulic	SPEC(S).....	Specifications
Hz.....	Hertz	T/T.....	Turntable
ID.....	Inside Diameter	UGM.....	Universal Ground Module
IN.....	inches	V.....	Volts
ISO.....	International Organization for Standards	W.....	Watts
JIC.....	Joint Industry Council	#.....	Number
KG.....	Kilogram		

10) ILLUSTRATION REFERENCE LETTERS

When necessary, illustrations may contain reference letters that are intended to track information (i. e. hoses, harnesses) from one point to another or to track visual enlargement of components to show details that may be located in another area on the illustration.

Note: Due to continuous product improvements, JLG Industries, Inc. reserves the right to make specification changes without prior notification. Contact JLG Industries, Inc. for updated information.

TABLE OF CONTENTS

SECTION 1 - FRAME.....	11
FIGURE 1-1. STEER INSTALLATION - CASTER (Prior to SN 0130040291)	12
FIGURE 1-2. STEER INSTALLATION - HYDRAULIC (SN 0130040291 to Present)	14
FIGURE 1-3. DRIVE INSTALLATION.....	16
FIGURE 1-4. DRIVE/HUB ASSEMBLY	18
FIGURE 1-5. TIRE & WHEEL INSTALLATION	20
FIGURE 1-6. POTHOLE PROTECTION INSTALLATION	22
FIGURE 1-7. CLEAN GUARD INSTALLATION (E18MCL)	24
FIGURE 1-8. CLEAN GUARD INSTALLATION (E18MML,E18MSP)	26
FIGURE 1-9. FRAME COVERS INSTALLATION (BOTTOM) (MACHINES WITHOUT CLEAN GUARD).....	28
FIGURE 1-10. FRAME COVERS INSTALLATION (TOP)	30
FIGURE 1-11. BUMPER INSTALLATION	32
FIGURE 1-12. BUMPERS INSTALLATION.....	34
FIGURE 1-13. LADDER INSTALLATION	36
SECTION 2 - CONTROLS	39
FIGURE 2-1. HYDRAULIC COMPONENTS INSTALLATION (WITH CASTER STEER)	40
FIGURE 2-2. HYDRAULIC COMPONENTS INSTALLATION (WITH HYDRAULIC STEER)	42
FIGURE 2-3. MOTOR/PUMP/TANK ASSEMBLY.....	44
FIGURE 2-4. VALVE ASSEMBLY - MAIN (WITH HYDRAULIC STEER ONLY)	46
FIGURE 2-5. ELECTRICAL COMPONENTS INSTALLATION	48
FIGURE 2-6. BATTERY CHARGER INSTALLATION	50
FIGURE 2-7. BEACON STROBE LIGHT INSTALLATION	52
FIGURE 2-8. LOAD SENSING SYSTEM (LSS) INSTALLATION	54
FIGURE 2-9. MOBILE CONTROL INSTALLATION.....	56
FIGURE 2-10. TILT SENSOR INSTALLATION	58
FIGURE 2-11. PLATFORM CONSOLE BOX ASSEMBLY (E18MCL)	60
FIGURE 2-12. PLATFORM CONSOLE BOX ASSEMBLY (E18MML,E18MSP)	62
FIGURE 2-13. HOOD INSTALLATION.....	64
SECTION 3 - MAST	67
FIGURE 3-1. MAST INSTALLATION.....	68
FIGURE 3-2. MAST ASSEMBLY	70
FIGURE 3-3. MAST ASSEMBLY (SN M130012654 to Present)	76
FIGURE 3-4. MAST ASSEMBLY (SN M130014568 to Present)	82
SECTION 4 - PLATFORM.....	87
FIGURE 4-1. PLATFORM INSTALLATION - 22IN X 26IN (CEILING TILE INSTALLER).....	88
FIGURE 4-2. PLATFORM INSTALLATION - 28IN X 29.5IN (NON - EXTENDABLE/ALUMINUM TRAY/SALOON DOOR ENTRY)	90
FIGURE 4-3. PLATFORM INSTALLATION - 28IN X 29.5IN (NON - EXTENDABLE/MOLDED TRAY/DROPBAR ENTRY)	92
FIGURE 4-4. PLATFORM INSTALLATION - 28IN X 29.5IN (NON - EXTENDABLE/MOLDED TRAY/SALOON DOOR ENTRY)	94
FIGURE 4-5. PLATFORM INSTALLATION - 29.5IN X 51IN (EXTENDABLE/NO TRAY/DROPBAR ENTRY)	96
FIGURE 4-6. PLATFORM INSTALLATION - 29.5IN X 51IN (EXTENDABLE/NO TRAY/SALOON DOOR ENTRY)	100
FIGURE 4-7. PLATFORM INSTALLATION - 29.6IN X 26IN (NON - EXTENDABLE/NO TRAY/DROPBAR ENTRY).....	104
FIGURE 4-8. GATE LATCH INSTALLATION	106

TABLE OF CONTENTS

FIGURE 4-9. USB/PHONE CRADLE INSTALLATION.....	108
FIGURE 4-10. PLUG (NO USB) INSTALLATION	110
SECTION 5 - CYLINDER.....	113
FIGURE 5-1. LIFT CYLINDER ASSEMBLY	114
FIGURE 5-2. STEER CYLINDER ASSEMBLY (WITH HYDRAULIC STEERING).....	116
SECTION 6 - HYDRAULIC	119
FIGURE 6-1. HYDRAULIC COMPONENTS INSTALLATION (WITH CASTER STEER)	120
FIGURE 6-2. HYDRAULIC COMPONENTS INSTALLATION (WITH HYDRAULIC STEER).....	122
SECTION 7 - ELECTRICAL.....	125
FIGURE 7-1. ELECTRICAL LAYOUT	126
FIGURE 7-2. AC BOX AT PLATFORM INSTALLATION - 110V GFI	132
FIGURE 7-3. AC BOX AT PLATFORM INSTALLATION - 220V ANSI.....	134
FIGURE 7-4. AC BOX AT PLATFORM INSTALLATION - 220V CEE7 KEYED GROUND	136
FIGURE 7-5. AC BOX AT PLATFORM INSTALLATION - 220V CEE7 POST GROUND	138
FIGURE 7-6. AC BOX AT PLATFORM INSTALLATION - 220V CEE7 SIDE GROUND.....	140
FIGURE 7-7. AC BOX AT PLATFORM INSTALLATION - 220V IEC BLUE GROUND	142
FIGURE 7-8. AC BOX AT PLATFORM INSTALLATION - CUSTOMER SUPPLIED RECEPTACLE	144
FIGURE 7-9. BATTERIES AND CABLES INSTALLATION - AGM BATTERIES	146
FIGURE 7-10. BATTERIES AND CABLES INSTALLATION - STANDARD BATTERIES.....	148
FIGURE 7-11. BATTERY CHARGER PLUG INSTALLATION - 110V PLUG.....	150
FIGURE 7-12. BATTERY CHARGER PLUG INSTALLATION - AFSINT107 PLUG	152
FIGURE 7-13. BATTERY CHARGER PLUG INSTALLATION - CEE7 PLUG	154
FIGURE 7-14. BATTERY CHARGER PLUG INSTALLATION - CHINA PLUG	156
FIGURE 7-15. BATTERY CHARGER PLUG INSTALLATION - IEC BLUE.....	158
FIGURE 7-16. BATTERY CHARGER PLUG INSTALLATION - IEC YELLOW	160
FIGURE 7-17. BATTERY CHARGER PLUG INSTALLATION - CUSTOMER SUPPLIED PLUG	162
FIGURE 7-18. BREAKER BOX ASSEMBLY WITH 1 DOUBLE BREAKER.....	164
FIGURE 7-19. BREAKER BOX ASSEMBLY WITH 3 BREAKERS	166
FIGURE 7-20. CHASSIS HARNESS.....	168
FIGURE 7-21. CLEARSKY TELEMATICS INSTALLATION - 4G CANBUS.....	172
FIGURE 7-22. CLEARSKY TELEMATICS INSTALLATION - 3G CANBUS (AUSTRALIAN SPECS).....	174
FIGURE 7-23. CLEARSKY TELEMATICS INSTALLATION - 3G CANBUS (CE SPECS)	176
FIGURE 7-24. CLEARSKY TELEMATICS INSTALLATION - 3-WIRE GT1030	178
FIGURE 7-25. CLEARSKY TELEMATICS HARNESS - CANBUS.....	180
FIGURE 7-26. CLEARSKY TELEMATICS HARNESS - GT1030.....	182
FIGURE 7-27. GATE ALARM HARNESS INSTALLATION	184
FIGURE 7-28. GROUND TO PLATFORM HARNESS INSTALLATION (WITHOUT GATE ALARM).....	186
FIGURE 7-29. GROUND TO PLATFORM HARNESSES INSTALLATION (WITH GATE ALARM)	188
FIGURE 7-30. GROUND TO PLATFORM (MAST) HARNESS.....	190
FIGURE 7-31. MOBILE CONTROL HARNESS	192
FIGURE 7-32. PLATFORM CONSOLE HARNESS	194
FIGURE 7-33. PLATFORM HARNESS (WITH COIL CABLE)	196
FIGURE 7-34. PLATFORM HARNESS (WITHOUT COIL CABLE).....	198

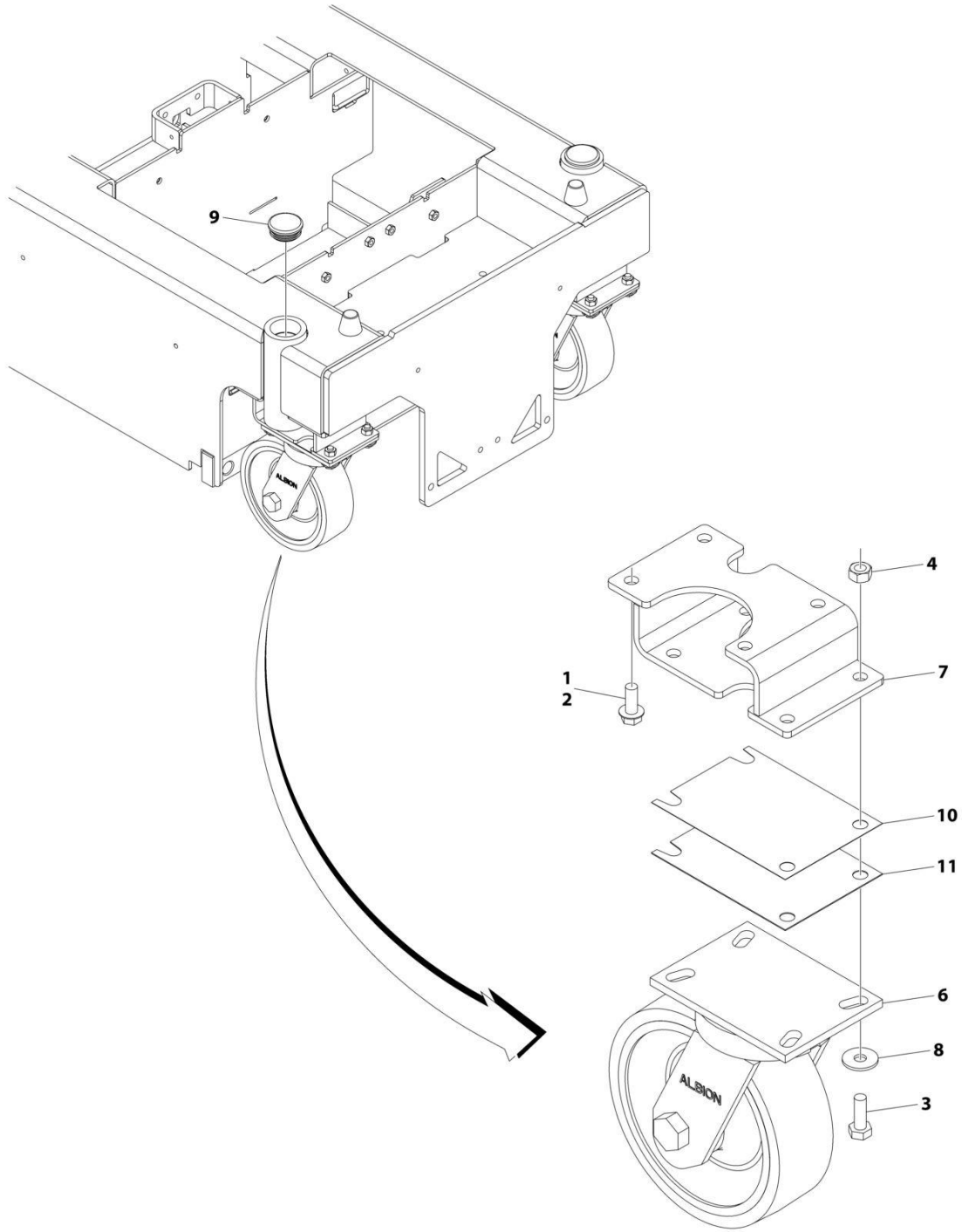
TABLE OF CONTENTS

FIGURE 7-35. RECEPTACLE BOX KIT - 110V GFI.....	200
FIGURE 7-36. RECEPTACLE BOX KIT - 220V CEE7 KEYED GROUND	202
FIGURE 7-37. RECEPTACLE BOX KIT - 220V CEE7 POST GROUND.....	204
FIGURE 7-38. RECEPTACLE BOX KIT - 220V CEE7 SIDE GROUND	206
FIGURE 7-39. RECEPTACLE BOX KIT - 220V IEC BLUE	208
SECTION 8 - DECALS.....	211
FIGURE 8-1. DECALS INSTALLATION (ANSI/CSA SPECS) (ENGLISH LANGUAGE)	212
FIGURE 8-2. DECALS INSTALLATION (BRAZIL SPECS) (PORTUGUESE/SPANISH LANGUAGES).....	214
FIGURE 8-3. DECALS INSTALLATION (CE SPECS) (ALL LANGUAGES).....	216
FIGURE 8-4. DECALS INSTALLATION (CHINA SPECS) (CHINA/ENGLISH LANGUAGES)	218
FIGURE 8-5. DECALS INSTALLATION (CSA SPECS) (ENGLISH/FRENCH LANGUAGES)	220
FIGURE 8-6. DECALS INSTALLATION (LATIN AMERICAN SPECS) (SPANISH/ENGLISH LANGUAGES).....	222
FIGURE 8-7. DECAL INSTALLATION - OPTIONS	224
SECTION 9 - RECOMMENDED SERVICE PARTS STOCK	227
FIGURE 9-1. RECOMMENDED SERVICE PARTS STOCK	228
SECTION 10 - SPECIAL OPTIONS/ACCESSORIES/KITS	229
FIGURE 10-1. SPECIAL OPTIONS/ACCESSORIES/KITS	230
PART NUMBER INDEX	231

SECTION 1 - FRAME

SECTION 1 - FRAME

FIGURE 1-1. STEER INSTALLATION - CASTER (Prior to SN 0130040291)



ART_1001269620

SECTION 1 - FRAME

FIGURE 1-1. STEER INSTALLATION - CASTER (Prior to SN 0130040291)

ITEM	PART NUMBER	QTY	DESCRIPTION	REV
	1001269620	Ref	STEER INSTALLATION	E
1	0100011	AR	Compound Locking	
2	5251012	8	Bolt M10 x 25	
3	0761014	8	Bolt M10 x 30	
4	3291007	8	Nut M10	
6	1001097982	2	Wheel and Caster Assembly with Standard Tires	
7	1001270018	2	Bracket, Caster	
8	4812002	8	Washer M10	
9	1001278116	4	Plug	
10	4071077	AR	Shim	
10	1001301136	1	Shim	
11	4071078	AR	Shim	
11	1001301137	1	Shim	

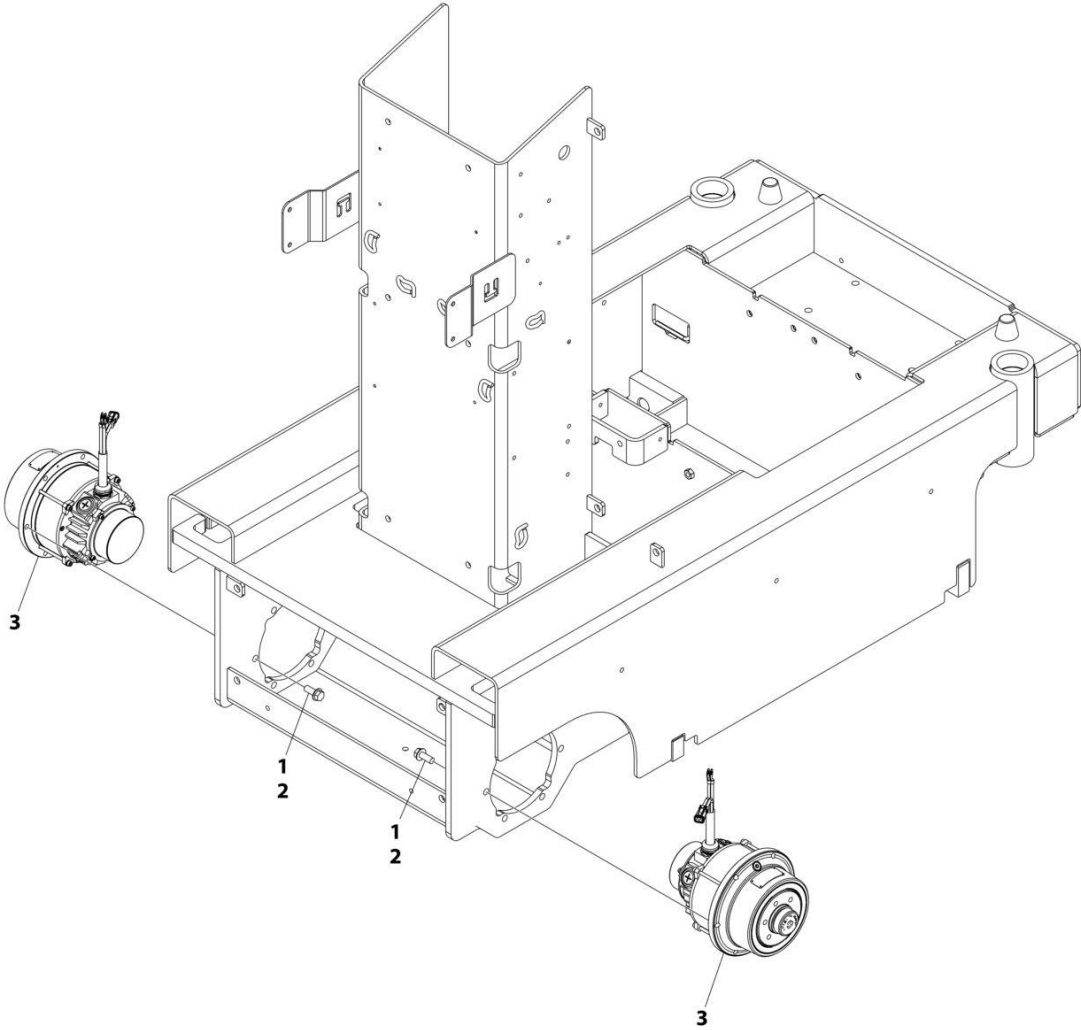
SECTION 1 - FRAME

FIGURE 1-2. STEER INSTALLATION - HYDRAULIC (SN 0130040291 to Present)

ITEM	PART NUMBER	QTY	DESCRIPTION	REV
	1001289395	Ref	STEER INSTALLATION - HYDRAULIC	A
1	0100011	AR	Compound, Locking	
2	0440259	2	Bearing, Flange	
3	0701016	4	Bolt M8 x 30	
4	0760814	2	Bolt M8 x 30	
5	1380153	4	Clip	
6	3290805	2	Nut M8	
7	3423037	2	Pin, Clevis	
8	3760233	2	Ring, Snap	
9	3760496	2	Ring, Retaining	
10	4010303	1	Screw M3 x 6	
11	4031510	2	Bolt M4 x 30	
12	4711700	2	Washer 7/16	
13	4740332	2	Washer	
14	4811900	4	Washer M8	
15	4812000	4	Washer M10	
16	4846757	2	Bracket, Steering Knuckle	
17	4871200	1	Washer M3	
18	1001110544	1	Washer M3	
19	1001117969	4	Bushing	
20	1001180620	AR	Compound, Locking	
21	1001204939	1	Sensor, Angle	
22	1001269613	1	Bar, Steer Angle	
23	1001269614	1	Bracket, Sensor	
24	1001269615	1	Bar, Steer Whisker	
25	1001269616	2	Washer	
26	1001269703	1	Steer Cylinder Assembly (See Separate Breakdown in CYLINDER Section)	
27	1001269927	2	Pin, Clevis	
28	1001285149	2	Wheel	
29	1001287098	1	Spindle (LH)	
30	1001287099	1	Spindle (RH)	

SECTION 1 - FRAME

FIGURE 1-3. DRIVE INSTALLATION



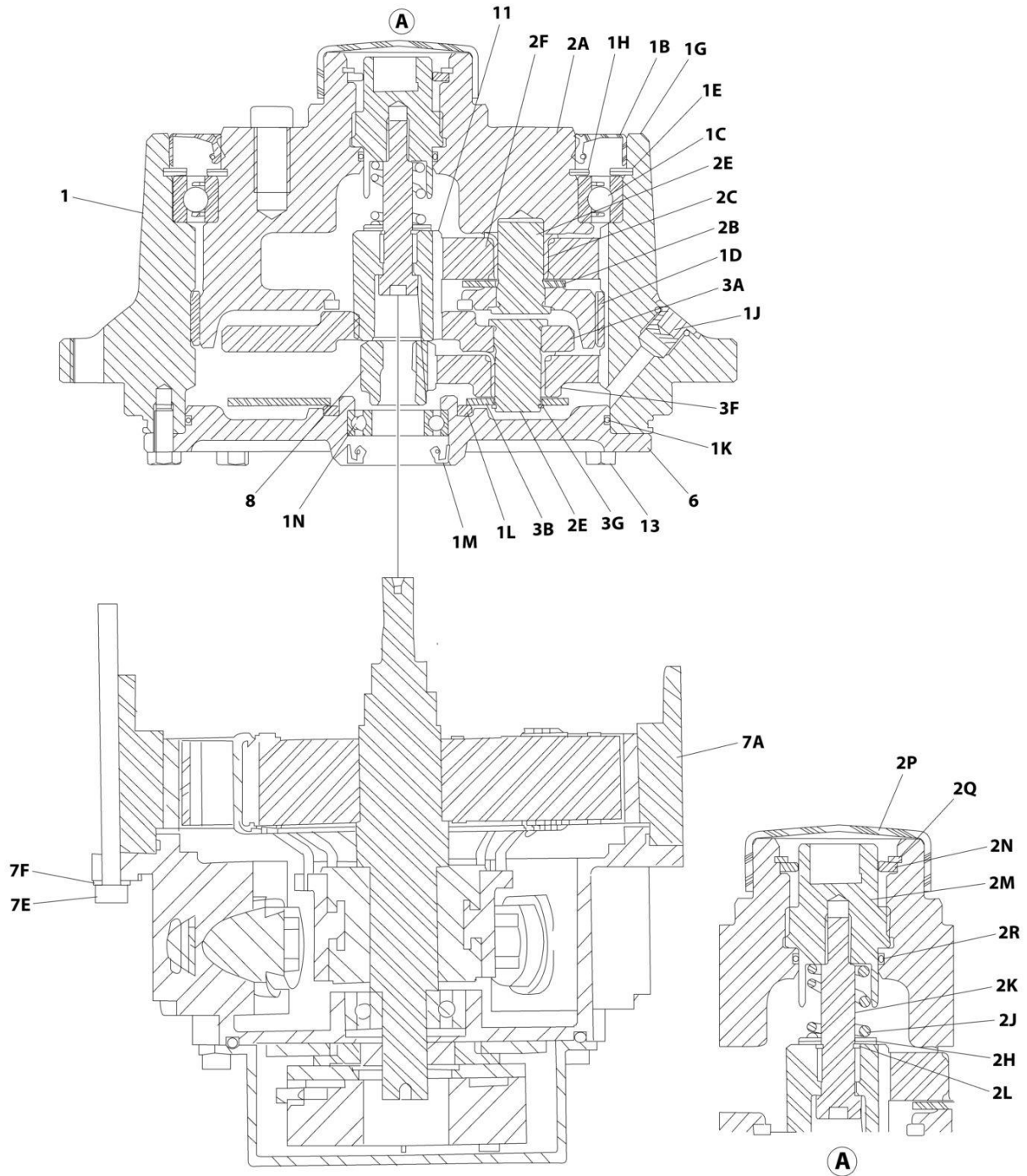
ART_1001274554

FIGURE 1-3. DRIVE INSTALLATION

ITEM	PART NUMBER	QTY	DESCRIPTION	REV
	1001274554	Ref	DRIVE INSTALLATION	C
1	0100011	AR	Compound, Locking	
2	5251012	12	Bolt M10 x 25	
3	1001270169	2	Drive Motor/Hub Assembly (See Separate Breakdown in this Section)	

SECTION 1 - FRAME

FIGURE 1-4. DRIVE/HUB ASSEMBLY



ART_1001270169

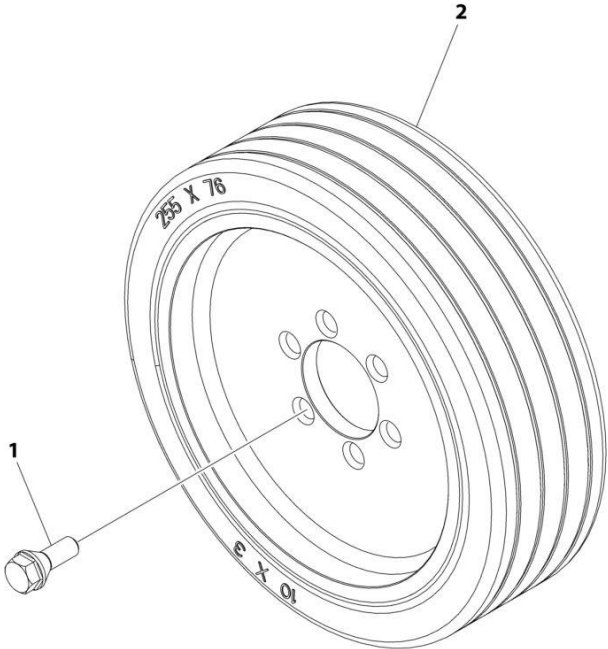
SECTION 1 - FRAME

FIGURE 1-4. DRIVE/HUB ASSEMBLY

ITEM	PART NUMBER	QTY	DESCRIPTION	REV
	1001270169	Ref	DRIVE MOTOR/HUB ASSEMBLY	C
1	See Note	NSS	Hub Assembly (Note: Purchase Individual Components)	
1B	70007915	1	Seal, Lip	
1C	70007911	1	Bearing	
1D	70007914	1	Bushing	
1E	70007920	1	Ring, Retaining	
1G	See Note	NSS	Housing/Ring Gear (Note: Use PN 1001270169)	
1H	70007921	1	Ring, Retaining	
1J	70007927	3	Plug	
1K	70007925	1	O-Ring	
1K	70007551	1	O-Ring	
1L	70007930	2	Washer, Thrust	
1M	70007916	1	Seal, Lip	
1N	70007913	1	Bearing	
2	See Note	NSS	Spindle/Carrier Assembly (Not Shown - Note: Purchase Individual Components)	
2A	See Note	NSS	Spindle/Carrier	
2B	70007931	2	Plate, Thrust	
2C	70007912	7	Bushing	
2E	70007905	7	Shaft, Planet	
2F	70007907	4	Gear, Planet	
2H	70007932	2	Washer, Thrust	
2J	70007917	1	Spring	
2K	70007923	1	Bolt 1/2 x 1-1/4	
2L	70007922	1	Ring, Retaining	
2M	70007909	1	Coupling	
2N	70007928	1	Washer	
2P	70007910	1	Cover	
2Q	70007919	1	Ring, Retaining	
2R	70007926	1	O-Ring	
3	See Note	NSS	Carrier Assembly (Not Shown - Note: Purchase Individual Components)	
3A	70007904	1	Carrier	
3B	70007929	1	Plate, Thrust	
3F	70007906	3	Gear, Planet	
3G	70007918	3	Ring, Retaining	
6	7000790	1	Cover	
7	See Note	NSS	Motor Assembly (Not Shown - Note: Purchase Individual Components)	
7A	70007936	1	Motor, Replacement	
7E	70007933	4	Bolt M5 x 75	
7F	70007934	4	Washer	
8	70007902	1	Gear, Sun	
11	70007903	1	Gear, Sun	
13	70007924	6	Bolt M5 x 12	

SECTION 1 - FRAME

FIGURE 1-5. TIRE & WHEEL INSTALLATION



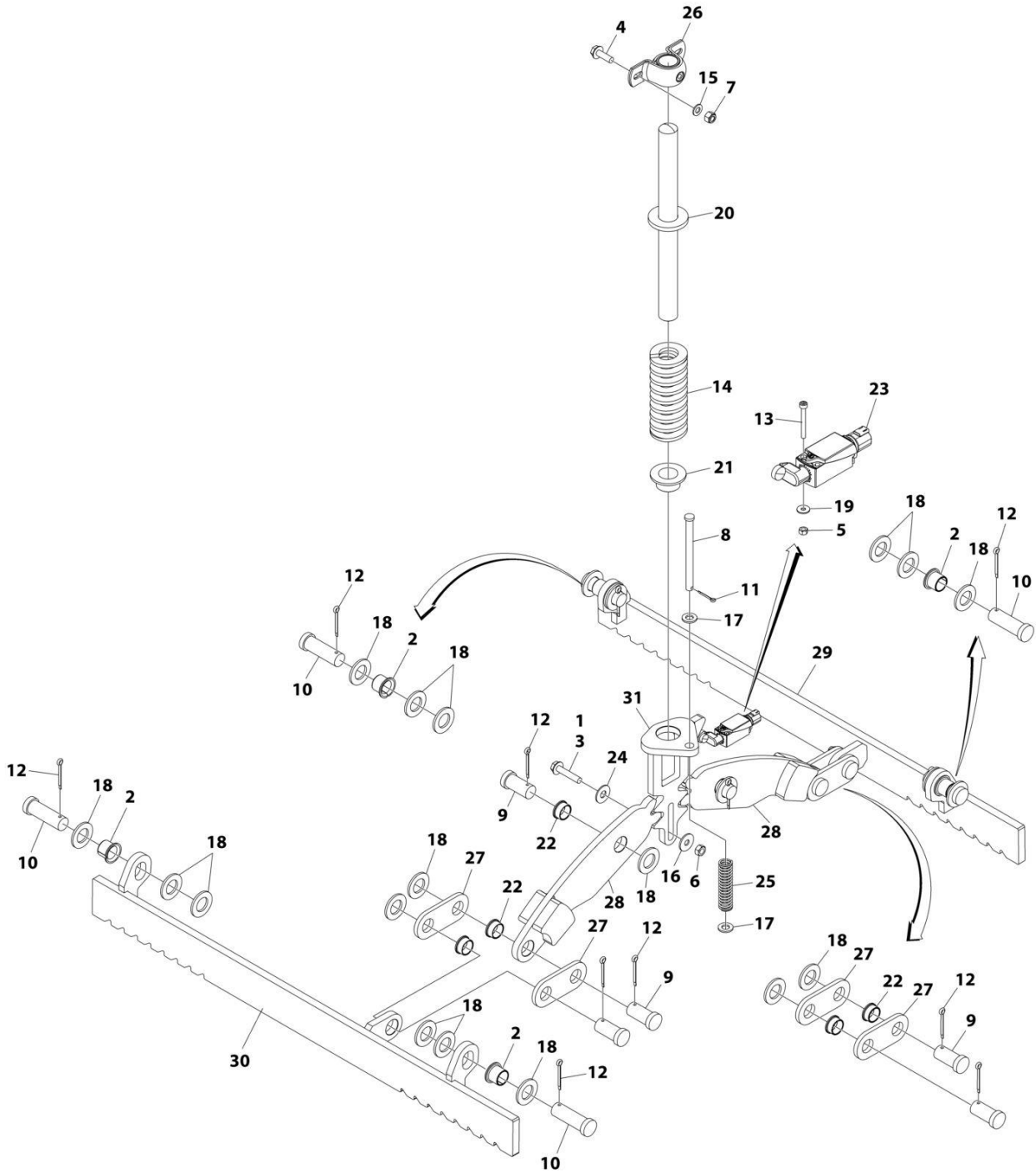
ART_1001270039

FIGURE 1-5. TIRE & WHEEL INSTALLATION

ITEM	PART NUMBER	QTY	DESCRIPTION	REV
	1001270039	Ref	TIRE AND WHEEL INSTALLATION	C
1	1001245139	12	Bolt M10 x 1-1/2	
2	1001241601	2	Tire and Wheel (Non - Marking)	

SECTION 1 - FRAME

FIGURE 1-6. POTHOLE PROTECTION INSTALLATION



ART_1001269670

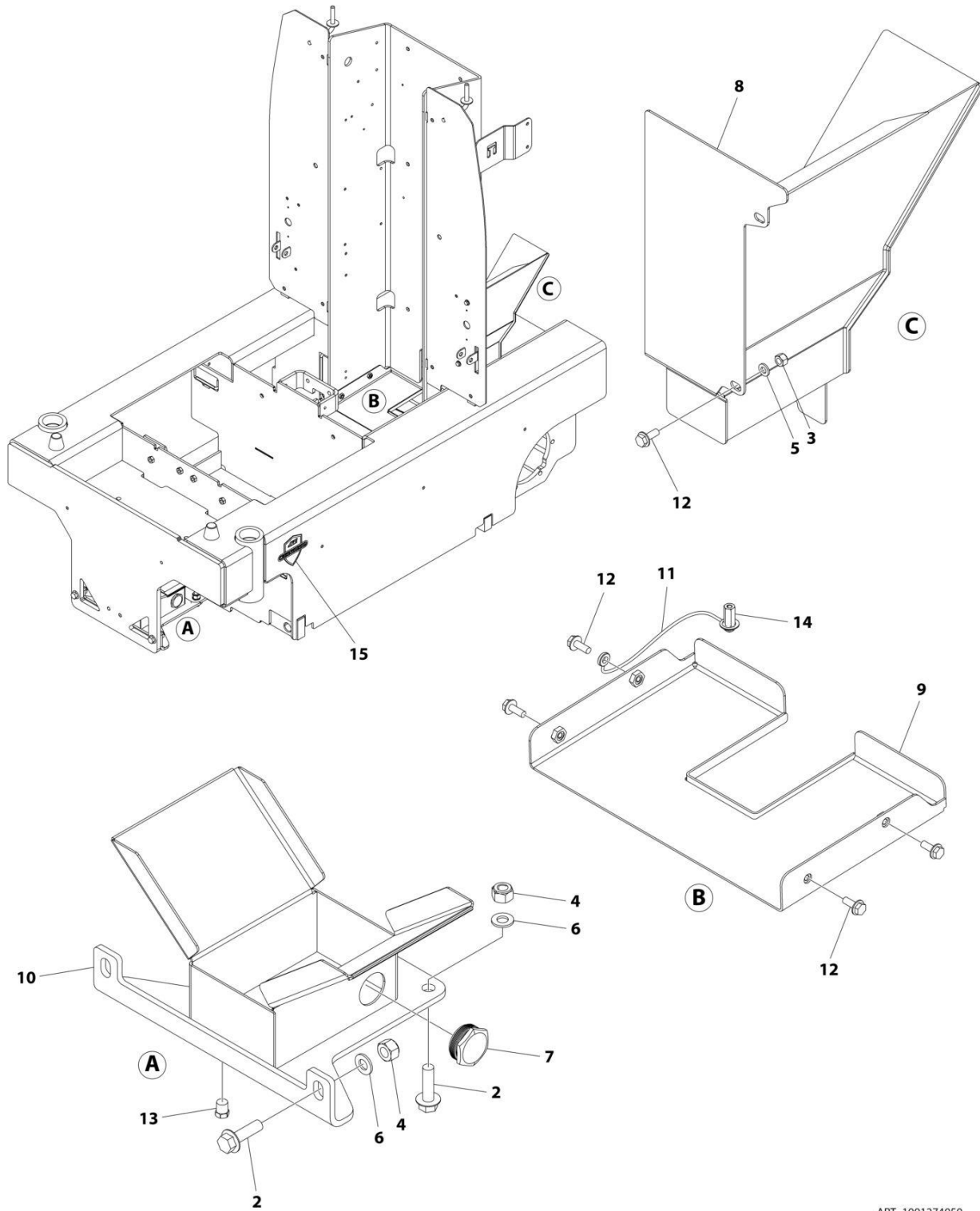
SECTION 1 - FRAME

FIGURE 1-6. POTHOLE PROTECTION INSTALLATION

ITEM	PART NUMBER	QTY	DESCRIPTION	REV
	1001269670	Ref	POTHOLE PROTECTION INSTALLATION	D
1	0100011	AR	Compound, Locking	
2	0440263	4	Bearing, Flange	
3	5250816	1	Bolt M8 x 40	
4	5250812	2	Bolt M8 x 25	
5	3311405	2	Nut M4	
6	3290801	1	Nut M8	
7	3290805	2	Nut M8	
8	3430636	1	Pin, Clevis	
9	3431212	6	Pin, Clevis	
10	3431218	4	Pin, Clevis	
11	3450303	1	Pin, Cotter	
12	3450405	10	Pin, Cotter	
13	4031511	2	Bolt M4 x 35	
14	4160202	1	Spring, Actuator	
15	4811900	2	Washer M8	
16	4811902	1	Washer M8	
17	4812000	2	Washer M10	
18	4812500	18	Washer M20	
19	1001091102	2	Washer M4	
20	1001202988	1	Actuator (Upper)	
21	1001203869	1	Bearing, Flange	
22	1001203870	6	Bearing, Flange	
23	1001203871	1	Switch, Roller	
23	1001284507	1	Switch, Roller	
24	1001203872	1	Washer 3/8	
25	1001212068	1	Spring, Compression	
26	1001215953	1	Bearing	
27	1001236849	4	Link	
28	1001275000	2	Cam	
29	1001269665	1	Bar, Pothole (Left)	
30	1001269666	1	Bar, Pothole (Right)	
31	1001269669	1	Actuator (Lower)	
32	5250810	2	Bolt M8 x 20 (Not Shown)	
33	1001300505	1	Plate (Not Shown)	

SECTION 1 - FRAME

FIGURE 1-7. CLEAN GUARD INSTALLATION (E18MCL)



ART_1001274050

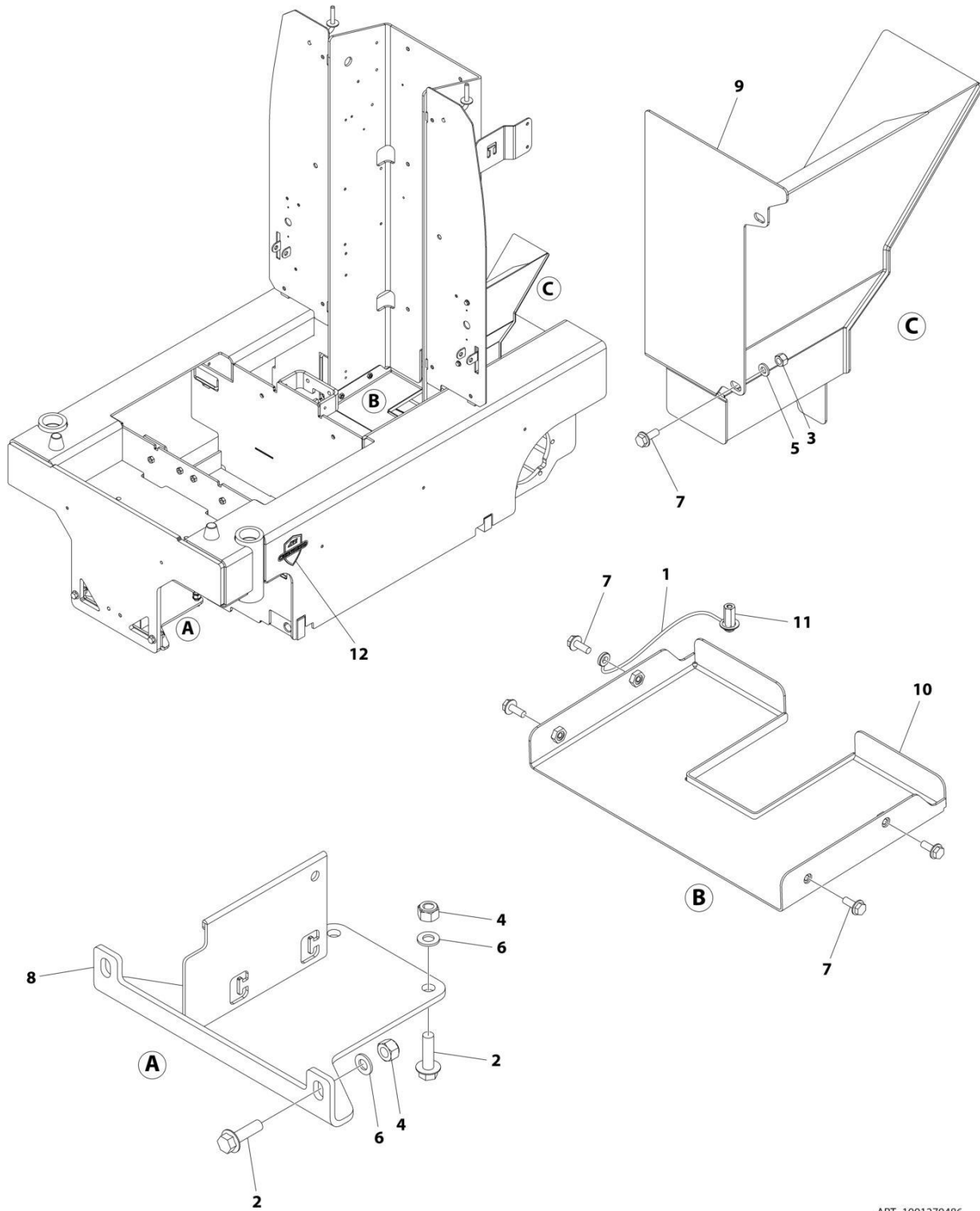
SECTION 1 - FRAME

FIGURE 1-7. CLEAN GUARD INSTALLATION (E18MCL)

ITEM	PART NUMBER	QTY	DESCRIPTION	REV
	1001274050	Ref	CLEAN GUARD INSTALLATION	C
2	0781015	4	Bolt M10 x 35	
3	3290605	2	Nut M6	
4	3291005	4	Nut M10	
5	4811700	2	Washer M6	
6	4812000	4	Washer M10	
7	1001274046	1	Gauge, Sight	
8	1001274047	1	Panel (Tank)	
9	1001274048	1	Panel (Mast)	
10	1001274049	1	Panel (Front Frame)	
11	1060697	1	Lanyard	
12	5250608	6	Bolt M6 x 16	
13	1001110712	1	Plug	
14	1001279684	1	Plug, Expansion	
15	1001262581	1	Decal - Clean Guard	

SECTION 1 - FRAME

FIGURE 1-8. CLEAN GUARD INSTALLATION (E18MML,E18MSP)



ART_1001279486

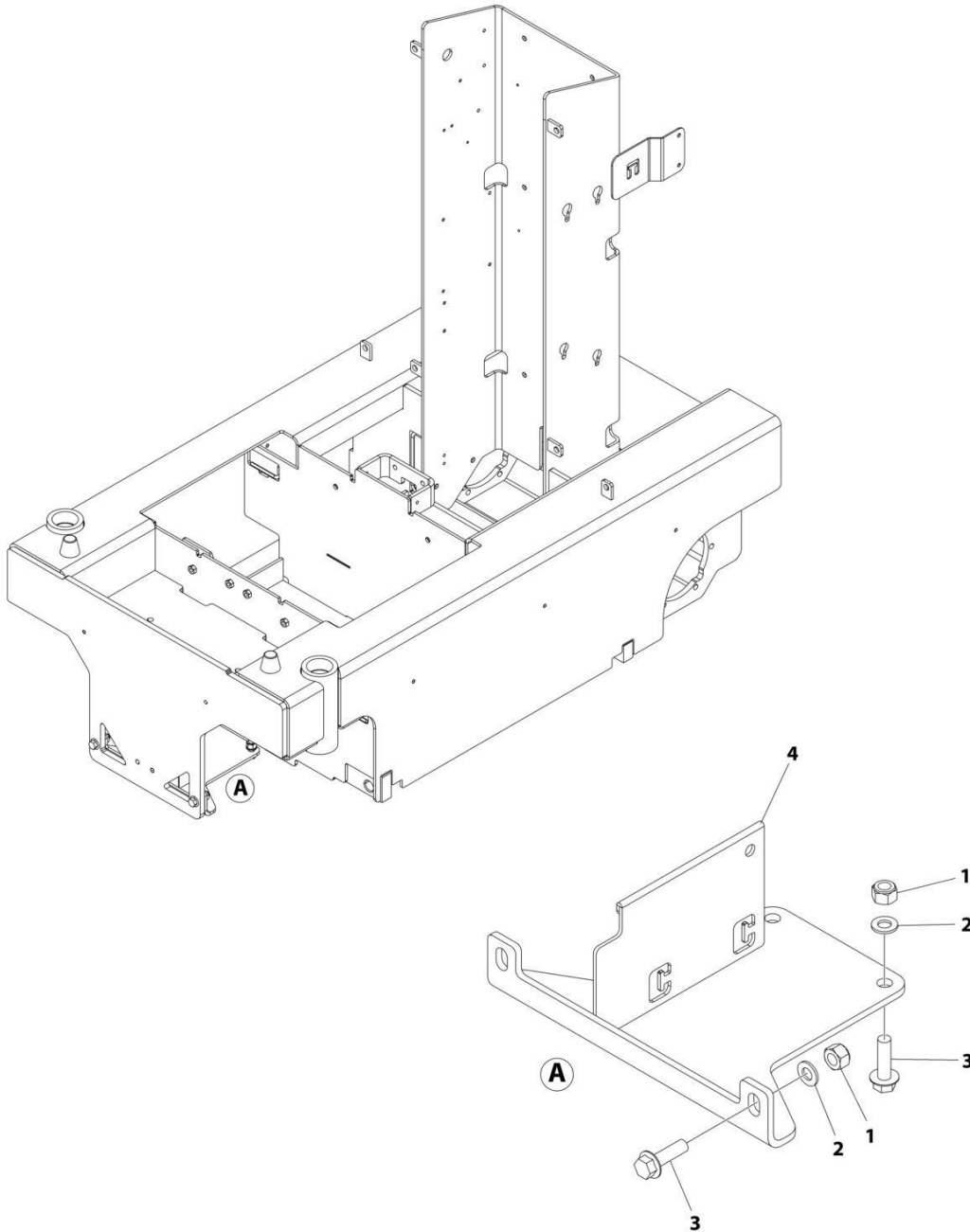
SECTION 1 - FRAME

FIGURE 1-8. CLEAN GUARD INSTALLATION (E18MML,E18MSP)

ITEM	PART NUMBER	QTY	DESCRIPTION	REV
	1001279486	Ref	CLEAN GUARD INSTALLATION	B
1	1060697	1	Lanyard	
2	0781015	4	Bolt M10 x 35	
3	3290605	2	Nut M6	
4	3291005	4	Nut M10	
5	4811700	2	Washer M6	
6	4812000	4	Washer M10	
7	5250608	6	Bolt M6 x 16	
8	1001271572	1	Panel	
9	1001274047	1	Panel (Tank)	
10	1001274048	1	Panel (Mast)	
11	1001279684	1	Plug, Expansion	
12	1001262581	1	Decal - Clean Guard	

SECTION 1 - FRAME

FIGURE 1-9. FRAME COVERS INSTALLATION (BOTTOM) (MACHINES WITHOUT CLEAN GUARD)



ART_1001271573

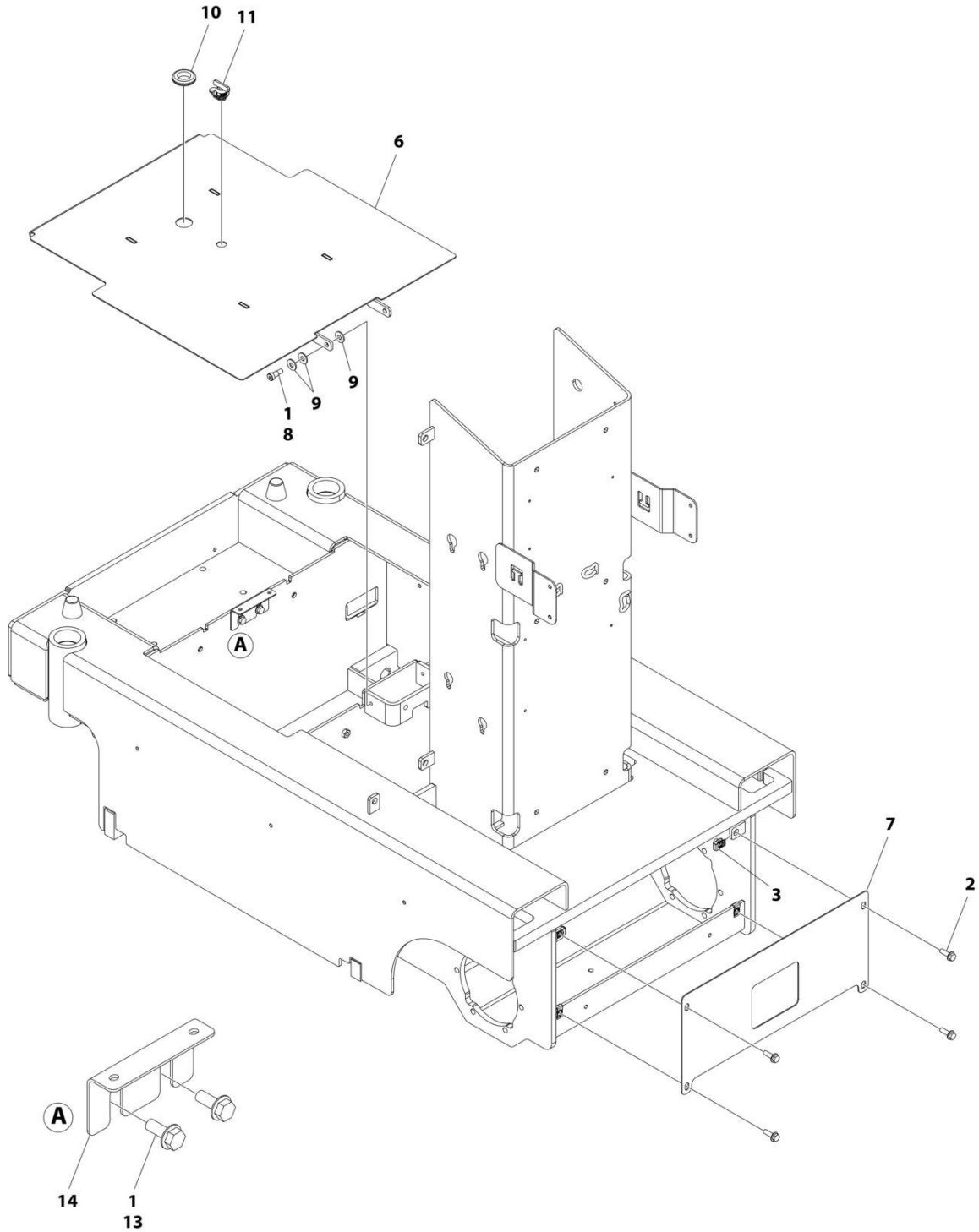
SECTION 1 - FRAME

FIGURE 1-9. FRAME COVERS INSTALLATION (BOTTOM) (MACHINES WITHOUT CLEAN GUARD)

ITEM	PART NUMBER	QTY	DESCRIPTION	REV
	1001271573	Ref	FRAME COVERS INSTALLATION (BOTTOM) (MACHINES WITHOUT CLEAN GUARD)	B
1	3291005	4	Nut M10	
2	4812000	4	Washer M10	
3	0781015	4	Bolt M10 x 35	
4	1001271572	1	Panel	

SECTION 1 - FRAME

FIGURE 1-10. FRAME COVERS INSTALLATION (TOP)



ART_1001270044

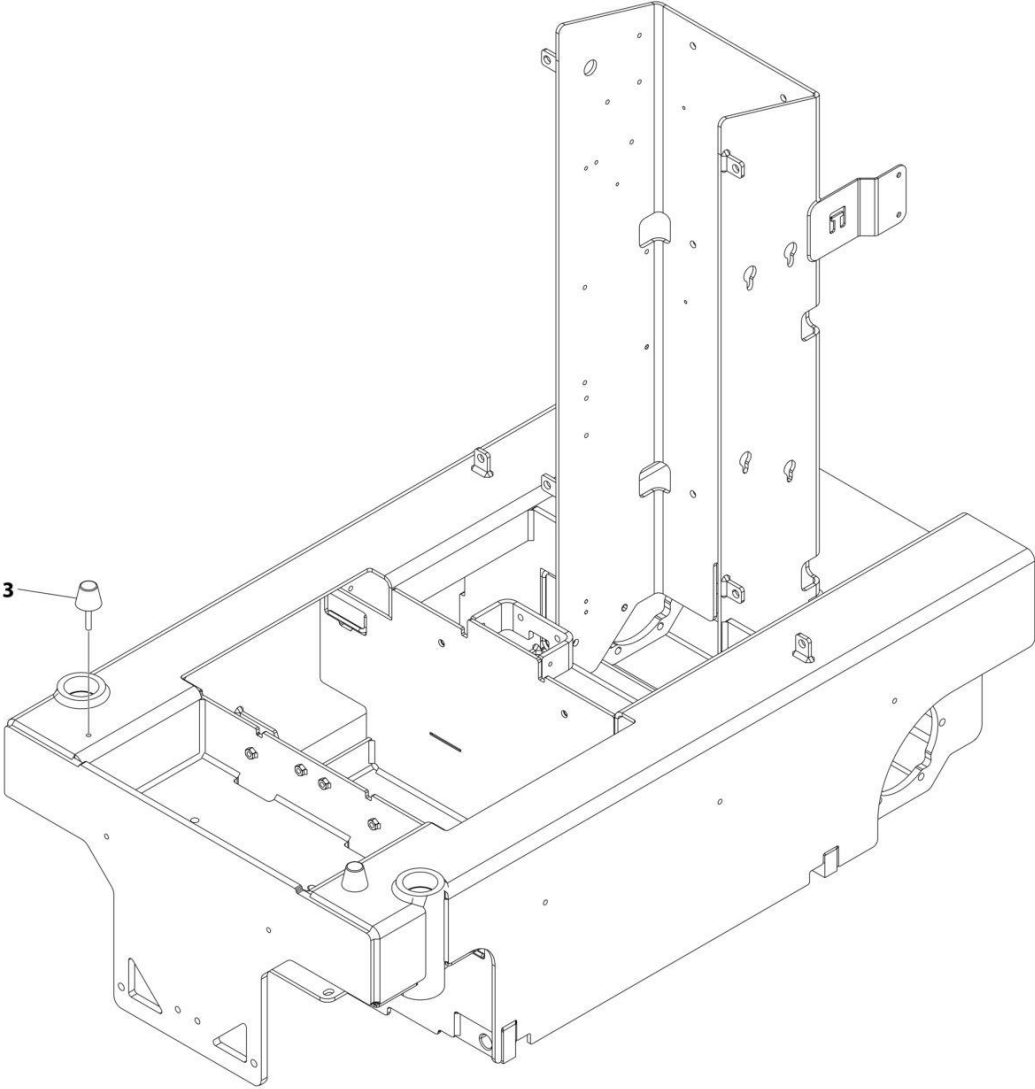
SECTION 1 - FRAME

FIGURE 1-10. FRAME COVERS INSTALLATION (TOP)

ITEM	PART NUMBER	QTY	DESCRIPTION	REV
	1001270044	Ref	FRAME COVERS INSTALLATION (TOP)	F
1	0100011	AR	Compound, Locking	
2	5250812	4	Bolt M8 x 25	
3	1001118274	4	Nut M8	
6	1001277726	1	Panel, Battery Cover	
7	1001270140	1	Panel, Rear Cover	
8	3900190	2	Screw 3/8 x 1/2	
9	4751500	6	Washer 5/16	
10	1001187861	1	Grommet	
11	1001279461	1	Latch, Battery Cover	
13	5250810	2	Bolt M8 x 20	
14	1001289826	1	Bracket, Latch Support	

SECTION 1 - FRAME

FIGURE 1-11. BUMPER INSTALLATION



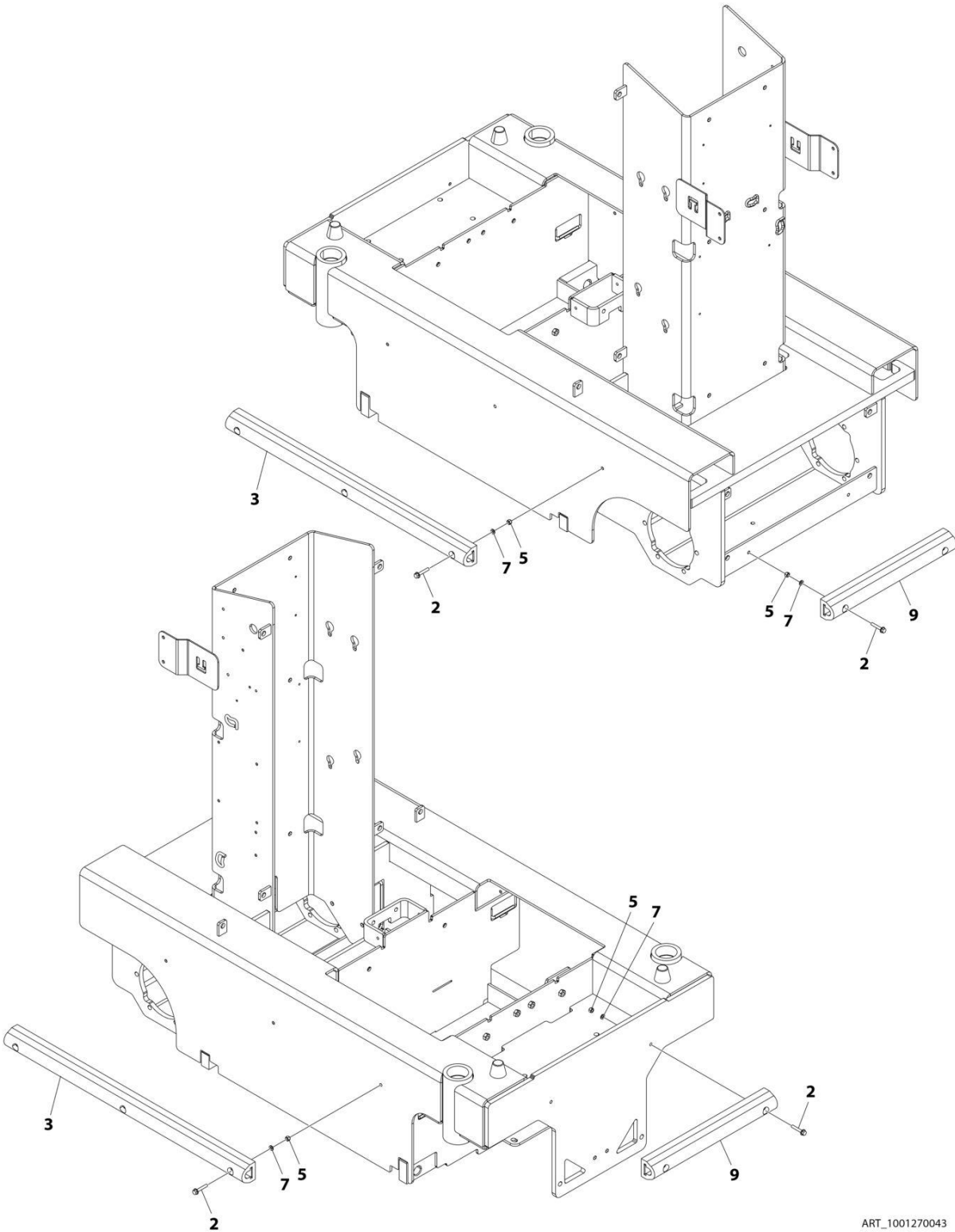
ART_1001269744

FIGURE 1-11. BUMPER INSTALLATION

ITEM	PART NUMBER	QTY	DESCRIPTION	REV
3	1001269744 0940088	Ref 2	BUMPER INSTALLATION Bumper	B

SECTION 1 - FRAME

FIGURE 1-12. BUMPERS INSTALLATION



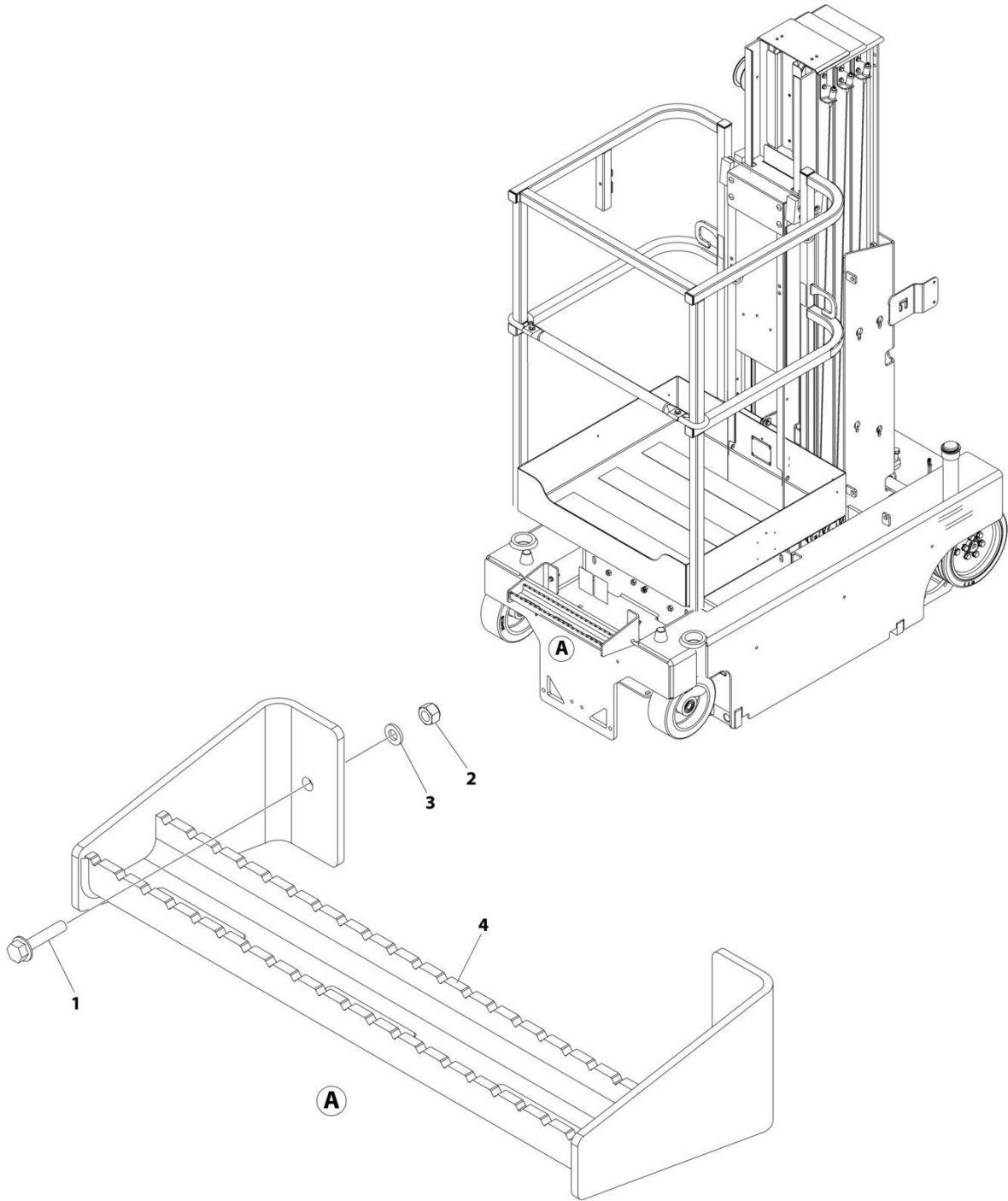
ART_1001270043

FIGURE 1-12. BUMPERS INSTALLATION

ITEM	PART NUMBER	QTY	DESCRIPTION	REV
	1001270043	Ref	BUMPERS INSTALLATION	B
2	0780615	10	Bolt M6 x 35	
3	0940105	2	Bumper, Side Base	
5	3290605	10	Nut M6	
7	4811700	10	Washer M6	
9	1001274988	2	Bumper, Base	

SECTION 1 - FRAME

FIGURE 1-13. LADDER INSTALLATION



ART_1001298294

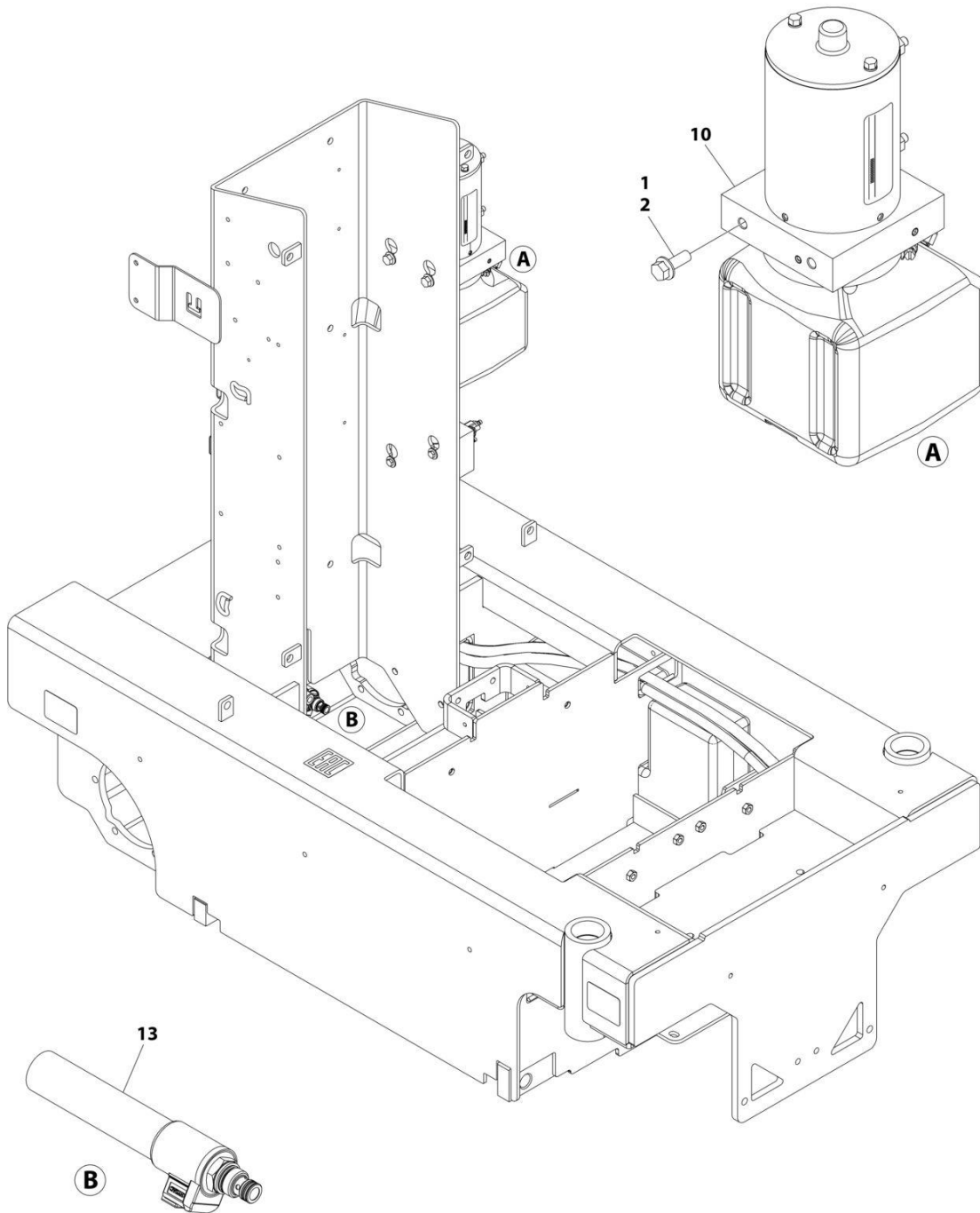
FIGURE 1-13. LADDER INSTALLATION

ITEM	PART NUMBER	QTY	DESCRIPTION	REV
	1001298294	Ref	LADDER INSTALLATION	A
1	0780614	2	Bolt M6 x 30	
2	3290605	2	Nut M6	
3	4811700	2	Washer M6	
4	1001298250	1	Ladder	

SECTION 2 - CONTROLS

SECTION 2 - CONTROLS

FIGURE 2-1. HYDRAULIC COMPONENTS INSTALLATION (WITH CASTER STEER)



ART_1001269697_10F2

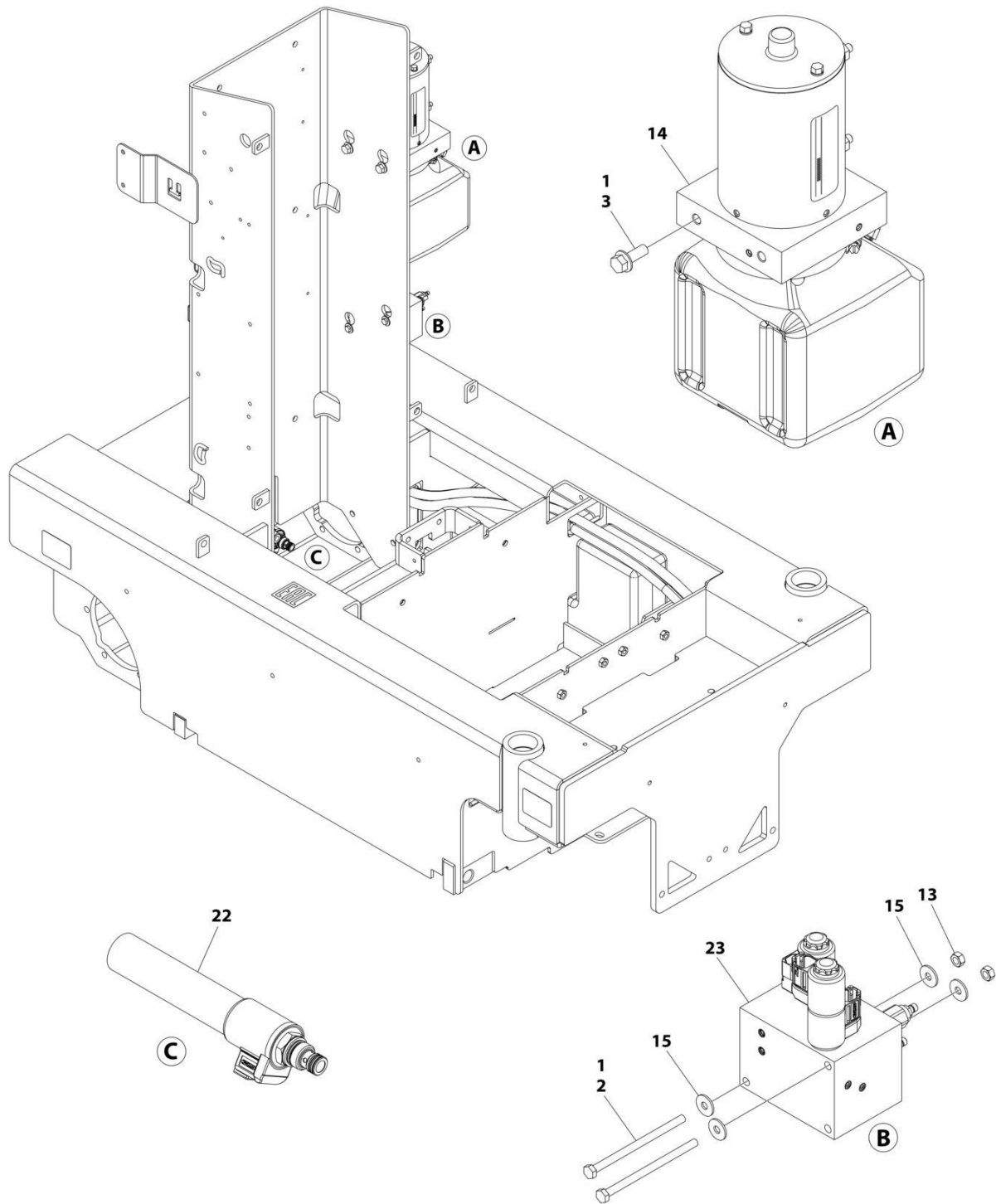
SECTION 2 - CONTROLS

FIGURE 2-1. HYDRAULIC COMPONENTS INSTALLATION (WITH CASTER STEER)

ITEM	PART NUMBER	QTY	DESCRIPTION	REV
	1001269697	Ref	HYDRAULIC COMPONENTS INSTALLATION (WITH CASTER STEER)	D
1	0100011	AR	Compound, Locking	
2	0811608	2	Bolt 3/8 x 1	
10	3600463	1	Motor/Pump/Tank Assembly (See Separate Breakdown in this Section)	
13	1001287802	1	Valve Assembly – Manual Descent (Note: Not Service Parts at Time of Printing)	

SECTION 2 - CONTROLS

FIGURE 2-2. HYDRAULIC COMPONENTS INSTALLATION (WITH HYDRAULIC STEER)



ART_1001269696_10F2

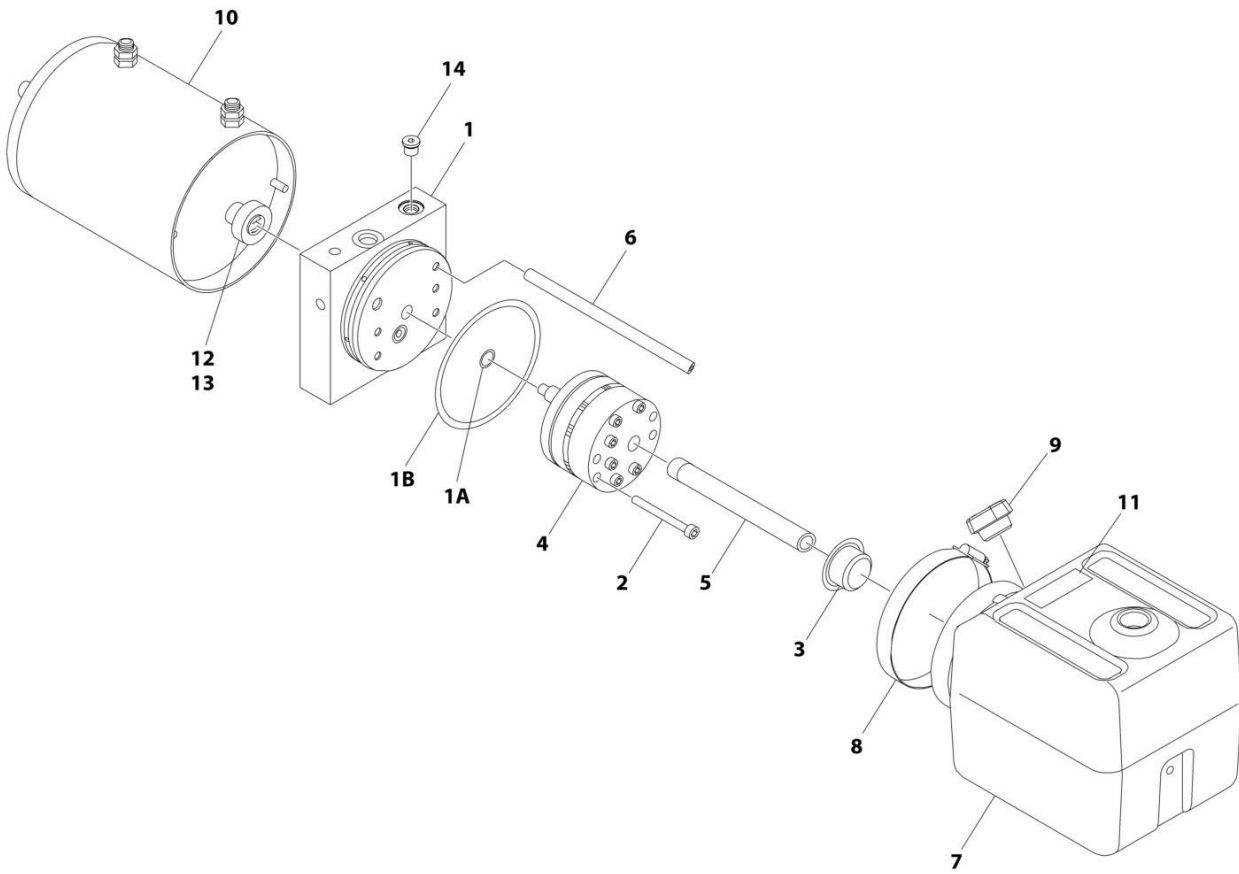
SECTION 2 - CONTROLS

FIGURE 2-2. HYDRAULIC COMPONENTS INSTALLATION (WITH HYDRAULIC STEER)

ITEM	PART NUMBER	QTY	DESCRIPTION	REV
	1001269696	Ref	HYDRAULIC COMPONENTS INSTALLATION (WITH HYDRAULIC STEER)	D
1	0100011	AR	Compound, Locking	
2	0700627	2	Bolt M6 x 100	
3	0811608	2	Bolt 3/8 x 1	
13	3290601	2	Nut M6	
14	3600463	1	Motor/Pump/Tank Assembly (See Separate Breakdown in this Section)	
15	4811702	4	Washer M6	
22	1001287802	1	Valve Assembly - Manual Descent (Note: Not Service Parts at Time of Printing)	
23	1001269698	1	Valve Assembly - Main (See Separate Breakdown in this Section)	

SECTION 2 - CONTROLS

FIGURE 2-3. MOTOR/PUMP/TANK ASSEMBLY



ART_3600463

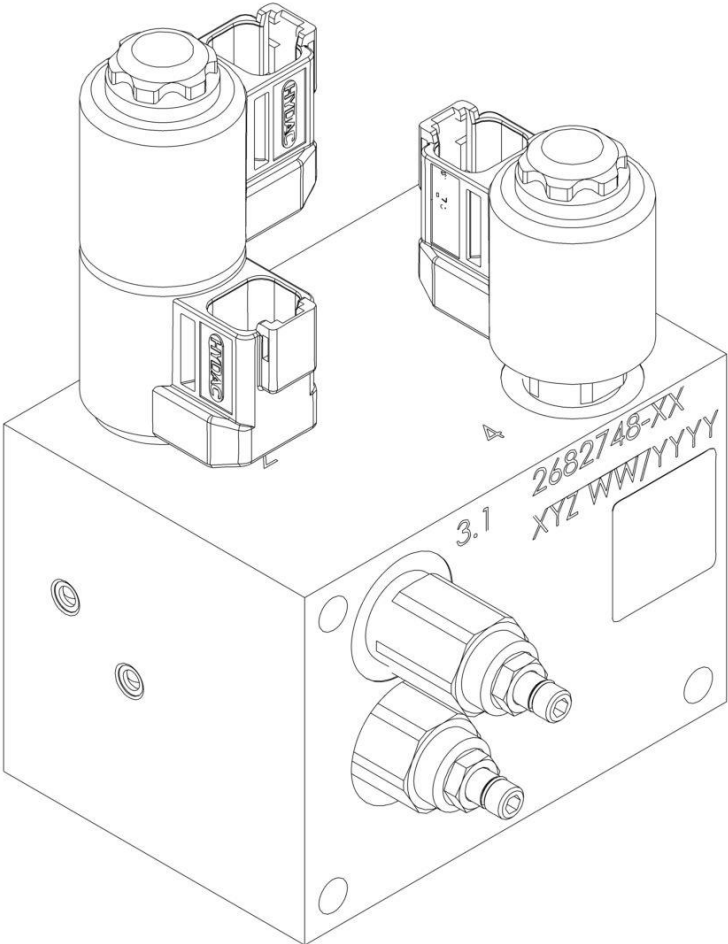
SECTION 2 - CONTROLS

FIGURE 2-3. MOTOR/PUMP/TANK ASSEMBLY

ITEM	PART NUMBER	QTY	DESCRIPTION	REV
	3600463	Ref	PUMP/MOTOR ASSEMBLY	E
		Ref	Note: Service Replacement for p/n 3600326.	
1	70001019	1	Base Assembly	
1A	70003612	1	O-Ring	
1B	70003613	1	O-Ring	
2	70001020	1	Capscrew 1/4 x 2-3/4	
3	7026165	1	Filter	
4	70001021	4	Pump	
5	70001022	1	Tube, Suction	
6	70001023	1	Tube, Return	
7	70001024	1	Reservoir	
8	7026335	1	Clamp	
9	70001025	1	Plug, Breather	
10	70001026	1	Motor	
10	70001028	4	Brushes	
11	70001027	1	Decal - Fill Line	
12	7026330	1	Seal, Shaft	
13	70002215	1	Bearing	
14	2220883	AR	Plug (August 2023 to Present)	

SECTION 2 - CONTROLS

FIGURE 2-4. VALVE ASSEMBLY - MAIN (WITH HYDRAULIC STEER ONLY)



ART_1001269698

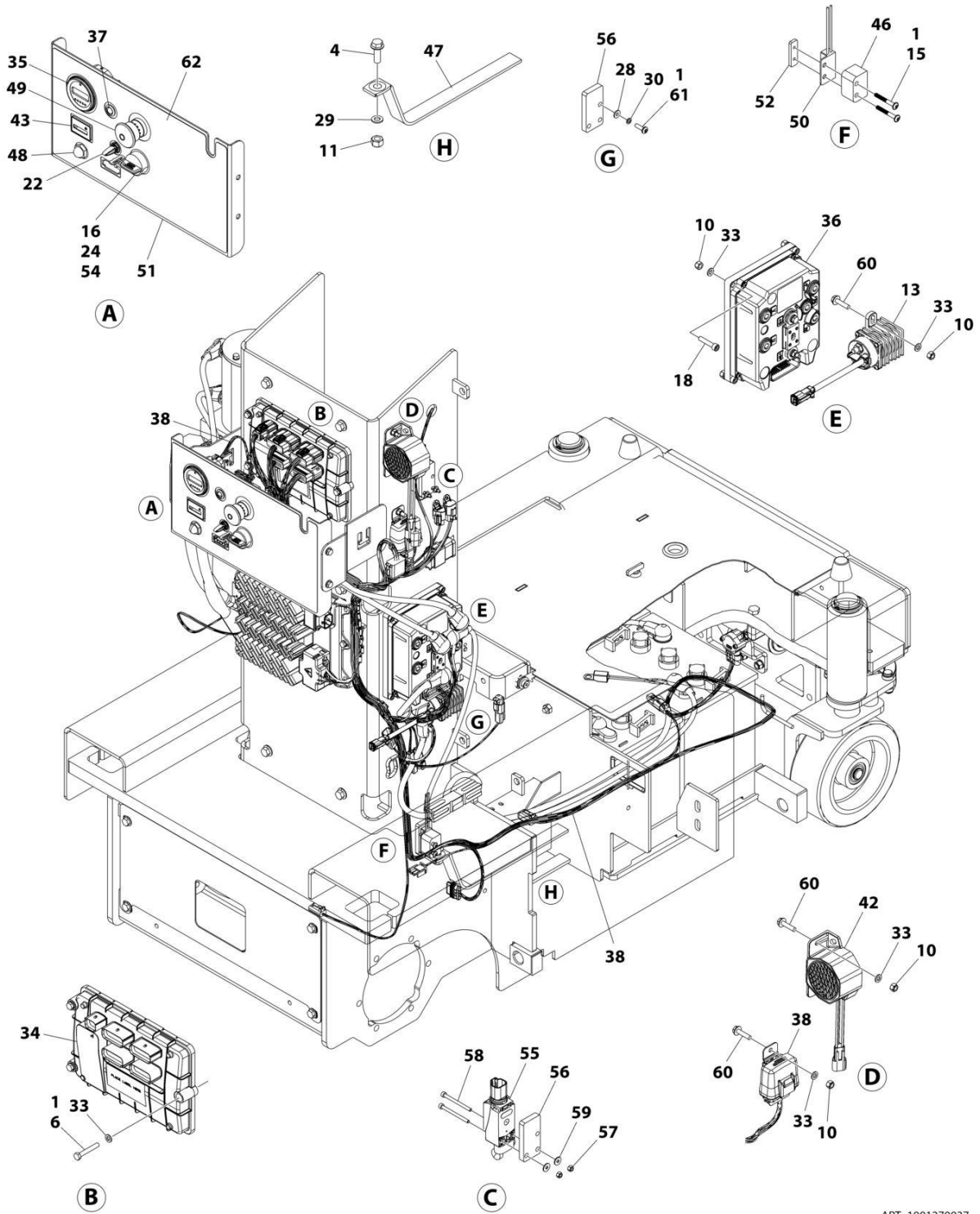
SECTION 2 - CONTROLS

FIGURE 2-4. VALVE ASSEMBLY - MAIN (WITH HYDRAULIC STEER ONLY)

ITEM	PART NUMBER	QTY	DESCRIPTION	REV
	1001269698	Ref Ref	VALVE ASSEMBLY - MAIN (HYDRAULIC STEER ONLY) Note: No Service Parts Available at Time of Printing.	D

SECTION 2 - CONTROLS

FIGURE 2-5. ELECTRICAL COMPONENTS INSTALLATION



ART_1001270037

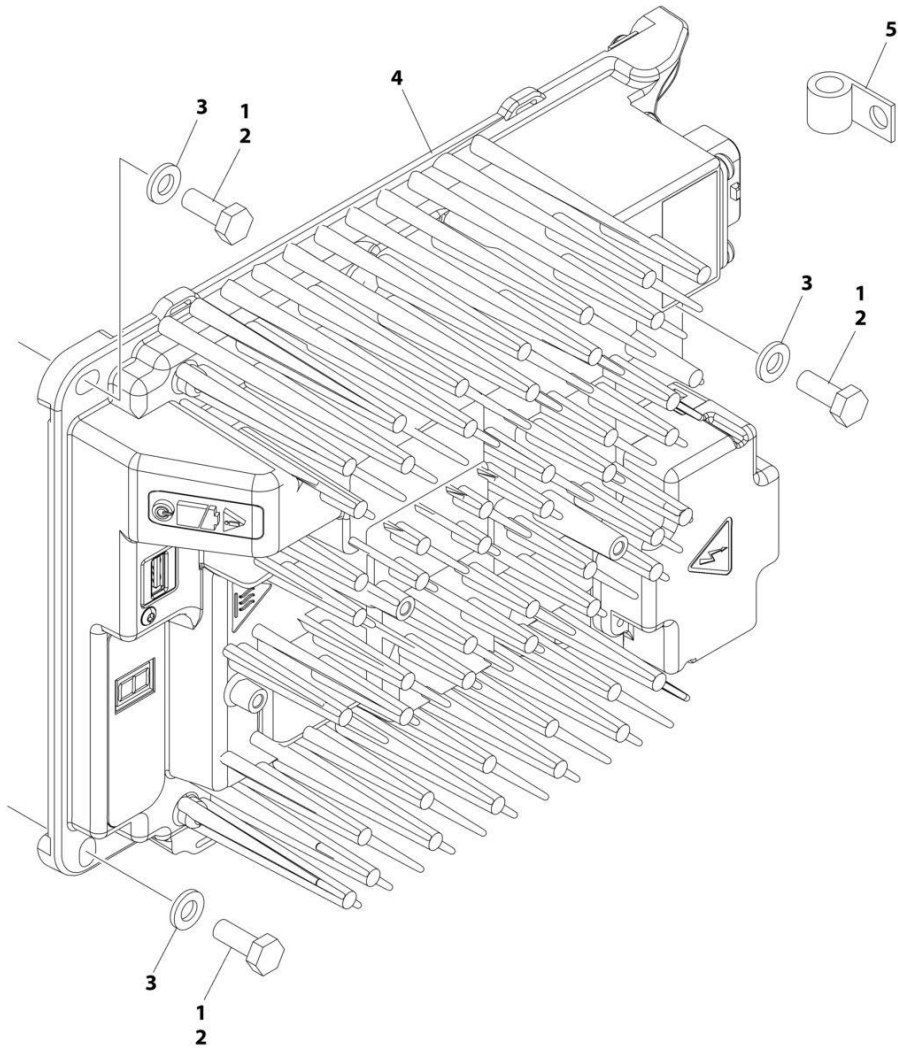
SECTION 2 - CONTROLS

FIGURE 2-5. ELECTRICAL COMPONENTS INSTALLATION

ITEM	PART NUMBER	QTY	DESCRIPTION	REV
	1001270037	Ref	ELECTRICAL COMPONENTS INSTALLATION	E
1	0100011	AR	Compound, Locking	
4	5251014	1	Bolt M10 x 30	
6	0700616	3	Bolt M6 x 40	
10	3290605	13	Nut M6	
11	3291005	1	Nut M10	
13	3740150	1	Relay	
15	1001207734	2	Screw	
16	4010403	3	Screw M4 x 6	
18	4031710	4	Bolt M6 x 30	
22	4360328	1	Switch, Toggle	
24	4360469	1	Switch, Key	
24	2860030	1 st	Key, Replacement	
28	4750800	2	Washer #8	
29	4812000	1	Washer M10	
30	4761000	2	Washer #10	
33	4811700	16	Washer M6	
34	1001200629	1	Module, Logic	
35	1001200632	1	Gauge	
36	1001243107	1	Module, Drive	
37	1001254544	1	Lamp	
38	1001268595	1	Harness, Chassis (See Separate Breakdown in ELECTRICAL Section)	
41	0100048	AR	Silicone (Not Shown)	
42	0140043	1	Alarm	
43	2420172	1	Gauge, Hourmeter	
46	4071058	1	Shim	
47	4240147	1	Strap, Anti-Static	
48	4360387	1	Switch, Push Button	
49	4360475	1	Switch, Emergency Stop	
49	7020175	1	Cap	
49	7020176	1	Block, Contact	
50	4360514	1	Switch, Proximity	
51	1001270203	1	Bracket	
52	1001270204	1	Bracket	
53	1001258379	AR	Tie-Strap (Not Shown)	
54	1001151393	1	Shim	
55	1001203871	1	Switch Limit	
55	1001284507	1	Switch Limit	
56	1001273927	2	Shim	
57	3290405	2	Nut M4	
58	4031514	2	Capscrew M4 x 50	
59	1001091102	2	Washer M4	
60	5250612	9	Bolt M6 x 25	
61	1001197099	2	Screw #10 x 5/8	
62	1001273100	1	Decal	

SECTION 2 - CONTROLS

FIGURE 2-6. BATTERY CHARGER INSTALLATION



ART_1001270040

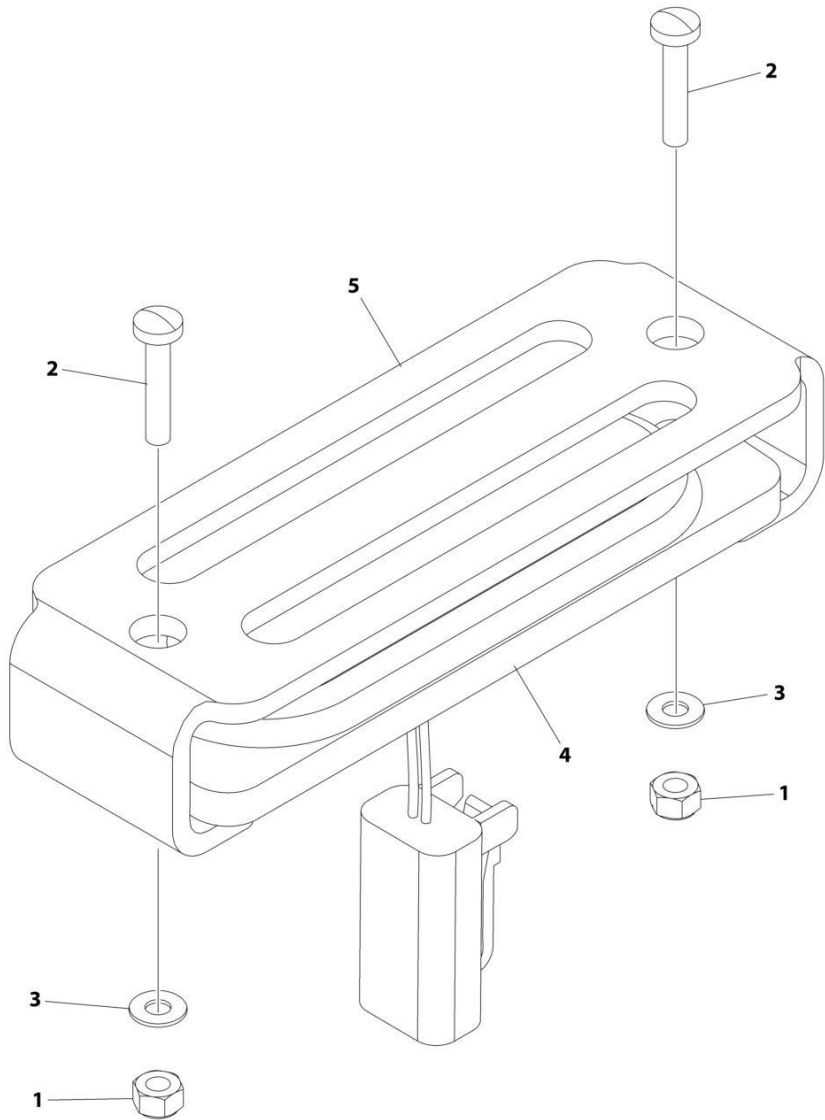
SECTION 2 - CONTROLS

FIGURE 2-6. BATTERY CHARGER INSTALLATION

ITEM	PART NUMBER	QTY	DESCRIPTION	REV
	1001270040	Ref	BATTERY CHARGER INSTALLATION	C
1	0100011	AR	Compound, Locking	
2	0760608	3	Bolt 6 x 16	
3	4811700	3	Washer M6	
4	1001200561	1	Charger, Battery	
5	1321293	1	Clamp	

SECTION 2 - CONTROLS

FIGURE 2-7. BEACON STROBE LIGHT INSTALLATION



ART_1001270034

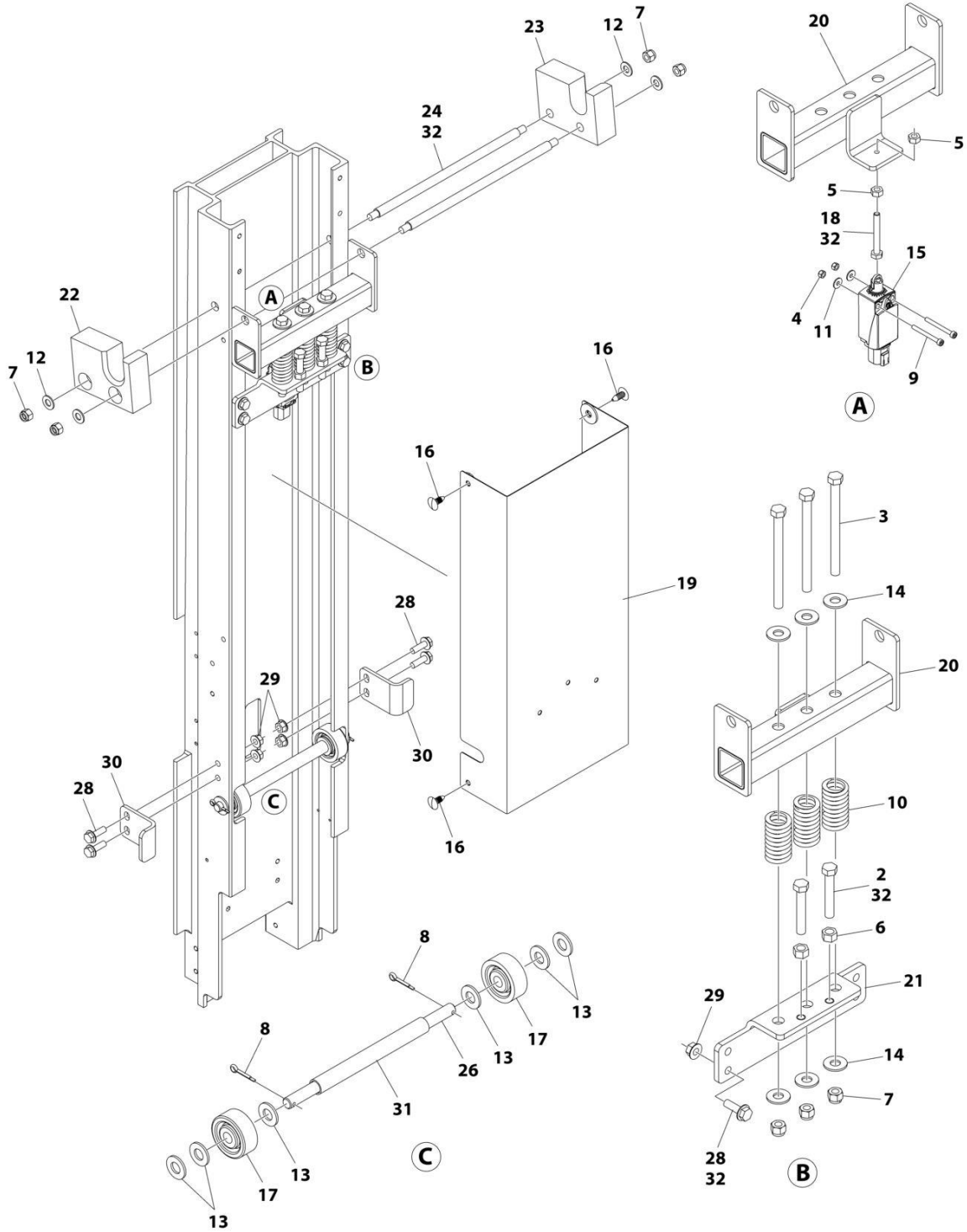
SECTION 2 - CONTROLS

FIGURE 2-7. BEACON STROBE LIGHT INSTALLATION

ITEM	PART NUMBER	QTY	DESCRIPTION	REV
	1001270034	Ref	BEACON STROBE LIGHT INSTALLATION	A
1	3290305	4	Nut M3	
2	4010308	4	Screw M3 x 16	
3	1001110544	4	Washer M3	
4	1001239224	2	Light, Strobe	
5	1001239661	2	Cover	

SECTION 2 - CONTROLS

FIGURE 2-8. LOAD SENSING SYSTEM (LSS) INSTALLATION



ART_1001269512

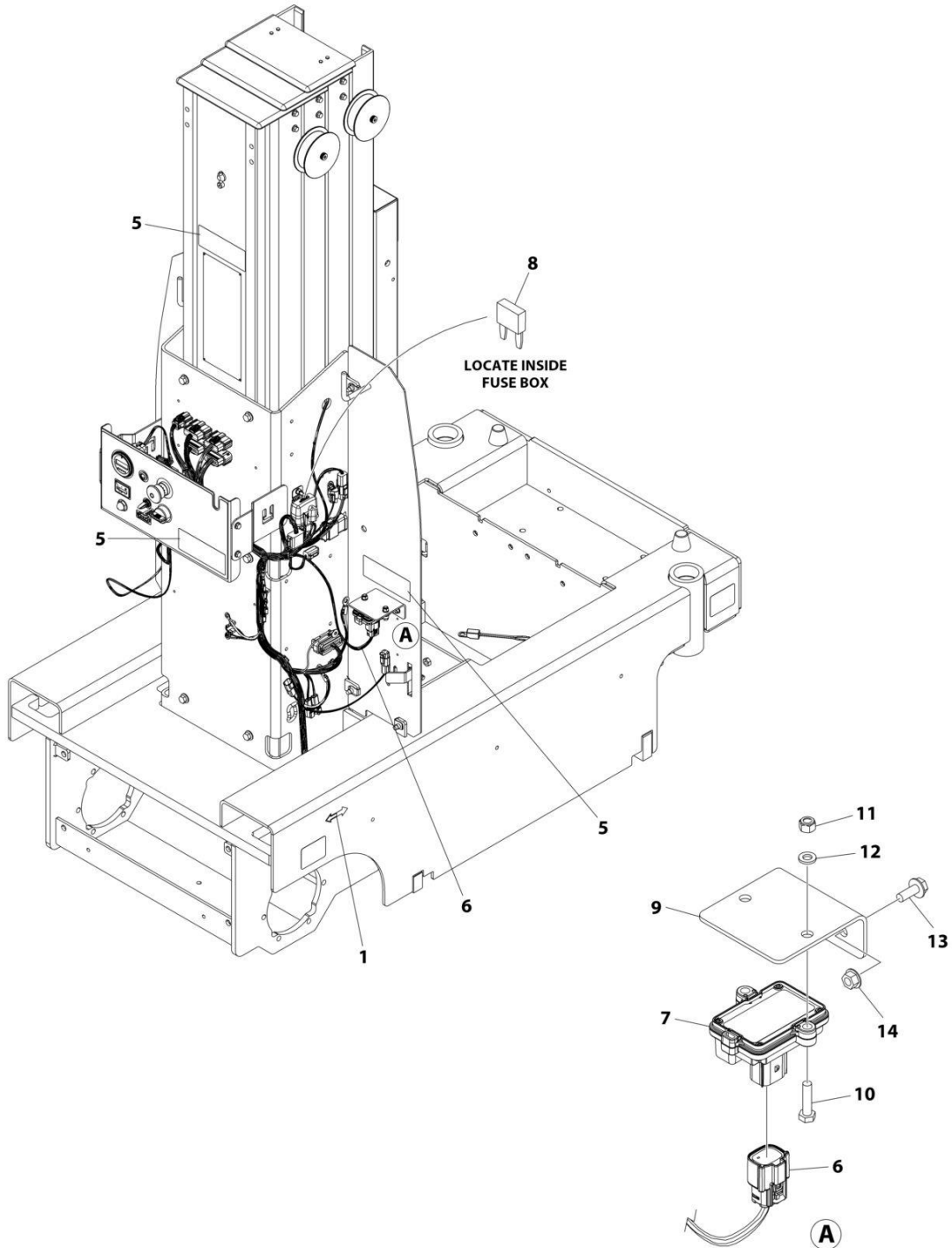
SECTION 2 - CONTROLS

FIGURE 2-8. LOAD SENSING SYSTEM (LSS) INSTALLATION

ITEM	PART NUMBER	QTY	DESCRIPTION	REV
	1001269512	Ref	LOAD SENSING SYSTEM (LSS) INSTALLATION	F
2	0641618	2	Bolt 3/8 x 2-3/4	
3	0641638	3	Bolt 3/8 x 4-3/4	
4	3290405	2	Nut M4	
5	3311401	2	Nut 1/4	
6	3311601	2	Nut 3/8	
7	3300492	7	Nut 3/8	
8	3450403	2	Pin, Cotter	
9	4031511	2	Capscrew M4 x 35	
10	4160205	3	Spring	
11	1001091102	2	Washer	
12	4711600	4	Washer 3/8	
13	4711800	6	Washer 1/2	
14	4751600	6	Washer 3/8	
15	1001109088	1	Switch, Limit	
15	1001284505	1	Switch, Limit	
16	1001109786	4	Fastener, Firtree	
17	1001205422	2	Roller (Front)	
18	1001255483	1	Bolt	
19	1001274649	1	Cover	
20	1001271815	1	Bracket	
21	1001271818	1	Plate	
22	1001269427	1	Block, Cradle (LH)	
23	1001269428	1	Block, Cradle (RH)	
24	1001269429	2	Pin	
26	1001269431	1	Pin	
28	5250812	8	Bolt M8 x 25	
29	5260800	8	Nut M8	
30	1001268902	2	Plate, Lock	
31	1001271838	1	Tube, Spacer	
32	0100011	AR	Compound, Locking	

SECTION 2 - CONTROLS

FIGURE 2-9. MOBILE CONTROL INSTALLATION



ART_1001270036

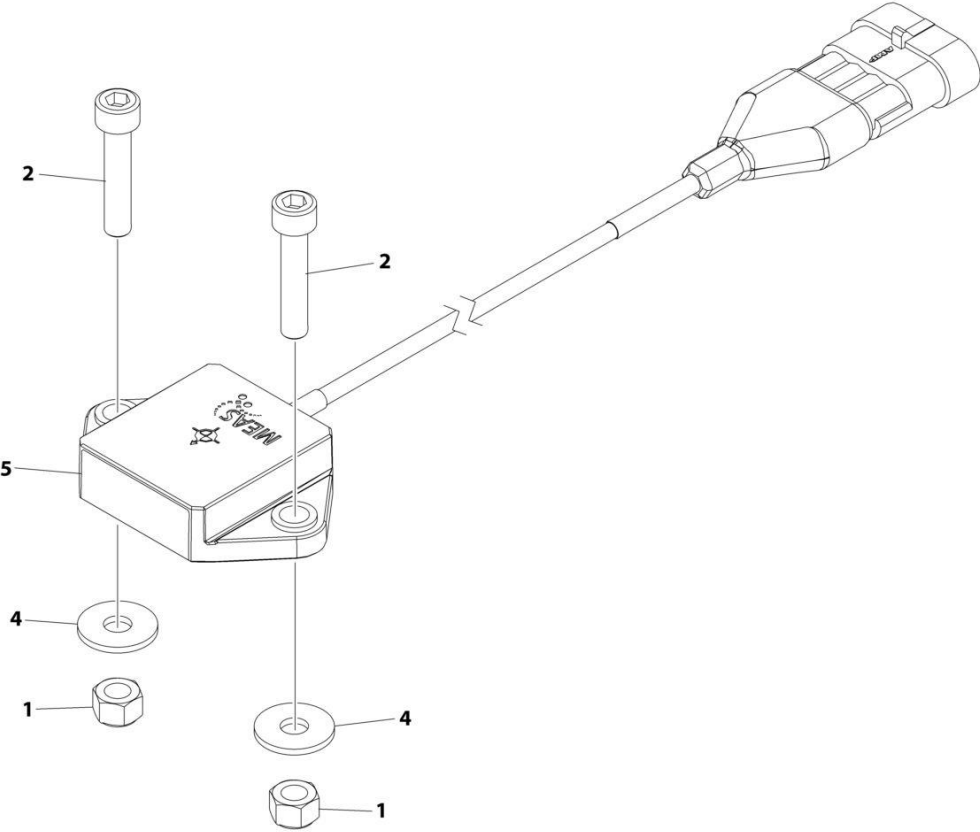
SECTION 2 - CONTROLS

FIGURE 2-9. MOBILE CONTROL INSTALLATION

ITEM	PART NUMBER	QTY	DESCRIPTION	REV
	1001270036	Ref	MOBILE CONTROL INSTALLATION	C
1	1703819	1	Decal, Direction Arrow	
2	3121792	1	Manual, Mobile Control Operation (Not Shown)	
3	4240017	AR	Tie - Strap (Not Shown)	
5	1001248768	1	Decal, Mobile Control (Includes Qty 3 Decals)	
6	1001268802	1	Harness, Mobile Control (See Separate Breakdown in ELECTRICAL Section)	
7	1001245293	1	Module, Mobile Control	
8	1001196838	1	Fuse, 3Amp	
9	1001278168	1	Bracket	
10	0700612	2	Bolt M6 x 25	
11	3290605	2	Nut M6	
12	4811700	2	Washer M6	
13	5250608	2	Bolt M6 x 16	
14	5260600	2	Nut M6	

SECTION 2 - CONTROLS

FIGURE 2-10. TILT SENSOR INSTALLATION



ART_1001270042

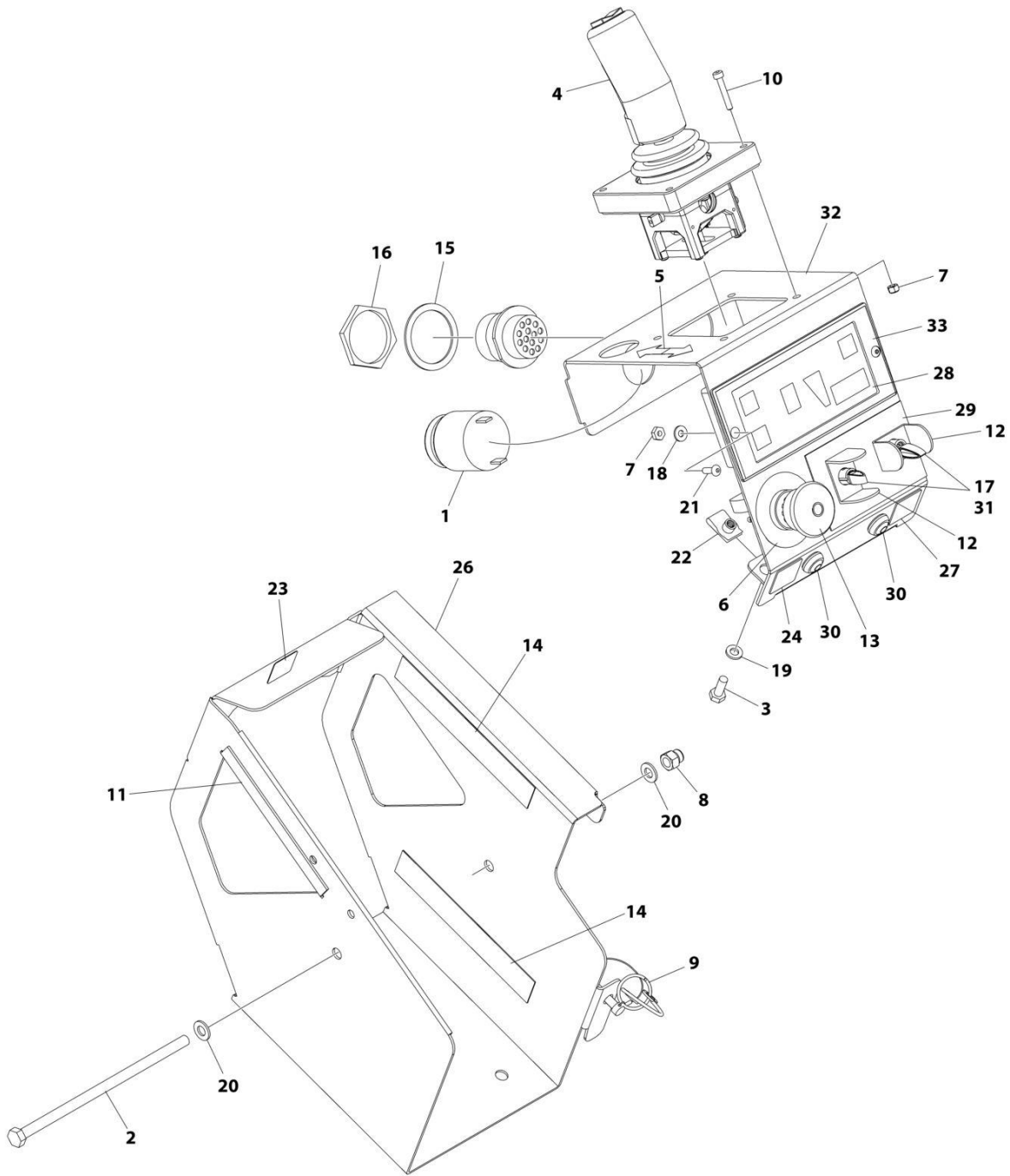
SECTION 2 - CONTROLS

FIGURE 2-10. TILT SENSOR INSTALLATION

ITEM	PART NUMBER	QTY	DESCRIPTION	REV
	1001270042	Ref	TILT SENSOR INSTALLATION	C
1	3290605	2	Nut M6	
2	4031710	2	Bolt M6 x 30	
3	4240099	AR	Tie-Strap (Not Shown)	
4	4811702	2	Washer M6	
5	1001186466	1	Sensor, Tilt	
6	0100011	AR	Compound, Locking (Not Shown)	

SECTION 2 - CONTROLS

FIGURE 2-11. PLATFORM CONSOLE BOX ASSEMBLY (E18MCL)



ART_1001274604

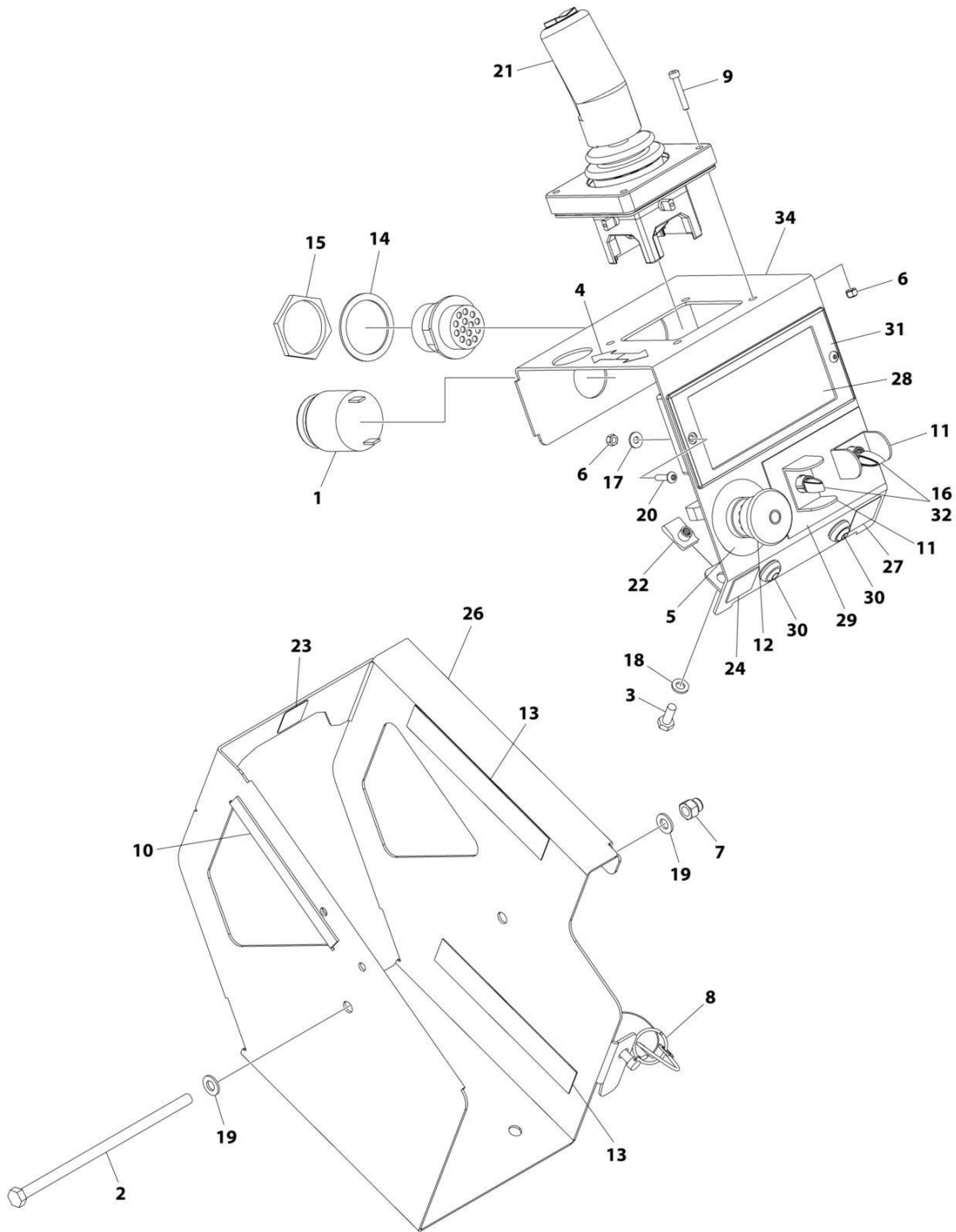
SECTION 2 - CONTROLS

FIGURE 2-11. PLATFORM CONSOLE BOX ASSEMBLY (E18MCL)

ITEM	PART NUMBER	QTY	DESCRIPTION	REV
	1001274604	Ref	PLATFORM CONSOLE INSTALLATION	B
1	0140030	1	Alarm	
2	0700835	1	Bolt M8 x 180	
3	0760610	2	Bolt M6 x 20	
4	1600402	1	Controller Assembly	
5	1703819	1	Decal - Arrow	
6	1704260	1	Decal - Emergency Stop	
7	3290405	6	Nut M4	
8	3290806	1	Nut M8	
9	3423278	1	Pin, Snap with Lanyard	
10	4031509	4	Capscrew M4 x 25	
11	4060803	6 in/14cm	Flex-Trim	
12	4060906	2	Guard, Switch	
13	4360475	1	Switch, Emergency Stop	
13	7020175	1	Cap	
13	7020176	1	Block, Contact	
14	4420062	12 in/ 30cm	Tape	
15	4460496	1	Washer, Terminal	
16	4460497	1	Nut, Terminal	
17	4711700	2	Washer 7/16	
18	4811400	2	Washer M4	
19	4811700	2	Washer M6	
20	4811900	2	Washer M8	
21	1001047064	2	Screw M4 x 15	
22	1001130220	2	Nut, Tinnerman M6	
23	1001132358	1	Decal - Steer	
24	1001132361	1	Decal - Horn	
25	1001200819	1	Platform Control Box Harness (Not Shown) (See Separate Breakdown in ELELCTRICAL Section)	
26	1001209596	1	Plate, Box (Outside)	
27	1001213886	1	Decal - Indoor/Outdoor	
28	1001218285	1	Decal - Platform Control	
29	1001220893	1	Decal - Lift/Drive Function	
30	1001226749	2	Switch - Push Button Yellow	
31	1001258446	2	Switch, Toggle	
32	1001262655	1	Plate, Box (Inside)	
33	1001274605	1	Module, Platform Control	

SECTION 2 - CONTROLS

FIGURE 2-12. PLATFORM CONSOLE BOX ASSEMBLY (E18MML,E18MSP)



ART_1001269940

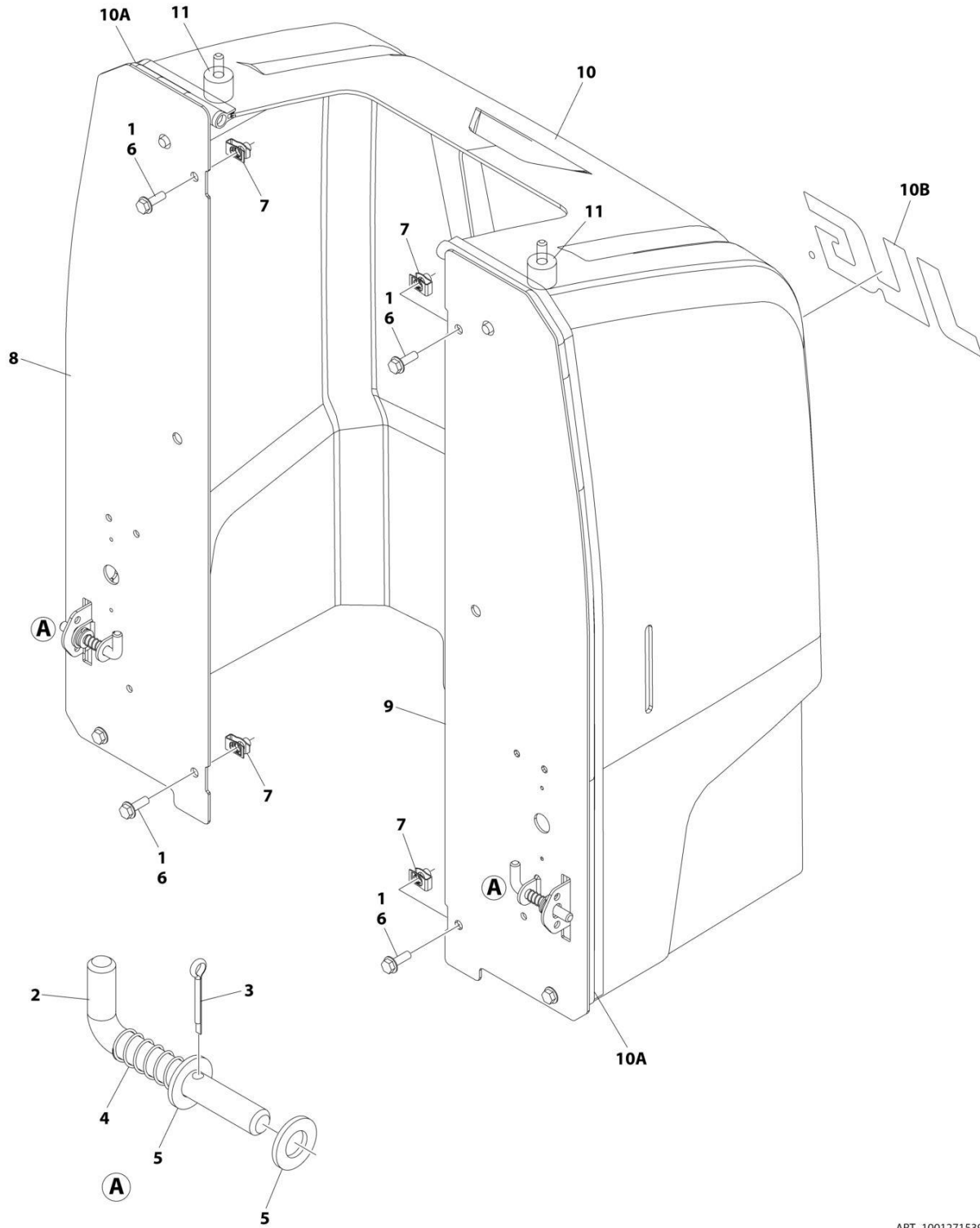
SECTION 2 - CONTROLS

FIGURE 2-12. PLATFORM CONSOLE BOX ASSEMBLY (E18MML,E18MSP)

ITEM	PART NUMBER	QTY	DESCRIPTION	REV
	1001269940	Ref	PLATFORM CONSOLE BOX ASSEMBLY	C
1	0140030	1	Alarm	
2	0700835	1	Bolt M8 x 180	
3	0760610	2	Bolt M6 x 20	
4	1703819	1	Decal - Arrow	
5	1704260	1	Decal - Emergency Stop	
6	3290405	6	Nut M4	
7	3290806	1	Nut M8	
8	3423278	1	Pin, Snap with Lanyard	
9	4031509	4	Capscrew M4 x 25	
10	4060803	6 in /14cm	Flex-Trim	
11	4060906	2	Guard, Switch	
12	4360475	1	Switch, Emergency Stop	
13	4420062	12 in /30cm	Tape	
14	4460496	1	Washer, Terminal	
15	4460497	1	Nut, Terminal	
16	4711700	2	Washer 7/16	
17	4811400	2	Washer M4	
18	4811700	2	Washer M6	
19	4811900	2	Washer M8	
20	1001047064	2	Screw M4 x 15	
21	1001098192	1	Controller Assembly	
22	1001130220	2	Nut, Tinnerman M6	
23	1001132358	1	Decal - Steer	
24	1001132361	1	Decal - Horn	
25	1001200819	1	Platform Control Box Harness (Not Shown) (See Separate Breakdown in ELECTRICAL Section)	
26	1001209596	1	Plate, Box (Outside)	
27	1001213886	1	Decal - Indoor/Outdoor	
28	1001218285	1	Decal - Platform Control	
29	1001220893	1	Decal - Lift/Drive Function	
30	1001226749	2	Switch, Push Button	
31	1001274605	1	Module, Platform Control	
32	1001258446	2	Switch, Toggle	
34	1001262655	1	Plate, Box (Inside)	
35	1001269482	1	Harness, Joystick Jumper (Not Shown)	

SECTION 2 - CONTROLS

FIGURE 2-13. HOOD INSTALLATION



ART_1001271539

SECTION 2 - CONTROLS

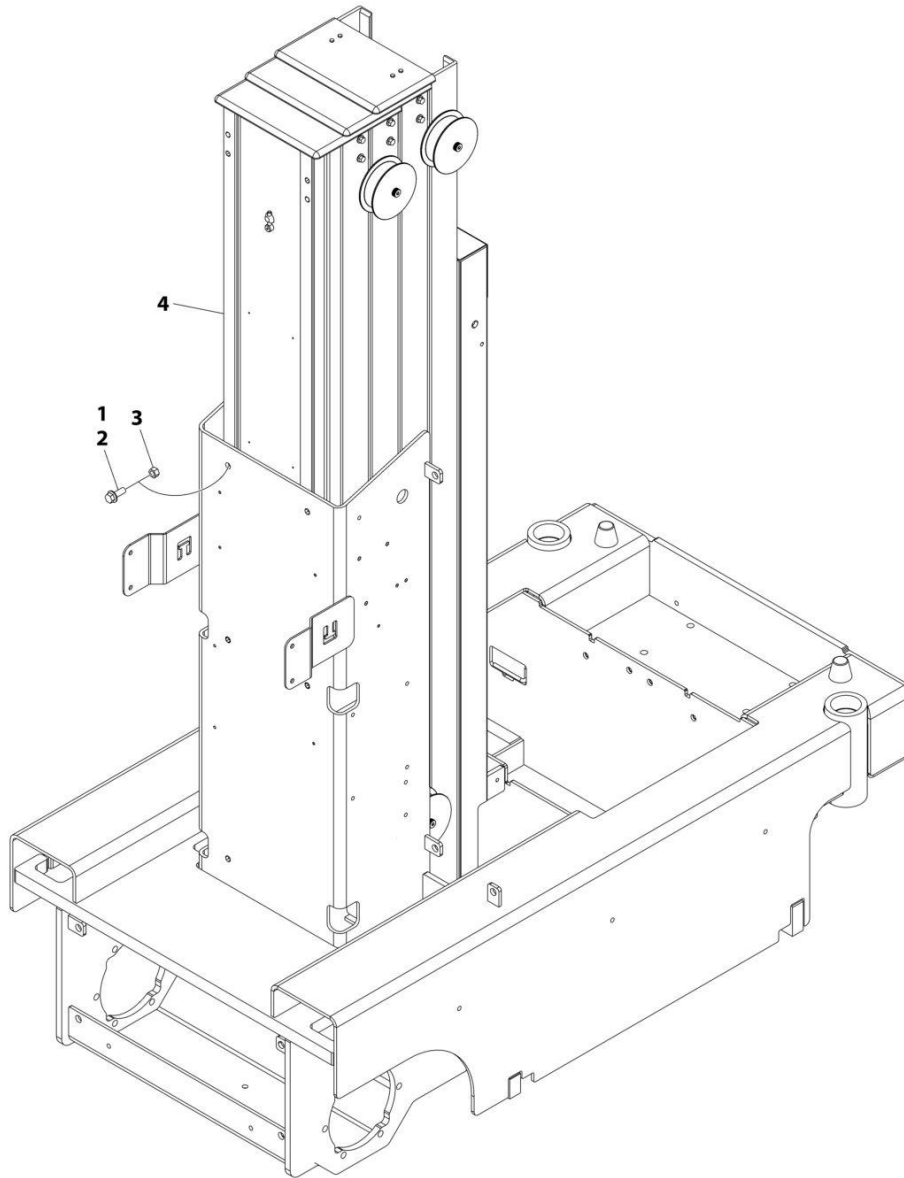
FIGURE 2-13. HOOD INSTALLATION

ITEM	PART NUMBER	QTY	DESCRIPTION	REV
	1001271539	Ref	HOOD INSTALLATION	B
1	0100011	AR	Compound, Locking	
2	3423243	2	Pin	
3	3450303	2	Pin, Cotter	
4	4160214	2	Spring	
5	4812000	4	Washer M10	
6	5250812	6	Bolt M8 x 25	
7	1001118274	6	Nut, Tinnerman M8	
8	1001271448	1	Support , Hood (RH)	
9	1001271449	1	Support , Hood (LH)	
10	1001273006	1	Hood Assembly	
10A	0100081	AR	Adhesive	
10A	1001273116	2	Seal	
10B	1001280217	1	Decal - JLG	
10C	4060803	670 mm/ 2 Feet	Trim, Flex (Not Shown)	
11	1001273312	2	Bumper	

SECTION 3 - MAST

SECTION 3 - MAST

FIGURE 3-1. MAST INSTALLATION



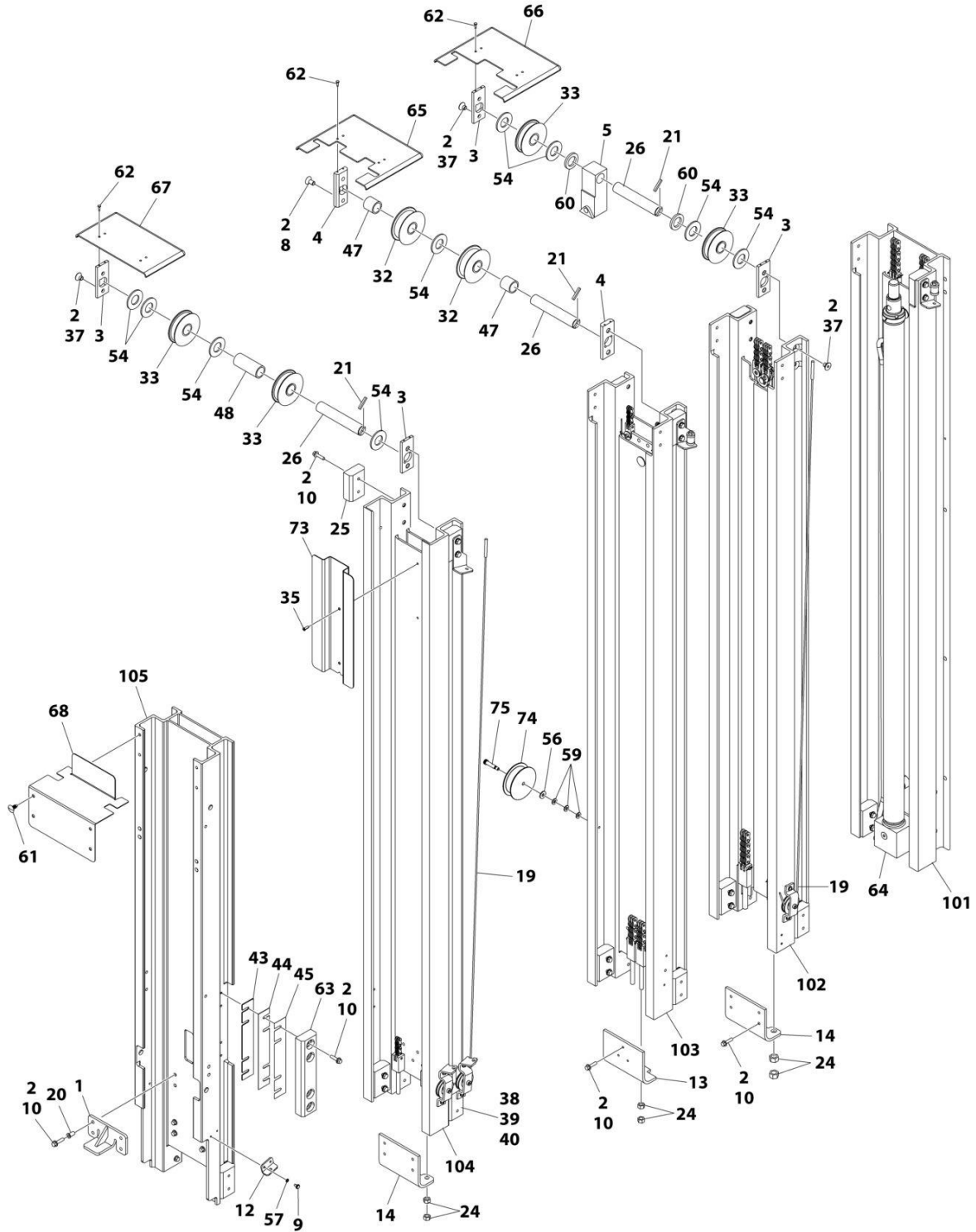
ART_1001267932

FIGURE 3-1. MAST INSTALLATION

ITEM	PART NUMBER	QTY	DESCRIPTION	REV
	1001267932	Ref	MAST INSTALLATION	D
1	0100019	AR	Compound, Locking	
2	0811608	6	Screw 3/8 x 1	
3	3311601	6	Nut 3/8	
4	1001269862	1	Mast Assembly (See Separate Breakdown in this Section)	

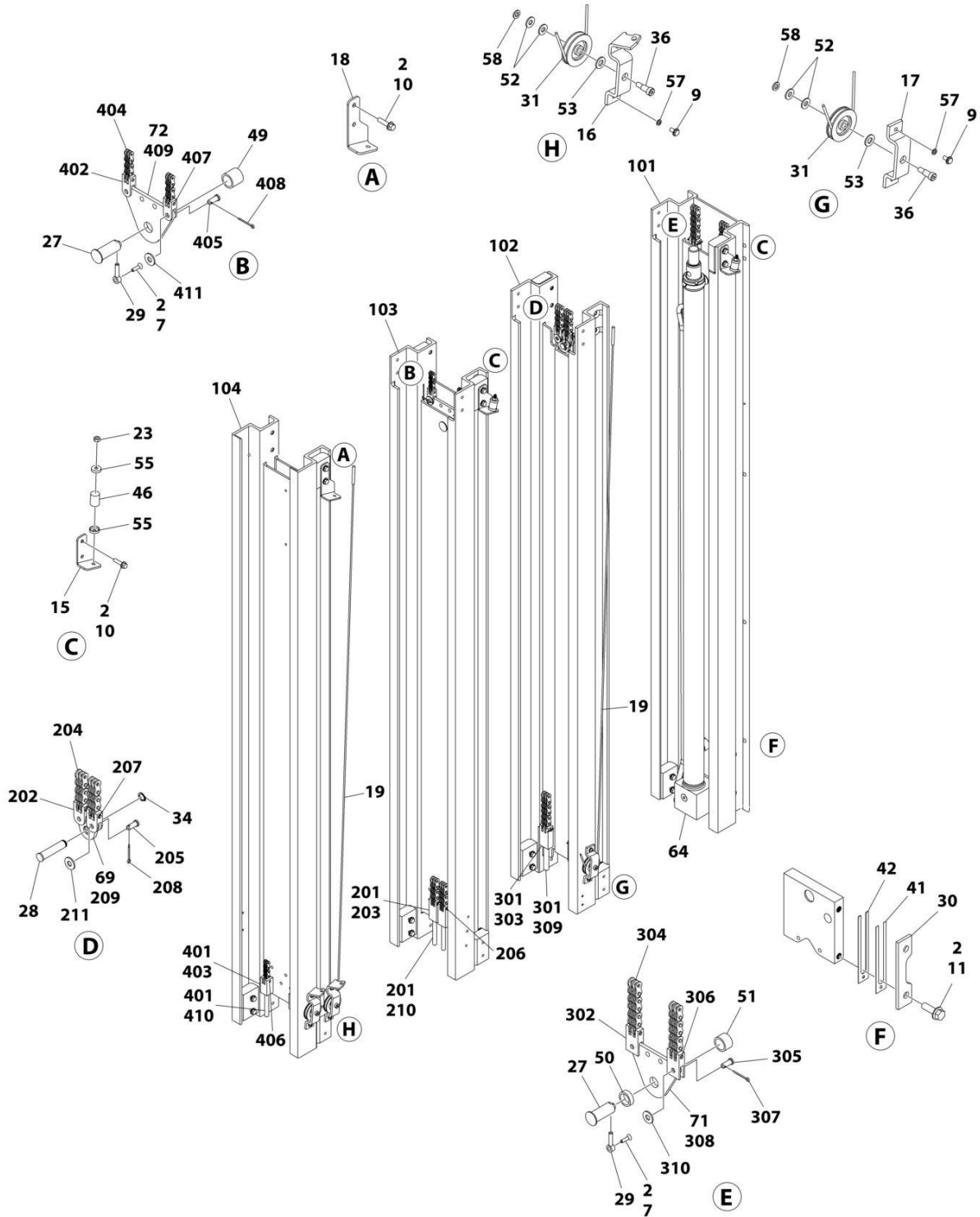
SECTION 3 - MAST

FIGURE 3-2. MAST ASSEMBLY



ART_1001269862_10F2

SECTION 3 - MAST



ART_1001269862_20F2

SECTION 3 - MAST

FIGURE 3-2. MAST ASSEMBLY

ITEM	PART NUMBER	QTY	DESCRIPTION	REV
	1001269862	Ref	MAST ASSEMBLY	E
1	0060087	1	Actuator, Pothole Protection	
2	0100011	AR	Compound, Locking	
3	0362735	4	Bar, Sheave Pin Support	
4	0362736	2	Bar, Sheave Pin Support	
5	0561341	1	Block, Chain Anchor	
7	0741006	2	Screw #10 x 3/4	
8	0741606	4	Screw 3/8 x 3/4	
9	0791003	8	Screw #10 x 3/8	
10	0811408	51	Screw 1/4 x 1	
11	0811812	4	Screw 1/2 x 1	
12	0902047	1	Bracket, Sequence Cable	
13	0902423	1	Bracket, Chain Attach	
14	0902424	2	Bracket, Bottom Chain Attach	
15	0902431	2	Bracket, Sequence Cable	
16	0902445	2	Bracket, Sequence Cable	
17	0902698	1	Bracket, Sequence Cable	
18	0902775	1	Bracket, Sequence Cable	
19	1060920	3	Cable, Sequence	
20	2080043	4	Rivet	
21	2880310	3	Key	
23	3311401	3	Nut 1/4	
24	3311601	12	Nut 3/8	
25	3340845	14	Pad, Slide Guide	
26	3422717	3	Pin, Sheave	
27	3422750	2	Pin, Chain Equalizer	
28	3422752	1	Pin, Chain Equalizer	
29	3422757	2	Pin, Keeper	
30	3570893	2	Plate, Cylinder Mounting	
31	3580269	3	Sheave, Sequence Cable	
32	3580291	2	Sheave Assembly	
32	0440248	2	Bearing (1 Per Assembly)	
33	3580293	4	Sheave Assembly	
33	0440249	4	Bearing (1 Per Assembly)	
34	3760383	1	Ring, Retaining	
35	3820032	2	Rivet	
36	3900187	3	Screw, Shoulder	
37	3900192	8	Screw 3/8 x 1/2	
38	4070860	AR	Shim, Slide Pad .075	
39	4070861	AR	Shim, Slide Pad .036	
40	4070862	AR	Shim, Slide Pad .015	
41	4070970	AR	Shim, Cylinder Mount	
42	4070971	AR	Shim, Cylinder Mount	
43	4070988	AR	Shim, Slide Pad .075	
44	4070989	AR	Shim, Slide Pad .036	
45	4070990	AR	Shim, Slide Pad 0.15	
46	4160124	3	Spring	
47	4567489	2	Tube, Spacer	
48	4567490	1	Tube, Spacer	
49	4567749	1	Tube, Spacer	

SECTION 3 - MAST

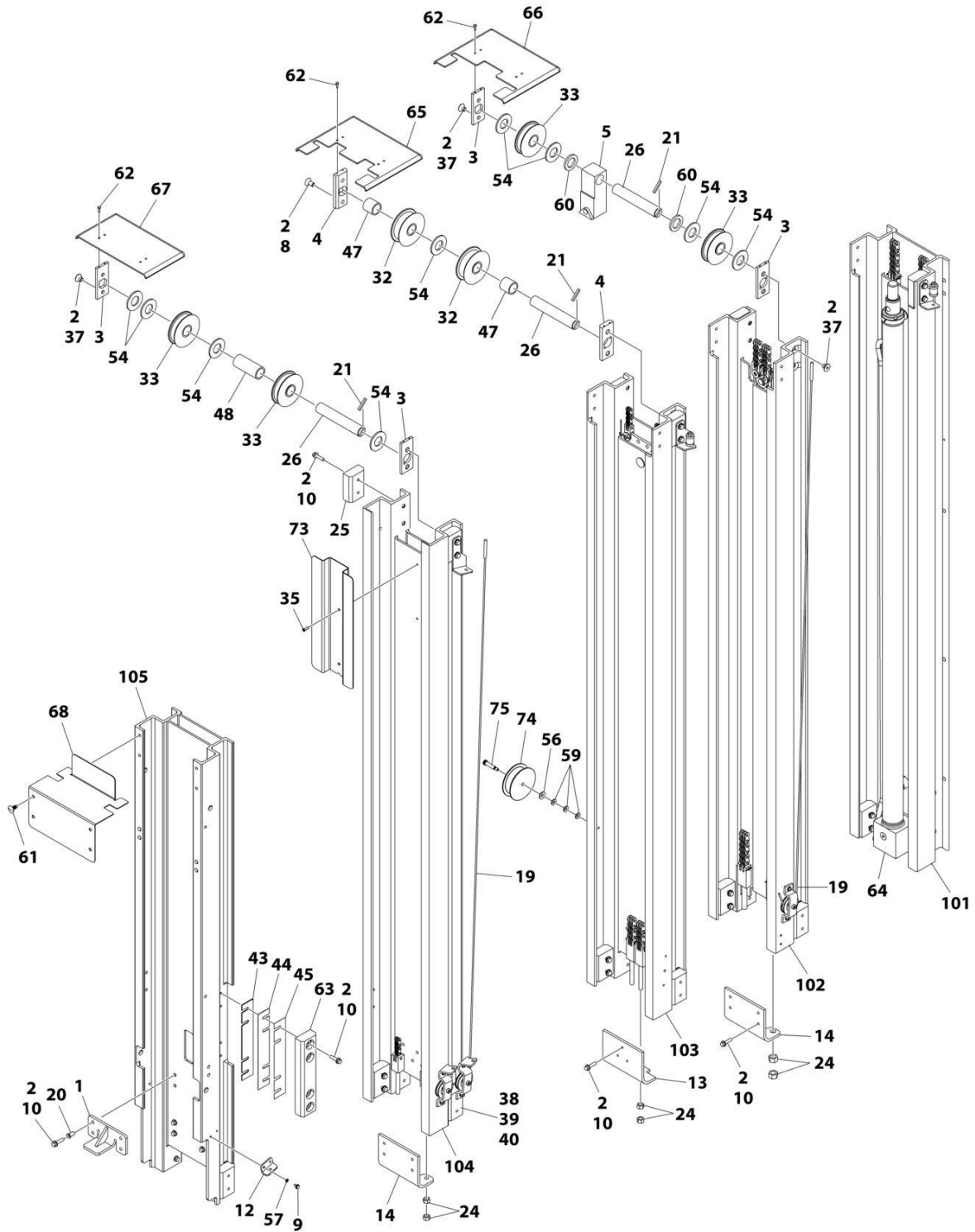
ITEM	PART NUMBER	QTY	DESCRIPTION	REV
50	4567750	1	Tube, Spacer	
51	4567751	1	Tube, Spacer	
52	4711400	6	Washer 1/4	
53	4711500	3	Washer 5/16	
54	4740007	16	Thrustwasher	
55	4740414	6	Washer, Cup	
56	4751500	3	Washer 5/16	
57	4761000	8	Washer #10	
58	4761400	3	Washer 1/4	
59	4891500	9	Washer 5/16	
60	4892600	2	Washer	
61	1001109786	4	Fastener, Firtree	
62	3940604	12	Screw #6 x 1/2	
63	1001235146	2	Pad, Slide Guide	
64	1001267886	1	Lift Cylinder Assembly (See Separate Breakdown in CYLINDER Section)	
65	1001269091	1	Cover, Mast	
66	1001269092	1	Cover, Mast	
67	1001269093	1	Cover, Mast	
68	1001269197	1	Panel, Head Cover	
69	1001269323	1	Chain Assembly - #444 (See Items 101-111 for Breakdown)	
71	1001269325	1	Chain Assembly - #466 (See Items 201-210 for Breakdown)	
72	1001269326	1	Chain Assembly - #444 (See Items 301-311 for Breakdown)	
73	1001269402	1	Cover, Chain	
74	1001270589	3	Pulley, Control Cable	
75	1001270137	3	Bolt	
100	1001267931	1	Mast, Kit (Not Shown)	
101	1001269037	1	Channel, Mast #1	
102	1001269038	1	Channel, Mast #2	
103	1001269039	1	Channel, Mast #3	
104	1001269041	1	Channel, Mast #4	
105	1001269042	1	Channel, Mast Header	
	1001269323	Ref	CHAIN ASSEMBLY - #444	D
201	0100019	AR	Compound, Locking	
202	0561149	2	Block, Chain Anchor	
203	0561408	2	Block, Chain Anchor	
204	1260298	AR	Chain	
205	3422338	2	Pin, Equalizer	
206	3422346	2	Pin, Grooved	
207	3422355	2	Pin	
208	3450304	2	Pin, Cotter	
209	3571103	1	Plate, Chain Adjustment	
210	4300111	2	Stud	
211	4751500	2	Washer 5/16	
	1001269325	Ref	CHAIN ASSEMBLY - #466	D
301	0100019	AR	Compound, Locking	
302	0561153	2	Block, Chain Anchor	
303	0561409	2	Block, Chain Anchor	
304	1260299	AR	Chain	
305	3422338	2	Pin, Equalizer	
306	3422346	4	Pin, Grooved	
307	3450304	2	Pin, Cotter	

SECTION 3 - MAST

ITEM	PART NUMBER	QTY	DESCRIPTION	REV
308	3571101	1	Plate, Chain Adjustment	C
309	4300111	2	Stud	
310	4751500	2	Washer 5/16	
	1001269326	Ref	CHAIN ASSEMBLY - #444	
401	0100019	AR	Compound, Locking	
402	0561149	2	Block, Chain Anchor	
403	0561408	2	Block, Chain Anchor	
404	1260298	AR	Chain	
405	3422338	2	Pin, Equalizer	
406	3422346	2	Pin, Grooved	
407	3422355	2	Pin	
408	3450304	2	Pin, Cotter	
409	3571101	1	Plate, Chain Adjustment	
410	4300111	2	Stud	
411	4751500	2	Washer 5/16	

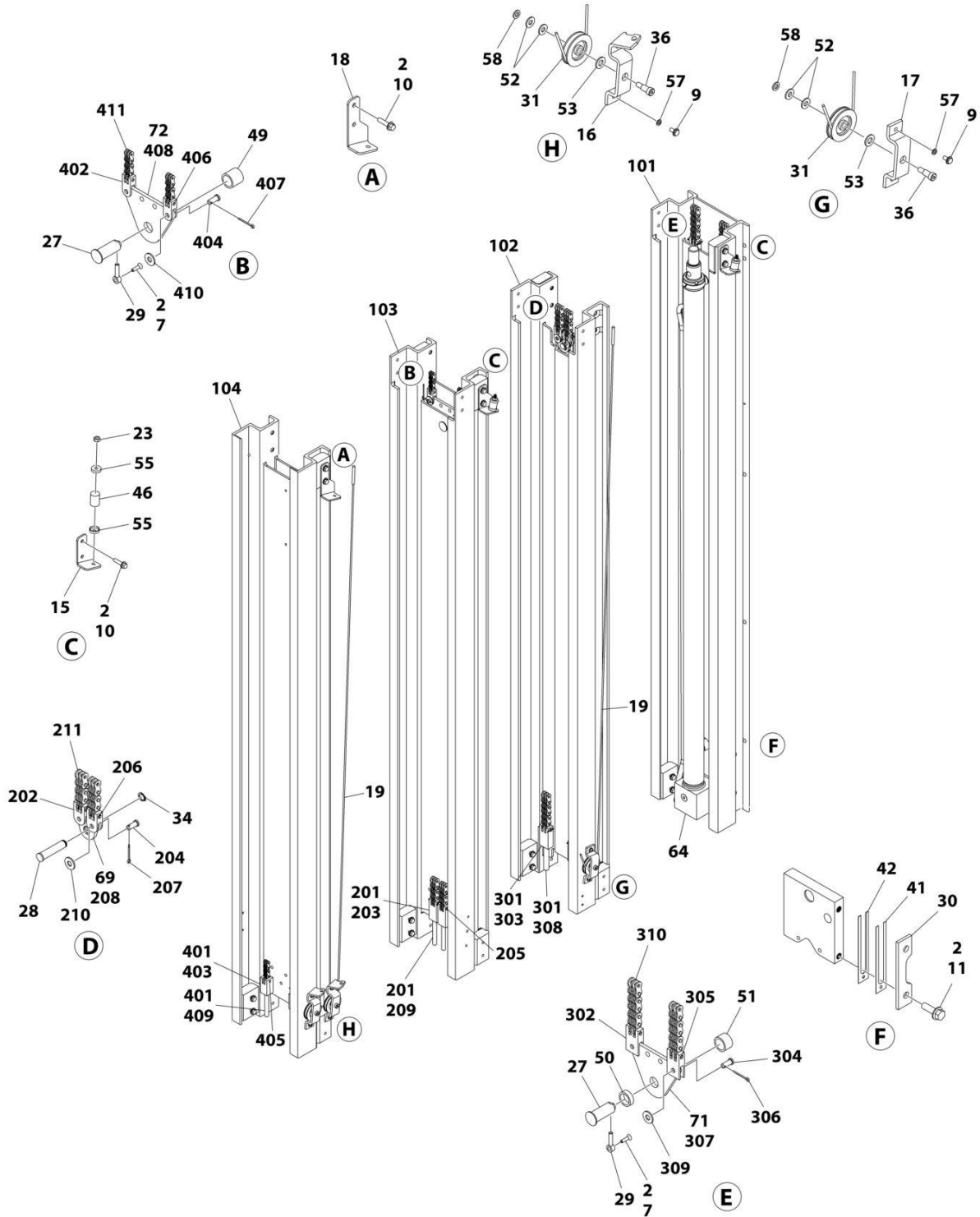
SECTION 3 - MAST

FIGURE 3-3. MAST ASSEMBLY (SN M130012654 to Present)



ART_1001269862_F_10F2

SECTION 3 - MAST



ART_1001269862_F_20F2

SECTION 3 - MAST

FIGURE 3-3. MAST ASSEMBLY (SN M130012654 to Present)

ITEM	PART NUMBER	QTY	DESCRIPTION	REV
	1001269862	Ref	MAST ASSEMBLY	F
1	0060087	1	Actuator, Pothole Protection	
2	0100011	AR	Compound, Locking	
3	0362735	4	Bar, Sheave Pin Support	
4	0362736	2	Bar, Sheave Pin Support	
5	0561341	1	Block, Chain Anchor	
7	0741006	2	Screw #10 x 3/4	
8	0741606	4	Screw 3/8 x 3/4	
9	0791003	8	Screw #10 x 3/8	
10	0811408	51	Screw 1/4 x 1	
11	0811812	4	Screw 1/2 x 1	
12	0902047	1	Bracket, Sequence Cable	
13	0902423	1	Bracket, Chain Attach	
14	0902424	2	Bracket, Bottom Chain Attach	
15	0902431	2	Bracket, Sequence Cable	
16	0902445	2	Bracket, Sequence Cable	
17	0902698	1	Bracket, Sequence Cable	
18	0902775	1	Bracket, Sequence Cable	
19	1060920	3	Cable, Sequence	
20	2080043	4	Rivet	
21	2880310	3	Key	
23	3311401	3	Nut 1/4	
24	3311601	12	Nut 3/8	
25	3340845	14	Pad, Slide Guide	
26	3422717	3	Pin, Sheave	
27	3422750	2	Pin, Chain Equalizer	
28	3422752	1	Pin, Chain Equalizer	
29	3422757	2	Pin, Keeper	
30	3570893	2	Plate, Cylinder Mounting	
31	3580269	3	Sheave, Sequence Cable	
32	3580291	2	Sheave Assembly	
32	0440248	2	Bearing (1 Per Assembly)	
33	3580293	4	Sheave Assembly	
33	0440249	4	Bearing (1 Per Assembly)	
34	3760383	1	Ring, Retaining	
35	3820032	2	Rivet	
36	3900187	3	Screw, Shoulder	
37	3900192	8	Screw 3/8 x 1/2	
38	4070860	AR	Shim, Slide Pad .075	
39	4070861	AR	Shim, Slide Pad .036	
40	4070862	AR	Shim, Slide Pad .015	
41	4070970	AR	Shim, Cylinder Mount	
42	4070971	AR	Shim, Cylinder Mount	
43	4070988	AR	Shim, Slide Pad .075	
44	4070989	AR	Shim, Slide Pad .036	
45	4070990	AR	Shim, Slide Pad 0.15	
46	4160124	3	Spring	
47	4567489	2	Tube, Spacer	
48	4567490	1	Tube, Spacer	
49	4567749	1	Tube, Spacer	

SECTION 3 - MAST

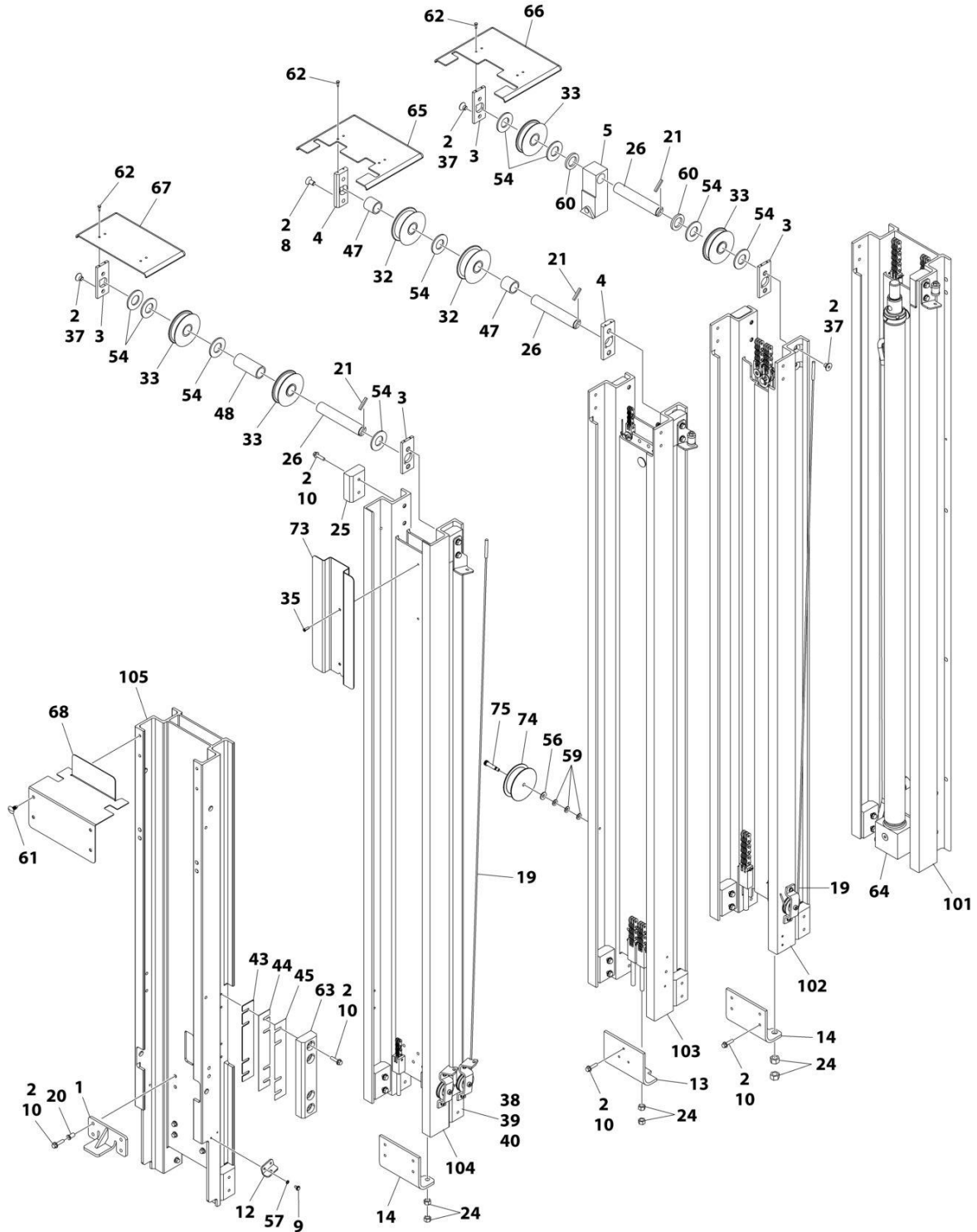
ITEM	PART NUMBER	QTY	DESCRIPTION	REV
50	4567750	1	Tube, Spacer	
51	4567751	1	Tube, Spacer	
52	4711400	6	Washer 1/4	
53	4711500	3	Washer 5/16	
54	4740007	16	Thrustwasher	
55	4740414	6	Washer, Cup	
56	4751500	3	Washer 5/16	
57	4761000	8	Washer #10	
58	4761400	3	Washer 1/4	
59	4891500	9	Washer 5/16	
60	4892600	2	Washer	
61	1001109786	4	Fastener, Firtree	
62	3940604	12	Screw #6 x 1/2	
63	1001235146	2	Pad, Slide Guide	
64	1001267886	1	Lift Cylinder Assembly (See Separate Breakdown in CYLINDER Section)	
65	1001269091	1	Cover, Mast	
66	1001269092	1	Cover, Mast	
67	1001269093	1	Cover, Mast	
68	1001269197	1	Panel, Head Cover	
69	1001300768	1	Chain Assembly - #444 (See Items 201-211 for Breakdown)	
71	1001300770	1	Chain Assembly - #466 (See Items 301-310 for Breakdown)	
72	1001300769	1	Chain Assembly - #444 (See Items 401-411 for Breakdown)	
73	1001269402	1	Cover, Chain	
74	1001270589	3	Pulley, Control Cable	
75	1001270137	3	Bolt	
100	1001267931	1	Mast, Kit (Not Shown)	
101	1001269037	1	Channel, Mast #1	
102	1001269038	1	Channel, Mast #2	
103	1001269039	1	Channel, Mast #3	
104	1001269041	1	Channel, Mast #4	
105	1001269042	1	Channel, Mast Header	
	1001300768	Ref	CHAIN ASSEMBLY - #444	A
201	0100019	AR	Compound, Locking	
202	0561149	2	Block, Chain Anchor	
203	0561408	2	Block, Chain Anchor	
204	3422338	2	Pin, Equalizer	
205	3422346	2	Pin, Grooved	
206	3422355	2	Pin	
207	3450304	2	Pin, Cotter	
208	3571103	1	Plate, Chain Adjustment	
209	4300111	2	Stud	
210	4751500	2	Washer 5/16	
211	1001300767	12 ft/4 m	Chain	
	1001300770	Ref	CHAIN ASSEMBLY - #466	A
301	0100019	AR	Compound, Locking	
302	0561153	2	Block, Chain Anchor	
303	0561409	2	Block, Chain Anchor	
304	3422338	2	Pin, Equalizer	
305	3422346	4	Pin, Grooved	
306	3450304	2	Pin, Cotter	
307	3571101	1	Plate, Chain Adjustment	

SECTION 3 - MAST

ITEM	PART NUMBER	QTY	DESCRIPTION	REV
308	4300111	2	Stud	A
309	4751500	2	Washer 5/16	
310	1001300767	12 ft/4 m	Chain	
	1001300769	Ref	CHAIN ASSEMBLY - #444	
401	0100019	AR	Compound, Locking	
402	0561149	2	Block, Chain Anchor	
403	0561408	2	Block, Chain Anchor	
404	3422338	2	Pin, Equalizer	
405	3422346	2	Pin, Grooved	
406	3422355	2	Pin	
407	3450304	2	Pin, Cotter	
408	3571101	1	Plate, Chain Adjustment	
409	4300111	2	Stud	
410	4751500	2	Washer 5/16	
411	1001300767	12 ft/4 m	Chain	

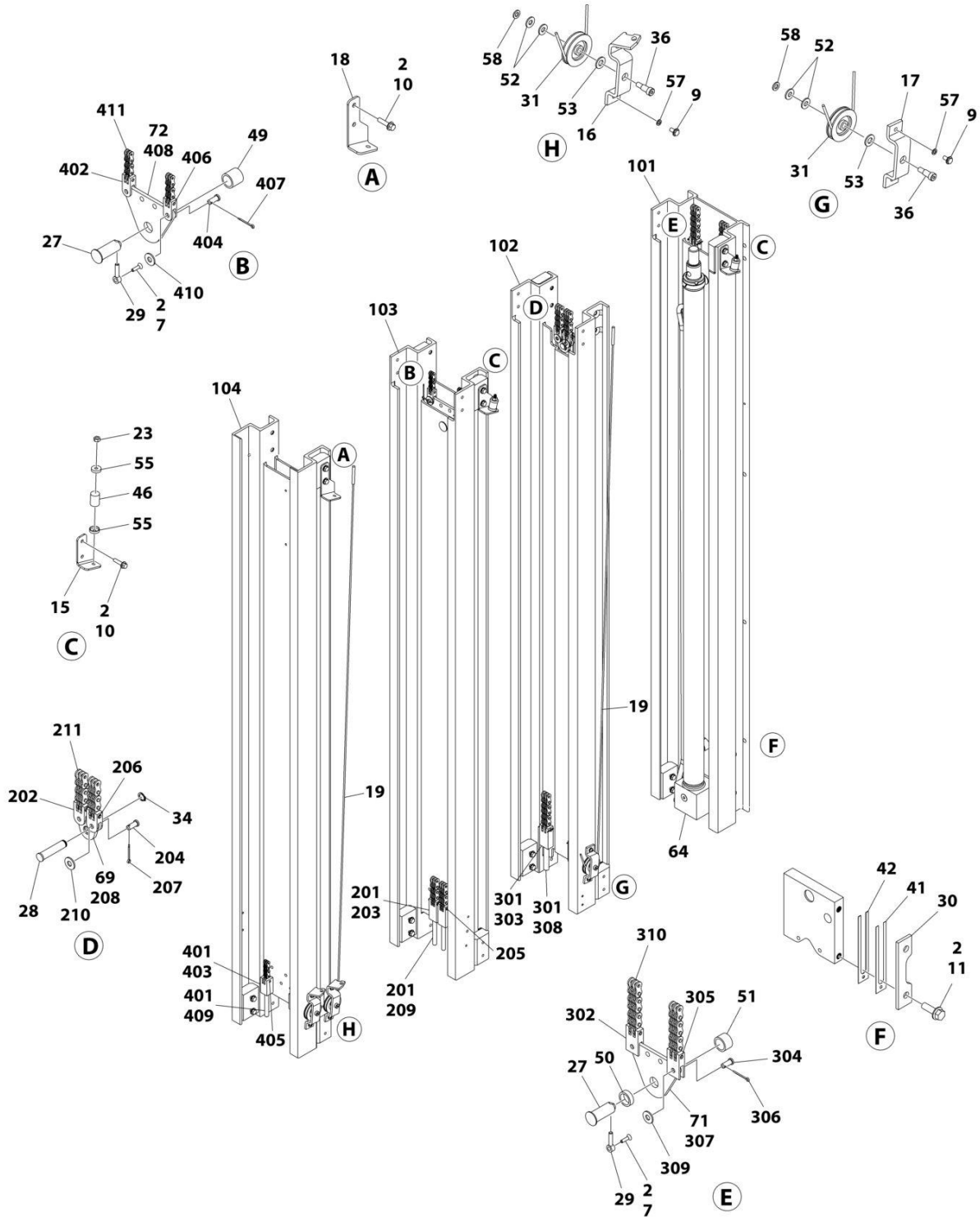
SECTION 3 - MAST

FIGURE 3-4. MAST ASSEMBLY (SN M130014568 to Present)



ART_1001269862_G_10F2

SECTION 3 - MAST



ART_1001269862_G_20F2

SECTION 3 - MAST

FIGURE 3-4. MAST ASSEMBLY (SN M130014568 to Present)

ITEM	PART NUMBER	QTY	DESCRIPTION	REV
	1001269862	Ref	MAST ASSEMBLY	G
1	0060087	1	Actuator, Pothole Protection	
2	0100011	AR	Compound, Locking	
3	0362735	4	Bar, Sheave Pin Support	
4	0362736	2	Bar, Sheave Pin Support	
5	0561341	1	Block, Chain Anchor	
7	0741006	2	Screw #10 x 3/4	
8	0741606	4	Screw 3/8 x 3/4	
9	0791003	8	Screw #10 x 3/8	
10	0811408	51	Screw 1/4 x 1	
11	0811812	4	Screw 1/2 x 1	
12	0902047	1	Bracket, Sequence Cable	
13	0902423	1	Bracket, Chain Attach	
14	0902424	2	Bracket, Bottom Chain Attach	
15	1001305964	2	Bracket, Sequence Cable	
16	0902445	2	Bracket, Sequence Cable	
17	0902698	1	Bracket, Sequence Cable	
18	1001305879	1	Bracket, Sequence Cable	
19	1060920	3	Cable, Sequence	
20	2080043	4	Rivet	
21	2880310	3	Key	
23	3311401	3	Nut 1/4	
24	3311601	12	Nut 3/8	
25	3340845	14	Pad, Slide Guide	
26	3422717	3	Pin, Sheave	
27	3422750	2	Pin, Chain Equalizer	
28	3422752	1	Pin, Chain Equalizer	
29	3422757	2	Pin, Keeper	
30	3570893	2	Plate, Cylinder Mounting	
31	3580269	3	Sheave, Sequence Cable	
32	3580291	2	Sheave Assembly	
32	0440248	2	Bearing (1 Per Assembly)	
33	3580293	4	Sheave Assembly	
33	0440249	4	Bearing (1 Per Assembly)	
34	3760383	1	Ring, Retaining	
35	3820032	2	Rivet	
36	3900187	3	Screw, Shoulder	
37	3900192	8	Screw 3/8 x 1/2	
38	4070860	AR	Shim, Slide Pad .075	
39	4070861	AR	Shim, Slide Pad .036	
40	4070862	AR	Shim, Slide Pad .015	
41	4070970	AR	Shim, Cylinder Mount	
42	4070971	AR	Shim, Cylinder Mount	
43	4070988	AR	Shim, Slide Pad .075	
44	4070989	AR	Shim, Slide Pad .036	
45	4070990	AR	Shim, Slide Pad 0.15	
46	4160124	3	Spring	
47	4567489	2	Tube, Spacer	
48	4567490	1	Tube, Spacer	
49	4567749	1	Tube, Spacer	

SECTION 3 - MAST

ITEM	PART NUMBER	QTY	DESCRIPTION	REV
50	4567750	1	Tube, Spacer	
51	4567751	1	Tube, Spacer	
52	4711400	6	Washer 1/4	
53	4711500	3	Washer 5/16	
54	4740007	16	Thrustwasher	
55	4740414	6	Washer, Cup	
56	4751500	3	Washer 5/16	
57	4761000	8	Washer #10	
58	4761400	3	Washer 1/4	
59	4891500	9	Washer 5/16	
60	4892600	2	Washer	
61	1001109786	4	Fastener, Firtree	
62	3940604	12	Screw #6 x 1/2	
63	1001235146	2	Pad, Slide Guide	
64	1001267886	1	Lift Cylinder Assembly (See Separate Breakdown in CYLINDER Section)	
65	1001269091	1	Cover, Mast	
66	1001269092	1	Cover, Mast	
67	1001269093	1	Cover, Mast	
68	1001269197	1	Panel, Head Cover	
69	1001300768	1	Chain Assembly - #444 (See Items 201-211 for Breakdown)	
71	1001300770	1	Chain Assembly - #466 (See Items 301-310 for Breakdown)	
72	1001300769	1	Chain Assembly - #444 (See Items 401-411 for Breakdown)	
73	1001269402	1	Cover, Chain	
74	1001270589	3	Pulley, Control Cable	
75	1001270137	3	Bolt	
100	1001267931	1	Mast, Kit (Not Shown)	
101	1001269037	1	Channel, Mast #1	
102	1001269038	1	Channel, Mast #2	
103	1001269039	1	Channel, Mast #3	
104	1001269041	1	Channel, Mast #4	
105	1001269042	1	Channel, Mast Header	
	1001300768	Ref	CHAIN ASSEMBLY - #444	A
201	0100019	AR	Compound, Locking	
202	0561149	2	Block, Chain Anchor	
203	0561408	2	Block, Chain Anchor	
204	3422338	2	Pin, Equalizer	
205	3422346	2	Pin, Grooved	
206	3422355	2	Pin	
207	3450304	2	Pin, Cotter	
208	3571103	1	Plate, Chain Adjustment	
209	4300111	2	Stud	
210	4751500	2	Washer 5/16	
211	1001300767	12 ft/4 m	Chain	
	1001300770	Ref	CHAIN ASSEMBLY - #466	A
301	0100019	AR	Compound, Locking	
302	0561153	2	Block, Chain Anchor	
303	0561409	2	Block, Chain Anchor	
304	3422338	2	Pin, Equalizer	
305	3422346	4	Pin, Grooved	
306	3450304	2	Pin, Cotter	
307	3571101	1	Plate, Chain Adjustment	

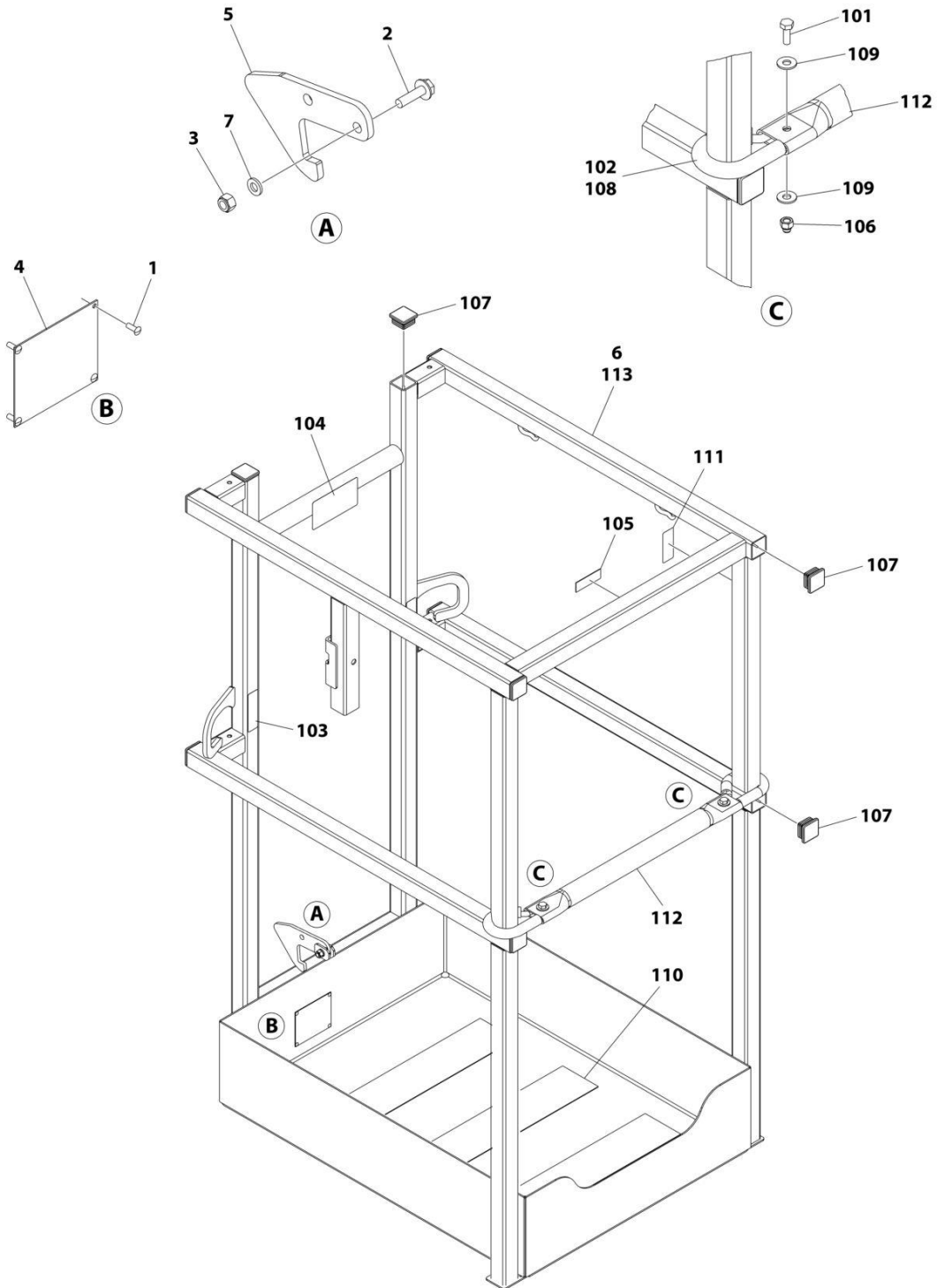
SECTION 3 - MAST

ITEM	PART NUMBER	QTY	DESCRIPTION	REV
308	4300111	2	Stud	A
309	4751500	2	Washer 5/16	
310	1001300767	12 ft/4 m	Chain	
	1001300769	Ref	CHAIN ASSEMBLY - #444	
401	0100019	AR	Compound, Locking	
402	0561149	2	Block, Chain Anchor	
403	0561408	2	Block, Chain Anchor	
404	3422338	2	Pin, Equalizer	
405	3422346	2	Pin, Grooved	
406	3422355	2	Pin	
407	3450304	2	Pin, Cotter	
408	3571101	1	Plate, Chain Adjustment	
409	4300111	2	Stud	
410	4751500	2	Washer 5/16	
411	1001300767	12 ft/4 m	Chain	

SECTION 4 - PLATFORM

SECTION 4 - PLATFORM

FIGURE 4-1. PLATFORM INSTALLATION - 22IN X 26IN (CEILING TILE INSTALLER)



ART_1001280846

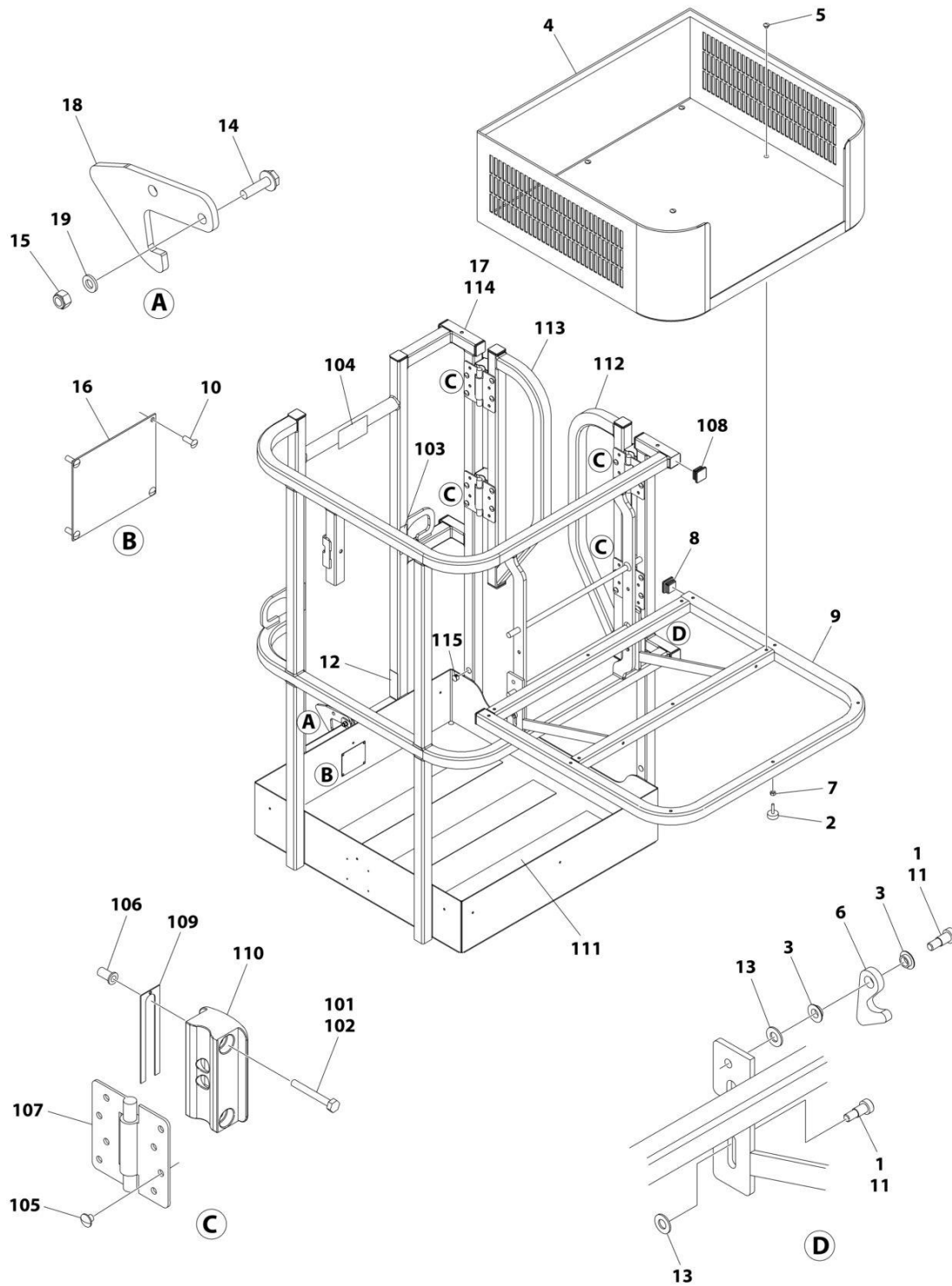
SECTION 4 - PLATFORM

FIGURE 4-1. PLATFORM INSTALLATION - 22IN X 26IN (CEILING TILE INSTALLER)

ITEM	PART NUMBER	QTY	DESCRIPTION	REV
	1001280846	Ref	PLATFORM INSTALLATION - 22IN x 26IN (CEILING TILE INSTALLER)	B
1	3820012	4	Rivet	
2	5250611	1	Bolt M6 x 22	
3	3290605	1	Nut, Lock M6	
4	See Note	NSS	Nameplate - SN (Note: Not Available for Purchase)	
5	1001271823	1	Plate, Platform Catch	
6	1001280843	1	Platform Assembly (See Items 101-113 for Serviced Components)	
7	4811700	1	Washer M6	
	1001280843	Ref	PLATFORM ASSEMBLY	B
101	0641406	2	Bolt 1/4 x 3/4	
102	1560010	13.5 in /34cm	Conduit	
103	1001260837	2	Decal - Lanyard	
104	1704366	1	Decal - Fall Hazard	
105	1706493	1	Decal - Drop Bar	
106	2080063	2	Nut 1/4	
107	3520072	10	Plug	
108	3841692	2	Rod, Gate Ring	
109	4751400	4	Washer 1/4	
110	1001099638	3	Tape, Non-Skid	
111	1001280547	1	Decal - Tool Lanyard	
112	1001280838	1	Tube, Platform	
113		Ref	Platform (Note: Not Available - Purchase Complete Assembly)	

SECTION 4 - PLATFORM

FIGURE 4-2. PLATFORM INSTALLATION - 28IN X 29.5IN (NON - EXTENDABLE/ALUMINUM TRAY/SALOON DOOR ENTRY)



ART_1001280848

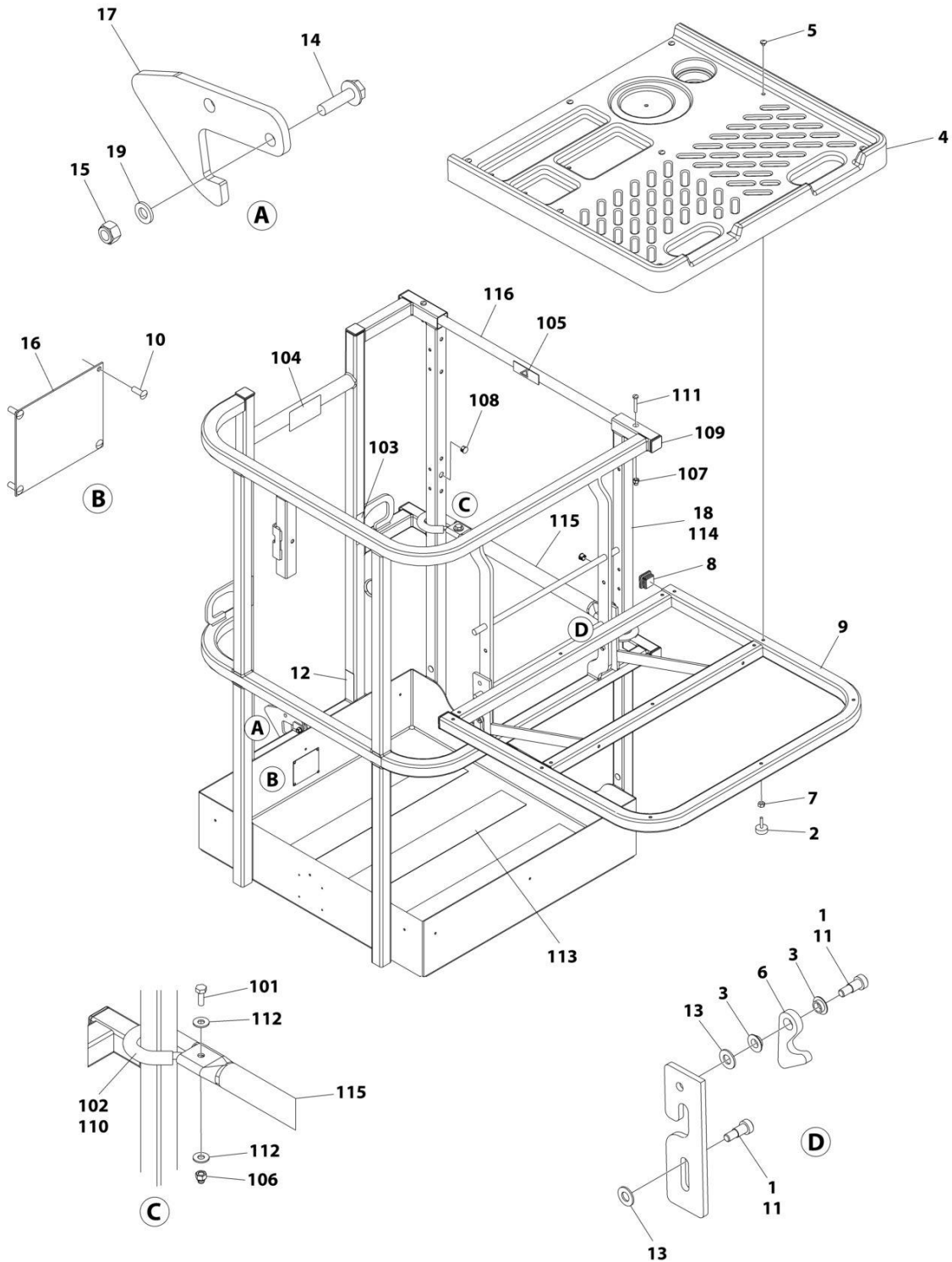
SECTION 4 - PLATFORM

FIGURE 4-2. PLATFORM INSTALLATION - 28IN X 29.5IN (NON - EXTENDABLE/ALUMINUM TRAY/SALOON DOOR ENTRY)

ITEM	PART NUMBER	QTY	DESCRIPTION	REV
	1001280848	Ref	PLATFORM INSTALLATION - 28IN x 29.5IN (NON - EXTENDABLE/ALUMINUM TRAY/SALOON DOOR ENTRY)	B
1	0100011	AR	Compound, Locking	
2	0940083	1	Bumper	
3	0961892	2	Bushing	
4	1580019	1	Container, Material Tray	
5	2080040	8	Fastener	
6	2700098	1	Hook	
7	3311401	1	Nut 1/4	
8	3520072	2	Plug	
9	3641542	1	Weldment, Tray Support	
10	3820012	4	Rivet	
11	3900190	3	Screw 3/8 x 1/2	
12	4420062	0.49 ft /0.15m	Tape	
13	4711600	3	Washer 3/8	
14	5250611	1	Bolt M6 x 22	
15	3290605	1	Nut, Lock M6	
16	See Note	NSS	Nameplate - SN (Note: Not Available for Purchase)	
17	1001270702	1	Platform Assembly (See Items 101-115 for Serviced Components)	
18	1001271823	1	Plate, Platform Catch	
19	4811700	1	Washer M6	
	1001270702	Ref	PLATFORM ASSEMBLY	D
101	0100011	AR	Compound, Locking	
102	0641416	8	Bolt 1/4 x 2	
103	1001260837	2	Decal - Lanyard Attach	
104	1704366	1	Decal - Fall Hazard	
105	2080040	16	Fastener	
106	2080043	8	Rivet	
107	2600294	4	Hinge	
108	3520072	12	Plug	
109	4071095	4	Shim	
110	4220309	4	Stop, Swing Gate	
111	1001099638	3	Tape, Non-Skid	
112	1001268478	1	Gate, Saloon (RH)	
113	1001268479	1	Gate, Saloon (LH)	
114		Ref	Platform (Note: Not Available - Purchase Complete Assembly)	
115	3520028	2	Plug	

SECTION 4 - PLATFORM

FIGURE 4-3. PLATFORM INSTALLATION - 28IN X 29.5IN (NON - EXTENDABLE/MOLDED TRAY/DROPBAR ENTRY)



ART_1001280847

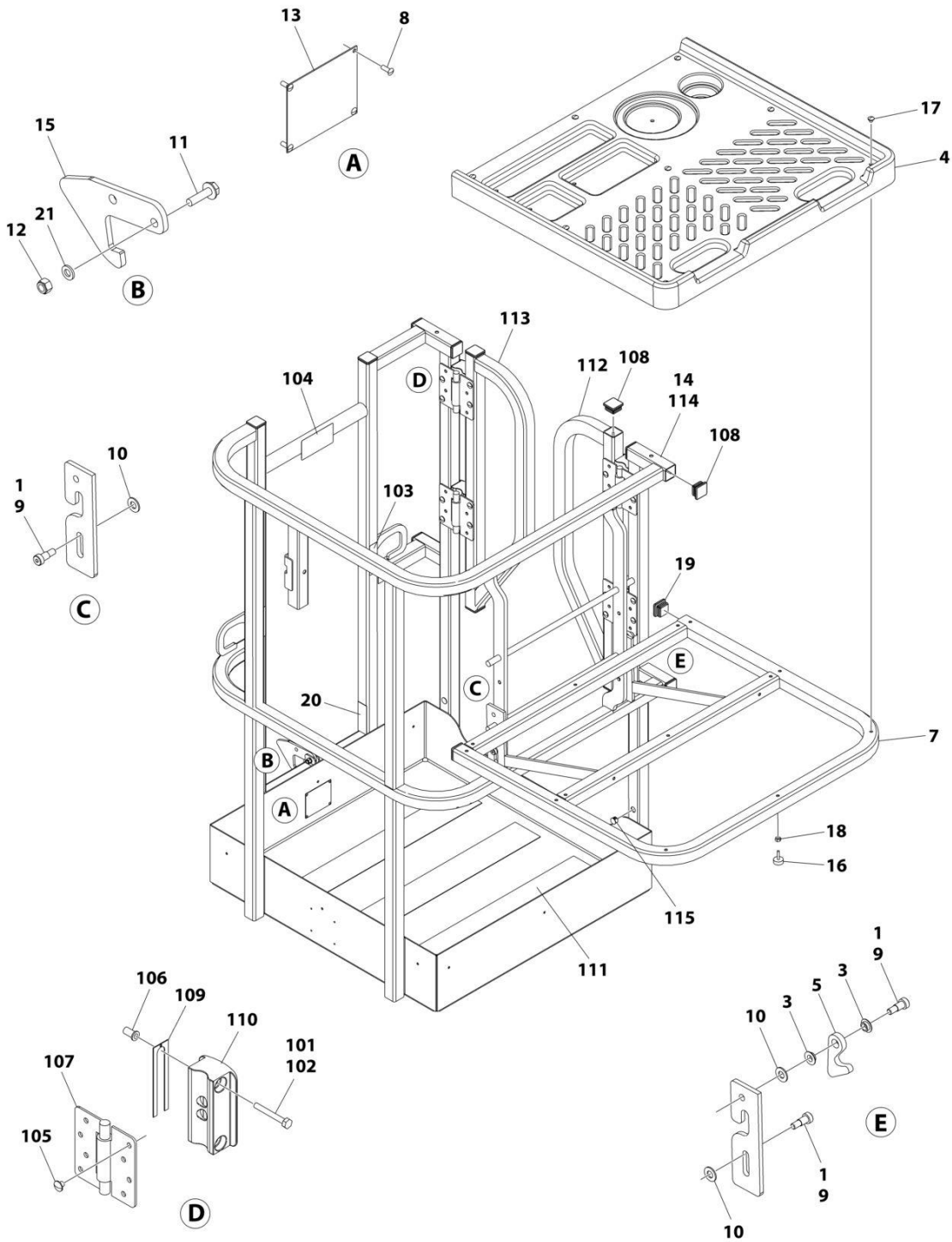
SECTION 4 - PLATFORM

FIGURE 4-3. PLATFORM INSTALLATION - 28IN X 29.5IN (NON - EXTENDABLE/MOLDED TRAY/DROPBAR ENTRY)

ITEM	PART NUMBER	QTY	DESCRIPTION	REV
	1001280847	Ref	PLATFORM INSTALLATION - 28IN x 29.5IN (NON - EXTENDABLE/MOLDED TRAY/DROPBAR ENTRY)	B
1	0100011	AR	Compound, Locking	
2	0940083	1	Bumper	
3	0961892	2	Bushing	
4	1580051	1	Tray, Plastic	
5	2080040	8	Fastener	
6	2700098	1	Hook	
7	3311401	1	Nut 1/4	
8	3520072	2	Plug	
9	3641542	1	Weldment, Tray Support	
10	3820012	4	Rivet	
11	3900190	3	Screw 3/8 x 1/2	
12	4420062	0.49 ft /0.15m	Tape	
13	4711600	3	Washer 3/8	
14	5250611	1	Bolt M6 x 22	
15	3290605	1	Nut, Lock M6	
16	See Note	NSS	Nameplate - SN (Note: Not Available for Purchase)	
17	1001271823	1	Plate, Platform Catch	
18	1001280844	1	Platform Assembly (See Items 101-116 for Serviced Components)	
19	4811700	1	Washer M6	
	1001280844	Ref	PLATFORM ASSEMBLY	B
101	0641406	2	Bolt 1/4 x 3/4	
102	1560010	1.14 ft /0.35m	Conduit	
103	1001260837	2	Decal - Lanyard Attach	
104	1704366	1	Decal - Fall Hazard	
105	1706493	1	Decal - Drop Bar	
106	2080063	2	Nut 1/4	
107	3290606	2	Nut M6	
108	3520028	4	Plug	
109	3520072	6	Plug	
110	3841692	2	Rod, Gate Ring	
111	4010616	2	Screw M6 x 40	
112	4751400	4	Washer 1/4	
113	1001099638	3	Tape, Non-Skid	
114		Ref	Platform (Note: Not Available - Purchase Complete Assembly)	
115	1001280835	1	Tube, Platform Gate	
116	1001280836	1	Tube, Platform Rail	

SECTION 4 - PLATFORM

FIGURE 4-4. PLATFORM INSTALLATION - 28IN X 29.5IN (NON - EXTENDABLE/MOLDED TRAY/SALOON DOOR ENTRY)



ART_1001270703

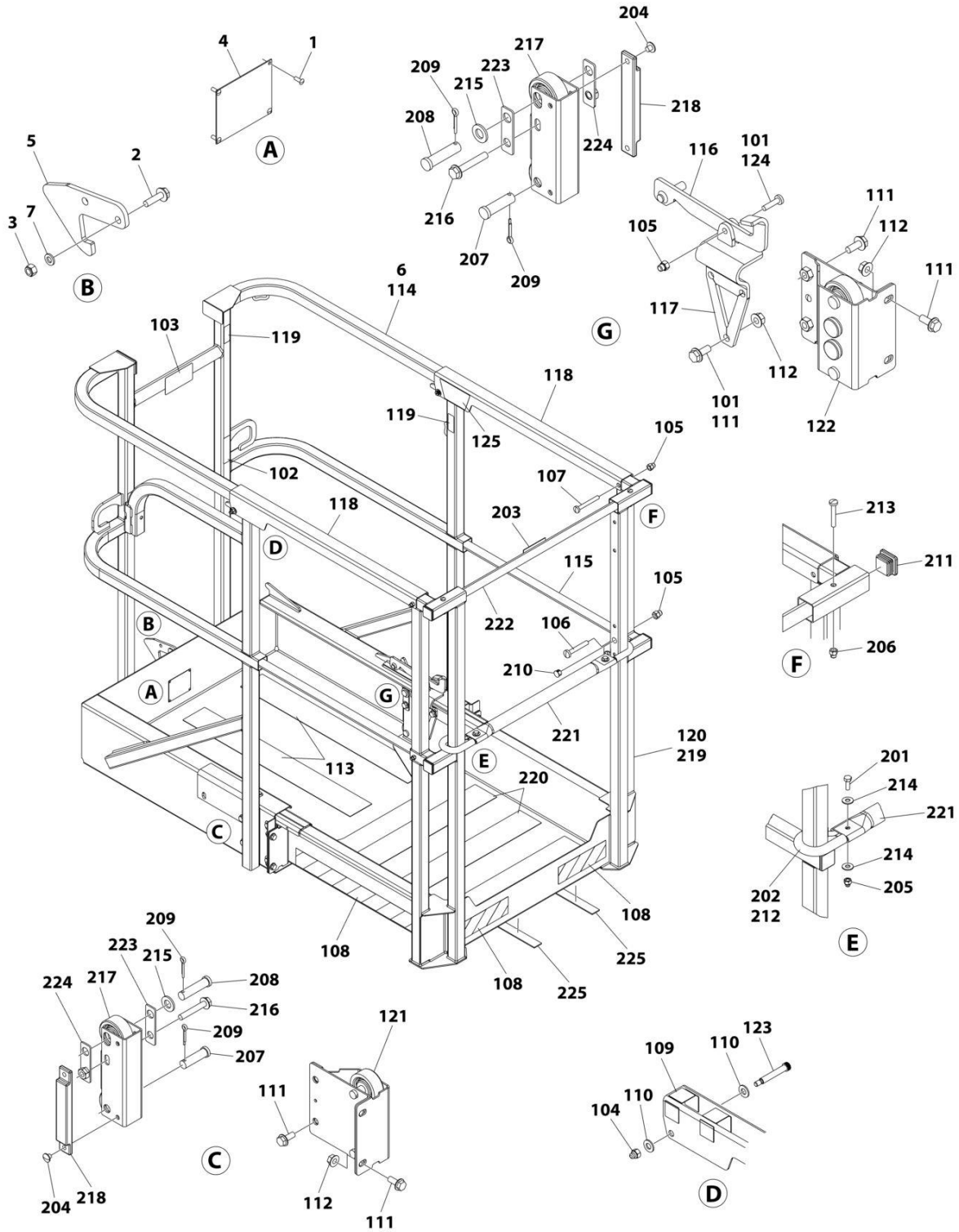
SECTION 4 - PLATFORM

FIGURE 4-4. PLATFORM INSTALLATION - 28IN X 29.5IN (NON - EXTENDABLE/MOLDED TRAY/SALOON DOOR ENTRY)

ITEM	PART NUMBER	QTY	DESCRIPTION	REV
	1001270703	Ref	PLATFORM INSTALLATION - 28IN x 29.5IN (NON - EXTENDABLE/MOLDED TRAY/SALOON DOOR ENTRY)	C
1	0100011	AR	Compound, Locking	
3	0961892	2	Bushing	
4	1580051	1	Tray, Plastic	
5	2700098	1	Hook	
7	3641542	1	Weldment, Tray Support	
8	3820012	4	Rivet	
9	3900190	3	Screw 3/8 x 1/2	
10	4711600	3	Washer 3/8	
11	5250611	1	Bolt M6 x 22	
12	3290605	1	Nut, Lock M6	
13	See Note	NSS	Nameplate - SN (Note: Not Available for Purchase)	
14	1001270702	1	Platform Assembly (See Items 101-115 for Serviced Components)	
15	1001271823	1	Plate, Platform Catch	
16	0940083	1	Bumper	
17	2080040	8	Fastener, Huck	
18	3311401	1	Nut 1/4	
19	3520072	2	Plug	
20	4420062	0.49 ft /0.15m	Tape	
21	4811700	1	Washer M6	
	1001270702	1	PLATFORM ASSEMBLY	G
101	0100011	AR	Compound, Locking	
102	0641416	8	Bolt 1/4 x 2	
103	1001260837	2	Decal - Lanyard Attach	
104	1704366	1	Decal - Fall Hazard	
105	2080040	16	Fastener	
106	2080043	8	Rivnut	
107	2600294	4	Hinge	
107	2600281	4	Hinge	
108	3520072	12	Plug	
109	4071095	4	Shim	
110	4220309	4	Stop, Swing Gate	
111	1001099638	3	Tape, Non-Skid	
112	1001268478	1	Gate, Saloon (RH)	
113	1001268479	1	Gate, Saloon (LH)	
114		Ref	Platform (Note: Not Available - Purchase Complete Assembly)	
115	3520028	2	Plug	

SECTION 4 - PLATFORM

FIGURE 4-5. PLATFORM INSTALLATION - 29.5IN X 51IN (EXTENDABLE/NO TRAY/DROPBAR ENTRY)



ART_1001280845

SECTION 4 - PLATFORM

FIGURE 4-5. PLATFORM INSTALLATION - 29.5IN X 51IN (EXTENDABLE/NO TRAY/DROPBAR ENTRY)

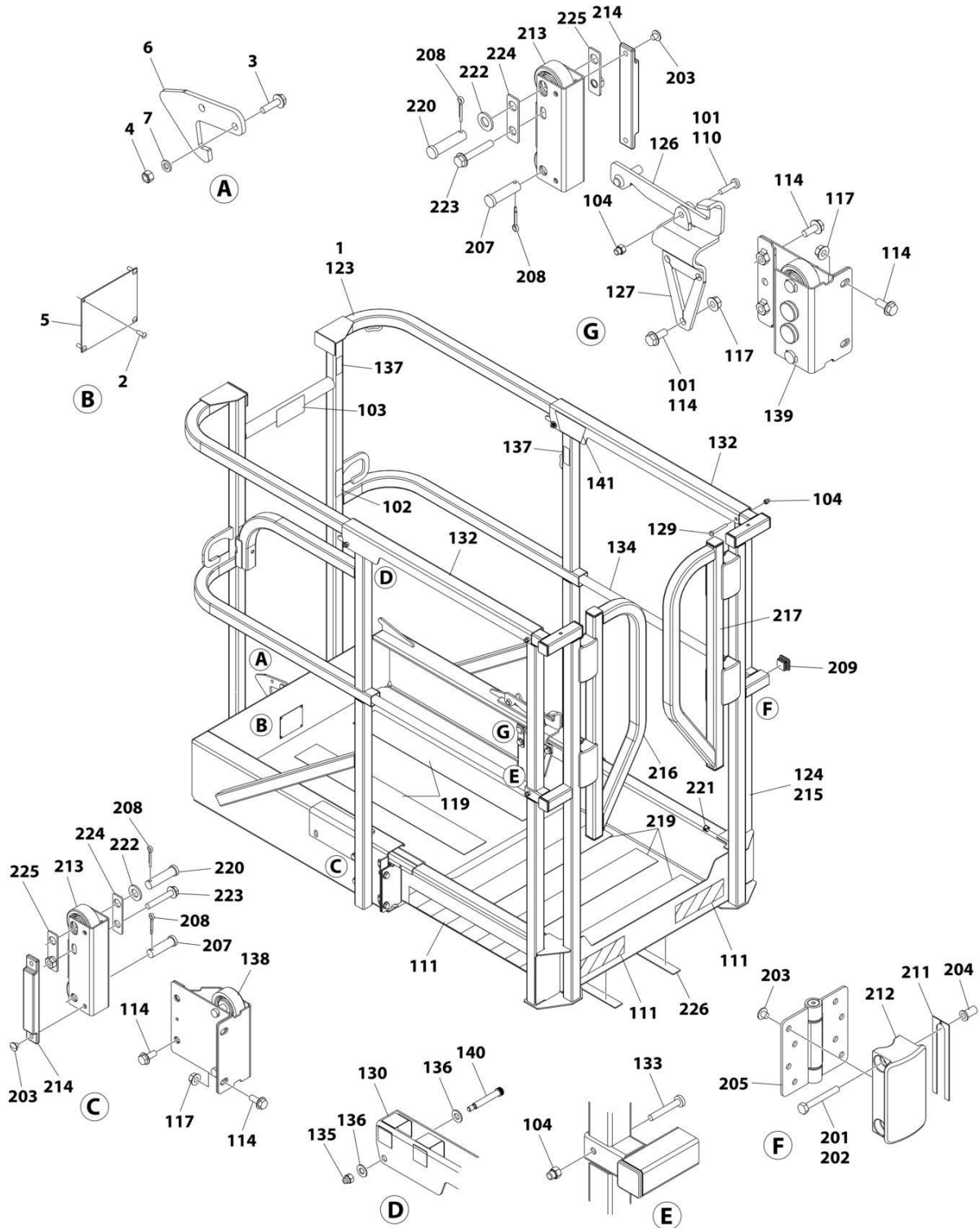
ITEM	PART NUMBER	QTY	DESCRIPTION	REV
	1001280845	Ref	PLATFORM INSTALLATION - 29.5IN x 51IN (EXTENDABLE/NO TRAY/DROPBAR ENTRY)	B
1	3820012	4	Rivet	
2	5250611	1	Bolt M6 x 22	
3	3290605	1	Nut, Lock M6	
4	See Note	NSS	Nameplate - SN (Note: Not Available for Purchase)	
5	1001271823	1	Plate, Platform Catch	
6	1001280841	1	Platform Assembly (See Items 101-125 for Serviced Components)	
7	4811700	1	Washer M6	
	1001280841	Ref	PLATFORM ASSEMBLY	C
101	0100011	AR	Compound, Locking	
102	1001260837	2	Decal - Lanyard Attach	
103	1704366	1	Decal - Fall Hazard	
104	2080063	2	Locknut 1/4in-20NC	
105	3290606	5	Nut M6	
106	4010616	2	Screw M6 x 40	
107	4010618	2	Screw M6 x 50	
108	4420051	4 ft /1.3m	Tape, Safety	
109	4420062	0.98 ft /0.3m	Tape	
110	4711500	4	Washer 5/16	
111	5250810	11	Bolt M8 x 20	
112	5260800	7	Nut M8	
113	1001099638	3	Tape, Non-Skid	
114		Ref	Platform (Note: Not Available - Purchase Complete Assembly)	
115	1001268481	2	Tube, Platform	
116	1001268487	1	Plate, Extension Lock Weldment	
117	1001268494	1	Plate, Extension Lock Weldment	
118	1001276940	2	Channel	
119	1001280547	2	Decal - Extension	
120	1001280840	1	Extension Assembly (See Items 201-225 for Serviced Components)	
121	1001281080	1	Support, Platform Roller	
122	1001281081	1	Support, Platform Roller	
123	1001282031	2	Bolt 1/4 x 1	
124	4010612002	1	Screw M6 x 25	
125	1001289771	2	Decal - Extension	
	1001280840	Ref	EXTENSION ASSEMBLY	C
201	0641406	1	Bolt 1/4 x 3/4	
202	1560010	13.5 in /34cm	Conduit	
203	1706493	1	Decal - Drop Bar	
204	2080040	4	Fastener	
205	2080063	2	Nut 1/4	
206	3290606	2	Nut M6	
207	3430814	2	Pin	
208	3430816	2	Pin	
209	3450403	4	Pin, Cotter 1/8 x 3/4	
210	3520028	4	Plug	
211	3520072	4	Plug	

SECTION 4 - PLATFORM

ITEM	PART NUMBER	QTY	DESCRIPTION	REV
212	3841692	2	Rod, Gate Ring	
213	4010616	2	Screw M6 x 40	
214	4751400	4	Washer 1/4	
215	4812100	2	Washer M12	
216	5250818	2	Bolt M8 x 50	
217	1001205422	4	Roller, Front Extension	
218	1001208852	2	Pad, Rear Extension	
219		Ref	Extension (Note: Not Available - Purchase Complete Assembly)	
220	1001269372	3	Tape, Safety	
221	1001280835	1	Tube, Platform Gate	
222	1001280836	1	Tube, Platform Rail	
223	1001281201	2	Plate, Roller	
224	1001281202	2	Plate, Roller	
225	1001281651	3.41 ft /1.04m	Tape	

SECTION 4 - PLATFORM

FIGURE 4-6. PLATFORM INSTALLATION - 29.5IN X 51IN (EXTENDABLE/NO TRAY/SALOON DOOR ENTRY)



ART_1001268484

SECTION 4 - PLATFORM

FIGURE 4-6. PLATFORM INSTALLATION - 29.5IN X 51IN (EXTENDABLE/NO TRAY/SALOON DOOR ENTRY)

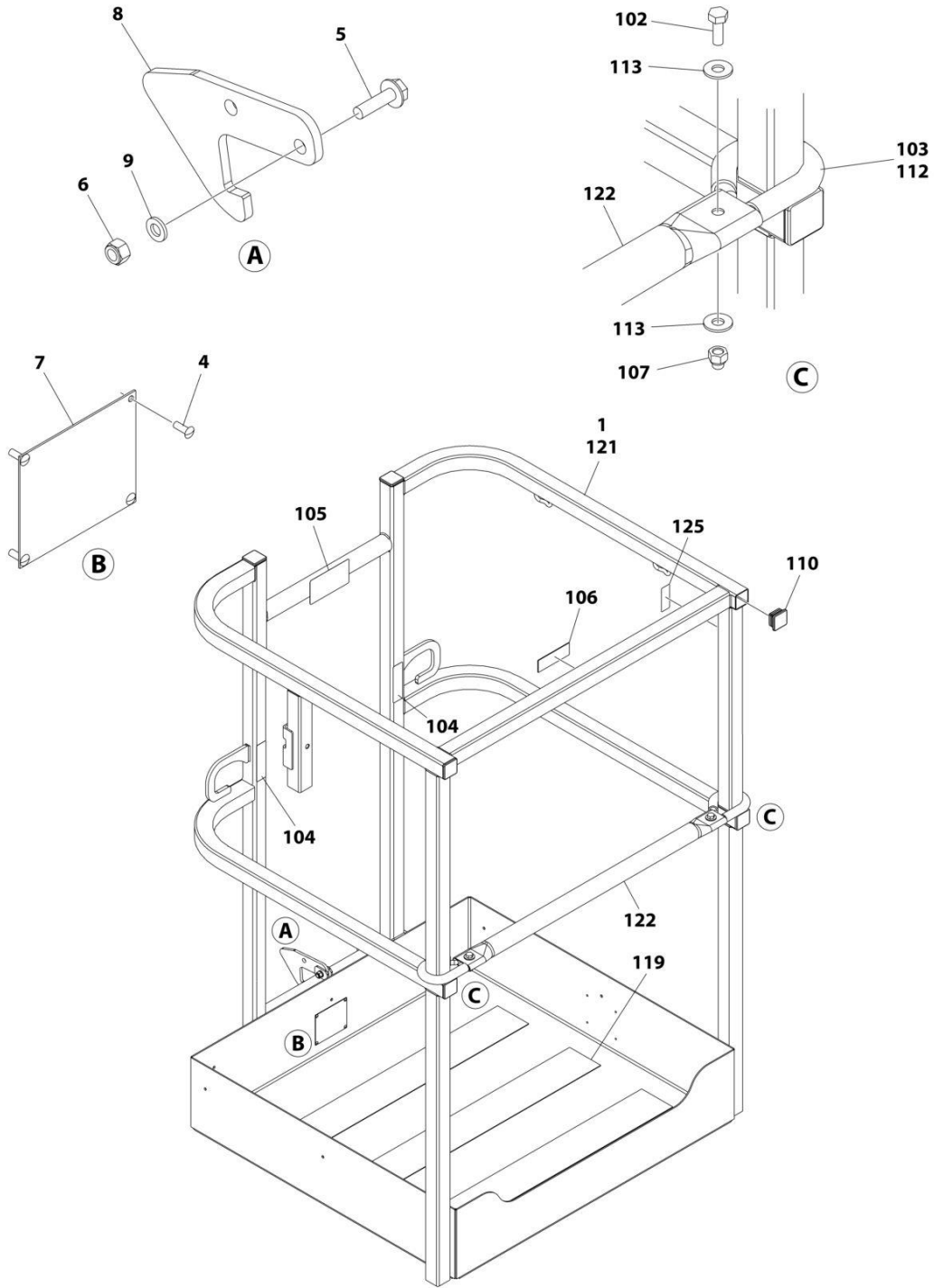
ITEM	PART NUMBER	QTY	DESCRIPTION	REV
	1001268484	Ref	PLATFORM INSTALLATION - 29.5IN x 51IN (EXTENDABLE/NO TRAY/SALOON DOOR ENTRY)	C
1	1001268483	1	Platform Assembly (See Items 101-141 for Serviced Components)	
2	3820012	4	Rivet	
3	5250611	1	Bolt M6 x 22	
4	3290605	1	Nut, Lock M6	
5	See Note	NSS	Nameplate - SN (Note: Not Available for Purchase)	
6	1001271823	1	Plate, Platform Catch	
7	4811700	1	Washer M6	
	1001268483	Ref	PLATFORM ASSEMBLY	J
101	0100011	AR	Compound, Locking	
102	1001260837	2	Decal - Lanyard Attach	
103	1704366	1	Decal - Fall Hazard	
104	3290606	5	Nut M6	
110	4010612002	1	Screw, M6X25	
111	4420051	4.6 ft /1.4m	Tape, Safety	
114	5250810	11	Bolt M8 x 20	
117	4711800	4	Washer 1/2	
119	1001099638	3	Tape, Non-Skid	
123		Ref	Platform (Note: Not Available - Purchase Complete Assembly)	
124	1001268482	1	Extension Assembly (See Items 201-226 for Serviced Components)	
126	1001268487	1	Plate, Extension Lock Weldment	
127	1001268494	1	Plate, Extension Lock Weldment	
129	4010618	2	Screw M6 x 50	
130	4420062	0.49 ft /0.15m	Tape	
132	1001276940	2	Channel	
133	4010616	2	Screw M6 x 40	
134	1001268481	2	Tube, Platform	
135	2080063	2	Nut 1/4	
136	4711500	4	Washer 5/16	
137	1001280547	2	Decal - Tool Lanyard	
138	1001281080	1	Support, Platform Roller	
139	1001281081	1	Support, Platform Roller	
140	1001282031	2	Bolt 1/4 x 1	
141	1001289771	2	Decal - Extension	
	1001268482	Ref	EXTENSION ASSEMBLY	I
201	0100011	AR	Compound, Locking	
202	0641416	8	Bolt 1/4 x 2	
203	2080040	20	Fastener	
204	2080043	8	Rivet	
205	2600294	4	Hinge	
205	2600281	4	Hinge	
207	3430814	2	Pin, Clevis	
208	3450403	4	Pin, Cotter	
209	3520072	10	Plug	
211	4071095	4	Shim	
212	4220309	4	Stop, Swing Gate	

SECTION 4 - PLATFORM

ITEM	PART NUMBER	QTY	DESCRIPTION	REV
213	1001205422	4	Roller, Front Extension	
214	1001208852	2	Pad, Rear Extension	
215		Ref	Extension (Note: Not Available - Purchase Complete Assembly)	
216	1001268478	1	Gate, Saloon (RH)	
217	1001268479	1	Gate, Saloon (LH)	
219	1001269372	3	Tape, Safety	
220	3430816	2	Pin	
221	3520028	2	Plug	
222	4812100	2	Washer M12	
223	5250818	2	Bolt M8 x 50	
224	1001281201	2	Plate, Roller	
225	1001281202	2	Plate, Roller	
226	1001281651	3.51 ft /1.07m	Tape	

SECTION 4 - PLATFORM

FIGURE 4-7. PLATFORM INSTALLATION - 29.6IN X 26IN (NON - EXTENDABLE/NO TRAY/DROPBAR ENTRY)



ART_1001268897

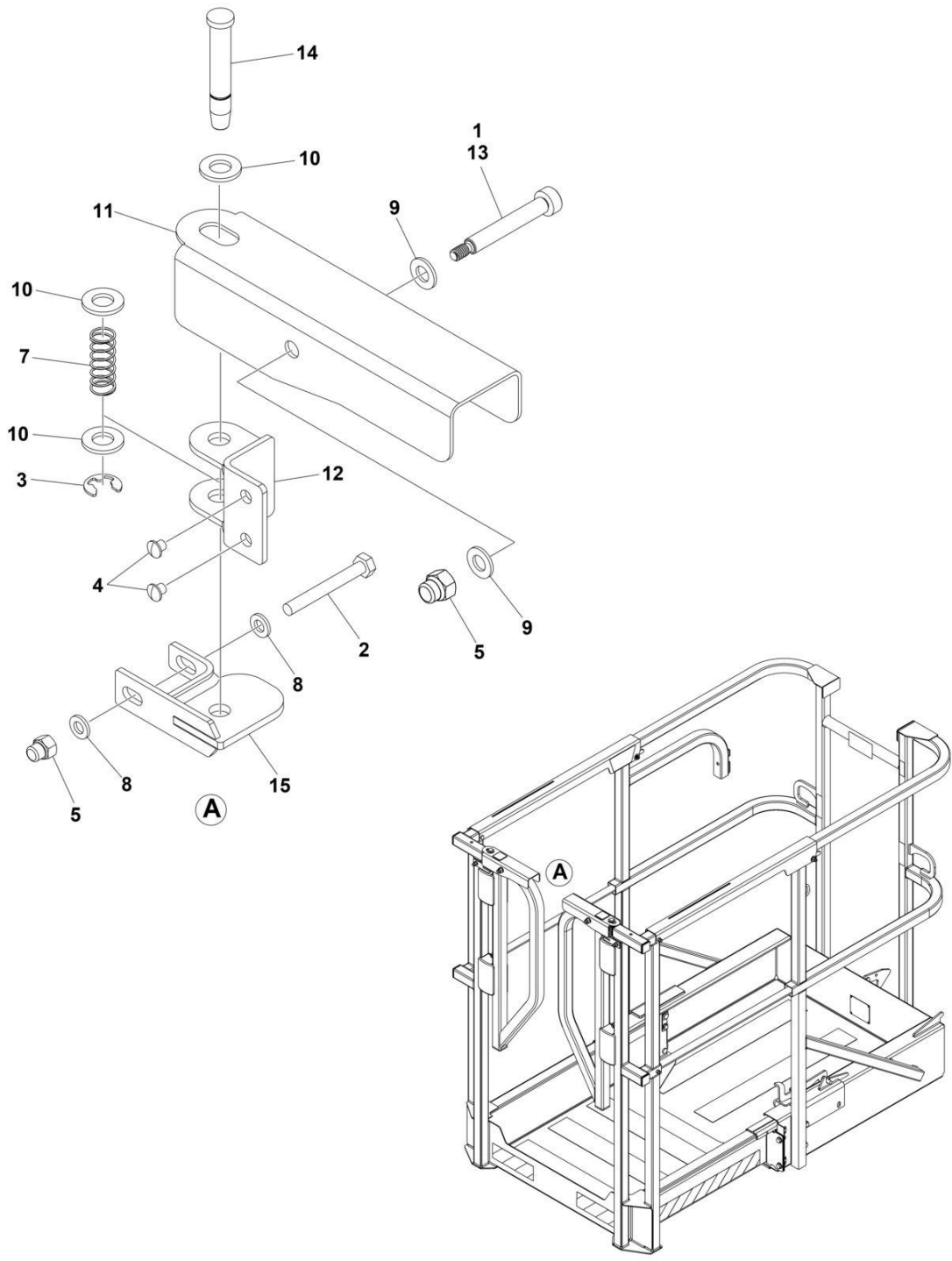
SECTION 4 - PLATFORM

FIGURE 4-7. PLATFORM INSTALLATION - 29.6IN X 26IN (NON - EXTENDABLE/NO TRAY/DROPBAR ENTRY)

ITEM	PART NUMBER	QTY	DESCRIPTION	REV
	1001268897	Ref	PLATFORM INSTALLATION - 29.6IN x 26IN (NON - EXTENDABLE/NO TRAY/DROPBAR ENTRY)	D
1	1001268896	1	Platform Assembly (See Items 102-125 for Serviced Components)	
4	3820012	4	Rivet	
5	5250611	1	Bolt M6 x 22	
6	3290605	1	Nut, Lock M6	
7	See Note	NSS	Nameplate - SN (Note: Not Available for Purchase)	
8	1001271823	1	Plate, Platform Catch	
9	4811700	1	Washer M6	
	1001268896	Ref	PLATFORM ASSEMBLY	D
102	0641406	2	Bolt 1/4 x 3/4	
103	1560010	14 in /36cm	Conduit	
104	1001260837	2	Decal - Lanyard	
105	1704366	1	Decal - Fall Hazard	
106	1706493	1	Decal - Drop Bar	
107	2080063	2	Nut 1/4	
110	3520072	6	Plug	
112	3841692	2	Rod, Gate Ring	
113	4751400	4	Washer 1/4	
119	1001099638	3	Tape, Non-Skid	
121		Ref	Platform (Note: Not Available - Purchase Complete Assembly)	
122	1001268898	1	Tube, Platform Gate	
125	1001280547	1	Decal - Tool Lanyard	

SECTION 4 - PLATFORM

FIGURE 4-8. GATE LATCH INSTALLATION



ART_1001296124

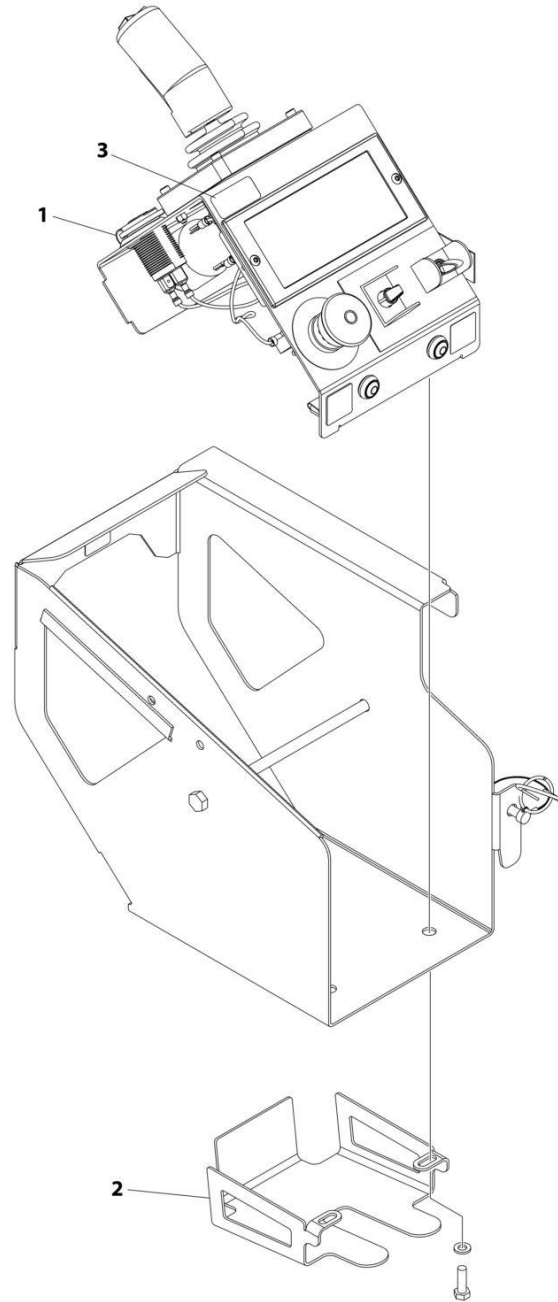
SECTION 4 - PLATFORM

FIGURE 4-8. GATE LATCH INSTALLATION

ITEM	PART NUMBER	QTY	DESCRIPTION	REV
	1001296124	Ref	GATE LATCH INSTALLATION	C
1	0100011	AR	Compound, Locking	
2	0700618	2	Bolt M6 x 50	
3	1380153	2	Clip	
4	2080040	4	Fastener	
5	3290606	4	Nut M6	
7	4160214	2	Spring	
8	4811700	4	Washer M6	
9	4811900	4	Washer M8	
10	4812000	6	Washer M10	
11	1001293274	2	Handle	
12	1001293275	2	Bracket	
13	1001293281	2	Capscrew, Shoulder	
14	1001296522	2	Pin	
15	1001296725	2	Bracket	

SECTION 4 - PLATFORM

FIGURE 4-9. USB/PHONE CRADLE INSTALLATION



ART_1001262150

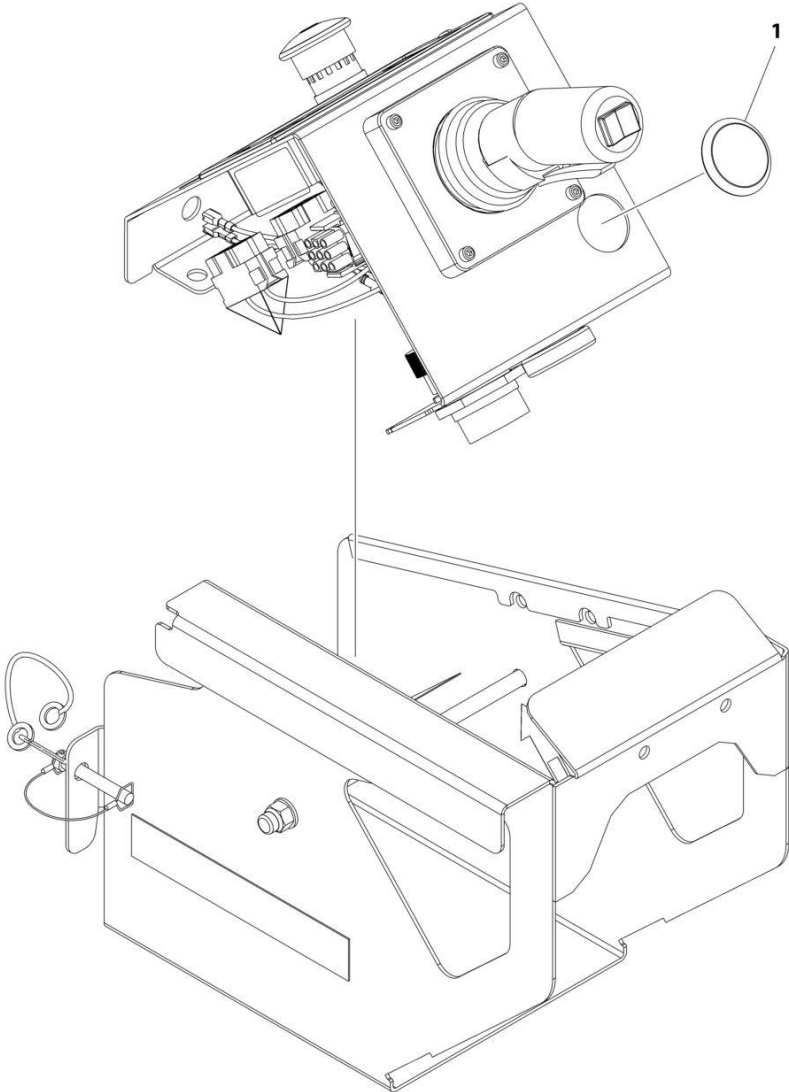
SECTION 4 - PLATFORM

FIGURE 4-9. USB/PHONE CRADLE INSTALLATION

ITEM	PART NUMBER	QTY	DESCRIPTION	REV
	1001262150	Ref	USB/PHONE CRADLE INSTALLATION	B
1	1001253800	1	Terminal, USB Receptacle	
2	1001261131	1	Bracket, Phone	
3	1001274168	1	Decal, USB Charge	

SECTION 4 - PLATFORM

FIGURE 4-10. PLUG (NO USB) INSTALLATION



ART_1001274661

SECTION 4 - PLATFORM

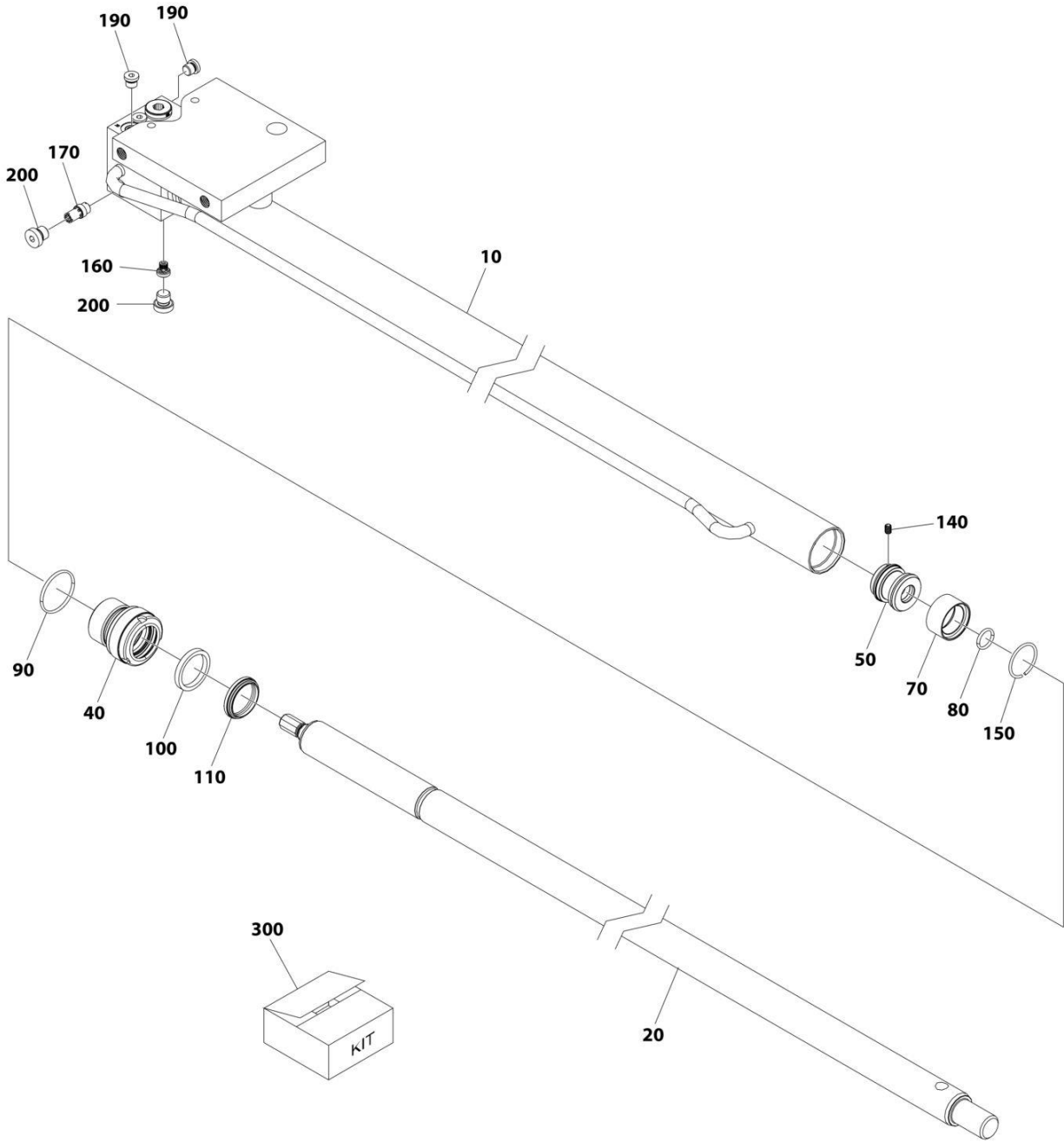
FIGURE 4-10. PLUG (NO USB) INSTALLATION

ITEM	PART NUMBER	QTY	DESCRIPTION	REV
1	1001274661 1001262221	Ref 1	PLATFORM CONTROL PLUG INSTALLATION Plug	A

SECTION 5 - CYLINDER

SECTION 5 - CYLINDER

FIGURE 5-1. LIFT CYLINDER ASSEMBLY



ART_1001267886

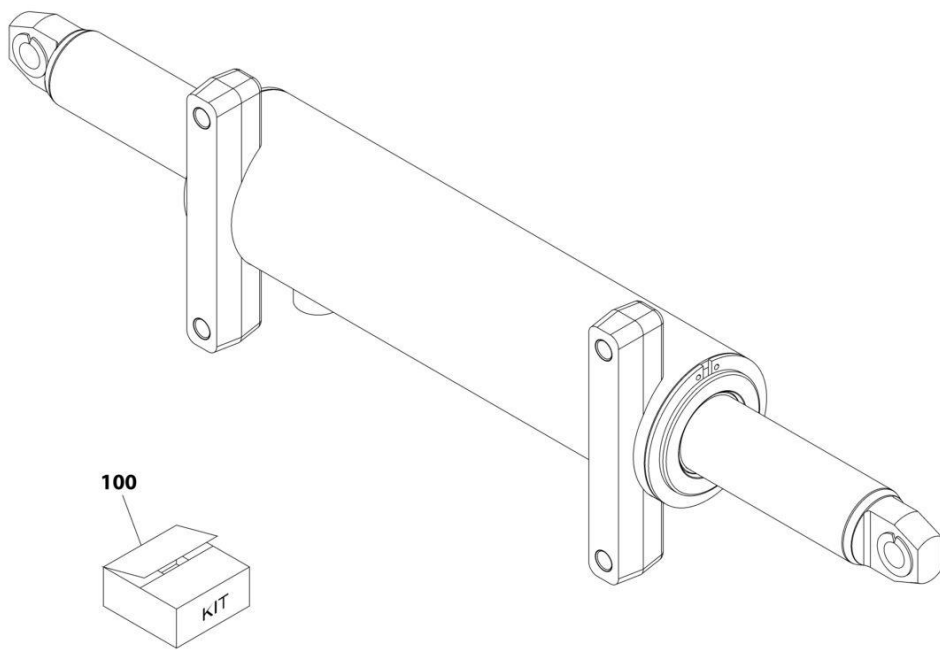
SECTION 5 - CYLINDER

FIGURE 5-1. LIFT CYLINDER ASSEMBLY

ITEM	PART NUMBER	QTY	DESCRIPTION	REV
	1001267886	Ref	CYLINDER ASSEMBLY - LIFT Note: Original Cylinder May Have Been Replaced with Service Replacement. Identify PN Stamped on Cylinder Before Ordering Parts.	E
		Ref		
10	See Note	NSS	Barrel (Note: Use PN 1001267886)	
20	See Note	NSS	Rod (Note: Use PN 1001267886)	
40	70007951	1	Head	
50	70007952	1	Piston	
70	See Note	NSS	Seal, Piston (Note: Use Item 300)	
80	See Note	NSS	Ring (Note: Use Item 300)	
90	See Note	NSS	O-Ring (Note: Use Item 300)	
100	See Note	NSS	Seal, Head (Note: Use Item 300)	
110	See Note	NSS	Wiper (Note: Use Item 300)	
140	70007953	1	Setscrew M6 x 10	
150	70007954	1	Ring, Wire	
160	70007955	1	Valve, Cartridge (Flow Control/Check)	
170	70007956	1	Valve, Cartridge (Flow Control/Check)	
190	70025961	2	Plug	
200	70024262	2	Plug	
300	70007528	1	Seal Kit (Includes Items 70, 80, 90, 100 & 110)	

SECTION 5 - CYLINDER

FIGURE 5-2. STEER CYLINDER ASSEMBLY (WITH HYDRAULIC STEERING)



ART_1001269703

SECTION 5 - CYLINDER

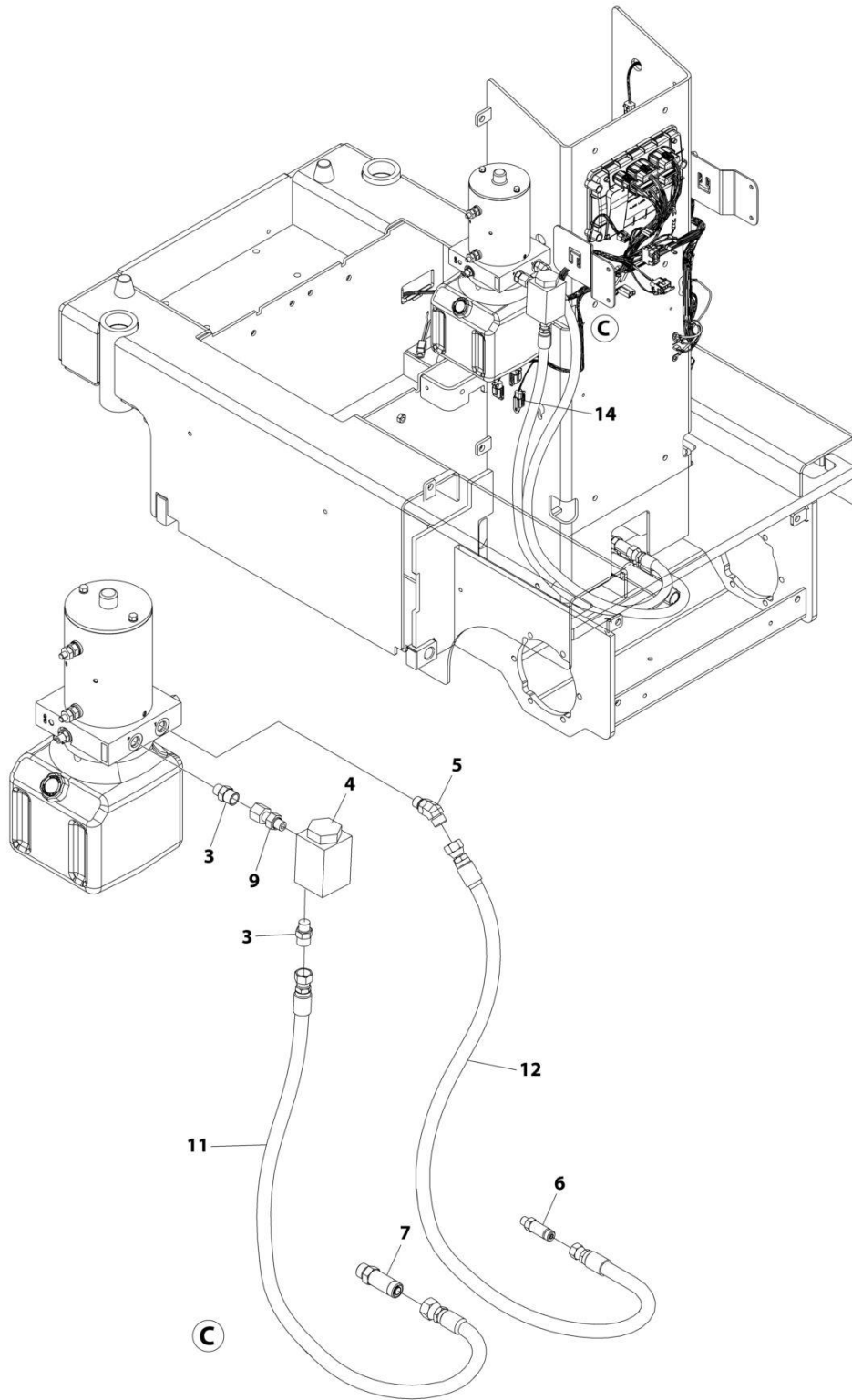
FIGURE 5-2. STEER CYLINDER ASSEMBLY (WITH HYDRAULIC STEERING)

ITEM	PART NUMBER	QTY	DESCRIPTION	REV
	1001269703	Ref	STEER CYLINDER ASSEMBLY	E
		Ref	Note: Original Cylinder May Have Been Replaced with Service Replacement. Identify PN Stamped on Cylinder Before Ordering Parts.	
		Ref	Note: No Other Service Parts Available.	
100	70007529	1	Seal Kit - 1001269703 Cylinder	

SECTION 6 - HYDRAULIC

SECTION 6 - HYDRAULIC

FIGURE 6-1. HYDRAULIC COMPONENTS INSTALLATION (WITH CASTER STEER)



ART_1001269697_20F2

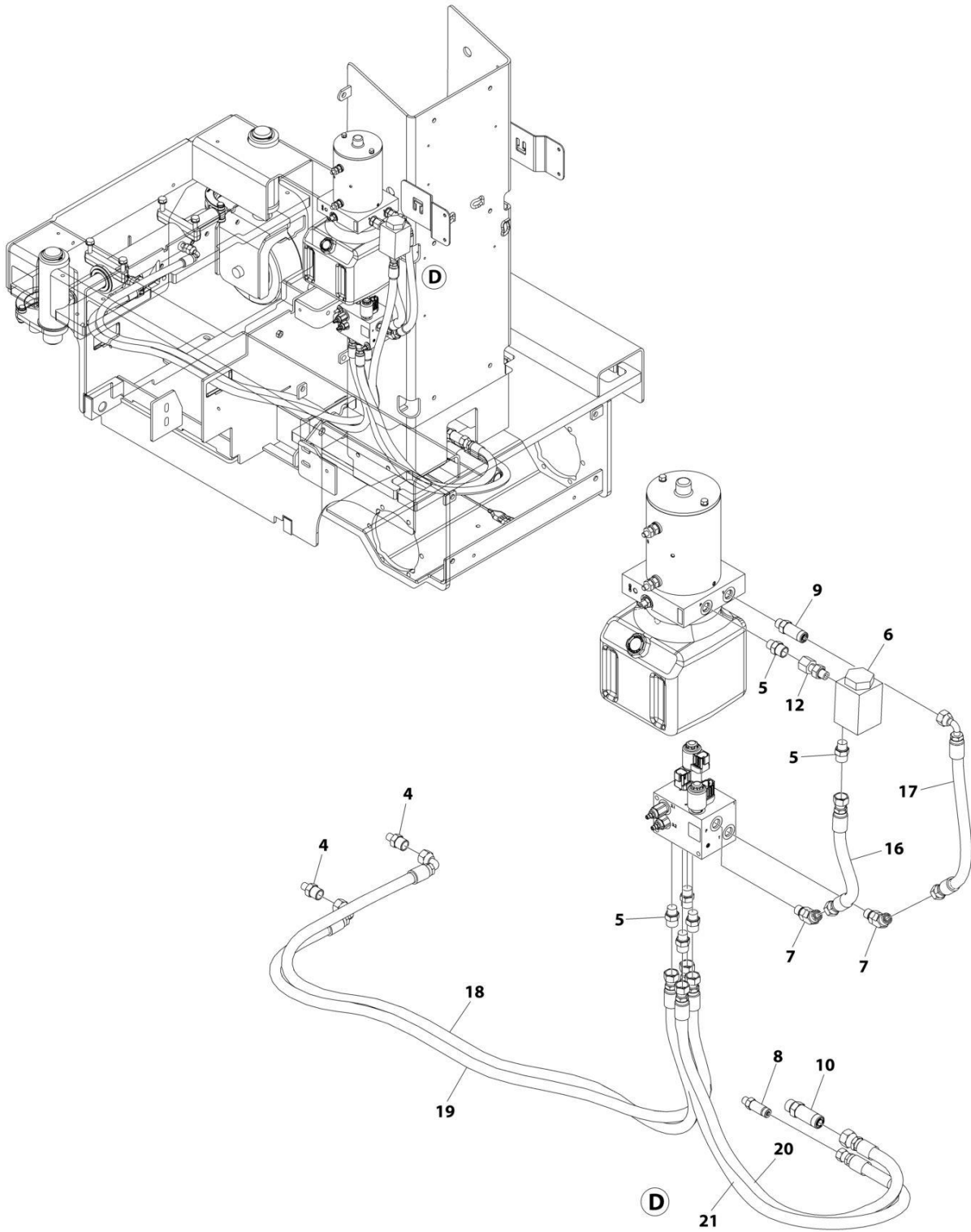
SECTION 6 - HYDRAULIC

FIGURE 6-1. HYDRAULIC COMPONENTS INSTALLATION (WITH CASTER STEER)

ITEM	PART NUMBER	QTY	DESCRIPTION	REV
	1001269697	Ref	HYDRAULIC DIAGRAM (WITH CASTER STEER)	D
3	2110606	2	Fitting, Straight	
4	2120183	1	Filter, In-Line	
5	2150606	1	Fitting, 45	
6	2170104	1	Fitting, Straight	
7	2170108	1	Connector	
9	2221123	1	Fitting, Straight	
11	1001269243	1	Hose	
12	1001269244	1	Hose	
14	1001144295	3	Cap, Connector	

SECTION 6 - HYDRAULIC

FIGURE 6-2. HYDRAULIC COMPONENTS INSTALLATION (WITH HYDRAULIC STEER)



ART_1001269696_2OF2

SECTION 6 - HYDRAULIC

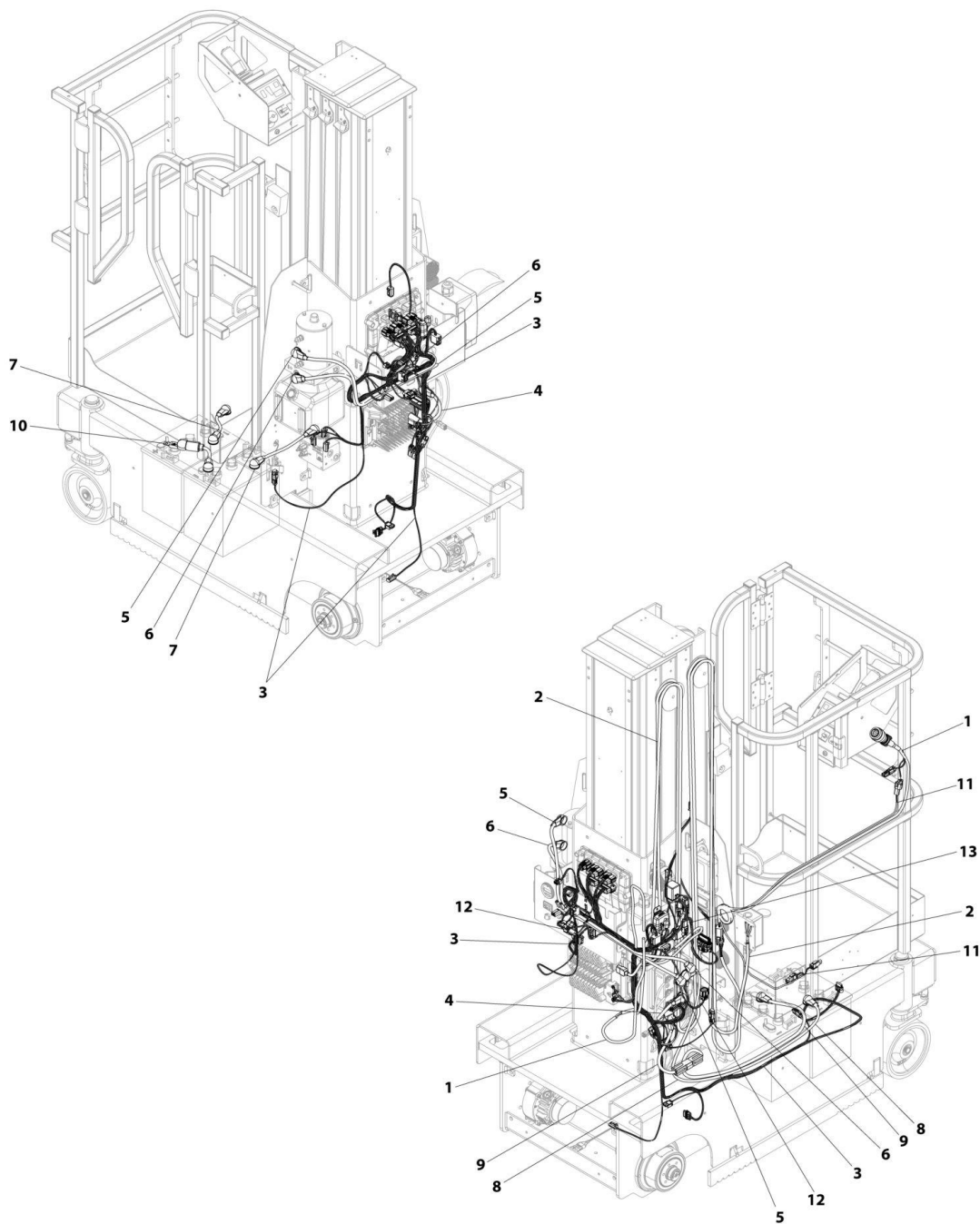
FIGURE 6-2. HYDRAULIC COMPONENTS INSTALLATION (WITH HYDRAULIC STEER)

ITEM	PART NUMBER	QTY	DESCRIPTION	REV
	1001269696	Ref	HYDRAULIC DIAGRAM (WITH HYDRAULIC STEER)	D
4	2110604	2	Fitting, Straight	
5	2110606	6	Fitting, Straight	
6	2120183	1	Filter, In-Line	
7	2150606	2	Fitting, 45	
8	2170104	1	Fitting, Straight	
9	2170106	1	Fitting, Straight	
10	2170108	1	Connector	
12	2221123	1	Fitting, Straight	
16	1001269237	1	Hose	
17	1001269238	1	Hose	
18	1001269239	1	Hose	
19	1001269240	1	Hose	
20	1001269241	1	Hose	
21	1001269242	1	Hose	

SECTION 7 - ELECTRICAL

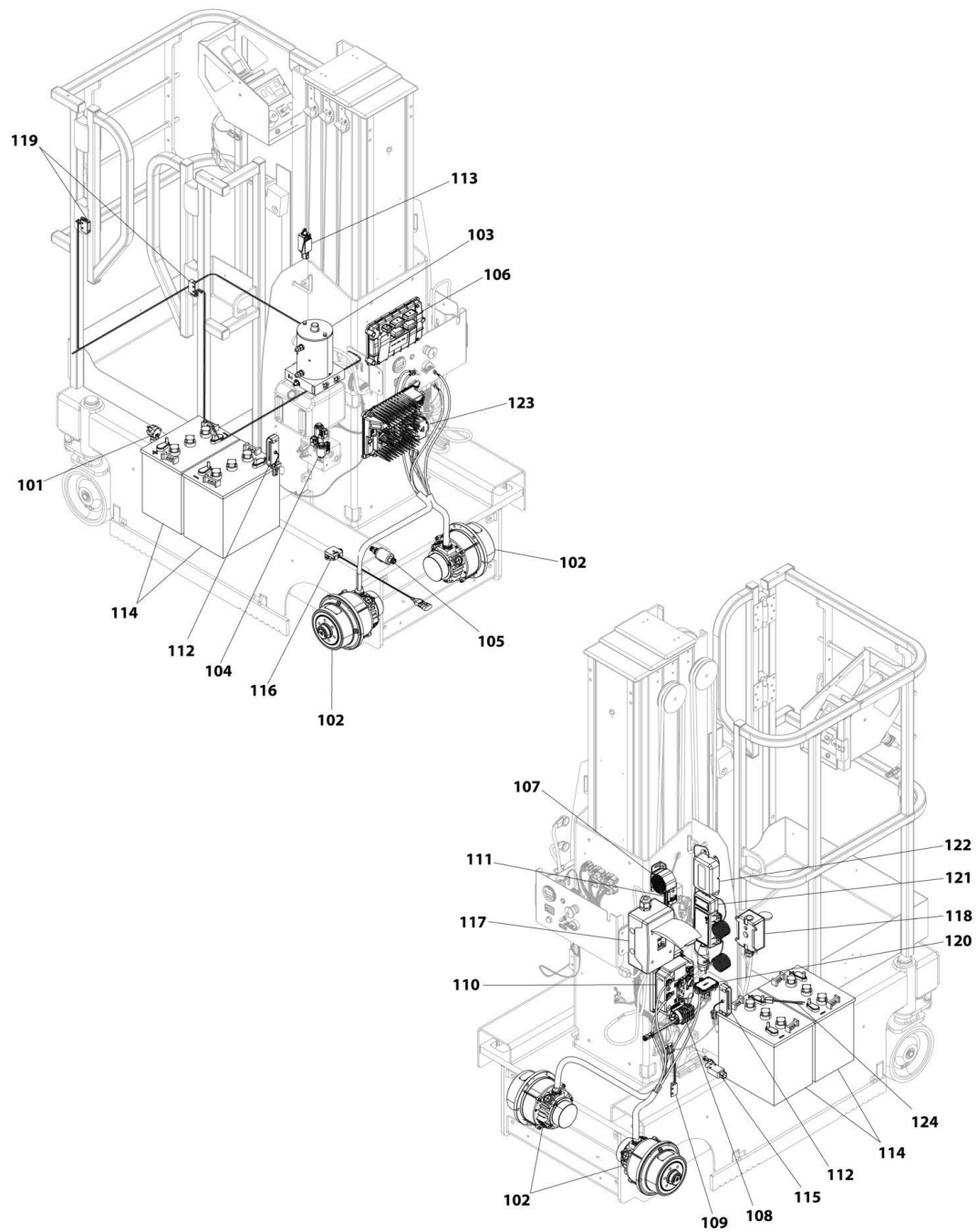
SECTION 7 - ELECTRICAL

FIGURE 7-1. ELECTRICAL LAYOUT



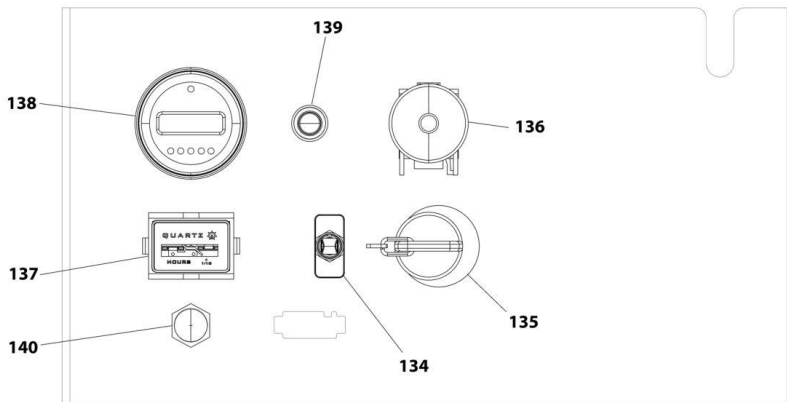
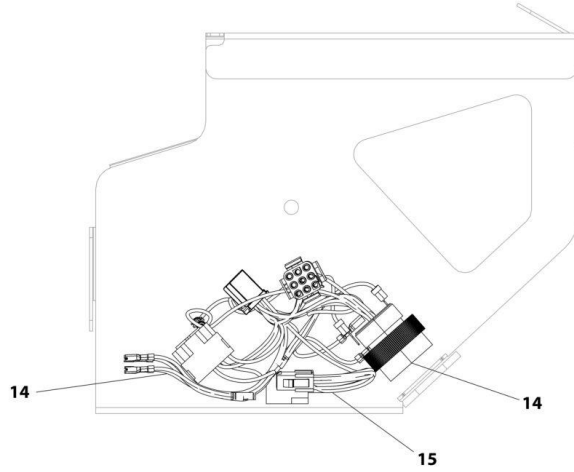
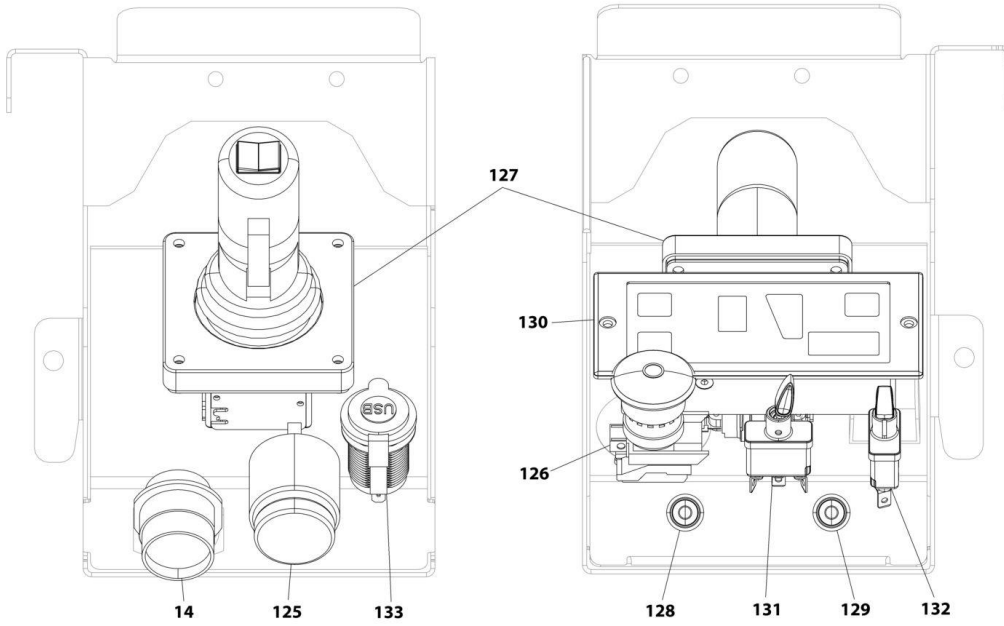
ART_E18-ELECTRICAL_HARNESS

SECTION 7 - ELECTRICAL



ART_E18-ELECTRICAL_COMPONENT

SECTION 7 - ELECTRICAL



ART_E18-ELECTRICAL_CONTROLS

SECTION 7 - ELECTRICAL

FIGURE 7-1. ELECTRICAL LAYOUT

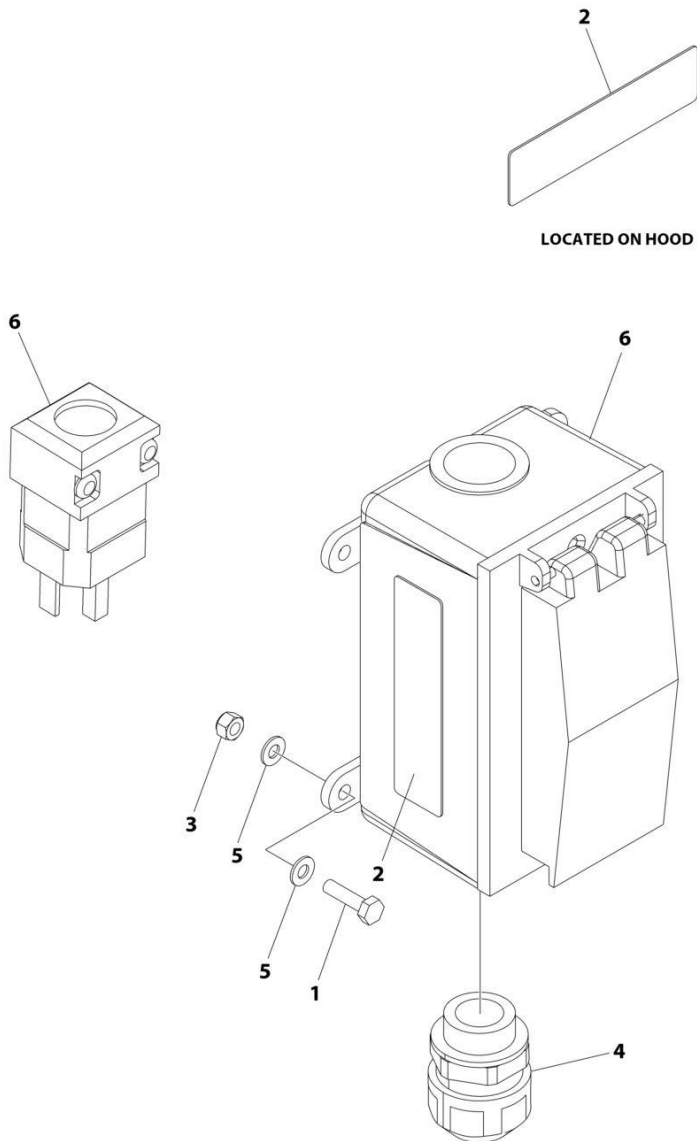
ITEM	PART NUMBER	QTY	DESCRIPTION	REV
		Ref	Note: This figure is for part location identification only.	
		Ref	HARNESS LIST	
1		Ref	Harness, Platform Control Box	
2		Ref	Cable, AC Ground to Platform	
3		Ref	Harness, Chassis	
4		Ref	Cable, Drive Module to Relay	
5		Ref	Cable, Drive Module to Pump (+)	
6		Ref	Cable, Drive Module to Pump (-)	
7		Ref	Cable, Battery Jumper	
8		Ref	Cable, Drive Module to Battery (-)	
9		Ref	Cable, Battery Disconnect to Relay	
10		Ref	Cable, Battery Jumper with Fuse	
11		Ref	Harness, Gate Alarm	
12		Ref	Harness, Mobile Control	
13		Ref	Harness, Clearsky	
14		Ref	Harness, Platform Control Box	
15		Ref	Harness, Joystick Jumper	
		Ref	COMPONENT LIST	
101		Ref	Sensor, Steer Angle	
102		Ref	Assembly, Drive Motor/Brake	
103		Ref	Motor, Drive Pump	
104		Ref	Solenoids, Main Control Valve	
105		Ref	Solenoid, Manual Descent Valve	
106		Ref	Module, Ground Control	
107		Ref	Alarm	
108		Ref	Relay	
109		Ref	Sensor, Mast Proximity	
110		Ref	Module, Drive	
111		Ref	Switch, Mast Limit	
112		Ref	Beacon	
113		Ref	Switch, LSS Limit	
114		Ref	Battery	
115		Ref	Switch, Pothole Protection Limit	
116		Ref	Sensor, Tilt	
117		Ref	AC Breaker Box	
118		Ref	AC Receptacle	
119		Ref	Sensor, Gate Alarm	
120		Ref	Module, Mobile Control	
121		Ref	Module, ClearSky Telematics CANBUS	
122		Ref	Antennae, ClearSky Telematics	
123		Ref	Charger	
124		Ref	Sensor, Temperature	
125		Ref	Alarm	
126		Ref	Switch, Emergency Stop	
127		Ref	Joystick	
128		Ref	Switch, Horn	
129		Ref	Switch, Indoor/Outdoor	
130		Ref	Display, Platform	
131		Ref	Switch, Lift/Drive Select	
132		Ref	Switch, Speed Select	

SECTION 7 - ELECTRICAL

ITEM	PART NUMBER	QTY	DESCRIPTION	REV
133		Ref	USB Port	
134		Ref	Switch, Platform Lift/Lower	
135		Ref	Switch, Key	
136		Ref	Switch, Emergency Stop	
137		Ref	Gauge, Hourmeter	
138		Ref	Display, Ground	
139		Ref	Light, Load Sense Overload Indicator	
140		Ref	Switch, Brake Release	

SECTION 7 - ELECTRICAL

FIGURE 7-2. AC BOX AT PLATFORM INSTALLATION - 110V GFI



ART_1001270761

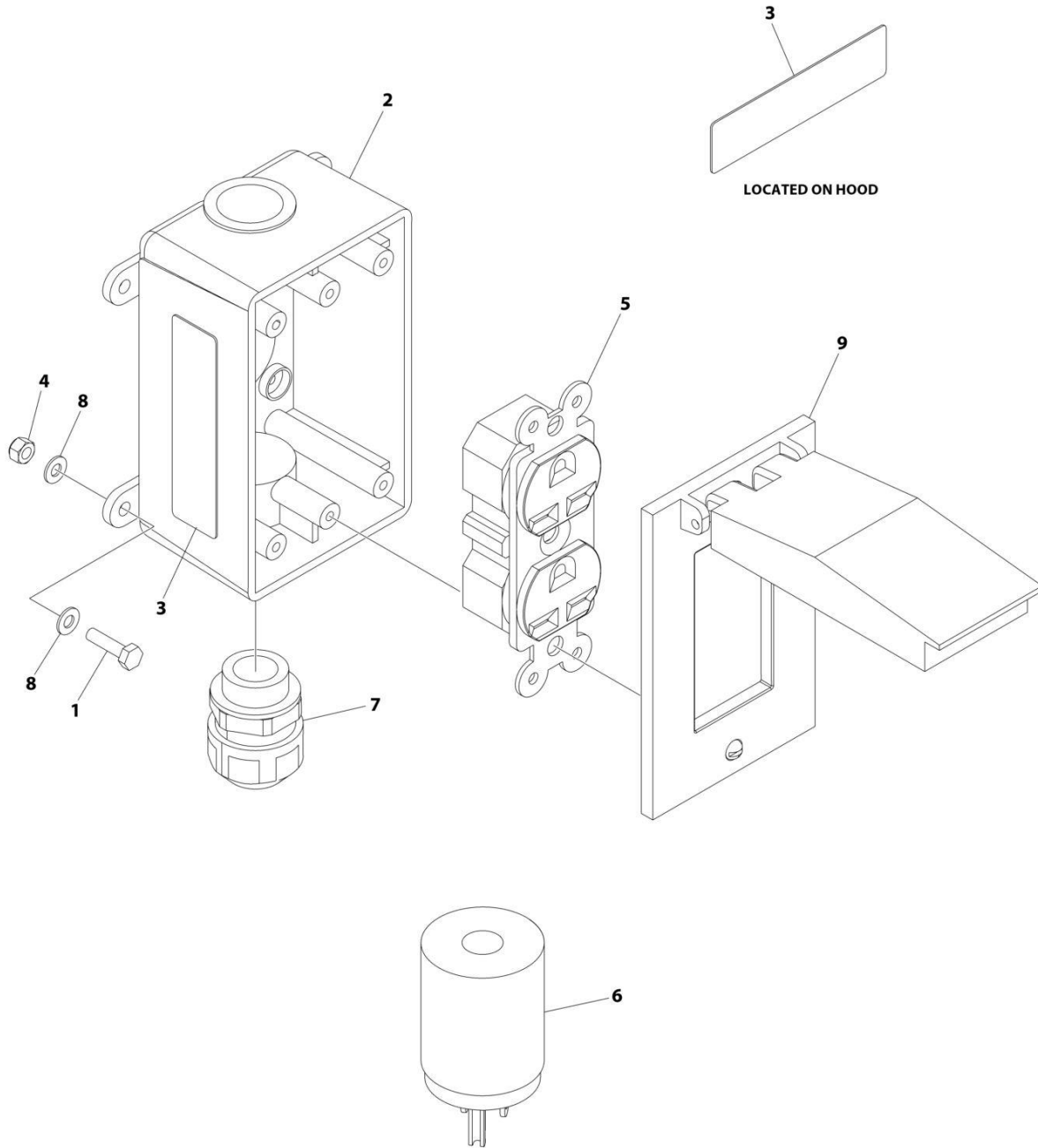
SECTION 7 - ELECTRICAL

FIGURE 7-2. AC BOX AT PLATFORM INSTALLATION - 110V GFI

ITEM	PART NUMBER	QTY	DESCRIPTION	REV
	1001270761	Ref	AC BOX AT PLATFORM INSTALLATION - 110V GFI	D
1	0760408	4	Bolt M4 x 16	
2	3252761	2	Decal, 120V	
3	3290405	4	Nut M4	
4	4460662	1	Connector, Strain Relief	
5	4811400	8	Washer M4	
6	1001096767	1	Plug and Receptacle Box Kit (See Separate Breakdown in this Section)	
7	4240017	AR	Tie-Strap (Not Shown)	

SECTION 7 - ELECTRICAL

FIGURE 7-3. AC BOX AT PLATFORM INSTALLATION - 220V ANSI



ART_1001270627

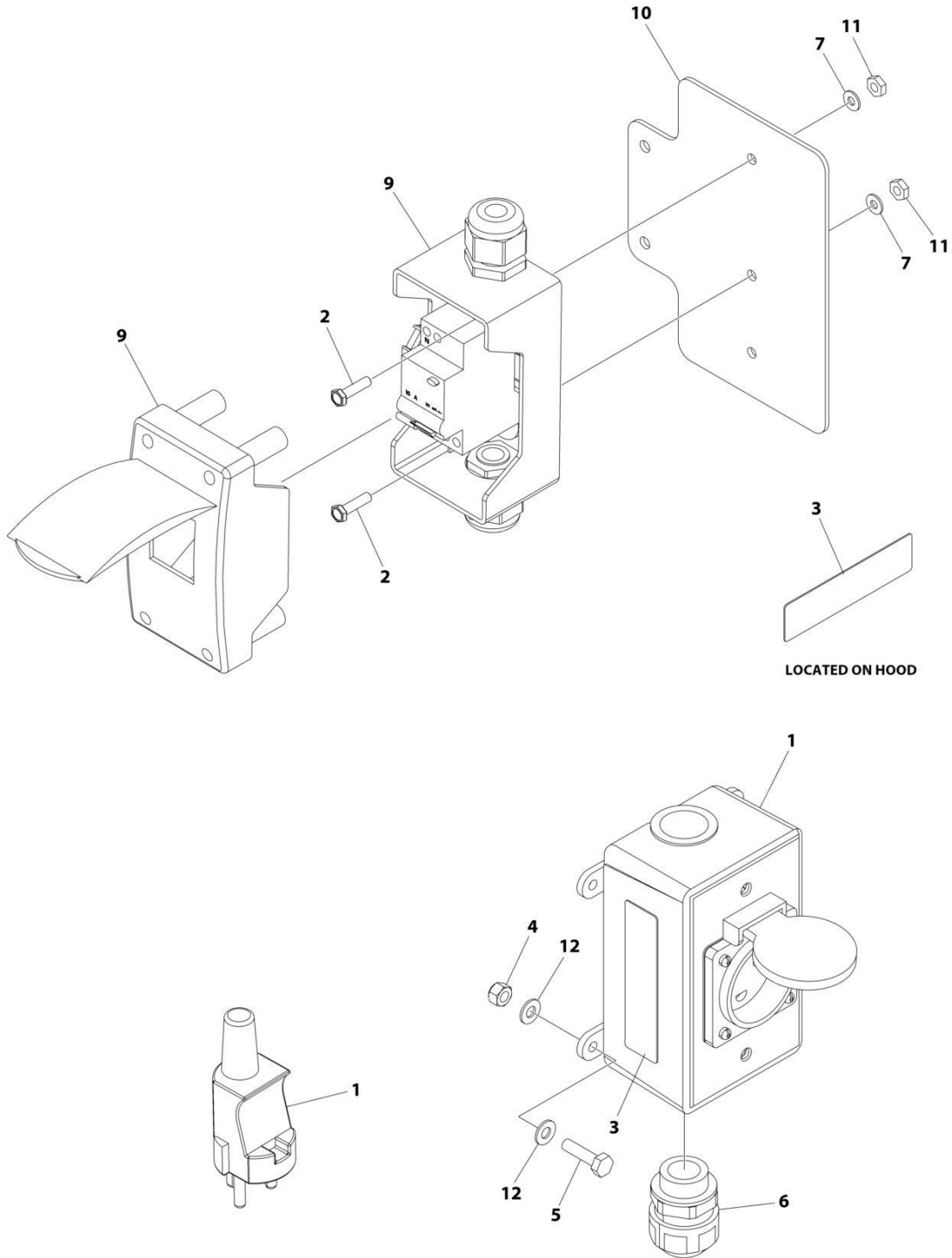
SECTION 7 - ELECTRICAL

FIGURE 7-3. AC BOX AT PLATFORM INSTALLATION - 220V ANSI

ITEM	PART NUMBER	QTY	DESCRIPTION	REV
	1001270627	Ref	AC BOX AT PLATFORM INSTALLATION - 220V ANSI	D
1	0760408	4	Bolt M4 x 16	
2	0861731	1	Box, Receptacle	
3	3252760	2	Decal, 240V	
4	3290405	4	Nut M4	
5	4460125	1	Receptacle	
6	4460205	1	Plug, Male	
7	4460662	1	Connector, Strain Relief	
8	4811400	8	Washer M4	
9	1001110873	1	Cover, Receptacle	
10	4240017	AR	Tie-Strap (Not Shown)	

SECTION 7 - ELECTRICAL

FIGURE 7-4. AC BOX AT PLATFORM INSTALLATION - 220V CEE7 KEYED GROUND



ART_1001270619

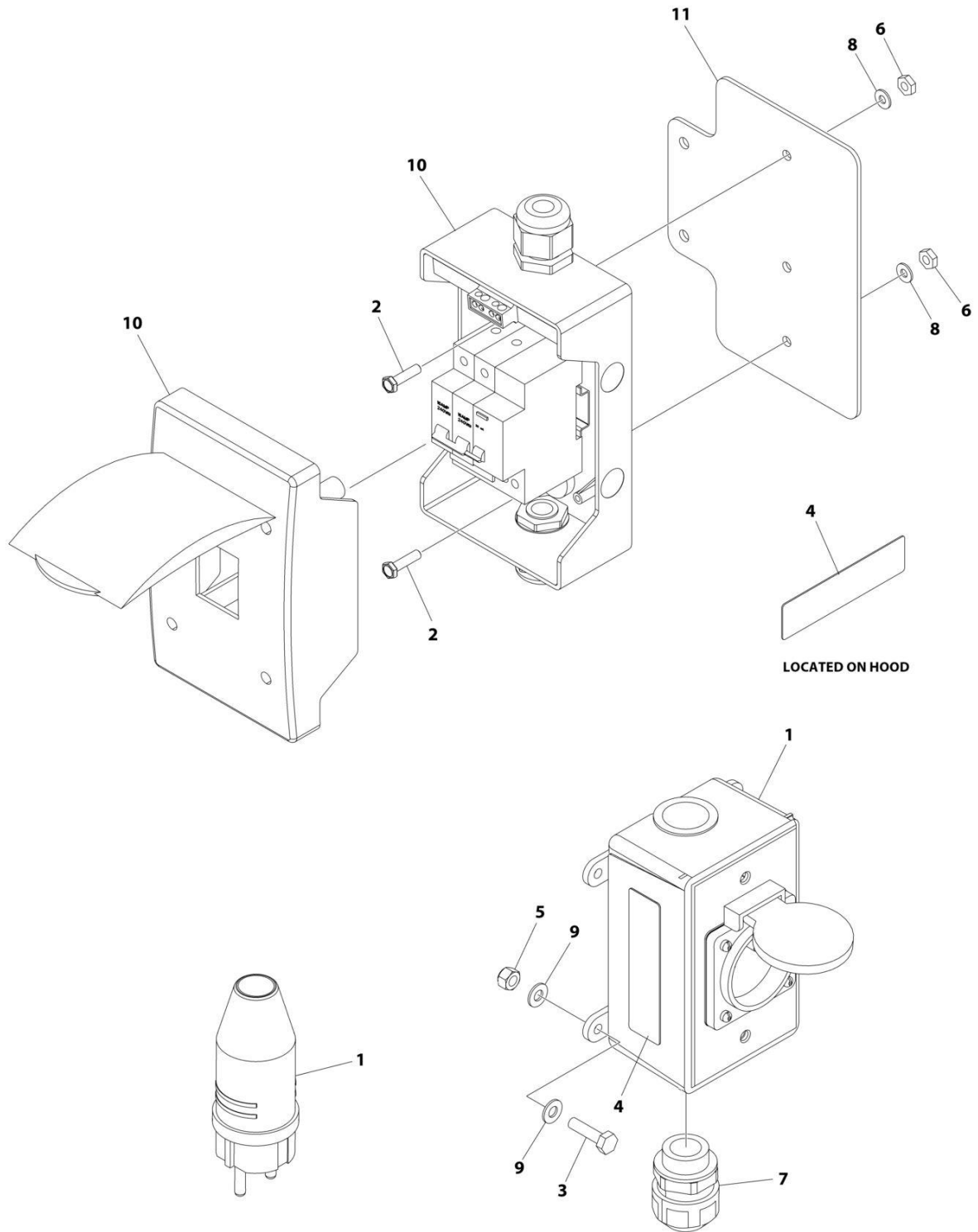
SECTION 7 - ELECTRICAL

FIGURE 7-4. AC BOX AT PLATFORM INSTALLATION - 220V CEE7 KEYED GROUND

ITEM	PART NUMBER	QTY	DESCRIPTION	REV
	1001270619	Rev	AC BOX AT PLATFORM INSTALLATION - 220V CEE7 KEYED GROUND	F
1	0275454	1	Plug and Receptacle Box Kit (See Separate Breakdown in this Section)	
2	0721006	2	Bolt #10 x 3/4	
3	3252760	2	Decal, 240V	
4	3290405	4	Nut M4	
5	0760408	4	Bolt M4 x 16	
6	4460662	1	Connector, Strain Relief	
7	4711000	2	Washer #10	
9	1001096612	1	Breaker Box Assembly (See Separate Breakdown in this Section)	
10	1001276658	1	Breaker Plate	
11	3311005	2	Nut #10	
12	4811400	8	Washer M4	
13	4240017	AR	Tie-Strap (Not Shown)	

SECTION 7 - ELECTRICAL

FIGURE 7-5. AC BOX AT PLATFORM INSTALLATION - 220V CEE7 POST GROUND



ART_1001270617

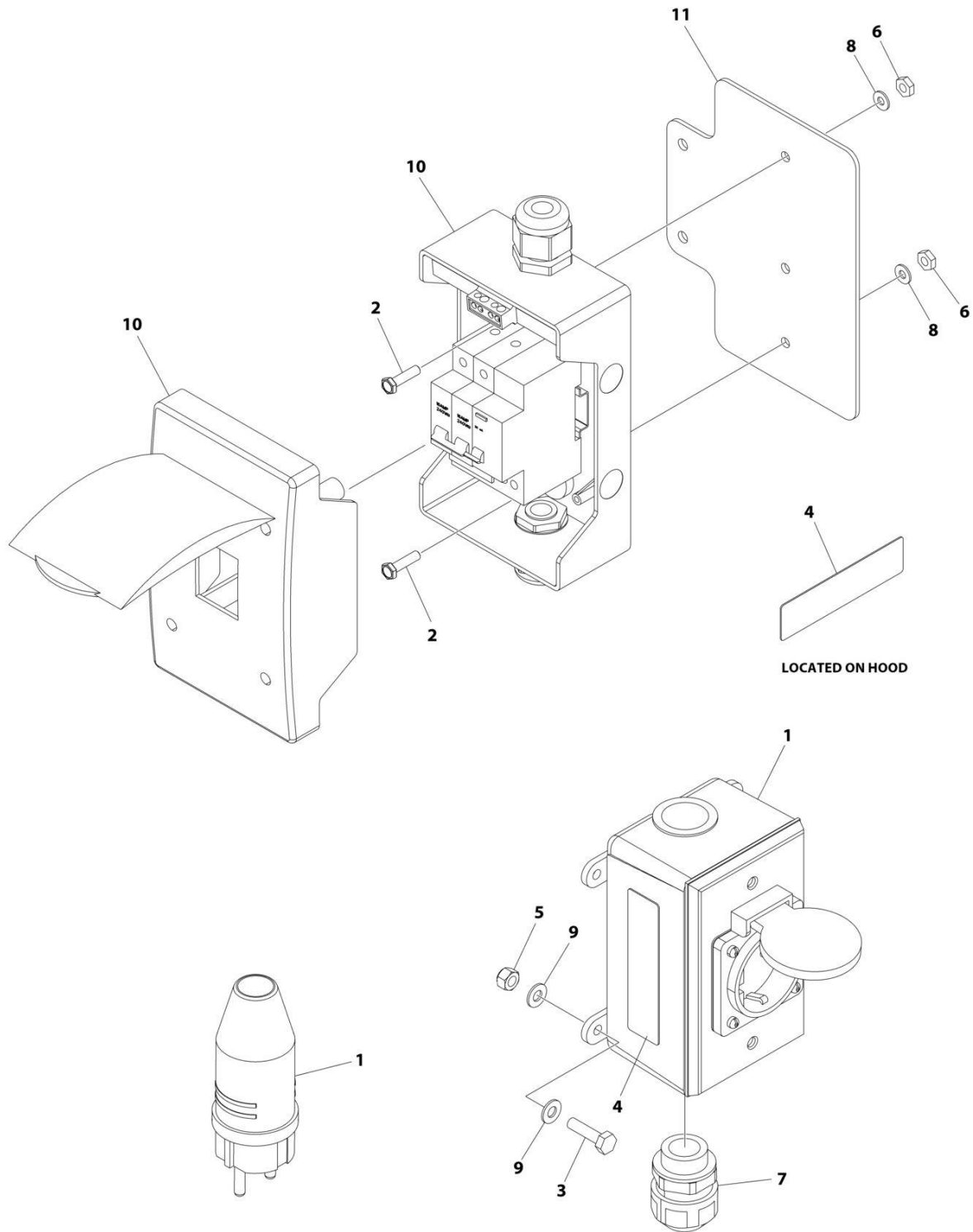
SECTION 7 - ELECTRICAL

FIGURE 7-5. AC BOX AT PLATFORM INSTALLATION - 220V CEE7 POST GROUND

ITEM	PART NUMBER	QTY	DESCRIPTION	REV
	1001270617	Ref	AC BOX AT PLATFORM INSTALLATION - 220V CEE7 POST GROUND	F
1	0275452	1	Plug and Receptacle Box Kit (See Separate Breakdown in this Section)	
2	0721006	2	Bolt #10 x 3/4	
3	0760408	4	Bolt M4 x 16	
4	3252760	2	Decal, 240V	
5	3290405	4	Nut M4	
6	3311005	2	Nut #10	
7	4460662	1	Connector, Strain Relief	
8	4711000	2	Washer #10	
9	4811400	8	Washer M4	
10	1001152484	1	Breaker Box Assembly (See Separate Breakdown in this Section)	
11	1001276658	1	Breaker Plate	
12	4240017	AR	Tie-Strap (Not Shown)	

SECTION 7 - ELECTRICAL

FIGURE 7-6. AC BOX AT PLATFORM INSTALLATION - 220V CEE7 SIDE GROUND



ART_1001270618

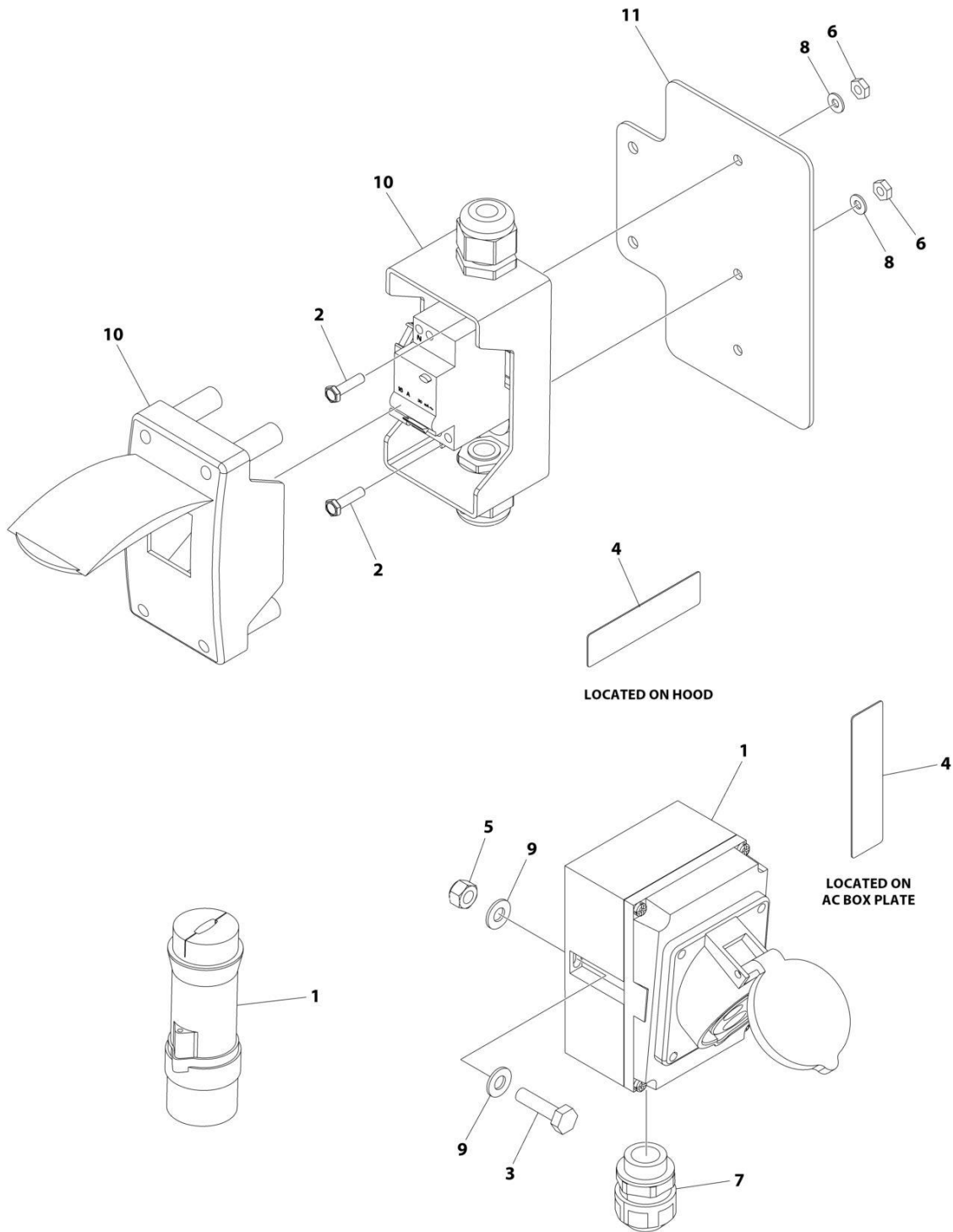
SECTION 7 - ELECTRICAL

FIGURE 7-6. AC BOX AT PLATFORM INSTALLATION - 220V CEE7 SIDE GROUND

ITEM	PART NUMBER	QTY	DESCRIPTION	REV
	1001270618	Ref	AC BOX AT PLATFORM INSTALLATION - 220V CEE7 SIDE GROUND	F
1	0275453	1	Plug and Receptacle Box Kit (See Separate Breakdown in this Section)	
2	0721006	2	Bolt #10 x 3/4	
3	0760408	4	Bolt M4 x 16	
4	3252760	2	Decal, 240V	
5	3290405	4	Nut M4	
6	3311005	2	Nut #10	
7	4460662	1	Connector, Strain Relief	
8	4711000	2	Washer #10	
9	4811400	8	Washer M4	
10	1001152484	1	Breaker Box Assembly (See Separate Breakdown in this Section)	
11	1001276658	1	Breaker Plate	
12	4240017	AR	Tie-Strap (Not Shown)	

SECTION 7 - ELECTRICAL

FIGURE 7-7. AC BOX AT PLATFORM INSTALLATION - 220V IEC BLUE GROUND



ART_1001270620

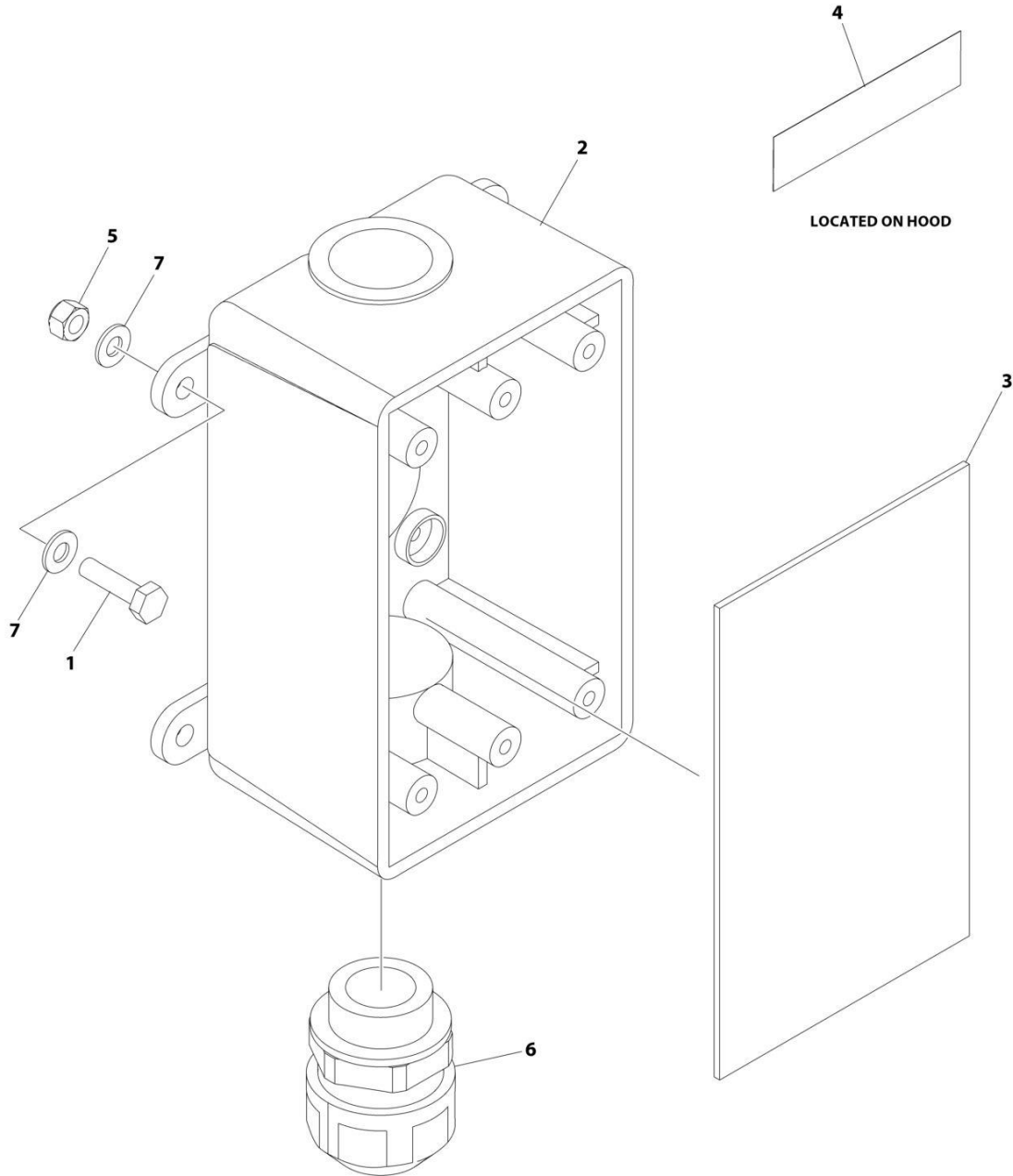
SECTION 7 - ELECTRICAL

FIGURE 7-7. AC BOX AT PLATFORM INSTALLATION - 220V IEC BLUE GROUND

ITEM	PART NUMBER	QTY	DESCRIPTION	REV
	1001270620	Ref	AC BOX AT PLATFORM INSTALLATION - 220V IEC BLUE GROUND	D
1	0275217	1	Plug and Receptacle Box Kit (See Separate Breakdown in this Section)	
2	0721006	2	Bolt #10 x 3/4	
3	0760408	2	Bolt M4 x 16	
4	3252760	2	Decal, 240V	
5	3290405	2	Nut M4	
6	3311005	2	Nut #10	
7	4460662	1	Connector, Strain Relief	
8	4711000	2	Washer #10	
9	4811400	4	Washer	
10	1001096612	1	Breaker Box Assembly (See Separate Breakdown in this Section)	
11	1001276658	1	Breaker Plate	
12	4240017	AR	Tie-Strap (Not Shown)	

SECTION 7 - ELECTRICAL

FIGURE 7-8. AC BOX AT PLATFORM INSTALLATION - CUSTOMER SUPPLIED RECEPTACLE



ART_1001270762

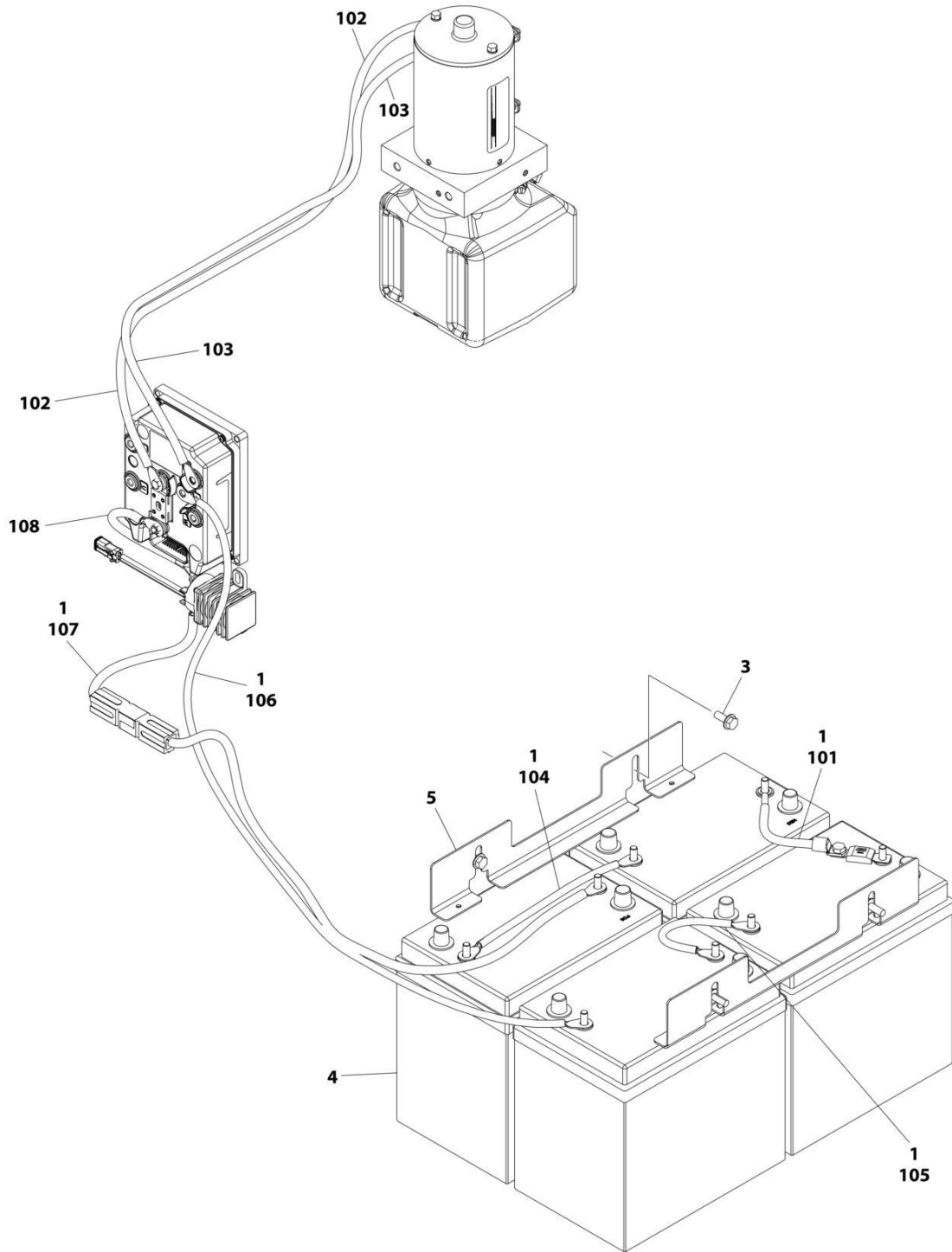
SECTION 7 - ELECTRICAL

FIGURE 7-8. AC BOX AT PLATFORM INSTALLATION - CUSTOMER SUPPLIED RECEPTACLE

ITEM	PART NUMBER	QTY	DESCRIPTION	REV
	1001270762	Ref	AC BOX AT PLATFORM INSTALLATION - CUSTOMER SUPPLIED RECEPTACLE	C
1	0760408	4	Bolt M4 x 16	
2	0861731	1	Box, Receptacle	
3	1670603	1	Cover	
4	3252507	1	Decal, 220V	
5	3290405	4	Nut M4	
6	4460662	1	Connector, Strain Relief	
7	4811400	8	Washer M4	
8	4240017	AR	Tie-Strap (Not Shown)	

SECTION 7 - ELECTRICAL

FIGURE 7-9. BATTERIES AND CABLES INSTALLATION - AGM BATTERIES



ART_1001292131

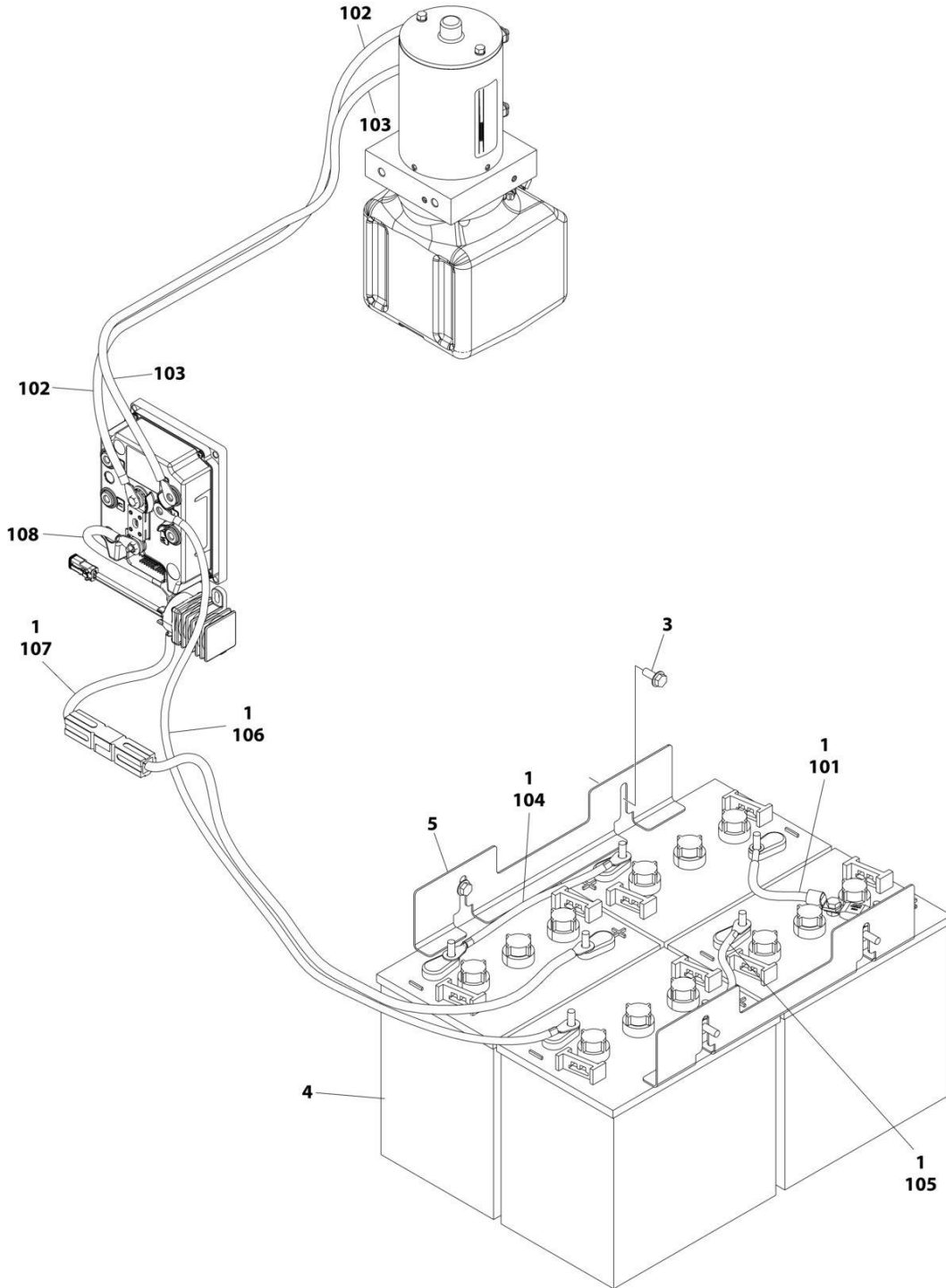
SECTION 7 - ELECTRICAL

FIGURE 7-9. BATTERIES AND CABLES INSTALLATION - AGM BATTERIES

ITEM	PART NUMBER	QTY	DESCRIPTION	REV
	1001292131	Ref	BATTERIES AND CABLES INSTALLATION	A
1	0100051	Ref	Grease, Dielectric	
2	4240099	Ref	Tie-Strap (Not Shown)	
3	5250810	4	Bolt M8 X 20	
4	1001112112	4	Battery	
5	1001289825	2	Bracket	
100	1001270478	1	Battery Cable Kit	
101	1001274882	1	Cable, Battery Jumper with Fuse	
102	1001268669	1	Cable, Pump + To Drive Module B+	
103	1001268670	1	Cable, Pump - To Drive Module P-	
104	1001269010	1	Cable, Battery (+ To -) (10.5in /27cm Length)	
105	1001269011	1	Cable, Battery (+ To -) (7in /19cm Length)	
106	1001269012	1	Cable, Battery- To Drive Module B-	
107	1001269171	1	Cable, Relay To Battery Disconnect To Battery+	
108	1001269204	1	Cable, Drive Module BF+ To Relay	

SECTION 7 - ELECTRICAL

FIGURE 7-10. BATTERIES AND CABLES INSTALLATION - STANDARD BATTERIES



ART_1001270041

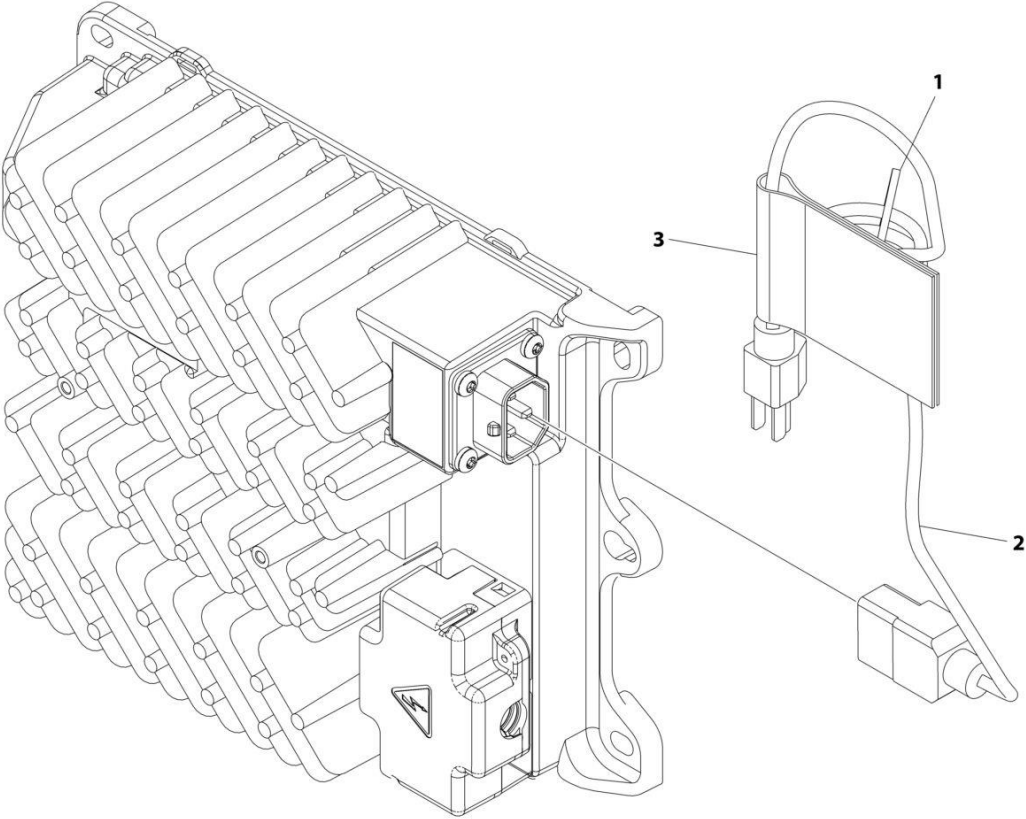
SECTION 7 - ELECTRICAL

FIGURE 7-10. BATTERIES AND CABLES INSTALLATION - STANDARD BATTERIES

ITEM	PART NUMBER	QTY	DESCRIPTION	REV
	1001270041	Ref	BATTERIES AND CABLES INSTALLATION	D
1	0100051	Ref	Grease, Dielectric	
2	4240099	Ref	Tie-Strap (Not Shown)	
3	5250810	4	Bolt M8 X 20	
4	1001216180	4	Battery	
5	1001289825	2	Bracket	
100	1001270478	1	Battery Cable Kit	
101	1001274882	1	Cable, Battery Jumper with Fuse	
102	1001268669	1	Cable, Pump + To Drive Module B+	
103	1001268670	1	Cable, Pump - To Drive Module P-	
104	1001269010	1	Cable, Battery (+ To -) (10.5in /27cm Length)	
105	1001269011	1	Cable, Battery (+ To -) (7in /19cm Length)	
106	1001269012	1	Cable, Battery- To Drive Module B-	
107	1001269171	1	Cable, Relay To Battery Disconnect To Battery+	
108	1001269204	1	Cable, Drive Module BF+ To Relay	

SECTION 7 - ELECTRICAL

FIGURE 7-11. BATTERY CHARGER PLUG INSTALLATION - 110V PLUG



ART_1001290904

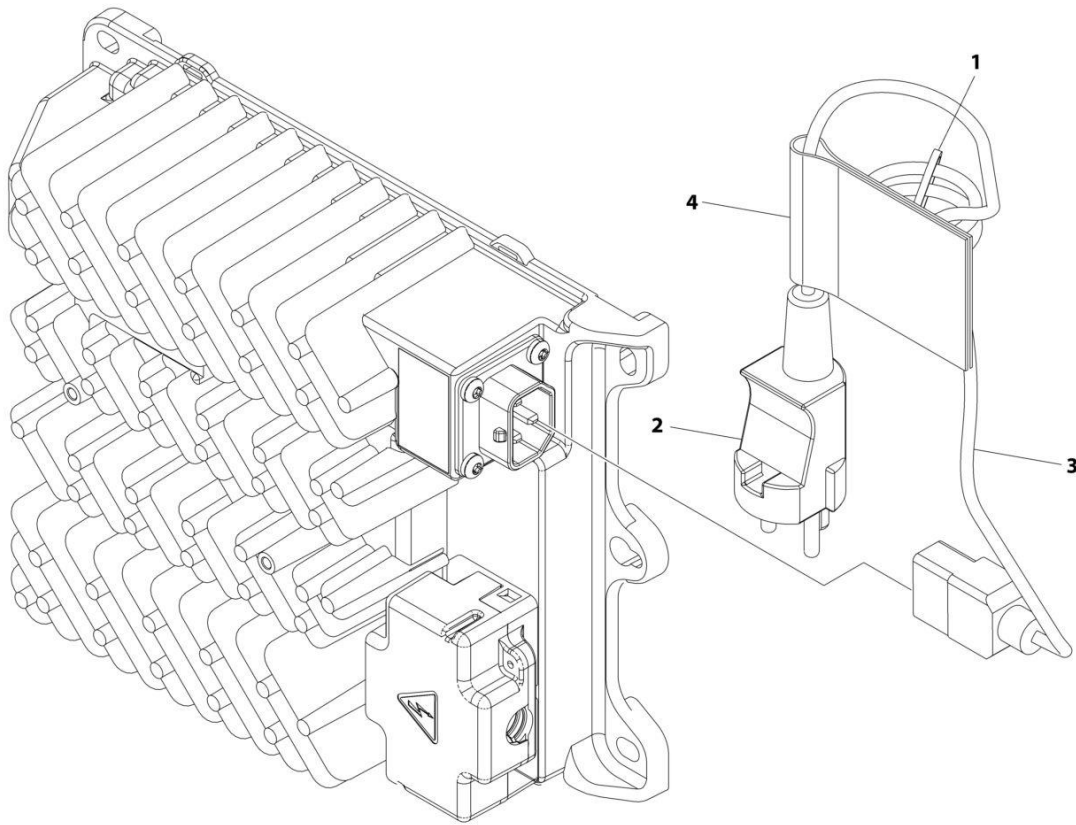
SECTION 7 - ELECTRICAL

FIGURE 7-11. BATTERY CHARGER PLUG INSTALLATION - 110V PLUG

ITEM	PART NUMBER	QTY	DESCRIPTION	REV
	1001290904	Ref	BATTERY CHARGER PLUG INSTALLATION	A
1	4240017	AR	Tie-Strap	
2	1001207970	1	Cable - Charger AC Input (Includes Plug)	
3	1001291035	1	Decal - Charger Plug	

SECTION 7 - ELECTRICAL

FIGURE 7-12. BATTERY CHARGER PLUG INSTALLATION - AFSINT107 PLUG



ART_1001290906

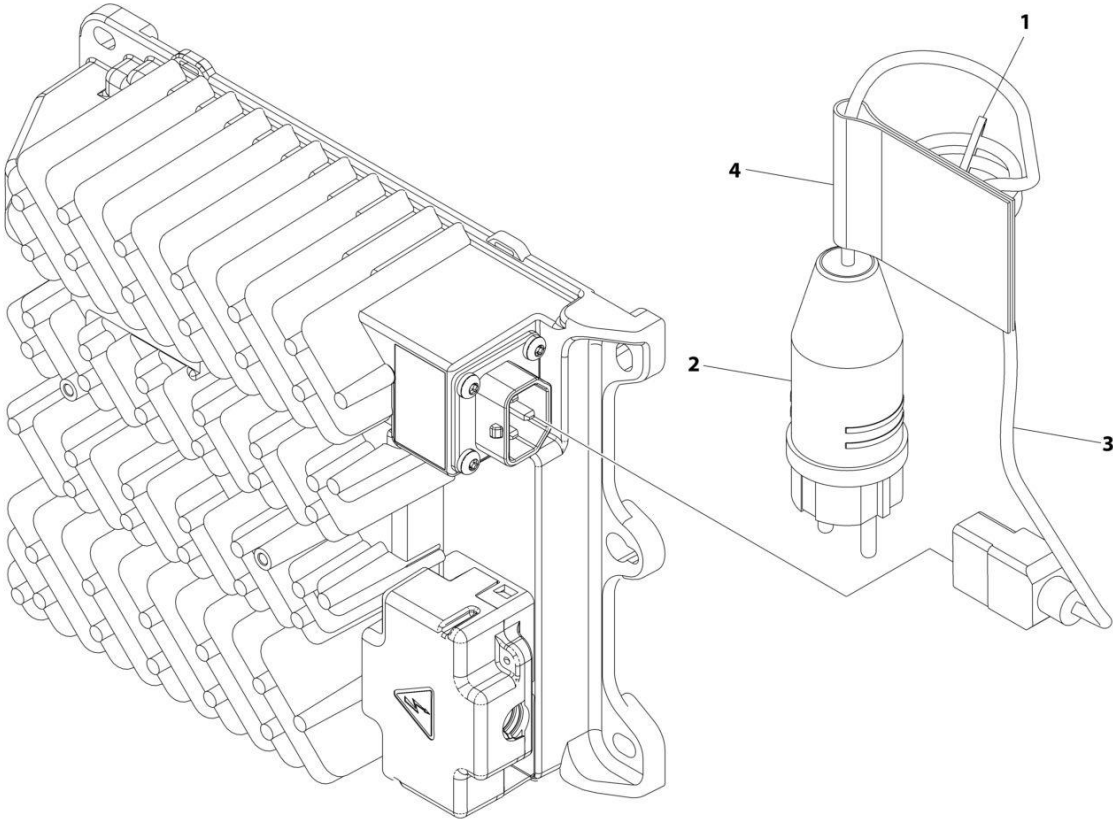
SECTION 7 - ELECTRICAL

FIGURE 7-12. BATTERY CHARGER PLUG INSTALLATION - AFSINT107 PLUG

ITEM	PART NUMBER	QTY	DESCRIPTION	REV
	1001290906	Ref	BATTERY CHARGER PLUG INSTALLATION	A
1	4240017	AR	Tie-Strap	
2	4461249	1	Plug	
3	1001207974	1	Cable - Charger AC Input	
4	1001291035	1	Decal - Charger Plug	

SECTION 7 - ELECTRICAL

FIGURE 7-13. BATTERY CHARGER PLUG INSTALLATION - CEE7 PLUG



ART_1001290905

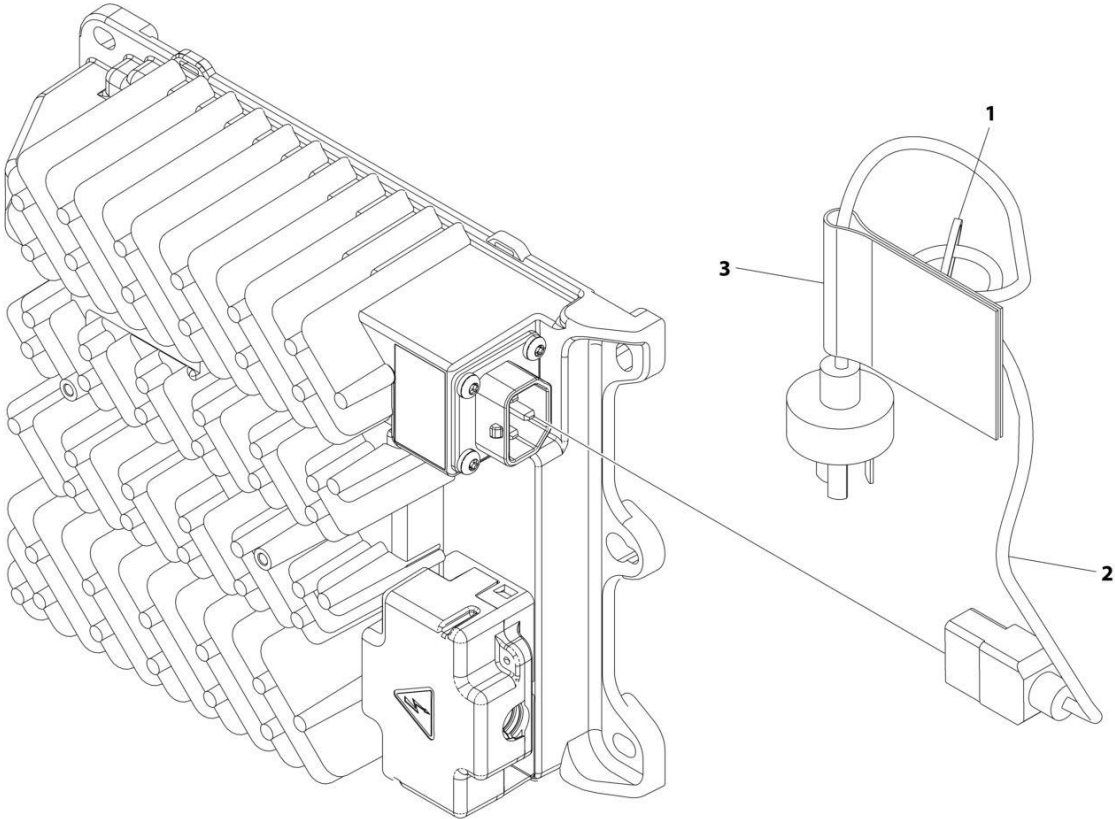
SECTION 7 - ELECTRICAL

FIGURE 7-13. BATTERY CHARGER PLUG INSTALLATION - CEE7 PLUG

ITEM	PART NUMBER	QTY	DESCRIPTION	REV
	1001290905	Ref	BATTERY CHARGER PLUG INSTALLATION	A
1	4240017	AR	Tie-Strap	
2	4461205	1	Plug	
3	1001207974	1	Cable - Charger AC Input	
4	1001291035	1	Decal - Charger Plug	

SECTION 7 - ELECTRICAL

FIGURE 7-14. BATTERY CHARGER PLUG INSTALLATION - CHINA PLUG



ART_1001290909

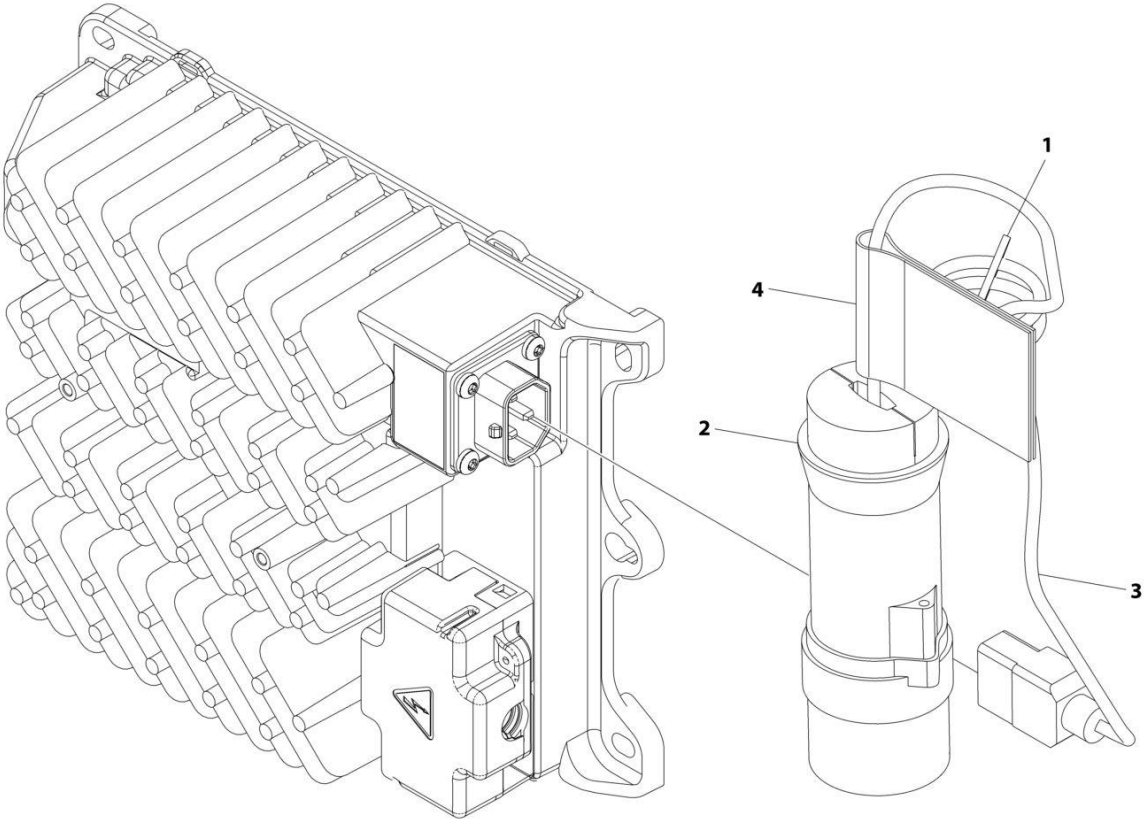
SECTION 7 - ELECTRICAL

FIGURE 7-14. BATTERY CHARGER PLUG INSTALLATION - CHINA PLUG

ITEM	PART NUMBER	QTY	DESCRIPTION	REV
	1001290909	Ref	BATTERY CHARGER PLUG INSTALLATION	A
1	4240017	AR	Tie-Strap	
2	1001207973	1	Cable - Charger AC Input (Includes Plug)	
3	1001291035	1	Decal - Charger Plug	

SECTION 7 - ELECTRICAL

FIGURE 7-15. BATTERY CHARGER PLUG INSTALLATION - IEC BLUE



ART_1001290908

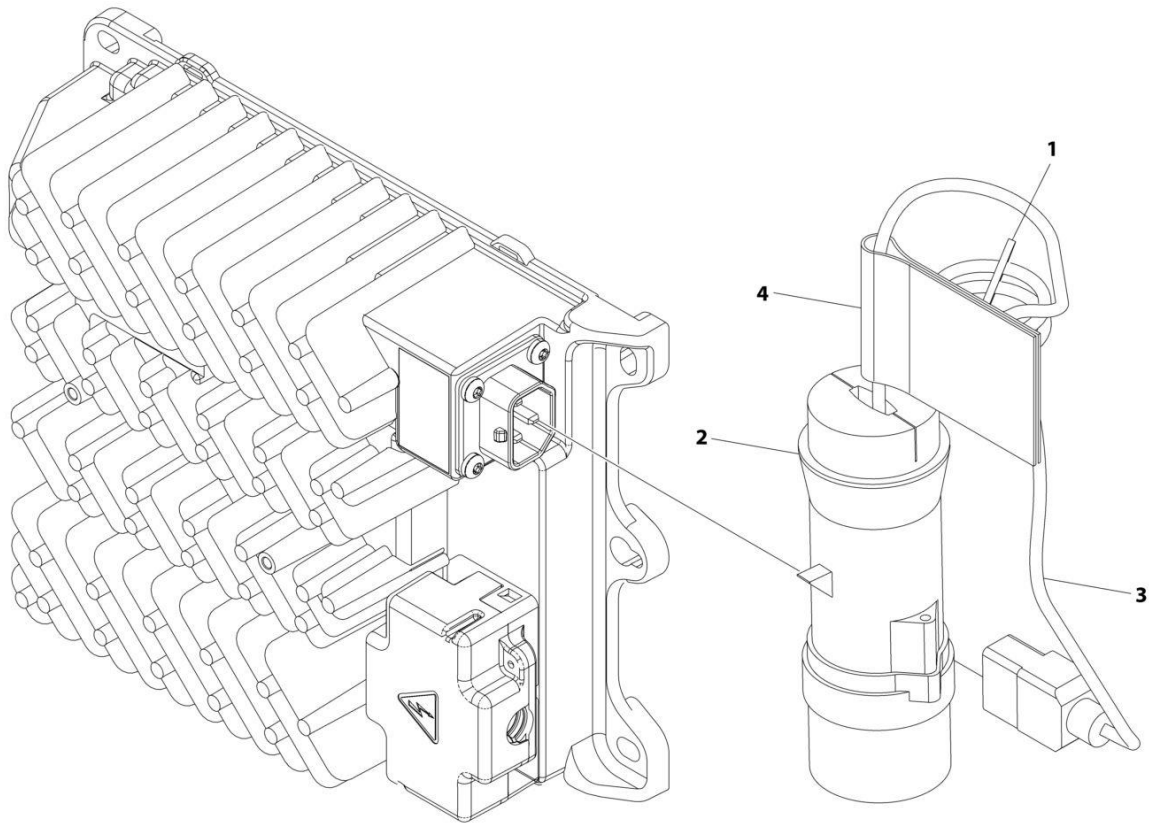
SECTION 7 - ELECTRICAL

FIGURE 7-15. BATTERY CHARGER PLUG INSTALLATION - IEC BLUE

ITEM	PART NUMBER	QTY	DESCRIPTION	REV
	1001290908	Ref	BATTERY CHARGER PLUG INSTALLATION	A
1	4240017	AR	Tie-Strap	
2	4461199	1	Plug	
3	1001207974	1	Cable - Charger AC Input	
4	1001291035	1	Decal - Charger Plug	

SECTION 7 - ELECTRICAL

FIGURE 7-16. BATTERY CHARGER PLUG INSTALLATION - IEC YELLOW



ART_1001290907

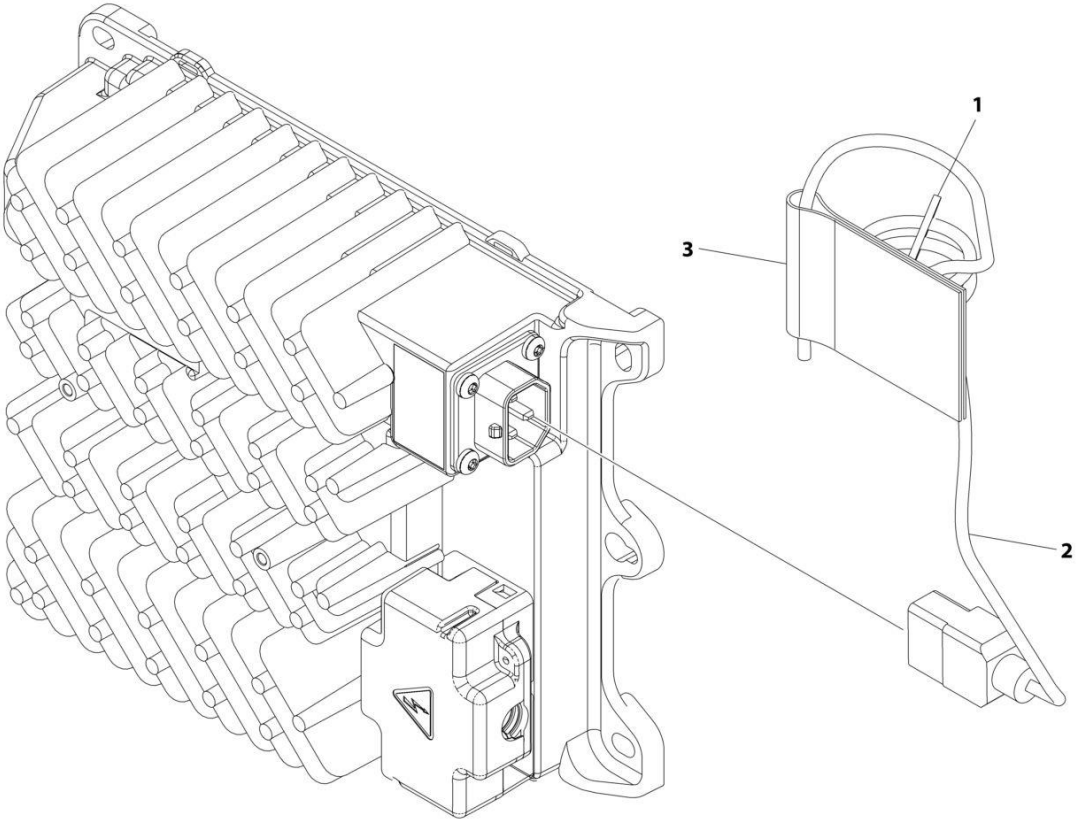
SECTION 7 - ELECTRICAL

FIGURE 7-16. BATTERY CHARGER PLUG INSTALLATION - IEC YELLOW

ITEM	PART NUMBER	QTY	DESCRIPTION	REV
	1001290907	Ref	BATTERY CHARGER PLUG INSTALLATION	A
1	4240017	AR	Tie-Strap	
2	4461196	1	Plug	
3	1001207974	1	Cable - Charger AC Input	
4	1001291035	1	Decal - Charger Plug	

SECTION 7 - ELECTRICAL

FIGURE 7-17. BATTERY CHARGER PLUG INSTALLATION - CUSTOMER SUPPLIED PLUG



ART_1001290903

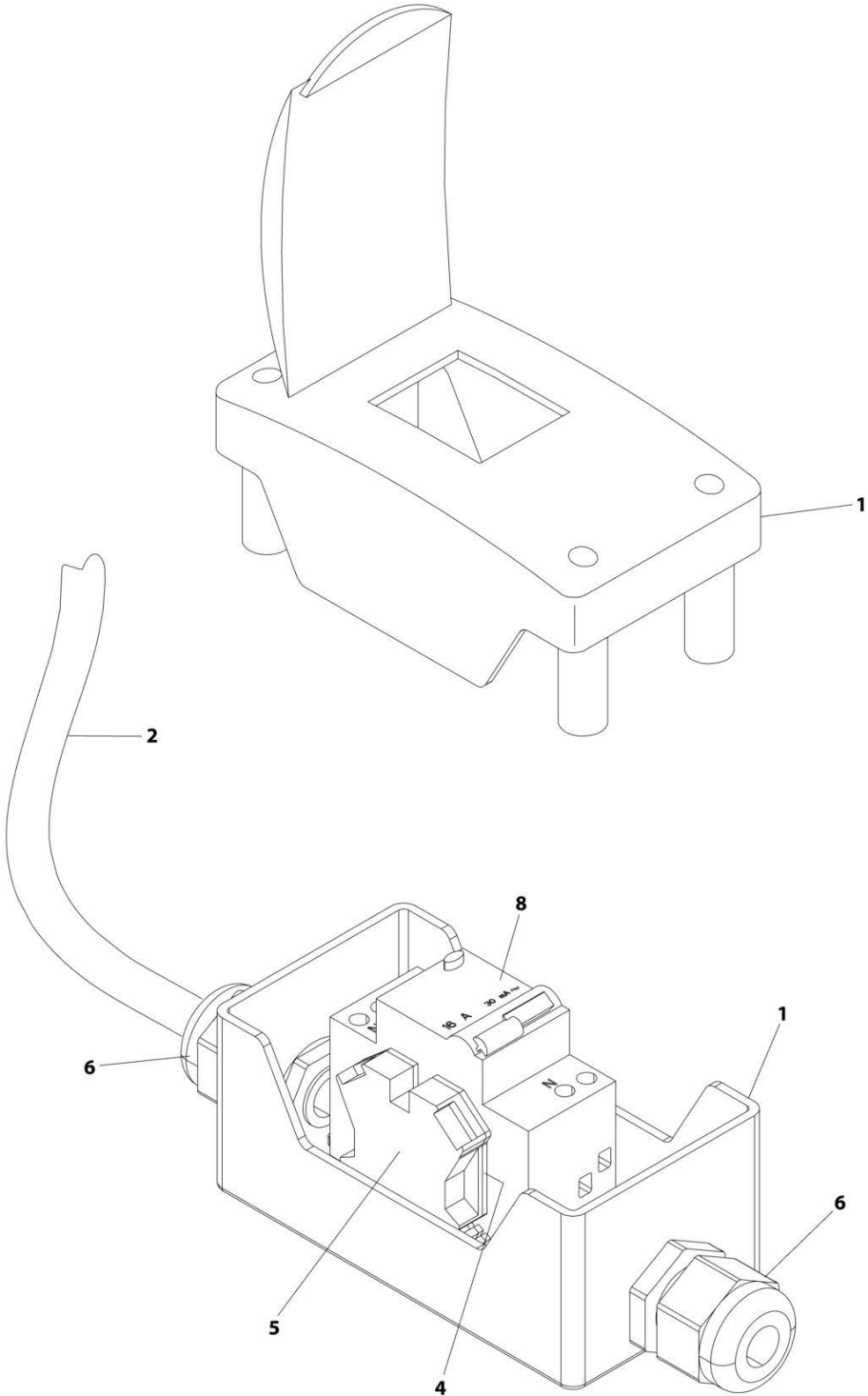
SECTION 7 - ELECTRICAL

FIGURE 7-17. BATTERY CHARGER PLUG INSTALLATION - CUSTOMER SUPPLIED PLUG

ITEM	PART NUMBER	QTY	DESCRIPTION	REV
	1001290903	Ref	CHARGER PLUG INSTALLATION	A
1	4240017	AR	Tie-Strap	
2	1001207974	1	Cable - Charger AC Input (Cable Only - No Plug)	
3	1001291035	1	Decal - Charger Plug	

SECTION 7 - ELECTRICAL

FIGURE 7-18. BREAKER BOX ASSEMBLY WITH 1 DOUBLE BREAKER



ART_1001096612

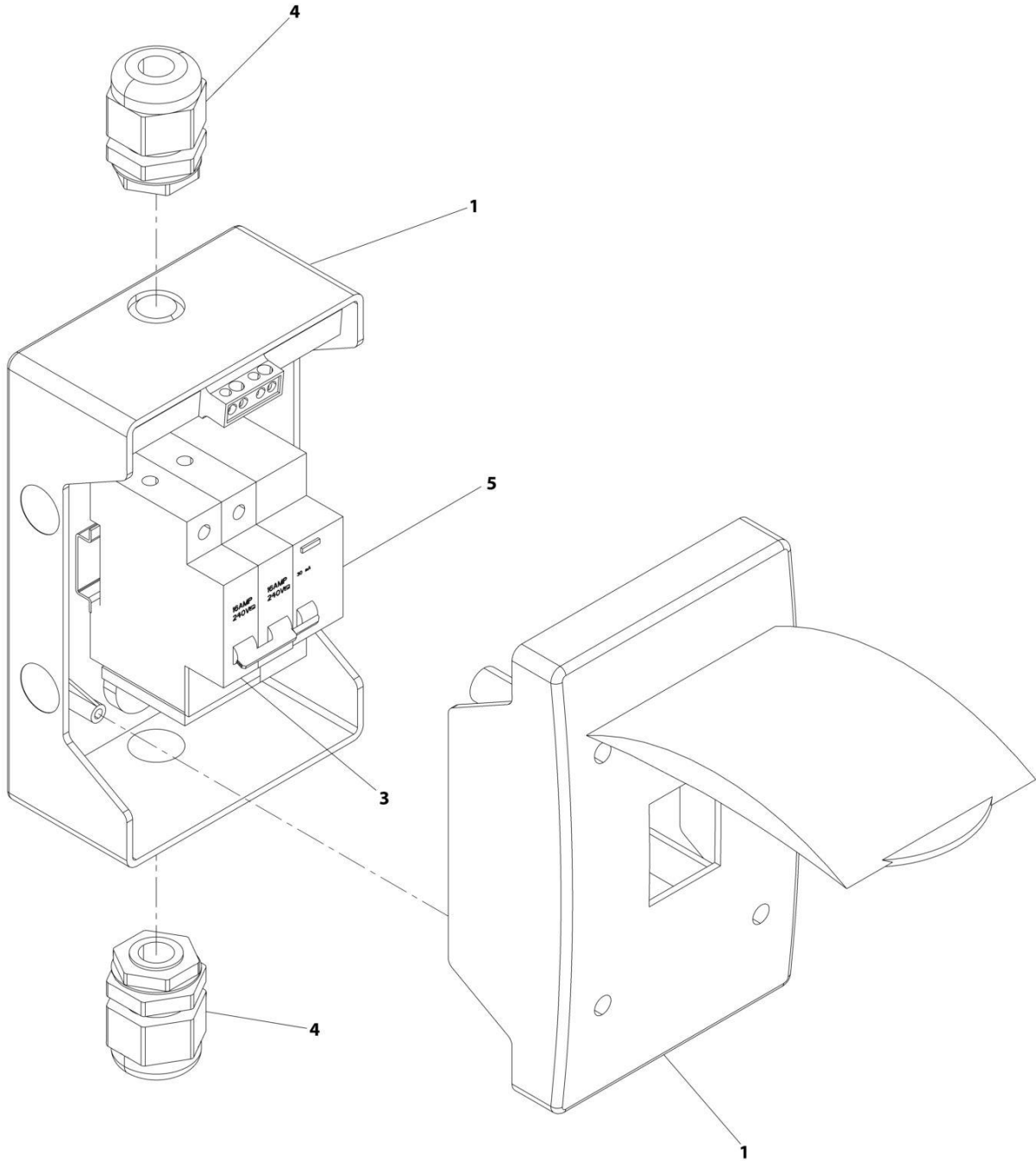
SECTION 7 - ELECTRICAL

FIGURE 7-18. BREAKER BOX ASSEMBLY WITH 1 DOUBLE BREAKER

ITEM	PART NUMBER	QTY	DESCRIPTION	REV
	1001096612	Ref	BREAKER BOX ASSEMBLY	C
1	0861880	1	Box	
2	1060908	4.5 ft /1.4m	Cable, 12/3	
4	4460956	1	Barrier, Terminal	
5	4460957	1	Block, Terminal	
6	1001097150	2	Connector, Strain Relief	
8	1001181045	1	Breaker, Double 30mAmp/16Amp	

SECTION 7 - ELECTRICAL

FIGURE 7-19. BREAKER BOX ASSEMBLY WITH 3 BREAKERS



ART_1001152484

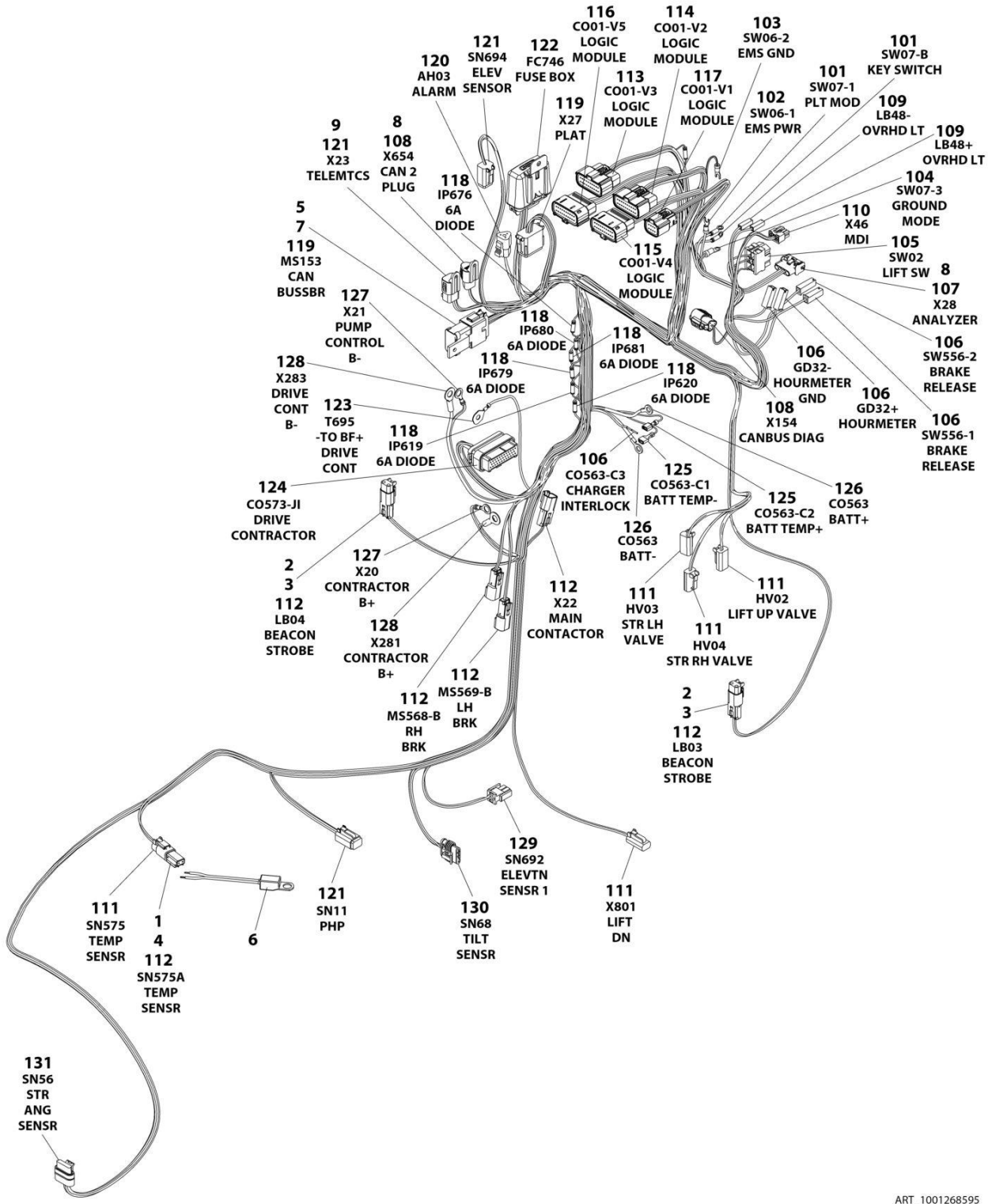
SECTION 7 - ELECTRICAL

FIGURE 7-19. BREAKER BOX ASSEMBLY WITH 3 BREAKERS

ITEM	PART NUMBER	QTY	DESCRIPTION	REV
	1001152484	Ref	BREAKER BOX ASSEMBLY	C
1	1001152483	1	Box	
2	1060908	1	Cable (Not Shown)	
3	1001189172	1	Breaker, Double 16AMP	
4	1001097150	2	Connector, Strain Relief	
5	1001189171	1	Breaker, 30mAmp	

SECTION 7 - ELECTRICAL

FIGURE 7-20. CHASSIS HARNESS



ART_1001268595

SECTION 7 - ELECTRICAL

FIGURE 7-20. CHASSIS HARNESS

ITEM	PART NUMBER	QTY	DESCRIPTION	REV
	1001268595	Ref	CHASSIS HARNESS	D
1	4460464	2	Pin, Male	
2	4460466	4	Plug, Terminal	
3	4460891	2	Plug, Male - 2 Position	
4	4460897	1	Receptacle, Female - 2 Position	
5	4460914	1	Base, Terminal	
6	1001102771	1	Sensor, Temperature	
7	1001125677	1	Bussbar - 2 Position	
8	1001144296	2	Cap	
9	1001192401	1	Dustcap	
101	4460247	2	Terminal, Ring	
102	4460183	1	Terminal, Fork	
103	4460115	1	Terminal, Fork	
104	4460042	1	Terminal, Ring	
105	4460418	1	Connector - 6 Position	
105	4460419	3	Terminal	
106	4460260	4	Cover, Terminal	
106	4460259	5	Terminal	
107	4460761	1	Connector - 4 Position	
107	4460227	4	Terminal	
108	1001118812	2	Plug, Male - 3 Position	
108	4460944	4	Socket, Female	
108	4460466	2	Plug, Terminal	
108	1001177296	2	Dustcap	
109	1001117000	2	Connector	
109	1001118387	2	Terminal	
110	1001151629	1	Connector - 8 Position	
110	4461023	2	Terminal	
110	4460877	2	Terminal	
111	4460891	5	Plug, Male - 2 Position	
111	4460465	10	Socket, Female	
112	4460897	6	Receptacle, Female - 2 Position	
112	4460464	12	Pin, Male	
113	1001162886	1	Connector - 20 Position	
113	1001162887	12	Terminal	
113	1001163340	8	Plug, Terminal	
114	1001205410	1	Connector - 20 Position	
114	1001162887	14	Terminal	
114	1001163340	6	Plug, Terminal	
115	1001205411	1	Connector - 20 Position	
115	1001162887	10	Terminal	
115	1001163340	10	Plug, Terminal	
116	1001205412	1	Connector - 20 Position	
116	1001162887	16	Terminal	
116	1001163340	4	Plug, Terminal	
117	1001205409	1	Connector - 8 Position	
117	1001162887	8	Terminal	
118		Ref	Diode 6Amp	
119	4460933	2	Plug, Male - 12 Position	
119	4460465	20	Socket, Female	

SECTION 7 - ELECTRICAL

ITEM	PART NUMBER	QTY	DESCRIPTION	REV
119	4460944	2	Socket, Female	
119	4460466	2	Plug, Terminal	
120	4460539	1	Plug, Male - 3 Position	
120	4460465	3	Socket, Female	
121	4460884	3	Plug, Male -4 Position	
121	4460465	12	Socket, Female	
122	1001260788	1	Fusebox	
122	4460746	6	Terminal	
122	1001234800	2	Terminal	
122	8229244	1	Fuse 1.5Amp (Ground EMS)	
122	1001142498	2	Fuse 5Amp (Platform EMS & Telematics)	
122	1001170760	1	Fuse 5Amp (Brake)	
123	1001187074	1	Terminal, Ring	
124	4460873	1	Connector - 35 Position	
124	4460871	11	Terminal	
124	4460905	24	Plug, Terminal	
125	1001194421	2	Terminal	
126	4460312	2	Terminal, Ring	
127	4460670	2	Terminal, Ring	
128	8220045	2	Terminal, Ring	
129	4460320	1	Plug, Male - 2 Position	
129	4460226	2	Socket, Female	
130	1001103012	1	Connector - 4 Position	
130	1001237212	4	Terminal	
130	1001104498	4	Seal, Terminal	
131	1001230931	1	Connector - 6 Position	
131	1001116748	6	Terminal	

SECTION 7 - ELECTRICAL

FIGURE 7-21. CLEARSKY TELEMATICS INSTALLATION - 4G CANBUS

ITEM	PART NUMBER	QTY	DESCRIPTION	REV
	1001270178	Ref	CLEARSKY TELEMATICS INSTALLATION	B
1	4240017	AR	Tie-Strap	
2	4460234	AR	Mount, Cable-Tie	
3	1001262322	1	Module, ClearSky	
4	1001262327	1	Module, Antena	
5	1001268803	1	Harness, ClearSky (See Separate Breakdown in this Section)	
6	3290605	1	Nut M6	
7	4811700	1	Washer M6	
8	5250612	1	Bolt M6 x 25	

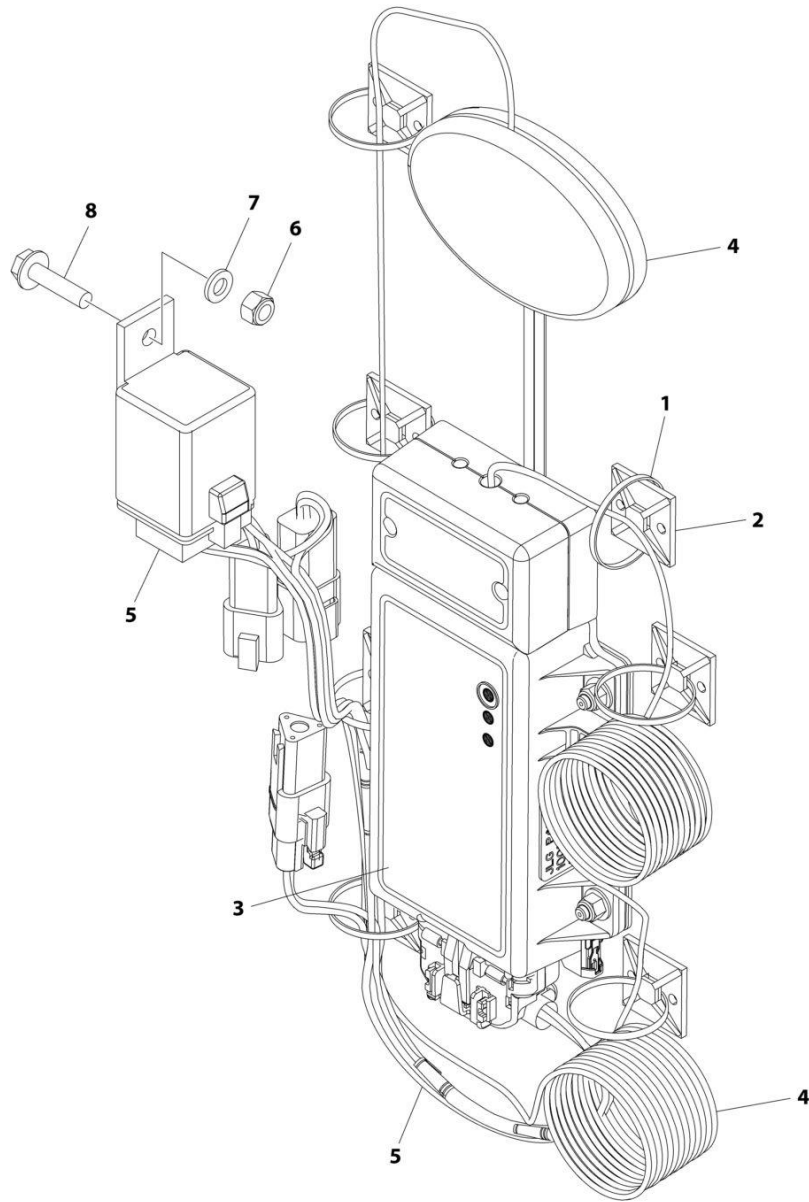
SECTION 7 - ELECTRICAL

FIGURE 7-22. CLEARSKY TELEMATICS INSTALLATION - 3G CANBUS (AUSTRALIAN SPECS)

ITEM	PART NUMBER	QTY	DESCRIPTION	REV
	1001270820	Ref	CLEARSKY TELEMATICS INSTALLATION	B
1	4240017	AR	Tie-Strap	
2	4460234	AR	Mount, Cable-Tie	
3	1001236144	1	Module, Antena	
4	1001246144	1	Module, ClearSky	
5	1001268803	1	Harness, ClearSky (See Separate Breakdown in this Section)	
6	3290605	1	Nut M6	
7	4811700	1	Washer M6	
8	5250612	1	Bolt M6 x 25	

SECTION 7 - ELECTRICAL

FIGURE 7-23. CLEARSKY TELEMATICS INSTALLATION - 3G CANBUS (CE SPECS)



ART_1001270819

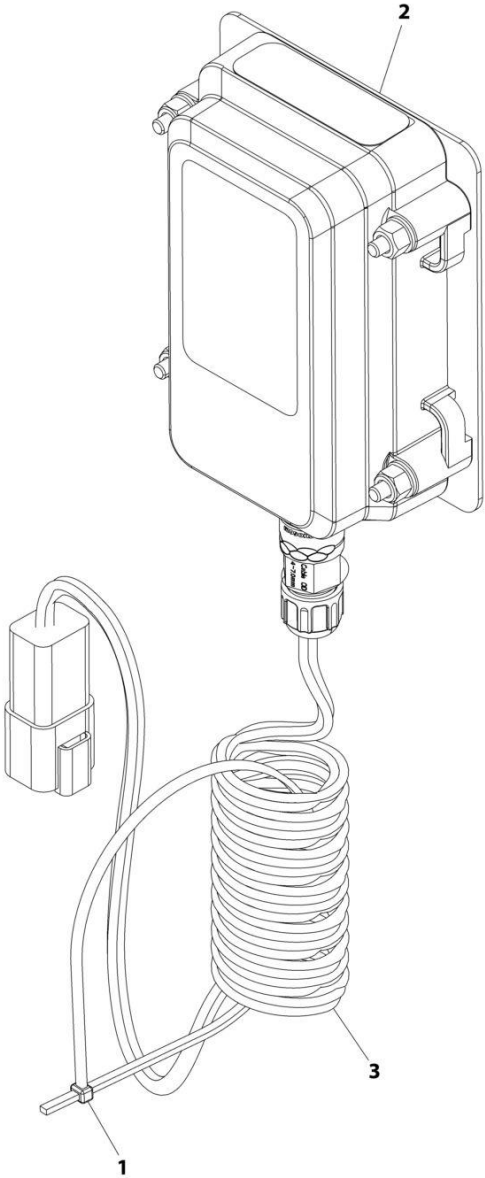
SECTION 7 - ELECTRICAL

FIGURE 7-23. CLEARSKY TELEMATICS INSTALLATION - 3G CANBUS (CE SPECS)

ITEM	PART NUMBER	QTY	DESCRIPTION	REV
	1001270819	Ref	CLEARSKY TELEMATICS INSTALLATION	B
1	4240017	AR	Tie-Strap	
2	4460234	AR	Mount, Cable-Tie	
3	1001228954	1	Module, ClearSky	
4	1001236144	1	Module, Antena	
5	1001268803	1	Harness, ClearSky (See Separate Breakdown in this Section)	
6	3290605	1	Nut M6	
7	4811700	1	Washer M6	
8	5250612	1	Bolt M6 x 25	

SECTION 7 - ELECTRICAL

FIGURE 7-24. CLEARSKY TELEMATICS INSTALLATION - 3-WIRE GT1030



ART_1001284654

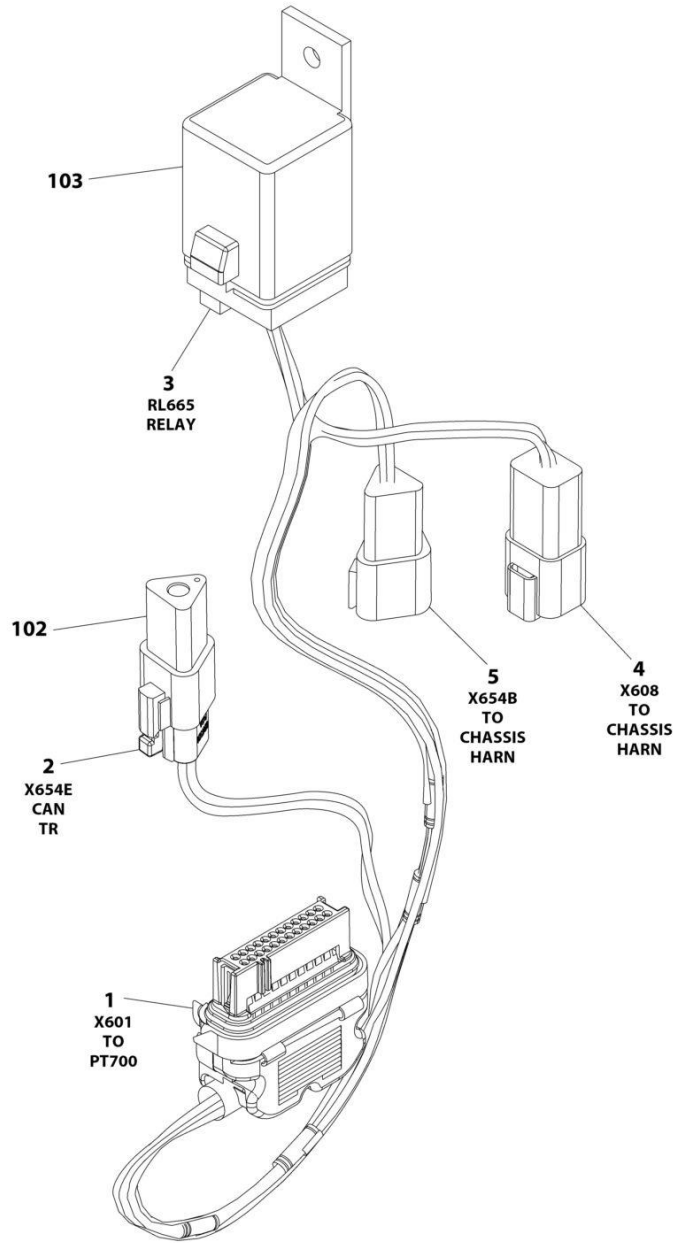
SECTION 7 - ELECTRICAL

FIGURE 7-24. CLEARSKY TELEMATICS INSTALLATION - 3-WIRE GT1030

ITEM	PART NUMBER	QTY	DESCRIPTION	REV
	1001284654	Ref	CLEARSKY TELEMATICS INSTALLATION	A
1	4240099	AR	Tie-Strap	
2	1001272659	1	Module, ClearSky (GT1030)	
3	1001273012	1	Harness, ClearSky (See Separate Breakdown in this Section)	

SECTION 7 - ELECTRICAL

FIGURE 7-25. CLEARSKY TELEMATICS HARNESS - CANBUS



ART_1001268803

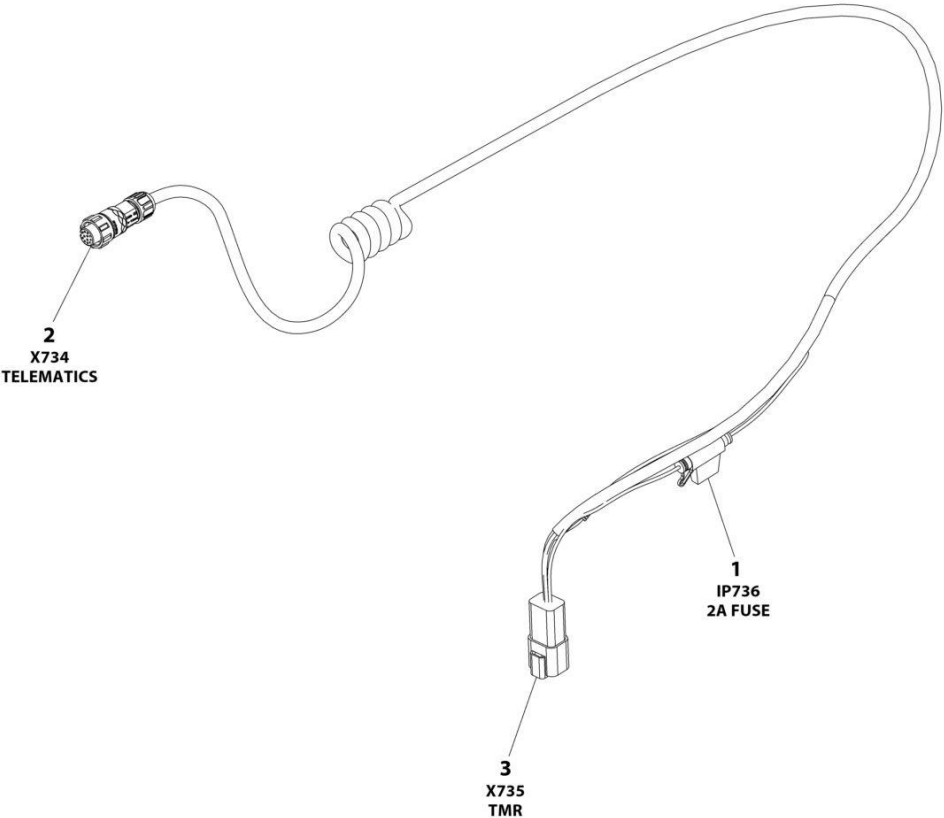
SECTION 7 - ELECTRICAL

FIGURE 7-25. CLEARSKY TELEMATICS HARNESS - CANBUS

ITEM	PART NUMBER	QTY	DESCRIPTION	REV
	1001268803	Ref	CLEARSKY TELEMATICS HARNESS	B
1	1001226636	1	Connector - 24 Position	
1	1001226637	5	Terminal	
1	1001116731	19	Plug, Terminal	
2	1001116812	1	Plug, Male - 3 Position	
2	4460944	2	Socket, Female	
2	4460466	1	Plug, Terminal	
3	1001117057	1	Plug, Male - 4 Position	
3	1001116732	4	Terminal	
4	4460932	1	Receptacle, Female - 4 Position	
4	4460464	3	Pin, Male	
4	4460466	1	Plug, Terminal	
5	1001144147	1	Receptacle, Female - 3 Position	
5	4460943	2	Pin, Male	
5	4460466	1	Plug, Terminal	
103	4461070	1	Connector, Resistor	
103	1001097347	1	Relay	

SECTION 7 - ELECTRICAL

FIGURE 7-26. CLEARSKY TELEMATICS HARNESS - GT1030



ART_1001273012

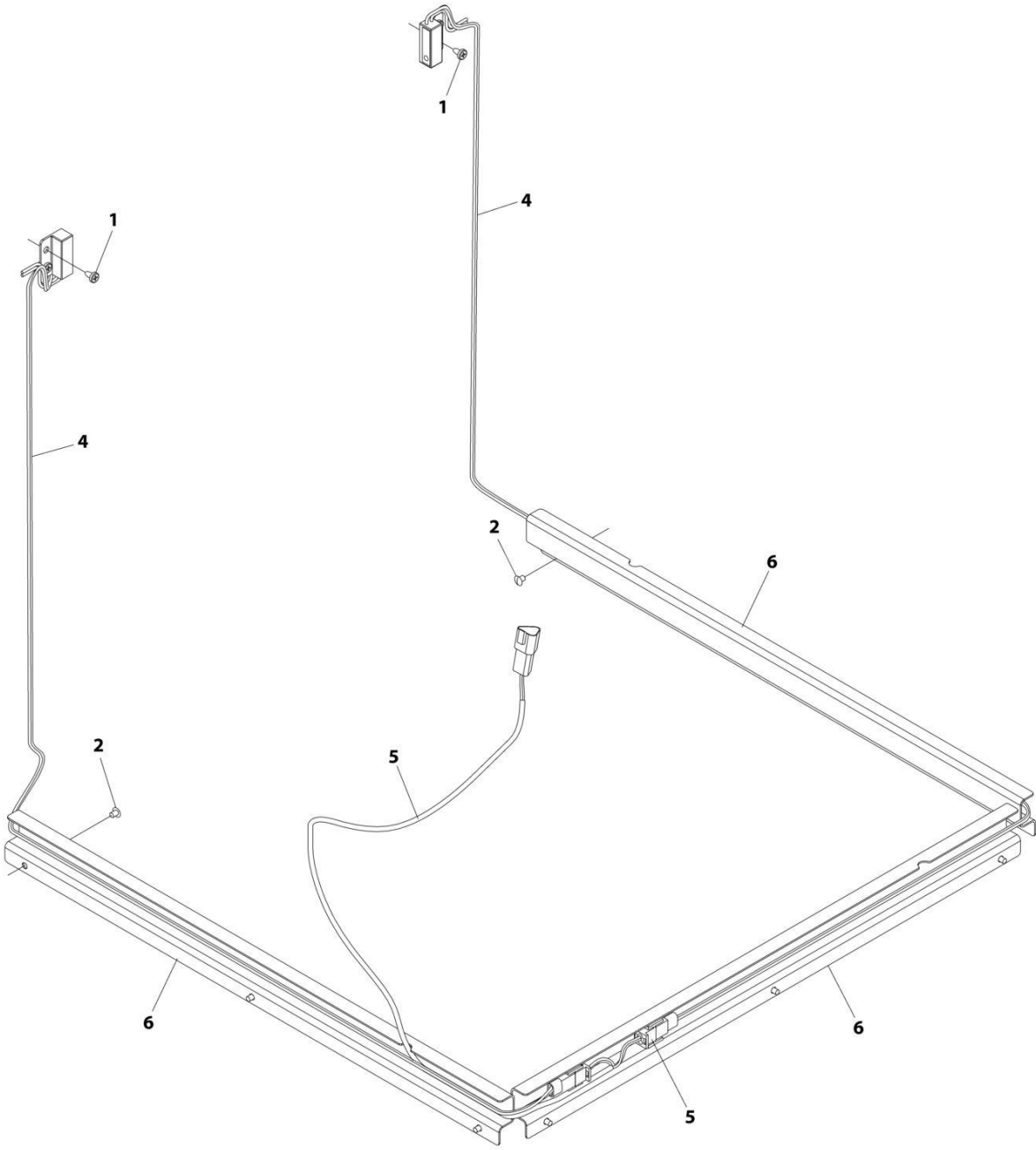
SECTION 7 - ELECTRICAL

FIGURE 7-26. CLEARSKY TELEMATICS HARNESS - GT1030

ITEM	PART NUMBER	QTY	DESCRIPTION	REV
	1001273012	Ref	CLEARSKY TELEMATICS HARNESS - GT1030	D
1	1001255901	1	Fuseholder	
1	1001196634	1	Fuse - 2Amp	
2	1001272997	1	Connector - 12 Position	
2		Ref	Terminal	
3	4460932	1	Receptacle, Female - 4 Position	
3	4460464	4	Pin, Male	

SECTION 7 - ELECTRICAL

FIGURE 7-27. GATE ALARM HARNESS INSTALLATION



ART_1001281741

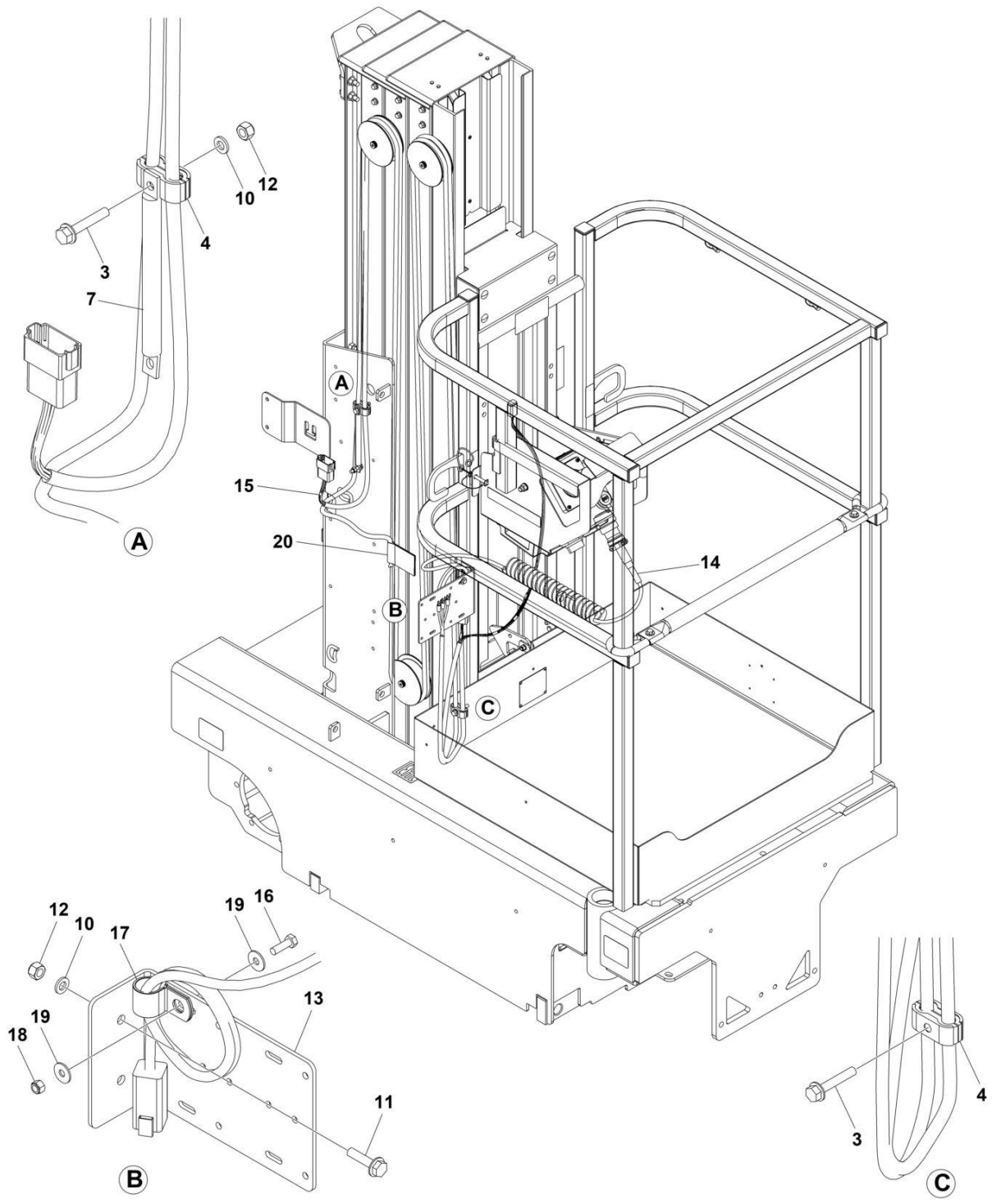
SECTION 7 - ELECTRICAL

FIGURE 7-27. GATE ALARM HARNESS INSTALLATION

ITEM	PART NUMBER	QTY	DESCRIPTION	REV
	1001281741	Ref	GATE ALARM INSTALLATION	D
1	0751003	4	Screw	
2	3820019	9	Rivet	
3	4240017	AR	Tie - Strap (Not Shown)	
4	4360573	2	Sensor, Gate Alarm	
5	1001281742	1	Harness, Gate Alarm	
5	4460424	2	Receptacle, Female - 2 Position	
5	4460320	2	Plug, Male - 2 Position (At Switch)	
5	4460268	4	Socket, Female	
5	4460536	1	Receptacle, Female (At Platform Cable)	
5	4460464	2	Pin, Male	
5	4460466	1	Plug, Terminal	
6	1001281943	3	Panel , Harness Cover	
7	280013	940 mm/ 3 Feet	Conduit (Not Shown)	

SECTION 7 - ELECTRICAL

FIGURE 7-28. GROUND TO PLATFORM HARNESS INSTALLATION (WITHOUT GATE ALARM)



ART_1001270038

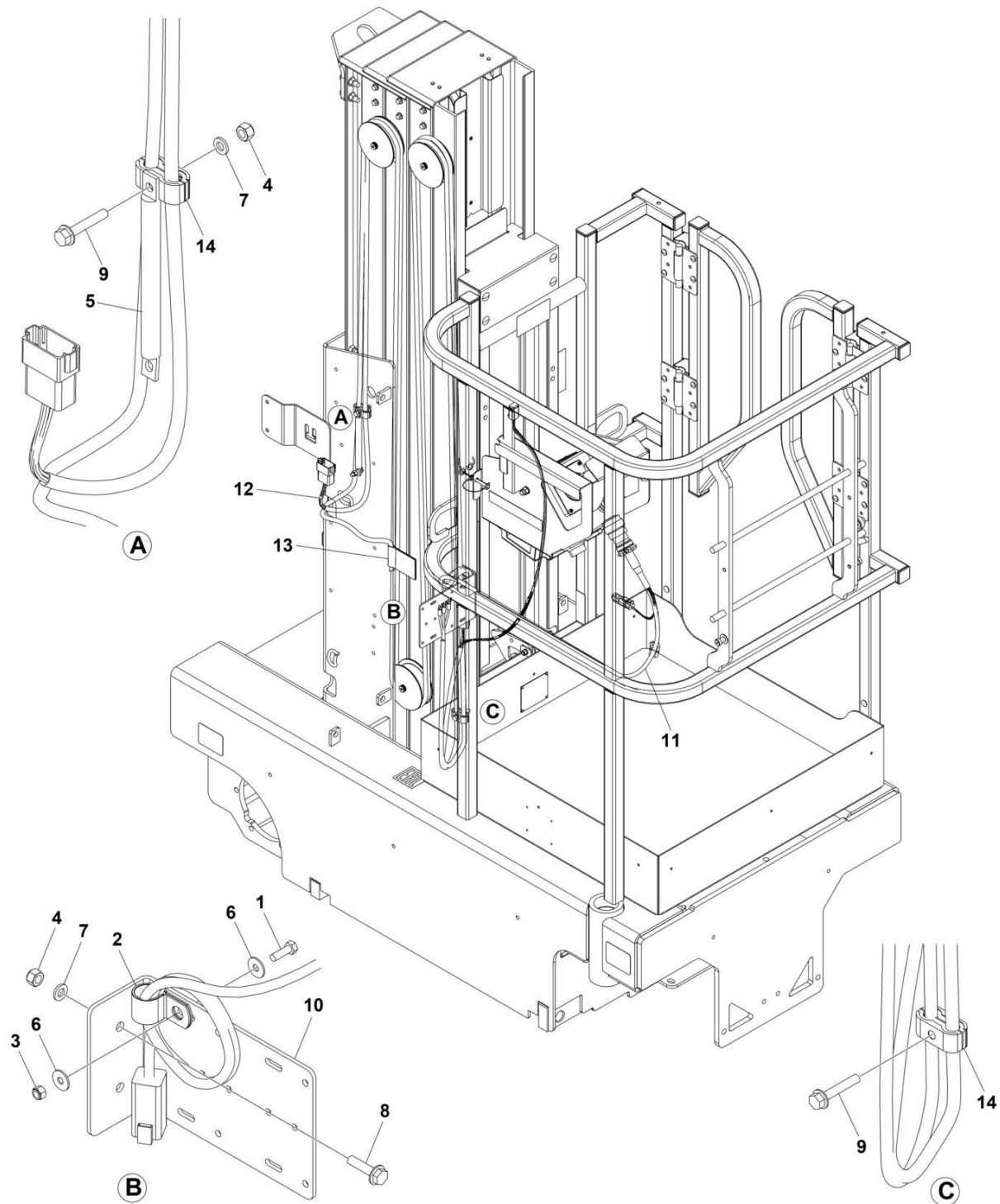
SECTION 7 - ELECTRICAL

FIGURE 7-28. GROUND TO PLATFORM HARNESS INSTALLATION (WITHOUT GATE ALARM)

ITEM	PART NUMBER	QTY	DESCRIPTION	REV
	1001270038	Ref	GROUND TO PLATFORM HARNESS INSTALLATION (WITHOUT GATE ALARM)	E
3	0780615	2	Bolt M6 x 35	
4	1001277921	2	Clamp	
7	4160130	1	Spring, Extension	
10	4811700	3	Washer M6	
11	5250612	2	Bolt M6 x 25	
12	3290605	3	Nut M6	
13	1001096054	1	Plate, AC Box	
14	1001202184	1	Platform Harness (See Separate Breakdown in this Section)	
15	1001289804	1	Ground to Platform (Mast) Harness (See Separate Breakdown in this Section)	
16	0760508	1	Bolt M5 x 16	
17	1320061	1	Clamp	
18	3290505	1	Nut M5	
19	4811602	2	Washer M5	
20	1001289868	1	Decal	

SECTION 7 - ELECTRICAL

FIGURE 7-29. GROUND TO PLATFORM HARNESSES INSTALLATION (WITH GATE ALARM)



ART_1001282098

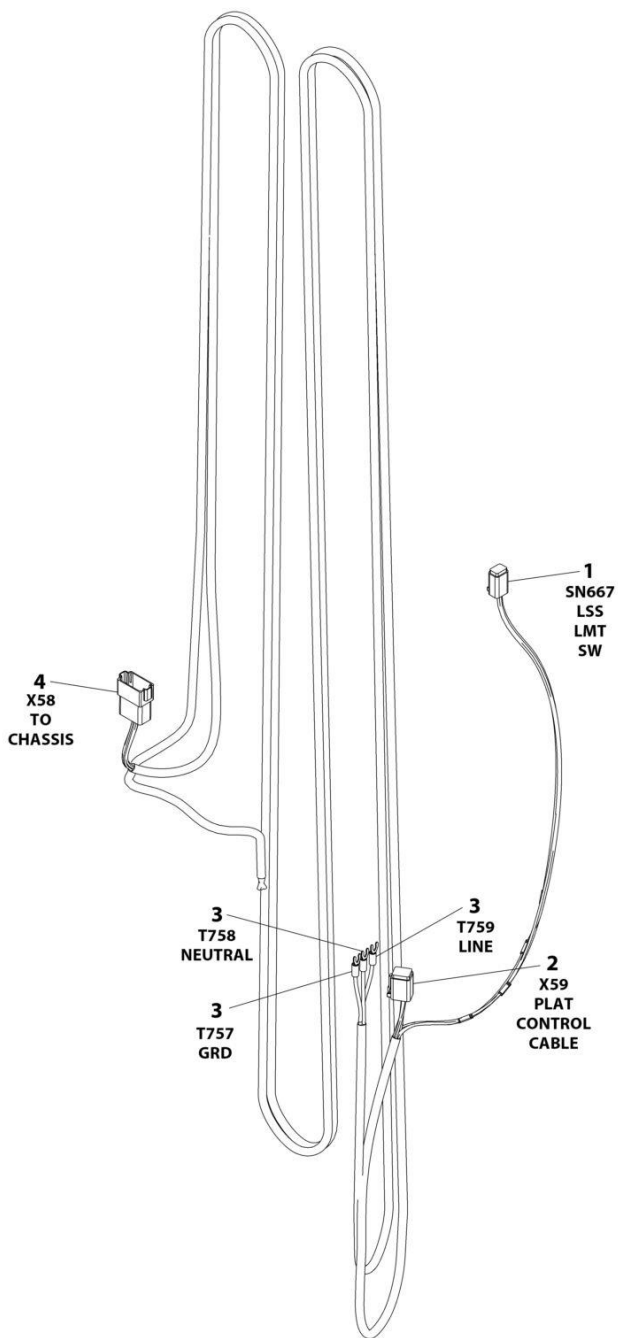
SECTION 7 - ELECTRICAL

FIGURE 7-29. GROUND TO PLATFORM HARNESES INSTALLATION (WITH GATE ALARM)

ITEM	PART NUMBER	QTY	DESCRIPTION	REV
	1001282098	Ref	GROUND TO PLATFORM HARNESES INSTALLATION (WITH GATE ALARM)	C
1	0760508	1	Bolt M5 x 16	
2	1320061	1	Clamp	
3	3290505	1	Nut M5	
4	3290605	3	Nut M6	
5	4160130	1	Spring, Extension	
6	4811602	2	Washer M5	
7	4811700	3	Washer M6	
8	5250612	2	Bolt M6 x 25	
9	0780615	2	Bolt M6 x 35	
10	1001096054	1	Plate, AC Box	
11	1001241321	1	Platform Harness (See Separate Breakdown in this Section)	
12	1001289804	1	Ground to Platform (Mast) Harness (See Separate Breakdown in this Section)	
13	1001289868	1	Decal	
14	1001277921	2	Clamp	

SECTION 7 - ELECTRICAL

FIGURE 7-30. GROUND TO PLATFORM (MAST) HARNESS



ART_1001289804

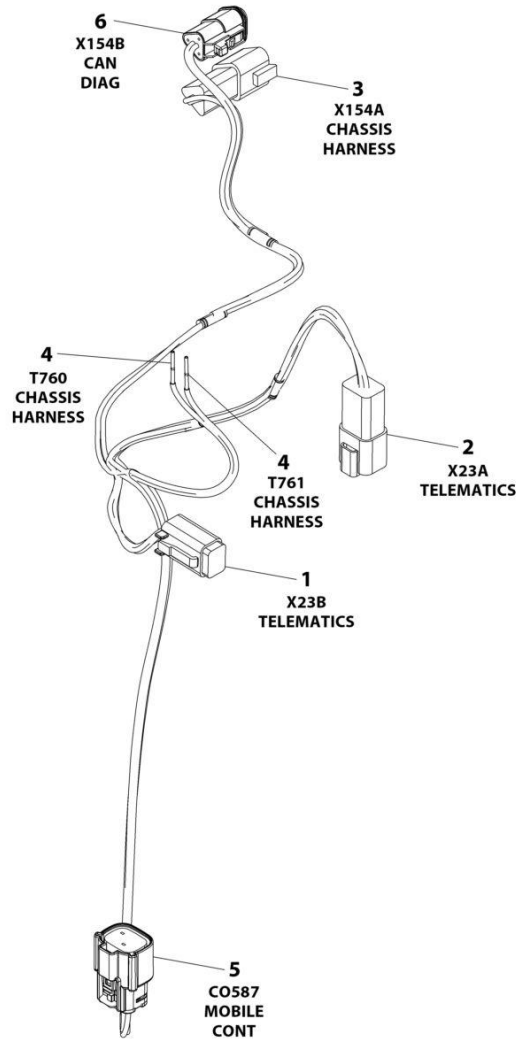
SECTION 7 - ELECTRICAL

FIGURE 7-30. GROUND TO PLATFORM (MAST) HARNESS

ITEM	PART NUMBER	QTY	DESCRIPTION	REV
	1001289804	Ref	GROUND TO PLATFORM (MAST) HARNESS	A
1	4460884	1	Plug, Male - 4 Position	
1	4460465	4	Socket, Female	
2	4460894	1	Plug, Male - 6 Position	
2	4460465	4	Socket, Female	
2	4460944	2	Socket, Female	
3	1001152595	3	Terminal, Fork	
4	4460970	1	Receptacle, Female - 12 Position	
4	4460464	8	Plug, Male	
4	4460943	2	Plug, Male	
4	4460466	2	Plug, Terminal	

SECTION 7 - ELECTRICAL

FIGURE 7-31. MOBILE CONTROL HARNESS



ART_1001268802

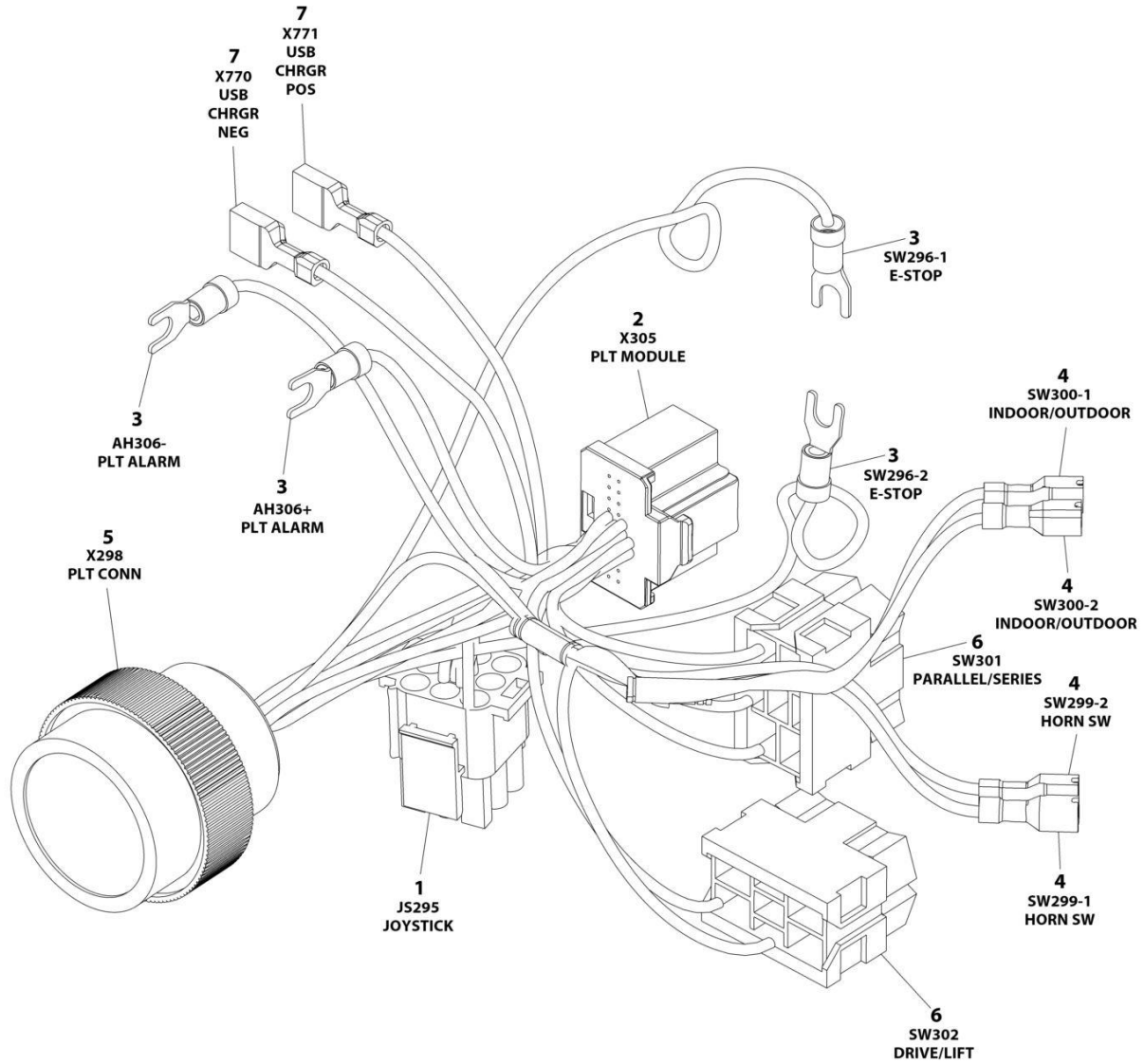
SECTION 7 - ELECTRICAL

FIGURE 7-31. MOBILE CONTROL HARNESS

ITEM	PART NUMBER	QTY	DESCRIPTION	REV
	1001268802	Ref	MOBILE CONTROL HARNESS	B
1	4460884	1	Plug, Male - 4 Position	
1	4460465	4	Socket, Female	
2	4460932	1	Receptacle, Female - 4 Position	
2	4460464	4	Pin, Male	
3	1001144147	1	Receptacle, Female - 3 Position	
3	4460943	2	Pin, Male	
3	4460466	1	Plug, Terminal	
4	4460746	2	Terminal	
5	1001205409	1	Connector - 8 Position	
5	1001162887	4	Terminal	
5	1001163340	4	Plug, Terminal	
6	1001116812	1	Plug, Male - 3 Position	
6	4460944	2	Socket, Female	
6	4460466	1	Plug, Terminal	

SECTION 7 - ELECTRICAL

FIGURE 7-32. PLATFORM CONSOLE HARNESS



ART_1001200819

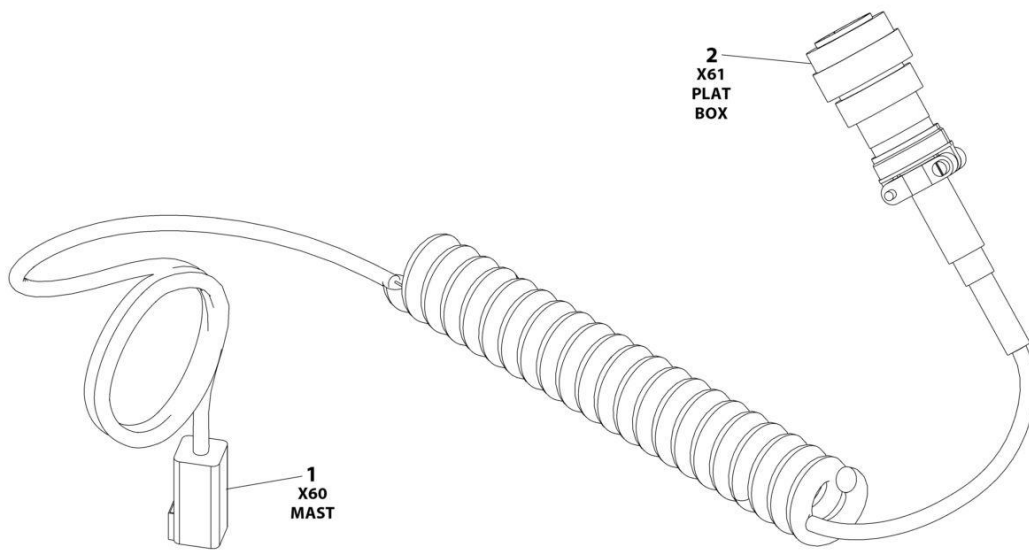
SECTION 7 - ELECTRICAL

FIGURE 7-32. PLATFORM CONSOLE HARNESS

ITEM	PART NUMBER	QTY	DESCRIPTION	REV
	1001200819	Ref	PLATFORM CONTROL BOX HARNESS	F
1	4460265	1	Plug, Male - 9 Position	
1	4460267	6	Pin, Male	
2	1001212036	1	Connector - 20 Position	
2	1001212035	16	Terminal	
3	4460183	4	Terminal, Fork	
4	1001201885	4	Terminal with Cover	
5	4461016	1	Connector - 14 Position	
5	4460464	8	Pin, Male	
5	4460466	6	Plug, Terminal	
6	4460418	2	Connector - 6 Position	
6	1001159186	5	Terminal	
7	1001194421	2	Terminal	

SECTION 7 - ELECTRICAL

FIGURE 7-33. PLATFORM HARNESS (WITH COIL CABLE)



ART_1001202184

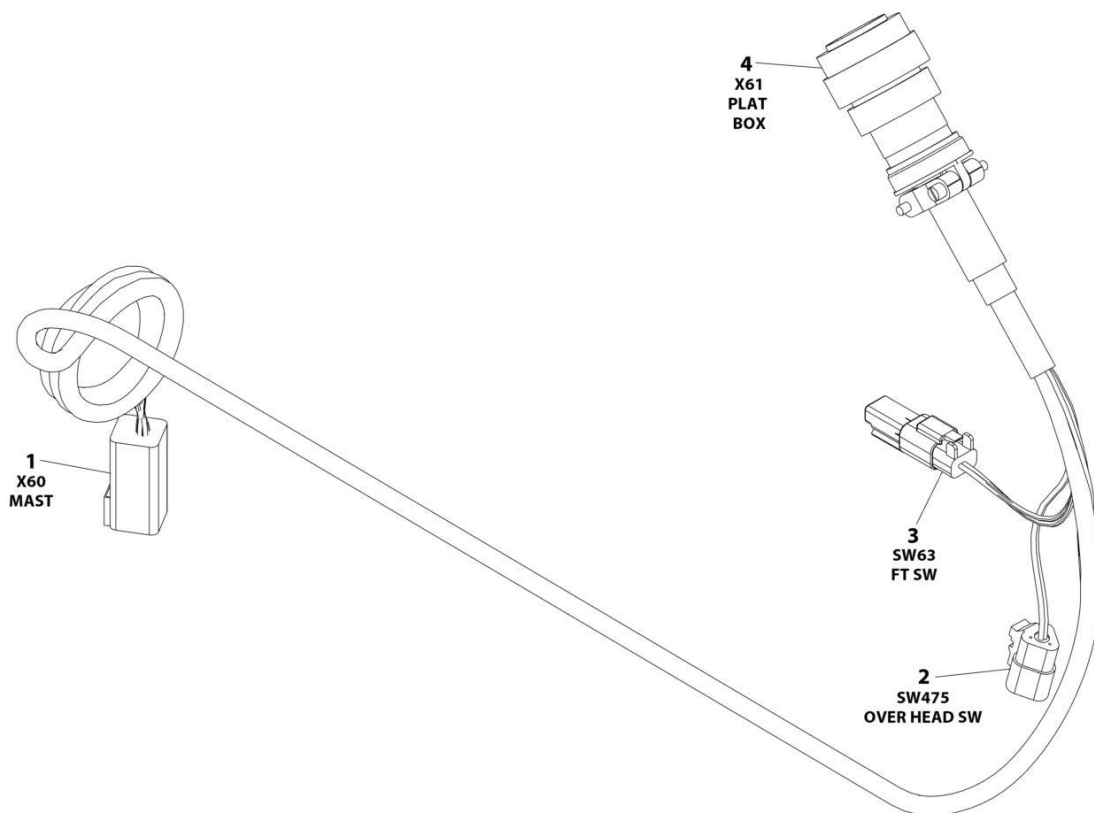
SECTION 7 - ELECTRICAL

FIGURE 7-33. PLATFORM HARNESS (WITH COIL CABLE)

ITEM	PART NUMBER	QTY	DESCRIPTION	REV
	1001202184	Ref	PLATFORM HARNESS	D
1	4460899	1	Receptacle, Female - 6 Position (At Mast)	
1	4460464	4	Pin, Male	
1	4460943	2	Pin, Male	
2	4460754	1	Connector - 14 Position (At Controls)	
2	4460465	6	Socket, Female	
2	4460944	2	Plug, Terminal	
2	4460466	6	Plug, Terminal	

SECTION 7 - ELECTRICAL

FIGURE 7-34. PLATFORM HARNESS (WITHOUT COIL CABLE)



ART_1001241321

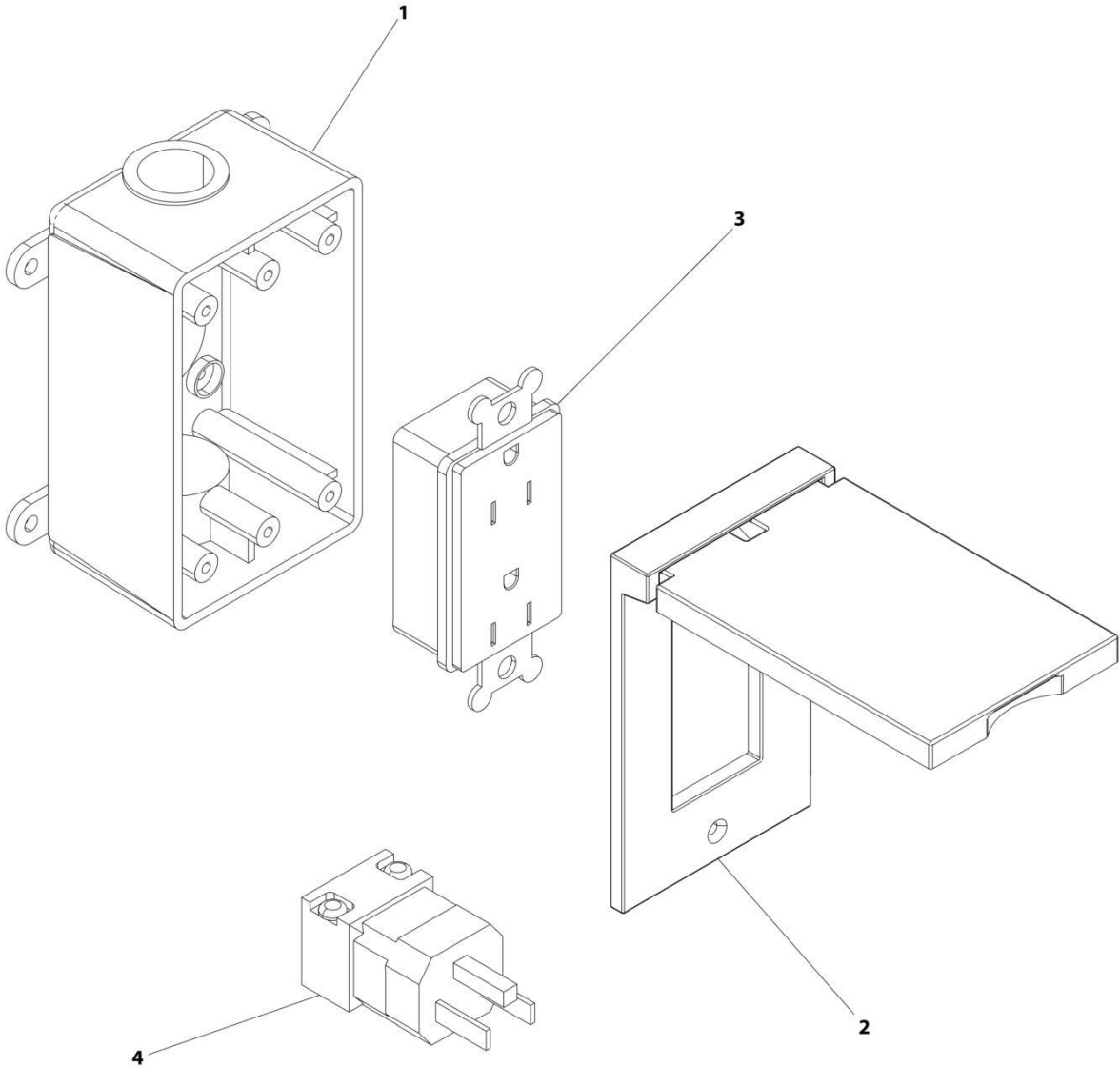
SECTION 7 - ELECTRICAL

FIGURE 7-34. PLATFORM HARNESS (WITHOUT COIL CABLE)

ITEM	PART NUMBER	QTY	DESCRIPTION	REV
	1001241321	Ref	PLATFORM HARNESS	C
1	4460899	1	Receptacle, Female - 6 Position (At Mast)	
1	4460464	4	Pin, Male	
1	4460943	2	Pin, Male	
2	4460539	1	Plug, Male - 2 Position	
2	4460465	2	Socket, Female	
3	4460891	1	Plug, Male - 2 Position	
3	4460465	2	Socket, Female	
3	4460464	2	Pin, Male (Jumper)	
4	4460754	1	Connector - 14 Position	
4	4460465	6	Socket, Female	
4	4460944	2	Socket, Female	
4	4460466	6	Plug, Terminal	

SECTION 7 - ELECTRICAL

FIGURE 7-35. RECEPTACLE BOX KIT - 110V GFI



ART_1001096767

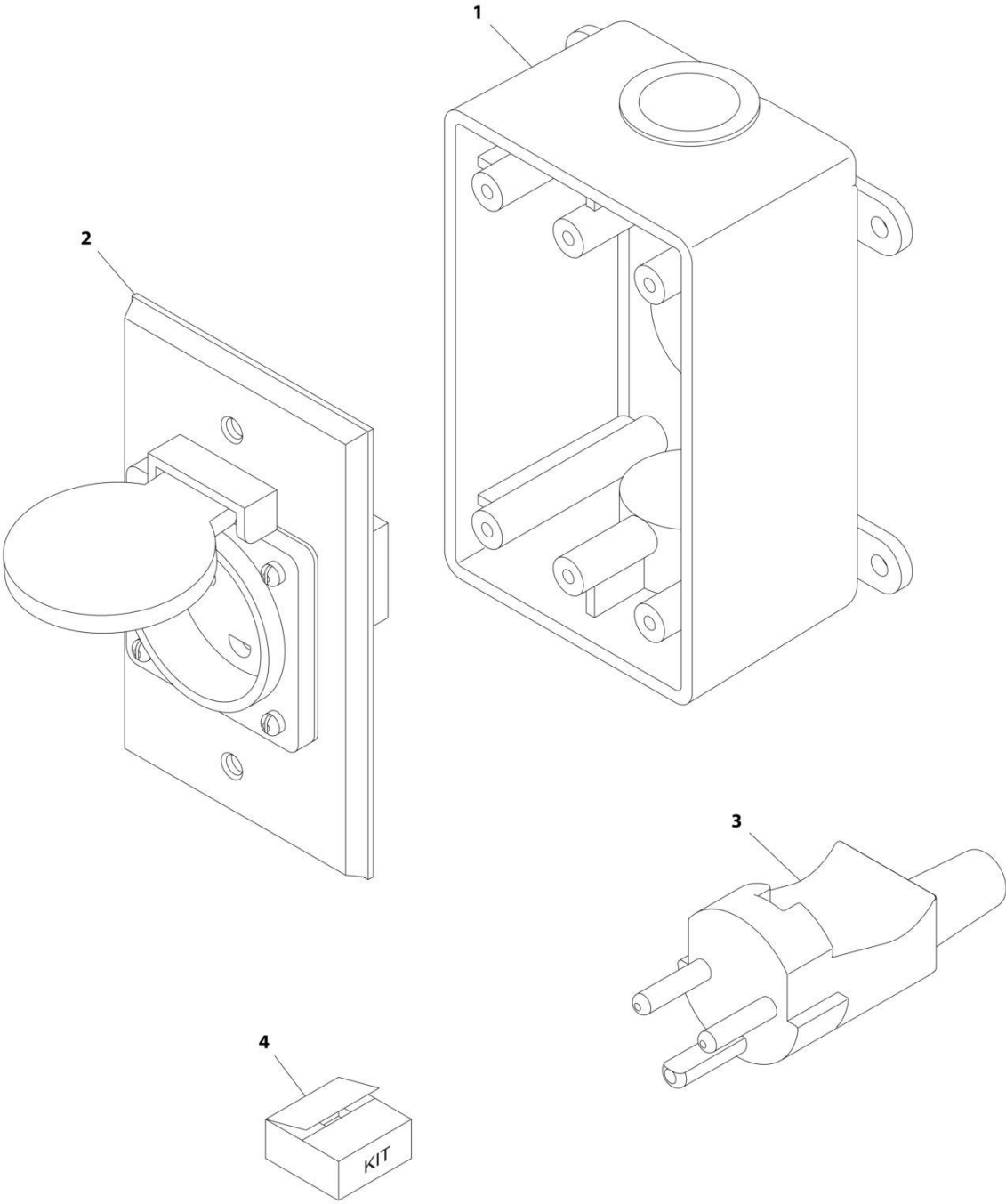
SECTION 7 - ELECTRICAL

FIGURE 7-35. RECEPTACLE BOX KIT - 110V GFI

ITEM	PART NUMBER	QTY	DESCRIPTION	REV
	1001096767	Ref	RECEPTACLE BOX KIT - 110V GFI	B
1	0861731	1	Box, Receptacle	
2	1001110873	1	Cover, Receptacle	
3	4460346	1	Receptacle	
4	4460549	1	Plug	

SECTION 7 - ELECTRICAL

FIGURE 7-36. RECEPTACLE BOX KIT - 220V CEE7 KEYED GROUND



ART_0275454

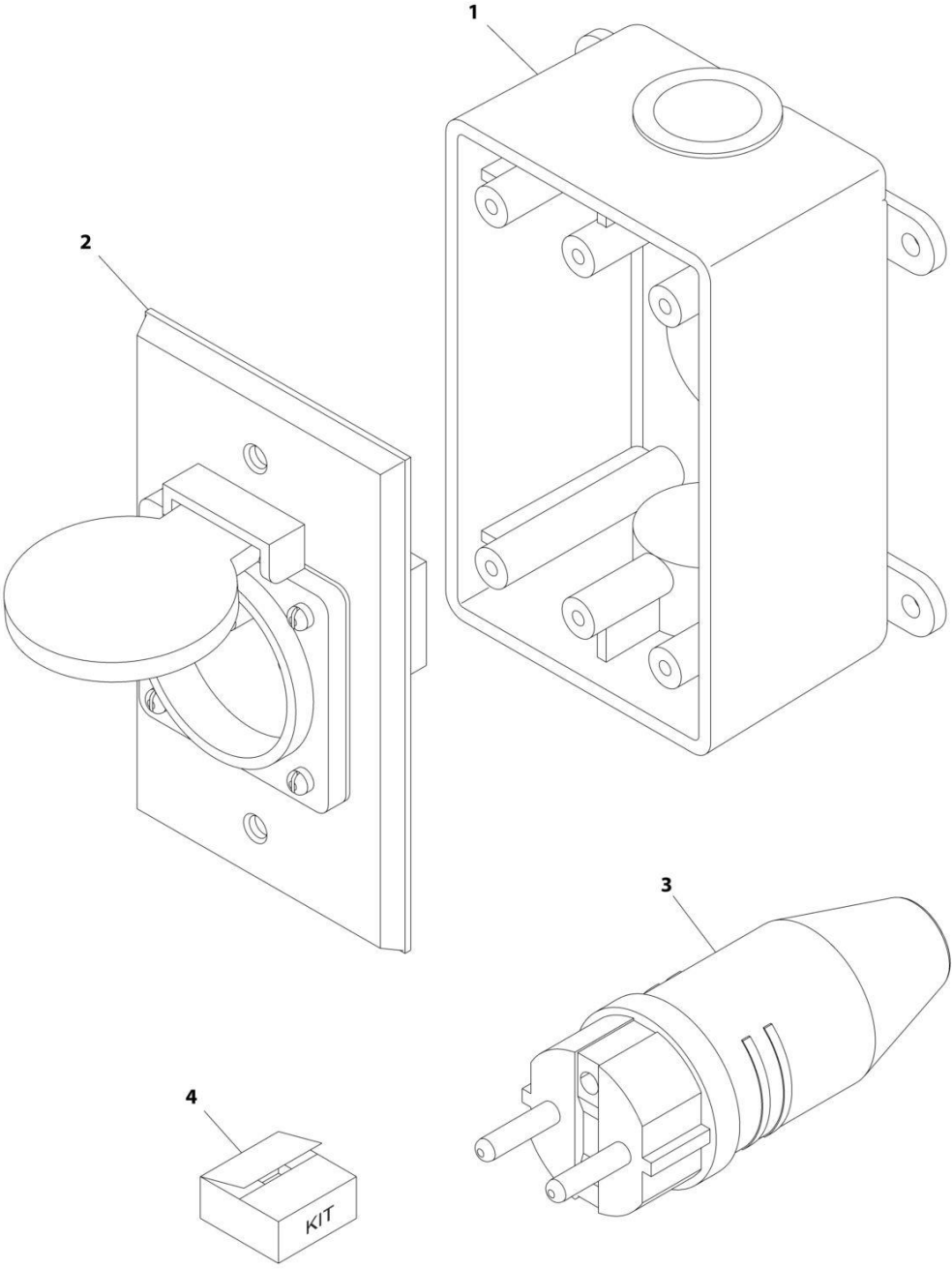
SECTION 7 - ELECTRICAL

FIGURE 7-36. RECEPTACLE BOX KIT - 220V CEE7 KEYED GROUND

ITEM	PART NUMBER	QTY	DESCRIPTION	REV
	0275454	Ref	RECEPTACLE BOX KIT - 220V AFSINT 107	B
1	0861731	1	Box, Switch	
2	4461246	1	Receptacle	
3	4461249	1	Plug, Male	
4	1001100346	1	Plug and Socket Kit (Includes Items 1-3 and Female Plug p/n 4461250)	

SECTION 7 - ELECTRICAL

FIGURE 7-37. RECEPTACLE BOX KIT - 220V CEE7 POST GROUND



ART_0275452-C

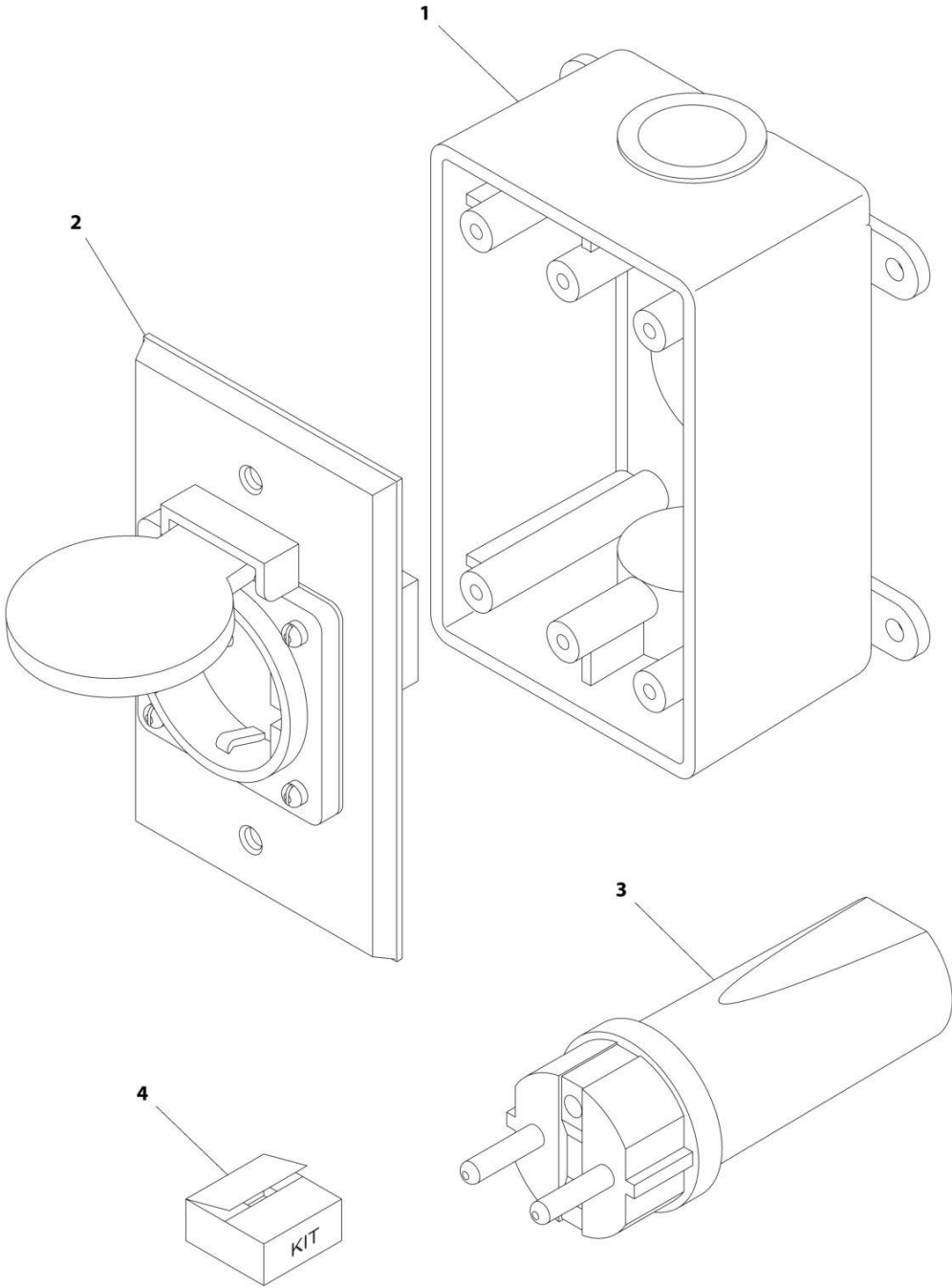
SECTION 7 - ELECTRICAL

FIGURE 7-37. RECEPTACLE BOX KIT - 220V CEE7 POST GROUND

ITEM	PART NUMBER	QTY	DESCRIPTION	REV
	0275452	Ref	RECEPTACLE BOX KIT - 220V CEE7 POST GROUND 2IN X 4IN BOX	C
1	0861731	1	Box, Switch	
2	4461244	1	Receptacle	
3	4461205	1	Plug, Male	
4	1001100345	1	Plug and Socket Kit (Includes Items 1-3 and Female Plug p/n 4461203)	

SECTION 7 - ELECTRICAL

FIGURE 7-38. RECEPTACLE BOX KIT - 220V CEE7 SIDE GROUND



ART_0275453

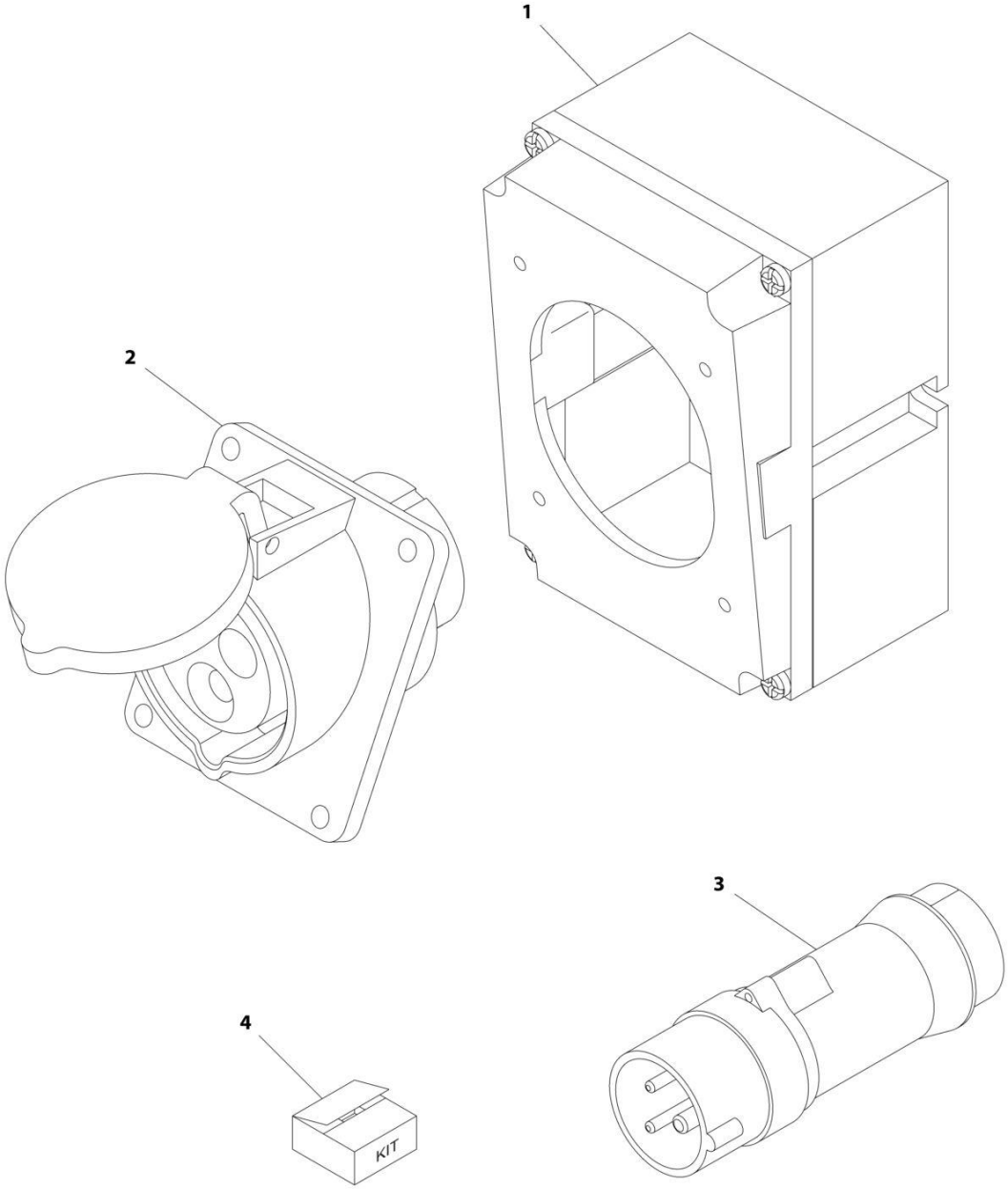
SECTION 7 - ELECTRICAL

FIGURE 7-38. RECEPTACLE BOX KIT - 220V CEE7 SIDE GROUND

ITEM	PART NUMBER	QTY	DESCRIPTION	REV
	0275453	Ref	RECEPTACLE BOX KIT - 220V CEE7 SIDE GROUND	B
1	0861731	1	Box, Switch	
2	4461245	1	Receptacle	
3	4461205	1	Plug, Male	
4	1001100347	1	Plug and Socket Kit (Includes Items 1-3 and Female Plug p/n 4461206)	

SECTION 7 - ELECTRICAL

FIGURE 7-39. RECEPTACLE BOX KIT - 220V IEC BLUE



ART_0275217

SECTION 7 - ELECTRICAL

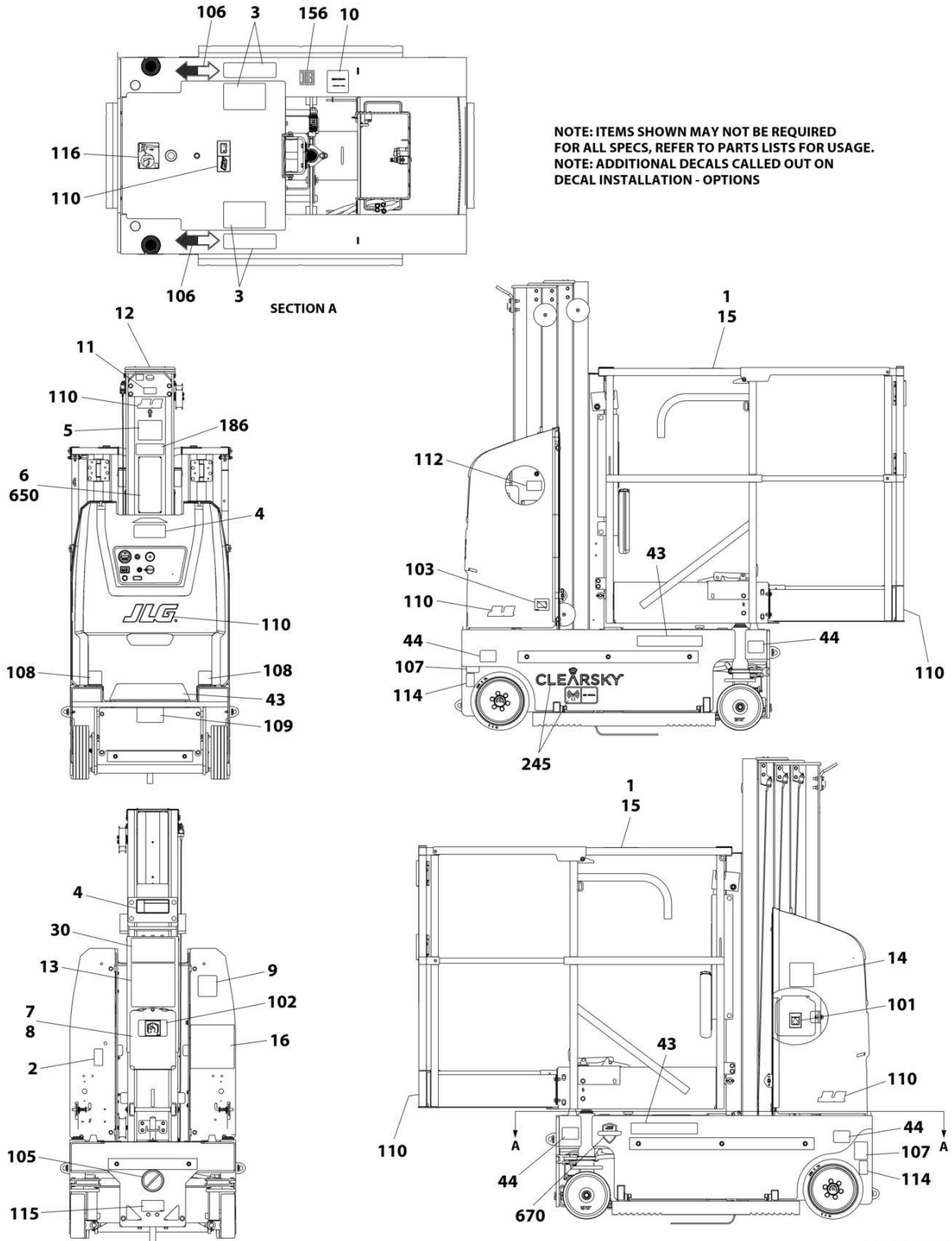
FIGURE 7-39. RECEPTACLE BOX KIT - 220V IEC BLUE

ITEM	PART NUMBER	QTY	DESCRIPTION	REV
	0275217	Ref	RECEPTACLE BOX KIT - 220V IEC BLUE	B
1	0861781	1	Box, Switch	
2	4461201	1	Receptacle	
3	4461199	1	Plug, Male	
4	1001100342	1	Plug and Socket Kit (Includes Items 1-3 and Female Plug p/n 4461200)	

SECTION 8 - DECALS

SECTION 8 - DECALS

FIGURE 8-1. DECALS INSTALLATION (ANSI/CSA SPECS) (ENGLISH LANGUAGE)



ART_1001269851

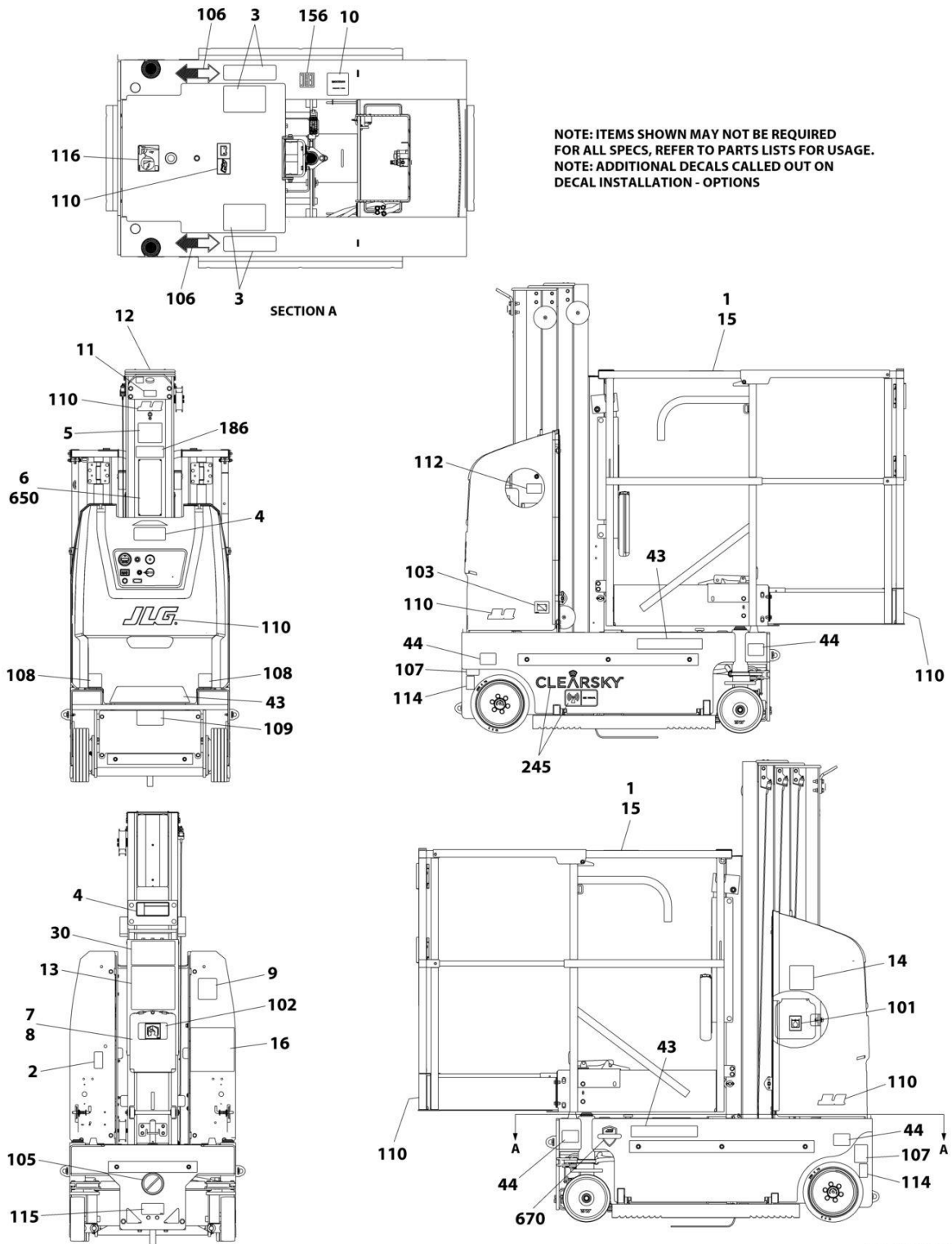
SECTION 8 - DECALS

FIGURE 8-1. DECALS INSTALLATION (ANSI/CSA SPECS) (ENGLISH LANGUAGE)

ITEM	PART NUMBER	QTY	DESCRIPTION	REV
	1001269851	Ref	DECAL INSTALLATION (ANSI/CSA SPECS) (ENGLISH LANGUAGE)	D
	1001269850	Ref	DECAL CHART DRAWING	H
1	1703684	1	Decal - Control Box Location	
2	1703785	1	Decal - Warning Fire Hazard	
3	1703786	2	Decal - Crushing Hazard	
4	1706832	2	Decal - Danger Electrocutation	
6	3820001	4	Rivet	
7	3820032	3	Rivet	
8	8990147	1	Box, Manual	
9	1001131273	1	Decal - Patent	
10	1001223055	1	Decal - Yearly Inspection	
11	1001228370	1	Decal - Ices (Can) -001	
12	1001231801	1	Decal - Warning Prop 65	
13	1001272920	1	Decal - Warning/Instruction	
14	N.S.S.	NSS	Decal - Bar Code (Note: Not Available For Purchase)	
15	4420062	6 in /15 cm	Tape	
100	1001270445	1	Decal Kit - Common	C
101	1701504	1	Decal - Hydraulic Oil	
102	1701640	1	Decal - Manual	
103	1702155	1	Decal - Battery Disconnect	
105	1703072	1	Decal - No Forklift	
106	1703687	2	Decal - Direction Arrow	
107	1703814	2	Decal - Tie Down	
108	1703817	2	Decal - Fork Lift	
109	1705016	1	Decal - Manual Descent	
110	1001261105	1	Decal - Battery/Charger Service	
112	1001269897	1	Decal - Fuse Holder	
114	1703455	2	Decal - Crane Hook	
115	1001162864	1	Decal - Lift Point/Tie Down	
116	1001280548	1	Decal Safety - Prop	

SECTION 8 - DECALS

FIGURE 8-2. DECALS INSTALLATION (BRAZIL SPECS) (PORTUGUESE/SPANISH LANGUAGES)



ART_1001269855

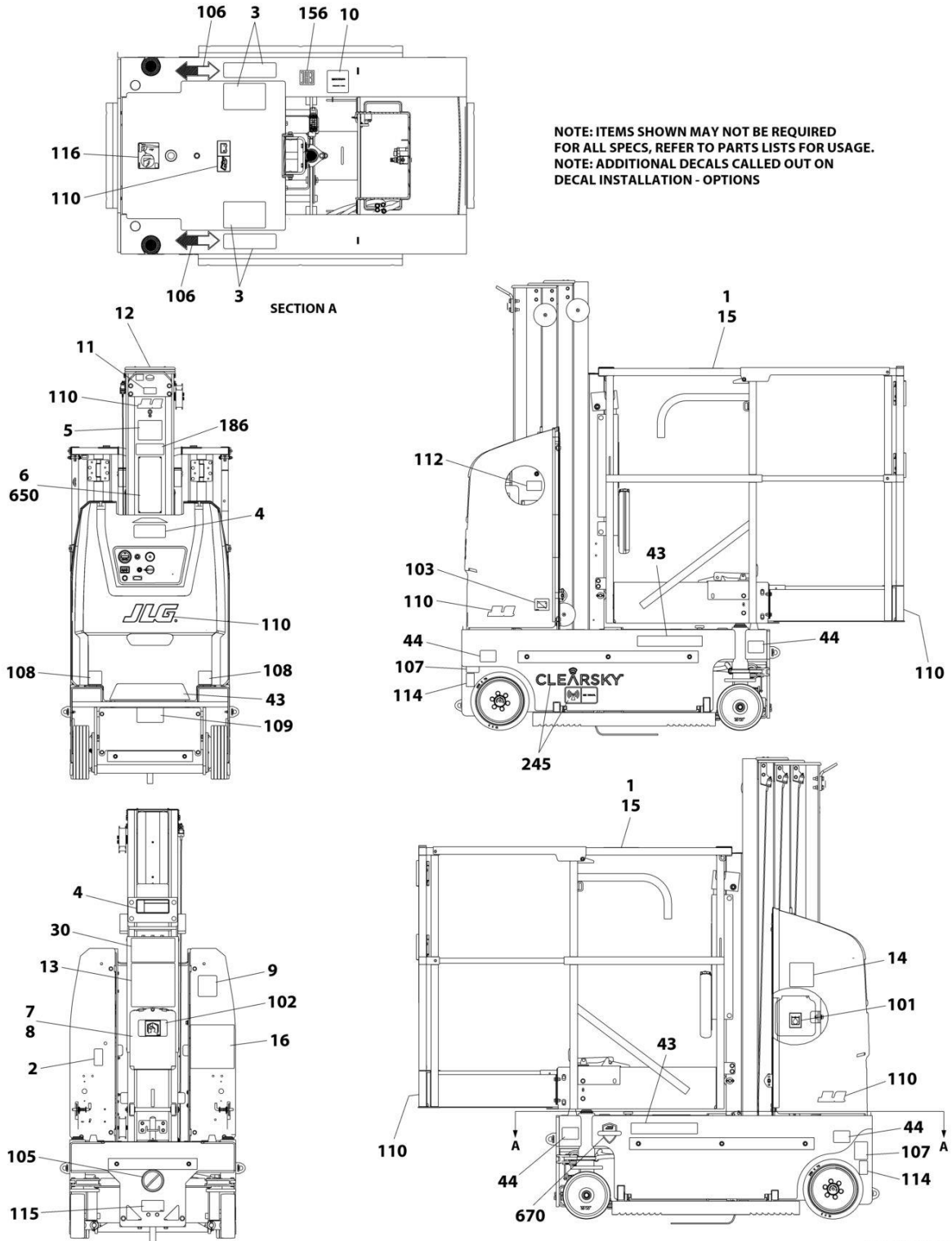
SECTION 8 - DECALS

FIGURE 8-2. DECALS INSTALLATION (BRAZIL SPECS) (PORTUGUESE/SPANISH LANGUAGES)

ITEM	PART NUMBER	QTY	DESCRIPTION	REV
	1001269855	Ref	DECAL INSTALLATION (BRAZIL SPECS) (PORTUGUESE/SPANISH LANGUAGES)	B
	1001269850	Ref	DECAL CHART DRAWING	H
1	1703686	1	Decal - Control Box Location	
2	1704023	1	Decal - Warning Fire Hazard	
3	1704024	2	Decal - Crushing Hazard	
4	1001282021	2	Decal - Danger Electrocutation	
6	3820001	4	Rivet	
7	3820032	3	Rivet	
8	8990147	1	Box, Manual	
10	1001224052	1	Decal - Yearly Inspection	
13	1001279430	1	Decal - Warning/Instruction	
14	N.S.S.	NSS	Decal - Bar Code (Note: Not Available For Purchase)	
15	4420062	6 in /15 cm	Tape	
100	1001270445	1	Decal Kit - Common	C
101	1701504	1	Decal - Hydraulic Oil	
102	1701640	1	Decal - Manual	
103	1702155	1	Decal - Battery Disconnect	
105	1703072	1	Decal - No Forklift	
106	1703687	2	Decal - Direction Arrow	
107	1703814	2	Decal - Tie Down	
108	1703817	2	Decal - Fork Lift	
109	1705016	1	Decal - Manual Descent	
110	1001261105	1	Decal - Battery/Charger Service	
112	1001269897	1	Decal - Fuse Holder	
114	1703455	2	Decal - Crane Hook	
115	1001162864	1	Decal - Lift Point/Tie Down	
116	1001280548	1	Decal Safety - Prop	

SECTION 8 - DECALS

FIGURE 8-3. DECALS INSTALLATION (CE SPECS) (ALL LANGUAGES)



ART_1001269853

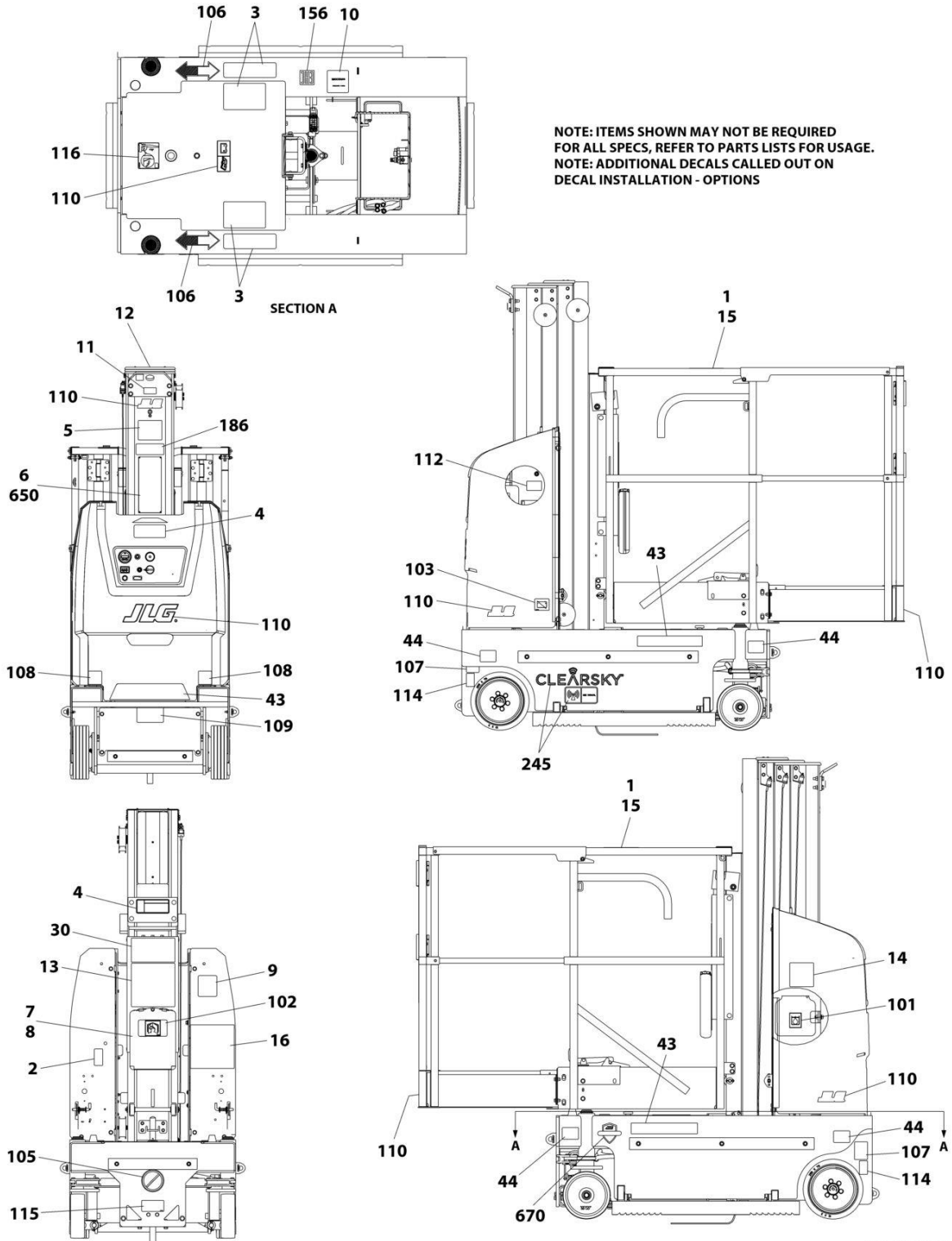
SECTION 8 - DECALS

FIGURE 8-3. DECALS INSTALLATION (CE SPECS) (ALL LANGUAGES)

ITEM	PART NUMBER	QTY	DESCRIPTION	REV
	1001269853	Ref	DECAL INSTALLATION (CE SPECS) (ALL LANGUAGE)	B
	1001269850	Ref	DECAL CHART DRAWING	H
1	1705959	1	Decal - Control Box Location	
2	1705803	1	Decal - Warning Fire Hazard	
3	1705099	2	Decal - Crushing Hazard	
4	1705802	2	Decal - Danger Electrocution	
6	3820001	4	Rivet	
7	3820032	3	Rivet	
8	8990147	1	Box, Manual	
14	N.S.S.	NSS	Decal - Bar Code (Note: Not Available For Purchase)	
15	4420062	6 in /15 cm	Tape	
100	1001270445	1	Decal Kit - Common	C
101	1701504	1	Decal - Hydraulic Oil	
102	1701640	1	Decal - Manual	
103	1702155	1	Decal - Battery Disconnect	
105	1703072	1	Decal - No Forklift	
106	1703687	2	Decal - Direction Arrow	
107	1703814	2	Decal - Tie Down	
108	1703817	2	Decal - Fork Lift	
109	1705016	1	Decal - Manual Descent	
110	1001261105	1	Decal - Battery/Charger Service	
112	1001269897	1	Decal - Fuse Holder	
114	1703455	2	Decal - Crane Hook	
115	1001162864	1	Decal - Lift Point/Tie Down	
116	1001280548	1	Decal Safety - Prop	

SECTION 8 - DECALS

FIGURE 8-4. DECALS INSTALLATION (CHINA SPECS) (CHINA/ENGLISH LANGUAGES)



NOTE: ITEMS SHOWN MAY NOT BE REQUIRED FOR ALL SPECS, REFER TO PARTS LISTS FOR USAGE.
NOTE: ADDITIONAL DECALS CALLED OUT ON DECAL INSTALLATION - OPTIONS

ART_1001269856

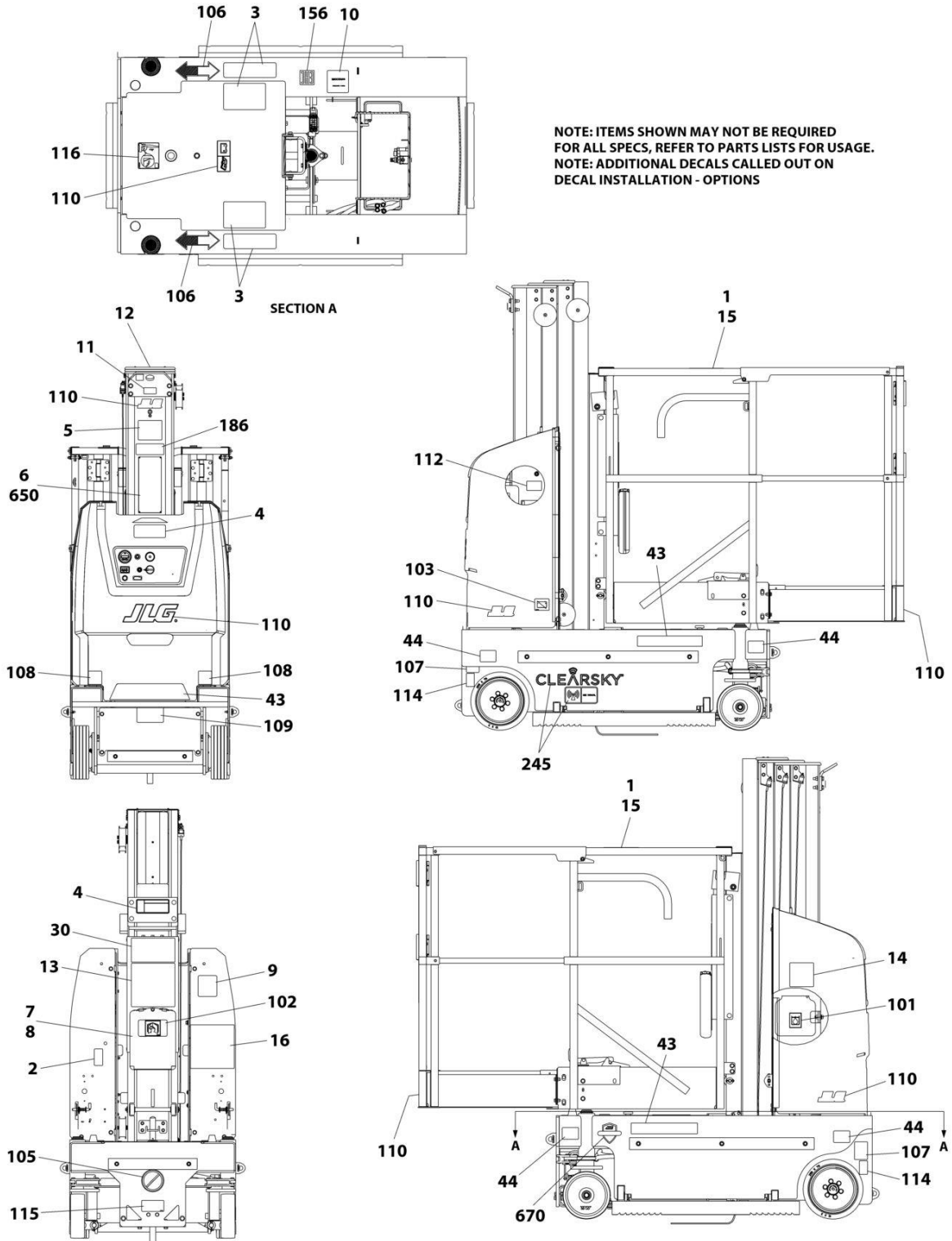
SECTION 8 - DECALS

FIGURE 8-4. DECALS INSTALLATION (CHINA SPECS) (CHINA/ENGLISH LANGUAGES)

ITEM	PART NUMBER	QTY	DESCRIPTION	REV
	1001269856	Ref	DECAL INSTALLATION (CHINA SPECS) (CHINA/ENGLISH LANGUAGES)	B
	1001269850	Ref	DECAL CHART DRAWING	H
1	1703751	1	Decal - Control Box Location	
2	1704079	1	Decal - Warning Fire Hazard	
3	1704081	2	Decal - Crushing Hazard	
4	1001282022	2	Decal - Danger Electrocutation	
6	3820001	4	Rivet	
7	3820032	3	Rivet	
8	8990147	1	Box, Manual	
10	1001224051	1	Decal - Yearly Inspection	
13	1001279431	1	Decal - Warning/Instruction	
14	N.S.S.	NSS	Decal - Bar Code (Note: Not Available For Purchase)	
15	4420062	6 in /15 cm	Tape	
100	1001270445	1	Decal Kit - Common	C
101	1701504	1	Decal - Hydraulic Oil	
102	1701640	1	Decal - Manual	
103	1702155	1	Decal - Battery Disconnect	
105	1703072	1	Decal - No Forklift	
106	1703687	2	Decal - Direction Arrow	
107	1703814	2	Decal - Tie Down	
108	1703817	2	Decal - Fork Lift	
109	1705016	1	Decal - Manual Descent	
110	1001261105	1	Decal - Battery/Charger Service	
112	1001269897	1	Decal - Fuse Holder	
114	1703455	2	Decal - Crane Hook	
115	1001162864	1	Decal - Lift Point/Tie Down	
116	1001280548	1	Decal Safety - Prop	

SECTION 8 - DECALS

FIGURE 8-5. DECALS INSTALLATION (CSA SPECS) (ENGLISH/FRENCH LANGUAGES)



ART_1001269857

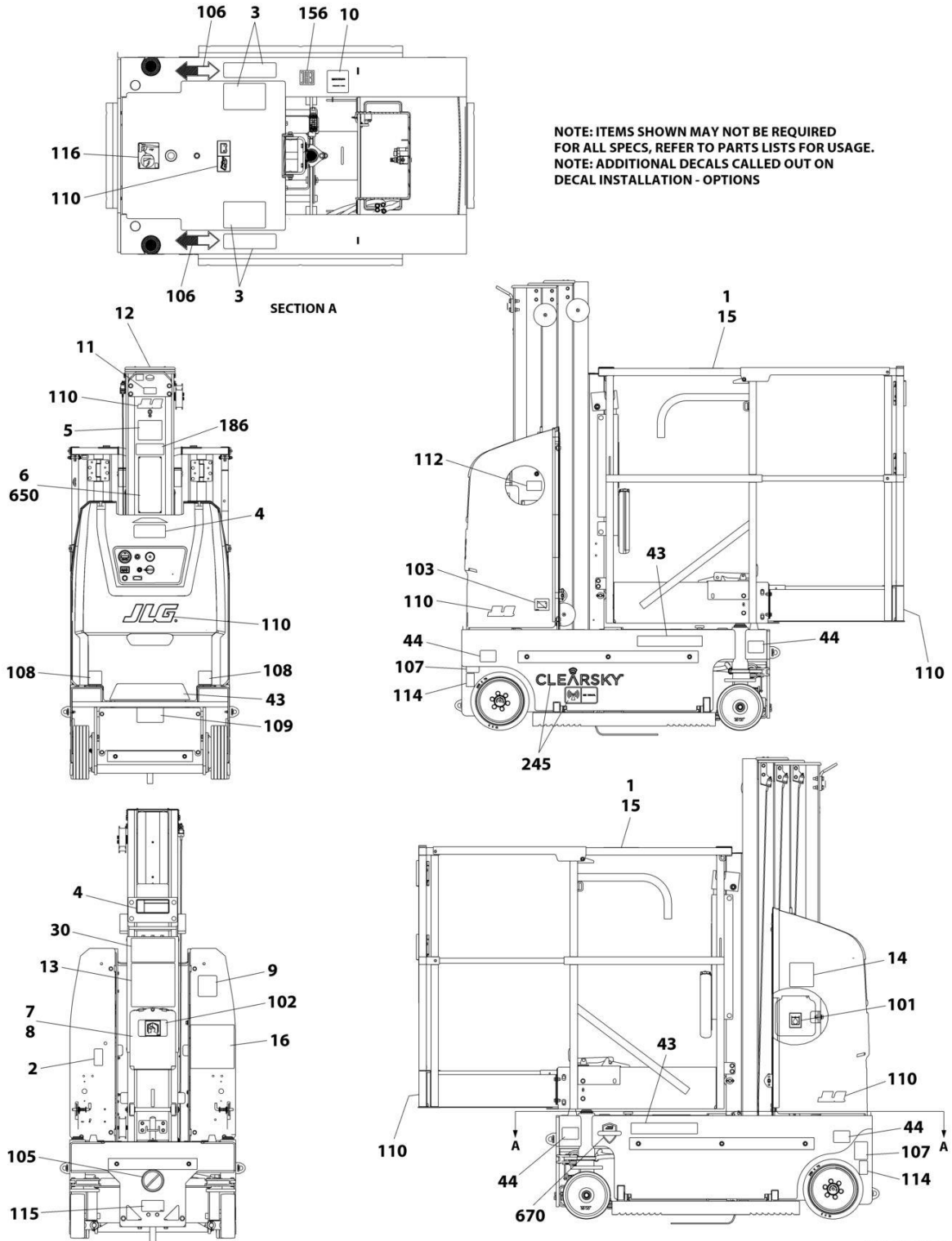
SECTION 8 - DECALS

FIGURE 8-5. DECALS INSTALLATION (CSA SPECS) (ENGLISH/FRENCH LANGUAGES)

ITEM	PART NUMBER	QTY	DESCRIPTION	REV
	1001269857	Ref	DECAL INSTALLATION (CSA SPECS) (ENGLISH/FRENCH LANGUAGES)	B
	1001269850	Ref	DECAL CHART DRAWING	H
1	1705959	1	Decal - Control Box Location	
2	1001162897	1	Decal - Warning Fire Hazard	
3	1001162896	2	Decal - Crushing Hazard	
4	1001282019	2	Decal - Danger Electrocutation	
6	3820001	4	Rivet	
7	3820032	3	Rivet	
8	8990147	1	Box, Manual	
9	1001131273	1	Decal - Patent	
10	1001223971	1	Decal - Yearly Inspection	
11	1001228370	1	Decal - Ices (Can) -001	
13	1001272920	1	Decal - Warning/Instruction	
14	N.S.S.	NSS	Decal - Bar Code (Note: Not Available For Purchase)	
15	4420062	6 in /15 cm	Tape	
16	1001279429	1	Decal - Warning/Instruction	
100	1001270445	1	Decal Kit - Common	C
101	1701504	1	Decal - Hydraulic Oil	
102	1701640	1	Decal - Manual	
103	1702155	1	Decal - Battery Disconnect	
105	1703072	1	Decal - No Forklift	
106	1703687	2	Decal - Direction Arrow	
107	1703814	2	Decal - Tie Down	
108	1703817	2	Decal - Fork Lift	
109	1705016	1	Decal - Manual Descent	
110	1001261105	1	Decal - Battery/Charger Service	
112	1001269897	1	Decal - Fuse Holder	
114	1703455	2	Decal - Crane Hook	
115	1001162864	1	Decal - Lift Point/Tie Down	
116	1001280548	1	Decal Safety - Prop	

SECTION 8 - DECALS

FIGURE 8-6. DECALS INSTALLATION (LATIN AMERICAN SPECS) (SPANISH/ENGLISH LANGUAGES)



NOTE: ITEMS SHOWN MAY NOT BE REQUIRED FOR ALL SPECS, REFER TO PARTS LISTS FOR USAGE.
 NOTE: ADDITIONAL DECALS CALLED OUT ON DECAL INSTALLATION - OPTIONS

ART_1001269854

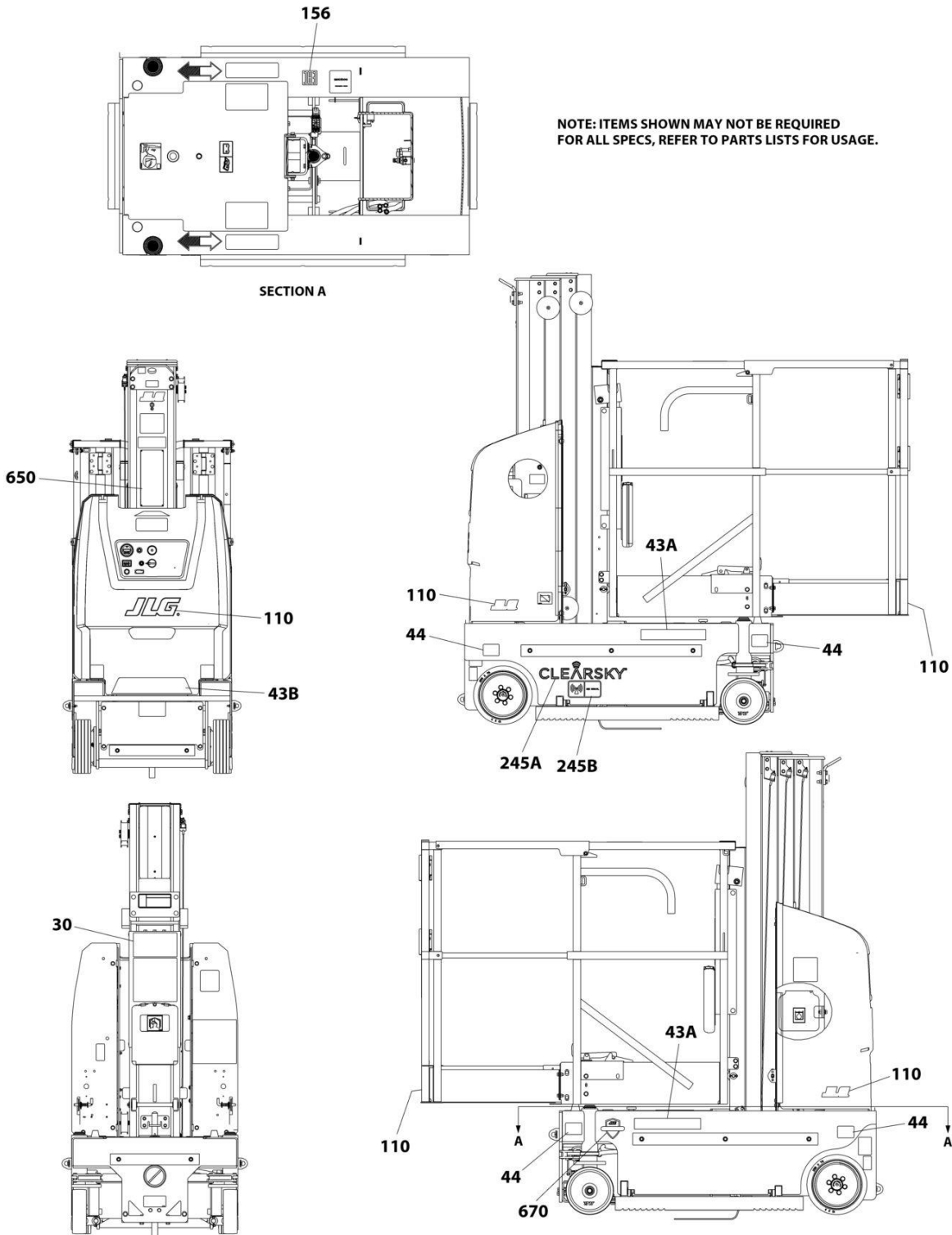
SECTION 8 - DECALS

FIGURE 8-6. DECALS INSTALLATION (LATIN AMERICAN SPECS) (SPANISH/ENGLISH LANGUAGES)

ITEM	PART NUMBER	QTY	DESCRIPTION	REV
	1001269854	Ref	DECAL INSTALLATION (LATIN AMERICAN SPECS) (SPANISH/ENGLISH LANGUAGES)	B
	1001269850	Ref	DECAL CHART DRAWING	H
1	1703685	1	Decal - Control Box Location	
2	1704031	1	Decal - Warning Fire Hazard	
3	1704032	2	Decal - Crushing Hazard	
4	1001282020	2	Decal - Danger Electrocutation	
6	3820001	4	Rivet	
7	3820032	3	Rivet	
8	8990147	1	Box, Manual	
10	1001224049	1	Decal - Yearly Inspection	
13	1001279428	1	Decal - Warning/Instruction	
14	N.S.S.	NSS	Decal - Bar Code (Note: Not Available For Purchase)	
15	4420062	6 in /15 cm	Tape	
100	1001270445	1	Decal Kit - Common	C
101	1701504	1	Decal - Hydraulic Oil	
102	1701640	1	Decal - Manual	
103	1702155	1	Decal - Battery Disconnect	
105	1703072	1	Decal - No Forklift	
106	1703687	2	Decal - Direction Arrow	
107	1703814	2	Decal - Tie Down	
108	1703817	2	Decal - Fork Lift	
109	1705016	1	Decal - Manual Descent	
110	1001261105	1	Decal - Battery/Charger Service	
112	1001269897	1	Decal - Fuse Holder	
114	1703455	2	Decal - Crane Hook	
115	1001162864	1	Decal - Lift Point/Tie Down	
116	1001280548	1	Decal Safety - Prop	

SECTION 8 - DECALS

FIGURE 8-7. DECAL INSTALLATION - OPTIONS



ART_31221301_DECAL_OPTIONS

SECTION 8 - DECALS

FIGURE 8-7. DECAL INSTALLATION - OPTIONS

ITEM	PART NUMBER	QTY	DESCRIPTION	REV
	1001280000	Ref	DECAL OPTIONS	
	1001269850	Ref	DECAL CHART DRAWING	H
30	1001279424	1	Decal - Capacity (Indoor & Outdoor Use Machines)	
30	1001279423	1	Decal - Capacity (Indoor Only Use Machines)	
43	1001280904	Ref	Decal Installation (E18MCL)	A
43	1001280905	Ref	Decal Installation (E18MML)	
43	1001280906	Ref	Decal Installation (E18MSP)	A
43A	1001277917	2	Decal - Model Designation (E18MCL)	
43A	1001277918	2	Decal - Model Designation (E18MML)	
43A	1001277919	2	Decal - Model Designation (E18MSP)	
43B	1001279425	1	Decal - Model Designation (E18MCL)	
43B	1001279426	1	Decal - Model Designation (E18MML)	
43B	1001279427	1	Decal - Model Designation (E18MSP)	
44	1001258494	1	Decal - Maximum Wheel Load	
110	1001280767	Ref	Decal Installation - JLG Logo	B
110	1703681	4	Decal - JLG	
156	1001173703	1	Decal - EAC (Russian Specs)	
245	1001236984	Ref	ClearSky Decals Installation	
245A	1001116208	1	Decal - ClearSky	
245B	1001120989	1	Decal - Radio Frequency	
650	N.S.S.	NSS	Nameplate - Manufacturers Serial Number (Note: Not Available for Purchase)	
670	1001262581	1	Decal - Clean Guard	

SECTION 9 - RECOMMENDED SERVICE PARTS STOCK

SECTION 9 - RECOMMENDED SERVICE PARTS STOCK

SECTION 9 - RECOMMENDED SERVICE PARTS STOCK

FIGURE 9-1. RECOMMENDED SERVICE PARTS STOCK

ITEM	PART NUMBER	QTY	DESCRIPTION	REV
		Ref	Note: The following list will service one machine (built to current production per date on the front cover) with emergency repair parts which can be installed in the field. Parts from the list should be replaced when inventory is depleted to keep service parts stock supplied. For further information, contact your JLG dealer or the JLG Industries Parts Department.	
	1001189171	1	Breaker, 30mAmp (220V AC Boxes)	
	1001189172	1	Breaker, Double 16AMP (220V AC Boxes)	
	1001181045	1	Breaker, Double 30mAmp/16Amp (220V Ground AC Boxes)	
	70001025	1	Breather, Plug (Pump & Motor Assembly)	
	7020176	1	Contact Block (at Emergency Switch)	
	1600402	1	Controller, Joystick (Platform)	
	7026165	12	Filter (Pump & Motor Assembly)	
	2120183	12	Filter, In-Line	
	8229244	2	Fuse 1.5Amp (Chassis Harness at Ground Emergency Stop)	
	1001196838	2	Fuse 3Amp (Mobile Control)	
	1001170760	2	Fuse 5Amp (Chassis Harness at Brake)	
	1001142498	2	Fuse 5Amp (Chassis Harness at Platform Emergency Stop & Telematics)	
	7020174	1	Key, Replacement	
	1001272659	1	Module, ClearSky Telematics (Includes Antenna) GT-1030 (3-Wire)	
	1001236144	1	Module, ClearSky Telematics 3G (Canbus) (Australian Specs)	
	1001268803	1	Module, ClearSky Telematics 3G (Canbus) (CE Specs)	
	1001262322	1	Module, ClearSky Telematics 4G (Canbus)	
	1001246144	1	Module, ClearSky Telematics Antenna 3G (Canbus)	
	1001262327	1	Module, ClearSky Telematics Antenna 4G (Canbus)	
	1001243107	1	Module, Drive	
	1001200629	1	Module, Logic	
	1001274605	1	Module, Platform Control	
	3740150	1	Relay (at Ground Controls)	
	1001186466	1	Sensor (Tilt)	
	1001204939	1	Sensor, Angle (Steer)	
	4360514	1	Sensor, Proximity (Electrical Components Installation)	
	1001102771	1	Sensor, Temperature (Main Harness)	
	4360475	1	Switch, Emergency Stop (Ground Control & Platform)	
	4360469	1	Switch, Key (Ground Control)	
	1001109088	1	Switch, Plunger (Load Sensing System)	
	4360573	1	Switch, Proximity (Platform Gate)	
	4360387	1	Switch, Push Button (Ground Control)	
	1001226749	1	Switch, Push Button (Platform Control)	
	1001203871	1	Switch, Roller (Pothole Protection & Ground Controls)	
	4360328	1	Switch, Toggle (Ground Control)	
	1001258446	1	Switch, Toggle (Platform Control)	

SECTION 10 - SPECIAL OPTIONS/ACCESSORIES/KITS

SECTION 10 - SPECIAL OPTIONS/ACCESSORIES/KITS

SECTION 10 - SPECIAL OPTIONS/ACCESSORIES/KITS

FIGURE 10-1. SPECIAL OPTIONS/ACCESSORIES/KITS

ITEM	PART NUMBER	QTY	DESCRIPTION	REV
		Ref	Note: This list is to accommodate machines ordered with special equipment. Options may not be applicable to all models. For more specific parts information contact JLG Parts Department.	
		Ref	MISCELLANEOUS SPECIAL OPTIONS/ACCESSORIES/KITS	
	1001279676	1	Anti-Vandalism Package	
	1001286380	1	Anti-Vandalism Kit	
	1001286379	1	Beacon (Dual) Cover Kit	
	1001286384	1	Clean Guard Kit (E18MCL)	
	1001286385	1	Clean Guard Kit (E18MML)	
	0271297	1	Crane Hook Installation	
	1001286629	1	ClearSky Kit	
	1001286630	1	ClearSky (CE & UK CA Spec) Kit	
	1001286631	1	ClearSky (Australian Spec) Kit	
	1001286632	1	ClearSky Kit (GT1030)	
	1001286655	1	Decal Kit	
		Ref	Electrical Connectors Kits:	
	1001148902	1	Electrical Connector Kit - Amp/Tyco Electrical Connectors	
	1001148903	1	Electrical Connector Kit - Deutsch DT Electrical Connectors	
	1001148904	1	Electrical Connector Kit - Deutsch HD Electrical Connectors	
	1001148905	1	Electrical Connector Kit - Packard Electrical Connectors	
	1001148906	1	Electrical Connector Kit - Various Electrical Connectors	
	1001288205	1	Floormat Instalaltion	
	1001286381	1	Gate Alarm Kit	
	1001308195	1	Ladder Kit	
	1001286656	Ref	Service Kits	B
	1001289974	1	Shipping Container (No Skid)	
	1580035	1	Shipping Container Skid	
	1001304409	1	Tool Tray Installation	
	1001281951	1	USB/Phone Cradle Kit	

SECTION 10 - SPECIAL OPTIONS/ACCESSORIES/KITS

PART NUMBER INDEX

SECTION 10 - SPECIAL OPTIONS/ACCESSORIES/KITS

0060087.....72, 78, 84	0902445..... 72, 78, 84	1001162864 213, 215,	1001235146..... 73, 79, 85
0100011....13, 15, 17, 23,	0902698..... 72, 78, 84	217, 219, 221, 223	1001236144..... 175, 177,
31, 41, 43, 49, 51, 55,	0902775..... 72, 78	1001162886 169	228
59, 65, 72, 78, 84, 91,	0940083..... 91, 93, 95	1001162887 169, 193	1001236849.....23
93, 95, 97, 101, 107	0940088..... 33	1001162896 221	1001236984.....225
0100019....69, 73, 74, 79,	0940105..... 35	1001162897 221	1001237212.....170
80, 85, 86	0961892..... 91, 93, 95	1001163340 169, 193	1001239224.....53
0100048.....49	1001047064 61, 63	1001170760 170, 228	1001239661.....53
0100051..... 147, 149	1001091102 23, 49, 55	1001173703 225	1001241321..... 189, 199
0100081.....65	1001096054 187, 189	1001177296 169	1001241601.....21
0140030.....61, 63	1001096612 137, 143,	1001180620 15	1001243107..... 49, 228
0140043.....49	165	1001181045 165, 228	1001245139.....21
0271297.....230	1001096767 133, 201	1001186466 59, 228	1001245293.....57
0275217..... 143, 209	1001097150 165, 167	1001187074 170	1001246144..... 175, 228
0275452..... 139, 205	1001097347 181	1001187861 31	1001248768.....57
0275453..... 141, 207	1001097982 13	1001189171 167, 228	1001253800.....109
0275454..... 137, 203	1001098192 63	1001189172 167, 228	1001254544.....49
0362735.....72, 78, 84	1001099638 ... 89, 91, 93,	1001192401 169	1001255483.....55
0362736.....72, 78, 84	95, 97, 101, 105	1001194421 170, 195	1001255901.....183
0440248.....72, 78, 84	1001100342 209	1001196634 183	1001258379.....49
0440249.....72, 78, 84	1001100345 205	1001196838 57, 228	1001258446...61, 63, 228
0440259..... 15	1001100346 203	1001197099 49	1001258494.....225
0440263.....23	1001100347 207	1001200561 51	1001260788.....170
0561149....73, 74, 79, 80,	1001102771 169, 228	1001200629 49, 228	1001260837....89, 91, 93,
85, 86	1001103012 170	1001200632 49	95, 97, 101, 105
0561153..... 73, 79, 85	1001104498 170	1001200819 .. 61, 63, 195	1001261105.....213, 215,
0561341.....72, 78, 84	1001109088 55, 228	1001201885 195	217, 219, 221, 223
0561408....73, 74, 79, 80,	1001109786 ... 55, 73, 79,	1001202184 187, 197	1001261131.....109
85, 86	85	1001202988 23	1001262150.....109
0561409.....73, 79, 85	1001110544 15, 53	1001203869 23	1001262221.....111
0641406...89, 93, 97, 105	1001110712 25	1001203870 23	1001262322..... 173, 228
0641416.....91, 95, 101	1001110873 135, 201	1001203871 .. 23, 49, 228	1001262327..... 173, 228
0641618.....55	1001112112 147	1001203872 23	1001262581...25, 27, 225
0641638.....55	1001116208 225	1001204939 15, 228	1001262655.....61, 63
0700612.....57	1001116731 181	1001205409 169, 193	1001267886....73, 79, 85,
0700616.....49	1001116732 181	1001205410 169	115
0700618.....107	1001116748 170	1001205411 169	1001267931..... 73, 79, 85
0700627.....43	1001116812 181, 193	1001205412 169	1001267932.....69
0700835.....61, 63	1001117000 169	1001205422 .. 55, 98, 102	1001268478...91, 95, 102
0701016..... 15	1001117057 181	1001207734 49	1001268479...91, 95, 102
0721006.... 137, 139, 141,	1001117969 15	1001207970 151	1001268481.....97, 101
143	1001118274 31, 65	1001207973 157	1001268482.....101
0741006.....72, 78, 84	1001118387 169	1001207974 153, 155,	1001268483.....101
0741606.....72, 78, 84	1001118812 169	159, 161, 163	1001268484.....101
0751003..... 185	1001120989 225	1001208852 98, 102	1001268487.....97, 101
0760408.... 133, 135, 137,	1001125677 169	1001209596 61, 63	1001268494.....97, 101
139, 141, 143, 145	1001130220 61, 63	1001212035 195	1001268595.....49, 169
0760508..... 187, 189	1001131273 213, 221	1001212036 195	1001268669..... 147, 149
0760608.....51	1001132358 61, 63	1001212068 23	1001268670..... 147, 149
0760610.....61, 63	1001132361 61, 63	1001213886 61, 63	1001268802.....57, 193
0760814..... 15	1001142498 170, 228	1001215953 23	1001268803..... 173, 175,
0761014.....13	1001144147 181, 193	1001216180 149	177, 181, 228
0780614.....37	1001144295 121	1001218285 61, 63	1001268896.....105
0780615.....35, 187, 189	1001144296 169	1001220893 61, 63	1001268897.....105
0781015.....25, 27, 29	1001148902 230	1001223055 213	1001268898.....105
0791003.....72, 78, 84	1001148903 230	1001223971 221	1001268902.....55
0811408.....72, 78, 84	1001148904 230	1001224049 223	1001269010..... 147, 149
0811608.....41, 43, 69	1001148905 230	1001224051 219	1001269011..... 147, 149
0811812.....72, 78, 84	1001148906 230	1001224052 215	1001269012..... 147, 149
0861731.... 135, 145, 201,	1001151393 49	1001226636 181	1001269037....73, 79, 85
203, 205, 207	1001151629 169	1001226637 181	1001269038.....73, 79, 85
0861781.....209	1001152483 167	1001226749 .. 61, 63, 228	1001269039.....73, 79, 85
0861880..... 165	1001152484 139, 141,	1001228370 213, 221	1001269041.....73, 79, 85
0902047.....72, 78, 84	167	1001228954 177	1001269042....73, 79, 85
0902423.....72, 78, 84	1001152595 191	1001230931 170	1001269091.....73, 79, 85
0902424.....72, 78, 84	1001159186 195	1001231801 213	1001269092.....73, 79, 85
0902431.....72, 78		1001234800 170	1001269093....73, 79, 85

SECTION 10 - SPECIAL OPTIONS/ACCESSORIES/KITS

1001269171 147, 149	1001270445.....213, 215, 217, 219, 221, 223	1001279461.....31	1001290903 163
1001269197 73, 79, 85	1001270478..... 147, 149	1001279486.....27	1001290904 151
1001269204 147, 149	1001270589..... 73, 79, 85	1001279676.....230	1001290905 155
1001269237 123	1001270617..... 139	1001279684.....25, 27	1001290906 153
1001269238 123	1001270618..... 141	1001280000.....225	1001290907 161
1001269239 123	1001270619..... 137	1001280217.....65	1001290908 159
1001269240 123	1001270620..... 143	1001280547..89, 97, 101, 105	1001290909 157
1001269241 123	1001270627..... 135	1001280548.....213, 215, 217, 219, 221, 223	1001291035 151, 153, 155, 157, 159, 161, 163
1001269242 123	1001270702..... 91, 95	1001280767.....225	1001292131 147
1001269243 121	1001270703..... 95	1001280835.....93, 98	1001293274 107
1001269244 121	1001270761..... 133	1001280836.....93, 98	1001293275 107
1001269323 73	1001270762..... 145	1001280838.....89	1001293281 107
1001269325 73	1001270819..... 177	1001280840.....97	1001296124 107
1001269326 73, 74	1001270820..... 175	1001280841.....97	1001296522 107
1001269372 98, 102	1001271448..... 65	1001280843.....89	1001296725 107
1001269402 73, 79, 85	1001271449..... 65	1001280844.....93	1001298250 37
1001269427 55	1001271539..... 65	1001280845.....97	1001298294 37
1001269428 55	1001271572..... 27, 29	1001280846.....89	1001300505 23
1001269429 55	1001271573..... 29	1001280847.....93	1001300767 ... 79, 80, 85, 86
1001269431 55	1001271815..... 55	1001280848.....91	1001300768 79, 85
1001269482 63	1001271818..... 55	1001280904.....225	1001300769 ... 79, 80, 85, 86
1001269512 55	1001271823... 89, 91, 93, 95, 97, 101, 105	1001280905.....225	1001300770 79, 85
1001269613 15	1001271838..... 55	1001280906.....225	1001301136 13
1001269614 15	1001272659..... 179, 228	1001281080.....97, 101	1001301137 13
1001269615 15	1001272920..... 213, 221	1001281081.....97, 101	1001304409 230
1001269616 15	1001272997..... 183	1001281201.....98, 102	1001305879 84
1001269620 13	1001273006..... 65	1001281202.....98, 102	1001305964 84
1001269665 23	1001273012..... 179, 183	1001281651.....98, 102	1001308195 230
1001269666 23	1001273100..... 49	1001281741.....185	1060697 25, 27
1001269669 23	1001273116..... 65	1001281742.....185	1060908 165, 167
1001269670 23	1001273312..... 65	1001281943.....185	1060920 72, 78, 84
1001269696 43, 123	1001273927..... 49	1001281951.....230	1260298 73, 74
1001269697 41, 121	1001274046..... 25	1001282019.....221	1260299 73
1001269698 43, 47	1001274047..... 25, 27	1001282020.....223	1320061 187, 189
1001269703 15, 117	1001274048..... 25, 27	1001282021.....215	1321293 51
1001269744 33	1001274049..... 25	1001282022.....219	1380153 15, 107
1001269850 213, 215, 217, 219, 221, 223, 225	1001274050..... 25	1001282031.....97, 101	1560010...89, 93, 97, 105
1001269851 213	1001274168..... 109	1001282098.....189	1580019 91
1001269853 217	1001274554..... 17	1001284505.....55	1580035 230
1001269854 223	1001274604..... 61	1001284507 23, 49	1580051 93, 95
1001269855 215	1001274605... 61, 63, 228	1001284654.....179	1600402 61, 228
1001269856 219	1001274649..... 55	1001285149.....15	1670603 145
1001269857 221	1001274661..... 111	1001286379.....230	1701504 ... 213, 215, 217, 219, 221, 223
1001269862 ... 69, 72, 78, 84	1001274882..... 147, 149	1001286380.....230	1701640 ... 213, 215, 217, 219, 221, 223
1001269897 213, 215, 217, 219, 221, 223	1001274988..... 35	1001286381.....230	1702155 ... 213, 215, 217, 219, 221, 223
1001269927 15	1001275000..... 23	1001286384.....230	1703072 ... 213, 215, 217, 219, 221, 223
1001269940 63	1001276658..... 137, 139, 141, 143	1001286385.....230	1703455 ... 213, 215, 217, 219, 221, 223
1001270018 13	1001276940..... 97, 101	1001286629.....230	1703681 225
1001270034 53	1001277726..... 31	1001286630.....230	1703684 213
1001270036 57	1001277917..... 225	1001286631.....230	1703685 223
1001270037 49	1001277918..... 225	1001286632.....230	1703686 215
1001270038 187	1001277919..... 225	1001286655.....230	1703687 ... 213, 215, 217, 219, 221, 223
1001270039 21	1001277919..... 225	1001286656.....230	1703751 219
1001270040 51	1001277921..... 187, 189	1001287098.....15	1703785 213
1001270041 149	1001278116..... 13	1001287099.....15	1703786 213
1001270042 59	1001278168..... 57	1001287802.....41, 43	1703814 ... 213, 215, 217, 219, 221, 223
1001270043 35	1001279423..... 225	1001288205.....230	
1001270044 31	1001279424..... 225	1001289395.....15	
1001270137 73, 79, 85	1001279425..... 225	1001289771.....97, 101	
1001270140 31	1001279426..... 225	1001289804..... 187, 189, 191	
1001270169 17, 19	1001279427..... 225	1001289825..... 147, 149	
1001270178 173	1001279428..... 223	1001289826.....31	
1001270203 49	1001279429..... 221	1001289868..... 187, 189	
1001270204 49	1001279430..... 215	1001289974.....230	
	1001279431..... 219		

SECTION 10 - SPECIAL OPTIONS/ACCESSORIES/KITS

1703817....213, 215, 217, 219, 221, 223	3311401... 55, 72, 78, 84, 91, 93, 95	4031514 49	4460466....169, 170, 181, 185, 191, 193, 195, 197, 199
1703819.....57, 61, 63	3311405..... 23	4031710 49, 59	4460496..... 61, 63
1704023.....215	3311601... 55, 69, 72, 78, 84	4060803 61, 63, 65	4460497..... 61, 63
1704024.....215	3340845..... 72, 78, 84	4060906 61, 63	4460536..... 185
1704031.....223	3422338... 73, 74, 79, 80, 85, 86	4070860 72, 78, 84	4460539..... 170, 199
1704032.....223	3422346... 73, 74, 79, 80, 85, 86	4070861 72, 78, 84	4460549..... 201
1704079.....219	3422355... 73, 74, 79, 80, 85, 86	4070862 72, 78, 84	4460662.... 133, 135, 137, 139, 141, 143, 145
1704081.....219	3422717 72, 78, 84	4070970 72, 78, 84	4460670..... 170
1704260..... 61, 63	3422750 72, 78, 84	4070971 72, 78, 84	4460746..... 170, 193
1704366.... 89, 91, 93, 95, 97, 101, 105	3422752 72, 78, 84	4070988 72, 78, 84	4460754..... 197, 199
1705016.... 213, 215, 217, 219, 221, 223	3422757 72, 78, 84	4070989 72, 78, 84	4460761..... 169
1705099.....217	3423037 15	4070990 72, 78, 84	4460774..... 170
1705802.....217	3423243 65	4071058 49	4460781..... 170
1705803.....217	3423278 61, 63	4071077 13	4460871..... 170
1705959.....217, 221	3430636 23	4071078 13	4460873..... 170
1706493... 89, 93, 97, 105	3430814 97, 101	4071095 91, 95, 101	4460877..... 169
1706832.....213	3430816 97, 102	4160124 72, 78, 84	4460878..... 170, 191, 193
2080040.... 91, 93, 95, 97, 101, 107	3431212 23	4160130 187, 189	4460884.... 170, 191, 193
2080043.... 72, 78, 84, 91, 95, 101	3431218 23	4160202 23	4460891..... 169, 199
2080063.. 89, 93, 97, 101, 105	3450303 23, 65	4160205 55	4460894..... 191
2110604..... 123	3450304... 73, 74, 79, 80, 85, 86	4160214 65, 107	4460897..... 169
2110606..... 121, 123	3450403 55, 97, 101	4220309 91, 95, 101	4460899..... 197, 199
2120183.... 121, 123, 228	3450405 23	4240017 57, 133, 135, 137, 139, 141, 143, 145, 151, 153, 155, 157, 159, 161, 163, 173, 175, 177, 185	4460905..... 170
2150606..... 121, 123	3520028... 91, 93, 95, 97, 102	4240099 59, 147, 149, 179	4460914..... 169
2170104..... 121, 123	3520072... 89, 91, 93, 95, 97, 101, 105	4240147 49	4460932.... 181, 183, 193
2170106..... 123	3570893 72, 78, 84	4300111 ... 73, 74, 79, 80, 85, 86	4460933..... 169
2170108..... 121, 123	3571101... 74, 79, 80, 85, 86	4360328 49, 228	4460943.... 181, 191, 193, 197, 199
2220883..... 45	3571103 73, 79, 85	4360387 49, 228	4460944.... 169, 170, 181, 191, 193, 197, 199
2221123..... 121, 123	3580269 72, 78, 84	4360469 49, 228	4460956..... 165
2420172..... 49	3580291 72, 78, 84	4360475 .. 49, 61, 63, 228	4460957..... 165
2600281..... 95, 101	3580293 72, 78, 84	4360514 49, 228	4460970..... 191
2600294..... 91, 95, 101	3600463 41, 43, 45	4360573 185, 228	4461016..... 195
2700098..... 91, 93, 95	3641542 91, 93, 95	4420051 97, 101	4461023..... 169
280013..... 185	3740150 49, 228	4420062 ... 61, 63, 91, 93, 95, 97, 101, 213, 215, 217, 219, 221, 223	4461070..... 181
2860030..... 49	3760233 15	4460042 169	4461196..... 161
2880310..... 72, 78, 84	3760383 72, 78, 84	4460115 169	4461199..... 159, 209
3121792..... 57	3760496 15	4460125 135	4461201..... 209
3252507..... 145	3820001... 213, 215, 217, 219, 221, 223	4460183 169, 195	4461205.... 155, 205, 207
3252760.... 135, 137, 139, 141, 143	3820012... 89, 91, 93, 95, 97, 101, 105	4460205 135	4461244..... 205
3252761..... 133	3820019 185	4460226 170	4461245..... 207
3290305..... 53	3820032 . 72, 78, 84, 213, 215, 217, 219, 221, 223	4460227 169	4461246..... 203
3290405.... 49, 55, 61, 63, 133, 135, 137, 139, 141, 143, 145	3841692... 89, 93, 98, 105	4460234 173, 175, 177	4461249..... 153, 203
3290505..... 187, 189	3900187 72, 78, 84	4460247 169	4567489..... 72, 78, 84
3290601..... 43	3900190 31, 91, 93, 95	4460259 169	4567490..... 72, 78, 84
3290605.... 25, 27, 35, 37, 49, 57, 59, 89, 91, 93, 95, 97, 101, 105, 173, 175, 177, 187, 189	3900192 72, 78, 84	4460260 169	4567749..... 72, 78, 84
3290606. 93, 97, 101, 107	3940604 73, 79, 85	4460265 195	4567750..... 73, 79, 85
3290801..... 23	4010303 15	4460267 195	4567751..... 73, 79, 85
3290805..... 15, 23	4010308 53	4460268 185	4711000.... 137, 139, 141, 143
3290806..... 61, 63	4010403 49	4460312 170	4711400..... 73, 79, 85
3291005.... 25, 27, 29, 49	4010612002 97, 101	4460320 170, 185	4711500.... 73, 79, 85, 97, 101
3291007..... 13	4010616... 93, 97, 98, 101	4460346 201	4711600.... 55, 91, 93, 95
3300492..... 55	4010618 97, 101	4460418 169, 195	4711700..... 15, 61, 63
3311005.... 137, 139, 141, 143	4031509 61, 63	4460419 169	4711800..... 55, 101
	4031510 15	4460424 185	4740007..... 73, 79, 85
	4031511 23, 55	4460464 ... 169, 181, 183, 185, 191, 193, 195, 197, 199	4740332..... 15
		4460465 ... 169, 170, 191, 193, 197, 199	4740414..... 73, 79, 85
			4750800..... 49
			4751400... 89, 93, 98, 105
			4751500.... 31, 73, 74, 79, 80, 85, 86
			4751600..... 55
			4761000.... 49, 73, 79, 85
			4761400..... 73, 79, 85

SECTION 10 - SPECIAL OPTIONS/ACCESSORIES/KITS

481140061, 63, 133, 135, 137, 139, 141, 143, 145	5250810 .23, 31, 97, 101, 147, 149	70007902.....19	70007929..... 19
4811602 187, 189	5250812 23, 31, 55, 65	70007903.....19	70007930..... 19
4811700 ... 25, 27, 35, 37, 49, 51, 57, 61, 63, 89, 91, 93, 95, 97, 101, 105, 107, 173, 175, 177, 187, 189	5250816 23	70007904.....19	70007931..... 19
4811702 43, 59	5250818 98, 102	70007905.....19	70007932..... 19
4811900 ... 15, 23, 61, 63, 107	5251012 13, 17	70007906.....19	70007933..... 19
4811902 23	5251014 49	70007907.....19	70007934..... 19
4812000 ... 15, 23, 25, 27, 29, 49, 65, 107	5260600 57	70007909.....19	70007936..... 19
4812002 13	5260800 55, 97	70007910.....19	70007951..... 115
4812100 98, 102	70001019 45	70007911.....19	70007952..... 115
4812500 23	70001020 45	70007912.....19	70007953..... 115
4846757 15	70001021 45	70007913.....19	70007954..... 115
4871200 15	70001022 45	70007914.....19	70007955..... 115
4891500 73, 79, 85	70001023 45	70007915.....19	70007956..... 115
4892600 73, 79, 85	70001024 45	70007916.....19	70024262..... 115
5250608 25, 27, 57	70001025 45, 228	70007917.....19	70025961..... 115
5250611 ... 89, 91, 93, 95, 97, 101, 105	70001026 45	70007918.....19	7020174 228
5250612 49, 173, 175, 177, 187, 189	70001027 45	70007919.....19	7020175 49, 61
	70001028 45	70007920.....19	7020176 49, 61, 228
	70002215 45	70007921.....19	7026165 45, 228
	70003612 45	70007922.....19	7026330 45
	70003613 45	70007923.....19	7026335 45
	70007528 115	70007924.....19	8220045 170
	70007529 117	70007925.....19	8229244 170, 228
	70007551 19	70007926.....19	8990147 ... 213, 215, 217, 219, 221, 223
	7000790 19	70007927.....19	
		70007928.....19	



**Corporate Office
JLG Industries, Inc.
1 JLG Drive
McConnellsburg, PA 17233-9533 USA
☎ (717) 485-5161 (Corporate)
☎ (877) 554-5438 (Customer Support)
📠 (717) 485-6417**

**Visit our website for JLG Worldwide Locations.
www.jlg.com**



OSHKOSH™