



Illustrated Parts Manual

***Model
R4045***

**PVC
2210**

**P/N
31220677**

March 1, 2023 - Rev B

ANSI

CE



**UK
CA**

AS/NZS



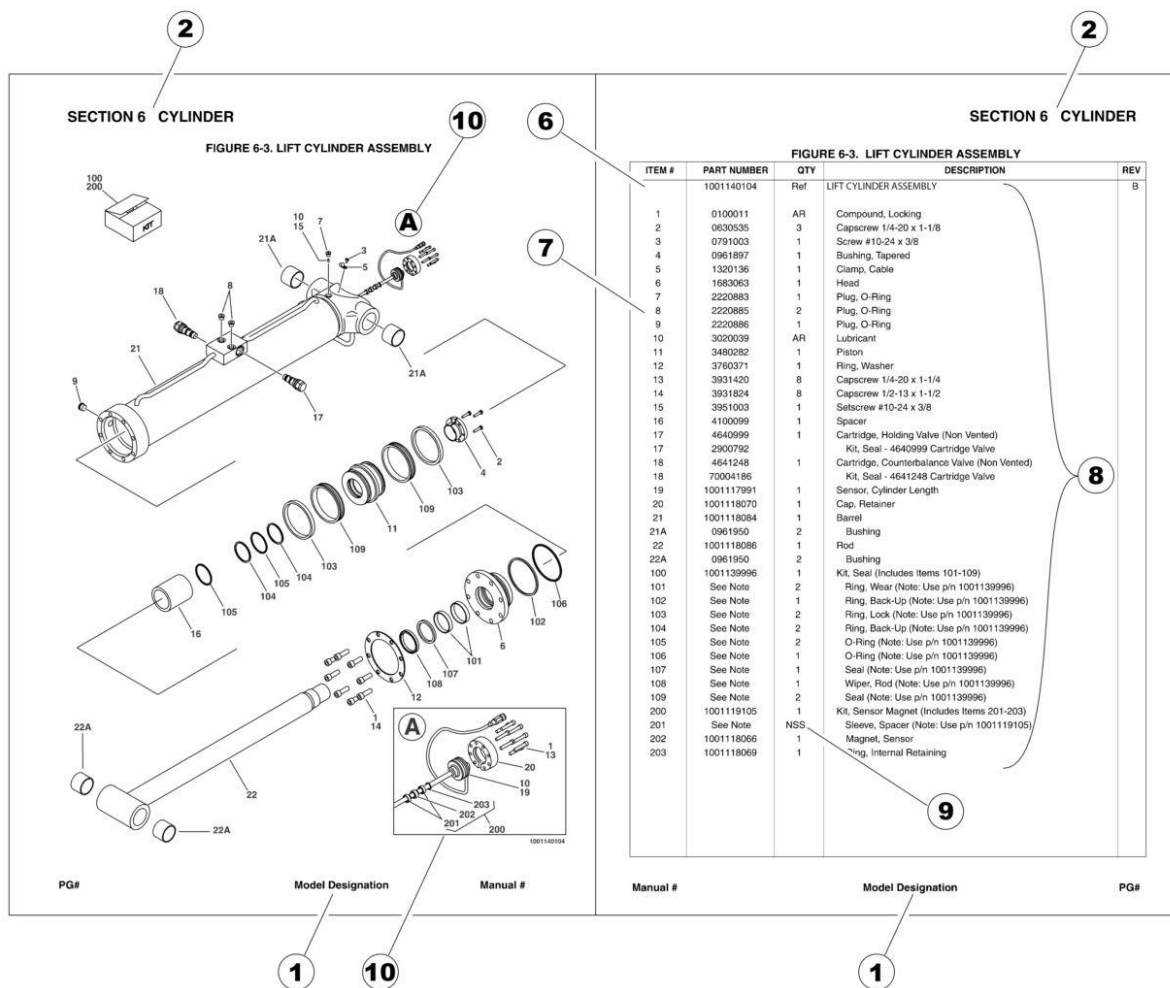
An Oshkosh Corporation Company

REVISION LOG

October 10, 2022 - A - Original Issue of Manual (Edited to 1001212500 Rev AG, 1001285364 Rev A & 1001284955 Rev A)

March 1, 2023 - B - Revised Manual (Edited to 1001212500 Rev AI, 1001285364 Rev A & 1001284955 Rev A)

GENERAL INFORMATION



1) MACHINE IDENTIFICATION

Machines are identified by model and in some cases a combination of models, serial number (SN) or regional standard (i.e ANSI, CE, CSA). Components may also be identified by SN or manufacturer. Common components that may be identified by these characteristics are engines and hydraulic components.

2) PARTS MANUAL ORGANIZATION

Product information in this manual is organized under section titles. Frame, Cylinder, Hydraulic and Electrical are a few examples. Each section is organized by figure and page number. The information within the Figure is then organized by item number, part number, description and corresponding illustration (s).

3) TABLE OF CONTENTS (NOT SHOWN)

A table of contents is found toward the beginning of the manual. Figure number, description and page number are provided for quick reference to the page containing the related information.

4) RECOMMENDED SPARE PARTS (NOT SHOWN)

The Recommended Spare Parts List, located near the end of the manual, reference most frequently used maintenance parts.

5) PART NUMBER INDEX (NOT SHOWN)

A numerical index listing all part numbers and the corresponding page number(s) appears at the back of the manual.

GENERAL INFORMATION

6) NON-SERVICED PARTS

In some instances, it is necessary to display non-serviced parts, assemblies or installations. In the case of assemblies and installations there will be a Ref in the Qty. column. In case of parts that are not available for service within assemblies or components, there will be a NSS (Not Sold Separately) or NLA (No Longer Available) listed in the Qty. column of the manual.

7) PARTS LIST ITEM NUMBERS

Numbers shown in the item# column correspond to numbers used in the associated illustration (s). Item numbers which are missing from the sequence in the parts list are not used on that page.

8) INDENTED PARTS DESCRIPTION

An indented part description is included in the item under which it is indented.

9) ABBREVIATION AND SYMBOLS

AC.....	Alternating Current	L.....	Liter
ADE.....	Advanced Design Electronics	LB(LBS).....	Pounds
AG.....	Agricultural	LCD.....	Liquid Crystal Display
ANSI.....	American National Standards Institute	LED.....	Light Emitting Diodes
AR.....	As Required	LH.....	Left Hand
ASSY.....	Assembly	LRC.....	Low Rated Countries
AUS.....	Australia	LSS.....	Load Sensing System
AUX.....	Auxiliary	M(m).....	Metric/Meter
AWG.....	American Wire Gauge	MM(mm).....	Milimeter
B/M.....	Bill of Material	mA.....	Miliamps
CAC.....	Charge Air Cooler	NLA.....	No Longer Available
CE.....	European Conformity	NPT.....	National Pipe Threads
CCW.....	Counter Clockwise	NSS.....	Not Sold Separately
CM.....	Centimeter	OD.....	Outside Diameter
CW.....	Clockwise	ORB.....	O-Ring Boss
CSA.....	Canadian Standards Association	ORFS.....	O-Ring Face Seal
CYL.....	Cylinder	OZ (oz).....	Ounces
DIA.....	Diameter	PG.....	Page
DC.....	Direct Current	PN.....	Part Number
DEF.....	Diesel Exhaust Fluid	QT(qt.).....	Quarts
EMS.....	Emergency Stop	QTY.....	Quantity
ENG.....	Engine	REF.....	Reference
FT(ft).....	Feet	REV.....	Revision Level
GA(Ga).....	Gauge	RH.....	Right Hand
HRC.....	High Rated Countries	SAE.....	Society of Automotive Engineers
HVAC.....	Heating, Ventilating, and Air Conditioning	SN.....	Serial Number
HYD.....	Hydraulic	SPEC(S).....	Specifications
Hz.....	Hertz	T/T.....	Turntable
ID.....	Inside Diameter	UGM.....	Universal Ground Module
IN.....	inches	V.....	Volts
ISO.....	International Organization for Standards	W.....	Watts
JIC.....	Joint Industry Council	#.....	Number
KG.....	Kilogram		

10) ILLUSTRATION REFERENCE LETTERS

When necessary, illustrations may contain reference letters that are intended to track information (i. e. hoses, harnesses) from one point to another or to track visual enlargement of components to show details that may be located in another area on the illustration.

Note: Due to continuous product improvements, JLG Industries, Inc. reserves the right to make specification changes without prior notification. Contact JLG Industries, Inc. for updated information.

TABLE OF CONTENTS

SECTION 1 - FRAME.....	11
FIGURE 1-1. STEER INSTALLATION.....	12
FIGURE 1-2. DRIVE/BRAKE INSTALLATION (Prior to SN B200082074, Prior to SN M200074555).....	14
FIGURE 1-3. DRIVE/BRAKE INSTALLATION (SN B200082074 to Present, SN M200074555 to Present).....	16
FIGURE 1-4. DRIVE MOTOR ASSEMBLY (Prior to SN B200082074, Prior to SN M200074555).....	18
FIGURE 1-5. DRIVE MOTOR ASSEMBLY (SN B200082074 to Present, SN M200074555 to Present).....	20
FIGURE 1-6. TIRE AND WHEEL INSTALLATION.....	22
FIGURE 1-7. POTHOLE PROTECTION SYSTEM INSTALLATION.....	24
FIGURE 1-8. TILT SENSOR INSTALLATION.....	26
FIGURE 1-9. BATTERY CHARGER INSTALLATION - DELTA-Q WITHOUT COMMUNICATION PORT (LOCALLY SUPPLIED PLUG).....	28
FIGURE 1-10. BATTERY CHARGER INSTALLATION - DELTA-Q WITH COMMUNICATION PORT (LOCALLY SUPPLIED PLUG).....	30
FIGURE 1-11. BATTERY CHARGER INSTALLATION - DELTA-Q WITHOUT COMMUNICATION PORT (110V PLUG).....	32
FIGURE 1-12. BATTERY CHARGER INSTALLATION - DELTA-Q WITH COMMUNICATION PORT (110V PLUG).....	34
FIGURE 1-13. BATTERY CHARGER INSTALLATION - DELTA-Q WITHOUT COMMUNICATION PORT (AUSTRALIAN PLUG).....	36
FIGURE 1-14. BATTERY CHARGER INSTALLATION - DELTA-Q WITH COMMUNICATION PORT (AUSTRALIAN PLUG).....	38
FIGURE 1-15. BATTERY CHARGER INSTALLATION - DELTA-Q WITHOUT COMMUNICATION PORT (KOREAN PLUG).....	40
FIGURE 1-16. BATTERY CHARGER INSTALLATION - DELTA-Q WITH COMMUNICATION PORT (KOREAN PLUG).....	42
FIGURE 1-17. BATTERY CHARGER INSTALLATION - EAGLE PERFORMANCE (110V PLUG).....	44
FIGURE 1-18. BATTERY CHARGER INSTALLATION - GREEN POWER (LOCALLY SUPPLIED PLUG).....	46
FIGURE 1-19. BATTERY CHARGER INSTALLATION - GREEN POWER (CHINA PLUG).....	48
FIGURE 1-20. STROBE LIGHT INSTALLATION - SINGLE ECCO BRAND (AMBER) (WITHOUT GUARD).....	50
FIGURE 1-21. STROBE LIGHT INSTALLATION - SINGLE SAMMOON BRAND (WITHOUT GUARD).....	52
FIGURE 1-22. STROBE LIGHT INSTALLATION - SINGLE SLIM (AMBER) (WITHOUT GUARD).....	54
FIGURE 1-23. STROBE LIGHT INSTALLATION - SINGLE ECCO BRAND (AMBER) (WITH GUARD).....	56
FIGURE 1-24. STROBE LIGHT INSTALLATION - SINGLE SAMMOON BRAND (WITH GUARD).....	58
FIGURE 1-25. STROBE LIGHT INSTALLATION - SINGLE SLIM (AMBER) (WITH GUARD).....	60
FIGURE 1-26. STROBE LIGHT INSTALLATION - DUAL ECCO BRAND (AMBER) (WITHOUT GUARD).....	62
FIGURE 1-27. STROBE LIGHT INSTALLATION - DUAL SAMMOON BRAND (WITHOUT GUARD).....	64
FIGURE 1-28. STROBE LIGHT INSTALLATION - DUAL SLIM (AMBER) (WITHOUT GUARD).....	66
FIGURE 1-29. STROBE LIGHT INSTALLATION - DUAL ECCO BRAND (AMBER) (WITH GUARD).....	68
FIGURE 1-30. STROBE LIGHT INSTALLATION - DUAL SAMMOON BRAND (WITH GUARD).....	70
FIGURE 1-31. STROBE LIGHT INSTALLATION - DUAL SLIM (AMBER) (WITH GUARD).....	72
FIGURE 1-32. ALARM INSTALLATION (AMBIENT/WHITE NOISE).....	74
FIGURE 1-33. LADDER INSTALLATION.....	76
SECTION 2 - GROUND CONTROLS.....	79
FIGURE 2-1. HYDRAULIC COMPONENTS INSTALLATION (MACHINES WITH SN STARTING WITH M2).....	80
FIGURE 2-2. HYDRAULIC COMPONENTS INSTALLATION (MACHINES WITH SN STARTING WITH B2).....	82
FIGURE 2-3. HYDRAULIC MOTOR/PUMP ASSEMBLY (MACHINES WITH SN STARTING WITH B2 & M2).....	84
FIGURE 2-4. VALVE ASSEMBLY.....	86
FIGURE 2-5. ELECTRICAL COMPONENTS INSTALLATION (MACHINES WITH SN STARTING WITH B2 & M2).....	88
FIGURE 2-6. ELECTRICAL COMPONENTS INSTALLATION (MACHINES WITH SN STARTING WITH 02 & 12).....	90
FIGURE 2-7. MDI INSTALLATION.....	92
FIGURE 2-8. ACCESS CONTROL KEYPAD INSTALLATION.....	94
FIGURE 2-9. MOBILE CONTROL INSTALLATION.....	96
FIGURE 2-10. BATTERIES INSTALLATION - STANDARD 12V-150AH.....	98
FIGURE 2-11. BATTERIES INSTALLATION - STANDARD 12V-185AH.....	100
FIGURE 2-12. BATTERIES INSTALLATION - AGM 12V-150AH.....	102
FIGURE 2-13. INVERTER INSTALLATION (OPTIONAL).....	104
FIGURE 2-14. DOORS INSTALLATION.....	106
SECTION 3 - SCISSORS ARMS.....	109
FIGURE 3-1. SCISSOR ARMS INSTALLATION (MACHINES WITH SN STARTING WITH 12, B2 & G2).....	110
FIGURE 3-2. SCISSOR ARMS INSTALLATION (MACHINES WITH SN STARTING WITH M2).....	114
FIGURE 3-3. ARM GUARD INSTALLATION.....	118
SECTION 4 - PLATFORM.....	121
FIGURE 4-1. PLATFORM INSTALLATION.....	122
FIGURE 4-2. PLATFORM EXTENSION INSTALLATION.....	124
FIGURE 4-3. EXTENSION HANDLES INSTALLATION (OPTIONAL).....	126

TABLE OF CONTENTS

FIGURE 4-4. RAILS INSTALLATION (SIDE BY SIDE)	128
FIGURE 4-5. RAILS INSTALLATION (TUBE IN TUBE)	130
FIGURE 4-6. PLATFORM CONSOLE INSTALLATION	132
FIGURE 4-7. CONTROLLER ASSEMBLY	134
FIGURE 4-8. USB/PHONE CRADLE INSTALLATION.....	136
FIGURE 4-9. PANEL CARRIER INSTALLATION (OPTIONAL)	138
FIGURE 4-10. PIPE RACK INSTALLATION (OPTIONAL)	140
FIGURE 4-11. WORKSTATION INSTALLATION (OPTIONAL)	142
FIGURE 4-12. ELECTRICIAN'S TREE INSTALLATION (OPTIONAL)	144
FIGURE 4-13. VISE INSTALLATION (OPTIONAL).....	146
FIGURE 4-14. PLATFORM CONTROL PLUG INSTALLATION	148
 SECTION 5 - CYLINDER.....	 151
FIGURE 5-1. LIFT CYLINDER ASSEMBLY - LOWER.....	152
FIGURE 5-2. LIFT CYLINDER ASSEMBLY - UPPER	154
FIGURE 5-3. STEER CYLINDER ASSEMBLY	156
 SECTION 6 - HYDRAULIC	 159
FIGURE 6-1. HYDRAULIC COMPONENTS INSTALLATION (WITH CONCENTRIC MOTOR/PUMP)	160
FIGURE 6-2. HYDRAULIC COMPONENTS INSTALLATION (WITH BUCHER PUMP/MOTOR).....	162
 SECTION 7 - ELECTRICAL.....	 165
FIGURE 7-1. AC BOX AT PLATFORM INSTALLATION - 110V GFI (ALL SPECS EXCEPT AUSTRALIAN, CE & UK CA SPECS)	166
FIGURE 7-2. AC BOX AT PLATFORM INSTALLATION (AUSTRALIAN SPECS).....	168
FIGURE 7-3. AC BOX AT PLATFORM INSTALLATION - 110V IEC YELLOW (CE & UK CA SPECS).....	170
FIGURE 7-4. AC BOX AT PLATFORM INSTALLATION - 220V IEC BLUE (CE & UK CA SPECS)	172
FIGURE 7-5. AC BOX AT PLATFORM INSTALLATION - 220V CEE7 POST GROUND (CE & UK CA SPECS)	174
FIGURE 7-6. AC BOX AT PLATFORM INSTALLATION - 220V CEE7 SIDE GROUND (CE & UK CA SPECS).....	176
FIGURE 7-7. AC BOX AT PLATFORM INSTALLATION - 220V AFSINT 107 (CE & UK CA SPECS).....	178
FIGURE 7-8. AC BOX AT PLATFORM INSTALLATION - 220V CHINA PLUG (CHINA SPECS).....	180
FIGURE 7-9. AC BOX AT PLATFORM INSTALLATION - 220V LOCALLY SUPPLIED COMPONENTS (ALL SPECS)	182
FIGURE 7-10. BREAKER BOX KIT WITH 1 DOUBLE BREAKER	184
FIGURE 7-11. BREAKER BOX KIT WITH 3 BREAKERS.....	186
FIGURE 7-12. CHARGER PLUG INSTALLATION - CEE7 POST GROUND (CE & UK CA SPEC)	188
FIGURE 7-13. CHARGER PLUG INSTALLATION - CEE7 SIDE GROUND (ANSI EXPORT SPEC).....	190
FIGURE 7-14. CHARGER PLUG INSTALLATION - AFSINT 107 (CE & UK CA SPEC)	192
FIGURE 7-15. CHARGER PLUG INSTALLATION - IEC 60309 YELLOW (CE & UK CA SPEC)	194
FIGURE 7-16. CHARGER PLUG INSTALLATION - IEC 60309 BLUE (CE & UK CA SPEC).....	196
FIGURE 7-17. CHARGER HARNESS (MACHINES WITH CHARGER COMMUNICATION PORT) (PVC 1910).....	198
FIGURE 7-18. CHARGER HARNESS (MACHINES WITH CHARGER COMMUNICATION PORT) (PVC 2004).....	200
FIGURE 7-19. CHASSIS HARNESS.....	202
FIGURE 7-20. CLEARSKY INSTALLATION - 3 WIRE (ALL SPECS EXCEPT CHINA SPECS)	206
FIGURE 7-21. CLEARSKY INSTALLATION - 3G (ANSI EXPORT, CE & UK CA SPECS)	208
FIGURE 7-22. CLEARSKY INSTALLATION - 3G (AUSTRALIAN SPECS)	210
FIGURE 7-23. CLEARSKY INSTALLATION - 4G (ALL SPECS EXCEPT CHINA SPECS).....	212
FIGURE 7-24. CLEARSKY INSTALLATION - 4G (CHINA SPECS).....	214
FIGURE 7-25. CLEARSKY HARNESS - 3 WIRE ((ALL SPECS EXCEPT CHINA SPECS))	216
FIGURE 7-26. CLEARSKY JUMPER HARNESS - 3 WIRE (ALL SPECS EXCEPT CHINA SPECS).....	218
FIGURE 7-27. CLEARSKY HARNESS - 3G & 4G (ALL SPECS EXCEPT CHINA SPECS).....	220
FIGURE 7-28. CLEARSKY HARNESS - 4G (CHINA SPECS).....	222
FIGURE 7-29. CLEARSKY SPLICE HARNESS - 3G & 4G (ALL SPECS EXCEPT CHINA SPECS)	224
FIGURE 7-30. GROUND TO PLATFORM CABLE INSTALLATION - WITHOUT PLATFORM COIL CABLE/WITH AC CABLE (MACHINES WITH SN STARTING WITH 12, B2, G2 & M2)	226
FIGURE 7-31. GROUND TO PLATFORM CABLE INSTALLATION - WITHOUT PLATFORM COIL CABLE/WITHOUT AC CABLE (MACHINES WITH SN STARTING WITH 12, B2 & G2)	228
FIGURE 7-32. GROUND TO PLATFORM CABLE INSTALLATION - WITH PLATFORM COIL CABLE/WITH AC CABLE (MACHINES WITH SN STARTING WITH 12, B2, G2 & M2)	230
FIGURE 7-33. GROUND TO PLATFORM CABLE INSTALLATION - WITH PLATFORM COIL CABLE/WITHOUT AC CABLE (MACHINES WITH SN STARTING WITH 12, B2 & G2)	232
FIGURE 7-34. GROUND TO PLATFORM CABLE INSTALLATION - WITHOUT PLATFORM COIL CABLE/WITH AC CABLE AND WITH FOOTSWITCH (MACHINES WITH SN STARTING WITH 12, B2 & G2)	234
FIGURE 7-35. GROUND TO PLATFORM CABLE INSTALLATION - WITH PLATFORM COIL CABLE/WITH AC CABLE & FOOTSWITCH (MACHINES WITH SN STARTING WITH 12, B2 & G2)	236

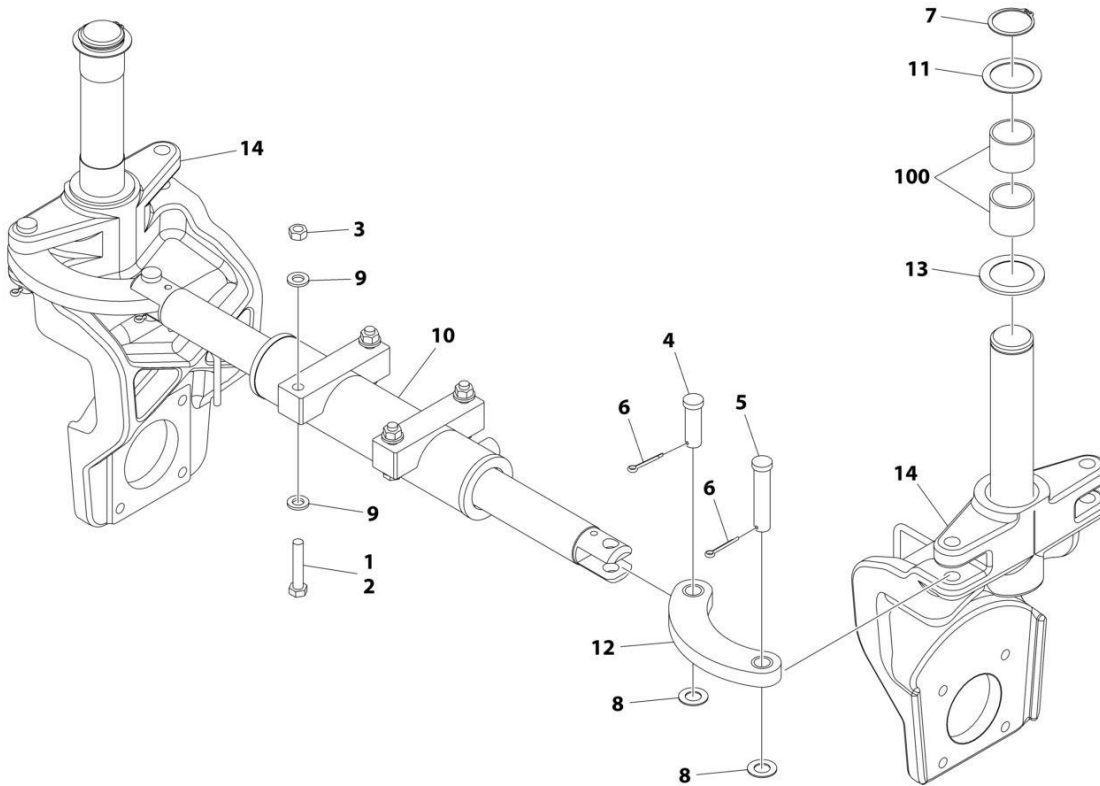
TABLE OF CONTENTS

FIGURE 7-36. GROUND TO PLATFORM CABLE INSTALLATION - PLATFORM STRAIGHT CABLE ONLY (MACHINES WITH SN STARTING WITH 12, B2 & G2).....	238
FIGURE 7-37. GROUND TO PLATFORM CABLE INSTALLATION - PLATFORM COIL CABLE ONLY (MACHINES WITH SN STARTING WITH 12, B2 & G2).....	240
FIGURE 7-38. GROUND TO PLATFORM CABLE INSTALLATION - SCISSORS ARMS CABLE ONLY (MACHINES WITH SN STARTING WITH 12, B2 & G2).....	242
FIGURE 7-39. INVERTER HARNESS.....	244
FIGURE 7-40. JUMPER HARNESS TO LIFT DOWN	246
FIGURE 7-41. LIFT DOWN HARNESS - LOWER.....	248
FIGURE 7-42. LIFT DOWN HARNESS - UPPER.....	250
FIGURE 7-43. LSS HARNESS.....	252
FIGURE 7-44. MOBILE CONTROL HARNESS.....	254
FIGURE 7-45. PLATFORM CONTROL BOX HARNESS	256
FIGURE 7-46. RECEPTACLE BOX KIT - 110V GFI.....	258
FIGURE 7-47. RECEPTACLE BOX KIT - 110V IEC YELLOW (CE & UK CA SPEC)	260
FIGURE 7-48. RECEPTACLE BOX KIT - 220V IEC BLUE (CE & UK CA SPEC).....	262
FIGURE 7-49. RECEPTACLE BOX KIT - 220V CEE7 POST GROUND (CE & UK CA SPEC)	264
FIGURE 7-50. RECEPTACLE BOX KIT - 220V CEE7 SIDE GROUND (CE & UK CA SPEC).....	266
FIGURE 7-51. RECEPTACLE BOX KIT - 220V AFSINT 107 (CE & UK CA SPEC).....	268
FIGURE 7-52. RECEPTACLE AND BREAKER ASSEMBLY (AUSTRALIAN SPECS)	270
SECTION 8 - DECALS.....	273
FIGURE 8-1. DECAL INSTALLATION (ANSI SPECS).....	274
FIGURE 8-2. DECAL INSTALLATION (AUSTRALIAN SPECS).....	276
FIGURE 8-3. DECAL INSTALLATION (BRAZIL SPECS).....	278
FIGURE 8-4. DECAL INSTALLATION (CE & UK CA SPECS)	280
FIGURE 8-5. DECAL INSTALLATION (CHINA SPECS).....	282
FIGURE 8-6. DECAL INSTALLATION (CSA SPECS).....	284
FIGURE 8-7. DECAL INSTALLATION (KOREAN SPECS)	286
FIGURE 8-8. DECAL INSTALLATION (LATIN AMERICAN SPECS)	288
FIGURE 8-9. DECAL INSTALLATION - OPTIONS	290
SECTION 9 - RECOMMENDED SERVICE PARTS STOCK	293
FIGURE 9-1. RECOMMENDED SERVICE PARTS STOCK	294
SECTION 10 - SPECIAL OPTIONS/ACCESSORIES/KITS	295
FIGURE 10-1. SPECIAL OPTIONS/ACCESSORIES/KITS	296
PART NUMBER INDEX	299

SECTION 1 - FRAME

SECTION 1 - FRAME

FIGURE 1-1. STEER INSTALLATION



ART_1001213926

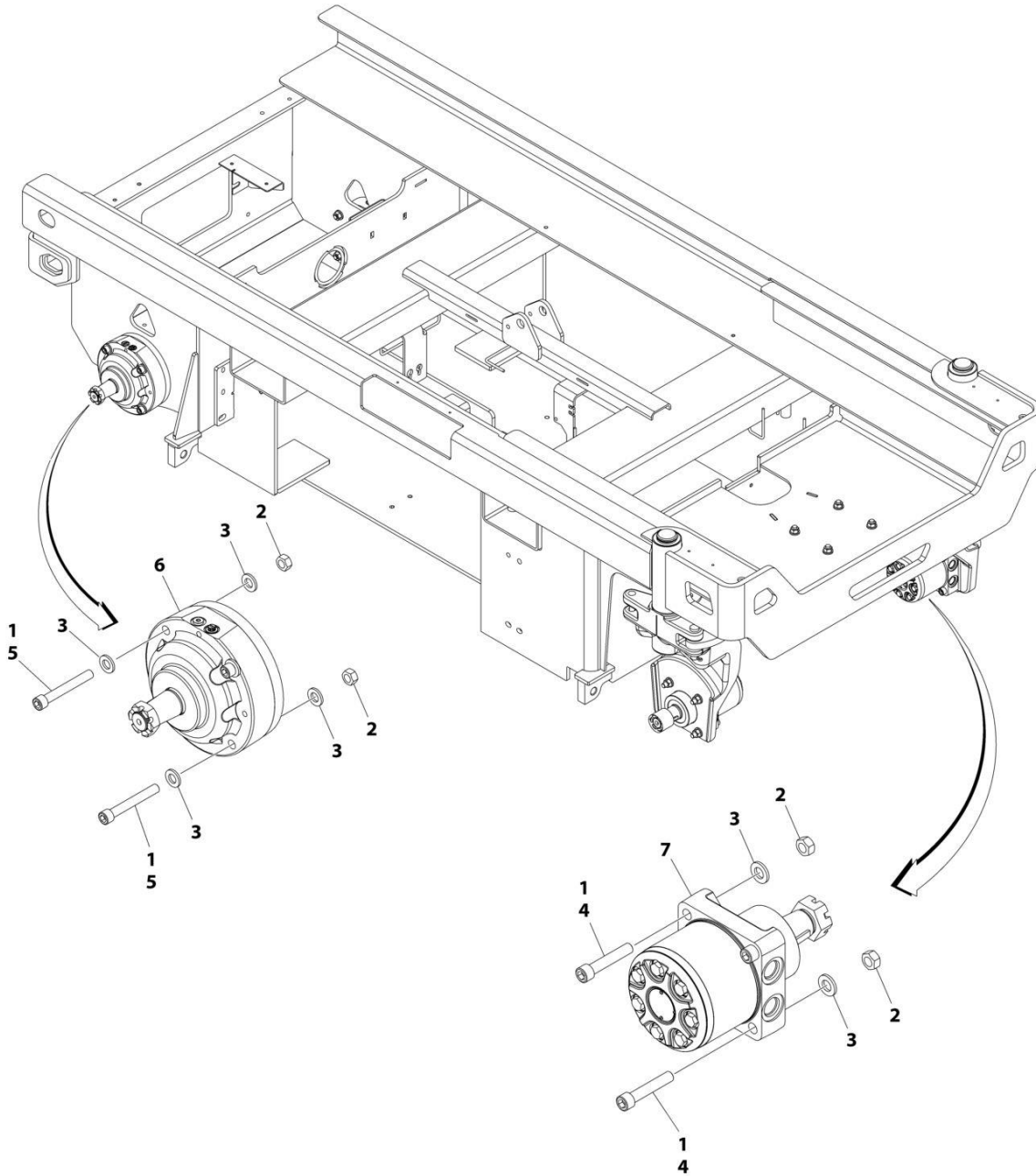
SECTION 1 - FRAME

FIGURE 1-1. STEER INSTALLATION

ITEM	PART NUMBER	QTY	DESCRIPTION	REV
	1001213926	Ref	STEER INSTALLATION	A
1	0100011	AR	Compound, Locking	
2	0711221	4	Bolt M12 x 65	
3	3331211	4	Nut M12	
4	3431218	2	Pin	
5	3431228	2	Pin	
6	3450505	4	Pin, 5/32 x 1/2	
7	3760217	2	Ring, Retaining	
8	4740086	4	Washer	
9	5241200	8	Washer M12	
10	1001163178	1	Steer Cylinder Assembly (See Separate Breakdown in CYLINDER SECTION)	
11	1001197396	2	Washer	
12	1001213747	2	Link	
13	1001214024	2	Washer	
14	1001214152	2	Spindle	
100	1001153785	4	Bearing (Part of Frame)	

SECTION 1 - FRAME

FIGURE 1-2. DRIVE/BRAKE INSTALLATION (Prior to SN B200082074, Prior to SN M200074555)



ART_1001213816

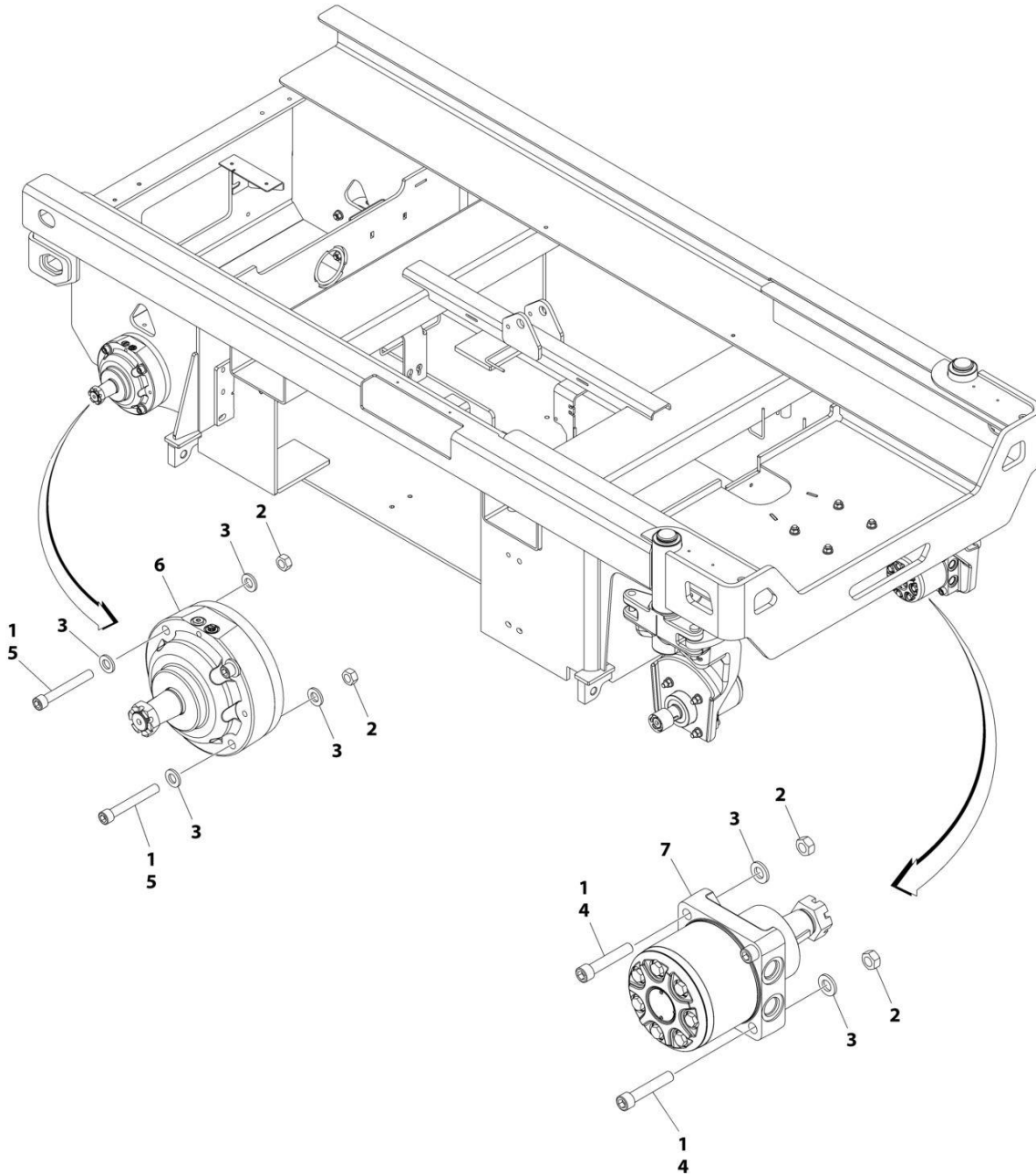
SECTION 1 - FRAME

FIGURE 1-2. DRIVE/BRAKE INSTALLATION (Prior to SN B200082074, Prior to SN M200074555)

ITEM	PART NUMBER	QTY	DESCRIPTION	REV
	1001213816	Ref	DRIVE/BRAKE INSTALLATION	A
1	0100011	AR	Compound, Locking	
2	3331211	16	Nut M12	
3	5241200	24	Washer M12	
4	5272120	8	Capscrew M12 x 80	
5	5272122	8	Capscrew M12 x 90	
6	1001202773	2	Drive Brake Assembly (Note: No Internal Service Parts Available.)	
6	70005918	1	Key, Shaft	
6	70005919	1	Nut 1-1/8	
7	1001213264	2	Drive Motor Assembly (See Separate Breakdown in this Section)	

SECTION 1 - FRAME

FIGURE 1-3. DRIVE/BRAKE INSTALLATION (SN B200082074 to Present, SN M200074555 to Present)



ART_1001213816_B

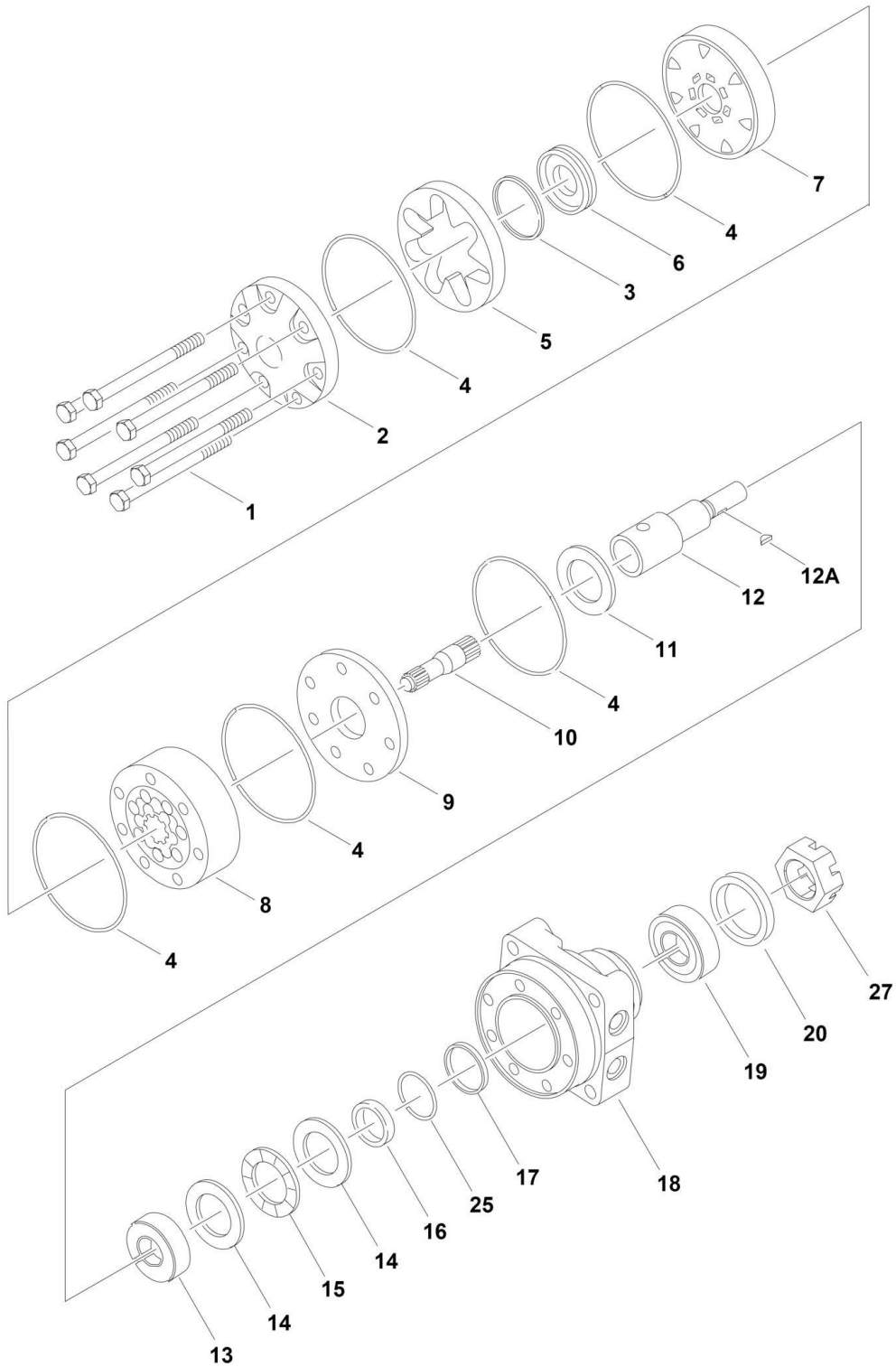
SECTION 1 - FRAME

FIGURE 1-3. DRIVE/BRAKE INSTALLATION (SN B200082074 to Present, SN M200074555 to Present)

ITEM	PART NUMBER	QTY	DESCRIPTION	REV
	1001213816	Ref	DRIVE/BRAKE INSTALLATION	B
1	0100011	AR	Compound, Locking	
2	3331211	16	Nut M12	
3	5241200	24	Washer M12	
4	5272120	8	Capscrew M12 x 80	
5	5272122	8	Capscrew M12 x 90	
6	1001202773	2	Drive Brake Assembly (Note: No Internal Service Parts Available.)	
6	70005918	1	Key, Shaft	
6	70005919	1	Nut 1-1/8	
7	1001292036	2	Drive Motor Assembly (See Separate Breakdown in this Section)	

SECTION 1 - FRAME

FIGURE 1-4. DRIVE MOTOR ASSEMBLY (Prior to SN B200082074, Prior to SN M200074555)



ART_1001213264

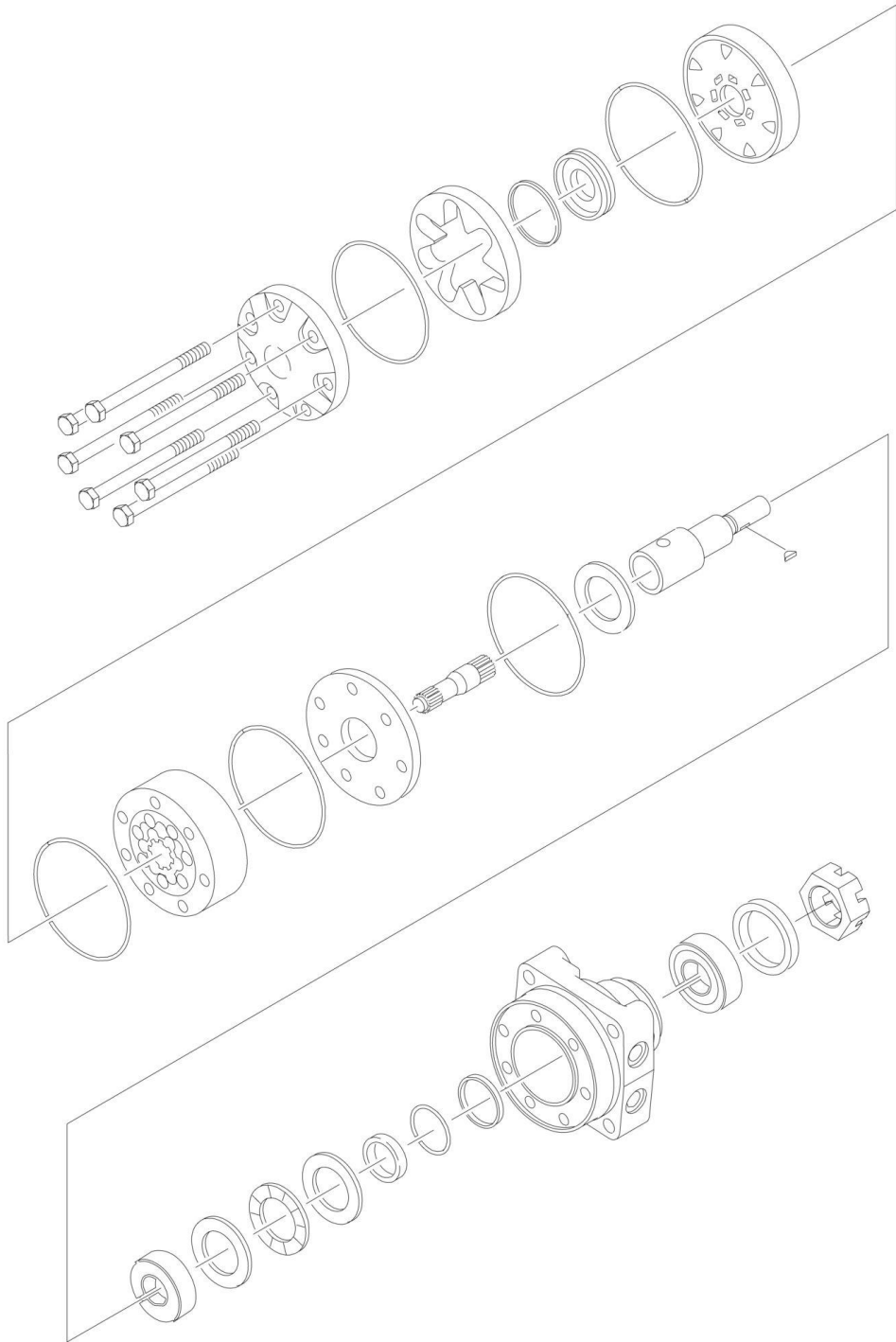
SECTION 1 - FRAME

FIGURE 1-4. DRIVE MOTOR ASSEMBLY (Prior to SN B200082074, Prior to SN M200074555)

ITEM	PART NUMBER	QTY	DESCRIPTION	REV
	1001213264	Ref	DRIVE MOTOR ASSEMBLY	B
1	7023329	7	Bolt	
2	7023328	1	Cover	
3	7023318	1	Seal, Commutator	
4	7023310	5	Ring, Seal	
5	7023315	1	Commutator (Includes Item 6)	
6	See Note	NSS	Ring, Commutator (Use p/n 7023315)	
7	70005812	1	Manifold	
8	70006245	1	Rotor Set	
9	7023311	1	Plate, Wear	
10	70006244	1	Link, Drive	
11	7023308	1	Bearing, Thrust	
12	70005813	1	Shaft	
12A	7023324	1	Key, Shaft (Supplied with Shaft)	
12A	7026179	1	Key, Shaft (Supplied Individually)	
13	7026174	1	Bearing, Inner	
14	70006724	2	Thrustwasher	
15	7023407	1	Bearing, Thrust	
16	70006725	1	Seal	
17	7023321	1	Washer, Backup	
18	See Note	NSS	Housing (Note: Use p/n 1001213264)	
19	7023408	1	Bearing, Outer	
20	70007513	1	Seal, Dirt and Water	
25	7023322	1	Washer, Backup	
27	70005807	1	Nut	

SECTION 1 - FRAME

FIGURE 1-5. DRIVE MOTOR ASSEMBLY (SN B200082074 to Present, SN M200074555 to Present)



ART_1001292036

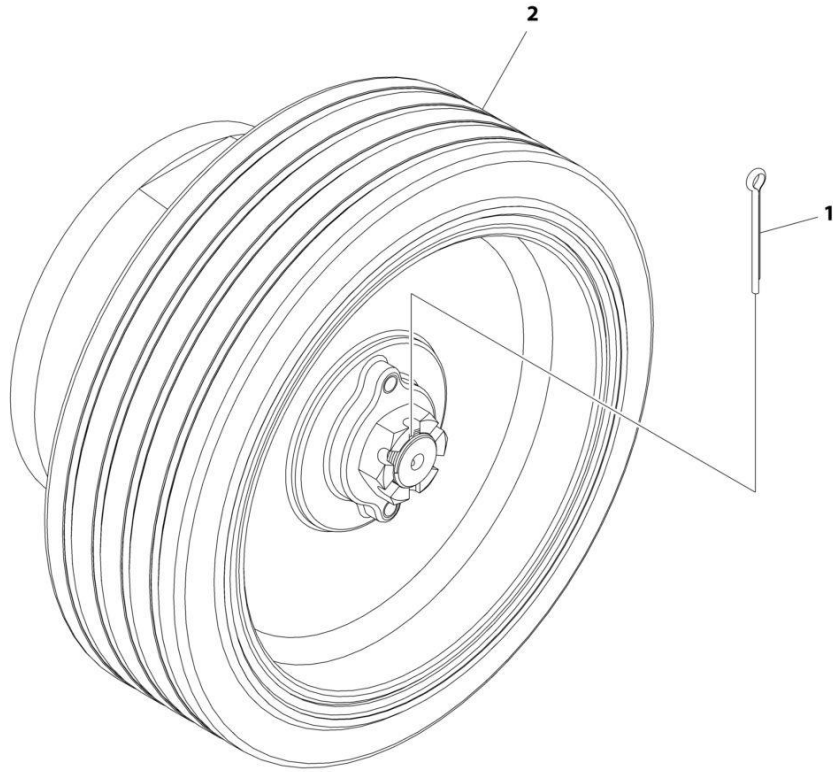
SECTION 1 - FRAME

FIGURE 1-5. DRIVE MOTOR ASSEMBLY (SN B200082074 to Present, SN M200074555 to Present)

ITEM	PART NUMBER	QTY	DESCRIPTION	REV
	SEE NOTE 1001292036	Ref Ref	Note: No Service Parts Available at Time of Printing DRIVE MOTOR ASSEMBLY	A

SECTION 1 - FRAME

FIGURE 1-6. TIRE AND WHEEL INSTALLATION



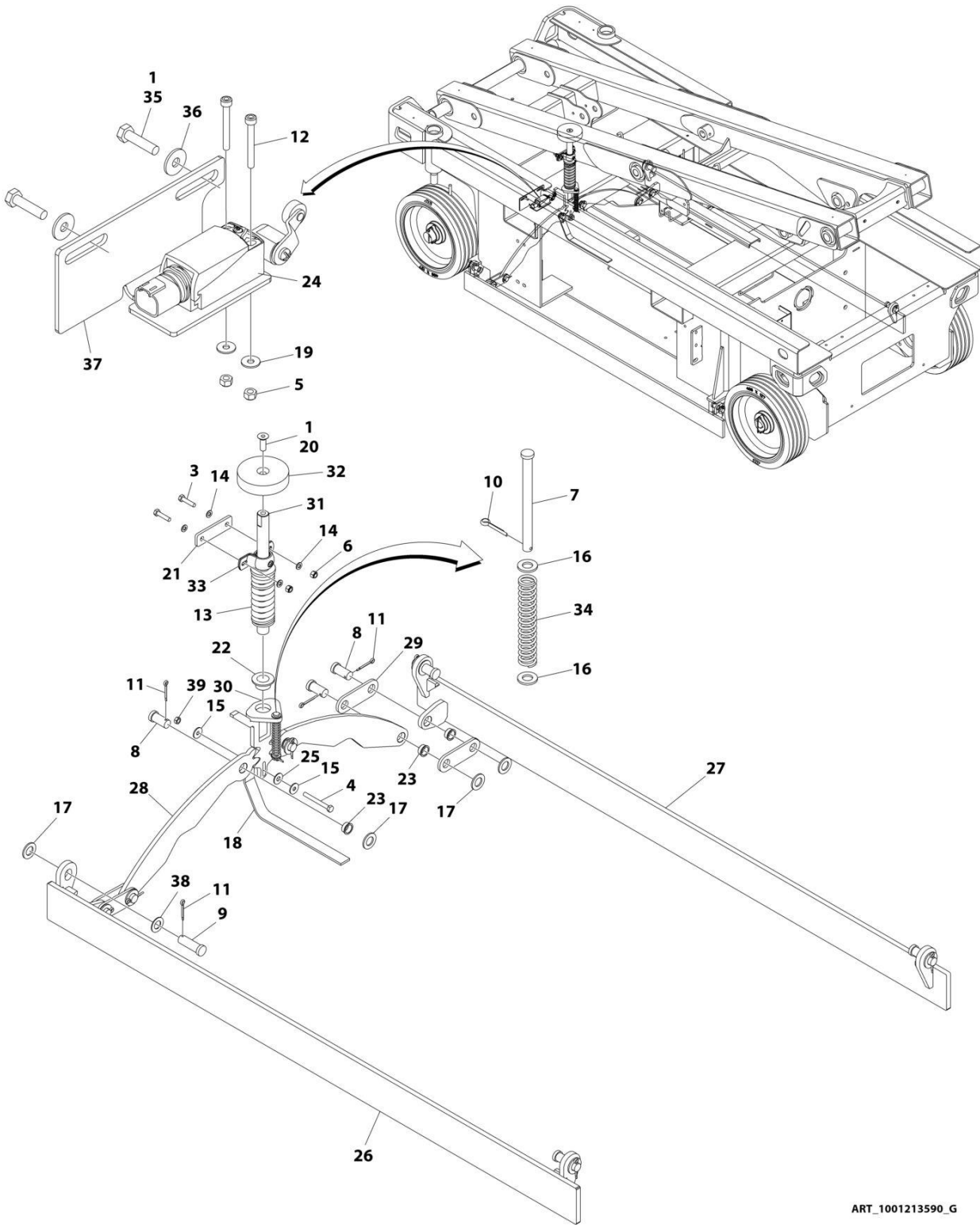
ART_1001213928

FIGURE 1-6. TIRE AND WHEEL INSTALLATION

ITEM	PART NUMBER	QTY	DESCRIPTION	REV
		Ref	Note: Must Replace Tire and Wheel Assemblies in pairs per axle.	
1	3450508	4	Pin, Cotter 5/32 x 2	
2	1001212187	4	Tire and Wheel	

SECTION 1 - FRAME

FIGURE 1-7. POTHOLE PROTECTION SYSTEM INSTALLATION



ART_1001213590_G

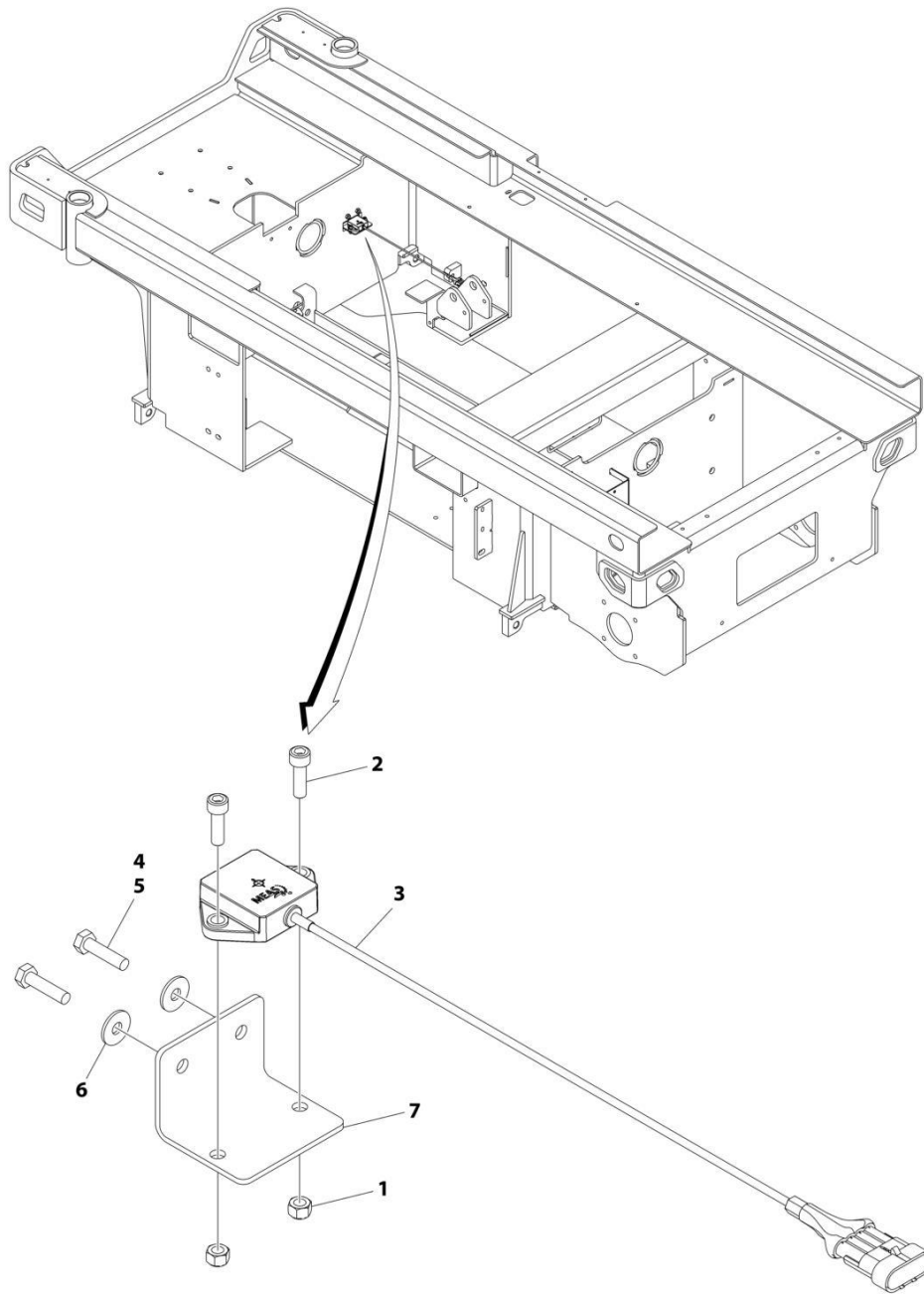
SECTION 1 - FRAME

FIGURE 1-7. POTHOLE PROTECTION SYSTEM INSTALLATION

ITEM	PART NUMBER	QTY	DESCRIPTION	REV
	1001213590	Ref	POTHOLE PROTECTION SYSTEM INSTALLATION	G
1	0100011	AR	Compound, Locking	
3	0700815	2	Bolt M8 x 35	
4	0700823	1	Bolt M8 x 75	
5	3290405	2	Nut M4	
6	3290805	2	Nut M8	
7	3430636	1	Pin	
8	3431212	6	Pin	
9	3431218	4	Pin	
10	3450403	1	Pin 1/8 x 3/4	
11	3450505	10	Pin 5/32 x 1/2	
12	4031511	2	Capscrew M4 x 35	
13	4160202	1	Spring	
14	4811900	4	Washer M8	
15	4811902	2	Washer M8	
16	4812000	2	Washer M10	
17	4812500	10	Washer M20	
18	4240147	1	Strap, Anti-Static	
19	1001091102	2	Washer M4	
20	1001110302	1	Screw M12 x 35	
21	1001202987	1	Plate, Mounting	
22	1001203869	1	Bearing	
23	1001203870	6	Bearing	
24	1001203871	1	Switch, Limit	
25	1001203872	1	Washer	
26	1001213591	1	Bar (LH)	
27	1001213595	1	Bar (RH)	
28	1001242587	2	Plate, Pinion	
29	1001202999	4	Link	
30	1001214526	1	Actuator (Lower)	
31	1001214528	1	Actuator (Upper)	
32	1001214534	1	Pad	
33	1001215953	1	Bearing	
34	1001227855	1	Spring	
35	0700612	2	Bolt M6 x 25	
36	4811702	2	Washer M6	
37	1001218307	1	Plate, Sensor Mounting	
38	4740086	2	Washer	
39	3290801	1	Nut M8	

SECTION 1 - FRAME

FIGURE 1-8. TILT SENSOR INSTALLATION



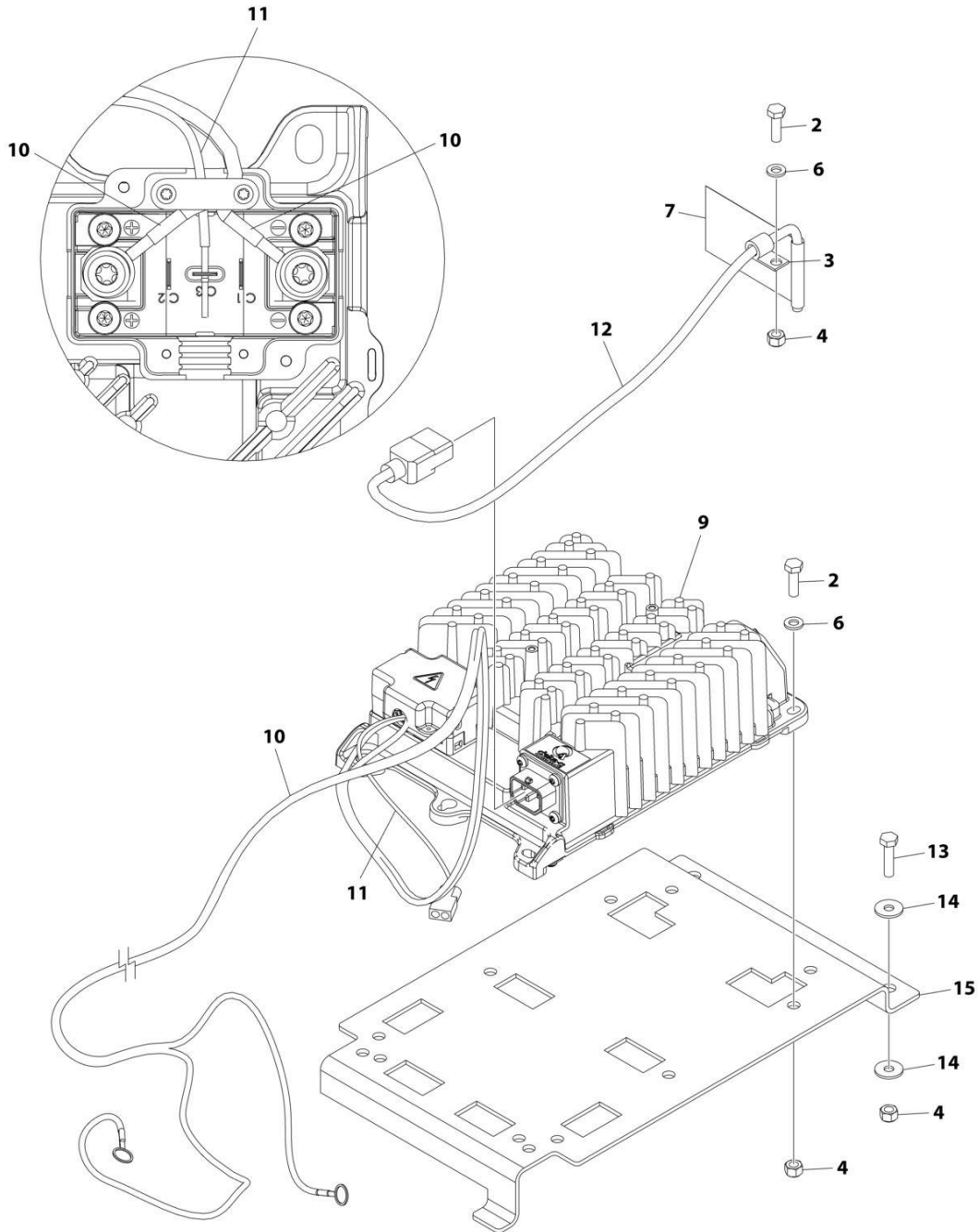
ART_1001214217

FIGURE 1-8. TILT SENSOR INSTALLATION

ITEM	PART NUMBER	QTY	DESCRIPTION	REV
	1001214217	Ref	TILT SENSOR INSTALLATION	D
1	3290601	2	Nut M6	
2	4031708	2	Capscrew M6 x 20	
3	1001186466	1	Sensor, Tilt	
4	0100011	AR	Compound, Locking	
5	0700612	2	Bolt M6 x 25	
6	4811702	2	Washer M6	
7	1001217059	1	Plate, Mounting	

SECTION 1 - FRAME

FIGURE 1-9. BATTERY CHARGER INSTALLATION - DELTA-Q WITHOUT COMMUNICATION PORT (LOCALLY SUPPLIED PLUG)



ART_1001218851

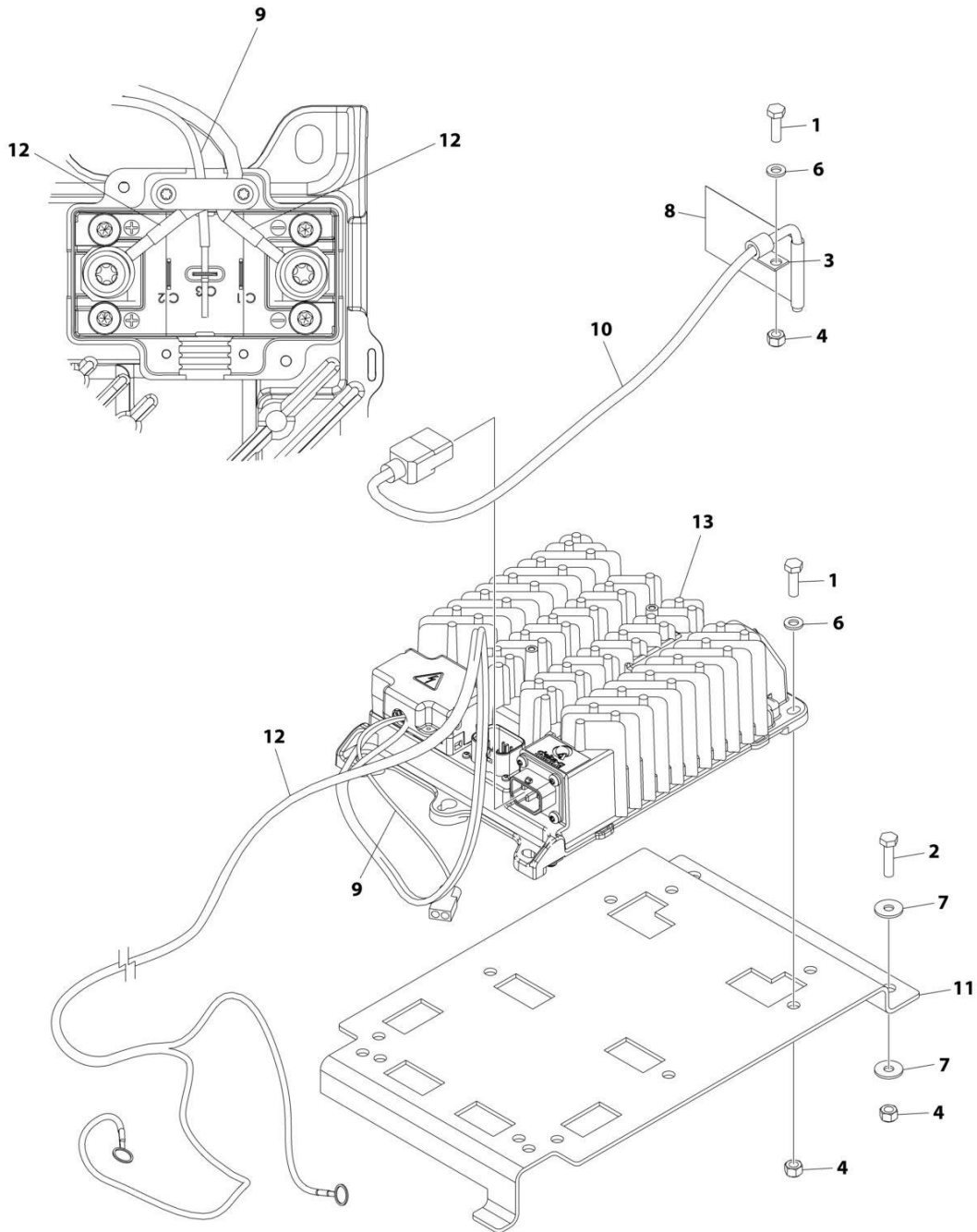
SECTION 1 - FRAME

**FIGURE 1-9. BATTERY CHARGER INSTALLATION - DELTA-Q WITHOUT COMMUNICATION PORT
(LOCALLY SUPPLIED PLUG)**

ITEM	PART NUMBER	QTY	DESCRIPTION	REV
	1001218851	Ref	BATTERY CHARGER INSTALLATION - DELTA-Q (LOCALLY SUPPLIED PLUG)	C
2	0760610	5	Bolt M6 x 20	
3	1321293	1	Clamp	
4	3290605	7	Nut M6	
5	4240017	AR	Tie-Strap (Not Shown)	
6	4811700	5	Washer M6	
7	1001102489	1	Decal - Charger Label	
9	1001200561	1	Charger, Battery - Delta-Q	
10	1001215074	1	Battery Charger DC Harness	
11	1001207009	1	Charger Interlock Harness	
11	4460424	1	Receptacle, Female - 2 Position	
11	4460227	2	Pin, Male	
12	1001207974	1	Battery Charger to AC Connection Cable (Note: See SPECIAL OPTIONS for Korean Specs Cable)	
13	0760612	2	Bolt M6 x 25	
14	4811702	4	Washer M6	
15	1001214195	1	Bracket	

SECTION 1 - FRAME

FIGURE 1-10. BATTERY CHARGER INSTALLATION - DELTA-Q WITH COMMUNICATION PORT (LOCALLY SUPPLIED PLUG)



ART_1001253650

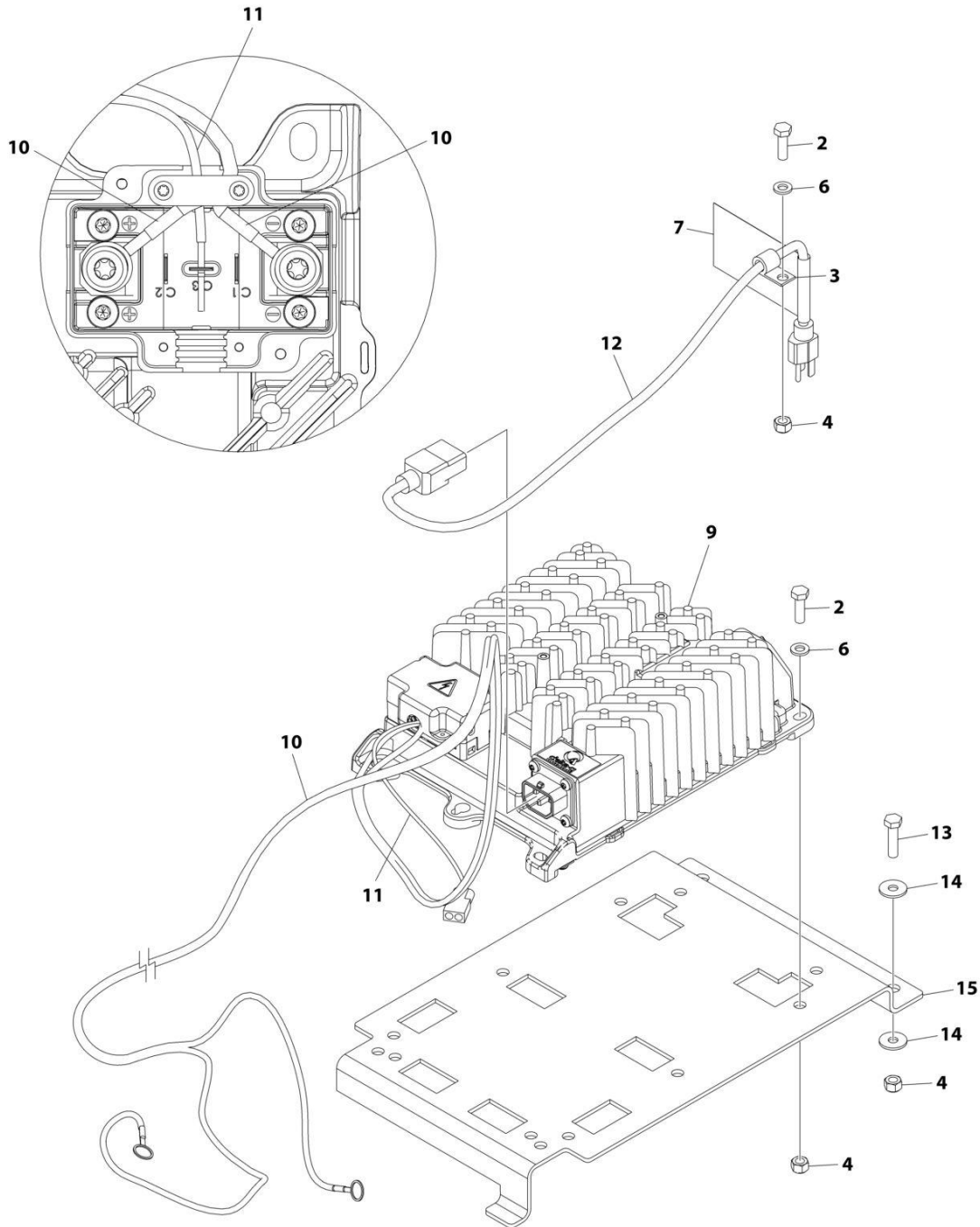
SECTION 1 - FRAME

**FIGURE 1-10. BATTERY CHARGER INSTALLATION - DELTA-Q WITH COMMUNICATION PORT
(LOCALLY SUPPLIED PLUG)**

ITEM	PART NUMBER	QTY	DESCRIPTION	REV
	1001253650	Ref	BATTERY CHARGER INSTALLATION - DELTA-Q (LOCALLY SUPPLIED PLUG)	A
1	0760610	5	Bolt M6 x 20	
2	0760612	2	Bolt M6 x 25	
3	1321293	1	Clamp	
4	3290605	7	Nut M6	
5	4240017	AR	Tie-Strap (Not Shown)	
6	4811700	5	Washer M6	
7	4811702	4	Washer M6	
8	1001102489	1	Decal - Charger Label	
9	1001207009	1	Charger Interlock Harness	
9	4460424	1	Receptacle, Female - 2 Position	
9	4460227	2	Pin, Male	
10	1001207974	1	Battery Charger to AC Connection Cable (Note: See SPECIAL OPTIONS for Korean Specs Cable)	
11	1001214195	1	Bracket	
12	1001215074	1	Battery Charger DC Harness	
13	1001253952	1	Charger, Battery - Delta-Q	
14	1001254027	1	Can Splice Harness (Not Shown - See Separate Breakdown in ELECTRICAL SECTION)	
15	1001254028	1	Charger To Battery Harness (Not Shown - See Separate Breakdown in ELECTRICAL SECTION)	

SECTION 1 - FRAME

FIGURE 1-11. BATTERY CHARGER INSTALLATION - DELTA-Q WITHOUT COMMUNICATION PORT (110V PLUG)



ART_1001214214

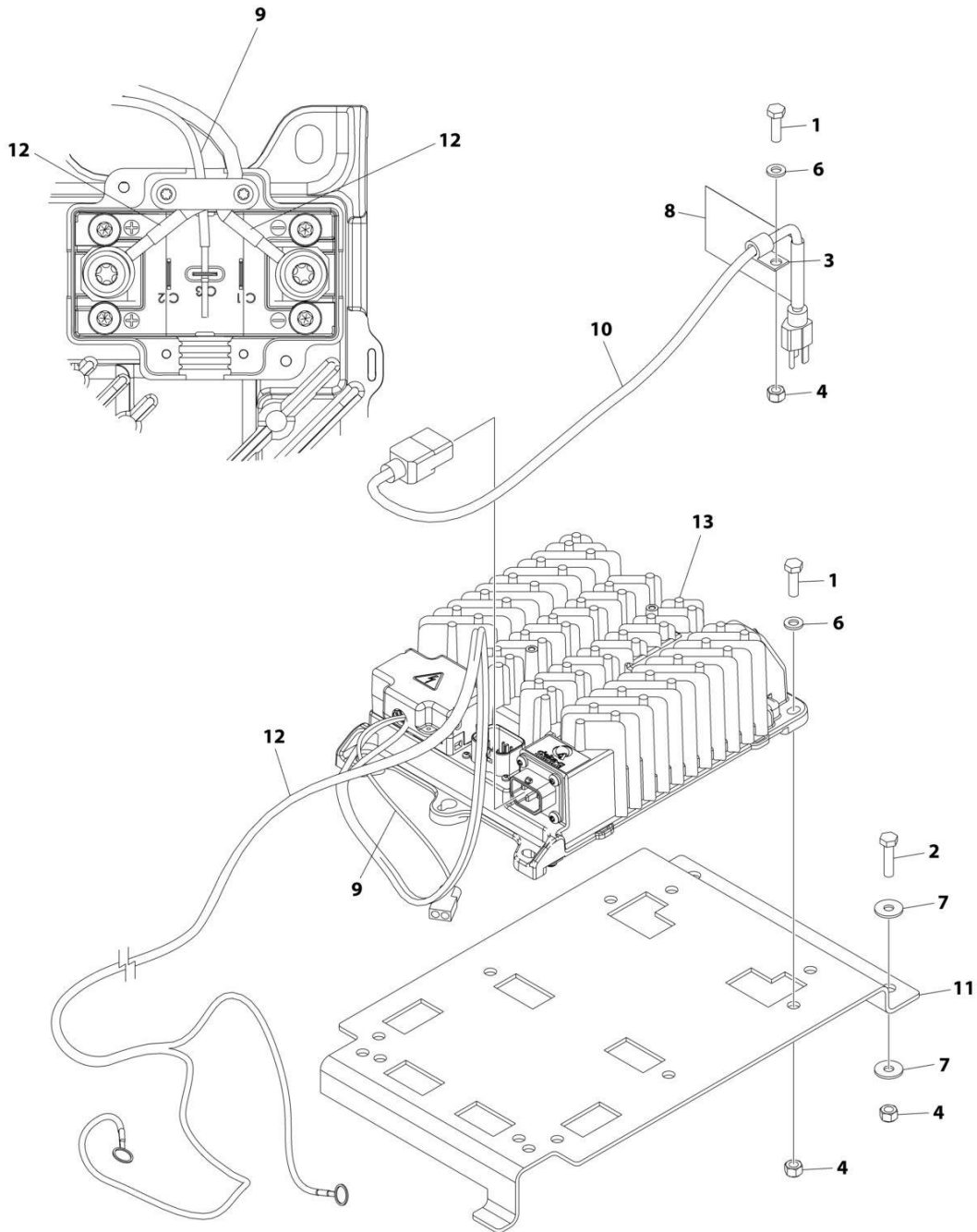
SECTION 1 - FRAME

**FIGURE 1-11. BATTERY CHARGER INSTALLATION - DELTA-Q WITHOUT COMMUNICATION PORT
(110V PLUG)**

ITEM	PART NUMBER	QTY	DESCRIPTION	REV
	1001214214	Ref	BATTERY CHARGER INSTALLATION - DELTA-Q (110V PLUG)	C
2	0760610	5	Bolt M6 x 20	
3	1321293	1	Clamp	
4	3290605	7	Nut M6	
5	4240017	AR	Tie-Strap (Not Shown)	
6	4811700	5	Washer M6	
7	1001102489	1	Decal - Charger Label	
9	1001200561	1	Charger, Battery - Delta-Q	
10	1001215074	1	Battery Charger DC Harness	
11	1001207009	1	Charger Interlock Harness	
11	4460424	1	Receptacle, Female - 2 Position	
11	4460227	2	Pin, Male	
12	1001207970	1	Battery Charger to AC Connection Cable	
13	0760612	2	Bolt M6 x 25	
14	4811702	4	Washer M6	
15	1001214195	1	Bracket	

SECTION 1 - FRAME

FIGURE 1-12. BATTERY CHARGER INSTALLATION - DELTA-Q WITH COMMUNICATION PORT (110V PLUG)



ART_1001253649

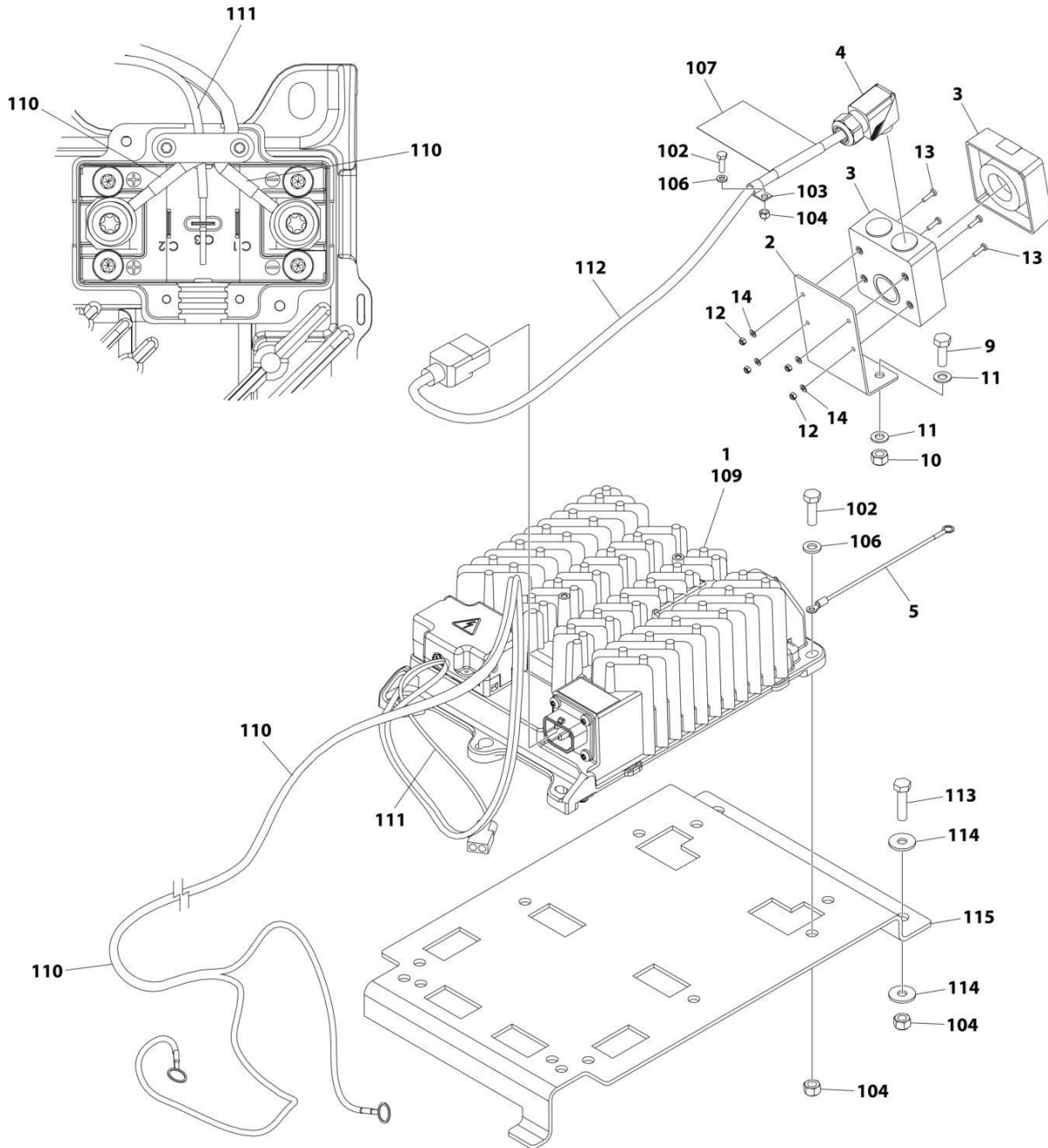
SECTION 1 - FRAME

FIGURE 1-12. BATTERY CHARGER INSTALLATION - DELTA-Q WITH COMMUNICATION PORT (110V PLUG)

ITEM	PART NUMBER	QTY	DESCRIPTION	REV
	1001253649	Ref	BATTERY CHARGER INSTALLATION - DELTA-Q (110V PLUG)	A
1	0760610	5	Bolt M6 x 20	
2	0760612	2	Bolt M6 x 25	
3	1321293	1	Clamp	
4	3290605	7	Nut M6	
5	4240017	AR	Tie-Strap (Not Shown)	
6	4811700	5	Washer M6	
7	4811702	4	Washer M6	
8	1001102489	1	Decal - Charger Label	
9	1001207009	1	Charger Interlock Harness	
9	4460424	1	Receptacle, Female - 2 Position	
9	4460227	2	Pin, Male	
10	1001207970	1	Battery Charger to AC Connection Cable (Note: See SPECIAL OPTIONS for Korean Specs Cable)	
11	1001214195	1	Bracket	
12	1001215074	1	Battery Charger DC Harness	
13	1001253952	1	Charger, Battery - Delta-Q	
14	1001254027	1	Can Splice Harness (Not Shown - See Separate Breakdown in ELECTRICAL SECTION)	
15	1001254028	1	Charger To Battery Harness (Not Shown - See Separate Breakdown in ELECTRICAL SECTION)	

SECTION 1 - FRAME

FIGURE 1-13. BATTERY CHARGER INSTALLATION - DELTA-Q WITHOUT COMMUNICATION PORT (AUSTRALIAN PLUG)



ART_1001244446

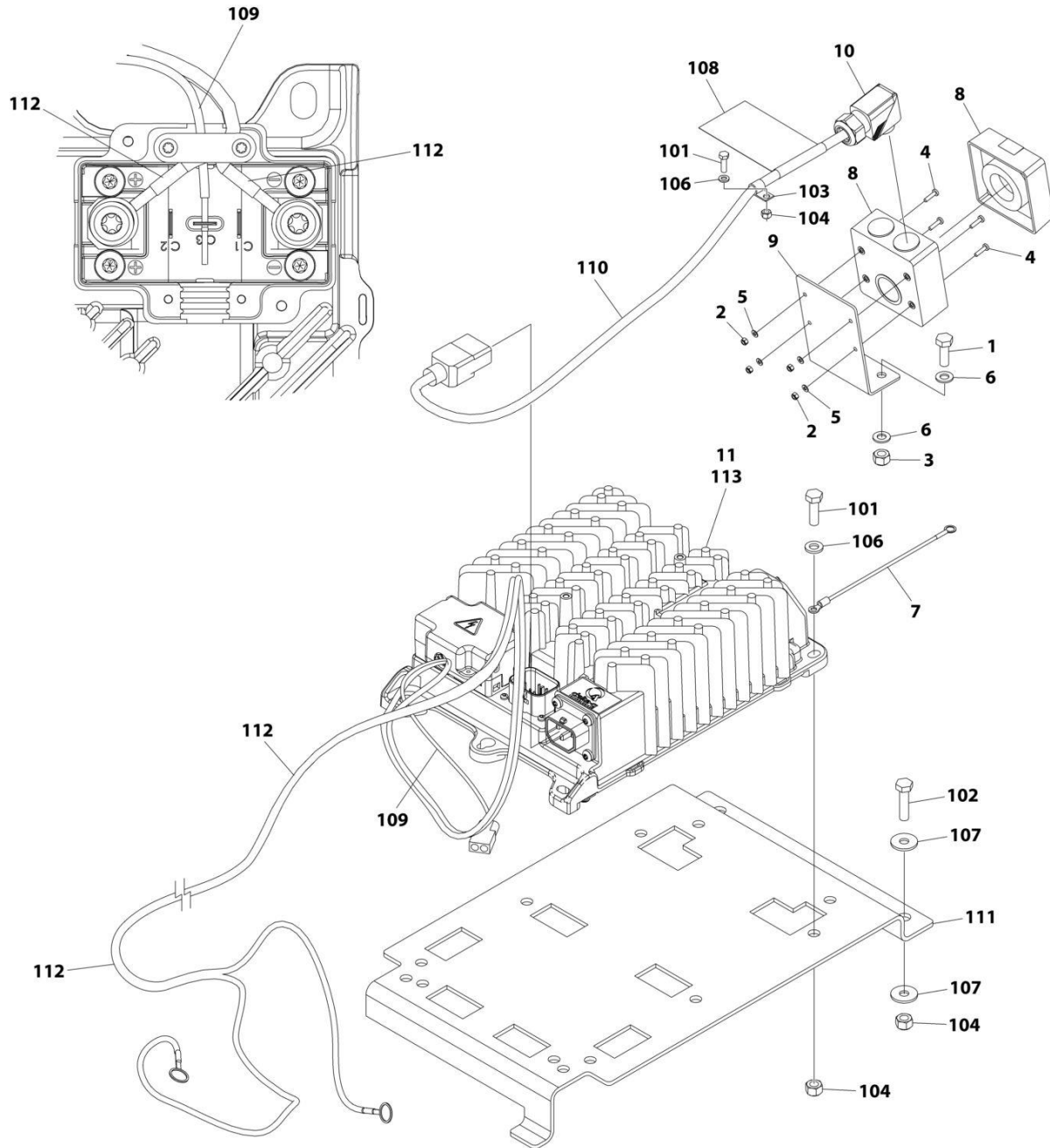
SECTION 1 - FRAME

**FIGURE 1-13. BATTERY CHARGER INSTALLATION - DELTA-Q WITHOUT COMMUNICATION PORT
(AUSTRALIAN PLUG)**

ITEM	PART NUMBER	QTY	DESCRIPTION	REV
	1001244446	Ref	BATTERY CHARGER INSTALLATION - DELTA-Q (AUSTRALIAN PLUG)	A
1	1001218851	Ref	Battery Charger Installation (See Items 102-115 for Breakdown)	
2	1001234397	1	Bracket	
3	1001227267	1	Socket, Electrical - Australian	
4	1001245917	1	Connector, Strain Relief - 90	
5	1001227219	1	Harness, Ground	
9	0761014	2	Bolt M10 x 30	
10	3291005	2	Nut M10	
11	4812000	4	Washer M10	
12	3290405	4	Nut M4	
13	4010408	4	Screw M4 x 16	
14	4811400	4	Washer M4	
	1001218851	Ref	BATTERY CHARGER INSTALLATION - DELTA-Q	C
102	0760610	5	Bolt M6 x 20	
103	1321293	1	Clamp	
104	3290605	7	Nut M6	
105	4240017	AR	Tie-Strap (Not Shown)	
106	4811700	5	Washer M6	
107	1001102489	1	Decal - Charger Label	
109	1001200561	1	Charger, Battery - Delta-Q	
110	1001215074	1	Battery Charger DC Harness	
111	1001207009	1	Charger Interlock Harness	
111	4460424	1	Receptacle, Female - 2 Position	
111	4460227	2	Pin, Male	
112	1001207974	1	Battery Charger to AC Connection Cable	
113	0760612	2	Bolt M6 x 25	
114	4811702	4	Washer M6	
115	1001214195	1	Bracket	

SECTION 1 - FRAME

FIGURE 1-14. BATTERY CHARGER INSTALLATION - DELTA-Q WITH COMMUNICATION PORT (AUSTRALIAN PLUG)



ART_1001253652

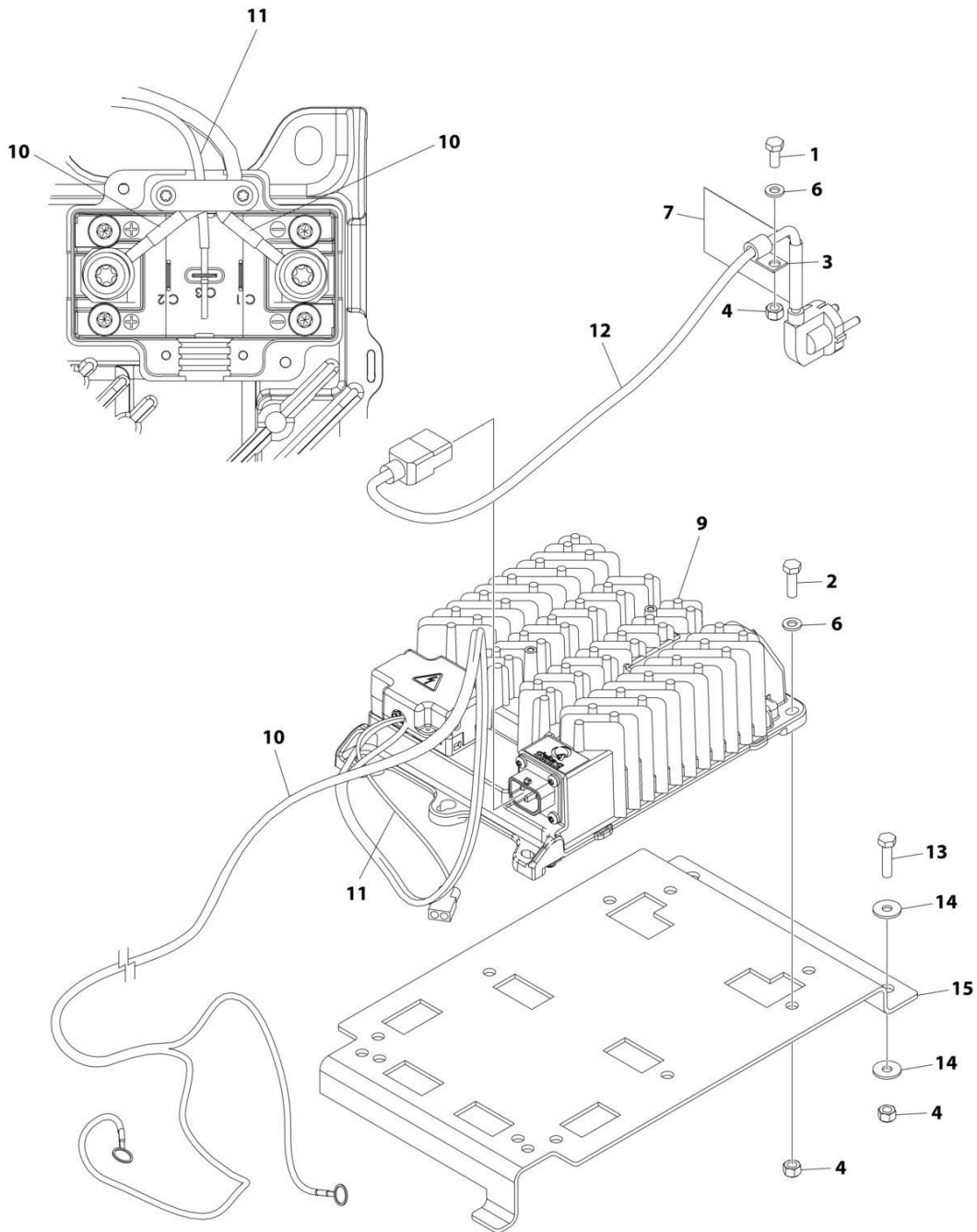
SECTION 1 - FRAME

**FIGURE 1-14. BATTERY CHARGER INSTALLATION - DELTA-Q WITH COMMUNICATION PORT
(AUSTRALIAN PLUG)**

ITEM	PART NUMBER	QTY	DESCRIPTION	REV
	1001253652	Ref	BATTERY CHARGER INSTALLATION - DELTA-Q (AUSTRALIAN PLUG)	A
1	0761014	2	Bolt M10 x 30	
2	3290405	4	Nut M4	
3	3291005	2	Nut M10	
4	4010408	4	Screw M4 x 16	
5	4811400	4	Washer M4	
6	4812000	4	Washer M10	
7	1001227219	1	Harness, Ground	
8	1001227267	1	Socket, Electrical - Australian	
9	1001234397	1	Bracket	
10	1001245917	1	Connector, Strain Relief - 90	
11	1001253650	Ref	Battery Charger Installation (See Items 101-115 for Breakdown)	
	1001253650	Ref	BATTERY CHARGER INSTALLATION - DELTA-Q	A
101	0760610	5	Bolt M6 x 20	
102	0760612	2	Bolt M6 x 25	
103	1321293	1	Clamp	
104	3290605	7	Nut M6	
105	4240017	AR	Tie-Strap (Not Shown)	
106	4811700	5	Washer M6	
107	4811702	4	Washer M6	
108	1001102489	1	Decal - Charger Label	
109	1001207009	1	Charger Interlock Harness	
109	4460424	1	Receptacle, Female - 2 Position	
109	4460227	2	Pin, Male	
110	1001207974	1	Battery Charger to AC Connection Cable	
111	1001214195	1	Bracket	
112	1001215074	1	Battery Charger DC Harness	
113	1001253952	1	Charger, Battery - Delta-Q	
114	1001254027	1	Can Splice Harness (Not Shown - See Separate Breakdown in ELECTRICAL SECTION)	
115	1001254028	1	Charger To Battery Harness (Not Shown - See Separate Breakdown in ELECTRICAL SECTION)	

SECTION 1 - FRAME

FIGURE 1-15. BATTERY CHARGER INSTALLATION - DELTA-Q WITHOUT COMMUNICATION PORT (KOREAN PLUG)



ART_1001226422

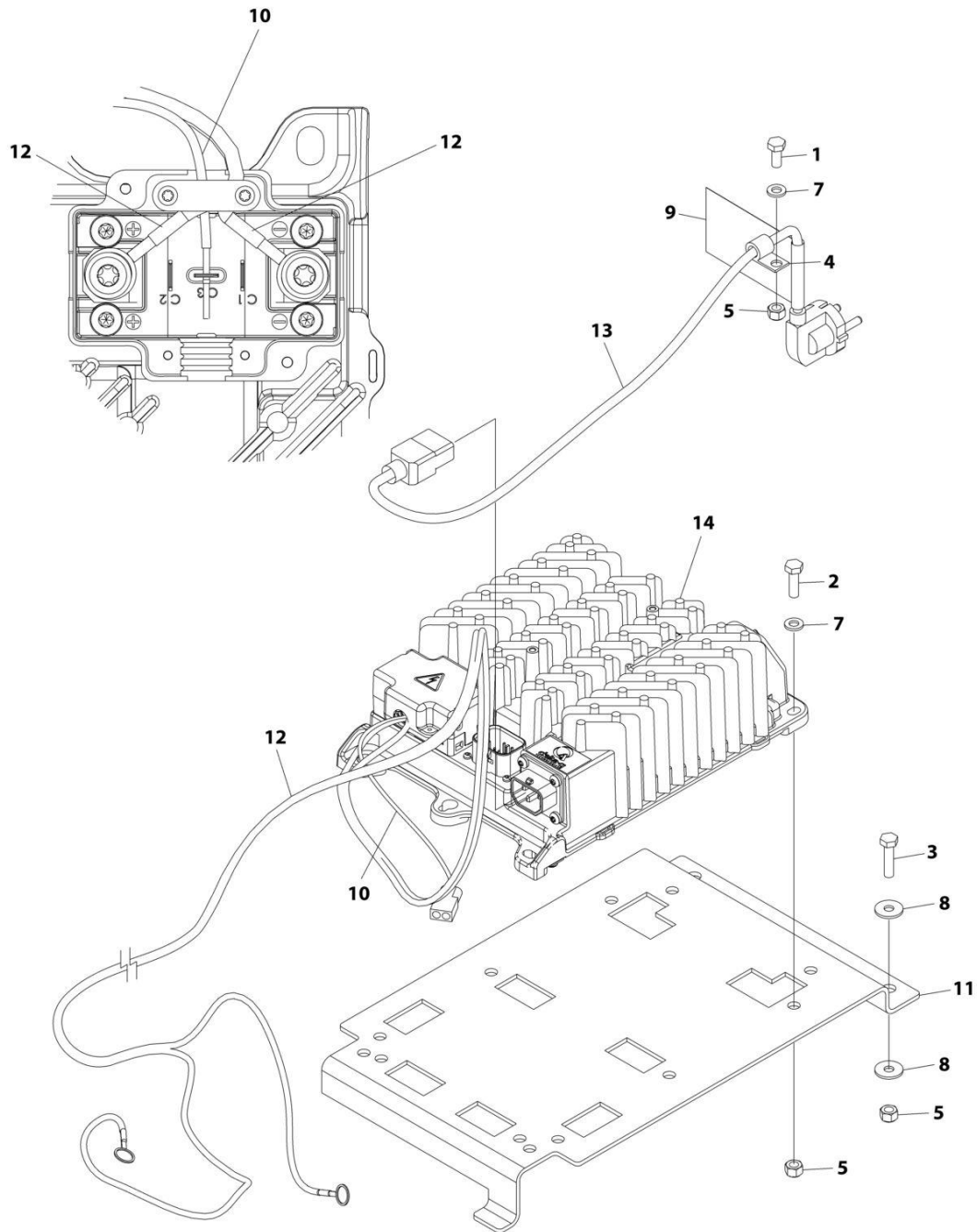
SECTION 1 - FRAME

**FIGURE 1-15. BATTERY CHARGER INSTALLATION - DELTA-Q WITHOUT COMMUNICATION PORT
(KOREAN PLUG)**

ITEM	PART NUMBER	QTY	DESCRIPTION	REV
	1001226422	Ref	BATTERY CHARGER INSTALLATION - DELTA-Q (KOREAN PLUG)	A
1	0760607	1	Bolt M6 x 14	
2	0760610	4	Bolt M6 x 20	
3	1321293	1	Clamp	
4	3290605	7	Nut M6	
5	4240017	AR	Tie-Strap (Not Shown)	
6	4811700	5	Washer M6	
7	1001102489	1	Decal - Charger Label	
9	1001200561	1	Charger, Battery - Delta-Q	
10	1001215074	1	Battery Charger DC Harness	
11	1001207009	1	Charger Interlock Harness	
11	4460424	1	Receptacle, Female - 2 Position	
11	4460227	2	Pin, Male	
12	1001221949	1	Battery Charger to AC Connection Cable	
13	0760612	2	Bolt M6 x 25	
14	4811702	4	Washer M6	
15	1001214195	1	Bracket	

SECTION 1 - FRAME

FIGURE 1-16. BATTERY CHARGER INSTALLATION - DELTA-Q WITH COMMUNICATION PORT (KOREAN PLUG)



ART_1001253651

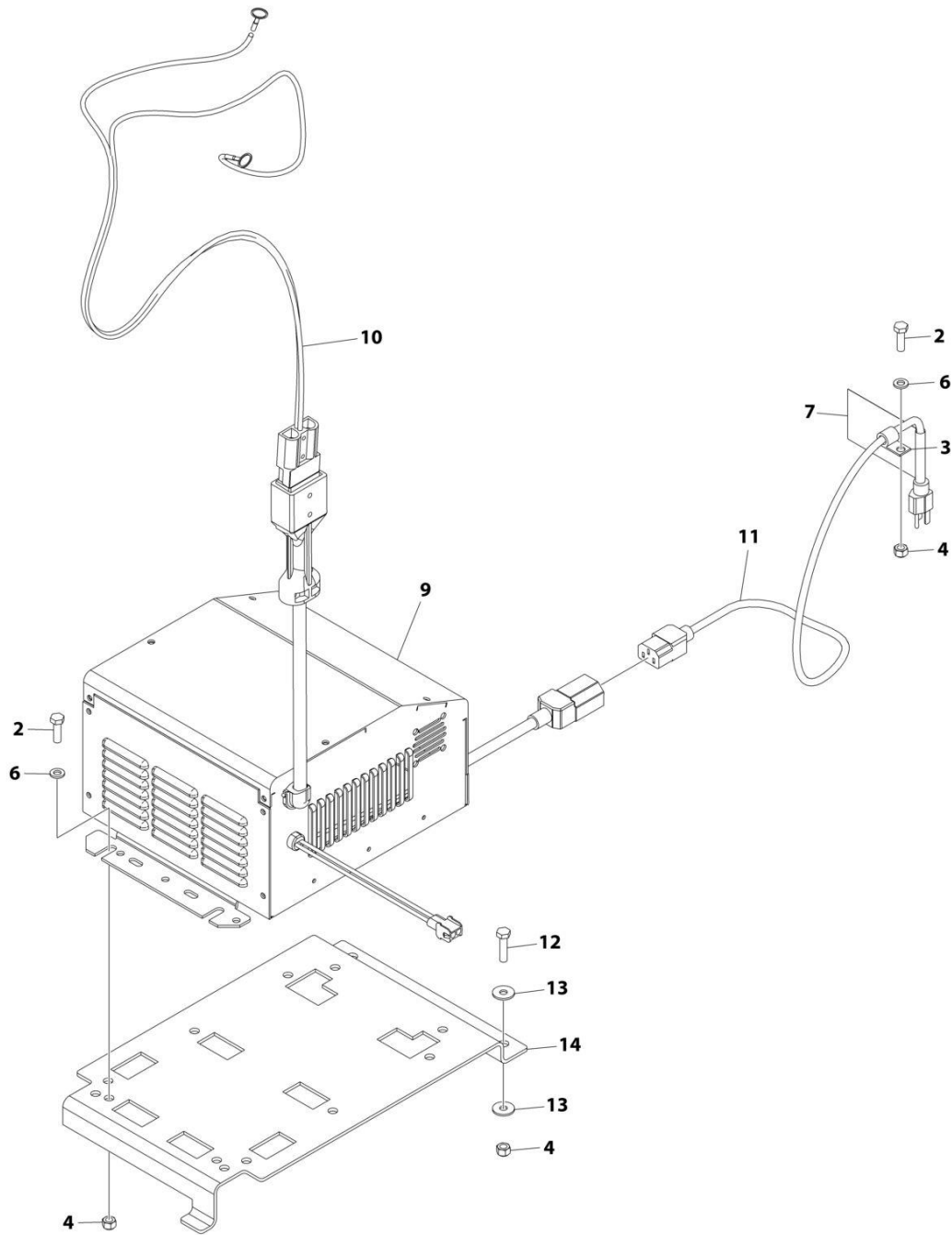
SECTION 1 - FRAME

**FIGURE 1-16. BATTERY CHARGER INSTALLATION - DELTA-Q WITH COMMUNICATION PORT
(KOREAN PLUG)**

ITEM	PART NUMBER	QTY	DESCRIPTION	REV
	1001253651	Ref	BATTERY CHARGER INSTALLATION - DELTA-Q (KOREAN PLUG)	A
1	0760607	1	Bolt M6 x 14	
2	0760610	4	Bolt M6 x 20	
3	0760612	2	Bolt M6 x 25	
4	1321293	1	Clamp	
5	3290605	7	Nut M6	
6	4240017	AR	Tie-Strap (Not Shown)	
7	4811700	5	Washer M6	
8	4811702	4	Washer M6	
9	1001102489	1	Decal - Charger Label	
10	1001207009	1	Charger Interlock Harness	
10	4460424	1	Receptacle, Female - 2 Position	
10	4460227	2	Pin, Male	
11	1001214195	1	Bracket	
12	1001215074	1	Battery Charger DC Harness	
13	1001221949	1	Battery Charger to AC Connection Cable (Note: See SPECIAL OPTIONS for Korean Specs Cable)	
14	1001253952	1	Charger, Battery - Delta-Q	
15	1001254027	1	Can Splice Harness (Not Shown - See Separate Breakdown in ELECTRICAL SECTION)	
16	1001254028	1	Charger To Battery Harness (Not Shown - See Separate Breakdown in ELECTRICAL SECTION)	

SECTION 1 - FRAME

FIGURE 1-17. BATTERY CHARGER INSTALLATION - EAGLE PERFORMANCE (110V PLUG)



ART_1001219077

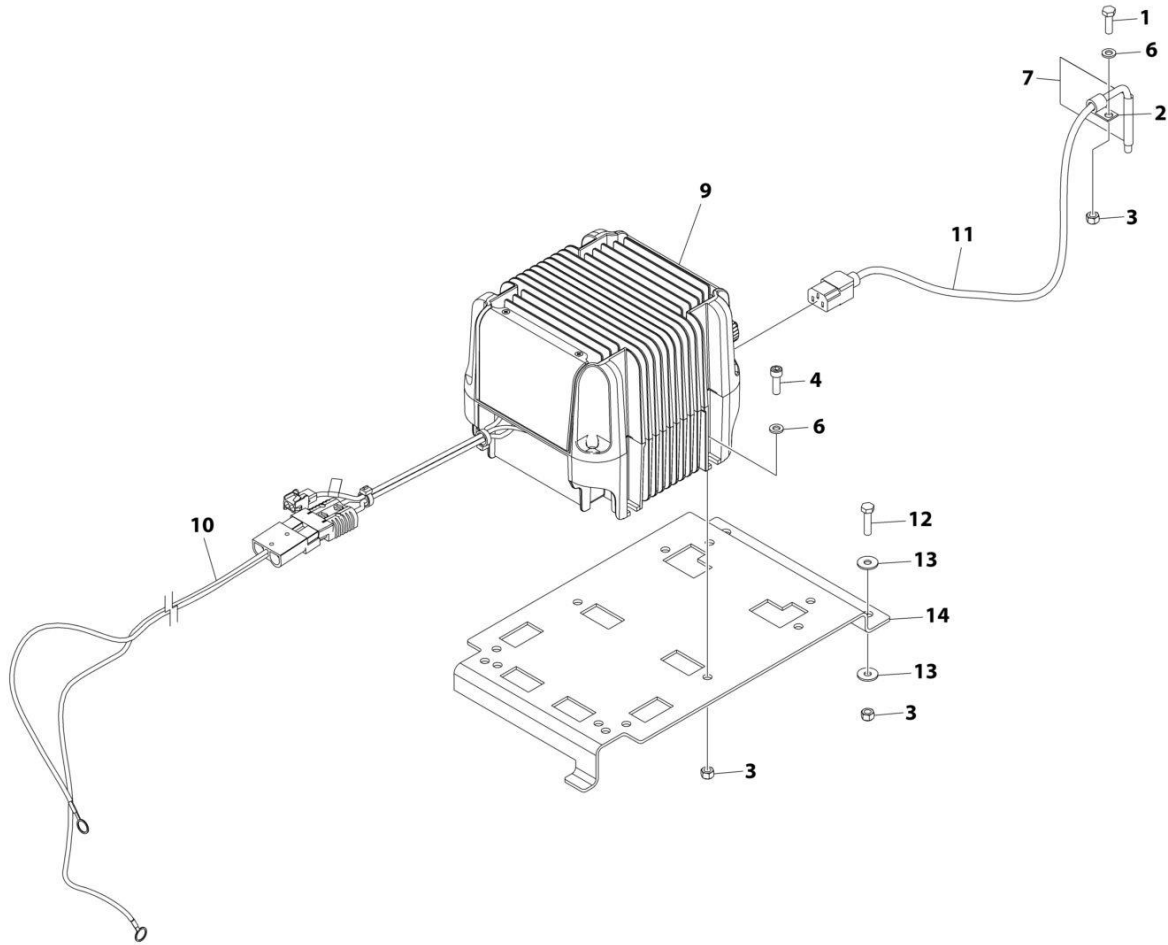
SECTION 1 - FRAME

FIGURE 1-17. BATTERY CHARGER INSTALLATION - EAGLE PERFORMANCE (110V PLUG)

ITEM	PART NUMBER	QTY	DESCRIPTION	REV
	1001219077	Ref	BATTERY CHARGER INSTALLATION - EAGLE PERFORMANCE (110V PLUG)	C
2	0760610	5	Bolt M6 x 20	
3	1321293	1	Clamp	
4	3290605	7	Nut M6	
5	4240017	AR	Tie-Strap (Not Shown)	
6	4811700	5	Washer M6	
7	1001102489	1	Decal - Charger Label	
9	1001206995	1	Charger, Battery - Eagle Performance	
10	1001215075	1	Battery Charger DC Connection Harness	
11	1001207970	1	Battery Charger to AC Connection Cable	
12	0760612	2	Bolt M6 x 25	
13	4811702	4	Washer M6	
14	1001214195	1	Bracket	

SECTION 1 - FRAME

FIGURE 1-18. BATTERY CHARGER INSTALLATION - GREEN POWER (LOCALLY SUPPLIED PLUG)



ART_1001218989

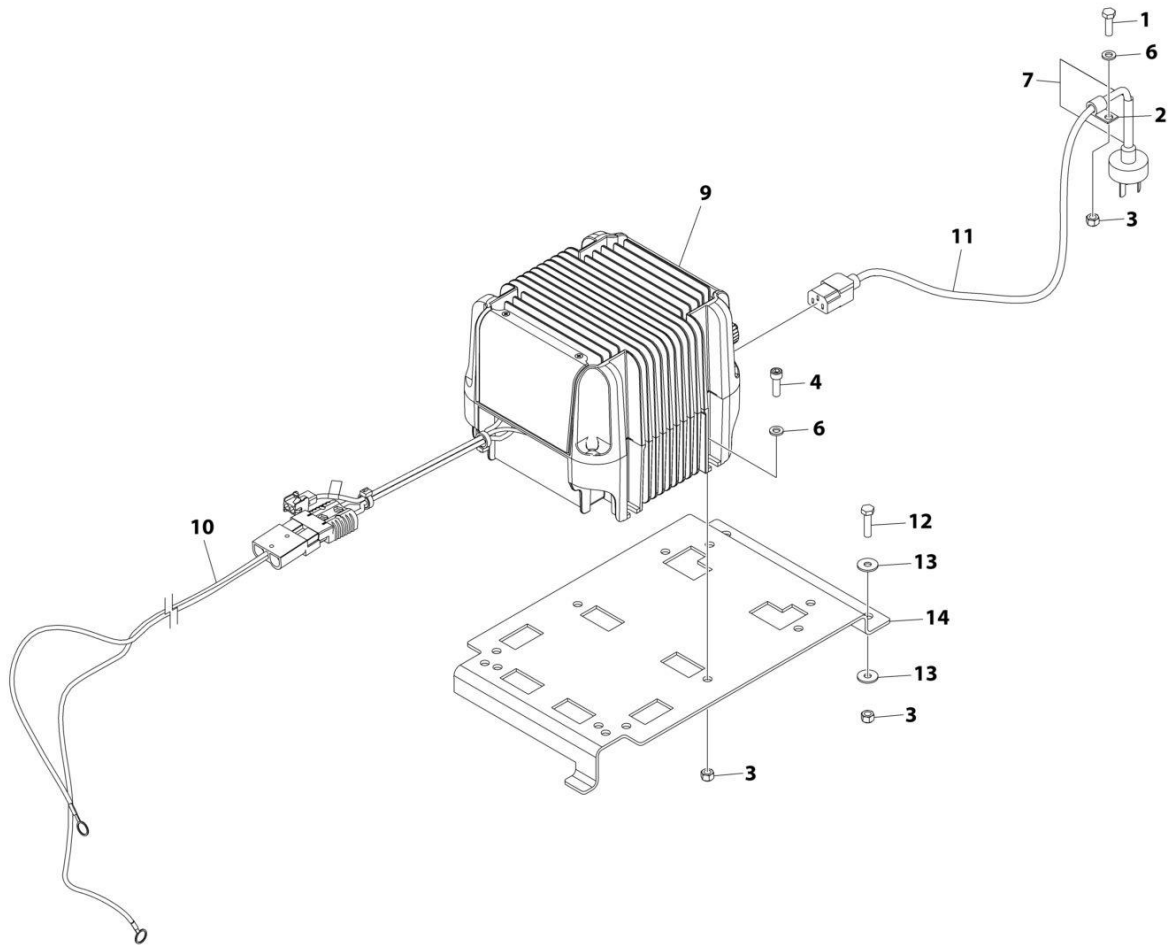
SECTION 1 - FRAME

FIGURE 1-18. BATTERY CHARGER INSTALLATION - GREEN POWER (LOCALLY SUPPLIED PLUG)

ITEM	PART NUMBER	QTY	DESCRIPTION	REV
	1001218989	Ref	BATTERY CHARGER INSTALLATION - GREEN POWER (LOCALLY SUPPLIED PLUG)	C
1	0760610	1	Bolt M6 x 20	
2	1321293	1	Clamp	
3	3290605	7	Nut M6	
4	4031708	4	Capscrew M6 x 20	
5	4240017	AR	Tie-Strap (Not Shown)	
6	4811700	5	Washer M6	
7	1001102489	1	Decal - Charger Label	
9	1001205598	1	Charger, Battery - Green Power	
10	1001215075	1	Battery Charger DC Connection Harness	
11	1001207974	1	Battery Charger to AC Connection Cable (Note: See SPECIAL OPTIONS for Korean Specs Cable)	
12	0760612	2	Bolt M6 x 25	
13	4811702	4	Washer M6	
14	1001214195	1	Bracket	

SECTION 1 - FRAME

FIGURE 1-19. BATTERY CHARGER INSTALLATION - GREEN POWER (CHINA PLUG)



ART_1001218933

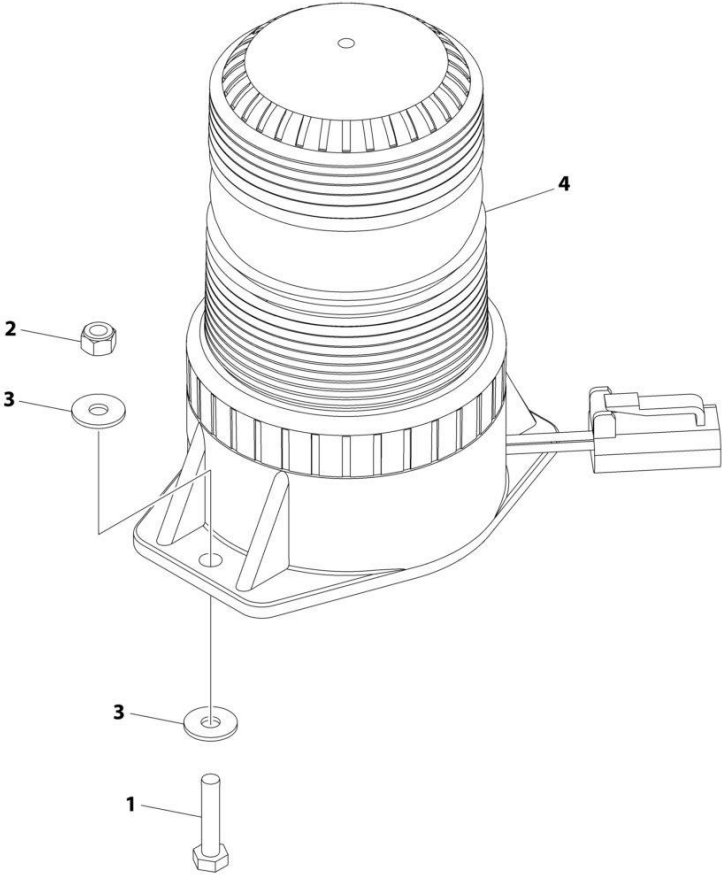
SECTION 1 - FRAME

FIGURE 1-19. BATTERY CHARGER INSTALLATION - GREEN POWER (CHINA PLUG)

ITEM	PART NUMBER	QTY	DESCRIPTION	REV
	1001218933	Ref	BATTERY CHARGER INSTALLATION - GREEN POWER (CHINA PLUG)	C
1	0760610	1	Bolt M6 x 20	
2	1321293	1	Clamp	
3	3290605	7	Nut M6	
4	4031708	4	Capscrew M6 x 20	
5	4240017	AR	Tie-Strap (Not Shown)	
6	4811700	5	Washer M6	
7	1001102489	1	Decal - Charger Label	
9	1001205598	1	Charger, Battery - Green Power	
10	1001215075	1	Battery Charger DC Connection Harness	
11	1001207973	1	Battery Charger to AC Connection Cable (Note: See SPECIAL OPTIONS for Korean Specs Cable)	
12	0760612	2	Bolt M6 x 25	
13	4811702	4	Washer M6	
14	1001214195	1	Bracket	

SECTION 1 - FRAME

FIGURE 1-20. STROBE LIGHT INSTALLATION - SINGLE ECCO BRAND (AMBER) (WITHOUT GUARD)



ART_1001214211

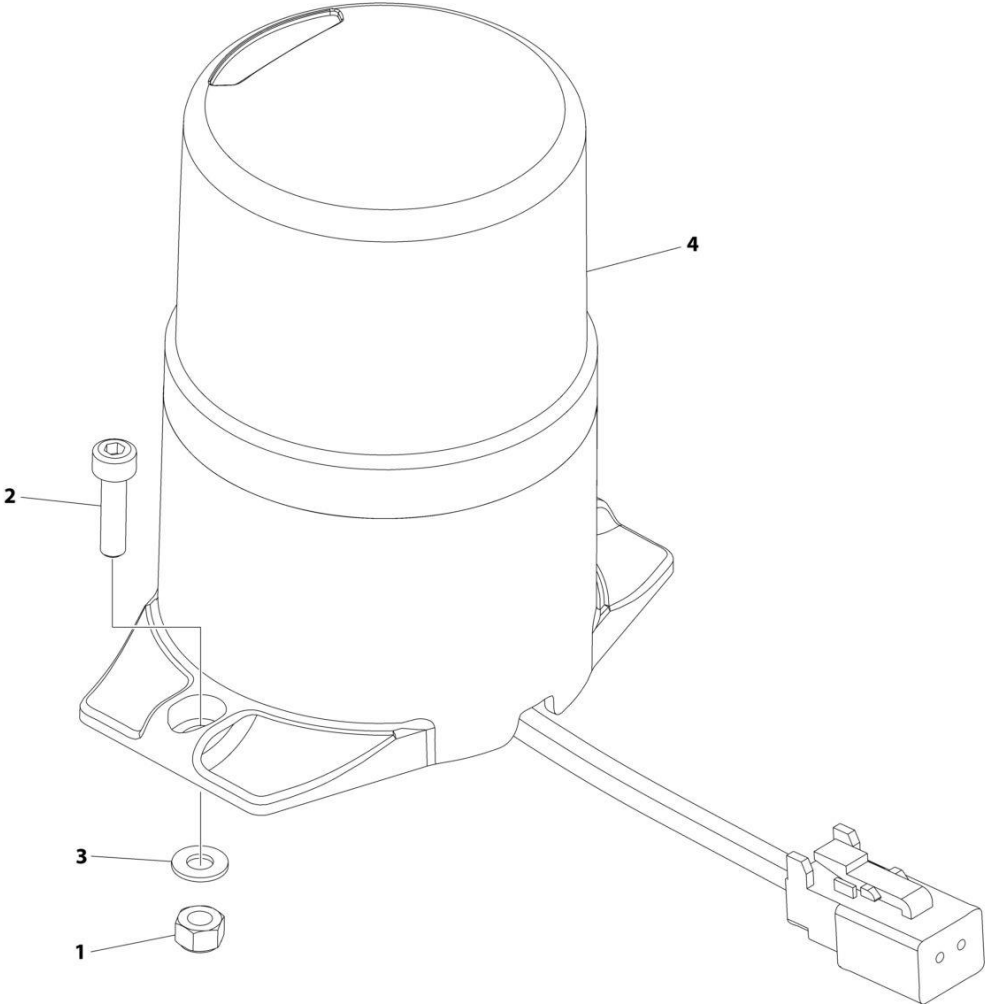
SECTION 1 - FRAME

FIGURE 1-20. STROBE LIGHT INSTALLATION - SINGLE ECCO BRAND (AMBER) (WITHOUT GUARD)

ITEM	PART NUMBER	QTY	DESCRIPTION	REV
	1001214211	Ref	STROBE LIGHT INSTALLATION - SINGLE (AMBER) (WITHOUT GUARD)	B
1	0700410	2	Bolt M4 x 20	
2	3290405	2	Nut M4	
3	1001091102	4	Washer M4	
4	1001191139	1	Light, Strobe (Amber)	
4	4460891	1	Plug, Male - 2 Position	
4	4460465	2	Socket, Female	

SECTION 1 - FRAME

FIGURE 1-21. STROBE LIGHT INSTALLATION - SINGLE SAMMOON BRAND (WITHOUT GUARD)



ART_1001238862

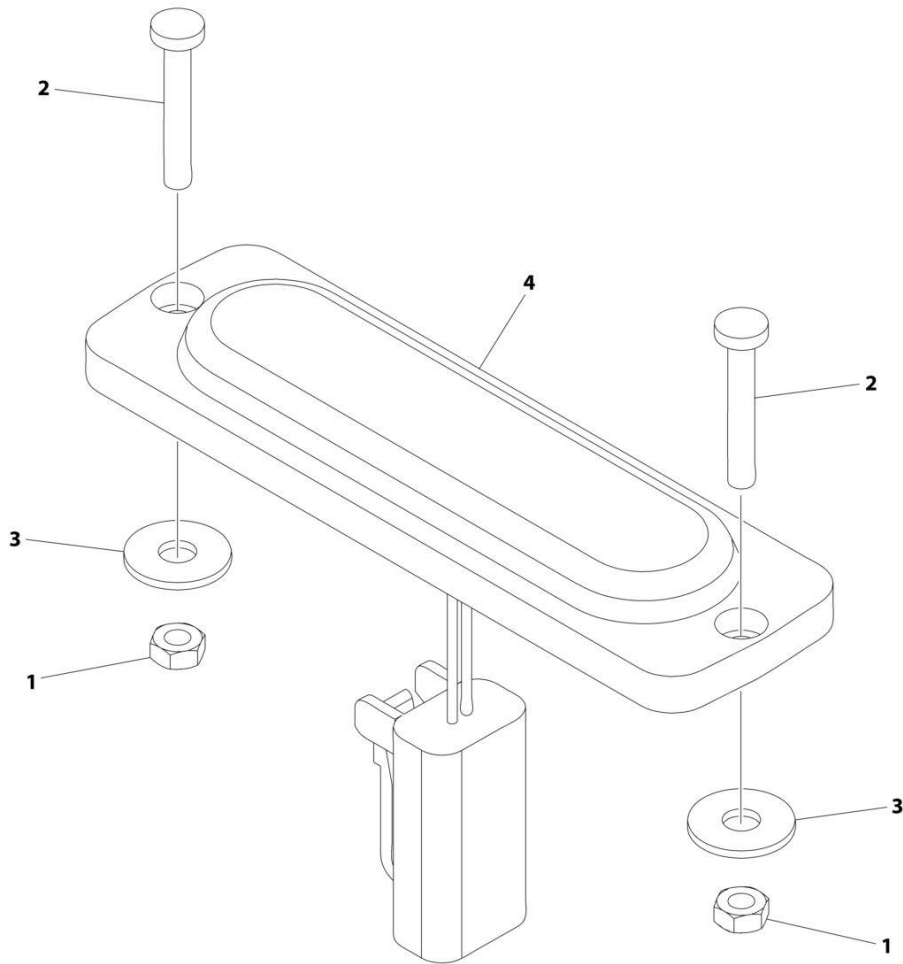
SECTION 1 - FRAME

FIGURE 1-21. STROBE LIGHT INSTALLATION - SINGLE SAMMOON BRAND (WITHOUT GUARD)

ITEM	PART NUMBER	QTY	DESCRIPTION	REV
	1001238862	Ref	STROBE LIGHT INSTALLATION - SINGLE (WITHOUT GUARD)	A
1	3290405	2	Nut M4	
2	4031507	2	Bolt M4 x 16	
3	4811400	2	Washer M4	
4	1001233479	1	Light, Strobe	
4	4460891	1	Plug, Male - 2 Position	
4	4460465	2	Socket, Female	

SECTION 1 - FRAME

FIGURE 1-22. STROBE LIGHT INSTALLATION - SINGLE SLIM (AMBER) (WITHOUT GUARD)



ART_1001242988

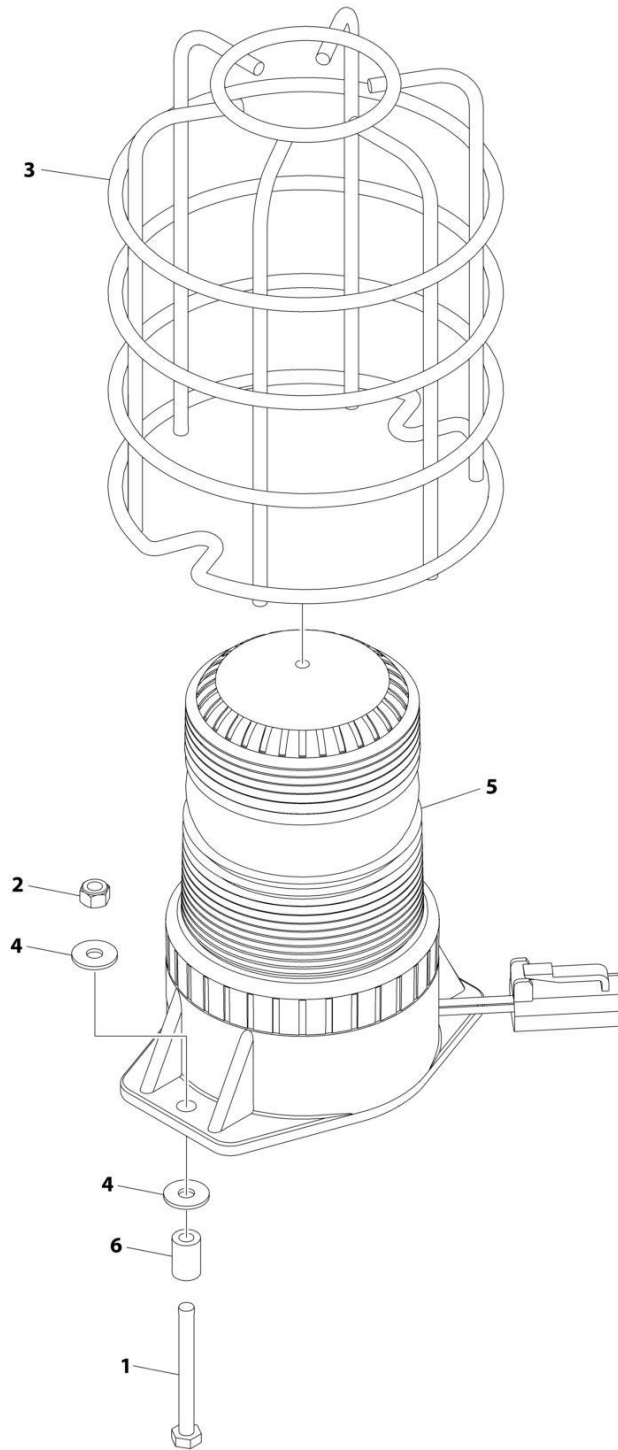
SECTION 1 - FRAME

FIGURE 1-22. STROBE LIGHT INSTALLATION - SINGLE SLIM (AMBER) (WITHOUT GUARD)

ITEM	PART NUMBER	QTY	DESCRIPTION	REV
	1001242988	Ref	STROBE LIGHT INSTALLATION - SINGLE (AMBER) (WITHOUT GUARD)	C
1	3290305	2	Nut M3	
2	4010310	2	Screw M3 x 20	
3	1001091102	2	Washer M4	
4	1001239224	1	Light, Strobe	
4	4460891	1	Plug, Male - 2 Position	
4	4460465	2	Socket, Female	

SECTION 1 - FRAME

FIGURE 1-23. STROBE LIGHT INSTALLATION - SINGLE ECCO BRAND (AMBER) (WITH GUARD)



ART_1001219596

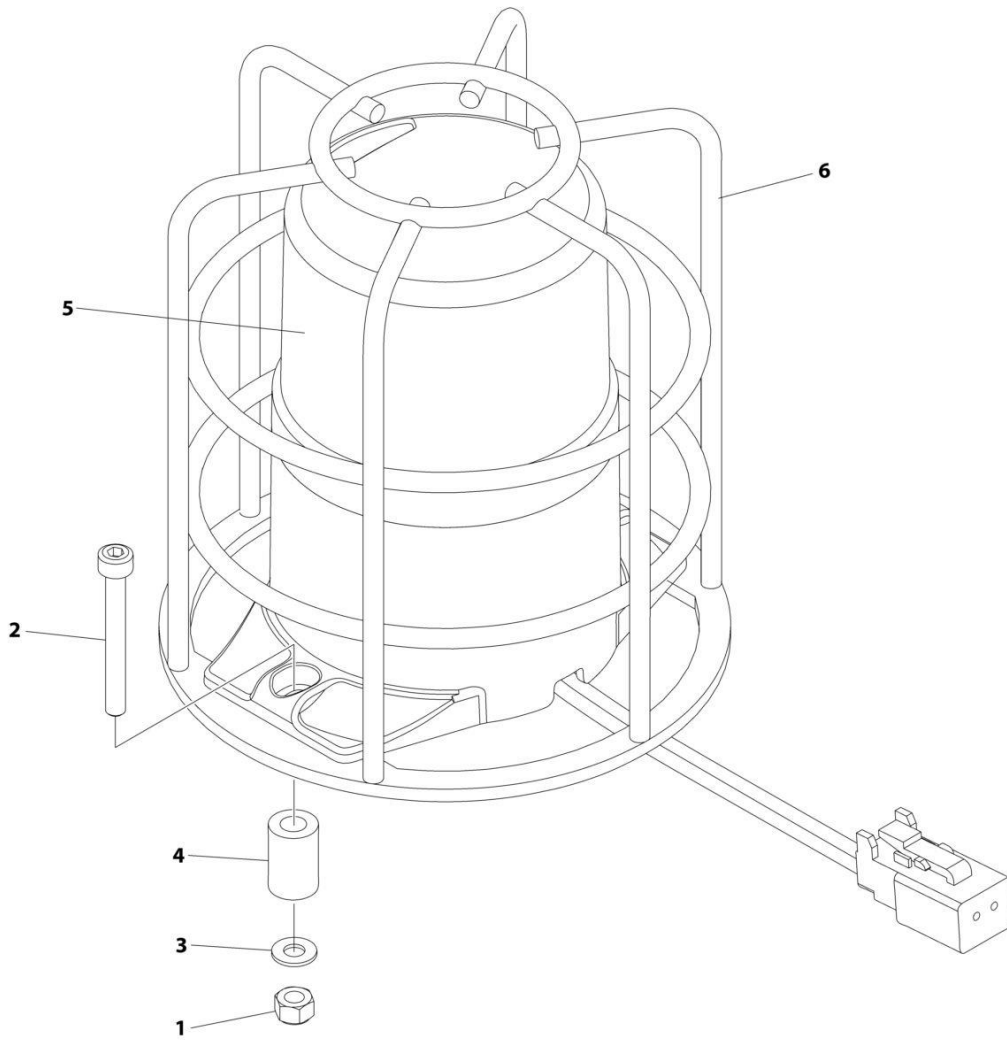
SECTION 1 - FRAME

FIGURE 1-23. STROBE LIGHT INSTALLATION - SINGLE ECCO BRAND (AMBER) (WITH GUARD)

ITEM	PART NUMBER	QTY	DESCRIPTION	REV
	1001219596	Ref	STROBE LIGHT INSTALLATION - SINGLE (AMBER) (WITH GUARD)	B
1	0700416	2	Bolt M4 x 40	
2	3290405	2	Nut M4	
3	4060865	1	Guard	
4	1001091102	4	Washer M4	
5	1001191139	1	Light, Strobe (Amber)	
5	4460891	1	Plug, Male - 2 Position	
5	4460465	2	Socket, Female	
6	1001220766	2	Sleeve	

SECTION 1 - FRAME

FIGURE 1-24. STROBE LIGHT INSTALLATION - SINGLE SAMMOON BRAND (WITH GUARD)



ART_1001238864

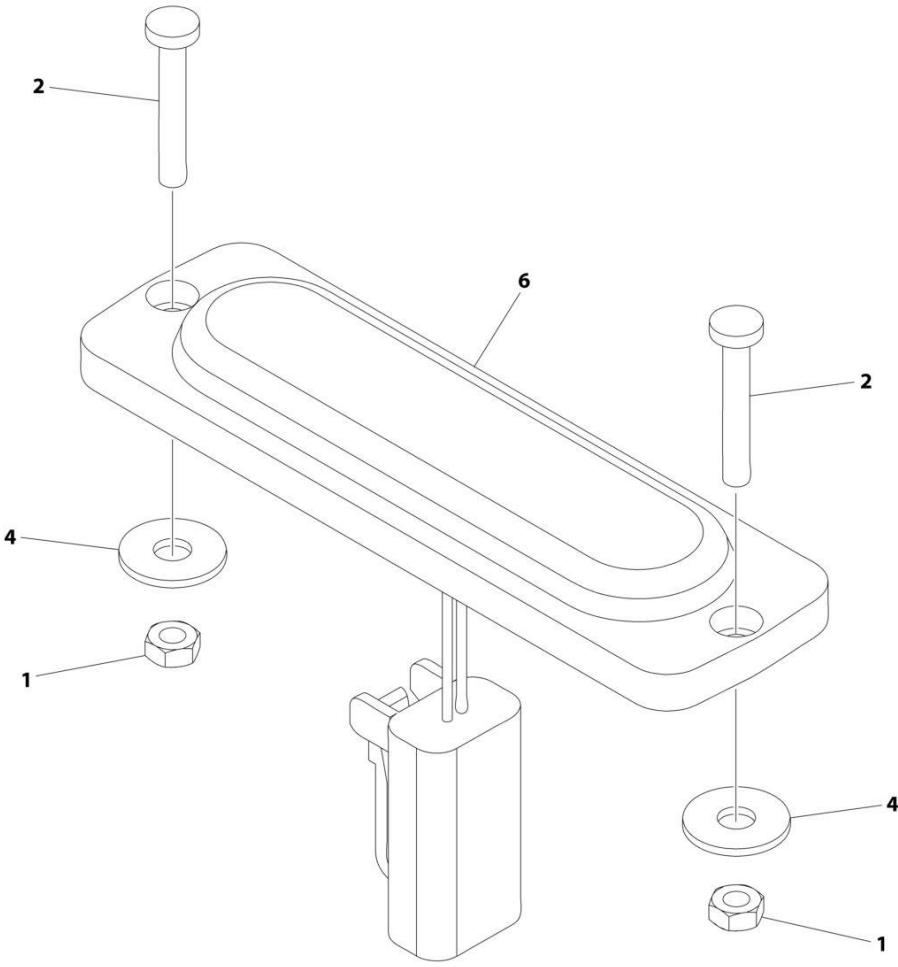
SECTION 1 - FRAME

FIGURE 1-24. STROBE LIGHT INSTALLATION - SINGLE SAMMOON BRAND (WITH GUARD)

ITEM	PART NUMBER	QTY	DESCRIPTION	REV
	1001238864	Ref	STROBE LIGHT INSTALLATION - SINGLE (WITH GUARD)	A
1	3290405	2	Nut M4	
2	4031511	2	Bolt M4 x 35	
3	4811400	2	Washer M4	
4	1001220766	2	Sleeve	
5	1001233479	1	Light, Strobe	
5	4460891	1	Plug, Male - 2 Position	
5	4460465	1	Socket, Female	
6	1001233998	1	Guard	

SECTION 1 - FRAME

FIGURE 1-25. STROBE LIGHT INSTALLATION - SINGLE SLIM (AMBER) (WITH GUARD)



ART_1001242989

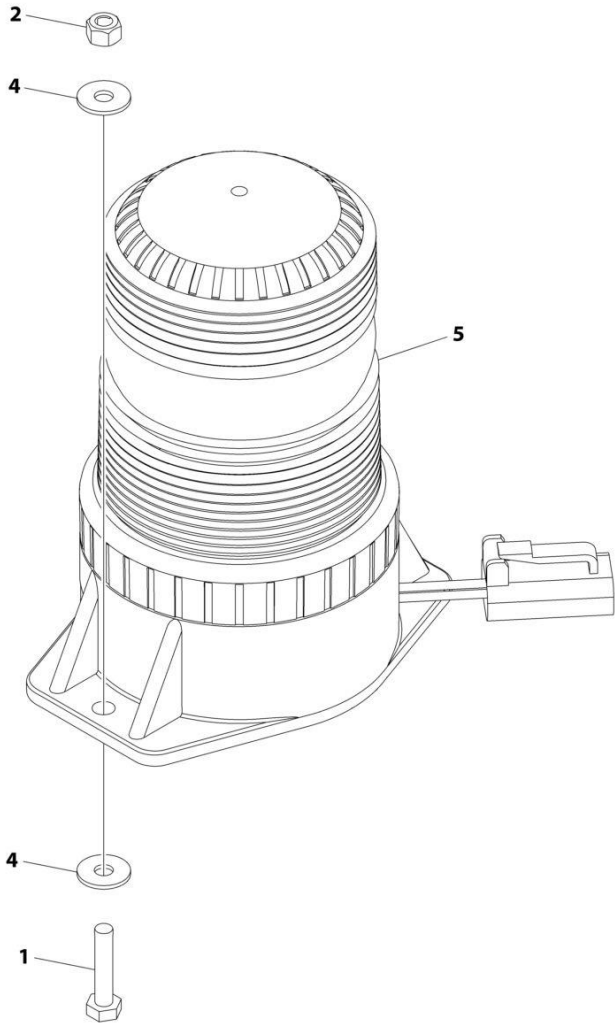
SECTION 1 - FRAME

FIGURE 1-25. STROBE LIGHT INSTALLATION - SINGLE SLIM (AMBER) (WITH GUARD)

ITEM	PART NUMBER	QTY	DESCRIPTION	REV
	1001242989	Ref	STROBE LIGHT INSTALLATION - DUAL (AMBER) (WITHOUT GUARD)	C
1	3290305	4	Nut M3	
2	4010310	4	Screw M3 x 20	
3	4240018	AR	Tie-Strap (Not Shown)	
4	1001091102	4	Washer M4	
5	1001215216	1	Strobe Light Jumper Harness (Not Shown)	
5	4460897	2	Receptacle, Female - 2 Position	
5	4460464	4	Pin, Male	
5	4460891	1	Plug, Male - 2 Position	
5	4460465	2	Socket, Female	
6	1001239224	2	Light, Strobe	
6	4460891	1	Plug, Male - 2 Position	
6	4460465	2	Socket, Female	

SECTION 1 - FRAME

FIGURE 1-26. STROBE LIGHT INSTALLATION - DUAL ECCO BRAND (AMBER) (WITHOUT GUARD)



ART_1001214212

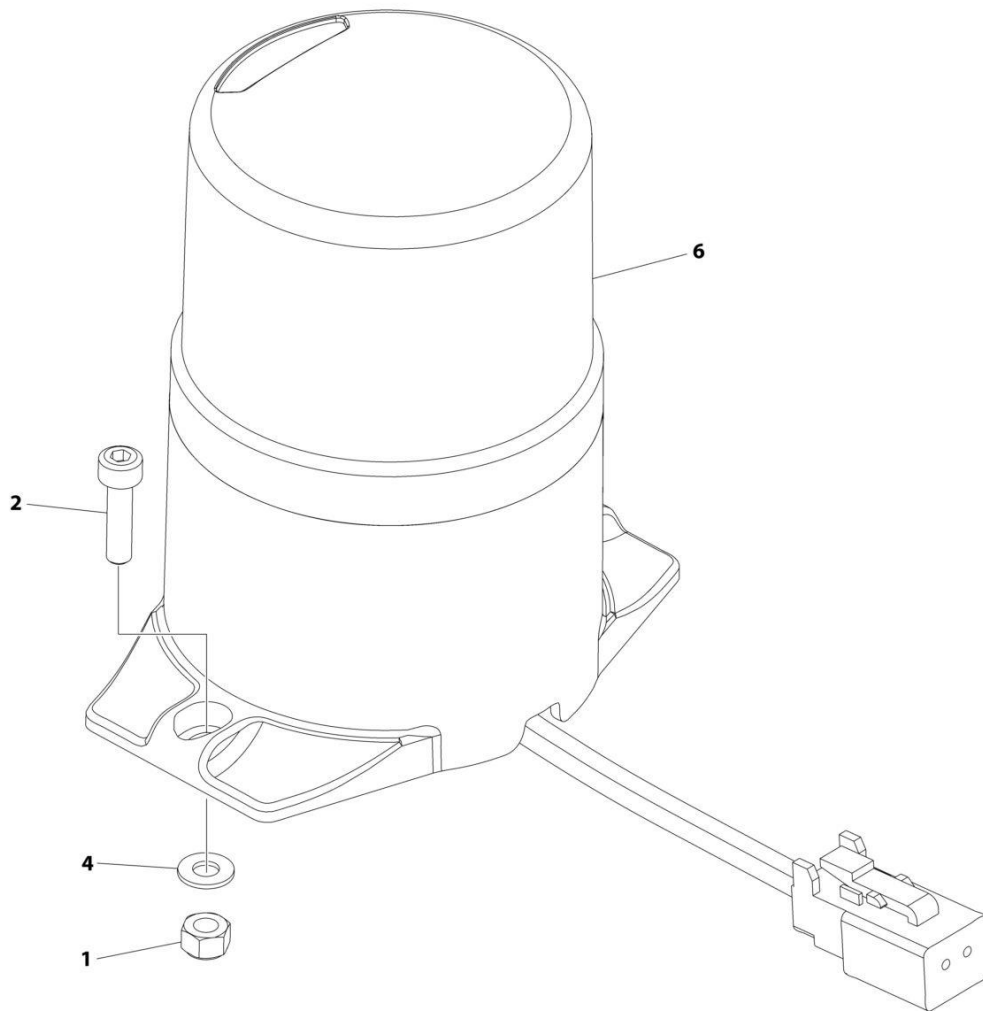
SECTION 1 - FRAME

FIGURE 1-26. STROBE LIGHT INSTALLATION - DUAL ECCO BRAND (AMBER) (WITHOUT GUARD)

ITEM	PART NUMBER	QTY	DESCRIPTION	REV
	1001214212	Ref	STROBE LIGHT INSTALLATION - DUAL (AMBER) (WITHOUT GUARD)	B
1	0700410	4	Bolt M4 x 20	
2	3290405	4	Nut M4	
3	4240018	4	Tie-Strap (Not Shown)	
4	1001091102	8	Washer M4	
5	1001191139	2	Light, Strobe (Amber)	
5	4460891	1	Plug, Male - 2 Position	
5	4460465	2	Socket, Female	
6	1001215216	1	Strobe Light Jumper Harness (Not Shown)	
6	4460897	2	Receptacle, Female - 2 Position	
6	4460464	4	Pin, Male	
6	4460891	1	Plug, Male - 2 Position	
6	4460465	2	Socket, Female	

SECTION 1 - FRAME

FIGURE 1-27. STROBE LIGHT INSTALLATION - DUAL SAMMOON BRAND (WITHOUT GUARD)



ART_1001238863

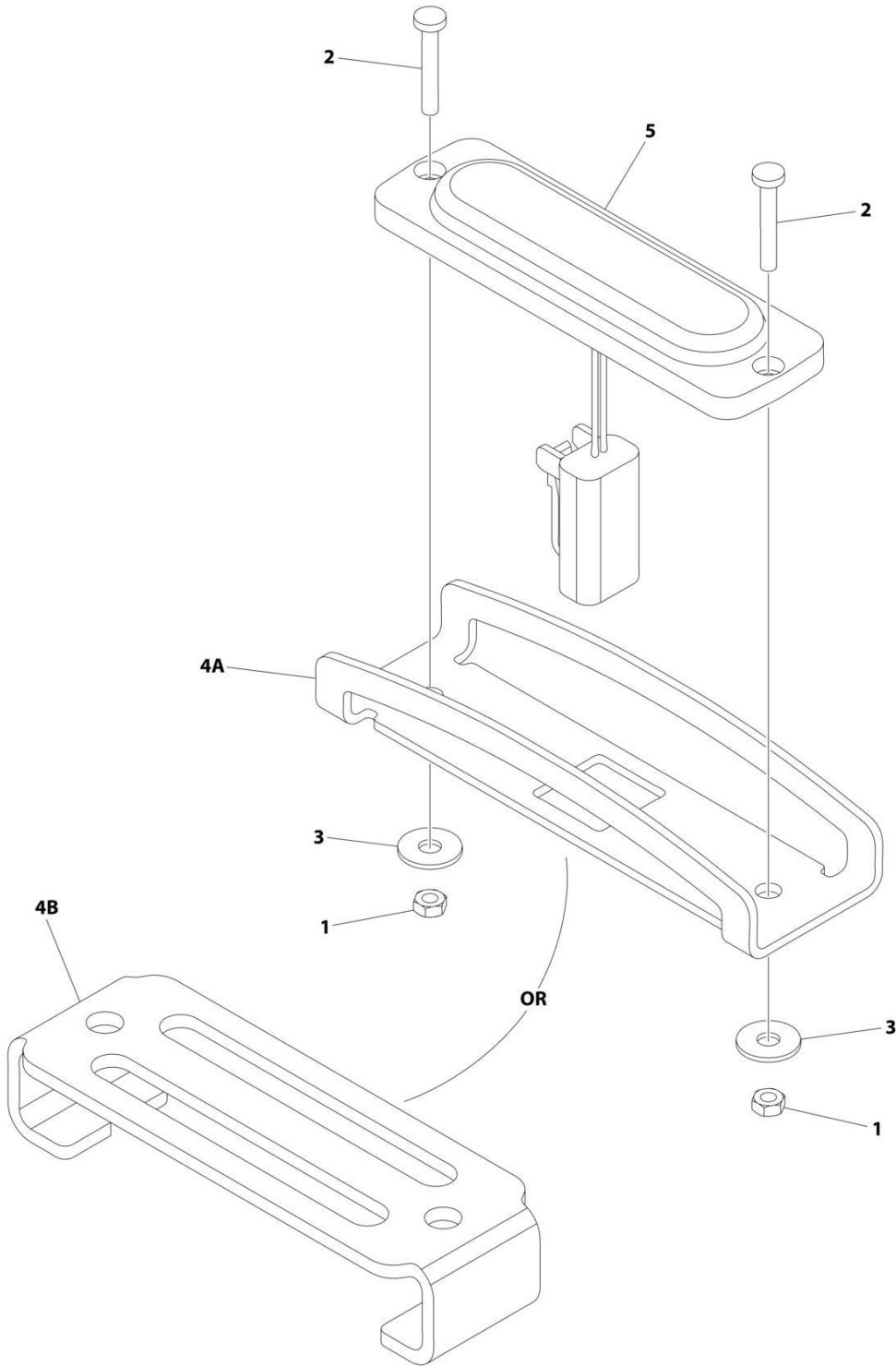
SECTION 1 - FRAME

FIGURE 1-27. STROBE LIGHT INSTALLATION - DUAL SAMMOON BRAND (WITHOUT GUARD)

ITEM	PART NUMBER	QTY	DESCRIPTION	REV
	1001238863	Ref	STROBE LIGHT INSTALLATION - DUAL (WITHOUT GUARD)	A
1	3290405	4	Nut M4	
2	4031507	4	Bolt M4 x 16	
3	4240018	4	Tie-Strap (Not Shown)	
4	4811400	4	Washer M4	
5	1001215216	1	Strobe Light Jumper Harness (Not Shown)	
5	4460897	2	Receptacle, Female - 2 Position	
5	4460464	4	Pin, Male	
5	4460891	1	Plug, Male - 2 Position	
5	4460465	2	Socket, Female	
6	1001233479	2	Light, Strobe	
6	4460891	1	Plug, Male - 2 Position	
6	4460465	2	Socket, Female	

SECTION 1 - FRAME

FIGURE 1-28. STROBE LIGHT INSTALLATION - DUAL SLIM (AMBER) (WITHOUT GUARD)



ART_1001242697

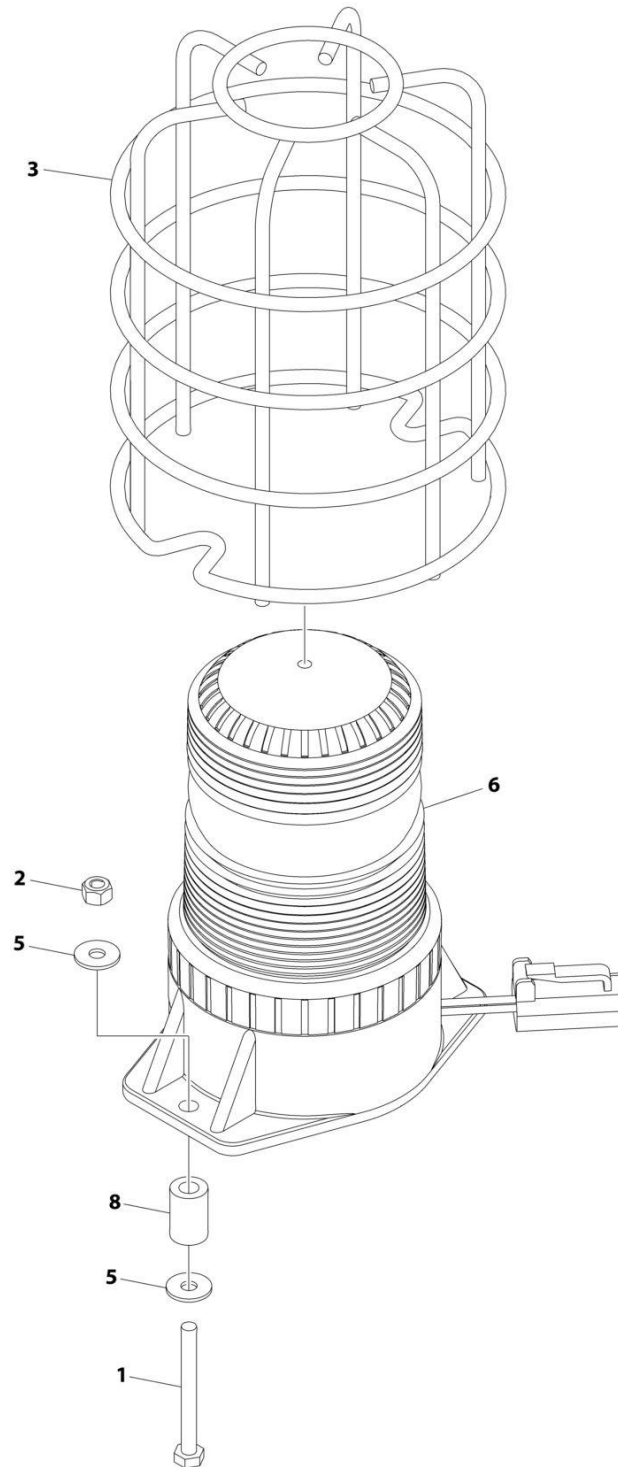
SECTION 1 - FRAME

FIGURE 1-28. STROBE LIGHT INSTALLATION - DUAL SLIM (AMBER) (WITHOUT GUARD)

ITEM	PART NUMBER	QTY	DESCRIPTION	REV
	1001242697	Ref	STROBE LIGHT INSTALLATION - SINGLE (AMBER) (WITH GUARD)	D
1	3290305	2	Nut M3	
2	4010310	2	Screw M3 x 20	
3	1001091102	2	Washer M4	
4A	1001242539	1	Guard	
4B	1001239661	1	Cover	
5	1001239224	1	Light, Strobe	
5	4460891	1	Plug, Male - 2 Position	
5	4460465	2	Socket, Female	

SECTION 1 - FRAME

FIGURE 1-29. STROBE LIGHT INSTALLATION - DUAL ECCO BRAND (AMBER) (WITH GUARD)



ART_1001219597

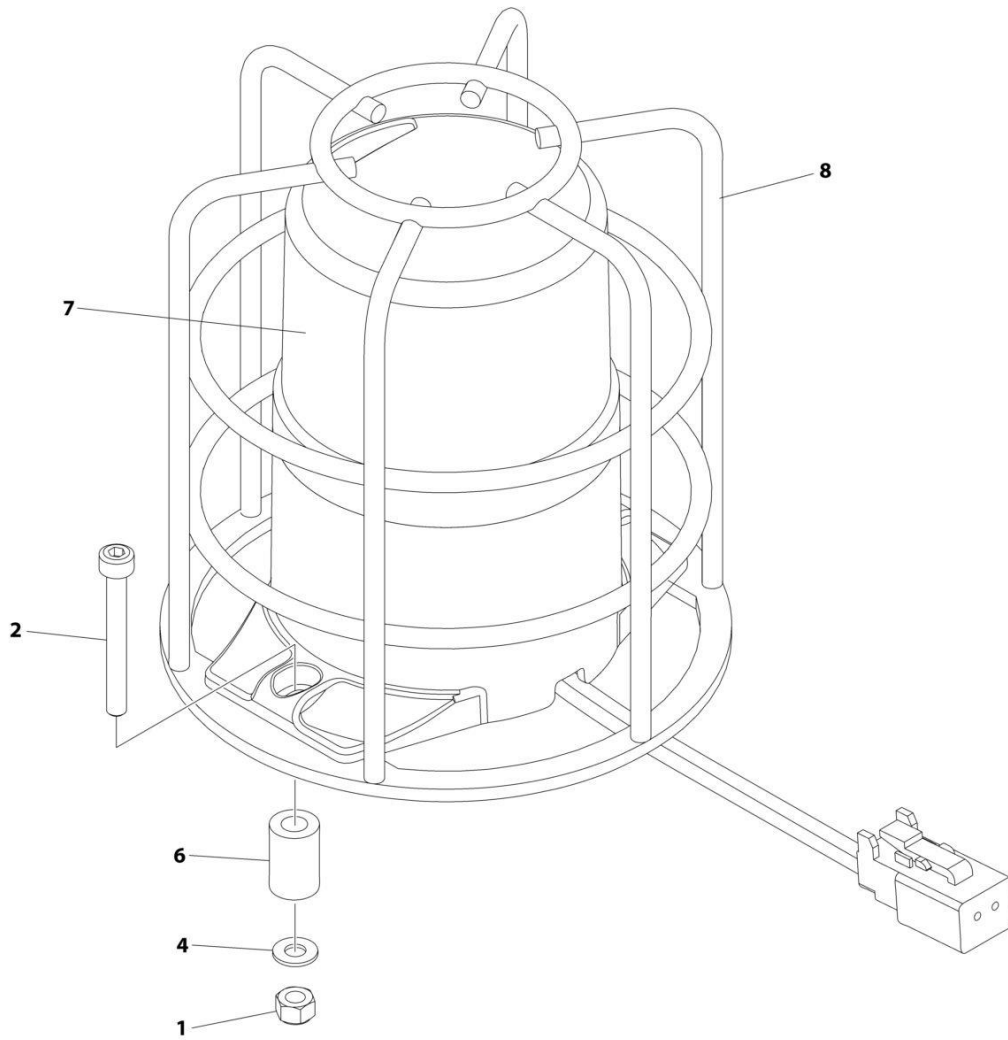
SECTION 1 - FRAME

FIGURE 1-29. STROBE LIGHT INSTALLATION - DUAL ECCO BRAND (AMBER) (WITH GUARD)

ITEM	PART NUMBER	QTY	DESCRIPTION	REV
	1001219597	Ref	STROBE LIGHT INSTALLATION - DUAL (AMBER) (WITH GUARD)	B
1	0700416	4	Bolt M4 x 40	
2	3290405	4	Nut M4	
3	4060865	2	Guard	
4	4240018	4	Tie-Strap (Not Shown)	
5	1001091102	8	Washer M4	
6	1001191139	2	Light, Strobe (Amber)	
6	4460891	1	Plug, Male - 2 Position	
6	4460465	2	Socket, Female	
6	4460865	1	Guard (Must be Purchased Separately) (Not Shown)	
7	1001215216	1	Strobe Light Jumper Harness (Not Shown)	
7	4460897	2	Receptacle, Female - 2 Position	
7	4460464	4	Pin, Male	
7	4460891	1	Plug, Male - 2 Position	
7	4460465	2	Socket, Female	
8	1001220766	4	Sleeve	

SECTION 1 - FRAME

FIGURE 1-30. STROBE LIGHT INSTALLATION - DUAL SAMMOON BRAND (WITH GUARD)



ART_1001238865

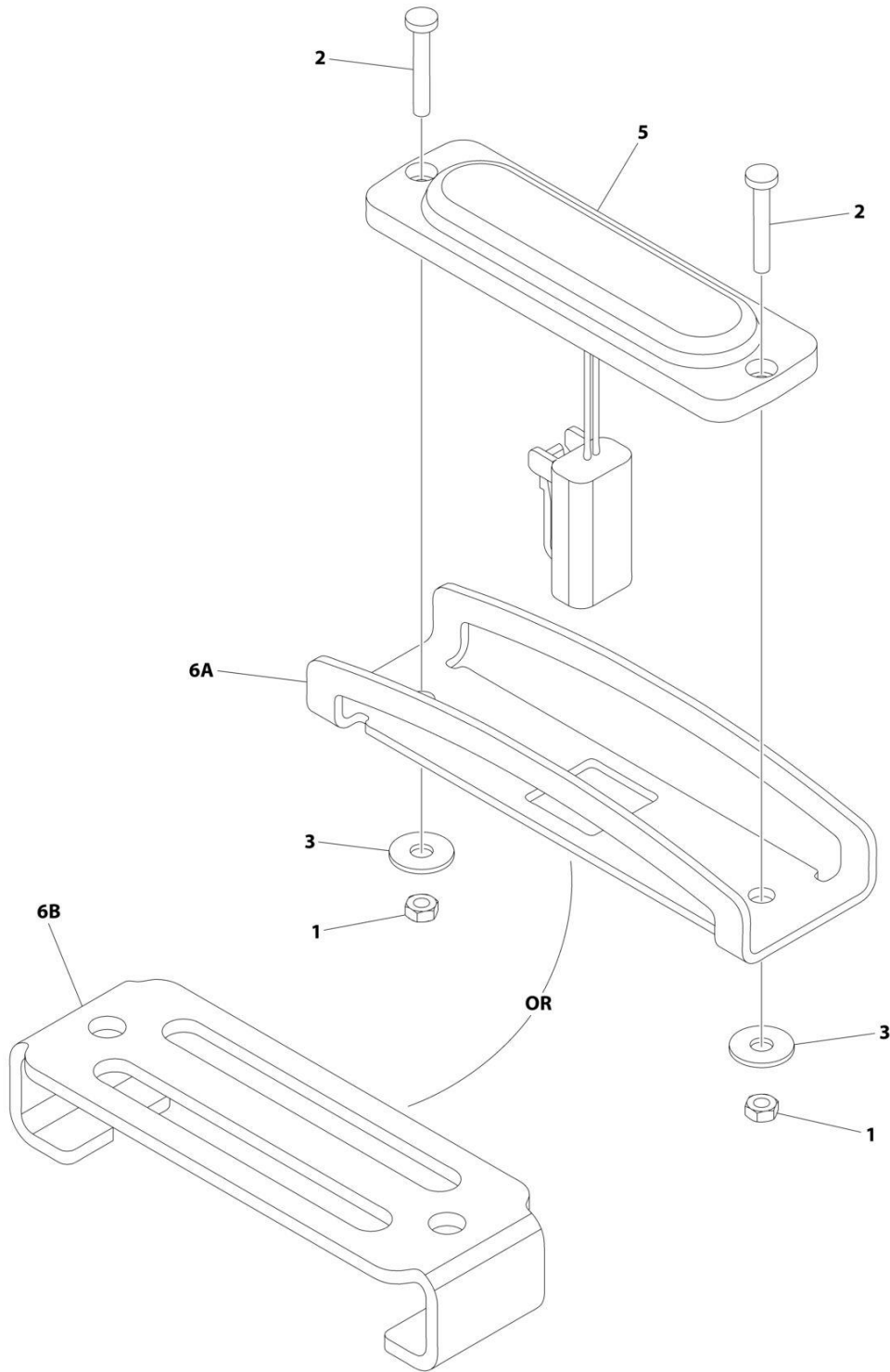
SECTION 1 - FRAME

FIGURE 1-30. STROBE LIGHT INSTALLATION - DUAL SAMMOON BRAND (WITH GUARD)

ITEM	PART NUMBER	QTY	DESCRIPTION	REV
	1001238865	Ref	STROBE LIGHT INSTALLATION - DUAL (WITH GUARD)	A
1	3290405	4	Nut M4	
2	4031511	4	Bolt M4 x 35	
3	4240018	4	Tie-Strap (Not Shown)	
4	4811400	4	Washer M4	
5	1001215216	1	Strobe Light Jumper Harness (Not Shown)	
5	4460897	2	Receptacle, Female - 2 Position	
5	4460464	4	Pin, Male	
5	4460891	1	Plug, Male - 2 Position	
5	4460465	2	Socket, Female	
6	1001220766	4	Sleeve	
7	1001233479	2	Light, Strobe	
7	4460891	1	Plug, Male - 2 Position	
7	4460465	2	Socket, Female	
7	4460865	1	Guard (Must be Purchased Separately) (Not Shown)	
8	1001233998	2	Guard	

SECTION 1 - FRAME

FIGURE 1-31. STROBE LIGHT INSTALLATION - DUAL SLIM (AMBER) (WITH GUARD)



ART_1001242990

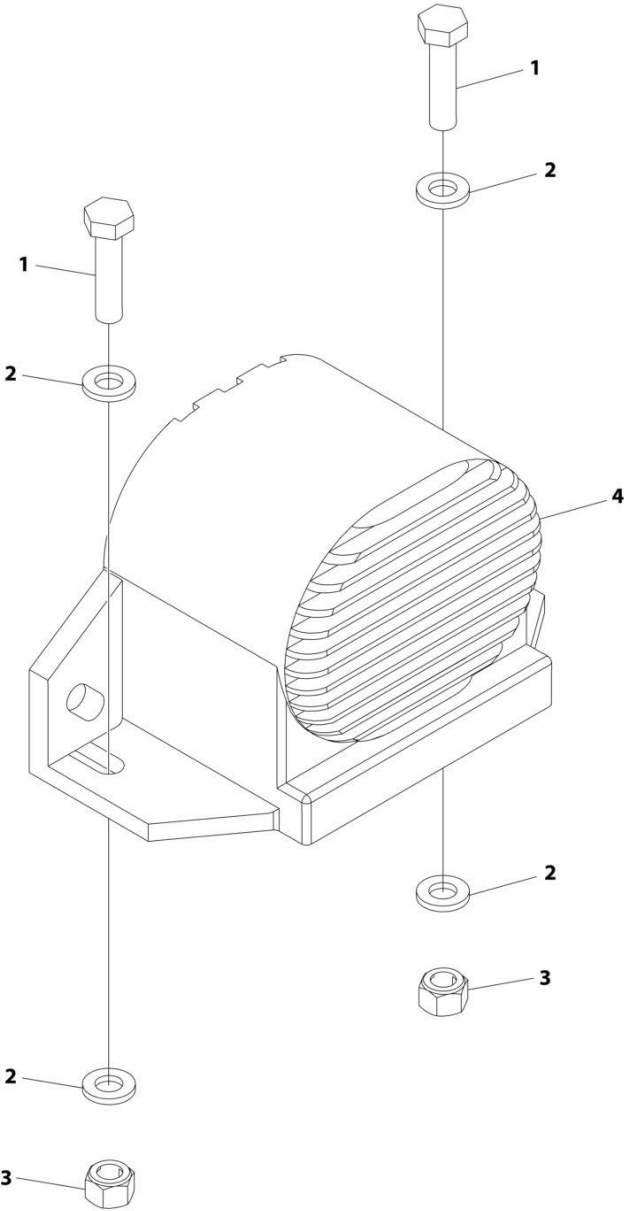
SECTION 1 - FRAME

FIGURE 1-31. STROBE LIGHT INSTALLATION - DUAL SLIM (AMBER) (WITH GUARD)

ITEM	PART NUMBER	QTY	DESCRIPTION	REV
	1001242990	Ref	STROBE LIGHT INSTALLATION - DUAL (AMBER) (WITH GUARD)	D
1	3290305	4	Nut M3	
2	4010310	4	Screw M3 x 20	
3	1001091102	4	Washer M4	
4	1001215216	1	Strobe Light Jumper Harness (Not Shown)	
4	4460897	2	Receptacle, Female - 2 Position	
4	4460464	4	Pin, Male	
4	4460891	1	Plug, Male - 2 Position	
4	4460465	2	Socket, Female	
5	1001239224	2	Light, Strobe	
5	4460891	1	Plug, Male - 2 Position	
5	4460465	2	Socket, Female	
6A	1001242539	2	Guard	
6B	1001239661	2	Cover	
7	4240018	AR	Tie-Strap (Not Shown)	

SECTION 1 - FRAME

FIGURE 1-32. ALARM INSTALLATION (AMBIENT/WHITE NOISE)



ART_1001214150

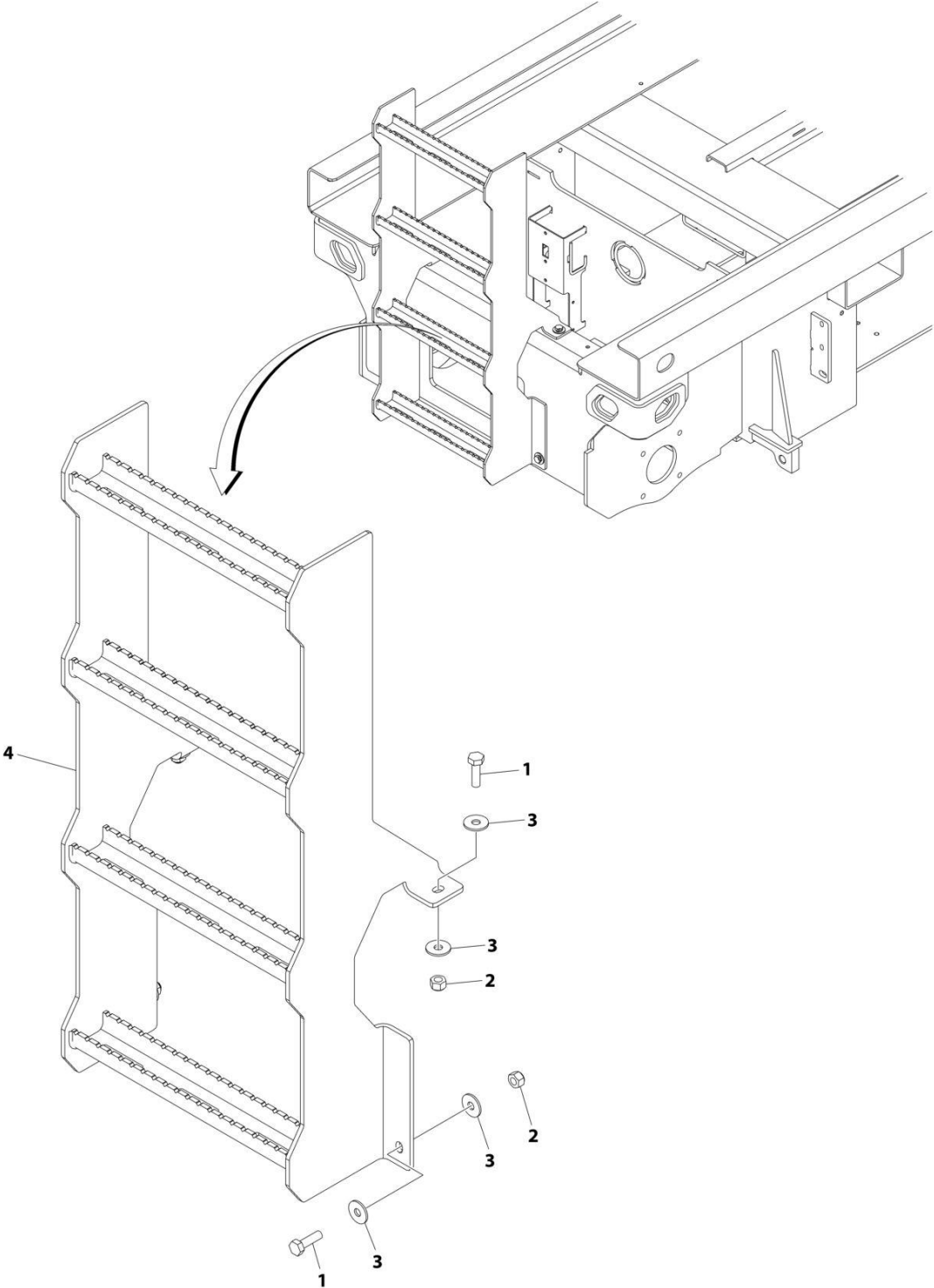
SECTION 1 - FRAME

FIGURE 1-32. ALARM INSTALLATION (AMBIENT/WHITE NOISE)

ITEM	PART NUMBER	QTY	DESCRIPTION	REV
	1001214150	Ref	ALARM INSTALLATION (AMBIENT/WHITE NOISE)	B
1	0760612	2	Bolt M6 x 25	
2	4811700	4	Washer M6	
3	3290605	2	Nut, Tinnerman M6	
4	1001182806	1	Alarm	
4	4460897	1	Receptacle, Female - 2 Position	
4	4460464	2	Pin, Male	

SECTION 1 - FRAME

FIGURE 1-33. LADDER INSTALLATION



ART_1001214219

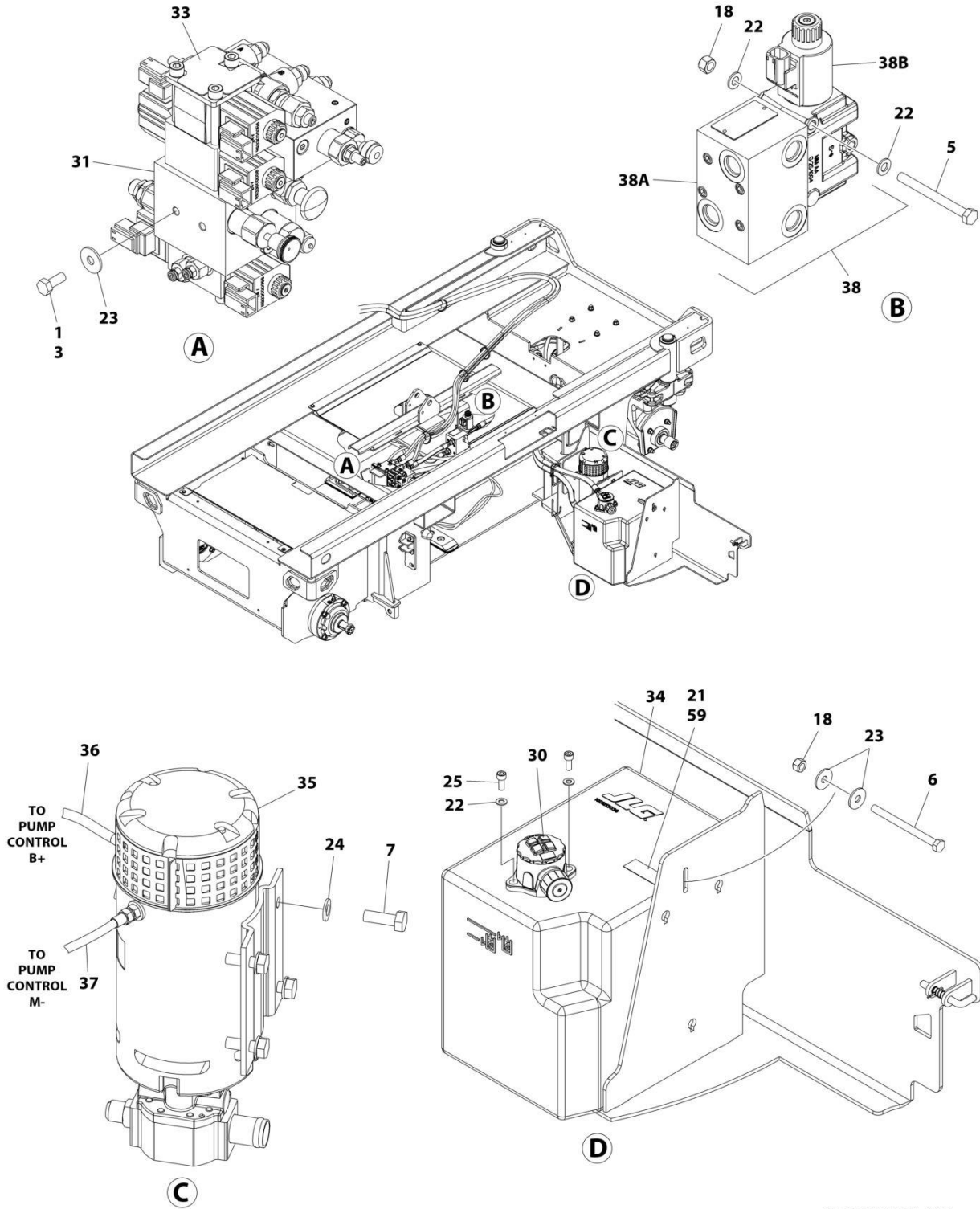
FIGURE 1-33. LADDER INSTALLATION

ITEM	PART NUMBER	QTY	DESCRIPTION	REV
	1001214219	Ref	LADDER INSTALLATION	A
1	0761015	4	Bolt M10 x 35	
2	3291005	4	Nut M10	
3	4812002	8	Washer M10	
4	1001217216	1	Ladder	

SECTION 2 - GROUND CONTROLS

SECTION 2 - GROUND CONTROLS

FIGURE 2-1. HYDRAULIC COMPONENTS INSTALLATION (MACHINES WITH SN STARTING WITH M2)



ART_1001213815_K_10F2

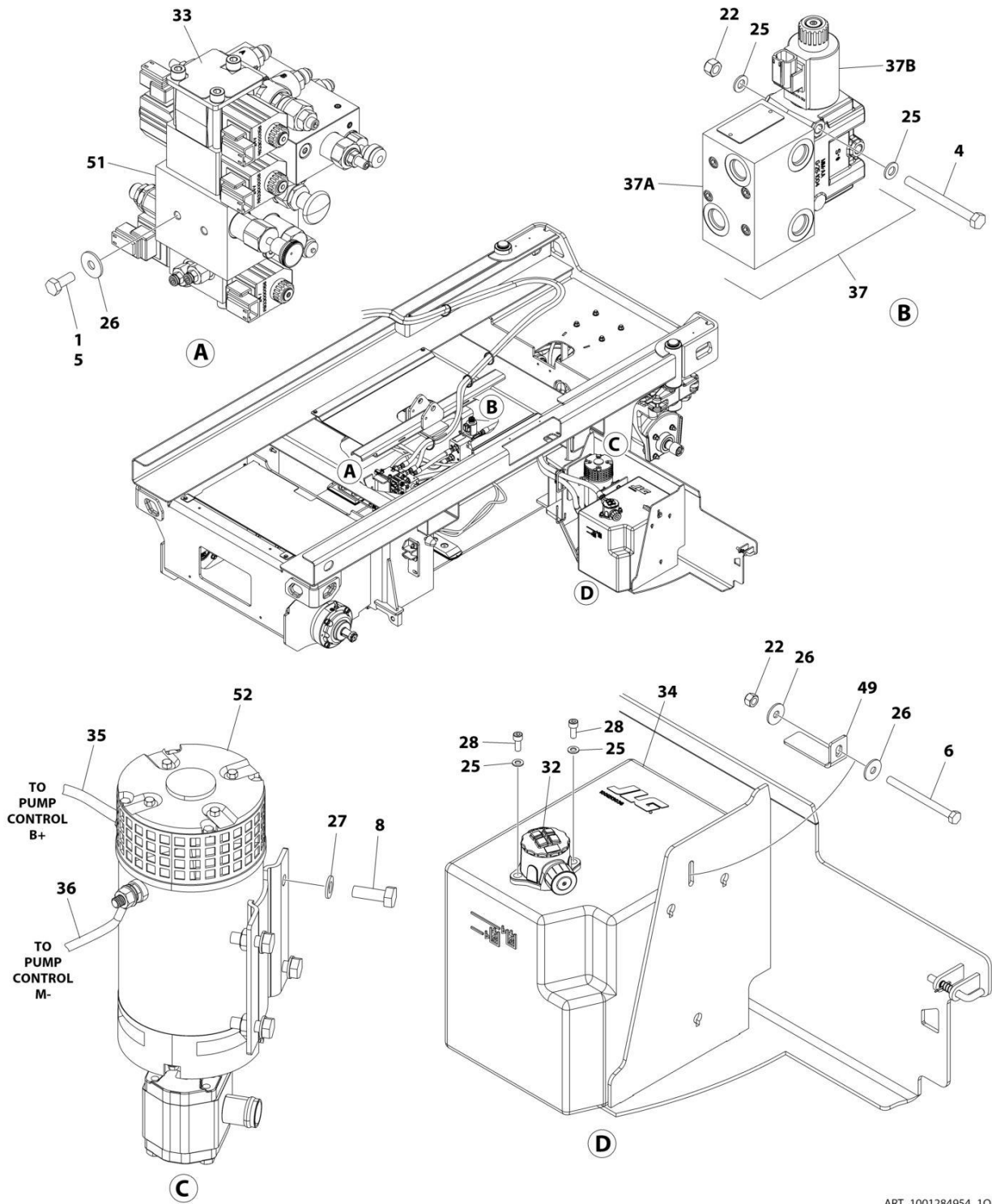
SECTION 2 - GROUND CONTROLS

FIGURE 2-1. HYDRAULIC COMPONENTS INSTALLATION (MACHINES WITH SN STARTING WITH M2)

ITEM	PART NUMBER	QTY	DESCRIPTION	REV
	1001213815	Ref	HYDRAULIC COMPONENTS INSTALLATION	K
1	0100011	AR	Compound, Locking	
3	0760810	2	Bolt M8 x 20	
5	0700825	2	Bolt M8 x 85	
6	0760812	1	Bolt M8 x 25	
7	0761014	4	Bolt M10 x 30	
18	3290805	AR	Nut M8	
21	4420062	3 in/ 75mm	Tape	
22	4811900	AR	Washer M8	
23	4811902	4	Washer M8	
24	4812000	4	Washer M10	
25	5271808	2	Capscrew M8 x 20	
30	1001202851	1	Filter, Hydraulic	
30	70005423	1	Service Kit (Includes Element & Cap & Bowl O-Rings)	
30	70007946	1	O-Ring, Bowl	
31	1001248679	1	Main Valve Assembly (See Separate Breakdown in this Section)	
33	1001212294	1	Decal - Manifold	
34	1001213036	1	Tank, Hydraulic	
35	1001213875	1	Motor/Pump Assembly	
35	70006351	1	Motor, Replacement	
35	70006352	1	Pump, Replacement	
35	70005816	1	Pump Seal & Mounting Kit (Includes Shaft Seal, Retaining Ring, Gasket, Bolts & Washers)	
36	1001214875	1	Cable, Pump (+)	
37	1001214876	1	Cable, Pump (-)	
38	1001215434	1	Traction Valve Assembly	
38	70006295	4	Screw	
38A	70004465	1	Valve, Flow Divider	
38A	70004164	1	Seal Kit - 70004465 Valve	
38B	70006296	1	Valve, Diverter	
38B	70006297	1	Coil	
38B	70006298	1	Seal, Interface	
38B	70006299	1	Coil Seal & Nut Kit	
59	1001231841	1	Bracket, Hydraulic Tank	

SECTION 2 - GROUND CONTROLS

FIGURE 2-2. HYDRAULIC COMPONENTS INSTALLATION (MACHINES WITH SN STARTING WITH B2)



ART_1001284954_1OF2

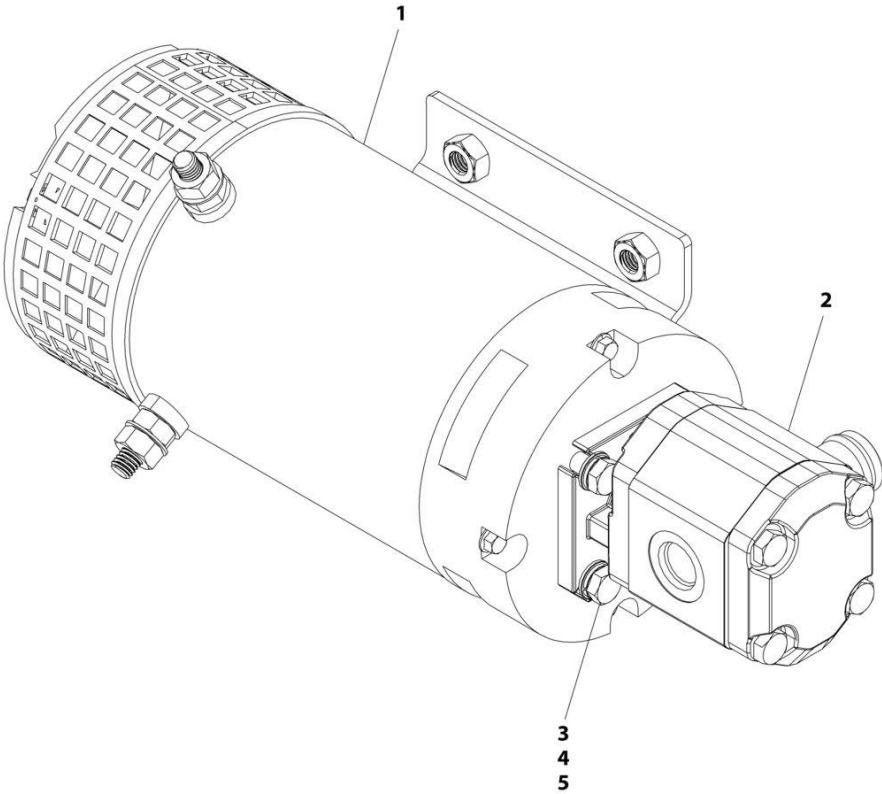
SECTION 2 - GROUND CONTROLS

FIGURE 2-2. HYDRAULIC COMPONENTS INSTALLATION (MACHINES WITH SN STARTING WITH B2)

ITEM	PART NUMBER	QTY	DESCRIPTION	REV
	1001284954	Ref	HYDRAULIC COMPONENTS INSTALLATION	A
1	0100011	AR	Compound, Locking	
4	0700825	2	Bolt M8 x 85	
5	0760810	2	Bolt M8 x 20	
6	0760812	1	Bolt M8 x 25	
8	0761014	4	Bolt M10 x 30	
22	3290805	8	Nut, Lock M8	
25	4811900	16	Washer M8	
26	4811902	4	Washer M8	
27	4812000	4	Washer M10	
28	5271808	2	Capscrew M8 x 20	
32	1001202851	1	Filter, Hydraulic	
32	70005423	1	Service Kit (Includes Element & Cap & Bowl O-Rings)	
32	70007946	1	O-Ring, Bowl	
33	1001212294	1	Decal - Manifold	
34	1001213036	1	Tank, Hydraulic	
35	1001214875	1	Cable, Pump (+)	
36	1001214876	1	Cable, Pump (-)	
37	1001215434	1	Traction Valve Assembly	
37	70006295	4	Screw	
37A	70004465	1	Valve, Flow Divider	
37A	70004164	1	Seal Kit - 70004465 Valve	
37B	70006296	1	Valve, Diverter	
37B	70006297	1	Coil	
37B	70006298	1	Seal, Interface	
37B	70006299	1	Coil Seal & Nut Kit	
49	1001231841	1	Bracket, Hydraulic Tank	
51	1001248679	1	Main Valve Assembly (See Separate Breakdown in this Section)	
52	1001284939	1	Motor/Pump Assembly (See Separate Breakdown in this Section)	

SECTION 2 - GROUND CONTROLS

FIGURE 2-3. HYDRAULIC MOTOR/PUMP ASSEMBLY (MACHINES WITH SN STARTING WITH B2 & M2)



ART_1001284939

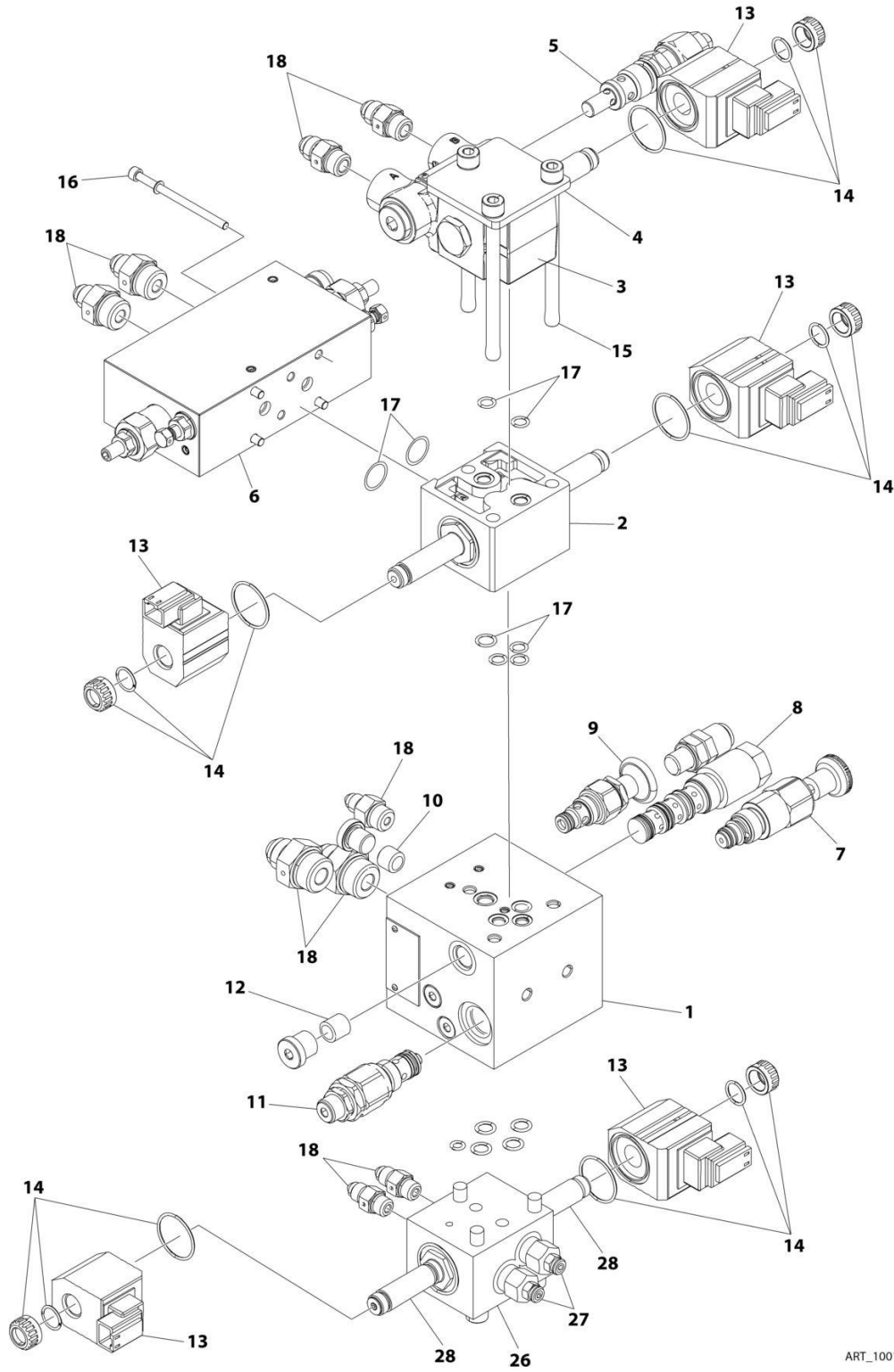
SECTION 2 - GROUND CONTROLS

FIGURE 2-3. HYDRAULIC MOTOR/PUMP ASSEMBLY (MACHINES WITH SN STARTING WITH B2 & M2)

ITEM	PART NUMBER	QTY	DESCRIPTION	REV
	1001284939	Ref	AUXILIARY MOTOR/PUMP ASSEMBLY	B
1	70008409	1	Motor	
2	70008410	1	Pump	
3	70008411	4	Washer	
4	70008412	4	Washer, Spring	
5	70008413	4	Bolt 5/16 x 20	
6	70008414	1	Seal (Not Shown)	

SECTION 2 - GROUND CONTROLS

FIGURE 2-4. VALVE ASSEMBLY



ART_1001248679

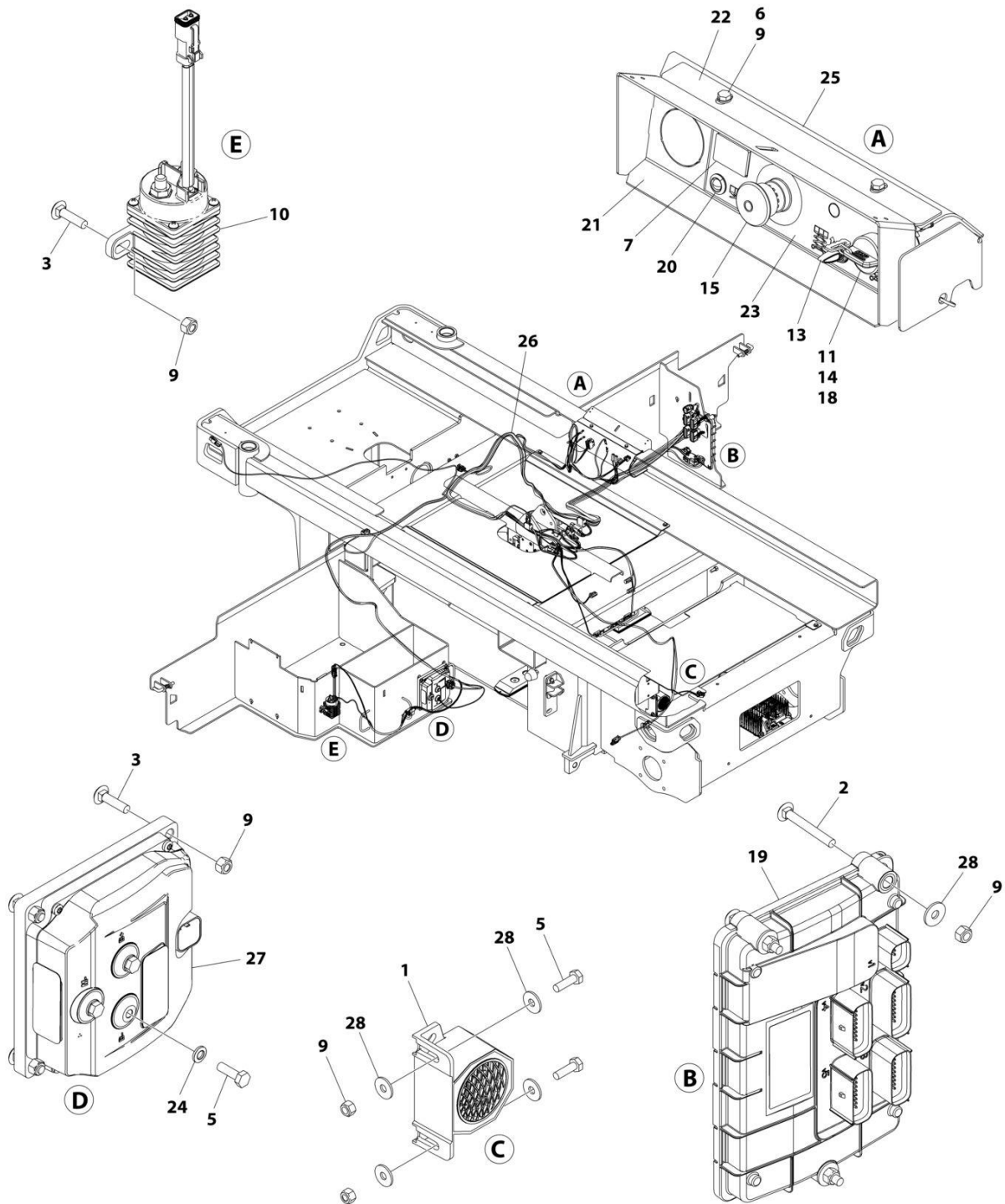
SECTION 2 - GROUND CONTROLS

FIGURE 2-4. VALVE ASSEMBLY

ITEM	PART NUMBER	QTY	DESCRIPTION	REV
	1001248679	Ref	MAIN VALVE ASSEMBLY	D
1	70007595	1	Valve Assembly (Includes Items 7-9)	
2	70005903	1	Valve Assembly - Lower Drive	
3	70007594	1	Valve Assembly - Lift	
4	70005911	1	Plate	
5	70005909	1	Valve, Cartridge	
6	70007593	1	Valve Assembly - Upperr Drive	
7	70005900	1	Valve, Cartridge	
8	70005898	1	Valve, Cartridge	
9	70005899	1	Valve, Cartridge	
10	70007598	1	Restrictor, Flow	
11	70007596	1	Cartridge, Valve	
12	70007597	1	Orifice	
13	70005893	5	Coil	
14	70021209	5	Coil Nut Kit	
15	70007599	1	Bolt Kit	
16	70007600	1	Bolt Kit	
17	70007601	1	Seal Kit	
18	70007602	1	Fitting Kit	
26	NPN	1	Valve Assembly - Steer	
27	70006301	2	Valve, Cartridge - Relief	
28	NPN	2	Valve, Solenoid Cartridge	

SECTION 2 - GROUND CONTROLS

FIGURE 2-5. ELECTRICAL COMPONENTS INSTALLATION (MACHINES WITH SN STARTING WITH B2 & M2)



ART_1001217492_F

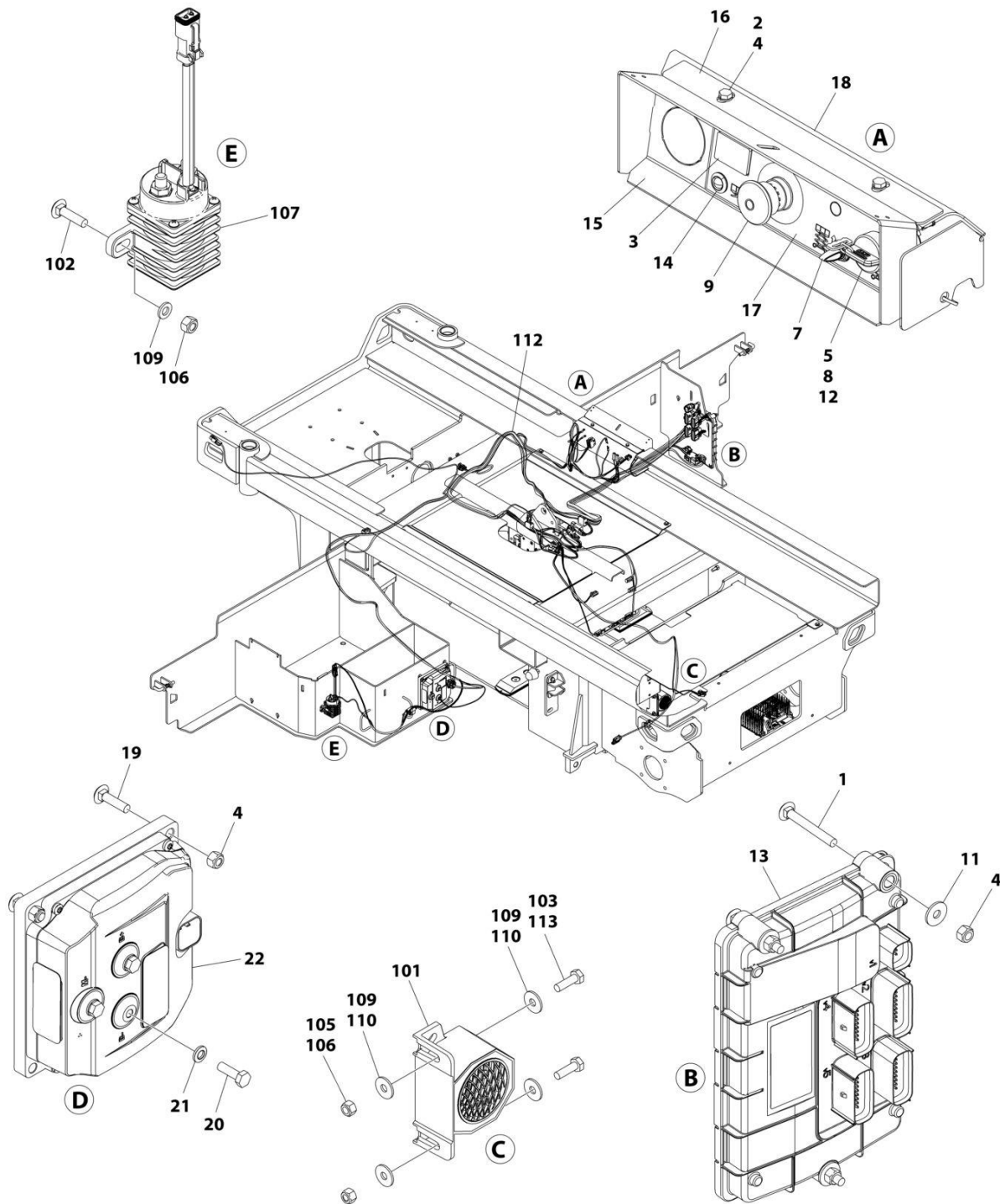
SECTION 2 - GROUND CONTROLS

FIGURE 2-5. ELECTRICAL COMPONENTS INSTALLATION (MACHINES WITH SN STARTING WITH B2 & M2)

ITEM	PART NUMBER	QTY	DESCRIPTION	REV
	1001217492	Ref	ELECTRICAL COMPONENTS INSTALLATION	E
1	0140043	1	Alarm	
2	0630586	3	Bolt M6 x 50	
3	0630587	4	Bolt M6 x 25	
5	0760610	AR	Bolt M6 x 20	
6	0760612	2	Bolt M6 x 25	
7	2420172	1	Hourmeter	
9	3290605	AR	Nut M6	
10	3740150	1	Relay	
11	3910804	3	Screw #8 x 1/4	
12	4240017	AR	Tie-Strap (Not Shown)	
13	4360328	1	Switch, Toggle	
14	4360469	1	Switch, Key	
14	2860030	1 Set	Key, Replacement	
15	4360475	1	Switch, Emergency Stop (Metal)	
15	7020175	1	Cap	
15	7020176	1	Block, Contact	
15	1001274559	1	Switch, Emergency Stop (Plastic)	
18	1001130590	1	Plate, Key Switch	
19	1001200629	1	Module, Control (Note: Recalibration Required when Replaced)	
20	1001200631	1	Light, Indicator (Red)	
21	1001207214	1	Support	
22	1001207215	1	Bracket	
23	1001209682	1	Decal - Ground Control	
24	1001210966	3	Washer	
25	1001231264	1	Bracket, Ground Control Back	
26	1001283409	1	Chassis Harness (See Separate Breakdown in ELECTRICAL Section)	
27	1001216062	1	Module, Power (Note: Recalibration Required when Replaced)	
28	4811702	AR	Washer M6	

SECTION 2 - GROUND CONTROLS

FIGURE 2-6. ELECTRICAL COMPONENTS INSTALLATION (MACHINES WITH SN STARTING WITH 02 & 12)



ART_1001223790_E

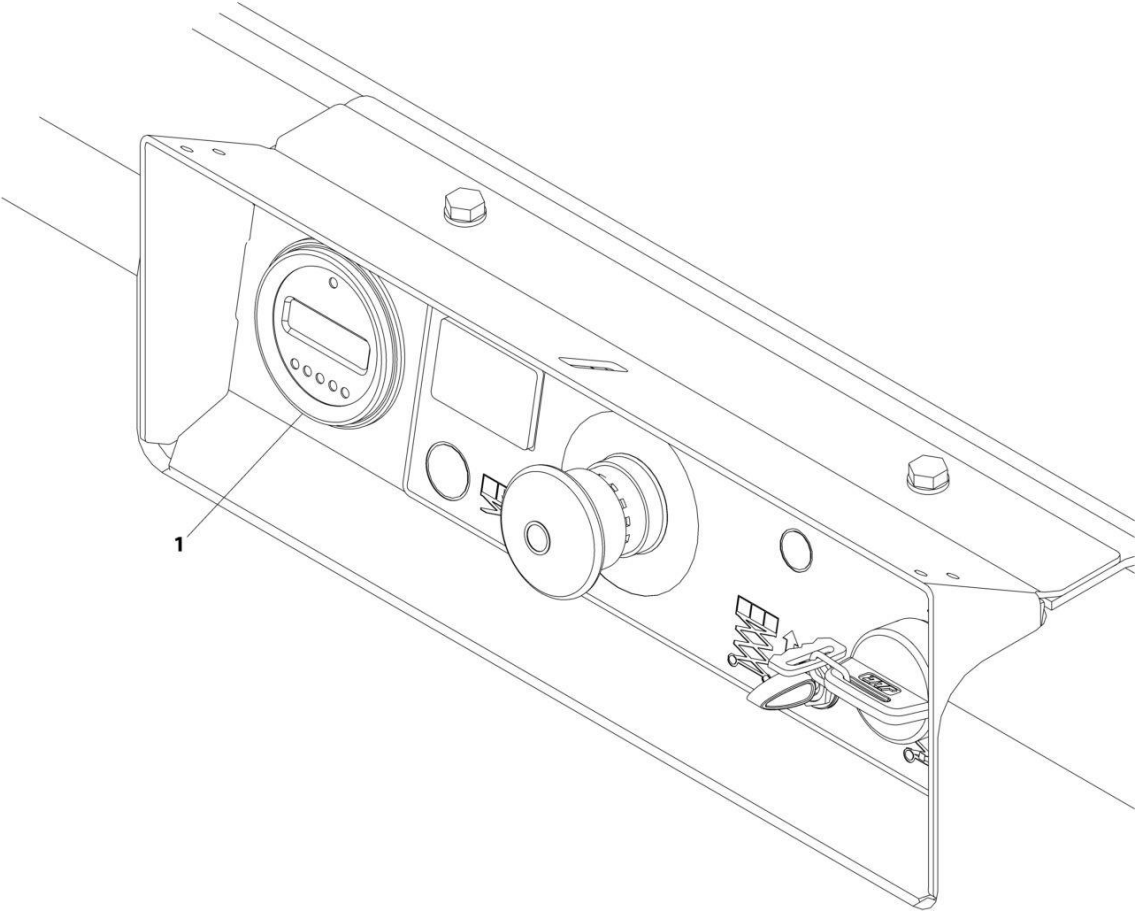
SECTION 2 - GROUND CONTROLS

FIGURE 2-6. ELECTRICAL COMPONENTS INSTALLATION (MACHINES WITH SN STARTING WITH 02 & 12)

ITEM	PART NUMBER	QTY	DESCRIPTION	REV
		Ref	ELECTRICAL COMPONENTS INSTALLATION	
	1001223790	Ref	GROUND CONTROL AND MODULE INSTALLATION	E
1	0630586	3	Bolt M6 x 50	
2	0760612	2	Bolt M6 x 25	
3	2420172	1	Hourmeter	
4	3290605	AR	Nut M6	
5	3910804	3	Screw #8 x 1/4	
6	4240017	AR	Tie-Strap (Not Shown)	
7	4360328	1	Switch, Toggle	
8	4360469	1	Switch, Key	
8	2860030	1 Set	Key, Replacement	
9	4360475	1	Switch, Emergency Stop (Metal)	
9	7020175	1	Cap	
9	7020176	1	Block, Contact	
9	1001274559	1	Switch, Emergency Stop (Plastic)	
11	4811702	AR	Washer M6	
12	1001130590	1	Plate, Key Switch	
13	1001200629	1	Module, Control (Note: Recalibration Required when Replaced)	
14	1001200631	1	Light, Indicator (Red)	
15	1001207214	1	Support	
16	1001207215	1	Bracket	
17	1001209682	1	Decal - Ground Control	
18	1001231264	1	Bracket, Ground Control Back	
19	0630587	2	Bolt M6 x 25	
20	0760610	3	Bolt M6 x 20	
21	1001210966	3	Washer	
22	1001216062	1	Control, Power (Note: Recalibration Required when Replaced)	
	1001223446	Ref	ALARM, RELAY AND POWER MODULE INSTALLATION	D
101	0140043	1	Alarm	
102	0630587	2	Bolt M6 x 25	
103	0700408	AR	Bolt M4 x 16	
105	3290405	AR	Nut M4	
106	3290605	AR	Nut M6	
107	3740150	1	Relay	
108	4240017	AR	Tie-Strap (Not Shown)	
109	4811702	AR	Washer M6	
110	1001091102	AR	Washer M4	
112	1001283409	1	Chassis Harness (See Separate Breakdown in ELECTRICAL Section)	
113	0760610	AR	Bolt M6 x 20	

SECTION 2 - GROUND CONTROLS

FIGURE 2-7. MDI INSTALLATION



ART_1001207293

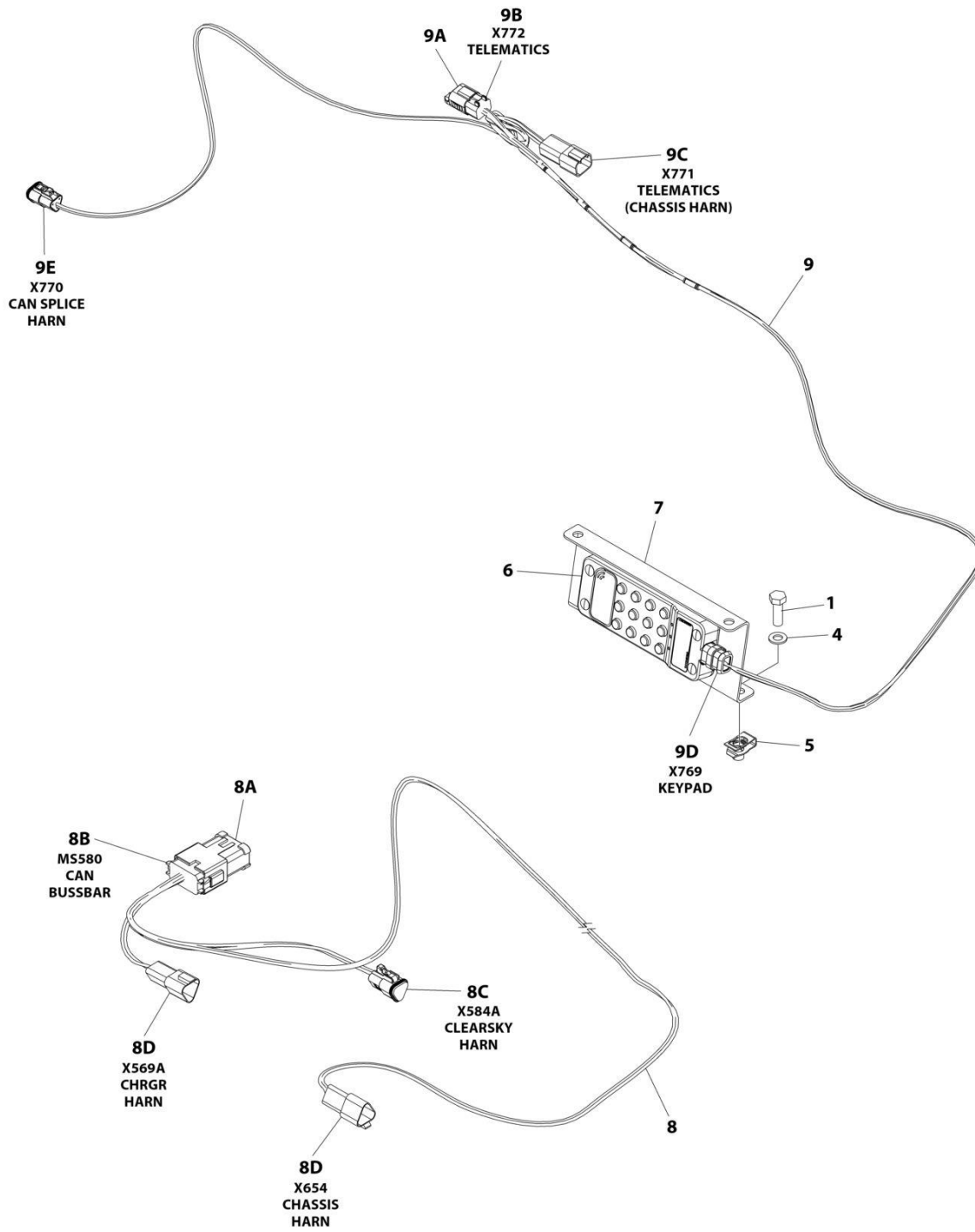
SECTION 2 - GROUND CONTROLS

FIGURE 2-7. MDI INSTALLATION

ITEM	PART NUMBER	QTY	DESCRIPTION	REV
1	1001207293 1001200632	Ref 1	MDI INSTALLATION Gauge, MDI	B

SECTION 2 - GROUND CONTROLS

FIGURE 2-8. ACCESS CONTROL KEYPAD INSTALLATION



ART_1001258356

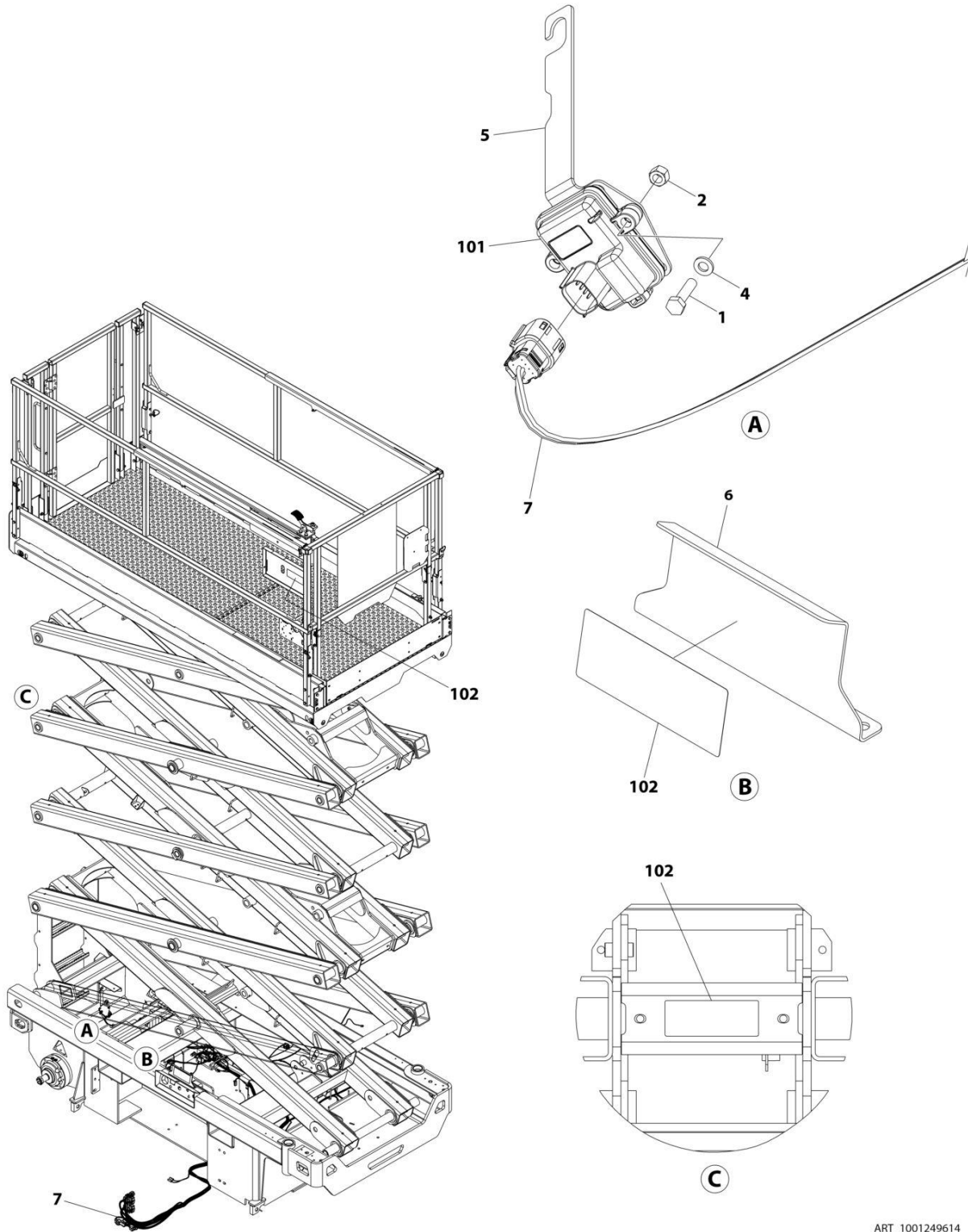
SECTION 2 - GROUND CONTROLS

FIGURE 2-8. ACCESS CONTROL KEYPAD INSTALLATION

ITEM	PART NUMBER	QTY	DESCRIPTION	REV
	1001258356	Ref	ACCESS CONTROL KEYPAD INSTALLATION	A
1	0760812	2	Bolt, M8 x 25	
2	1062255	AR	Tie-Strap (Not Shown)	
3	4240032	AR	Tie-Strap (Not Shown)	
4	4811900	2	Washer M8	
5	1001118274	2	Nut, Tinnerman	
6	1001238392	1	Keypad	
7	1001248773	1	Bracket	
8	1001254027	1	Access Control Keypad Can Splice Harness	
8A	1001125677	AR	Connector, Bus Bar - 12 Position	
8B	4460933	1	Plug, Male - 12 Position	
8B	4460944	6	Socket, Female	
8B	4460466	6	Plug, Terminal	
8C	1001118812	1	Plug, Male - 3 Position	
8C	4460944	2	Socket, Female	
8C	4460466	1	Plug, Terminal	
8D	1001144147	2	Receptacle, Female - 3 Position	
8D	4460943	4	Pin, Male	
8D	4460466	2	Plug, Terminal	
9	1001258691	1	Access Control Keypad Harness	
9A	1001192401	1	Dustcap	
9B	4460884	1	Plug, Male - 4 Position	
9B	4460465	4	Socket, Female	
9C	4460932	1	Receptacle, Female - 4 Position	
9C	4460464	4	Pin, Male	
9D	1001210079	1	Plug, Male - 4 Position	
9D	4460465	2	Socket, Female	
9D	4460944	2	Socket, Female	
9E	1001116812	1	Plug, Male - 3 Position	
9E	4460944	2	Socket, Female	
9E	4460466	1	Plug, Terminal	

SECTION 2 - GROUND CONTROLS

FIGURE 2-9. MOBILE CONTROL INSTALLATION



ART_1001249614

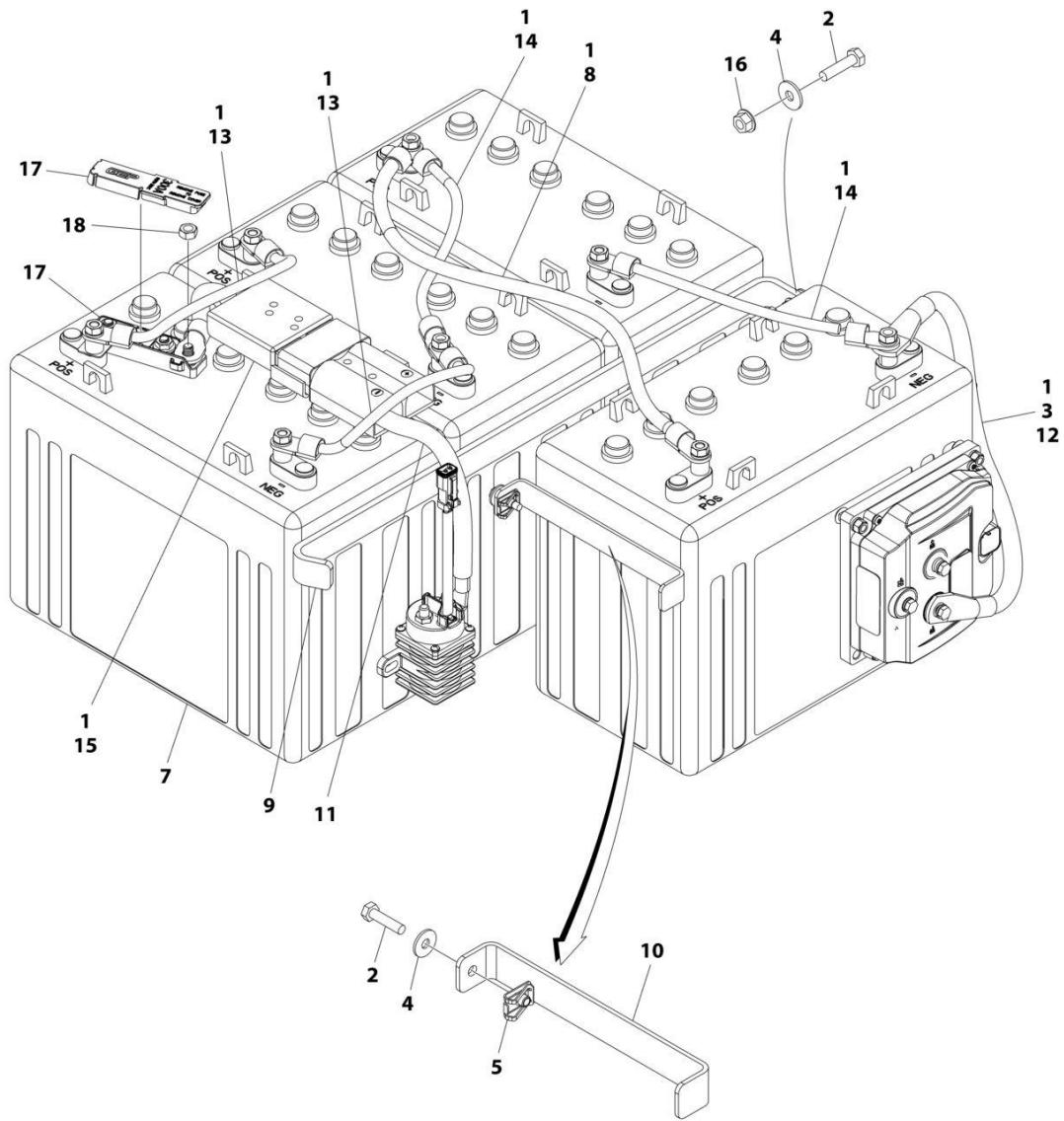
SECTION 2 - GROUND CONTROLS

FIGURE 2-9. MOBILE CONTROL INSTALLATION

ITEM	PART NUMBER	QTY	DESCRIPTION	REV
	1001249614	Ref	Mobile Control Installation	A
1	0700612	2	Bolt M6 x 25	
2	3290605	2	Nut M6	
3	4240017	AR	Tie-Strap (Not Shown)	
4	4811700	2	Washer M6	
5	1001244394	1	Bracket	
6	1001244885	1	Plate	
7	1001249613	1	Mobile Control Harness (See Separate Breakdown in ELECTRICAL SECTION)	
100	1001252928	1	Mobile Control / Decal Kit (Not Shown)	
101	1001245293	1	Module, Mobile Control	
102	1001248768	3	Decal - Mobile Control	

SECTION 2 - GROUND CONTROLS

FIGURE 2-10. BATTERIES INSTALLATION - STANDARD 12V-150AH



ART_1001214913_D

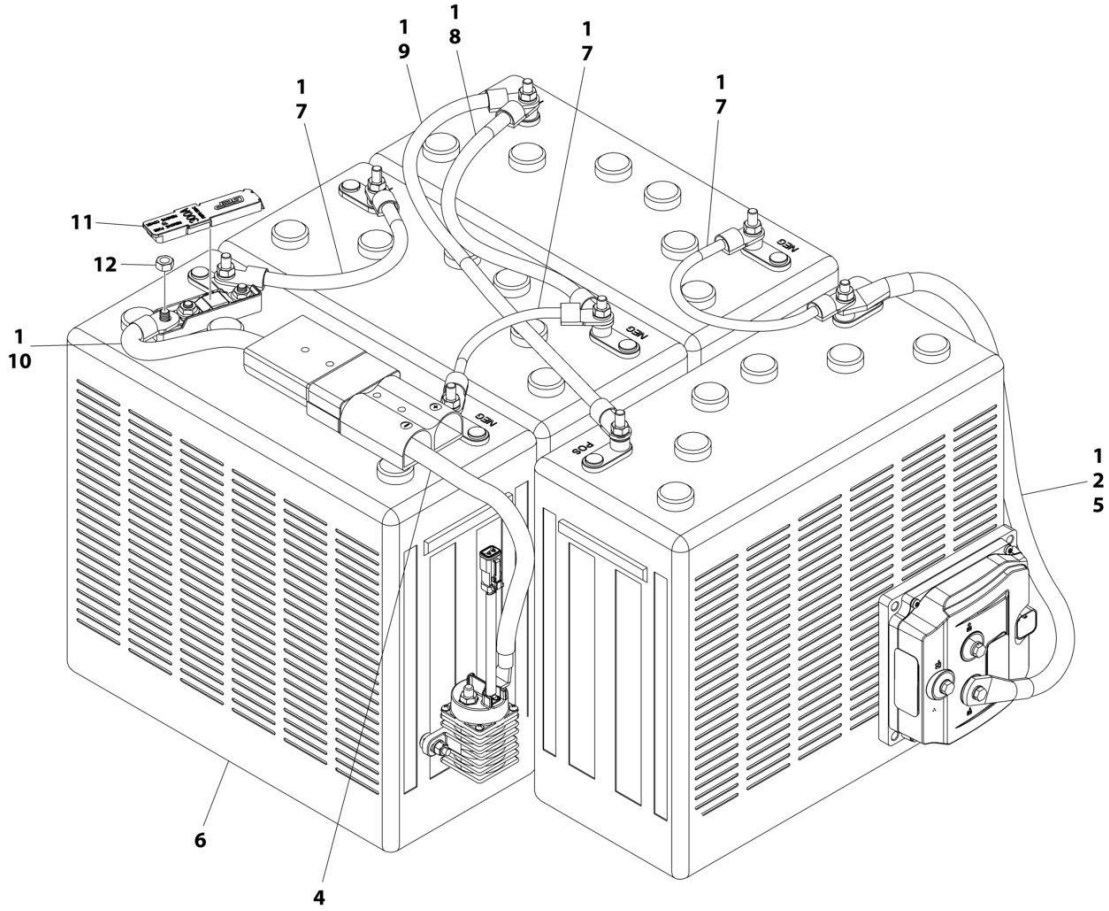
SECTION 2 - GROUND CONTROLS

FIGURE 2-10. BATTERIES INSTALLATION - STANDARD 12V-150AH

ITEM	PART NUMBER	QTY	DESCRIPTION	REV
	1001214913	Ref	BATTERIES INSTALLATION - STANDARD 12V-150AH	D
1	0100051	AR	Grease, Terminal	
2	0760612	2	Bolt M6 x 25	
3	4240017	AR	Tie-Strap	
4	4811702	2	Washer M6	
5	8305919	1	Nut, Retainer, M6	
7	1001214981	4	Battery	
8	1001216411	1	Cable, Battery (+ to -)	
9	1001220904	1	Bracket	
10	1001220905	1	Bracket	
11	1001214878	1	Cable, Contactor to Battery Disconnect	
11	4460290	1	Connector, Anderson	
12	1001214879	1	Cable, Battery to Pump Control B-	
13	1001216409	2	Cable	
14	1001216410	2	Cable	
15	1001216417	1	Cable, Battery Disconnect +	
15	2400087	1	Fuse - 300Amp	
16	5260600	1	Nut, M6 Class 10	
17	1001229522	1	Holder, Mega Fuse 300A	
18	3290801	1	Nut M8	

SECTION 2 - GROUND CONTROLS

FIGURE 2-11. BATTERIES INSTALLATION - STANDARD 12V-185AH



ART_1001214915_E

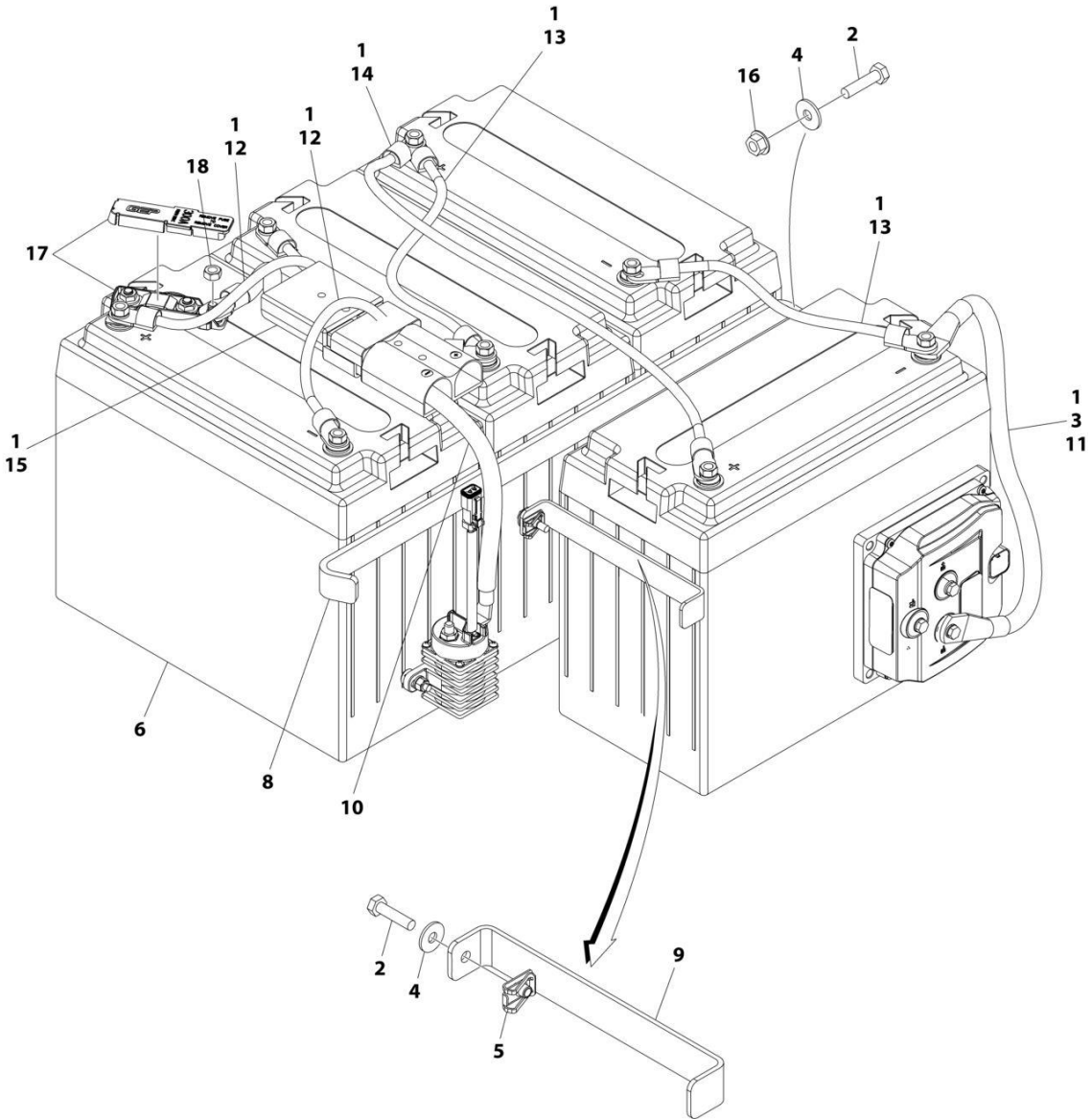
SECTION 2 - GROUND CONTROLS

FIGURE 2-11. BATTERIES INSTALLATION - STANDARD 12V-185AH

ITEM	PART NUMBER	QTY	DESCRIPTION	REV
	1001214915	Ref	BATTERIES INSTALLATION - STANDARD 12V-185AH	E
1	0100051	AR	Grease, Terminal	
2	4240017	AR	Tie-Strap	
4	1001214878	1	Cable, Contactor to Battery Disconnect	
4	4460290	1	Connector, Anderson	
5	1001214879	1	Cable, Battery - to Pump Control B-	
6	1001214980	4	Battery	
7	1001216409	3	Cable, Battery	
8	1001216410	1	Cable, Battery (+ to -)	
9	1001216411	1	Cable, Battery (+ to +)	
10	1001216417	1	Cable, Battery Disconnect to Fuse	
10	4460290	1	Connector, Anderson	
10	2400087	1	Fuse - 300Amp	
11	1001229522	1	Holder, Mega Fuse 300A	
12	3290801	1	Nut M8	

SECTION 2 - GROUND CONTROLS

FIGURE 2-12. BATTERIES INSTALLATION - AGM 12V-150AH



ART_1001214911_D

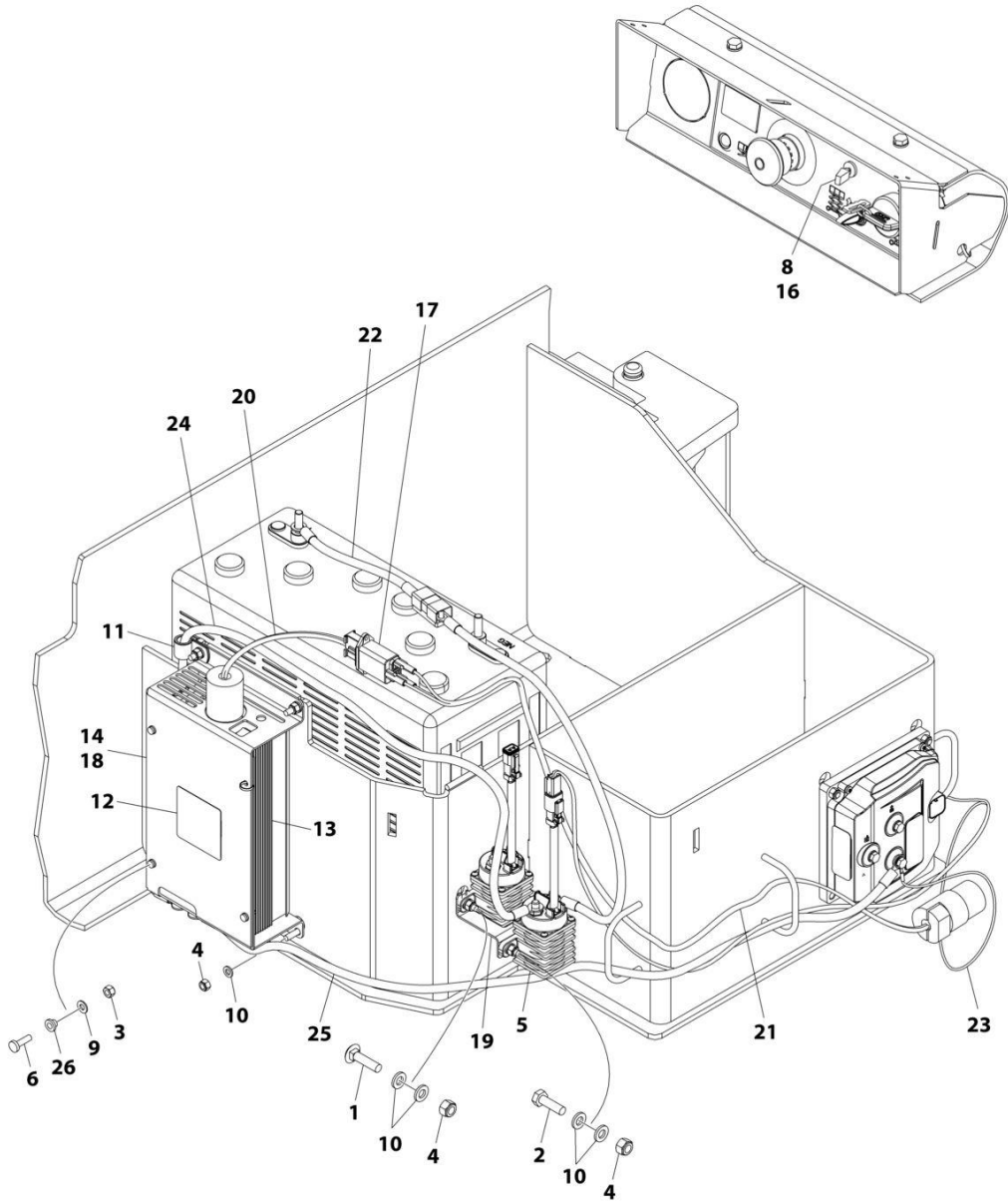
SECTION 2 - GROUND CONTROLS

FIGURE 2-12. BATTERIES INSTALLATION - AGM 12V-150AH

ITEM	PART NUMBER	QTY	DESCRIPTION	REV
	1001214911	Ref	BATTERIES INSTALLATION - AGM 12V-150AH	D
1	0100051	AR	Grease, Terminal	
2	0760612	2	Bolt M6 x 25	
3	4240017	AR	Tie-Strap	
4	4811702	2	Washer M6	
5	8305919	1	Nut, Retainer, M6	
6	1001214309	4	Battery	
8	1001220904	1	Bracket	
9	1001220905	1	Bracket	
10	1001214878	1	Cable, Contactor to Battery Disconnect	
10	4460290	1	Connector, Anderson	
11	1001214879	1	Cable, Battery to Pump Control B-	
12	1001216409	2	Cable, Battery	
13	1001216410	2	Cable, Battery	
14	1001216411	1	Cable, Battery (+ to +)	
15	1001216417	1	Cable, Battery Disconnect +	
15	2400087	1	Fuse - 300Amp	
16	5260600	1	Nut, M6 Class 10	
17	1001229522	1	Holder, Mega Fuse 300A	
18	3290801	1	Nut M8	

SECTION 2 - GROUND CONTROLS

FIGURE 2-13. INVERTER INSTALLATION (OPTIONAL)



ART_1001214215

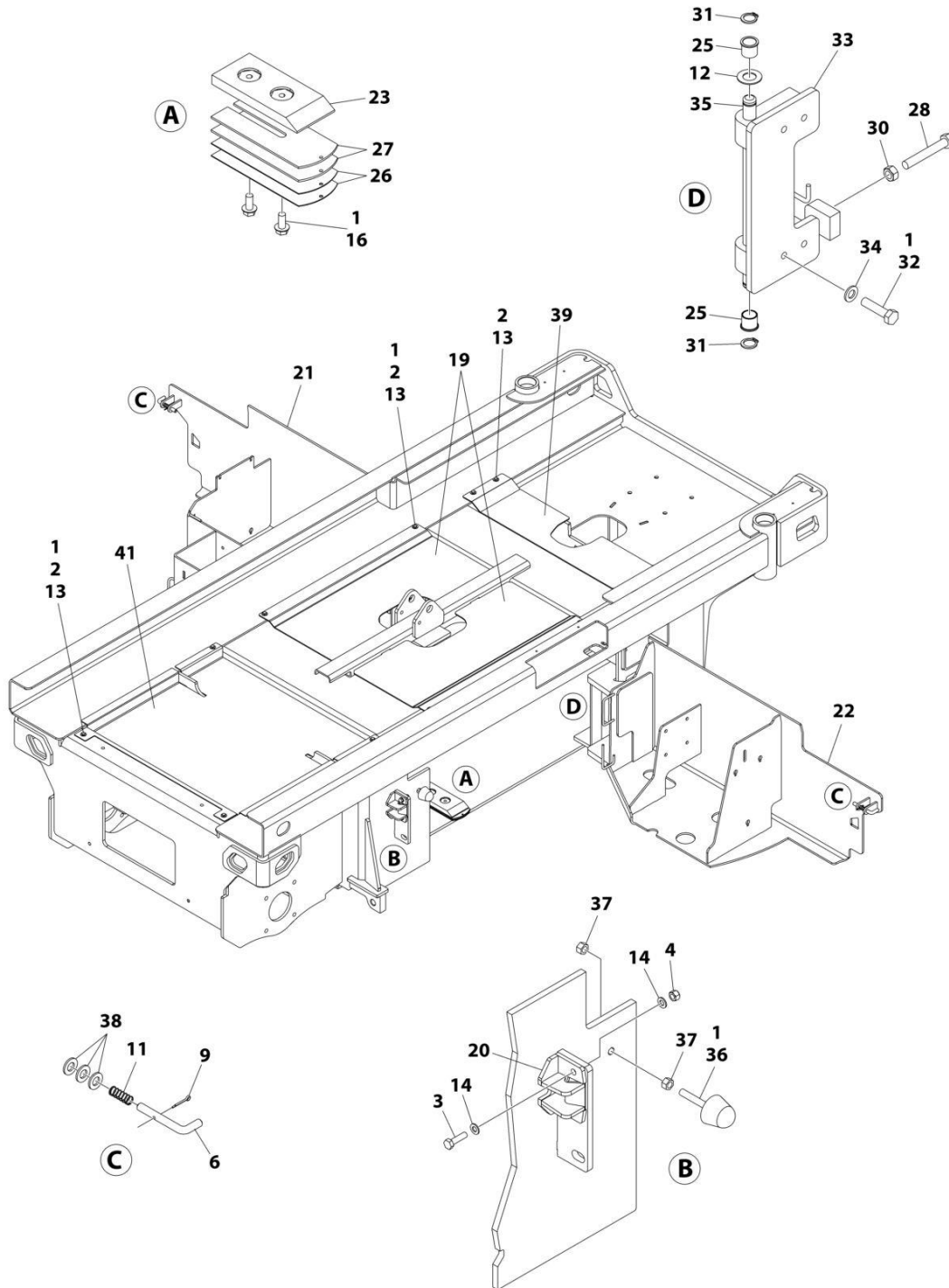
SECTION 2 - GROUND CONTROLS

FIGURE 2-13. INVERTER INSTALLATION (OPTIONAL)

ITEM	PART NUMBER	QTY	DESCRIPTION	REV
	1001214215	Ref	INVERTER INSTALLATION (OPTIONAL)	B
1	0630587	6	Bolt M6 x 25	
2	0760610	2	Bolt M6 x 20	
3	3290405	3	Nut M4	
4	3290605	8	Nut M6	
5	3740150	1	Relay	
6	1001101540	3	Screw M4 x 14	
7	4240017	AR	Tie-Strap (Not Shown)	
8	4360336	1	Switch, Toggle	
9	4811400	3	Washer M4	
10	4811700	8	Washer M6	
11	85941016	1	Clamp	
12	1001125483	1	Decal - Pressure Wash	
13	1001136757	1	Inverter	
14	1001142173	1	Insulate	
15	1001143009	1	Decal - Inverter (Not Shown - Located on LH side of Frame)	
16	1001143010	1	Decal - On/Off Inverter	
17	1001157547	1	Inverter	
18	1001210440	1	Support	
19	1001210605	1	Support	
20	1001210881	1	Cable, Inverter to AC Filter	
20	4460138	1	Plug, Male - 3 Prong	
20	1001157513	1	Plug, Male - 3 Position	
20	1001157790	3	Terminal	
21	1001210882	1	Cable AC Filter to AC Plug	
21	4460779	1	Receptacle, Female	
22	1001214880	1	Cable, Battery + to Relay	
23	1001214994	1	Harness, Inverter (See Separate Breakdown in ELECTRICAL SECTION)	
24	1001215215	1	Cable, Inverter + to Relay	
25	1001217445	1	Cable, Pump Control B- to Inverter -	
26	1001142174	3	Washer 1/8	

SECTION 2 - GROUND CONTROLS

FIGURE 2-14. DOORS INSTALLATION



ART_1001216353_G

SECTION 2 - GROUND CONTROLS

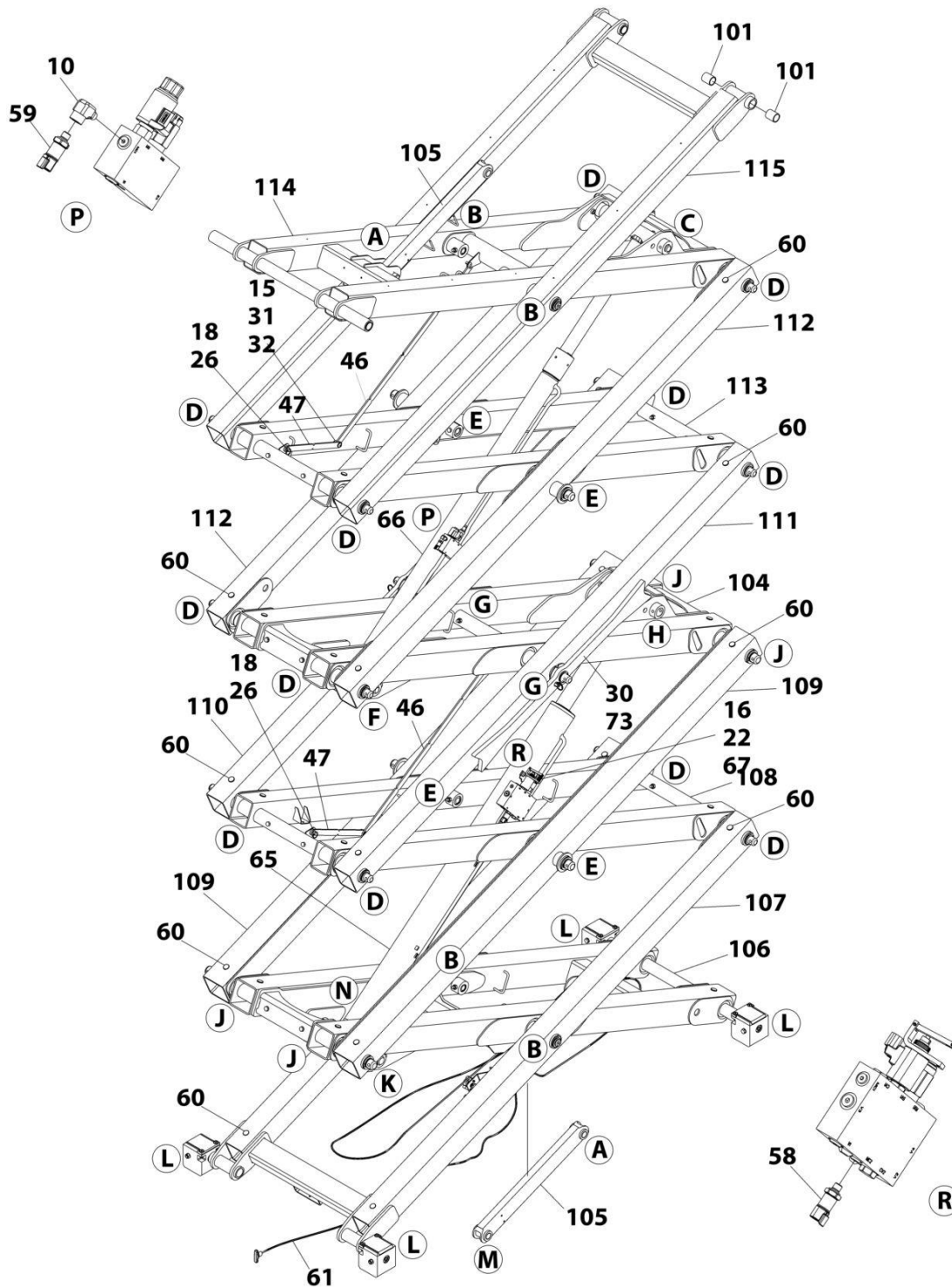
FIGURE 2-14. DOORS INSTALLATION

ITEM	PART NUMBER	QTY	DESCRIPTION	REV
	1001216353	Ref	DOORS INSTALLATION	G
1	0100011	AR	Compound, Locking	
2	0700612	12	Bolt M6 x 25	
3	0700817	4	Bolt M8 x 45	
4	3290805	4	Nut M8	
6	3423243	2	Pin, Latch	
9	3450303	2	Pin	
11	4160214	2	Spring	
12	4740086	2	Washer	
13	4811702	12	Washer M6	
14	4811902	4	Washer M8	
16	5251011	2	Bolt M10 x 22	
19	1001217464	2	Panel	
20	1001214810	2	Bracket	
21	1001218048	1	Door, Battery	
22	1001218181	1	Door, Hydraulic	
23	1001218563	2	Pad, Wear	
25	1001218573	4	Bearing	
26	1001219828	AR	Shim 18GA	
27	1001219829	AR	Shim, Wear Pad 11GA	
28	0761224	2	Bolt M12 x 80	
30	3291201	2	Nut M12	
31	3760348	4	Ring, Retaining	
32	0761218001	8	Bolt M12 x 50	
33	1001223073	2	Hinge	
34	4812100001	8	Washer M12	
35	1001223171	2	Pin	
36	0940071	2	Bumper	
37	3271601	4	Nut 3/8	
38	4812000	AR	Washer M10	
39	1001234257	1	Panel	
41	1001256516	1	Cover, Frame	

SECTION 3 - SCISSORS ARMS

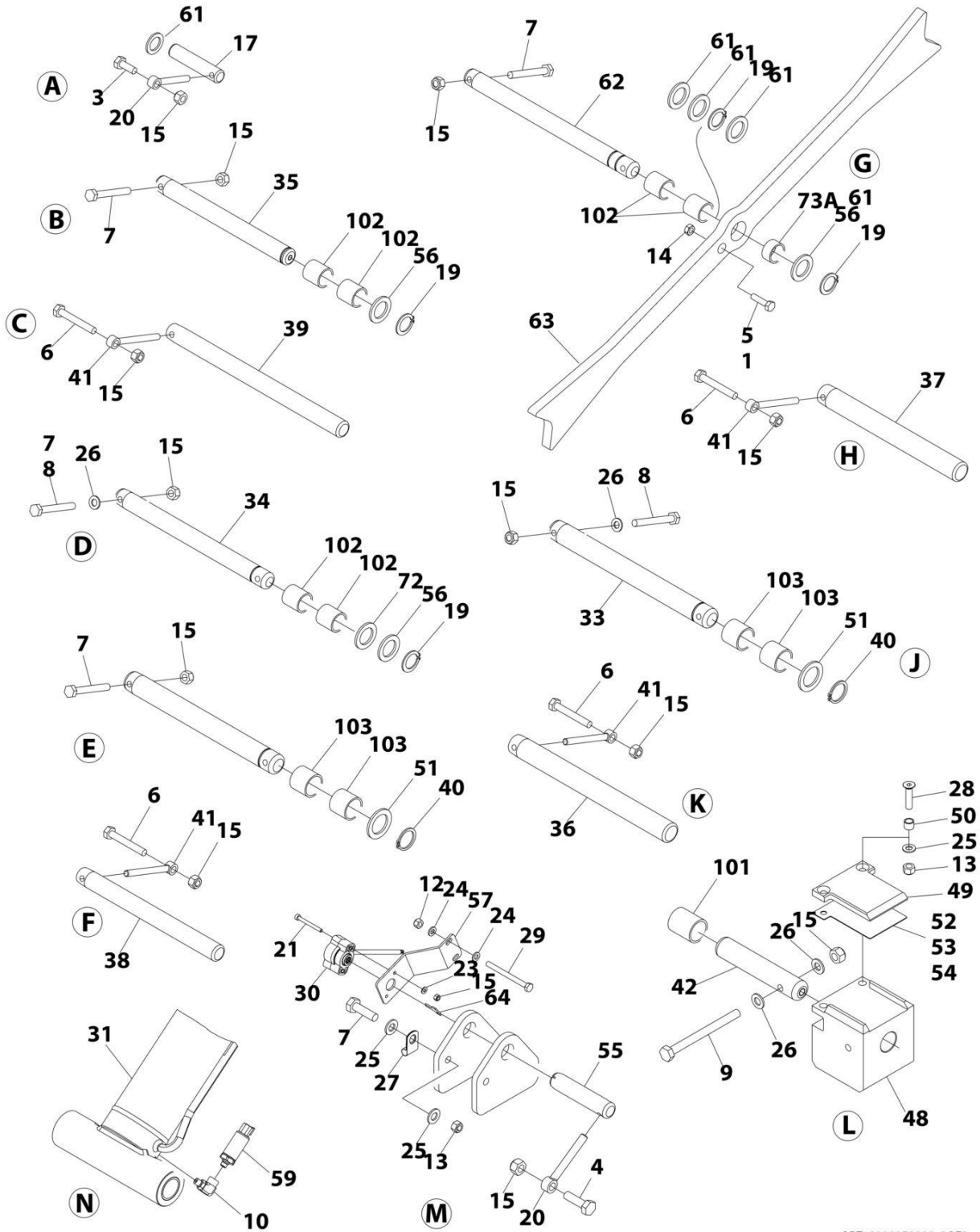
SECTION 3 - SCISSORS ARMS

FIGURE 3-1. SCISSOR ARMS INSTALLATION (MACHINES WITH SN STARTING WITH 12, B2 & G2)



ART_1001258819_10F2

SECTION 3 - SCISSORS ARMS



ART_1001258819_20F2

SECTION 3 - SCISSORS ARMS

FIGURE 3-1. SCISSOR ARMS INSTALLATION (MACHINES WITH SN STARTING WITH 12, B2 & G2)

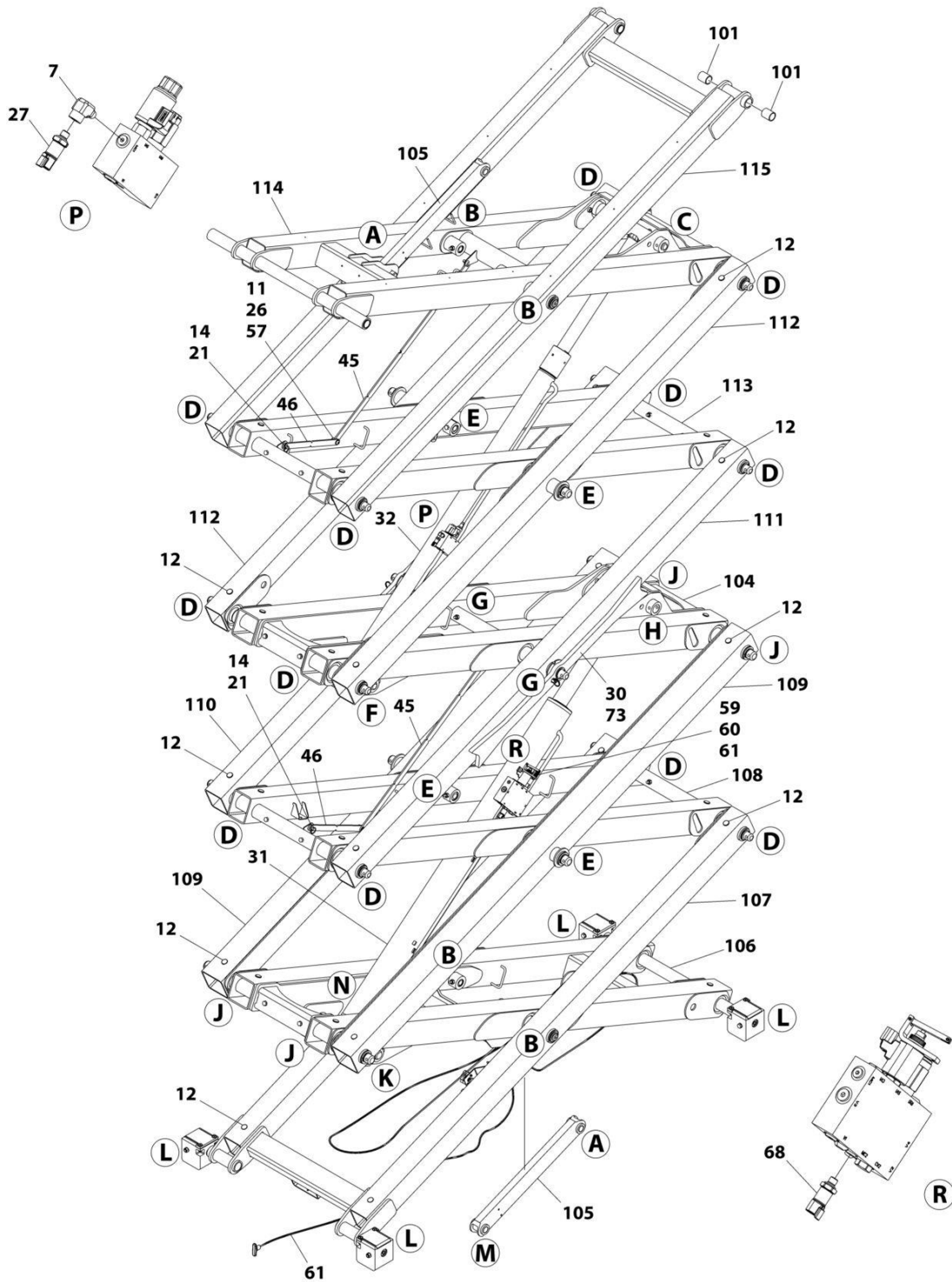
ITEM	PART NUMBER	QTY	DESCRIPTION	REV
	1001258819	Ref	SCISSORS ARMS INSTALLATION	A
1	0100011	AR	Compound, Locking	
2	0700814	1	Bolt M8 x 30	
3	0701014	2	Bolt M10 x 30	
4	0701015	1	Bolt M10 x 35	
5	0701016	2	Bolt M10 x 40	
6	0701022	4	Bolt M10 x 70	
7	0701024	18	Bolt M10 x 80	
8	0701025	8	Bolt M10 x 85	
9	0701030	AR	Bolt M10 x 130	
10	2221116	2	Fitting, 90 ORB/ORB	
11	3290405	2	Nut M4	
12	3290605	2	Nut M6	
13	3290805	9	Nut M8	
14	3291001	2	Nut M10	
15	3291005	39	Nut M10	
16	3321402	1	Nut 1/4	
17	3422943	2	Pin	
18	3760170	4	Ring, Split	
19	3760387	20	Ring, Retaining	
20	3841143	3	Keeper, Pin	
21	4031512	2	Capscrew M4 x 40	
22	4160078	1	Spring	
23	4811400	2	Washer M4	
24	4811700	4	Washer M6	
25	4811900	10	Washer M8	
26	4812000	24	Washer M10	
27	8406003	1	Clamp	
28	1001094312	8	Screw M8 x 30	
29	1001096653	2	Bolt M6 x 70	
30	1001146963	1	Sensor, BEI Angle	
31	1001153195	6	Washer M10	
32	1001174673	2	Screw M10 x 30	
33	1001214625	4	Pin	
34	1001214641	12	Pin	
35	1001214644	4	Pin	
36	1001214646	1	Pin	
37	1001214648	1	Pin	
38	1001214649	1	Pin	
39	1001214650	1	Pin	
40	1001214689	8	Ring, Reatining	
41	1001214907	4	Keeper, Pin	
42	1001215790	4	Pin	
43	1001216593	1	LSS Harness (Not Shown - See Separate Breakdown in ELECTRICAL SECTION)	
44	1001216594	1	Lift Down Harness - Lower (Not Shown) (See Separate Breakdown in ELECTRICAL SECTION)	
45	1001216595	1	Lift Down Harness - Upper (Not Shown) (See Separate Breakdown in ELECTRICAL SECTION)	
46	1001216690	2	Support, Cable	

SECTION 3 - SCISSORS ARMS

ITEM	PART NUMBER	QTY	DESCRIPTION	REV
47	1001216691	2	Support, Cable	
48	1001216781	4	Block, Slide	
49	1001216792	4	Pad, Slide	
50	1001217110	8	Sleeve	
51	1001217457	8	Washer	
52	1001217466	AR	Shim, 20 Gauge	
53	1001219834	AR	Shim, 15 Gauge	
54	1001219835	AR	Shim, 24 Gauge	
55	1001220144	1	Pin, Sensor	
56	1001220407	16	Washer	
57	1001222308	1	Bracket	
58	1001225164	1	Sensor, Pressure Transducer	
59	1001227516	2	Transducer, Pressure	
60	1001228533	36	Pad	
61	1001231270	AR	Shim	
62	1001231837	2	Pin	
63	1001231890	2	Assembly, Safety Prop	
64	1001234204	1	Key, Sensor	
65	1001242708	1	LOWER LIFT CYLINDER	
66	1001242709	1	UPPER LIFT CYLINDER	
67	1001218696	1	Cable, Manual Descent	
	1001219766	Ref	ARM KIT	
101	0440266	8	Bearing	
102	0440267	36	Bearing	
103	0962272	16	Bearing	
104	1001211677	1	Arm - Inner 3	
105	1001211951	2	Link	
105	0962474	4	Bushing	
106	1001212768	1	Arm - Inner 1	
107	1001212795	1	Arm - Outer 1	
108	1001212829	1	Arm - Inner 2	
109	1001212958	2	Arm - Outer 2	
110	1001212963	1	Arm - Outer 3 (LH)	
111	1001212964	1	Arm - Outer 3 (RH)	
112	1001212967	2	Arm - Outer 4	
113	1001212970	1	Arm - Inner 4	
114	1001212971	1	Arm - Inner 5	
115	1001212972	1	Arm - Outer 5	

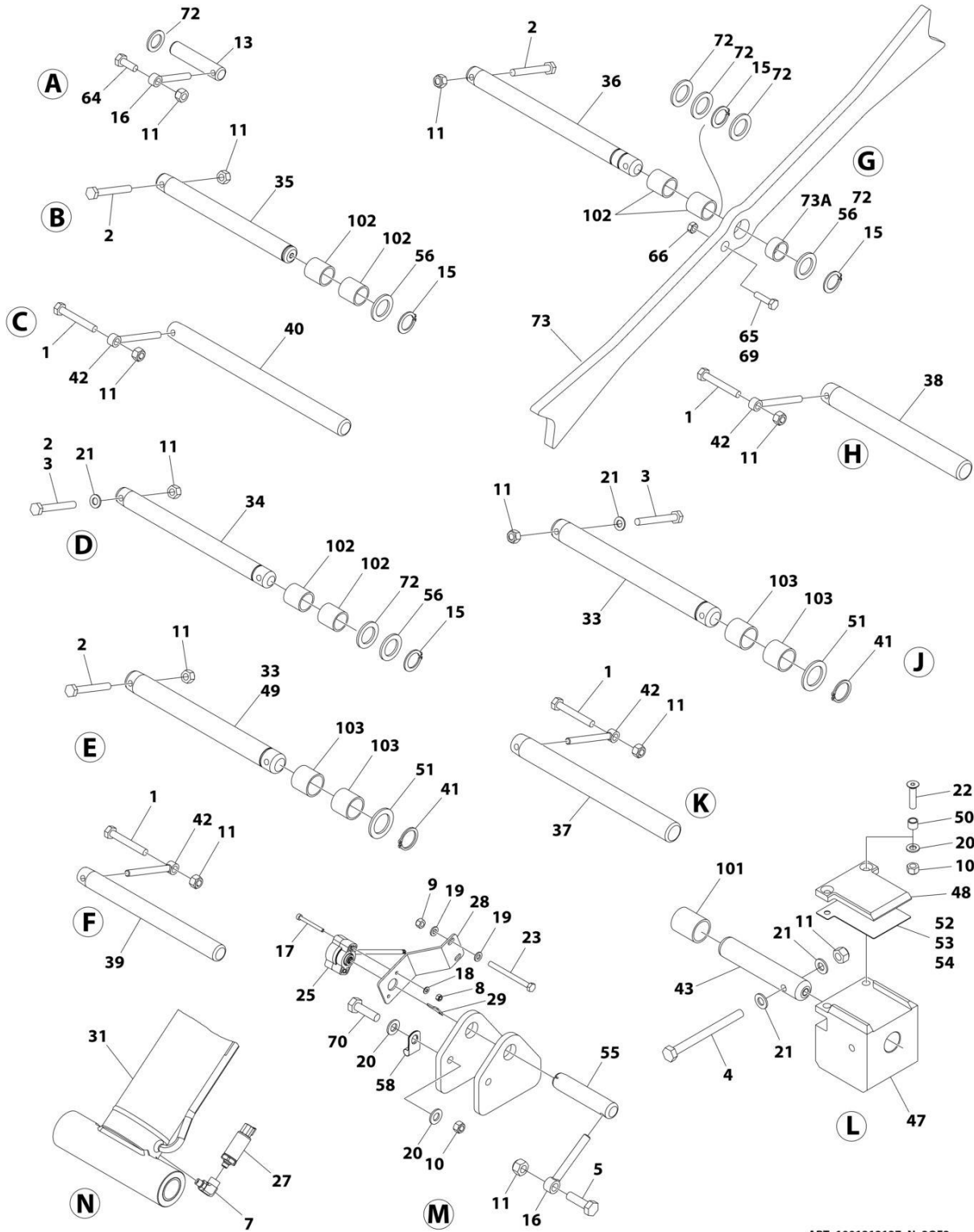
SECTION 3 - SCISSORS ARMS

FIGURE 3-2. SCISSOR ARMS INSTALLATION (MACHINES WITH SN STARTING WITH M2)



ART_1001213137_N_10F2

SECTION 3 - SCISSORS ARMS



ART_1001213137_N_20F2

SECTION 3 - SCISSORS ARMS

FIGURE 3-2. SCISSOR ARMS INSTALLATION (MACHINES WITH SN STARTING WITH M2)

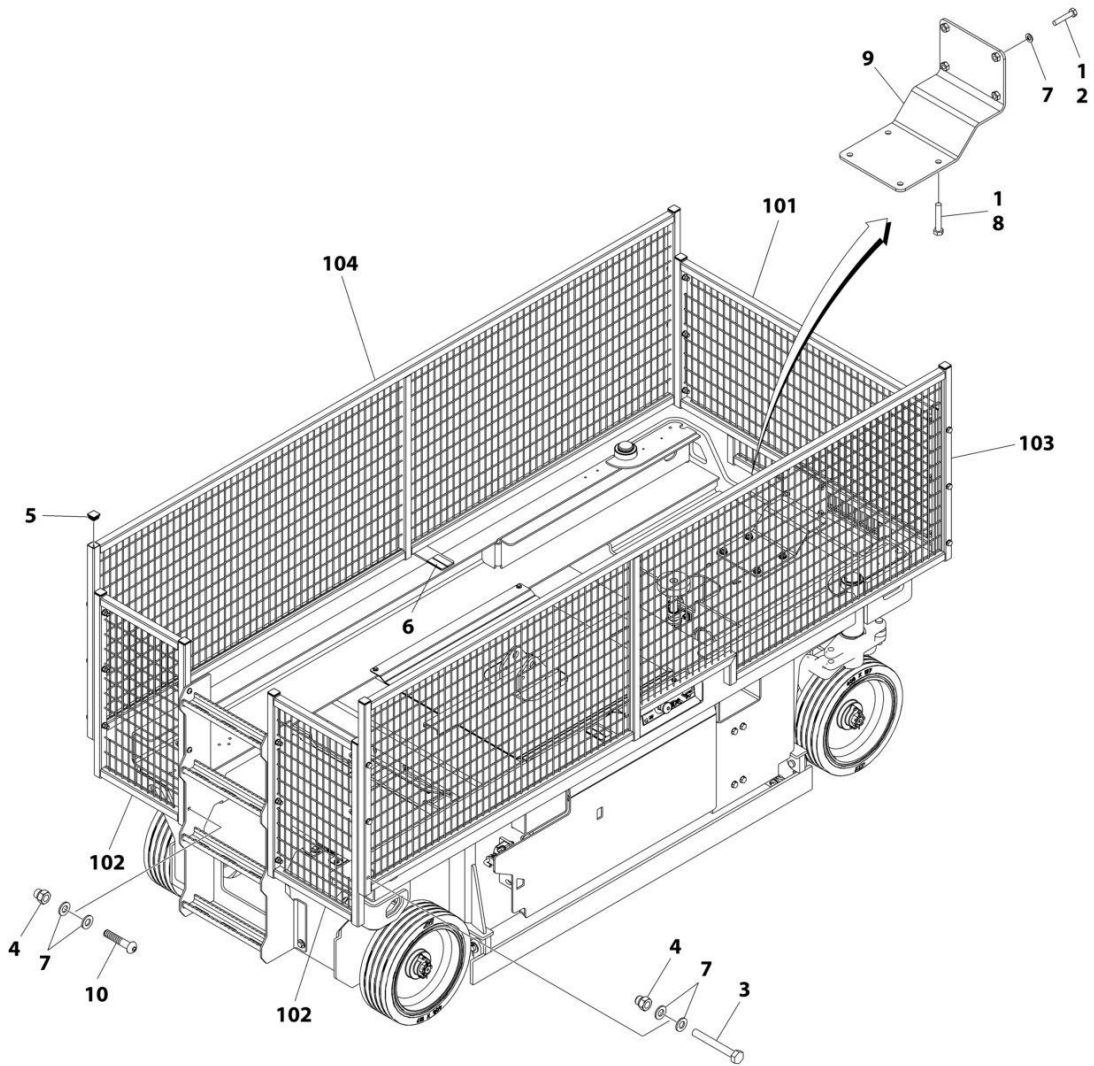
ITEM	PART NUMBER	QTY	DESCRIPTION	REV
	1001213137	Ref	SCISSORS ARMS INSTALLATION	N
1	0701022	4	Bolt M10 x 70	
2	0701024	18	Bolt M10 x 80	
3	0701025	8	Bolt M10 x 85	
4	0701030	AR	Bolt M10 x 130	
5	0701015	1	Bolt M10 x 35	
7	2221116	2	Fitting, 90 ORB/ORB	
8	3290405	2	Nut M4	
9	3290605	2	Nut M6	
10	3290805	9	Nut M8	
11	3291005	39	Nut M10	
12	1001228533	36	Pad	
13	3422943	2	Pin	
14	3760170	4	Ring, Split	
15	3760387	20	Ring, Retaining	
16	3841143	3	Keeper, Pin	
17	4031512	2	Capscrew M4 x 40	
18	4811400	2	Washer M4	
19	4811700	4	Washer M6	
20	4811900	10	Washer M8	
21	4812000	24	Washer M10	
22	1001094312	8	Screw M8 x 30	
23	1001096653	2	Bolt M6 x 70	
25	1001146963	1	Sensor, BEI Angle	
25	4460899	1	Receptacle, Female - 6 Position	
25	4460464	6	Pin, Male	
26	1001153195	6	Washer M10	
27	1001227516	2	Transducer, Pressure	
28	1001222308	1	Bracket	
29	1001234204	1	Key, Sensor	
31	1001212482	1	Lift Cylinder Assembly - Lower (See Separate Breakdown in CYLINDER SECTION)	
32	1001212483	1	Lift Cylinder Assembly - Upper (See Separate Breakdown in CYLINDER SECTION)	
33	1001214625	8	Pin	
34	1001214641	12	Pin	
35	1001214644	4	Pin	
36	1001231837	2	Pin	
37	1001214646	1	Pin	
38	1001214648	1	Pin	
39	1001214649	1	Pin	
40	1001214650	1	Pin	
41	1001214689	8	Ring, Reatining	
42	1001214907	4	Keeper, Pin	
43	1001215790	4	Pin	
45	1001216690	2	Support, Cable	
46	1001216691	2	Support, Cable	
47	1001216781	4	Block, Slide	
48	1001216792	4	Pad, Slide	
49	1001216808	NLA	Pin (Use P/N 1001214625)	

SECTION 3 - SCISSORS ARMS

ITEM	PART NUMBER	QTY	DESCRIPTION	REV
50	1001217110	8	Sleeve	
51	1001217457	8	Washer	
52	1001217466	AR	Shim, 20 Gauge	
53	1001219834	AR	Shim, 15 Gauge	
54	1001219835	AR	Shim, 24 Gauge	
55	1001220144	1	Pin, Sensor	
56	1001220407	16	Washer	
57	1001174673	2	Screw M10 x 30	
58	8406003	1	Clamp	
59	3321402	1	Nut 1/4	
60	4160078	1	Spring	
61	1001218696	1	Cable, Manual Descent	
61	7020218	1	Handle	
62	1001216594	1	Lift Down Harness - Lower (Not Shown) (See Separate Breakdown in ELECTRICAL SECTION)	
63	1001216595	1	Lift Down Harness - Upper (Not Shown) (See Separate Breakdown in ELECTRICAL SECTION)	
64	0701014	2	Bolt M10 x 30	
65	0701016	2	Bolt M10 x 40	
66	3291001	2	Nut M10	
67	1001216593	1	LSS Harness (Not Shown - See Separate Breakdown in ELECTRICAL SECTION)	
68	1001225164	1	Sensor, Pressure Transducer	
69	0100011	AR	Compound, Locking	
70	0700814	1	Bolt M8 x 30	
72	1001231270	AR	Shim	
73	1001231890	2	Assembly, Safety Prop	
73A	1001227919	1	Bearing, Bronze	
	1001219766	Ref	ARM KIT	
101	0440266	8	Bearing	
102	0440267	36	Bearing	
103	0962272	16	Bearing	
104	1001211677	1	Arm - Inner 3	
105	1001211951	2	Link	
105	0962474	4	Bushing	
106	1001212768	1	Arm - Inner 1	
107	1001212795	1	Arm - Outer 1	
108	1001212829	1	Arm - Inner 2	
109	1001212958	2	Arm - Outer 2	
110	1001212963	1	Arm - Outer 3 (LH)	
111	1001212964	1	Arm - Outer 3 (RH)	
112	1001212967	2	Arm - Outer 4	
113	1001212970	1	Arm - Inner 4	
114	1001212971	1	Arm - Inner 5	
115	1001212972	1	Arm - Outer 5	

SECTION 3 - SCISSORS ARMS

FIGURE 3-3. ARM GUARD INSTALLATION



ART_1001226220

SECTION 3 - SCISSORS ARMS

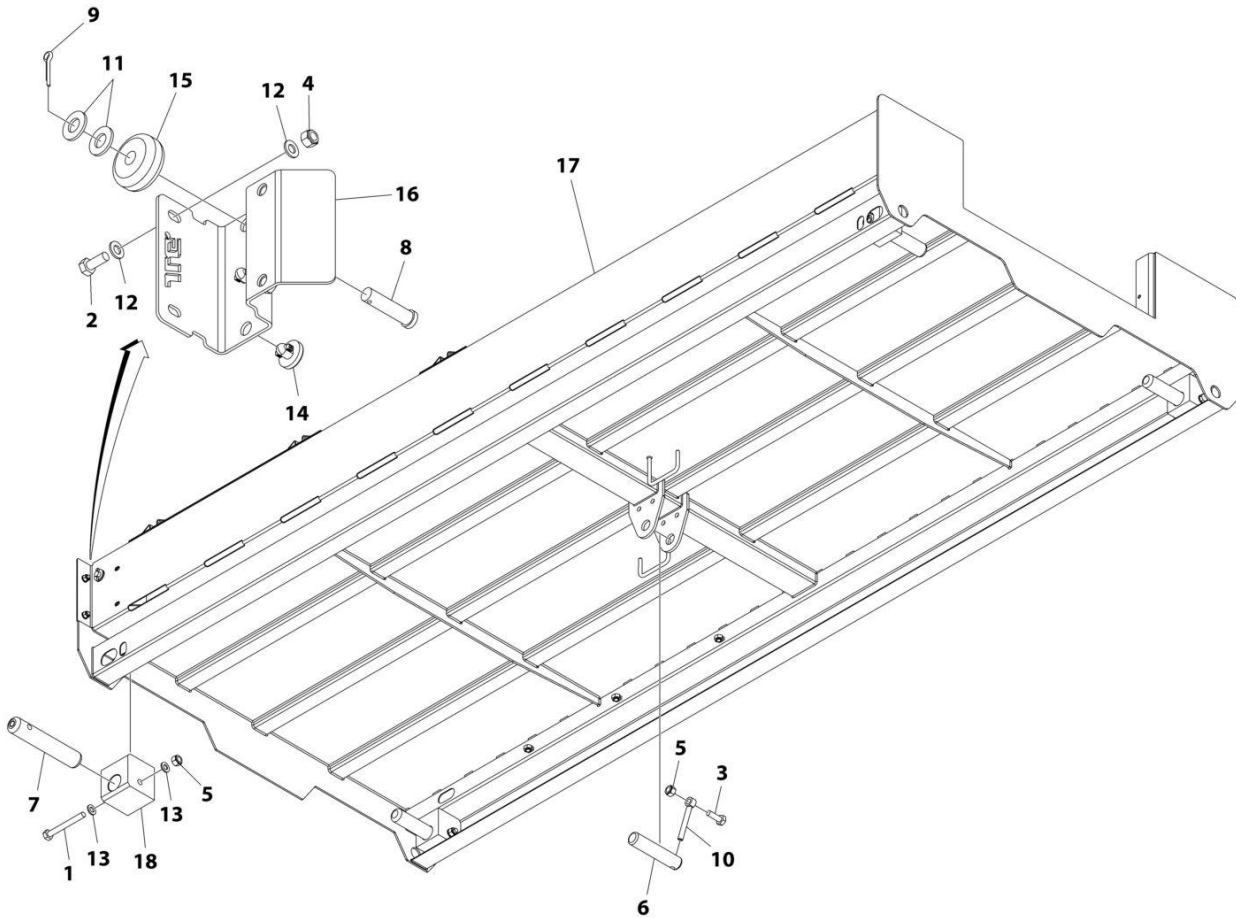
FIGURE 3-3. ARM GUARD INSTALLATION

ITEM	PART NUMBER	QTY	DESCRIPTION	REV
	1001226220	Ref	ARM GUARD INSTALLATION	A
1	0100011	AR	Compound, Locking	
2	0701019	4	Bolt M10 x 55	
3	0701024	12	Bolt M10 x 80	
4	3291006	18	Nut M10	
5	3520072	10	Plug	
6	4420062	1 ft/30cm	Tape	
7	4812000	40	Washer M10	
8	1001098828	4	Bolt M12 x 70 Garde 10.9	
9	1001226215	1	Bracket	
10	1001229529	6	Screw M10 x 50	
100	1001226219	1	Arm Guard Kit (Not Shown)	
101	1001226216	1	Guard, Arm (Front)	
102	1001226218	2	Guard, Arm (Rear)	
103	1001229950	1	Guard, Arm (RH)	
104	1001229951	1	Guard, Arm (LH)	

SECTION 4 - PLATFORM

SECTION 4 - PLATFORM

FIGURE 4-1. PLATFORM INSTALLATION



ART_1001213267

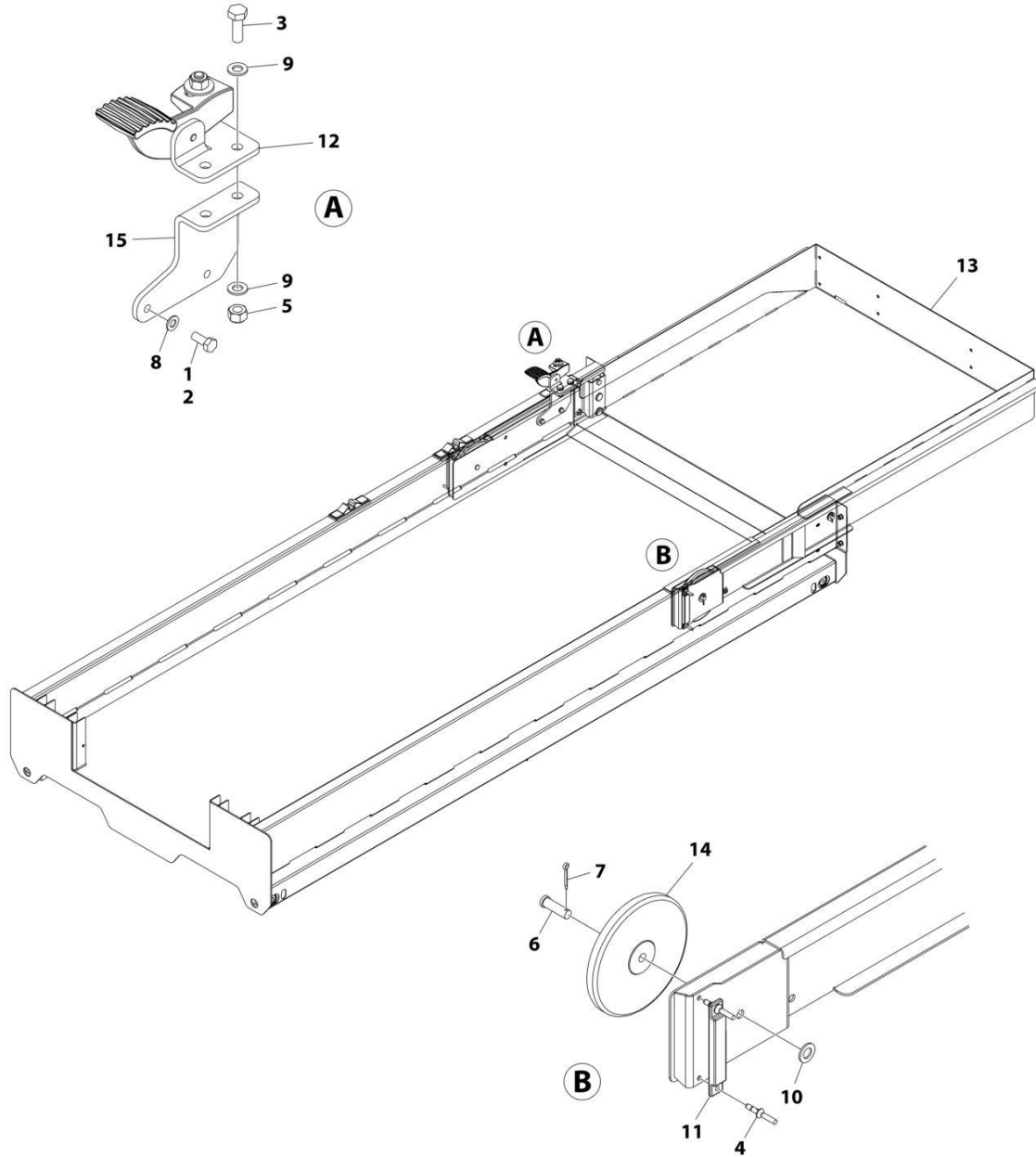
SECTION 4 - PLATFORM

FIGURE 4-1. PLATFORM INSTALLATION

ITEM	PART NUMBER	QTY	DESCRIPTION	REV
	1001213267	Ref	PLATFORM INSTALLATION	F
1	0701026	4	Bolt M10 x 90	
2	0760810	4	Bolt M8 x 20	
3	0761014	1	Bolt M10 x 30	
4	3290805	4	Nut M8	
5	3291005	5	Nut M10	
6	3422943	1	Pin	
7	1001215790	4	Pin	
8	3430816	2	Pin	
9	3450403	2	Pin 1/8 x 3/4	
10	3841143	1	Keeper, Pin	
11	4711800	4	Washer 1/2	
12	4811900	8	Washer M8	
13	4812000	8	Washer M10	
14	1001137675	4	Bumper	
15	1001205422	2	Roller	
16	1001210064	2	Support, Roller	
17	1001213275	1	Platform	
18	1001214268	4	Block, Slide	

SECTION 4 - PLATFORM

FIGURE 4-2. PLATFORM EXTENSION INSTALLATION



ART_1001213268_C

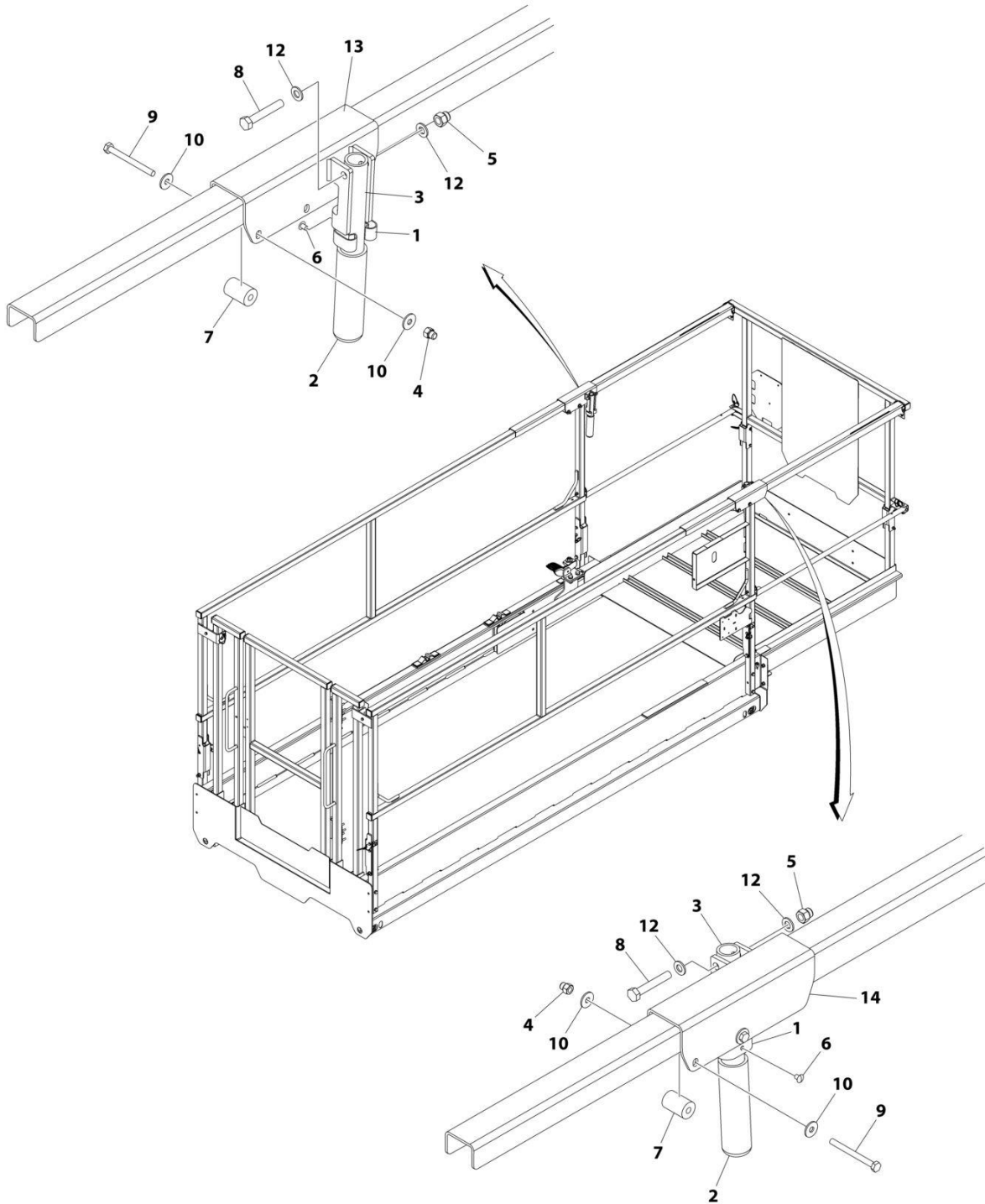
SECTION 4 - PLATFORM

FIGURE 4-2. PLATFORM EXTENSION INSTALLATION

ITEM	PART NUMBER	QTY	DESCRIPTION	REV
	1001213268	Ref	PLATFORM EXTENSION INSTALLATION	C
1	0100011	AR	Compound, Locking	
2	0760810	AR	Bolt M8 x 20	
2	0760812	AR	Bolt M8 x 25	
3	0761014	2	Bolt M10 x 30	
4	2080040	4	Fastener	
5	3291005	2	Nut M10	
6	3430813	2	Pin	
7	3450404	2	Pin 1/8 x 1	
8	4811900	2	Washer M8	
9	4812000	4	Washer M10	
10	4812200	2	Washer M14	
11	1001208852	2	Pad, Slide	
12	1001234407	1	Bracket, Latch	
13	1001213470	1	Extension	
14	1001213550	2	Roller	
15	1001213838	1	Plate	

SECTION 4 - PLATFORM

FIGURE 4-3. EXTENSION HANDLES INSTALLATION (OPTIONAL)



ART_1001215446_E

SECTION 4 - PLATFORM

FIGURE 4-3. EXTENSION HANDLES INSTALLATION (OPTIONAL)

ITEM	PART NUMBER	QTY	DESCRIPTION	REV
	1001215446	Ref	EXTENSION HANDLES INSTALLATION (OPTIONAL)	E
1	1380132	2	Clip	
2	2560088	2	Grip	
3	2560190	2	Handle	
4	3290606	2	Nut M6	
5	3290806	2	Nut M8	
6	3820019	2	Rivet	
7	3860111	2	Roller	
8	0700818	AR	Bolt M8 x 50	
9	0700621	AR	Bolt M6 x 65	
10	4811702	AR	Washer M6	
12	4811900	AR	Washer M8	
13	1001235560	1	Bracket (LH)	
14	1001235561	1	Bracket (RH)	

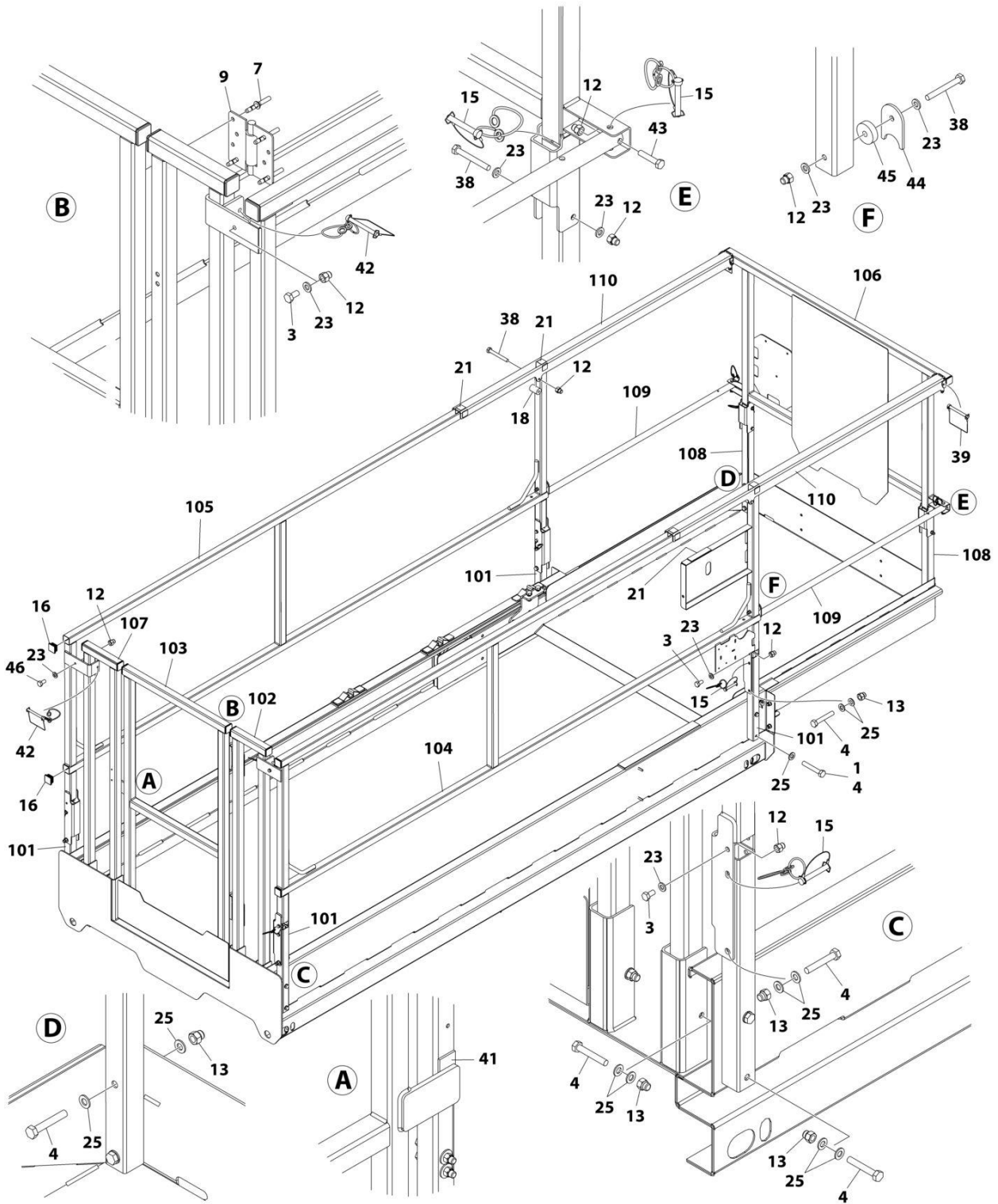
SECTION 4 - PLATFORM

FIGURE 4-4. RAILS INSTALLATION (SIDE BY SIDE)

ITEM	PART NUMBER	QTY	DESCRIPTION	REV
	1001213270	Ref	RAILS INSTALLATION (SIDE BY SIDE)	J
1	0100011	AR	Compound, Locking	
4	0760606	2	Bolt M6 x 12	
5	0700818	24	Bolt M8 x 50	
7	2080040	18	Fastener	
9	2600281	2	Hinge	
13	3290606	16	Nut M6	
15	3290806	24	Nut M8	
18	3520072	20	Plug	
22	0700617	4	Bolt M6 x 45	
24	4811700	22	Washer M6	
25	4811702	8	Washer M6	
26	4811900	54	Washer M8	
30	1001187587	1	Pin, Snap with Lanyard	
39	1001237911	2	Bracket, Slide	
43	0700618	10	Bolt M6 x 50	
45	0760810	6	Bolt M8 x 20	
46	3080007	1	Magnet, Gate	
47	1001186235	2	Bolt M8 x 20	
48	4420062	4 in/ 10cm	Tape	
49	1001232622	1	Bracket, Stop	
	1001218264	Ref	Rail Kit	
101	1001213393	4	Tube	
102	1001213394	1	Rail, Rear (RH)	
103	1001213397	1	Gate	
104	1001222907	1	Rail, Side (RH)	
105	1001222913	1	Rail, Side (LH)	
107	1001213915	1	Rail, Extension Side (RH)	
108	1001213916	1	Rail, Extension Side (LH)	
109	1001213931	1	Rail, Extension Front	
110	1001222742	1	Rail, Rear (LH)	
111	1001222861	1	Tube (LH)	
112	1001222869	1	Tube (RH)	
113	1001223040	2	Rail, Top	
114	1001223165	1	Tube, Extension (LH)	
115	1001223166	1	Tube, Extension (RH)	
116	1001223053	2	Bracket	

SECTION 4 - PLATFORM

FIGURE 4-5. RAILS INSTALLATION (TUBE IN TUBE)



ART_1001213269_H

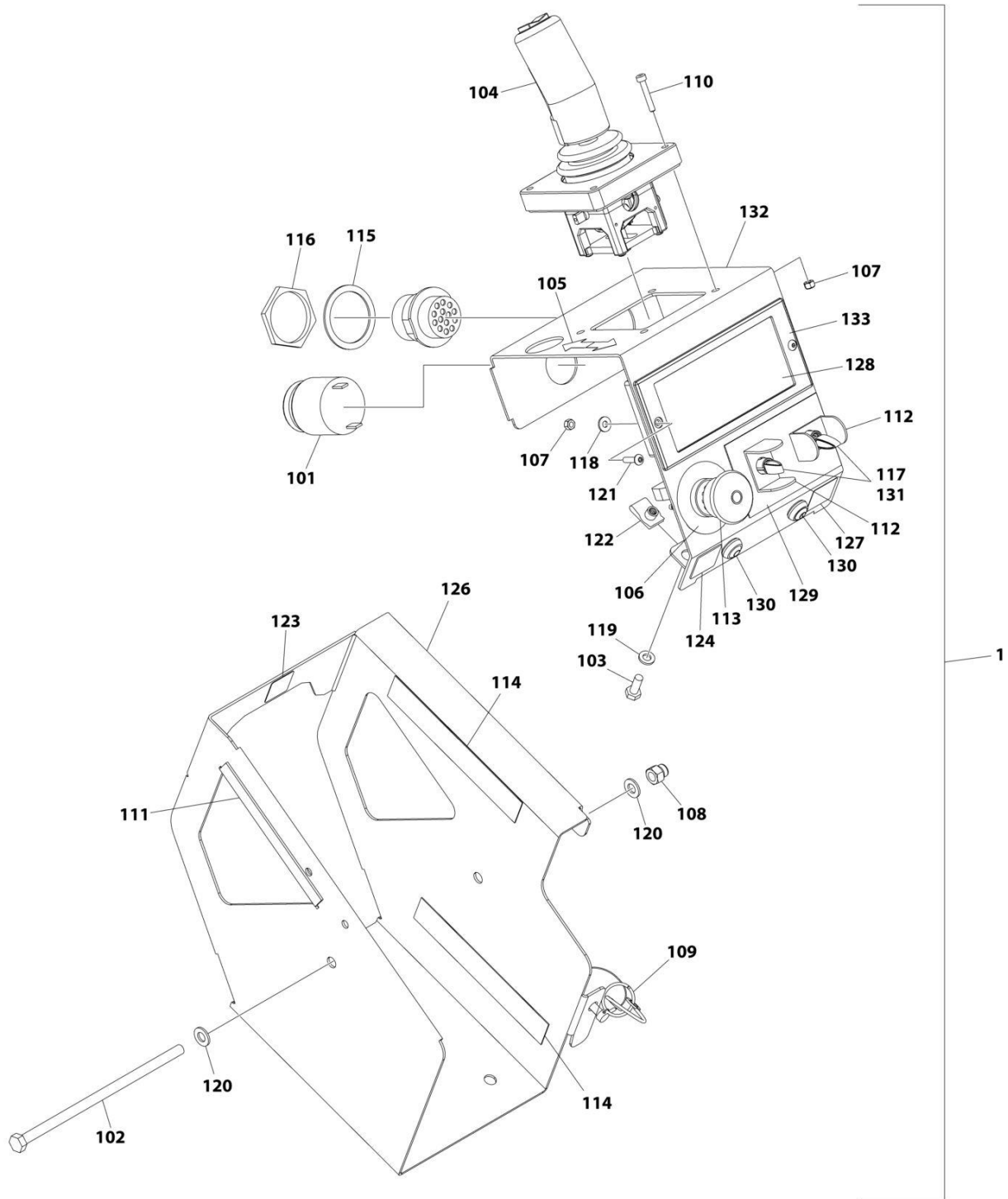
SECTION 4 - PLATFORM

FIGURE 4-5. RAILS INSTALLATION (TUBE IN TUBE)

ITEM	PART NUMBER	QTY	DESCRIPTION	REV
	1001213269	Ref	RAILS INSTALLATION (TUBE IN TUBE)	H
1	0100011	AR	Compound, Locking	
3	0760606	4	Bolt M6 x 12	
4	0700818	20	Bolt M8 x 50	
7	2080040	16	Fastener	
9	2600281	2	Hinge	
12	3290606	14	Nut M6	
13	3290806	16	Nut M8	
15	3423278	8	Pin, Snap	
16	3520072	14	Plug	
18	3860111	2	Roller	
21	4420062	16 in/ 40cm	Tape	
23	4811700	14	Washer M6	
25	4811900	36	Washer M8	
38	0700618	6	Bolt M6 x 50	
39	3422219	2	Pin, Snap	
41	3080007	1	Magnet, Gate	
42	1001187587	2	Pin, Snap with Lanyard	
43	0700614	2	Bolt M6 x 30	
44	1001227972	2	Plate, Extension Rod Stop	
45	1001227994	2	Washer	
46	0760608	2	Bolt M6 x 16	
	1001218263	Ref	RAIL KIT	
101	1001213393	4	Tube	
102	1001213394	1	Rail, Rear (RH)	
103	1001213397	1	Gate	
104	1001213403	1	Rail, Side (RH)	
105	1001213407	1	Rail, Side (LH)	
106	1001213409	1	Rail, Extension Front	
107	1001222742	1	Rail, Rear (LH)	
108	1001223164	2	Tube, Extension	
109	1001227969	2	Rail, Center Slide	
110	1001213416	2	Rail, Top Slide	

SECTION 4 - PLATFORM

FIGURE 4-6. PLATFORM CONSOLE INSTALLATION



ART_1001274659

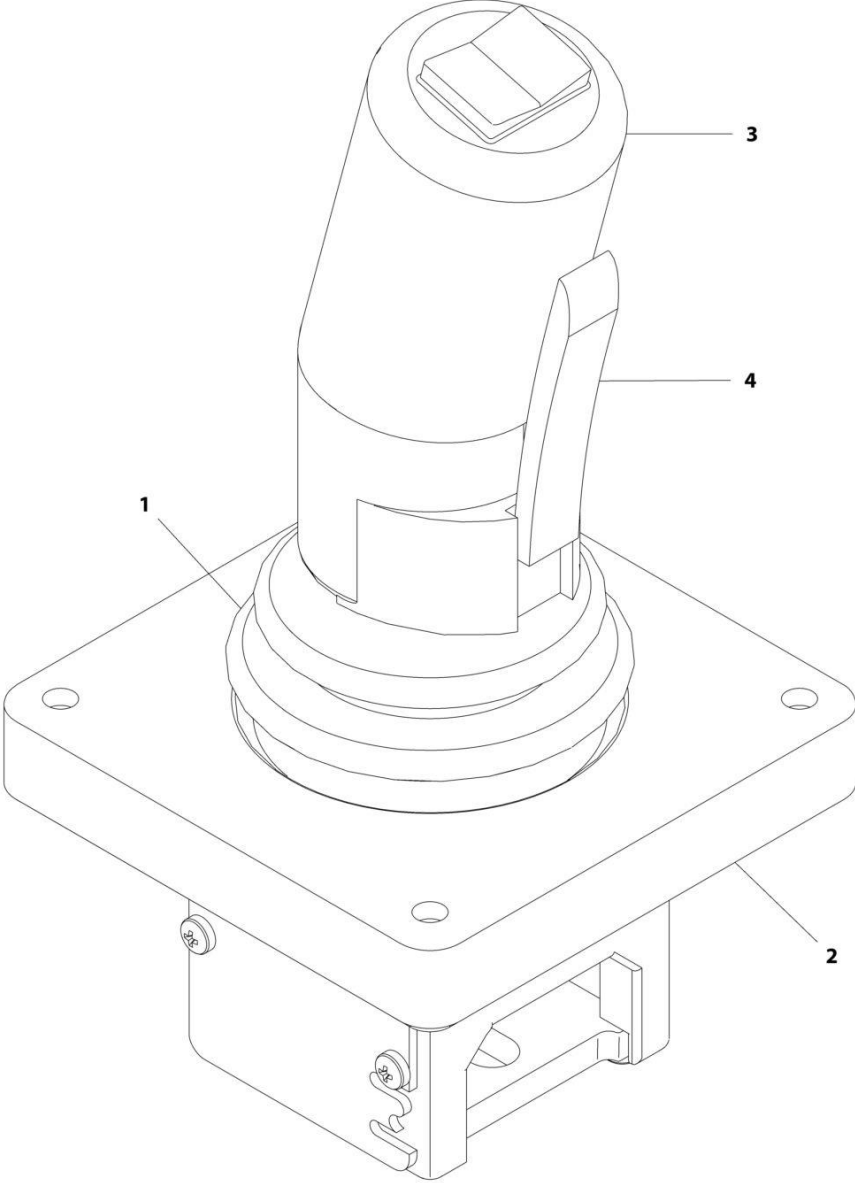
SECTION 4 - PLATFORM

FIGURE 4-6. PLATFORM CONSOLE INSTALLATION

ITEM	PART NUMBER	QTY	DESCRIPTION	REV
	1001274659	Ref	PLATFORM CONTROL INSTALLATION (LED)	A
1	1001274604	1	Platform Control Box	B
101	0140030	1	Alarm	
102	0700835	1	Bolt M8 x 180	
103	0760610	2	Bolt M6 x 20	
104	1600402	1	Controller Assembly (See Separate Breakdown in this Section)	
105	1703819	1	Decal - Arrow	
106	1704260	1	Decal - Emergency Stop	
107	3290405	6	Nut M4	
108	3290806	1	Nut M8	
109	3423278	1	Pin, Snap with Lanyard	
110	4031509	4	Capscrew M4 x 25	
111	4060803	6 in/ 14cm	Flex-Trim	
112	4060906	2	Guard, Switch	
113	4360475	1	Switch, Emergency Stop	
113	7020175	1	Cap	
113	7020176	1	Block, Contact	
114	4420062	12 in/ 30cm	Tape	
115	4460496	1	Washer, Terminal	
116	4460497	1	Nut, Terminal	
117	4711700	2	Washer 7/16	
118	4811400	2	Washer M4	
119	4811700	2	Washer M6	
120	4811900	2	Washer M8	
121	1001047064	2	Screw M4 x 15	
122	1001130220	2	Nut, Tinnerman M6	
123	1001132358	1	Decal - Steer	
124	1001132361	1	Decal - Horn	
125	1001200819	1	Platform Control Box Harness (Not Shown) (See Separate Breakdown in ELECTRICAL Section)	
126	1001209596	1	Plate, Box (Outside)	
127	1001213886	1	Decal - Indoor/Outdoor	
128	1001218285	1	Decal - Platform Control	
129	1001220893	1	Decal - Lift/Drive Function	
130	1001226749	2	Switch, Push Button	
131	1001258446	2	Switch, Toggle	
132	1001262655	1	Plate, Box (Inside)	
133	1001274605	1	Module, Platform Control	

SECTION 4 - PLATFORM

FIGURE 4-7. CONTROLLER ASSEMBLY



ART_1600402

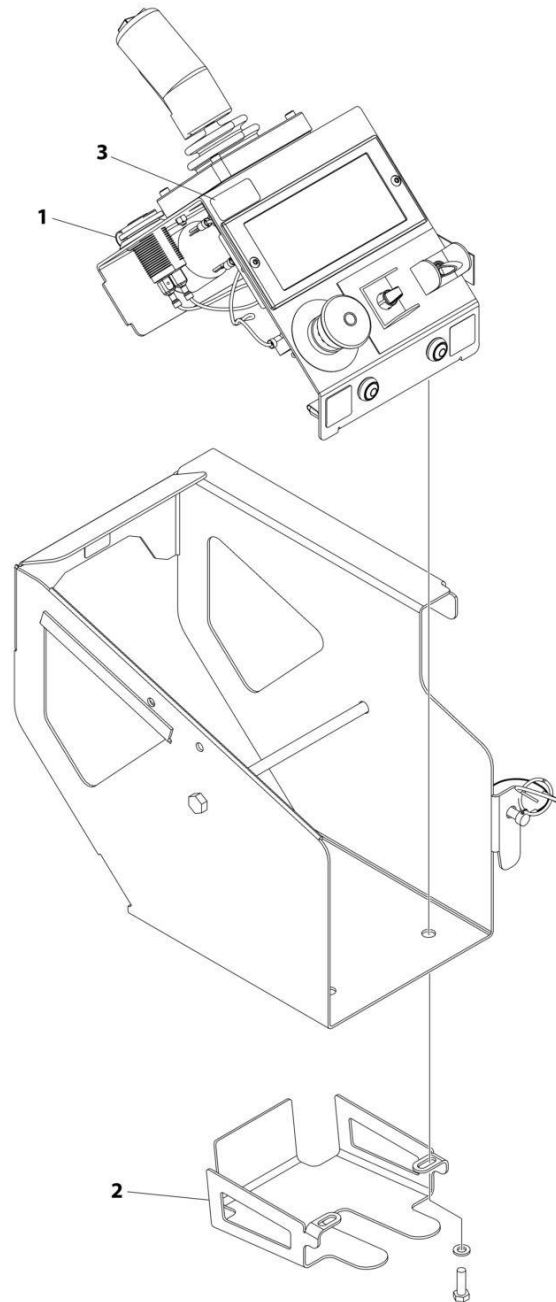
SECTION 4 - PLATFORM

FIGURE 4-7. CONTROLLER ASSEMBLY

ITEM	PART NUMBER	QTY	DESCRIPTION	REV
	1600402	Ref	DRIVE/STEER CONTROLLER ASSEMBLY	A
1	70001250	1	Boot, Panel	
2	70001252	1	Gasket, Mounting	
2	70001251	1	Bezel, Mounting	
3	70003650	1	Handle Repair Kit (Includes handle gasket, item#4 push button and item #4 lever installed in front handle half, back handle half, top actuator, boot and hardware.)	
3	70000084	1	Cap, Rubber	
3	70000082	1	Microswitch	
3	7027766	1	Ring, Retaining	
3	7027365	1	Actuator, Handle	
3	70001253	1	Gasket, Handle	
3	70000683	4	Washer, Neoprene	
3	70000685	2	Spacer, Plastic	
3	70000686	2	Screw (Top)	
3	70000684	2	Screw (Bottom)	
4	7027367	1	Switch, Push Button	
4	7027765	1	Lever, Enable	

SECTION 4 - PLATFORM

FIGURE 4-8. USB/PHONE CRADLE INSTALLATION



ART_1001262150

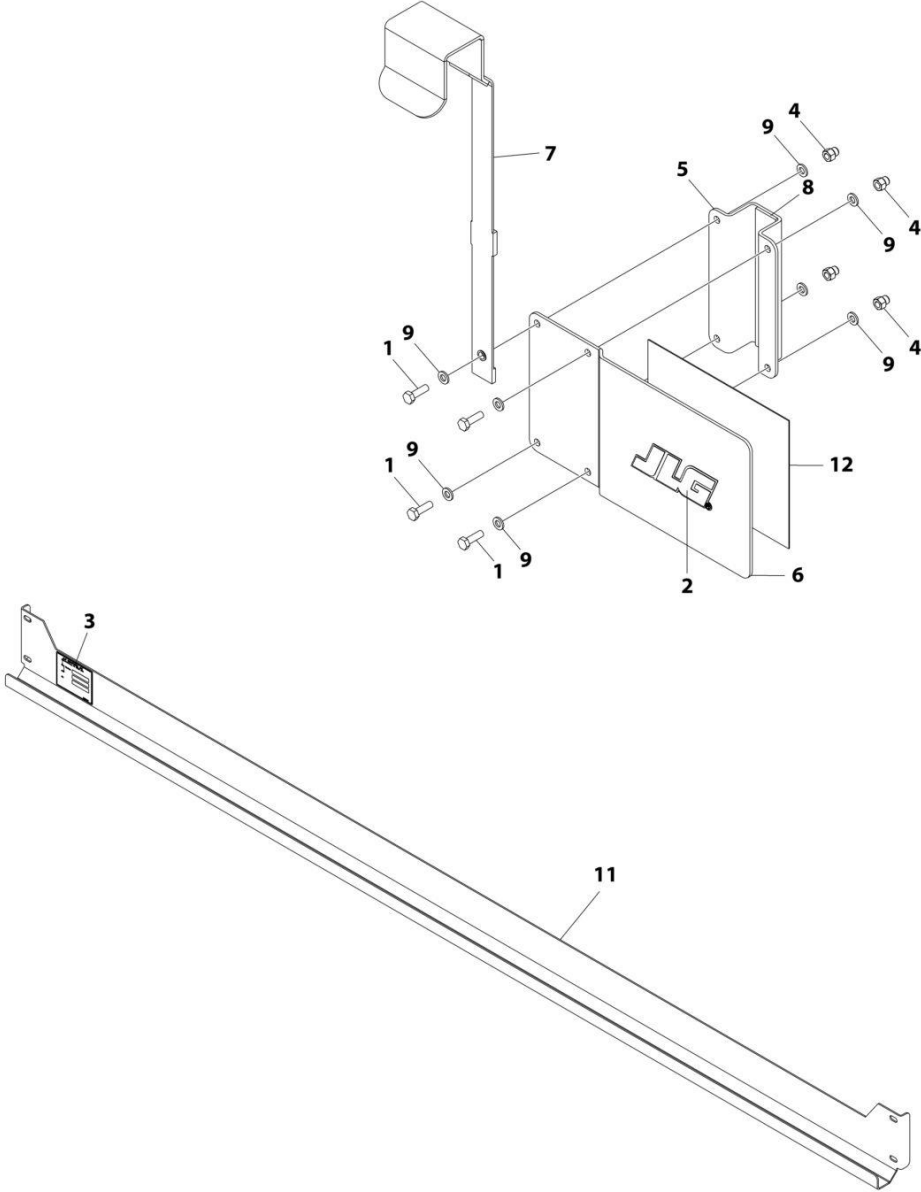
SECTION 4 - PLATFORM

FIGURE 4-8. USB/PHONE CRADLE INSTALLATION

ITEM	PART NUMBER	QTY	DESCRIPTION	REV
	1001262150	Ref	USB/PHONE CRADLE INSTALLATION	B
1	1001253800	1	Terminal, USB Receptacle	
2	1001261131	1	Bracket, Phone	
3	1001274168	1	Decal, USB Charge	

SECTION 4 - PLATFORM

FIGURE 4-9. PANEL CARRIER INSTALLATION (OPTIONAL)



ART_1001216779

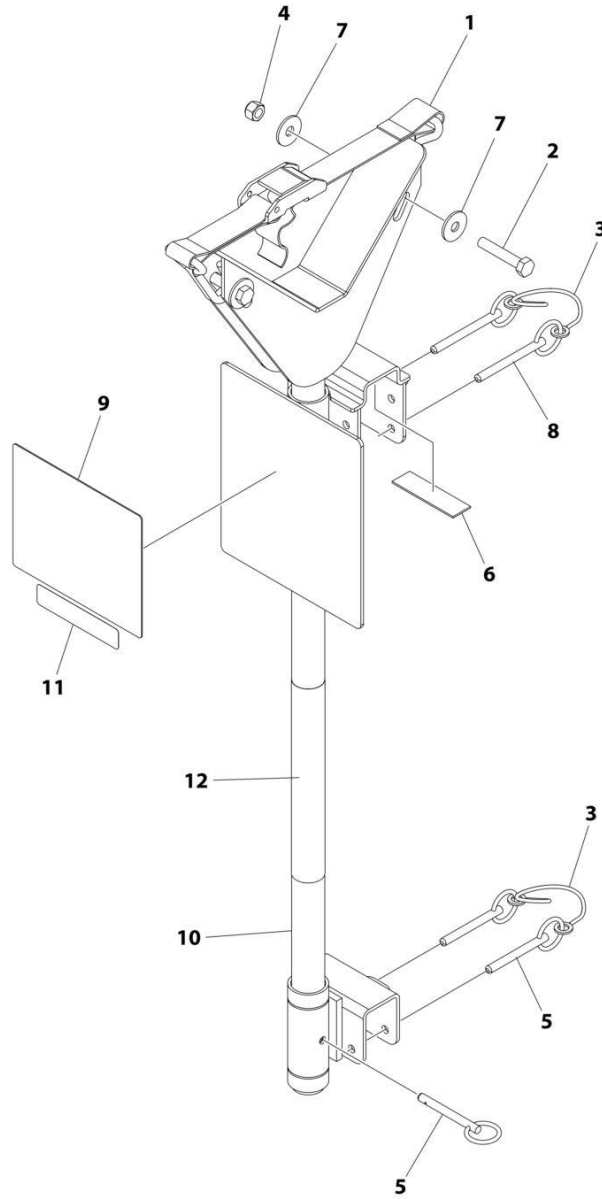
SECTION 4 - PLATFORM

FIGURE 4-9. PANEL CARRIER INSTALLATION (OPTIONAL)

ITEM	PART NUMBER	QTY	DESCRIPTION	REV
	1001216779	Ref	PANEL CARRIER INSTALLATION (OPTIONAL)	B
1	0760610	4	Bolt M6 x 20	
2	1702010	1	Decal - JLG	
3	See Note	NSS	Nameplate - Accessory SN (Note: Not Available for Purchase)	
4	3290606	4	Nut M6	
5	3574505	1	Bracket	
6	3574506	1	Plate, Billboard	
7	4240165	1	Strap	
8	4420037	6 in /15cm	Tape	
9	4811700	8	Washer M6	
11	1001216816	1	Channel, Panel Carrier	
12	1001220891	1	Decal - Capacity	

SECTION 4 - PLATFORM

FIGURE 4-10. PIPE RACK INSTALLATION (OPTIONAL)



ART_1001270855

SECTION 4 - PLATFORM

FIGURE 4-10. PIPE RACK INSTALLATION (OPTIONAL)

ITEM	PART NUMBER	QTY	DESCRIPTION	REV
	1001270855	Ref	PIPE RACK INSTALLATION	C
1	0480100	2	Tie-Strap	
2	0700817	4	Bolt M8 x 45	
3	1060379	4	Lanyard	
4	3290805	4	Nut M8	
5	3422661	6	Pin	
6	4420062	AR	Tape	
7	4811902	8	Washer M8	
8	1001235941	4	Pin	
9	1001287711	2	Decal - Pipe Rack Capacity	
10	1001270533	2	Rack Pipe	
11	1001270631	2	Decal - ACCY Weight	
12	1001271412	2	Decal - JLG	

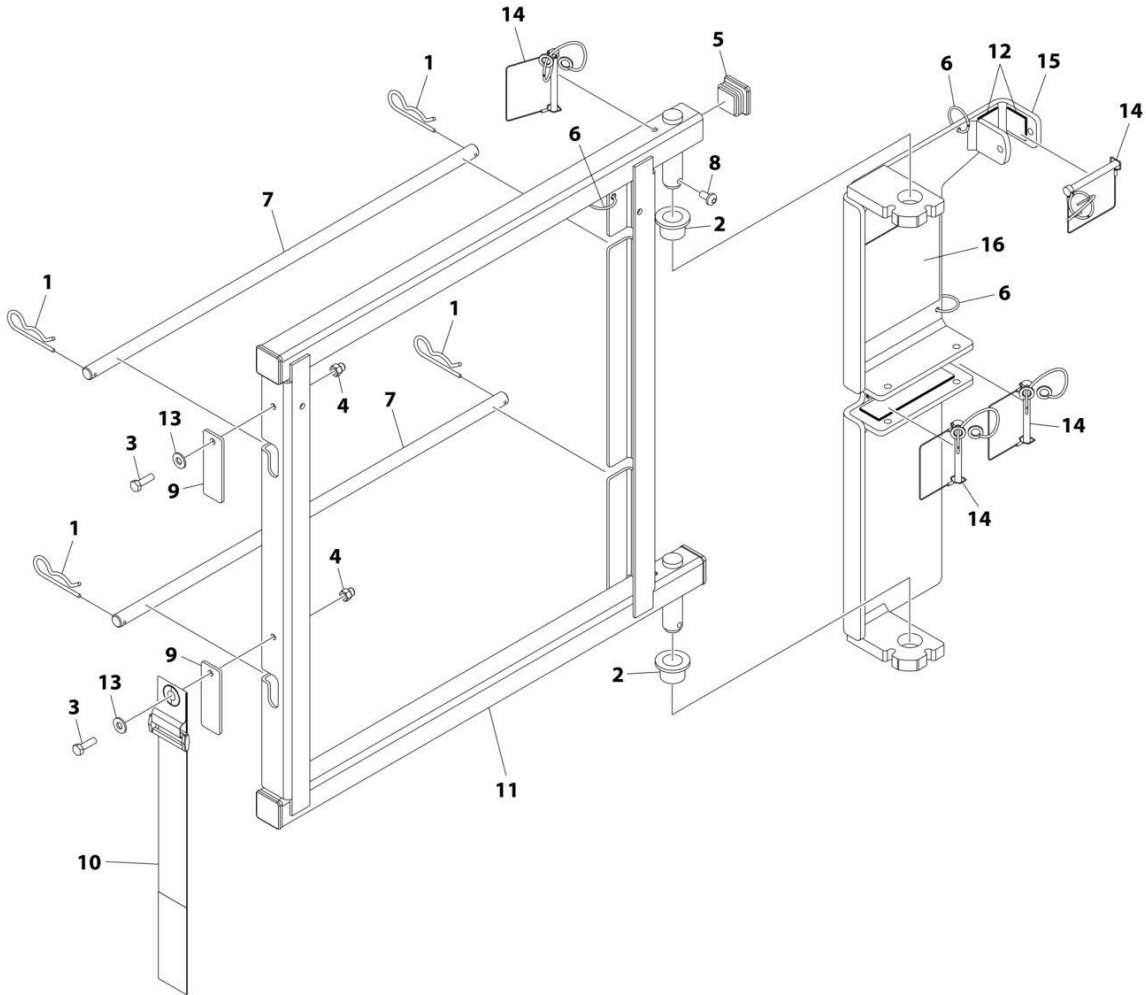
SECTION 4 - PLATFORM

FIGURE 4-11. WORKSTATION INSTALLATION (OPTIONAL)

ITEM	PART NUMBER	QTY	DESCRIPTION	REV
	1001218190	Ref	WORKSTATION INSTALLATION	B
	1001246392	Ref	Workstation Assembly	B
1	1060379	1	Lanyard	
2	1120555	2	Cap	
3	1580023	1	Container, Work Bench	
4	1580024	1	Tray	
5	1705997	1	Decal - Workstation	
6	2700100	1	Hook	
7	1001246395	1	Decal - Workstation Capacity	
8	3422219	1	Pin, Snap	
9	3460334	1	Tube	
10	3760170	2	Ring	
11	3900355	2	Screw 5/16	
12	3931412	2	Capscrew 1/4 x 3/4	
13	3931508	6	Capscrew 5/16 x 1/2	
14	4240003	2	Strap, Cinch	
15	4340853	1	Mount (RH)	
16	4340854	1	Mount (LH)	
17	4711400	2	Washer 1/4	
18	4740480	2	Insert	

SECTION 4 - PLATFORM

FIGURE 4-12. ELECTRICIAN'S TREE INSTALLATION (OPTIONAL)



ART_1001214274

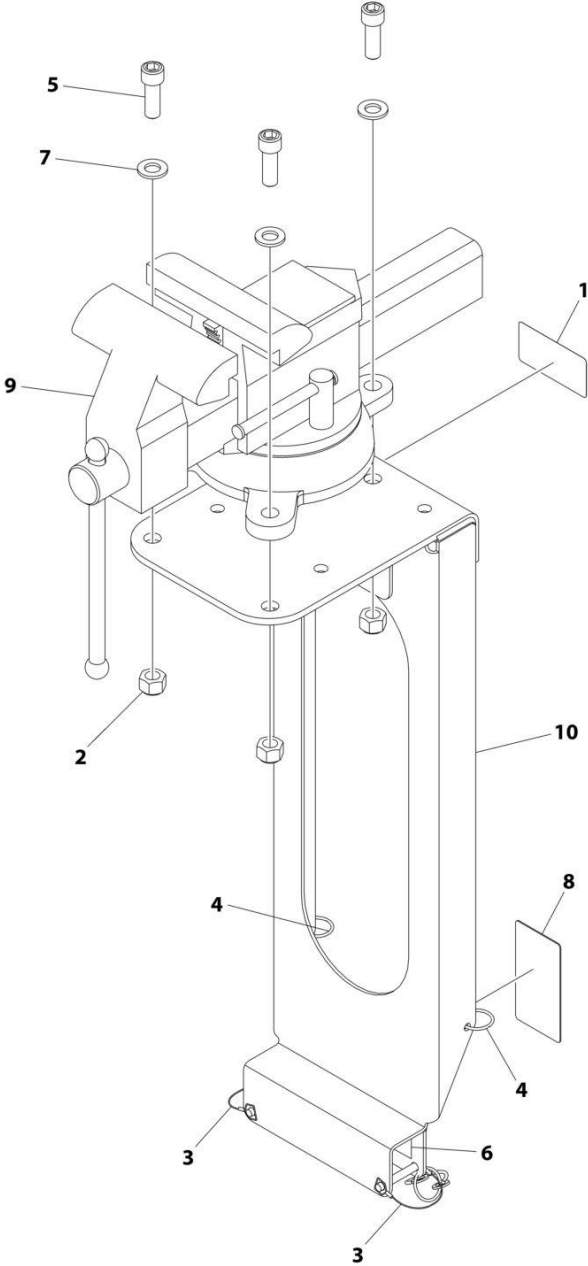
SECTION 4 - PLATFORM

FIGURE 4-12. ELECTRICIAN'S TREE INSTALLATION (OPTIONAL)

ITEM	PART NUMBER	QTY	DESCRIPTION	REV
	1001214274	Ref	ELECTRICIAN'S TREE INSTALLATION	A
	1001219622	Ref	ELECTRICIAN'S TREE ASSEMBLY	A
1	80325	4	Hairpin	
2	0440223	2	Bushing	
3	0700610	2	Bolt M6 x 20	
4	3290606	2	Nut M6	
5	3520072	4	Plug	
6	3760170	3	Ring	
7	3841675	2	Rod, Spool	
8	4191706	1	Screw M6 x 12	
9	4220227	2	Stop	
10	4240003	1	Strap, Cinch	
11	4340947	1	Mount	
12	4420062	15 in/ 38cm	Tape	
13	4711400	2	Washer 1/4	
14	1001187587	4	Pin, Snap with Lanyard	
15	1001219670	1	Mount	
16	1001220894	1	Decal - Electrician's Tree	

SECTION 4 - PLATFORM

FIGURE 4-13. VISE INSTALLATION (OPTIONAL)



ART_1001219133

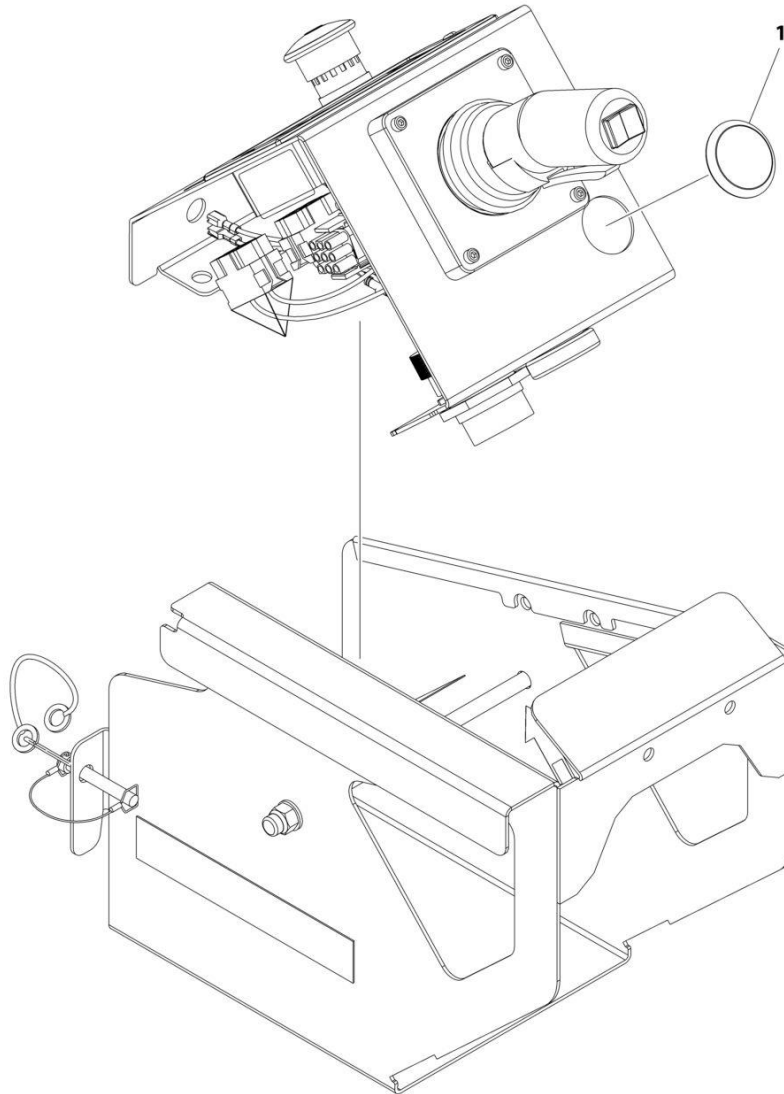
SECTION 4 - PLATFORM

FIGURE 4-13. VISE INSTALLATION (OPTIONAL)

ITEM	PART NUMBER	QTY	DESCRIPTION	REV
	1001219133	Ref	WISE INSTALLATION (OPTIONAL)	A
1	1705985	1	Decal - Weight	
2	3291205	3	Nut M12	
3	3423278	2	Pin, Snap with Lanyard	
4	3760170	2	Ring	
5	4032111	3	Capscrew M12 x 35	
6	4420062	39 in/ 99cm	Tape	
7	4812100	3	Washer M12	
8	8005670	1	Decal - Instruction/Read Operators Manual	
9	1001157050	1	Vise	
10	1001219319	1	Bracket	

SECTION 4 - PLATFORM

FIGURE 4-14. PLATFORM CONTROL PLUG INSTALLATION



ART_1001274661

SECTION 4 - PLATFORM

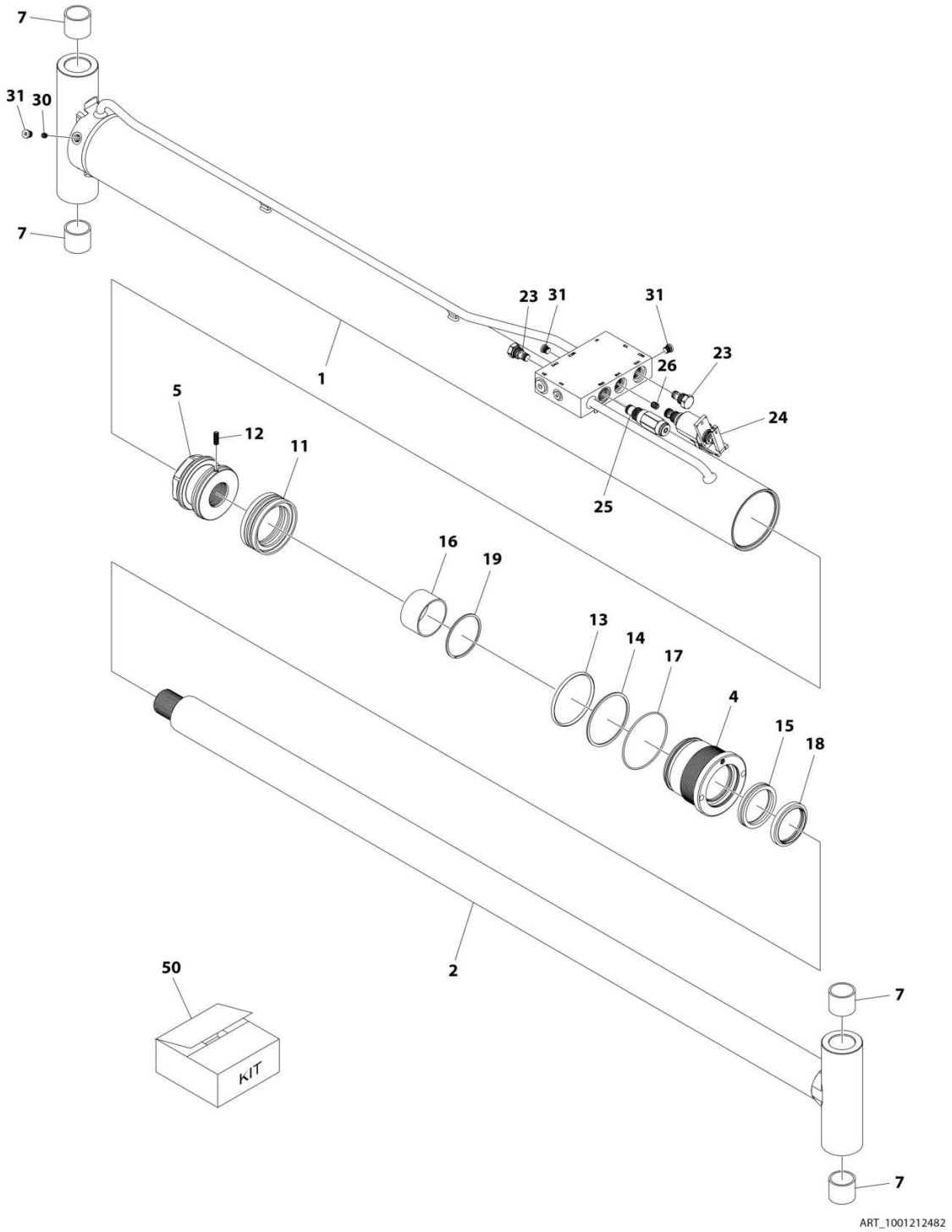
FIGURE 4-14. PLATFORM CONTROL PLUG INSTALLATION

ITEM	PART NUMBER	QTY	DESCRIPTION	REV
1	1001274661 1001262221	Ref 1	PLATFORM CONTROL PLUG INSTALLATION Plug	A

SECTION 5 - CYLINDER

SECTION 5 - CYLINDER

FIGURE 5-1. LIFT CYLINDER ASSEMBLY - LOWER



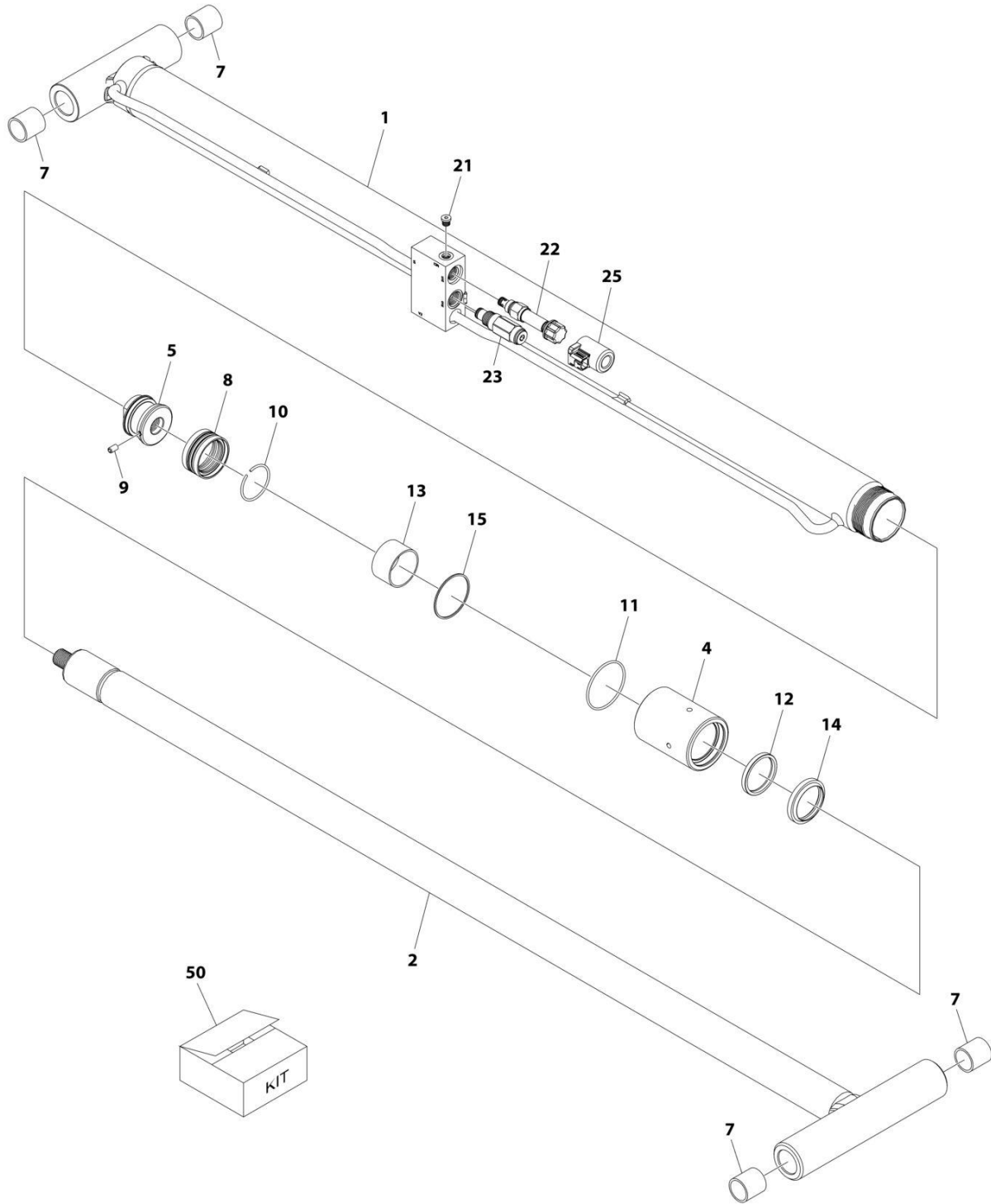
SECTION 5 - CYLINDER

FIGURE 5-1. LIFT CYLINDER ASSEMBLY - LOWER

ITEM	PART NUMBER	QTY	DESCRIPTION	REV
	1001212482	Ref	LIFT CYLINDER ASSEMBLY - LOWER	G
		Ref	Note: Original Cylinder May Have Been Replaced with Service Replacement. Identify PN Stamped on Cylinder Before Ordering Parts.	
1	70006316	1	Barrel	
2	70006317	1	Rod	
4	70006318	1	Head	
5	70000764	1	Piston	
7	0962272	4	Bushing	
11	See Note	NSS	Seal, Piston (Note: Use Item 50)	
12	70006319	1	Setscrew	
13	See Note	NSS	O-Ring (Note: Use Item 50)	
14	See Note	NSS	Ring, Back-up (Note: Use Item 50)	
15	See Note	NSS	Seal, Rod (Note: Use Item 50)	
16	70006320	1	Spacer	
17	See Note	NSS	O-Ring (Note: Use Item 50)	
18	See Note	NSS	Wiper (Note: Use Item 50)	
19	70006321	1	Ring, Retaining	
23	7012955	2	Valve, Check	
23	7012967	2	Seal Kit - 7012955 Valve	
24	70005236	1	Solenoid Valve Assembly (Note: Sold as Assembly Only)	
25	70006325	1	Valve, Relief	
25	7017496	1	Seal Kit - 70006325 Valve	
26	70006322	1	Orifice	
30	70006323	1	Orifice	
31	70025619	3	Plug	
50	70005664	1	Seal Kit - 1001212482 Cylinder (Includes Items 11,13,14,15,17 & 18)	

SECTION 5 - CYLINDER

FIGURE 5-2. LIFT CYLINDER ASSEMBLY - UPPER



ART_1001212483

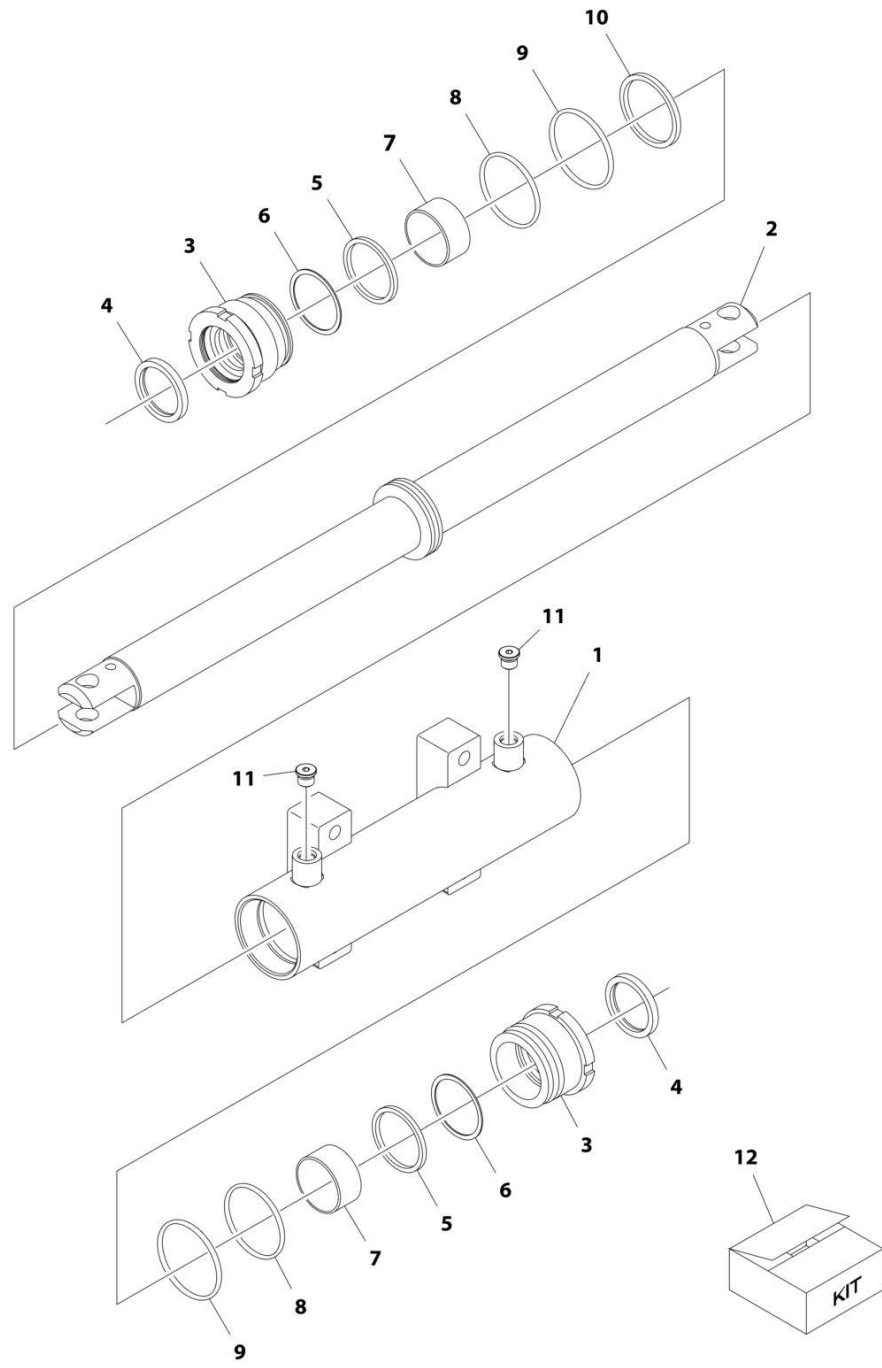
SECTION 5 - CYLINDER

FIGURE 5-2. LIFT CYLINDER ASSEMBLY - UPPER

ITEM	PART NUMBER	QTY	DESCRIPTION	REV
	1001212483	Ref	LIFT CYLINDER ASSEMBLY - UPPER	I
		Ref	Note: Original Cylinder May Have Been Replaced with Service Replacement. Identify PN Stamped on Cylinder Before Ordering Parts.	
1	70006326	1	Barrel	
2	70006327	1	Rod	
4	70006328	1	Head	
5	70006329	1	Piston	
7	0440267	4	Bushing	
8	See Note	NSS	Seal, Piston (Note: Use Item 50)	
9	70025605	1	Setscrew	
10	70006330	1	Ring, Retaining	
11	See Note	NSS	O-Ring (Note: Use Item 50)	
12	See Note	NSS	Seal, Rod (Note: Use Item 50)	
13	70006331	1	Spacer	
14	See Note	NSS	Wiper (Note: Use Item 50)	
15	70025627	1	Ring, Retaining	
21	70025619	3	Plug	
22	70006333	1	Cartridge, Solenoid Less Coil	
22	70006334	1	Seal Kit - 70006333 Valve	
23	70006325	1	Valve, Relief	
23	7017496	1	Seal Kit - 70006325 Valve	
25	70006335	1	Coil	
50	70005665	1	Seal Kit - 1001212483 Cylinder (Includes Items 8,11,12 & 14)	

SECTION 5 - CYLINDER

FIGURE 5-3. STEER CYLINDER ASSEMBLY



ART_1001163178

SECTION 5 - CYLINDER

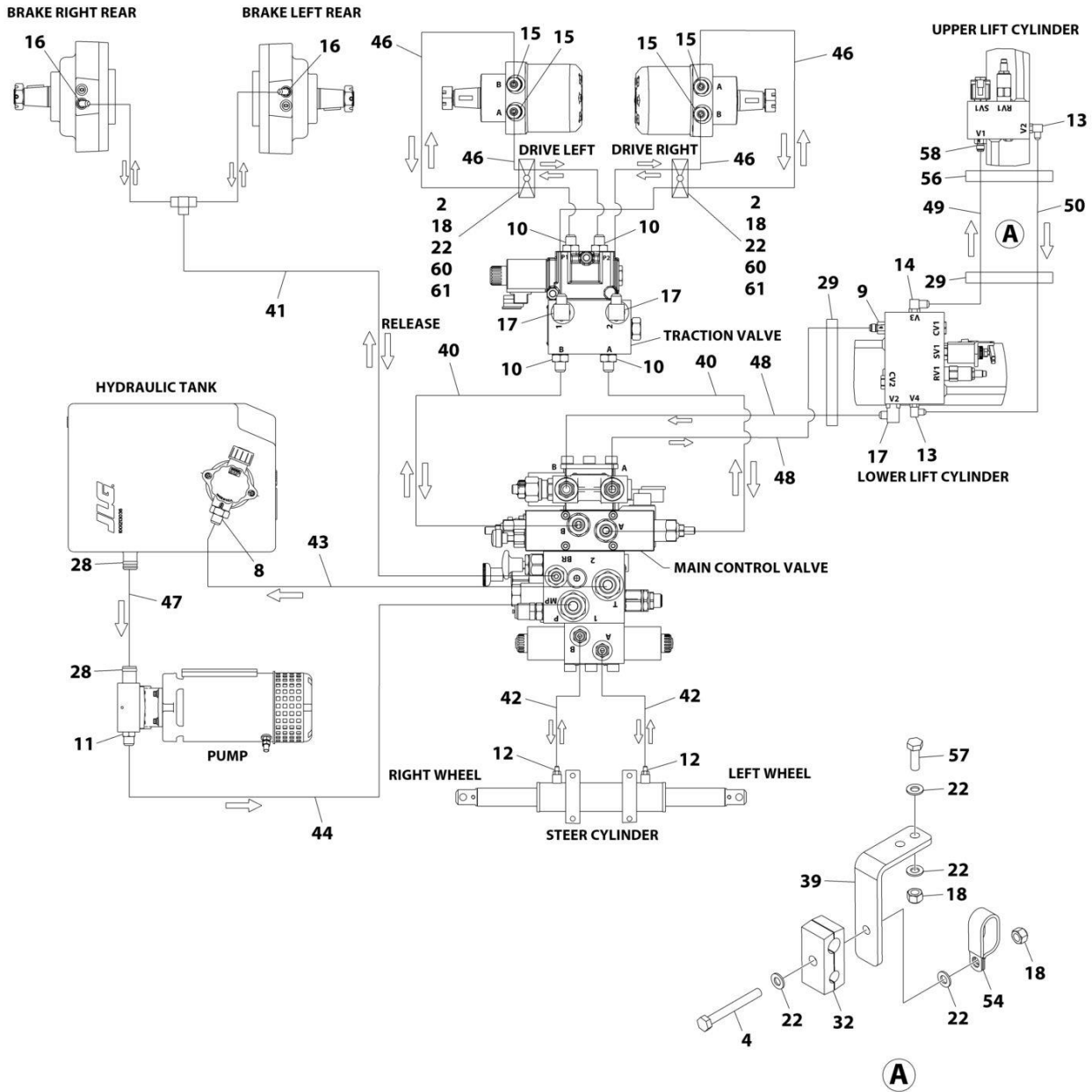
FIGURE 5-3. STEER CYLINDER ASSEMBLY

ITEM	PART NUMBER	QTY	DESCRIPTION	REV
	1001163178	Ref	STEER CYLINDER ASSEMBLY	E
		Ref	Note: Original Cylinder May Have Been Replaced with Service Replacement. Identify PN Stamped on Cylinder Before Ordering Parts.	
1	70005150	1	Barrel	
2	70005151	1	Rod	
3	70005152	2	Head	
4	See Note	NSS	Wiper (Note: Use Item 12)	
5	See Note	NSS	Seal, Rod (Note: Use Item 12)	
6	See Note	NSS	Ring, Back-up (Note: Use Item 12)	
7	70005153	2	Bearing, Dry	
8	See Note	NSS	O-Ring (Note: Use Item 12)	
9	See Note	NSS	O-Ring (Note: Use Item 12)	
10	See Note	NSS	Seal, Piston (Note: Use Item 12)	
11	See Note	2	Plug 9/16 (Note: Not Available for Purchase)	
12	70005154	1	Seal Kit - 1001163178 Cylinder (Includes Items 4-6 & 8-10)	

SECTION 6 - HYDRAULIC

SECTION 6 - HYDRAULIC

FIGURE 6-1. HYDRAULIC COMPONENTS INSTALLATION (WITH CONCENTRIC MOTOR/PUMP)



ART_1001213815_K_20F2

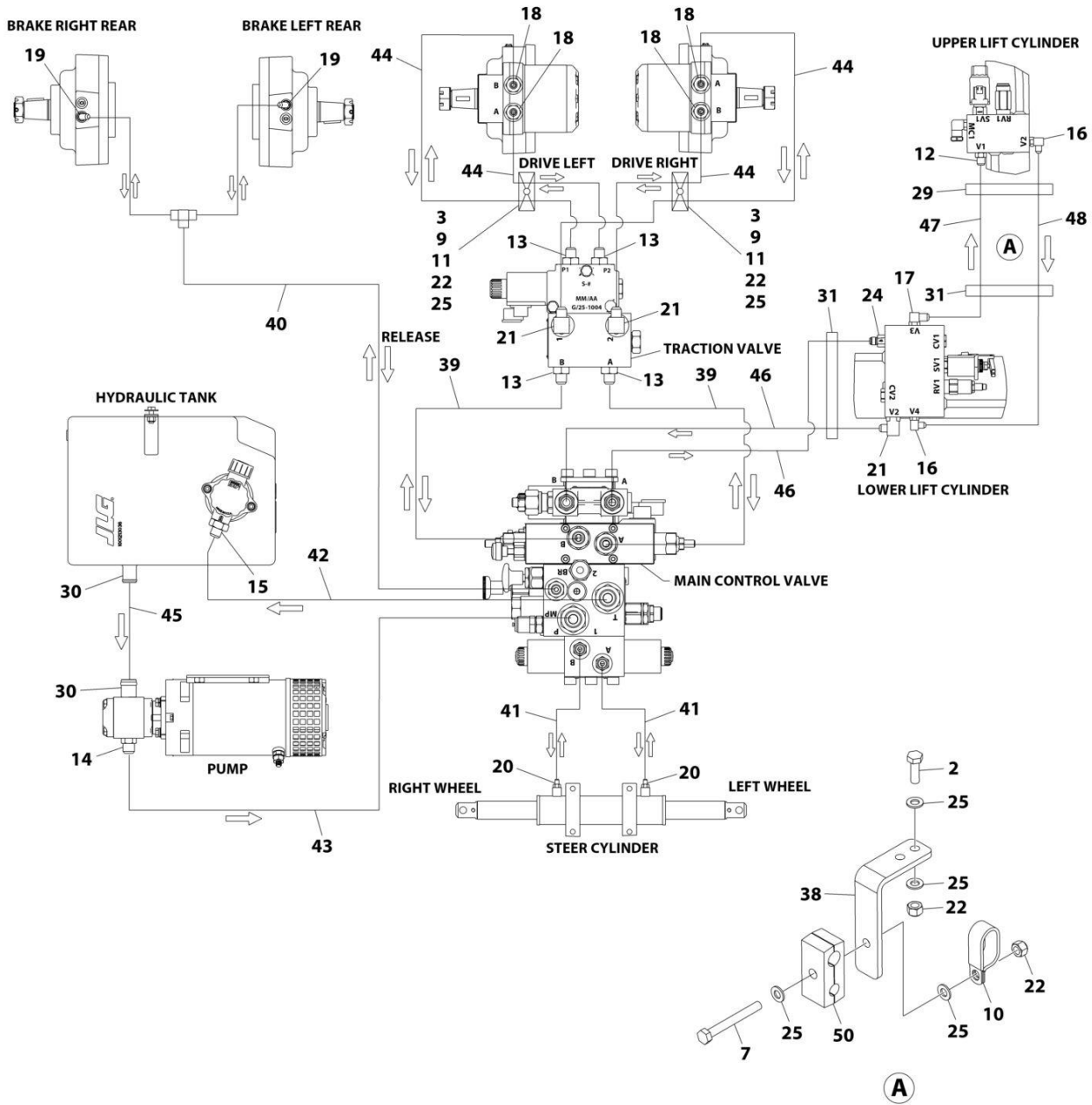
SECTION 6 - HYDRAULIC

FIGURE 6-1. HYDRAULIC COMPONENTS INSTALLATION (WITH CONCENTRIC MOTOR/PUMP)

ITEM	PART NUMBER	QTY	DESCRIPTION	REV
	1001213815	Ref	HYDRAULIC COMPONENTS INSTALLATION	J
2	0700819	2	Bolt M8 x 55	
4	0760822	1	Bolt M8 x 70	
8	2220346	1	Fitting, Straight JIC/NPT	
9	4640780	1	Valve, Cartridge - Check	
10	2220372	4	Fitting, Straight JIC/ORB	
11	2220373	1	Fitting, Straight JIC/ORB	
12	2220582	2	Fitting, Straight JIC/ORB	
13	2220466	2	Fitting, 90 JIC/ORB	
14	2220473	1	Fitting, 90 JIC/ORB	
15	2220497	4	Fitting, Straight JIC/ORB	
16	2220502	2	Fitting, 45 JIC/ORB	
17	2220628	3	Fitting, 90 JIC/ORB	
18	3290805	8	Nut M8	
20	4240018	21	Tie-Strap (Not Shown)	
22	4811900	16	Washer M8	
28	1001143501	2	Clamp	
29	1001143645	3	Strap, Cinch	
32	1001243109	1	Clamp	
39	1001217386	1	Bracket	
40	1001218159	2	Hose	
41	1001218160	1	Hose	
42	1001218161	2	Hose	
43	1001218162	1	Hose	
44	1001218163	1	Hose	
46	1001218165	4	Hose	
47	1001218167	1	Hose	
48	1001218168	2	Hose	
49	1001218169	1	Hose	
50	1001218170	1	Hose	
54	1321283	1	Clamp	
56	1001137263	2	Strap, Cinch	
57	0700812	2	Bolt M8 x 25	
58	2220371	1	Fitting, Straight JIC/ORB	
60	1320187	2	Clamp, Twin	
61	1321752	2	Clamp, Top Plate	

SECTION 6 - HYDRAULIC

FIGURE 6-2. HYDRAULIC COMPONENTS INSTALLATION (WITH BUCHER PUMP/MOTOR)



ART_1001284954_2OF2

SECTION 6 - HYDRAULIC

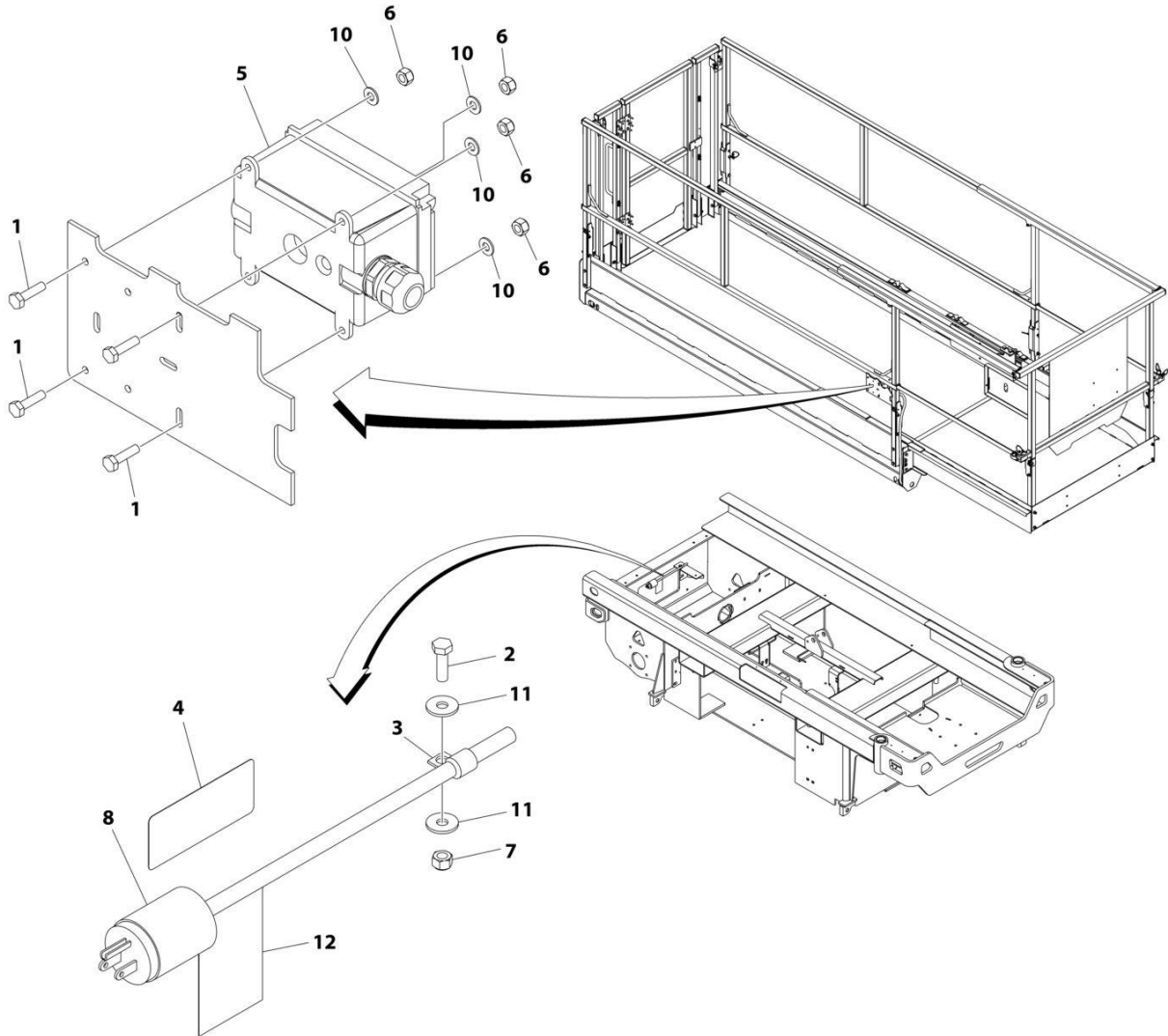
FIGURE 6-2. HYDRAULIC COMPONENTS INSTALLATION (WITH BUCHER PUMP/MOTOR)

ITEM	PART NUMBER	QTY	DESCRIPTION	REV
	1001284954	Ref	HYDRAULIC COMPONENTS INSTALLATION	A
2	0700812	2	Bolt M8 x 25	
3	0700819	2	Bolt M8 x 55	
7	0760822	1	Bolt M8 x 70	
9	1320187	2	Clamp, Twin	
10	1321283	1	Clamp	
11	1321752	2	Clamp, Top Plate	
12	2220371	1	Fitting, Straight JIC/ORB	
13	2220372	4	Fitting, Straight JIC/ORB	
14	2220373	1	Fitting, Straight JIC/ORB	
15	2220375	1	Fitting, Straight JIC/ORB	
16	2220466	2	Fitting, 90 JIC/ORB	
17	2220473	1	Fitting, 90 JIC/ORB	
18	2220497	4	Fitting, Straight JIC/ORB	
19	2220502	2	Fitting, 45 JIC/ORB	
20	2220582	2	Fitting, Straight JIC/ORB	
21	2220628	3	Fitting, 90 JIC/ORB	
22	3290805	8	Nut, Lock M8	
23	4240018	AR	Tie-Strap (Not Shown)	
24	4640780	1	Valve, Cartridge - Check	
25	4811900	16	Washer M8	
29	1001137263	2	Strap, Cinch	
30	1001143501	2	Clamp	
31	1001143645	3	Strap, Cinch	
38	1001217386	1	Bracket	
39	1001218159	2	Hose	
40	1001218160	1	Hose	
41	1001218161	2	Hose	
42	1001218162	1	Hose	
43	1001218163	1	Hose	
44	1001218165	4	Hose	
45	1001218167	1	Hose	
46	1001218168	2	Hose	
47	1001218169	1	Hose	
48	1001218170	1	Hose	
50	1001243109	1	Clamp	

SECTION 7 - ELECTRICAL

SECTION 7 - ELECTRICAL

FIGURE 7-1. AC BOX AT PLATFORM INSTALLATION - 110V GFI (ALL SPECS EXCEPT AUSTRALIAN, CE & UK CA SPECS)



ART_1001214446

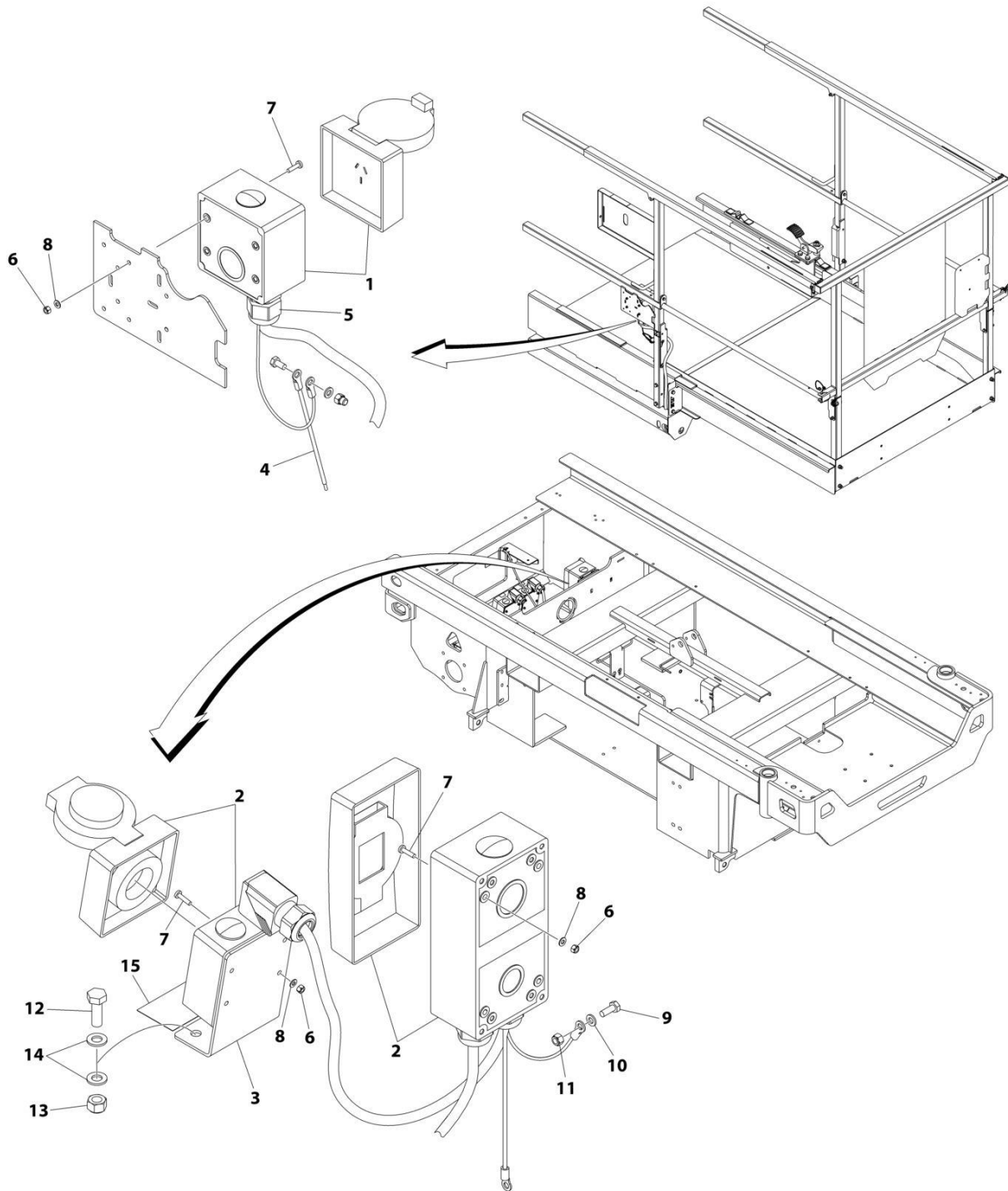
SECTION 7 - ELECTRICAL

FIGURE 7-1. AC BOX AT PLATFORM INSTALLATION - 110V GFI (ALL SPECS EXCEPT AUSTRALIAN, CE & UK CA SPECS)

ITEM	PART NUMBER	QTY	DESCRIPTION	REV
	1001214446	Ref	AC BOX AT PLATFORM INSTALLATION - 110V GFI (ALL SPECS EXCEPT AUSTRALIAN, CE & UK CA SPECS)	B
1	0760408	4	Bolt M4 x 16	
2	0760610	1	Bolt M6 x 20	
3	1321293	1	Clamp	
4	1703464	1	Decal - AC Power	
5	2902431	1	Receptacle Box Kit (See Separate Breakdown in this Section)	
6	3290405	4	Nut M4	
7	3290605	1	Nut M6	
8	4460138	1	Plug, Male - AC	
9	4460315	1	Terminal (Not Shown)	
10	4811400	4	Washer M4	
11	4811702	2	Washer M6	
12	1001102258	1	Decal - AC Label	

SECTION 7 - ELECTRICAL

FIGURE 7-2. AC BOX AT PLATFORM INSTALLATION (AUSTRALIAN SPECS)



ART_1001245255

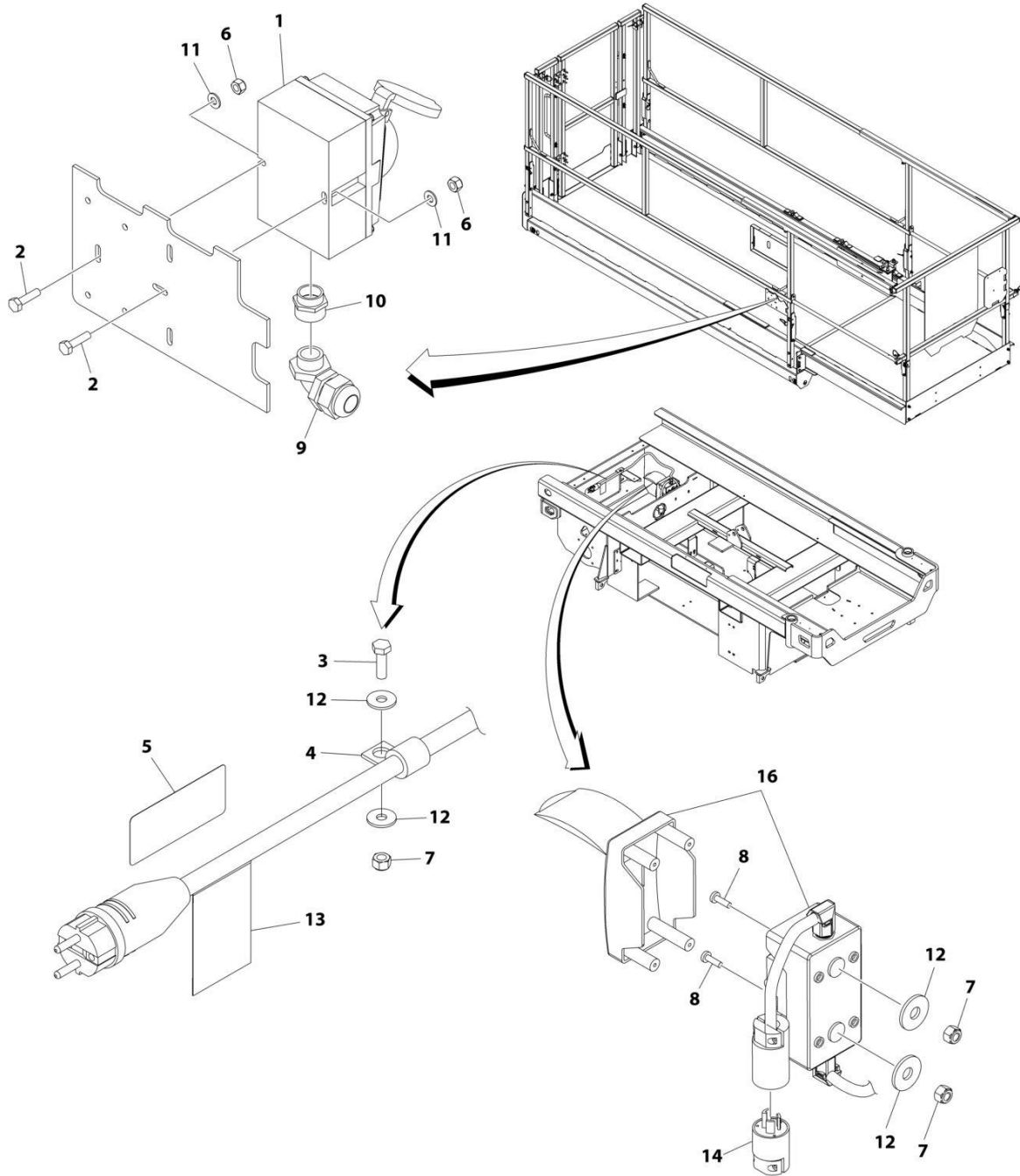
SECTION 7 - ELECTRICAL

FIGURE 7-2. AC BOX AT PLATFORM INSTALLATION (AUSTRALIAN SPECS)

ITEM	PART NUMBER	QTY	DESCRIPTION	REV
	1001245255	Ref	AC BOX AT PLATFORM INSTALLATION	A
1	1001227268	1	Receptacle (Australian)	
2	1001246085	1	Receptacle and Breaker Assembly (See Separate Breakdown in this Section)	
3	1001234397	1	Bracket	
4	1001245744	1	Harness, Ground	
5	1001097150	1	Connector Strain Relief	
6	3290405	12	Nut M4	
7	4010408	12	Screw M4 x 16	
8	4811400	12	Washer M4	
9	0760608	1	Bolt M6 x 16	
10	4811700	1	Washer M6	
11	3290605	1	Nut M6	
12	0761014	2	Bolt M10 x 30	
13	3291005	2	Nut M10	
14	4812000	4	Washer M10	
15	1001102258	1	Decal - AC Label	

SECTION 7 - ELECTRICAL

FIGURE 7-3. AC BOX AT PLATFORM INSTALLATION - 110V IEC YELLOW (CE & UK CA SPECS)



ART_1001214453

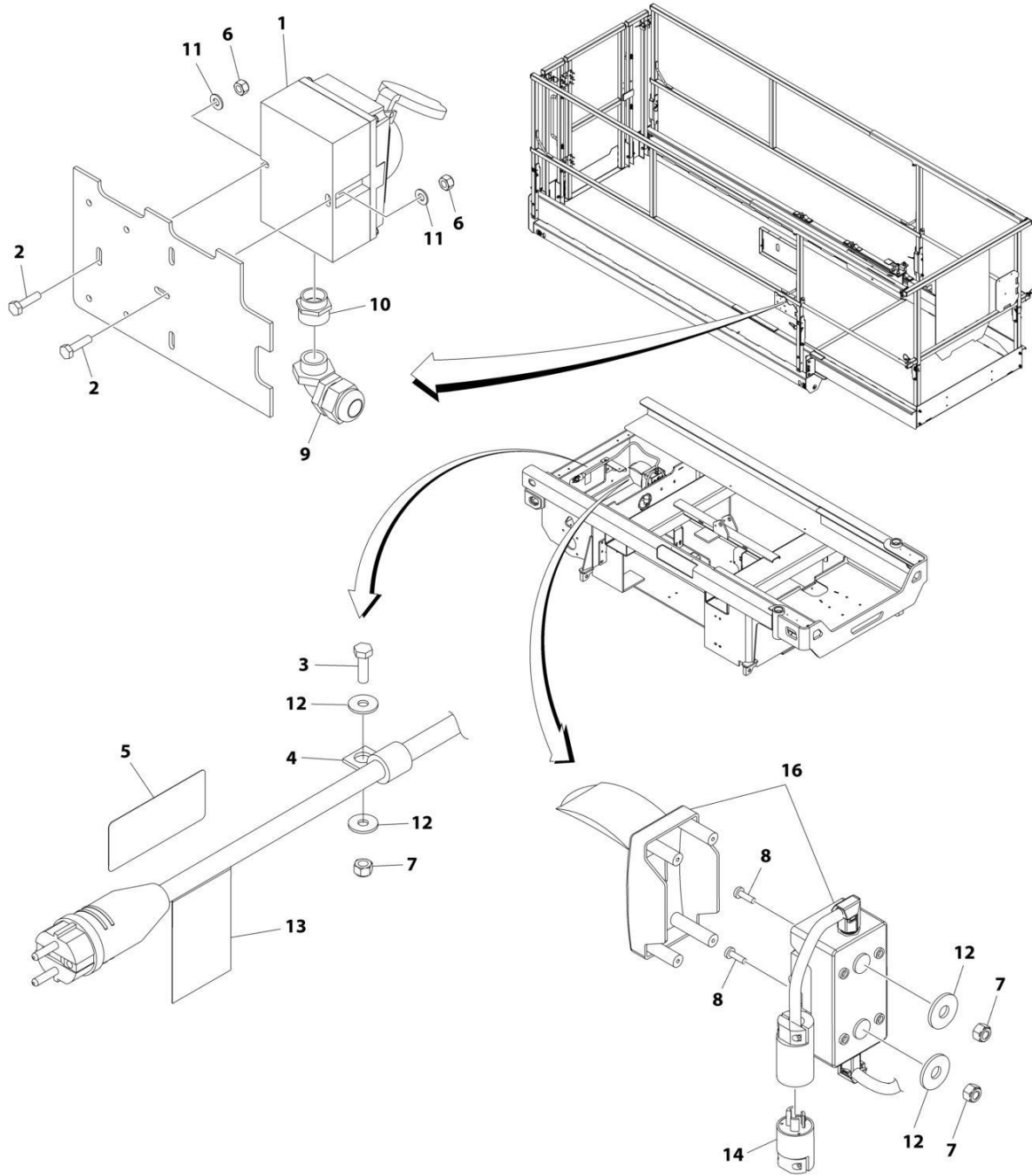
SECTION 7 - ELECTRICAL

FIGURE 7-3. AC BOX AT PLATFORM INSTALLATION - 110V IEC YELLOW (CE & UK CA SPECS)

ITEM	PART NUMBER	QTY	DESCRIPTION	REV
	1001214453	Ref	AC BOX AT PLATFORM INSTALLATION - 110V IEC YELLOW (CE & UK CA SPECS)	C
1	0275216	1	Receptacle Box Kit - 110V IEC Yellow (See Separate Breakdown in this Section)	
2	0760408	2	Bolt M4 x 16	
3	0760610	1	Bolt M6 x 20	
4	1321293	1	Clamp	
5	1703464	1	Decal - AC Power	
6	3290405	2	Nut M4	
7	3290605	3	Nut M6	
8	4010610	2	Screw M6 x 20	
9	4461257	1	Connector, Strain Relief	
10	4461258	1	Connector, Adapter	
11	4811400	2	Washer M4	
12	4811702	4	Washer M6	
13	1001102258	1	Decal - AC Label	
14	1001120204	1	Plug, Male Twist	
16	1001219041	1	Breaker Box Kit (See Separate Breakdown in this Section)	

SECTION 7 - ELECTRICAL

FIGURE 7-4. AC BOX AT PLATFORM INSTALLATION - 220V IEC BLUE (CE & UK CA SPECS)



ART_1001214456

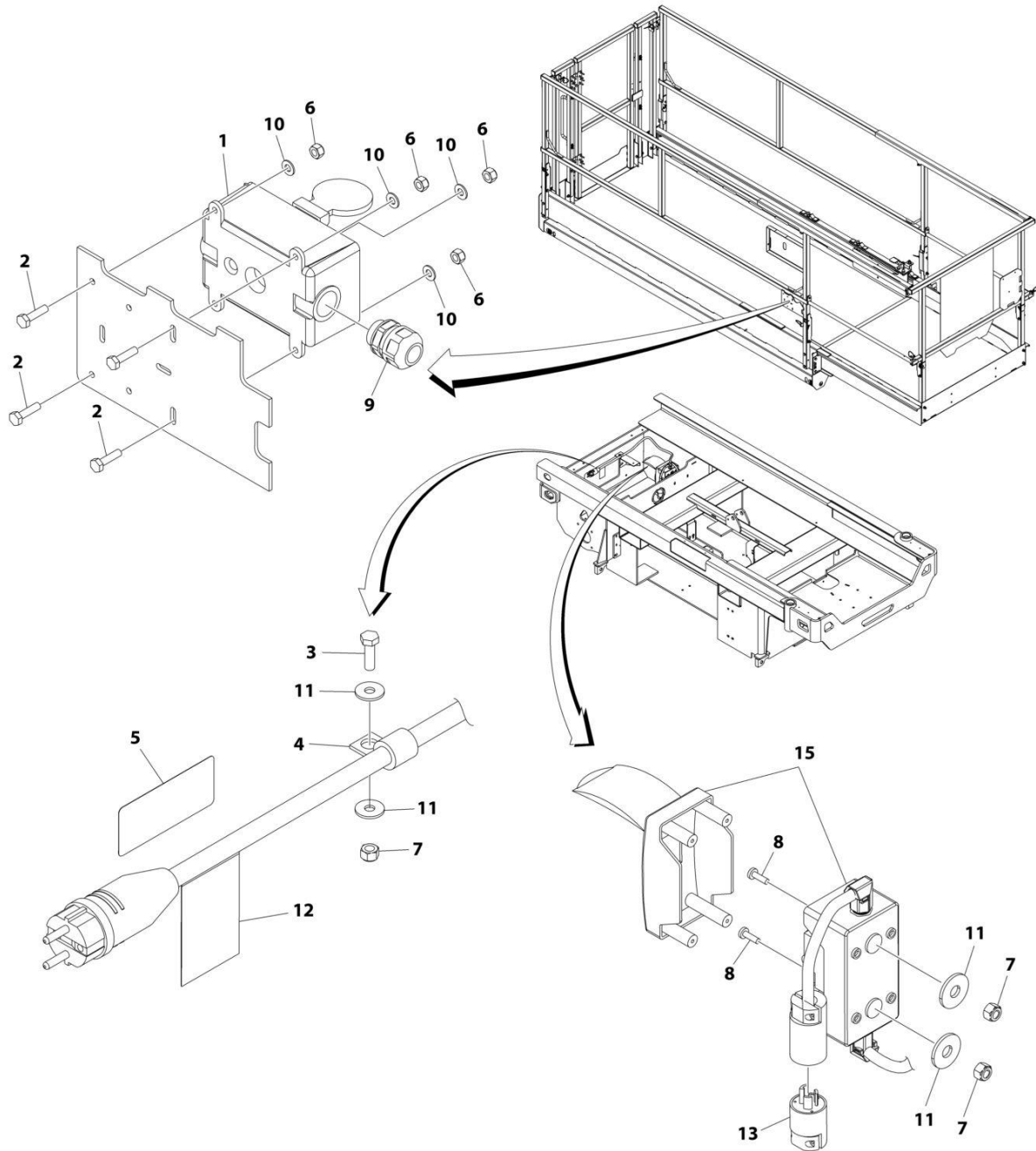
SECTION 7 - ELECTRICAL

FIGURE 7-4. AC BOX AT PLATFORM INSTALLATION - 220V IEC BLUE (CE & UK CA SPECS)

ITEM	PART NUMBER	QTY	DESCRIPTION	REV
	1001214456	1	AC BOX AT PLATFORM INSTALLATION - 220V IEC BLUE (CE & UK CA SPECS)	
1	0275217	1	Receptacle Box Kit - 220V IEC Blue (See Separate Breakdown in this Section)	
2	0760408	2	Bolt M4 x 16	
3	0760610	1	Bolt M6 x 20	
4	1321293	1	Clamp	
5	3252507	1	Decal - AC Power	
6	3290405	2	Nut M4	
7	3290605	3	Nut M6	
8	4010610	2	Screw M6 x 20	
9	4461257	1	Connector, Strain Relief	
10	4461258	1	Connector, Adapter	
11	4811400	2	Washer M4	
12	4811702	4	Washer M6	
13	1001102258	1	Decal - AC Label	
14	1001120204	1	Plug, Male Twist	
16	1001219041	1	Breaker Box Kit (See Separate Breakdown in this Section)	

SECTION 7 - ELECTRICAL

FIGURE 7-5. AC BOX AT PLATFORM INSTALLATION - 220V CEE7 POST GROUND (CE & UK CA SPECS)



ART_1001214450

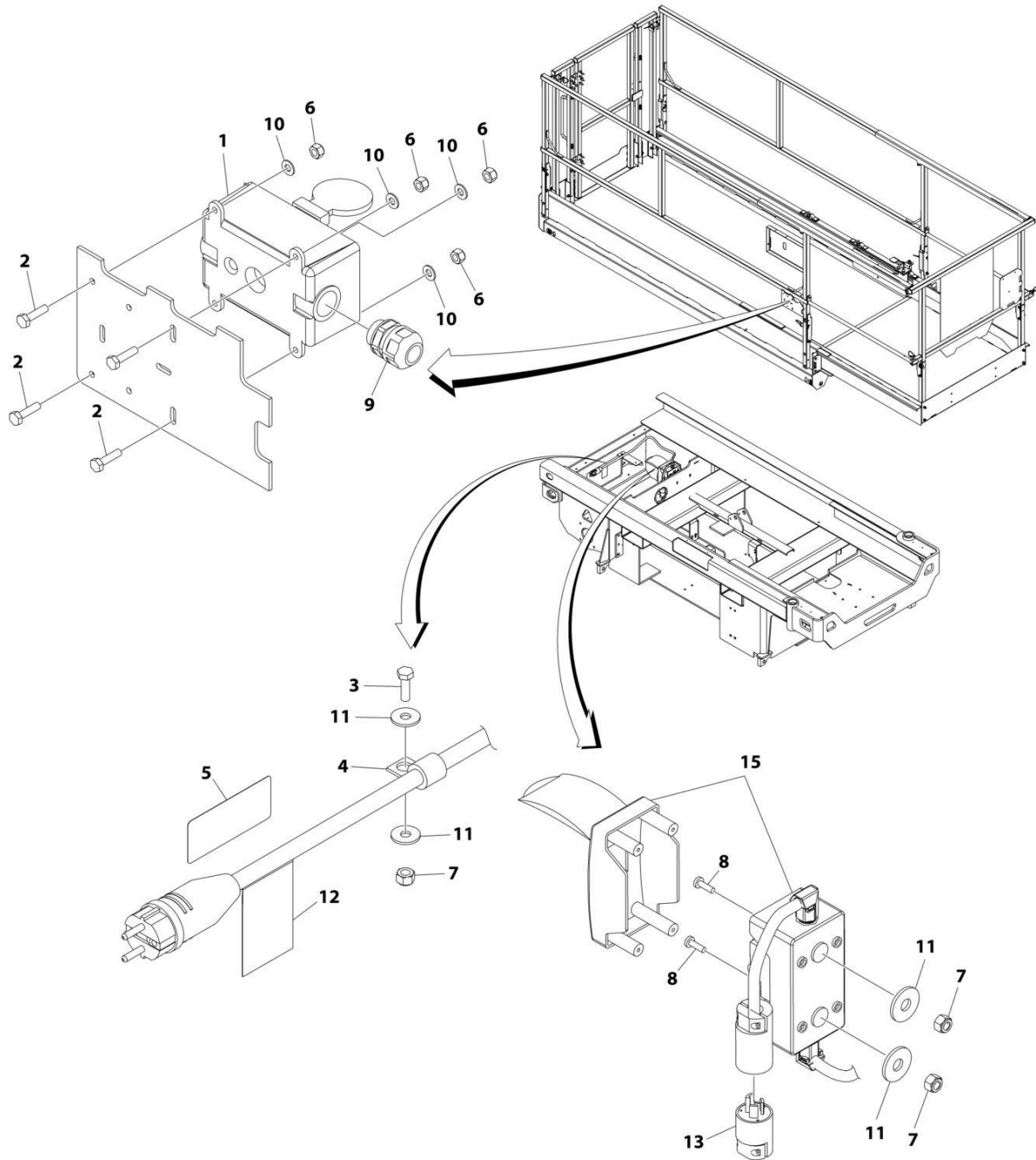
SECTION 7 - ELECTRICAL

FIGURE 7-5. AC BOX AT PLATFORM INSTALLATION - 220V CEE7 POST GROUND (CE & UK CA SPECS)

ITEM	PART NUMBER	QTY	DESCRIPTION	REV
	1001214450	Ref	AC BOX AT PLATFORM INSTALLATION - 220V CEE7 POST GROUND (CE & UK CA SPECS)	B
1	0275452	1	Receptacle Box Kit - 220V CEE7 Post Ground (See Separate Breakdown in this Section)	
2	0760408	4	Bolt M4 x 16	
3	0760610	1	Bolt M6 x 20	
4	1321293	1	Clamp	
5	3252507	1	Decal - AC Power	
6	3290405	4	Nut M4	
7	3290605	3	Nut M6	
8	4010610	2	Screw M6 x 20	
9	4460662	1	Connector, Strain Relief	
10	4811400	4	Washer M4	
11	4811702	4	Washer M6	
12	1001102258	1	Decal - AC Label	
13	1001120204	1	Plug, Male Twist	
15	1001219018	1	Breaker Box Kit (See Separate Breakdown in this Section)	

SECTION 7 - ELECTRICAL

FIGURE 7-6. AC BOX AT PLATFORM INSTALLATION - 220V CEE7 SIDE GROUND (CE & UK CA SPECS)



ART_1001214451

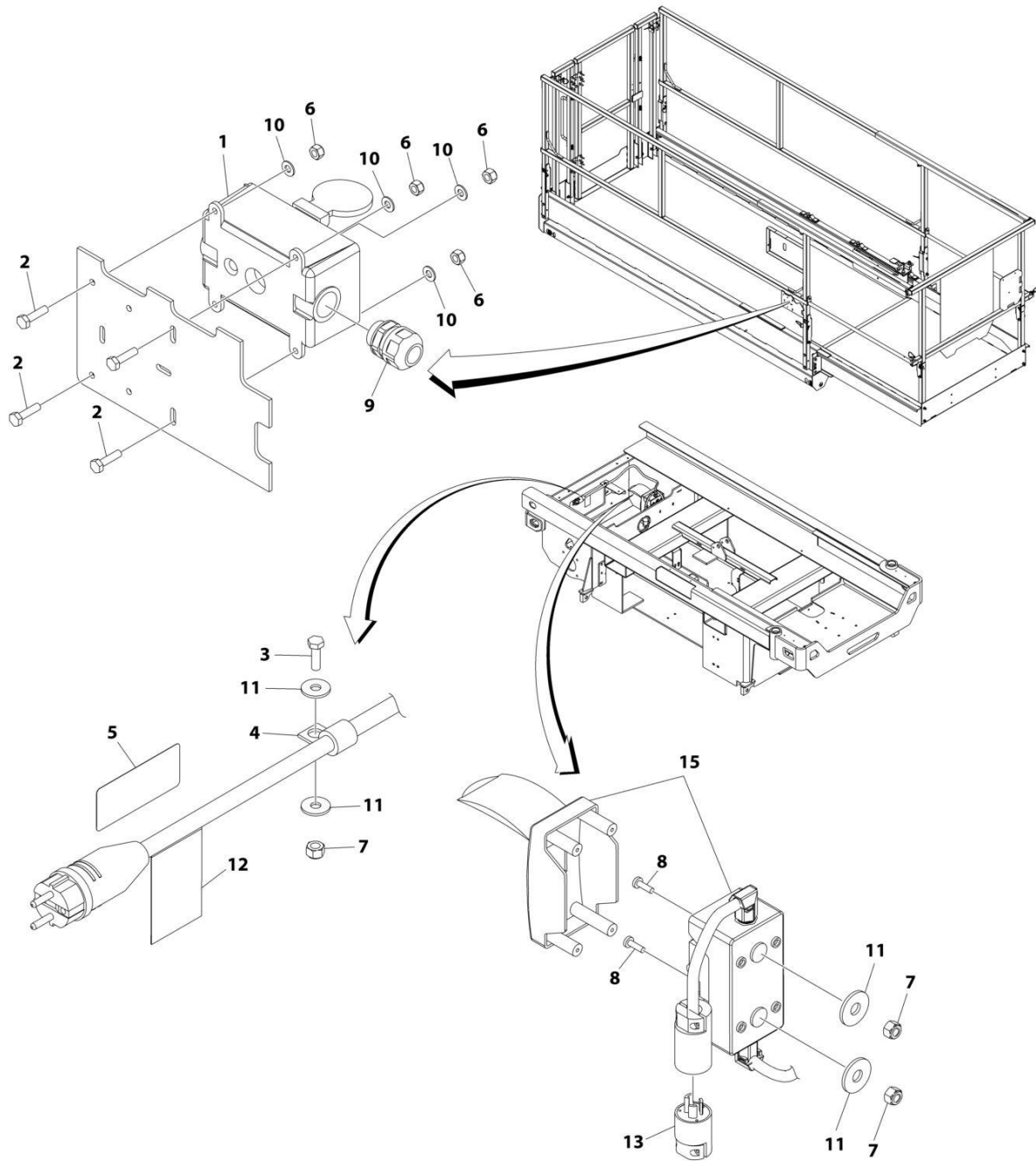
SECTION 7 - ELECTRICAL

FIGURE 7-6. AC BOX AT PLATFORM INSTALLATION - 220V CEE7 SIDE GROUND (CE & UK CA SPECS)

ITEM	PART NUMBER	QTY	DESCRIPTION	REV
	1001214451	Ref	AC BOX AT PLATFORM INSTALLATION - 220V CEE7 SIDE GROUND (CE & UK CA SPECS)	B
1	0275453	1	Receptacle Box Kit - 220V CEE7 Side Ground (See Separate Breakdown in this Section)	
2	0760408	4	Bolt M4 x 16	
3	0760610	1	Bolt M6 x 20	
4	1321293	1	Clamp	
5	3252507	1	Decal - AC Power	
6	3290405	4	Nut M4	
7	3290605	3	Nut M6	
8	4010610	2	Screw M6 x 20	
9	4460662	1	Connector, Strain Relief	
10	4811400	4	Washer M4	
11	4811702	4	Washer M6	
12	1001102258	1	Decal - AC Label	
13	1001120204	1	Plug, Male Twist	
15	1001219018	1	Breaker Box Kit (See Separate Breakdown in this Section)	

SECTION 7 - ELECTRICAL

FIGURE 7-7. AC BOX AT PLATFORM INSTALLATION - 220V AFSINT 107 (CE & UK CA SPECS)



ART_1001214452

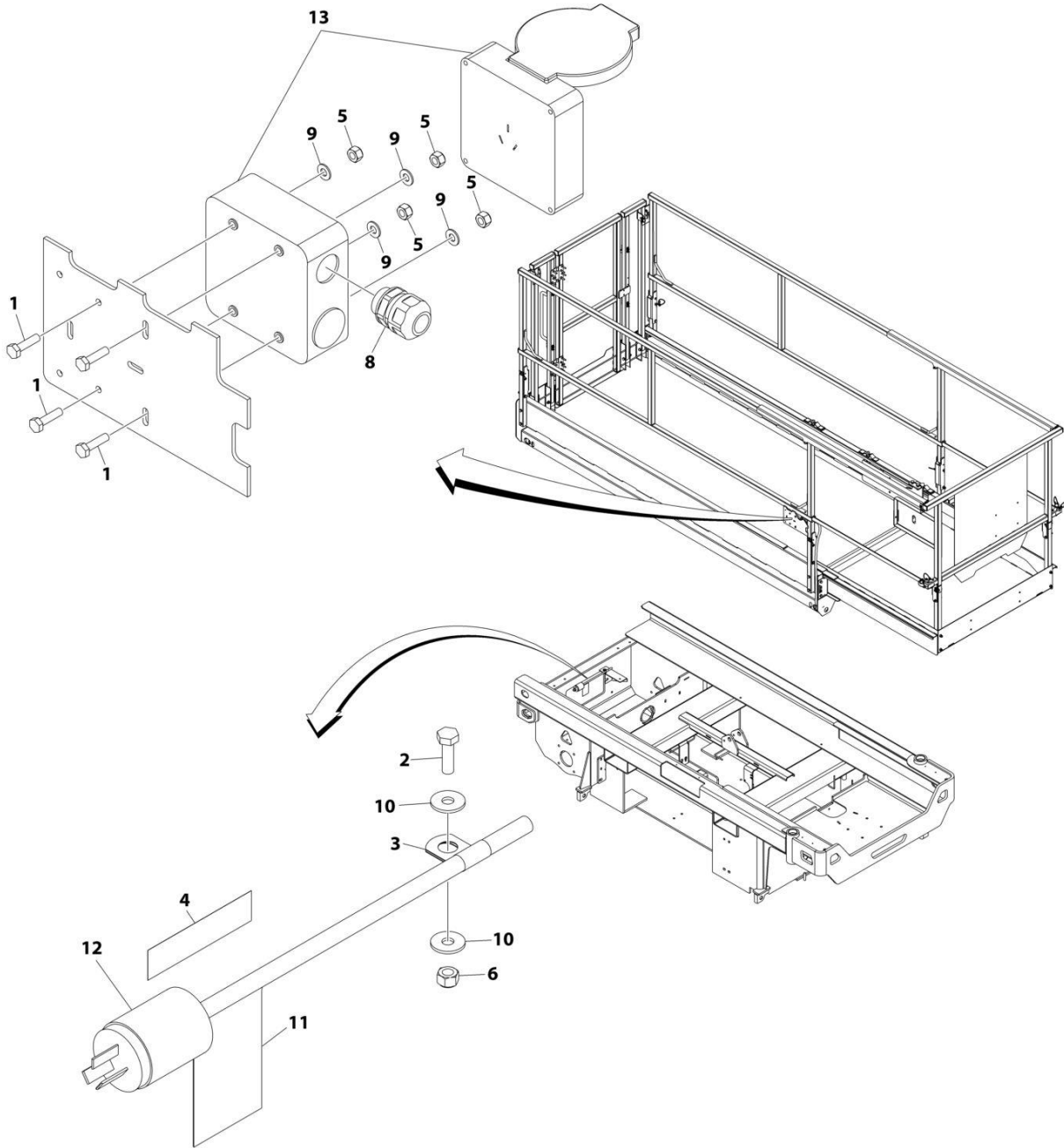
SECTION 7 - ELECTRICAL

FIGURE 7-7. AC BOX AT PLATFORM INSTALLATION - 220V AFSINT 107 (CE & UK CA SPECS)

ITEM	PART NUMBER	QTY	DESCRIPTION	REV
	1001214452	Ref	AC BOX AT PLATFORM INSTALLATION - 220V AFSINT 107 (CE & UK CA SPECS)	B
1	0275454	1	Receptacle Box Kit - 220V AFSINT 107 (See Separate Breakdown in this Section)	
2	0760408	4	Bolt M4 x 16	
3	0760610	1	Bolt M6 x 20	
4	1321293	1	Clamp	
5	3252507	1	Decal - AC Power	
6	3290405	4	Nut M4	
7	3290605	3	Nut M6	
8	4010610	2	Screw M6 x 20	
9	4460662	1	Connector, Strain Relief	
10	4811400	4	Washer M4	
11	4811702	4	Washer M6	
12	1001102258	1	Decal - AC Label	
13	1001120204	1	Plug, Male Twist	
15	1001219041	1	Breaker Box Kit (See Separate Breakdown in this Section)	

SECTION 7 - ELECTRICAL

FIGURE 7-8. AC BOX AT PLATFORM INSTALLATION - 220V CHINA PLUG (CHINA SPECS)



ART_1001214457

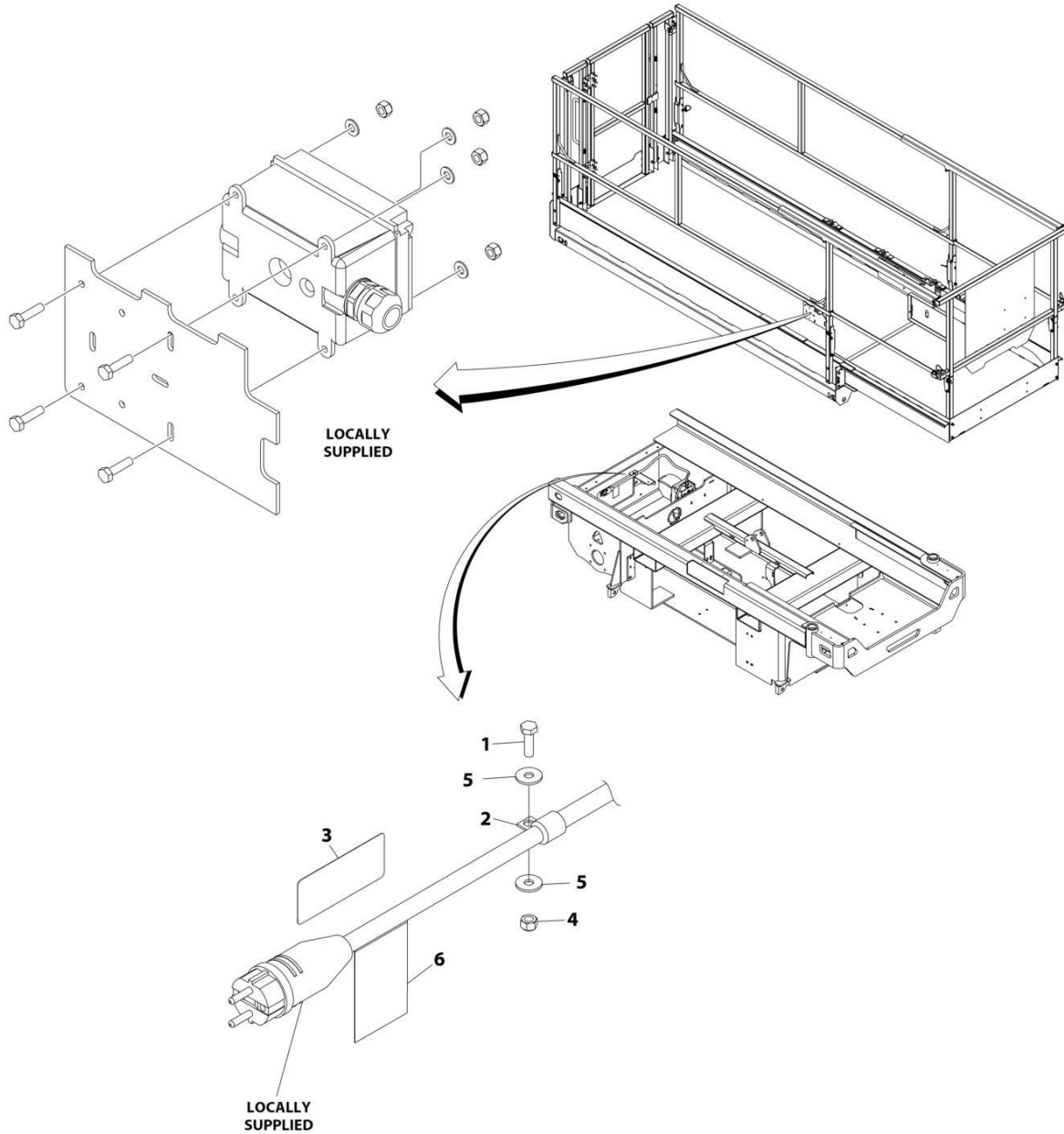
SECTION 7 - ELECTRICAL

FIGURE 7-8. AC BOX AT PLATFORM INSTALLATION - 220V CHINA PLUG (CHINA SPECS)

ITEM	PART NUMBER	QTY	DESCRIPTION	REV
	1001214457	Ref	AC BOX AT PLATFORM INSTALLATION - 220V CHINA PLUG (CHINA SPECS)	A
1	0760408	4	Bolt M4 x 16	
2	0760610	1	Bolt M6 x 20	
3	8406003	1	Clamp	
4	3252507	1	Decal - 220 Volt	
5	3290405	4	Nut M4	
6	3290605	1	Nut M6	
7	4460315	1	Terminal (Not Shown)	
8	4460968	1	Connector, Strain Relief	
9	4811400	4	Washer M4	
10	4811702	2	Washer M6	
11	1001102258	1	Decal - AC Label	
12	1001187816	1	Plug	
13	1001188116	1	Box	

SECTION 7 - ELECTRICAL

FIGURE 7-9. AC BOX AT PLATFORM INSTALLATION - 220V LOCALLY SUPPLIED COMPONENTS (ALL SPECS)



ART_1001214447

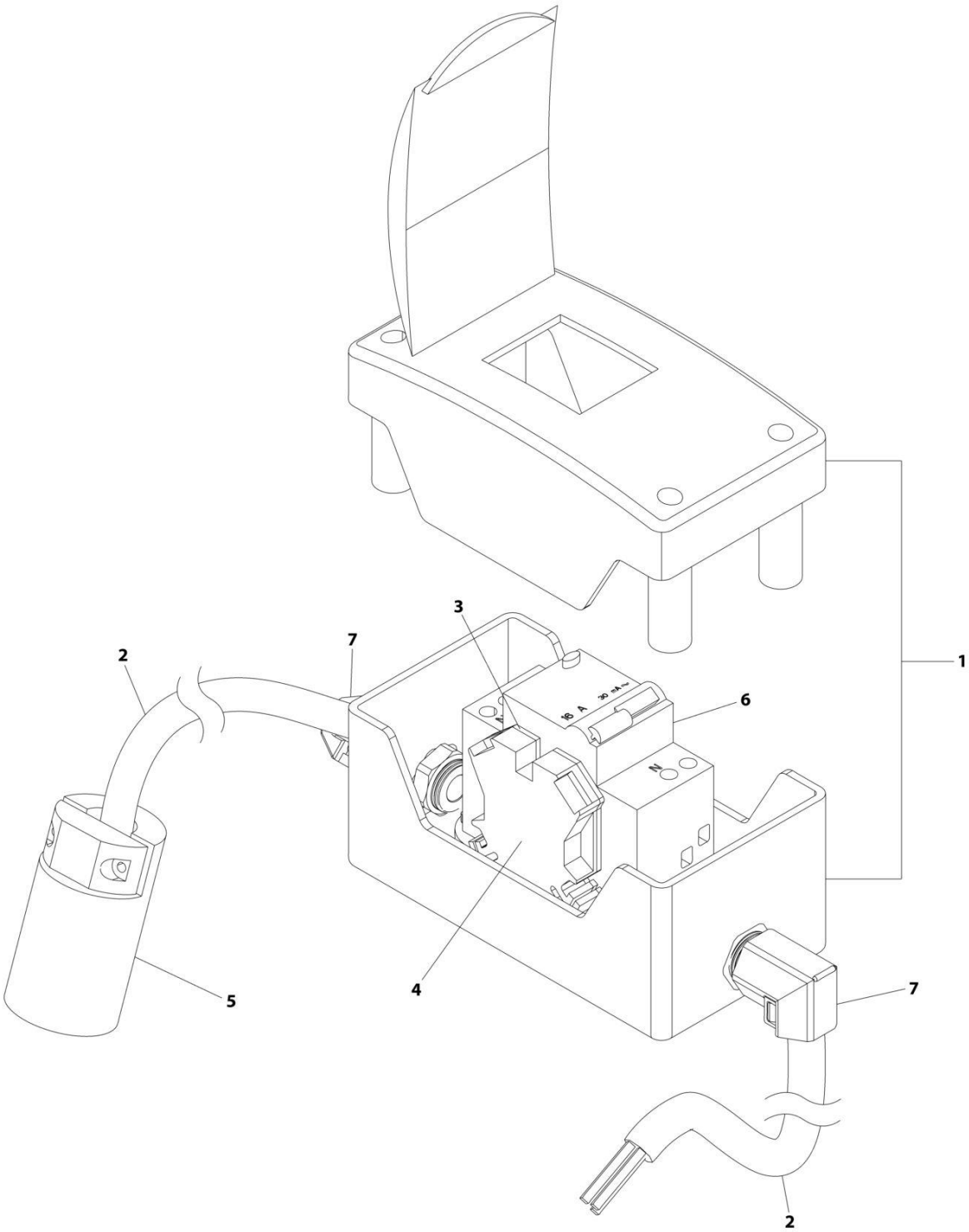
SECTION 7 - ELECTRICAL

**FIGURE 7-9. AC BOX AT PLATFORM INSTALLATION - 220V LOCALLY SUPPLIED COMPONENTS
(ALL SPECS)**

ITEM	PART NUMBER	QTY	DESCRIPTION	REV
	1001214447	Ref	AC BOX AT PLATFORM INSTALLATION - 220V LOCALLY SUPPLIED COMPONENTS (ALL SPECS)	A
1	0760610	1	Bolt M6 x 20	
2	1321293	1	Clamp	
3	3252507	1	Decal - 220 Volt	
4	3290605	1	Nut M6	
5	4811702	2	Washer M6	
6	1001102258	1	Decal - AC Label	

SECTION 7 - ELECTRICAL

FIGURE 7-10. BREAKER BOX KIT WITH 1 DOUBLE BREAKER



ART_1001219041

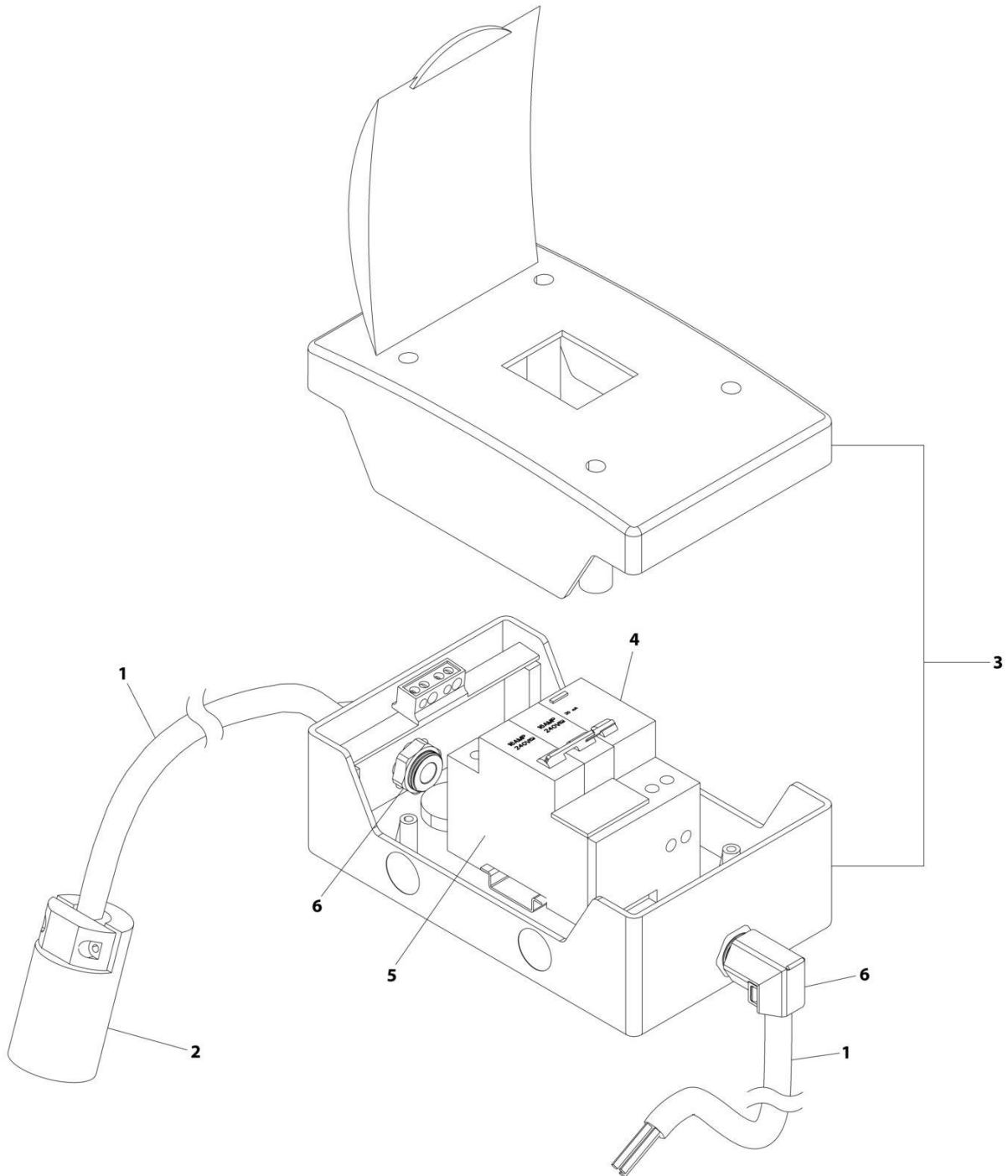
SECTION 7 - ELECTRICAL

FIGURE 7-10. BREAKER BOX KIT WITH 1 DOUBLE BREAKER

ITEM	PART NUMBER	QTY	DESCRIPTION	REV
	1001219041	Ref	BREAKER BOX KIT WITH 1 DOUBLE BREAKER	A
1	0861880	1	Box	
2	1060908	4.5 ft/ 1.3m	Cable, 12/3	
3	4460956	1	Barrier, Terminal	
4	4460957	1	Block, Terminal	
5	1001120205	1	Connector, Female Twist	
6	1001181045	1	Breaker 30mAmp/16 Amp	
7	1001217164	2	Connector, Strain Relief 90	

SECTION 7 - ELECTRICAL

FIGURE 7-11. BREAKER BOX KIT WITH 3 BREAKERS



ART_1001219018

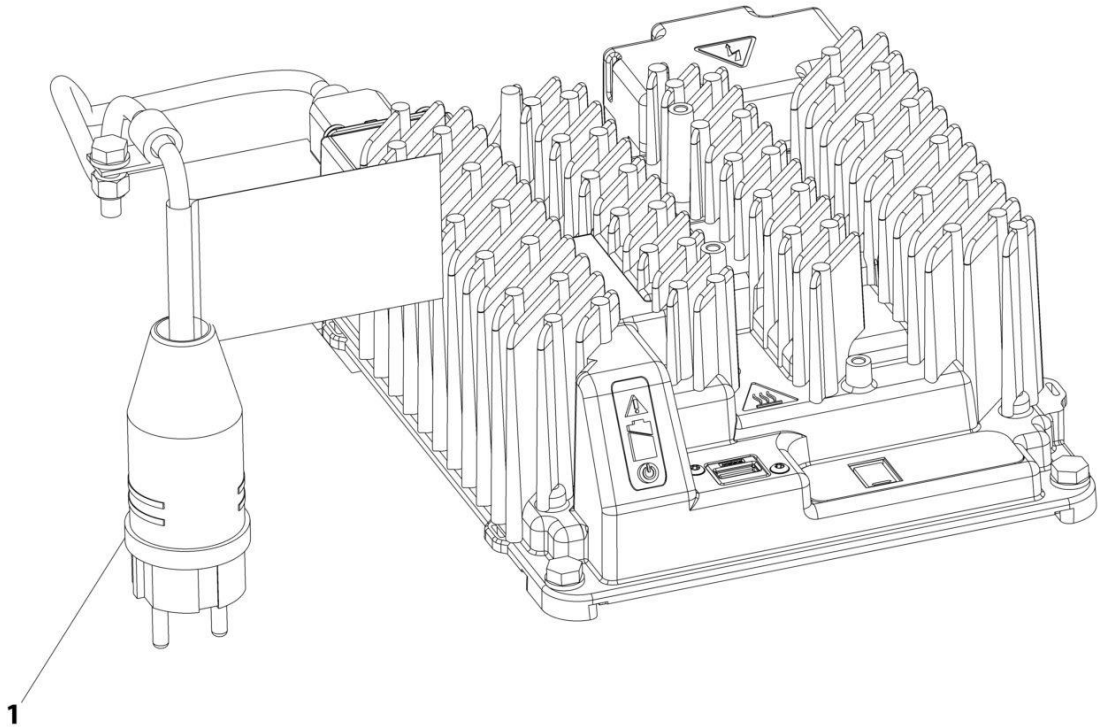
SECTION 7 - ELECTRICAL

FIGURE 7-11. BREAKER BOX KIT WITH 3 BREAKERS

ITEM	PART NUMBER	QTY	DESCRIPTION	REV
	1001219018	Ref	BREAKER BOX KIT WITH 3 BREAKERS	B
1	1060908	4.5 ft/ 1.3m	Cable, 12/3	
2	1001120205	1	Connector, Female Twist	
3	1001152483	1	Box	
4	1001189171	1	Breaker, 30mAmp	
5	1001189172	1	Breaker 16 Amp, Double	
6	1001217164	2	Connector, Strain Relief 90	

SECTION 7 - ELECTRICAL

FIGURE 7-12. CHARGER PLUG INSTALLATION - CEE7 POST GROUND (CE & UK CA SPEC)



ART_1001258856

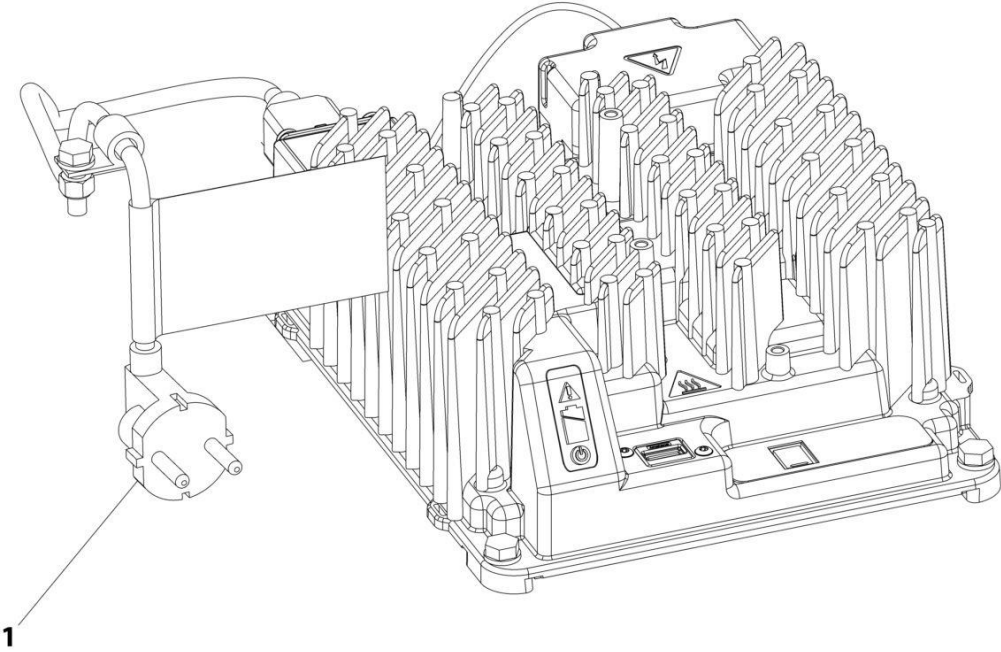
SECTION 7 - ELECTRICAL

FIGURE 7-12. CHARGER PLUG INSTALLATION - CEE7 POST GROUND (CE & UK CA SPEC)

ITEM	PART NUMBER	QTY	DESCRIPTION	REV
1	1001258856 4461205	Ref 1	CHARGER PLUG INSTALLATION Terminal, 250VAC Male CE	A

SECTION 7 - ELECTRICAL

FIGURE 7-13. CHARGER PLUG INSTALLATION - CEE7 SIDE GROUND (ANSI EXPORT SPEC)



ART_1001258857

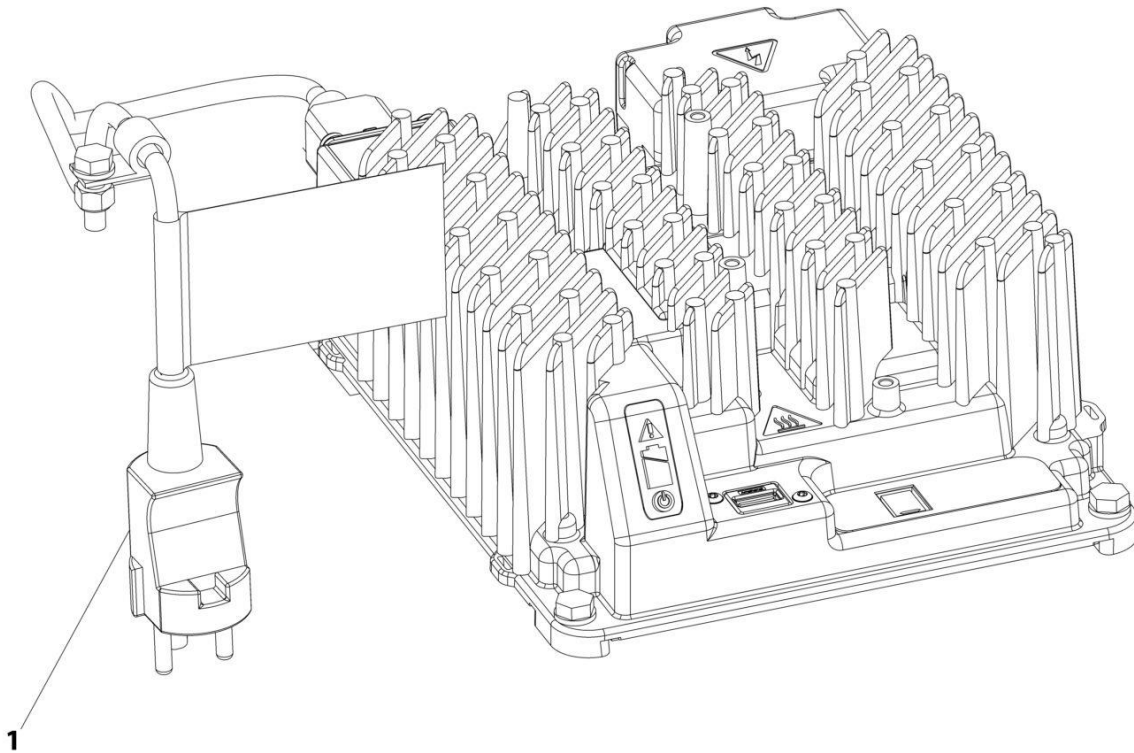
SECTION 7 - ELECTRICAL

FIGURE 7-13. CHARGER PLUG INSTALLATION - CEE7 SIDE GROUND (ANSI EXPORT SPEC)

ITEM	PART NUMBER	QTY	DESCRIPTION	REV
1	1001258857 1001221949	Ref 1	CHARGER PLUG INSTALLATION Cable, AC Input, KOR Plug	A

SECTION 7 - ELECTRICAL

FIGURE 7-14. CHARGER PLUG INSTALLATION - AFSINT 107 (CE & UK CA SPEC)



ART_1001258858

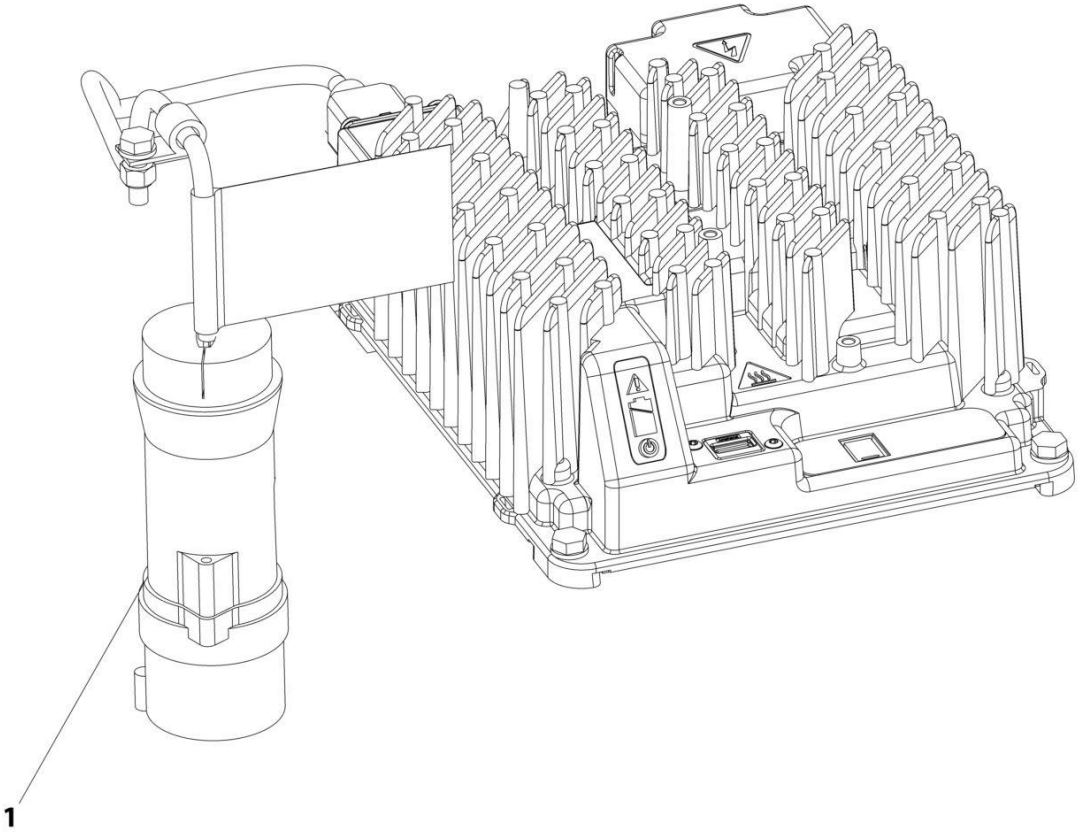
SECTION 7 - ELECTRICAL

FIGURE 7-14. CHARGER PLUG INSTALLATION - AFSINT 107 (CE & UK CA SPEC)

ITEM	PART NUMBER	QTY	DESCRIPTION	REV
1	1001258858 4461249	Ref 1	CHARGER PLUG INSTALLATION Terminal, 250VAC Male CE	A

SECTION 7 - ELECTRICAL

FIGURE 7-15. CHARGER PLUG INSTALLATION - IEC 60309 YELLOW (CE & UK CA SPEC)



ART_1001258859

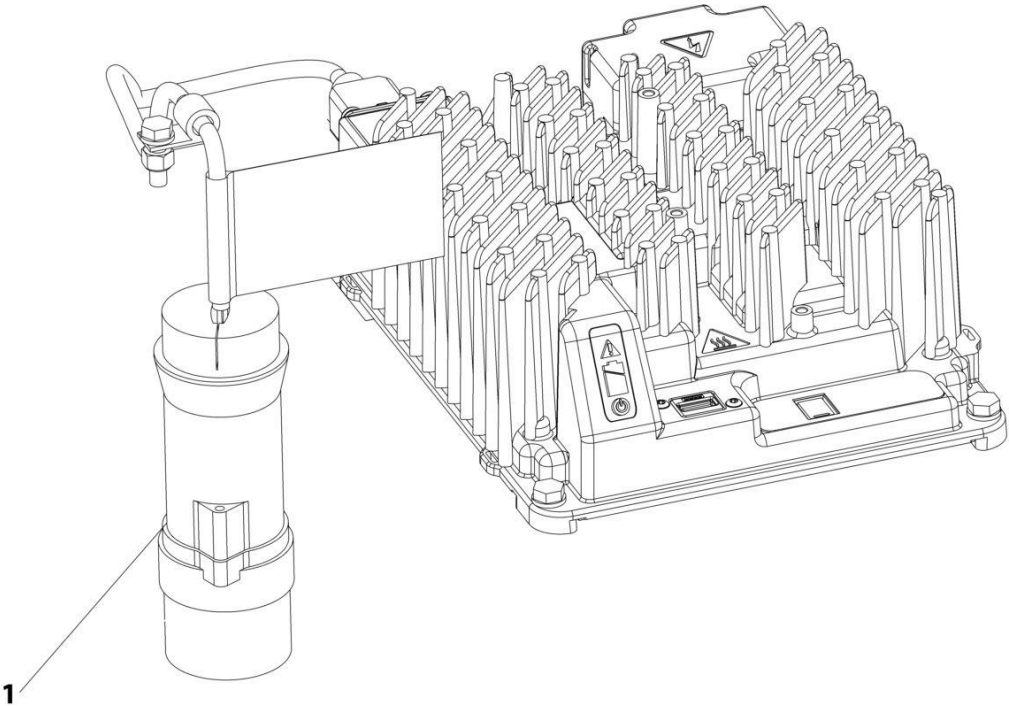
SECTION 7 - ELECTRICAL

FIGURE 7-15. CHARGER PLUG INSTALLATION - IEC 60309 YELLOW (CE & UK CA SPEC)

ITEM	PART NUMBER	QTY	DESCRIPTION	REV
1	1001258859 4461196	Ref 1	CHARGER PLUG INSTALLATION Terminal, 250VAC Male CE	A

SECTION 7 - ELECTRICAL

FIGURE 7-16. CHARGER PLUG INSTALLATION - IEC 60309 BLUE (CE & UK CA SPEC)



ART_1001258860

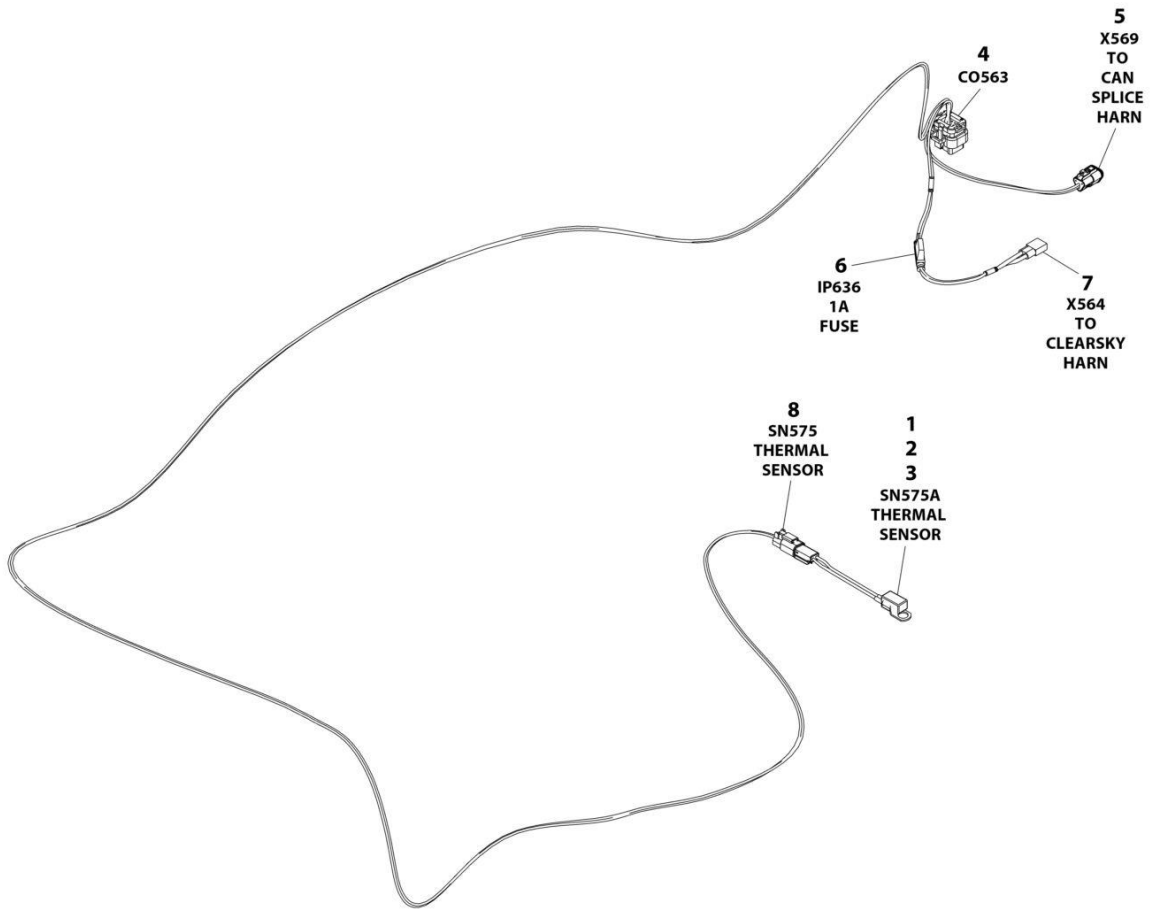
SECTION 7 - ELECTRICAL

FIGURE 7-16. CHARGER PLUG INSTALLATION - IEC 60309 BLUE (CE & UK CA SPEC)

ITEM	PART NUMBER	QTY	DESCRIPTION	REV
1	1001258860 4461199	Ref 1	CHARGER PLUG INSTALLATION Terminal, 250 AC Male CE	A

SECTION 7 - ELECTRICAL

FIGURE 7-17. CHARGER HARNESS (MACHINES WITH CHARGER COMMUNICATION PORT) (PVC 1910)



ART_1001254028

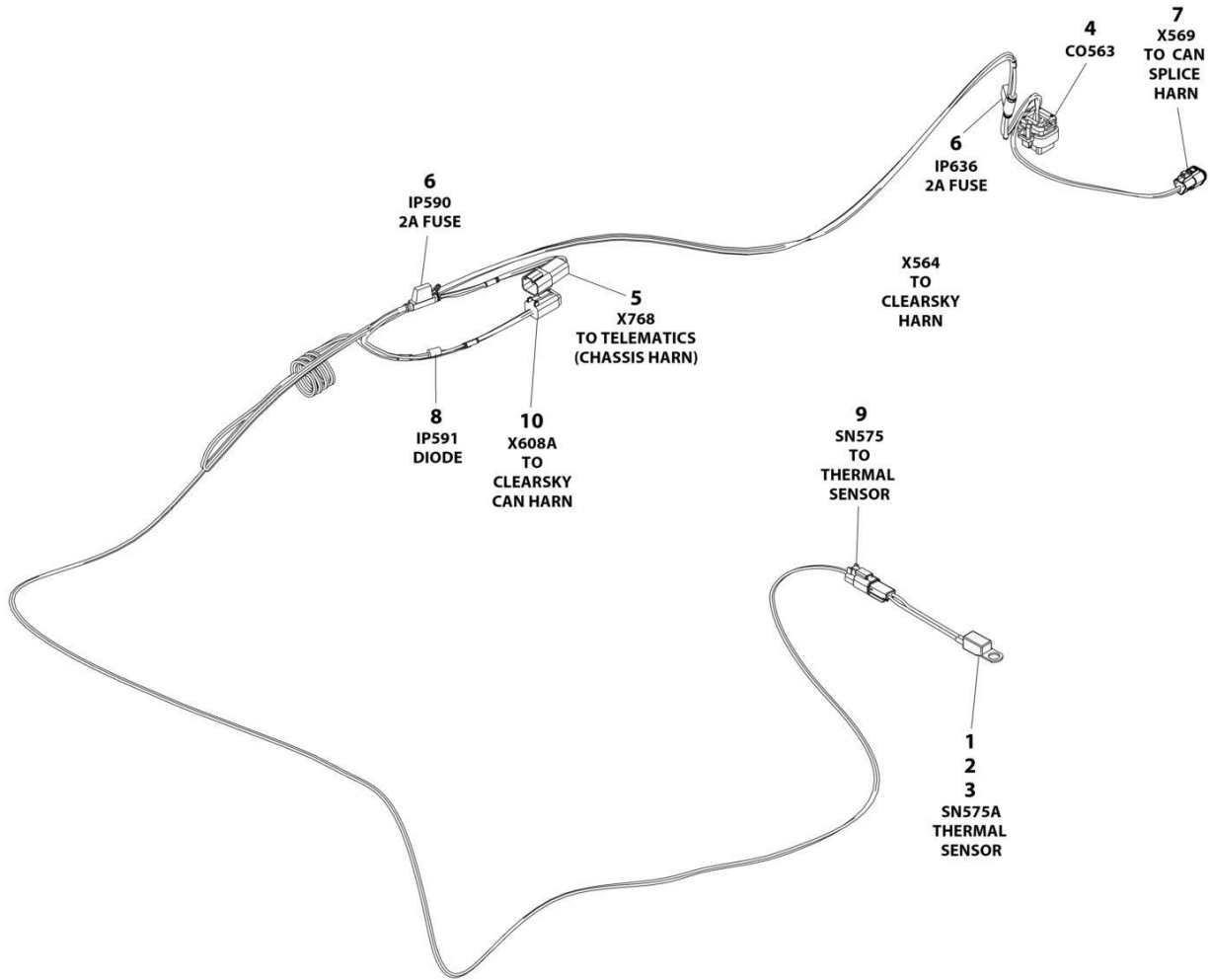
SECTION 7 - ELECTRICAL

FIGURE 7-17. CHARGER HARNESS (MACHINES WITH CHARGER COMMUNICATION PORT) (PVC 1910)

ITEM	PART NUMBER	QTY	DESCRIPTION	REV
	1001254028	Ref	CHARGER HARNESS	A
1	4460464	2	Pin, Male	
2	4460897	1	Receptacle, Female - 2 Position	
3	1001102771	1	Sensor, Temperature	
4	4460872	1	Connector - 14 Position	
4	4460871	6	Terminal	
4	4460905	8	Plug, Terminal	
5	1001116812	1	Plug, Male - 3 Position	
5	4460944	2	Socket, Female	
5	4460466	1	Plug, Terminal	
6	2400060	1	Fuseholder With Cover	
6	1001228388	1	Fuse 1A	
7	4460424	1	Receptacle, Female - 2 Position	
7	4460227	2	Pin, Male	
8	4460891	1	Plug, Male - 2 Position	
8	4460465	2	Socket, Female	

SECTION 7 - ELECTRICAL

FIGURE 7-18. CHARGER HARNESS (MACHINES WITH CHARGER COMMUNICATION PORT) (PVC 2004)



ART_1001254028_C

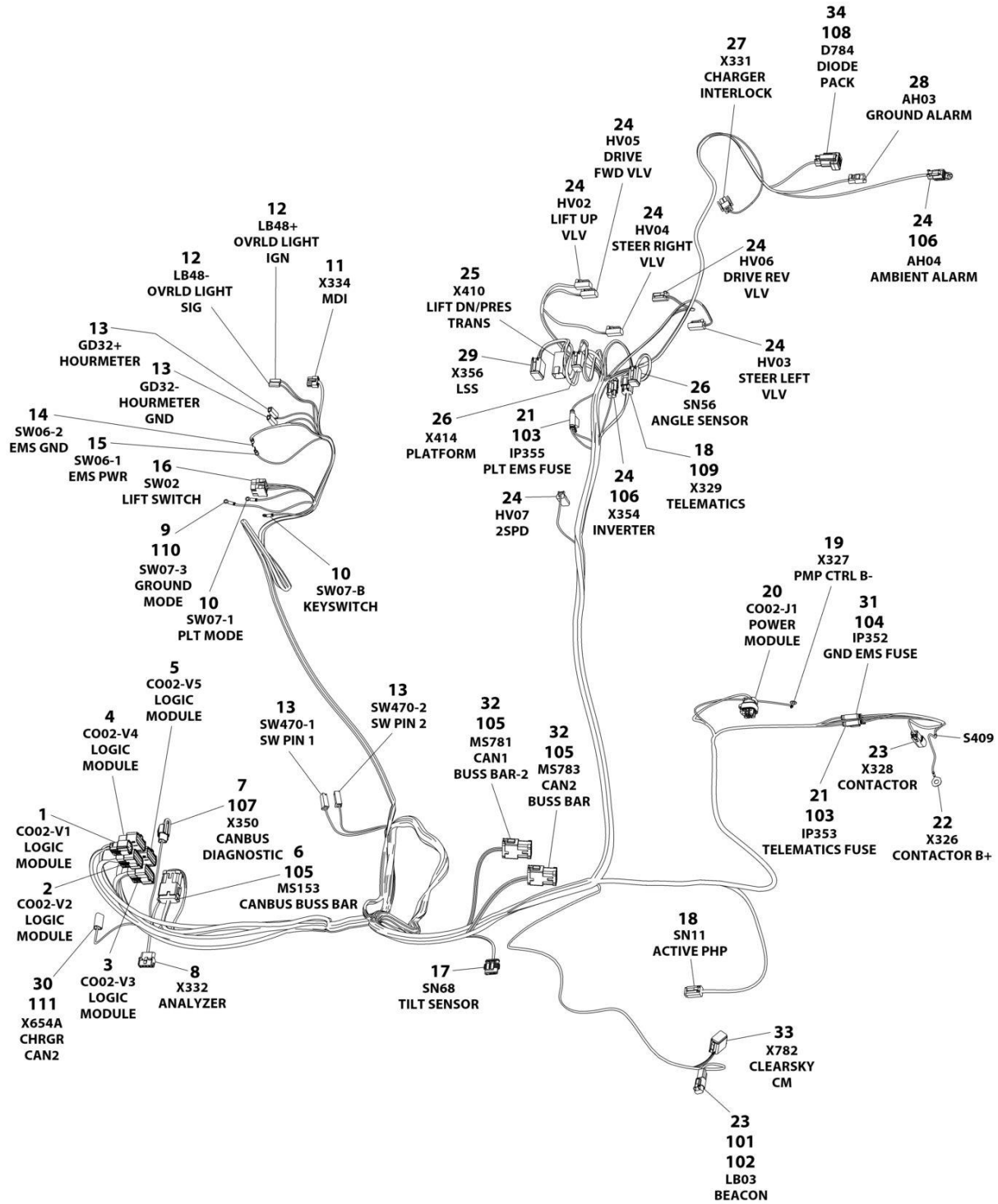
SECTION 7 - ELECTRICAL

FIGURE 7-18. CHARGER HARNESS (MACHINES WITH CHARGER COMMUNICATION PORT) (PVC 2004)

ITEM	PART NUMBER	QTY	DESCRIPTION	REV
	1001254028	Ref	CHARGER HARNESS	C
1	4460464	2	Pin, Male	
2	4460897	1	Receptacle, Female - 2 Position	
3	1001102771	1	Sensor, Temperature	
4	4460872	1	Connector - 14 Position	
4	4460871	6	Terminal	
4	4460905	8	Plug, Terminal	
5	4460932	1	Receptacle, Female - 4 Position	
5	4460464	1	Pin, Male	
6	2400060	2	Fuseholder With Cover	
6	1001196634	2	Fuse 2A	
7	1001116812	1	Plug, Male - 3 Position	
7	4460944	2	Socket, Female	
7	4460466	1	Plug, Terminal	
8	3990001	1	Diode	
9	4460891	1	Plug, Male - 2 Position	
9	4460465	2	Socket, Female	
10	4460884	1	Plug, Male - 4 Position	
10	4460465	4	Socket, Female	

SECTION 7 - ELECTRICAL

FIGURE 7-19. CHASSIS HARNESS



ART_1001283409

SECTION 7 - ELECTRICAL

FIGURE 7-19. CHASSIS HARNESS

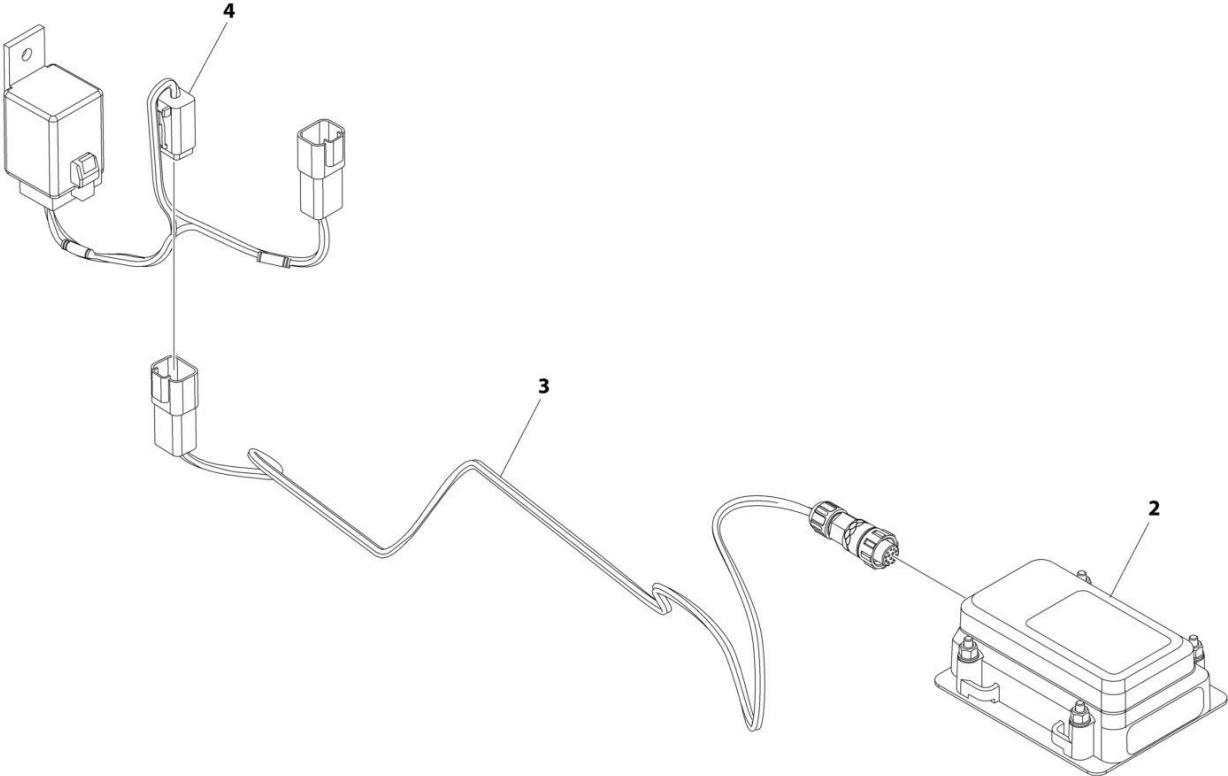
ITEM	PART NUMBER	QTY	DESCRIPTION	REV
	1001283409	Ref	CHASSIS HARNESS	B
1	1001205409	1	Connector - 8 Position	
1	1001162887	8	Terminal	
2	1001205410	1	Connector - 20 Position	
2	1001162887	13	Terminal	
2	1001163340	7	Plug, Terminal	
3	1001162886	1	Connector - 20 Position	
3	1001162887	16	Terminal	
3	1001163340	4	Plug, Terminal	
4	1001205411	1	Connector - 20 Position	
4	1001162887	14	Terminal	
4	1001163340	6	Plug, Terminal	
5	1001205412	1	Connector - 20 Position	
5	1001162887	18	Terminal	
5	1001163340	2	Plug, Terminal	
6	4460933	1	Plug, Male - 12 Position	
6	4460944	8	Socket, Female	
6	4460466	4	Plug	
7	1001116812	1	Receptacle, Female - 3 Position	
7	4460944	2	Pin, Male	
7	4460466	1	Plug	
7	1001144296	1	Cover	
8	4460761	1	Plug, Male - 4 Position	
8	4460227	4	Socket, Female	
9	4460042	1	Terminal, Ring	
10	4460247	2	Terminal, Ring	
11	1001151629	1	Plug, Male - 8 Position	
11	4461023	2	Terminal	
11	4460877	2	Terminal	
12	1001117000	2	Cover, Terminal	
12	1001118387	2	Terminal	
13	4460260	4	Cover, Terminal	
13	4460259	4	Terminal	
14	4460115	1	Terminal, Ring	
15	4460183	1	Terminal, Ring	
16	4460418	1	Connector - 6 Position	
16	4460419	3	Terminal	
17	1001103012	1	Plug, Male - 4 Position	
17	1001107854	4	Socket, Female	
18	4460884	2	Plug, Male - 4 Position	
18	4460465	8	Socket, Female	
18	1001192401	1	Cover	
19	1001207173	1	Terminal, Ring	
20	1001113961	1	Connector - 8 Position	
20	4460871	4	Socket, Female	
20	4460905	4	Plug, Terminal	
21	2400060	2	Fuseholder with Cover	
22	1001211775	1	Terminal, Ring	
23	4460897	2	Receptacle, Female - 2 Position	
23	4460464	4	Pin, Male	

SECTION 7 - ELECTRICAL

ITEM	PART NUMBER	QTY	DESCRIPTION	REV
24	4460891	8	Plug, Male - 2 Position	
24	4460465	16	Socket, Female	
25	4460899	1	Receptacle, Female - 6 Position	
25	4460464	4	Pin, Male	
25	4460466	2	Plug, Terminal	
26	4460894	2	Plug, Male - 6 Position	
26	4460465	12	Socket, Female	
27	4460320	1	Plug, Male - 2 Position	
27	4460226	1	Socket, Female	
28	4460539	1	Plug, Male - 3 Position	
28	4460465	3	Socket, Female	
29	4460930	1	Plug, Male - 8 Position	
29	4460465	6	Socket, Female	
29	4460466	2	Plug, Terminal	
30	4460966	1	Plug, Male - 3 Position	
30	4460944	2	Socket, Female	
30	4460466	1	Plug, Terminal	
31	2400060	1	Fuseholder with Cover	
32	4460933	2	Connector	
32	4460944	16	Socket	
32	4460466	8	Plug	
33	4460930	1	Connector	
33	4460465	8	Socket	
34	4460884	1	Connector	
34	4460465	4	Socket	
34	1001152266	1	Connector	
101	4460466	2	Plug	
102	4460891	1	Connector	
103	8229242	2	Fuse 5 Amp	
104	8229244	1	Fuse 15 Amp	
105	1001125677	3	Connector, Buss Bar	
106	1001144295	2	Cap, Dust	
107	1001144296	1	Cap, Dust	
108	1001152266	1	Connector	
109	1001192401	1	Cap, Dust	
110	4460042	1	Terminal, Ring	
111	4460966	1	Connector	

SECTION 7 - ELECTRICAL

FIGURE 7-20. CLEARSKY INSTALLATION - 3 WIRE (ALL SPECS EXCEPT CHINA SPECS)



ART_1001278847

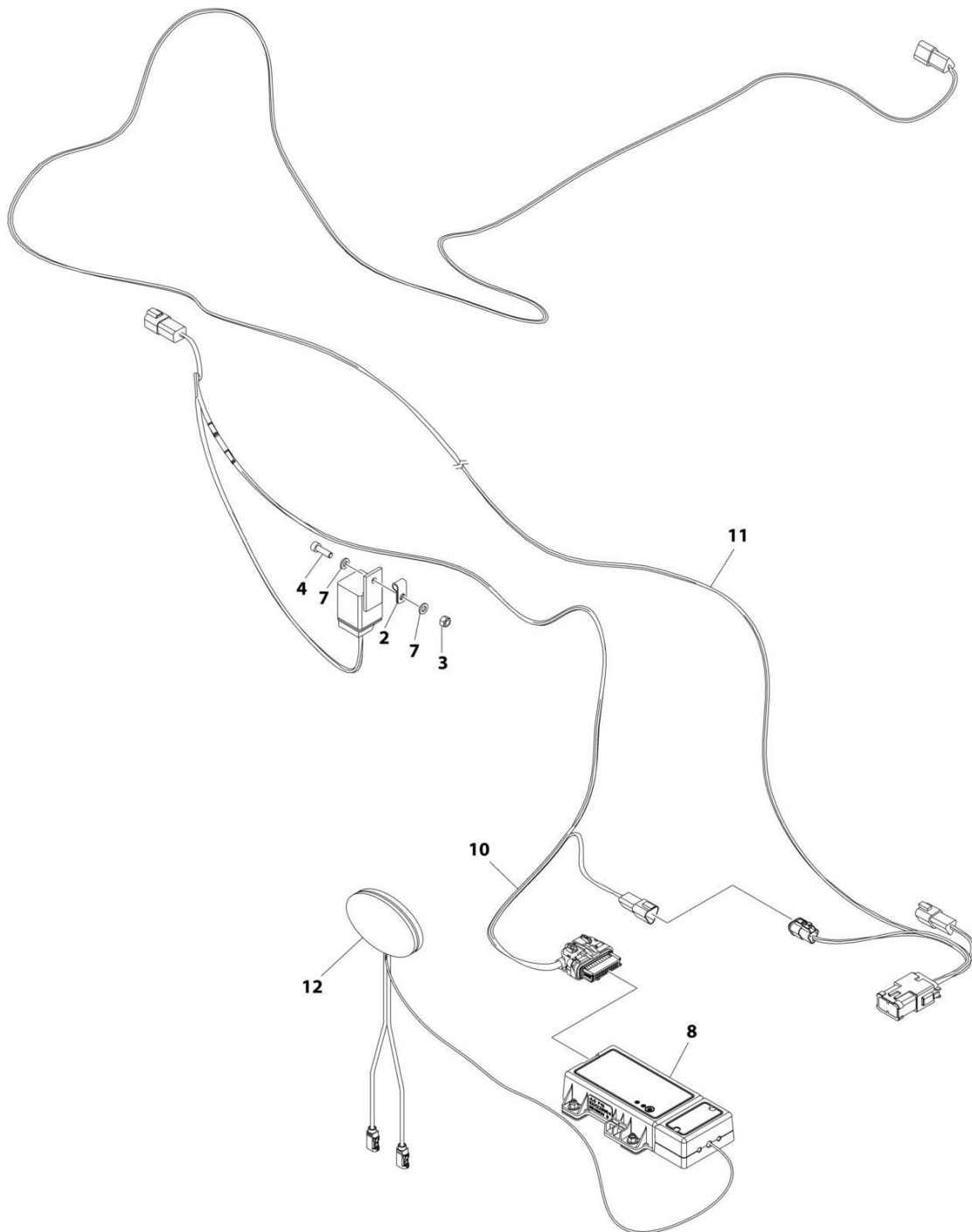
SECTION 7 - ELECTRICAL

FIGURE 7-20. CLEARSKY INSTALLATION - 3 WIRE (ALL SPECS EXCEPT CHINA SPECS)

ITEM	PART NUMBER	QTY	DESCRIPTION	REV
	1001278847	Ref	CLEARSKY INSTALLATION	A
1	4240032	AR	Tie-strap (Not Shown)	
2	1001272659	1	Module, ClearSky	
3	1001273012	1	Harness, ClearSky (See Separate Breakdown in this Section)	
4	1001278513	1	Harness, ClearSky Jumper (See Separate Breakdown in this Section)	

SECTION 7 - ELECTRICAL

FIGURE 7-21. CLEARSKY INSTALLATION - 3G (ANSI EXPORT, CE & UK CA SPECS)



ART_1001251145

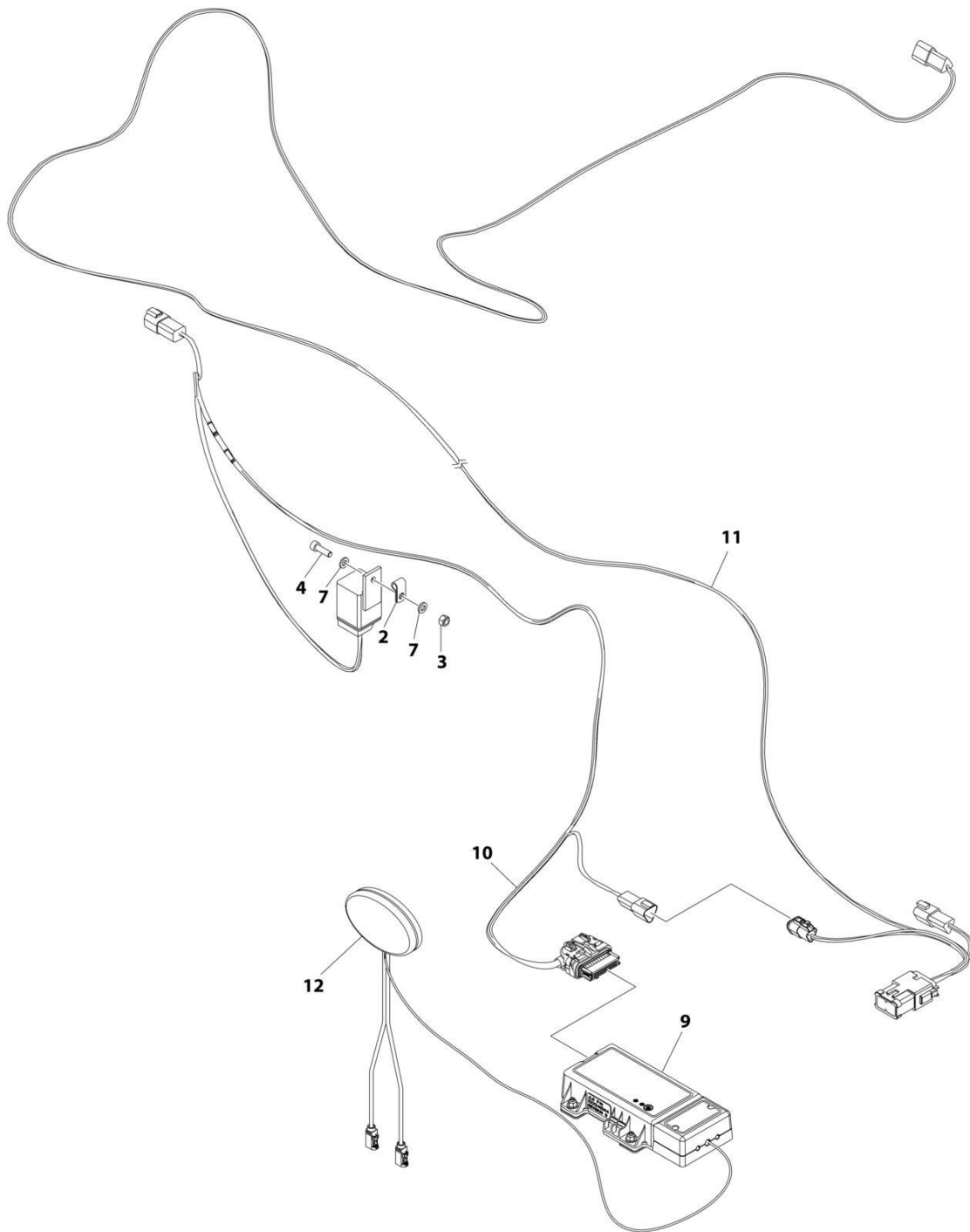
SECTION 7 - ELECTRICAL

FIGURE 7-21. CLEARSKY INSTALLATION - 3G (ANSI EXPORT, CE & UK CA SPECS)

ITEM	PART NUMBER	QTY	DESCRIPTION	REV
	1001251145	Ref	CLEARSKY INSTALLATION	C
1	1062255	AR	Tie-strap (365mm) (Not Shown)	
2	1320136	1	Clamp	
3	3290605	1	Nut, Lock M6	
4	4031708	1	Capscrew M6 x 20	
5	4240032	AR	Tie-strap (3-5/8in to 4in) (Not Shown)	
6	4460234	AR	Mount, Tie-strap (Not Shown)	
7	4811700	2	Washer M6	
8	1001228954	1	Module, ClearSky	
10	1001254026	1	Harness, ClearSky (See Separate Breakdown in this Section)	
11	1001254027	1	Harness, ClearSky Splice (See Separate Breakdown in this Section)	
12	1001236144	1	Antenna, ClearSky	

SECTION 7 - ELECTRICAL

FIGURE 7-22. CLEARSKY INSTALLATION - 3G (AUSTRALIAN SPECS)



ART_1001251146

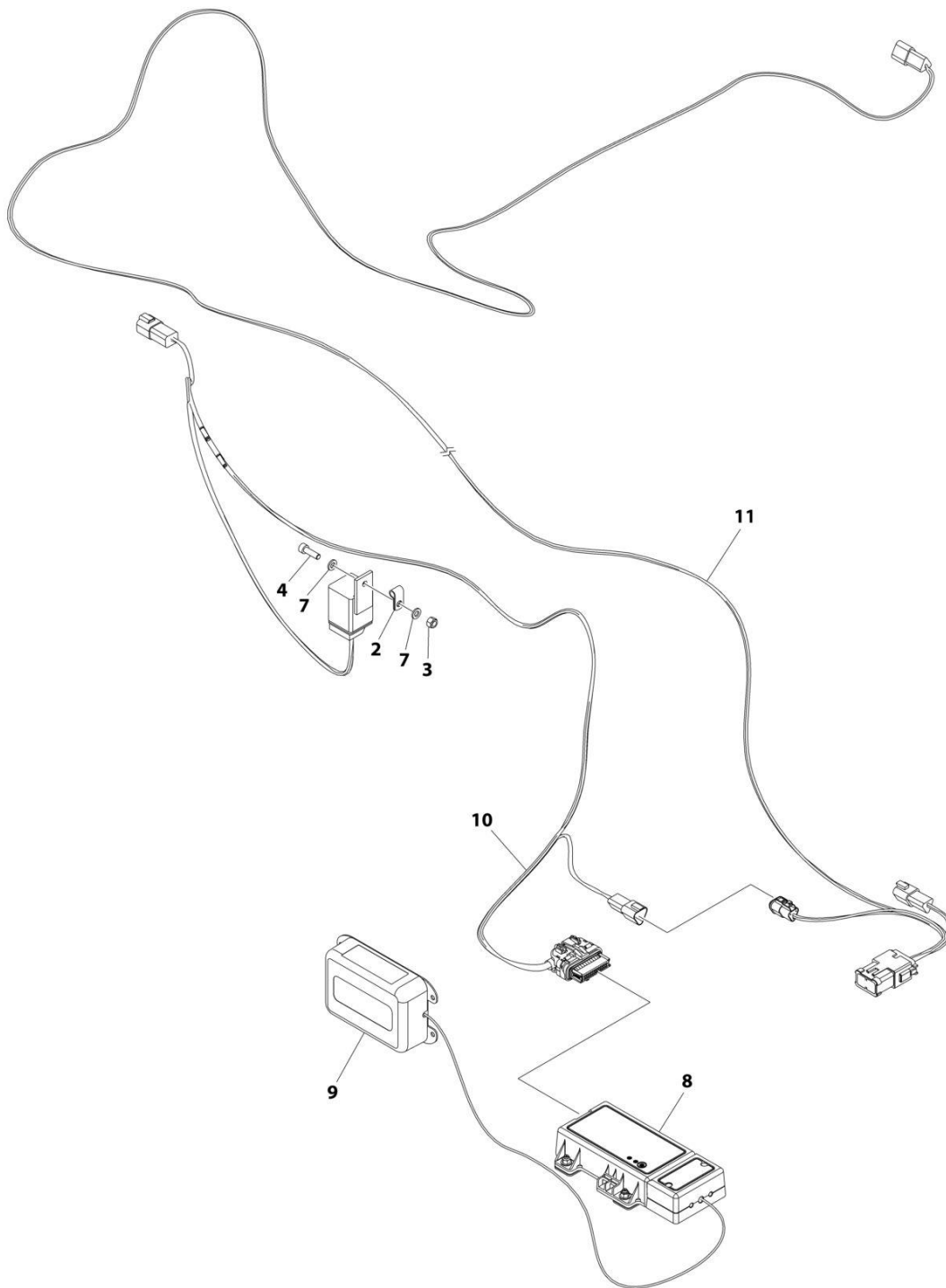
SECTION 7 - ELECTRICAL

FIGURE 7-22. CLEARSKY INSTALLATION - 3G (AUSTRALIAN SPECS)

ITEM	PART NUMBER	QTY	DESCRIPTION	REV
	1001251146	Ref	CLEARSKY INSTALLATION	D
1	1062255	AR	Tie-strap (365mm) (Not Shown)	
2	1320136	1	Clamp	
3	3290605	1	Nut, Lock M6	
4	4031708	1	Capscrew M6 x 20	
5	4240032	AR	Tie-strap (3-5/8in to 4in) (Not Shown)	
6	4460234	AR	Mount, Tie-strap (Not Shown)	
7	4811700	2	Washer M6	
9	1001246144	1	Module, ClearSky	
10	1001254026	1	Harness, ClearSky (See Separate Breakdown in this Section)	
11	1001254027	1	Harness, ClearSky Splice (See Separate Breakdown in this Section)	
12	1001236144	1	Antenna, ClearSky	

SECTION 7 - ELECTRICAL

FIGURE 7-23. CLEARSKY INSTALLATION - 4G (ALL SPECS EXCEPT CHINA SPECS)



ART_1001251144

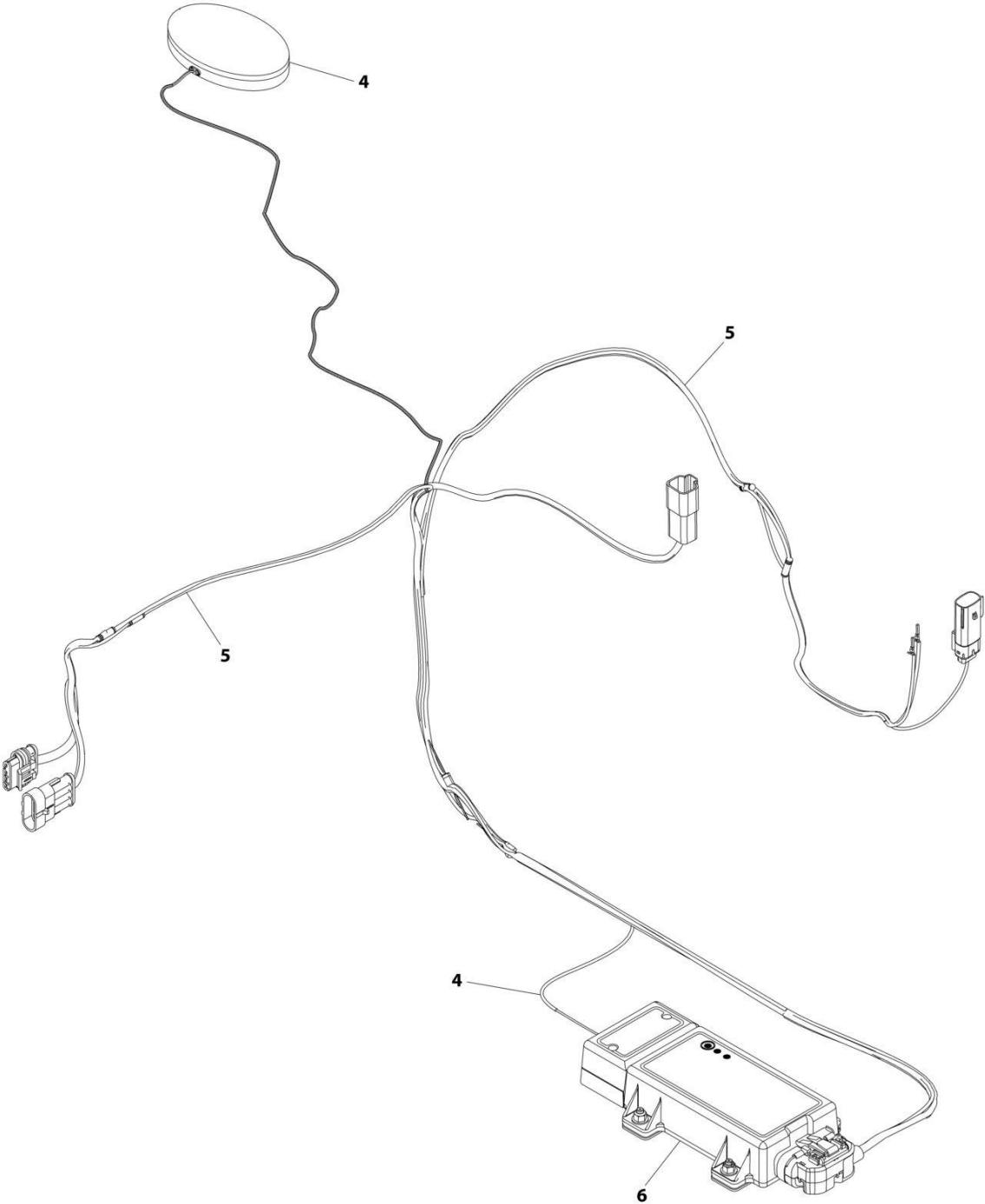
SECTION 7 - ELECTRICAL

FIGURE 7-23. CLEARSKY INSTALLATION - 4G (ALL SPECS EXCEPT CHINA SPECS)

ITEM	PART NUMBER	QTY	DESCRIPTION	REV
	1001251144	Ref	CLEARSKY INSTALLATION	E
1	1062255	AR	Tie-strap (365mm) (Not Shown)	
2	1320136	1	Clamp	
3	3290605	1	Nut, Lock M6	
4	4031708	1	Capscrew M6 x 20	
5	4240032	AR	Tie-strap (3-5/8in to 4in) (Not Shown)	
6	4460234	AR	Mount, Tie-strap (Not Shown)	
7	4811700	2	Washer M6	
8	1001262322	1	Module, ClearSky	
9	1001262327	1	Antenna, ClearSky	
10	1001254026	1	Harness, ClearSky (See Separate Breakdown in this Section)	
11	1001254027	1	Harness, ClearSky Splice (See Separate Breakdown in this Section)	

SECTION 7 - ELECTRICAL

FIGURE 7-24. CLEARSKY INSTALLATION - 4G (CHINA SPECS)



ART_1001246531

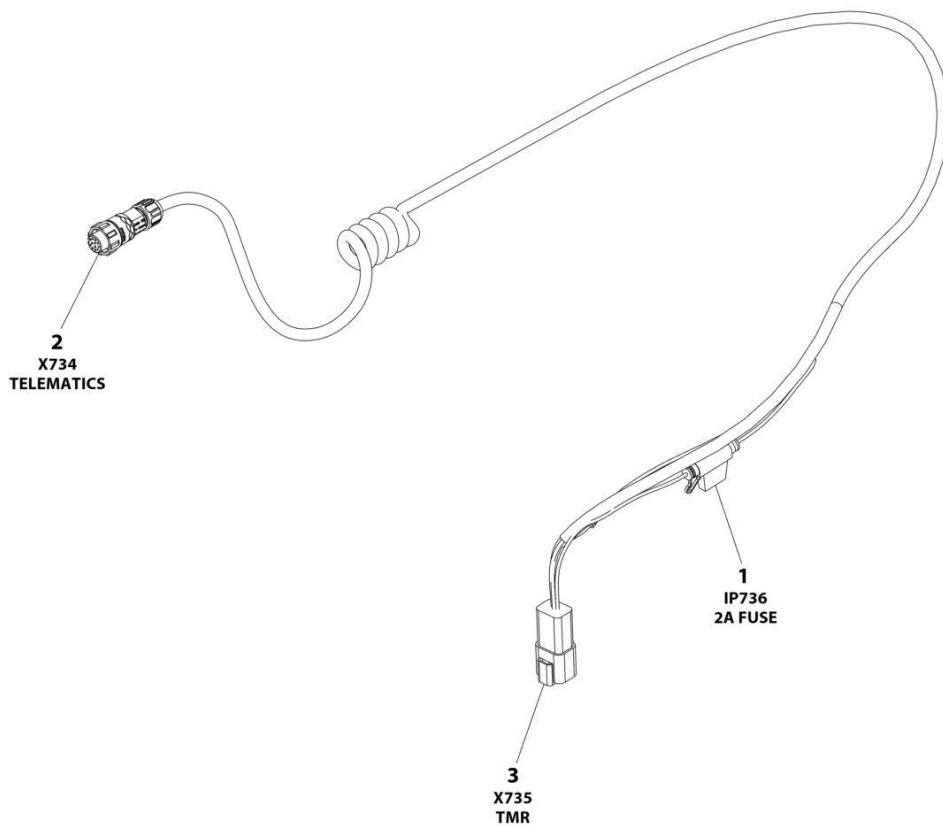
SECTION 7 - ELECTRICAL

FIGURE 7-24. CLEARSKY INSTALLATION - 4G (CHINA SPECS)

ITEM	PART NUMBER	QTY	DESCRIPTION	REV
	1001246531	Ref	CLEARSKY INSTALLATION	A
1	1062255	AR	Tie-strap (365mm) (Not Shown)	
2	4240032	AR	Tie-strap (3-5/8in to 4in) (Not Shown)	
3	4460234	AR	Mount, Tie-strap (Not Shown)	
4	1001236144	1	Antenna, ClearSky	
5	1001238845	1	Harness, ClearSky (See Separate Breakdown in this Section)	
6	1001246145	1	Module, ClearSky	

SECTION 7 - ELECTRICAL

FIGURE 7-25. CLEARSKY HARNESS - 3 WIRE ((ALL SPECS EXCEPT CHINA SPECS))



ART_1001273012

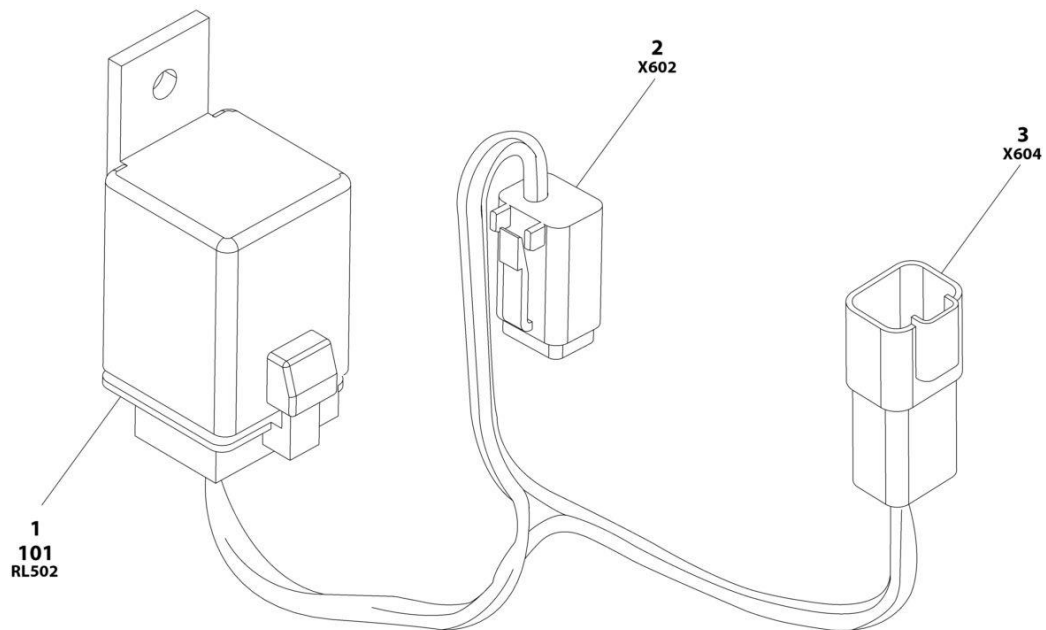
SECTION 7 - ELECTRICAL

FIGURE 7-25. CLEARSKY HARNESS - 3 WIRE ((ALL SPECS EXCEPT CHINA SPECS))

ITEM	PART NUMBER	QTY	DESCRIPTION	REV
	1001273012	Ref	CLEARSKY TELEMATICS HARNESS - GT1030	D
1	1001255901	1	Fuseholder	
1	1001196634	1	Fuse - 2Amp	
2	1001272997	1	Connector - 12 Position	
2		Ref	Terminal	
3	4460932	1	Receptacle, Female - 4 Position	
3	4460464	4	Pin, Male	

SECTION 7 - ELECTRICAL

FIGURE 7-26. CLEARSKY JUMPER HARNESS - 3 WIRE (ALL SPECS EXCEPT CHINA SPECS)



ART_1001278513

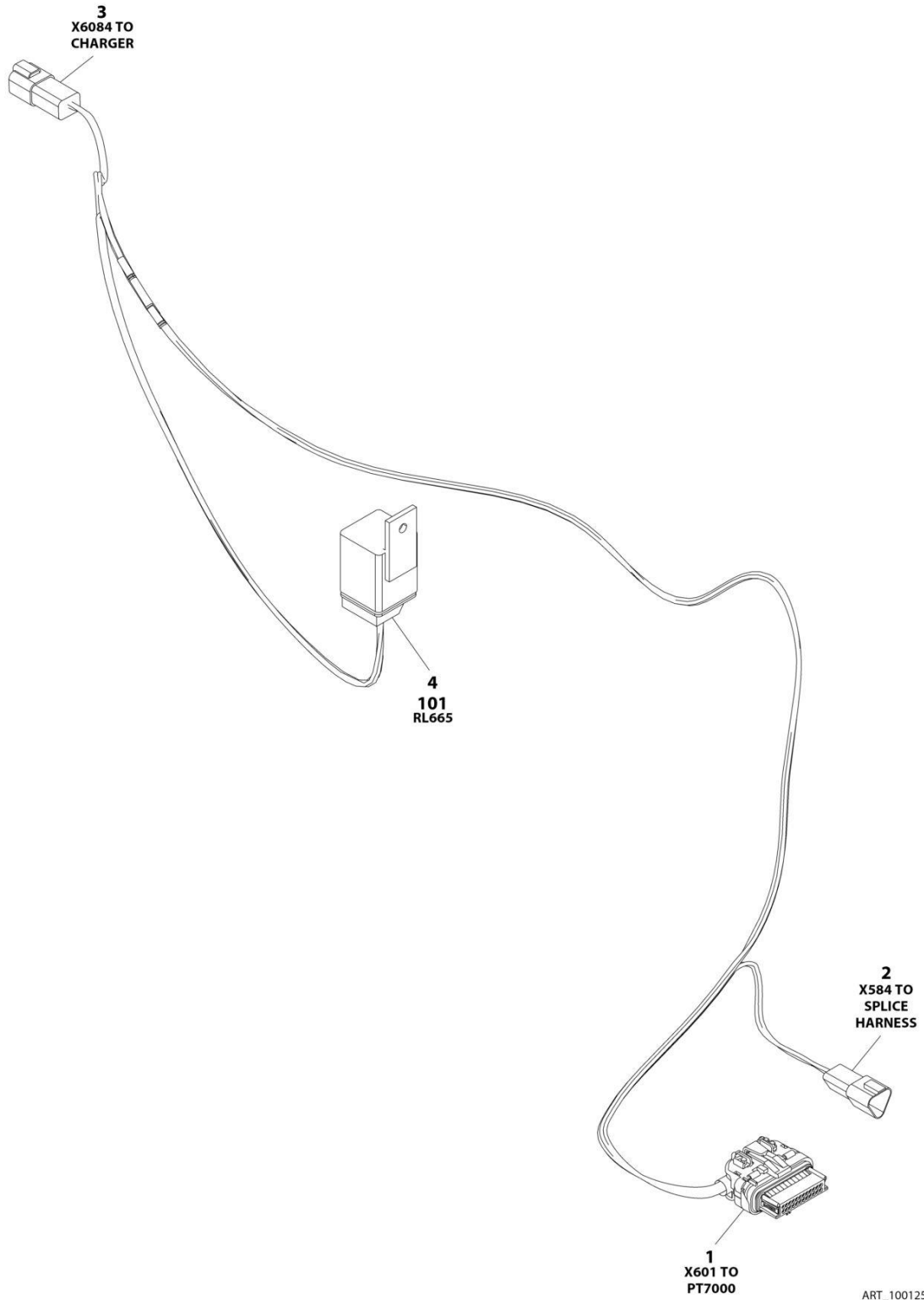
SECTION 7 - ELECTRICAL

FIGURE 7-26. CLEARSKY JUMPER HARNESS - 3 WIRE (ALL SPECS EXCEPT CHINA SPECS)

ITEM	PART NUMBER	QTY	DESCRIPTION	REV
	1001278513	Ref	CLEARSKY JUMPER HARNESS	A
1	1001117057	1	Connector	
1	1001116732	4	Socket	
2	4460884	1	Connector	
2	4460465	4	Socket	
3	4460932	1	Connector	
3	4460464	4	Pin	
101	1001097347	1	Relay	

SECTION 7 - ELECTRICAL

FIGURE 7-27. CLEARSKY HARNESS - 3G & 4G (ALL SPECS EXCEPT CHINA SPECS)



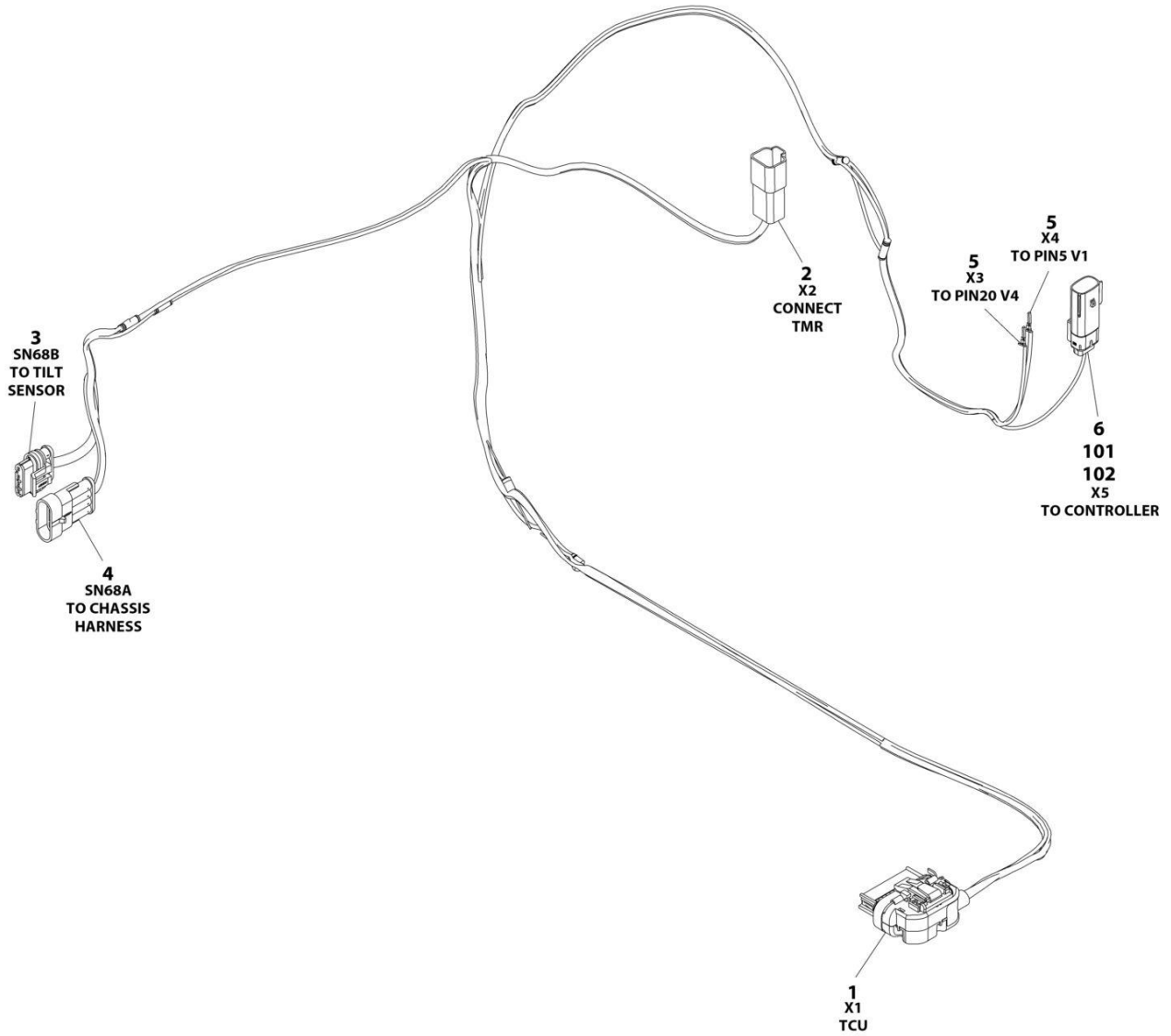
SECTION 7 - ELECTRICAL

FIGURE 7-27. CLEARSKY HARNESS - 3G & 4G (ALL SPECS EXCEPT CHINA SPECS)

ITEM	PART NUMBER	QTY	DESCRIPTION	REV
	1001254026	Ref	CLEARSKY HARNESS	B
1	1001226636	1	Connector	
1	1001226637	5	Socket	
1	1001116731	19	Plug	
2	1001144147	1	Connector	
2	4460943	2	Pin	
2	4460466	1	Plug	
3	4460932	1	Connector	
3	4460464	3	Pin	
3	4460466	1	Plug	
4	1001117057	1	Connector	
4	1001116732	4	Socket	
101	1001097347	1	Relay	

SECTION 7 - ELECTRICAL

FIGURE 7-28. CLEARSKY HARNESS - 4G (CHINA SPECS)



ART_1001238845

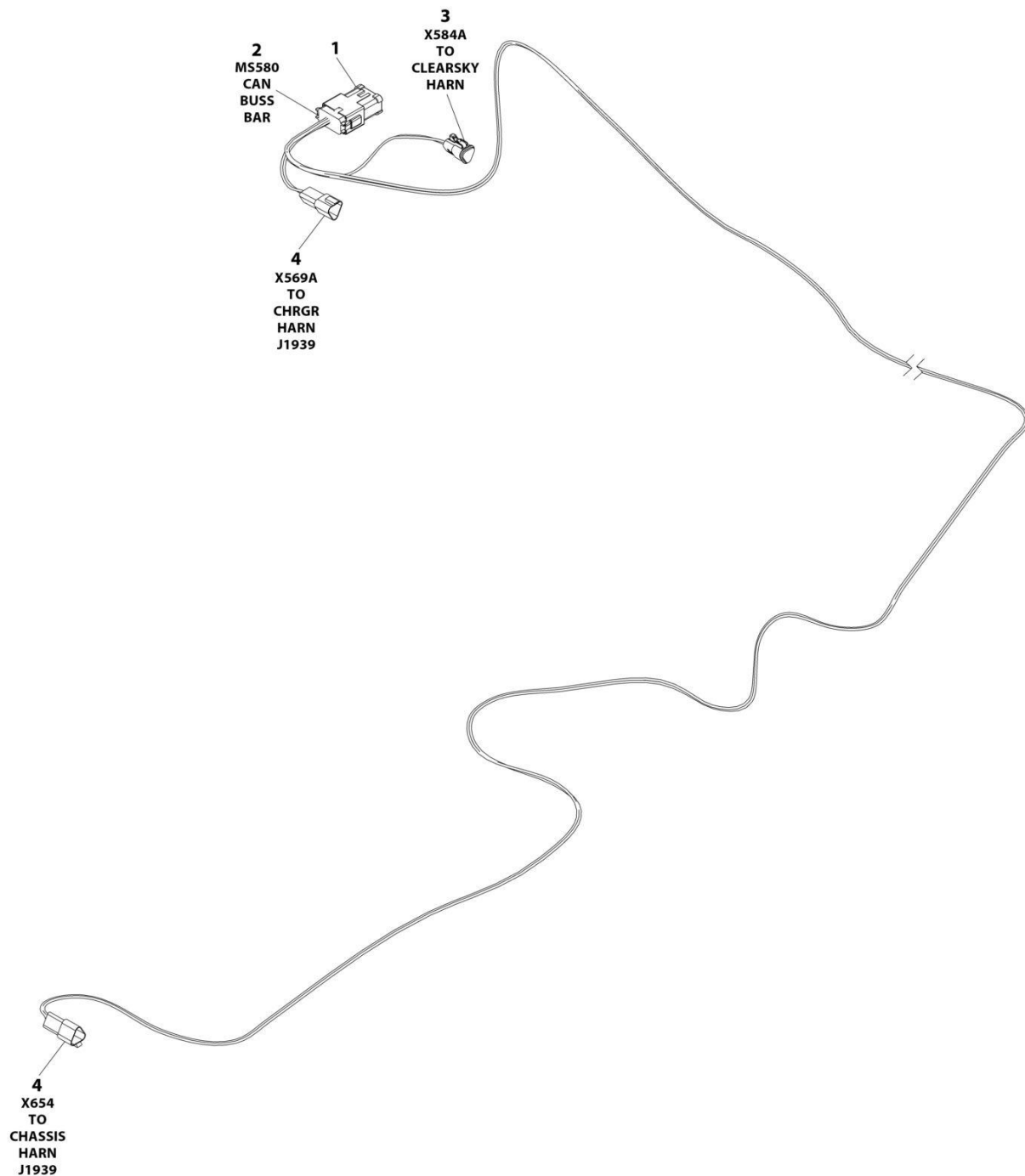
SECTION 7 - ELECTRICAL

FIGURE 7-28. CLEARSKY HARNESS - 4G (CHINA SPECS)

ITEM	PART NUMBER	QTY	DESCRIPTION	REV
	1001238845	Ref	CLEARSKY HARNESS	C
1	1001226636	1	Connector	
1	1001226637	3	Socket - for 18AWG Wire	
1	1001237211	2	Socket - for 20AWG Wire	
1	1001116731	19	Plug	
2	4460932	1	Connector	
2	4460464	2	Pin	
2	4460466	2	Plug	
3	1001103012	1	Connector	
3	1001237212	4	Pin	
3	1001104498	4	Seal	
4	1001103013	1	Connector	
4	1001237213	4	Pin	
4	1001104498	4	Seal	
5	1001162887	2	Terminal	
6	1001238955	1	Connector	
6	1001238762	2	Pin	
6	1001163340	1	Plug	
101	1001163340	1	Plug	
102	1001238956	1	Connector	

SECTION 7 - ELECTRICAL

FIGURE 7-29. CLEARSKY SPLICE HARNESS - 3G & 4G (ALL SPECS EXCEPT CHINA SPECS)



ART_1001254027

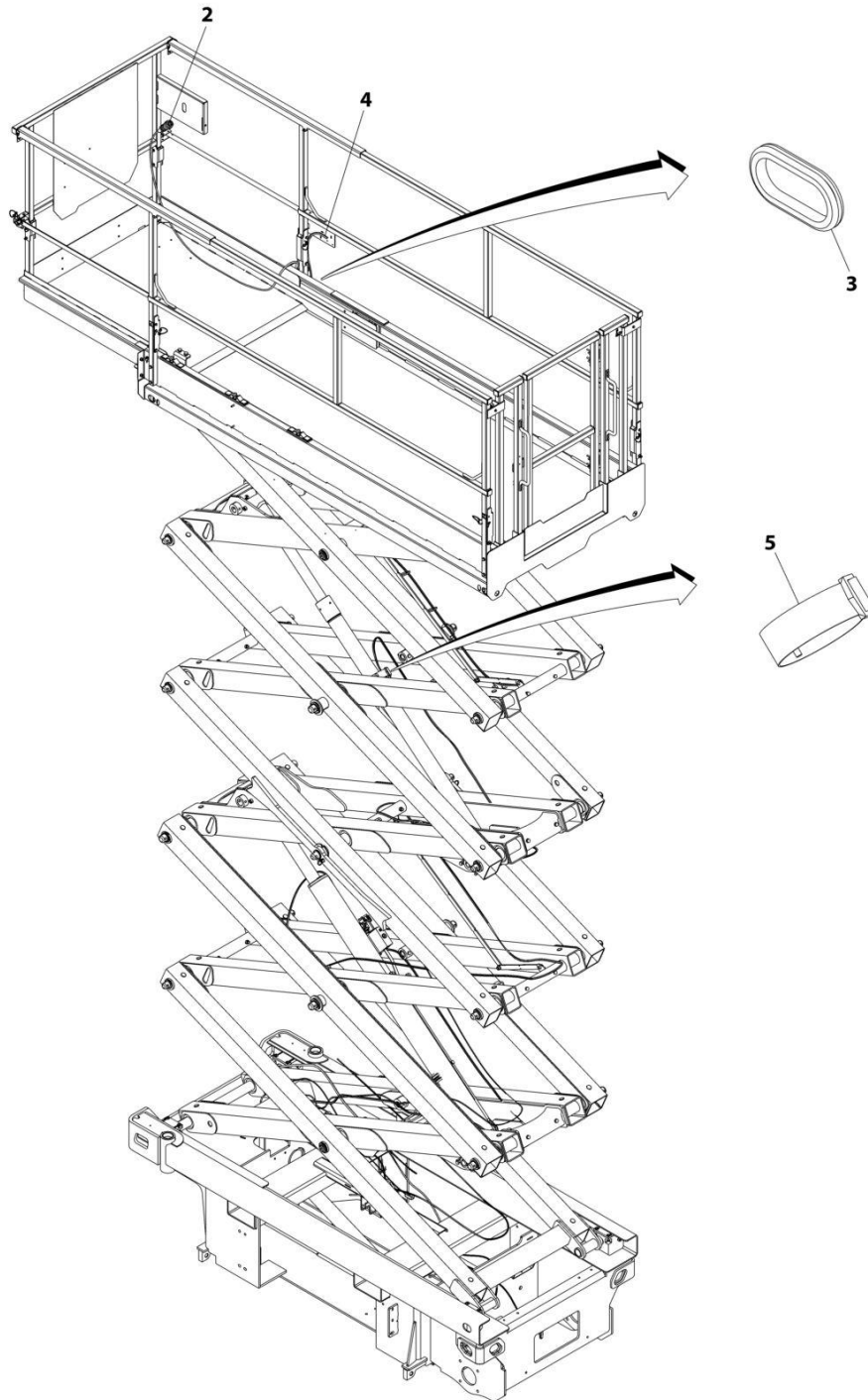
SECTION 7 - ELECTRICAL

FIGURE 7-29. CLEARSKY SPLICE HARNESS - 3G & 4G (ALL SPECS EXCEPT CHINA SPECS)

ITEM	PART NUMBER	QTY	DESCRIPTION	REV
	1001254027	Ref	CAN SPLICE HARNESS	A
1	1001125677	1	Connector, Bus Bar - 12 Position	
2	4460933	1	Plug, Male - 12 Position	
2	4460944	6	Socket, Female	
2	4460466	6	Plug, Terminal	
3	1001118812	1	Plug, Male - 3 Position	
3	4460944	2	Socket, Female	
3	4460466	1	Plug, Terminal	
4	1001144147	2	Receptacle, Female - 3 Position	
4	4460943	4	Pin, Male	
4	4460466	2	Plug, Terminal	

SECTION 7 - ELECTRICAL

FIGURE 7-30. GROUND TO PLATFORM CABLE INSTALLATION - WITHOUT PLATFORM COIL CABLE/WITH AC CABLE (MACHINES WITH SN STARTING WITH 12, B2, G2 & M2)



ART_1001214442

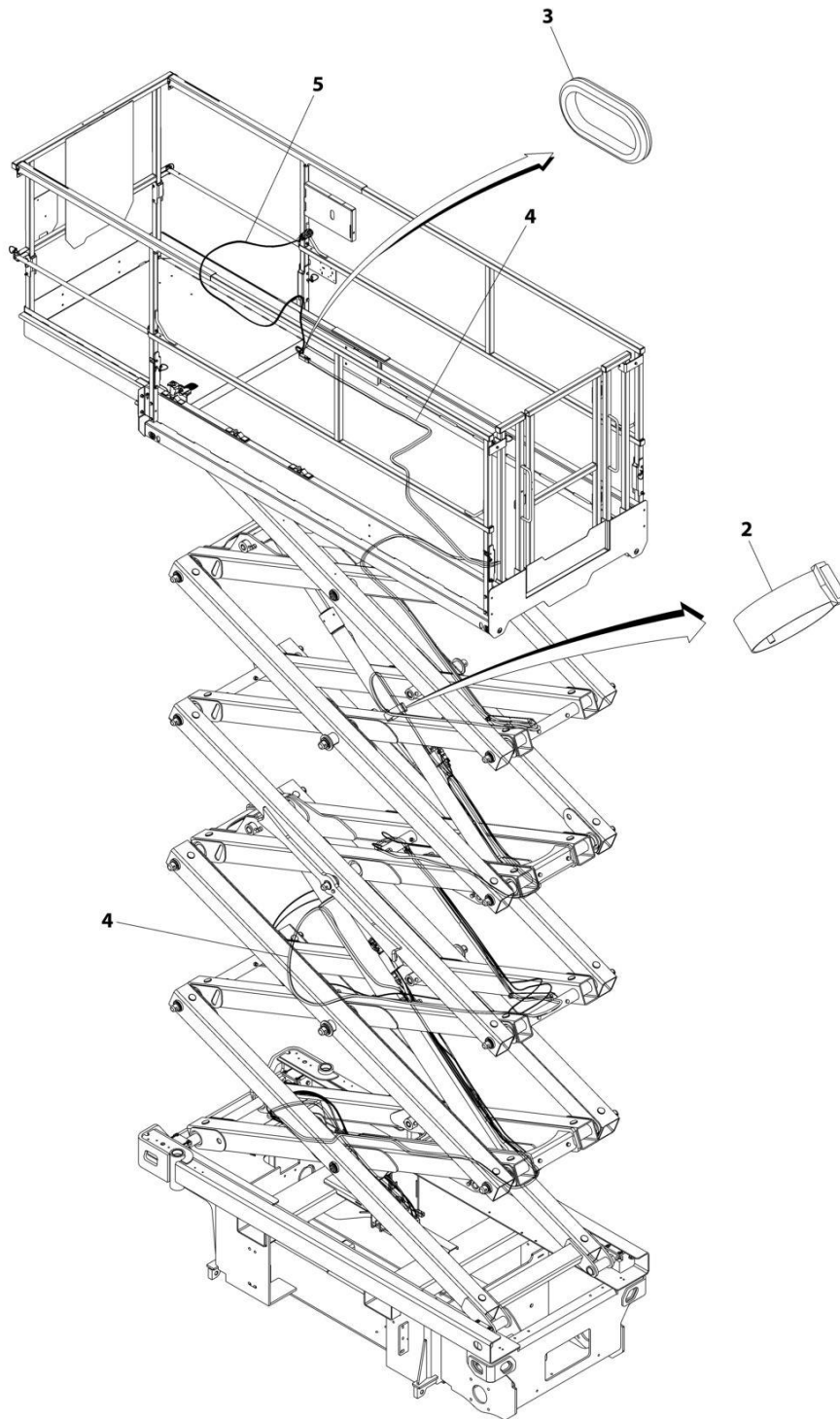
SECTION 7 - ELECTRICAL

FIGURE 7-30. GROUND TO PLATFORM CABLE INSTALLATION - WITHOUT PLATFORM COIL CABLE/WITH AC CABLE (MACHINES WITH SN STARTING WITH 12, B2, G2 & M2)

ITEM	PART NUMBER	QTY	DESCRIPTION	REV
	1001214442	Ref	GROUND TO PLATFORM CABLE INSTALLATION - WITHOUT PLATFORM COIL CABLE	E
1	4240017	AR	Tie-Strap (Not Shown)	
2	1001200812	1	Platform Harness	
2	4460899	1	Receptacle, Female - 6 Position (To Item 4)	
2	4460464	4	Pin, Male	
2	4460943	2	Pin, Male	
2	4460754	1	Connector - 14 Position (To Console Box)	
2	4460465	8	Socket, Female	
2	4460466	6	Plug, Terminal	
3	1001213945	1	Grommet	
4	1001215732	1	Cable Assembly - Ground to Platform	
4	4460894	1	Plug, Male - 6 Position (To Platform Harness Item 2)	
4	4460465	4	Socket, Female	
4	4460944	2	Socket, Female	
4	4460899	1	Receptacle, Female - 6 Position (To Chassis Harness)	
4	4460464	4	Pin, Male	
4	4460943	2	Pin, Male	
5	1001137263	1	Strap, Cinch	

SECTION 7 - ELECTRICAL

FIGURE 7-31. GROUND TO PLATFORM CABLE INSTALLATION - WITHOUT PLATFORM COIL CABLE/WITHOUT AC CABLE (MACHINES WITH SN STARTING WITH 12, B2 & G2)



ART_1001239065

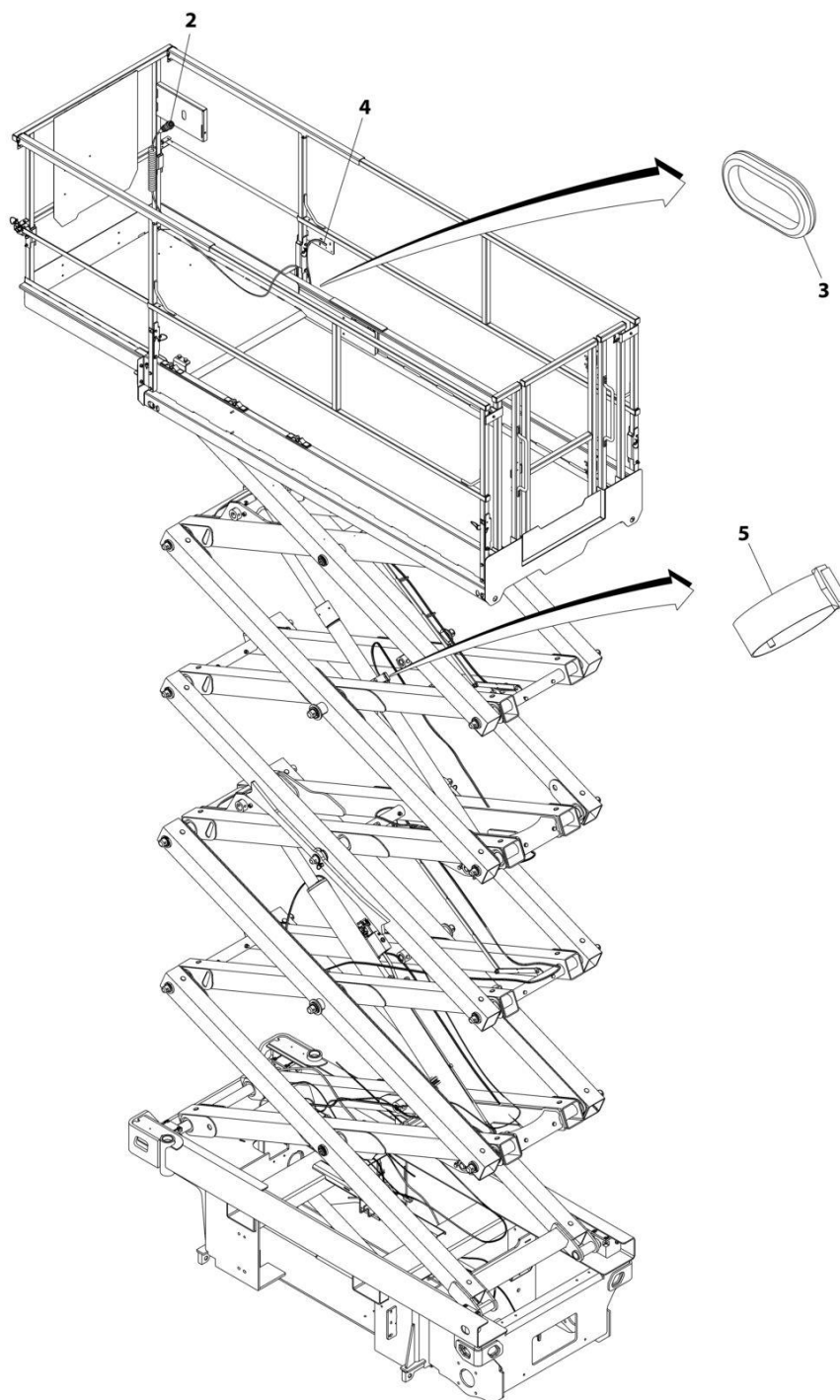
SECTION 7 - ELECTRICAL

FIGURE 7-31. GROUND TO PLATFORM CABLE INSTALLATION - WITHOUT PLATFORM COIL CABLE/WITHOUT AC CABLE (MACHINES WITH SN STARTING WITH 12, B2 & G2)

ITEM	PART NUMBER	QTY	DESCRIPTION	REV
	1001239065	Ref	GROUND TO PLATFORM CABLE INSTALLATION - WITHOUT PLATFORM COIL CABLE	A
1	4240017	AR	Tie-Strap (Not Shown)	
2	1001137263	1	Strap, Cinch	
3	1001213945	1	Grommet	
4	1001239286	1	Cable Assembly - Ground to Platform	
4	4460894	1	Plug, Male - 6 Position (To Platform Harness Item 2)	
4	4460465	4	Socket, Female	
4	4460944	2	Socket, Female	
4	4460899	1	Receptacle, Female - 6 Position (To Chassis Harness)	
4	4460464	4	Pin, Male	
4	4460943	2	Pin, Male	
5	1001200812	1	Platform Harness	
5	4460899	1	Receptacle, Female - 6 Position (To Item 4)	
5	4460464	4	Pin, Male	
5	4460943	2	Pin, Male	
5	4460754	1	Connector - 14 Position (To Console Box)	
5	4460465	8	Socket, Female	
5	4460466	6	Plug, Terminal	

SECTION 7 - ELECTRICAL

FIGURE 7-32. GROUND TO PLATFORM CABLE INSTALLATION - WITH PLATFORM COIL CABLE/WITH AC CABLE (MACHINES WITH SN STARTING WITH 12, B2, G2 & M2)



ART_1001214443

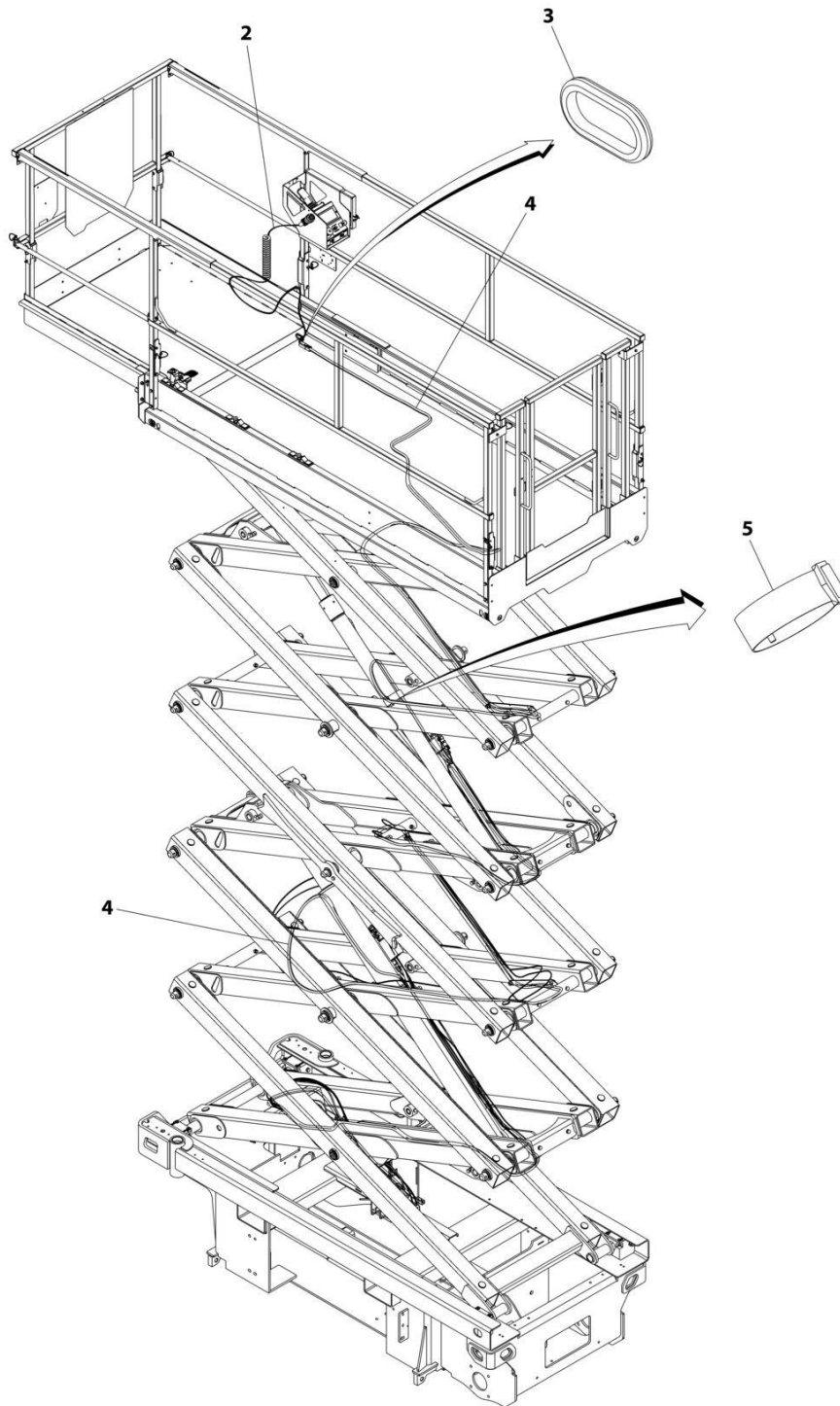
SECTION 7 - ELECTRICAL

FIGURE 7-32. GROUND TO PLATFORM CABLE INSTALLATION - WITH PLATFORM COIL CABLE/WITH AC CABLE (MACHINES WITH SN STARTING WITH 12, B2, G2 & M2)

ITEM	PART NUMBER	QTY	DESCRIPTION	REV
	1001214443	Ref	GROUND TO PLATFORM CABLE INSTALLATION - WITH PLATFORM COIL CABLE	E
1	4240017	AR	Tie-Strap (Not Shown)	
2	1001202184	1	Platform Harness	
2	4460899	1	Receptacle, Female - 6 Position (To Item 4)	
2	4460464	4	Pin, Male	
2	4460943	2	Pin, Male	
2	4460754	1	Connector - 14 Position (To Console Box)	
2	4460465	8	Socket, Female	
2	4460466	6	Plug, Terminal	
3	1001213945	1	Grommet	
4	1001215732	1	Cable Assembly - Ground to Platform	
4	4460894	1	Plug, Male - 6 Position (To Platform Harness Item 2)	
4	4460465	4	Socket, Female	
4	4460944	2	Socket, Female	
4	4460899	1	Receptacle, Female - 6 Position (To Chassis Harness)	
4	4460464	4	Pin, Male	
4	4460943	2	Pin, Male	
5	1001137263	1	Strap, Cinch	

SECTION 7 - ELECTRICAL

FIGURE 7-33. GROUND TO PLATFORM CABLE INSTALLATION - WITH PLATFORM COIL CABLE/WITHOUT AC CABLE (MACHINES WITH SN STARTING WITH 12, B2 & G2)



ART_1001239066

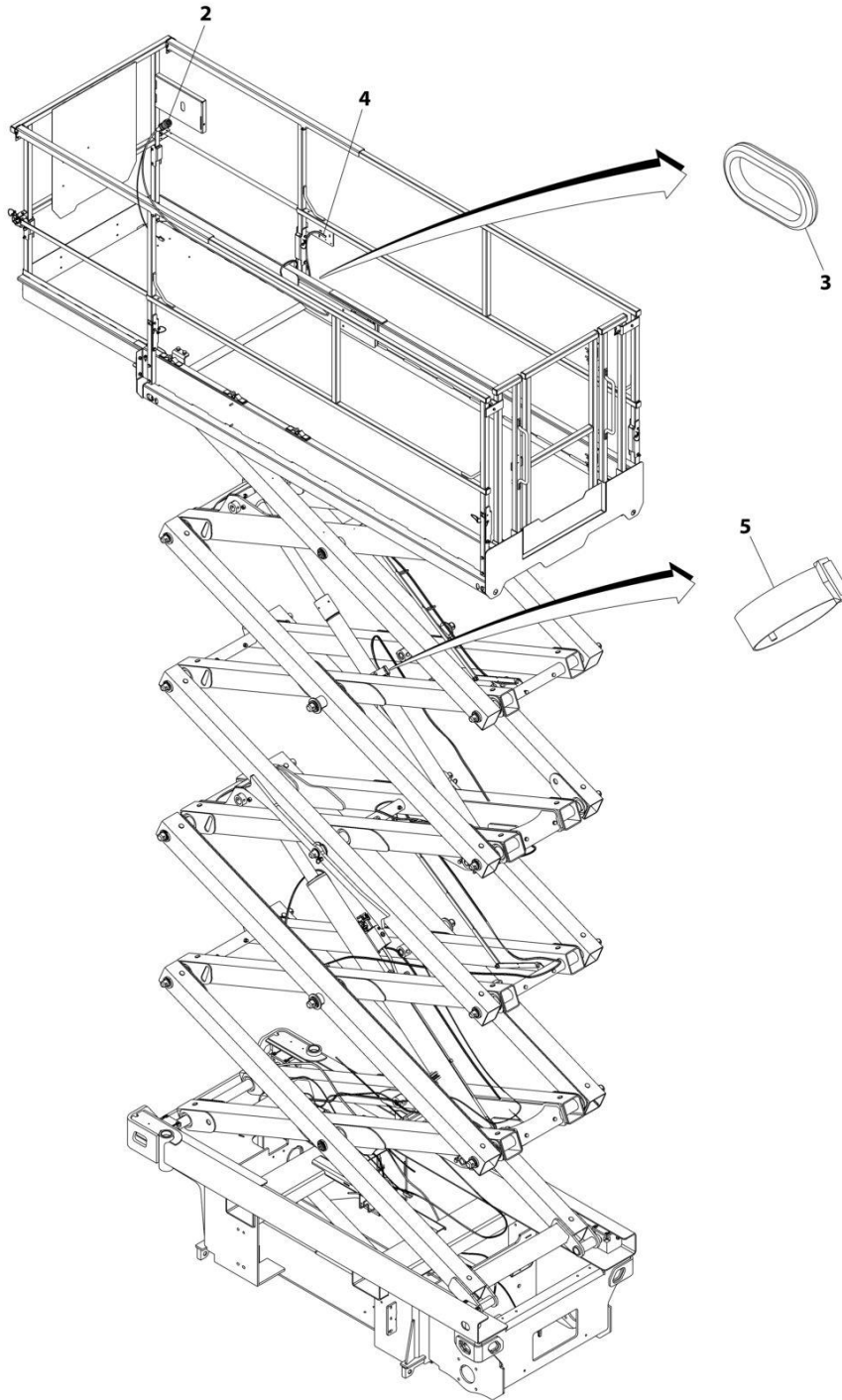
SECTION 7 - ELECTRICAL

FIGURE 7-33. GROUND TO PLATFORM CABLE INSTALLATION - WITH PLATFORM COIL CABLE/WITHOUT AC CABLE (MACHINES WITH SN STARTING WITH 12, B2 & G2)

ITEM	PART NUMBER	QTY	DESCRIPTION	REV
	1001239066	Ref	GROUND TO PLATFORM CABLE INSTALLATION - WITH PLATFORM COIL CABLE	A
1	4240017	AR	Tie-Strap (Not Shown)	
2	1001202184	1	Platform Harness	
2	4460899	1	Receptacle, Female - 6 Position (To Item 4)	
2	4460464	4	Pin, Male	
2	4460943	2	Pin, Male	
2	4460754	1	Connector - 14 Position (To Console Box)	
2	4460465	8	Socket, Female	
2	4460466	6	Plug, Terminal	
3	1001213945	1	Grommet	
4	1001239286	1	Cable Assembly - Ground to Platform	
4	4460894	1	Plug, Male - 6 Position (To Platform Harness Item 2)	
4	4460465	4	Socket, Female	
4	4460944	2	Socket, Female	
4	4460899	1	Receptacle, Female - 6 Position (To Chassis Harness)	
4	4460464	4	Pin, Male	
4	4460943	2	Pin, Male	
5	1001137263	1	Strap, Cinch	

SECTION 7 - ELECTRICAL

FIGURE 7-34. GROUND TO PLATFORM CABLE INSTALLATION - WITHOUT PLATFORM COIL CABLE/WITH AC CABLE AND WITH FOOTSWITCH (MACHINES WITH SN STARTING WITH 12, B2 & G2)



ART_1001214444

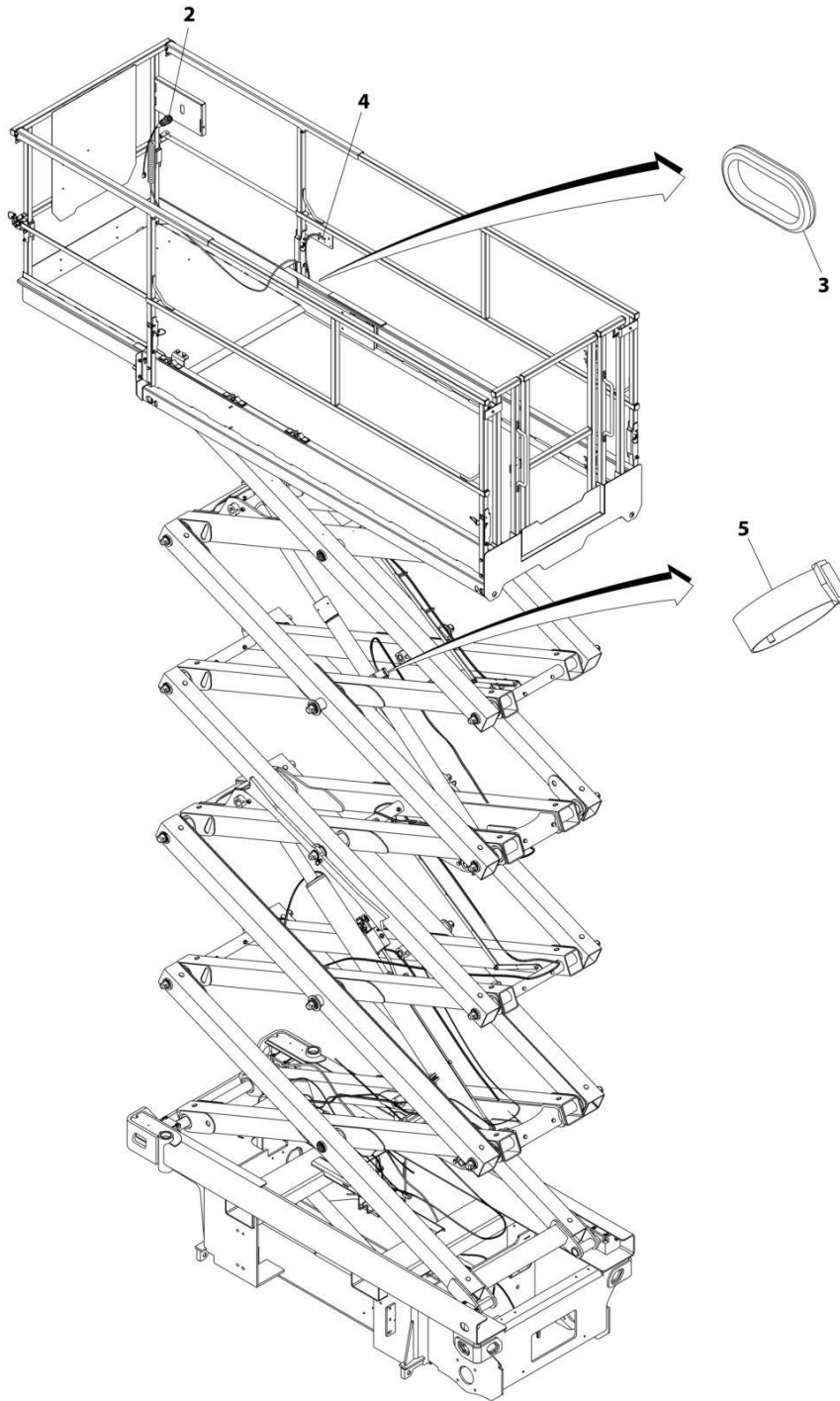
SECTION 7 - ELECTRICAL

FIGURE 7-34. GROUND TO PLATFORM CABLE INSTALLATION - WITHOUT PLATFORM COIL CABLE/WITH AC CABLE AND WITH FOOTSWITCH (MACHINES WITH SN STARTING WITH 12, B2 & G2)

ITEM	PART NUMBER	QTY	DESCRIPTION	REV
	1001214444	Ref	GROUND TO PLATFORM CABLE INSTALLATION - WITHOUT PLATFORM COIL CABLE AND WITH FOOTSWITCH	F
		Ref	Note: Only Available on Japanese Specs.	
1	4240017	AR	Tie-Strap (Not Shown)	
2	1001223263	1	Platform Harness - Without Coil Cable	
2	4460899	1	Receptacle, Female - 6 Position (To Ground to Platform Cable to Item 4)	
2	4460464	4	Pin, Male	
2	4460943	2	Pin, Male	
2	4460539	1	Plug, Male - 3 Position (To Overhead Switches)	
2	4460465	2	Socket, Female	
2	4460466	1	Plug, Terminal	
2	4460891	1	Plug, Male - 2 Position (To Footswitch)	
2	4460465	2	Socket, Female	
2	4460754	1	Connector - 14 Position (To Platform Box)	
2	4460465	8	Socket, Female	
2	4460944	2	Socket, Female	
2	4460466	4	Plug, Terminal	
2	4460897	1	Receptacle, Female - 2 Position (Jumper for Footswitch Plug)	
2	4460464	2	Pin, Male	
3	1001213945	1	Grommet	
4	1001215732	1	Cable Assembly - Ground to Platform	
4	4460894	1	Plug, Male - 6 Position (To Platform Harness Item 2)	
4	4460465	4	Socket, Female	
4	4460944	2	Socket, Female	
4	4460899	1	Receptacle, Female - 6 Position (To Chassis Harness)	
4	4460464	4	Pin, Male	
4	4460943	2	Pin, Male	
5	1001137263	1	Strap, Cinch	

SECTION 7 - ELECTRICAL

FIGURE 7-35. GROUND TO PLATFORM CABLE INSTALLATION - WITH PLATFORM COIL CABLE/WITH AC CABLE & FOOTSWITCH (MACHINES WITH SN STARTING WITH 12, B2 & G2)



ART_1001214445

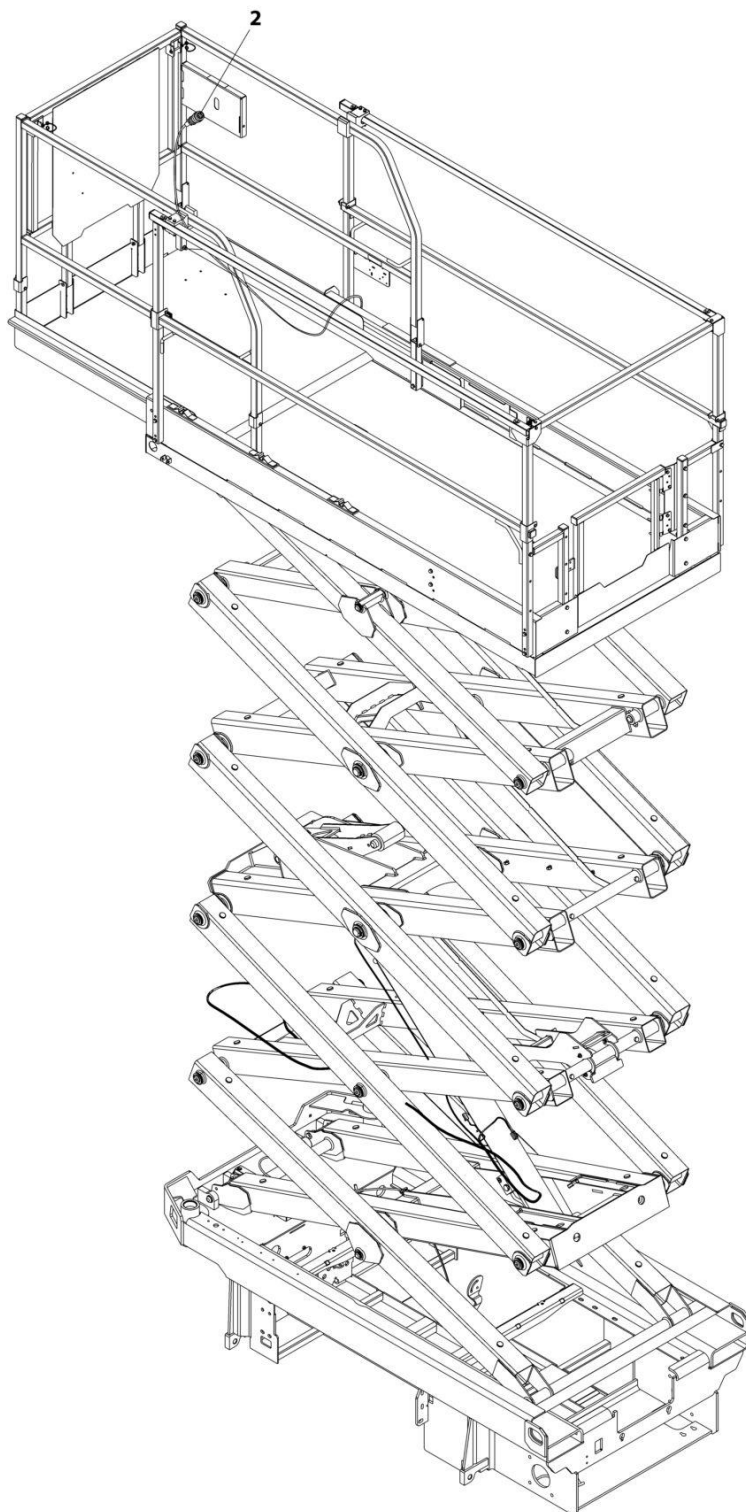
SECTION 7 - ELECTRICAL

FIGURE 7-35. GROUND TO PLATFORM CABLE INSTALLATION - WITH PLATFORM COIL CABLE/WITH AC CABLE & FOOTSWITCH (MACHINES WITH SN STARTING WITH 12, B2 & G2)

ITEM	PART NUMBER	QTY	DESCRIPTION	REV
	1001214445	Ref	GROUND TO PLATFORM CABLE INSTALLATION - WITH PLATFORM COIL CABLE AND FOOTSWITCH	F
		Ref	Note: Only Available on Japanese Specs.	
1	4240017	AR	Tie-Strap (Not Shown)	
2	1001223262	1	Platform Harness - With Coil Cable	
2	4460899	1	Receptacle, Female - 6 Position (To Ground to Platform Cable to Item 4)	
2	4460464	4	Pin, Male	
2	4460943	2	Pin, Male	
2	4460539	1	Plug, Male - 3 Position (To Overhead Switches)	
2	4460465	2	Socket, Female	
2	4460466	1	Plug, Terminal	
2	4460891	1	Plug, Male - 2 Position (To Footswitch)	
2	4460465	2	Socket, Female	
2	4460754	1	Connector - 14 Position (To Platform Box)	
2	4460465	8	Socket, Female	
2	4460944	2	Socket, Female	
2	4460466	4	Plug, Terminal	
2	4460897	1	Receptacle, Female - 2 Position (Jumper for Footswitch Plug)	
2	4460464	2	Pin, Male	
3	1001213945	1	Grommet	
4	1001215732	1	Cable Assembly - Ground to Platform	
4	4460894	1	Plug, Male - 6 Position (To Platform Harness Item 2)	
4	4460465	4	Socket, Female	
4	4460944	2	Socket, Female	
4	4460899	1	Receptacle, Female - 6 Position (To Chassis Harness)	
4	4460464	4	Pin, Male	
4	4460943	2	Pin, Male	
5	1001137263	1	Strap, Cinch	

SECTION 7 - ELECTRICAL

FIGURE 7-36. GROUND TO PLATFORM CABLE INSTALLATION - PLATFORM STRAIGHT CABLE ONLY (MACHINES WITH SN STARTING WITH 12, B2 & G2)



ART_1001223650

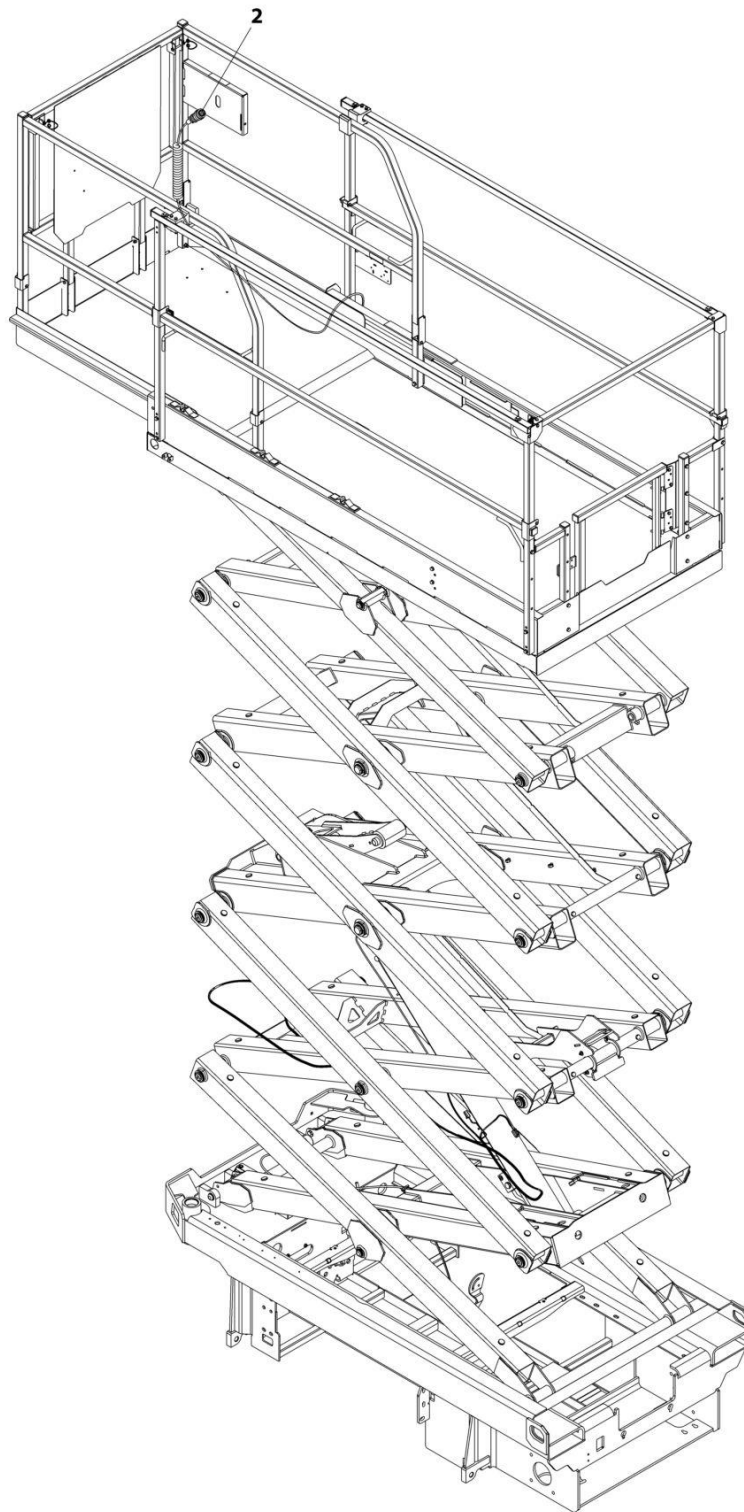
SECTION 7 - ELECTRICAL

FIGURE 7-36. GROUND TO PLATFORM CABLE INSTALLATION - PLATFORM STRAIGHT CABLE ONLY (MACHINES WITH SN STARTING WITH 12, B2 & G2)

ITEM	PART NUMBER	QTY	DESCRIPTION	REV
	1001223650	Ref	GROUND TO PLATFORM CABLE INSTALLATION	A
1	4240017	AR	Tie-Strap (Not Shown)	
2	1001200812	1	Platform Harness	
2	4460899	1	Receptacle, Female - 6 position (To Platform/AC Cable Connector)	
2	4460464	4	Pin, Male	
2	4460943	2	Pin, Male	
2	4460754	1	Connector - 14 Position (To Console Box)	
2	4460465	8	Socket, Female	
2	4460466	6	Plug, Terminal	

SECTION 7 - ELECTRICAL

**FIGURE 7-37. GROUND TO PLATFORM CABLE INSTALLATION - PLATFORM COIL CABLE ONLY
(MACHINES WITH SN STARTING WITH 12, B2 & G2)**



ART_1001223651

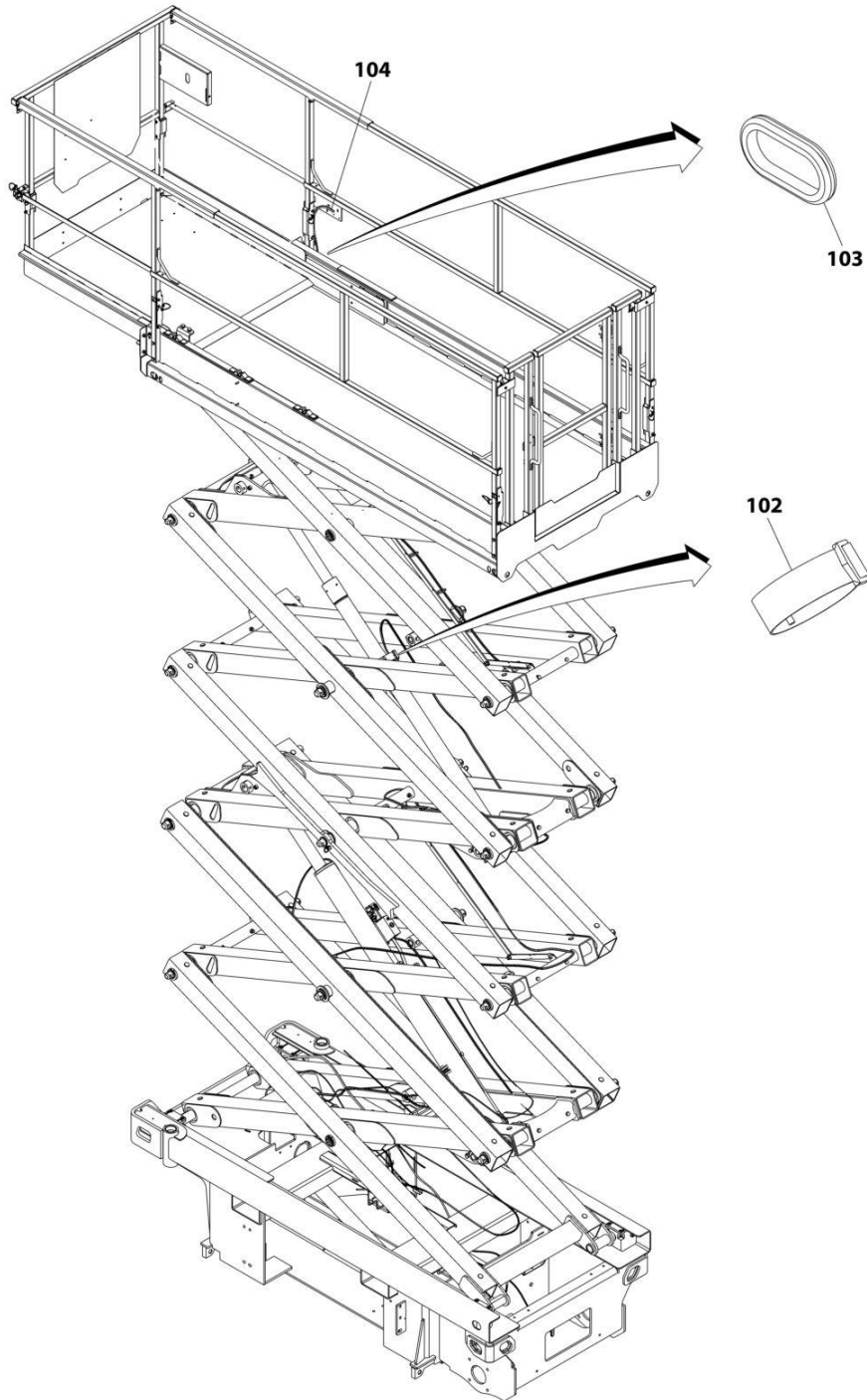
SECTION 7 - ELECTRICAL

**FIGURE 7-37. GROUND TO PLATFORM CABLE INSTALLATION - PLATFORM COIL CABLE ONLY
(MACHINES WITH SN STARTING WITH 12, B2 & G2)**

ITEM	PART NUMBER	QTY	DESCRIPTION	REV
	1001223651	Ref	GROUND TO PLATFORM CABLE INSTALLATION	A
1	4240017	AR	Tie-Strap (Not Shown)	
2	1001202184	1	Platform Harness	
2	4460899	1	Receptacle, Female - 6 position (To Platform/AC Cable Connector)	
2	4460464	4	Pin, Male	
2	4460943	2	Pin, Male	
2	4460754	1	Connector - 14 Position (To Console Box)	
2	4460465	8	Socket, Female	
2	4460466	6	Plug, Terminal	

SECTION 7 - ELECTRICAL

FIGURE 7-38. GROUND TO PLATFORM CABLE INSTALLATION - SCISSORS ARMS CABLE ONLY
(MACHINES WITH SN STARTING WITH 12, B2 & G2)



ART_1001223447

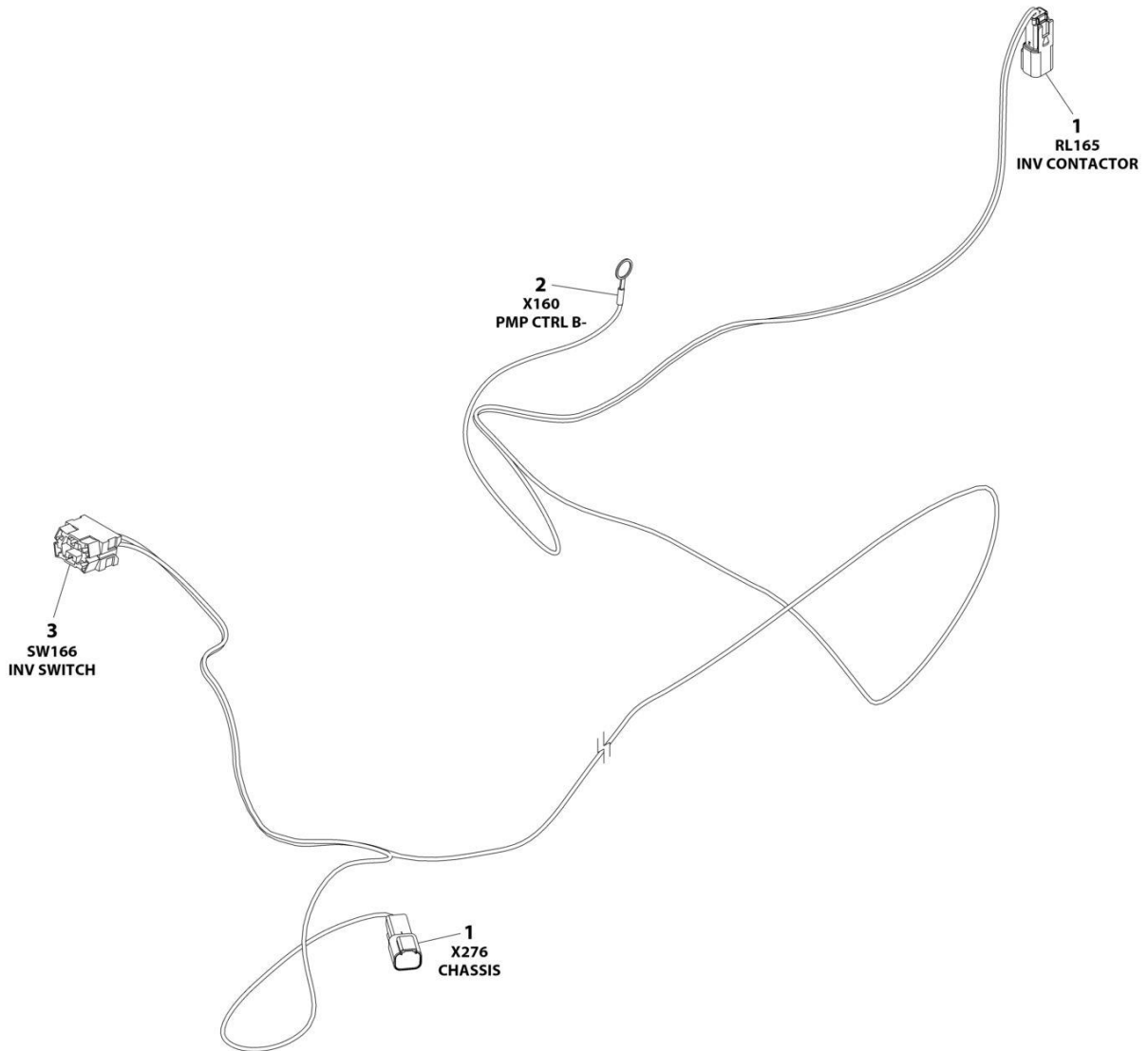
SECTION 7 - ELECTRICAL

**FIGURE 7-38. GROUND TO PLATFORM CABLE INSTALLATION - SCISSORS ARMS CABLE ONLY
(MACHINES WITH SN STARTING WITH 12, B2 & G2)**

ITEM	PART NUMBER	QTY	DESCRIPTION	REV
	1001223447	Ref	GROUND TO PLATFORM CABLE INSTALLATION	A
101	4240017	AR	Tie-Strap (Not Shown)	
102	1001137263	1	Strap, Cinch	
103	1001213945	1	Grommet	
104	1001215732	1	Cable Assembly - Ground to Platform	
104	4460894	1	Plug, Male - 6 Position (To Platform Harness Item 2)	
104	4460465	4	Socket, Female	
104	4460944	2	Socket, Female	
104	4460899	1	Receptacle, Female - 6 Position (To Chassis Harness)	
104	4460464	4	Pin, Male	
104	4460943	2	Pin, Male	

SECTION 7 - ELECTRICAL

FIGURE 7-39. INVERTER HARNESS



ART_1001214994

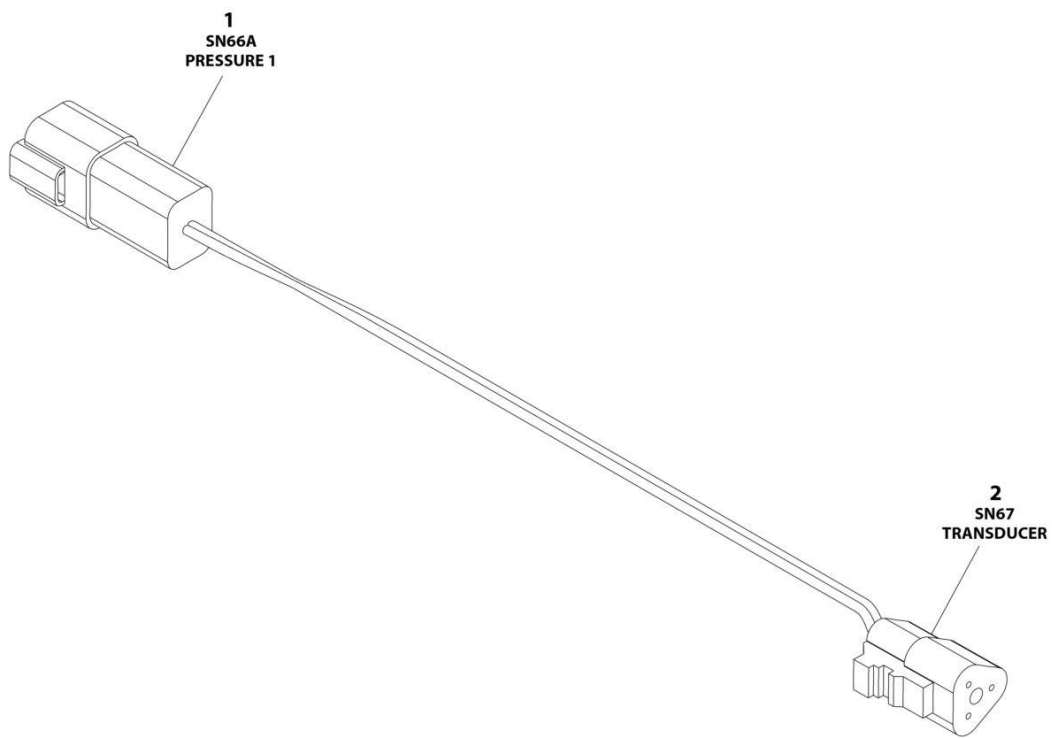
SECTION 7 - ELECTRICAL

FIGURE 7-39. INVERTER HARNESS

ITEM	PART NUMBER	QTY	DESCRIPTION	REV
	1001214994	Ref	INVERTER HARNESS	A
1	4460897	2	Receptacle, Female - 2 Position	
1	4460464	3	Pin, Male	
1	4460466	1	Plug, Terminal	
2	4460722	1	Terminal, Ring	
3	4460418	1	Connector - 6 Position	
3	4460419	2	Terminal	

SECTION 7 - ELECTRICAL

FIGURE 7-40. JUMPER HARNESS TO LIFT DOWN



ART_1001285829

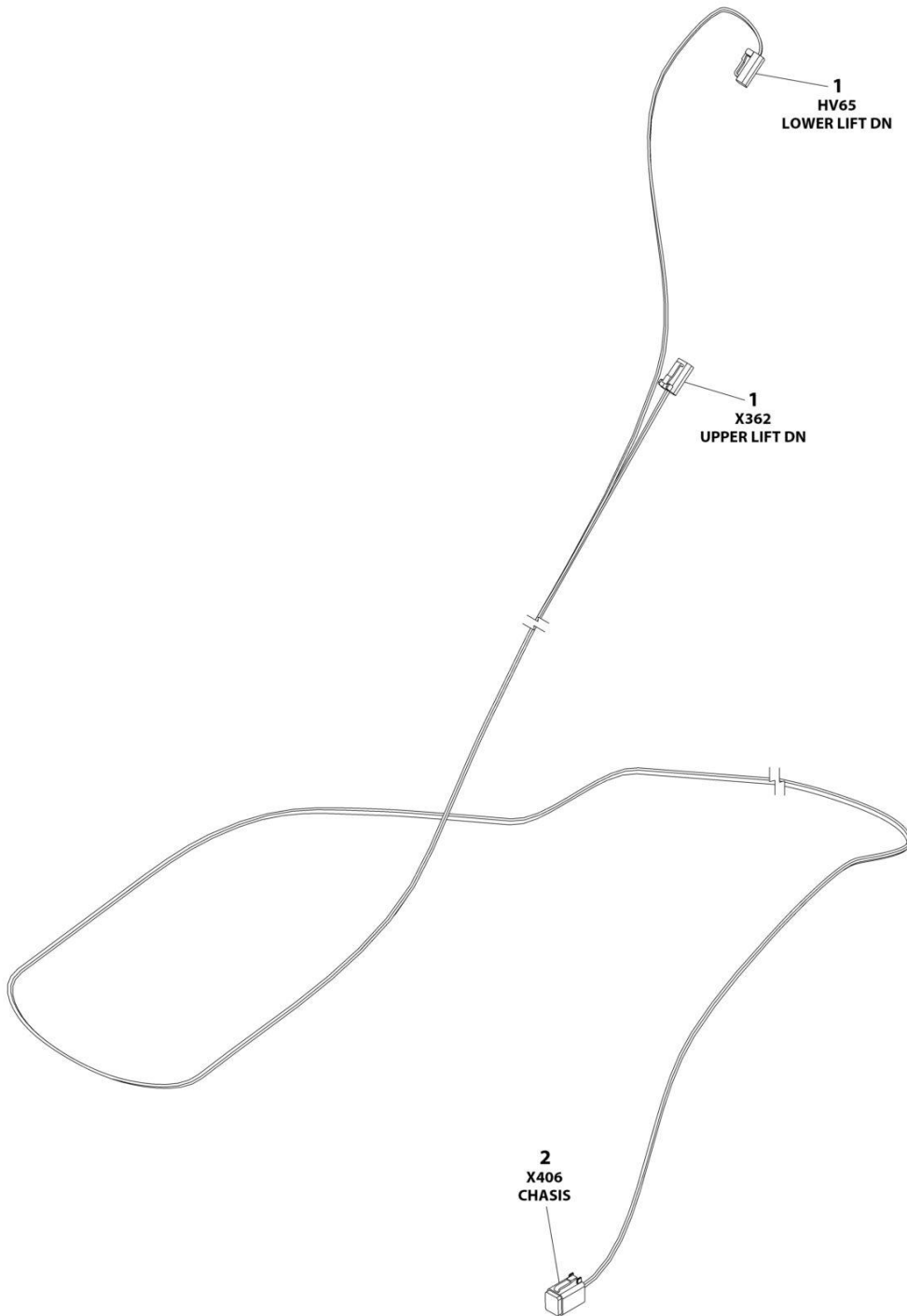
SECTION 7 - ELECTRICAL

FIGURE 7-40. JUMPER HARNESS TO LIFT DOWN

ITEM	PART NUMBER	QTY	DESCRIPTION	REV
	1001285829	Ref	JUMPER HARNESS TO LIFT DOWN	C
1	4460932	1	Connector	
1	4460464	2	Pin	
1	4460466	2	Plug	
2	4460539	1	Connector	
2	4460465	2	Pin	
2	4460466	1	Plug	

SECTION 7 - ELECTRICAL

FIGURE 7-41. LIFT DOWN HARNESS - LOWER



ART_1001216594

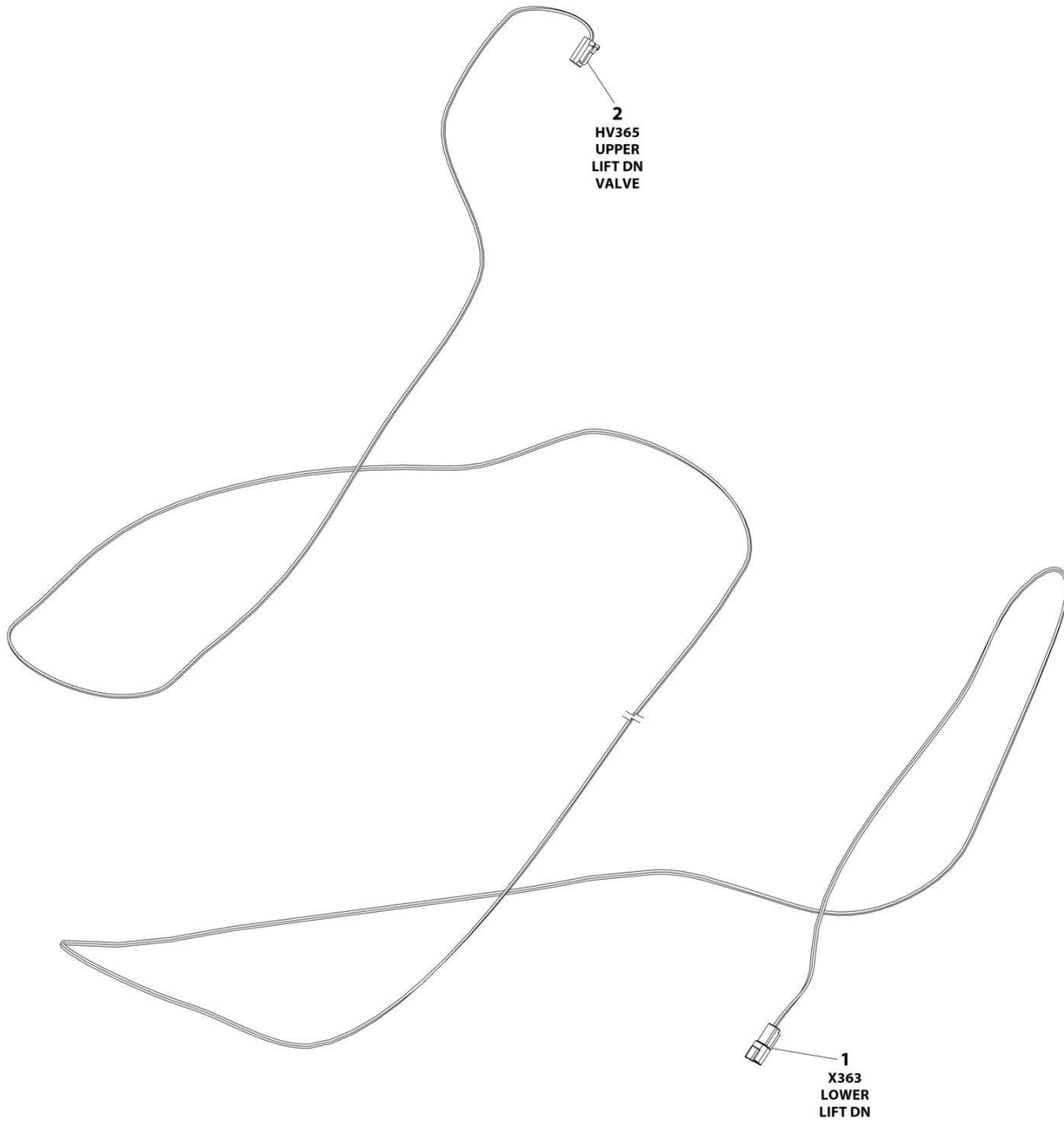
SECTION 7 - ELECTRICAL

FIGURE 7-41. LIFT DOWN HARNESS - LOWER

ITEM	PART NUMBER	QTY	DESCRIPTION	REV
	1001216594	Ref	LIFT DOWN HARNESS - LOWER	D
1	4460891	2	Plug, Male - 2 Position	
1	4460465	4	Socket, Female	
2	4460894	1	Plug, Male - 6 Position	
2	4460465	4	Socket, Female	
2	4460466	2	Plug, Terminal	

SECTION 7 - ELECTRICAL

FIGURE 7-42. LIFT DOWN HARNESS - UPPER



ART_1001216595

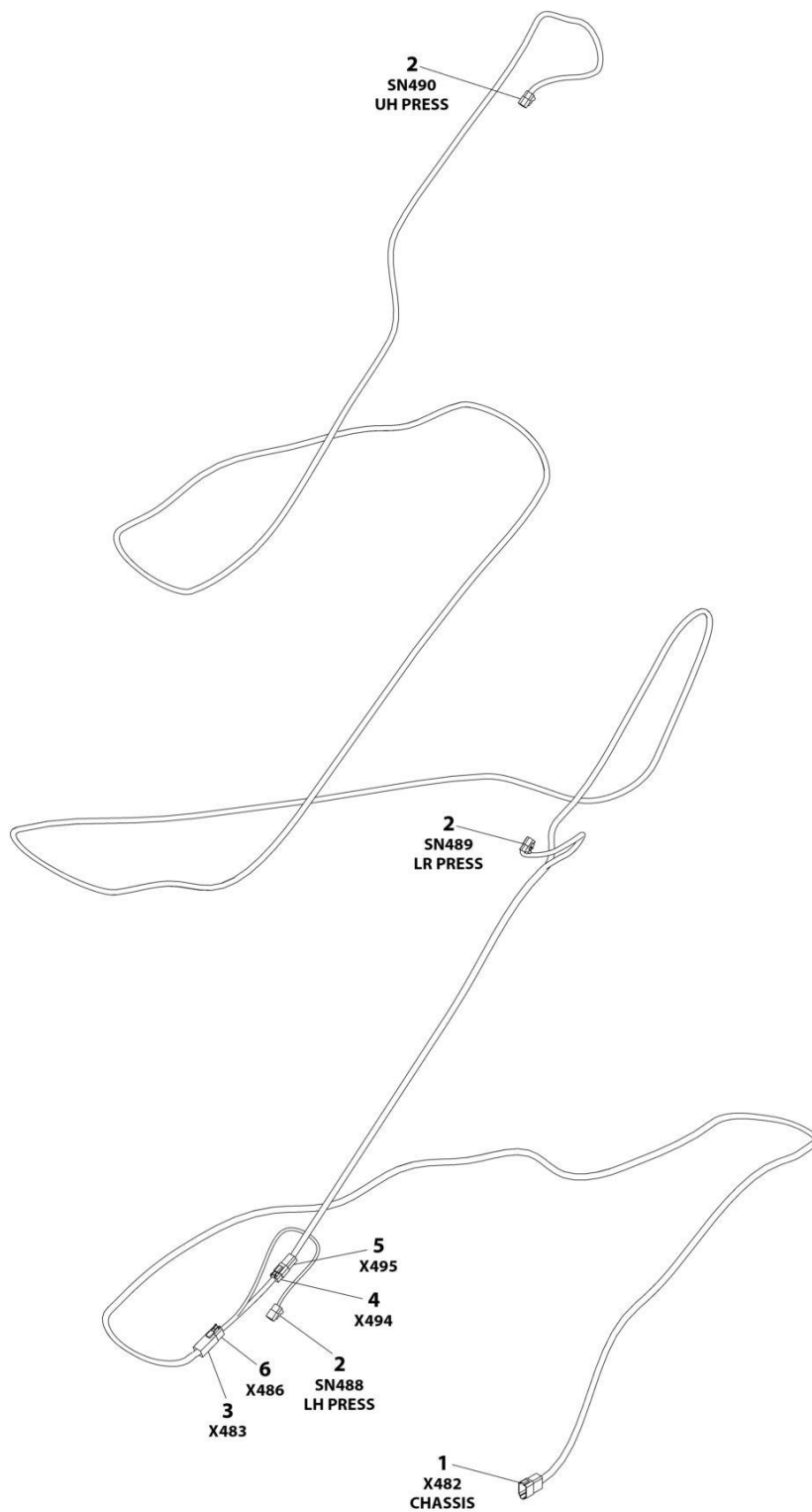
SECTION 7 - ELECTRICAL

FIGURE 7-42. LIFT DOWN HARNESS - UPPER

ITEM	PART NUMBER	QTY	DESCRIPTION	REV
	1001216595	Ref	LIFT DOWN HARNESS - UPPER	A
1	4460897	1	Receptacle, Female - 2 Position	
1	4460464	2	Pin, Male	
2	4460891	1	Plug, Male - 2 Position	
2	4460465	2	Socket, Female	

SECTION 7 - ELECTRICAL

FIGURE 7-43. LSS HARNESS



ART_1001216593

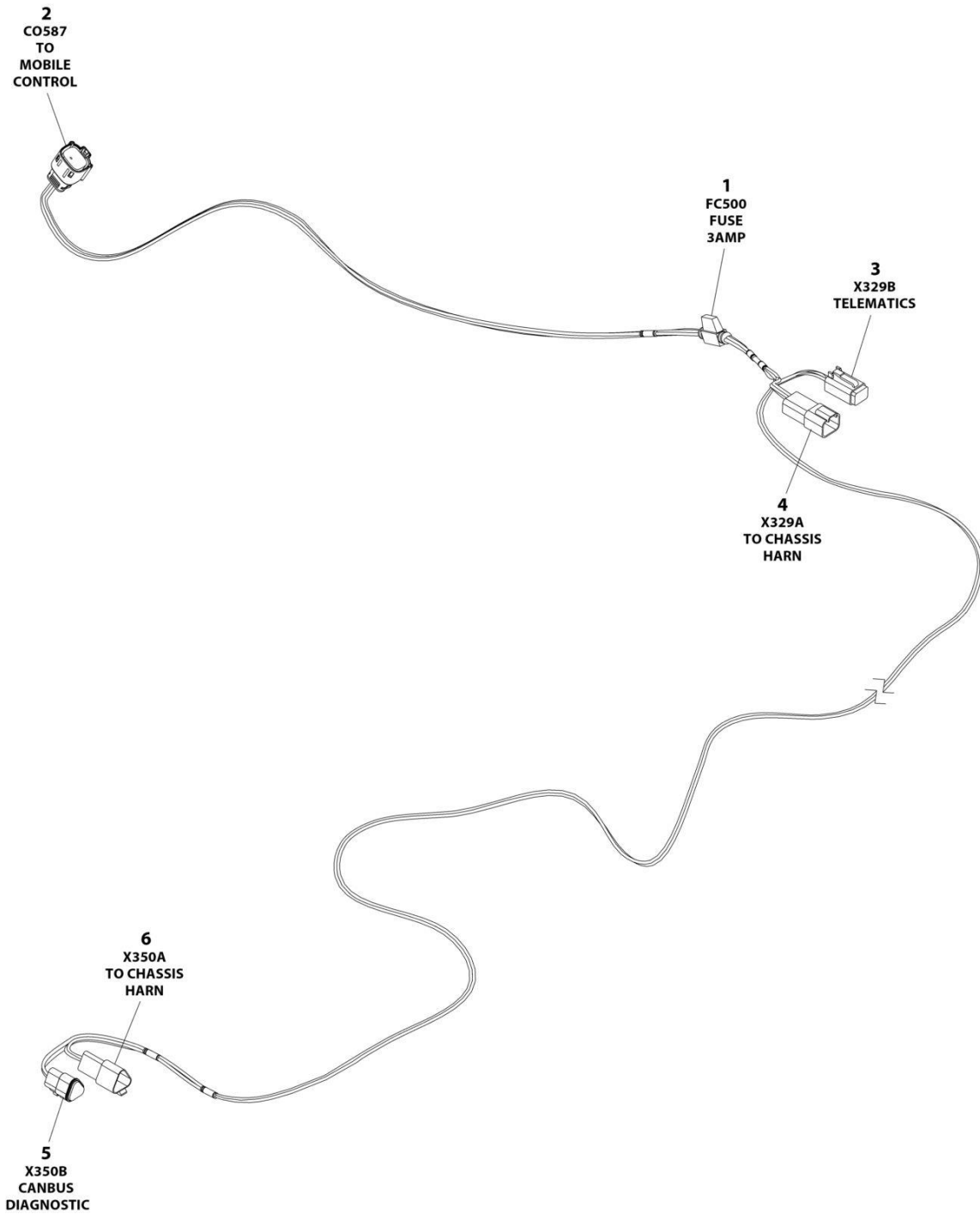
SECTION 7 - ELECTRICAL

FIGURE 7-43. LSS HARNESS

ITEM	PART NUMBER	QTY	DESCRIPTION	REV
	1001216593	Ref	LSS HARNESS	C
1	4460931	1	Receptacle, Female - 8 Position	
1	4460464	6	Pin, Male	
1	4460466	2	Plug, Terminal	
2	4460539	3	Plug, Male - 3 Position	
2	4460465	9	Socket, Female	
3	4460899	1	Receptacle, Female - 6 Position	
3	4460464	6	Pin, Male	
4	4460884	1	Plug, Male - 6 Position	
4	4460465	4	Socket, Female	
5	4460932	1	Receptacle, Female - 4 Position	
5	4460464	4	Pin, Male	
6	4460894	1	Plug, Male - 6 Position	
6	4460465	6	Socket, Female	

SECTION 7 - ELECTRICAL

FIGURE 7-44. MOBILE CONTROL HARNESS



ART_1001249613

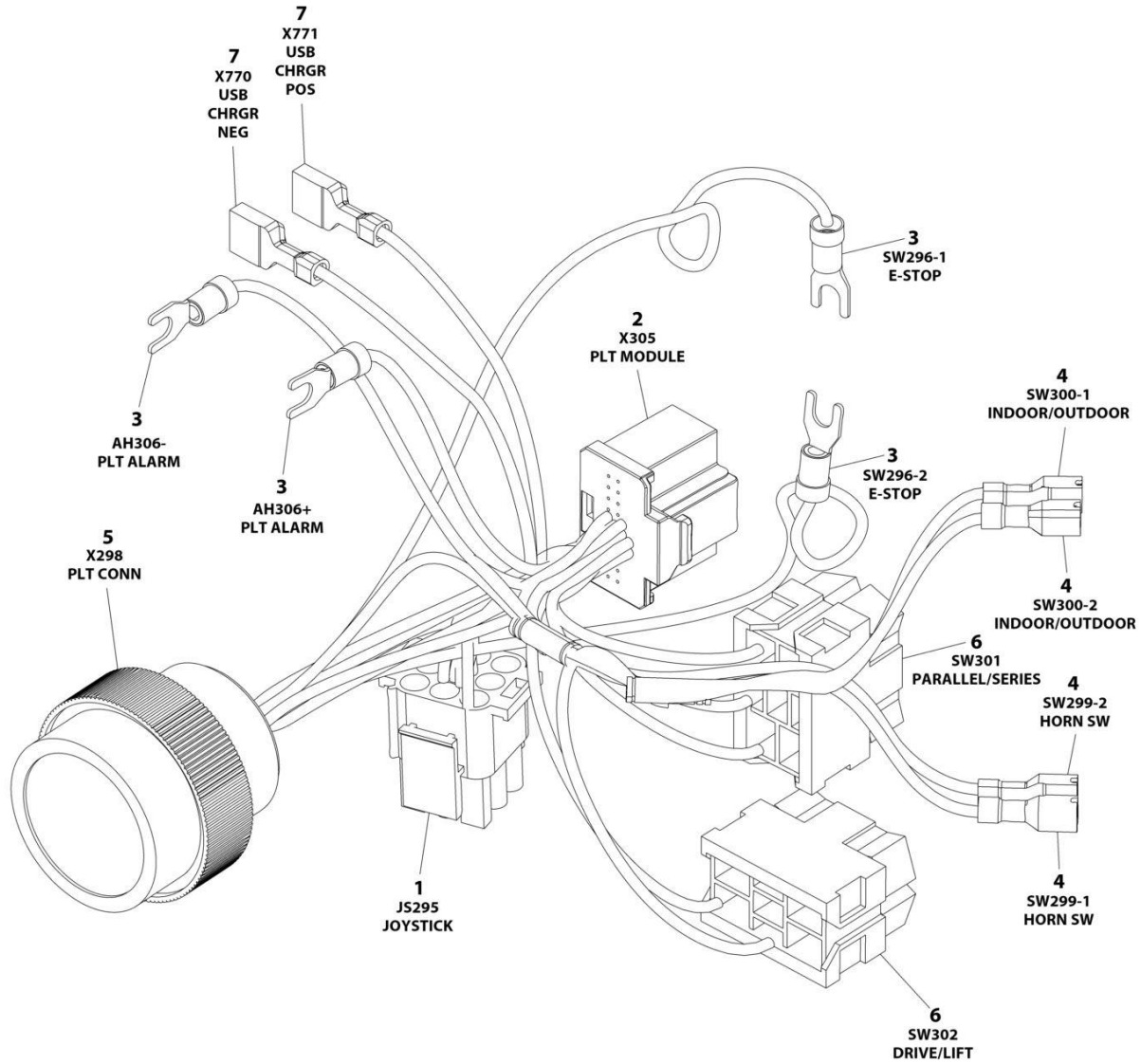
SECTION 7 - ELECTRICAL

FIGURE 7-44. MOBILE CONTROL HARNESS

ITEM	PART NUMBER	QTY	DESCRIPTION	REV
	1001249613	Ref	MOBILE CONTROL HARNESS	B
1	2400060	1	Fuseholder With Cover	
1	1001196635	1	Fuse 3A	
2	1001205409	1	Connector - 8 Position	
2	1001162887	4	Terminal	
2	1001163340	4	Plug, Terminal	
3	4460884	1	Plug, Male - 4 Position	
3	4460465	4	Socket, Female	
4	4460932	1	Receptacle, Female - 4 Position	
4	4460464	4	Pin, Male	
5	1001116812	1	Plug, Male - 3 Position	
5	4460944	2	Socket, Female	
5	4460466	1	Plug, Terminal	
6	1001144147	1	Receptacle, Female - 3 Position	
6	4460943	2	Socket, Female	
6	4460466	1	Plug, Terminal	

SECTION 7 - ELECTRICAL

FIGURE 7-45. PLATFORM CONTROL BOX HARNESS



ART_1001200819

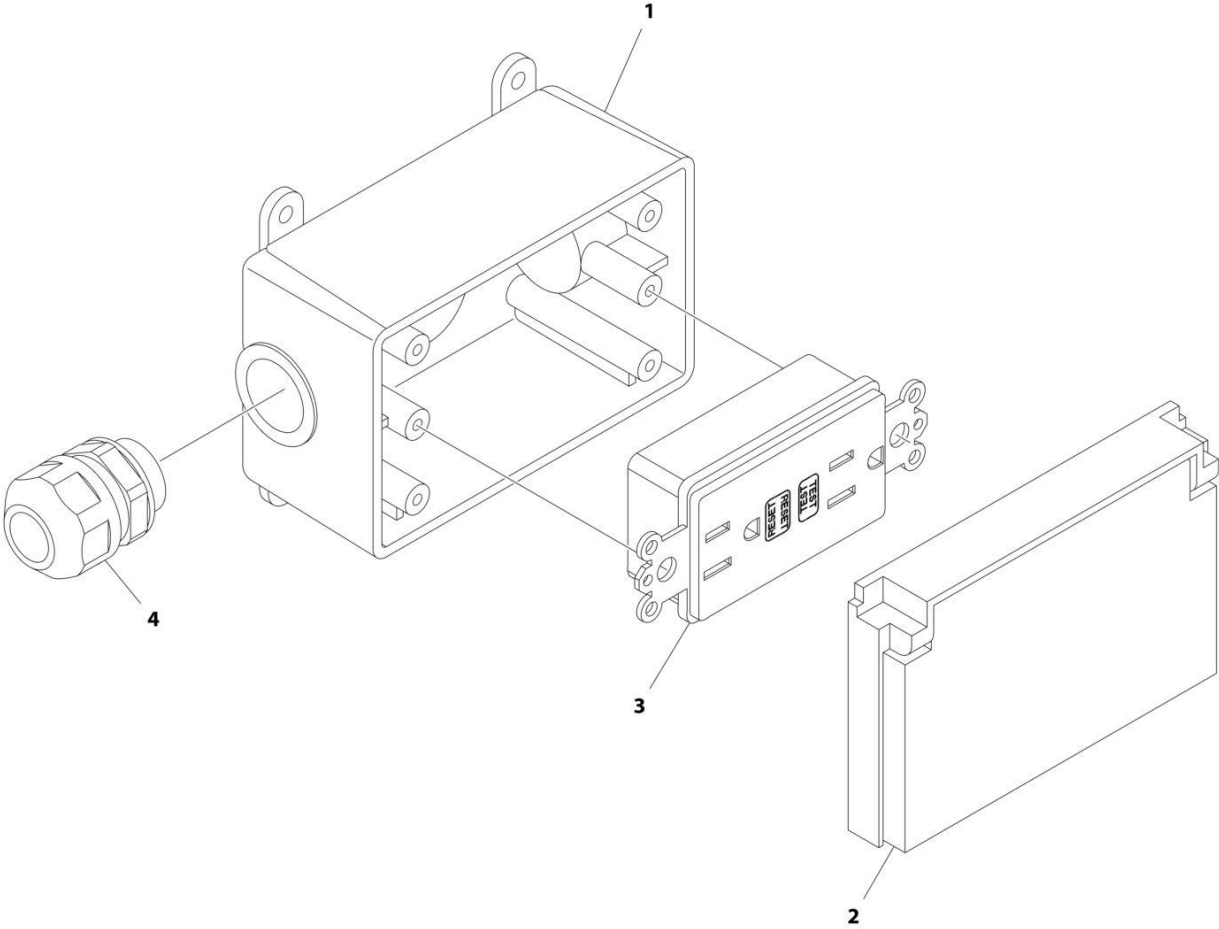
SECTION 7 - ELECTRICAL

FIGURE 7-45. PLATFORM CONTROL BOX HARNESS

ITEM	PART NUMBER	QTY	DESCRIPTION	REV
	1001200819	Ref	PLATFORM CONTROL BOX HARNESS	E
1	4460265	1	Plug, Male - 9 Position	
1	4460267	6	Pin, Male	
2	1001212036	1	Connector - 20 Position	
2	1001212035	16	Terminal	
3	4460183	4	Terminal, Fork	
4	1001201885	4	Terminal with Cover	
5	4461016	1	Connector - 14 Position	
5	4460464	8	Pin, Male	
5	4460466	6	Plug, Terminal	
6	4460418	2	Connector - 6 Position	
6	1001159186	5	Terminal	
7	1001194421	2	Terminal	

SECTION 7 - ELECTRICAL

FIGURE 7-46. RECEPTACLE BOX KIT - 110V GFI



ART_2902431

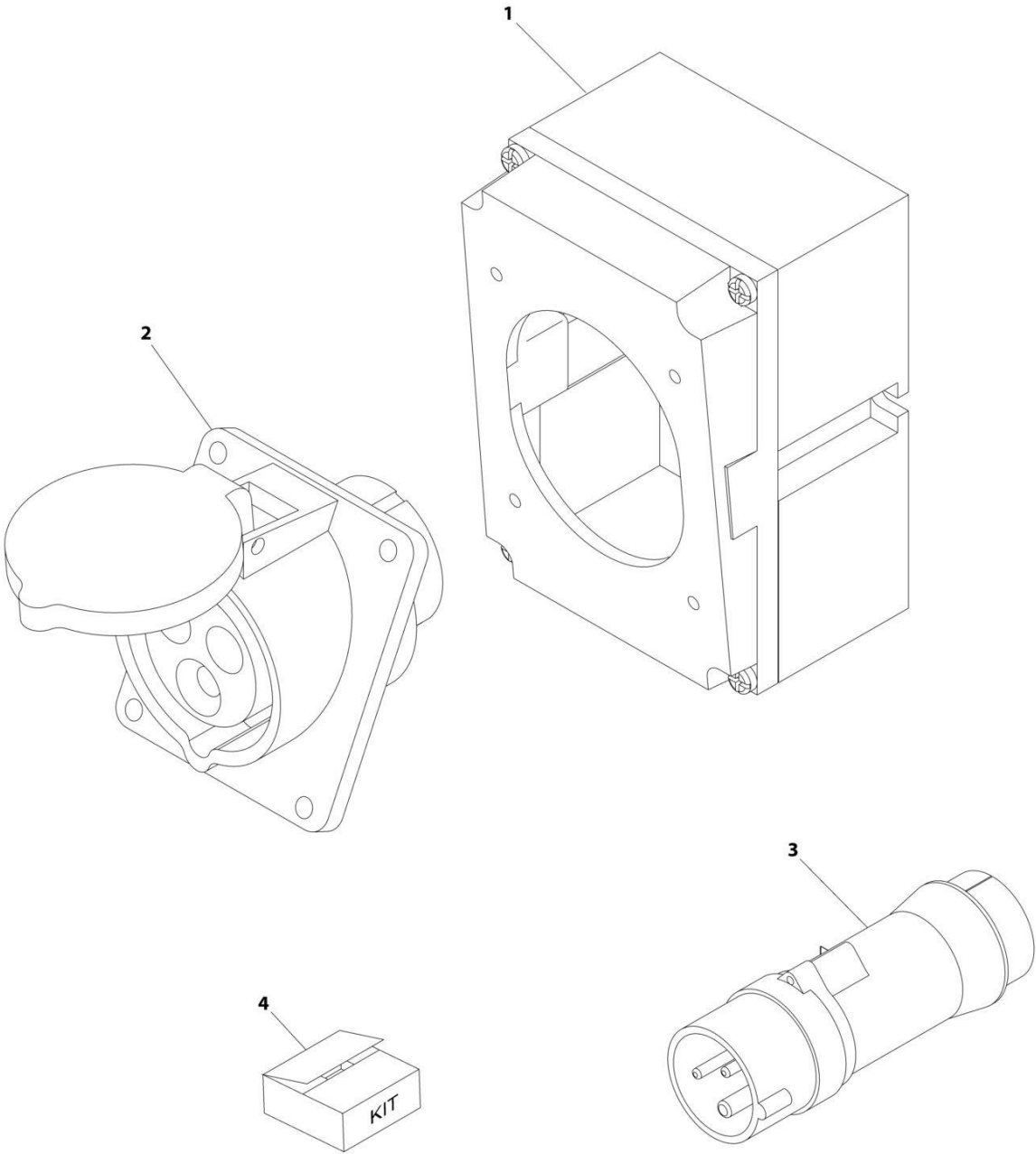
SECTION 7 - ELECTRICAL

FIGURE 7-46. RECEPTACLE BOX KIT - 110V GFI

ITEM	PART NUMBER	QTY	DESCRIPTION	REV
	2902431	Ref	RECEPTACLE BOX KIT - 110V GFI	D
1	0861731	1	Box, Receptacle	
2	1671207	1	Cover, Receptacle	
3	4460346	1	Receptacle	
4	4460662	1	Connector, Strain Relief	

SECTION 7 - ELECTRICAL

FIGURE 7-47. RECEPTACLE BOX KIT - 110V IEC YELLOW (CE & UK CA SPEC)



ART_0275216

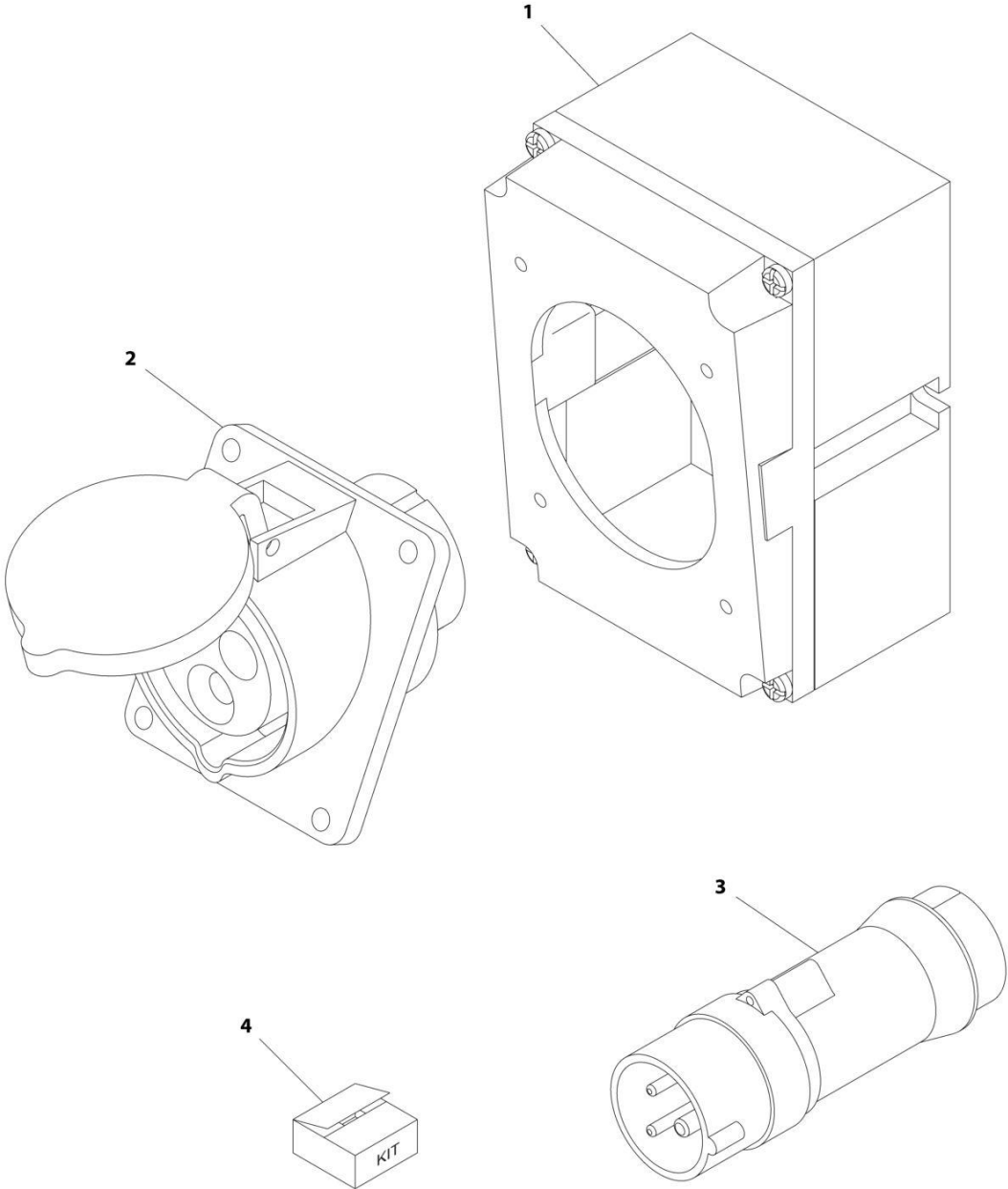
SECTION 7 - ELECTRICAL

FIGURE 7-47. RECEPTACLE BOX KIT - 110V IEC YELLOW (CE & UK CA SPEC)

ITEM	PART NUMBER	QTY	DESCRIPTION	REV
	0275216	Ref	RECEPTACLE BOX KIT - 110V IEC YELLOW	B
1	0861781	1	Box, Switch	
2	4461198	1	Receptacle	
3	4461196	1	Plug, Male	
4	1001100341	1	Plug and Socket Kit (Includes Items 1-3 and Female Plug p/n 4461197)	

SECTION 7 - ELECTRICAL

FIGURE 7-48. RECEPTACLE BOX KIT - 220V IEC BLUE (CE & UK CA SPEC)



ART_0275217

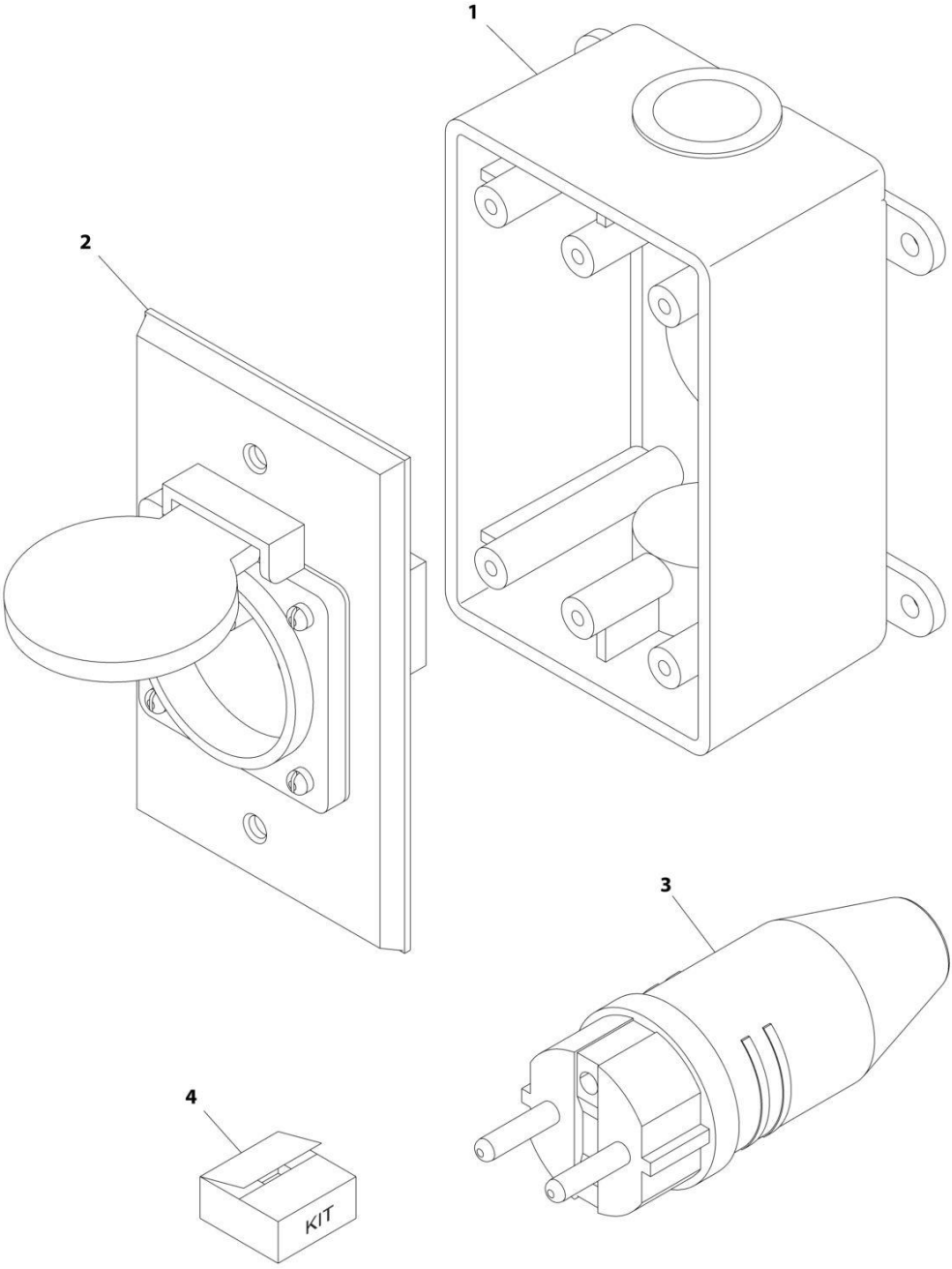
SECTION 7 - ELECTRICAL

FIGURE 7-48. RECEPTACLE BOX KIT - 220V IEC BLUE (CE & UK CA SPEC)

ITEM	PART NUMBER	QTY	DESCRIPTION	REV
	0275217	Ref	RECEPTACLE BOX KIT - 220V IEC BLUE	B
1	0861781	1	Box, Switch	
2	4461201	1	Receptacle	
3	4461199	1	Plug, Male	
4	1001100342	1	Plug and Socket Kit (Includes Items 1-3 and Female Plug p/n 4461200)	

SECTION 7 - ELECTRICAL

FIGURE 7-49. RECEPTACLE BOX KIT - 220V CEE7 POST GROUND (CE & UK CA SPEC)



ART_0275452-C

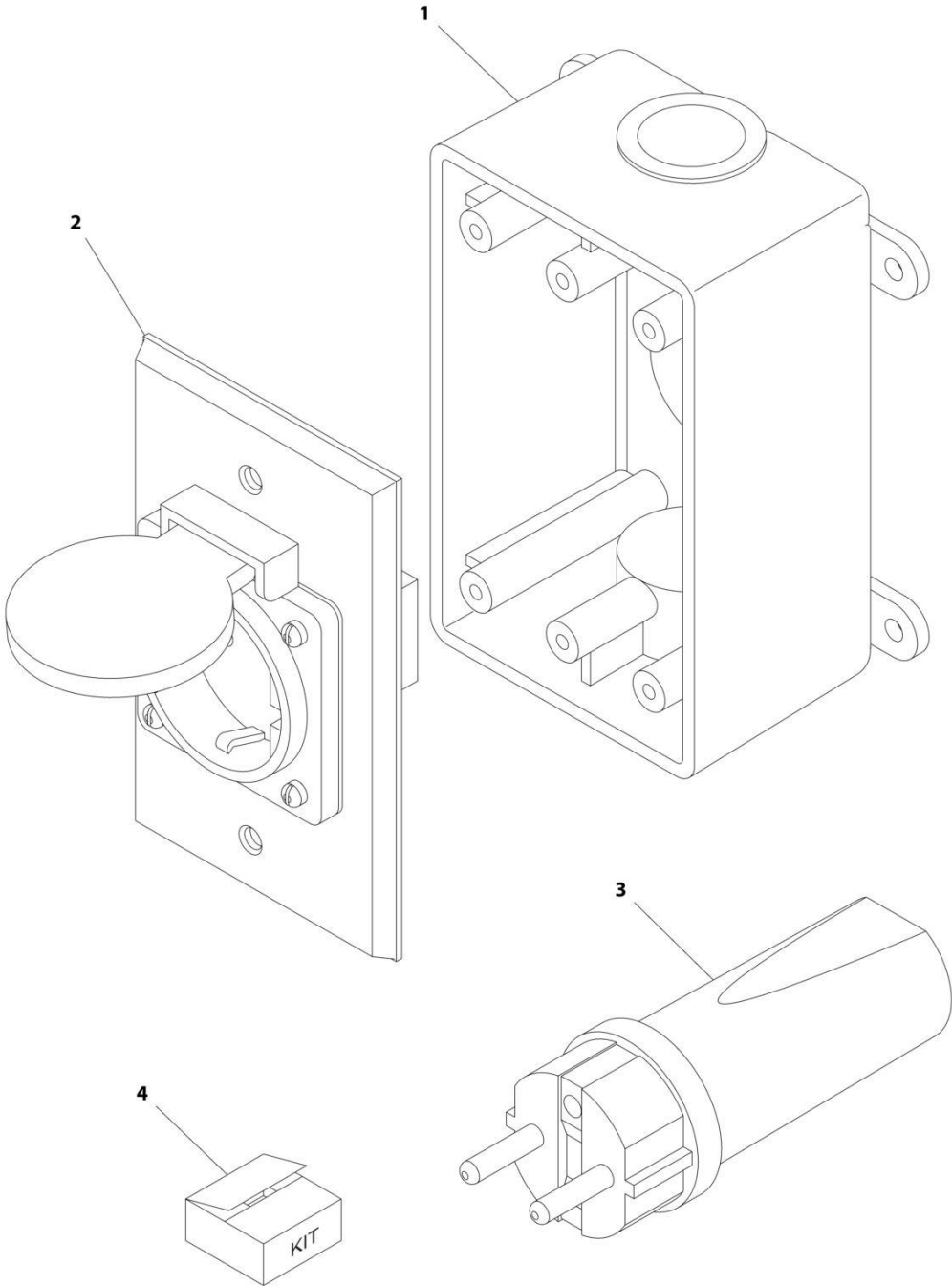
SECTION 7 - ELECTRICAL

FIGURE 7-49. RECEPTACLE BOX KIT - 220V CEE7 POST GROUND (CE & UK CA SPEC)

ITEM	PART NUMBER	QTY	DESCRIPTION	REV
	0275452	Ref	RECEPTACLE BOX KIT - 220V CEE7 POST GROUND 2IN X 4IN BOX	C
1	0861731	1	Box, Switch	
2	4461244	1	Receptacle	
3	4461205	1	Plug, Male	
4	1001100345	1	Plug and Socket Kit (Includes Items 1-3 and Female Plug p/n 4461203)	

SECTION 7 - ELECTRICAL

FIGURE 7-50. RECEPTACLE BOX KIT - 220V CEE7 SIDE GROUND (CE & UK CA SPEC)



ART_0275453

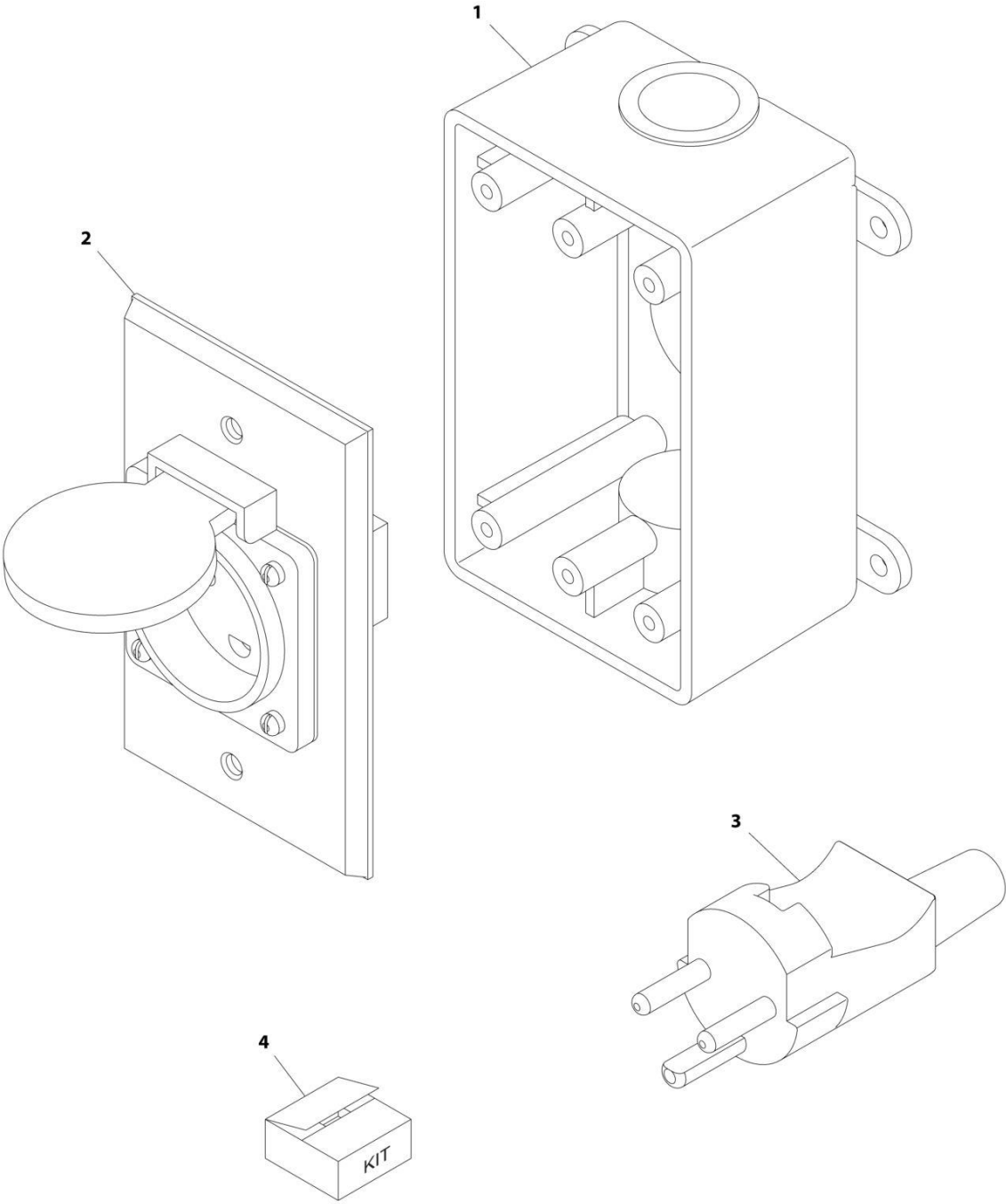
SECTION 7 - ELECTRICAL

FIGURE 7-50. RECEPTACLE BOX KIT - 220V CEE7 SIDE GROUND (CE & UK CA SPEC)

ITEM	PART NUMBER	QTY	DESCRIPTION	REV
	0275453	Ref	RECEPTACLE BOX KIT - 220V CEE7 SIDE GROUND	B
1	0861731	1	Box, Switch	
2	4461245	1	Receptacle	
3	4461205	1	Plug, Male	
4	1001100347	1	Plug and Socket Kit (Includes Items 1-3 and Female Plug p/n 4461206)	

SECTION 7 - ELECTRICAL

FIGURE 7-51. RECEPTACLE BOX KIT - 220V AFSINT 107 (CE & UK CA SPEC)



ART_0275454

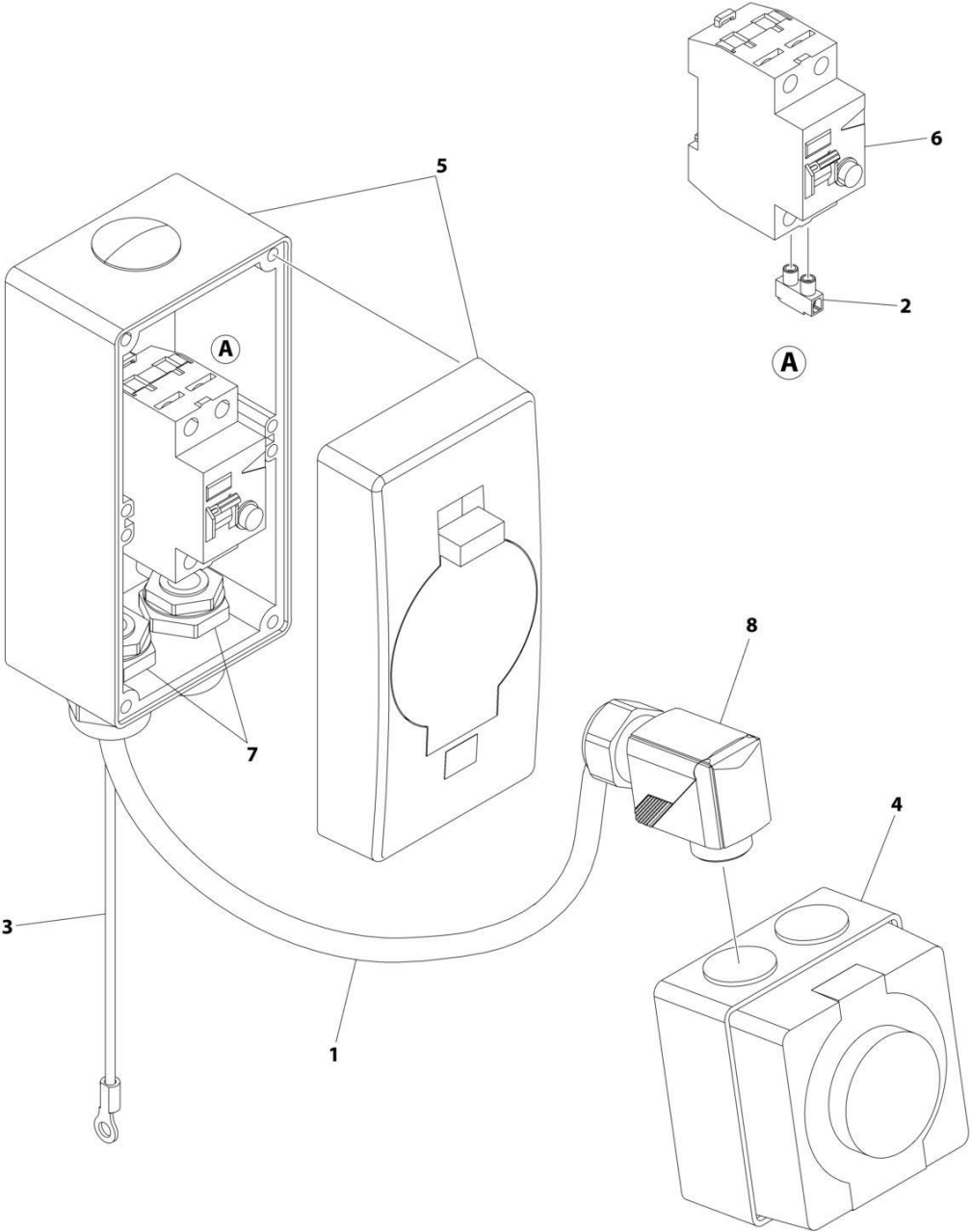
SECTION 7 - ELECTRICAL

FIGURE 7-51. RECEPTACLE BOX KIT - 220V AFSINT 107 (CE & UK CA SPEC)

ITEM	PART NUMBER	QTY	DESCRIPTION	REV
	0275454	Ref	RECEPTACLE BOX KIT - 220V AFSINT 107	B
1	0861731	1	Box, Switch	
2	4461246	1	Receptacle	
3	4461249	1	Plug, Male	
4	1001100346	1	Plug and Socket Kit (Includes Items 1-3 and Female Plug p/n 4461250)	

SECTION 7 - ELECTRICAL

FIGURE 7-52. RECEPTACLE AND BREAKER ASSEMBLY (AUSTRALIAN SPECS)



ART_1001246085

SECTION 7 - ELECTRICAL

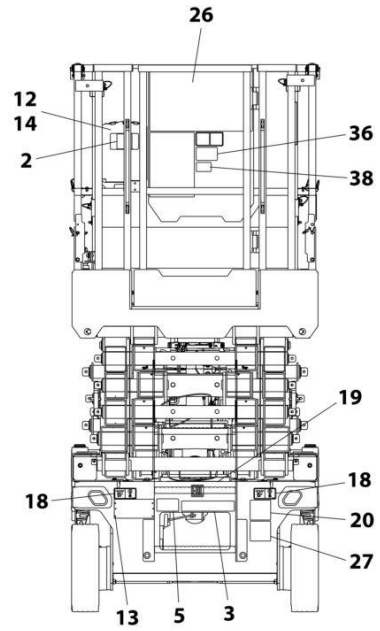
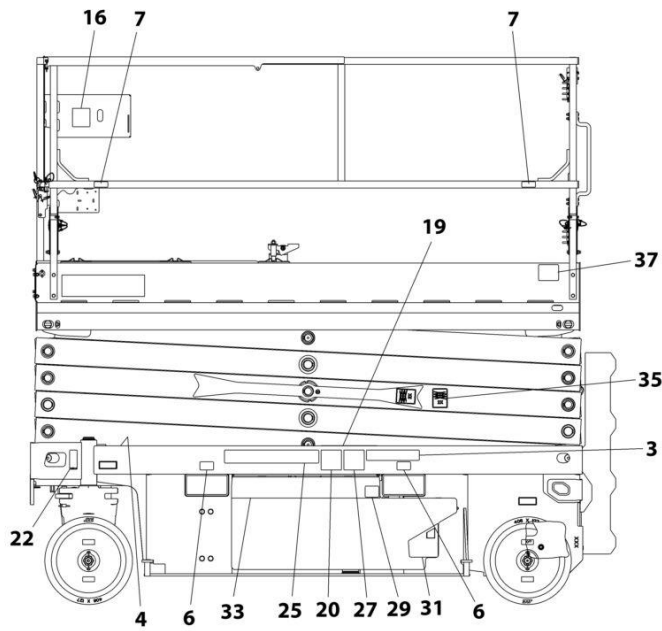
FIGURE 7-52. RECEPTACLE AND BREAKER ASSEMBLY (AUSTRALIAN SPECS)

ITEM	PART NUMBER	QTY	DESCRIPTION	REV
	1001246085	Ref	RECEPTACLE AND BREAKER ASSEMBLY	A
1	1060908	1 ft/ 60cm	Cable, 12/3	
2	1001245743	1	Block, Terminal	
3	1001245744	1	Harness, Ground	
4	1001227267	1	Receptacle and Enclosure (Australian)	
5	1001227269	1	Box, Breaker with Cover	
5	1001246171	1	Cover	
6	1001228191	1	Breaker 250V / 10A-30MA Double	
7	1001097150	2	Connector, Strain Relief	
8	1001245917	1	Connector, Strain Relief 90	

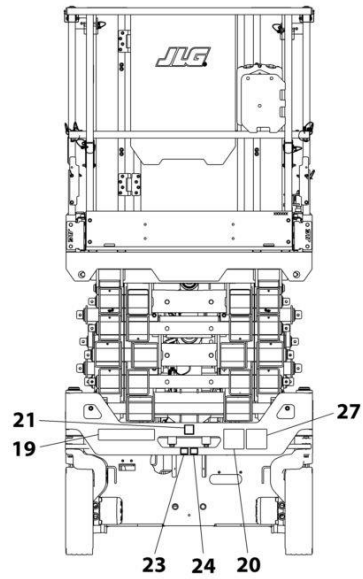
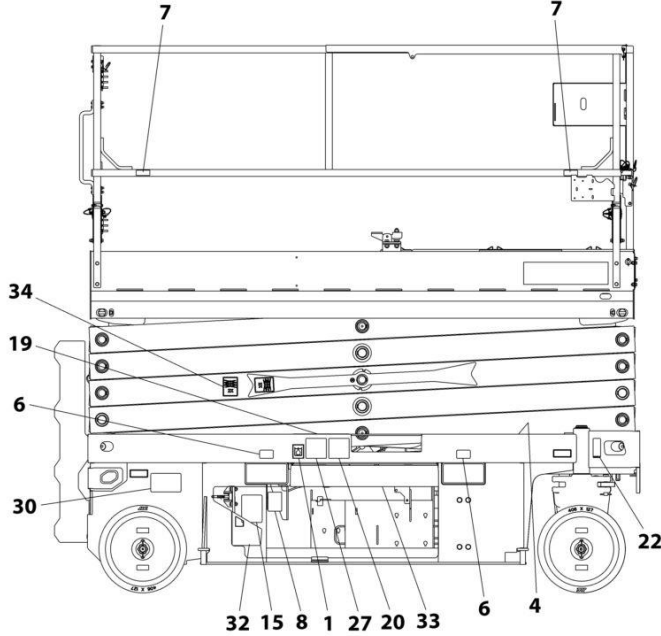
SECTION 8 - DECALS

SECTION 8 - DECALS

FIGURE 8-1. DECAL INSTALLATION (ANSI SPECS)



NOTE: ITEMS SHOWN MAY NOT BE REQUIRED FOR ALL SPECS. REFER TO PARTS LISTS FOR USAGE.
NOTE: ADDITIONAL DECALS CALLED OUT ON DECAL INSTALLATION - OPTIONS



ART_1001222124

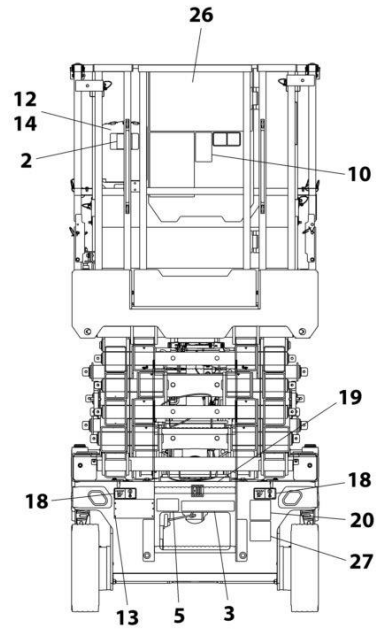
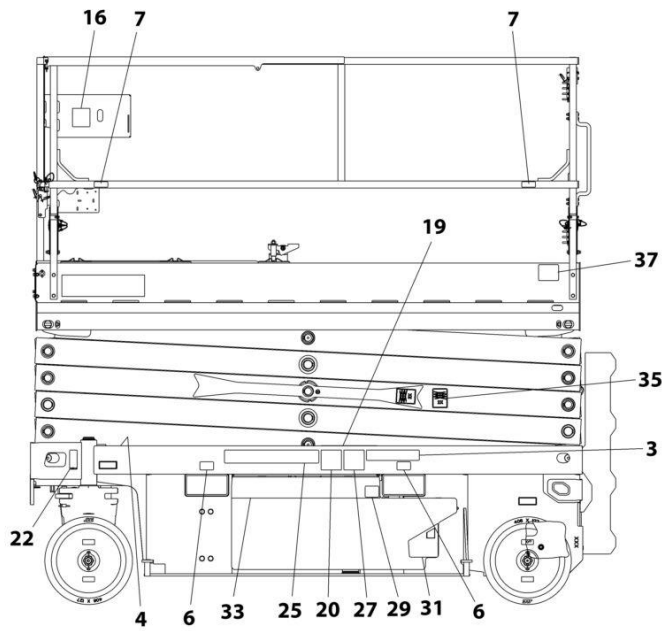
SECTION 8 - DECALS

FIGURE 8-1. DECAL INSTALLATION (ANSI SPECS)

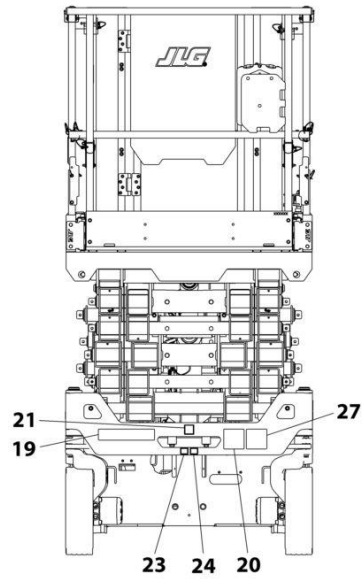
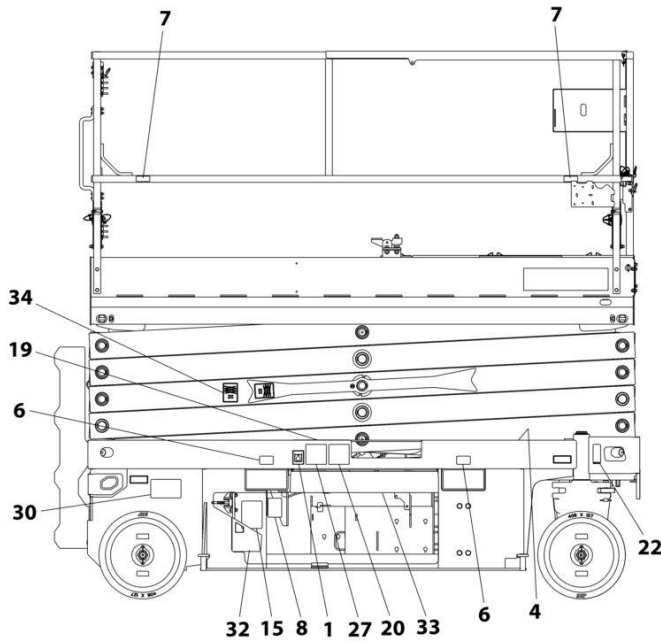
ITEM	PART NUMBER	QTY	DESCRIPTION	REV
	1001222124	Ref	DECAL INSTALLATION (ANSI SPECS)	F
	1001217031	Ref	DECAL REFERENCE CHART	L
1	1701504	1	Decal - Hydraulic Oil	
2	1701640	1	Decal - Manual	
3	1703813	2	Decal - Warning Battery Ventilation	
4	1703819	4	Decal - Direction Arrow	
5	1703822	1	Decal - Manual Descent Instruction	
6	1704016	4	Decal - Forklift	
7	1704277	4	Decal - Lanyard Attach	
8	1704412	1	Decal - Hydraulic Oil	
12	2080040	3	Fastener	
13	2080057	4	Fastener	
14	8990147	1	Box, Manual	
15	1001131270	1	Decal - Patent	
16	1001132359	1	Decal - Control Box Locate	
18	1001162864	2	Decal - Lift Up/Tie Down	
19	1001211777	4	Decal - Crushing Hazard	
20	1001211779	4	Decal - Electrocution	
21	1001212290	1	Decal - Tie Down	
22	1001213442	2	Decal - Lift and Tie Down	
23	1001212292	1	Decal - No Lifting	
24	1001212293	1	Decal - No Forklift	
25	1001146794	1	Decal - Battery/Charger Service	
26	1703816	1	Decal - Danger/Warning	
29	1702155	1	Decal - Battery Disconnect	
30	1001223055	1	Decal - Yearly Inspection	
33	1001225622	2	Decal - Black Strip	
34	1001228641	2	Decal - Safety Prop (RH)	
35	1001228642	2	Decal - Safety Prop (LH)	
36	1001231801	1	Decal - Warning Prop 65	
38	1001228370	1	Decal - ICES (CAN) - 001	

SECTION 8 - DECALS

FIGURE 8-2. DECAL INSTALLATION (AUSTRALIAN SPECS)



NOTE: ITEMS SHOWN MAY NOT BE REQUIRED FOR ALL SPECS. REFER TO PARTS LISTS FOR USAGE.
NOTE: ADDITIONAL DECALS CALLED OUT ON DECAL INSTALLATION - OPTIONS



ART_1001222131

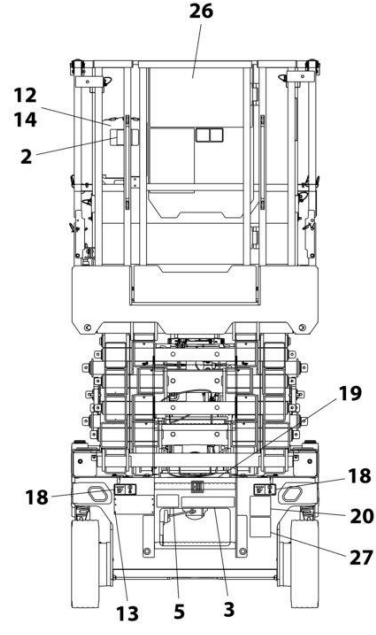
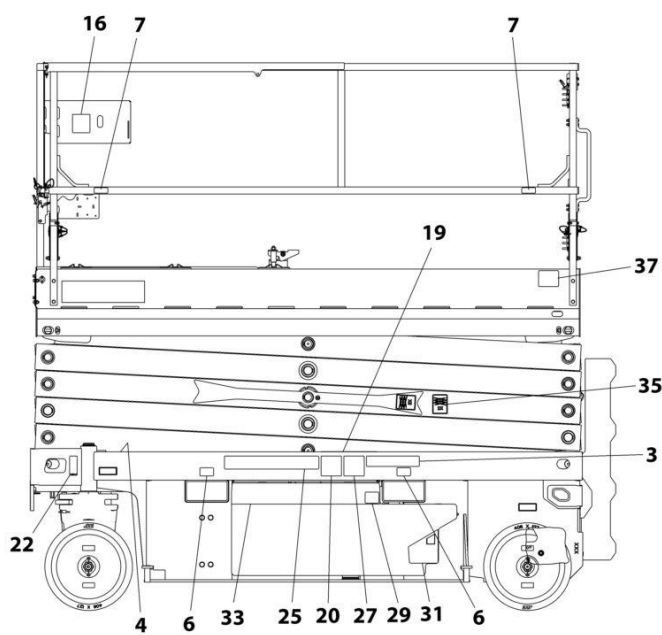
SECTION 8 - DECALS

FIGURE 8-2. DECAL INSTALLATION (AUSTRALIAN SPECS)

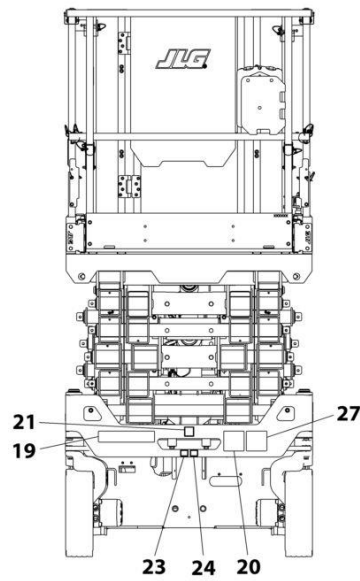
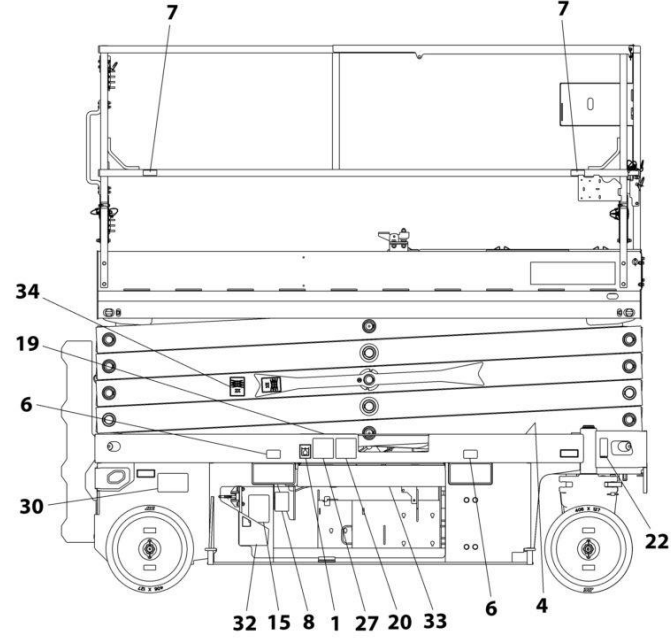
ITEM	PART NUMBER	QTY	DESCRIPTION	REV
	1001222131	Ref	DECAL INSTALLATION (AUSTRALIAN SPECS)	D
	1001217031	Ref	DECAL REFERENCE CHART	L
1	1701504	1	Decal - Hydraulic Oil	
2	1701640	1	Decal - Manual	
3	1705670	2	Decal - Fire Hazard	
4	1703819	4	Decal - Dircetion Arrow	
5	1703822	1	Decal - Manual Descent Instruction	
6	1704016	4	Decal - Forklift	
7	1704277	4	Decal - Lanyard Attach	
8	1704412	1	Decal - Hydraulic Oil	
12	2080040	3	Fastener	
13	2080057	4	Fastener	
14	8990147	1	Box, Manual	
16	1001132359	1	Decal - Control Box Locate	
18	1001162864	2	Decal - Lift Up/Tie Down	
19	1705673	4	Decal - Crushing	
20	1705671	5	Decal - Electrocution	
21	1001212290	1	Decal - Tie Down	
22	1001213442	2	Decal - Lift and Tie Down	
23	1001212292	1	Decal - No Lifting	
24	1001212293	1	Decal - No Forklift	
25	1001146794	1	Decal - Battery/Charger Service	
29	1702155	1	Decal - Battery Disconnect	
33	1001225622	2	Decal - Black Strip	
34	1001228641	2	Decal - Safety Prop (RH)	
35	1001228642	2	Decal - Safety Prop (LH)	

SECTION 8 - DECALS

FIGURE 8-3. DECAL INSTALLATION (BRAZIL SPECS)



NOTE: ITEMS SHOWN MAY NOT BE REQUIRED FOR ALL SPECS. REFER TO PARTS LISTS FOR USAGE.
NOTE: ADDITIONAL DECALS CALLED OUT ON DECAL INSTALLATION - OPTIONS



ART_1001222127

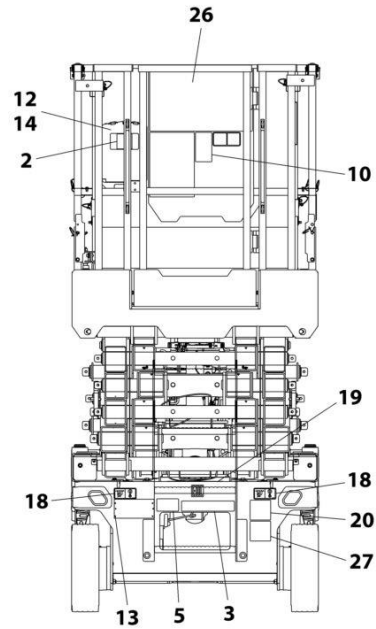
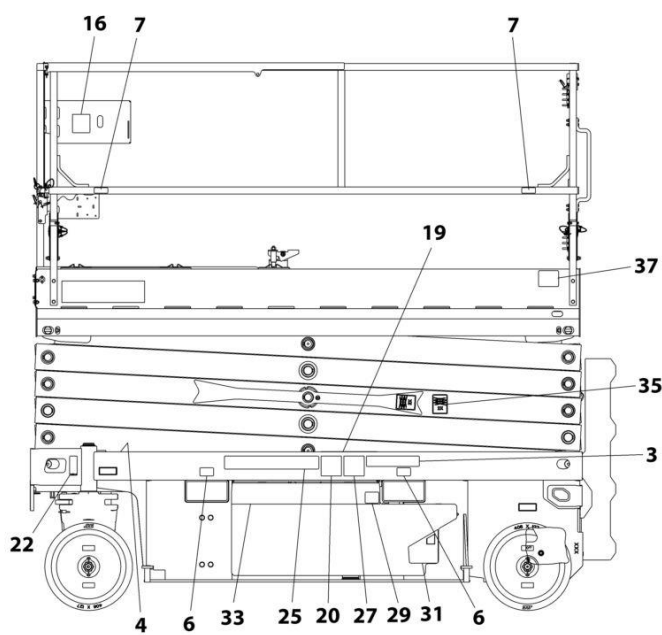
SECTION 8 - DECALS

FIGURE 8-3. DECAL INSTALLATION (BRAZIL SPECS)

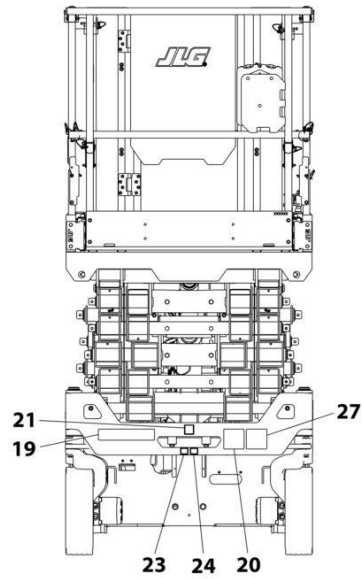
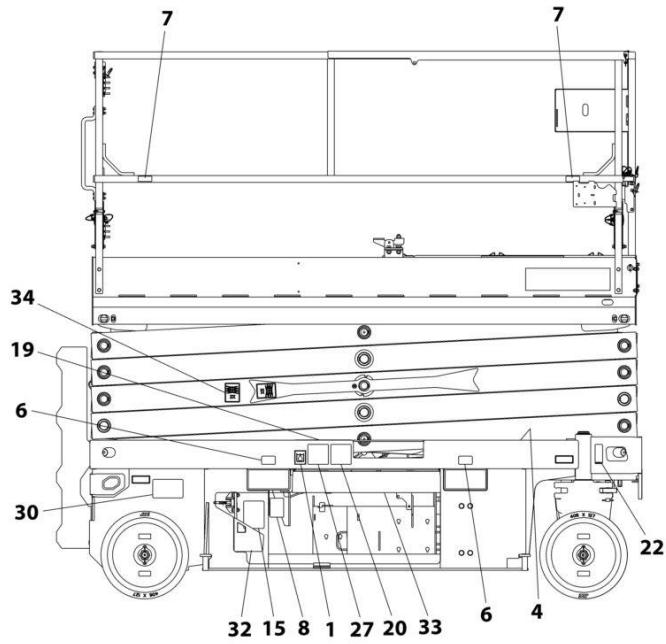
ITEM	PART NUMBER	QTY	DESCRIPTION	REV
	1001222127	Ref	DECAL INSTALLATION (BRAZIL SPECS)	E
	1001217031	Ref	DECAL REFERENCE CHART	L
1	1701504	1	Decal - Hydraulic Oil	
2	1701640	1	Decal - Manual	
3	1704341	2	Decal - Warning Battery Ventilation	
4	1703819	4	Decal - Direction Arrow	
5	1703822	1	Decal - Manual Descent Instruction	
6	1704016	4	Decal - Forklift	
7	1704277	4	Decal - Lanyard Attach	
8	1704412	1	Decal - Hydraulic Oil	
12	2080040	3	Fastener	
13	2080057	4	Fastener	
14	8990147	1	Box, Manual	
16	1001132359	1	Decal - Control Box Locate	
18	1001162864	2	Decal - Lift Up/Tie Down	
19	1001216650	4	Decal - Crushing Hazard	
20	1001215748	4	Decal - Danger Electrocution	
21	1001212290	1	Decal - Tie Down	
22	1001213442	2	Decal - Lift and Tie Down	
23	1001212292	1	Decal - No Lifting	
24	1001212293	1	Decal - No Forklift	
25	1001146794	1	Decal - Battery/Charger Service	
26	1704699	1	Decal - Danger/Warning	
27	1001216648	4	Decal - Danger Electrocution	
29	1702155	1	Decal - Battery Disconnect	
30	1001224052	1	Decal - Yearly Inspection	
33	1001225622	2	Decal - Black Strip	
34	1001228641	2	Decal - Safety Prop (RH)	
35	1001228642	2	Decal - Safety Prop (LH)	

SECTION 8 - DECALS

FIGURE 8-4. DECAL INSTALLATION (CE & UK CA SPECS)



NOTE: ITEMS SHOWN MAY NOT BE REQUIRED FOR ALL SPECS. REFER TO PARTS LISTS FOR USAGE.
NOTE: ADDITIONAL DECALS CALLED OUT ON DECAL INSTALLATION - OPTIONS



ART_1001222130

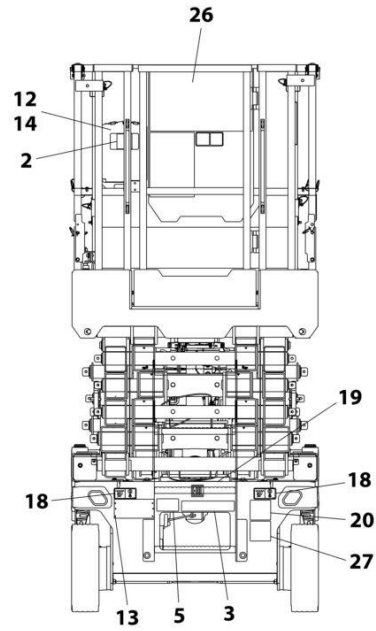
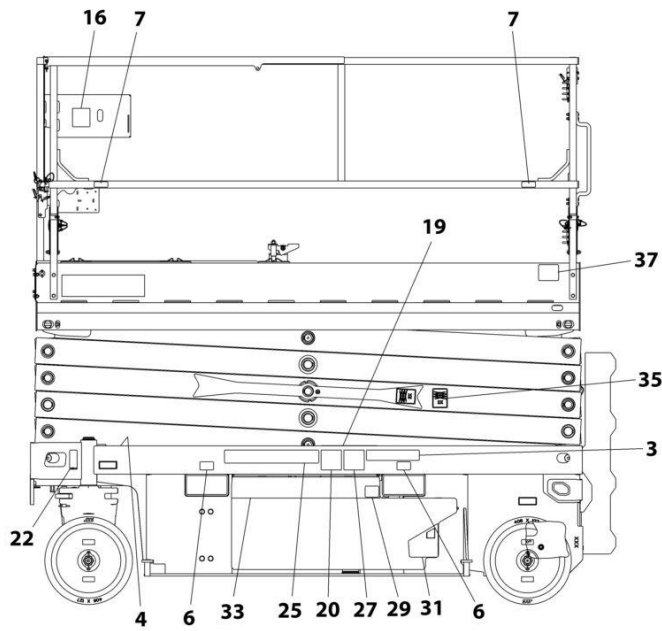
SECTION 8 - DECALS

FIGURE 8-4. DECAL INSTALLATION (CE & UK CA SPECS)

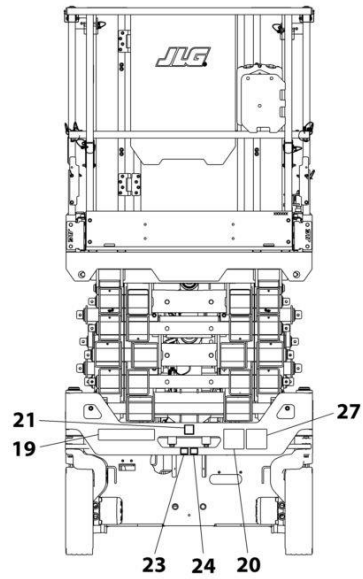
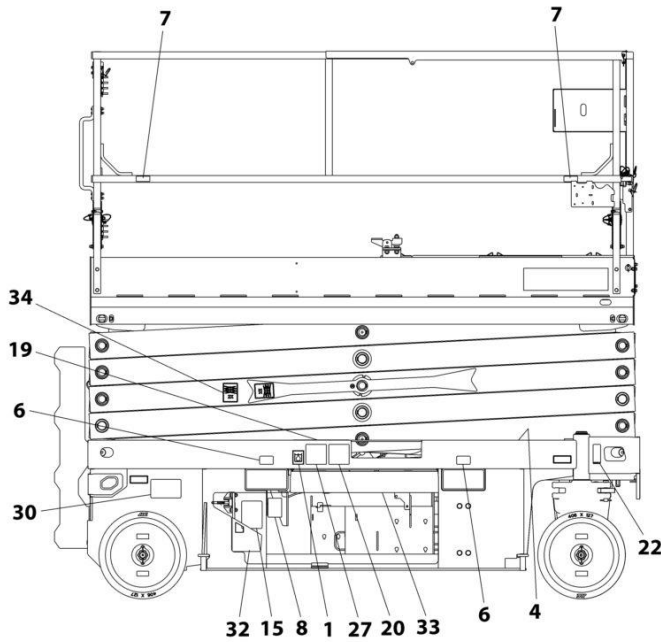
ITEM	PART NUMBER	QTY	DESCRIPTION	REV
	1001222130	Ref	DECAL INSTALLATION (CE & UK CA SPECS)	D
	1001217031	Ref	DECAL REFERENCE CHART	L
1	1701504	1	Decal - Hydraulic Oil	
2	1701640	1	Decal - Manual	
3	1705670	2	Decal - Fire Hazard	
4	1703819	4	Decal - Direction Arrow	
5	1703822	1	Decal - Manual Descent Instruction	
6	1704016	4	Decal - Forklift	
7	1704277	4	Decal - Lanyard Attach	
8	1704412	1	Decal - Hydraulic Oil	
12	2080040	3	Fastener	
13	2080057	4	Fastener	
14	8990147	1	Box, Manual	
16	1001132359	1	Decal - Control Box Locate	
18	1001162864	2	Decal - Lift Up/Tie Down	
19	1705673	4	Decal - Crushing	
20	1705671	5	Decal - Electrocutation	
21	1001212290	1	Decal - Tie Down	
22	1001213442	2	Decal - Lift and Tie Down	
23	1001212292	1	Decal - No Lifting	
24	1001212293	1	Decal - No Forklift	
25	1001146795	1	Decal - See Manual	
29	1702155	1	Decal - Battery Disconnect	
33	1001225622	2	Decal - Black Strip	
34	1001228641	2	Decal - Safety Prop (RH)	
35	1001228642	2	Decal - Safety Prop (LH)	

SECTION 8 - DECALS

FIGURE 8-5. DECAL INSTALLATION (CHINA SPECS)



NOTE: ITEMS SHOWN MAY NOT BE REQUIRED FOR ALL SPECS. REFER TO PARTS LISTS FOR USAGE.
NOTE: ADDITIONAL DECALS CALLED OUT ON DECAL INSTALLATION - OPTIONS



ART_1001222126_F

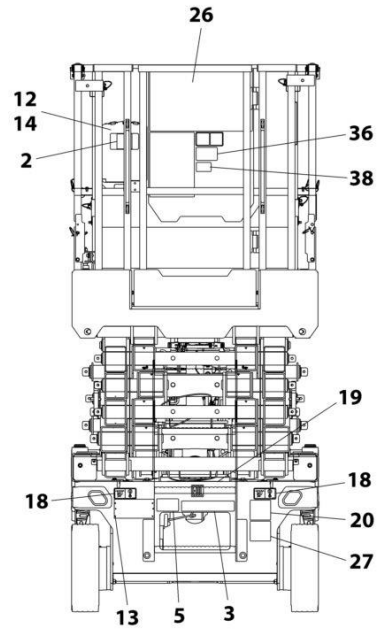
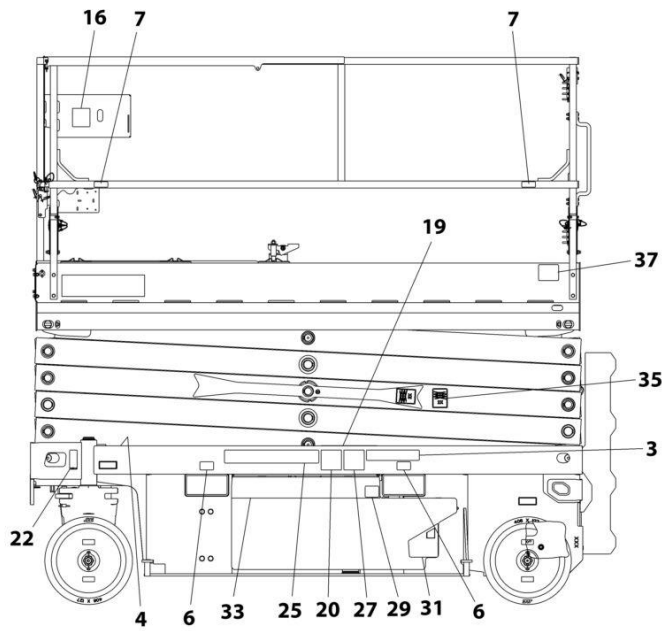
SECTION 8 - DECALS

FIGURE 8-5. DECAL INSTALLATION (CHINA SPECS)

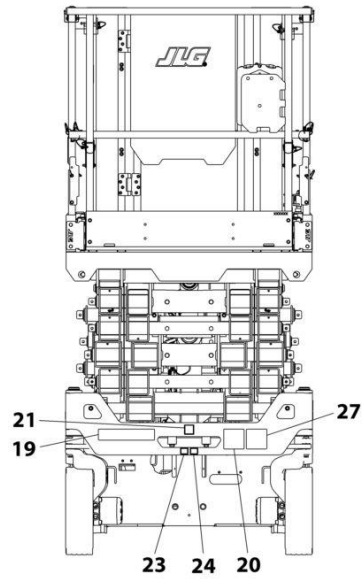
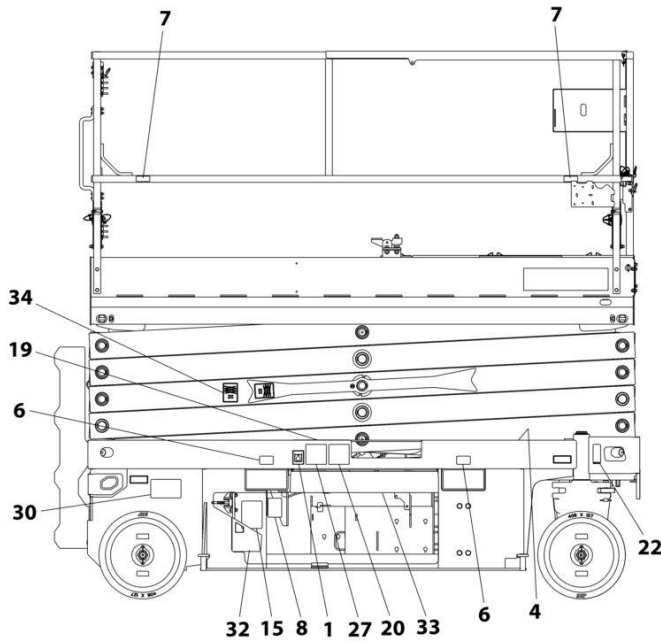
ITEM	PART NUMBER	QTY	DESCRIPTION	REV
	1001222126	Ref	DECAL INSTALLATION (CHINA SPECS)	F
	1001217031	Ref	DECAL REFERENCE CHART	L
1	1701504	1	Decal - Hydraulic Oil	
2	1701640	1	Decal - Manual	
3	1704344	2	Decal - Warning Battery Ventilation	
4	1703819	4	Decal - Direction Arrow	
5	1703822	1	Decal - Manual Descent Instruction	
6	1704016	4	Decal - Forklift	
7	1704277	4	Decal - Lanyard Attach	
8	1704412	1	Decal - Hydraulic Oil	
12	2080040	3	Fastener	
13	2080057	4	Fastener	
14	8990147	1	Box, Manual	
16	1001132359	1	Decal - Control Box Locate	
18	1001162864	2	Decal - Lift Up/Tie Down	
19	1001215752	4	Decal - Crushing Hazard	
20	1001211779	4	Decal - Electrocution	
21	1001212290	1	Decal - Tie Down	
22	1001213442	2	Decal - Lift and Tie Down	
23	1001212292	1	Decal - No Lifting	
24	1001212293	1	Decal - No Forklift	
25	1001146794	1	Decal - Battery/Charger Service	
26	1705195	1	Decal - Danger/Warning	
27	1001215747	4	Decal - Danger Electrocution	
29	1702155	1	Decal - Battery Disconnect	
30	1001224051	1	Decal - Yearly Inspection	
33	1001225622	2	Decal - Black Strip	
34	1001228641	2	Decal - Safety Prop (RH)	
35	1001228642	2	Decal - Safety Prop (LH)	
37	1001244298	2	Decal - Wechat QR Code	

SECTION 8 - DECALS

FIGURE 8-6. DECAL INSTALLATION (CSA SPECS)



NOTE: ITEMS SHOWN MAY NOT BE REQUIRED FOR ALL SPECS. REFER TO PARTS LISTS FOR USAGE.
NOTE: ADDITIONAL DECALS CALLED OUT ON DECAL INSTALLATION - OPTIONS



ART_1001222129

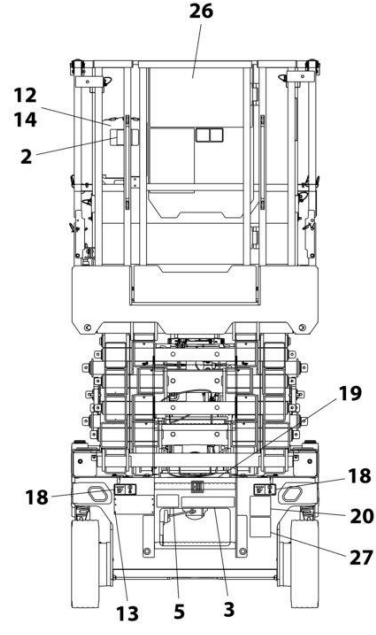
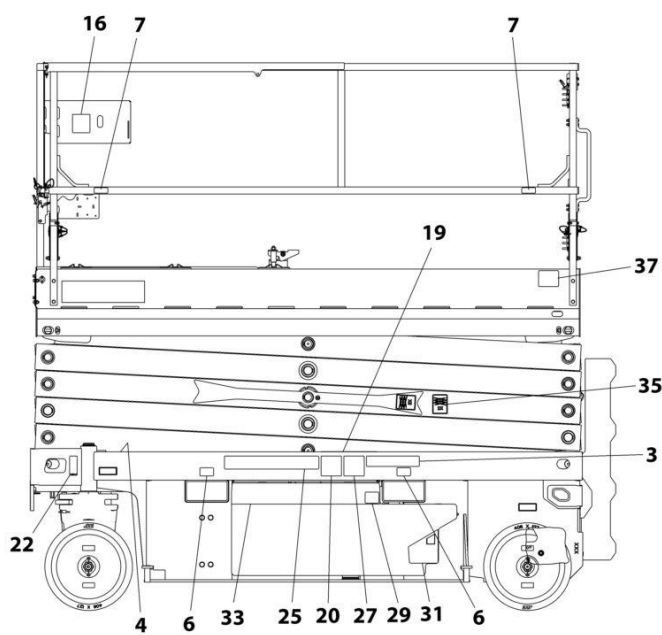
SECTION 8 - DECALS

FIGURE 8-6. DECAL INSTALLATION (CSA SPECS)

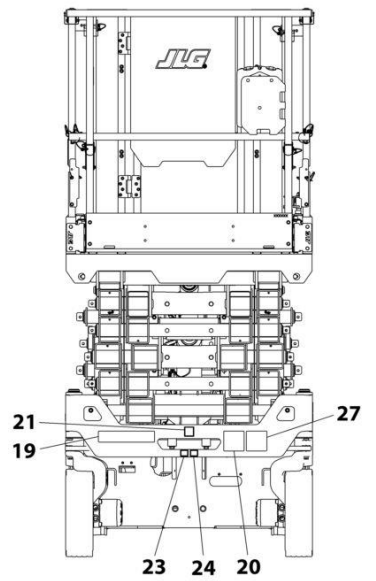
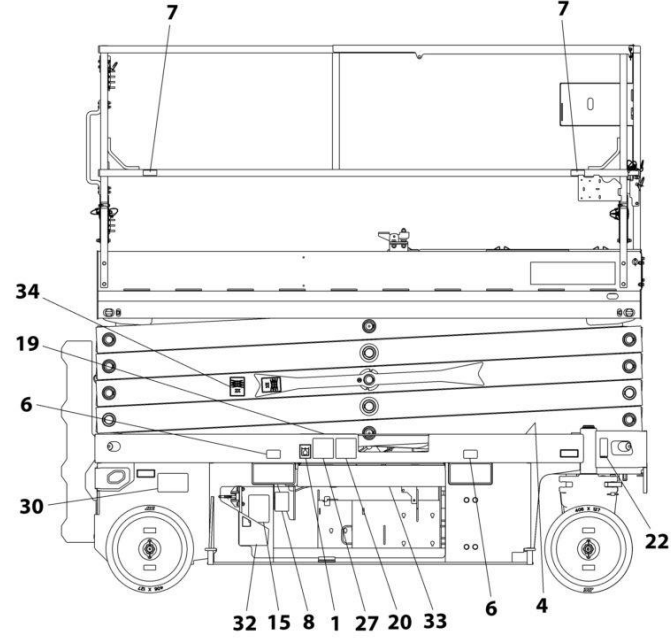
ITEM	PART NUMBER	QTY	DESCRIPTION	REV
	1001222129	Ref	DECAL INSTALLATION (CSA SPECS)	E
	1001217031	Ref	DECAL REFERENCE CHART	L
1	1701504	1	Decal - Hydraulic Oil	
2	1701640	1	Decal - Manual	
3	1704340	2	Decal - Warning Battery Ventilation	
4	1703819	4	Decal - Direction Arrow	
5	1703822	1	Decal - Manual Descent Instruction	
6	1704016	4	Decal - Forklift	
7	1704277	4	Decal - Lanyard Attach	
8	1704412	1	Decal - Hydraulic Oil	
12	2080040	3	Fastener	
13	2080057	4	Fastener	
14	8990147	1	Box, Manual	
15	1001131270	1	Decal - Patent	
16	1001132359	1	Decal - Control Box Locate	
18	1001162864	2	Decal - Lift Up/Tie Down	
19	1001215755	4	Decal - Crushing Hazard	
20	1001211779	4	Decal - Electrocution	
21	1001212290	1	Decal - Tie Down	
22	1001213442	2	Decal - Lift and Tie Down	
23	1001212292	1	Decal - No Lifting	
24	1001212293	1	Decal - No Forklift	
25	1001146794	1	Decal - Battery/Charger Service	
26	1704684	1	Decal - Danger/Warning	
27	1001215749	4	Decal - Danger Electrocution	
29	1702155	1	Decal - Battery Disconnect	
30	1001223971	1	Decal - Yearly Inspection	
33	1001225622	2	Decal - Black Strip	
34	1001228641	2	Decal - Safety Prop (RH)	
35	1001228642	2	Decal - Safety Prop (LH)	
36	1001231801	1	Decal - Warning Prop 65	
38	1001228370	1	Decal - ICES (CAN) - 001	

SECTION 8 - DECALS

FIGURE 8-7. DECAL INSTALLATION (KOREAN SPECS)



NOTE: ITEMS SHOWN MAY NOT BE REQUIRED FOR ALL SPECS. REFER TO PARTS LISTS FOR USAGE.
NOTE: ADDITIONAL DECALS CALLED OUT ON DECAL INSTALLATION - OPTIONS



ART_1001222125

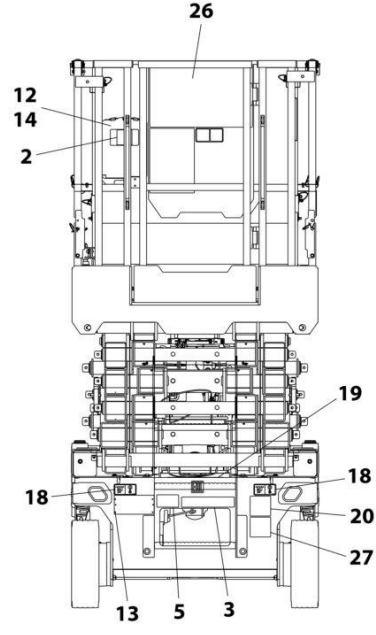
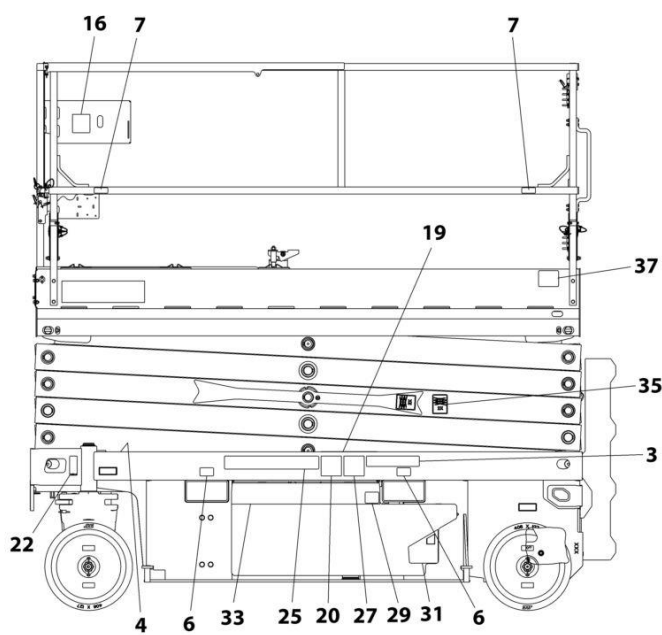
SECTION 8 - DECALS

FIGURE 8-7. DECAL INSTALLATION (KOREAN SPECS)

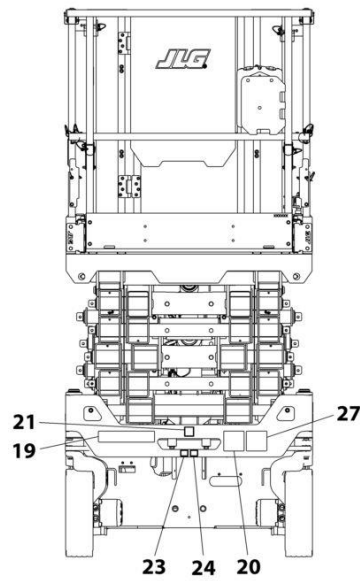
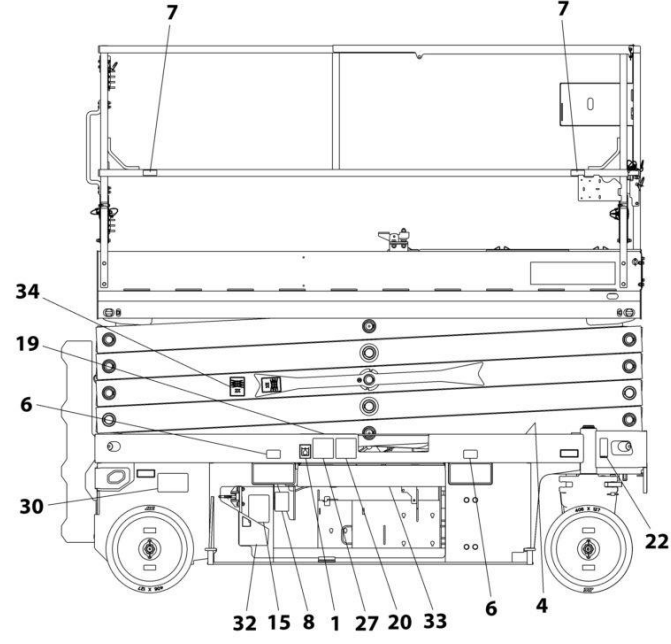
ITEM	PART NUMBER	QTY	DESCRIPTION	REV
	1001222125	Ref	DECAL INSTALLATION (KOREAN SPECS)	E
	1001217031	Ref	DECAL REFERENCE CHART	L
1	1701504	1	Decal - Hydraulic Oil	
2	1701640	1	Decal - Manual	
3	1707022	2	Decal - Warning Battery Ventilation	
4	1703819	4	Decal - Direction Arrow	
5	1703822	1	Decal - Manual Descent Instruction	
6	1704016	4	Decal - Forklift	
7	1704277	4	Decal - Lanyard Attach	
8	1704412	1	Decal - Hydraulic Oil	
12	2080040	3	Fastener	
13	2080057	4	Fastener	
14	8990147	1	Box, Manual	
16	1001132359	1	Decal - Control Box Locate	
18	1001162864	2	Decal - Lift Up/Tie Down	
19	1001215751	4	Decal - Crushing Hazard	
20	1001211779	4	Decal - Electrocution	
21	1001212290	1	Decal - Tie Down	
22	1001213442	2	Decal - Lift and Tie Down	
23	1001212292	1	Decal - No Lifting	
24	1001212293	1	Decal - No Forklift	
25	1001146794	1	Decal - Battery/Charger Service	
26	1001162115	1	Decal - Danger/Warning	
27	1001215750	4	Decal - Danger Electrocution	
29	1702155	1	Decal - Battery Disconnect	
30	1001224048	1	Decal - Yearly Inspection	
33	1001225622	2	Decal - Black Strip	
34	1001228641	2	Decal - Safety Prop (RH)	
35	1001228642	2	Decal - Safety Prop (LH)	

SECTION 8 - DECALS

FIGURE 8-8. DECAL INSTALLATION (LATIN AMERICAN SPECS)



NOTE: ITEMS SHOWN MAY NOT BE REQUIRED FOR ALL SPECS. REFER TO PARTS LISTS FOR USAGE.
NOTE: ADDITIONAL DECALS CALLED OUT ON DECAL INSTALLATION - OPTIONS



ART_1001222128

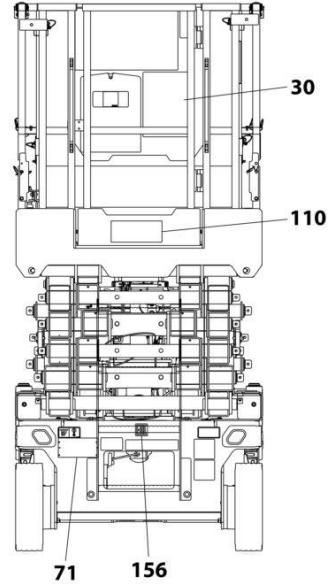
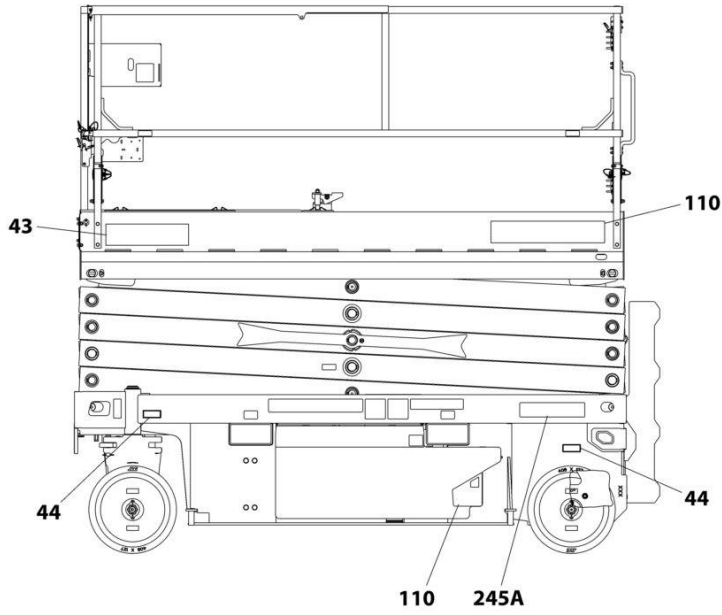
SECTION 8 - DECALS

FIGURE 8-8. DECAL INSTALLATION (LATIN AMERICAN SPECS)

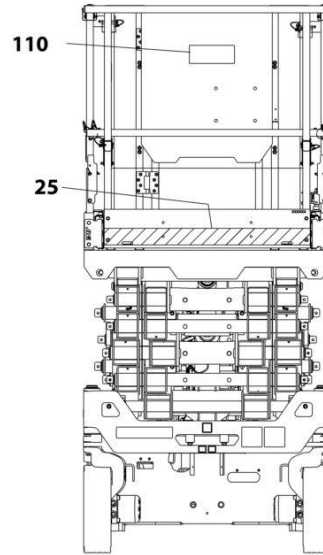
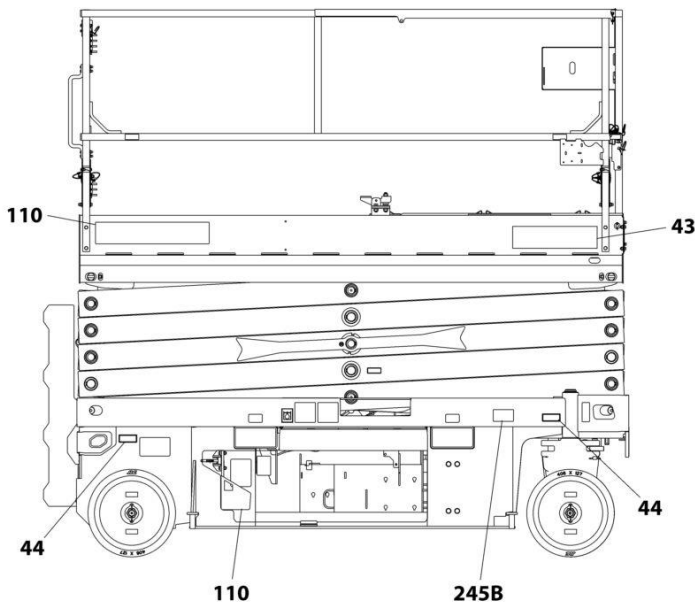
ITEM	PART NUMBER	QTY	DESCRIPTION	REV
	1001222128	Ref	DECAL INSTALLATION (LATIN AMERICAN SPECS)	E
	1001217031	Ref	DECAL REFERENCE CHART	L
1	1701504	1	Decal - Hydraulic Oil	
2	1701640	1	Decal - Manual	
3	1704339	2	Decal - Warning Battery Ventilation	
4	1703819	4	Decal - Direction Arrow	
5	1703822	1	Decal - Manual Descent Instruction	
6	1704016	4	Decal - Forklift	
7	1704277	4	Decal - Lanyard Attach	
8	1704412	1	Decal - Hydraulic Oil	
12	2080040	3	Fastener	
13	2080057	4	Fastener	
14	8990147	1	Box, Manual	
16	1001132359	1	Decal - Control Box Locate	
18	1001162864	2	Decal - Lift Up/Tie Down	
19	1001215754	4	Decal - Crushing Hazard	
20	1001211779	4	Decal - Electrocution	
21	1001212290	1	Decal - Tie Down	
22	1001213442	2	Decal - Lift and Tie Down	
23	1001212292	1	Decal - No Lifting	
24	1001212293	1	Decal - No Forklift	
25	1001146794	1	Decal - Battery/Charger Service	
26	1704691	1	Decal - Danger/Warning	
27	1001215748	4	Decal - Danger Electrocution	
29	1702155	1	Decal - Battery Disconnect	
30	1001224049	1	Decal - Yearly Inspection	
33	1001225622	2	Decal - Black Strip	
34	1001228641	2	Decal - Safety Prop (RH)	
35	1001228642	2	Decal - Safety Prop (LH)	

SECTION 8 - DECALS

FIGURE 8-9. DECAL INSTALLATION - OPTIONS



NOTE: ITEMS SHOWN MAY NOT BE REQUIRED FOR ALL SPECS. REFER TO PARTS LISTS FOR USAGE.



ART_DECAL_OPTIONS

SECTION 8 - DECALS

FIGURE 8-9. DECAL INSTALLATION - OPTIONS

ITEM	PART NUMBER	QTY	DESCRIPTION	REV
		Ref	DECAL INSTALLATION - OPTIONS	
25	1001217894	Ref	Corner Stripes Installation	
25	4420051	62 in/ 156cm	Tape, Safety	
30		Ref	Decal - Capacity Options	
30	1001220378	1	Decal - Capacity (All Specs except Australian & Japanese Specs)	
30	1001229804	1	Decal - Capacity (Australian Specs)	
30	1001231228	1	Decal - Capacity (Japanese Specs)	
43	1001257176	1	Decal - R4045	
44	1001224553	4	Decal - Maximum Tire Load	
71	See Note	NSS	Decal - Manufacturers Serial Number (Note: Not Available for Purchase)	
110A	1001255102	1	JLG Decals Installation (All Specs Except China Specs)	
110A	1001255104	1	Decal - JLG (Tank Door Side)	
110A	1001255105	1	Decal - JLG (Battery Door Side)	
110A	1001256675	1	Decal - JLG (3-5/16 wide)	
110A	1001256676	1	Decal - JLG (2-5/8 wide)	
110B	1001287764	1	Decal - JLG (China Specs)	
110B	1001255104	1	Decal - Door (Tank Door Side)	
110B	1001255105	1	Decal - Door (Battery Door Side)	
110B	1001287763	1	Decal - Gate	
110B	1001288432	2	Decal - Platform	
110B	1001288433	1	Decal - Billboard	
156	1001173703	1	Decal - EAC (Russian/CIS Specs)	
245	1001236983	Ref	Clearsky Decal Installation	
245A	1001116208	1	Decal - Clearsky	
245B	1001120989	1	Decal - Radio Frequency	

SECTION 9 - RECOMMENDED SERVICE PARTS STOCK

SECTION 9 - RECOMMENDED SERVICE PARTS STOCK

SECTION 9 - RECOMMENDED SERVICE PARTS STOCK

FIGURE 9-1. RECOMMENDED SERVICE PARTS STOCK

ITEM	PART NUMBER	QTY	DESCRIPTION	REV
		Ref	Note: The following list will service one machine (built to current production per date on the front cover) with emergency repair parts which can be installed in the field. Parts from the list should be replaced when inventory is depleted to keep service parts stock supplied. For further information, contact your JLG dealer or the JLG Industries Parts Department.	
	1001189172	1	Breaker 16Amp Double (AC Box CE & UK CA Specs)	
	1001228191	1	Breaker 250V/10A-30mA (AC Box Australian Specs)	
	1001189171	1	Breaker 30mAmp (AC Box CE & UK CA Specs Machines)	
	1001181045	1	Breaker 30mAmp/16Amp (CE & UK CA Specs Machines)	
	70006297	1	Coil (Flow Diverter)	
	70006335	1	Coil (Lift Cylinder)	
	1600402	1	Controller, Drive/Steer (Platform Console)	
	70005423	12	Filter Service Kit (Hydraulic Tank)	
	1001228388	2	Fuse 1Amp (Machines with Charger Communication Port)	
	1001196635	2	Fuse 3Amp (Machines with Mobile Control)	
	8229242	2	Fuse 5Amp (Chassis Harness)	
	8229244	2	Fuse 15Amp (Chassis Harness)	
	2400087	2	Fuse - 300Amp (Batteries)	
	2860030	1	Key, Replacement (Ground Control)	
	3080007	1	Latch, Magnetic (Platform Gate)	
	1001200629	1	Module, Control (Ground Control)	
	1001228112	1	Module, Platform	
	1001216062	1	Module, Power (Ground Control)	
	3740150	1	Relay (Ground Controls)	
	1001146963	1	Sensor, Angle (Scissors Arms)	
	1001186466	1	Sensor, Tilt (Frame)	
	4360469	1	Switch, Key (Ground Control)	
	4360475	1	Switch, Mushroom (Ground Control/Platform Console)	
	1001226749	1	Switch, Push Button (Platform Console)	
	1001203871	1	Switch, Roller (Pothole Protection)	
	4360328	1	Switch, Toggle (Ground Control)	
	4360336	1	Switch, Toggle (Machines with Inverter)	
	1001258446	1	Switch, Toggle (Platform Control)	

SECTION 10 - SPECIAL OPTIONS/ACCESSORIES/KITS

SECTION 10 - SPECIAL OPTIONS/ACCESSORIES/KITS

SECTION 10 - SPECIAL OPTIONS/ACCESSORIES/KITS

FIGURE 10-1. SPECIAL OPTIONS/ACCESSORIES/KITS

ITEM	PART NUMBER	QTY	DESCRIPTION	REV
		Ref	Note: This list is to accommodate machines ordered with special equipment. Options may not be applicable to all models. For more specific parts information contact the JLG Parts Department.	
		Ref	MISCELLANEOUS SPECIAL OPTIONS/ACCESSORIES/KITS	
	1001209921	Ref	Antivandalism Package	
	1001225173	Ref	Anti-Vandalism Add-on Kit	
		Ref	Battery Charger Add-on Kit (Can) Options :	
	1001255617	Ref	Battery Charger Add-on Kit (Can) (ANSI, ANSI Export, CSA and Japanese Specs)	
	1001255822	Ref	Battery Charger Add-on Kit (Can) (ANSI, ANSI Export, Australian, CSA and Japanese Specs)	
	1001255597	Ref	Battery Charger Add-on Kit (Can) (ANSI Export Specs)	
	1001225169	Ref	Beacon Add-on Kit (Single ECCO Brand) (Amber)	
	1001249229	Ref	Beacon Add-on Kit (Single Sanmak Brand) (Amber)	
	1001225170	Ref	Beacon Add-on Kit - (Dual ECCO Brand) (Amber)	
	1001249230	Ref	Beacon Add-on Kit (Dual Sanmak Brand) (Amber)	
		Ref	ClearSky Add-On Kit Options (Dealer Installed)	
	1001278848	Ref	ClearSky Add-on Kit - 3 Wire (All Specs Except China)	
	1001265376	Ref	ClearSky Add-On Kit - Canbus (ANSI, ANSI Export & CSA Specs)	
	1001237257	Ref	ClearSky Add-On Kit - Canbus (ANSI Export, CE & UK CA Specs)	
	1001248502	Ref	ClearSky Add-On Kit - Canbus (Australian Specs)	
	1001248503	Ref	ClearSky Add-On Kit (China Specs)	
	1001248689	Ref	ClearSky Add-On Kit - Access Control	
	1001236983	Ref	Decal - ClearSky	
	1001269651	Ref	Control Box Cover Installation Kit	
	1001274827	Ref	Decal Kit - 4045R	
	1001216582	Ref	Drive Motor Covers installation	
		Ref	Electrical Connector Kits	
	1001148902	Ref	Amp/Tyco Electrical Connector Kit	
	1001148903	Ref	Deutsch DT Electrical Connector Kit	
	1001148904	Ref	Deutsch HD Electrical Connector Kit	
	1001148905	Ref	Packard Electrical Connector Kit	
	1001148906	Ref	Various Electrical Connector Kit	
	1001285364	Ref	European Subassembly Kit (SN Starting with 02)	
	1001284955	Ref	European Subassembly Kit (SN Starting with 12)	
	1001218728	Ref	Fire Extinguisher Installation	
	1001215448	Ref	Footswitch Installation (ANSI Export & Japanese Specs Only)	
	1001234379	Ref	Frame Cover Upgrade Kit	
	1001232356	Ref	Ground Control Panel Cover Add-on Kit	
	1001225172	Ref	Inverter Add-on Kit (ANSI Specs Only)	
	1001226903	Ref	Low Height Restriction System Installation	
	1001161710	Ref	Switch, Toggle	
	1001250532	Ref	Mobile Control Add-on Kit (Dealer Installed)	
	1001258356	Ref	Operator Access Control	
	1001229728	Ref	Overhead Protection Add-on Kit (ANSI Export Specs Only)	
	1001270721	Ref	Pipe Racks Kit (Dealer Installed)	
	1001231309	Ref	Platform Extension Deployment Handles Add-on Kit	
	1001223283	Ref	Platform Gate Latch (Magnetic) Installation	

SECTION 10 - SPECIAL OPTIONS/ACCESSORIES/KITS

ITEM	PART NUMBER	QTY	DESCRIPTION	REV
	1001262557	Ref	Platform Self Closing Gate Add-on Kit (Dealer Installed)	
	1001262558	Ref	Platform Self Closing Gate Add-on Kit (Dealer Installed)	
	1001214226	Ref	Platform Worklight Installation	
	1001225171	Ref	Platform Work Lights Add-on Kit	
	1001265316	Ref	Pothole Protection Add-on Kit Dealer Installed)	
	1001225174	Ref	Quik Welder	
	1001224583	Ref	Service Kits List	Y
	1001254721	Ref	SkySense Level 1 Add-on Kit (Dealer Installed)	
	1001255883	Ref	SkySense Level 1 Installation (Factory Installed)	
	1001255884	Ref	SkySense Level 2 Add-on Kit (Dealer Installed)	
	1001255339	Ref	SkySense Level 2 Installation (Factory Installed)	
		Ref	Soft-Touch Installation Options:	
	1001214272	Ref	Soft-Touch Installation (Without Switches & With Padding) (Tube-in-Tube Extension)	
	1001220127	Ref	Soft-Touch Installation (Without Switches & With Padding) (Side-by-Side Extension)	
	1001270896	Ref	Spindle/Steering Cover Installation (Factory Installed)	
		Ref	Tools For Service:	
	2901443	1	Analyzer Kit	
	1001232474	1	Bench-Top R-Scissors Harness	
	8896941	1	Wire Stripper	
	7002821	1	Wire Crimper (To Install Wire Ends to Wires)	
	7002823	1	Pin/Socket Extractor - Universal (To Remove Pins/Sockets from Connectors)	
	4460467	1	Extractor - 16-18 Gauge (For Removal Pins/Sockets from Deutsch Connectors)	
	4460510	1	Extractor - 12-14 Gauge (For Removal of Pins/Sockets from Deutsch Connectors)	
	7002822	1	Screwdriver, Potentiometer (To Adjust Drive Controllers)	
	7016654	1	Screwdriver, Magnetic	
	7004275	1	Seal Installation Tool - 1in	
	7004276	1	Seal Installation - 1-1/2in	
	7002826	1	Seal Installation Tool - 2in	
	1001269646	Ref	Tool Tray Add-on Kit (Dealer Installed)	
	1001262959	Ref	Voltage Regulator Relocation Kit (for ClearSky)	
	1001281944	Ref	White Noise Ambient Alarm Kit	

SECTION 10 - SPECIAL OPTIONS/ACCESSORIES/KITS

PART NUMBER INDEX

SECTION 10 - SPECIAL OPTIONS/ACCESSORIES/KITS

0100011.....13, 15, 17, 25, 27, 81, 83, 107, 112, 117, 119, 125, 129, 131	0761224 107	1001142174 105	1001200819..... 133, 257
0100051.....99, 101, 103	0861731 ... 259, 265, 267, 269	1001143009 105	1001201885.....257
0140030.....133	0861781 261, 263	1001143010 105	1001202184.....231, 233, 241
0140043.....89, 91	0861880 185	1001143501 161, 163	1001202773.....15, 17
0275216.....171, 261	0940071 107	1001143645 161, 163	1001202851.....81, 83
0275217.....173, 263	0962272 ... 113, 117, 153	1001144147 95, 221, 225, 255	1001202987.....25
0275452.....175, 265	0962474 113, 117	1001144295 204	1001202999.....25
0275453.....177, 267	1001047064 133	1001144296 203, 204	1001203869.....25
0275454.....179, 269	1001091102 ... 25, 51, 55, 57, 61, 63, 67, 69, 73, 91	1001146794 275, 277, 279, 283, 285, 287, 289	1001203870.....25
0440223.....145	1001094312 112, 116	1001146795 281	1001203871.....25, 294
0440266.....113, 117	1001096653 112, 116	1001146963 112, 116, 294	1001203872.....25
0440267.....113, 117, 155	1001097150 169, 271	1001148902 296	1001205409.....203, 255
0480100.....141	1001097347 219, 221	1001148903 296	1001205410.....203
0630586.....89, 91	1001098828 119	1001148904 296	1001205411.....203
0630587.....89, 91, 105	1001100341 261	1001148905 296	1001205412.....203
0700408.....91	1001100342 263	1001148906 296	1001205422.....123
0700410.....51, 63	1001100345 265	1001151629 203	1001205598.....47, 49
0700416.....57, 69	1001100346 269	1001152266 204	1001206995.....45
0700610.....145	1001100347 267	1001152483 187	1001207009.... 29, 31, 33, 35, 37, 39, 41, 43
0700612...25, 27, 97, 107	1001101540 105	1001152483 187	1001207173.....203
0700614.....131	1001102258 167, 169, 171, 173, 175, 177, 179, 181, 183	1001153195 112, 116	1001207214.....89, 91
0700617.....129	1001102489 ... 29, 31, 33, 35, 37, 39, 41, 43, 45, 47, 49	1001153785 13	1001207215.....89, 91
0700618.....129, 131	1001102771 199, 201	1001157050 147	1001207293.....93
0700621.....127	1001103012 203, 223	1001157513 105	1001207970.... 33, 35, 45
0700812.....161, 163	1001103013 223	1001157547 105	1001207973.....49
0700814.....112, 117	1001104498 223	1001157790 105	1001207974.... 29, 31, 37, 39, 47
0700815.....25	1001107854 203	1001159186 257	1001208852.....125
0700817.....107, 141	1001110302 25	1001161710 296	1001209596.....133
0700818.....127, 129, 131	1001113961 203	1001162115 287	1001209682.....89, 91
0700819.....161, 163	1001116208 291	1001162864 275, 277, 279, 281, 283, 285, 287, 289	1001209921.....296
0700823.....25	1001116731 221, 223	1001162886 203	1001210064.....123
0700825.....81, 83	1001116732 219, 221	1001162887 203, 223, 255	1001210079.....95
0700835.....133	1001116812 95, 199, 201, 203, 255	1001163178 13, 157	1001210440.....105
0701014.....112, 117	1001117000 203	1001163340 203, 223, 255	1001210605.....105
0701015.....112, 116	1001117057 219, 221	1001173703 291	1001210881.....105
0701016.....112, 117	1001118274 95	1001174673 112, 117	1001210882.....105
0701019.....119	1001118387 203	1001181045 185, 294	1001210966.....89, 91
0701022.....112, 116	1001118812 95, 225	1001182806 75	1001211677.....113, 117
0701024.....112, 116, 119	1001120204 171, 173, 175, 177, 179	1001186235 129	1001211775.....203
0701025.....112, 116	1001120205 185, 187	1001186466 27, 294	1001211777.....275
0701026.....123	1001120989 291	1001187587 129, 131, 145	1001211779.....275, 283, 285, 287, 289
0701030.....112, 116	1001125483 105	1001187816 181	1001211951.....113, 117
0711221.....13	1001125677 95, 204, 225	1001188116 181	1001212035.....257
0760408.... 167, 171, 173, 175, 177, 179, 181	1001130220 133	1001189171 187, 294	1001212036.....257
0760606.....129, 131	1001130590 89, 91	1001189172 187, 294	1001212187.....23
0760607.....41, 43	1001131270 275, 285	1001191139 ... 51, 57, 63, 69	1001212290.....275, 277, 279, 281, 283, 285, 287, 289
0760608.....131, 169	1001132358 133	1001192401 95, 203, 204	1001212292.....275, 277, 279, 281, 283, 285, 287, 289
0760610.... 29, 31, 33, 35, 37, 39, 41, 43, 45, 47, 49, 89, 91, 105, 133, 139, 167, 171, 173, 175, 177, 179, 181, 183	1001132359 275, 277, 279, 281, 283, 285, 287, 289	1001194421 257	1001212293.....275, 277, 279, 281, 283, 285, 287, 289
0760612.... 29, 31, 33, 35, 37, 39, 41, 43, 45, 47, 49, 75, 89, 91, 99, 103	1001132361 133	1001196634 201, 217	1001212294.....81, 83
0760810 81, 83, 123, 125, 129	1001136757 105	1001196635 255, 294	1001212482.....116, 153
0760812...81, 83, 95, 125	1001137263 161, 163, 227, 229, 231, 233, 235, 237, 243	1001197396 13	1001212483.....116, 155
0760822.....161, 163	1001137675 123	1001200561 ... 29, 33, 37, 41	1001212768.....113, 117
0761014.... 37, 39, 81, 83, 123, 125, 169	1001142173 105	1001200629 .. 89, 91, 294	1001212795.....113, 117
0761015.....77		1001200631 89, 91	1001212829.....113, 117
0761218001 107		1001200632 93	1001212958.....113, 117
		1001200812 227, 229, 239	1001212963.....113, 117

SECTION 10 - SPECIAL OPTIONS/ACCESSORIES/KITS

1001212964 113, 117	1001214456..... 173	1001216792..... 113, 116	1001220905 99, 103
1001212967 113, 117	1001214457..... 181	1001216808..... 116	1001221949 .. 41, 43, 191
1001212970 113, 117	1001214526..... 25	1001216816..... 139	1001222124 275
1001212971 113, 117	1001214528..... 25	1001217031..... 275, 277,	1001222125 287
1001212972 113, 117	1001214534..... 25	279, 281, 283, 285,	1001222126 283
1001213036 81, 83	1001214625..... 112, 116	287, 289	1001222127 279
1001213137 116	1001214641..... 112, 116	1001217059..... 27	1001222128 289
1001213264 15, 19	1001214644..... 112, 116	1001217110..... 113, 117	1001222129 285
1001213267 123	1001214646..... 112, 116	1001217164..... 185, 187	1001222130 281
1001213268 125	1001214648..... 112, 116	1001217216..... 77	1001222131 277
1001213269 131	1001214649..... 112, 116	1001217386..... 161, 163	1001222308 113, 116
1001213270 129	1001214650..... 112, 116	1001217445..... 105	1001222742 129, 131
1001213275 123	1001214689..... 112, 116	1001217457..... 113, 117	1001222861 129
1001213393 129, 131	1001214810..... 107	1001217464..... 107	1001222869 129
1001213394 129, 131	1001214875..... 81, 83	1001217466..... 113, 117	1001222907 129
1001213397 129, 131	1001214876..... 81, 83	1001217492..... 89	1001222913 129
1001213403 131	1001214878. 99, 101, 103	1001217894..... 291	1001223040 129
1001213407 131	1001214879. 99, 101, 103	1001218048..... 107	1001223053 129
1001213409 131	1001214880..... 105	1001218159..... 161, 163	1001223055 275
1001213416 131	1001214907..... 112, 116	1001218160..... 161, 163	1001223073 107
1001213442 275, 277,	1001214911..... 103	1001218161..... 161, 163	1001223164 131
279, 281, 283, 285,	1001214913..... 99	1001218162..... 161, 163	1001223165 129
287, 289	1001214915..... 101	1001218163..... 161, 163	1001223166 129
1001213470 125	1001214980..... 101	1001218165..... 161, 163	1001223171 107
1001213550 125	1001214981..... 99	1001218167..... 161, 163	1001223262 237
1001213590 25	1001214994..... 105, 245	1001218168..... 161, 163	1001223263 235
1001213591 25	1001215074..... 29, 31, 33,	1001218169..... 161, 163	1001223283 296
1001213595 25	35, 37, 39, 41, 43	1001218170..... 161, 163	1001223446 91
1001213747 13	1001215075..... 45, 47, 49	1001218181..... 107	1001223447 243
1001213815 81, 161	1001215215..... 105	1001218190..... 143	1001223650 239
1001213816 15, 17	1001215216..... 61, 63, 65,	1001218263..... 131	1001223651 241
1001213838 125	69, 71, 73	1001218264..... 129	1001223790 91
1001213875 81	1001215434..... 81, 83	1001218285..... 133	1001223971 285
1001213886 133	1001215446..... 127	1001218307..... 25	1001224048 287
1001213915 129	1001215448..... 296	1001218563..... 107	1001224049 289
1001213916 129	1001215732..... 227, 231,	1001218573..... 107	1001224051 283
1001213926 13	235, 237, 243	1001218696..... 113, 117	1001224052 279
1001213931 129	1001215747..... 283	1001218728..... 296	1001224553 291
1001213945 227, 229,	1001215748..... 279, 289	1001218851..... 29, 37	1001224583 297
231, 233, 235, 237, 243	1001215749..... 285	1001218933..... 49	1001225164 113, 117
1001214024 13	1001215750..... 287	1001218989..... 47	1001225169 296
1001214150 75	1001215751..... 287	1001219018..... 175, 177,	1001225170 296
1001214152 13	1001215752..... 283	187	1001225171 297
1001214195 ... 29, 31, 33,	1001215754..... 289	1001219041..... 171, 173,	1001225172 296
35, 37, 39, 41, 43, 45,	1001215755..... 285	179, 185	1001225173 296
47, 49	1001215790..... 112, 116,	1001219077..... 45	1001225174 297
1001214211 51	123	1001219133..... 147	1001225622 275, 277,
1001214212 63	1001215953..... 25	1001219319..... 147	279, 281, 283, 285,
1001214214 33	1001216062... 89, 91, 294	1001219596..... 57	287, 289
1001214215 105	1001216353..... 107	1001219597..... 69	1001226215 119
1001214217 27	1001216409. 99, 101, 103	1001219622..... 145	1001226216 119
1001214219 77	1001216410. 99, 101, 103	1001219670..... 145	1001226218 119
1001214226 297	1001216411. 99, 101, 103	1001219766..... 113, 117	1001226219 119
1001214268 123	1001216417. 99, 101, 103	1001219828..... 107	1001226220 119
1001214272 297	1001216582..... 296	1001219829..... 107	1001226422 41
1001214274 145	1001216593..... 112, 117,	1001219834..... 113, 117	1001226636 221, 223
1001214309 103	253	1001219835..... 113, 117	1001226637 221, 223
1001214442 227	1001216594..... 112, 117,	1001220127..... 297	1001226749 133, 294
1001214443 231	249	1001220144..... 113, 117	1001226903 296
1001214444 235	1001216595..... 112, 117,	1001220378..... 291	1001227219 37, 39
1001214445 237	251	1001220407..... 113, 117	1001227267 .. 37, 39, 271
1001214446 167	1001216648..... 279	1001220766..... 57, 59, 69,	1001227268 169
1001214447 183	1001216650..... 279	71	1001227269 271
1001214450 175	1001216690..... 112, 116	1001220891..... 139	1001227516 113, 116
1001214451 177	1001216691..... 113, 116	1001220893..... 133	1001227855 25
1001214452 179	1001216779..... 139	1001220894..... 145	1001227919 117
1001214453 171	1001216781..... 113, 116	1001220904..... 99, 103	1001227969 131

SECTION 10 - SPECIAL OPTIONS/ACCESSORIES/KITS

1001227972.....131	1001242697.....67	1001258356.....95, 296	1380132.....127
1001227994.....131	1001242708.....113	1001258446.....133, 294	1580023.....143
1001228112.....294	1001242709.....113	1001258691.....95	1580024.....143
1001228191.....271, 294	1001242988.....55	1001258819.....112	1600402.....133, 135, 294
1001228370.....275, 285	1001242989.....61	1001258856.....189	1671207.....259
1001228388.....199, 294	1001242990.....73	1001258857.....191	1701504.....275, 277, 279, 281, 283, 285, 287, 289
1001228533.....113, 116	1001243109.....161, 163	1001258858.....193	1701640.....275, 277, 279, 281, 283, 285, 287, 289
1001228641.....275, 277, 279, 281, 283, 285, 287, 289	1001244298.....283	1001258859.....195	1702010.....139
1001228642.....275, 277, 279, 281, 283, 285, 287, 289	1001244394.....97	1001258860.....197	1702155.....275, 277, 279, 281, 283, 285, 287, 289
1001228954.....209	1001244446.....37	1001261131.....137	1703464.....167, 171
1001229522.....99, 101, 103	1001244885.....97	1001262150.....137	1703813.....275
1001229529.....119	1001245255.....169	1001262221.....149	1703816.....275
1001229728.....296	1001245293.....97	1001262322.....213	1703819.....133, 275, 277, 279, 281, 283, 285, 287, 289
1001229804.....291	1001245743.....271	1001262327.....213	1703822.....275, 277, 279, 281, 283, 285, 287, 289
1001229950.....119	1001245744.....169, 271	1001262557.....297	1704016.....275, 277, 279, 281, 283, 285, 287, 289
1001229951.....119	1001245917.....37, 39, 271	1001262558.....297	1704260.....133
1001231228.....291	1001246085.....169, 271	1001262655.....133	1704277.....275, 277, 279, 281, 283, 285, 287, 289
1001231264.....89, 91	1001246144.....211	1001262959.....297	1704339.....289
1001231270.....113, 117	1001246145.....215	1001265316.....297	1704340.....285
1001231309.....296	1001246171.....271	1001265376.....296	1704341.....279
1001231801.....275, 285	1001246392.....143	1001269646.....297	1704344.....283
1001231837.....113, 116	1001246395.....143	1001269651.....296	1704412.....275, 277, 279, 281, 283, 285, 287, 289
1001231841.....81, 83	1001246531.....215	1001270533.....141	1704691.....289
1001231890.....113, 117	1001248502.....296	1001270631.....141	1704699.....279
1001232356.....296	1001248503.....296	1001270721.....296	1705195.....283
1001232474.....297	1001248679.....81, 83, 87	1001270855.....141	1705670.....277, 281
1001232622.....129	1001248689.....296	1001270896.....297	1705671.....277, 281
1001233479.....53, 59, 65, 71	1001248768.....97	1001271412.....141	1705673.....277, 281
1001233998.....59, 71	1001248773.....95	1001272659.....207	1705985.....147
1001234204.....113, 116	1001249229.....296	1001272997.....217	1705997.....143
1001234257.....107	1001249230.....296	1001273012.....207, 217	1707022.....287
1001234379.....296	1001249613.....97, 255	1001274168.....137	2080040.....125, 129, 131, 275, 277, 279, 281, 283, 285, 287, 289
1001234397.....37, 39, 169	1001249614.....97	1001274559.....89, 91	2080057.....275, 277, 279, 281, 283, 285, 287, 289
1001234407.....125	1001250532.....296	1001274604.....133	2220346.....161
1001235560.....127	1001251144.....213	1001274605.....133	2220371.....161, 163
1001235561.....127	1001251145.....209	1001274659.....133	2220372.....161, 163
1001235941.....141	1001251146.....211	1001274661.....149	2220373.....161, 163
1001236144.....209, 211, 215	1001252928.....97	1001274827.....296	2220375.....163
1001236983.....291, 296	1001253649.....35	1001278513.....207, 219	2220466.....161, 163
1001237211.....223	1001253650.....31, 39	1001278847.....207	2220473.....161, 163
1001237212.....223	1001253651.....43	1001278848.....296	2220497.....161, 163
1001237213.....223	1001253652.....39	1001281944.....297	2220502.....161, 163
1001237257.....296	1001253800.....137	1001283409.....89, 91, 203	2220582.....161, 163
1001237911.....129	1001253952.....31, 35, 39, 43	1001284939.....83, 85	2220628.....161, 163
1001238392.....95	1001254026.....209, 211, 213, 221	1001284954.....83, 163	2221116.....112, 116
1001238762.....223	1001254027.....31, 35, 39, 43, 95, 209, 211, 213, 225	1001284955.....296	2400060.....199, 201, 203, 204, 255
1001238845.....215, 223	1001254028.....31, 35, 39, 43, 199, 201	1001285364.....296	2400087.....99, 101, 103, 294
1001238862.....53	1001254721.....297	1001285829.....247	2420172.....89, 91
1001238863.....65	1001255102.....291	1001287711.....141	2560088.....127
1001238864.....59	1001255104.....291	1001287763.....291	2560190.....127
1001238865.....71	1001255105.....291	1001288432.....291	2600281.....129, 131
1001238955.....223	1001255339.....297	1001288433.....291	2700100.....143
1001238956.....223	1001255597.....296	1001292036.....17, 21	
1001239065.....229	1001255617.....296	1060379.....141, 143	
1001239066.....233	1001255822.....296	1060908.....185, 187, 271	
1001239224.....55, 61, 67, 73	1001255883.....297	1062255.....95, 209, 211, 213, 215	
1001239286.....229, 233	1001255884.....297	1120555.....143	
1001239661.....67, 73	1001255901.....217	1320136.....209, 211, 213	
1001242539.....67, 73	1001256516.....107	1320187.....161, 163	
1001242587.....25	1001256675.....291	1321283.....161, 163	
	1001256676.....291	1321293.....29, 31, 33, 35, 37, 39, 41, 43, 45, 47, 49, 167, 171, 173, 175, 177, 179, 183	
	1001257176.....291	1321752.....161, 163	

SECTION 10 - SPECIAL OPTIONS/ACCESSORIES/KITS

2860030	89, 91, 294	3860111	127, 131	4460418.....	203, 245, 257	235, 237, 239, 241,	
2901443	297	3900355	143	4460419.....	203, 245	243, 255	
2902431	167, 259	3910804	89, 91	4460424....	29, 31, 33, 35,	4460944.....	95, 199, 201,
3080007	129, 131, 294	3931412	143	37, 39, 41, 43, 199		203, 204, 225, 227,	
3252507 ...	173, 175, 177,	3931508	143	4460464....	61, 63, 65, 69,	229, 231, 233, 235,	
179, 181, 183		3990001	201	71, 73, 75, 95, 116,		237, 243, 255	
3271601	107	4010310	55, 61, 67, 73	199, 201, 203, 204,		4460956	185
3290305	55, 61, 67, 73	4010408	37, 39, 169	217, 219, 221, 223,		4460957	185
3290405 ...	25, 37, 39, 51,	4010610 ...	171, 173, 175,	227, 229, 231, 233,		4460966	204
53, 57, 59, 63, 65, 69,		177, 179		235, 237, 239, 241,		4460968	181
71, 91, 105, 112, 116,		4031507	53, 65	243, 245, 247, 251,		4461016	257
133, 167, 169, 171,		4031509	133	253, 255, 257		4461023	203
173, 175, 177, 179, 181		4031511	25, 59, 71	4460465....	51, 53, 55, 57,	4461196	195, 261
3290601	27	4031512	112, 116	59, 61, 63, 65, 67, 69,		4461198	261
3290605 ...	29, 31, 33, 35,	4031708 .	27, 47, 49, 209,	71, 73, 95, 199, 201,		4461199	197, 263
37, 39, 41, 43, 45, 47,		211, 213		203, 204, 219, 227,		4461201	263
49, 75, 89, 91, 97, 105,		4032111	147	229, 231, 233, 235,		4461205	189, 265, 267
112, 116, 167, 169,		4060803	133	237, 239, 241, 243,		4461244	265
171, 173, 175, 177,		4060865	57, 69	247, 249, 251, 253, 255		4461245	267
179, 181, 183, 209,		4060906	133	4460466.....	95, 199, 201,	4461246	269
211, 213		4160078	112, 117	203, 204, 221, 223,		4461249	193, 269
3290606 ...	127, 129, 131,	4160202	25	225, 227, 229, 231,		4461257	171, 173
139, 145		4160214	107	233, 235, 237, 239,		4461258	171, 173
3290801 25, 99, 101, 103		4191706	145	241, 245, 247, 249,		4640780	161, 163
3290805 .	25, 81, 83, 107,	4220227	145	253, 255, 257		4711400	143, 145
112, 116, 123, 141,		4240003	143, 145	4460467	297	4711700	133
161, 163		4240017 ...	29, 31, 33, 35,	4460496	133	4711800	123
3290806 ...	127, 129, 131,	37, 39, 41, 43, 45, 47,		4460497	133	4740086	13, 25, 107
133		49, 89, 91, 97, 99, 101,		4460510	297	4740480	143
3291001	112, 117	103, 105, 227, 229,		4460539....	204, 235, 237,	4811400 ...	37, 39, 53, 59,
3291005 .	37, 39, 77, 112,	231, 233, 235, 237,		247, 253		65, 71, 105, 112, 116,	
116, 123, 125, 169		239, 241, 243		4460662....	175, 177, 179,	133, 167, 169, 171,	
3291006	119	4240018 ...	61, 63, 65, 69,	259		173, 175, 177, 179, 181	
3291201	107	71, 73, 161, 163		4460722.....	245	4811700 ...	29, 31, 33, 35,
3291205	147	4240032	95, 207, 209,	4460754....	227, 229, 231,	37, 39, 41, 43, 45, 47,	
3321402	112, 117	211, 213, 215		233, 235, 237, 239, 241		49, 75, 97, 105, 112,	
3331211	13, 15, 17	4240147	25	4460761.....	203	116, 129, 131, 133,	
3422219	131, 143	4240165	139	4460779.....	105	139, 169, 209, 211, 213	
3422661	141	4340853	143	4460865.....	69, 71	4811702 ...	25, 27, 29, 31,
3422943	112, 116, 123	4340854	143	4460871....	199, 201, 203	33, 35, 37, 39, 41, 43,	
3423243	107	4340947	145	4460872.....	199, 201	45, 47, 49, 89, 91, 99,	
3423278	131, 133, 147	4360328	89, 91, 294	4460877.....	203	103, 107, 127, 129,	
3430636	25	4360336	105, 294	4460884.....	95, 201, 203,	167, 171, 173, 175,	
3430813	125	4360469	89, 91, 294	204, 219, 253, 255		177, 179, 181, 183	
3430816	123	4360475 89, 91, 133, 294		4460891....	51, 53, 55, 57,	4811900 ...	25, 81, 83, 95,
3431212	25	4420037	139	59, 61, 63, 65, 67, 69,		112, 116, 123, 125,	
3431218	13, 25	4420051	291	71, 73, 199, 201, 204,		127, 129, 131, 133,	
3431228	13	4420062	81, 119, 129,	235, 237, 249, 251		161, 163	
3450303	107	131, 133, 141, 145, 147		4460894....	204, 227, 229,	4811902 .	25, 81, 83, 107,
3450403	25, 123	4460042	203, 204	231, 233, 235, 237,		141	
3450404	125	4460115	203	243, 249, 253		4812000 ...	25, 37, 39, 81,
3450505	13, 25	4460138	105, 167	4460897....	61, 63, 65, 69,	83, 107, 112, 116, 119,	
3450508	23	4460183	203, 257	71, 73, 75, 199, 201,		123, 125, 169	
3460334	143	4460226	204	203, 235, 237, 245, 251		4812002	77
3520072 ...	119, 129, 131,	4460227 ...	29, 31, 33, 35,	4460899....	116, 204, 227,	4812100	147
145		37, 39, 41, 43, 199, 203		229, 231, 233, 235,		4812100001	107
3574505	139	4460234 ...	209, 211, 213,	237, 239, 241, 243, 253		4812200	125
3574506	139	215		4460905.....	199, 201, 203	4812500	25
3740150 89, 91, 105, 294		4460247	203	4460930.....	204	5241200	13, 15, 17
3760170 ...	112, 116, 143,	4460259	203	4460931.....	253	5251011	107
145, 147		4460260	203	4460932.....	95, 201, 217,	5260600	99, 103
3760217	13	4460265	257	219, 221, 223, 247,		5271808	81, 83
3760348	107	4460267	257	253, 255		5272120	15, 17
3760387	112, 116	4460290	99, 101, 103	4460933.....	95, 203, 204,	5272122	15, 17
3820019	127	4460315	167, 181	225		70000082	135
3841143	112, 116, 123	4460320	204	4460943.....	95, 221, 225,	70000084	135
3841675	145	4460346	259	227, 229, 231, 233,		70000683	135

SECTION 10 - SPECIAL OPTIONS/ACCESSORIES/KITS

70000684.....	135	70005919.....	15, 17	70007593.....	87	7020176.....	89, 91, 133
70000685.....	135	70006244.....	19	70007594.....	87	7020218.....	117
70000686.....	135	70006245.....	19	70007595.....	87	7023308.....	19
70000764.....	153	70006295.....	81, 83	70007596.....	87	7023310.....	19
70001250.....	135	70006296.....	81, 83	70007597.....	87	7023311.....	19
70001251.....	135	70006297.....	81, 83, 294	70007598.....	87	7023315.....	19
70001252.....	135	70006298.....	81, 83	70007599.....	87	7023318.....	19
70001253.....	135	70006299.....	81, 83	70007600.....	87	7023321.....	19
70003650.....	135	70006301.....	87	70007601.....	87	7023322.....	19
70004164.....	81, 83	70006316.....	153	70007602.....	87	7023324.....	19
70004465.....	81, 83	70006317.....	153	70007946.....	81, 83	7023328.....	19
70005150.....	157	70006318.....	153	70008409.....	85	7023329.....	19
70005151.....	157	70006319.....	153	70008410.....	85	7023407.....	19
70005152.....	157	70006320.....	153	70008411.....	85	7023408.....	19
70005153.....	157	70006321.....	153	70008412.....	85	7026174.....	19
70005154.....	157	70006322.....	153	70008413.....	85	7026179.....	19
70005236.....	153	70006323.....	153	70008414.....	85	7027365.....	135
70005423.....	81, 83, 294	70006325.....	153, 155	70021209.....	87	7027367.....	135
70005664.....	153	70006326.....	155	70025605.....	155	7027765.....	135
70005665.....	155	70006327.....	155	70025619.....	153, 155	7027766.....	135
70005807.....	19	70006328.....	155	70025627.....	155	8005670.....	147
70005812.....	19	70006329.....	155	7002821.....	297	80325.....	145
70005813.....	19	70006330.....	155	7002822.....	297	8229242.....	204, 294
70005816.....	81	70006331.....	155	7002823.....	297	8229244.....	204, 294
70005893.....	87	70006333.....	155	7002826.....	297	8305919.....	99, 103
70005898.....	87	70006334.....	155	7004275.....	297	8406003.....	112, 117, 181
70005899.....	87	70006335.....	155, 294	7004276.....	297	85941016.....	105
70005900.....	87	70006351.....	81	7012955.....	153	8896941.....	297
70005903.....	87	70006352.....	81	7012967.....	153	8990147.....	275, 277, 279, 281, 283, 285, 287, 289
70005909.....	87	70006724.....	19	7016654.....	297	SEE NOTE.....	21
70005911.....	87	70006725.....	19	7017496.....	153, 155		
70005918.....	15, 17	70007513.....	19	7020175.....	89, 91, 133		



**Corporate Office
JLG Industries, Inc.
1 JLG Drive
McConnellsburg, PA 17233-9533 USA
☎ (717) 485-5161 (Corporate)
☎ (877) 554-5438 (Customer Support)
📠 (717) 485-6417**

**Visit our website for JLG Worldwide Locations.
www.jlg.com**



OSHKOSH™