



Illustrated Parts Manual

Model
R2632

PVC
2210

P/N
31220686

March 1, 2023 - Rev B

ANSI

CE



UK
CA

AS/NZS



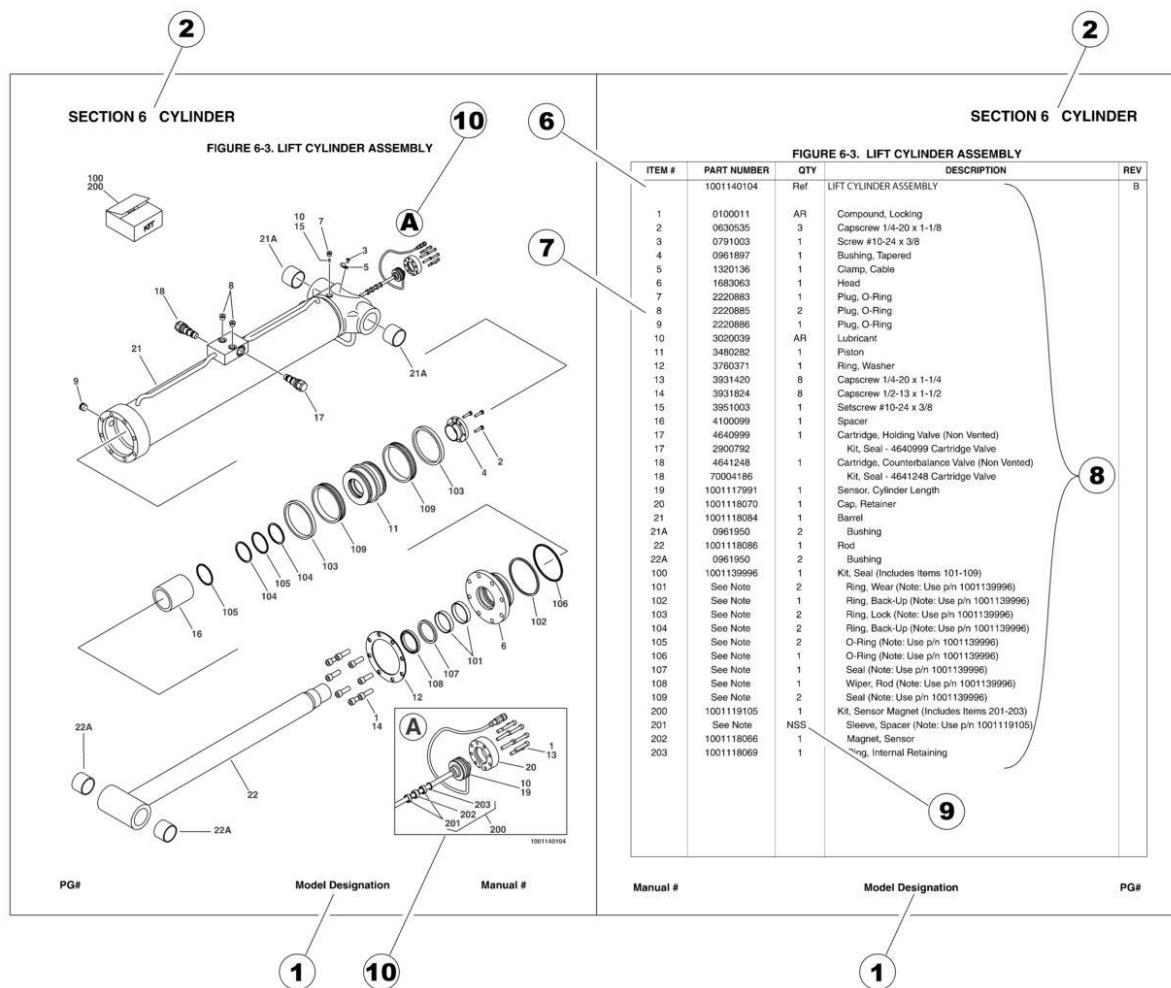
An Oshkosh Corporation Company

REVISION LOG

October 10, 2022 - A - Original Issue of Manual (Edited to 1001370000 Rev Y & 1001284953 Rev A)

March 1, 2023 - B - Revised Manual (Edited to 1001370000 Rev AE & 1001284953 Rev A)

GENERAL INFORMATION



1) MACHINE IDENTIFICATION

Machines are identified by model and in some cases a combination of models, serial number (SN) or regional standard (i.e ANSI, CE, CSA). Components may also be identified by SN or manufacturer. Common components that may be identified by these characteristics are engines and hydraulic components.

2) PARTS MANUAL ORGANIZATION

Product information in this manual is organized under section titles. Frame, Cylinder, Hydraulic and Electrical are a few examples. Each section is organized by figure and page number. The information within the Figure is then organized by item number, part number, description and corresponding illustration (s).

3) TABLE OF CONTENTS (NOT SHOWN)

A table of contents is found toward the beginning of the manual. Figure number, description and page number are provided for quick reference to the page containing the related information.

4) RECOMMENDED SPARE PARTS (NOT SHOWN)

The Recommended Spare Parts List, located near the end of the manual, reference most frequently used maintenance parts.

5) PART NUMBER INDEX (NOT SHOWN)

A numerical index listing all part numbers and the corresponding page number(s) appears at the back of the manual.

GENERAL INFORMATION

6) NON-SERVICED PARTS

In some instances, it is necessary to display non-serviced parts, assemblies or installations. In the case of assemblies and installations there will be a Ref in the Qty. column. In case of parts that are not available for service within assemblies or components, there will be a NSS (Not Sold Separately) or NLA (No Longer Available) listed in the Qty. column of the manual.

7) PARTS LIST ITEM NUMBERS

Numbers shown in the item# column correspond to numbers used in the associated illustration (s). Item numbers which are missing from the sequence in the parts list are not used on that page.

8) INDENTED PARTS DESCRIPTION

An indented part description is included in the item under which it is indented.

9) ABBREVIATION AND SYMBOLS

AC.....	Alternating Current	L.....	Liter
ADE.....	Advanced Design Electronics	LB(LBS).....	Pounds
AG.....	Agricultural	LCD.....	Liquid Crystal Display
ANSI.....	American National Standards Institute	LED.....	Light Emitting Diodes
AR.....	As Required	LH.....	Left Hand
ASSY.....	Assembly	LRC.....	Low Rated Countries
AUS.....	Australia	LSS.....	Load Sensing System
AUX.....	Auxiliary	M(m).....	Metric/Meter
AWG.....	American Wire Gauge	MM(mm).....	Milimeter
B/M.....	Bill of Material	mA.....	Miliamps
CAC.....	Charge Air Cooler	NLA.....	No Longer Available
CE.....	European Conformity	NPT.....	National Pipe Threads
CCW.....	Counter Clockwise	NSS.....	Not Sold Separately
CM.....	Centimeter	OD.....	Outside Diameter
CW.....	Clockwise	ORB.....	O-Ring Boss
CSA.....	Canadian Standards Association	ORFS.....	O-Ring Face Seal
CYL.....	Cylinder	OZ (oz).....	Ounces
DIA.....	Diameter	PG.....	Page
DC.....	Direct Current	PN.....	Part Number
DEF.....	Diesel Exhaust Fluid	QT(qt.).....	Quarts
EMS.....	Emergency Stop	QTY.....	Quantity
ENG.....	Engine	REF.....	Reference
FT(ft).....	Feet	REV.....	Revision Level
GA(Ga).....	Gauge	RH.....	Right Hand
HRC.....	High Rated Countries	SAE.....	Society of Automotive Engineers
HVAC.....	Heating, Ventilating, and Air Conditioning	SN.....	Serial Number
HYD.....	Hydraulic	SPEC(S).....	Specifications
Hz.....	Hertz	T/T.....	Turntable
ID.....	Inside Diameter	UGM.....	Universal Ground Module
IN.....	inches	V.....	Volts
ISO.....	International Organization for Standards	W.....	Watts
JIC.....	Joint Industry Council	#.....	Number
KG.....	Kilogram		

10) ILLUSTRATION REFERENCE LETTERS

When necessary, illustrations may contain reference letters that are intended to track information (i. e. hoses, harnesses) from one point to another or to track visual enlargement of components to show details that may be located in another area on the illustration.

Note: Due to continuous product improvements, JLG Industries, Inc. reserves the right to make specification changes without prior notification. Contact JLG Industries, Inc. for updated information.

TABLE OF CONTENTS

SECTION 1 - FRAME.....	11
FIGURE 1-1. STEER INSTALLATION.....	12
FIGURE 1-2. DRIVE/BRAKE INSTALLATION (Prior to SN M200074538, Prior to SN B200082084).....	14
FIGURE 1-3. DRIVE/BRAKE INSTALLATION (SN M200074538 to Present, SN B200082084 to Present).....	16
FIGURE 1-4. DRIVE MOTOR ASSEMBLY (Prior to SN M200074538, Prior to SN B200082084).....	18
FIGURE 1-5. DRIVE MOTOR ASSEMBLY (SN M200074538 to Present, SN B200082084 to Present).....	20
FIGURE 1-6. TIRE/WHEEL INSTALLATION.....	22
FIGURE 1-7. POTHOLE PROTECTION SYSTEM INSTALLATION.....	24
FIGURE 1-8. TILT SENSOR INSTALLATION.....	26
FIGURE 1-9. BATTERY CHARGER INSTALLATION - DELTA-Q (WITHOUT CAN).....	28
FIGURE 1-10. BATTERY CHARGER INSTALLATION - DELTA-Q (WITH CAN).....	30
FIGURE 1-11. BATTERY CHARGER INSTALLATION - EAGLE PERFORMANCE.....	32
FIGURE 1-12. BATTERY CHARGER INSTALLATION - GREEN POWER.....	34
FIGURE 1-13. STROBE LIGHT INSTALLATION - SINGLE (AMBER) (WITH GUARD).....	36
FIGURE 1-14. STROBE LIGHT INSTALLATION - DUAL (AMBER) (WITH GUARD).....	38
FIGURE 1-15. ALARM INSTALLATION (AMBIENT/WHITE NOISE).....	40
FIGURE 1-16. LADDER INSTALLATION.....	42
FIGURE 1-17. FRAME COVERS INSTALLATION.....	44
SECTION 2 - GROUND CONTROLS.....	47
FIGURE 2-1. HYDRAULIC COMPONENTS INSTALLATION (MACHINES WITH SN STARTING WITH B2).....	48
FIGURE 2-2. HYDRAULIC COMPONENTS INSTALLATION (MACHINES WITH SN STARTING WITH M2).....	50
FIGURE 2-3. HYDRAULIC MOTOR/PUMP ASSEMBLY (MACHINES WITH SN STARTING WITH B2).....	52
FIGURE 2-4. MAIN VALVE ASSEMBLY.....	54
FIGURE 2-5. ELECTRICAL COMPONENTS INSTALLATION (MACHINES WITH SN STARTING WITH B2, G2 & M2).....	56
FIGURE 2-6. ELECTRICAL COMPONENTS INSTALLATION - #1 (MACHINES WITH SN STARTING WITH 12).....	58
FIGURE 2-7. ACCESS CONTROL KEYPAD INSTALLATION.....	60
FIGURE 2-8. MOBILE CONTROL INSTALLATION.....	62
FIGURE 2-9. MDI INSTALLATION.....	64
FIGURE 2-10. BATTERIES INSTALLATION - STANDARD 6V-250AH.....	66
FIGURE 2-11. BATTERIES INSTALLATION - STANDARD 6V-220AH.....	68
FIGURE 2-12. BATTERIES INSTALLATION - AGM 6V-220AH.....	70
FIGURE 2-13. BATTERIES INSTALLATION - AGM EVCG 6V-220AH.....	72
FIGURE 2-14. BATTERIES INSTALLATION - 6V-220AH (TROJAN).....	74
FIGURE 2-15. INVERTER INSTALLATION (OPTIONAL).....	76
FIGURE 2-16. DOORS INSTALLATION.....	78
SECTION 3 - SCISSORS ARMS.....	81
FIGURE 3-1. SCISSORS ARMS INSTALLATION (KOREAN, CHINESE, AUSTRALIAN, CE & UK CA SPECS) (Prior to SN M200071247, Prior to SN B200081949).....	82
FIGURE 3-2. SCISSORS ARMS INSTALLATION (KOREAN, CHINESE, AUSTRALIAN, CE & UK CA SPECS) (Prior to SN M200071247, Prior to SN B200081949).....	84
FIGURE 3-3. SCISSORS ARMS INSTALLATION (ANSI, ANSI EXPORT, CSA & JAPANESE SPECS) (Prior to SN M200071247, Prior to SN B200081949).....	88
FIGURE 3-4. SCISSORS ARMS INSTALLATION (ANSI, ANSI EXPORT, CSA & JAPANESE SPECS) (Prior to SN M200071247, Prior to SN B200081949).....	90
FIGURE 3-5. SCISSORS ARMS INSTALLATION (ALL SPECS) (SN M200071247 to Present, SN B200081949 to Present).....	94
FIGURE 3-6. SCISSORS ARMS INSTALLATION (ALL SPECS) (SN M200071247 to Present, SN B200081949 to Present).....	96
FIGURE 3-7. ARM GUARDS INSTALLATION.....	100
SECTION 4 - PLATFORM.....	103
FIGURE 4-1. PLATFORM INSTALLATION.....	104
FIGURE 4-2. PLATFORM EXTENSION INSTALLATION.....	106
FIGURE 4-3. RAILS INSTALLATION (SIDE BY SIDE).....	108
FIGURE 4-4. RAILS INSTALLATION (TUBE IN TUBE).....	110
FIGURE 4-5. EXTENSION HANDLES INSTALLATION (OPTIONAL).....	112
FIGURE 4-6. GATE LATCH INSTALLATION - OPTIONAL.....	114
FIGURE 4-7. PLATFORM CONSOLE INSTALLATION (ALL SPECS).....	116
FIGURE 4-8. DRIVE/STEER CONTROLLER ASSEMBLY.....	118
FIGURE 4-9. PIPE RACKS INSTALLATION (OPTIONAL).....	120
FIGURE 4-10. OVERHEAD PROTECTION INSTALLATION (KOREAN SPECS).....	122
FIGURE 4-11. WOKSTATION INSTALLATION (OPTIONAL).....	124

TABLE OF CONTENTS

FIGURE 4-12. ELECTRICIAN TREE INSTALLATION (OPTIONAL).....	126
FIGURE 4-13. WORKLIGHTS INSTALLATION (OPTIONAL).....	128
FIGURE 4-14. PANEL CARRIER INSTALLATION (OPTIONAL).....	130
FIGURE 4-15. PLATFORM CONTROL PLUG INSTALLATION.....	132
FIGURE 4-16. USB/PHONE CRADLE INSTALLATION.....	134
 SECTION 5 - CYLINDER.....	 137
FIGURE 5-1. LIFT CYLINDER ASSEMBLY.....	138
FIGURE 5-2. STEER CYLINDER ASSEMBLY.....	140
 SECTION 6 - HYDRAULIC.....	 143
FIGURE 6-1. HYDRAULIC COMPONENTS INSTALLATION (MACHINES WITH SN STARTING WITH B2).....	144
FIGURE 6-2. HYDRAULIC COMPONENTS INSTALLATION (MACHINES WITH SN STARTING WITH M2).....	146
 SECTION 7 - ELECTRICAL.....	 149
FIGURE 7-1. AC BOX AT PLATFORM INSTALLATION - 110V GFI (ALL SPECS EXCEPT AUSTRALIAN, CE & UK CA SPECS).....	150
FIGURE 7-2. AC BOX AT PLATFORM INSTALLATION - 110V IEC YELLOW (CE & UK CA SPECS).....	152
FIGURE 7-3. AC BOX AT PLATFORM INSTALLATION - 220V IEC BLUE (CE & UK CA SPECS).....	154
FIGURE 7-4. AC BOX AT PLATFORM INSTALLATION - 220V CEE7 POST GROUND (CE & UK CA SPECS).....	156
FIGURE 7-5. AC BOX AT PLATFORM INSTALLATION - 220V CEE7 SIDE GROUND (CE & UK CA SPECS).....	158
FIGURE 7-6. AC BOX AT PLATFORM INSTALLATION - 220V AFSINT 107 (CE & UK CA SPECS).....	160
FIGURE 7-7. AC BOX AT PLATFORM INSTALLATION - 220V LOCALLY SUPPLIED.....	162
FIGURE 7-8. AC BOX AT PLATFORM INSTALLATION - 220V (AUSTRALIAN SPECS).....	164
FIGURE 7-9. AC BOX AT PLATFORM INSTALLATION - 220V CHINA PLUG (CHINA SPECS).....	166
FIGURE 7-10. BREAKER BOX KIT (AUSTRALIAN SPEC).....	168
FIGURE 7-11. BREAKER BOX KIT WITH 1 DOUBLE BREAKER (CE & UK CA SPECS).....	170
FIGURE 7-12. BREAKER BOX KIT WITH 3 BREAKERS (CE & UK CA SPECS).....	172
FIGURE 7-13. CAN SPLICE HARNESS (CHARGER WITH COMMUNICATION PORT).....	174
FIGURE 7-14. CHARGER HARNESS (CHARGER WITH COMMUNICATION PORT).....	176
FIGURE 7-15. CHARGER HARNESS (CHARGER WITH COMMUNICATION PORT).....	178
FIGURE 7-16. CHARGER PLUG INSTALLATION (NO PLUG).....	180
FIGURE 7-17. CHARGER PLUG INSTALLATION (110V PLUG).....	182
FIGURE 7-18. CHARGER PLUG INSTALLATION (KOREAN PLUG).....	184
FIGURE 7-19. CHARGER PLUG INSTALLATION (CEE7 PLUG).....	186
FIGURE 7-20. CHARGER PLUG INSTALLATION (AFSINT 107 PLUG).....	188
FIGURE 7-21. CHARGER PLUG INSTALLATION (IEC YELLOW PLUG).....	190
FIGURE 7-22. CHARGER PLUG INSTALLATION (IEC BLUE PLUG).....	192
FIGURE 7-23. CHARGER PLUG INSTALLATION (CHINA PLUG).....	194
FIGURE 7-24. CHARGER PLUG INSTALLATION (AUSTRALIAN PLUG).....	196
FIGURE 7-25. CHASSIS HARNESS.....	198
FIGURE 7-26. CLEARSKY INSTALLATION - 3 WIRE (ALL SPECS EXCEPT CHINA SPECS).....	202
FIGURE 7-27. CLEARSKY INSTALLATION - 3G.....	204
FIGURE 7-28. CLEARSKY INSTALLATION - 4G (ALL SPECS EXCEPT CHINA SPECS).....	206
FIGURE 7-29. CLEARSKY INSTALLATION - 4G (CHINA SPECS).....	208
FIGURE 7-30. CLEARSKY HARNESS - 3 WIRE (ALL SPECS).....	210
FIGURE 7-31. CLEARSKY JUMPER HARNESS - 3 WIRE (ALL SPECS).....	212
FIGURE 7-32. CLEARSKY HARNESS - 3G & 4G (ALL SPECS EXCEPT CHINA SPECS).....	214
FIGURE 7-33. CLEARSKY HARNESS - 4G (CHINA SPECS).....	216
FIGURE 7-34. GROUND TO PLATFORM CABLE INSTALLATION - WITHOUT PLATFORM COIL CABLE (MACHINES WITH SN STARTING WITH 12, B2 & G2).....	218
FIGURE 7-35. GROUND TO PLATFORM CABLE INSTALLATION - WITHOUT PLATFORM COIL CABLE & WITH FOOTSWITCH (MACHINES WITH SN STARTING WITH 12, B2 & G2).....	220
FIGURE 7-36. GROUND TO PLATFORM CABLE INSTALLATION - WITH PLATFORM COIL CABLE (MACHINES WITH SN STARTING WITH 12, B2 & G2).....	222
FIGURE 7-37. GROUND TO PLATFORM CABLE INSTALLATION - WITH PLATFORM COIL CABLE & FOOTSWITCH (MACHINES WITH SN STARTING WITH 12, B2 & G2).....	224
FIGURE 7-38. GROUND TO PLATFORM CABLE INSTALLATION - PLATFORM STRAIGHT CABLE ONLY (MACHINES WITH SN STARTING WITH 12, B2, G2 & M2).....	226
FIGURE 7-39. GROUND TO PLATFORM CABLE INSTALLATION - PLATFORM COIL CABLE ONLY (MACHINES WITH SN STARTING WITH 12, B2, G2 & M2).....	228
FIGURE 7-40. GROUND TO PLATFORM CABLE INSTALLATION - SCISSORS ARMS CABLE ONLY (MACHINES WITH SN STARTING WITH 12, B2, G2 & M2).....	230
FIGURE 7-41. JUMPER HARNESS TO LIFT DOWN.....	232

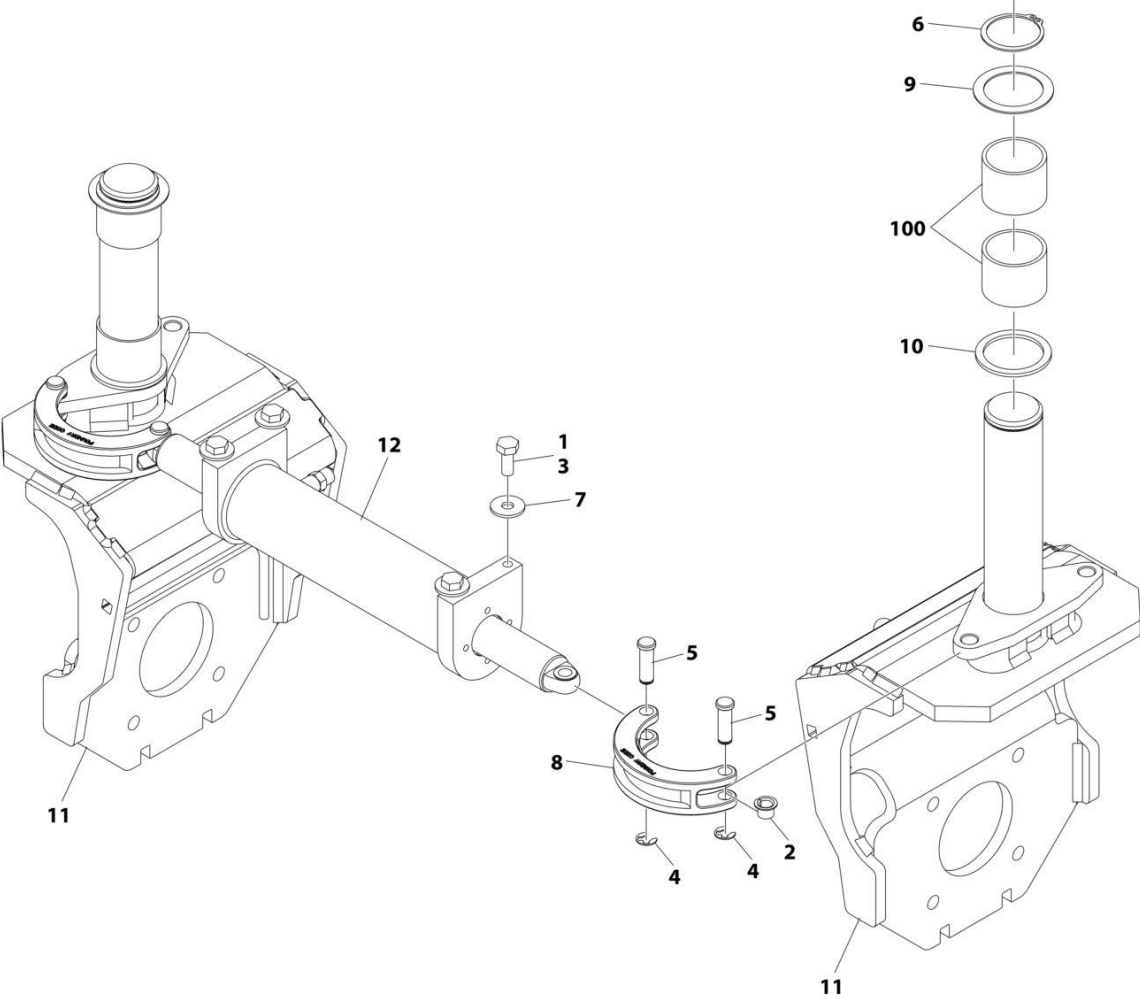
TABLE OF CONTENTS

FIGURE 7-42. LIFT DOWN HARNESS	234
FIGURE 7-43. PLATFORM CONTROL BOX HARNESS	236
FIGURE 7-44. RECEPTACLE BOX KIT - 110V GFI.....	238
FIGURE 7-45. RECEPTACLE BOX KIT - 110V IEC YELLOW (CE & UK CA SPEC)	240
FIGURE 7-46. RECEPTACLE BOX KIT - 220V AFSINT 107 (CE & UK CA SPEC).....	242
FIGURE 7-47. RECEPTACLE BOX KIT - 220V CEE7 POST GROUND (CE & UK CA SPEC)	244
FIGURE 7-48. RECEPTACLE BOX KIT - 220V CEE7 SIDE GROUND (CE & UK CA SPEC).....	246
FIGURE 7-49. RECEPTACLE BOX KIT - 220V IEC BLUE (CE & UK CA SPEC).....	248
SECTION 8 - DECALS.....	251
FIGURE 8-1. DECAL INSTALLATION (ANSI SPECS).....	252
FIGURE 8-2. DECAL INSTALLATION (AUSTRALIAN SPECS).....	254
FIGURE 8-3. DECAL INSTALLATION (BRAZIL SPECS).....	256
FIGURE 8-4. DECAL INSTALLATION (CE & UK CA SPECS).....	258
FIGURE 8-5. DECAL INSTALLATION (CHINA SPECS).....	260
FIGURE 8-6. DECAL INSTALLATION (CSA SPECS).....	262
FIGURE 8-7. DECAL INSTALLATION (KOREAN SPECS).....	264
FIGURE 8-8. DECAL INSTALLATION (LATIN AMERICAN SPECS)	266
FIGURE 8-9. DECAL INSTALLATIONS - OPTIONS.....	268
SECTION 9 - RECOMMENDED SERVICE PARTS STOCK	271
FIGURE 9-1. RECOMMENDED SERVICE PARTS STOCK	272
SECTION 10 - SPECIAL OPTIONS/ACCESSORIES/KITS	273
FIGURE 10-1. SPECIAL OPTIONS/ACCESSORIES/KITS	274
PART NUMBER INDEX	277

SECTION 1 - FRAME

SECTION 1 - FRAME

FIGURE 1-1. STEER INSTALLATION



ART_1001237696

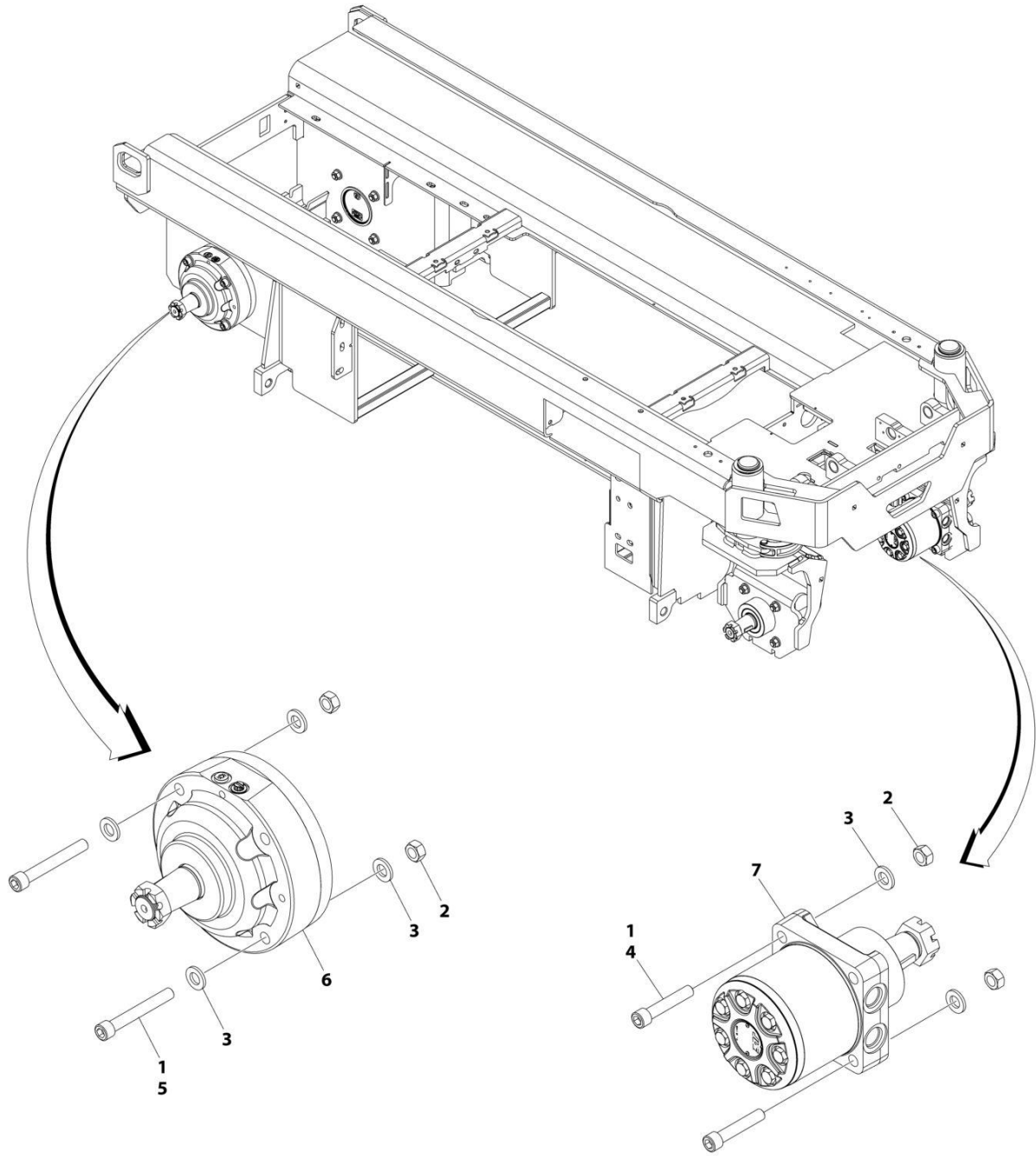
SECTION 1 - FRAME

FIGURE 1-1. STEER INSTALLATION

ITEM	PART NUMBER	QTY	DESCRIPTION	REV
	1001237696	Ref	STEER INSTALLATION	A
1	0100011	AR	Compound, Locking	
2	0440259	2	Bearing	
3	0761012	4	Bolt M10 x 25	
4	1380153	4	Clip	
5	3423037	4	Pin	
6	3760217	2	Ring, Retaining	
7	4812000	4	Washer M10	
8	4846757	2	Lug, Steering	
9	1001197396	2	Washer	
10	1001205751	2	Washer	
11	1001234838	2	Spindle	
12	1001179447	1	Steer Cylinder Assembly (See Separate Breakdown in CYLINDER SECTION)	
100	1001153785	4	Bearing (Part of Frame)	

SECTION 1 - FRAME

FIGURE 1-2. DRIVE/BRAKE INSTALLATION (Prior to SN M200074538, Prior to SN B200082084)



ART_1001244284

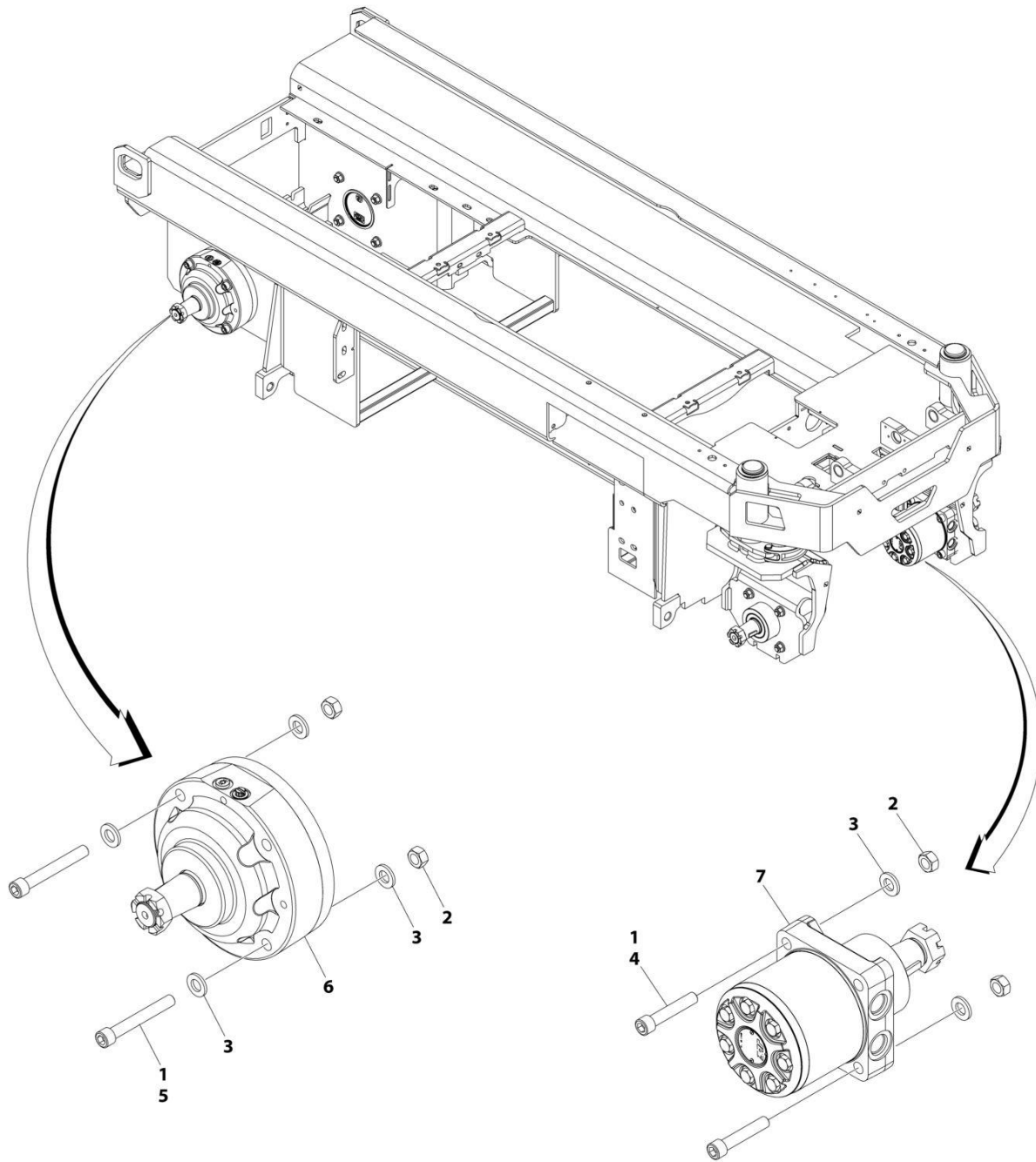
SECTION 1 - FRAME

FIGURE 1-2. DRIVE/BRAKE INSTALLATION (Prior to SN M200074538, Prior to SN B200082084)

ITEM	PART NUMBER	QTY	DESCRIPTION	REV
	1001244284	Ref	DRIVE/BRAKE INSTALLATION	A
1	0100011	AR	Compound, Locking	
2	3331211	16	Nut M12	
3	5241200	24	Washer M12	
4	5272117	8	Capscrew M12 x 65	
5	5272122	8	Capscrew M12 x 90	
6	1001202773	2	Drive Brake Assembly (Note: No Internal Service Parts Available.)	
6	70005918	1	Key, Shaft	
6	70005919	1	Nut 1-1/8	
7	1001213264	2	Drive Motor Assembly (See Separate Breakdown in this Section)	

SECTION 1 - FRAME

FIGURE 1-3. DRIVE/BRAKE INSTALLATION (SN M200074538 to Present, SN B200082084 to Present)



ART_1001244284_B

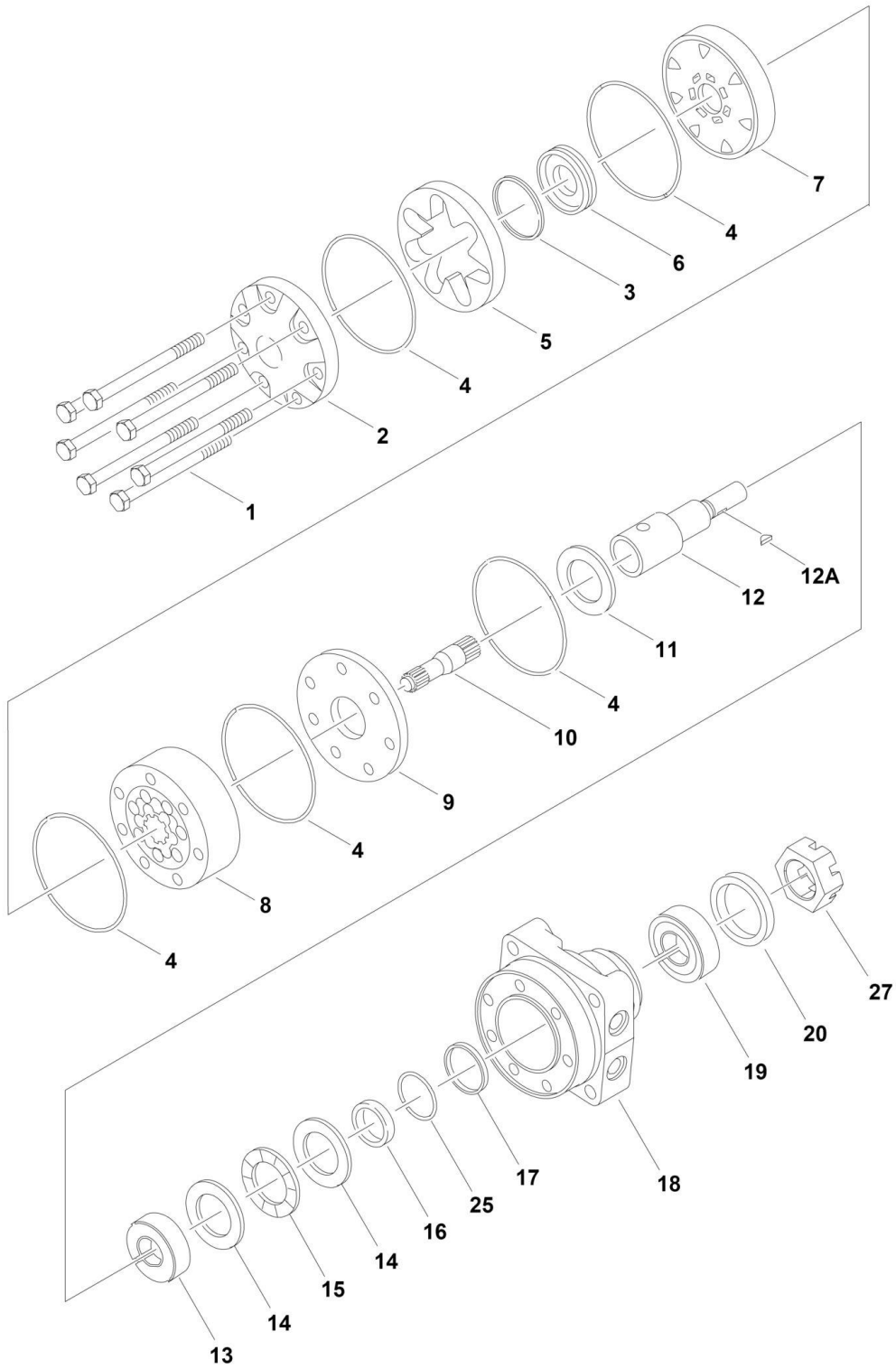
SECTION 1 - FRAME

FIGURE 1-3. DRIVE/BRAKE INSTALLATION (SN M200074538 to Present, SN B200082084 to Present)

ITEM	PART NUMBER	QTY	DESCRIPTION	REV
	1001244284	Ref	DRIVE/BRAKE INSTALLATION	B
1	0100011	AR	Compound, Locking	
2	3331211	16	Nut M12	
3	5241200	24	Washer M12	
4	5272117	8	Capscrew M12 x 65	
5	5272122	8	Capscrew M12 x 90	
6	1001202773	2	Drive Brake Assembly (Note: No Internal Service Parts Available.)	
6	70005918	1	Key, Shaft	
6	70005919	1	Nut 1-1/8	
7	1001292036	2	Drive Motor Assembly (See Separate Breakdown in this Section)	

SECTION 1 - FRAME

FIGURE 1-4. DRIVE MOTOR ASSEMBLY (Prior to SN M200074538, Prior to SN B200082084)



ART_1001213264

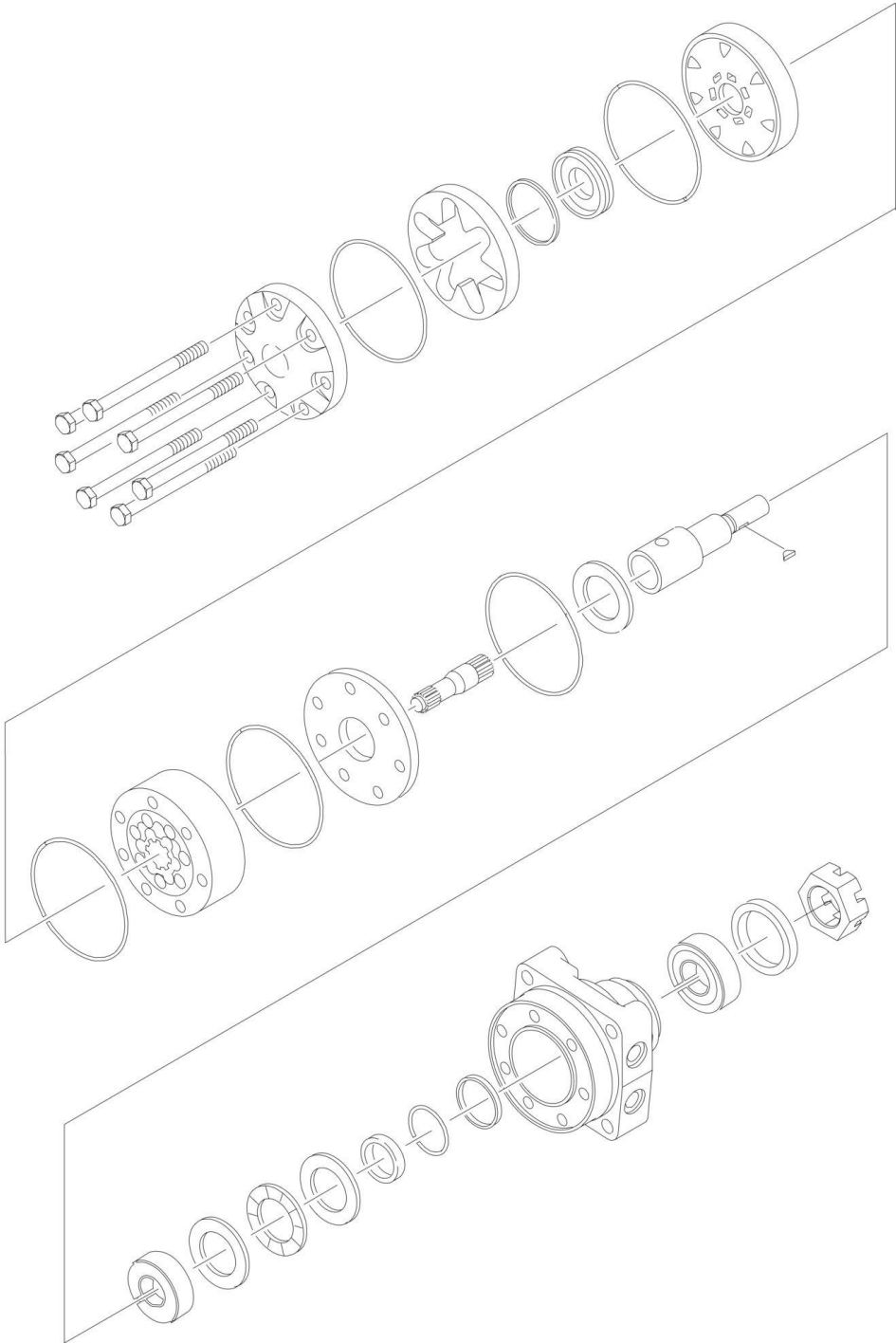
SECTION 1 - FRAME

FIGURE 1-4. DRIVE MOTOR ASSEMBLY (Prior to SN M200074538, Prior to SN B200082084)

ITEM	PART NUMBER	QTY	DESCRIPTION	REV
	1001213264	Ref	DRIVE MOTOR ASSEMBLY	B
1	7023329	7	Bolt	
2	7023328	1	Cover	
3	7023318	1	Seal, Commutator	
4	7023310	5	Ring, Seal	
5	7023315	1	Commutator (Includes Item 6)	
6	See Note	NSS	Ring, Commutator (Use p/n 7023315)	
7	70005812	1	Manifold	
8	70006245	1	Rotor Set	
9	7023311	1	Plate, Wear	
10	70006244	1	Link, Drive	
11	7023308	1	Bearing, Thrust	
12	70005813	1	Shaft	
12A	7023324	1	Key, Shaft (Supplied with Shaft)	
12A	7026179	1	Key, Shaft (Supplied Individually)	
13	7026174	1	Bearing, Inner	
14	70006724	2	Thrustwasher	
15	7023407	1	Bearing, Thrust	
16	70006725	1	Seal	
17	7023321	1	Washer, Backup	
18	See Note	NSS	Housing (Note: Use p/n 1001213264)	
19	7023408	1	Bearing, Outer	
20	70007513	1	Seal, Dirt and Water	
25	7023322	1	Washer, Backup	
27	70005807	1	Nut	

SECTION 1 - FRAME

FIGURE 1-5. DRIVE MOTOR ASSEMBLY (SN M200074538 to Present, SN B200082084 to Present)



ART_1001292036

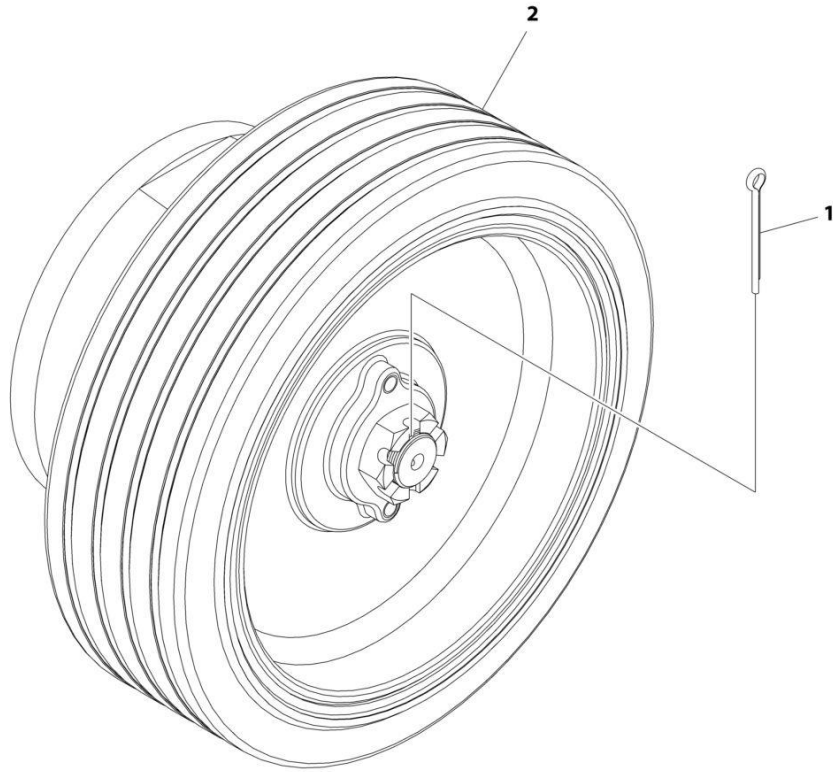
SECTION 1 - FRAME

FIGURE 1-5. DRIVE MOTOR ASSEMBLY (SN M200074538 to Present, SN B200082084 to Present)

ITEM	PART NUMBER	QTY	DESCRIPTION	REV
	SEE NOTE 1001292036	Ref Ref	Note: No Service Parts Available at Time of Printing DRIVE MOTOR ASSEMBLY	A

SECTION 1 - FRAME

FIGURE 1-6. TIRE/WHEEL INSTALLATION



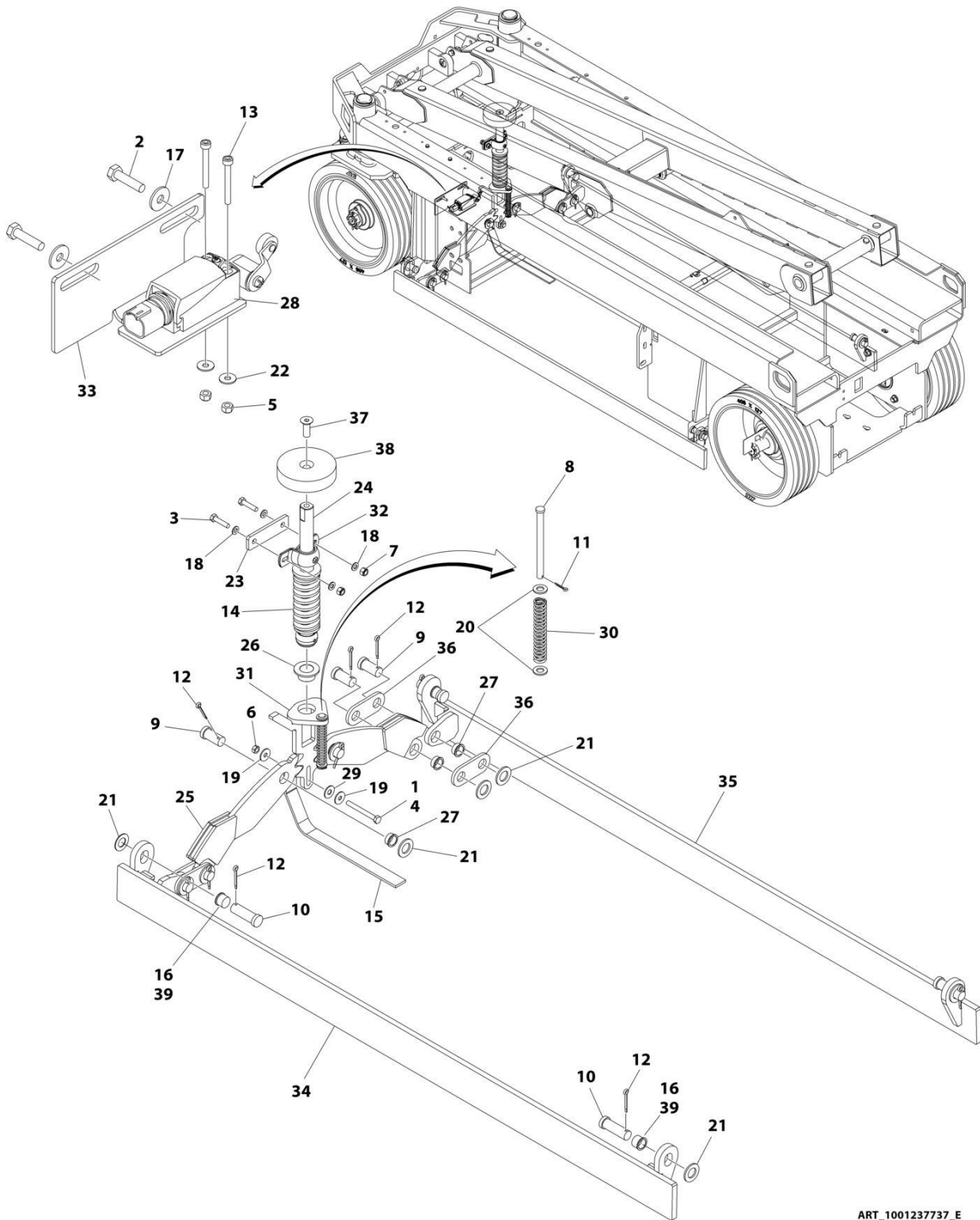
ART_1001213928

FIGURE 1-6. TIRE/WHEEL INSTALLATION

ITEM	PART NUMBER	QTY	DESCRIPTION	REV
	1001213928	Ref	TIRE AND WHEEL INSTALLATION	A
		Ref	Note: Must Replace Tire and Wheel Assemblies in pairs per axle.	
1	3450508	4	Pin, Cotter 5/32 x 2	
2	1001212187	4	Tire and Wheel	

SECTION 1 - FRAME

FIGURE 1-7. POTHOLE PROTECTION SYSTEM INSTALLATION



ART_1001237737_E

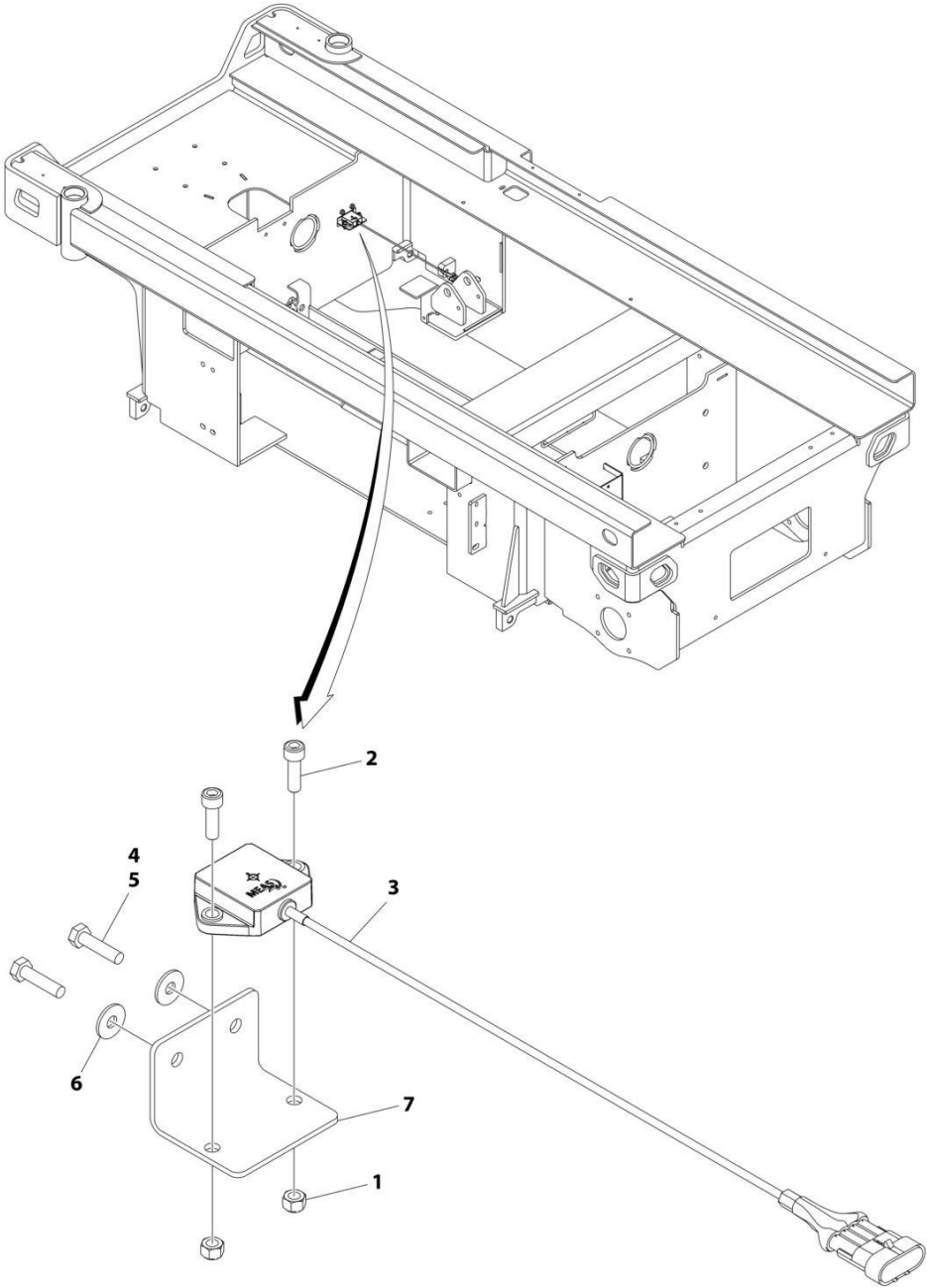
SECTION 1 - FRAME

FIGURE 1-7. POTHOLE PROTECTION SYSTEM INSTALLATION

ITEM	PART NUMBER	QTY	DESCRIPTION	REV
	1001237737	Ref	POTHOLE PROTECTION SYSTEM INSTALLATION	E
1	0100011	AR	Compound, Locking	
2	0700612	2	Bolt M6 x 25	
3	0700815	2	Bolt M8 x 35	
4	0700823	1	Bolt M8 x 75	
5	3290405	2	Nut M4	
6	3290801	1	Nut M8	
7	3290805	2	Nut M8	
8	3430636	1	Pin	
9	3431212	6	Pin	
10	3431218	4	Pin	
11	3450302	1	Pin, Cotter 7/8 x 1/2	
12	3450505	10	Pin, Cotter 5/32 x 1/2	
13	4031511	2	Capscrew M4 x 35	
14	4160202	1	Spring	
15	4240147	1	Strap, Anti-Static	
16	4740086	NLA	Washer (Use Item 39)	
17	4811702	2	Washer M6	
18	4811900	4	Washer M8	
19	4811902	2	Washer M8	
20	4812000	2	Washer M10	
21	4812500	10	Washer M20	
22	1001091102	2	Washer M4	
23	1001202987	1	Plate, Mounting	
24	1001214528	1	Actuator (Upper)	
25	1001243781	2	Plate, Pinion	
26	1001203869	1	Bearing	
27	1001203870	6	Bearing	
28	1001203871	1	Switch, Limit	
29	1001203872	1	Washer 3/8	
30	1001227855	1	Spring	
31	1001214526	1	Actuator (Lower)	
32	1001215953	1	Bearing	
33	1001218307	1	Plate, Sensor Mounting	
34	1001234797	1	Bar (LH)	
35	1001234798	1	Bar (RH)	
36	1001236849	4	Link	
37	1001110302	1	Bolt M12 x 35	
38	1001214534	1	Pad, Actuator	
39	0440263	4	Bushing, Flange	

SECTION 1 - FRAME

FIGURE 1-8. TILT SENSOR INSTALLATION



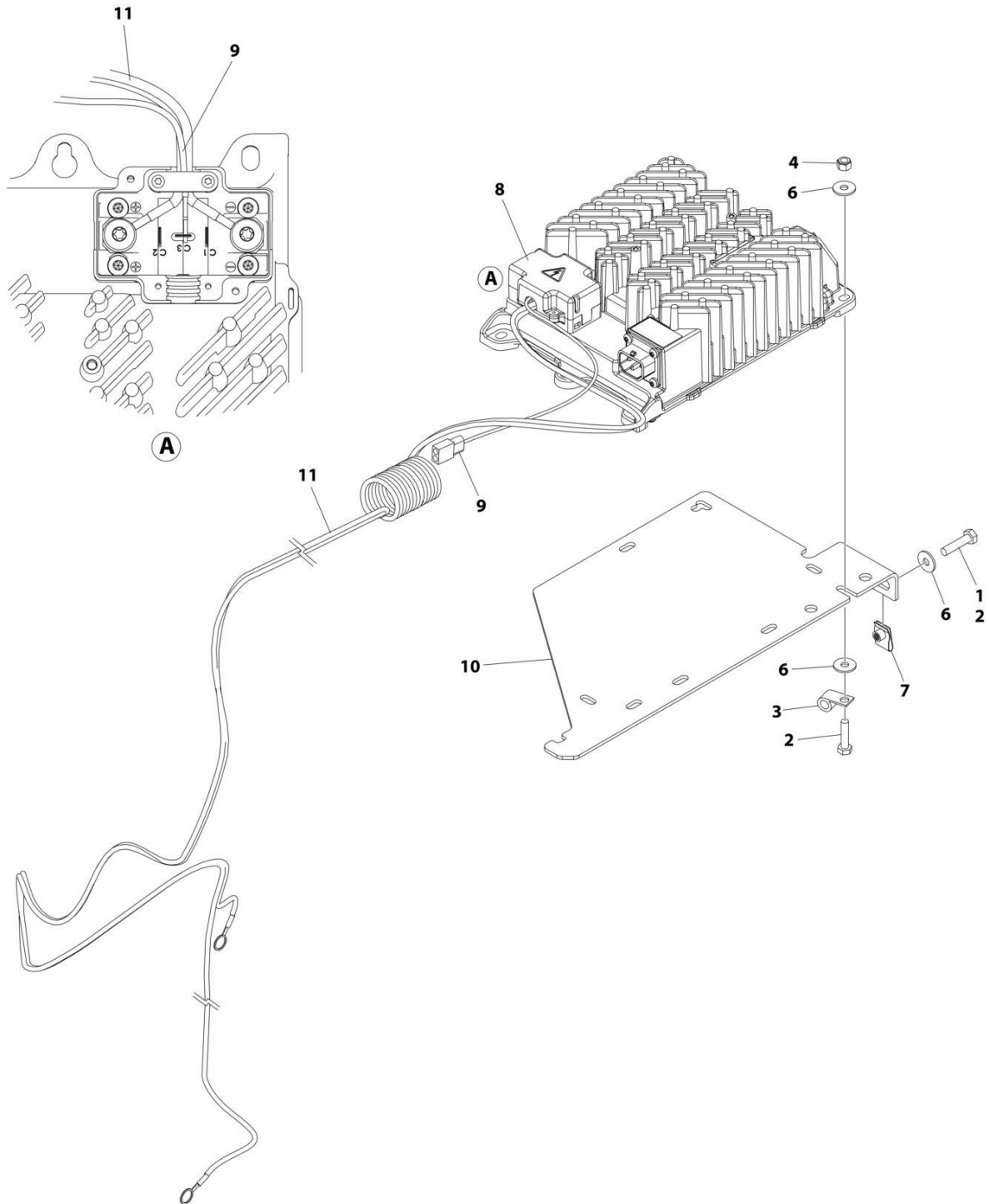
ART_1001214217

FIGURE 1-8. TILT SENSOR INSTALLATION

ITEM	PART NUMBER	QTY	DESCRIPTION	REV
	1001214217	Ref	TILT SENSOR INSTALLATION	D
1	3290601	2	Nut M6	
2	4031708	2	Capscrew M6 x 20	
3	1001186466	1	Sensor, Tilt	
4	0100011	AR	Compound, Locking	
5	0700612	2	Bolt M6 x 25	
6	4811702	2	Washer M6	
7	1001217059	1	Plate, Mounting	

SECTION 1 - FRAME

FIGURE 1-9. BATTERY CHARGER INSTALLATION - DELTA-Q (WITHOUT CAN)



ART_1001263256

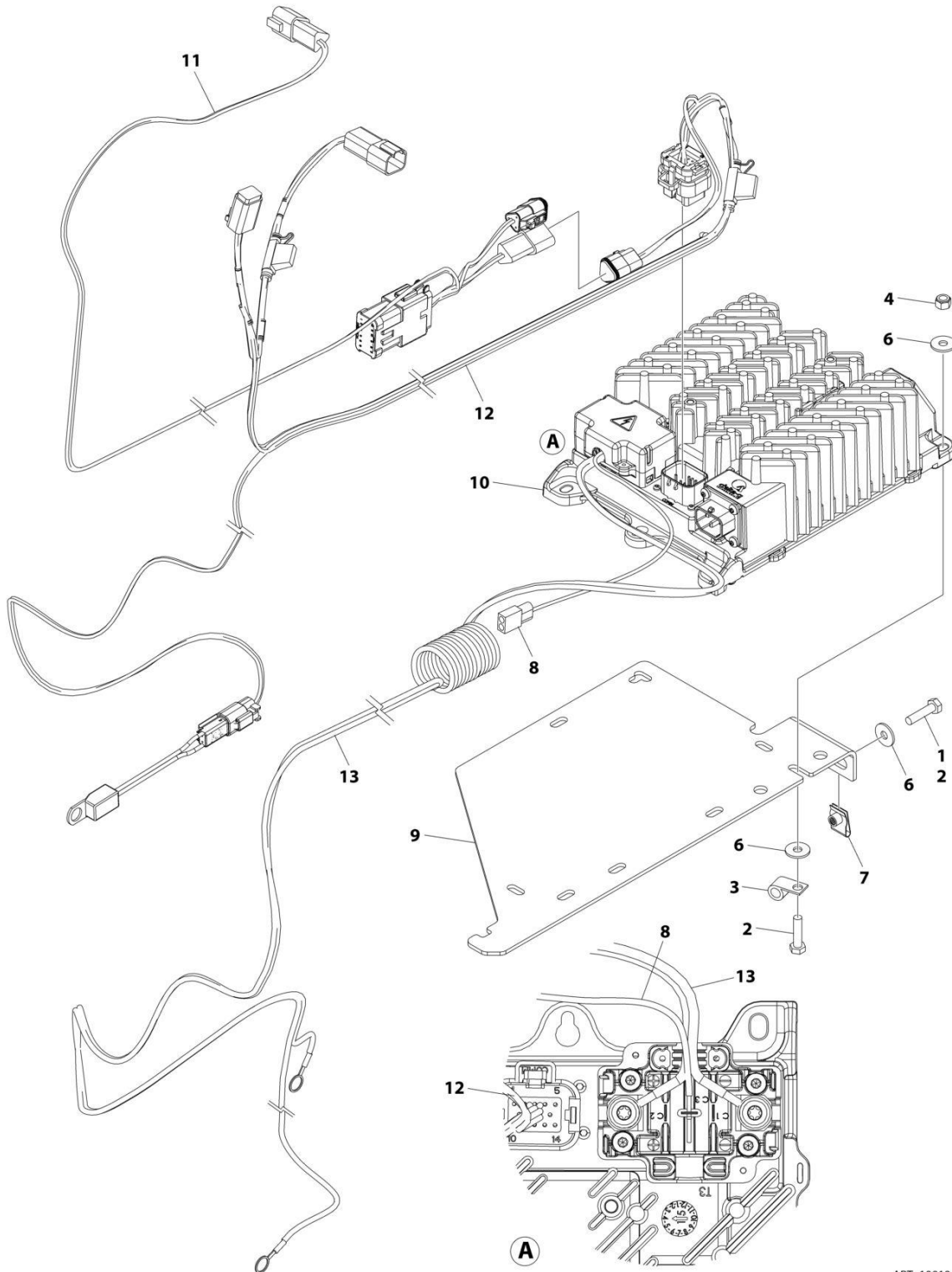
SECTION 1 - FRAME

FIGURE 1-9. BATTERY CHARGER INSTALLATION - DELTA-Q (WITHOUT CAN)

ITEM	PART NUMBER	QTY	DESCRIPTION	REV
	1001263256	Ref	BATTERY CHARGER INSTALLATION - DELTA-Q	A
1	0100011	AR	Compound, Locking	
2	0760612	5	Bolt M6 x 25	
3	1321293	1	Clamp	
4	3290605	3	Nut M6	
5	4240017	AR	Tie-Strap (Not Shown)	
6	4811702	8	Washer M6	
7	1001130220	2	Nut, Tinnerman M6	
8	1001200561	1	Charger, Battery - Delta-Q	
9	1001207009	1	Charger Interlock Harness	
9	4460424	1	Receptacle, Female - 2 Position	
9	4460227	2	Pin, Male	
10	1001236139	1	Bracket	
11	1001256642	1	Charger DC Connection Harness	

SECTION 1 - FRAME

FIGURE 1-10. BATTERY CHARGER INSTALLATION - DELTA-Q (WITH CAN)



ART_1001263257

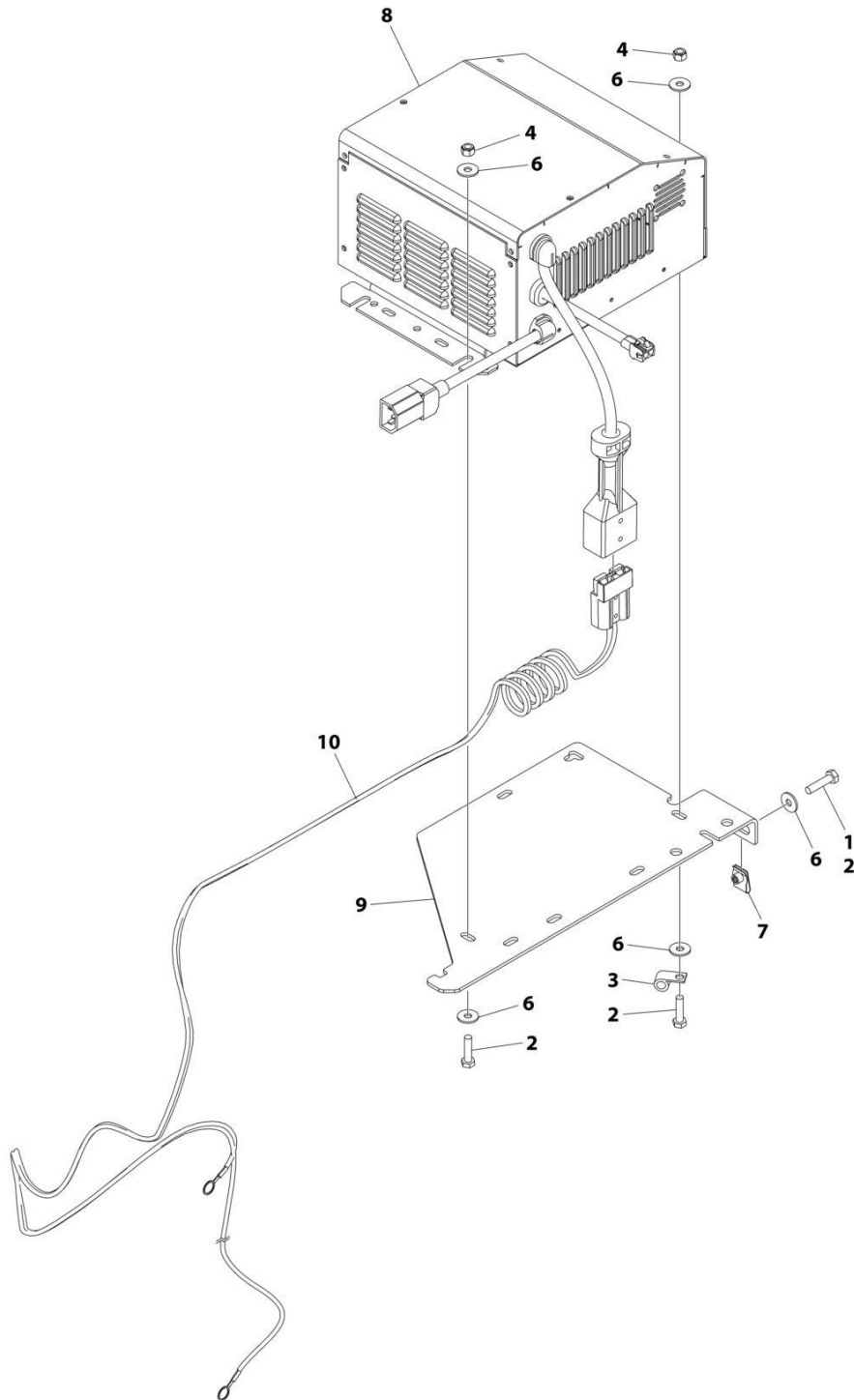
SECTION 1 - FRAME

FIGURE 1-10. BATTERY CHARGER INSTALLATION - DELTA-Q (WITH CAN)

ITEM	PART NUMBER	QTY	DESCRIPTION	REV
	1001263257	Ref	BATTERY CHARGER INSTALLATION - DELTA-Q	A
1	0100011	AR	Compound, Locking	
2	0760612	5	Bolt M6 x 25	
3	1321293	1	Clamp	
4	3290605	3	Nut M6	
5	4240017	AR	Tie-Strap (Not Shown)	
6	4811702	8	Washer M6	
7	1001130220	2	Nut, Tinnerman M6	
8	1001207009	1	Charger Interlock Harness	
8	4460424	1	Receptacle, Female - 2 Position	
8	4460227	2	Pin, Male	
9	1001236139	1	Bracket	
10	1001253952	1	Charger, Battery - Delta-Q	
11	1001254027	1	Can Splice Harness (See Separate Breakdown in ELECTRICAL Section)	
12	1001254028	1	Charger To Battery Harness (See Separate Breakdown in ELECTRICAL Section)	
13	1001256642	1	Battery Charger to DC Connection Cable	

SECTION 1 - FRAME

FIGURE 1-11. BATTERY CHARGER INSTALLATION - EAGLE PERFORMANCE



ART_1001263258

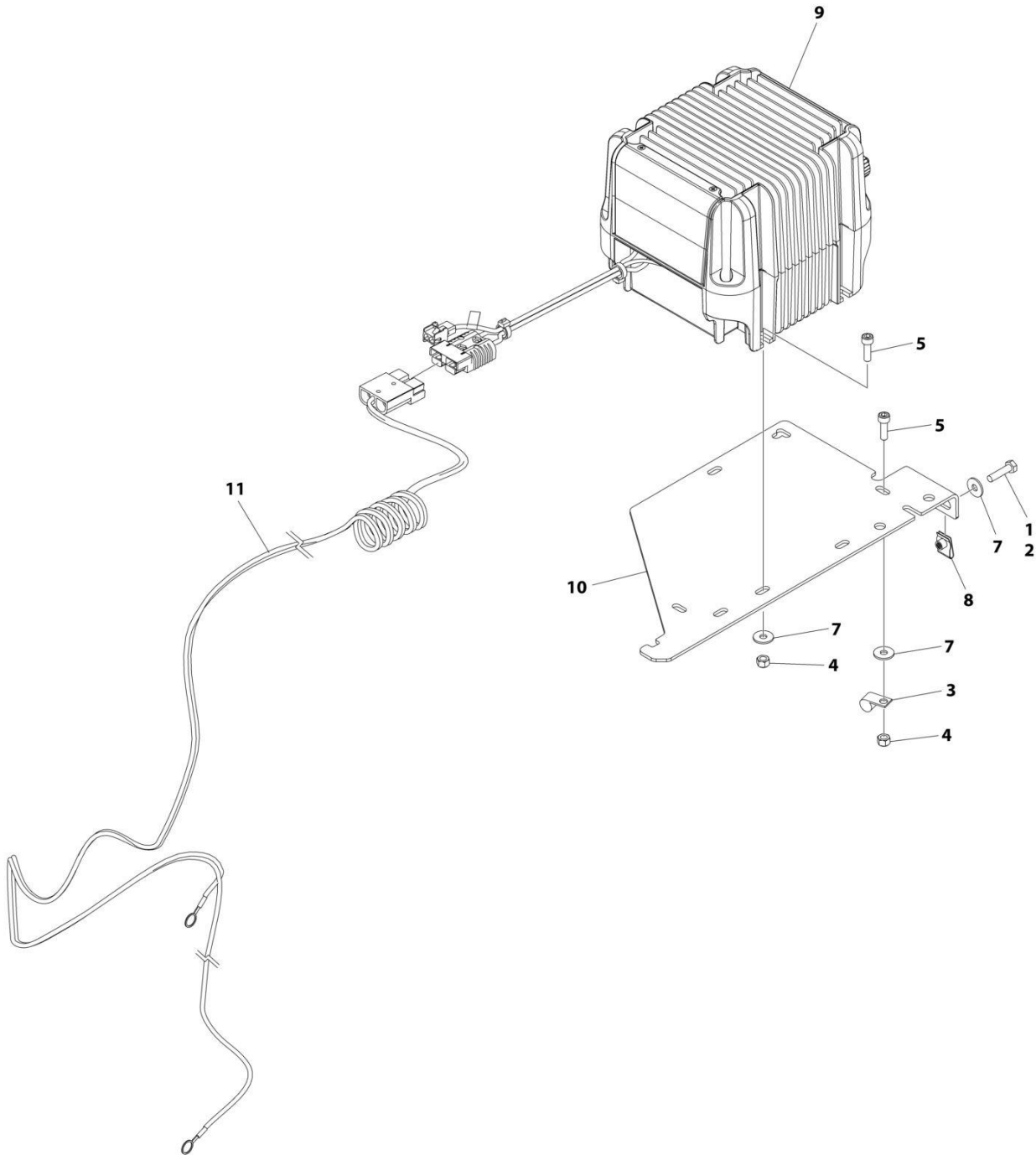
SECTION 1 - FRAME

FIGURE 1-11. BATTERY CHARGER INSTALLATION - EAGLE PERFORMANCE

ITEM	PART NUMBER	QTY	DESCRIPTION	REV
	1001263258	Ref	BATTERY CHARGER INSTALLATION - EAGLE PERFORMANCE	A
1	0100011	AR	Compound, Locking	
2	0760612	5	Bolt M6 x 20	
3	1321293	1	Clamp	
4	3290605	3	Nut M6	
5	4240017	AR	Tie-Strap (Not Shown)	
6	4811702	8	Washer M6	
7	1001130220	2	Nut, Tinnerman M6	
8	1001206995	1	Charger, Battery - Eagle Performance	
9	1001236139	1	Bracket	
10	1001256643	1	Charger DC Connection Harness	

SECTION 1 - FRAME

FIGURE 1-12. BATTERY CHARGER INSTALLATION - GREEN POWER



ART_1001263259

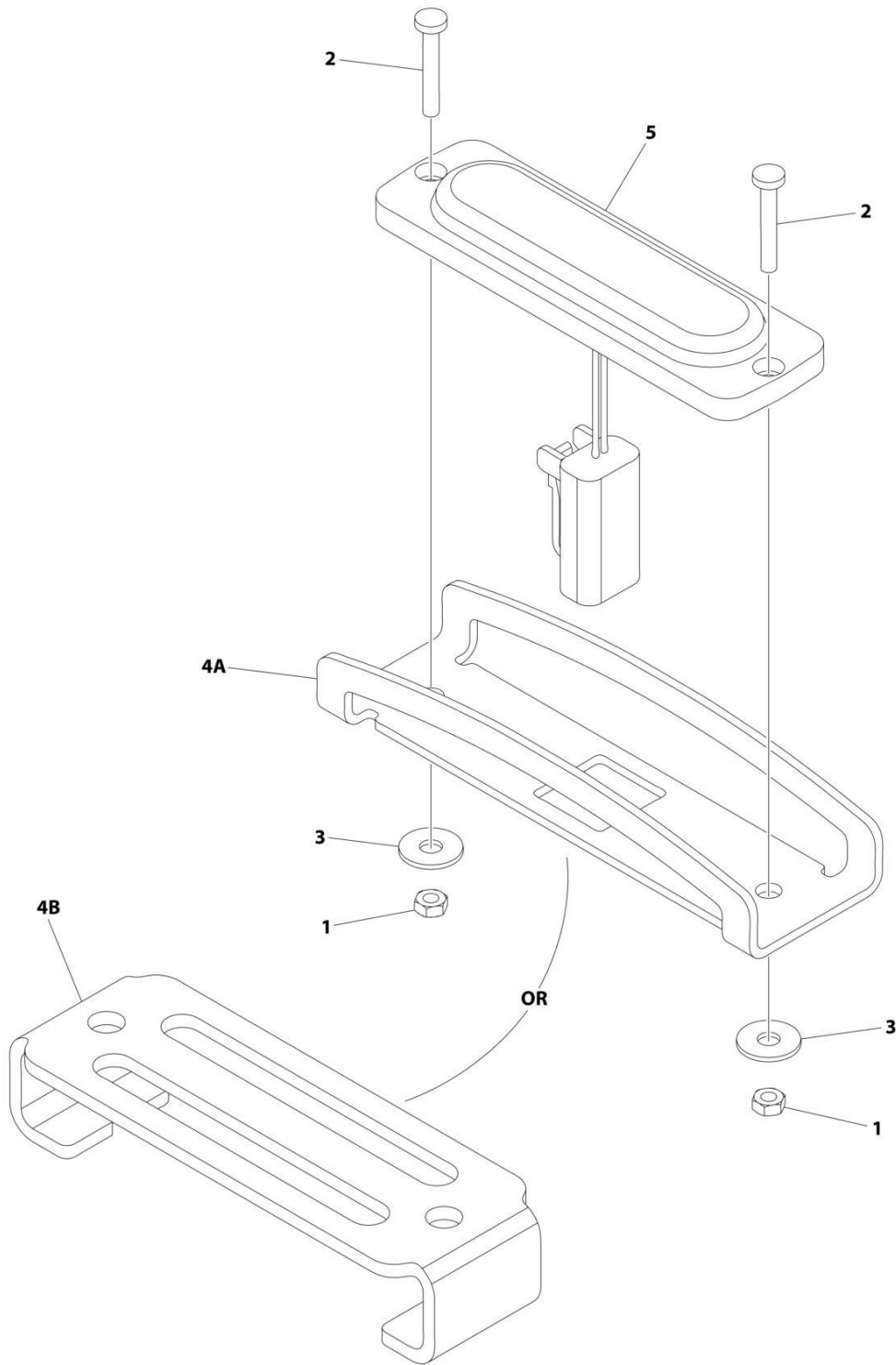
SECTION 1 - FRAME

FIGURE 1-12. BATTERY CHARGER INSTALLATION - GREEN POWER

ITEM	PART NUMBER	QTY	DESCRIPTION	REV
	1001263259	Ref	BATTERY CHARGER INSTALLATION - GREEN POWER	A
1	0100011	AR	Compound, Locking	
2	0700612	2	Bolt M6 x 25	
3	1321293	1	Clamp, Cable	
4	3290605	4	Nut M6	
5	4031708	4	Capscrew M6 x 20	
6	4240017	AR	Tie-Strap (Not Shown)	
7	4811702	6	Washer M6	
8	1001130220	2	Nut, Tinnerman M6	
9	1001205598	1	Charger, Battery Green Power	
10	1001236139	1	Bracket	
11	1001256643	1	Charger DC Connection Harness	

SECTION 1 - FRAME

FIGURE 1-13. STROBE LIGHT INSTALLATION - SINGLE (AMBER) (WITH GUARD)



ART_1001242697

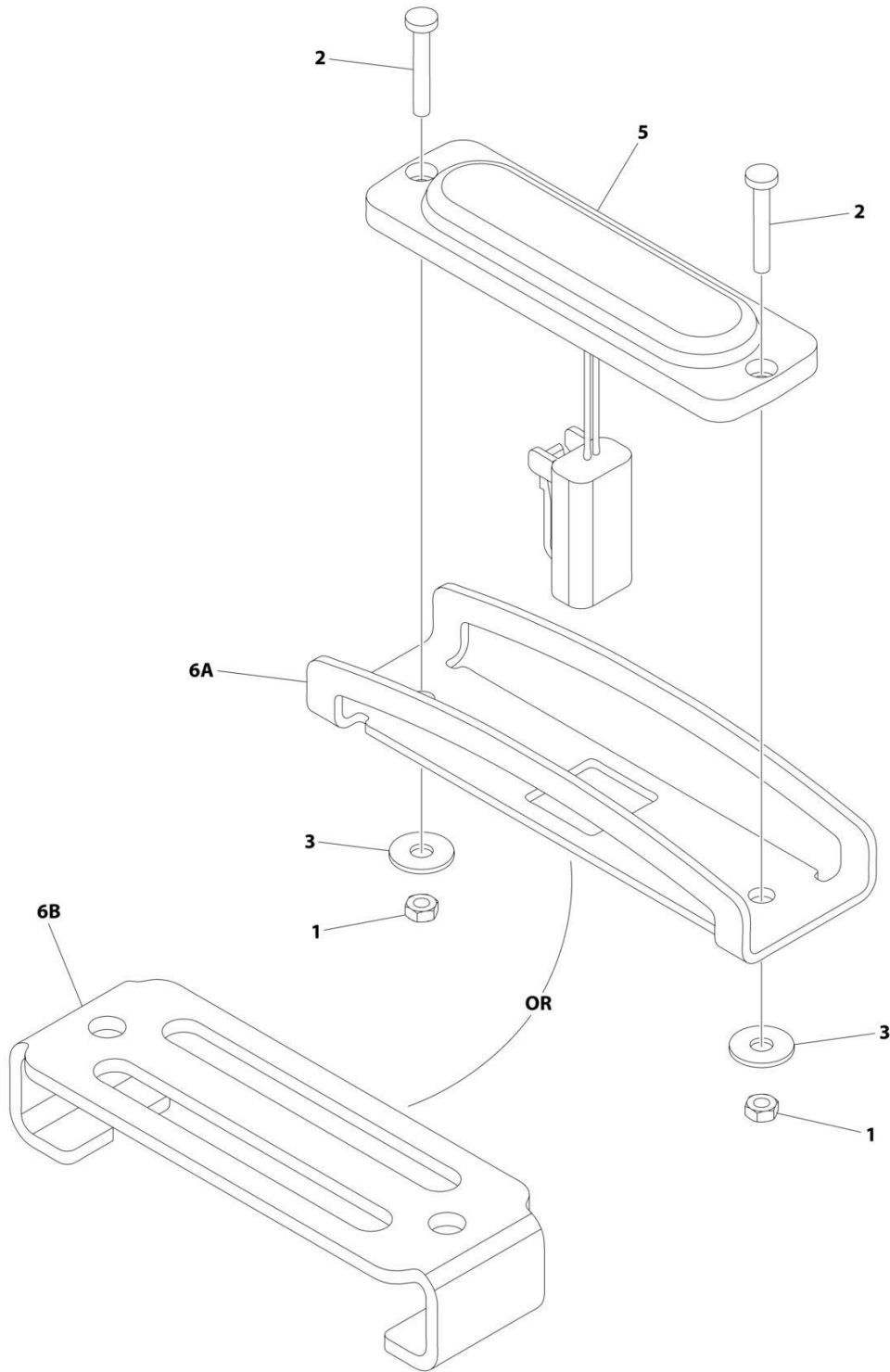
SECTION 1 - FRAME

FIGURE 1-13. STROBE LIGHT INSTALLATION - SINGLE (AMBER) (WITH GUARD)

ITEM	PART NUMBER	QTY	DESCRIPTION	REV
	1001242697	Ref	STROBE LIGHT INSTALLATION - SINGLE (AMBER) (WITH GUARD)	D
1	3290305	2	Nut M3	
2	4010310	2	Screw M3 x 20	
3	1001091102	2	Washer M4	
4A	1001242539	1	Guard	
4B	1001239661	1	Cover	
5	1001239224	1	Light, Strobe	
5	4460891	1	Plug, Male - 2 Position	
5	4460465	2	Socket, Female	

SECTION 1 - FRAME

FIGURE 1-14. STROBE LIGHT INSTALLATION - DUAL (AMBER) (WITH GUARD)



ART_1001242990

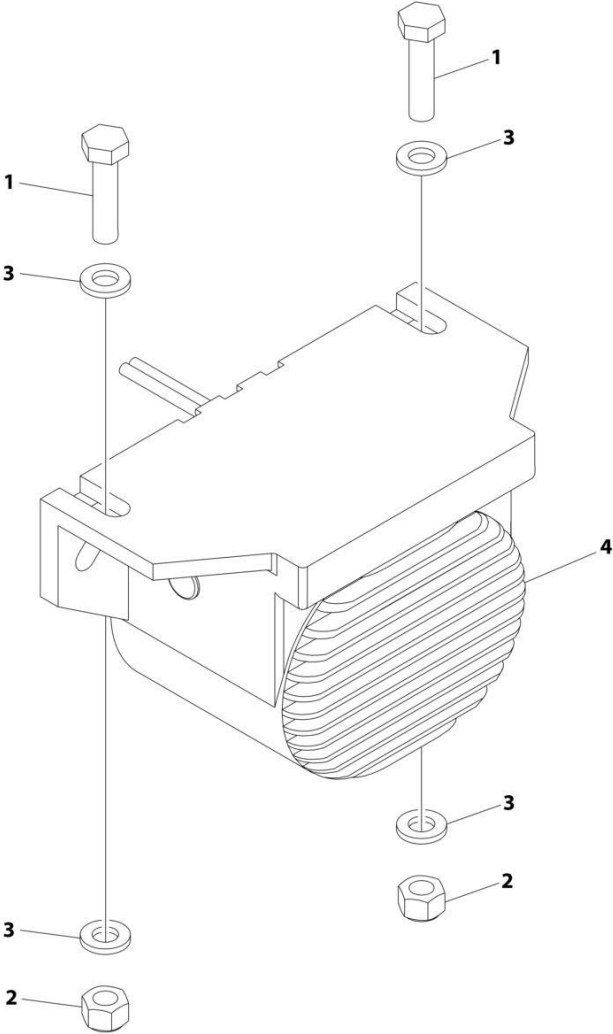
SECTION 1 - FRAME

FIGURE 1-14. STROBE LIGHT INSTALLATION - DUAL (AMBER) (WITH GUARD)

ITEM	PART NUMBER	QTY	DESCRIPTION	REV
	1001242990	Ref	STROBE LIGHT INSTALLATION - DUAL (AMBER) (WITH GUARD)	D
1	3290305	4	Nut M3	
2	4010310	4	Screw M3 x 20	
3	1001091102	4	Washer M4	
4	1001215216	1	Strobe Light Jumper Harness (Not Shown)	
4	4460897	2	Receptacle, Female - 2 Position	
4	4460464	4	Pin, Male	
4	4460891	1	Plug, Male - 2 Position	
4	4460465	2	Socket, Female	
5	1001239224	2	Light, Strobe	
5	4460891	1	Plug, Male - 2 Position	
5	4460465	2	Socket, Female	
6A	1001242539	2	Guard	
6B	1001239661	2	Cover	
7	4240018	AR	Tie-Strap (Not Shown)	

SECTION 1 - FRAME

FIGURE 1-15. ALARM INSTALLATION (AMBIENT/WHITE NOISE)



ART_1001204495

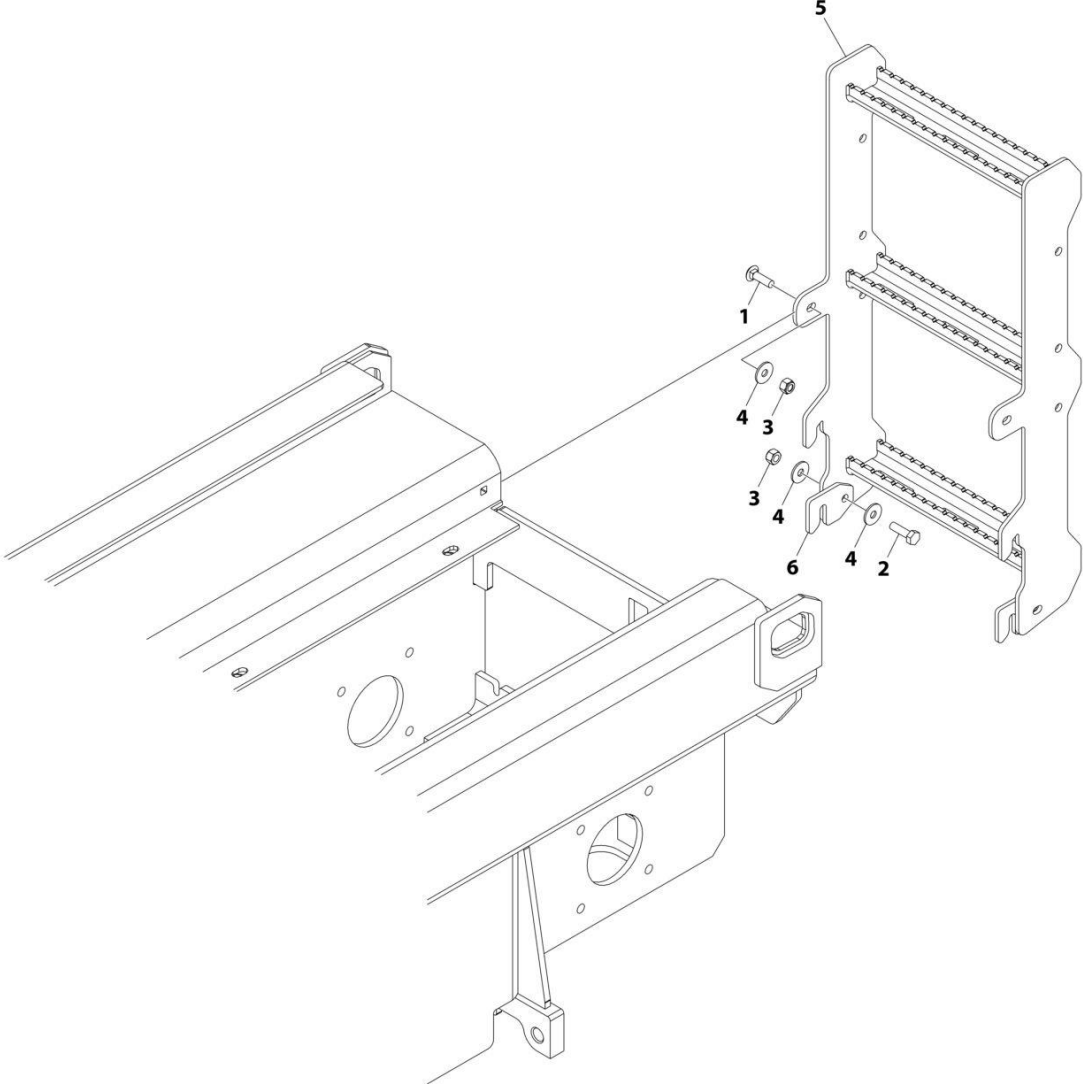
SECTION 1 - FRAME

FIGURE 1-15. ALARM INSTALLATION (AMBIENT/WHITE NOISE)

ITEM	PART NUMBER	QTY	DESCRIPTION	REV
	1001204495	Ref	ALARM INSTALLATION (AMBIENT/WHITE NOISE)	B
1	0760612	2	Bolt M6 x 25	
2	3290605	2	Nut M6	
3	4811700	4	Washer M6	
4	1001182806	1	Alarm	
4	4460897	1	Receptacle, Female - 2 Position	
4	4460464	2	Pin, Male	

SECTION 1 - FRAME

FIGURE 1-16. LADDER INSTALLATION



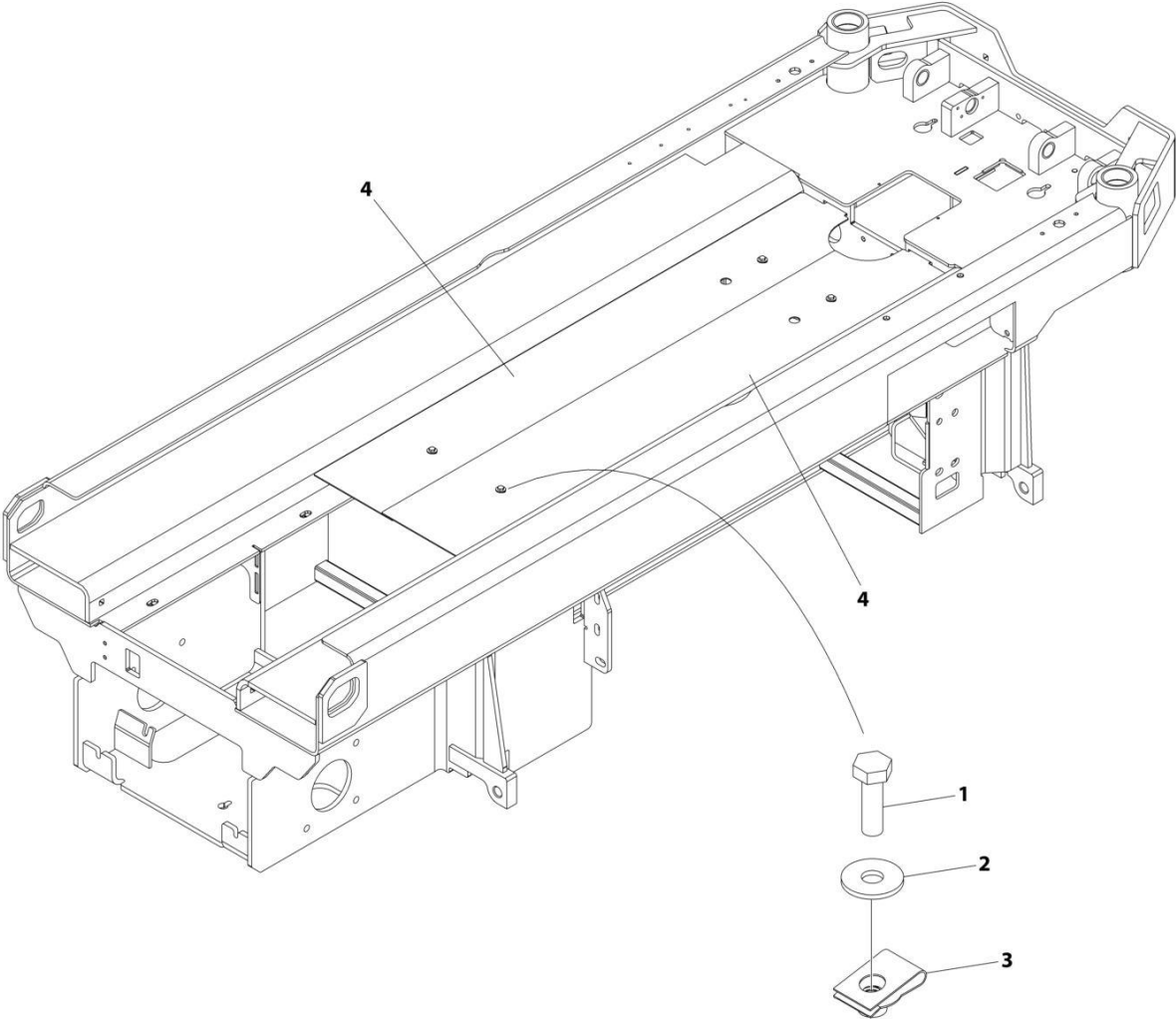
ART_1001237707

FIGURE 1-16. LADDER INSTALLATION

ITEM	PART NUMBER	QTY	DESCRIPTION	REV
	1001237707	Ref	LADDER INSTALLATION	B
1	1001228406	2	Bolt M10 x 35	
2	0761015	2	Bolt M10 x 35	
3	3291005	4	Nut M10	
4	4812002	6	Washer M10	
5	1001234842	1	Ladder	
6	1001235955	2	Bracket	
6	1001237708	2	Bracket	

SECTION 1 - FRAME

FIGURE 1-17. FRAME COVERS INSTALLATION



ART_1001237855

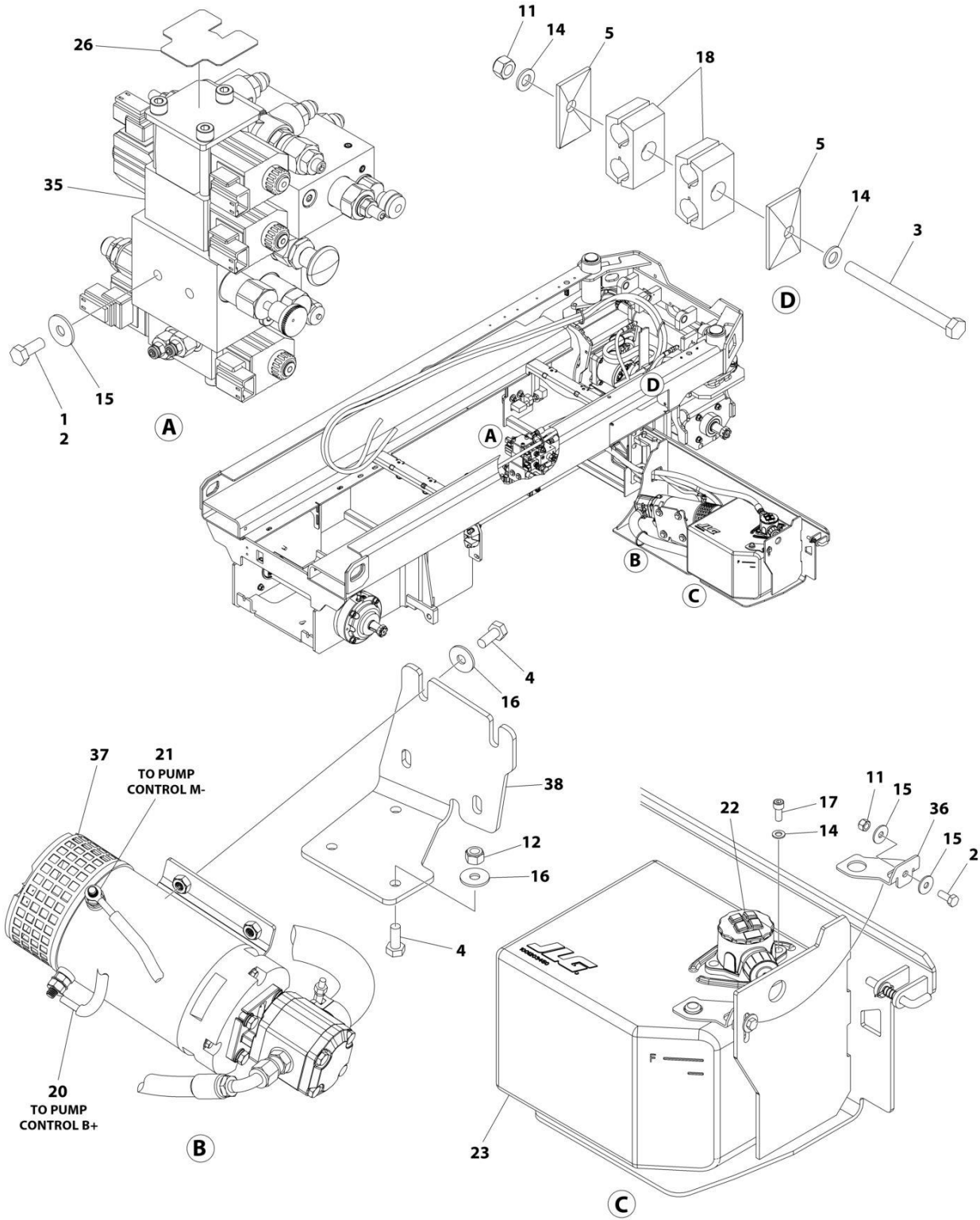
FIGURE 1-17. FRAME COVERS INSTALLATION

ITEM	PART NUMBER	QTY	DESCRIPTION	REV
	1001237855	Ref	FRAME COVERS INSTALLATION	A
1	0760610	4	Bolt M6 x 20	
2	4811702	4	Washer M6	
3	1001130220	4	Nut, Tinnerman M6	
4	1001237856	2	Cover	

SECTION 2 - GROUND CONTROLS

SECTION 2 - GROUND CONTROLS

FIGURE 2-1. HYDRAULIC COMPONENTS INSTALLATION (MACHINES WITH SN STARTING WITH B2)



ART_1001284952_10F2

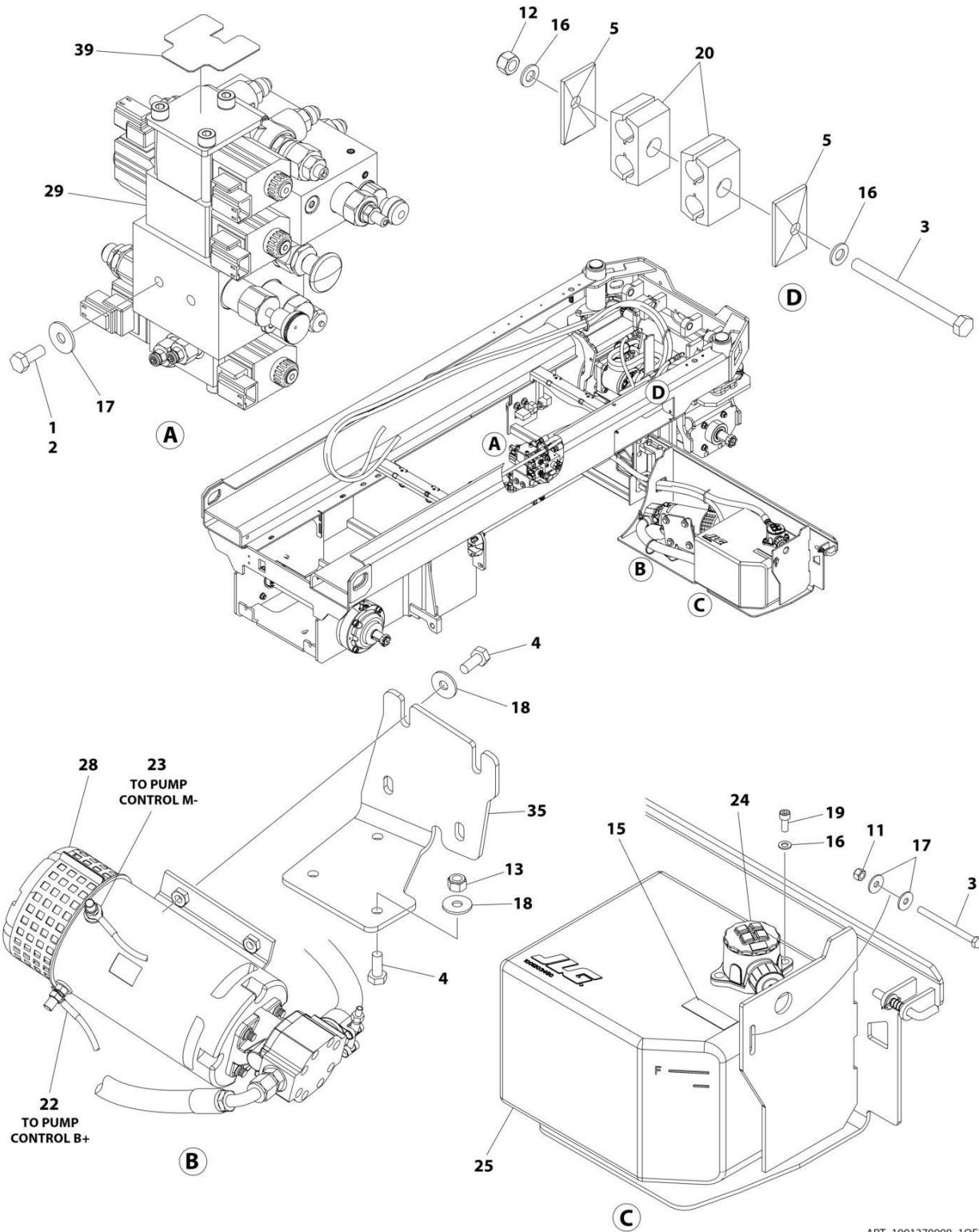
SECTION 2 - GROUND CONTROLS

FIGURE 2-1. HYDRAULIC COMPONENTS INSTALLATION (MACHINES WITH SN STARTING WITH B2)

ITEM	PART NUMBER	QTY	DESCRIPTION	REV
	1001284952	Ref	HYDRAULIC COMPONENTS INSTALLATION	A
1	0100011	AR	Compound, Locking	
2	0760810	3	Bolt M8 x 20	
3	0760827	1	Bolt M8 x 100	
4	0761012	7	Bolt M8 x 25	
5	1321752	2	Plate, Clamp	
11	3290805	2	Nut, Lock M8	
12	3291005	3	Nut, Lock M10	
13	4240017	12	Tie-Strap (Not Shown)	
14	4811900	4	Washer M8	
15	4811902	4	Washer M8	
16	4812002	7	Washer M10	
17	5271808	2	Capscrew M8 x 20	
18	8750014	2	Clamp	
20	1001201705	1	Cable, Pump (+)	
21	1001201706	1	Cable, Pump (-)	
22	1001202851	1	Filter, Hydraulic	
22	70005423	1	Filter Element Kit (Includes Element, Cap O-Ring and Bowl O-Ring)	
22	70007946	1	O-Ring, Bowl	
23	1001203450	1	Tank, Hydraulic	
26	1001212294	1	Decal - Manifold	
35	1001248679	1	Main Valve Assembly (See Separate Breakdown in this Section)	
36	1001269730	1	Bracket	
37	1001284939	1	Motor/Pump Assembly (See Separate Breakdown in this Section)	
38	1001284951	1	Bracket	

SECTION 2 - GROUND CONTROLS

FIGURE 2-2. HYDRAULIC COMPONENTS INSTALLATION (MACHINES WITH SN STARTING WITH M2)



ART_1001370008_10F2

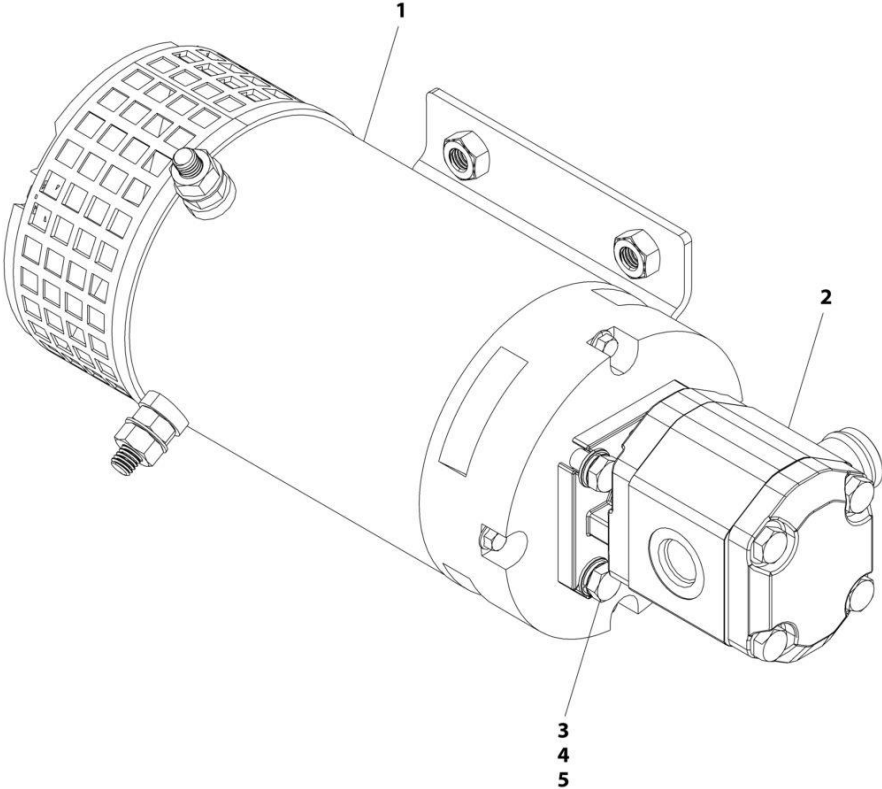
SECTION 2 - GROUND CONTROLS

FIGURE 2-2. HYDRAULIC COMPONENTS INSTALLATION (MACHINES WITH SN STARTING WITH M2)

ITEM	PART NUMBER	QTY	DESCRIPTION	REV
	1001370008	Ref	HYDRAULIC COMPONENTS INSTALLATION	D
1	0100011	AR	Compound, Locking	
2	0760810	2	Bolt M8 x 20	
3	0760827	2	Bolt M8 x 100	
4	0761012	7	Bolt M8 x 25	
5	1321752	2	Plate, Clamp	
11	3290801	1	Nut M8	
12	3290805	1	Nut M8	
13	3291005	3	Nut M10	
14	4240017	12	Tie-Strap (Not Shown)	
15	4420062	75 mm	Tape	
16	4811900	4	Washer M8	
17	4811902	4	Washer M8	
18	4812002	7	Washer M10	
19	5271808	2	Capscrew M8 x 20	
20	8750014	2	Clamp	
22	1001201705	1	Cable, Pump (+)	
23	1001201706	1	Cable, Pump (-)	
24	1001202851	1	Filter, Hydraulic	
24	70005423	1	Filter Element Kit (Includes Element, Cap O-Ring and Bowl O-Ring)	
24	70007946	1	O-Ring, Bowl	
25	1001203450	1	Tank, Hydraulic	
28	1001213875	1	Motor/Pump Assembly	
28	70006351	1	Replacement Motor	
28	70006352	1	Replacement Pump	
28	70005816	1	Seal and Mounting Kit (Includes Shaft Seal, Retaining Ring, Gasket and Pump Mounting Hardware)	
29	1001248679	1	Main Valve Assembly (See Separate Breakdown in this Section)	
35	1001241894	1	Bracket	
39	1001212294	1	Decal - Manifold	

SECTION 2 - GROUND CONTROLS

FIGURE 2-3. HYDRAULIC MOTOR/PUMP ASSEMBLY (MACHINES WITH SN STARTING WITH B2)



ART_1001284939

SECTION 2 - GROUND CONTROLS

FIGURE 2-3. HYDRAULIC MOTOR/PUMP ASSEMBLY (MACHINES WITH SN STARTING WITH B2)

ITEM	PART NUMBER	QTY	DESCRIPTION	REV
	1001284939	Ref	AUXILIARY MOTOR/PUMP ASSEMBLY	B
1	70008409	1	Motor	
2	70008410	1	Pump	
3	70008411	4	Washer	
4	70008412	4	Washer, Spring	
5	70008413	4	Bolt 5/16 x 20	
6	70008414	1	Seal (Not Shown)	

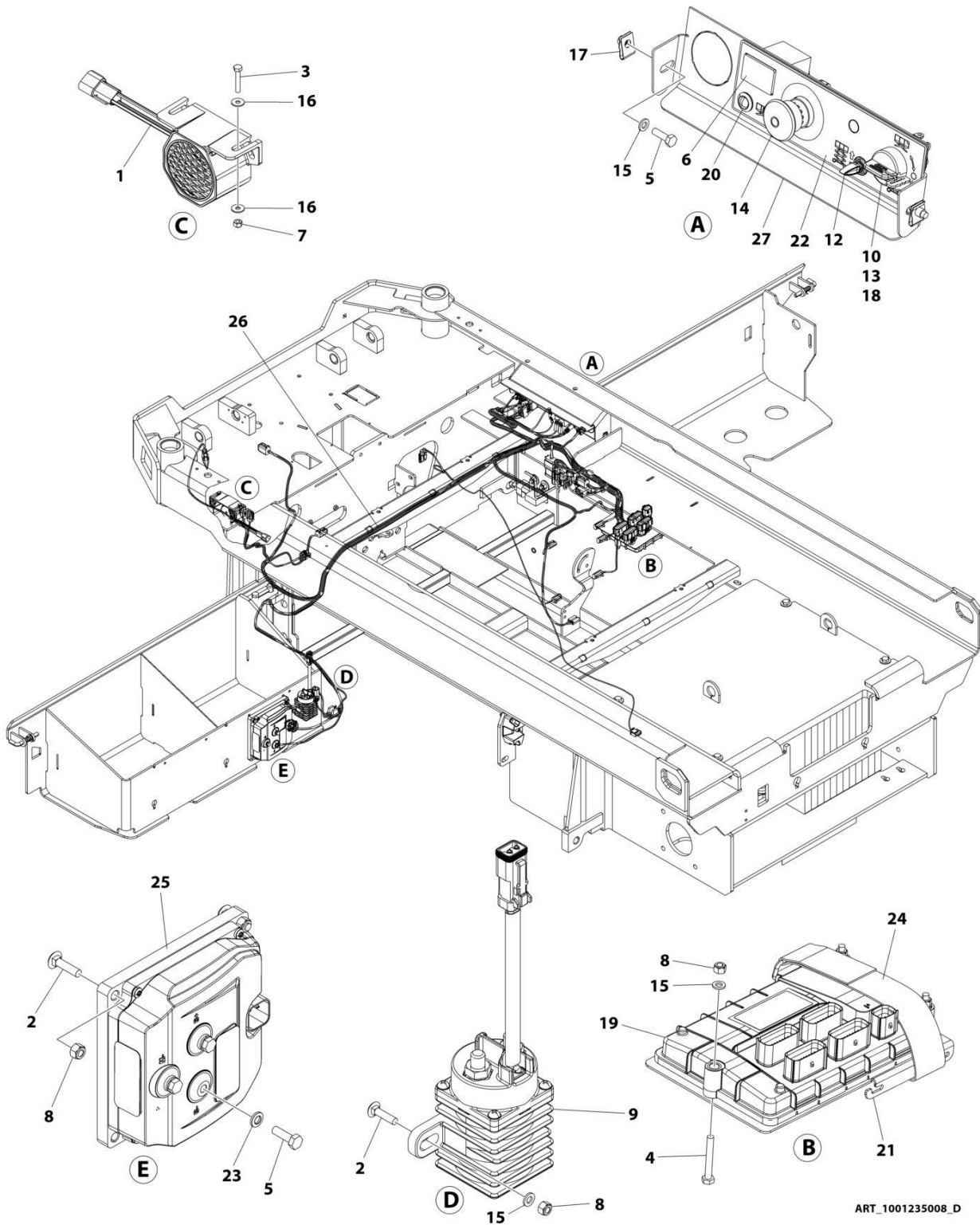
SECTION 2 - GROUND CONTROLS

FIGURE 2-4. MAIN VALVE ASSEMBLY

ITEM	PART NUMBER	QTY	DESCRIPTION	REV
	1001248679	Ref	MAIN VALVE ASSEMBLY	D
1	70007595	1	Valve Assembly (Includes Items 7-9)	
2	70005903	1	Valve Assembly - Lower Drive	
3	70007594	1	Valve Assembly - Lift	
4	70005911	1	Plate	
5	70005909	1	Valve, Cartridge	
6	70007593	1	Valve Assembly - Upperr Drive	
7	70005900	1	Valve, Cartridge	
8	70005898	1	Valve, Cartridge	
9	70005899	1	Valve, Cartridge	
10	70007598	1	Restrictor, Flow	
11	70007596	1	Cartridge, Valve	
12	70007597	1	Orifice	
13	70005893	5	Coil	
14	70021209	5	Coil Nut Kit	
15	70007599	1	Bolt Kit	
16	70007600	1	Bolt Kit	
17	70007601	1	Seal Kit	
18	70007602	1	Fitting Kit	
26	NPN	1	Valve Assembly - Steer	
27	70006301	2	Valve, Cartridge - Relief	
28	NPN	2	Valve, Solenoid Cartridge	

SECTION 2 - GROUND CONTROLS

FIGURE 2-5. ELECTRICAL COMPONENTS INSTALLATION (MACHINES WITH SN STARTING WITH B2, G2 & M2)



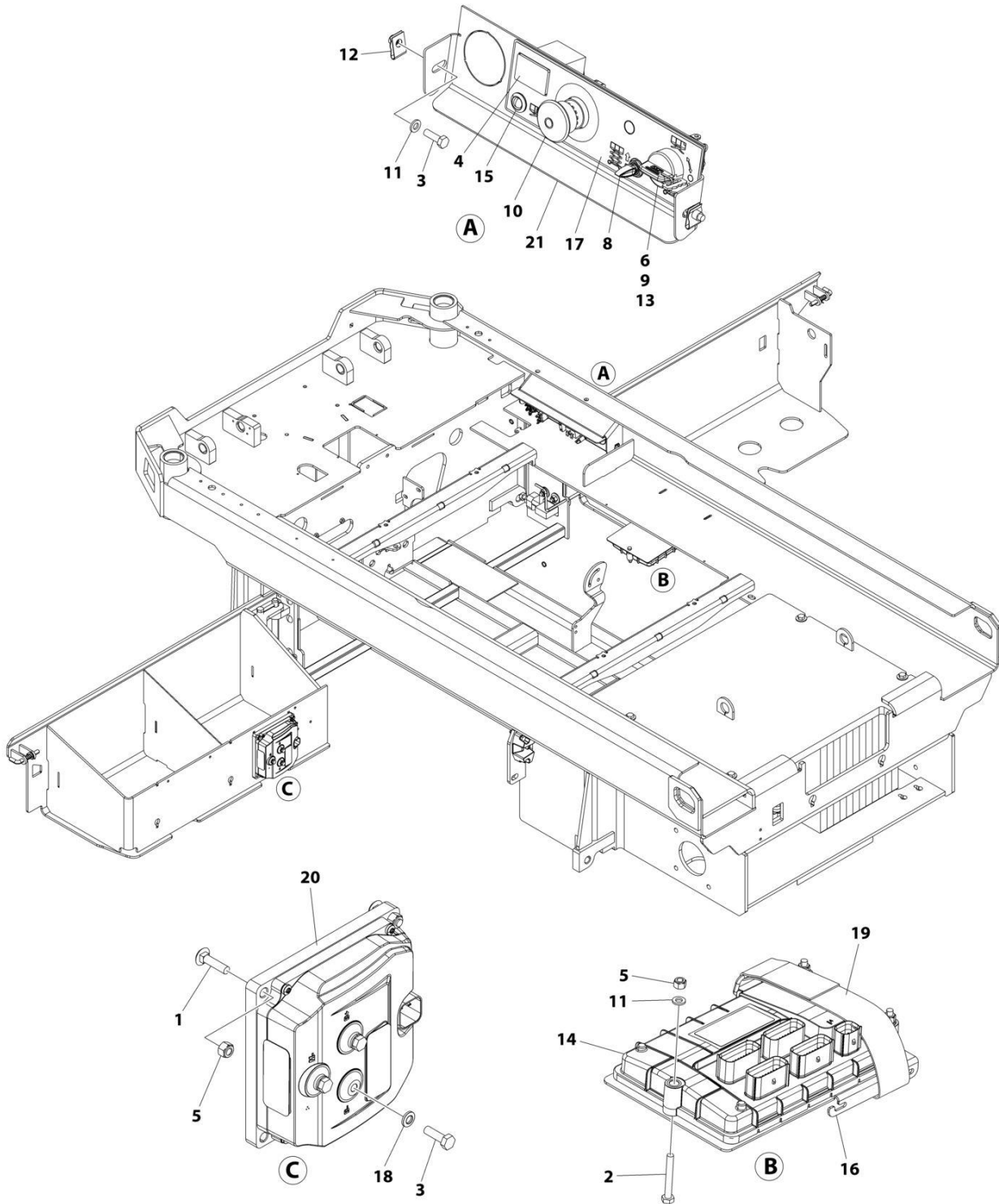
SECTION 2 - GROUND CONTROLS

FIGURE 2-5. ELECTRICAL COMPONENTS INSTALLATION (MACHINES WITH SN STARTING WITH B2, G2 & M2)

ITEM	PART NUMBER	QTY	DESCRIPTION	REV
	1001235008	Ref	ELECTRICAL COMPONENTS INSTALLATION	D
1	0140043	1	Alarm	
2	0630587	4	Bolt M6 x 25	
3	0700412	2	Bolt M4 x 25	
4	0700617	3	Bolt M6 x 45	
5	0760610	5	Bolt M6 x 20	
6	2420172	1	Hourmeter	
7	3290405	2	Nut M4	
8	3290605	7	Nut M6	
9	3740150	1	Relay	
10	3910804	3	Screw #8 x 1/4	
11	4240017	AR	Tie-Strap (Not Shown)	
12	4360328	1	Switch, Toggle	
13	4360469	1	Switch, Key	
13	2860030	1 Set	Key, Replacement	
14	4360475	1	Switch, Emergency Stop (Metal)	
14	7020175	1	Cap	
14	7020176	1	Block, Contact	
14	1001274559	1	Switch, Emergency Stop (Plastic)	
15	4811700	7	Washer M6	
16	1001091102	4	Washer M4	
17	1001130220	2	Nut Tinnerman M6	
18	1001130590	1	Plate	
19	1001200629	1	Module, Control (Note: Recalibration Required when Replaced)	
20	1001200631	1	Light, Indicator (Red)	
21	1001207494	1	Bracket	
22	1001209682	1	Decal - Ground Control	
23	1001210966	3	Washer	
24	1001215762	1	Strap, Clinch	
25	1001216062	1	Module, Power (Note: Recalibration Required when Replaced)	
26	1001283410	1	Chassis Harness (See Separate Breakdown in ELECTRICAL SECTION)	
27	1001235559	1	Support	

SECTION 2 - GROUND CONTROLS

FIGURE 2-6. ELECTRICAL COMPONENTS INSTALLATION - #1 (MACHINES WITH SN STARTING WITH 12)



ART_1001237887

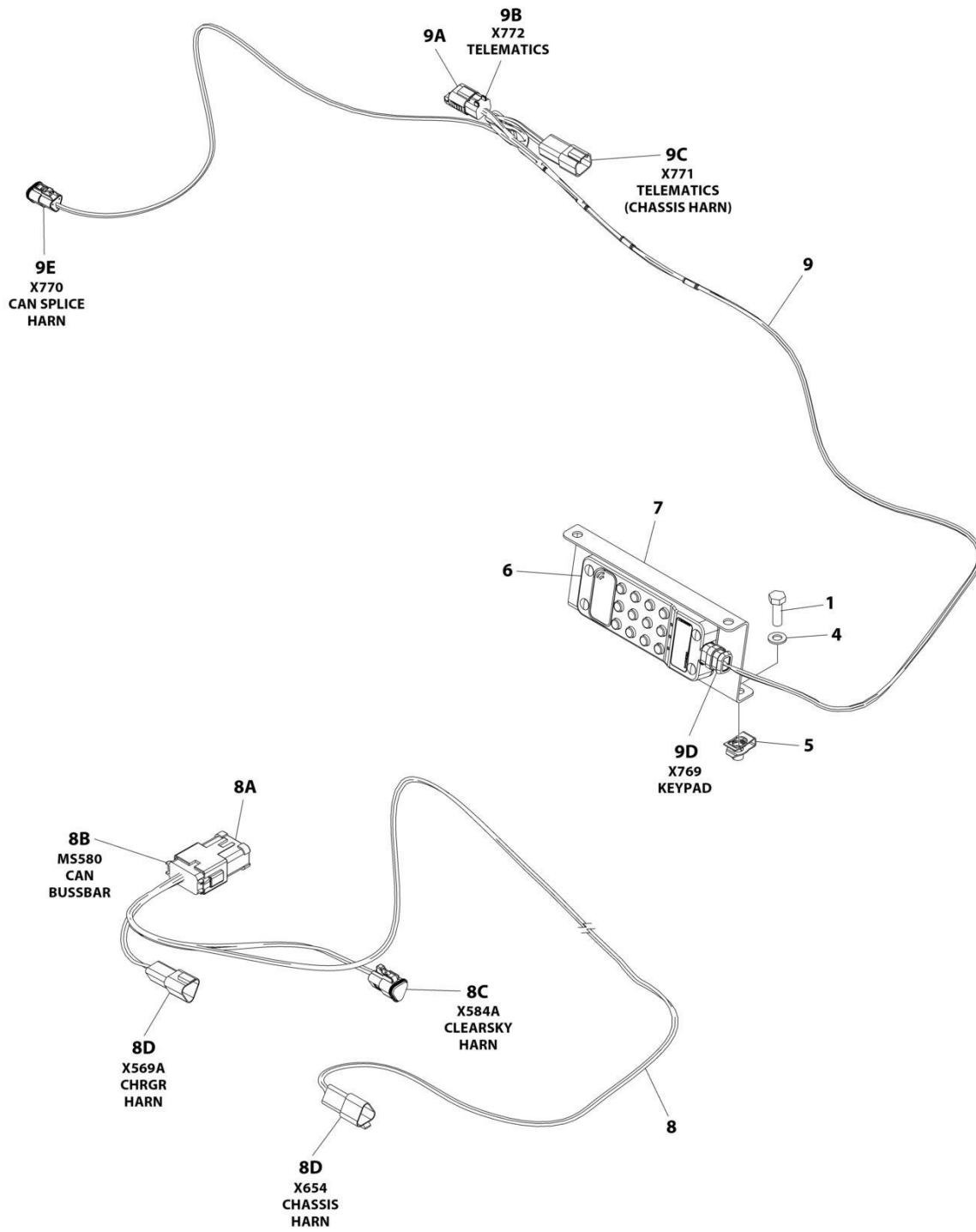
SECTION 2 - GROUND CONTROLS

FIGURE 2-6. ELECTRICAL COMPONENTS INSTALLATION - #1 (MACHINES WITH SN STARTING WITH 12)

ITEM	PART NUMBER	QTY	DESCRIPTION	REV
	1001237887	Ref	ELECTRICAL COMPONENTS INSTALLATION	B
1	0630587	2	Bolt M6 x 25	
2	0700617	3	Bolt M6 x 45	
3	0760610	5	Bolt M6 x 20	
4	2420172	1	Hourmeter	
5	3290605	5	Nut M6	
6	3910804	3	Screw #8 x 1/4	
7	4240017	AR	Tie-Strap (Not Shown)	
8	4360328	1	Switch, Toggle	
9	4360469	1	Switch, Key	
9	2860030	1 Set	Key, Replacement	
10	4360475	1	Switch, Emergency Stop (Metal)	
10	7020175	1	Cap	
10	7020176	1	Block, Contact	
10	1001274559	1	Switch, Emergency Stop (Plastic)	
11	4811700	5	Washer M6	
12	1001130220	2	Nut Tinnerman M6	
13	1001130590	1	Plate	
14	1001200629	1	Module, Control (Note: Recalibration Required when Replaced)	
15	1001200631	1	Light, Indicator (Red)	
16	1001207494	1	Bracket	
17	1001209682	1	Decal - Ground Control	
18	1001210966	3	Washer	
19	1001215762	1	Strap, Clinch	
20	1001216062	1	Module, Power (Note: Recalibration Required when Replaced)	
21	1001235559	1	Support	

SECTION 2 - GROUND CONTROLS

FIGURE 2-7. ACCESS CONTROL KEYPAD INSTALLATION



ART_1001258356

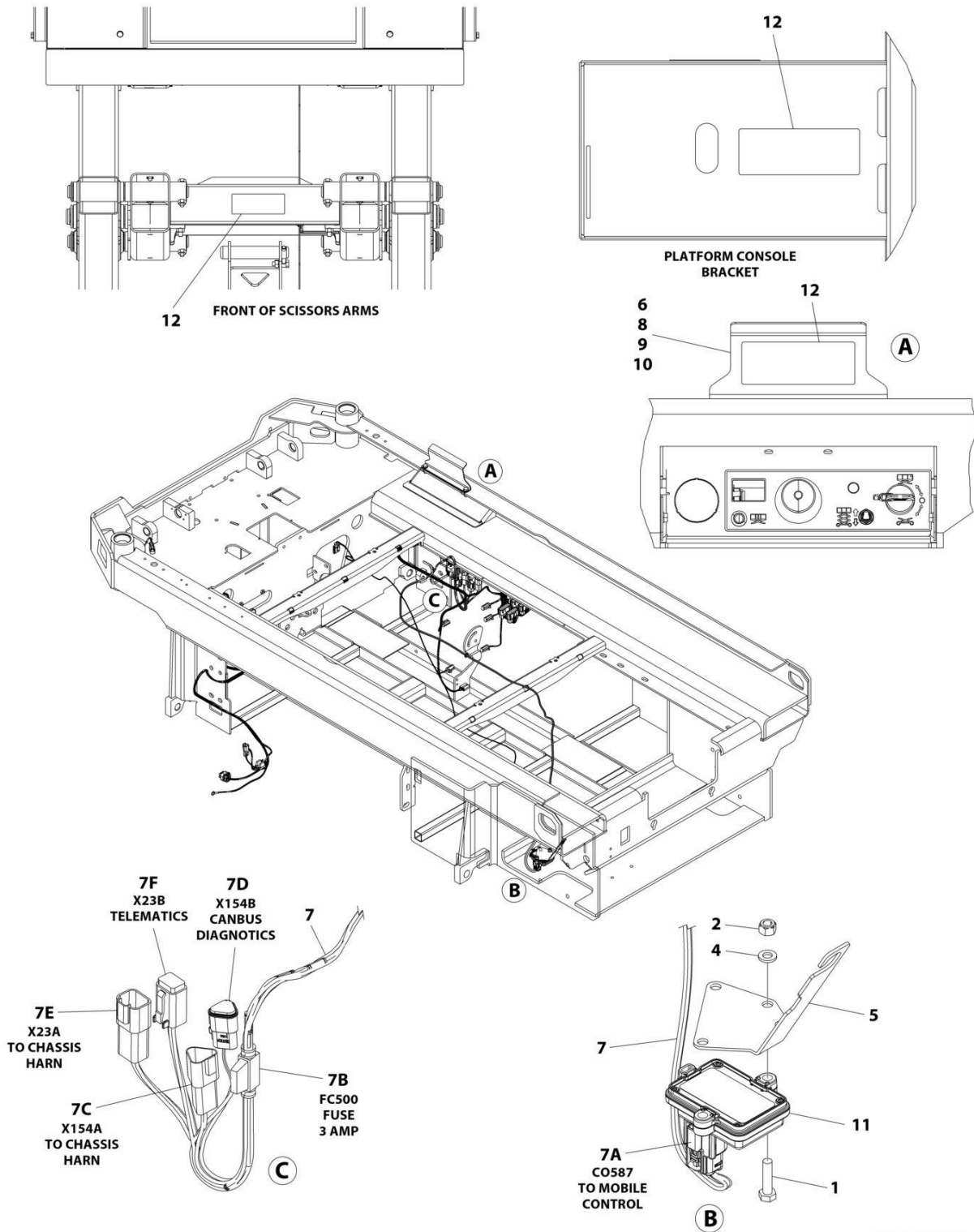
SECTION 2 - GROUND CONTROLS

FIGURE 2-7. ACCESS CONTROL KEYPAD INSTALLATION

ITEM	PART NUMBER	QTY	DESCRIPTION	REV
	1001258356	Ref	ACCESS CONTROL KEYPAD INSTALLATION	A
1	0760812	2	Bolt, M8 x 25	
2	1062255	AR	Tie-Strap (Not Shown)	
3	4240032	AR	Tie-Strap (Not Shown)	
4	4811900	2	Washer M8	
5	1001118274	2	Nut, Tinnerman	
6	1001238392	1	Keypad	
7	1001248773	1	Bracket	
8	1001254027	1	Access Control Keypad Can Splice Harness	
8A	1001125677	AR	Connector, Bus Bar - 12 Position	
8B	4460933	1	Plug, Male - 12 Position	
8B	4460944	6	Socket, Female	
8B	4460466	6	Plug, Terminal	
8C	1001118812	1	Plug, Male - 3 Position	
8C	4460944	2	Socket, Female	
8C	4460466	1	Plug, Terminal	
8D	1001144147	2	Receptacle, Female - 3 Position	
8D	4460943	4	Pin, Male	
8D	4460466	2	Plug, Terminal	
9	1001258691	1	Access Control Keypad Harness	
9A	1001192401	1	Dustcap	
9B	4460884	1	Plug, Male - 4 Position	
9B	4460465	4	Socket, Female	
9C	4460932	1	Receptacle, Female - 4 Position	
9C	4460464	4	Pin, Male	
9D	1001210079	1	Plug, Male - 4 Position	
9D	4460465	2	Socket, Female	
9D	4460944	2	Socket, Female	
9E	1001116812	1	Plug, Male - 3 Position	
9E	4460944	2	Socket, Female	
9E	4460466	1	Plug, Terminal	

SECTION 2 - GROUND CONTROLS

FIGURE 2-8. MOBILE CONTROL INSTALLATION



ART_1001245353

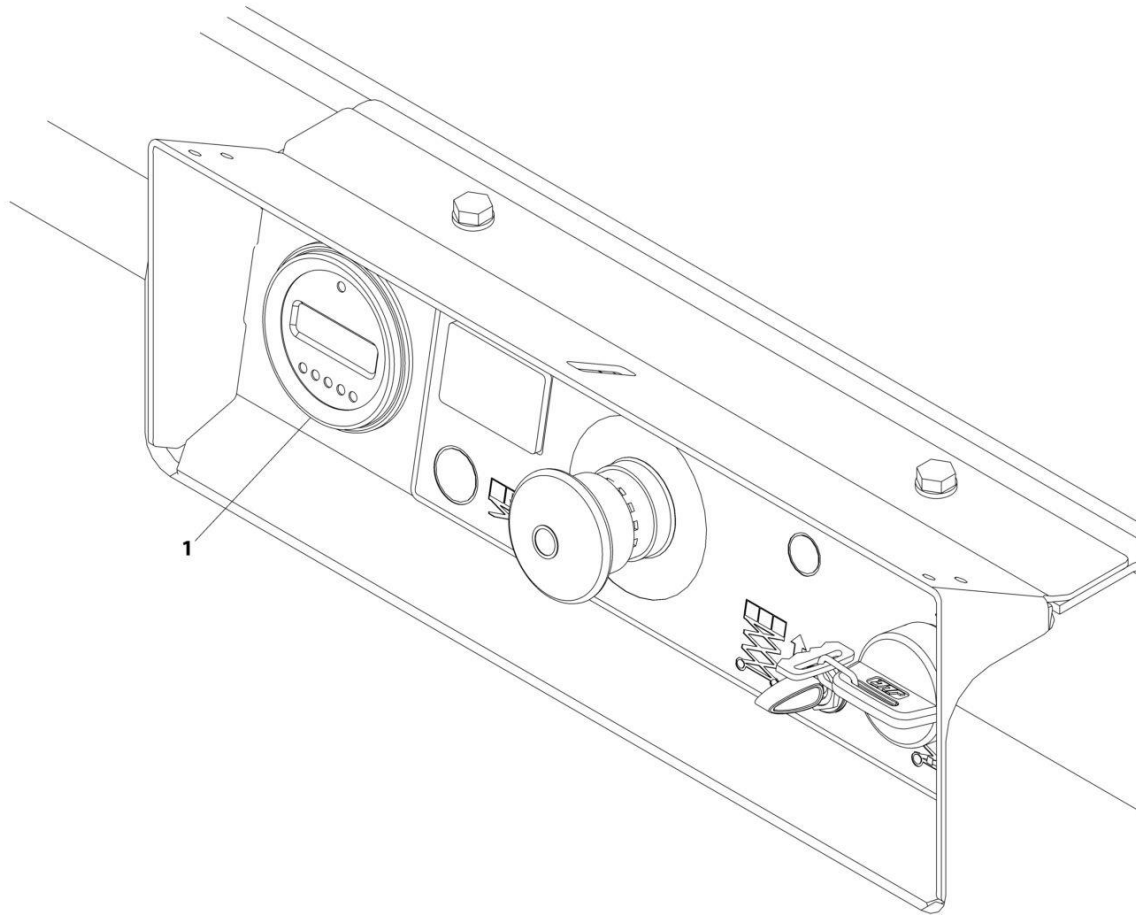
SECTION 2 - GROUND CONTROLS

FIGURE 2-8. MOBILE CONTROL INSTALLATION

ITEM	PART NUMBER	QTY	DESCRIPTION	REV
	1001245353	Ref	MOBILE CONTROL INSTALLATION	C
1	0700612	2	Bolt M6 x 25	
2	3290605	2	Nut M6	
3	4240017	AR	Tie-Strap (Not Shown)	
4	4811700	2	Washer M6	
5	1001244394	1	Bracket, Module	
6	1001244885	1	Plate, Decal	
7	1001245299	1	Mobile Control Harness	
7A	1001205409	1	Connector - 8 Position	
7A	1001162887	4	Terminal	
7A	1001163340	4	Plug, Terminal	
7B	2400060	1	Fuseholder with Cap	
7B	1001196635	1	Fuse 3 Amp	
7C	1001144147	1	Receptacle, Female - 3 Position	
7C	4460943	2	Pin, Male	
7C	4460466	1	Plug, Terminal	
7D	1001116812	1	Plug, Male - 3 Position	
7D	4460944	2	Socket, Female	
7D	4460466	1	Plug, Terminal	
7E	4460932	1	Receptacle, Female - 4 Position	
7E	4460464	4	Pin, Terminal	
7F	4460884	1	Pin, Male	
7F	4460465	4	Socket, Female	
8	0760810	2	Bolt M8 x 20	
9	4811900	2	Washer M8	
10	1001118274	2	Nut Tinnerman M8	
11	1001245293	1	Control, Mobile	
12	1001248768	3	Decal, Mobile Control	
13	3121792	1	Manual, Mobile Control (Not Shown)	

SECTION 2 - GROUND CONTROLS

FIGURE 2-9. MDI INSTALLATION



ART_1001207293

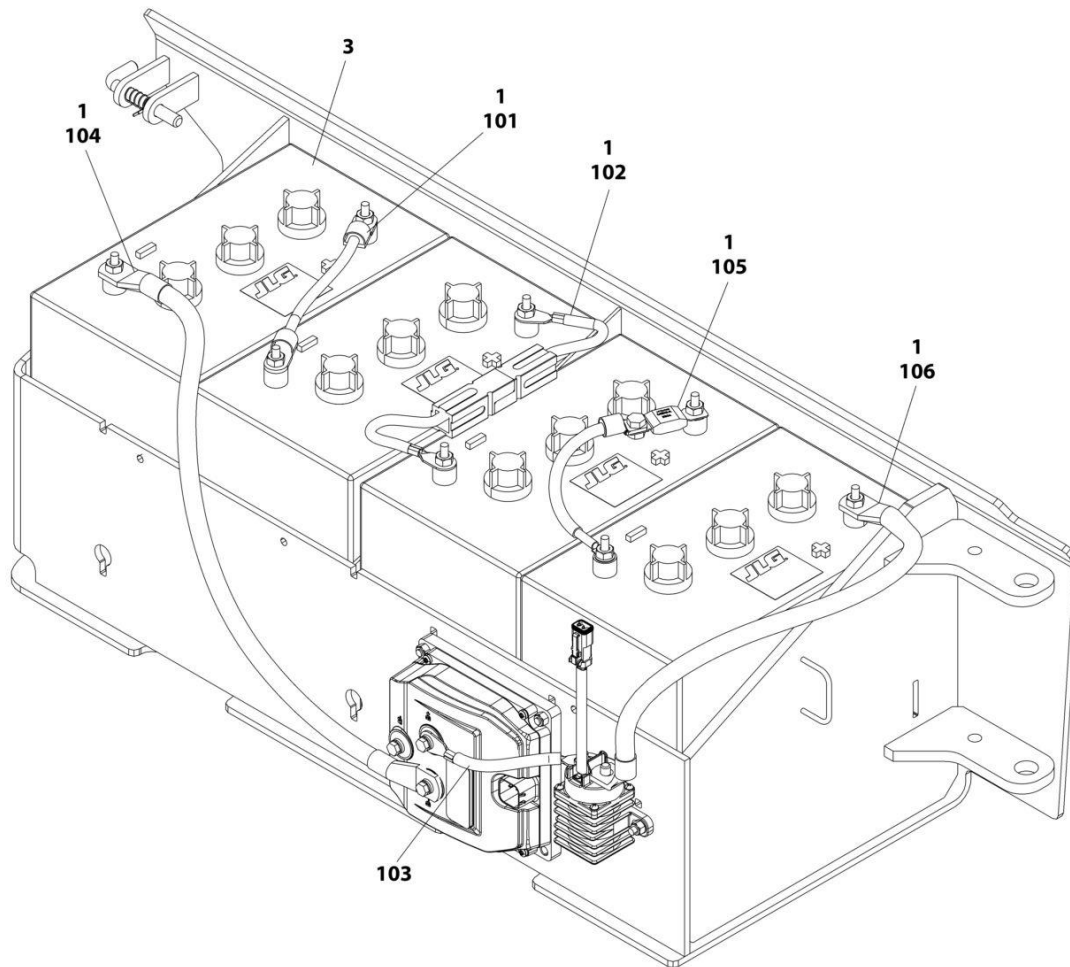
SECTION 2 - GROUND CONTROLS

FIGURE 2-9. MDI INSTALLATION

ITEM	PART NUMBER	QTY	DESCRIPTION	REV
1	1001207293 1001200632	Ref 1	MDI INSTALLATION Gauge, MDI	B

SECTION 2 - GROUND CONTROLS

FIGURE 2-10. BATTERIES INSTALLATION - STANDARD 6V-250AH



ART_1001235834

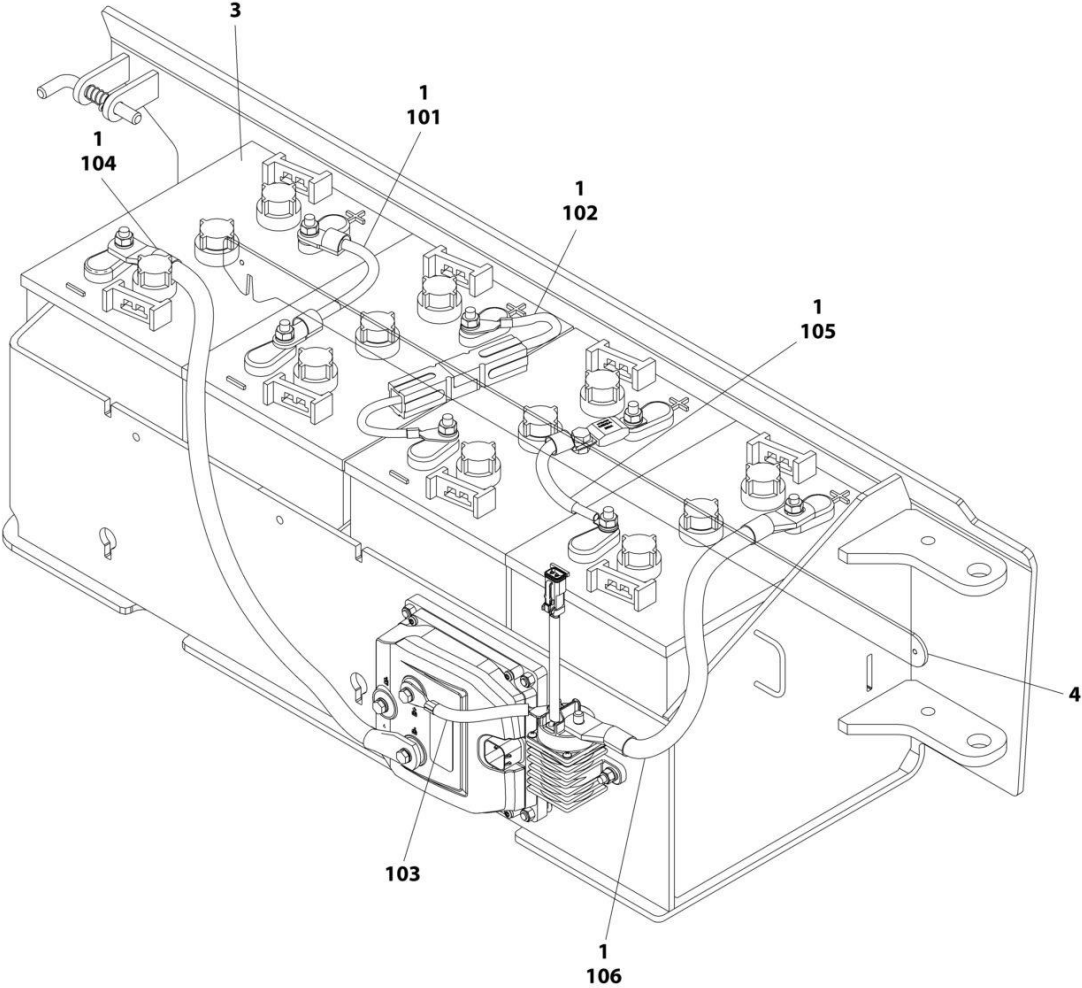
SECTION 2 - GROUND CONTROLS

FIGURE 2-10. BATTERIES INSTALLATION - STANDARD 6V-250AH

ITEM	PART NUMBER	QTY	DESCRIPTION	REV
	1001235834	Ref	BATTERIES INSTALLATION	A
1	0100051	AR	Grease, Terminal	
2	4240017	AR	Tie-Strap (Not Shown)	
3	1001235106	4	Battery	
100	1001228123	1	Battery Cable Kit (Not Shown)	
101	1060998	1	Cable, Positive to Negative	
102	4923328	1	Cable, Positive to Negative	
103	1001201708	1	Cable, Contactor to Pump Control B+	
104	1001201711	1	Cable, Battery Negative to Pump Control B-	
105	1001210401	1	Cable, Battery Fuse	
106	1001229110	1	Cable, Battery Positive to Contactor	

SECTION 2 - GROUND CONTROLS

FIGURE 2-11. BATTERIES INSTALLATION - STANDARD 6V-220AH



ART_1001236632

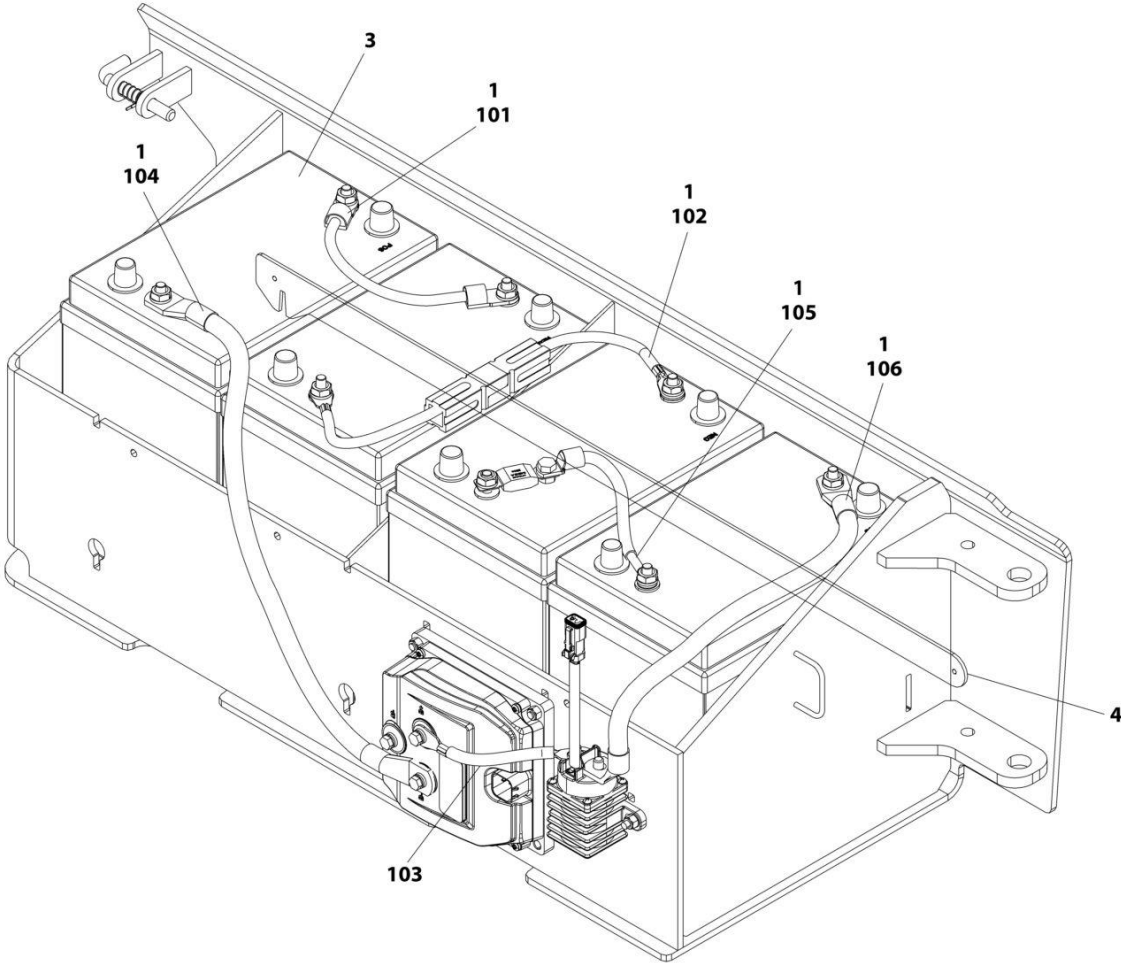
SECTION 2 - GROUND CONTROLS

FIGURE 2-11. BATTERIES INSTALLATION - STANDARD 6V-220AH

ITEM	PART NUMBER	QTY	DESCRIPTION	REV
	1001236632	Ref	BATTERIES INSTALLATION	B
1	0100051	AR	Grease, Terminal	
2	4240017	AR	Tie-Strap (Not Shown)	
3	1001216180	4	Battery	
4	1001239269	1	Bar	
100	1001228123	1	Battery Cable Kit (Not Shown)	
101	1060998	1	Cable, Positive to Negative	
102	4923328	1	Cable, Positive to Negative	
103	1001201708	1	Cable, Contactor to Pump Control B+	
104	1001201711	1	Cable, Battery Negative to Pump Control B-	
105	1001210401	1	Cable, Battery Fuse	
106	1001229110	1	Cable, Battery Positive to Contactor	

SECTION 2 - GROUND CONTROLS

FIGURE 2-12. BATTERIES INSTALLATION - AGM 6V-220AH



ART_1001237989

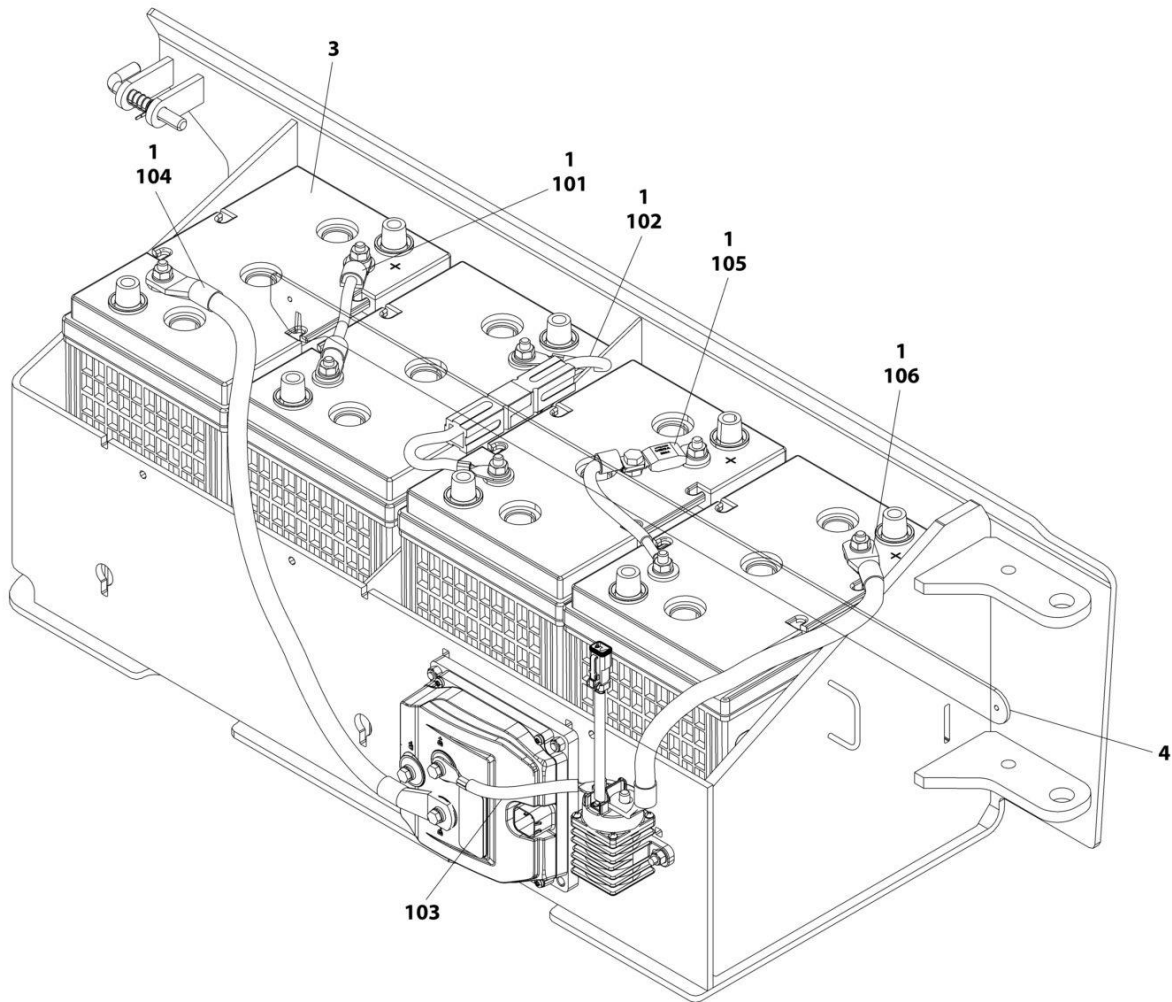
SECTION 2 - GROUND CONTROLS

FIGURE 2-12. BATTERIES INSTALLATION - AGM 6V-220AH

ITEM	PART NUMBER	QTY	DESCRIPTION	REV
	1001237989	Ref	BATTERIES INSTALLATION	B
1	0100051	AR	Grease, Terminal	
2	4240017	AR	Tie-Strap (Not Shown)	
3	1001112112	4	Battery	
4	1001239269	1	Bar	
100	1001228123	1	Battery Cable Kit (Not Shown)	
101	1060998	1	Cable, Positive to Negative	
102	4923328	1	Cable, Positive to Negative	
103	1001201708	1	Cable, Contactor to Pump Control B+	
104	1001201711	1	Cable, Battery Negative to Pump Control B-	
105	1001210401	1	Cable, Battery Fuse	
106	1001229110	1	Cable, Battery Positive to Contactor	

SECTION 2 - GROUND CONTROLS

FIGURE 2-13. BATTERIES INSTALLATION - AGM EVCG 6V-220AH



ART_1001237991

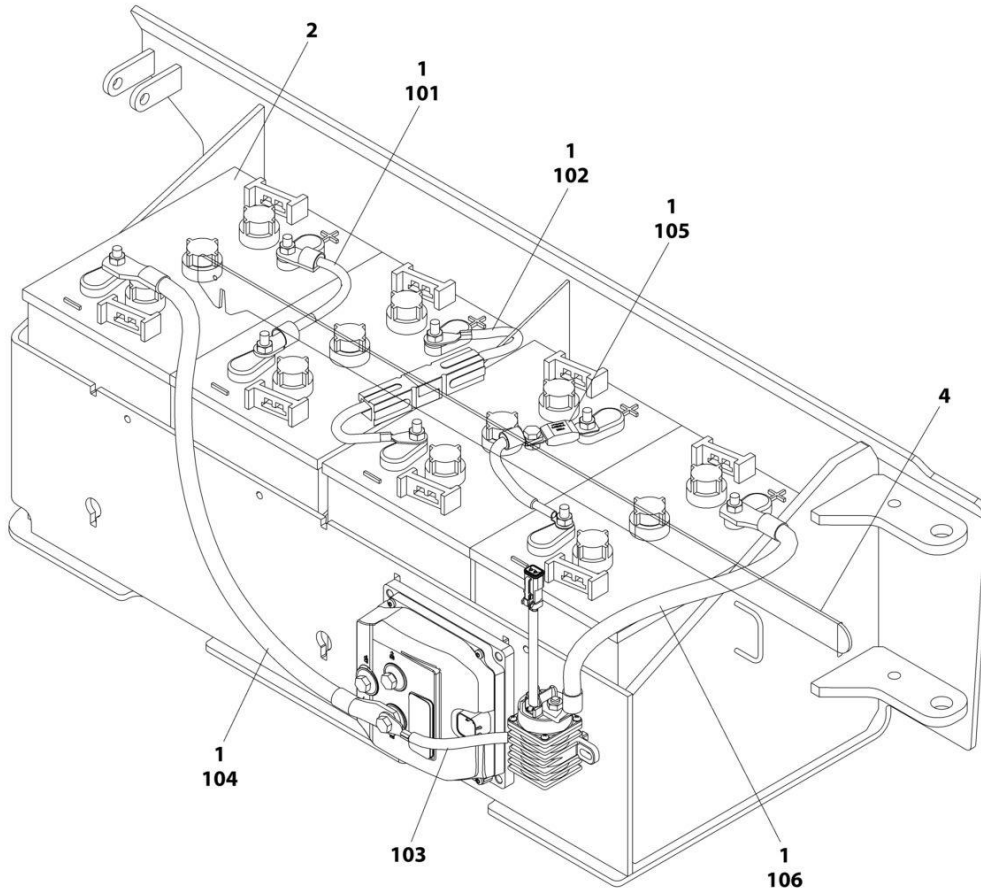
SECTION 2 - GROUND CONTROLS

FIGURE 2-13. BATTERIES INSTALLATION - AGM EVCG 6V-220AH

ITEM	PART NUMBER	QTY	DESCRIPTION	REV
	1001237991	Ref	BATTERIES INSTALLATION	B
1	0100051	AR	Grease, Terminal	
2	4240017	AR	Tie-Strap (Not Shown)	
3	1001214347	4	Battery	
4	1001239269	1	Bar	
100	1001228123	1	Battery Cable Kit (Not Shown)	
101	1060998	1	Cable, Positive to Negative	
102	4923328	1	Cable, Positive to Negative	
103	1001201708	1	Cable, Contactor to Pump Control B+	
104	1001201711	1	Cable, Battery Negative to Pump Control B-	
105	1001210401	1	Cable, Battery Fuse	
106	1001229110	1	Cable, Battery Positive to Contactor	

SECTION 2 - GROUND CONTROLS

FIGURE 2-14. BATTERIES INSTALLATION - 6V-220AH (TROJAN)



ART_1001249054

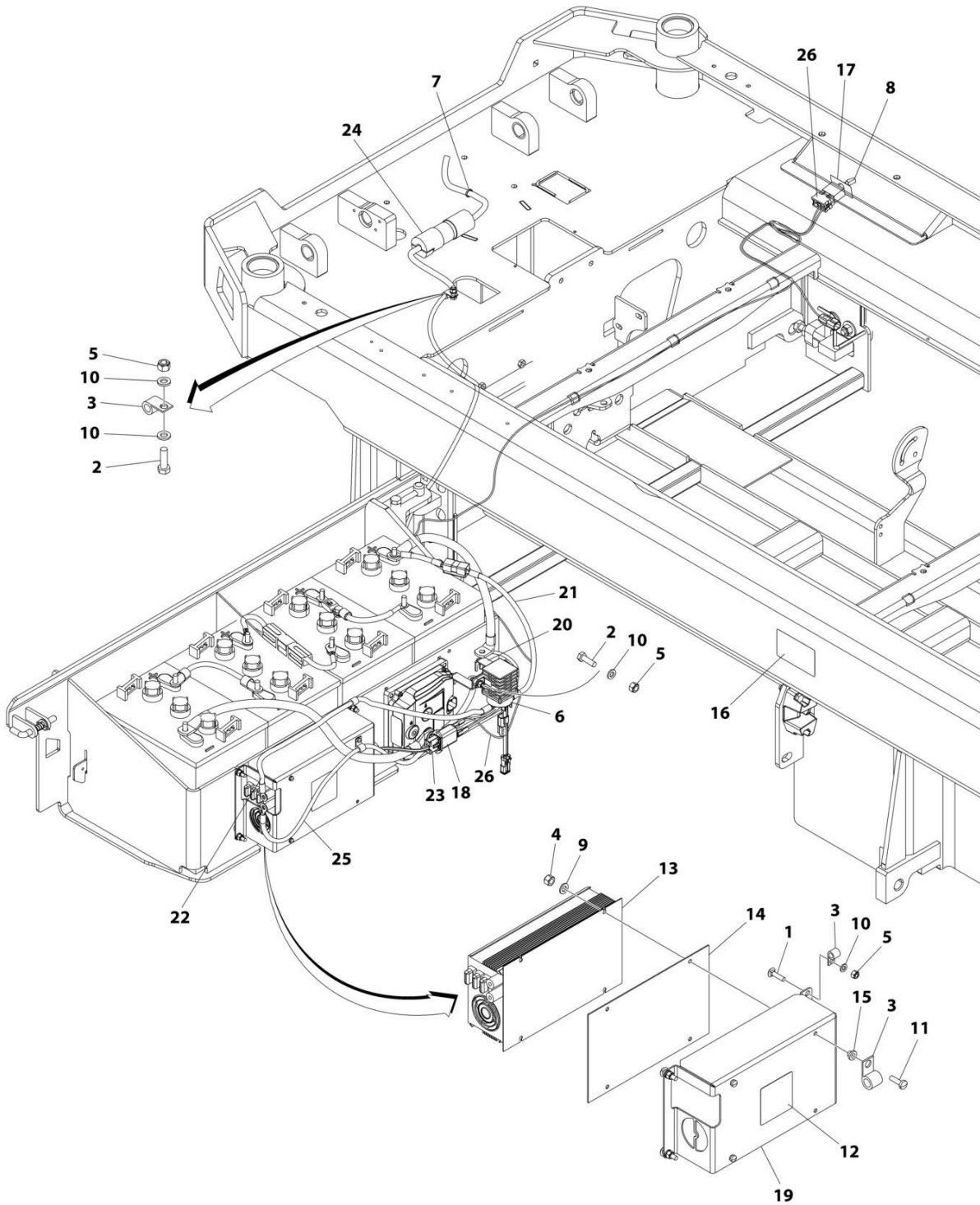
SECTION 2 - GROUND CONTROLS

FIGURE 2-14. BATTERIES INSTALLATION - 6V-220AH (TROJAN)

ITEM	PART NUMBER	QTY	DESCRIPTION	REV
	1001249054	Ref	BATTERIES INSTALLATION	B
1	0100051	AR	Grease, Terminal	
2	1001258498	4	Battery	
3	4240017	AR	Tie-Strap (Not Shown)	
4	1001239269	1	Bar	
100	1001228123	1	Battery Cable Kit (Not Shown)	
101	1060998	1	Cable, Positive to Negative	
102	4923328	1	Cable, Positive to Negative	
103	1001201708	1	Cable, Contactor to Pump Control B+	
104	1001201711	1	Cable, Battery Negative to Pump Control B-	
105	1001210401	1	Cable, Battery Fuse	
106	1001229110	1	Cable, Battery Positive to Contactor	

SECTION 2 - GROUND CONTROLS

FIGURE 2-15. INVERTER INSTALLATION (OPTIONAL)



ART_1001236132

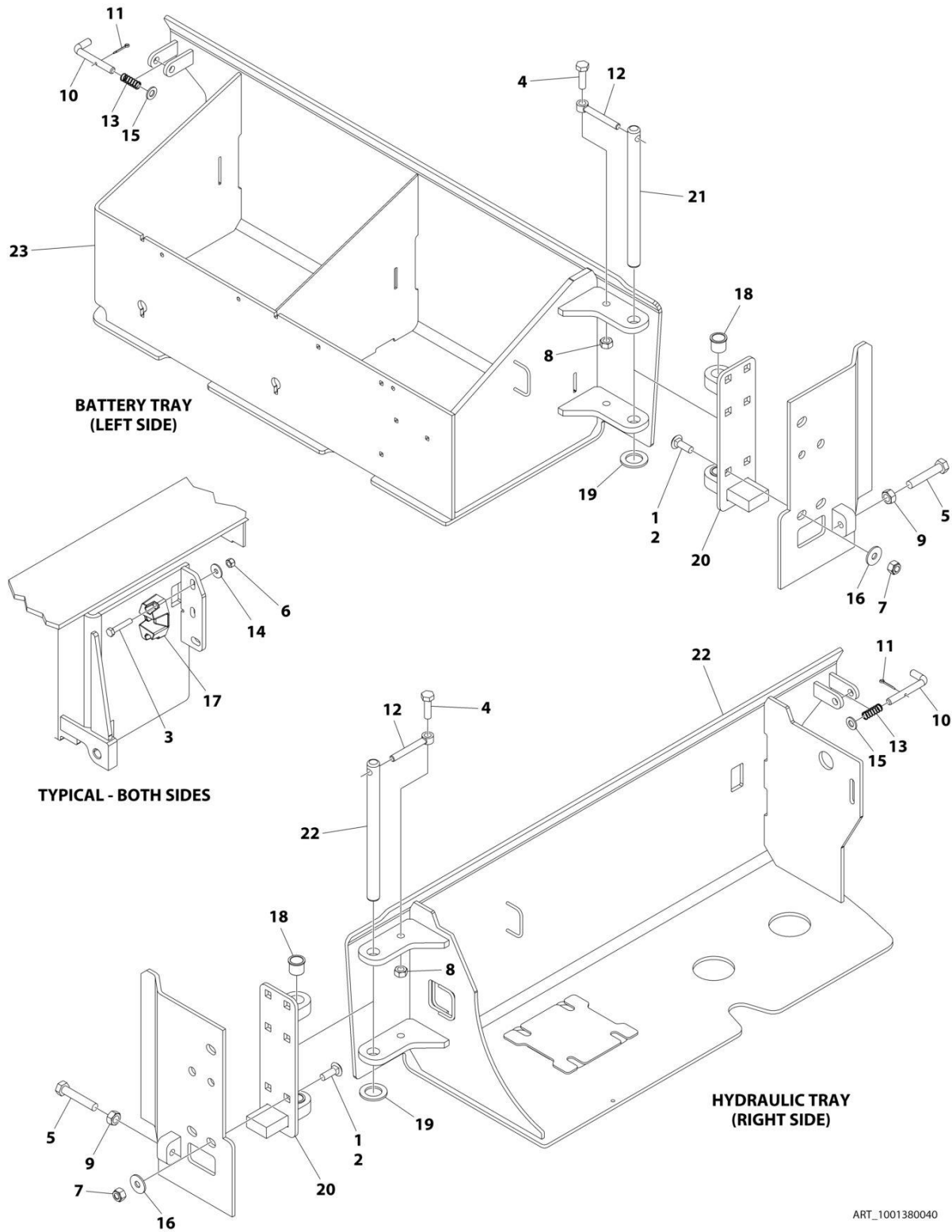
SECTION 2 - GROUND CONTROLS

FIGURE 2-15. INVERTER INSTALLATION (OPTIONAL)

ITEM	PART NUMBER	QTY	DESCRIPTION	REV
	1001236132	Ref	INVERTER INSTALLATION (OPTIONAL)	B
1	0630587	4	Bolt M6 x 25	
2	0760610	3	Bolt M6 x 20	
3	1321293	3	Clamp	
4	3290405	3	Nut M4	
5	3290605	7	Nut M6	
6	3740150	1	Relay	
7	4240017	AR	Tie-Strap	
8	4360336	1	Switch, Toggle	
9	4811400	3	Washer M4	
10	4811700	8	Washer M6	
11	1001101540	3	Screw M4 x 14	
12	1001125483	1	Decal - Pressure Wash	
13	1001136757	1	Inverter	
14	1001142173	1	Insulate	
15	1001142174	3	Washer 1/8	
16	1001143009	1	Decal - Inverter	
17	1001143010	1	Decal - On/Off Inverter	
18	1001157547	1	Filter, AC	
19	1001210440	1	Support	
20	1001210605	1	Support	
21	1001210878	1	Cable, Battery + to Inverter Contactor	
22	1001210879	1	Cable, Inverter Contactor to Inverter +	
23	1001210881	1	Cable, Inverter to AC Filter	
24	1001210882	1	Cable, AC Filter to AC Plug	
25	1001210967	1	Cable, Pump Control B- to Inverter	
26	1001235954	1	Inverter Harness	
26	4460897	2	Receptacle, Female - 2 Position	
26	4460464	3	Pin, Male	
26	4460466	1	Plug, Terminal	
26	4460418	1	Plug, Male - 6 Position	
26	4460419	2	Terminal	

SECTION 2 - GROUND CONTROLS

FIGURE 2-16. DOORS INSTALLATION



ART_1001380040

SECTION 2 - GROUND CONTROLS

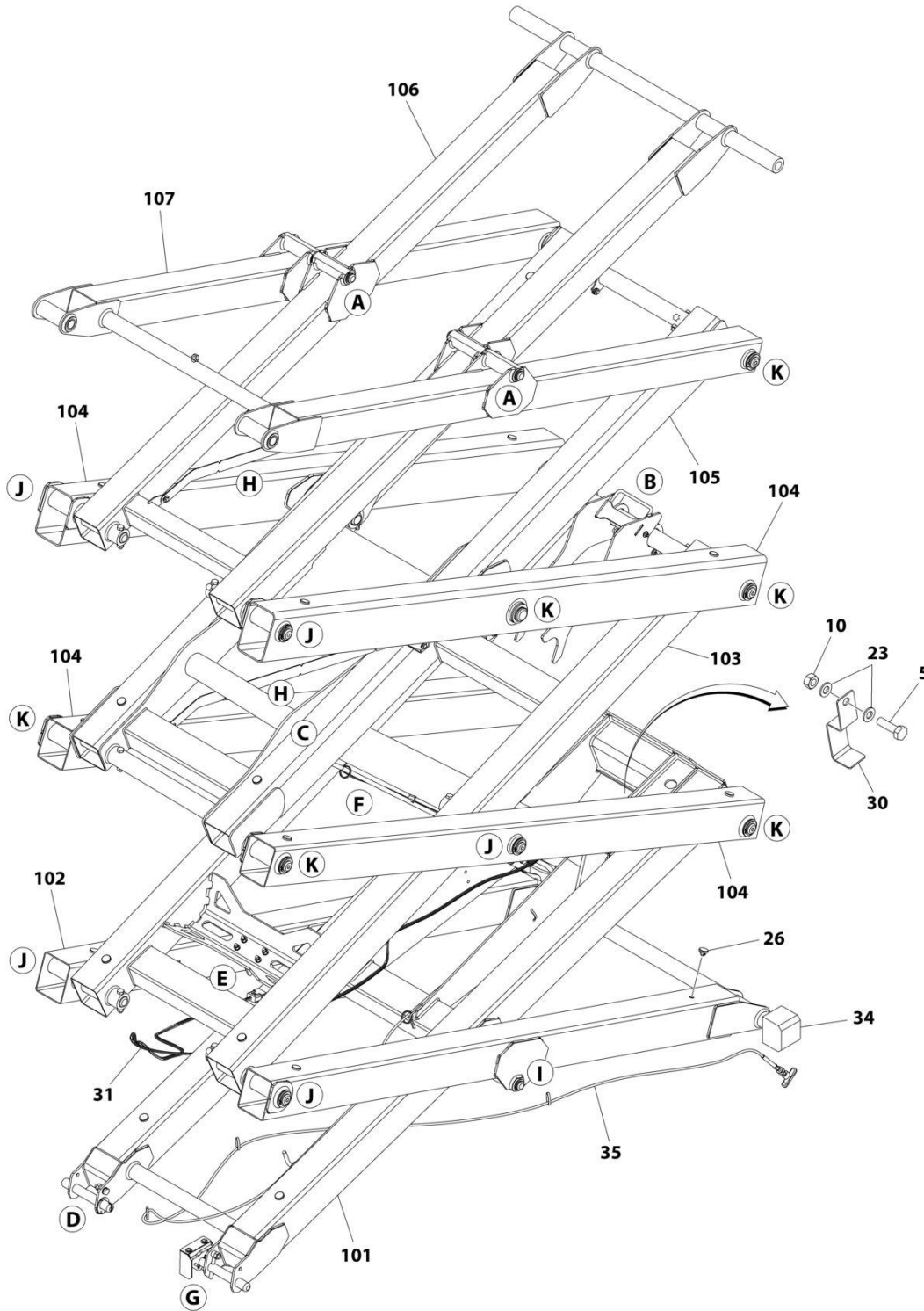
FIGURE 2-16. DOORS INSTALLATION

ITEM	PART NUMBER	QTY	DESCRIPTION	REV
	1001380040	Ref	DOORS INSTALLATION	B
1	0100011	AR	Compound, Locking	
2	0630613	10	Bolt M10 x 30	
3	0700817	4	Bolt M8 x 45	
4	0701015	2	Bolt M10 x 35	
5	0761221	2	Bolt M12 x 65	
6	3290805	4	Nut M8	
7	3291005	10	Nut M10	
8	3291007	2	Nut M10	
9	3291201	2	Nut M12	
10	3423243	2	Pin	
11	3450303	2	Pin, Cotter 3/32 x 3/4	
12	3841143	2	Keeper, Pin	
13	4160214	2	Spring	
14	4811902	4	Washer M8	
15	4812000	AR	Washer M10	
16	4812002	10	Washer M10	
17	1001214810	2	Support	
18	1001218573	4	Bearing	
19	1001229792	2	Washer	
20	1001234858	2	Hinge	
21	1001234862	2	Pin	
22	1001380041	1	Tray, Hydraulic	
23	1001380042	1	Tray, Battery	

SECTION 3 - SCISSORS ARMS

SECTION 3 - SCISSORS ARMS

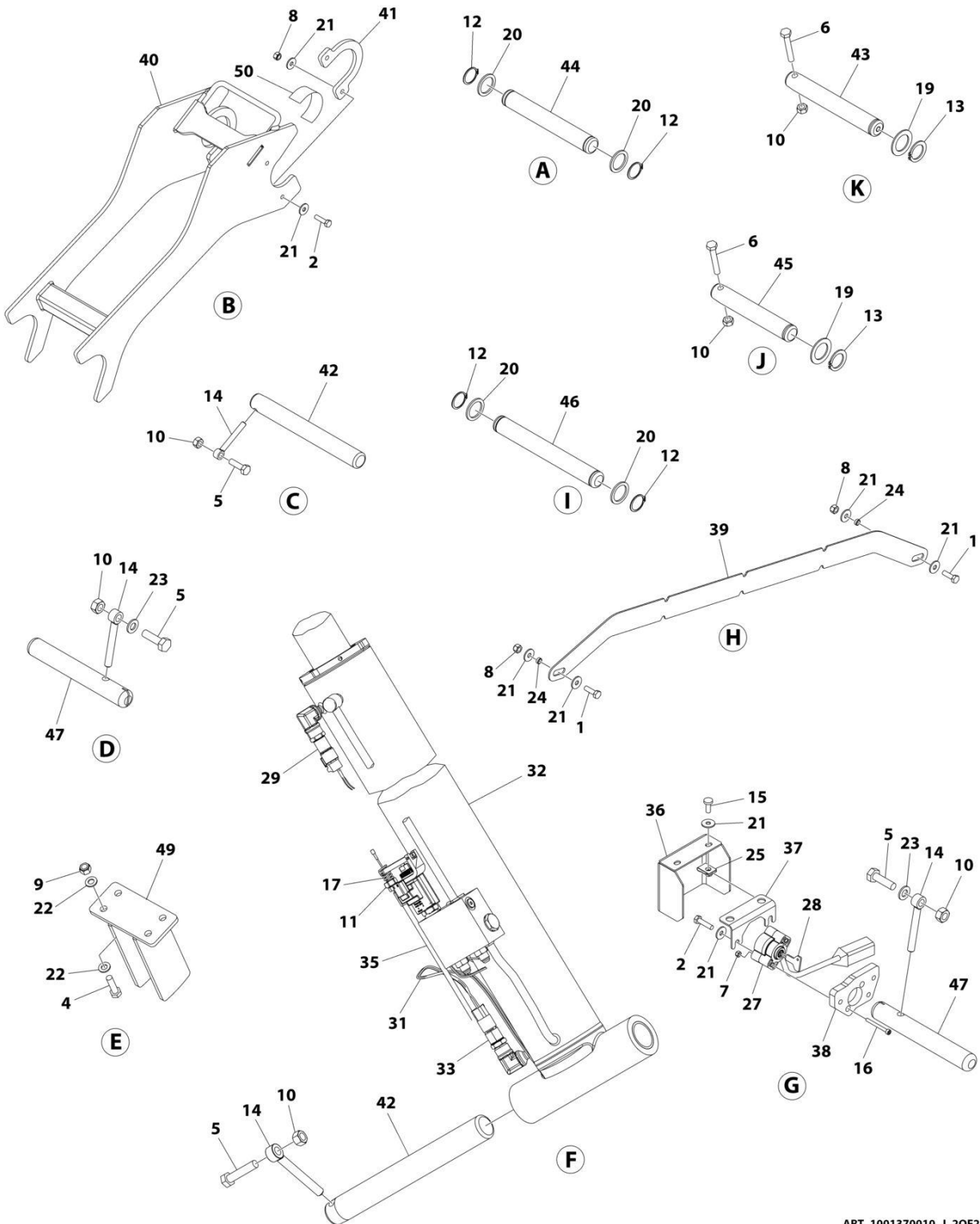
FIGURE 3-1. SCISSORS ARMS INSTALLATION (KOREAN, CHINESE, AUSTRALIAN, CE & UK CA SPECS) (Prior to SN M200071247, Prior to SN B200081949)



ART_1001370010_J_10F2

SECTION 3 - SCISSORS ARMS

FIGURE 3-2. SCISSORS ARMS INSTALLATION (KOREAN, CHINESE, AUSTRALIAN, CE & UK CA SPECS) (Prior to SN M200071247, Prior to SN B200081949)



ART_1001370010_J_20F2

SECTION 3 - SCISSORS ARMS

FIGURE 3-2. SCISSORS ARMS INSTALLATION (KOREAN, CHINESE, AUSTRALIAN, CE & UK CA SPECS) (Prior to SN M200071247, Prior to SN B200081949)

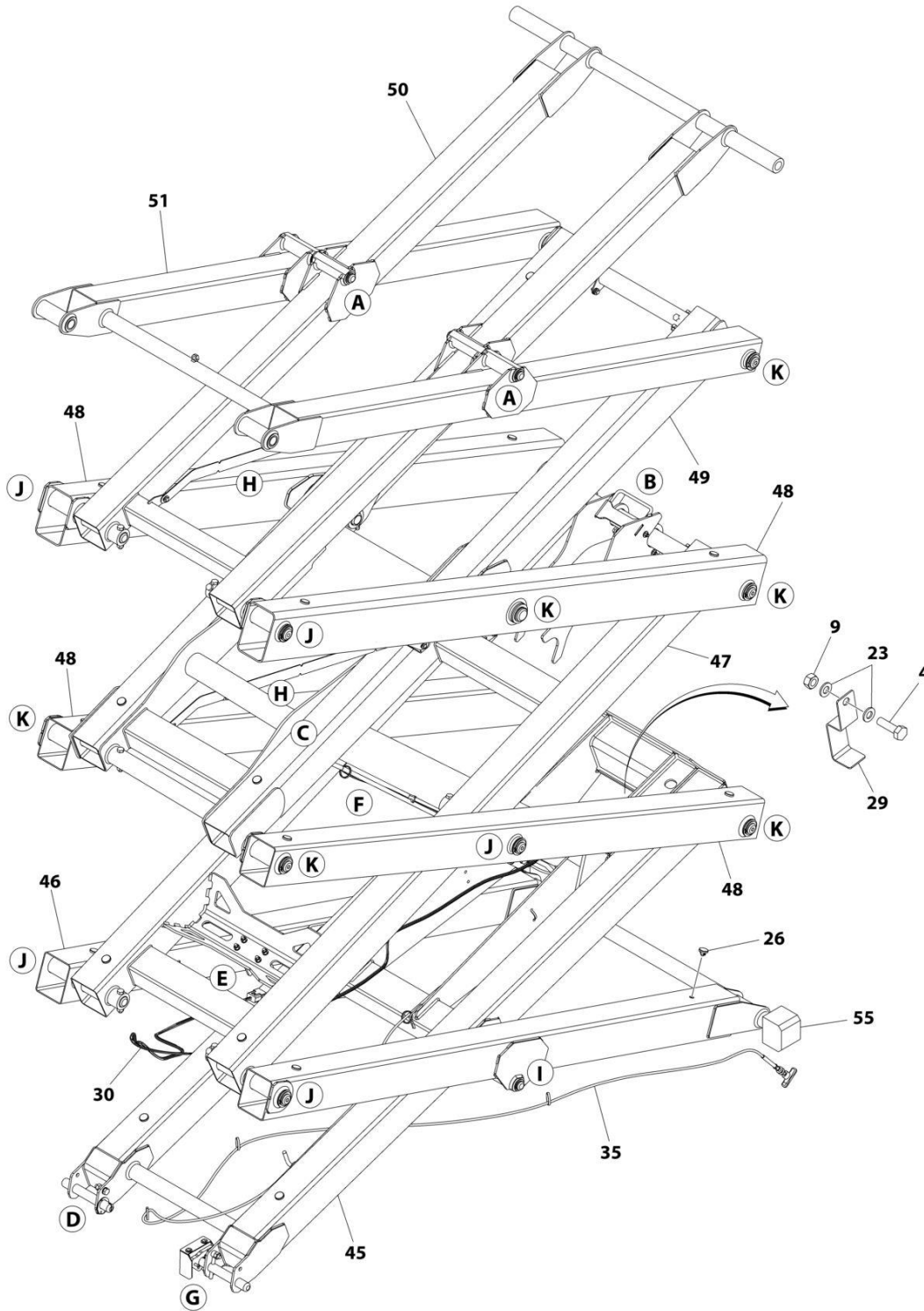
ITEM	PART NUMBER	QTY	DESCRIPTION	REV
	1001370010	Ref	SCISSORS ARMS INSTALLATION	I
1	0700610	4	Bolt M6 x 20	
2	0700612	7	Bolt M6 x 25	
4	0700814	4	Bolt M8 x 30	
5	0701015	5	Bolt M10 x 35	
6	0701021	16	Bolt M10 x 65	
7	3290405	2	Nut M4	
8	3290605	8	Nut M6	
9	3290805	4	Nut M8	
10	3291007	21	Nut M10	
11	3321402	1	Nut 1/4	
12	3760115	8	Ring, Retaining	
13	3760387	16	Ring, Retaining	
14	3841143	4	Keeper, Pin	
15	4010608	2	Screw M6 x 16	
16	4031512	2	Capscrew M4 x 40	
17	4160078	1	Spring	
18	4240017	AR	Tie-Strap (Not Shown)	
19	4740438	16	Washer	
20	4740531	8	Washer	
21	4811702	21	Washer M6	
22	4811900	8	Washer M8	
23	4812000	4	Washer M10	
24	1001128888	4	Washer	
25	1001130220	2	Nut Tinnerman M6	
26	1001137675	24	Bumper	
27	1001146963	1	Sensor, Angle	
28	1001205345	1	Key (Steel)	
28	1001234204	1	Key (Aluminun)	
29	1001225164	1	Sensor, Pressure Transducer	
30	1001226791	1	Bracket, Cable	
31	1001233795	1	Lift Down Harness (See Separate Breakdown in ELECTRICAL Section)	
32	1001244416	1	Lift Cylinder Assembly (See Separate Breakdown in CYLINDER Section)	
33	1001235104	1	Sensor, Pressure Transducer	
34	1001247707	2	Block, Side	
35	1001236269	1	Cable, Manual Descent	
36	1001236486	1	Cover	
37	1001236487	1	Plate	
38	1001236488	1	Plate	
39	1001237824	2	Plate	
40	1001238684	1	Arm, Prop	
41	1001239479	2	Plate	
42	1001239925	2	Pin	
43	1001239927	10	Pin	
44	1001239928	2	Pin	
45	1001239929	6	Pin	
46	1001239930	2	Pin	

SECTION 3 - SCISSORS ARMS

ITEM	PART NUMBER	QTY	DESCRIPTION	REV
47	1001239931	2	Pin	
49	1001246674	1	Adapter	
50	4420062	15 in/ 37cm	Tape	
100	1001241744	1	Arm Kit	
101	1001241737	1	Arm - Inner 1	
101	0440264	4	Bearing (Not Shown)	
102	1001241738	1	Arm - Outer 2	
102	0440264	4	Bearing - 1 ID (Not Shown)	
102	0440265	4	Bearing - 1-1/4 ID (Not Shown)	
103	1001241739	1	Arm - Inner 2	
104	1001241740	2	Arm - Outer 2 and Outer 3	
104	0440265	6	Bearing (Not Shown)	
105	1001241741	1	Arm - Inner 3	
106	1001241742	1	Arm - Inner 4	
106	0440264	4	Bearing (Not Shown)	
107	1001241743	1	Arm - Outer 4	
107	0440264	8	Bearing - 1 ID (Not Shown)	
107	0440265	4	Bearing - 1-1/4 ID (Not Shown)	
201	0440264	4	Bearing (Part of Frame) (Not Shown)	

SECTION 3 - SCISSORS ARMS

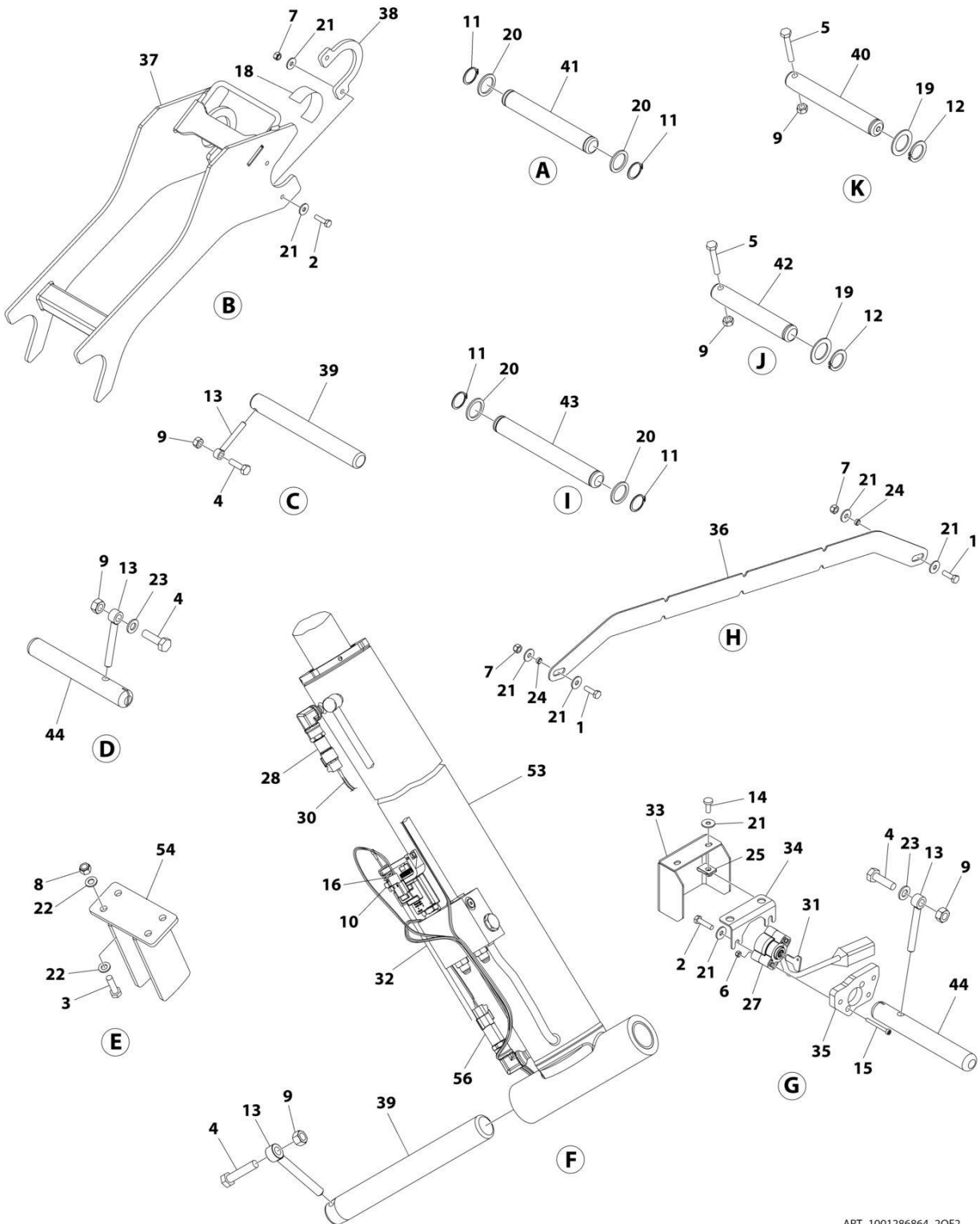
FIGURE 3-3. SCISSORS ARMS INSTALLATION (ANSI, ANSI EXPORT, CSA & JAPANESE SPECS)
(Prior to SN M200071247, Prior to SN B200081949)



ART_1001286864_10F2

SECTION 3 - SCISSORS ARMS

FIGURE 3-4. SCISSORS ARMS INSTALLATION (ANSI, ANSI EXPORT, CSA & JAPANESE SPECS)
(Prior to SN M200071247, Prior to SN B200081949)



ART_1001286864_2OF2

SECTION 3 - SCISSORS ARMS

**FIGURE 3-4. SCISSORS ARMS INSTALLATION (ANSI, ANSI EXPORT, CSA & JAPANESE SPECS)
(Prior to SN M200071247, Prior to SN B200081949)**

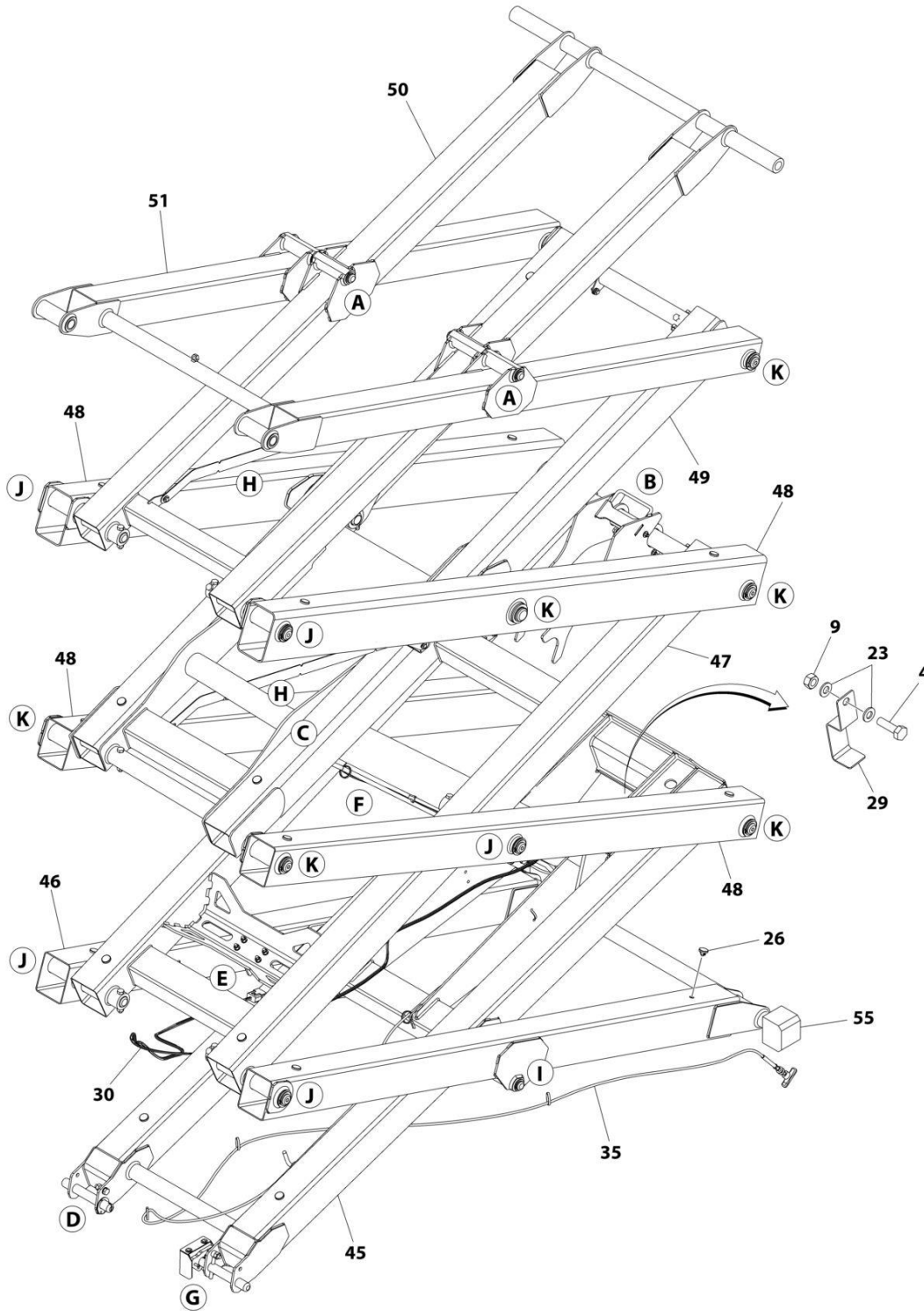
ITEM	PART NUMBER	QTY	DESCRIPTION	REV
	1001286864	Ref	SCISSOR ARMS INSTALLATION	B
1	0700610	4	Bolt M6 x 20	
2	0700612	7	Bolt M6 x 25	
3	0700814	4	Bolt M8 x 30	
4	0701015	5	Bolt M10 x 35	
5	0701021	16	Bolt M10 x 65	
6	3290405	2	Nut M4	
7	3290605	8	Nut M6	
8	3290805	4	Nut M8	
9	3291007	21	Nut M10	
10	3321402	1	Nut 1/4	
11	3760115	8	Ring, Retaining	
12	3760387	16	Ring, Snap	
13	3841143	4	Keeper, Pin	
14	4010608	2	Screw M6 x 16	
15	4031512	2	Capscrew M4 x 40	
16	4160078	1	Spring	
17	4240017	AR	Tie-Strap (Not Shown)	
18	4420062	15 in/37cm	Tape	
19	4740438	16	Washer M33	
20	4740531	8	Washer M35	
21	4811702	21	Washer M6	
22	4811900	8	Washer M8	
23	4812000	4	Washer M10	
24	1001128888	4	Washer, Actuator Throttle	
25	1001130220	2	Nut M6	
26	1001137675	24	Bumper	
27	1001146963	1	Sensor, Angle	
28	1001225164	1	Sensor, Pressure	
29	1001226791	1	Bracket	
30	1001233795	1	Harness, Lift Down (See Separate Breakdown in ELECTRICAL Section)	
31	1001234204	1	Key, Angle Sensor	
32	1001236269	1	Cable, Manual Descent	
33	1001236486	1	Plate	
34	1001236487	1	Plate	
35	1001236488	1	Plate	
36	1001237824	2	Plate	
37	1001238684	1	Arm, Prop	
38	1001239479	2	Plate, Arm Prop Retainer	
39	1001239925	2	Pin	
40	1001239927	10	Pin	
41	1001239928	2	Pin	
42	1001239929	6	Pin	
43	1001291264	2	Pin	
44	1001239931	2	Pin	
45	1001241737	1	Arm, Inboard	D
45	0440264	4	Bushing	

SECTION 3 - SCISSORS ARMS

ITEM	PART NUMBER	QTY	DESCRIPTION	REV
46	1001241738	1	Arm, Outboard	E
46	0440264	4	Bushing (Inner)	
46	0440265	4	Bushing (Outter)	
47	1001241739	1	Arm, Inboard	
48	1001241740	4	Arm, Outboard	B
48	0440265	24	Bushing (6 per Arm)	
49	1001241741	1	Arm, Inboard	
50	1001241742	1	Arm, Inboard	D
50	0440264	4	Bushing	
51	1001241743	1	Arm, Outboard	C
51	0440264	8	Bushing (Inner)	
51	0440265	4	Bushing (Outter)	
52	1001241744	1	Arm, Weldment Kit (Includes items 45-51)	
53	1001244416	1	Lift Cylinder Assembly (See Separate Breakdown in CYLINDER Section)	
54	1001246674	1	Adapter	
55	1001247707	2	Block, Side	
56	1001285320	1	Sensor, Pressure Transducer	
57	1001285829	1	Harness, Jumper to Lift down (Not Shown) (See Separate Breakdown in ELECTRICAL Section)	

SECTION 3 - SCISSORS ARMS

FIGURE 3-5. SCISSORS ARMS INSTALLATION (ALL SPECS) (SN M200071247 to Present, SN B200081949 to Present)



ART_1001286864_10F2

SECTION 3 - SCISSORS ARMS

FIGURE 3-6. SCISSORS ARMS INSTALLATION (ALL SPECS) (SN M200071247 to Present, SN B200081949 to Present)

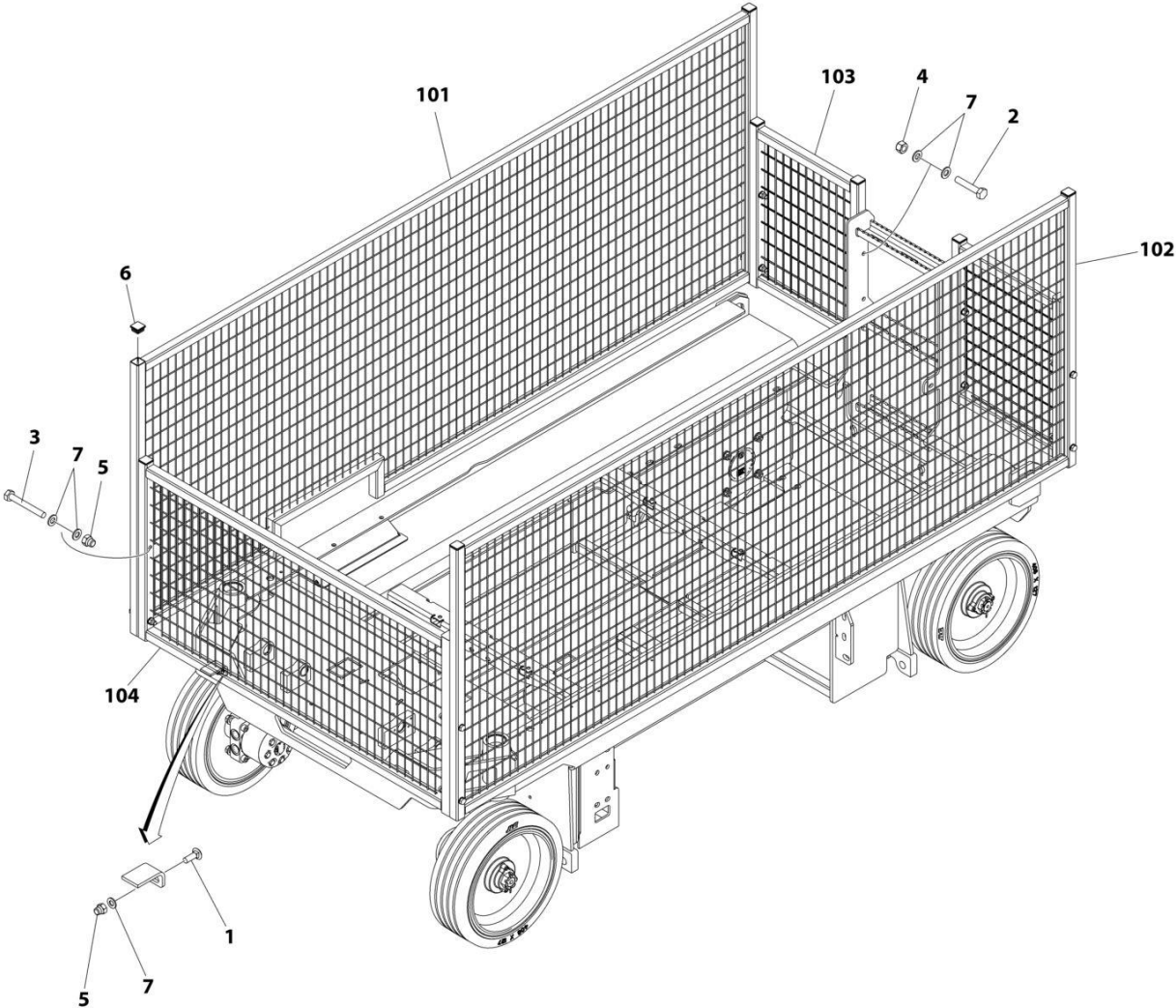
ITEM	PART NUMBER	QTY	DESCRIPTION	REV
	1001286864	Ref	SCISSOR ARMS INSTALLATION	B
1	0700610	4	Bolt M6 x 20	
2	0700612	7	Bolt M6 x 25	
3	0700814	4	Bolt M8 x 30	
4	0701015	5	Bolt M10 x 35	
5	0701021	16	Bolt M10 x 65	
6	3290405	2	Nut M4	
7	3290605	8	Nut M6	
8	3290805	4	Nut M8	
9	3291007	21	Nut M10	
10	3321402	1	Nut 1/4	
11	3760115	8	Ring, Retaining	
12	3760387	16	Ring, Snap	
13	3841143	4	Keeper, Pin	
14	4010608	2	Screw M6 x 16	
15	4031512	2	Capscrew M4 x 40	
16	4160078	1	Spring	
17	4240017	AR	Tie-Strap (Not Shown)	
18	4420062	15	Tape	
		in/37cm		
19	4740438	16	Washer M33	
20	4740531	8	Washer M35	
21	4811702	21	Washer M6	
22	4811900	8	Washer M8	
23	4812000	4	Washer M10	
24	1001128888	4	Washer, Actuator Throttle	
25	1001130220	2	Nut M6	
26	1001137675	24	Bumper	
27	1001146963	1	Sensor, Angle	
28	1001225164	1	Sensor, Pressure	
29	1001226791	1	Bracket	
30	1001233795	1	Harness, Lift Down (See Separate Breakdown in ELECTRICAL Section)	
31	1001234204	1	Key, Angle Sensor	
32	1001236269	1	Cable, Manual Descent	
33	1001236486	1	Plate	
34	1001236487	1	Plate	
35	1001236488	1	Plate	
36	1001237824	2	Plate	
37	1001238684	1	Arm, Prop	
38	1001239479	2	Plate, Arm Prop Retainer	
39	1001239925	2	Pin	
40	1001239927	10	Pin	
41	1001239928	2	Pin	
42	1001239929	6	Pin	
43	1001291264	2	Pin	
44	1001239931	2	Pin	
45	1001241737	1	Arm, Inboard	D
45	0440264	4	Bushing	

SECTION 3 - SCISSORS ARMS

ITEM	PART NUMBER	QTY	DESCRIPTION	REV
46	1001241738	1	Arm, Outboard	E
46	0440264	4	Bushing (Inner)	
46	0440265	4	Bushing (Outter)	
47	1001241739	1	Arm, Inboard	
48	1001241740	4	Arm, Outboard	B
48	0440265	24	Bushing (6 per Arm)	
49	1001241741	1	Arm, Inboard	
50	1001241742	1	Arm, Inboard	D
50	0440264	4	Bushing	
51	1001241743	1	Arm, Outboard	C
51	0440264	8	Bushing (Inner)	
51	0440265	4	Bushing (Outter)	
52	1001241744	1	Arm, Weldment Kit (Includes items 45-51)	
53	1001244416	1	Lift Cylinder Assembly (See Separate Breakdown in CYLINDER Section)	
54	1001246674	1	Adapter	
55	1001247707	2	Block, Side	
56	1001285320	1	Sensor, Pressure Transducer	
57	1001285829	1	Harness, Jumper to Lift down (Not Shown) (See Separate Breakdown in ELECTRICAL Section)	

SECTION 3 - SCISSORS ARMS

FIGURE 3-7. ARM GUARDS INSTALLATION



ART_1001239674

SECTION 3 - SCISSORS ARMS

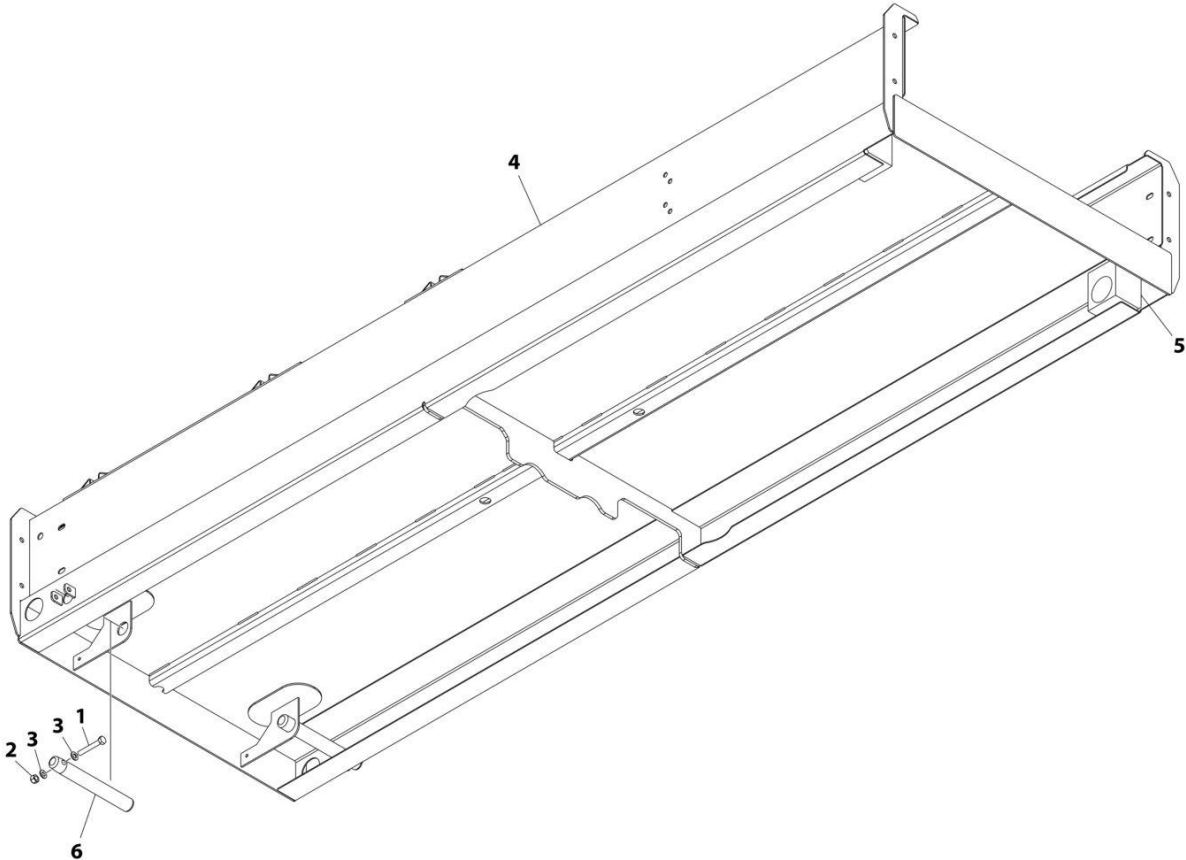
FIGURE 3-7. ARM GUARDS INSTALLATION

ITEM	PART NUMBER	QTY	DESCRIPTION	REV
	1001239674	Ref	ARM GUARD INSTALLATION	A
1	0630613	2	Bolt M10 x 30	
2	0701019	4	Bolt M10 x 55	
3	0701024	8	Bolt M10 x 80	
4	3291005	4	Nut M10	
5	3291006	10	Nut M10	
6	3520072	10	Plug	
7	4812000	26	Washer M10	
100	1001241352	1	Arm Guard Kit (Not Shown)	
101	1001239892	1	Guard, Arm (RH)	
102	1001239894	1	Guard, Arm (LH)	
103	1001241353	2	Guard, Arm (Rear)	
104	1001241358	1	Guard, Arm (Front)	

SECTION 4 - PLATFORM

SECTION 4 - PLATFORM

FIGURE 4-1. PLATFORM INSTALLATION



ART_1001234384_B

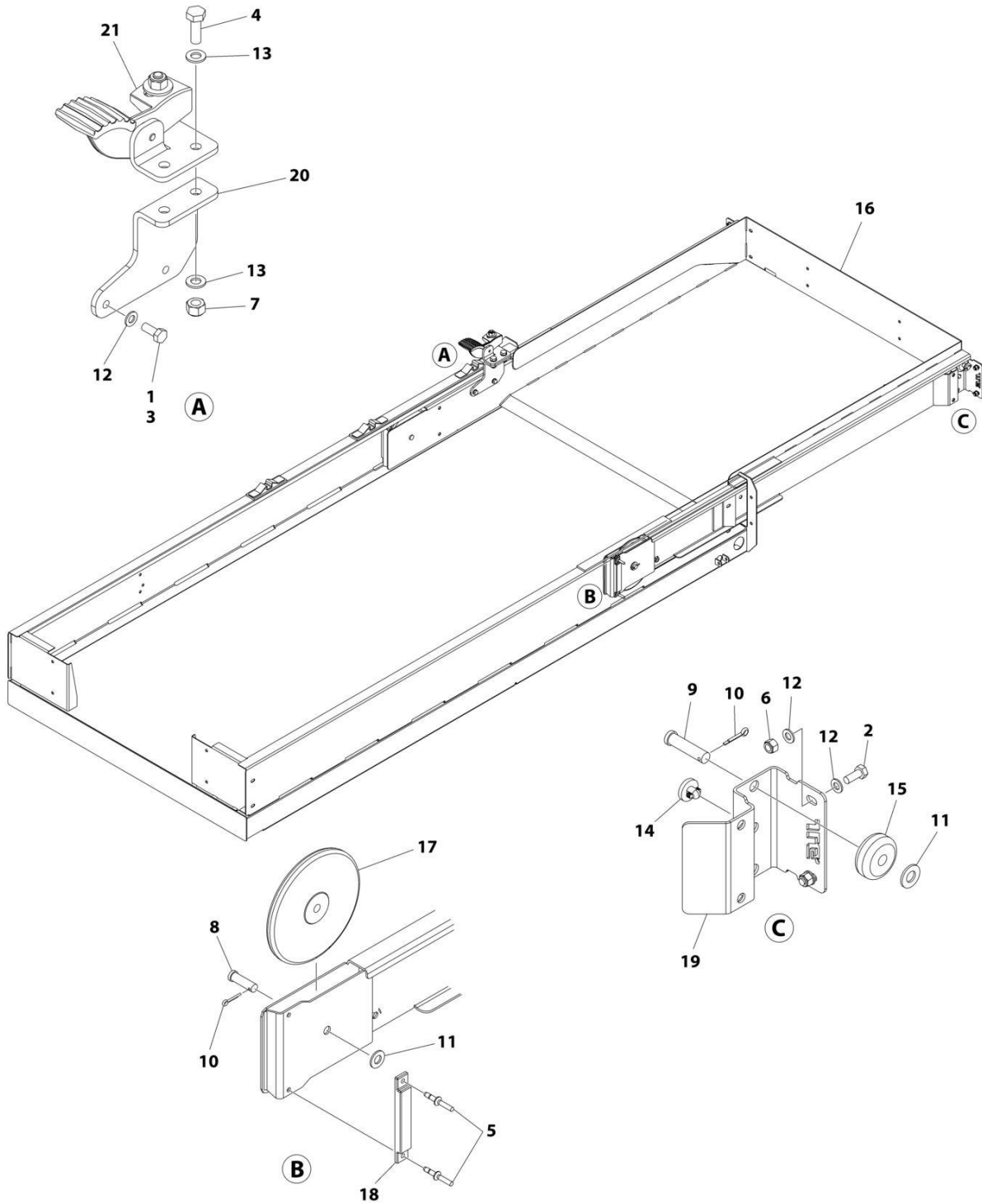
SECTION 4 - PLATFORM

FIGURE 4-1. PLATFORM INSTALLATION

ITEM	PART NUMBER	QTY	DESCRIPTION	REV
	1001234384	Ref	PLATFORM INSTALLATION	B
1	0700819	2	Bolt M8 x 55	
2	3290805	2	Nut M8	
3	4811900	4	Washer M8	
4	1001235555	1	Platform	
5	1001247706	2	Block, Slide	
6	1001239926	2	Pin	

SECTION 4 - PLATFORM

FIGURE 4-2. PLATFORM EXTENSION INSTALLATION



ART_1001234385

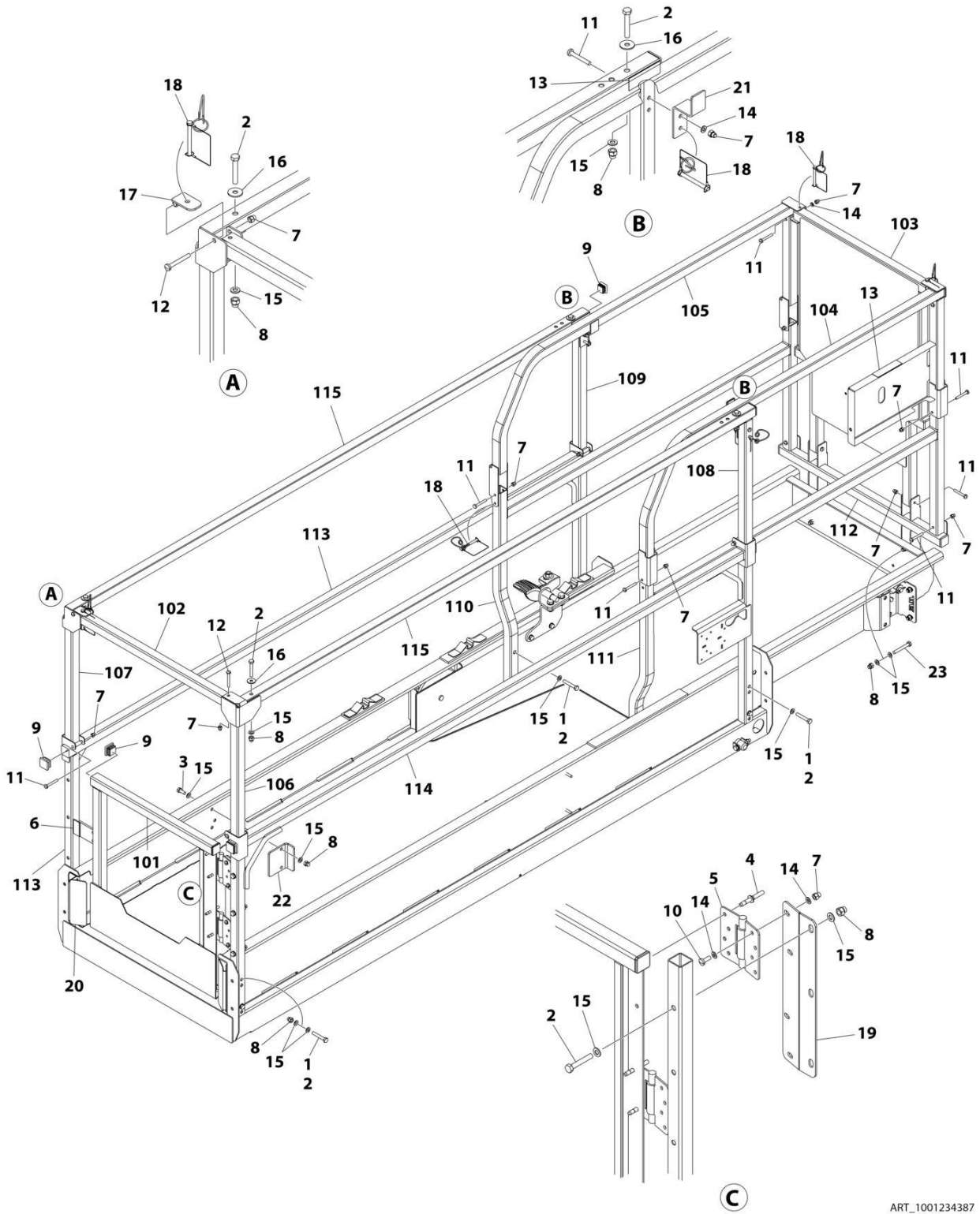
SECTION 4 - PLATFORM

FIGURE 4-2. PLATFORM EXTENSION INSTALLATION

ITEM	PART NUMBER	QTY	DESCRIPTION	REV
	1001234385	Ref	PLATFORM EXTENSION INSTALLATION	A
1	0100011	AR	Compound, Locking	
2	0760810	4	Bolt M8 x 20	
3	0760812	2	Bolt, M8 x 25	
4	0761014	2	Bolt M10 x 30	
5	2080040	4	Fastener	
6	3290805	4	Nut M8	
7	3291005	2	Nut M10	
8	3430814	2	Pin	
9	3430816	2	Pin	
10	3450403	4	Pin, Cotter	
11	4711800	4	Washer 1/2	
12	4811900	10	Washer M8	
13	4812000	4	Washer M10	
14	1001137675	2	Bumper	
15	1001205422	2	Roller (Front)	
16	1001205424	1	Extension, Platform	
17	1001205430	2	Roller (Rear)	
18	1001208852	2	Pad	
19	1001210064	2	Support	
20	1001213838	1	Bracket	
21	1001234407	1	Latch Assembly	

SECTION 4 - PLATFORM

FIGURE 4-3. RAILS INSTALLATION (SIDE BY SIDE)



ART_1001234387

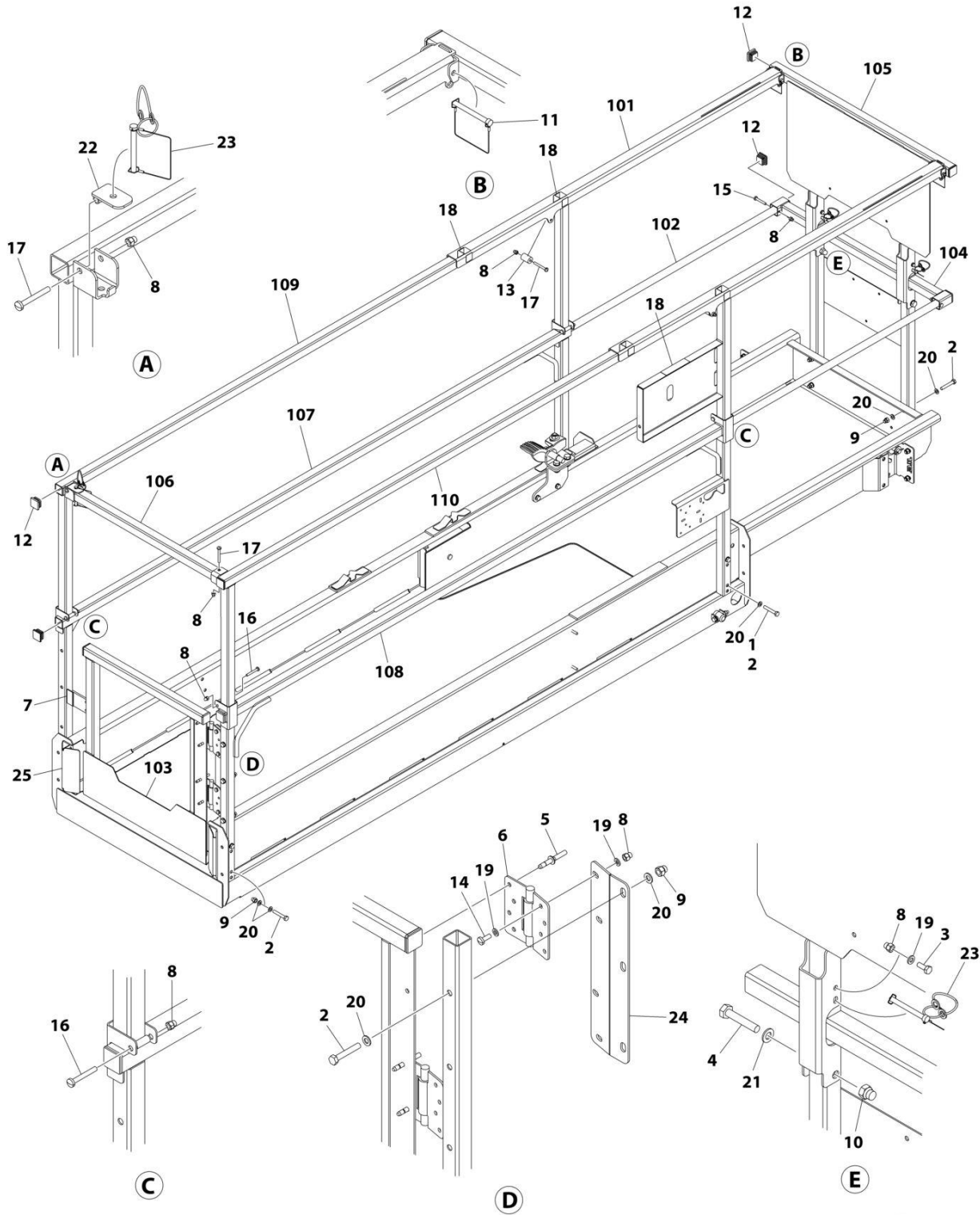
SECTION 4 - PLATFORM

FIGURE 4-3. RAILS INSTALLATION (SIDE BY SIDE)

ITEM	PART NUMBER	QTY	DESCRIPTION	REV
	1001234387	Ref	RAILS INSTALLATION (SIDE BY SIDE)	F
1	0100011	AR	Compound, Locking	
2	0700818	19	Bolt M8 x 50	
3	0760810	2	Bolt M8 x 20	
4	2080040	4	Fastener	
5	2600281	2	Hinge	
6	3080007	1	Magnet, Gate	
7	3290606	22	Nut M6	
8	3290806	17	Nut M8	
9	3520072	12	Plug	
10	4010608	4	Screw M6 x 16	
11	4010617	16	Screw M6 x 45	
12	4010618	2	Screw M6 x 50	
13	4420062	15 in/ 37cm	Tape	
14	4811700	12	Washer M6	
15	4811900	42	Washer M8	
16	4811902	4	Washer M8	
17	1001154378	1	Bracket	
18	1001187587	6	Pin, Snap with Lanyard	
19	1001210586	1	Support	
20	1001210963	2	Cover	
21	1001232257	2	Brace	
22	1001232622	1	Bracket	
23	0700820	4	Bolt M8 x 60	
24	1001156186	4	Plug, Hole	
100	1001236624	1	Rail Kit (Not Shown)	
101	1001210302	1	Gate	
102	1001210458	1	Tube, Rear Top	
103	1001229732	1	Rail, Extension Front (Upper)	
104	1001229733	1	Rail, Extension Side (RH)	
105	1001229734	1	Rail, Extension Side (LH)	
106	1001229739	1	Rail Rear (Upper RH)	
107	1001229740	1	Rail Rear (Upper LH)	
108	1001229741	1	Rail Front (Upper RH)	
109	1001229742	1	Rail Front (Upper LH)	
110	1001230248	1	Tube, Rail (Lower LH)	
111	1001230249	1	Tube, Rail (Lower RH)	
112	1001231405	1	Tube, Extension (Lower)	
113	1001234006	1	Rail Rear (Lower LH)	
114	1001234007	1	Rail Rear (Lower RH)	
115	1001235286	2	Rail, Side Top	

SECTION 4 - PLATFORM

FIGURE 4-4. RAILS INSTALLATION (TUBE IN TUBE)



ART_1001234386

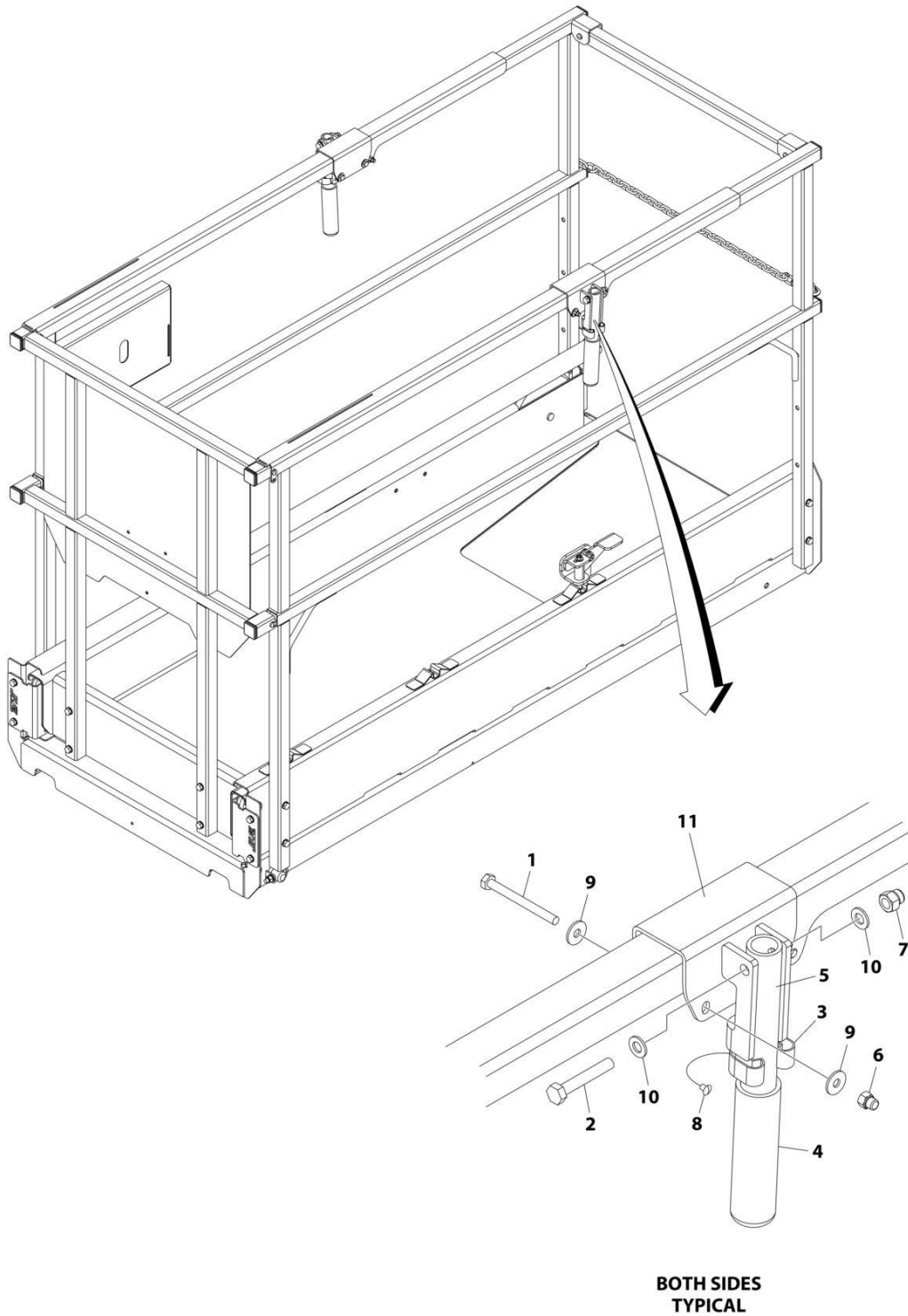
SECTION 4 - PLATFORM

FIGURE 4-4. RAILS INSTALLATION (TUBE IN TUBE)

ITEM	PART NUMBER	QTY	DESCRIPTION	REV
	1001234386	Ref	RAILS INSTALLATION (TUBE IN TUBE)	D
1	0100011	AR	Compound, Locking	
2	0700818	15	Bolt M8 x 50	
3	0760608	2	Bolt M6 x 16	
4	0761019	2	Bolt M10 x 55	
5	2080040	4	Fastener	
6	2600281	2	Hinge	
7	3080007	1	Magnet, Gate	
8	3290606	16	Nut M6	
9	3290806	11	Nut M8	
10	3291006	2	Nut M10	
11	3422219	2	Pin, Snap	
12	3520072	10	Plug	
13	3860111	2	Roller	
14	4010608	4	Screw M6 x 16	
15	4010616	2	Screw M6 x 40	
16	4010617	4	Screw M6 x 45	
17	4010618	4	Screw M6 x 50	
18	4420062	16 in/ 40cm	Tape	
19	4811700	10	Washer M6	
20	4811900	30	Washer M8	
21	4812000	2	Washer M10	
22	1001154378	1	Bracket	
23	1001187587	3	Pin, Snap with Lanyard	
24	1001210586	1	Support	
25	1001210963	2	Cover	
100	1001236623	1	Rail Kit (Not Shown)	
101	1001206225	1	Rail, Extension Top	
102	1001206226	1	Rail, Extension MID	
103	1001210302	1	Gate	
104	1001210446	1	Rail, Extension MID Front	
105	1001210447	1	Rail, Extension Top Front	
106	1001210458	1	Tube, Rear Top	
107	1001234006	1	Rail, Side MID (LH)	
108	1001234007	1	Rail, Side MID (RH)	
109	1001234141	1	Rail, Side Top (LH)	
110	1001234142	1	Rail, Side Top (RH)	

SECTION 4 - PLATFORM

FIGURE 4-5. EXTENSION HANDLES INSTALLATION (OPTIONAL)



ART_1001222587

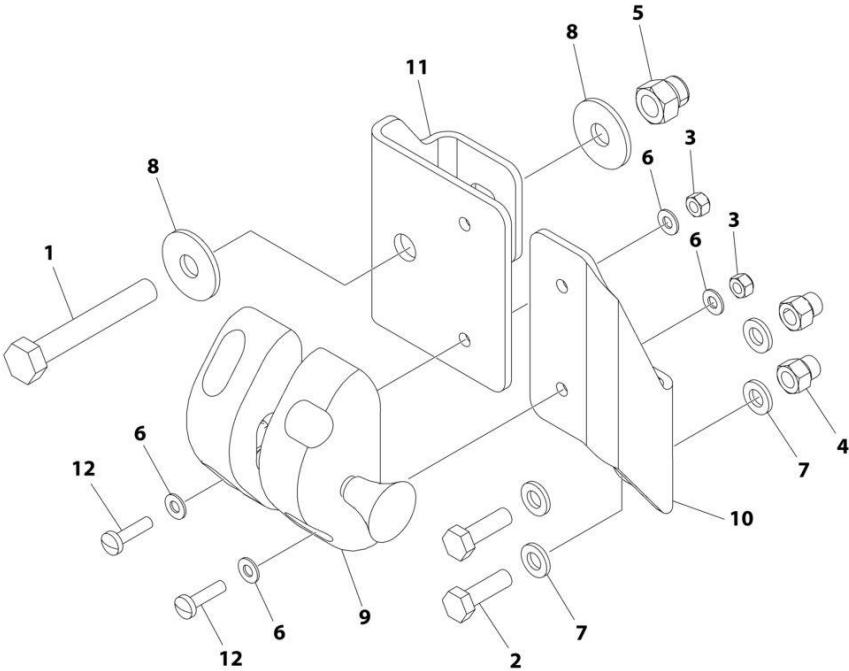
SECTION 4 - PLATFORM

FIGURE 4-5. EXTENSION HANDLES INSTALLATION (OPTIONAL)

ITEM	PART NUMBER	QTY	DESCRIPTION	REV
	1001222587	Ref	HANDLE EXTENSION INSTALLATION (OPTIONAL)	B
1	0700621	4	Bolt M6 x 65	
2	0700818	2	Bolt M8 x 50	
3	1380132	2	Clip	
4	2560088	2	Grip, Handle	
5	2560190	2	Handle	
6	3290606	2	Nut M6	
7	3290806	2	Nut M8	
8	3820019	2	Rivet	
9	4811702	8	Washer M6	
10	4811900	4	Washer M8	
11	1001216823	2	Bracket	

SECTION 4 - PLATFORM

FIGURE 4-6. GATE LATCH INSTALLATION - OPTIONAL



ART_1001220995

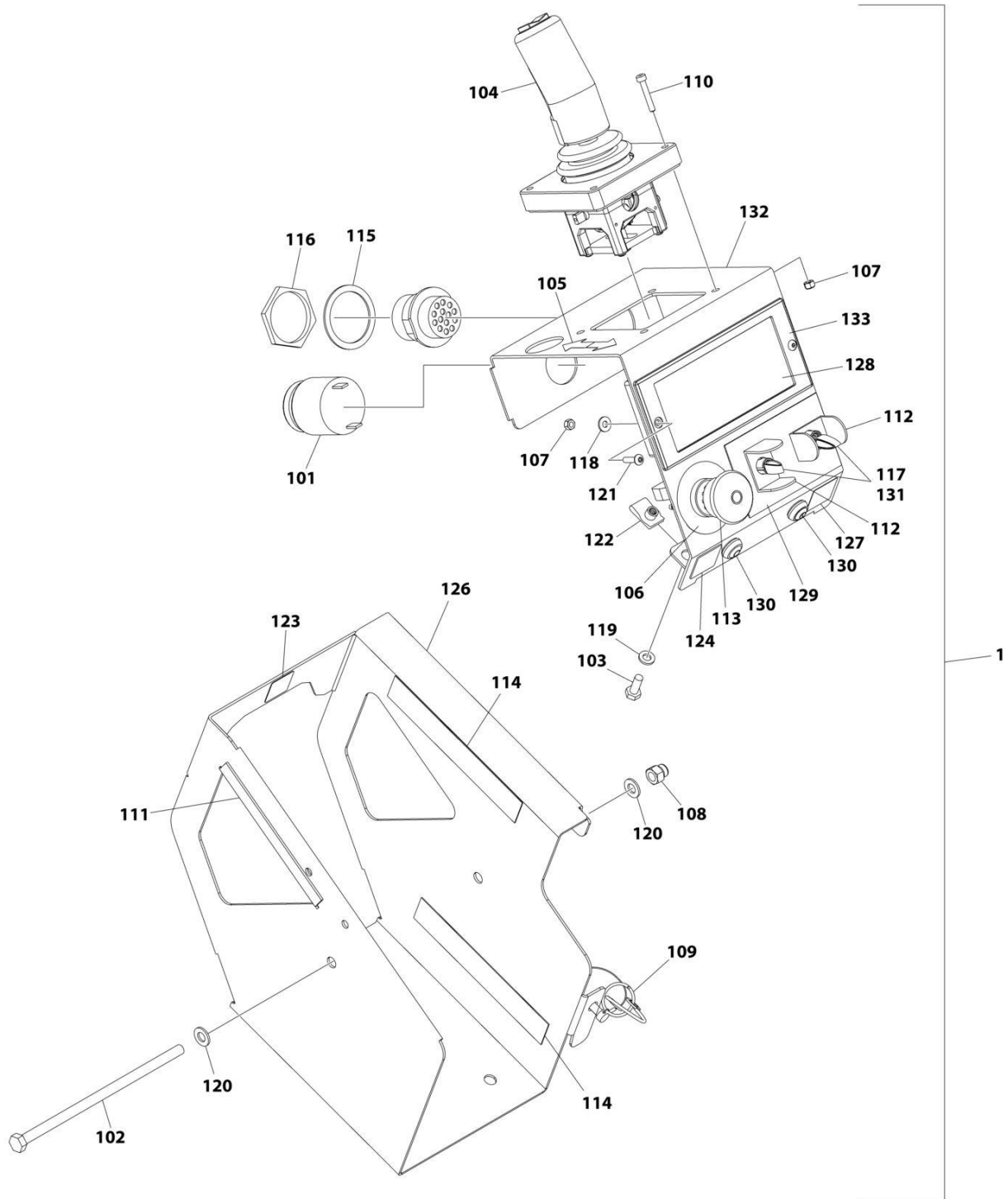
SECTION 4 - PLATFORM

FIGURE 4-6. GATE LATCH INSTALLATION - OPTIONAL

ITEM	PART NUMBER	QTY	DESCRIPTION	REV
	1001220995	Ref	GATE LATCH INSTALLATION	B
1	0700819	1	Bolt M8 x 55	
2	0760610	2	Bolt M6 x 20	
3	3290405	4	Nut M4	
4	3290606	2	Nut M6	
5	3290806	1	Nut M8	
6	4811400	8	Washer M4	
7	4811700	4	Washer M6	
8	4811902	2	Washer M8	
9	1001134821	1	Latch	
10	1001220409	1	Mount	
11	1001220410	1	Plate	
12	4010408	4	Screw M4 x 16	

SECTION 4 - PLATFORM

FIGURE 4-7. PLATFORM CONSOLE INSTALLATION (ALL SPECS)



ART_1001274659

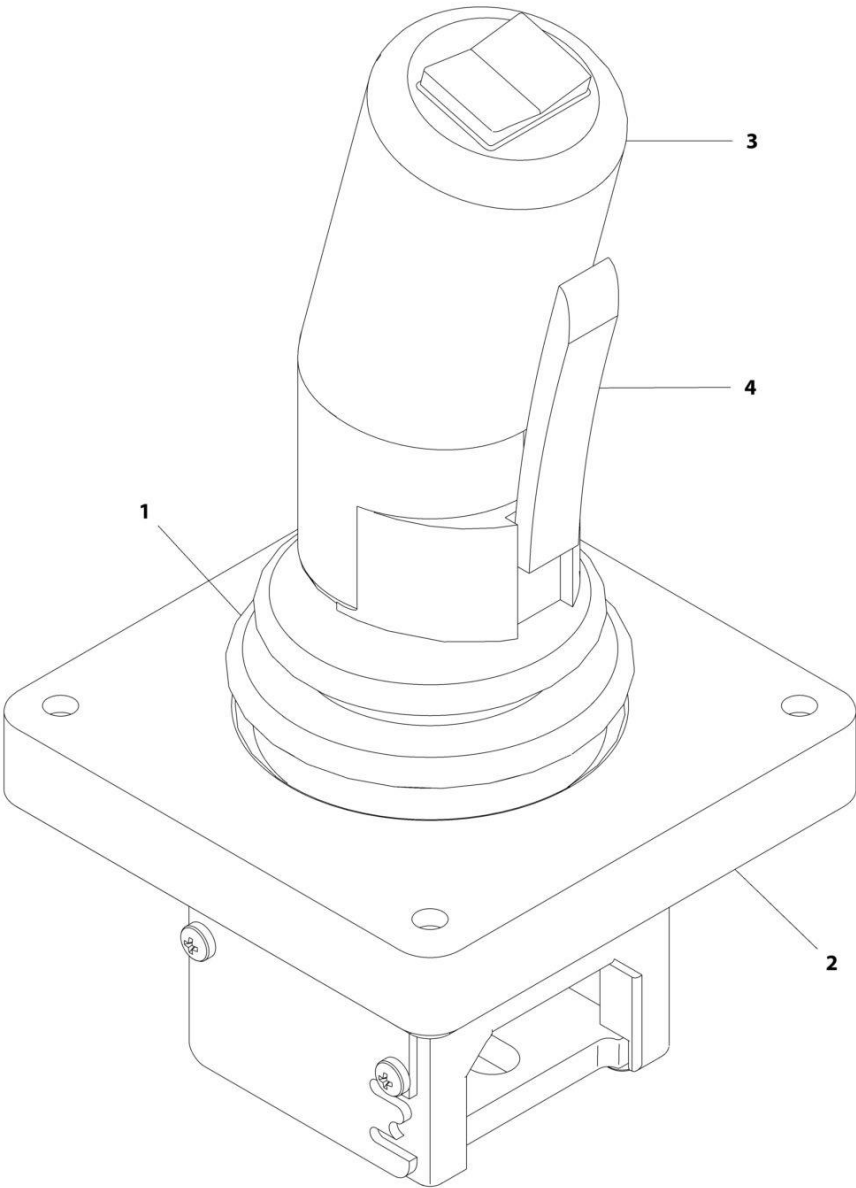
SECTION 4 - PLATFORM

FIGURE 4-7. PLATFORM CONSOLE INSTALLATION (ALL SPECS)

ITEM	PART NUMBER	QTY	DESCRIPTION	REV
	1001274659	Ref	PLATFORM CONTROL INSTALLATION (LED)	A
1	1001274604	1	Platform Control Box	B
101	0140030	1	Alarm	
102	0700835	1	Bolt M8 x 180	
103	0760610	2	Bolt M6 x 20	
104	1600402	1	Controller Assembly (See Separate Breakdown in this Section)	
105	1703819	1	Decal - Arrow	
106	1704260	1	Decal - Emergency Stop	
107	3290405	6	Nut M4	
108	3290806	1	Nut M8	
109	3423278	1	Pin, Snap with Lanyard	
110	4031509	4	Capscrew M4 x 25	
111	4060803	6 in/ 14cm	Flex-Trim	
112	4060906	2	Guard, Switch	
113	4360475	1	Switch, Emergency Stop	
113	7020175	1	Cap	
113	7020176	1	Block, Contact	
114	4420062	12 in/ 30cm	Tape	
115	4460496	1	Washer, Terminal	
116	4460497	1	Nut, Terminal	
117	4711700	2	Washer 7/16	
118	4811400	2	Washer M4	
119	4811700	2	Washer M6	
120	4811900	2	Washer M8	
121	1001047064	2	Screw M4 x 15	
122	1001130220	2	Nut, Tinnerman M6	
123	1001132358	1	Decal - Steer	
124	1001132361	1	Decal - Horn	
125	1001200819	1	Platform Control Box Harness (Not Shown) (See Separate Breakdown in ELECTRICAL Section)	
126	1001209596	1	Plate, Box (Outside)	
127	1001213886	1	Decal - Indoor/Outdoor	
128	1001218285	1	Decal - Platform Control	
129	1001220893	1	Decal - Lift/Drive Function	
130	1001226749	2	Switch, Push Button	
131	1001258446	2	Switch, Toggle	
132	1001262655	1	Plate, Box (Inside)	
133	1001274605	1	Module, Platform Control	

SECTION 4 - PLATFORM

FIGURE 4-8. DRIVE/STEER CONTROLLER ASSEMBLY



ART_1600402

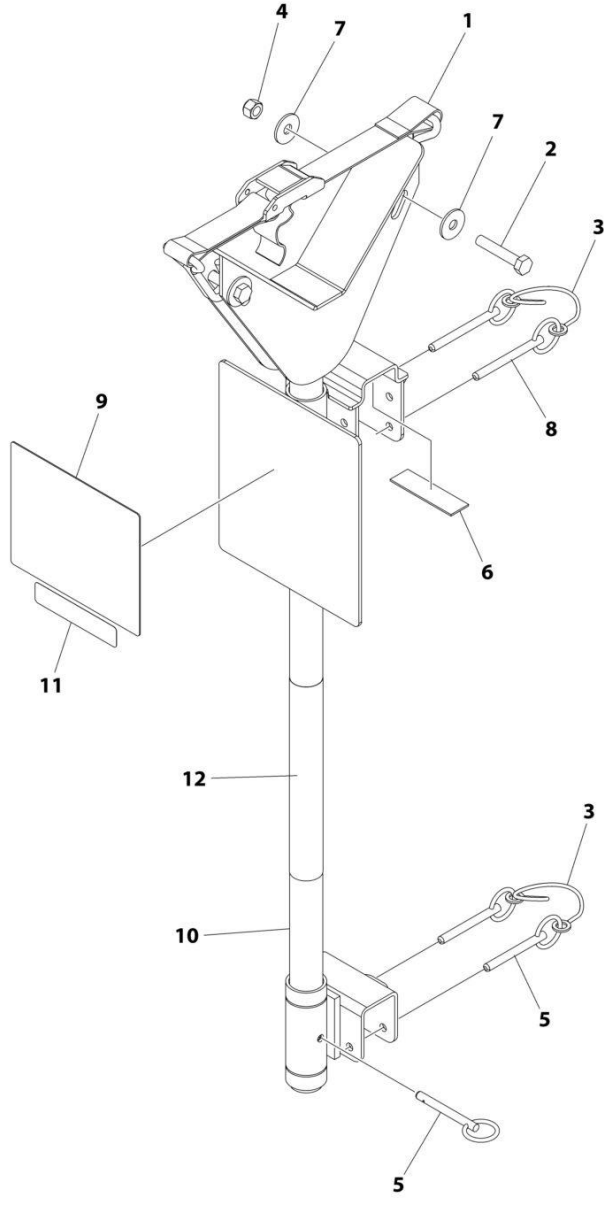
SECTION 4 - PLATFORM

FIGURE 4-8. DRIVE/STEER CONTROLLER ASSEMBLY

ITEM	PART NUMBER	QTY	DESCRIPTION	REV
	1600402	Ref	DRIVE/STEER CONTROLLER ASSEMBLY	A
1	70001250	1	Boot, Panel	
2	70001252	1	Gasket, Mounting	
2	70001251	1	Bezel, Mounting	
3	70003650	1	Handle Repair Kit (Includes handle gasket, item#4 push button and item #4 lever installed in front handle half, back handle half, top actuator, boot and hardware.)	
3	70000084	1	Cap, Rubber	
3	70000082	1	Microswitch	
3	7027766	1	Ring, Retaining	
3	7027365	1	Actuator, Handle	
3	70001253	1	Gasket, Handle	
3	70000683	4	Washer, Neoprene	
3	70000685	2	Spacer, Plastic	
3	70000686	2	Screw (Top)	
3	70000684	2	Screw (Bottom)	
4	7027367	1	Switch, Push Button	
4	7027765	1	Lever, Enable	

SECTION 4 - PLATFORM

FIGURE 4-9. PIPE RACKS INSTALLATION (OPTIONAL)



ART_1001270855

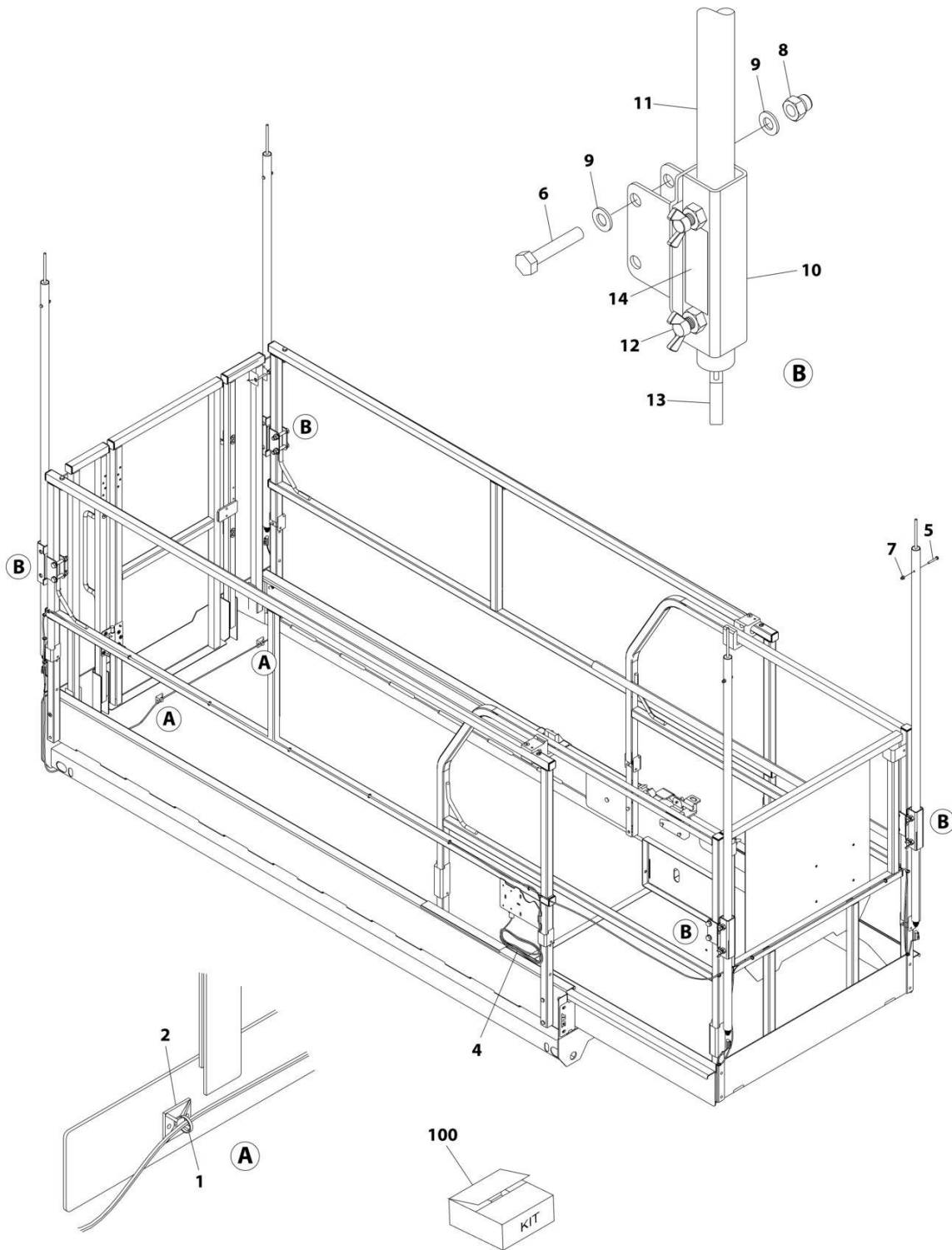
SECTION 4 - PLATFORM

FIGURE 4-9. PIPE RACKS INSTALLATION (OPTIONAL)

ITEM	PART NUMBER	QTY	DESCRIPTION	REV
	1001270855	Ref	PIPE RACK INSTALLATION	C
1	0480100	2	Tie-Strap	
2	0700817	4	Bolt M8 x 45	
3	1060379	4	Lanyard	
4	3290805	4	Nut M8	
5	3422661	6	Pin	
6	4420062	AR	Tape	
7	4811902	8	Washer M8	
8	1001235941	4	Pin	
9	1001287711	2	Decal - Pipe Rack Capacity	
10	1001270533	2	Rack Pipe	
11	1001270631	2	Decal - ACCY Weight	
12	1001271412	2	Decal - JLG	

SECTION 4 - PLATFORM

FIGURE 4-10. OVERHEAD PROTECTION INSTALLATION (KOREAN SPECS)



ART_1001226901

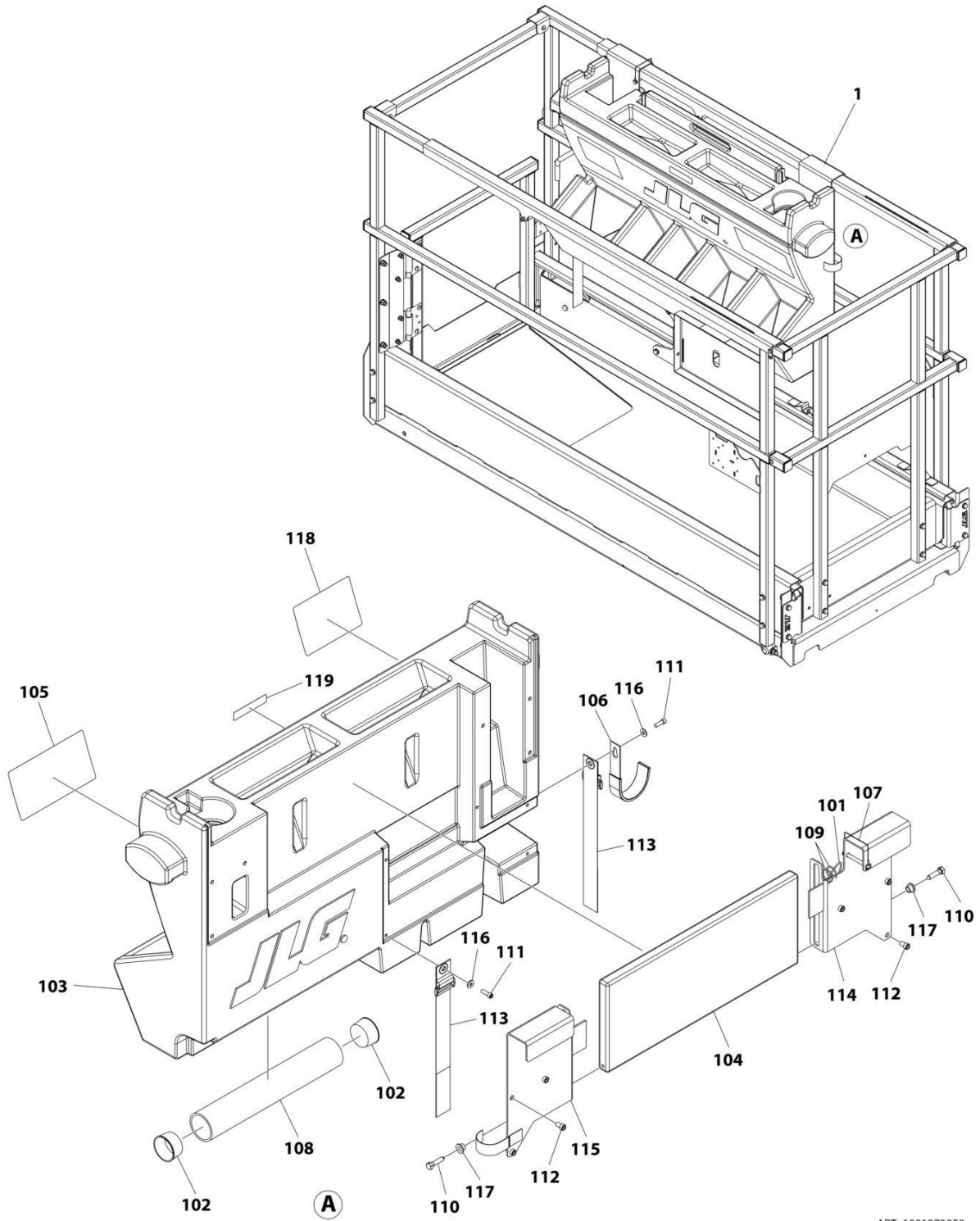
SECTION 4 - PLATFORM

FIGURE 4-10. OVERHEAD PROTECTION INSTALLATION (KOREAN SPECS)

ITEM	PART NUMBER	QTY	DESCRIPTION	REV
	1001226901	Ref	OVERHEAD PROTECTION INSTALLATION (KOREAN SPECS)	A
1	4240017	AR	Tie-Strap	
2	4460234	2	Mount, Tie-Strap	
4	1001227728	1	Overhead Protection Harness	A
4	4460891	4	Plug, Male - 2 Position (X503-X506)	
4	4460465	8	Socket, Female	
4	4460536	1	Receptacle, Female - 3 Position (X507)	
4	4460464	2	Pin, Male	
4	4460466	1	Plug, Terminal	
5	0700616	4	Bolt M6 x 40	
6	0701019	8	Bolt M10 x 55	
7	3290606	4	Nut M6	
8	3291006	8	Nut M10	
9	4812000	16	Washer M10	
10	1001221275	4	Bracket	
11	1001221276	4	Tube	
12	1001222914	8	Thumb Screw	
13	1001226277	4	Switch, Overhead Protection	
14	1001228184	1	Decal - Overhaed Protection Weight	
100	1001221244	1	Overhead Protection Kit (Includes Items 5-14)	

SECTION 4 - PLATFORM

FIGURE 4-11. WOKSTATION INSTALLATION (OPTIONAL)



ART_1001273958

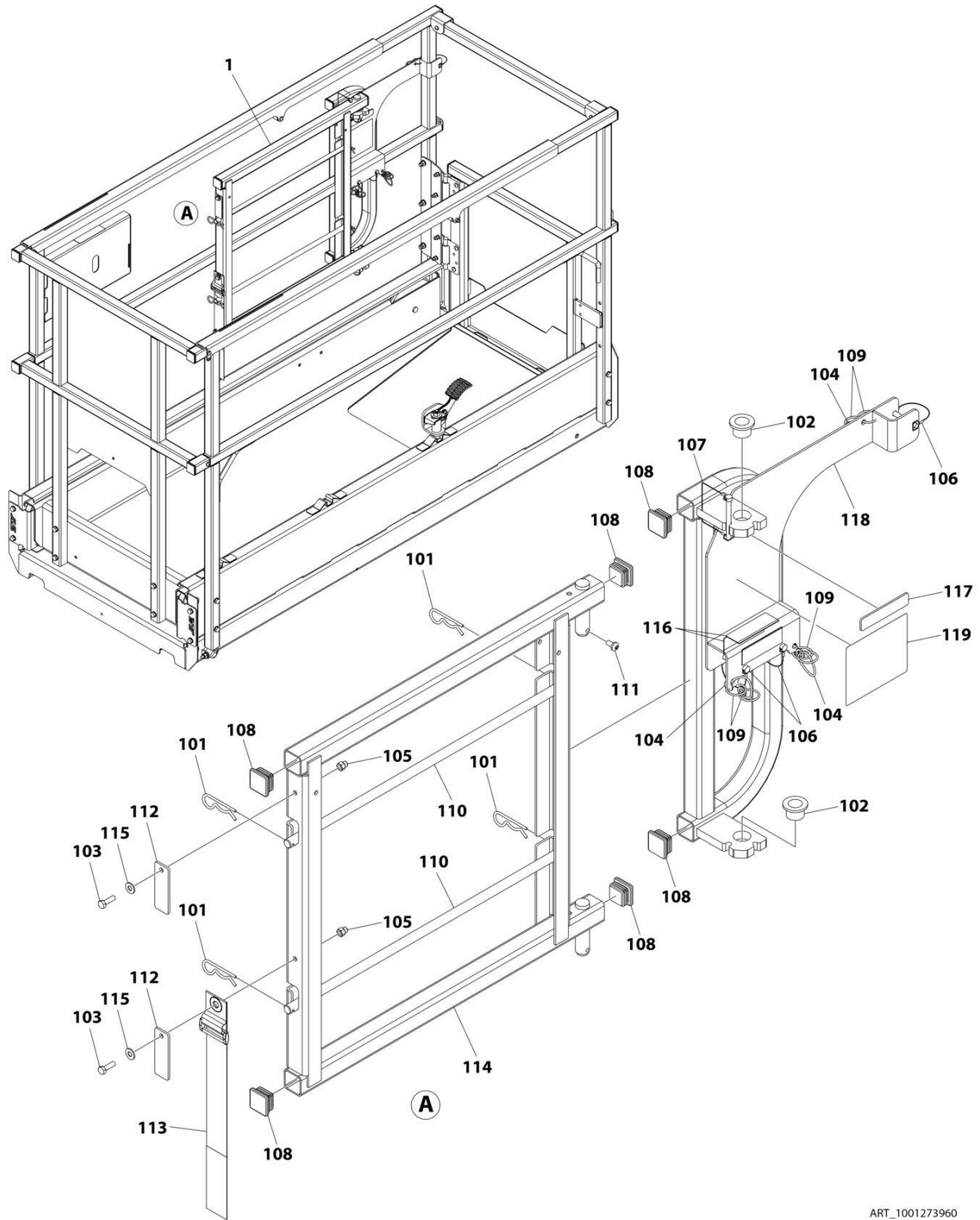
SECTION 4 - PLATFORM

FIGURE 4-11. WOKSTATION INSTALLATION (OPTIONAL)

ITEM	PART NUMBER	QTY	DESCRIPTION	REV
	1001273958	Ref	WORKSTATION INSTALLATION	A
1	1001273957	1	Workstation Accessory	A
101	1060379	1	Lanyard	
102	1120555	2	Cap	
103	1580023	1	Container, Work Bench	
104	1580024	1	Tray, Work Surface	
105	1705997	1	Decal - Workstation	
106	2700100	1	Hook, Hanger	
107	3422219	1	Pin	
108	3460334	1	Pipe	
109	3760170	2	Ring	
110	3900355	2	Screw	
111	3931412	2	Bolt 1/4 x 3/4	
112	3931508	6	Bolt 5/16 x 1/2	
113	4240003	2	Strap	
114	4340853	1	Mount, Channel (RH)	
115	4340854	1	Mount, Channel (LH)	
116	4711400	2	Washer 1/4	
117	4740480	2	Washer, Plastic Insert	
118	1001274837	1	Decal - Workstation Capacity	
119	1001275631	1	Decal - ACCY Weight	

SECTION 4 - PLATFORM

FIGURE 4-12. ELECTRICIAN TREE INSTALLATION (OPTIONAL)



ART_1001273960

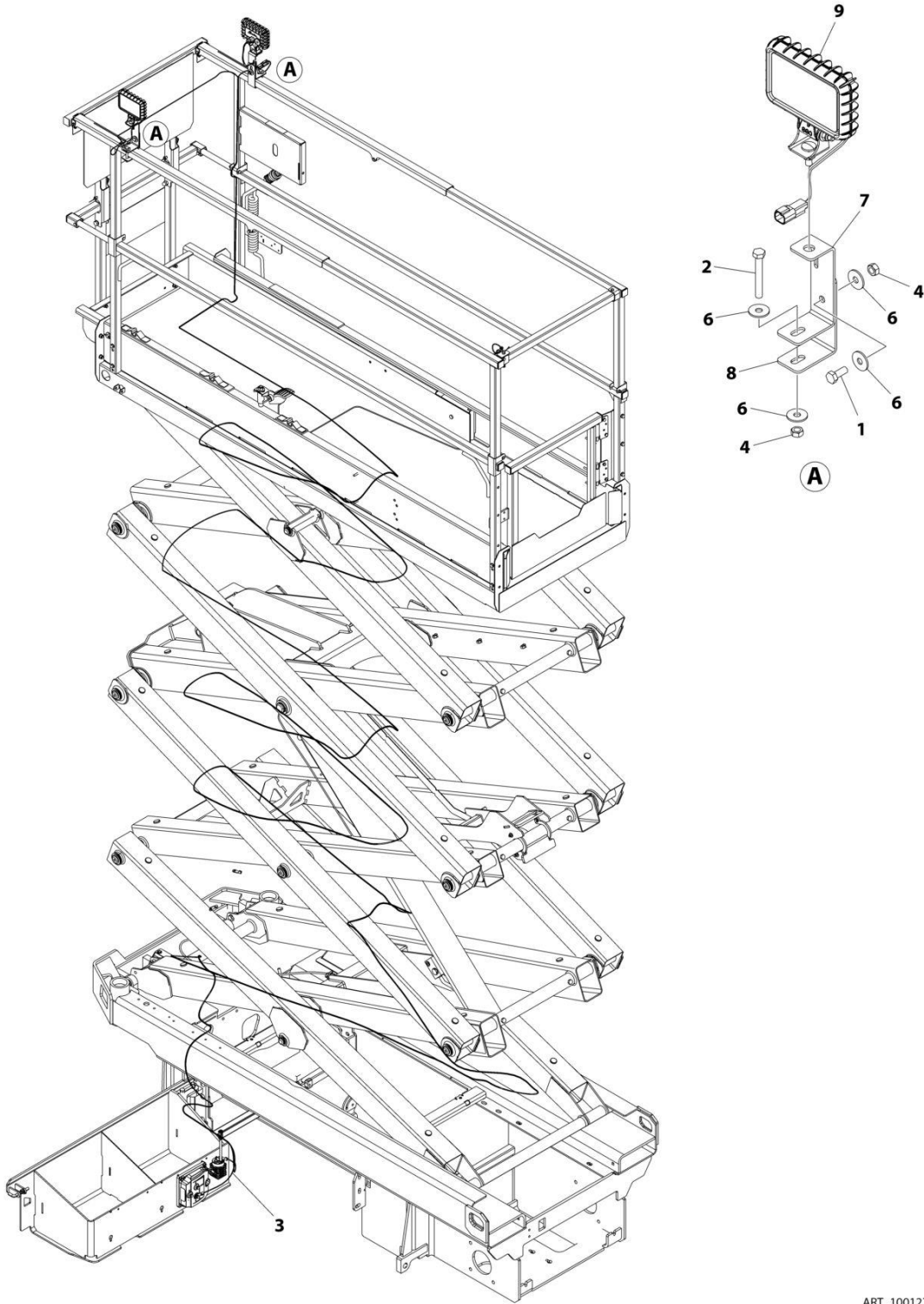
SECTION 4 - PLATFORM

FIGURE 4-12. ELECTRICIAN TREE INSTALLATION (OPTIONAL)

ITEM	PART NUMBER	QTY	DESCRIPTION	REV
	1001273960	Ref	ELECTRICIAN TREE INSTALLATION	A
1	1001273907	1	Electrician Tree Accessory	A
101	80325	4	Hairpin, Cotter	
102	0440223	2	Bushing	
103	0700610	2	Bolt M6 x 20	
104	1060379	4	Lanyard	
105	3290606	2	Cap, Nut M6 x 1	
106	3421453	3	Pin	
107	3422219	1	Pin	
108	3520072	6	Plug, Cap	
109	3760170	8	Ring	
110	3841675	2	Rod	
111	4191706	1	Screw M6 x 12	
112	4220227	2	Stop, Spool Rod	
113	4240003	1	Strap	
114	4340947	1	Mount, Spool Rack	
115	4711400	2	Washer 1/4	
116	1001189762	3	Tape	
117	1001252626	1	Decal - ACCY Weight	
118	1001273909	1	Support	
119	1001274838	1	Decal	

SECTION 4 - PLATFORM

FIGURE 4-13. WORKLIGHTS INSTALLATION (OPTIONAL)



ART_1001273966

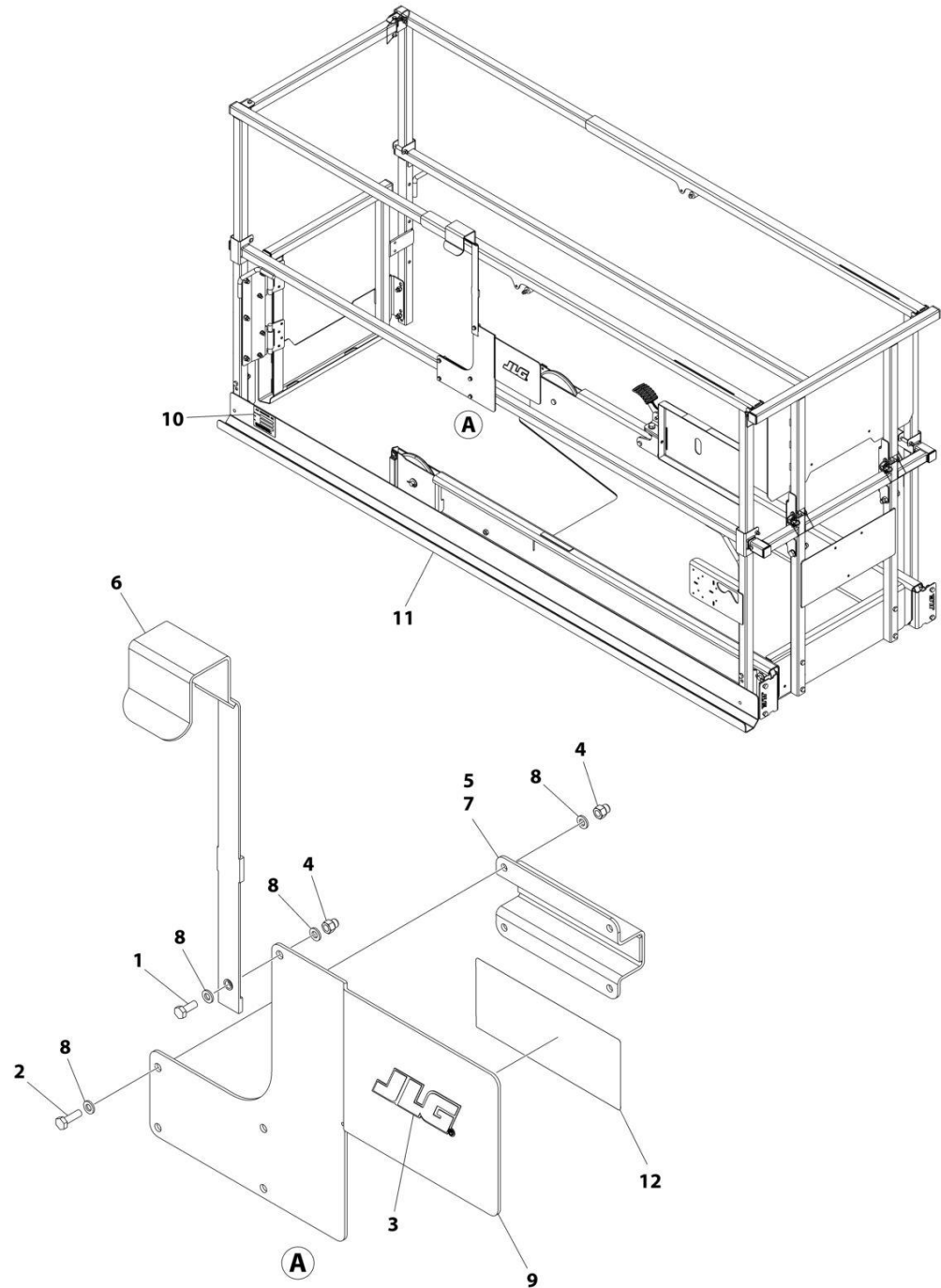
SECTION 4 - PLATFORM

FIGURE 4-13. WORKLIGHTS INSTALLATION (OPTIONAL)

ITEM	PART NUMBER	QTY	DESCRIPTION	REV
	1001273966	Ref	WORKLIGHTS INSTALLATION	A
1	0760810	2	Bolt M8 x 20	
2	0760820	2	Bolt M8 x 60	
3	1061042	1	Cable, Worklight	
4	3290801	4	Nut M8	
5	4240033	AR	Tie-Strap (Not Shown)	
6	4811902	8	Washer M8	
7	1001273961	2	Bracket	
8	1001273962	2	Bracket	
9	1001273964	2	Lamp, Worklight Kit	

SECTION 4 - PLATFORM

FIGURE 4-14. PANEL CARRIER INSTALLATION (OPTIONAL)



ART_1001273969

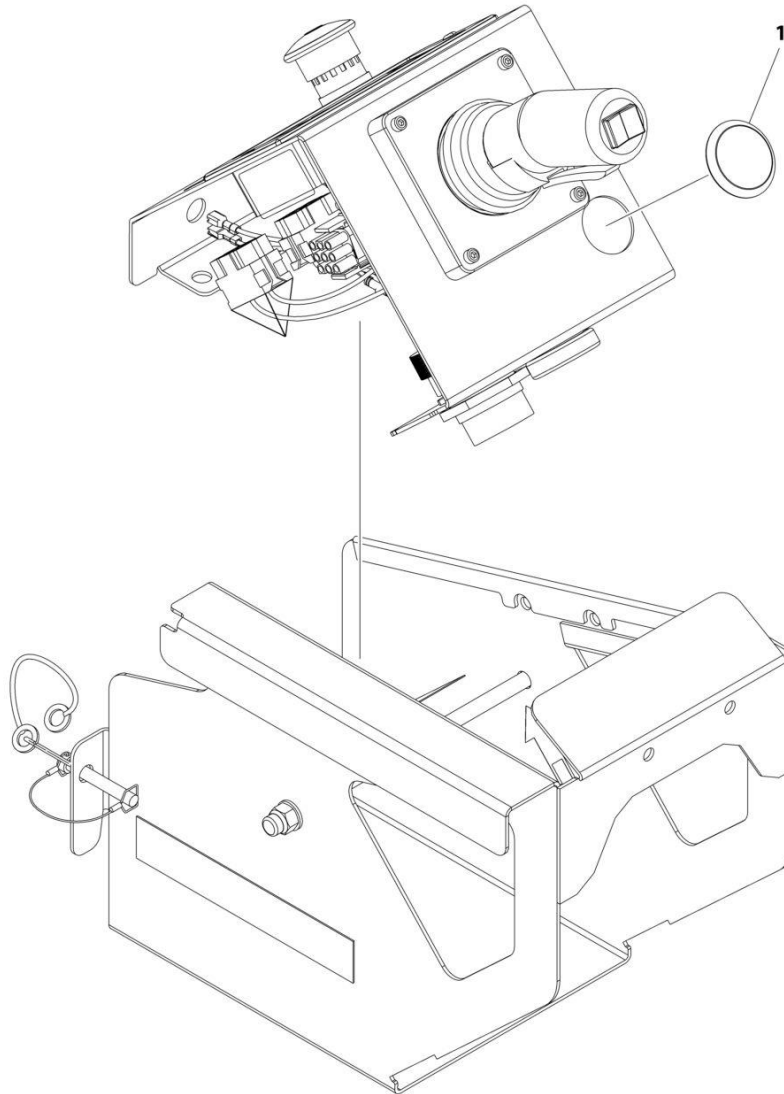
SECTION 4 - PLATFORM

FIGURE 4-14. PANEL CARRIER INSTALLATION (OPTIONAL)

ITEM	PART NUMBER	QTY	DESCRIPTION	REV
	1001273969	Ref	PANEL CARRIER INSTALLATION	A
1	0760608	1	Bolt M6 x 16	
2	0760610	4	Bolt M6 x 20	
3	1702010	1	Decal - JLG	
4	3290606	5	Nut M6	
5	3574505	1	Bracket	
6	4240165	1	Tie Strap	
7	4420037	150 mm	Tape	
8	4811700	10	Washer M6	
9	1001235863	1	Plate, Panel Carrier	
10	1001253726	1	Decal - Accessory	
11	1001273968	1	Channel, Panel Carrier	
12	1001274839	1	Decal - Panel Carrier Capacity	

SECTION 4 - PLATFORM

FIGURE 4-15. PLATFORM CONTROL PLUG INSTALLATION



ART_1001274661

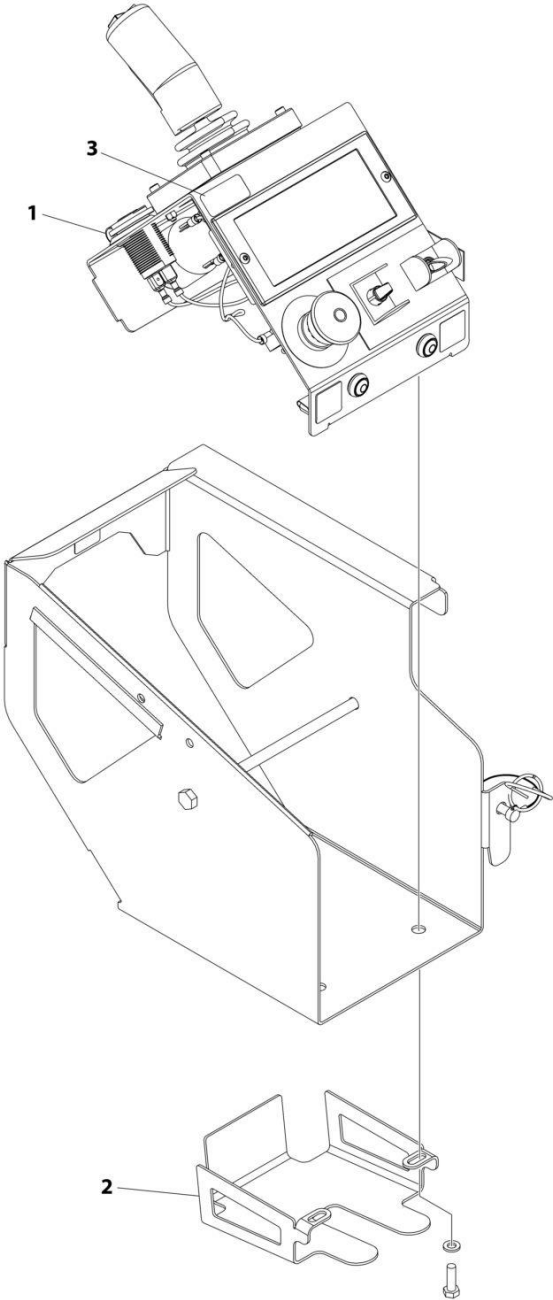
SECTION 4 - PLATFORM

FIGURE 4-15. PLATFORM CONTROL PLUG INSTALLATION

ITEM	PART NUMBER	QTY	DESCRIPTION	REV
1	1001274661 1001262221	Ref 1	PLATFORM CONTROL PLUG INSTALLATION Plug	A

SECTION 4 - PLATFORM

FIGURE 4-16. USB/PHONE CRADLE INSTALLATION



ART_1001262150

SECTION 4 - PLATFORM

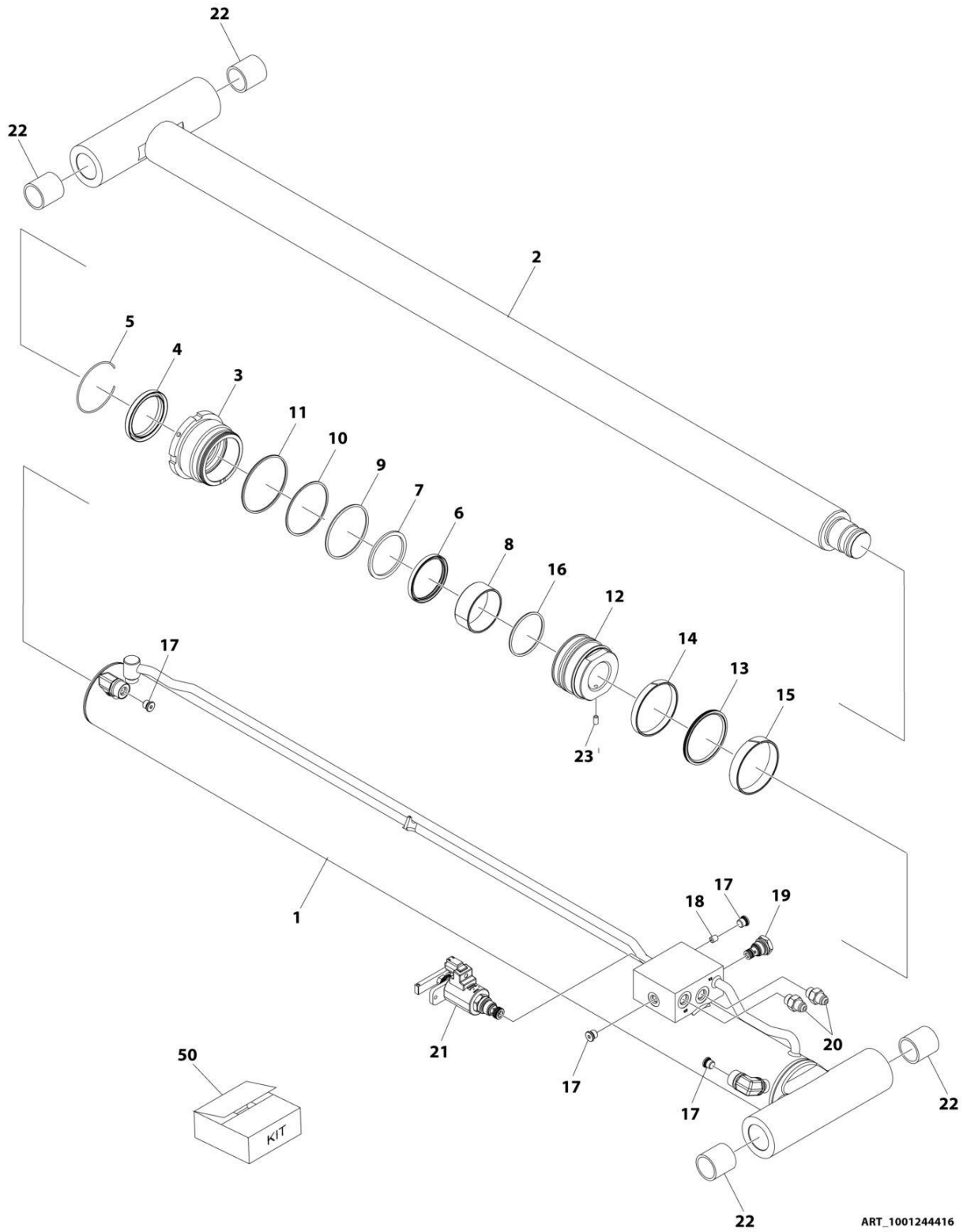
FIGURE 4-16. USB/PHONE CRADLE INSTALLATION

ITEM	PART NUMBER	QTY	DESCRIPTION	REV
	1001262150	Ref	USB/PHONE CRADLE INSTALLATION	B
1	1001253800	1	Terminal, USB Receptacle	
2	1001261131	1	Bracket, Phone	
3	1001274168	1	Decal, USB Charge	

SECTION 5 - CYLINDER

SECTION 5 - CYLINDER

FIGURE 5-1. LIFT CYLINDER ASSEMBLY



ART_1001244416

SECTION 5 - CYLINDER

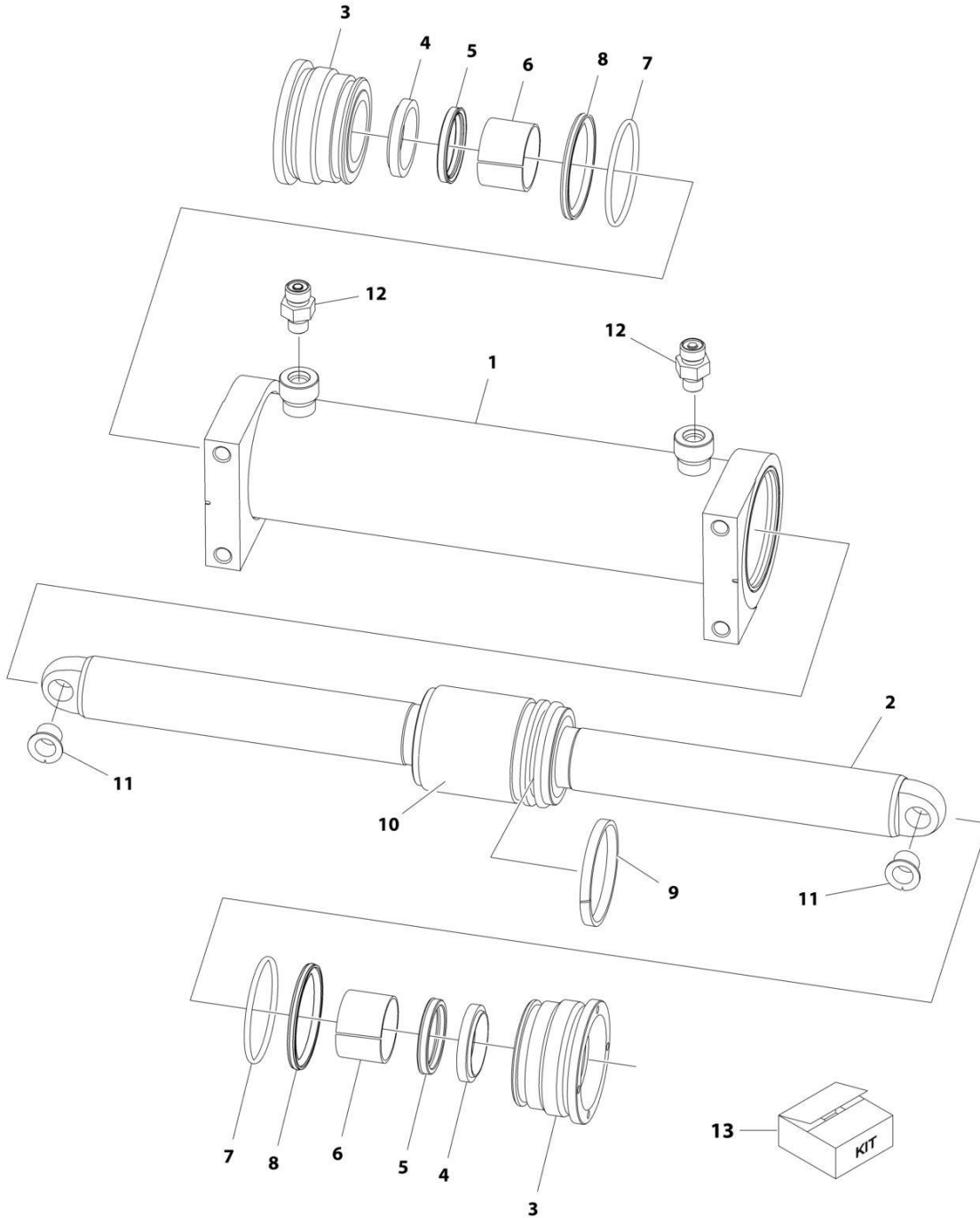
FIGURE 5-1. LIFT CYLINDER ASSEMBLY

ITEM	PART NUMBER	QTY	DESCRIPTION	REV
	1001244416	Ref	LIFT CYLINDER ASSEMBLY	D
		Ref	Note: Original Cylinder May Have Been Replaced with Service Replacement. Identify PN Stamped on Cylinder Before Ordering Parts.	
1	See Note	NSS	Barrel (Note: Purchase Complete Cylinder)	
2	70007101	1	Rod	
3	70007102	1	Head	
4	See Note	NSS	Wiper	
5	70027244	1	Ring, Retaining	
6	See Note	NSS	Seal	
7	See Note	NSS	Ring, Back-up	
8	70007103	1	Bearing	
9	See Note	NSS	O-Ring	
10	See Note	NSS	Ring, Back-up	
11	See Note	NSS	O-Ring	
12	70007104	1	Piston	
13	See Note	NSS	Seal, Piston	
14	See Note	NSS	Ring, Wear	
15	See Note	NSS	Ring, Wear	
16	See Note	NSS	O-Ring	
17	2220883	4	Plug	
18	70007055	1	Orifice	
19	70004585	1	Valve, Cartridge - Check	
20	2220371	1	Fitting, Straight - JIC/ORB	
21	70005236	1	Valve, Cartridge - Manual Descent (Includes Lever & Spring)	
22	0962006	4	Bearing	
23	70007105	1	Setscrew M6 x 12	
50	70007106	1	Seal Kit - 1001244416 Cylinder (Includes Items 4,,6,7, 9-11 & 13-16)	

SECTION 5 - CYLINDER

FIGURE 5-2. STEER CYLINDER ASSEMBLY

**NOTE: IDENTIFY THE PART NUMBER
STAMPED ON CYLINDER BEFORE ORDERING PARTS.**



ART_1001179447

SECTION 5 - CYLINDER

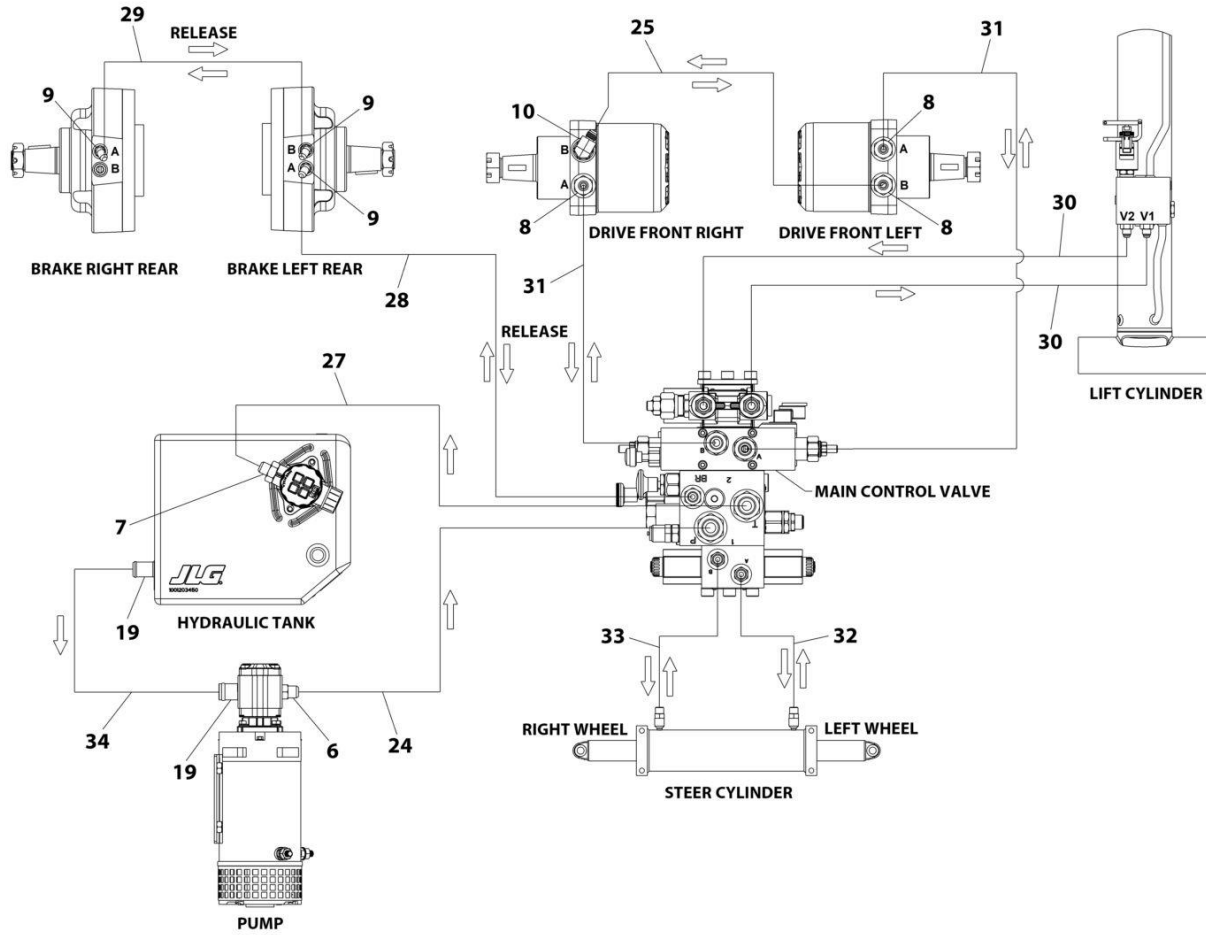
FIGURE 5-2. STEER CYLINDER ASSEMBLY

ITEM	PART NUMBER	QTY	DESCRIPTION	REV
	1001179447	Ref	STEER CYLINDER ASSEMBLY (SH-PAC)	A
		Ref	Note: Original Cylinder May Have Been Replaced with Service Replacement. Identify PN Stamped on Cylinder Before Ordering Parts.	
1	70005421	1	Barrel	
2	70005420	1	Rod	
3	70004241	2	Head	
4	See Note	NSS	Wiper (Note: Use Item 13)	
5	See Note	NSS	Seal, Rod (Note: Use Item 13)	
6	See Note	NSS	Ring, Wear (Note: Use Item 13)	
7	See Note	NSS	O-Ring (Note: Use Item 13)	
8	See Note	NSS	Ring, Back-up (Note: Use Item 13)	
9	See Note	NSS	Seal, Piston (Note: Use Item 13)	
10	70005419	1	Spacer	
11	0440259	2	Bearing, Flange	
12	2110404	2	Fitting, Straight ORFS/ORB	
13	70004239	1	Seal Kit - 1001179447 Cylinder (Includes Items 4-9)	

SECTION 6 - HYDRAULIC

SECTION 6 - HYDRAULIC

FIGURE 6-1. HYDRAULIC COMPONENTS INSTALLATION (MACHINES WITH SN STARTING WITH B2)



ART_1001284952_2OF2

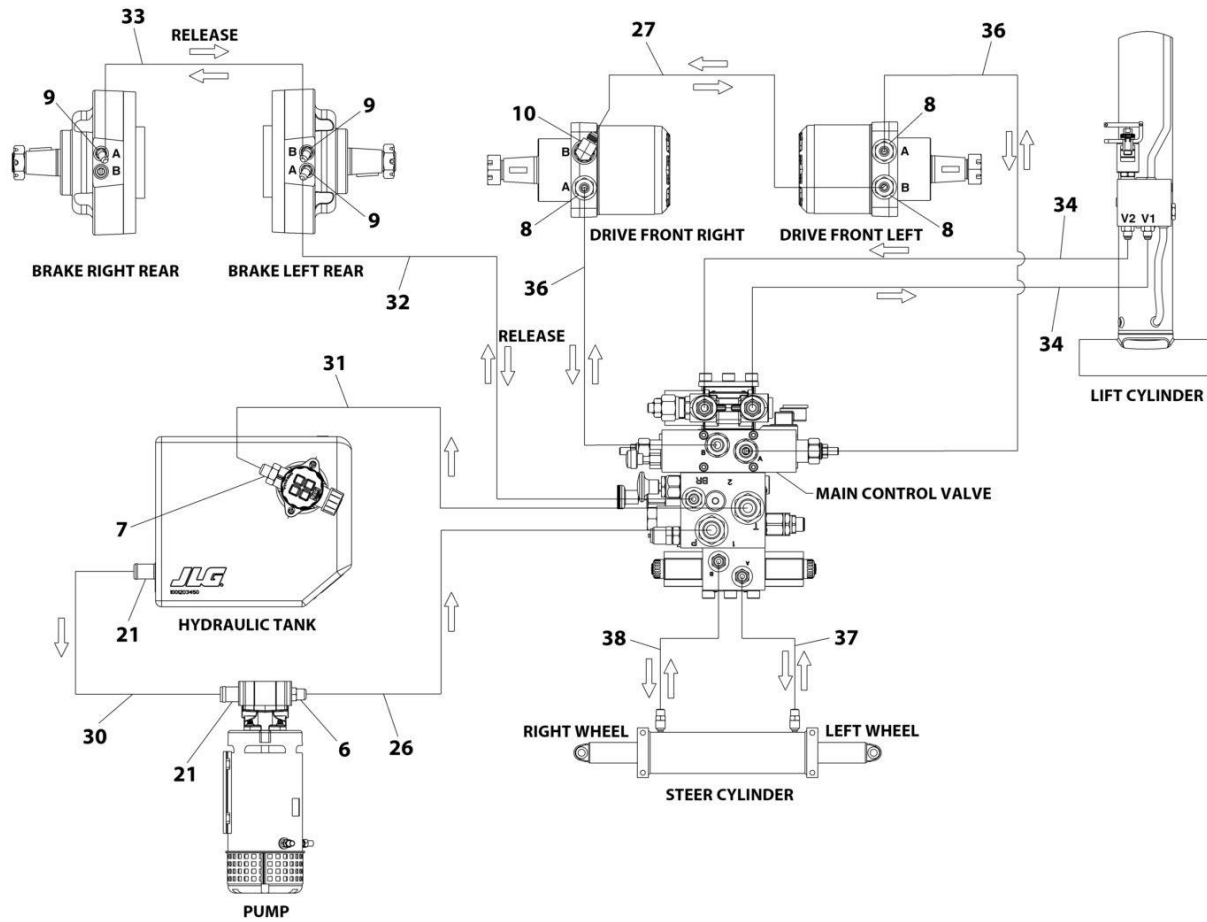
SECTION 6 - HYDRAULIC

FIGURE 6-1. HYDRAULIC COMPONENTS INSTALLATION (MACHINES WITH SN STARTING WITH B2)

ITEM	PART NUMBER	QTY	DESCRIPTION	REV
	1001284952	Ref	HYDRAULIC COMPONENTS INSTALLATION	A
6	2220373	1	Fitting, Straight - JIC/ORB	
7	2220375	1	Fitting, Straight - JIC/ORB	
8	2220497	3	Fitting, Straight - JIC/ORB	
9	2220502	3	Fitting, 45 - JIC/ORB	
10	2220828	1	Fitting, 45 - JIC/ORB	
19	1001143501	2	Clamp, T-Bolt Heavy Duty	
24	1001203836	1	Hose	
25	1001203846	1	Hose	
27	1001236801	1	Hose	
28	1001236802	1	Hose	
29	1001236803	1	Hose	
30	1001236809	2	Hose	
31	1001242230	2	Hose	
32	1001243487	1	Hose	
33	1001243488	1	Hose	
34	1001247627	1	Hose	

SECTION 6 - HYDRAULIC

FIGURE 6-2. HYDRAULIC COMPONENTS INSTALLATION (MACHINES WITH SN STARTING WITH M2)



ART_1001370008_20F2

SECTION 6 - HYDRAULIC

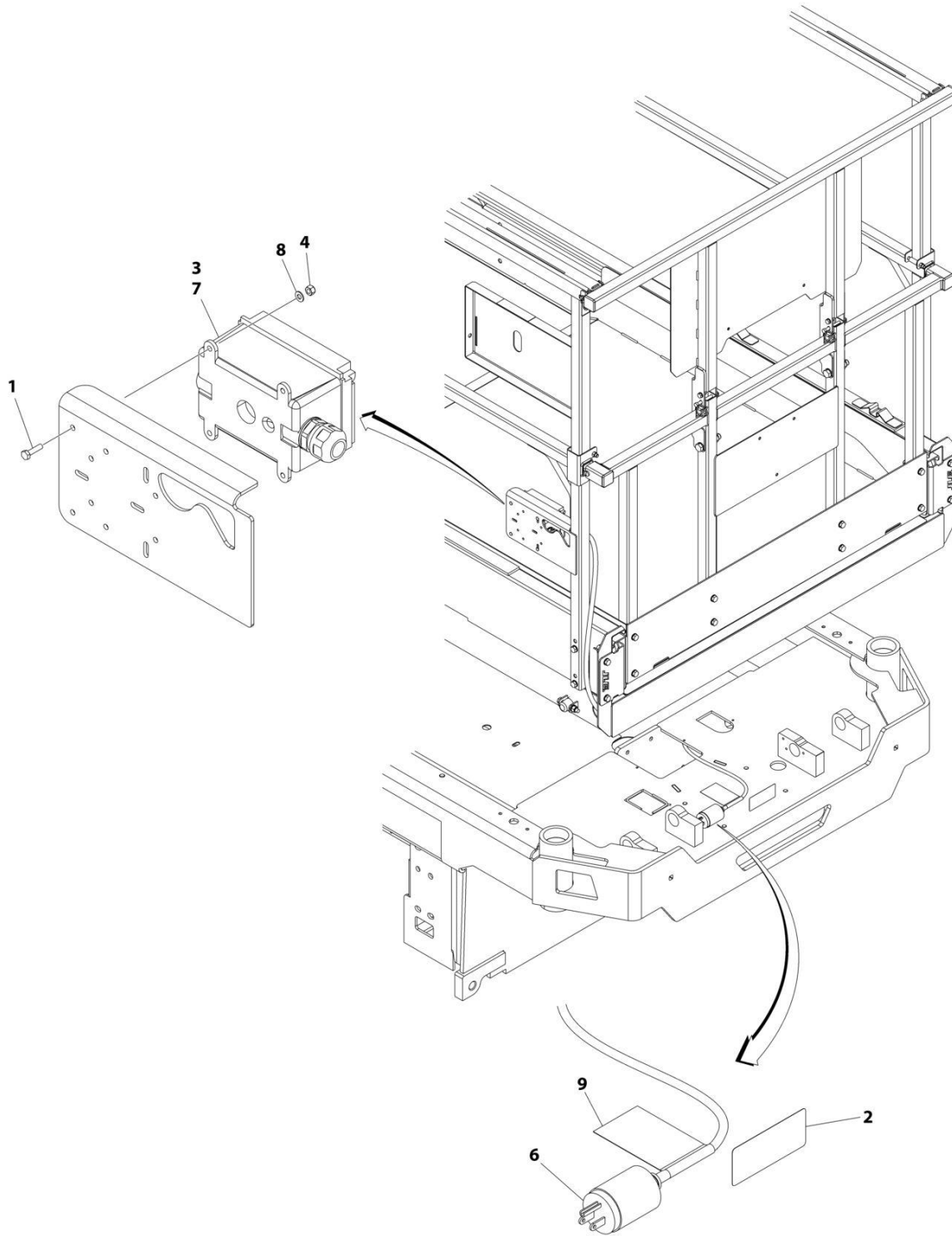
FIGURE 6-2. HYDRAULIC COMPONENTS INSTALLATION (MACHINES WITH SN STARTING WITH M2)

ITEM	PART NUMBER	QTY	DESCRIPTION	REV
	1001370008	Ref	HYDRAULIC COMPONENTS INSTALLATION	D
6	2220373	1	Fitting, Straight - JIC/ORB	
7	2220375	1	Fitting, Straight - JIC/ORB	
8	2220497	3	Fitting, Straight - JIC/ORB	
9	2220502	3	Fitting, 45 - JIC/ORB	
10	2220628	1	Fitting, 90 - JIC/ORB	
21	1001143501	2	Clamp, T-Bolt Heavy Duty	
26	1001203836	1	Hose	
27	1001203846	1	Hose	
30	1001247627	1	Hose	
31	1001236801	1	Hose	
32	1001236802	1	Hose	
33	1001236803	1	Hose	
34	1001236809	2	Hose	
36	1001242230	2	Hose	
37	1001243487	1	Hose	
38	1001243488	1	Hose	

SECTION 7 - ELECTRICAL

SECTION 7 - ELECTRICAL

FIGURE 7-1. AC BOX AT PLATFORM INSTALLATION - 110V GFI (ALL SPECS EXCEPT AUSTRALIAN, CE & UK CA SPECS)



ART_1001237400

SECTION 7 - ELECTRICAL

FIGURE 7-1. AC BOX AT PLATFORM INSTALLATION - 110V GFI (ALL SPECS EXCEPT AUSTRALIAN, CE & UK CA SPECS)

ITEM	PART NUMBER	QTY	DESCRIPTION	REV
	1001237400	Ref	AC BOX AT PLATFORM INSTALLATION - 110V GFI	C
1	0760408	4	Bolt M4 x 16	
2	1703464	1	Decal - AC Power	
3	2902431	1	Receptacle Box Kit (See Separate Breakdown in this Section)	
4	3290405	4	Nut M4	
5	4240017	AR	Tie-Strap (Not Shown)	
6	4460138	1	Plug, Male - AC	
7	4460315	1	Terminal	
8	4811400	4	Washer M4	
9	1001102258	1	Decal - AC Label	

SECTION 7 - ELECTRICAL

FIGURE 7-2. AC BOX AT PLATFORM INSTALLATION - 110V IEC YELLOW (CE & UK CA SPECS)

ITEM	PART NUMBER	QTY	DESCRIPTION	REV
	1001238133	Ref	AC BOX AT PLATFORM INSTALLATION - 110V IEC YELLOW	B
1	0275216	1	Receptacle Box Kit - 110V IEC Yellow (See Separate Breakdown in this Section)	
2	0700814	2	Bolt M8 x 30	
3	0760408	2	Bolt M4 x 16	
4	1703464	1	Decal - AC Power	
5	3290405	2	Nut M4	
6	3290605	2	Nut M6	
7	3290805	2	Nut M8	
8	4010610	2	Screw M6 x 20	
9	4240017	AR	Tie-Strap (Not Shown)	
10	4461257	1	Connector, Strain Relief	
11	4461258	1	Connector, Adapter	
12	4811400	4	Washer M4	
13	4811700	4	Washer M6	
14	4811900	4	Washer M8	
15	1001102258	1	Decal - AC Label	
16	1001120204	1	Plug, Male Twist	
17	1001209776	1	Breaker Box Kit (See Separate Breakdown in this Section)	
18	1001238198	1	Bracket	

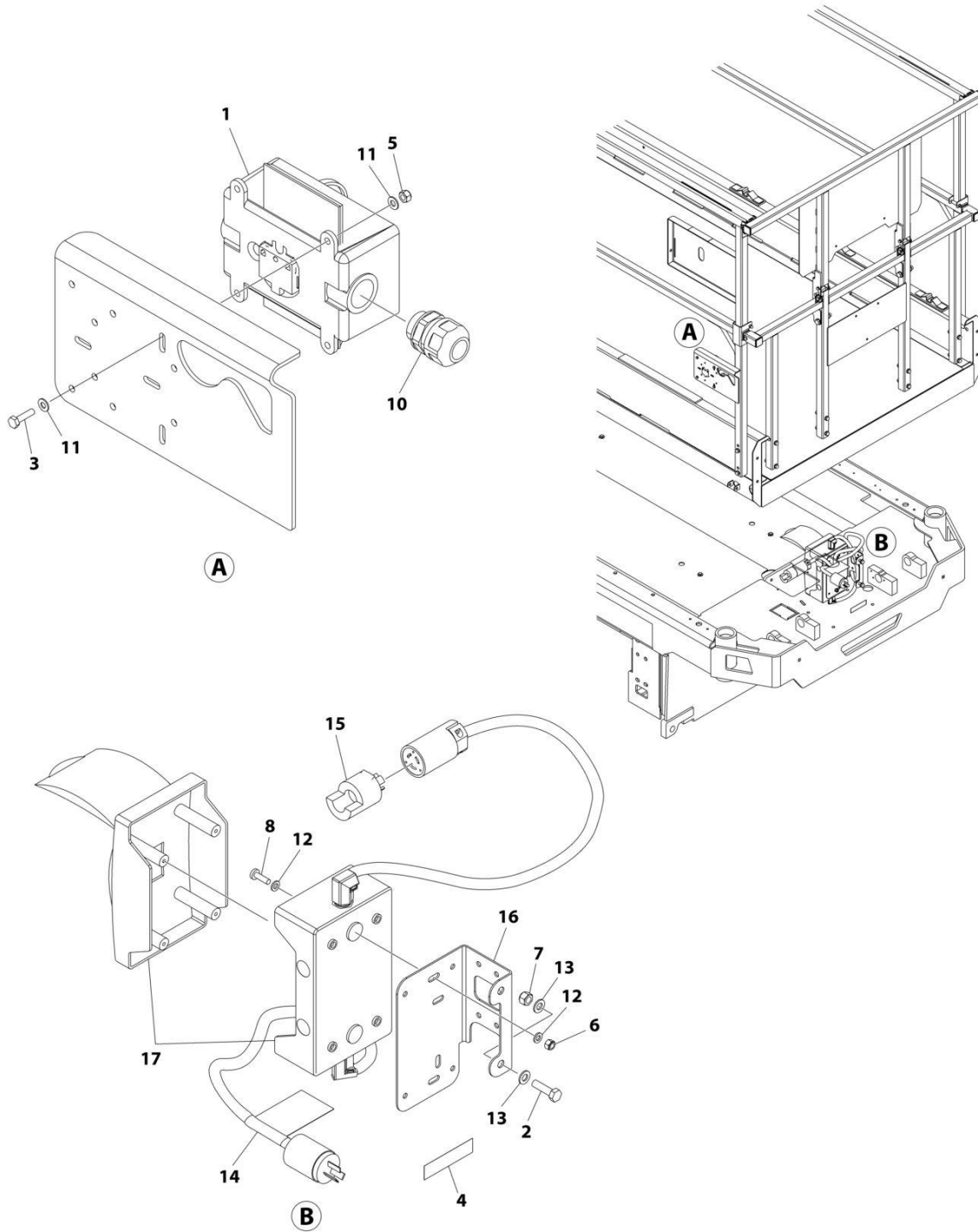
SECTION 7 - ELECTRICAL

FIGURE 7-3. AC BOX AT PLATFORM INSTALLATION - 220V IEC BLUE (CE & UK CA SPECS)

ITEM	PART NUMBER	QTY	DESCRIPTION	REV
	1001238134	Ref	AC BOX AT PLATFORM INSTALLATION - 220V IEC BLUE	A
1	0275217	1	Receptacle Box Kit - 220V IEC Blue (See Separate Breakdown in this Section)	
2	0700814	2	Bolt M8 x 30	
3	0760408	2	Bolt M4 x 16	
4	3252507	1	Decal - AC Power	
5	3290405	2	Nut M4	
6	3290605	2	Nut M6	
7	3290805	2	Nut M8	
8	4010610	2	Screw M6 x 20	
9	4240017	AR	Tie-Strap (Not Shown)	
10	4461257	1	Connector, Strain Relief	
11	4461258	1	Connector, Adapter	
12	4811400	4	Washer M4	
13	4811700	4	Washer M6	
14	4811900	4	Washer M8	
15	1001102258	1	Decal - AC Label	
16	1001120204	1	Plug, Male Twist	
17	1001209776	1	Breaker Box Kit (See Separate Breakdown in this Section)	
18	1001238198	1	Bracket	

SECTION 7 - ELECTRICAL

FIGURE 7-4. AC BOX AT PLATFORM INSTALLATION - 220V CEE7 POST GROUND (CE & UK CA SPECS)



ART_1001238130

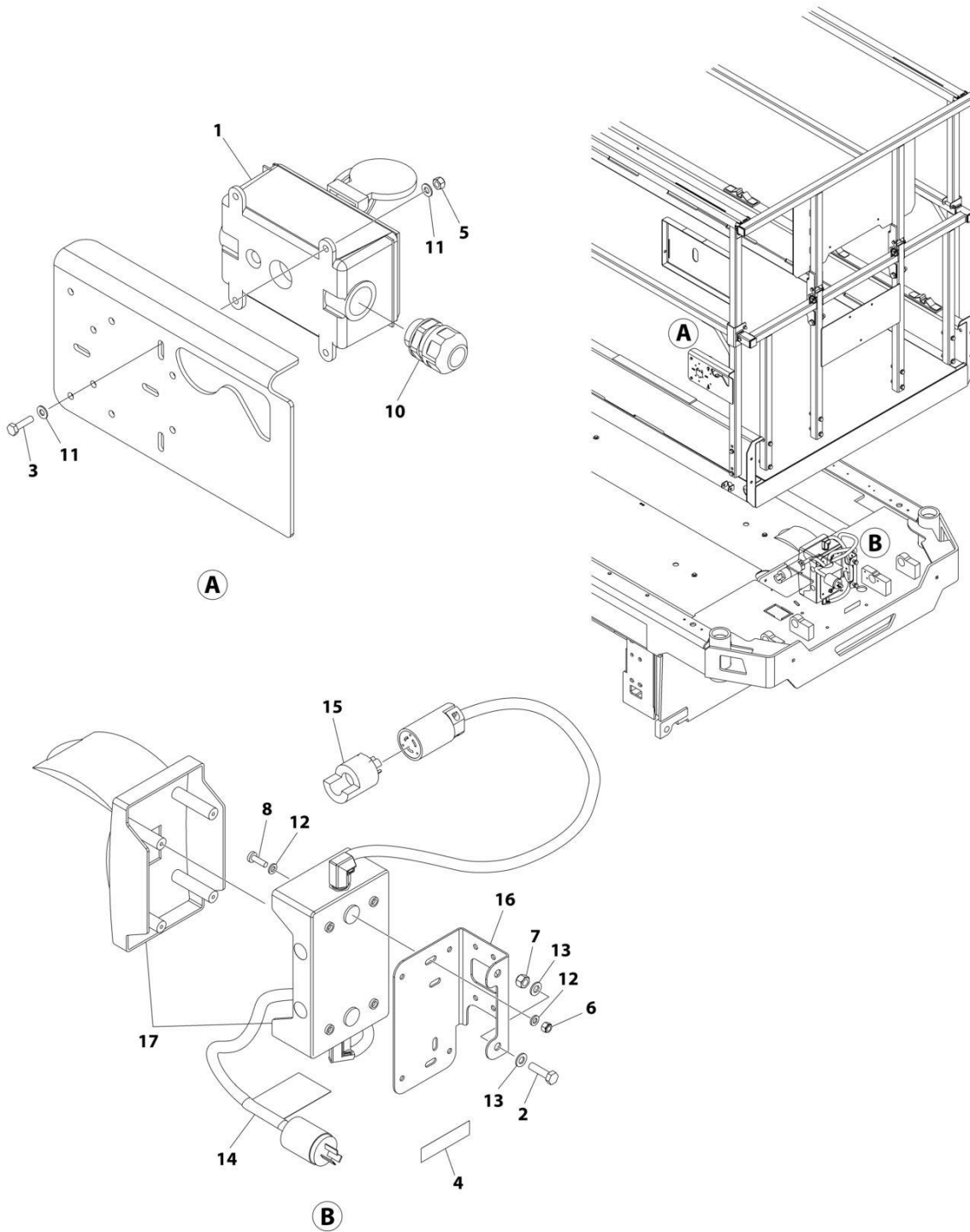
SECTION 7 - ELECTRICAL

FIGURE 7-4. AC BOX AT PLATFORM INSTALLATION - 220V CEE7 POST GROUND (CE & UK CA SPECS)

ITEM	PART NUMBER	QTY	DESCRIPTION	REV
	1001238130	Ref	AC BOX AT PLATFORM INSTALLATION - 220V CEE7 POST GROUND	B
1	0275452	1	Receptacle Box Kit - 220V CEE7 Post Ground (See Separate Breakdown in this Section)	
2	0700814	2	Screw M8 x 30	
3	0760408	4	Bolt M4 x 16	
4	3252507	1	Decal - AC Power	
5	3290405	4	Nut M4	
6	3290605	2	Nut M6	
7	3290805	2	Nut M8	
8	4010610	2	Screw M6 x 20	
9	4240017	AR	Tie-Strap (Not Shown)	
10	4460662	1	Connector, Strain Relief	
11	4811400	8	Washer M4	
12	4811700	4	Washer M6	
13	4811900	4	Washer M8	
14	1001102258	1	Decal - AC Label	
15	1001120204	1	Plug, Male Twist	
16	1001238198	1	Bracket	
17	1001209482	1	Breaker Box Kit (See Separate Breakdown in this Section)	

SECTION 7 - ELECTRICAL

FIGURE 7-5. AC BOX AT PLATFORM INSTALLATION - 220V CEE7 SIDE GROUND (CE & UK CA SPECS)



ART_1001238131

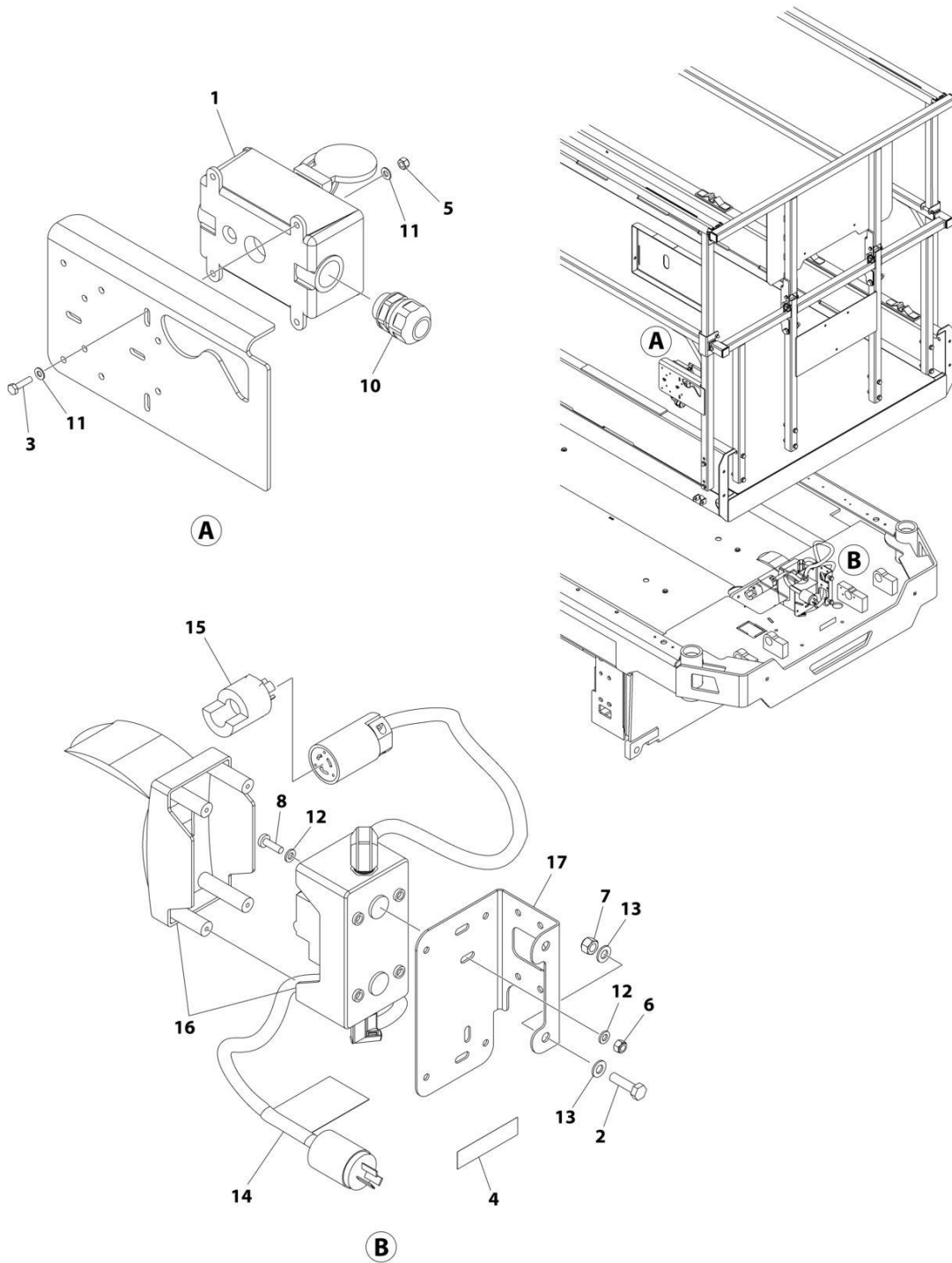
SECTION 7 - ELECTRICAL

FIGURE 7-5. AC BOX AT PLATFORM INSTALLATION - 220V CEE7 SIDE GROUND (CE & UK CA SPECS)

ITEM	PART NUMBER	QTY	DESCRIPTION	REV
	1001238131	Ref	AC BOX AT PLATFORM INSTALLATION - 220V CEE7 SIDE GROUND	B
1	0275453	1	Receptacle Box Kit - 220V CEE7 Side Ground (See Separate Breakdown in this Section)	
2	0700814	2	Bolt M8 x 30	
3	0760408	4	Bolt M4 x 16	
4	3252507	1	Decal - AC Power	
5	3290405	4	Nut M4	
6	3290605	2	Nut M6	
7	3290805	2	Nut M8	
8	4010610	2	Screw M6 x 20	
9	4240017	AR	Tie-Strap (Not Shown)	
10	4460662	1	Connector, Strain Relief	
11	4811400	8	Washer M4	
12	4811700	4	Washer M6	
13	4811900	4	Washer M8	
14	1001102258	1	Decal - AC Label	
15	1001120204	1	Plug, Male Twist	
16	1001238198	1	Bracket	
17	1001209482	1	Breaker Box Kit (See Separate Breakdown in this Section)	

SECTION 7 - ELECTRICAL

FIGURE 7-6. AC BOX AT PLATFORM INSTALLATION - 220V AFSINT 107 (CE & UK CA SPECS)



ART_1001238132

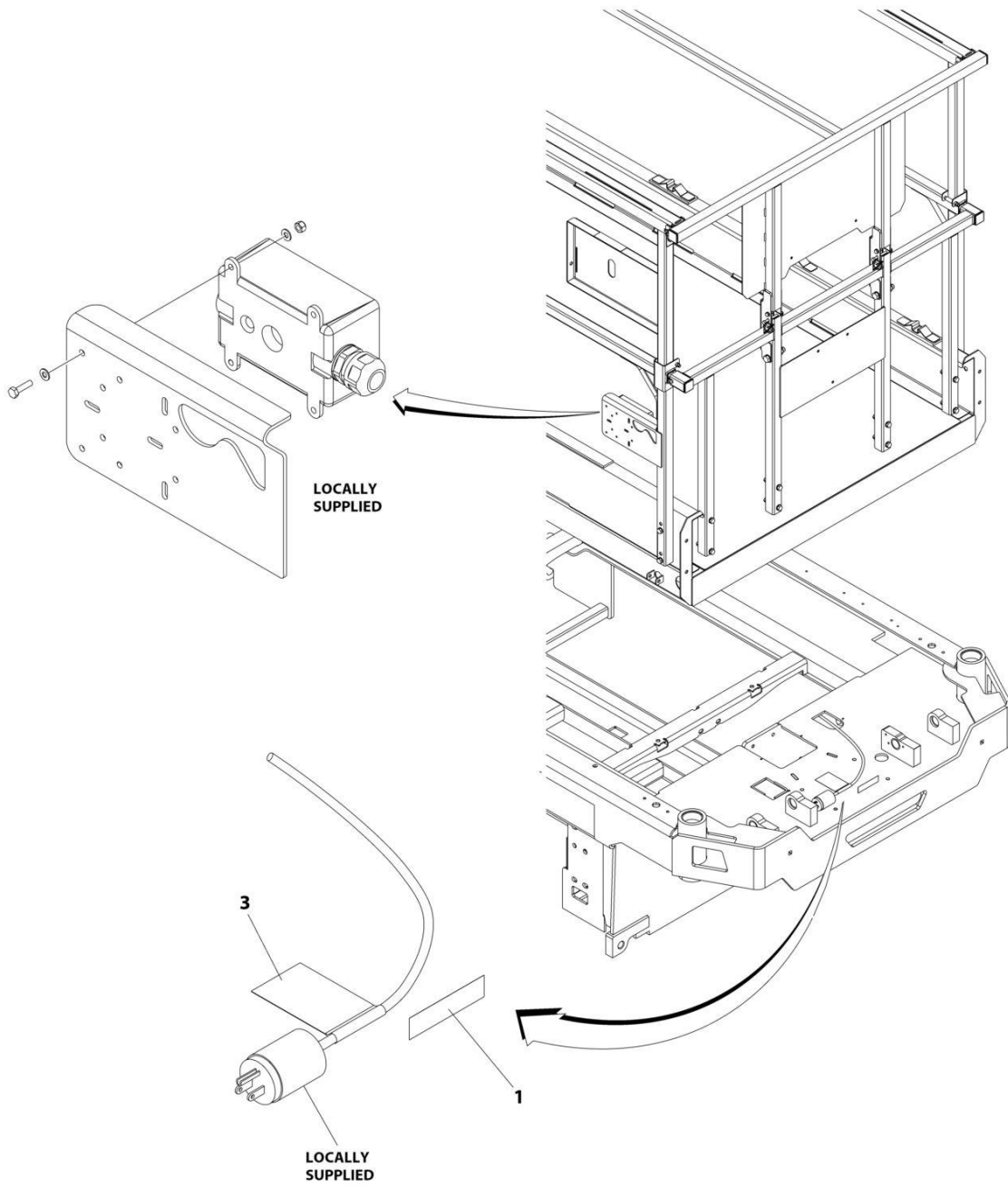
SECTION 7 - ELECTRICAL

FIGURE 7-6. AC BOX AT PLATFORM INSTALLATION - 220V AFSINT 107 (CE & UK CA SPECS)

ITEM	PART NUMBER	QTY	DESCRIPTION	REV
	1001238132	Ref	AC BOX AT PLATFORM INSTALLATION - 220V AFSINT 107	B
1	0275454	1	Receptacle Box Kit - 220V AFSINT 107 (See Separate Breakdown in this Section)	
2	0700814	2	Bolt M8 x 30	
3	0760408	4	Bolt M4 x 16	
4	3252507	1	Decal - AC Power	
5	3290405	4	Nut M4	
6	3290605	2	Nut M6	
7	3290805	2	Nut M8	
8	4010610	2	Screw M6 x 20	
9	4240017	AR	Tie-Strap (Not Shown)	
10	4460662	1	Connector, Strain Relief	
11	4811400	8	Washer M4	
12	4811700	4	Washer M6	
13	4811900	4	Washer M8	
14	1001102258	1	Decal - AC Label	
15	1001120204	1	Plug, Male Twist	
16	1001209776	1	Breaker Box Kit (See Separate Breakdown in this Section)	
17	1001238198	1	Bracket	

SECTION 7 - ELECTRICAL

FIGURE 7-7. AC BOX AT PLATFORM INSTALLATION - 220V LOCALLY SUPPLIED



ART_1001237401

SECTION 7 - ELECTRICAL

FIGURE 7-7. AC BOX AT PLATFORM INSTALLATION - 220V LOCALLY SUPPLIED

ITEM	PART NUMBER	QTY	DESCRIPTION	REV
	1001237401	Ref	AC BOX AT PLATFORM INSTALLATION - 220V LOCALLY SUPPLIED COMPONENTS (ALL SPECS)	C
1	3252507	1	Decal - 220 Volt	
2	4240017	AR	Tie-Strap (Not Shown)	
3	1001102258	1	Decal - AC Label	

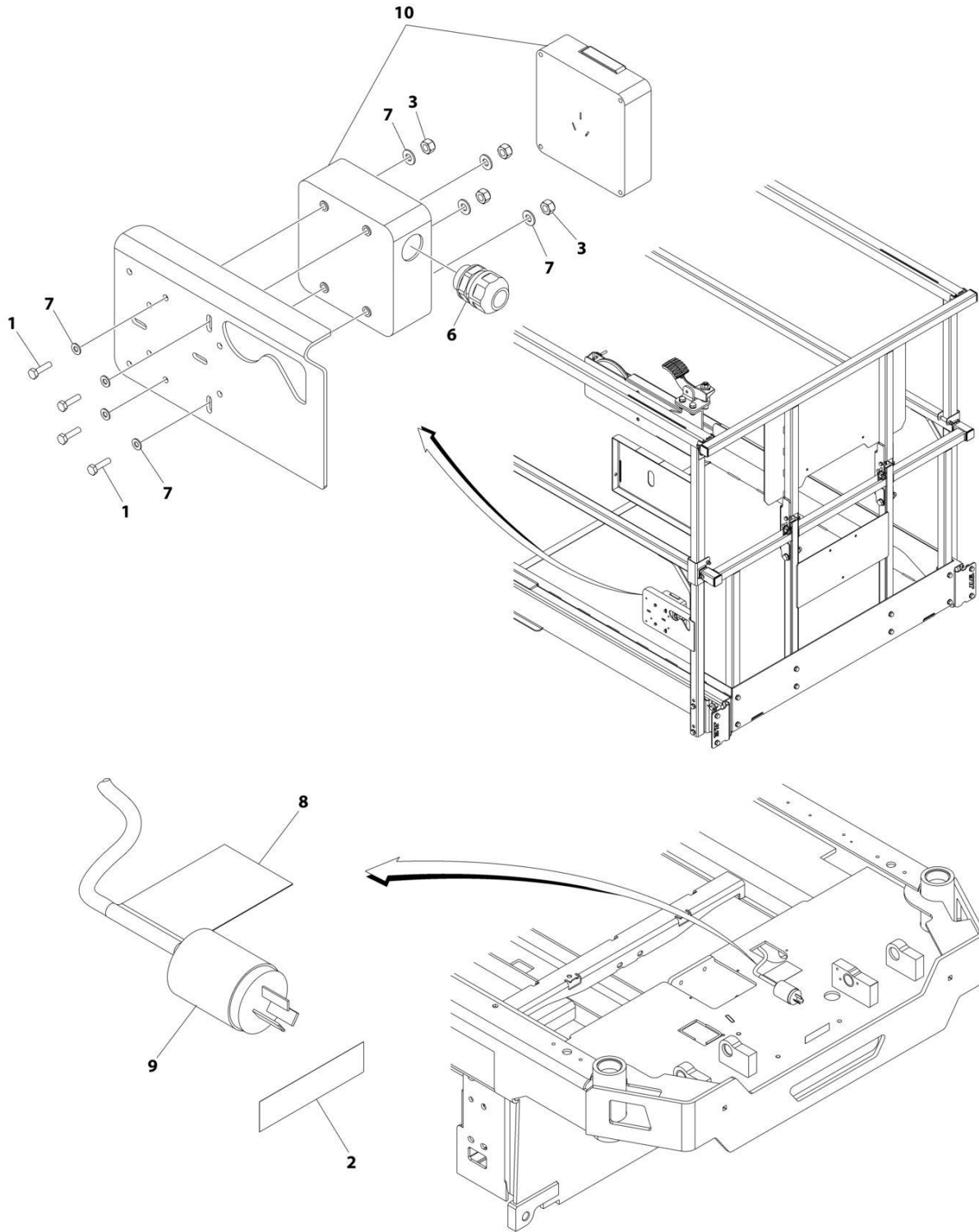
SECTION 7 - ELECTRICAL

FIGURE 7-8. AC BOX AT PLATFORM INSTALLATION - 220V (AUSTRALIAN SPECS)

ITEM	PART NUMBER	QTY	DESCRIPTION	REV
	1001244323	Ref	AC BOX AT PLATFORM INSTALLATION - 220V (AUSTRALIAN SPECS)	B
1	0700814	2	Bolt M8 x 30	
2	0760610	2	Bolt M6 x 20	
3	3290405	13	Nut M4	
4	3290601	2	Nut M6	
5	3290805	2	Nut M8	
6	4010408	13	Screw M4 x 16	
7	4240017	AR	Tie-Strap (Not Shown)	
8	4811400	13	Washer M4	
9	4811700	4	Washer M6	
10	4811900	4	Washer M8	
11	1001102258	1	Decal - AC Label	
12	1001103471	1	Connector Strain Relief 90	
13	1001227267	1	Receptacle Australian - 230V	
14	1001227268	1	Receptacle Australian - 230V	
15	1001238198	1	Bracket	
16	1001244900	1	Bracket	
17	1001245739	1	Box and Breaker Electrical Assembly (See Separate Breakdown in this Section)	
18	1001245744	1	Earth/Ground Link Harness	
19	1001245747	1	Conduit	
20	1001097150	1	Terminal	

SECTION 7 - ELECTRICAL

FIGURE 7-9. AC BOX AT PLATFORM INSTALLATION - 220V CHINA PLUG (CHINA SPECS)



ART_1001238135

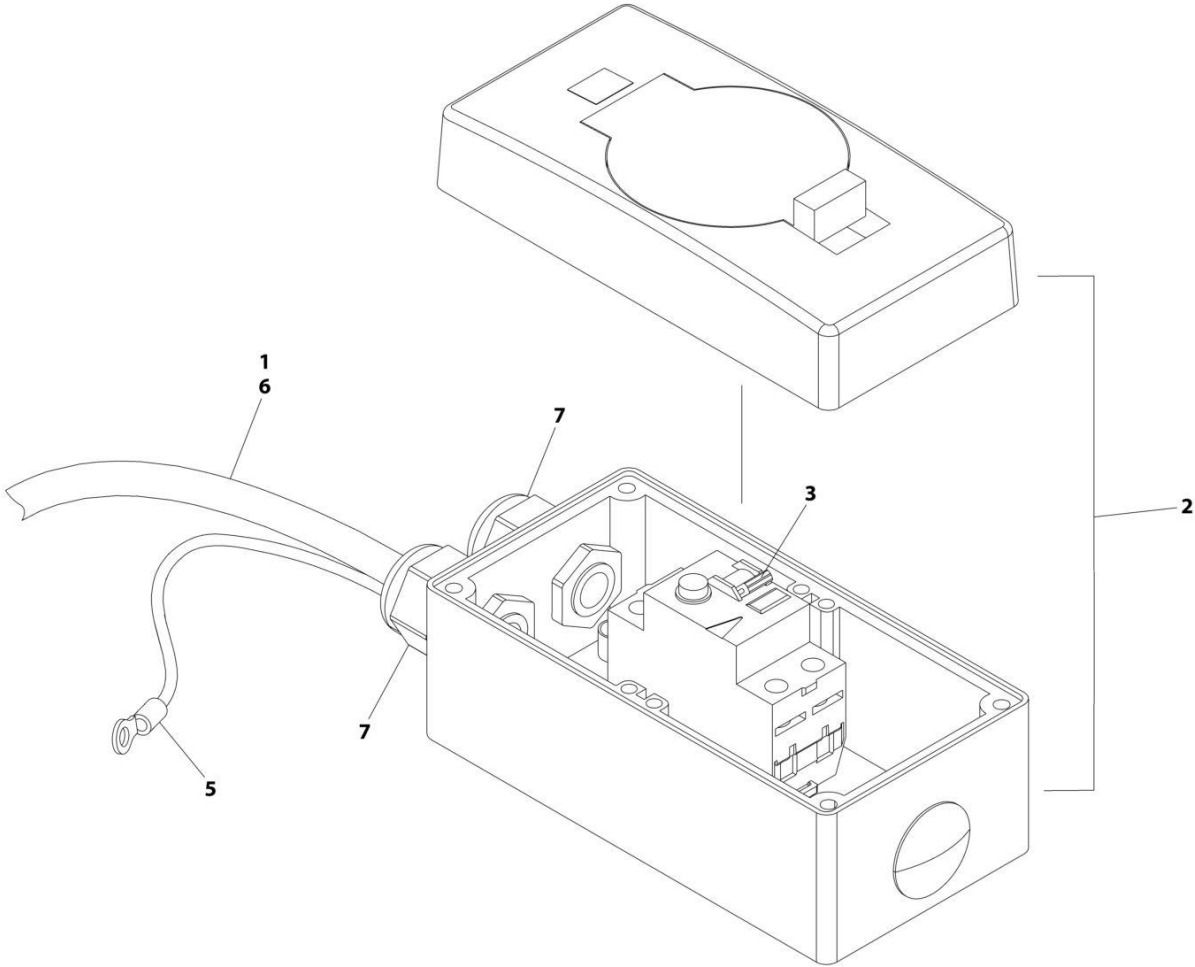
SECTION 7 - ELECTRICAL

FIGURE 7-9. AC BOX AT PLATFORM INSTALLATION - 220V CHINA PLUG (CHINA SPECS)

ITEM	PART NUMBER	QTY	DESCRIPTION	REV
	1001238135	Ref	AC BOX AT PLATFORM INSTALLATION - 220V CHINA PLUG (CHINA SPECS)	A
1	0760408	4	Bolt M4 x 16	
2	3252507	1	Decal - 220 Volt	
3	3290405	4	Nut M4	
4	4240017	AR	Tie-Strap (Not Shown)	
5	4460315	1	Terminal (Not Shown)	
6	4460968	1	Connector, Strain Relief	
7	4811400	8	Washer M4	
8	1001102258	1	Decal - AC Label	
9	1001187816	1	Plug	
10	1001188116	1	Box	

SECTION 7 - ELECTRICAL

FIGURE 7-10. BREAKER BOX KIT (AUSTRALIAN SPEC)



ART_1001245739

SECTION 7 - ELECTRICAL

FIGURE 7-10. BREAKER BOX KIT (AUSTRALIAN SPEC)

ITEM	PART NUMBER	QTY	DESCRIPTION	REV
1	1001245739	Ref	BREAKER BOX KIT	B
	1060908	825 mm/ 32.5in	Cable	
2	1001227269	1	Enclosure	
3	1001228191	1	Breaker	
4	1001245743	1	Terminal (Not Shown)	
5	1001245744	1	Earth/Ground Link Harness	
6	1001125927	1	Conduit	
7	1001097150	2	Connector	

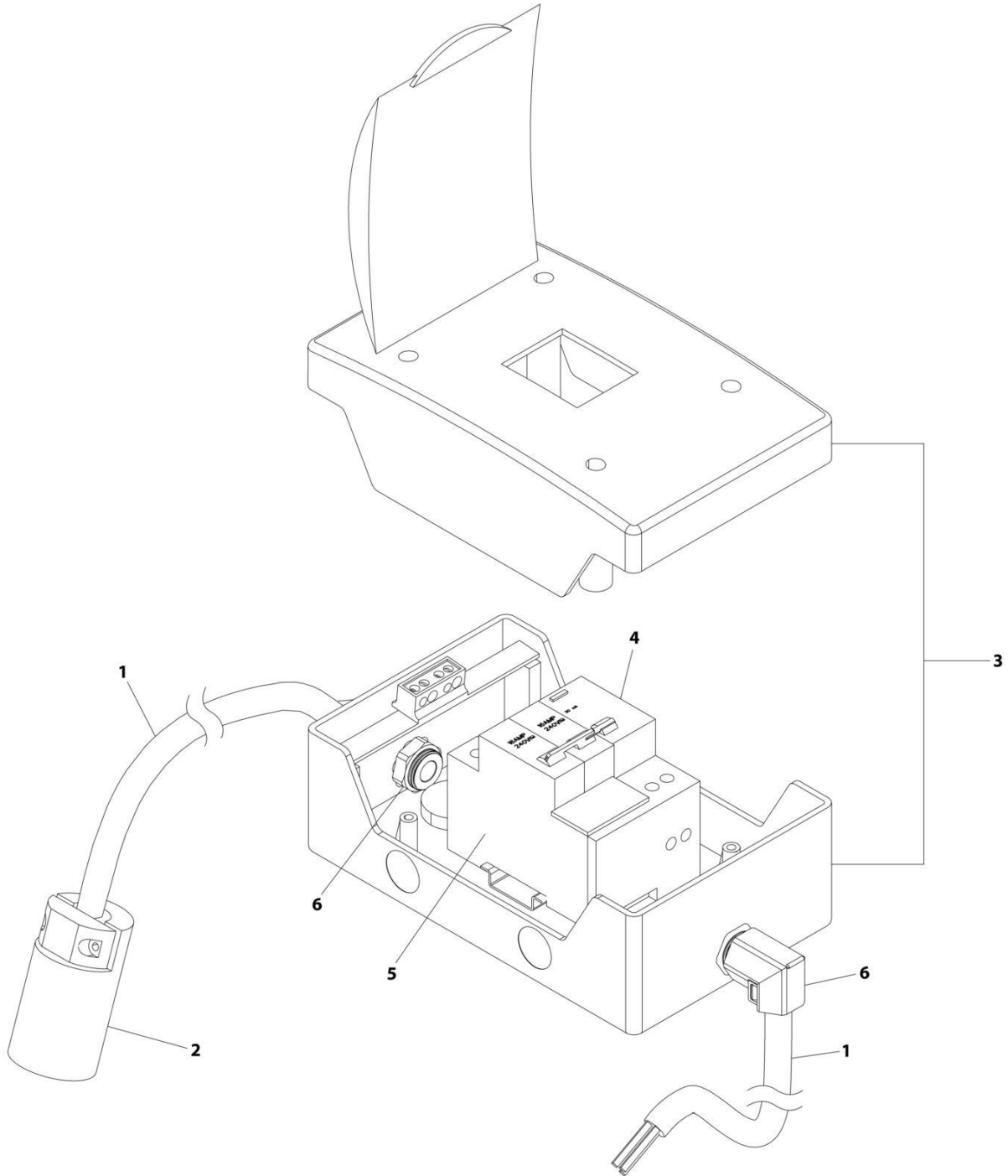
SECTION 7 - ELECTRICAL

FIGURE 7-11. BREAKER BOX KIT WITH 1 DOUBLE BREAKER (CE & UK CA SPECS)

ITEM	PART NUMBER	QTY	DESCRIPTION	REV
	1001209776	Ref	BREAKER BOX KIT WITH 1 DOUBLE BREAKER	F
1	0861880	1	Box	
2	1060908	126 in /3.2m	Cable, 12/3	
3	4460956	1	Barrier, Terminal	
4	4460957	1	Block, Terminal	
5	1001120205	1	Connector, Female Twist	
6	1001181045	1	Breaker 30mAmp/16 Amp	
7	1001217164	2	Connector, Strain Relief 90	

SECTION 7 - ELECTRICAL

FIGURE 7-12. BREAKER BOX KIT WITH 3 BREAKERS (CE & UK CA SPECS)



ART_1001209482

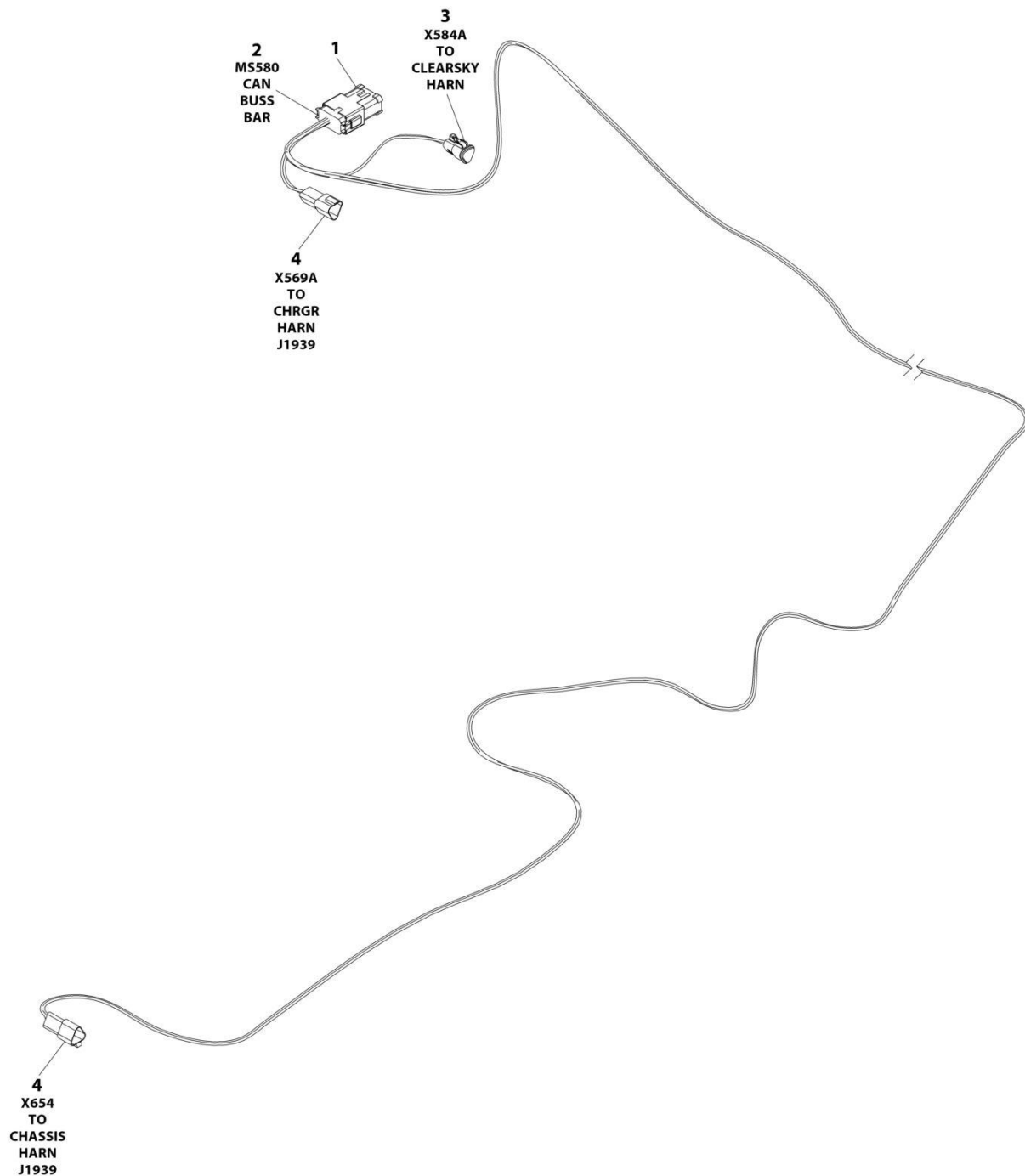
SECTION 7 - ELECTRICAL

FIGURE 7-12. BREAKER BOX KIT WITH 3 BREAKERS (CE & UK CA SPECS)

ITEM	PART NUMBER	QTY	DESCRIPTION	REV
1	1001209482	Ref	BREAKER BOX KIT WITH 3 BREAKERS	G
	1060908	126 in /3.2m	Cable, 12/3	
2	1001120205	1	Connector, Female Twist	
3	1001152483	1	Box	
4	1001189171	1	Breaker, 30mAmp	
5	1001189172	1	Breaker 16 Amp, Double	
6	1001217164	2	Connector, Strain Relief 90	

SECTION 7 - ELECTRICAL

FIGURE 7-13. CAN SPLICE HARNESS (CHARGER WITH COMMUNICATION PORT)



ART_1001254027

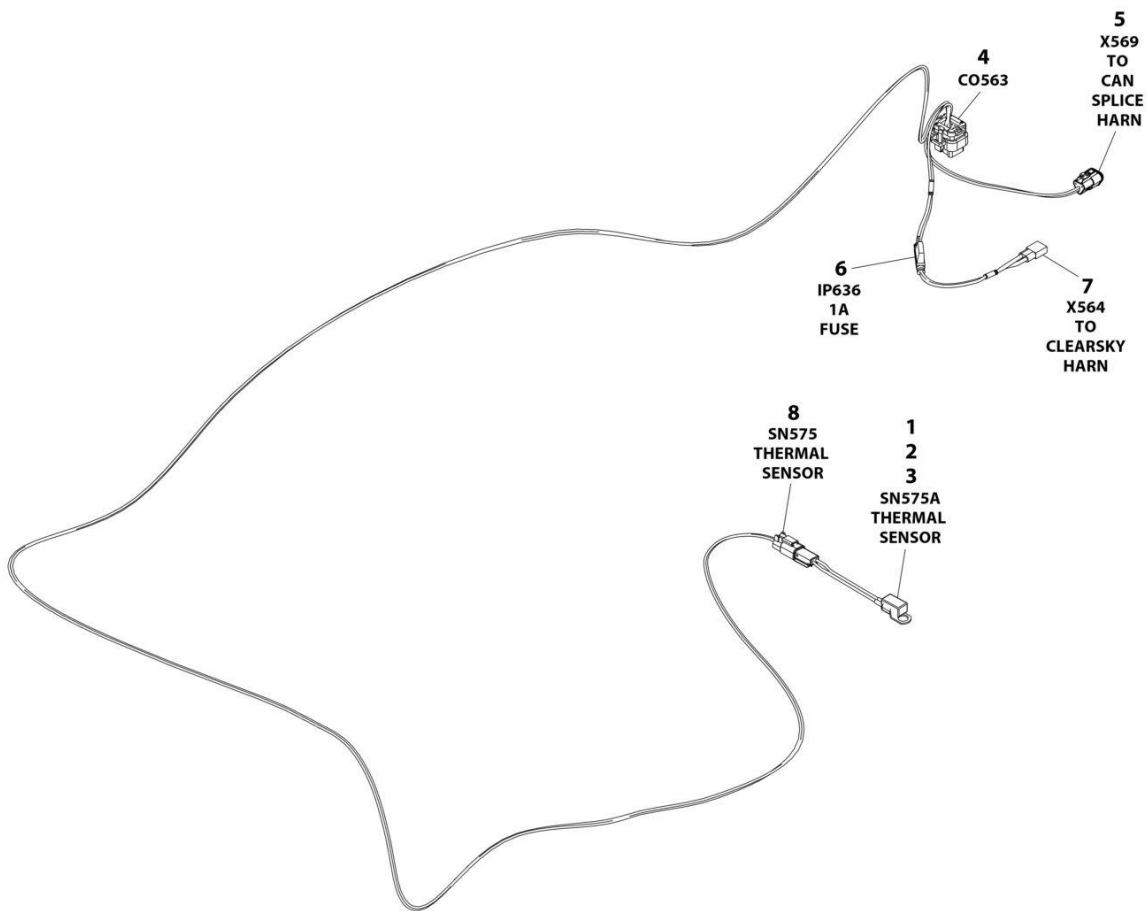
SECTION 7 - ELECTRICAL

FIGURE 7-13. CAN SPLICE HARNESS (CHARGER WITH COMMUNICATION PORT)

ITEM	PART NUMBER	QTY	DESCRIPTION	REV
	1001254027	Ref	CAN SPLICE HARNESS	A
1	1001125677	1	Connector, Bus Bar - 12 Position	
2	4460933	1	Plug, Male - 12 Position	
2	4460944	6	Socket, Female	
2	4460466	6	Plug, Terminal	
3	1001118812	1	Plug, Male - 3 Position	
3	4460944	2	Socket, Female	
3	4460466	1	Plug, Terminal	
4	1001144147	2	Receptacle, Female - 3 Position	
4	4460943	4	Pin, Male	
4	4460466	2	Plug, Terminal	

SECTION 7 - ELECTRICAL

FIGURE 7-14. CHARGER HARNESS (CHARGER WITH COMMUNICATION PORT)



ART_1001254028

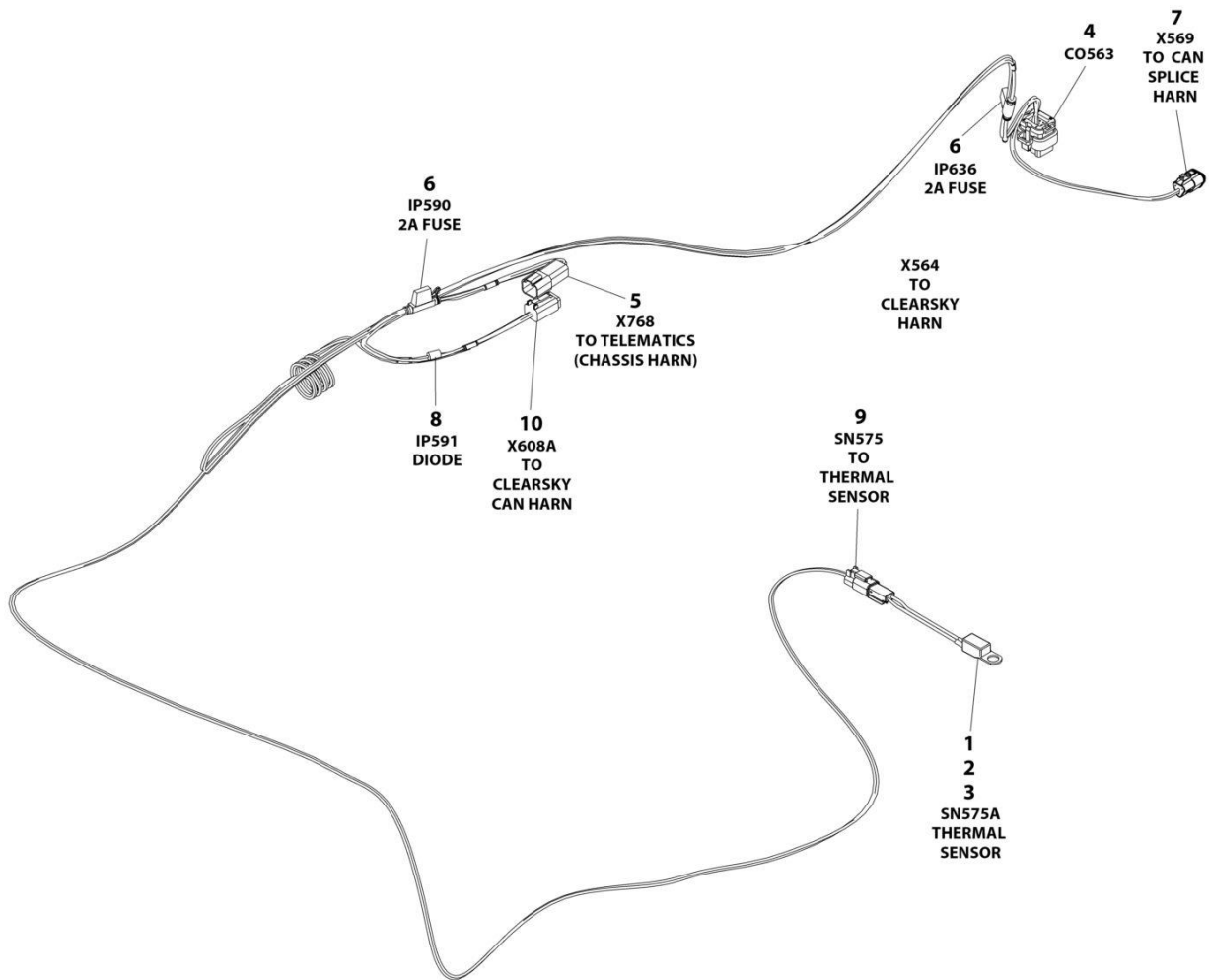
SECTION 7 - ELECTRICAL

FIGURE 7-14. CHARGER HARNESS (CHARGER WITH COMMUNICATION PORT)

ITEM	PART NUMBER	QTY	DESCRIPTION	REV
	1001254028	Ref	CHARGER HARNESS	A
1	4460464	2	Pin, Male	
2	4460897	1	Receptacle, Female - 2 Position	
3	1001102771	1	Sensor, Temperature	
4	4460872	1	Connector - 14 Position	
4	4460871	6	Terminal	
4	4460905	8	Plug, Terminal	
5	1001116812	1	Plug, Male - 3 Position	
5	4460944	2	Socket, Female	
5	4460466	1	Plug, Terminal	
6	2400060	1	Fuseholder With Cover	
6	1001228388	1	Fuse 1A	
7	4460424	1	Receptacle, Female - 2 Position	
7	4460227	2	Pin, Male	
8	4460891	1	Plug, Male - 2 Position	
8	4460465	2	Socket, Female	

SECTION 7 - ELECTRICAL

FIGURE 7-15. CHARGER HARNESS (CHARGER WITH COMMUNICATION PORT)



ART_1001254028_C

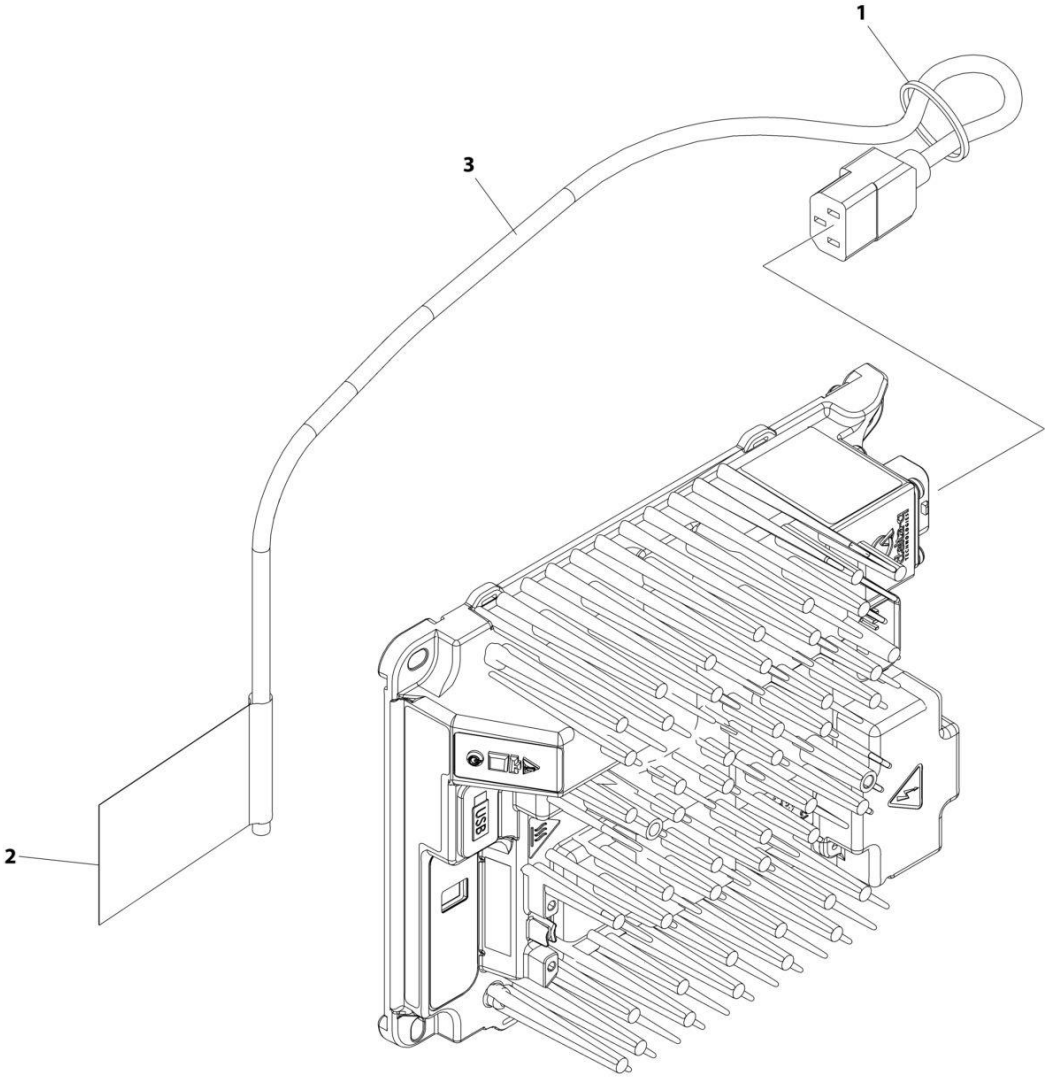
SECTION 7 - ELECTRICAL

FIGURE 7-15. CHARGER HARNESS (CHARGER WITH COMMUNICATION PORT)

ITEM	PART NUMBER	QTY	DESCRIPTION	REV
	1001254028	Ref	CHARGER HARNESS	C
1	4460464	2	Pin, Male	
2	4460897	1	Receptacle, Female - 2 Position	
3	1001102771	1	Sensor, Temperature	
4	4460872	1	Connector - 14 Position	
4	4460871	6	Terminal	
4	4460905	8	Plug, Terminal	
5	4460932	1	Receptacle, Female - 4 Position	
5	4460464	1	Pin, Male	
6	2400060	2	Fuseholder With Cover	
6	1001196634	2	Fuse 2A	
7	1001116812	1	Plug, Male - 3 Position	
7	4460944	2	Socket, Female	
7	4460466	1	Plug, Terminal	
8	3990001	1	Diode	
9	4460891	1	Plug, Male - 2 Position	
9	4460465	2	Socket, Female	
10	4460884	1	Plug, Male - 4 Position	
10	4460465	4	Socket, Female	

SECTION 7 - ELECTRICAL

FIGURE 7-16. CHARGER PLUG INSTALLATION (NO PLUG)



ART_1001248631

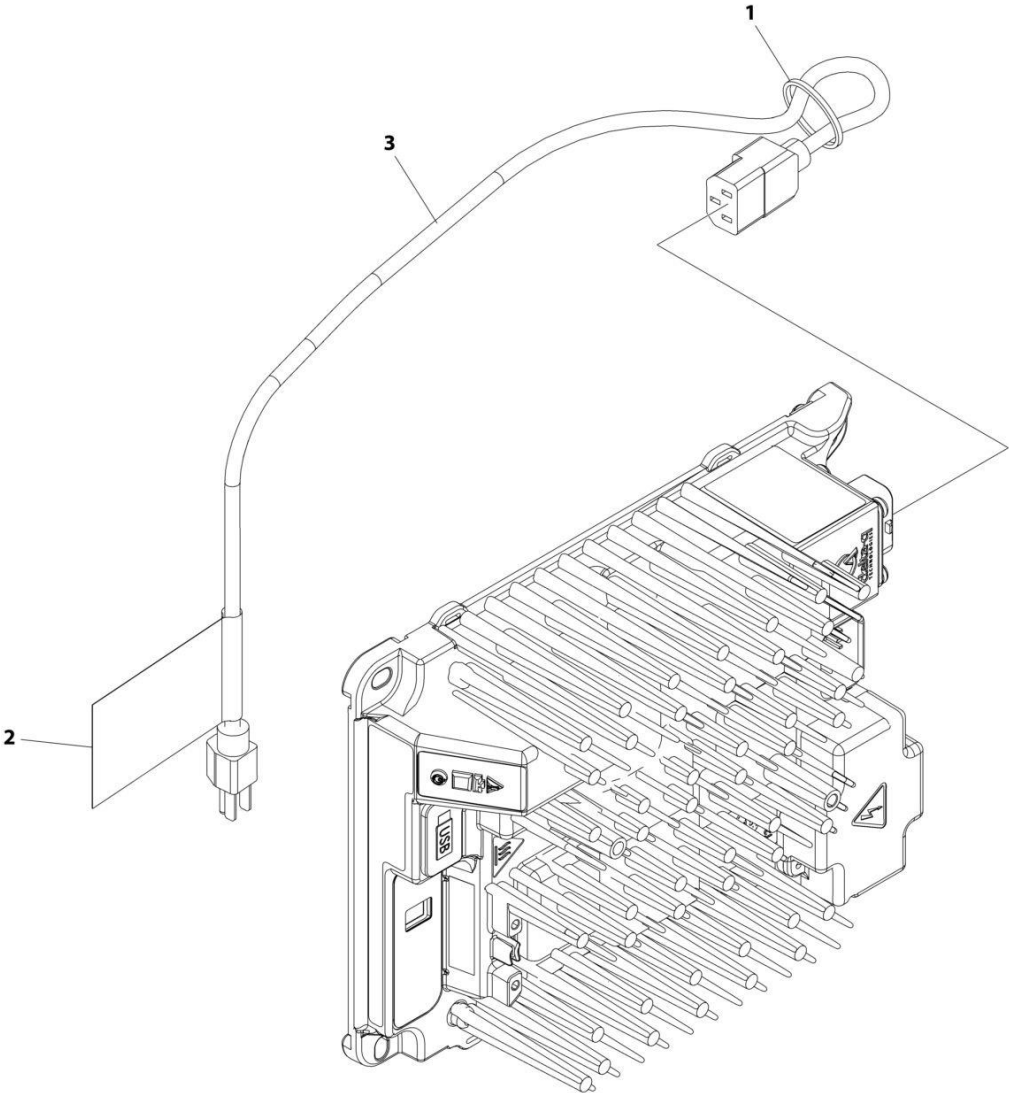
SECTION 7 - ELECTRICAL

FIGURE 7-16. CHARGER PLUG INSTALLATION (NO PLUG)

ITEM	PART NUMBER	QTY	DESCRIPTION	REV
	1001248631	Ref	CHARGER PLUG INSTALLATION	B
1	4240017	AR	Tie-Strap	
2	1001102489	1	Decal - Charger	
3	1001207974	1	Cable, Charger Plug (No Plug)	

SECTION 7 - ELECTRICAL

FIGURE 7-17. CHARGER PLUG INSTALLATION (110V PLUG)



ART_1001248632

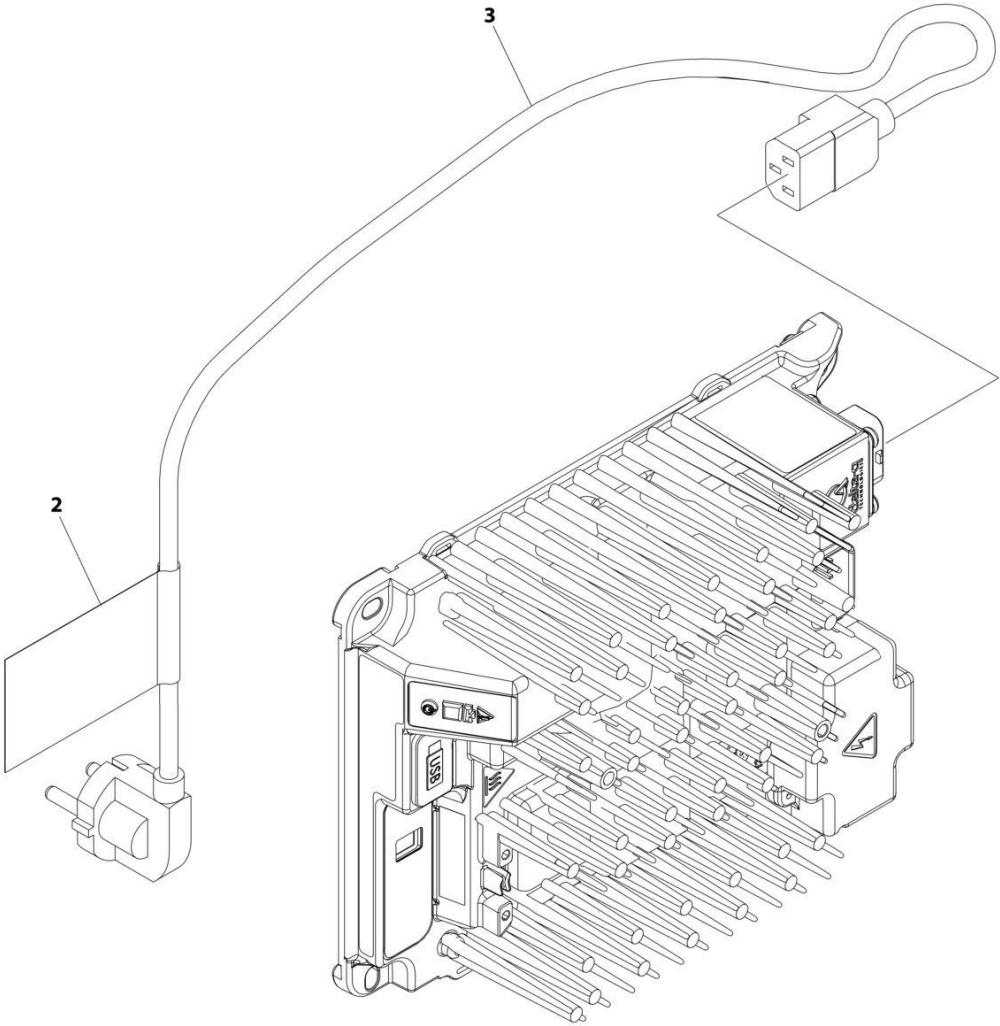
SECTION 7 - ELECTRICAL

FIGURE 7-17. CHARGER PLUG INSTALLATION (110V PLUG)

ITEM	PART NUMBER	QTY	DESCRIPTION	REV
	1001248632	Ref	CHARGER PLUG INSTALLATION	B
1	4240017	AR	Tie-Strap	
2	1001102489	1	Decal - Charger	
3	1001207970	1	Cable, Charger Plug	

SECTION 7 - ELECTRICAL

FIGURE 7-18. CHARGER PLUG INSTALLATION (KOREAN PLUG)



ART_1001248634

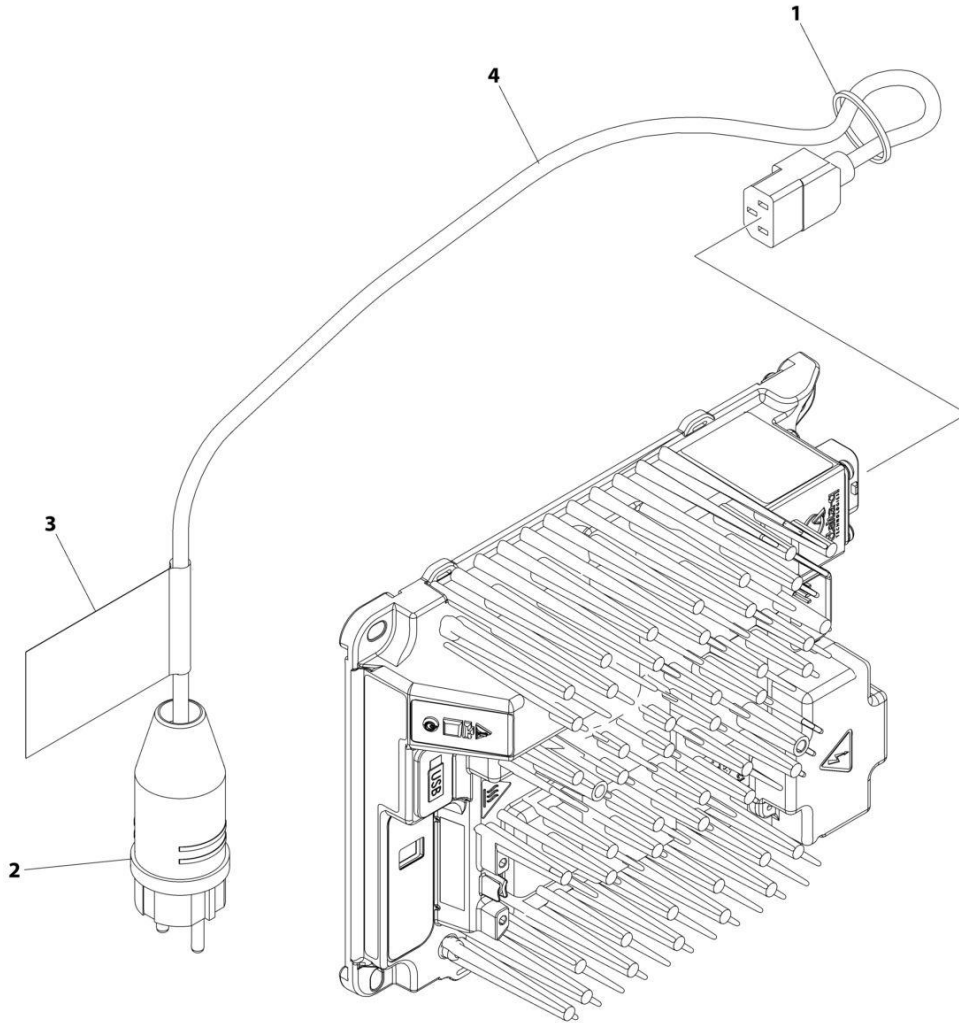
SECTION 7 - ELECTRICAL

FIGURE 7-18. CHARGER PLUG INSTALLATION (KOREAN PLUG)

ITEM	PART NUMBER	QTY	DESCRIPTION	REV
	1001248634	Ref	CHARGER PLUG INSTALLATION	A
1	4240017	AR	Tie-Strap (Not Shown)	
2	1001102489	1	Decal - Charger Label	
3	1001221949	1	Cable, Charger AC Input	

SECTION 7 - ELECTRICAL

FIGURE 7-19. CHARGER PLUG INSTALLATION (CEE7 PLUG)



ART_1001258768

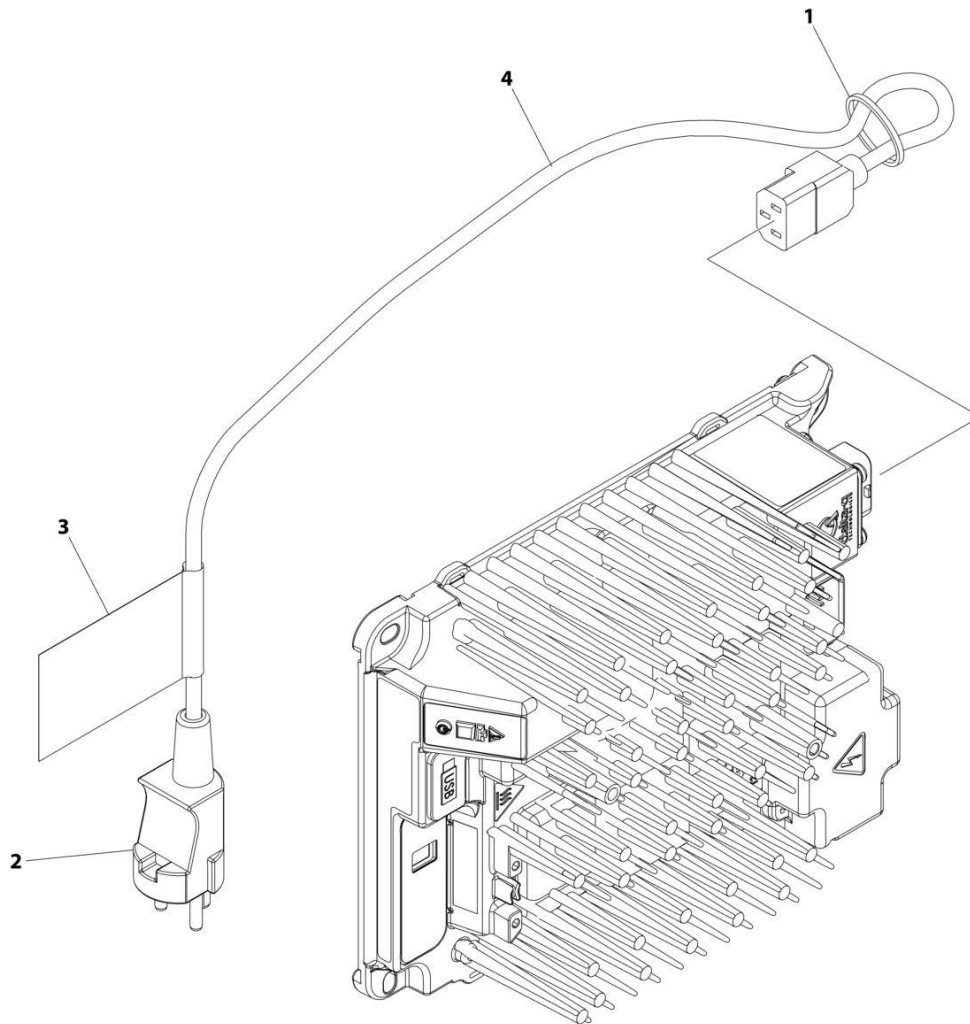
SECTION 7 - ELECTRICAL

FIGURE 7-19. CHARGER PLUG INSTALLATION (CEE7 PLUG)

ITEM	PART NUMBER	QTY	DESCRIPTION	REV
	1001258768	Ref	CHARGER PLUG INSTALLATION	A
1	4240017	AR	Tie-Strap	
2	4461205	1	Terminal	
3	1001102489	1	Decal - Charger	
4	1001207974	1	Cable, Charger Plug (No Plug)	

SECTION 7 - ELECTRICAL

FIGURE 7-20. CHARGER PLUG INSTALLATION (AFSINT 107 PLUG)



ART_1001258770

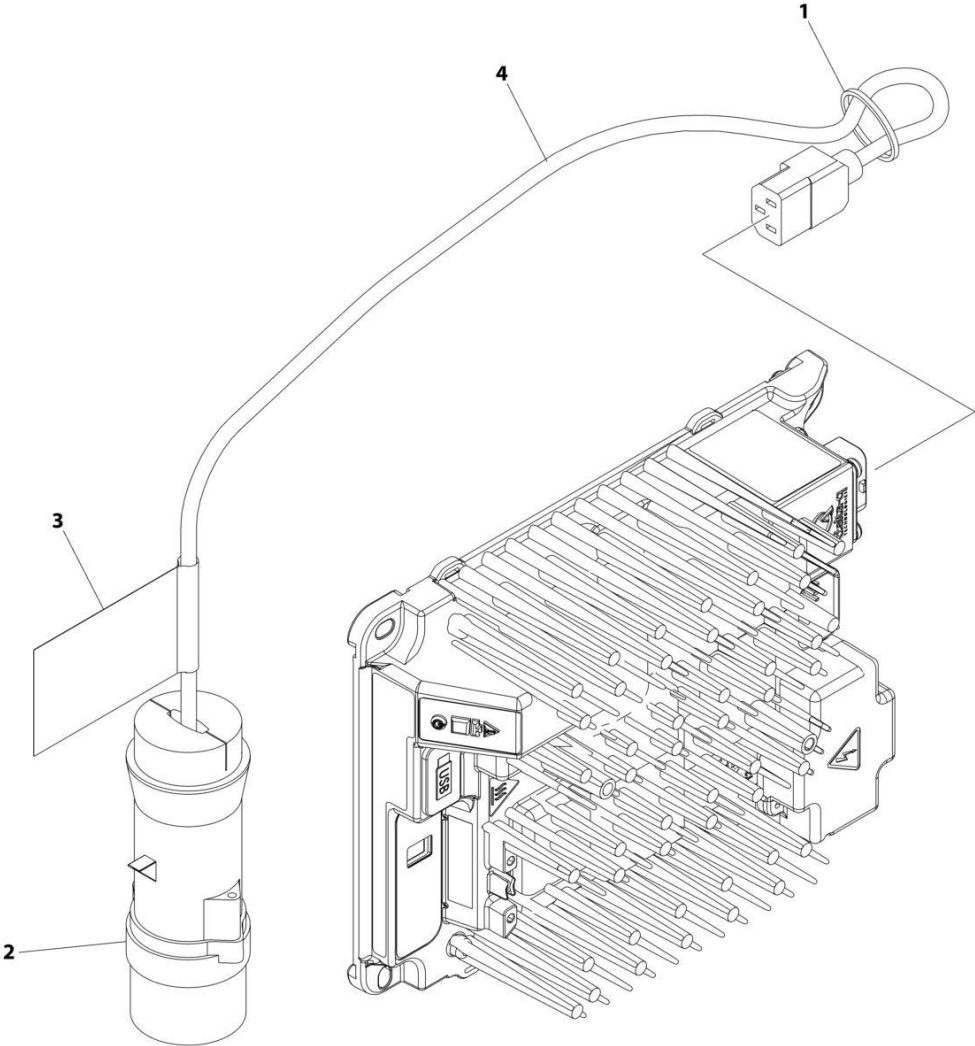
SECTION 7 - ELECTRICAL

FIGURE 7-20. CHARGER PLUG INSTALLATION (AFSINT 107 PLUG)

ITEM	PART NUMBER	QTY	DESCRIPTION	REV
	1001258770	Ref	CHARGER PLUG INSTALLATION	A
1	4240017	AR	Tie-Strap	
2	4461249	1	Terminal	
3	1001102489	1	Decal - Charger	
4	1001207974	1	Cable, Charger Plug (No Plug)	

SECTION 7 - ELECTRICAL

FIGURE 7-21. CHARGER PLUG INSTALLATION (IEC YELLOW PLUG)



ART_1001258771

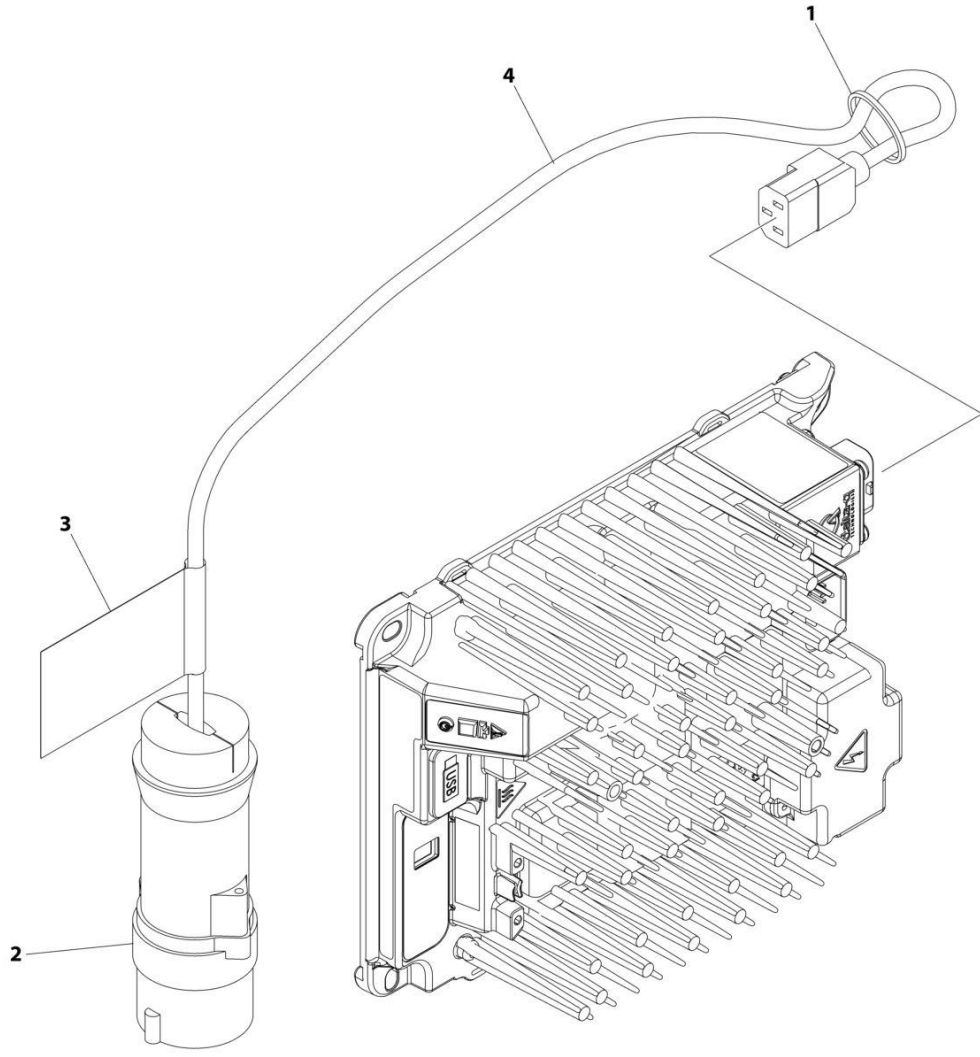
SECTION 7 - ELECTRICAL

FIGURE 7-21. CHARGER PLUG INSTALLATION (IEC YELLOW PLUG)

ITEM	PART NUMBER	QTY	DESCRIPTION	REV
	1001258771	Ref	CHARGER PLUG INSTALLATION	A
1	4240017	AR	Tie-Strap	
2	4461196	1	Terminal	
3	1001102489	1	Decal - Charger	
4	1001207974	1	Cable, Charger Plug (No Plug)	

SECTION 7 - ELECTRICAL

FIGURE 7-22. CHARGER PLUG INSTALLATION (IEC BLUE PLUG)



ART_1001258772

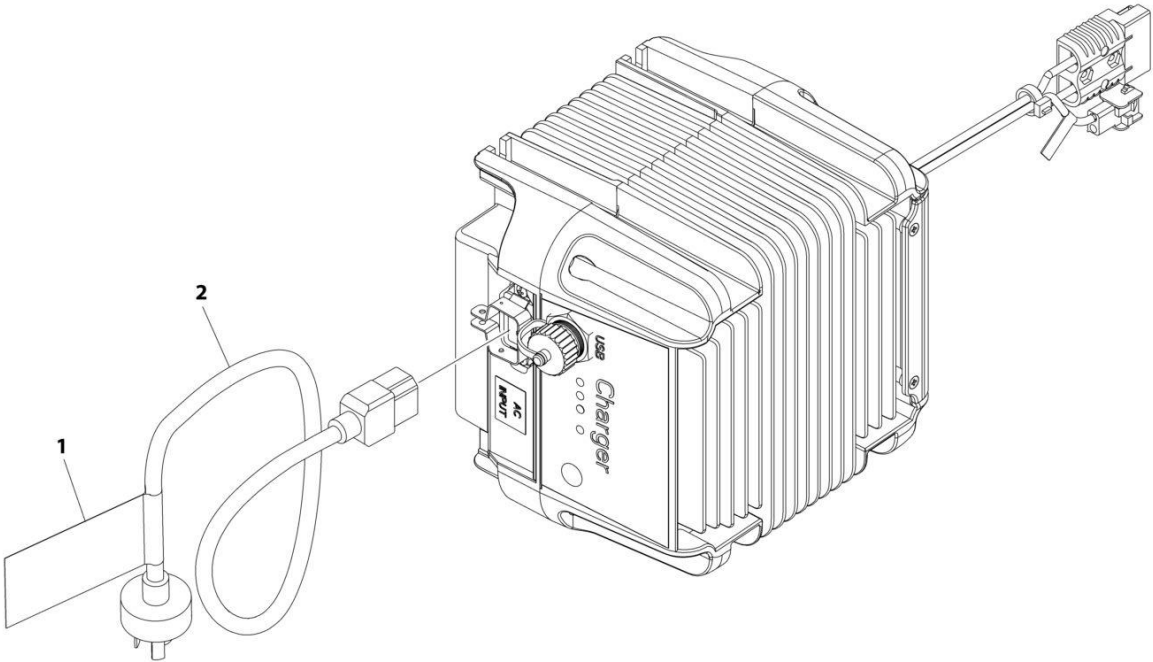
SECTION 7 - ELECTRICAL

FIGURE 7-22. CHARGER PLUG INSTALLATION (IEC BLUE PLUG)

ITEM	PART NUMBER	QTY	DESCRIPTION	REV
	1001258772	Ref	CHARGER PLUG INSTALLATION	A
1	4240017	AR	Tie-Strap	
2	4461199	1	Terminal	
3	1001102489	1	Decal - Charger	
4	1001207974	1	Cable, Charger Plug (No Plug)	

SECTION 7 - ELECTRICAL

FIGURE 7-23. CHARGER PLUG INSTALLATION (CHINA PLUG)



ART_1001263294

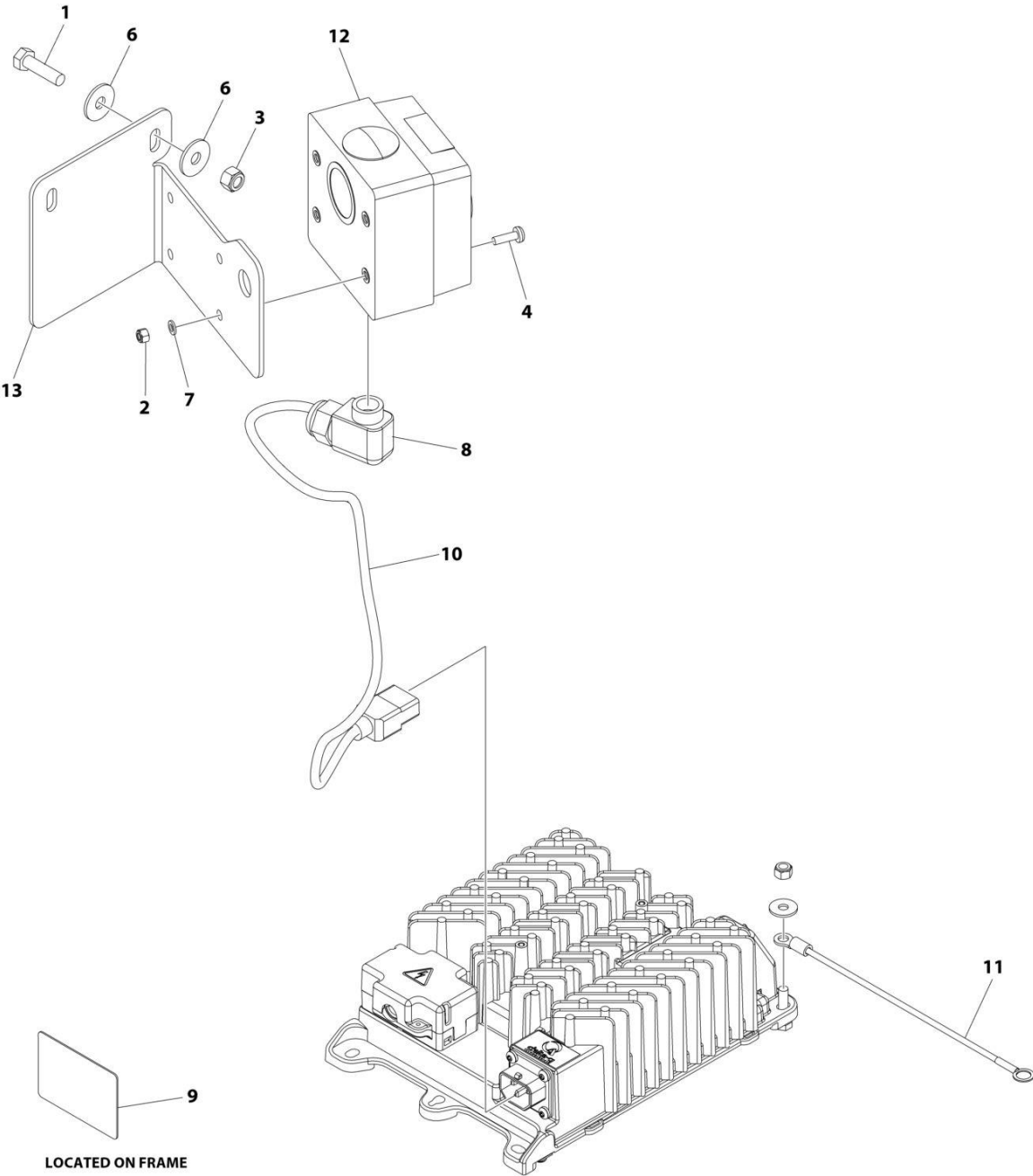
SECTION 7 - ELECTRICAL

FIGURE 7-23. CHARGER PLUG INSTALLATION (CHINA PLUG)

ITEM	PART NUMBER	QTY	DESCRIPTION	REV
	1001263294	Ref	CHARGER PLUG INSTALLATION	A
1	1001102489	1	Decal - Charger Label	
2	1001207973	1	Cable, Charger AC Input	

SECTION 7 - ELECTRICAL

FIGURE 7-24. CHARGER PLUG INSTALLATION (AUSTRALIAN PLUG)



ART_1001263296

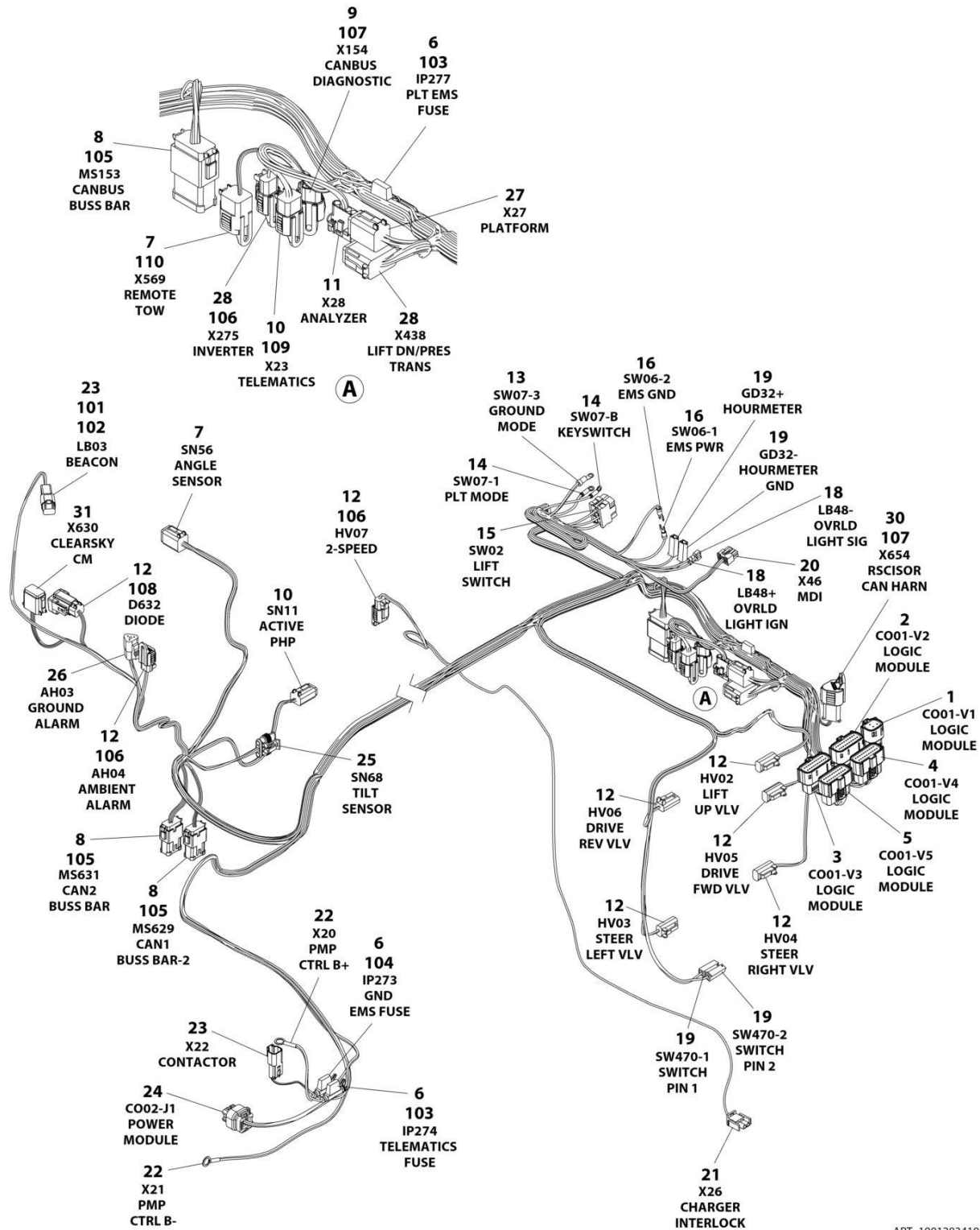
SECTION 7 - ELECTRICAL

FIGURE 7-24. CHARGER PLUG INSTALLATION (AUSTRALIAN PLUG)

ITEM	PART NUMBER	QTY	DESCRIPTION	REV
	1001263296	Ref	CHARGER PLUG INSTALLATION	A
1	0700814	2	Bolt M8 x 30	
2	3290505	4	Nut M5	
3	3290805	2	Nut M8	
4	3900381	4	Screw M5 x 16	
5	4240017	AR	Tie-Strap (Not Shown)	
6	4811902	4	Washer M8	
7	4831600	4	Washer M5	
8	1001103471	1	Connector Strain Relief 90	
9	1001134280	1	Decal - Charger	
10	1001207974	1	Cable, Charger AC Input	
11	1001227219	1	Ground Harness	
12	1001227267	1	Receptacle Australian - 230V	
13	1001244644	1	Bracket	

SECTION 7 - ELECTRICAL

FIGURE 7-25. CHASSIS HARNESS



ART_1001283410

SECTION 7 - ELECTRICAL

FIGURE 7-25. CHASSIS HARNESS

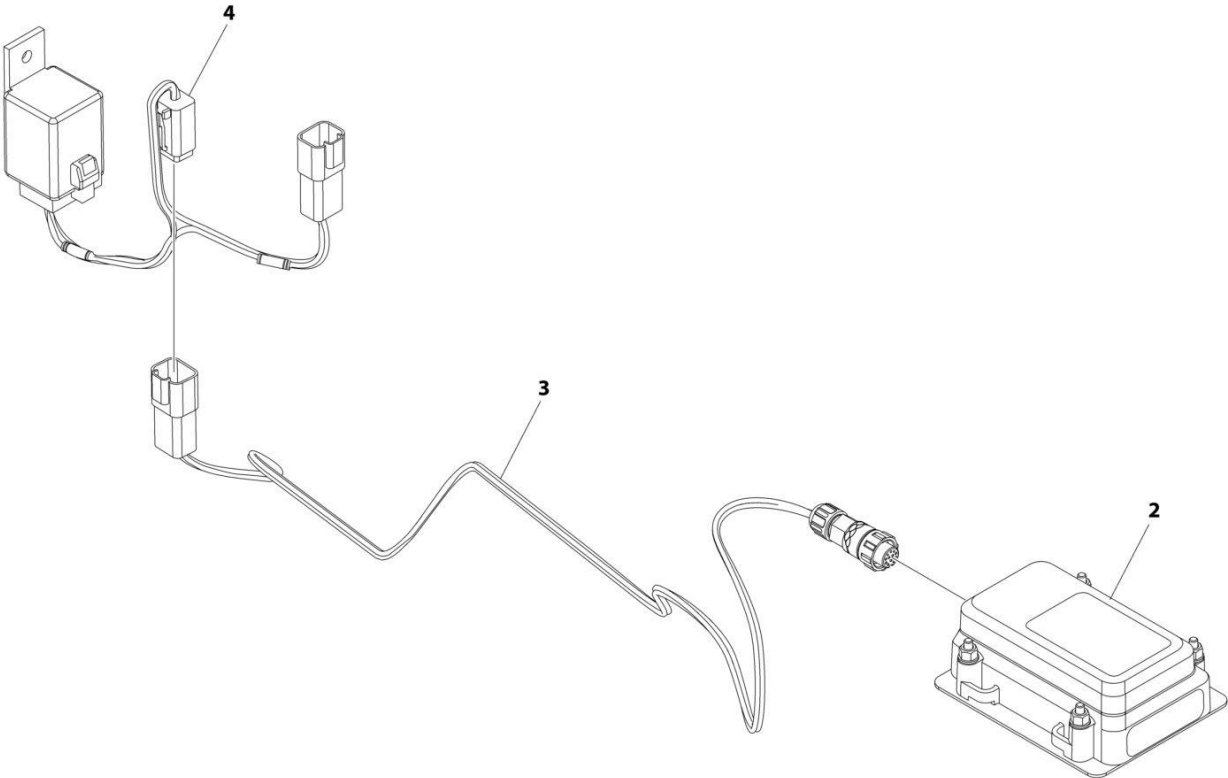
ITEM	PART NUMBER	QTY	DESCRIPTION	REV
	1001283410	Ref	CHASSIS HARNESS	B
1	1001205409	1	Connector	
1	1001162887	8	Terminal	
2	1001205410	1	Connector	
2	1001162887	14	Terminal	
2	1001163340	6	Plug	
3	1001162886	1	Connector	
3	1001162887	16	Terminal	
3	1001163340	4	Plug	
4	1001205411	1	Connector	
4	1001162887	17	Terminal	
4	1001163340	3	Plug	
5	1001205412	1	Connector	
5	1001162887	19	Terminal	
5	1001163340	1	Plug	
6	2400060	3	Holder/Cover, Fuse	
7	4460894	2	Connector	
7	4460465	10	Socket	
7	4460466	2	Plug	
8	4460933	3	Connector	
8	4460944	24	Socket	
8	4460466	12	Plug	
9	1001116812	1	Connector	
9	4060944	2	Socket	
9	4460466	1	Plug	
10	4460884	3	Connector	
10	4460465	12	Socket	
11	4460761	1	Connector	
11	4460227	4	Socket	
12	4460891	7	Connector	
12	4460465	14	Socket	
13	4460042	1	Terminal, Ring	
14	4460247	2	Terminal, Ring	
15	4460418	1	Connector	
15	1001159186	3	Terminal	
16	4460115	2	Terminal, Ring	
18	1001201885	2	Terminal	
19	4460260	4	Connector	
19	4460259	4	Terminal	
20	1001151629	1	Connector	
20	4461023	2	Socket (Gold)	
20	4460877	2	Socket (Tin)	
21	4460320	1	Connector	
21	4460226	1	Socket	
22	4460019	2	Terminal	
23	4460897	2	Connector	
23	4460464	4	Pin	
24	1001113961	1	Connector	
24	4460871	4	Socket	
24	4460905	4	Plug	

SECTION 7 - ELECTRICAL

ITEM	PART NUMBER	QTY	DESCRIPTION	REV
25	1001103012	1	Connector	
25	1001196589	4	Terminal	
25	1001104498	4	Seal,Terminal	
26	4460539	1	Connector	
26	4460465	3	Socket	
27	4460894	1	Connector	
27	4460465	4	Socket (Nickel)	
27	4460944	2	Socket (Gold)	
28	4460933	1	Connector	
28	4460465	10	Socket	
28	4460466	2	Plug	
29	4460891	1	Connector	
29	4460465	1	Socket	
29	4460466	1	Plug	
30	4460965	1	Connector	
30	4460944	2	Socket	
30	4460466	1	Plug	
31	4460930	1	Connector	
31	4460465	8	Socket	
101	4460466	2	Plug	
102	4460891	1	Connector	
103	8229242	2	Fuse, 5 Amp	
104	8229244	1	Fuse, 15 Amp	
105	1001125677	1	Connector, Bussbar	
106	1001144295	3	Cap - 2 Position	
107	1001144296	1	Cap - 3 Position	
108	1001152266	3	Connector	
109	1001192401	1	Cap, Dust	
110	1001213448	2	Connector, Dust Cap	

SECTION 7 - ELECTRICAL

FIGURE 7-26. CLEARSKY INSTALLATION - 3 WIRE (ALL SPECS EXCEPT CHINA SPECS)



ART_1001278847

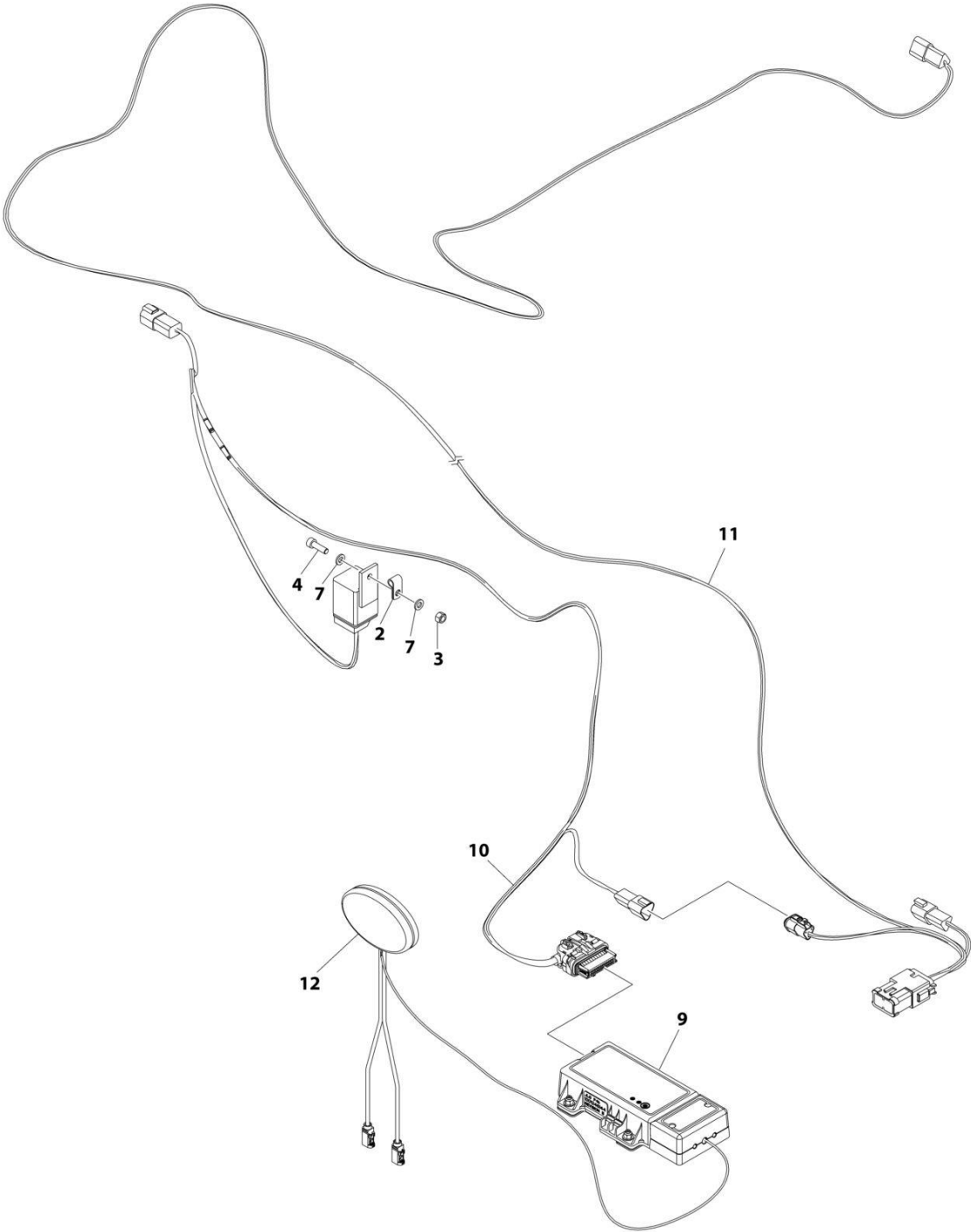
SECTION 7 - ELECTRICAL

FIGURE 7-26. CLEARSKY INSTALLATION - 3 WIRE (ALL SPECS EXCEPT CHINA SPECS)

ITEM	PART NUMBER	QTY	DESCRIPTION	REV
	1001278847	Ref	CLEARSKY INSTALLATION	A
1	4240032	AR	Tie-strap (Not Shown)	
2	1001272659	1	Module, ClearSky	
3	1001273012	1	Harness, ClearSky (See Separate Breakdown in this Section)	
4	1001278513	1	Harness, ClearSky Jumper (See Separate Breakdown in this Section)	

SECTION 7 - ELECTRICAL

FIGURE 7-27. CLEARSKY INSTALLATION - 3G



ART_1001251146

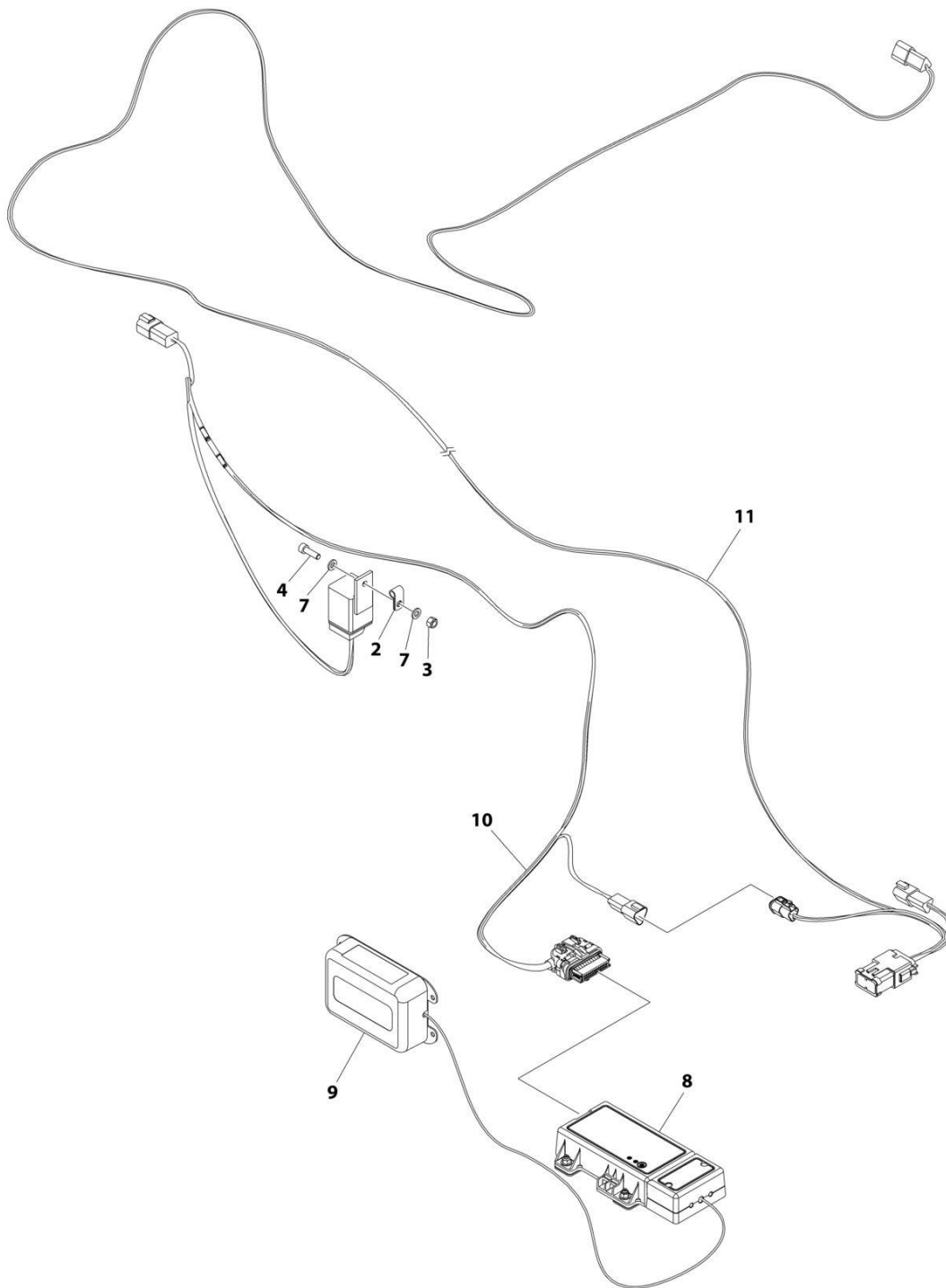
SECTION 7 - ELECTRICAL

FIGURE 7-27. CLEARSKY INSTALLATION - 3G

ITEM	PART NUMBER	QTY	DESCRIPTION	REV
	1001251146	Ref	CLEARSKY INSTALLATION	D
1	1062255	AR	Tie-strap (365mm) (Not Shown)	
2	1320136	1	Clamp	
3	3290605	1	Nut, Lock M6	
4	4031708	1	Capscrew M6 x 20	
5	4240032	AR	Tie-strap (3-5/8in to 4in) (Not Shown)	
6	4460234	AR	Mount, Tie-strap (Not Shown)	
7	4811700	2	Washer M6	
9	1001246144	1	Module, ClearSky	
10	1001254026	1	Harness, ClearSky (See Separate Breakdown in this Section)	
11	1001254027	1	Harness, ClearSky Splice (See Separate Breakdown in this Section)	
12	1001236144	1	Antenna, ClearSky	

SECTION 7 - ELECTRICAL

FIGURE 7-28. CLEARSKY INSTALLATION - 4G (ALL SPECS EXCEPT CHINA SPECS)



ART_1001251144

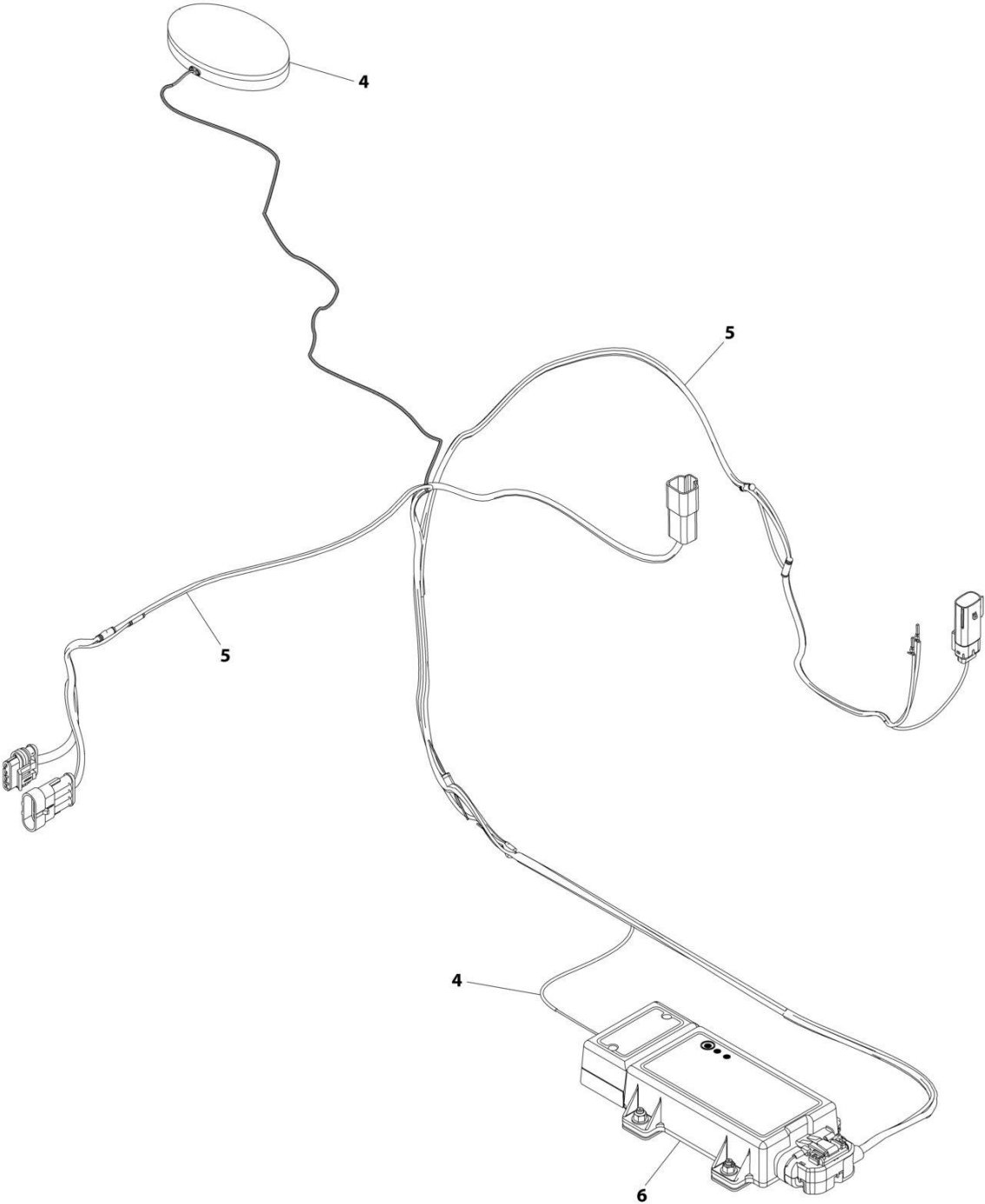
SECTION 7 - ELECTRICAL

FIGURE 7-28. CLEARSKY INSTALLATION - 4G (ALL SPECS EXCEPT CHINA SPECS)

ITEM	PART NUMBER	QTY	DESCRIPTION	REV
	1001251144	Ref	CLEARSKY INSTALLATION	E
1	1062255	AR	Tie-strap (365mm) (Not Shown)	
2	1320136	1	Clamp	
3	3290605	1	Nut, Lock M6	
4	4031708	1	Capscrew M6 x 20	
5	4240032	AR	Tie-strap (3-5/8in to 4in) (Not Shown)	
6	4460234	AR	Mount, Tie-strap (Not Shown)	
7	4811700	2	Washer M6	
8	1001262322	1	Module, ClearSky	
9	1001262327	1	Antenna, ClearSky	
10	1001254026	1	Harness, ClearSky (See Separate Breakdown in this Section)	
11	1001254027	1	Harness, ClearSky Splice (See Separate Breakdown in this Section)	

SECTION 7 - ELECTRICAL

FIGURE 7-29. CLEARSKY INSTALLATION - 4G (CHINA SPECS)



ART_1001246531

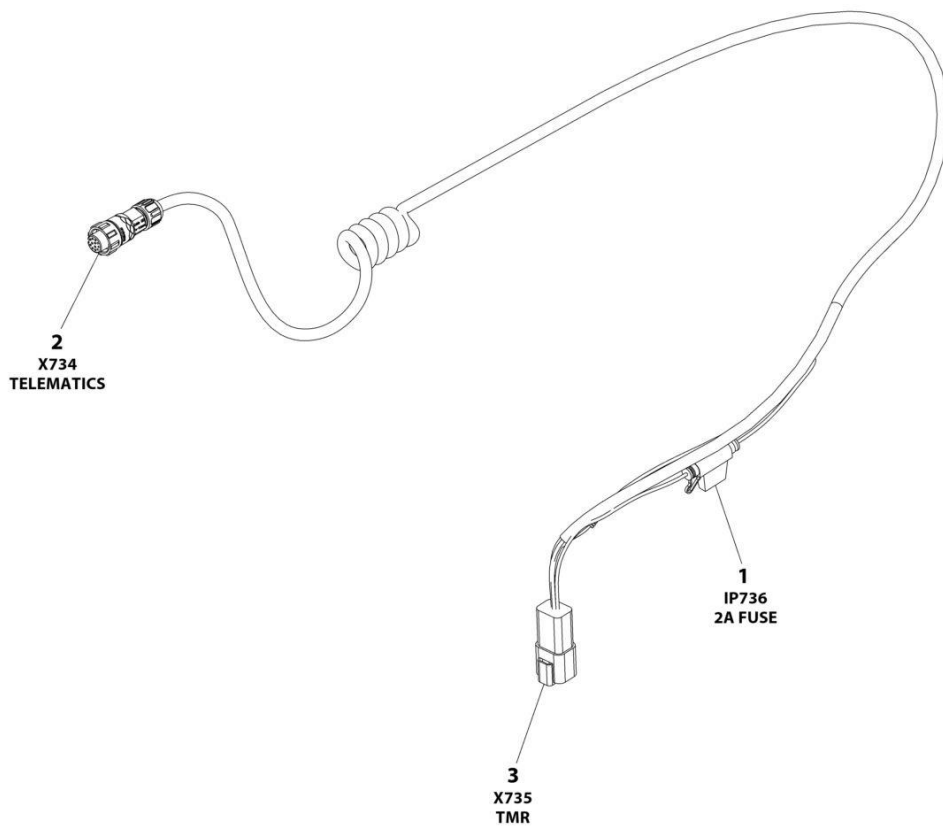
SECTION 7 - ELECTRICAL

FIGURE 7-29. CLEARSKY INSTALLATION - 4G (CHINA SPECS)

ITEM	PART NUMBER	QTY	DESCRIPTION	REV
	1001246531	Ref	CLEARSKY INSTALLATION	A
1	1062255	AR	Tie-strap (365mm) (Not Shown)	
2	4240032	AR	Tie-strap (3-5/8in to 4in) (Not Shown)	
3	4460234	AR	Mount, Tie-strap (Not Shown)	
4	1001236144	1	Antenna, ClearSky	
5	1001238845	1	Harness, ClearSky (See Separate Breakdown in this Section)	
6	1001246145	1	Module, ClearSky	

SECTION 7 - ELECTRICAL

FIGURE 7-30. CLEARSKY HARNESS - 3 WIRE (ALL SPECS)



ART_1001273012

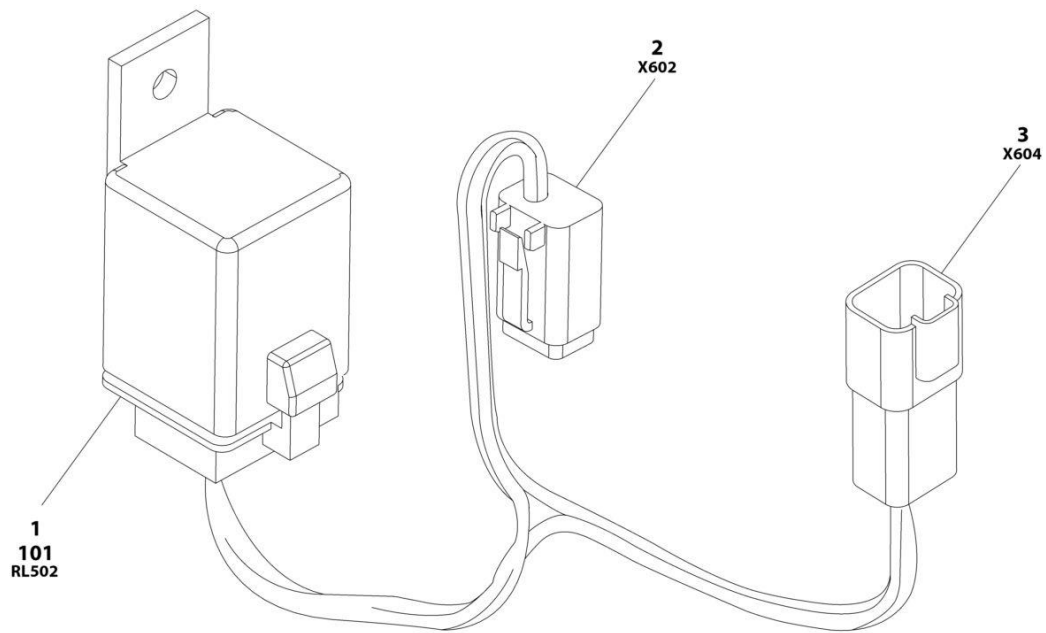
SECTION 7 - ELECTRICAL

FIGURE 7-30. CLEARSKY HARNESS - 3 WIRE (ALL SPECS)

ITEM	PART NUMBER	QTY	DESCRIPTION	REV
	1001273012	Ref	CLEARSKY TELEMATICS HARNESS - GT1030	D
1	1001255901	1	Fuseholder	
1	1001196634	1	Fuse - 2Amp	
2	1001272997	1	Connector - 12 Position	
2		Ref	Terminal	
3	4460932	1	Receptacle, Female - 4 Position	
3	4460464	4	Pin, Male	

SECTION 7 - ELECTRICAL

FIGURE 7-31. CLEARSKY JUMPER HARNESS - 3 WIRE (ALL SPECS)



ART_1001278513

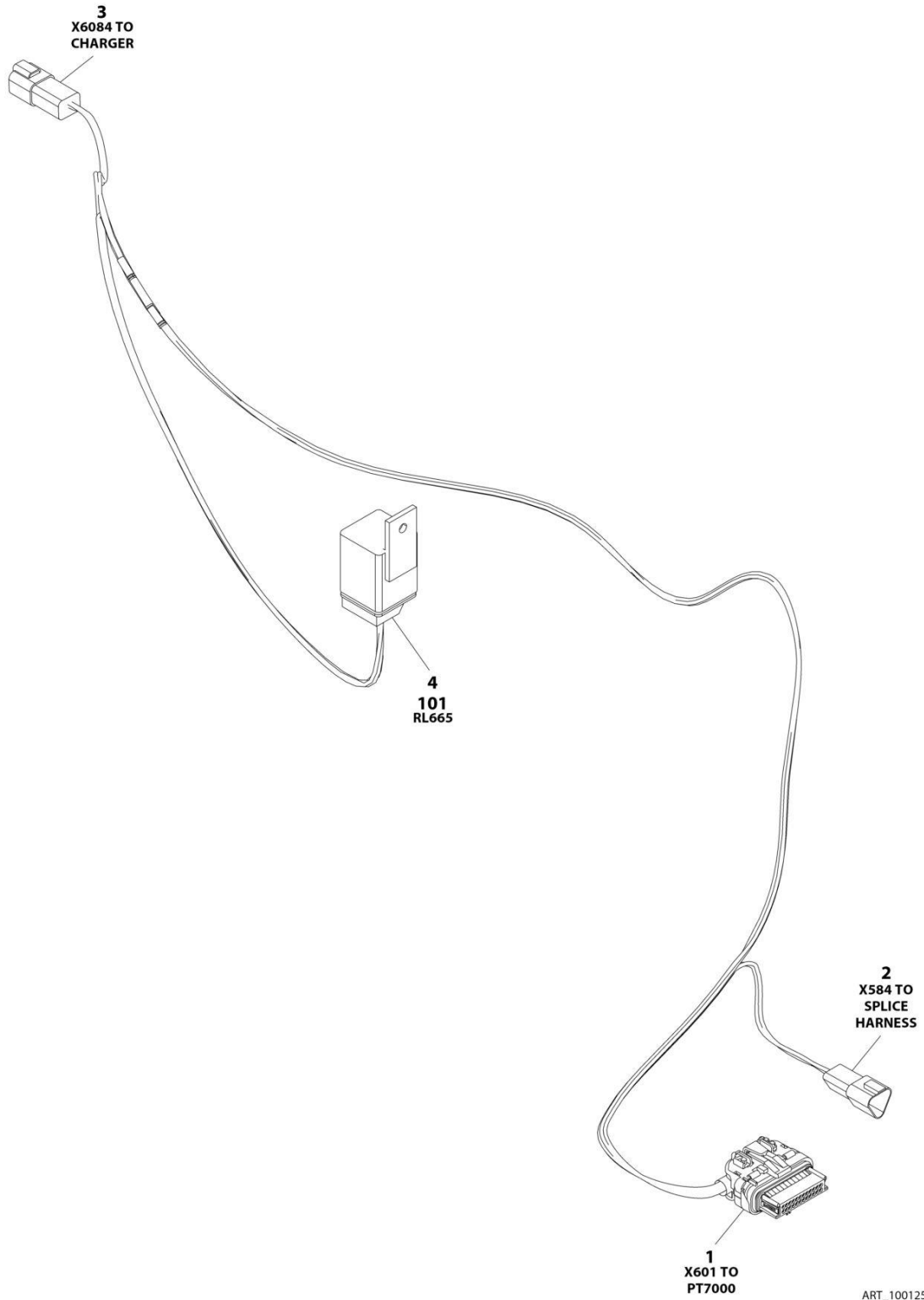
SECTION 7 - ELECTRICAL

FIGURE 7-31. CLEARSKY JUMPER HARNESS - 3 WIRE (ALL SPECS)

ITEM	PART NUMBER	QTY	DESCRIPTION	REV
	1001278513	Ref	CLEARSKY JUMPER HARNESS	A
1	1001117057	1	Connector	
1	1001116732	4	Socket	
2	4460884	1	Connector	
2	4460465	4	Socket	
3	4460932	1	Connector	
3	4460464	4	Pin	
101	1001097347	1	Relay	

SECTION 7 - ELECTRICAL

FIGURE 7-32. CLEARSKY HARNESS - 3G & 4G (ALL SPECS EXCEPT CHINA SPECS)



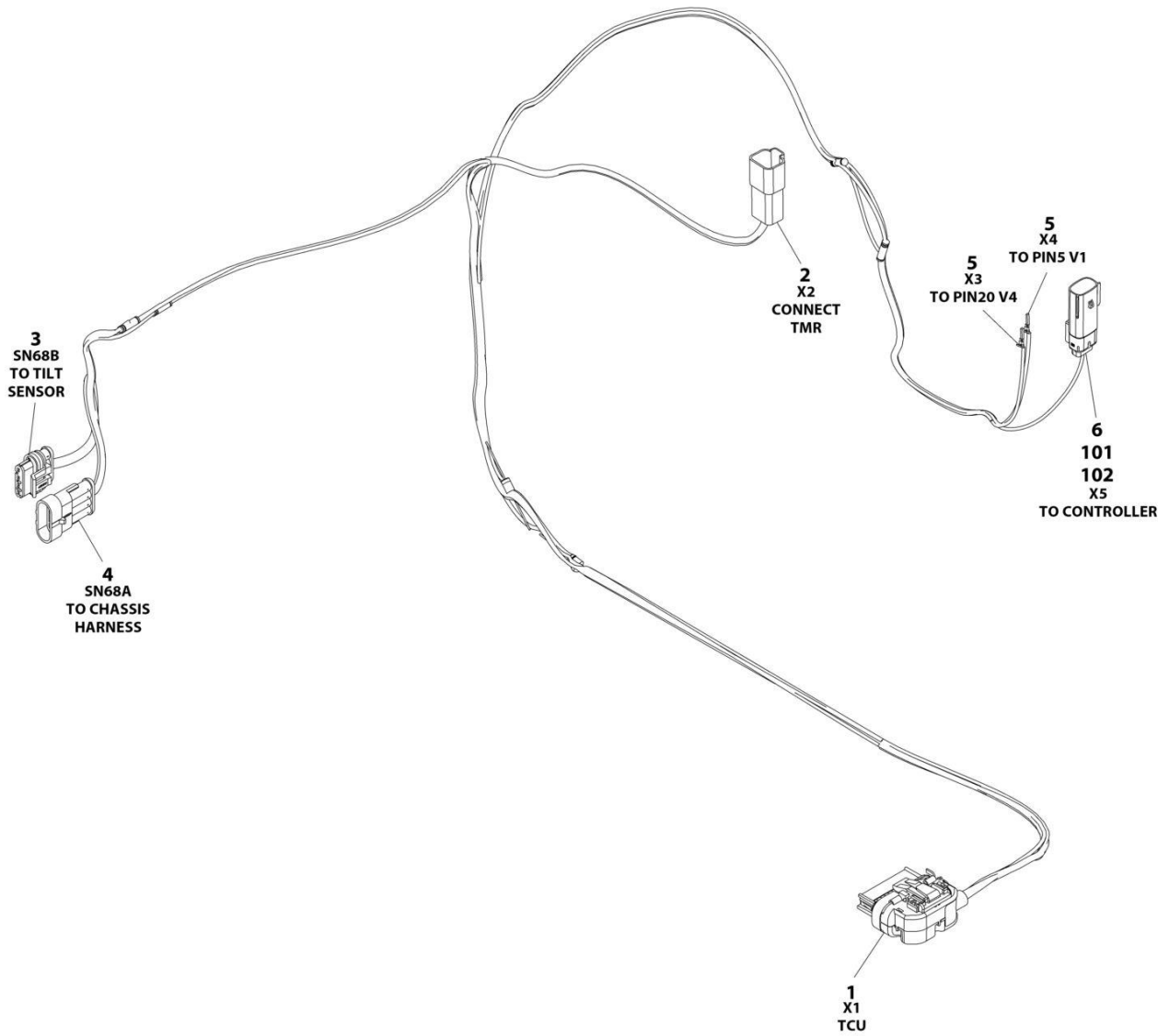
SECTION 7 - ELECTRICAL

FIGURE 7-32. CLEARSKY HARNESS - 3G & 4G (ALL SPECS EXCEPT CHINA SPECS)

ITEM	PART NUMBER	QTY	DESCRIPTION	REV
	1001254026	Ref	CLEARSKY HARNESS	B
1	1001226636	1	Connector	
1	1001226637	5	Socket	
1	1001116731	19	Plug	
2	1001144147	1	Connector	
2	4460943	2	Pin	
2	4460466	1	Plug	
3	4460932	1	Connector	
3	4460464	3	Pin	
3	4460466	1	Plug	
4	1001117057	1	Connector	
4	1001116732	4	Socket	
101	1001097347	1	Relay	

SECTION 7 - ELECTRICAL

FIGURE 7-33. CLEARSKY HARNESS - 4G (CHINA SPECS)



ART_1001238845

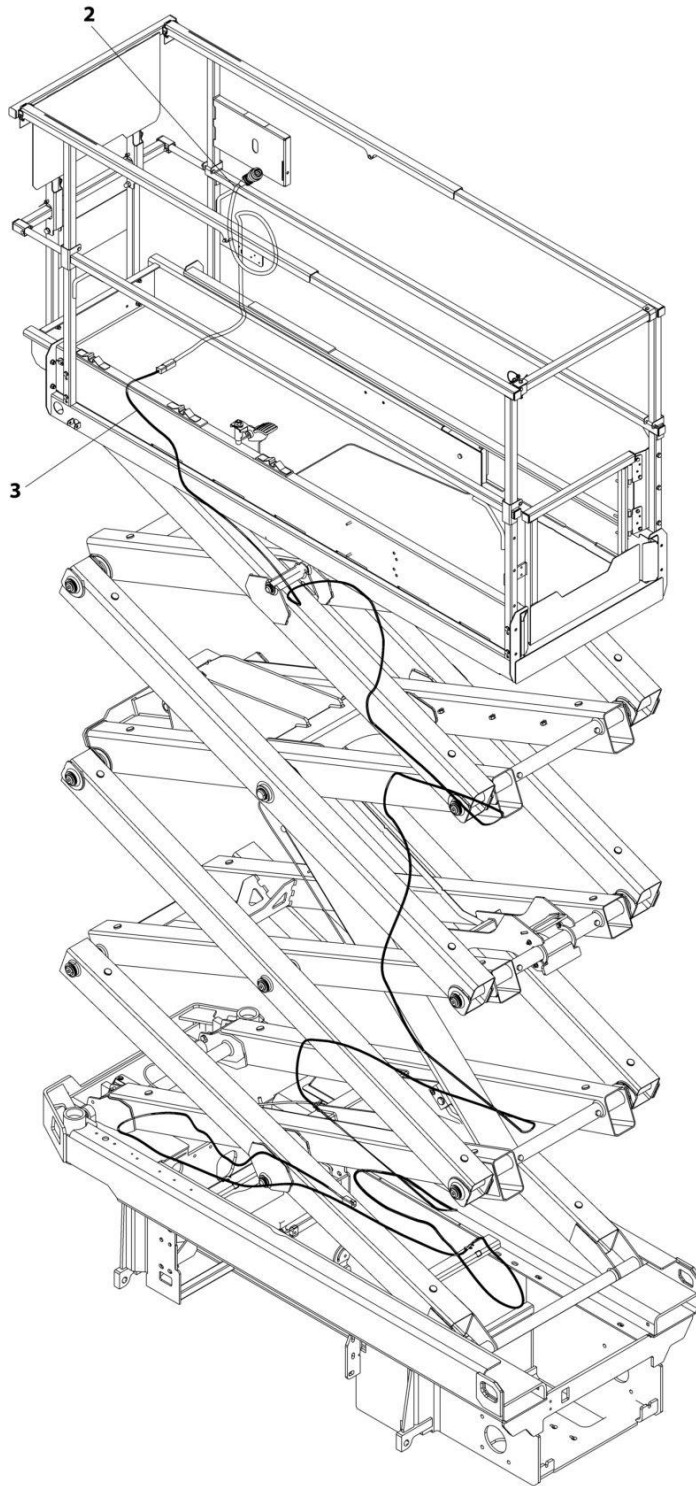
SECTION 7 - ELECTRICAL

FIGURE 7-33. CLEARSKY HARNESS - 4G (CHINA SPECS)

ITEM	PART NUMBER	QTY	DESCRIPTION	REV
	1001238845	Ref	CLEARSKY HARNESS	C
1	1001226636	1	Connector	
1	1001226637	3	Socket - for 18AWG Wire	
1	1001237211	2	Socket - for 20AWG Wire	
1	1001116731	19	Plug	
2	4460932	1	Connector	
2	4460464	2	Pin	
2	4460466	2	Plug	
3	1001103012	1	Connector	
3	1001237212	4	Pin	
3	1001104498	4	Seal	
4	1001103013	1	Connector	
4	1001237213	4	Pin	
4	1001104498	4	Seal	
5	1001162887	2	Terminal	
6	1001238955	1	Connector	
6	1001238762	2	Pin	
6	1001163340	1	Plug	
101	1001163340	1	Plug	
102	1001238956	1	Connector	

SECTION 7 - ELECTRICAL

FIGURE 7-34. GROUND TO PLATFORM CABLE INSTALLATION - WITHOUT PLATFORM COIL CABLE
(MACHINES WITH SN STARTING WITH 12, B2 & G2)



ART_1001239675

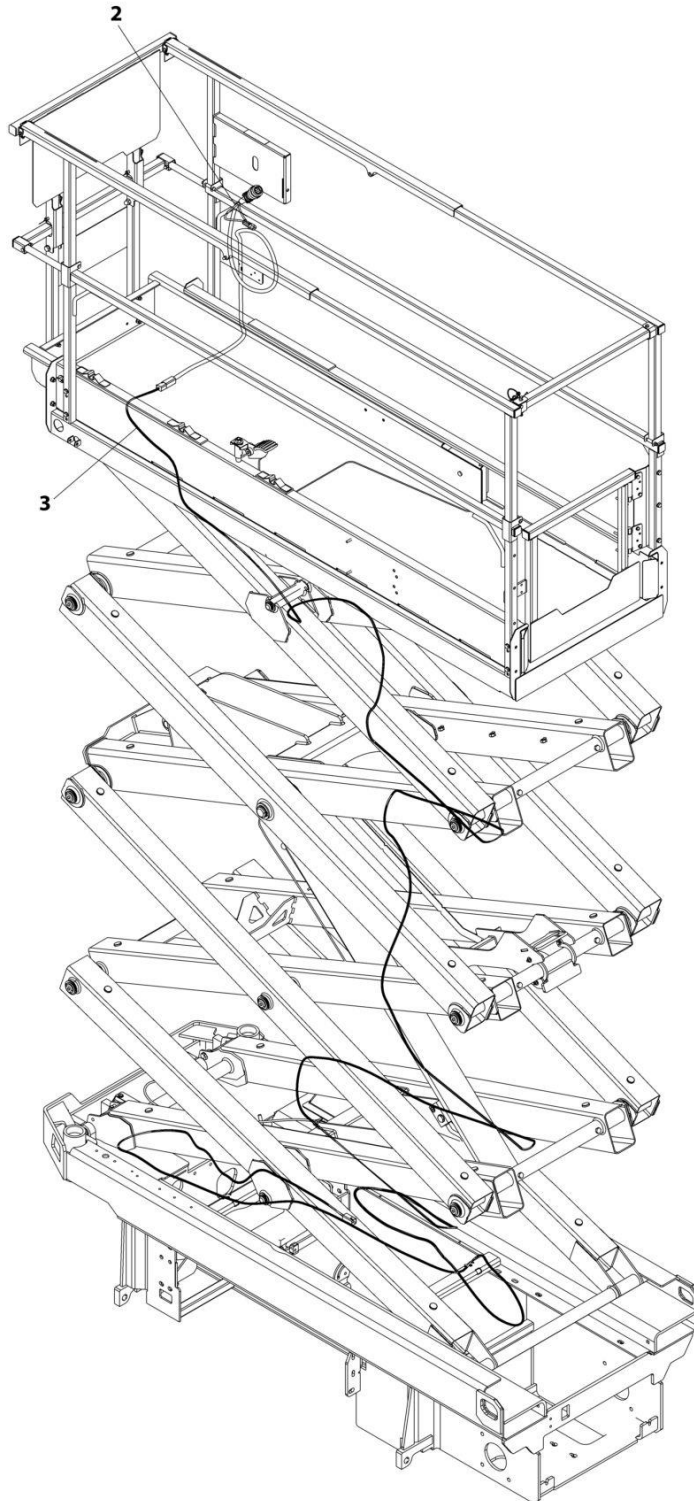
SECTION 7 - ELECTRICAL

**FIGURE 7-34. GROUND TO PLATFORM CABLE INSTALLATION - WITHOUT PLATFORM COIL CABLE
(MACHINES WITH SN STARTING WITH 12, B2 & G2)**

ITEM	PART NUMBER	QTY	DESCRIPTION	REV
	1001239675	Ref	GROUND TO PLATFORM CABLE INSTALLATION - WITHOUT PLATFORM COIL CABLE	F
1	4240017	AR	Tie-Strap (Not Shown)	
2	1001200812	1	Platform Harness	
2	4460899	1	Receptacle, Female - 6 Position (To Item 3)	
2	4460464	4	Pin, Male	
2	4460943	2	Pin, Male	
2	4460754	1	Connector - 14 Position (To Console Box)	
2	4460465	8	Socket, Female	
2	4460466	6	Plug, Terminal	
3	1001237132	1	Cable Assembly - Ground to Platform	
3	4460894	1	Plug, Male - 6 Position (To Platform Harness Item 2)	
3	4460465	4	Socket, Female	
3	4460944	2	Socket, Female	
3	4460899	1	Receptacle, Female - 6 Position (To Chassis Harness)	
3	4460464	4	Pin, Male	
3	4460943	2	Pin, Male	

SECTION 7 - ELECTRICAL

FIGURE 7-35. GROUND TO PLATFORM CABLE INSTALLATION - WITHOUT PLATFORM COIL CABLE & WITH FOOTSWITCH (MACHINES WITH SN STARTING WITH 12, B2 & G2)



ART_1001239677

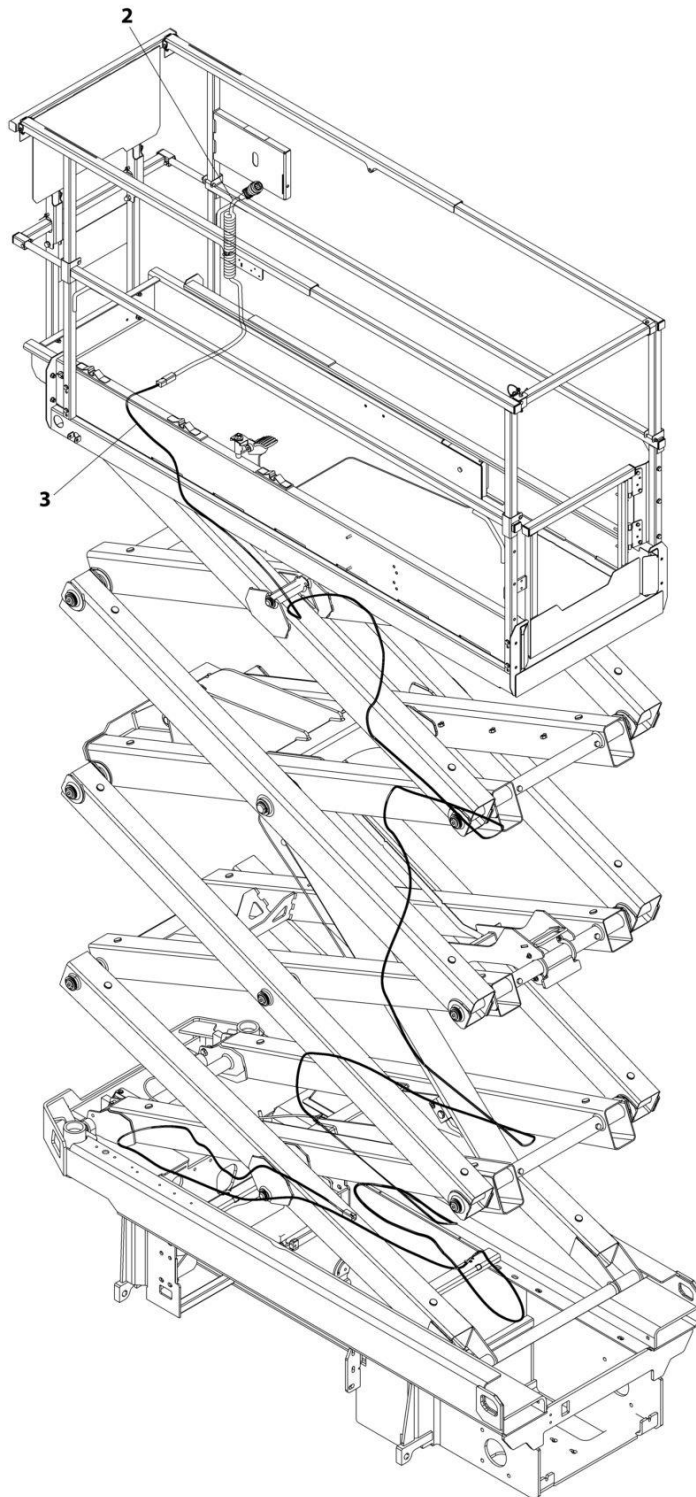
SECTION 7 - ELECTRICAL

**FIGURE 7-35. GROUND TO PLATFORM CABLE INSTALLATION - WITHOUT PLATFORM COIL CABLE
& WITH FOOTSWITCH (MACHINES WITH SN STARTING WITH 12, B2 & G2)**

ITEM	PART NUMBER	QTY	DESCRIPTION	REV
	1001239677	Ref	GROUND TO PLATFORM CABLE INSTALLATION - WITHOUT PLATFORM COIL CABLE AND WITH FOOTSWITCH	F
1	4240017	AR	Tie-Strap (Not Shown)	
2	1001223263	1	Platform Harness	
2	4460899	1	Receptacle, Female - 6 Position (To Item 3)	
2	4460464	4	Pin, Male	
2	4460943	2	Pin, Male	
2	4460754	1	Connector - 14 Position (To Console Box)	
2	4460465	8	Socket, Female	
2	4460944	2	Socket, Female	
2	4460466	4	Plug, Terminal	
2	4460891	1	Plug, Male - 2 Position (To Footswitch)	
2	4460465	2	Socket, Female	
2	4460897	1	Receptacle, Female - 2 Position (Footswitch Jumper)	
2	4460464	2	Pin, Male	
2	4460539	1	Plug, Male - 3 Position (To Overhead Switches)	
2	4460465	2	Socket, Female	
2	4460466	1	Plug, Terminal	
3	1001237132	1	Cable Assembly - Ground to Platform	
3	4460894	1	Plug, Male - 6 Position (To Platform Harness Item 2)	
3	4460465	4	Socket, Female	
3	4460944	2	Socket, Female	
3	4460899	1	Receptacle, Female - 6 Position (To Chassis Harness)	
3	4460464	4	Pin, Male	
3	4460943	2	Pin, Male	

SECTION 7 - ELECTRICAL

FIGURE 7-36. GROUND TO PLATFORM CABLE INSTALLATION - WITH PLATFORM COIL CABLE
(MACHINES WITH SN STARTING WITH 12, B2 & G2)



ART_1001239676

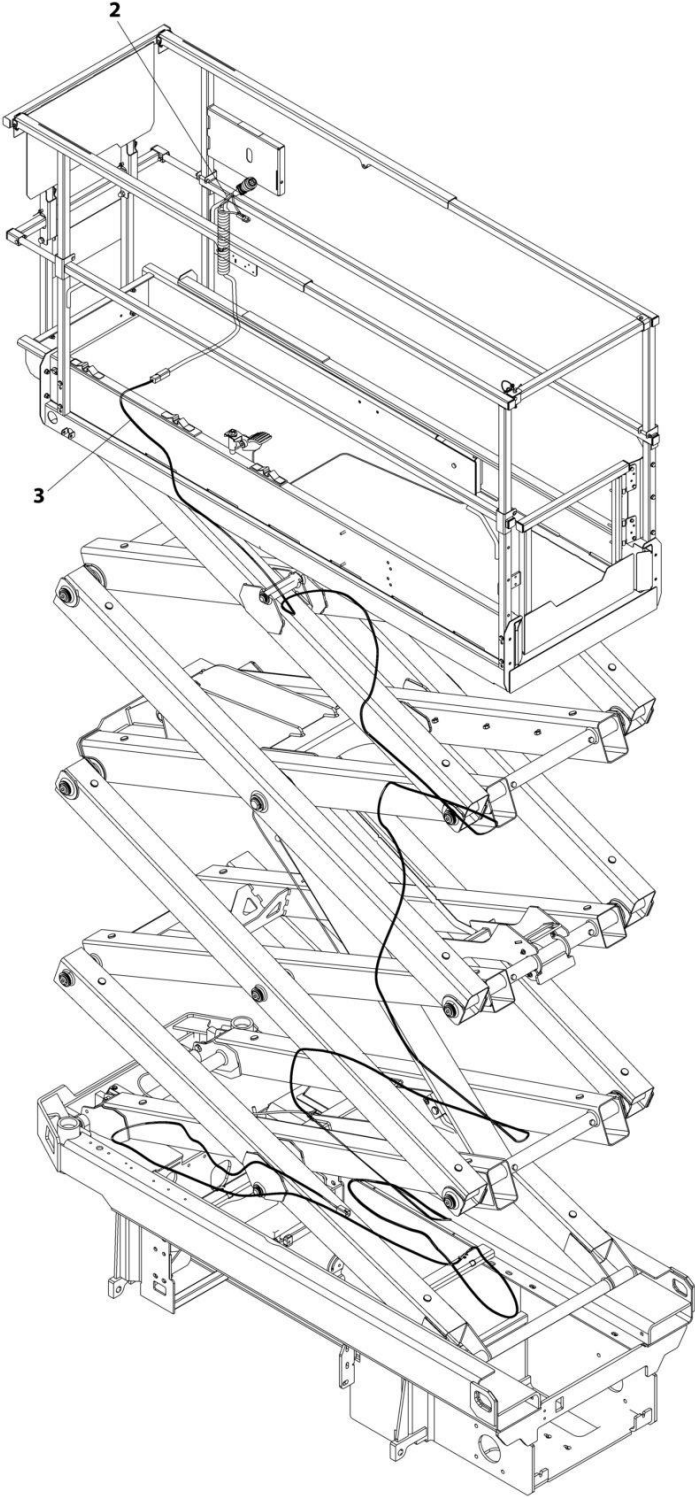
SECTION 7 - ELECTRICAL

**FIGURE 7-36. GROUND TO PLATFORM CABLE INSTALLATION - WITH PLATFORM COIL CABLE
(MACHINES WITH SN STARTING WITH 12, B2 & G2)**

ITEM	PART NUMBER	QTY	DESCRIPTION	REV
	1001239676	Ref	GROUND TO PLATFORM CABLE INSTALLATION - WITH PLATFORM COIL CABLE	F
1	4240017	AR	Tie-Strap (Not Shown)	
2	1001202184	1	Platform Harness	
2	4460899	1	Receptacle, Female - 6 Position (To Item 3)	
2	4460464	4	Pin, Male	
2	4460943	2	Pin, Male	
2	4460754	1	Connector - 14 Position (To Console Box)	
2	4460465	8	Socket, Female	
2	4460466	6	Plug, Terminal	
3	1001237132	1	Cable Assembly - Ground to Platform	
3	4460894	1	Plug, Male - 6 Position (To Platform Harness Item 2)	
3	4460465	4	Socket, Female	
3	4460944	2	Socket, Female	
3	4460899	1	Receptacle, Female - 6 Position (To Chassis Harness)	
3	4460464	4	Pin, Male	
3	4460943	2	Pin, Male	

SECTION 7 - ELECTRICAL

FIGURE 7-37. GROUND TO PLATFORM CABLE INSTALLATION - WITH PLATFORM COIL CABLE & FOOTSWITCH (MACHINES WITH SN STARTING WITH 12, B2 & G2)



ART_1001239678

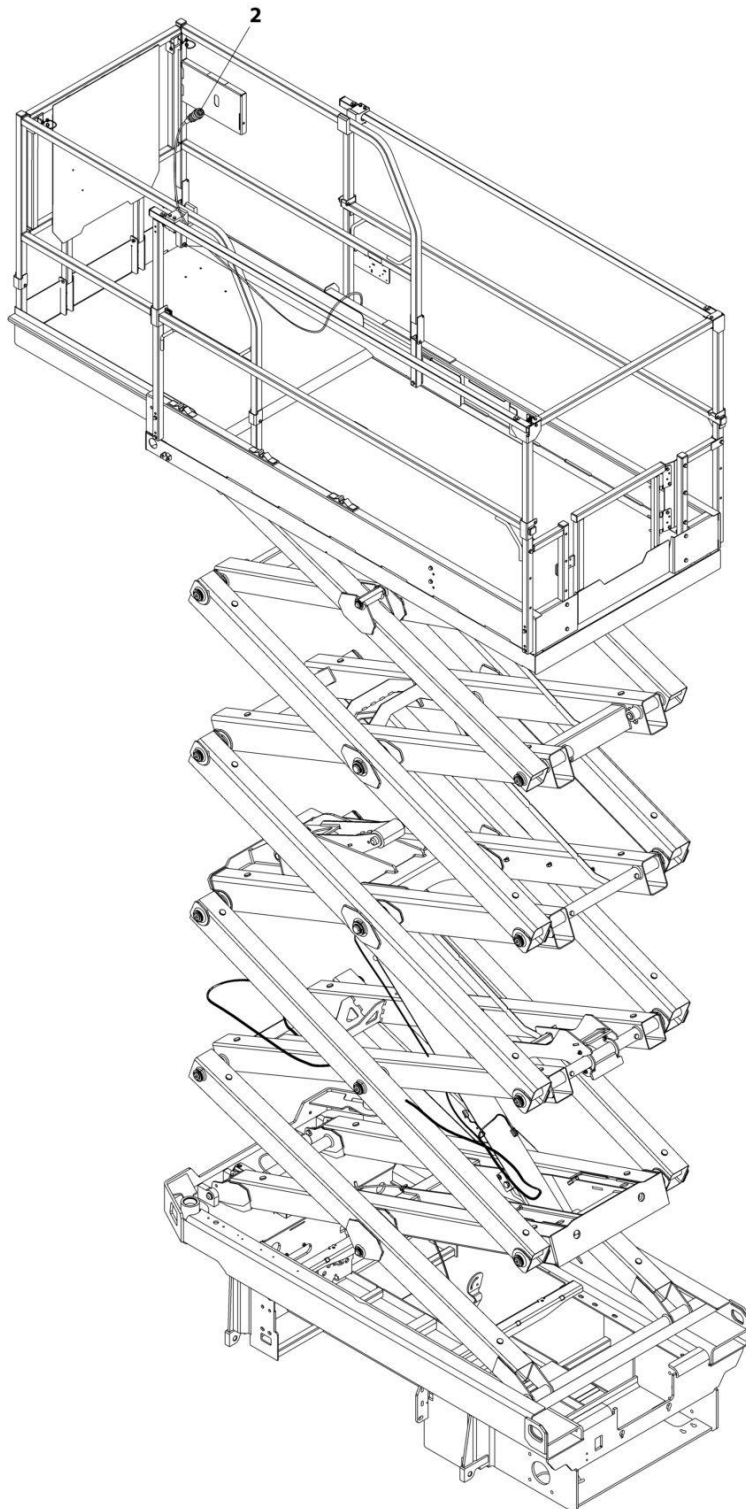
SECTION 7 - ELECTRICAL

FIGURE 7-37. GROUND TO PLATFORM CABLE INSTALLATION - WITH PLATFORM COIL CABLE & FOOTSWITCH (MACHINES WITH SN STARTING WITH 12, B2 & G2)

ITEM	PART NUMBER	QTY	DESCRIPTION	REV
	1001239678	Ref	GROUND TO PLATFORM CABLE INSTALLATION - WITH PLATFORM COIL CABLE AND FOOTSWITCH	F
1	4240017	AR	Tie-Strap (Not Shown)	
2	1001223262	1	Platform Harness	
2	4460899	1	Receptacle, Female - 6 Position (To Item 3)	
2	4460464	4	Pin, Male	
2	4460943	2	Pin, Male	
2	4460754	1	Connector - 14 Position (To Console Box)	
2	4460465	8	Socket, Female	
2	4460944	2	Socket, Female	
2	4460466	4	Plug, Terminal	
2	4460891	1	Plug, Male - 2 Position (To Footswitch)	
2	4460465	2	Socket, Female	
2	4460897	1	Receptacle, Female - 2 Position (Footswitch Jumper)	
2	4460464	2	Pin, Male	
2	4460539	1	Plug, Male - 3 Position (To Overhead Switches)	
2	4460465	2	Socket, Female	
2	4460466	1	Plug, Terminal	
3	1001237132	1	Cable Assembly - Ground to Platform	
3	4460894	1	Plug, Male - 6 Position (To Platform Harness Item 2)	
3	4460465	4	Socket, Female	
3	4460944	2	Socket, Female	
3	4460899	1	Receptacle, Female - 6 Position (To Chassis Harness)	
3	4460464	4	Pin, Male	
3	4460943	2	Pin, Male	

SECTION 7 - ELECTRICAL

FIGURE 7-38. GROUND TO PLATFORM CABLE INSTALLATION - PLATFORM STRAIGHT CABLE ONLY (MACHINES WITH SN STARTING WITH 12, B2, G2 & M2)



ART_1001223650

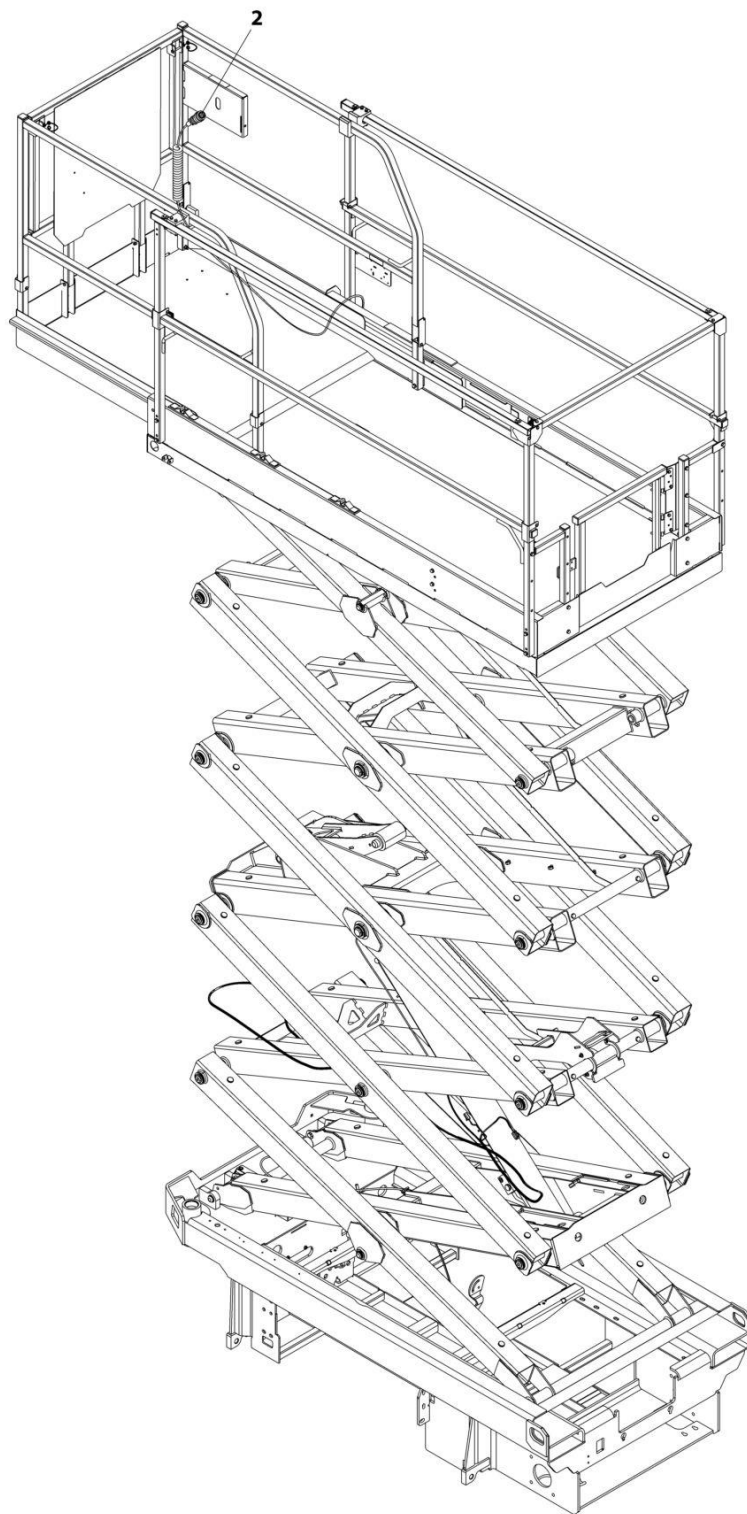
SECTION 7 - ELECTRICAL

FIGURE 7-38. GROUND TO PLATFORM CABLE INSTALLATION - PLATFORM STRAIGHT CABLE ONLY (MACHINES WITH SN STARTING WITH 12, B2, G2 & M2)

ITEM	PART NUMBER	QTY	DESCRIPTION	REV
	1001223650	Ref	GROUND TO PLATFORM CABLE INSTALLATION	A
1	4240017	AR	Tie-Strap (Not Shown)	
2	1001200812	1	Platform Harness	
2	4460899	1	Receptacle, Female - 6 position (To Platform/AC Cable Connector)	
2	4460464	4	Pin, Male	
2	4460943	2	Pin, Male	
2	4460754	1	Connector - 14 Position (To Console Box)	
2	4460465	8	Socket, Female	
2	4460466	6	Plug, Terminal	

SECTION 7 - ELECTRICAL

FIGURE 7-39. GROUND TO PLATFORM CABLE INSTALLATION - PLATFORM COIL CABLE ONLY
(MACHINES WITH SN STARTING WITH 12, B2, G2 & M2)



ART_1001223651

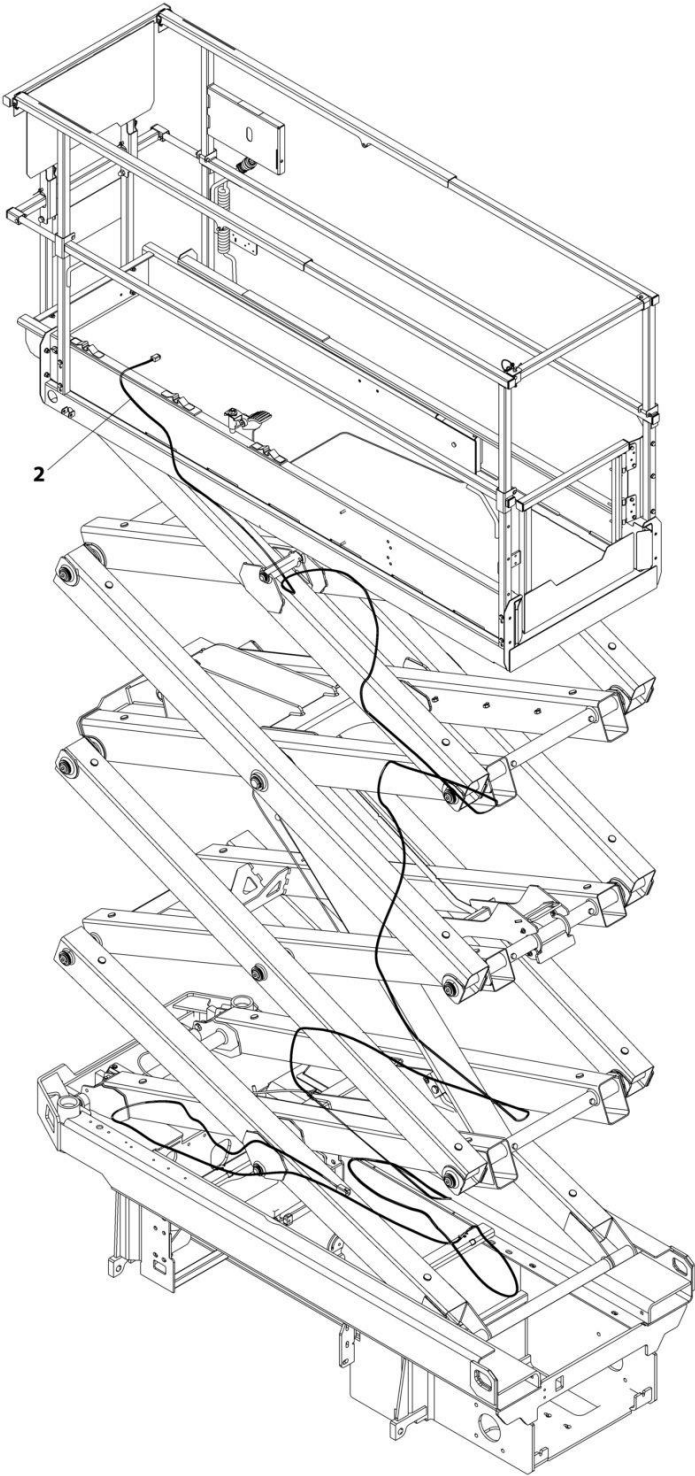
SECTION 7 - ELECTRICAL

**FIGURE 7-39. GROUND TO PLATFORM CABLE INSTALLATION - PLATFORM COIL CABLE ONLY
(MACHINES WITH SN STARTING WITH 12, B2, G2 & M2)**

ITEM	PART NUMBER	QTY	DESCRIPTION	REV
	1001223651	Ref	GROUND TO PLATFORM CABLE INSTALLATION	A
1	4240017	AR	Tie-Strap (Not Shown)	
2	1001202184	1	Platform Harness	
2	4460899	1	Receptacle, Female - 6 position (To Platform/AC Cable Connector)	
2	4460464	4	Pin, Male	
2	4460943	2	Pin, Male	
2	4460754	1	Connector - 14 Position (To Console Box)	
2	4460465	8	Socket, Female	
2	4460466	6	Plug, Terminal	

SECTION 7 - ELECTRICAL

**FIGURE 7-40. GROUND TO PLATFORM CABLE INSTALLATION - SCISSORS ARMS CABLE ONLY
(MACHINES WITH SN STARTING WITH 12, B2, G2 & M2)**



ART_1001239679

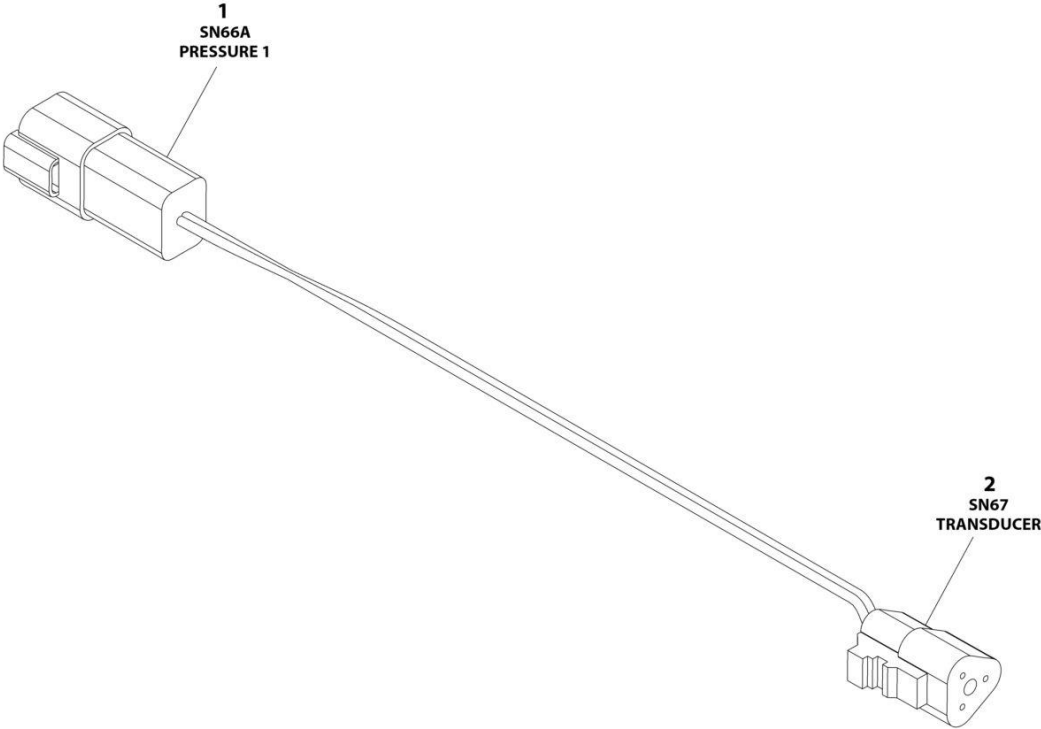
SECTION 7 - ELECTRICAL

**FIGURE 7-40. GROUND TO PLATFORM CABLE INSTALLATION - SCISSORS ARMS CABLE ONLY
(MACHINES WITH SN STARTING WITH 12, B2, G2 & M2)**

ITEM	PART NUMBER	QTY	DESCRIPTION	REV
	1001239679	Ref	GROUND TO PLATFORM CABLE INSTALLATION	F
1	4240017	AR	Tie-Strap (Not Shown)	
2	1001237132	1	Cable Assembly - Ground to Platform	
2	4460894	1	Plug, Male - 6 Position (To Platform Harness Item 2)	
2	4460465	4	Socket, Female	
2	4460944	2	Socket, Female	
2	4460899	1	Receptacle, Female - 6 Position (To Chassis Harness)	
2	4460464	4	Pin, Male	
2	4460943	2	Pin, Male	

SECTION 7 - ELECTRICAL

FIGURE 7-41. JUMPER HARNESS TO LIFT DOWN



ART_1001285829

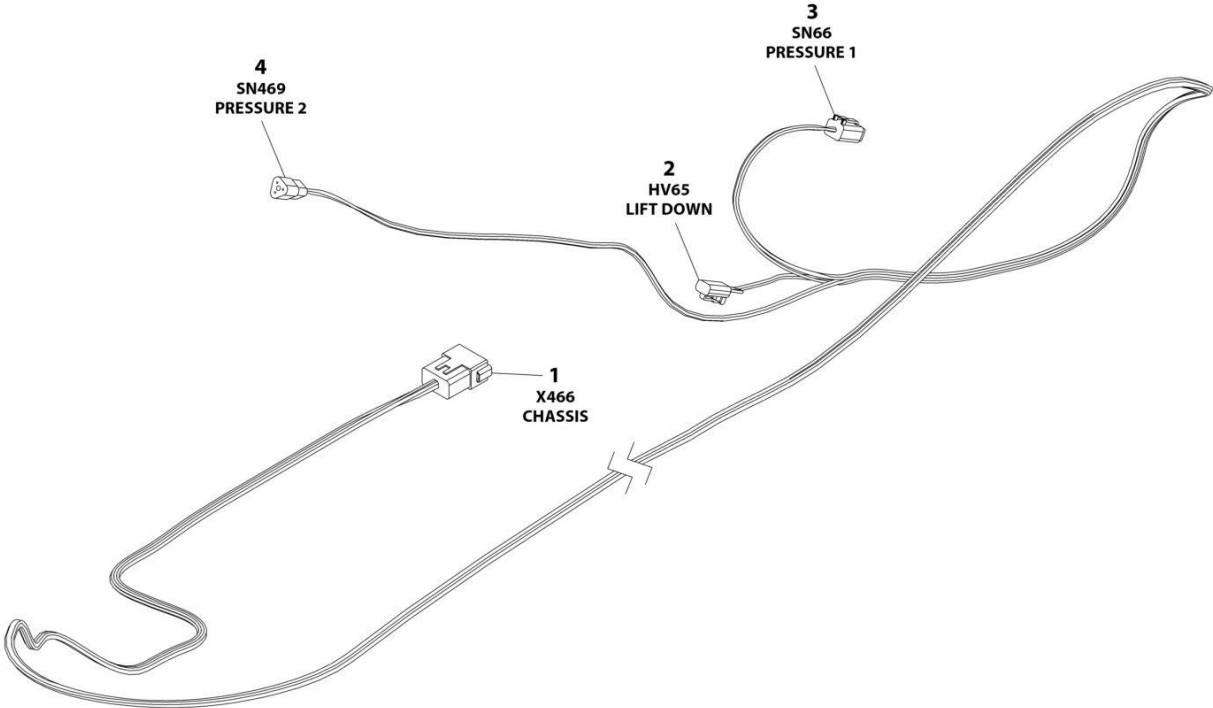
SECTION 7 - ELECTRICAL

FIGURE 7-41. JUMPER HARNESS TO LIFT DOWN

ITEM	PART NUMBER	QTY	DESCRIPTION	REV
	1001285829	Ref	JUMPER HARNESS TO LIFT DOWN	C
1	4460932	1	Connector	
1	4460464	2	Pin	
1	4460466	2	Plug	
2	4460539	1	Connector	
2	4460465	2	Pin	
2	4460466	1	Plug	

SECTION 7 - ELECTRICAL

FIGURE 7-42. LIFT DOWN HARNESS



ART_1001233795

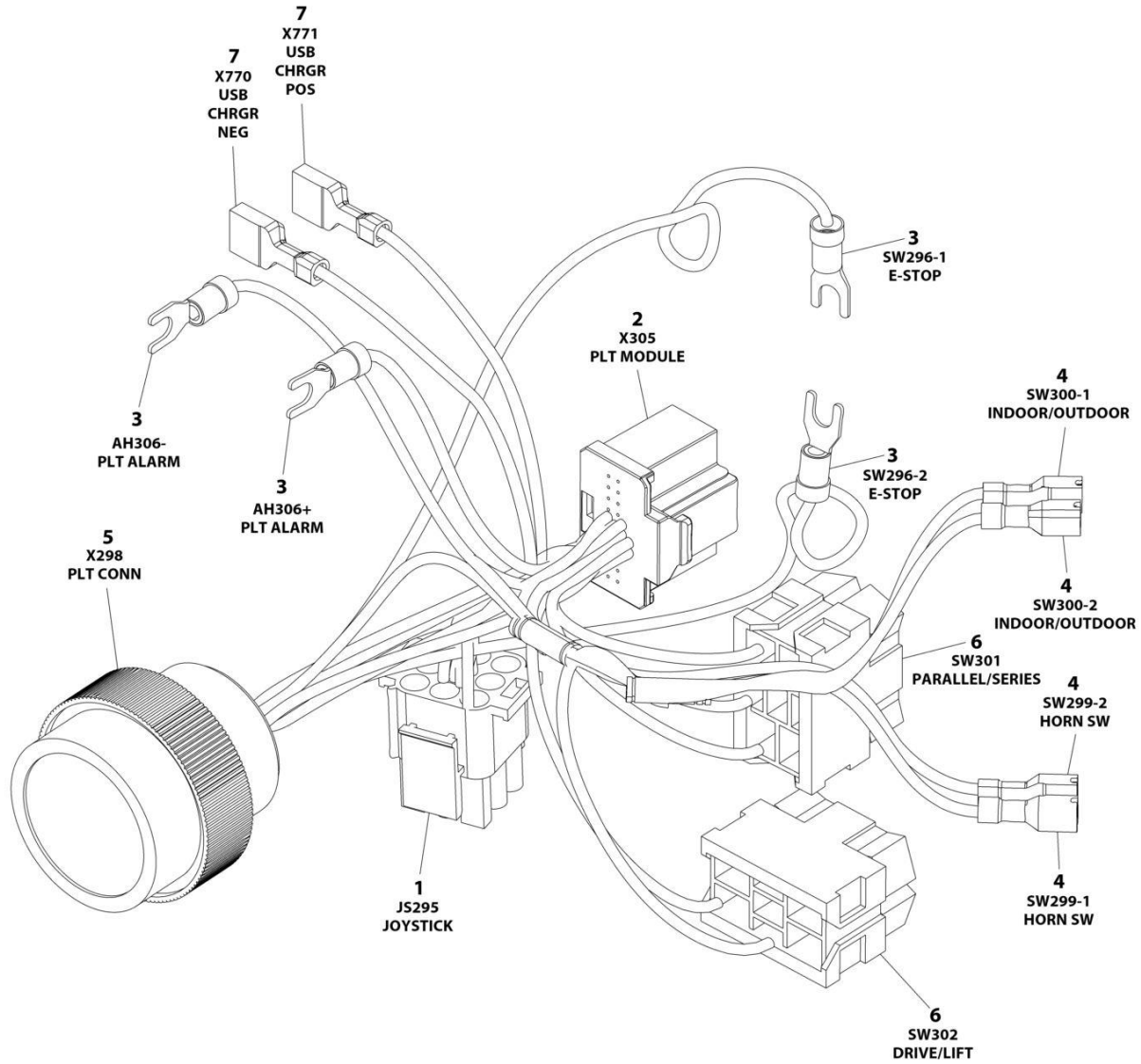
SECTION 7 - ELECTRICAL

FIGURE 7-42. LIFT DOWN HARNESS

ITEM	PART NUMBER	QTY	DESCRIPTION	REV
	1001233795	Ref	LIFT DOWN HARNESS	D
1	4460970	1	Receptacle, Female - 12 Position	
1	4460464	9	Pin, Male	
1	4460466	3	Plug, Terminal	
2	4460891	1	Plug, Male - 4 Position	
2	4460465	2	Socket, Female	
3	4460884	1	Plug, Male - 4 Position	
3	4460465	4	Socket, Female	
4	4460539	1	Plug, Male - 3 Position	
4	4460465	3	Socket, Female	

SECTION 7 - ELECTRICAL

FIGURE 7-43. PLATFORM CONTROL BOX HARNESS



ART_1001200819

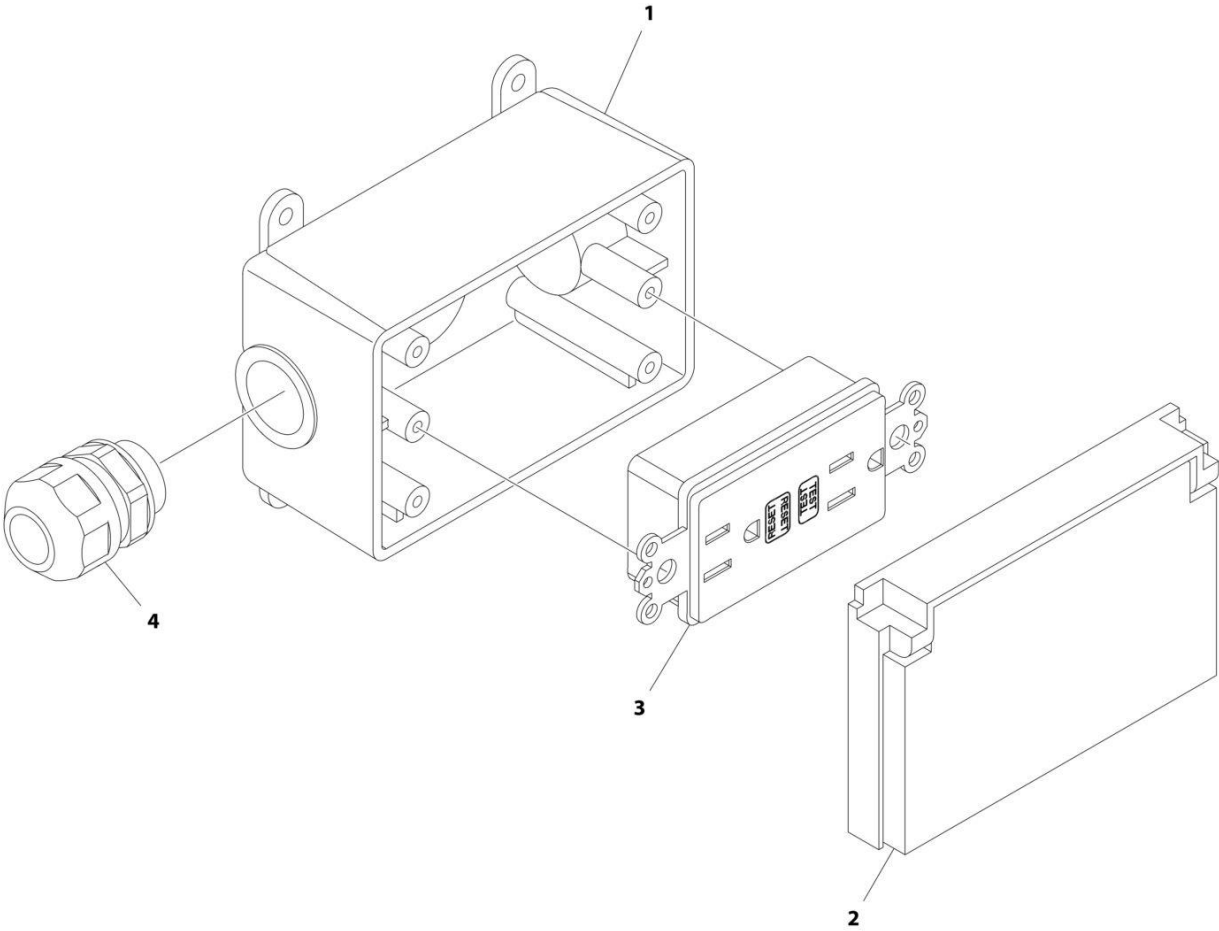
SECTION 7 - ELECTRICAL

FIGURE 7-43. PLATFORM CONTROL BOX HARNESS

ITEM	PART NUMBER	QTY	DESCRIPTION	REV
	1001200819	Ref	PLATFORM CONTROL BOX HARNESS	E
1	4460265	1	Plug, Male - 9 Position	
1	4460267	6	Pin, Male	
2	1001212036	1	Connector - 20 Position	
2	1001212035	16	Terminal	
3	4460183	4	Terminal, Fork	
4	1001201885	4	Terminal with Cover	
5	4461016	1	Connector - 14 Position	
5	4460464	8	Pin, Male	
5	4460466	6	Plug, Terminal	
6	4460418	2	Connector - 6 Position	
6	1001159186	5	Terminal	
7	1001194421	2	Terminal	

SECTION 7 - ELECTRICAL

FIGURE 7-44. RECEPTACLE BOX KIT - 110V GFI



ART_2902431

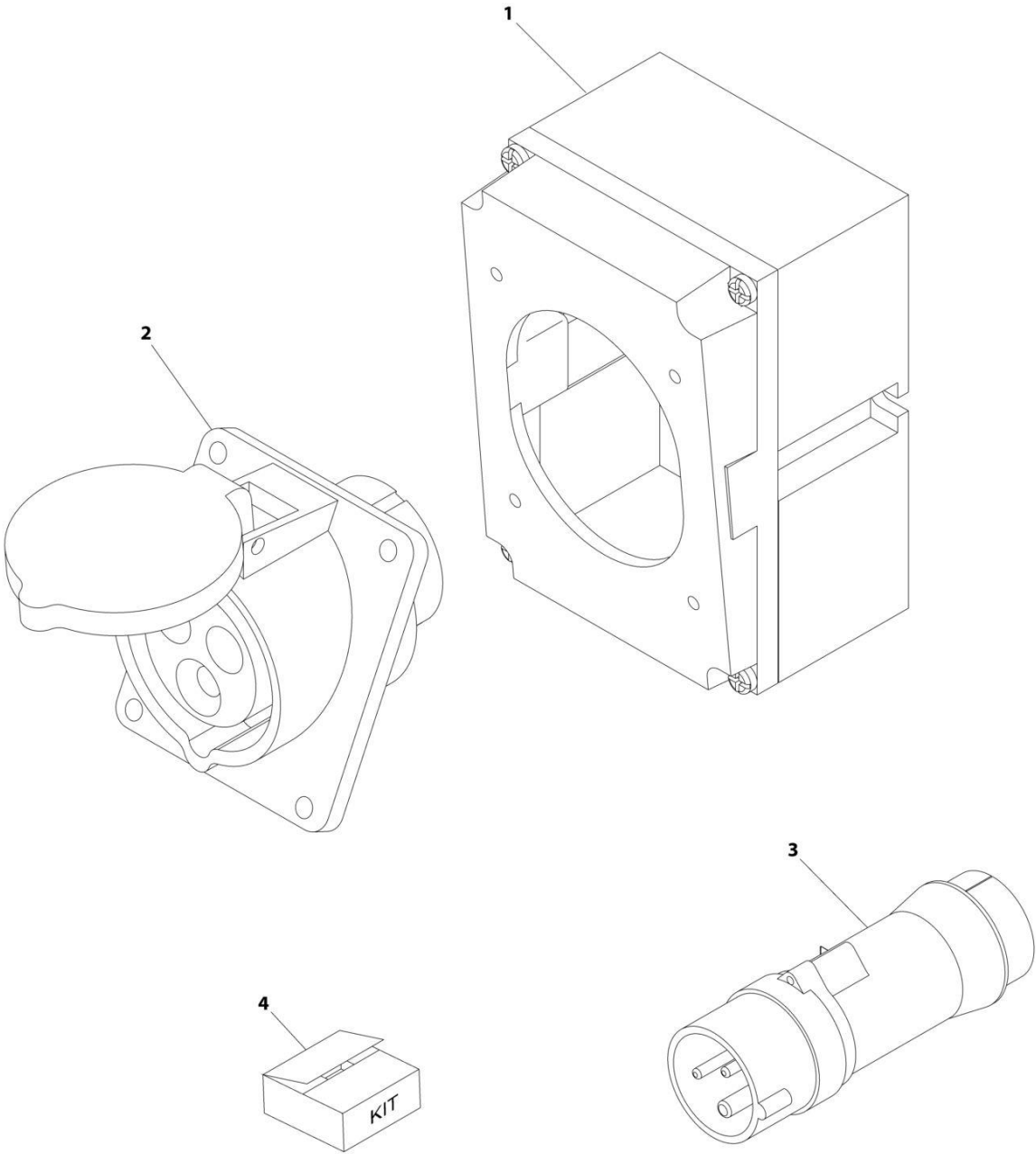
SECTION 7 - ELECTRICAL

FIGURE 7-44. RECEPTACLE BOX KIT - 110V GFI

ITEM	PART NUMBER	QTY	DESCRIPTION	REV
	2902431	Ref	RECEPTACLE BOX KIT - 110V GFI	D
1	0861731	1	Box, Receptacle	
2	1671207	1	Cover, Receptacle	
3	4460346	1	Receptacle	
4	4460662	1	Connector, Strain Relief	

SECTION 7 - ELECTRICAL

FIGURE 7-45. RECEPTACLE BOX KIT - 110V IEC YELLOW (CE & UK CA SPEC)



ART_0275216

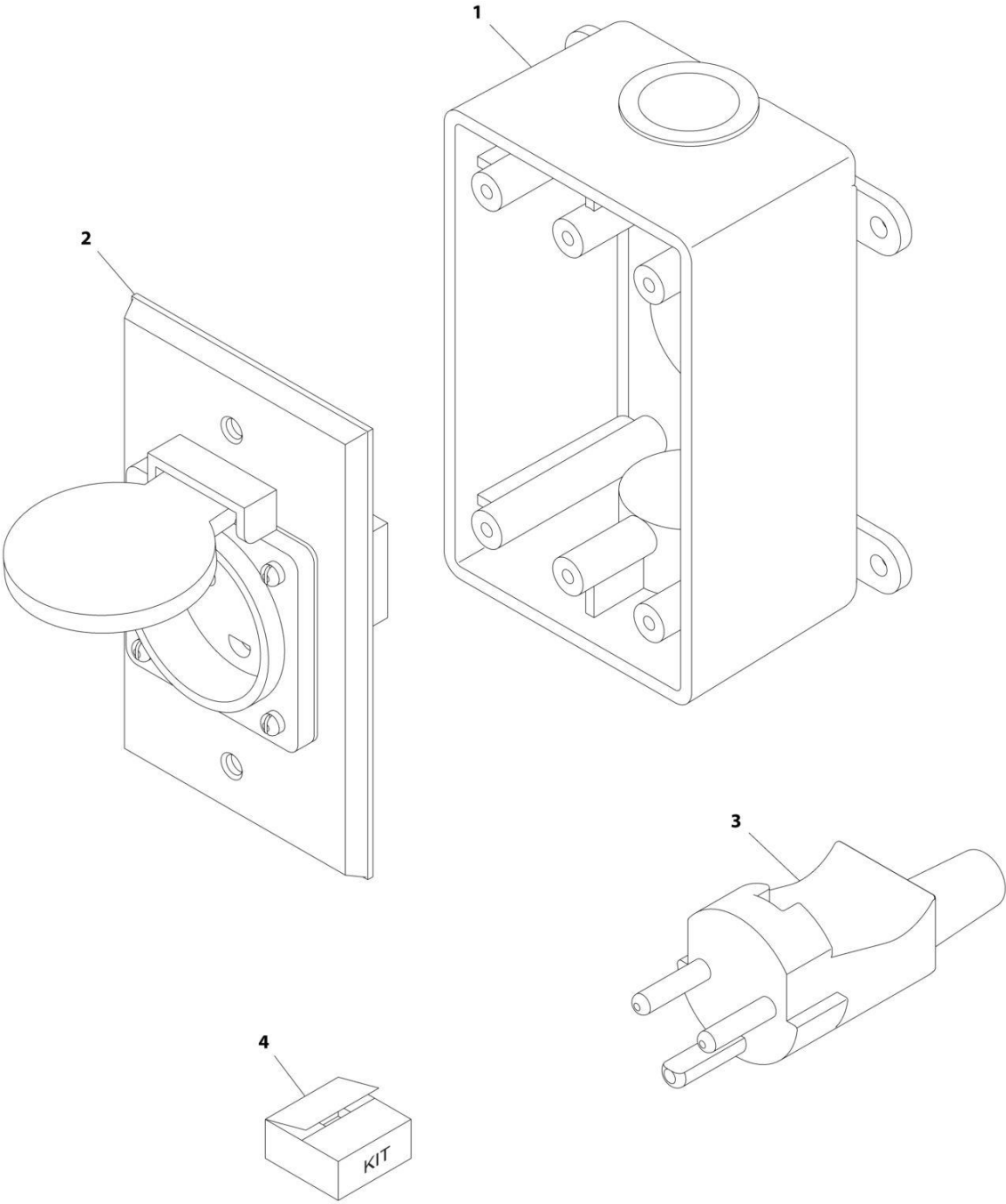
SECTION 7 - ELECTRICAL

FIGURE 7-45. RECEPTACLE BOX KIT - 110V IEC YELLOW (CE & UK CA SPEC)

ITEM	PART NUMBER	QTY	DESCRIPTION	REV
	0275216	Ref	RECEPTACLE BOX KIT - 110V IEC YELLOW	B
1	0861781	1	Box, Switch	
2	4461198	1	Receptacle	
3	4461196	1	Plug, Male	
4	1001100341	1	Plug and Socket Kit (Includes Items 1-3 and Female Plug p/n 4461197)	

SECTION 7 - ELECTRICAL

FIGURE 7-46. RECEPTACLE BOX KIT - 220V AFSINT 107 (CE & UK CA SPEC)



ART_0275454

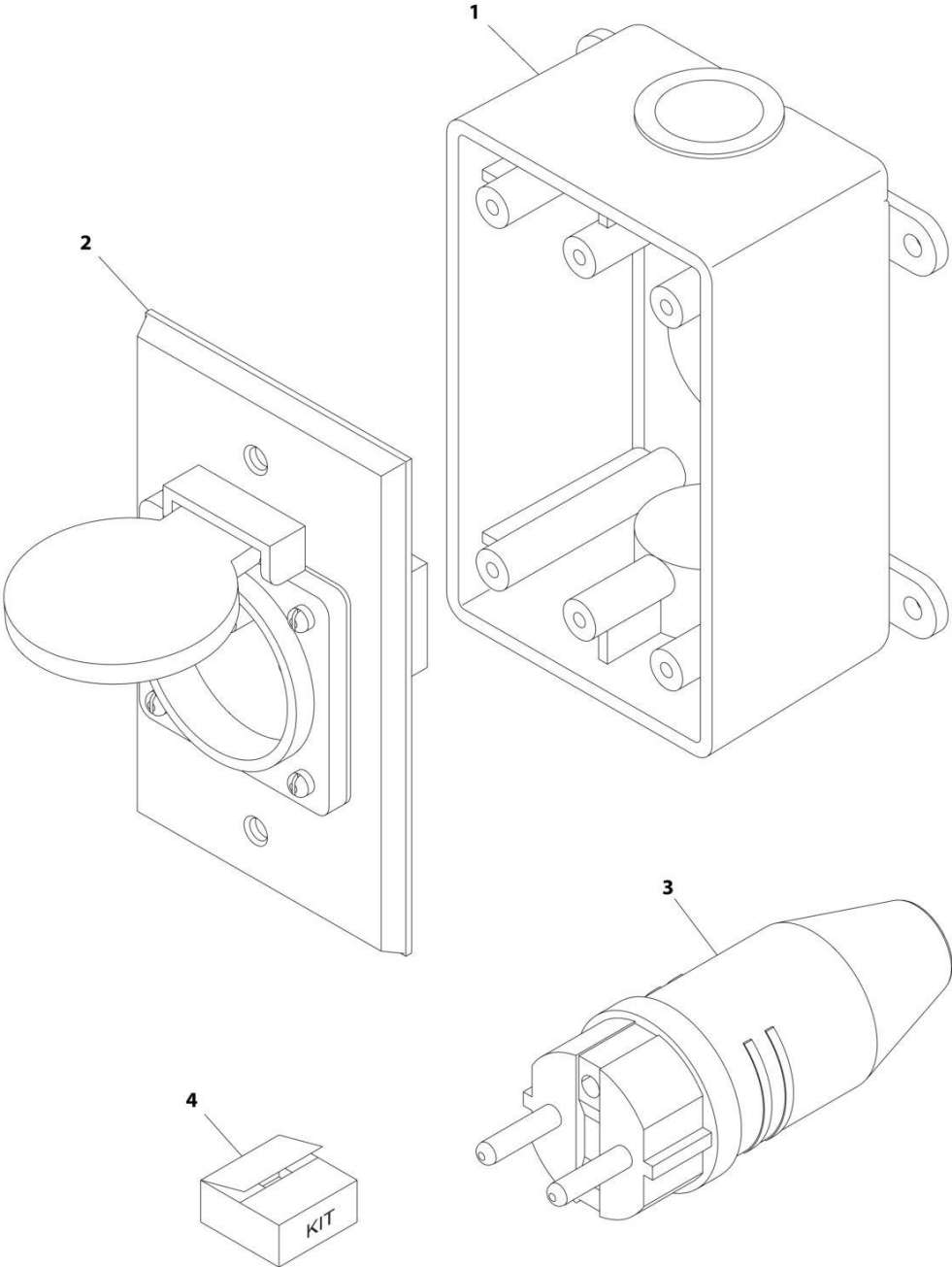
SECTION 7 - ELECTRICAL

FIGURE 7-46. RECEPTACLE BOX KIT - 220V AFSINT 107 (CE & UK CA SPEC)

ITEM	PART NUMBER	QTY	DESCRIPTION	REV
	0275454	Ref	RECEPTACLE BOX KIT - 220V AFSINT 107	B
1	0861731	1	Box, Switch	
2	4461246	1	Receptacle	
3	4461249	1	Plug, Male	
4	1001100346	1	Plug and Socket Kit (Includes Items 1-3 and Female Plug p/n 4461250)	

SECTION 7 - ELECTRICAL

FIGURE 7-47. RECEPTACLE BOX KIT - 220V CEE7 POST GROUND (CE & UK CA SPEC)



ART_0275452-C

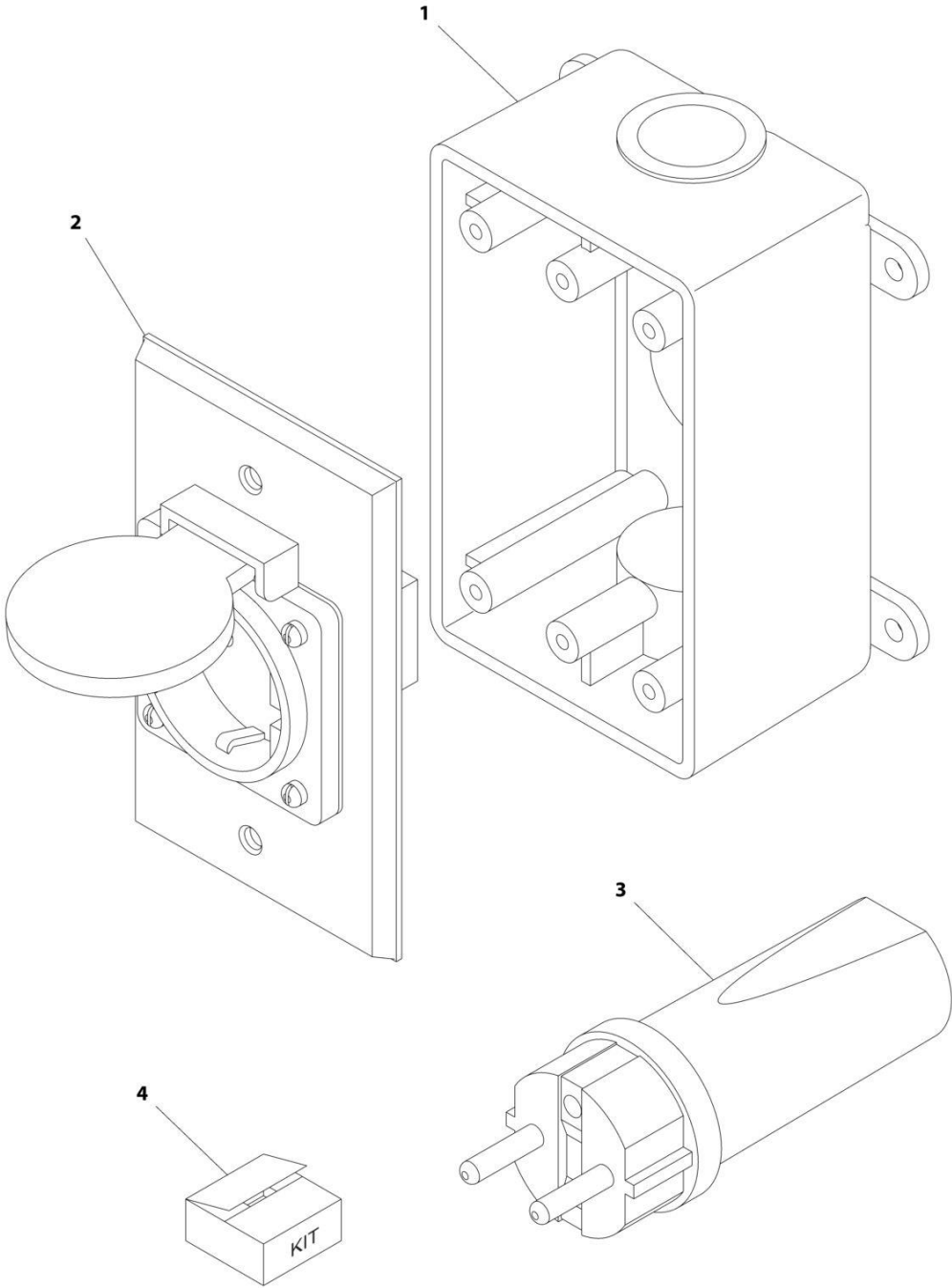
SECTION 7 - ELECTRICAL

FIGURE 7-47. RECEPTACLE BOX KIT - 220V CEE7 POST GROUND (CE & UK CA SPEC)

ITEM	PART NUMBER	QTY	DESCRIPTION	REV
	0275452	Ref	RECEPTACLE BOX KIT - 220V CEE7 POST GROUND 2IN X 4IN BOX	C
1	0861731	1	Box, Switch	
2	4461244	1	Receptacle	
3	4461205	1	Plug, Male	
4	1001100345	1	Plug and Socket Kit (Includes Items 1-3 and Female Plug p/n 4461203)	

SECTION 7 - ELECTRICAL

FIGURE 7-48. RECEPTACLE BOX KIT - 220V CEE7 SIDE GROUND (CE & UK CA SPEC)



ART_0275453

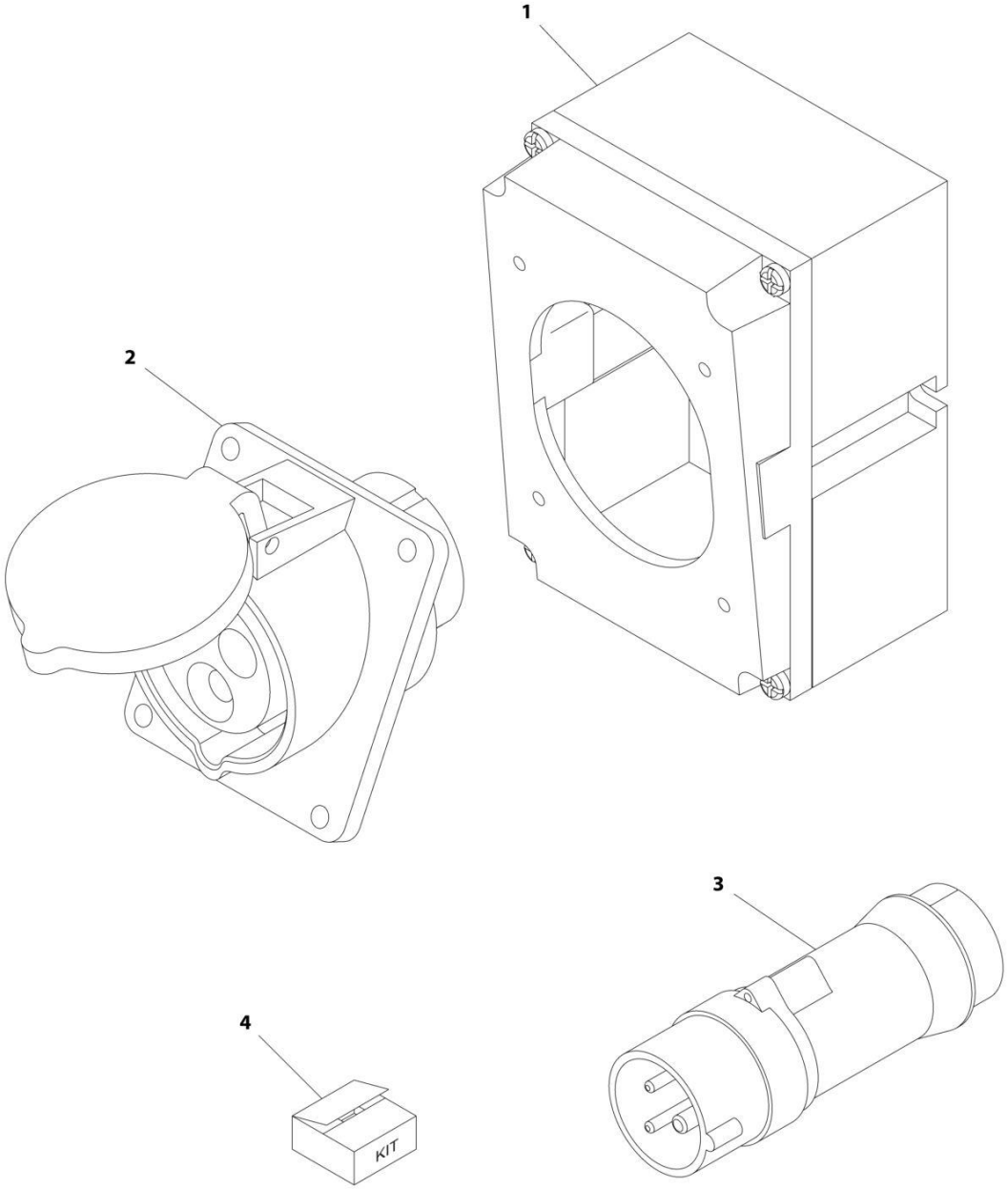
SECTION 7 - ELECTRICAL

FIGURE 7-48. RECEPTACLE BOX KIT - 220V CEE7 SIDE GROUND (CE & UK CA SPEC)

ITEM	PART NUMBER	QTY	DESCRIPTION	REV
	0275453	Ref	RECEPTACLE BOX KIT - 220V CEE7 SIDE GROUND	B
1	0861731	1	Box, Switch	
2	4461245	1	Receptacle	
3	4461205	1	Plug, Male	
4	1001100347	1	Plug and Socket Kit (Includes Items 1-3 and Female Plug p/n 4461206)	

SECTION 7 - ELECTRICAL

FIGURE 7-49. RECEPTACLE BOX KIT - 220V IEC BLUE (CE & UK CA SPEC)



ART_0275217

SECTION 7 - ELECTRICAL

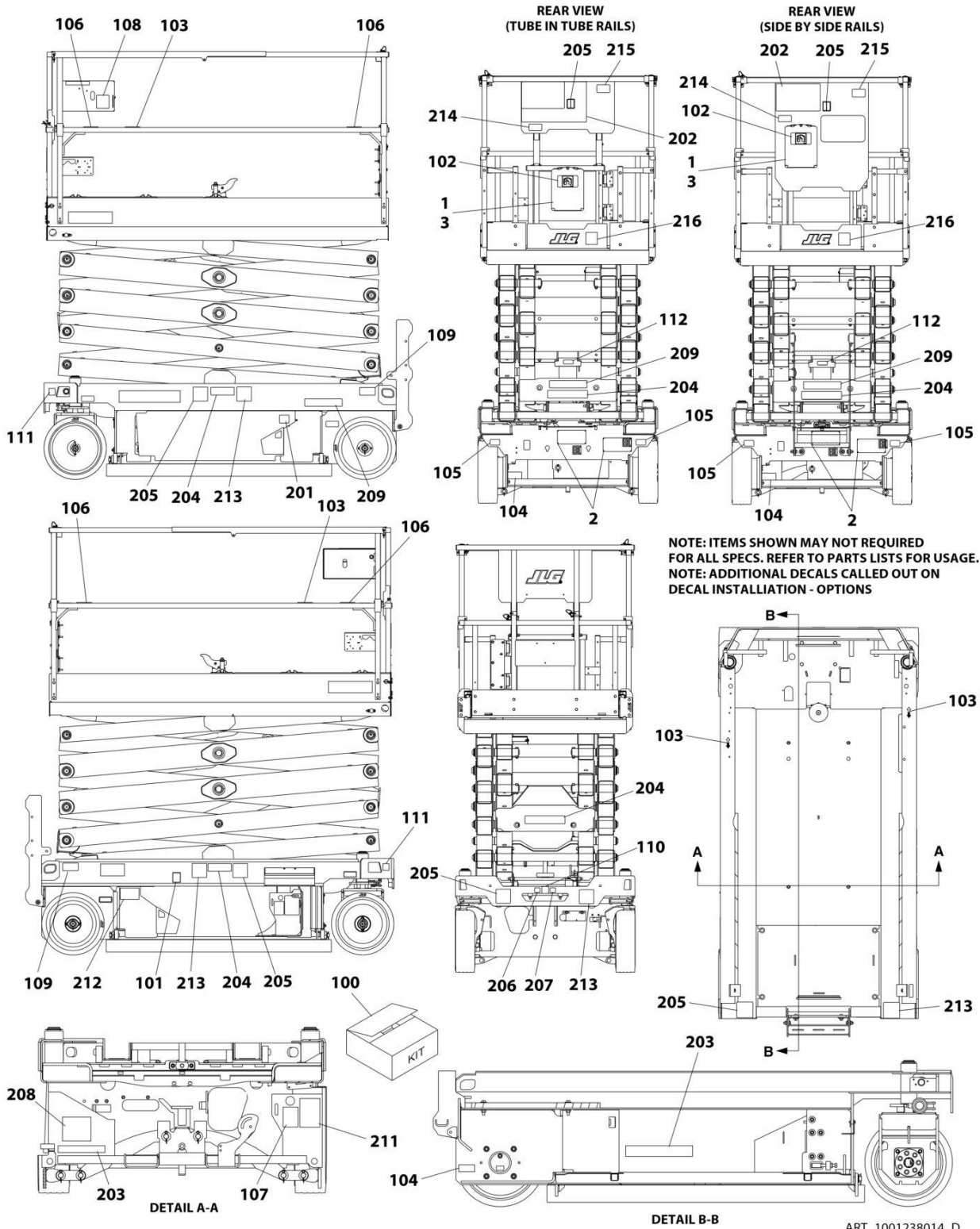
FIGURE 7-49. RECEPTACLE BOX KIT - 220V IEC BLUE (CE & UK CA SPEC)

ITEM	PART NUMBER	QTY	DESCRIPTION	REV
	0275217	Ref	RECEPTACLE BOX KIT - 220V IEC BLUE	B
1	0861781	1	Box, Switch	
2	4461201	1	Receptacle	
3	4461199	1	Plug, Male	
4	1001100342	1	Plug and Socket Kit (Includes Items 1-3 and Female Plug p/n 4461200)	

SECTION 8 - DECALS

SECTION 8 - DECALS

FIGURE 8-1. DECAL INSTALLATION (ANSI SPECS)



ART_1001238014_D

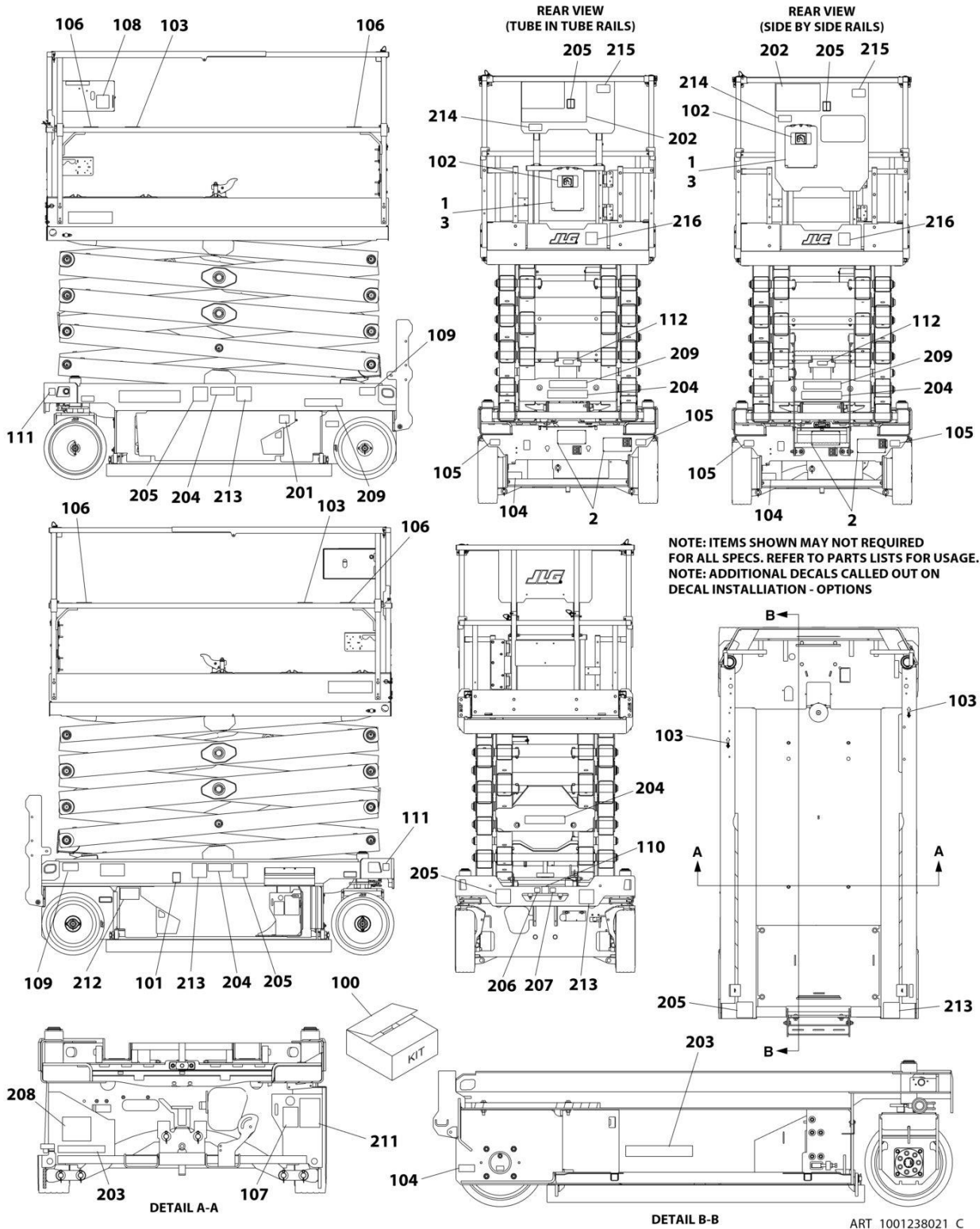
SECTION 8 - DECALS

FIGURE 8-1. DECAL INSTALLATION (ANSI SPECS)

ITEM	PART NUMBER	QTY	DESCRIPTION	REV
	1001238014	Ref	DECAL INSTALLATION (ENGLISH LANGUAGE)	D
	1001237749	Ref	DECAL REFERENCE CHART	H
1	2080040	3	Fastener	
2	2080057	4	Fastener	
3	8990147	1	Holder, Manual	
100	1001239270	1	Master Decal Kit	D
101	1701504	1	Decal - Hydraulic Oil	
102	1701640	1	Decal - Manual	
103	1703819	4	Decal - Direction Arrow	
104	1001248126	1	Decal - Manual Descent Instructions	
105	1704016	2	Decal - Fork Lift	
106	1704277	4	Decal - Lanyard Attach	
107	1704412	1	Decal - Hydraulic Oil	
108	1001132359	1	Decal - Control Box Locate	
109	1001162864	2	Decal - Lift Point/Tie Down	
110	1001212290	1	Decal - Tie Down	
111	1001212291	2	Decal - Lifting Lug	
112	1001237899	1	Decal - Arms Prop	
201	1702155	1	Decal - Battery Disconnect	
202	1703816	1	Decal - Danger/Warning	
203	1001146794	1	Decal - Battery/Charger Service	
204	1001211777	4	Decal - Crushing Hazard	
205	1001211779	4	Decal - Electrocution	
206	1001212292	1	Decal - No Lifting	
207	1001212293	1	Decal - No Forklift	
208	1001237538	1	Decal - Battery Spacer	
209	1703813	2	Decal - Warning Battery Ventilation	
211	1001131270	1	Decal - Patent	
212	1001223055	1	Decal - Yearly Inspection	
214	1001228370	1	Decal - ICES	
215	1001231801	1	Decal - Warning Prop 65	

SECTION 8 - DECALS

FIGURE 8-2. DECAL INSTALLATION (AUSTRALIAN SPECS)



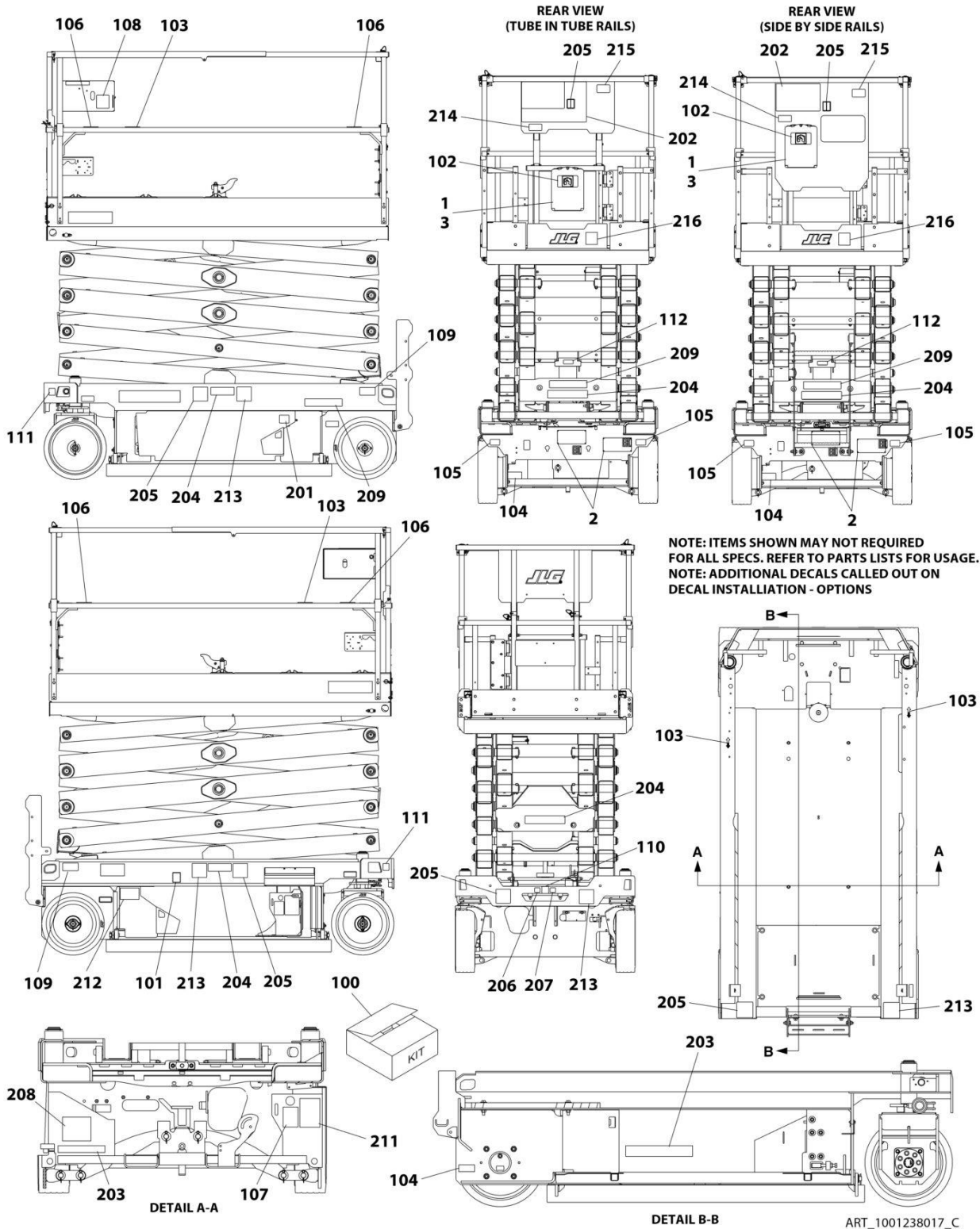
SECTION 8 - DECALS

FIGURE 8-2. DECAL INSTALLATION (AUSTRALIAN SPECS)

ITEM	PART NUMBER	QTY	DESCRIPTION	REV
	1001238021	Ref	DECAL INSTALLATION (ENGLISH LANGUAGE)	C
	1001237749	Ref	DECAL REFERENCE CHART	H
1	2080040	3	Fasteners	
2	2080057	4	Fasteners	
3	8990147	1	Holder, Manual	
100	1001239270	1	Master Decal Kit	D
101	1701504	1	Decal - Hydraulic Oil	
102	1701640	1	Decal - Manual	
103	1703819	4	Decal - Direction Arrow	
104	1001248126	1	Decal - Manual Descent Instructions	
105	1704016	2	Decal - Fork Lift	
106	1704277	4	Decal - Lanyard Attach Graphic	
107	1704412	1	Decal - Hydraulic Oil	
108	1001132359	1	Decal - Control Box Locate	
109	1001162864	2	Decal - Lift Point/Tie Down	
110	1001212290	1	Decal - Tie Down	
111	1001212291	2	Decal - Lifting Lug	
112	1001237899	1	Decal - Arms Prop	
201	1702155	1	Decal - Battery Disconnect	
203	1001146794	1	Decal - Battery/Charger Service	
204	1705673	4	Decal - Crushing	
205	1705671	5	Decal - Electrocution	
206	1001212292	1	Decal - No Lifting	
207	1001212293	1	Decal - No Forklift	
208	1001237538	1	Decal - Battery Spacer	
209	1705670	2	Decal - Fire Hazard	

SECTION 8 - DECALS

FIGURE 8-3. DECAL INSTALLATION (BRAZIL SPECS)



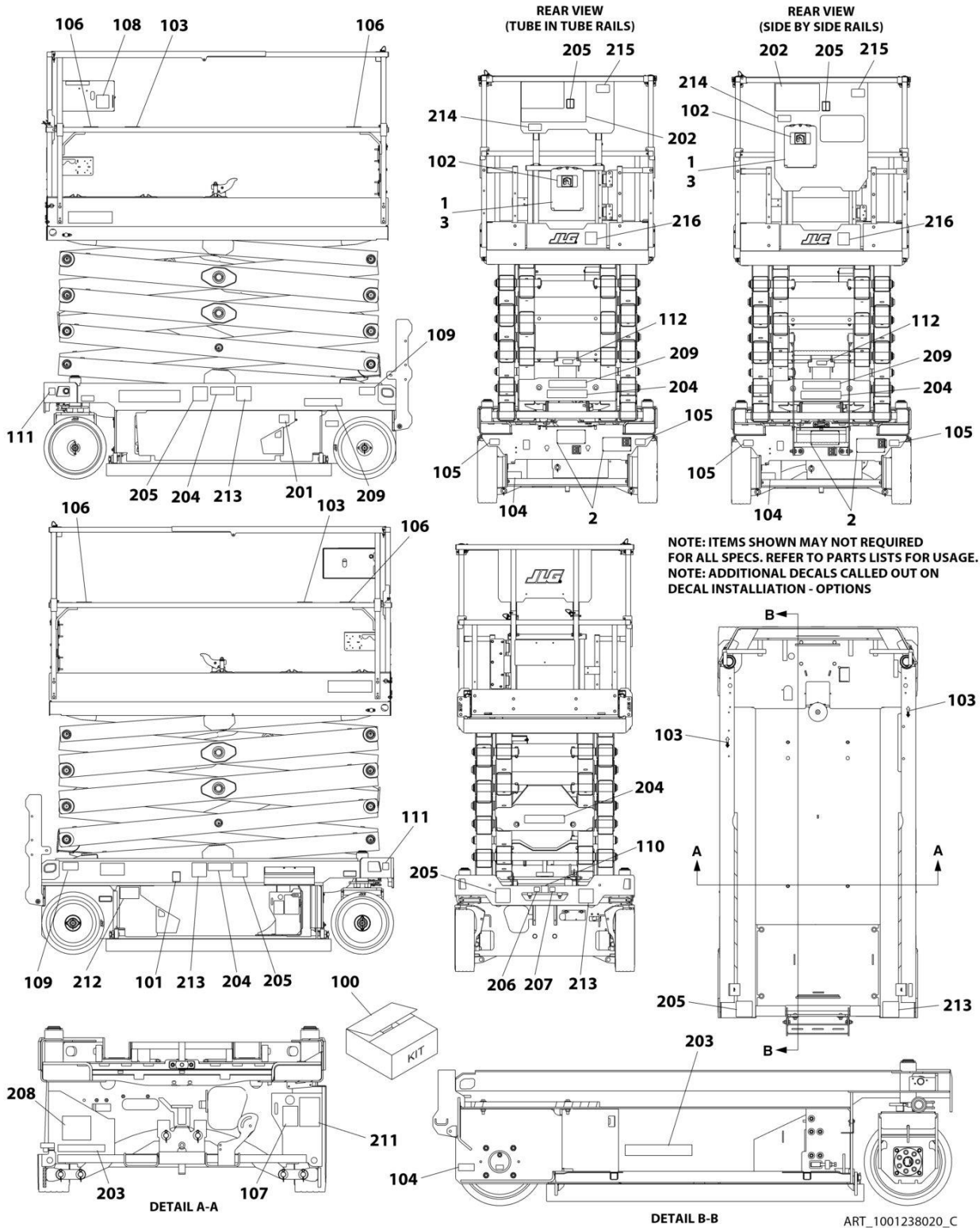
SECTION 8 - DECALS

FIGURE 8-3. DECAL INSTALLATION (BRAZIL SPECS)

ITEM	PART NUMBER	QTY	DESCRIPTION	REV
	1001238017	Ref	DECAL INSTALLATION (SPANISH/PORTUGUESE LANGUAGE)	C
	1001237749	Ref	DECAL REFERENCE CHART	H
1	2080040	3	Fastener	
2	2080057	4	Fastener	
3	8990147	1	Holder, Manual	
100	1001239270	1	Master Decal Kit	D
101	1701504	1	Decal - Hydraulic Oil	
102	1701640	1	Decal - Manual	
103	1703819	4	Decal - Direction Arrow	
104	1001248126	1	Decal - Manual Descent Instructions	
105	1704016	2	Decal - Fork Lift	
106	1704277	4	Decal - Lanyard Attach	
107	1704412	1	Decal - Hydraulic Oil	
108	1001132359	1	Decal - Control Box Locate	
109	1001162864	2	Decal - Lift Point/Tie Down	
110	1001212290	1	Decal - Tie Down	
111	1001212291	2	Decal - Lifting Lug	
112	1001237899	1	Decal - Arms Prop	
201	1702155	1	Decal - Battery Disconnect	
202	1704699	1	Decal - Danger/Warning	
203	1001146794	1	Decal - Battery/Charger Service	
204	1001216650	4	Decal - Crushing Hazard	
205	1001215748	4	Decal - Electrocution	
206	1001212292	1	Decal - No Lifting	
207	1001212293	1	Decal - No Forklift	
208	1001237538	1	Decal - Battery Spacer	
209	1704341	2	Decal - Warning Battery Ventilation	
212	1001224052	1	Decal - Yearly Inspection	
213	1001216648	4	Decal - Danger Electrocution	

SECTION 8 - DECALS

FIGURE 8-4. DECAL INSTALLATION (CE & UK CA SPECS)



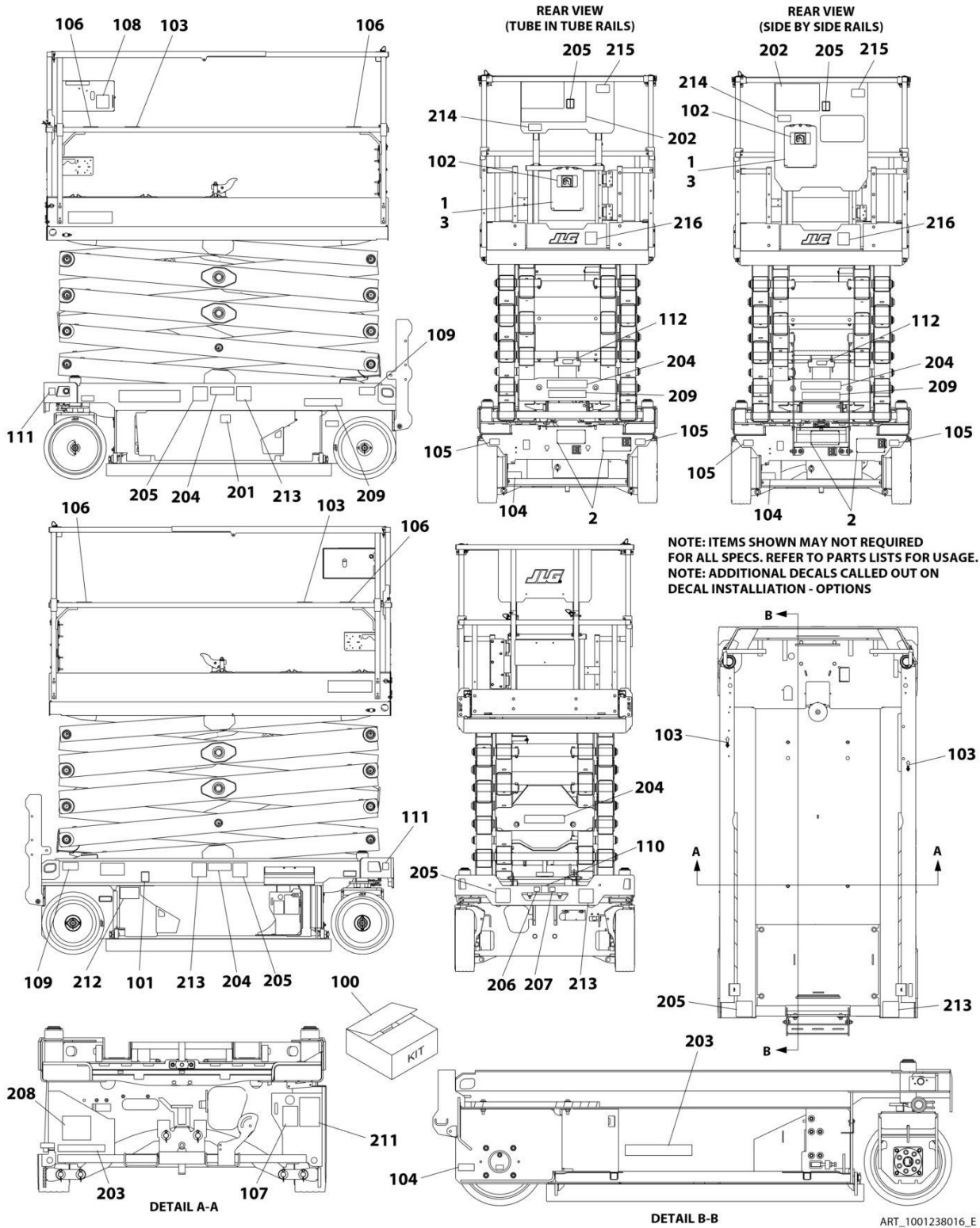
SECTION 8 - DECALS

FIGURE 8-4. DECAL INSTALLATION (CE & UK CA SPECS)

ITEM	PART NUMBER	QTY	DESCRIPTION	REV
	1001238020	Ref	DECAL INSTALLATION (ENGLISH LANGUAGE)	C
	1001237749	Ref	DECAL REFERENCE CHART	H
1	2080040	3	Fastener	
2	2080057	4	Fastener	
3	8990147	1	Holder, Manual	
100	1001239270	1	Master Decal Kit	D
101	1701504	1	Decal - Hydraulic Oil	
102	1701640	1	Decal - Manual	
103	1703819	4	Decal - Direction Arrow	
104	1001248126	1	Decal - Manual Descent Instructions	
105	1704016	2	Decal - Fork Lift	
106	1704277	4	Decal - Lanyard Attach	
107	1704412	1	Decal - Hydraulic Oil	
108	1001132359	1	Decal - Control Box Locate	
109	1001162864	2	Decal - Lift Point/Tie Down	
110	1001212290	1	Decal - Tie Down	
111	1001212291	2	Decal - Lifting Lug	
112	1001237899	1	Decal - Arms Prop	
201	1702155	1	Decal - Battery Disconnect	
203	1001146795	1	Decal - Battery/Charger Service	
204	1705673	4	Decal - Crushing	
205	1705671	5	Decal - Electrocution	
206	1001212292	1	Decal - No Lifting	
207	1001212293	1	Decal - No Forklift	
208	1001237538	1	Decal - Battery Spacer	
209	1705670	2	Decal - Fire Hazard	

SECTION 8 - DECALS

FIGURE 8-5. DECAL INSTALLATION (CHINA SPECS)



SECTION 8 - DECALS

FIGURE 8-5. DECAL INSTALLATION (CHINA SPECS)

ITEM	PART NUMBER	QTY	DESCRIPTION	REV
	1001238016	Ref	DECAL INSTALLATION (ENGLISH/CHINESE LANGUAGE)	E
	1001237749	Ref	DECAL REFERENCE CHART	H
1	2080040	3	Fastener	
2	2080057	4	Fastener	
3	8990147	1	Holder, Manual	
100	1001239270	1	Master Decal Kit	D
101	1701504	1	Decal - Hydraulic Oil	
102	1701640	1	Decal - Manual	
103	1703819	4	Decal - Direction Arrow	
104	1001248126	1	Decal - Manual Descent Instructions	
105	1704016	2	Decal - Fork Lift	
106	1704277	4	Decal - Lanyard Attach	
107	1704412	1	Decal - Hydraulic Oil	
108	1001132359	1	Decal - Control Box Locate	
109	1001162864	2	Decal - Lift Point/Tie Down	
110	1001212290	1	Decal - Tie Down	
111	1001212291	2	Decal - Lifting Lug	
112	1001237899	1	Decal - Arms Prop	
201	1702155	1	Decal - Battery Disconnect	
202	1705195	1	Decal - Danger/Warning	
203	1001146794	1	Decal - Battery/Charger Service	
204	1001215752	4	Decal - Crushing Hazard	
205	1001211779	4	Decal - Electrocution	
206	1001212292	1	Decal - No Lifting	
207	1001212293	1	Decal - No Forklift	
208	1001237538	1	Decal - Battery Spacer	
209	1704344	2	Decal - Warning Battery Ventilation	
212	1001224051	1	Decal - Yearly Inspection	
213	1001215747	4	Decal - Danger Electrocution	
216	1001244298	1	Decal - Wechat QR Code	

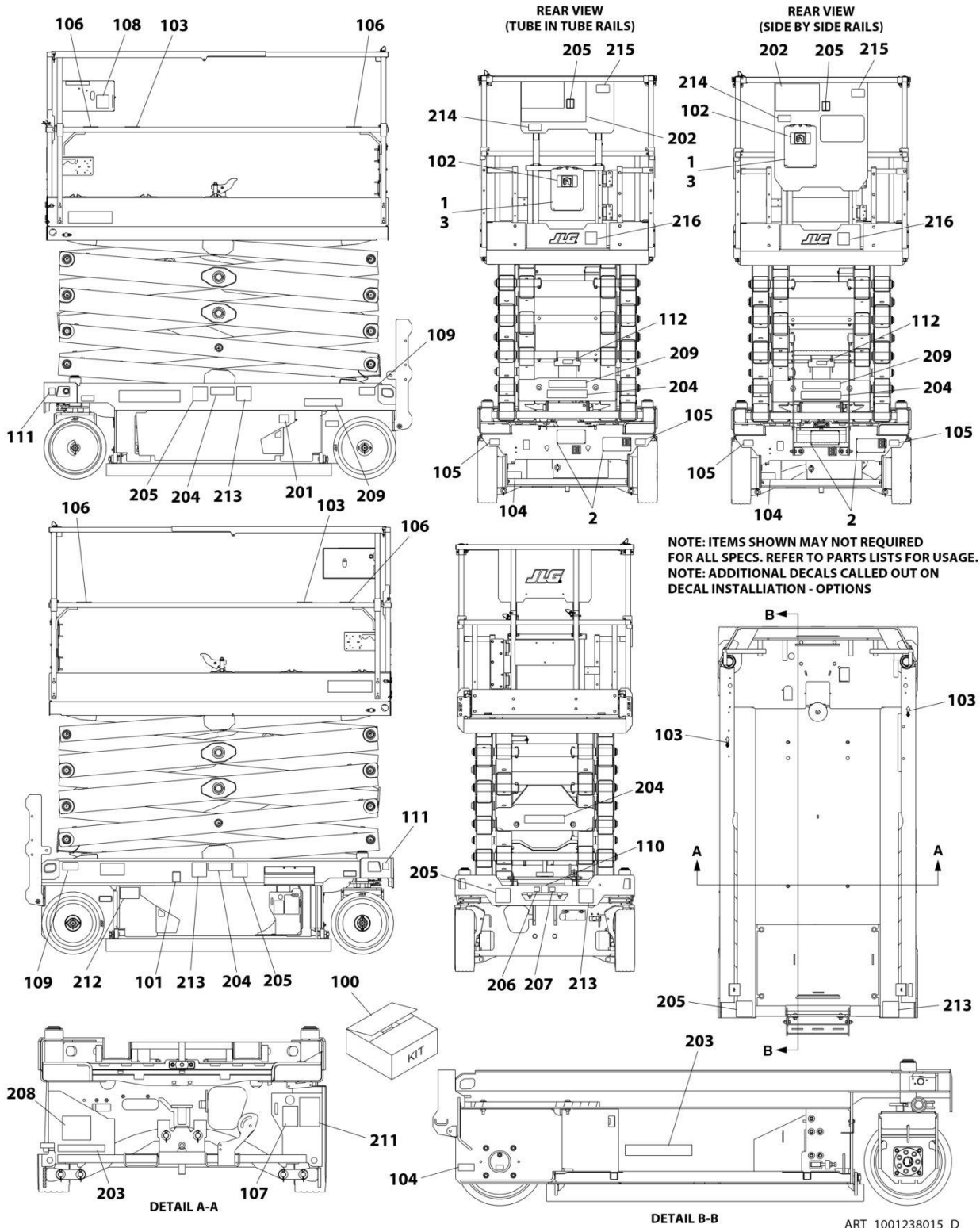
SECTION 8 - DECALS

FIGURE 8-6. DECAL INSTALLATION (CSA SPECS)

ITEM	PART NUMBER	QTY	DESCRIPTION	REV
	1001238019	Ref	DECAL INSTALLATION (ENGLISH/FRENCH LANGUAGE)	D
	1001237749	Ref	DECAL REFERENCE CHART	H
1	2080040	3	Fastener	
2	2080057	4	Fastener	
3	8990147	1	Holder, Manual	
100	1001239270	1	Master Decal Kit	D
101	1701504	1	Decal - Hydraulic Oil	
102	1701640	1	Decal - Manual	
103	1703819	4	Decal - Direction Arrow	
104	1001248126	1	Decal - Manual Descent Instructions	
105	1704016	2	Decal - Fork Lift	
106	1704277	4	Decal - Lanyard Attach	
107	1704412	1	Decal - Hydraulic Oil	
108	1001132359	1	Decal - Control Box Locate	
109	1001162864	2	Decal - Lift Point/Tie Down	
110	1001212290	1	Decal - Tie Down	
111	1001212291	2	Decal - Lifting Lug	
112	1001237899	1	Decal - Arms Prop	
201	1702155	1	Decal - Battery Disconnect	
202	1704684	1	Decal - Danger/Warning	
203	1001146794	1	Decal - Battery/Charger Service	
204	1001215755	4	Decal - Crushing Hazard	
205	1001211779	4	Decal - Electrocution	
206	1001212292	1	Decal - No Lifting	
207	1001212293	1	Decal - No Forklift	
208	1001237538	1	Decal - Battery Spacer	
209	1704340	2	Decal - Warning Battery Ventilation	
211	1001131270	1	Decal - Patent	
212	1001223971	1	Decal - Yearly Inspection	
213	1001215749	4	Decal - Danger Electrocution	
214	1001228370	1	Decal - ICES	
215	1001231801	1	Decal - Warning Prop 65	

SECTION 8 - DECALS

FIGURE 8-7. DECAL INSTALLATION (KOREAN SPECS)



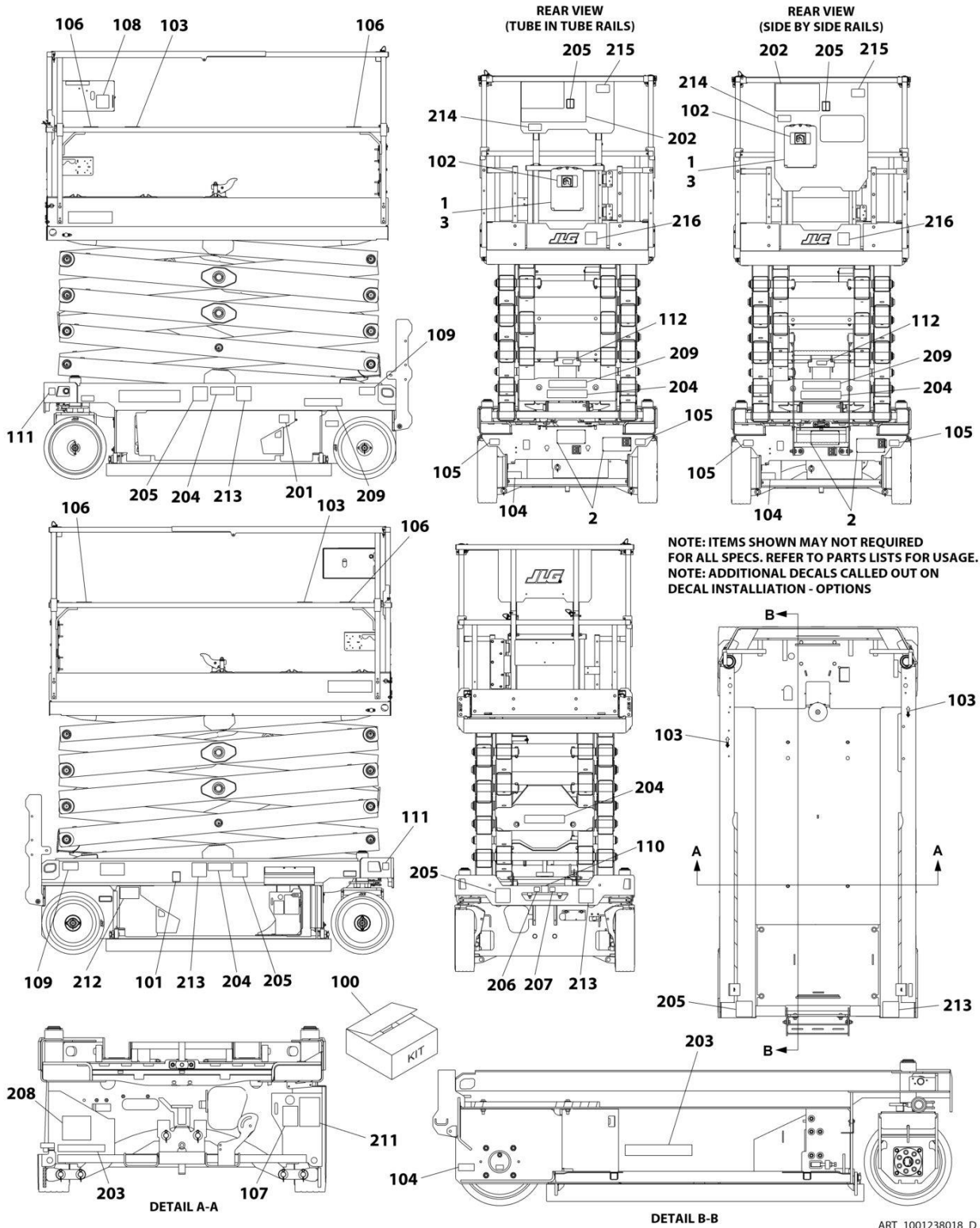
SECTION 8 - DECALS

FIGURE 8-7. DECAL INSTALLATION (KOREAN SPECS)

ITEM	PART NUMBER	QTY	DESCRIPTION	REV
	1001238015	Ref	DECAL INSTALLATION (ENGLISH/KOREAN LANGUAGES)	D
	1001237749	Ref	DECAL REFERENCE CHART	H
1	2080040	3	Fastener	
2	2080057	4	Fastener	
3	8990147	1	Holder, Manual	
100	1001239270	1	Master Decal Kit	D
101	1701504	1	Decal - Hydraulic Oil	
102	1701640	1	Decal - Manual	
103	1703819	4	Decal - Direction Arrow	
104	1001248126	1	Decal - Manual Descent Instructions	
105	1704016	2	Decal - Fork Lift	
106	1704277	4	Decal - Lanyard Attach	
107	1704412	1	Decal - Hydraulic Oil	
108	1001132359	1	Decal - Control Box Locate	
109	1001162864	2	Decal - Lift Point/Tie Down	
110	1001212290	1	Decal - Tie Down	
111	1001212291	2	Decal - Lifting Lug	
112	1001237899	1	Decal - Arms Prop	
201	1702155	1	Decal - Battery Disconnect	
202	1001162115	1	Decal - Danger/Warning	
203	1001146794	1	Decal - Battery/Charger Service	
204	1001215751	4	Decal - Crushing Hazard	
205	1001211779	4	Decal - Electrocution	
206	1001212292	1	Decal - No Lifting	
207	1001212293	1	Decal - No Forklift	
208	1001237538	1	Decal - Battery Spacer	
209	1707022	2	Decal - Warning Battery Ventilation	
212	1001224048	1	Decal - Yearly Inspection	
213	1001215750	4	Decal - Danger Electrocution	

SECTION 8 - DECALS

FIGURE 8-8. DECAL INSTALLATION (LATIN AMERICAN SPECS)



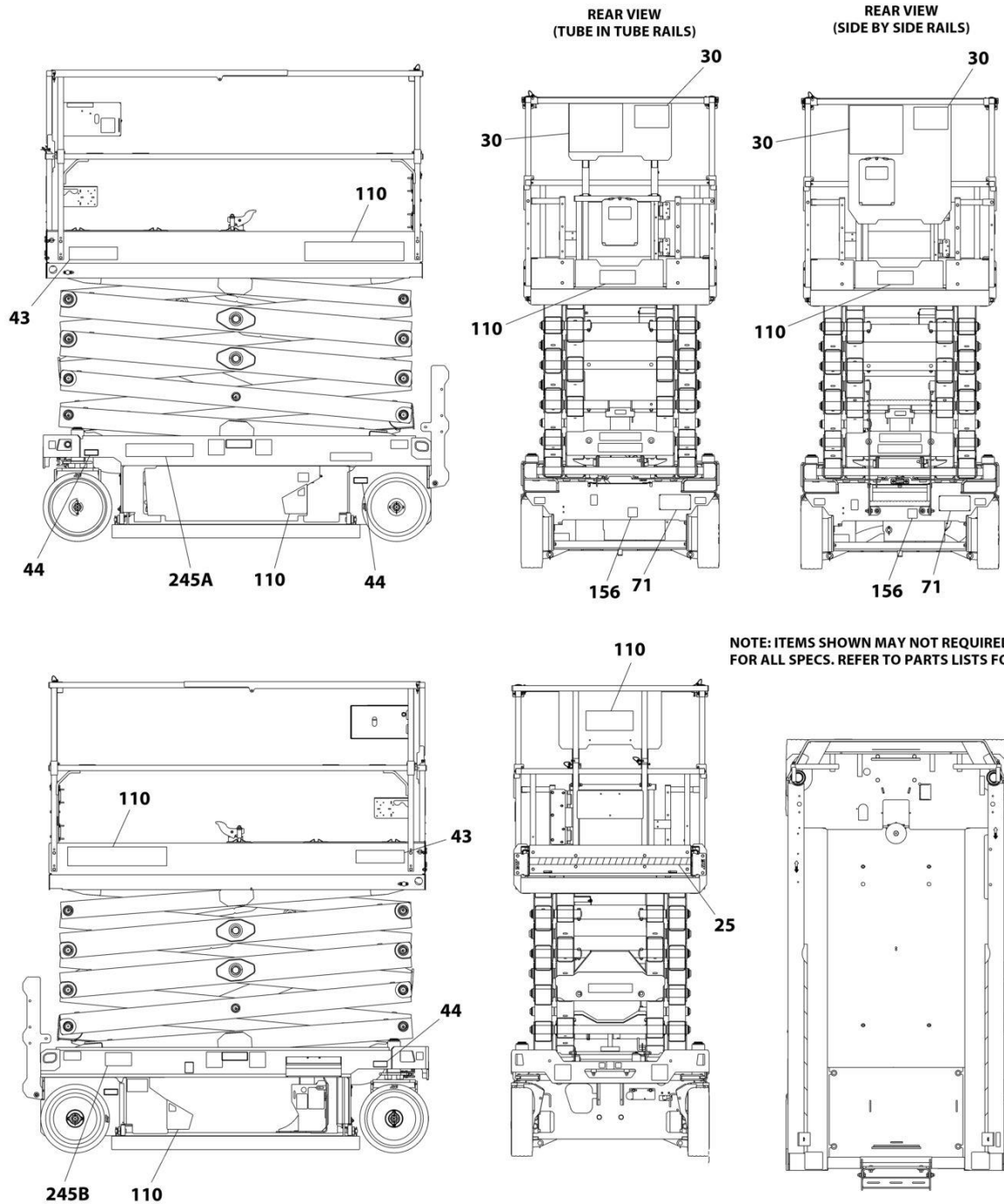
SECTION 8 - DECALS

FIGURE 8-8. DECAL INSTALLATION (LATIN AMERICAN SPECS)

ITEM	PART NUMBER	QTY	DESCRIPTION	REV
	1001238018	Ref	DECAL INSTALLATION (ENGLISH/SPANISH LANGUAGES)	D
	1001237749	Ref	DECAL REFERENCE CHART	H
1	2080040	3	Fastener	
2	2080057	4	Fastener	
3	8990147	1	Holder, Manual	
100	1001239270	1	Master Decal Kit	D
101	1701504	1	Decal - Hydraulic Oil	
102	1701640	1	Decal - Manual	
103	1703819	4	Decal - Direction Arrow	
104	1001248126	1	Decal - Manual Descent Instructions	
105	1704016	2	Decal - Fork Lift	
106	1704277	4	Decal - Lanyard Attach	
107	1704412	1	Decal - Hydraulic Oil	
108	1001132359	1	Decal - Control Box Locate	
109	1001162864	2	Decal - Lift Point/Tie Down	
110	1001212290	1	Decal - Tie Down	
111	1001212291	2	Decal - Lifting Lug	
112	1001237899	1	Decal - Arms Prop	
201	1702155	1	Decal - Battery Disconnect	
202	1704691	1	Decal - Danger/Warning	
203	1001146794	1	Decal - Battery/Charger Service	
204	1001215754	4	Decal - Crushing Hazard	
205	1001211779	4	Decal - Electrocution	
206	1001212292	1	Decal - No Lifting	
207	1001212293	1	Decal - No Forklift	
208	1001237538	1	Decal - Battery Spacer	
209	1704339	2	Decal - Warning Battery Ventilation	
212	1001224049	1	Decal - Yearly Inspection	
213	1001215748	4	Decal - Danger Electrocution	

SECTION 8 - DECALS

FIGURE 8-9. DECAL INSTALLATIONS - OPTIONS



NOTE: ITEMS SHOWN MAY NOT REQUIRED FOR ALL SPECS. REFER TO PARTS LISTS FOR USAGE.

ART_DECAL_OPTIONS

SECTION 8 - DECALS

FIGURE 8-9. DECAL INSTALLATIONS - OPTIONS

ITEM	PART NUMBER	QTY	DESCRIPTION	REV
		Ref	DECAL INSTALLATION - OPTIONS:	
25	1001209906	Ref	Corner Stripes Installation	
25	4420051	30 in/ 75 cm	Tape, Safety	
30		Ref	Decal - Capacity Options	
30	1001239684	1	Decal - Capacity (507 LB/ 230 KG)	
30	1001244506	Ref	Decal - Capacity (with Dual Languages)	
30	1001239684	1	Decal - Capacity (507 LB/ 230 KG)	
30	1001216865	1	Plate, Decal Mounting (Not Shown)	
30	1001248681	1	Decal - Capacity (507 LB/ 230 KG) (Indoor Only (Australian Specs))	
43	1001257174	2	Decal - Model Designation - R2632	
44	1706310	4	Decal - Maximum Tire Load	
71	See Note	NSS	Decal - Manufacturing Serial Number (Note: Not Available for Purchase)	
110A	1001255102	Ref	JLG Decals Installation (All Specs Except China Specs)	
110A	1001255104	1	Decal - Door (RH)	
110A	1001255105	1	Decal - Door (LH)	
110A	1001256675	1	Decal - JLG (3-5/16 Wide)	
110A	1001256676	1	Decal - JLG (2-5/8 Wide)	
110B	1001287767	1	Decal - JLG (With Tube In Tube Platform) (China Specs)	
110B	1001255104	1	Decal - JLG (Right)	
110B	1001255105	1	Decal - JLG (Left)	
110B	1001287763	1	Decal - JLG Gate	
110B	1001288432	2	Decal - JLG Platform	
110B	1001288434	1	Decal - JLG Billboard	
110C	1001288466	1	Decal - JLG (With Side By Side Platform) (China Specs)	
110C	1001255104	1	Decal - JLG (Right)	
110C	1001255105	1	Decal - JLG (Left)	
110C	1001287763	1	Decal - JLG Gate	
110C	1001288432	2	Decal - JLG Platform	
110C	1001288435	1	Decal - JLG Billboard	
156	1001173703	1	Decal - EAC (Russian/CIS Specs)	
245	1001236984	Ref	Decal Installation - ClearSky	B
245A	1001116208	1	Decal - ClearSky	
245B	1001120989	1	Decal - Radio Frequency	

SECTION 9 - RECOMMENDED SERVICE PARTS STOCK

SECTION 9 - RECOMMENDED SERVICE PARTS STOCK

SECTION 9 - RECOMMENDED SERVICE PARTS STOCK

FIGURE 9-1. RECOMMENDED SERVICE PARTS STOCK

ITEM	PART NUMBER	QTY	DESCRIPTION	REV
		Ref	Note: The following list will service one machine (built to current production per date on the front cover) with emergency repair parts which can be installed in the field. Parts from the list should be replaced when inventory is depleted to keep service parts stock supplied. For further information, contact your JLG dealer or the JLG Industries Parts Department.	
		Ref	STANDARD PARTS	
	70005423	6	Hydraulic Filter Service Kit	
	70006297	1	Coil	
	70005893	1	Coil	
	3740150	1	Relay	
	4360328	1	Switch, Toggle	
	4360469	1	Switch, Key	
	2860030	1	Key, Replacement	
	4360475	1	Switch, Mushroom	
	3080007	1	Magnet, Latch	
	1600402	1	Controller, Drive/Steer	
	4360345	1	Switch, Toggle	
	1001200633	1	Switch, Push Button	
	8229242	2	Fuse 5Amp	
	8229244	2	Fuse 15 Amp	
		Ref	VARIABLE PARTS	
	1001203871	1	Switch, Roller	
	1001186466	1	Sensor, Tilt	
	1001200629	1	Module, Control	
	1001216062	1	Module, Power	
	4360336	1	Switch, Toggle (Machines with Inverter)	
	1001225164	1	Sensor, Pressure Transducer	
	1001235104	1	Sensor, Pressure Transducer	
	1001228112	1	Module, Platform	
	1001181045	1	Breaker 30mAmp/16Amp (CE & UK CA Specs Machines)	
	1001189171	1	Breaker 30mAmp (CE & UK CA Specs Machines)	
	1001189172	1	Breaker 16Amp Double (CE & UK CA Specs Machines)	

SECTION 10 - SPECIAL OPTIONS/ACCESSORIES/KITS

SECTION 10 - SPECIAL OPTIONS/ACCESSORIES/KITS

SECTION 10 - SPECIAL OPTIONS/ACCESSORIES/KITS

FIGURE 10-1. SPECIAL OPTIONS/ACCESSORIES/KITS

ITEM	PART NUMBER	QTY	DESCRIPTION	REV
		Ref	Note: This list is to accommodate machines ordered with special equipment. Options may not be applicable to all models. For more specific parts information contact the JLG Parts Department.	
		Ref	MISCELLANEOUS SPECIAL OPTIONS/ACCESSORIES/KITS	
	1001236903	Ref	Antivandalism Package (Factory Installed)	
	1001249639	Ref	Antivandalism Add-on Kit (Dealer Installed)	
	1001255597	Ref	Can Battery Charger Kit (Dealer Installed)	
		Ref	ClearSky Installation Options (Factory Installed):	
		Ref	ClearSky Add-on Kit Options (Dealer Installed):	
	1001278848	Ref	ClearSky Add-on Kit- 3-Wire GT1030 (All Specs) (Dealer Installed)	
	1001265376	Ref	ClearSky Add-on Kit - Canbus (ANSI, ANSI Export & CSA Specs) (Dealer Installed):	
	1001237257	Ref	ClearSky Add-on Kit - Canbus (ANSI Export, CE & UK CA Specs) (Dealer Installed):	
	1001248502	Ref	ClearSky Add-on Kit - Canbus (Australian Specs) (Dealer Installed):	
	1001248503	Ref	ClearSky Add-on Kit - Canbus (China) (Dealer Installed):	
	1001248689	Ref	ClearSky Add-on Kit - Access Control (Dealer Installed):	
		Ref	Decal Kit Options:	
	1001274825	Ref	Decal Kit - Master	
	1001234319	Ref	Drive Motor Covers installation	
		Ref	Electrical Connector Kits	
	1001148902	Ref	Amp/Tyco Electrical Connector Kit	
	1001148903	Ref	Deutsch DT Electrical Connector Kit	
	1001148904	Ref	Deutsch HD Electrical Connector Kit	
	1001148905	Ref	Packard Electrical Connector Kit	
	1001148906	Ref	Various Electrical Connector Kit	
	1001246082	Ref	European Subassembly Kit	
	1001218728	Ref	Fire Extinguisher Installation	
	1001248843	Ref	Foot Latch Add-on Kit (Dealer Installed)	
	1001208061	Ref	Footswitch Installation (Japanese & Korean Specs Only)	
	1001269646	Ref	Heavy Duty Tool Tray/Work Surface Kit (Dealer Installed)	
	1001220933	Ref	Height Restrictor Switch Installation	
	1001249638	Ref	Inverter Add-on Kit (Dealer Installed)	
	1001250532	Ref	Mobile Control Add-on Kit (Dealer Installed)	
	1001229076	Ref	Noise Reduction Add-on Kit (Dealer Installed)	
	1001229728	Ref	Overhead Protection Add-on Kit (Dealer Installed)	
	1001281412	Ref	Panel Carrier Kit	
	1001270721	Ref	Pipe Racks Kit (Dealer Installed)	
	1001269651	Ref	Platform Control Box Cover Add-on Kit (Dealer Installed)	
	1001225790	Ref	Platform Extension Handles Add-on Kit (Dealer Installed)	
	1001262557	Ref	Platform Self Closing Gate Add-on Kit (Dealer Installed)	
	1001262558	Ref	Platform Self Closing Gate Add-on Kit (Dealer Installed)	
	1001239481	Ref	Remote Tow Installation	
	1001300605	Ref	Pin Pivot Kit	
	31222057	Ref	Pin Pivot Instruction Kit	
	1001224583	Ref	Service Kits List	Y
	1001254721	Ref	SkySense Level 1 Add-on Kit (Dealer Installed)	
	1001254542	Ref	SkySense Level 2 Add-on Kit (Dealer Installed)	

SECTION 10 - SPECIAL OPTIONS/ACCESSORIES/KITS

ITEM	PART NUMBER	QTY	DESCRIPTION	REV
	1001255883	Ref	SkySense Level 1 Installation (Factory Installed)	
	1001255669	Ref	SkySense Level 2 Installation (Factory Installed)	
	1001249229	Ref	Strobe (Single) Light Add-on Kit (Dealer Installed)	
	1001249230	Ref	Strobe (Dual) Light Add-on Kit (Dealer Installed)	
		Ref	Tools for Service	
	2901443	1	Analyzer Kit	
	1001232474	1	Benchtop Harness	
	8896941	1	Wire Stripper	
	7002821	1	Wire Crimper (To install wire ends to wires)	
	7002823	1	Pin/Socket Extractor - Universal (To Remove Pins/Sockets from Connectors)	
	4460467	1	Extractor - 16-18 Gauge (For Removal Pins/Sockets from Deutsch Connectors)	
	4460510	1	Extractor - 12-14 Gauge (For Removal of Pins/Sockets from Deutsch Connectors)	
	7002822	1	Screwdriver, Potentiometer (To Adjust Drive Controllers)	
	7016654	1	Screwdriver, Magnetic	
	7004275	1	Seal Installation Tool - 1in	
	7004276	1	Seal Installation Tool - 1-1/2in	
	7002826	1	Seal Installation Tool - 2in	
	1001264614	Ref	Tool Tray	
	1001262959	Ref	Voltage Regulator Location Add-on Kit (Dealler Installed)	
	1001281944	Ref	White Noise Alarm Kit	
	1001281415	Ref	Worklight Kit	

SECTION 10 - SPECIAL OPTIONS/ACCESSORIES/KITS

PART NUMBER INDEX

SECTION 10 - SPECIAL OPTIONS/ACCESSORIES/KITS

0100011.....13, 15, 17, 25, 27, 29, 31, 33, 35, 49, 51, 79, 107, 109, 111	1001097150..... 165, 169	1001148902 274	1001205411.....199
0100051.....67, 69, 71, 73, 75	1001097347..... 213, 215	1001148903 274	1001205412.....199
0140030.....117	1001100341 241	1001148904 274	1001205422.....107
0140043.....57	1001100342 249	1001148905 274	1001205424.....107
0275216.....153, 241	1001100345 245	1001148906 274	1001205430.....107
0275217.....155, 249	1001100346 243	1001151629 199	1001205598.....35
0275452.....157, 245	1001100347 247	1001152266 200	1001205751.....13
0275453.....159, 247	1001101540 77	1001152483 173	1001206225.....111
0275454.....161, 243	1001102258..... 151, 153, 155, 157, 159, 161, 163, 165, 167	1001153785 13	1001206226.....111
0440223.....127	1001102489..... 181, 183, 185, 187, 189, 191, 193, 195	1001154378 109, 111	1001206995.....33
0440259.....13, 141	1001102771..... 177, 179	1001156186 109	1001207009.....29, 31
0440263.....25	1001103012..... 200, 217	1001157547 77	1001207293.....65
0440264.....86, 91, 92, 97, 98	1001103013 217	1001159186 199, 237	1001207494.....57, 59
0440265.....86, 92, 98	1001103471 165, 197	1001162115 265	1001207970.....183
0480100.....121	1001104498 200, 217	1001162864 253, 255, 257, 259, 261, 263, 265, 267	1001207973.....195
0630587.....57, 59, 77	1001110302 25	1001162886 199	1001207974.....181, 187, 189, 191, 193, 197
0630613.....79, 101	1001111212 71	1001162887 63, 199, 217	1001208061.....274
0700412.....57	10011113961 199	1001163340 63, 199, 217	1001208852.....107
0700610.....85, 91, 97, 127	1001116208 269	1001173703 269	1001209482.....157, 159, 173
0700612.....25, 27, 35, 63, 85, 91, 97	1001116731 215, 217	1001179447 13, 141	1001209596.....117
0700616.....123	1001116732 213, 215	1001181045 171, 272	1001209682.....57, 59
0700617.....57, 59	1001116812 . 61, 63, 177, 179, 199	1001182806 41	1001209776.....153, 155, 161, 171
0700621.....113	1001117057 213, 215	1001186466 27, 272	1001209906.....269
0700814...85, 91, 97, 153, 155, 157, 159, 161, 165, 197	1001118274 61, 63	1001187587 109, 111	1001210064.....107
0700815.....25	1001118812 61, 175	1001188116 167	1001210079.....61
070081779, 121	1001120204..... 153, 155, 157, 159, 161	1001189171 173, 272	1001210302.....109, 111
0700818.....109, 111, 113	1001120205 171, 173	1001189172 173, 272	1001210401...67, 69, 71, 73, 75
0700819.....105, 115	1001120989 269	1001189762 127	1001210440.....77
0700820.....109	1001125483 77	1001192401 61, 200	1001210446.....111
0700823.....25	1001125677 61, 175, 200	1001194421 237	1001210447.....111
0700835.....117	1001125927 169	1001196589 200	1001210458.....109, 111
0701015.....79, 85, 91, 97	1001128888 85, 91, 97	1001196634 179, 211	1001210586.....109, 111
0701019.....101, 123	1001130220... 29, 31, 33, 35, 45, 57, 59, 85, 91, 97, 117	1001196635 63	1001210605.....77
070102185, 91, 97	1001130590 57, 59	1001197396 13	1001210605.....77
0701024.....101	1001131270 253, 263	1001200561 29	1001210878.....77
0760408...151, 153, 155, 157, 159, 161, 167	1001132358 117	1001200629 .. 57, 59, 272	1001210879.....77
0760608.....111, 131	1001132359..... 253, 255, 257, 259, 261, 263, 265, 267	1001200631 57, 59	1001210881.....77
0760610.....45, 57, 59, 77, 115, 117, 131, 165	1001132361 117	1001200632 65	1001210882.....77
0760612.....29, 31, 33, 41	1001134280 197	1001200633 272	1001210963.....109, 111
0760810...49, 51, 63, 107, 109, 129	1001134821 115	1001200812 219, 227	1001210966.....57, 59
0760812.....61, 107	1001136757 77	1001200819 117, 237	1001210967.....77
0760820.....129	1001142173 77	1001201705 49, 51	1001211777.....253
0760827.....49, 51	1001142174 77	1001201706 49, 51	1001211779.....253, 261, 263, 265, 267
0761012.....13, 49, 51	1001143009 77	1001201708 ... 67, 69, 71, 73, 75	1001212035.....237
0761014.....107	1001143010 77	1001201711 ... 67, 69, 71, 73, 75	1001212036.....237
0761015.....43	1001143501 145, 147	1001201885 199, 237	1001212187.....23
0761019.....111	1001144147 . 61, 63, 175, 215	1001202184 223, 229	1001212290.....253, 255, 257, 259, 261, 263, 265, 267
0761221.....79	1001144295 200	1001202773 15, 17	1001212291.....253, 255, 257, 259, 261, 263, 265, 267
0861731....239, 243, 245, 247	1001144296 200	1001202851 49, 51	1001212292.....253, 255, 257, 259, 261, 263, 265, 267
0861781.....241, 249	1001146794 253, 255, 257, 261, 263, 265, 267	1001202987 25	1001212293.....253, 255, 257, 259, 261, 263, 265, 267
0861880.....171	1001146795 259	1001203450 49, 51	1001212294.....49, 51
0962006.....139	1001146963 85, 91, 97	1001203836 145, 147	1001213264.....15, 19
1001047064.....117		1001203846 145, 147	1001213448.....200
1001091102....25, 37, 39, 57		1001203869 25	1001213838.....107
		1001203870 25	
		1001203871 25, 272	
		1001203872 25	
		1001204495 41	
		1001205345 85	
		1001205409 63, 199	
		1001205410 199	

SECTION 10 - SPECIAL OPTIONS/ACCESSORIES/KITS

1001213875..... 51	1001227728..... 123	1001236623..... 111	1001239661..... 37, 39
1001213886..... 117	1001227855..... 25	1001236624..... 109	1001239674..... 101
1001213928..... 23	1001228112..... 272	1001236632..... 69	1001239675..... 219
1001214217..... 27	1001228123..... 67, 69, 71, 73, 75	1001236801..... 145, 147	1001239676..... 223
1001214347..... 73		1001236802..... 145, 147	1001239677..... 221
1001214526..... 25	1001228184..... 123	1001236803..... 145, 147	1001239678..... 225
1001214528..... 25	1001228191..... 169	1001236809..... 145, 147	1001239679..... 231
1001214534..... 25	1001228370..... 253, 263	1001236849..... 25	1001239684..... 269
1001214810..... 79	1001228388..... 177	1001236903..... 274	1001239892..... 101
1001215216..... 39	1001228406..... 43	1001236984..... 269	1001239894..... 101
1001215747..... 261	1001229076..... 274	1001237132..... 219, 221, 223, 225, 231	1001239925..... 85, 91, 97
1001215748..... 257, 267	1001229110..... 67, 69, 71, 73, 75	1001237211..... 217	1001239926..... 105
1001215749..... 263		1001237212..... 217	1001239927..... 85, 91, 97
1001215750..... 265	1001229728..... 274	1001237213..... 217	1001239928..... 85, 91, 97
1001215751..... 265	1001229732..... 109	1001237257..... 274	1001239929..... 85, 91, 97
1001215752..... 261	1001229733..... 109	1001237400..... 151	1001239930..... 85
1001215754..... 267	1001229734..... 109	1001237401..... 163	1001239931..... 86, 91, 97
1001215755..... 263	1001229739..... 109	1001237538..... 253, 255, 257, 259, 261, 263, 265, 267	1001241352..... 101
1001215762..... 57, 59	1001229740..... 109		1001241353..... 101
1001215953..... 25	1001229741..... 109	1001237696..... 13	1001241358..... 101
1001216062..... 57, 59, 272	1001229742..... 109	1001237707..... 43	1001241737..... 86, 91, 97
1001216180..... 69	1001229792..... 79	1001237708..... 43	1001241738..... 86, 92, 98
1001216648..... 257	1001230248..... 109	1001237737..... 25	1001241739..... 86, 92, 98
1001216650..... 257	1001230249..... 109	1001237749..... 253, 255, 257, 259, 261, 263, 265, 267	1001241740..... 86, 92, 98
1001216823..... 113	1001231405..... 109		1001241741..... 86, 92, 98
1001216865..... 269	1001231801..... 253, 263	1001237824..... 85, 91, 97	1001241742..... 86, 92, 98
1001217059..... 27	1001232257..... 109	1001237855..... 45	1001241743..... 86, 92, 98
1001217164..... 171, 173	1001232474..... 275	1001237856..... 45	1001241744..... 86, 92, 98
1001218285..... 117	1001232622..... 109	1001237887..... 59	1001241894..... 51
1001218307..... 25	1001233795..... 85, 91, 97, 235	1001237899..... 253, 255, 257, 259, 261, 263, 265, 267	1001242230..... 145, 147
1001218573..... 79			1001242539..... 37, 39
1001218728..... 274	1001234006..... 109, 111	1001237989..... 71	1001242697..... 37
1001220409..... 115	1001234007..... 109, 111	1001237991..... 73	1001242990..... 39
1001220410..... 115	1001234141..... 111	1001238014..... 253	1001243487..... 145, 147
1001220893..... 117	1001234142..... 111	1001238015..... 265	1001243488..... 145, 147
1001220933..... 274	1001234204..... 85, 91, 97	1001238016..... 261	1001243781..... 25
1001220995..... 115	1001234319..... 274	1001238017..... 257	1001244284..... 15, 17
1001221244..... 123	1001234384..... 105	1001238018..... 267	1001244298..... 261
1001221275..... 123	1001234385..... 107	1001238019..... 263	1001244323..... 165
1001221276..... 123	1001234386..... 111	1001238020..... 259	1001244394..... 63
1001221949..... 185	1001234387..... 109	1001238021..... 255	1001244416..... 85, 92, 98, 139
1001222587..... 113	1001234407..... 107	1001238130..... 157	1001244506..... 269
1001222914..... 123	1001234797..... 25	1001238131..... 159	1001244644..... 197
1001223055..... 253	1001234798..... 25	1001238132..... 161	1001244885..... 63
1001223262..... 225	1001234838..... 13	1001238133..... 153	1001244900..... 165
1001223263..... 221	1001234842..... 43	1001238134..... 155	1001245293..... 63
1001223650..... 227	1001234858..... 79	1001238135..... 167	1001245299..... 63
1001223651..... 229	1001234862..... 79	1001238198..... 153, 155, 157, 159, 161, 165	1001245353..... 63
1001223971..... 263	1001235008..... 57	1001238392..... 61	1001245739..... 165, 169
1001224048..... 265	1001235104..... 85, 272	1001238684..... 85, 91, 97	1001245743..... 169
1001224049..... 267	1001235106..... 67	1001238762..... 217	1001245744..... 165, 169
1001224051..... 261	1001235286..... 109	1001238845..... 209, 217	1001245774..... 165
1001224052..... 257	1001235555..... 105	1001238955..... 217	1001246082..... 274
1001224583..... 274	1001235559..... 57, 59	1001238956..... 217	1001246144..... 205
1001225164..... 85, 91, 97, 272	1001235834..... 67	1001239224..... 37, 39	1001246145..... 209
1001225790..... 274	1001235863..... 131	1001239269..... 69, 71, 73, 75	1001246531..... 209
1001226277..... 123	1001235941..... 121	1001239270..... 253, 255, 257, 259, 261, 263, 265, 267	1001246674..... 86, 92, 98
1001226636..... 215, 217	1001235954..... 77		1001247627..... 145, 147
1001226637..... 215, 217	1001235955..... 43	1001239479..... 85, 91, 97	1001247706..... 105
1001226749..... 117	1001236132..... 77	1001239481..... 274	1001247707..... 85, 92, 98
1001226791..... 85, 91, 97	1001236139..... 29, 31, 33, 35		1001248126..... 253, 255, 257, 259, 261, 263, 265, 267
1001226901..... 123	1001236144..... 205, 209		1001248502..... 274
1001227219..... 197	1001236269..... 85, 91, 97		1001248503..... 274
1001227267..... 165, 197	1001236486..... 85, 91, 97		1001248631..... 181
1001227268..... 165	1001236487..... 85, 91, 97		
1001227269..... 169	1001236488..... 85, 91, 97		

SECTION 10 - SPECIAL OPTIONS/ACCESSORIES/KITS

1001248632.....	183	1001270533.....	121	1321293 ...	29, 31, 33, 35, 77	3080007.....	109, 111, 272
1001248634.....	185	1001270631.....	121	1321752	49, 51	3121792.....	63
1001248679.....	49, 51, 55	1001270721.....	274	1380132	113	31222057.....	274
1001248681.....	269	1001270855.....	121	1380153	13	3252507.....	155, 157, 159, 161, 163, 167
1001248689.....	274	1001271412.....	121	1580023	125	3290305.....	37, 39
1001248768.....	63	1001272659.....	203	1580024	125	3290405.....	25, 57, 77, 85, 91, 97, 115, 117, 151, 153, 155, 157, 159, 161, 165, 167
1001248773.....	61	1001272997.....	211	1600402 ...	117, 119, 272	3290505.....	197
1001248843.....	274	1001273012.....	203, 211	1671207	239	3290601.....	27, 165
1001249054.....	75	1001273907.....	127	1701504 ...	253, 255, 257, 259, 261, 263, 265, 267	3290605.....	29, 31, 33, 35, 41, 57, 59, 63, 77, 85, 91, 97, 153, 155, 157, 159, 161, 205, 207
1001249229.....	275	1001273909.....	127	1701640 ...	253, 255, 257, 259, 261, 263, 265, 267	3290606.....	109, 111, 113, 115, 123, 127, 131
1001249230.....	275	1001273957.....	125	1702010	131	3290801.....	25, 51, 129
1001249638.....	274	1001273958.....	125	1702155 ...	253, 255, 257, 259, 261, 263, 265, 267	3290805.....	25, 49, 51, 79, 85, 91, 97, 105, 107, 121, 153, 155, 157, 159, 161, 165, 197
1001249639.....	274	1001273960.....	127	1703464	151, 153	3290806.....	109, 111, 113, 115, 117
1001250532.....	274	1001273961.....	129	1703813	253	3291005.....	43, 49, 51, 79, 101, 107
1001251144.....	207	1001273962.....	129	1703816	253	3291006.....	101, 111, 123
1001251146.....	205	1001273964.....	129	1703819 ...	117, 253, 255, 257, 259, 261, 263, 265, 267	3291007.....	79, 85, 91, 97
1001252626.....	127	1001273966.....	129	1704016 ...	253, 255, 257, 259, 261, 263, 265, 267	3291201.....	79
1001253726.....	131	1001273968.....	131	1704260	117	3291202.....	85, 91, 97
1001253800.....	135	1001273969.....	131	1704277 ...	253, 255, 257, 259, 261, 263, 265, 267	3331211.....	15, 17
1001253952.....	31	1001274168.....	135	1704339	267	3421453.....	127
1001254026.....	205, 207, 215	1001274559.....	57, 59	1704340	263	3422219.....	111, 125, 127
1001254027.....	31, 61, 175, 205, 207	1001274604.....	117	1704341	257	3422661.....	121
1001254028.....	31, 177, 179	1001274605.....	117	1704344	261	3423037.....	13
1001254542.....	274	1001274659.....	117	1704412 ...	253, 255, 257, 259, 261, 263, 265, 267	3423243.....	79
1001254721.....	274	1001274661.....	133	1704684	263	3423278.....	117
1001255102.....	269	1001274825.....	274	1704691	267	3430636.....	25
1001255104.....	269	1001274837.....	125	1704699	257	3430814.....	107
1001255105.....	269	1001274838.....	127	1705195	261	3430816.....	107
1001255597.....	274	1001274839.....	131	1705670	255, 259	3431212.....	25
1001255669.....	275	1001275631.....	125	1705671	255, 259	3431218.....	25
1001255883.....	275	1001278513.....	203, 213	1705673	255, 259	3450302.....	25
1001255901.....	211	1001278847.....	203	1705997	125	3450303.....	79
1001256642.....	29, 31	1001278848.....	274	1706310	269	3450403.....	107
1001256643.....	33, 35	1001281412.....	274	1707022	265	3450505.....	25
1001256675.....	269	1001281415.....	275	2080040 ...	107, 109, 111, 253, 255, 257, 259, 261, 263, 265, 267	3450508.....	23
1001256676.....	269	1001281944.....	275	2110404	141	3460334.....	125
1001257174.....	269	1001283410.....	57, 199	2220371	139	3520072.....	101, 109, 111, 127
1001258356.....	61	1001284939.....	49, 53	2220373	145, 147	3574505.....	131
1001258446.....	117	1001284951.....	49	2220375	145, 147	3740150.....	57, 77, 272
1001258498.....	75	1001284952.....	49, 145	2220497	145, 147	3760115.....	85, 91, 97
1001258691.....	61	1001285320.....	92, 98	2220502	145, 147	3760170.....	125, 127
1001258768.....	187	1001285829.....	92, 98, 233	2220628	147	3760217.....	13
1001258770.....	189	1001286864.....	91, 97	2220828	145	3760387.....	85, 91, 97
1001258771.....	191	1001287711.....	121	2220883	139	3820019.....	113
1001258772.....	193	1001287763.....	269	2400060	63, 177, 179, 199	3841143.....	79, 85, 91, 97
1001261131.....	135	1001287767.....	269	2420172	57, 59	3841675.....	127
1001262150.....	135	1001288432.....	269	2560088	113	3860111.....	111
1001262221.....	133	1001288434.....	269	2560190	113	3900355.....	125
1001262322.....	207	1001288435.....	269	2600281	109, 111	3900381.....	197
1001262327.....	207	1001288466.....	269	2700100	125	3910804.....	57, 59
1001262557.....	274	1001291264.....	91, 97	2860030	57, 59, 272	3931412.....	125
1001262558.....	274	1001292036.....	17, 21	2901443	275	3931508.....	125
1001262558.....	274	1001300605.....	274	2902431	151, 239	3990001.....	179
1001262655.....	117	1001370008.....	51, 147				
1001262655.....	117	1001370010.....	85				
1001262959.....	275	1001380040.....	79				
1001263256.....	29	1001380041.....	79				
1001263257.....	31	1001380042.....	79				
1001263258.....	33	1060379 ...	121, 125, 127				
1001263259.....	35	1060908 ...	169, 171, 173				
1001263294.....	195	1060998 ...	67, 69, 71, 73, 75				
1001263296.....	197	1061042	129				
1001264614.....	275	1062255	61, 205, 207, 209				
1001265376.....	274	1120555	125				
1001269646.....	274	1320136	205, 207				
1001269651.....	274						
1001269730.....	49						

SECTION 10 - SPECIAL OPTIONS/ACCESSORIES/KITS

4010310	37, 39	4460418	77, 199, 237	4461201	249	70005816	51
4010408	115, 165	4460419	77	4461205	187, 245, 247	70005893	55, 272
4010608	85, 91, 97, 109, 111	4460424	29, 31, 177	4461244	245	70005898	55
4010610	153, 155, 157, 159, 161	4460464	39, 41, 61, 63, 77, 123, 177, 179, 199, 211, 213, 215, 217, 219, 221, 223, 225, 227, 229, 231, 233, 235	4461245	247	70005899	55
4010616	111	4460466	61, 63, 77, 123, 175, 177, 179, 199, 200, 215, 217, 219, 221, 223, 225, 227, 229, 233, 235, 237	4461246	243	70005900	55
4010617	109, 111	4460467	275	4461249	189, 243	70005903	55
4010618	109, 111	4460496	117	4461257	153, 155	70005909	55
4031509	117	4460497	117	4461258	153, 155	70005911	55
4031511	25	4460510	275	4711400	125, 127	70005918	15, 17
4031512	85, 91, 97	4460536	123	4711700	117	70005919	15, 17
4031708	27, 35, 205, 207	4460539	200, 221, 225, 233, 235	4711800	107	70006244	19
4060803	117	4460662	157, 159, 161, 239	4740086	25	70006245	19
4060906	117	4460754	219, 221, 223, 225, 227, 229	4740438	85, 91, 97	70006297	272
4060944	199	4460761	199	4740480	125	70006301	55
4160078	85, 91, 97	4460871	177, 179, 199	4740531	85, 91, 97	70006351	51
4160202	25	4460872	177, 179	4811400	77, 115, 117, 151, 153, 155, 157, 159, 161, 165, 167	70006352	51
4160214	79	4460877	199	4811700	41, 57, 59, 63, 77, 109, 111, 115, 117, 131, 153, 155, 157, 159, 161, 165, 205, 207	70006724	19
4191706	127	4460884	61, 63, 179, 199, 213, 235	4811900	25, 49, 51, 61, 63, 85, 91, 97, 105, 107, 109, 111, 113, 117, 153, 155, 157, 159, 161, 165	70006725	19
4220227	127	4460891	37, 39, 123, 177, 179, 199, 200, 221, 225, 235	4811902	25, 49, 51, 79, 109, 115, 121, 129, 197	70007055	139
4240003	125, 127	4460897	39, 41, 77, 177, 179, 199, 221, 225	4812000	13, 25, 79, 85, 91, 97, 101, 107, 111, 123	70007101	139
4240017	29, 31, 33, 35, 49, 51, 57, 59, 63, 67, 69, 71, 73, 75, 77, 85, 91, 97, 123, 151, 153, 155, 157, 159, 161, 163, 165, 167, 181, 183, 185, 187, 189, 191, 193, 197, 219, 221, 223, 225, 227, 229, 231	4460899	219, 221, 223, 225, 227, 229, 231	4812002	43, 49, 51, 79	70007102	139
4240018	39	4460905	177, 179, 199	4812500	25	70007103	139
4240032	61, 203, 205, 207, 209	4460930	200	4831600	197	70007104	139
4240033	129	4460932	61, 63, 179, 211, 213, 215, 217, 233	4846757	13	70007105	139
4240147	25	4460933	61, 175, 199, 200	4923328	67, 69, 71, 73, 75	70007106	139
4240165	131	4460943	61, 63, 175, 215, 219, 221, 223, 225, 227, 229, 231	5241200	15, 17	70007513	19
4340853	125	4460956	171	5271808	49, 51	70007593	55
4340854	125	4460957	171	5272117	15, 17	70007594	55
4340947	127	4460965	200	5272122	15, 17	70007595	55
4360328	57, 59, 272	4460968	167	70000082	119	70007596	55
4360336	77, 272	4460970	235	70000084	119	70007597	55
4360345	272	4461016	237	70000683	119	70007598	55
4360469	57, 59, 272	4461023	199	70000684	119	70007599	55
4360475	57, 59, 117, 272	4461196	191, 241	70000685	119	70007600	55
4420037	131	4461198	241	70000686	119	70007601	55
4420051	269	4461199	193, 249	70001250	119	70007602	55
4420062	51, 86, 91, 97, 109, 111, 117, 121			70001251	119	70007946	49, 51
4460019	199			70001252	119	70008409	53
4460042	199			70001253	119	70008410	53
4460115	199			70003650	119	70008411	53
4460138	151			70004239	141	70008412	53
4460183	237			70004241	141	70008413	53
4460226	199			70004585	139	70008414	53
4460227	29, 31, 177, 199			70005236	139	70021209	55
4460234	123, 205, 207, 209			70005419	141	70027244	139
4460247	199			70005420	141	7002821	275
4460259	199			70005421	141	7002822	275
4460260	199			70005423	49, 51, 272	7002823	275
4460265	237			70005807	19	7002826	275
4460267	237			70005812	19	7004275	275
4460315	151, 167			70005813	19	7004276	275
4460320	199					7016654	275
4460346	239					7020175	57, 59, 117
						7020176	57, 59, 117
						7023308	19
						7023310	19
						7023311	19
						7023315	19
						7023318	19
						7023321	19
						7023322	19
						7023324	19
						7023328	19
						7023329	19
						7023407	19
						7023408	19
						7026174	19

SECTION 10 - SPECIAL OPTIONS/ACCESSORIES/KITS

7026179.....	19	7027766.....	119	8750014	49, 51	SEE NOTE	21
7027365.....	119	80325.....	127	8896941	275		
7027367.....	119	8229242	200, 272	8990147 ...	253, 255, 257,		
7027765.....	119	8229244	200, 272	259, 261, 263, 265, 267			



**Corporate Office
JLG Industries, Inc.
1 JLG Drive
McConnellsburg, PA 17233-9533 USA
☎ (717) 485-5161 (Corporate)
☎ (877) 554-5438 (Customer Support)
📠 (717) 485-6417**

**Visit our website for JLG Worldwide Locations.
www.jlg.com**



OSHKOSH™