



---

# Illustrated Parts Manual

**Model  
ES1530L**

**PVC  
2210**

**P/N  
31220692  
March 1, 2023 - Rev B**

**ANSI**

**CE**



**UK  
CA**

**AS/NZS**



An Oshkosh Corporation Company

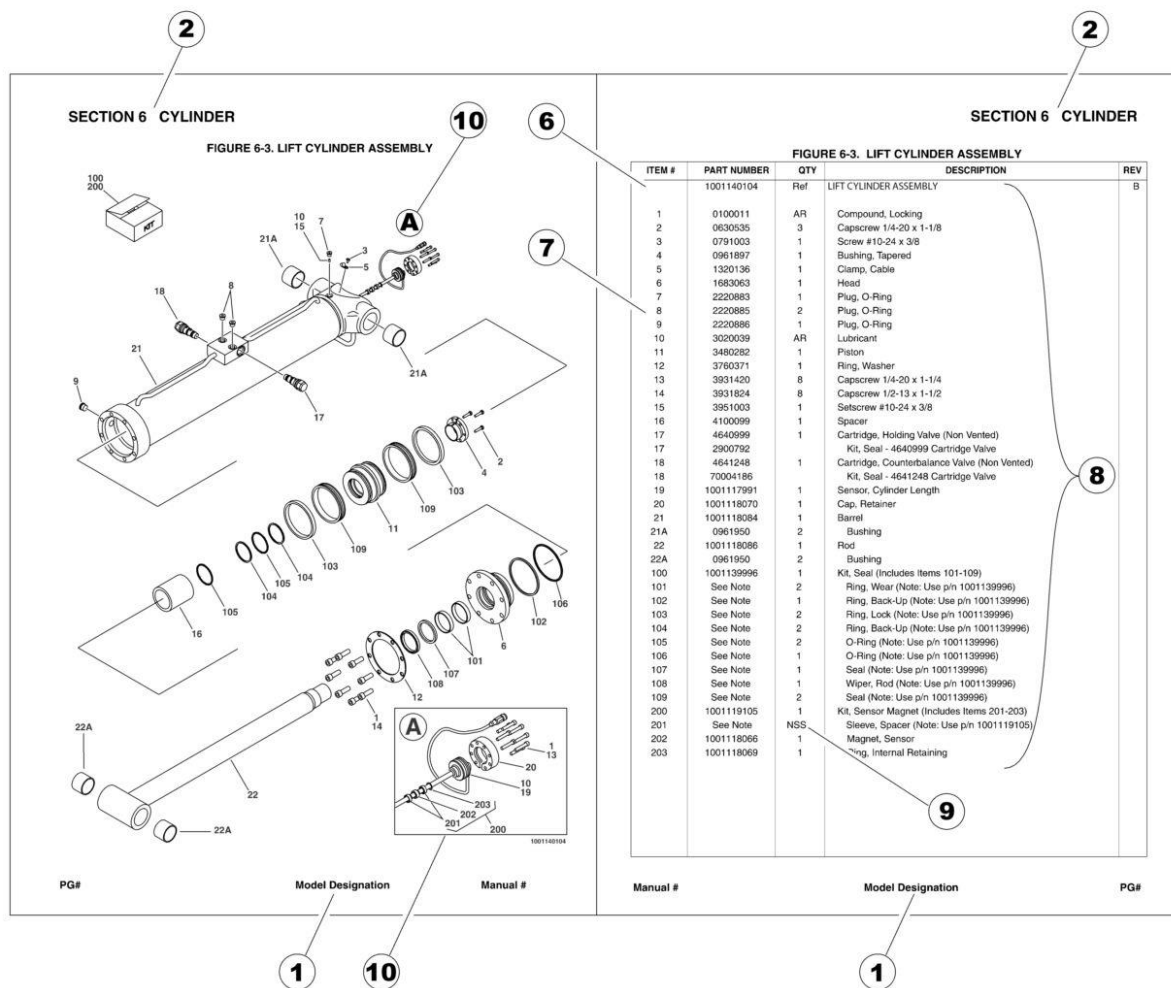


## **REVISION LOG**

**October 10, 2022 - A - Original Issue of Manual (Edited to 1001250000 Rev U)**

**March 1, 2023 - B - Revised of Manual (Edited to 1001250000 Rev V)**

# GENERAL INFORMATION



## 1) MACHINE IDENTIFICATION

Machines are identified by model and in some cases a combination of models, serial number (SN) or regional standard (i.e ANSI, CE, CSA). Components may also be identified by SN or manufacturer. Common components that may be identified by these characteristics are engines and hydraulic components.

## 2) PARTS MANUAL ORGANIZATION

Product information in this manual is organized under section titles. Frame, Cylinder, Hydraulic and Electrical are a few examples. Each section is organized by figure and page number. The information within the Figure is then organized by item number, part number, description and corresponding illustration (s).

## 3) TABLE OF CONTENTS (NOT SHOWN)

A table of contents is found toward the beginning of the manual. Figure number, description and page number are provided for quick reference to the page containing the related information.

## 4) RECOMMENDED SPARE PARTS (NOT SHOWN)

The Recommended Spare Parts List, located near the end of the manual, reference most frequently used maintenance parts.

## 5) PART NUMBER INDEX (NOT SHOWN)

A numerical index listing all part numbers and the corresponding page number(s) appears at the back of the manual.



## GENERAL INFORMATION

### 6) NON-SERVICED PARTS

In some instances, it is necessary to display non-serviced parts, assemblies or installations. In the case of assemblies and installations there will be a Ref in the Qty. column. In case of parts that are not available for service within assemblies or components, there will be a NSS (Not Sold Separately) or NLA (No Longer Available) listed in the Qty. column of the manual.

### 7) PARTS LIST ITEM NUMBERS

Numbers shown in the item# column correspond to numbers used in the associated illustration (s). Item numbers which are missing from the sequence in the parts list are not used on that page.

### 8) INDENTED PARTS DESCRIPTION

An indented part description is included in the item under which it is indented.

### 9) ABBREVIATION AND SYMBOLS

AC.....	Alternating Current	L.....	Liter
ADE.....	Advanced Design Electronics	LB(LBS).....	Pounds
AG.....	Agricultural	LCD.....	Liquid Crystal Display
ANSI.....	American National Standards Institute	LED.....	Light Emitting Diodes
AR.....	As Required	LH.....	Left Hand
ASSY.....	Assembly	LRC.....	Low Rated Countries
AUS.....	Australia	LSS.....	Load Sensing System
AUX.....	Auxiliary	M(m).....	Metric/Meter
AWG.....	American Wire Gauge	MM(mm).....	Milimeter
B/M.....	Bill of Material	mA.....	Miliamps
CAC.....	Charge Air Cooler	NLA.....	No Longer Available
CE.....	European Conformity	NPT.....	National Pipe Threads
CCW.....	Counter Clockwise	NSS.....	Not Sold Separately
CM.....	Centimeter	OD.....	Outside Diameter
CW.....	Clockwise	ORB.....	O-Ring Boss
CSA.....	Canadian Standards Association	ORFS.....	O-Ring Face Seal
CYL.....	Cylinder	OZ (oz).....	Ounces
DIA.....	Diameter	PG.....	Page
DC.....	Direct Current	PN.....	Part Number
DEF.....	Diesel Exhaust Fluid	QT(qt.).....	Quarts
EMS.....	Emergency Stop	QTY.....	Quantity
ENG.....	Engine	REF.....	Reference
FT(ft).....	Feet	REV.....	Revision Level
GA(Ga).....	Gauge	RH.....	Right Hand
HRC.....	High Rated Countries	SAE.....	Society of Automotive Engineers
HVAC.....	Heating, Ventilating, and Air Conditioning	SN.....	Serial Number
HYD.....	Hydraulic	SPEC(S).....	Specifications
Hz.....	Hertz	T/T.....	Turntable
ID.....	Inside Diameter	UGM.....	Universal Ground Module
IN.....	inches	V.....	Volts
ISO.....	International Organization for Standards	W.....	Watts
JIC.....	Joint Industry Council	#.....	Number
KG.....	Kilogram		

### 10) ILLUSTRATION REFERENCE LETTERS

When necessary, illustrations may contain reference letters that are intended to track information (i. e. hoses, harnesses) from one point to another or to track visual enlargement of components to show details that may be located in another area on the illustration.

*Note: Due to continuous product improvements, JLG Industries, Inc. reserves the right to make specification changes without prior notification. Contact JLG Industries, Inc. for updated information.*



# TABLE OF CONTENTS

SECTION 1 - FRAME.....	11
FIGURE 1-1. STEER INSTALLATION.....	12
FIGURE 1-2. DRIVE COMPONENTS INSTALLATION - MACHINES WITH SN STARTING WITH B2 AND M2 (Prior to SN M200012111) .....	14
FIGURE 1-3. DRIVE COMPONENTS INSTALLATION - MACHINES WITH SN STARTING WITH M2 (SN M20001211 to Present) .....	16
FIGURE 1-4. DRIVE MOTOR ASSEMBLY - MACHINES WITH SN STARTING WITH B2 AND M2 (Prior to SN M200012111)...	18
FIGURE 1-5. DRIVE MOTOR ASSEMBLY - MACHINES WITH SN STARTING WITH M2 (SN M20001211 to Present).....	20
FIGURE 1-6. DRIVE MOTOR ASSEMBLY - MACHINES WITH SN STARTING WITH M2 (SN M20001211 to Present).....	22
FIGURE 1-7. TIRE/WHEEL INSTALLATION.....	24
FIGURE 1-8. POTHOLE PROTECTION SYSTEM INSTALLATION .....	26
FIGURE 1-9. TILT SENSOR INSTALLATION .....	28
FIGURE 1-10. BATTERY CHARGER INSTALLATION - DELTA-Q (LESS AC CABLE) .....	30
FIGURE 1-11. BATTERY CHARGER INSTALLATION - DELTA-Q WITH CAN TERMINAL (LESS AC CABLE).....	32
FIGURE 1-12. BATTERY CHARGER INSTALLATION - GREEN POWER (LESS AC CABLE).....	34
FIGURE 1-13. STROBE LIGHT INSTALLATION - SINGLE (AMBER) (WITH GUARD).....	36
FIGURE 1-14. STROBE LIGHT INSTALLATION - DUAL (AMBER) (WITH GUARD) .....	38
FIGURE 1-15. ALARM INSTALLATION (AMBIENT/WHITE NOISE) .....	40
FIGURE 1-16. LADDER INSTALLATION (ALL SPECS EXCEPT JAPANESE SPECS) .....	42
FIGURE 1-17. LADDER INSTALLATION (JAPANESE SPECS).....	44
FIGURE 1-18. FRAME COVER INSTALLATION .....	46
SECTION 2 - GROUND CONTROLS .....	49
FIGURE 2-1. HYDRAULIC COMPONENT INSTALLATION.....	50
FIGURE 2-2. MOTOR/PUMP/TANK ASSEMBLY.....	52
FIGURE 2-3. CLEANGUARD INSTALLATION.....	54
FIGURE 2-4. ELECTRICAL COMPONENTS INSTALLATION (WITHOUT LSS WITH PLATFORM DRIVE SELECT SWITCH) (MACHINES WITH SN STARTING WITH 12, B2, G2 & M2).....	56
FIGURE 2-5. ELECTRICAL COMPONENTS INSTALLATION (WITH LSS WITH PLATFORM DRIVE SELECT SWITCH) (MACHINES WITH SN STARTING WITH 12, B2, G2 & M2).....	58
FIGURE 2-6. MOBILE CONTROL INSTALLATION.....	60
FIGURE 2-7. MDI INSTALLATION.....	62
FIGURE 2-8. BATTERIES INSTALLATION - STANDARD BATTERIES WITHOUT DISCONNECT.....	64
FIGURE 2-9. BATTERIES INSTALLATION - STANDARD BATTERIES WITH DISCONNECT .....	66
FIGURE 2-10. BATTERIES INSTALLATION - AGM BATTERIES WITHOUT DISCONNECT .....	68
FIGURE 2-11. BATTERIES INSTALLATION - AGM VISION BATTERIES WITHOUT DISCONNECT .....	70
FIGURE 2-12. BATTERIES INSTALLATION - AGM BATTERIES WITH DISCONNECT.....	72
FIGURE 2-13. BATTERIES INSTALLATION - AGM VISION BATTERIES WITH DISCONNECT.....	74
FIGURE 2-14. DOORS INSTALLATION .....	76
SECTION 3 - SCISSOR ARMS.....	79
FIGURE 3-1. SCISSOR ARMS INSTALLATION (WITHOUT LSS) .....	80
FIGURE 3-2. SCISSOR ARMS INSTALLATION (WITH LSS).....	84
FIGURE 3-3. ARM GUARDS INSTALLATION .....	88
SECTION 4 - PLATFORM.....	91
FIGURE 4-1. PLATFORM INSTALLATION.....	92
FIGURE 4-2. PLATFORM EXTENSION INSTALLATION .....	94
FIGURE 4-3. RAILS INSTALLATION (1.0M TUBE IN TUBE) .....	96
FIGURE 4-4. RAILS INSTALLATION (1.1M TUBE IN TUBE) .....	98
FIGURE 4-5. RAILS INSTALLATION (SIDE BY SIDE) .....	100
FIGURE 4-6. GATE LATCH INSTALLATION .....	102
FIGURE 4-7. PLATFORM CONSOLE INSTALLATION (ALL SPECS).....	104
FIGURE 4-8. PLATFORM CONTROL PLUG INSTALLATION.....	106
SECTION 5 - CYLINDER.....	109
FIGURE 5-1. LIFT CYLINDER ASSEMBLY .....	110
FIGURE 5-2. STEER CYLINDER ASSEMBLY.....	112
SECTION 6 - HYDRAULIC .....	115

# TABLE OF CONTENTS

FIGURE 6-1. HYDRAULIC DIAGRAM .....	116
SECTION 7 - ELECTRICAL.....	119
FIGURE 7-1. AC BOX AT PLATFORM INSTALLATION - 110V GFI (ALL SPECS EXCEPT CE & UK CA SPECS).....	120
FIGURE 7-2. AC BOX AT PLATFORM INSTALLATION - 110V IEC YELLOW (CE & UK CA SPECS).....	122
FIGURE 7-3. AC BOX AT PLATFORM INSTALLATION - 220V IEC BLUE (CE & UK CA SPECS) .....	124
FIGURE 7-4. AC BOX AT PLATFORM INSTALLATION - 220V CEE7 POST GROUND (CE & UK CA SPECS) .....	126
FIGURE 7-5. AC BOX AT PLATFORM INSTALLATION - 220V CEE7 SIDE GROUND (CE & UK CA SPECS).....	128
FIGURE 7-6. AC BOX AT PLATFORM INSTALLATION - 220V AFSINT 107 (CE & UK CA SPECS).....	130
FIGURE 7-7. AC BOX AT PLATFORM INSTALLATION - 220V AUSTRALIAN PLUG (AUSTRALIAN SPECS) .....	132
FIGURE 7-8. AC BOX AT PLATFORM INSTALLATION - 220V CHINA PLUG (CHINA SPECS).....	134
FIGURE 7-9. AC BOX AT PLATFORM INSTALLATION - 220V LOCALLY SUPPLIED .....	136
FIGURE 7-10. BREAKER BOX KIT WITH 1 DOUBLE BREAKER (AUSTRALIAN SPECS).....	138
FIGURE 7-11. BREAKER BOX KIT WITH 1 DOUBLE BREAKER (CE & UK CA SPECS).....	140
FIGURE 7-12. BREAKER BOX KIT WITH 3 BREAKER .....	142
FIGURE 7-13. CHARGER HARNESS .....	144
FIGURE 7-14. CHARGER PLUG INSTALLATION (LOCALLY SUPPLIED PLUG) (ALL SPECS EXCEPT ANSI & AUSTRALIAN SPECS).....	146
FIGURE 7-15. CHARGER PLUG INSTALLATION (110V PLUG) (ANSI & CSA SPECS).....	148
FIGURE 7-16. CHARGER PLUG INSTALLATION (AUSTRALIAN PLUG) (AUSTRALIAN SPECS) .....	150
FIGURE 7-17. CHARGER PLUG INSTALLATION (110V IEC YELLOW PLUG) (CE & UK CA SPECS).....	152
FIGURE 7-18. CHARGER PLUG INSTALLATION (220V IEC BLUE PLUG) (CE & UK CA SPECS) .....	154
FIGURE 7-19. CHARGER PLUG INSTALLATION (220V CEE7 PLUG) (CE & UK CA SPECS) .....	156
FIGURE 7-20. CHARGER PLUG INSTALLATION (220V AFSINT107 PLUG) (CE & UK CA SPECS).....	158
FIGURE 7-21. CHARGER PLUG INSTALLATION (CHINA PLUG) (CHINA SPECS).....	160
FIGURE 7-22. CHARGER PLUG INSTALLATION (KOREAN PLUG) (KOREAN SPECS).....	162
FIGURE 7-23. CHASSIS HARNESS (WITHOUT LSS WITH PLATFORM DRIVE SELECT SWITCH) (MACHINES WITH SN STARTING WITH 12, B2, G2 & M2) .....	164
FIGURE 7-24. CHASSIS HARNESS (WITH LSS WITH PLATFORM DRIVE SELECT SWITCH) (MACHINES WITH SN STARTING WITH 12, B2, G2 & M2) .....	168
FIGURE 7-25. DRIVE CONTROL HARNESS.....	172
FIGURE 7-26. CLEARSKY INSTALLATION - 3 WIRE (ALL SPECS EXCEPT CHINA SPECS) .....	174
FIGURE 7-27. CLEARSKY INSTALLATION - 3G (ANSI EXPORT, CE & UK CA SPECS) .....	176
FIGURE 7-28. CLEARSKY INSTALLATION - 3G (AUSTRALIAN SPECS) .....	178
FIGURE 7-29. CLEARSKY INSTALLATION - 4G (ALL SPECS EXCEPT CHINA SPECS).....	180
FIGURE 7-30. CLEARSKY INSTALLATION - 4G (CHINA SPECS).....	182
FIGURE 7-31. CLEARSKY HARNESS - 3 WIRE (ALL SPECS EXCEPT CHINA SPECS) .....	184
FIGURE 7-32. CLEARSKY JUMPER HARNESS - 3 WIRE (ALL SPECS EXCEPT CHINA SPECS).....	186
FIGURE 7-33. CLEARSKY HARNESS - 3G & 4G .....	188
FIGURE 7-34. CLEARSKY SPLICE HARNESS - 3G & 4G .....	190
FIGURE 7-35. GROUND TO PLATFORM CABLE INSTALLATION - WITHOUT PLATFORM COIL CABLE/WITHOUT AC CABLE/WITHOUT FOOTSWITCH.....	192
FIGURE 7-36. GROUND TO PLATFORM CABLE INSTALLATION - WITHOUT PLATFORM COIL CABLE/WITH AC CABLE/WITHOUT FOOTSWITCH.....	194
FIGURE 7-37. GROUND TO PLATFORM CABLE INSTALLATION - WITHOUT PLATFORM COIL CABLE/WITH AC CABLE/WITHOUT FOOTSWITCH (AUSTRALIAN SPECS).....	196
FIGURE 7-38. GROUND TO PLATFORM CABLE INSTALLATION - WITHOUT PLATFORM COIL CABLE/WITHOUT AC CABLE/WITH FOOTSWITCH .....	198
FIGURE 7-39. GROUND TO PLATFORM CABLE INSTALLATION - WITHOUT PLATFORM COIL CABLE/WITH AC CABLE/WITH FOOTSWITCH .....	200
FIGURE 7-40. GROUND TO PLATFORM CABLE INSTALLATION - WITH PLATFORM COIL CABLE/WITHOUT AC CABLE/WITHOUT FOOTSWITCH.....	202
FIGURE 7-41. GROUND TO PLATFORM CABLE INSTALLATION - WITH PLATFORM COIL CABLE/WITH AC CABLE/WITHOUT FOOTSWITCH.....	204
FIGURE 7-42. GROUND TO PLATFORM CABLE INSTALLATION - WITH PLATFORM COIL CABLE/WITH AC CABLE/WITHOUT FOOTSWITCH (AUSTRALIAN SPECS).....	206
FIGURE 7-43. GROUND TO PLATFORM CABLE INSTALLATION - WITH PLATFORM COIL CABLE/WITHOUT AC CABLE/WITH FOOTSWITCH .....	208
FIGURE 7-44. GROUND TO PLATFORM CABLE INSTALLATION - WITH PLATFORM COIL CABLE/WITH AC CABLE/WITH FOOTSWITCH .....	210
FIGURE 7-45. LIFT DOWN HARNESS (WITHOUT LSS).....	212
FIGURE 7-46. LIFT DOWN HARNESS (WITH LSS) .....	214
FIGURE 7-47. PLATFORM CONTROL BOX HARNESS .....	216
FIGURE 7-48. RECEPTACLE BOX KIT - 110V GFI .....	218
FIGURE 7-49. RECEPTACLE BOX KIT - 110V IEC YELLOW (CE & UK CA SPEC).....	220
FIGURE 7-50. RECEPTACLE BOX KIT - 220V IEC BLUE (CE & UK CA SPEC) .....	222

# TABLE OF CONTENTS

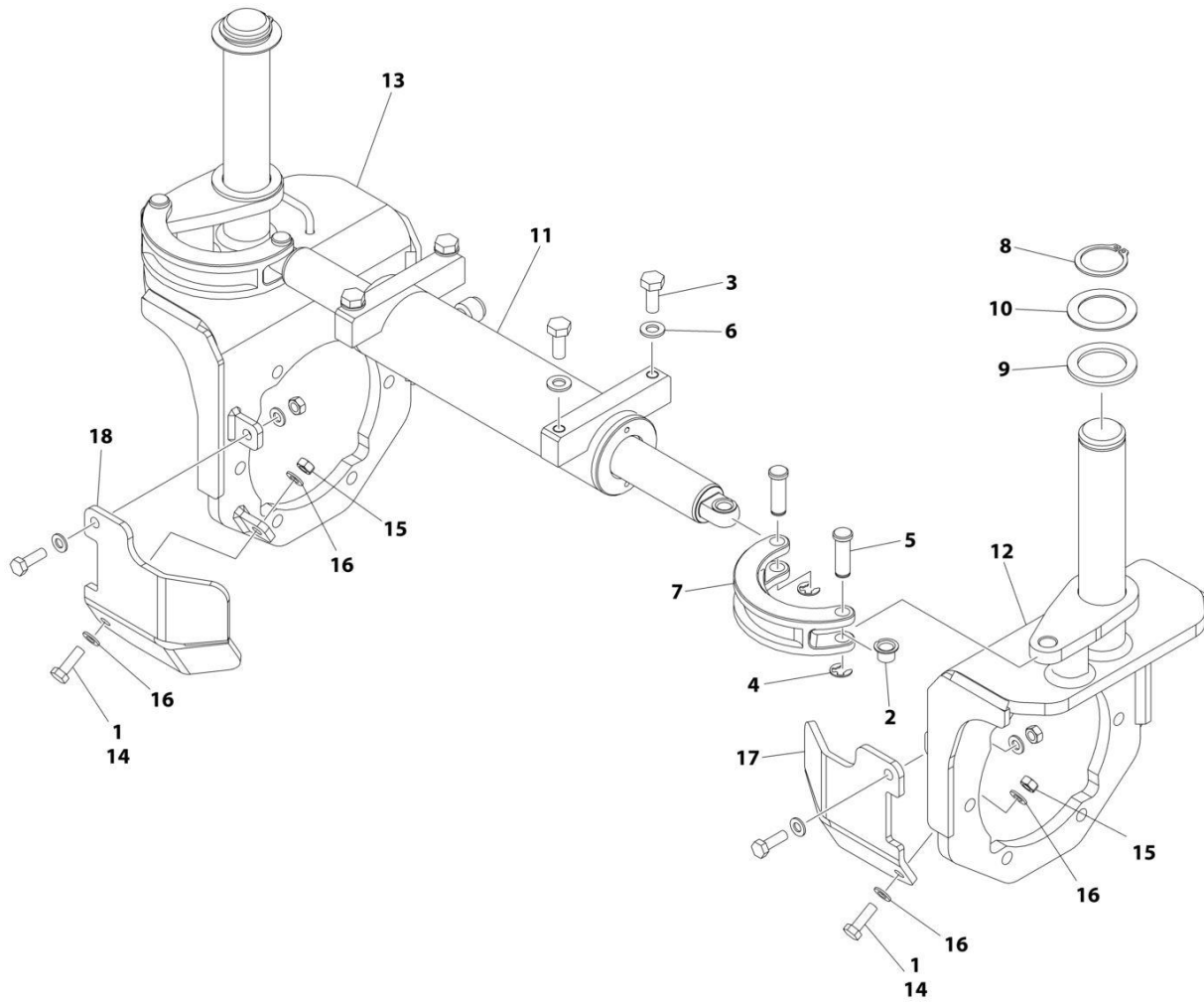
FIGURE 7-51. RECEPTACLE BOX KIT - 220V CEE7 POST GROUND (CE & UK CA SPEC) .....	224
FIGURE 7-52. RECEPTACLE BOX KIT - 220V CEE7 SIDE GROUND (CE & UK CA SPEC).....	226
FIGURE 7-53. RECEPTACLE BOX KIT - 220V AFSINT 107 (CE & UK CA SPEC).....	228
FIGURE 7-54. INVERTER INSTALLATION .....	230
FIGURE 7-55. HARNESS, AC EXTENSION .....	232
FIGURE 7-56. HARNESS, INVERTER.....	234
SECTION 8 - DECALS.....	237
FIGURE 8-1. DECALS INSTALLATION (ANSI SPECS) .....	238
FIGURE 8-2. DECALS INSTALLATION (CE & UK CA SPECS) .....	242
FIGURE 8-3. DECALS INSTALLATION (CHINA SPECS).....	246
FIGURE 8-4. DECALS INSTALLATION (CSA SPECS) .....	250
FIGURE 8-5. DECALS INSTALLATION (JAPANESE SPECS) .....	254
FIGURE 8-6. DECALS INSTALLATION (KOREAN SPECS).....	258
FIGURE 8-7. DECAL INSTALLATION - OPTIONS .....	262
SECTION 9 - RECOMMENDED SERVICE PARTS STOCK .....	265
FIGURE 9-1. RECOMMENDED SERVICE PARTS STOCK .....	266
SECTION 10 - SPECIAL OPTIONS/ACCESSORIES/KITS .....	267
FIGURE 10-1. SPECIAL OPTIONS/ACCESSORIES/KITS .....	268
PART NUMBER INDEX .....	269



**SECTION 1 - FRAME**

# SECTION 1 - FRAME

## FIGURE 1-1. STEER INSTALLATION



ART\_1001243106



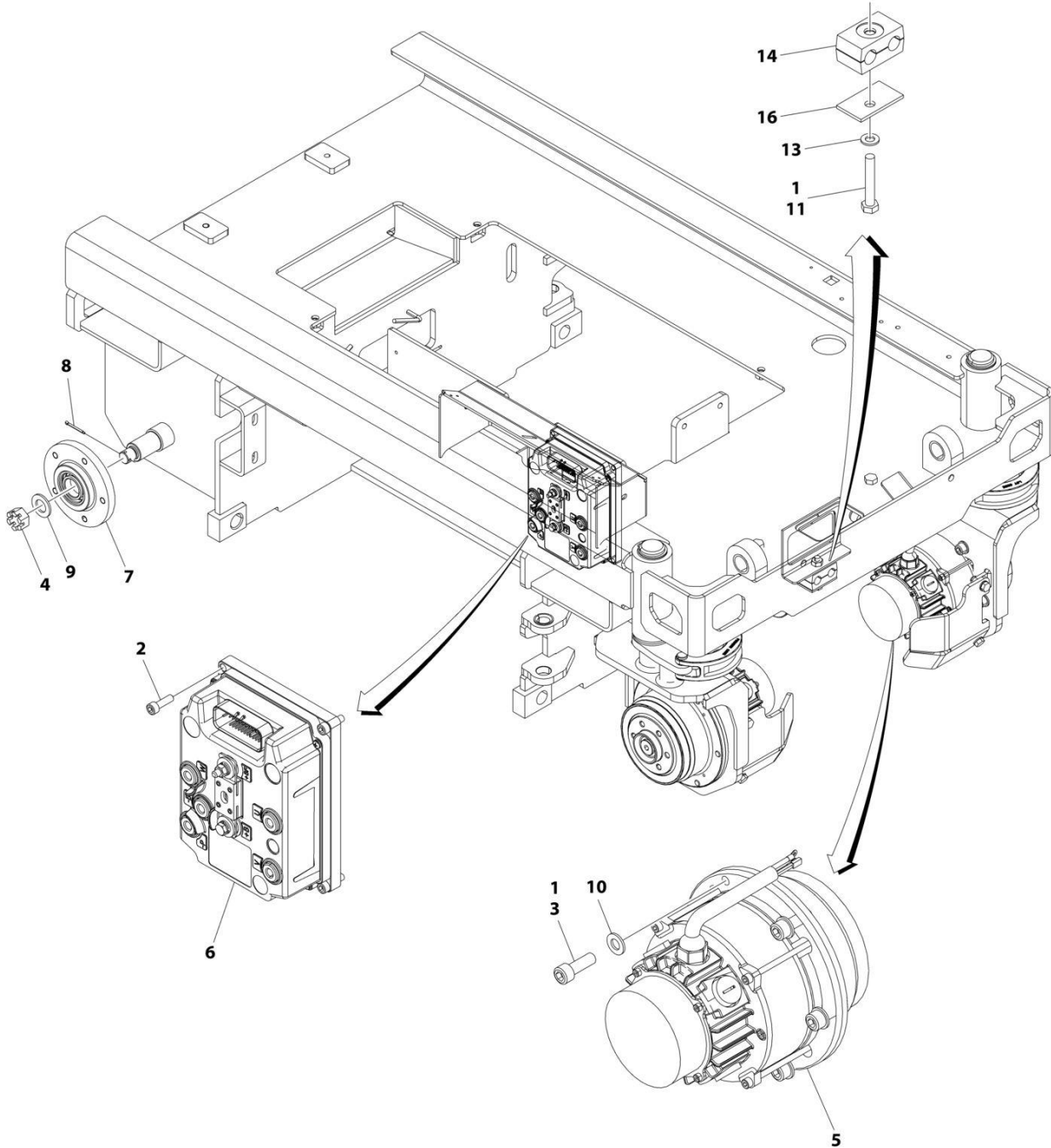
# SECTION 1 - FRAME

## FIGURE 1-1. STEER INSTALLATION

ITEM	PART NUMBER	QTY	DESCRIPTION	REV
	1001243106	Ref	STEER INSTALLATION	B
1	0100011	AR	Compound, Locking	
2	0440259	2	Bearing	
3	0761012	4	Bolt M10 x 25	
4	1380153	4	Clip	
5	3423037	4	Pin	
6	4812000	4	Washer M10	
7	4846757	2	Lug, Steering	
8	1001099560	2	Ring, Retaining	
9	1001233524	2	Washer	
10	1001233525	2	Washer	
11	1001234461	1	Steer Cylinder Assembly (See Separate Breakdown in CYLINDER SECTION)	
12	1001243248	1	Spindle (LH)	
13	1001243249	1	Spindle (RH)	
14	0760812	4	Bolt M8 x 25	
15	3290801	4	Nut M8	
16	4811900	8	Washer M8	
17	1001246920	1	Cover (LH)	
18	1001246921	1	Cover (RH)	
100	1001236834	4	Bearing (Part of Frame) (Not Shown)	

# SECTION 1 - FRAME

FIGURE 1-2. DRIVE COMPONENTS INSTALLATION - MACHINES WITH SN STARTING WITH B2 AND M2 (Prior to SN M200012111)



ART\_1001241599

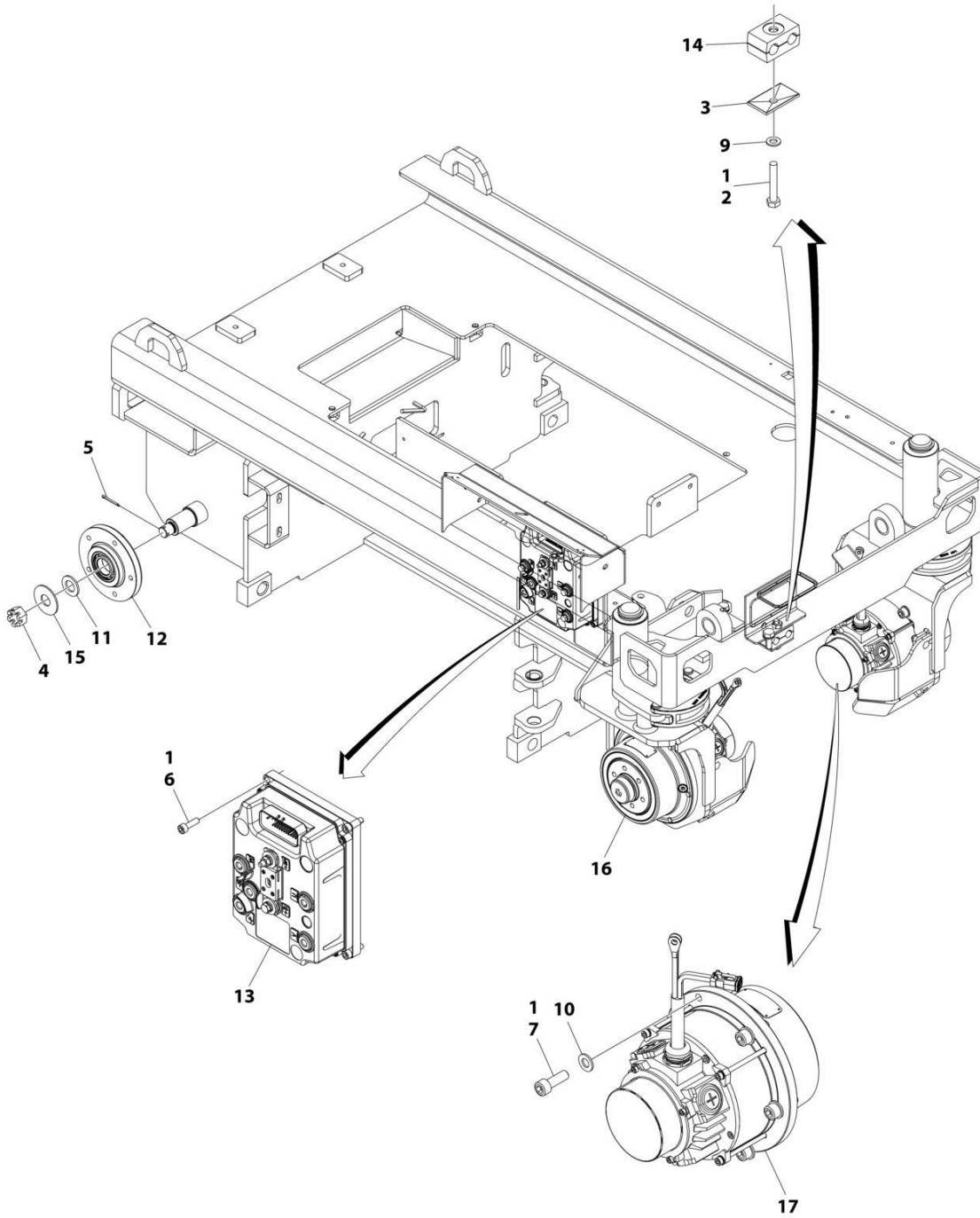
## SECTION 1 - FRAME

**FIGURE 1-2. DRIVE COMPONENTS INSTALLATION - MACHINES WITH SN STARTING WITH B2 AND M2 (Prior to SN M200012111)**

ITEM	PART NUMBER	QTY	DESCRIPTION	REV
	1001241599	Ref	DRIVE COMPONENTS INSTALLATION	G
1	0100011	AR	Compound, Locking	
2	4031708	4	Capscrew M6 x 20	
3	4032010	12	Capscrew M10 x 30	
4	3322203	2	Nut 3/4	
5	1001243257	2	Drive Motor Assembly (See Separate Breakdown in this Section)	
6	1001243107	1	Module, Control (Drive) (Note: Recalibration Required when Replaced.)	
7	1001242978	2	Hub, Assembly	
7	1001242980	4	Bearing (2 Per Hub)	
8	3391210	2	Pin, Cotter 3.2 x 30	
9	4812500	2	Washer M20	
10	4812000	12	Washer M10	
11	0700818	1	Bolt M8 x 50	
13	4811900	1	Washer M8	
14	1001249667	1	Clamp	
15	4240017	AR	Tie-Strap (Not Shown)	
16	1321752	1	Plate, Clamp	

# SECTION 1 - FRAME

FIGURE 1-3. DRIVE COMPONENTS INSTALLATION - MACHINES WITH SN STARTING WITH M2 (SN M20001211 to Present)



ART\_1001288781

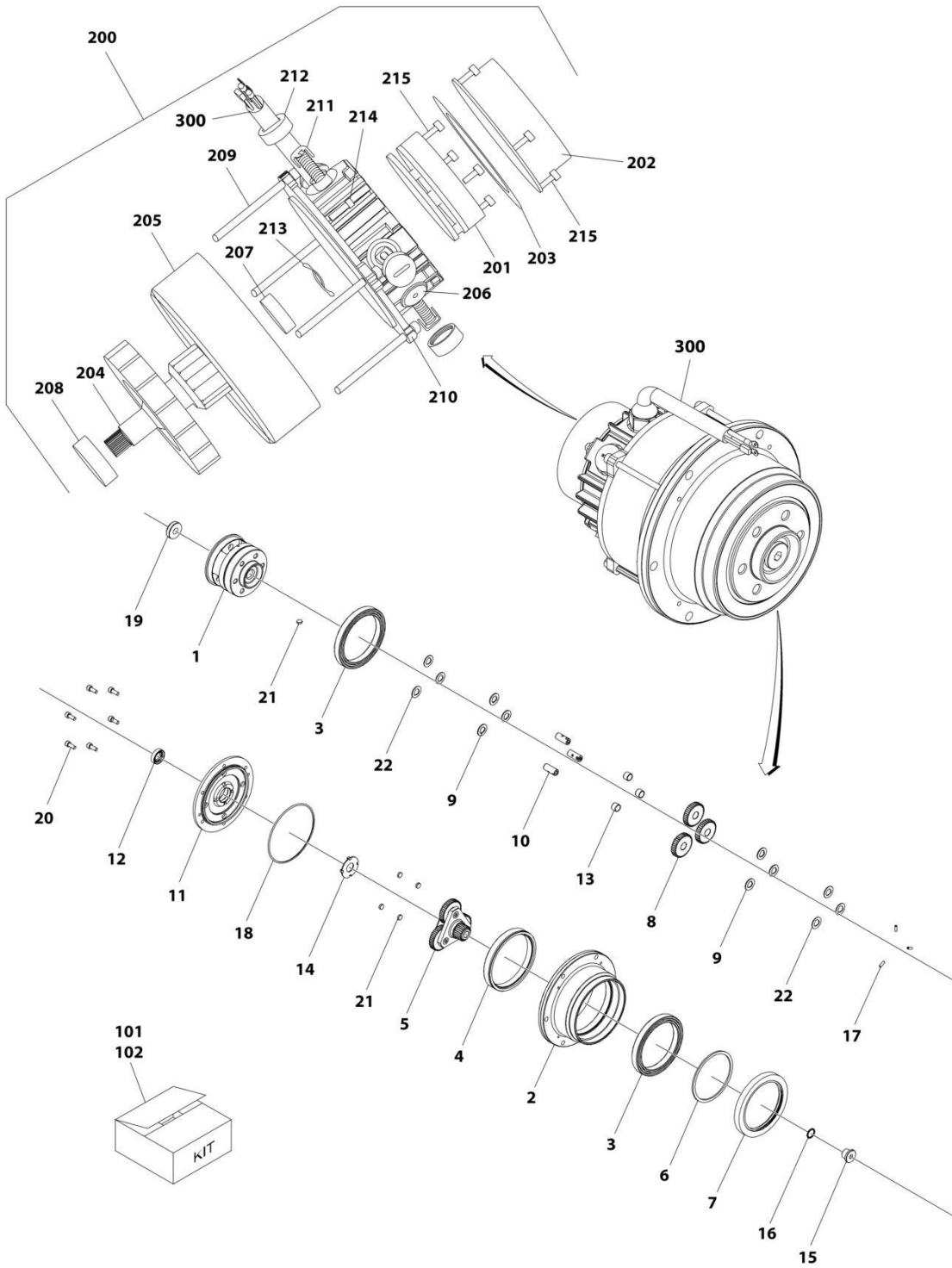
## SECTION 1 - FRAME

**FIGURE 1-3. DRIVE COMPONENTS INSTALLATION - MACHINES WITH SN STARTING WITH M2 (SN M20001211 to Present)**

ITEM	PART NUMBER	QTY	DESCRIPTION	REV
	1001288781	Ref	DRIVE COMPONENTS INSTALLATION	A
1	0100011	AR	Compound, Locking	
2	0700818	1	Bolt M8 x 50	
3	1321752	1	Plate, Clamp	
4	3322203	2	Nut 3/4	
5	3391210	2	Pin, Cotter 3.2 x 30	
6	4031708	4	Capscrew M6 x 20	
7	4032010	12	Capscrew M10 x 30	
8	4240017	AR	Tie-Strap (Not Shown)	
9	4811900	1	Washer M8	
10	4812000	12	Washer M10	
11	4812500	2	Washer M20	
12	1001242978	2	Hub, Assembly	
12	1001242980	4	Bearing (2 Per Hub)	
13	1001243107	1	Module, Control (Drive) (Note: Recalibration Required when Replaced.)	
14	1001249667	1	Clamp	
15	1001255208	2	Washer M8	
16	1001270168	1	Drive Motor Assembly (See Separate Breakdown in this Section)	
17	1001270169	1	Drive Motor Assembly (See Separate Breakdown in this Section)	

# SECTION 1 - FRAME

FIGURE 1-4. DRIVE MOTOR ASSEMBLY - MACHINES WITH SN STARTING WITH B2 AND M2 (Prior to SN M200012111)



ART\_1001243257

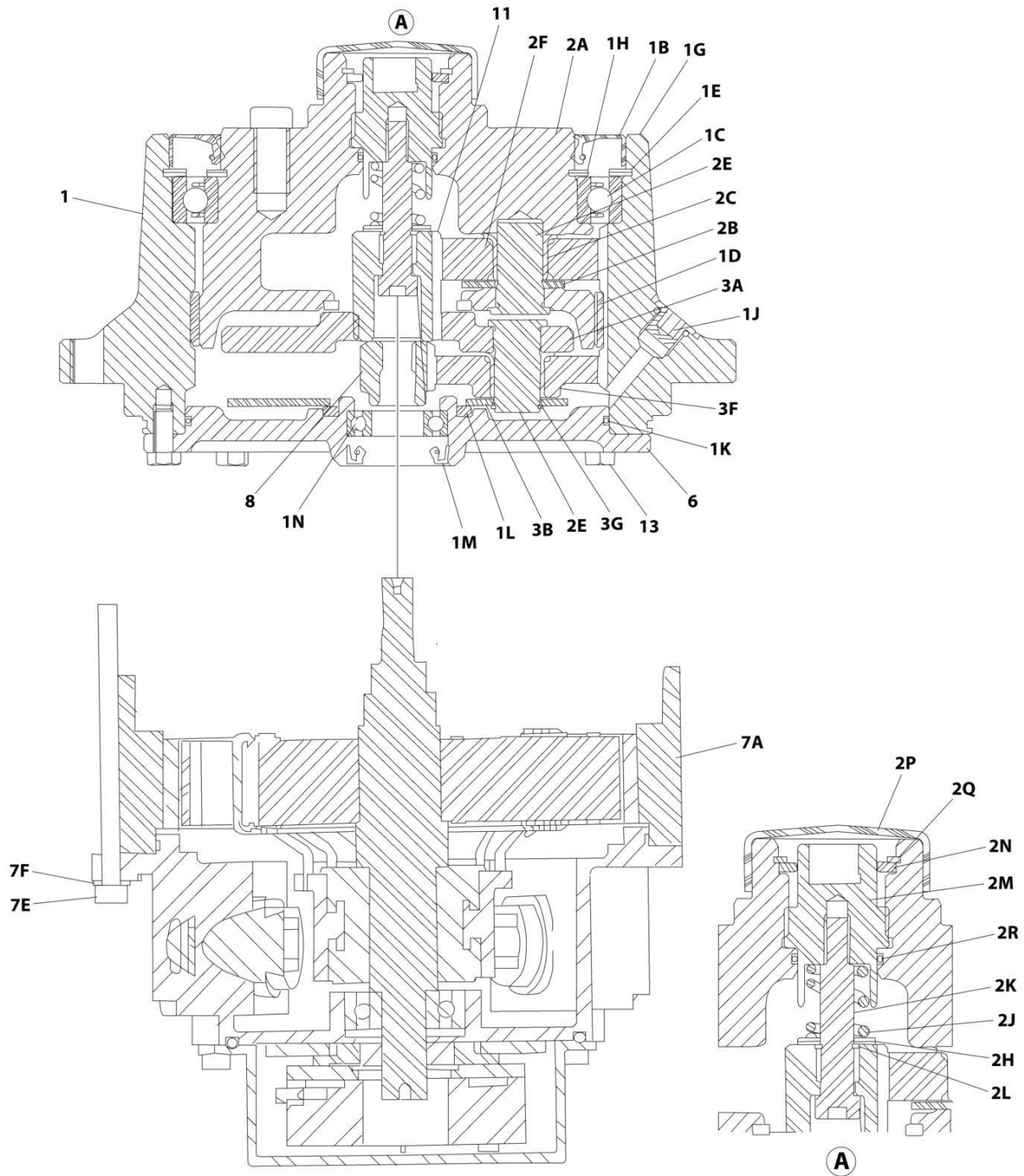
## SECTION 1 - FRAME

**FIGURE 1-4. DRIVE MOTOR ASSEMBLY - MACHINES WITH SN STARTING WITH B2 AND M2 (Prior to SN M200012111)**

ITEM	PART NUMBER	QTY	DESCRIPTION	REV
	1001243257	Ref	DRIVE MOTOR ASSEMBLY	F
1	70007267	1	Spindle/Carrier	
2	70007266	1	Ring Gear	
3	See Note	NSS	Bearing (Note: Use Item 101)	
4	70007265	1	Ring Gear	
5	70007264	1	Carrier Sub-Assembly - Primary	
6	70007263	1	Ring, Retaining	
7	See Note	NSS	Seal, Lip (Note: Use Item 101 or 102)	
8	70007262	3	Gear, Planet - Secondary	
9	70007261	6	Washer	
10	70007260	3	Shaft, Planet	
11	70007259	1	Cap, End	
12	See Note	NSS	Seal, Lip (Note: Use Item 101 or 102)	
13	See Note	NSS	Bearing (Note: Use Item 101)	
14	70007258	1	Thrustwasher	
15	70007257	1	Plug	
16	See Note	NSS	O-Ring (Note: Use Item 101 or 102)	
17	70007256	3	Pin	
18	See Note	NSS	O-Ring (Note: Use Item 101 or 102)	
19	70007255	1	Thrustwasher	
20	70007254	6	Capscrew M6	
21	70007253	5	Magnet	
22	70007252	6	Washer	
101	70007269	1	Bearing Kit (Includes Items 3,7,12,13,16,18)	
102	70007268	1	Seal Kit (Includes Items 7,12,16,18)	
200	70007270	1	Motor Kit (Includes Items 201-215)	
201	7007271	1	Brake, Electric	
202	See Note	NSS	Cover (Note: Use Item 200)	
203	70007273	1	Gasket	
204	See Note	NSS	Armature (Note: Use Item 200)	
205	See Note	NSS	Frame & Field (Note: Use Item 200)	
206	See Note	NSS	Plug (Note: Use Item 200)	
207	See Note	NSS	Bearing (Note: Use Item 200)	
208	See Note	NSS	Bearing (Note: Use Item 200)	
209	See Note	NSS	Capscrew (Note: Use Item 200)	
210	See Note	NSS	Commutator (Note: Use Item 200)	
211	70007272	4	Brush	
212	70007274	4	Cover, Brush	
213	See Note	NSS	Washer, Wavy (Note: Use Item 200)	
214	See Note	3	Capscrew	
215	70007275	8	Capscrew M4 x 12	
300	1001246639	1	Motor Harness	
300	4460891	1	Plug, Male - 2 Position	
300	4460465	2	Socket, Female	

# SECTION 1 - FRAME

FIGURE 1-5. DRIVE MOTOR ASSEMBLY - MACHINES WITH SN STARTING WITH M2 (SN M20001211 to Present)



ART\_1001270168



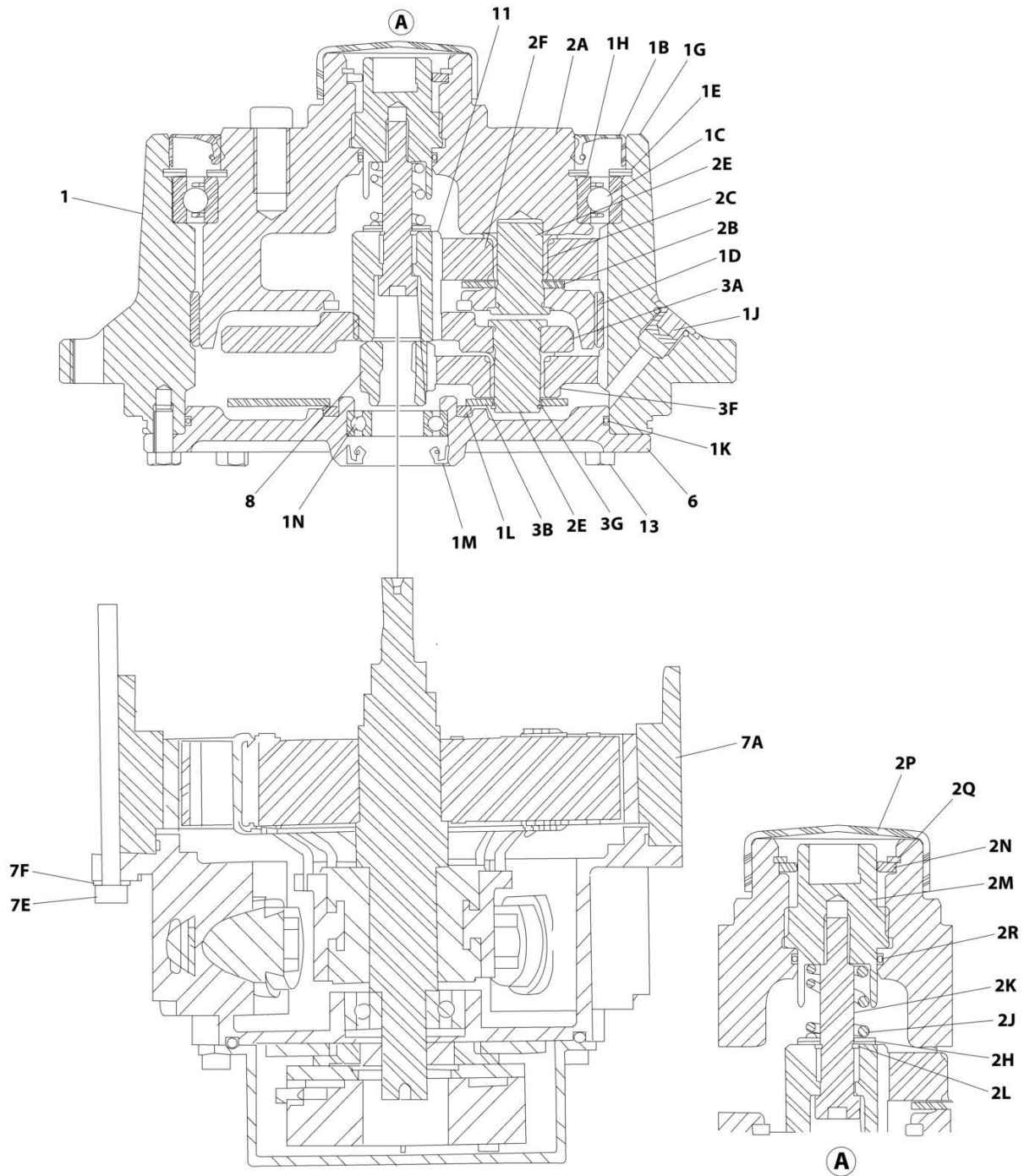
## SECTION 1 - FRAME

**FIGURE 1-5. DRIVE MOTOR ASSEMBLY - MACHINES WITH SN STARTING WITH M2 (SN M20001211 to Present)**

ITEM	PART NUMBER	QTY	DESCRIPTION	REV
	1001270168	Ref	DRIVE MOTOR/HUB ASSEMBLY	C
1	See Note	NSS	Hub Assembly (Note: Purchase Individual Components)	
1B	70007915	1	Seal, Lip	
1C	70007911	1	Bearing	
1D	70007914	1	Bushing	
1E	70007920	1	Ring, Retaining	
1G	See Note	NSS	Housing/Ring Gear (Note: Use PN 1001270168)	
1H	70007921	1	Ring, Retaining	
1J	70007927	3	Plug	
1K	70007925	1	O-Ring	
1K	70007551	1	O-Ring	
1L	70007930	2	Washer, Thrust	
1M	70007916	1	Seal, Lip	
1N	70007913	1	Bearing	
2	See Note	NSS	Spindle/Carrier Assembly (Not Shown - Note: Purchase Individual Components)	
2A	See Note	NSS	Spindle/Carrier	
2B	70007931	2	Plate, Thrust	
2C	70007912	7	Bushing	
2E	70007905	7	Shaft, Planet	
2F	70007907	4	Gear, Planet	
2H	70007932	2	Washer, Thrust	
2J	70007917	1	Spring	
2K	70007923	1	Bolt 1/2 x 1-1/4	
2L	70007922	1	Ring, Retaining	
2M	70007909	1	Coupling	
2N	70007928	1	Washer	
2P	70007910	1	Cover	
2Q	70007919	1	Ring, Retaining	
2R	70007926	1	O-Ring	
3	See Note	NSS	Carrier Assembly (Not Shown - Note: Purchase Individual Components)	
3A	70007904	1	Carrier	
3B	70007929	1	Plate, Thrust	
3F	70007906	3	Gear, Planet	
3G	70007918	3	Ring, Retaining	
6	7000790	1	Cover	
7	See Note	NSS	Motor Assembly (Not Shown - Note: Purchase Individual Components)	
7A	70007935	1	Motor, Replacement	
7E	70007933	4	Bolt M5 x 75	
7F	70007934	4	Washer	
8	70007902	1	Gear, Sun	
11	70007903	1	Gear, Sun	
13	70007924	6	Bolt M5 x 12	

# SECTION 1 - FRAME

FIGURE 1-6. DRIVE MOTOR ASSEMBLY - MACHINES WITH SN STARTING WITH M2 (SN M20001211 to Present)



ART\_1001270169

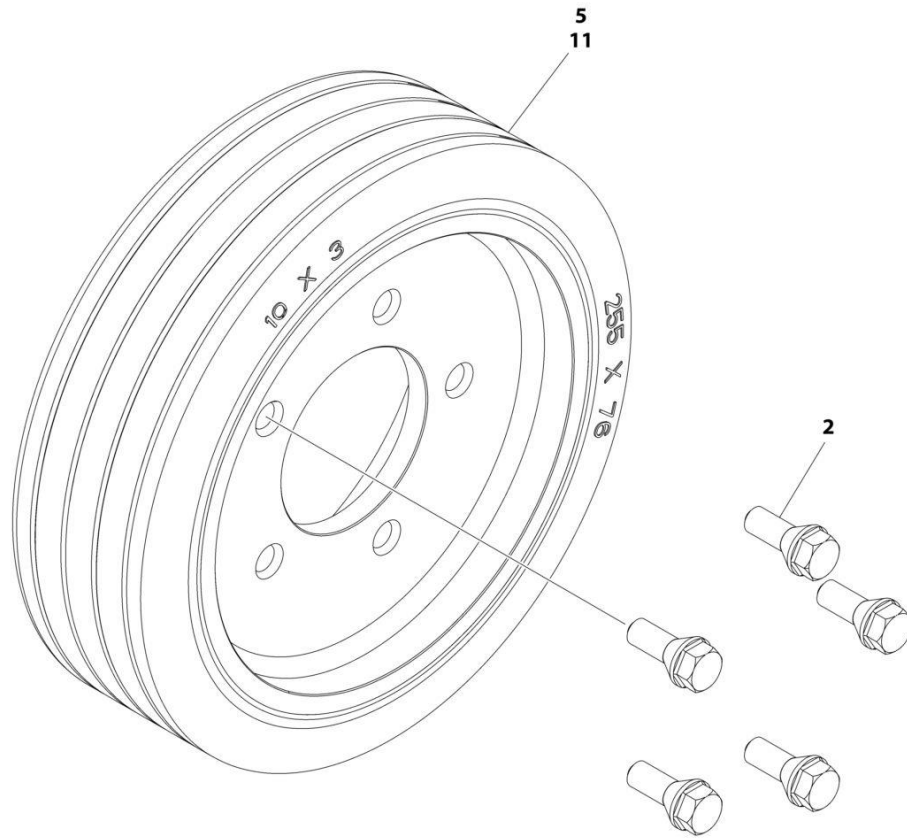
## SECTION 1 - FRAME

**FIGURE 1-6. DRIVE MOTOR ASSEMBLY - MACHINES WITH SN STARTING WITH M2 (SN M20001211 to Present)**

ITEM	PART NUMBER	QTY	DESCRIPTION	REV
	1001270169	Ref	DRIVE MOTOR/HUB ASSEMBLY	C
1	See Note	NSS	Hub Assembly (Note: Purchase Individual Components)	
1B	70007915	1	Seal, Lip	
1C	70007911	1	Bearing	
1D	70007914	1	Bushing	
1E	70007920	1	Ring, Retaining	
1G	See Note	NSS	Housing/Ring Gear (Note: Use PN 1001270169)	
1H	70007921	1	Ring, Retaining	
1J	70007927	3	Plug	
1K	70007925	1	O-Ring	
1K	70007551	1	O-Ring	
1L	70007930	2	Washer, Thrust	
1M	70007916	1	Seal, Lip	
1N	70007913	1	Bearing	
2	See Note	NSS	Spindle/Carrier Assembly (Not Shown - Note: Purchase Individual Components)	
2A	See Note	NSS	Spindle/Carrier	
2B	70007931	2	Plate, Thrust	
2C	70007912	7	Bushing	
2E	70007905	7	Shaft, Planet	
2F	70007907	4	Gear, Planet	
2H	70007932	2	Washer, Thrust	
2J	70007917	1	Spring	
2K	70007923	1	Bolt 1/2 x 1-1/4	
2L	70007922	1	Ring, Retaining	
2M	70007909	1	Coupling	
2N	70007928	1	Washer	
2P	70007910	1	Cover	
2Q	70007919	1	Ring, Retaining	
2R	70007926	1	O-Ring	
3	See Note	NSS	Carrier Assembly (Not Shown - Note: Purchase Individual Components)	
3A	70007904	1	Carrier	
3B	70007929	1	Plate, Thrust	
3F	70007906	3	Gear, Planet	
3G	70007918	3	Ring, Retaining	
6	7000790	1	Cover	
7	See Note	NSS	Motor Assembly (Not Shown - Note: Purchase Individual Components)	
7A	70007936	1	Motor, Replacement	
7E	70007933	4	Bolt M5 x 75	
7F	70007934	4	Washer	
8	70007902	1	Gear, Sun	
11	70007903	1	Gear, Sun	
13	70007924	6	Bolt M5 x 12	

# SECTION 1 - FRAME

## FIGURE 1-7. TIRE/WHEEL INSTALLATION



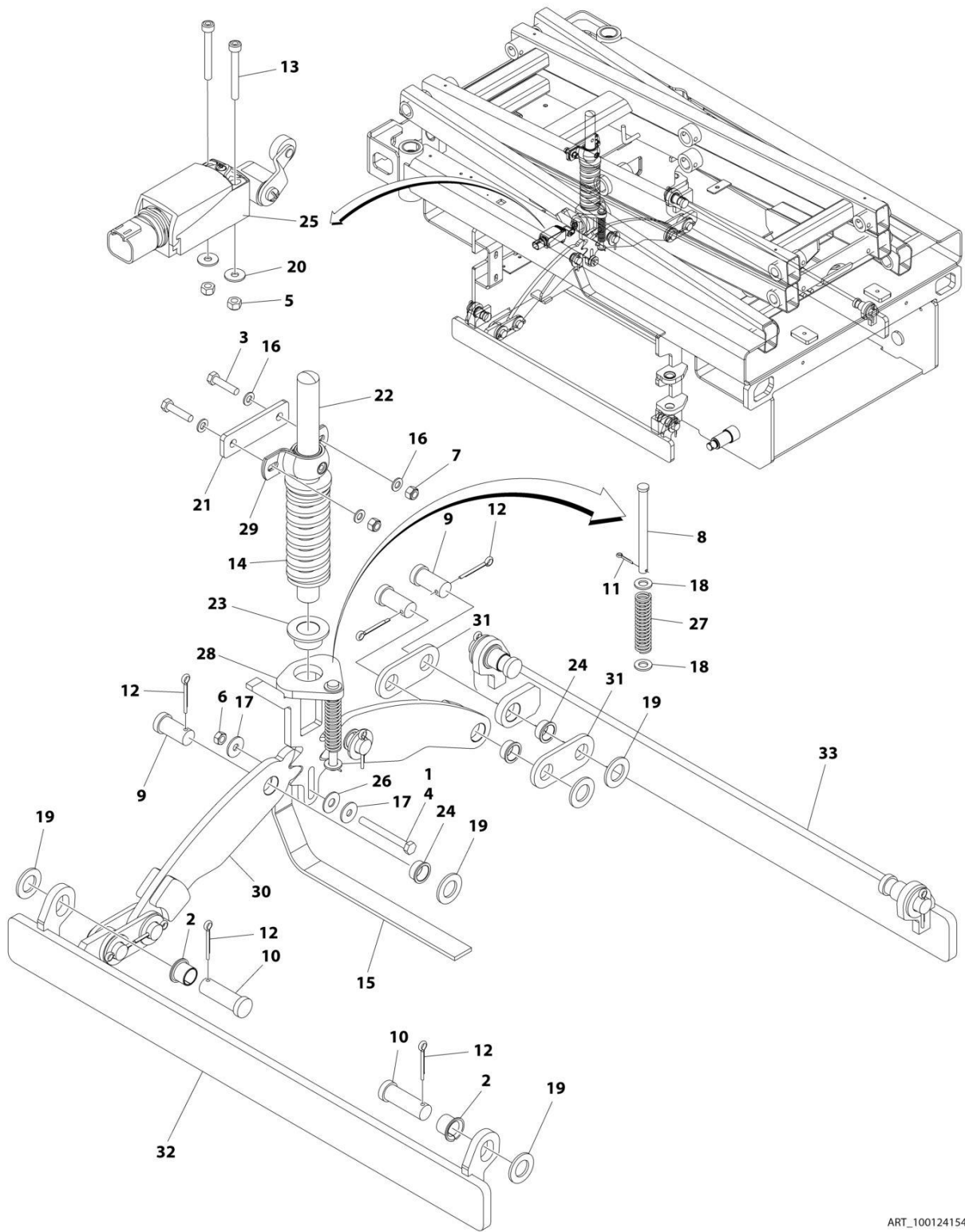
ART\_1001241546

**FIGURE 1-7. TIRE/WHEEL INSTALLATION**

<b>ITEM</b>	<b>PART NUMBER</b>	<b>QTY</b>	<b>DESCRIPTION</b>	<b>REV</b>
	1001241546	Ref	TIRE/WHEEL INSTALLATION	E
		Ref	Note: Must Replace Tire and Wheel Assemblies in Pairs Per Axle	
2	1001245139	22	Bolt, Wheel M10 X 1.5	
5	1001241601	2	Tire and Wheel (Non - Marking) (Front)	
11	1001237518	2	Tire and Wheel (Non - Marking) (Rear)	

# SECTION 1 - FRAME

## FIGURE 1-8. POTHOLE PROTECTION SYSTEM INSTALLATION



ART\_1001241542

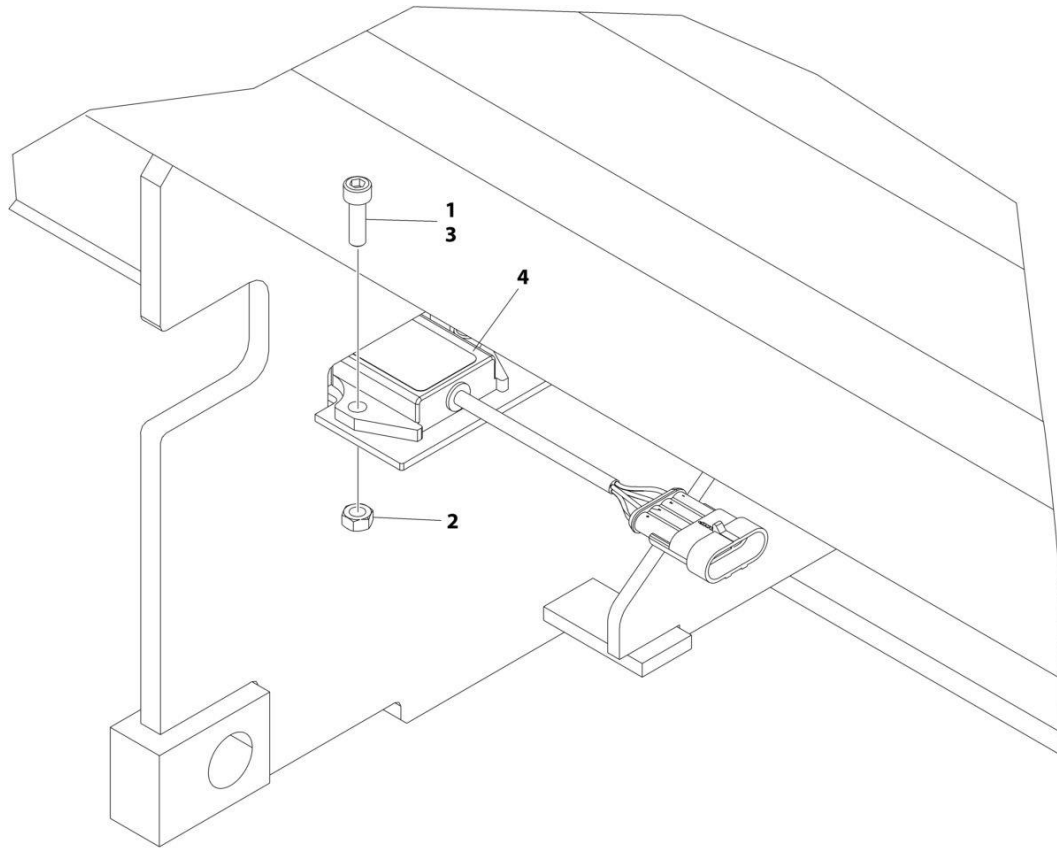
## SECTION 1 - FRAME

**FIGURE 1-8. POTHOLE PROTECTION SYSTEM INSTALLATION**

ITEM	PART NUMBER	QTY	DESCRIPTION	REV
	1001241542	Ref	POTHOLE PROTECTION SYSTEM INSTALLATION	E
1	0100011	AR	Compound, Locking	
2	0440263	4	Bearing	
3	0700815	2	Bolt M8 x 35	
4	0700823	1	Bolt M8 x 75	
5	3290405	2	Nut M4	
6	3290801	1	Nut M8	
7	3290805	2	Nut M8	
8	3430636	1	Pin	
9	3431212	6	Pin	
10	3431218	4	Pin	
11	3450303	1	Pin, Cotter 3/32 x 3/4	
12	3450505	10	Pin, Cotter 5/32 x 1/2	
13	4031511	2	Capscrew M4 x 35	
14	4160202	1	Spring	
15	4240147	1	Strap, Anti-Static	
16	4811900	4	Washer M8	
17	4811902	2	Washer M8	
18	4812000	2	Washer M10	
19	4812500	14	Washer M20	
20	1001091102	2	Washer M4	
21	1001202987	1	Plate, Mounting	
22	1001202988	1	Actuator (Upper)	
23	1001203869	1	Bearing	
24	1001203870	6	Bearing	
25	1001203871	1	Switch, Limit	
26	1001203872	1	Washer 3/8	
27	1001212068	1	Spring	
28	1001214526	1	Actuator (Lower)	
29	1001215953	1	Bearing	
30	1001249846	2	Plate, Pinion	
31	1001236849	4	Link	
32	1001241543	1	Bar (LH)	
33	1001241544	1	Bar (RH)	

# SECTION 1 - FRAME

## FIGURE 1-9. TILT SENSOR INSTALLATION



ART\_1001237507

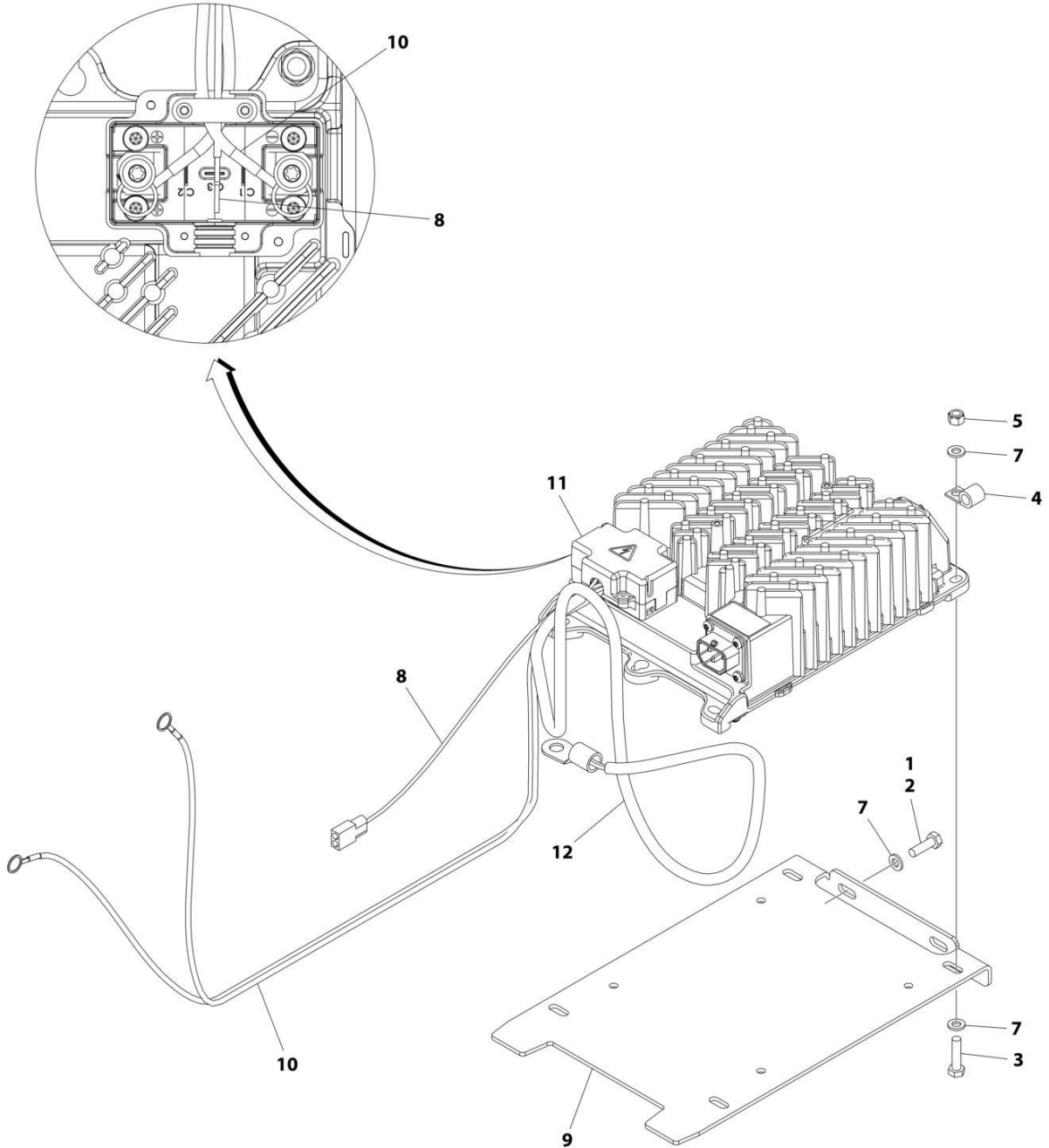


**FIGURE 1-9. TILT SENSOR INSTALLATION**

<b>ITEM</b>	<b>PART NUMBER</b>	<b>QTY</b>	<b>DESCRIPTION</b>	<b>REV</b>
	1001237507	Rev	TILT SENSOR INSTALLATION	C
1	0100011	1	Compound, Locking	
2	3290601	1	Nut M6 x 20	
3	4031708	1	Capscrew M6 x 20	
4	1001186466	1	Sensor, Tilt	

# SECTION 1 - FRAME

## FIGURE 1-10. BATTERY CHARGER INSTALLATION - DELTA-Q (LESS AC CABLE)



ART\_1001264943

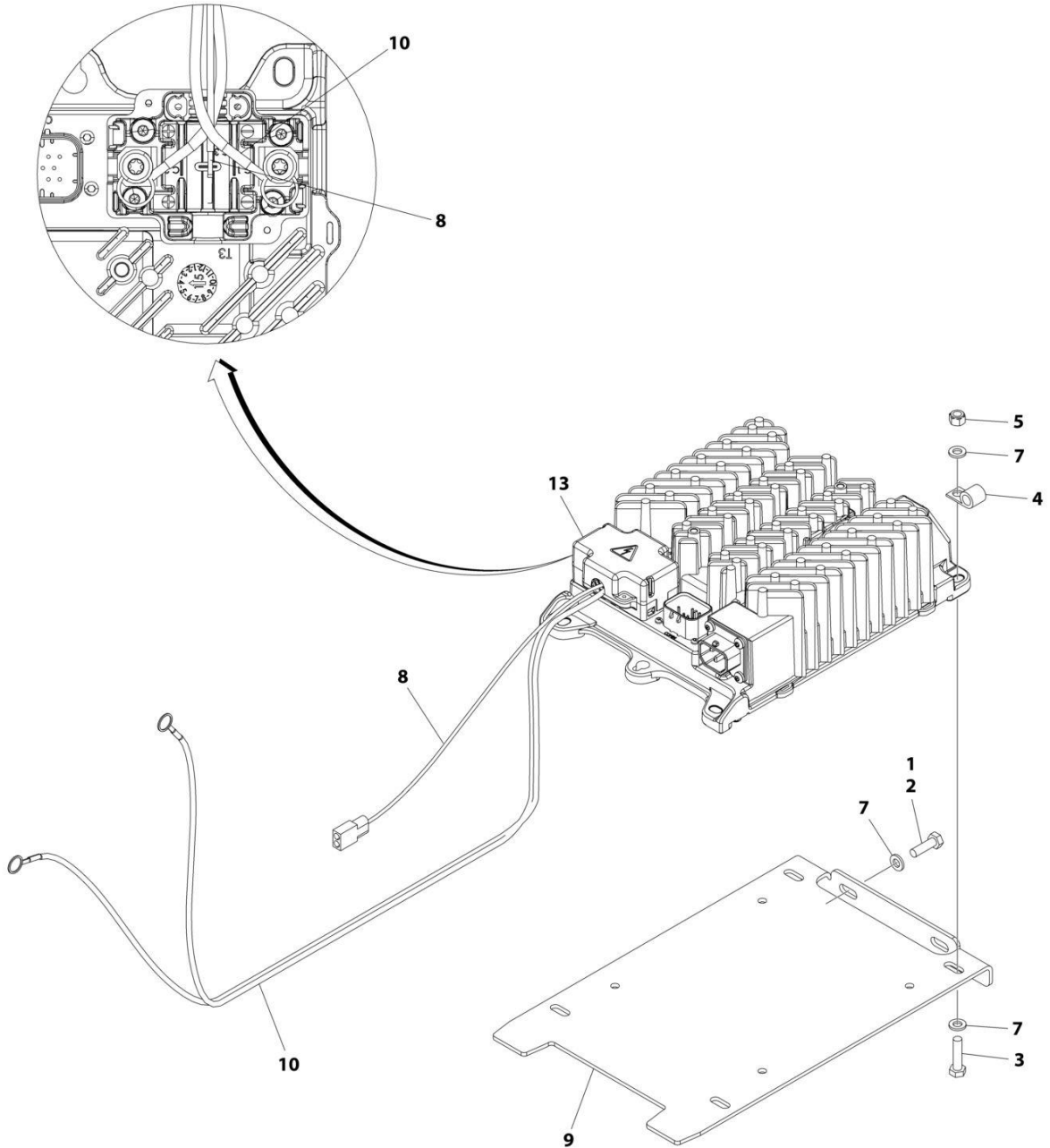
## SECTION 1 - FRAME

**FIGURE 1-10. BATTERY CHARGER INSTALLATION - DELTA-Q (LESS AC CABLE)**

ITEM	PART NUMBER	QTY	DESCRIPTION	REV
	1001264943	Ref	BATTERY CHARGER INSTALLATION - DELTA-Q (LESS AC CABLE)	A
1	0100011	AR	Compound, Locking	
2	0760610	2	Bolt M6 x 20	
3	0760612	4	Bolt M6 x 25	
4	1321293	1	Clamp	
5	3290605	4	Nut M6	
6	4240017	AR	Tie-Strap (Not Shown)	
7	4811700	10	Washer M6	
8	1001207009	1	Charger Interlock Harness	
8	4460424	1	Receptacle, Female - 2 Position	
8	4460227	2	Pin, Male	
9	1001237462	1	Bracket	
10	1001241489	1	Charger DC Connection Harness	
11	1001249940	1	Charger, Battery - Delta-Q	
12	1001260628	1	Sensor, Temperature	

# SECTION 1 - FRAME

## FIGURE 1-11. BATTERY CHARGER INSTALLATION - DELTA-Q WITH CAN TERMINAL (LESS AC CABLE)



ART\_1001264944

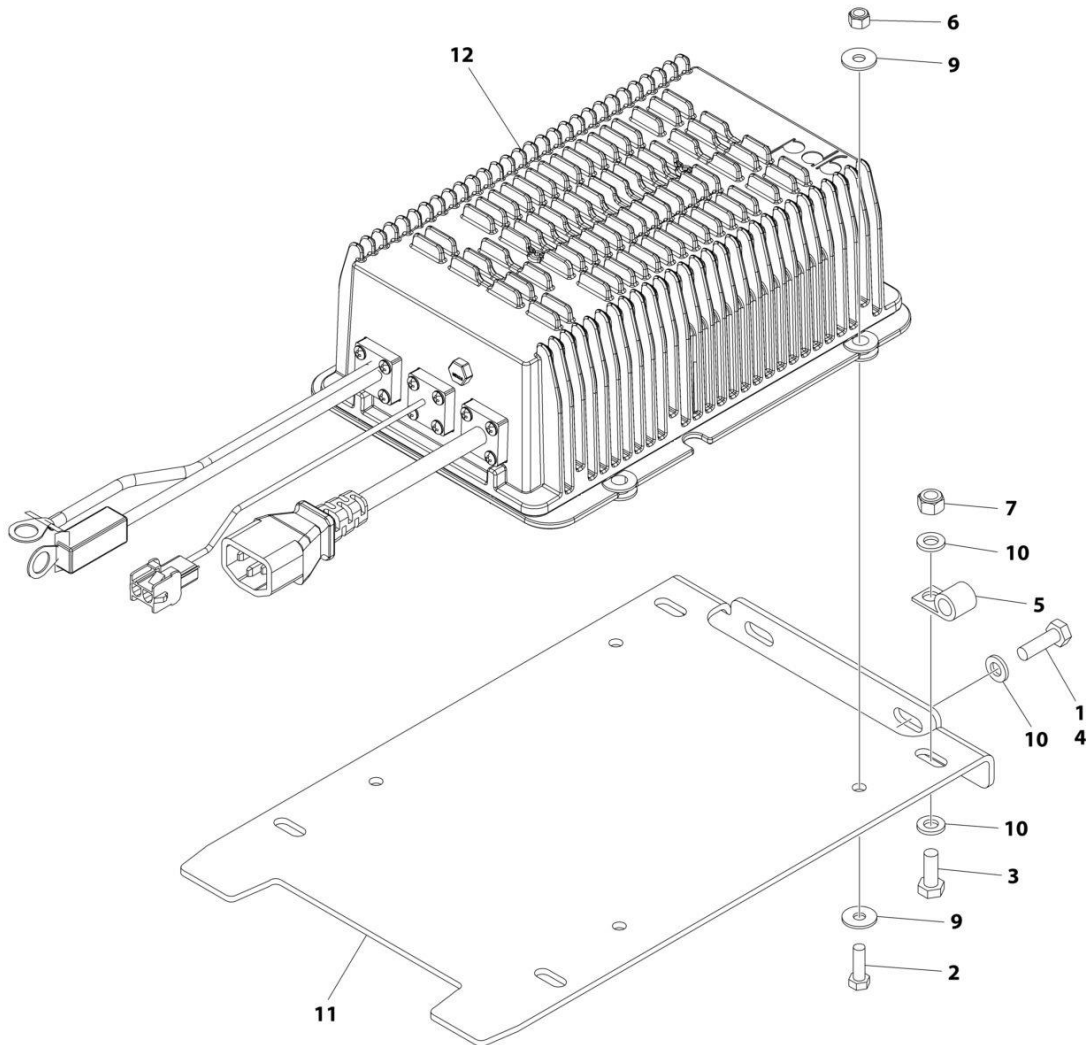
## SECTION 1 - FRAME

**FIGURE 1-11. BATTERY CHARGER INSTALLATION - DELTA-Q WITH CAN TERMINAL (LESS AC CABLE)**

ITEM	PART NUMBER	QTY	DESCRIPTION	REV
	1001264944	Ref	BATTERY CHARGER INSTALLATION - DELTA-Q WITH CAN TERMINAL (LESS AC CABLE)	A
1	0100011	AR	Compound, Locking	
2	0760610	2	Bolt M6 x 20	
3	0760612	4	Bolt M6 x 25	
4	1321293	1	Clamp	
5	3290605	4	Nut M6	
6	4240017	AR	Tie-Strap (Not Shown)	
7	4811700	10	Washer M6	
8	1001207009	1	Charger Interlock Harness	
8	4460424	1	Receptacle, Female - 2 Position	
8	4460227	2	Pin, Male	
9	1001237462	1	Bracket	
10	1001241489	1	Charger DC Connection Harness	
11	1001254027	1	Can Splice Harness (Not Shown - See Separate Breakdown in ELECTRICAL Section)	
12	1001254028	1	Charger To Battery Harness (Not Shown - See Separate Breakdown in ELECTRICAL Section)	
13	1001264978	1	Charger, Battery - Delta-Q with Can Terminal	

# SECTION 1 - FRAME

FIGURE 1-12. BATTERY CHARGER INSTALLATION - GREEN POWER (LESS AC CABLE)



ART\_1001264945

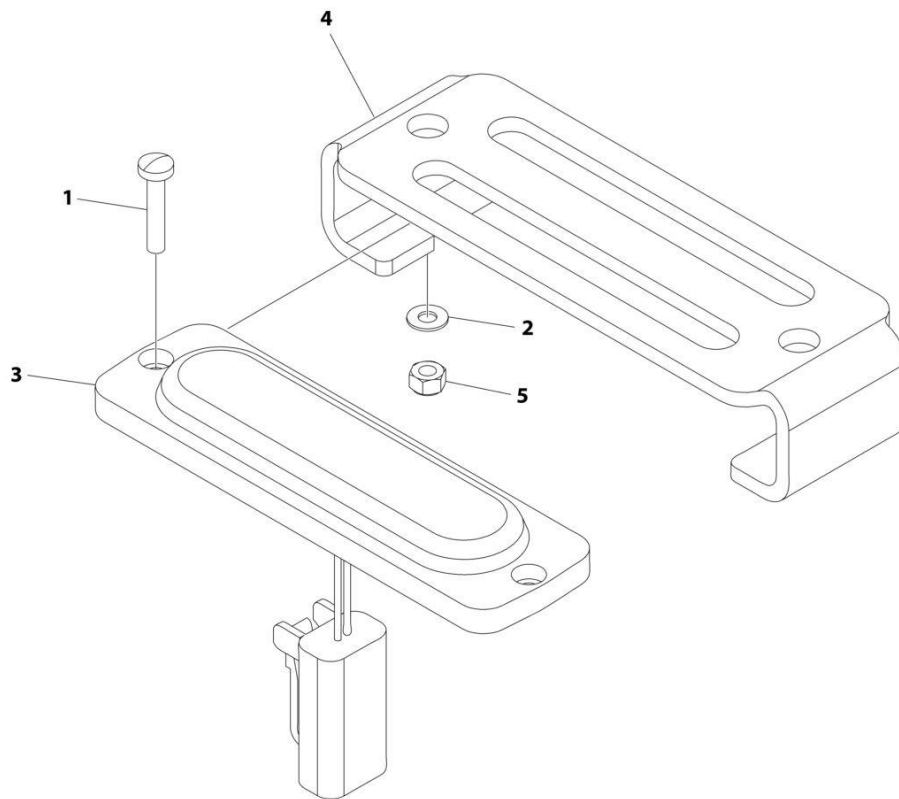
## SECTION 1 - FRAME

**FIGURE 1-12. BATTERY CHARGER INSTALLATION - GREEN POWER (LESS AC CABLE)**

ITEM	PART NUMBER	QTY	DESCRIPTION	REV
	1001264945	Ref	BATTERY CHARGER INSTALLATION - GREEN POWER (LESS AC CABLE)	C
1	0100011	AR	Compound, Locking	
2	0760508	4	Bolt M5 x 16	
3	0760608	1	Bolt M6 x 16	
4	0760610	2	Bolt M5 x 20	
5	1321293	1	Clamp, Cable	
6	3290505	4	Nut M5	
7	3290605	1	Nut M6	
8	4240017	AR	Tie-Strap (Not Shown)	
9	4711000	8	Washer #10	
10	4811700	4	Washer M6	
11	1001237462	1	Bracket	
12	1001285138	1	Charger, Battery-Green Power	

# SECTION 1 - FRAME

## FIGURE 1-13. STROBE LIGHT INSTALLATION - SINGLE (AMBER) (WITH GUARD)



ART\_1001239314\_D



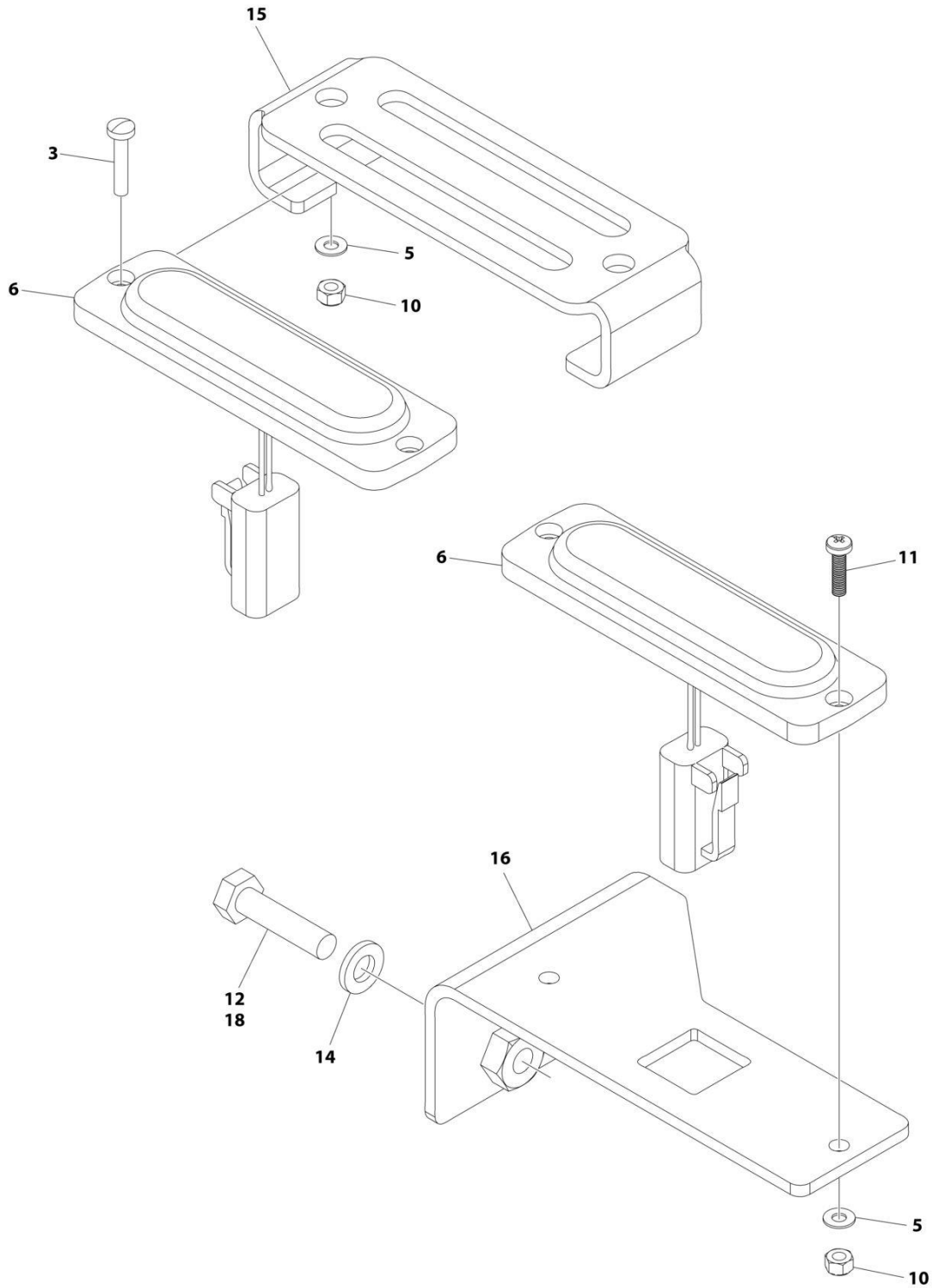
## SECTION 1 - FRAME

**FIGURE 1-13. STROBE LIGHT INSTALLATION - SINGLE (AMBER) (WITH GUARD)**

ITEM	PART NUMBER	QTY	DESCRIPTION	REV
	1001239314	Rev	STROBE LIGHT INSTALLATION - SINGLE (AMBER) (WITH GUARD)	D
1	4010308	2	Screw M3 x 16	
2	1001110544	2	Washer M3	
3	1001239224	1	Light, Strobe	
3	4460891	1	Plug, Male - 2 Position	
3	4460465	2	Socket, Female	
4	1001239661	1	Guard	
5	3290305	2	Nut M3	

# SECTION 1 - FRAME

## FIGURE 1-14. STROBE LIGHT INSTALLATION - DUAL (AMBER) (WITH GUARD)



ART\_1001239315\_F

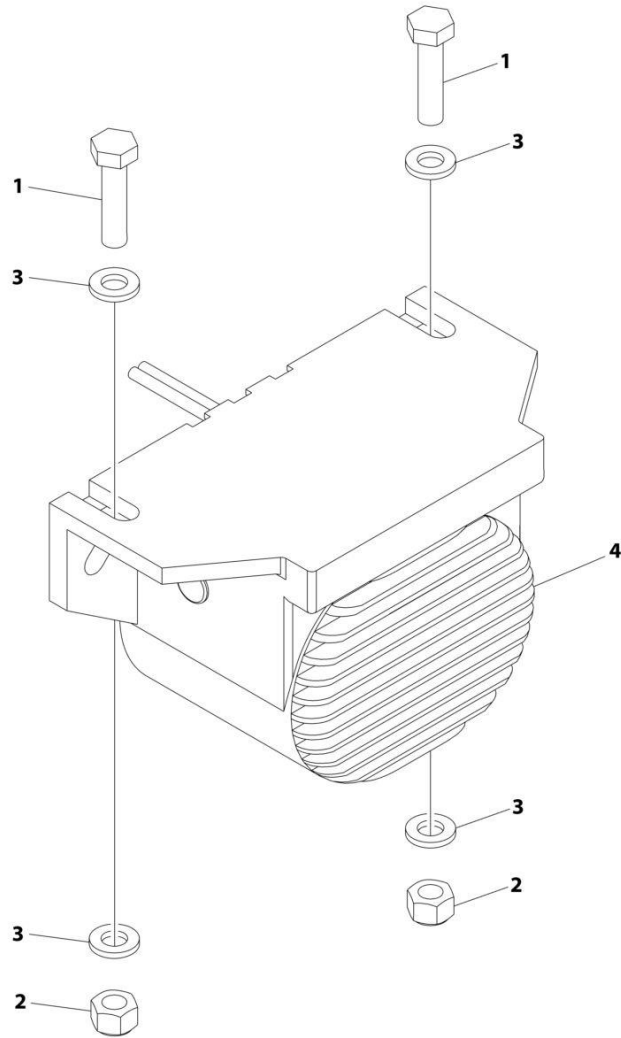
## SECTION 1 - FRAME

**FIGURE 1-14. STROBE LIGHT INSTALLATION - DUAL (AMBER) (WITH GUARD)**

ITEM	PART NUMBER	QTY	DESCRIPTION	REV
	1001239315	Ref	STROBE LIGHT INSTALLATION - DUAL (AMBER) (WITH GUARD)	F
3	4010308	2	Screw M3 x 16	
5	1001110544	4	Washer M3	
6	1001239224	2	Light, Strobe	
6	4460891	1	Plug, Male - 2 Position	
6	4460465	2	Socket, Female	
10	3290305	4	Nut M3	
11	1001198576	2	Screw	
12	0700612	2	Capscrew M6 x 25	
14	4811700	2	Washer M6	
15	1001239661	1	Guard	
16	1001256745	1	Bracket	
17	1001250078	1	Strobe Light Jumper Harness (Not Shown)	
17	4460897	2	Receptacle, Female - 2 Position	
17	4460464	4	Pin, Male	
17	4460891	1	Plug, Male - 2 Position	
17	4460465	2	Socket, Female	
18	0100011	AR	Compound, Locking	

# SECTION 1 - FRAME

## FIGURE 1-15. ALARM INSTALLATION (AMBIENT/WHITE NOISE)



ART\_1001204495

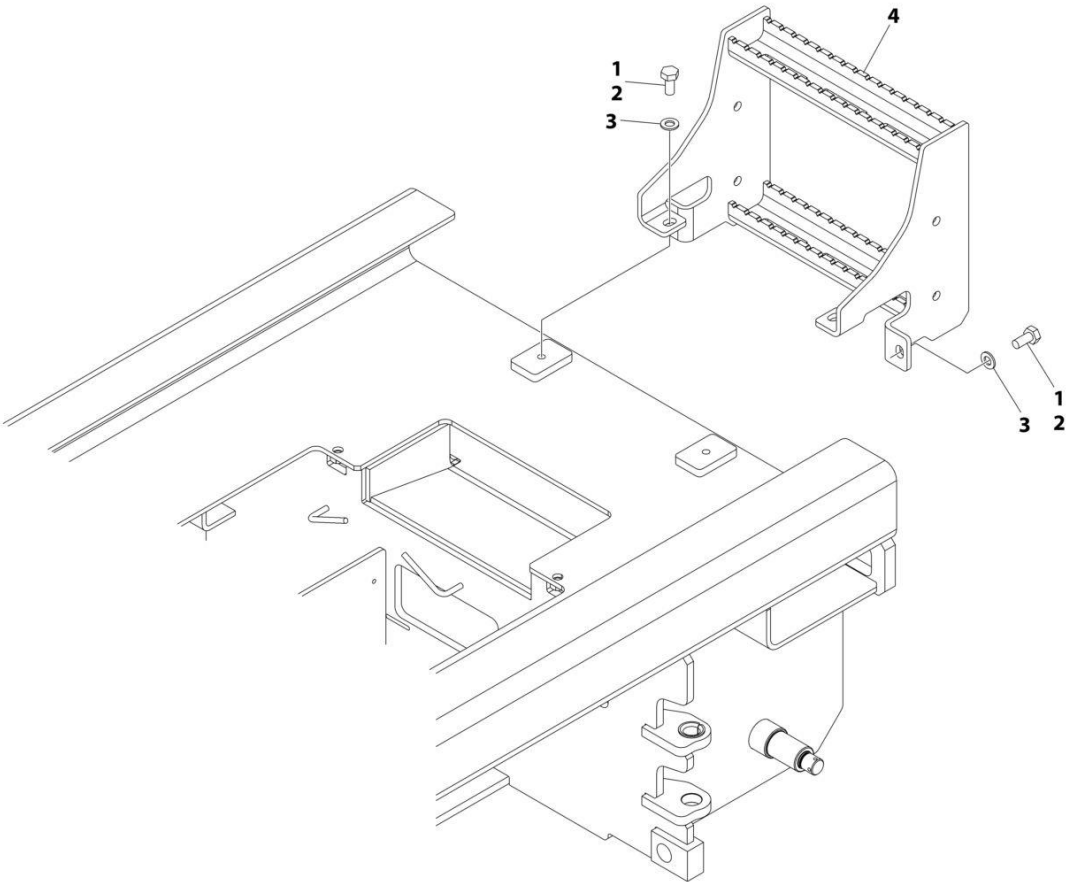
## SECTION 1 - FRAME

### FIGURE 1-15. ALARM INSTALLATION (AMBIENT/WHITE NOISE)

ITEM	PART NUMBER	QTY	DESCRIPTION	REV
	1001204495	Ref	ALARM INSTALLATION (AMBIENT/WHITE NOISE)	B
1	0760612	2	Bolt M6 x 25	
2	3290605	2	Nut M6	
3	4811700	4	Washer M6	
4	1001182806	1	Alarm	
4	4460897	1	Receptacle, Female - 2 Position	
4	4460464	2	Pin, Male	

**SECTION 1 - FRAME**

**FIGURE 1-16. LADDER INSTALLATION (ALL SPECS EXCEPT JAPANESE SPECS)**



ART\_1001241822

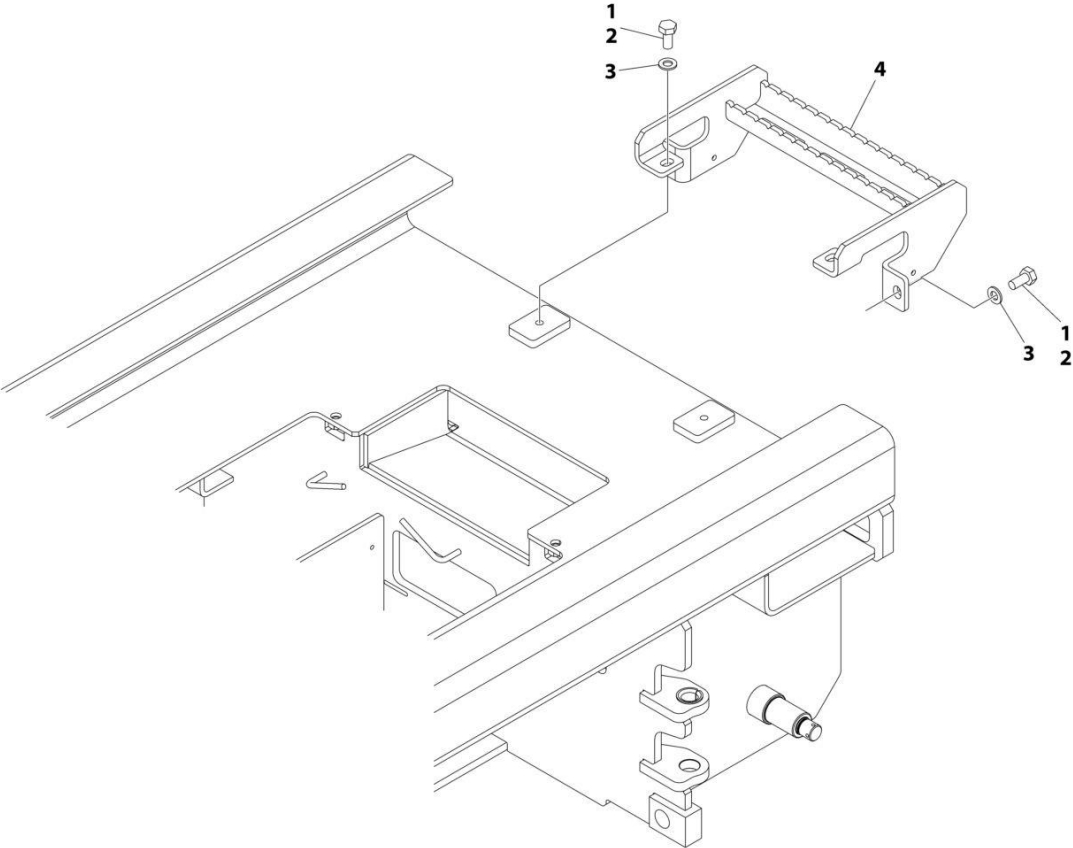
## SECTION 1 - FRAME

**FIGURE 1-16. LADDER INSTALLATION (ALL SPECS EXCEPT JAPANESE SPECS)**

ITEM	PART NUMBER	QTY	DESCRIPTION	REV
	1001241822	Ref	LADDER INSTALLATION	F
1	0100011	AR	Compound, Locking	
2	0761011	4	Bolt M10 x 22	
3	4812000	4	Washer M10	
4	1001241823	1	Ladder	

**SECTION 1 - FRAME**

**FIGURE 1-17. LADDER INSTALLATION (JAPANESE SPECS)**



ART\_1001244160



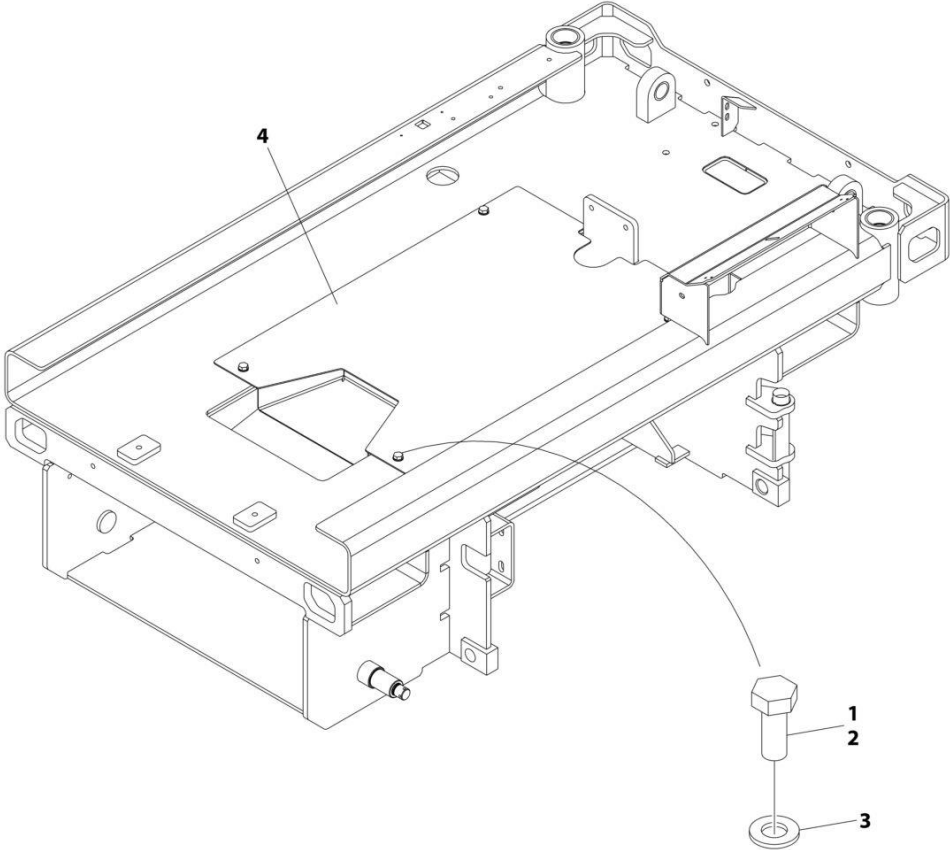
**SECTION 1 - FRAME**

**FIGURE 1-17. LADDER INSTALLATION (JAPANESE SPECS)**

<b>ITEM</b>	<b>PART NUMBER</b>	<b>QTY</b>	<b>DESCRIPTION</b>	<b>REV</b>
	1001244160	Ref	LADDER INSTALLATION	E
1	0100011	AR	Compound, Locking	
2	0761011	4	Bolt M10 x 22	
3	4812000	4	Washer M10	
4	1001250403	1	Ladder	

**SECTION 1 - FRAME**

**FIGURE 1-18. FRAME COVER INSTALLATION**



ART\_1001241589

## SECTION 1 - FRAME

### FIGURE 1-18. FRAME COVER INSTALLATION

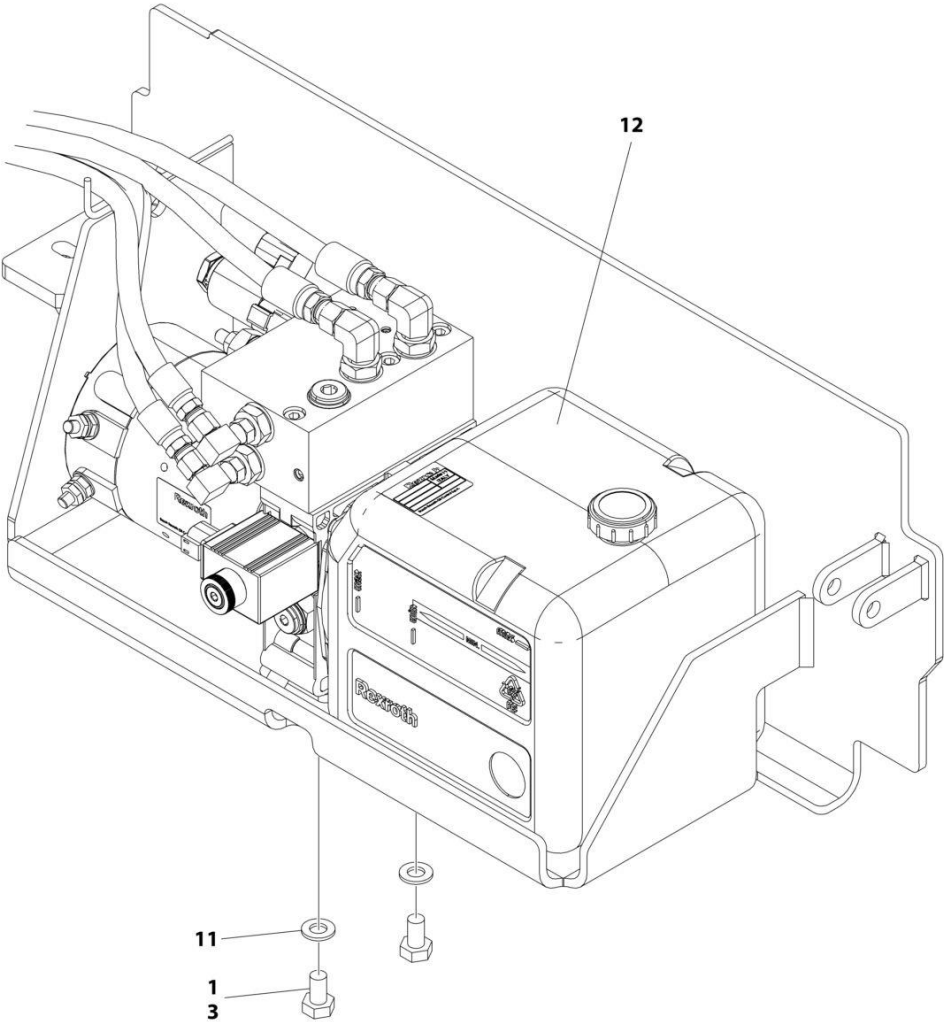
ITEM	PART NUMBER	QTY	DESCRIPTION	REV
	1001241589	Ref	FRAME COVER INSTALLATION	D
1	0100011	AR	Compound, Locking	
2	0760810	4	Bolt M8 x 20	
3	4811900	4	Washer M8	
4	1001243838	1	Cover	



**SECTION 2 - GROUND CONTROLS**

# SECTION 2 - GROUND CONTROLS

## FIGURE 2-1. HYDRAULIC COMPONENT INSTALLATION



ART\_1001235002\_1OF2

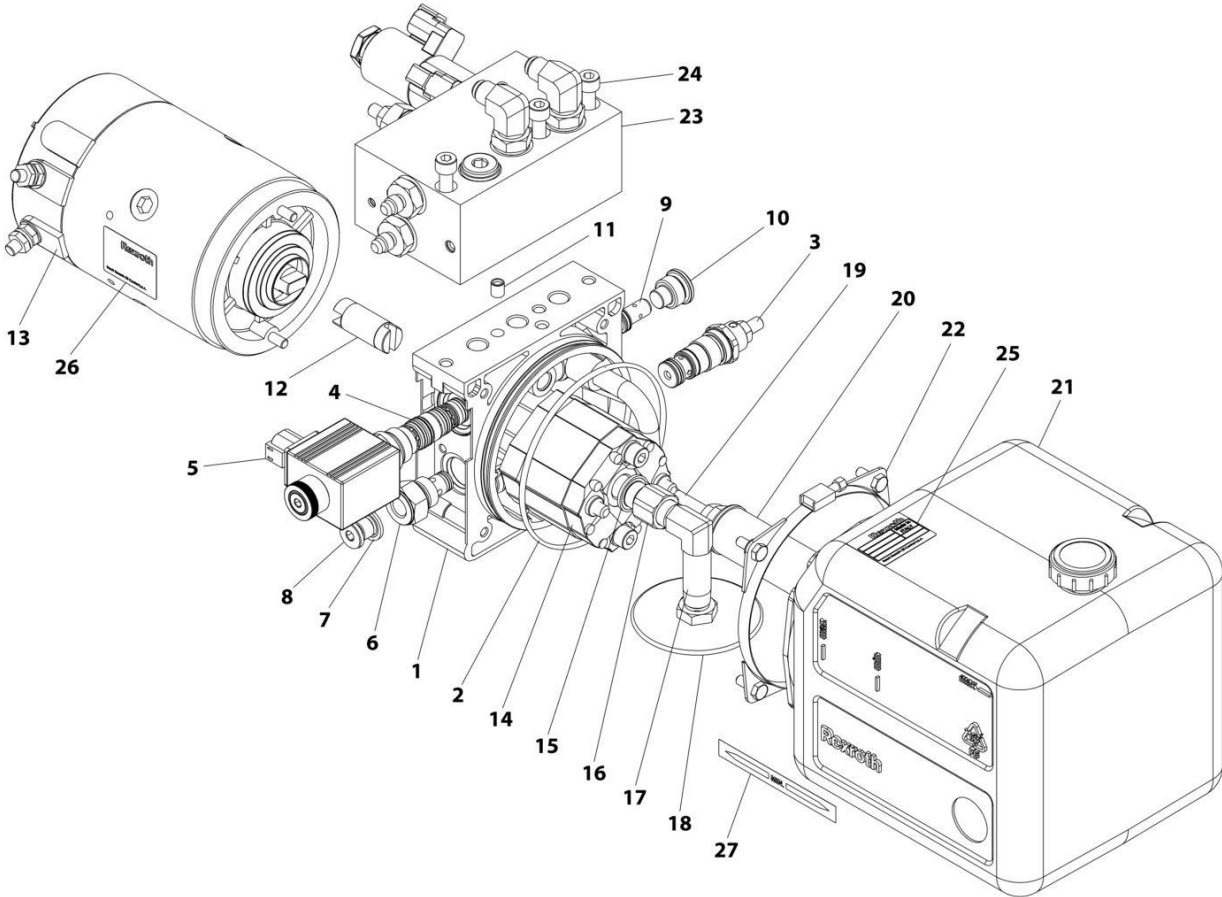
## SECTION 2 - GROUND CONTROLS

FIGURE 2-1. HYDRAULIC COMPONENT INSTALLATION

ITEM	PART NUMBER	QTY	DESCRIPTION	REV
	1001235002	Rev	HYDRAULIC COMPONENTS INSTALLATION	I
1	0100011	AR	Compound, Locking	
3	0761009	2	Bolt M10 x 18	
11	4812000	AR	Washer M10	
12	1001245851	1	Motor/Pump/Tank Assembly (See Separate Breakdown in this Section)	

# SECTION 2 - GROUND CONTROLS

FIGURE 2-2. MOTOR/PUMP/TANK ASSEMBLY



ART\_1001245851



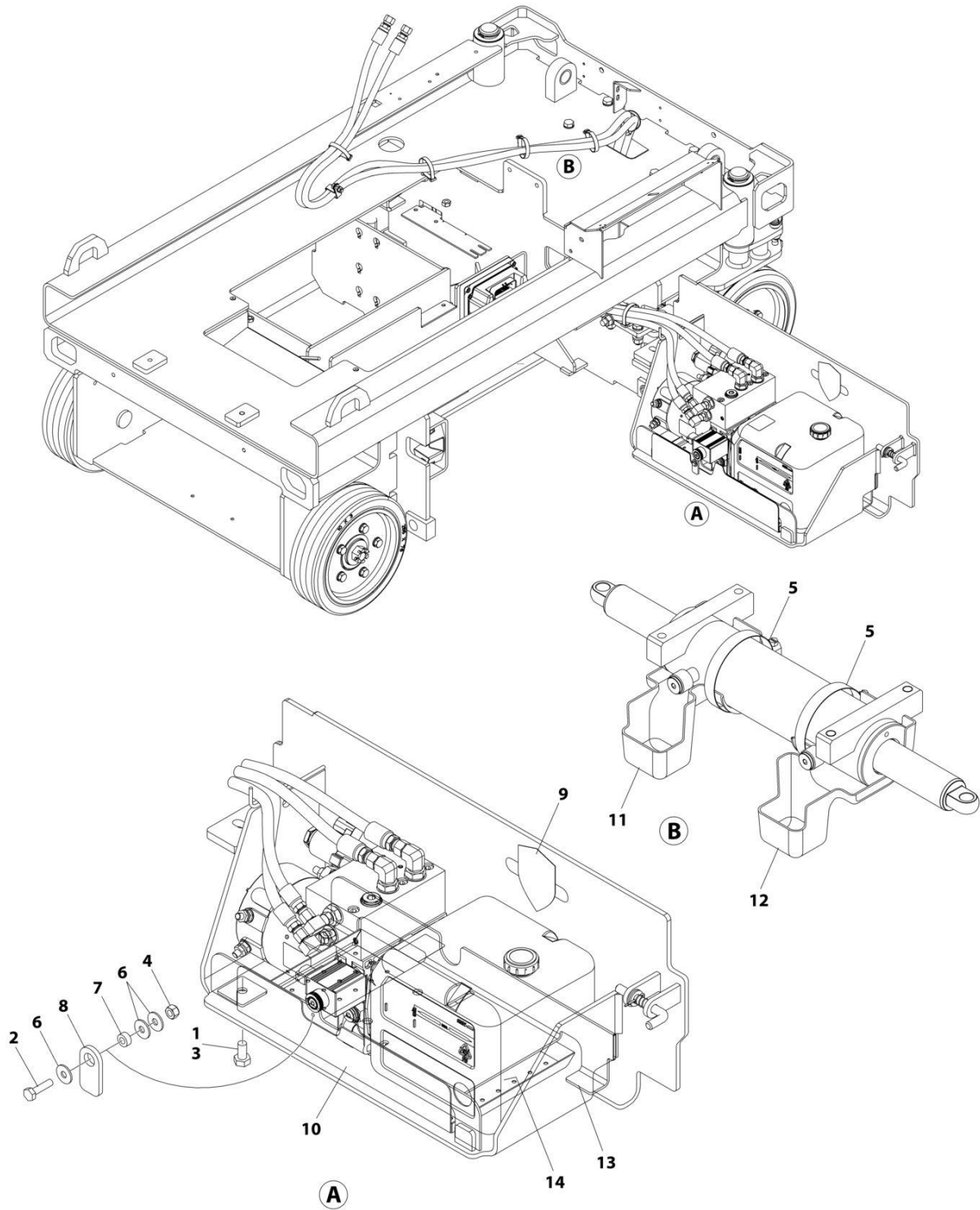
## SECTION 2 - GROUND CONTROLS

### FIGURE 2-2. MOTOR/PUMP/TANK ASSEMBLY

ITEM	PART NUMBER	QTY	DESCRIPTION	REV
	1001245851	Ref	MOTOR/PUMP/TANK ASSEMBLY	A
1	See Note	NSS	Manifold (Note: Purchase p/n 1001245851)	
2	70003690	1	O-Ring	
3	70007120	1	Cartridge, Valve (No Seal Kit Available)	
4	70003685	1	Cartridge, Valve (No Seal Kit Available)	
5	70003686	1	Coil	
6	See Note	NSS	Cartridge, Valve (No Seal Kit Available) (Note: Use p/n 70005636)	
7	See Note	NSS	Seal (Note: Use p/n 70005636)	
8	See Note	NSS	Plug (Note: Use p/n 70005636)	
9	70007121	1	Cartridge, Valve (No Seal Kit Available)	
10	See Note	NSS	Plug (Note: Not Available for Purchase)	
11	See Note	NSS	Plug (Note: Not Available for Purchase)	
12	70007122	1	Coupling (Pump to Motor)	
13	70007123	1	Motor, Replacement	
14	70007124	1	Pump, Replacement	
15	See Note	NSS	Seal (Note: Not Available for Purchase)	
16	See Note	NSS	Fitting (Note: Not Available for Purchase)	
17	See Note	NSS	Pipe, Suction (Note: Not Available for Purchase)	
18	70003696	1	Filter, Suction	
19	See Note	NSS	Pipe, Return (Note: Not Available for Purchase)	
20	70003734	1	Filter, Return	
21	70007125	1	Tank	
22	70007126	1	Clamp Kit - Tank	
23	70007127	1	Valve Assembly (Note: Sold as Assembly Only)	
24	See Note	NSS	Capscrew M8 x 55 (Note: Not Available - Purchase Locally)	
25	See Note	NSS	Nameplate - Identification (Note: Not Available for Purchase)	
26	See Note	NSS	Decal (Note: Not Available for Purchase)	
27	70007128	1	Decal - Oil Level	

# SECTION 2 - GROUND CONTROLS

## FIGURE 2-3. CLEANGUARD INSTALLATION



ART\_1001265088

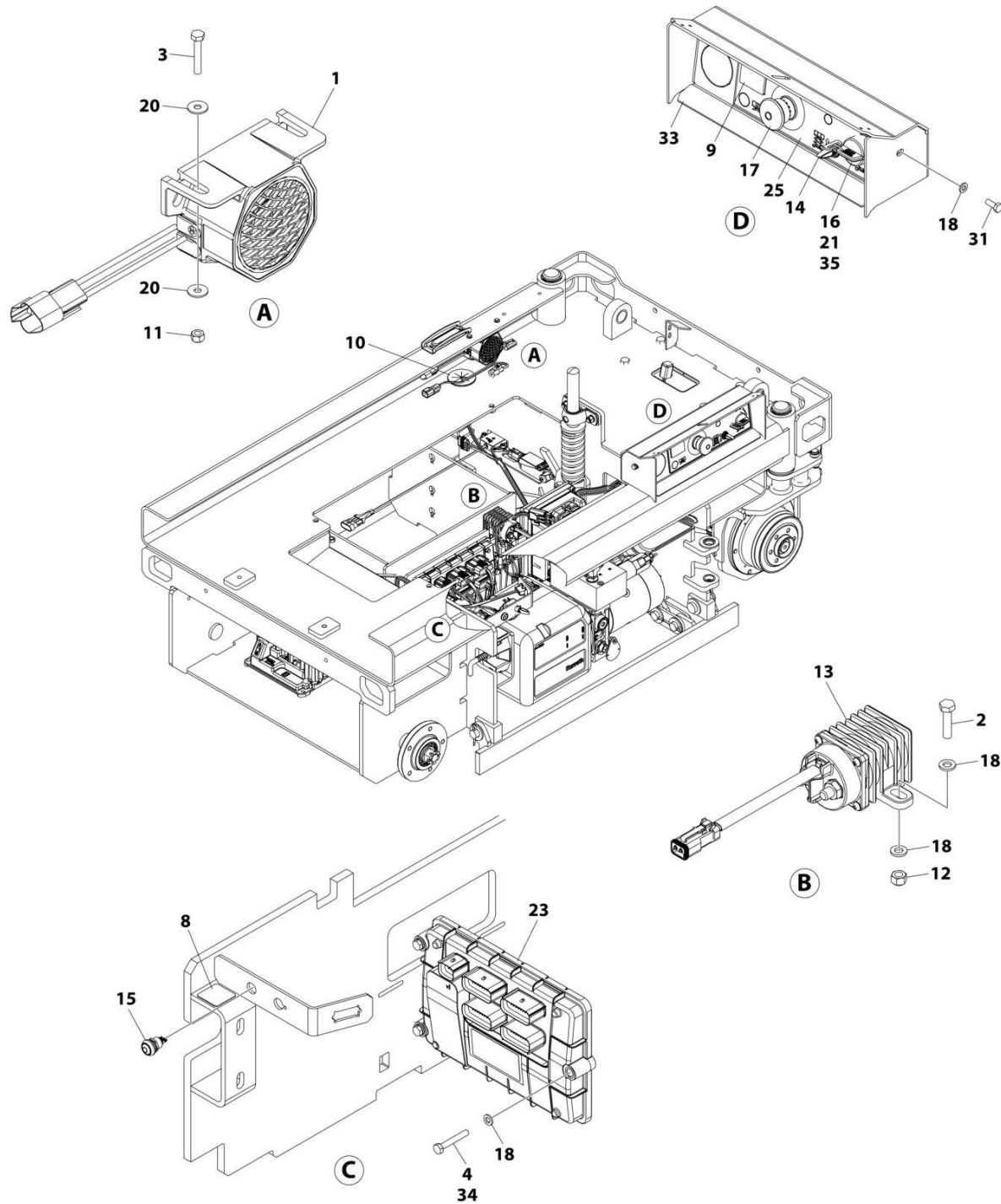
## SECTION 2 - GROUND CONTROLS

### FIGURE 2-3. CLEANGUARD INSTALLATION

ITEM	PART NUMBER	QTY	DESCRIPTION	REV
	1001265088	Ref	CLEANGUARD INSTALLATION	B
1	0100011	AR	Compound, Locking	
2	0760408	1	Bolt M4 x 16	
3	0761010	2	Bolt M10 x 20	
4	3290405	1	Nut M4	
5	8405204	2	Clamp	
6	1001091102	3	Washer M4	
7	1001260503	1	Tube	
8	1001260504	1	Plate, Stopper	
9	1001262581	1	Decal - Clean Guard	
10	1001265409	1	Tray	
11	1001266166	1	Tray (LH)	
12	1001266167	1	Tray (RH)	
13	1001266955	1	Bracket	
14	1001274560	1	Pad	

## SECTION 2 - GROUND CONTROLS

FIGURE 2-4. ELECTRICAL COMPONENTS INSTALLATION (WITHOUT LSS WITH PLATFORM DRIVE SELECT SWITCH) (MACHINES WITH SN STARTING WITH 12, B2, G2 & M2)



ART\_1001243251\_K

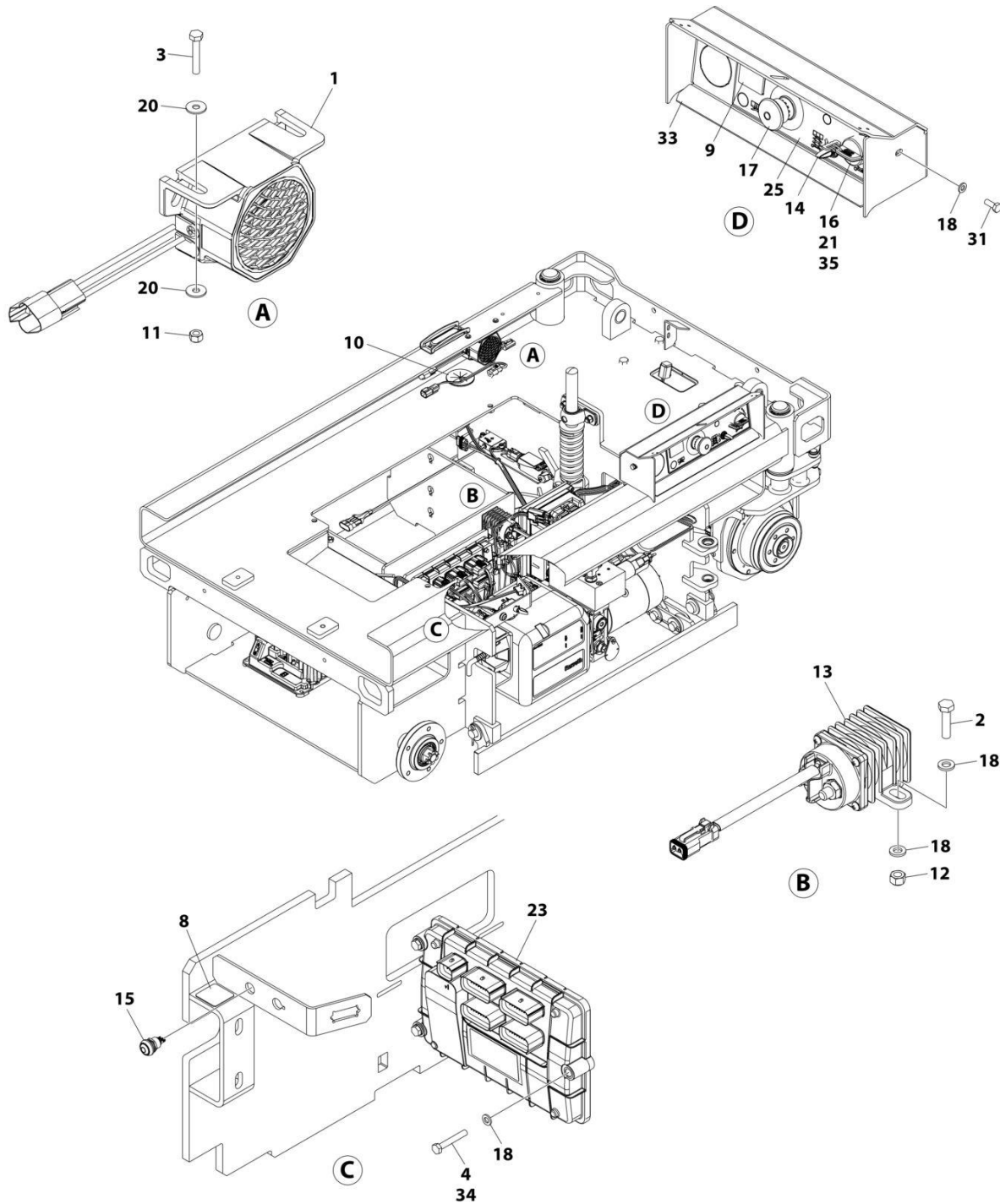
## SECTION 2 - GROUND CONTROLS

**FIGURE 2-4. ELECTRICAL COMPONENTS INSTALLATION (WITHOUT LSS WITH PLATFORM DRIVE SELECT SWITCH) (MACHINES WITH SN STARTING WITH 12, B2, G2 & M2)**

ITEM	PART NUMBER	QTY	DESCRIPTION	REV
	1001243251	Ref	ELECTRICAL COMPONENTS INSTALLATION (WITHOUT LSS)	K
1	0140043	1	Alarm	
2	0700612	2	Bolt M6 x 25	
3	0700412	2	Bolt M6 x 25	
4	0700616	3	Bolt M6 x 40	
8	1706679	1	Decal - Brake Release	
9	2420172	1	Hourmeter	
10	2540045	2	Grommet	
11	3290405	2	Nut M4	
12	3290605	2	Nut M6	
13	3740150	1	Relay	
14	4360328	1	Switch, Toggle	
15	1001226749	1	Switch, Push Button	
16	4360469	1	Switch, Key	
16	2860030	1 Set	Key, Replacement	
17	1001274559	1	Switch, Emergency Stop	
18	4811700	9	Washer M6	
20	1001091102	4	Washer M4	
21	1001130590	1	Plate, Key Switch	
23	1001200629	1	Module, Control (Note: Re-calibration Required when Replaced)	
25	1001209682	1	Decal - Ground Control	
28	1001283411	1	Chassis Harness (Not Shown - See Separate Breakdown in ELECTRICAL Section)	
29	1001243255	1	Drive Control Harness (Not Shown - See Separate Breakdown in ELECTRICAL Section)	
30	4240017	AR	Tie-Strap (Not Shown)	
31	0760608	2	Bolt M6 x 16	
33	1001249645	1	Bracket, Ground Control	
34	0100011	AR	Compound, Locking	
35	3910804	3	Screw #8 x 1/4	
36	0100048	AR	Grease, Dielectric (Not Shown)	

## SECTION 2 - GROUND CONTROLS

FIGURE 2-5. ELECTRICAL COMPONENTS INSTALLATION (WITH LSS WITH PLATFORM DRIVE SELECT SWITCH) (MACHINES WITH SN STARTING WITH 12, B2, G2 & M2)



ART\_1001243252\_K

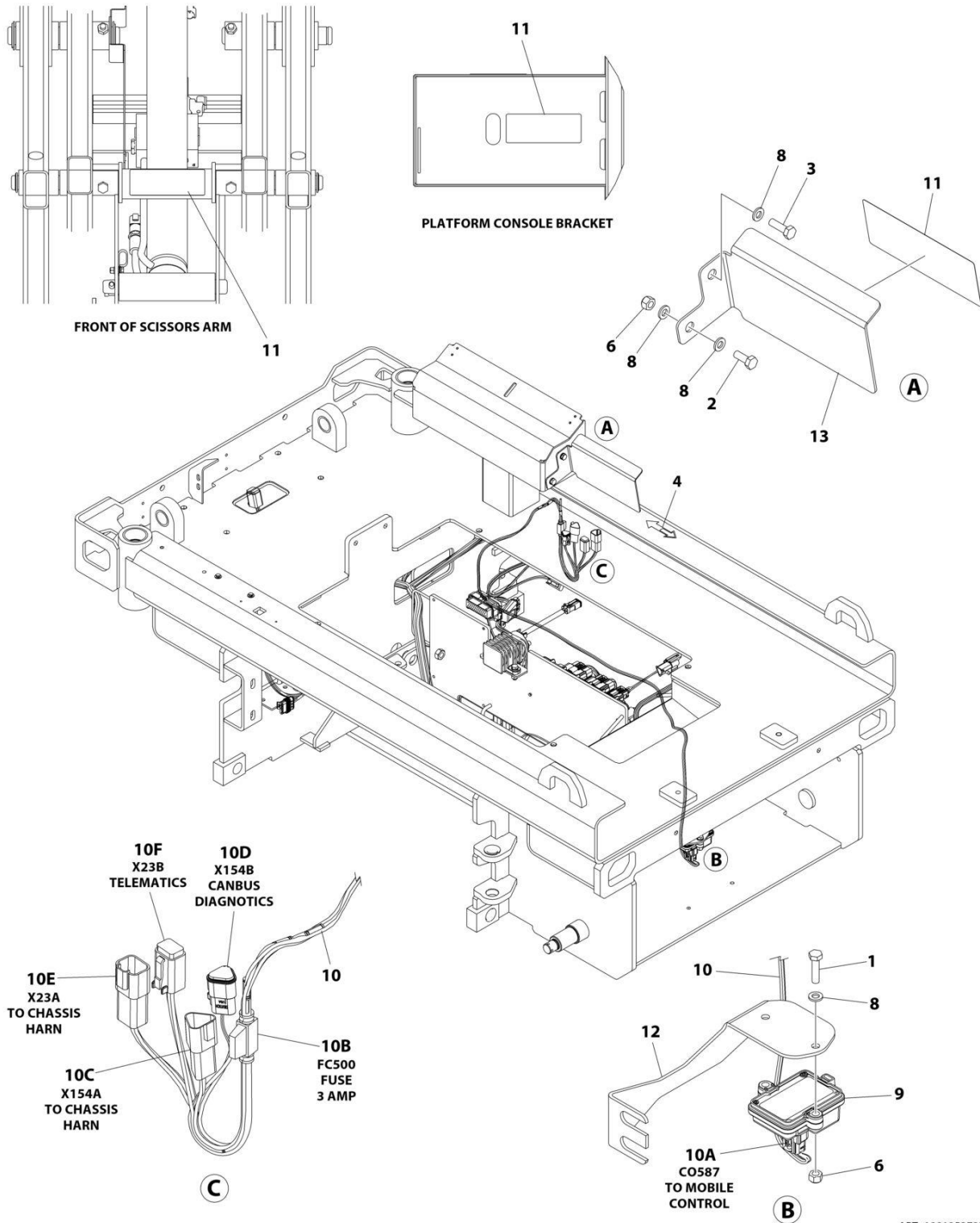
## SECTION 2 - GROUND CONTROLS

**FIGURE 2-5. ELECTRICAL COMPONENTS INSTALLATION (WITH LSS WITH PLATFORM DRIVE SELECT SWITCH) (MACHINES WITH SN STARTING WITH 12, B2, G2 & M2)**

ITEM	PART NUMBER	QTY	DESCRIPTION	REV
	1001243252	Ref	ELECTRICAL COMPONENTS INSTALLATION (WITH LSS)	K
1	0140043	1	Alarm	
2	0700612	2	Bolt M6 x 25	
3	0700412	2	Bolt M6 x 25	
4	0700616	3	Bolt M6 x 40	
8	1706679	1	Decal - Brake Release	
9	2420172	1	Hourmeter	
10	2540045	2	Grommet	
11	3290405	2	Nut M4	
12	3290605	2	Nut M6	
13	3740150	1	Relay	
14	4360328	1	Switch, Toggle	
15	1001226749	1	Switch, Push Button	
16	4360469	1	Switch, Key	
16	2860030	1 Set	Key, Replacement	
17	1001274559	1	Switch, Emergency Stop (Plastic)	
17	4360475	1	Switch, Emergency Stop (Metal)	
17	7020175	1	Cap	
17	7020176	1	Block, Contact	
18	4811700	9	Washer M6	
20	1001091102	4	Washer M4	
21	1001130590	1	Plate, Key Switch	
23	1001200629	1	Module, Control (Note: Re-calibration Required when Replaced)	
25	1001209682	1	Decal - Ground Control	
28	1001283412	1	Chassis Harness (Not Shown - See Separate Breakdown in ELECTRICAL Section)	
29	1001243255	1	Drive Control Harness (Not Shown - See Separate Breakdown in ELECTRICAL Section)	
30	4240017	AR	Tie-Strap (Not Shown)	
31	0760608	2	Bolt M6 x 16	
33	1001249645	1	Bracket, Ground Control	
34	0100011	AR	Compound, Locking	
35	3910804	3	Screw #8 x 1/4	
36	0100048	AR	Grease, Dielectric (Not Shown)	

# SECTION 2 - GROUND CONTROLS

## FIGURE 2-6. MOBILE CONTROL INSTALLATION



ART\_1001253737



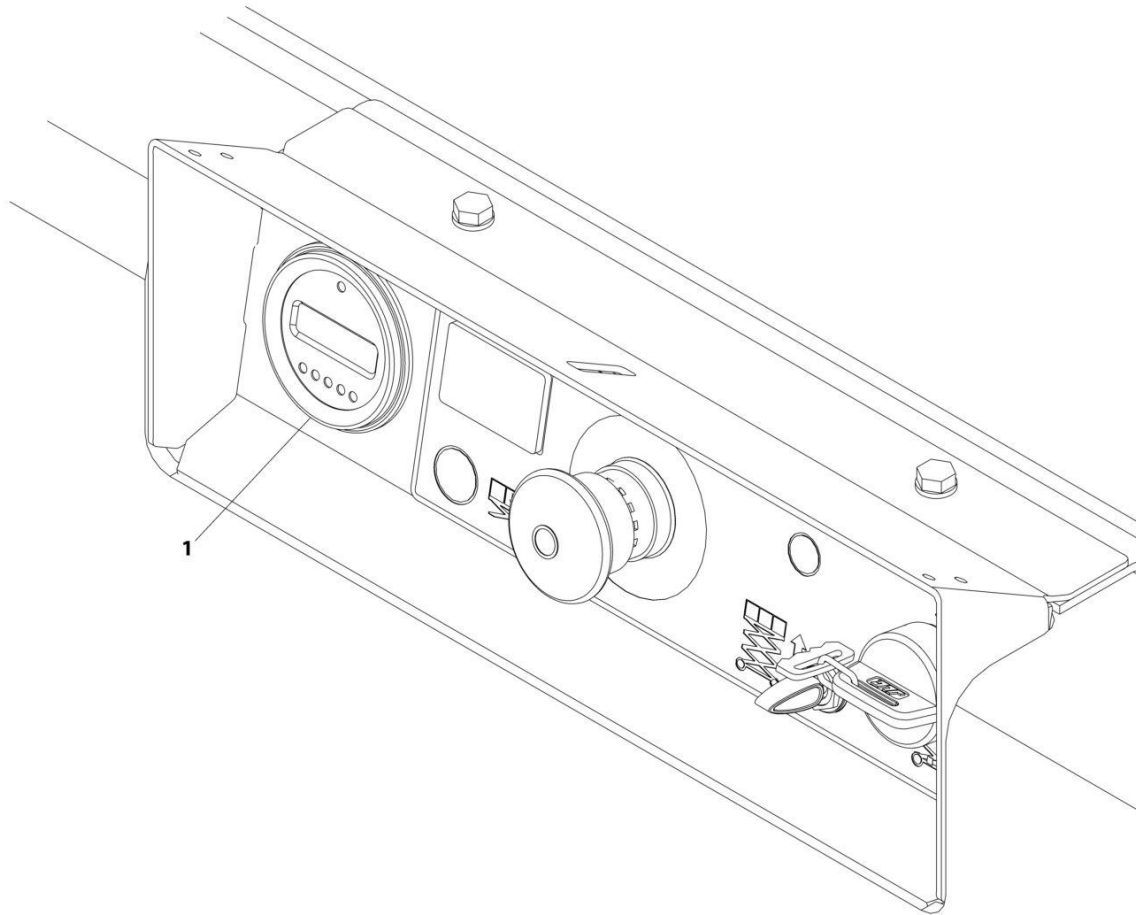
## SECTION 2 - GROUND CONTROLS

**FIGURE 2-6. MOBILE CONTROL INSTALLATION**

ITEM	PART NUMBER	QTY	DESCRIPTION	REV
	1001253737	Ref	MOBILE CONTROL INSTALLATION	A
1	0700612	2	Bolt M6 x 25	
2	0760608	1	Bolt M6 x 16	
3	0760610	1	Bolt M6 x 20	
4	1703819	1	Decal - Direction Arrow	
5	3121792	1	Manual, Mobile Control (Not Shown)	
6	3290605	3	Nut M6	
7	4240017	AR	Tie-Strap (Not Shown)	
8	4811700	5	Washer M6	
9	1001245293	1	Control, Mobile	
10	1001245299	1	Mobile Control Harness	
10A	1001205409	1	Connector - 8 Position	
10A	1001162887	4	Terminal	
10A	1001163340	4	Plug, Terminal	
10B	2400060	1	Fuseholder with Cap	
10B	1001196635	1	Fuse 3 Amp	
10C	1001144147	1	Receptacle, Female - 3 Position	
10C	4460943	2	Pin, Male	
10D	4460466	1	Plug, Terminal	
10D	1001116812	1	Plug, Male - 3 Position	
10D	4460944	2	Socket, Female	
10D	4460466	1	Plug, Terminal	
10E	4460932	1	Receptacle, Female - 4 Position	
10F	4460464	4	Pin, Terminal	
10F	4460884	1	Pin, Male	
10F	4460465	4	Socket, Female	
11	1001248768	3	Decal, Mobile Control	
12	1001253625	1	Bracket, Module	
13	1001253715	1	Plate, Decal	

## SECTION 2 - GROUND CONTROLS

FIGURE 2-7. MDI INSTALLATION



ART\_1001207293

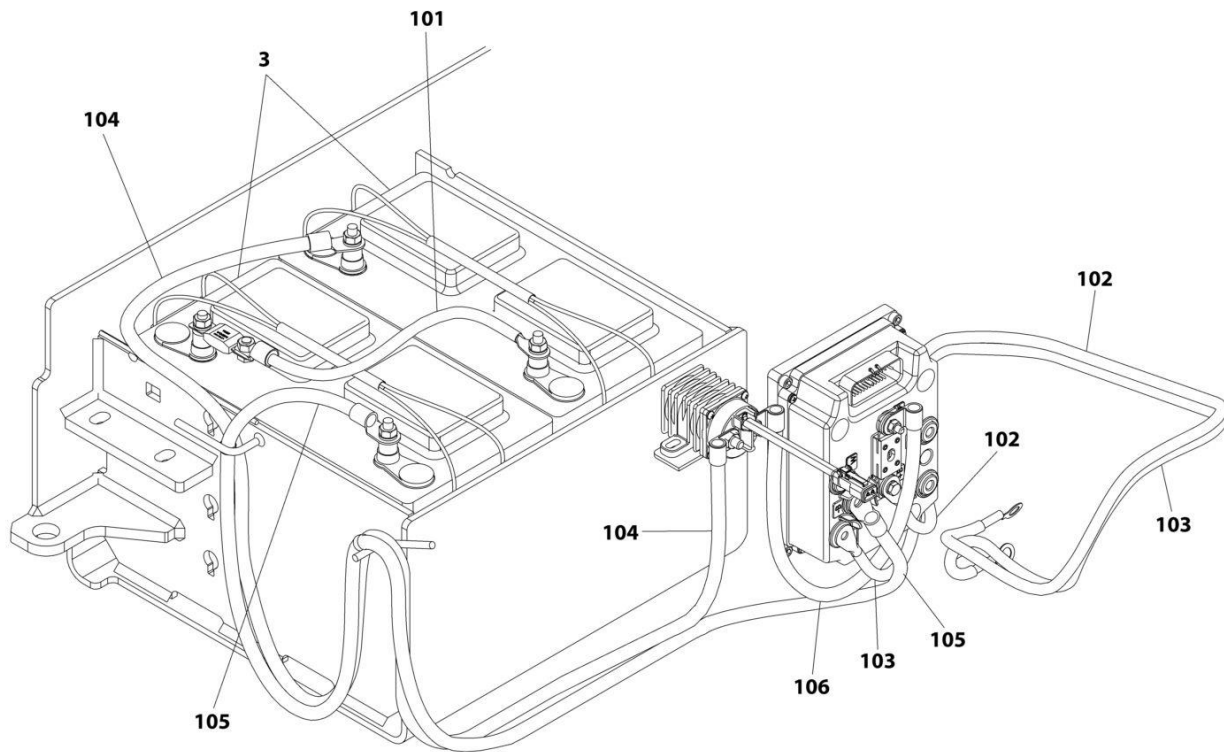
## SECTION 2 - GROUND CONTROLS

### FIGURE 2-7. MDI INSTALLATION

ITEM	PART NUMBER	QTY	DESCRIPTION	REV
1	1001207293 1001200632	Ref 1	MDI INSTALLATION Gauge, MDI	B

## SECTION 2 - GROUND CONTROLS

FIGURE 2-8. BATTERIES INSTALLATION - STANDARD BATTERIES WITHOUT DISCONNECT



ART\_1001243226

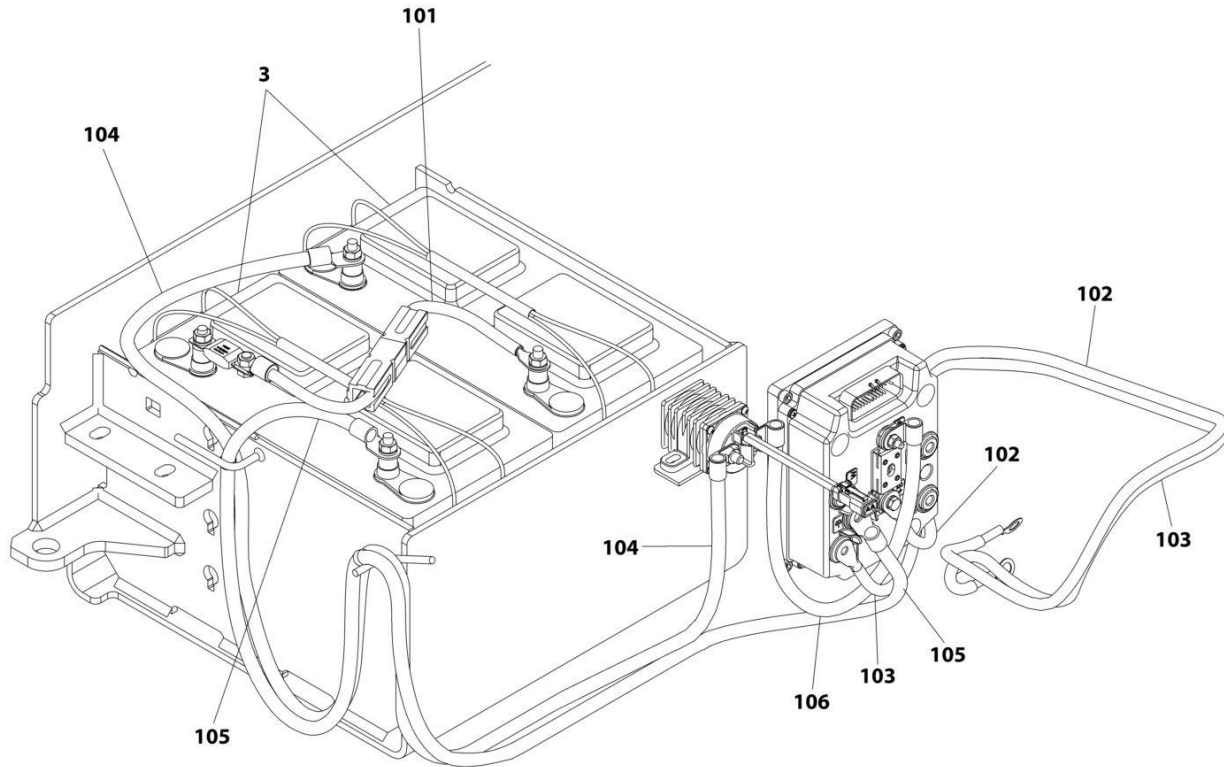
## SECTION 2 - GROUND CONTROLS

**FIGURE 2-8. BATTERIES INSTALLATION - STANDARD BATTERIES WITHOUT DISCONNECT**

ITEM	PART NUMBER	QTY	DESCRIPTION	REV
	1001243226	Ref	BATTERIES INSTALLTION - STANDARD BATTERIES WITHOUT DISCONNECT	E
1	0100051	AR	Grease, Terminal (Not Shown)	
2	4240017	AR	Tie-Strap (Not Shown)	
3	1001233714	2	Battery	
100	1001243230	1	Battery Cable Kit (Not Shown)	
101	1001239303	1	Cable, Positive (+) to Negative (-)	
102	1001243232	1	Cable, Pump Motor (+) to Module (+B)	
103	1001243233	1	Cable, Pump Motor (-) to Module (-P)	
104	1001244338	1	Cable, Battery (+) to Relay	
105	1001243235	1	Cable, Battery (-) to Module (-B)	
106	1001244339	1	Cable, Relay to Module (+BF)	

# SECTION 2 - GROUND CONTROLS

## FIGURE 2-9. BATTERIES INSTALLATION - STANDARD BATTERIES WITH DISCONNECT



ART\_1001243227

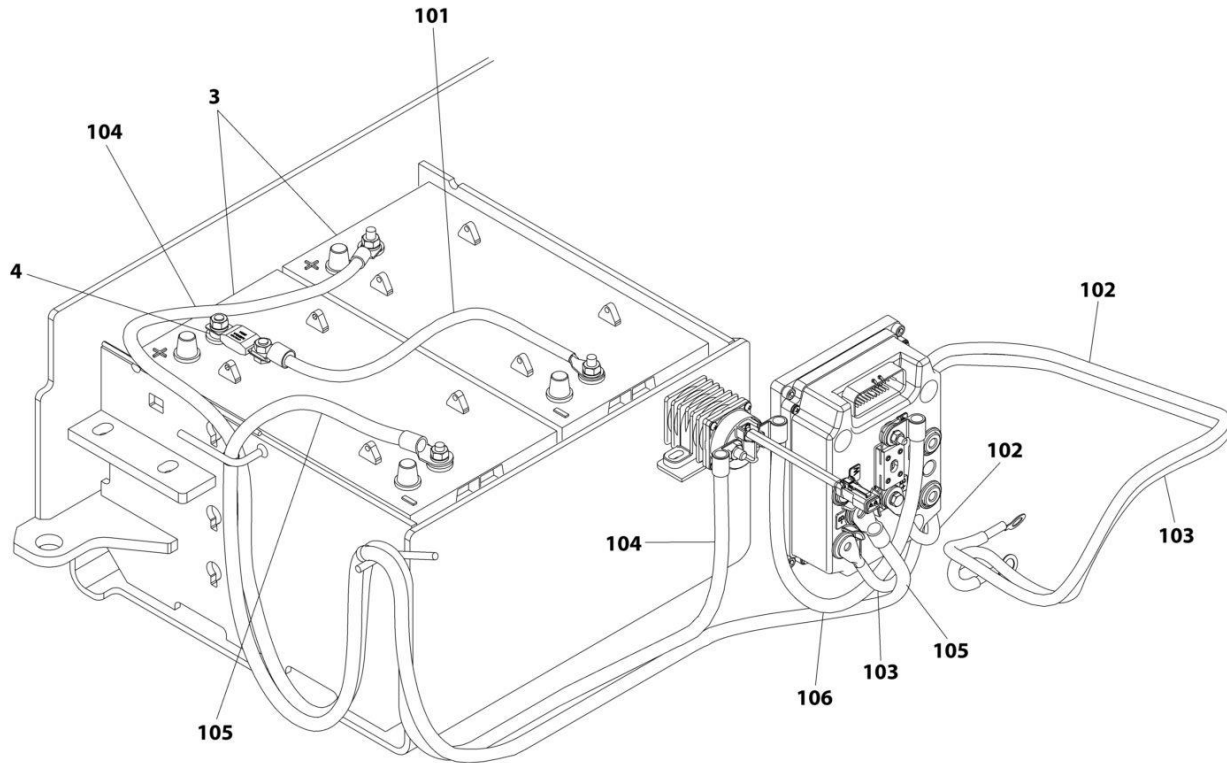
## SECTION 2 - GROUND CONTROLS

**FIGURE 2-9. BATTERIES INSTALLATION - STANDARD BATTERIES WITH DISCONNECT**

ITEM	PART NUMBER	QTY	DESCRIPTION	REV
	1001243227	Ref	BATTERIES INSTALLATION - STANDARD BATTERIES WITH DISCONNECT	E
1	0100051	AR	Grease, Terminal (Not Shown)	
2	4240017	AR	Tie-Strap (Not Shown)	
3	1001233714	2	Battery	
100	1001243231	1	Battery Cable Kit (Not Shown)	
101	1001238060	1	Cable, Positive (+) to Negative (-)	
102	1001243232	1	Cable, Pump Motor (+) to Module (+B)	
103	1001243233	1	Cable, Pump Motor (-) to Module (-P)	
104	1001244338	1	Cable, Battery (+) to Relay	
105	1001243235	1	Cable, Battery (-) to Module (-B)	
106	1001244339	1	Cable, Relay to Module (+BF)	

## SECTION 2 - GROUND CONTROLS

FIGURE 2-10. BATTERIES INSTALLATION - AGM BATTERIES WITHOUT DISCONNECT



ART\_1001243228



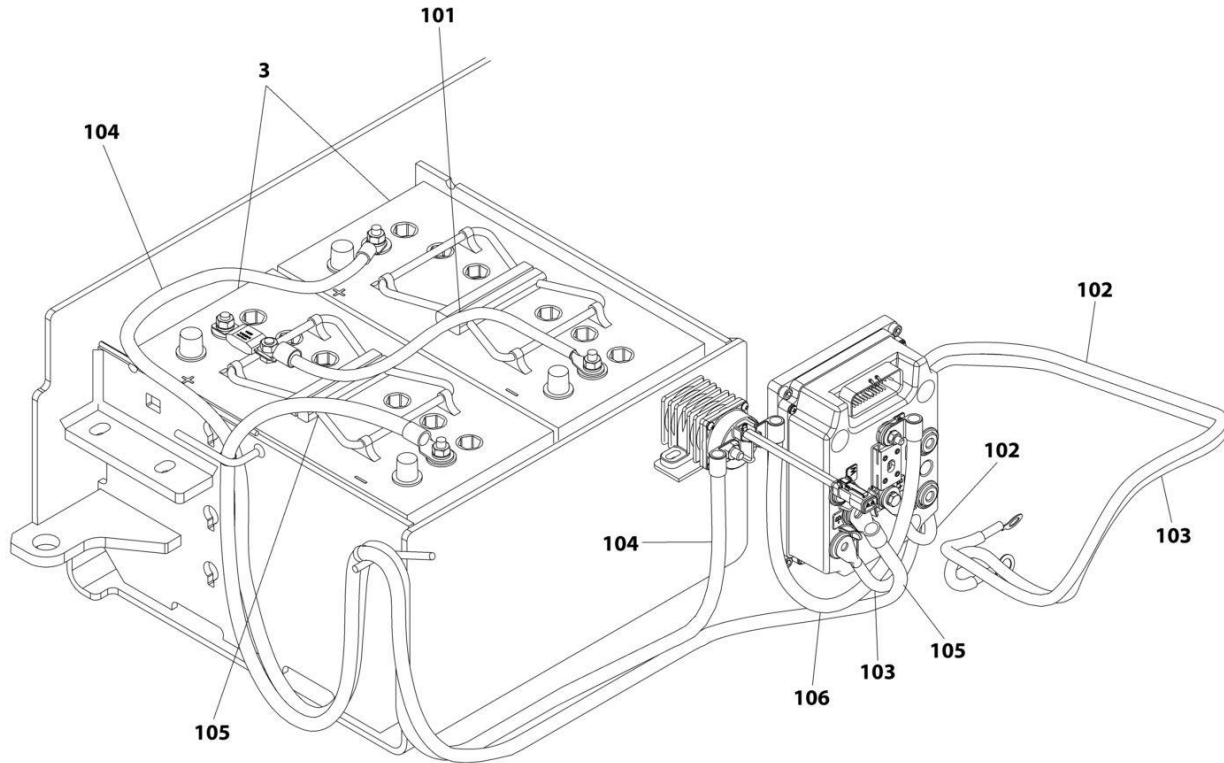
## SECTION 2 - GROUND CONTROLS

**FIGURE 2-10. BATTERIES INSTALLATION - AGM BATTERIES WITHOUT DISCONNECT**

ITEM	PART NUMBER	QTY	DESCRIPTION	REV
	1001243228	Ref	BATTERIES INSTALLATION - AGM BATTERIES WITHOUT DISCONNECT	E
1	0100051	AR	Grease, Terminal (Not Shown)	
2	4240017	AR	Tie-Strap (Not Shown)	
3	1001125916	2	Battery	
4	1001249668	1	Washer	
100	1001243230	1	Battery Cable Kit (Not Shown)	
101	1001239303	1	Cable, Positive (+) to Negative (-)	
102	1001243232	1	Cable, Pump Motor (+) to Module (+B)	
103	1001243233	1	Cable, Pump Motor (-) to Module (-P)	
104	1001244338	1	Cable, Battery (+) to Relay	
105	1001243235	1	Cable, Battery (-) to Module (-B)	
106	1001244339	1	Cable, Relay to Module (+BF)	

## SECTION 2 - GROUND CONTROLS

FIGURE 2-11. BATTERIES INSTALLATION - AGM VISION BATTERIES WITHOUT DISCONNECT



ART\_1001255263

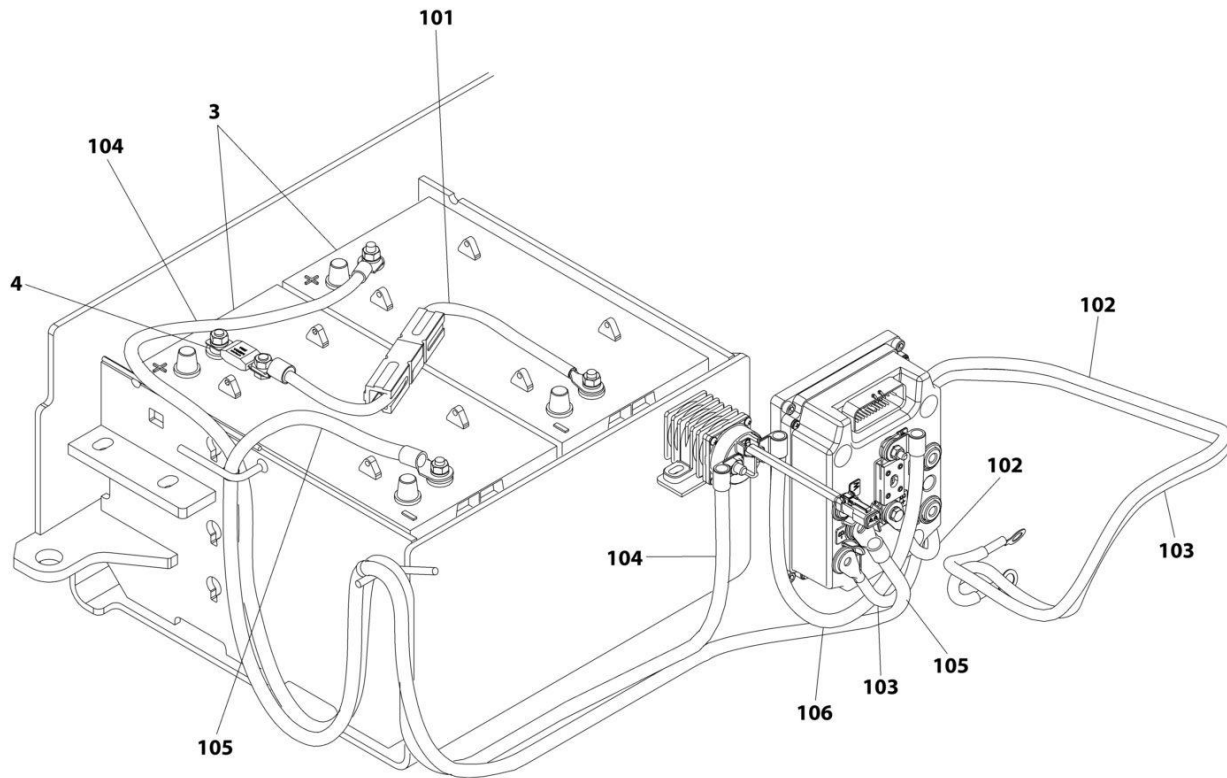
## SECTION 2 - GROUND CONTROLS

**FIGURE 2-11. BATTERIES INSTALLATION - AGM VISION BATTERIES WITHOUT DISCONNECT**

ITEM	PART NUMBER	QTY	DESCRIPTION	REV
	1001255263	Ref	BATTERIES INSTALLATION - AGM VISION BATTERIES WITHOUT DISCONNECT	A
1	0100051	AR	Grease, Terminal (Not Shown)	
2	4240017	AR	Tie-Strap (Not Shown)	
3	1001254633	2	Battery	
100	1001243230	1	Battery Cable Kit (Not Shown)	
101	1001239303	1	Cable, Positive (+) to Negative (-)	
102	1001243232	1	Cable, Pump Motor (+) to Module (+B)	
103	1001243233	1	Cable, Pump Motor (-) to Module (-P)	
104	1001244338	1	Cable, Battery (+) to Relay	
105	1001243235	1	Cable, Battery (-) to Module (-B)	
106	1001244339	1	Cable, Relay to Module (+BF)	

## SECTION 2 - GROUND CONTROLS

FIGURE 2-12. BATTERIES INSTALLATION - AGM BATTERIES WITH DISCONNECT



ART\_1001243229

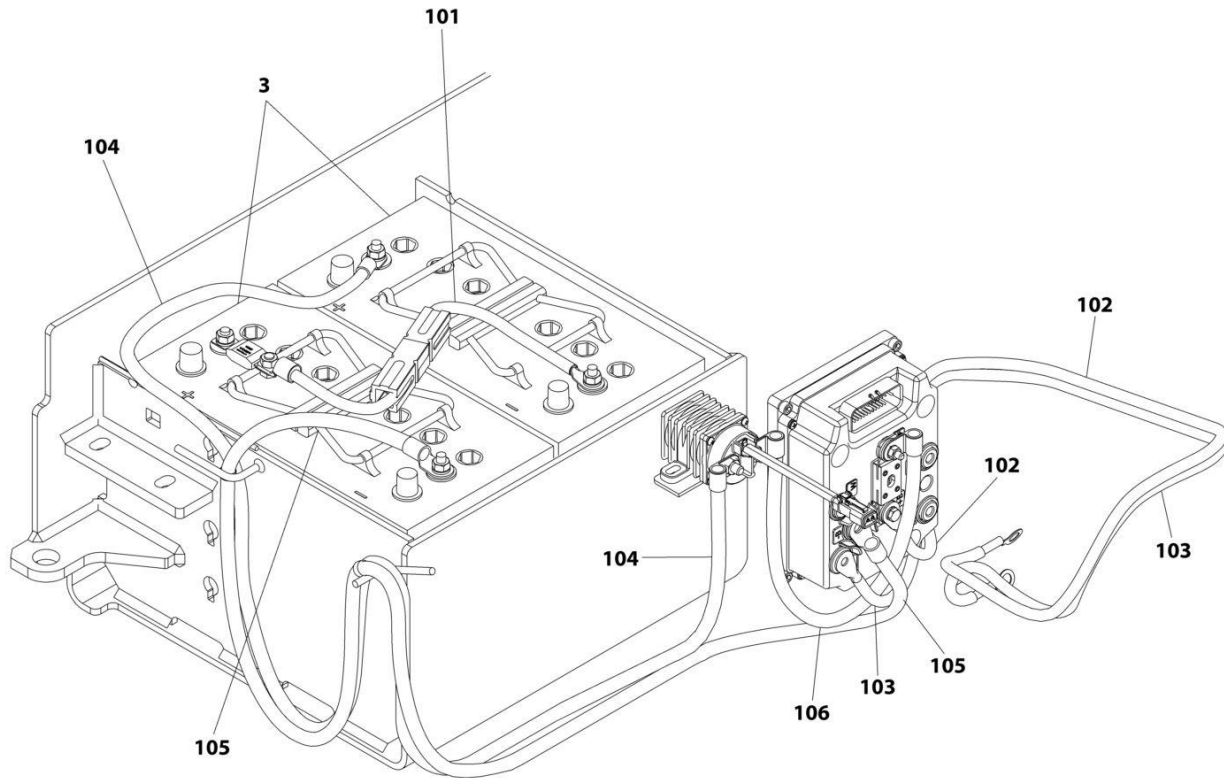
## SECTION 2 - GROUND CONTROLS

**FIGURE 2-12. BATTERIES INSTALLATION - AGM BATTERIES WITH DISCONNECT**

ITEM	PART NUMBER	QTY	DESCRIPTION	REV
	1001243229	Rev	BATTERIES INSTALLATION - AGM BATTERIES WITH DISCONNECT	E
1	0100051	AR	Grease, Terminal (Not Shown)	
2	4240017	AR	Tie-Strap (Not Shown)	
3	1001125916	2	Battery	
4	1001249668	1	Washer	
100	1001243231	1	Battery Cable Kit (Not Shown)	
101	1001238060	1	Cable, Positive (+) to Negative (-)	
102	1001243232	1	Cable, Pump Motor (+) to Module (+B)	
103	1001243233	1	Cable, Pump Motor (-) to Module (-P)	
104	1001244338	1	Cable, Battery (+) to Relay	
105	1001243235	1	Cable, Battery (-) to Module (-B)	
106	1001244339	1	Cable, Relay to Module (+BF)	

## SECTION 2 - GROUND CONTROLS

FIGURE 2-13. BATTERIES INSTALLATION - AGM VISION BATTERIES WITH DISCONNECT



ART\_1001255264

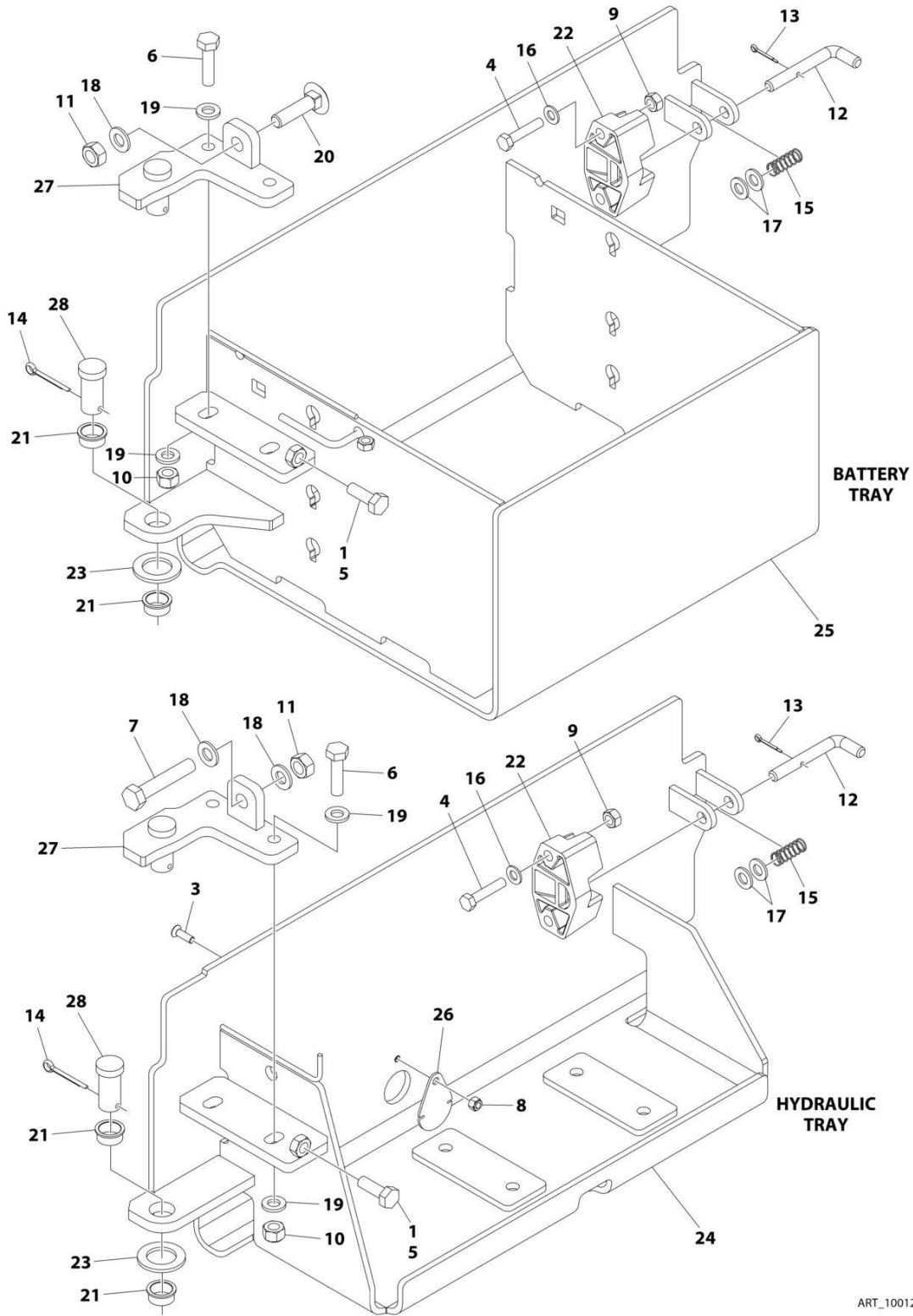
## SECTION 2 - GROUND CONTROLS

**FIGURE 2-13. BATTERIES INSTALLATION - AGM VISION BATTERIES WITH DISCONNECT**

ITEM	PART NUMBER	QTY	DESCRIPTION	REV
	1001255264	Rev	BATTERIES INSTALLATION - AGM VISION BATTERIES WITH DISCONNECT	A
1	0100051	AR	Grease, Terminal (Not Shown)	
2	4240017	AR	Tie-Strap (Not Shown)	
3	1001254633	2	Battery	
100	1001243231	1	Battery Cable Kit (Not Shown)	
101	1001238060	1	Cable, Positive (+) to Negative (-)	
102	1001243232	1	Cable, Pump Motor (+) to Module (+B)	
103	1001243233	1	Cable, Pump Motor (-) to Module (-P)	
104	1001244338	1	Cable, Battery (+) to Relay	
105	1001243235	1	Cable, Battery (-) to Module (-B)	
106	1001244339	1	Cable, Relay to Module (+BF)	

# SECTION 2 - GROUND CONTROLS

## FIGURE 2-14. DOORS INSTALLATION



ART\_1001236861



## SECTION 2 - GROUND CONTROLS

### FIGURE 2-14. DOORS INSTALLATION

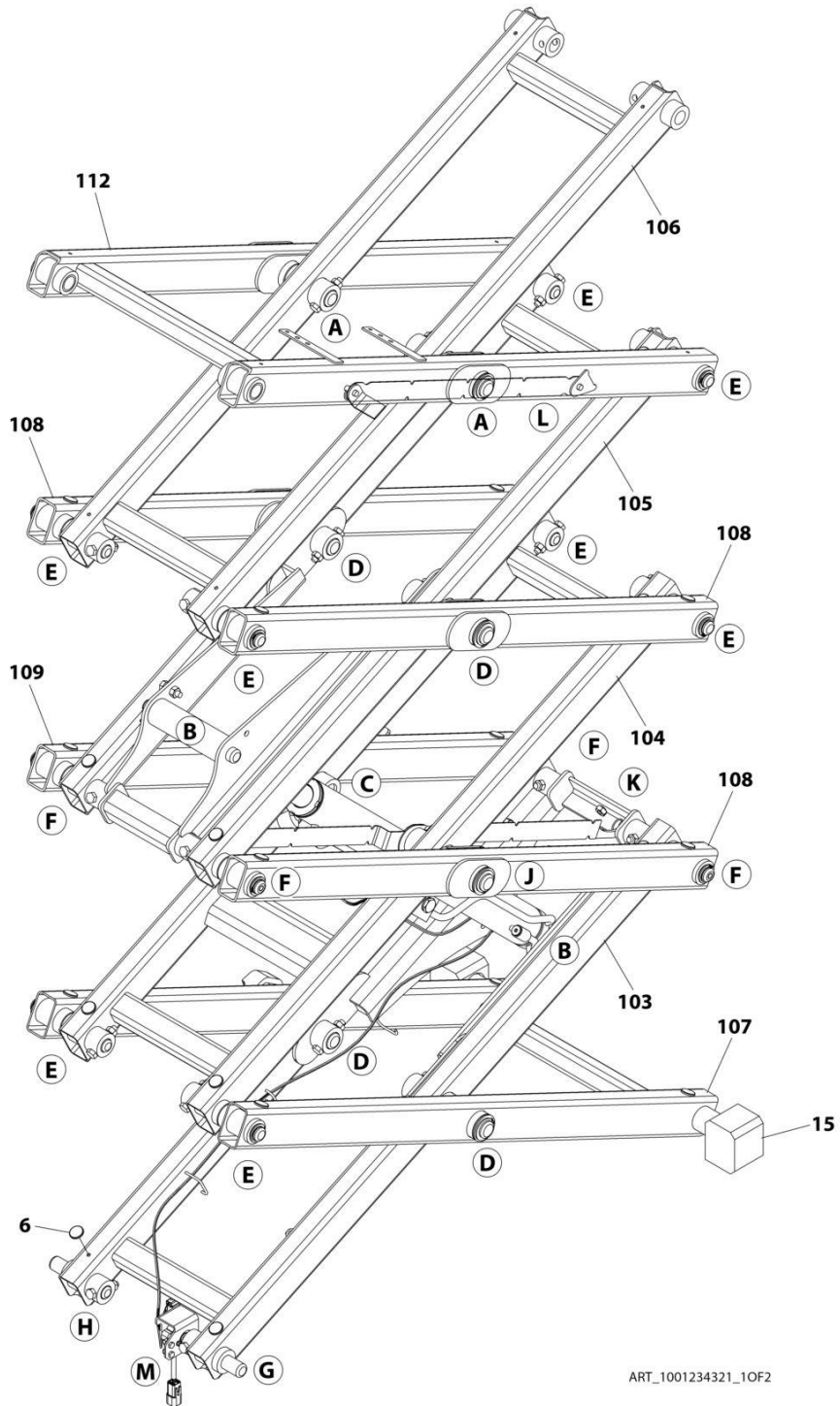
ITEM	PART NUMBER	QTY	DESCRIPTION	REV
	1001236861	Rev	DOORS INSTALLATION	C
1	0100011	AR	Compound, Locking	
3	0630576	1	Screw M6 x 20	
4	0700816	4	Bolt M8 x 40	
5	0761014	2	Bolt M10 x 30	
6	0761016	4	Bolt M10 x 40	
7	0761221	1	Bolt M12 x 65	
8	3290605	1	Nut M6	
9	3290805	4	Nut M8	
10	3291005	4	Nut M10	
11	3291201	2	Nut M12	
12	3423243	2	Pin, Latch	
13	3450303	2	Pin, Cotter 3/32 x 3/4	
14	3450505	2	Pin Cotter 5/32 x 1/2	
15	4160214	2	Spring	
16	4811900	4	Washer M8	
17	4812000	4	Washer M10	
18	4812100	3	Washer M12	
19	5241000	8	Washer M10	
20	1001245750	1	Bolt M12 x 50	
21	1001203870	4	Bearing	
22	1001214810	2	Support Latch	
23	1001229792	2	Washer	
24	1001236856	1	Tray, Hydraulic	
25	1001236860	1	Tray, Battery	
26	1001239457	1	Cover	
27	1001244672	2	Bracket	
28	3431212	2	Pin	



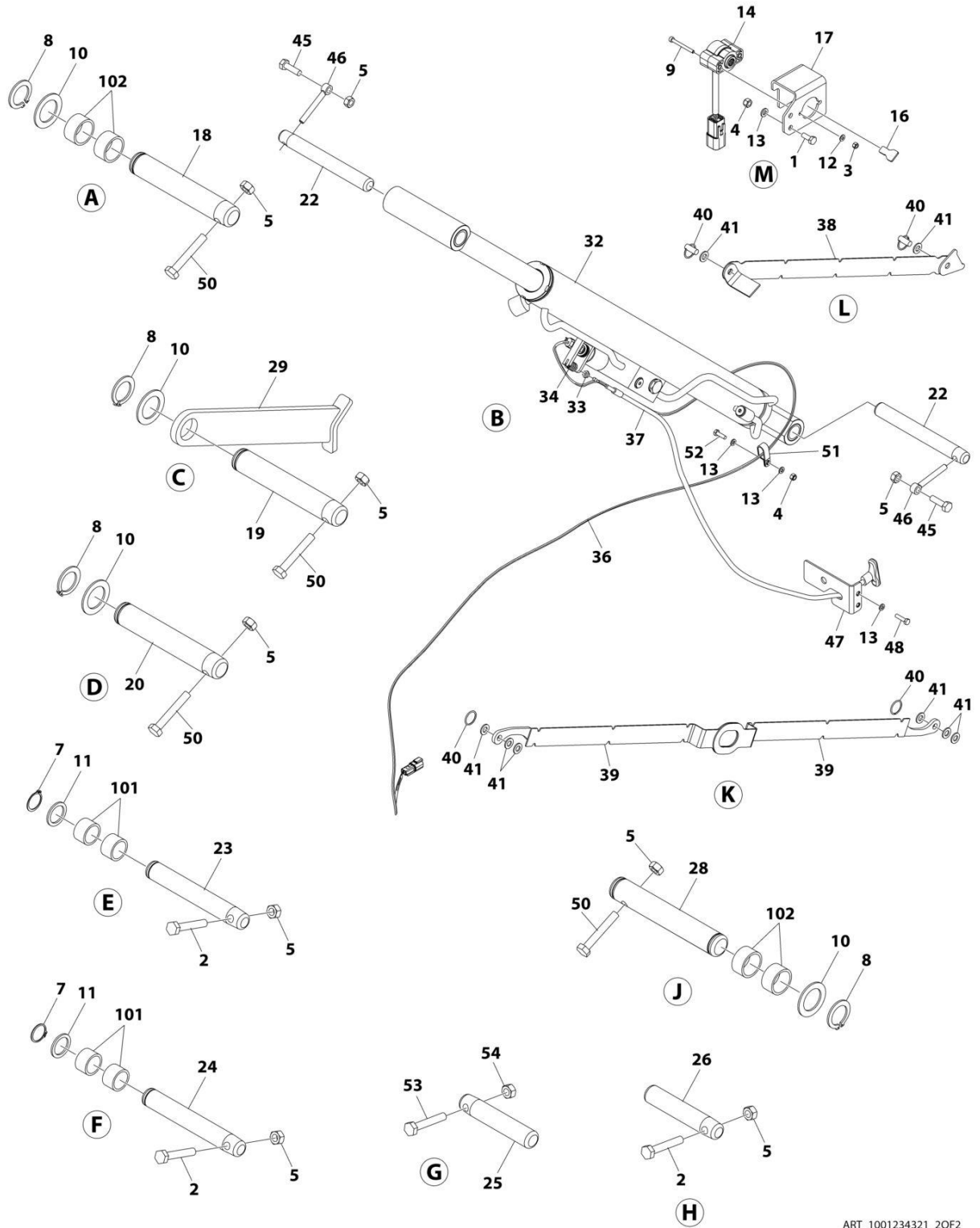
**SECTION 3 - SCISSOR ARMS**

# SECTION 3 - SCISSOR ARMS

## FIGURE 3-1. SCISSOR ARMS INSTALLATION (WITHOUT LSS)



# SECTION 3 - SCISSOR ARMS



ART\_1001234321\_2OF2

## SECTION 3 - SCISSOR ARMS

FIGURE 3-1. SCISSOR ARMS INSTALLATION (WITHOUT LSS)

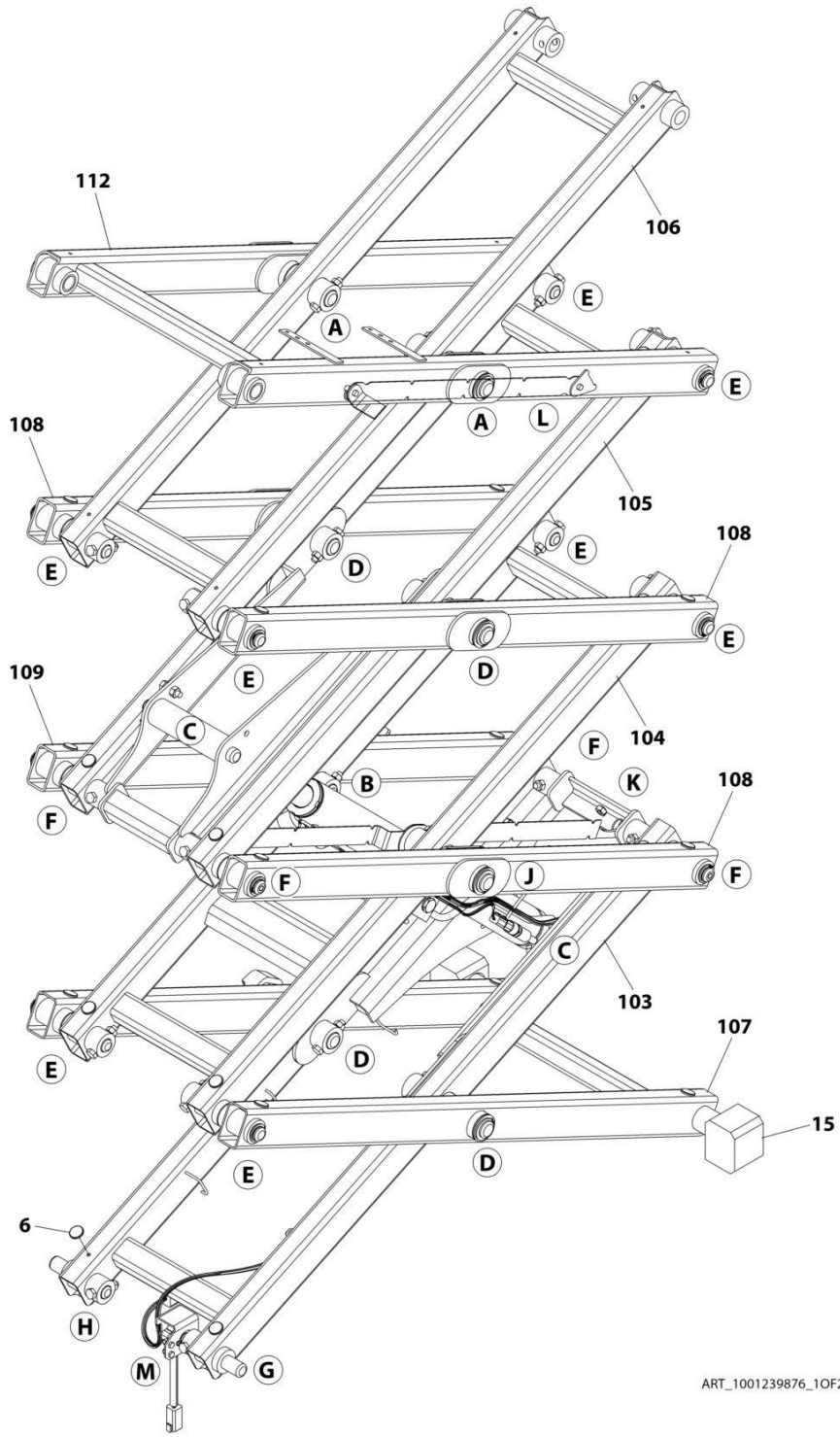
ITEM	PART NUMBER	QTY	DESCRIPTION	REV
	1001234321	Ref	SCISSOR ARMS INSTALLATION (WITHOUT LSS)	O
1	0760608	2	Bolt M6 x 16	
2	0701020	13	Bolt M10 x 60	
3	3290405	2	Nut M4	
4	3290605	3	Nut M6	
5	3291007	23	Nut M10	
6	3340962	24	Pad	
7	3760115	12	Ring, Retaining	
8	3760387	9	Ring, Retaining	
9	4031512	2	Capscrew M4 x 40	
10	4740438	9	Washer	
11	4740531	12	Washer	
12	4811400	2	Washer M4	
13	4811700	6	Washer M6	
14	1001200746	1	Sensor, Angle	
15	1001204311	2	Block, Slide	
16	1001234204	1	Key	
17	1001231268	1	Mount	
18	1001203445	2	Pin	
19	1001233860	1	Pin	
20	1001233861	4	Pin	
22	1001233863	2	Pin	
23	1001233864	8	Pin	
24	1001233865	4	Pin	
25	1001233866	1	Pin	
26	1001233867	1	Pin	
28	1001239737	1	Pin	
29	1001244144	1	Prop, Arm	
31	1001234320	1	Arm Kit (Not Shown - See Item 101-111)	
32	1001247345	1	Lift Cylinder Assembly (See Separate Breakdown in CYLINDER SECTION)	
33	3321402	1	Nut 1/4	
34	4160078	1	Spring	
35	4240017	AR	Tie-Strap (Not Shown)	
36	1001239373	1	Liftdown Harness (See Separate Breakdown in ELECTRICAL SECTION)	
37	1001239404	1	Cable, Manual Descent	
38	1001245636	1	Support	
39	1001245790	2	Support	
40	3760170	4	Ring	
41	4812000	8	Washer M10	
45	0701015	2	Bolt M10 x 35	
46	3841143	2	Keeper, Pin	
47	1001263443	1	Mount	
48	0760612	2	Bolt M6 x 25	
50	0701021	8	Bolt M10 x 65	
51	1321385	1	Clamp	
52	0760610	1	Capscrew M6 x 20	
53	1001258226	1	Bolt M8 x 40 (M10 Shoulder)	
54	3290807	1	Nut M8	

## SECTION 3 - SCISSOR ARMS

ITEM	PART NUMBER	QTY	DESCRIPTION	REV
100	0440263	2	Bushing (Part of Frame)	
	1001234320	Ref	ARM KIT	
101	0440264	28	Bearing	
102	0440265	16	Bearing	
103	1001245386	1	Arm, Bottom Inside	
104	1001233834	1	Arm, Lower Mid Inside	
105	1001245388	1	Arm, Upper Mid Inside	
106	1001233836	1	Arm, Top Inside	
107	1001233837	1	Arm, Bottom Outside	
108	1001245634	3	Arm, Mid Outside	
109	1001245635	1	Arm, Mid Outside with Prop Mount	
112	1001245451	1	Arm, Top Outside	

# SECTION 3 - SCISSOR ARMS

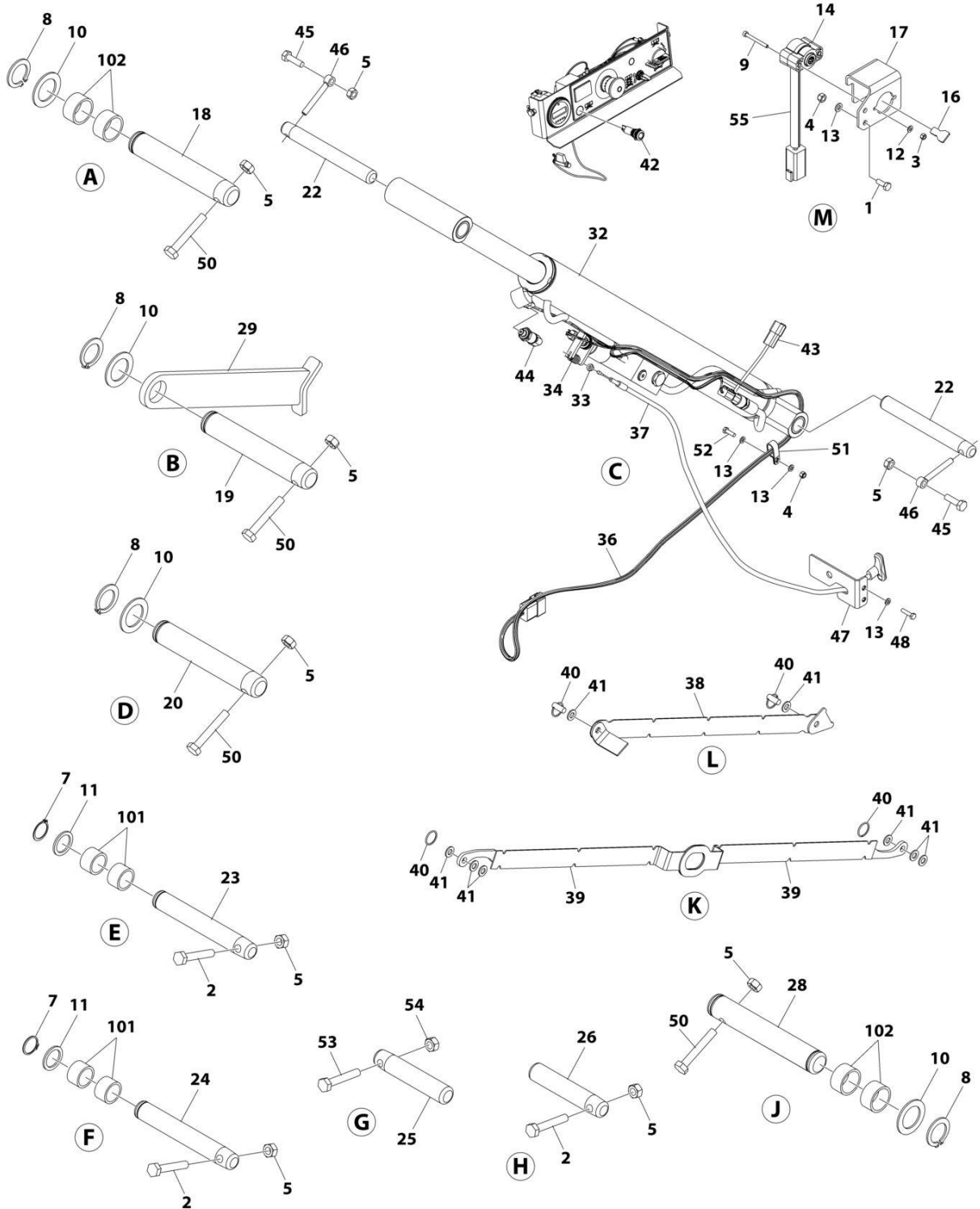
## FIGURE 3-2. SCISSOR ARMS INSTALLATION (WITH LSS)



ART\_1001239876\_10F2



# SECTION 3 - SCISSOR ARMS



ART\_1001239876\_20F2

## SECTION 3 - SCISSOR ARMS

FIGURE 3-2. SCISSOR ARMS INSTALLATION (WITH LSS)

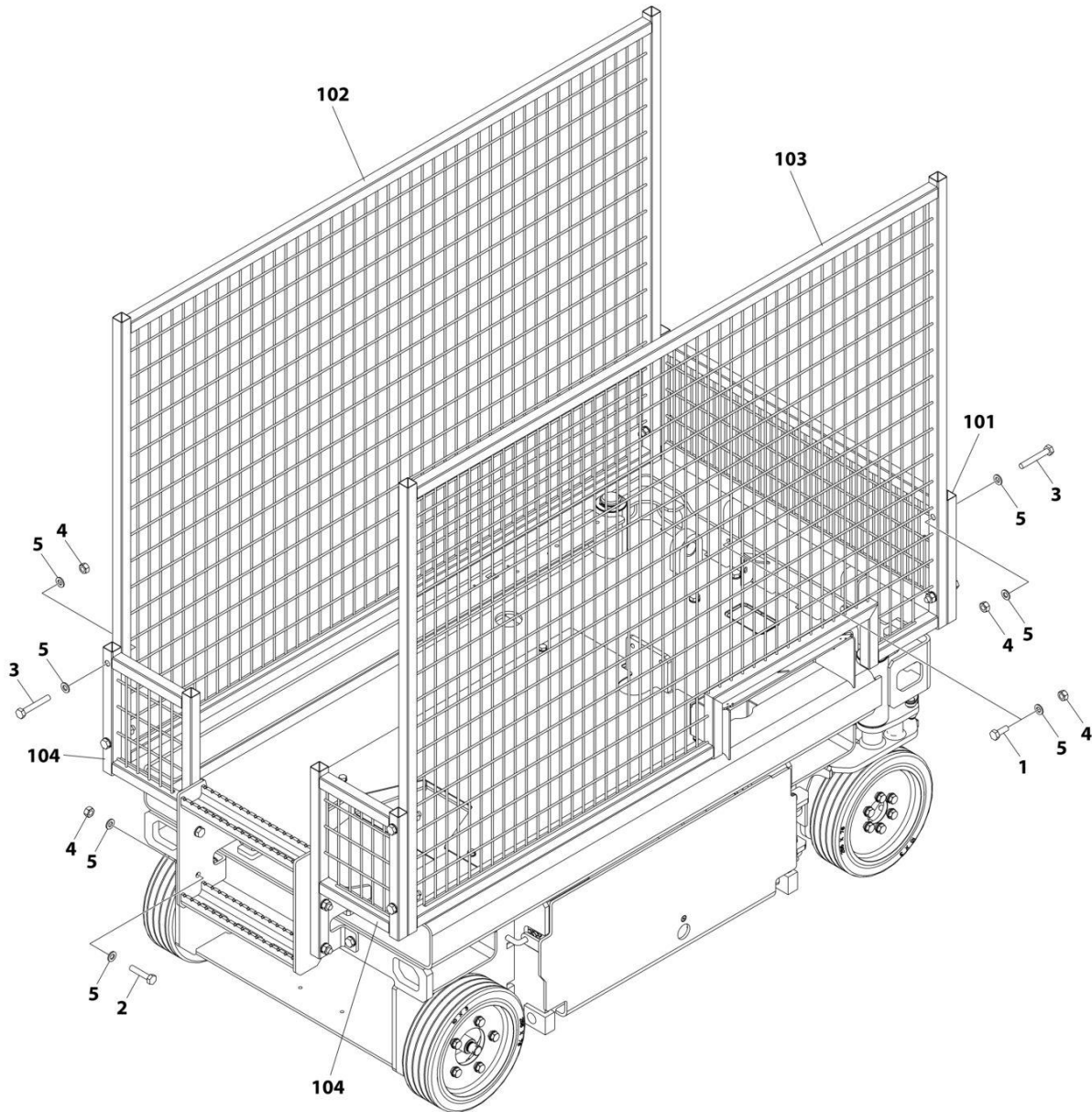
ITEM	PART NUMBER	QTY	DESCRIPTION	REV
	1001239876	Ref	SCISSOR ARMS INSTALLATION (WITH LSS)	P
1	0760608	2	Bolt M6 x 16	
2	0701020	13	Bolt M10 x 60	
3	3290405	2	Nut M4	
4	3290605	3	Nut M6	
5	3291007	23	Nut M10	
6	3340962	24	Pad	
7	3760115	12	Ring, Retaining	
8	3760387	9	Ring, Retaining	
9	4031512	2	Capscrew M4 x 40	
10	4740438	9	Washer	
11	4740531	12	Washer	
12	4811400	2	Washer M4	
13	4811700	6	Washer M6	
14	1001146963	1	Sensor, Angle	
15	1001204311	2	Block, Lower Slide	
16	1001234204	1	Key	
17	1001231268	1	Mount	
18	1001203445	2	Pin	
19	1001233860	1	Pin	
20	1001233861	4	Pin	
22	1001233863	2	Pin	
23	1001233864	8	Pin	
24	1001233865	4	Pin	
25	1001233866	1	Pin	
26	1001233867	1	Pin	
28	1001239737	1	Pin	
29	1001244144	1	Prop, Arm	
31	1001234320	1	Arm Kit (Not Shown - See Item 101-112)	
32	1001247345	1	Lift Cylinder Assembly (See Separate Breakdown in Cylinder Section)	
33	3321402	1	Nut 1/4	
34	4160078	1	Spring	
35	4240017	AR	Tie-Strap (Not Shown)	
36	1001239374	1	Liftdown Harness (See Separate Breakdown in Electrical Section)	
37	1001239404	1	Cable, Manual Descent	
38	1001245636	1	Support	
39	1001245790	2	Support	
40	3760170	4	Ring	
41	4812000	8	Washer M10	
42	1001200631	1	Light, Indicator	
43	1001235104	1	Transducer, Pressure	
44	1001225164	1	Transducer, Pressure	
45	0701015	2	Bolt M10 x 35	
46	3841143	2	Keeper, Pin	
47	1001253153	1	Mount	
48	0760612	2	Bolt M6 x 25	
50	0701021	8	Bolt M10 x 65	
51	1321385	1	Clamp	
52	0760610	1	Capscrew M6 x 20	

## SECTION 3 - SCISSOR ARMS

ITEM	PART NUMBER	QTY	DESCRIPTION	REV
53	1001258226	1	Bolt M8 x 40 (M10 Shoulder)	
54	3290807	1	Nut M8	
55	1001262299	1	Conduit	
100	0440263	2	Bushing (Part of Frame)	
	1001234320	Ref	ARM KIT	
101	0440264	28	Bearing	
102	0440265	16	Bearing	
103	1001245386	1	Arm, Bottom Inside	
104	1001233834	1	Arm, Lower Mid Inside	
105	1001245388	1	Arm, Upper Mid Inside	
106	1001233836	1	Arm, Top Inside	
107	1001233837	1	Arm, Bottom Outside	
108	1001245634	3	Arm, Mid Outside	
109	1001245635	1	Arm, Mid Outside with Prop Mount	
112	1001245451	1	Arm, Top Outside	

# SECTION 3 - SCISSOR ARMS

## FIGURE 3-3. ARM GUARDS INSTALLATION



ART\_1001247246

## SECTION 3 - SCISSOR ARMS

### FIGURE 3-3. ARM GUARDS INSTALLATION

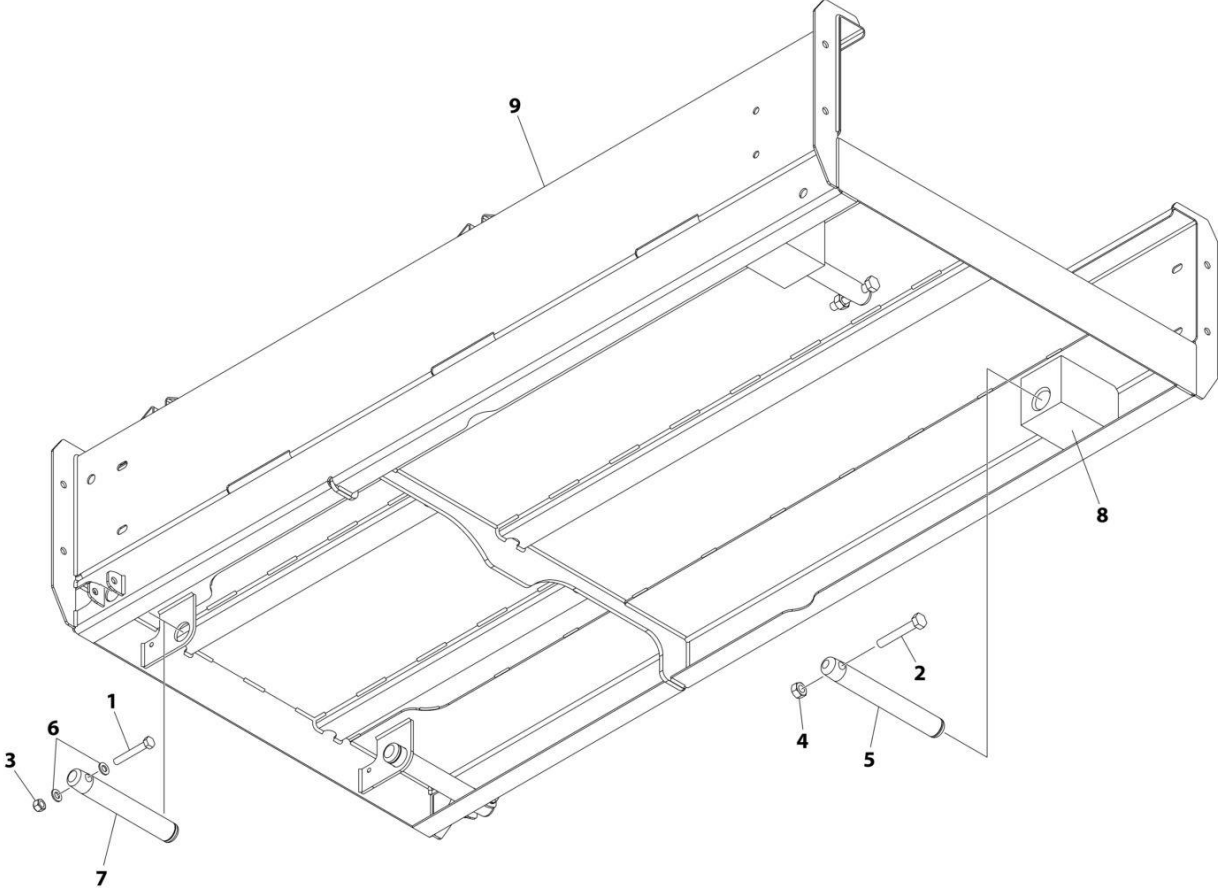
ITEM	PART NUMBER	QTY	DESCRIPTION	REV
	1001247246	Ref	ARM GUARDS INSTALLATION	B
1	0701013	2	Bolt M10 x 28	
2	0701018	4	Bolt M10 x 50	
3	0701022	8	Bolt M10 x 70	
4	3291007	14	Nut M10	
5	4812000	26	Washer M10	
100	1001247245	1	Arm Guard Kit (Not Shown)	
101	1001247241	1	Guard, Arm (Front)	
102	1001247242	1	Guard, Arm (LH)	
103	1001247243	1	Guard, Arm (RH)	
104	1001247244	1	Guard, Arm (Rear)	



**SECTION 4 - PLATFORM**

**SECTION 4 - PLATFORM**

**FIGURE 4-1. PLATFORM INSTALLATION**



ART\_1001248157



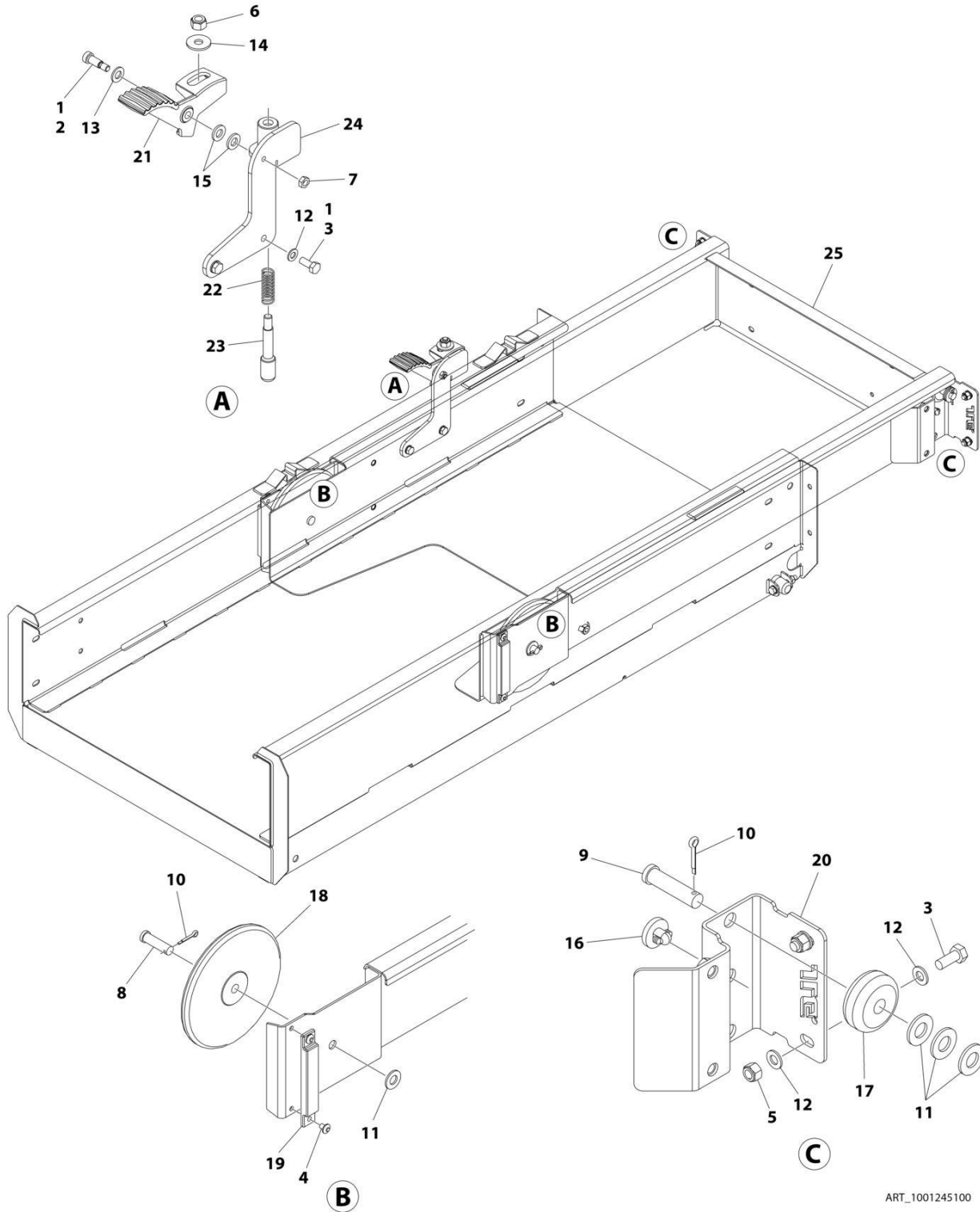
## SECTION 4 - PLATFORM

### FIGURE 4-1. PLATFORM INSTALLATION

ITEM	PART NUMBER	QTY	DESCRIPTION	REV
	1001248157	Ref	PLATFORM INSTALLATION	A
1	0700819	2	Bolt M8 x 55	
2	0701021	2	Bolt M10 x 65	
3	3290805	2	Nut M8	
4	3291007	2	Nut M10	
5	3423032	2	Pin	
6	4811900	4	Washer M8	
7	1001203443	2	Pin	
8	1001205156	2	Block, Slide	
9	1001248155	1	Platform	

# SECTION 4 - PLATFORM

## FIGURE 4-2. PLATFORM EXTENSION INSTALLATION



ART\_1001245100

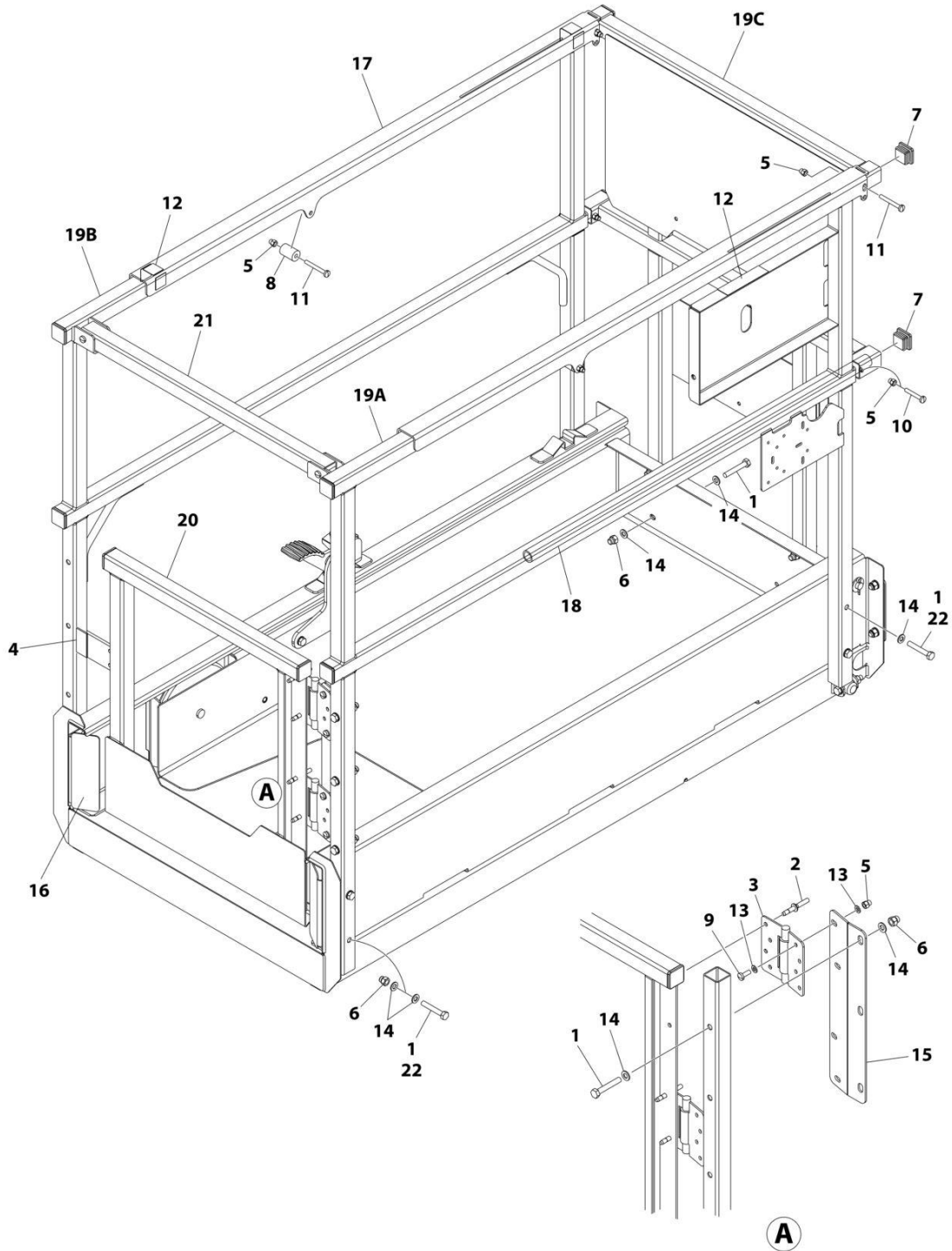
## SECTION 4 - PLATFORM

**FIGURE 4-2. PLATFORM EXTENSION INSTALLATION**

ITEM	PART NUMBER	QTY	DESCRIPTION	REV
	1001245100	Ref	PLATFORM EXTENSION INSTALLATION	C
1	0100011	AR	Compound, Locking	
2	0630183	1	Screw 3/8 x 1	
3	0760810	6	Bolt M8 x 20	
4	2080040	4	Fastener	
5	3290805	4	Nut M8	
6	3291005	1	Nut M10	
7	3311502	1	Nut 5/16	
8	3430814	2	Pin	
9	3430816	2	Pin	
10	3450403	4	Pin, Cotter 1/8 x 3/4	
11	4711800	8	Washer 1/2	
12	4811900	10	Washer M8	
13	4812000	1	Washer M10	
14	4812002	1	Washer M10	
15	5241000	2	Washer M10	
16	1001137675	2	Bumper	
17	1001205422	2	Roller (Front)	
18	1001205430	2	Roller (Rear)	
19	1001208852	2	Pad	
20	1001210064	2	Support	
21	1001217043	1	Plate	
22	1001221475	1	Spring	
23	1001221476	1	Rod	
24	1001236129	1	Bracket	
25	1001245099	1	Extension, Platform	

# SECTION 4 - PLATFORM

## FIGURE 4-3. RAILS INSTALLATION (1.0M TUBE IN TUBE)



ART\_1001245103

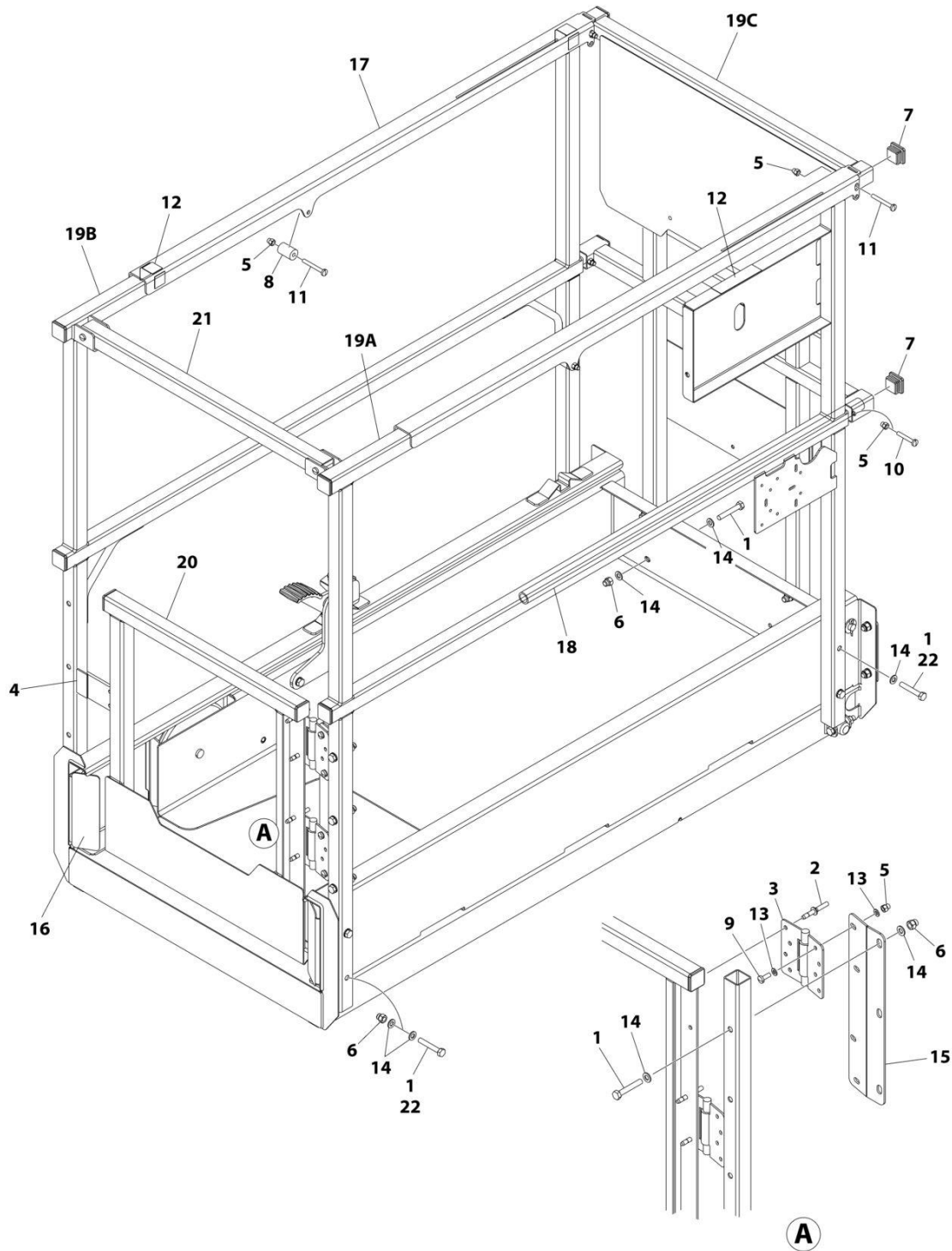
## SECTION 4 - PLATFORM

**FIGURE 4-3. RAILS INSTALLATION (1.0M TUBE IN TUBE)**

ITEM	PART NUMBER	QTY	DESCRIPTION	REV
	1001245103	Ref	RAILS INSTALLATION (1.0M TUBE IN TUBE)	B
1	0700818	15	Bolt M8 x 50	
2	2080040	4	Fastener	
3	2600281	2	Hinge	
4	3080007	1	Latch, Magnetic Gate	
5	3290606	12	Nut M6	
6	3290806	11	Nut M8	
7	3520072	10	Plug	
8	3860111	2	Roller	
9	4010608	4	Screw M6 x 16	
10	4010616	2	Screw M6 x 40	
11	4010618	6	Screw M6 x 50	
12	4420062	16 in /40cm	Tape	
13	4811700	8	Washer M6	
14	4811900	26	Washer M8	
15	1001210586	1	Support	
16	1001210963	2	Cover	
17	1001244095	2	Rail, Top Slide	
18	1001244096	2	Rod	
19	1001245102	1	Rail, Kit (Not Shown)	
19A	1001244045	1	Rail, Side (RH)	
19B	1001244047	1	Rail, Side (LH)	
19C	1001245101	1	Rail, Front Extension	
20	1001245110	1	Gate	
21	1001245138	1	Rail, Rear	
22	0100011	AR	Compound, Locking	

# SECTION 4 - PLATFORM

## FIGURE 4-4. RAILS INSTALLATION (1.1M TUBE IN TUBE)



ART\_1001245107

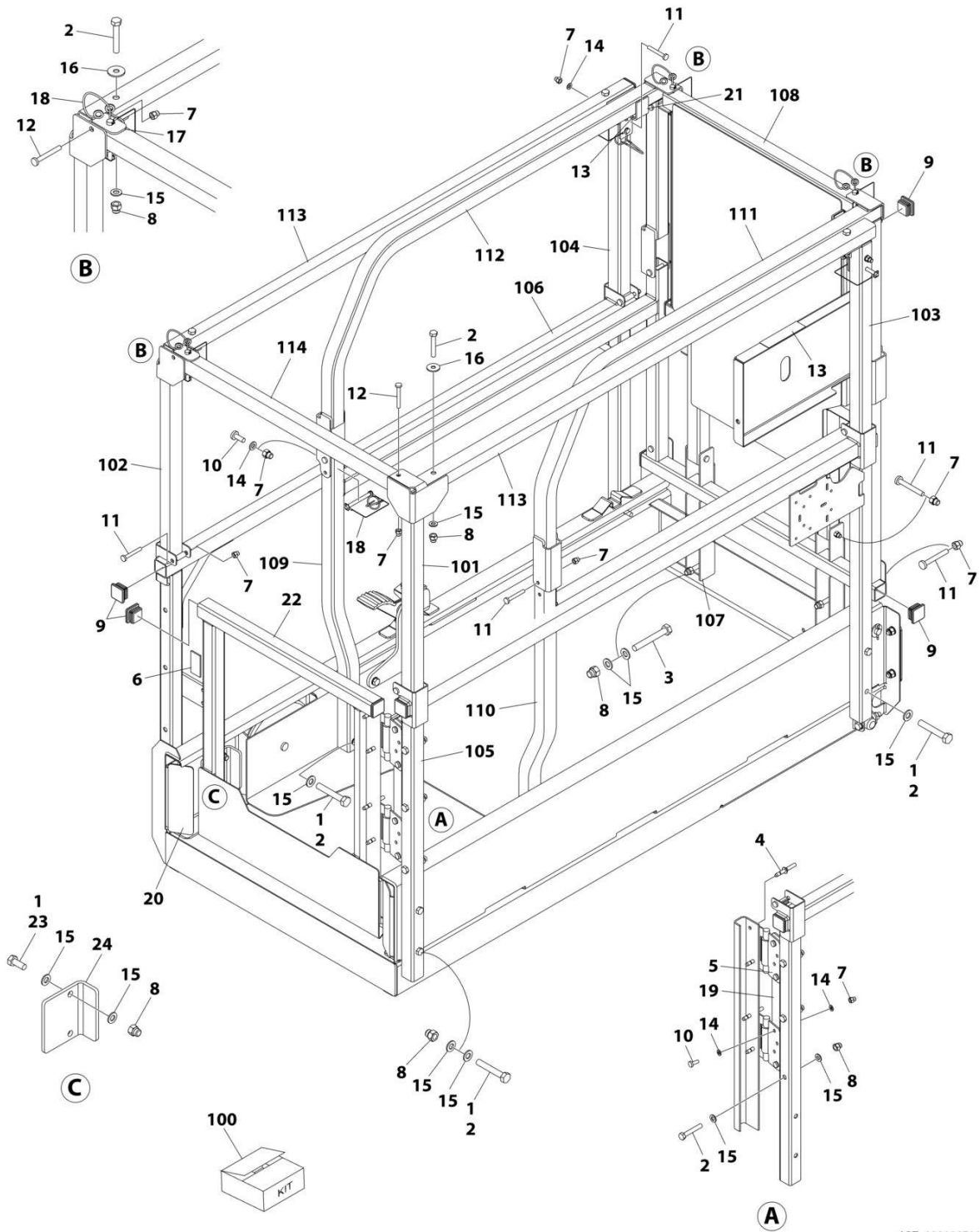
## SECTION 4 - PLATFORM

**FIGURE 4-4. RAILS INSTALLATION (1.1M TUBE IN TUBE)**

ITEM	PART NUMBER	QTY	DESCRIPTION	REV
	1001245107	Ref	RAILS INSTALLATION (1.1M TUBE IN TUBE)	B
1	0700818	15	Bolt M8 x 50	
2	2080040	4	Fastener	
3	2600281	2	Hinge	
4	3080007	1	Latch, Magnetic Gate	
5	3290606	12	Nut M6	
6	3290806	11	Nut M8	
7	3520072	10	Plug	
8	3860111	2	Roller	
9	4010608	4	Screw M6 x 16	
10	4010616	2	Screw M6 x 40	
11	4010618	6	Screw M6 x 50	
12	4420062	16 in /40cm	Tape	
13	4811700	8	Washer M6	
14	4811900	26	Washer M8	
15	1001210586	1	Support	
16	1001210963	2	Cover	
17	1001244095	2	Rail, Top Slide	
18	1001244096	2	Rod	
19	1001245108	1	Rail, Kit (Not Shown)	
19A	1001244093	1	Rail, Side (RH)	
19B	1001244092	1	Rail, Side (LH)	
19C	1001245106	1	Rail, Front Extension	
20	1001245110	1	Gate	
21	1001245138	1	Rail, Rear	
22	0100011	AR	Compound, Locking	

# SECTION 4 - PLATFORM

## FIGURE 4-5. RAILS INSTALLATION (SIDE BY SIDE)



ART\_1001245119



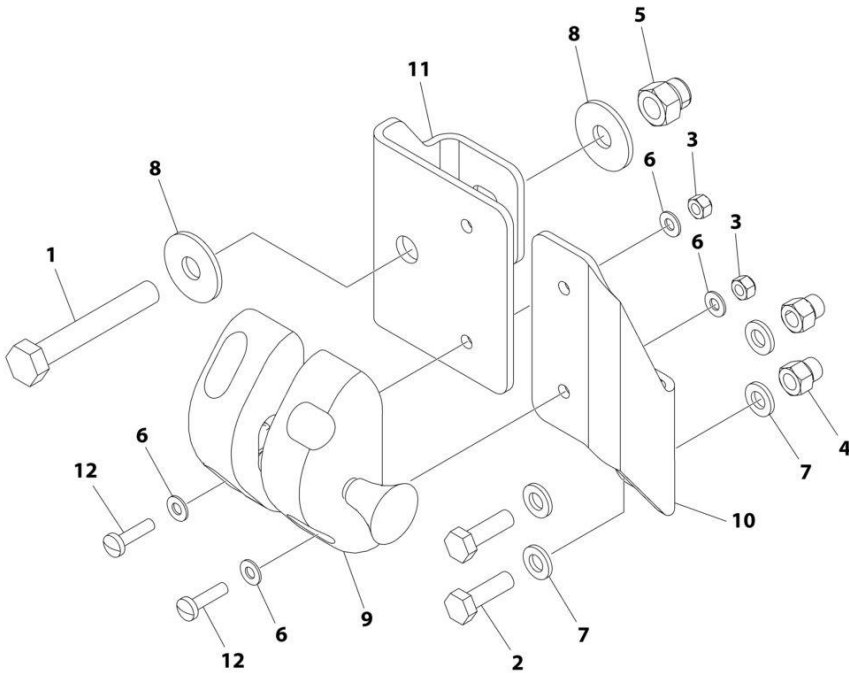
## SECTION 4 - PLATFORM

**FIGURE 4-5. RAILS INSTALLATION (SIDE BY SIDE)**

ITEM	PART NUMBER	QTY	DESCRIPTION	REV
	1001245119	Ref	RAILS INSTALLATION (SIDE BY SIDE)	B
1	0100011	AR	Compound, Locking	
2	0700818	19	Bolt M8 x 50	
3	0700820	4	Bolt M8 x 60	
4	2080040	4	Fastener	
5	2600281	2	Hinge	
6	3080007	1	Latch, Magnetic Gate	
7	3290606	23	Nut M6	
8	3290806	17	Nut M8	
9	3520072	12	Plug	
10	4010608	5	Screw M6 x 16	
11	4010617	16	Screw M6 x 45	
12	4010618	2	Screw M6 x 50	
13	4420062	15 in/ 37cm	Tape	
14	4811700	13	Washer M6	
15	4811900	38	Washer M8	
16	4811902	4	Washer M8	
17	1001154378	1	Bracket	
18	1001187587	6	Pin, With Lanyard	
19	1001210586	1	Support	
20	1001210963	2	Cover	
21	1001232257	2	Brace	
22	1001245110	1	Gate	
23	0760810	2	Bolt M8 x 20	
24	1001232622	1	Bracket	
100	1001245120	1	Rail, Kit (Not Shown)	
101	1001229739	1	Rail (RH Upper Rear)	
102	1001229740	1	Rail (LH Upper Rear)	
103	1001229741	1	Rail (RH Upper Front)	
104	1001229742	1	Rail (LH Upper Front)	
105	1001245121	1	Rail (RH Lower)	
106	1001245122	1	Rail (LH Lower)	
107	1001245123	1	Rail (Lower Extension)	
108	1001245125	1	Rail (Upper Front Extension)	
109	1001245129	1	Rail (Extension LH Side Upper)	
110	1001245131	1	Rail (Extension RH Side Upper)	
111	1001245132	1	Rail (Extension RH Side Lower)	
112	1001245134	1	Rail (Extension LH Side Lower)	
113	1001245135	2	Rail (RH and LH Side Upper)	
114	1001245136	1	Rail (Rear Top)	

**SECTION 4 - PLATFORM**

**FIGURE 4-6. GATE LATCH INSTALLATION**



ART\_1001220995

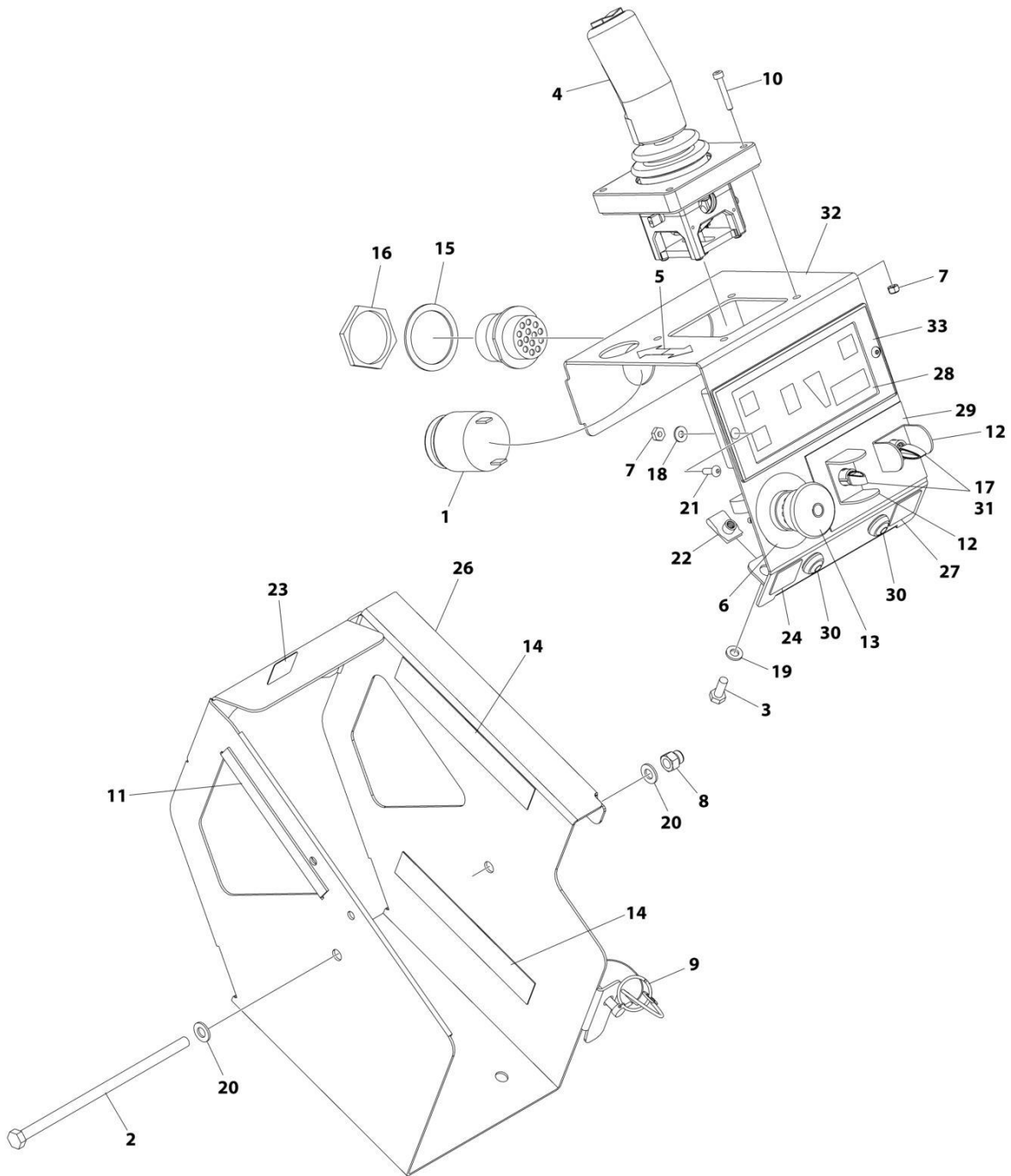
## SECTION 4 - PLATFORM

### FIGURE 4-6. GATE LATCH INSTALLATION

ITEM	PART NUMBER	QTY	DESCRIPTION	REV
	1001220995	Ref	GATE LATCH INSTALLATION	B
1	0700819	1	Bolt M8 x 55	
2	0760610	2	Bolt M6 x 20	
3	3290405	4	Nut M4	
4	3290606	2	Nut M6	
5	3290806	1	Nut M8	
6	4811400	8	Washer M4	
7	4811700	4	Washer M6	
8	4811902	2	Washer M8	
9	1001134821	1	Latch	
10	1001220409	1	Mount	
11	1001220410	1	Plate	
12	4010408	4	Screw M4 x 16	

# SECTION 4 - PLATFORM

## FIGURE 4-7. PLATFORM CONSOLE INSTALLATION (ALL SPECS)



ART\_1001274604

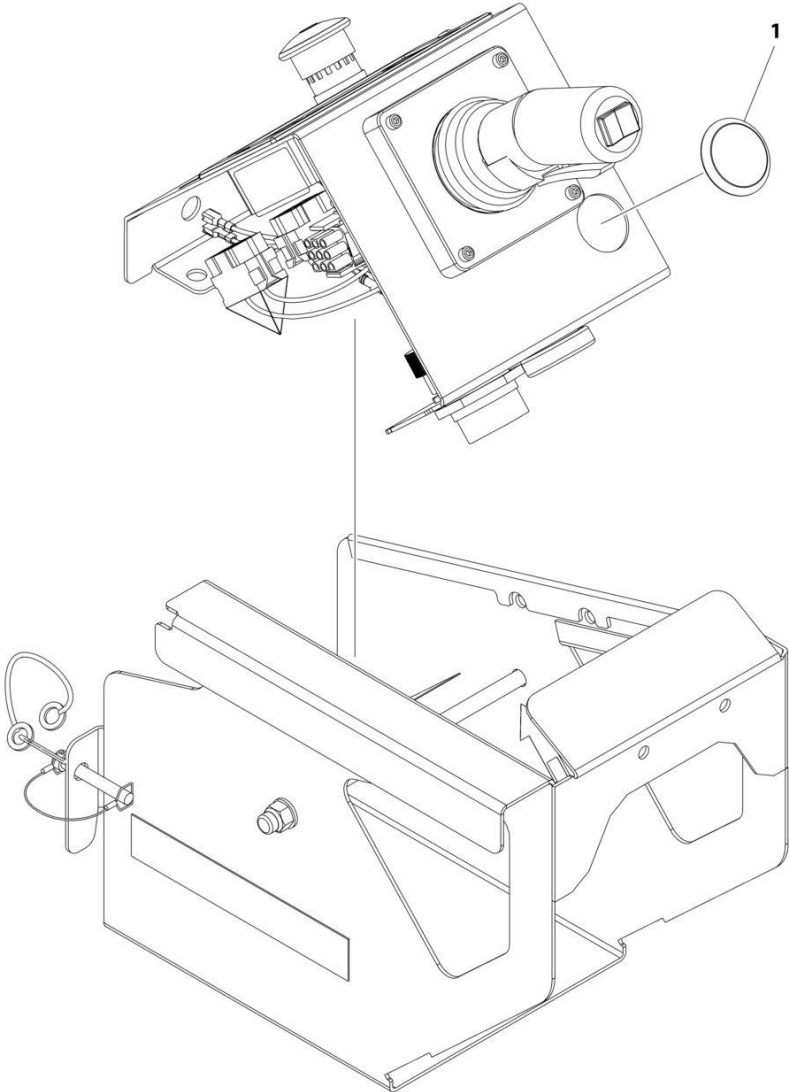
## SECTION 4 - PLATFORM

**FIGURE 4-7. PLATFORM CONSOLE INSTALLATION (ALL SPECS)**

ITEM	PART NUMBER	QTY	DESCRIPTION	REV
	1001274604	Ref	PLATFORM CONSOLE INSTALLATION	B
1	0140030	1	Alarm	
2	0700835	1	Bolt M8 x 180	
3	0760610	2	Bolt M6 x 20	
4	1600402	1	Controller Assembly	
5	1703819	1	Decal - Arrow	
6	1704260	1	Decal - Emergency Stop	
7	3290405	6	Nut M4	
8	3290806	1	Nut M8	
9	3423278	1	Pin, Snap with Lanyard	
10	4031509	4	Capscrew M4 x 25	
11	4060803	6 in/14cm	Flex-Trim	
12	4060906	2	Guard, Switch	
13	4360475	1	Switch, Emergency Stop	
13	7020175	1	Cap	
13	7020176	1	Block, Contact	
14	4420062	12 in/ 30cm	Tape	
15	4460496	1	Washer, Terminal	
16	4460497	1	Nut, Terminal	
17	4711700	2	Washer 7/16	
18	4811400	2	Washer M4	
19	4811700	2	Washer M6	
20	4811900	2	Washer M8	
21	1001047064	2	Screw M4 x 15	
22	1001130220	2	Nut, Tinnerman M6	
23	1001132358	1	Decal - Steer	
24	1001132361	1	Decal - Horn	
25	1001200819	1	Platform Control Box Harness (Not Shown) (See Separate Breakdown in ELELCTRICAL Section)	
26	1001209596	1	Plate, Box (Outside)	
27	1001213886	1	Decal - Indoor/Outdoor	
28	1001218285	1	Decal - Platform Control	
29	1001220893	1	Decal - Lift/Drive Function	
30	1001226749	2	Switch - Push Button Yellow	
31	1001258446	2	Switch, Toggle	
32	1001262655	1	Plate, Box (Inside)	
33	1001274605	1	Module, Platform Control	

**SECTION 4 - PLATFORM**

**FIGURE 4-8. PLATFORM CONTROL PLUG INSTALLATION**



ART\_1001274661

## SECTION 4 - PLATFORM

**FIGURE 4-8. PLATFORM CONTROL PLUG INSTALLATION**

ITEM	PART NUMBER	QTY	DESCRIPTION	REV
1	1001274661 1001262221	Ref 1	PLATFORM CONTROL PLUG INSTALLATION Plug	A

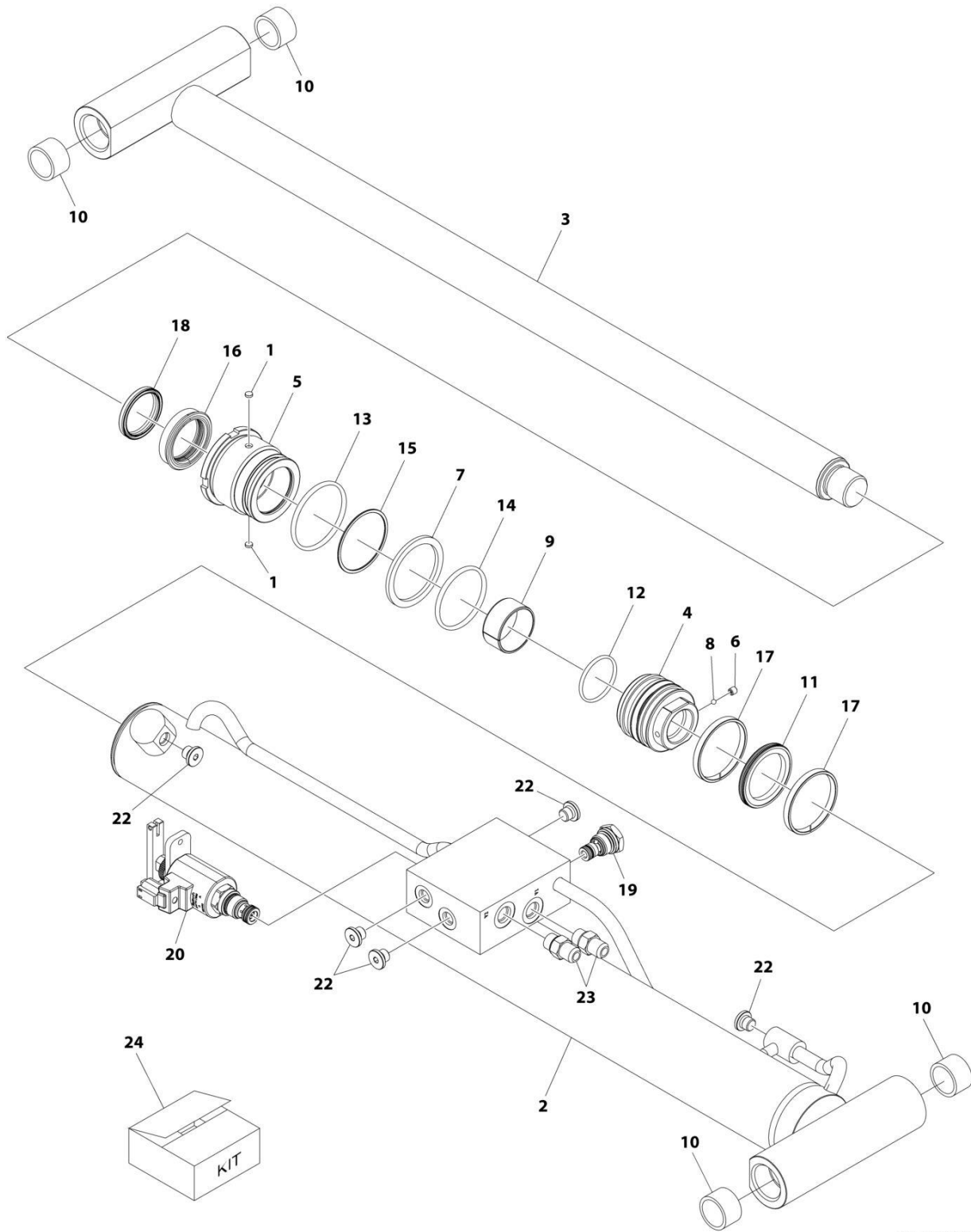




**SECTION 5 - CYLINDER**

# SECTION 5 - CYLINDER

## FIGURE 5-1. LIFT CYLINDER ASSEMBLY



ART\_1001247345

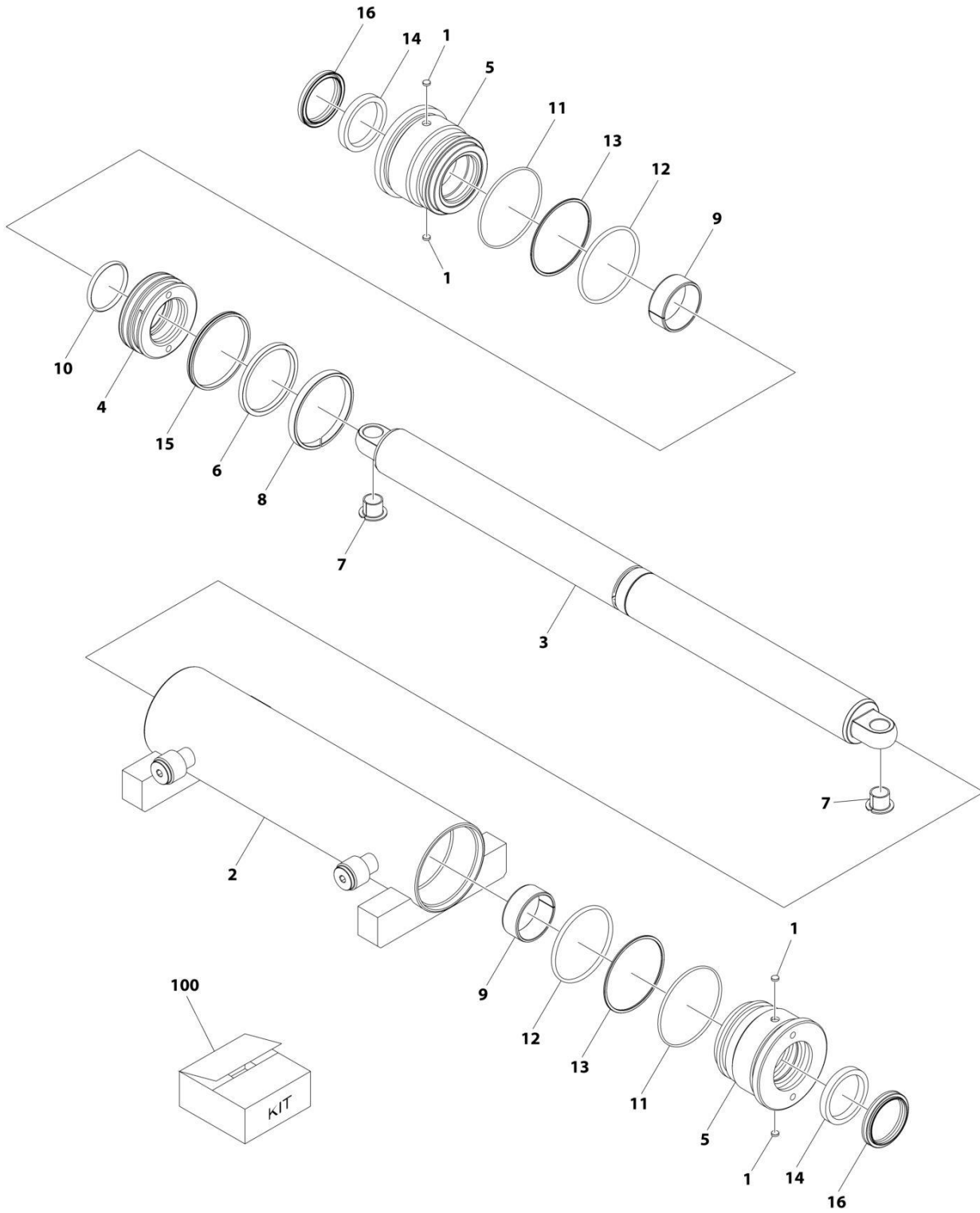
## SECTION 5 - CYLINDER

### FIGURE 5-1. LIFT CYLINDER ASSEMBLY

ITEM	PART NUMBER	QTY	DESCRIPTION	REV
	1001247345	Ref	LIFT CYLINDER ASSEMBLY	B
		Ref	Note: Original Cylinder May Have Been Replaced with Service Replacement. Identify PN Stamped on Cylinder Before Ordering Parts.	
1	70003636	2	Insert, Locking	
2	See Note	NSS	Barrel (Note: Use p/n 1001247345)	
3	70007137	1	Rod	
4	70007130	1	Piston	
5	70007131	1	Head	
6	See Note	NSS	Setscrew (Note: Use Item 24)	
7	70007132	1	Ring, Back-up	
8	See Note	NSS	Ball (Note: Use Item 24)	
9	70007133	1	Ring, Wear	
10	0962292	4	Bearing	
11	See Note	NSS	Ring, Wear (Note: Use Item 24)	
12	See Note	NSS	O-Ring (Note: Use Item 24)	
13	See Note	NSS	O-Ring (Note: Use Item 24)	
14	See Note	NSS	O-Ring (Note: Use Item 24)	
15	See Note	NSS	Ring, Back-up (Note: Use Item 24)	
16	See Note	NSS	Seal, Rod (Note: Use Item 24)	
17	See Note	NSS	Seal, Piston (Note: Use Item 24)	
18	See Note	NSS	Wiper (Note: Use Item 24)	
19	70004585	1	Valve, Check (Bosch Rexroth)	
19	70008142	1	Valve, Check (Sant - Valvole)	
20	70005236	1	Valve, Manual Descent (Bosch Rexroth)	
20	70008143	1	Valve, Manual Descent (Sant - Valvole)	
21	70007134	2	Fitting, Straight (Not Shown)	
22	2220883	5	Plug	
23	70007135	2	Fitting, Straight	
24	70007138	1	Seal Kit - Cylinder (Includes Items 6, 8 & 11-18)	

# SECTION 5 - CYLINDER

## FIGURE 5-2. STEER CYLINDER ASSEMBLY



ART\_1001234461

## SECTION 5 - CYLINDER

**FIGURE 5-2. STEER CYLINDER ASSEMBLY**

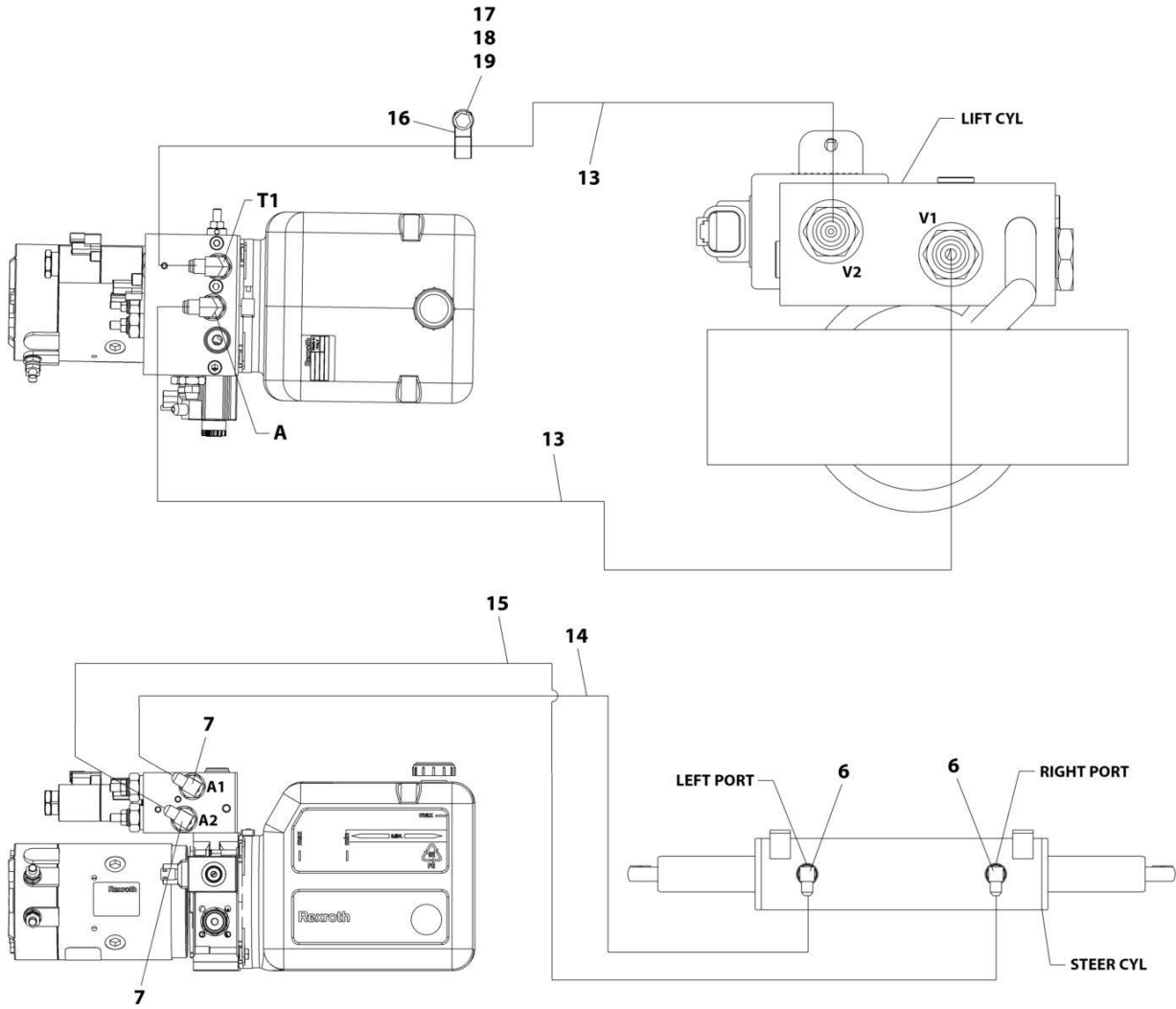
ITEM	PART NUMBER	QTY	DESCRIPTION	REV
	1001234461	Ref	STEER CYLINDER ASSEMBLY	A
		Ref	Note: Original Cylinder May Have Been Replaced with Service Replacement. Identify PN Stamped on Cylinder Before Ordering Parts.	
1	70003636	4	Insert, Locking	
2	See Note	NSS	Barrel (Note: Use p/n 1001234461)	
3	70007074	1	Rod	
4	70007075	1	Piston	
5	70007076	2	Head	
6	70007077	1	Ring, Retaining	
7	0440259	2	Bushing	
8	See Note	NSS	Ring, Wear (Note: Use Item 100)	
9	See Note	NSS	Ring, Wear (Note: Use Item 100)	
10	See Note	NSS	O-Ring (Note: Use Item 100)	
11	See Note	NSS	O-Ring (Note: Use Item 100)	
12	See Note	NSS	O-Ring (Note: Use Item 100)	
13	See Note	NSS	Ring, Back-up (Note: Use Item 100)	
14	See Note	NSS	Seal, Rod (Note: Use Item 100)	
15	See Note	NSS	Seal, Piston (Note: Use Item 100)	
16	See Note	NSS	Wiper (Note: Use Item 100)	
100	70007118	1	Seal Kit - Cylinder (Includes Items 8-16)	



**SECTION 6 - HYDRAULIC**

# SECTION 6 - HYDRAULIC

## FIGURE 6-1. HYDRAULIC DIAGRAM



ART\_1001235002\_2OF2



## SECTION 6 - HYDRAULIC

### FIGURE 6-1. HYDRAULIC DIAGRAM

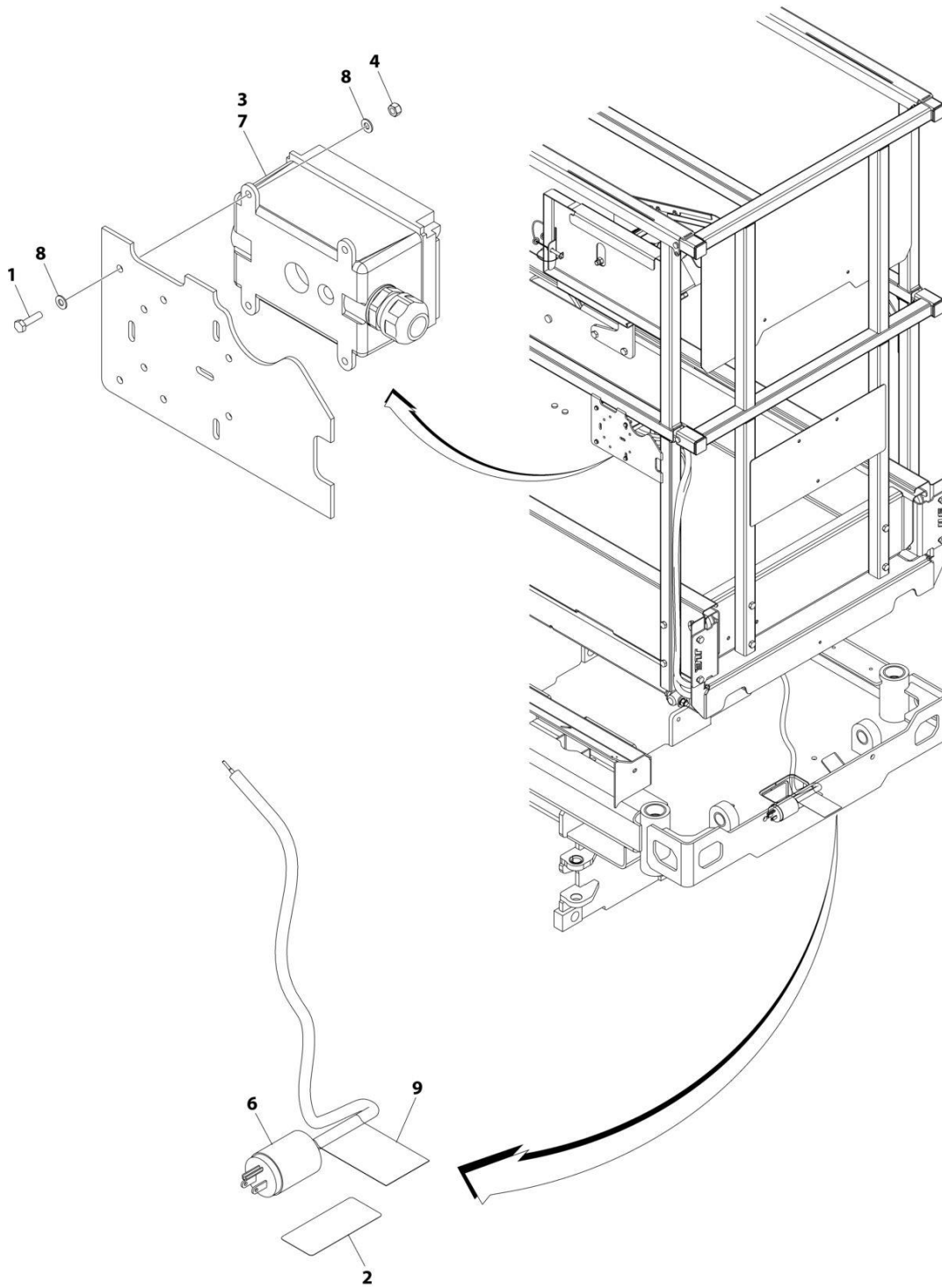
ITEM	PART NUMBER	QTY	DESCRIPTION	REV
	1001235002	Rev	HYDRAULIC DIAGRAM	I
6	2220466	2	Adapter, 90	
7	2220654	2	Adapter, 90	
9	4240018	8	Tie-Strap (Not Shown)	
13	1001249887	2	Hose	
14	1001238025	1	Hose	
15	1001238026	1	Hose	
16	1001247924	1	Clamp, Hoses	
18	3290601	1	Nut M6	
20	0700610	1	Screw M6 x 20	
21	4811700	2	Washer M6	



**SECTION 7 - ELECTRICAL**

# SECTION 7 - ELECTRICAL

FIGURE 7-1. AC BOX AT PLATFORM INSTALLATION - 110V GFI (ALL SPECS EXCEPT CE & UK CA SPECS)



ART\_1001244911

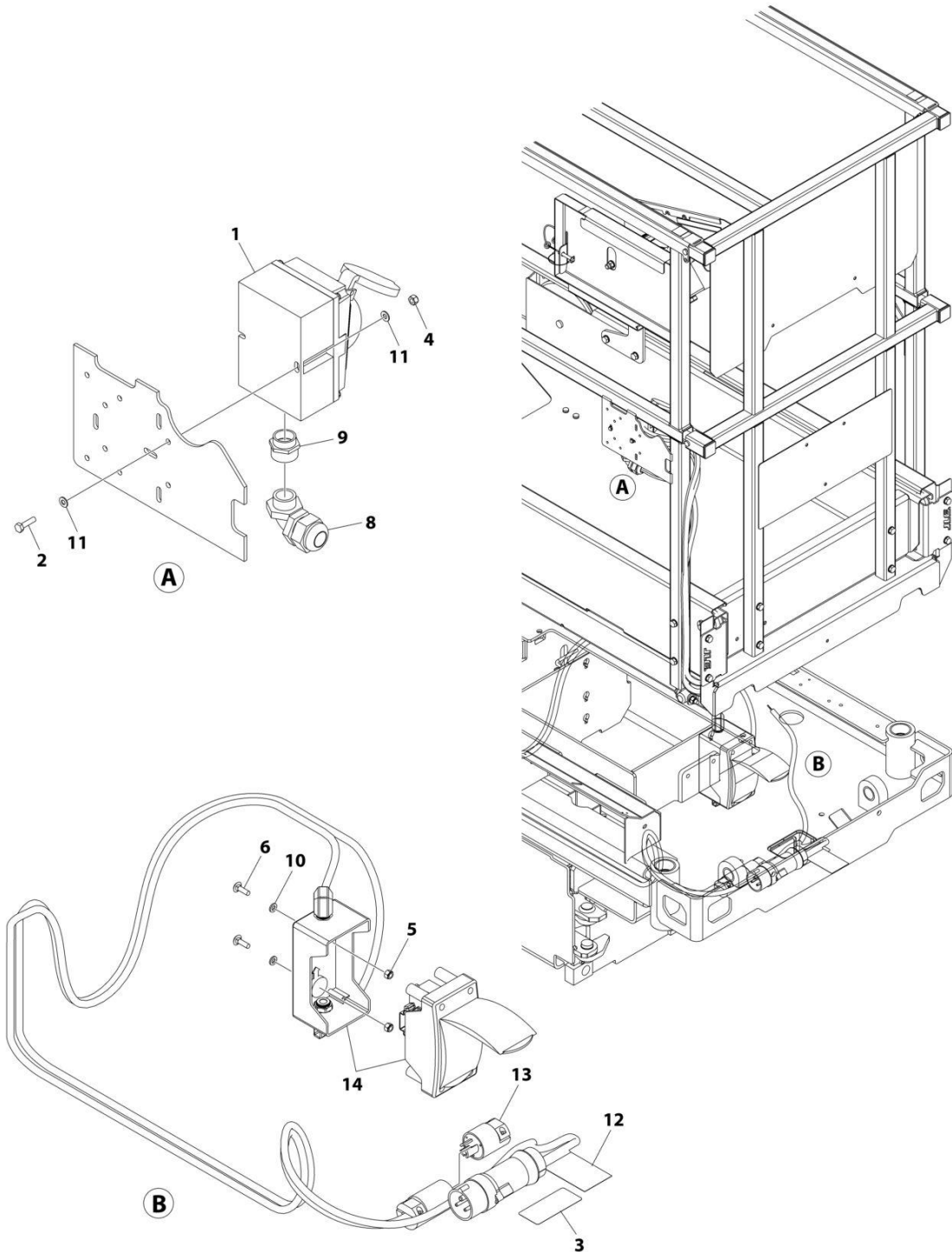
## SECTION 7 - ELECTRICAL

**FIGURE 7-1. AC BOX AT PLATFORM INSTALLATION - 110V GFI (ALL SPECS EXCEPT CE & UK CA SPECS)**

ITEM	PART NUMBER	QTY	DESCRIPTION	REV
	1001244911	Ref	AC BOX AT PLATFORM INSTALLATION - 110V GFI	A
1	0760408	4	Bolt M4 x 16	
2	1703464	1	Decal - AC Power	
3	2902431	1	Receptacle Box Kit (See Separate Breakdown in this Section)	
4	3290405	4	Nut M4	
5	4240017	AR	Tie-Strap (Not Shown)	
6	4460138	1	Plug, Male - AC	
7	4460315	1	Terminal	
8	4811400	8	Washer M4	
9	1001102258	1	Decal - AC Label	

# SECTION 7 - ELECTRICAL

## FIGURE 7-2. AC BOX AT PLATFORM INSTALLATION - 110V IEC YELLOW (CE & UK CA SPECS)



ART\_1001244916

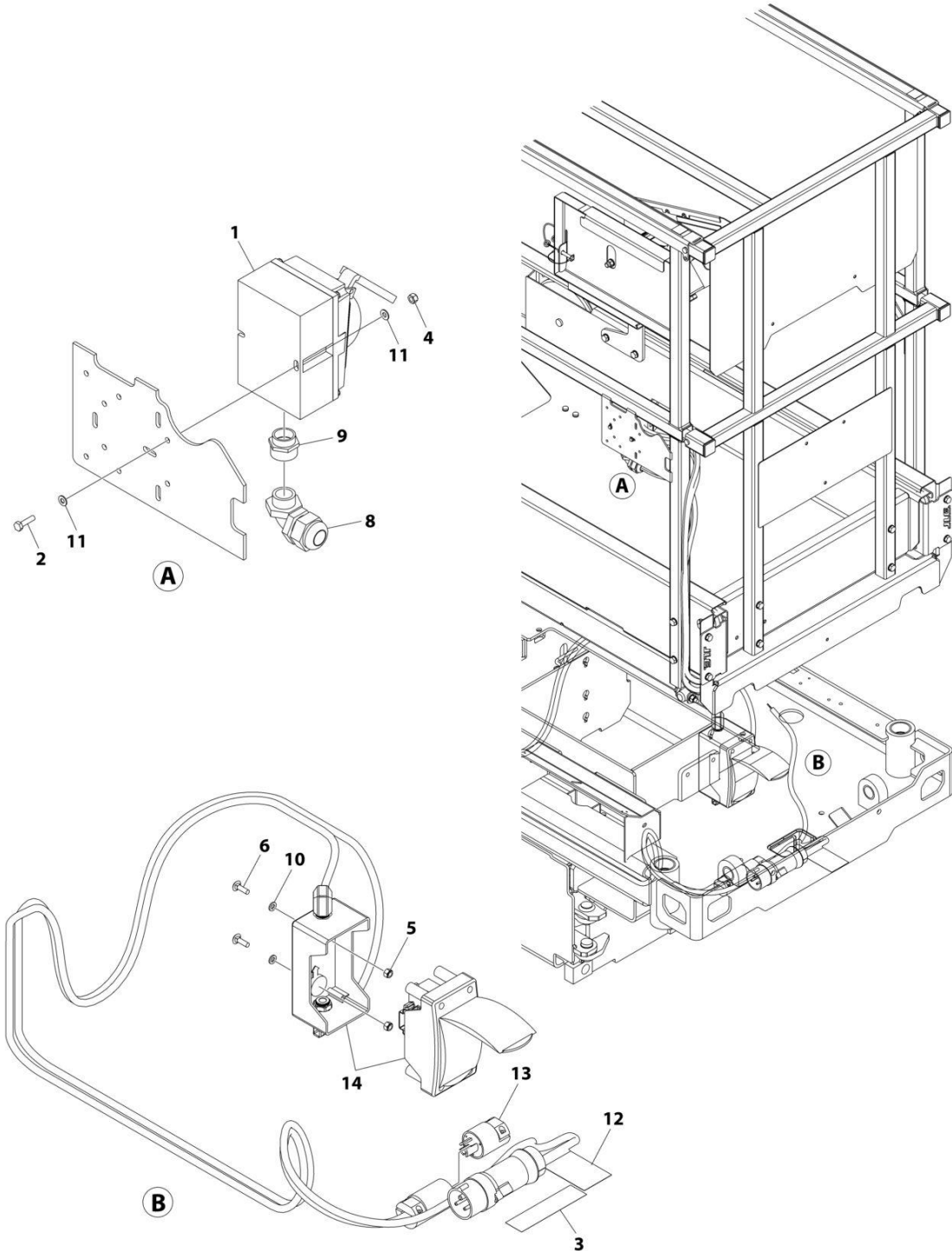
## SECTION 7 - ELECTRICAL

**FIGURE 7-2. AC BOX AT PLATFORM INSTALLATION - 110V IEC YELLOW (CE & UK CA SPECS)**

ITEM	PART NUMBER	QTY	DESCRIPTION	REV
	1001244916	Ref	AC BOX AT PLATFORM INSTALLATION - 110V IEC YELLOW	B
1	0275216	1	Receptacle Box Kit - 110V IEC Yellow (See Separate Breakdown in this Section)	
2	0760408	2	Bolt M4 x 16	
3	1703464	1	Decal - AC Power	
4	3290405	2	Nut M4	
5	3290605	2	Nut M6	
6	1001100451	2	Bolt M6 x 20	
7	4240017	AR	Tie-Strap (Not Shown)	
8	4461257	1	Connector, Strain Relief	
9	4461258	1	Connector, Adapter	
10	4811700	2	Washer M6	
11	4811400	4	Washer M4	
12	1001102258	1	Decal - AC Label	
13	1001120204	1	Plug, Male Twist	
14	1001244909	1	Breaker Box Kit (See Separate Breakdown in this Section)	

**SECTION 7 - ELECTRICAL**

**FIGURE 7-3. AC BOX AT PLATFORM INSTALLATION - 220V IEC BLUE (CE & UK CA SPECS)**



ART\_1001244917



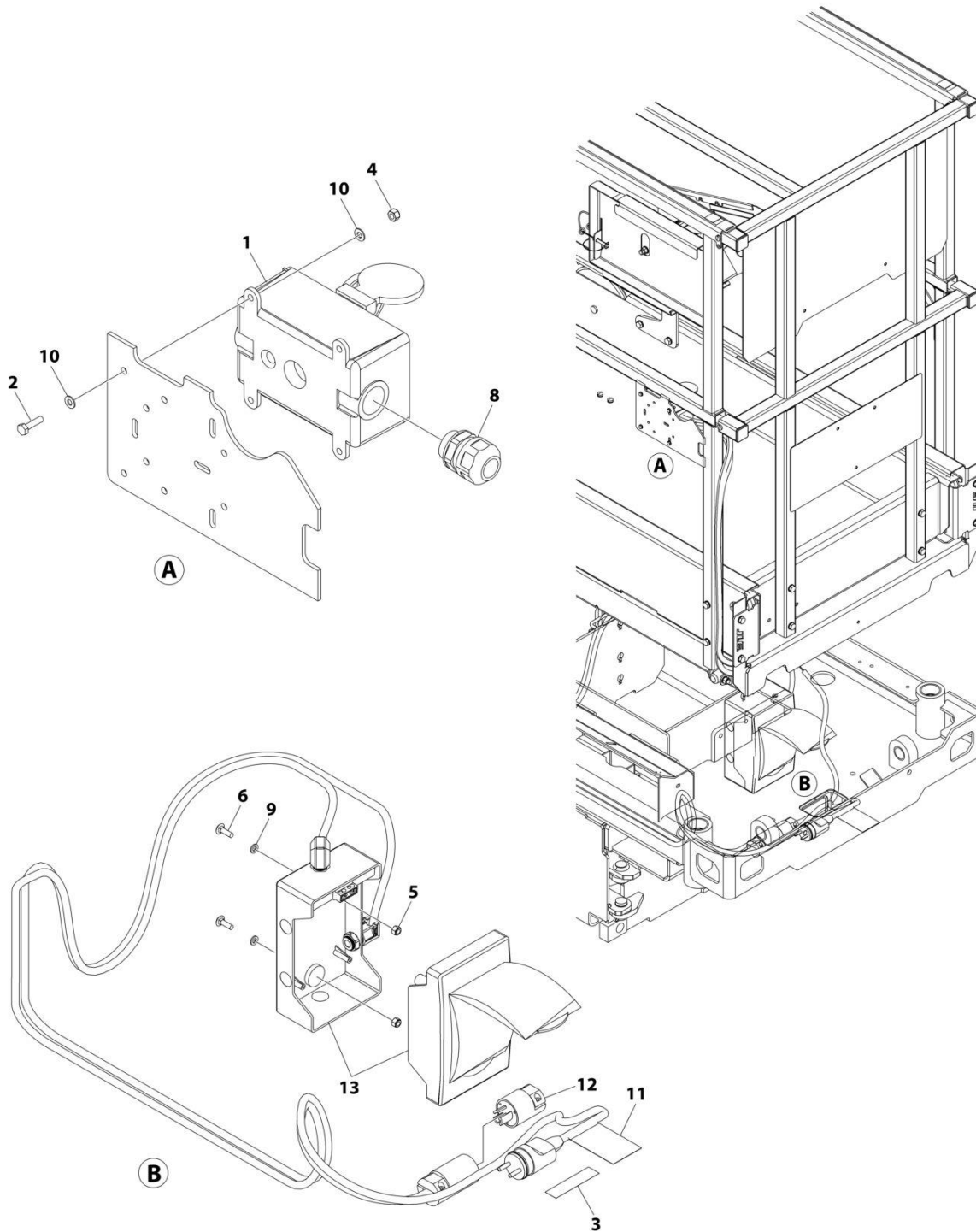
## SECTION 7 - ELECTRICAL

**FIGURE 7-3. AC BOX AT PLATFORM INSTALLATION - 220V IEC BLUE (CE & UK CA SPECS)**

ITEM	PART NUMBER	QTY	DESCRIPTION	REV
	1001244917	Ref	AC BOX AT PLATFORM INSTALLATION - 220V IEC BLUE	B
1	0275217	1	Receptacle Box Kit - 220V IEC Blue (See Separate Breakdown in this Section)	
2	0760408	2	Bolt M4 x 16	
3	3252507	1	Decal - AC Power	
4	3290405	2	Nut M4	
5	3290605	2	Nut M6	
6	1001100451	2	Bolt M6 x 20	
7	4240017	AR	Tie-Strap (Not Shown)	
8	4461257	1	Connector, Strain Relief	
9	4461258	1	Connector, Adapter	
10	4811700	2	Washer M6	
11	4811400	4	Washer M4	
12	1001102258	1	Decal - AC Label	
13	1001120204	1	Plug, Male Twist	
14	1001244909	1	Breaker Box Kit (See Separate Breakdown in this Section)	

# SECTION 7 - ELECTRICAL

## FIGURE 7-4. AC BOX AT PLATFORM INSTALLATION - 220V CEE7 POST GROUND (CE & UK CA SPECS)



ART\_1001244913

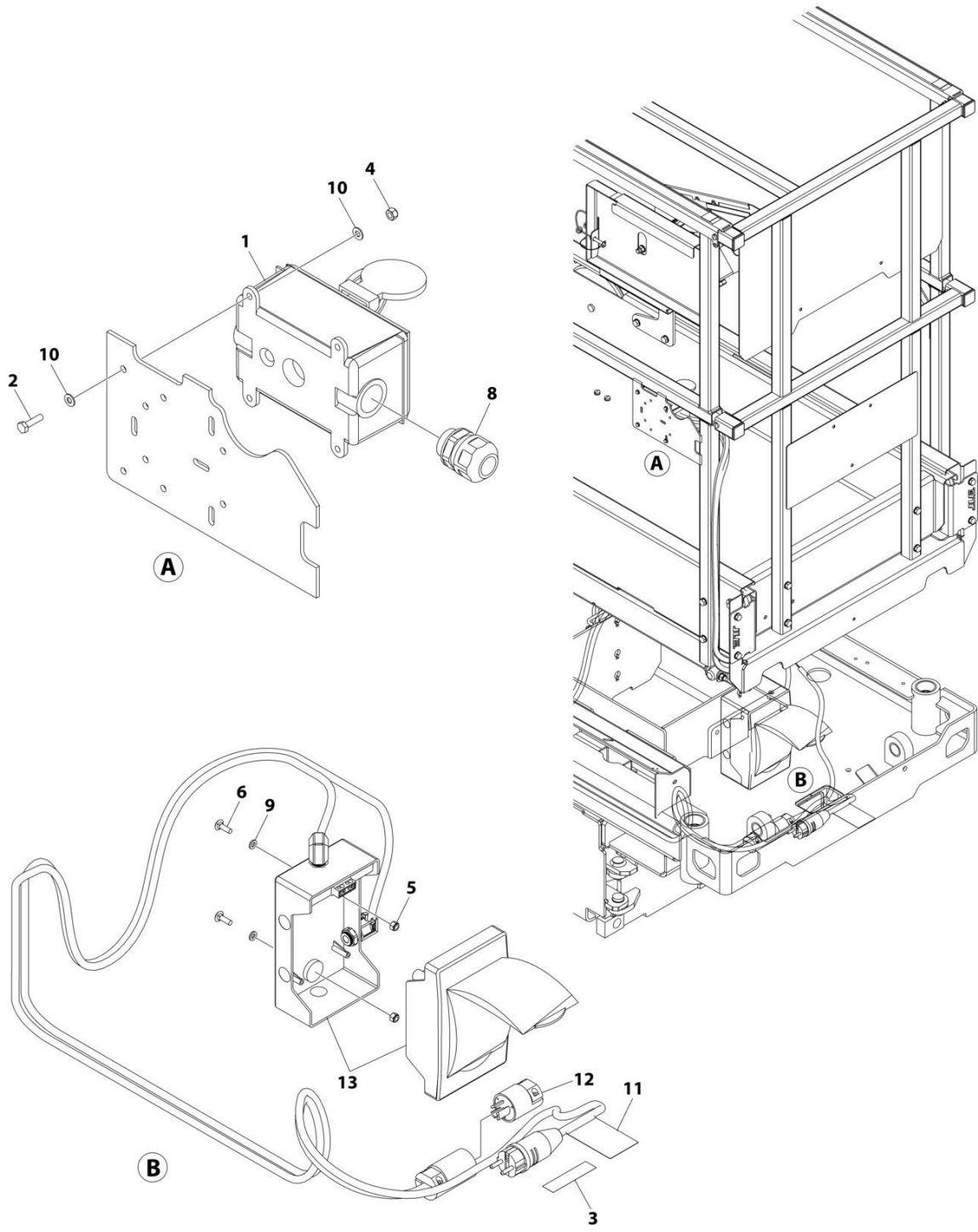
## SECTION 7 - ELECTRICAL

**FIGURE 7-4. AC BOX AT PLATFORM INSTALLATION - 220V CEE7 POST GROUND (CE & UK CA SPECS)**

ITEM	PART NUMBER	QTY	DESCRIPTION	REV
	1001244913	Ref	AC BOX AT PLATFORM INSTALLATION - 220V CEE7 POST GROUND	B
1	0275452	1	Receptacle Box Kit - 220V CEE7 Post Ground (See Separate Breakdown in this Section)	
2	0760408	4	Bolt M4 x 16	
3	3252507	1	Decal - AC Power	
4	3290405	4	Nut M4	
5	3290605	2	Nut M6	
6	1001100451	2	Bolt M6 x 20	
7	4240017	AR	Tie-Strap (Not Shown)	
8	4460662	1	Connector, Strain Relief	
9	4811700	2	Washer M6	
10	4811400	8	Washer M4	
11	1001102258	1	Decal - AC Label	
12	1001120204	1	Plug, Male Twist	
13	1001244908	1	Breaker Box Kit (See Separate Breakdown in this Section)	

# SECTION 7 - ELECTRICAL

FIGURE 7-5. AC BOX AT PLATFORM INSTALLATION - 220V CEE7 SIDE GROUND (CE & UK CA SPECS)



ART\_1001244914

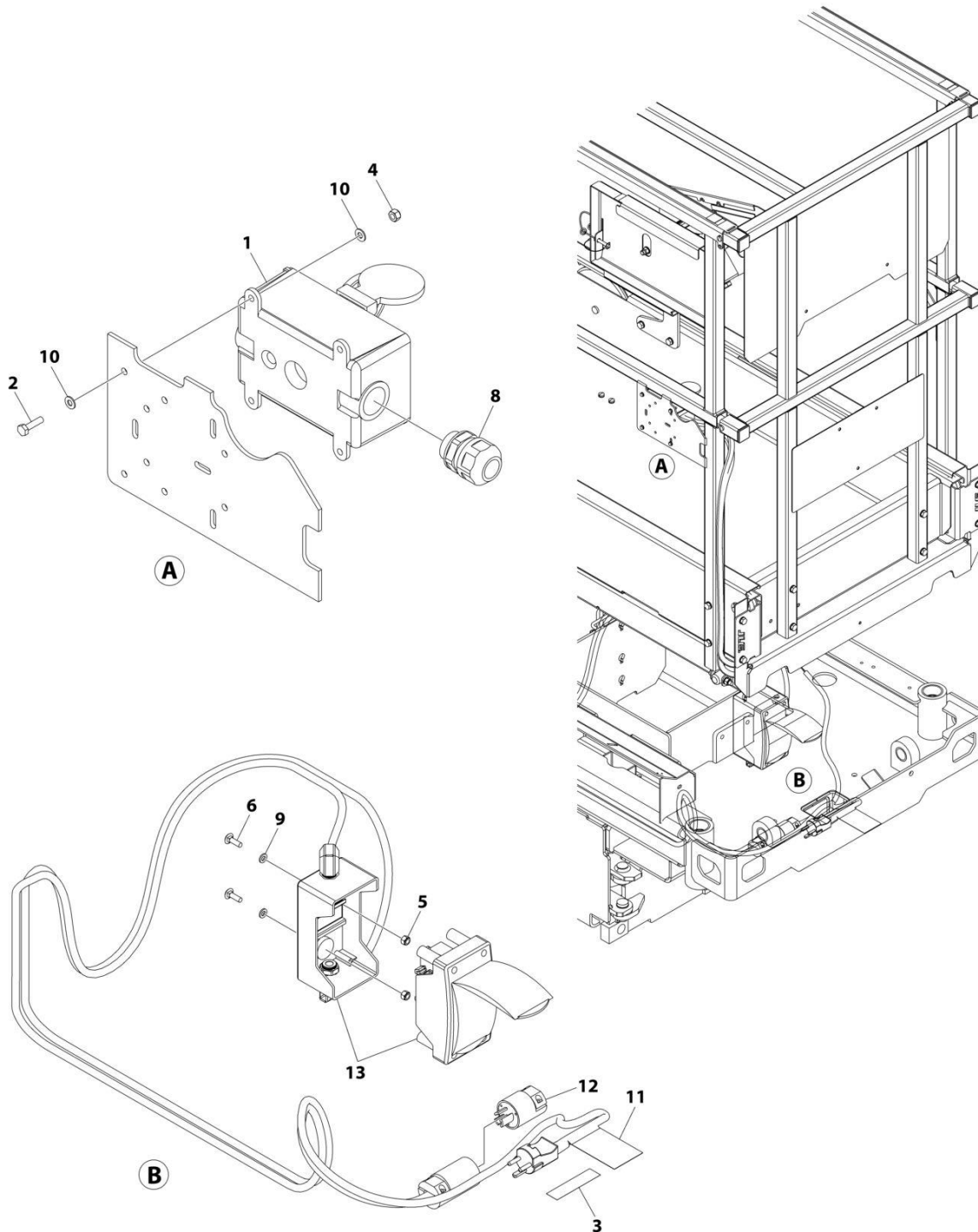
## SECTION 7 - ELECTRICAL

**FIGURE 7-5. AC BOX AT PLATFORM INSTALLATION - 220V CEE7 SIDE GROUND (CE & UK CA SPECS)**

ITEM	PART NUMBER	QTY	DESCRIPTION	REV
	1001244914	Ref	AC BOX AT PLATFORM INSTALLATION - 220V CEE7 SIDE GROUND	B
1	0275453	1	Receptacle Box Kit - 220V CEE7 Side Ground (See Separate Breakdown in this Section)	
2	0760408	4	Bolt M4 x 16	
3	3252507	1	Decal - AC Power	
4	3290405	4	Nut M4	
5	3290605	2	Nut M6	
6	1001100451	2	Bolt M6 x 20	
7	4240017	AR	Tie-Strap (Not Shown)	
8	4460662	1	Connector, Strain Relief	
9	4811700	2	Washer M6	
10	4811400	8	Washer M4	
11	1001102258	1	Decal - AC Label	
12	1001120204	1	Plug, Male Twist	
13	1001244908	1	Breaker Box Kit (See Separate Breakdown in this Section)	

# SECTION 7 - ELECTRICAL

FIGURE 7-6. AC BOX AT PLATFORM INSTALLATION - 220V AFSINT 107 (CE & UK CA SPECS)



ART\_1001244915

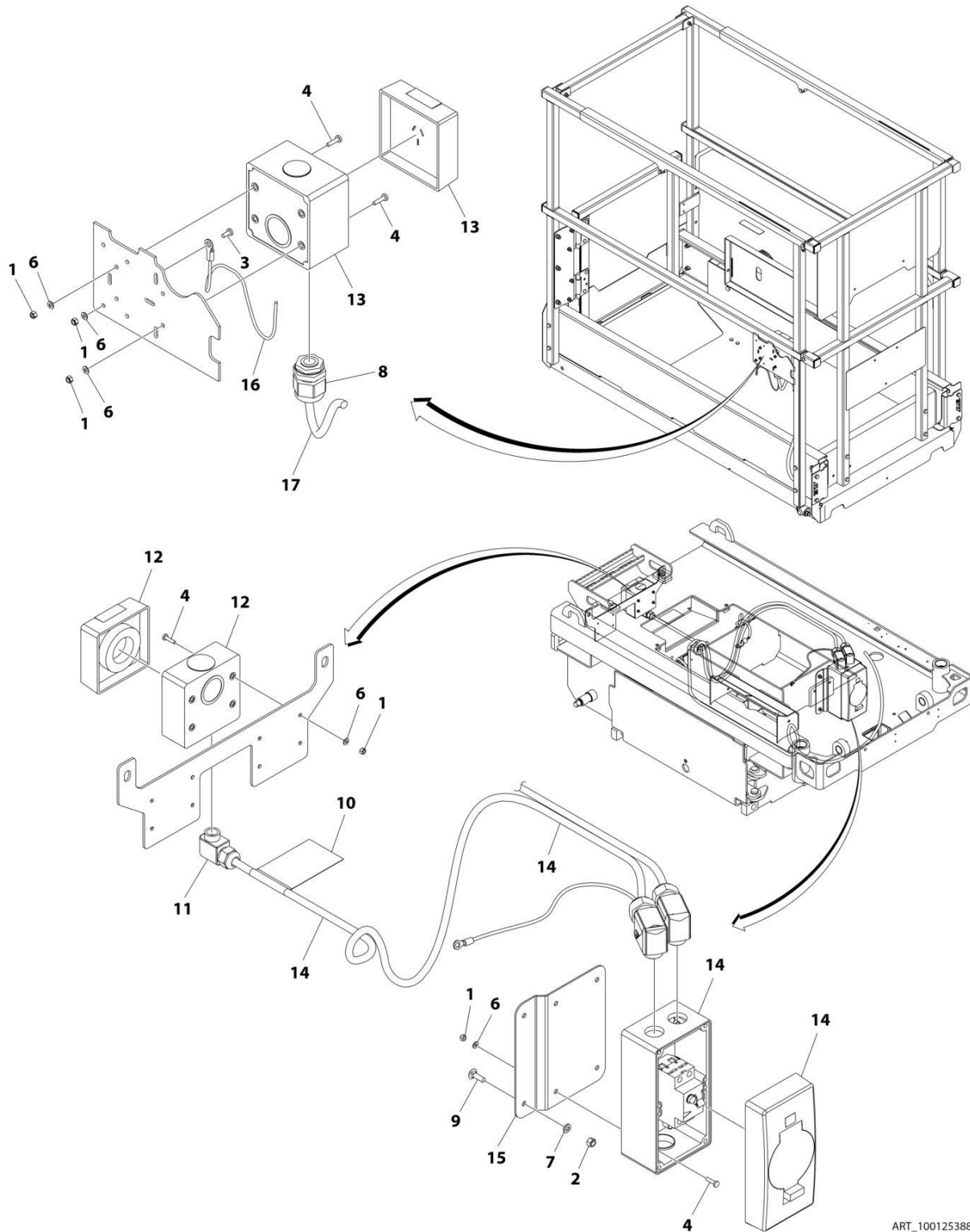
## SECTION 7 - ELECTRICAL

**FIGURE 7-6. AC BOX AT PLATFORM INSTALLATION - 220V AFSINT 107 (CE & UK CA SPECS)**

ITEM	PART NUMBER	QTY	DESCRIPTION	REV
	1001244915	Ref	AC BOX AT PLATFORM INSTALLATION - 220V AFSINT 107	B
1	0275454	1	Receptacle Box Kit - 220V AFSINT 107 (See Separate Breakdown in this Section)	
2	0760408	4	Bolt M4 x 16	
3	3252507	1	Decal - AC Power	
4	3290405	4	Nut M4	
5	3290605	2	Nut M6	
6	1001100451	2	Bolt M6 x 20	
7	4240017	AR	Tie-Strap (Not Shown)	
8	4460662	1	Connector, Strain Relief	
9	4811700	2	Washer M6	
10	4811400	8	Washer M4	
11	1001102258	1	Decal - AC Label	
12	1001120204	1	Plug, Male Twist	
13	1001244909	1	Breaker Box Kit (See Separate Breakdown in this Section)	

# SECTION 7 - ELECTRICAL

## FIGURE 7-7. AC BOX AT PLATFORM INSTALLATION - 220V AUSTRALIAN PLUG (AUSTRALIAN SPECS)



ART\_1001253885



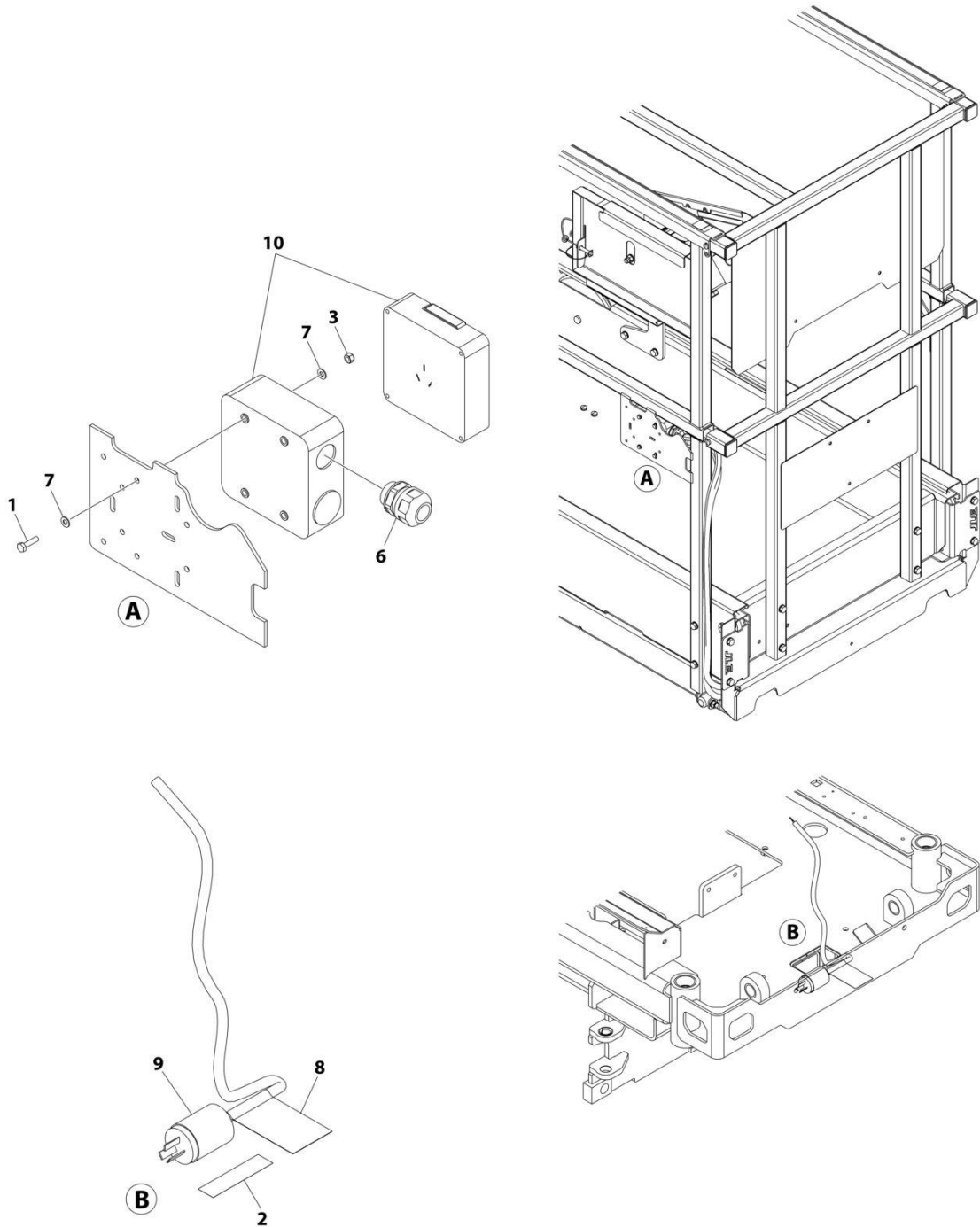
## SECTION 7 - ELECTRICAL

**FIGURE 7-7. AC BOX AT PLATFORM INSTALLATION - 220V AUSTRALIAN PLUG (AUSTRALIAN SPECS)**

ITEM	PART NUMBER	QTY	DESCRIPTION	REV
	1001253885	Ref	AC BOX AT PLATFORM INSTALLATION - 220V	A
1	3290405	13	Nut M4	
2	3290605	2	Nut M6	
3	4010405	1	Screw M4 x 10	
4	4010408	12	Screw M4 x 16	
5	4240017	AR	Tie-Starp (Not Shown)	
6	4811400	13	Washer M4	
7	4811700	2	Washer M6	
8	1001097150	1	Connector, Strain Relief	
9	1001100451	2	Bolt M6 x 20	
10	1001102258	1	Decal - AC Label	
11	1001103471	1	Connector, Strain Relief 90	
12	1001227267	1	Receptacle, Female	
13	1001227268	1	Receptacle, Female	
14	1001253969	1	Breaker Box Assembly (See Separate Breakdown in this Section)	
15	1001253972	1	Bracket	
16	1001245744	1	Harness, Earth/Ground	
17	1001245747	1	Conduit	

**SECTION 7 - ELECTRICAL**

**FIGURE 7-8. AC BOX AT PLATFORM INSTALLATION - 220V CHINA PLUG (CHINA SPECS)**



ART\_1001244918

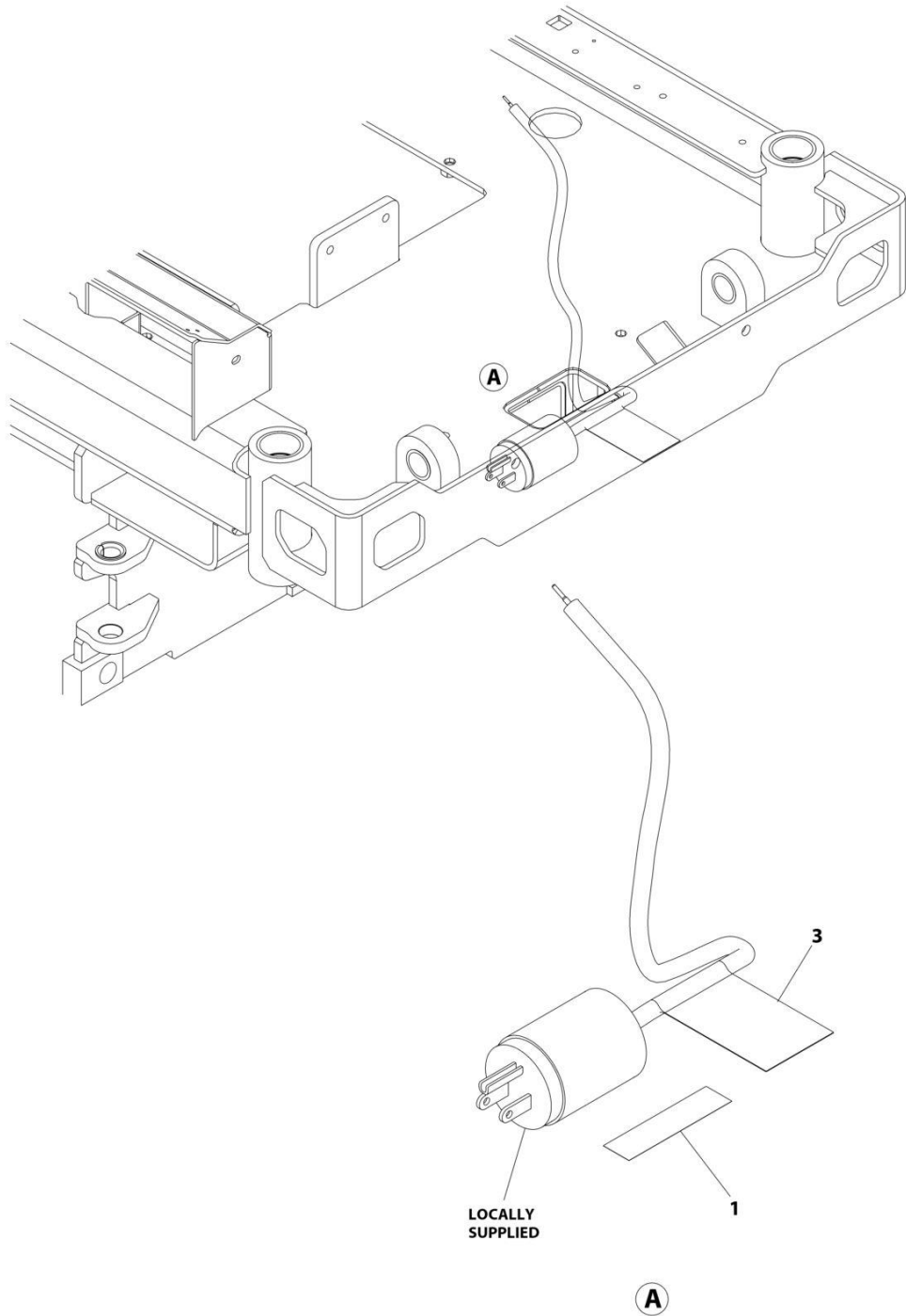
## SECTION 7 - ELECTRICAL

**FIGURE 7-8. AC BOX AT PLATFORM INSTALLATION - 220V CHINA PLUG (CHINA SPECS)**

ITEM	PART NUMBER	QTY	DESCRIPTION	REV
	1001244918	Ref	AC BOX AT PLATFORM INSTALLATION - 220V CHINA PLUG	A
1	0760408	4	Bolt M4 x 16	
2	3252507	1	Decal - 220 Volt	
3	3290405	4	Nut M4	
4	4240017	AR	Tie-Strap (Not Shown)	
5	4460315	1	Terminal (Not Shown)	
6	4460968	1	Connector, Strain Relief	
7	4811400	8	Washer M4	
8	1001102258	1	Decal - AC Label	
9	1001187816	1	Plug	
10	1001188116	1	Box	

# SECTION 7 - ELECTRICAL

## FIGURE 7-9. AC BOX AT PLATFORM INSTALLATION - 220V LOCALLY SUPPLIED



ART\_1001244912

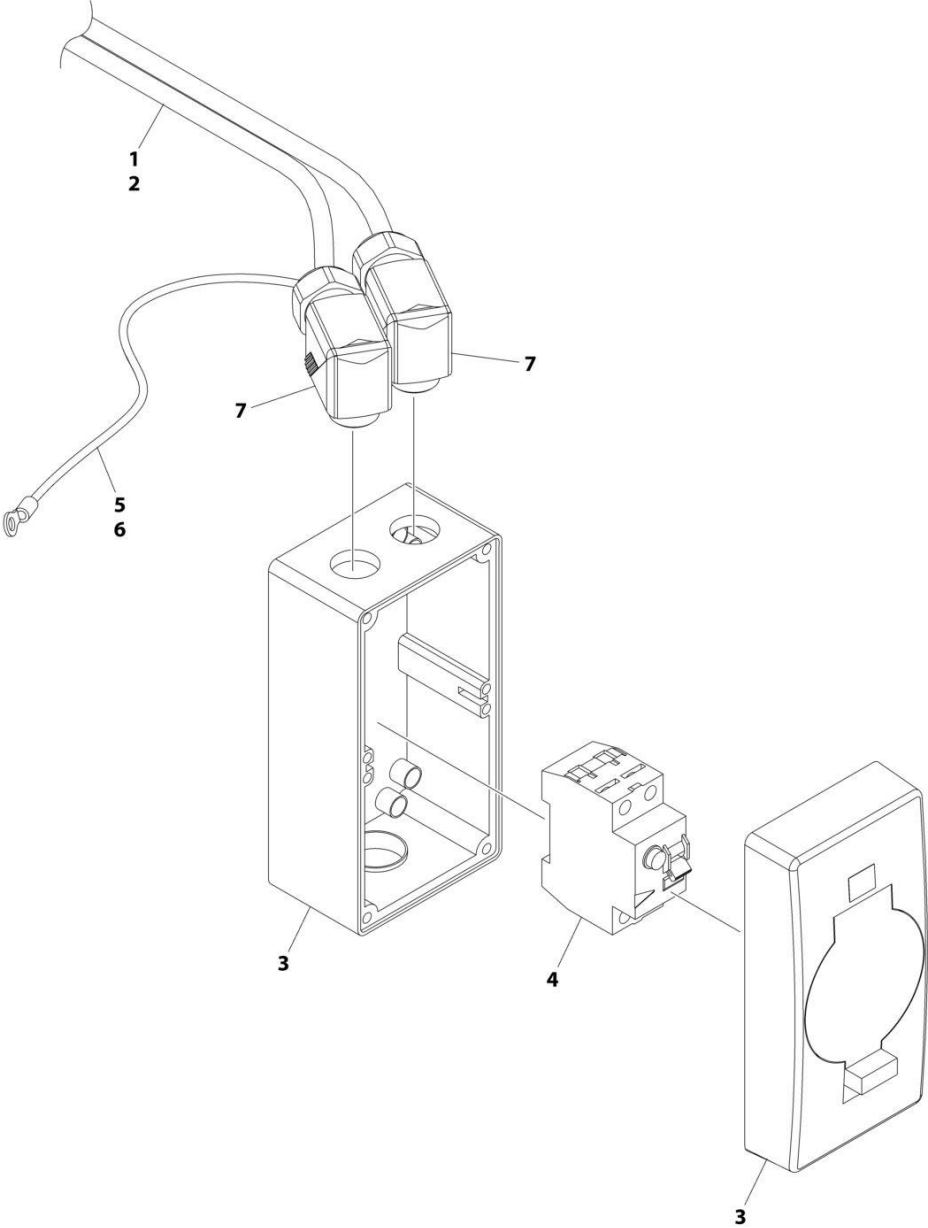
## SECTION 7 - ELECTRICAL

**FIGURE 7-9. AC BOX AT PLATFORM INSTALLATION - 220V LOCALLY SUPPLIED**

ITEM	PART NUMBER	QTY	DESCRIPTION	REV
	1001244912	Ref	AC BOX AT PLATFORM INSTALLATION - 220V LOCALLY SUPPLIED COMPONENTS	A
1	3252507	1	Decal - 220 Volt	
2	4240017	AR	Tie-Strap (Not Shown)	
3	1001102258	1	Decal - AC Label	

**SECTION 7 - ELECTRICAL**

**FIGURE 7-10. BREAKER BOX KIT WITH 1 DOUBLE BREAKER (AUSTRALIAN SPECS)**



ART\_1001253969

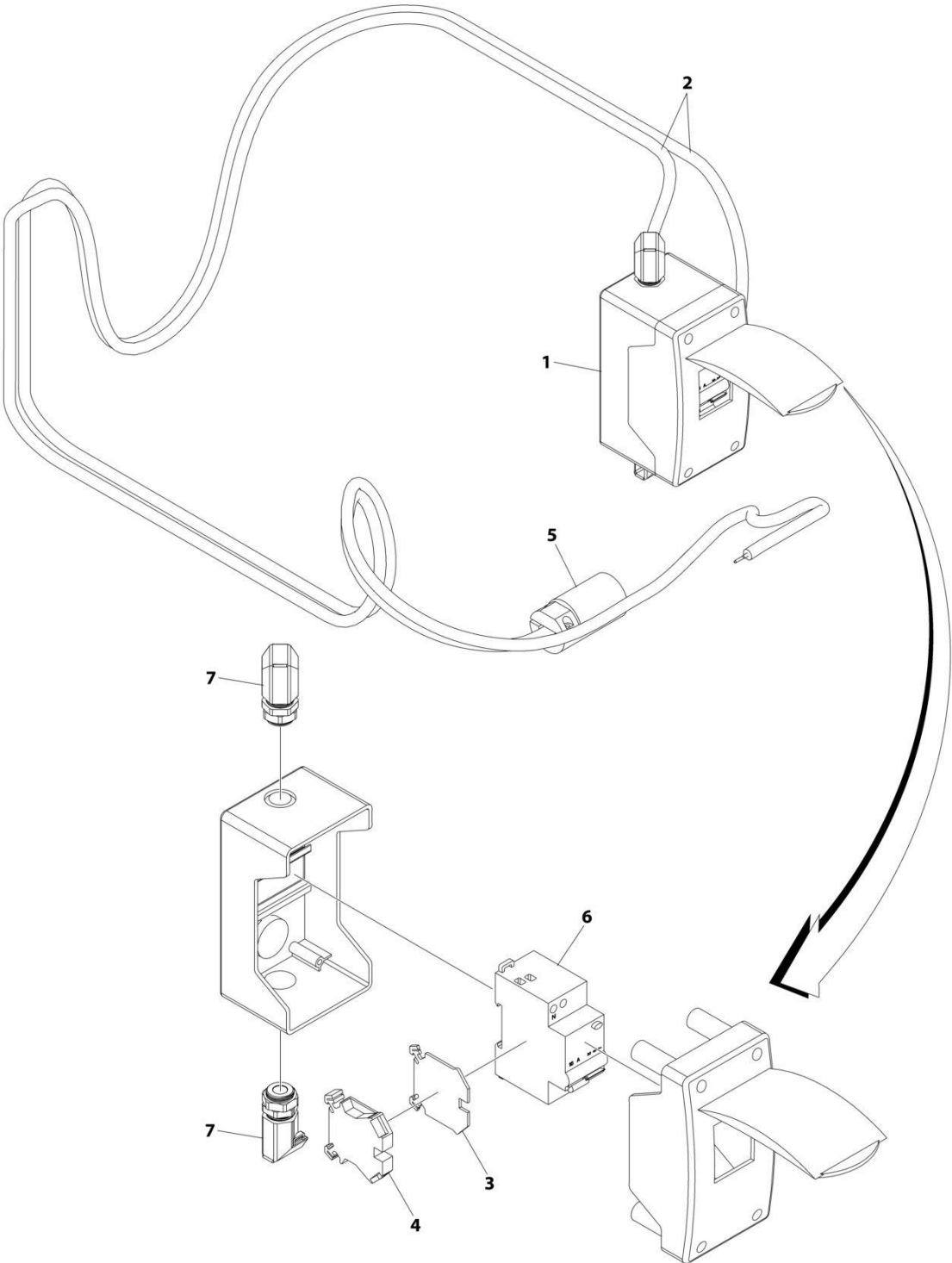
## SECTION 7 - ELECTRICAL

**FIGURE 7-10. BREAKER BOX KIT WITH 1 DOUBLE BREAKER (AUSTRALIAN SPECS)**

ITEM	PART NUMBER	QTY	DESCRIPTION	REV
1	1001253969	1	BREAKER BOX KIT WITH 1 DOUBLE BREAKER	A
	1060908	59 in /1.5m	Cable	
2	1001125927	44cm	Conduit, Dia 16	
3	1001227269	1	Box, Breaker with Cover	
4	1001228191	1	Breaker, 250V Double Pole	
5	1001245743	1	Block, Terminal	
6	1001245744	1	Harness, Earth/Ground	
7	1001245917	2	Connector, Strain Relief 90	

**SECTION 7 - ELECTRICAL**

**FIGURE 7-11. BREAKER BOX KIT WITH 1 DOUBLE BREAKER (CE & UK CA SPECS)**



ART\_1001244909



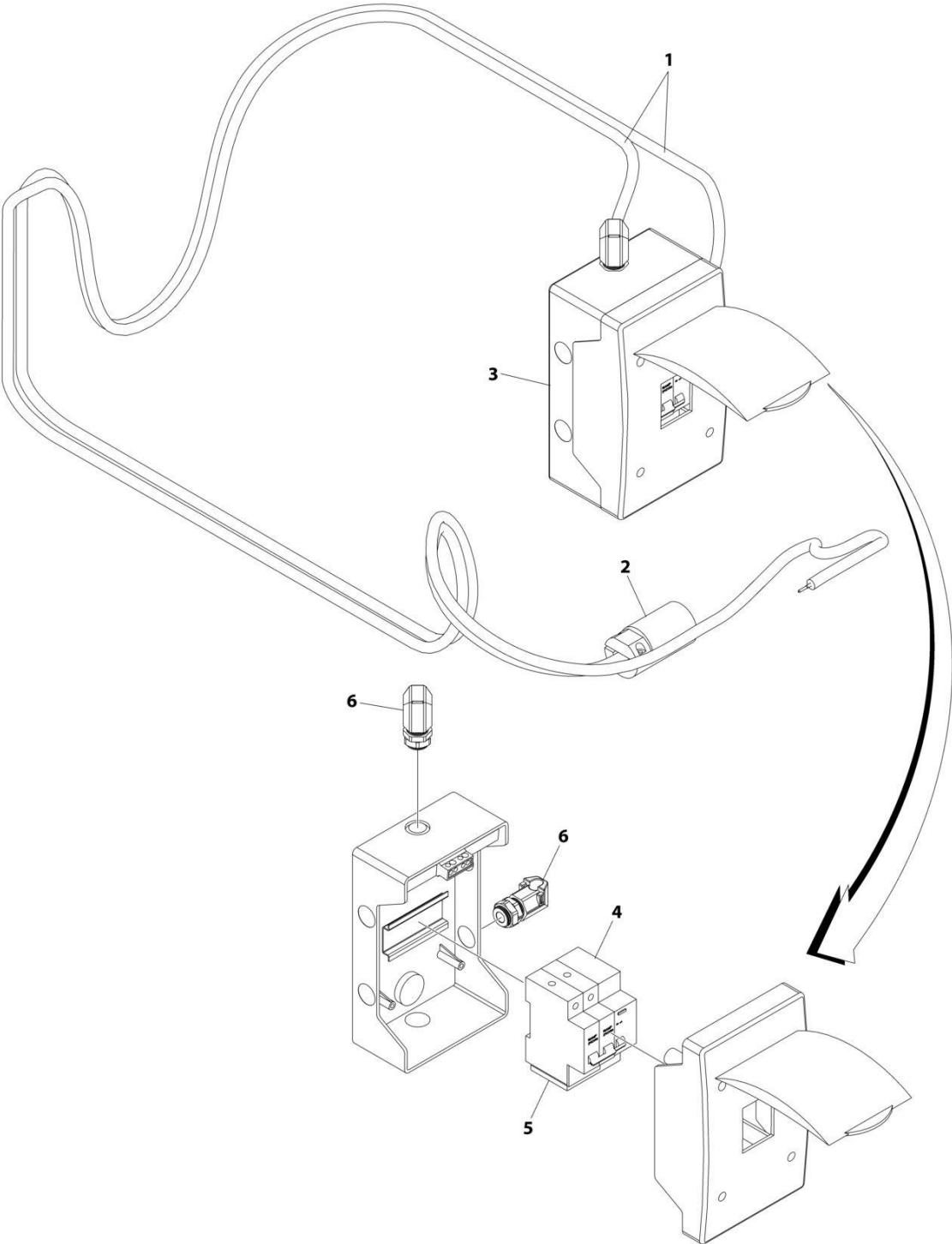
## SECTION 7 - ELECTRICAL

**FIGURE 7-11. BREAKER BOX KIT WITH 1 DOUBLE BREAKER (CE & UK CA SPECS)**

ITEM	PART NUMBER	QTY	DESCRIPTION	REV
	1001244909	1	BREAKER BOX KIT WITH 1 DOUBLE BREAKER	A
1	0861880	1	Box, Breaker	
2	1060908	19 ft/5.7m	Cable, 12/3	
3	4460956	1	Barrier, Terminal	
4	4460957	1	Block, Terminal	
5	1001120205	1	Connector, Female	
6	1001181045	1	Breaker - 30mA/16Amp	
7	1001217164	2	Connector, Strain Relief - 90	

**SECTION 7 - ELECTRICAL**

**FIGURE 7-12. BREAKER BOX KIT WITH 3 BREAKER**



ART\_1001244908

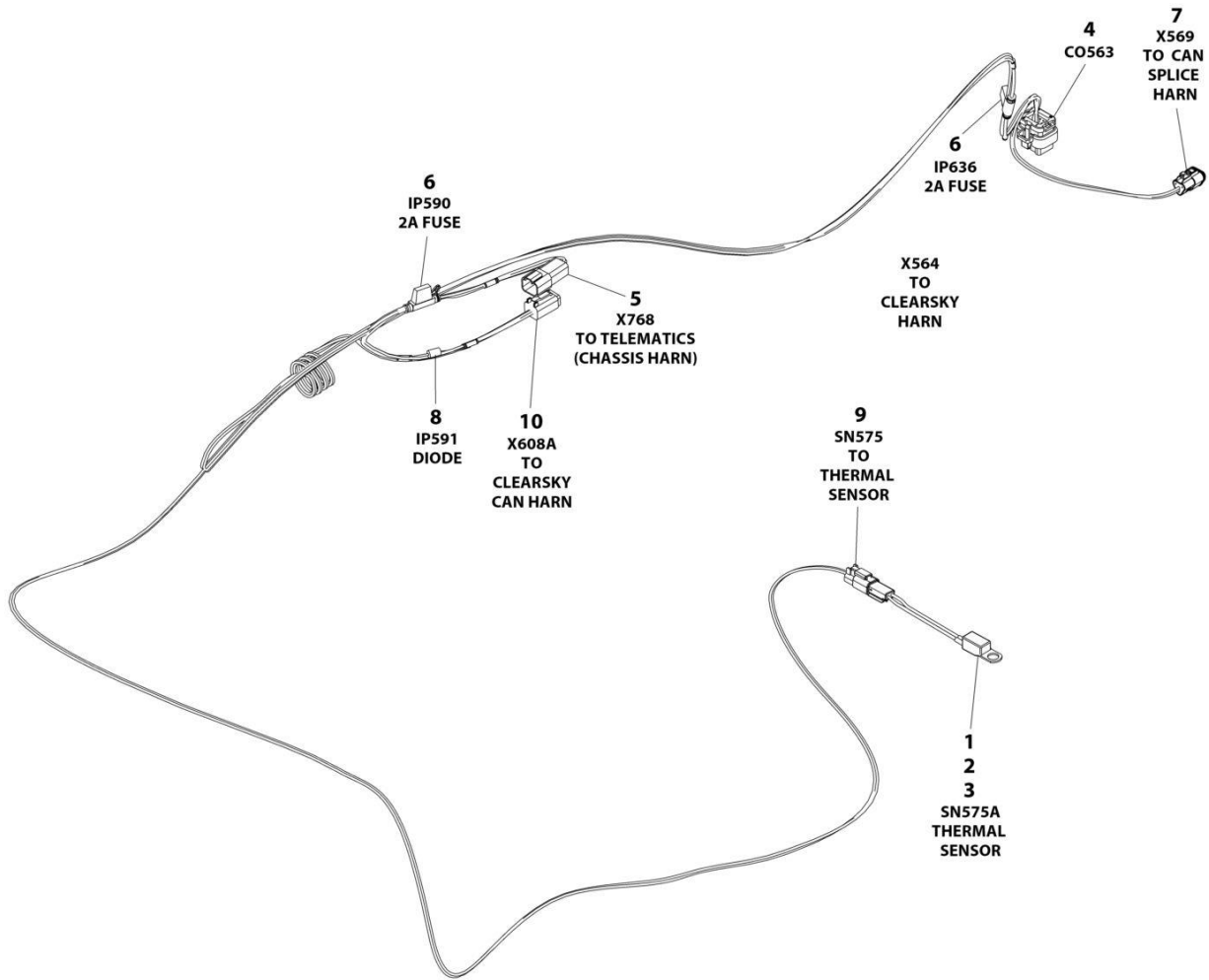
## SECTION 7 - ELECTRICAL

### FIGURE 7-12. BREAKER BOX KIT WITH 3 BREAKER

ITEM	PART NUMBER	QTY	DESCRIPTION	REV
	1001244908	1	BREAKER BOX KIT WITH 3 BREAKERS	B
1	1060908	19 ft/5.7m	Cable, 12/3 Receptacle	
2	1001120205	1	Connector, Female	
3	1001152483	1	Box, Breaker	
4	1001189171	1	Breaker, 30mA	
5	1001189172	1	Breaker - 16Amp Double	
6	1001217164	2	Connector, Strain Relief - 90	

# SECTION 7 - ELECTRICAL

## FIGURE 7-13. CHARGER HARNESS



ART\_1001254028\_C

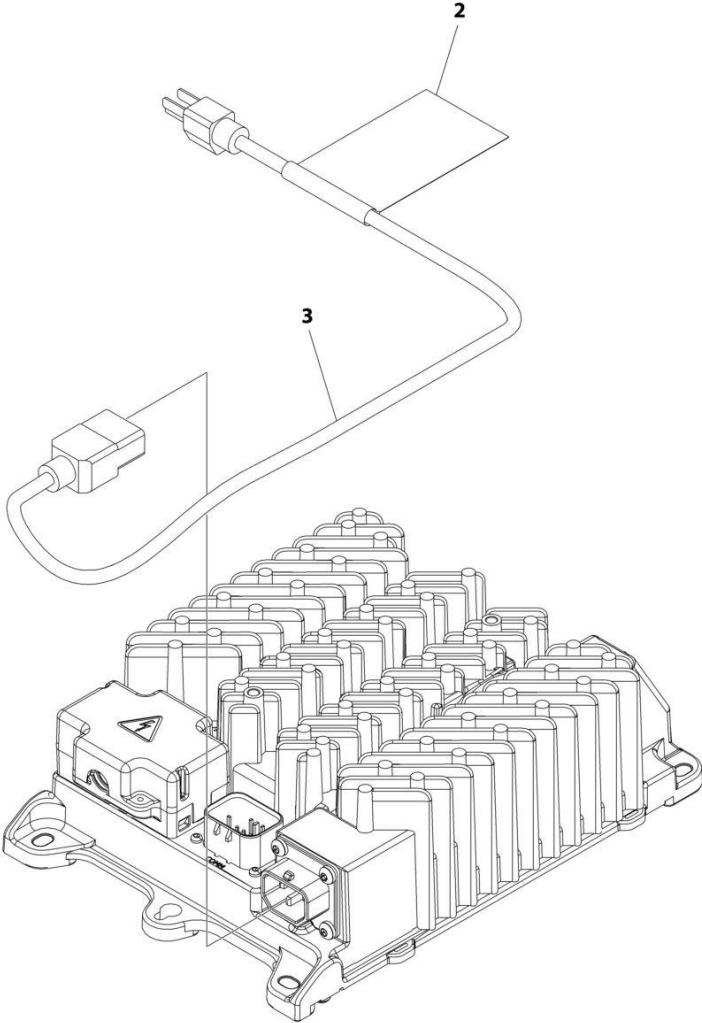
## SECTION 7 - ELECTRICAL

### FIGURE 7-13. CHARGER HARNESS

ITEM	PART NUMBER	QTY	DESCRIPTION	REV
	1001254028	Ref	CHARGER HARNESS	C
1	4460464	2	Pin, Male	
2	4460897	1	Receptacle, Female - 2 Position	
3	1001102771	1	Sensor, Temperature	
4	4460872	1	Connector - 14 Position	
4	4460871	6	Terminal	
4	4460905	8	Plug, Terminal	
5	4460932	1	Receptacle, Female - 4 Position	
5	4460464	1	Pin, Male	
6	2400060	2	Fuseholder With Cover	
6	1001196634	2	Fuse 2A	
7	1001116812	1	Plug, Male - 3 Position	
7	4460944	2	Socket, Female	
7	4460466	1	Plug, Terminal	
8	3990001	1	Diode	
9	4460891	1	Plug, Male - 2 Position	
9	4460465	2	Socket, Female	
10	4460884	1	Plug, Male - 4 Position	
10	4460465	4	Socket, Female	

**SECTION 7 - ELECTRICAL**

**FIGURE 7-14. CHARGER PLUG INSTALLATION (LOCALLY SUPPLIED PLUG) (ALL SPECS EXCEPT ANSI & AUSTRALIAN SPECS)**



ART\_1001264946

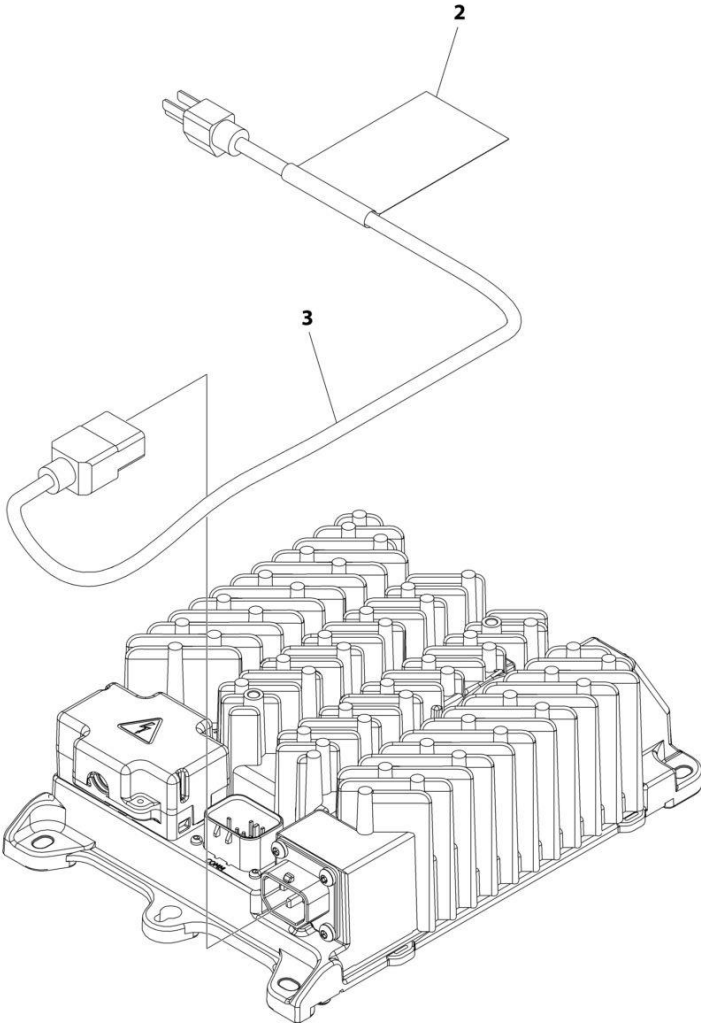
## SECTION 7 - ELECTRICAL

**FIGURE 7-14. CHARGER PLUG INSTALLATION (LOCALLY SUPPLIED PLUG) (ALL SPECS EXCEPT ANSI & AUSTRALIAN SPECS)**

ITEM	PART NUMBER	QTY	DESCRIPTION	REV
	1001264946	Ref	CHARGER PLUG INSTALLATION (LOCALLY SUPPLIED PLUG)	A
1	4240017	AR	Tie-Strap (Not Shown)	
2	1001102489	1	Decal - Charger	
3	1001207974	1	Cable, Charger AC Input	

**SECTION 7 - ELECTRICAL**

**FIGURE 7-15. CHARGER PLUG INSTALLATION (110V PLUG) (ANSI & CSA SPECS)**



ART\_1001264947



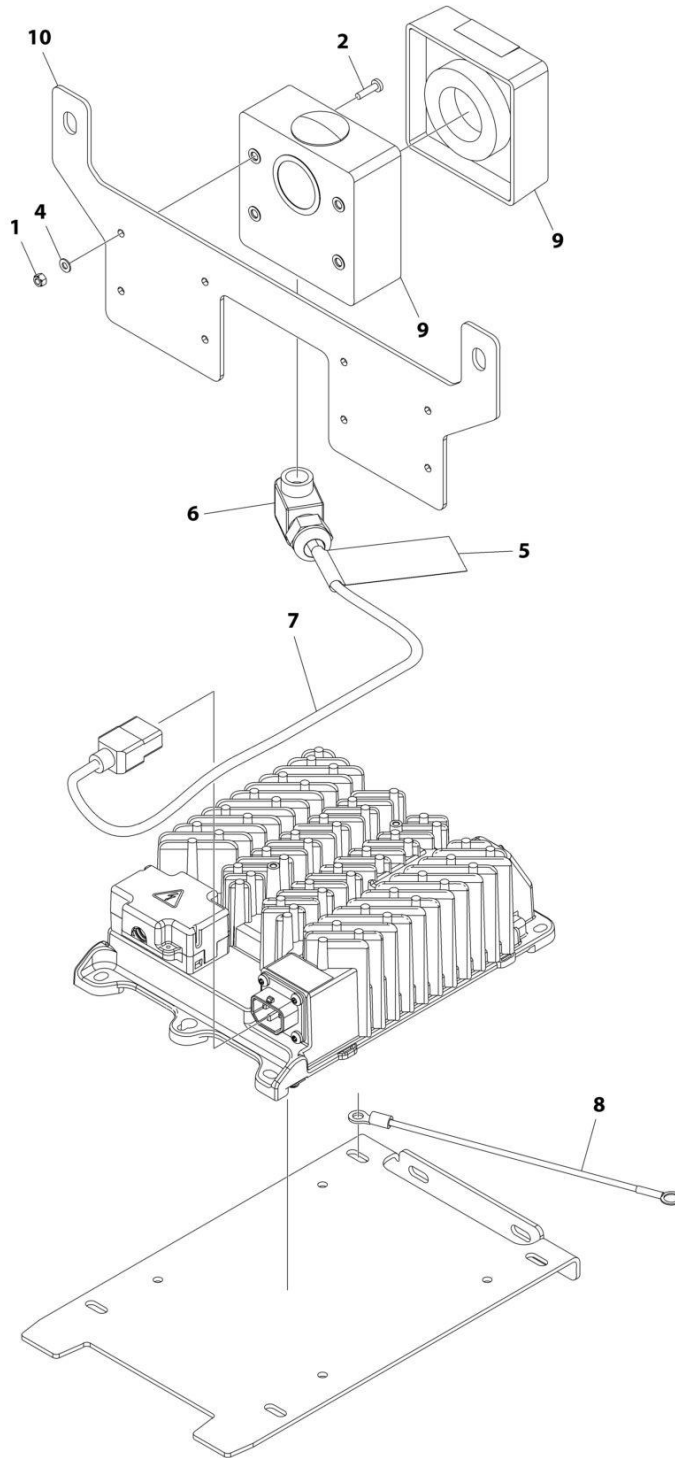
## SECTION 7 - ELECTRICAL

**FIGURE 7-15. CHARGER PLUG INSTALLATION (110V PLUG) (ANSI & CSA SPECS)**

ITEM	PART NUMBER	QTY	DESCRIPTION	REV
	1001264947	Ref	CHARGER PLUG INSTALLATION (110V PLUG)	A
1	4240017	AR	Tie-Strap (Not Shown)	
2	1001102489	1	Decal - Charger	
3	1001207970	1	Cable, Charger AC Input	

# SECTION 7 - ELECTRICAL

## FIGURE 7-16. CHARGER PLUG INSTALLATION (AUSTRALIAN PLUG) (AUSTRALIAN SPECS)



ART\_1001264954

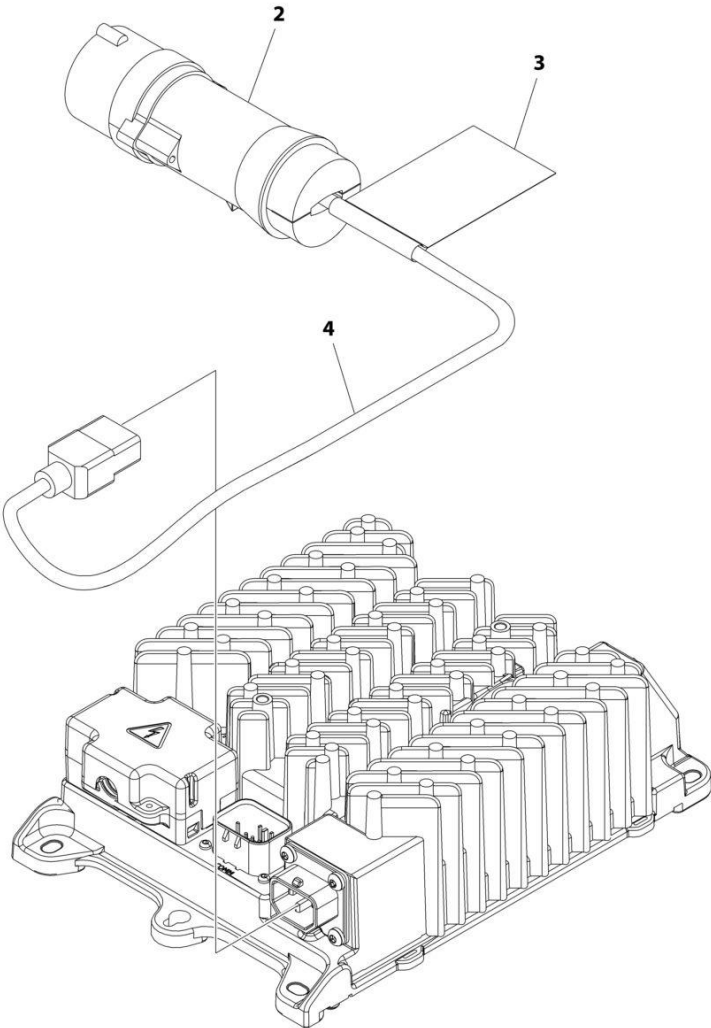
## SECTION 7 - ELECTRICAL

**FIGURE 7-16. CHARGER PLUG INSTALLATION (AUSTRALIAN PLUG) (AUSTRALIAN SPECS)**

ITEM	PART NUMBER	QTY	DESCRIPTION	REV
	1001264954	Ref	CHARGER PLUG INSTALLATION (AUSTRALIAN PLUG)	A
1	3290405	4	Nut M4	
2	4010408	4	Screw M4 x 16	
3	4240017	AR	Tie-Strap (Not Shown)	
4	4811400	4	Washer M4	
5	1001102489	1	Decal - Charger Label	
6	1001103471	1	Connector, Strain Relief 90	
7	1001207974	1	Cable, AC Input	
8	1001227219	1	Harness, Earth/Ground Link	
9	1001227267	1	Receptacle, Australian	
10	1001253626	1	Bracket	

**SECTION 7 - ELECTRICAL**

**FIGURE 7-17. CHARGER PLUG INSTALLATION (110V IEC YELLOW PLUG) (CE & UK CA SPECS)**



ART\_1001264951

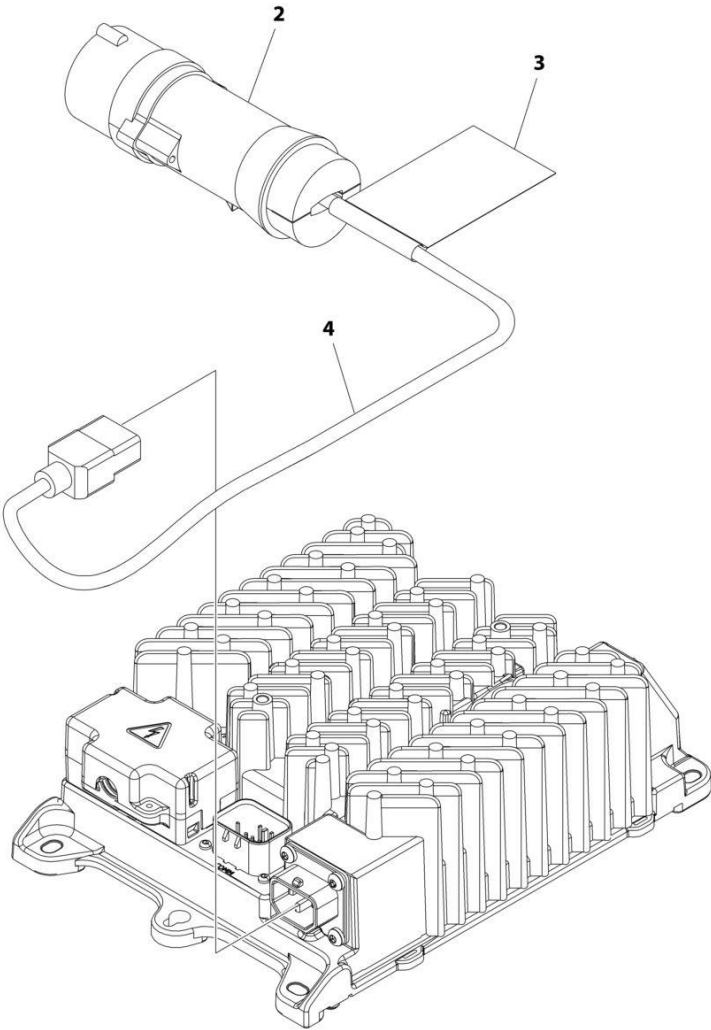
## SECTION 7 - ELECTRICAL

**FIGURE 7-17. CHARGER PLUG INSTALLATION (110V IEC YELLOW PLUG) (CE & UK CA SPECS)**

ITEM	PART NUMBER	QTY	DESCRIPTION	REV
	1001264951	Ref	CHARGER PLUG INSTALLATION (110V IEC YELLOW PLUG)	A
1	4240017	AR	Tie-Strap (Not Shown)	
2	4461196	1	Plug, Male	
3	1001102489	1	Decal - Charger	
4	1001207974	1	Cable, Charger AC Input	

# SECTION 7 - ELECTRICAL

FIGURE 7-18. CHARGER PLUG INSTALLATION (220V IEC BLUE PLUG) (CE & UK CA SPECS)



ART\_1001264952

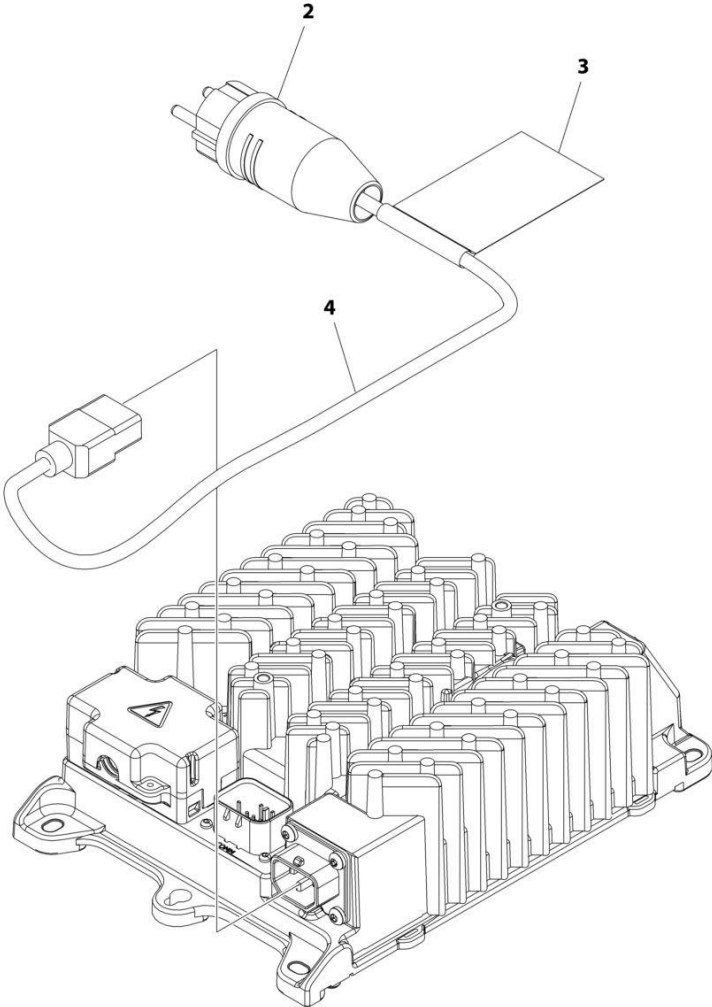
## SECTION 7 - ELECTRICAL

**FIGURE 7-18. CHARGER PLUG INSTALLATION (220V IEC BLUE PLUG) (CE & UK CA SPECS)**

ITEM	PART NUMBER	QTY	DESCRIPTION	REV
	1001264952	Ref	CHARGER PLUG INSTALLATION (220V IEC BLUE PLUG)	A
1	4240017	AR	Tie-Strap (Not Shown)	
2	4461199	1	Plug, Male	
3	1001102489	1	Decal - Charger	
4	1001207974	1	Cable, Charger AC Input	

# SECTION 7 - ELECTRICAL

FIGURE 7-19. CHARGER PLUG INSTALLATION (220V CEE7 PLUG) (CE & UK CA SPECS)



ART\_1001264949



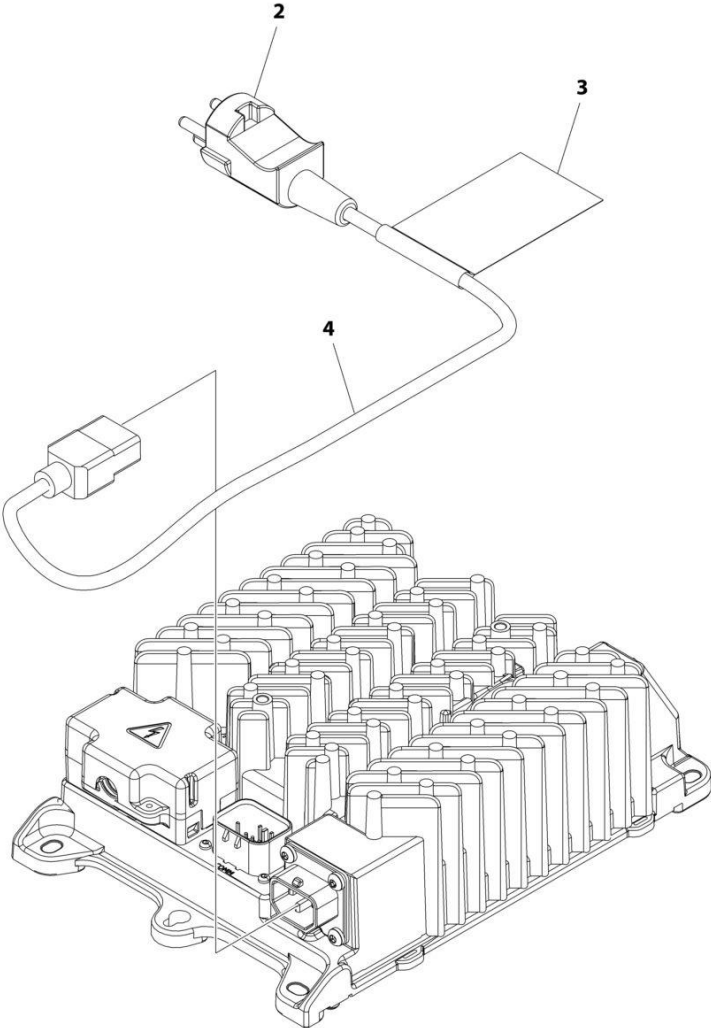
## SECTION 7 - ELECTRICAL

**FIGURE 7-19. CHARGER PLUG INSTALLATION (220V CEE7 PLUG) (CE & UK CA SPECS)**

ITEM	PART NUMBER	QTY	DESCRIPTION	REV
	1001264949	Ref	CHARGER PLUG INSTALLATION (220V CEE7 PLUG)	A
1	4240017	AR	Tie-Strap (Not Shown)	
2	4461205	1	Plug, Male	
3	1001102489	1	Decal - Charger	
4	1001207974	1	Cable, Charger AC Input	

**SECTION 7 - ELECTRICAL**

**FIGURE 7-20. CHARGER PLUG INSTALLATION (220V AFSINT107 PLUG) (CE & UK CA SPECS)**



ART\_1001264950

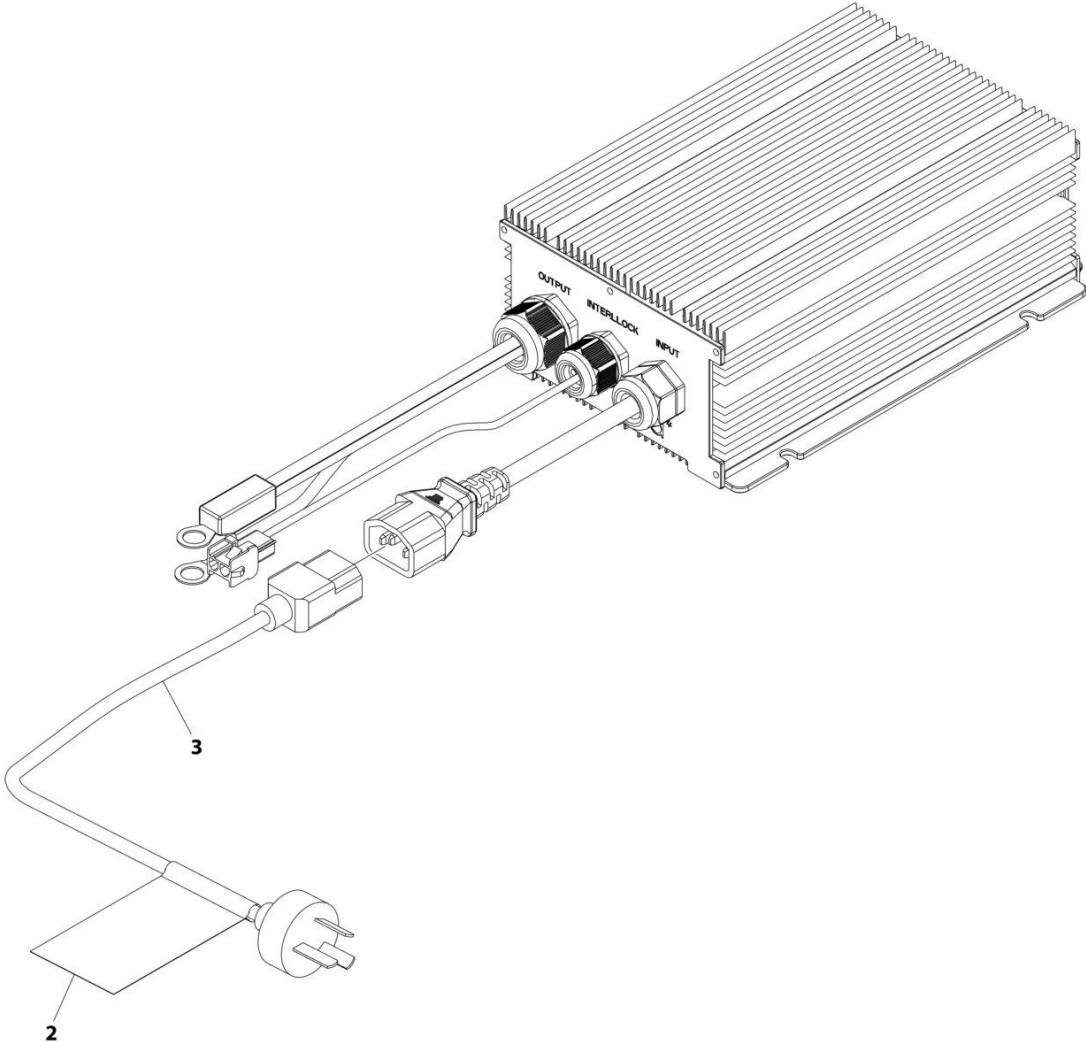
## SECTION 7 - ELECTRICAL

**FIGURE 7-20. CHARGER PLUG INSTALLATION (220V AFSINT107 PLUG) (CE & UK CA SPECS)**

ITEM	PART NUMBER	QTY	DESCRIPTION	REV
	1001264950	Ref	CHARGER PLUG INSTALLATION (220V AFSINT107 PLUG)	A
1	4240017	AR	Tie-Strap (Not Shown)	
2	4461249	1	Plug, Male	
3	1001102489	1	Decal - Charger	
4	1001207974	1	Cable, Charger AC Input	

**SECTION 7 - ELECTRICAL**

**FIGURE 7-21. CHARGER PLUG INSTALLATION (CHINA PLUG) (CHINA SPECS)**



ART\_1001264953

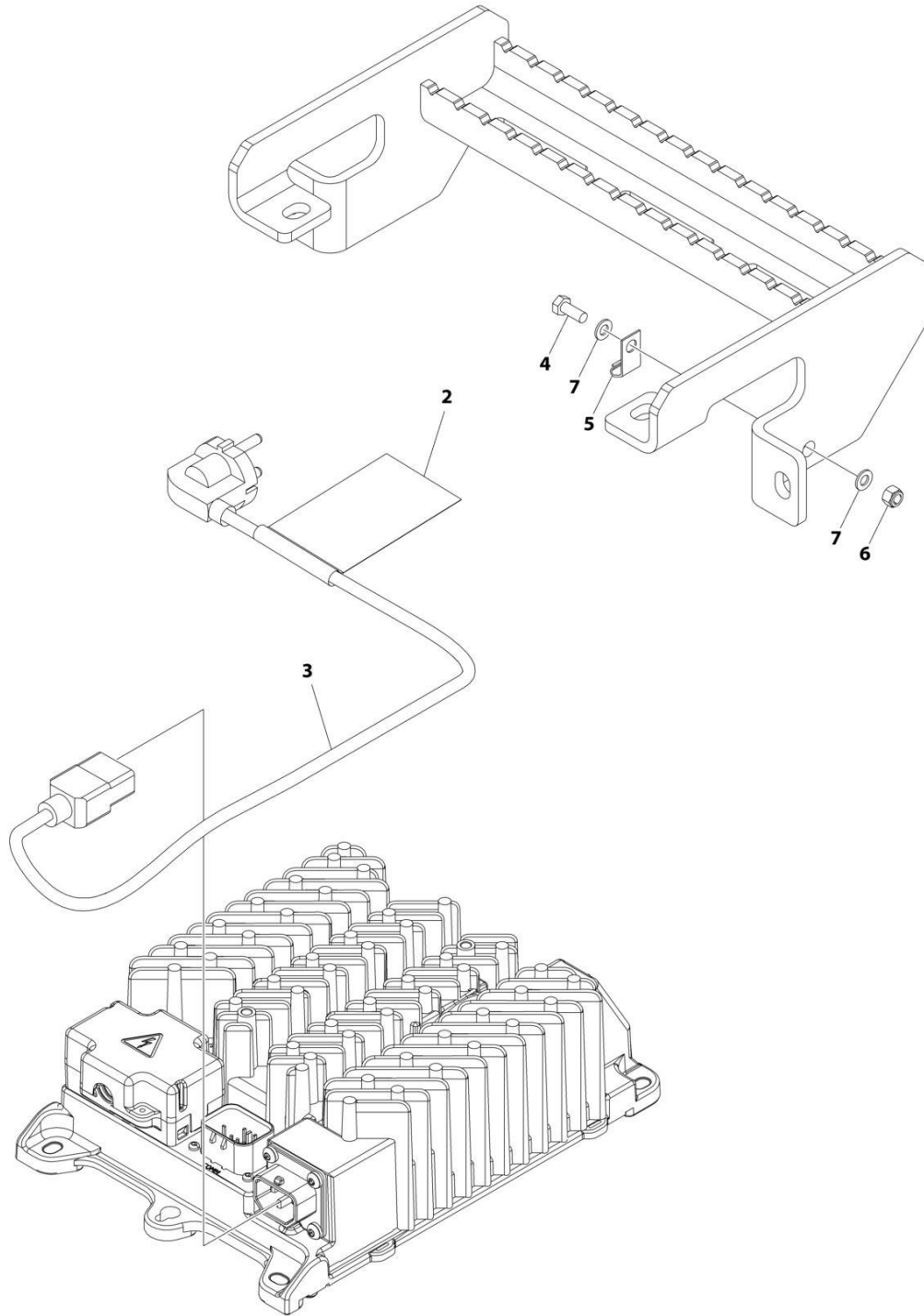
## SECTION 7 - ELECTRICAL

**FIGURE 7-21. CHARGER PLUG INSTALLATION (CHINA PLUG) (CHINA SPECS)**

ITEM	PART NUMBER	QTY	DESCRIPTION	REV
	1001264953	Ref	CHARGER PLUG INSTALLATION (CHINA PLUG)	A
1	4240017	AR	Tie-Strap (Not Shown)	
2	1001102489	1	Decal - Charger	
3	1001207973	1	Cable, Charger AC Input	

# SECTION 7 - ELECTRICAL

## FIGURE 7-22. CHARGER PLUG INSTALLATION (KOREAN PLUG) (KOREAN SPECS)



ART\_1001264948

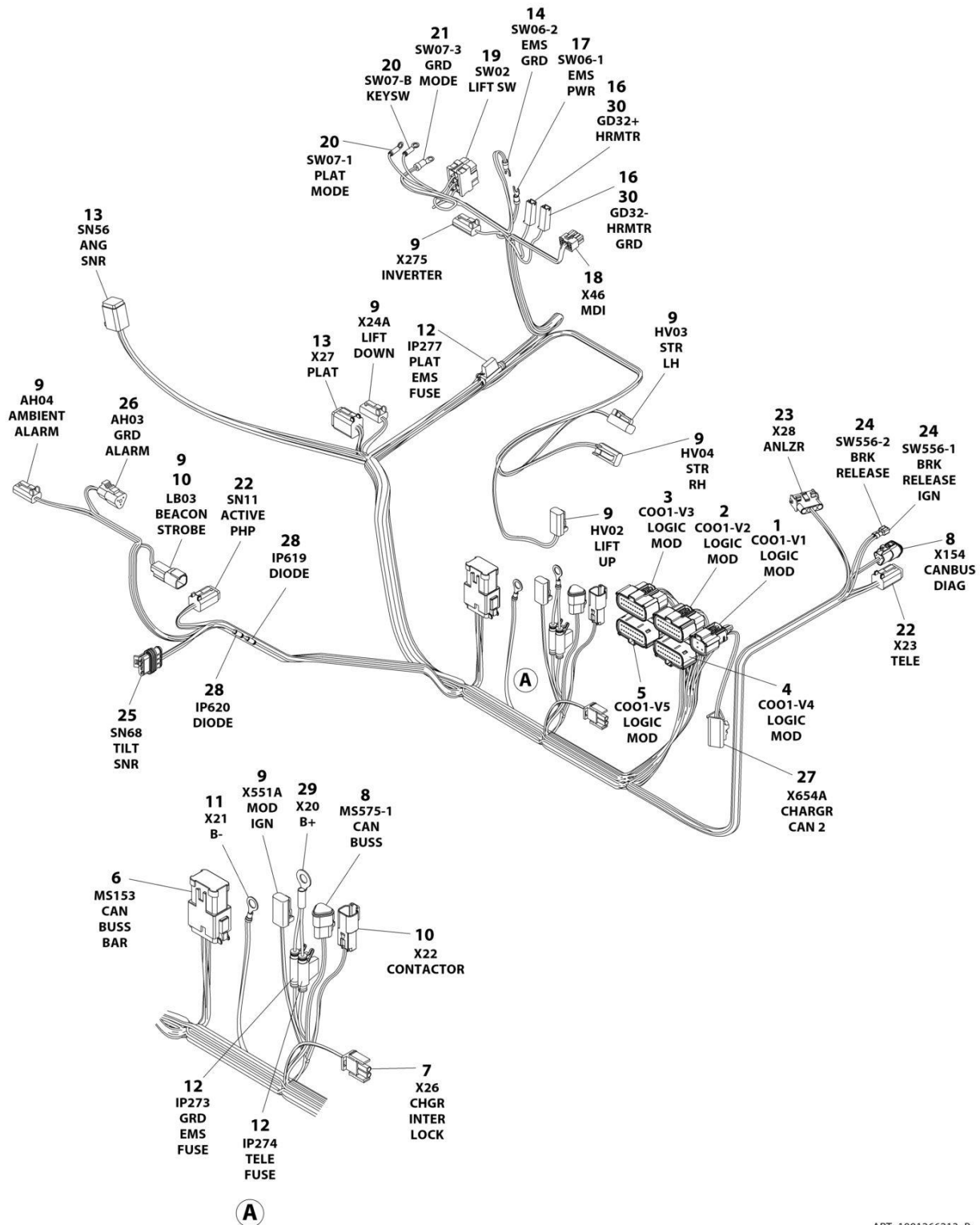
## SECTION 7 - ELECTRICAL

**FIGURE 7-22. CHARGER PLUG INSTALLATION (KOREAN PLUG) (KOREAN SPECS)**

ITEM	PART NUMBER	QTY	DESCRIPTION	REV
	1001264948	Ref	CHARGER PLUG INSTALLATION (KOREAN PLUG)	B
1	4240017	AR	Tie-Strap (Not Shown)	
2	1001102489	1	Decal - Charger	
3	1001221949	1	Cable, Charger AC Input	
4	0760810	1	Bolt M8 x 20	
5	1320223	1	Clamp	
6	3290805	1	Nut M8	
7	4811900	2	Washer M8	

# SECTION 7 - ELECTRICAL

**FIGURE 7-23. CHASSIS HARNESS (WITHOUT LSS WITH PLATFORM DRIVE SELECT SWITCH)  
(MACHINES WITH SN STARTING WITH 12, B2, G2 & M2)**



ART\_1001266213\_B



## SECTION 7 - ELECTRICAL

**FIGURE 7-23. CHASSIS HARNESS (WITHOUT LSS WITH PLATFORM DRIVE SELECT SWITCH)  
(MACHINES WITH SN STARTING WITH 12, B2, G2 & M2)**

ITEM	PART NUMBER	QTY	DESCRIPTION	REV
	1001266213	Ref	CHASSIS HARNESS (WITHOUT LSS)	B
1	1001205409	1	Connector - 8 Position	
1	1001162887	8	Terminal	
2	1001205410	1	Connector - 20 Position	
2	1001162887	13	Terminal	
2	1001163340	7	Plug, Terminal	
3	1001162886	1	Connector - 20 Position	
3	1001162887	9	Terminal	
3	1001163340	11	Plug, Terminal	
4	1001205411	1	Connector - 20 Position	
4	1001162887	10	Terminal	
4	1001163340	10	Plug, Terminal	
5	1001205412	1	Connector - 20 Position	
5	1001162887	14	Terminal	
5	1001163340	6	Plug, Terminal	
6	4460933	1	Plug, Male - 12 Position	
6	4460465	12	Socket, Female	
6	1001125677	1	Bussbar - 12 Position	
7	4460320	1	Plug, Male - 2 Position	
7	4460226	1	Socket, Female	
8	1001116812	2	Plug, Male - 3 Position	
8	4460944	4	Socket, Female	
8	4460466	1	Plug, Terminal	
8	1001144296	1	Cap	
9	4460891	8	Plug, Male- 3 Position	
9	4460465	13	Socket, Female	
9	4460466	2	Plug, Terminal	
9	1001144295	2	Cap	
10	4460897	2	Receptacle, Female - 2 Position	
10	4460464	4	Pin, Male	
11	4460670	1	Terminal, Ring	
12	2400060	3	Fuseholder with Cover	
12		Ref	Fuse 5Amp	
12		Ref	Fuse 15Amp	
13	4460894	2	Plug, Male - 6 Position	
13	4460465	10	Socket, Female	
13	4460944	2	Socket, Female	
14	4460115	1	Terminal, Fork	
16	4460260	4	Cover, Terminal	
16	4460259	2	Terminal	
17	4460183	1	Terminal, Fork	
18	1001151629	1	Connector- 8 Position	
18	4461023	2	Terminal	
18	4460877	2	Terminal	
19	4460418	1	Connector, Switch	
19	1001159186	3	Terminal	
20	4460247	2	Terminal, Ring	
21	4460042	1	Terminal, Ring	
22	4460884	2	Plug, Male - 4 Position	

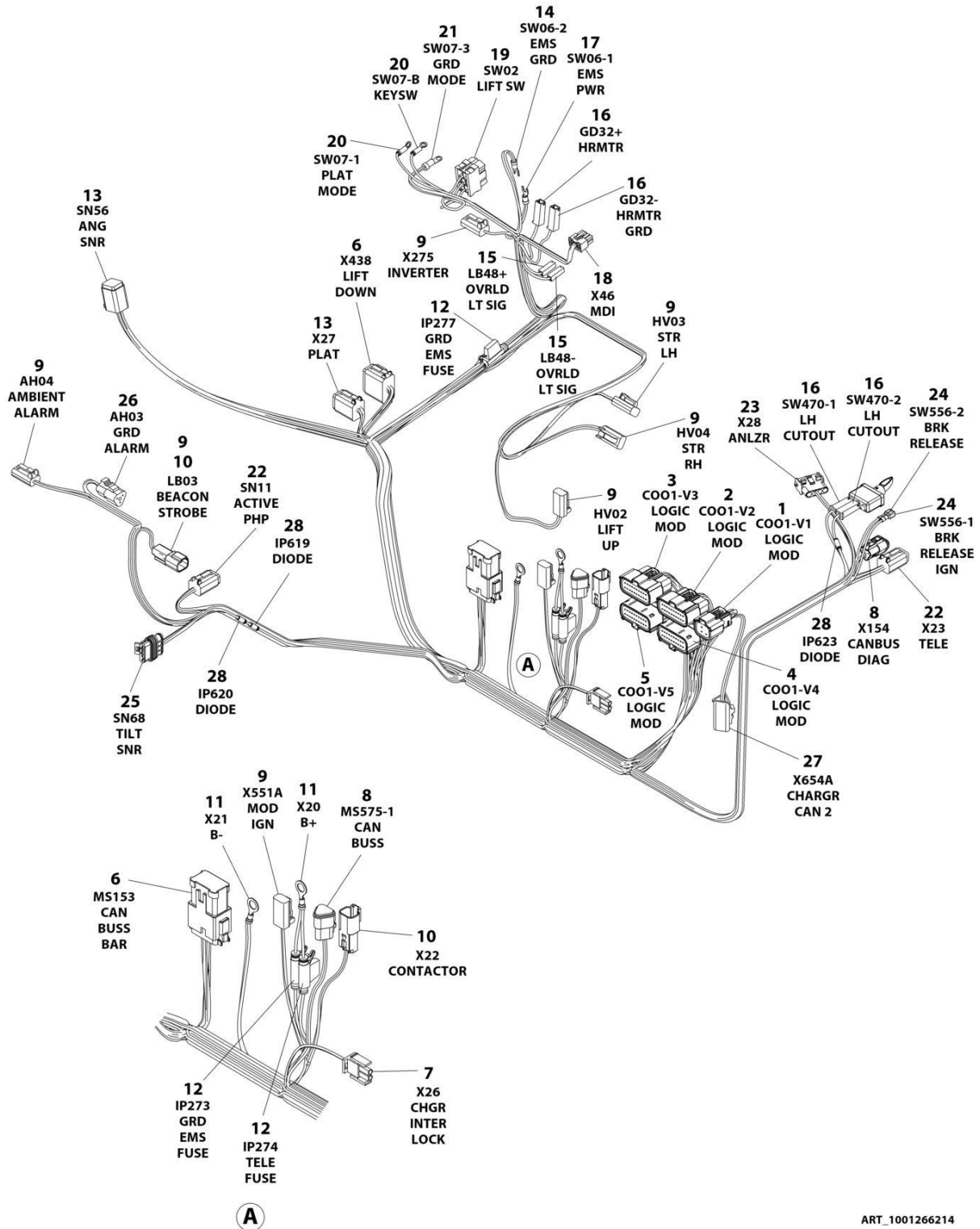
## SECTION 7 - ELECTRICAL

ITEM	PART NUMBER	QTY	DESCRIPTION	REV
22	4460465	8	Socket, Female	
22	1001192401	1	Cap	
23	4460761	1	Receptacle, Female- 4 Position	
23	4460227	4	Pin, Male	
24	1001201885	2	Terminal	
25	1001103012	1	Plug, Male- 4 Position	
25	1001196589	4	Terminal	
25	1001104498	4	Seal	
26	4460539	1	Plug, Male -2 Position	
26	4460465	3	Socket, Female	
27	4460965	1	Plug, Male - 3 Position	
27	4460944	2	Socket, Female	
27	4460966	1	Plug, Terminal	
27	1001144296	1	Cap	
28	8229031	2	Diode - 6Amp	
29	8220045	1	Terminal, Ring	
30	1001272868	2	Terminal	



# SECTION 7 - ELECTRICAL

**FIGURE 7-24. CHASSIS HARNESS (WITH LSS WITH PLATFORM DRIVE SELECT SWITCH)  
(MACHINES WITH SN STARTING WITH 12, B2, G2 & M2)**



ART\_1001266214

## SECTION 7 - ELECTRICAL

**FIGURE 7-24. CHASSIS HARNESS (WITH LSS WITH PLATFORM DRIVE SELECT SWITCH)  
(MACHINES WITH SN STARTING WITH 12, B2, G2 & M2)**

ITEM	PART NUMBER	QTY	DESCRIPTION	REV
	1001266214	Ref	CHASSIS HARNESS (WITH LSS)	A
1	1001205409	1	Connector - 8 Position	
1	1001162887	8	Terminal	
2	1001205410	1	Connector - 20 Position	
2	1001162887	13	Terminal	
2	1001163340	7	Plug, Terminal	
3	1001162886	1	Connector - 20 Position	
3	1001162887	15	Terminal	
3	1001163340	5	Plug, Terminal	
4	1001205411	1	Connector - 20 Position	
4	1001162887	16	Terminal	
4	1001163340	4	Plug, Terminal	
5	1001205412	1	Connector - 20 Position	
5	1001162887	14	Terminal	
5	1001163340	6	Plug, Terminal	
6	4460933	2	Plug, Male - 12 Position	
6	4460465	22	Socket, Female	
6	4460466	2	Plug, Terminal	
6	1001125677	1	Bussbar - 12 Position	
7	4460320	1	Plug, Male - 2 Position	
7	4460226	1	Socket, Female	
8	1001116812	2	Plug, Male - 3 Position	
8	4460944	4	Socket, Female	
8	4460466	1	Plug, Terminal	
8	1001144296	1	Cap	
9	4460891	7	Plug, Male- 3 Position	
9	4460465	11	Socket, Female	
9	4460466	2	Plug, Terminal	
9	1001144295	2	Cap	
10	4460897	2	Receptacle, Female - 2 Position	
10	4460464	4	Pin, Male	
11	4460670	1	Terminal, Ring	
12	2400060	3	Fuseholder with Cover	
12		Ref	Fuse 5Amp	
12		Ref	Fuse 15Amp	
13	4460894	2	Plug, Male - 6 Position	
13	4460465	10	Socket, Female	
13	4460944	2	Socket, Female	
14	4460115	1	Terminal, Fork	
15	1001117000	2	Cover, Terminal	
15	1001118387	2	Terminal	
16	4460260	4	Cover, Terminal	
16	4460259	4	Terminal	
17	4460183	1	Terminal, Fork	
18	1001151629	1	Connector- 8 Position	
18	4461023	2	Terminal	
18	4460877	2	Terminal	
19	4460418	1	Connector, Switch	
19	4460419	3	Terminal	

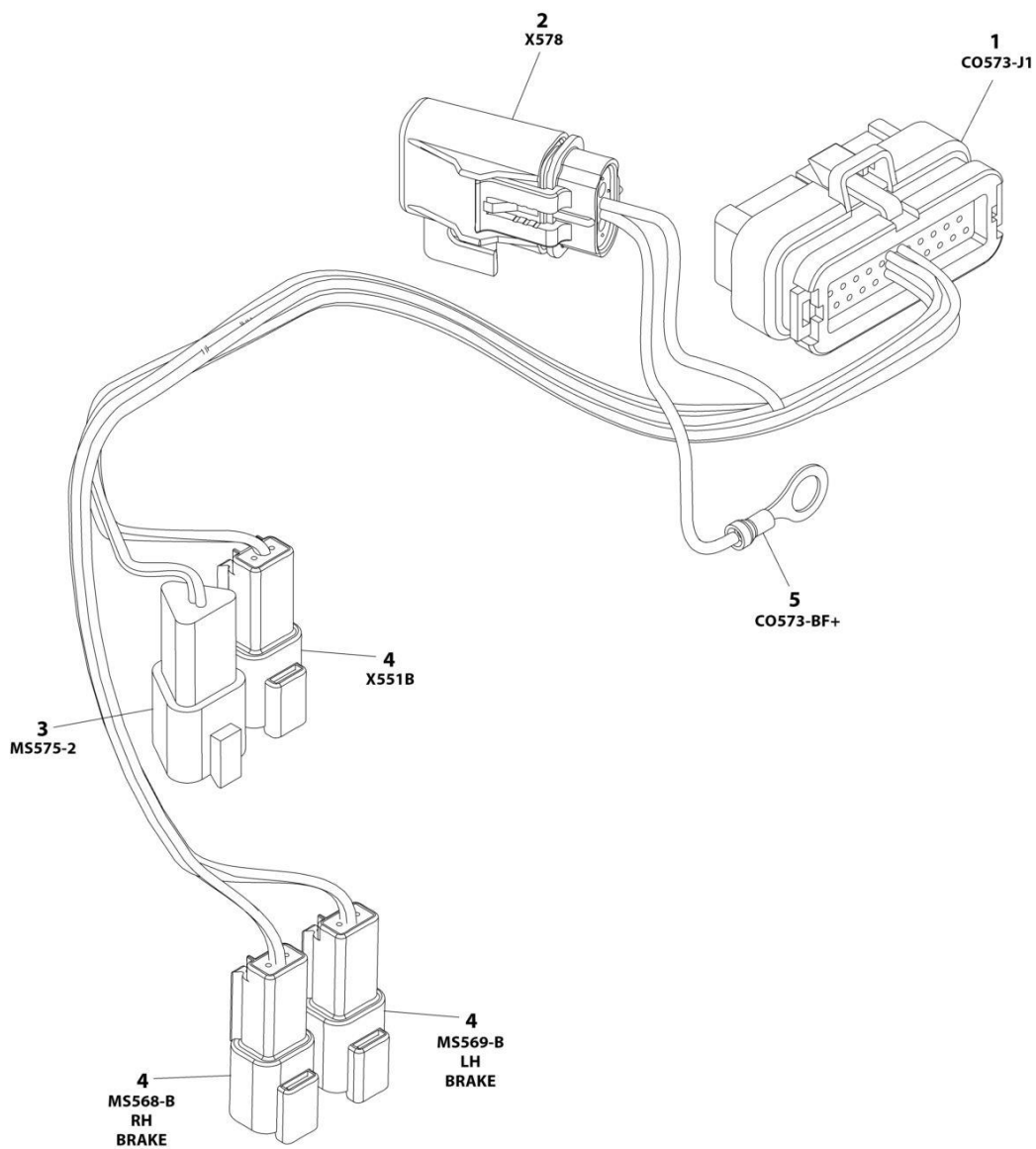
## SECTION 7 - ELECTRICAL

ITEM	PART NUMBER	QTY	DESCRIPTION	REV
20	4460247	2	Terminal, Ring	
21	4460042	1	Terminal, Ring	
22	4460884	2	Plug, Male - 4 Position	
22	4460465	8	Socket, Female	
22	1001192401	1	Cap	
23	4460761	1	Receptacle, Female- 4 Position	
23	4460227	4	Pin, Male	
24	1001201885	2	Terminal	
25	1001103012	1	Plug, Male- 4 Position	
25	1001196589	4	Terminal	
25	1001104498	4	Seal	
26	4460539	1	Plug, Male -2 Position	
26	4460465	3	Socket, Female	
27	4460965	1	Plug, Male - 3 Position	
27	4460944	2	Socket, Female	
27	4460966	1	Plug, Terminal	
27	1001144296	1	Cap	
28	8229031	3	Diode - 6Amp	



# SECTION 7 - ELECTRICAL

## FIGURE 7-25. DRIVE CONTROL HARNESS



ART\_1001243255



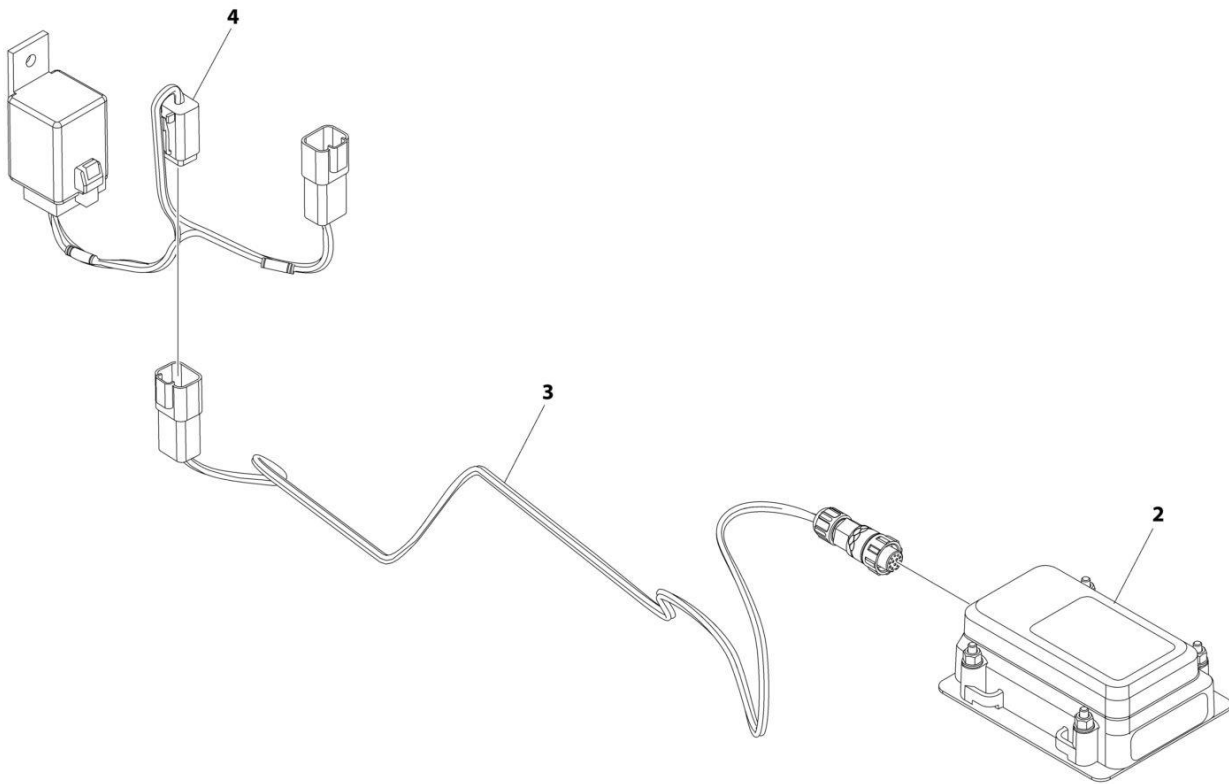
## SECTION 7 - ELECTRICAL

**FIGURE 7-25. DRIVE CONTROL HARNESS**

ITEM	PART NUMBER	QTY	DESCRIPTION	REV
	1001243255	Ref	DRIVE CONTROL HARNESS	C
1	4460873	1	Connector- 35 Position	
1	4460871	8	Socket, Female	
1	4460905	27	Plug, Terminal	
2	1001217843	1	Connector, Fuseholder	
2	1001116733	2	Terminal	
2	8229234	1	Fuse 10Amp ATO	
2	1001217842	1	Cover, Fuse	
3	1001144147	1	Receptacle, Female - 3 Position	
3	4460943	2	Pin, Male	
3	4460466	1	Plug, Terminal	
4	4460897	3	Receptacle, Female - 2 Position	
4	4460464	6	Pin, Male	
5	4460670	1	Terminal, Ring	

# SECTION 7 - ELECTRICAL

FIGURE 7-26. CLEARSKY INSTALLATION - 3 WIRE (ALL SPECS EXCEPT CHINA SPECS)



ART\_1001278847

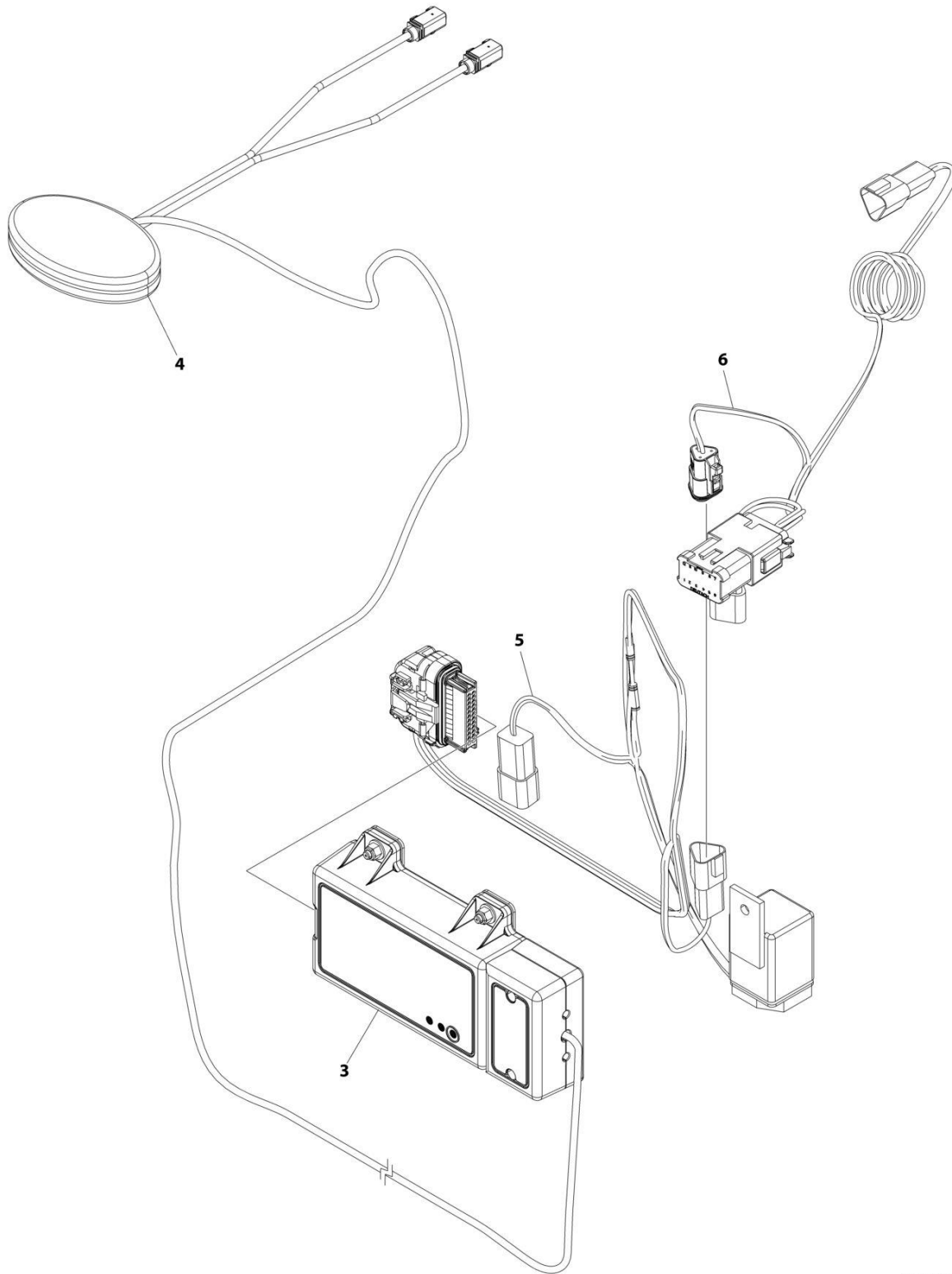
## SECTION 7 - ELECTRICAL

**FIGURE 7-26. CLEARSKY INSTALLATION - 3 WIRE (ALL SPECS EXCEPT CHINA SPECS)**

ITEM	PART NUMBER	QTY	DESCRIPTION	REV
	1001278847	Ref	CLEARSKY INSTALLATION	A
1	4240032	AR	Tie-strap (Not Shown)	
2	1001272659	1	Module, ClearSky	
3	1001273012	1	Harness, ClearSky (See Separate Breakdown in this Section)	
4	1001278513	1	Harness, ClearSky Jumper (See Separate Breakdown in this Section)	

# SECTION 7 - ELECTRICAL

FIGURE 7-27. CLEARSKY INSTALLATION - 3G (ANSI EXPORT, CE & UK CA SPECS)



ART\_1001247532

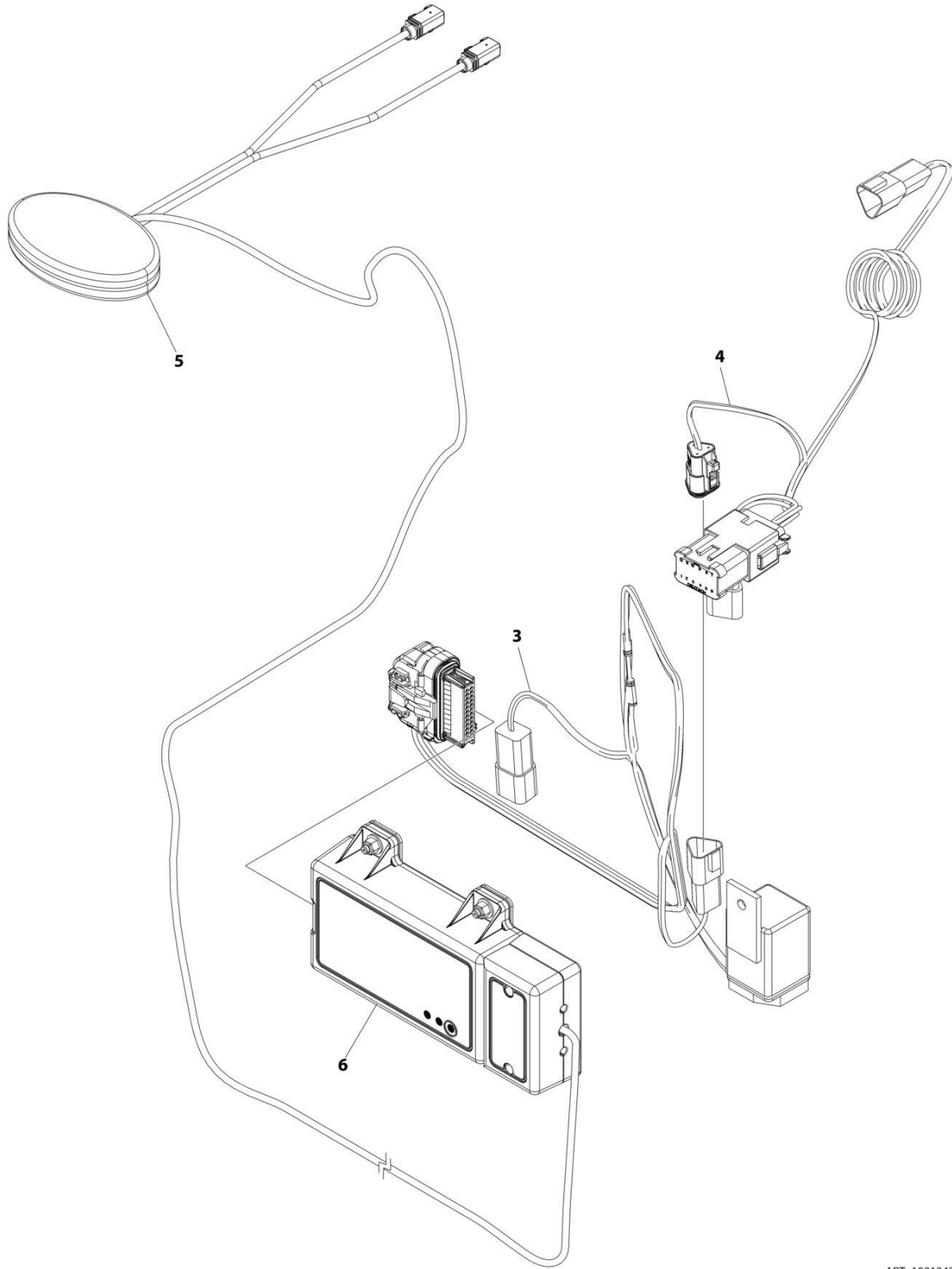
## SECTION 7 - ELECTRICAL

**FIGURE 7-27. CLEARSKY INSTALLATION - 3G (ANSI EXPORT, CE & UK CA SPECS)**

ITEM	PART NUMBER	QTY	DESCRIPTION	REV
	1001247532	Ref	CLEARSKY INSTALLATION	A
1	4240032	AR	Tie-strap (Not Shown)	
2	4460234	AR	Mount, Tie-strap (Not Shown)	
3	1001228954	1	Module, ClearSky	
4	1001236144	1	Antenna, ClearSky	
5	1001254026	1	Harness, ClearSky (See Separate Breakdown in this Section)	
6	1001254027	1	Harness, ClearSky Splice (See Separate Breakdown in this Section)	

# SECTION 7 - ELECTRICAL

## FIGURE 7-28. CLEARSKY INSTALLATION - 3G (AUSTRALIAN SPECS)



ART\_1001247533

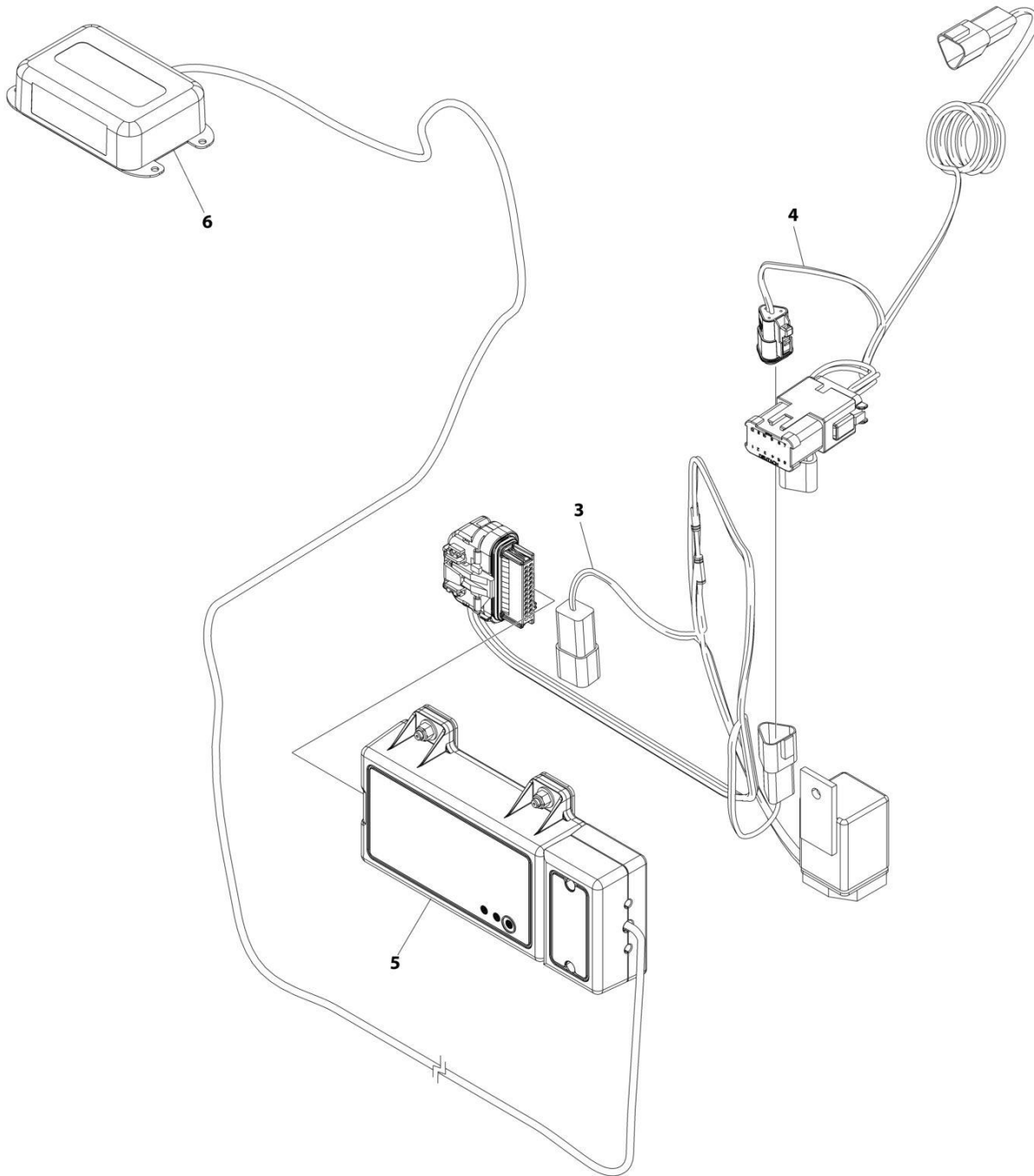
## SECTION 7 - ELECTRICAL

**FIGURE 7-28. CLEARSKY INSTALLATION - 3G (AUSTRALIAN SPECS)**

ITEM	PART NUMBER	QTY	DESCRIPTION	REV
	1001247533	Ref	CLEARSKY INSTALLATION	A
1	4240032	AR	Tie-strap (Not Shown)	
2	4460234	AR	Mount, Tie-strap (Not Shown)	
3	1001254026	1	Harness, ClearSky (See Separate Breakdown in this Section)	
4	1001254027	1	Harness, ClearSky Splice (See Separate Breakdown in this Section)	
5	1001236144	1	Antenna, ClearSky	
6	1001246144	1	Module, ClearSky	

# SECTION 7 - ELECTRICAL

FIGURE 7-29. CLEARSKY INSTALLATION - 4G (ALL SPECS EXCEPT CHINA SPECS)



ART\_1001247531



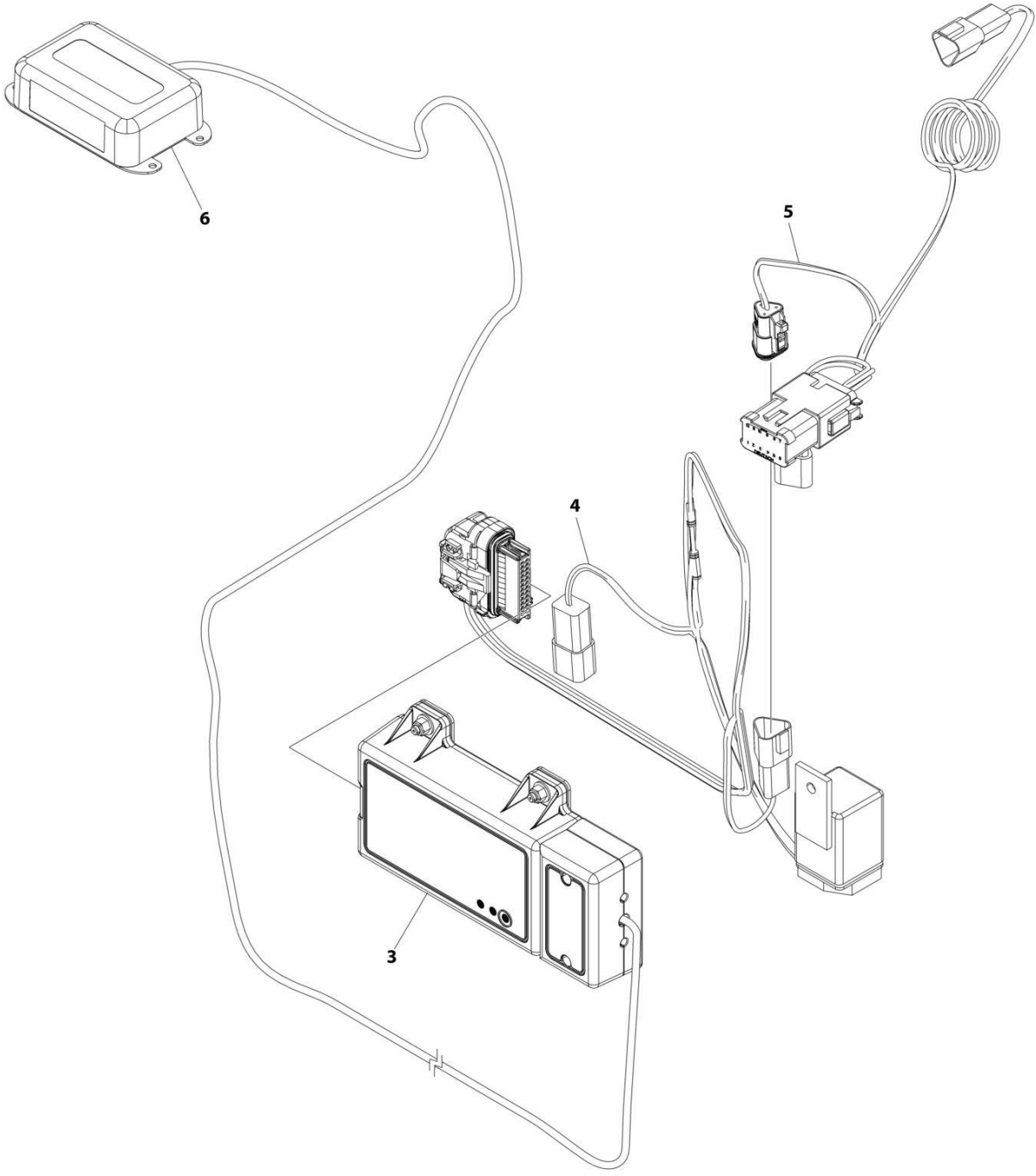
## SECTION 7 - ELECTRICAL

**FIGURE 7-29. CLEARSKY INSTALLATION - 4G (ALL SPECS EXCEPT CHINA SPECS)**

ITEM	PART NUMBER	QTY	DESCRIPTION	REV
	1001247531	Ref	CLEARSKY INSTALLATION	A
1	4240032	AR	Tie-strap (Not Shown)	
2	4460234	AR	Mount, Tie-strap (Not Shown)	
3	1001254026	1	Harness, ClearSky (See Separate Breakdown in this Section)	
4	1001254027	1	Harness, ClearSky Splice (See Separate Breakdown in this Section)	
5	1001262322	1	Module, ClearSky	
6	1001262327	1	Antenna, ClearSky	

**SECTION 7 - ELECTRICAL**

**FIGURE 7-30. CLEARSKY INSTALLATION - 4G (CHINA SPECS)**



ART\_1001247534

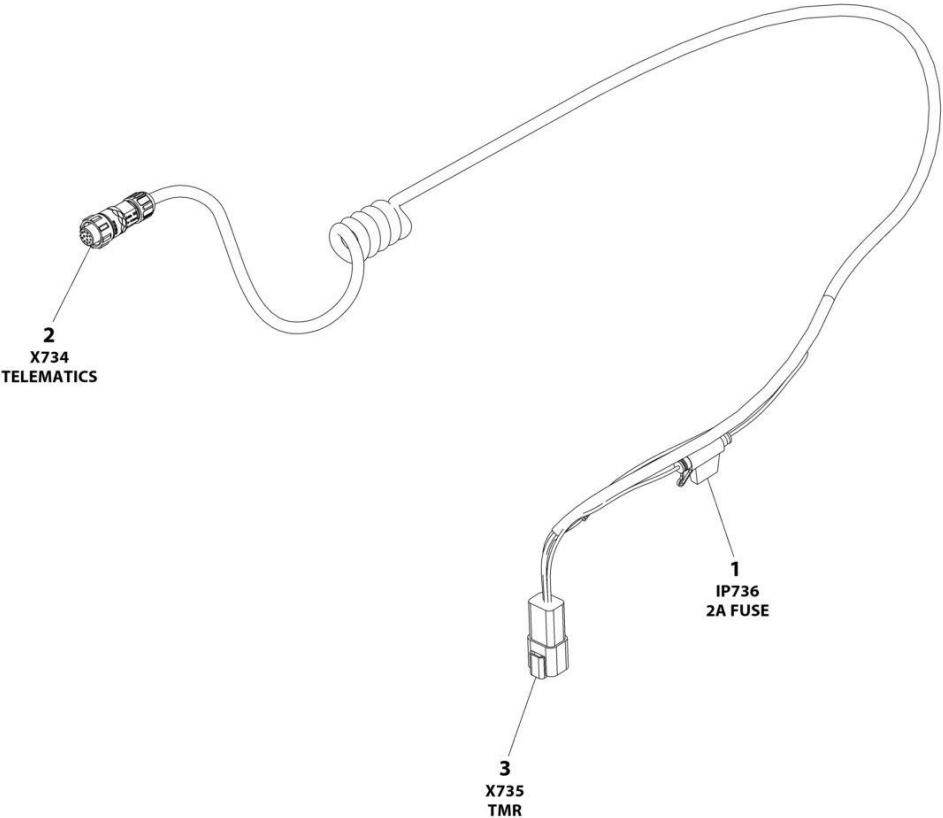
## SECTION 7 - ELECTRICAL

**FIGURE 7-30. CLEARSKY INSTALLATION - 4G (CHINA SPECS)**

ITEM	PART NUMBER	QTY	DESCRIPTION	REV
	1001247534	Ref	CLEARSKY INSTALLATION	A
1	4240032	AR	Tie-strap (Not Shown)	
2	4460234	AR	Mount, Tie-strap (Not Shown)	
3	1001246145	1	Module, ClearSky	
4	1001254026	1	Harness, ClearSky (See Separate Breakdown in this Section)	
5	1001254027	1	Harness, ClearSky Splice (See Separate Breakdown in this Section)	
6	1001262327	1	Antenna, ClearSky	

**SECTION 7 - ELECTRICAL**

**FIGURE 7-31. CLEARSKY HARNESS - 3 WIRE (ALL SPECS EXCEPT CHINA SPECS)**



ART\_1001273012

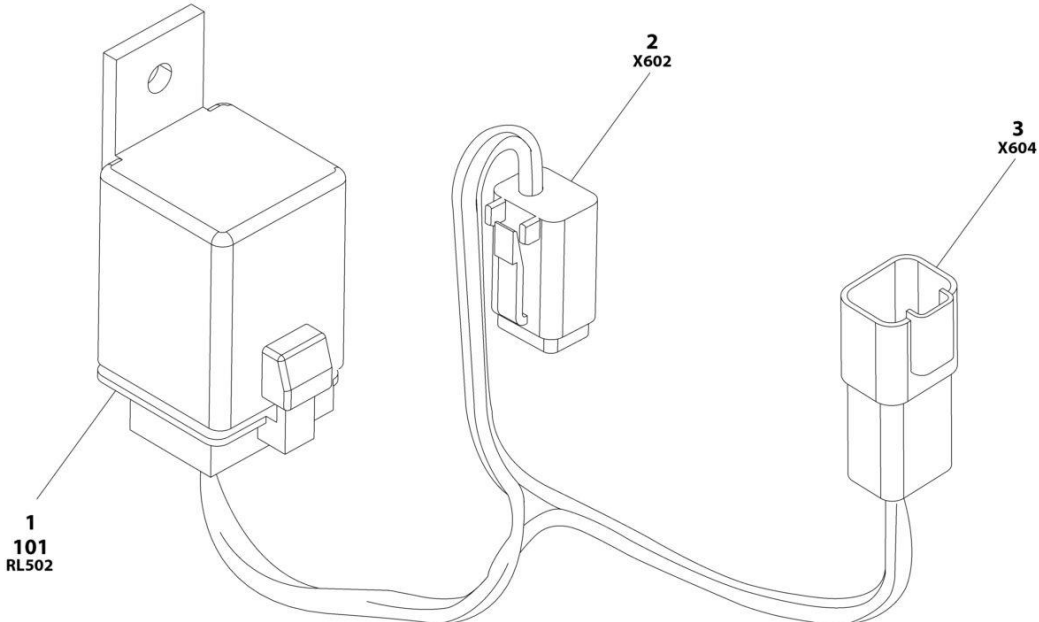
## SECTION 7 - ELECTRICAL

**FIGURE 7-31. CLEARSKY HARNESS - 3 WIRE (ALL SPECS EXCEPT CHINA SPECS)**

ITEM	PART NUMBER	QTY	DESCRIPTION	REV
	1001273012	Ref	CLEARSKY TELEMATICS HARNESS - GT1030	D
1	1001255901	1	Fuseholder	
1	1001196634	1	Fuse - 2Amp	
2	1001272997	1	Connector - 12 Position	
2		Ref	Terminal	
3	4460932	1	Receptacle, Female - 4 Position	
3	4460464	4	Pin, Male	

**SECTION 7 - ELECTRICAL**

**FIGURE 7-32. CLEARSKY JUMPER HARNESS - 3 WIRE (ALL SPECS EXCEPT CHINA SPECS)**



ART\_1001278513

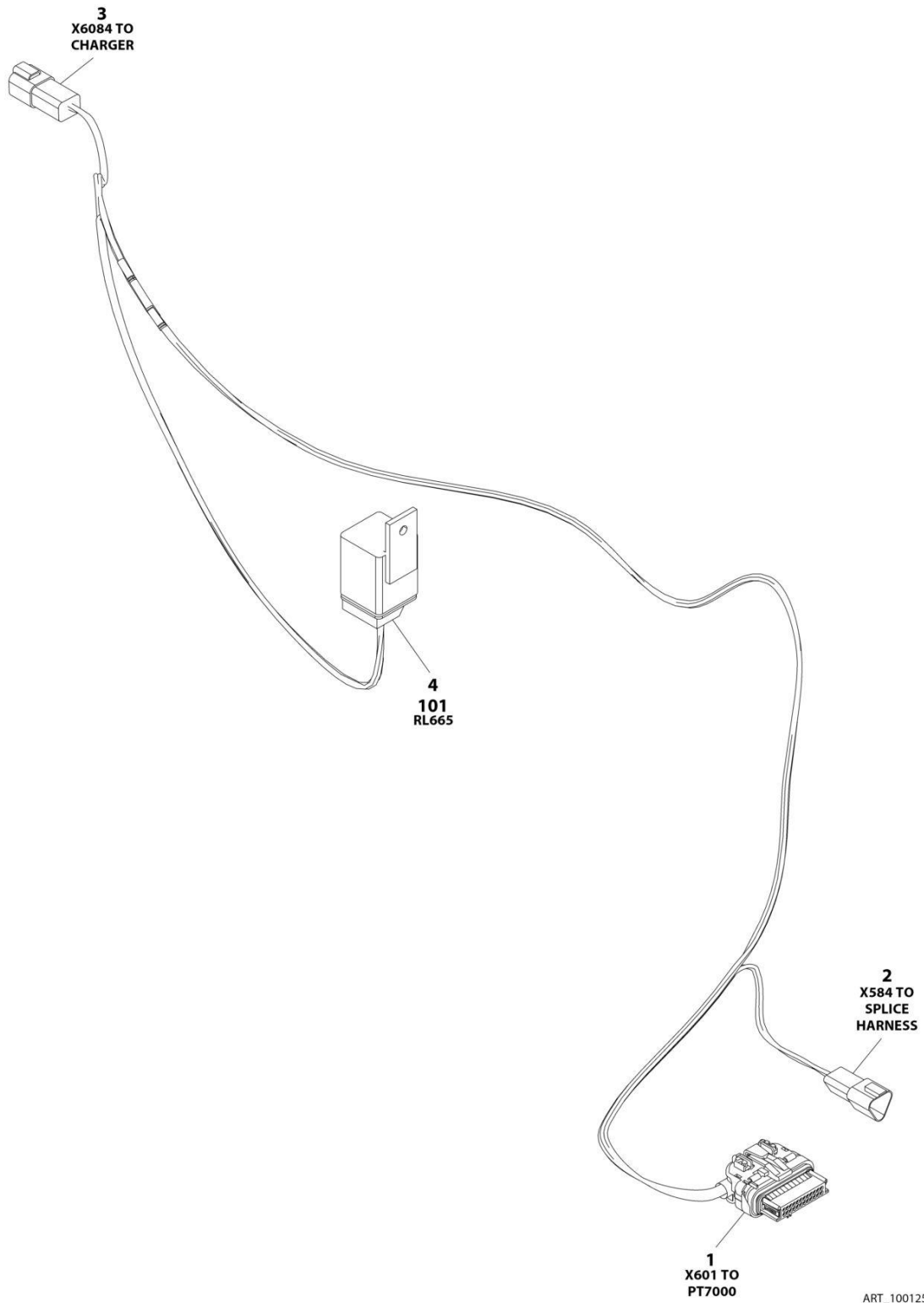
## SECTION 7 - ELECTRICAL

**FIGURE 7-32. CLEARSKY JUMPER HARNESS - 3 WIRE (ALL SPECS EXCEPT CHINA SPECS)**

ITEM	PART NUMBER	QTY	DESCRIPTION	REV
	1001278513	Ref	CLEARSKY JUMPER HARNESS	A
1	1001117057	1	Connector	
1	1001116732	4	Socket	
2	4460884	1	Connector	
2	4460465	4	Socket	
3	4460932	1	Connector	
3	4460464	4	Pin	
101	1001097347	1	Relay	

# SECTION 7 - ELECTRICAL

## FIGURE 7-33. CLEARSKY HARNESS - 3G & 4G





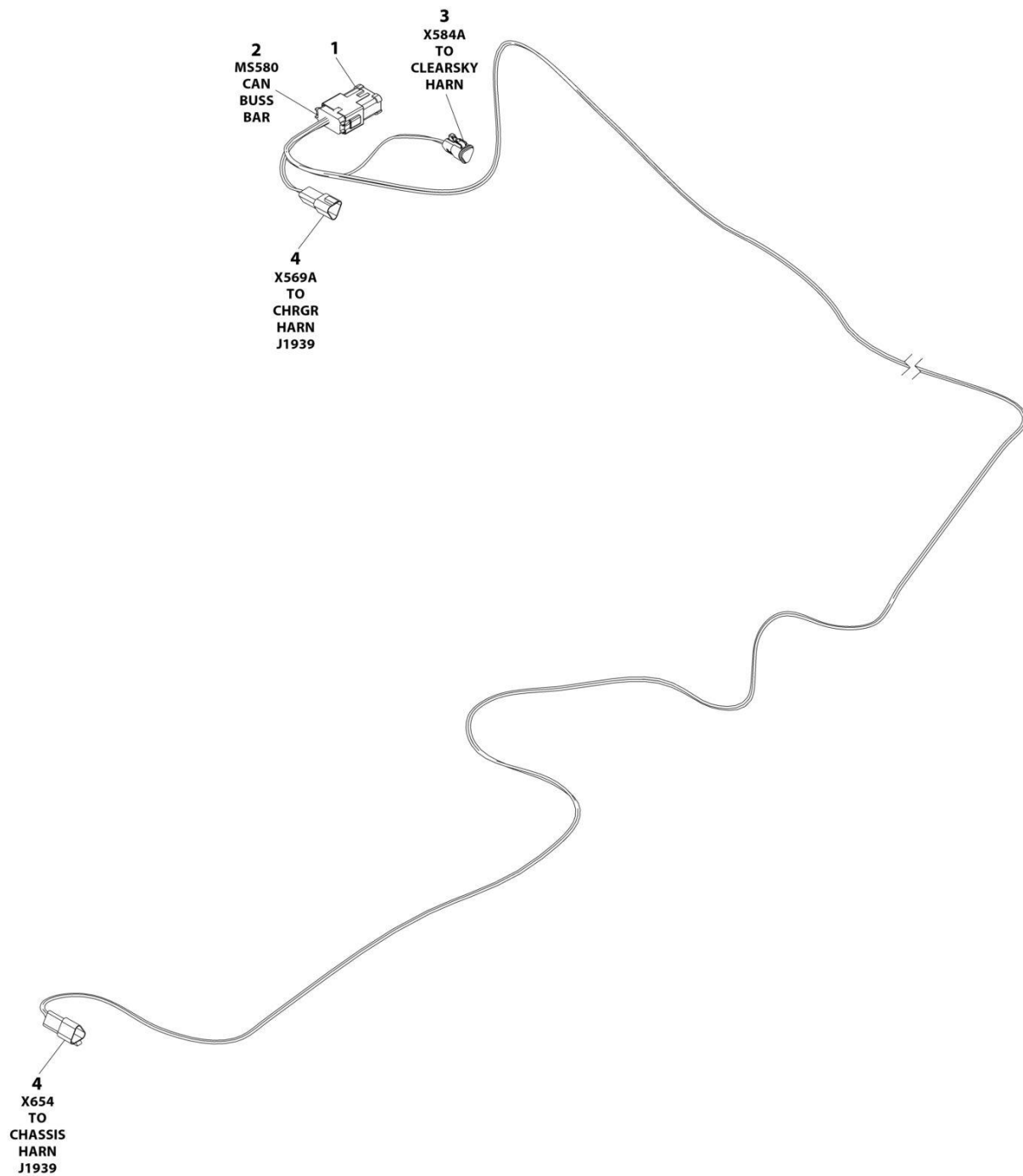
## SECTION 7 - ELECTRICAL

**FIGURE 7-33. CLEARSKY HARNESS - 3G & 4G**

ITEM	PART NUMBER	QTY	DESCRIPTION	REV
	1001254026	Ref	CLEARSKY HARNESS	B
1	1001226636	1	Connector	
1	1001226637	5	Socket	
1	1001116731	19	Plug	
2	1001144147	1	Connector	
2	4460943	2	Pin	
2	4460466	1	Plug	
3	4460932	1	Connector	
3	4460464	3	Pin	
3	4460466	1	Plug	
4	1001117057	1	Connector	
4	1001116732	4	Socket	
101	1001097347	1	Relay	

# SECTION 7 - ELECTRICAL

## FIGURE 7-34. CLEARSKY SPLICE HARNESS - 3G & 4G



ART\_1001254027

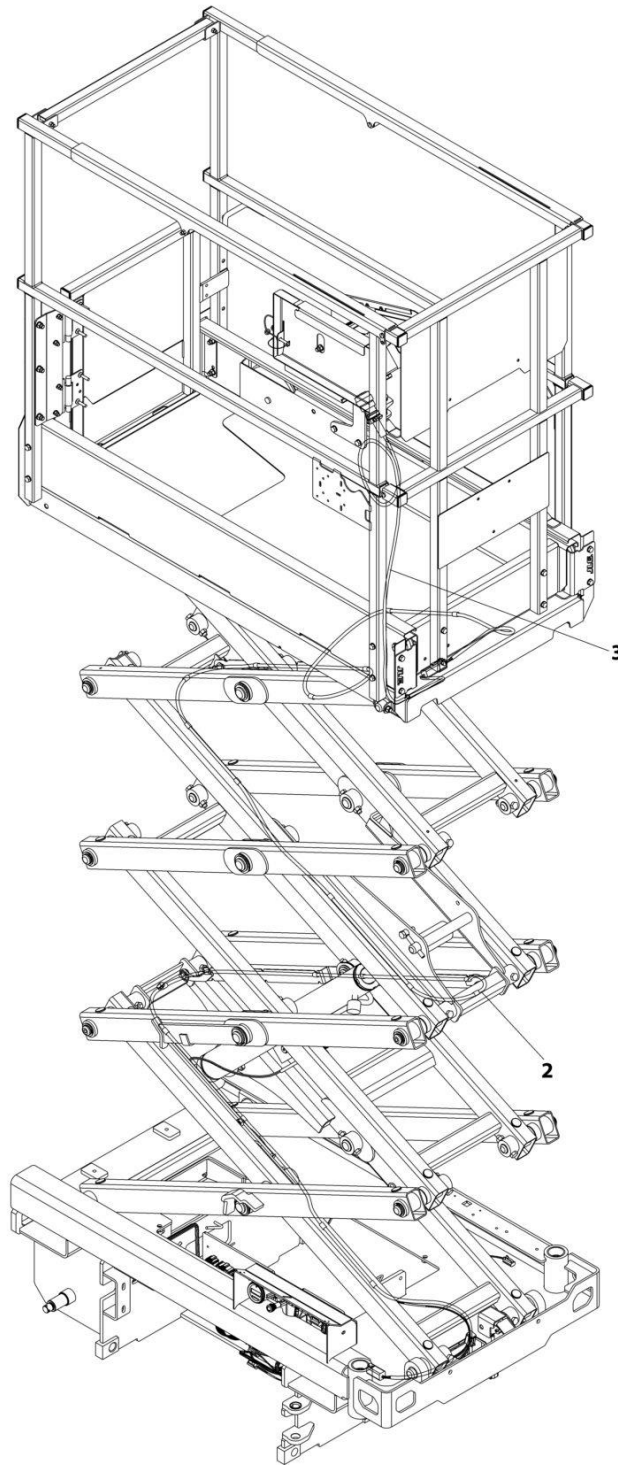
## SECTION 7 - ELECTRICAL

**FIGURE 7-34. CLEARSKY SPLICE HARNESS - 3G & 4G**

ITEM	PART NUMBER	QTY	DESCRIPTION	REV
	1001254027	Ref	CAN SPLICE HARNESS	A
1	1001125677	1	Connector, Bus Bar - 12 Position	
2	4460933	1	Plug, Male - 12 Position	
2	4460944	6	Socket, Female	
2	4460466	6	Plug, Terminal	
3	1001118812	1	Plug, Male - 3 Position	
3	4460944	2	Socket, Female	
3	4460466	1	Plug, Terminal	
4	1001144147	2	Receptacle, Female - 3 Position	
4	4460943	4	Pin, Male	
4	4460466	2	Plug, Terminal	

## SECTION 7 - ELECTRICAL

FIGURE 7-35. GROUND TO PLATFORM CABLE INSTALLATION - WITHOUT PLATFORM COIL CABLE/WITHOUT AC CABLE/WITHOUT FOOTSWITCH



ART\_1001237553

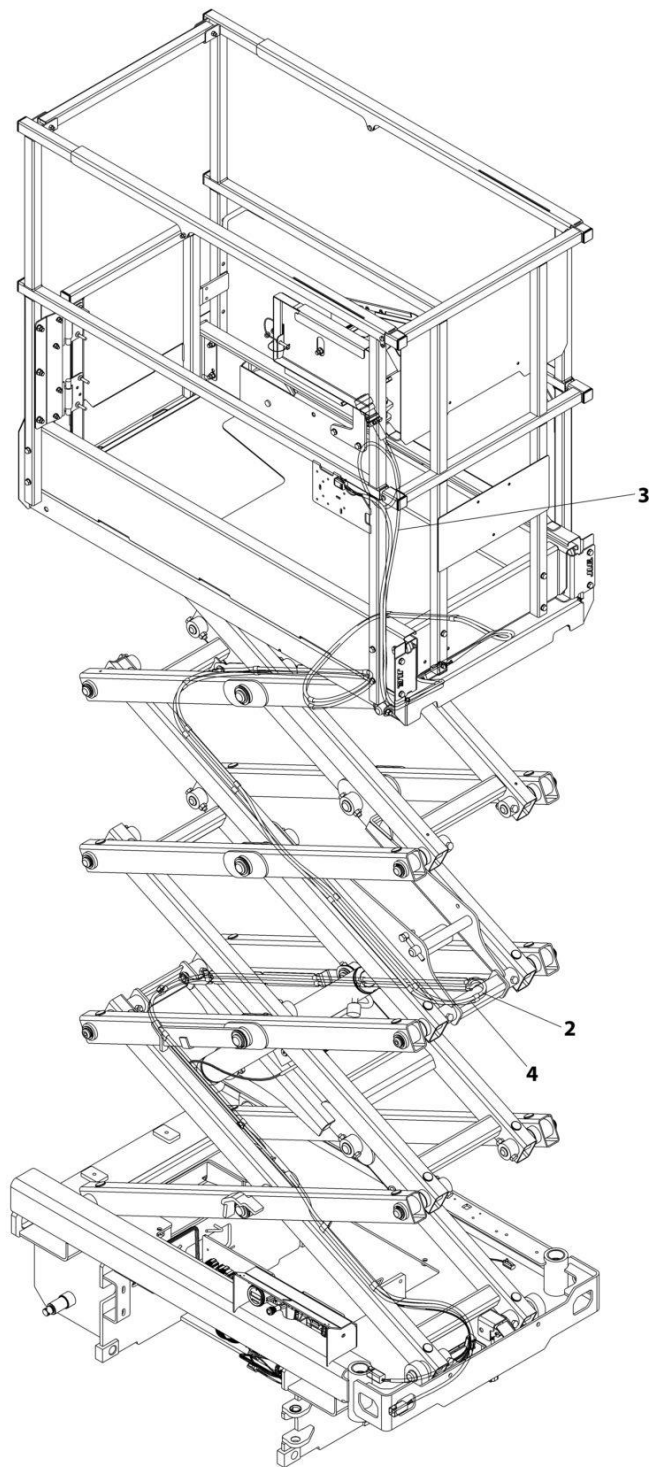
## SECTION 7 - ELECTRICAL

**FIGURE 7-35. GROUND TO PLATFORM CABLE INSTALLATION - WITHOUT PLATFORM COIL  
CABLE/WITHOUT AC CABLE/WITHOUT FOOTSWITCH**

ITEM	PART NUMBER	QTY	DESCRIPTION	REV
	1001237553	Ref	GROUND TO PLATFORM CABLE INSTALLATION	C
1	4240017	AR	Tie-Strap (Not Shown)	
2	1001237552	1	Cable Assembly - Ground to Platform	
2	4460899	1	Receptacle, Female - 6 Position (x58 Chassis)	
2	4460464	4	Pin, Male	
2	4460943	2	Pin, Male	
2	4460894	1	Plug, Male - 6 Position (x59 Platform)	
2	4460465	4	Socket, Female	
2	4460944	2	Socket, Female	
3	1001241320	1	Platform Harness	
3	4460754	1	Connector - 14 Position (x61 Platform Box)	
3	4460465	6	Socket, Female	
3	4460944	2	Socket, Female	
3	4460466	6	Plug, Terminal	
3	4460899	1	Receptacle, Female - 6 Position (x60 Platform)	
3	4460464	4	Pin, Male	
3	4460943	2	Pin, Male	

## SECTION 7 - ELECTRICAL

FIGURE 7-36. GROUND TO PLATFORM CABLE INSTALLATION - WITHOUT PLATFORM COIL CABLE/WITH AC CABLE/WITHOUT FOOTSWITCH



ART\_1001239976

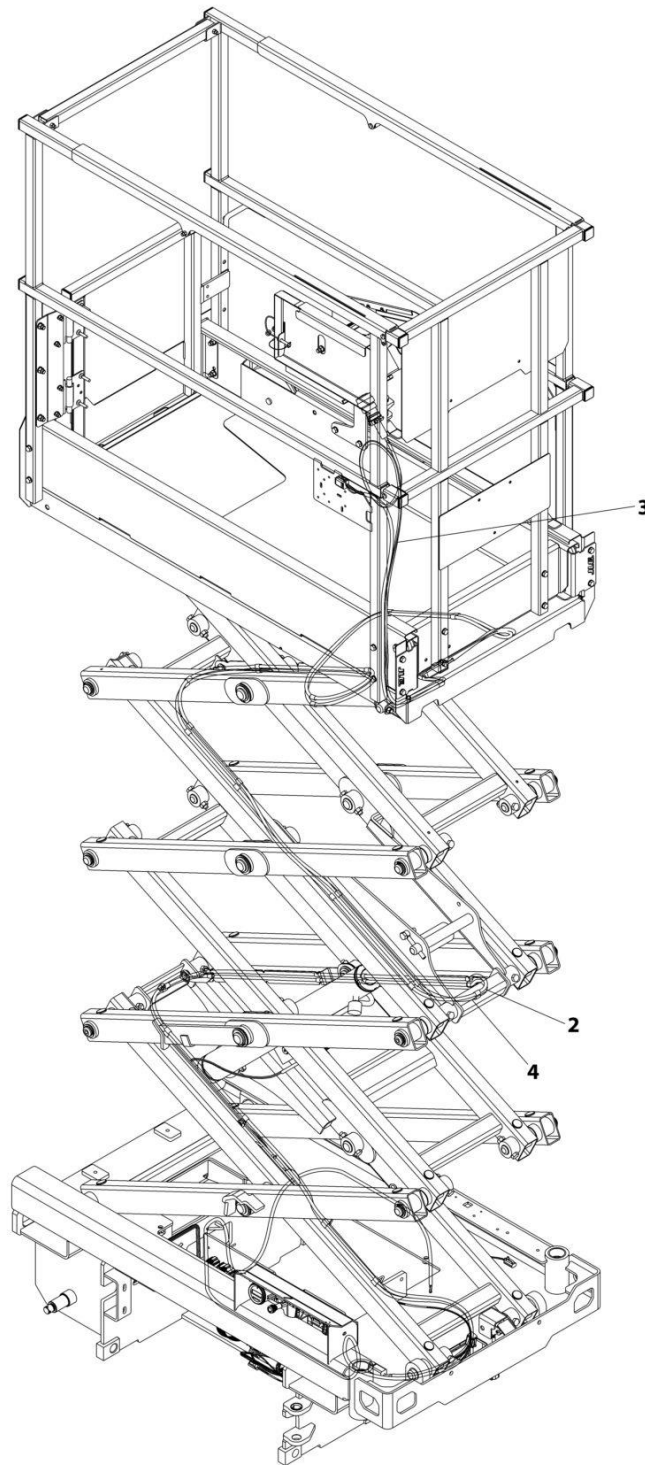
## SECTION 7 - ELECTRICAL

**FIGURE 7-36. GROUND TO PLATFORM CABLE INSTALLATION - WITHOUT PLATFORM COIL  
CABLE/WITH AC CABLE/WITHOUT FOOTSWITCH**

ITEM	PART NUMBER	QTY	DESCRIPTION	REV
	1001239976	Ref	GROUND TO PLATFORM CABLE INSTALLATION	C
1	4240017	AR	Tie-Strap (Not Shown)	
2	1001237552	1	Cable Assembly - Ground to Platform	
2	4460899	1	Receptacle, Female - 6 Position (x58 Chassis)	
2	4460464	4	Pin, Male	
2	4460943	2	Pin, Male	
2	4460894	1	Plug, Male - 6 Position (x59 Platform)	
2	4460465	4	Socket, Female	
2	4460944	2	Socket, Female	
3	1001241320	1	Platform Harness	
3	4460754	1	Connector - 14 Position (x61 Platform Box)	
3	4460465	6	Socket, Female	
3	4460944	2	Socket, Female	
3	4460466	6	Plug, Terminal	
3	4460899	1	Receptacle, Female - 6 Position (x60 Platform)	
3	4460464	4	Pin, Male	
3	4460943	2	Pin, Male	
4	1001244432	1	Cable, AC	

## SECTION 7 - ELECTRICAL

FIGURE 7-37. GROUND TO PLATFORM CABLE INSTALLATION - WITHOUT PLATFORM COIL CABLE/WITH AC CABLE/WITHOUT FOOTSWITCH (AUSTRALIAN SPECS)



ART\_1001253886



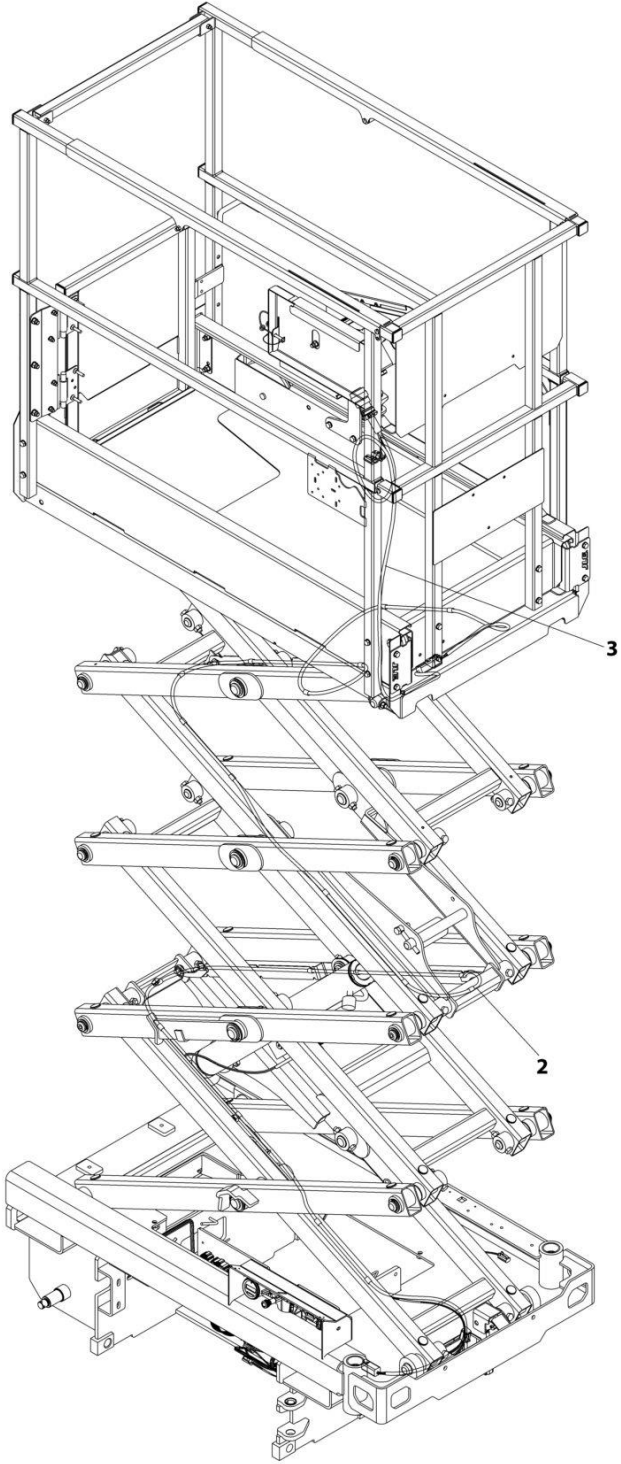
## SECTION 7 - ELECTRICAL

**FIGURE 7-37. GROUND TO PLATFORM CABLE INSTALLATION - WITHOUT PLATFORM COIL  
CABLE/WITH AC CABLE/WITHOUT FOOTSWITCH (AUSTRALIAN SPECS)**

ITEM	PART NUMBER	QTY	DESCRIPTION	REV
	1001253886	Ref	GROUND TO PLATFORM CABLE INSTALLATION	A
1	4240017	AR	Tie-Strap (Not Shown)	
2	1001237552	1	Cable Assembly - Ground to Platform	
2	4460899	1	Receptacle, Female - 6 Position (x58 Chassis)	
2	4460464	4	Pin, Male	
2	4460943	2	Pin, Male	
2	4460894	1	Plug, Male - 6 Position (x59 Platform)	
2	4460465	4	Socket, Female	
2	4460944	2	Socket, Female	
3	1001241320	1	Platform Harness	
3	4460754	1	Connector - 14 Position (x61 Platform Box)	
3	4460465	6	Socket, Female	
3	4460944	2	Socket, Female	
3	4460466	6	Plug, Terminal	
3	4460899	1	Receptacle, Female - 6 Position (x60 Platform)	
3	4460464	4	Pin, Male	
3	4460943	2	Pin, Male	
4	1001253888	1	Cable, AC	

**SECTION 7 - ELECTRICAL**

**FIGURE 7-38. GROUND TO PLATFORM CABLE INSTALLATION - WITHOUT PLATFORM COIL CABLE/WITHOUT AC CABLE/WITH FOOTSWITCH**



ART\_1001239977

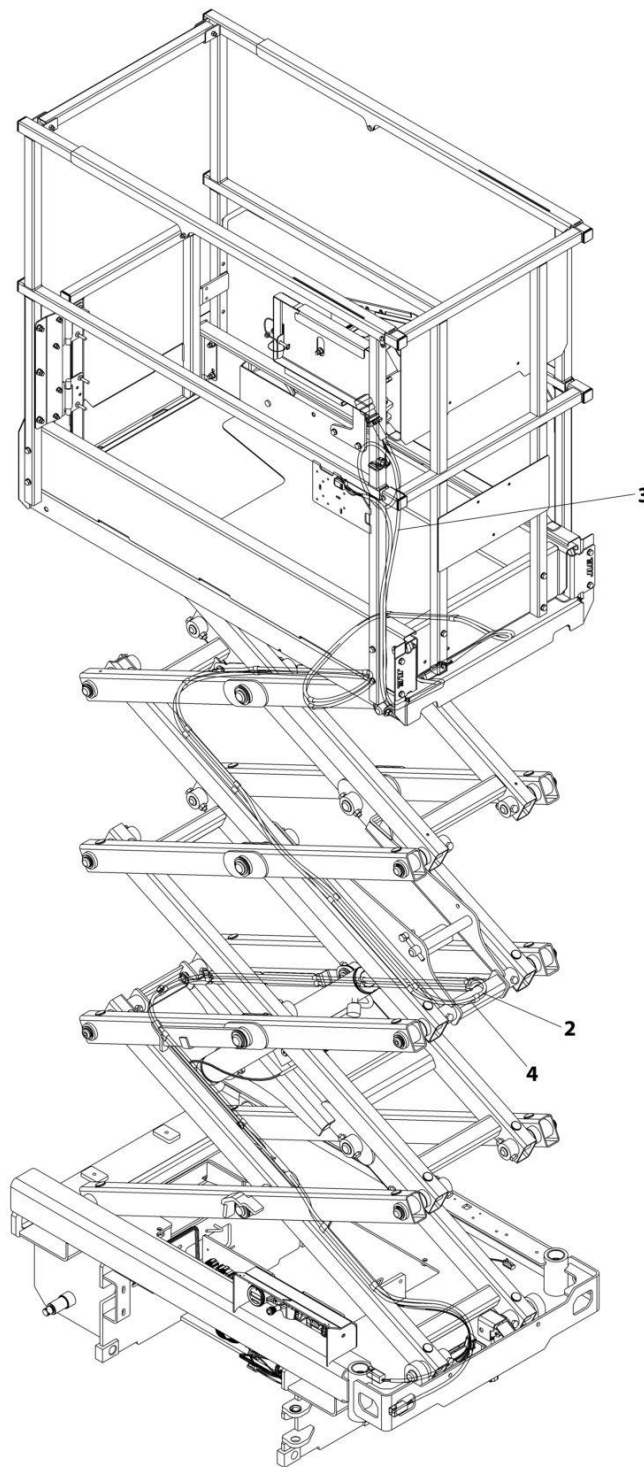
## SECTION 7 - ELECTRICAL

**FIGURE 7-38. GROUND TO PLATFORM CABLE INSTALLATION - WITHOUT PLATFORM COIL  
CABLE/WITHOUT AC CABLE/WITH FOOTSWITCH**

ITEM	PART NUMBER	QTY	DESCRIPTION	REV
	1001239977	Ref	GROUND TO PLATFORM CABLE INSTALLATION	C
1	4240017	AR	Tie-Strap (Not Shown)	
2	1001237552	1	Cable Assembly - Ground to Platform	
2	4460899	1	Receptacle, Female - 6 Position (x58 Chassis)	
2	4460464	4	Pin, Male	
2	4460943	2	Pin, Male	
2	4460894	1	Plug, Male - 6 Position (x59 Platform)	
2	4460465	4	Socket, Female	
2	4460944	2	Socket, Female	
3	1001241321	1	Platform Harness	
3	4460754	1	Connector - 14 Position (x61 Platform Box)	
3	4460465	6	Socket, Female	
3	4460944	2	Socket, Female	
3	4460466	6	Plug, Terminal	
3	4460899	1	Receptacle, Female - 6 Position (x60 Platform)	
3	4460464	4	Pin, Male	
3	4460943	2	Pin, Male	
3	4460891	1	Plug, Male - 2 Position (SW63 Footswitch)	
3	4460465	2	Socket, Female	
3	4460539	1	Plug, Male - 3 Position (SW475 Overhead Switch)	
3	4460465	2	Socket, Female	
3	4460466	1	Plug, Terminal	

## SECTION 7 - ELECTRICAL

FIGURE 7-39. GROUND TO PLATFORM CABLE INSTALLATION - WITHOUT PLATFORM COIL CABLE/WITH AC CABLE/WITH FOOTSWITCH



ART\_1001239978

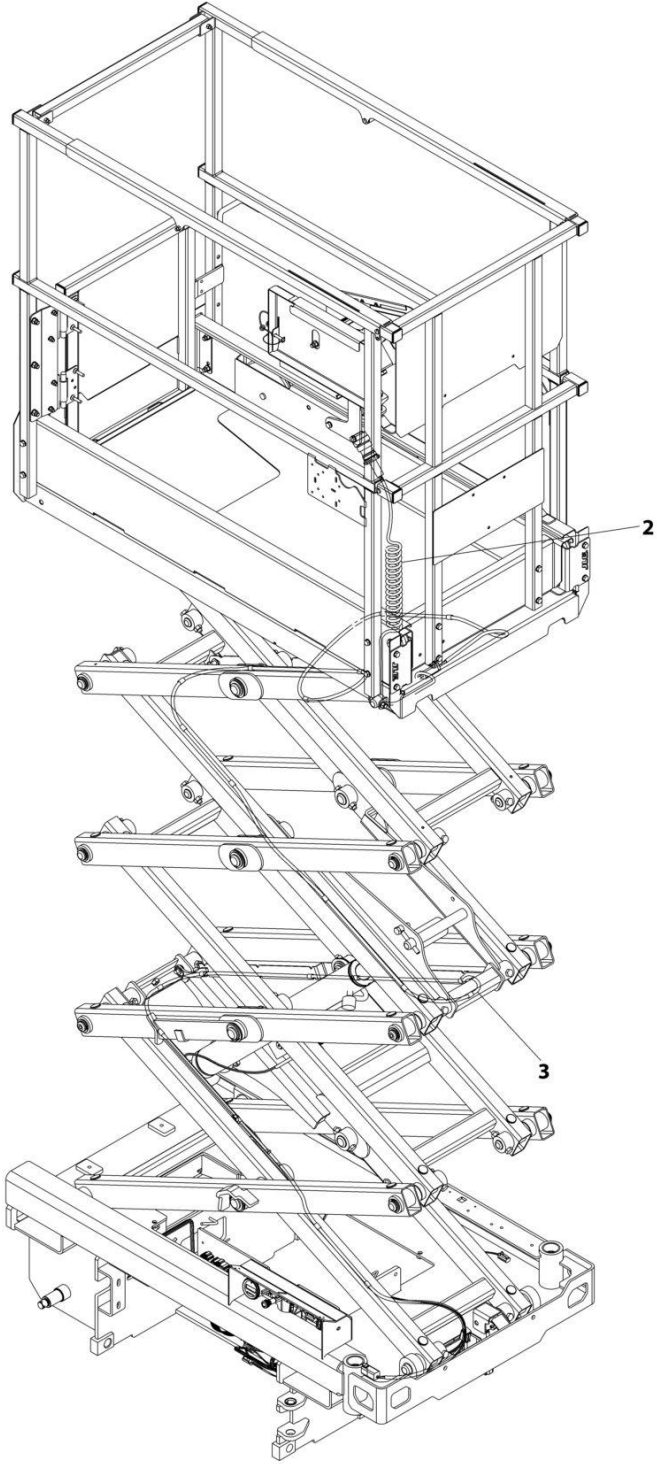
## SECTION 7 - ELECTRICAL

**FIGURE 7-39. GROUND TO PLATFORM CABLE INSTALLATION - WITHOUT PLATFORM COIL  
CABLE/WITH AC CABLE/WITH FOOTSWITCH**

ITEM	PART NUMBER	QTY	DESCRIPTION	REV
	1001239978	Ref	GROUND TO PLATFORM CABLE INSTALLATION	C
1	4240017	AR	Tie-Strap (Not Shown)	
2	1001237552	1	Cable Assembly - Ground to Platform	
2	4460899	1	Receptacle, Female - 6 Position (x58 Chassis)	
2	4460464	4	Pin, Male	
2	4460943	2	Pin, Male	
2	4460894	1	Plug, Male - 6 Position (x59 Platform)	
2	4460465	4	Socket, Female	
2	4460944	2	Socket, Female	
3	1001241321	1	Platform Harness	
3	4460754	1	Connector - 14 Position (x61 Platform Box)	
3	4460465	6	Socket, Female	
3	4460944	2	Socket, Female	
3	4460466	6	Plug, Terminal	
3	4460899	1	Receptacle, Female - 6 Position (x60 Platform)	
3	4460464	4	Pin, Male	
3	4460943	2	Pin, Male	
3	4460891	1	Plug, Male - 2 Position (SW63 Footswitch)	
3	4460465	2	Socket, Female	
3	4460539	1	Plug, Male - 3 Position (SW475 Overhead Switch)	
3	4460465	2	Socket, Female	
3	4460466	1	Plug, Terminal	
4	1001244432	1	Cable, AC	

**SECTION 7 - ELECTRICAL**

**FIGURE 7-40. GROUND TO PLATFORM CABLE INSTALLATION - WITH PLATFORM COIL CABLE/WITHOUT AC CABLE/WITHOUT FOOTSWITCH**



ART\_1001261041

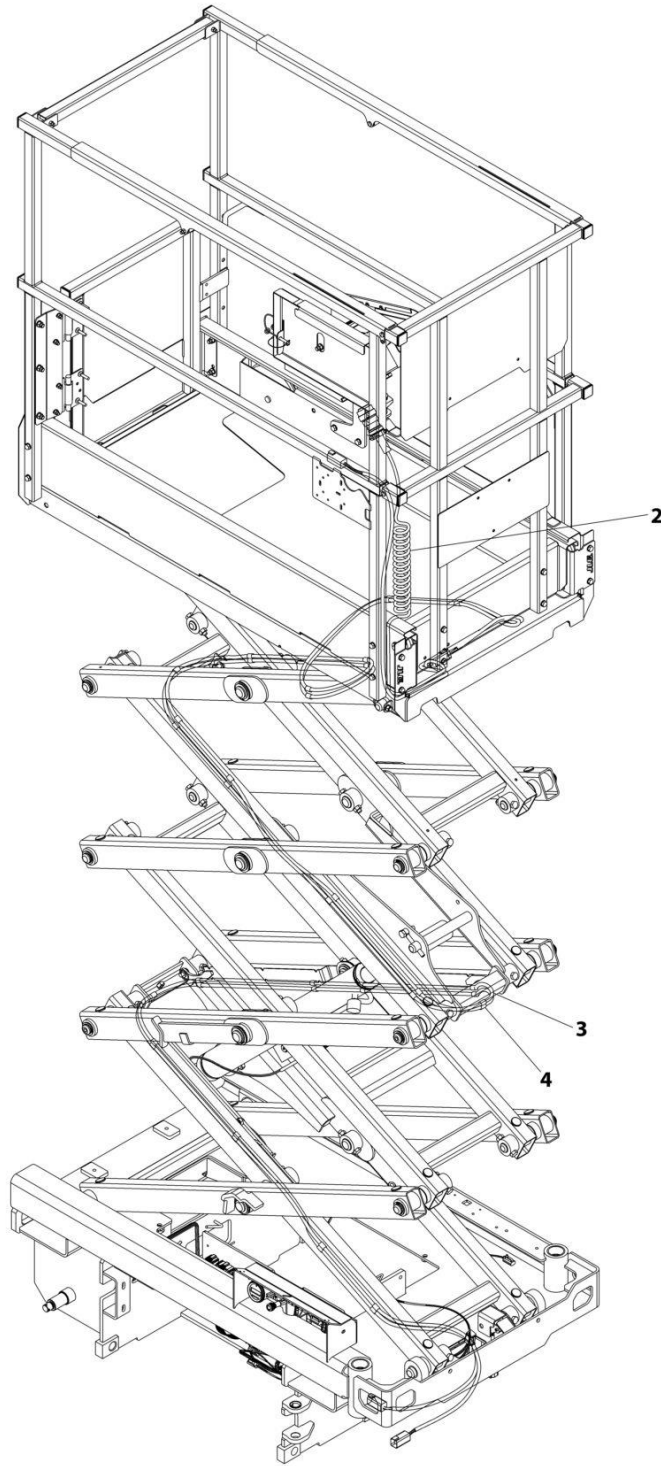
## SECTION 7 - ELECTRICAL

**FIGURE 7-40. GROUND TO PLATFORM CABLE INSTALLATION - WITH PLATFORM COIL  
CABLE/WITHOUT AC CABLE/WITHOUT FOOTSWITCH**

ITEM	PART NUMBER	QTY	DESCRIPTION	REV
	1001261041	Ref	GROUND TO PLATFORM CABLE INSTALLATION	B
1	4240017	AR	Tie-Strap (Not Shown)	
2	1001265533	1	Platform Harness	
2	4460754	1	Connector - 14 Position (x61 Platform Box)	
2	4460465	6	Socket, Female	
2	4460944	2	Socket, Female	
2	4460466	6	Plug, Terminal	
2	4460899	1	Receptacle, Female - 6 Position (x60 Platform)	
2	4460464	4	Pin, Male	
2	4460943	2	Pin, Male	
3	1001237552	1	Cable Assembly - Ground to Platform	
3	4460899	1	Receptacle, Female - 6 Position (x58 Chassis)	
3	4460464	4	Pin, Male	
3	4460943	2	Pin, Male	
3	4460894	1	Plug, Male - 6 Position (x59 Platform)	
3	4460465	4	Socket, Female	
3	4460944	2	Socket, Female	

## SECTION 7 - ELECTRICAL

FIGURE 7-41. GROUND TO PLATFORM CABLE INSTALLATION - WITH PLATFORM COIL CABLE/WITH AC CABLE/WITHOUT FOOTSWITCH



ART\_1001261042



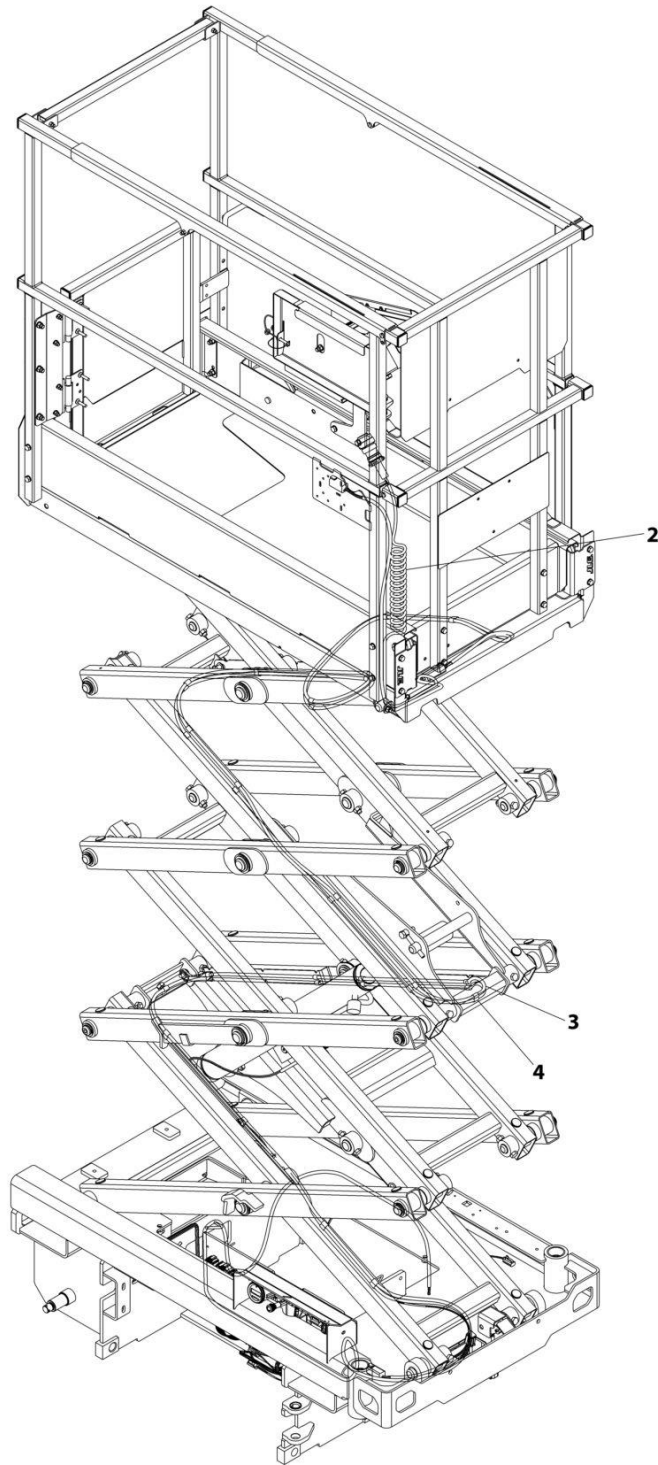
## SECTION 7 - ELECTRICAL

**FIGURE 7-41. GROUND TO PLATFORM CABLE INSTALLATION - WITH PLATFORM COIL  
CABLE/WITH AC CABLE/WITHOUT FOOTSWITCH**

ITEM	PART NUMBER	QTY	DESCRIPTION	REV
	1001261042	Ref	GROUND TO PLATFORM CABLE INSTALLATION	B
1	4240017	AR	Tie-Strap (Not Shown)	
2	1001237552	1	Cable Assembly - Ground to Platform	
2	4460899	1	Receptacle, Female - 6 Position (x58 Chassis)	
2	4460464	4	Pin, Male	
2	4460943	2	Pin, Male	
2	4460894	1	Plug, Male - 6 Position (x59 Platform)	
2	4460465	4	Socket, Female	
2	4460944	2	Socket, Female	
3	1001244432	1	Cable, AC	
4	1001265533	1	Platform Harness	
4	4460754	1	Connector - 14 Position (x61 Platform Box)	
4	4460465	6	Socket, Female	
4	4460944	2	Socket, Female	
4	4460466	6	Plug, Terminal	
4	4460899	1	Receptacle, Female - 6 Position (x60 Platform)	
4	4460464	4	Pin, Male	
4	4460943	2	Pin, Male	

## SECTION 7 - ELECTRICAL

FIGURE 7-42. GROUND TO PLATFORM CABLE INSTALLATION - WITH PLATFORM COIL CABLE/WITH AC CABLE/WITHOUT FOOTSWITCH (AUSTRALIAN SPECS)



ART\_1001261050

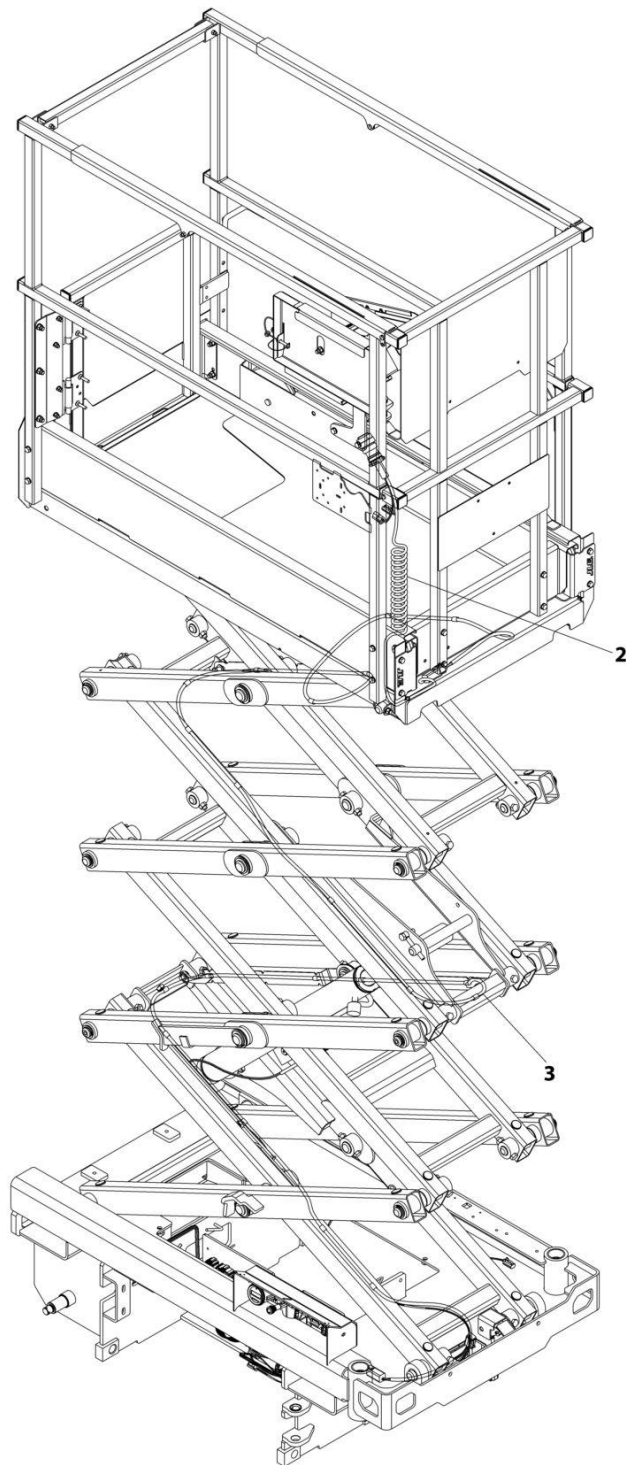
## SECTION 7 - ELECTRICAL

**FIGURE 7-42. GROUND TO PLATFORM CABLE INSTALLATION - WITH PLATFORM COIL CABLE/WITH AC CABLE/WITHOUT FOOTSWITCH (AUSTRALIAN SPECS)**

ITEM	PART NUMBER	QTY	DESCRIPTION	REV
	1001261050	Ref	GROUND TO PLATFORM CABLE INSTALLATION	B
1	4240017	AR	Tie-Strap (Not Shown)	
2	1001265533	1	Platform Harness	
2	4460754	1	Connector - 14 Position (x61 Platform Box)	
2	4460465	6	Socket, Female	
2	4460944	2	Socket, Female	
2	4460466	6	Plug, Terminal	
2	4460899	1	Receptacle, Female - 6 Position (x60 Platform)	
2	4460464	4	Pin, Male	
2	4460943	2	Pin, Male	
3	1001237552	1	Cable Assembly - Ground to Platform	
3	4460899	1	Receptacle, Female - 6 Position (x58 Chassis)	
3	4460464	4	Pin, Male	
3	4460943	2	Pin, Male	
3	4460894	1	Plug, Male - 6 Position (x59 Platform)	
3	4460465	4	Socket, Female	
3	4460944	2	Socket, Female	
4	1001253888	1	Cable, AC	

## SECTION 7 - ELECTRICAL

FIGURE 7-43. GROUND TO PLATFORM CABLE INSTALLATION - WITH PLATFORM COIL CABLE/WITHOUT AC CABLE/WITH FOOTSWITCH



ART\_1001261043

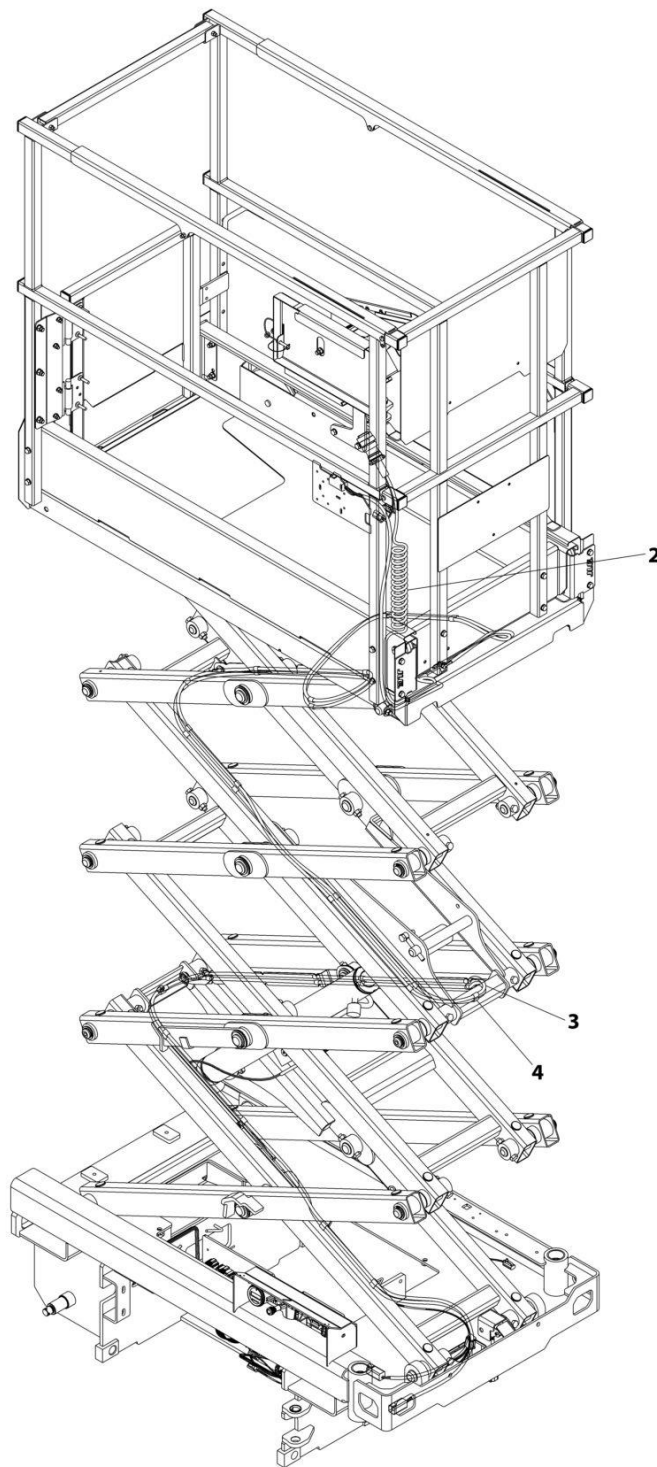
## SECTION 7 - ELECTRICAL

**FIGURE 7-43. GROUND TO PLATFORM CABLE INSTALLATION - WITH PLATFORM COIL  
CABLE/WITHOUT AC CABLE/WITH FOOTSWITCH**

ITEM	PART NUMBER	QTY	DESCRIPTION	REV
	1001261043	Ref	GROUND TO PLATFORM CABLE INSTALLATION	B
1	4240017	AR	Tie-Strap (Not Shown)	
2	1001223262	1	Platform Harness	
2	4460754	1	Connector - 14 Position (x61 Platform Box)	
2	4460465	8	Socket, Female	
2	4460944	2	Socket, Female	
2	4460466	4	Plug, Terminal	
2	4460899	1	Receptacle, Female - 6 Position (x60 Platform)	
2	4460464	4	Pin, Male	
2	4460943	2	Pin, Male	
2	4460891	1	Plug, Male - 2 Position (SW63 Footswitch)	
2	4460465	2	Socket, Female	
2	4460539	1	Plug, Male - 3 Position (SW475 Overhead Switch)	
2	4460465	2	Socket, Female	
2	4460466	1	Plug, Terminal	
3	1001237552	1	Cable Assembly - Ground to Platform	
3	4460899	1	Receptacle, Female - 6 Position (x58 Chassis)	
3	4460464	4	Pin, Male	
3	4460943	2	Pin, Male	
3	4460894	1	Plug, Male - 6 Position (x59 Platform)	
3	4460465	4	Socket, Female	
3	4460944	2	Socket, Female	

## SECTION 7 - ELECTRICAL

FIGURE 7-44. GROUND TO PLATFORM CABLE INSTALLATION - WITH PLATFORM COIL CABLE/WITH AC CABLE/WITH FOOTSWITCH



ART\_1001261044

## SECTION 7 - ELECTRICAL

**FIGURE 7-44. GROUND TO PLATFORM CABLE INSTALLATION - WITH PLATFORM COIL  
CABLE/WITH AC CABLE/WITH FOOTSWITCH**

ITEM	PART NUMBER	QTY	DESCRIPTION	REV
	1001261044	Ref	GROUND TO PLATFORM CABLE INSTALLATION	B
1	4240017	AR	Tie-Strap (Not Shown)	
2	1001265534	1	Platform Harness	
2	4460754	1	Connector - 14 Position (x61 Platform Box)	
2	4460465	8	Socket, Female	
2	4460944	2	Socket, Female	
2	4460466	4	Plug, Terminal	
2	4460899	1	Receptacle, Female - 6 Position (x60 Platform)	
2	4460464	4	Pin, Male	
2	4460943	2	Pin, Male	
2	4460891	1	Plug, Male - 2 Position (SW63 Footswitch)	
2	4460465	2	Socket, Female	
2	4460539	1	Plug, Male - 3 Position (SW475 Overhead Switch)	
2	4460465	2	Socket, Female	
2	4460466	1	Plug, Terminal	
3	1001237552	1	Cable Assembly - Ground to Platform	
3	4460899	1	Receptacle, Female - 6 Position (x58 Chassis)	
3	4460464	4	Pin, Male	
3	4460943	2	Pin, Male	
3	4460894	1	Plug, Male - 6 Position (x59 Platform)	
3	4460465	4	Socket, Female	
3	4460944	2	Socket, Female	
4	1001244432	1	Cable, AC	

# SECTION 7 - ELECTRICAL

## FIGURE 7-45. LIFT DOWN HARNESS (WITHOUT LSS)



ART\_1001239373



## SECTION 7 - ELECTRICAL

### FIGURE 7-45. LIFT DOWN HARNESS (WITHOUT LSS)

ITEM	PART NUMBER	QTY	DESCRIPTION	REV
	1001239373	Ref	LIFT DOWN HARNESS (WITHOUT LSS)	D
1	4460891	1	Plug, Male - 2 Position	
1	4460465	2	Socket, Female	
2	4460897	1	Receptacle, Female - 2 Position	
2	4460464	2	Pin, Male	

# SECTION 7 - ELECTRICAL

## FIGURE 7-46. LIFT DOWN HARNESS (WITH LSS)



ART\_1001239374

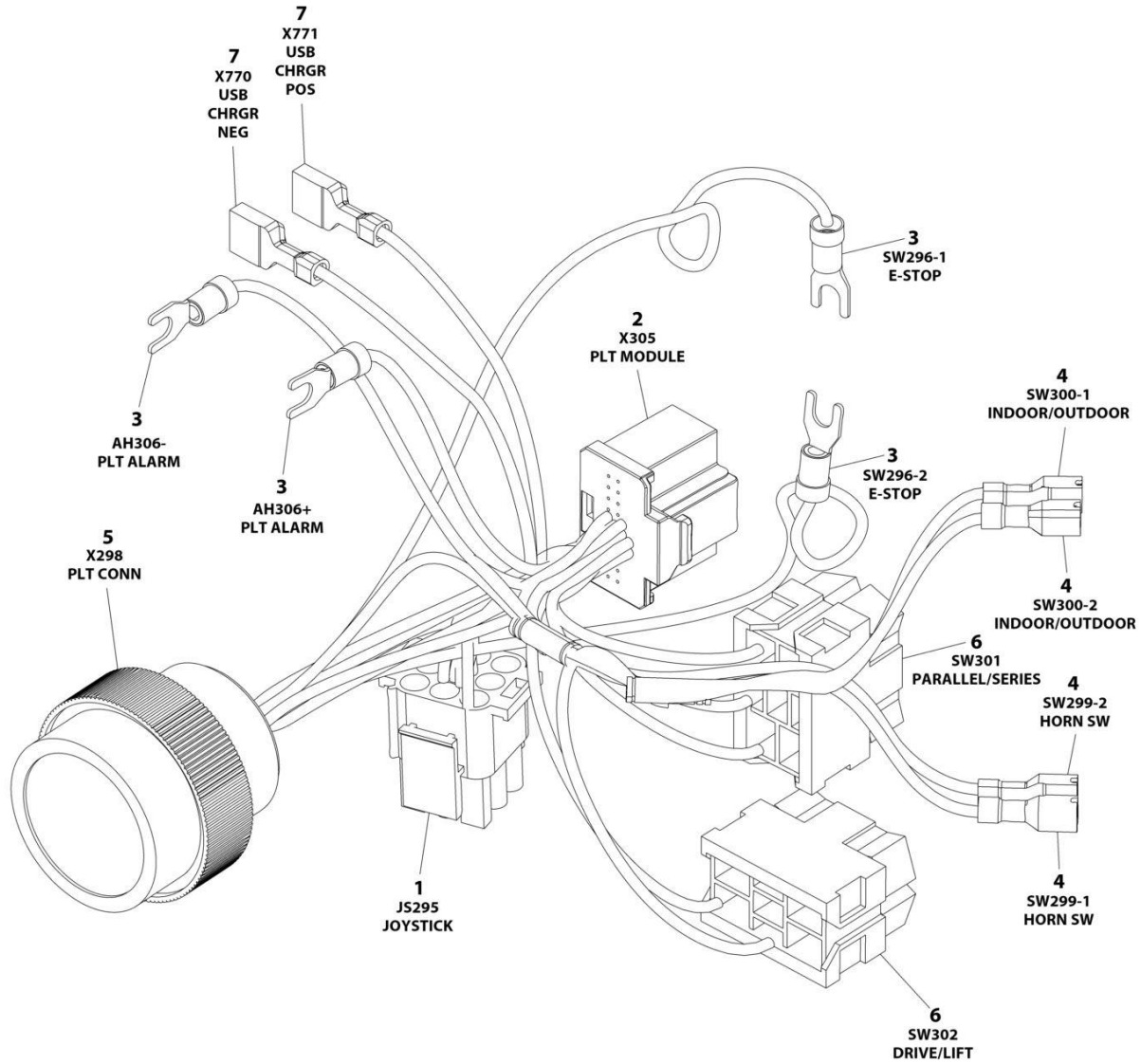
## SECTION 7 - ELECTRICAL

### FIGURE 7-46. LIFT DOWN HARNESS (WITH LSS)

ITEM	PART NUMBER	QTY	DESCRIPTION	REV
	1001239374	Ref	LIFT DOWN HARNESS (WITH LSS)	E
1	4460970	1	Receptacle, Female - 12 Position	
1	4460464	9	Pin, Male	
1	4460466	3	Plug, Terminal	
2	4460891	1	Plug, Male - 2 Position	
2	4460465	2	Socket, Female	
3	4460884	1	Plug, Male - 4 Position	
3	4460465	4	Socket, Female	
4	4460539	1	Plug, Male - 3 Position	
4	4460465	3	Socket, Female	

# SECTION 7 - ELECTRICAL

## FIGURE 7-47. PLATFORM CONTROL BOX HARNESS



ART\_1001200819

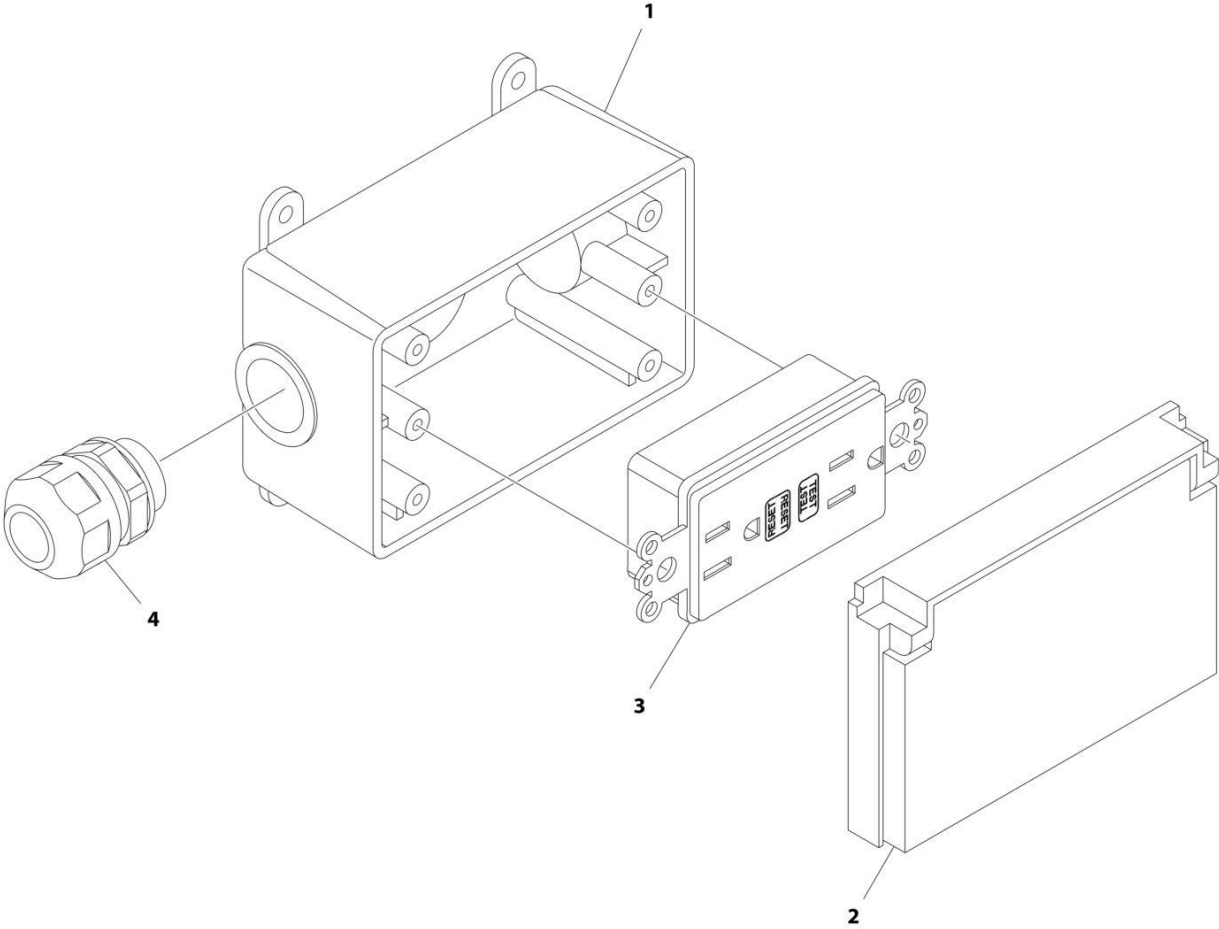
## SECTION 7 - ELECTRICAL

**FIGURE 7-47. PLATFORM CONTROL BOX HARNESS**

ITEM	PART NUMBER	QTY	DESCRIPTION	REV
	1001200819	Ref	PLATFORM CONTROL BOX HARNESS	E
1	4460265	1	Plug, Male - 9 Position	
1	4460267	6	Pin, Male	
2	1001212036	1	Connector - 20 Position	
2	1001212035	16	Terminal	
3	4460183	4	Terminal, Fork	
4	1001201885	4	Terminal with Cover	
5	4461016	1	Connector - 14 Position	
5	4460464	8	Pin, Male	
5	4460466	6	Plug, Terminal	
6	4460418	2	Connector - 6 Position	
6	1001159186	5	Terminal	
7	1001194421	2	Terminal	

**SECTION 7 - ELECTRICAL**

**FIGURE 7-48. RECEPTACLE BOX KIT - 110V GFI**



ART\_2902431

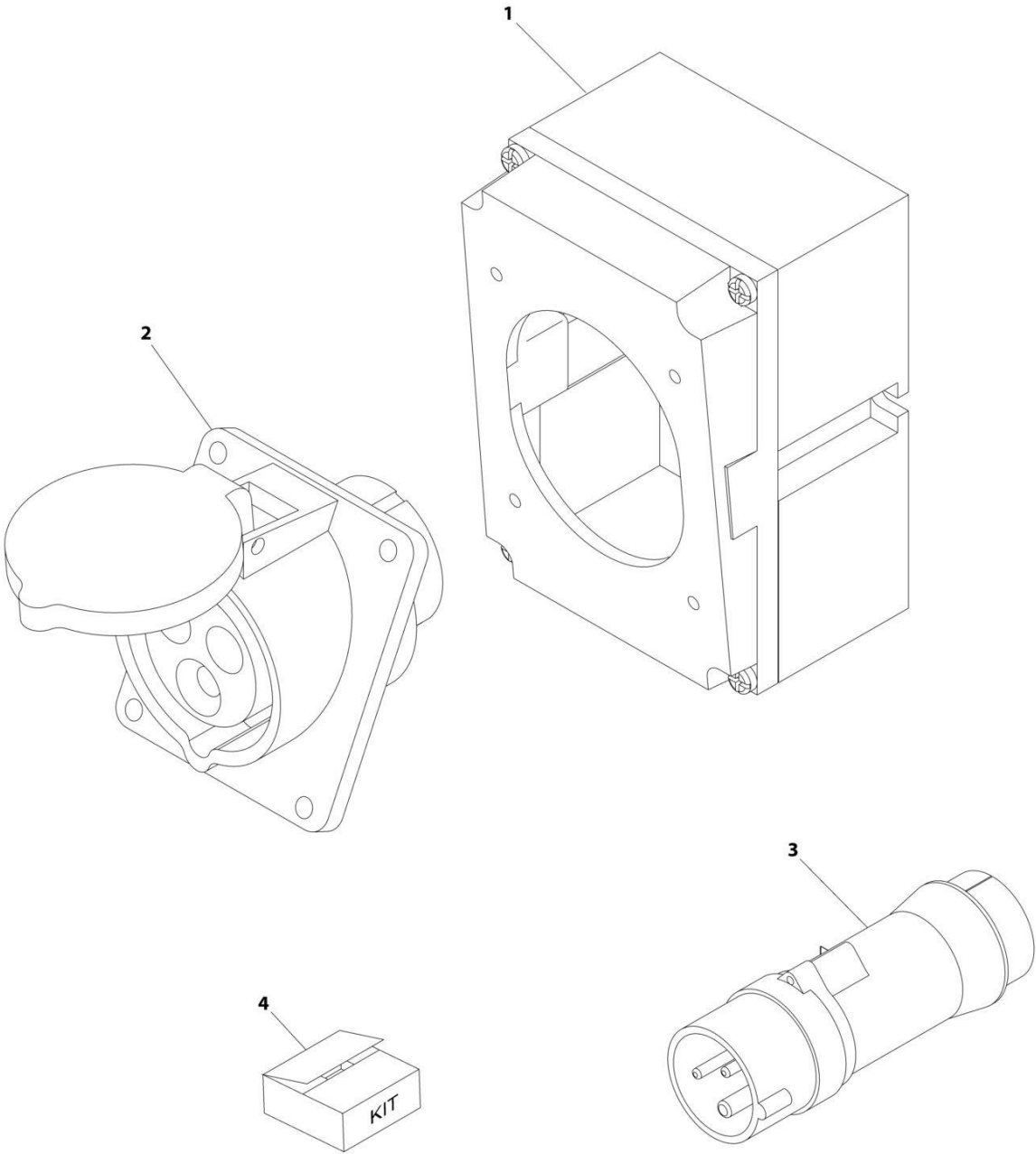
## SECTION 7 - ELECTRICAL

### FIGURE 7-48. RECEPTACLE BOX KIT - 110V GFI

ITEM	PART NUMBER	QTY	DESCRIPTION	REV
	2902431	Ref	RECEPTACLE BOX KIT - 110V GFI	D
1	0861731	1	Box, Receptacle	
2	1671207	1	Cover, Receptacle	
3	4460346	1	Receptacle	
4	4460662	1	Connector, Strain Relief	

**SECTION 7 - ELECTRICAL**

**FIGURE 7-49. RECEPTACLE BOX KIT - 110V IEC YELLOW (CE & UK CA SPEC)**



ART\_0275216



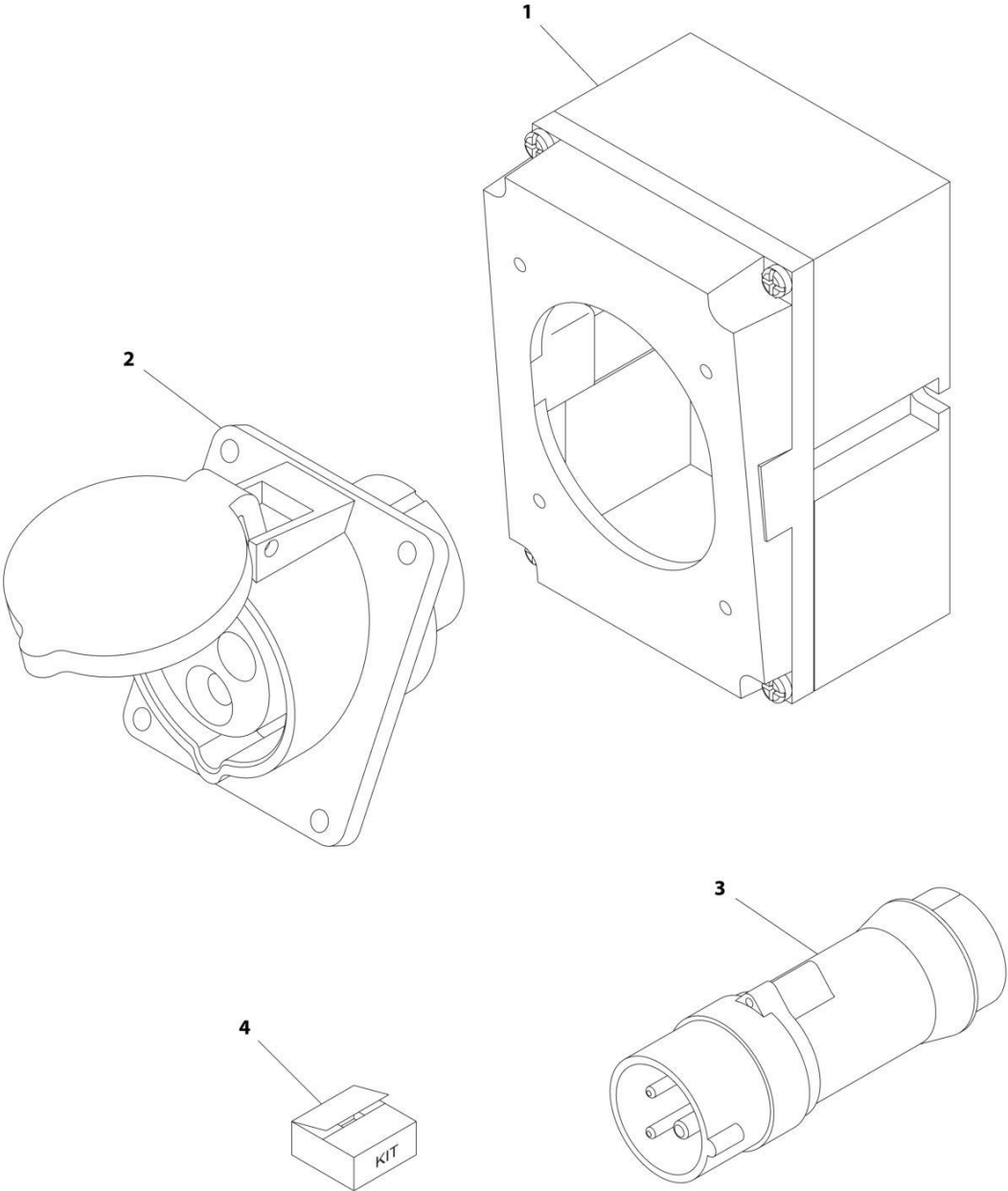
## SECTION 7 - ELECTRICAL

**FIGURE 7-49. RECEPTACLE BOX KIT - 110V IEC YELLOW (CE & UK CA SPEC)**

ITEM	PART NUMBER	QTY	DESCRIPTION	REV
	0275216	Ref	RECEPTACLE BOX KIT - 110V IEC YELLOW	B
1	0861781	1	Box, Switch	
2	4461198	1	Receptacle	
3	4461196	1	Plug, Male	
4	1001100341	1	Plug and Socket Kit (Includes Items 1-3 and Female Plug p/n 4461197)	

**SECTION 7 - ELECTRICAL**

**FIGURE 7-50. RECEPTACLE BOX KIT - 220V IEC BLUE (CE & UK CA SPEC)**



ART\_0275217

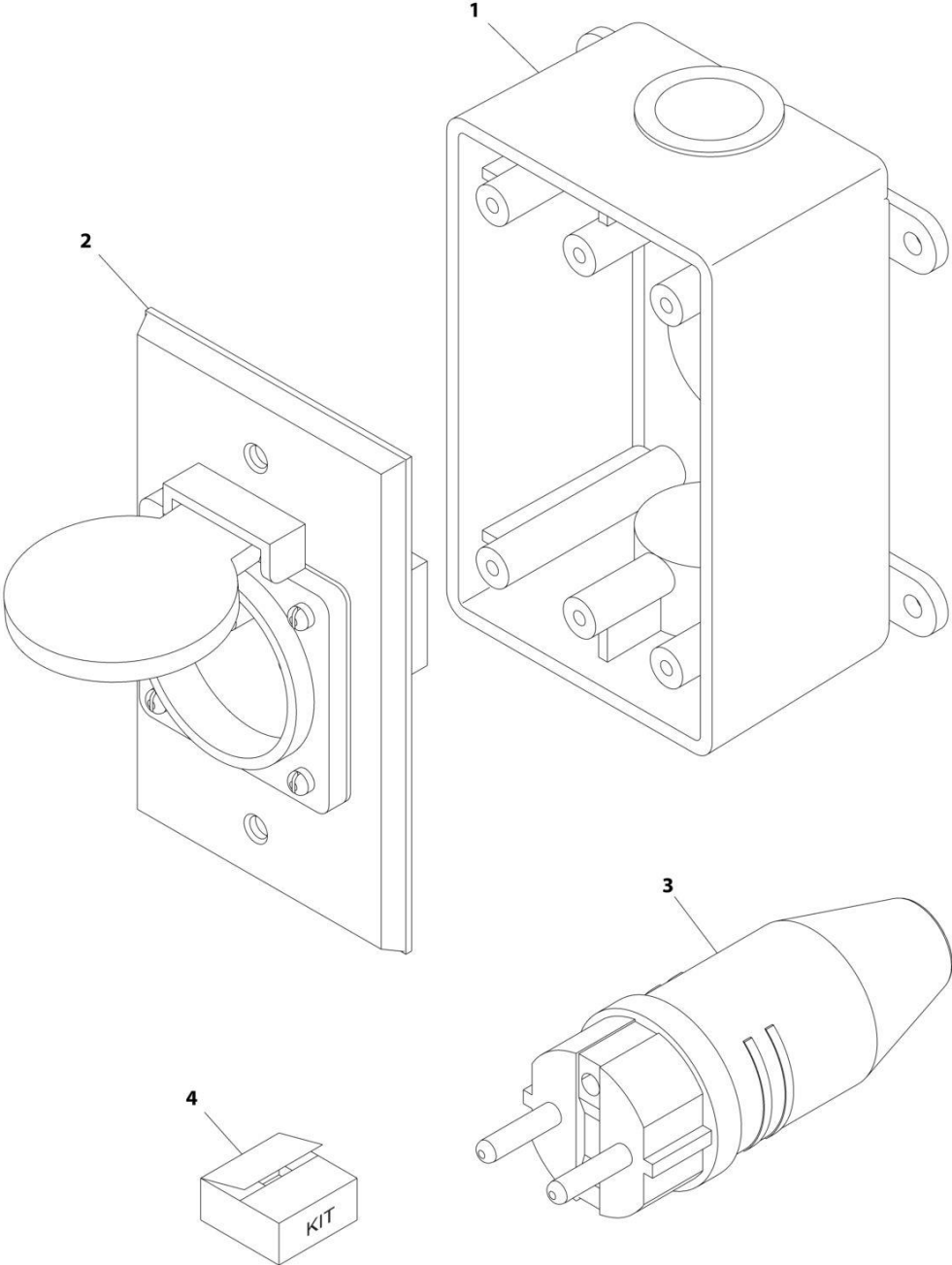
## SECTION 7 - ELECTRICAL

**FIGURE 7-50. RECEPTACLE BOX KIT - 220V IEC BLUE (CE & UK CA SPEC)**

ITEM	PART NUMBER	QTY	DESCRIPTION	REV
	0275217	Ref	RECEPTACLE BOX KIT - 220V IEC BLUE	B
1	0861781	1	Box, Switch	
2	4461201	1	Receptacle	
3	4461199	1	Plug, Male	
4	1001100342	1	Plug and Socket Kit (Includes Items 1-3 and Female Plug p/n 4461200)	

**SECTION 7 - ELECTRICAL**

**FIGURE 7-51. RECEPTACLE BOX KIT - 220V CEE7 POST GROUND (CE & UK CA SPEC)**



ART\_0275452-C

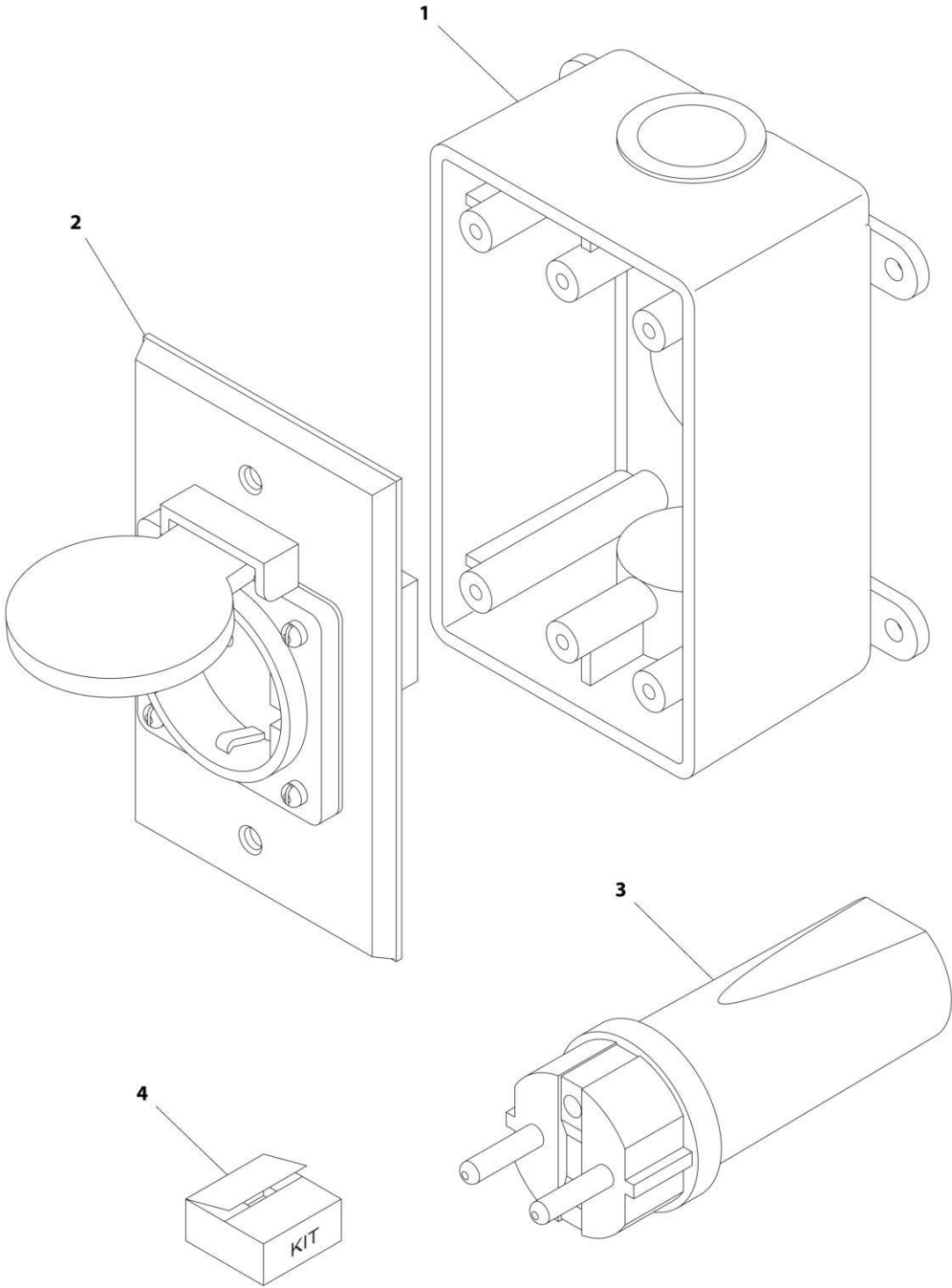
## SECTION 7 - ELECTRICAL

**FIGURE 7-51. RECEPTACLE BOX KIT - 220V CEE7 POST GROUND (CE & UK CA SPEC)**

ITEM	PART NUMBER	QTY	DESCRIPTION	REV
	0275452	Ref	RECEPTACLE BOX KIT - 220V CEE7 POST GROUND 2IN X 4IN BOX	C
1	0861731	1	Box, Switch	
2	4461244	1	Receptacle	
3	4461205	1	Plug, Male	
4	1001100345	1	Plug and Socket Kit (Includes Items 1-3 and Female Plug p/n 4461203)	

**SECTION 7 - ELECTRICAL**

**FIGURE 7-52. RECEPTACLE BOX KIT - 220V CEE7 SIDE GROUND (CE & UK CA SPEC)**



ART\_0275453

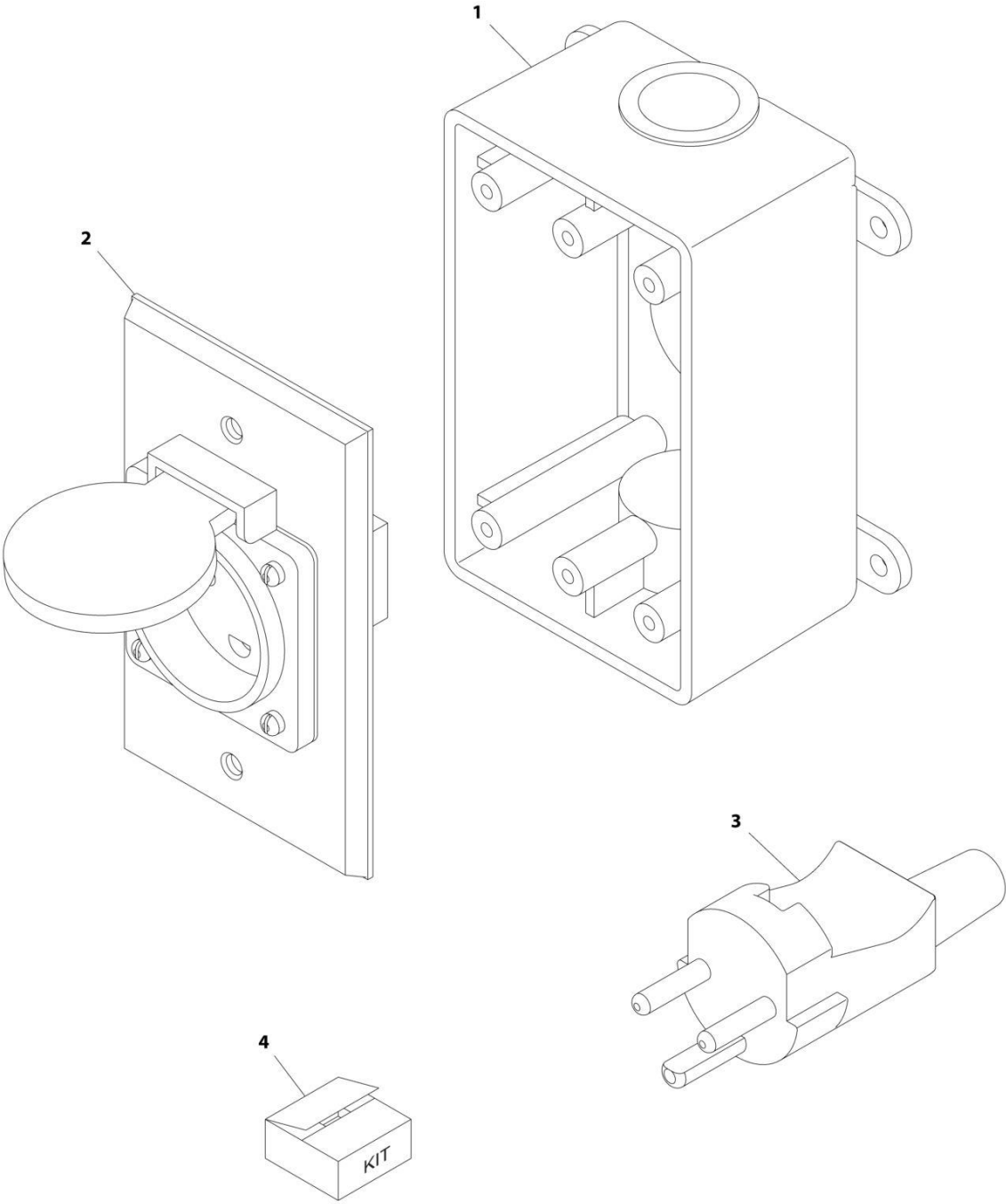
## SECTION 7 - ELECTRICAL

**FIGURE 7-52. RECEPTACLE BOX KIT - 220V CEE7 SIDE GROUND (CE & UK CA SPEC)**

ITEM	PART NUMBER	QTY	DESCRIPTION	REV
	0275453	Ref	RECEPTACLE BOX KIT - 220V CEE7 SIDE GROUND	B
1	0861731	1	Box, Switch	
2	4461245	1	Receptacle	
3	4461205	1	Plug, Male	
4	1001100347	1	Plug and Socket Kit (Includes Items 1-3 and Female Plug p/n 4461206)	

**SECTION 7 - ELECTRICAL**

**FIGURE 7-53. RECEPTACLE BOX KIT - 220V AFSINT 107 (CE & UK CA SPEC)**



ART\_0275454



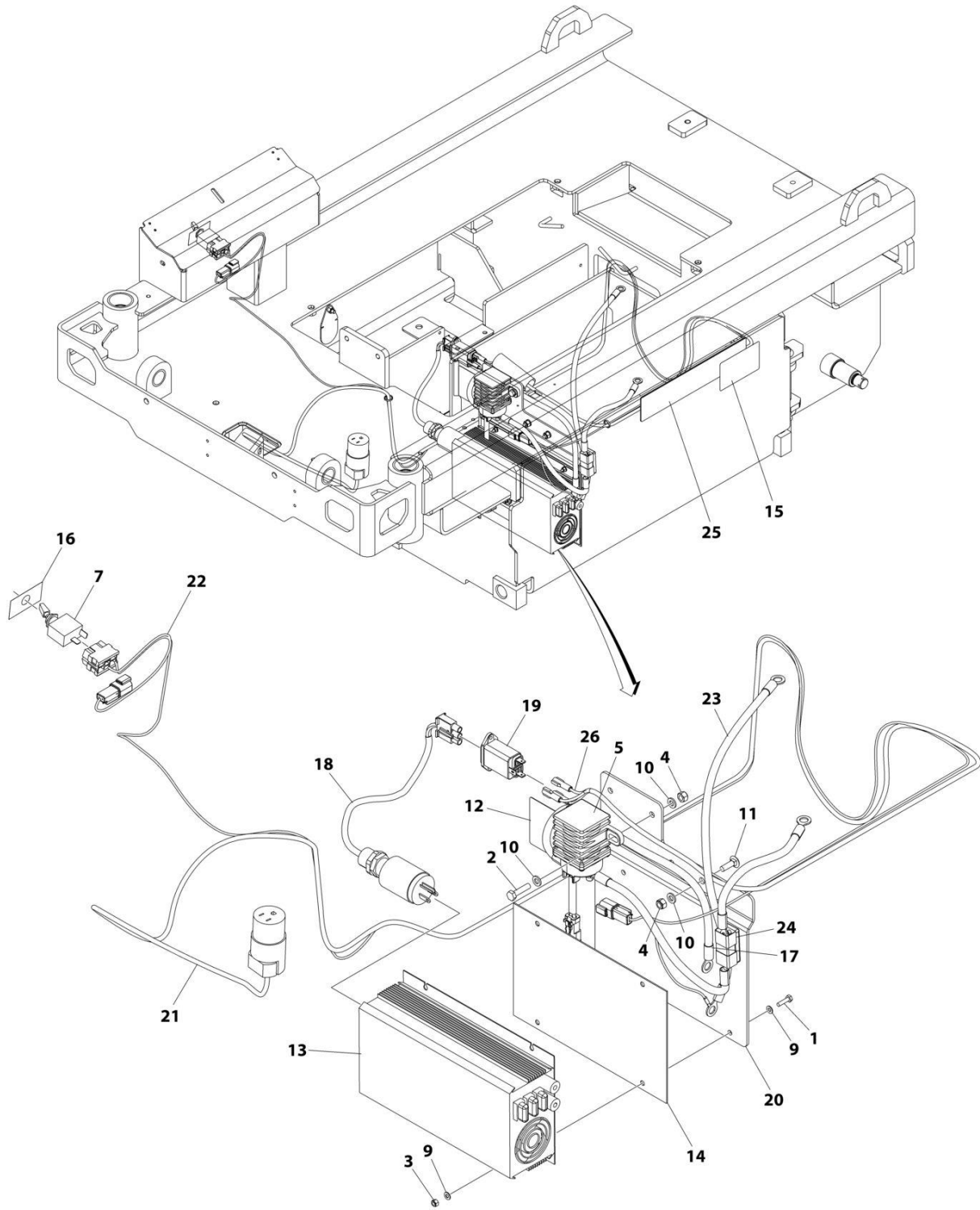
## SECTION 7 - ELECTRICAL

**FIGURE 7-53. RECEPTACLE BOX KIT - 220V AFSINT 107 (CE & UK CA SPEC)**

ITEM	PART NUMBER	QTY	DESCRIPTION	REV
	0275454	Ref	RECEPTACLE BOX KIT - 220V AFSINT 107	B
1	0861731	1	Box, Switch	
2	4461246	1	Receptacle	
3	4461249	1	Plug, Male	
4	1001100346	1	Plug and Socket Kit (Includes Items 1-3 and Female Plug p/n 4461250)	

# SECTION 7 - ELECTRICAL

## FIGURE 7-54. INVERTER INSTALLATION



ART\_1001274502

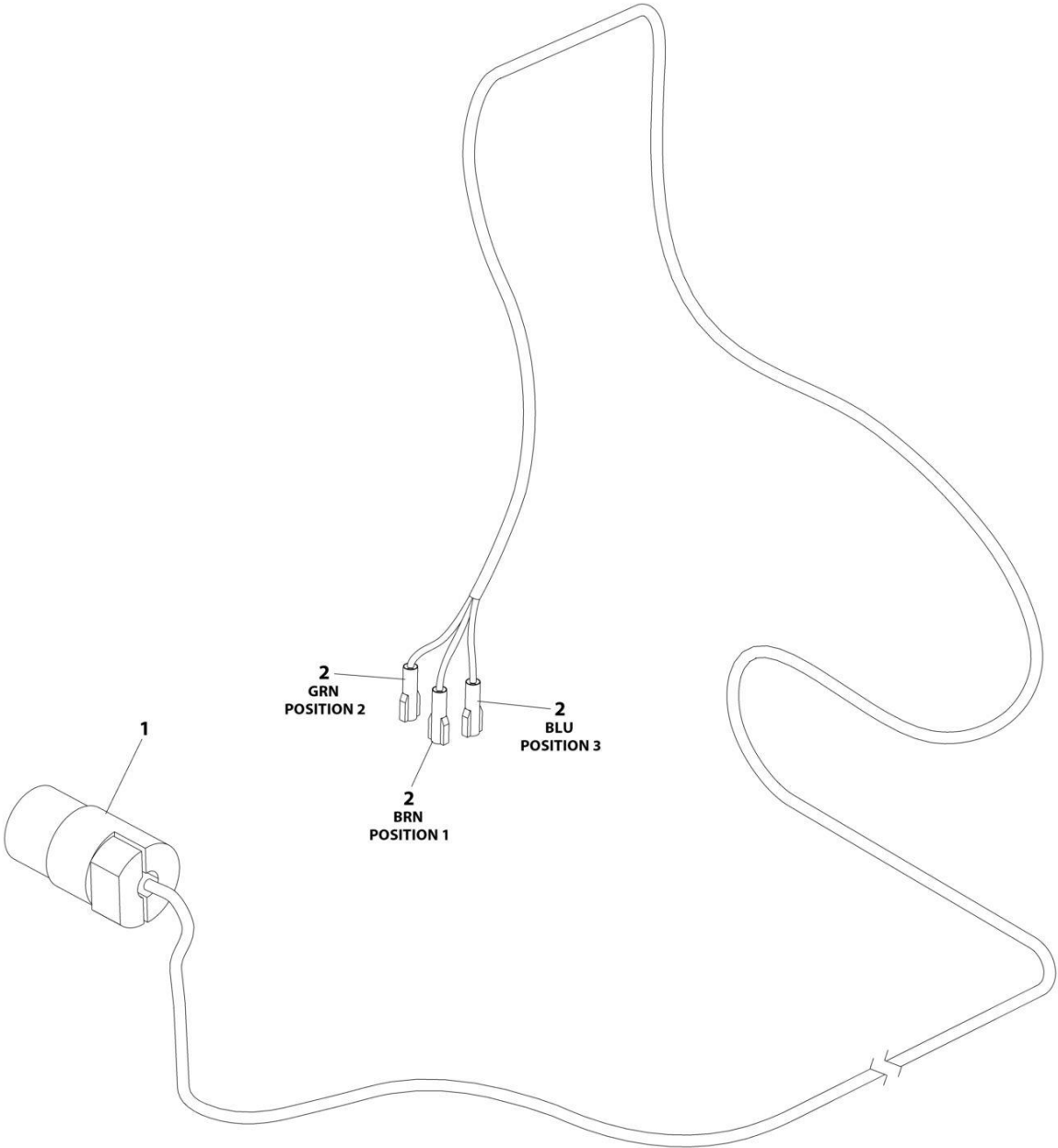
## SECTION 7 - ELECTRICAL

### FIGURE 7-54. INVERTER INSTALLATION

ITEM	PART NUMBER	QTY	DESCRIPTION	REV
	1001274502	Ref	INVERTER INSTALLATION	B
1	0760408	4	Bolt M4 x 16	
2	0760612	2	Bolt M6 x 25	
3	3290405	4	Nut M4	
4	3290605	4	Nut M6	
5	3740150	1	Relay	
6	4240017	AR	Tie-Strap	
7	4360336	1	Switch, Toggle	
9	4811400	8	Washer M4	
10	4811700	6	Washer M6	
11	1001100451	2	Bolt M6 x 20	
12	1001125483	1	Decal - Pressure Wash	
13	1001136757	1	Inverter	
14	1001142173	1	Insulate	
15	1001143009	1	Decal - Inverter	
16	1001143010	1	Decal - On/Off Inverter	
17	1001145762	1	Cable, Inverter +ve to Relay	
18	1001145881	1	Harness, AC Extension	
19	1001157547	1	Filter, AC	
20	1001274556	1	Support	
21	1001275545	1	Harness, AC Extension (See Separate Breakdown in this Section)	
22	1001275546	1	Harness, Inverter (See Separate Breakdown in this Section)	
23	1001275547	1	Cable, Pump Control B- to Inverter	
24	1001275548	1	Cable, Battery +ve to Relay	
25	1001146794	1	Decal - Battery Charger	
26	1001226400	1	Insulate	

**SECTION 7 - ELECTRICAL**

**FIGURE 7-55. HARNESS, AC EXTENSION**



ART\_1001275545

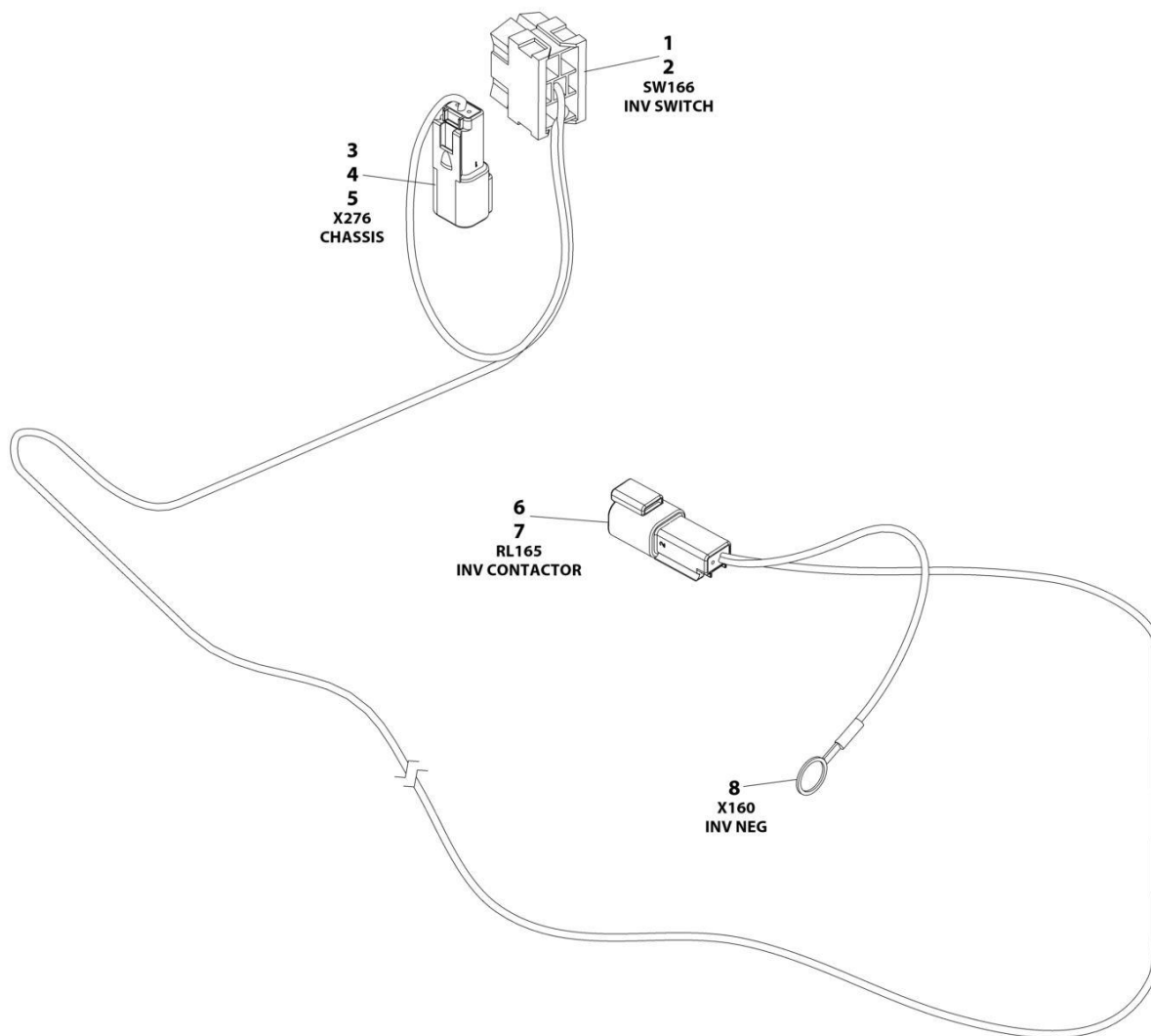
## SECTION 7 - ELECTRICAL

### FIGURE 7-55. HARNESS, AC EXTENSION

ITEM	PART NUMBER	QTY	DESCRIPTION	REV
	1001275545	Ref	HARNESS, AC EXTENSION	A
1	4460779	1	Receptacle, Female	
2	1001117096	3	Connector	

# SECTION 7 - ELECTRICAL

## FIGURE 7-56. HARNESS, INVERTER



ART\_1001275546

## SECTION 7 - ELECTRICAL

### FIGURE 7-56. HARNESS, INVERTER

ITEM	PART NUMBER	QTY	DESCRIPTION	REV
	1001275546	Ref	HARNESS, INVERTER	A
1	4460418	1	Connector, Switch	
2	4460419	2	Terminal	
3	4460897	1	Receptacle, Female - 2 Position	
4	4460464	1	Pin, Male	
5	4460466	1	Plug, Terminal	
6	4460897	1	Receptacle, Female - 2 Position	
7	4460464	2	Pin, Male	
8	4460722	1	Terminal, Ring	

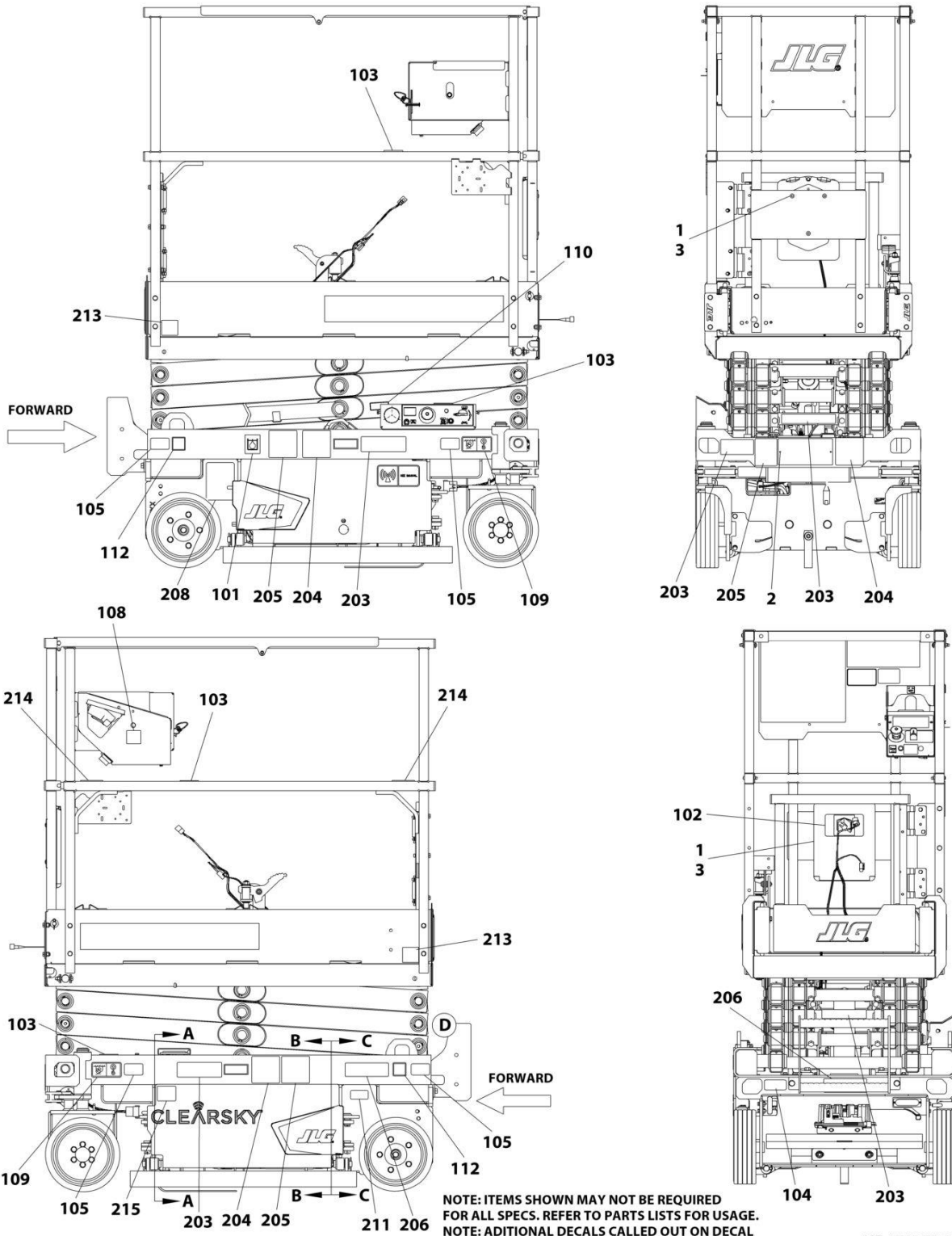




**SECTION 8 - DECALS**

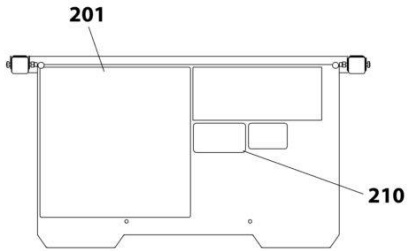
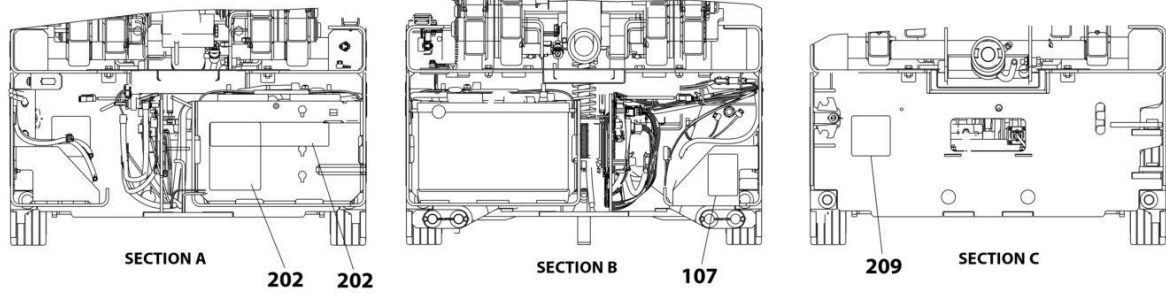
# SECTION 8 - DECALS

## FIGURE 8-1. DECALS INSTALLATION (ANSI SPECS)

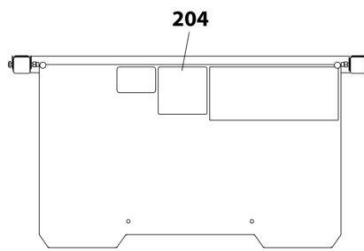


ART\_1001247301\_1OF2

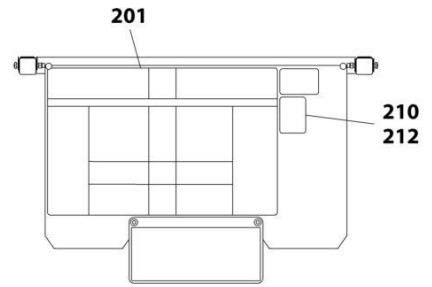
# SECTION 8 - DECALS



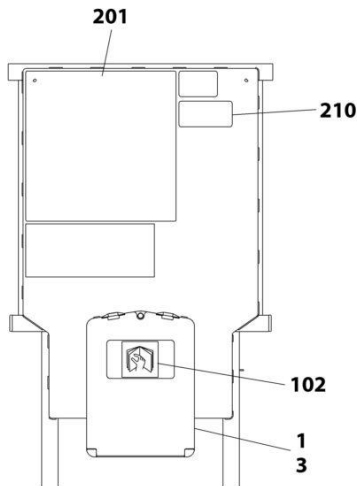
FIXED RAIL (ANSI SPECS)



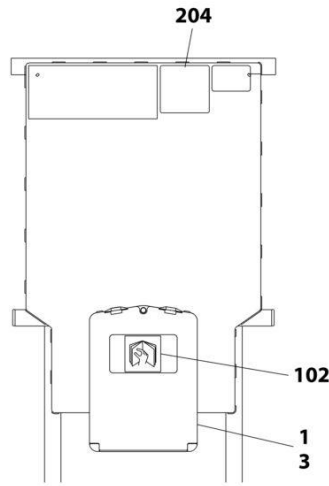
FIXED RAIL (CE AND JAPANESE SPECS)



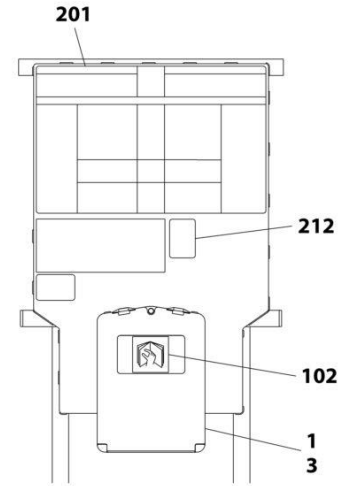
FIXED RAIL (CHINA, CSA AND KOREAN SPECS)



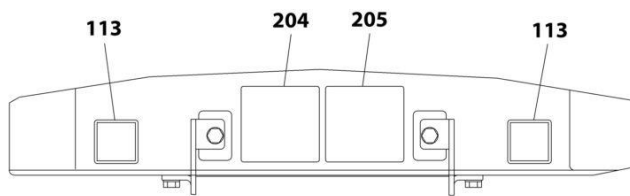
FOLDING RAIL (ANSI SPECS)



FOLDING RAIL (CE SPECS)



FOLDING RAIL (CHINA AND KOREAN SPECS)



DETAIL D  
TOP REAR OF FRAME

NOTE: ITEMS SHOWN MAY NOT BE REQUIRED FOR ALL SPECS. REFER TO PARTS LISTS FOR USAGE.  
NOTE: ADDITIONAL DECALS CALLED OUT ON DECAL INSTALLATION - OPTIONS.

ART\_1001247301\_20F2

## SECTION 8 - DECALS

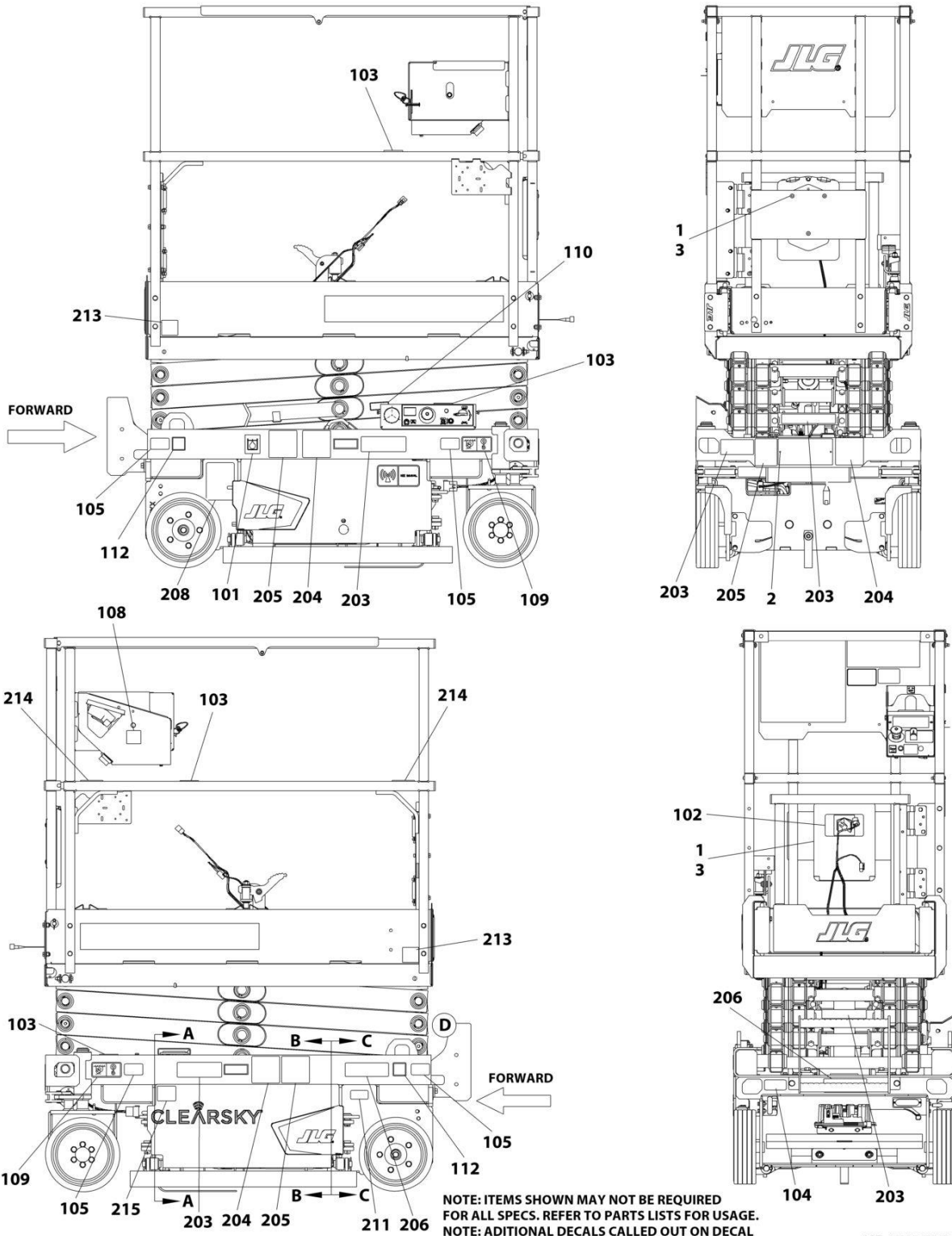
FIGURE 8-1. DECALS INSTALLATION (ANSI SPECS)

ITEM	PART NUMBER	QTY	DESCRIPTION	REV
	1001247301	Ref	DECALS INSTALLATION (ANSI SPECS)	E
	1001247399	Ref	DECALS CHART DRAWING	K
1	2080040	3	Fastener	
2	2080057	4	Fastener	
3	8990147	1	Holder Manual	
100	1001247296	1	Master Decal Kit (Not Shown)	F
101	1701504	1	Decal - Hydraulic Oil	
102	1701640	1	Decal - Manual	
103	1703819	4	Decal - Directional Arrow	
104	1001248126	1	Decal - Manual Descent Instructions	
105	1704016	4	Decal - Fork Lift	
107	1704412	1	Decal - Hydraulic Oil Chart	
108	1001132359	1	Decal - Control Box Locate	
109	1001162864	2	Decal - Lift Point/Tie Down	
110	1001220430	1	Decal - Safety Prop	
112	1001212290	1	Decal - Tie Down	
113	1001212291	1	Decal - Lifting Lug	
201	1703816	1	Decal - Danger/Warning	
202	1001146794	1	Decal - Battery/Charger Service	
203	1001211777	4	Decal - Crushing Hazard	
204	1001211779	4	Decal - Electrocution	
206	1703813	2	Decal - Warning Battery Ventilation	
208	1001131270	1	Decal - Patent	
209	1001223055	1	Decal - Yearly Inspection	
210	1001231801	1	Decal - Warning Prop 65	
211	1001228370	1	Decal - ICES	
214	1704277	2	Decal - Lanyard Attach	
215	1702155	1	Decal - Battery Disconnect	



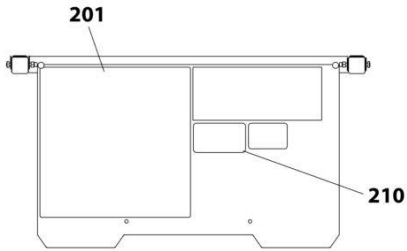
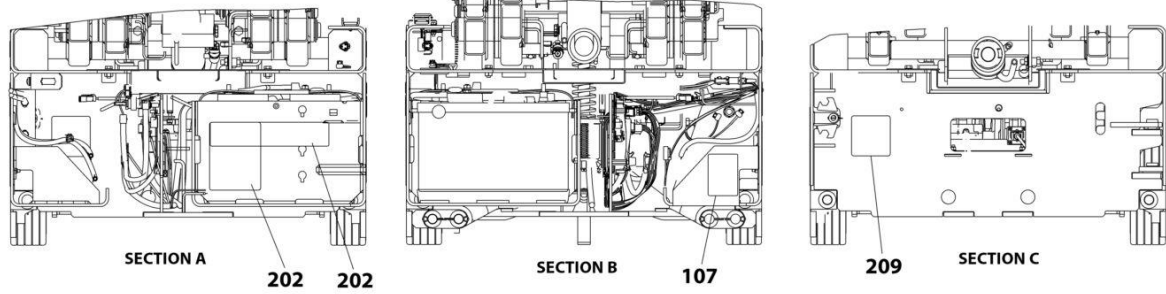
# SECTION 8 - DECALS

## FIGURE 8-2. DECALS INSTALLATION (CE & UK CA SPECS)

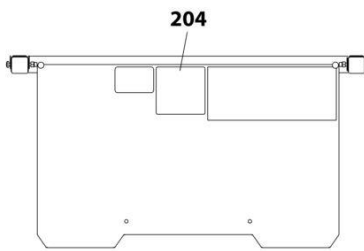


ART\_1001247305\_10F2

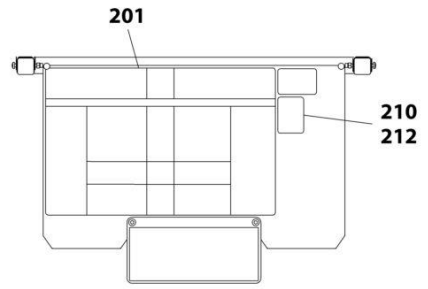
# SECTION 8 - DECALS



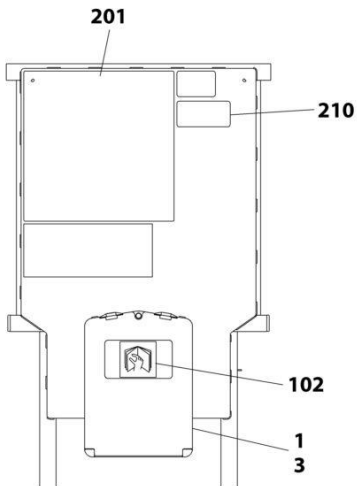
FIXED RAIL (ANSI SPECS)



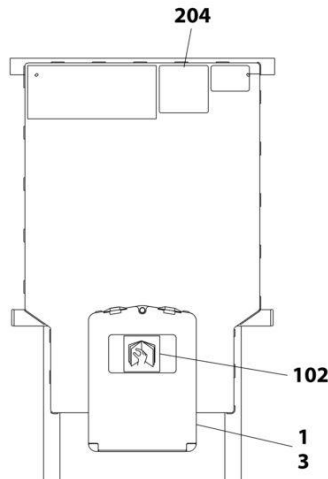
FIXED RAIL (CE AND JAPANESE SPECS)



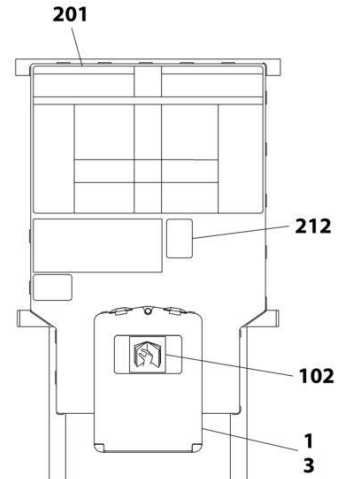
FIXED RAIL (CHINA, CSA AND KOREAN SPECS)



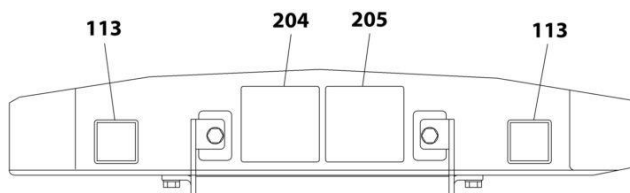
FOLDING RAIL (ANSI SPECS)



FOLDING RAIL (CE SPECS)



FOLDING RAIL (CHINA AND KOREAN SPECS)



DETAIL D  
TOP REAR OF FRAME

NOTE: ITEMS SHOWN MAY NOT BE REQUIRED FOR ALL SPECS. REFER TO PARTS LISTS FOR USAGE.  
NOTE: ADDITIONAL DECALS CALLED OUT ON DECAL INSTALLATION - OPTIONS.

ART\_1001247305\_20F2

## SECTION 8 - DECALS

FIGURE 8-2. DECALS INSTALLATION (CE & UK CA SPECS)

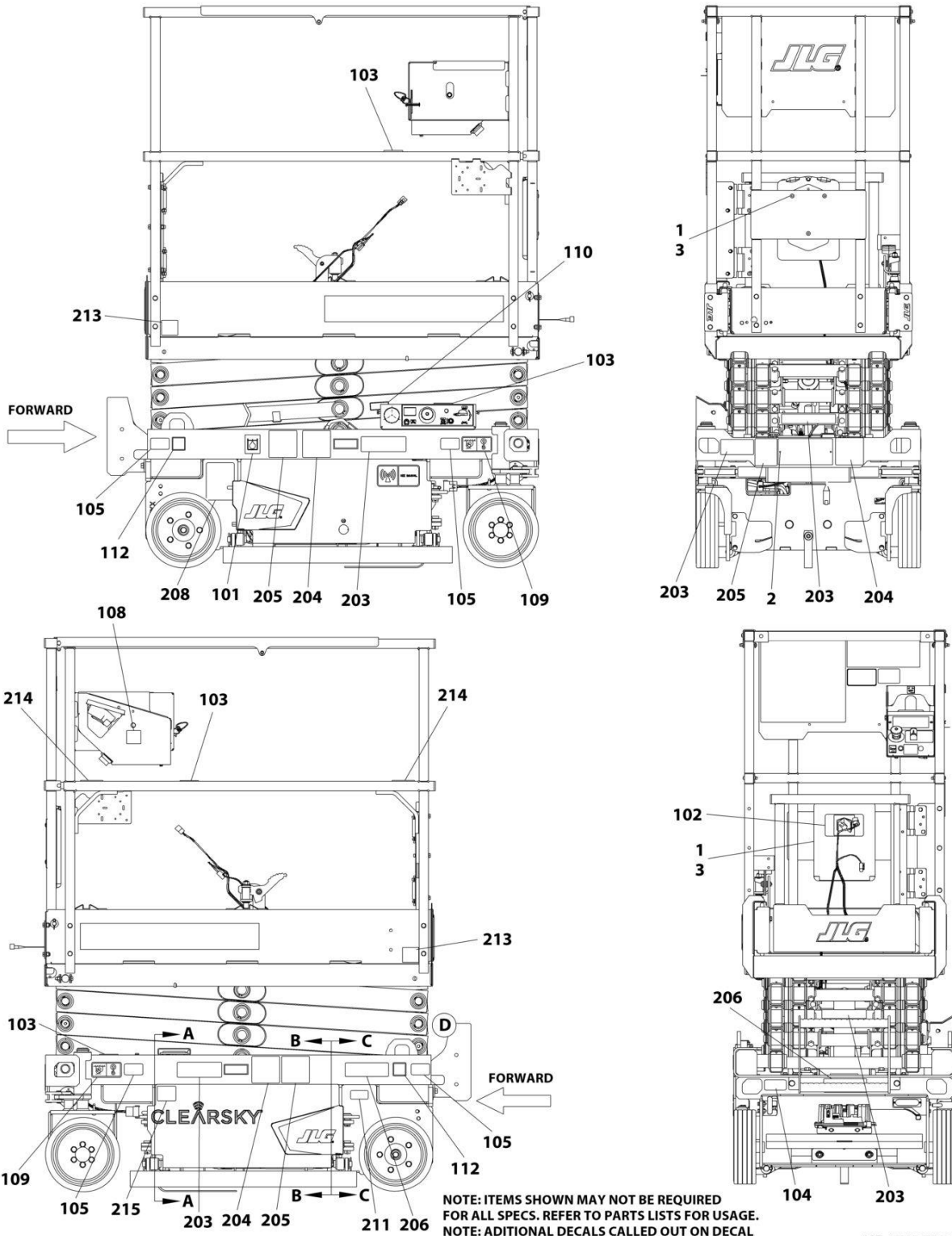
ITEM	PART NUMBER	QTY	DESCRIPTION	REV
	1001247305	Ref	DECALS INSTALLATION (CE & UK CA SPECS)	E
	1001247399	Ref	DECALS CHART DRAWING	K
1	2080040	3	Fastener	
2	2080057	4	Fastener	
3	8990147	1	Holder Manual	
100	1001247296	1	Master Decal Kit (Not Shown)	F
101	1701504	1	Decal - Hydraulic Oil	
102	1701640	1	Decal - Manual	
103	1703819	4	Decal - Directional Arrow	
104	1001248126	1	Decal - Manual Descent	
105	1704016	4	Decal - Fork Lift	
107	1704412	1	Decal - Hydraulic Oil Chart	
108	1001132359	1	Decal - Control Box Locate	
109	1001162864	4	Decal - Lift Point/Tie Down	
110	1001220430	1	Decal - Safety Prop	
112	1001212290	1	Decal - Tie Down	
113	1001212291	1	Decal - Lifting Lug	
202	1001247310	1	Decal - See Manual	
203	1001219172	4	Decal - Crushing	
204	1001219171	5	Decal - Electrocution	
206	1705670	2	Decal - Fire Hazard	
214	1704277	2	Decal - Lanyard Attach	
215	1702155	1	Decal - Battery Disconnect	





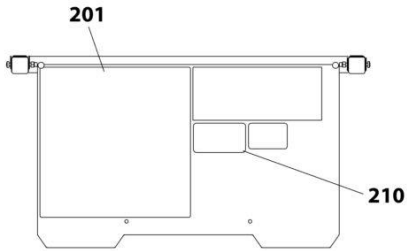
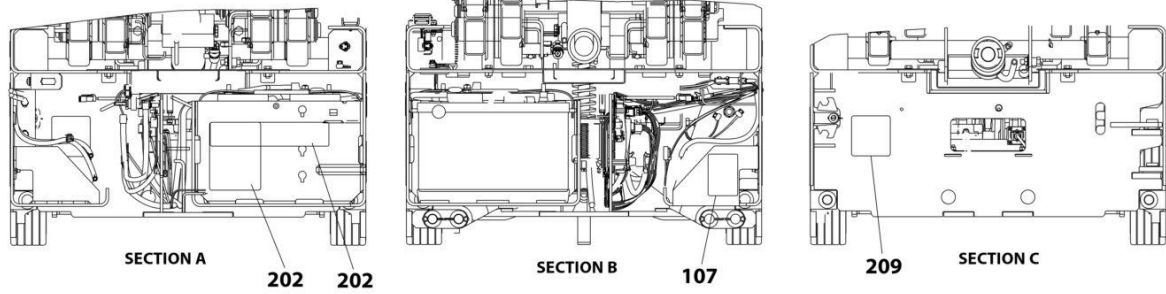
# SECTION 8 - DECALS

## FIGURE 8-3. DECALS INSTALLATION (CHINA SPECS)

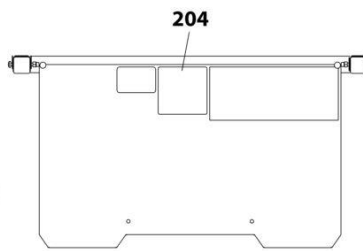


ART\_1001247303\_10F2

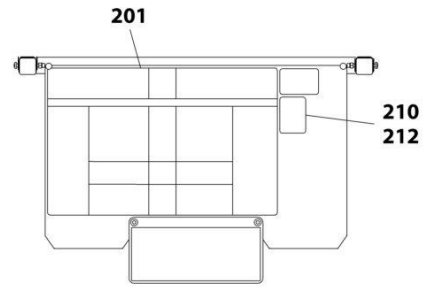
# SECTION 8 - DECALS



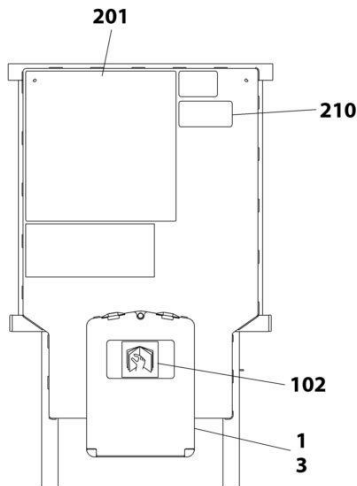
FIXED RAIL (ANSI SPECS)



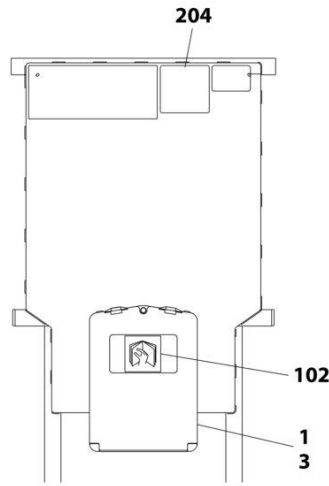
FIXED RAIL (CE AND JAPANESE SPECS)



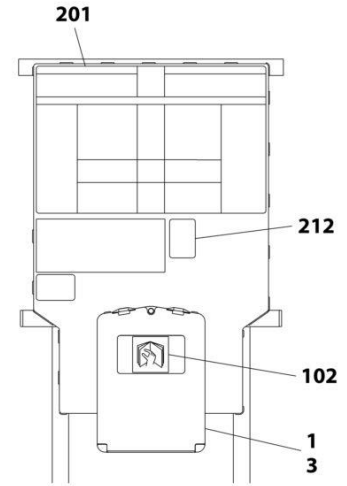
FIXED RAIL (CHINA, CSA AND KOREAN SPECS)



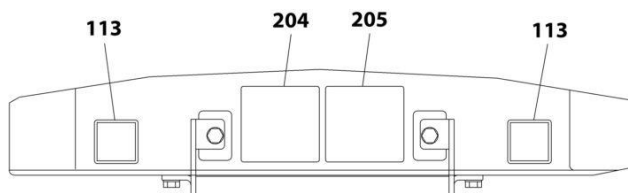
FOLDING RAIL (ANSI SPECS)



FOLDING RAIL (CE SPECS)



FOLDING RAIL (CHINA AND KOREAN SPECS)



DETAIL D  
TOP REAR OF FRAME

NOTE: ITEMS SHOWN MAY NOT BE REQUIRED FOR ALL SPECS. REFER TO PARTS LISTS FOR USAGE.  
NOTE: ADDITIONAL DECALS CALLED OUT ON DECAL INSTALLATION - OPTIONS.

ART\_1001247303\_20F2

## SECTION 8 - DECALS

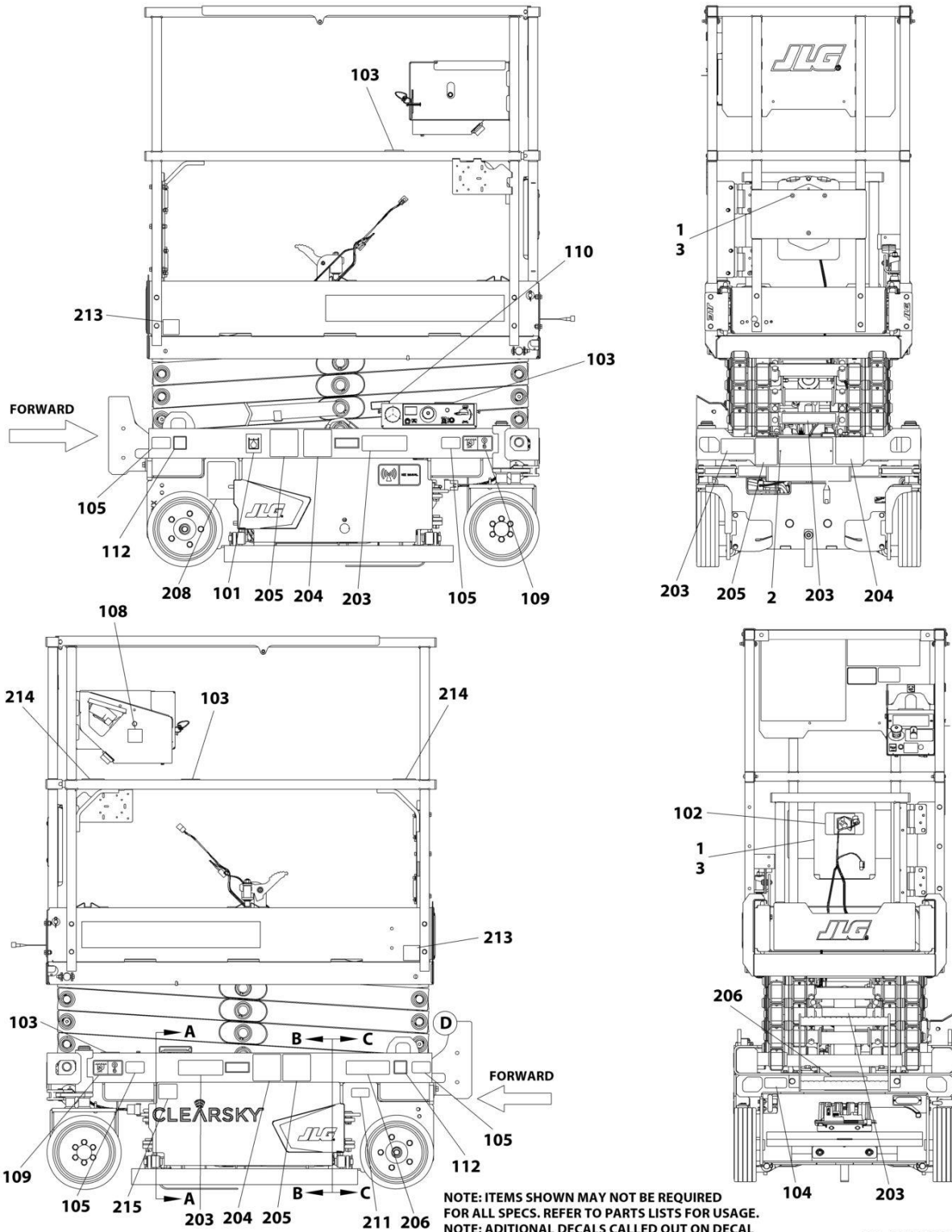
**FIGURE 8-3. DECALS INSTALLATION (CHINA SPECS)**

ITEM	PART NUMBER	QTY	DESCRIPTION	REV
	1001247303	Ref	DECALS INSTALLATION (CHINA SPECS)	E
	1001247399	Ref	DECALS CHART DRAWING	K
1	2080040	3	Fastener	
2	2080057	4	Fastener	
3	8990147	1	Holder Manual	
100	1001247296	1	Master Decal Kit (Not Shown)	F
101	1701504	1	Decal - Hydraulic Oil	
102	1701640	1	Decal - Manual	
103	1703819	4	Decal - Directional Arrow	
104	1001248126	1	Decal - Manual Descent	
105	1704016	4	Decal - Fork Lift	
107	1704412	1	Decal - Hydraulic Oil Chart	
108	1001132359	1	Decal - Control Box Locate	
109	1001162864	4	Decal - Lift Point/Tie Down	
110	1001220430	1	Decal - Safety Prop	
112	1001212290	1	Decal - Tie Down	
113	1001212291	1	Decal - Lifting Lug	
201	1001247311	1	Decal - Danger/Warning	
202	1001146794	1	Decal - Battery/Charger Service	
203	1001249894	4	Decal - Crushing Hazard	
204	1001211779	4	Decal - Electrocution	
205	1001215747	4	Decal - Danger Electrocution	
206	1704344	2	Decal - Warning Battery Ventilation	
209	1001224051	1	Decal - Yearly Inspection	
212	1001244301	1	Decal - NO Platform to Ground	
213	1001244298	2	Decal - App	
214	1704277	2	Decal - Lanyard Attach	
215	1702155	1	Decal - Battery Disconnect	



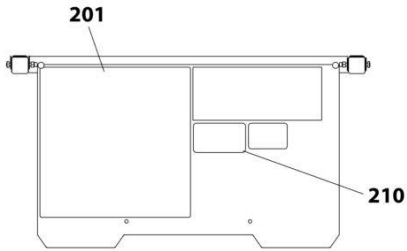
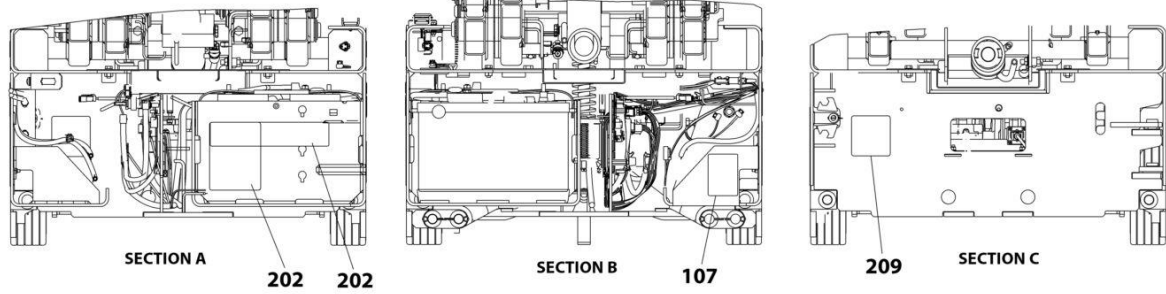
# SECTION 8 - DECALS

## FIGURE 8-4. DECALS INSTALLATION (CSA SPECS)

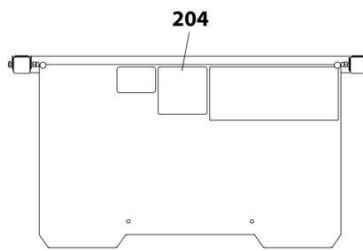


ART\_1001254501\_1OF2

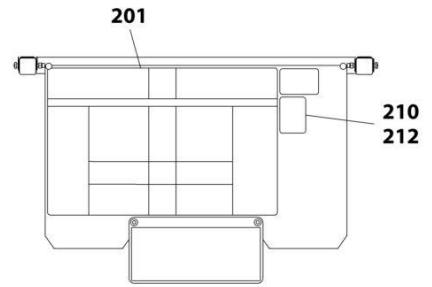
# SECTION 8 - DECALS



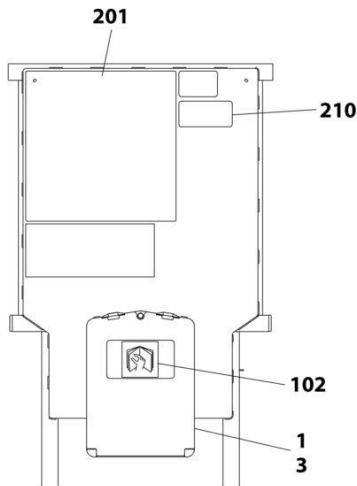
FIXED RAIL (ANSI SPECS)



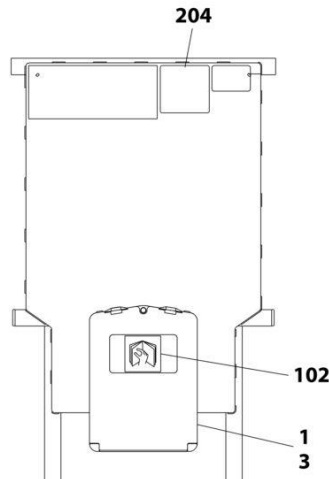
FIXED RAIL (CE AND JAPANESE SPECS)



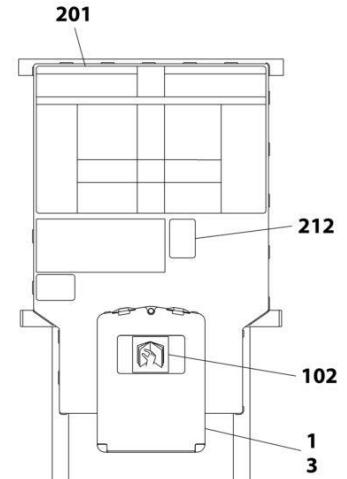
FIXED RAIL (CHINA, CSA AND KOREAN SPECS)



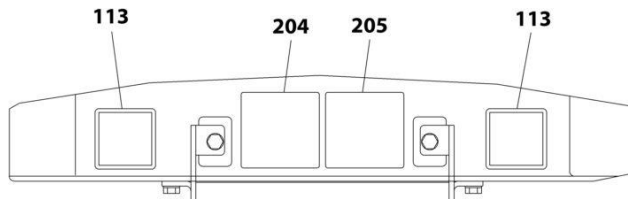
FOLDING RAIL (ANSI SPECS)



FOLDING RAIL (CE SPECS)



FOLDING RAIL (CHINA AND KOREAN SPECS)



DETAIL D  
TOP REAR OF FRAME

NOTE: ITEMS SHOWN MAY NOT BE REQUIRED FOR ALL SPECS. REFER TO PARTS LISTS FOR USAGE.  
NOTE: ADDITIONAL DECALS CALLED OUT ON DECAL INSTALLATION - OPTIONS.

ART\_1001254501\_20F2

## SECTION 8 - DECALS

FIGURE 8-4. DECALS INSTALLATION (CSA SPECS)

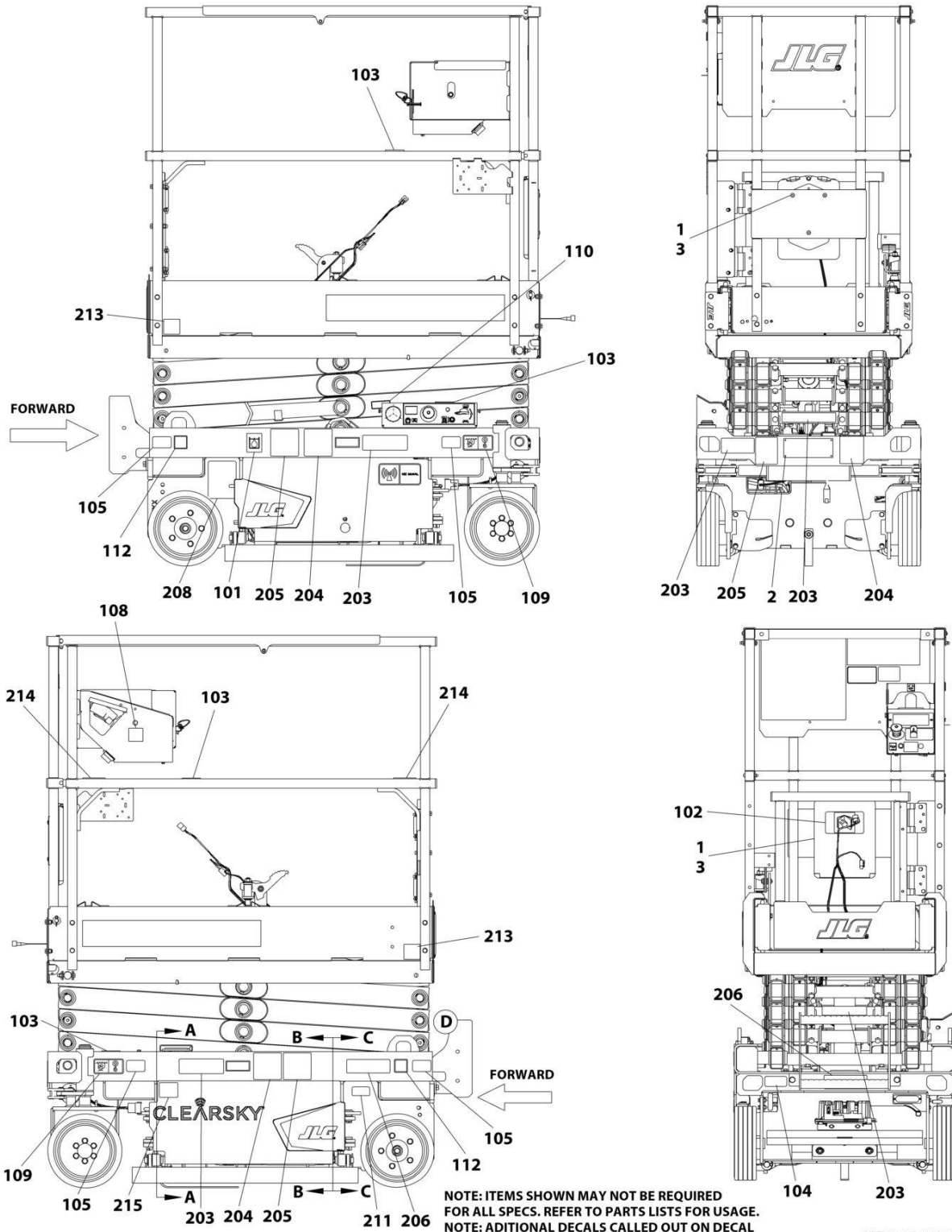
ITEM	PART NUMBER	QTY	DESCRIPTION	REV
	1001254501	Ref	DECALS INSTALLATION (CSA SPECS)	D
	1001247399	Ref	DECALS CHART DRAWING	K
1	2080040	3	Fastener	
2	2080057	4	Fastener	
3	8990147	1	Holder Manual	
100	1001247296	1	Master Decal Kit (Not Shown)	F
101	1701504	1	Decal - Hydraulic Oil	
102	1701640	1	Decal - Manual	
103	1703819	4	Decal - Directional Arrow	
104	1001248126	1	Decal - Manual Descent Instructions	
105	1704016	4	Decal - Fork Lift	
107	1704412	1	Decal - Hydraulic Oil Chart	
108	1001132359	1	Decal - Control Box Locate	
109	1001162864	4	Decal - Lift Point/Tie Down	
110	1001220430	1	Decal - Safety Prop	
112	1001212290	1	Decal - Tie Down	
113	1001212291	1	Decal - Lifting Lug	
201	1704684	1	Decal - Danger/Warning	
202	1001146794	1	Decal - Battery/Charger Service	
203	1705311	4	Decal - Crushing Hazard	
204	1001211779	4	Decal - Electrocution	
206	1704340	2	Decal - Warning Battery Ventilation	
208	1001131270	1	Decal - Patent	
209	1001223971	1	Decal - Yearly Inspection	
210	1001231801	1	Decal - Warning Prop 65	
211	1001228370	1	Decal - ICES	
214	1704277	2	Decal - Lanyard Attach	
215	1702155	1	Decal - Battery Disconnect	





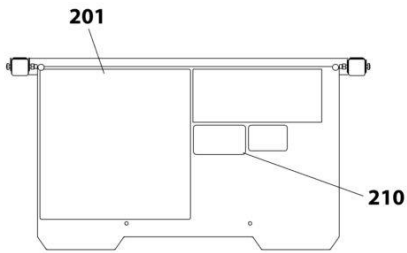
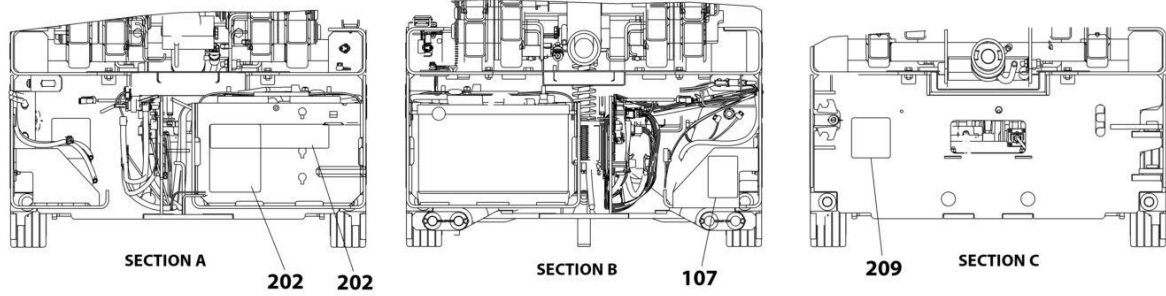
# SECTION 8 - DECALS

## FIGURE 8-5. DECALS INSTALLATION (JAPANESE SPECS)

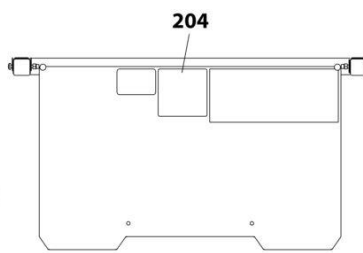


ART\_1001247304\_10F2

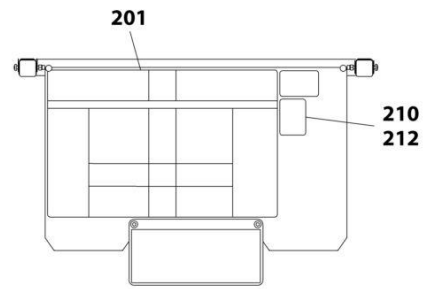
# SECTION 8 - DECALS



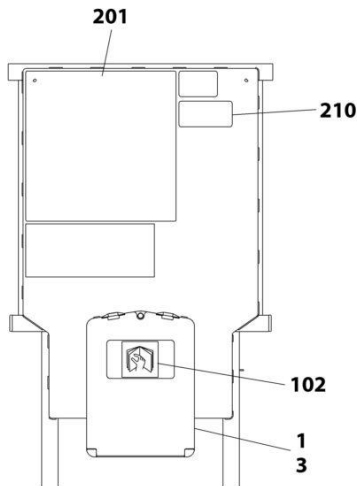
FIXED RAIL (ANSI SPECS)



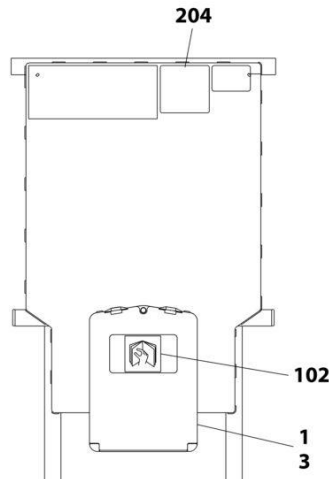
FIXED RAIL (CE AND JAPANESE SPECS)



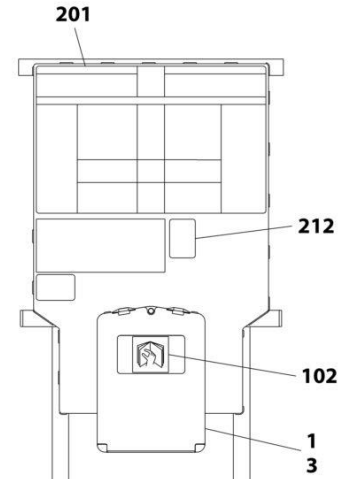
FIXED RAIL (CHINA, CSA AND KOREAN SPECS)



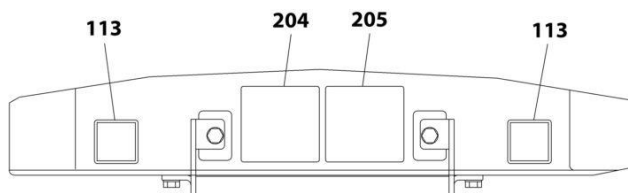
FOLDING RAIL (ANSI SPECS)



FOLDING RAIL (CE SPECS)



FOLDING RAIL (CHINA AND KOREAN SPECS)



DETAIL D  
TOP REAR OF FRAME

NOTE: ITEMS SHOWN MAY NOT BE REQUIRED FOR ALL SPECS. REFER TO PARTS LISTS FOR USAGE.  
NOTE: ADDITIONAL DECALS CALLED OUT ON DECAL INSTALLATION - OPTIONS.

ART\_1001247304\_20F2

## SECTION 8 - DECALS

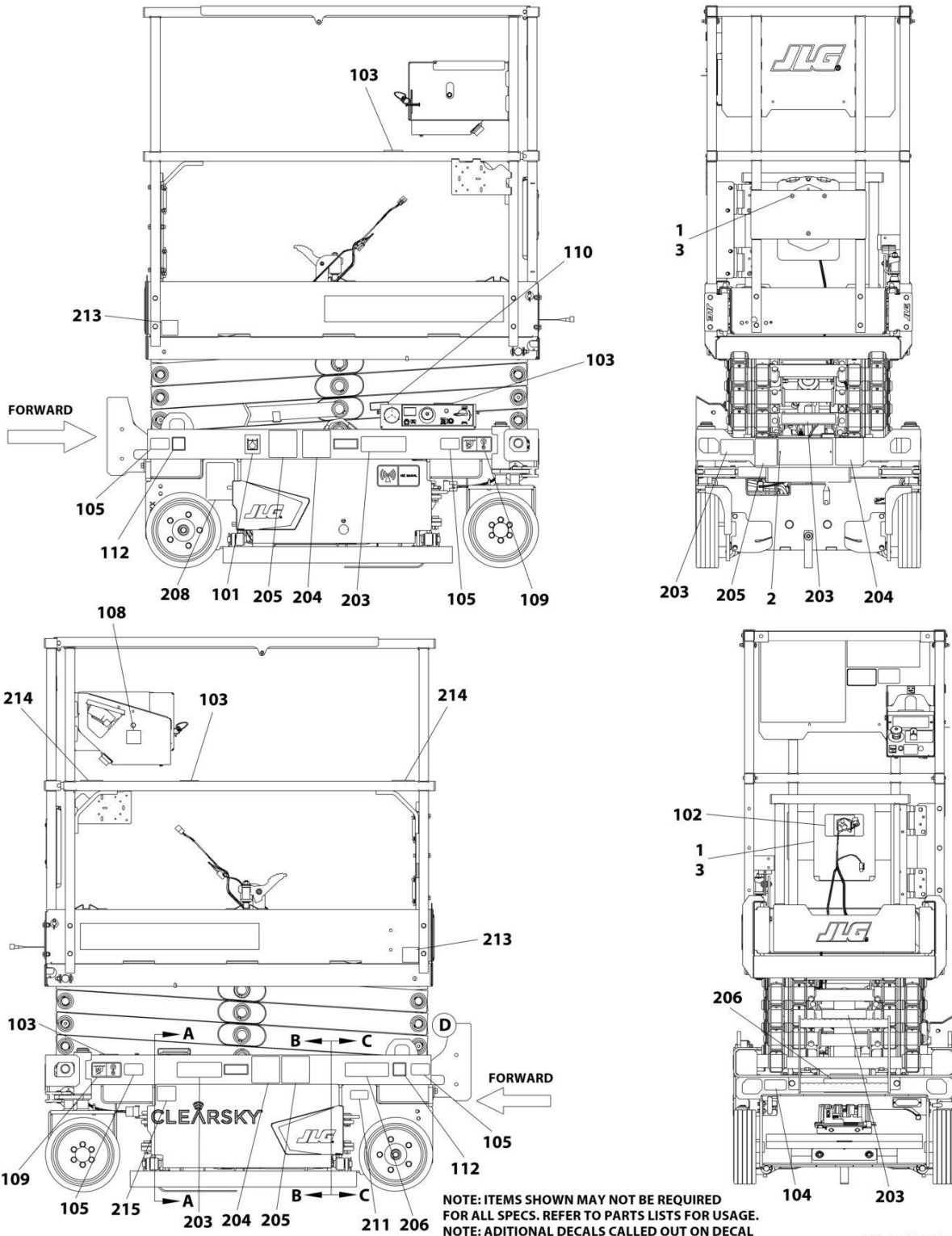
**FIGURE 8-5. DECALS INSTALLATION (JAPANESE SPECS)**

ITEM	PART NUMBER	QTY	DESCRIPTION	REV
	1001247304	Ref	DECALS INSTALLATION (JAPANESE SPECS)	G
	1001247399	Ref	DECALS CHART DRAWING	K
1	2080040	4	Fastener	
2	2080057	4	Fastener	
3	0860520	1	Holder Manual	
100	1001247296	1	Master Decal Kit (Not Shown)	F
101	1701504	1	Decal - Hydraulic Oil	
102	1701640	1	Decal - Manual	
103	1703819	4	Decal - Directional Arrow	
104	1001248126	1	Decal - Manual Descent	
105	1704016	4	Decal - Fork Lift	
107	1704412	1	Decal - Hydraulic Oil Chart	
108	1001132359	1	Decal - Control Box Locate	
109	1001162864	4	Decal - Lift Point/Tie Down	
110	1001220430	1	Decal - Safety Prop	
112	1001212290	1	Decal - Tie Down	
113	1001212291	1	Decal - Lifting Lug	
202	1001146794	1	Decal - Battery/Charger Service	
203	1001219172	4	Decal - Crushing	
204	1001219171	5	Decal - Electrocution	
206	1705670	2	Decal - Fire Hazard	
214	1704277	2	Decal - Lanyard Attach	



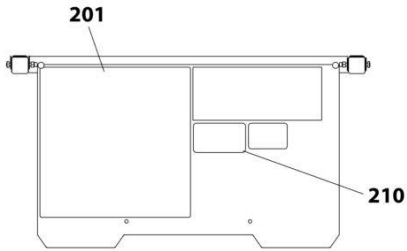
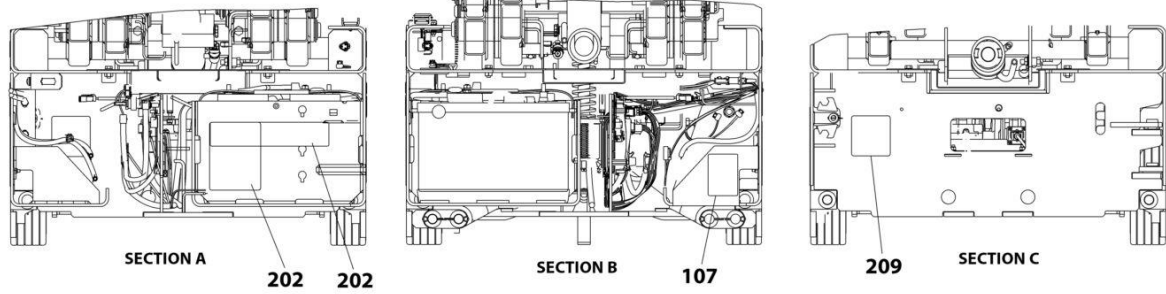
# SECTION 8 - DECALS

## FIGURE 8-6. DECALS INSTALLATION (KOREAN SPECS)

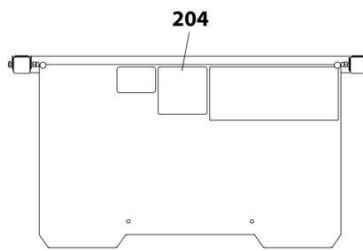


ART\_1001247302\_10F2

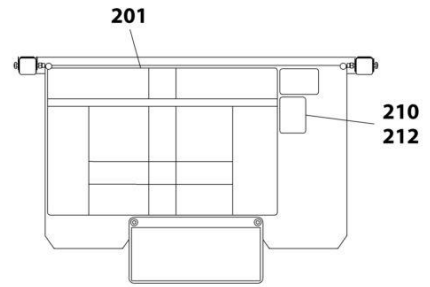
# SECTION 8 - DECALS



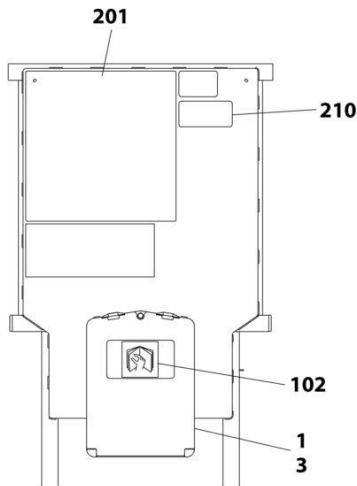
FIXED RAIL (ANSI SPECS)



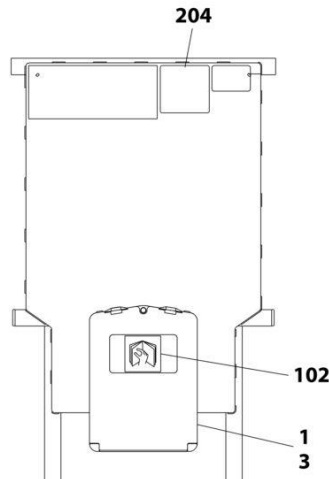
FIXED RAIL (CE AND JAPANESE SPECS)



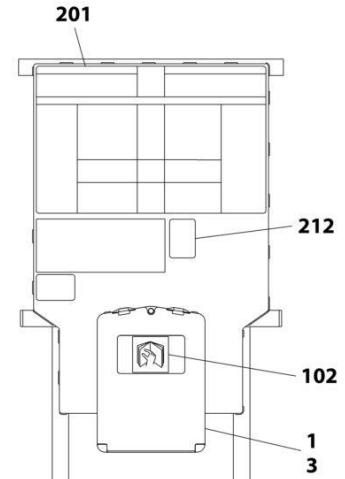
FIXED RAIL (CHINA, CSA AND KOREAN SPECS)



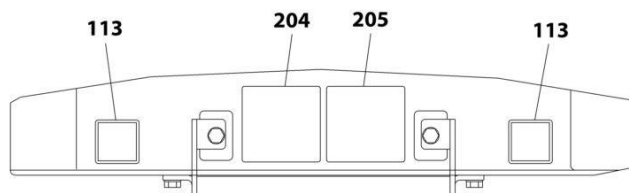
FOLDING RAIL (ANSI SPECS)



FOLDING RAIL (CE SPECS)



FOLDING RAIL (CHINA AND KOREAN SPECS)



DETAIL D  
TOP REAR OF FRAME

NOTE: ITEMS SHOWN MAY NOT BE REQUIRED FOR ALL SPECS. REFER TO PARTS LISTS FOR USAGE.  
NOTE: ADDITIONAL DECALS CALLED OUT ON DECAL INSTALLATION - OPTIONS.

ART\_1001247302\_20F2

## SECTION 8 - DECALS

FIGURE 8-6. DECALS INSTALLATION (KOREAN SPECS)

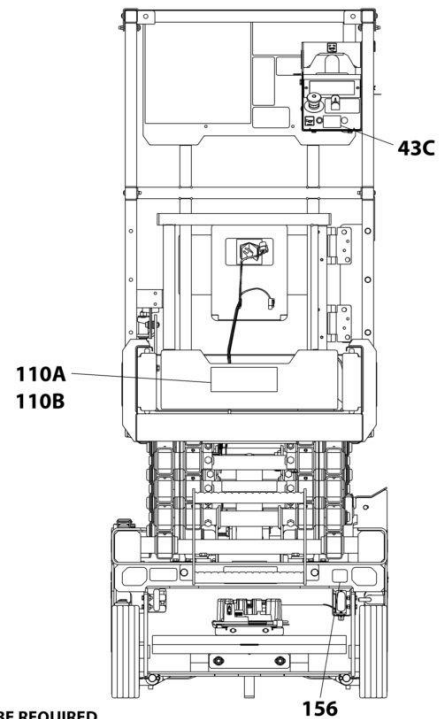
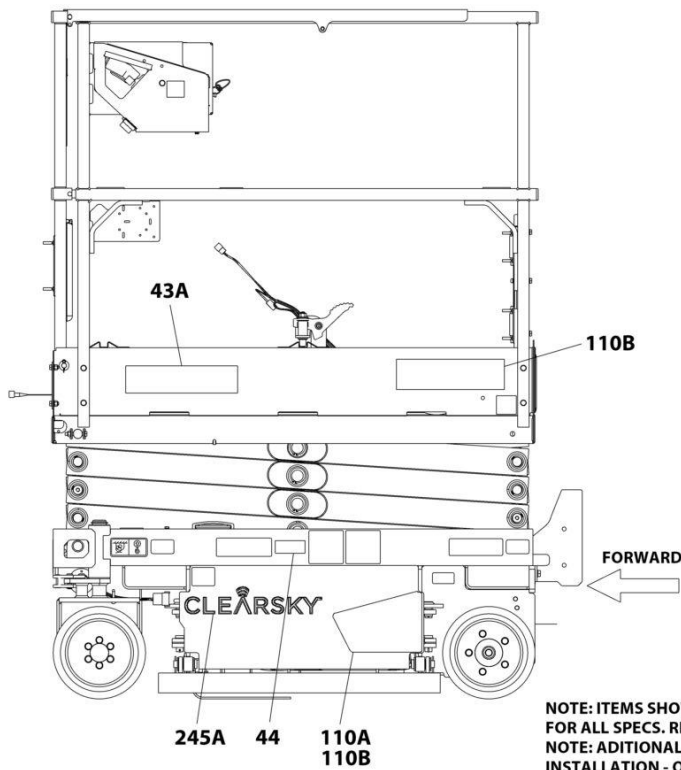
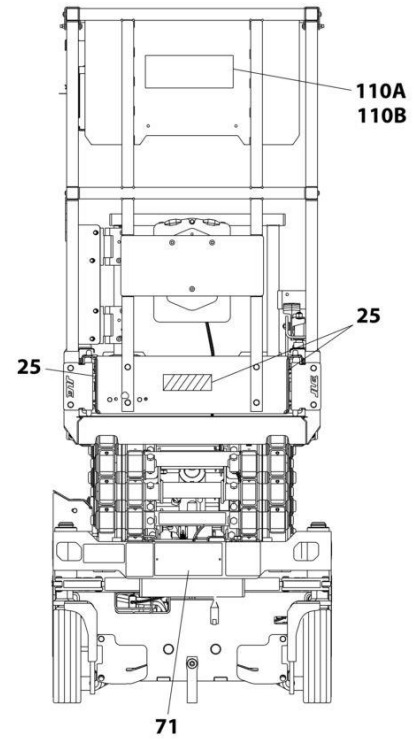
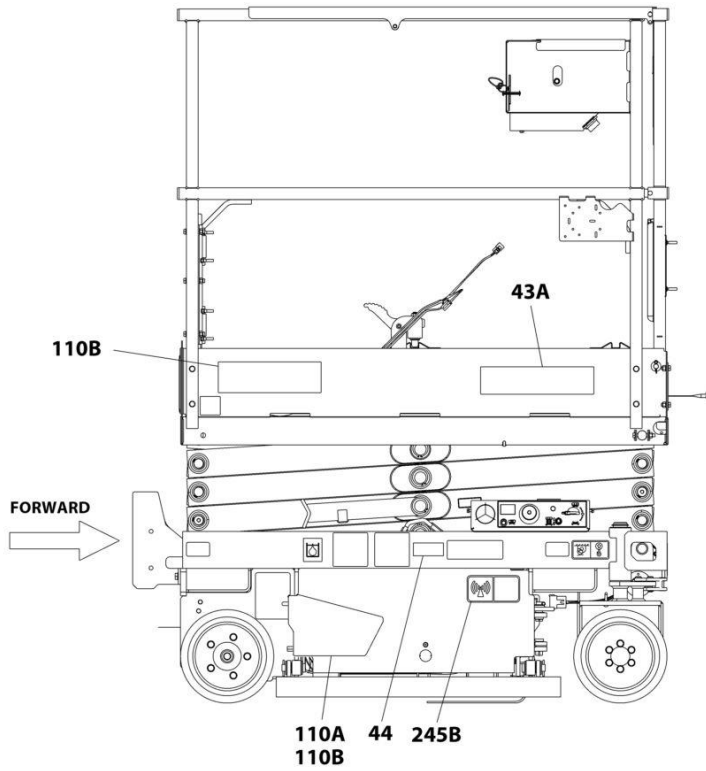
ITEM	PART NUMBER	QTY	DESCRIPTION	REV
	1001247302	Ref	DECALS INSTALLATION (KOREAN SPECS)	E
	1001247399	Ref	DECAL CHART DRAWING	K
1	2080040	3	Fastener	
2	2080057	4	Fastener	
3	8990147	1	Holder Manual	
100	1001247296	1	Master Decal Kit (Not Shown)	F
101	1701504	1	Decal - Hydraulic Oil	
102	1701640	1	Decal - Manual	
103	1703819	4	Decal - Directional Arrow	
104	1001248126	1	Decal - Manual Descent	
105	1704016	4	Decal - Fork Lift	
107	1704412	1	Decal - Hydraulic Oil Chart	
108	1001132359	1	Decal - Control Box Locate	
109	1001162864	4	Decal - Lift Point/Tie Down	
110	1001220430	1	Decal - Safety Prop	
112	1001212290	1	Decal - Tie Down	
113	1001212291	1	Decal - Lifting Lug	
201	1001247309	1	Decal - Danger/Warning	
202	1001146794	1	Decal - Battery/Charger Service	
203	1001249893	4	Decal - Crushing Hazard	
204	1001211779	4	Decal - Electrocution	
205	1001215750	4	Decal - Danger Electrocution	
206	1707022	2	Decal - Warning Battery Ventilation	
209	1001224048	1	Decal - Yearly Inspection	
214	1704277	2	Decal - Lanyard Attach	
215	1702155	1	Decal - Battery Disconnect	





# SECTION 8 - DECALS

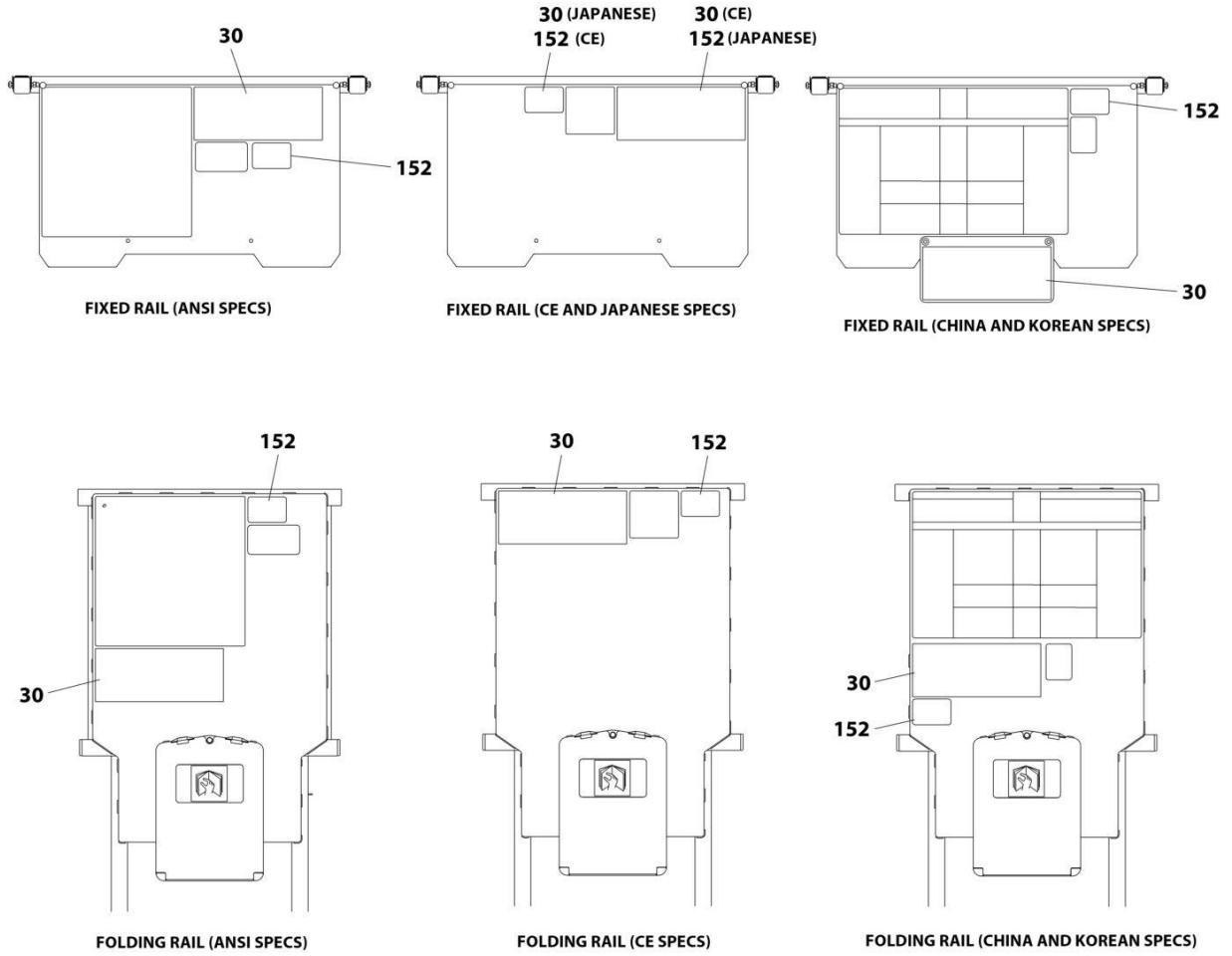
## FIGURE 8-7. DECAL INSTALLATION - OPTIONS



NOTE: ITEMS SHOWN MAY NOT BE REQUIRED FOR ALL SPECS. REFER TO PARTS LISTS FOR USAGE.  
NOTE: ADDITIONAL DECALS CALLED OUT ON DECAL INSTALLATION - OPTIONS.

ART\_DECAL\_OPTIONS\_10F2

# SECTION 8 - DECALS



**NOTE: ITEMS SHOWN MAY NOT BE REQUIRED FOR ALL SPECS. REFER TO PARTS LISTS FOR USAGE.**  
**NOTE: ADDITIONAL DECALS CALLED OUT ON DECAL INSTALLATION - OPTIONS.**

ART\_DECAL\_OPTIONS\_20F2

## SECTION 8 - DECALS

**FIGURE 8-7. DECAL INSTALLATION - OPTIONS**

ITEM	PART NUMBER	QTY	DESCRIPTION	REV
		Ref	DECAL INSTALLATION - OPTIONS	
	1001247399	Ref	DECAL CHART DRAWING	K
25	1001247712	Ref	Corner Stripes Installation	
25	4420051	3 ft/ 92cm	Tape, Safety	
30		Ref	Decal - Capacity Options:	
30	1001246678	1	Decal - Capacity (500lb/227kg) (Indoor Only Machines) (ANSI, ANSI Export, Australian, CE, China, Korean & UK CA Specs)	
30	1001265840	1	Decal - Capacity (500lb/227kg) (Indoor/Outdoor Machines) (ANSI, ANSI Export, CE, China, Korean & UK CA Specs)	
30	1001247297	Ref	Decal - Capacity (China, CSA & Korean Specs)	B
30	1001246678	1	Decal - Capacity (500lb/227kg) (Indoor Only Machines) (China, CSA and Korean Specs)	
30	1001265840	1	Decal - Capacity (500lb/227kg) (Indoor/Outdoor Machines) (China and Korean Specs)	
30	1001247344	1	Plate, Decal Mounting (Indoor Only Machines)	
30	1001216865	1	Plate, Decal Mounting (Indoor/Outdoor Machines)	
30	2080040	2	Fastener	
30	1001246679	1	Decal - Capacity (500lb/227kg) (Indoor Only Machines) (Japanese Specs)	
43	1001247300	Ref	Decal - Model Designation	D
43A	1001246682	2	Decal - Model Designation	
43C	1001249939	1	Decal - Model Designation	
44	1001247660	2	Decal - Maximum Tire Load	
71	See Note	NSS	Decal - Manufacturers Serial Number (Note: Not Available for Purchase)	
110A	1001256603	1	JLG Decals Installation (All Specs Except China Specs)	B
110A	1001256675	1	Decal - JLG (3-5/16 wide)	
110A	1001256676	1	Decal - JLG (2-5/8 wide)	
110A	1001256677	1	Decal - Door (LH)	
110A	1001256678	1	Decal - Door (RH)	
110B	1001287766	1	Decal - JLG (China Specs)	
110B	1001256677	1	Decal - Door (LH)	
110B	1001256678	1	Decal - Door (RH)	
110B	1001287762	1	Decal - Billboard	
110B	1001287763	1	Decal - Gate	
110B	1001288212	2	Decal - Platform	
152		Ref	Decal - No Pipe Racks Allowed Options:	
152	1001092071	1	Decal - No Pipe Racks Allowed (English) (ANSI, ANSI Export and China Specs)	
152	1001092497	1	Decal - No Pipe Racks Allowed (English) (CE, Japanese & UK CA Specs)	
152	1001120622	1	Decal - No Pipe Racks Allowed (English/Chinese) (China Specs)	
152	1001092580	1	Decal - No Pipe Racks Allowed (English/French) (CSA Specs)	
152	1001120621	1	Decal - No Pipe Racks Allowed (English/Korean) (Korean Specs)	
156	1001173703	1	Decal - EAC (Russian/CIS Specs)	
245	1001236984	Ref	Decal - Clear Sky	
245A	1001116208	1	Decal - Clear Sky	
245B	1001120989	1	Decal - Radio Frequency	

## **SECTION 9 - RECOMMENDED SERVICE PARTS STOCK**

## **SECTION 9 - RECOMMENDED SERVICE PARTS STOCK**

## SECTION 9 - RECOMMENDED SERVICE PARTS STOCK

FIGURE 9-1. RECOMMENDED SERVICE PARTS STOCK

ITEM	PART NUMBER	QTY	DESCRIPTION	REV
		Ref	Note: The following list will service one machine (built to current production per date on the front cover) with emergency repair parts which can be installed in the field. Parts from the list should be replaced when inventory is depleted to keep service parts stock supplied. For further information, contact your JLG dealer or the JLG Industries Parts Department.	
	1001189172	1	Breaker 16Amp Double (AC Box CE & UK CA Specs Machines)	
	1001189171	1	Breaker 30mAmp (AC Box CE & UK CA Specs Machines)	
	1001181045	1	Breaker 30mAmp/16Amp (AC Box CE & UK CA Specs Machines)	
	1600402	1	Controller, Drive/Steer (Platform Console)	
	8229234	2	Fuse - 10AMP ATO (Drive Control Harness)	
	2860030	1	Key, Replacement (Ground Control)	
	3080007	1	Latch, Magnetic (Platform)	
	1001200629	1	Module, Control (Ground Control)	
	1001243107	1	Module, Control (Drive)	
	1001224873	1	Module, Platform	
	3740150	1	Relay (Ground Control)	
	1001146963	1	Sensor, Angle (Machines with LSS)	
	1001200746	1	Sensor, Angle (Machines without LSS)	
	1001186466	1	Sensor, Tilt (Frame)	
	4360475	1	Switch, Emergency Stop (Ground Control/Platform Console)	
	4360469	1	Switch, Key (Ground Control)	
	1001200633	1	Switch, Push Button (Platform Console)	
	1001226749	1	Switch, Push Button (Ground Control)	
	1001203871	1	Switch, Roller (Pothole Protection)	
	4360328	1	Switch, Toggle (Ground Control)	
	4360345	1	Switch, Toggle (Platform Console)	
	1001258446	1	Switch, Toggle (Platform Console)	

**SECTION 10 - SPECIAL OPTIONS/ACCESSORIES/KITS**

**SECTION 10 - SPECIAL OPTIONS/ACCESSORIES/KITS**

# SECTION 10 - SPECIAL OPTIONS/ACCESSORIES/KITS

## FIGURE 10-1. SPECIAL OPTIONS/ACCESSORIES/KITS

ITEM	PART NUMBER	QTY	DESCRIPTION	REV
		Ref	Note: This list is to accommodate machines ordered with special equipment. Options may not be applicable to all models. For more specific parts information contact the JLG Parts Department.	
		Ref	MISCELLANEOUS SPECIAL OPTIONS/ACCESSORIES/KITS	
	1001293376	Ref	Access Control Keypad Installation	
	1001209921	Ref	Antivandalism Package (Factory Installed)	
	1001225173	Ref	Antivandalism Add-On Kit (Dealer Installed)	
	1001255129	Ref	Beacon Light (Single) Add-On Kit (Dealer Installed)	
	1001274645	Ref	Beacon Light (Dual) Add-On Kit (Dealer Installed)	
	1001269174	Ref	Cleanguard Add-on Kit (Dealer Installed)	
		Ref	<b>ClearSky Telematics Add-on Kit (Dealer Installed)</b>	
	1001278848	Ref	ClearSky Telematics Add-on Kit - 3 Wire GT1030	
		Ref	Decal Kit Options:	
	1001274821	Ref	Decal Kit - Common	
		Ref	Electrical Connector Kits	
	1001148902	Ref	Amp/Tyco Electrical Connector Kit	
	1001148903	Ref	Deutsch DT Electrical Connector Kit	
	1001148904	Ref	Deutsch HD Electrical Connector Kit	
	1001148905	Ref	Packard Electrical Connector Kit	
	1001148906	Ref	Various Electrical Connector Kit	
	1001236533	Ref	Footswitch Installation (Factory Installed) (ANSI Export & Japanese Specs Only)	
	1001210670	1	Footswitch Assembly (ANSI Export & Japanese Specs Only)	
	1705828	1	Decal - Footswitch (ANSI Export & Japanese Specs Only)	
	1001255128	Ref	Footswitch Add-On Kit (Dealer Installed)	
	1001268465	Ref	Hostile Environment Package Installation	
	1001273632	Ref	Indoor/Outdoor Kit (CE & UK CA Specs)	
	1001246444	Ref	Low Height Retriktion System Installation (ANSI Export, Japan & Korean Specs)	
	1001269479	Ref	SkySense (Level 1) Installation	
	1001282355	Ref	Telematics Installation (Dealer Installed)	
	1001254661	Ref	Service Kits / Tools	F
		Ref	Tools for Service	
	2901443	1	Analyzer Kit	
	1001232474	1	Benchtop Harness	
	8896941	1	Wire Stripper	
	7002821	1	Wire Crimper (To install wire ends to wires)	
	7002823	1	Pin/Socket Extractor - Universal (To Remove Pins/Sockets from Connectors)	
	4460467	1	Extractor - 16-18 Gauge (For Removal Pins/Sockets from Deutsch Connectors)	
	4460510	1	Extractor - 12-14 Gauge (For Removal of Pins/Sockets from Deutsch Connectors)	
	7002822	1	Screwdriver, Potentiometer (To Adjust Drive Controllers)	
	7016654	1	Screwdriver, Magnetic	
	7004275	1	Seal Installation Tool - 1in	
	7004276	1	Seal Installation Tool - 1-1/2in	
	7002826	1	Seal Installation Tool - 2in	
	1001281951	Ref	USB & Phone Cradle Kit	
	1001281944	Ref	White Noise Ambient Alarm Kit	



## SECTION 10 - SPECIAL OPTIONS/ACCESSORIES/KITS

### PART NUMBER INDEX

## SECTION 10 - SPECIAL OPTIONS/ACCESSORIES/KITS

0100011.....13, 15, 17, 27, 29, 31, 33, 35, 39, 43, 45, 47, 51, 55, 57, 59, 77, 95, 97, 99, 101	1001092071 ..... 264	1001146794 ..... 231, 240, 248, 252, 256, 260	1001209682.....57, 59
0100048.....57, 59	1001092497 ..... 264	1001146963 ..... 86, 266	1001209921.....268
0100051.....65, 67, 69, 71, 73, 75	1001092580 ..... 264	1001148902 ..... 268	1001210064.....95
0140030.....105	1001097150 ..... 133	1001148903 ..... 268	1001210586...97, 99, 101
0140043.....57, 59	1001097347 ..... 187, 189	1001148904 ..... 268	1001210670.....268
0275216.....123, 221	1001099560 ..... 13	1001148905 ..... 268	1001210963...97, 99, 101
0275217.....125, 223	1001100341 ..... 221	1001148906 ..... 268	1001211777.....240
0275452.....127, 225	1001100342 ..... 223	1001151629 ..... 165, 169	1001211779.....240, 248, 252, 260
0275453.....129, 227	1001100345 ..... 225	1001152483 ..... 143	1001212035.....217
0275454.....131, 229	1001100346 ..... 229	1001154378 ..... 101	1001212036.....217
0440259.....13, 113	1001100347 ..... 227	1001157547 ..... 231	1001212068.....27
0440263.....27, 83, 87	1001100451 ..... 123, 125, 127, 129, 131, 133, 231	1001159186 ..... 165, 217	1001212290.....240, 244, 248, 252, 256, 260
0440264.....83, 87	1001102258 ..... 121, 123, 125, 127, 129, 131, 133, 135, 137	1001162864 ..... 240, 244, 248, 252, 256, 260	1001212291.....240, 244, 248, 252, 256, 260
0440265.....83, 87	1001102489 ..... 147, 149, 151, 153, 155, 157, 159, 161, 163	1001162886 ..... 165, 169	1001213886.....105
0630183.....95	1001102771 ..... 145	1001162887 61, 165, 169	1001214526.....27
0630576.....77	1001103012 ..... 166, 170	1001163340 61, 165, 169	1001214810.....77
0700412.....57, 59	1001103471 ..... 133, 151	1001173703 ..... 264	1001215747.....248
0700610.....117	1001104498 ..... 166, 170	1001181045 ..... 141, 266	1001215750.....260
0700612.....39, 57, 59, 61	1001110544 ..... 37, 39	1001182806 ..... 41	1001215953.....27
0700616.....57, 59	1001116208 ..... 264	1001186466 ..... 29, 266	1001216865.....264
0700815.....27	1001116731 ..... 189	1001187587 ..... 101	1001217043.....95
0700816.....77	1001116732 ..... 187, 189	1001187816 ..... 135	1001217164.....141, 143
0700818.....15, 17, 97, 99, 101	1001116733 ..... 173	1001188116 ..... 135	1001217842.....173
0700819.....93, 103	100111681261, 145, 165, 169	1001189171 ..... 143, 266	1001217843.....173
0700820.....101	1001117000 ..... 169	1001189172 ..... 143, 266	1001218285.....105
0700823.....27	1001117057 ..... 187, 189	1001192401 ..... 166, 170	1001219171.....244, 256
0700835.....105	1001117096 ..... 233	1001194421 ..... 217	1001219172.....244, 256
0701013.....89	1001118387 ..... 169	1001196589 ..... 166, 170	1001220409.....103
0701015.....82, 86	1001118812 ..... 191	1001196634 ..... 145, 185	1001220410.....103
0701018.....89	1001120204 ..... 123, 125, 127, 129, 131	1001196635 ..... 61	1001220430.....240, 244, 248, 252, 256, 260
0701020.....82, 86	1001120205 ..... 141, 143	1001198576 ..... 39	1001220893.....105
0701021.....82, 86, 93	1001120621 ..... 264	1001200629 .. 57, 59, 266	1001220995.....103
0701022.....89	1001120622 ..... 264	1001200631 ..... 86	1001221475.....95
0760408.....55, 121, 123, 125, 127, 129, 131, 135, 231	1001120989 ..... 264	1001200632 ..... 63	1001221476.....95
0760508.....35	1001125483 ..... 231	1001200633 ..... 266	1001221949.....163
0760608.....35, 57, 59, 61, 82, 86	1001125677 ..... 165, 169, 191	1001200746 ..... 82, 266	1001223055.....240
0760610.....31, 33, 35, 61, 82, 86, 103, 105	1001125916 ..... 69, 73	1001200819 ..... 105, 217	1001223262.....209
0760612.....31, 33, 41, 82, 86, 231	1001125927 ..... 139	1001201885 ..... 166, 170, 217	1001223971.....252
0760810.....47, 95, 101, 163	1001130220 ..... 105	1001202987 ..... 27	1001224048.....260
0760812.....13	1001130590 ..... 57, 59	1001202988 ..... 27	1001224051.....248
0761009.....51	1001131270 ..... 240, 252	1001203443 ..... 93	1001224873.....266
0761010.....55	1001132358 ..... 105	1001203445 ..... 82, 86	1001225164.....86
0761011.....43, 45	1001132359 ..... 240, 244, 248, 252, 256, 260	1001203869 ..... 27	1001225173.....268
0761012.....13	1001132361 ..... 105	1001203870 ..... 27, 77	1001226400.....231
0761014.....77	1001134821 ..... 103	1001203871 ..... 27, 266	1001226636.....189
0761016.....77	1001136757 ..... 231	1001203872 ..... 27	1001226637.....189
0761221.....77	1001137675 ..... 95	1001204311 ..... 82, 86	1001226749..57, 59, 105, 266
0860520.....256	1001142173 ..... 231	1001204495 ..... 41	1001227219.....151
0861731.....219, 225, 227, 229	1001143009 ..... 231	1001205156 ..... 93	1001227267.....133, 151
0861781.....221, 223	1001143010 ..... 231	1001205409 61, 165, 169	1001227268.....133
0861880.....141	100114414761, 173, 189, 191	1001205410 ..... 165, 169	1001227269.....139
0962292.....111	1001144295 ..... 165, 169	1001205411 ..... 165, 169	1001228191.....139
1001047064.....105	1001144296 ..... 165, 166, 169, 170	1001205412 ..... 165, 169	1001228370.....240, 252
1001091102.....27, 55, 57, 59	1001145762 ..... 231	1001205422 ..... 95	1001228954.....177
	1001145881 ..... 231	1001205430 ..... 95	1001229739.....101
		1001207009 ..... 31, 33	1001229740.....101
		1001207293 ..... 63	1001229741.....101
		1001207970 ..... 149	1001229742.....101
		1001207973 ..... 161	1001229792.....77
		1001207974 ..... 147, 151, 153, 155, 157, 159	1001231268.....82, 86
		1001208852 ..... 95	1001231801.....240, 252
		1001209596 ..... 105	

## SECTION 10 - SPECIAL OPTIONS/ACCESSORIES/KITS

1001232257 ..... 101	1001241822..... 43	1001245123..... 101	1001248768 ..... 61
1001232474 ..... 268	1001241823..... 43	1001245125..... 101	1001249645 ..... 57, 59
1001232622 ..... 101	1001242978..... 15, 17	1001245129..... 101	1001249667 ..... 15, 17
1001233524 ..... 13	1001242980..... 15, 17	1001245131..... 101	1001249668 ..... 69, 73
1001233525 ..... 13	1001243106..... 13	1001245132..... 101	1001249846 ..... 27
1001233714 ..... 65, 67	1001243107... 15, 17, 266	1001245134..... 101	1001249887 ..... 117
1001233834 ..... 83, 87	1001243226..... 65	1001245135..... 101	1001249893 ..... 260
1001233836 ..... 83, 87	1001243227..... 67	1001245136..... 101	1001249894 ..... 248
1001233837 ..... 83, 87	1001243228..... 69	1001245138..... 97, 99	1001249939 ..... 264
1001233860 ..... 82, 86	1001243229..... 73	1001245139..... 25	1001249940 ..... 31
1001233861 ..... 82, 86	1001243230.... 65, 69, 71	1001245293..... 61	1001250078 ..... 39
1001233863 ..... 82, 86	1001243231.... 67, 73, 75	1001245299..... 61	1001250403 ..... 45
1001233864 ..... 82, 86	1001243232.... 65, 67, 69, 71, 73, 75	1001245386..... 83, 87	1001253153 ..... 86
1001233865 ..... 82, 86	1001243233.... 65, 67, 69, 71, 73, 75	1001245388..... 83, 87	1001253625 ..... 61
1001233866 ..... 82, 86	1001243235.... 65, 67, 69, 71, 73, 75	1001245451..... 83, 87	1001253626 ..... 151
1001233867 ..... 82, 86	1001243237..... 73	1001245634..... 83, 87	1001253715 ..... 61
1001234204 ..... 82, 86	1001243248..... 13	1001245635..... 83, 87	1001253737 ..... 61
1001234320 ... 82, 83, 86, 87	1001243249..... 13	1001245636..... 82, 86	1001253885 ..... 133
1001234321 ..... 82	1001243251..... 57	1001245743..... 139	1001253886 ..... 197
1001234461 ..... 13, 113	1001243252..... 59	1001245744..... 133, 139	1001253888 ..... 197, 207
1001235002 ..... 51, 117	1001243255... 57, 59, 173	1001245747..... 133	1001253969 ..... 133, 139
1001235104 ..... 86	1001243257..... 15, 19	1001245750..... 77	1001253972 ..... 133
1001236129 ..... 95	1001243838..... 47	1001245790..... 82, 86	1001254026 .... 177, 179, 181, 183, 189
1001236144 ..... 177, 179	1001244045..... 97	1001245851..... 51, 53	1001254027 33, 177, 179, 181, 183, 191
1001236533 ..... 268	1001244047..... 97	1001245917..... 139	1001254028 ..... 33, 145
1001236834 ..... 13	1001244092..... 99	1001246144..... 179	1001254501 ..... 252
1001236849 ..... 27	1001244093..... 99	1001246145..... 183	1001254633 ..... 71, 75
1001236856 ..... 77	1001244095..... 97, 99	1001246444..... 268	1001254636 ..... 268
1001236860 ..... 77	1001244096..... 97, 99	1001246639..... 19	1001254661 ..... 268
1001236861 ..... 77	1001244144..... 82, 86	1001246678..... 264	1001254667 ..... 268
1001236984 ..... 264	1001244160..... 45	1001246679..... 264	1001255128 ..... 268
1001237462 ... 31, 33, 35	1001244298..... 248	1001246682..... 264	1001255129 ..... 268
1001237507 ..... 29	1001244301..... 248	1001246920..... 13	1001255208 ..... 17
1001237518 ..... 25	1001244338.... 65, 67, 69, 71, 73, 75	1001246921..... 13	1001255263 ..... 71
1001237552 .... 193, 195, 197, 199, 201, 203, 205, 207, 209, 211	1001244339.... 65, 67, 69, 71, 73, 75	1001247241..... 89	1001255264 ..... 75
1001237553 ..... 193	1001244432..... 195, 201, 205, 211	1001247242..... 89	1001255901 ..... 185
1001238025 ..... 117	1001244672..... 77	1001247243..... 89	1001256603 ..... 264
1001238026 ..... 117	1001244908..... 127, 129, 143	1001247244..... 89	1001256675 ..... 264
1001238060 ... 67, 73, 75	1001244909..... 123, 125, 131, 141	1001247245..... 89	1001256676 ..... 264
1001239224 ..... 37, 39	1001244911..... 121	1001247246..... 89	1001256677 ..... 264
1001239303 ... 65, 69, 71	1001244912..... 137	1001247296.... 240, 244, 248, 252, 256, 260	1001256678 ..... 264
1001239314 ..... 37	1001244913..... 127	1001247297..... 264	1001256745 ..... 39
1001239315 ..... 39	1001244914..... 129	1001247300..... 264	1001258226 ..... 82, 87
1001239373 ..... 82, 213	1001244915..... 131	1001247301..... 240	1001258446 ..... 105, 266
1001239374 ..... 86, 215	1001244916..... 123	1001247302..... 260	1001260503 ..... 55
1001239404 ..... 82, 86	1001244917..... 125	1001247303..... 248	1001260504 ..... 55
1001239457 ..... 77	1001244918..... 135	1001247304..... 256	1001260628 ..... 31
1001239661 ..... 37, 39	1001245099..... 95	1001247305..... 244	1001261041 ..... 203
1001239737 ..... 82, 86	1001245100..... 95	1001247309..... 260	1001261042 ..... 205
1001239876 ..... 86	1001245101..... 97	1001247310..... 244	1001261043 ..... 209
1001239976 ..... 195	1001245102..... 97	1001247311..... 248	1001261044 ..... 211
1001239977 ..... 199	1001245103..... 97	1001247344..... 264	1001261050 ..... 207
1001239978 ..... 201	1001245106..... 99	1001247345... 82, 86, 111	1001262221 ..... 107
1001241320 .... 193, 195, 197	1001245107..... 99	1001247399.... 240, 244, 248, 252, 256, 260, 264	1001262299 ..... 87
1001241321 ..... 199, 201	1001245108..... 99	1001247531..... 181	1001262322 ..... 181
1001241489 ..... 31, 33	1001245110... 97, 99, 101	1001247532..... 177	1001262327 ..... 181, 183
1001241542 ..... 27	1001245119..... 101	1001247533..... 179	1001262581 ..... 55
1001241543 ..... 27	1001245120..... 101	1001247534..... 183	1001262655 ..... 105
1001241544 ..... 27	1001245121..... 101	1001247660..... 264	1001263443 ..... 82
1001241546 ..... 25	1001245122..... 101	1001247712..... 264	1001264943 ..... 31
1001241589 ..... 47		1001247924..... 117	1001264944 ..... 33
1001241599 ..... 15		1001248126.... 240, 244, 248, 252, 256, 260	1001264945 ..... 35
1001241601 ..... 25		1001248155..... 93	1001264946 ..... 147
		1001248157 ..... 93	1001264947 ..... 149
			1001264948 ..... 163
			1001264949 ..... 157
			1001264950 ..... 159

## SECTION 10 - SPECIAL OPTIONS/ACCESSORIES/KITS

1001264951.....153	1702155 ... 240, 244, 248, 252, 260	3391210 ..... 15, 17	4460234.... 177, 179, 181, 183
1001264952.....155	1703464 ..... 121, 123	3423032 ..... 93	4460247..... 165, 170
1001264953.....161	1703813 ..... 240	3423243 ..... 77	4460259..... 165, 169
1001264954.....151	1703816 ..... 240	3423278 ..... 105	4460260..... 165, 169
1001264978.....33	1703819 ..... 61, 105, 240, 244, 248, 252, 256, 260	3430636 ..... 27	4460265.....217
1001265088.....55	1704016 ... 240, 244, 248, 252, 256, 260	3430814 ..... 95	4460267.....217
1001265409.....55	1704260 ..... 105	3430816 ..... 95	4460315..... 121, 135
1001265533.....203, 205, 207	1704277 ... 240, 244, 248, 252, 256, 260	3431212 ..... 27, 77	4460320..... 165, 169
1001265534.....211	1704340 ..... 252	3431218 ..... 27	4460346.....219
1001265840.....264	1704344 ..... 248	3450303 ..... 27, 77	4460418.... 165, 169, 217, 235
1001266166.....55	1704412 ... 240, 244, 248, 252, 256, 260	3450403 ..... 95	4460419..... 169, 235
1001266167.....55	1704684 ..... 252	3450505 ..... 27, 77	4460424.....31, 33
1001266213.....165	1705311 ..... 252	3520072 ..... 97, 99, 101	4460464..39, 41, 61, 145, 165, 169, 173, 185, 187, 189, 193, 195, 197, 199, 201, 203, 205, 207, 209, 211, 213, 215, 217, 235
1001266214.....169	1705670 ..... 244, 256	3740150 57, 59, 231, 266	4460465.... 19, 37, 39, 61, 145, 165, 166, 169, 170, 187, 193, 195, 197, 199, 201, 203, 205, 207, 209, 211, 213, 215
1001266955.....55	1705828 ..... 268	3760115 ..... 82, 86	4460466.....61, 145, 165, 169, 173, 189, 191, 193, 195, 197, 199, 201, 203, 205, 207, 209, 211, 215, 217, 235
1001268465.....268	1706679 ..... 57, 59	3760170 ..... 82, 86	4460467.....268
1001269174.....268	1707022 ..... 260	3760387 ..... 82, 86	4460496.....105
1001269479.....268	2080040. 95, 97, 99, 101, 240, 244, 248, 252, 256, 260, 264	3841143 ..... 82, 86	4460497.....105
1001270168.....17, 21	2080057 ... 240, 244, 248, 252, 256, 260	3860111 ..... 97, 99	4460510.....268
1001270169.....17, 23	2220466 ..... 117	3910804 ..... 57, 59	4460539.... 166, 170, 199, 201, 209, 211, 215
1001272659.....175	2220654 ..... 117	3990001 ..... 145	4460662.... 127, 129, 131, 219
1001272868.....166	2220883 ..... 111	4010308 ..... 37, 39	4460670.... 165, 169, 173
1001272997.....185	2400060 .... 61, 145, 165, 169	4010405 ..... 133	4460722.....235
1001273012.....175, 185	2420172 ..... 57, 59	4010408 .... 103, 133, 151	4460754.... 193, 195, 197, 199, 201, 203, 205, 207, 209, 211
1001273632.....268	2540045 ..... 57, 59	4010608 ..... 97, 99, 101	4460761..... 166, 170
1001274502.....231	2600281 ..... 97, 99, 101	4010616 ..... 97, 99	4460779..... 233
1001274556.....231	2860030 ..... 57, 59, 266	4010617 ..... 101	4460871..... 145, 173
1001274559.....57, 59	2901443 ..... 268	4010618 ..... 97, 99, 101	4460872..... 145
1001274560.....55	2902431 ..... 121, 219	4031509 ..... 105	4460873..... 173
1001274604.....105	3080007. 97, 99, 101, 266	4031511 ..... 27	4460877..... 165, 169
1001274605.....105	3121792 ..... 61	4031512 ..... 82, 86	4460884.... 61, 145, 165, 170, 187, 215
1001274645.....268	3252507 ... 125, 127, 129, 131, 135, 137	4031708 ..... 15, 17, 29	4460891..19, 37, 39, 145, 165, 169, 199, 201, 209, 211, 213, 215
1001274661.....107	3290305 ..... 37, 39	4032010 ..... 15, 17	4460894.... 165, 169, 193, 195, 197, 199, 201, 203, 205, 207, 209, 211
1001274821.....268	3290405 ... 27, 55, 57, 59, 82, 86, 103, 105, 121, 123, 125, 127, 129, 131, 133, 135, 151, 231	4060803 ..... 105	446089739, 41, 145, 165, 169, 173, 213, 235
1001275545.....231, 233	3290505 ..... 35	4060906 ..... 105	4460899.... 193, 195, 197, 199, 201, 203, 205, 207, 209, 211
1001275546.....231, 235	3290601 ..... 29, 117	4160078 ..... 82, 86	4460905..... 145, 173
1001275547.....231	3290605 ... 31, 33, 35, 41, 57, 59, 61, 77, 82, 86, 123, 125, 127, 129, 131, 133, 231	4160202 ..... 27	4460932.....61, 145, 185, 187, 189
1001275548.....231	3290606. 97, 99, 101, 103	4160214 ..... 77	4460933.... 165, 169, 191
1001278513.....175, 187	3290801 ..... 13, 27	4240017 ... 15, 17, 31, 33, 35, 57, 59, 61, 65, 67, 69, 71, 73, 75, 82, 86, 121, 123, 125, 127, 129, 131, 133, 135, 137, 147, 149, 151, 153, 155, 157, 159, 161, 163, 193, 195, 197, 199, 201, 203, 205, 207, 209, 211, 231	
1001278847.....175	3290805 ... 27, 77, 93, 95, 163	4240018 ..... 117	
1001278848.....268	3290806. 97, 99, 101, 103, 105	4240032 ... 175, 177, 179, 181, 183	
1001281944.....268	3290807 ..... 82, 87	4240147 ..... 27	
1001281951.....268	3291005 ..... 77, 95	4360328 ..... 57, 59, 266	
1001282355.....268	3291007 ... 82, 86, 89, 93	4360336 ..... 231	
1001283411.....57	3291201 ..... 77	4360345 ..... 266	
1001283412.....59	3311502 ..... 95	4360469 ..... 57, 59, 266	
1001285138.....35	3321402 ..... 82, 86	4360475 ..... 59, 105, 266	
1001287762.....264	3322203 ..... 15, 17	4420051 ..... 264	
1001287763.....264	3340962 ..... 82, 86	4420062 97, 99, 101, 105	
1001287766.....264		4460042 ..... 165, 170	
1001288212.....264		4460115 ..... 165, 169	
1001288781.....17		4460138 ..... 121	
1001293376.....268		4460183 ... 165, 169, 217	
1060908.... 139, 141, 143		4460226 ..... 165, 169	
1320223..... 163		4460227 31, 33, 166, 170	
1321293.....31, 33, 35			
1321385.....82, 86			
1321752.....15, 17			
1380153.....13			
1600402.....105, 266			
1671207.....219			
1701504.... 240, 244, 248, 252, 256, 260			
1701640.... 240, 244, 248, 252, 256, 260			

## SECTION 10 - SPECIAL OPTIONS/ACCESSORIES/KITS

4460943 ..... 61, 173, 189, 191, 193, 195, 197, 199, 201, 203, 205, 207, 209, 211	117, 123, 125, 127, 129, 131, 133, 231	70007135.....111	70007916..... 21, 23
4460944 ..... 61, 145, 165, 166, 169, 170, 191, 193, 195, 197, 199, 201, 203, 205, 207, 209, 211	4811900 ... 13, 15, 17, 27, 47, 77, 93, 95, 97, 99, 101, 105, 163	70007137.....111	70007917 ..... 21, 23
4460956 ..... 141	4811902 ..... 27, 101, 103	70007138.....111	70007918 ..... 21, 23
4460957 ..... 141	4812000 ... 13, 15, 17, 27, 43, 45, 51, 77, 82, 86, 89, 95	70007252.....19	70007919 ..... 21, 23
4460965 ..... 166, 170	4812002 ..... 95	70007253.....19	70007920 ..... 21, 23
4460966 ..... 166, 170	4812100 ..... 77	70007254.....19	70007921 ..... 21, 23
4460968 ..... 135	4812500 ..... 15, 17, 27	70007255.....19	70007922 ..... 21, 23
4460970 ..... 215	4846757 ..... 13	70007256.....19	70007923 ..... 21, 23
4461016 ..... 217	5241000 ..... 77, 95	70007257.....19	70007924 ..... 21, 23
4461023 ..... 165, 169	70003636 ..... 111, 113	70007258.....19	70007925 ..... 21, 23
4461196 ..... 153, 221	70003685 ..... 53	70007259.....19	70007926 ..... 21, 23
4461198 ..... 221	70003686 ..... 53	70007260.....19	70007927 ..... 21, 23
4461199 ..... 155, 223	70003690 ..... 53	70007261.....19	70007928 ..... 21, 23
4461201 ..... 223	70003696 ..... 53	70007262.....19	70007929 ..... 21, 23
4461205 ... 157, 225, 227	70003734 ..... 53	70007263.....19	70007930 ..... 21, 23
4461244 ..... 225	70004585 ..... 111	70007264.....19	70007931 ..... 21, 23
4461245 ..... 227	70005236 ..... 111	70007265.....19	70007932 ..... 21, 23
4461246 ..... 229	70007074 ..... 113	70007266.....19	70007933 ..... 21, 23
4461249 ..... 159, 229	70007075 ..... 113	70007267.....19	70007934 ..... 21, 23
4461257 ..... 123, 125	70007076 ..... 113	70007268.....19	70007935 ..... 21
4461258 ..... 123, 125	70007077 ..... 113	70007269.....19	70007936 ..... 23
4711000 ..... 35	70007118 ..... 113	70007270.....19	70008142 ..... 111
4711700 ..... 105	70007120 ..... 53	70007272.....19	70008143 ..... 111
4711800 ..... 95	70007121 ..... 53	70007273.....19	7002821 ..... 268
4740438 ..... 82, 86	70007122 ..... 53	70007274.....19	7002822 ..... 268
4740531 ..... 82, 86	70007123 ..... 53	70007275.....19	7002823 ..... 268
4811400 82, 86, 103, 105, 121, 123, 125, 127, 129, 131, 133, 135, 151, 231	70007124 ..... 53	70007551 ..... 21, 23	7002826 ..... 268
4811700 ... 31, 33, 35, 39, 41, 57, 59, 61, 82, 86, 97, 99, 101, 103, 105,	70007125 ..... 53	7000790 ..... 21, 23	7004275 ..... 268
	70007126 ..... 53	70007902.....21, 23	7004276 ..... 268
	70007127 ..... 53	70007903.....21, 23	7007271 ..... 19
	70007128 ..... 53	70007904.....21, 23	7016654 ..... 268
	70007130 ..... 111	70007905.....21, 23	7020175 ..... 59, 105
	70007131 ..... 111	70007906.....21, 23	7020176 ..... 59, 105
	70007132 ..... 111	70007907.....21, 23	8220045 ..... 166
	70007133 ..... 111	70007909.....21, 23	8229031 ..... 166, 170
	70007134 ..... 111	70007910.....21, 23	8229234 ..... 173, 266
		70007911.....21, 23	8405204 ..... 55
		70007912.....21, 23	8896941 ..... 268
		70007913.....21, 23	8990147 ... 240, 244, 248, 252, 260
		70007914.....21, 23	
		70007915.....21, 23	



**Corporate Office  
JLG Industries, Inc.  
1 JLG Drive  
McConnellsburg, PA 17233-9533 USA  
☎ (717) 485-5161 (Corporate)  
☎ (877) 554-5438 (Customer Support)  
📠 (717) 485-6417**

**Visit our website for JLG Worldwide Locations.  
[www.jlg.com](http://www.jlg.com)**



**OSHKOSH™**