



Illustrated Parts Manual

***Model
R3246***

**PVC
2210**

**P/N
31220693**

September 7, 2023 - Rev C

ANSI

CE



**UK
CA**

AS/NZS



An Oshkosh Corporation Company

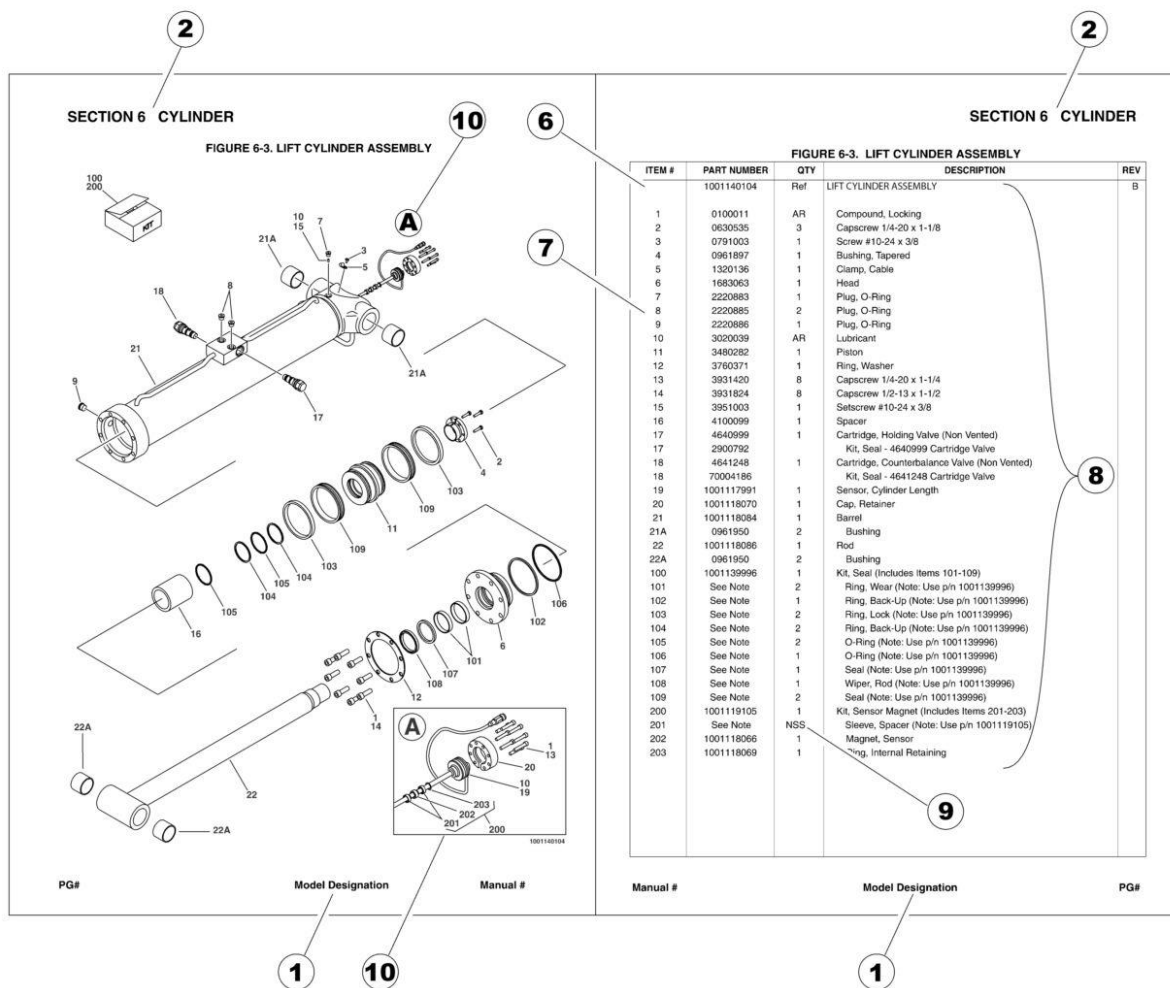
REVISION LOG

October 10, 2022 - A - Original Issue of Manual (1001380000 Rev AC & 1001245768 Rev C & 1001284862 A)

March 1, 2023 - B - Revised Manual (1001380000 Rev AD & 1001245768 Rev C & 1001284862 A)

September 7, 2023 - C - Revised Manual (1001380000 Rev AE & 1001245768 Rev C & 1001284862 A)

GENERAL INFORMATION



1) MACHINE IDENTIFICATION

Machines are identified by model and in some cases a combination of models, serial number (SN) or regional standard (i.e ANSI, CE, CSA). Components may also be identified by SN or manufacturer. Common components that may be identified by these characteristics are engines and hydraulic components.

2) PARTS MANUAL ORGANIZATION

Product information in this manual is organized under section titles. Frame, Cylinder, Hydraulic and Electrical are a few examples. Each section is organized by figure and page number. The information within the Figure is then organized by item number, part number, description and corresponding illustration (s).

3) TABLE OF CONTENTS (NOT SHOWN)

A table of contents is found toward the beginning of the manual. Figure number, description and page number are provided for quick reference to the page containing the related information.

4) RECOMMENDED SPARE PARTS (NOT SHOWN)

The Recommended Spare Parts List, located near the end of the manual, reference most frequently used maintenance parts.

5) PART NUMBER INDEX (NOT SHOWN)

A numerical index listing all part numbers and the corresponding page number(s) appears at the back of the manual.

GENERAL INFORMATION

6) NON-SERVICED PARTS

In some instances, it is necessary to display non-serviced parts, assemblies or installations. In the case of assemblies and installations there will be a Ref in the Qty. column. In case of parts that are not available for service within assemblies or components, there will be a NSS (Not Sold Separately) or NLA (No Longer Available) listed in the Qty. column of the manual.

7) PARTS LIST ITEM NUMBERS

Numbers shown in the item# column correspond to numbers used in the associated illustration (s). Item numbers which are missing from the sequence in the parts list are not used on that page.

8) INDENTED PARTS DESCRIPTION

An indented part description is included in the item under which it is indented.

9) ABBREVIATION AND SYMBOLS

AC.....	Alternating Current	L.....	Liter
ADE.....	Advanced Design Electronics	LB(LBS).....	Pounds
AG.....	Agricultural	LCD.....	Liquid Crystal Display
ANSI.....	American National Standards Institute	LED.....	Light Emitting Diodes
AR.....	As Required	LH.....	Left Hand
ASSY.....	Assembly	LRC.....	Low Rated Countries
AUS.....	Australia	LSS.....	Load Sensing System
AUX.....	Auxiliary	M(m).....	Metric/Meter
AWG.....	American Wire Gauge	MM(mm).....	Milimeter
B/M.....	Bill of Material	mA.....	Miliamps
CAC.....	Charge Air Cooler	NLA.....	No Longer Available
CE.....	European Conformity	NPT.....	National Pipe Threads
CCW.....	Counter Clockwise	NSS.....	Not Sold Separately
CM.....	Centimeter	OD.....	Outside Diameter
CW.....	Clockwise	ORB.....	O-Ring Boss
CSA.....	Canadian Standards Association	ORFS.....	O-Ring Face Seal
CYL.....	Cylinder	OZ (oz).....	Ounces
DIA.....	Diameter	PG.....	Page
DC.....	Direct Current	PN.....	Part Number
DEF.....	Diesel Exhaust Fluid	QT(qt.).....	Quarts
EMS.....	Emergency Stop	QTY.....	Quantity
ENG.....	Engine	REF.....	Reference
FT(ft).....	Feet	REV.....	Revision Level
GA(Ga).....	Gauge	RH.....	Right Hand
HRC.....	High Rated Countries	SAE.....	Society of Automotive Engineers
HVAC.....	Heating, Ventilating, and Air Conditioning	SN.....	Serial Number
HYD.....	Hydraulic	SPEC(S).....	Specifications
Hz.....	Hertz	T/T.....	Turntable
ID.....	Inside Diameter	UGM.....	Universal Ground Module
IN.....	inches	V.....	Volts
ISO.....	International Organization for Standards	W.....	Watts
JIC.....	Joint Industry Council	#.....	Number
KG.....	Kilogram		

10) ILLUSTRATION REFERENCE LETTERS

When necessary, illustrations may contain reference letters that are intended to track information (i. e. hoses, harnesses) from one point to another or to track visual enlargement of components to show details that may be located in another area on the illustration.

Note: Due to continuous product improvements, JLG Industries, Inc. reserves the right to make specification changes without prior notification. Contact JLG Industries, Inc. for updated information.

TABLE OF CONTENTS

SECTION 1 - FRAME.....	11
FIGURE 1-1. STEER INSTALLATION.....	12
FIGURE 1-2. DRIVE/BRAKE INSTALLATION	14
FIGURE 1-3. DRIVE MOTOR ASSEMBLY	16
FIGURE 1-4. TIRE/WHEEL INSTALLATION.....	18
FIGURE 1-5. POTHOLE PROTECTION SYSTEM INSTALLATION	20
FIGURE 1-6. TILT SENSOR INSTALLATION	22
FIGURE 1-7. BATTERY CHARGER INSTALLATION - DELTA-Q (WITHOUT CAN)	24
FIGURE 1-8. BATTERY CHARGER INSTALLATION - DELTA-Q (WITH CAN)	26
FIGURE 1-9. BATTERY CHARGER INSTALLATION - EAGLE PERFORMANCE	28
FIGURE 1-10. BATTERY CHARGER INSTALLATION - GREEN POWER	30
FIGURE 1-11. STROBE LIGHT INSTALLATION - SINGLE (AMBER) (WITHOUT GUARD)	32
FIGURE 1-12. STROBE LIGHT INSTALLATION - DUAL (AMBER) (WITHOUT GUARD).....	34
FIGURE 1-13. STROBE LIGHT INSTALLATION - SINGLE (AMBER) (WITH GUARD).....	36
FIGURE 1-14. STROBE LIGHT INSTALLATION - DUAL (AMBER) (WITH GUARD)	38
FIGURE 1-15. ALARM INSTALLATION (AMBIENT/WHITE NOISE)	40
FIGURE 1-16. LADDER INSTALLATION	42
FIGURE 1-17. FRAME COVERS INSTALLATION.....	44
SECTION 2 - GROUND CONTROLS	47
FIGURE 2-1. HYDRAULIC COMPONENTS INSTALLATION (WITH CONCENTRIC MOTOR/PUMP)	48
FIGURE 2-2. HYDRAULIC COMPONENTS INSTALLATION (WITH BUCHER MOTOR/PUMP)	50
FIGURE 2-3. MAIN VALVE ASSEMBLY	52
FIGURE 2-4. ELECTRICAL COMPONENTS INSTALLATION (MACHINES WITH SN STARTING WITH B2, G2 & M2)	54
FIGURE 2-5. ELECTRICAL COMPONENTS INSTALLATION - #1 (MACHINES WITH SN STARTING WITH 12)	56
FIGURE 2-6. ELECTRICAL COMPONENTS INSTALLATION - #2 (MACHINES WITH SN STARTING WITH 12)	58
FIGURE 2-7. ACCESS CONTROL KEYPAD INSTALLATION	60
FIGURE 2-8. MOBILE CONTROL INSTALLATION.....	62
FIGURE 2-9. MDI INSTALLATION	64
FIGURE 2-10. BATTERIES INSTALLATION - STANDARD 6V-255AH	66
FIGURE 2-11. BATTERIES INSTALLATION - STANDARD 6V-220AH	68
FIGURE 2-12. BATTERIES INSTALLATION - AGM 6V-220AH.....	70
FIGURE 2-13. BATTERIES INSTALLATION - AGM EVCG 6V-220AH.....	72
FIGURE 2-14. BATTERIES INSTALLATION - 6V-220AH (TROJAN)	74
FIGURE 2-15. INVERTER INSTALLATION (OPTIONAL)	76
FIGURE 2-16. DOORS INSTALLATION	78
SECTION 3 - SCISSORS ARMS	81
FIGURE 3-1. SCISSORS ARMS INSTALLATION (KOREAN, AUSTRALIAN, CE & UK CA SPECS) (Prior to SN M200068991, Prior to SN B200081955).....	82
FIGURE 3-2. SCISSORS ARMS INSTALLATION (CHINA SPECS)	86
FIGURE 3-3. SCISSORS ARMS INSTALLATION (ANSI, ANSI EXPORT, CSA & JAPANESE SPECS) (Prior to SN M200068991, Prior to SN B200081955).....	90
FIGURE 3-4. SCISSORS ARMS INSTALLATION (ANSI, ANSI EXPORT, CSA & JAPANESE SPECS) (Prior to SN M200068991, Prior to SN B200081955).....	92
FIGURE 3-5. SCISSORS ARMS INSTALLATION (ALL SPECS EXCEPT CHINA SPECS) (SN M200068991 through M200064543, SN B200081955 to Present)	96
FIGURE 3-6. SCISSORS ARMS INSTALLATION (ALL SPECS EXCEPT CHINA SPECS)	98
FIGURE 3-7. SCISSORS ARMS INSTALLATION (MACHINES WITH SN STARTING WITH M2)(ALL SPECS) (SN M200064543 to Present)	102
FIGURE 3-8. SCISSORS ARMS INSTALLATION (MACHINES WITH SN STARTING WITH M2)(ALL SPECS) (SN M200064543 to Present)	104
FIGURE 3-9. ARMS GUARD INSTALLATION	108
SECTION 4 - PLATFORM.....	111
FIGURE 4-1. PLATFORM INSTALLATION (ALL SPECS EXCEPT CHINA GB SPECS).....	112
FIGURE 4-2. PLATFORM INSTALLATION (CHINA GB SPECS)	114
FIGURE 4-3. PLATFORM EXTENSION INSTALLATION (ALL SPECS EXCEPT CHINA GB SPECS)	116
FIGURE 4-4. PLATFORM EXTENSION INSTALLATION (CHINA GB SPECS).....	118
FIGURE 4-5. RAILS INSTALLATION (TUBE IN TUBE)	120
FIGURE 4-6. RAILS INSTALLATION (SIDE BY SIDE) (ALL SPECS EXCEPT CHINA GB SPECS)	122
FIGURE 4-7. RAILS INSTALLATION (SIDE BY SIDE) (CHINA GB SPECS).....	124

TABLE OF CONTENTS

FIGURE 4-8. EXTENSION HANDLES INSTALLATION (OPTIONAL)	126
FIGURE 4-9. PLATFORM CONTROL INSTALLATION (MACHINES WITH SN STARTING WITH 12, B2 & M2)	128
FIGURE 4-10. PLATFORM CONTROL INSTALLATION (MACHINES WITH SN STARTING WITH G2)	130
FIGURE 4-11. CONTROLLER ASSEMBLY	132
FIGURE 4-12. GATE LATCH INSTALLATION	134
FIGURE 4-13. PIPE RACKS INSTALLATION (SIDE BY SIDE RAILS) (OPTIONAL)	136
FIGURE 4-14. PIPE RACK INSTALLATION (OPTIONAL)	138
FIGURE 4-15. OVERHEAD PROTECTION INSTALLATION (KOREAN SPECS)	140
FIGURE 4-16. WOKSTATION INSTALLATION (OPTIONAL)	142
FIGURE 4-17. ELECTRICIAN TREE INSTALLATION (OPTIONAL)	144
FIGURE 4-18. ELECTRICIANS PACKAGE INSTALLATION (OPTIONAL)	146
FIGURE 4-19. PLUMBER PACKAGE INSTALLATION (OPTIONAL)	148
FIGURE 4-20. PANEL CARRIER INSTALLATION (OPTIONAL)	150
FIGURE 4-21. WORKLIGHT INSTALLATION (OPTIONAL)	152
FIGURE 4-22. PLATFORM CONTROL PLUG INSTALLATION	154
FIGURE 4-23. USB/PHONE CRADLE INSTALLATION	156
FIGURE 4-24. MACHINIST VISE ACCESSORY	158
FIGURE 4-25. ELECTRICIANS TREE ACCESSORY	160
FIGURE 4-26. WORKSTATION ACCESSORY	162
FIGURE 4-27. PIPE RACK ASSEMBLY ACCESSORY	164
 SECTION 5 - CYLINDER	 167
FIGURE 5-1. LIFT CYLINDER ASSEMBLY	168
FIGURE 5-2. STEER CYLINDER ASSEMBLY	170
 SECTION 6 - HYDRAULIC	 173
FIGURE 6-1. HYDRAULIC COMPONENTS INSTALLATION (WITH CONCENTRIC MOTOR/PUMP)	174
FIGURE 6-2. HYDRAULIC COMPONENTS INSTALLATION (WITH BUCHER MOTOR/PUMP)	176
 SECTION 7 - ELECTRICAL	 179
FIGURE 7-1. AC BOX AT PLATFORM INSTALLATION - 110V GFI (ALL SPECS EXCEPT AUSTRALIAN, CE & UK CA SPECS)	180
FIGURE 7-2. AC BOX AT PLATFORM INSTALLATION - 110V IEC YELLOW (CE & UK CA SPECS)	182
FIGURE 7-3. AC BOX AT PLATFORM INSTALLATION - 220V IEC BLUE (CE & UK CA SPECS)	184
FIGURE 7-4. AC BOX AT PLATFORM INSTALLATION - 220V CEE7 POST GROUND (CE & UK CA SPECS)	186
FIGURE 7-5. AC BOX AT PLATFORM INSTALLATION - 220V CEE7 SIDE GROUND (CE & UK CA SPECS)	188
FIGURE 7-6. AC BOX AT PLATFORM INSTALLATION - 220V AFSINT 107 (CE & UK CA SPECS)	190
FIGURE 7-7. AC BOX AT PLATFORM INSTALLATION - 220V CHINA PLUG (CHINA SPECS)	192
FIGURE 7-8. AC BOX AT PLATFORM INSTALLATION - 220V LOCALLY SUPPLIED COMPONENTS (ALL SPECS)	194
FIGURE 7-9. AC BOX AT PLATFORM INSTALLATION - 220V (AUSTRALIAN SPECS)	196
FIGURE 7-10. BREAKER BOX KIT WITH 1 DOUBLE 30MAMP/16AMP BREAKER	198
FIGURE 7-11. BREAKER BOX KIT WITH 3 BREAKERS	200
FIGURE 7-12. BREAKER BOX KIT WITH 1 DOUBLE 30MAMP/10AMP BREAKER	202
FIGURE 7-13. CHARGER HARNESS (CHARGER WITH COMMUNICATION PORT)	204
FIGURE 7-14. CHARGER HARNESS (CHARGER WITH COMMUNICATION PORT)	206
FIGURE 7-15. CHARGER PLUG INSTALLATION (NO PLUG)	208
FIGURE 7-16. CHARGER PLUG INSTALLATION (110V PLUG)	210
FIGURE 7-17. CHARGER PLUG INSTALLATION (KOREAN PLUG)	212
FIGURE 7-18. CHARGER PLUG INSTALLATION (CEE7 PLUG)	214
FIGURE 7-19. CHARGER PLUG INSTALLATION (AFSINT 107 PLUG)	216
FIGURE 7-20. CHARGER PLUG INSTALLATION (IEC YELLOW PLUG)	218
FIGURE 7-21. CHARGER PLUG INSTALLATION (IEC BLUE PLUG)	220
FIGURE 7-22. CHARGER PLUG INSTALLATION (CHINA PLUG)	222
FIGURE 7-23. CHARGER PLUG INSTALLATION (AUSTRALIAN PLUG)	224
FIGURE 7-24. CHASSIS HARNESS	226
FIGURE 7-25. CLEARSKY INSTALLATION - 3 WIRE (ALL SPECS EXCEPT CHINA SPECS)	230
FIGURE 7-26. CLEARSKY INSTALLATION - 3G	232
FIGURE 7-27. CLEARSKY INSTALLATION - 4G (ALL SPECS EXCEPT CHINA SPECS)	234
FIGURE 7-28. CLEARSKY INSTALLATION - 4G (CHINA SPECS)	236
FIGURE 7-29. CLEARSKY HARNESS - 3 WIRE (ALL SPECS)	238
FIGURE 7-30. CLEARSKY JUMPER HARNESS - 3 WIRE (ALL SPECS EXCEPT CHINA SPECS)	240
FIGURE 7-31. CLEARSKY HARNESS - 3G & 4G (ALL SPECS EXCEPT CHINA SPECS)	242
FIGURE 7-32. CLEARSKY HARNESS - 4G (CHINA SPECS)	244
FIGURE 7-33. CLEARSKY SPLICE HARNESS - 3G & 4G (ALL SPECS EXCEPT CHINA SPECS)	246

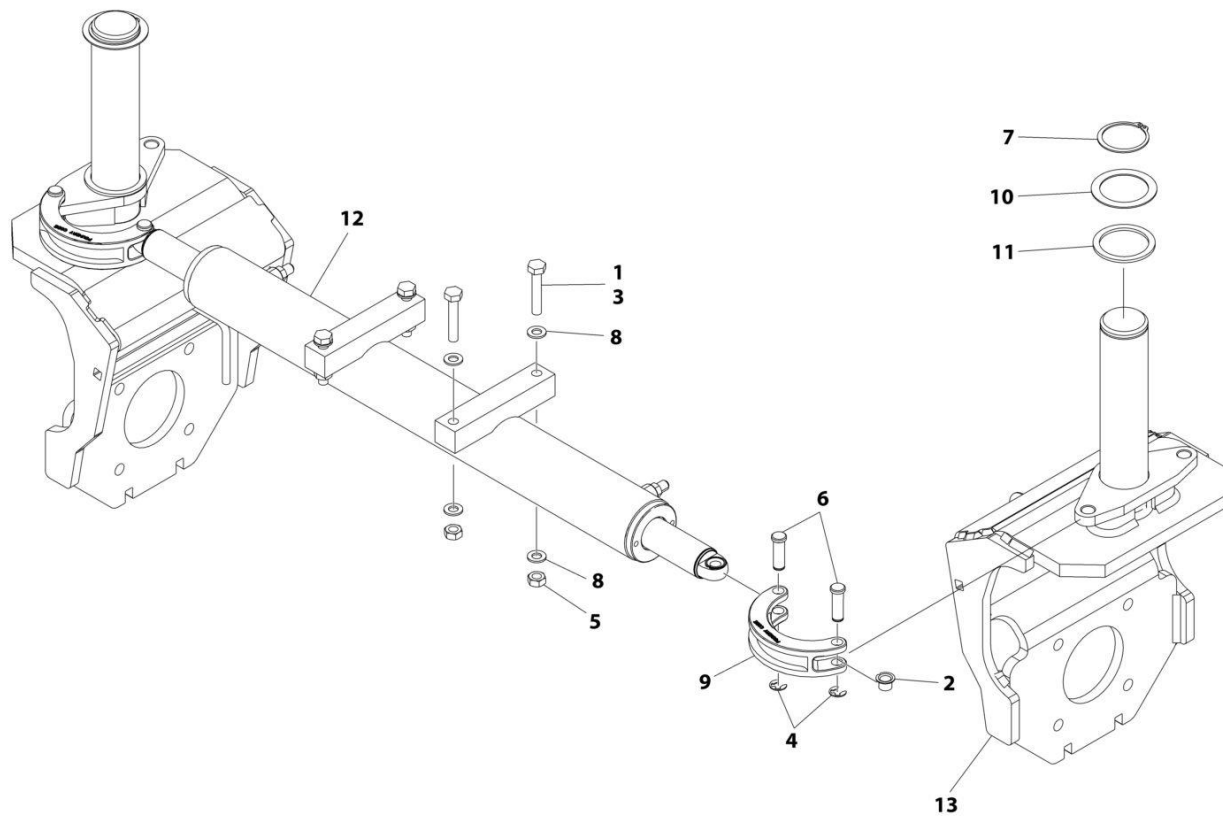
TABLE OF CONTENTS

FIGURE 7-34. GROUND TO PLATFORM CABLE INSTALLATION - WITHOUT PLATFORM COIL CABLE (MACHINES WITH SN STARTING WITH 12, B2, G2 & M2).....	248
FIGURE 7-35. GROUND TO PLATFORM CABLE INSTALLATION - WITHOUT PLATFORM COIL CABLE & WITH FOOTSWITCH (MACHINES WITH SN STARTING WITH 12, B2 & G2).....	250
FIGURE 7-36. GROUND TO PLATFORM CABLE INSTALLATION - WITH PLATFORM COIL CABLE (MACHINES WITH SN STARTING WITH 12, B2, G2 & M2).....	252
FIGURE 7-37. GROUND TO PLATFORM CABLE INSTALLATION - WITH PLATFORM COIL CABLE & FOOTSWITCH (MACHINES WITH SN STARTING WITH 12, B2 & G2).....	254
FIGURE 7-38. GROUND TO PLATFORM CABLE INSTALLATION - PLATFORM STRAIGHT CABLE ONLY (MACHINES WITH SN STARTING WITH 12, B2 & G2).....	256
FIGURE 7-39. GROUND TO PLATFORM CABLE INSTALLATION - PLATFORM COIL CABLE ONLY (MACHINES WITH SN STARTING WITH 12, B2 & G2).....	258
FIGURE 7-40. GROUND TO PLATFORM CABLE INSTALLATION - SCISSORS ARMS CABLE ONLY (MACHINES WITH SN STARTING WITH 12, B2 & G2).....	260
FIGURE 7-41. GROUND TO PLATFORM CABLE INSTALLATION – WITH METAL RECTANGLE (MACHINES WITH SN STARTING WITH 12, B2 & G2).....	262
FIGURE 7-42. LIFT DOWN HARNESS.....	264
FIGURE 7-43. PLATFORM CONTROL BOX HARNESS (MACHINES WITH SN STARTING WITH 12, B2 & M2).....	266
FIGURE 7-44. PLATFORM CONTROL BOX HARNESS (MACHINES WITH SN STARTING WITH G2).....	268
FIGURE 7-45. RECEPTACLE BOX KIT - 110V GFI.....	270
FIGURE 7-46. RECEPTACLE BOX KIT - 110V IEC YELLOW (CE & UK CA SPEC).....	272
FIGURE 7-47. RECEPTACLE BOX KIT - 220V IEC BLUE (CE & UK CA SPEC).....	274
FIGURE 7-48. RECEPTACLE BOX KIT - 220V CEE7 POST GROUND (CE & UK CA SPEC).....	276
FIGURE 7-49. RECEPTACLE BOX KIT - 220V CEE7 SIDE GROUND (CE & UK CA SPEC).....	278
FIGURE 7-50. RECEPTACLE BOX KIT - 220V AFSINT 107 (CE & UK CA SPEC).....	280
SECTION 8 - DECALS.....	283
FIGURE 8-1. DECAL INSTALLATION (ANSI SPECS).....	284
FIGURE 8-2. DECAL INSTALLATION (AUSTRALIAN SPECS).....	286
FIGURE 8-3. DECAL INSTALLATION (BRAZIL SPECS).....	288
FIGURE 8-4. DECAL INSTALLATION (CE & UK CA SPECS).....	290
FIGURE 8-5. DECAL INSTALLATION (CHINA SPECS).....	292
FIGURE 8-6. DECAL INSTALLATION (CSA SPECS).....	294
FIGURE 8-7. DECAL INSTALLATION (KOREAN SPECS).....	296
FIGURE 8-8. DECAL INSTALLATION (LATIN AMERICAN SPECS).....	298
FIGURE 8-9. DECAL INSTALLATION - OPTIONS.....	300
SECTION 9 - RECOMMENDED SERVICE PARTS STOCK.....	303
FIGURE 9-1. RECOMMENDED SERVICE PARTS STOCK.....	304
SECTION 10 - SPECIAL OPTIONS/ACCESSORIES/KITS.....	305
FIGURE 10-1. SPECIAL OPTIONS/ACCESSORIES/KITS.....	306
PART NUMBER INDEX.....	309

SECTION 1 - FRAME

SECTION 1 - FRAME

FIGURE 1-1. STEER INSTALLATION



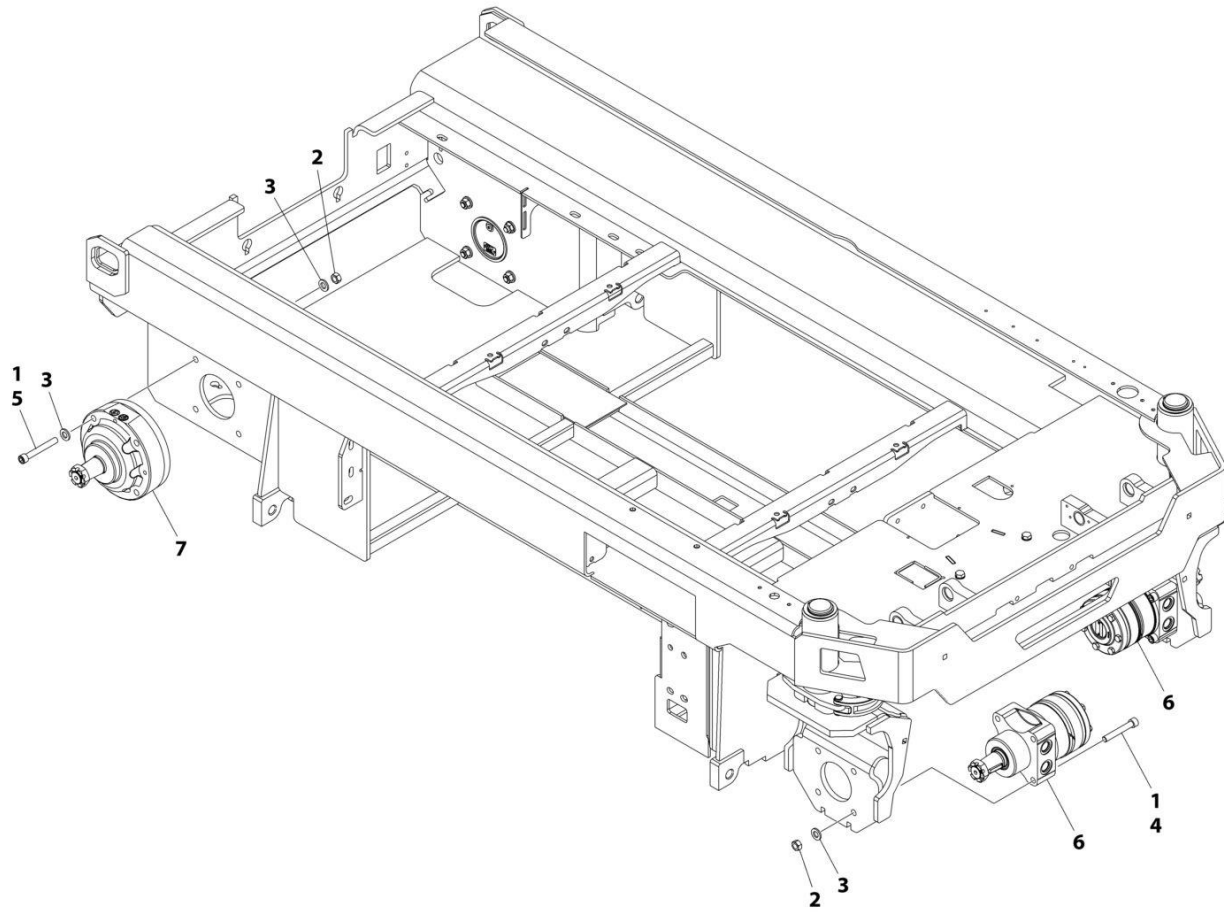
ART_1001234316

FIGURE 1-1. STEER INSTALLATION

ITEM	PART NUMBER	QTY	DESCRIPTION	REV
	1001234316	Ref	STEER INSTALLATION	B
1	0100011	AR	Compound, Locking	
2	0440259	2	Bearing	
3	0761019	4	Bolt M10 x 55	
4	1380153	4	E-Clip	
5	3291001	4	Nut M10	
6	3423037	4	Pin	
7	3760217	2	Ring, Retaining	
8	4812000	8	Washer M10	
9	4846757	2	Link	
10	1001197396	2	Washer	
11	1001205751	2	Washer	
12	1001233449	1	Steer Cylinder Assembly (See Separate Breakdown in Cylinder Section)	
13	1001234838	2	Spindle	

SECTION 1 - FRAME

FIGURE 1-2. DRIVE/BRAKE INSTALLATION



ART_1001290405

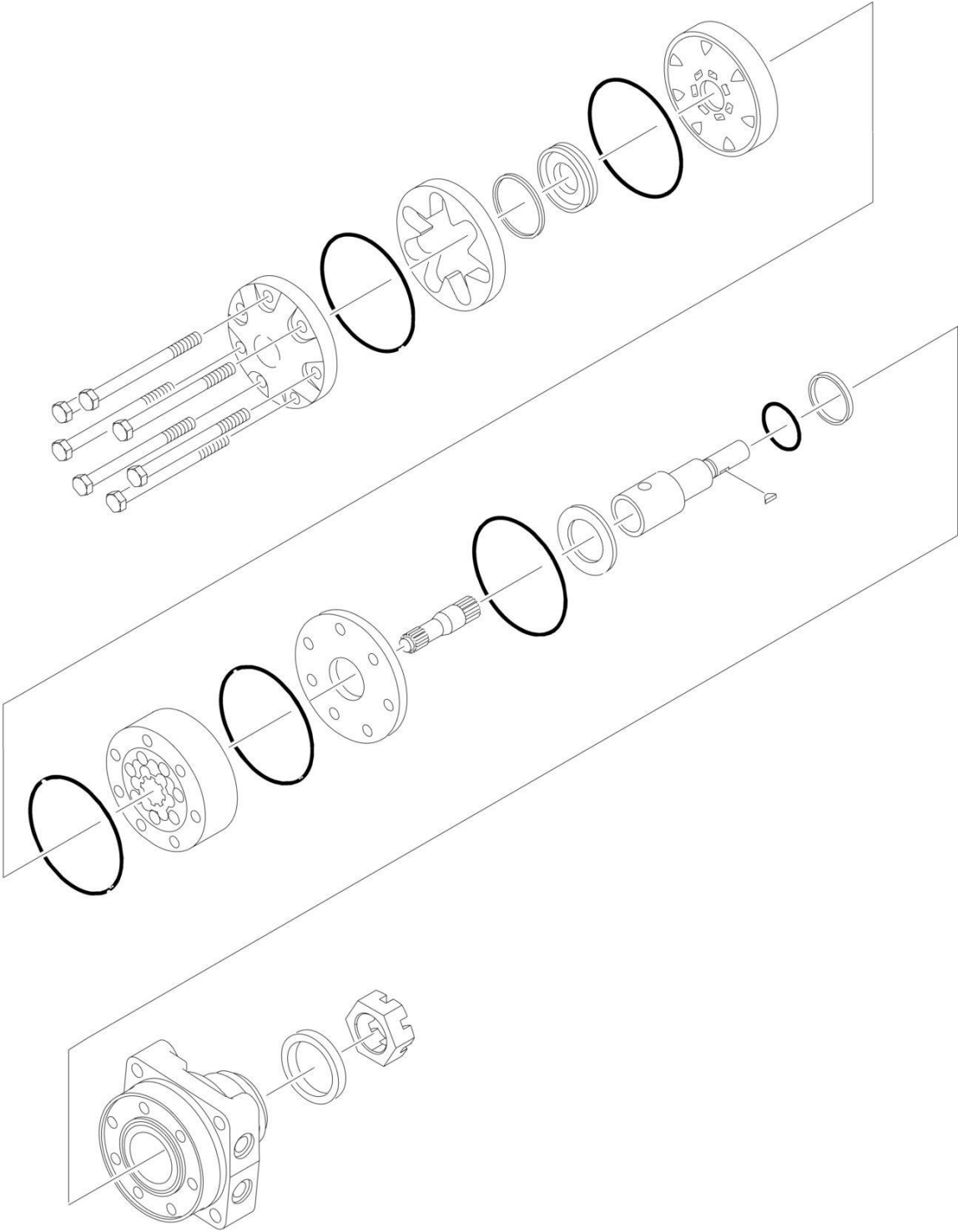
SECTION 1 - FRAME

FIGURE 1-2. DRIVE/BRAKE INSTALLATION

ITEM	PART NUMBER	QTY	DESCRIPTION	REV
	1001290405	Ref	DRIVE/BRAKE INSTALLATION	A
1	0100011	AR	Compound, Locking	
2	3331211	16	Nut M12 Class 10	
3	5241200	24	Washer M12	
4	5272120	8	Capscrew M12 x 80 Class 12.9	
5	5272122	8	Capscrew M12 x 90 Class 12.9	
6	1001289248	2	Drive Motor Assembly (See Separate Breakdown in this Section)	
7	1001202773	2	Drive Brake Assembly (Note: No Internal Service Parts Available)	
7	70005918	1	Key, Shaft	
7	70005919	1	Nut 1-1/8	

SECTION 1 - FRAME

FIGURE 1-3. DRIVE MOTOR ASSEMBLY



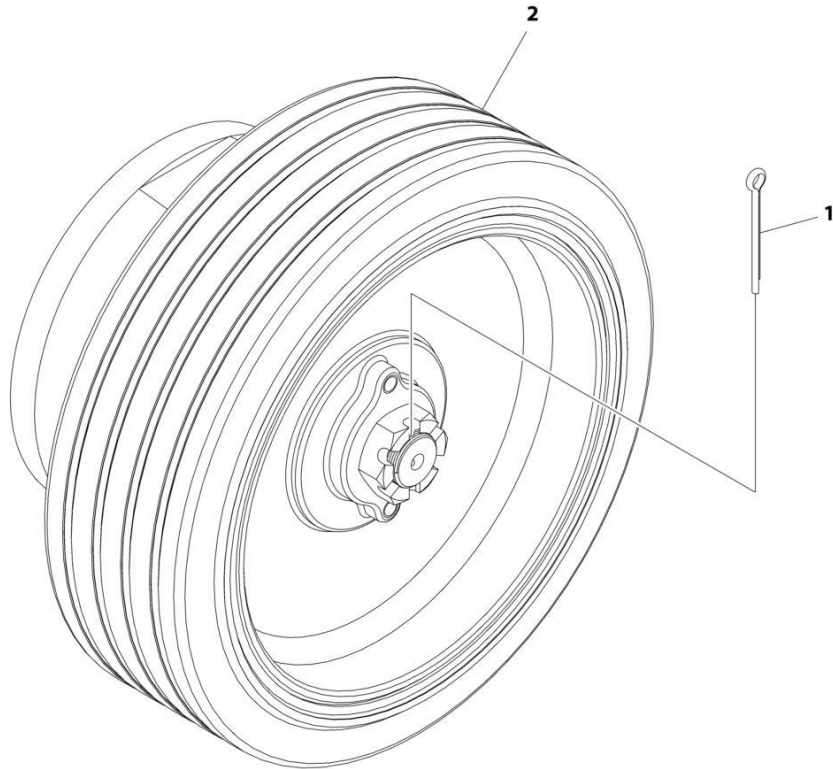
ART_1001289248

FIGURE 1-3. DRIVE MOTOR ASSEMBLY

ITEM	PART NUMBER	QTY	DESCRIPTION	REV
	1001289248 See Note	Ref Ref	DRIVE MOTOR ASSEMBLY Note: No Other Service Parts Available at Time of Printing.	A

SECTION 1 - FRAME

FIGURE 1-4. TIRE/WHEEL INSTALLATION



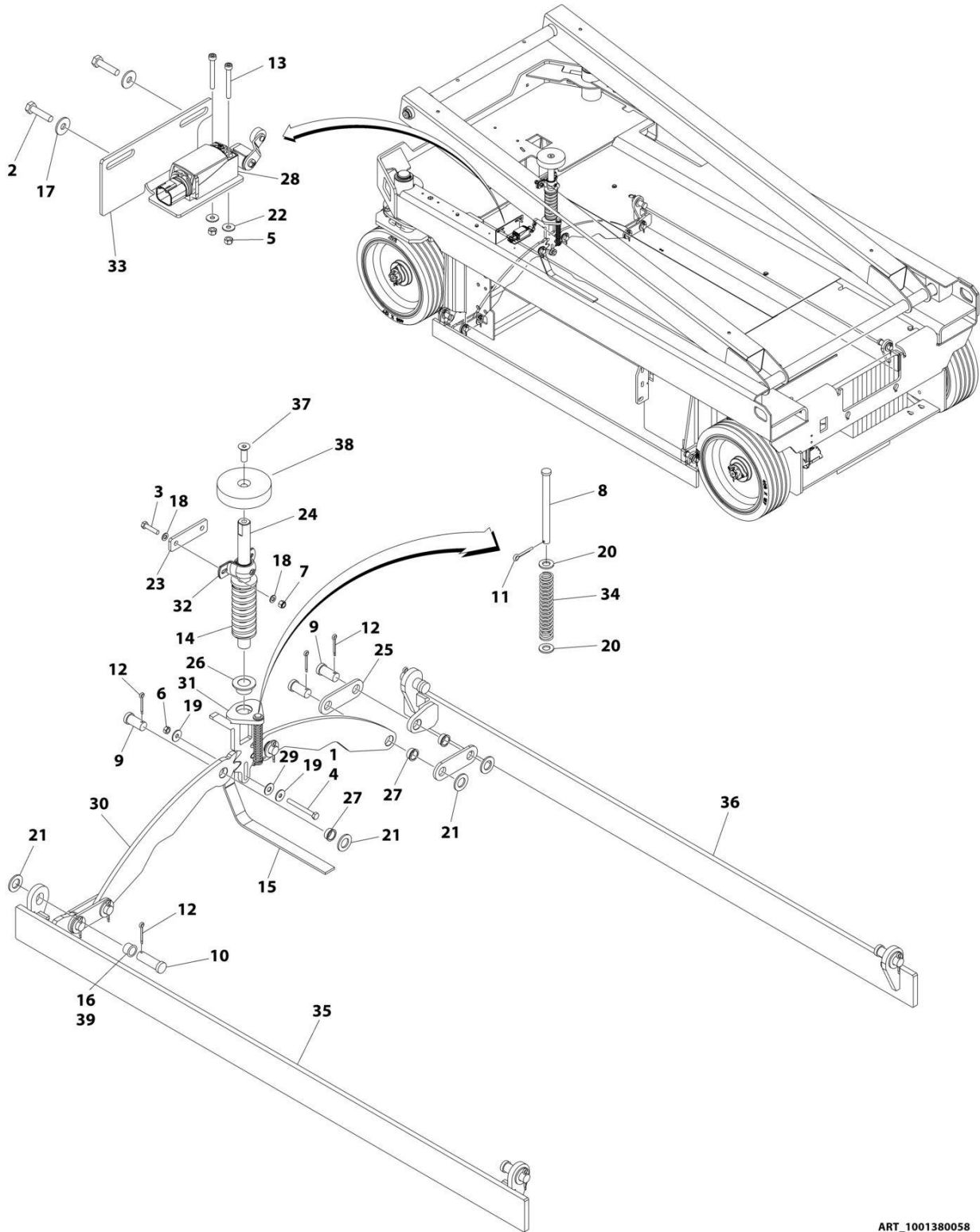
ART_1001213928

FIGURE 1-4. TIRE/WHEEL INSTALLATION

ITEM	PART NUMBER	QTY	DESCRIPTION	REV
	1001213928	Ref	TIRE AND WHEEL INSTALLATION	A
		Ref	Note: Must Replace Tire and Wheel Assemblies in pairs per axle.	
1	3450508	4	Pin, Cotter 5/32 x 2	
2	1001212187	4	Tire and Wheel	

SECTION 1 - FRAME

FIGURE 1-5. POTHOLE PROTECTION SYSTEM INSTALLATION



ART_1001380058

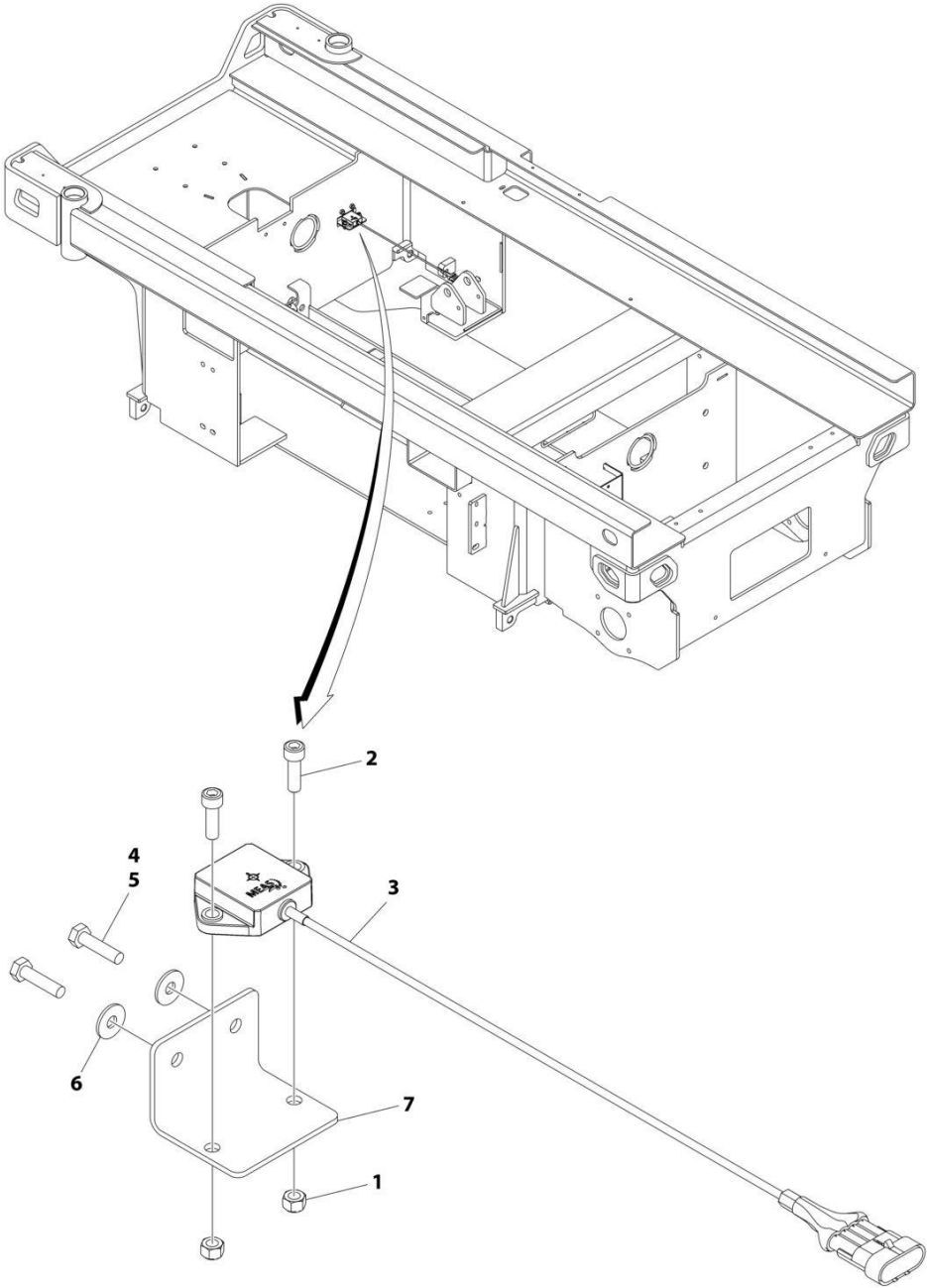
SECTION 1 - FRAME

FIGURE 1-5. POTHOLE PROTECTION SYSTEM INSTALLATION

ITEM	PART NUMBER	QTY	DESCRIPTION	REV
	1001380058	Ref	POTHOLE PROTECTION SYSTEM INSTALLATION	D
1	0100011	AR	Compound, Locking	
2	0700612	2	Bolt M6 x 25	
3	0700815	2	Bolt M8 x 35	
4	0700823	1	Bolt M8 x 75	
5	3290405	2	Nut M4	
6	3290801	1	Nut M8	
7	3290805	2	Nut M8	
8	3430636	1	Pin	
9	3431212	6	Pin	
10	3431218	4	Pin	
11	3450403	1	Pin, Cotter 1/8 x 3/4	
12	3450505	10	Pin, Cotter 5/32 x 1/2	
13	4031511	2	Capscrew M4 x 35	
14	4160202	1	Spring	
15	4240147	1	Strap, Anti-Static	
16	4740086	NLA	Washer (Use Item 39)	
17	4811702	2	Washer M6	
18	4811900	4	Washer M8	
19	4811902	2	Washer M8	
20	4812000	2	Washer M10	
21	4812500	10	Washer M20	
22	1001091102	2	Washer M4	
23	1001202987	1	Plate, Mounting	
24	1001214528	1	Actuator (Upper) (Cylindrical Shaft Machined at Top - as Shown)	
24	1001202988	1	Actuator (Upper) (Full Length Cylindrical Shaft - Not Shown)	
25	1001202999	4	Link	
26	1001203869	1	Bearing	
27	1001203870	6	Bearing	
28	1001203871	1	Switch, Limit	
29	1001203872	1	Washer	
30	1001213597	2	Plate, Pinion	
31	1001214526	1	Actuator (Lower)	
32	1001215953	1	Bearing	
33	1001218307	1	Plate, Sensor Mounting	
34	1001227855	1	Spring	
35	1001234797	1	Bar (LH)	
36	1001234798	1	Bar (RH)	
37	1001110302	1	Screw M12 x 35	
38	1001214534	1	Pad	
39	0440263	4	Bearing, Flange	

SECTION 1 - FRAME

FIGURE 1-6. TILT SENSOR INSTALLATION



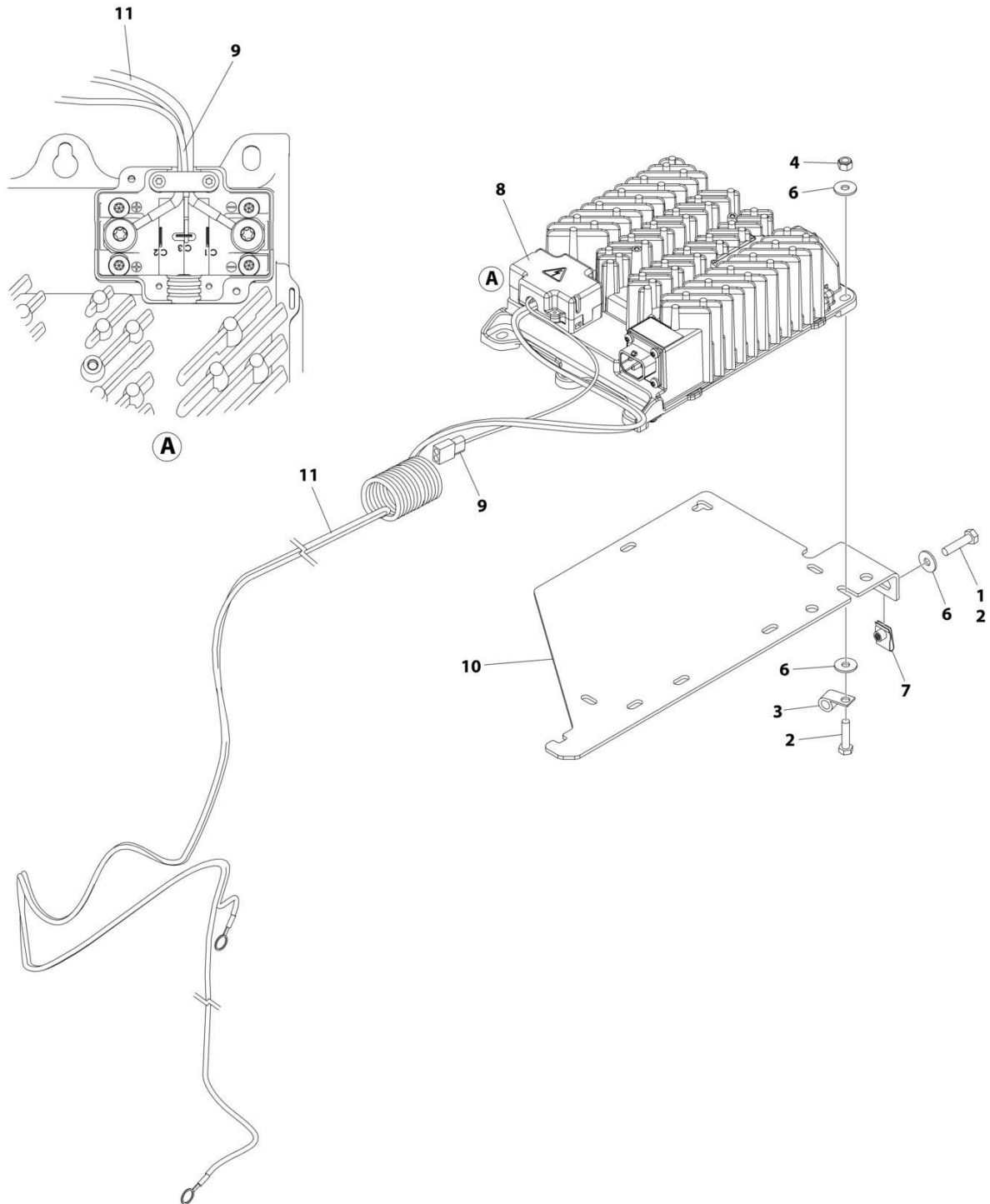
ART_1001214217

FIGURE 1-6. TILT SENSOR INSTALLATION

ITEM	PART NUMBER	QTY	DESCRIPTION	REV
	1001214217	Ref	TILT SENSOR INSTALLATION	D
1	3290601	2	Nut M6	
2	4031708	2	Capscrew M6 x 20	
3	1001186466	1	Sensor, Tilt	
4	0100011	AR	Compound, Locking	
5	0700612	2	Bolt M6 x 25	
6	4811702	2	Washer M6	
7	1001217059	1	Plate, Mounting	

SECTION 1 - FRAME

FIGURE 1-7. BATTERY CHARGER INSTALLATION - DELTA-Q (WITHOUT CAN)



ART_1001263256

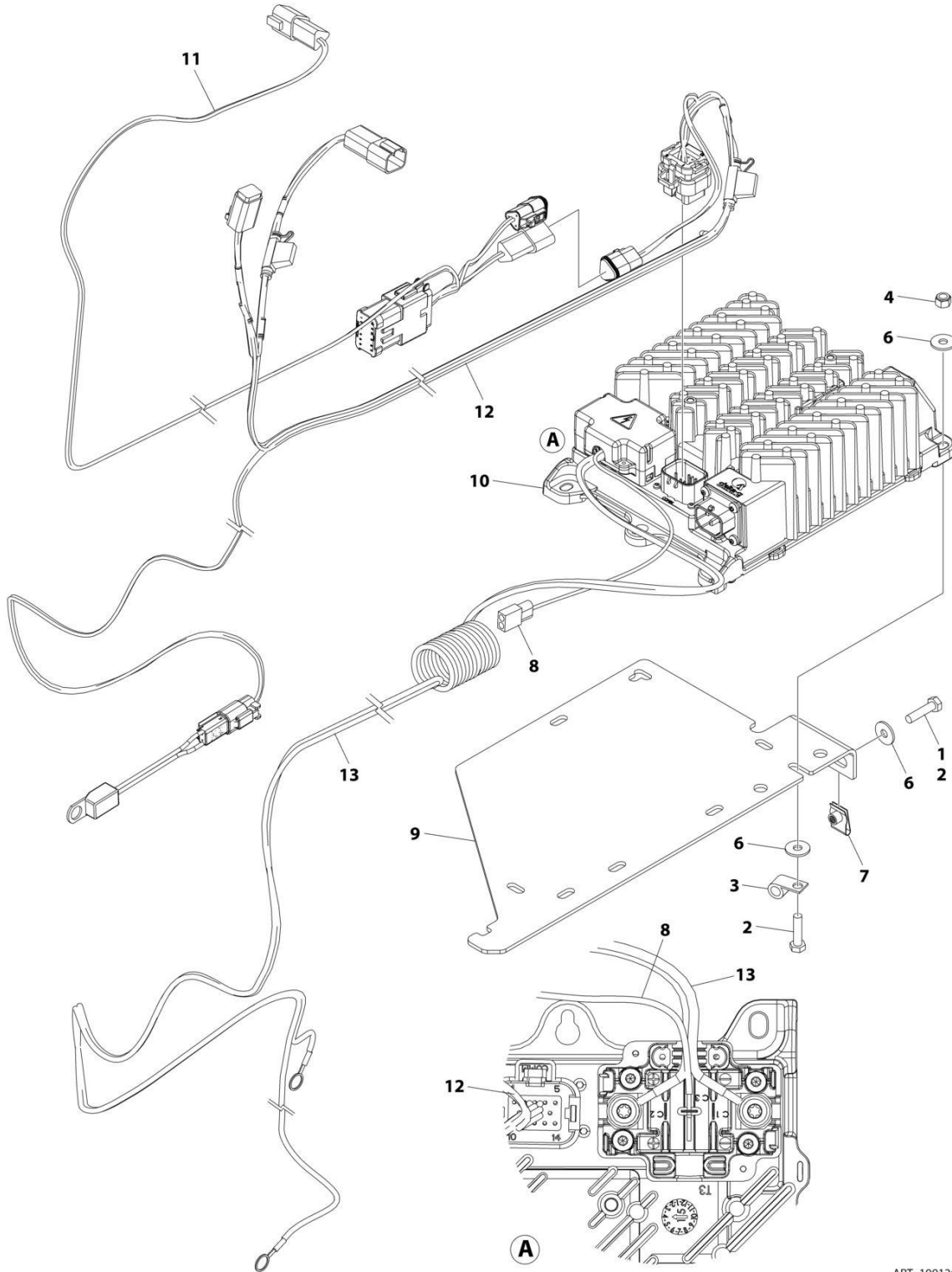
SECTION 1 - FRAME

FIGURE 1-7. BATTERY CHARGER INSTALLATION - DELTA-Q (WITHOUT CAN)

ITEM	PART NUMBER	QTY	DESCRIPTION	REV
	1001263256	Ref	BATTERY CHARGER INSTALLATION - DELTA-Q	A
1	0100011	AR	Compound, Locking	
2	0760612	5	Bolt M6 x 25	
3	1321293	1	Clamp	
4	3290605	3	Nut M6	
5	4240017	AR	Tie-Strap (Not Shown)	
6	4811702	8	Washer M6	
7	1001130220	2	Nut, Tinnerman M6	
8	1001200561	1	Charger, Battery - Delta-Q	
9	1001207009	1	Charger Interlock Harness	
9	4460424	1	Receptacle, Female - 2 Position	
9	4460227	2	Pin, Male	
10	1001236139	1	Bracket	
11	1001256642	1	Charger DC Connection Harness	

SECTION 1 - FRAME

FIGURE 1-8. BATTERY CHARGER INSTALLATION - DELTA-Q (WITH CAN)



ART_1001263257

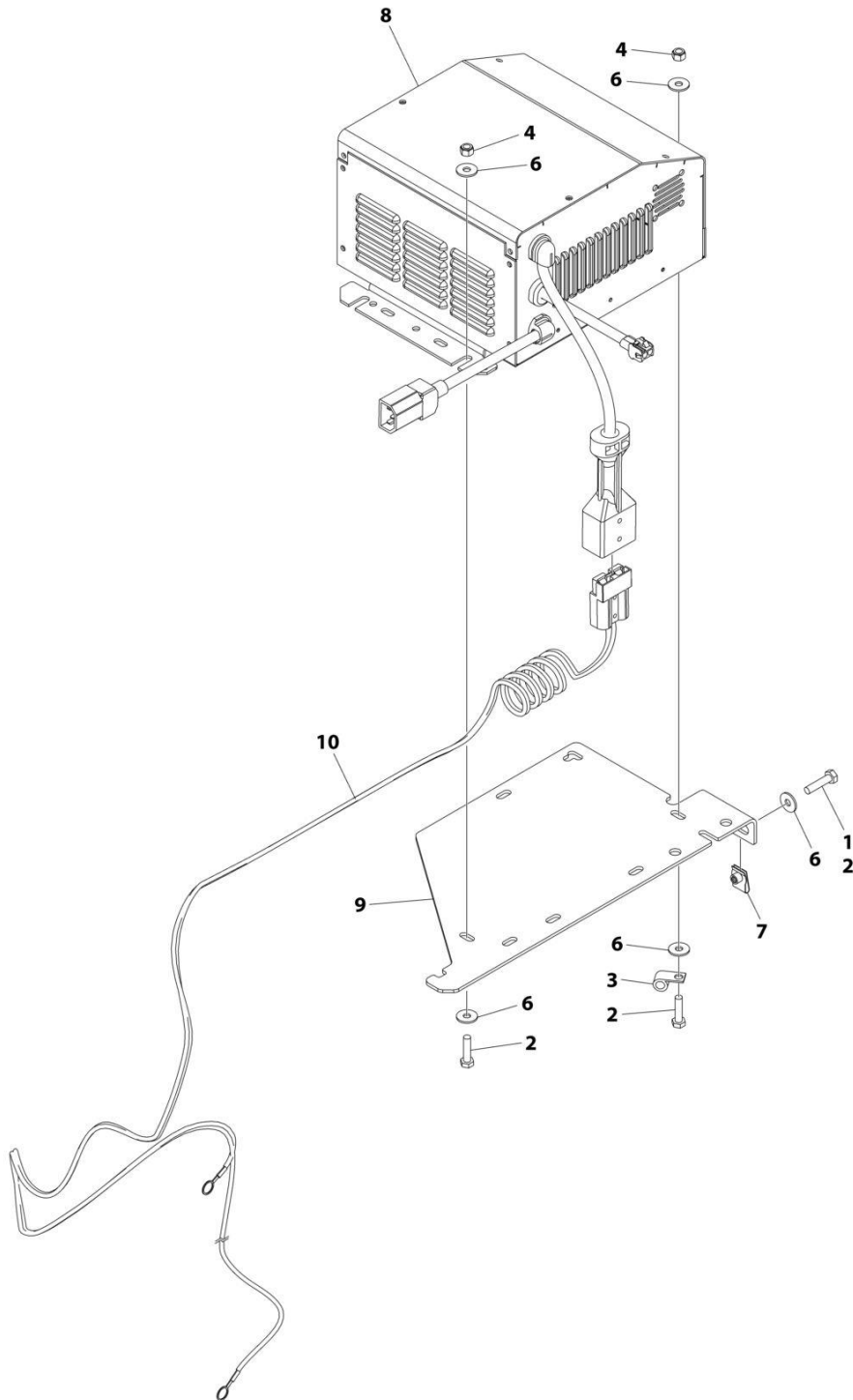
SECTION 1 - FRAME

FIGURE 1-8. BATTERY CHARGER INSTALLATION - DELTA-Q (WITH CAN)

ITEM	PART NUMBER	QTY	DESCRIPTION	REV
	1001263257	Ref	BATTERY CHARGER INSTALLATION - DELTA-Q	A
1	0100011	AR	Compound, Locking	
2	0760612	5	Bolt M6 x 25	
3	1321293	1	Clamp	
4	3290605	3	Nut M6	
5	4240017	AR	Tie-Strap (Not Shown)	
6	4811702	8	Washer M6	
7	1001130220	2	Nut, Tinnerman M6	
8	1001207009	1	Charger Interlock Harness	
8	4460424	1	Receptacle, Female - 2 Position	
8	4460227	2	Pin, Male	
9	1001236139	1	Bracket	
10	1001253952	1	Charger, Battery - Delta-Q	
11	1001254027	1	Can Splice Harness (See Separate Breakdown in ELECTRICAL Section)	
12	1001254028	1	Charger To Battery Harness (See Separate Breakdown in ELECTRICAL Section)	
13	1001256642	1	Battery Charger to DC Connection Cable	

SECTION 1 - FRAME

FIGURE 1-9. BATTERY CHARGER INSTALLATION - EAGLE PERFORMANCE



ART_1001263258

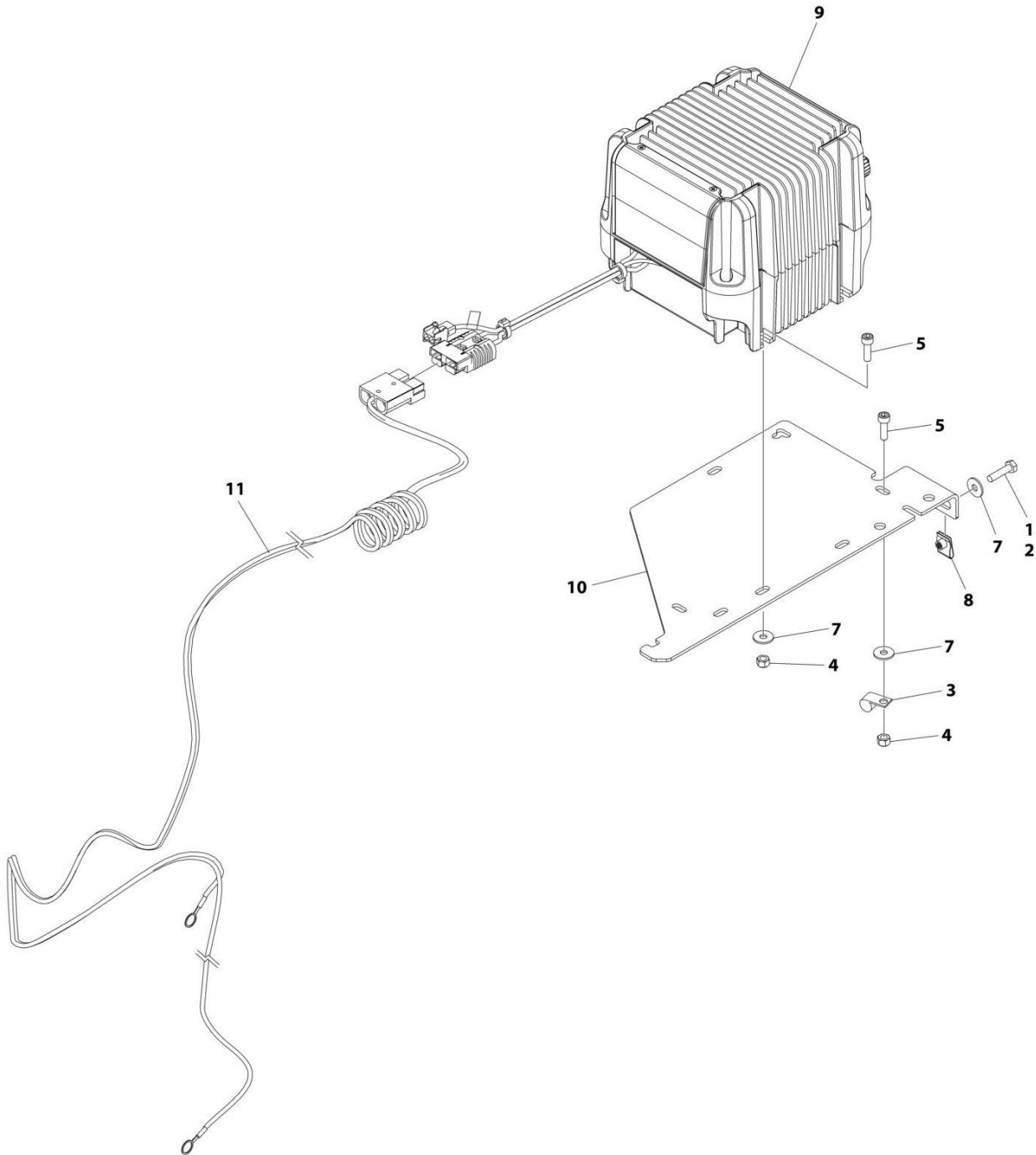
SECTION 1 - FRAME

FIGURE 1-9. BATTERY CHARGER INSTALLATION - EAGLE PERFORMANCE

ITEM	PART NUMBER	QTY	DESCRIPTION	REV
	1001263258	Ref	BATTERY CHARGER INSTALLATION - EAGLE PERFORMANCE	A
1	0100011	AR	Compound, Locking	
2	0760612	5	Bolt M6 x 20	
3	1321293	1	Clamp	
4	3290605	3	Nut M6	
5	4240017	AR	Tie-Strap (Not Shown)	
6	4811702	8	Washer M6	
7	1001130220	2	Nut, Tinnerman M6	
8	1001206995	1	Charger, Battery - Eagle Performance	
9	1001236139	1	Bracket	
10	1001256643	1	Charger DC Connection Harness	

SECTION 1 - FRAME

FIGURE 1-10. BATTERY CHARGER INSTALLATION - GREEN POWER



ART_1001263259

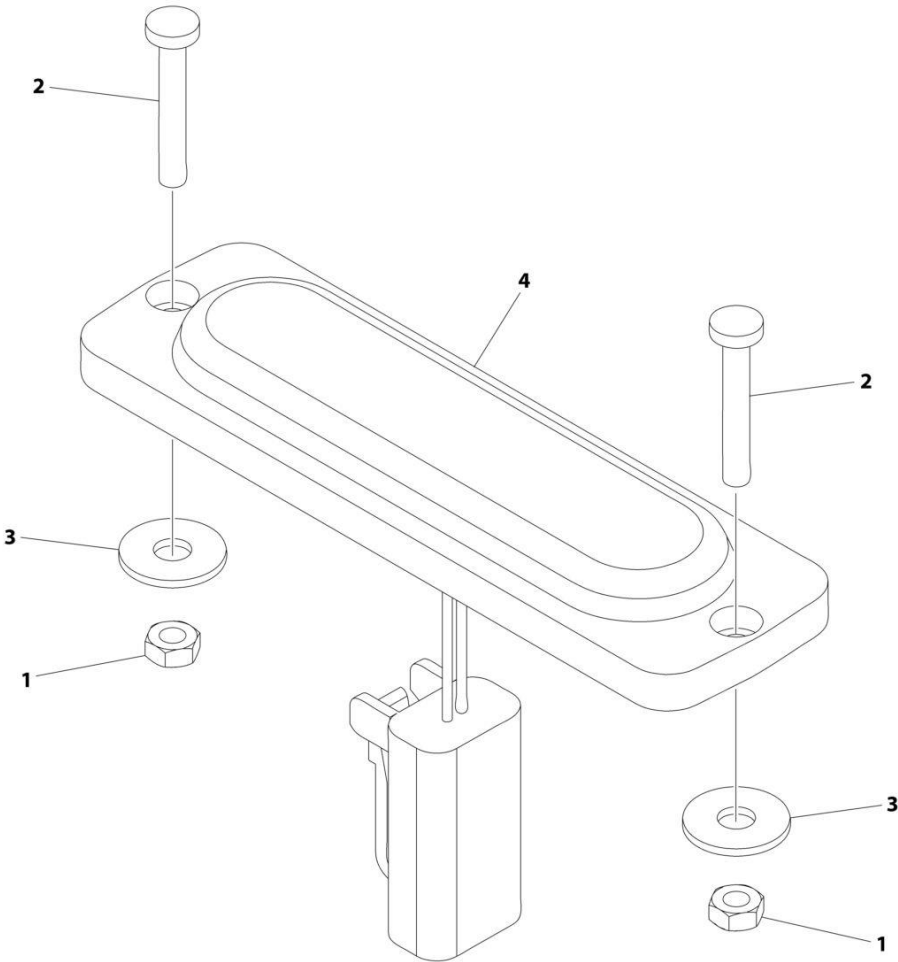
SECTION 1 - FRAME

FIGURE 1-10. BATTERY CHARGER INSTALLATION - GREEN POWER

ITEM	PART NUMBER	QTY	DESCRIPTION	REV
	1001263259	Ref	BATTERY CHARGER INSTALLATION - GREEN POWER	A
1	0100011	AR	Compound, Locking	
2	0700612	2	Bolt M6 x 25	
3	1321293	1	Clamp, Cable	
4	3290605	4	Nut M6	
5	4031708	4	Capscrew M6 x 20	
6	4240017	AR	Tie-Strap (Not Shown)	
7	4811702	6	Washer M6	
8	1001130220	2	Nut, Tinnerman M6	
9	1001205598	1	Charger, Battery Green Power	
10	1001236139	1	Bracket	
11	1001256643	1	Charger DC Connection Harness	

SECTION 1 - FRAME

FIGURE 1-11. STROBE LIGHT INSTALLATION - SINGLE (AMBER) (WITHOUT GUARD)



ART_1001242988

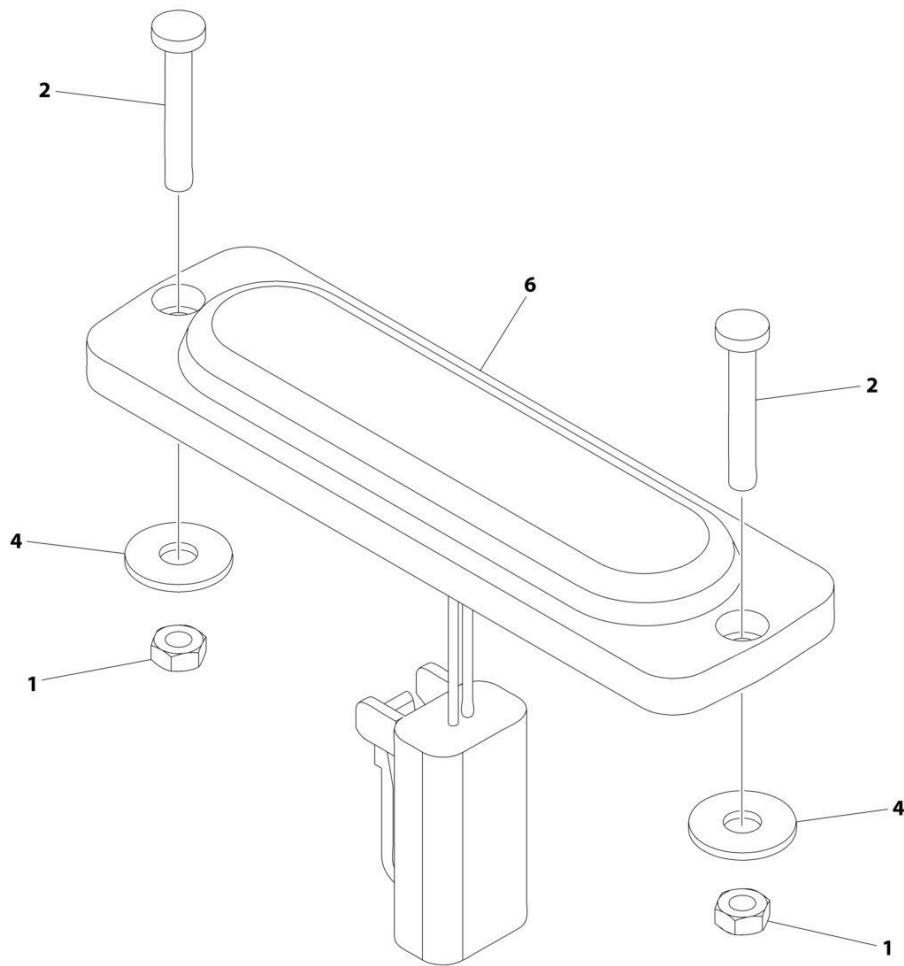
SECTION 1 - FRAME

FIGURE 1-11. STROBE LIGHT INSTALLATION - SINGLE (AMBER) (WITHOUT GUARD)

ITEM	PART NUMBER	QTY	DESCRIPTION	REV
	1001242988	Ref	STROBE LIGHT INSTALLATION - SINGLE (AMBER) (WITHOUT GUARD)	C
1	3290305	2	Nut M3	
2	4010310	2	Screw M3 x 20	
3	1001091102	2	Washer M4	
4	1001239224	1	Light, Strobe	
4	4460891	1	Plug, Male - 2 Position	
4	4460465	2	Socket, Female	

SECTION 1 - FRAME

FIGURE 1-12. STROBE LIGHT INSTALLATION - DUAL (AMBER) (WITHOUT GUARD)



ART_1001242989

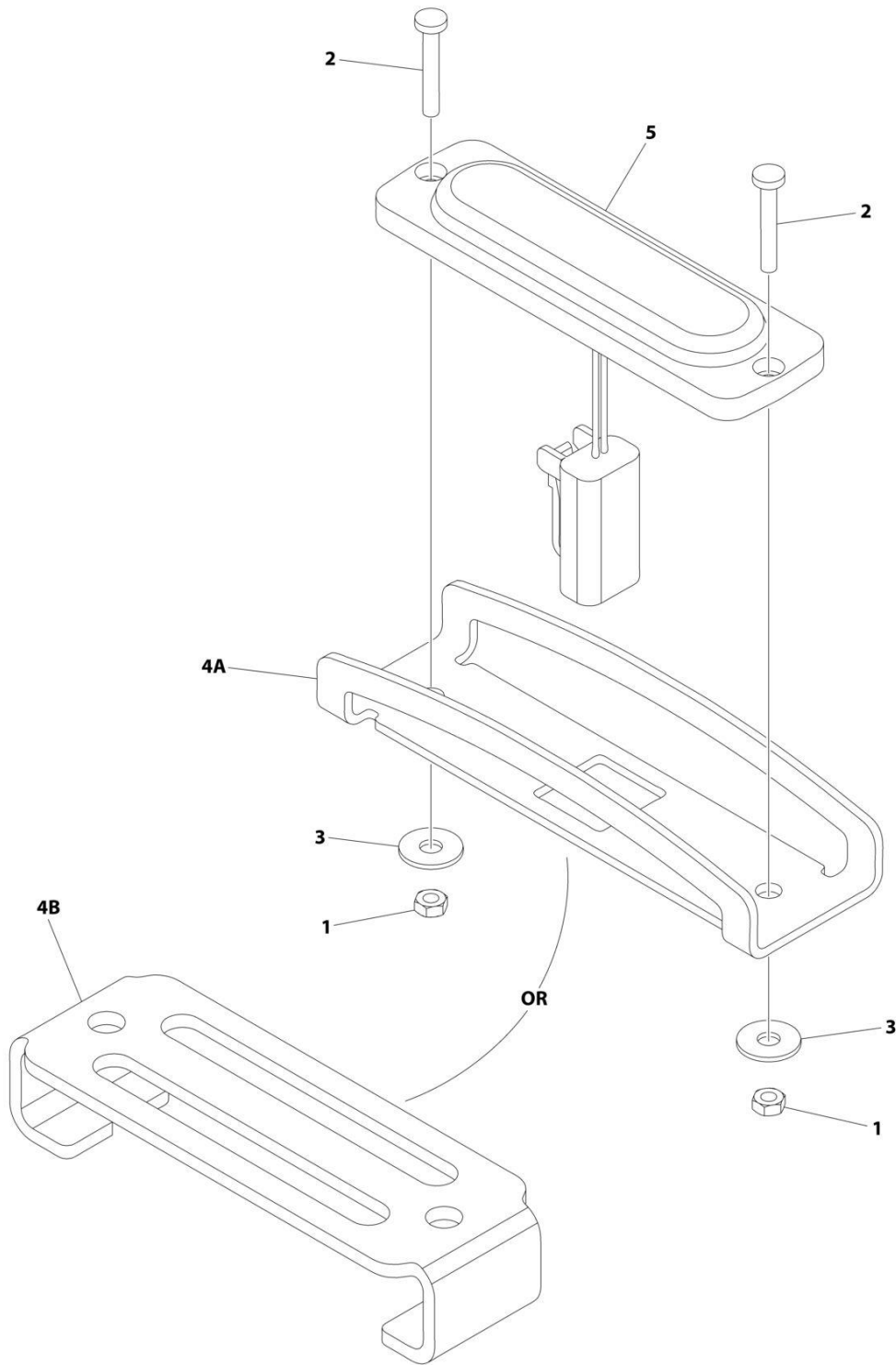
SECTION 1 - FRAME

FIGURE 1-12. STROBE LIGHT INSTALLATION - DUAL (AMBER) (WITHOUT GUARD)

ITEM	PART NUMBER	QTY	DESCRIPTION	REV
	1001242989	Ref	STROBE LIGHT INSTALLATION - DUAL (AMBER) (WITHOUT GUARD)	C
1	3290305	4	Nut M3	
2	4010310	4	Screw M3 x 20	
3	4240018	AR	Tie-Strap (Not Shown)	
4	1001091102	4	Washer M4	
5	1001215216	1	Strobe Light Jumper Harness (Not Shown)	
5	4460897	2	Receptacle, Female - 2 Position	
5	4460464	4	Pin, Male	
5	4460891	1	Plug, Male - 2 Position	
5	4460465	2	Socket, Female	
6	1001239224	2	Light, Strobe	
6	4460891	1	Plug, Male - 2 Position	
6	4460465	2	Socket, Female	

SECTION 1 - FRAME

FIGURE 1-13. STROBE LIGHT INSTALLATION - SINGLE (AMBER) (WITH GUARD)



ART_1001242697

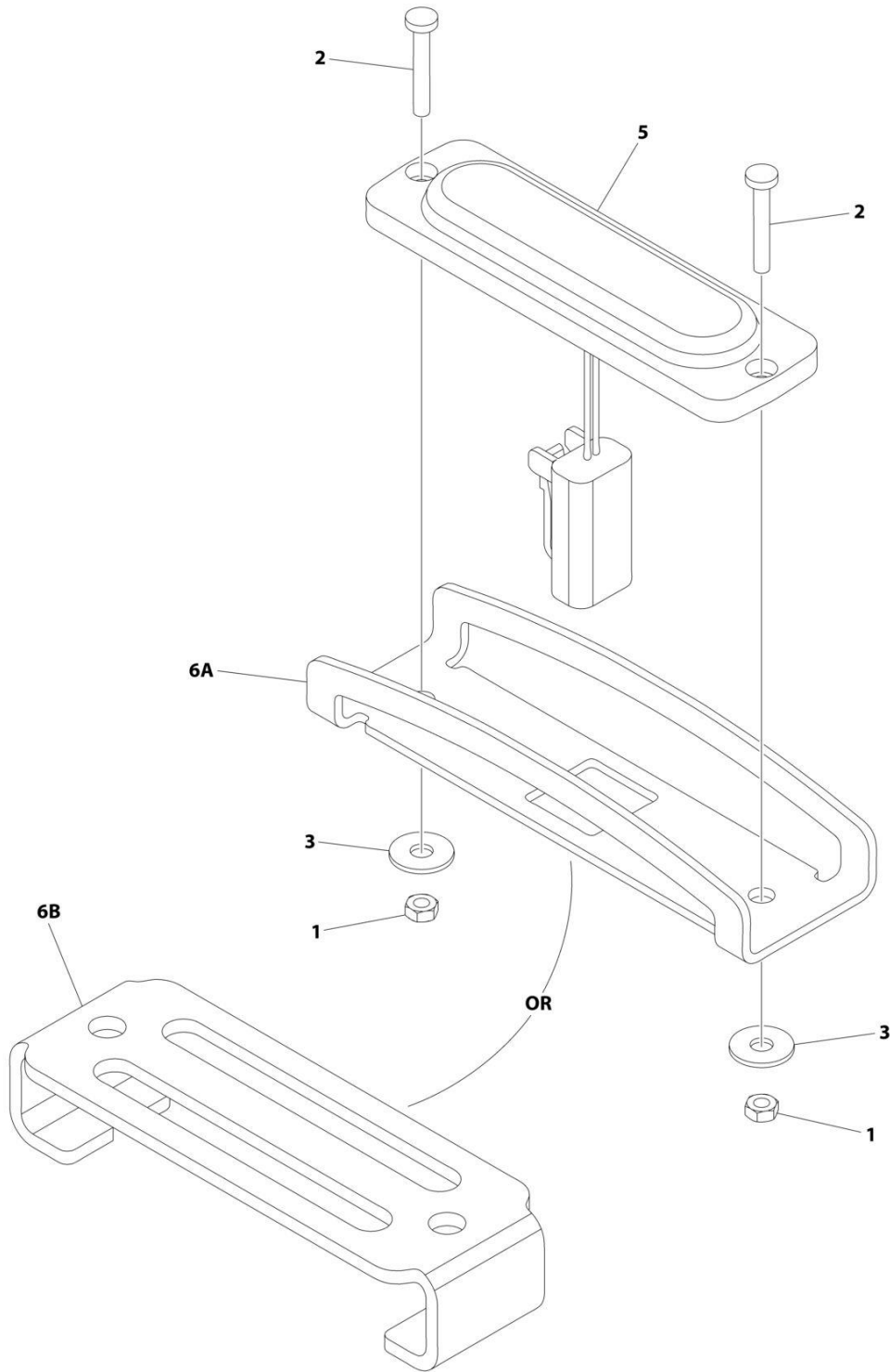
SECTION 1 - FRAME

FIGURE 1-13. STROBE LIGHT INSTALLATION - SINGLE (AMBER) (WITH GUARD)

ITEM	PART NUMBER	QTY	DESCRIPTION	REV
	1001242697	Ref	STROBE LIGHT INSTALLATION - SINGLE (AMBER) (WITH GUARD)	D
1	3290305	2	Nut M3	
2	4010310	2	Screw M3 x 20	
3	1001091102	2	Washer M4	
4A	1001242539	1	Guard	
4B	1001239661	1	Cover	
5	1001239224	1	Light, Strobe	
5	4460891	1	Plug, Male - 2 Position	
5	4460465	2	Socket, Female	

SECTION 1 - FRAME

FIGURE 1-14. STROBE LIGHT INSTALLATION - DUAL (AMBER) (WITH GUARD)



ART_1001242990

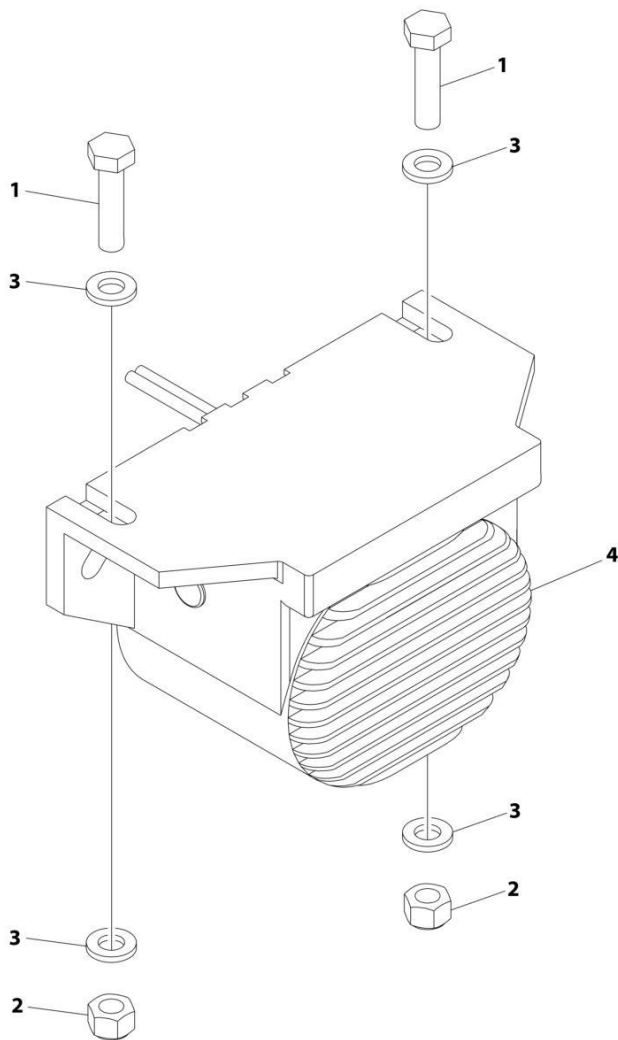
SECTION 1 - FRAME

FIGURE 1-14. STROBE LIGHT INSTALLATION - DUAL (AMBER) (WITH GUARD)

ITEM	PART NUMBER	QTY	DESCRIPTION	REV
	1001242990	Ref	STROBE LIGHT INSTALLATION - DUAL (AMBER) (WITH GUARD)	D
1	3290305	4	Nut M3	
2	4010310	4	Screw M3 x 20	
3	1001091102	4	Washer M4	
4	1001215216	1	Strobe Light Jumper Harness (Not Shown)	
4	4460897	2	Receptacle, Female - 2 Position	
4	4460464	4	Pin, Male	
4	4460891	1	Plug, Male - 2 Position	
4	4460465	2	Socket, Female	
5	1001239224	2	Light, Strobe	
5	4460891	1	Plug, Male - 2 Position	
5	4460465	2	Socket, Female	
6A	1001242539	2	Guard	
6B	1001239661	2	Cover	
7	4240018	AR	Tie-Strap (Not Shown)	

SECTION 1 - FRAME

FIGURE 1-15. ALARM INSTALLATION (AMBIENT/WHITE NOISE)



ART_1001204495

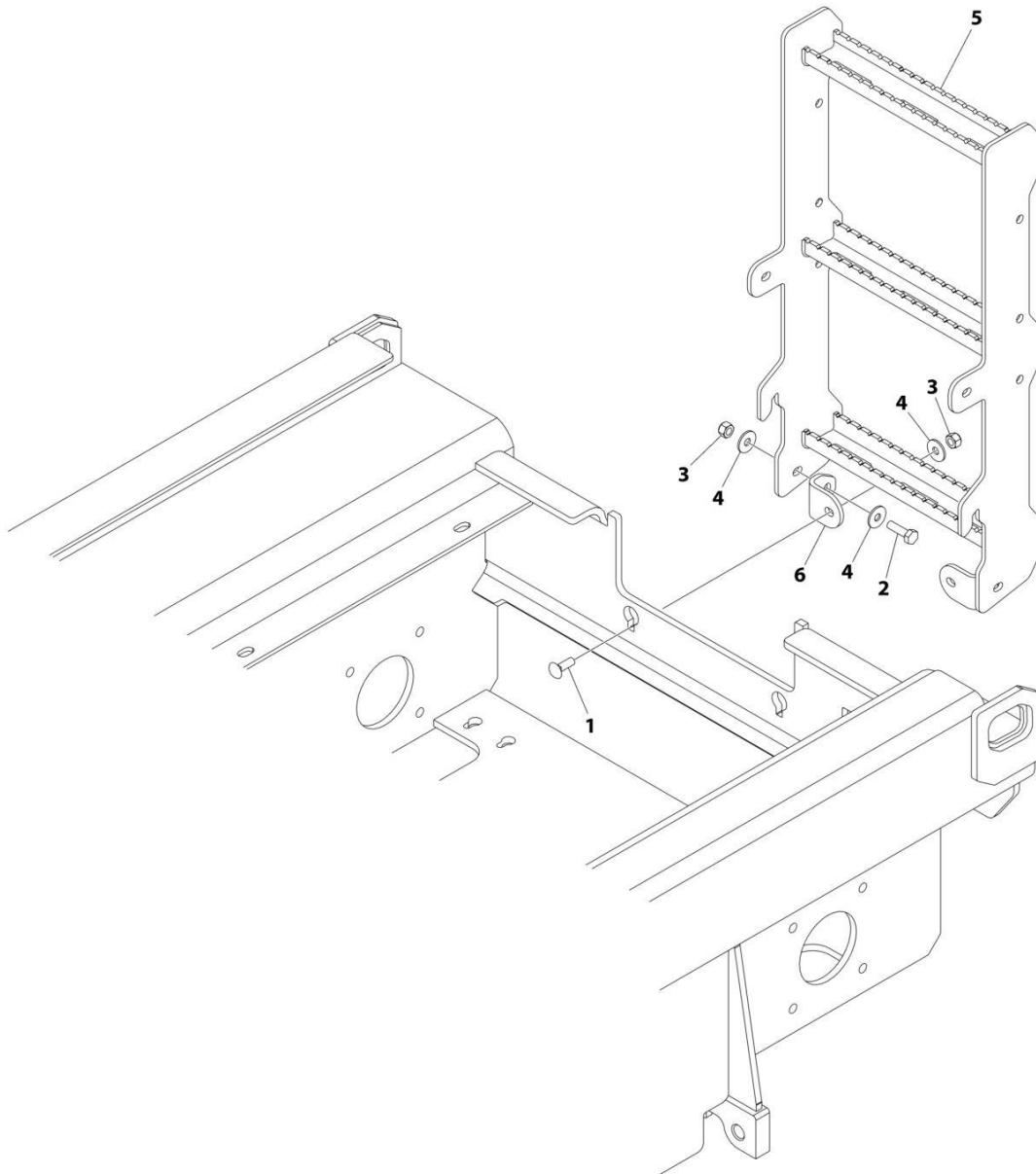
SECTION 1 - FRAME

FIGURE 1-15. ALARM INSTALLATION (AMBIENT/WHITE NOISE)

ITEM	PART NUMBER	QTY	DESCRIPTION	REV
	1001204495	Ref	ALARM INSTALLATION (AMBIENT/WHITE NOISE)	B
1	0760612	2	Bolt M6 x 25	
2	3290605	2	Nut M6	
3	4811700	4	Washer M6	
4	1001182806	1	Alarm	
4	4460897	1	Receptacle, Female - 2 Position	
4	4460464	2	Pin, Male	

SECTION 1 - FRAME

FIGURE 1-16. LADDER INSTALLATION



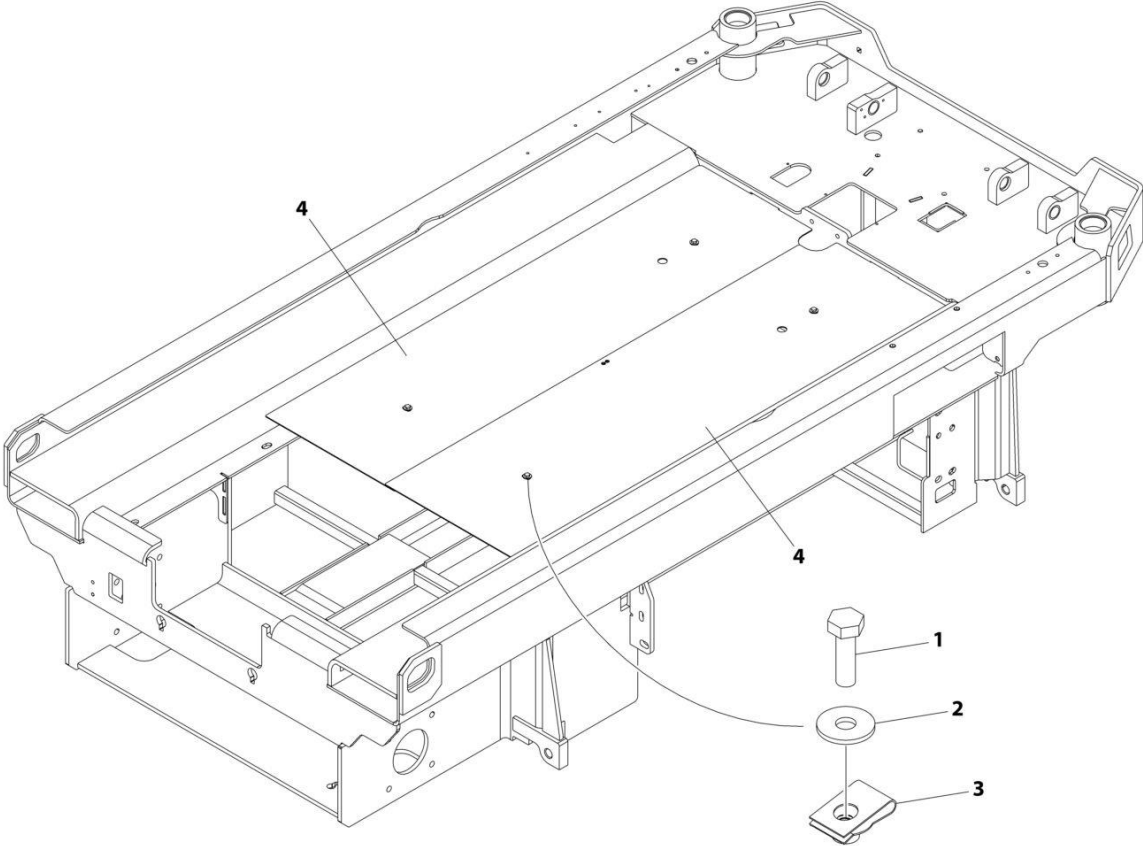
ART_1001234317

FIGURE 1-16. LADDER INSTALLATION

ITEM	PART NUMBER	QTY	DESCRIPTION	REV
	1001234317	Ref	LADDER INSTALLATION	A
1	0630613	2	Bolt M10 x 30	
2	0761015	2	Bolt M10 x 35	
3	3291005	4	Nut M10	
4	4812002	6	Washer M10	
5	1001234842	1	Ladder	
6	1001235955	2	Bracket	

SECTION 1 - FRAME

FIGURE 1-17. FRAME COVERS INSTALLATION



ART_1001236968

SECTION 1 - FRAME

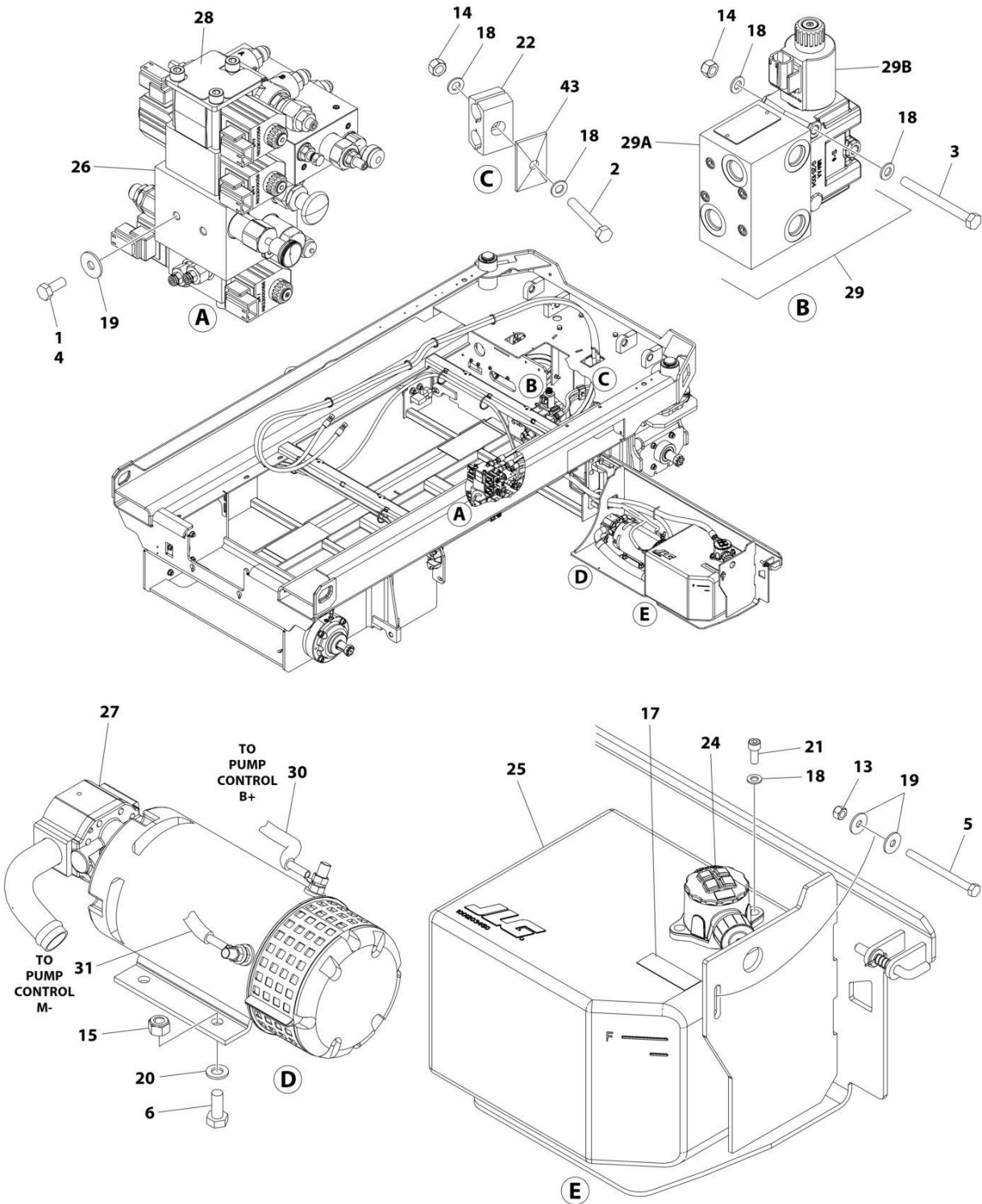
FIGURE 1-17. FRAME COVERS INSTALLATION

ITEM	PART NUMBER	QTY	DESCRIPTION	REV
	1001236968	Ref	FRAME COVERS INSTALLATION	A
1	0760610	4	Bolt M6 x 20	
2	4811702	4	Washer M6	
3	1001130220	4	Nut, Tinnerman M6	
4	1001236531	2	Cover	

SECTION 2 - GROUND CONTROLS

SECTION 2 - GROUND CONTROLS

FIGURE 2-1. HYDRAULIC COMPONENTS INSTALLATION (WITH CONCENTRIC MOTOR/PUMP)



ART_1001380008_F_10F2

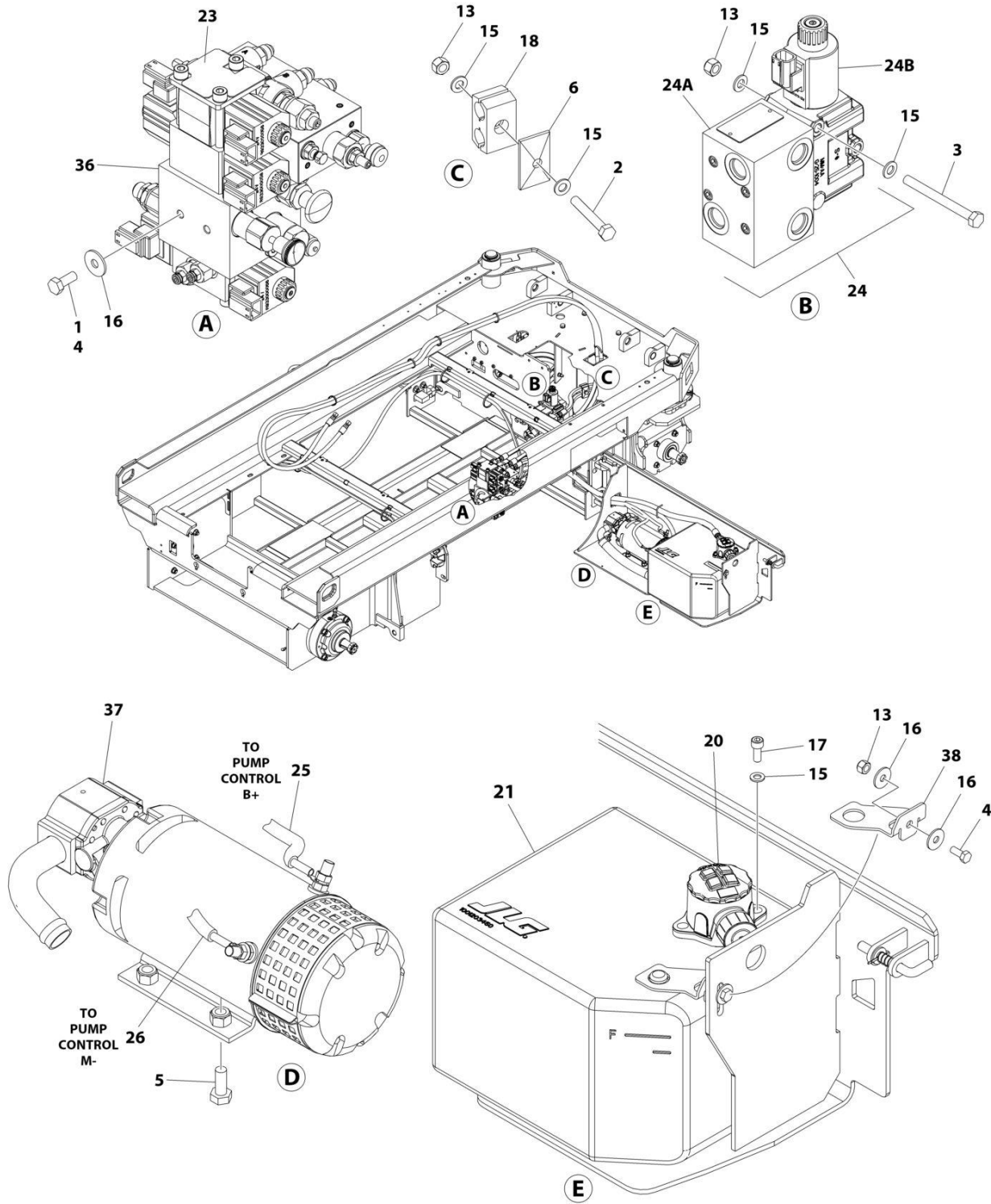
SECTION 2 - GROUND CONTROLS

FIGURE 2-1. HYDRAULIC COMPONENTS INSTALLATION (WITH CONCENTRIC MOTOR/PUMP)

ITEM	PART NUMBER	QTY	DESCRIPTION	REV
	1001380008	Ref	HYDRAULIC COMPONENTS INSTALLATION	F
1	0100011	AR	Compound, Locking	
2	0700819	2	Bolt M8 x 55	
3	0700825	2	Bolt M8 x 85	
4	0760810	2	Bolt M8 x 20	
5	0760827	1	Bolt M8 x 100	
6	0761012	2	Bolt M8 x 25	
13	3290801	1	Nut M8	
14	3290805	4	Nut M8	
15	3291005	2	Nut M10	
16	4240017	AR	Tie-Strap (Not Shown)	
17	4420062	75 mm	Tape	
18	4811900	AR	Washer M8	
19	4811902	4	Washer M8	
20	4812000	2	Washer M10	
21	5271808	2	Capscrew M8 x 20	
22	8750014	2	Clamp	
24	1001202851	1	Filter, Hydraulic	
24	70005423	1	Filter Element Kit (Includes Element, Cap O-Ring and Bowl O-Ring)	
24	70007946	1	O-Ring, Bowl	
25	1001203450	1	Tank, Hydraulic	
26	1001248679	1	Main Valve Assembly (See Separate Breakdown in this Section)	
27	1001204719	1	Motor/Pump Assembly	
27	70005815	1	Replacement Motor	
27	70005817	1	Replacement Pump	
27	70005816	1	Seal and Mounting Kit (Includes Shaft Seal, Retaining Ring, Gasket and Pump Mounting Hardware)	
28	1001212294	1	Decal - Manifold	
29	1001215434	1	Traction Valve Assembly	
29	70006295	4	Screw	
29A	70004465	1	Valve, Flow Divider	
29A	70004164	1	Seal Kit - 70004465 Valve	
29B	70006296	1	Valve, Diverter	
29B	70006297	1	Coil	
29B	70006298	1	Seal, Interface	
29B	70006299	1	Coil Seal & Nut Kit	
30	1001234628	1	Cable, Pump (+)	
31	1001234629	1	Cable, Pump (-)	
43	1321752	2	Clamp	

SECTION 2 - GROUND CONTROLS

FIGURE 2-2. HYDRAULIC COMPONENTS INSTALLATION (WITH BUCHER MOTOR/PUMP)



ART_1001284638_10F2

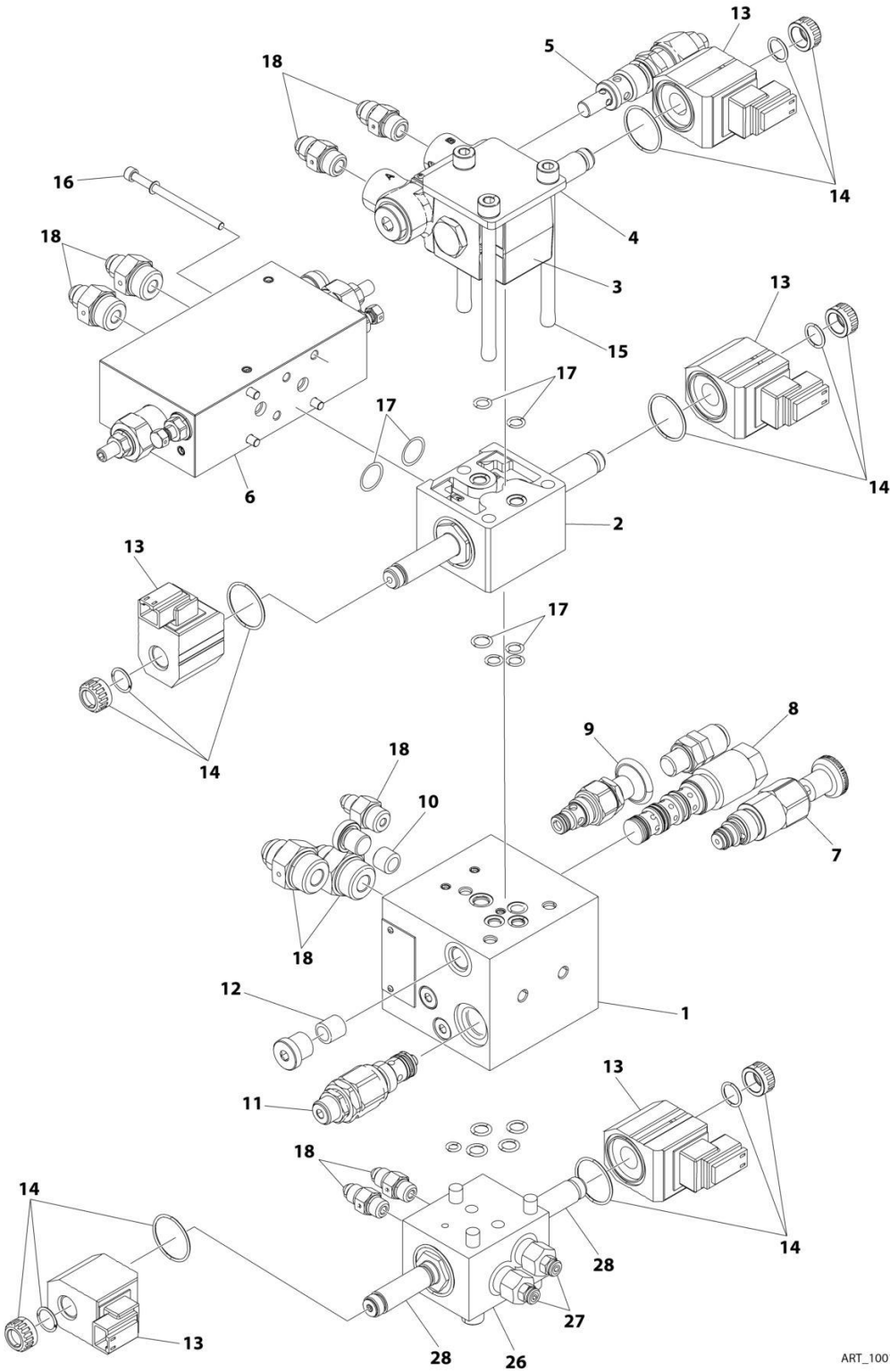
SECTION 2 - GROUND CONTROLS

FIGURE 2-2. HYDRAULIC COMPONENTS INSTALLATION (WITH BUCHER MOTOR/PUMP)

ITEM	PART NUMBER	QTY	DESCRIPTION	REV
	1001284638	Ref	HYDRAULIC COMPONENTS INSTALLATION	A
1	0100011	AR	Compound, Locking	
2	0700819	2	Bolt M8 x 55	
3	0700825	2	Bolt M8 x 85	
4	0760810	3	Bolt M8 x 20	
5	0761012	2	Bolt M8 x 25	
6	1321752	2	Clamp	
13	3290805	5	Nut M8	
14	4240017	AR	Tie-Strap (Not Shown)	
15	4811900	10	Washer M8	
16	4811902	4	Washer M8	
17	5271808	2	Capscrew M8 x 20	
18	8750014	2	Clamp	
20	1001202851	1	Filter, Hydraulic	
20	70005423	1	Filter Element Kit (Includes Element, Cap O-Ring and Bowl O-Ring)	
21	1001203450	1	Tank, Hydraulic	
23	1001212294	1	Decal - Manifold	
24	1001215434	1	Traction Valve Assembly	
24	70006295	4	Screw	
24A	70004465	1	Valve, Flow Divider	
24A	70004164	1	Seal Kit - 70004465 Valve	
24B	70006296	1	Valve, Diverter	
24B	70006297	1	Coil	
24B	70006298	1	Seal, Interface	
24B	70006299	1	Coil Seal & Nut Kit	
25	1001234628	1	Cable, Pump (+)	
26	1001234629	1	Cable, Pump (-)	
36	1001248679	1	Main Valve Assembly (See Separate Breakdown in this Section)	
37	1001269480	2	Motor/Pump Assembly (Note: Service Parts Not Available at Time of Printing)	
37		Ref	Seal and Mounting Kit (Includes Shaft Seal, Retaining Ring, Gasket and Pump Mounting Hardware)	
37		Ref	Replacement Motor	
37		Ref	Replacement Pump	
38	1001269730	1	Bracket	

SECTION 2 - GROUND CONTROLS

FIGURE 2-3. MAIN VALVE ASSEMBLY



ART_1001248679

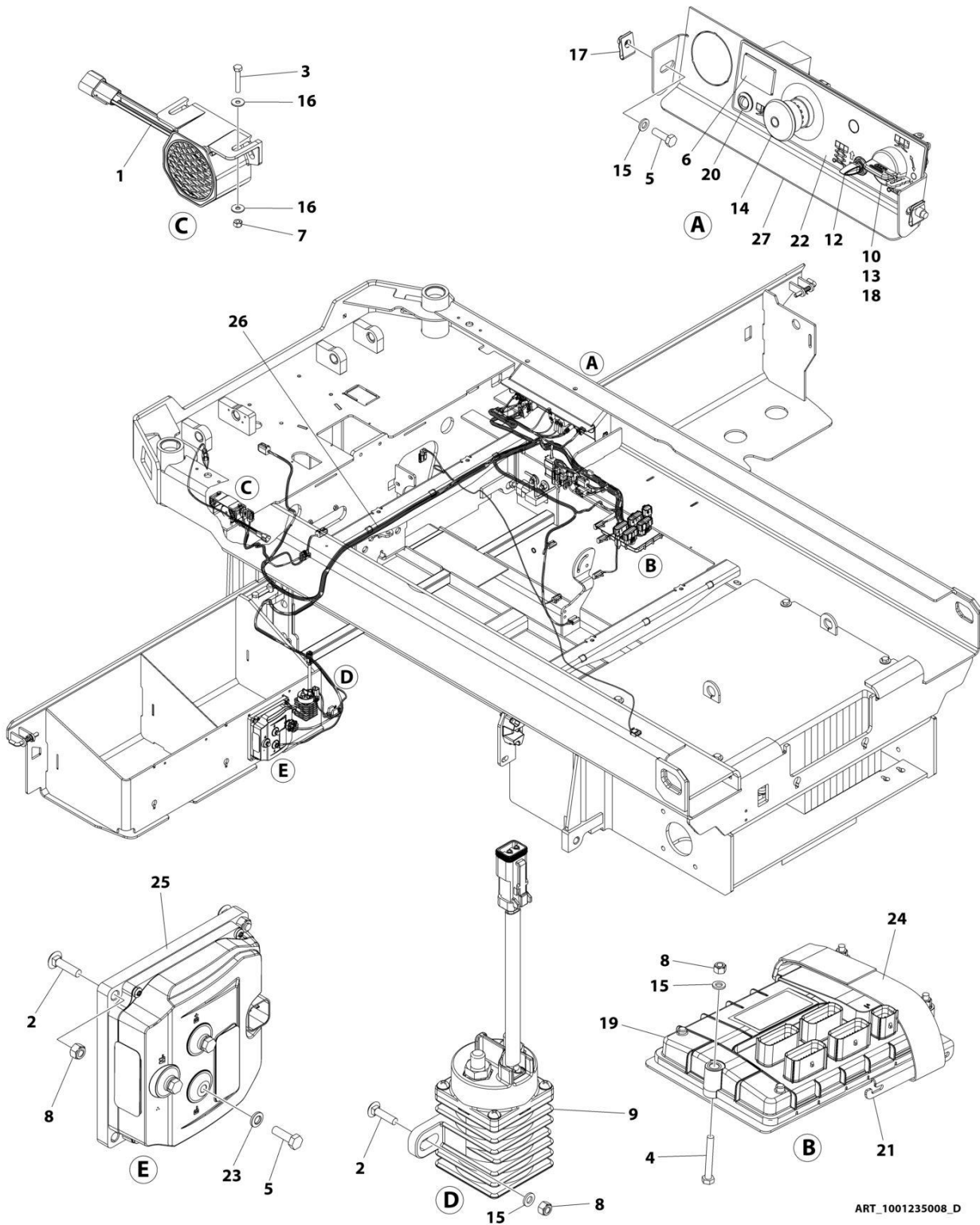
SECTION 2 - GROUND CONTROLS

FIGURE 2-3. MAIN VALVE ASSEMBLY

ITEM	PART NUMBER	QTY	DESCRIPTION	REV
	1001248679	Ref	MAIN VALVE ASSEMBLY	D
1	70007595	1	Valve Assembly (Includes Items 7-9)	
2	70005903	1	Valve Assembly - Lower Drive	
3	70007594	1	Valve Assembly - Lift	
4	70005911	1	Plate	
5	70005909	1	Valve, Cartridge	
6	70007593	1	Valve Assembly - Upperr Drive	
7	70005900	1	Valve, Cartridge	
8	70005898	1	Valve, Cartridge	
9	70005899	1	Valve, Cartridge	
10	70007598	1	Restrictor, Flow	
11	70007596	1	Cartridge, Valve	
12	70007597	1	Orifice	
13	70005893	5	Coil	
14	70021209	5	Coil Nut Kit	
15	70007599	1	Bolt Kit	
16	70007600	1	Bolt Kit	
17	70007601	1	Seal Kit	
18	70007602	1	Fitting Kit	
26	NPN	1	Valve Assembly - Steer	
27	70006301	2	Valve, Cartridge - Relief	
28	NPN	2	Valve, Solenoid Cartridge	

SECTION 2 - GROUND CONTROLS

FIGURE 2-4. ELECTRICAL COMPONENTS INSTALLATION (MACHINES WITH SN STARTING WITH B2, G2 & M2)



ART_1001235008_D

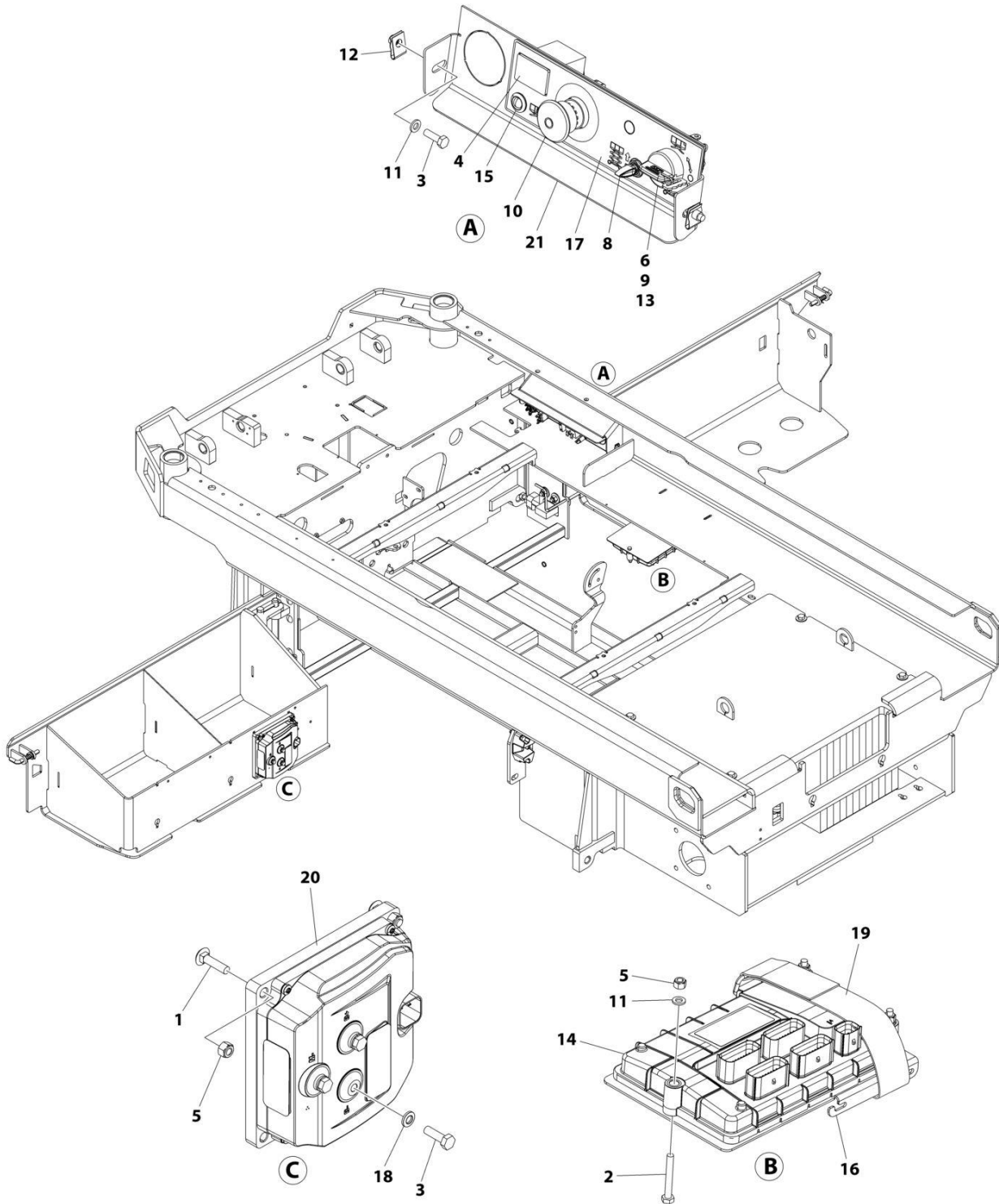
SECTION 2 - GROUND CONTROLS

FIGURE 2-4. ELECTRICAL COMPONENTS INSTALLATION (MACHINES WITH SN STARTING WITH B2, G2 & M2)

ITEM	PART NUMBER	QTY	DESCRIPTION	REV
	1001235008	Ref	ELECTRICAL COMPONENTS INSTALLATION	D
1	0140043	1	Alarm	
2	0630587	4	Bolt M6 x 25	
3	0700412	2	Bolt M4 x 25	
4	0700617	3	Bolt M6 x 45	
5	0760610	5	Bolt M6 x 20	
6	2420172	1	Hourmeter	
7	3290405	2	Nut M4	
8	3290605	7	Nut M6	
9	3740150	1	Relay	
10	3910804	3	Screw #8 x 1/4	
11	4240017	AR	Tie-Strap (Not Shown)	
12	4360328	1	Switch, Toggle	
13	4360469	1	Switch, Key	
13	2860030	1 Set	Key, Replacement	
14	4360475	1	Switch, Emergency Stop (Metal)	
14	7020175	1	Cap	
14	7020176	1	Block, Contact	
14	1001274559	1	Switch, Emergency Stop (Plastic)	
15	4811700	7	Washer M6	
16	1001091102	4	Washer M4	
17	1001130220	2	Nut Tinnerman M6	
18	1001130590	1	Plate	
19	1001200629	1	Module, Control (Note: Recalibration Required when Replaced)	
20	1001200631	1	Light, Indicator (Red)	
21	1001207494	1	Bracket	
22	1001209682	1	Decal - Ground Control	
23	1001210966	3	Washer	
24	1001215762	1	Strap, Clinch	
25	1001216062	1	Module, Power (Note: Recalibration Required when Replaced)	
26	1001283410	1	Chassis Harness (See Separate Breakdown in ELECTRICAL SECTION)	
27	1001235559	1	Support	

SECTION 2 - GROUND CONTROLS

FIGURE 2-5. ELECTRICAL COMPONENTS INSTALLATION - #1 (MACHINES WITH SN STARTING WITH 12)



ART_1001237887

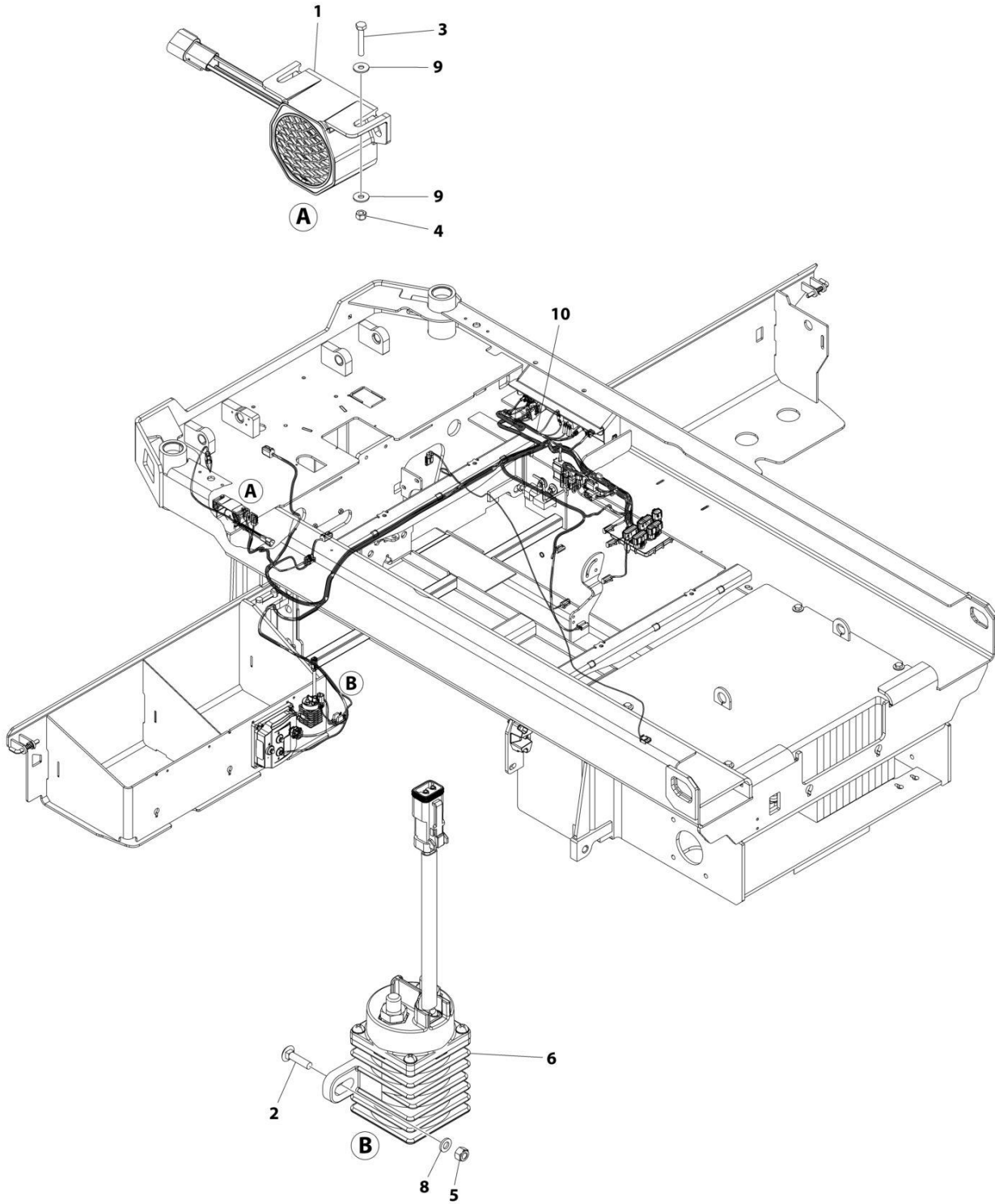
SECTION 2 - GROUND CONTROLS

FIGURE 2-5. ELECTRICAL COMPONENTS INSTALLATION - #1 (MACHINES WITH SN STARTING WITH 12)

ITEM	PART NUMBER	QTY	DESCRIPTION	REV
	1001237887	Ref	ELECTRICAL COMPONENTS INSTALLATION	B
1	0630587	2	Bolt M6 x 25	
2	0700617	3	Bolt M6 x 45	
3	0760610	5	Bolt M6 x 20	
4	2420172	1	Hourmeter	
5	3290605	5	Nut M6	
6	3910804	3	Screw #8 x 1/4	
7	4240017	AR	Tie-Strap (Not Shown)	
8	4360328	1	Switch, Toggle	
9	4360469	1	Switch, Key	
9	2860030	1 Set	Key, Replacement	
10	4360475	1	Switch, Emergency Stop (Metal)	
10	7020175	1	Cap	
10	7020176	1	Block, Contact	
10	1001274559	1	Switch, Emergency Stop (Plastic)	
11	4811700	5	Washer M6	
12	1001130220	2	Nut Tinnerman M6	
13	1001130590	1	Plate	
14	1001200629	1	Module, Control (Note: Recalibration Required when Replaced)	
15	1001200631	1	Light, Indicator (Red)	
16	1001207494	1	Bracket	
17	1001209682	1	Decal - Ground Control	
18	1001210966	3	Washer	
19	1001215762	1	Strap, Clinch	
20	1001216062	1	Module, Power (Note: Recalibration Required when Replaced)	
21	1001235559	1	Support	

SECTION 2 - GROUND CONTROLS

FIGURE 2-6. ELECTRICAL COMPONENTS INSTALLATION - #2 (MACHINES WITH SN STARTING WITH 12)



ART_1001239386

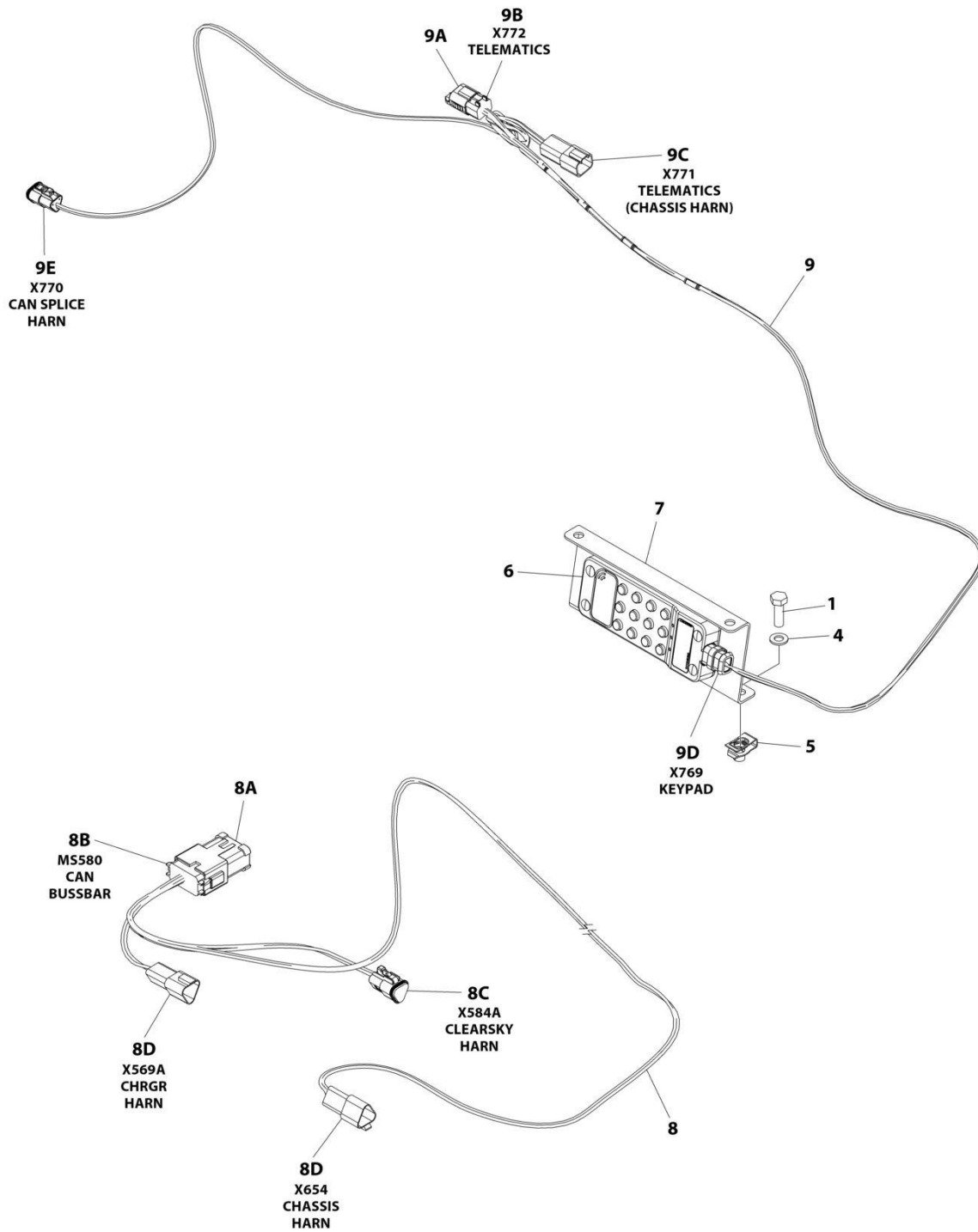
SECTION 2 - GROUND CONTROLS

FIGURE 2-6. ELECTRICAL COMPONENTS INSTALLATION - #2 (MACHINES WITH SN STARTING WITH 12)

ITEM	PART NUMBER	QTY	DESCRIPTION	REV
	1001239386	Ref	ELECTRICAL COMPONENTS INSTALLATION	B
1	0140043	1	Alarm	
2	0630587	2	Bolt M6 x 25	
3	0700412	2	Bolt M4 x 25	
4	3290405	2	Nut M4	
5	3290605	2	Nut M6	
6	3740150	1	Relay	
7	4240017	AR	Tie-Strap (Not Shown)	
8	4811700	2	Washer M6	
9	1001091102	4	Washer M4	
10	1001283410	1	Chassis Harness with ClearSky (See Separate Breakdown in ELECTRICAL SECTION)	

SECTION 2 - GROUND CONTROLS

FIGURE 2-7. ACCESS CONTROL KEYPAD INSTALLATION



ART_1001258356

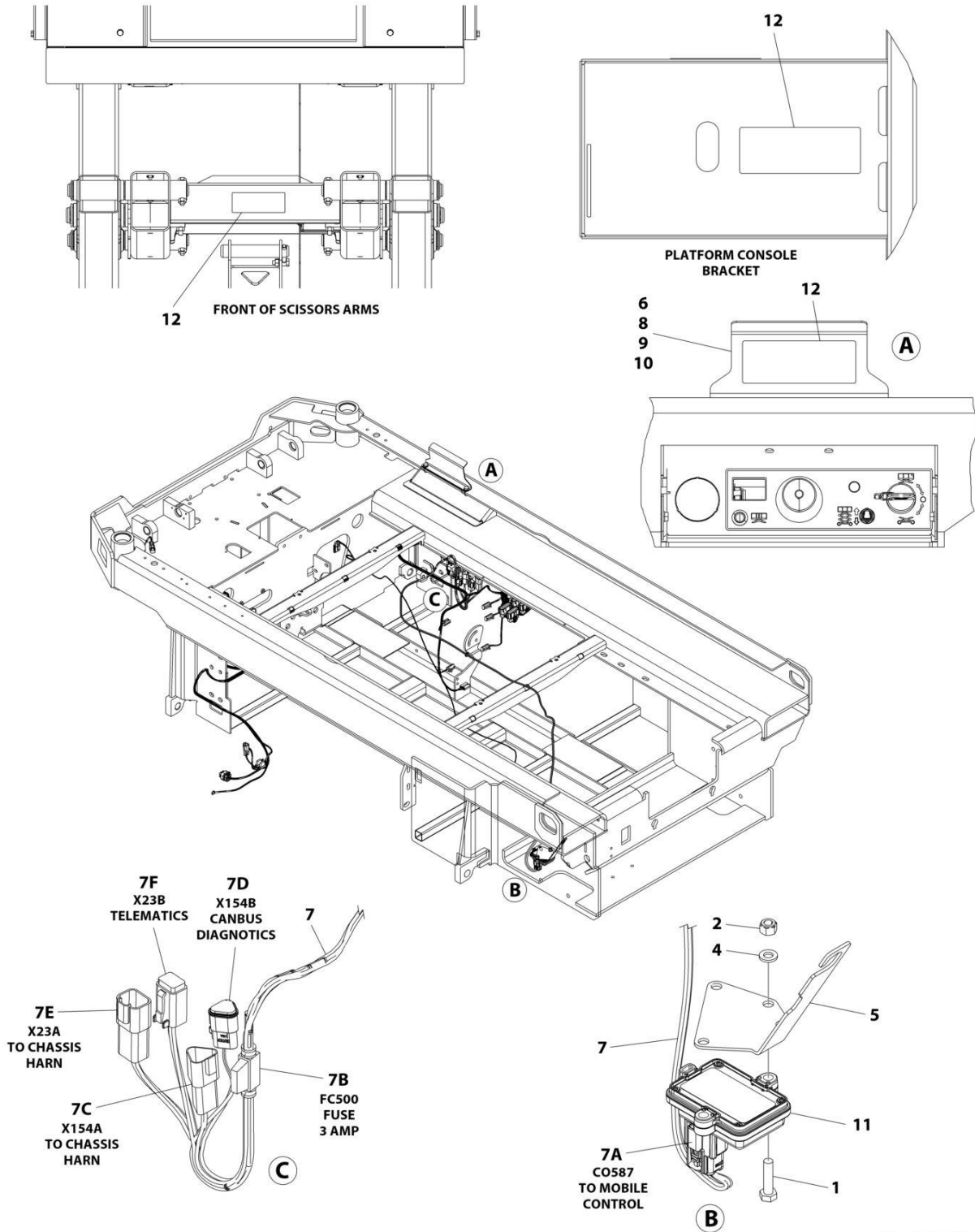
SECTION 2 - GROUND CONTROLS

FIGURE 2-7. ACCESS CONTROL KEYPAD INSTALLATION

ITEM	PART NUMBER	QTY	DESCRIPTION	REV
	1001258356	Ref	ACCESS CONTROL KEYPAD INSTALLATION	A
1	0760812	2	Bolt, M8 x 25	
2	1062255	AR	Tie-Strap (Not Shown)	
3	4240032	AR	Tie-Strap (Not Shown)	
4	4811900	2	Washer M8	
5	1001118274	2	Nut, Tinnerman	
6	1001238392	1	Keypad	
7	1001248773	1	Bracket	
8	1001254027	1	Access Control Keypad Can Splice Harness	
8A	1001125677	AR	Connector, Bus Bar - 12 Position	
8B	4460933	1	Plug, Male - 12 Position	
8B	4460944	6	Socket, Female	
8B	4460466	6	Plug, Terminal	
8C	1001118812	1	Plug, Male - 3 Position	
8C	4460944	2	Socket, Female	
8C	4460466	1	Plug, Terminal	
8D	1001144147	2	Receptacle, Female - 3 Position	
8D	4460943	4	Pin, Male	
8D	4460466	2	Plug, Terminal	
9	1001258691	1	Access Control Keypad Harness	
9A	1001192401	1	Dustcap	
9B	4460884	1	Plug, Male - 4 Position	
9B	4460465	4	Socket, Female	
9C	4460932	1	Receptacle, Female - 4 Position	
9C	4460464	4	Pin, Male	
9D	1001210079	1	Plug, Male - 4 Position	
9D	4460465	2	Socket, Female	
9D	4460944	2	Socket, Female	
9E	1001116812	1	Plug, Male - 3 Position	
9E	4460944	2	Socket, Female	
9E	4460466	1	Plug, Terminal	

SECTION 2 - GROUND CONTROLS

FIGURE 2-8. MOBILE CONTROL INSTALLATION



ART_1001245353

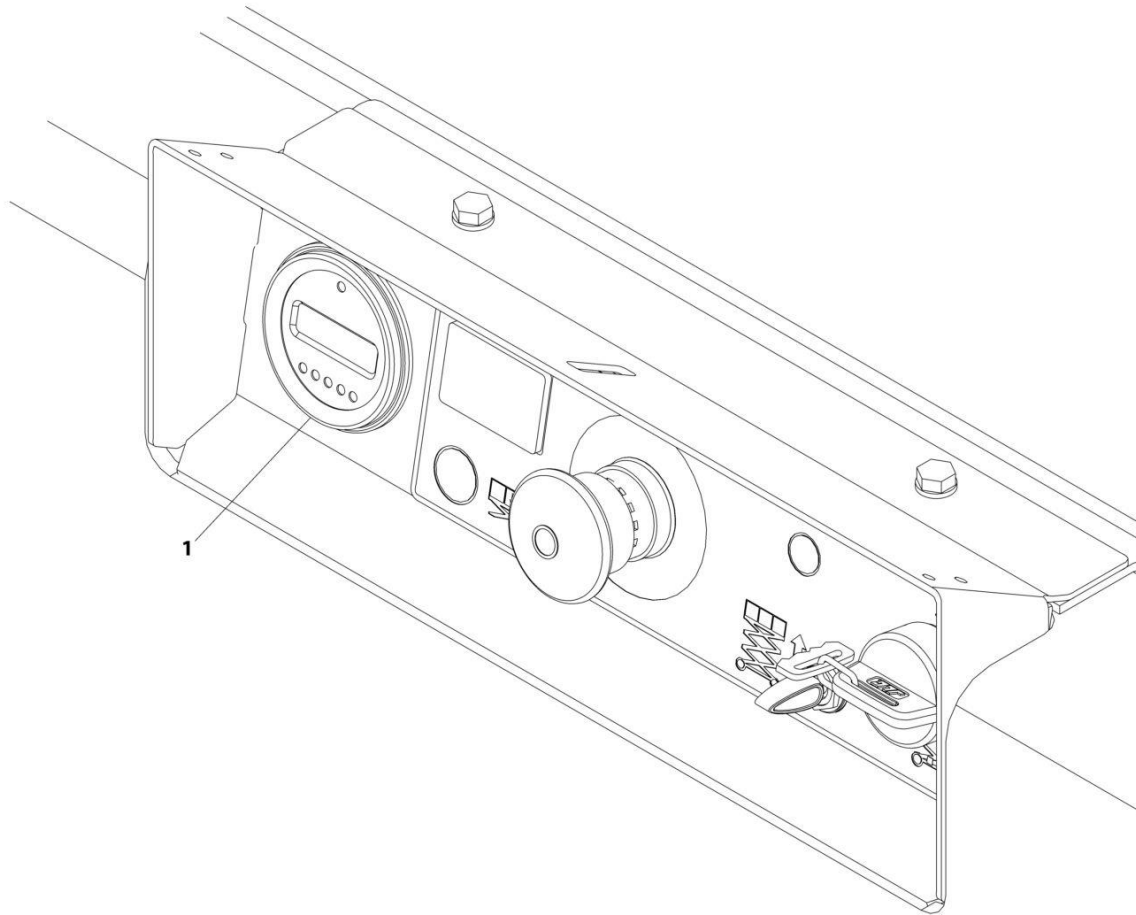
SECTION 2 - GROUND CONTROLS

FIGURE 2-8. MOBILE CONTROL INSTALLATION

ITEM	PART NUMBER	QTY	DESCRIPTION	REV
	1001245353	Ref	MOBILE CONTROL INSTALLATION	C
1	0700612	2	Bolt M6 x 25	
2	3290605	2	Nut M6	
3	4240017	AR	Tie-Strap (Not Shown)	
4	4811700	2	Washer M6	
5	1001244394	1	Bracket, Module	
6	1001244885	1	Plate, Decal	
7	1001245299	1	Mobile Control Harness	
7A	1001205409	1	Connector - 8 Position	
7A	1001162887	4	Terminal	
7A	1001163340	4	Plug, Terminal	
7B	2400060	1	Fuseholder with Cap	
7B	1001196635	1	Fuse 3 Amp	
7C	1001144147	1	Receptacle, Female - 3 Position	
7C	4460943	2	Pin, Male	
7C	4460466	1	Plug, Terminal	
7D	1001116812	1	Plug, Male - 3 Position	
7D	4460944	2	Socket, Female	
7D	4460466	1	Plug, Terminal	
7E	4460932	1	Receptacle, Female - 4 Position	
7E	4460464	4	Pin, Terminal	
7F	4460884	1	Pin, Male	
7F	4460465	4	Socket, Female	
8	0760810	2	Bolt M8 x 20	
9	4811900	2	Washer M8	
10	1001118274	2	Nut Tinnerman M8	
11	1001245293	1	Control, Mobile	
12	1001248768	3	Decal, Mobile Control	
13	3121792	1	Manual, Mobile Control (Not Shown)	

SECTION 2 - GROUND CONTROLS

FIGURE 2-9. MDI INSTALLATION



ART_1001207293

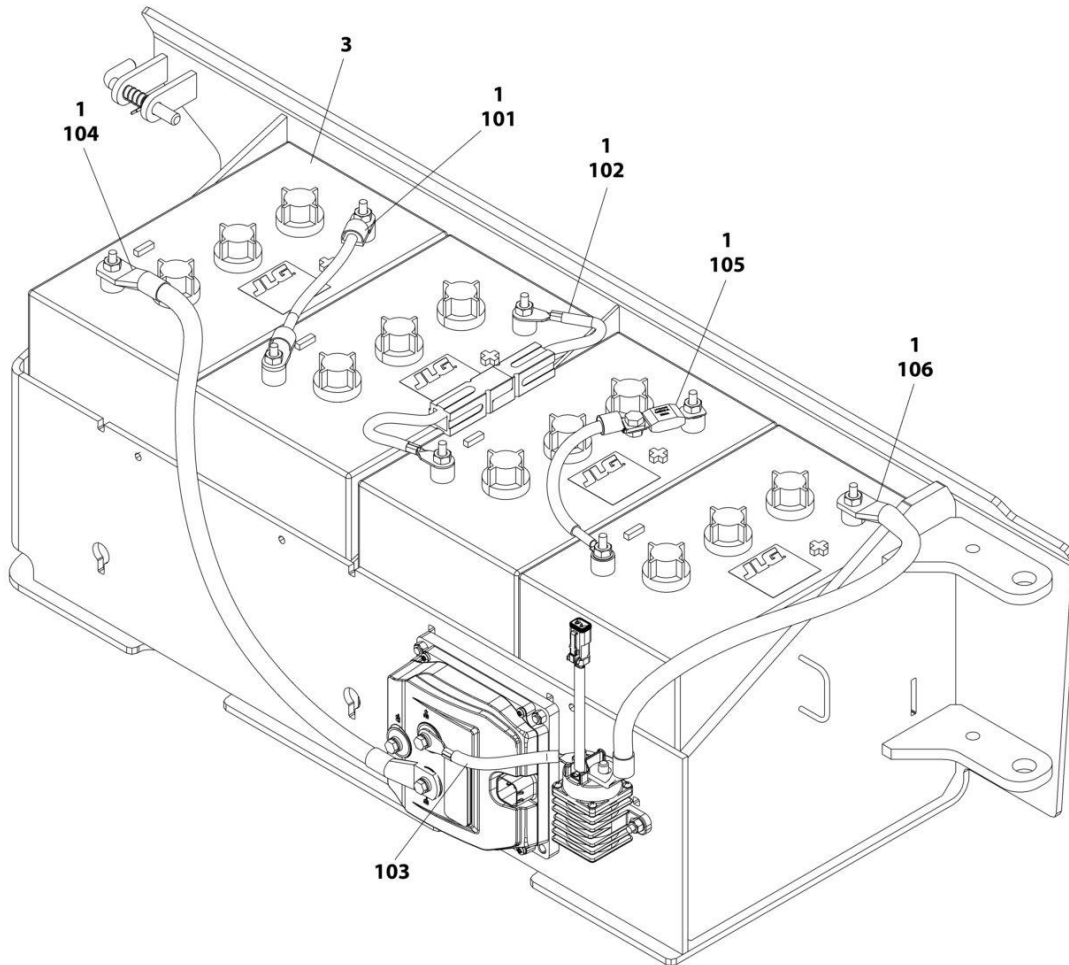
SECTION 2 - GROUND CONTROLS

FIGURE 2-9. MDI INSTALLATION

ITEM	PART NUMBER	QTY	DESCRIPTION	REV
1	1001207293 1001200632	Ref 1	MDI INSTALLATION Gauge, MDI	B

SECTION 2 - GROUND CONTROLS

FIGURE 2-10. BATTERIES INSTALLATION - STANDARD 6V-255AH



ART_1001235834

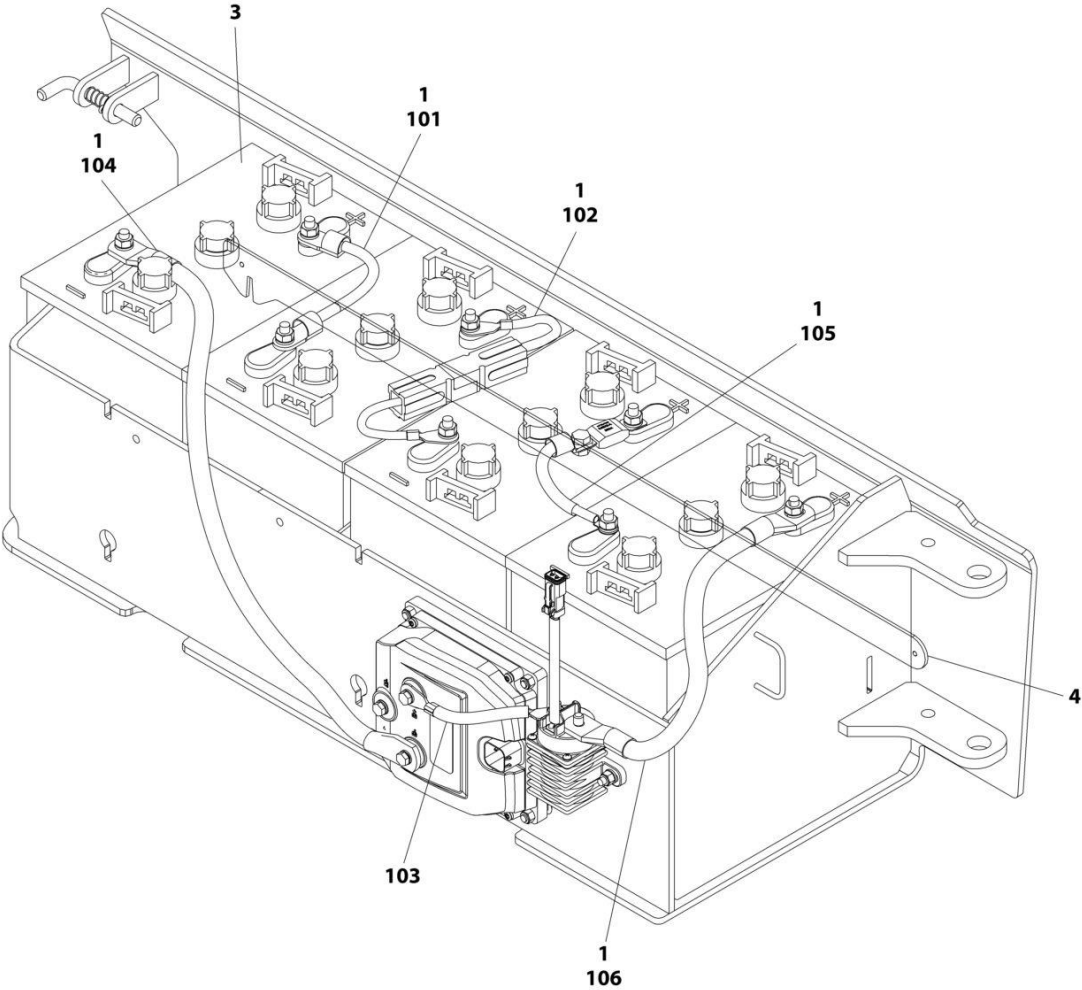
SECTION 2 - GROUND CONTROLS

FIGURE 2-10. BATTERIES INSTALLATION - STANDARD 6V-255AH

ITEM	PART NUMBER	QTY	DESCRIPTION	REV
	1001235834	Ref	BATTERIES INSTALLATION	A
1	0100051	AR	Grease, Terminal	
2	4240017	AR	Tie-Strap (Not Shown)	
3	1001235106	4	Battery	
100	1001228123	1	Battery Cable Kit (Not Shown)	
101	1060998	1	Cable, Positive to Negative	
102	4923328	1	Cable, Positive to Negative	
103	1001201708	1	Cable, Contactor to Pump Control B+	
104	1001201711	1	Cable, Battery Negative to Pump Control B-	
105	1001210401	1	Cable, Battery Fuse	
106	1001229110	1	Cable, Battery Positive to Contactor	

SECTION 2 - GROUND CONTROLS

FIGURE 2-11. BATTERIES INSTALLATION - STANDARD 6V-220AH



ART_1001236632

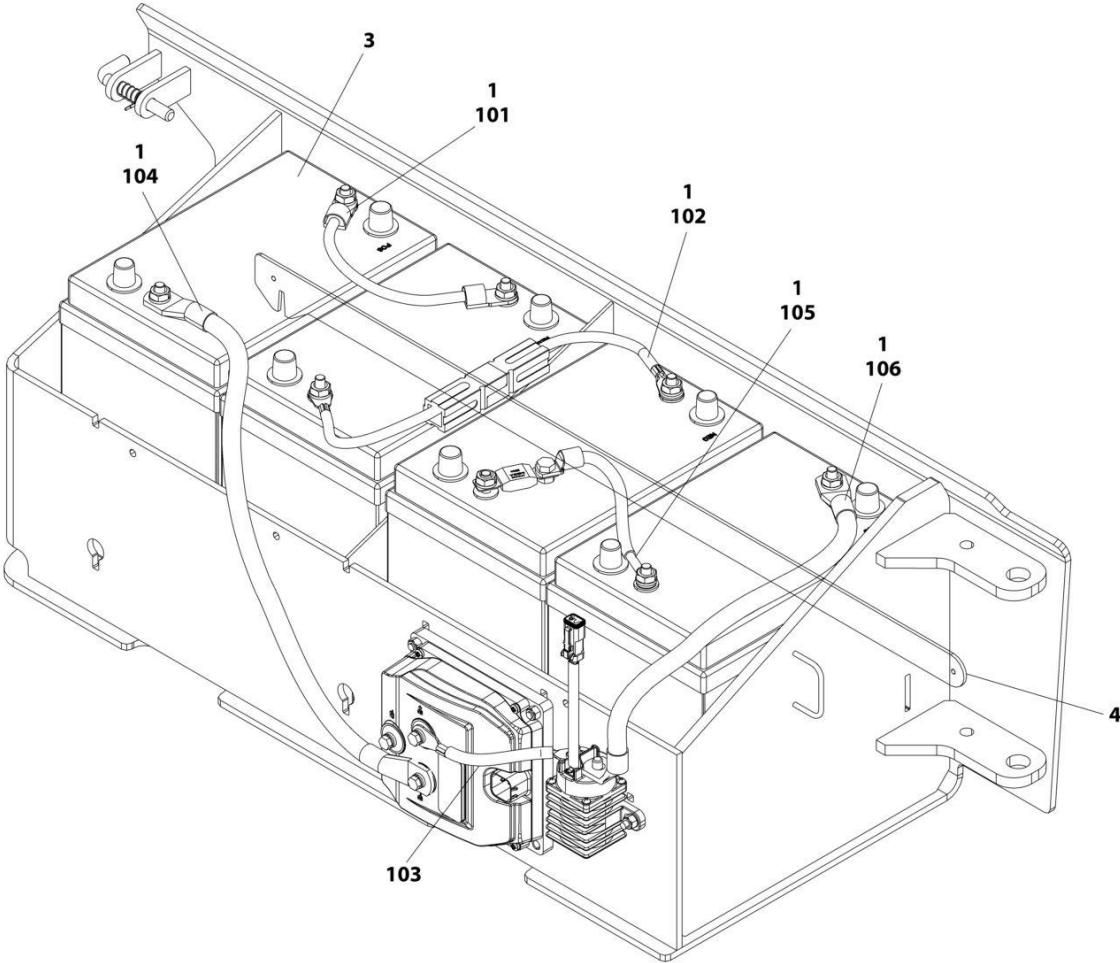
SECTION 2 - GROUND CONTROLS

FIGURE 2-11. BATTERIES INSTALLATION - STANDARD 6V-220AH

ITEM	PART NUMBER	QTY	DESCRIPTION	REV
	1001236632	Ref	BATTERIES INSTALLATION	B
1	0100051	AR	Grease, Terminal	
2	4240017	AR	Tie-Strap (Not Shown)	
3	1001216180	4	Battery	
4	1001239269	1	Bar	
100	1001228123	1	Battery Cable Kit (Not Shown)	
101	1060998	1	Cable, Positive to Negative	
102	4923328	1	Cable, Positive to Negative	
103	1001201708	1	Cable, Contactor to Pump Control B+	
104	1001201711	1	Cable, Battery Negative to Pump Control B-	
105	1001210401	1	Cable, Battery Fuse	
106	1001229110	1	Cable, Battery Positive to Contactor	

SECTION 2 - GROUND CONTROLS

FIGURE 2-12. BATTERIES INSTALLATION - AGM 6V-220AH



ART_1001237989

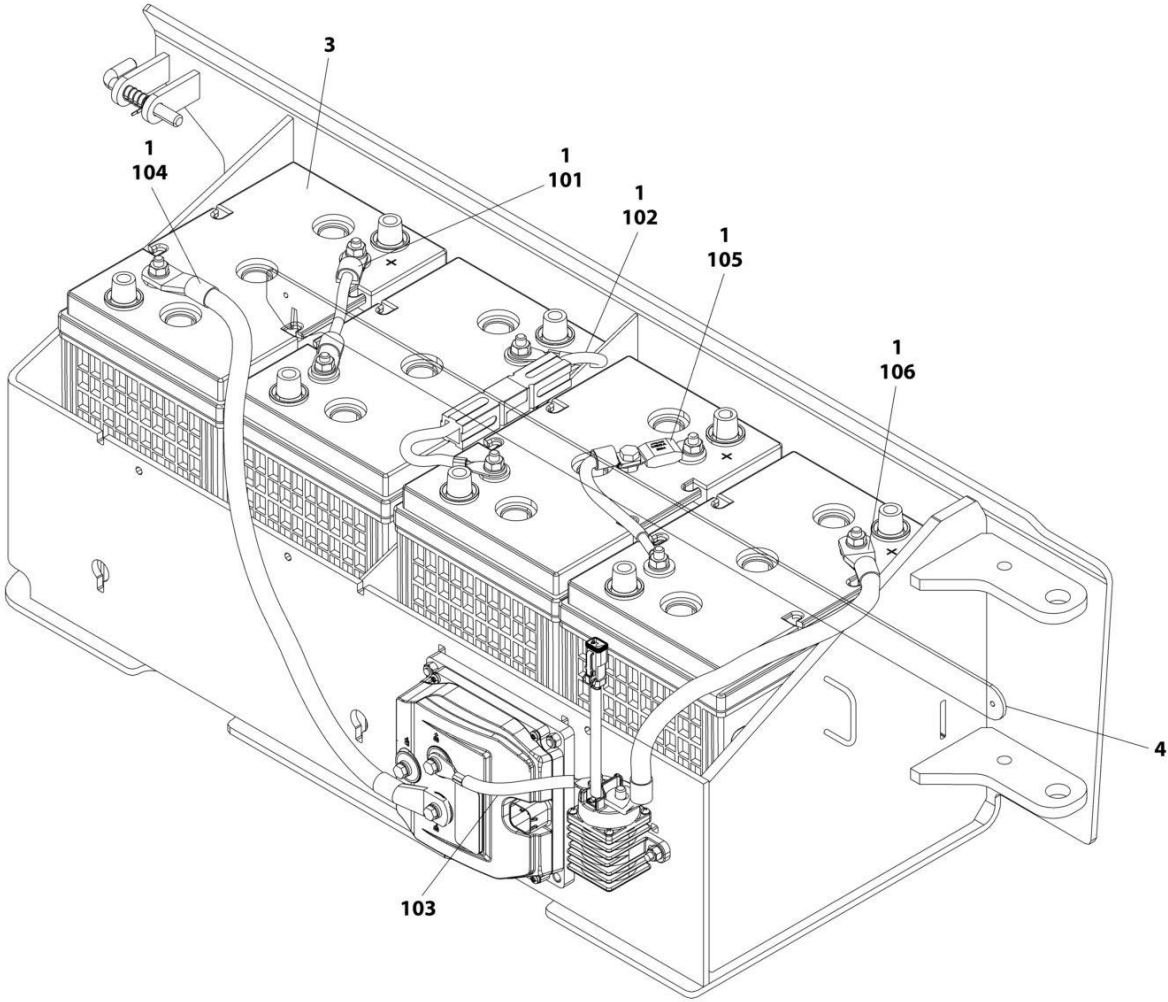
SECTION 2 - GROUND CONTROLS

FIGURE 2-12. BATTERIES INSTALLATION - AGM 6V-220AH

ITEM	PART NUMBER	QTY	DESCRIPTION	REV
	1001237989	Ref	BATTERIES INSTALLATION	B
1	0100051	AR	Grease, Terminal	
2	4240017	AR	Tie-Strap (Not Shown)	
3	1001112112	4	Battery	
4	1001239269	1	Bar	
100	1001228123	1	Battery Cable Kit (Not Shown)	
101	1060998	1	Cable, Positive to Negative	
102	4923328	1	Cable, Positive to Negative	
103	1001201708	1	Cable, Contactor to Pump Control B+	
104	1001201711	1	Cable, Battery Negative to Pump Control B-	
105	1001210401	1	Cable, Battery Fuse	
106	1001229110	1	Cable, Battery Positive to Contactor	

SECTION 2 - GROUND CONTROLS

FIGURE 2-13. BATTERIES INSTALLATION - AGM EVCG 6V-220AH



ART_1001237991

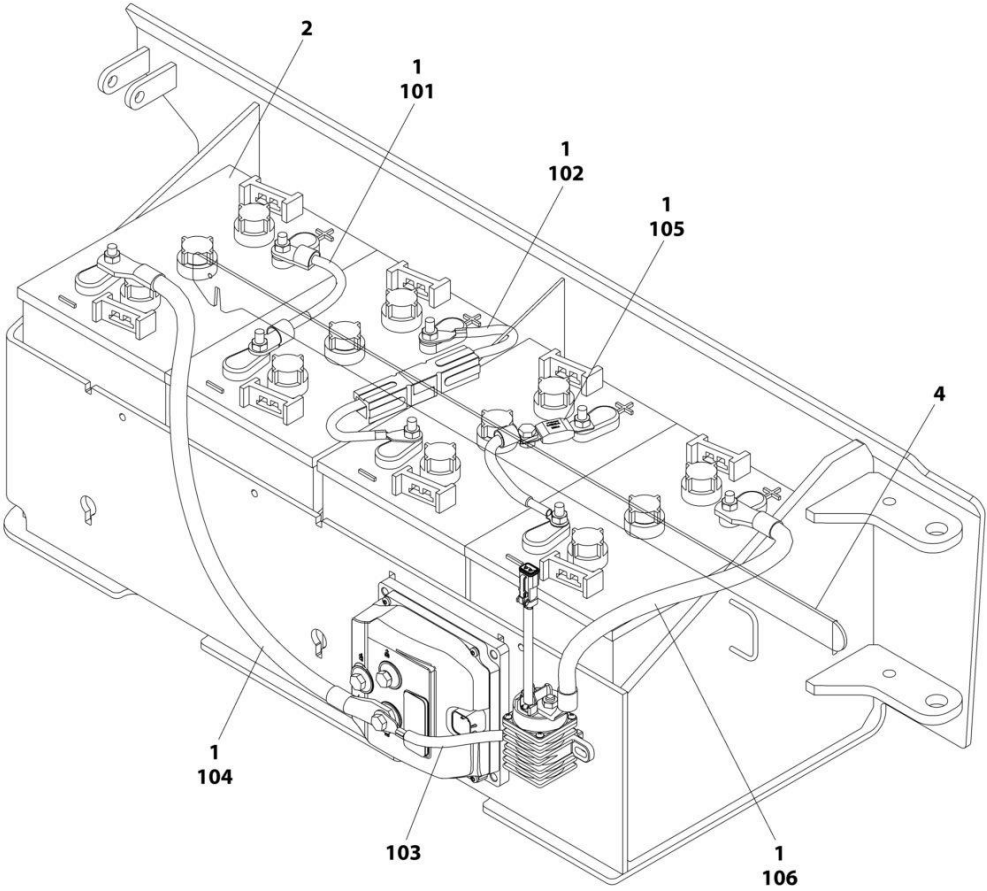
SECTION 2 - GROUND CONTROLS

FIGURE 2-13. BATTERIES INSTALLATION - AGM EVCG 6V-220AH

ITEM	PART NUMBER	QTY	DESCRIPTION	REV
	1001237991	Ref	BATTERIES INSTALLATION	B
1	0100051	AR	Grease, Terminal	
2	4240017	AR	Tie-Strap (Not Shown)	
3	1001214347	4	Battery	
4	1001239269	1	Bar	
100	1001228123	1	Battery Cable Kit (Not Shown)	
101	1060998	1	Cable, Positive to Negative	
102	4923328	1	Cable, Positive to Negative	
103	1001201708	1	Cable, Contactor to Pump Control B+	
104	1001201711	1	Cable, Battery Negative to Pump Control B-	
105	1001210401	1	Cable, Battery Fuse	
106	1001229110	1	Cable, Battery Positive to Contactor	

SECTION 2 - GROUND CONTROLS

FIGURE 2-14. BATTERIES INSTALLATION - 6V-220AH (TROJAN)



ART_1001249054

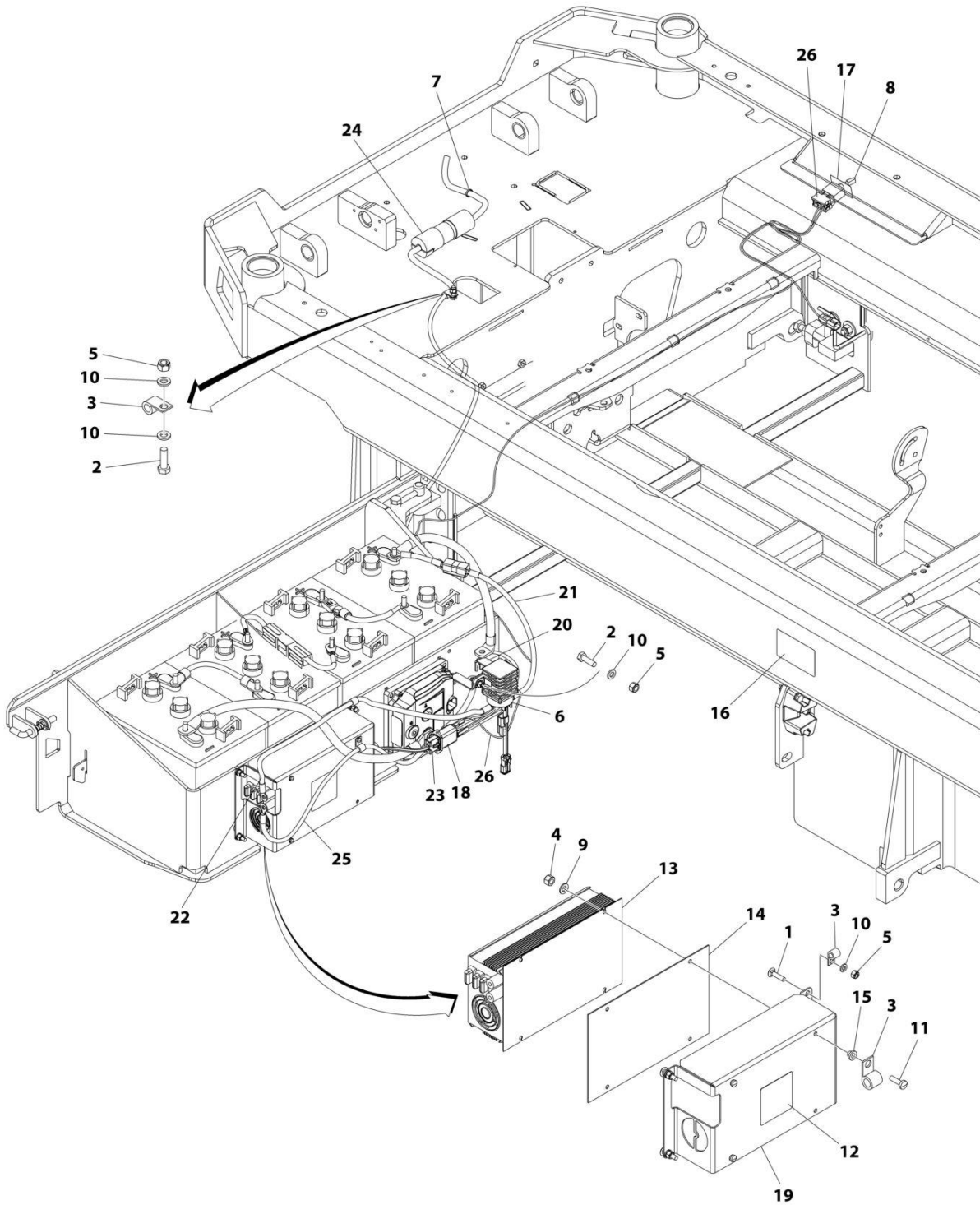
SECTION 2 - GROUND CONTROLS

FIGURE 2-14. BATTERIES INSTALLATION - 6V-220AH (TROJAN)

ITEM	PART NUMBER	QTY	DESCRIPTION	REV
	1001249054	Ref	BATTERIES INSTALLATION	B
1	0100051	AR	Grease, Terminal	
2	1001258498	4	Battery	
3	4240017	AR	Tie-Strap (Not Shown)	
4	1001239269	1	Bar	
100	1001228123	1	Battery Cable Kit (Not Shown)	
101	1060998	1	Cable, Positive to Negative	
102	4923328	1	Cable, Positive to Negative	
103	1001201708	1	Cable, Contactor to Pump Control B+	
104	1001201711	1	Cable, Battery Negative to Pump Control B-	
105	1001210401	1	Cable, Battery Fuse	
106	1001229110	1	Cable, Battery Positive to Contactor	

SECTION 2 - GROUND CONTROLS

FIGURE 2-15. INVERTER INSTALLATION (OPTIONAL)



ART_1001236132

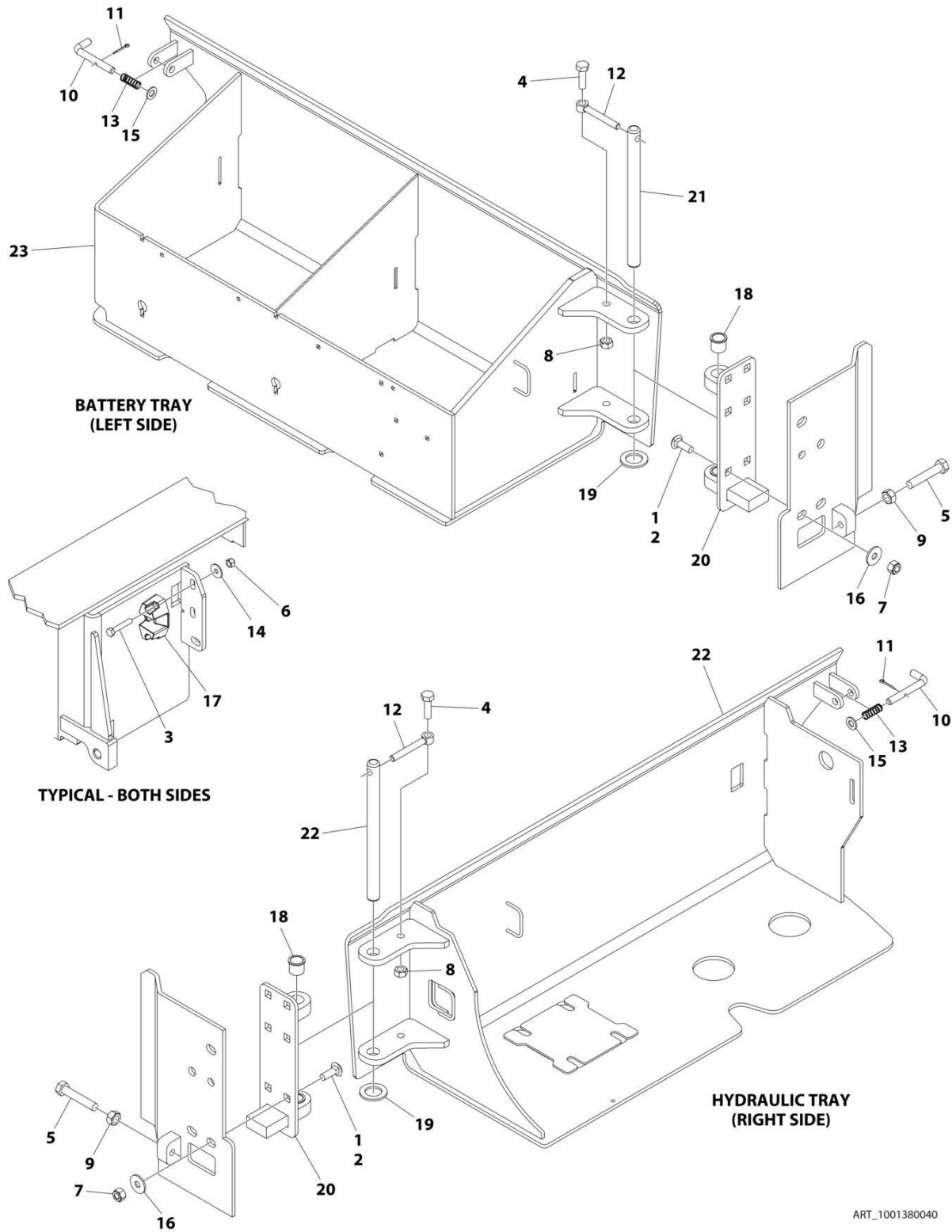
SECTION 2 - GROUND CONTROLS

FIGURE 2-15. INVERTER INSTALLATION (OPTIONAL)

ITEM	PART NUMBER	QTY	DESCRIPTION	REV
	1001236132	Ref	INVERTER INSTALLATION (OPTIONAL)	B
1	0630587	4	Bolt M6 x 25	
2	0760610	3	Bolt M6 x 20	
3	1321293	3	Clamp	
4	3290405	3	Nut M4	
5	3290605	7	Nut M6	
6	3740150	1	Relay	
7	4240017	AR	Tie-Strap	
8	4360336	1	Switch, Toggle	
9	4811400	3	Washer M4	
10	4811700	8	Washer M6	
11	1001101540	3	Screw M4 x 14	
12	1001125483	1	Decal - Pressure Wash	
13	1001136757	1	Inverter	
14	1001142173	1	Insulate	
15	1001142174	3	Washer 1/8	
16	1001143009	1	Decal - Inverter	
17	1001143010	1	Decal - On/Off Inverter	
18	1001157547	1	Filter, AC	
19	1001210440	1	Support	
20	1001210605	1	Support	
21	1001210878	1	Cable, Battery + to Inverter Contactor	
22	1001210879	1	Cable, Inverter Contactor to Inverter +	
23	1001210881	1	Cable, Inverter to AC Filter	
24	1001210882	1	Cable, AC Filter to AC Plug	
25	1001210967	1	Cable, Pump Control B- to Inverter	
26	1001235954	1	Inverter Harness	
26	4460897	2	Receptacle, Female - 2 Position	
26	4460464	3	Pin, Male	
26	4460466	1	Plug, Terminal	
26	4460418	1	Plug, Male - 6 Position	
26	4460419	2	Terminal	

SECTION 2 - GROUND CONTROLS

FIGURE 2-16. DOORS INSTALLATION



ART_1001380040

SECTION 2 - GROUND CONTROLS

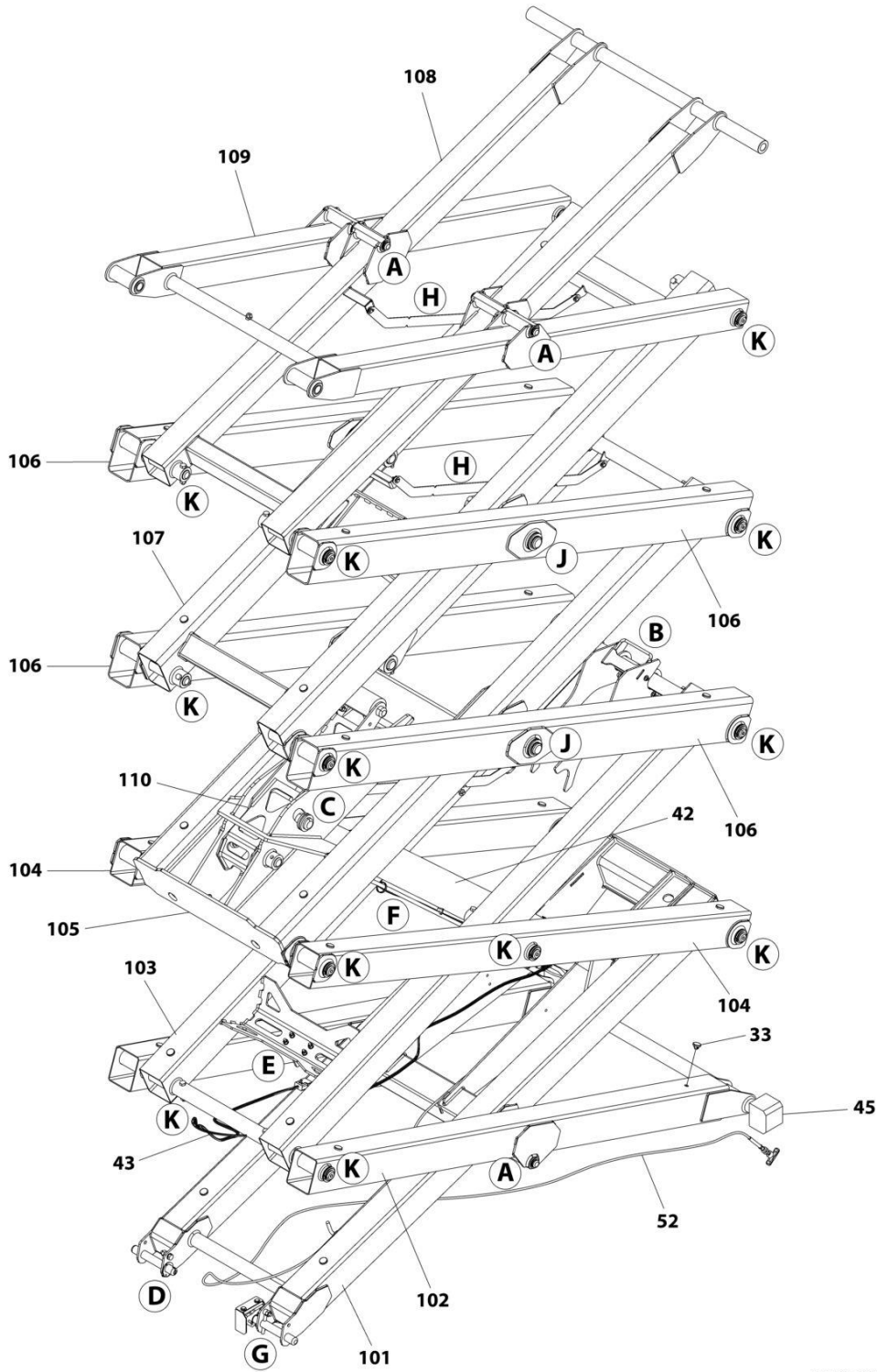
FIGURE 2-16. DOORS INSTALLATION

ITEM	PART NUMBER	QTY	DESCRIPTION	REV
	1001380040	Ref	DOORS INSTALLATION	B
1	0100011	AR	Compound, Locking	
2	0630613	10	Bolt M10 x 30	
3	0700817	4	Bolt M8 x 45	
4	0701015	2	Bolt M10 x 35	
5	0761221	2	Bolt M12 x 65	
6	3290805	4	Nut M8	
7	3291005	10	Nut M10	
8	3291007	2	Nut M10	
9	3291201	2	Nut M12	
10	3423243	2	Pin	
11	3450303	2	Pin, Cotter 3/32 x 3/4	
12	3841143	2	Keeper, Pin	
13	4160214	2	Spring	
14	4811902	4	Washer M8	
15	4812000	AR	Washer M10	
16	4812002	10	Washer M10	
17	1001214810	2	Support	
18	1001218573	4	Bearing	
19	1001229792	2	Washer	
20	1001234858	2	Hinge	
21	1001234862	2	Pin	
22	1001380041	1	Tray, Hydraulic	
23	1001380042	1	Tray, Battery	

SECTION 3 - SCISSORS ARMS

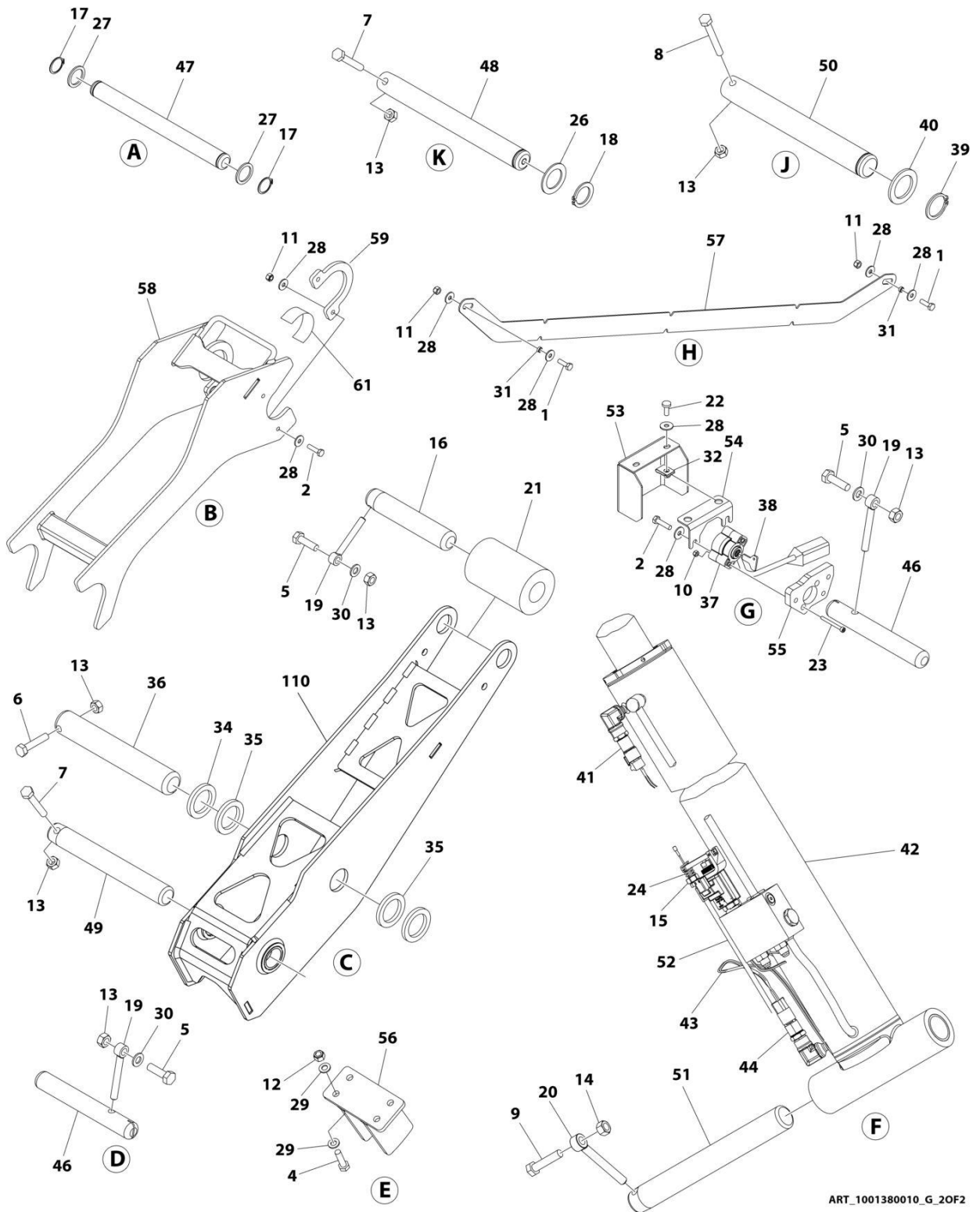
SECTION 3 - SCISSORS ARMS

FIGURE 3-1. SCISSORS ARMS INSTALLATION (KOREAN, AUSTRALIAN, CE & UK CA SPECS) (Prior to SN M200068991, Prior to SN B200081955)



ART_1001380010_G_10F2

SECTION 3 - SCISSORS ARMS



ART_1001380010_G_20F2

SECTION 3 - SCISSORS ARMS

FIGURE 3-1. SCISSORS ARMS INSTALLATION (KOREAN, AUSTRALIAN, CE & UK CA SPECS) (Prior to SN M200068991, Prior to SN B200081955)

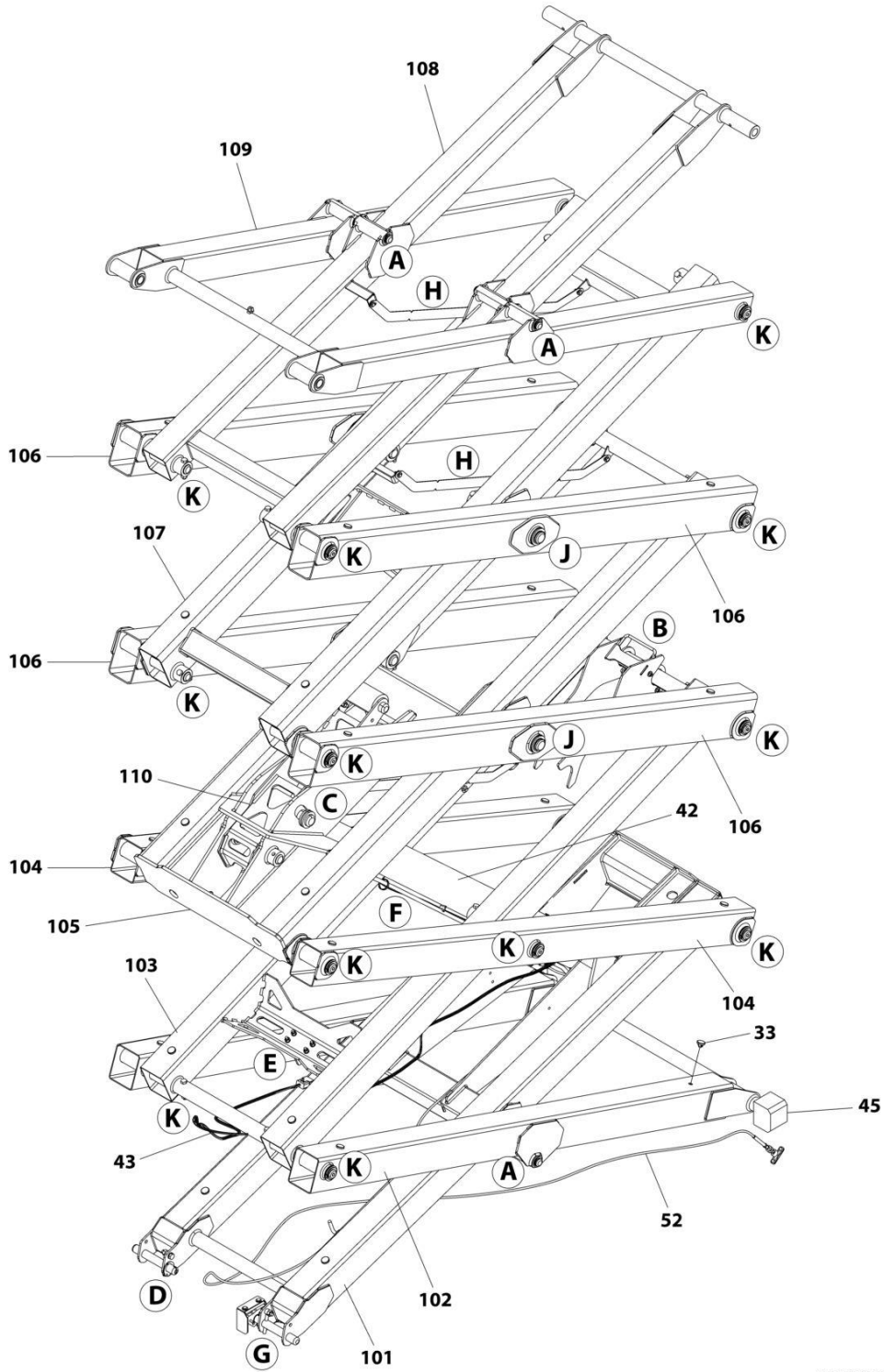
ITEM	PART NUMBER	QTY	DESCRIPTION	REV
	1001380010	Ref	SCISSORS ARMS INSTALLATION	G
1	0700610	6	Bolt M6 x 20	
2	0700612	7	Bolt M6 x 25	
4	0700814	4	Bolt M8 x 30	
5	0701015	3	Bolt M10 x 35	
6	0701018	1	Bolt M10 x 50	
7	0701021	19	Bolt M10 x 65	
8	0701024	4	Bolt M10 x 80	
9	0701219	1	Bolt M12 x 55	
10	3290405	2	Nut M4	
11	3290605	10	Nut M6	
12	3290805	4	Nut M8	
13	3291007	27	Nut M10	
14	3291207	1	Nut M12	
15	3321402	1	Nut 1/4	
16	3422998	1	Pin	
17	3760115	8	Ring, Retaining	
18	3760387	18	Ring, Retaining	
19	3841143	3	Keeper, Pin	
20	3841203	1	Keeper, Pin	
21	3860104	1	Roller	
22	4010608	2	Screw M6 x 16	
23	4031512	2	Capscrew M4 x 40	
24	4160078	1	Spring	
25	4240017	AR	Tie-Strap (Not Shown)	
26	4740438	18	Washer	
27	4740531	8	Washer	
28	4811702	25	Washer M6	
29	4811900	8	Washer M8	
30	4812000	3	Washer M10	
31	1001128888	6	Washer	
32	1001130220	2	Nut Tinnerman M6	
33	1001137675	32	Bumper	
34	1001139000	1	Plate	
35	1001139002	2	Pad	
36	1001139003	1	Pin	
37	1001146963	1	Sensor, Angle	
38	1001205345	1	Key (Steel)	
38	1001234204	1	Key (Aluminun)	
39	1001214689	4	Ring, Retaining	
40	1001217457	4	Washer	
41	1001225164	1	Sensor, Pressure Transducer	
42	1001244417	1	Lift Cylinder Assembly (See Separate Breakdown in CYLINDER Section)	
43	1001233795	1	Lift Down Harness (See Separate Breakdown in ELECTRICAL Section)	
44	1001235104	1	Sensor, Pressure Transducer	
45	1001247707	1	Block, Side	
46	1001236165	2	Pin	

SECTION 3 - SCISSORS ARMS

ITEM	PART NUMBER	QTY	DESCRIPTION	REV
47	1001236167	4	Pin	
48	1001236169	18	Pin	
49	1001236170	1	Pin	
50	1001236171	4	Pin	
51	1001236172	1	Pin	
52	1001236269	1	Cable, Manual Descent	
53	1001236486	1	Cover	
54	1001236487	1	Plate	
55	1001236488	1	Plate	
56	1001243348	1	Adapter	
57	1001237824	3	Plate	
58	1001238684	1	Arm, Prop	
59	1001239479	2	Plate	
61	4420062	15 in/ 37cm	Tape	
100	1001236348	1	Arm Kit	
101	1001241662	1	Arm - Inner 1	
101	0440264	4	Bearing (Not Shown)	
102	1001241663	1	Arm - Outer 1	
102	0440264	4	Bearing - 1 ID (Not Shown)	
102	0440265	4	Bearing - 1-1/4 ID (Not Shown)	
103	1001241664	1	Arm - Inner 2	
104	1001241665	1	Arm - Outer 2	
104	0440265	6	Bearing (Not Shown)	
105	1001241666	1	Arm - Inner 3	
106	1001241667	2	Arm - Outer 3 and Outer 4	
106	0440265	4	Bearing - 1-1/4 ID (Not Shown)	
106	0962272	4	Bearing - 1-1/2 ID (Not Shown)	
107	1001241668	1	Arm - Inner 4	
108	1001241669	1	Arm - Inner 5	
108	0440264	4	Bearing (Not Shown)	
109	1001241670	1	Arm - Outer 5	
109	0440264	4	Bearing - 1 ID (Not Shown)	
109	0440265	4	Bearing - 1-1/4 ID (Not Shown)	
110	1001241671	1	Kicker	
110	0440265	2	Bearing (Not Shown)	

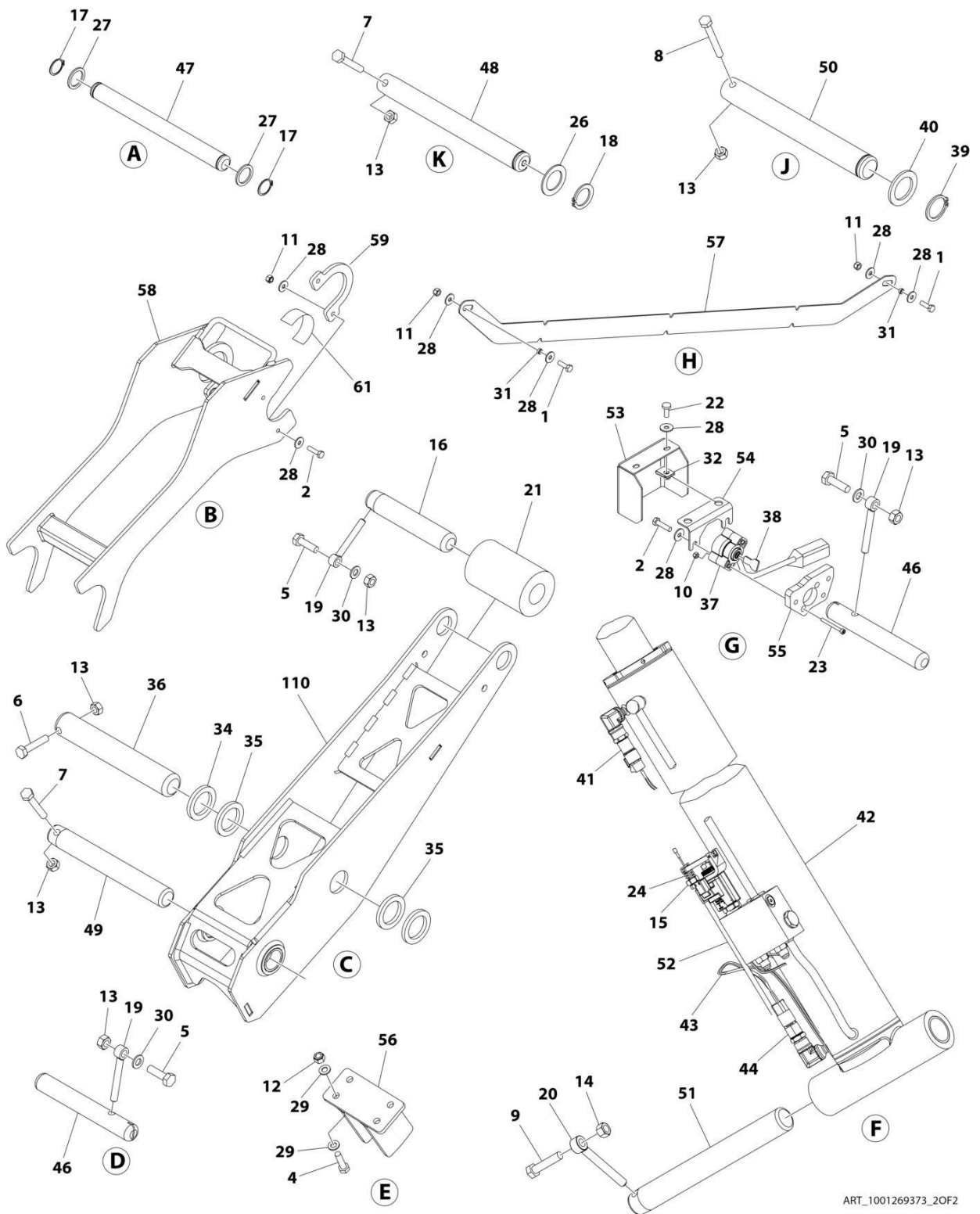
SECTION 3 - SCISSORS ARMS

FIGURE 3-2. SCISSORS ARMS INSTALLATION (CHINA SPECS)



ART_1001269373_10F2

SECTION 3 - SCISSORS ARMS



ART_1001269373_20F2

SECTION 3 - SCISSORS ARMS

FIGURE 3-2. SCISSORS ARMS INSTALLATION (CHINA SPECS)

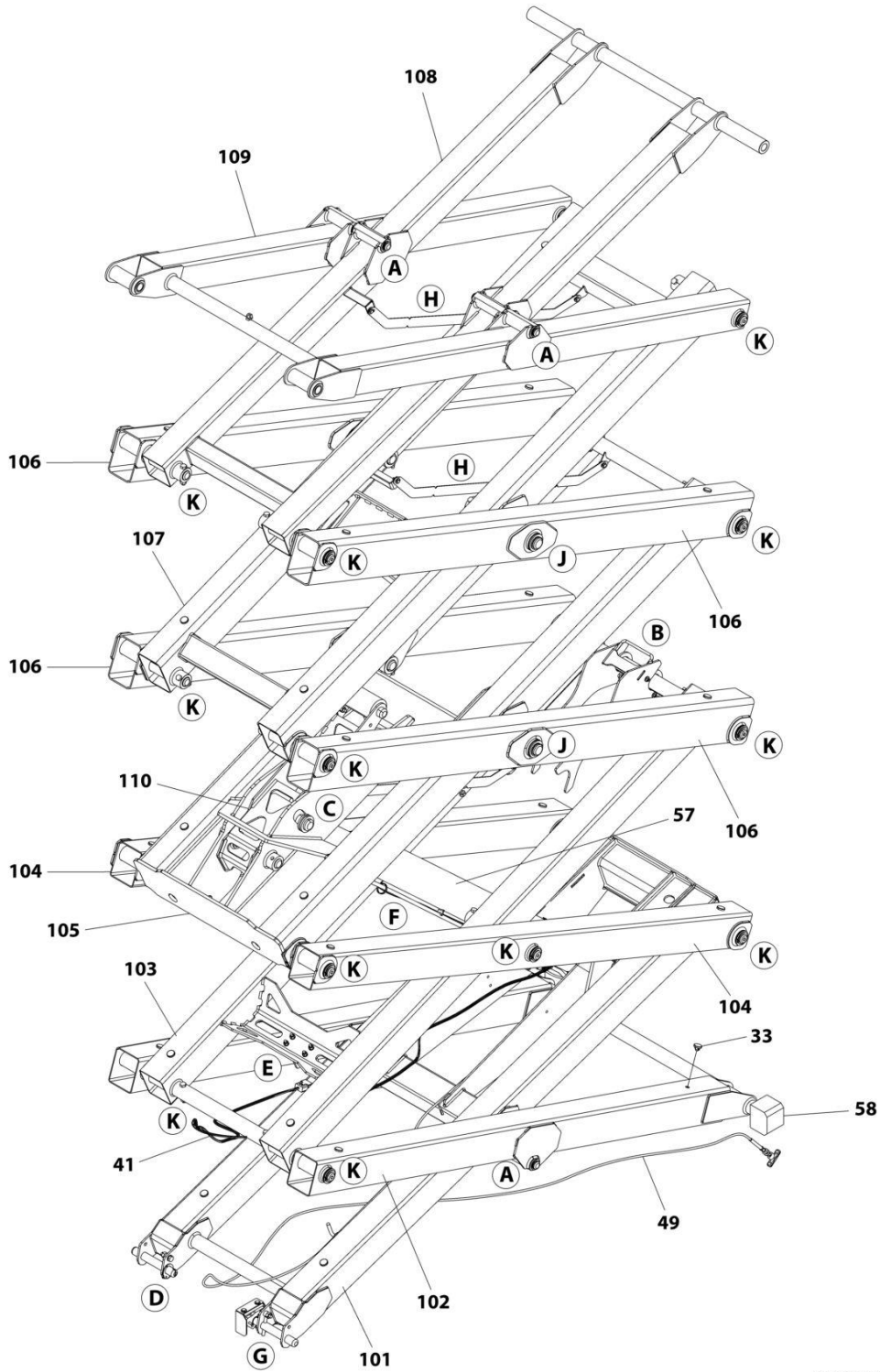
ITEM	PART NUMBER	QTY	DESCRIPTION	REV
	1001269373	Ref	SCISSORS ARMS INSTALLATION	A
1	0700610	6	Bolt M6 x 20	
2	0700612	7	Bolt M6 x 25	
4	0700814	4	Bolt M8 x 30	
5	0701015	3	Bolt M10 x 35	
6	0701018	1	Bolt M10 x 50	
7	0701021	19	Bolt M10 x 65	
8	0701024	4	Bolt M10 x 80	
9	0701219	1	Bolt M12 x 55	
10	3290405	2	Nut M4	
11	3290605	10	Nut M6	
12	3290805	4	Nut M8	
13	3291007	27	Nut M10	
14	3291207	1	Nut M12	
15	3321402	1	Nut 1/4	
16	3422998	1	Pin	
17	3760115	8	Ring, Retaining	
18	3760387	18	Ring, Retaining	
19	3841143	3	Keeper, Pin	
20	3841203	1	Keeper, Pin	
21	3860104	1	Roller	
22	4010608	2	Screw M6 x 16	
23	4031512	2	Capscrew M4 x 40	
24	4160078	1	Spring	
25	4240017	AR	Tie-Strap (Not Shown)	
26	4740438	18	Washer	
27	4740531	8	Washer	
28	4811702	25	Washer M6	
29	4811900	8	Washer M8	
30	4812000	3	Washer M10	
31	1001128888	6	Washer	
32	1001130220	2	Nut Tinnerman M6	
33	1001137675	32	Bumper	
34	1001139000	1	Plate	
35	1001139002	2	Pad	
36	1001139003	1	Pin	
37	1001146963	1	Sensor, Angle	
38	1001205345	1	Key	
39	1001214689	4	Ring, Retaining	
40	1001217457	4	Washer	
41	1001225164	1	Sensor, Pressure Transducer	
42	1001244417	1	Lift Cylinder Assembly (See Separate Breakdown in CYLINDER Section)	
43	1001233795	1	Lift Down Harness (See Separate Breakdown in ELECTRICAL Section)	
44	1001235104	1	Sensor, Pressure Transducer	
45	1001247707	1	Block, Side	
46	1001236165	2	Pin	
47	1001236167	4	Pin	
48	1001236169	18	Pin	

SECTION 3 - SCISSORS ARMS

ITEM	PART NUMBER	QTY	DESCRIPTION	REV
49	1001236170	1	Pin	
50	1001236171	4	Pin	
51	1001236172	1	Pin	
52	1001236269	1	Cable, Manual Descent	
53	1001236486	1	Cover	
54	1001236487	1	Plate	
55	1001236488	1	Plate	
56	1001243348	1	Adapter	
57	1001237824	3	Plate	
58	1001238684	1	Arm, Prop	
59	1001239479	2	Plate	
100	1001269838	1	Arm Kit	
101	1001241662	1	Arm - Inner 1	
101	0440264	4	Bearing (Not Shown)	
102	1001241663	1	Arm - Outer 1	
102	0440264	4	Bearing - 1 ID (Not Shown)	
102	0440265	4	Bearing - 1-1/4 ID (Not Shown)	
103	1001241664	1	Arm - Inner 2	
104	1001241665	1	Arm - Outer 2	
104	0440265	6	Bearing - 1-1/4 ID (Not Shown)	
105	1001241666	1	Arm - Inner 3	
106	1001241667	2	Arm - Outer 3 and Outer 4	
106	0440265	4	Bearing - 1-1/4 ID (Not Shown)	
106	0962272	4	Bearing - 1-1/2 ID (Not Shown)	
107	1001241668	1	Arm - Inner 4	
108	1001269377	1	Arm - Inner 5	
108	0440264	4	Bearing (Not Shown)	
109	1001241670	1	Arm - Outer 5	
109	0440264	4	Bearing - 1 ID (Not Shown)	
109	0440265	4	Bearing - 1-1/4 ID (Not Shown)	
110	1001241671	1	Kicker	
110	0440265	2	Bearing (Not Shown)	

SECTION 3 - SCISSORS ARMS

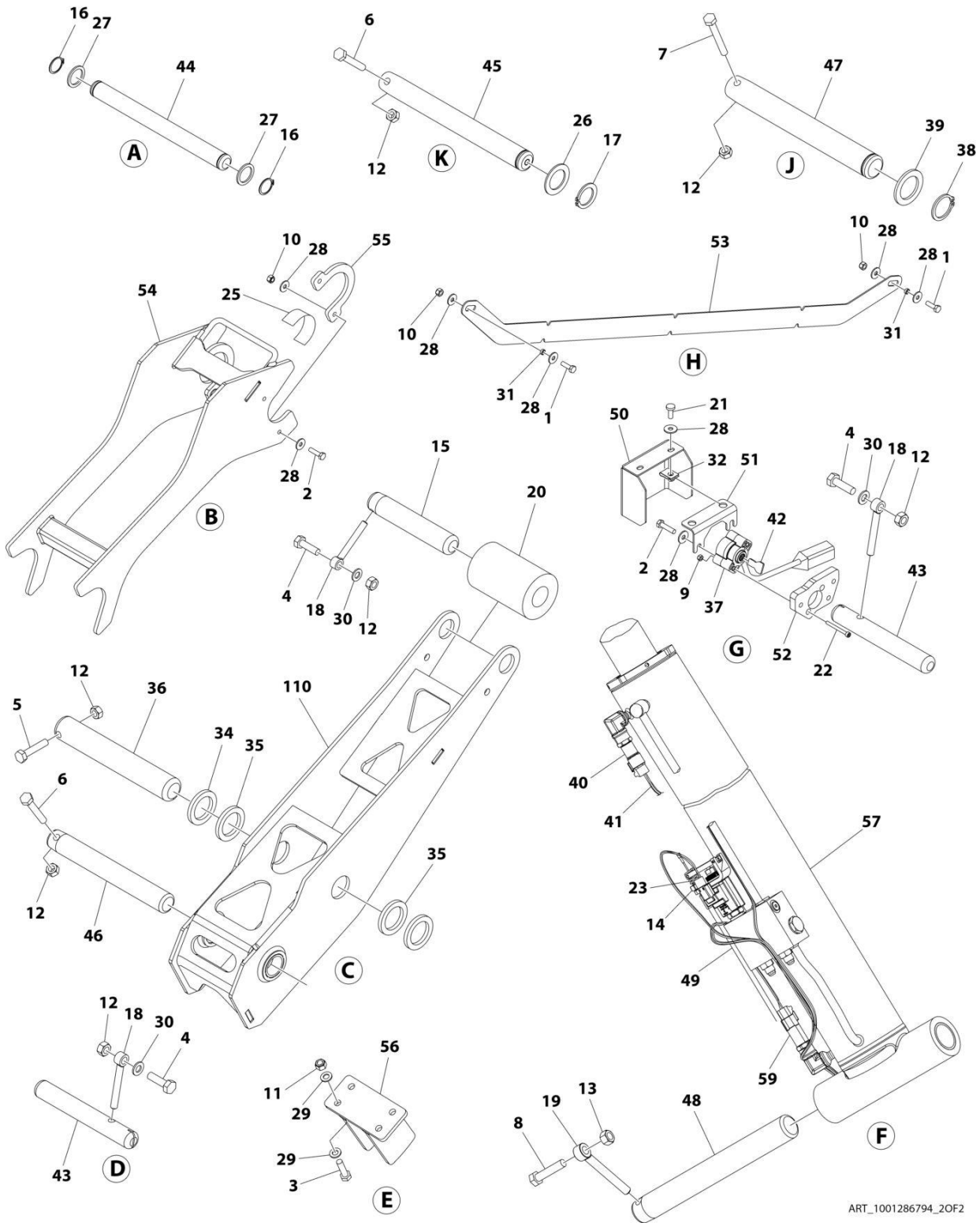
FIGURE 3-3. SCISSORS ARMS INSTALLATION (ANSI, ANSI EXPORT, CSA & JAPANESE SPECS)
(Prior to SN M200068991, Prior to SN B200081955)



ART_1001286794_1OF2

SECTION 3 - SCISSORS ARMS

FIGURE 3-4. SCISSORS ARMS INSTALLATION (ANSI, ANSI EXPORT, CSA & JAPANESE SPECS)
(Prior to SN M200068991, Prior to SN B200081955)



ART_1001286794_20F2

SECTION 3 - SCISSORS ARMS

**FIGURE 3-4. SCISSORS ARMS INSTALLATION (ANSI, ANSI EXPORT, CSA & JAPANESE SPECS)
(Prior to SN M200068991, Prior to SN B200081955)**

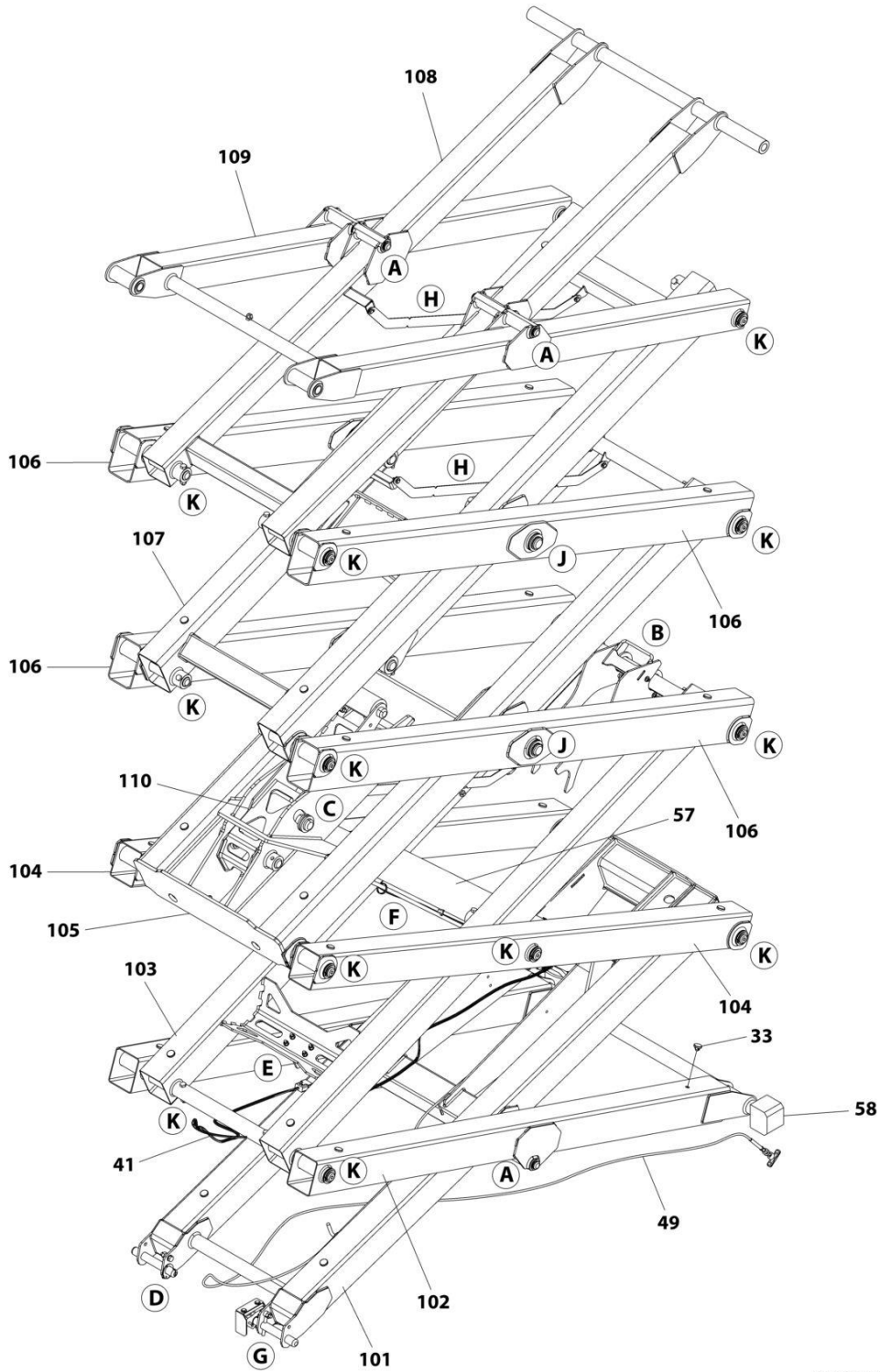
ITEM	PART NUMBER	QTY	DESCRIPTION	REV
	1001286794	Ref	ARMS INSTALLATION	A
1	0700610	6	Bolt M6 x 20	
2	0700612	7	Bolt M6 x 25	
3	0700814	4	Bolt M8 x 30	
4	0701015	3	Bolt M10 x 35	
5	0701018	1	Bolt M10 x 50	
6	0701021	19	Bolt M10 x 65	
7	0701024	4	Bolt M10 x 80	
8	0701219	1	Bolt M12 x 55	
9	3290405	2	Nut, Lock M4	
10	3290605	10	Nut, Lock M6	
11	3290805	4	Nut, Lock M8	
12	3291007	27	Nut, Lock M10	
13	3291207	1	Nut, Lock M12	
14	3321402	1	Nut, Jam 1/4	
15	3422998	1	Pin	
16	3760115	8	Ring, Retaining	
17	3760387	18	Ring, Snap	
18	3841143	3	Pin, Keeper	
19	3841203	1	Pin, Keeper	
20	3860104	1	Roller	
21	4010608	2	Screw M6 x 16	
22	4031512	2	Capscrew M4 x 40	
23	4160078	1	Spring	
24	4240017	AR	Tie-Strap (Not Shown)	
25	4420062	370 in /1 cm	Tape	
26	4740438	18	Washer M33	
27	4740531	8	Washer M26	
28	4811702	25	Washer M6	
29	4811900	8	Washer M8	
30	4812000	3	Washer M10	
31	1001128888	6	Washer	
32	1001130220	2	Nut Tinnerman M6	
33	1001137675	32	Bumper	
34	1001139000	1	Plate	
35	1001139002	2	Pad	
36	1001139003	1	Pin	
37	1001146963	1	Sensor, Angle	
38	1001214689	4	Ring, Retaining	
39	1001217457	4	Washer	
40	1001225164	1	Sensor, Pressure Transducer	
41	1001233795	1	Lift Down Harness (See Separate Breakdown in ELECTRICAL Section)	
42	1001234204	1	Key, Angle Sensor	
43	1001236165	2	Pin	
44	1001236167	4	Pin	
45	1001236169	18	Pin	
46	1001236170	1	Pin	

SECTION 3 - SCISSORS ARMS

ITEM	PART NUMBER	QTY	DESCRIPTION	REV
47	1001236171	4	Pin	
48	1001236172	1	Pin	
49	1001236269	1	Cable, Manual Descent	
50	1001236486	1	Cover	
51	1001236487	1	Plate	
52	1001236488	1	Plate	
53	1001237824	3	Plate, Cable Guide	
54	1001238684	1	Arm, Prop Weldment	
55	1001239479	2	Plate	
56	1001243348	1	Adapter	
57	1001244417	1	Lift Cylinder Assembly (See Separate Breakdown in CYLINDER Section)	
58	1001247707	2	Block, Side	
59	1001285320	1	Sensor, Pressure Transducer	
60	1001285829	1	Harness, Jumper to Lift Down (Not Shown) (See Separate Breakdown in ELECTRICAL Section)	
100	1001236348	1	Arm Kit	
101	1001241662	1	Arm - Inner 1	
101	0440264	4	Bearing (Not Shown)	
102	1001241663	1	Arm - Outer 1	
102	0440264	4	Bearing - 1 ID (Not Shown)	
102	0440265	4	Bearing - 1-1/4 ID (Not Shown)	
103	1001241664	1	Arm - Inner 2	
104	1001241665	2	Arm - Outer 2	
104	0440265	6	Bearing (Not Shown)	
105	1001241666	1	Arm - Inner 3	
106	1001241667	4	Arm - Outer 3 and Outer 4	
106	0440265	4	Bearing - 1-1/4 ID (Not Shown)	
106	0962272	2	Bearing - 1-1/2 ID (Not Shown)	
107	1001241668	1	Arm - Inner 4	
108	1001241669	1	Arm - Inner 5	
108	0440264	4	Bearing (Not Shown)	
109	1001241670	1	Arm - Outer 5	
109	0440264	8	Bearing - 1 ID (Not Shown)	
109	0440265	4	Bearing - 1-1/4 ID (Not Shown)	
110	1001241671	1	Kicker	
110	0440265	2	Bearing (Not Shown)	

SECTION 3 - SCISSORS ARMS

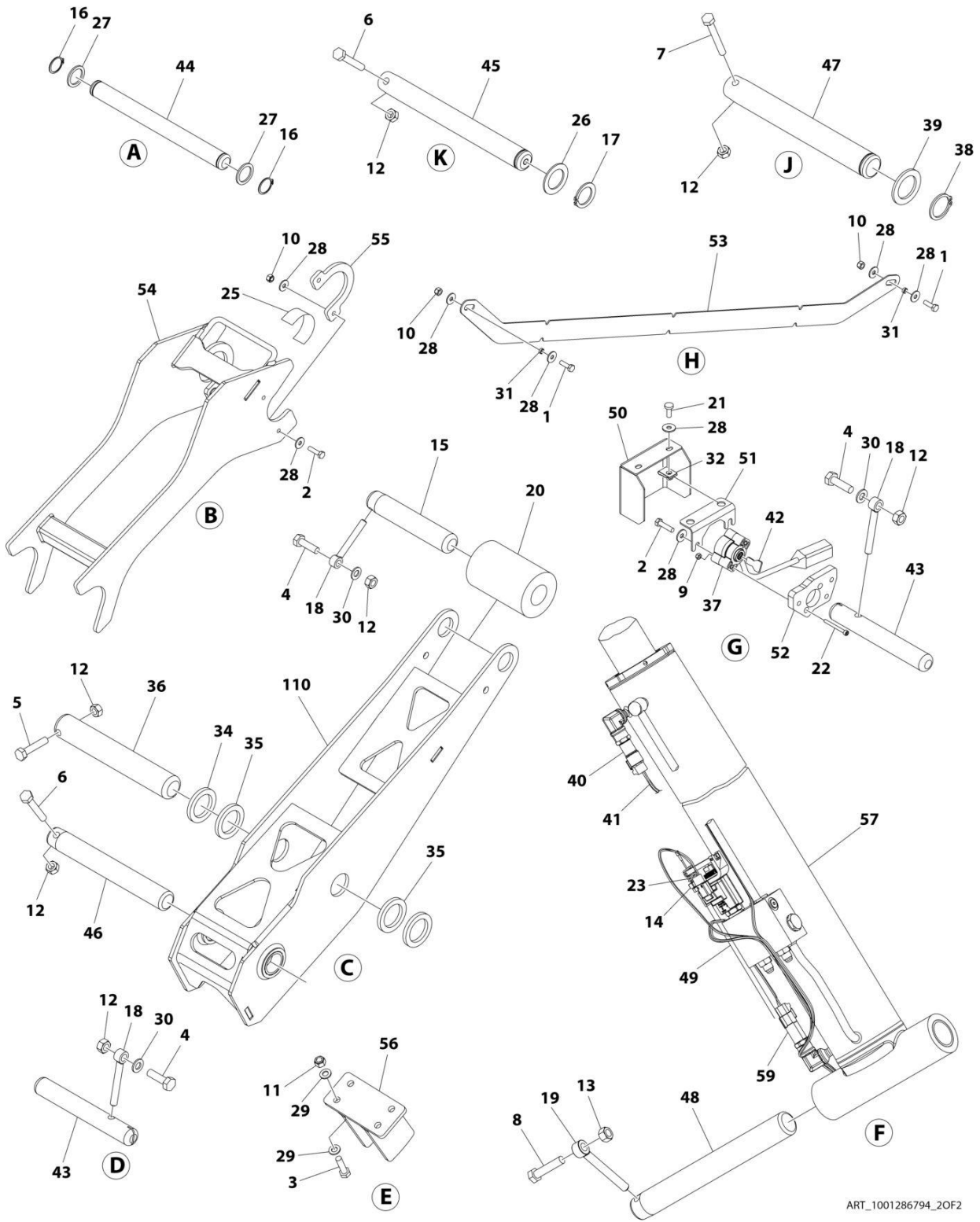
FIGURE 3-5. SCISSORS ARMS INSTALLATION (ALL SPECS EXCEPT CHINA SPECS) (SN M200068991 through M200064543, SN B200081955 to Present)



ART_1001286794_1OF2

SECTION 3 - SCISSORS ARMS

FIGURE 3-6. SCISSORS ARMS INSTALLATION (ALL SPECS EXCEPT CHINA SPECS)



ART_1001286794_20F2

SECTION 3 - SCISSORS ARMS

FIGURE 3-6. SCISSORS ARMS INSTALLATION (ALL SPECS EXCEPT CHINA SPECS)

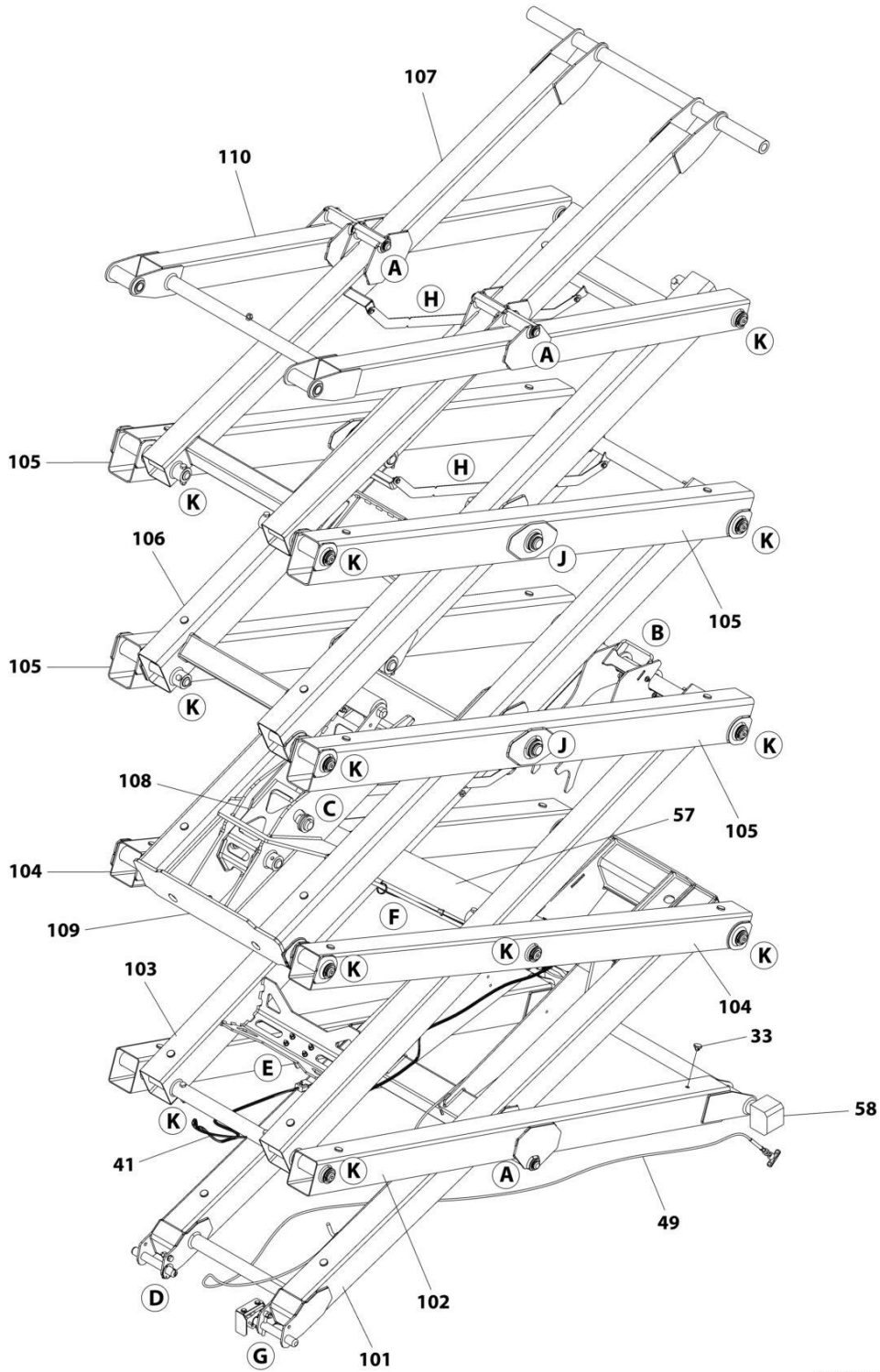
ITEM	PART NUMBER	QTY	DESCRIPTION	REV
	1001286794	Ref	ARMS INSTALLATION	A
1	0700610	6	Bolt M6 x 20	
2	0700612	7	Bolt M6 x 25	
3	0700814	4	Bolt M8 x 30	
4	0701015	3	Bolt M10 x 35	
5	0701018	1	Bolt M10 x 50	
6	0701021	19	Bolt M10 x 65	
7	0701024	4	Bolt M10 x 80	
8	0701219	1	Bolt M12 x 55	
9	3290405	2	Nut, Lock M4	
10	3290605	10	Nut, Lock M6	
11	3290805	4	Nut, Lock M8	
12	3291007	27	Nut, Lock M10	
13	3291207	1	Nut, Lock M12	
14	3321402	1	Nut, Jam 1/4	
15	3422998	1	Pin	
16	3760115	8	Ring, Retaining	
17	3760387	18	Ring, Snap	
18	3841143	3	Pin, Keeper	
19	3841203	1	Pin, Keeper	
20	3860104	1	Roller	
21	4010608	2	Screw M6 x 16	
22	4031512	2	Capscrew M4 x 40	
23	4160078	1	Spring	
24	4240017	AR	Tie-Strap (Not Shown)	
25	4420062	370 in /1 cm	Tape	
26	4740438	18	Washer M33	
27	4740531	8	Washer M26	
28	4811702	25	Washer M6	
29	4811900	8	Washer M8	
30	4812000	3	Washer M10	
31	1001128888	6	Washer	
32	1001130220	2	Nut Tinnerman M6	
33	1001137675	32	Bumper	
34	1001139000	1	Plate	
35	1001139002	2	Pad	
36	1001139003	1	Pin	
37	1001146963	1	Sensor, Angle	
38	1001214689	4	Ring, Retaining	
39	1001217457	4	Washer	
40	1001225164	1	Sensor, Pressure Transducer	
41	1001233795	1	Lift Down Harness (See Separate Breakdown in ELECTRICAL Section)	
42	1001234204	1	Key, Angle Sensor	
43	1001236165	2	Pin	
44	1001236167	4	Pin	
45	1001236169	18	Pin	
46	1001236170	1	Pin	
47	1001236171	4	Pin	

SECTION 3 - SCISSORS ARMS

ITEM	PART NUMBER	QTY	DESCRIPTION	REV
48	1001236172	1	Pin	
49	1001236269	1	Cable, Manual Descent	
50	1001236486	1	Cover	
51	1001236487	1	Plate	
52	1001236488	1	Plate	
53	1001237824	3	Plate, Cable Guide	
54	1001238684	1	Arm, Prop Weldment	
55	1001239479	2	Plate	
56	1001243348	1	Adapter	
57	1001244417	1	Lift Cylinder Assembly (See Separate Breakdown in CYLINDER Section)	
58	1001247707	2	Block, Side	
59	1001285320	1	Sensor, Pressure Transducer	
60	1001285829	1	Harness, Jumper to Lift Down (Not Shown) (See Separate Breakdown in ELECTRICAL Section)	
100	1001236348	1	Arm Kit	
101	1001241662	1	Arm - Inner 1	
101	0440264	4	Bearing (Not Shown)	
102	1001241663	1	Arm - Outer 1	
102	0440264	4	Bearing - 1 ID (Not Shown)	
102	0440265	4	Bearing - 1-1/4 ID (Not Shown)	
103	1001241664	1	Arm - Inner 2	
104	1001241665	2	Arm - Outer 2	
104	0440265	6	Bearing (Not Shown)	
105	1001241666	1	Arm - Inner 3	
106	1001241667	4	Arm - Outer 3 and Outer 4	
106	0440265	4	Bearing - 1-1/4 ID (Not Shown)	
106	0962272	2	Bearing - 1-1/2 ID (Not Shown)	
107	1001241668	1	Arm - Inner 4	
108	1001241669	1	Arm - Inner 5	
108	0440264	4	Bearing (Not Shown)	
109	1001241670	1	Arm - Outer 5	
109	0440264	8	Bearing - 1 ID (Not Shown)	
109	0440265	4	Bearing - 1-1/4 ID (Not Shown)	
110	1001241671	1	Kicker	
110	0440265	2	Bearing (Not Shown)	

SECTION 3 - SCISSORS ARMS

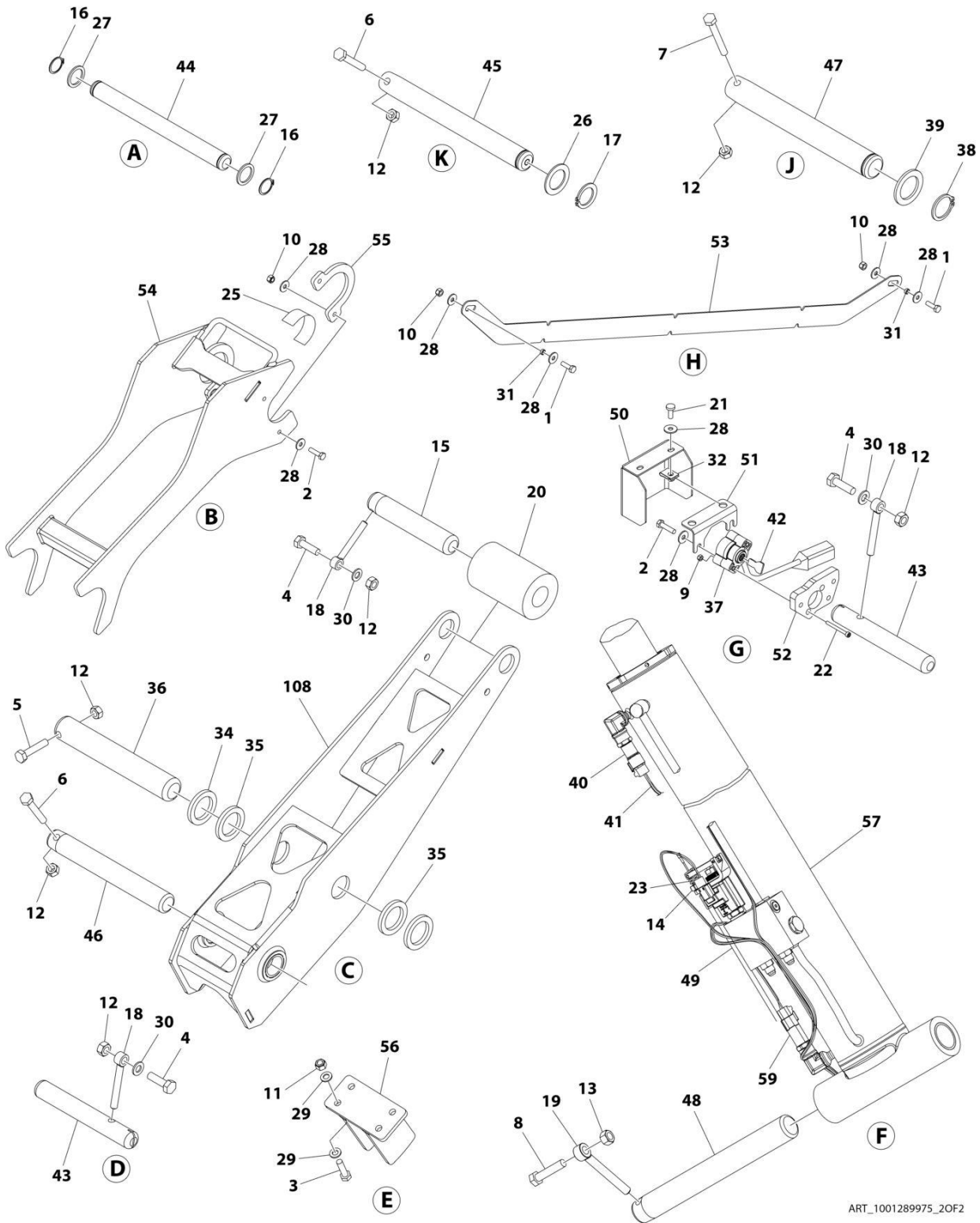
FIGURE 3-7. SCISSORS ARMS INSTALLATION (MACHINES WITH SN STARTING WITH M2)(ALL SPECS) (SN M200064543 to Present)



ART_1001289975_1OF2

SECTION 3 - SCISSORS ARMS

FIGURE 3-8. SCISSORS ARMS INSTALLATION (MACHINES WITH SN STARTING WITH M2)(ALL SPECS) (SN M200064543 to Present)



ART_1001289975_2OF2

SECTION 3 - SCISSORS ARMS

FIGURE 3-8. SCISSORS ARMS INSTALLATION (MACHINES WITH SN STARTING WITH M2)(ALL SPECS) (SN M200064543 to Present)

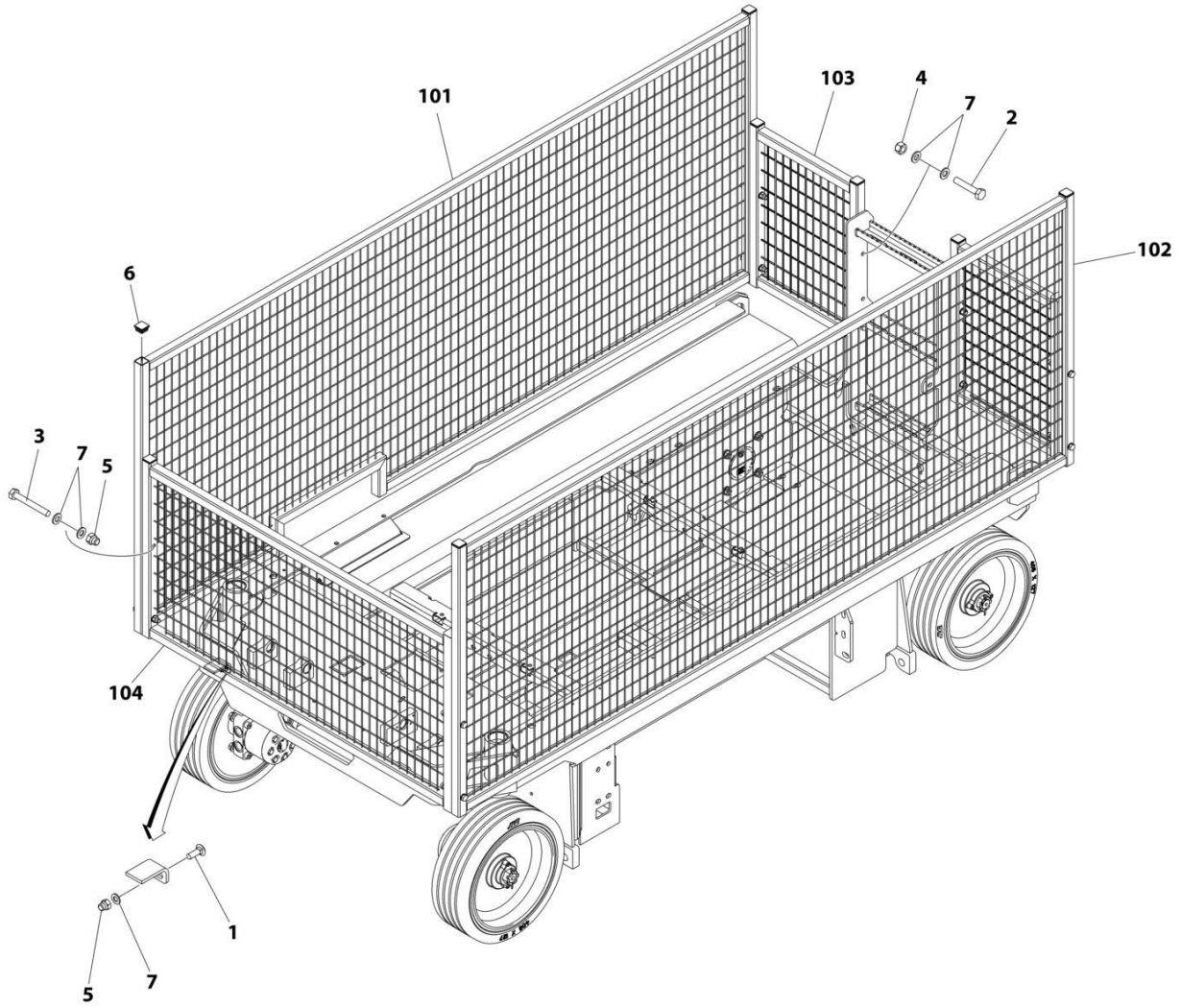
ITEM	PART NUMBER	QTY	DESCRIPTION	REV
	1001289975	Ref	ARMS INSTALLATION	A
1	0700610	6	Bolt M6 x 20	
2	0700612	7	Bolt M6 x 25	
3	0700814	4	Bolt M8 x 30	
4	0701015	3	Bolt M10 x 35	
5	0701018	1	Bolt M10 x 50	
6	0701021	19	Bolt M10 x 65	
7	0701024	4	Bolt M10 x 80	
8	0701219	1	Bolt M12 x 55	
9	3290405	2	Nut, Lock M4	
10	3290605	10	Nut, Lock M6	
11	3290805	4	Nut, Lock M8	
12	3291007	27	Nut, Lock M10	
13	3291207	1	Nut, Lock M12	
14	3321402	1	Nut, Jam 1/4	
15	3422998	1	Pin	
16	3760115	8	Ring, Retaining	
17	3760387	18	Ring, Snap	
18	3841143	3	Pin, Keeper	
19	3841203	1	Pin, Keeper	
20	3860104	1	Roller	
21	4010608	2	Screw M6 x 16	
22	4031512	2	Capscrew M4 x 40	
23	4160078	1	Spring	
24	4240017	AR	Tie-Strap (Not Shown)	
25	4420062	15 in/37cm	Tape	
26	4740438	18	Washer M33	
27	4740531	8	Washer M26	
28	4811702	25	Washer M6	
29	4811900	8	Washer M8	
30	4812000	3	Washer M10	
31	1001128888	6	Washer	
32	1001130220	2	Nut Tinnerman M6	
33	1001137675	32	Bumper	
34	1001139000	1	Plate	
35	1001139002	2	Pad	
36	1001139003	1	Pin	
37	1001146963	1	Sensor, Angle	
38	1001214689	4	Ring, Retaining	
39	1001217457	4	Washer	
40	1001225164	1	Sensor, Pressure Transducer	
41	1001233795	1	Lift Down Harness (See Separate Breakdown in ELECTRICAL Section)	
42	1001234204	1	Key, Angle Sensor	
43	1001236165	2	Pin	
44	1001236167	4	Pin	
45	1001236169	18	Pin	
46	1001236170	1	Pin	

SECTION 3 - SCISSORS ARMS

ITEM	PART NUMBER	QTY	DESCRIPTION	REV
47	1001236171	4	Pin	
48	1001236172	1	Pin	
49	1001236269	1	Cable, Manual Descent	
50	1001236486	1	Cover	
51	1001236487	1	Plate	
52	1001236488	1	Plate	
53	1001237824	3	Plate, Cable Guide	
54	1001238684	1	Arm, Prop Weldment	
55	1001239479	2	Plate	
56	1001243348	1	Adapter	
57	1001244417	1	Lift Cylinder Assembly (See Separate Breakdown in CYLINDER Section)	
58	1001247707	2	Block, Side	
59	1001285320	1	Sensor, Pressure Transducer	
60	1001285829	1	Harness, Jumper to Lift Down (Not Shown) (See Separate Breakdown in ELECTRICAL Section)	
100	1001288748	1	Arm Weldment Kit (Includes Items 101 - 110)	
101	1001241662	1	Arm - Inner 1	
101	0440264	4	Bearing (Not Shown)	
102	1001241663	1	Arm - Outer 1	
102	0440264	4	Bearing - 1 ID (Not Shown)	
102	0440265	4	Bearing - 1-1/4 ID (Not Shown)	
103	1001241664	1	Arm - Inner 2	
104	1001241665	2	Arm - Outer 2	
104	0440265	6	Bearing - 1-1/4 ID (Not Shown)	
105	1001241667	4	Arm - Outer 3 and Outer 4	
105	0440265	4	Bearing - 1-1/4 ID (Not Shown)	
105	0962272	4	Bearing - 1-1/2 ID (Not Shown)	
106	1001241668	1	Arm - Inner 4	
107	1001241669	1	Arm - Inner 5	
107	0440264	4	Bearing (Not Shown)	
108	1001241671	1	Arm, Kicker Assembly	
108	0440265	2	Bearing (Not Shown)	
109	1001271839	1	Arm - Inboard 3 Assembly	
110	1001272456	1	Arm - Outboard Assembly	
110	0440264	8	Bearing (Not Shown)	
110	0440265	4	Bearing - 1-1/4 ID (Not Shown)	

SECTION 3 - SCISSORS ARMS

FIGURE 3-9. ARMS GUARD INSTALLATION



ART_1001380024

SECTION 3 - SCISSORS ARMS

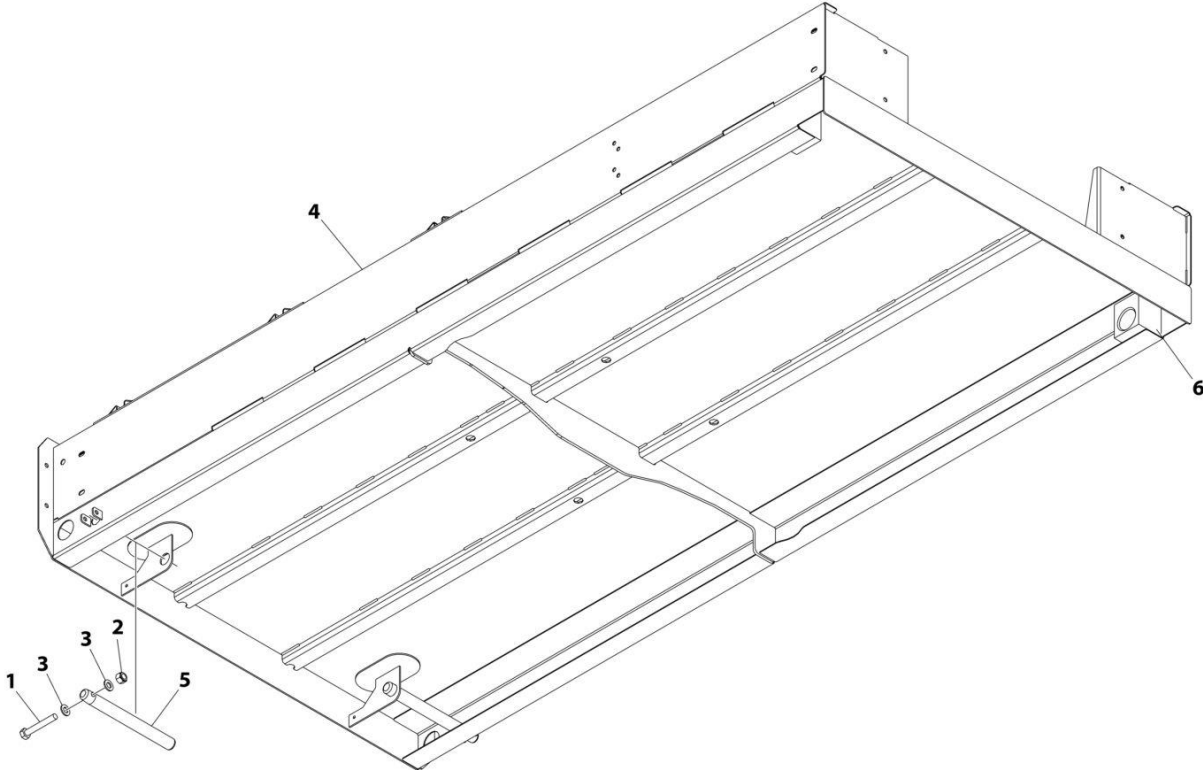
FIGURE 3-9. ARMS GUARD INSTALLATION

ITEM	PART NUMBER	QTY	DESCRIPTION	REV
	1001380024	Ref	ARM GUARD INSTALLATION	A
1	0630613	2	Bolt M10 x 30	
2	0701019	4	Bolt M10 x 55	
3	0701024	8	Bolt M10 x 80	
4	3291005	4	Nut M10	
5	3291006	10	Nut M10	
6	3520072	10	Plug	
7	4812000	26	Washer M10	
100	1001239943	1	Arm Guard Kit (Not Shown)	
101	1001239892	1	Guard, Arm (RH)	
102	1001239894	1	Guard, Arm (LH)	
103	1001239899	2	Guard, Arm (Rear)	
104	1001239904	1	Guard, Arm (Front)	

SECTION 4 - PLATFORM

SECTION 4 - PLATFORM

FIGURE 4-1. PLATFORM INSTALLATION (ALL SPECS EXCEPT CHINA GB SPECS)



ART_1001234380_C

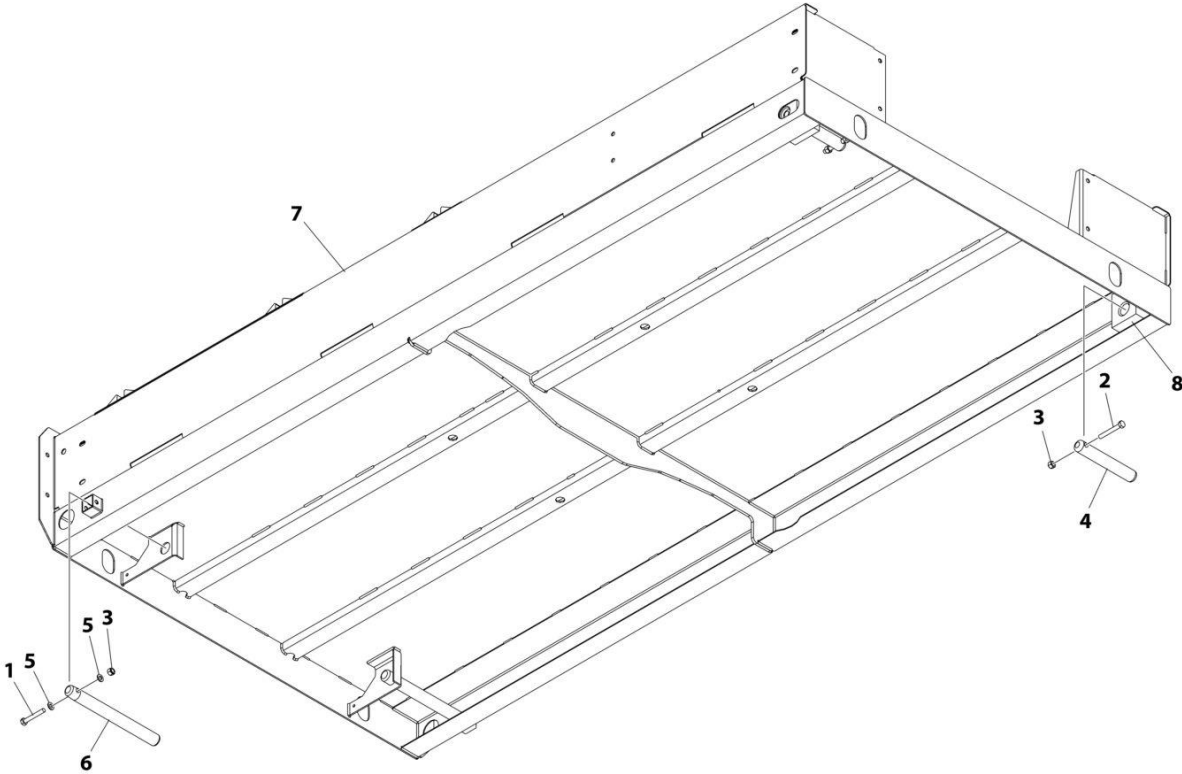
SECTION 4 - PLATFORM

FIGURE 4-1. PLATFORM INSTALLATION (ALL SPECS EXCEPT CHINA GB SPECS)

ITEM	PART NUMBER	QTY	DESCRIPTION	REV
	1001234380	Ref	PLATFORM INSTALLATION	C
1	0700819	2	Bolt M8 x 55	
2	3290805	2	Nut M8	
3	4811900	4	Washer M8	
4	1001234336	1	Platform	
5	1001235590	2	Pin	
6	1001247706	2	Block, Slide	

SECTION 4 - PLATFORM

FIGURE 4-2. PLATFORM INSTALLATION (CHINA GB SPECS)



ART_1001269286

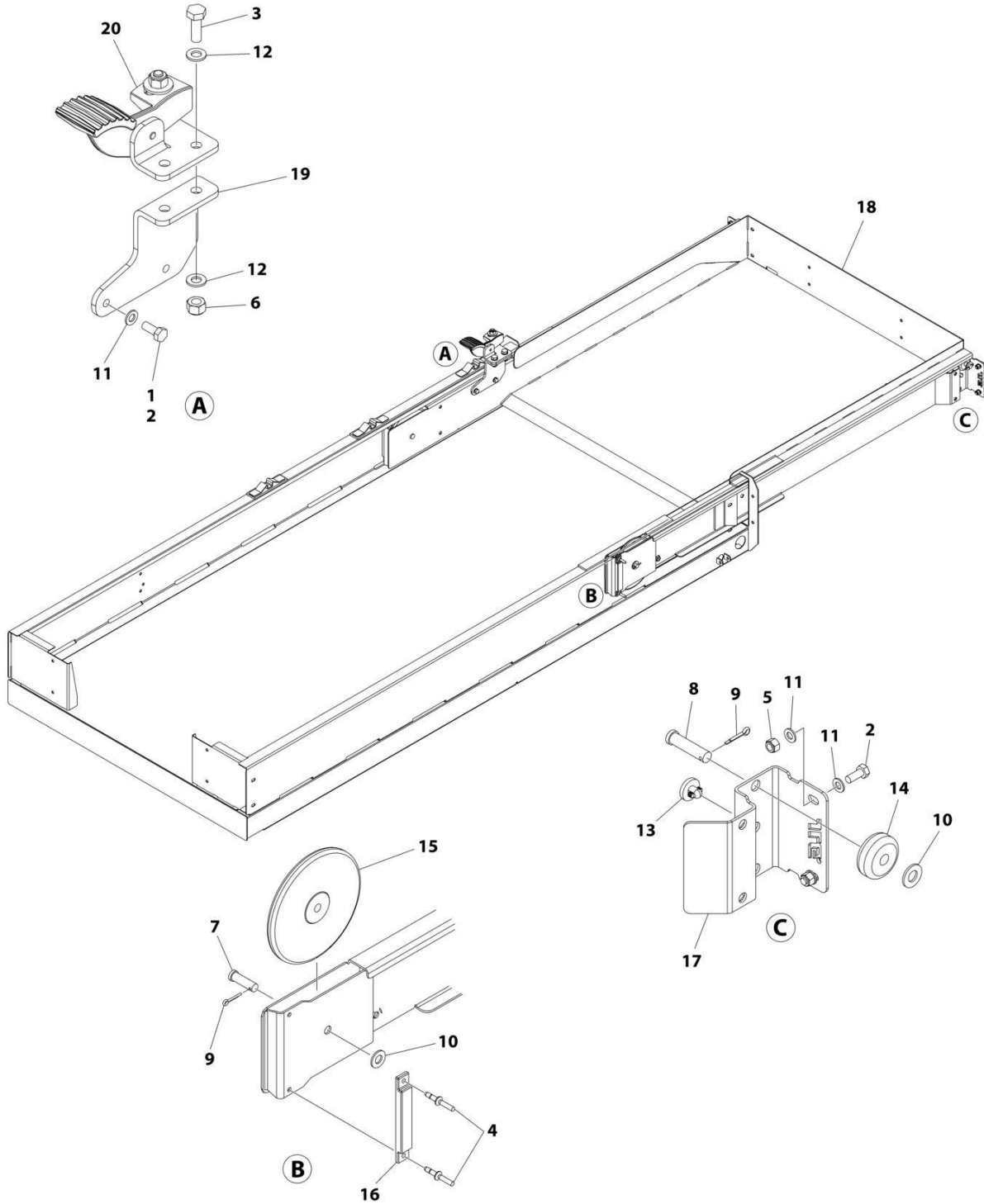
SECTION 4 - PLATFORM

FIGURE 4-2. PLATFORM INSTALLATION (CHINA GB SPECS)

ITEM	PART NUMBER	QTY	DESCRIPTION	REV
	1001269286	Ref	PLATFORM INSTALLATION	A
1	0700819	2	Bolt M8 x 55	
2	0700820	2	Bolt M8 x 60	
3	3290805	4	Nut M8	
4	3422426	2	Pin	
5	4811900	4	Washer M8	
6	1001235590	2	Pin	
7	1001269279	1	Platform	
8	1001269401	2	Block, Side	

SECTION 4 - PLATFORM

FIGURE 4-3. PLATFORM EXTENSION INSTALLATION (ALL SPECS EXCEPT CHINA GB SPECS)



ART_1001234381

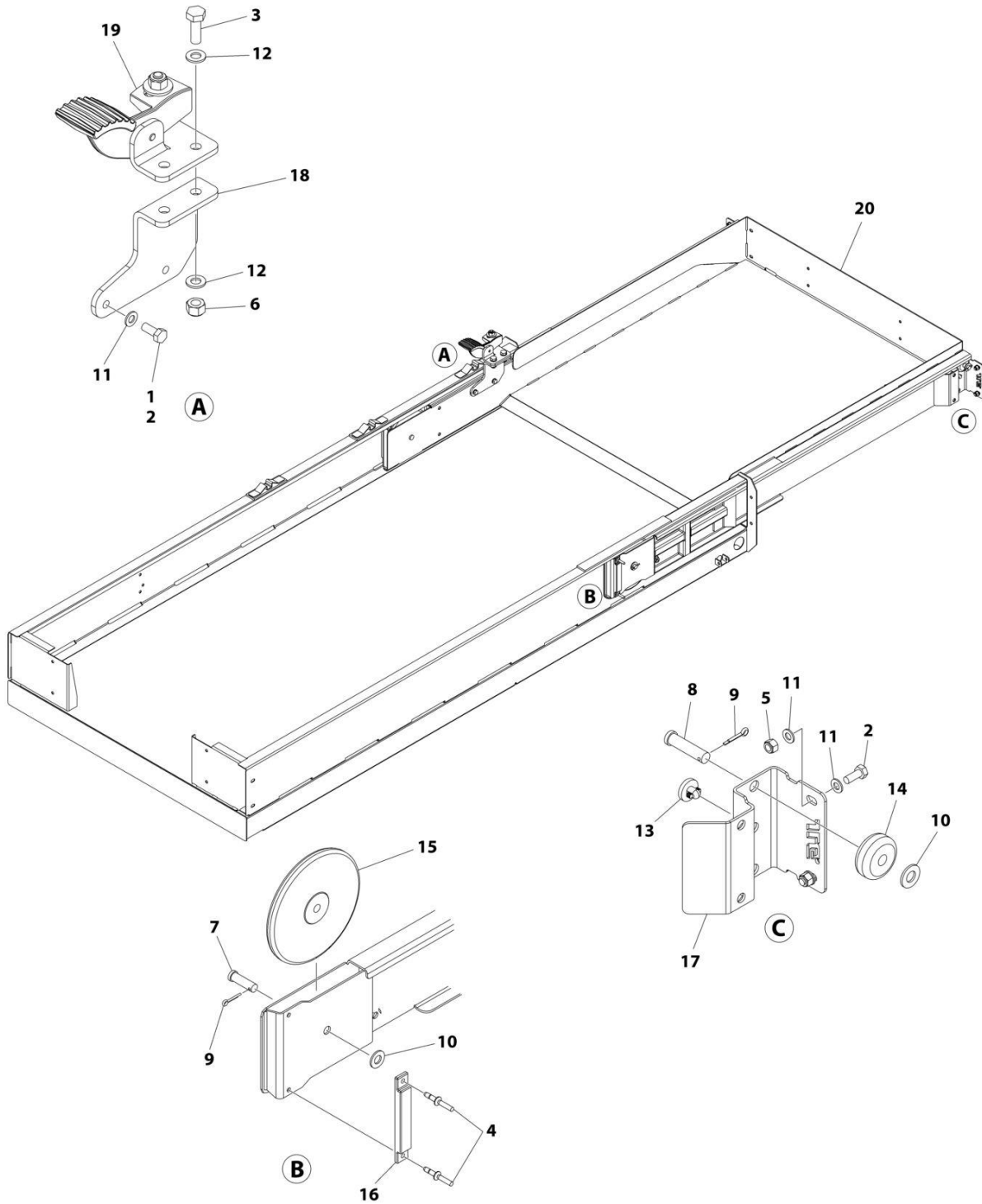
SECTION 4 - PLATFORM

FIGURE 4-3. PLATFORM EXTENSION INSTALLATION (ALL SPECS EXCEPT CHINA GB SPECS)

ITEM	PART NUMBER	QTY	DESCRIPTION	REV
	1001234381	Ref	PLATFORM EXTENSION INSTALLATION	C
1	0100011	AR	Compound, Locking	
2	0760810	6	Bolt M8 x 20	
3	0761014	2	Bolt M10 x 30	
4	2080040	4	Fastener	
5	3290805	4	Nut M8	
6	3291005	2	Nut M10	
7	3430813	2	Pin	
8	3430816	2	Pin	
9	3450403	4	Pin, Cotter	
10	4711800	4	Washer 1/2	
11	4811900	10	Washer M8	
12	4812000	4	Washer M10	
13	1001137675	2	Bumper	
14	1001205422	2	Roller (Front)	
15	1001205430	2	Roller (Rear)	
16	1001208852	2	Pad	
17	1001210064	2	Support	
18	1001213470	1	Extension, Platform	
19	1001213838	1	Latch Assembly	
20	1001234407	1	Bracket	

SECTION 4 - PLATFORM

FIGURE 4-4. PLATFORM EXTENSION INSTALLATION (CHINA GB SPECS)



ART_1001269288

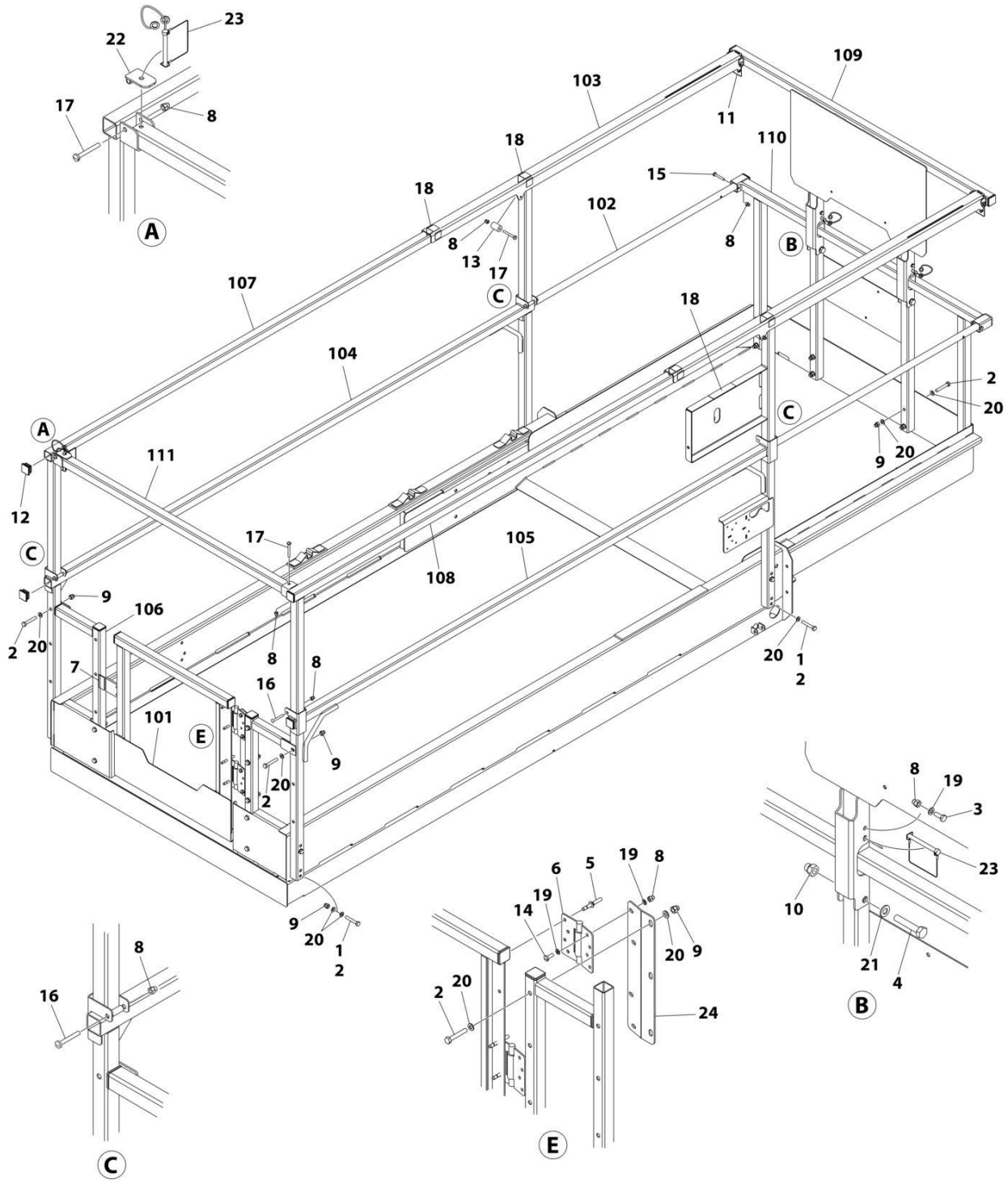
SECTION 4 - PLATFORM

FIGURE 4-4. PLATFORM EXTENSION INSTALLATION (CHINA GB SPECS)

ITEM	PART NUMBER	QTY	DESCRIPTION	REV
	1001269288	Ref	PLATFORM EXTENSION INSTALLATION	A
1	0100011	AR	Compound, Locking	
2	0760810	6	Bolt M8 x 20	
3	0761014	2	Bolt M10 x 30	
4	2080040	4	Fastener	
5	3290805	4	Nut M8	
6	3291005	2	Nut M10	
7	3430813	2	Pin	
8	3430816	2	Pin	
9	3450403	4	Pin, Cotter	
10	4711800	4	Washer 1/2	
11	4811900	10	Washer M8	
12	4812000	4	Washer M10	
13	1001137675	2	Bumper	
14	1001205422	2	Roller (Front)	
15	1001205430	2	Roller (Rear)	
16	1001208852	2	Pad	
17	1001210064	2	Support	
18	1001213838	1	Latch Assembly	
19	1001234407	1	Bracket	
20	1001269236	1	Extension, Platform	

SECTION 4 - PLATFORM

FIGURE 4-5. RAILS INSTALLATION (TUBE IN TUBE)



ART_1001234382

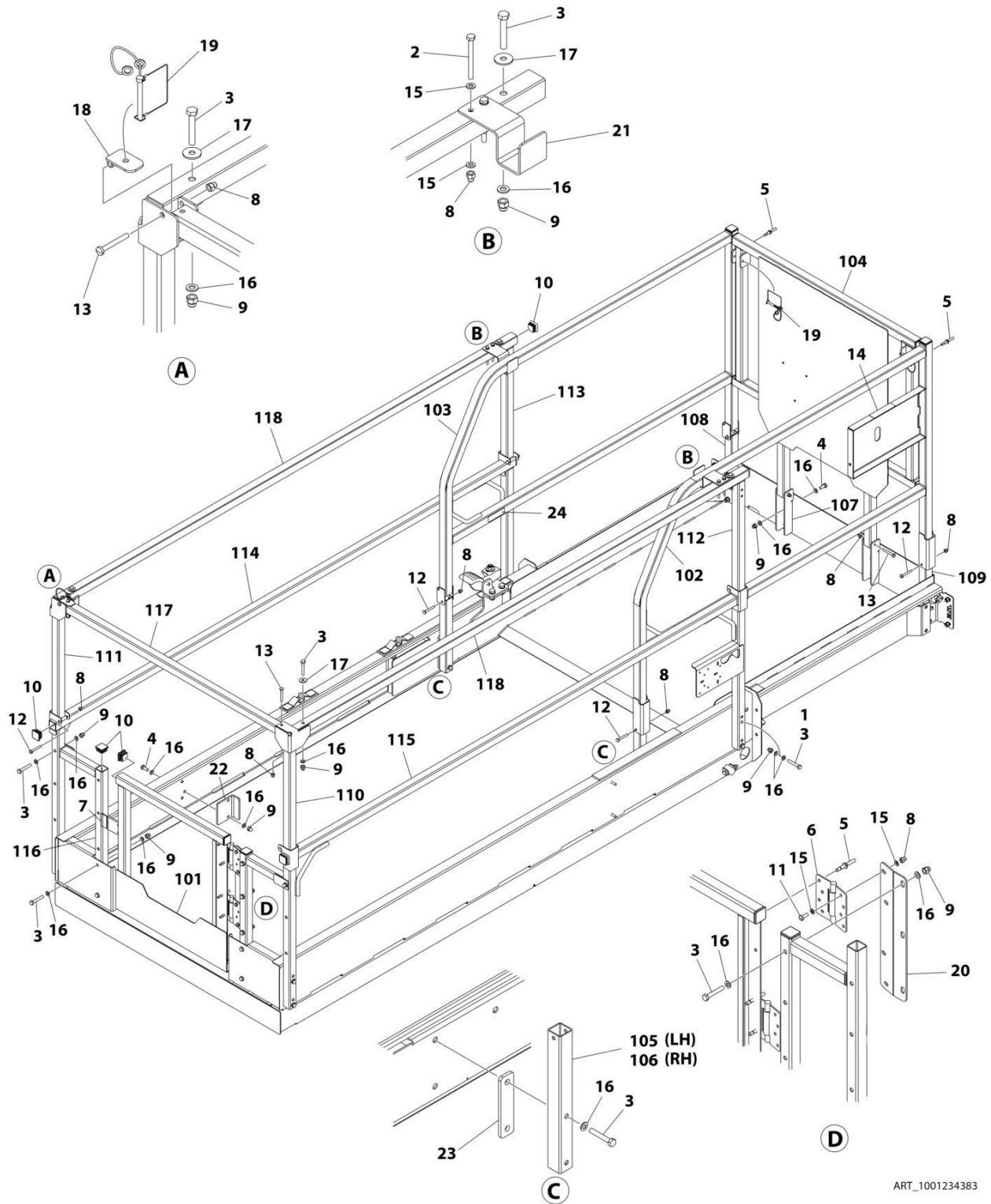
SECTION 4 - PLATFORM

FIGURE 4-5. RAILS INSTALLATION (TUBE IN TUBE)

ITEM	PART NUMBER	QTY	DESCRIPTION	REV
	1001234382	Ref	RAILS INSTALLATION (TUBE IN TUBE)	D
1	0100011	AR	Compound, Locking	
2	0700818	25	Bolt M8 x 50	
3	0760608	2	Bolt M6 x 16	
4	0761019	2	Bolt M10 x 55	
5	2080040	4	Fastener	
6	2600281	2	Hinge	
7	3080007	1	Magnet, Gate	
8	3290606	16	Nut M6	
9	3290806	21	Nut M8	
10	3291006	2	Nut M10	
11	3422219	2	Pin, Snap	
12	3520072	14	Plug	
13	3860111	2	Roller	
14	4010608	4	Screw M6 x 16	
15	4010616	2	Screw M6 x 40	
16	4010617	4	Screw M6 x 45	
17	4010618	4	Screw M6 x 50	
18	4420062	16 in/ 40cm	Tape	
19	4811700	10	Washer M6	
20	4811900	50	Washer M8	
21	4812000	2	Washer M10	
22	1001154378	1	Bracket	
23	1001187587	3	Pin, Snap with Lanyard	
24	1001210586	1	Support	
100	1001235959	1	Rail Kit (Not Shown)	
101	1001210302	1	Gate	
102	1001213415	2	Rod, Extension MID	
103	1001213416	2	Rail, Extension Top	
104	1001234006	1	Rail, Side MID (LH)	
105	1001234007	1	Rail, Side MID (RH)	
106	1001234008	2	Rail, Rear	
107	1001234141	1	Rail, Side Top (LH)	
108	1001234142	1	Rail, Side Top (RH)	
109	1001234266	1	Rail, Extension Top Front	
110	1001234267	1	Rail, Extension MID Front	
111	1001234268	1	Tube, Rear Top	

SECTION 4 - PLATFORM

FIGURE 4-6. RAILS INSTALLATION (SIDE BY SIDE) (ALL SPECS EXCEPT CHINA GB SPECS)



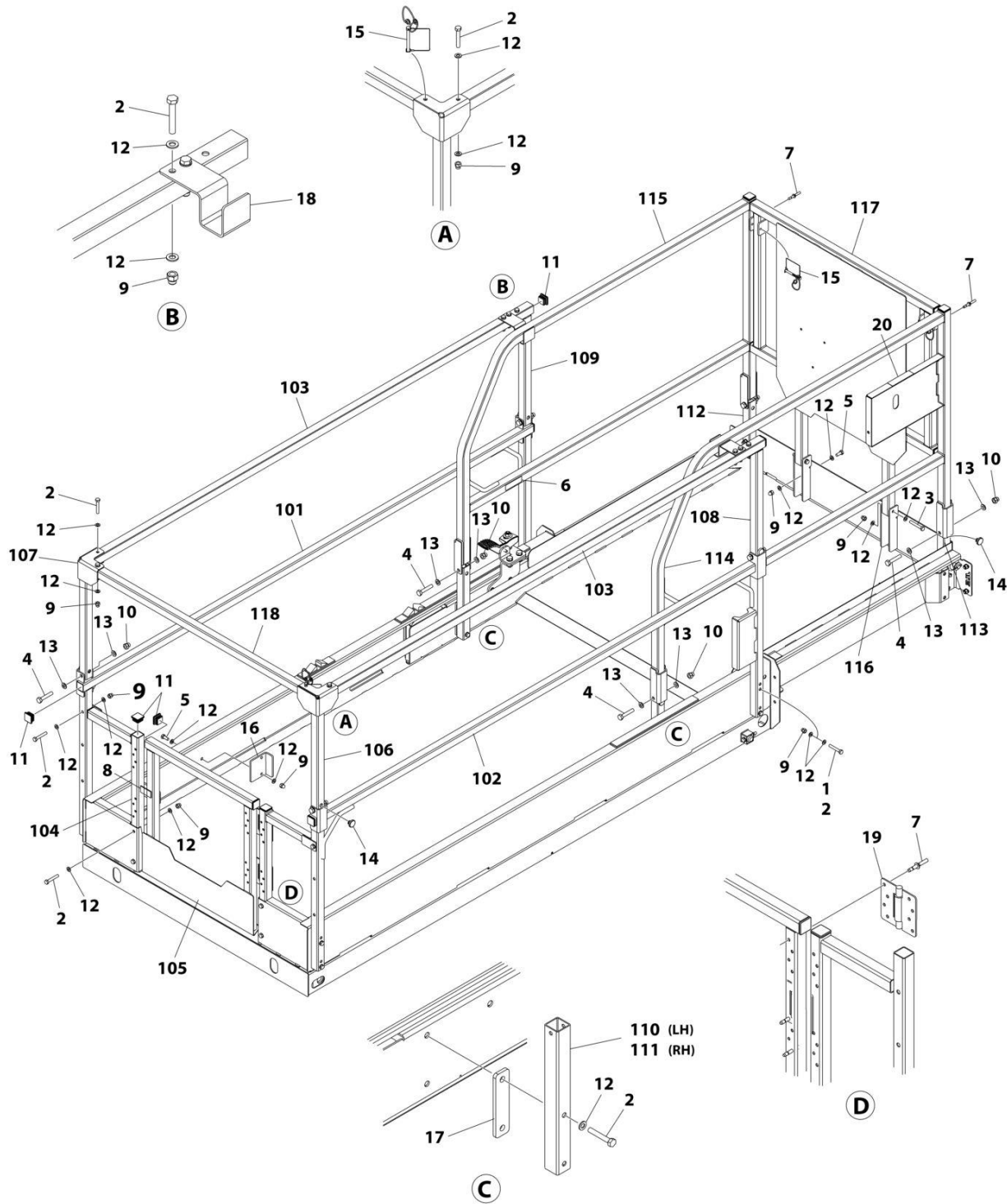
SECTION 4 - PLATFORM

FIGURE 4-6. RAILS INSTALLATION (SIDE BY SIDE) (ALL SPECS EXCEPT CHINA GB SPECS)

ITEM	PART NUMBER	QTY	DESCRIPTION	REV
	1001234383	Ref	RAILS INSTALLATION (SIDE BY SIDE)	G
1	0100011	AR	Compound, Locking	
2	0700621	AR	Bolt M6 x 65	
2	0700618	AR	Bolt M6 x 50	
3	0700818	29	Bolt M8 x 50	
4	0760810	6	Bolt M8 x 20	
5	2080040	6	Fastener	
6	2600281	2	Hinge	
7	3080007	1	Magnet, Gate	
8	3290606	20	Nut M6	
9	3290806	31	Nut M8	
10	3520072	18	Plug	
11	4010608	4	Screw M6 x 16	
12	4010617	8	Screw M6 x 45	
13	4010618	4	Screw M6 x 50	
14	4420062	4 in/ 10cm	Tape	
15	4811700	16	Washer M6	
16	4811900	66	Washer M8	
17	4811902	4	Washer M8	
18	1001154378	1	Bracket	
19	1001187587	3	Pin, Snap with Lanyard	
20	1001210586	1	Support	
21	1001237911	2	Bracket	
22	1001232622	1	Bracket	
23	1001235287	2	Plate	
24	1704277	2	Decal - Lanyard Attach Graphic	
100	1001235960	1	Rail Kit (Not Shown)	
101	1001210302	1	Gate	
102	1001213915	1	Rail, Extension Side (RH)	
103	1001213916	1	Rail, Extension Side (LH)	
104	1001213931	1	Rail, Extension Front	
105	1001222861	1	Tube Rail (Lower LH)	
106	1001222869	1	Tube Rail (Lower RH)	
107	1001223053	2	Bracket	
108	1001223165	1	Tube, Extension (Lower LH)	
109	1001223166	1	Tube, Extension (Lower RH)	
110	1001229739	1	Rail Rear (Upper RH)	
111	1001229740	1	Rail Rear (Upper LH)	
112	1001229741	1	Rail Front (Upper RH)	
113	1001229742	1	Rail Front (Upper LH)	
114	1001234006	1	Rail Rear (Lower LH)	
115	1001234007	1	Rail Rear (Lower RH)	
116	1001234008	2	Rail, Gate Mount	
117	1001234268	1	Tube, Rear Top	
118	1001235286	2	Rail, Side Top	

SECTION 4 - PLATFORM

FIGURE 4-7. RAILS INSTALLATION (SIDE BY SIDE) (CHINA GB SPECS)



ART_1001269287

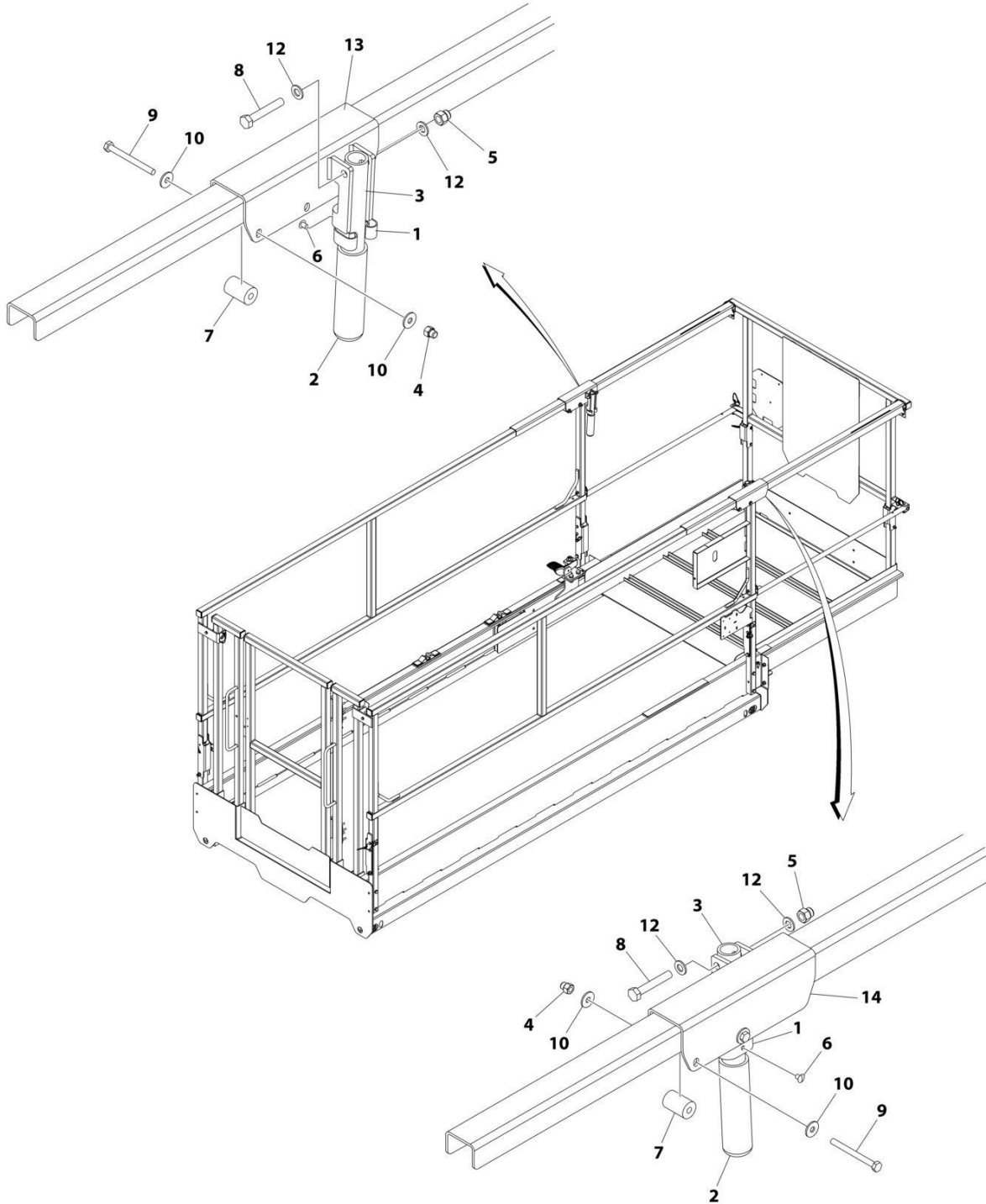
SECTION 4 - PLATFORM

FIGURE 4-7. RAILS INSTALLATION (SIDE BY SIDE) (CHINA GB SPECS)

ITEM	PART NUMBER	QTY	DESCRIPTION	REV
	1001269287	Ref	RAILS INSTALLATION (SIDE BY SIDE)	A
1	0100011	AR	Compound, Locking	
2	0700818	31	Bolt M8 x 50	
3	0700819	2	Bolt M8 x 55	
4	0701019	8	Bolt M10 x 55	
5	0760810	6	Bolt M8 x 20	
6	1704277	2	Decal - Lanyard Attached Graphic	
7	2080040	18	Fastener	
8	3080007	1	Magnet, Gate	
9	3290806	35	Nut M8	
10	3291006	8	Nut M10	
11	3520072	18	Plug	
12	4811900	78	Washer M8	
13	4812000	16	Washer M10	
14	1001137675	8	Bumper	
15	1001187587	3	Pin, Snap With Lanyard	
16	1001232622	1	Bracket	
17	1001235287	2	Plate	
18	1001269701	2	Bracket	
19	2600281	2	Hinge	
20	4420062	4 in\10cm	Tape	
100	1001270276	1	Rail Kit (Not Shown)	
101	1001269291	1	Rail Rear (Lower LH)	
102	1001269292	1	Rail Rear (Lower RH)	
103	1001269293	2	Rail, Side Top	
104	1001269477	2	Rail, Gate Mount	
105	1001269496	1	Gate	
106	1001269585	1	Rail Rear (Upper RH)	
107	1001269586	1	Rail Rear (Upper LH)	
108	1001269587	1	Rail Front (Upper RH)	
109	1001269588	1	Rail Front (Upper LH)	
110	1001269590	1	Tube Rail (Lower LH)	
111	1001269591	1	Tube Rail (Lower RH)	
112	1001269592	1	Tube Extension (Lower LH)	
113	1001269593	1	Tube Extension (Lower RH)	
114	1001269594	1	Rail, Extension Side (RH)	
115	1001269595	1	Rail, Extension Side (LH)	
116	1001269598	2	Bracket	
117	1001269600	1	Rail, Extension Front	
118	1001269656	1	Tube, Rear Top	

SECTION 4 - PLATFORM

FIGURE 4-8. EXTENSION HANDLES INSTALLATION (OPTIONAL)



ART_1001215446_E

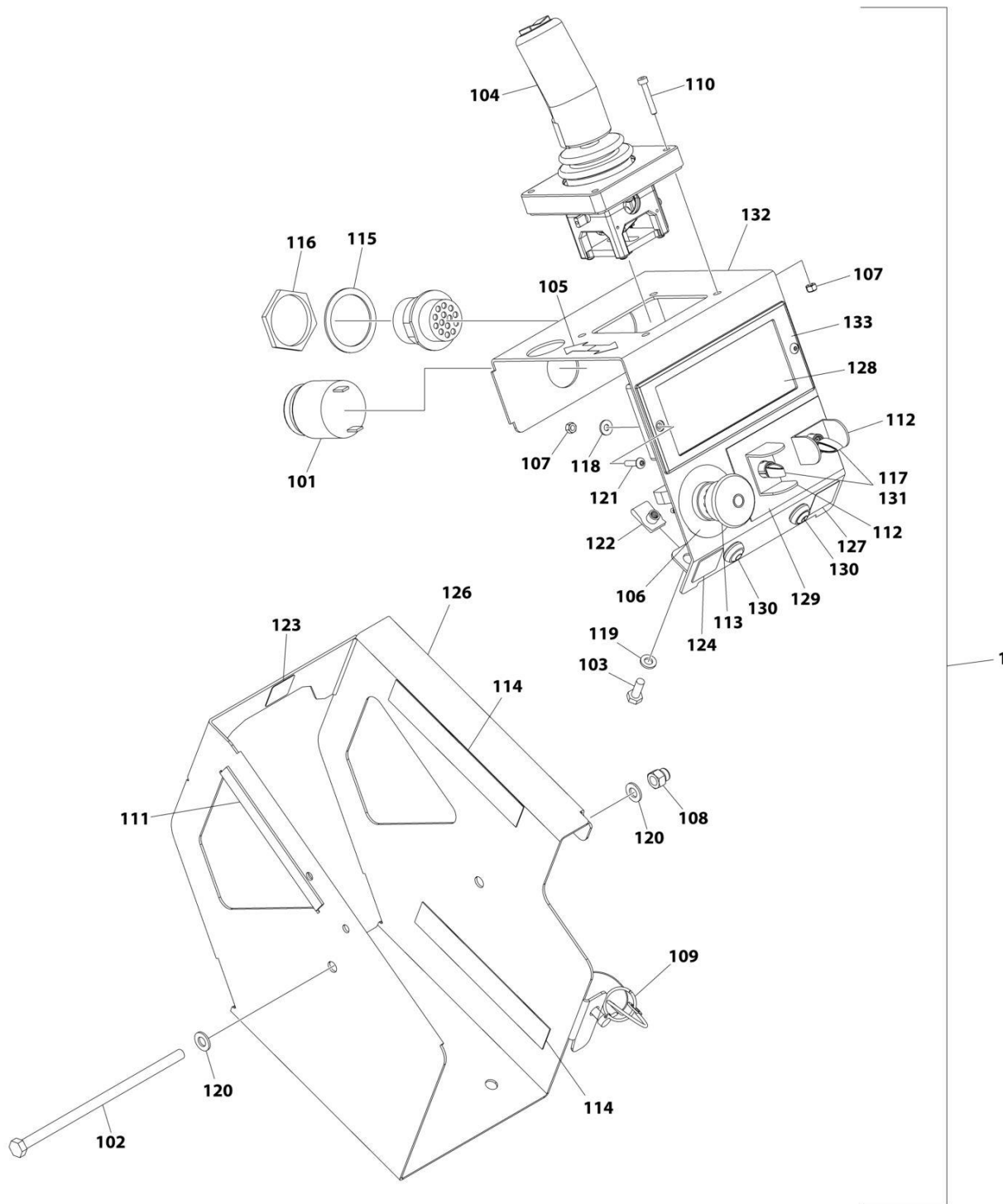
SECTION 4 - PLATFORM

FIGURE 4-8. EXTENSION HANDLES INSTALLATION (OPTIONAL)

ITEM	PART NUMBER	QTY	DESCRIPTION	REV
	1001215446	Ref	EXTENSION HANDLES INSTALLATION (OPTIONAL)	E
1	1380132	2	Clip	
2	2560088	2	Grip	
3	2560190	2	Handle	
4	3290606	2	Nut M6	
5	3290806	2	Nut M8	
6	3820019	2	Rivet	
7	3860111	2	Roller	
8	0700818	AR	Bolt M8 x 50	
9	0700621	AR	Bolt M6 x 65	
10	4811702	AR	Washer M6	
12	4811900	AR	Washer M8	
13	1001235560	1	Bracket (LH)	
14	1001235561	1	Bracket (RH)	

SECTION 4 - PLATFORM

FIGURE 4-9. PLATFORM CONTROL INSTALLATION (MACHINES WITH SN STARTING WITH 12, B2 & M2)



ART_1001274659

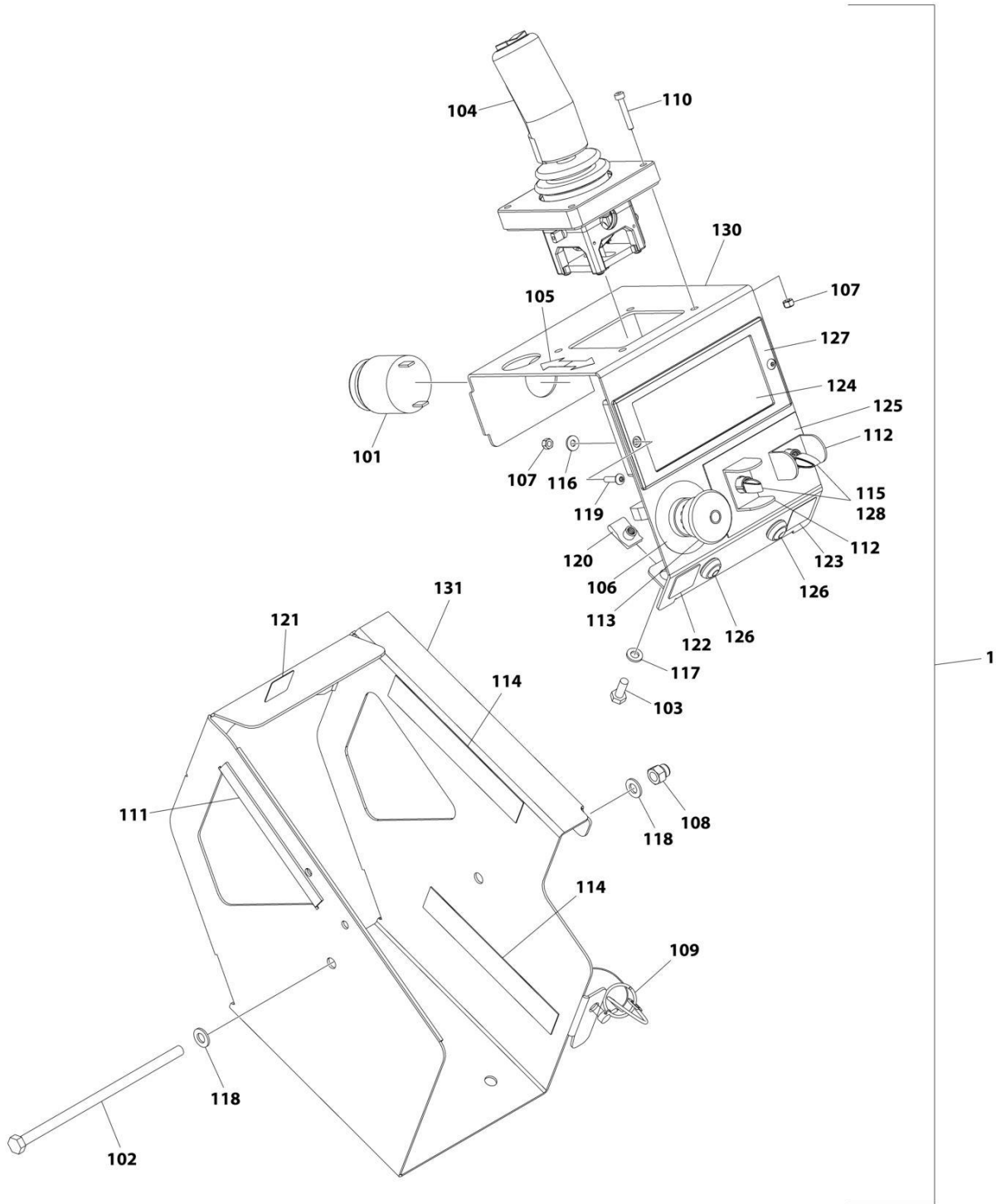
SECTION 4 - PLATFORM

FIGURE 4-9. PLATFORM CONTROL INSTALLATION (MACHINES WITH SN STARTING WITH 12, B2 & M2)

ITEM	PART NUMBER	QTY	DESCRIPTION	REV
	1001274659	Ref	PLATFORM CONTROL INSTALLATION (LED)	A
1	1001274604	1	Platform Control Box	B
101	0140030	1	Alarm	
102	0700835	1	Bolt M8 x 180	
103	0760610	2	Bolt M6 x 20	
104	1600402	1	Controller Assembly (See Separate Breakdown in this Section)	
105	1703819	1	Decal - Arrow	
106	1704260	1	Decal - Emergency Stop	
107	3290405	6	Nut M4	
108	3290806	1	Nut M8	
109	3423278	1	Pin, Snap with Lanyard	
110	4031509	4	Capscrew M4 x 25	
111	4060803	6 in/ 14cm	Flex-Trim	
112	4060906	2	Guard, Switch	
113	4360475	1	Switch, Emergency Stop	
113	7020175	1	Cap	
113	7020176	1	Block, Contact	
114	4420062	12 in/ 30cm	Tape	
115	4460496	1	Washer, Terminal	
116	4460497	1	Nut, Terminal	
117	4711700	2	Washer 7/16	
118	4811400	2	Washer M4	
119	4811700	2	Washer M6	
120	4811900	2	Washer M8	
121	1001047064	2	Screw M4 x 15	
122	1001130220	2	Nut, Tinnerman M6	
123	1001132358	1	Decal - Steer	
124	1001132361	1	Decal - Horn	
125	1001200819	1	Platform Control Box Harness (Not Shown) (See Separate Breakdown in ELECTRICAL Section)	
126	1001209596	1	Plate, Box (Outside)	
127	1001213886	1	Decal - Indoor/Outdoor	
128	1001218285	1	Decal - Platform Control	
129	1001220893	1	Decal - Lift/Drive Function	
130	1001226749	2	Switch, Push Button	
131	1001258446	2	Switch, Toggle	
132	1001262655	1	Plate, Box (Inside)	
133	1001274605	1	Module, Platform Control	

SECTION 4 - PLATFORM

FIGURE 4-10. PLATFORM CONTROL INSTALLATION (MACHINES WITH SN STARTING WITH G2)



ART_1001274660

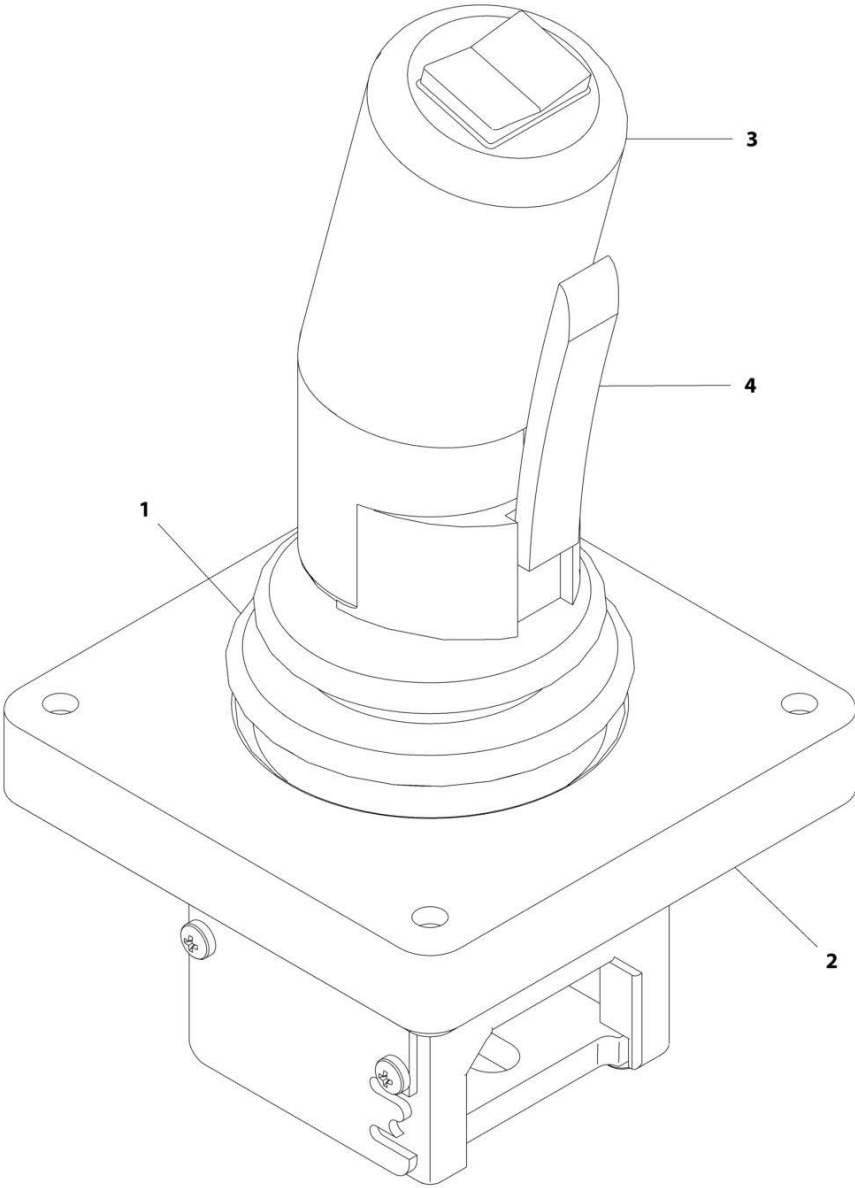
SECTION 4 - PLATFORM

FIGURE 4-10. PLATFORM CONTROL INSTALLATION (MACHINES WITH SN STARTING WITH G2)

ITEM	PART NUMBER	QTY	DESCRIPTION	REV
	1001274660	Ref	PLATFORM CONTROL INSTALLATION	A
1	1001274613	1	Platform Control Box	C
101	0140030	1	Alarm	
102	0700835	1	Bolt M8 x 180	
103	0760610	2	Bolt M6 x 20	
104	1600402	1	Controller Assembly (See Separate Breakdown in this Section)	
105	1703819	1	Decal - Arrow	
106	1704260	1	Decal - Emergency Stop	
107	3290405	6	Nut M4	
108	3290806	1	Nut M8	
109	3423278	1	Pin, Snap with Lanyard	
110	4031509	4	Capscrew M4 x 25	
111	4060803	6 in /14 cm	Flex-Trim	
112	4060906	2	Guard, Switch	
113	1001274559	1	Switch, Emergency Stop (Plastic)	
114	4420062	12 in /30 cm	Tape	
115	4711700	2	Washer 7/16	
116	4811400	2	Washer M4	
117	4811700	2	Washer M6	
118	4811900	2	Washer M8	
119	1001047064	2	Screw M4 x 15	
120	1001130220	2	Nut, Tinnerman M6	
121	1001132358	1	Decal - Steer	
122	1001132361	1	Decal - Horn	
123	1001213886	1	Decal - Indoor/Outdoor	
124	1001218285	1	Decal - Platform Control	
125	1001220893	1	Decal - Lift/Drive Function	
126	1001226749	2	Switch, Push Button	
127	1001228112	1	Module, Platform Control	
128	1001258446	2	Switch, Toggle	
129	1001291630	1	Platform Control Box Harness (Not Shown) (See Separate Breakdown in ELECTRICAL Section)	
130	1001270470	1	Plate, Box (Inside)	
131	1001270471	1	Plate, Box (Outside)	

SECTION 4 - PLATFORM

FIGURE 4-11. CONTROLLER ASSEMBLY



ART_1600402

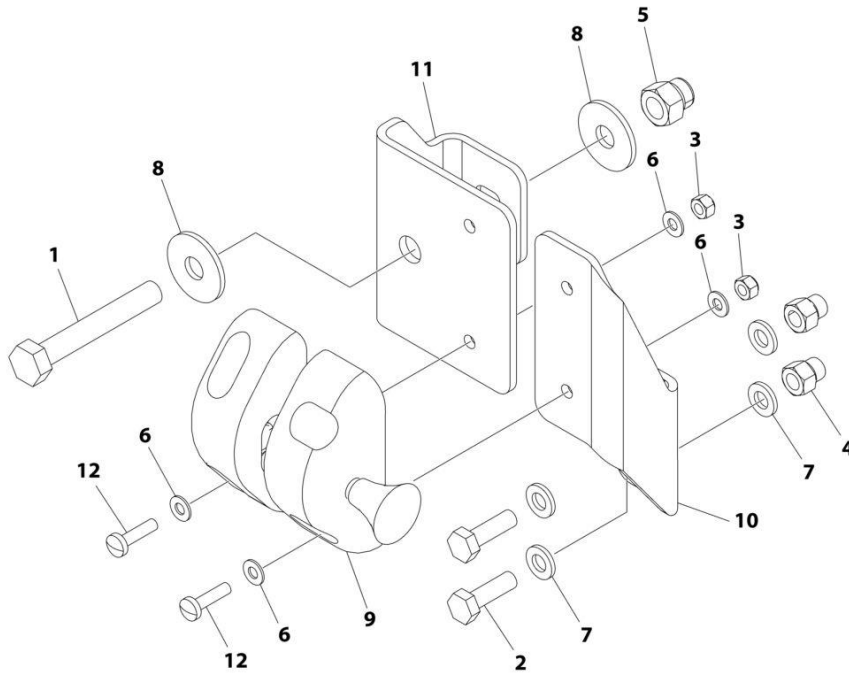
SECTION 4 - PLATFORM

FIGURE 4-11. CONTROLLER ASSEMBLY

ITEM	PART NUMBER	QTY	DESCRIPTION	REV
	1600402	Ref	DRIVE/STEER CONTROLLER ASSEMBLY	A
1	70001250	1	Boot, Panel	
2	70001252	1	Gasket, Mounting	
2	70001251	1	Bezel, Mounting	
3	70003650	1	Handle Repair Kit (Includes handle gasket, item#4 push button and item #4 lever installed in front handle half, back handle half, top actuator, boot and hardware.)	
3	70000084	1	Cap, Rubber	
3	70000082	1	Microswitch	
3	7027766	1	Ring, Retaining	
3	7027365	1	Actuator, Handle	
3	70001253	1	Gasket, Handle	
3	70000683	4	Washer, Neoprene	
3	70000685	2	Spacer, Plastic	
3	70000686	2	Screw (Top)	
3	70000684	2	Screw (Bottom)	
4	7027367	1	Switch, Push Button	
4	7027765	1	Lever, Enable	

SECTION 4 - PLATFORM

FIGURE 4-12. GATE LATCH INSTALLATION



ART_1001220995

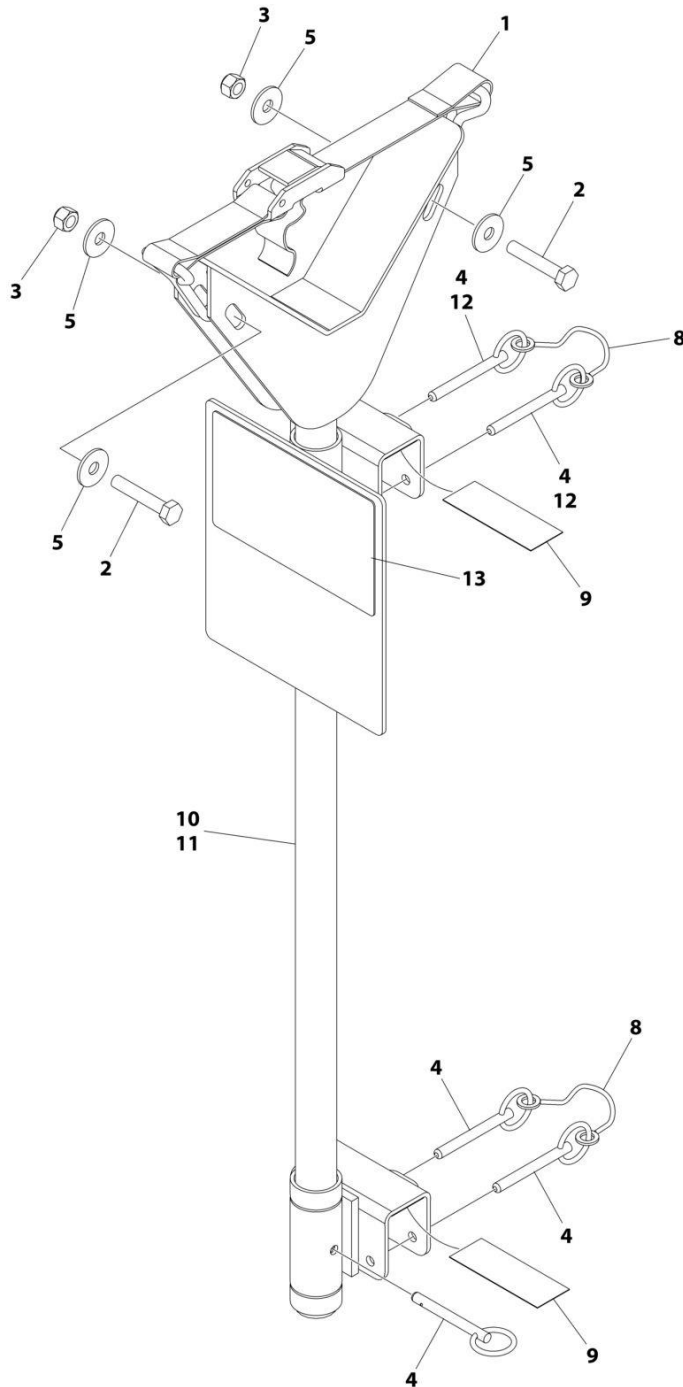
SECTION 4 - PLATFORM

FIGURE 4-12. GATE LATCH INSTALLATION

ITEM	PART NUMBER	QTY	DESCRIPTION	REV
	1001220995	Ref	GATE LATCH INSTALLATION	B
1	0700819	1	Bolt M8 x 55	
2	0760610	2	Bolt M6 x 20	
3	3290405	4	Nut M4	
4	3290606	2	Nut M6	
5	3290806	1	Nut M8	
6	4811400	8	Washer M4	
7	4811700	4	Washer M6	
8	4811902	2	Washer M8	
9	1001134821	1	Latch	
10	1001220409	1	Mount	
11	1001220410	1	Plate	
12	4010408	4	Screw M4 x 16	

SECTION 4 - PLATFORM

FIGURE 4-13. PIPE RACKS INSTALLATION (SIDE BY SIDE RAILS) (OPTIONAL)



ART_1001214229_B

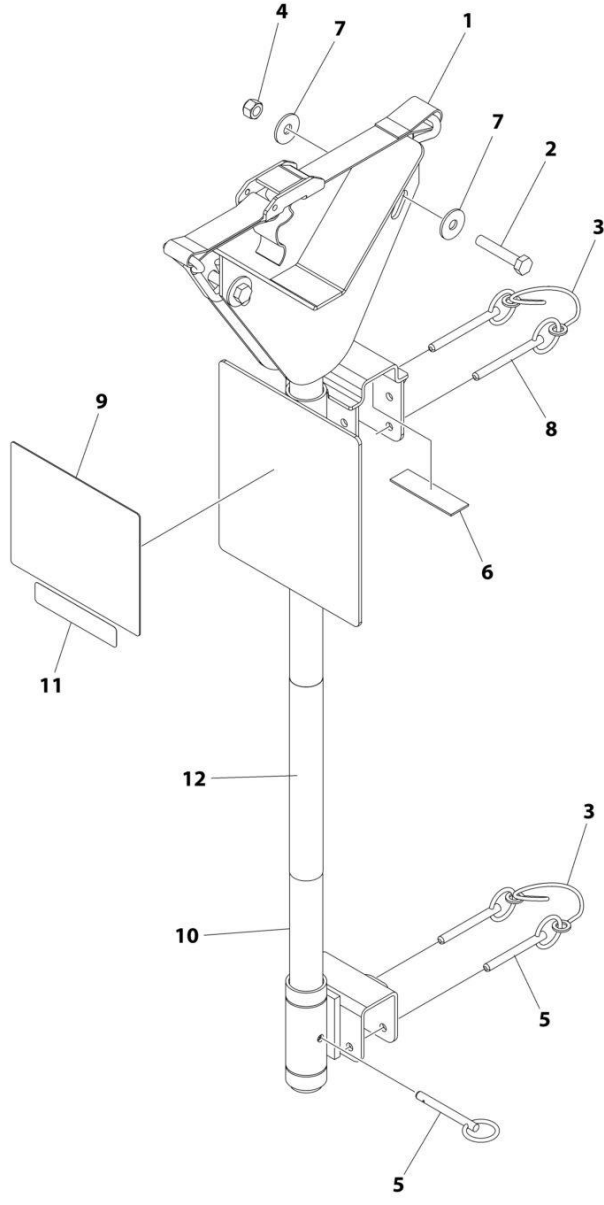
SECTION 4 - PLATFORM

FIGURE 4-13. PIPE RACKS INSTALLATION (SIDE BY SIDE RAILS) (OPTIONAL)

ITEM	PART NUMBER	QTY	DESCRIPTION	REV
	1001214229	Ref	PIPE RACKS INSTALLATION (SIDE BY SIDE RAILS) (OPTIONAL)	B
1	0480100	2	Strap	
2	0700817	4	Bolt M8 x 45	
3	3290805	4	Nut M8	
4	3422661	AR	Pin	
5	4811902	8	Washer M6	
8	1060379	4	Lanyard	
9	4420062	AR	Tape	
10	1001235498	1	Rack, Tube (Rear)	
11	1001235509	1	Rack, Tube (Front)	
12	1001235941	2	Pin	
13	1001236621	2	Decal - Pipe Rack Capacity	

SECTION 4 - PLATFORM

FIGURE 4-14. PIPE RACK INSTALLATION (OPTIONAL)



ART_1001270855

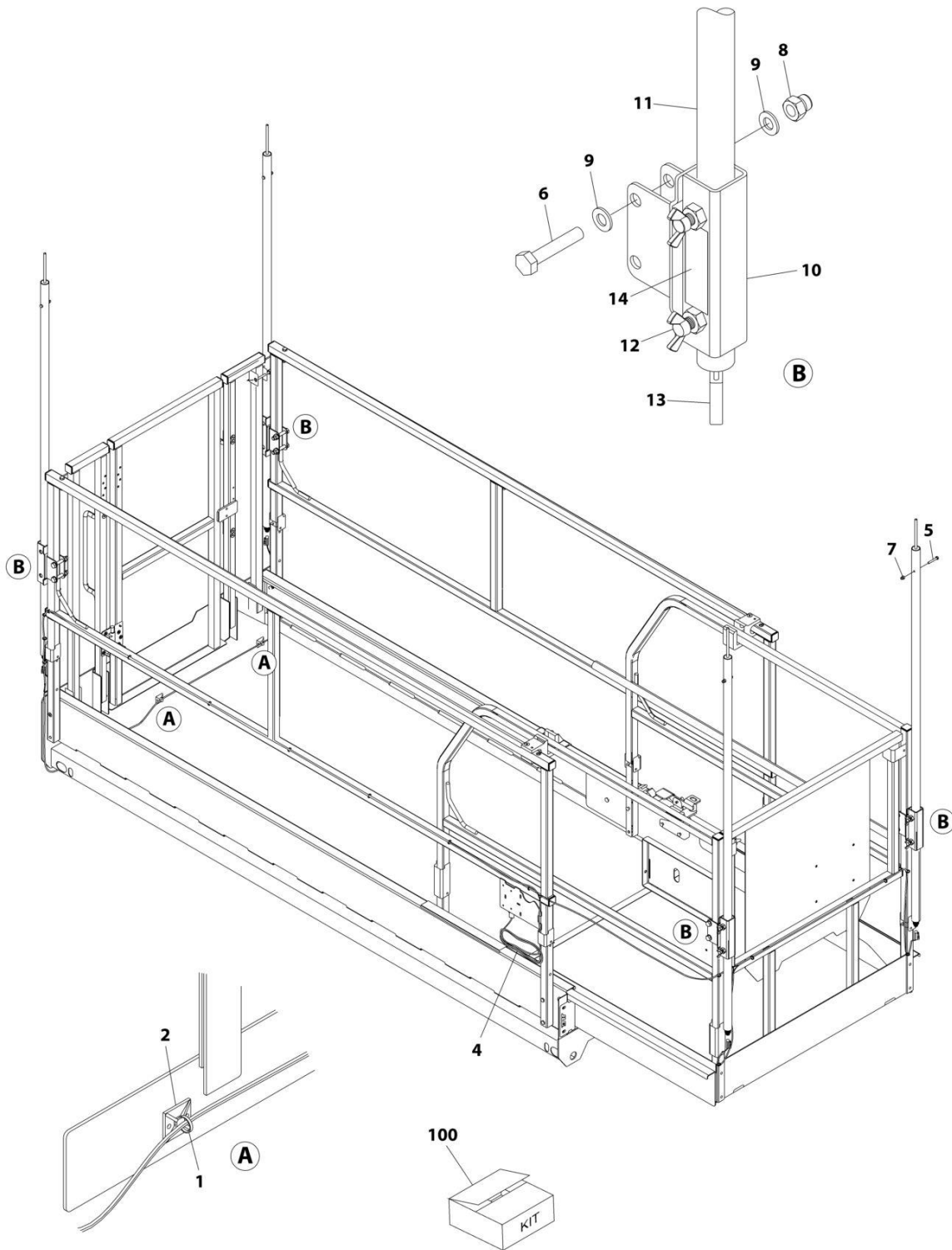
SECTION 4 - PLATFORM

FIGURE 4-14. PIPE RACK INSTALLATION (OPTIONAL)

ITEM	PART NUMBER	QTY	DESCRIPTION	REV
	1001270855	Ref	PIPE RACK INSTALLATION	C
1	0480100	2	Tie-Strap	
2	0700817	4	Bolt M8 x 45	
3	1060379	4	Lanyard	
4	3290805	4	Nut M8	
5	3422661	6	Pin	
6	4420062	AR	Tape	
7	4811902	8	Washer M8	
8	1001235941	4	Pin	
9	1001287711	2	Decal - Pipe Rack Capacity	
10	1001270533	2	Rack Pipe	
11	1001270631	2	Decal - ACCY Weight	
12	1001271412	2	Decal - JLG	

SECTION 4 - PLATFORM

FIGURE 4-15. OVERHEAD PROTECTION INSTALLATION (KOREAN SPECS)



ART_1001226901

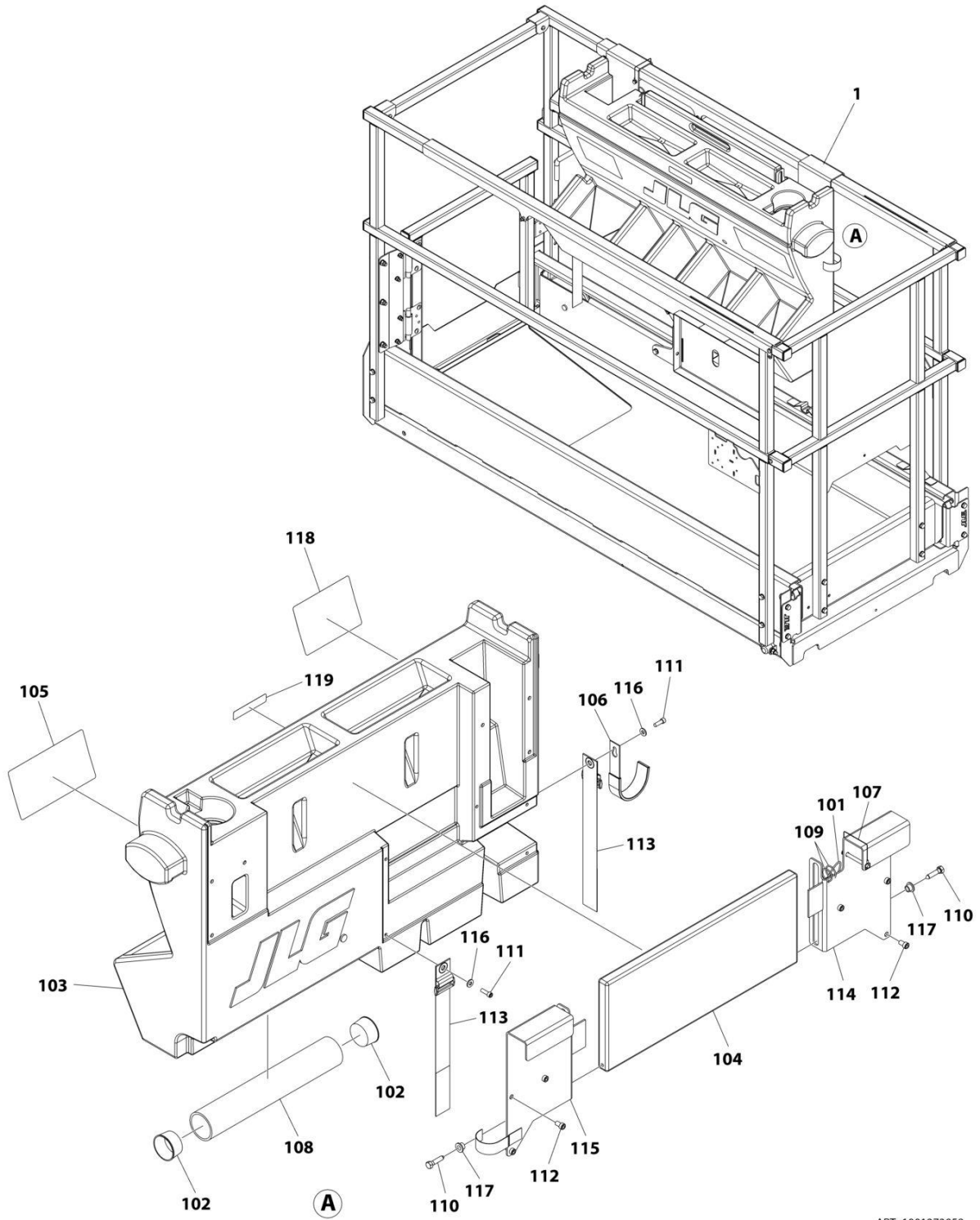
SECTION 4 - PLATFORM

FIGURE 4-15. OVERHEAD PROTECTION INSTALLATION (KOREAN SPECS)

ITEM	PART NUMBER	QTY	DESCRIPTION	REV
	1001226901	Ref	OVERHEAD PROTECTION INSTALLATION (KOREAN SPECS)	A
1	4240017	AR	Tie-Strap	
2	4460234	2	Mount, Tie-Strap	
4	1001227728	1	Overhead Protection Harness	A
4	4460891	4	Plug, Male - 2 Position (X503-X506)	
4	4460465	8	Socket, Female	
4	4460536	1	Receptacle, Female - 3 Position (X507)	
4	4460464	2	Pin, Male	
4	4460466	1	Plug, Terminal	
5	0700616	4	Bolt M6 x 40	
6	0701019	8	Bolt M10 x 55	
7	3290606	4	Nut M6	
8	3291006	8	Nut M10	
9	4812000	16	Washer M10	
10	1001221275	4	Bracket	
11	1001221276	4	Tube	
12	1001222914	8	Thumb Screw	
13	1001226277	4	Switch, Overhead Protection	
14	1001228184	1	Decal - Overhaed Protection Weight	
100	1001221244	1	Overhead Protection Kit (Includes Items 5-14)	

SECTION 4 - PLATFORM

FIGURE 4-16. WOKSTATION INSTALLATION (OPTIONAL)



ART_1001273958

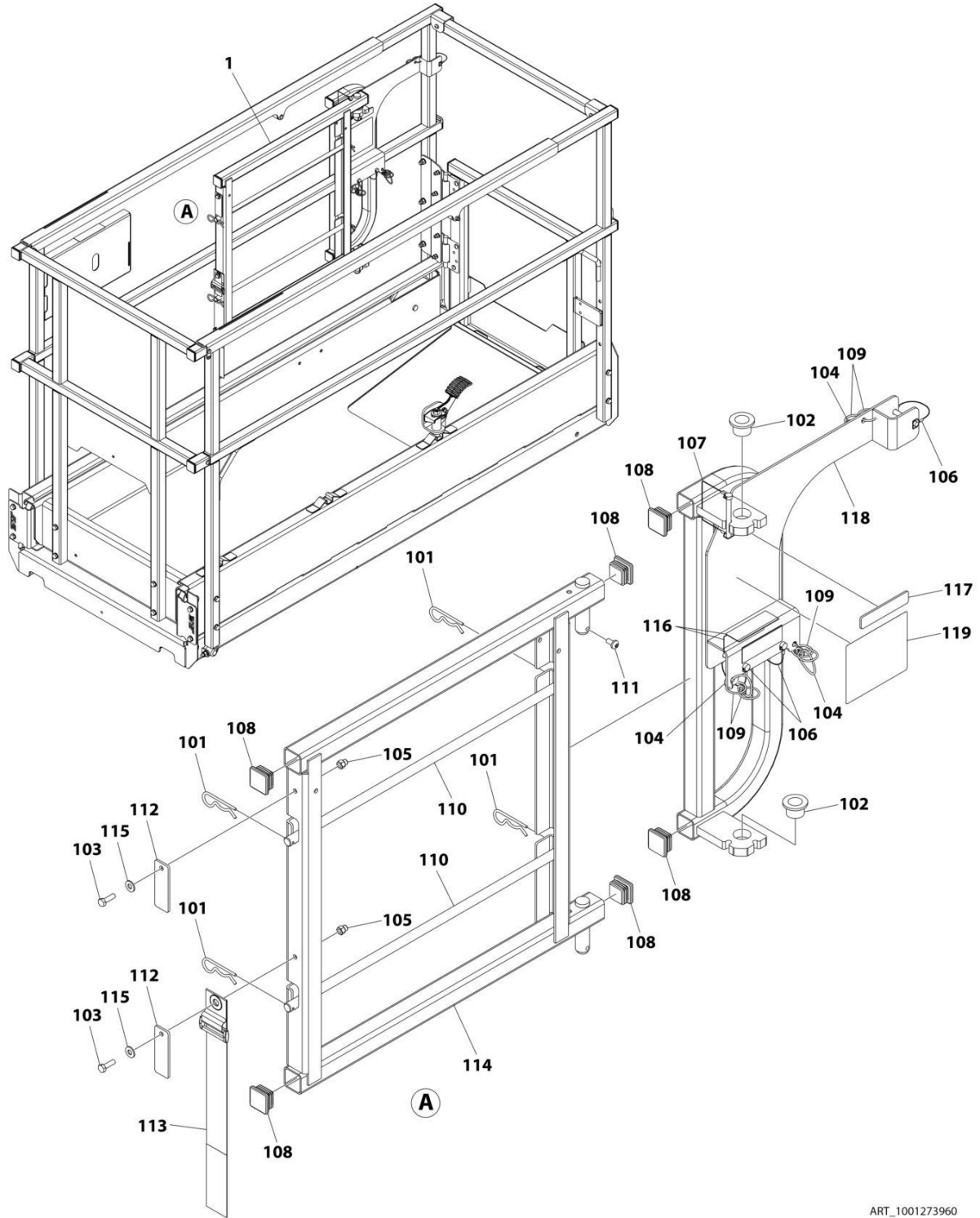
SECTION 4 - PLATFORM

FIGURE 4-16. WOKSTATION INSTALLATION (OPTIONAL)

ITEM	PART NUMBER	QTY	DESCRIPTION	REV
	1001273958	Ref	WORKSTATION INSTALLATION	A
1	1001273957	1	Workstation Accessory	A
101	1060379	1	Lanyard	
102	1120555	2	Cap	
103	1580023	1	Container, Work Bench	
104	1580024	1	Tray, Work Surface	
105	1705997	1	Decal - Workstation	
106	2700100	1	Hook, Hanger	
107	3422219	1	Pin	
108	3460334	1	Pipe	
109	3760170	2	Ring	
110	3900355	2	Screw	
111	3931412	2	Bolt 1/4 x 3/4	
112	3931508	6	Bolt 5/16 x 1/2	
113	4240003	2	Strap	
114	4340853	1	Mount, Channel (RH)	
115	4340854	1	Mount, Channel (LH)	
116	4711400	2	Washer 1/4	
117	4740480	2	Washer, Plastic Insert	
118	1001274837	1	Decal - Workstation Capacity	
119	1001275631	1	Decal - ACCY Weight	

SECTION 4 - PLATFORM

FIGURE 4-17. ELECTRICIAN TREE INSTALLATION (OPTIONAL)



ART_1001273960

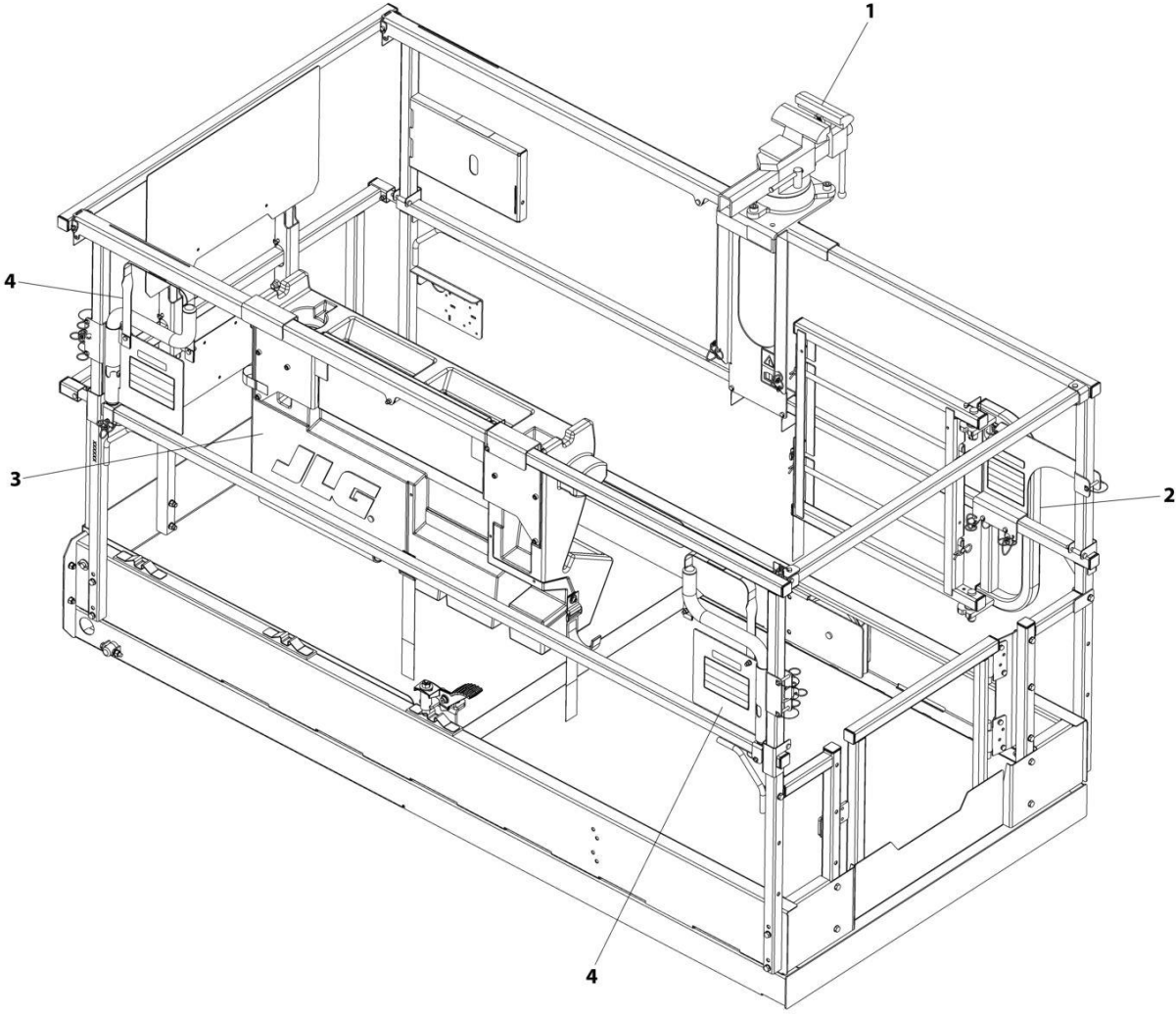
SECTION 4 - PLATFORM

FIGURE 4-17. ELECTRICIAN TREE INSTALLATION (OPTIONAL)

ITEM	PART NUMBER	QTY	DESCRIPTION	REV
	1001273960	Ref	ELECTRICIAN TREE INSTALLATION	A
1	1001273907	1	Electrician Tree Accessory	A
101	80325	4	Hairpin, Cotter	
102	0440223	2	Bushing	
103	0700610	2	Bolt M6 x 20	
104	1060379	4	Lanyard	
105	3290606	2	Cap, Nut M6 x 1	
106	3421453	3	Pin	
107	3422219	1	Pin	
108	3520072	6	Plug, Cap	
109	3760170	8	Ring	
110	3841675	2	Rod	
111	4191706	1	Screw M6 x 12	
112	4220227	2	Stop, Spool Rod	
113	4240003	1	Strap	
114	4340947	1	Mount, Spool Rack	
115	4711400	2	Washer 1/4	
116	1001189762	3	Tape	
117	1001252626	1	Decal - ACCY Weight	
118	1001273909	1	Support	
119	1001274838	1	Decal	

SECTION 4 - PLATFORM

FIGURE 4-18. ELECTRICIANS PACKAGE INSTALLATION (OPTIONAL)



ART_1001273844

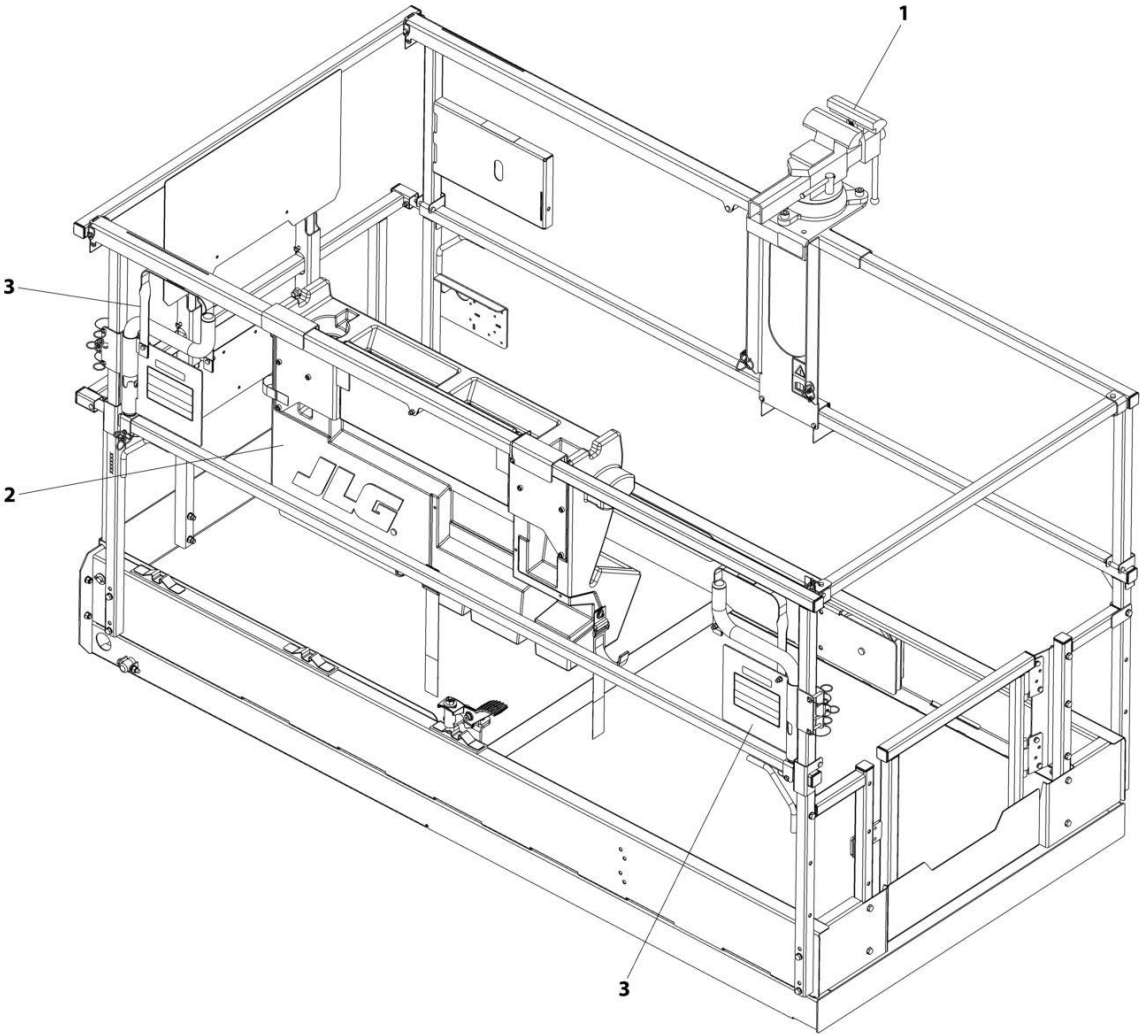
SECTION 4 - PLATFORM

FIGURE 4-18. ELECTRICIANS PACKAGE INSTALLATION (OPTIONAL)

ITEM	PART NUMBER	QTY	DESCRIPTION	REV
	1001273844	Ref	ELECTRICIANS PACKAGE INSTALLATION	A
1	1001273453	1	Machinist Vise Accessory (See Separate Breakdown in this Section)	
2	1001273907	1	Electrician Tree Accessory (See Separate Breakdown in this Section)	
3	1001273957	1	Workstation Accessory (See Separate Breakdown in this Section)	
4	1001273959	2	Pipe Rack Assembly Accessory (See Separate Breakdown in this Section)	

SECTION 4 - PLATFORM

FIGURE 4-19. PLUMBER PACKAGE INSTALLATION (OPTIONAL)



ART_1001273845

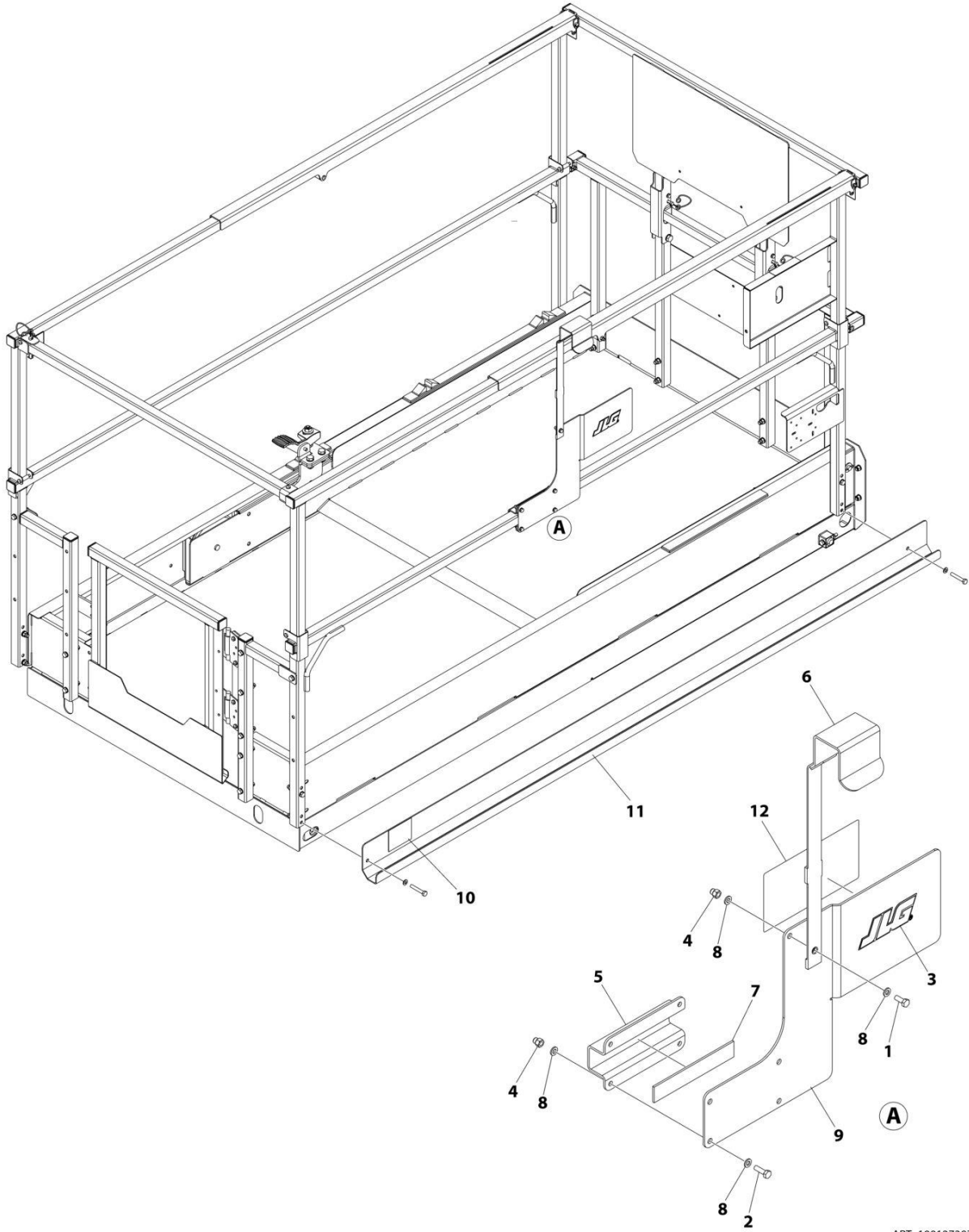
SECTION 4 - PLATFORM

FIGURE 4-19. PLUMBER PACKAGE INSTALLATION (OPTIONAL)

ITEM	PART NUMBER	QTY	DESCRIPTION	REV
	1001273845	Ref	PLUMBERS PACKAGE INSTALLATION	A
1	1001273453	1	Machinist Vise Accessory	
2	1001273957	1	Workstation Accessory	
3	1001273959	2	Pipe Rack Assembly Accessory	

SECTION 4 - PLATFORM

FIGURE 4-20. PANEL CARRIER INSTALLATION (OPTIONAL)



ART_1001273970

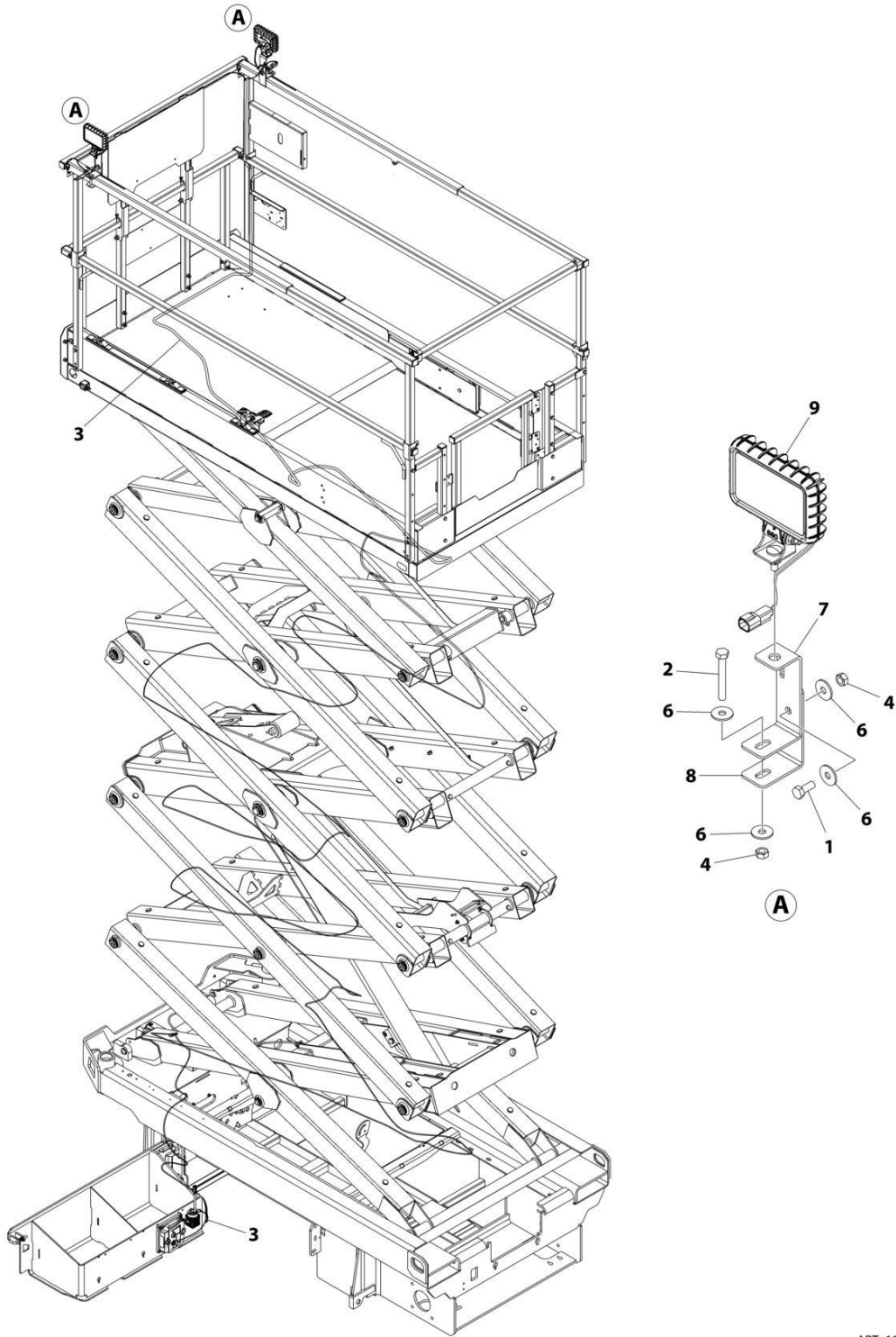
SECTION 4 - PLATFORM

FIGURE 4-20. PANEL CARRIER INSTALLATION (OPTIONAL)

ITEM	PART NUMBER	QTY	DESCRIPTION	REV
	1001273970	Ref	PANEL CARRIER INSTALLATION	A
1	0760608	1	Bolt M6 x 16	
2	0760610	4	Bolt M6 x 20	
3	1702010	1	Decal - JLG	
4	3290606	5	Nut M6	
5	3574505	1	Bracket	
6	4240165	1	Tie Strap	
7	4420037	150 mm	Tape	
8	4811700	10	Washer M6	
9	1001235863	1	Plate	
10	1001253726	1	Decal - Accessory	
11	1001273968	1	Channel, Panel Carrier	
12	1001275539	1	Decal - Panel Carrier Capacity	

SECTION 4 - PLATFORM

FIGURE 4-21. WORKLIGHT INSTALLATION (OPTIONAL)



ART_1001273967

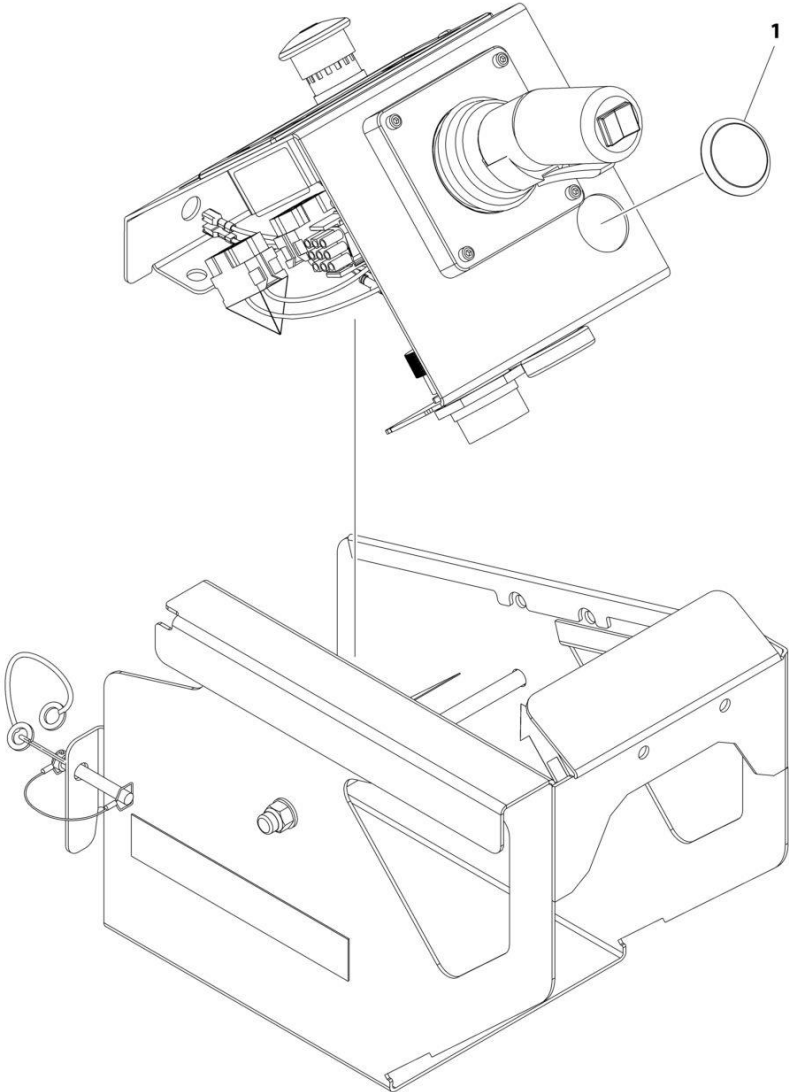
SECTION 4 - PLATFORM

FIGURE 4-21. WORKLIGHT INSTALLATION (OPTIONAL)

ITEM	PART NUMBER	QTY	DESCRIPTION	REV
	1001273967	Ref	WORKLIGHT INSTALLATION	A
1	0760810	2	Bolt M8 x 20	
2	0760820	2	Bolt M8 x 60	
3	1061044	1	Cable, Worklight	
4	3290801	4	Nut M8	
5	4240033	AR	Tie-Strap (Not Shown)	
6	4811902	8	Washer M8	
7	1001273961	2	Bracket	
8	1001273962	2	Bracket	
9	1001273964	2	Lamp, Worklight Kit	
9	1001232586	1	Lamp, Work Light LED W/ Switch	
9	1001274026	1	Harness, Light	

SECTION 4 - PLATFORM

FIGURE 4-22. PLATFORM CONTROL PLUG INSTALLATION



ART_1001274661

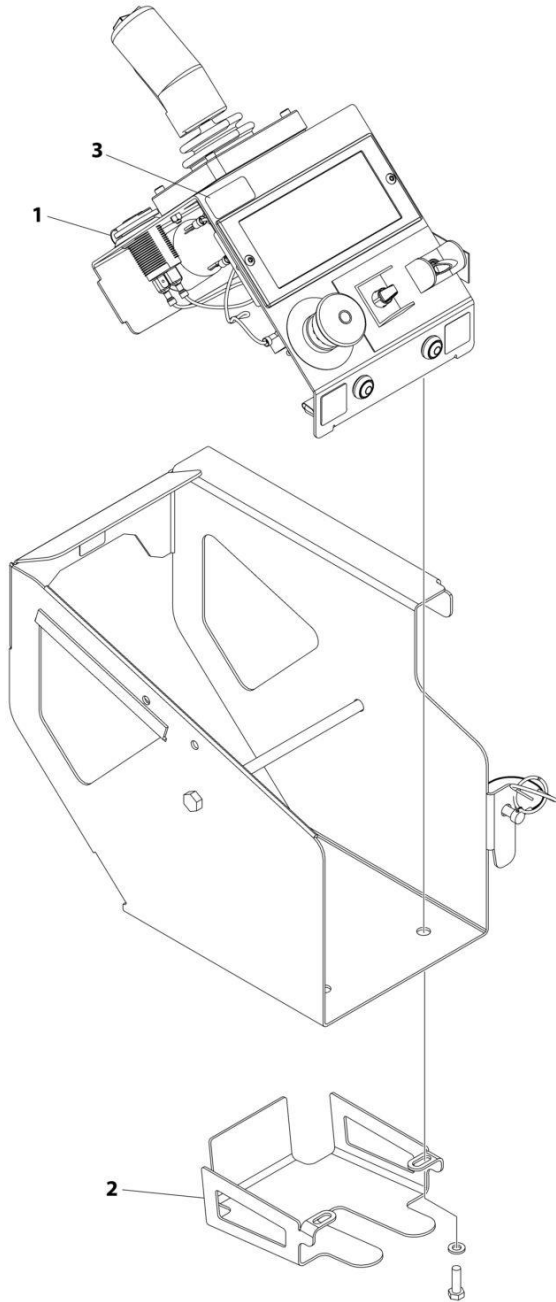
SECTION 4 - PLATFORM

FIGURE 4-22. PLATFORM CONTROL PLUG INSTALLATION

ITEM	PART NUMBER	QTY	DESCRIPTION	REV
1	1001274661 1001262221	Ref 1	PLATFORM CONTROL PLUG INSTALLATION Plug	A

SECTION 4 - PLATFORM

FIGURE 4-23. USB/PHONE CRADLE INSTALLATION



ART_1001262150

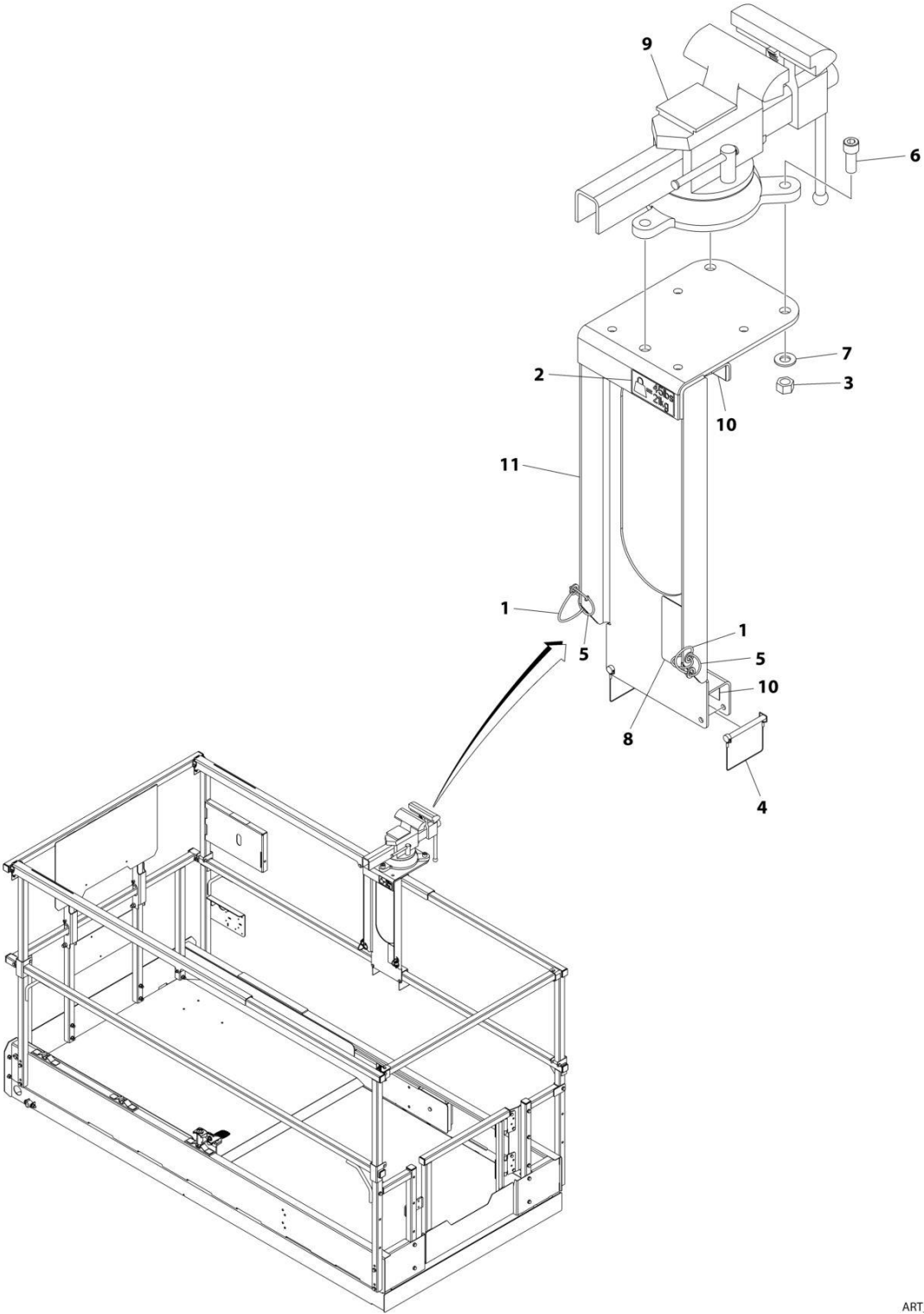
SECTION 4 - PLATFORM

FIGURE 4-23. USB/PHONE CRADLE INSTALLATION

ITEM	PART NUMBER	QTY	DESCRIPTION	REV
	1001262150	Ref	USB/PHONE CRADLE INSTALLATION	B
1	1001253800	1	Terminal, USB Receptacle	
2	1001261131	1	Bracket, Phone	
3	1001274168	1	Decal, USB Charge	

SECTION 4 - PLATFORM

FIGURE 4-24. MACHINIST VISE ACCESSORY



ART_1001273453

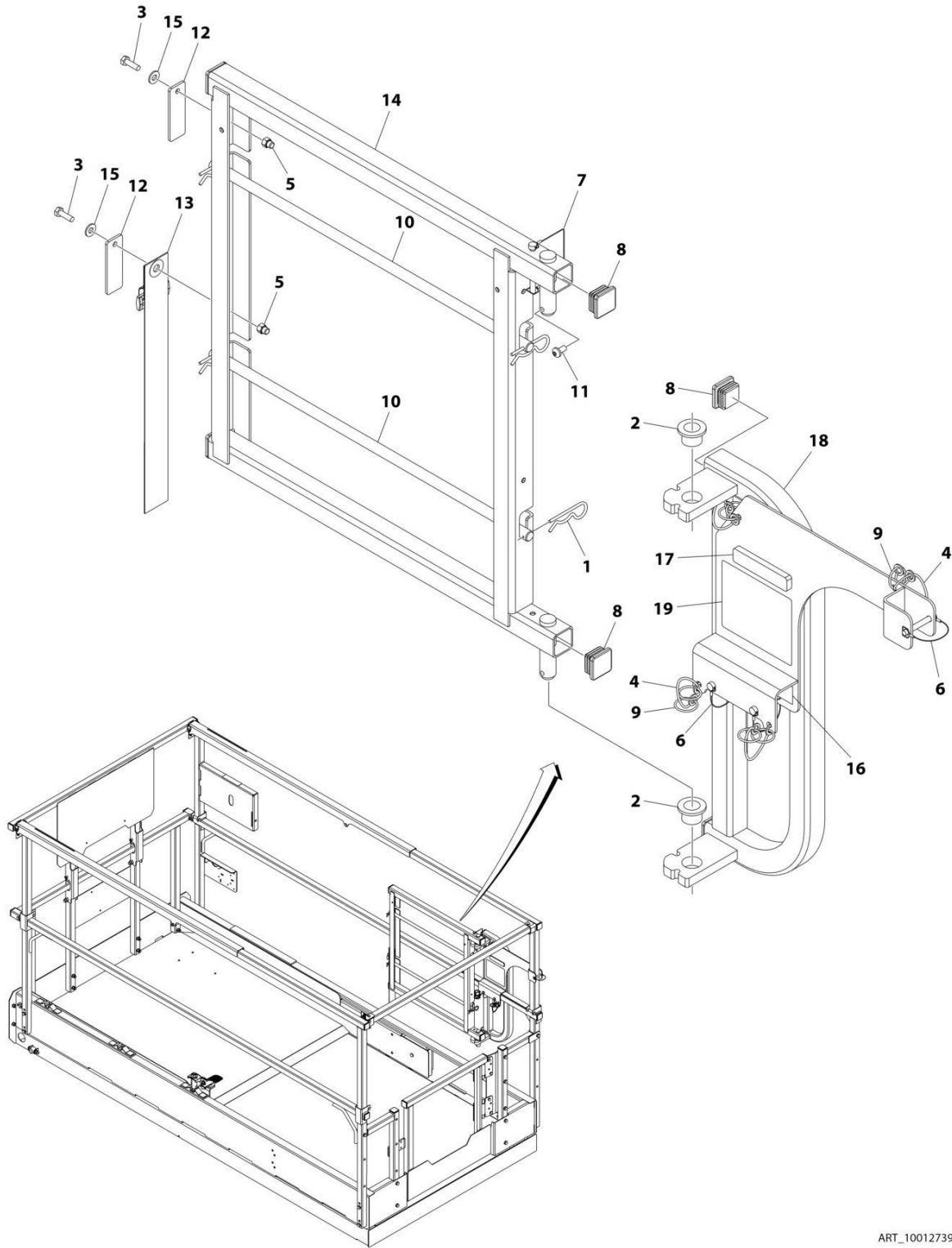
SECTION 4 - PLATFORM

FIGURE 4-24. MACHINIST VISE ACCESSORY

ITEM	PART NUMBER	QTY	DESCRIPTION	REV
	1001273453	Ref	MACHINIST VISE ACCESSORY	A
1	1060379	2	Lanyard	
2	1705985	1	Decal - Weight	
3	3271805	3	Nut 1/2	
4	3422219	2	Pin, Snap	
5	3760170	4	Ring, Split	
6	3931820	3	Bolt 1/2 x 1	
7	4711800	3	Washer 1/2	
8	8005670	1	Decal - Instruction Read Operators Manual	
9	1001157050	1	Attachment, Machinists Vise	
10	1001189762	6 ft	Tape	
11	1001273470	1	Mount, Vise	

SECTION 4 - PLATFORM

FIGURE 4-25. ELECTRICIANS TREE ACCESSORY



ART_1001273907

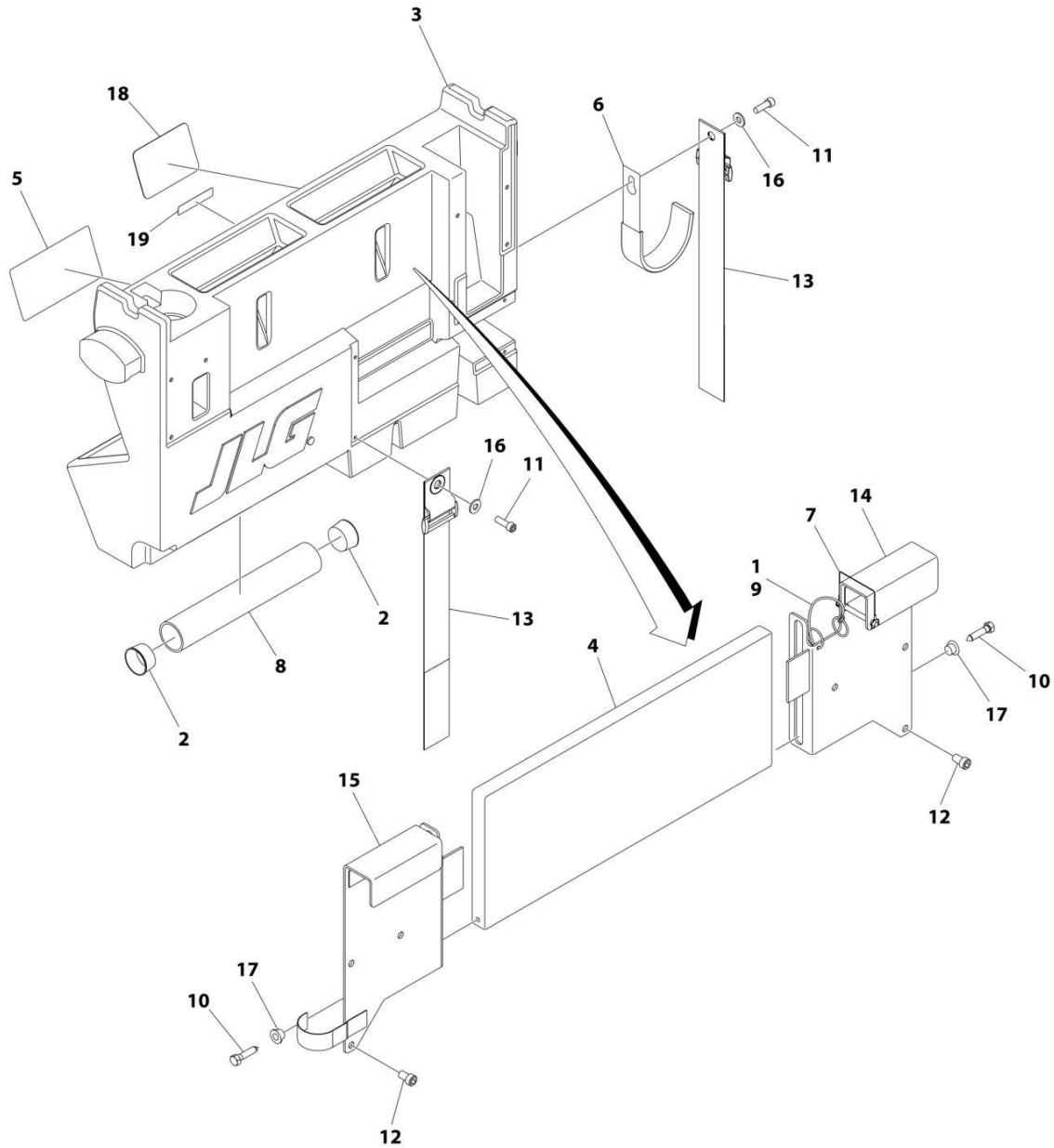
SECTION 4 - PLATFORM

FIGURE 4-25. ELECTRICIANS TREE ACCESSORY

ITEM	PART NUMBER	QTY	DESCRIPTION	REV
	1001273907	Ref	ELECTRICIANS TREE ACCESSORY	A
1	80325	4	Hairpin, Cotter	
2	0440223	2	Bearing, Oilite Flange	
3	0700610	2	Bolt M6 x 20	
4	1060379	4	Lanyard	
5	3290606	2	Nut M6	
6	3421453	3	Pin	
7	3422219	1	Pin	
8	3520072	6	Plug	
9	3760170	8	Ring, Split	
10	3841675	2	Rod	
11	4191706	1	Bolt M6 x 12	
12	4220227	2	Stop, Spool Rod	
13	4240003	1	Strap	
14	4340947	1	Mount, Spool Rack	
15	4711400	2	Washer 1/4	
16	1001189762	3 ft	Tape	
17	1001252626	1	Decal - Accessory Weight	
18	1001273909	1	Support, Base Pivot	
19	1001274838	1	Decal - Electrical Tree Capacity	

SECTION 4 - PLATFORM

FIGURE 4-26. WORKSTATION ACCESSORY



ART_1001273957

SECTION 4 - PLATFORM

FIGURE 4-26. WORKSTATION ACCESSORY

ITEM	PART NUMBER	QTY	DESCRIPTION	REV
	1001273957	Ref	WORKSTATION ACCESSORY	A
1	1060379	1	Lanyard	
2	1120555	2	Cap	
3	1580023	1	Container, Work Bench	
4	1580024	1	Tray, Work Surface	
5	1705997	1	Decal - Workstation	
6	2700100	1	Hook	
7	3422219	1	Pin	
8	3460334	1	Pipe	
9	3760170	2	Ring	
10	3900355	2	Bolt 5/16	
11	3931412	2	Bolt 1/4 x 3/4	
12	3931508	6	Bolt 5/16 x 1/2	
13	4240003	2	Strap	
14	4340853	1	Mount, RH Channel	
15	4340854	1	Mount, LH Channel	
16	4711400	2	Washer 1/4	
17	4740480	2	Washer	
18	1001274837	1	Decal - Workstation Capacity	
19	1001275631	1	Decal - Accessory Weight	

SECTION 4 - PLATFORM

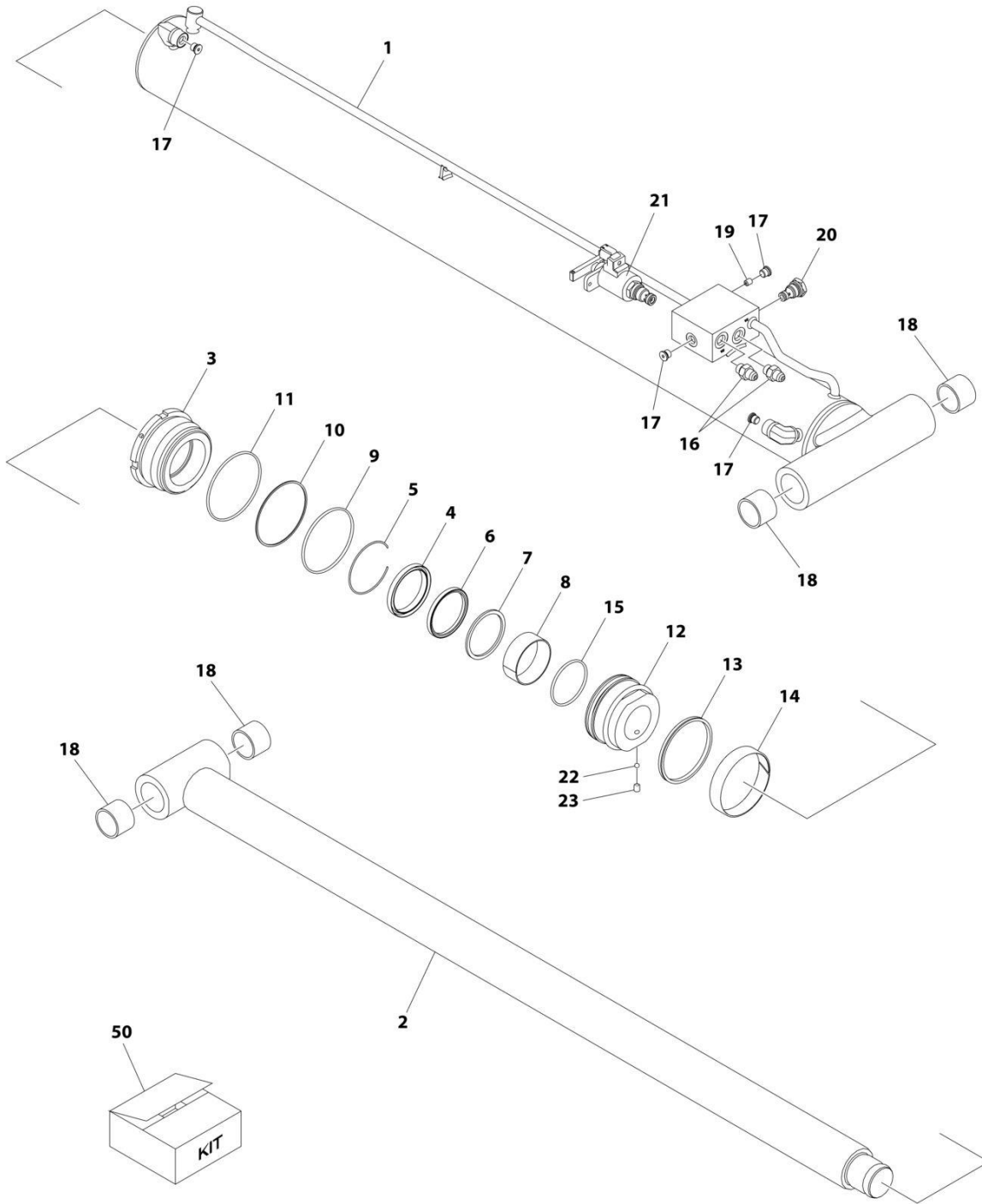
FIGURE 4-27. PIPE RACK ASSEMBLY ACCESSORY

ITEM	PART NUMBER	QTY	DESCRIPTION	REV
	1001273959	Ref	PIPE RACK ASSEMBLY ACCESSORY	A
1	0240054	1	Pipe	
2	0700608	2	Bolt M6 x 16	
3	1060379	3	Lanyard	
4	3290606	2	Nut M6	
5	3421453	3	Pin	
6	3520176	2	Plug	
7	3760170	5	Ring	
8	4191706	1	Bolt M6 x 12	
9	4240164	1	Strap	
10	4811700	4	Washer M6	
11	1001180205	1	Pipe Rack Weldment	
12	1001251855	2	Decal - Accessory Weight	
13	1001275538	2	Decal - Pipe Rack Capacity	

SECTION 5 - CYLINDER

SECTION 5 - CYLINDER

FIGURE 5-1. LIFT CYLINDER ASSEMBLY



ART_100124417

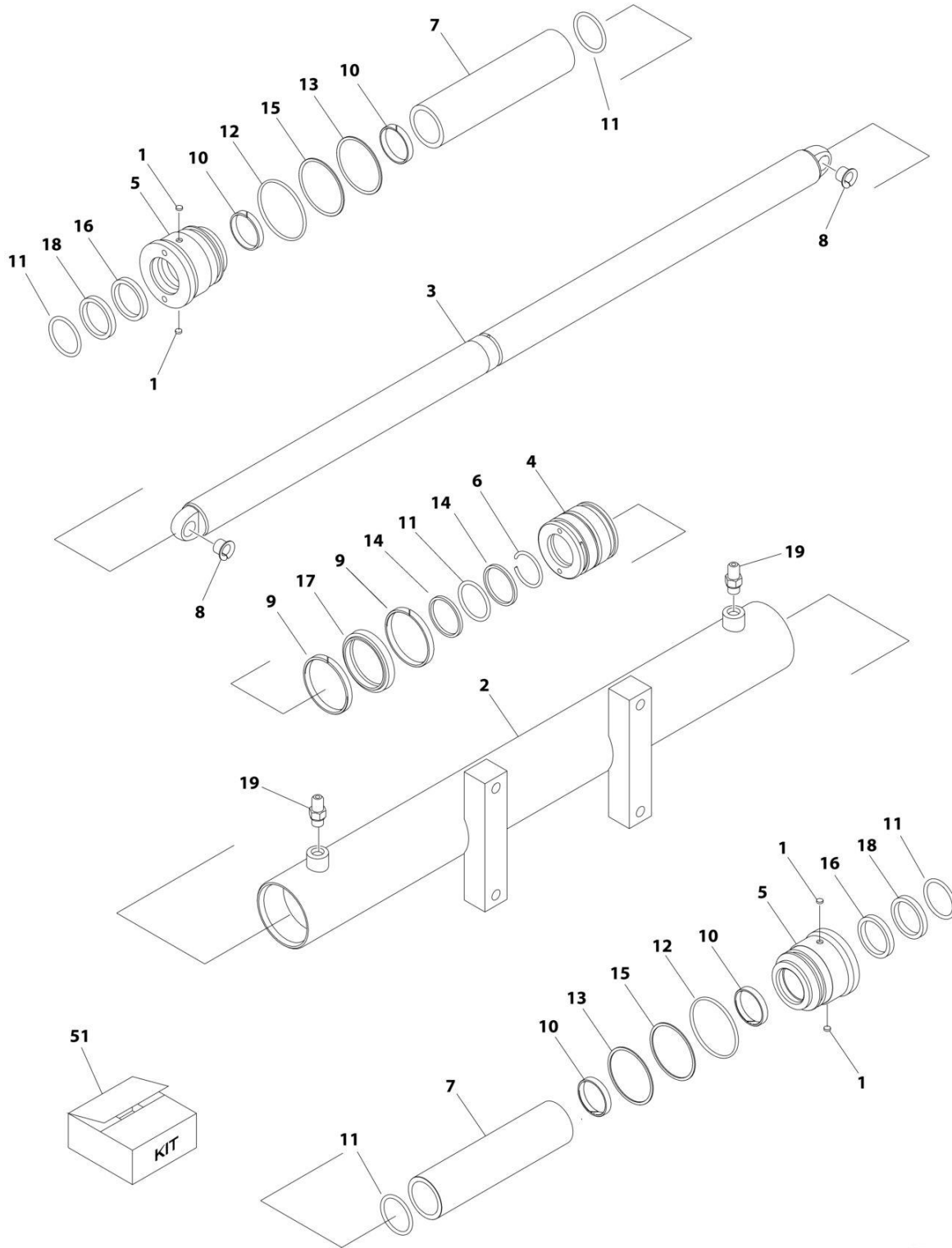
SECTION 5 - CYLINDER

FIGURE 5-1. LIFT CYLINDER ASSEMBLY

ITEM	PART NUMBER	QTY	DESCRIPTION	REV
	1001244417	Ref	LIFT CYLINDER ASSEMBLY	C
		Ref	Note: Original Cylinder May Have Been Replaced with Service Replacement. Identify PN Stamped on Cylinder Before Ordering Parts.	
1	See Note:	NSS	Barrel (Note: Purchase Complete Part)	
2	70007050	1	Rod	
3	70007051	1	Head	
4	See Note	NSS	Wiper (Note: Use Item 50)	
5	70050795	1	Ring, Retaining	
6	See Note	NSS	Seal, Rod (Note: Use Item 50)	
7	See Note	NSS	Ring, Back-up (Note: Use Item 50)	
8	70007052	1	Bearing	
9	See Note	NSS	O-Ring (Note: Use Item 50)	
10	See Note	NSS	Ring, Back-up (Note: Use Item 50)	
11	See Note	NSS	O-Ring (Note: Use Item 50)	
12	70007053	1	Piston	
13	See Note	NSS	Seal, Piston (Note: Use Item 50)	
14	See Note	NSS	Ring, Wear (Note: Use Item 50)	
15	See Note	NSS	O-Ring (Note: Use Item 50)	
16	70007054	2	Fitting	
17	2220883	4	Plug	
18	0961948	4	Bearing	
19	70007055	1	Orifice	
20	70004585	1	Cartridge, Valve	
21	70005236	1	Cartridge, Solenoid Valve	
22	70022564	1	Ball	
23	70023369	1	Setscrew	
50	70007056	1	Seal Kit - 1001244417 Cylinder (Includes Items 4, 6, 7, 9-11 & 13-15)	

SECTION 5 - CYLINDER

FIGURE 5-2. STEER CYLINDER ASSEMBLY



ART_1001233449

SECTION 5 - CYLINDER

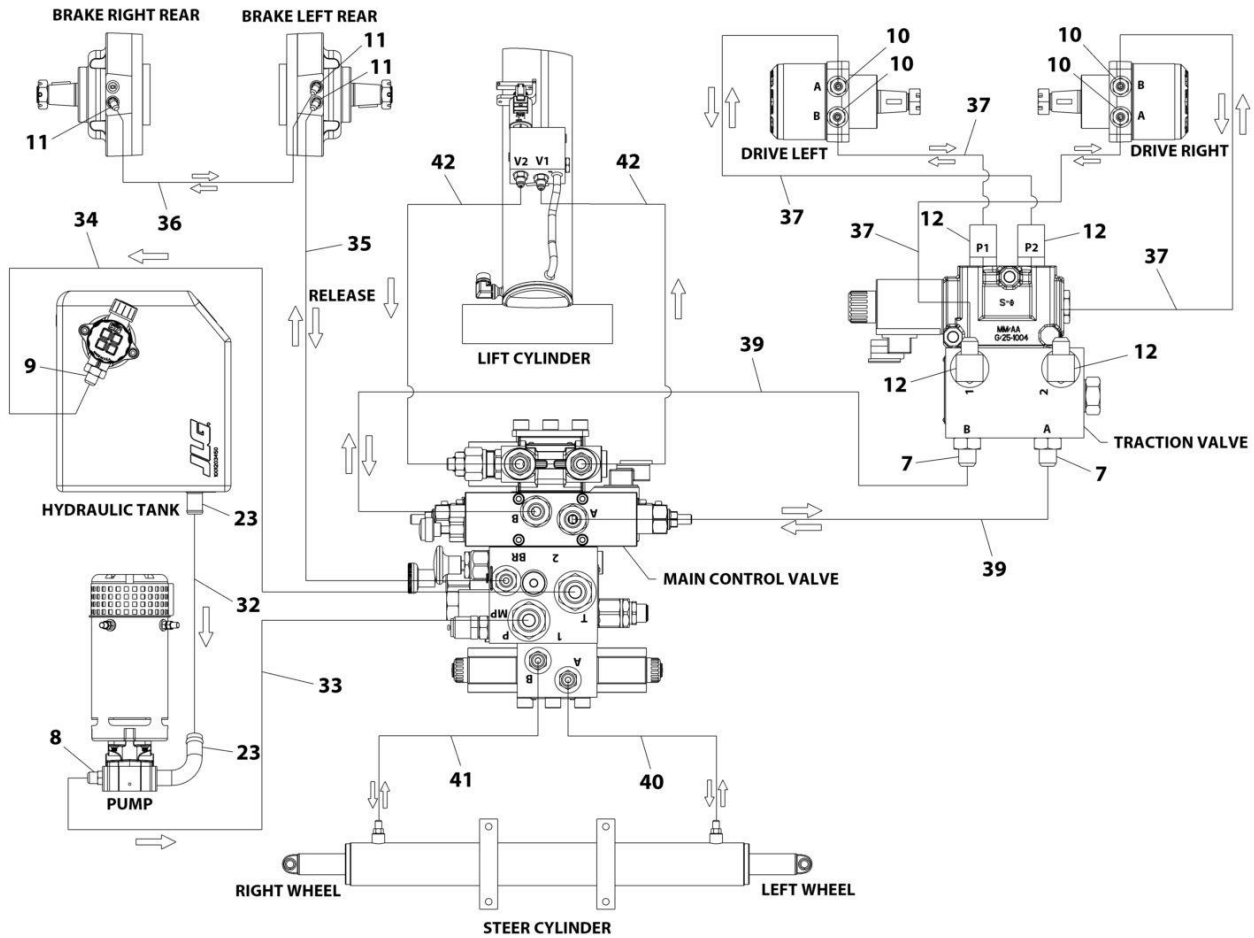
FIGURE 5-2. STEER CYLINDER ASSEMBLY

ITEM	PART NUMBER	QTY	DESCRIPTION	REV
	1001233449	Ref	STEER CYLINDER ASSEMBLY	C
		Ref	Note: Original Cylinder May Have Been Replaced with Service Replacement. Identify PN Stamped on Cylinder Before Ordering Parts.	
1	70003636	4	Lock	
2	See Note	NSS	Barrel (Note: Purchase Complete Assembly)	
3	70007074	1	Rod	
4	70007075	1	Piston	
5	70007076	2	Head	
6	70007077	1	Ring	
7	70007078	2	Spacer	
8	0440259	2	Bearing	
9	See Note	NSS	Ring, Wear (Note: Use Item 51)	
10	See Note	NSS	Ring, Wear (Note: Use Item 51)	
11	See Note	NSS	O-Ring (Note: Use Item 51)	
12	See Note	NSS	O-Ring (Note: Use Item 51)	
13	See Note	NSS	O-Ring (Note: Use Item 51)	
14	See Note	NSS	Ring, Back-Up (Note: Use Item 51)	
15	See Note	NSS	Ring, Back-Up (Note: Use Item 51)	
16	See Note	NSS	Seal (Note: Use Item 51)	
17	See Note	NSS	Seal, Stop (Not Shown) (Note: Use Item 51)	
18	See Note	NSS	Wiper (Note: Use Item 51)	
19	70007079	2	Fitting, Straight	
51	70007080	1	Seal Kit - 1001233449 Cylinder (Includes Items 9-18)	

SECTION 6 - HYDRAULIC

SECTION 6 - HYDRAULIC

FIGURE 6-1. HYDRAULIC COMPONENTS INSTALLATION (WITH CONCENTRIC MOTOR/PUMP)



ART_1001380008_F_20F2

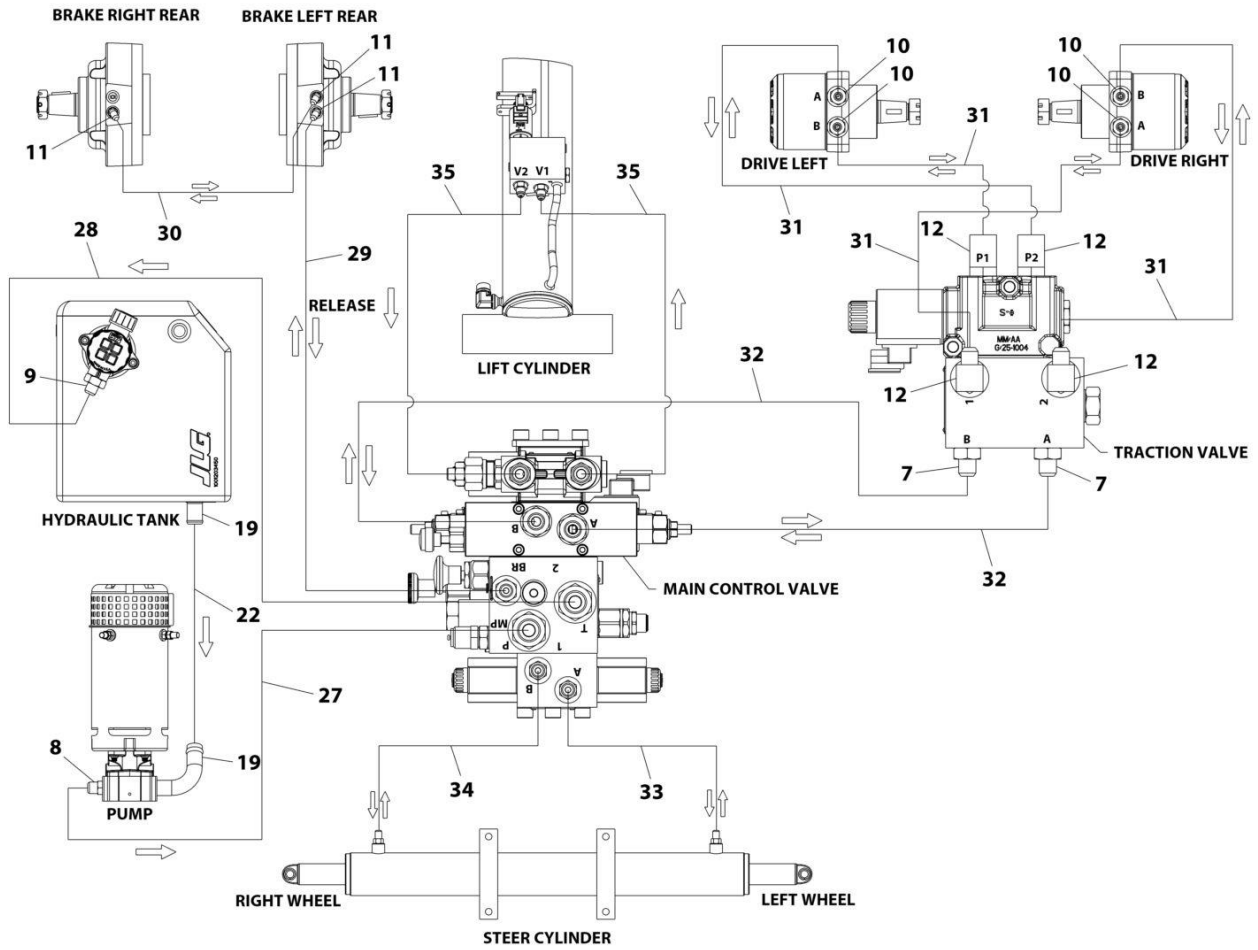
SECTION 6 - HYDRAULIC

FIGURE 6-1. HYDRAULIC COMPONENTS INSTALLATION (WITH CONCENTRIC MOTOR/PUMP)

ITEM	PART NUMBER	QTY	DESCRIPTION	REV
	1001380008	Ref	HYDRAULIC COMPONENTS INSTALLATION	F
7	2220372	2	Fitting, Straight - JIC/ORB	
8	2220373	1	Fitting, Straight - JIC/ORB	
9	2220375	1	Fitting, Straight - JIC/ORB	
10	2220497	4	Fitting, Straight - JIC/ORB	
11	2220502	3	Fitting, 45 JIC/ORB	
12	2220628	4	Fitting, 90 JIC/ORB	
23	1001143501	2	Clamp, T-Bolt Heavy Duty	
32	1001203835	1	Hose	
33	1001236800	1	Hose	
34	1001236801	1	Hose	
35	1001236802	1	Hose	
36	1001236803	1	Hose	
37	1001236804	4	Hose	
39	1001236806	2	Hose	
40	1001236807	1	Hose	
41	1001236808	1	Hose	
42	1001236809	2	Hose	

SECTION 6 - HYDRAULIC

FIGURE 6-2. HYDRAULIC COMPONENTS INSTALLATION (WITH BUCHER MOTOR/PUMP)



ART_1001284638_2OF2

SECTION 6 - HYDRAULIC

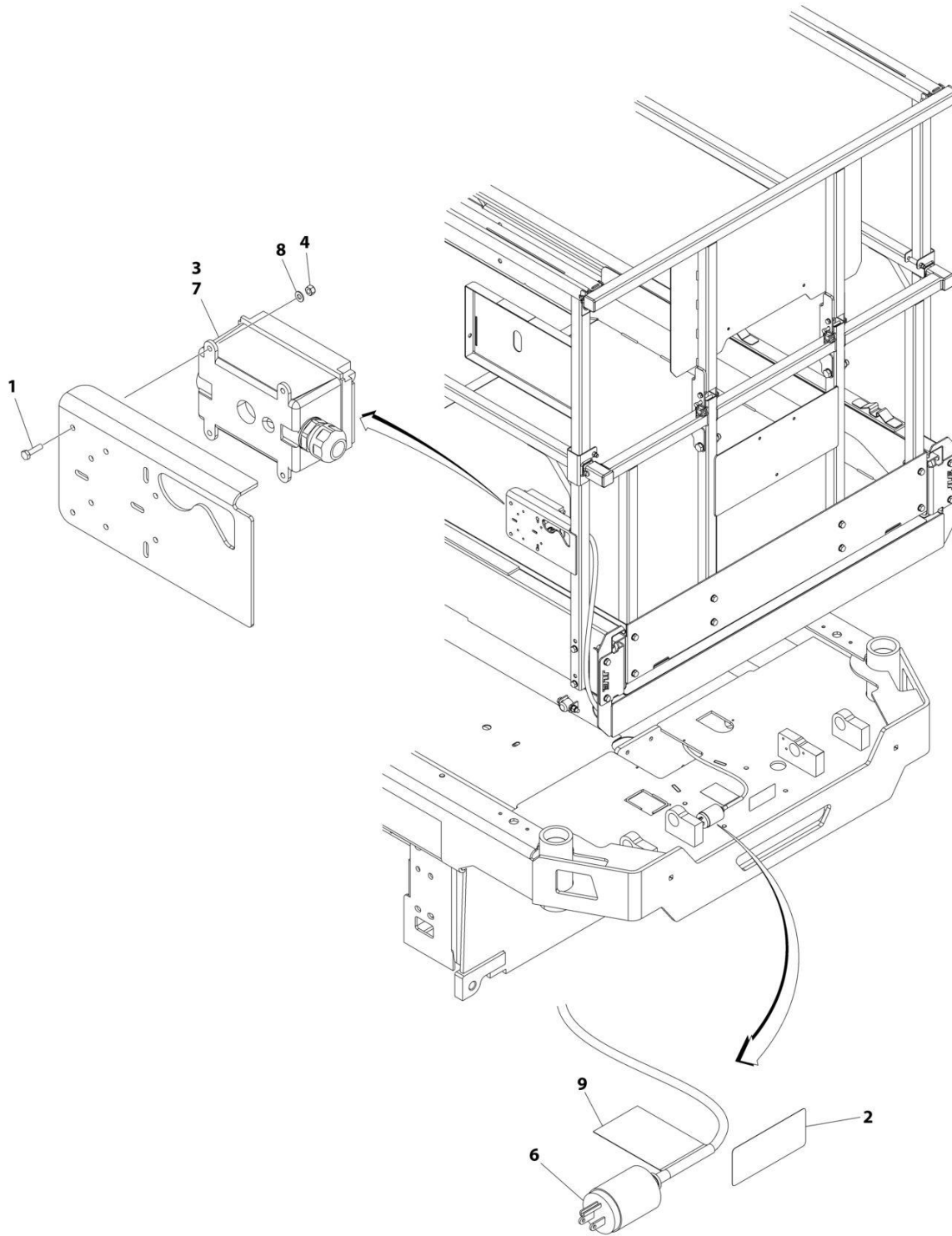
FIGURE 6-2. HYDRAULIC COMPONENTS INSTALLATION (WITH BUCHER MOTOR/PUMP)

ITEM	PART NUMBER	QTY	DESCRIPTION	REV
	1001284638	Ref	HYDRAULIC COMPONENTS INSTALLATION	A
7	2220372	2	Fitting, Straight - JIC/ORB	
8	2220373	1	Fitting, Straight - JIC/ORB	
9	2220375	1	Fitting, Straight - JIC/ORB	
10	2220497	4	Fitting, Straight - JIC/ORB	
11	2220502	3	Fitting, 45 JIC/ORB	
12	2220628	4	Fitting, 90 JIC/ORB	
19	1001143501	2	Clamp, T-Bolt Heavy Duty	
22	1001203835	1	Hose	
27	1001236800	1	Hose	
28	1001236801	1	Hose	
29	1001236802	1	Hose	
30	1001236803	1	Hose	
31	1001236804	4	Hose	
32	1001236806	2	Hose	
33	1001236807	1	Hose	
34	1001236808	1	Hose	
35	1001236809	2	Hose	

SECTION 7 - ELECTRICAL

SECTION 7 - ELECTRICAL

FIGURE 7-1. AC BOX AT PLATFORM INSTALLATION - 110V GFI (ALL SPECS EXCEPT AUSTRALIAN, CE & UK CA SPECS)



ART_1001237400

SECTION 7 - ELECTRICAL

FIGURE 7-1. AC BOX AT PLATFORM INSTALLATION - 110V GFI (ALL SPECS EXCEPT AUSTRALIAN, CE & UK CA SPECS)

ITEM	PART NUMBER	QTY	DESCRIPTION	REV
	1001237400	Ref	AC BOX AT PLATFORM INSTALLATION - 110V GFI	C
1	0760408	4	Bolt M4 x 16	
2	1703464	1	Decal - AC Power	
3	2902431	1	Receptacle Box Kit (See Separate Breakdown in this Section)	
4	3290405	4	Nut M4	
5	4240017	AR	Tie-Strap (Not Shown)	
6	4460138	1	Plug, Male - AC	
7	4460315	1	Terminal	
8	4811400	4	Washer M4	
9	1001102258	1	Decal - AC Label	

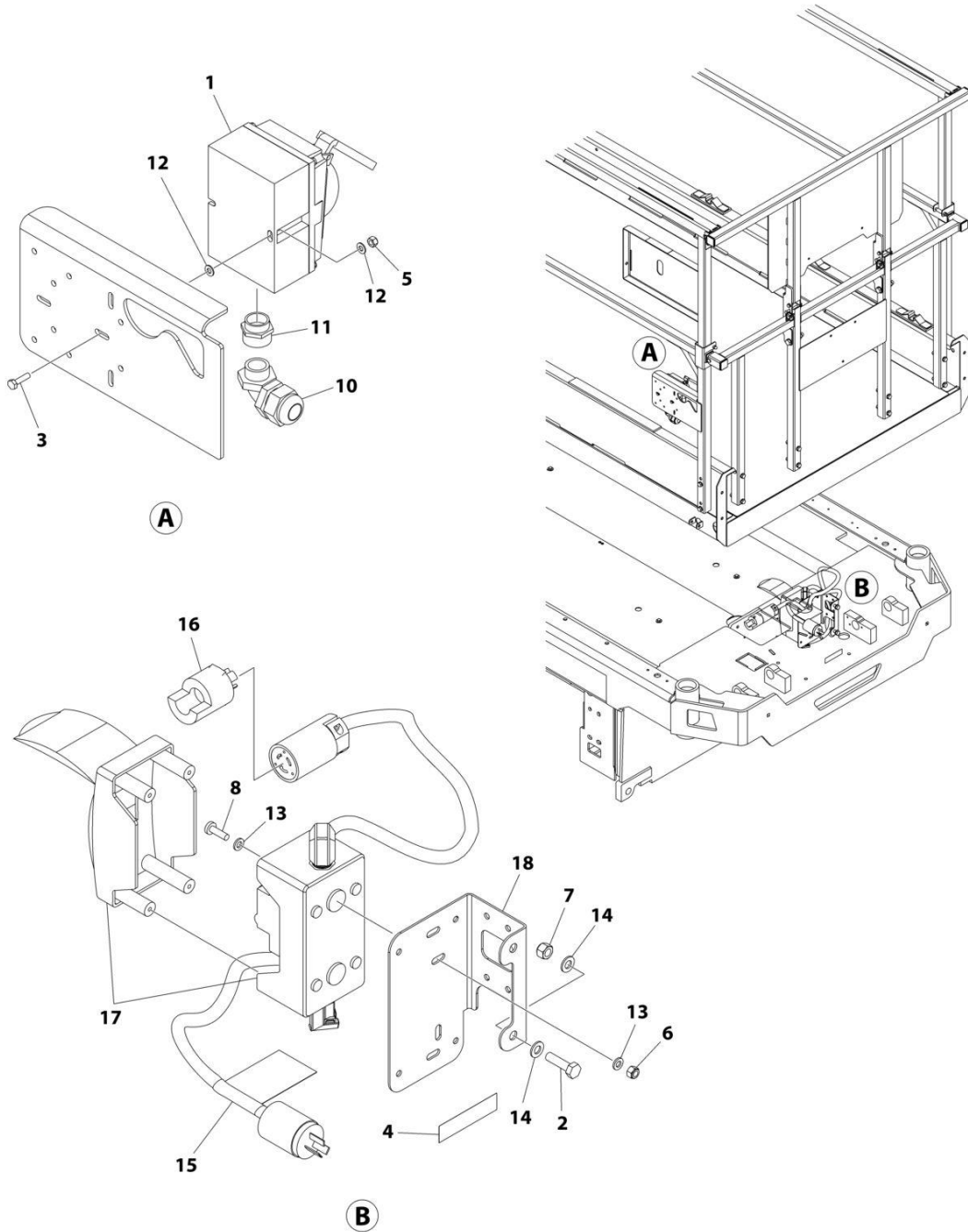
SECTION 7 - ELECTRICAL

FIGURE 7-2. AC BOX AT PLATFORM INSTALLATION - 110V IEC YELLOW (CE & UK CA SPECS)

ITEM	PART NUMBER	QTY	DESCRIPTION	REV
	1001238133	Ref	AC BOX AT PLATFORM INSTALLATION - 110V IEC YELLOW	B
1	0275216	1	Receptacle Box Kit - 110V IEC Yellow (See Separate Breakdown in this Section)	
2	0700814	2	Bolt M8 x 30	
3	0760408	2	Bolt M4 x 16	
4	1703464	1	Decal - AC Power	
5	3290405	2	Nut M4	
6	3290605	2	Nut M6	
7	3290805	2	Nut M8	
8	4010610	2	Screw M6 x 20	
9	4240017	AR	Tie-Strap (Not Shown)	
10	4461257	1	Connector, Strain Relief	
11	4461258	1	Connector, Adapter	
12	4811400	4	Washer M4	
13	4811700	4	Washer M6	
14	4811900	4	Washer M8	
15	1001102258	1	Decal - AC Label	
16	1001120204	1	Plug, Male Twist	
17	1001209776	1	Breaker Box Kit (See Separate Breakdown in this Section)	
18	1001238198	1	Bracket	

SECTION 7 - ELECTRICAL

FIGURE 7-3. AC BOX AT PLATFORM INSTALLATION - 220V IEC BLUE (CE & UK CA SPECS)



ART_1001238134

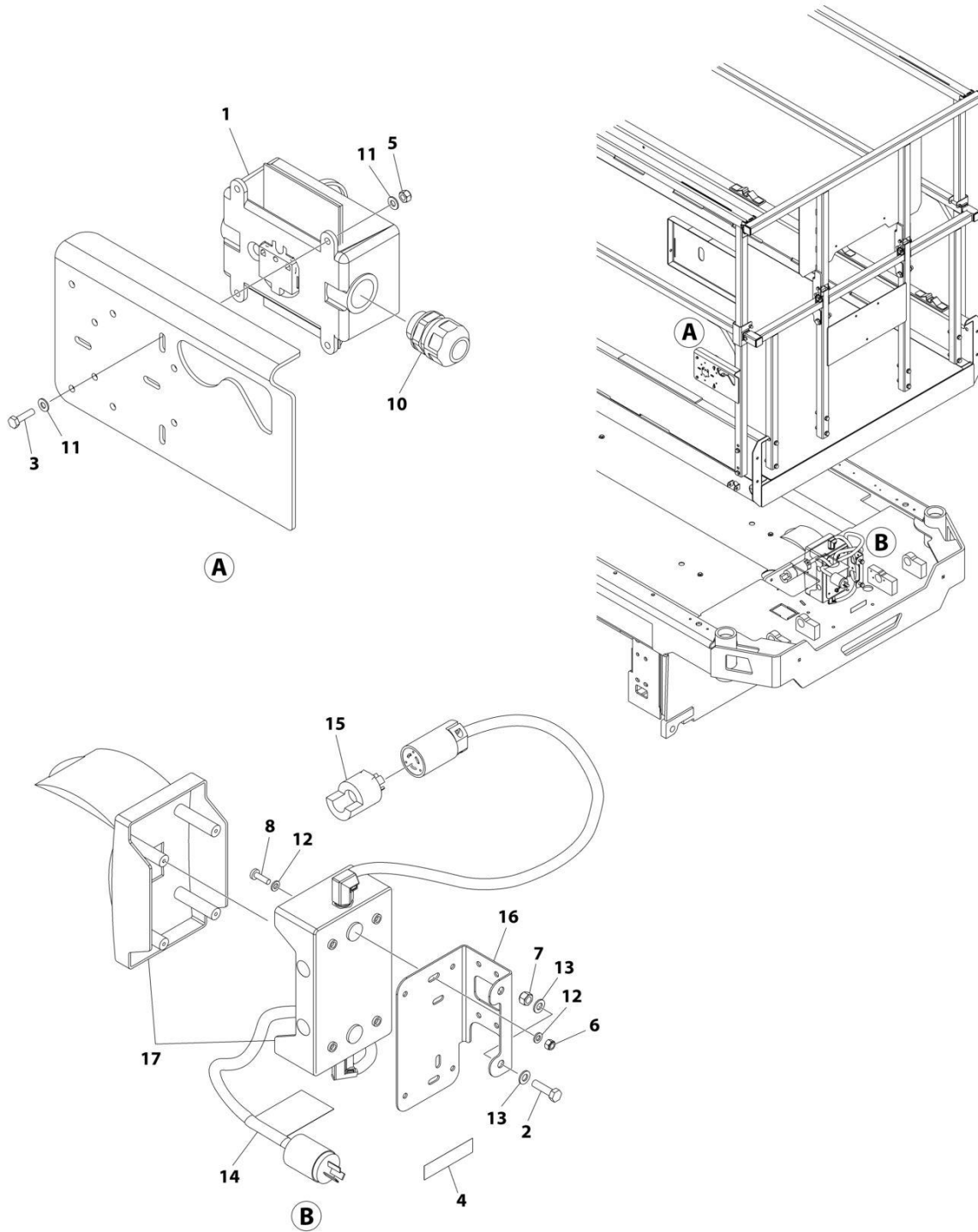
SECTION 7 - ELECTRICAL

FIGURE 7-3. AC BOX AT PLATFORM INSTALLATION - 220V IEC BLUE (CE & UK CA SPECS)

ITEM	PART NUMBER	QTY	DESCRIPTION	REV
	1001238134	Ref	AC BOX AT PLATFORM INSTALLATION - 220V IEC BLUE	A
1	0275217	1	Receptacle Box Kit - 220V IEC Blue (See Separate Breakdown in this Section)	
2	0700814	2	Bolt M8 x 30	
3	0760408	2	Bolt M4 x 16	
4	3252507	1	Decal - AC Power	
5	3290405	2	Nut M4	
6	3290605	2	Nut M6	
7	3290805	2	Nut M8	
8	4010610	2	Screw M6 x 20	
9	4240017	AR	Tie-Strap (Not Shown)	
10	4461257	1	Connector, Strain Relief	
11	4461258	1	Connector, Adapter	
12	4811400	4	Washer M4	
13	4811700	4	Washer M6	
14	4811900	4	Washer M8	
15	1001102258	1	Decal - AC Label	
16	1001120204	1	Plug, Male Twist	
17	1001209776	1	Breaker Box Kit (See Separate Breakdown in this Section)	
18	1001238198	1	Bracket	

SECTION 7 - ELECTRICAL

FIGURE 7-4. AC BOX AT PLATFORM INSTALLATION - 220V CEE7 POST GROUND (CE & UK CA SPECS)



ART_1001238130

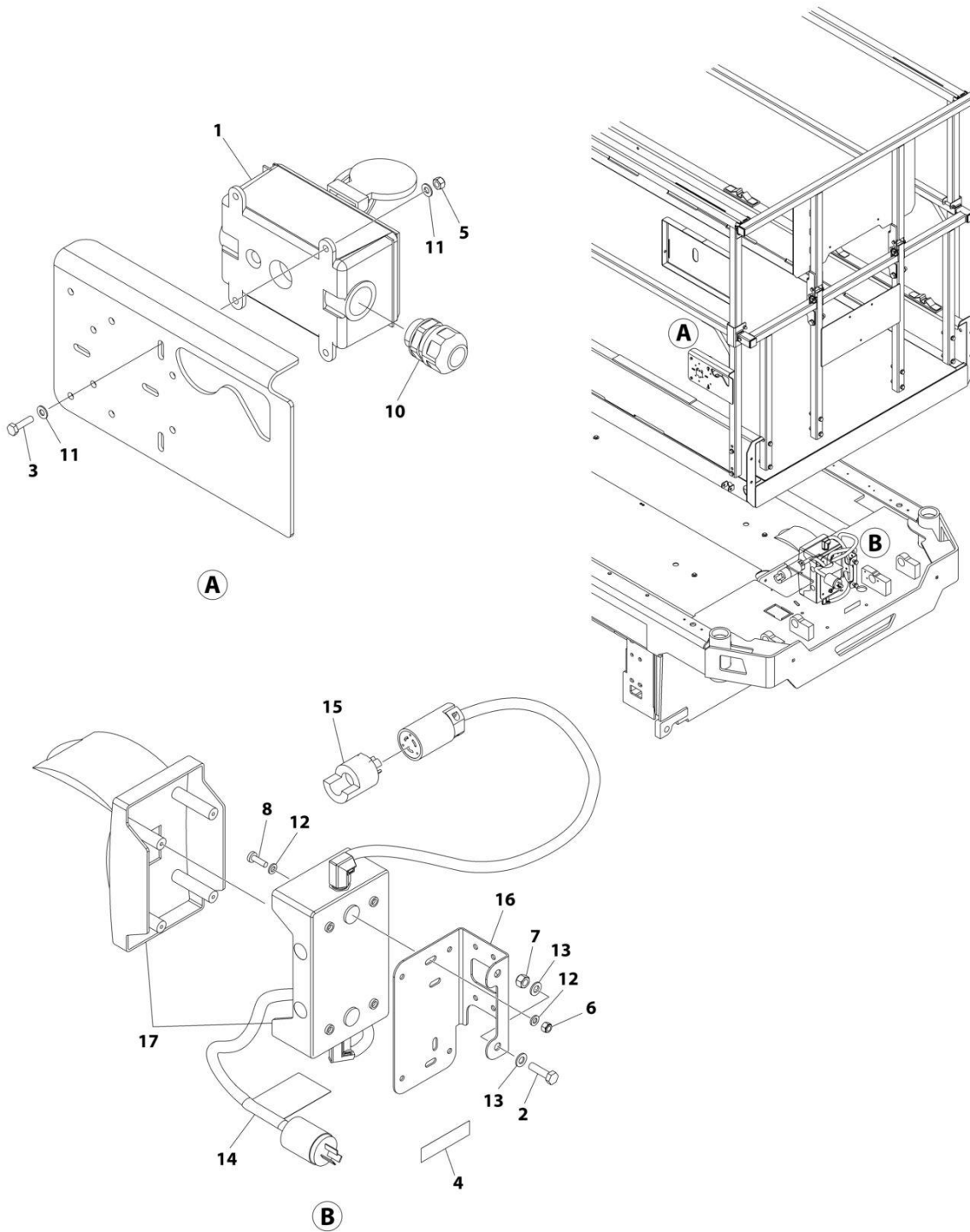
SECTION 7 - ELECTRICAL

FIGURE 7-4. AC BOX AT PLATFORM INSTALLATION - 220V CEE7 POST GROUND (CE & UK CA SPECS)

ITEM	PART NUMBER	QTY	DESCRIPTION	REV
	1001238130	Ref	AC BOX AT PLATFORM INSTALLATION - 220V CEE7 POST GROUND	B
1	0275452	1	Receptacle Box Kit - 220V CEE7 Post Ground (See Separate Breakdown in this Section)	
2	0700814	2	Screw M8 x 30	
3	0760408	4	Bolt M4 x 16	
4	3252507	1	Decal - AC Power	
5	3290405	4	Nut M4	
6	3290605	2	Nut M6	
7	3290805	2	Nut M8	
8	4010610	2	Screw M6 x 20	
9	4240017	AR	Tie-Strap (Not Shown)	
10	4460662	1	Connector, Strain Relief	
11	4811400	8	Washer M4	
12	4811700	4	Washer M6	
13	4811900	4	Washer M8	
14	1001102258	1	Decal - AC Label	
15	1001120204	1	Plug, Male Twist	
16	1001238198	1	Bracket	
17	1001209482	1	Breaker Box Kit (See Separate Breakdown in this Section)	

SECTION 7 - ELECTRICAL

FIGURE 7-5. AC BOX AT PLATFORM INSTALLATION - 220V CEE7 SIDE GROUND (CE & UK CA SPECS)



ART_1001238131

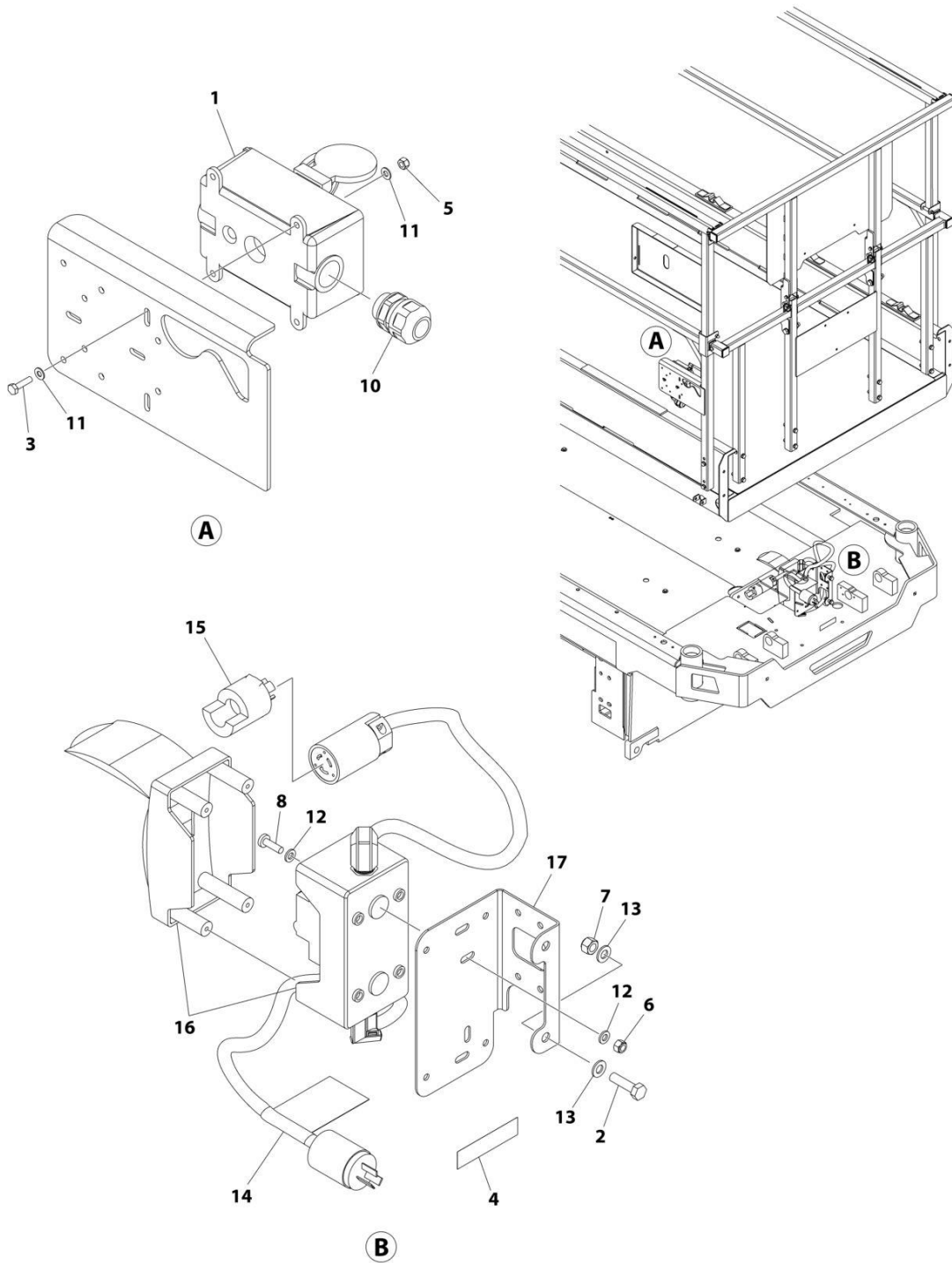
SECTION 7 - ELECTRICAL

FIGURE 7-5. AC BOX AT PLATFORM INSTALLATION - 220V CEE7 SIDE GROUND (CE & UK CA SPECS)

ITEM	PART NUMBER	QTY	DESCRIPTION	REV
	1001238131	Ref	AC BOX AT PLATFORM INSTALLATION - 220V CEE7 SIDE GROUND	B
1	0275453	1	Receptacle Box Kit - 220V CEE7 Side Ground (See Separate Breakdown in this Section)	
2	0700814	2	Bolt M8 x 30	
3	0760408	4	Bolt M4 x 16	
4	3252507	1	Decal - AC Power	
5	3290405	4	Nut M4	
6	3290605	2	Nut M6	
7	3290805	2	Nut M8	
8	4010610	2	Screw M6 x 20	
9	4240017	AR	Tie-Strap (Not Shown)	
10	4460662	1	Connector, Strain Relief	
11	4811400	8	Washer M4	
12	4811700	4	Washer M6	
13	4811900	4	Washer M8	
14	1001102258	1	Decal - AC Label	
15	1001120204	1	Plug, Male Twist	
16	1001238198	1	Bracket	
17	1001209482	1	Breaker Box Kit (See Separate Breakdown in this Section)	

SECTION 7 - ELECTRICAL

FIGURE 7-6. AC BOX AT PLATFORM INSTALLATION - 220V AFSINT 107 (CE & UK CA SPECS)



ART_1001238132

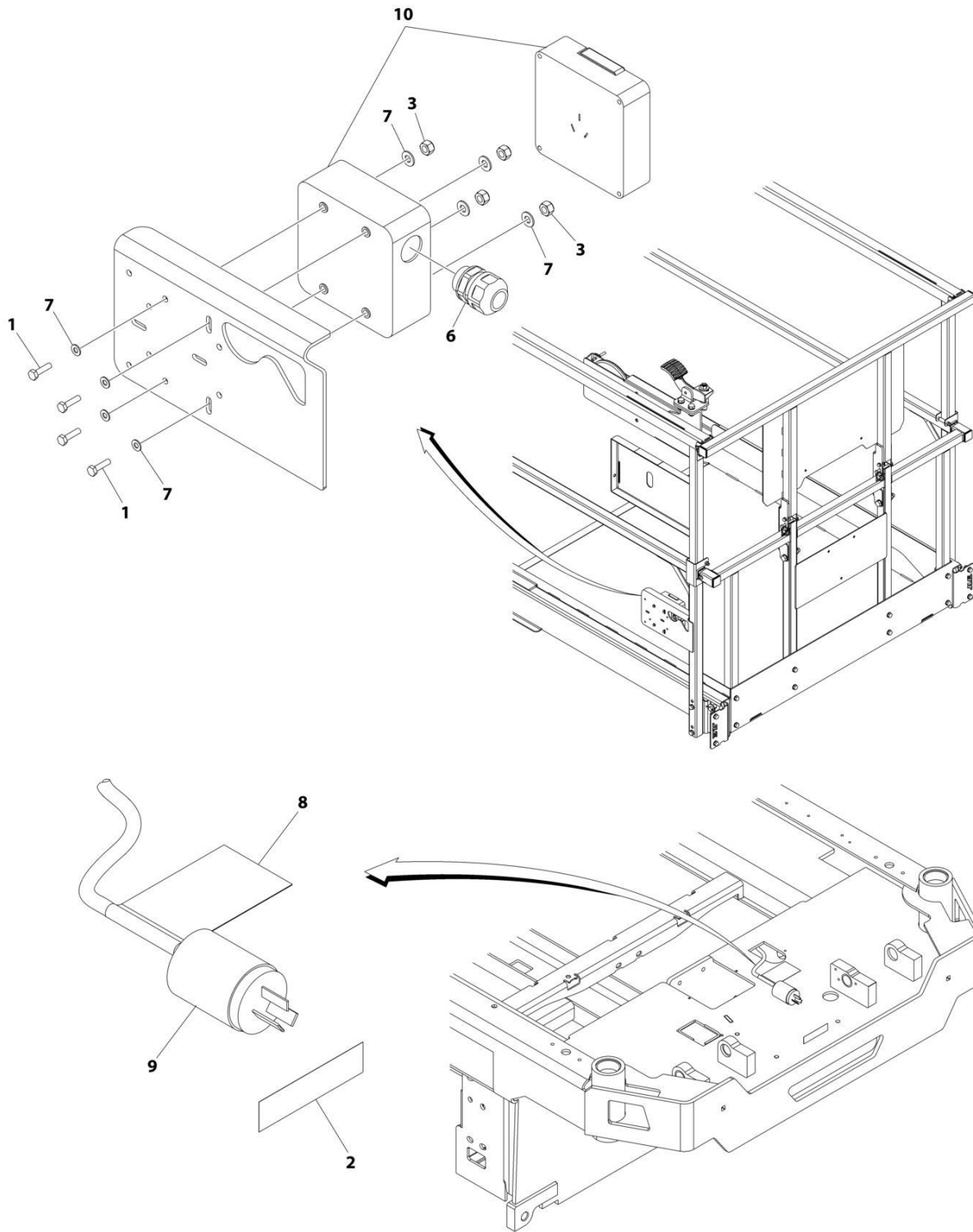
SECTION 7 - ELECTRICAL

FIGURE 7-6. AC BOX AT PLATFORM INSTALLATION - 220V AFSINT 107 (CE & UK CA SPECS)

ITEM	PART NUMBER	QTY	DESCRIPTION	REV
	1001238132	Ref	AC BOX AT PLATFORM INSTALLATION - 220V AFSINT 107	B
1	0275454	1	Receptacle Box Kit - 220V AFSINT 107 (See Separate Breakdown in this Section)	
2	0700814	2	Bolt M8 x 30	
3	0760408	4	Bolt M4 x 16	
4	3252507	1	Decal - AC Power	
5	3290405	4	Nut M4	
6	3290605	2	Nut M6	
7	3290805	2	Nut M8	
8	4010610	2	Screw M6 x 20	
9	4240017	AR	Tie-Strap (Not Shown)	
10	4460662	1	Connector, Strain Relief	
11	4811400	8	Washer M4	
12	4811700	4	Washer M6	
13	4811900	4	Washer M8	
14	1001102258	1	Decal - AC Label	
15	1001120204	1	Plug, Male Twist	
16	1001209776	1	Breaker Box Kit (See Separate Breakdown in this Section)	
17	1001238198	1	Bracket	

SECTION 7 - ELECTRICAL

FIGURE 7-7. AC BOX AT PLATFORM INSTALLATION - 220V CHINA PLUG (CHINA SPECS)



ART_1001238135

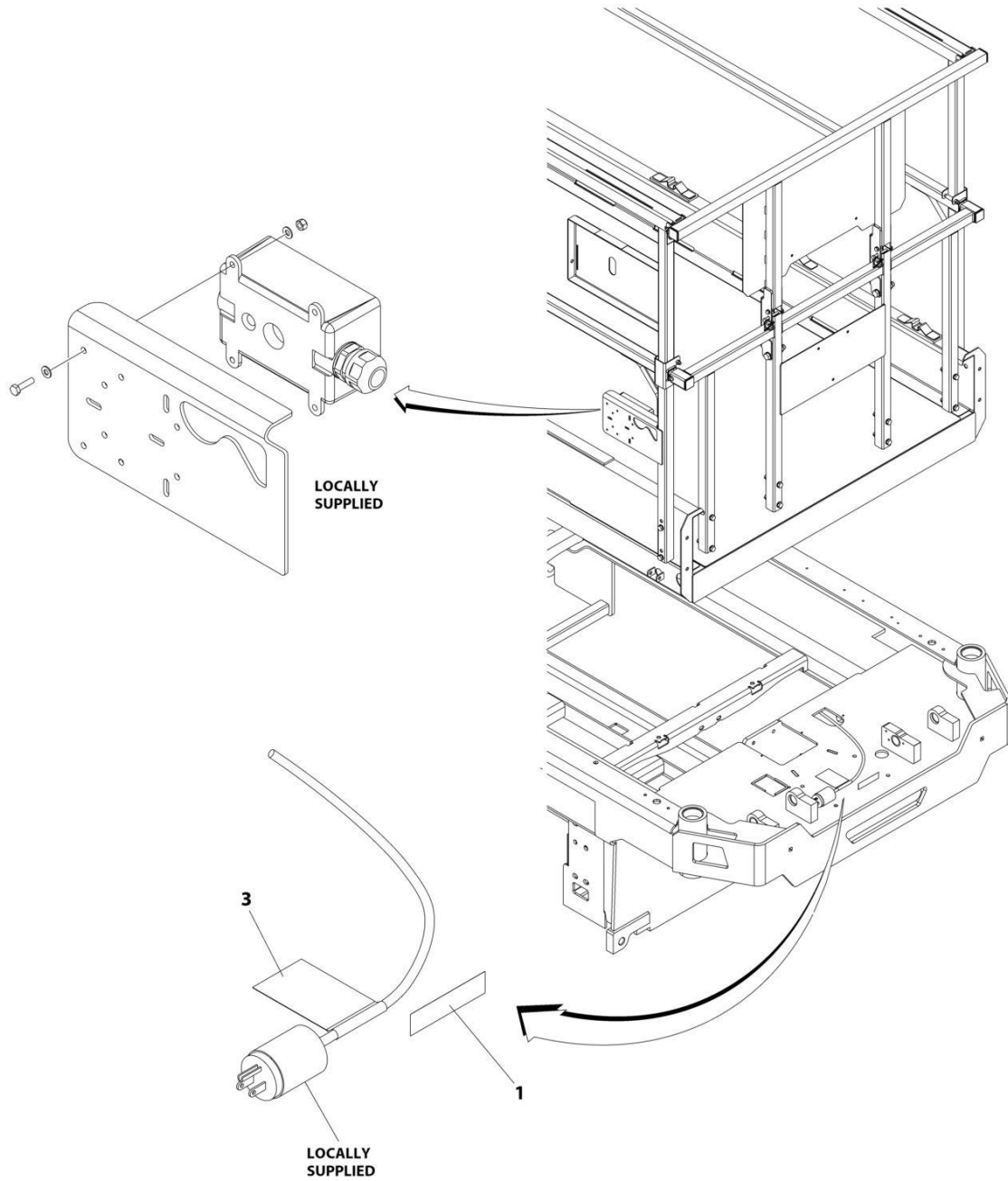
SECTION 7 - ELECTRICAL

FIGURE 7-7. AC BOX AT PLATFORM INSTALLATION - 220V CHINA PLUG (CHINA SPECS)

ITEM	PART NUMBER	QTY	DESCRIPTION	REV
	1001238135	Ref	AC BOX AT PLATFORM INSTALLATION - 220V CHINA PLUG (CHINA SPECS)	A
1	0760408	4	Bolt M4 x 16	
2	3252507	1	Decal - 220 Volt	
3	3290405	4	Nut M4	
4	4240017	AR	Tie-Strap (Not Shown)	
5	4460315	1	Terminal (Not Shown)	
6	4460968	1	Connector, Strain Relief	
7	4811400	8	Washer M4	
8	1001102258	1	Decal - AC Label	
9	1001187816	1	Plug	
10	1001188116	1	Box	

SECTION 7 - ELECTRICAL

FIGURE 7-8. AC BOX AT PLATFORM INSTALLATION - 220V LOCALLY SUPPLIED COMPONENTS (ALL SPECS)



ART_1001237401

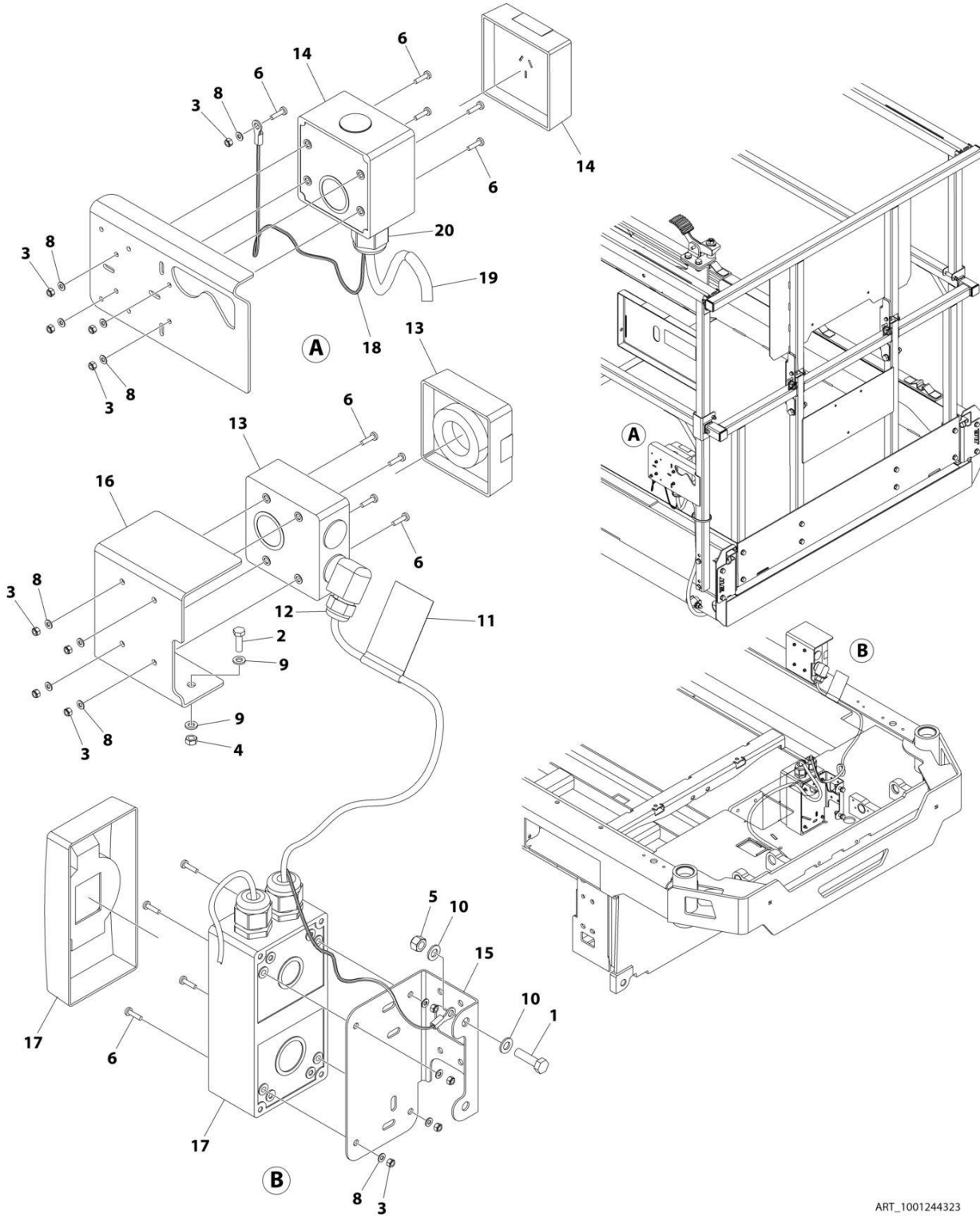
SECTION 7 - ELECTRICAL

**FIGURE 7-8. AC BOX AT PLATFORM INSTALLATION - 220V LOCALLY SUPPLIED COMPONENTS
(ALL SPECS)**

ITEM	PART NUMBER	QTY	DESCRIPTION	REV
	1001237401	Ref	AC BOX AT PLATFORM INSTALLATION - 220V LOCALLY SUPPLIED COMPONENTS (ALL SPECS)	C
1	3252507	1	Decal - 220 Volt	
2	4240017	AR	Tie-Strap (Not Shown)	
3	1001102258	1	Decal - AC Label	

SECTION 7 - ELECTRICAL

FIGURE 7-9. AC BOX AT PLATFORM INSTALLATION - 220V (AUSTRALIAN SPECS)



ART_1001244323

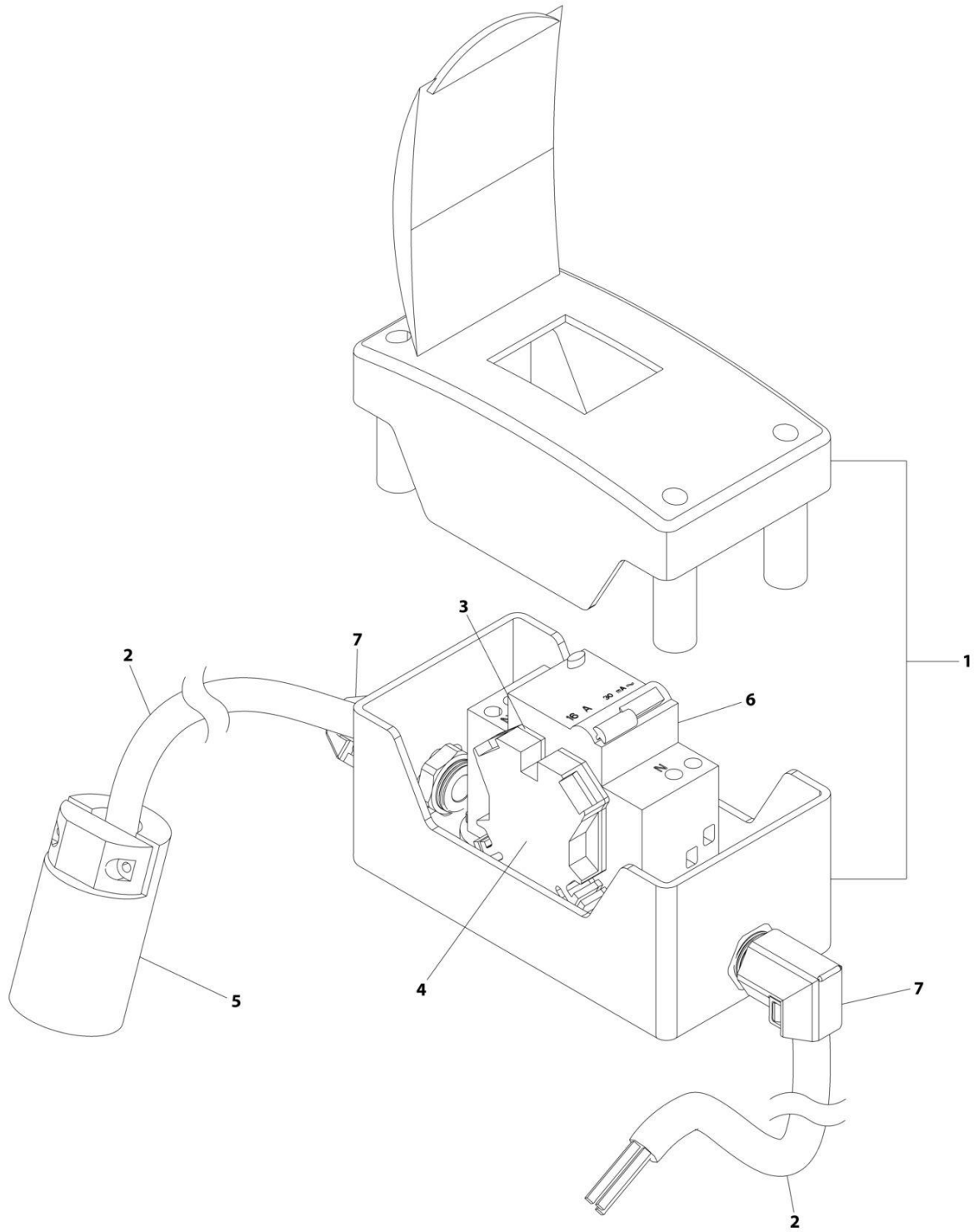
SECTION 7 - ELECTRICAL

FIGURE 7-9. AC BOX AT PLATFORM INSTALLATION - 220V (AUSTRALIAN SPECS)

ITEM	PART NUMBER	QTY	DESCRIPTION	REV
	1001244323	Ref	AC BOX AT PLATFORM INSTALLATION - 220V (AUSTRALIAN SPECS)	B
1	0700814	2	Bolt M8 x 30	
2	0760610	2	Bolt M6 x 20	
3	3290405	13	Nut M4	
4	3290601	2	Nut M6	
5	3290805	2	Nut M8	
6	4010408	13	Screw M4 x 16	
7	4240017	AR	Tie-Strap (Not Shown)	
8	4811400	13	Washer M4	
9	4811700	4	Washer M6	
10	4811900	4	Washer M8	
11	1001102258	1	Decal - AC Label	
12	1001103471	1	Connector Strain Relief 90	
13	1001227267	1	Receptacle Australian - 230V	
14	1001227268	1	Receptacle Australian - 230V	
15	1001238198	1	Bracket	
16	1001244900	1	Bracket	
17	1001245739	1	Box and Breaker Electrical Assembly (See Separate Breakdown in this Section)	
18	1001245744	1	Earth/Ground Link Harness	
19	1001245747	1	Conduit	
20	1001097150	1	Terminal	

SECTION 7 - ELECTRICAL

FIGURE 7-10. BREAKER BOX KIT WITH 1 DOUBLE 30MAMP/16AMP BREAKER



ART_1001209776

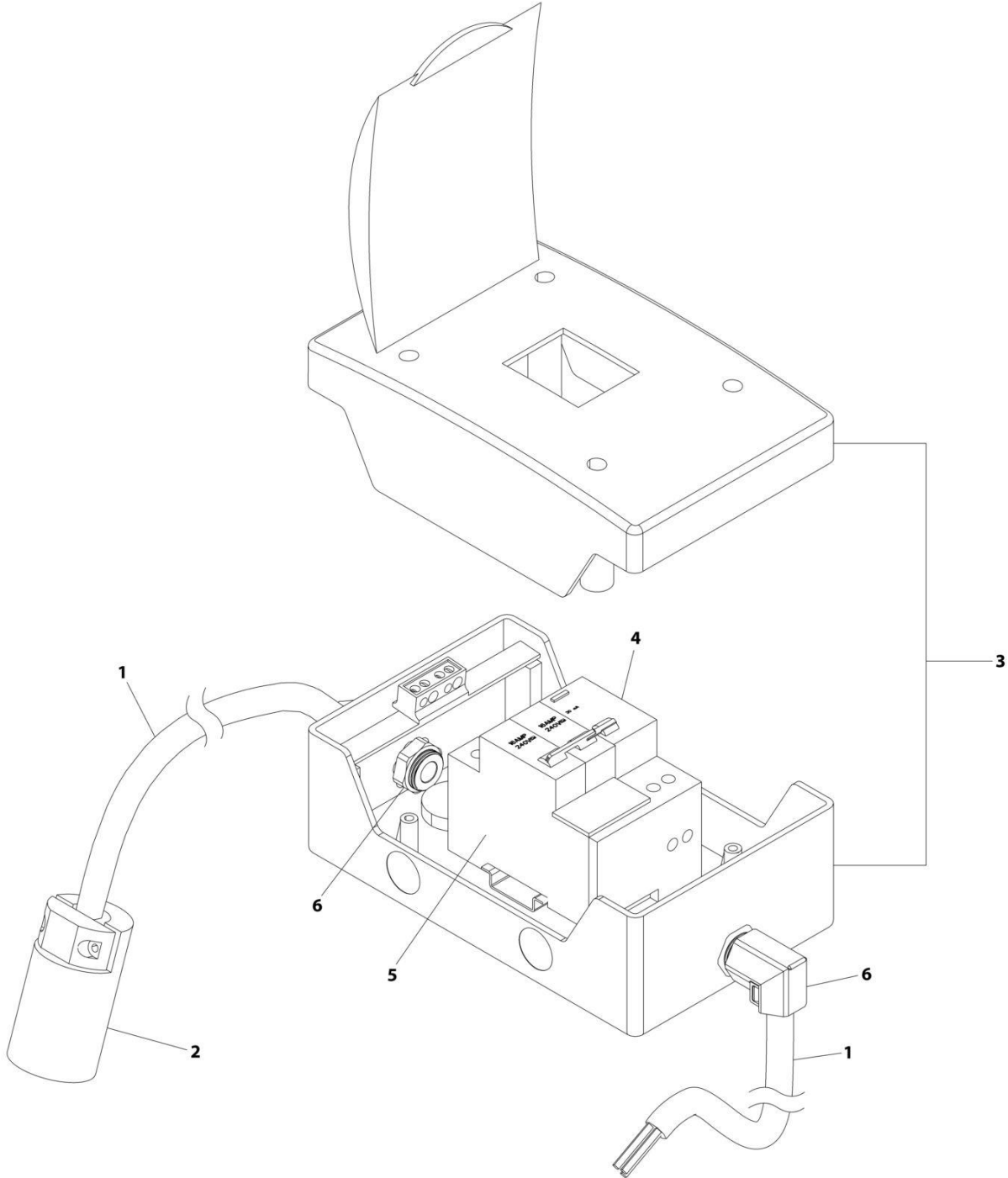
SECTION 7 - ELECTRICAL

FIGURE 7-10. BREAKER BOX KIT WITH 1 DOUBLE 30MAMP/16AMP BREAKER

ITEM	PART NUMBER	QTY	DESCRIPTION	REV
	1001209776	Ref	BREAKER BOX KIT WITH 1 DOUBLE BREAKER	F
1	0861880	1	Box	
2	1060908	126 in /3.2m	Cable, 12/3	
3	4460956	1	Barrier, Terminal	
4	4460957	1	Block, Terminal	
5	1001120205	1	Connector, Female Twist	
6	1001181045	1	Breaker 30mAmp/16 Amp	
7	1001217164	2	Connector, Strain Relief 90	

SECTION 7 - ELECTRICAL

FIGURE 7-11. BREAKER BOX KIT WITH 3 BREAKERS



ART_1001209482

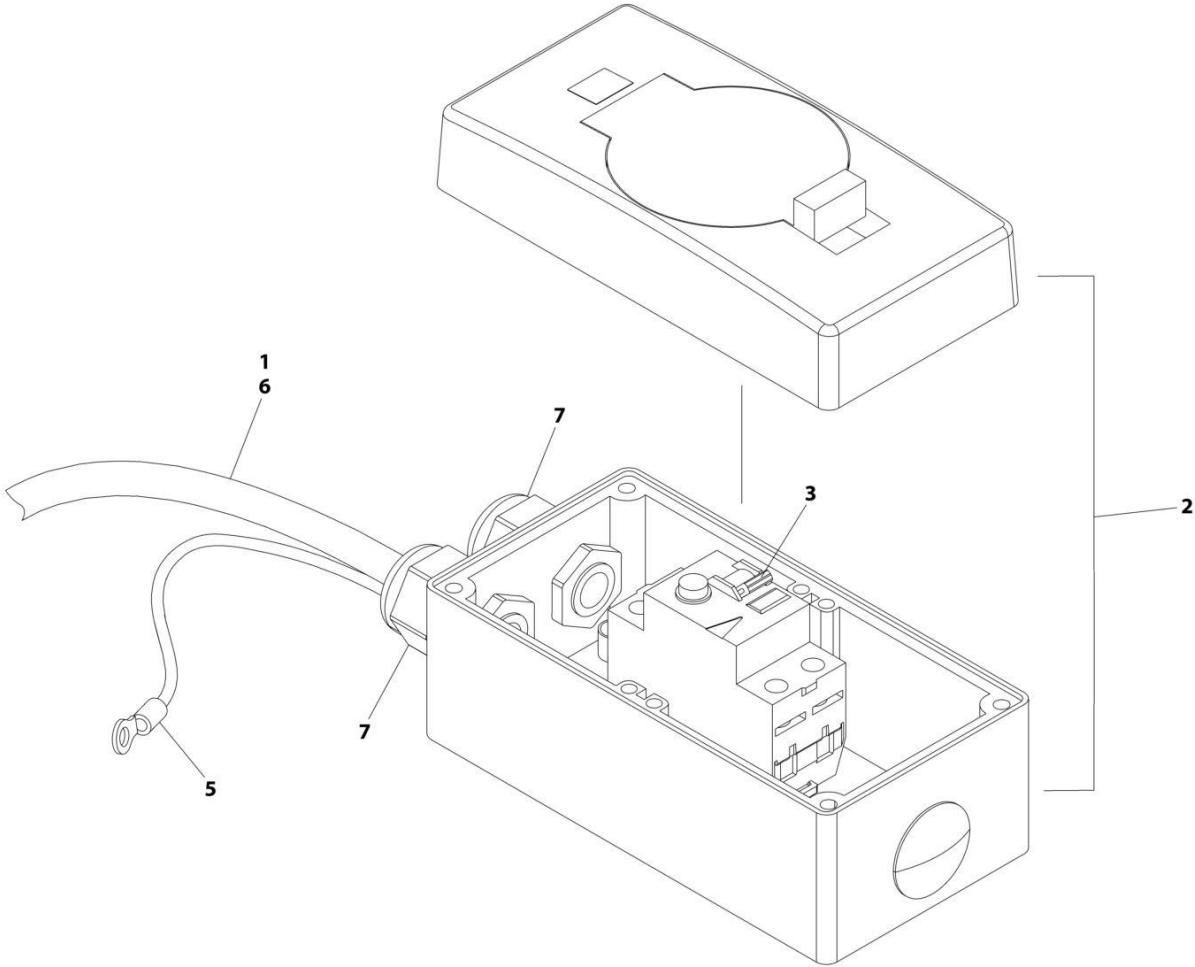
SECTION 7 - ELECTRICAL

FIGURE 7-11. BREAKER BOX KIT WITH 3 BREAKERS

ITEM	PART NUMBER	QTY	DESCRIPTION	REV
	1001209482	Ref	BREAKER BOX KIT WITH 3 BREAKERS	G
1	1060908	126 in /3.2m	Cable, 12/3	
2	1001120205	1	Connector, Female Twist	
3	1001152483	1	Box	
4	1001189171	1	Breaker, 30mAmp	
5	1001189172	1	Breaker 16 Amp, Double	
6	1001217164	2	Connector, Strain Relief 90	

SECTION 7 - ELECTRICAL

FIGURE 7-12. BREAKER BOX KIT WITH 1 DOUBLE 30MAMP/10AMP BREAKER



ART_1001245739

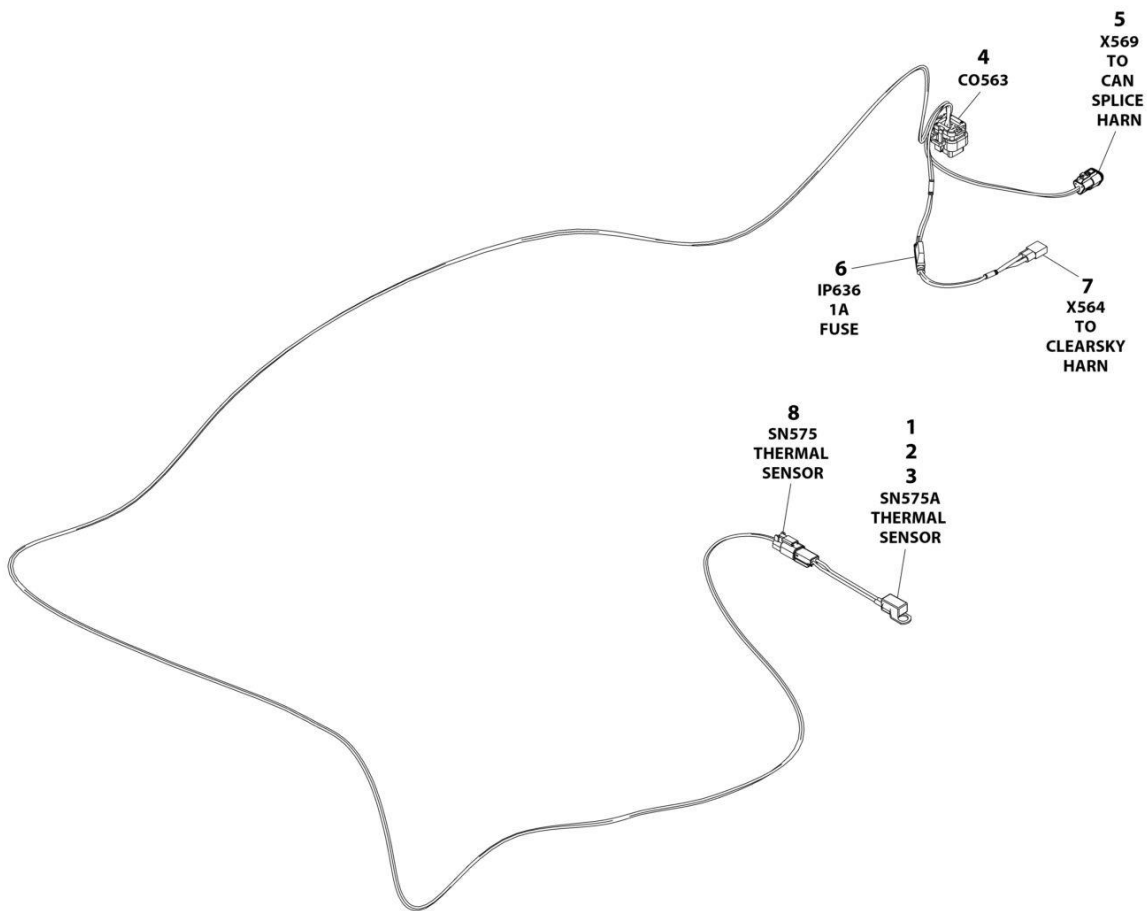
SECTION 7 - ELECTRICAL

FIGURE 7-12. BREAKER BOX KIT WITH 1 DOUBLE 30MAMP/10AMP BREAKER

ITEM	PART NUMBER	QTY	DESCRIPTION	REV
	1001245739	Ref	BREAKER BOX KIT	B
1	1060908	825 mm/ 32.5in	Cable	
2	1001227269	1	Enclosure	
3	1001228191	1	Breaker	
4	1001245743	1	Terminal (Not Shown)	
5	1001245744	1	Earth/Ground Link Harness	
6	1001125927	1	Conduit	
7	1001097150	2	Connector	

SECTION 7 - ELECTRICAL

FIGURE 7-13. CHARGER HARNESS (CHARGER WITH COMMUNICATION PORT)



ART_1001254028

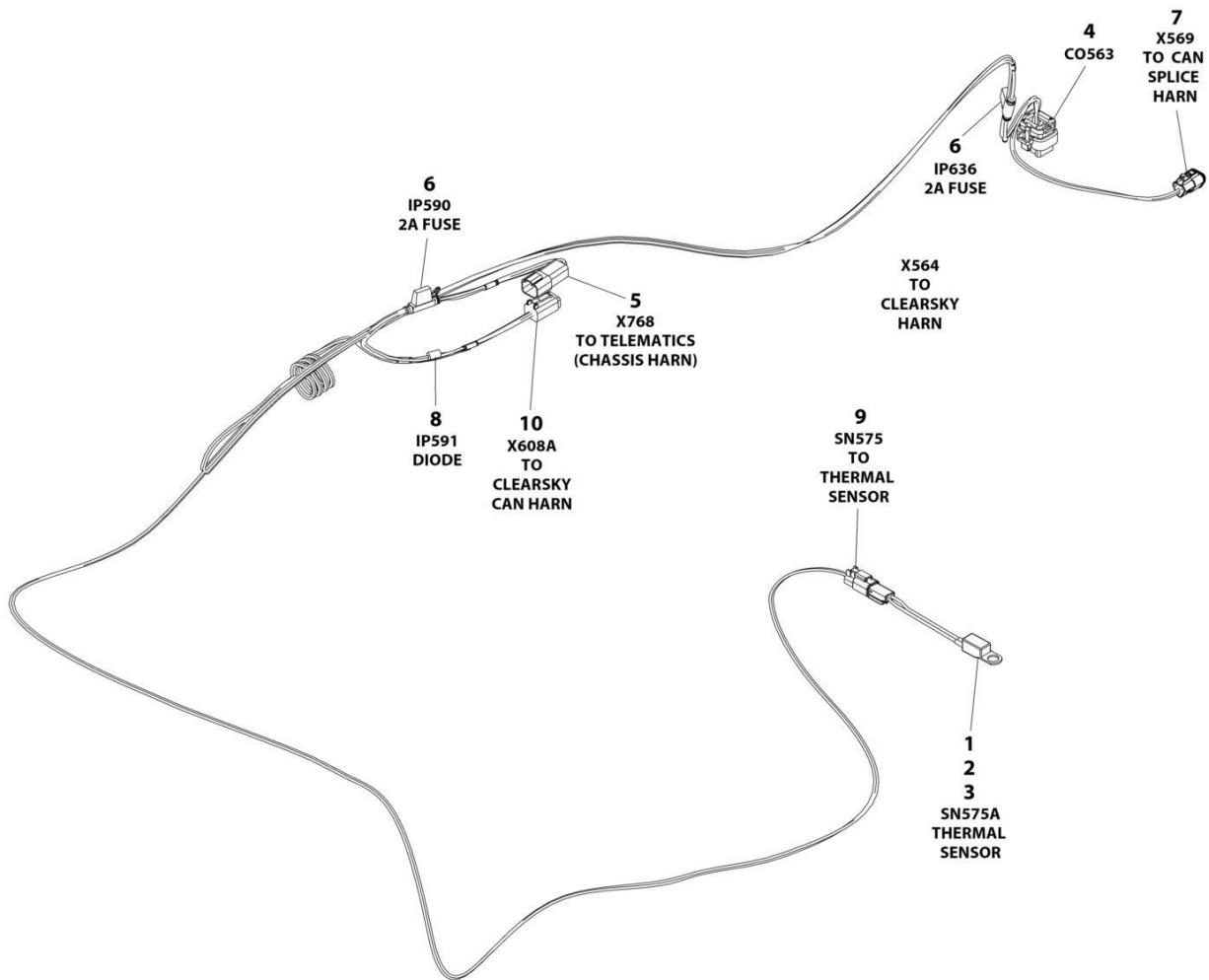
SECTION 7 - ELECTRICAL

FIGURE 7-13. CHARGER HARNESS (CHARGER WITH COMMUNICATION PORT)

ITEM	PART NUMBER	QTY	DESCRIPTION	REV
	1001254028	Ref	CHARGER HARNESS	A
1	4460464	2	Pin, Male	
2	4460897	1	Receptacle, Female - 2 Position	
3	1001102771	1	Sensor, Temperature	
4	4460872	1	Connector - 14 Position	
4	4460871	6	Terminal	
4	4460905	8	Plug, Terminal	
5	1001116812	1	Plug, Male - 3 Position	
5	4460944	2	Socket, Female	
5	4460466	1	Plug, Terminal	
6	2400060	1	Fuseholder With Cover	
6	1001228388	1	Fuse 1A	
7	4460424	1	Receptacle, Female - 2 Position	
7	4460227	2	Pin, Male	
8	4460891	1	Plug, Male - 2 Position	
8	4460465	2	Socket, Female	

SECTION 7 - ELECTRICAL

FIGURE 7-14. CHARGER HARNESS (CHARGER WITH COMMUNICATION PORT)



ART_1001254028_C

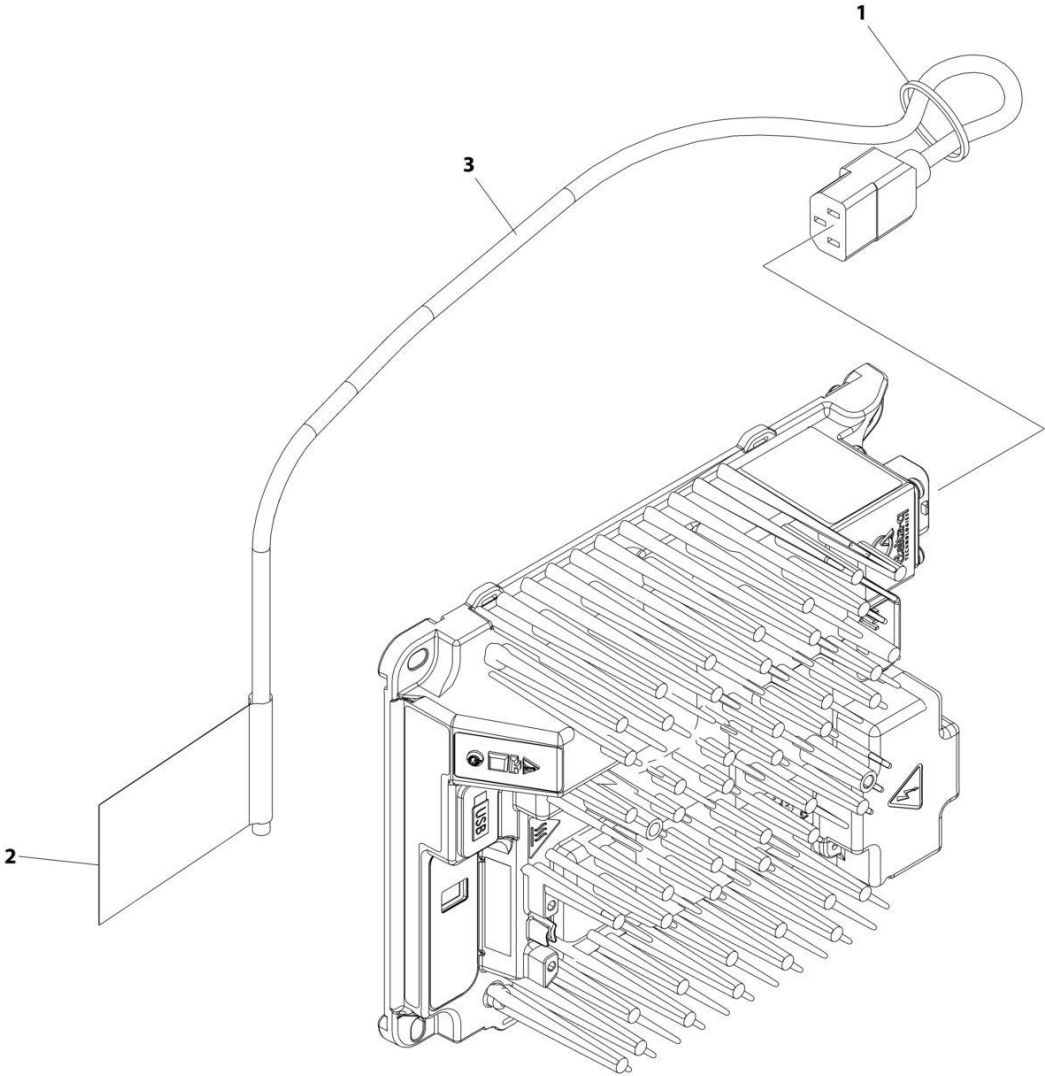
SECTION 7 - ELECTRICAL

FIGURE 7-14. CHARGER HARNESS (CHARGER WITH COMMUNICATION PORT)

ITEM	PART NUMBER	QTY	DESCRIPTION	REV
	1001254028	Ref	CHARGER HARNESS	C
1	4460464	2	Pin, Male	
2	4460897	1	Receptacle, Female - 2 Position	
3	1001102771	1	Sensor, Temperature	
4	4460872	1	Connector - 14 Position	
4	4460871	6	Terminal	
4	4460905	8	Plug, Terminal	
5	4460932	1	Receptacle, Female - 4 Position	
5	4460464	1	Pin, Male	
6	2400060	2	Fuseholder With Cover	
6	1001196634	2	Fuse 2A	
7	1001116812	1	Plug, Male - 3 Position	
7	4460944	2	Socket, Female	
7	4460466	1	Plug, Terminal	
8	3990001	1	Diode	
9	4460891	1	Plug, Male - 2 Position	
9	4460465	2	Socket, Female	
10	4460884	1	Plug, Male - 4 Position	
10	4460465	4	Socket, Female	

SECTION 7 - ELECTRICAL

FIGURE 7-15. CHARGER PLUG INSTALLATION (NO PLUG)



ART_1001248631

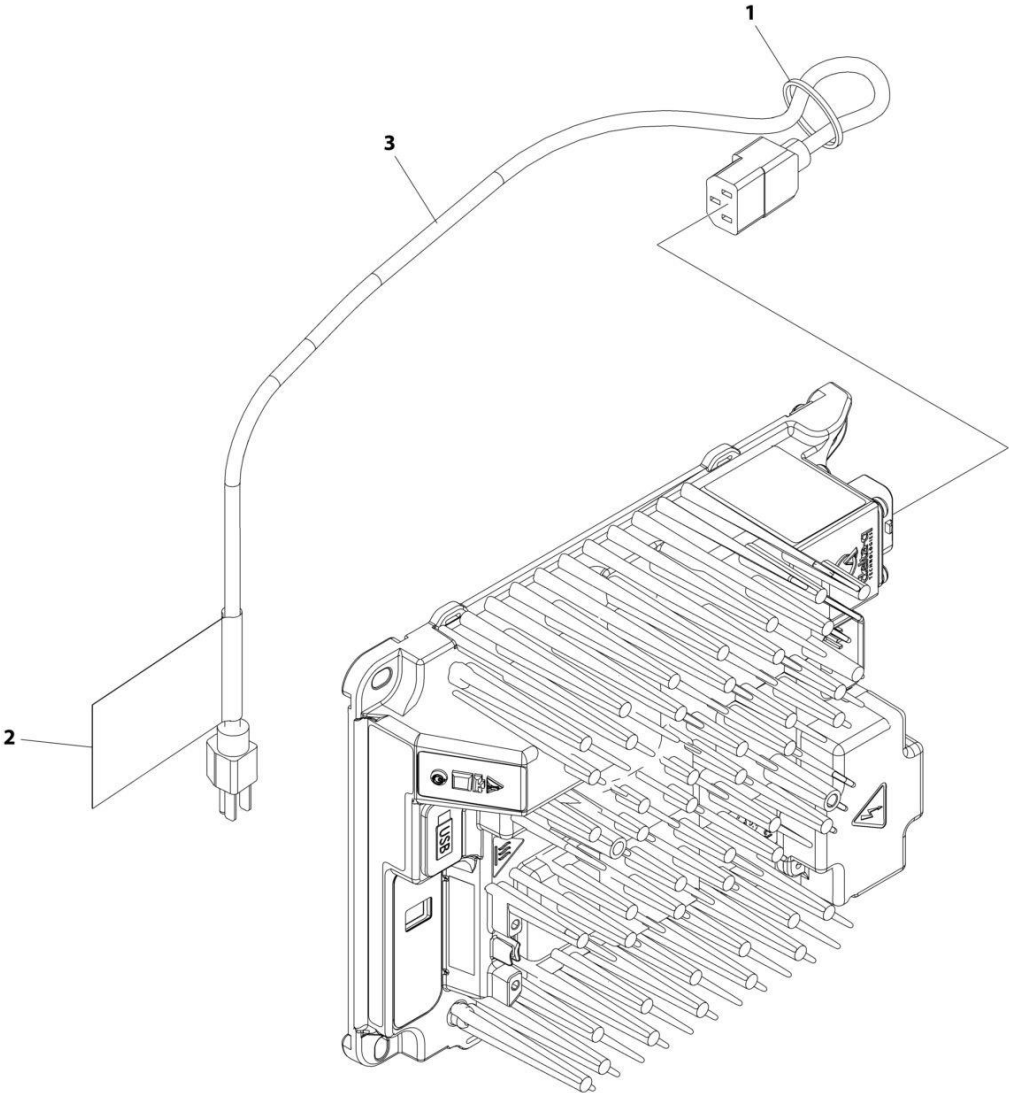
SECTION 7 - ELECTRICAL

FIGURE 7-15. CHARGER PLUG INSTALLATION (NO PLUG)

ITEM	PART NUMBER	QTY	DESCRIPTION	REV
	1001248631	Ref	CHARGER PLUG INSTALLATION	B
1	4240017	AR	Tie-Strap	
2	1001102489	1	Decal - Charger	
3	1001207974	1	Cable, Charger Plug (No Plug)	

SECTION 7 - ELECTRICAL

FIGURE 7-16. CHARGER PLUG INSTALLATION (110V PLUG)



ART_1001248632

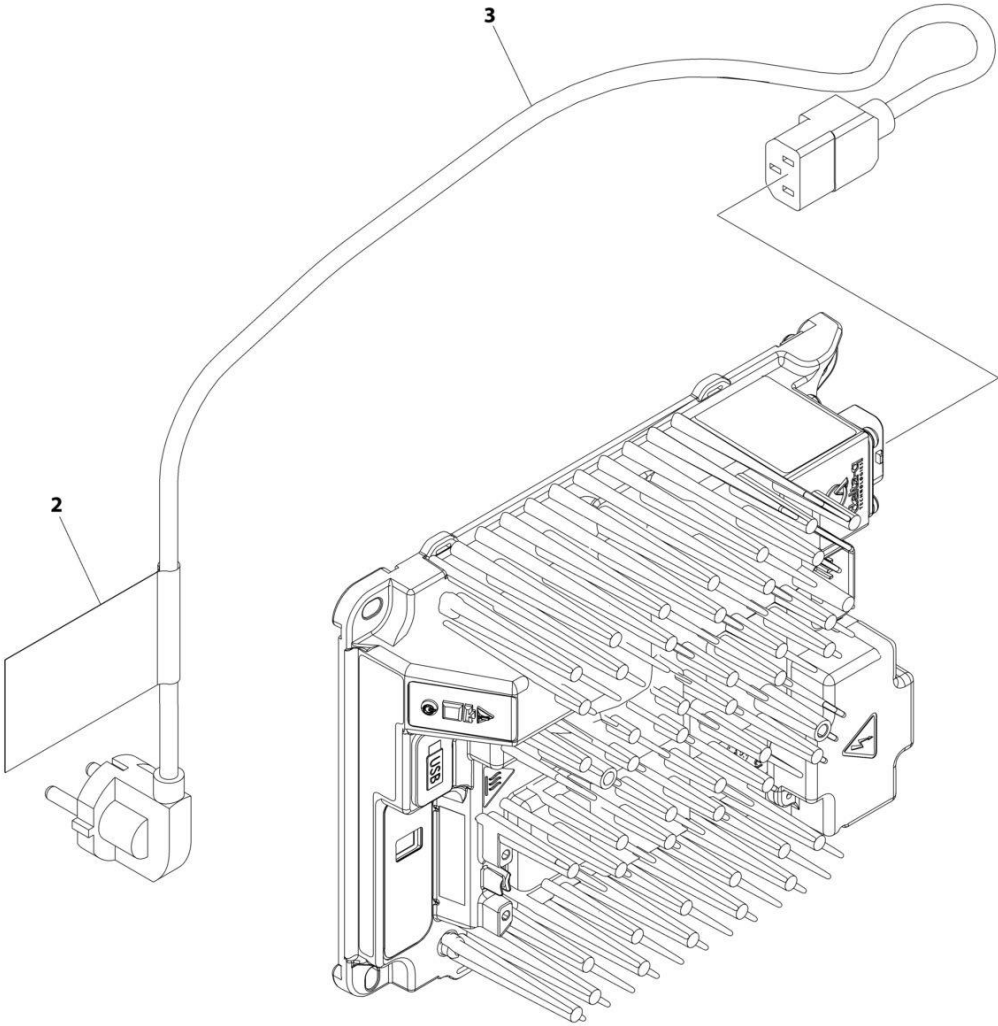
SECTION 7 - ELECTRICAL

FIGURE 7-16. CHARGER PLUG INSTALLATION (110V PLUG)

ITEM	PART NUMBER	QTY	DESCRIPTION	REV
	1001248632	Ref	CHARGER PLUG INSTALLATION	B
1	4240017	AR	Tie-Strap	
2	1001102489	1	Decal - Charger	
3	1001207970	1	Cable, Charger Plug	

SECTION 7 - ELECTRICAL

FIGURE 7-17. CHARGER PLUG INSTALLATION (KOREAN PLUG)



ART_1001248634

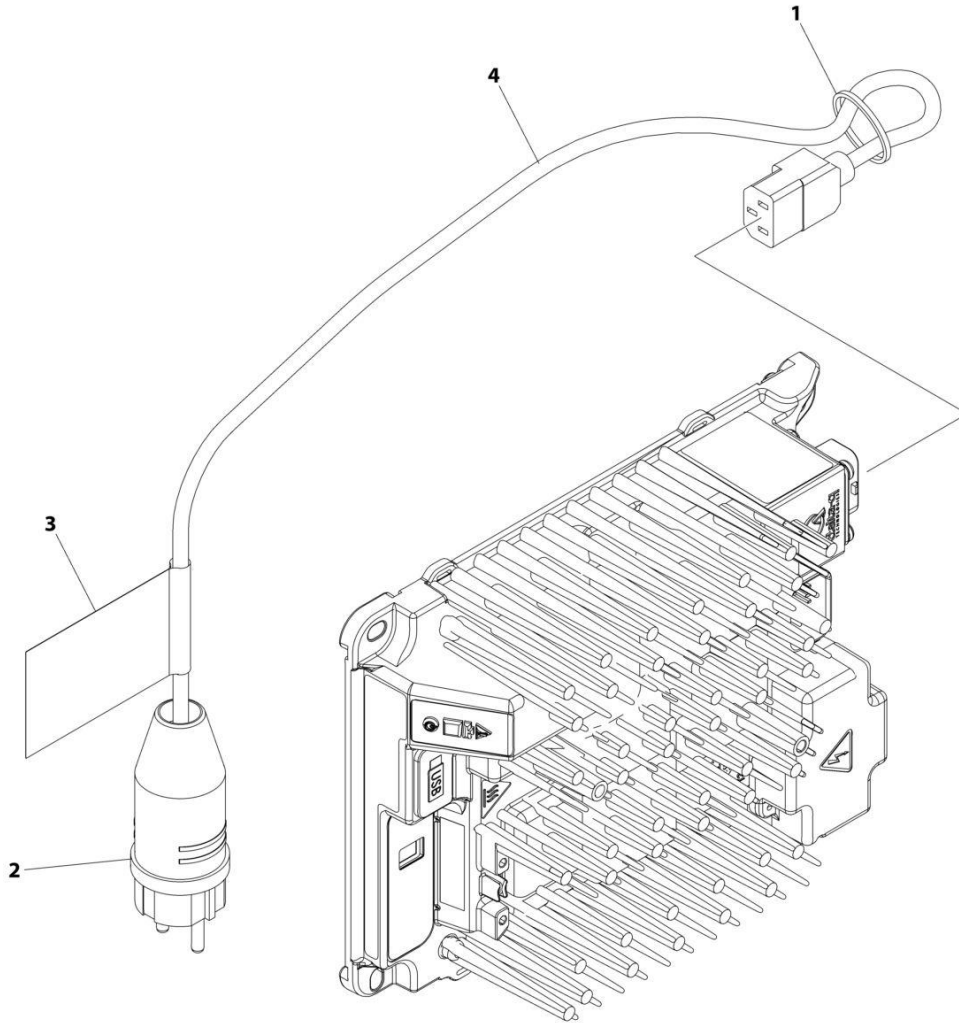
SECTION 7 - ELECTRICAL

FIGURE 7-17. CHARGER PLUG INSTALLATION (KOREAN PLUG)

ITEM	PART NUMBER	QTY	DESCRIPTION	REV
	1001248634	Ref	CHARGER PLUG INSTALLATION	A
1	4240017	AR	Tie-Strap (Not Shown)	
2	1001102489	1	Decal - Charger Label	
3	1001221949	1	Cable, Charger AC Input	

SECTION 7 - ELECTRICAL

FIGURE 7-18. CHARGER PLUG INSTALLATION (CEE7 PLUG)



ART_1001258768

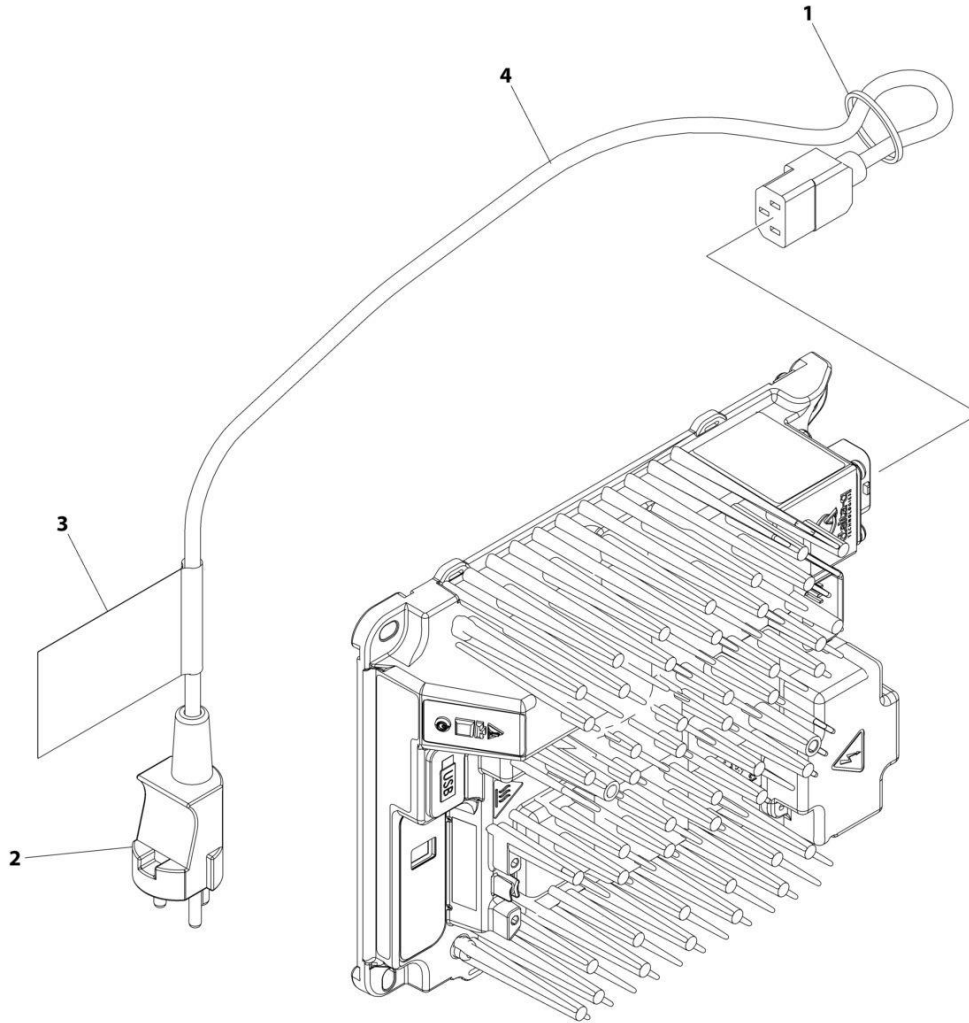
SECTION 7 - ELECTRICAL

FIGURE 7-18. CHARGER PLUG INSTALLATION (CEE7 PLUG)

ITEM	PART NUMBER	QTY	DESCRIPTION	REV
	1001258768	Ref	CHARGER PLUG INSTALLATION	A
1	4240017	AR	Tie-Strap	
2	4461205	1	Terminal	
3	1001102489	1	Decal - Charger	
4	1001207974	1	Cable, Charger Plug (No Plug)	

SECTION 7 - ELECTRICAL

FIGURE 7-19. CHARGER PLUG INSTALLATION (AFSINT 107 PLUG)



ART_1001258770

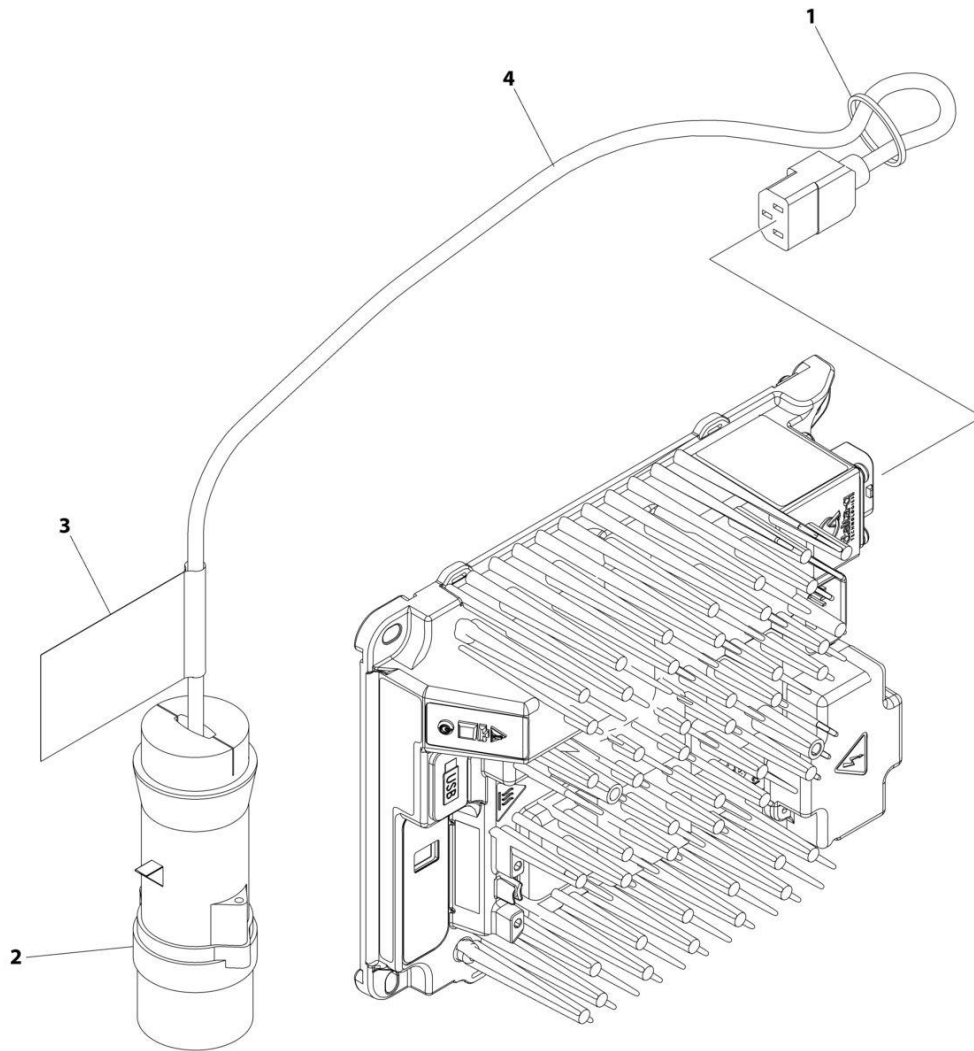
SECTION 7 - ELECTRICAL

FIGURE 7-19. CHARGER PLUG INSTALLATION (AFSINT 107 PLUG)

ITEM	PART NUMBER	QTY	DESCRIPTION	REV
	1001258770	Ref	CHARGER PLUG INSTALLATION	A
1	4240017	AR	Tie-Strap	
2	4461249	1	Terminal	
3	1001102489	1	Decal - Charger	
4	1001207974	1	Cable, Charger Plug (No Plug)	

SECTION 7 - ELECTRICAL

FIGURE 7-20. CHARGER PLUG INSTALLATION (IEC YELLOW PLUG)



ART_1001258771

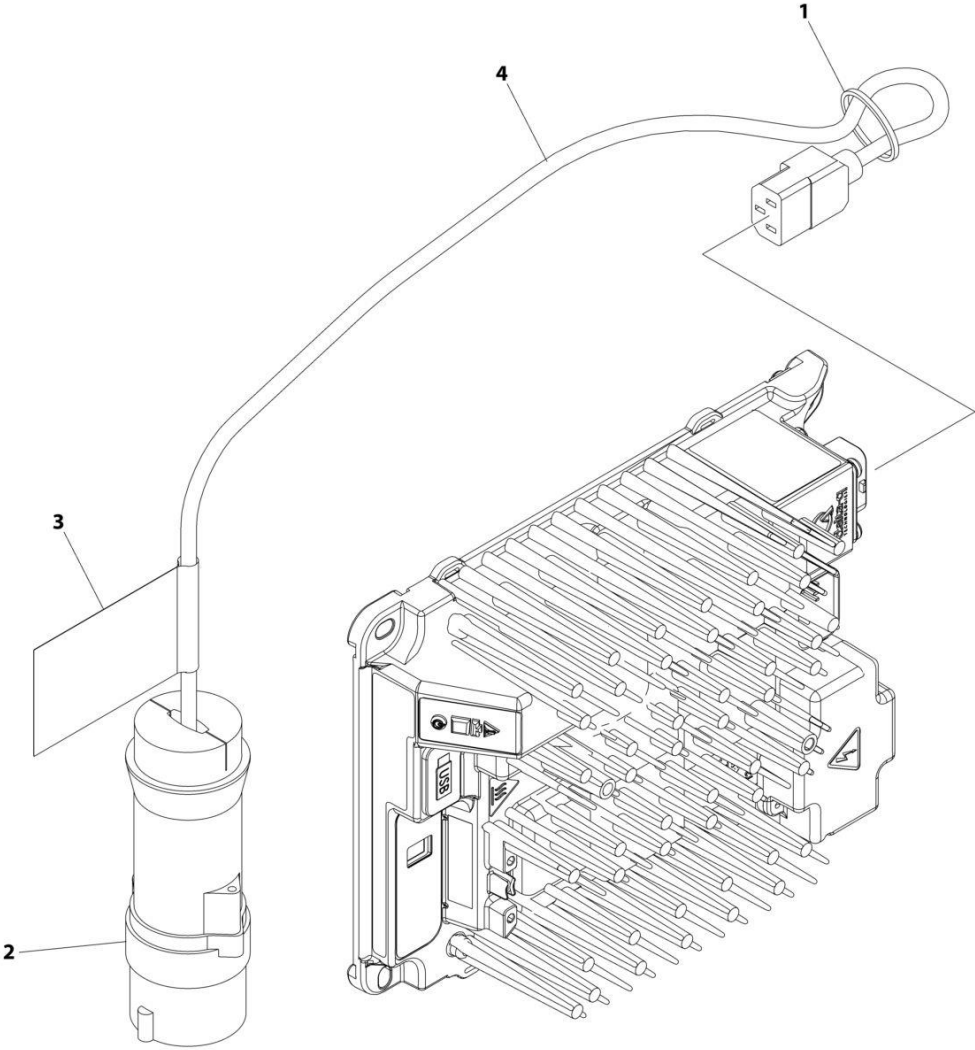
SECTION 7 - ELECTRICAL

FIGURE 7-20. CHARGER PLUG INSTALLATION (IEC YELLOW PLUG)

ITEM	PART NUMBER	QTY	DESCRIPTION	REV
	1001258771	Ref	CHARGER PLUG INSTALLATION	A
1	4240017	AR	Tie-Strap	
2	4461196	1	Terminal	
3	1001102489	1	Decal - Charger	
4	1001207974	1	Cable, Charger Plug (No Plug)	

SECTION 7 - ELECTRICAL

FIGURE 7-21. CHARGER PLUG INSTALLATION (IEC BLUE PLUG)



ART_1001258772

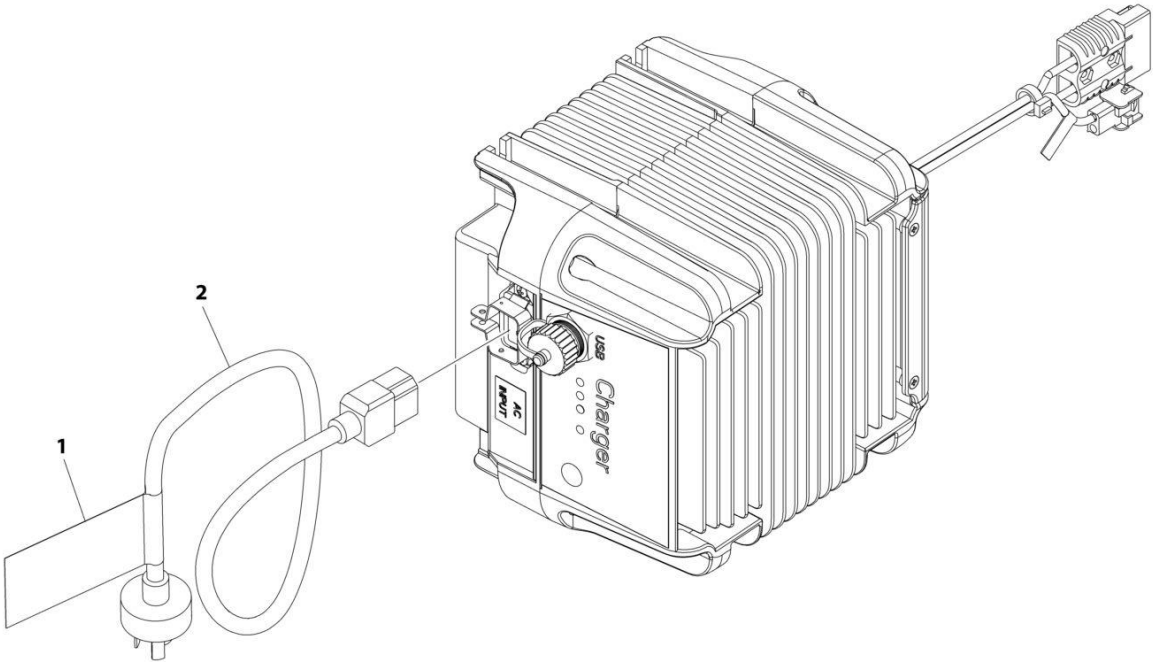
SECTION 7 - ELECTRICAL

FIGURE 7-21. CHARGER PLUG INSTALLATION (IEC BLUE PLUG)

ITEM	PART NUMBER	QTY	DESCRIPTION	REV
	1001258772	Ref	CHARGER PLUG INSTALLATION	A
1	4240017	AR	Tie-Strap	
2	4461199	1	Terminal	
3	1001102489	1	Decal - Charger	
4	1001207974	1	Cable, Charger Plug (No Plug)	

SECTION 7 - ELECTRICAL

FIGURE 7-22. CHARGER PLUG INSTALLATION (CHINA PLUG)



ART_1001263294

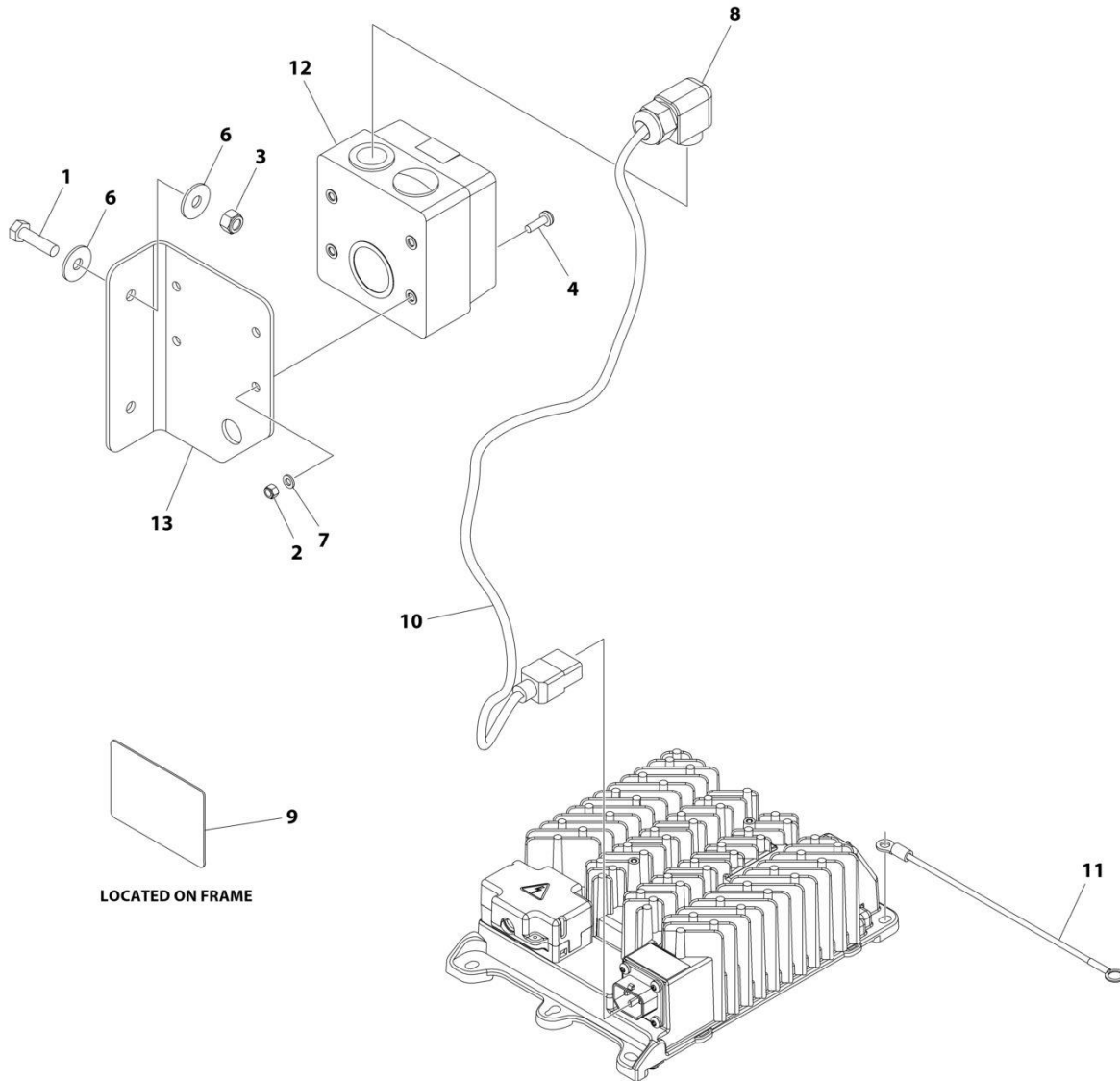
SECTION 7 - ELECTRICAL

FIGURE 7-22. CHARGER PLUG INSTALLATION (CHINA PLUG)

ITEM	PART NUMBER	QTY	DESCRIPTION	REV
	1001263294	Ref	CHARGER PLUG INSTALLATION	A
1	1001102489	1	Decal - Charger Label	
2	1001207973	1	Cable, Charger AC Input	

SECTION 7 - ELECTRICAL

FIGURE 7-23. CHARGER PLUG INSTALLATION (AUSTRALIAN PLUG)



ART_1001263295

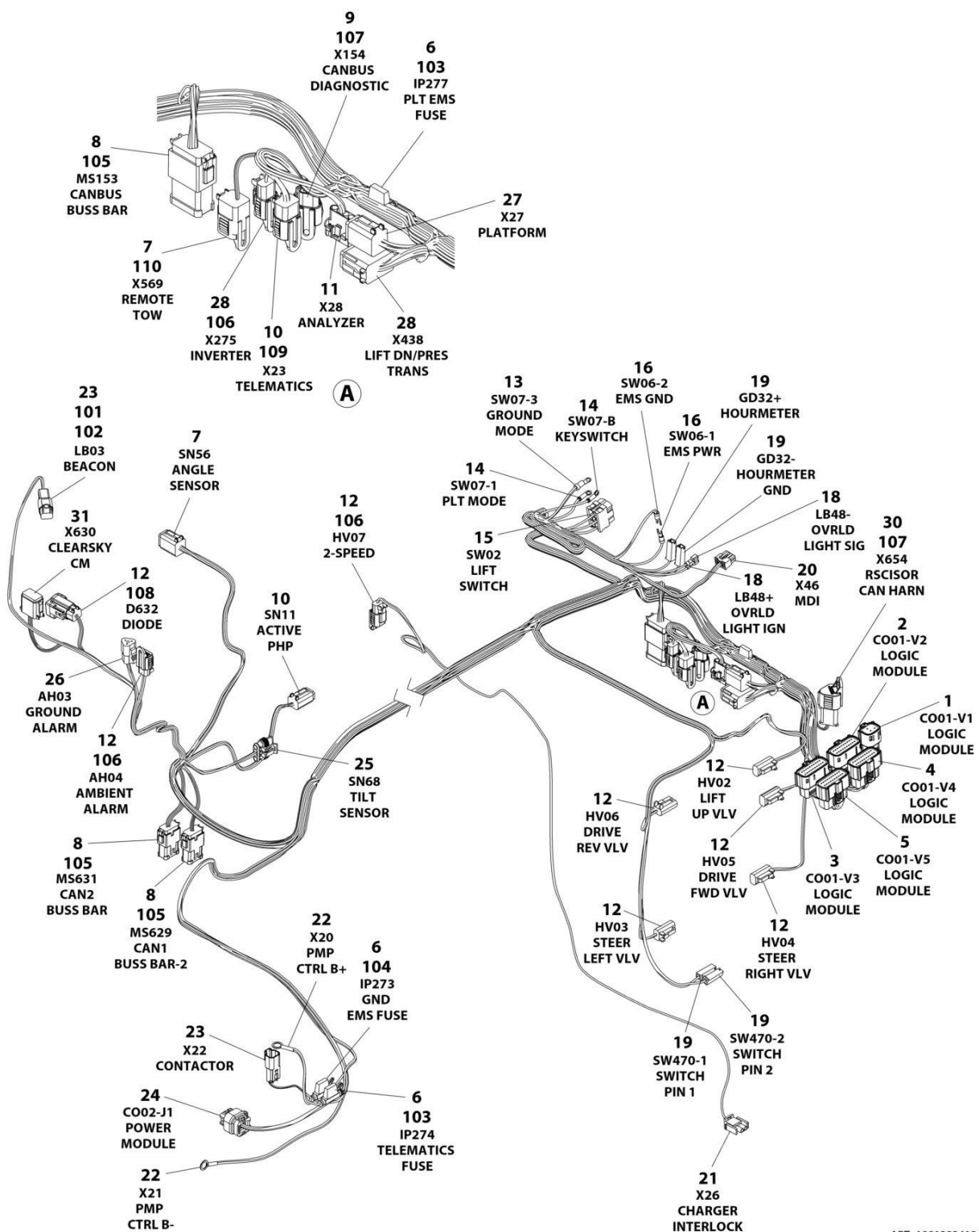
SECTION 7 - ELECTRICAL

FIGURE 7-23. CHARGER PLUG INSTALLATION (AUSTRALIAN PLUG)

ITEM	PART NUMBER	QTY	DESCRIPTION	REV
	1001263295	Ref	CHARGER PLUG INSTALLATION	A
1	0700814	2	Bolt M8 x 30	
2	3290505	4	Nut M5	
3	3290805	2	Nut M8	
4	3900381	4	Screw M5 x 16	
5	4240017	AR	Tie Strap (Not Shown)	
6	4811902	4	Washer M8	
7	4831600	4	Washer M5	
8	1001103471	1	Connector Strain Relief 90	
9	1001134280	1	Decal - Charger	
10	1001207974	1	Cable, Charger AC Input	
11	1001227219	1	Ground Harness	
12	1001227267	1	Receptacle Australian - 230V	
13	1001249890	1	Bracket	

SECTION 7 - ELECTRICAL

FIGURE 7-24. CHASSIS HARNESS



ART_1001283410

SECTION 7 - ELECTRICAL

FIGURE 7-24. CHASSIS HARNESS

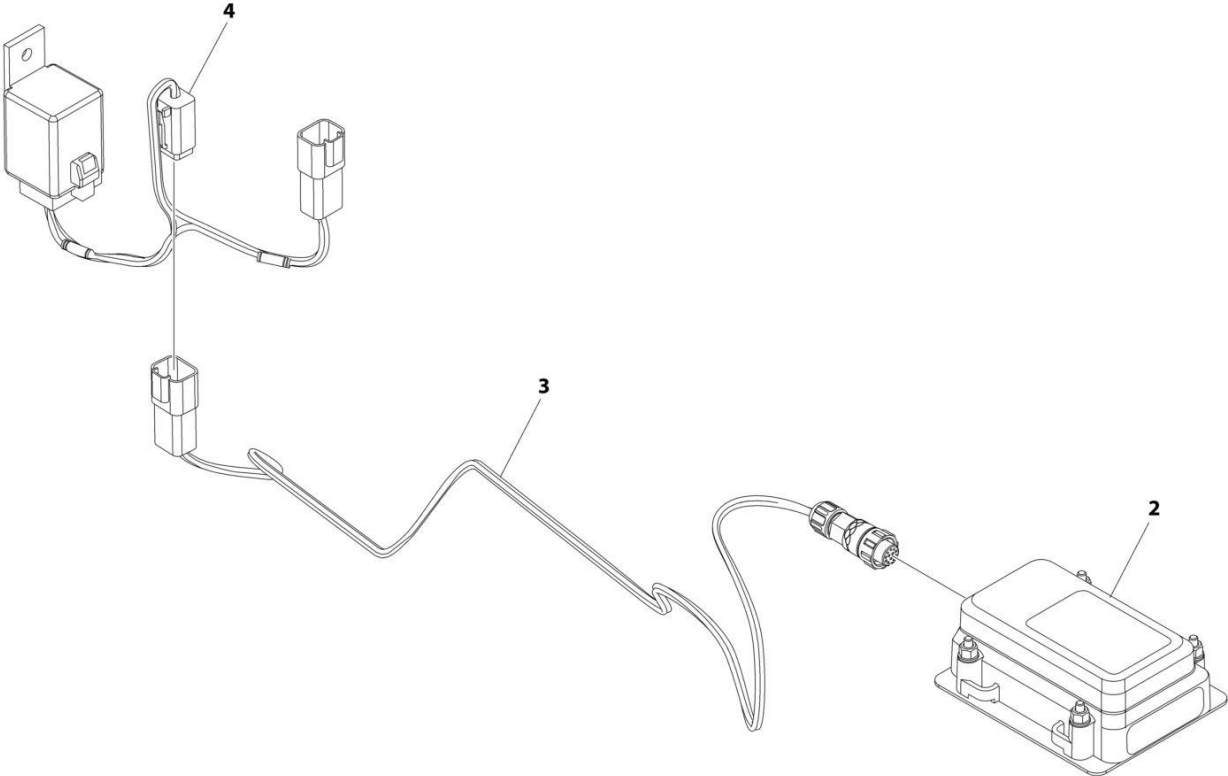
ITEM	PART NUMBER	QTY	DESCRIPTION	REV
	1001283410	Ref	CHASSIS HARNESS	B
1	1001205409	1	Connector	
1	1001162887	8	Terminal	
2	1001205410	1	Connector	
2	1001162887	14	Terminal	
2	1001163340	6	Plug	
3	1001162886	1	Connector	
3	1001162887	16	Terminal	
3	1001163340	4	Plug	
4	1001205411	1	Connector	
4	1001162887	17	Terminal	
4	1001163340	3	Plug	
5	1001205412	1	Connector	
5	1001162887	19	Terminal	
5	1001163340	1	Plug	
6	2400060	3	Holder/Cover, Fuse	
7	4460894	2	Connector	
7	4460465	10	Socket	
7	4460466	2	Plug	
8	4460933	3	Connector	
8	4460944	24	Socket	
8	4460466	12	Plug	
9	1001116812	1	Connector	
9	4060944	2	Socket	
9	4460466	1	Plug	
10	4460884	3	Connector	
10	4460465	12	Socket	
11	4460761	1	Connector	
11	4460227	4	Socket	
12	4460891	7	Connector	
12	4460465	14	Socket	
13	4460042	1	Terminal, Ring	
14	4460247	2	Terminal, Ring	
15	4460418	1	Connector	
15	1001159186	3	Terminal	
16	4460115	2	Terminal, Ring	
18	1001201885	2	Terminal	
19	4460260	4	Connector	
19	4460259	4	Terminal	
20	1001151629	1	Connector	
20	4461023	2	Socket (Gold)	
20	4460877	2	Socket (Tin)	
21	4460320	1	Connector	
21	4460226	1	Socket	
22	4460019	2	Terminal	
23	4460897	2	Connector	
23	4460464	4	Pin	
24	1001113961	1	Connector	
24	4460871	4	Socket	
24	4460905	4	Plug	

SECTION 7 - ELECTRICAL

ITEM	PART NUMBER	QTY	DESCRIPTION	REV
25	1001103012	1	Connector	
25	1001196589	4	Terminal	
25	1001104498	4	Seal,Terminal	
26	4460539	1	Connector	
26	4460465	3	Socket	
27	4460894	1	Connector	
27	4460465	4	Socket (Nickel)	
27	4460944	2	Socket (Gold)	
28	4460933	1	Connector	
28	4460465	10	Socket	
28	4460466	2	Plug	
29	4460891	1	Connector	
29	4460465	1	Socket	
29	4460466	1	Plug	
30	4460965	1	Connector	
30	4460944	2	Socket	
30	4460466	1	Plug	
31	4460930	1	Connector	
31	4460465	8	Socket	
101	4460466	2	Plug	
102	4460891	1	Connector	
103	8229242	2	Fuse, 5 Amp	
104	8229244	1	Fuse, 15 Amp	
105	1001125677	1	Connector, Bussbar	
106	1001144295	3	Cap - 2 Position	
107	1001144296	1	Cap - 3 Position	
108	1001152266	3	Connector	
109	1001192401	1	Cap, Dust	
110	1001213448	2	Connector, Dust Cap	

SECTION 7 - ELECTRICAL

FIGURE 7-25. CLEARSKY INSTALLATION - 3 WIRE (ALL SPECS EXCEPT CHINA SPECS)



ART_1001278847

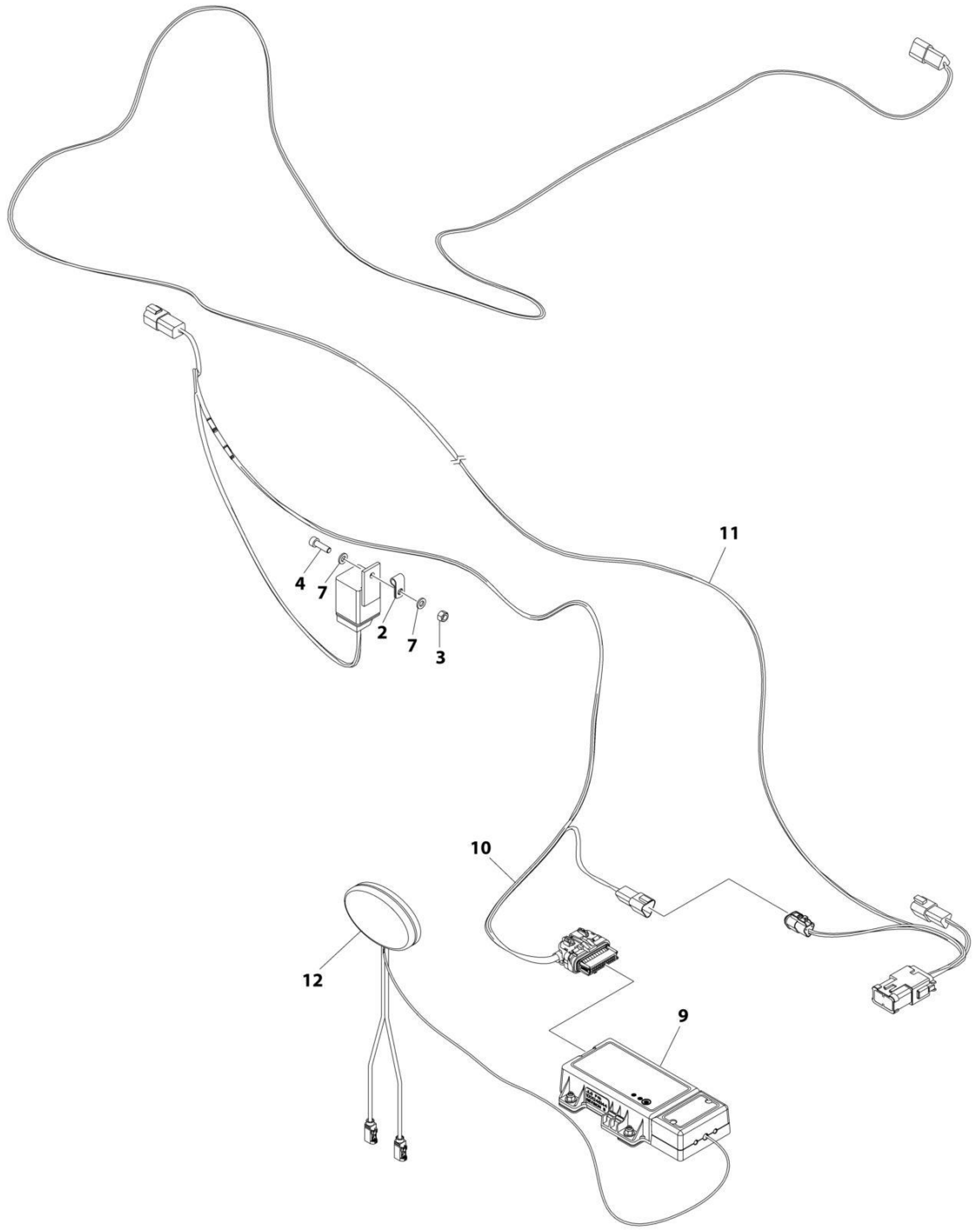
SECTION 7 - ELECTRICAL

FIGURE 7-25. CLEARSKY INSTALLATION - 3 WIRE (ALL SPECS EXCEPT CHINA SPECS)

ITEM	PART NUMBER	QTY	DESCRIPTION	REV
	1001278847	Ref	CLEARSKY INSTALLATION	A
1	4240032	AR	Tie-strap (Not Shown)	
2	1001272659	1	Module, ClearSky	
3	1001273012	1	Harness, ClearSky (See Separate Breakdown in this Section)	
4	1001278513	1	Harness, ClearSky Jumper (See Separate Breakdown in this Section)	

SECTION 7 - ELECTRICAL

FIGURE 7-26. CLEARSKY INSTALLATION - 3G



ART_1001251146

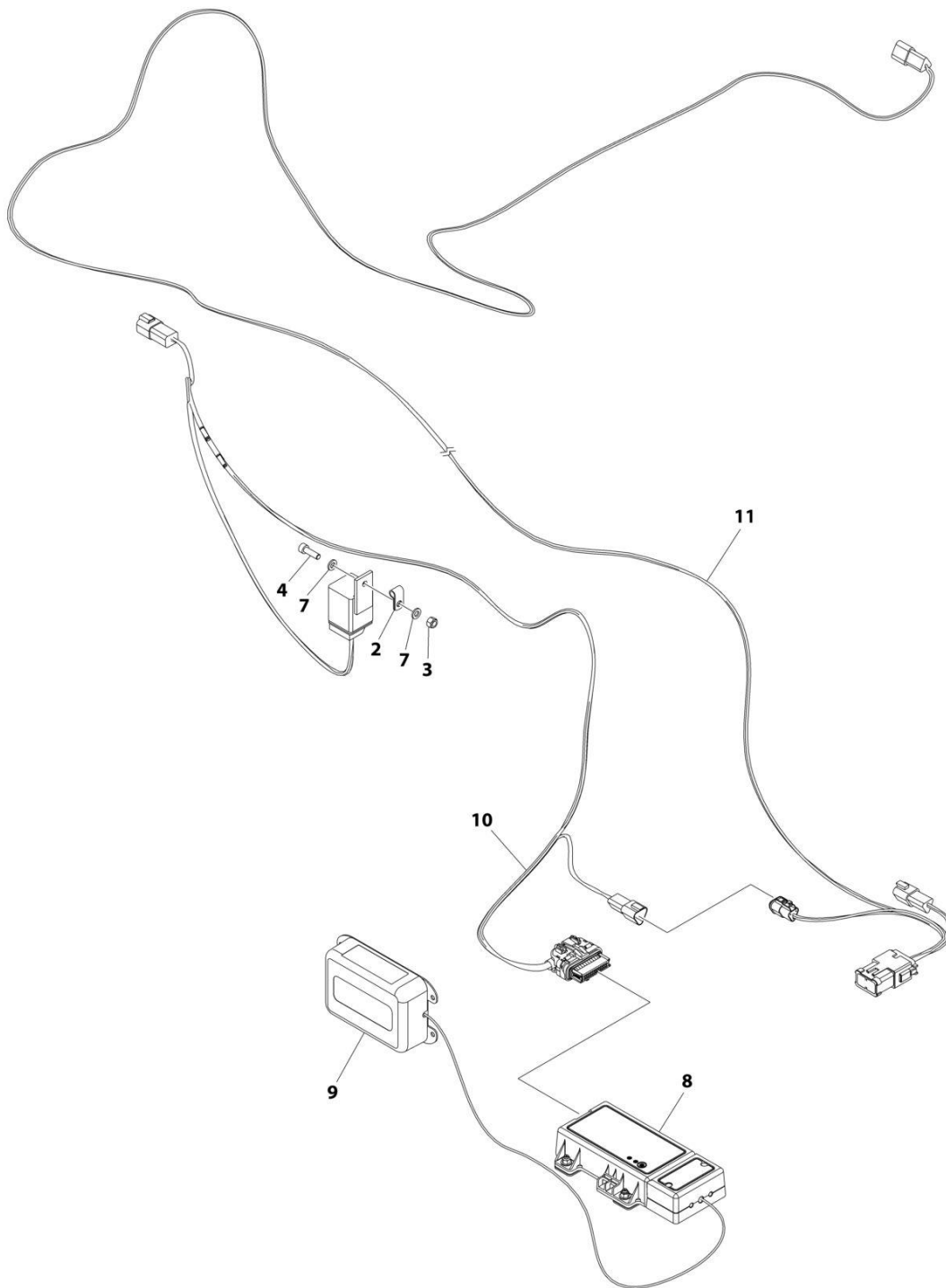
SECTION 7 - ELECTRICAL

FIGURE 7-26. CLEARSKY INSTALLATION - 3G

ITEM	PART NUMBER	QTY	DESCRIPTION	REV
	1001251146	Ref	CLEARSKY INSTALLATION	D
1	1062255	AR	Tie-strap (365mm) (Not Shown)	
2	1320136	1	Clamp	
3	3290605	1	Nut, Lock M6	
4	4031708	1	Capscrew M6 x 20	
5	4240032	AR	Tie-strap (3-5/8in to 4in) (Not Shown)	
6	4460234	AR	Mount, Tie-strap (Not Shown)	
7	4811700	2	Washer M6	
9	1001246144	1	Module, ClearSky	
10	1001254026	1	Harness, ClearSky (See Separate Breakdown in this Section)	
11	1001254027	1	Harness, ClearSky Splice (See Separate Breakdown in this Section)	
12	1001236144	1	Antenna, ClearSky	

SECTION 7 - ELECTRICAL

FIGURE 7-27. CLEARSKY INSTALLATION - 4G (ALL SPECS EXCEPT CHINA SPECS)



ART_1001251144

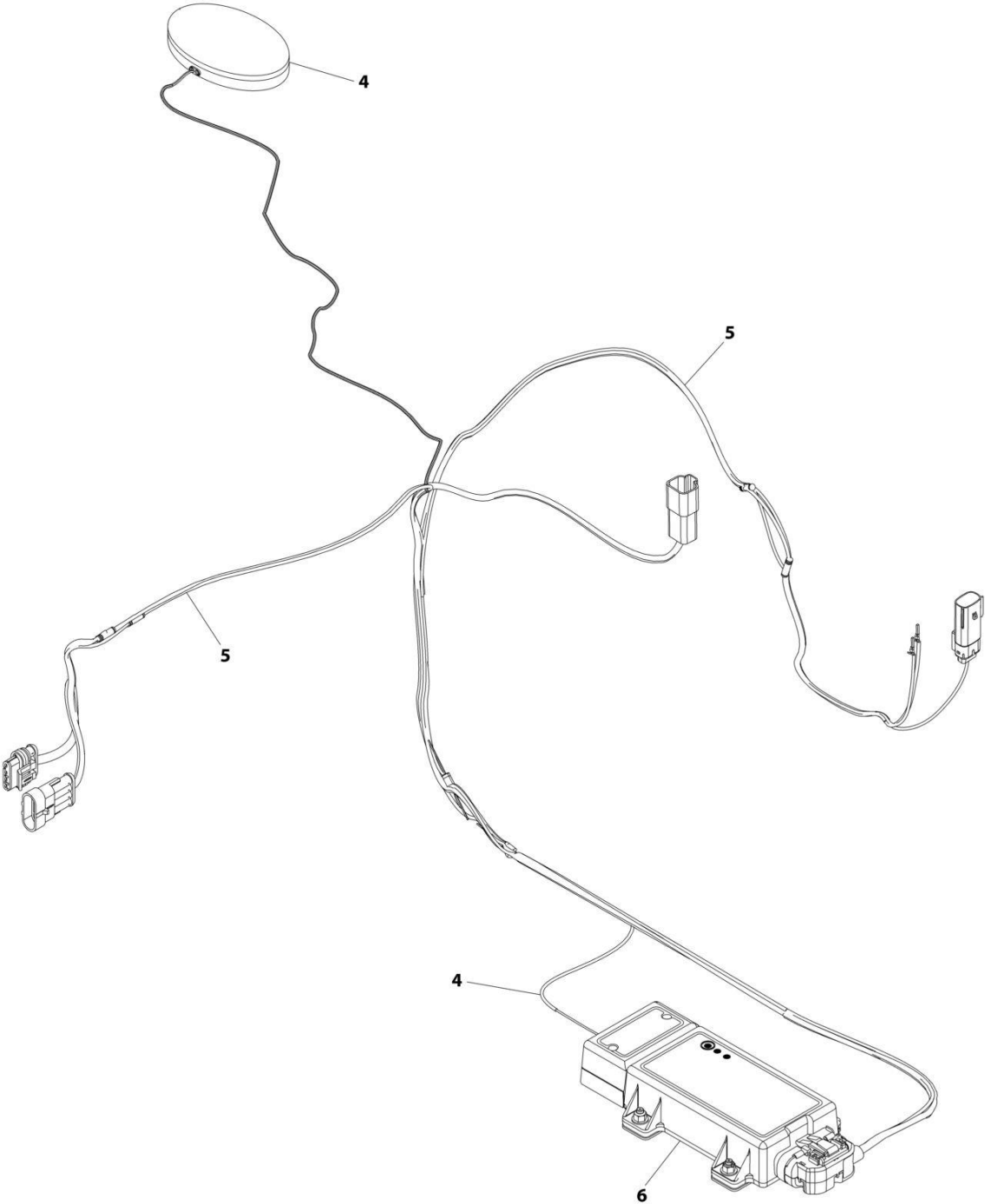
SECTION 7 - ELECTRICAL

FIGURE 7-27. CLEARSKY INSTALLATION - 4G (ALL SPECS EXCEPT CHINA SPECS)

ITEM	PART NUMBER	QTY	DESCRIPTION	REV
	1001251144	Ref	CLEARSKY INSTALLATION	E
1	1062255	AR	Tie-strap (365mm) (Not Shown)	
2	1320136	1	Clamp	
3	3290605	1	Nut, Lock M6	
4	4031708	1	Capscrew M6 x 20	
5	4240032	AR	Tie-strap (3-5/8in to 4in) (Not Shown)	
6	4460234	AR	Mount, Tie-strap (Not Shown)	
7	4811700	2	Washer M6	
8	1001262322	1	Module, ClearSky	
9	1001262327	1	Antenna, ClearSky	
10	1001254026	1	Harness, ClearSky (See Separate Breakdown in this Section)	
11	1001254027	1	Harness, ClearSky Splice (See Separate Breakdown in this Section)	

SECTION 7 - ELECTRICAL

FIGURE 7-28. CLEARSKY INSTALLATION - 4G (CHINA SPECS)



ART_1001246531

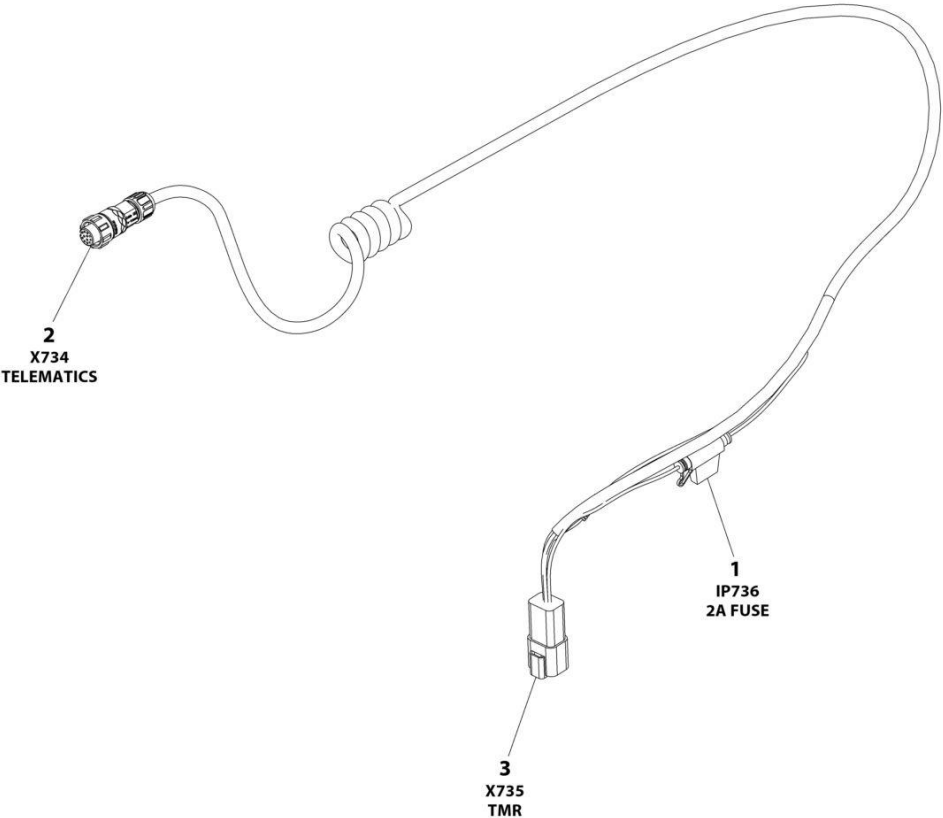
SECTION 7 - ELECTRICAL

FIGURE 7-28. CLEARSKY INSTALLATION - 4G (CHINA SPECS)

ITEM	PART NUMBER	QTY	DESCRIPTION	REV
	1001246531	Ref	CLEARSKY INSTALLATION	A
1	1062255	AR	Tie-strap (365mm) (Not Shown)	
2	4240032	AR	Tie-strap (3-5/8in to 4in) (Not Shown)	
3	4460234	AR	Mount, Tie-strap (Not Shown)	
4	1001236144	1	Antenna, ClearSky	
5	1001238845	1	Harness, ClearSky (See Separate Breakdown in this Section)	
6	1001246145	1	Module, ClearSky	

SECTION 7 - ELECTRICAL

FIGURE 7-29. CLEARSKY HARNESS - 3 WIRE (ALL SPECS)



ART_1001273012

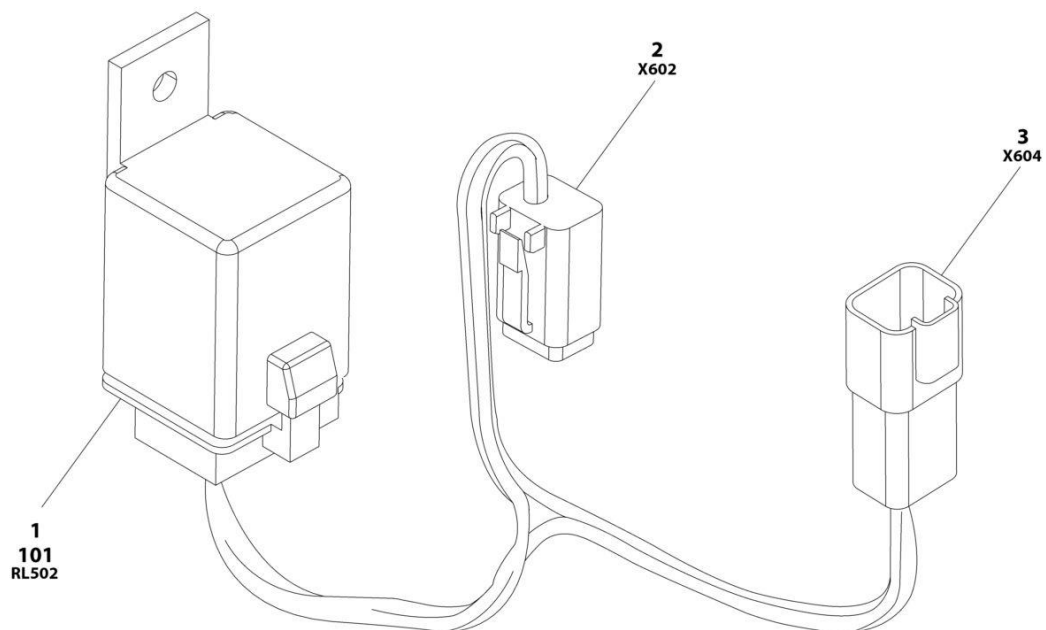
SECTION 7 - ELECTRICAL

FIGURE 7-29. CLEARSKY HARNESS - 3 WIRE (ALL SPECS)

ITEM	PART NUMBER	QTY	DESCRIPTION	REV
	1001273012	Ref	CLEARSKY TELEMATICS HARNESS - GT1030	D
1	1001255901	1	Fuseholder	
1	1001196634	1	Fuse - 2Amp	
2	1001272997	1	Connector - 12 Position	
2		Ref	Terminal	
3	4460932	1	Receptacle, Female - 4 Position	
3	4460464	4	Pin, Male	

SECTION 7 - ELECTRICAL

FIGURE 7-30. CLEARSKY JUMPER HARNESS - 3 WIRE (ALL SPECS EXCEPT CHINA SPECS)



ART_1001278513

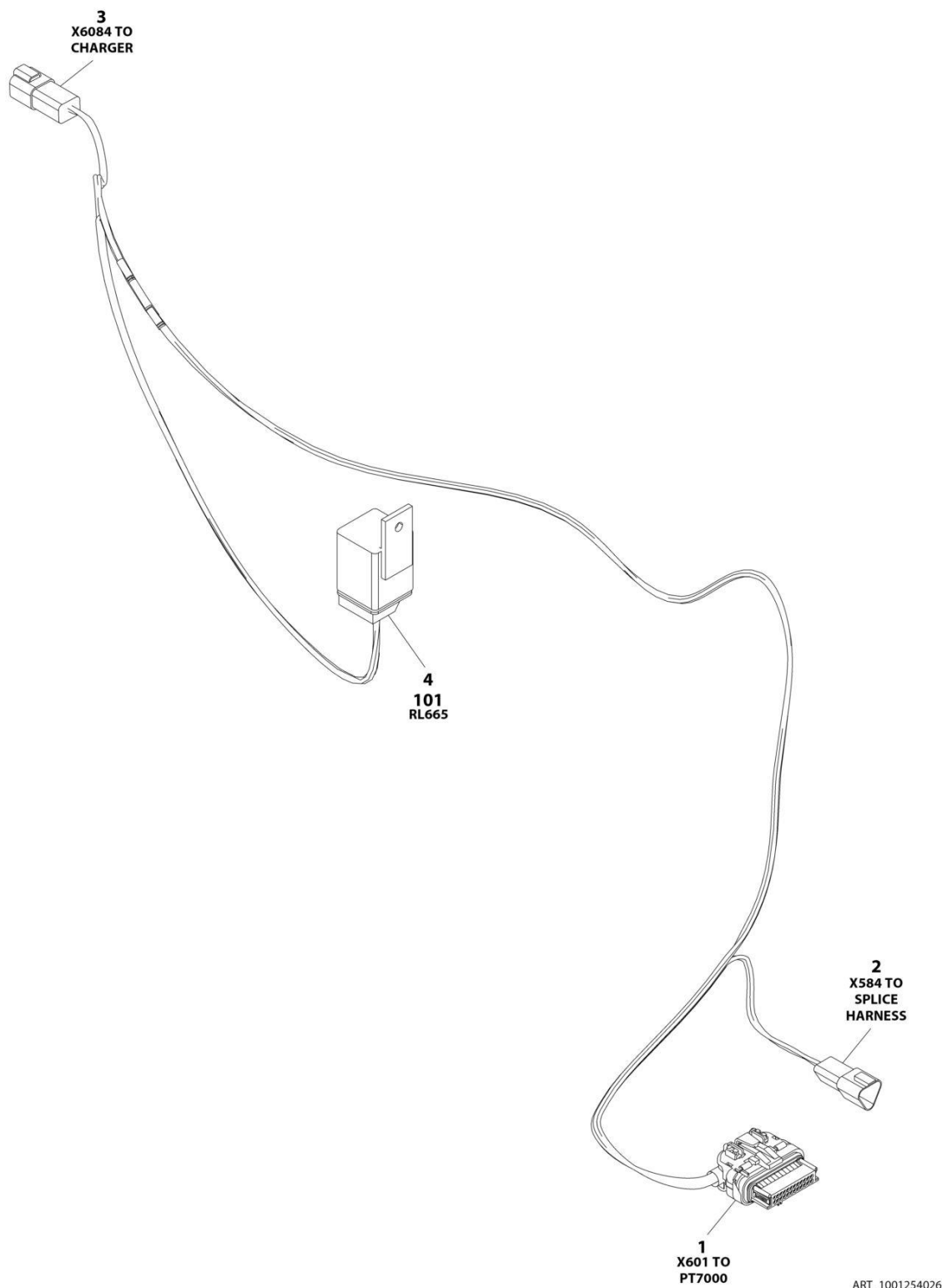
SECTION 7 - ELECTRICAL

FIGURE 7-30. CLEARSKY JUMPER HARNESS - 3 WIRE (ALL SPECS EXCEPT CHINA SPECS)

ITEM	PART NUMBER	QTY	DESCRIPTION	REV
	1001278513	Ref	CLEARSKY JUMPER HARNESS	A
1	1001117057	1	Connector	
1	1001116732	4	Socket	
2	4460884	1	Connector	
2	4460465	4	Socket	
3	4460932	1	Connector	
3	4460464	4	Pin	
101	1001097347	1	Relay	

SECTION 7 - ELECTRICAL

FIGURE 7-31. CLEARSKY HARNESS - 3G & 4G (ALL SPECS EXCEPT CHINA SPECS)



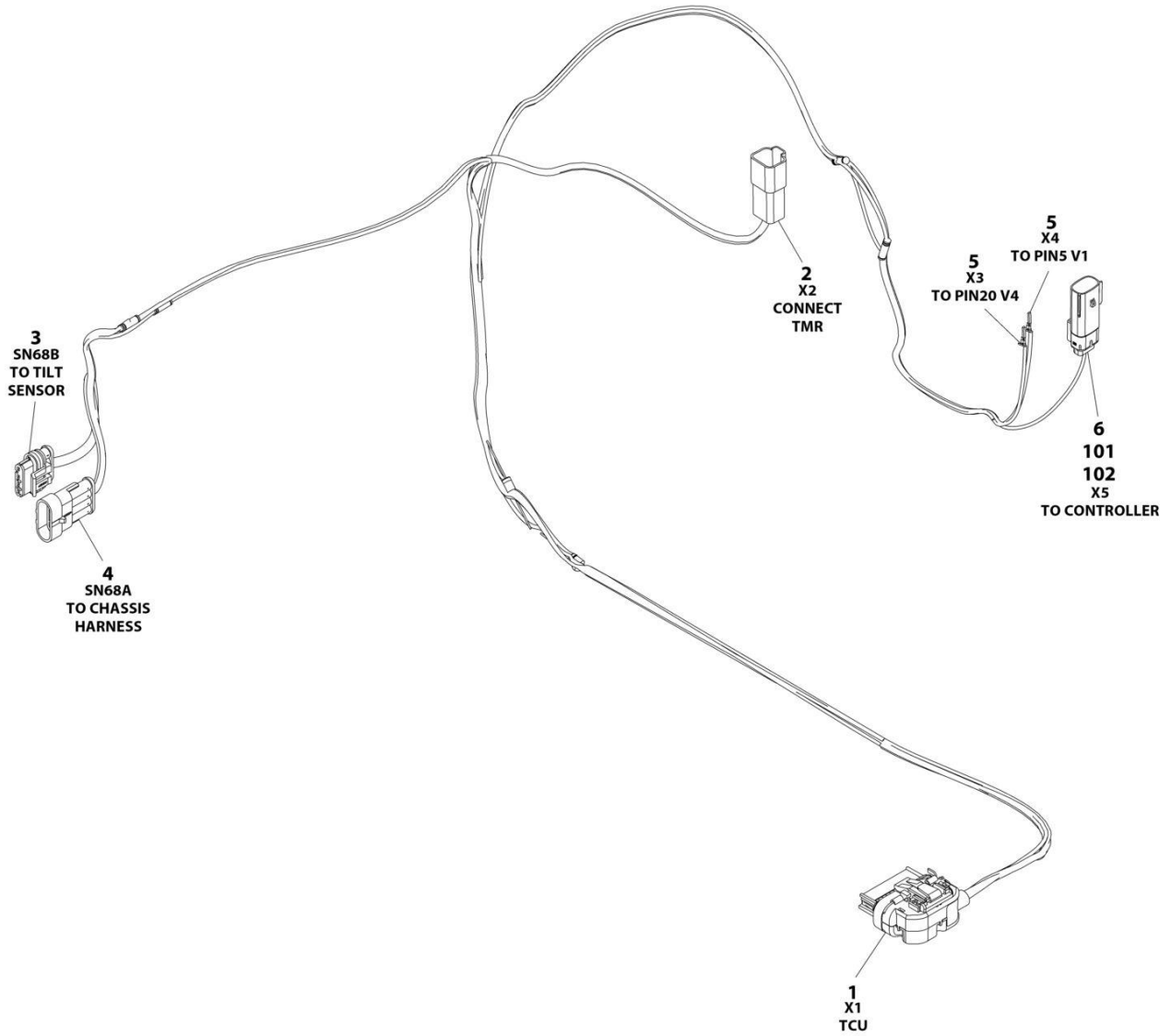
SECTION 7 - ELECTRICAL

FIGURE 7-31. CLEARSKY HARNESS - 3G & 4G (ALL SPECS EXCEPT CHINA SPECS)

ITEM	PART NUMBER	QTY	DESCRIPTION	REV
	1001254026	Ref	CLEARSKY HARNESS	B
1	1001226636	1	Connector	
1	1001226637	5	Socket	
1	1001116731	19	Plug	
2	1001144147	1	Connector	
2	4460943	2	Pin	
2	4460466	1	Plug	
3	4460932	1	Connector	
3	4460464	3	Pin	
3	4460466	1	Plug	
4	1001117057	1	Connector	
4	1001116732	4	Socket	
101	1001097347	1	Relay	

SECTION 7 - ELECTRICAL

FIGURE 7-32. CLEARSKY HARNESS - 4G (CHINA SPECS)



ART_1001238845

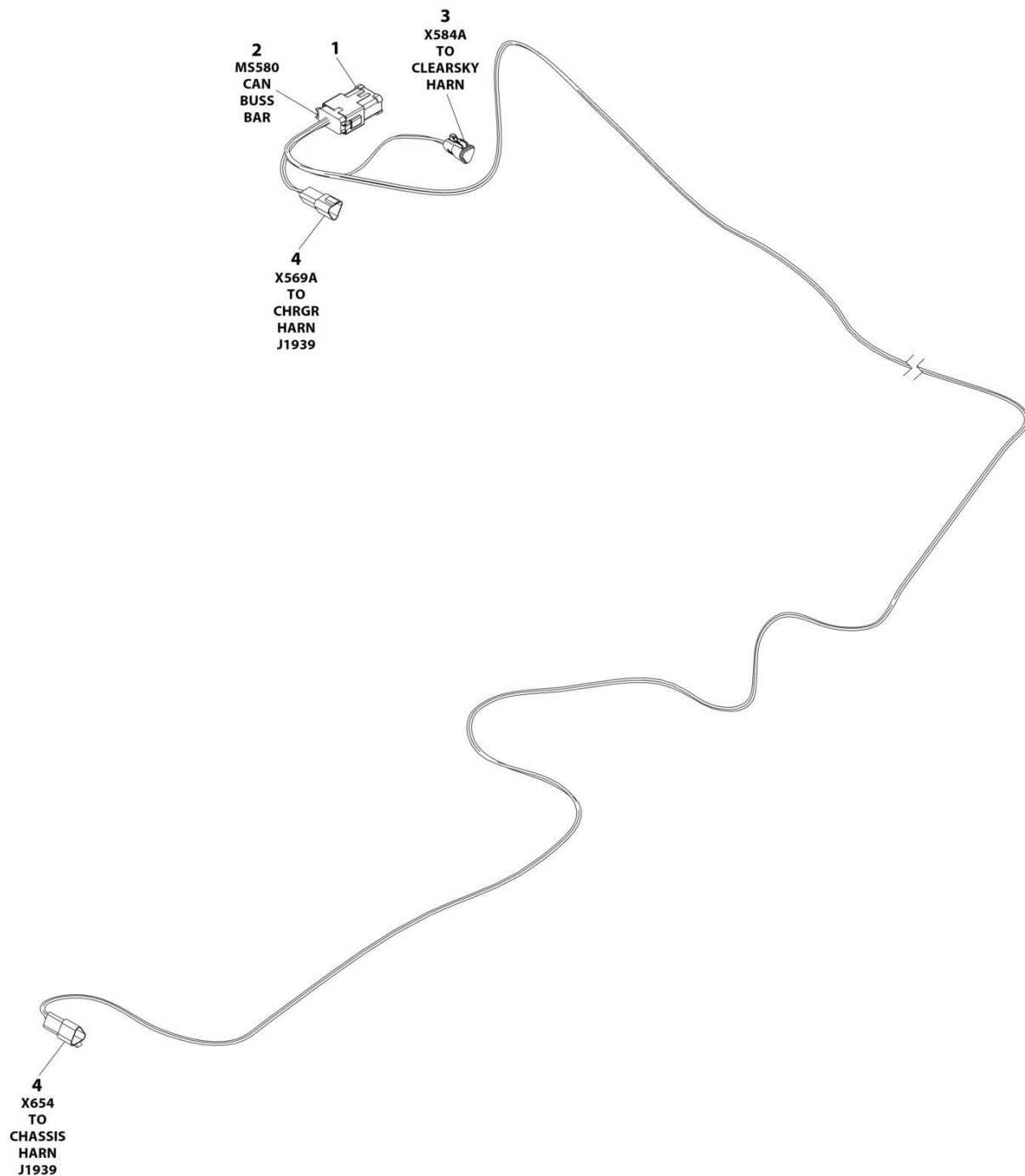
SECTION 7 - ELECTRICAL

FIGURE 7-32. CLEARSKY HARNESS - 4G (CHINA SPECS)

ITEM	PART NUMBER	QTY	DESCRIPTION	REV
	1001238845	Ref	CLEARSKY HARNESS	C
1	1001226636	1	Connector	
1	1001226637	3	Socket - for 18AWG Wire	
1	1001237211	2	Socket - for 20AWG Wire	
1	1001116731	19	Plug	
2	4460932	1	Connector	
2	4460464	2	Pin	
2	4460466	2	Plug	
3	1001103012	1	Connector	
3	1001237212	4	Pin	
3	1001104498	4	Seal	
4	1001103013	1	Connector	
4	1001237213	4	Pin	
4	1001104498	4	Seal	
5	1001162887	2	Terminal	
6	1001238955	1	Connector	
6	1001238762	2	Pin	
6	1001163340	1	Plug	
101	1001163340	1	Plug	
102	1001238956	1	Connector	

SECTION 7 - ELECTRICAL

FIGURE 7-33. CLEARSKY SPLICE HARNESS - 3G & 4G (ALL SPECS EXCEPT CHINA SPECS)



ART_1001254027

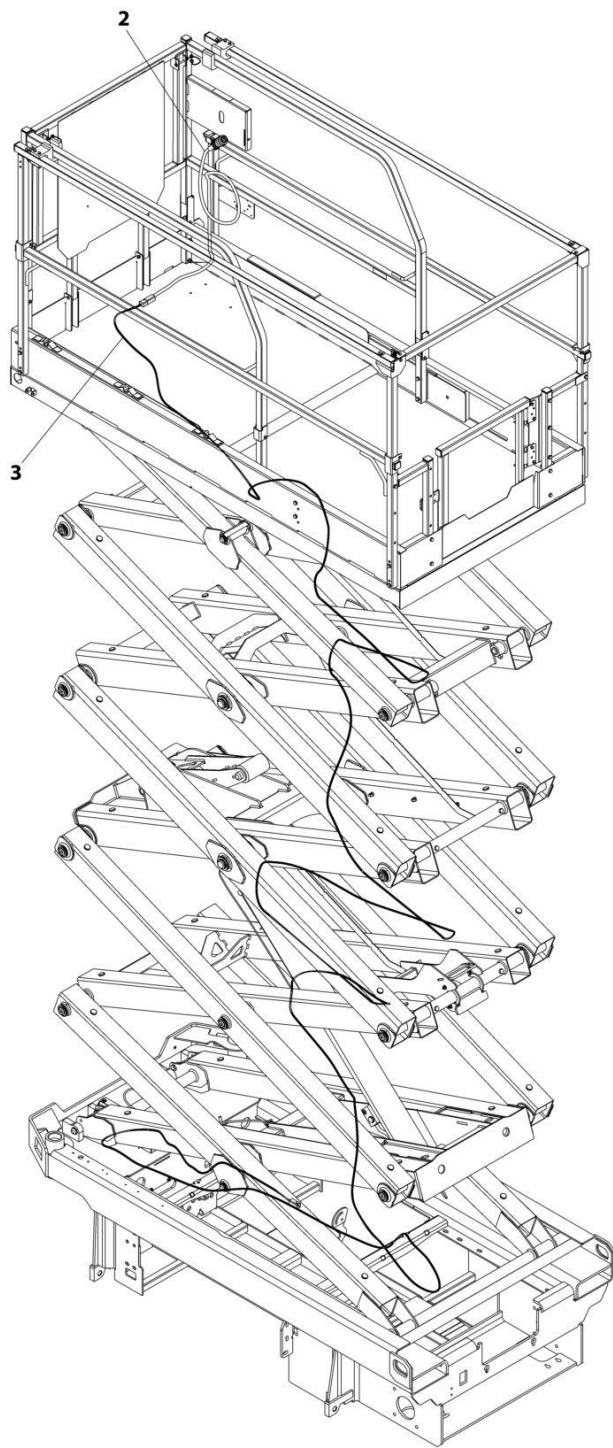
SECTION 7 - ELECTRICAL

FIGURE 7-33. CLEARSKY SPLICE HARNESS - 3G & 4G (ALL SPECS EXCEPT CHINA SPECS)

ITEM	PART NUMBER	QTY	DESCRIPTION	REV
	1001254027	Ref	CAN SPLICE HARNESS	A
1	1001125677	1	Connector, Bus Bar - 12 Position	
2	4460933	1	Plug, Male - 12 Position	
2	4460944	6	Socket, Female	
2	4460466	6	Plug, Terminal	
3	1001118812	1	Plug, Male - 3 Position	
3	4460944	2	Socket, Female	
3	4460466	1	Plug, Terminal	
4	1001144147	2	Receptacle, Female - 3 Position	
4	4460943	4	Pin, Male	
4	4460466	2	Plug, Terminal	

SECTION 7 - ELECTRICAL

FIGURE 7-34. GROUND TO PLATFORM CABLE INSTALLATION - WITHOUT PLATFORM COIL CABLE
(MACHINES WITH SN STARTING WITH 12, B2, G2 & M2)



ART_1001234093

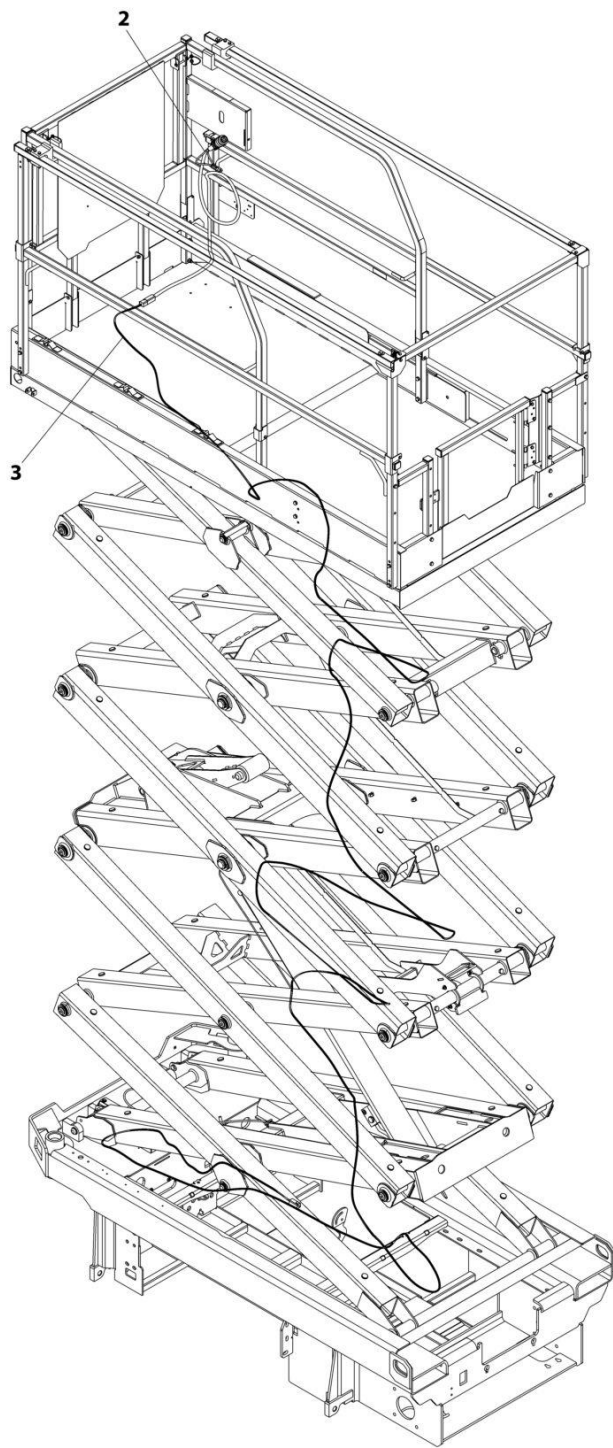
SECTION 7 - ELECTRICAL

**FIGURE 7-34. GROUND TO PLATFORM CABLE INSTALLATION - WITHOUT PLATFORM COIL CABLE
(MACHINES WITH SN STARTING WITH 12, B2, G2 & M2)**

ITEM	PART NUMBER	QTY	DESCRIPTION	REV
	1001234093	Ref	GROUND TO PLATFORM CABLE INSTALLATION - WITHOUT PLATFORM COIL CABLE	A
1	4240017	AR	Tie-Strap (Not Shown)	
2	1001200812	1	Platform Harness	
2	4460899	1	Receptacle, Female - 6 Position (To Item 3)	
2	4460464	4	Pin, Male	
2	4460943	2	Pin, Male	
2	4460754	1	Connector - 14 Position (To Console Box)	
2	4460465	8	Socket, Female	
2	4460466	6	Plug, Terminal	
3	1001234631	1	Cable Assembly - Ground to Platform	
3	4460894	1	Plug, Male - 6 Position (To Platform Harness Item 2)	
3	4460465	4	Socket, Female	
3	4460944	2	Socket, Female	
3	4460899	1	Receptacle, Female - 6 Position (To Chassis Harness)	
3	4460464	4	Pin, Male	
3	4460943	2	Pin, Male	

SECTION 7 - ELECTRICAL

FIGURE 7-35. GROUND TO PLATFORM CABLE INSTALLATION - WITHOUT PLATFORM COIL CABLE & WITH FOOTSWITCH (MACHINES WITH SN STARTING WITH 12, B2 & G2)



ART_1001234095

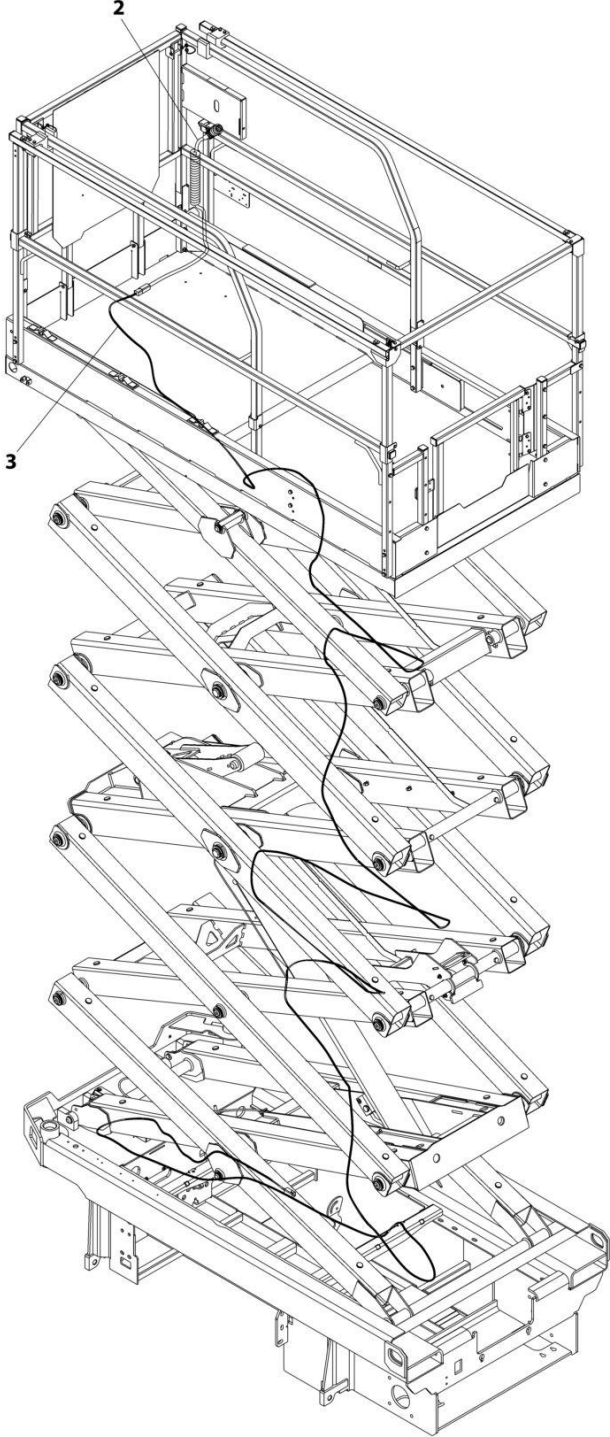
SECTION 7 - ELECTRICAL

**FIGURE 7-35. GROUND TO PLATFORM CABLE INSTALLATION - WITHOUT PLATFORM COIL CABLE
& WITH FOOTSWITCH (MACHINES WITH SN STARTING WITH 12, B2 & G2)**

ITEM	PART NUMBER	QTY	DESCRIPTION	REV
	1001234095	Ref	GROUND TO PLATFORM CABLE INSTALLATION - WITHOUT PLATFORM COIL CABLE AND WITH FOOTSWITCH	A
1	4240017	AR	Tie-Strap (Not Shown)	
2	1001223263	1	Platform Harness	
2	4460899	1	Receptacle, Female - 6 Position (To Item 3)	
2	4460464	4	Pin, Male	
2	4460943	2	Pin, Male	
2	4460754	1	Connector - 14 Position (To Console Box)	
2	4460465	8	Socket, Female	
2	4460944	2	Socket, Female	
2	4460466	4	Plug, Terminal	
2	4460891	1	Plug, Male - 2 Position (To Footswitch)	
2	4460465	2	Socket, Female	
2	4460897	1	Receptacle, Female - 2 Position (Footswitch Jumper)	
2	4460464	2	Pin, Male	
2	4460539	1	Plug, Male - 3 Position (To Overhead Switches)	
2	4460465	2	Socket, Female	
2	4460466	1	Plug, Terminal	
3	1001234631	1	Cable Assembly - Ground to Platform	
3	4460894	1	Plug, Male - 6 Position (To Platform Harness Item 2)	
3	4460465	4	Socket, Female	
3	4460944	2	Socket, Female	
3	4460899	1	Receptacle, Female - 6 Position (To Chassis Harness)	
3	4460464	4	Pin, Male	
3	4460943	2	Pin, Male	

SECTION 7 - ELECTRICAL

**FIGURE 7-36. GROUND TO PLATFORM CABLE INSTALLATION - WITH PLATFORM COIL CABLE
(MACHINES WITH SN STARTING WITH 12, B2, G2 & M2)**



ART_1001234094

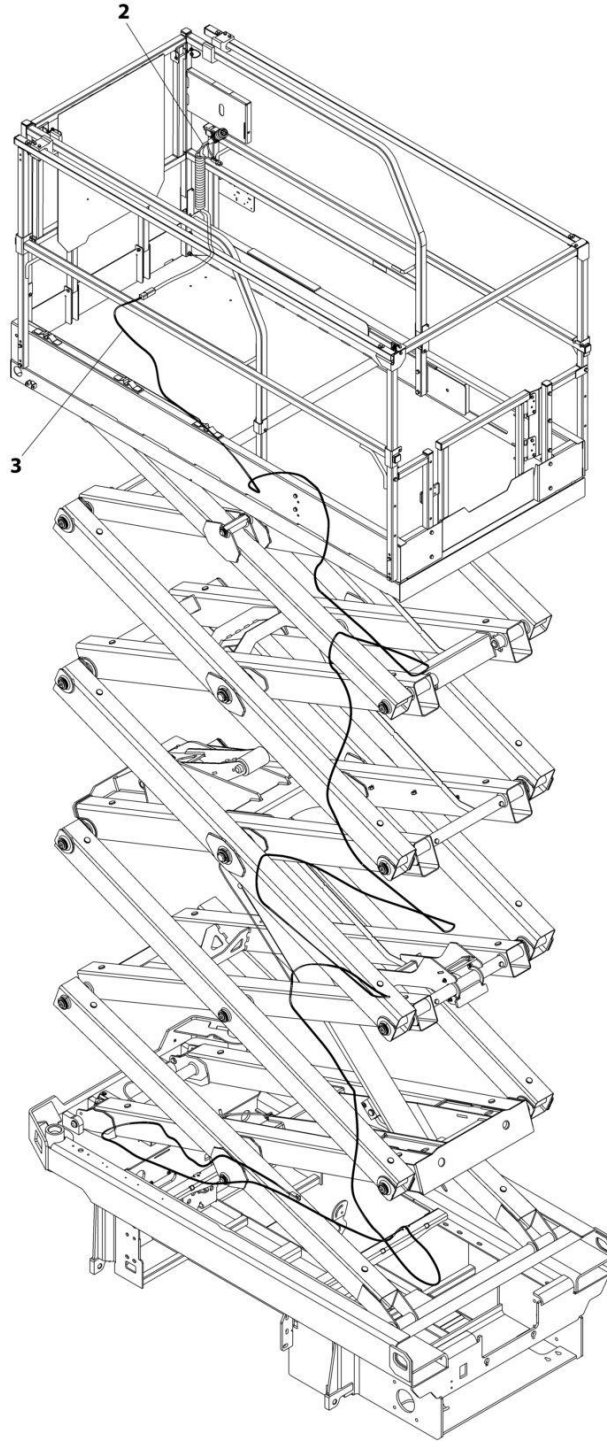
SECTION 7 - ELECTRICAL

**FIGURE 7-36. GROUND TO PLATFORM CABLE INSTALLATION - WITH PLATFORM COIL CABLE
(MACHINES WITH SN STARTING WITH 12, B2, G2 & M2)**

ITEM	PART NUMBER	QTY	DESCRIPTION	REV
	1001234094	Ref	GROUND TO PLATFORM CABLE INSTALLATION - WITH PLATFORM COIL CABLE	A
1	4240017	AR	Tie-Strap (Not Shown)	
2	1001202184	1	Platform Harness	
2	4460899	1	Receptacle, Female - 6 Position (To Item 3)	
2	4460464	4	Pin, Male	
2	4460943	2	Pin, Male	
2	4460754	1	Connector - 14 Position (To Console Box)	
2	4460465	8	Socket, Female	
2	4460466	6	Plug, Terminal	
3	1001234631	1	Cable Assembly - Ground to Platform	
3	4460894	1	Plug, Male - 6 Position (To Platform Harness Item 2)	
3	4460465	4	Socket, Female	
3	4460944	2	Socket, Female	
3	4460899	1	Receptacle, Female - 6 Position (To Chassis Harness)	
3	4460464	4	Pin, Male	
3	4460943	2	Pin, Male	

SECTION 7 - ELECTRICAL

FIGURE 7-37. GROUND TO PLATFORM CABLE INSTALLATION - WITH PLATFORM COIL CABLE & FOOTSWITCH (MACHINES WITH SN STARTING WITH 12, B2 & G2)



ART_1001234096

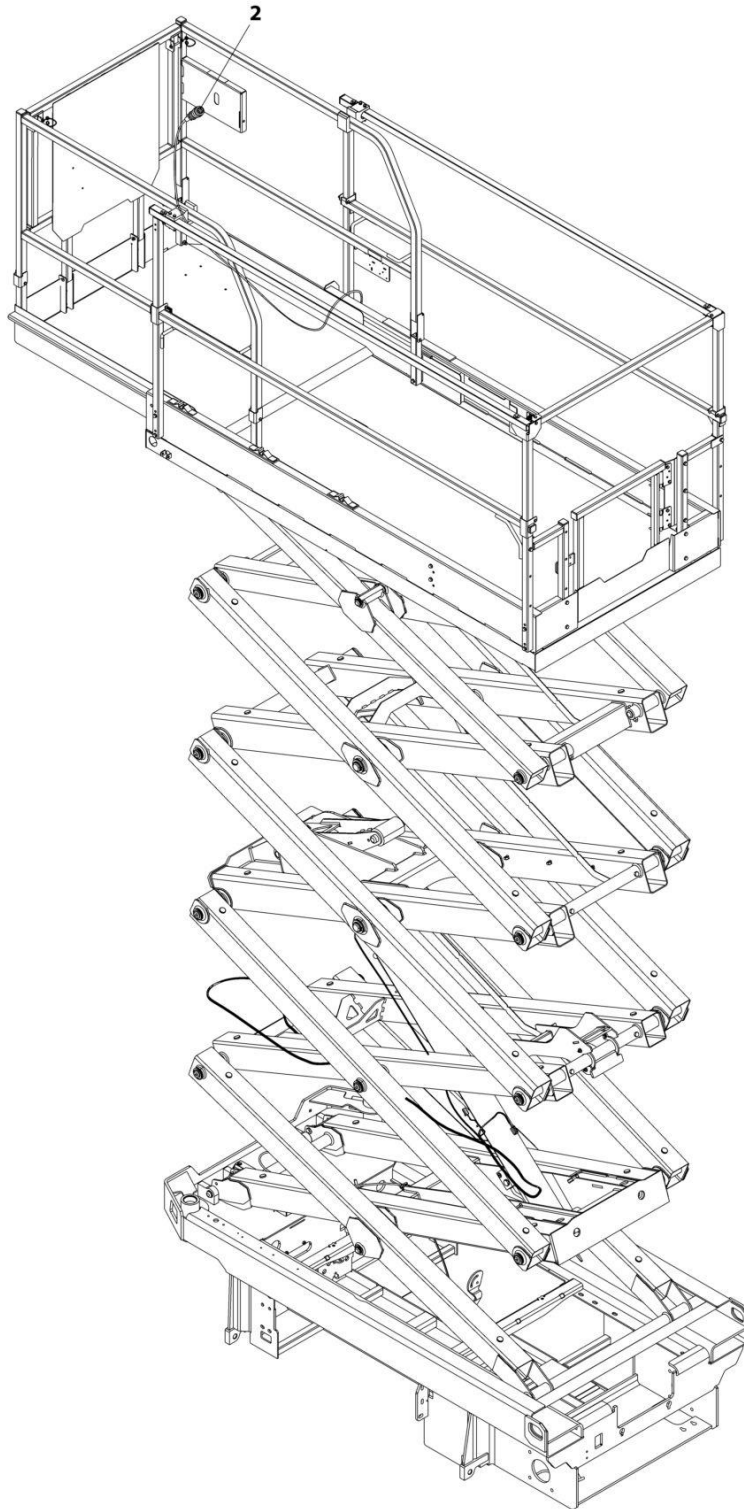
SECTION 7 - ELECTRICAL

FIGURE 7-37. GROUND TO PLATFORM CABLE INSTALLATION - WITH PLATFORM COIL CABLE & FOOTSWITCH (MACHINES WITH SN STARTING WITH 12, B2 & G2)

ITEM	PART NUMBER	QTY	DESCRIPTION	REV
	1001234096	Ref	GROUND TO PLATFORM CABLE INSTALLATION - WITH PLATFORM COIL CABLE AND FOOTSWITCH	A
1	4240017	AR	Tie-Strap (Not Shown)	
2	1001223262	1	Platform Harness	
2	4460899	1	Receptacle, Female - 6 Position (To Item 3)	
2	4460464	4	Pin, Male	
2	4460943	2	Pin, Male	
2	4460754	1	Connector - 14 Position (To Console Box)	
2	4460465	8	Socket, Female	
2	4460944	2	Socket, Female	
2	4460466	4	Plug, Terminal	
2	4460891	1	Plug, Male - 2 Position (To Footswitch)	
2	4460465	2	Socket, Female	
2	4460897	1	Receptacle, Female - 2 Position (Footswitch Jumper)	
2	4460464	2	Pin, Male	
2	4460539	1	Plug, Male - 3 Position (To Overhead Switches)	
2	4460465	2	Socket, Female	
2	4460466	1	Plug, Terminal	
3	1001234631	1	Cable Assembly - Ground to Platform	
3	4460894	1	Plug, Male - 6 Position (To Platform Harness Item 2)	
3	4460465	4	Socket, Female	
3	4460944	2	Socket, Female	
3	4460899	1	Receptacle, Female - 6 Position (To Chassis Harness)	
3	4460464	4	Pin, Male	
3	4460943	2	Pin, Male	

SECTION 7 - ELECTRICAL

FIGURE 7-38. GROUND TO PLATFORM CABLE INSTALLATION - PLATFORM STRAIGHT CABLE ONLY (MACHINES WITH SN STARTING WITH 12, B2 & G2)



ART_1001223650

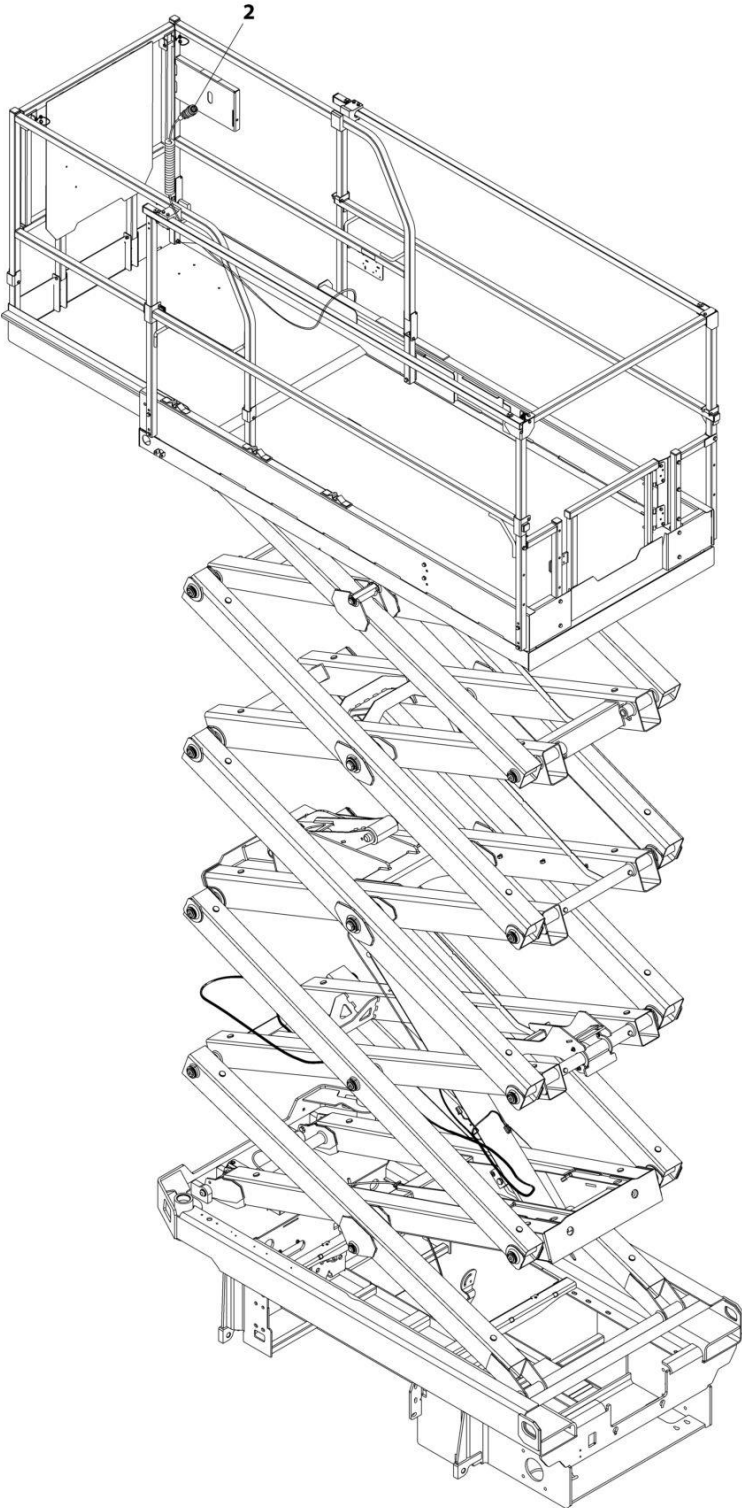
SECTION 7 - ELECTRICAL

FIGURE 7-38. GROUND TO PLATFORM CABLE INSTALLATION - PLATFORM STRAIGHT CABLE ONLY (MACHINES WITH SN STARTING WITH 12, B2 & G2)

ITEM	PART NUMBER	QTY	DESCRIPTION	REV
	1001223650	Ref	GROUND TO PLATFORM CABLE INSTALLATION	A
1	4240017	AR	Tie-Strap (Not Shown)	
2	1001200812	1	Platform Harness	
2	4460899	1	Receptacle, Female - 6 position (To Platform/AC Cable Connector)	
2	4460464	4	Pin, Male	
2	4460943	2	Pin, Male	
2	4460754	1	Connector - 14 Position (To Console Box)	
2	4460465	8	Socket, Female	
2	4460466	6	Plug, Terminal	

SECTION 7 - ELECTRICAL

**FIGURE 7-39. GROUND TO PLATFORM CABLE INSTALLATION - PLATFORM COIL CABLE ONLY
(MACHINES WITH SN STARTING WITH 12, B2 & G2)**



ART_1001223651

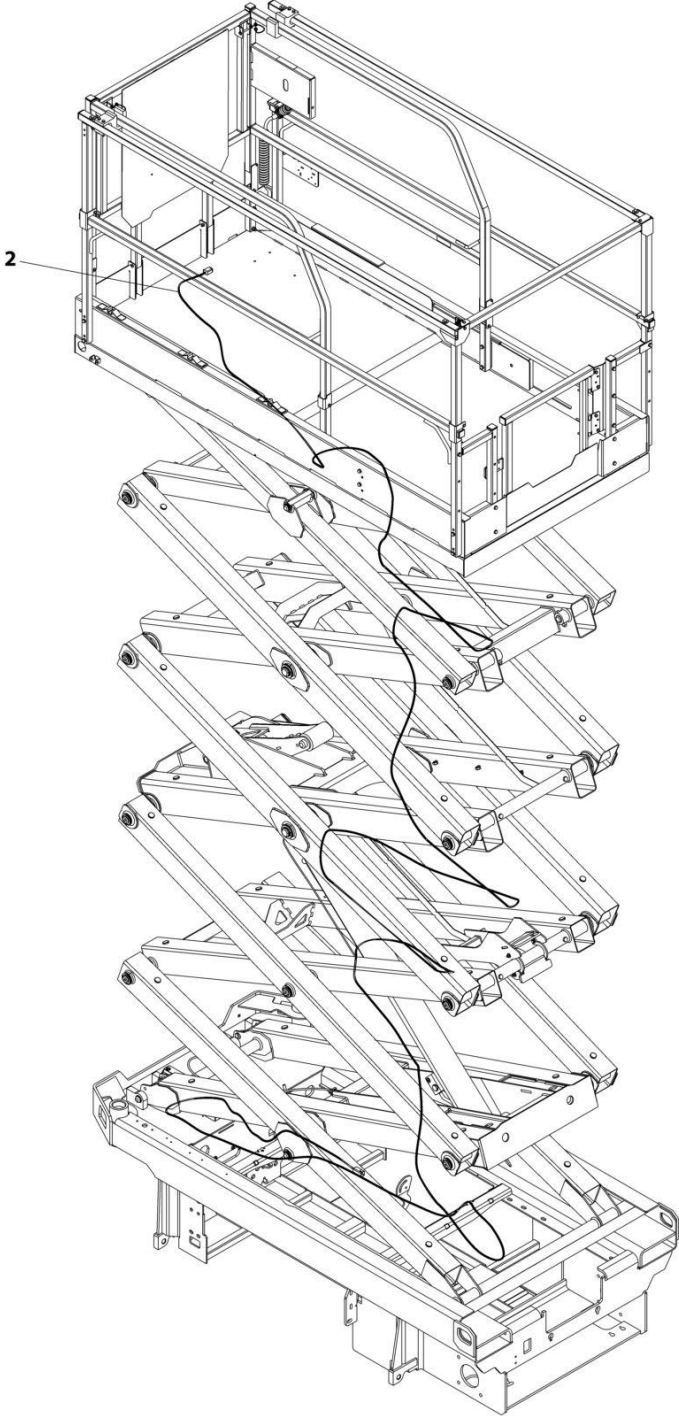
SECTION 7 - ELECTRICAL

**FIGURE 7-39. GROUND TO PLATFORM CABLE INSTALLATION - PLATFORM COIL CABLE ONLY
(MACHINES WITH SN STARTING WITH 12, B2 & G2)**

ITEM	PART NUMBER	QTY	DESCRIPTION	REV
	1001223651	Ref	GROUND TO PLATFORM CABLE INSTALLATION	A
1	4240017	AR	Tie-Strap (Not Shown)	
2	1001202184	1	Platform Harness	
2	4460899	1	Receptacle, Female - 6 position (To Platform/AC Cable Connector)	
2	4460464	4	Pin, Male	
2	4460943	2	Pin, Male	
2	4460754	1	Connector - 14 Position (To Console Box)	
2	4460465	8	Socket, Female	
2	4460466	6	Plug, Terminal	

SECTION 7 - ELECTRICAL

**FIGURE 7-40. GROUND TO PLATFORM CABLE INSTALLATION - SCISSORS ARMS CABLE ONLY
(MACHINES WITH SN STARTING WITH 12, B2 & G2)**



ART_1001239389

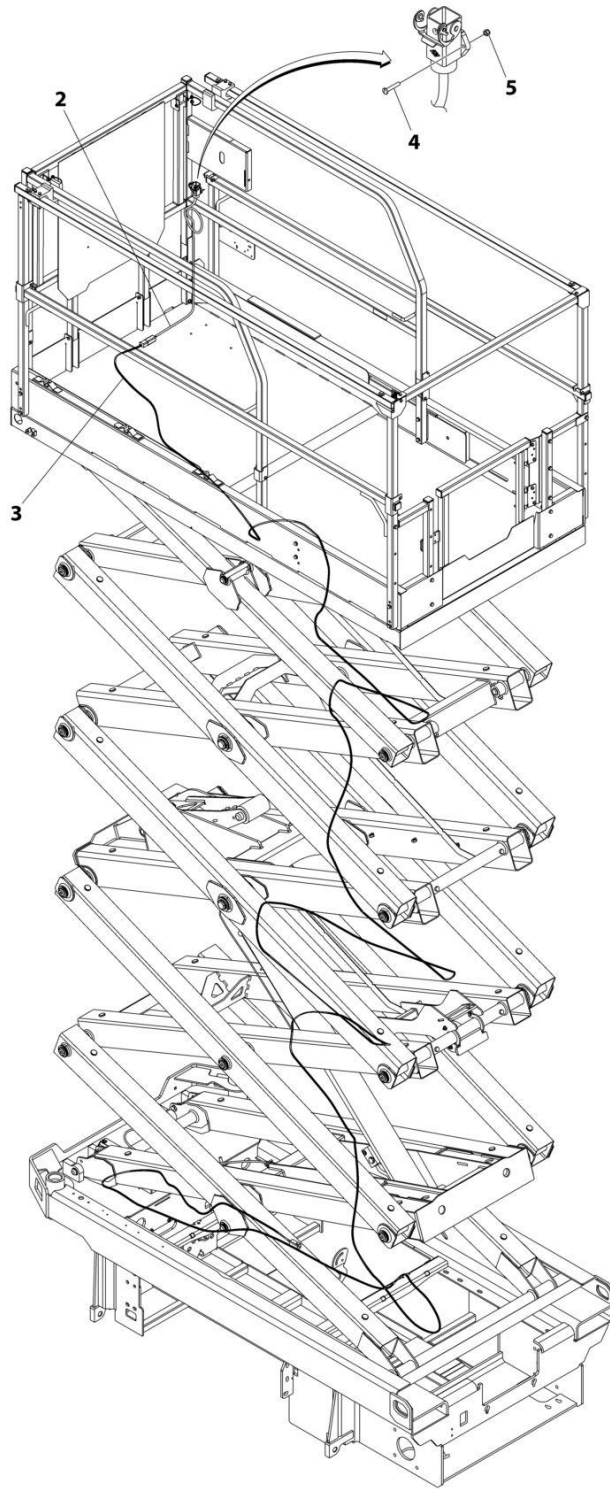
SECTION 7 - ELECTRICAL

**FIGURE 7-40. GROUND TO PLATFORM CABLE INSTALLATION - SCISSORS ARMS CABLE ONLY
(MACHINES WITH SN STARTING WITH 12, B2 & G2)**

ITEM	PART NUMBER	QTY	DESCRIPTION	REV
	1001239389	Ref	GROUND TO PLATFORM CABLE INSTALLATION	A
1	4240017	AR	Tie-Strap (Not Shown)	
2	1001234631	1	Cable Assembly - Ground to Platform	
2	4460894	1	Plug, Male - 6 Position (To Platform Harness Item 2)	
2	4460465	4	Socket, Female	
2	4460944	2	Socket, Female	
2	4460899	1	Receptacle, Female - 6 Position (To Chassis Harness)	
2	4460464	4	Pin, Male	
2	4460943	2	Pin, Male	

SECTION 7 - ELECTRICAL

FIGURE 7-41. GROUND TO PLATFORM CABLE INSTALLATION – WITH METAL RECTANGLE
(MACHINES WITH SN STARTING WITH 12, B2 & G2)



ART_1001270025

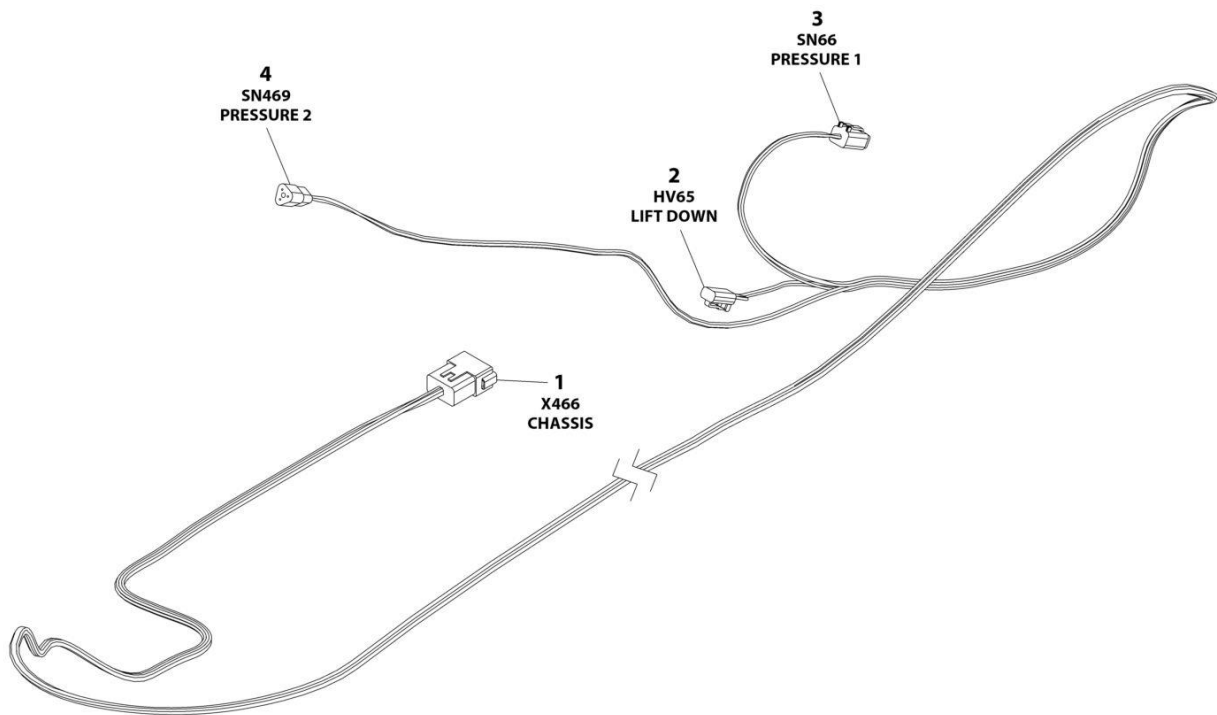
SECTION 7 - ELECTRICAL

**FIGURE 7-41. GROUND TO PLATFORM CABLE INSTALLATION – WITH METAL RECTANGLE
(MACHINES WITH SN STARTING WITH 12, B2 & G2)**

ITEM	PART NUMBER	QTY	DESCRIPTION	REV
	1001270025	Ref	GROUND TO PLATFORM CABLE INSTALLATION	B
1	4240017	AR	Tie-Strap (Not Shown)	
2	1001270443	1	Platform Harness	A
2	4460899	1	Receptacle, Female - 6 Position (To Item 3)	
2	4460464	4	Pin, Male	
2	4460943	2	Pin, Male	
2	1001269947	1	Connector - 12 Position (To Console Box)	
2	1001269949	2	Terminal	
2	1001269944	6	Terminal	
3	1001234631	1	Cable Assembly - Ground to Platform	C
3	4460894	1	Plug, Male - 6 Position (To Platform Harness Item 2)	
3	4460465	4	Socket, Female	
3	4460944	2	Socket, Female	
3	4460899	1	Receptacle, Female - 6 Position (To Chassis Harness)	
3	4460464	4	Pin, Male	
3	4460943	2	Pin, Male	
4	0760310	2	Screw M3 x 20	
5	3290305	2	Nut M3	

SECTION 7 - ELECTRICAL

FIGURE 7-42. LIFT DOWN HARNESS



ART_1001233795

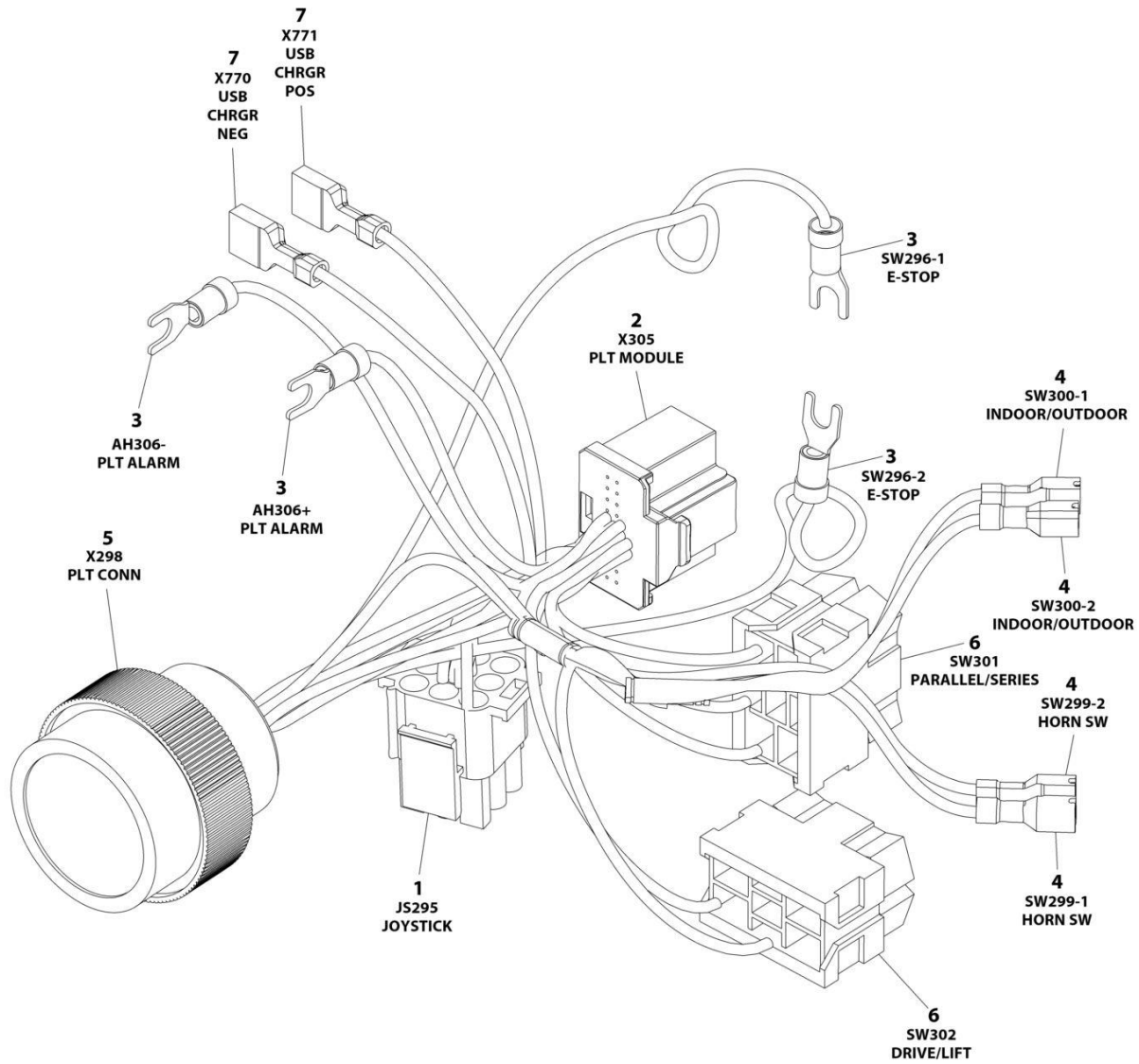
SECTION 7 - ELECTRICAL

FIGURE 7-42. LIFT DOWN HARNESS

ITEM	PART NUMBER	QTY	DESCRIPTION	REV
	1001233795	Ref	LIFT DOWN HARNESS	D
1	4460970	1	Receptacle, Female - 12 Position	
1	4460464	9	Pin, Male	
1	4460466	3	Plug, Terminal	
2	4460891	1	Plug, Male - 4 Position	
2	4460465	2	Socket, Female	
3	4460884	1	Plug, Male - 4 Position	
3	4460465	4	Socket, Female	
4	4460539	1	Plug, Male - 3 Position	
4	4460465	3	Socket, Female	

SECTION 7 - ELECTRICAL

FIGURE 7-43. PLATFORM CONTROL BOX HARNESS (MACHINES WITH SN STARTING WITH 12, B2 & M2)



ART_1001200819

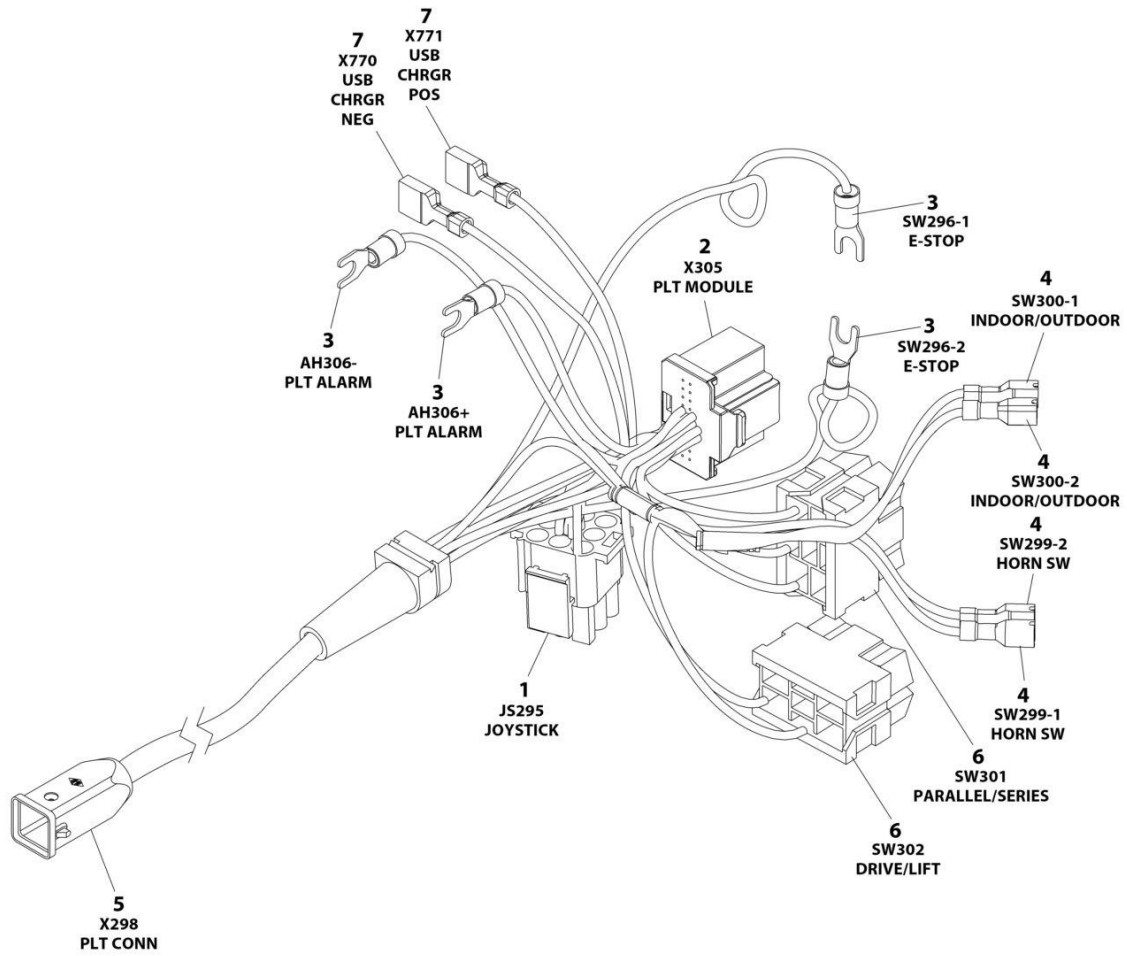
SECTION 7 - ELECTRICAL

FIGURE 7-43. PLATFORM CONTROL BOX HARNESS (MACHINES WITH SN STARTING WITH 12, B2 & M2)

ITEM	PART NUMBER	QTY	DESCRIPTION	REV
	1001200819	Ref	PLATFORM CONTROL BOX HARNESS	E
1	4460265	1	Plug, Male - 9 Position	
1	4460267	6	Pin, Male	
2	1001212036	1	Connector - 20 Position	
2	1001212035	16	Terminal	
3	4460183	4	Terminal, Fork	
4	1001201885	4	Terminal with Cover	
5	4461016	1	Connector - 14 Position	
5	4460464	8	Pin, Male	
5	4460466	6	Plug, Terminal	
6	4460418	2	Connector - 6 Position	
6	1001159186	5	Terminal	
7	1001194421	2	Terminal	

SECTION 7 - ELECTRICAL

FIGURE 7-44. PLATFORM CONTROL BOX HARNESS (MACHINES WITH SN STARTING WITH G2)



ART_1001269999

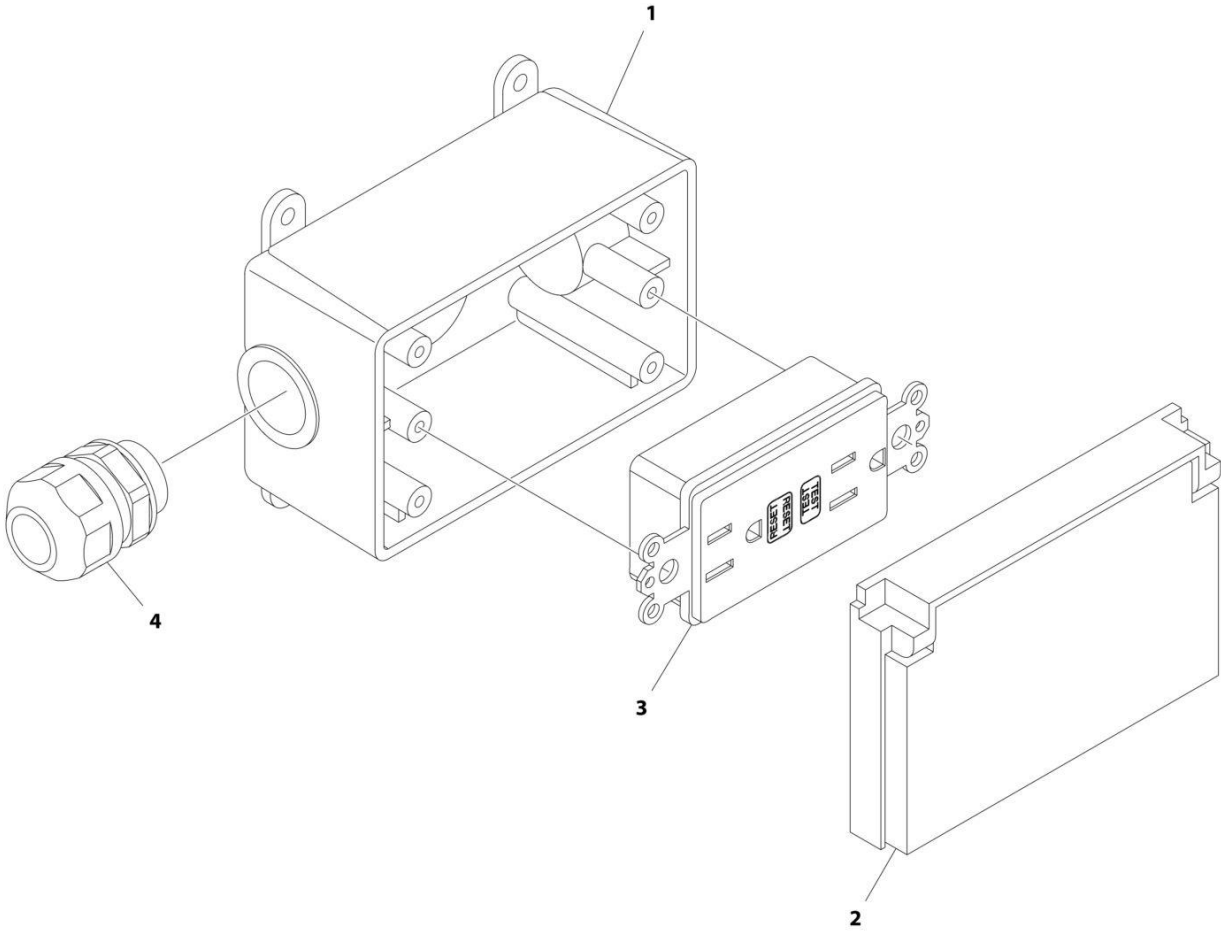
SECTION 7 - ELECTRICAL

FIGURE 7-44. PLATFORM CONTROL BOX HARNESS (MACHINES WITH SN STARTING WITH G2)

ITEM	PART NUMBER	QTY	DESCRIPTION	REV
	1001269999	Ref	PLATFORM CONTROL BOX HARNESS	A
1	4460265	1	Plug, Male - 9 Position	
1	4460267	7	Pin, Male	
2	1001212036	1	Connector - 20 Position	
2	1001212035	17	Terminal	
3	4460183	4	Terminal, Fork	
4	1001201885	4	Terminal with Cover	
5	1001269946	1	Connector - 12 Position	
5	1001269943	10	Pin, Male	
6	4460418	2	Connector - 6 Position	
6	1001159186	5	Terminal	
7	1001194421	2	Terminal	

SECTION 7 - ELECTRICAL

FIGURE 7-45. RECEPTACLE BOX KIT - 110V GFI



ART_2902431

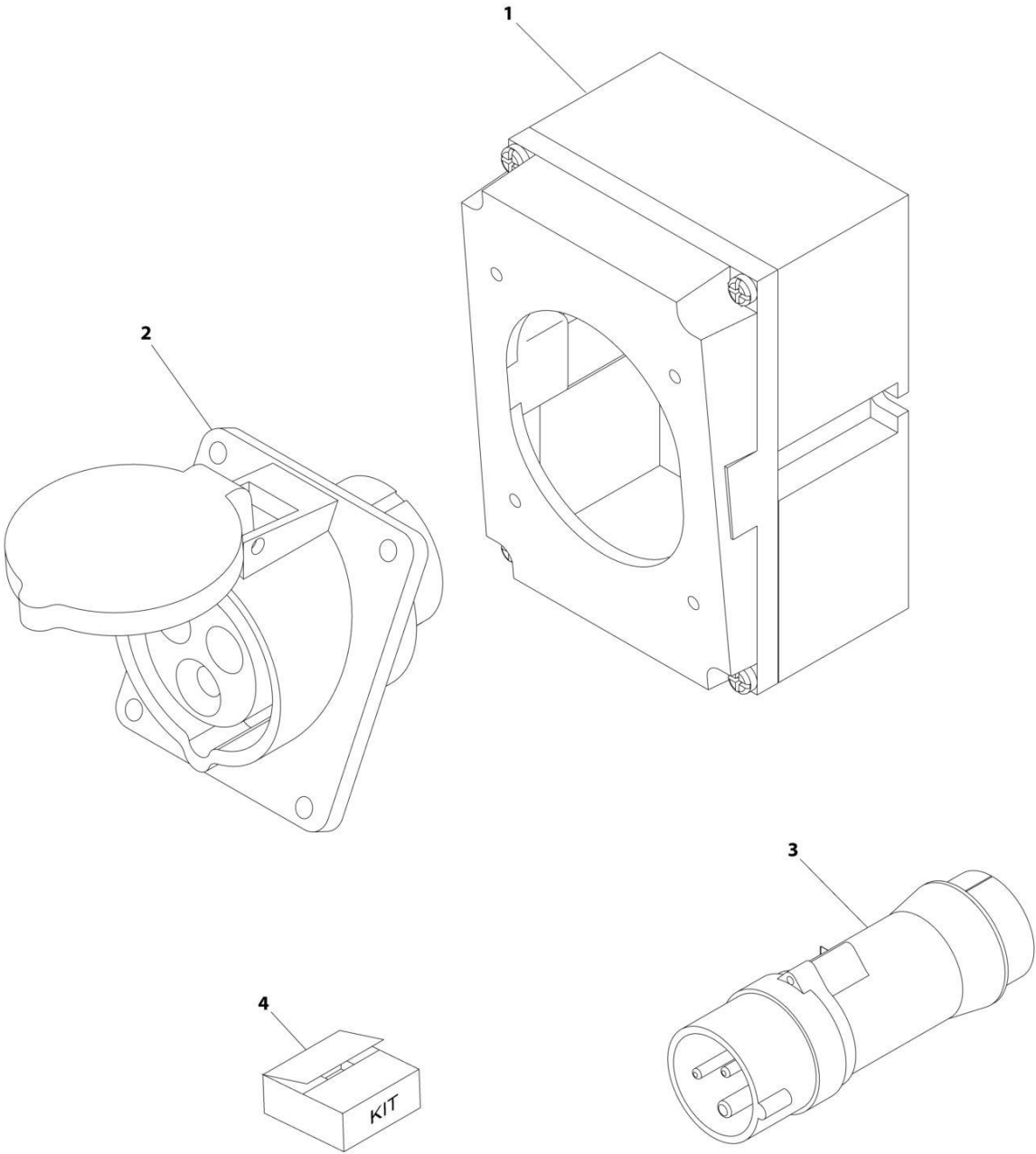
SECTION 7 - ELECTRICAL

FIGURE 7-45. RECEPTACLE BOX KIT - 110V GFI

ITEM	PART NUMBER	QTY	DESCRIPTION	REV
	2902431	Ref	RECEPTACLE BOX KIT - 110V GFI	D
1	0861731	1	Box, Receptacle	
2	1671207	1	Cover, Receptacle	
3	4460346	1	Receptacle	
4	4460662	1	Connector, Strain Relief	

SECTION 7 - ELECTRICAL

FIGURE 7-46. RECEPTACLE BOX KIT - 110V IEC YELLOW (CE & UK CA SPEC)



ART_0275216

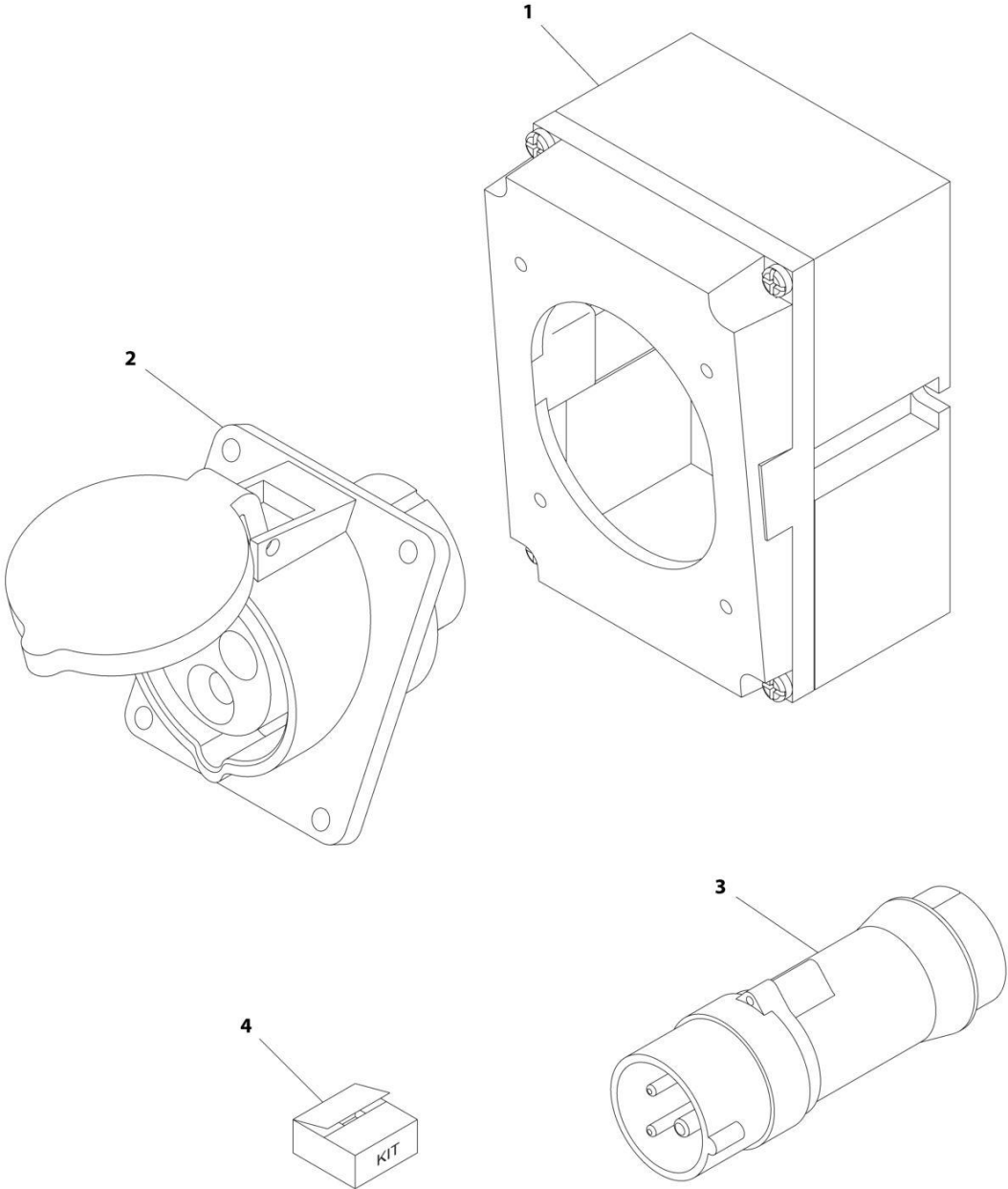
SECTION 7 - ELECTRICAL

FIGURE 7-46. RECEPTACLE BOX KIT - 110V IEC YELLOW (CE & UK CA SPEC)

ITEM	PART NUMBER	QTY	DESCRIPTION	REV
	0275216	Ref	RECEPTACLE BOX KIT - 110V IEC YELLOW	B
1	0861781	1	Box, Switch	
2	4461198	1	Receptacle	
3	4461196	1	Plug, Male	
4	1001100341	1	Plug and Socket Kit (Includes Items 1-3 and Female Plug p/n 4461197)	

SECTION 7 - ELECTRICAL

FIGURE 7-47. RECEPTACLE BOX KIT - 220V IEC BLUE (CE & UK CA SPEC)



ART_0275217

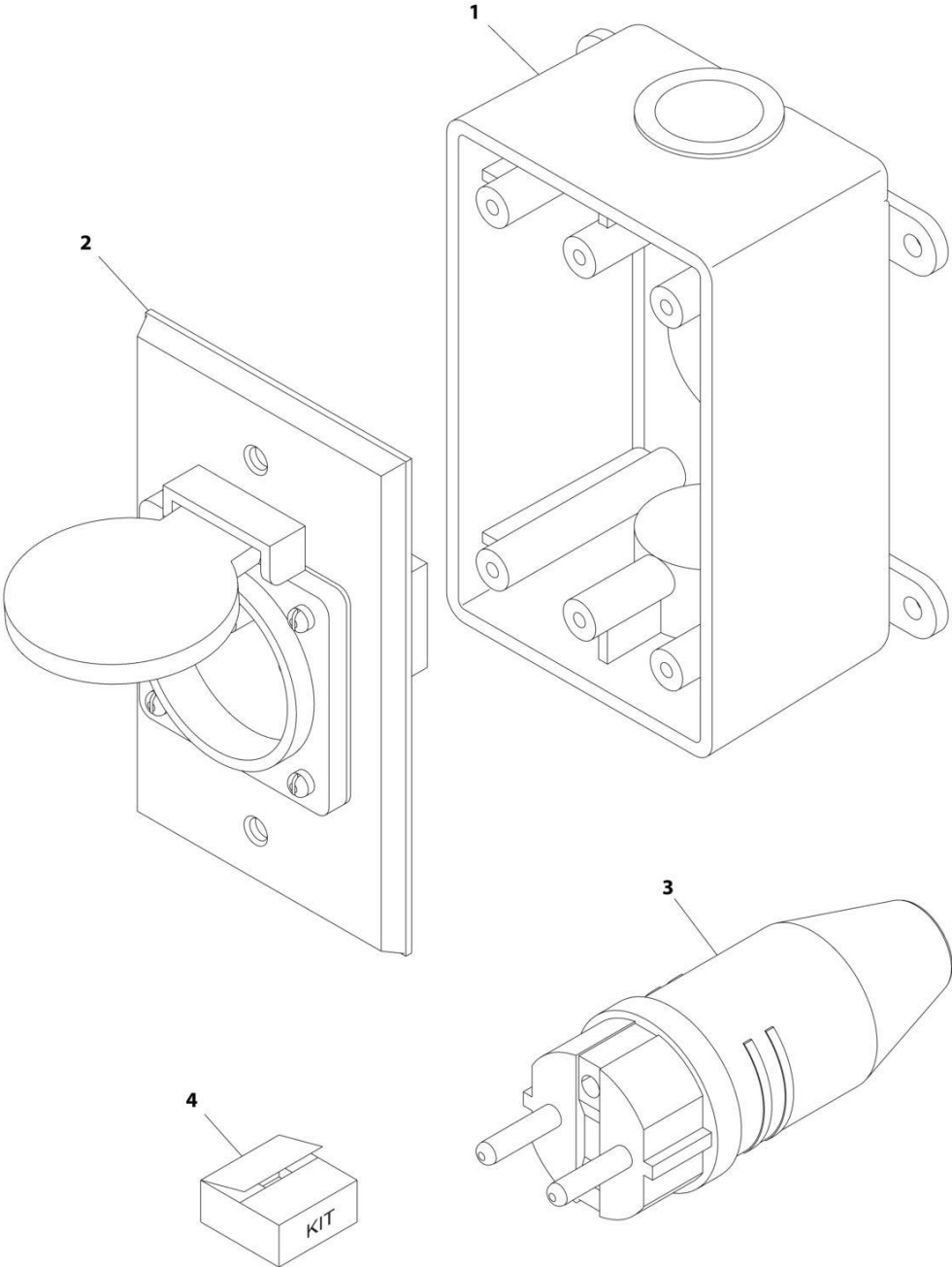
SECTION 7 - ELECTRICAL

FIGURE 7-47. RECEPTACLE BOX KIT - 220V IEC BLUE (CE & UK CA SPEC)

ITEM	PART NUMBER	QTY	DESCRIPTION	REV
	0275217	Ref	RECEPTACLE BOX KIT - 220V IEC BLUE	B
1	0861781	1	Box, Switch	
2	4461201	1	Receptacle	
3	4461199	1	Plug, Male	
4	1001100342	1	Plug and Socket Kit (Includes Items 1-3 and Female Plug p/n 4461200)	

SECTION 7 - ELECTRICAL

FIGURE 7-48. RECEPTACLE BOX KIT - 220V CEE7 POST GROUND (CE & UK CA SPEC)



ART_0275452-C

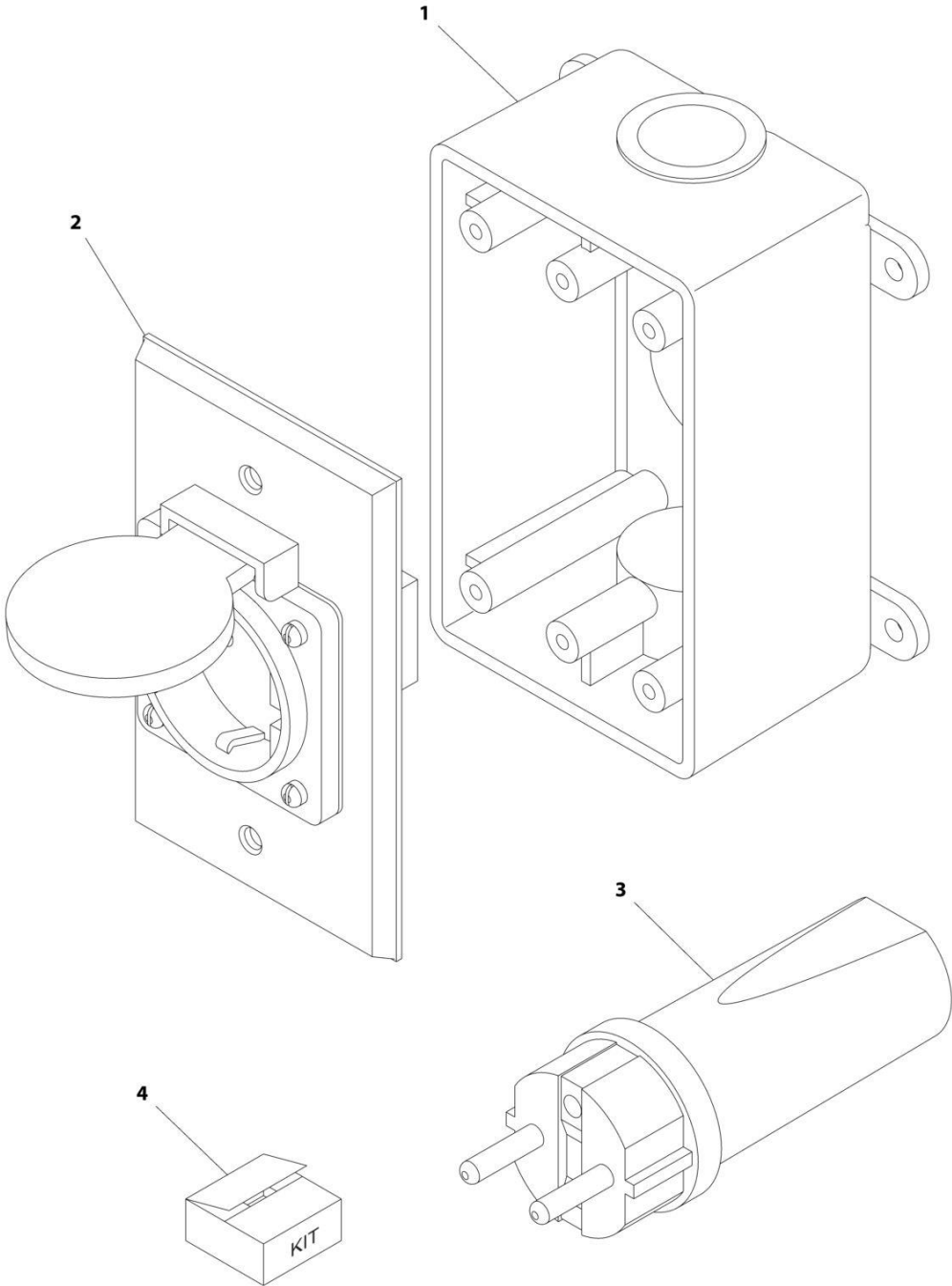
SECTION 7 - ELECTRICAL

FIGURE 7-48. RECEPTACLE BOX KIT - 220V CEE7 POST GROUND (CE & UK CA SPEC)

ITEM	PART NUMBER	QTY	DESCRIPTION	REV
	0275452	Ref	RECEPTACLE BOX KIT - 220V CEE7 POST GROUND 2IN X 4IN BOX	C
1	0861731	1	Box, Switch	
2	4461244	1	Receptacle	
3	4461205	1	Plug, Male	
4	1001100345	1	Plug and Socket Kit (Includes Items 1-3 and Female Plug p/n 4461203)	

SECTION 7 - ELECTRICAL

FIGURE 7-49. RECEPTACLE BOX KIT - 220V CEE7 SIDE GROUND (CE & UK CA SPEC)



ART_0275453

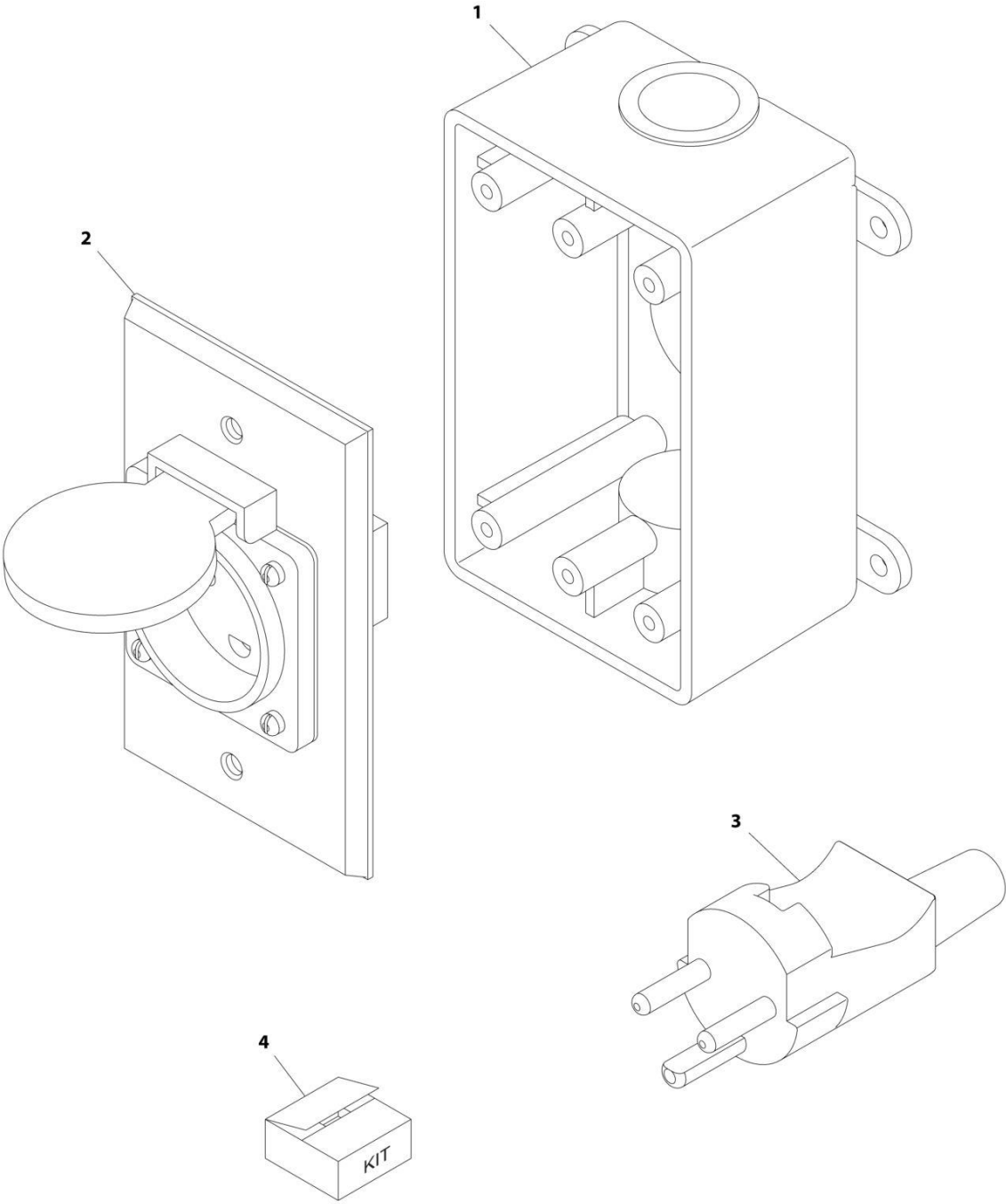
SECTION 7 - ELECTRICAL

FIGURE 7-49. RECEPTACLE BOX KIT - 220V CEE7 SIDE GROUND (CE & UK CA SPEC)

ITEM	PART NUMBER	QTY	DESCRIPTION	REV
	0275453	Ref	RECEPTACLE BOX KIT - 220V CEE7 SIDE GROUND	B
1	0861731	1	Box, Switch	
2	4461245	1	Receptacle	
3	4461205	1	Plug, Male	
4	1001100347	1	Plug and Socket Kit (Includes Items 1-3 and Female Plug p/n 4461206)	

SECTION 7 - ELECTRICAL

FIGURE 7-50. RECEPTACLE BOX KIT - 220V AFSINT 107 (CE & UK CA SPEC)



ART_0275454

SECTION 7 - ELECTRICAL

FIGURE 7-50. RECEPTACLE BOX KIT - 220V AFSINT 107 (CE & UK CA SPEC)

ITEM	PART NUMBER	QTY	DESCRIPTION	REV
	0275454	Ref	RECEPTACLE BOX KIT - 220V AFSINT 107	B
1	0861731	1	Box, Switch	
2	4461246	1	Receptacle	
3	4461249	1	Plug, Male	
4	1001100346	1	Plug and Socket Kit (Includes Items 1-3 and Female Plug p/n 4461250)	

SECTION 8 - DECALS

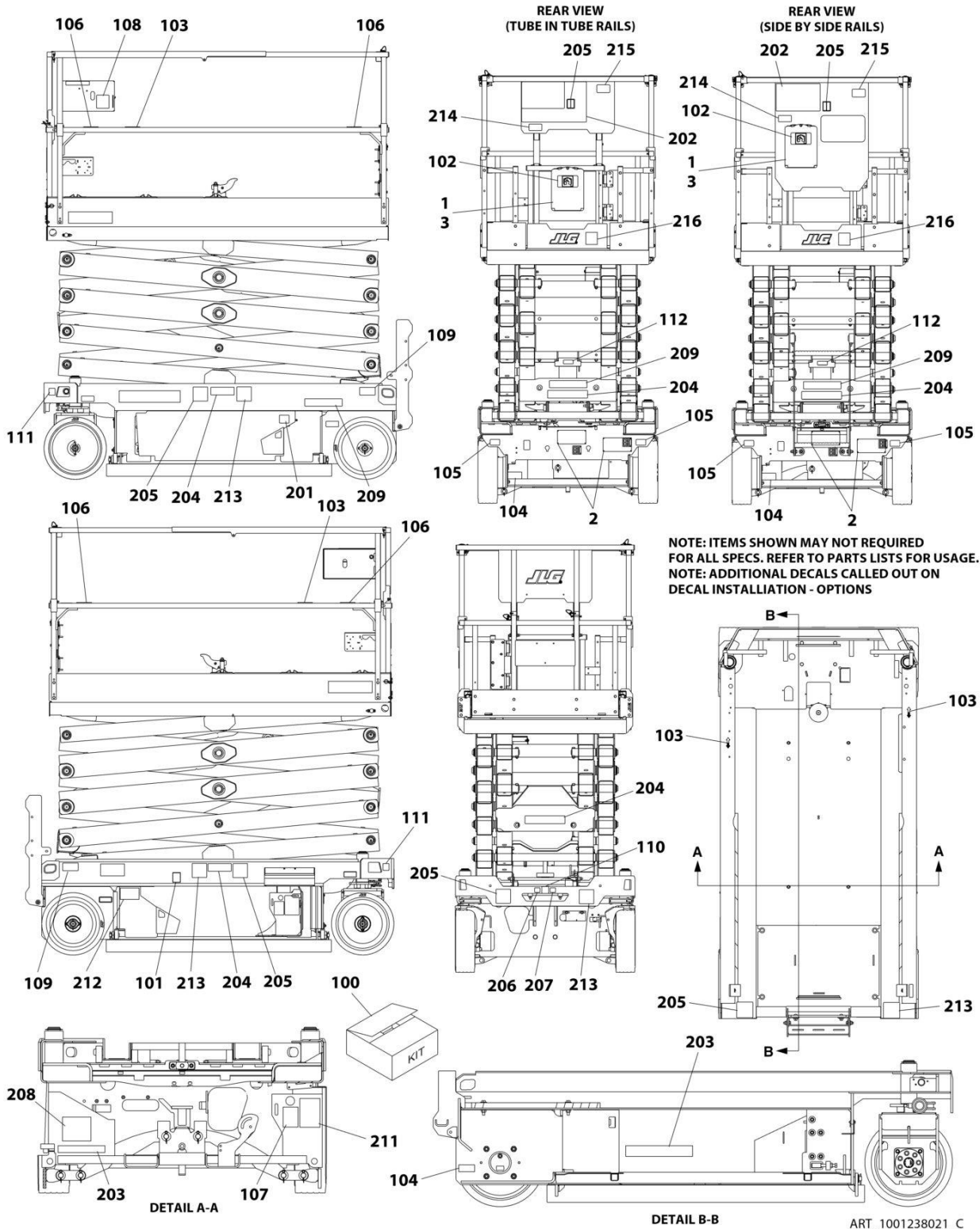
SECTION 8 - DECALS

FIGURE 8-1. DECAL INSTALLATION (ANSI SPECS)

ITEM	PART NUMBER	QTY	DESCRIPTION	REV
	1001238014	Ref	DECAL INSTALLATION (ENGLISH LANGUAGE)	D
	1001237749	Ref	DECAL REFERENCE CHART	H
1	2080040	3	Fastener	
2	2080057	4	Fastener	
3	8990147	1	Holder, Manual	
100	1001239270	1	Master Decal Kit	D
101	1701504	1	Decal - Hydraulic Oil	
102	1701640	1	Decal - Manual	
103	1703819	4	Decal - Direction Arrow	
104	1001248126	1	Decal - Manual Descent Instructions	
105	1704016	2	Decal - Fork Lift	
106	1704277	4	Decal - Lanyard Attach	
107	1704412	1	Decal - Hydraulic Oil	
108	1001132359	1	Decal - Control Box Locate	
109	1001162864	2	Decal - Lift Point/Tie Down	
110	1001212290	1	Decal - Tie Down	
111	1001212291	2	Decal - Lifting Lug	
112	1001237899	1	Decal - Arms Prop	
201	1702155	1	Decal - Battery Disconnect	
202	1703816	1	Decal - Danger/Warning	
203	1001146794	1	Decal - Battery/Charger Service	
204	1001211777	4	Decal - Crushing Hazard	
205	1001211779	4	Decal - Electrocution	
206	1001212292	1	Decal - No Lifting	
207	1001212293	1	Decal - No Forklift	
208	1001237538	1	Decal - Battery Spacer	
209	1703813	2	Decal - Warning Battery Ventilation	
211	1001131270	1	Decal - Patent	
212	1001223055	1	Decal - Yearly Inspection	
214	1001228370	1	Decal - ICES	
215	1001231801	1	Decal - Warning Prop 65	

SECTION 8 - DECALS

FIGURE 8-2. DECAL INSTALLATION (AUSTRALIAN SPECS)



SECTION 8 - DECALS

FIGURE 8-2. DECAL INSTALLATION (AUSTRALIAN SPECS)

ITEM	PART NUMBER	QTY	DESCRIPTION	REV
	1001238021	Ref	DECAL INSTALLATION (ENGLISH LANGUAGE)	C
	1001237749	Ref	DECAL REFERENCE CHART	H
1	2080040	3	Fasteners	
2	2080057	4	Fasteners	
3	8990147	1	Holder, Manual	
100	1001239270	1	Master Decal Kit	D
101	1701504	1	Decal - Hydraulic Oil	
102	1701640	1	Decal - Manual	
103	1703819	4	Decal - Direction Arrow	
104	1001248126	1	Decal - Manual Descent Instructions	
105	1704016	2	Decal - Fork Lift	
106	1704277	4	Decal - Lanyard Attach Graphic	
107	1704412	1	Decal - Hydraulic Oil	
108	1001132359	1	Decal - Control Box Locate	
109	1001162864	2	Decal - Lift Point/Tie Down	
110	1001212290	1	Decal - Tie Down	
111	1001212291	2	Decal - Lifting Lug	
112	1001237899	1	Decal - Arms Prop	
201	1702155	1	Decal - Battery Disconnect	
203	1001146794	1	Decal - Battery/Charger Service	
204	1705673	4	Decal - Crushing	
205	1705671	5	Decal - Electrocution	
206	1001212292	1	Decal - No Lifting	
207	1001212293	1	Decal - No Forklift	
208	1001237538	1	Decal - Battery Spacer	
209	1705670	2	Decal - Fire Hazard	

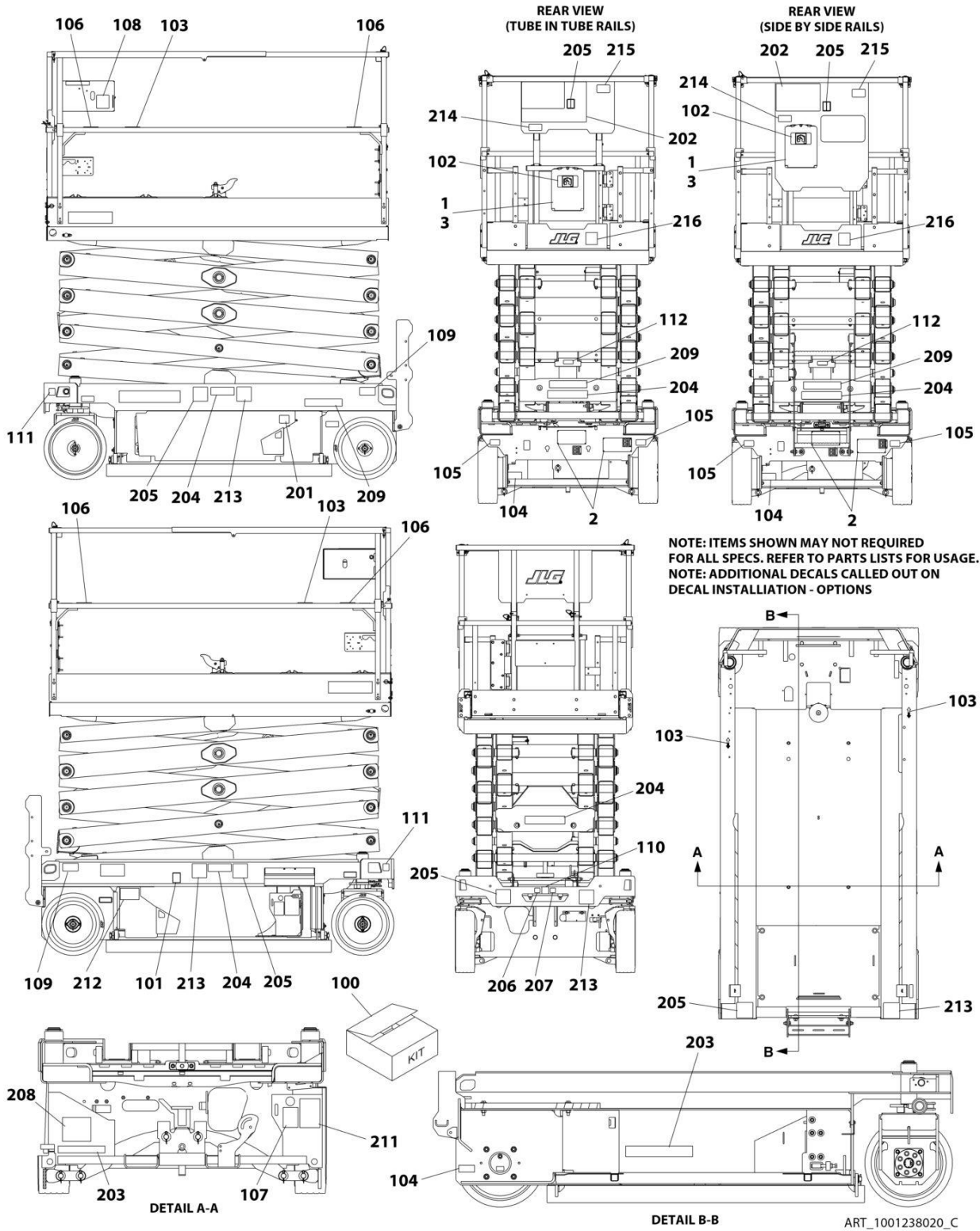
SECTION 8 - DECALS

FIGURE 8-3. DECAL INSTALLATION (BRAZIL SPECS)

ITEM	PART NUMBER	QTY	DESCRIPTION	REV
	1001238017	Ref	DECAL INSTALLATION (SPANISH/PORTUGUESE LANGUAGE)	C
	1001237749	Ref	DECAL REFERENCE CHART	H
1	2080040	3	Fastener	
2	2080057	4	Fastener	
3	8990147	1	Holder, Manual	
100	1001239270	1	Master Decal Kit	D
101	1701504	1	Decal - Hydraulic Oil	
102	1701640	1	Decal - Manual	
103	1703819	4	Decal - Direction Arrow	
104	1001248126	1	Decal - Manual Descent Instructions	
105	1704016	2	Decal - Fork Lift	
106	1704277	4	Decal - Lanyard Attach	
107	1704412	1	Decal - Hydraulic Oil	
108	1001132359	1	Decal - Control Box Locate	
109	1001162864	2	Decal - Lift Point/Tie Down	
110	1001212290	1	Decal - Tie Down	
111	1001212291	2	Decal - Lifting Lug	
112	1001237899	1	Decal - Arms Prop	
201	1702155	1	Decal - Battery Disconnect	
202	1704699	1	Decal - Danger/Warning	
203	1001146794	1	Decal - Battery/Charger Service	
204	1001216650	4	Decal - Crushing Hazard	
205	1001215748	4	Decal - Electrocution	
206	1001212292	1	Decal - No Lifting	
207	1001212293	1	Decal - No Forklift	
208	1001237538	1	Decal - Battery Spacer	
209	1704341	2	Decal - Warning Battery Ventilation	
212	1001224052	1	Decal - Yearly Inspection	
213	1001216648	4	Decal - Danger Electrocution	

SECTION 8 - DECALS

FIGURE 8-4. DECAL INSTALLATION (CE & UK CA SPECS)



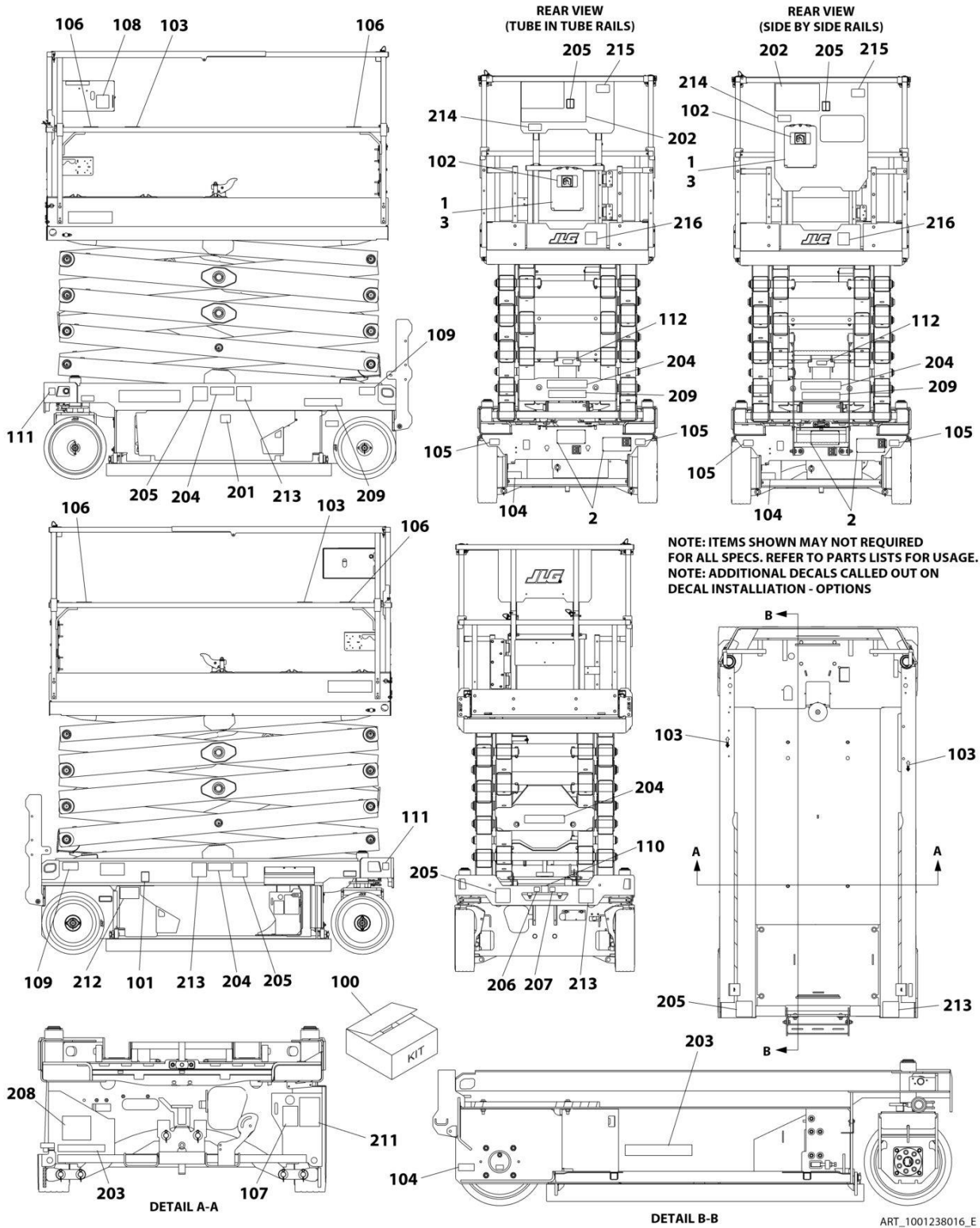
SECTION 8 - DECALS

FIGURE 8-4. DECAL INSTALLATION (CE & UK CA SPECS)

ITEM	PART NUMBER	QTY	DESCRIPTION	REV
	1001238020	Ref	DECAL INSTALLATION (ENGLISH LANGUAGE)	C
	1001237749	Ref	DECAL REFERENCE CHART	H
1	2080040	3	Fastener	
2	2080057	4	Fastener	
3	8990147	1	Holder, Manual	
100	1001239270	1	Master Decal Kit	D
101	1701504	1	Decal - Hydraulic Oil	
102	1701640	1	Decal - Manual	
103	1703819	4	Decal - Direction Arrow	
104	1001248126	1	Decal - Manual Descent Instructions	
105	1704016	2	Decal - Fork Lift	
106	1704277	4	Decal - Lanyard Attach	
107	1704412	1	Decal - Hydraulic Oil	
108	1001132359	1	Decal - Control Box Locate	
109	1001162864	2	Decal - Lift Point/Tie Down	
110	1001212290	1	Decal - Tie Down	
111	1001212291	2	Decal - Lifting Lug	
112	1001237899	1	Decal - Arms Prop	
201	1702155	1	Decal - Battery Disconnect	
203	1001146795	1	Decal - Battery/Charger Service	
204	1705673	4	Decal - Crushing	
205	1705671	5	Decal - Electrocution	
206	1001212292	1	Decal - No Lifting	
207	1001212293	1	Decal - No Forklift	
208	1001237538	1	Decal - Battery Spacer	
209	1705670	2	Decal - Fire Hazard	

SECTION 8 - DECALS

FIGURE 8-5. DECAL INSTALLATION (CHINA SPECS)



SECTION 8 - DECALS

FIGURE 8-5. DECAL INSTALLATION (CHINA SPECS)

ITEM	PART NUMBER	QTY	DESCRIPTION	REV
	1001238016	Ref	DECAL INSTALLATION (ENGLISH/CHINESE LANGUAGE)	E
	1001237749	Ref	DECAL REFERENCE CHART	H
1	2080040	3	Fastener	
2	2080057	4	Fastener	
3	8990147	1	Holder, Manual	
100	1001239270	1	Master Decal Kit	D
101	1701504	1	Decal - Hydraulic Oil	
102	1701640	1	Decal - Manual	
103	1703819	4	Decal - Direction Arrow	
104	1001248126	1	Decal - Manual Descent Instructions	
105	1704016	2	Decal - Fork Lift	
106	1704277	4	Decal - Lanyard Attach	
107	1704412	1	Decal - Hydraulic Oil	
108	1001132359	1	Decal - Control Box Locate	
109	1001162864	2	Decal - Lift Point/Tie Down	
110	1001212290	1	Decal - Tie Down	
111	1001212291	2	Decal - Lifting Lug	
112	1001237899	1	Decal - Arms Prop	
201	1702155	1	Decal - Battery Disconnect	
202	1705195	1	Decal - Danger/Warning	
203	1001146794	1	Decal - Battery/Charger Service	
204	1001215752	4	Decal - Crushing Hazard	
205	1001211779	4	Decal - Electrocution	
206	1001212292	1	Decal - No Lifting	
207	1001212293	1	Decal - No Forklift	
208	1001237538	1	Decal - Battery Spacer	
209	1704344	2	Decal - Warning Battery Ventilation	
212	1001224051	1	Decal - Yearly Inspection	
213	1001215747	4	Decal - Danger Electrocution	
216	1001244298	1	Decal - Wechat QR Code	

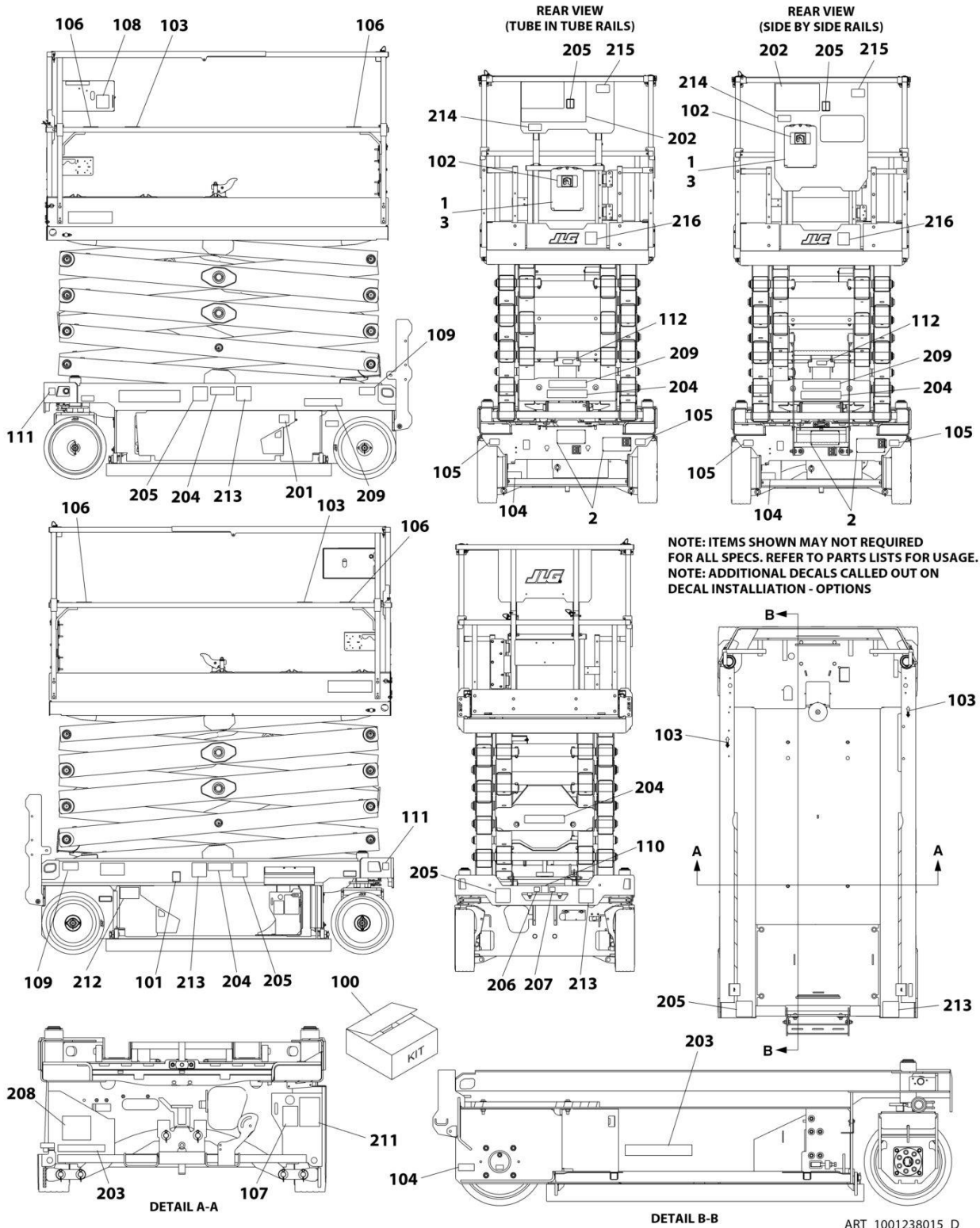
SECTION 8 - DECALS

FIGURE 8-6. DECAL INSTALLATION (CSA SPECS)

ITEM	PART NUMBER	QTY	DESCRIPTION	REV
	1001238019	Ref	DECAL INSTALLATION (ENGLISH/FRENCH LANGUAGE)	D
	1001237749	Ref	DECAL REFERENCE CHART	H
1	2080040	3	Fastener	
2	2080057	4	Fastener	
3	8990147	1	Holder, Manual	
100	1001239270	1	Master Decal Kit	D
101	1701504	1	Decal - Hydraulic Oil	
102	1701640	1	Decal - Manual	
103	1703819	4	Decal - Direction Arrow	
104	1001248126	1	Decal - Manual Descent Instructions	
105	1704016	2	Decal - Fork Lift	
106	1704277	4	Decal - Lanyard Attach	
107	1704412	1	Decal - Hydraulic Oil	
108	1001132359	1	Decal - Control Box Locate	
109	1001162864	2	Decal - Lift Point/Tie Down	
110	1001212290	1	Decal - Tie Down	
111	1001212291	2	Decal - Lifting Lug	
112	1001237899	1	Decal - Arms Prop	
201	1702155	1	Decal - Battery Disconnect	
202	1704684	1	Decal - Danger/Warning	
203	1001146794	1	Decal - Battery/Charger Service	
204	1001215755	4	Decal - Crushing Hazard	
205	1001211779	4	Decal - Electrocution	
206	1001212292	1	Decal - No Lifting	
207	1001212293	1	Decal - No Forklift	
208	1001237538	1	Decal - Battery Spacer	
209	1704340	2	Decal - Warning Battery Ventilation	
211	1001131270	1	Decal - Patent	
212	1001223971	1	Decal - Yearly Inspection	
213	1001215749	4	Decal - Danger Electrocution	
214	1001228370	1	Decal - ICES	
215	1001231801	1	Decal - Warning Prop 65	

SECTION 8 - DECALS

FIGURE 8-7. DECAL INSTALLATION (KOREAN SPECS)



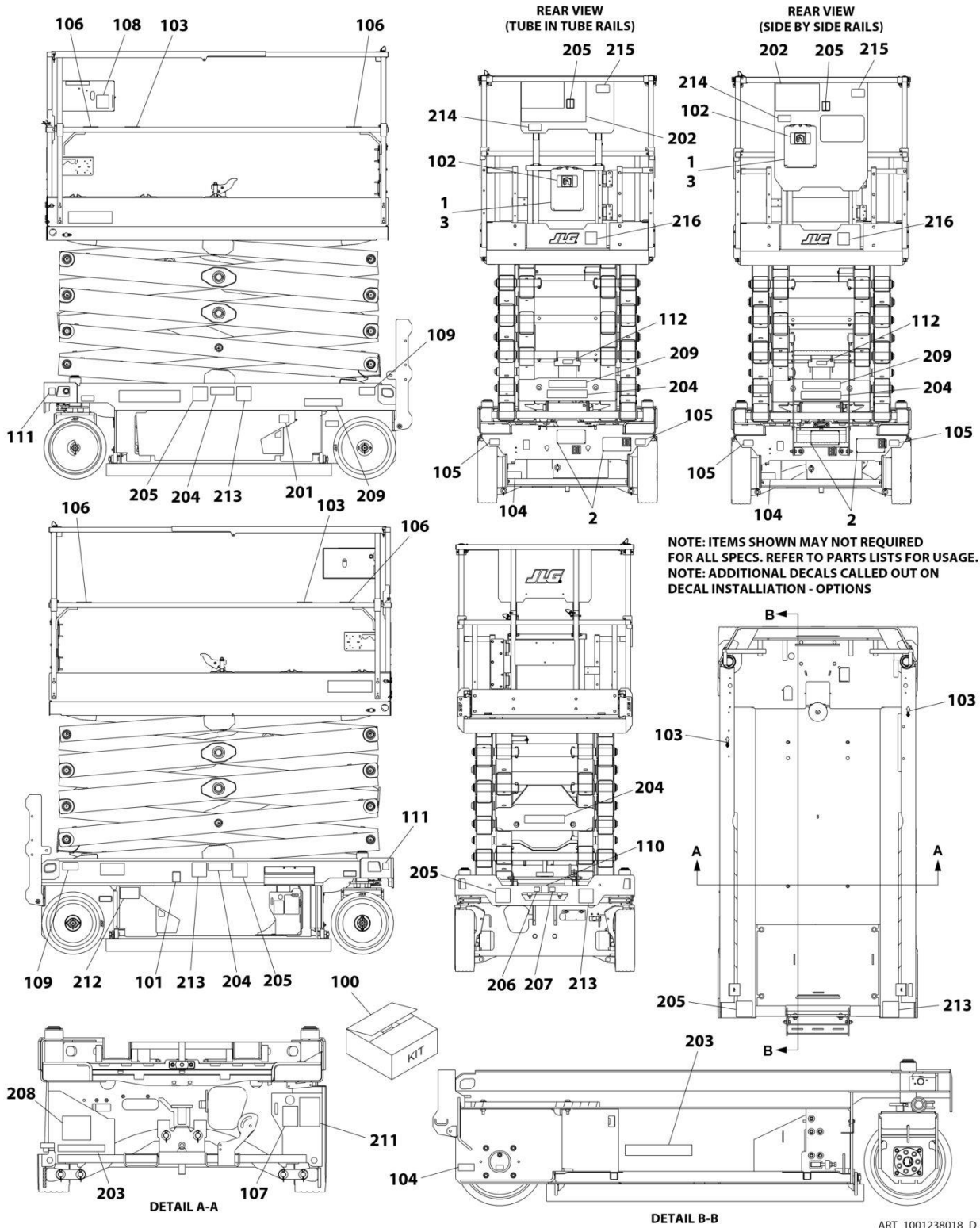
SECTION 8 - DECALS

FIGURE 8-7. DECAL INSTALLATION (KOREAN SPECS)

ITEM	PART NUMBER	QTY	DESCRIPTION	REV
	1001238015	Ref	DECAL INSTALLATION (ENGLISH/KOREAN LANGUAGES)	D
	1001237749	Ref	DECAL REFERENCE CHART	H
1	2080040	3	Fastener	
2	2080057	4	Fastener	
3	8990147	1	Holder, Manual	
100	1001239270	1	Master Decal Kit	D
101	1701504	1	Decal - Hydraulic Oil	
102	1701640	1	Decal - Manual	
103	1703819	4	Decal - Direction Arrow	
104	1001248126	1	Decal - Manual Descent Instructions	
105	1704016	2	Decal - Fork Lift	
106	1704277	4	Decal - Lanyard Attach	
107	1704412	1	Decal - Hydraulic Oil	
108	1001132359	1	Decal - Control Box Locate	
109	1001162864	2	Decal - Lift Point/Tie Down	
110	1001212290	1	Decal - Tie Down	
111	1001212291	2	Decal - Lifting Lug	
112	1001237899	1	Decal - Arms Prop	
201	1702155	1	Decal - Battery Disconnect	
202	1001162115	1	Decal - Danger/Warning	
203	1001146794	1	Decal - Battery/Charger Service	
204	1001215751	4	Decal - Crushing Hazard	
205	1001211779	4	Decal - Electrocution	
206	1001212292	1	Decal - No Lifting	
207	1001212293	1	Decal - No Forklift	
208	1001237538	1	Decal - Battery Spacer	
209	1707022	2	Decal - Warning Battery Ventilation	
212	1001224048	1	Decal - Yearly Inspection	
213	1001215750	4	Decal - Danger Electrocution	

SECTION 8 - DECALS

FIGURE 8-8. DECAL INSTALLATION (LATIN AMERICAN SPECS)



ART_1001238018_D

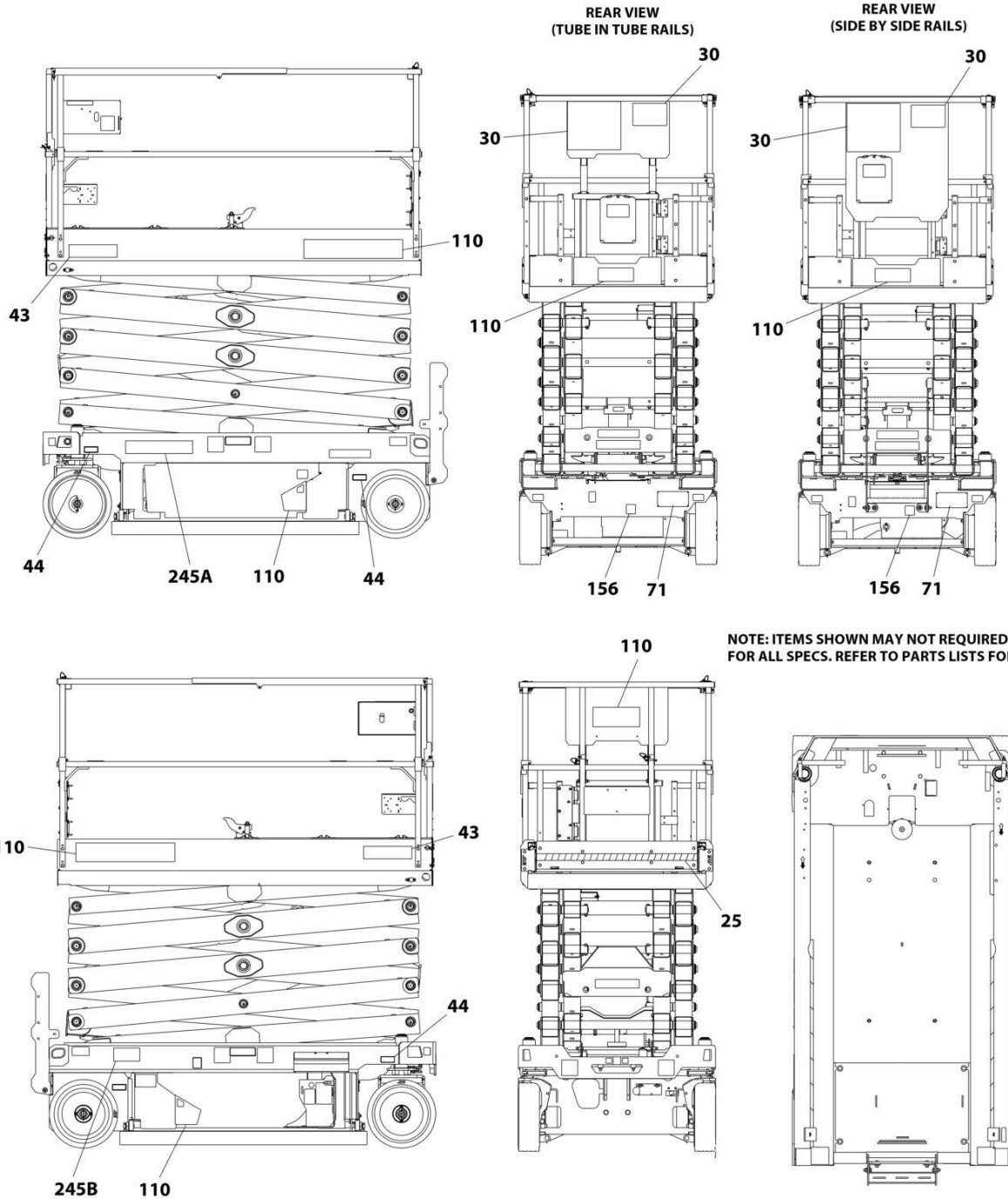
SECTION 8 - DECALS

FIGURE 8-8. DECAL INSTALLATION (LATIN AMERICAN SPECS)

ITEM	PART NUMBER	QTY	DESCRIPTION	REV
	1001238018	Ref	DECAL INSTALLATION (ENGLISH/SPANISH LANGUAGES)	D
	1001237749	Ref	DECAL REFERENCE CHART	H
1	2080040	3	Fastener	
2	2080057	4	Fastener	
3	8990147	1	Holder, Manual	
100	1001239270	1	Master Decal Kit	D
101	1701504	1	Decal - Hydraulic Oil	
102	1701640	1	Decal - Manual	
103	1703819	4	Decal - Direction Arrow	
104	1001248126	1	Decal - Manual Descent Instructions	
105	1704016	2	Decal - Fork Lift	
106	1704277	4	Decal - Lanyard Attach	
107	1704412	1	Decal - Hydraulic Oil	
108	1001132359	1	Decal - Control Box Locate	
109	1001162864	2	Decal - Lift Point/Tie Down	
110	1001212290	1	Decal - Tie Down	
111	1001212291	2	Decal - Lifting Lug	
112	1001237899	1	Decal - Arms Prop	
201	1702155	1	Decal - Battery Disconnect	
202	1704691	1	Decal - Danger/Warning	
203	1001146794	1	Decal - Battery/Charger Service	
204	1001215754	4	Decal - Crushing Hazard	
205	1001211779	4	Decal - Electrocution	
206	1001212292	1	Decal - No Lifting	
207	1001212293	1	Decal - No Forklift	
208	1001237538	1	Decal - Battery Spacer	
209	1704339	2	Decal - Warning Battery Ventilation	
212	1001224049	1	Decal - Yearly Inspection	
213	1001215748	4	Decal - Danger Electrocution	

SECTION 8 - DECALS

FIGURE 8-9. DECAL INSTALLATION - OPTIONS



ART_DECAL_OPTIONS

SECTION 8 - DECALS

FIGURE 8-9. DECAL INSTALLATION - OPTIONS

ITEM	PART NUMBER	QTY	DESCRIPTION	REV
		Ref	DECAL INSTALLATION - OPTIONS:	
25	1001217894	Ref	Corner Stripes Installation	B
25	4420051	62 in/ 156cm	Tape, Safety	
30		Ref	Decal - Capacity Options	
30	1001237115	1	Decal - Capacity (705 LB/ 320 KG)	
30	1001245409	1	Decal - Capacity (with Dual Languages)	
30	1001237115	1	Decal - Capacity (705 LB/ 320 KG)	
30	1001216865	1	Plate, Decal Mounting (Not Shown)	
30	1001249042	1	Decal - Capacity (705 LB/ 320 KG) (Australian Specs)	
43	1001257175	2	Decal - Model Designation - R3246	
44	1706312	4	Decal - Maximum Tire Load	
71	See Note	NSS	Decal - Manufacturing Serial Number (Note: Not Available for Purchase)	
110A	1001255102	Ref	JLG Decal Installation (All Specs Except China Specs)	A
110A	1001255104	1	Decal - Door (RH)	
110A	1001255105	1	Decal - Door (LH)	
110A	1001256675	1	Decal - JLG (3-5/16 Wide)	
110A	1001256676	1	Decal - JLG (2-5/8 Wide)	
110B	1001287764	1	Decal - JLG (China Specs)	
110B	1001255104	1	Decal - Door (RH)	
110B	1001255105	1	Decal - Door (LH)	
110B	1001287763	1	Decal - Gate	
110B	1001288432	2	Decal - Platform	
110B	1001288433	1	Decal - Billboard	
156	1001173703	1	Decal - EAC (Russian/CIS Specs)	
245	1001236984	Ref	ClearSky Decal Installation	B
245A	1001116208	1	Decal - ClearSky	
245B	1001120989	1	Decal - Radio Frequency	

SECTION 9 - RECOMMENDED SERVICE PARTS STOCK

SECTION 9 - RECOMMENDED SERVICE PARTS STOCK

SECTION 9 - RECOMMENDED SERVICE PARTS STOCK

FIGURE 9-1. RECOMMENDED SERVICE PARTS STOCK

ITEM	PART NUMBER	QTY	DESCRIPTION	REV
		Ref	Note: The following list will service one machine (built to current production per date on the front cover) with emergency repair parts which can be installed in the field. Parts from the list should be replaced when inventory is depleted to keep service parts stock supplied. For further information, contact your JLG dealer or the JLG Industries Parts Department.	
		Ref	STANDARD PARTS	
	70005423	6	Hydraulic Filter Service Kit	
	70006297	1	Coil	
	70005893	1	Coil	
	3740150	1	Relay	
	4360328	1	Switch, Toggle	
	4360469	1	Switch, Key	
	2860030	1	Key, Replacement	
	4360475	1	Switch, Mushroom	
	3080007	1	Magnet, Latch	
	1600402	1	Controller, Drive/Steer	
	4360345	1	Switch, Toggle	
	1001226749	1	Switch, Push Button	
	8229242	2	Fuse 5Amp	
	8229244	2	Fuse 15 Amp	
		Ref	VARIABLE PARTS	
	1001203871	1	Switch, Roller	
	1001186466	1	Sensor, Tilt	
	1001200629	1	Module, Control	
	1001216062	1	Module, Power	
	4360336	1	Switch, Toggle (Machines with Inverter)	
	1001225164	1	Sensor, Pressure Transducer	
	1001235104	1	Sensor, Pressure Transducer	
	1001228112	1	Module, Platform	
	1001181045	1	Breaker 30mAmp/16Amp (CE & UK CA Specs Machines)	
	1001189171	1	Breaker 30mAmp (CE & UK CA Specs Machines)	
	1001189172	1	Breaker 16Amp Double (CE & UK CA Specs Machines)	

SECTION 10 - SPECIAL OPTIONS/ACCESSORIES/KITS

SECTION 10 - SPECIAL OPTIONS/ACCESSORIES/KITS

SECTION 10 - SPECIAL OPTIONS/ACCESSORIES/KITS

FIGURE 10-1. SPECIAL OPTIONS/ACCESSORIES/KITS

ITEM	PART NUMBER	QTY	DESCRIPTION	REV
		Ref	Note: This list is to accommodate machines ordered with special equipment. Options may not be applicable to all models. For more specific parts information contact the JLG Parts Department.	
		Ref	MISCELLANEOUS SPECIAL OPTIONS/ACCESSORIES/KITS	
	1001236903	Ref	Antivandalism Package (Factory Installed)	
	1001249639	Ref	Antivandalism Add-on Kit (Dealer Installed)	
	1001255597	Ref	CAN Battery Charger Kit (Dealer Installed)	
		Ref	ClearSky Add-on Kit Options (Dealer Installed):	
	1001278848	Ref	ClearSky Add-on Kit - 3-Wire GT1030 (All Specs) (Dealer Installed)	
	1001265376	Ref	ClearSky Add-on Kit - Canbus (ANSI, ANSI Export & CSA Specs) (Dealer Installed):	
	1001237257	Ref	ClearSky Add-on Kit - Canbus (ANSI Export, CE & UK CA Specs) (Dealer Installed):	
	1001248502	Ref	ClearSky Add-on Kit - Canbus (Australian Specs) (Dealer Installed):	
	1001248503	Ref	ClearSky Add-on Kit - Canbus (China Specs) (Dealer Installed):	
	1001248689	Ref	ClearSky Add-on Kit - Access Control (Dealer Installed):	
		Ref	Decal Kit Options:	
	1001274826	Ref	Decal Kit - Master	
	1001291082	Ref	Drive Motor Covers installation	
	1001270276	Ref	Dual Rail R3246 GB Kit (China) (Dealer Installed)	
		Ref	Electrical Connector Kits	
	1001148902	Ref	Amp/Tyco Electrical Connector Kit	
	1001148903	Ref	Deutsch DT Electrical Connector Kit	
	1001148904	Ref	Deutsch HD Electrical Connector Kit	
	1001148905	Ref	Packard Electrical Connector Kit	
	1001148906	Ref	Various Electrical Connector Kit	
	1001284862	Ref	European Subassembly Kit (With Bucher Motor/Pump)	A
	1001245768	Ref	European Subassembly Kit (With Concentric Motor/Pump)	C
	1001218728	Ref	Fire Extinguisher Installation	
	1001248843	Ref	Foot Latch Add-on Kit (Dealer Installed)	
	1001236547	Ref	Footswitch Installation (Japanese & Korean Specs Only)	
	1001220933	Ref	Height Restrictor Switch Installation	
	1001249638	Ref	Inverter Add-on Kit (Dealer Installed)	
	1001250532	Ref	Mobile Control Add-on Kit (Dealer Installed)	
	1001229076	Ref	Noise Reduction Add-on Kit (Dealer Installed)	
	1001229728	Ref	Overhead Protection Add-on Kit (Dealer Installed)	
	1001281413	Ref	Panel Carrier Kit	
	1001270721	Ref	Pipe Racks Kit (Dealer Installed)	
	1001269651	Ref	Platform Control Box Cover Add-on Kit (Dealer Installed)	
	1001231309	Ref	Platform Extension Handles Add-on Kit (Dealer Installed)	
	1001262557	Ref	Platform Self Closing Gate Add-on Kit (Dealer Installed)	
	1001262558	Ref	Platform Self Closing Gate Add-on Kit (Dealer Installed)	
	1001234453	Ref	Remote Tow Installation	
	1001224583	Ref	Service Kits List	Y
	1001254721	Ref	SkySense Level 1 Add-on Kit (Dealer Installed)	
	1001254542	Ref	SkySense Level 2 Add-on Kit (Dealer Installed)	
	1001255669	Ref	SkySense Level 1 Installation (Factory Installed)	

SECTION 10 - SPECIAL OPTIONS/ACCESSORIES/KITS

ITEM	PART NUMBER	QTY	DESCRIPTION	REV
	1001255883	Ref	SkySense Level 2 Installation (Factory Installed)	
	1001249229	Ref	Strobe (Single) Light Add-on Kit (Dealer Installed)	
	1001249230	Ref	Strobe (Dual) Light Add-on Kit (Dealer Installed)	
	1001249326	Ref	Strobe (Dual) Light Add-on Kit (Dealer Installed)	
		Ref	Tools for Service	
	2901443	1	Analyzer Kit	
	1001232474	1	Benchtop Harness	
	8896941	1	Wire Stripper	
	7002821	1	Wire Crimper (To install wire ends to wires)	
	7002823	1	Pin/Socket Extractor - Universal (To Remove Pins/Sockets from Connectors)	
	4460467	1	Extractor - 16-18 Gauge (For Removal Pins/Sockets from Deutsch Connectors)	
	4460510	1	Extractor - 12-14 Gauge (For Removal of Pins/Sockets from Deutsch Connectors)	
	1001301945	1	Rail (Spare Service) Kit	
	1001306722	1	Rail (Spare Service) Kit (S138)	
	7002822	1	Screwdriver, Potentiometer (To Adjust Drive Controllers)	
	7016654	1	Screwdriver, Magnetic	
	7004275	1	Seal Installation Tool - 1in	
	7004276	1	Seal Installation Tool - 1-1/2in	
	7002826	1	Seal Installation Tool - 2in	
	1001264614	Ref	Tool Tray	
	1001262959	Ref	Voltage Regulator Location Add-on Kit (Dealer Installed)	
	1001281944	Ref	White Noise Alarm Kit	
	1001281416	Ref	Worklight Kit	

SECTION 10 - SPECIAL OPTIONS/ACCESSORIES/KITS

PART NUMBER INDEX

SECTION 10 - SPECIAL OPTIONS/ACCESSORIES/KITS

0100011....13, 15, 21, 23, 25, 27, 29, 31, 49, 51, 79, 117, 119, 121, 123, 125	0760810. 49, 51, 63, 117, 119, 123, 125, 153	1001132359 285, 287, 289, 291, 293, 295, 297, 299	1001196635.....63
0100051....67, 69, 71, 73, 75	0760812 61	1001132361 129, 131	1001197396..... 13
0140030.....129, 131	0760820 153	1001134280 225	1001200561.....25
0140043.....55, 59	0760827 49	1001134821 135	1001200629... 55, 57, 304
0240054.....165	0761012 49, 51	1001136757 77	1001200631..... 55, 57
0275216.....183, 273	0761014 117, 119	1001137675 ... 84, 88, 93, 99, 105, 117, 119, 125	1001200632..... 65
0275217185, 275	0761015 43	1001139000 ... 84, 88, 93, 99, 105	1001200812.....249, 257
0275452.....187, 277	0761019 13, 121	1001139002 ... 84, 88, 93, 99, 105	1001200819.....129, 267
0275453.....189, 279	0761221 79	1001139003 ... 84, 88, 93, 99, 105	1001201708.... 67, 69, 71, 73, 75
0275454.....191, 281	0861731 ... 271, 277, 279, 281	1001142173 77	1001201711.... 67, 69, 71, 73, 75
0440223.....145, 161	0861781 273, 275	1001142174 77	1001201885.....227, 267, 269
0440259.....13, 171	0861880 199	1001143009 77	1001202184.....253, 259
0440263.....21	0961948 169	1001143010 77	1001202773..... 15
0440264..85, 89, 94, 100, 106	0962272. 85, 89, 94, 100, 106	1001143501 175, 177	1001202851..... 49, 51
0440265..85, 89, 94, 100, 106	1001047064 129, 131	1001144147 . 61, 63, 243, 247	1001202987.....21
0480100.....137, 139	1001091102... 21, 33, 35, 37, 39, 55, 59	1001144295 228	1001202988.....21
0630587....55, 57, 59, 77	1001097150 197, 203	1001144296 228	1001202999.....21
0630613.....43, 79, 109	1001097347 241, 243	1001146794 285, 287, 289, 293, 295, 297, 299	1001203450..... 49, 51
0700412.....55, 59	1001100341 273	1001146795 291	1001203835..... 175, 177
0700608.....165	1001100342 275	1001146963 ... 84, 88, 93, 99, 105	1001203869.....21
0700610....84, 88, 93, 99, 105, 145, 161	1001100345 277	1001148902 306	1001203870.....21
0700612....21, 23, 31, 63, 84, 88, 93, 99, 105	1001100346 281	1001148903 306	1001203871.....21, 304
0700616.....141	1001100347 279	1001148904 306	1001203872.....21
070061755, 57	1001101540 77	1001148905 306	1001204495.....41
0700618.....123	1001102258 181, 183, 185, 187, 189, 191, 193, 195, 197	1001148906 306	1001204719.....49
0700621123, 127	1001102489 209, 211, 213, 215, 217, 219, 221, 223	1001151629 227	1001205345..... 84, 88
0700814....84, 88, 93, 99, 105, 183, 185, 187, 189, 191, 197, 225	1001102771 205, 207	1001152266 228	1001205409..... 63, 227
0700815.....21	1001103012 228, 245	1001152483 201	1001205410.....227
070081779, 137, 139	1001103013 245	1001154378 121, 123	1001205411.....227
0700818....121, 123, 125, 127	1001103471 197, 225	1001157050 159	1001205412.....227
070081949, 51, 113, 115, 125, 135	1001104498 228, 245	1001157547 77	1001205422..... 117, 119
0700820.....115	1001110302 21	1001159186 227, 267, 269	1001205430..... 117, 119
0700823.....21	1001112112 71	1001162115 297	1001205598..... 31
0700825.....49, 51	1001113961 227	1001162864 285, 287, 289, 291, 293, 295, 297, 299	1001205751..... 13
0700835.....129, 131	1001116208 301	1001163340 63, 227, 245	1001206995.....29
0701015....79, 84, 88, 93, 99, 105	1001116731 243, 245	1001173703 301	1001207009.....25, 27
0701018....84, 88, 93, 99, 105	1001116732 241, 243	1001180205 165	1001207293.....65
0701019....109, 125, 141	1001116812. 61, 63, 205, 207, 227	1001181045 199, 304	1001207494..... 55, 57
0701021....84, 88, 93, 99, 105	1001117057 241, 243	1001182806 41	1001207970.....211
0701024....84, 88, 93, 99, 105, 109	1001118274 61, 63	1001182864 41	1001207973.....223
0701219....84, 88, 93, 99, 105	1001118812 61, 247	1001186466 23, 304	1001207974.....209, 215, 217, 219, 221, 225
0760310.....263	1001120204 183, 185, 187, 189, 191	1001187587 121, 123, 125	1001208852..... 117, 119
0760408....181, 183, 185, 187, 189, 191, 193	1001120205 199, 201	1001187816 193	1001209482..... 187, 189, 201
0760608.....121, 151	1001120989 301	1001188116 193	1001209596..... 129
0760610....45, 55, 57, 77, 129, 131, 135, 151, 197	1001125483 77	1001189171 201, 304	1001209682.....55, 57
0760612....25, 27, 29, 41	1001125677 61, 228, 247	1001189172 201, 304	1001209776..... 183, 185, 191, 199
	1001125927 203	1001189762 145, 159, 161	1001210064..... 117, 119
	1001128888 ... 84, 88, 93, 99, 105	1001192401 61, 228	1001210079..... 61
	1001130220 ... 25, 27, 29, 31, 45, 55, 57, 84, 88, 93, 99, 105, 129, 131	1001194421 267, 269	1001210302..... 121, 123
	1001130590 55, 57	1001196589 228	1001210401.... 67, 69, 71, 73, 75
	1001131270 285, 295	1001196634 207, 239	1001210440.....77
	1001132358 129, 131		1001210586..... 121, 123
			1001210605.....77
			1001210878.....77
			1001210879.....77
			1001210881.....77
			1001210882.....77
			1001210966.....55, 57
			1001210967.....77

SECTION 10 - SPECIAL OPTIONS/ACCESSORIES/KITS

1001211777 285	1001220410..... 135	1001234094.....253	1001236486 ... 85, 89, 94, 100, 106
1001211779 285, 293, 295, 297, 299	1001220893..... 129, 131	1001234095.....251	1001236487 ... 85, 89, 94, 100, 106
1001212035 267, 269	1001220933..... 306	1001234096.....255	1001236488 ... 85, 89, 94, 100, 106
1001212036 267, 269	1001220995..... 135	1001234141..... 121	
1001212187 19	1001221244..... 141	1001234142..... 121	
1001212290 285, 287, 289, 291, 293, 295, 297, 299	1001221275..... 141	1001234204....84, 93, 99, 105	1001236531 45
1001212291 285, 287, 289, 291, 293, 295, 297, 299	1001221276..... 141	1001234266..... 121	1001236547 306
1001212292 285, 287, 289, 291, 293, 295, 297, 299	1001221949..... 213	1001234267..... 121	1001236621 137
1001212293 285, 287, 289, 291, 293, 295, 297, 299	1001222861..... 123	1001234268..... 121, 123	1001236632 69
1001212294 49, 51	1001222869..... 123	1001234316..... 13	1001236800 175, 177
1001213415 121	1001222914..... 141	1001234317..... 43	1001236801 175, 177
1001213416 121	1001223053..... 123	1001234336..... 113	1001236802 175, 177
1001213448 228	1001223055..... 285	1001234380..... 113	1001236803 175, 177
1001213470 117	1001223165..... 123	1001234381..... 117	1001236804 175, 177
1001213597 21	1001223262..... 255	1001234382..... 121	1001236806 175, 177
1001213838 117, 119	1001223263..... 251	1001234383..... 123	1001236807 175, 177
1001213886 129, 131	1001223650..... 257	1001234407..... 117, 119	1001236808 175, 177
1001213915 123	1001223651..... 259	1001234453..... 306	1001236809 175, 177
1001213916 123	1001223971..... 295	1001234628..... 49, 51	1001236903 306
1001213928 19	1001224048..... 297	1001234629..... 49, 51	1001236968 45
1001213931 123	1001224049..... 299	1001234631..... 249, 251, 253, 255, 261, 263	1001236984 301
1001214217 23	1001224051..... 293	1001234797 21	1001237115 301
1001214229 137	1001224052..... 289	1001234798 21	1001237211 245
1001214347 73	1001224583..... 306	1001234838..... 13	1001237212 245
1001214526 21	1001225164.... 84, 88, 93, 99, 105, 304	1001234842..... 43	1001237213 245
1001214528 21	1001226277..... 141	1001234858..... 79	1001237257 306
1001214534 21	1001226636..... 243, 245	1001234862..... 79	1001237400 181
1001214689 ... 84, 88, 93, 99, 105	1001226637..... 243, 245	1001235008..... 55	1001237401 195
1001214810 79	1001226749..... 129, 131, 304	1001235104... 84, 88, 304	1001237538 285, 287, 289, 291, 293, 295, 297, 299
1001215216 35, 39	1001226901..... 141	1001235106..... 67	1001237749 285, 287, 289, 291, 293, 295, 297, 299
1001215434 49, 51	1001227219..... 225	1001235286..... 123	1001237824 ... 85, 89, 94, 100, 106
1001215446 127	1001227219..... 225	1001235287 123, 125	1001237887 57
1001215747 293	1001227267..... 197, 225	1001235498..... 137	1001237899 285, 287, 289, 291, 293, 295, 297, 299
1001215748 289, 299	1001227268..... 197	1001235509..... 137	1001237911 123
1001215749 295	1001227269..... 203	1001235559..... 55, 57	1001237989 71
1001215750 297	1001227728..... 141	1001235560..... 127	1001237991 73
1001215751 297	1001227855..... 21	1001235561 127	1001238014 285
1001215752 293	1001228112..... 131, 304	1001235590..... 113, 115	1001238015 297
1001215754 299	1001228123.... 67, 69, 71, 73, 75	1001235834..... 67	1001238016 293
1001215755 295	1001228184..... 141	1001235863..... 151	1001238017 289
1001215762 55, 57	1001228191..... 203	1001235941..... 137, 139	1001238018 299
1001215953 21	1001228370..... 285, 295	1001235954..... 77	1001238019 295
1001216062 .. 55, 57, 304	1001228388..... 205	1001235955..... 43	1001238020 291
1001216180 69	1001229076..... 306	1001235959..... 121	1001238021 287
1001216648 289	1001229076..... 306	1001235960..... 123	1001238130 187
1001216650 289	1001229110.... 67, 69, 71, 73, 75	1001236132..... 77	1001238131 189
1001216865 301	1001229728..... 306	1001236139.... 25, 27, 29, 31	1001238132 191
1001217059 23	1001229739..... 123	1001236144..... 233, 237	1001238133 183
1001217164 199, 201	1001229740..... 123	1001236165.... 84, 88, 93, 99, 105	1001238134 185
1001217457 ... 84, 88, 93, 99, 105	1001229741..... 123	1001236167.... 85, 88, 93, 99, 105	1001238135 193
1001217894 301	1001229742..... 123	1001236169.... 85, 88, 93, 99, 105	1001238198 183, 185, 187, 189, 191, 197
1001218285 129, 131	1001229792..... 79	1001236170.... 85, 89, 93, 99, 105	1001238392 61
1001218307 21	1001231309..... 306	1001236171.... 85, 89, 94, 99, 106	1001238684 ... 85, 89, 94, 100, 106
1001218573 79	1001231801..... 285, 295	1001236172.... 85, 89, 94, 100, 106	1001238762 245
1001218728 306	1001232474..... 307	1001236269.... 85, 89, 94, 100, 106	1001238845 237, 245
1001220409 135	1001232586..... 153	1001236348... 85, 94, 100	1001238955 245
	1001232622..... 123, 125		1001238956 245
	1001233449..... 13, 171		
	1001233795.... 84, 88, 93, 99, 105, 265		
	1001234006..... 121, 123		
	1001234007..... 121, 123		
	1001234008..... 121, 123		
	1001234093..... 249		

SECTION 10 - SPECIAL OPTIONS/ACCESSORIES/KITS

1001239224.....33, 35, 37, 39	1001248126..... 285, 287, 289, 291, 293, 295, 297, 299	100126325829	1001273957..... 143, 147, 149, 163
1001239269.....69, 71, 73, 75	1001248502 306	100126325931	1001273958..... 143
1001239270.....285, 287, 289, 291, 293, 295, 297, 299	1001248503 306	1001263294 223	1001273959..... 147, 149, 165
100123938659	1001248631 209	1001263295 225	1001273960..... 145
1001239389261	1001248632 211	1001264614 307	1001273961..... 153
1001239479.....85, 89, 94, 100, 106	1001248634 213	1001265376 306	1001273962..... 153
100123966137, 39	1001248679 49, 51, 53	1001269236 119	1001273964..... 153
1001239892 109	1001248689 306	1001269279 115	1001273967..... 153
1001239894 109	1001248768 63	1001269286 115	1001273968..... 151
1001239899 109	1001248773 61	1001269287 125	1001273970..... 151
1001239904 109	1001248843 306	1001269291 125	1001274026..... 153
1001239943 109	1001249042 301	1001269292 125	1001274168..... 157
1001241662.....85, 89, 94, 100, 106	1001249054 75	1001269293 125	1001274559... 55, 57, 131
1001241663.....85, 89, 94, 100, 106	1001249229 307	1001269373 88	1001274604..... 129
1001241664.....85, 89, 94, 100, 106	1001249230 307	1001269377 89	1001274605..... 129
1001241665.....85, 89, 94, 100, 106	1001249326 307	1001269401 115	1001274613..... 131
1001241666.....85, 89, 94, 100	1001249638 306	1001269477 125	1001274659..... 129
1001241667.....85, 89, 94, 100, 106	1001249639 306	1001269480 51	1001274660..... 131
1001241668.....85, 89, 94, 100, 106	1001249890 225	1001269496 125	1001274661..... 155
1001241669..85, 94, 100, 106	1001250532 306	1001269585 125	1001274666..... 131
1001241670.....85, 89, 94, 100	1001251144 235	1001269586 125	1001274661..... 155
1001241671.....85, 89, 94, 100, 106	1001251146 233	1001269587 125	1001274826..... 306
100124253937, 39	1001251855 165	1001269588 125	1001274837..... 143, 163
100124269737	1001252626 145, 161	1001269590 125	1001274838..... 145, 161
100124298833	1001253726 151	1001269591 125	1001275538..... 165
100124298935	1001253800 157	1001269592 125	1001275539..... 151
100124299039	1001253952 27	1001269593 125	1001275631..... 143, 163
1001243348.....85, 89, 94, 100, 106	1001254026 233, 235, 243	1001269594 125	1001278513..... 231, 241
1001244298293	1001254027 . 27, 61, 233, 235, 247	1001269595 125	1001278847..... 231
1001244323197	1001254028 27, 205, 207	1001269598 125	1001278848..... 306
100124439463	1001254542 306	1001269600 125	1001281413..... 306
100124441784, 88, 94, 100, 106, 169	1001254721 306	1001269651 306	1001281416..... 307
100124488563	1001255102 301	1001269656 125	1001281944..... 307
1001244900 197	1001255104 301	1001269656 125	1001283410... 55, 59, 227
100124529363	1001255105 301	1001269701 125	1001284638..... 51, 177
100124529963	1001255597 306	1001269730 51	1001284862..... 306
100124535363	1001255669 306	1001269838 89	1001285320.94, 100, 106
1001245409301	1001255883 307	1001269943 269	1001285829.94, 100, 106
1001245739..... 197, 203	1001255901 239	1001269944 263	1001286794..... 93, 99
1001245743203	1001256642 25, 27	1001269946 269	1001287711..... 139
1001245744 197, 203	1001256643 29, 31	1001269947 263	1001287763..... 301
1001245747 197	1001256675 301	1001269949 263	1001287764..... 301
1001245768306	1001256676 301	1001269999 269	1001288432..... 301
1001246144233	1001257175 301	1001270025 263	1001288433..... 301
1001246145237	1001258356 61	1001270276 125, 306	1001288748..... 106
1001246531237	1001258446 129, 131	1001270443 263	1001289248..... 15, 17
1001247706 113	1001258498 75	1001270470 131	1001289975..... 105
100124770784, 88, 94, 100, 106	1001258691 61	1001270471 131	1001290405..... 15
	1001258768 215	1001270533 139	1001291082..... 306
	1001258770 217	1001270631 139	1001291630..... 131
	1001258771 219	1001270721 306	1001301945..... 307
	1001258772 221	1001270855 139	1001306722..... 307
	1001261131 157	1001271412 139	1001380008..... 49, 175
	1001262150 157	1001271839 106	1001380010..... 84
	1001262221 155	1001272456 106	1001380024..... 109
	1001262322 235	1001272659 231	1001380040..... 79
	1001262327 235	1001272997 239	1001380041..... 79
	1001262557 306	1001273012 231, 239	1001380042..... 79
	1001262558 306	1001273453 147, 149, 159	1001380058..... 21
	1001262558 306	1001273470 159	1060379.... 137, 139, 143, 145, 159, 161, 163, 165
	1001262655 129	1001273844 147	1060908..... 199, 201, 203
	1001262959 307	1001273845 149	1060998..... 67, 69, 71, 73, 75
	1001263256 25	1001273907 145, 147, 161	1061044..... 153
	1001263257 27	1001273909 145, 161	1062255..... 61, 233, 235, 237

SECTION 10 - SPECIAL OPTIONS/ACCESSORIES/KITS

1120555	143, 163	2700100	143, 163	3460334	143, 163	4240032	61, 231, 233, 235, 237
1320136	233, 235	2860030	55, 57, 304	3520072	109, 121, 123, 125, 145, 161	4240033	153
1321293 ...	25, 27, 29, 31, 77	2901443	307	3520176	165	4240147	21
1321752	49, 51	2902431	181, 271	3574505	151	4240164	165
1380132	127	3080007 ...	121, 123, 125, 304	3740150	55, 59, 77, 304	4240165	151
1380153	13	3121792	63	3760115	84, 88, 93, 99, 105	4340853	143, 163
1580023	143, 163	3252507 ...	185, 187, 189, 191, 193, 195	3760170	143, 145, 159, 161, 163, 165	4340854	143, 163
1580024	143, 163	3271805	159	3760217	13	4340947	145, 161
1600402 ...	129, 131, 133, 304	3290305 ...	33, 35, 37, 39, 263	3760387	84, 88, 93, 99, 105	4360328	55, 57, 304
1671207	271	3290405 ...	21, 55, 59, 77, 84, 88, 93, 99, 105,	3820019	127	4360336	77, 304
1701504 ...	285, 287, 289, 291, 293, 295, 297, 299	3290601	23, 197	3841143	79, 84, 88, 93, 99, 105	4360345	304
1701640 ...	285, 287, 289, 291, 293, 295, 297, 299	3290605 ...	25, 27, 29, 31, 41, 55, 57, 59, 63, 77, 84, 88, 93, 99, 105,	3841203	84, 88, 93, 99, 105	4360469	55, 57, 304
1702010	151	3290606 ...	121, 123, 127, 135, 141, 145, 151, 161, 165	3860104	84, 88, 93, 99, 105	4360475	55, 57, 129, 304
1702155 ...	285, 287, 289, 291, 293, 295, 297, 299	3290801	21, 49, 153	3860111	121, 127	4420037	151
1703464	181, 183	3290805 ...	21, 49, 51, 79, 84, 88, 93, 99, 105, 113, 115, 117, 119, 137, 139, 183, 185, 187, 189, 191, 197, 225	3900355	143, 163	4420051	301
1703813	285	3290806 ...	121, 123, 125, 127, 129, 131, 135	3900381	225	4420062 ...	49, 85, 93, 99, 105, 121, 123, 125, 129, 131, 137, 139
1703816	285	3291001	13	3910804	55, 57	4460019	227
1703819 ...	129, 131, 285, 287, 289, 291, 293, 295, 297, 299	3291005 .	43, 49, 79, 109, 117, 119	3931412	143, 163	4460042	227
1704016 ...	285, 287, 289, 291, 293, 295, 297, 299	3291006 ...	109, 121, 125, 141	3931508	143, 163	4460115	227
1704260	129, 131	3291007 ...	79, 84, 88, 93, 99, 105	3931820	159	4460138	181
1704277 ...	123, 125, 285, 287, 289, 291, 293, 295, 297, 299	3291008 ...	79, 84, 88, 93, 99, 105	3990001	207	4460183	267, 269
1704339	299	3291201	79	4010310	33, 35, 37, 39	4460226	227
1704340	295	3291207 ...	84, 88, 93, 99, 105	4010408	135, 197	4460227	25, 27, 205, 227
1704341	289	3321402 ...	84, 88, 93, 99, 105	4010608	84, 88, 93, 99, 105, 121, 123	4460234 ...	141, 233, 235, 237
1704344	293	3331211	15	4010610	183, 185, 187, 189, 191	4460247	227
1704412 ...	285, 287, 289, 291, 293, 295, 297, 299	3421453 ...	145, 161, 165	4010616	121	4460259	227
1704684	295	3422219 ...	121, 143, 145, 159, 161, 163	4010617	121, 123	4460260	227
1704691	299	3422426	115	4010618	121, 123	4460265	267, 269
1704699	289	3422661	137, 139	4031509	129, 131	4460267	267, 269
1705195	293	3422998 ...	84, 88, 93, 99, 105	4031511	21	4460315	181, 193
1705670	287, 291	3423037	13	4031512	84, 88, 93, 99, 105	4460320	227
1705671	287, 291	3423243	79	4031708	23, 31, 233, 235	4460346	271
1705673	287, 291	3423278	129, 131	4060803	129, 131	4460418	77, 227, 267, 269
1705985	159	3430636	21	4060906	129, 131	4460419	77
1705997	143, 163	3430813	117, 119	4060944	227	4460424	25, 27, 205
1706312	301	3430816	117, 119	4160078	84, 88, 93, 99, 105	4460464 ...	35, 39, 41, 61, 63, 77, 141, 205, 207, 227, 239, 241, 243, 245, 249, 251, 253, 255, 257, 259, 261, 263, 265, 267
1707022	297	3431212	21	4160202	21	4460465 ...	33, 35, 37, 39, 61, 63, 141, 205, 207, 227, 228, 241, 249, 251, 253, 255, 257, 259, 261, 263, 265
2080040 ...	117, 119, 121, 123, 125, 285, 287, 289, 291, 293, 295, 297, 299	3431218	21	4160214	79	4460466 .	61, 63, 77, 141, 205, 207, 227, 228, 243, 245, 247, 249, 251, 253, 255, 257, 259, 265, 267
2080057 ...	285, 287, 289, 291, 293, 295, 297, 299	3450303	79	4191706	145, 161, 165	4460467	307
2220372	175, 177	3450403	21, 117, 119	4220227	145, 161	4460496	129
2220373	175, 177	3450505	21	4240003	143, 145, 161, 163	4460497	129
2220375	175, 177	3450508	19	4240017	25, 27, 29, 31, 49, 51, 55, 57, 59, 63, 67, 69, 71, 73, 75, 77, 84, 88, 93, 99, 105, 141, 181, 183, 185, 187, 189, 191, 193, 195, 197, 209, 211, 213, 215, 217, 219, 221, 225, 249, 251, 253, 255, 257, 259, 261, 263	4460510	307
2220497	175, 177					4460536	141
2220502	175, 177					4460539 ...	228, 251, 255, 265
2220628	175, 177					4460662 ...	187, 189, 191, 271
2220883	169					4460754 ...	249, 251, 253, 255, 257, 259
2400060	63, 205, 207, 227						
2420172	55, 57						
2560088	127						
2560190	127						
2600281	121, 123, 125						

SECTION 10 - SPECIAL OPTIONS/ACCESSORIES/KITS

4460761.....227	4461258..... 183, 185	5272122 15	70007075.....171
4460871.....205, 207, 227	4711400 ... 143, 145, 161, 163	70000082 133	70007076.....171
4460872.....205, 207	4711700 129, 131	70000084 133	70007077.....171
4460877.....227	4711800 117, 119, 159	70000683 133	70007078.....171
4460884 61, 63, 207, 227, 241, 265	4740086..... 21	70000684 133	70007079.....171
4460891 33, 35, 37, 39, 141, 205, 207, 227, 228, 251, 255, 265	4740438 ... 84, 88, 93, 99, 105	70000685 133	70007080.....171
4460894.....227, 228, 249, 251, 253, 255, 261, 263	4740480 143, 163	70000686 133	70007593.....53
4460897 35, 39, 41, 77, 205, 207, 227, 251, 255	4740531 ... 84, 88, 93, 99, 105	70001250 133	70007594.....53
4460899.....249, 251, 253, 255, 257, 259, 261, 263	4811400 77, 129, 131, 135, 181, 183, 185, 187, 189, 191, 193, 197	70001251 133	70007595.....53
4460905.....205, 207, 227	4811700 ... 41, 55, 57, 59, 63, 77, 121, 123, 129, 131, 135, 151, 165, 183, 185, 187, 189, 191, 197, 233, 235	70001252 133	70007596.....53
4460930.....228	4811702 ... 21, 23, 25, 27, 29, 31, 45, 84, 88, 93, 99, 105, 127	70001253 133	70007597.....53
4460932 61, 63, 207, 239, 241, 243, 245	4811900 ... 21, 49, 51, 61, 63, 84, 88, 93, 99, 105, 113, 115, 117, 119, 121, 123, 125, 127, 129, 131, 183, 185, 187, 189, 191, 197	70003636 171	70007598.....53
4460933.....61, 227, 228, 247	4811902 ... 21, 49, 51, 79, 123, 135, 137, 139, 153, 225	70003650 133	70007599.....53
4460943 61, 63, 243, 247, 249, 251, 253, 255, 257, 259, 261, 263	4812000 ... 13, 21, 49, 79, 84, 88, 93, 99, 105, 109, 117, 119, 121, 125, 141	70004164 49, 51	70007600.....53
4460944 61, 63, 205, 207, 227, 228, 247, 249, 251, 253, 255, 261, 263	4812002 43, 79	70004465 49, 51	70007601.....53
4460956.....199	4812500 21	70004585 169	70007602.....53
4460957.....199	4831600 225	70005236 169	70007946.....49
4460965.....228	4846757 13	70005423 49, 51, 304	70021209.....53
4460968.....193	4923328 ... 67, 69, 71, 73, 75	70005815 49	70022564.....169
4460970.....265	5241200 15	70005816 49	70023369.....169
4461016.....267	5271808 49, 51	70005817 49	7002821.....307
4461023.....227	5272120 15	70005893 53, 304	7002822.....307
4461196.....219, 273		70005898 53	7002823.....307
4461198.....273		70005899 53	7002826.....307
4461199.....221, 275		70005900 53	7004275.....307
4461201.....275		70005903 53	7004276.....307
4461205.....215, 277, 279		70005909 53	70050795.....169
4461244.....277		70005911 53	7016654.....307
4461245.....279		70005918 15	7020175.....55, 57, 129
4461246.....281		70005919 15	7020176.....55, 57, 129
4461249.....217, 281		70006295 49, 51	7027365.....133
4461257.....183, 185		70006296 49, 51	7027367.....133
		70006297 49, 51, 304	7027765.....133
		70006298 49, 51	7027766.....133
		70006299 49, 51	8005670.....159
		70006301 53	80325.....145, 161
		70007050 169	8229242.....228, 304
		70007051 169	8229244.....228, 304
		70007052 169	8750014.....49, 51
		70007053 169	8896941.....307
		70007054 169	8990147....285, 287, 289, 291, 293, 295, 297, 299
		70007055 169	
		70007056 169	
		70007074 171	



Corporate Office
JLG Industries, Inc.
1 JLG Drive
McConnellsburg, PA 17233-9533 USA
☎ **(717) 485-5161 (Corporate)**
☎ **(877) 554-5438 (Customer Support)**
📠 **(717) 485-6417**

Visit our website for JLG Worldwide Locations.
www.jlg.com



OSHKOSH™