

SKYTRAK[®]

Illustrated Parts Manual

Model
6036

PVC
2211

P/N
31211954

November 1, 2023 - Rev C

JLG[®]
An Oshkosh Corporation Company

EFFECTIVITY PAGE

November 1, 2022 - A - Original Issue of Manual (Edited to B/M 1001169968 Revision BA)

April 3, 2023 - B - Revised Manual (Edited to B/M 1001169968 Revision BC)

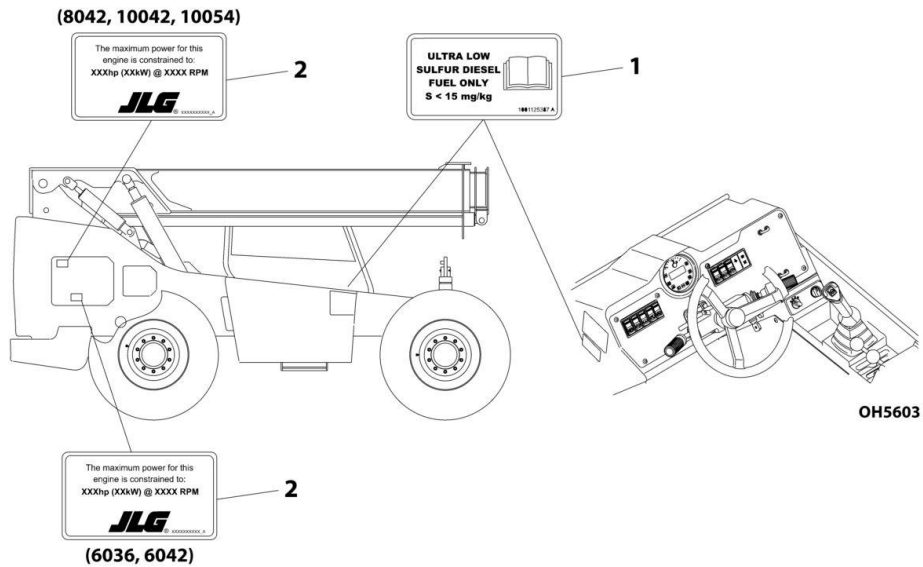
November 1, 2023 - C - Revised Manual (Edited to B/M 1001169968 Revision BC)

Machine Configuration

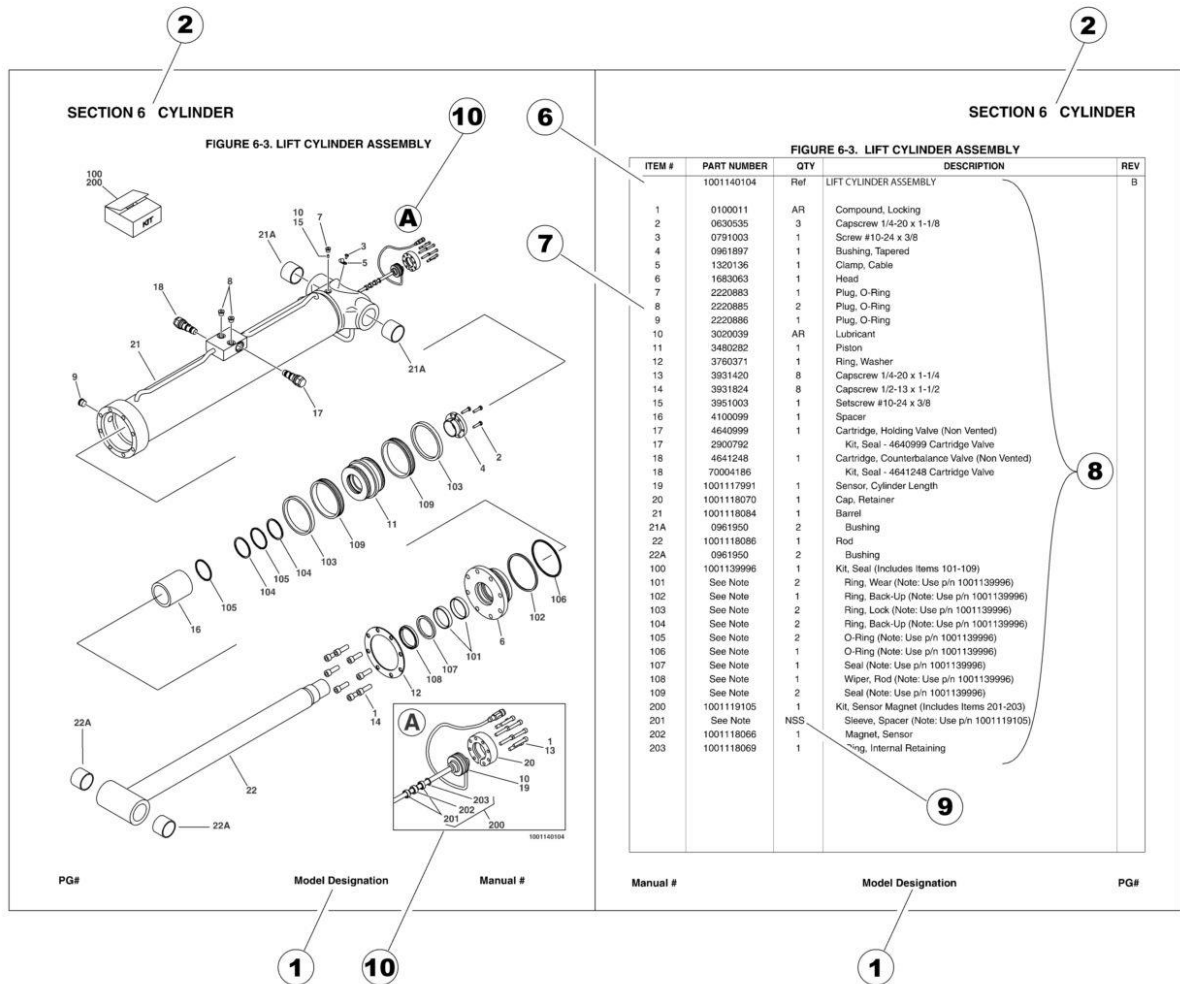
Two configurations of each machine are included in this manual. Determine if machine is equipped with Ultra Sulfur Fuel Decal (1) as indicated below.

- If equipped with the Ultra Low Sulfur decal, all specific references to this machine configuration will be referred to as Ultra Low Sulfur (ULS) from this point forward.
- If not equipped with the Ultra Low Sulfur decal, all specific references to this machine configuration will be referred to as Low Sulfur (LS) from this point forward.

Engine horsepower can be found on the decals (2) located inside the engine compartment doors.



GENERAL INFORMATION



1) MACHINE IDENTIFICATION

Machines are identified by model and in some cases a combination of models, serial number (SN) or regional standard (i.e ANSI, CE, CSA). Components may also be identified by SN or manufacturer. Common components that may be identified by these characteristics are engines and hydraulic components.

2) PARTS MANUAL ORGANIZATION

Product information in this manual is organized under section titles. Frame, Cylinder, Hydraulic and Electrical are a few examples. Each section is organized by figure and page number. The information within the Figure is then organized by item number, part number, description and corresponding illustration (s).

3) TABLE OF CONTENTS (NOT SHOWN)

A table of contents is found toward the beginning of the manual. Figure number, description and page number are provided for quick reference to the page containing the related information.

4) RECOMMENDED SPARE PARTS (NOT SHOWN)

The Recommended Spare Parts List, located near the end of the manual, reference most frequently used maintenance parts.

5) PART NUMBER INDEX (NOT SHOWN)

A numerical index listing all part numbers and the corresponding page number(s) appears at the back of the manual.

GENERAL INFORMATION

6) NON-SERVICED PARTS

In some instances, it is necessary to display non-serviced parts, assemblies or installations. In the case of assemblies and installations there will be a Ref in the Qty. column. In case of parts that are not available for service within assemblies or components, there will be a NSS (Not Sold Separately) or NLA (No Longer Available) listed in the Qty. column of the manual.

7) PARTS LIST ITEM NUMBERS

Numbers shown in the item# column correspond to numbers used in the associated illustration (s). Item numbers which are missing from the sequence in the parts list are not used on that page.

8) INDENTED PARTS DESCRIPTION

An indented part description is included in the item under which it is indented.

9) ABBREVIATION AND SYMBOLS

AC.....	Alternating Current	L.....	Liter
ADE.....	Advanced Design Electronics	LB(LBS).....	Pounds
AG.....	Agricultural	LCD.....	Liquid Crystal Display
ANSI.....	American National Standards Institute	LED.....	Light Emitting Diodes
AR.....	As Required	LH.....	Left Hand
ASSY.....	Assembly	LRC.....	Low Rated Countries
AUS.....	Australia	LSS.....	Load Sensing System
AUX.....	Auxiliary	M(m).....	Metric/Meter
AWG.....	American Wire Gauge	MM(mm).....	Milimeter
B/M.....	Bill of Material	mA.....	Miliamps
CAC.....	Charge Air Cooler	NLA.....	No Longer Available
CE.....	European Conformity	NPT.....	National Pipe Threads
CCW.....	Counter Clockwise	NSS.....	Not Sold Separately
CM.....	Centimeter	OD.....	Outside Diameter
CW.....	Clockwise	ORB.....	O-Ring Boss
CSA.....	Canadian Standards Association	ORFS.....	O-Ring Face Seal
CYL.....	Cylinder	OZ (oz).....	Ounces
DIA.....	Diameter	PG.....	Page
DC.....	Direct Current	PN.....	Part Number
DEF.....	Diesel Exhaust Fluid	QT(qt.).....	Quarts
EMS.....	Emergency Stop	QTY.....	Quantity
ENG.....	Engine	REF.....	Reference
FT(ft).....	Feet	REV.....	Revision Level
GA(Ga).....	Gauge	RH.....	Right Hand
HRC.....	High Rated Countries	SAE.....	Society of Automotive Engineers
HVAC.....	Heating, Ventilating, and Air Conditioning	SN.....	Serial Number
HYD.....	Hydraulic	SPEC(S).....	Specifications
Hz.....	Hertz	T/T.....	Turntable
ID.....	Inside Diameter	UGM.....	Universal Ground Module
IN.....	inches	V.....	Volts
ISO.....	International Organization for Standards	W.....	Watts
JIC.....	Joint Industry Council	#.....	Number
KG.....	Kilogram		

10) ILLUSTRATION REFERENCE LETTERS

When necessary, illustrations may contain reference letters that are intended to track information (i. e. hoses, harnesses) from one point to another or to track visual enlargement of components to show details that may be located in another area on the illustration.

Note: Due to continuous product improvements, JLG Industries, Inc. reserves the right to make specification changes without prior notification. Contact JLG Industries, Inc. for updated information.

TABLE OF CONTENTS

SECTION 1 - FRAME AND ATTACHING PARTS.....	15
FIGURE 1-1. FRAME COMPONENTS INSTALLATION - 74HP (ULS).....	16
FIGURE 1-2. FRAME COMPONENTS INSTALLATION - 85HP (LS).....	18
FIGURE 1-3. FRAME COVERS INSTALLATION - 74HP (AIR SHUT OFF VALVE).....	20
FIGURE 1-4. FRAME COVERS INSTALLATION - 74HP (ULS).....	22
FIGURE 1-5. FRAME COVERS INSTALLATION - 85HP (LS).....	24
FIGURE 1-6. HYDRAULIC/FUEL/DEF TANK ASSEMBLY (LS).....	26
FIGURE 1-7. HYDRAULIC/FUEL TANK ASSEMBLY (ULS).....	28
SECTION 2 - BOOM.....	31
FIGURE 2-1. BOOM INSTALLATION.....	32
FIGURE 2-2. BOOM PROP INSTALLATION.....	38
FIGURE 2-3. BOOM PROP BRACKET INSTALLATION.....	40
FIGURE 2-4. EXTEND CHAIN ASSEMBLY.....	42
FIGURE 2-5. HOSE PULLEY ASSEMBLY.....	44
FIGURE 2-6. LOCK PIN ASSEMBLY.....	46
FIGURE 2-7. QUICK COUPLER ASSEMBLY.....	48
FIGURE 2-8. RETRACT CHAIN ASSEMBLY (6036).....	50
SECTION 3 - ATTACHMENTS.....	53
FIGURE 3-1. BASKET, PERSONNEL (1.2MX2.4M) (DOMESTIC).....	54
FIGURE 3-2. BASKET, PERSONNEL (1.2MX2.4M) (ISO).....	56
FIGURE 3-3. BASKET, PERSONNEL (1.2MX2.4M) (FRENCH LANGUAGE).....	58
FIGURE 3-4. BASKET, PERSONNEL ASSEMBLY.....	60
FIGURE 3-5. BOOM - ADJUSTABLE.....	62
FIGURE 3-6. BOOM - ADJUSTABLE (FORK MOUNTED).....	64
FIGURE 3-7. BOOM - 3 FOOT WITH WINCH.....	66
FIGURE 3-8. BOOM - 12 FOOT WITH WINCH.....	68
FIGURE 3-9. BOOM - 12FT WITHOUT WINCH.....	70
FIGURE 3-10. BOOM - 15FT WITHOUT WINCH.....	72
FIGURE 3-11. BUCKET (60 INCH).....	74
FIGURE 3-12. BUCKET (72 INCH).....	76
FIGURE 3-13. BUCKET (96 INCH).....	78
FIGURE 3-14. BUCKET - GRAPPLE (96 INCH).....	80
FIGURE 3-15. BUCKET (102 INCH).....	82
FIGURE 3-16. CARRIAGE ASSEMBLY - 48IN SIDE SHIFT.....	84
FIGURE 3-17. CARRIAGE ASSEMBLY - 50IN.....	86
FIGURE 3-18. CARRIAGE ASSEMBLY - 50IN DUAL FORK POSITIONING.....	88
FIGURE 3-19. CARRIAGE ASSEMBLY - 50IN/12000# CAPICITY SIDE TILT.....	90
FIGURE 3-20. CARRIAGE ASSEMBLY - 60IN.....	92
FIGURE 3-21. CARRIAGE ASSEMBLY - 60IN/12000# CAPACITY SIDE TILT.....	94
FIGURE 3-22. CARRIAGE ASSEMBLY - 72IN.....	96
FIGURE 3-23. CARRIAGE ASSEMBLY - 72IN/12000# CAPACITY SIDE TILT.....	98
FIGURE 3-24. CARRIAGE ASSEMBLY - 72IN SWING.....	100
FIGURE 3-25. FORK 1.75X7X60 - DUAL TAPERED 5400#.....	102

TABLE OF CONTENTS

FIGURE 3-26. FORK 2X2X48 - CUBING/BLOCKING 1940#	104
FIGURE 3-27. FORK 2X6X72 - DUAL TAPERED 6613#	106
FIGURE 3-28. FORK 2.36X4X48 PALLET 5000#.....	108
FIGURE 3-29. FORK 2.36X4X48 PALLET 5475#.....	110
FIGURE 3-30. FORK 2.36X4X60 PALLET 5000#.....	112
FIGURE 3-31. FORK 2.36X5X48 PALLET 6850#.....	114
FIGURE 3-32. FORK 2.36X5X60 PALLET 6850#.....	116
FIGURE 3-33. FORK 2.36X5X72 PALLET 6850#.....	118
FIGURE 3-34. FORK 2.36X6X60 PALLET 8150#.....	120
FIGURE 3-35. FORK EXTENSION (90 INCH)	122
FIGURE 3-36. FORK PIN LOCK INSTALLATION	124
FIGURE 3-37. HOOK - COUPLER MOUNTED	126
FIGURE 3-38. HOOK - FORK MOUNTED	128
FIGURE 3-39. MAST (8 FOOT)	130
FIGURE 3-40. SHEET MATERIAL HANDLER INSTALLATION	134
FIGURE 3-41. SHEET MATERIAL HANDLE FORK SUPPORT ASSEMBLY (LH).....	136
FIGURE 3-42. SHEET MATERIAL HANDLE FORK SUPPORT ASSEMBLY (RH)	138
FIGURE 3-43. SWEEPER ASSEMBLY	140
FIGURE 3-44. SWEEPER - BODY ASSEMBLY	142
FIGURE 3-45. SWEEPER - CORE ASSEMBLY.....	144
FIGURE 3-46. SWEEPER - HOPPER ASSEMBLY	146
FIGURE 3-47. SWEEPER - HYDRAULIC SINGLE MOTOR ASSEMBLY	148
FIGURE 3-48. SWEEPER - IDLER ASSEMBLY.....	150
FIGURE 3-49. SWEEPER - MOTOR ASSEMBLY	152
FIGURE 3-50. TRASH HOPPER - FORK MOUNTED	154
SECTION 4 - ENGINE AND ATTACHING PARTS.....	157
FIGURE 4-1. ENGINE COMPONENT INSTALLATION - 74HP (ULS).....	158
FIGURE 4-2. ENGINE COMPONENT INSTALLATION - 85HP (ULS).....	160
FIGURE 4-3. ENGINE INSTALLATION - 74HP (ULS).....	162
FIGURE 4-4. ENGINE INSTALLATION - 85HP (LS).....	164
FIGURE 4-5. ENGINE - 74HP (ULS)	166
FIGURE 4-6. ENGINE - 85HP (LS).....	168
FIGURE 4-7. A/C COMPONENTS INSTALLATION, 74HP.....	170
FIGURE 4-8. A/C COMPONENTS INSTALLATION, 85HP.....	172
FIGURE 4-9. AIR CLEANER INSTALLATION (LS).....	174
FIGURE 4-10. AIR CLEANER INSTALLATION (ULS).....	176
FIGURE 4-11. AIR CLEANER ASSEMBLY (LS).....	178
FIGURE 4-12. AIR CLEANER ASSEMBLY (ULS).....	180
FIGURE 4-13. AIR INTAKE SHUT OFF VALVE INSTALLATION.....	182
FIGURE 4-14. COOLING INSTALLATION, 74HP.....	184
FIGURE 4-15. COOLING INSTALLATION, 85HP.....	186
FIGURE 4-16. DEAERATION TANK ASSEMBLY.....	188
FIGURE 4-17. EXHAUST INSTALLATION - 74HP (ULS).....	190
FIGURE 4-18. EXHAUST INSTALLATION - 85HP (LS)	192
FIGURE 4-19. EXHAUST INSTALLATION - 85HP (ULS).....	194

TABLE OF CONTENTS

FIGURE 4-20. FAN INSTALLATION - 74HP	196
FIGURE 4-21. FAN INSTALLATION - 85HP	198
FIGURE 4-22. FUEL PLUMBING INSTALLATION (LS)	200
FIGURE 4-23. FUEL PLUMBING INSTALLATION (ULS)	202
FIGURE 4-24. HEATER BREATHER	204
FIGURE 4-25. ISOLATION COUPLER INSTALLATION	206
FIGURE 4-26. PLUMBING COOLING INSTALLATION (LS)	208
FIGURE 4-27. PLUMBING COOLING INSTALLATION (ULS)	210
FIGURE 4-28. RADIATOR ASSEMBLY, 74HP	212
FIGURE 4-29. RADIATOR ASSEMBLY, 85HP	214
SECTION 5 - DRIVE TRAIN	217
FIGURE 5-1. TRANSMISSION INSTALLATION	218
FIGURE 5-2. TRANSMISSION ASSEMBLY	220
FIGURE 5-3. TRANSMISSION, ENGINE CONNECTION AND CONVERTER	222
FIGURE 5-4. TRANSMISSION, CONTROL UNIT	224
FIGURE 5-5. TRANSMISSION, COUPLING GROUP 1	226
FIGURE 5-6. TRANSMISSION, COUPLING GROUP 2	228
FIGURE 5-7. TRANSMISSION, COUPLING GROUP 3	230
FIGURE 5-8. TRANSMISSION, COUPLING GROUP 4	232
FIGURE 5-9. TRANSMISSION, GEARBOX HOUSING	234
FIGURE 5-10. TRANSMISSION, INPUT SHAFTS	236
FIGURE 5-11. TRANSMISSION, OIL PUMP AND FILTER	238
FIGURE 5-12. TRANSMISSION, OUTPUT	240
FIGURE 5-13. TRANSMISSION, REVERSING GEAR GROUP 1	242
FIGURE 5-14. TRANSMISSION, REVERSING GEAR GROUP 2	244
FIGURE 5-15. TRANSMISSION, VALVE BLOCK ASSEMBLY	246
FIGURE 5-16. TRANSMISSION, VALVE HOUSING ASSEMBLY	248
FIGURE 5-17. DRIVE SHAFT INSTALLATION	252
FIGURE 5-18. FRONT DRIVE SHAFT ASSEMBLY	254
FIGURE 5-19. REAR DRIVE SHAFT ASSEMBLY	256
FIGURE 5-20. DRIVE SHAFT INPUT	258
FIGURE 5-21. AXLES INSTALLATION (6036)	260
FIGURE 5-22. FRONT AXLE SUB-ASSEMBLY	262
FIGURE 5-23. FRONT AXLE ASSEMBLY	264
FIGURE 5-24. FRONT AXLE, BRAKES	266
FIGURE 5-25. FRONT AXLE, CENTRAL HOUSING	268
FIGURE 5-26. FRONT AXLE, DIFFERENTIAL	270
FIGURE 5-27. FRONT AXLE, HUB REDUCTION	272
FIGURE 5-28. FRONT AXLE, STEERING	276
FIGURE 5-29. FRONT AXLE, TRUNNION	278
FIGURE 5-30. REAR AXLE ASSEMBLY	280
FIGURE 5-31. REAR AXLE, BRAKES	282
FIGURE 5-32. REAR AXLE, CENTRAL HOUSING	284
FIGURE 5-33. REAR AXLE, DIFFERENTIAL	286
FIGURE 5-34. REAR AXLE, HUB REDUCTION	288

TABLE OF CONTENTS

FIGURE 5-35. REAR AXLE, STEERING	292
FIGURE 5-36. REAR AXLE, TRUNNION.....	294
FIGURE 5-37. FENDER INSTALLATION	296
FIGURE 5-38. TIRE SET, 13.00-24 PNEUMATIC	298
FIGURE 5-39. TIRE SET, 13.00-24 FOAM FILLED.....	300
FIGURE 5-40. TIRE SET, 370/75-28 PNEUMATIC	302
FIGURE 5-41. TIRE SET, 370/75-28 FOAM FILLED.....	304
FIGURE 5-42. TIRE SET, 315/95-28/8.5 SOLID.....	306
FIGURE 5-43. TIRE SET, 370/75-28 PNEUMATIC NON-MARKING.....	308
FIGURE 5-44. TIRE SET, 370/75-28 FOAM FILLED NON-MARKING	310
FIGURE 5-45. TIRE SET 18 X 625 PNEUMATIC TURF/SAND.....	312
FIGURE 5-46. TIRE SET, 13.00-24 FOAM FILLED (E-3) (SUNSTATE ONLY).....	314
FIGURE 5-47. TIRE SET, 13-24 SOLIDBOSS (DIRECTIONAL)	316
FIGURE 5-48. TIRE SET, 13-28 SOLIDBOSS (DIRECTIONAL)	318
FIGURE 5-49. TIRE SET, 13-28 SOLIDBOSS (NON-DIRECTIONAL).....	320
FIGURE 5-50. TIRE SET, 13-24 SOLID.....	322
SECTION 6 - CAB	325
FIGURE 6-1. CAB INSTALLATION.....	326
FIGURE 6-2. CAB INSTALLATION - OPEN CAB (ORANGE SEAT BELT).....	328
FIGURE 6-3. CAB INSTALLATION - OPEN CAB (ORANGE SEAT BELT).....	330
FIGURE 6-4. OPEN CAB SEAT BELT ENG INSTALLATION.....	334
FIGURE 6-5. OPEN CAB SEAT BELT ENG INSTALLATION.....	336
FIGURE 6-6. CAB ASSEMBLY - OPEN CAB	340
FIGURE 6-7. OPEN CAB INSTALLATION WITH RED LED LIGHT ON DASHBOARD.....	342
FIGURE 6-8. CAB INSTALLATION - ENCLOSED CAB WITH HEATER (ORANGE SEAT BELT).....	344
FIGURE 6-9. CAB INSTALLATION - ENCLOSED CAB WITH HEATER (ORANGE SEAT BELT).....	346
FIGURE 6-10. CAB INSTALLATION - CLOSED CAB WITH HEATER	350
FIGURE 6-11. CAB INSTALLATION - CLOSED CAB WITH HEATER	352
FIGURE 6-12. CAB ASSEMBLY - ENCLOSED CAB WITH HEATER	356
FIGURE 6-13. CAB ASSEMBLY - ENCLOSED WITH HEATER	358
FIGURE 6-14. CAB INSTALLATION - ENCLOSED CAB WITH HEATER/AC (ORANGE SEAT BELT).....	360
FIGURE 6-15. CAB INSTALLATION - ENCLOSED CAB WITH HEATER/AC (ORANGE SEAT BELT).....	362
FIGURE 6-16. CLOSED CAB WITH HVAC INSTALLATION	366
FIGURE 6-17. CLOSED CAB WITH HVAC INSTALLATION	368
FIGURE 6-18. CAB ASSEMBLY - ENCLOSED CAB WITH HEATER/AC	372
FIGURE 6-19. CAB ASSEMBLY - ENCLOSED WITH HEATER & AC	374
FIGURE 6-20. CAB DOOR	376
FIGURE 6-21. CAB ENCLOSURE INSTALLATION	378
FIGURE 6-22. CAB ENCLOSURE INSTALLATION - WITH HVAC	380
FIGURE 6-23. CAB HEATER LINES INSTALLATION.....	382
FIGURE 6-24. CAB HEATER/AC LINES INSTALLATION	384
FIGURE 6-25. CAB SEAT (ORANGE SEAT BELT).....	386
FIGURE 6-26. FIRE EXTINGUISHER INSTALLATION	388
FIGURE 6-27. FLOOR HEATER.....	390
FIGURE 6-28. FRONT WIPER ASSEMBLY	392

TABLE OF CONTENTS

FIGURE 6-29. HEATER VALVE	394
FIGURE 6-30. INSTALLTION, REAR WINDOW EXIT (ENG/SP).....	396
FIGURE 6-31. REAR DROPOUT WINDOW INSTALLATION (ANSI)	398
FIGURE 6-32. REAR DROPOUT WINDOW INSTALLATION (ENGLISH/FRENCH)	400
FIGURE 6-33. REAR DROPOUT WINDOW INSTALLATION (ISO).....	402
FIGURE 6-34. RH SLIDER WINDOW	404
FIGURE 6-35. ROOF BOX HVAC	406
FIGURE 6-36. ROOF HEATER BOX.....	410
FIGURE 6-37. SEAT BELT INSTALLATION (3IN WIDTH).....	412
FIGURE 6-38. SKYLIGHT WIPER ASSEMBLY	414
SECTION 7 - CONTROLS	417
FIGURE 7-1. BRAKE ASSEMBLY.....	418
FIGURE 7-2. PILOT JOYSTICK CONTROL.....	420
FIGURE 7-3. SECONDARY CONTROLS INSTALLATION	422
FIGURE 7-4. SECONDARY SHORT CONTROL	424
FIGURE 7-5. SECONDARY TALL CONTROL	426
SECTION 8 - HYDRAULIC CIRCUITS.....	429
FIGURE 8-1. HYDRAULIC INSTALLATION.....	430
FIGURE 8-2. AXLE (FRONT) HYDRAULICS INSTALLATION.....	432
FIGURE 8-3. AXLE (FRONT) HYDRAULICS ASSEMBLY	434
FIGURE 8-4. AXLE (REAR) HYDRAULICS INSTALLATION	436
FIGURE 8-5. AXLE (REAR) HYDRAULICS ASSEMBLY	438
FIGURE 8-6. BOOM AUXILIARY HYDRAULICS	440
FIGURE 8-7. BOOM EXTEND/RETRACT HYDRAULICS (MAIN VALVE TO BOOM).....	442
FIGURE 8-8. BRAKE & FITTINGS ASSEMBLY	444
FIGURE 8-9. BRAKE HYDRAULICS.....	446
FIGURE 8-10. CAB HYDRAULICS INSTALLATION	448
FIGURE 8-11. FRAME AUXILIARY HYDRAULICS.....	450
FIGURE 8-12. FRAME TILT HYDRAULICS	452
FIGURE 8-13. FORK HYDRAULICS (MAIN VALVE TO BOOM)	454
FIGURE 8-14. HYDRAULIC OIL COOLER HYDRAULICS	456
FIGURE 8-15. HYDRAULIC PUMP INSTALLATION.....	458
FIGURE 8-16. LIFT CYLINDER HYDRAULICS.....	460
FIGURE 8-17. MAIN CONTROL VALVE INSTALLATION.....	462
FIGURE 8-18. MAIN CONTROL VALVE & FITTINGS ASSEMBLY	464
FIGURE 8-19. PILOT CONTROL VALVE AND FITTINGS ASSEMBLY.....	466
FIGURE 8-20. PILOT CONTROL VALVE HYDRAULICS.....	468
FIGURE 8-21. PISTON PUMP AND FITTINGS ASSEMBLY	470
FIGURE 8-22. REAR BULKHEAD TO COMPENSATION CYLINDERS HYDRAULICS	472
FIGURE 8-23. SECONDARY VALVE & FITTINGS ASSEMBLY	474
FIGURE 8-24. STEER VALVE & FITTINGS ASSEMBLY.....	476
FIGURE 8-25. STEER/SECONDARY VALVES HYDRAULICS.....	478
FIGURE 8-26. STEERING HYDRAULICS.....	480
FIGURE 8-27. STEERING VALVE AND FITTINGS ASSEMBLY	482

TABLE OF CONTENTS

FIGURE 8-28. TRANSMISSION COOLER HYDRAULICS	484
SECTION 9 - HYDRAULIC COMPONENTS	487
FIGURE 9-1. CYLINDER - CARRIAGE SIDE SHIFT	488
FIGURE 9-2. CYLINDER - CARRIAGE SIDE TILT	490
FIGURE 9-3. CYLINDER - CARRIAGE SWING	492
FIGURE 9-4. CYLINDER - COMPENSATION	494
FIGURE 9-5. CYLINDER - EXTEND/RETRACT	496
FIGURE 9-6. CYLINDER - FORK POSITIONING	498
FIGURE 9-7. CYLINDER - FORK TILT	500
FIGURE 9-8. CYLINDER - FRAME LEVEL.....	502
FIGURE 9-9. CYLINDER - GRAPPLE BUCKET.....	504
FIGURE 9-10. CYLINDER - LIFT	506
FIGURE 9-11. FLOW DIVIDER VALVE	508
FIGURE 9-12. PUMP - PISTON.....	510
FIGURE 9-13. VALVE - AIR SHUT OFF	512
FIGURE 9-14. VALVE - BRAKE.....	514
FIGURE 9-15. VALVE - CARRIAGE	516
FIGURE 9-16. VALVE - MAIN CONTROL	518
FIGURE 9-17. VALVE - SECONDARY CONTROL.....	520
FIGURE 9-18. VALVE - STEERING SELECT.....	522
SECTION 10 - ELECTRICAL.....	525
FIGURE 10-1. ELECTRICAL INSTALLATION - 74HP	526
FIGURE 10-2. ELECTRICAL INSTALLATION - 85HP	530
FIGURE 10-3. AIR SHUT OFF VALVE HARNESS - CAB	534
FIGURE 10-4. AIR SHUT OFF VALVE HARNESS - T4F	536
FIGURE 10-5. ALARM INSTALLATION - BACK UP	538
FIGURE 10-6. ALARM INSTALLATION - WHITE NOSE	540
FIGURE 10-7. BATTERY INSTALLATION.....	542
FIGURE 10-8. BATTERY BLANKET INSTALLATION	544
FIGURE 10-9. BEACON INSTALLATION (OPEN CAB)	546
FIGURE 10-10. BEACON INSTALLATION (ENCLOSED CAB).....	548
FIGURE 10-11. BEACON OPTION HARNESS	550
FIGURE 10-12. CAB POWER DISTRIBUTION HARNESS	552
FIGURE 10-13. CAMERA INSTALLATION - REVERSE MULTI-VIEW.....	558
FIGURE 10-14. CAMERA OPTION HARNESS - REVERSE	560
FIGURE 10-15. CLEARSKY INSTALLATION 3-WIRE (ANSI).....	562
FIGURE 10-16. CLEARSKY INSTALLATION CANBUS (ANSI)	564
FIGURE 10-17. CLEARSKY INSTALLATION CANBUS (CE).....	566
FIGURE 10-18. CLEARSKY TELEMATICS HARNESS (3-WIRE).....	568
FIGURE 10-19. CLEARSKY TELEMATICS HARNESS (CANBUS)	570
FIGURE 10-20. CLEARSKY TELEMATICS 3-WIRE INSTALLATION	572
FIGURE 10-21. CLEARSKY TELEMATICS 3-WIRE HARNESS	574
FIGURE 10-22. COLD WEATHER PACKAGE INSTALLATION	576
FIGURE 10-23. COLD WEATHER PACKAGE INSTALLATION	578

TABLE OF CONTENTS

FIGURE 10-24. CONTROLLER.....	580
FIGURE 10-25. ENGINE HARNESS - 74HP (ULS).....	582
FIGURE 10-26. ENGINE HARNESS - 85HP (ULS).....	588
FIGURE 10-27. HVAC HARNESS.....	592
FIGURE 10-28. LED ROADLIGHT INSTALLATION.....	594
FIGURE 10-29. LED WORKLIGHT PACKAGE INSTALLATION.....	596
FIGURE 10-30. LIGHTS - ROADLIGHT PACKAGE INSTALLATION	598
FIGURE 10-31. LIGHTS - ROADLIGHT ASSEMBLY (LH).....	600
FIGURE 10-32. LIGHTS - ROADLIGHT ASSEMBLY (RH)	602
FIGURE 10-33. LIGHTS - ROADLIGHT BRACKET ASSEMBLY (LH)	604
FIGURE 10-34. LIGHTS - ROADLIGHT BRACKET ASSEMBLY (RH)	606
FIGURE 10-35. LIGHTS - ROADLIGHT OPTION HARNESS	608
FIGURE 10-36. LIGHTS - ROADLIGHT/WORKLIGHT OPTION HARNESS	610
FIGURE 10-37. LIGHTS - WORKLIGHT OPTION HARNESS (BOOM)	612
FIGURE 10-38. LIGHTS - WORKLIGHT PACKAGE INSTALLATION.....	614
FIGURE 10-39. LIGHTS - WORKLIGHT ASSEMBLY (RH) (LED)	616
FIGURE 10-40. LIGHTS - WORKLIGHT ASSEMBLY (RH) (LED)	618
FIGURE 10-41. LIGHTS - WORKLIGHT OPTION HARNESS	620
FIGURE 10-42. RELAY PANEL INSTALLATION	622
FIGURE 10-43. RELAY PANEL COVER ASSEMBLY.....	624
FIGURE 10-44. REVERSE SENSOR INSTALLATION	626
FIGURE 10-45. REVERSE SENSOR HARNESS.....	628
FIGURE 10-46. SEAT BELT ALARM HARNESS	630
FIGURE 10-47. TANK (HYDRAULIC) HEATER INSTALLATION	632
FIGURE 10-48. TBAP HARNESS	634
FIGURE 10-49. WIPER HARNESS.....	636
SECTION 11 - DECALS.....	639
FIGURE 11-1. DECAL INSTALLATION - 74HP (ANSI).....	640
FIGURE 11-2. DECAL INSTALLATION HRC 74HP (ISO)(HRC)	644
FIGURE 11-3. DECAL INSTALLATION - 74HP (ENGLISH/FRENCH).....	648
FIGURE 11-4. DECAL INSTALLATION - 74HP (ENGLISH/SPANISH).....	652
FIGURE 11-5. DECAL INSTALLATION (ISO).....	656
FIGURE 11-6. BOOM DECALS INSTALLATION (6036)	660
FIGURE 11-7. CAPACITY CHART (ANSI)	662
FIGURE 11-8. CAPACITY CHART - SUPPLEMENTAL (ISO)	664
FIGURE 11-9. CLEARSKY DECAL INSTALLATION.....	666
FIGURE 11-10. REVERSE SENSOR SYSTEM DECAL (ENGLISH)	668
FIGURE 11-11. REVERSE SENSOR SYSTEM DECAL (ENGLISH/FRENCH)	670
FIGURE 11-12. REVERSE SENSOR SYSTEM DECAL (ENGLISH/SPANISH)	672
FIGURE 11-13. REVERSE SENSOR SYSTEM DECAL (ISO).....	674
SECTION 12 - RECOMMENDED SERVICE PARTS STOCK	677
FIGURE 12-1. RECOMMENDED SERVICE PARTS STOCK	678
SECTION 13 - SPECIAL OPTIONS/ACCESSORIES/KITS	681

TABLE OF CONTENTS

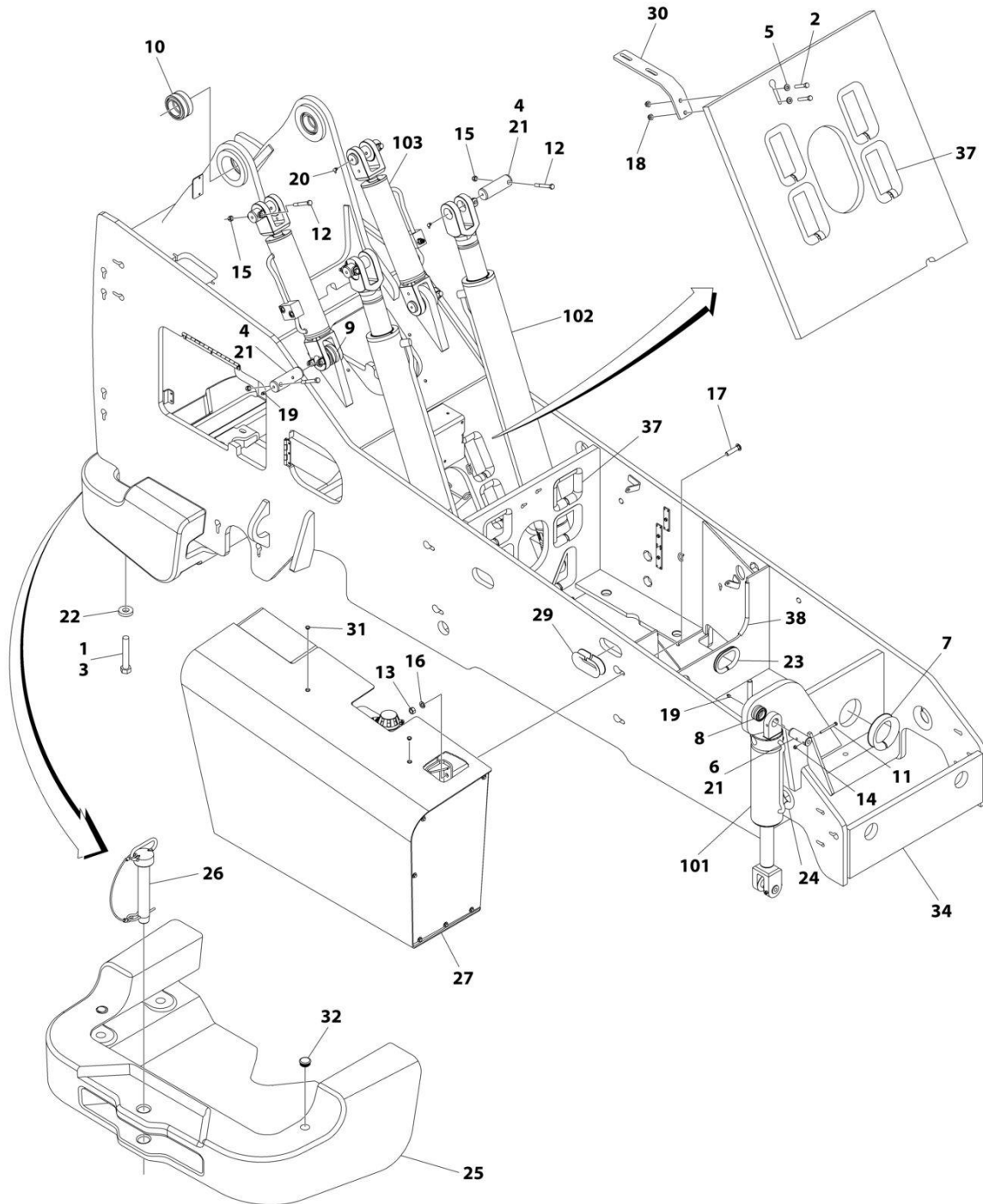
FIGURE 13-1. SPECIAL OPTIONS/ACCESSORIES/KITS.....	682
PART NUMBER INDEX.....	685

SECTION 1 - FRAME AND ATTACHING PARTS

SECTION 1 - FRAME AND ATTACHING PARTS

SECTION 1 - FRAME AND ATTACHING PARTS

FIGURE 1-1. FRAME COMPONENTS INSTALLATION - 74HP (ULS)



ART_1001205684_H

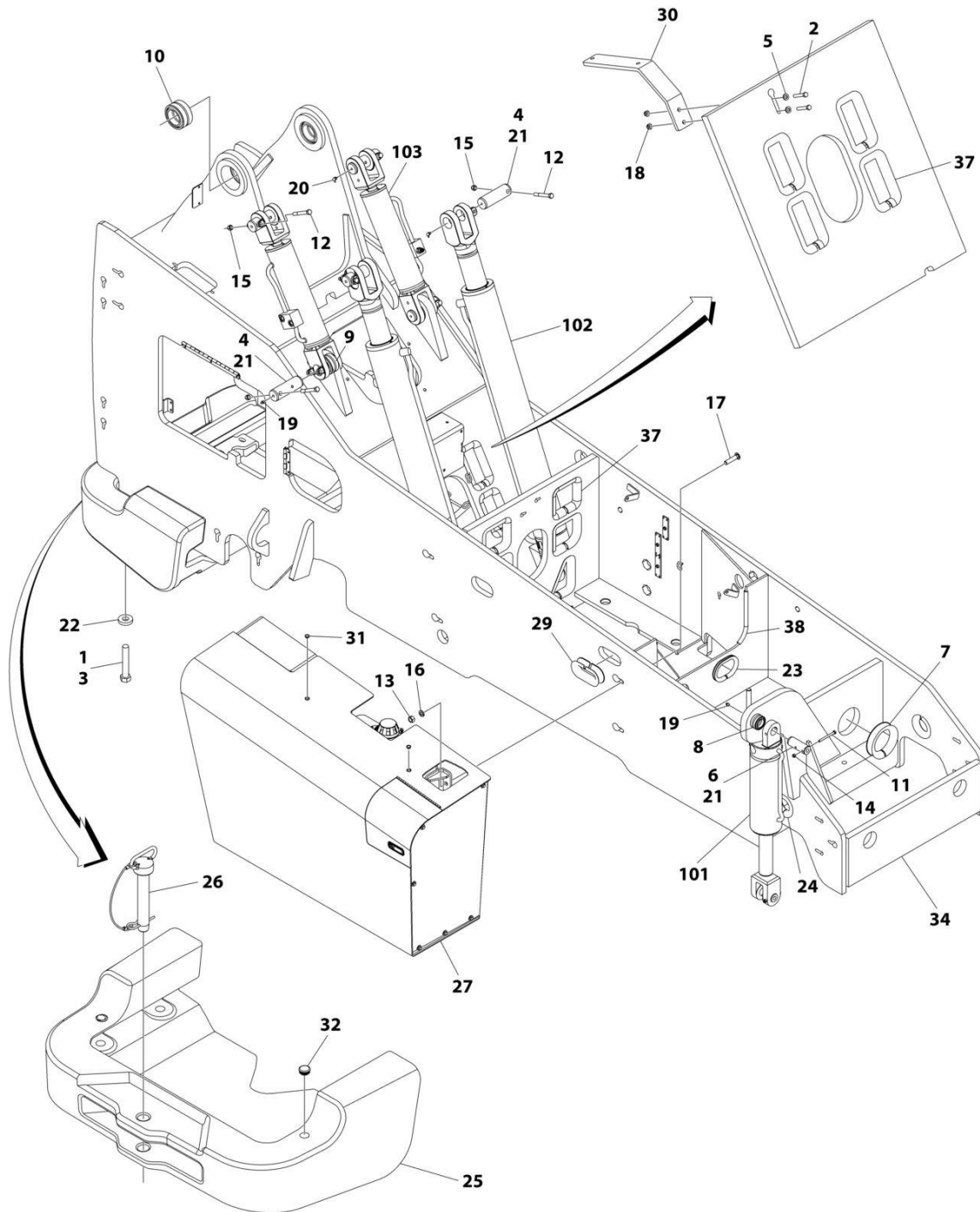
SECTION 1 - FRAME AND ATTACHING PARTS

FIGURE 1-1. FRAME COMPONENTS INSTALLATION - 74HP (ULS)

ITEM	PART NUMBER	QTY	DESCRIPTION	REV
	1001205684	Ref	FRAME COMPONENTS INSTALLATION, 74HP (6036)	H
1	0100019	AR	Compound, Locking	
2	0641618	2	Bolt 3/8 x 2-1/4	
3	0682648	4	Bolt 1 x 6	
4	3423227	8	Pin, Cylinder	
5	4891600	2	Washer 3/8	
6	7137142	2	Pin, Cylinder	
7	7139613	1	Conduit 1 x 18	
8	8050001	1	Bearing, Self-Align	
9	8065640	4	Bearing, Self-Align	
10	8065641	2	Bearing, Self-Align	
11	8303752	2	Bolt 5/16 x 3-1/2	
12	8303782	8	Bolt 1/2 x 4	
13	8305014	4	Nut 5/8	
14	8305626	2	Nut 5/16	
15	8305644	8	Nut 1/2	
16	8307009	4	Washer 5/8	
17	88411148	4	Bolt 5/8 x 2-1/2	
18	8310522	2	Nut 3/8	
19	8520001	6	Fitting, Straight Lube 1/8	
20	8520003	4	Fitting, 90 Lube 1/8	
21	8522012	AR	Lube, Anti-Seize	
22	80241137	4	Washer, Special	
23	7124301	1	Conduit 1/2 x 15-1/2	
24	7124471	3	Conduit 1 x 12-1/2	
25	1001208662	1	Counterweight, Rear	
26	1001160250	1	Pin, Hitch	
27	1001227211	1	Fuel/Hydraulic Tank Assembly (See Separate Breakdown in this Section)	
29	1001174229	1	Conduit 1 x 13-1/2	
30	1001166237	1	Bracket, Air Filter	
31	1001195826	2	Plug	
32	1001195952	2	Plug, Tube	
34	1001201561	1	Weldment, Frame	
37	1001174227	10	Conduit 1 x 21-1/2	
38	1001201923	2	Conduit 1 x 10-1/2	
101	1001091901	1	Cylinder, Frame Level (See Separate Breakdown in HYDRAULIC COMPONENTS Section)	
102	1001267967	2	Cylinder, Lift (See Separate Breakdown in HYDRAULIC COMPONENTS Section)	
103	1001196110	2	Cylinder, Compensation (See Separate Breakdown in HYDRAULIC COMPONENTS Section)	

SECTION 1 - FRAME AND ATTACHING PARTS

FIGURE 1-2. FRAME COMPONENTS INSTALLATION - 85HP (LS)



ART_1001201559_G

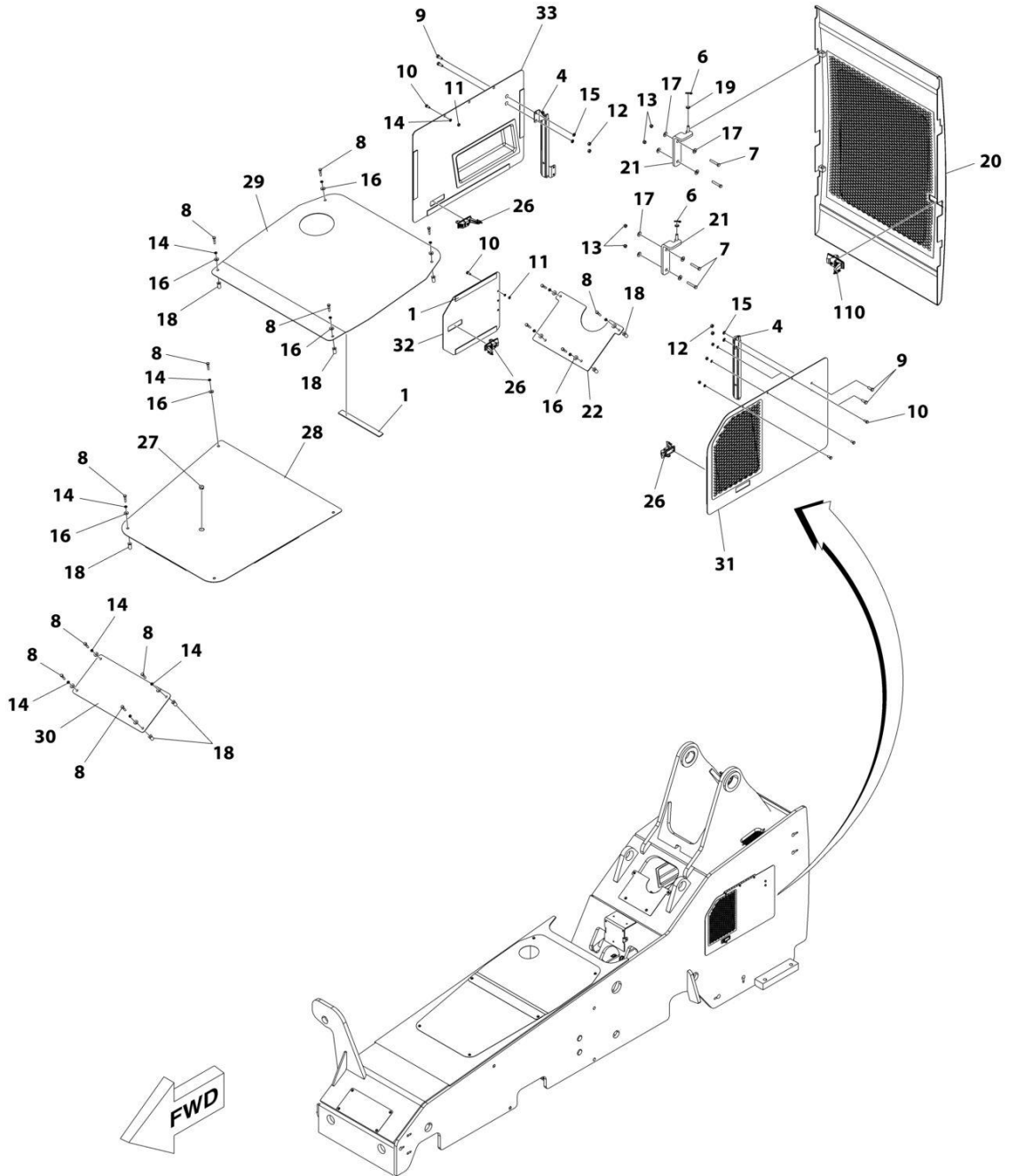
SECTION 1 - FRAME AND ATTACHING PARTS

FIGURE 1-2. FRAME COMPONENTS INSTALLATION - 85HP (LS)

ITEM	PART NUMBER	QTY	DESCRIPTION	REV
	1001201559	Ref	FRAME COMPONENTS INSTALLATION, 85HP (IF EQUIPPED FOR LS) (6036)	G
1	0100019	AR	Compound, Locking	
2	0641618	2	Bolt 3/8 x 2-1/4	
3	0682648	4	Bolt 1 x 6	
4	3423227	8	Pin, Cylinder	
5	4891600	2	Washer 3/8	
6	7137142	2	Pin, Cylinder	
7	7139613	1	Conduit 1 x 18	
8	8050001	1	Bearing, Self-Align	
9	8065640	4	Bearing, Self-Align	
10	8065641	2	Bearing, Self-Align	
11	8303752	2	Bolt 5/16 x 3-1/2	
12	8303782	8	Bolt 1/2 x 4	
13	8305014	4	Nut 5/8	
14	8305626	2	Nut 5/16	
15	8305644	8	Nut 1/2	
16	8307009	4	Washer 5/8	
17	88411148	4	Bolt 5/8 x 2-1/2	
18	8310522	2	Nut 3/8	
19	8520001	6	Fitting, Straight Lube 1/8	
20	8520003	4	Fitting, 90 Degree Lube 1/8	
21	8522012	AR	Lube, Anti-Seize	
22	80241137	4	Washer, Special	
23	7124301	1	Conduit 1/2 x 15-1/2	
24	7124471	2	Conduit 1 x 12-1/2	
25	1001208662	1	Counterweight, Rear	
26	1001160250	1	Pin, Hitch	
27	1001169466	1	Weldment, Fuel/Hydraulic/DEF Tank (See Separate Breakdown in this Section)	
29	1001174229	1	Conduit 1 x 13-1/2	
30	1001190306	1	Bracket, Air Filter	
31	1001195826	2	Plug	
32	1001195952	2	Plug, Tube	
34	1001201561	1	Weldment, Frame	
37	1001174227	10	Conduit 1 x 21-1/2	
38	1001201923	2	Conduit 1 x 10-1/2	
101	1001091901	1	Cylinder, Frame Level (See Separate Breakdown in HYDRAULIC COMPONENTS Section)	
102	1001267967	2	Cylinder, Lift (See Separate Breakdown in HYDRAULIC COMPONENTS Section)	
103	1001196110	2	Cylinder, Compensation (See Separate Breakdown in HYDRAULIC COMPONENTS Section)	

SECTION 1 - FRAME AND ATTACHING PARTS

FIGURE 1-3. FRAME COVERS INSTALLATION - 74HP (AIR SHUT OFF VALVE)



ART_1001228508

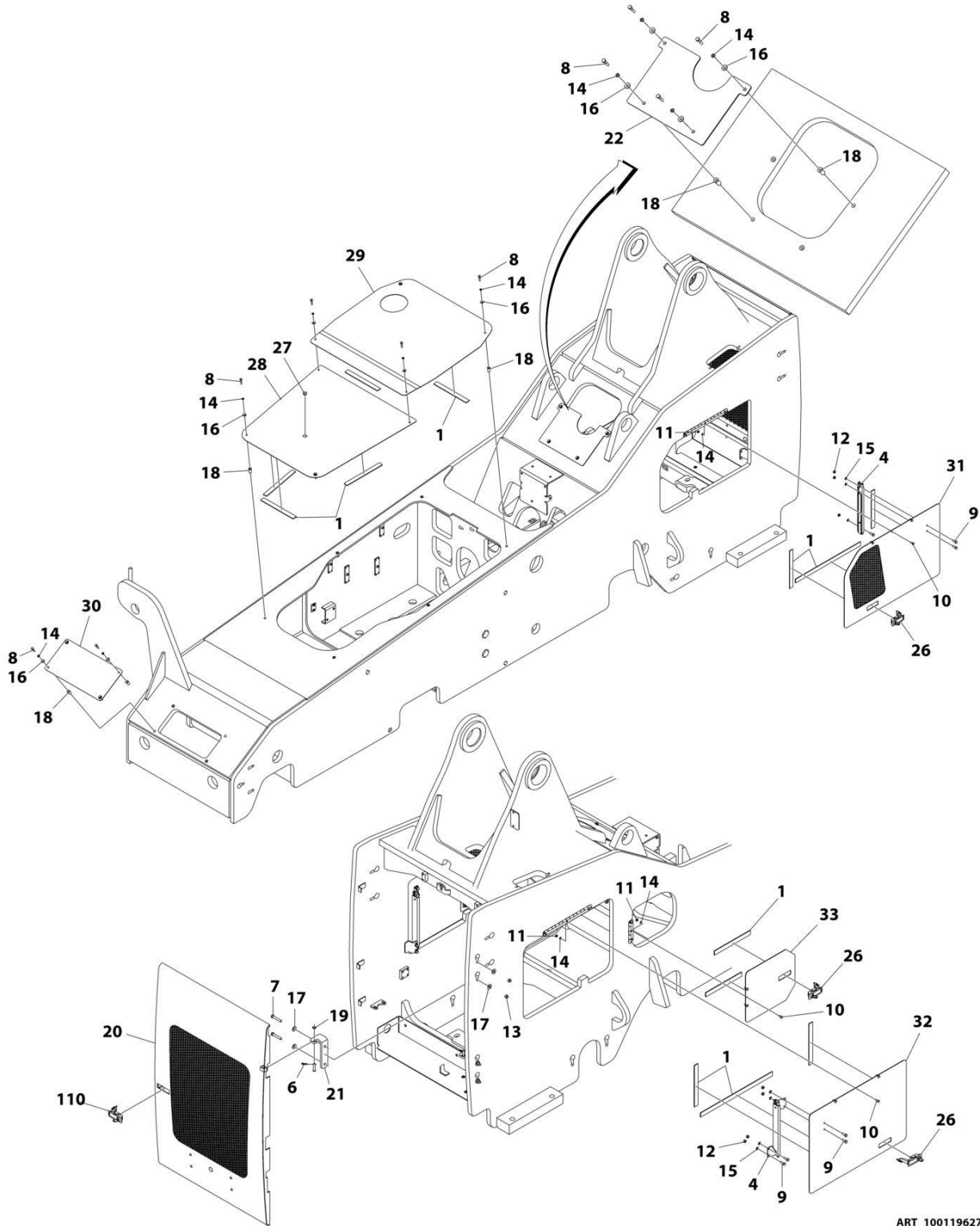
SECTION 1 - FRAME AND ATTACHING PARTS

FIGURE 1-3. FRAME COVERS INSTALLATION - 74HP (AIR SHUT OFF VALVE)

ITEM	PART NUMBER	QTY	DESCRIPTION	REV
	1001228508	Ref	FRAME COVERS INSTALLATION, 74HP (AIR SHUT OFF VALVE)	E
1	4420037	150 in	Tape, Insulation	
4	7139714	2	Prop, Side Door	
6	8302470	2	Pin, Cotter	
7	0641618	4	Bolt 3/8 x 2-1/4	
8	8303615	14	Bolt 1/4 x 1-1/4	
9	8303656	8	Bolt 5/16 x 7/8	
10	8303729	9	Bolt 1/4 x 5/8	
11	8305004	9	Nut 1/4	
12	8305006	8	Nut 5/16	
13	8305645	4	Nut 3/8	
14	8307002	23	Washer 1/4	
15	8307004	8	Washer 5/16	
16	8307202	14	Washer 1/4	
17	8307204	8	Washer 3/8	
18	8580420	14	Nut, Well	
19	10732150	2	Washer M10	
20	1001156283	1	Door, Rear (Includes item 110)	O
21	1001159319	2	Mount, Rear Door	
22	1001167793	1	Plate, Air Intake Baffle	
26	1001190341	3	Latch, Adjustable Trigger	
27	3520030	1	Plug	
28	7139406	1	Lower Cover, Transmission	
29	7139455	1	Upper Cover, Transmission	
30	7150608	1	Cover, Front	
31	1001168930	1	Panel, Left Side Access	
32	1001216589	1	Panel, Engine Access Right Side	
33	1001171385	1	Panel, Air Cleaner Access	
110	1001190341	1	Latch, Adjustable Trigger	

SECTION 1 - FRAME AND ATTACHING PARTS

FIGURE 1-4. FRAME COVERS INSTALLATION - 74HP (ULS)



ART_1001196279

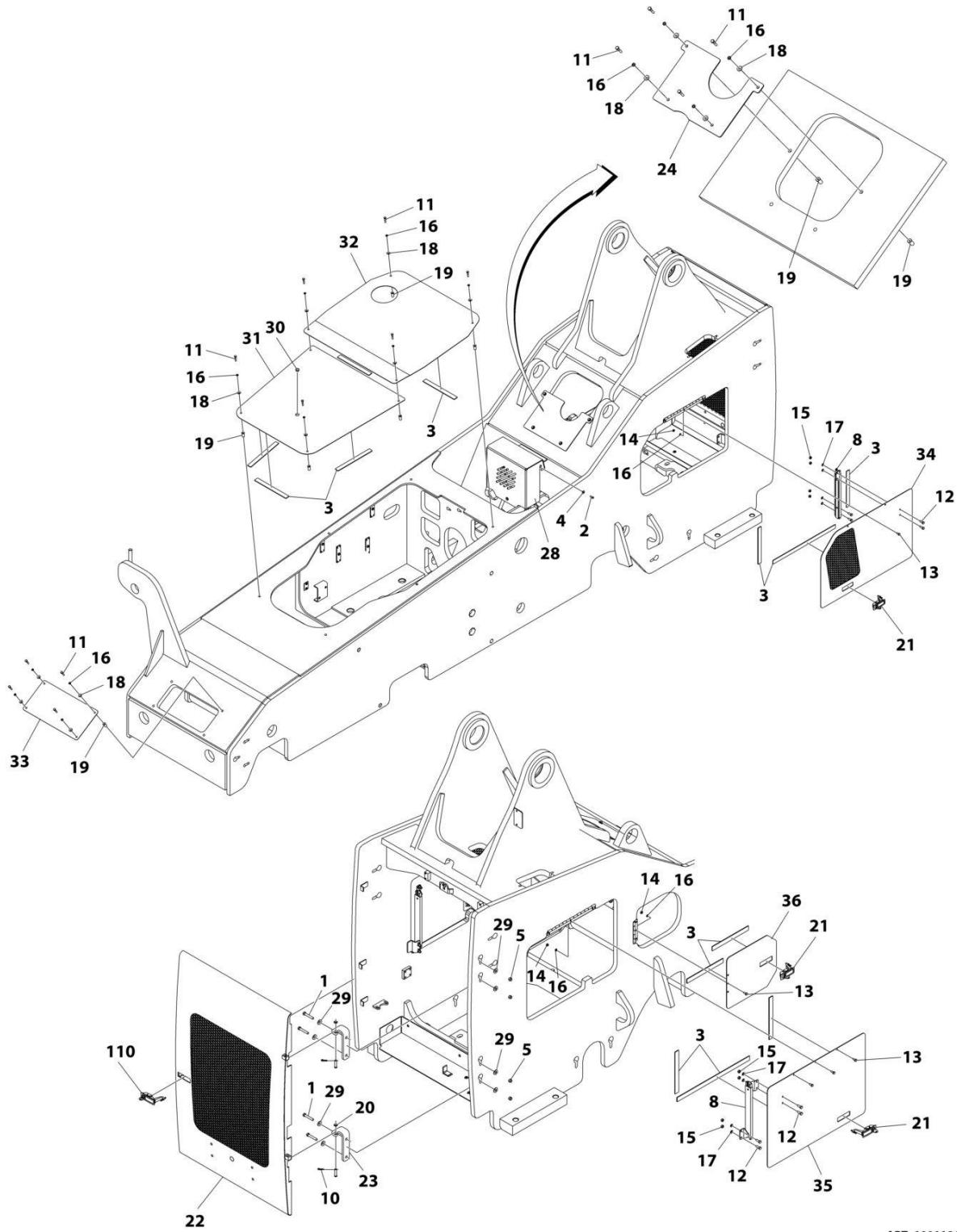
SECTION 1 - FRAME AND ATTACHING PARTS

FIGURE 1-4. FRAME COVERS INSTALLATION - 74HP (ULS)

ITEM	PART NUMBER	QTY	DESCRIPTION	REV
	1001196279	Ref	FRAME COVERS INSTALLATION	F
1	4420037	150 in	Tape, Insulation	
4	7139714	2	Side Door	
6	8302470	2	Pin, Cotter	
7	0641618	4	Bolt 3/8 x 2-1/4	
8	8303615	14	Bolt 1/4 x 1-1/4	
9	8303656	8	Bolt 5/16 x 7/8	
10	8303729	9	Bolt 1/4 x 5/8	
11	8305004	9	Nut 1/4	
12	8305006	8	Nut 5/16	
13	8305645	4	Nut 3/8	
14	8307002	23	Washer 1/4	
15	8307004	8	Washer 5/16	
16	8307202	14	Washer 1/4	
17	8307204	8	Washer 3/8	
18	8580420	14	Nut, Well	
19	10732150	2	Washer M10	
20	1001156283	1	Door, Rear (Includes item 110)	O
21	1001159319	2	Mount, Rear Door	
22	1001167793	1	Plate, Air Intake Baffle	
26	1001190341	3	Latch, Adjustable Trigger	
27	3520030	1	Plug	
28	7139406	1	Lower Cover, Transmission	
29	7139455	1	Upper Cover, Transmission	
30	7150608	1	Cover, Front	
31	1001168930	1	Panel, Left Side Access	
32	1001171383	1	Panel, Engine Access Right Side	
33	1001171385	1	Panel, Air Cleaner Access	
110	1001190341	1	Latch, Adjustable Trigger	

SECTION 1 - FRAME AND ATTACHING PARTS

FIGURE 1-5. FRAME COVERS INSTALLATION - 85HP (LS)



ART_1001186535

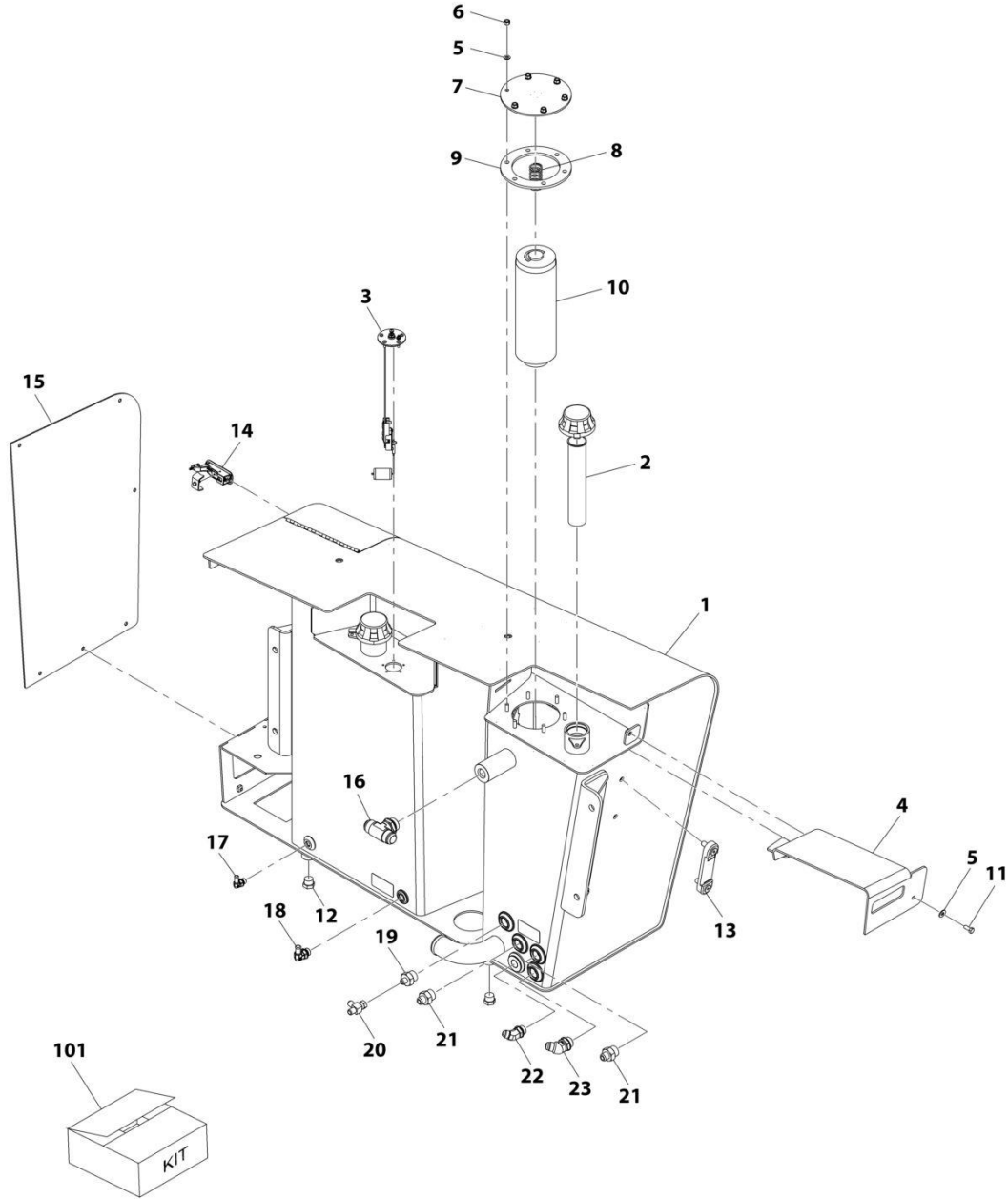
SECTION 1 - FRAME AND ATTACHING PARTS

FIGURE 1-5. FRAME COVERS INSTALLATION - 85HP (LS)

ITEM	PART NUMBER	QTY	DESCRIPTION	REV
	1001186535	Ref	FRAME COVERS INSTALLATION, 85HP	I
1	0641618	4	Bolt 3/8 x 2-1/4	
2	0760610	3	Bolt M6 x 20	
3	4420037	150 in	Tape, Insulation	
4	4811702	3	Washer M6	
5	8305645	4	Nut 3/8	
8	7139714	2	Prop, Side Door	
10	8302470	2	Pin, Hair	
11	8303615	14	Bolt 1/4 x 1-1/4	
12	8303656	8	Bolt 5/16 x 7/8	
13	8303729	9	Bolt 1/4 x 5/8	
14	8305004	9	Nut 1/4	
15	8305006	8	Nut 5/16	
16	8307002	23	Washer 1/4	
17	8307004	8	Washer 5/16	
18	8307202	14	Washer 1/4	
19	8580420	14	Nut, Well	
20	10732150	2	Washer M10	
21	1001190341	3	Latch, Adjustable Trigger	
22	1001156283	1	Door, Rear (Includes item 110)	O
23	1001159319	2	Mount, Rear Door	
24	1001208280	1	Plate, Air Intake Baffle	
28	1001211690	1	Bracket, ECM Cover	
29	8307204	8	Washer	
30	3520030	1	Plug	
31	7139406	1	Cover, Lower Transmission	
32	7139455	1	Cover, Upper Transmission	
33	7150608	1	Cover, Front	
34	1001168930	1	Panel, Left Side Access	
35	1001171383	1	Panel, Engine Access Right Side	
36	1001171385	1	Panel, Air Cleaner Access	
110	1001190341	1	Latch, Adjustable Trigger	

SECTION 1 - FRAME AND ATTACHING PARTS

FIGURE 1-6. HYDRAULIC/FUEL/DEF TANK ASSEMBLY (LS)



ART_1001169466

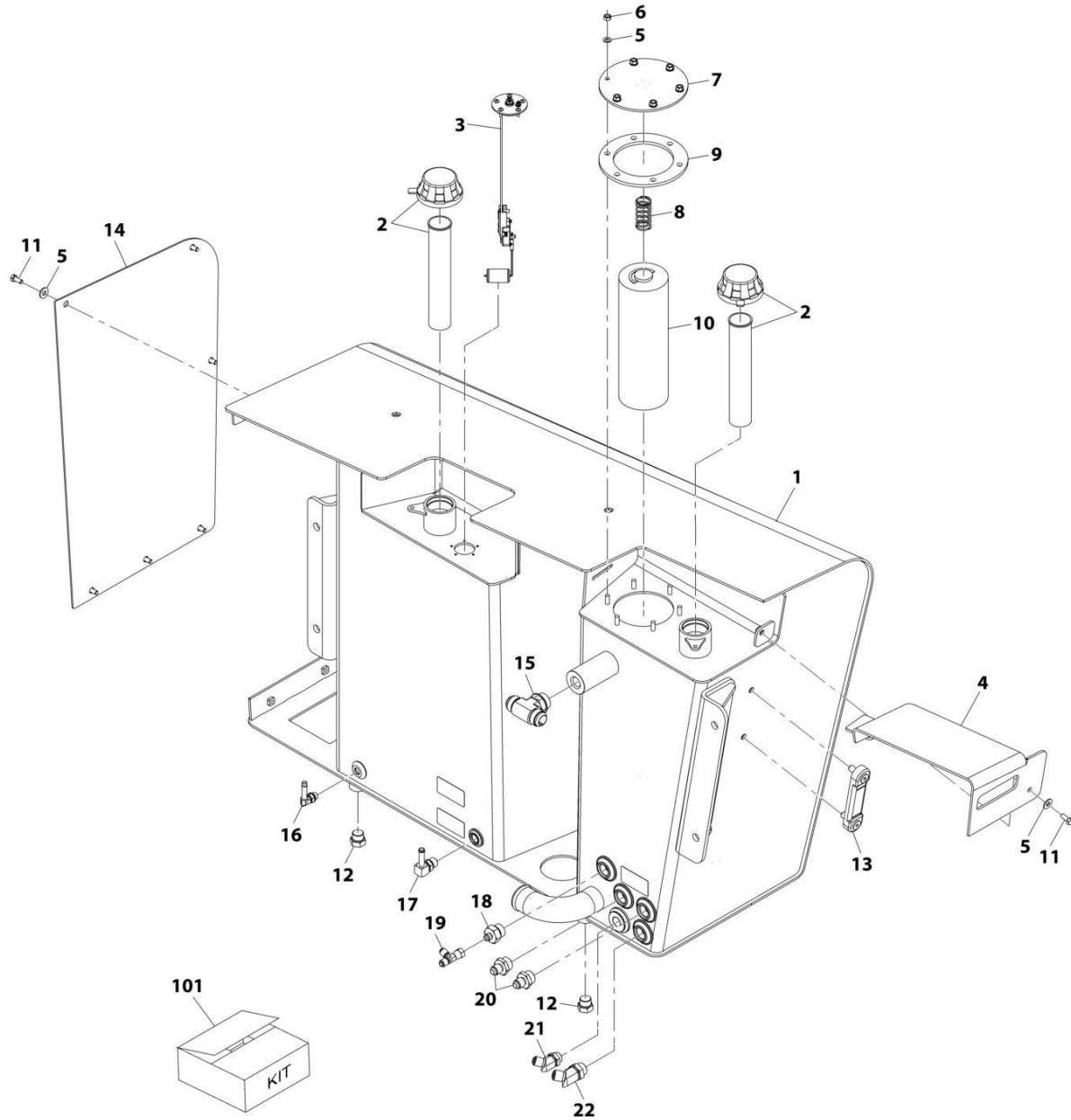
SECTION 1 - FRAME AND ATTACHING PARTS

FIGURE 1-6. HYDRAULIC/FUEL/DEF TANK ASSEMBLY (LS)

ITEM	PART NUMBER	QTY	DESCRIPTION	REV
	1001169466	Ref	Hydraulic/Fuel/DEF Tank Assembly (LS)	M
1	N.S.S.	1	Weldment, Hydraulic/Fuel Tank	
2	7139077	2	Filler/Breather	
3	1001145026	1	Sensor, Fuel	
4	1001199116	1	Panel, Hydraulic Fill Cover	
5	1001170329	7	Washer, Flat M8	
6	3300429	6	Nut, Hex 31-18	
7	1001199135	1	Assembly, Cover	
8	1001199136	1	Spring	
9	1001199177	1	Seal	
10	1001199205	1	Element, Filter	
11	8303697	1	Bolt, Hex Hd 5/16-18X3/4	
12	2220239	2	Plug	
13	7024441	1	Gauge, Sight	
14	1001199199	1	Latch	
15	1001199181	1	Cover, DEF Tank	
16	8760552	1	Tee, Branch	
17	1001178776	1	Elbow, 90	
18	1001199210	1	Elbow, 90	
19	2220577	1	Adapter	
20	2220635	1	Tee, Run	
21	2220375	2	Adapter	
22	2220499	1	Elbow, 45	
23	8770048	1	Elbow, 45	
101	70024152	1	Kit, Filter (Includes Items 9 & 10)	

SECTION 1 - FRAME AND ATTACHING PARTS

FIGURE 1-7. HYDRAULIC/FUEL TANK ASSEMBLY (ULS)



ART_1001227211

SECTION 1 - FRAME AND ATTACHING PARTS

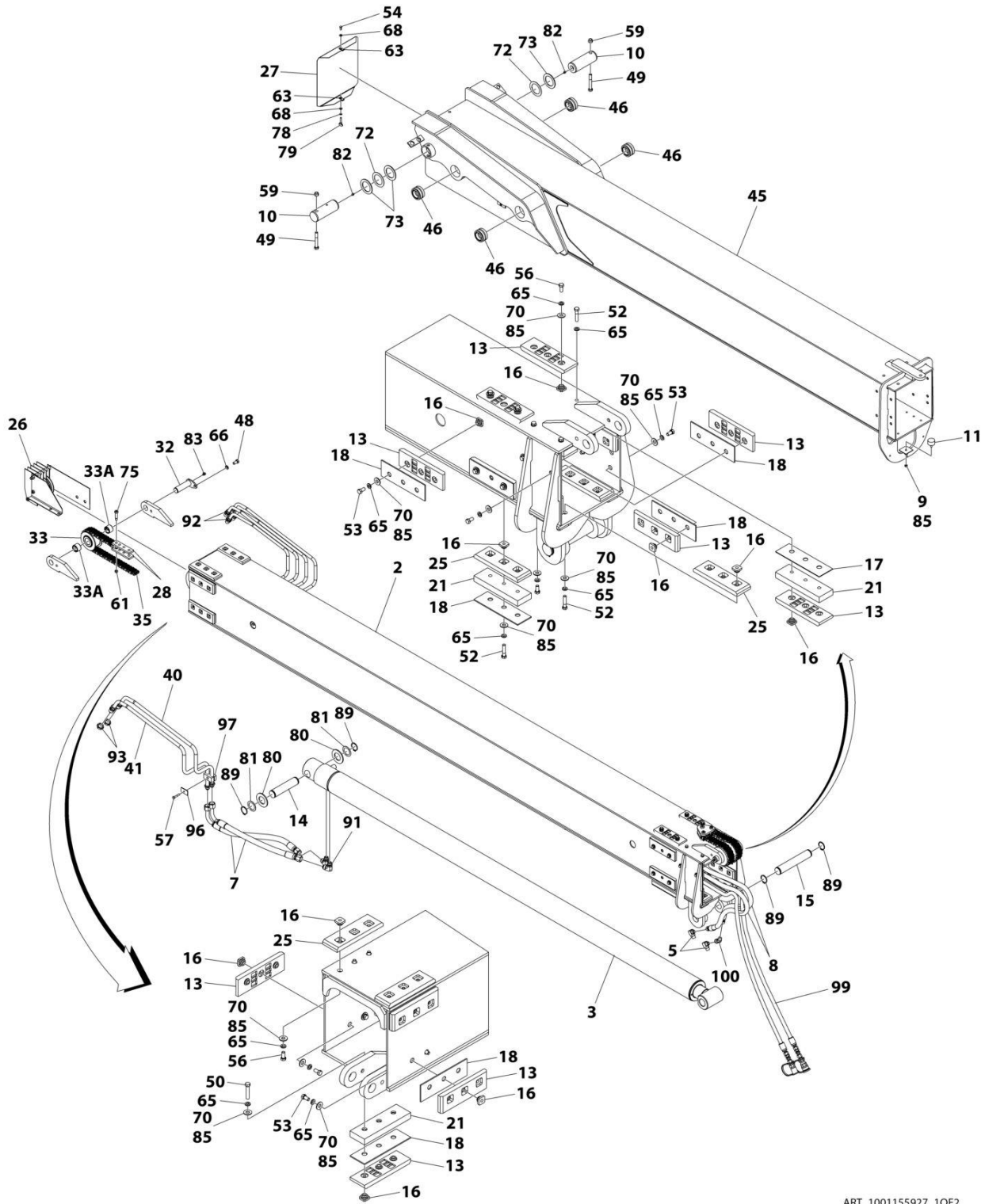
FIGURE 1-7. HYDRAULIC/FUEL TANK ASSEMBLY (ULS)

ITEM	PART NUMBER	QTY	DESCRIPTION	REV
	1001227211	Ref	Hydraulic/Fuel Tank Assembly (ULS)	B
1	N.S.S.	1	Tank, Hydraulic/Fuel	
2	7139077	2	Filler/Breather	
3	1001145026	1	Sensor, Fuel	
4	1001199116	1	Panel, Hydraulic Fill Cover	
5	1001170329	13	Washer, Flat M8	
6	3300429	6	Nut 5/16	
7	1001199135	1	Assembly, Cover	
8	1001199136	1	Spring	
9	1001199177	1	Seal	
10	1001199205	1	Element, Filter	
11	8303697	7	Bolt 5/16 X 3/4	
12	2220239	2	Plug	
13	7024441	1	Gauge, Sight	
14	1001199181	1	Cover, DEF Tank	
15	8760552	1	Tee, Branch	
16	1001178776	1	Elbow, 90	
17	1001199210	1	Elbow, 90	
18	2220577	1	Adapter	
19	2220635	1	Tee, Run	
20	2220375	2	Adapter	
21	2220499	1	Elbow, 45	
22	8770048	1	Elbow, 45	
101	70024152	1	Kit, Filter (Includes Items 9 & 10)	

SECTION 2 - BOOM

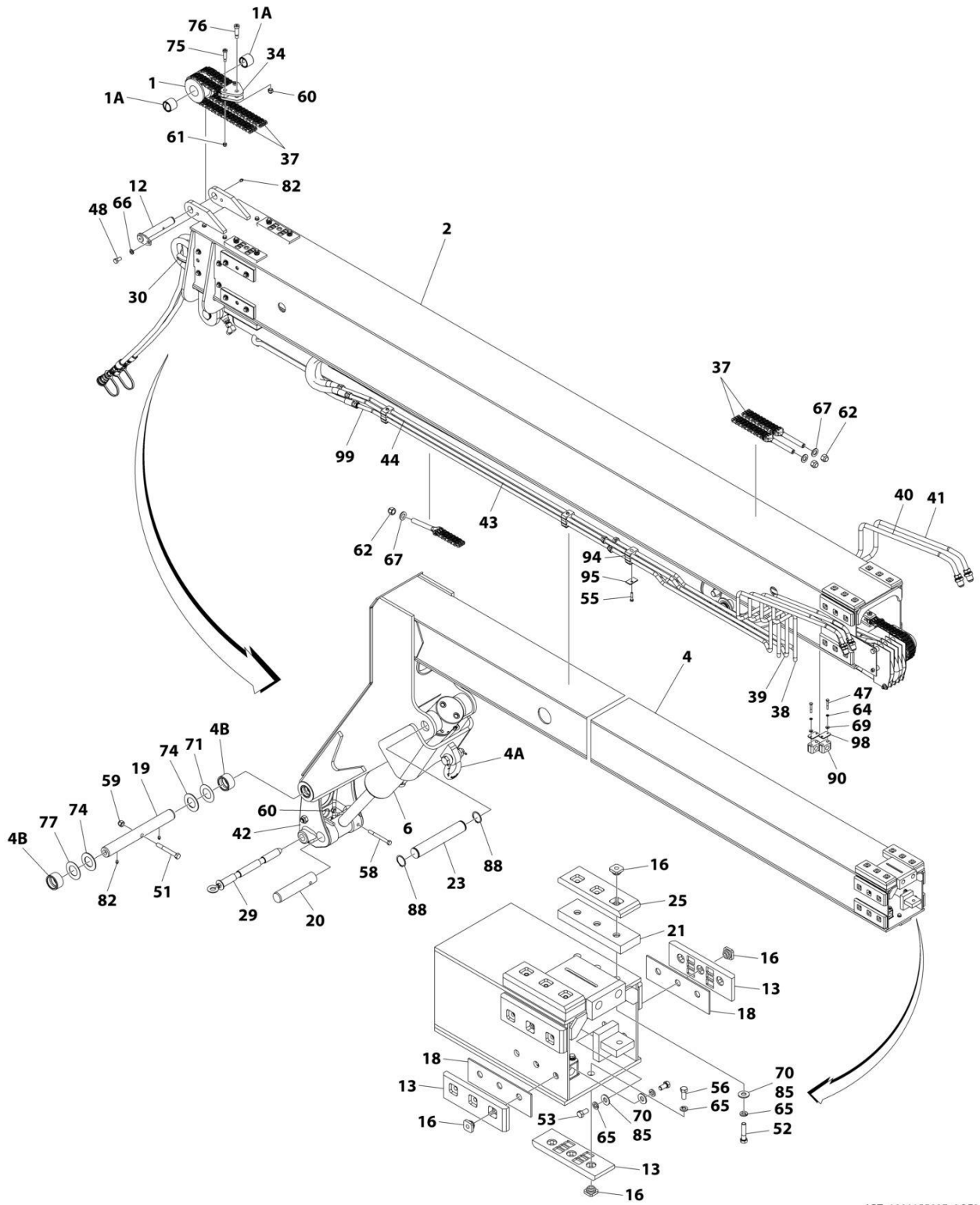
SECTION 2 - BOOM

FIGURE 2-1. BOOM INSTALLATION



ART_1001155927_1OF2

SECTION 2 - BOOM



ART_1001155927_2OF2

SECTION 2 - BOOM

FIGURE 2-1. BOOM INSTALLATION

ITEM	PART NUMBER	QTY	DESCRIPTION	REV
	1001155927	Ref	BOOM INSTALLATION (6036)	H
1	1001101861	1	Sheave Assembly - Retract (6036)	
1A	5906392	2	Bushing	
2	1001155928	1	Boom, Second Section	
3	1001156013	1	Cylinder, Extend/Retract (See Separate Breakdown in HYDRAULIC COMPONENTS Section)	
4	1001210818	1	Boom, Fly	
4A	1001204045	1	Clevis	
4B	7085542	2	Bushing	
5	2220596	2	Adapter, 90 (6036)	
6	2716614	1	Cylinder, Fork Tilt (See Separate Breakdown in HYDRAULIC COMPONENTS Section)	
7	2716760	2	Hose	
8	2716788	2	Hose	
9	3311601	1	Nut 3/8	
10	3423226	2	Pin, Boom Pivot	
11	5724622	1	Bumper, Rubber	
12	7063432	1	Pin	
13	7079572	22	Pad, Wear	
14	7081621	1	Pin, Base End	
15	7081631	1	Pin, Rod End	
16	7082311	68	Insert, Wear Pad	
17	7082342	AR	Shim, Wear Pad	
18	7082362	AR	Shim, Wear Pad	
19	7083922	1	Pin, Carriage Pivot	
20	7083992	1	Pin, Rod End	
21	7085442	7	Spacer, Wear Pad	
23	7095522	1	Pin	
24	7096491	6	Spacer	
25	7111572	8	Pad, Wear	
26	7116773	1	Assembly, Hose Pulley (See Separate Breakdown in this Section) (6036)	
27	7116822	1	Cover	
28	7117031	2	Link	
29	7118892	1	Assembly, Lock Pin (See Separate Breakdown in this Section)	
30	7125811	2	Conduit	
32	7138977	1	Pin, Retract Chain Sheave	
33	7138986	1	Sheave Assembly - Retract Chain	
33A	7138979	2	Bushing	
34	7139180	2	Yoke, Extend Chain	
35	7139689	1	Assembly, Retract Chain (See Separate Breakdown in this Section) (6036)	
37	7139692	2	Assembly, Extend Chain (See Separate Breakdown in this Section) (6036)	
38	7139726	1	Tube	
39	7139727	1	Tube	
40	7139730	1	Tube	
41	7139731	1	Tube	
42	7139864	1	Assembly, Quick Coupler (See Separate Breakdown in this Section) (Prior to SN 0160101449)	

SECTION 2 - BOOM

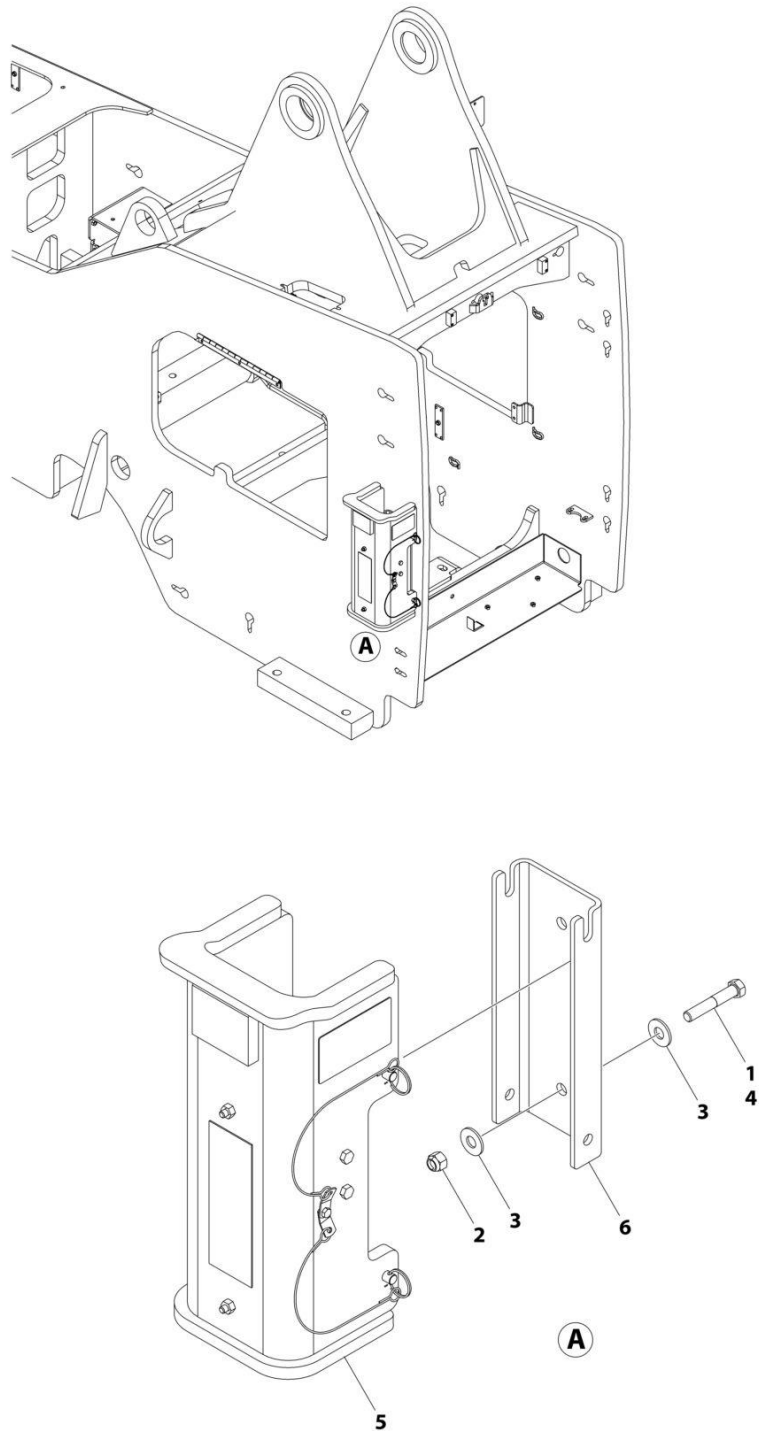
ITEM	PART NUMBER	QTY	DESCRIPTION	REV
42	1001242996	1	Assembly, Quick Coupler (See Separate Breakdown in this Section) (SN 0160101449 to Present)	
43	7150837	1	Tube	
44	7150838	1	Tube	
45	7302056	1	Boom, First Section	
46	8065640	4	Bearing, Self-Align	
47	8303090	4	Bolt 1/4 x 1-3/4	
48	8303624	2	Bolt 1/2 x 1	
49	8303655	2	Bolt 5/8 x 4-1/2	
50	8303657	2	Bolt 3/8 x 2	
51	8303666	1	Bolt 5/8 x 5	
52	8303679	20	Bolt 3/8 x 1-3/4	
53	8303681	32	Bolt 3/8 x 3/4	
54	8303697	1	Bolt 5/16 x 3/4	
55	8303715	3	Bolt 5/16 x 1-1/2	
56	8303738	14	Bolt 3/8 x 7/8	
57	8303746	1	Bolt 5/16 x 1-3/4	
58	8303772	1	Bolt 1/2 x 5	
59	8305643	3	Nut 5/8	
60	8305644	2	Nut 1/2	
61	8305645	4	Nut 3/8	
62	8305646	3	Nut 3/4	
63	8305906	2	Nut 5/16	
64	8307002	4	Washer 1/4	
65	8307005	68	Washer 3/8	
66	8307007	2	Washer 1/2	
67	8307104	3	Washer 3/4	
68	8307106	2	Washer 5/16	
69	8307109	8	Washer 1/4	
70	8307204	64	Washer 3/8	
71	8307904	AR	Washer, Shim	
72	8307910	AR	Washer, Shim	
73	8307911	AR	Washer, Shim	
74	8307918	2	Washer, Shim	
75	8310019	4	Screw, Shoulder 1/2 x 3/8	
76	8310020	1	Screw, Shoulder 5/8 x 1/2	
77	8310093	AR	Washer, Shim	
78	8310431	1	Washer 5/16	
79	8310497	1	Screw 5/16 x 1-1/2	
80	8310708	2	Washer 1	
81	8310712	2	Washer, Shim	
82	8520001	5	Fitting, Straight Lube	
83	8520003	1	Fitting, 90 Lube	
84	8522012	AR	Lube, Anti-Seize (not shown)	
85	8526007	AR	Compound, Thread Locking	
86	8526048	AR	Sealant, Compound (not shown)	
87	8526406	AR	Sealant, Varnish (not shown)	
88	8642224	2	Ring, Retaining	
89	8642234	4	Ring, Retaining	
90	8750029	2	Clamp Set, 3/4	
91	2220567	2	Adapter, 90	
92	8760465	2	Adapter, Bulkhead Nut	

SECTION 2 - BOOM

ITEM	PART NUMBER	QTY	DESCRIPTION	REV
93	8760468	2	Adapter, Bulkhead Nut	
94	8769122	3	Clamp Set, Twin 5/8	
95	8769123	3	Cover Plate, Twin	
96	8769128	1	Cover Plate, Twin	
97	8769139	1	Clamp Set, Twin 3/4	
98	8769153	2	Cover Plate, Single	
99	7139968	1	Assembly, Boom Auxiliary Hydraulics (See Separate Breakdown in this Section)	
100	2220683	1	Adapter	

SECTION 2 - BOOM

FIGURE 2-2. BOOM PROP INSTALLATION



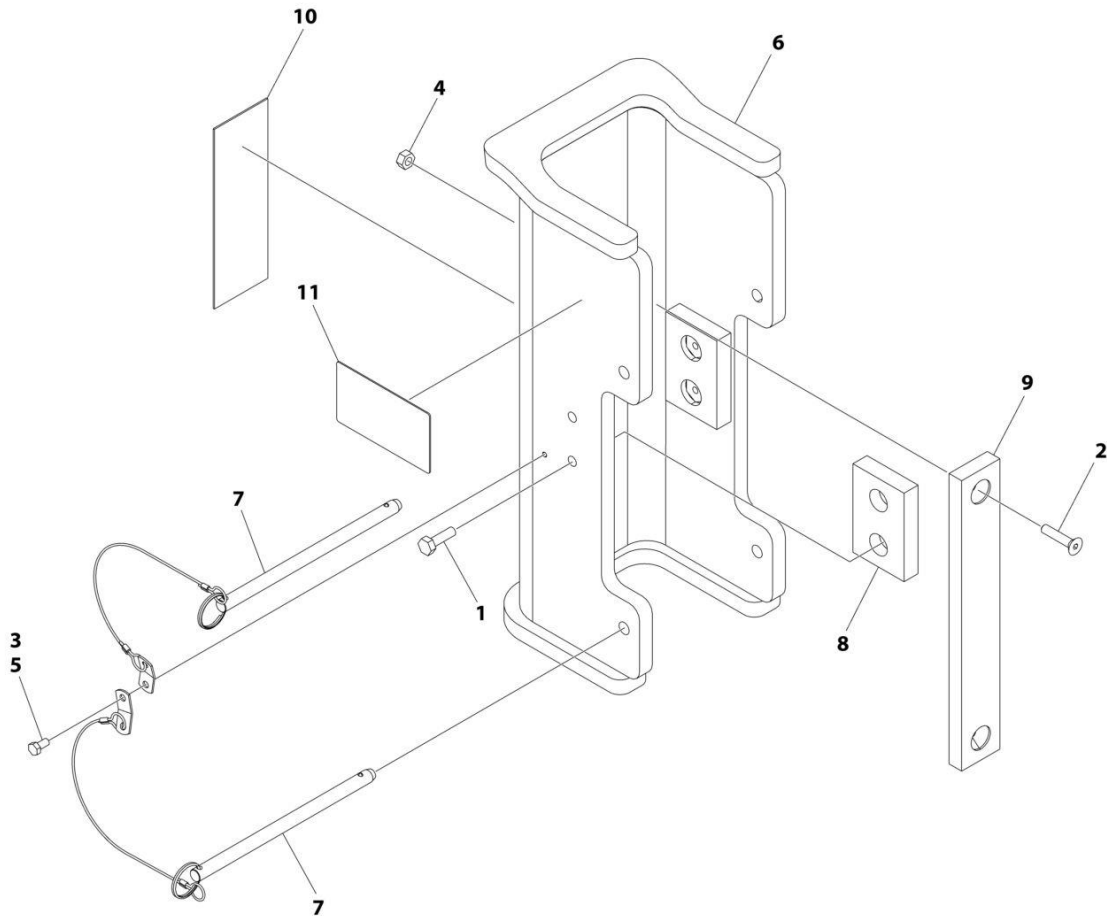
ART_1001283919

FIGURE 2-2. BOOM PROP INSTALLATION

ITEM	PART NUMBER	QTY	DESCRIPTION	REV
	1001283919	Ref	BOOM PROP INSTALLATION	A
1	8303771	2	Bolt 3/8 x 2-1/4	
2	8305645	2	Nut 3/8	
3	8307204	4	Washer 3/8	
4	1001095650	AR	Adhesive	
5	1001283928	1	Bracket, Boom Prop (See Separate Breakdown in this Section)	
6	1001284436	1	Plate	

SECTION 2 - BOOM

FIGURE 2-3. BOOM PROP BRACKET INSTALLATION



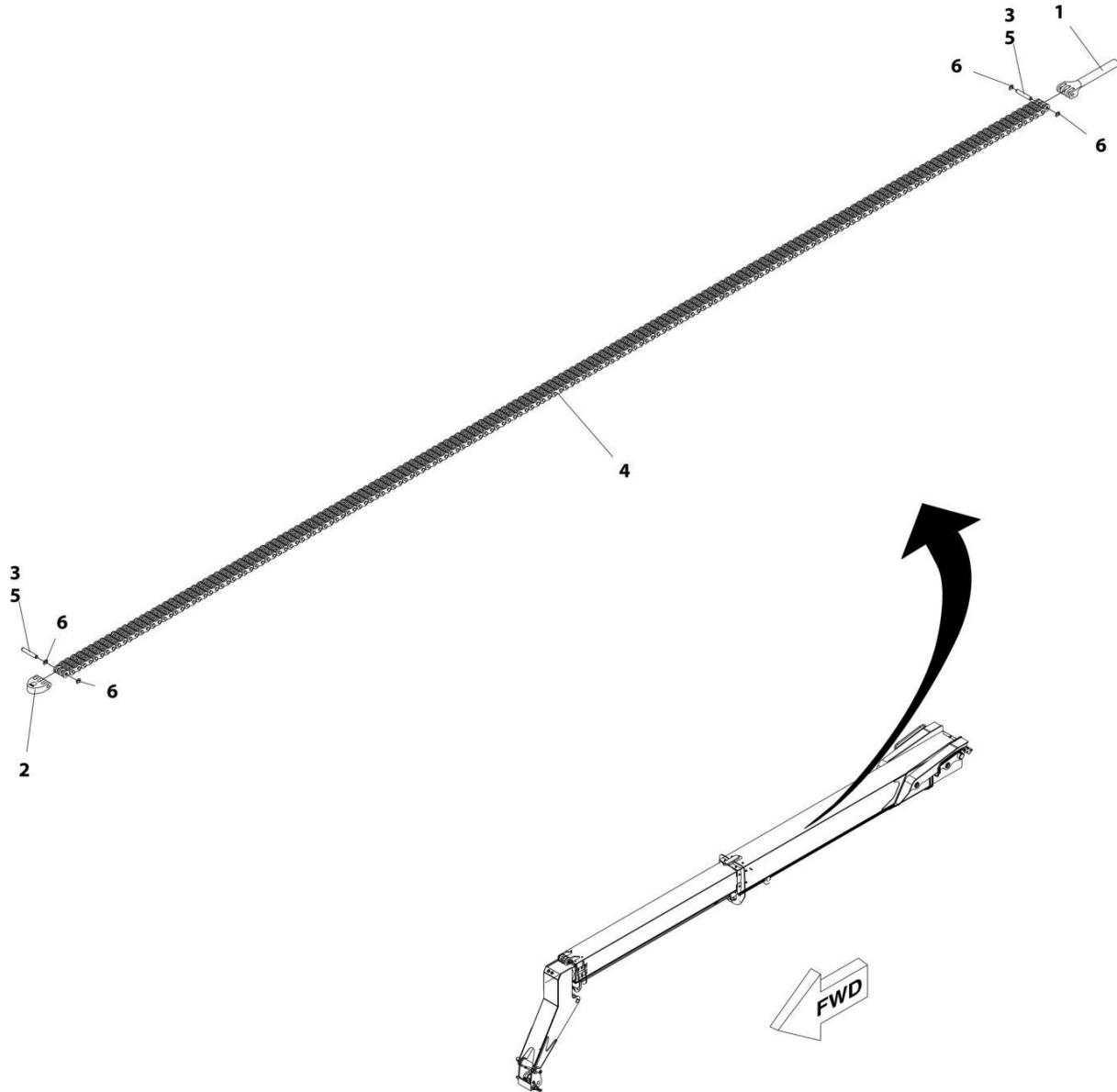
ART_1001283928

FIGURE 2-3. BOOM PROP BRACKET INSTALLATION

ITEM	PART NUMBER	QTY	DESCRIPTION	REV
	1001283928	Ref	BOOM PROP BRACKET INSTALLATION	A
1	0641407	4	Bolt 1/4 x 7/8	
2	0741410	2	Screw 1/4 x 1-1/4	
3	0760505	1	Bolt M5 x 10	
4	3311405	2	Nut 1/4	
5	1001095650	AR	Adhesive	
6	1001283930	1	Bracket	
7	1001284433	2	Pin, Ball Locking	
8	1001284434	2	Pad, Wear	
9	1001284435	1	Pad	
10	1001284438	1	Decal - Warning Boom Prop	
11	1001288418	1	Decal - Boom Prop	

SECTION 2 - BOOM

FIGURE 2-4. EXTEND CHAIN ASSEMBLY



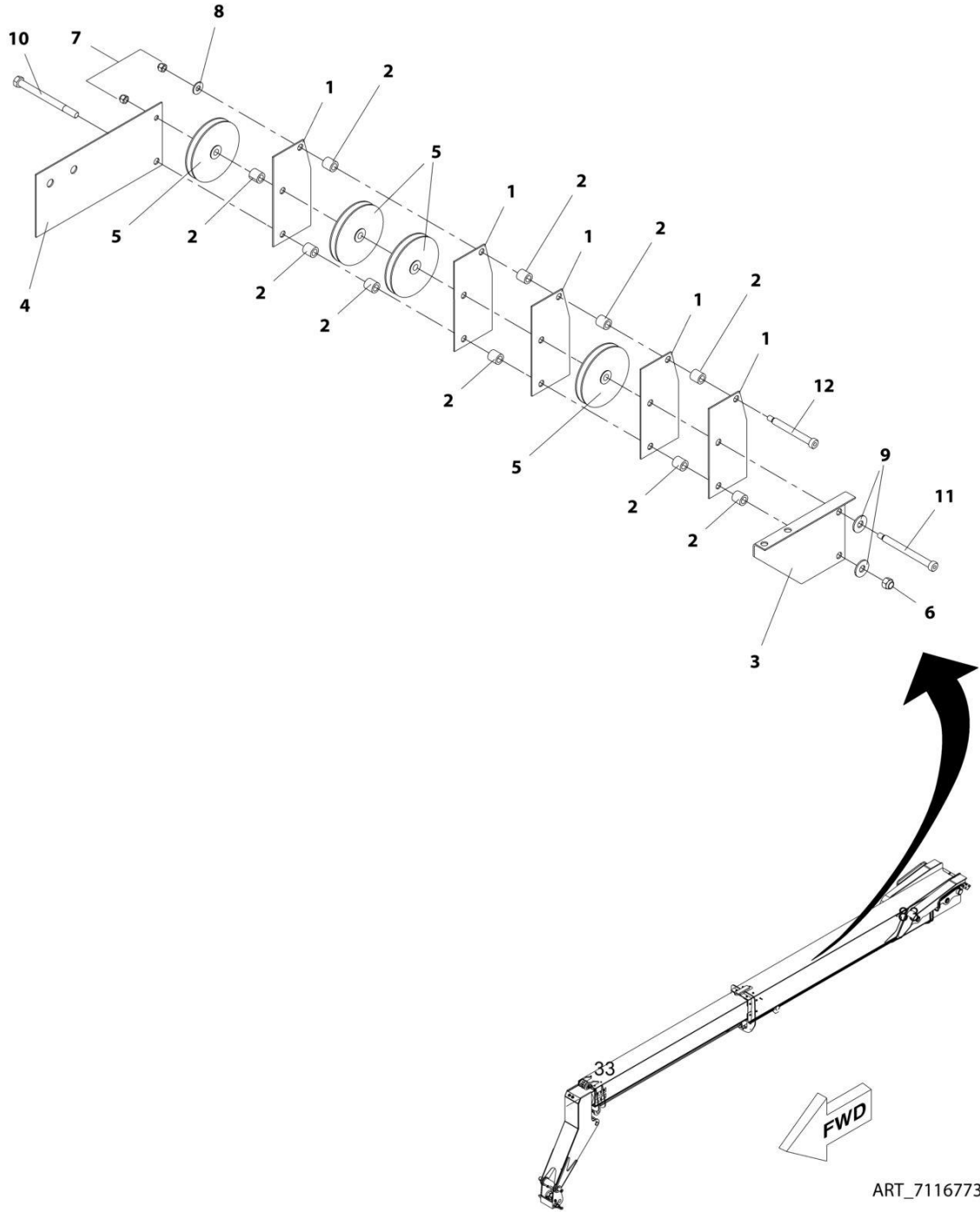
ART_7139692_B

FIGURE 2-4. EXTEND CHAIN ASSEMBLY

ITEM	PART NUMBER	QTY	DESCRIPTION	REV
	7139692	Ref	Chain and Clevis Assembly	B
1	7139032	1	Clevis, Female Anchor	
2	7139416	1	Clevis, Female Anchor	
3	8124138	2	Pin, Chain Clevis	
4	8127024	1	Chain, Leaf	
5	8522012	AR	Lube, Anti-Seize	
6	8642237	4	Ring, Retaining	

SECTION 2 - BOOM

FIGURE 2-5. HOSE PULLEY ASSEMBLY



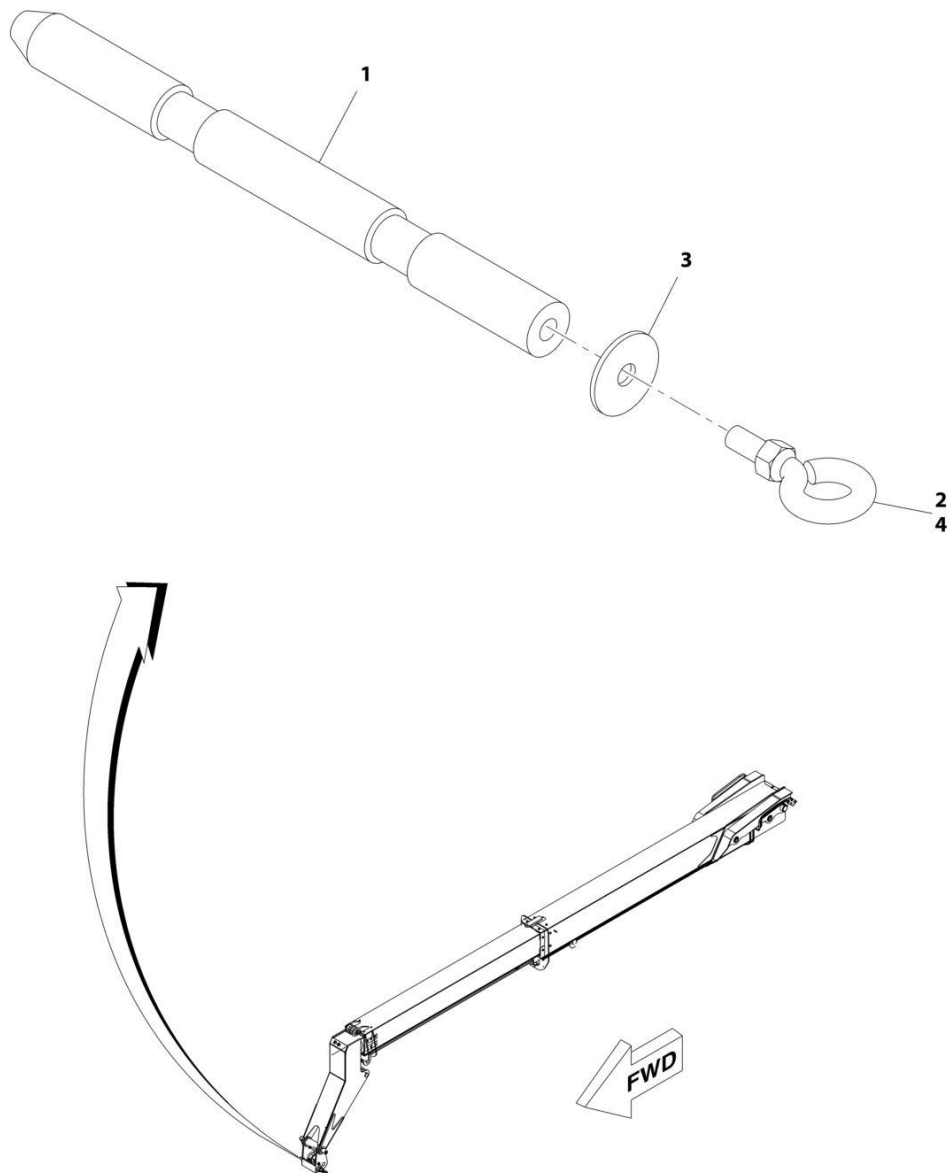
ART_7116773_E

FIGURE 2-5. HOSE PULLEY ASSEMBLY

ITEM	PART NUMBER	QTY	DESCRIPTION	REV
	7116773	Ref	Hose Pulley Assembly - 6036 (6036)	E
1	7116642	5	Divider	
2	7116691	10	Spacer	
3	7116742	1	Bracket, RH	
4	7116752	1	Bracket, LH	
5	7116812	4	Wheel, Roller	
6	8305644	1	Nut, Lock 1/2-13	
7	8305645	2	Nut, Lock 3/8-16	
8	8307204	1	Washer, Plain 3/8	
9	8307206	2	Washer, Plain 1/2	
10	8310209	1	Bolt, 1/2-13X6	
11	8310235	1	Screw, Shoulder 1/2X5	
12	8310245	1	Screw, Shoulder 1/2X4	

SECTION 2 - BOOM

FIGURE 2-6. LOCK PIN ASSEMBLY



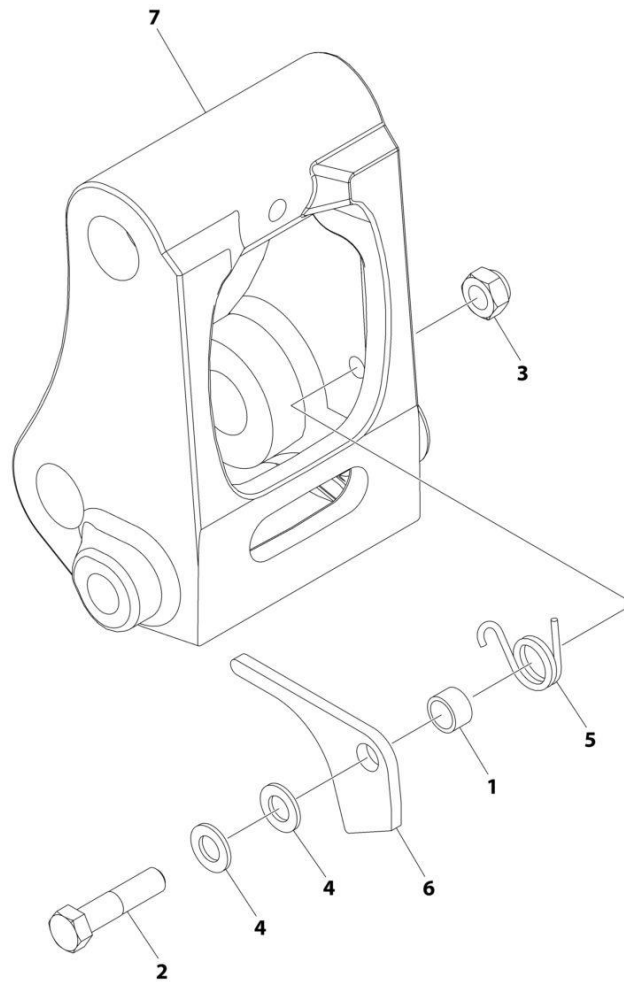
ART_7118892-B

FIGURE 2-6. LOCK PIN ASSEMBLY

ITEM	PART NUMBER	QTY	DESCRIPTION	REV
	7118892	Ref	Lock Pin Assembly	B
1	7118882	1	Pin	
2	8310266	2	Bolt, Eye 1/2-13X2	
3	8310276	3	Washer	
4	8526007	AR	Compound, Locking	

SECTION 2 - BOOM

FIGURE 2-7. QUICK COUPLER ASSEMBLY



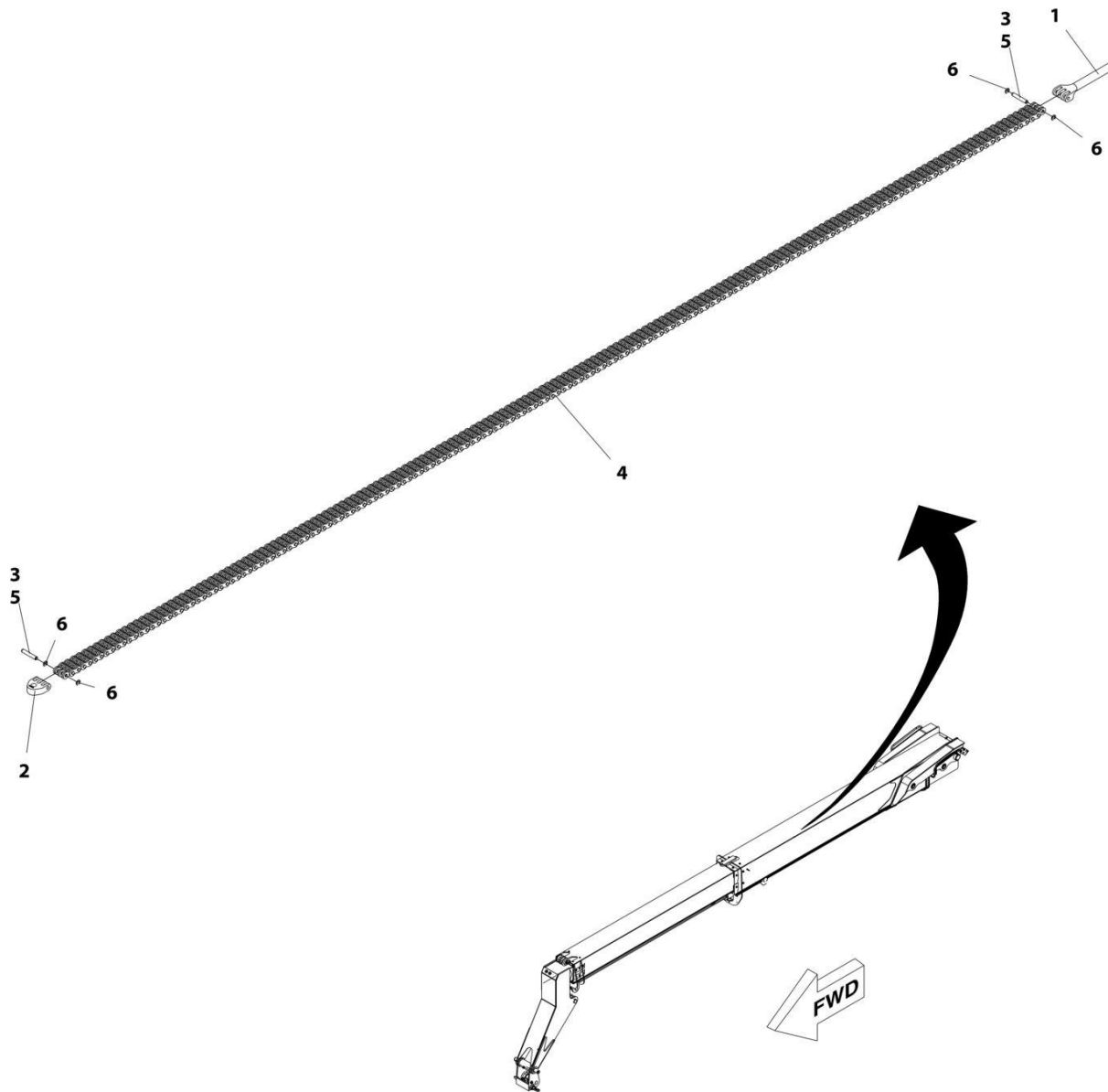
ART_1001242996_C

FIGURE 2-7. QUICK COUPLER ASSEMBLY

ITEM	PART NUMBER	QTY	DESCRIPTION	REV
	1001242996	Ref	COUPLER ASSEMBLY	C
1	7085571	1	Spacer	
2	8303640	1	Bolt	
3	8305619	1	Nut 3/4	
4	8307104	2	Washer 3/4	
5	1001243025	1	Spring, Torsion	
6	1001243026	1	Plate, Pin Latch	
7	1001243219	1	Coupler, Link	

SECTION 2 - BOOM

FIGURE 2-8. RETRACT CHAIN ASSEMBLY (6036)



ART_7139689_B

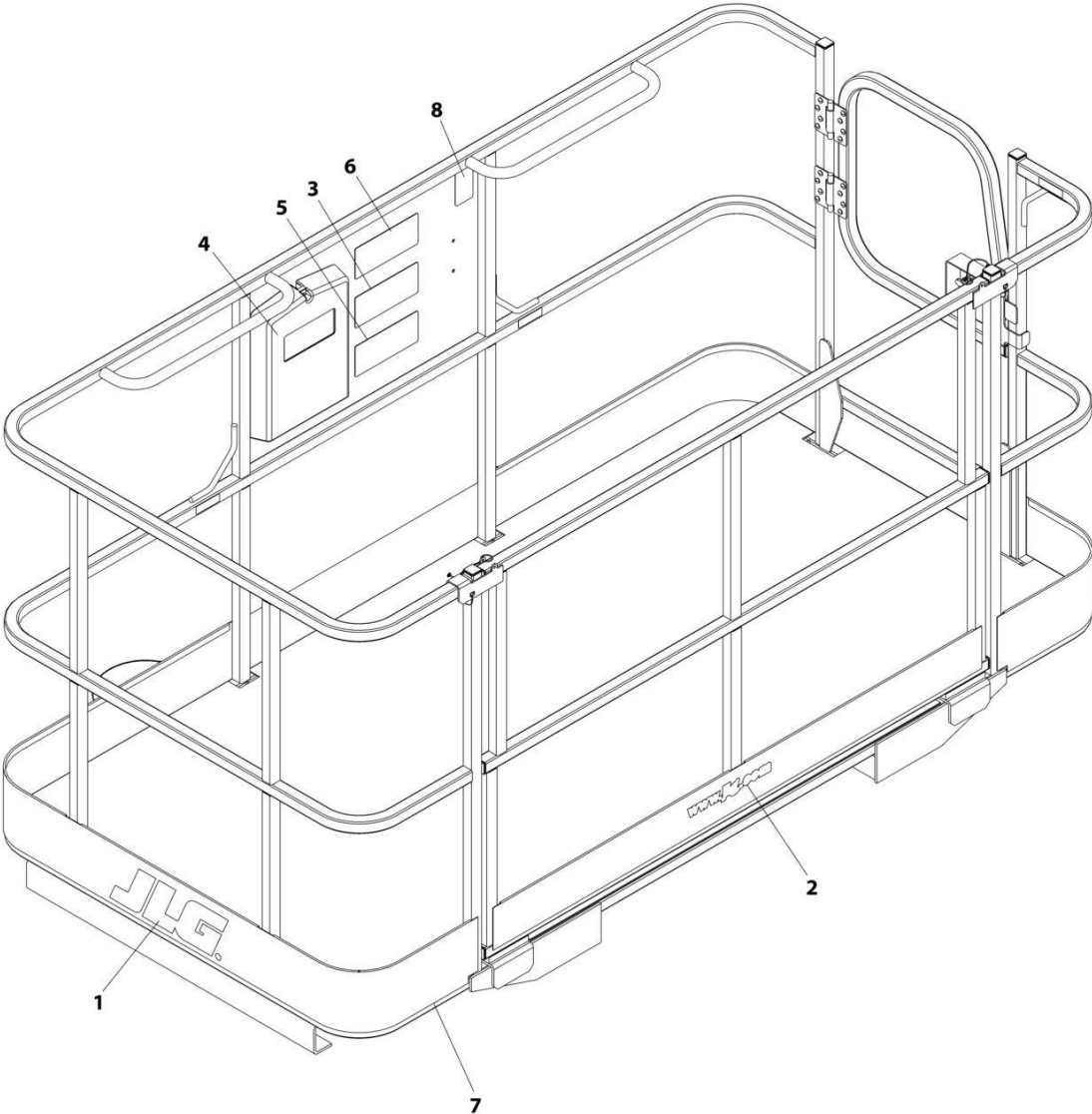
FIGURE 2-8. RETRACT CHAIN ASSEMBLY (6036)

ITEM	PART NUMBER	QTY	DESCRIPTION	REV
	7139689	Ref	Retract Chain and Clevis Assembly - 6036 (6036)	B
1	7139032	1	Clevis, Female Anchor	
2	7139416	1	Clevis, Female Anchor	
3	8124138	2	Pin, Chain Clevis	
4	8127021	1	Chain, Leaf	
5	8522012	AR	Lube, Anti-Seize	
6	8642237	4	Ring, Retaining	

SECTION 3 - ATTACHMENTS

SECTION 3 - ATTACHMENTS

FIGURE 3-1. BASKET, PERSONNEL (1.2MX2.4M) (DOMESTIC)



ART_1001238653-A

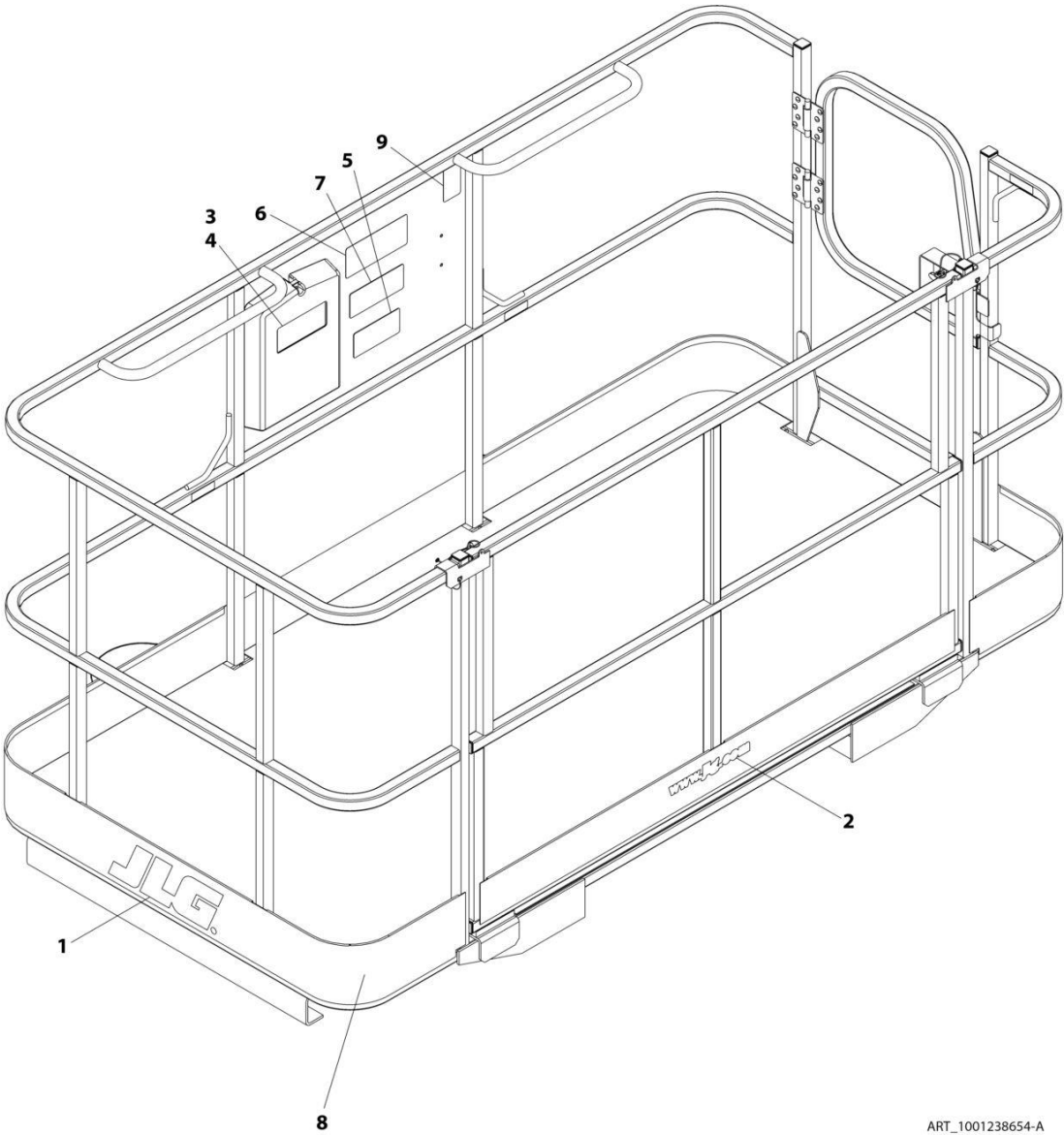
SECTION 3 - ATTACHMENTS

FIGURE 3-1. BASKET, PERSONNEL (1.2MX2.4M) (DOMESTIC)

ITEM	PART NUMBER	QTY	DESCRIPTION	REV
	1001238653	Ref	FORK MOUNTED PLATFORM	B
1	1702773	2	Decal, JLG	
2	1704885	1	Decal, Website	
3	1706892	1	Decal, Platform Warning	
4	31200160	1	Manual, Personnel Work Platform Operation and Safety	
5	1001092481	1	Decal, Warning Attachment	
6	1001092482	1	Decal, Platform Capacity	
7	1001238565	1	Platform, Fork Mounted (See Separate Breakdown in this Section)	
8	See Note	NSS	SN Plate (Note: Stamped Part - Not Available for Purchase)	

SECTION 3 - ATTACHMENTS

FIGURE 3-2. BASKET, PERSONNEL (1.2MX2.4M) (ISO)



ART_1001238654-A

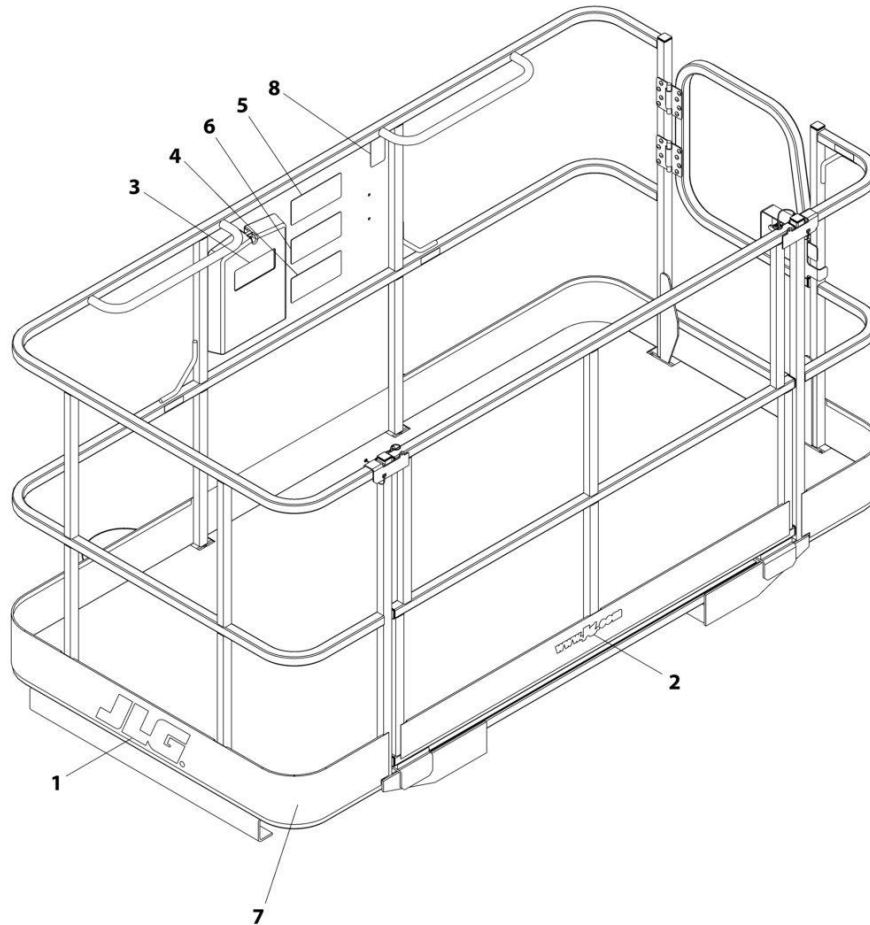
SECTION 3 - ATTACHMENTS

FIGURE 3-2. BASKET, PERSONNEL (1.2MX2.4M) (ISO)

ITEM	PART NUMBER	QTY	DESCRIPTION	REV
	1001238654	Ref	BASKET, PERSONNEL	B
1	1702773	2	Decal, JLG	
2	1704885	1	Decal, Website	
3	31200387	1	Manual, Operation and Safety, Spanish	
4	31200388	1	Manual, Operation and Safety, Portuguese	
5	1001096021	1	Decal, Warning Attachment	
6	1001096023	1	Decal, Platform Capacity	
7	1001096025	1	Decal, Platform Warning	
8	1001238565	1	Platform, Fork Mounted (ANSI) (See Separate Breakdown in this Section)	
9	See Note	NSS	SN Plate (Note: Stamped Part - Not Available for Purchase)	

SECTION 3 - ATTACHMENTS

FIGURE 3-3. BASKET, PERSONNEL (1.2MX2.4M) (FRENCH LANGUAGE)



ART_1001238655-A

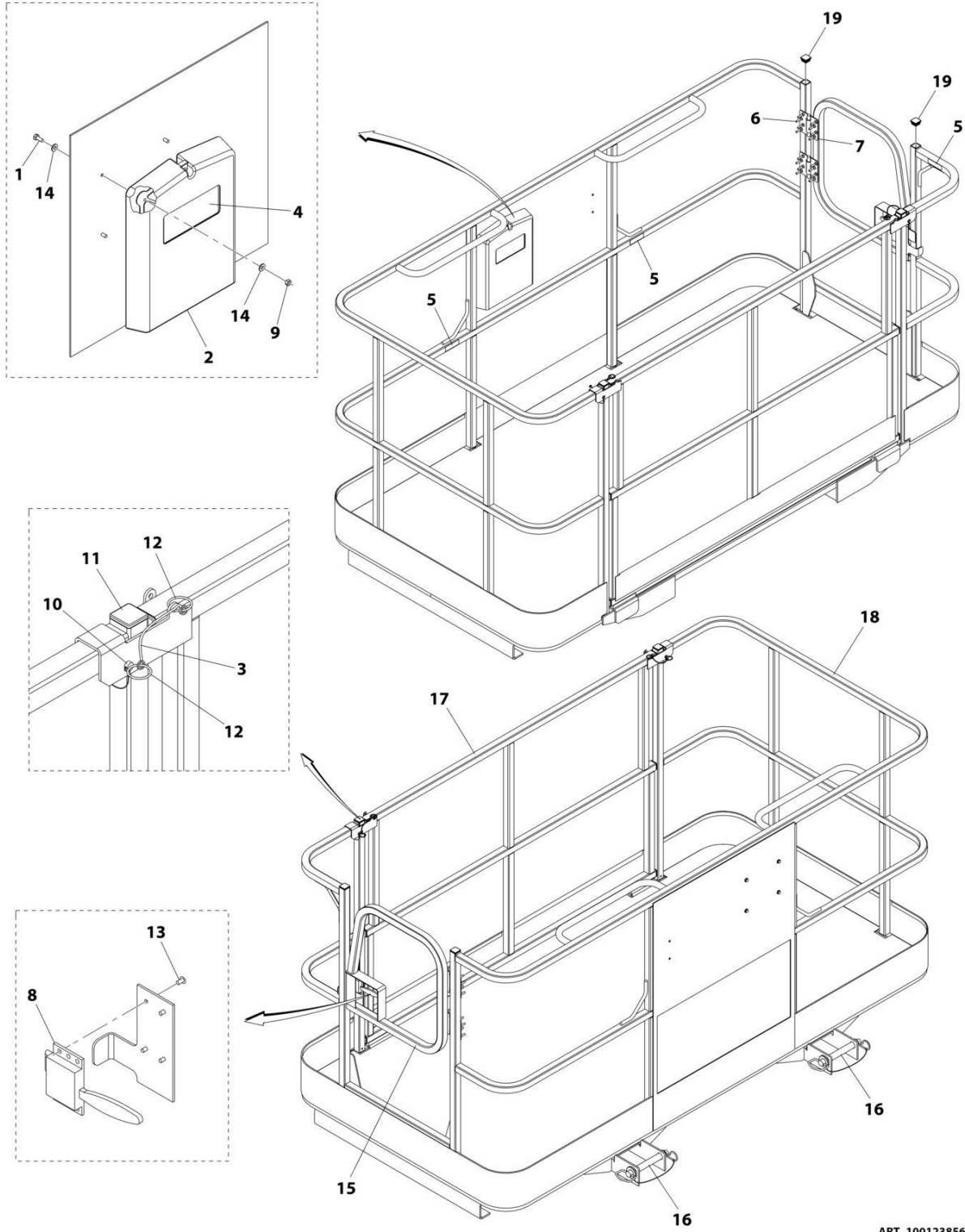
SECTION 3 - ATTACHMENTS

FIGURE 3-3. BASKET, PERSONNEL (1.2MX2.4M) (FRENCH LANGUAGE)

ITEM	PART NUMBER	QTY	DESCRIPTION	REV
	1001238655	Ref	BASKET, PERSONNEL	B
1	1702773	2	Decal, JLG	
2	1704885	1	Decal, Website	
3	31200386	1	Manual, Operation and Safety (French)	
4	1001096019	1	Decal, Warning Attachment (French)	
5	1001096020	1	Decal, Platform Capacity (French)	
6	1001096024	1	Decal, Platform Warning (French)	
7	1001238565	1	Platform, Fork Mounted (ANSI) (See Separate Breakdown in this Section)	
8	See Note	NSS	SN Plate (Note: Stamped Part - Not Available for Purchase)	

SECTION 3 - ATTACHMENTS

FIGURE 3-4. BASKET, PERSONNEL ASSEMBLY



ART_1001238565

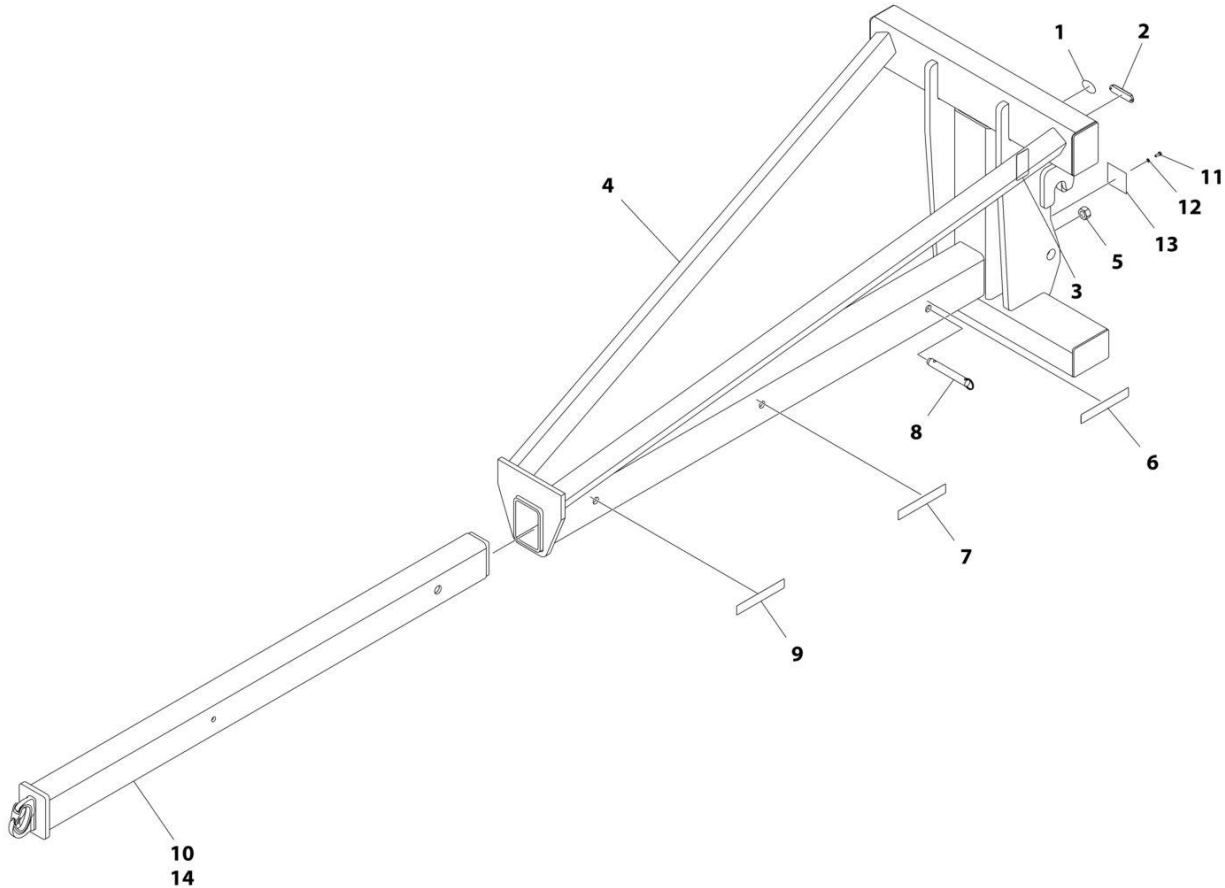
SECTION 3 - ATTACHMENTS

FIGURE 3-4. BASKET, PERSONNEL ASSEMBLY

ITEM	PART NUMBER	QTY	DESCRIPTION	REV
	1001238565	Ref	FORK MOUNTED PLATFORM ASSEMBLY	F
1	0641405	4	Bolt 1/4 x 5/8	
2	0860520	1	Box, Manual Storage	
3	1060379	2	Cable, Lanyard	
4	1701509	1	Decal, Manual	
5	1704277	3	Decal, Lanyard Attach	
6	2080040	16	Fastener	
7	2600281	2	Hinge	
8	2940074	1	Latch	
9	3311405	4	Nut 1/4	
10	3421453	2	Pin	
11	3520072	7	Plug	
12	3760170	4	Ring	
13	3820020	4	Rivet	
14	4711400	8	Washer 1/4	
15	1001144629J	1	Gate	
16	1001238560	2	Pin, Hitch	
17	1001095810	1	Gate	
18	See Note	NSS	Platform, Fork Mounted	
19	3520198	4	Plug	

SECTION 3 - ATTACHMENTS

FIGURE 3-5. BOOM - ADJUSTABLE



ART_1001176515_D

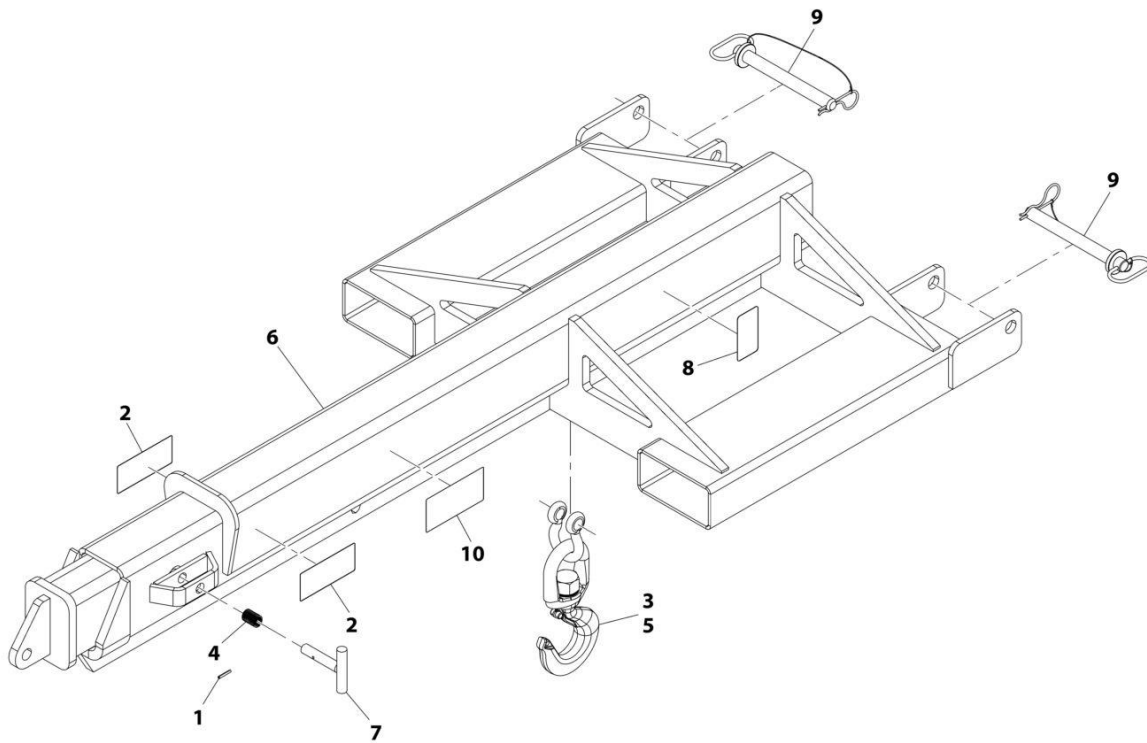
SECTION 3 - ATTACHMENTS

FIGURE 3-5. BOOM - ADJUSTABLE

ITEM	PART NUMBER	QTY	DESCRIPTION	REV
	1001176515	Ref	ADJUSTABLE TRUSS BOOM	E
1	90554016	1	Decal, Made in USA	
2	1001227670	1	Tag, RFID	
3	See Note	NSS	SN Plate (Note: Stamped Part - Not Available for Purchase)	
4	See Note	NSS	Truss Boom, Adjustable (Note: Purchase Complete Assembly)	
5	70021440	1	Nut, Lock	
6	70024062	2	Decal, 4000 lbs cap	
7	70026944	2	Decal, 3000 lbs cap	
8	70026946	1	Pin	
9	70026699	2	Decal, 2000 lbs cap	
10	70026747	1	Seal	
11	90554033	1	Bolt 3/4 x 1/4	
12	90554034	1	Washer 1/4	
13	70026948	1	Plate, Stop	
14	70026949	1	Boom, Telescopic	

SECTION 3 - ATTACHMENTS

FIGURE 3-6. BOOM - ADJUSTABLE (FORK MOUNTED)



ART_1001230241-H

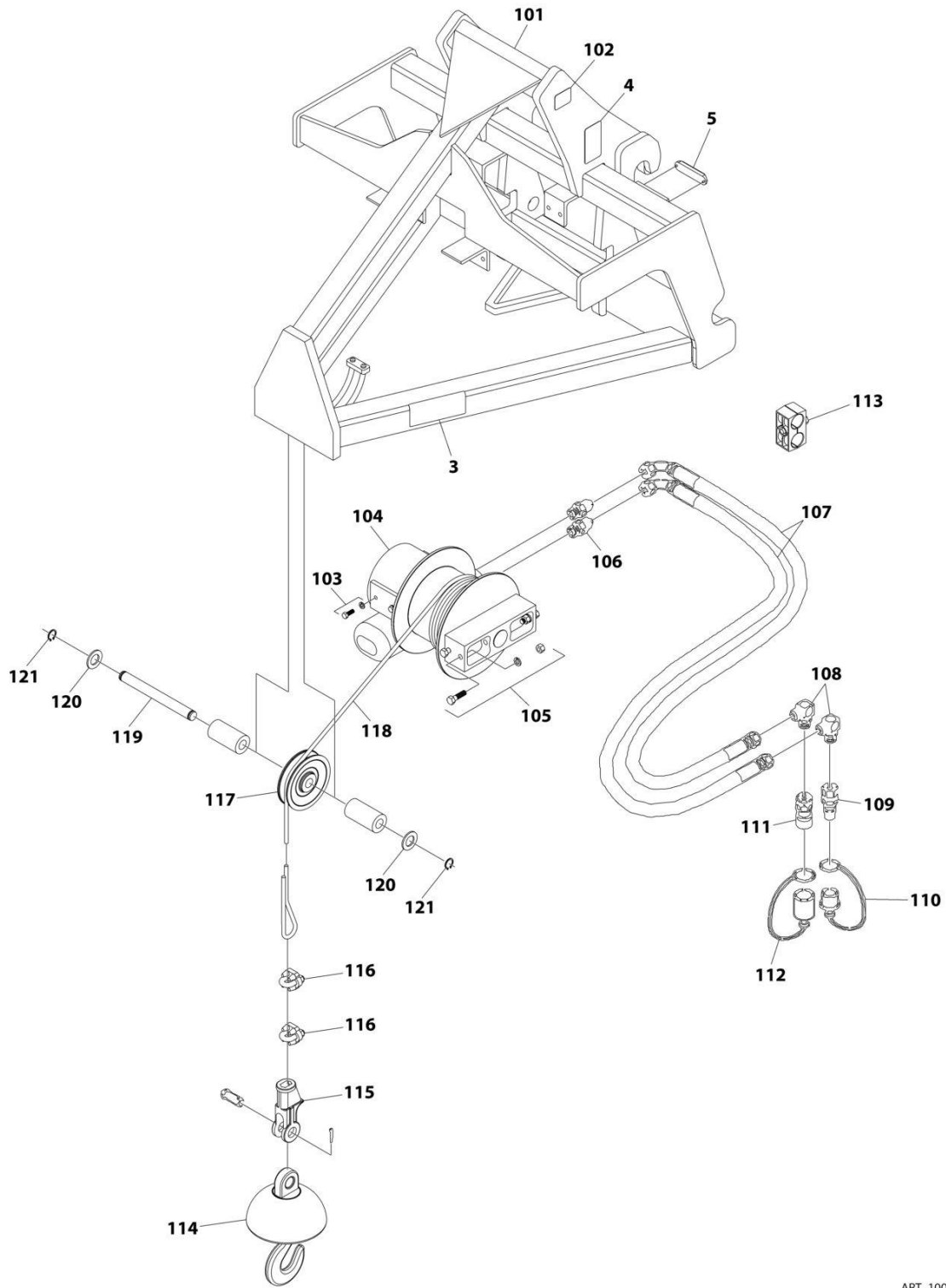
SECTION 3 - ATTACHMENTS

FIGURE 3-6. BOOM - ADJUSTABLE (FORK MOUNTED)

ITEM	PART NUMBER	QTY	DESCRIPTION	REV
	1001230241	Ref	Adjustable Truss Boom Installation (Fork Mounted)	J
1	3440620	1	Pin	
2	4110422	2	Decal, Danger Swinging Loads	
3	91403448	1	Hook, Swivel	
4	1001128890	1	Spring	
5	1001146160	1	Shackle	
6	See Note	NSS	Boom, Truss - Adjustable (Note: Purchase Complete Assembly)	
7	1001230239	1	Pin	
8	See Note	NSS	SN Plate (Note:Stamped Part - Not Available for Purchase)	
9	1001231692	2	Pin	
10	1001232500	1	Decal, Load Capacities	

SECTION 3 - ATTACHMENTS

FIGURE 3-7. BOOM - 3 FOOT WITH WINCH



ART_1001100967_H

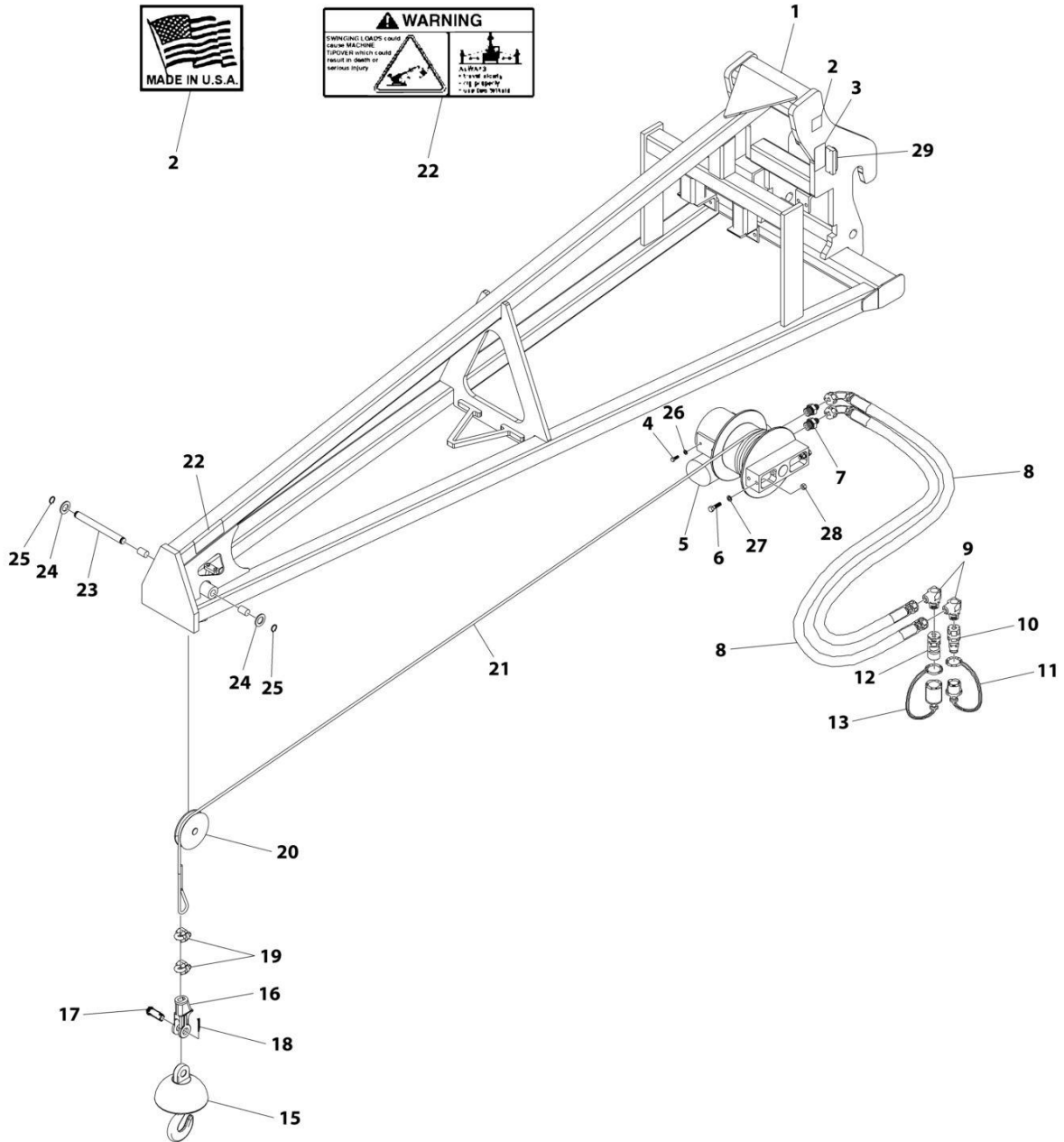
SECTION 3 - ATTACHMENTS

FIGURE 3-7. BOOM - 3 FOOT WITH WINCH

ITEM	PART NUMBER	QTY	DESCRIPTION	REV
	1001100967	Ref	TRUSS BOOM ASSEMBLY (3 FOOT WITH WINCH) (INCLUDES ITEMS 3, 4, 5 & 101 THRU 121)	H
3	4110422	2	Decal, Danger, Swinging Loads	
4	See Note	NSS	S/N Plate (Note: Stamped Part - Not Available for Purchase)	
5	1001227670	1	Tag, RFID	
101	See Note	NSS	Truss Boom Frame (Note: Purchase Complete Assembly)	
102	90554016	1	Decal	
103	70021349	4	Bolt	
103	90554042	4	Washer	
104	70021921	1	Winch, Truss Boom	
105	70024059	4	Bolt	
105	90554054	4	Nut	
105	90554020	4	Washer	
106	70021415	2	Fitting	
107	70021977	2	Hose 32in (Boom Front Disconnect)	
107	70031445	2	Hose 48in (Boom Side Disconnect)	
108	70022527	2	Fitting, 90	
109	91403414	1	Fitting, Straight	
110	8420053	1	Cap	
111	91403413	1	Fitting, Straight	
112	8420055	1	Plug	
113	70021387	1	Clamp	
114	70021978	1	Ball Swivel Safety Hook	
115	70021979	1	Assembly, Socket	
116	70022528	2	Clamp	
117	70021935	1	Pulley	
118	70022028	1	Cable	
119	70022529	1	Pin	
120	70027009	2	Washer	
121	70026698	2	Ring, Snap	

SECTION 3 - ATTACHMENTS

FIGURE 3-8. BOOM - 12 FOOT WITH WINCH



ART_1001099351_N

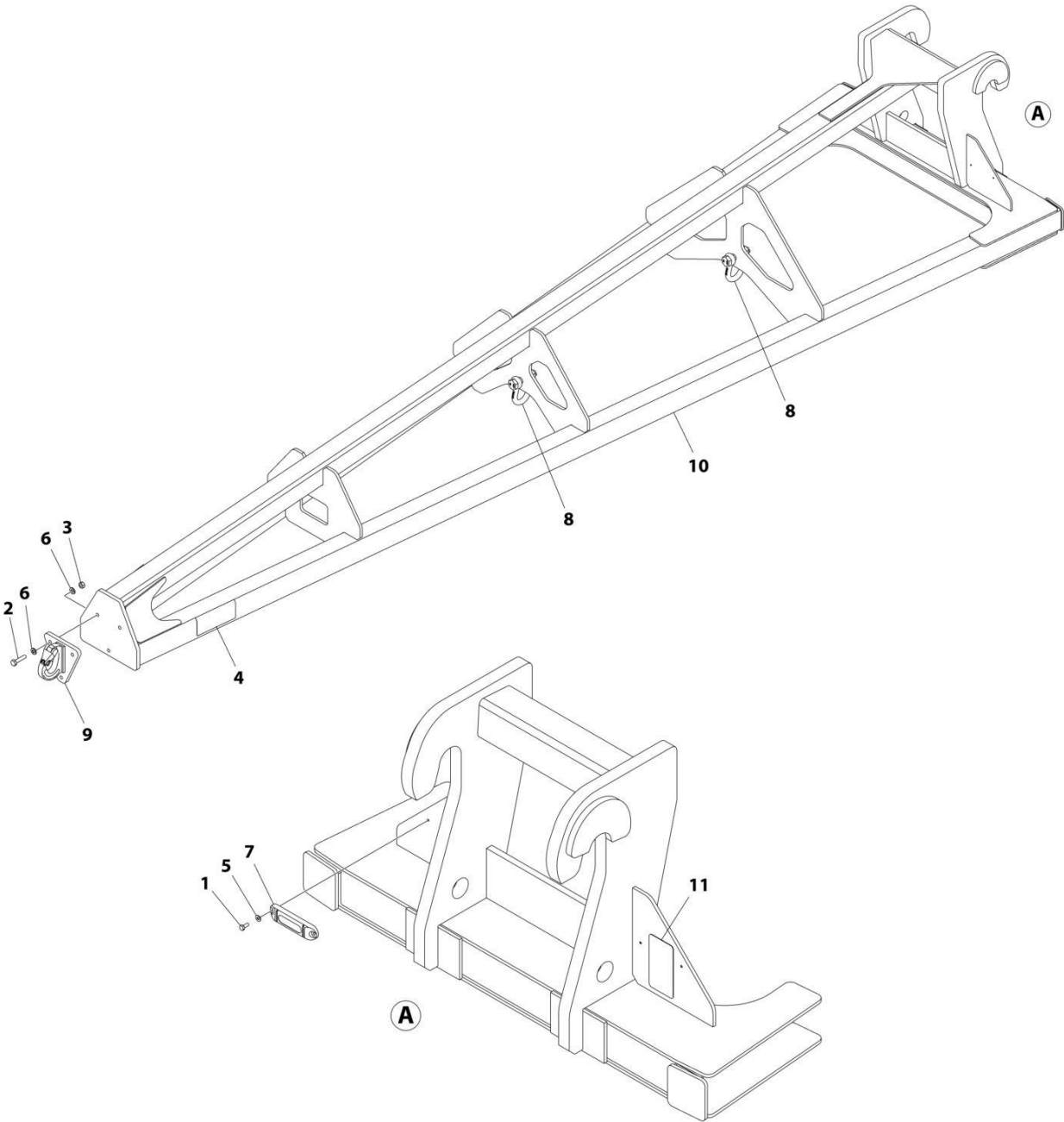
SECTION 3 - ATTACHMENTS

FIGURE 3-8. BOOM - 12 FOOT WITH WINCH

ITEM	PART NUMBER	QTY	DESCRIPTION	REV
	1001099351	Ref	TRUSS BOOM (0.9 TON - 3.7M WITH WINCH)	N
1	N.S.S.	1	Frame, Truss Boom	
2	90554016	1	Decal, Made in USA	
3	N.S.S.	1	S/N Plate	
4	70021349	4	Bolt 3/8 x 1	
5	70021921	1	Motor, Truss Boom Winch	
6	70024059	2	Bolt 1/2 x 1-3/4	
7	70021415	2	Connector	
8	70021977	2	Hose 32in (Boom Front Disconnect)	
8	70031445	2	Hose 48in (Boom Side Disconnect)	
9	70022527	2	Fitting, 90	
10	7029692	1	Fitting, Straight	
11	90554062	1	Cap, Dust	
12	70021342	1	Fitting, Straight	
13	90554076	1	Cap, Dust	
15	70021978	1	Ball Swivel with Safety Hook	
16	70021979	1	Assembly, Socket (includes items 17 thru 18)	
17	N.S.S.	1	Pin	
18	N.S.S.	1	Pin, Cotter	
19	70022528	2	Clamp	
20	70021935	1	Pulley	
21	70022028	1	Cable	
22	4110422	2	Decal, Warning Swinging Loads	
23	70022529	1	Pin	
24	70024060	2	Washer	
25	70026698	2	Ring, Snap	
26	90554042	4	Washer 3/8	
27	90554020	2	Washer 1/2	
28	90554054	2	Nut 1/2	
29	1001227670	1	Tag, RFID	

SECTION 3 - ATTACHMENTS

FIGURE 3-9. BOOM - 12FT WITHOUT WINCH



ART_1001275853

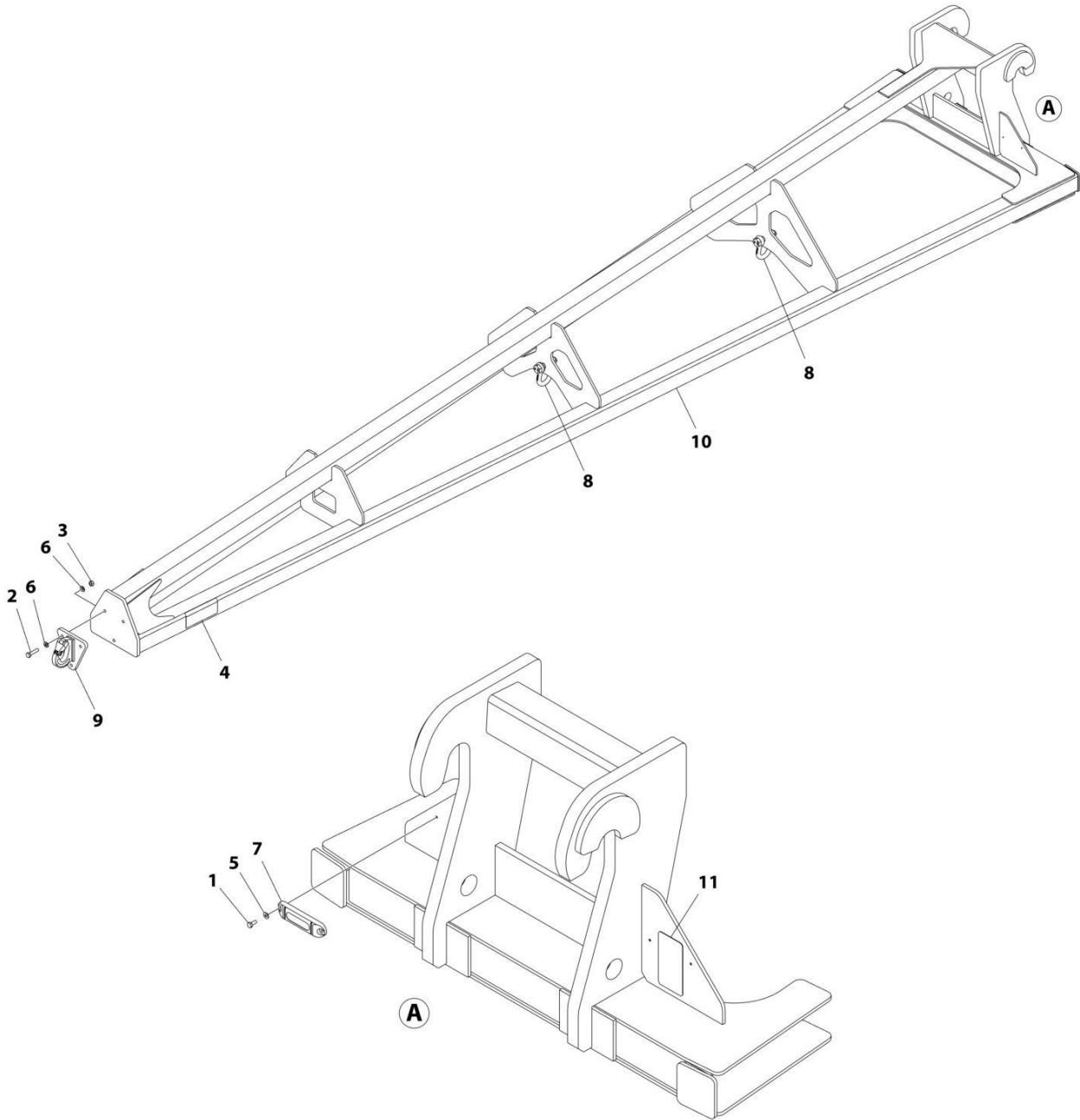
SECTION 3 - ATTACHMENTS

FIGURE 3-9. BOOM - 12FT WITHOUT WINCH

ITEM	PART NUMBER	QTY	DESCRIPTION	REV
	1001275853	Ref	BOOM - 12FT WITHOUT WINCH	D
1	0760405	2	Bolt M4 x 10	
2	0761017	3	Bolt M10 x 45	
3	3291007	3	Nut M10	
4	4110422	2	Decal, Danger Swinging Loads	
5	4811400	2	Washer M4	
6	5241000	6	Washer M10	
7	1001227670	1	Tag, RFID	
8	1001287742	2	Clevis	
9	1001275841	1	Hook	
10	See Note	NSS	Boom, Truss (Note: Purchase Complete Assembly)	
11	See Note	NSS	SN Plate (Note: Stamped Part - Not Available for Purchase)	

SECTION 3 - ATTACHMENTS

FIGURE 3-10. BOOM - 15FT WITHOUT WINCH



ART_1001275852

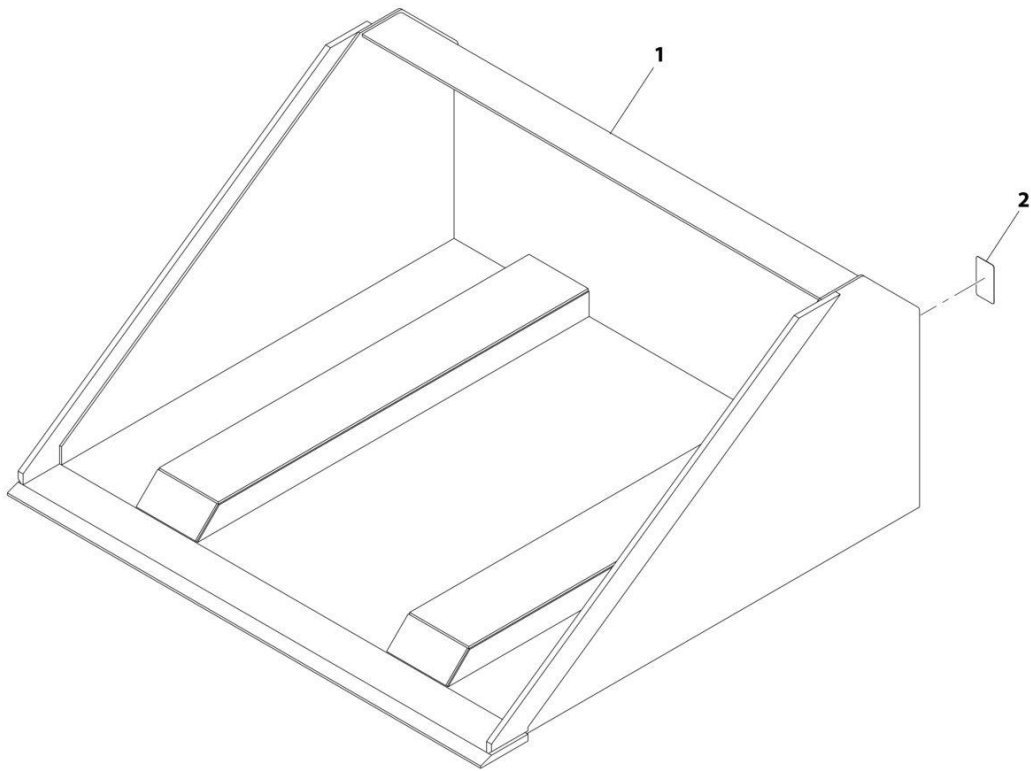
SECTION 3 - ATTACHMENTS

FIGURE 3-10. BOOM - 15FT WITHOUT WINCH

ITEM	PART NUMBER	QTY	DESCRIPTION	REV
	1001275852	Ref	BOOM - 15FT WITHOUT WINCH	D
1	0760405	2	Bolt M4 x 10	
2	0761017	3	Bolt M10 x 45	
3	3291007	3	Nut M10	
4	4110422	2	Decal, Danger Swinging Loads	
5	4811400	2	Washer M4	
6	5241000	6	Washer M10	
7	1001227670	1	Tag, RFID	
8	1001287742	2	Clevis	
9	1001275841	1	Hook	
10	See Note	NSS	Boom, Truss (Note: Purchase Complete Assembly)	
11	See Note	NSS	SN Plate (Note: Stamped Part - Not Available for Purchase)	

SECTION 3 - ATTACHMENTS

FIGURE 3-11. BUCKET (60 INCH)



ART_1001195970-D

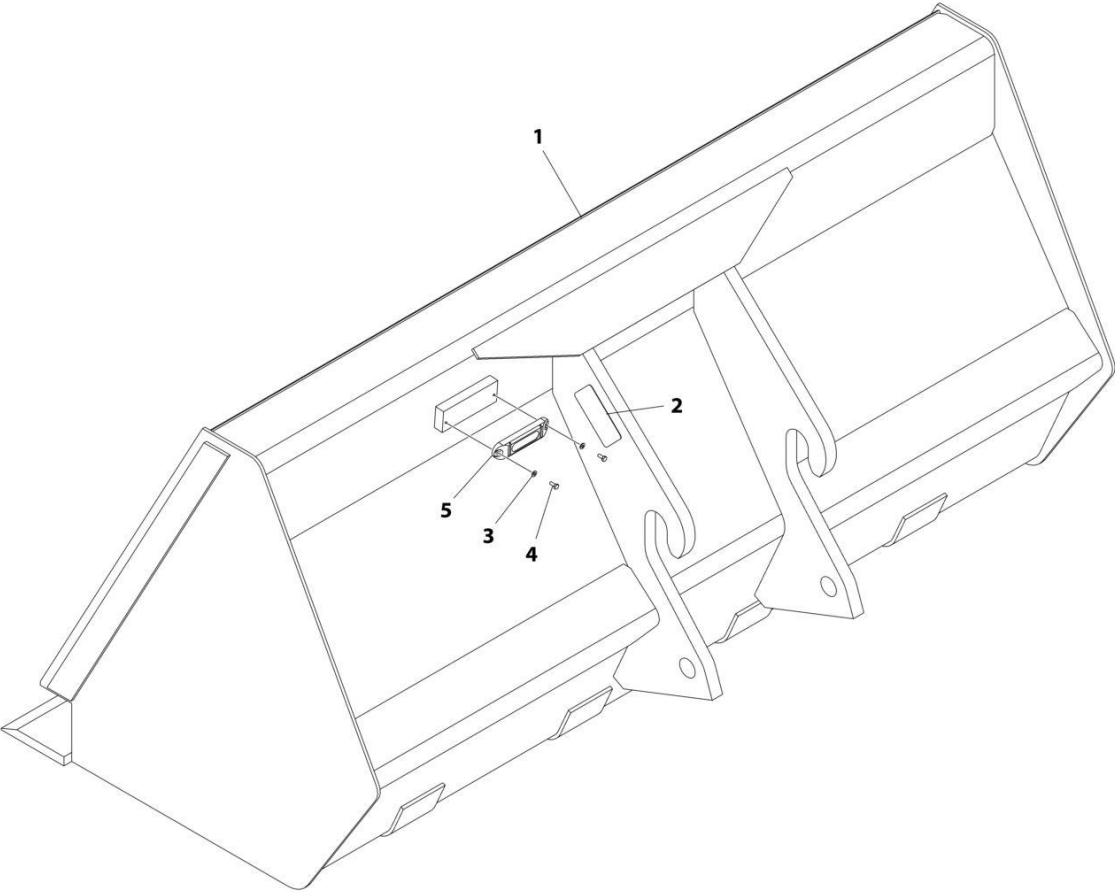
SECTION 3 - ATTACHMENTS

FIGURE 3-11. BUCKET (60 INCH)

ITEM	PART NUMBER	QTY	DESCRIPTION	REV
1	1001195970	Ref	Bucket 1.0 m ³ (Fork Mounted)	E
2	See Note	NSS	S/N Plate (Note: Stamped Part - Not Available for Purchase)	

SECTION 3 - ATTACHMENTS

FIGURE 3-12. BUCKET (72 INCH)



ART_1001100822_I

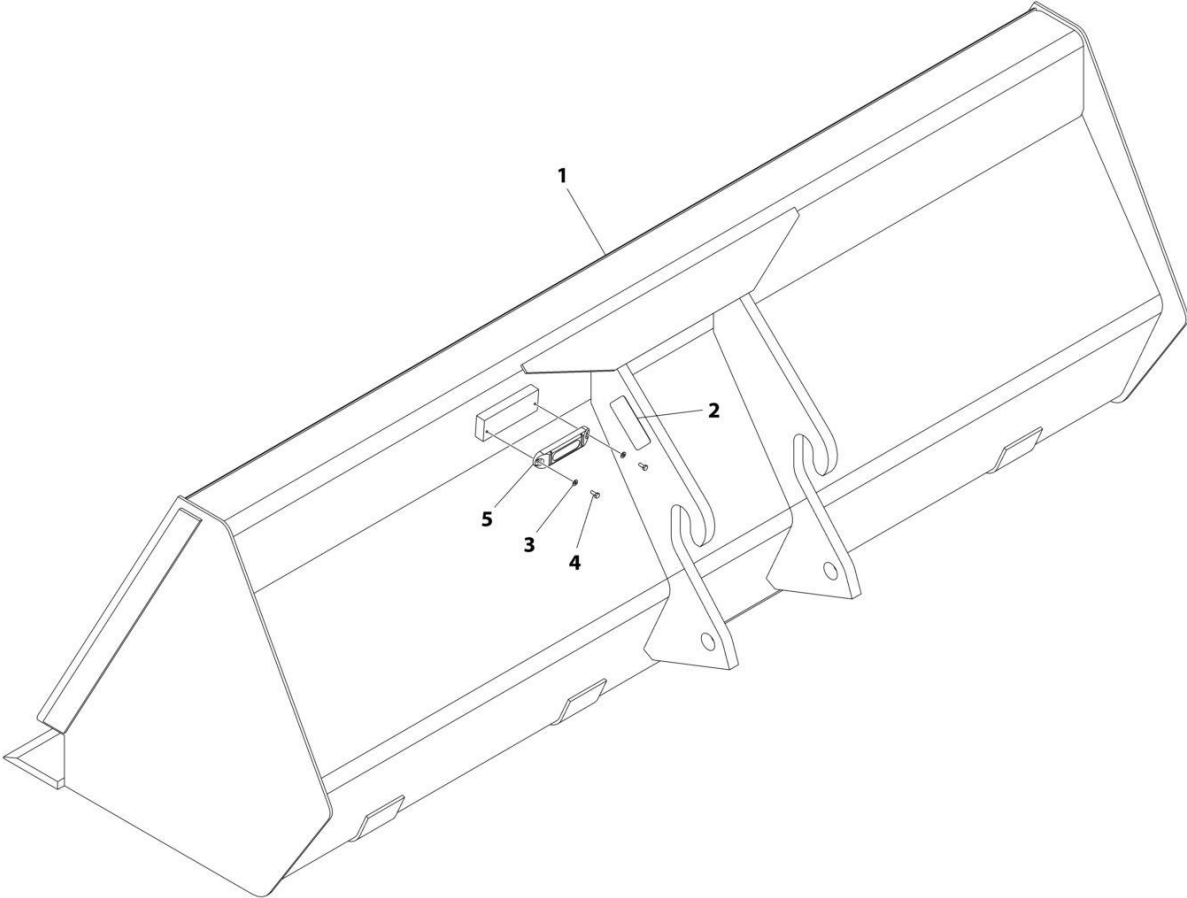
SECTION 3 - ATTACHMENTS

FIGURE 3-12. BUCKET (72 INCH)

ITEM	PART NUMBER	QTY	DESCRIPTION	REV
	1001100822	Ref	BUCKET 1.0 YD ³ (ANSI - JLG)	I
1	1001100265	1	Bucket Weldment	
2	See Note	NSS	SN Plate (Note:Stamped Part - Not Available for Purchase)	
3	4811400	2	Washer M4	
4	0760405	2	Bolt M4 x 10	
5	1001227670	1	Tag, RFID	

SECTION 3 - ATTACHMENTS

FIGURE 3-13. BUCKET (96 INCH)



ART_1001100823_I

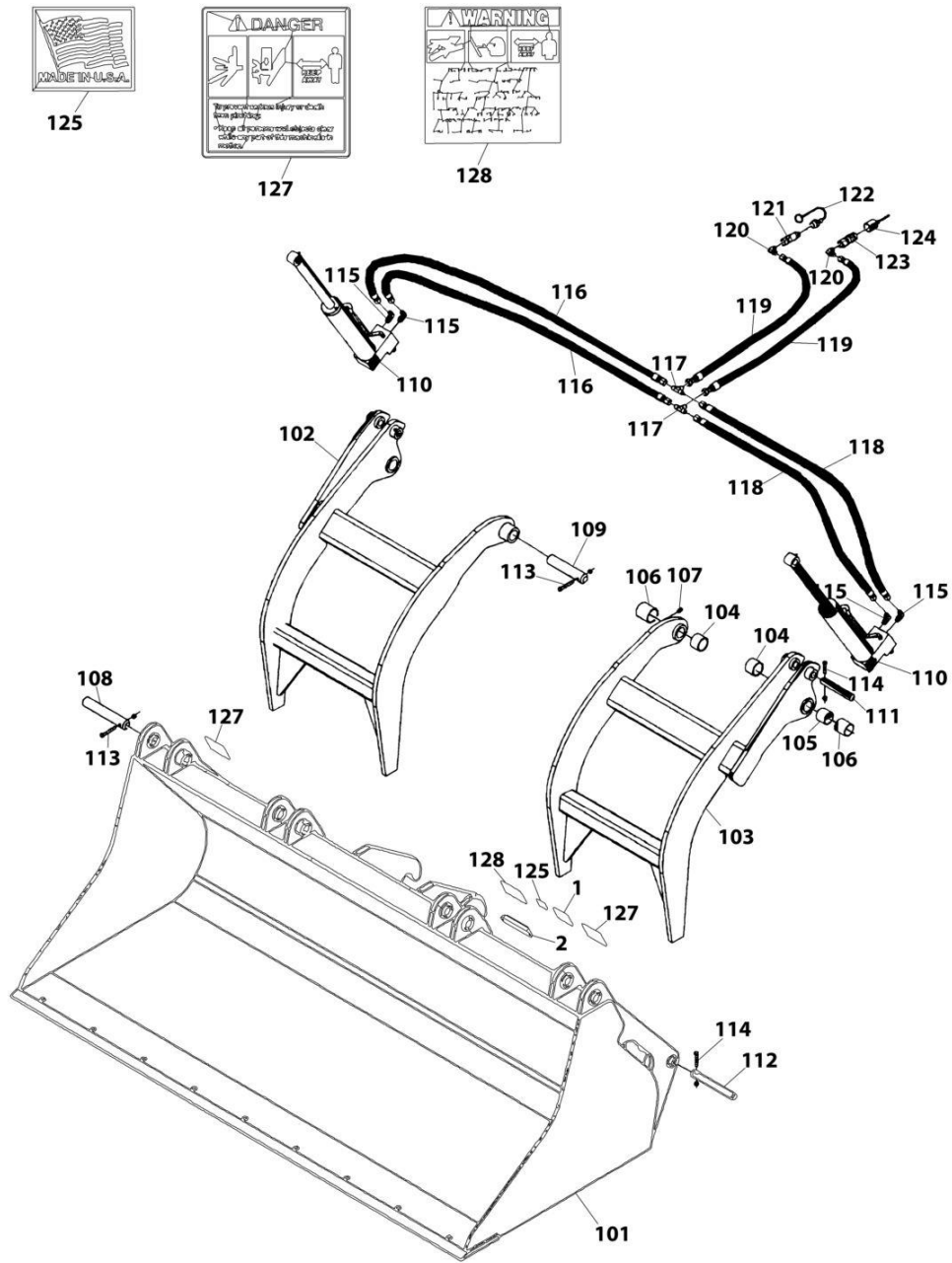
SECTION 3 - ATTACHMENTS

FIGURE 3-13. BUCKET (96 INCH)

ITEM	PART NUMBER	QTY	DESCRIPTION	REV
	1001100823	Ref	BUCKET (1.15 M ³)	I
1	1001100266	1	Bucket	
2	See Note	NSS	SN Plate (Note:Stamped Part - Not Available for Purchase)	
3	4811400	2	Washer M4	
4	0760405	2	Bolt M4 x 10	
5	1001227670	1	Tag, RFID	

SECTION 3 - ATTACHMENTS

FIGURE 3-14. BUCKET - GRAPPLE (96 INCH)



ART_0930020

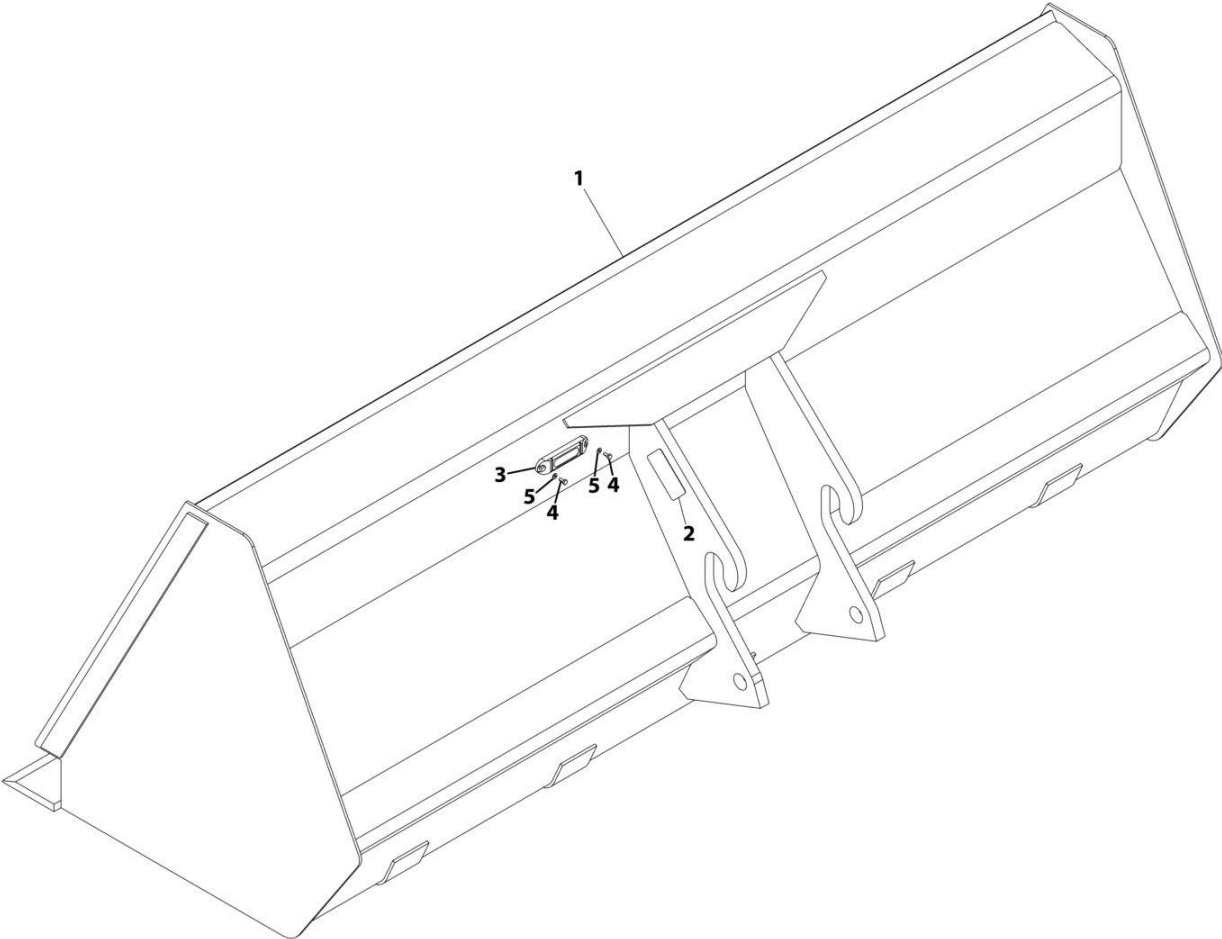
SECTION 3 - ATTACHMENTS

FIGURE 3-14. BUCKET - GRAPPLE (96 INCH)

ITEM	PART NUMBER	QTY	DESCRIPTION	REV
	0930020	Ref	Multi-Purpose Grapple Bucket (2450 MM)	L
1	See Note	NSS	S/N Plate (Note: Stamped Part - Not Available for Purchase)	
2	1001227670	1	Tag, RFID	
101	N.S.S.	1	Bucket	
101	70021387	4	Clamp, Hose	
102	70021391	1	Hook, RH Grapple	
103	70021392	1	Hook, LH Grapple	
104	70021358	4	Bushing	
105	70021359	2	Spacer	
106	70021360	4	Bushing	
107	7029714	4	Fitting, Grease	
108	70021361	2	Pin	
109	70021362	2	Pin	
110	70021393	2	Cylinder, Grapple Bucket (See Separate Breakdown in HYDRAULIC COMPONENTS Section)	
111	70021364	2	Pin	
112	70021365	2	Pin	
113	70021366	4	Bolt, 3/8X2-3/4	
113	70021367	4	Nut 3/8	
114	70021399	4	Bolt, 3/8X2-1/4	
114	70021367	4	Nut, Lock 3/8	
115	90554065	4	Fitting, 90	
116	70021980	2	Hose	
117	70020562	2	Fitting, Tee	
118	70021981	2	Hose	
119	70021982	2	Hose 34in (Boom Front Disconnect)	
119	70031446	2	Hose 45in (Boom Side Disconnect)	
120	70022527	2	Fitting, 90	
121	7029692	1	Coupler	
122	90554062	1	Cover	
123	70021342	1	Coupler	
124	90554076	1	Cover	
125	90554016	1	Decal, Made in USA	
127	90554017	2	Decal, Danger Pinch Point	
128	90554018	1	Decal, Warning High Pressure	

SECTION 3 - ATTACHMENTS

FIGURE 3-15. BUCKET (102 INCH)



ART_1001100824

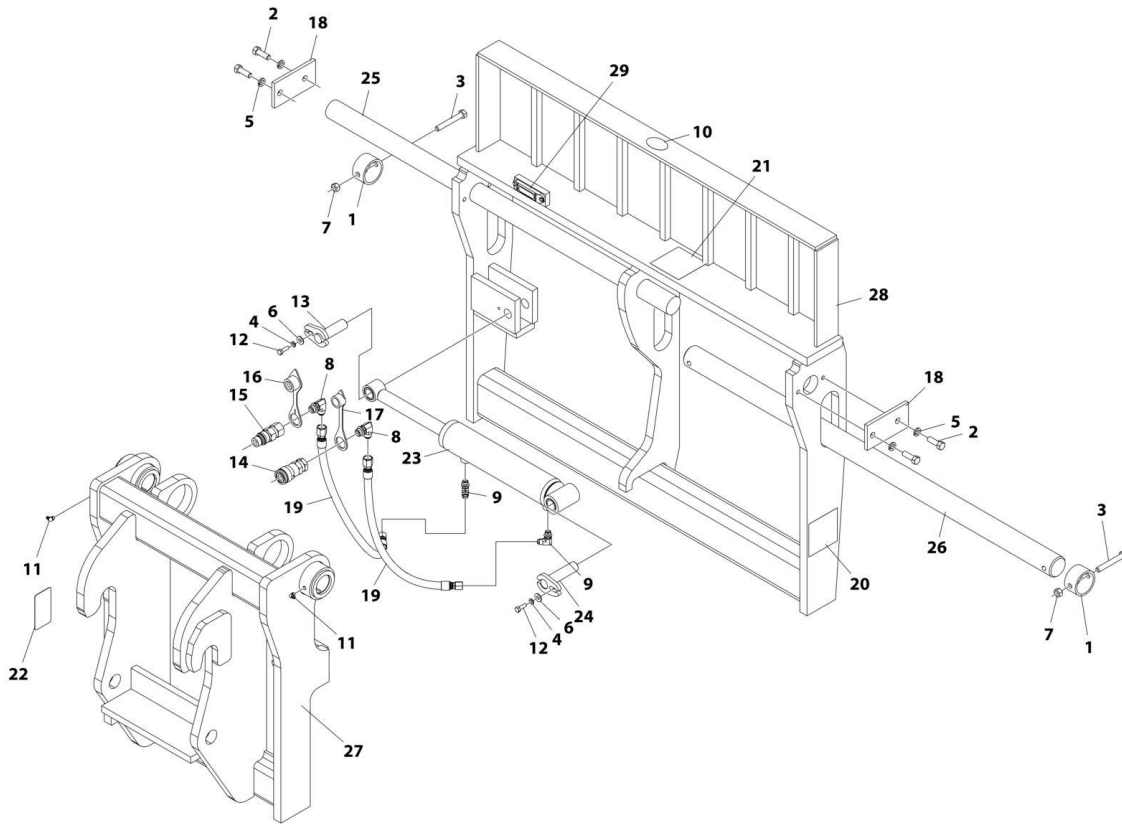
SECTION 3 - ATTACHMENTS

FIGURE 3-15. BUCKET (102 INCH)

ITEM	PART NUMBER	QTY	DESCRIPTION	REV
	1001100824	Ref	Bucket (102 Inch)	H
1	1001100267	NLA	Bucket (Note: Purchase PN 1001100824)	
2	See Note	NSS	S/N Plate (Note: Stamped Part - Not Available for Purchase)	
3	1001227670	1	Tag, RFID	
4	0760405	2	Bolt M4 x 10	
5	4811400	2	Washer M4	

SECTION 3 - ATTACHMENTS

FIGURE 3-16. CARRIAGE ASSEMBLY - 48IN SIDE SHIFT



ART_1001242644_C

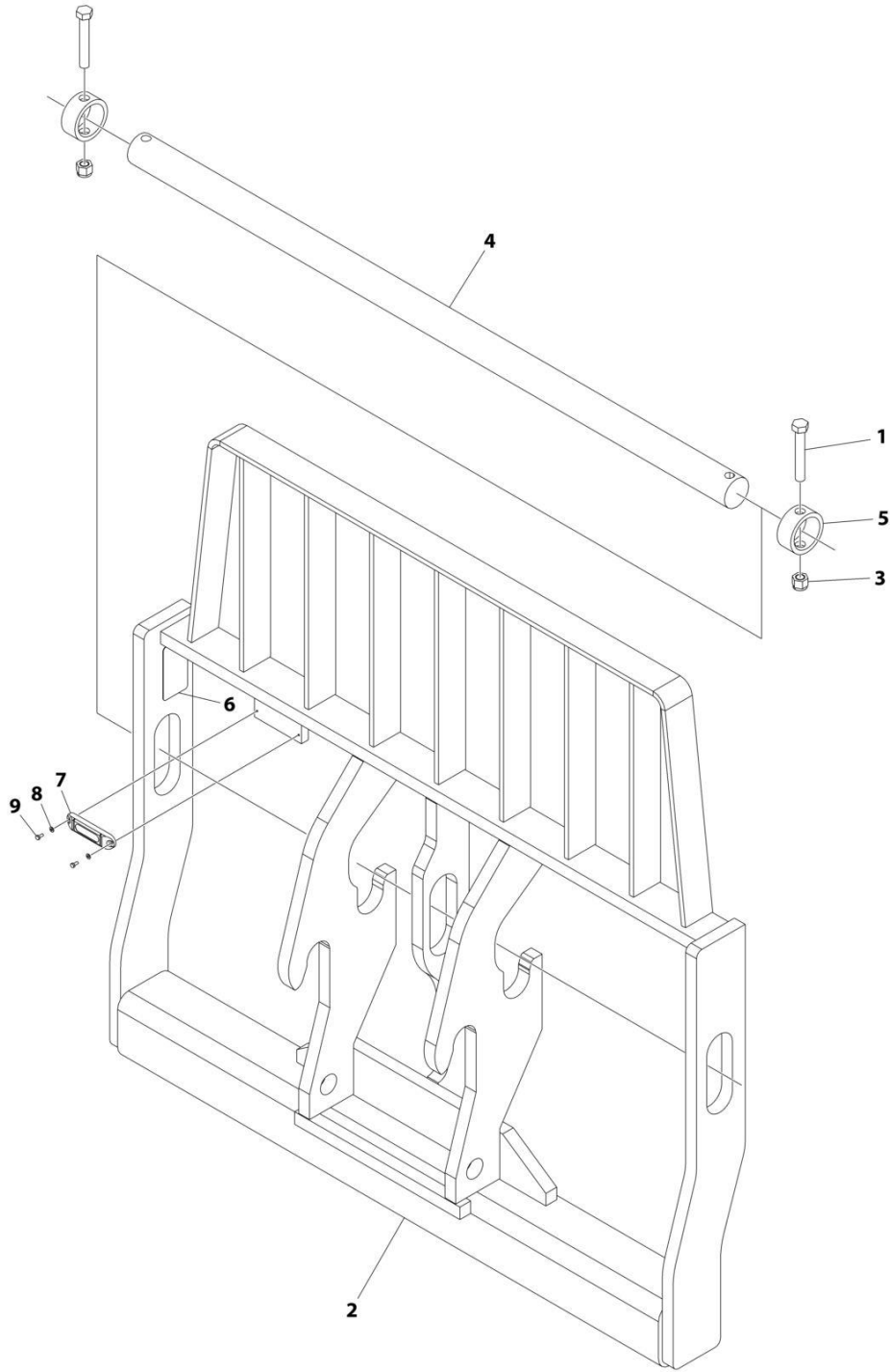
SECTION 3 - ATTACHMENTS

FIGURE 3-16. CARRIAGE ASSEMBLY - 48IN SIDE SHIFT

ITEM	PART NUMBER	QTY	DESCRIPTION	REV
	1001242644	Ref	SIDE SHIFT CARRIAGE ASSEMBLY (48 INCH)	C
1	70020028	2	Bushing	
2	70021382	4	Bolt 1/2 x 1-1/2	
3	70020002	2	Bolt 1/2 x 4	
4	90554067	2	Washer 5/16	
5	90554020	4	Washer 1/2	
6	70021379	2	Washer	
7	70027642	2	Washer	
8	70030141	2	Elbow	
9	90554065	2	Elbow 90	
10	90554016	1	Decal - Made in USA	
11	70021389	2	Fitting 90	
12	70021378	2	Capscrew	
13	70021351	1	Pin	
14	91403413	1	Adapter	
15	91403414	1	Adapter	
16	8420053	1	Cap, Dust	
17	8420055	1	Plug, Dust	
18	70030142	2	Plate	
19	70030143	2	Hose 30in (Boom Front Disconnect)	
19	70031444	2	Hose 55in (Boom Side Disconnect)	
20	90554017	2	Decal - Danger Pinch Point	
21	7029711	1	Decal - High Pressure	
22	See Note	NSS	SN Plate (Note: Stamped Part - Not Available for Purchase)	
23	70021376	1	Cylinder Assembly (See Separate Breakdown in HYDRAULIC COMPONENTS Section)	
24	70021377	1	Pin	
25	70030144	1	Pin	
26	70030145	1	Pin	
27	See Note	NSS	Frame - Rear (Note: Purchase Complete Assembly)	
28	See Note	NSS	Frame - Front (Note: Purchase Complete Assembly)	
29	1001227670	1	Tag, RFID	

SECTION 3 - ATTACHMENTS

FIGURE 3-17. CARRIAGE ASSEMBLY - 50IN



ART_1170021_I

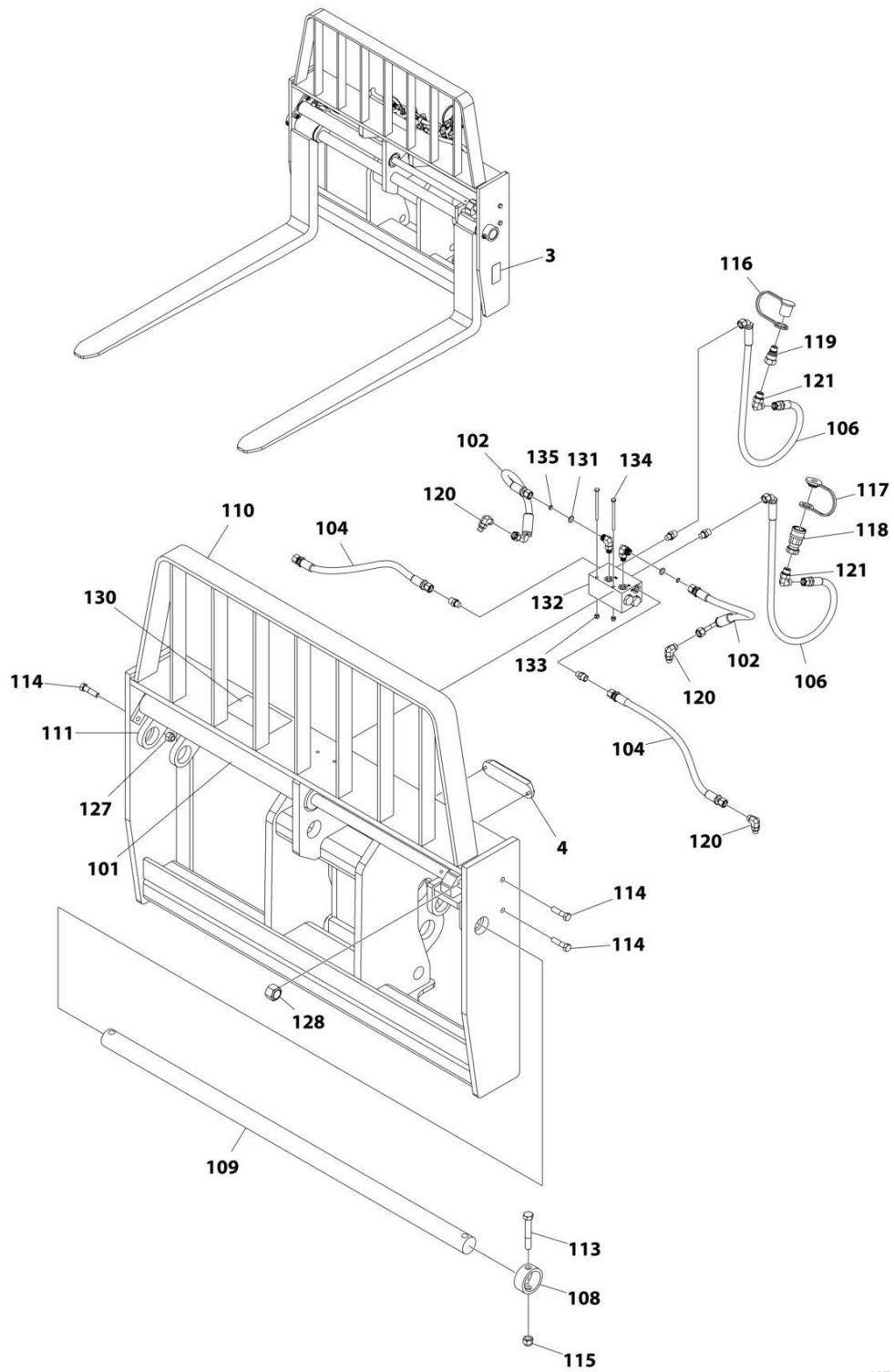
SECTION 3 - ATTACHMENTS

FIGURE 3-17. CARRIAGE ASSEMBLY - 50IN

ITEM	PART NUMBER	QTY	DESCRIPTION	REV
	1170021	Ref	CARRIAGE ASSEMBLY (50 INCH)	1
1	0642032	2	Bolt 5/8-11 x 4	
2	See Note	NSS	Carriage (Note: Purchase Complete Assembly)	
3	3300240	2	Nut 5/8-11	
4	3423275	1	Pin, Fork	
5	90200003	2	Collar, Fork Pin	
6	See Note	NSS	SN Plate (Note: Stamped Part - Not Available for Purchase)	
7	1001227670	1	Tag, RFID	
8	4811400	2	Washer M4	
9	0760405	2	Bolt M4 x 10	

SECTION 3 - ATTACHMENTS

FIGURE 3-18. CARRIAGE ASSEMBLY - 50IN DUAL FORK POSITIONING



ART_7301295_L

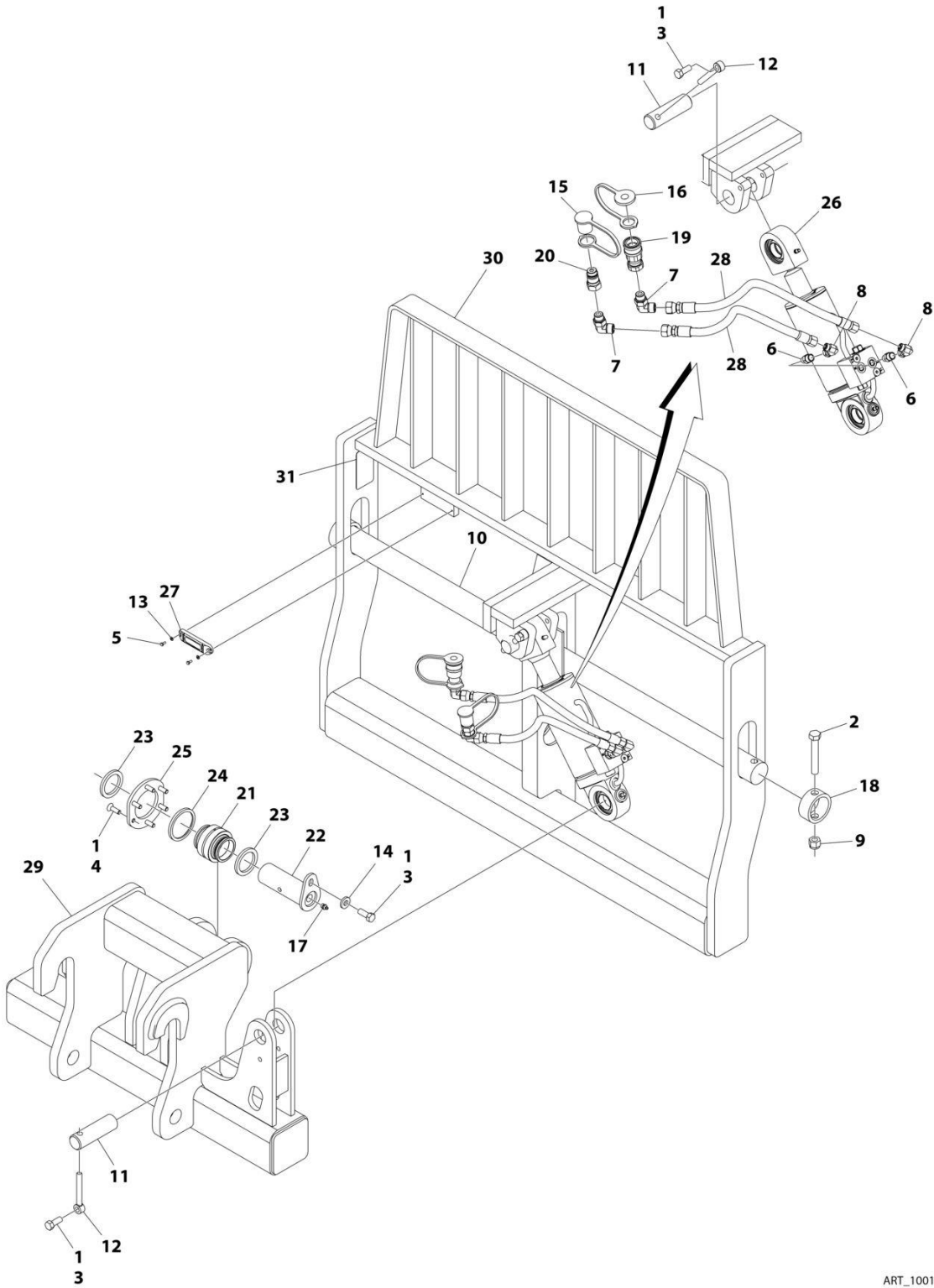
SECTION 3 - ATTACHMENTS

FIGURE 3-18. CARRIAGE ASSEMBLY - 50IN DUAL FORK POSITIONING

ITEM	PART NUMBER	QTY	DESCRIPTION	REV
	7301295	Ref	FORK POSITIONING CARRIAGE WITH FORKS (4.5 TON)	L
3	N.S.S.	1	S/N Plate	
4	1001227670	1	Tag, RFID	
101	2717283	2	Cylinder, Fork Positioning (See Separate Breakdown in HYDRAULIC COMPONENTS Section)	
102	2717160	2	Hose	
104	2717161	2	Hose	
106	2717162	2	Hose 36in (Boom Front Disconnect)	
106	70031443	2	Hose 44in (Boom Side Disconnect)	
108	90200003	2	Collar, Fork Pin	
109	90451058	1	Shaft, Fork	
110	N.S.S.	1	Weldment, Carriage	
111	N.S.S.	1	Weldment, Fork Adapter	
113	8303634	2	Bolt 5/8 x 4	
114	8303658	4	Bolt 1/2 x 2	
115	8305643	2	Nut 5/8	
116	8420053	1	Cap, Dust	
117	8420055	1	Plug, Dust	
118	91403413	1	Adapter, Quick Disconnect	
119	91403414	1	Adapter, Quick Disconnect	
120	2130606	4	Adapter, 90 Straight	
121	2130608	2	Adapter, 90 Straight	
127	8310302	4	Nut 1/2	
128	10705034	2	Nut 1	
130	4110473	1	Decal, Warning Route Hoses	
131	7139918	2	Disk, Orifice	
132	4641502	1	Assembly, Dual Fork Carriage Valve (See Separate Breakdown in HYDRAULIC COMPONENTS Section)	
133	8305624	2	Nut 1/4	
134	8310435	2	Bolt 1/4 x 3-3/4	
135	8630003	2	O-Ring	

SECTION 3 - ATTACHMENTS

FIGURE 3-19. CARRIAGE ASSEMBLY - 50IN/12000# CAPICITY SIDE TILT



ART_1001277290

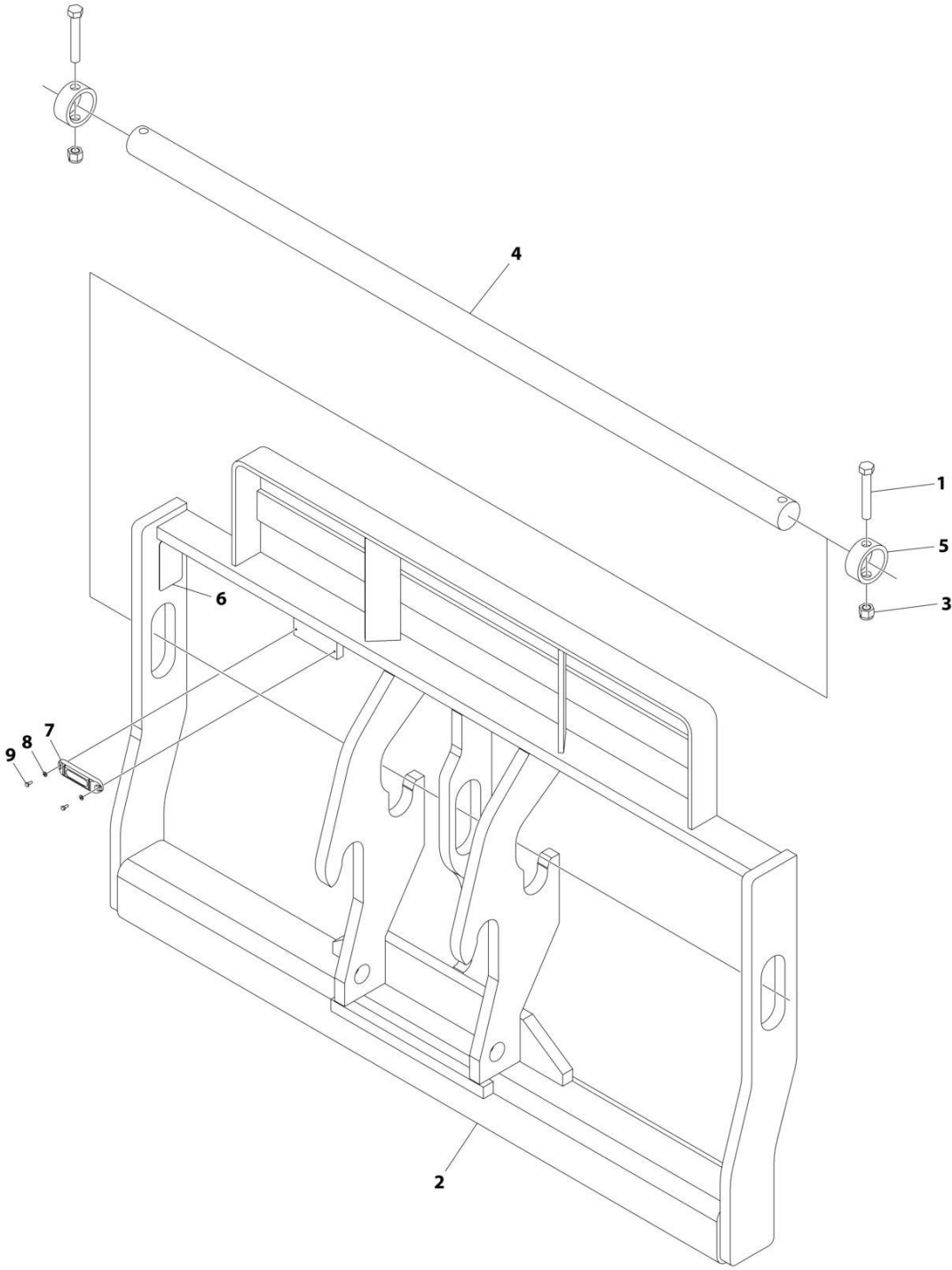
SECTION 3 - ATTACHMENTS

FIGURE 3-19. CARRIAGE ASSEMBLY - 50IN/12000# CAPICITY SIDE TILT

ITEM	PART NUMBER	QTY	DESCRIPTION	REV
	1001277290	Ref	SIDE TILT CARRIAGE ASSEMBLY (50 INCH)	A
1	0100011	AR	Compound, Locking	
2	0642032	2	Bolt 5/8 x 4	
3	0681810	3	Bolt 1/2 x 1-1/4	
4	0741610	6	Screw 3/8 x 1-1/4	
5	0760405	2	Bolt M4 x 10	
6	2110606	2	Fitting, Straight ORFS	
7	2130808	2	Fitting, 90 ORFS	
8	2172106	2	Fitting, 90 ORFS	
9	3300240	2	Nut 5/8	
10	3423275	1	Pin	
11	3423307	2	Pin	
12	3841203	2	Keeper	
13	4811400	2	Washer M4	
14	4891800	1	Washer	
15	8420053	1	Cap	
16	8420055	1	Plug	
17	88671001	1	Fitting, Grease	
18	90200003	2	Collar	
19	91403413	1	Fitting, Straight	
20	91403414	1	Fitting, Straight	
21	1001090140	1	Bearing	
22	1001099113	1	Pin	
23	1001099115	2	Sleeve	
24	1001120914	1	Shim	
25	1001120915	1	Plate	
26	1001163414	1	Cylinder, Side Tilt (See Separate Breakdown in HYDRAULIC COMPONENTS Section)	
27	1001227670	1	Tag, RFID	
28	1001239734	2	Hose	
29	See Note	NSS	Carriage, Base Plate (Note: Purchase Complete Assembly)	
30	See Note	NSS	Carriage (Note: Purchase Complete Assembly)	
31	See Note	NSS	SN Plate (Note: Stamped Part - Not Available for Purchase)	

SECTION 3 - ATTACHMENTS

FIGURE 3-20. CARRIAGE ASSEMBLY - 60IN



ART_1170024_I

SECTION 3 - ATTACHMENTS

FIGURE 3-20. CARRIAGE ASSEMBLY - 60IN

ITEM	PART NUMBER	QTY	DESCRIPTION	REV
	1170024	Ref	CARRIAGE ASSEMBLY (1524 MM)	1
1	0642032	2	Bolt 5/8 x 4	
2	See Note	NSS	Carriage (Note: Purchase Complete Assembly)	
3	3300240	2	Nut 5/8	
4	3423242	1	Pin	
5	90200003	2	Sleeve	
6	See Note	NSS	SN Plate (Note:Stamped Part - Not Available for Purchase)	
7	1001227670	1	Tag, RFID	
8	4811400	2	Washer M4	
9	0760405	2	Bolt M4 x 10	

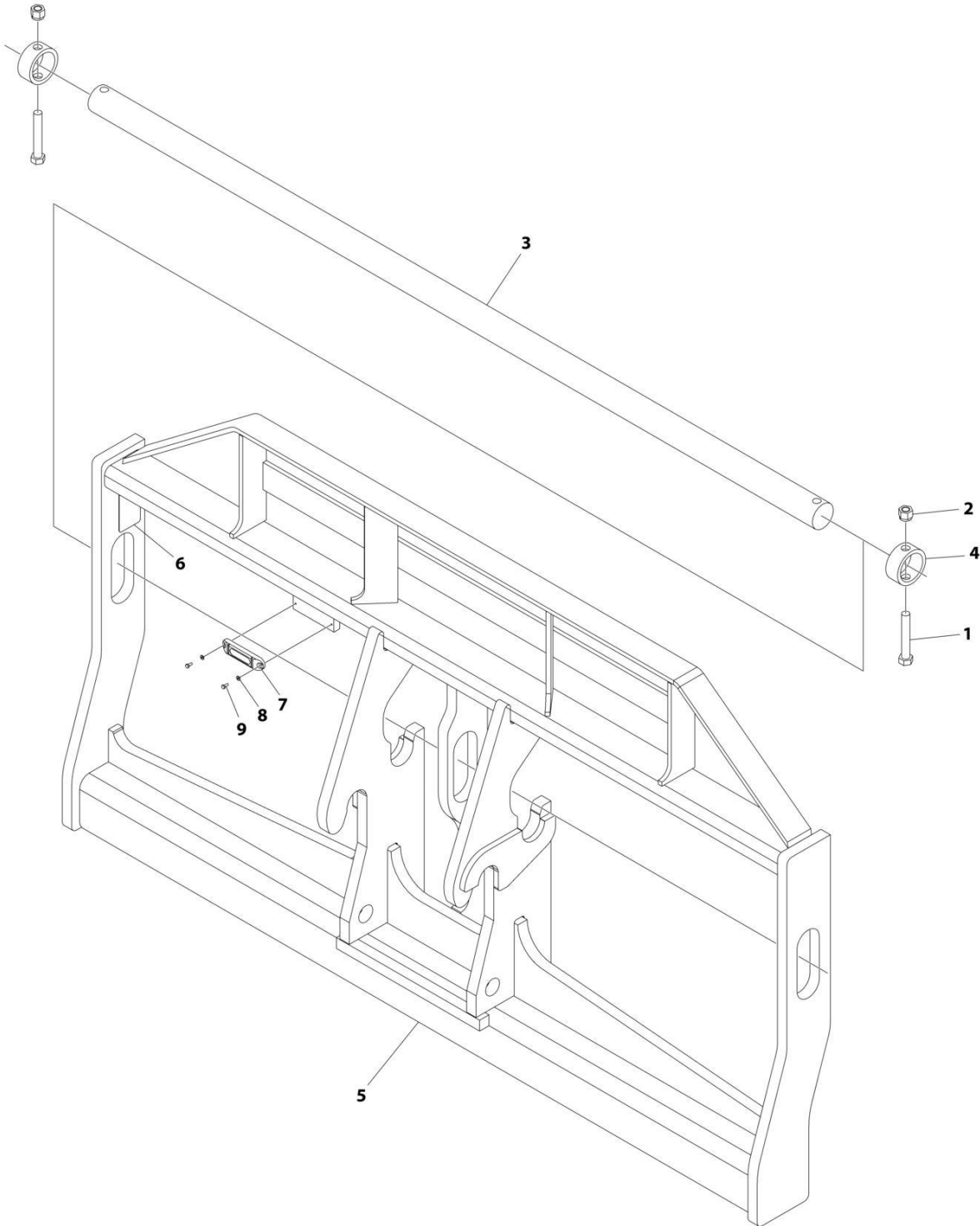
SECTION 3 - ATTACHMENTS

FIGURE 3-21. CARRIAGE ASSEMBLY - 60IN/12000# CAPACITY SIDE TILT

ITEM	PART NUMBER	QTY	DESCRIPTION	REV
	1001277338	Ref	SIDE TILT CARRIAGE ASSEMBLY (60 INCH)	A
1	0100011	AR	Compound, Locking	
2	0642032	2	Bolt 5/8 x 4	
3	0681810	3	Bolt 1/2 x 1-1/4	
4	0741610	6	Screw 3/8 x 1-1/4	
5	0760405	2	Bolt M4 x 10	
6	2110606	2	Fitting, Straight	
7	2130808	2	Fitting, 90 ORFS	
8	2172106	2	Fitting, 90 ORFS	
9	3300240	2	Nut 5/8	
10	3423242	1	Pin	
11	3423307	2	Pin	
12	3841203	2	Keeper	
13	4811400	2	Washer M4	
14	4891800	1	Washer	
15	8420053	1	Cap	
16	8420055	1	Plug	
17	88671001	1	Fitting, Grease	
18	90200003	2	Collar	
19	91403413	1	Fitting, Straight	
20	91403414	1	Fitting, Straight	
21	1001090140	1	Bearing	
22	1001099113	1	Pin	
23	1001099115	2	Sleeve	
24	1001120914	1	Shim	
25	1001120915	1	Plate	
26	1001163414	1	Cylinder, Side Tilt (See Separate Breakdown in HYDRAULIC COMPONENTS Section)	
27	1001227670	1	Tag, RFID	
28	1001239734	2	Hose	
29	See Note	NSS	Carriage, Base Plate (Note: Purchase Complete Assembly)	
30	See Note	NSS	Carriage, Side Tilt (Note: Purchase Complete Assembly)	
31	See Note	NSS	SN Plate (Note: Stamped Part - Not Available for Purchase)	

SECTION 3 - ATTACHMENTS

FIGURE 3-22. CARRIAGE ASSEMBLY - 72IN



ART_1001211516_E

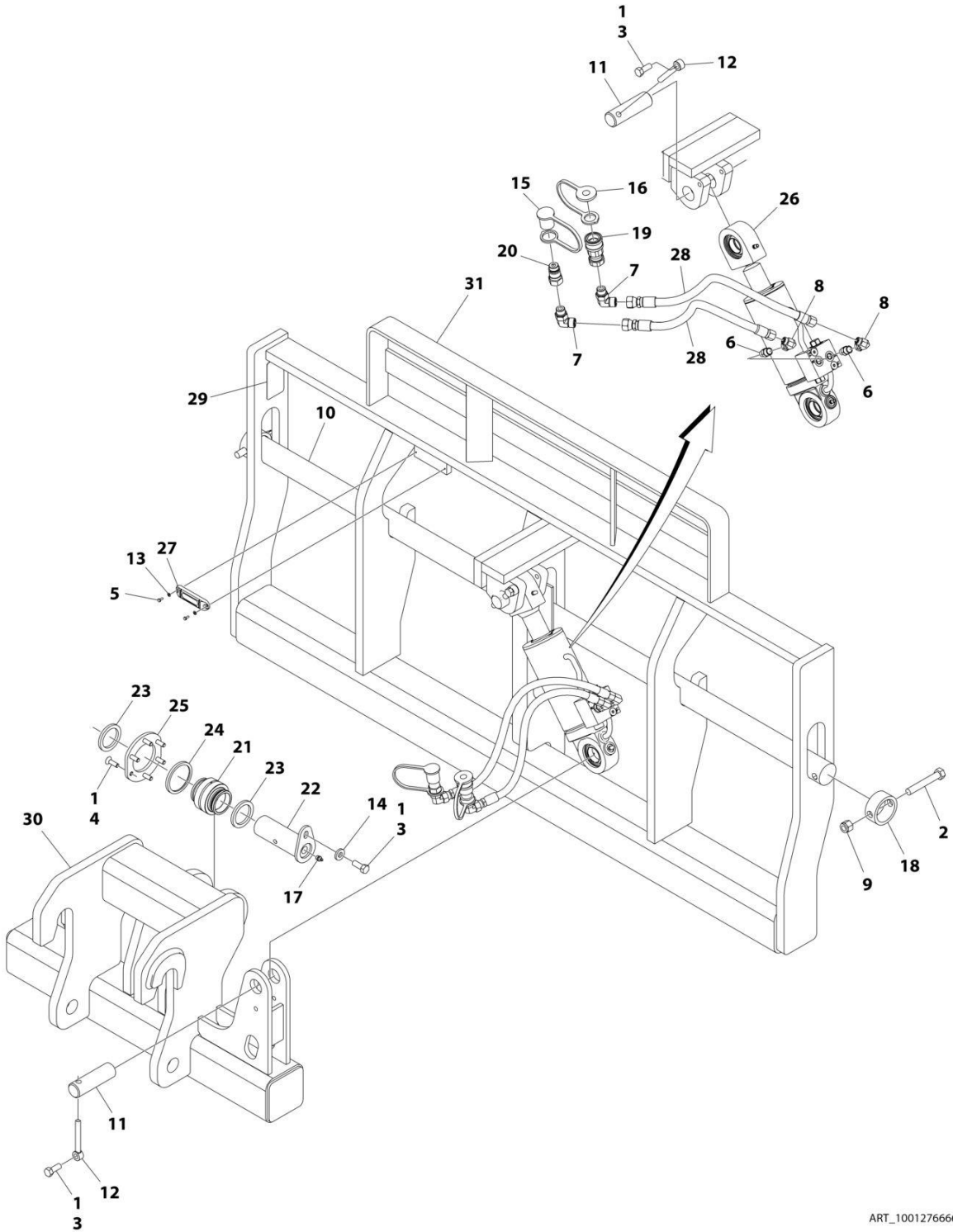
SECTION 3 - ATTACHMENTS

FIGURE 3-22. CARRIAGE ASSEMBLY - 72IN

ITEM	PART NUMBER	QTY	DESCRIPTION	REV
	1001211516	Ref	CARRIAGE ASSEMBLY (72 INCH)	F
1	0642032	2	Bolt 5/8 x 4	
2	3300240	2	Nut 5/8	
3	3423276	1	Pin	
4	90200003	2	Sleeve	
5	See Note	NSS	Carriage (Note: Purchase Complete Assembly)	
6	See Note	NSS	SN Plate (Note:Stamped Part - Not Available for Purchase)	
7	1001227670	1	Tag, RFID	
8	4811400	2	Washer M4	
9	0760405	2	Bolt M4 x 10	

SECTION 3 - ATTACHMENTS

FIGURE 3-23. CARRIAGE ASSEMBLY - 72IN/12000# CAPACITY SIDE TILT



ART_1001276666

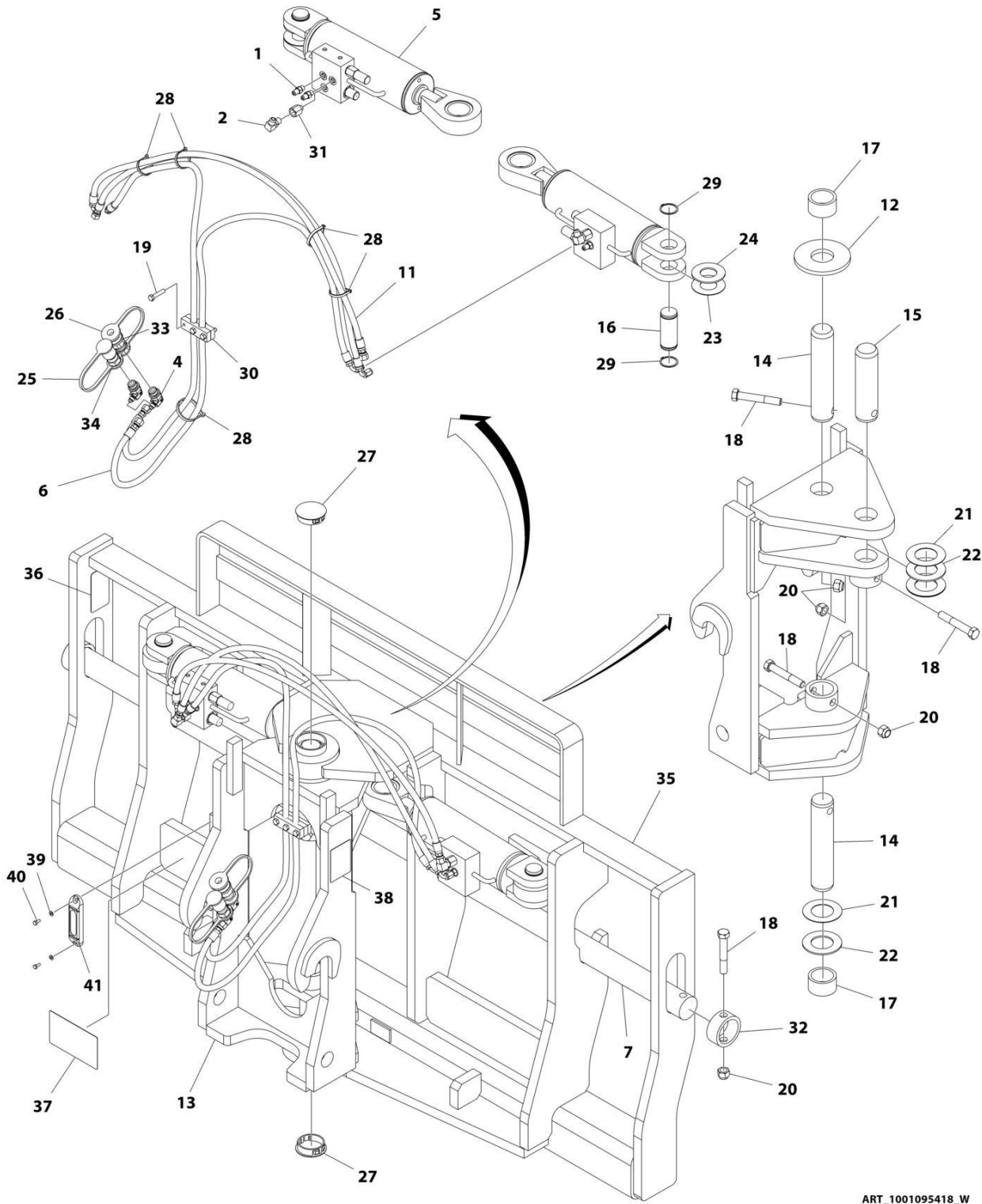
SECTION 3 - ATTACHMENTS

FIGURE 3-23. CARRIAGE ASSEMBLY - 72IN/12000# CAPACITY SIDE TILT

ITEM	PART NUMBER	QTY	DESCRIPTION	REV
	1001276666	Ref	SIDE TILT CARRIAGE ASSEMBLY (72 INCH)	A
1	0100011	AR	Compound, Locking	
2	0642032	2	Bolt 5/8 x 4	
3	0681810	3	Bolt 1/2 x 1-1/4	
4	0741610	6	Screw 3/8 x 1-1/4	
5	0760405	2	Bolt M4 x 10	
6	2110606	2	Fitting, Straight	
7	2130808	2	Fitting, 90 ORFS	
8	2172106	2	Fitting, 90 ORFS	
9	3300240	2	Nut 5/8	
10	3423276	1	Pin, Fork	
11	3423307	2	Pin, Side Tilt Cylinder	
12	3841203	2	Keeper, Rod	
13	4811400	2	Washer M4	
14	4891800	1	Washer 1/2	
15	8420053	1	Cap, Dust	
16	8420055	1	Plug, Dust	
17	88671001	1	Fitting, Grease	
18	90200003	2	Collar, Fork Pin	
19	91403413	1	Fitting, Straight	
20	91403414	1	Fitting, Straight	
21	1001090140	1	Bearing, Side Tilt Spherical	
22	1001099113	1	Pin, Side Tilt Frame Pivot	
23	1001099115	2	Sleeve, Tilt Bearing Spacer	
24	1001120914	1	Shim, Bearing Retainer	
25	1001120915	1	Plate, Bearing Retainer	
26	1001163414	1	Cylinder, Side Tilt (See Separate Breakdown in HYDRAULIC COMPONENTS Section)	
27	1001227670	1	Tag, RFID	
28	1001239734	2	Hose	
29	See Note	NSS	SN Plate (Note: Stamped Part - Not Available for Purchase)	
30	See Note	NSS	Carriage, Base Plate (Note: Purchase Complete Assembly)	
31	See Note	NSS	Carriage, Side Tilt (Note: Purchase Complete Assembly)	

SECTION 3 - ATTACHMENTS

FIGURE 3-24. CARRIAGE ASSEMBLY - 72IN SWING



ART_1001095418_W

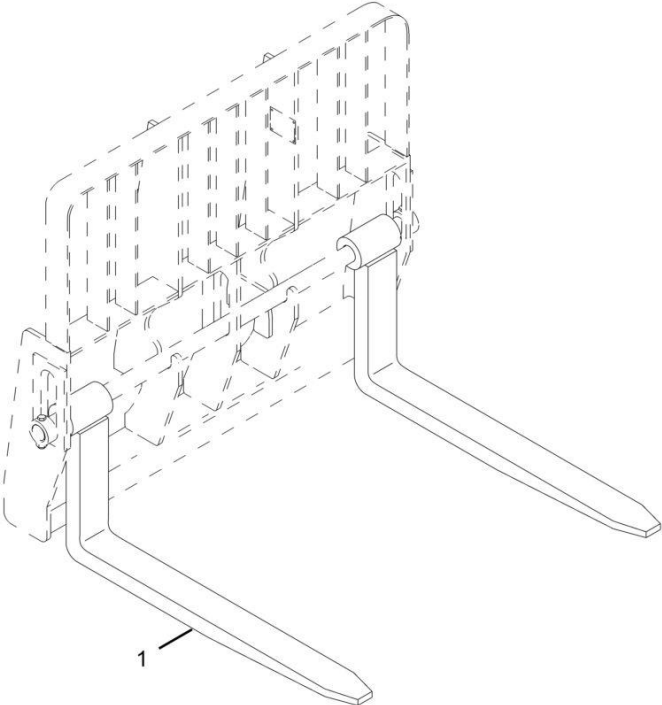
SECTION 3 - ATTACHMENTS

FIGURE 3-24. CARRIAGE ASSEMBLY - 72IN SWING

ITEM	PART NUMBER	QTY	DESCRIPTION	REV
	1001095418	Ref	CARRIAGE ASSEMBLY - SWING (72 INCH)	W
1	2220415	4	Fitting, Straight ORFS	
2	2220473	2	Fitting, 90 ORFS	
4	1001211139	2	Adapter, 90	
5	1001293182	1	Swing Carriage Cylinder (See Separate Breakdown in HYDRAULIC COMPONENTS Section)	
6	2717287	2	Hose 58in (Boom Front Disconnect)	
6	1001301599	1	Hose 66in (Boom Side Disconnect)	
6	1001301600	1	Hose 46in (Boom Side Disconnect)	
7	3423276	1	Pin	
11	6604662	2	Hose	
12	7062922	1	Washer	
13	See Note	NSS	Pivot (Note: Purchase Complete Assembly)	
14	7110702	2	Pin	
15	7110712	1	Pin	
16	7110722	2	Pin	
17	8065062	2	Bushing	
18	8303634	5	Bolt 5/8 x 4	
19	8303715	3	Bolt 5/16 x 1-1/2	
20	8305643	5	Nut 5/8	
21	8307904	AR	Washer	
22	8307918	AR	Washer	
23	8310160	AR	Washer	
24	8310161	AR	Washer	
25	8420053	1	Cap	
26	8420055	1	Plug	
27	8580315	2	Plug	
28	8584001	5	Tie Wrap	
29	8642207	4	Ring, Retaining	
30	8769132	2	Clamp	
31	8770016	2	Fitting, Straight ORFS	
32	90200003	2	Collar	
33	91403413	1	Fitting, Straight ORFS	
34	91403414	1	Fitting, Straight	
35	See Note	NSS	Carriage (Note: Purchase Complete Assembly)	
36	See Note	NSS	SN Plate (Note: Stamped Part - Not Available for Purchase)	
37	1001110704	1	Decal, Warning Crushing Hazard	
38	1001111190	2	Decal, Warning	
39	4811400	2	Washer M4	
40	0760405	2	Bolt M4 x 10	
41	1001227670	1	Tag - RFID	

SECTION 3 - ATTACHMENTS

FIGURE 3-25. FORK 1.75X7X60 - DUAL TAPERED 5400#



ART_2340046

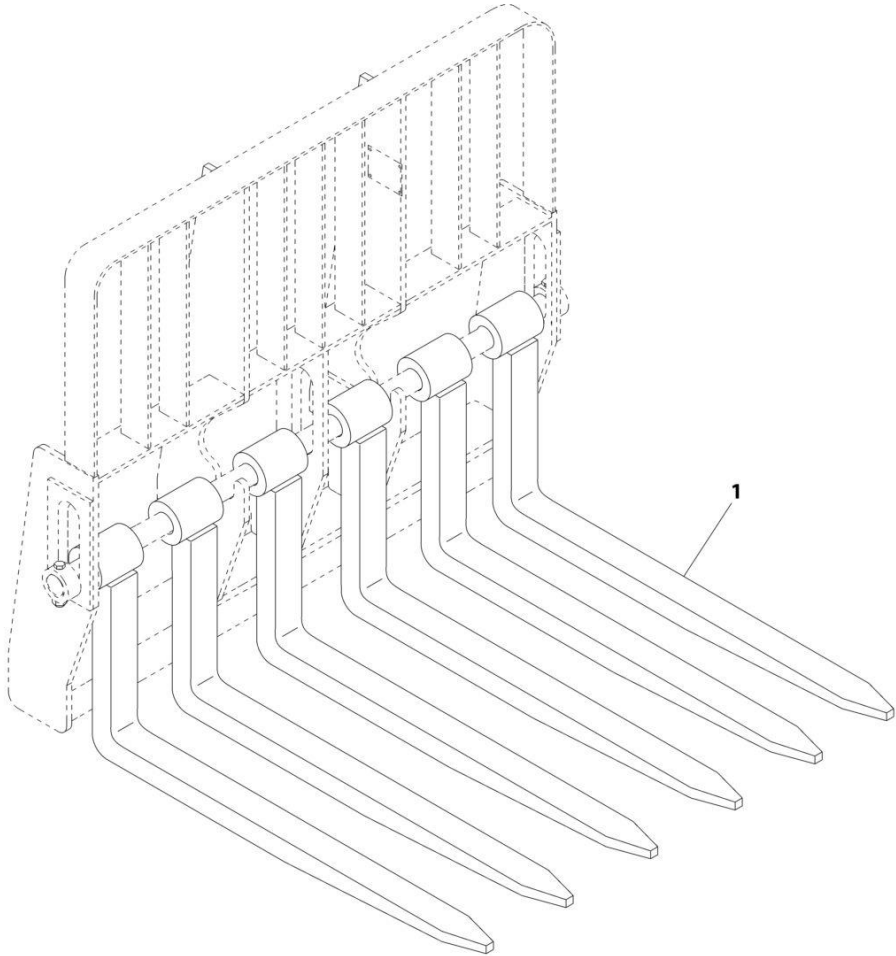
SECTION 3 - ATTACHMENTS

FIGURE 3-25. FORK 1.75X7X60 - DUAL TAPERED 5400#

ITEM	PART NUMBER	QTY	DESCRIPTION	REV
1	2340046	2	Dual Taper Fork (60X7X1.75)	
N1	Note	Ref	FORKS RATED LESS THAN THE ATTACHMENT OR MACHINE'S CAPACITY DECREASES CAPACITY OF THE ATTACHMENT OR MACHINE TO THAT OF THE FORKS. FORKS RATED MORE THAN THE ATTACHMENT OR MACHINE'S CAPACITY DO NOT INCREASE ATTACHMENT OR MACHINE'S CAPACITY.	
N2	Note	Ref	PLEASE CONSULT JLG PARTS DEPARTMENT TO DETERMINE THE CORRECT FORKS APPLICABLE TO YOUR SPECIFIC CARRIAGE ASSEMBLY AND APPLICATION.	

SECTION 3 - ATTACHMENTS

FIGURE 3-26. FORK 2X2X48 - CUBING/BLOCKING 1940#



ART_2340037

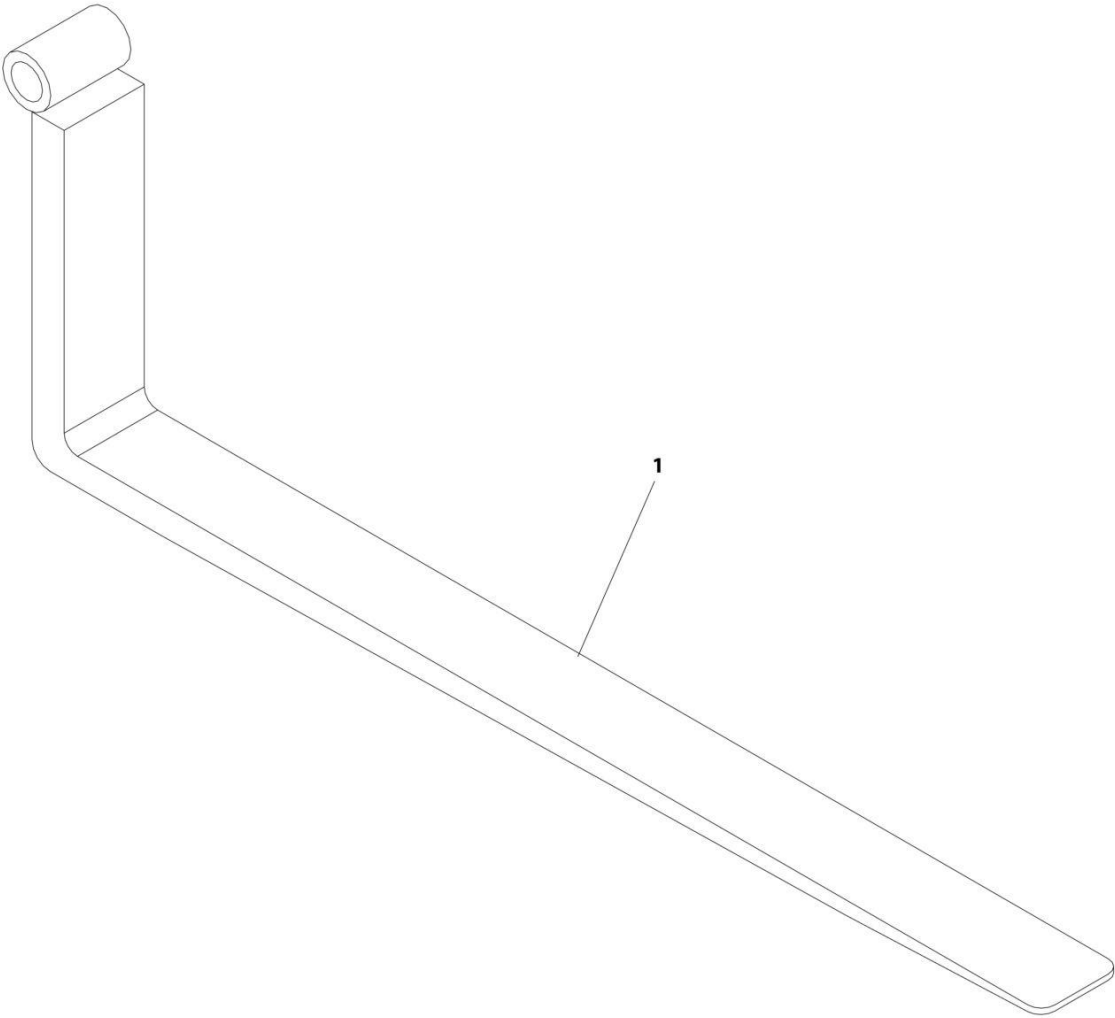
SECTION 3 - ATTACHMENTS

FIGURE 3-26. FORK 2X2X48 - CUBING/BLOCKING 1940#

ITEM	PART NUMBER	QTY	DESCRIPTION	REV
1	2340037	1	Cubing Fork (2.00X2X48)	A
	Note	Ref	FORKS RATED LESS THAN THE ATTACHMENT OR MACHINE'S CAPACITY DECREASES CAPACITY OF THE ATTACHMENT OR MACHINE TO THAT OF THE FORKS. FORKS RATED MORE THAN THE ATTACHMENT OR MACHINE'S CAPACITY DO NOT INCREASE ATTACHMENT OR MACHINE'S CAPACITY.	
	Note	Ref	PLEASE CONSULT JLG PARTS DEPARTMENT TO DETERMINE THE CORRECT FORKS APPLICABLE TO YOUR SPECIFIC CARRIAGE ASSEMBLY AND APPLICATION.	

SECTION 3 - ATTACHMENTS

FIGURE 3-27. FORK 2X6X72 - DUAL TAPERED 6613#



ART_1001259206

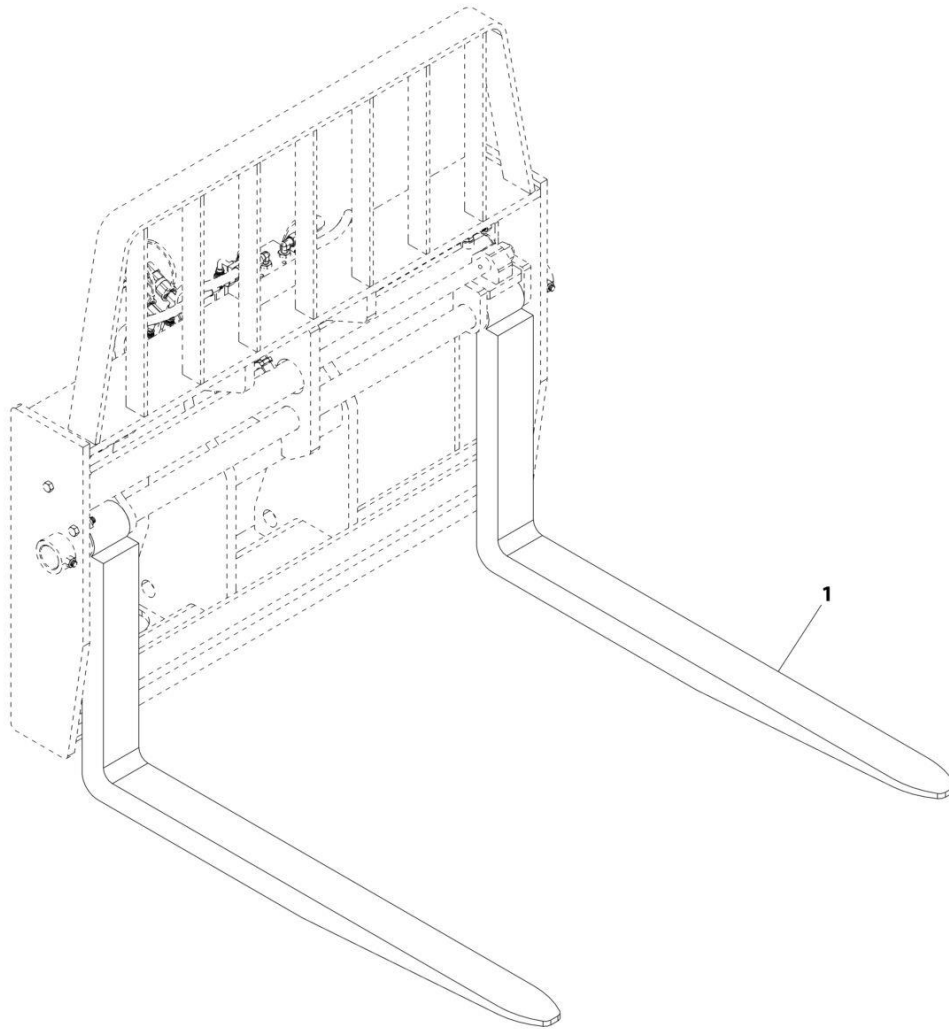
SECTION 3 - ATTACHMENTS

FIGURE 3-27. FORK 2X6X72 - DUAL TAPERED 6613#

ITEM	PART NUMBER	QTY	DESCRIPTION	REV
1	1001259206	2	Dual Taper Fork (2.00X6X72)	A
	Note	Ref	FORKS RATED LESS THAN THE ATTACHMENT OR MACHINE'S CAPACITY DECREASES CAPACITY OF THE ATTACHMENT OR MACHINE TO THAT OF THE FORKS. FORKS RATED MORE THAN THE ATTACHMENT OR MACHINE'S CAPACITY DO NOT INCREASE ATTACHMENT OR MACHINE'S CAPACITY.	
	Note	Ref	PLEASE CONSULT JLG PARTS DEPARTMENT TO DETERMINE THE CORRECT FORKS APPLICABLE TO YOUR SPECIFIC CARRIAGE ASSEMBLY AND APPLICATION.	

SECTION 3 - ATTACHMENTS

FIGURE 3-28. FORK 2.36X4X48 PALLET 5000#



ART_7301408

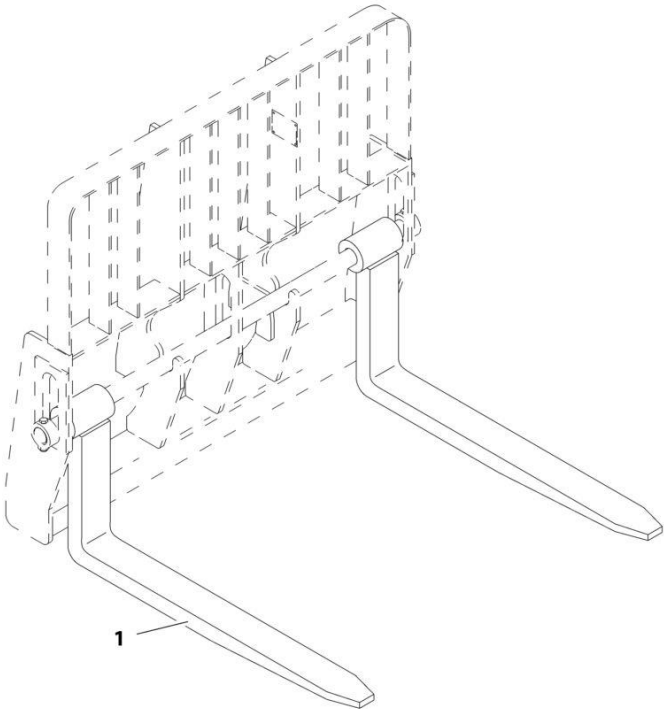
SECTION 3 - ATTACHMENTS

FIGURE 3-28. FORK 2.36X4X48 PALLET 5000#

ITEM	PART NUMBER	QTY	DESCRIPTION	REV
1	7301408	2	Pallet Fork (2.36X4X48)	D
N1	Note	Ref	FORKS RATED LESS THAN THE ATTACHMENT OR MACHINE'S CAPACITY DECREASES CAPACITY OF THE ATTACHMENT OR MACHINE TO THAT OF THE FORKS. FORKS RATED MORE THAN THE ATTACHMENT OR MACHINE'S CAPACITY DO NOT INCREASE ATTACHMENT OR MACHINE'S CAPACITY.	
N2	Note	Ref	PLEASE CONSULT JLG PARTS DEPARTMENT TO DETERMINE THE CORRECT FORKS APPLICABLE TO YOUR SPECIFIC CARRIAGE ASSEMBLY AND APPLICATION.	

SECTION 3 - ATTACHMENTS

FIGURE 3-29. FORK 2.36X4X48 PALLET 5475#



ART_2340045

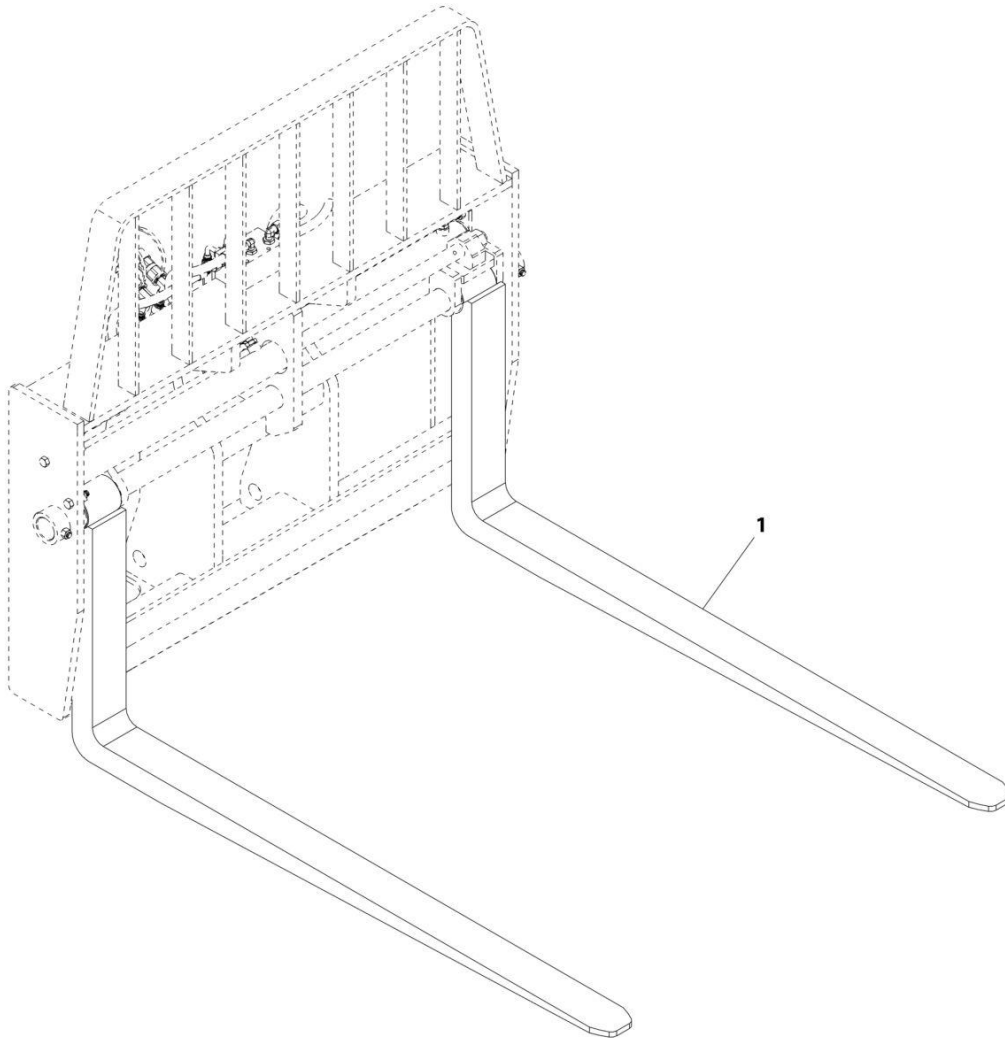
SECTION 3 - ATTACHMENTS

FIGURE 3-29. FORK 2.36X4X48 PALLET 5475#

ITEM	PART NUMBER	QTY	DESCRIPTION	REV
1	2340045	2	Pallet Fork (2.36X4X48)	
	Note	Ref	FORKS RATED LESS THAN THE ATTACHMENT OR MACHINE'S CAPACITY DECREASES CAPACITY OF THE ATTACHMENT OR MACHINE TO THAT OF THE FORKS. FORKS RATED MORE THAN THE ATTACHMENT OR MACHINE'S CAPACITY DO NOT INCREASE ATTACHMENT OR MACHINE'S CAPACITY.	
	Note	Ref	PLEASE CONSULT JLG PARTS DEPARTMENT TO DETERMINE THE CORRECT FORKS APPLICABLE TO YOUR SPECIFIC CARRIAGE ASSEMBLY AND APPLICATION.	

SECTION 3 - ATTACHMENTS

FIGURE 3-30. FORK 2.36X4X60 PALLET 5000#



ART_1001227379

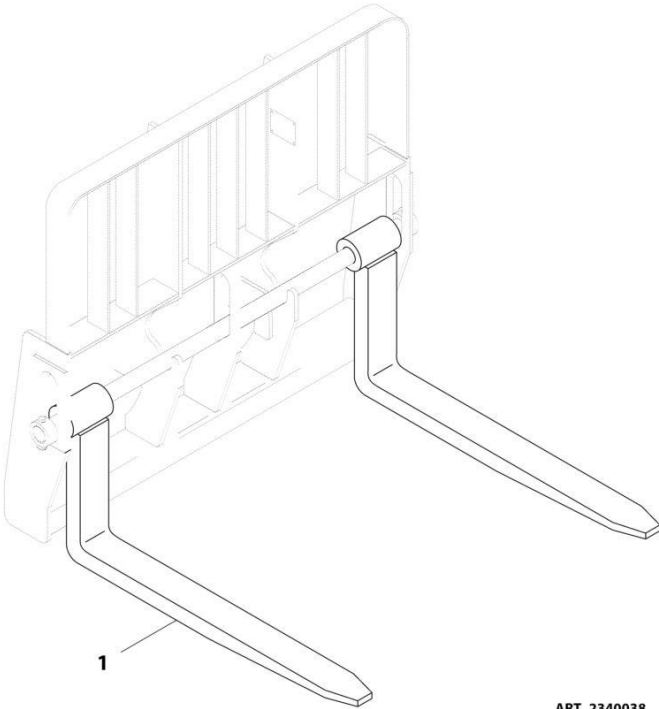
SECTION 3 - ATTACHMENTS

FIGURE 3-30. FORK 2.36X4X60 PALLET 5000#

ITEM	PART NUMBER	QTY	DESCRIPTION	REV
1	1001227379	2	Pallet Fork (2.36X4X60)	A
N1	Note	Ref	FORKS RATED LESS THAN THE ATTACHMENT OR MACHINE'S CAPACITY DECREASES CAPACITY OF THE ATTACHMENT OR MACHINE TO THAT OF THE FORKS. FORKS RATED MORE THAN THE ATTACHMENT OR MACHINE'S CAPACITY DO NOT INCREASE ATTACHMENT OR MACHINE'S CAPACITY.	
N2	Note	Ref	PLEASE CONSULT JLG PARTS DEPARTMENT TO DETERMINE THE CORRECT FORKS APPLICABLE TO YOUR SPECIFIC CARRIAGE ASSEMBLY AND APPLICATION.	

SECTION 3 - ATTACHMENTS

FIGURE 3-31. FORK 2.36X5X48 PALLET 6850#



ART_2340038

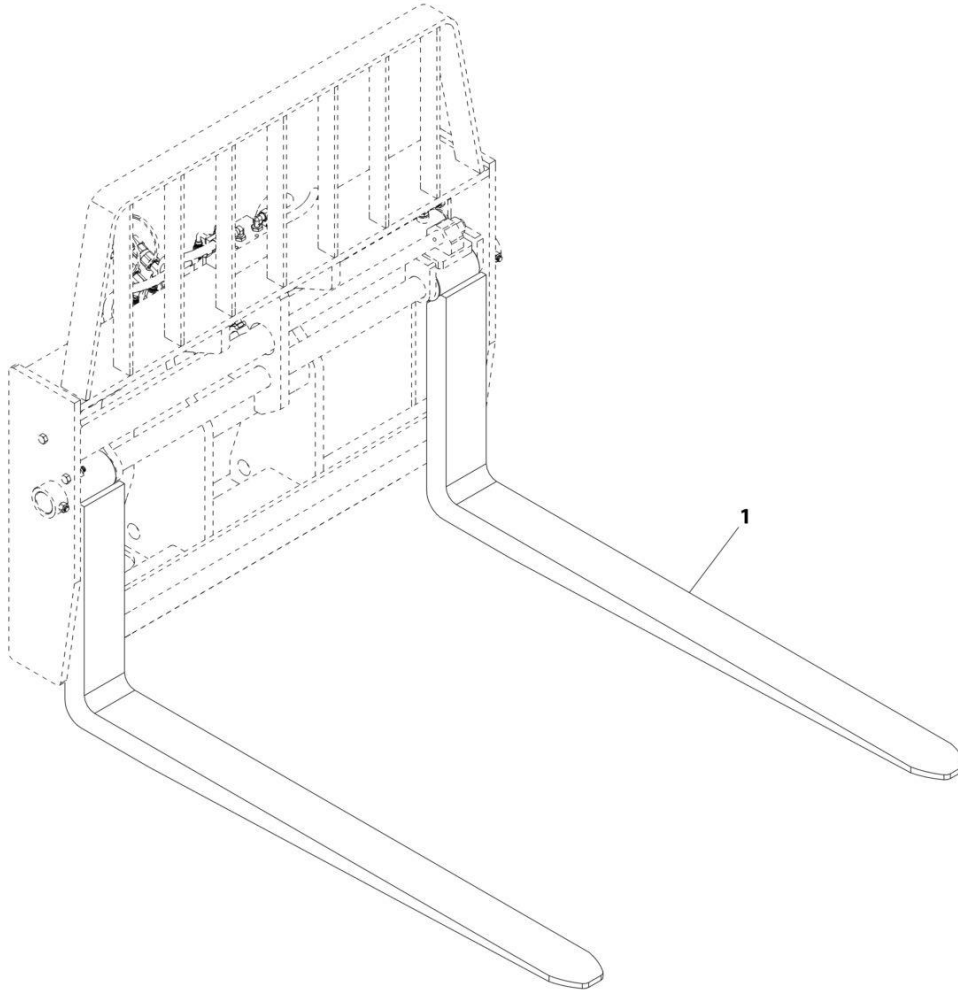
SECTION 3 - ATTACHMENTS

FIGURE 3-31. FORK 2.36X5X48 PALLET 6850#

ITEM	PART NUMBER	QTY	DESCRIPTION	REV
1	2340038	2	Pallet Fork (2.36X5X48)	B
	Note	Ref	FORKS RATED LESS THAN THE ATTACHMENT OR MACHINE'S CAPACITY DECREASES CAPACITY OF THE ATTACHMENT OR MACHINE TO THAT OF THE FORKS. FORKS RATED MORE THAN THE ATTACHMENT OR MACHINE'S CAPACITY DO NOT INCREASE ATTACHMENT OR MACHINE'S CAPACITY.	
	Note	Ref	PLEASE CONSULT JLG PARTS DEPARTMENT TO DETERMINE THE CORRECT FORKS APPLICABLE TO YOUR SPECIFIC CARRIAGE ASSEMBLY AND APPLICATION.	

SECTION 3 - ATTACHMENTS

FIGURE 3-32. FORK 2.36X5X60 PALLET 6850#



ART_1001227382

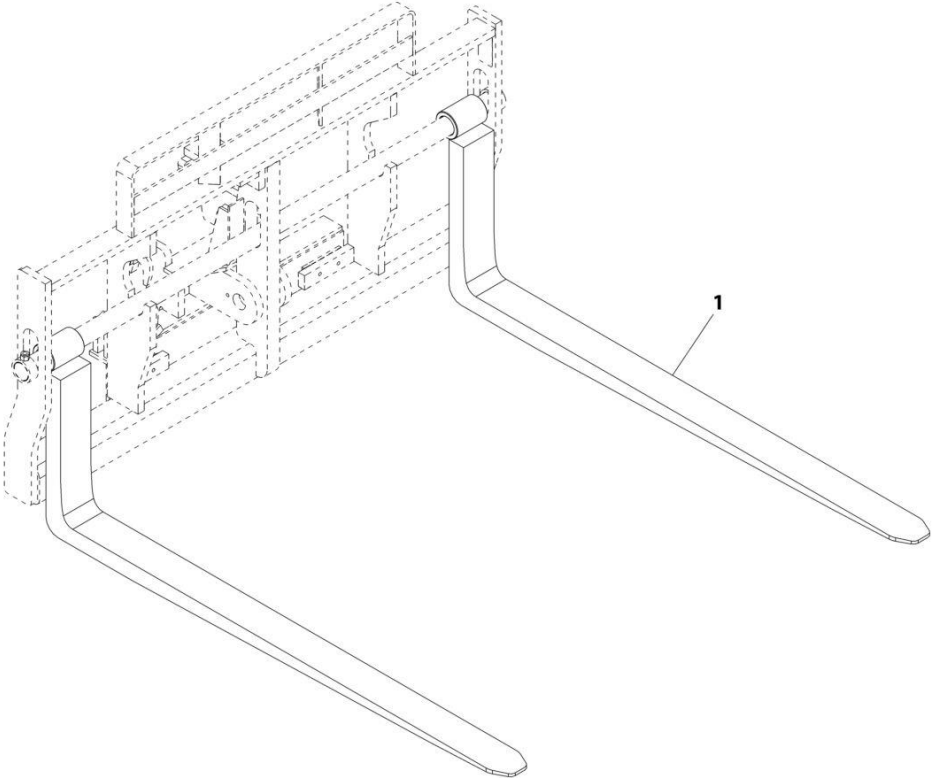
SECTION 3 - ATTACHMENTS

FIGURE 3-32. FORK 2.36X5X60 PALLET 6850#

ITEM	PART NUMBER	QTY	DESCRIPTION	REV
1	1001227382	1	Pallet Fork (2.36X5X60)	A
N1	Note	Ref	FORKS RATED LESS THAN THE ATTACHMENT OR MACHINE'S CAPACITY DECREASES CAPACITY OF THE ATTACHMENT OR MACHINE TO THAT OF THE FORKS. FORKS RATED MORE THAN THE ATTACHMENT OR MACHINE'S CAPACITY DO NOT INCREASE ATTACHMENT OR MACHINE'S CAPACITY.	
N2	Note	Ref	PLEASE CONSULT JLG PARTS DEPARTMENT TO DETERMINE THE CORRECT FORKS APPLICABLE TO YOUR SPECIFIC CARRIAGE ASSEMBLY AND APPLICATION.	

SECTION 3 - ATTACHMENTS

FIGURE 3-33. FORK 2.36X5X72 PALLET 6850#



ART_1001232355

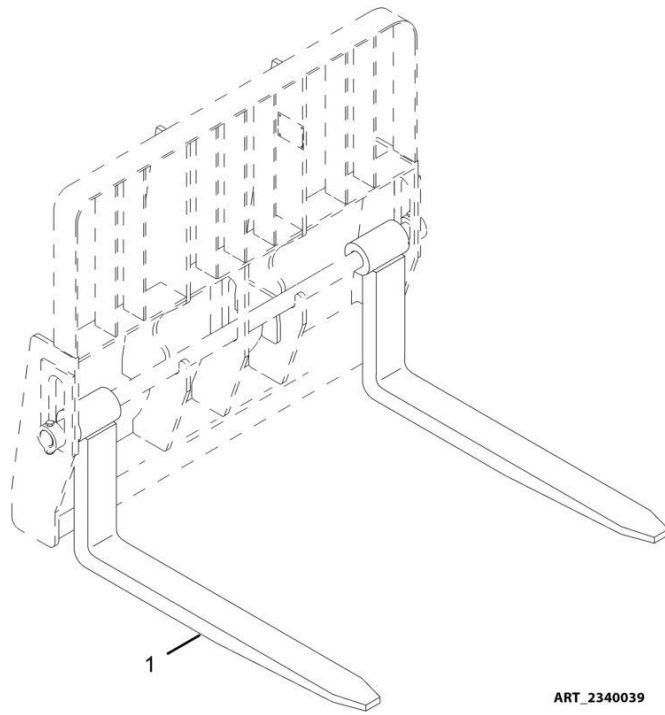
SECTION 3 - ATTACHMENTS

FIGURE 3-33. FORK 2.36X5X72 PALLET 6850#

ITEM	PART NUMBER	QTY	DESCRIPTION	REV
	1001232355	1 pr	Pallet Fork (2.36X5X72)	A
	Note	Ref	FORKS RATED LESS THAN THE ATTACHMENT OR MACHINE'S CAPACITY DECREASES CAPACITY OF THE ATTACHMENT OR MACHINE TO THAT OF THE FORKS. FORKS RATED MORE THAN THE ATTACHMENT OR MACHINE'S CAPACITY DO NOT INCREASE ATTACHMENT OR MACHINE'S CAPACITY.	
	Note	Ref	PLEASE CONSULT JLG PARTS DEPARTMENT TO DETERMINE THE CORRECT FORKS APPLICABLE TO YOUR SPECIFIC CARRIAGE ASSEMBLY AND APPLICATION.	

SECTION 3 - ATTACHMENTS

FIGURE 3-34. FORK 2.36X6X60 PALLET 8150#



ART_2340039

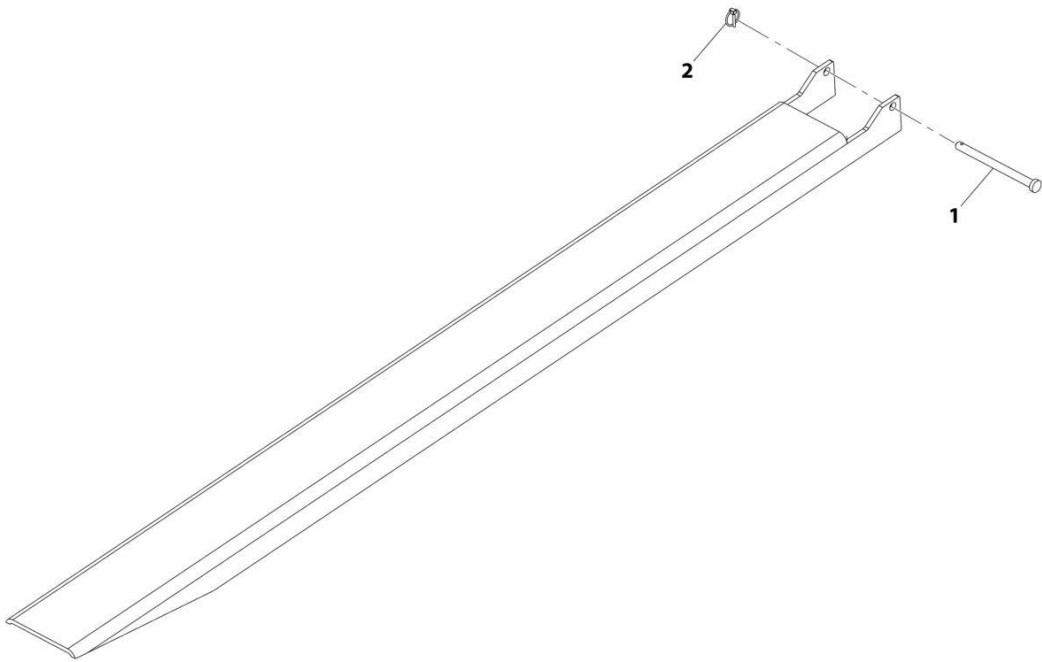
SECTION 3 - ATTACHMENTS

FIGURE 3-34. FORK 2.36X6X60 PALLET 8150#

ITEM	PART NUMBER	QTY	DESCRIPTION	REV
1	2340039	2	Lumber Fork (60X150X1524)	
	Note	Ref	FORKS RATED LESS THAN THE ATTACHMENT OR MACHINE'S CAPACITY DECREASES CAPACITY OF THE ATTACHMENT OR MACHINE TO THAT OF THE FORKS. FORKS RATED MORE THAN THE ATTACHMENT OR MACHINE'S CAPACITY DO NOT INCREASE ATTACHMENT OR MACHINE'S CAPACITY.	
	Note	Ref	PLEASE CONSULT JLG PARTS DEPARTMENT TO DETERMINE THE CORRECT FORKS APPLICABLE TO YOUR SPECIFIC CARRIAGE ASSEMBLY AND APPLICATION.	

SECTION 3 - ATTACHMENTS

FIGURE 3-35. FORK EXTENSION (90 INCH)



ART_1001137512-D

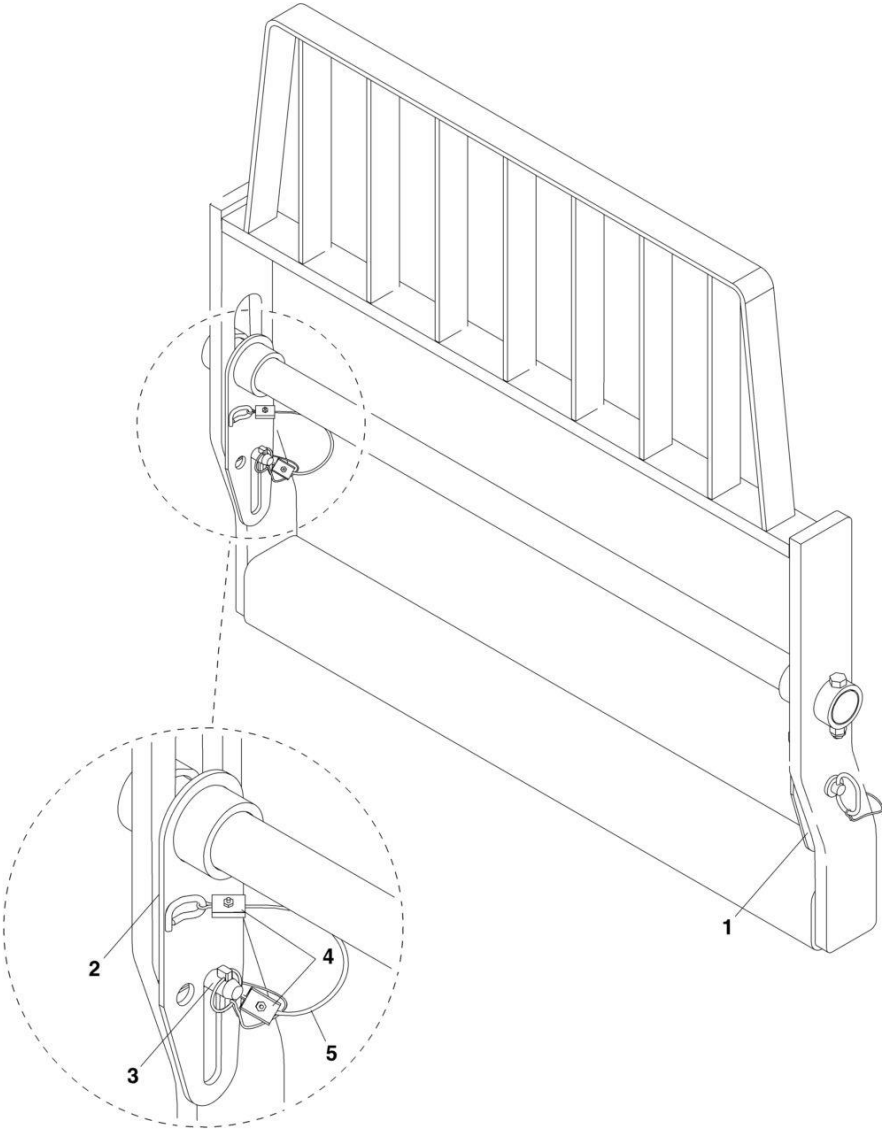
SECTION 3 - ATTACHMENTS

FIGURE 3-35. FORK EXTENSION (90 INCH)

ITEM	PART NUMBER	QTY	DESCRIPTION	REV
	1001137512	2 pr	Fork Extensions (62X163X2286)	D
1	70024306	1	Pin	
2	70024307	1	Clip	

SECTION 3 - ATTACHMENTS

FIGURE 3-36. FORK PIN LOCK INSTALLATION



ART_1001093465_B

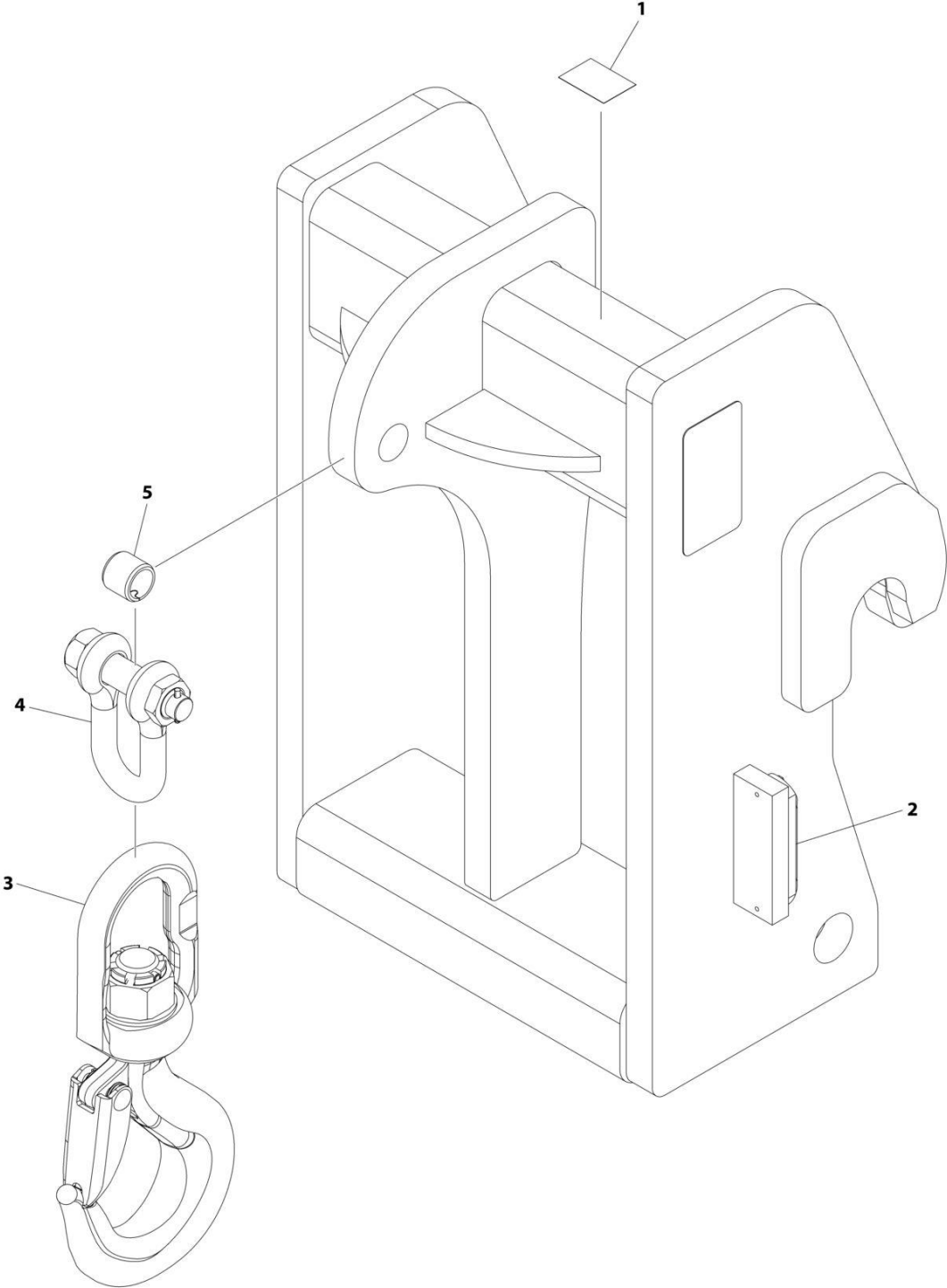
SECTION 3 - ATTACHMENTS

FIGURE 3-36. FORK PIN LOCK INSTALLATION

ITEM	PART NUMBER	QTY	DESCRIPTION	REV
	1001093465	Ref	Fork Pin Lock Installation	B
1	0240156	1	Lock, LH Fork Pin	
2	1001093273	1	Lock, RH Fork Pin	
3	1001093377	2	Pin, Hitch	
4	1001094830	4	Clamp	
5	1001094330	2	Lanyard	

SECTION 3 - ATTACHMENTS

FIGURE 3-37. HOOK - COUPLER MOUNTED



ART_1001207606_D

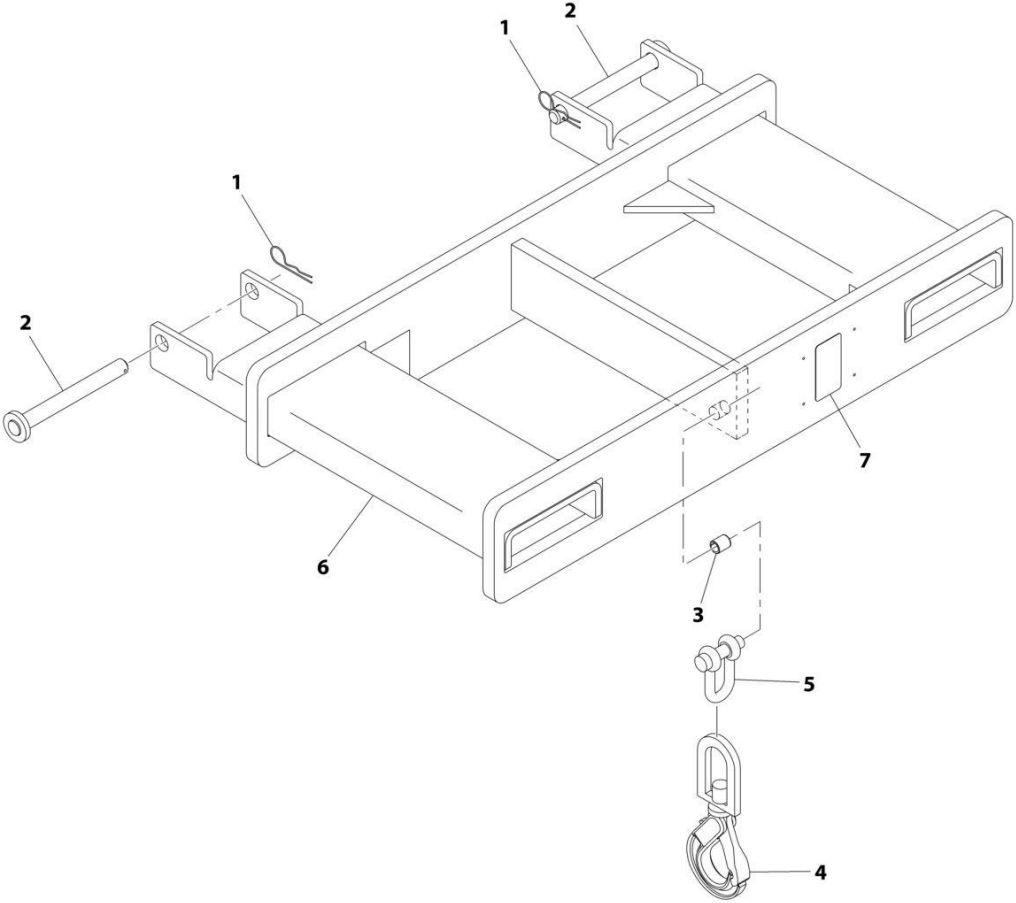
SECTION 3 - ATTACHMENTS

FIGURE 3-37. HOOK - COUPLER MOUNTED

ITEM	PART NUMBER	QTY	DESCRIPTION	REV
	1001207606	Ref	COUPLER MOUNTED HOOK	E
1	90554016	1	Decal	
2	1001227670	1	Tag, RFID	
3	70026745	1	Hook Swivel	
4	70026746	1	Shackle Chain	
5	70020555	1	Bushing	

SECTION 3 - ATTACHMENTS

FIGURE 3-38. HOOK - FORK MOUNTED



ART_1001097205-I

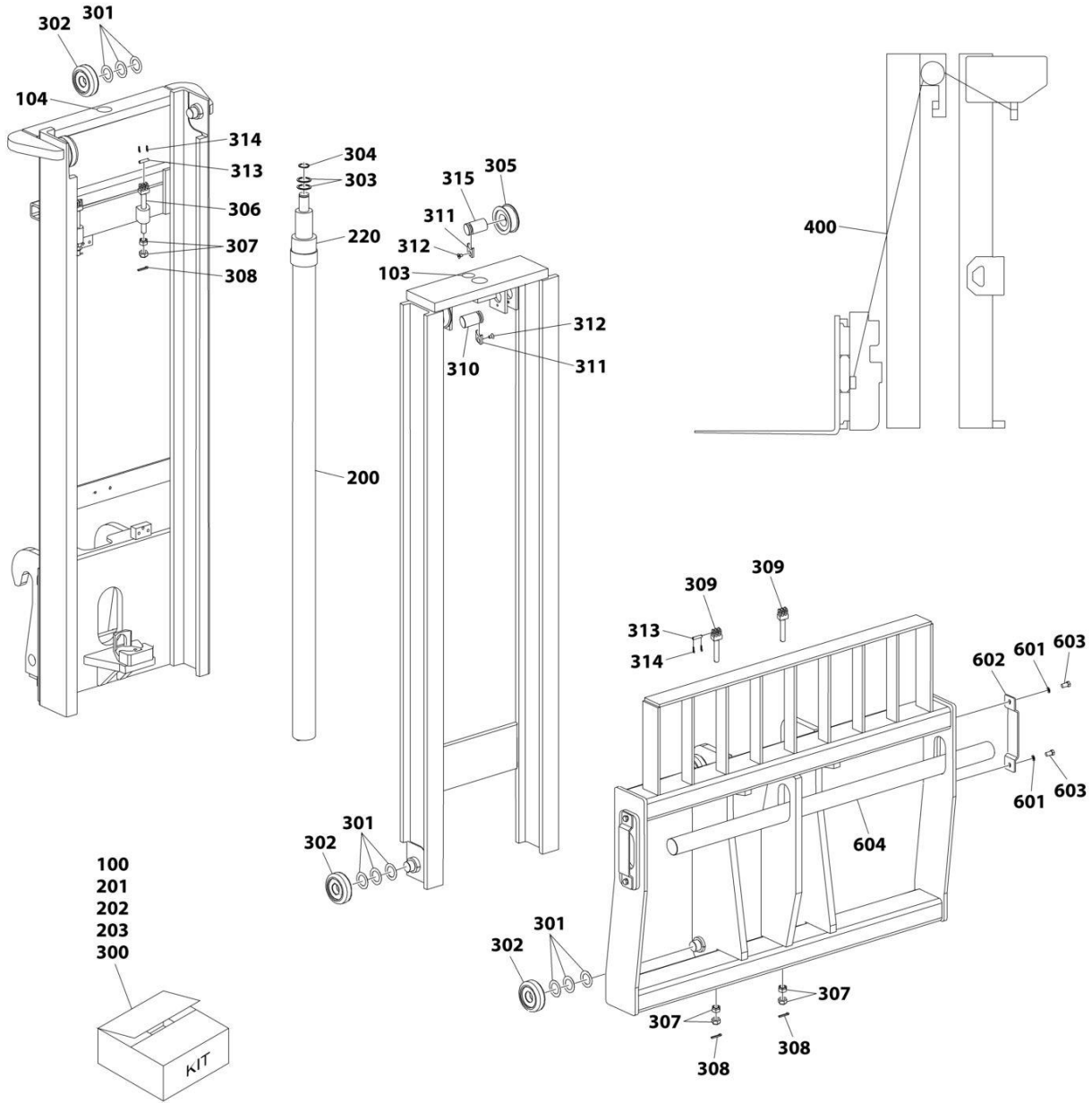
SECTION 3 - ATTACHMENTS

FIGURE 3-38. HOOK - FORK MOUNTED

ITEM	PART NUMBER	QTY	DESCRIPTION	REV
	1001097205	Ref	Fork Mounted Hook (4 Ton)	J
1	7029520	2	Pin, Cotter	
2	1001093171	2	Pin	
3	70020555	1	Bushing	
4	90554080	1	Hook	
5	7029521	1	Shackle	
6	See Note	NSS	Frame, Hook (Note: Purchase Complete Assembly)	
7	See Note	NSS	S/N Plate (Note: Stamped Part - Not Available for Purchase)	

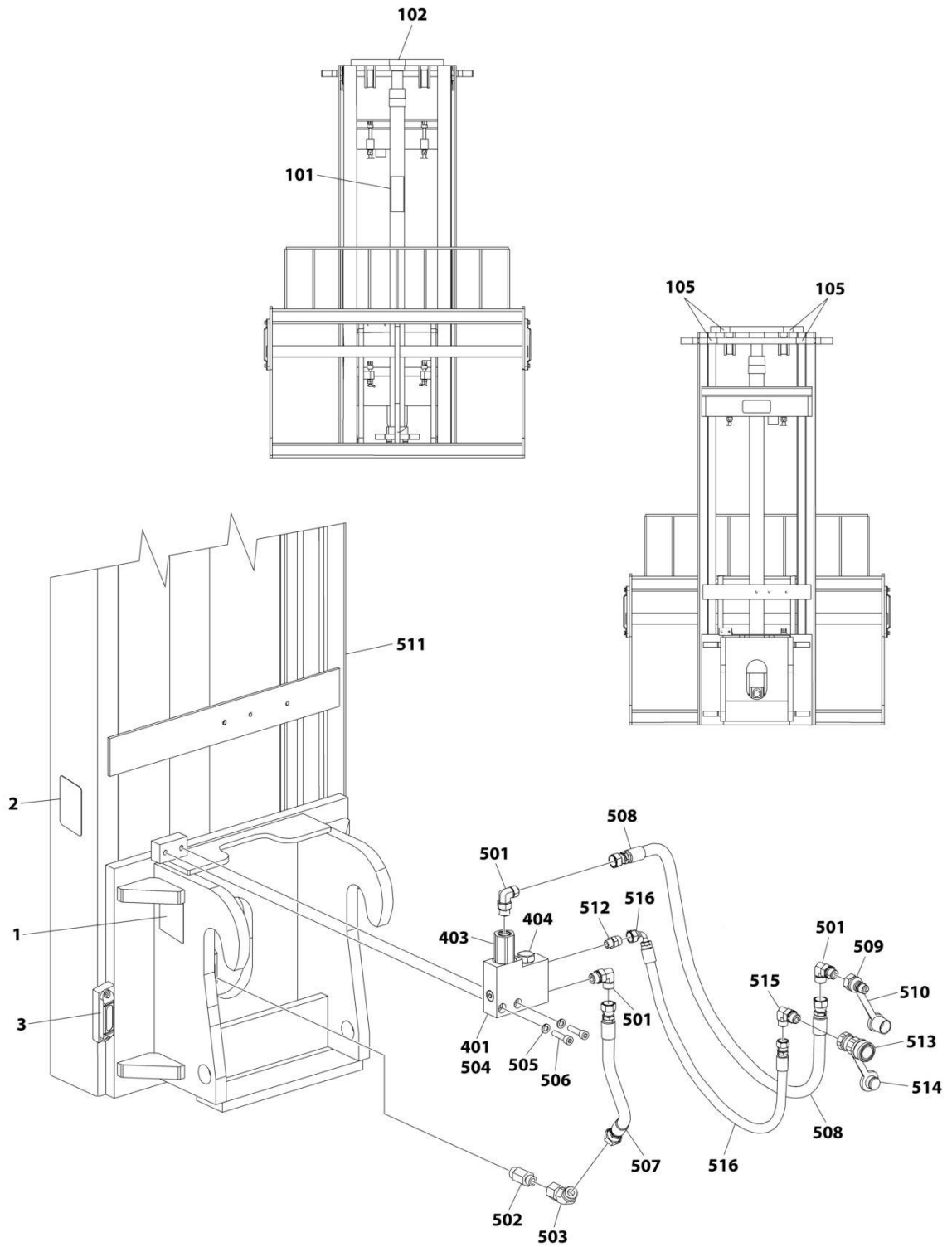
SECTION 3 - ATTACHMENTS

FIGURE 3-39. MAST (8 FOOT)



ART_1001108668_1OF2

SECTION 3 - ATTACHMENTS



ART_1001108668_20F2

SECTION 3 - ATTACHMENTS

FIGURE 3-39. MAST (8 FOOT)

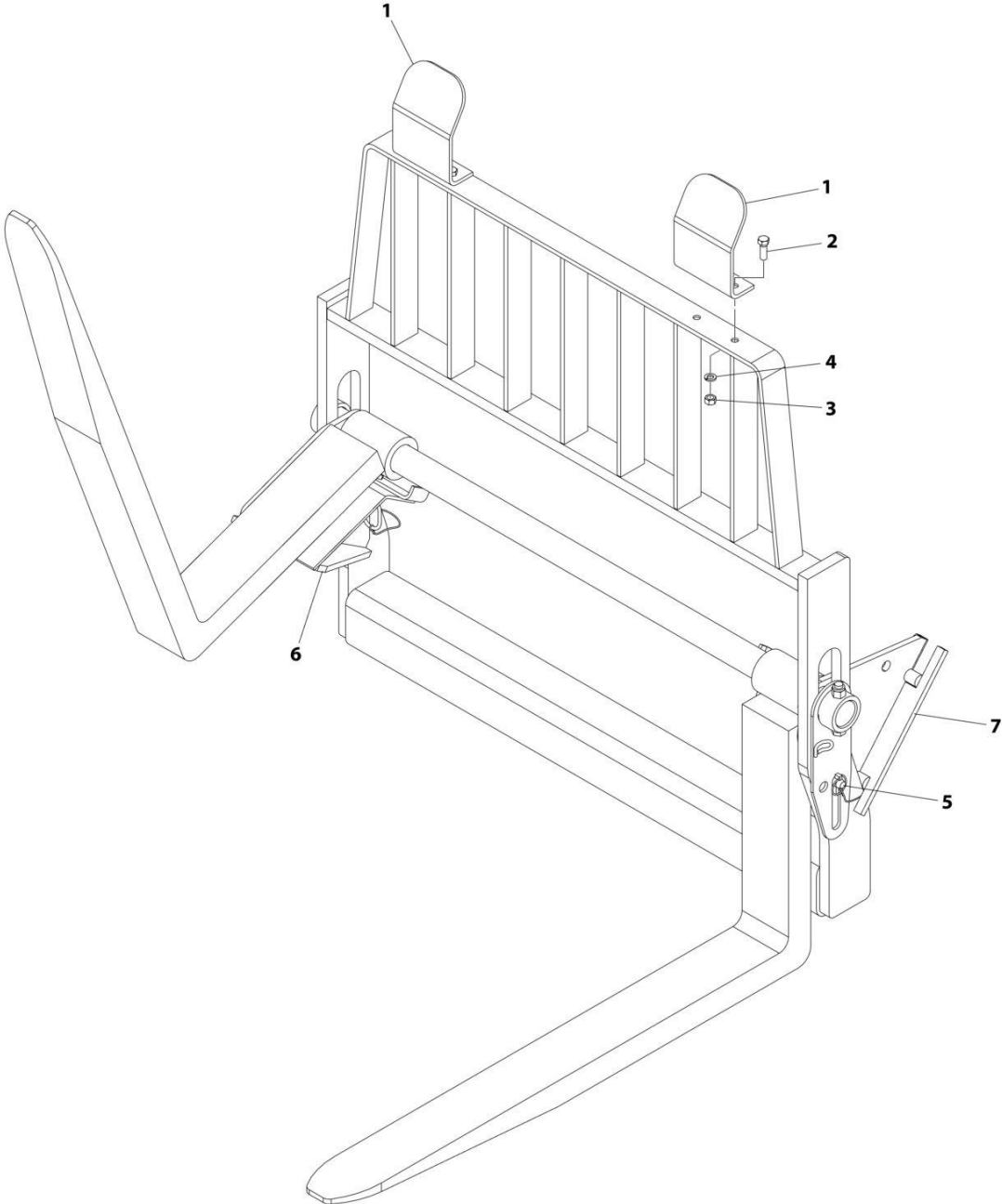
ITEM	PART NUMBER	QTY	DESCRIPTION	REV
	1001108668	Ref	MAST ASSEMBLY - 8FT	G
1	See Note	NSS	Nameplate, Serial Number (Note: Not Available for Purchase)	
2	1001111190	2	Decal - Warning	
3	1001227670	1	RFID Tag	
100	70023925	1	Decal Kit (includes items 1, Warning, No Step & Hose Routing Decals)	
101	See Note	NSS	Decal, Warning (Use Item 100)	
102	See Note	NSS	Decal, Warning (Use Item 100)	
103	See Note	NSS	Decal, No Step (Use Item 100)	
104	See Note	NSS	Decal, No Step (Use Item 100)	
105	See Note	NSS	Decal, Hands Off (Use Item 100)	
200	70023008	1	Cylinder Assembly - Lift (includes items 201-203 & 220. No Other Service Parts Available)	
201	70023005	1	Seal Kit - 70023008 Cylinder (includes Seals & Seal Retaining Hardware)	
202	70023006	1	Check Valve Kit (includes Mounting O-Rings & Hardware)	
203	70023007	1	Shim Kit (Includes items 303)	
220	70023004	1	Head/Retainer	
300	70023015	1	Mast Kit (includes items 100 & 301-315)	
301	70023014	24	Shim	
302	70022987	8	Bearing, Ball	
303	See Note	NLA	Shim (Note: Use item 203)	
304	70023016	1	Ring, Retaining	
305	70022969	2	Sheave	
306	70022960	2	Anchor, Chain	
307	70022957	8	Nut 5/8	
308	70022993	4	Pin, Cotter	
309	70022995	2	Anchor, Chain	
310	70022984	1	Shaft, Sheave	
311	70022970	2	Bar	
312	70023003	2	Screw	
313	70022994	4	Pin	
314	70022992	8	Pin, Cotter	
315	70022985	1	Shaft, Sheave	
400	70023009	2	Chain, Hoist	
401	70022932	1	Valve Assembly - Lowering Control	
403	70022931	1	Cartridge, Valve	
404	70023010	1	Cartridge, Valve	
501	70022934	3	Fitting, 90	
502	70022936	1	Fitting, Flow Limiter	
503	70022937	1	Fitting, 45	
504	70022932	1	Valve Assembly - Lowering Control (Note: Duplicate of Item 401 - Only Qty 1 Used)	
505	70022949	2	Washer, M10	
506	70022950	2	Bolt M10	
507	70022942	1	Hose	
508	70022952	1	Hose	
509	91403414	1	Fitting, Quick Disconnect Coupling (Male)	
510	91043126	1	Cap, Dust	
511	70023015	1	Mast Kit (Note: Duplicate of Item 300 - Only Qty 1 Used)	

SECTION 3 - ATTACHMENTS

ITEM	PART NUMBER	QTY	DESCRIPTION	REV
512	70022939	1	Fitting, Straight	
513	91403413	1	Fitting, Quick Disconnect Coupling (Female)	
514	91043125	1	Cap, Dust	
515	70022935	1	Fitting, 90	
516	70022946	1	Hose	
601	70022949	4	Washer M10	
602	70022980	2	Keeper, Pin	
603	70022998	4	Bolt M10 x 20	
604	70022990	1	Pin, Fork	

SECTION 3 - ATTACHMENTS

FIGURE 3-40. SHEET MATERIAL HANDLER INSTALLATION



ART_1001100227-B

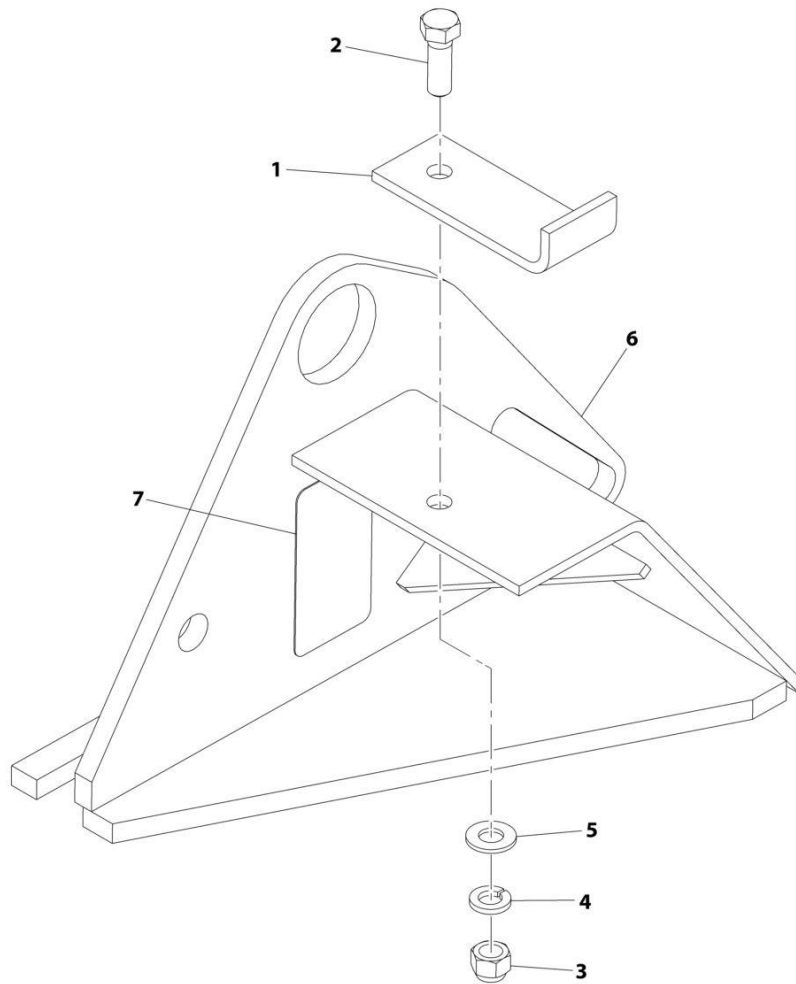
SECTION 3 - ATTACHMENTS

FIGURE 3-40. SHEET MATERIAL HANDLER INSTALLATION

ITEM	PART NUMBER	QTY	DESCRIPTION	REV
	1001100227	Ref	Sheet Material Handler Installation	B
1	7112642	2	Extension, Backrest	
2	8303626	4	Bolt, 1/2-13X1-1/2	
3	8305012	4	Nut, 1/2-13	
4	8307007	4	Washer, Lock 1/2	
5	1001093377	2	Pin, Hitch	
6	1001101115	1	Assembly, RH Fork Support (See Separate Breakdown in this Section)	
7	1001101116	1	Assembly, LH Fork Support (See Separate Breakdown in this Section)	

SECTION 3 - ATTACHMENTS

FIGURE 3-41. SHEET MATERIAL HANDLE FORK SUPPORT ASSEMBLY (LH)



ART_1001101116-E

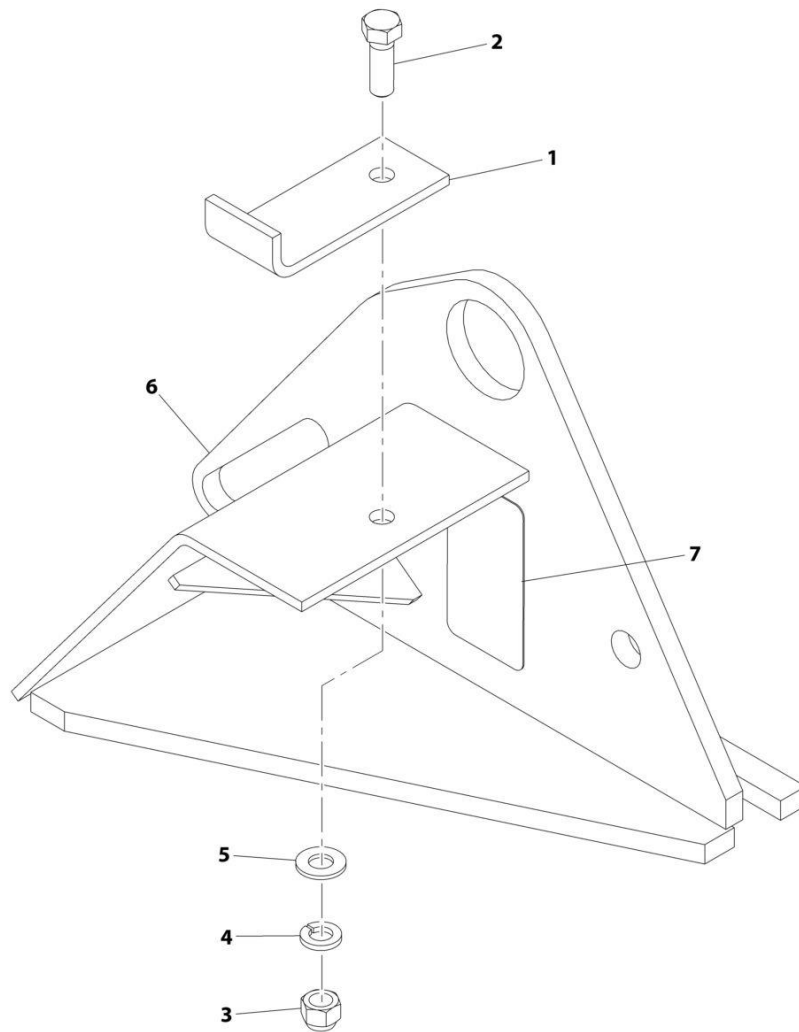
SECTION 3 - ATTACHMENTS

FIGURE 3-41. SHEET MATERIAL HANDLE FORK SUPPORT ASSEMBLY (LH)

ITEM	PART NUMBER	QTY	DESCRIPTION	REV
	1001101116	Ref	LH Fork Support Assembly	E
1	7114941	1	Bar, Lock	
2	8303626	1	Bolt, 1/2-13X1-1/2	
3	8305644	1	Nut, Lock 1/2-13	
4	8307007	1	Washer, Lock 1/2	
5	8307112	1	Washer, 1/2	
6	1001100229	1	Support, LH Fork	
7	N.S.S.	1	S/N Plate	

SECTION 3 - ATTACHMENTS

FIGURE 3-42. SHEET MATERIAL HANDLE FORK SUPPORT ASSEMBLY (RH)



ART_1001101115-D

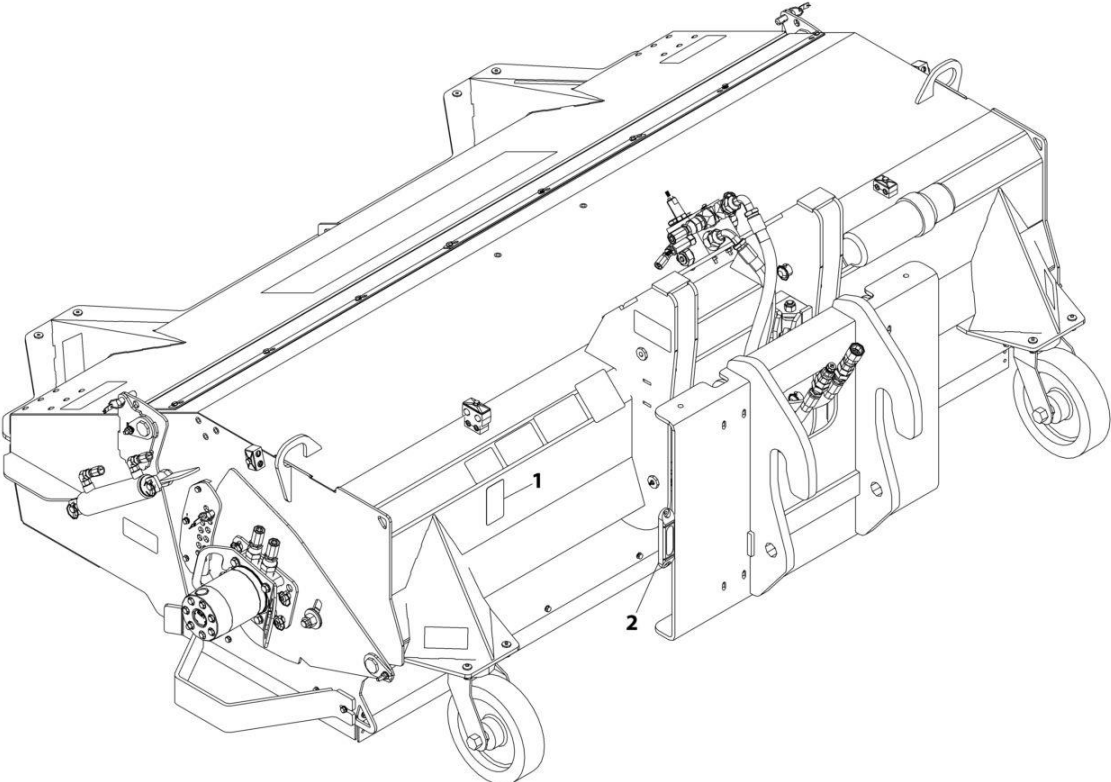
SECTION 3 - ATTACHMENTS

FIGURE 3-42. SHEET MATERIAL HANDLE FORK SUPPORT ASSEMBLY (RH)

ITEM	PART NUMBER	QTY	DESCRIPTION	REV
	1001101115	Ref	RH Fork Support Assembly	D
1	7114941	1	Bar, Lock	
2	8303626	1	Bolt, 1/2-13X1-1/2	
3	8305644	1	Nut, Lock 1/2-13	
4	8307007	1	Washer, Lock 1/2	
5	8307112	1	Washer, 1/2	
6	1001100228	1	Support, RH Fork	
7	N.S.S.	1	S/N Plate	

SECTION 3 - ATTACHMENTS

FIGURE 3-43. SWEEPER ASSEMBLY



ART_1001202904

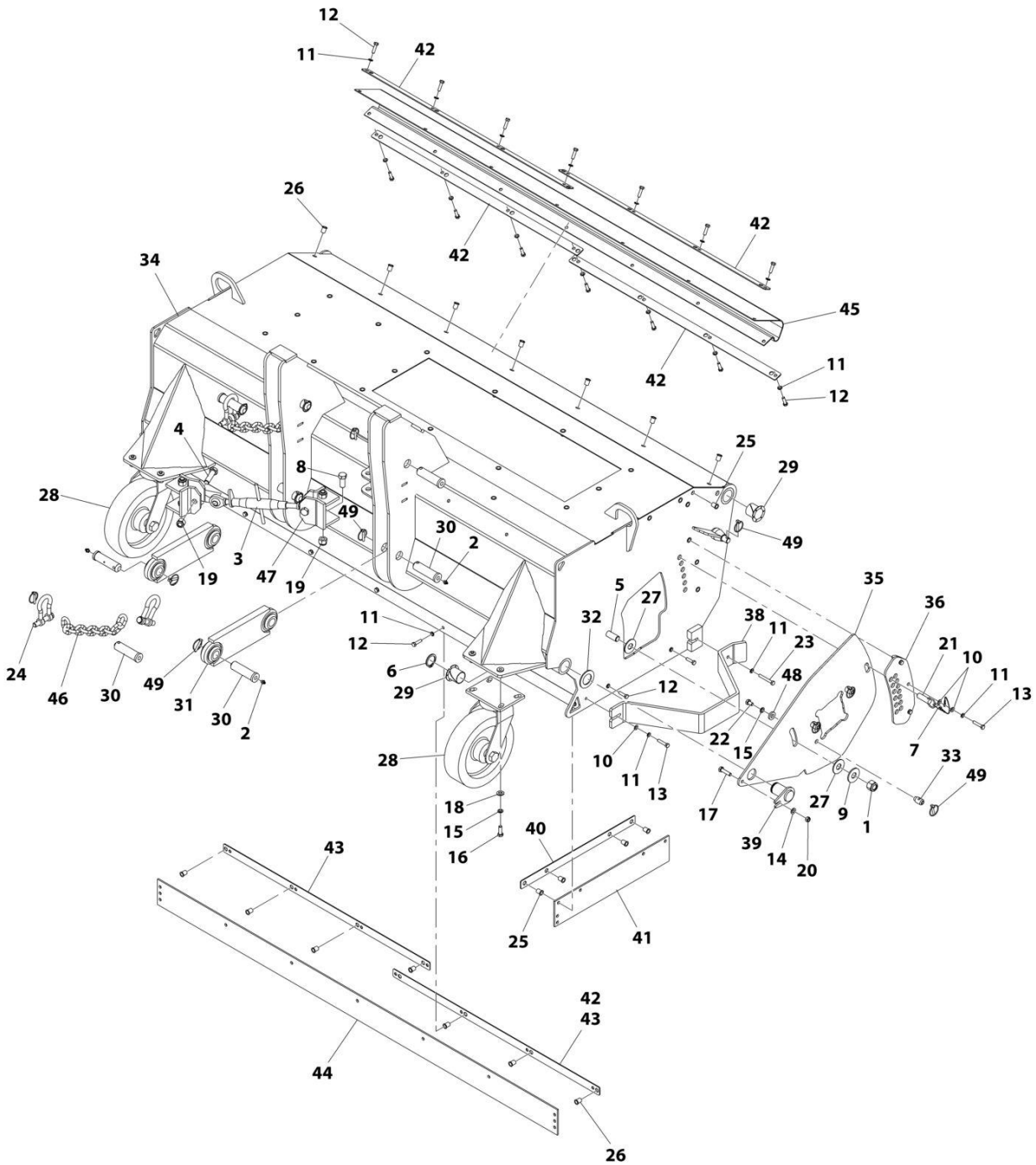
SECTION 3 - ATTACHMENTS

FIGURE 3-43. SWEEPER ASSEMBLY

ITEM	PART NUMBER	QTY	DESCRIPTION	REV
	1001202904	Ref	Sweeper Assembly	D
1	See Note	NSS	S/N Plate (Note: Stamped Part - Not Available for Purchase)	
2	1001227670	1	Tag, RFID	
		Ref	Sweeper Assembly- Hopper (See Separate Breakdown in this Section)	
		Ref	Sweeper Assembly - Body (See Separate Breakdown in this Section)	
		Ref	Sweeper Assembly - Motor (See Separate Breakdown in this Section)	
		Ref	Sweeper Assembly - Idler (See Separate Breakdown in this Section)	
		Ref	Sweeper Assembly - Core (See Separate Breakdown in this Section)	
		Ref	Sweeper Assembly - Hydraulic Single Motor (See Separate Breakdown in this Section)	

SECTION 3 - ATTACHMENTS

FIGURE 3-44. SWEEPER - BODY ASSEMBLY



ART_1001202904_2-B

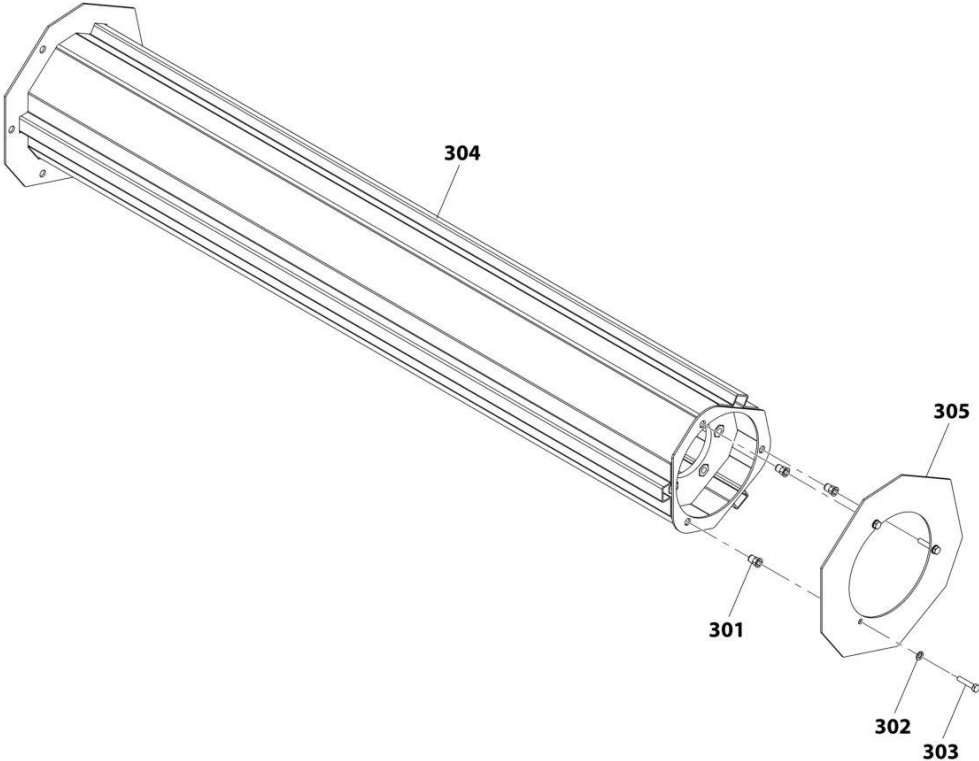
SECTION 3 - ATTACHMENTS

FIGURE 3-44. SWEEPER - BODY ASSEMBLY

ITEM	PART NUMBER	QTY	DESCRIPTION	REV
	1001202904	Ref	SWEEPER ASSEMBLY - BODY	
1	70029720	2	Nut	
2	70029721	4	Fitting, Grease	
3	70029722	1	Toplink	
4	70029723	2	Screw	
5	70020004	2	Screw	
6	70029724	2	Ring, Snap	
7	70029725	2	Lanyard	
8	70029726	4	Screw	
9	70029728	2	Washer	
10	70029732	6	Washer	
11	70029734	38	Washer	
12	70029735	32	Screw	
13	70029736	4	Screw	
14	70029738	2	Washer	
15	70029739	14	Washer	
16	70029741	8	Screw	
17	70029742	2	Screw	
18	70029743	8	Washer	
19	70029745	6	Nut	
20	70029747	2	Nut	
21	70029729	2	Pin	
22	70029751	6	Screw	
23	70029752	2	Screw	
24	70029755	4	Shackle	
25	70029756	45	Nut	
26	70029757	25	Nut	
27	70029760	4	Washer	
28	70029762	2	Assembly, Caster	
29	70029764	4	Bearing	
30	70029765	8	Pin	
31	70029766	2	Link	
32	70029767	2	Washer	
33	70029768	6	Stud	
34	See Note	NSS	Body, Sweeper (Note: Purchase Complete Assembly)	
35	70029773	2	Plate	
36	70029774	2	Plate	
37	70029775	2	Plate	
38	70029776	2	Plate	
39	70029777	2	Pin	
40	70029778	2	Plate	
41	70029779	2	Flap	
42	70029780	6	Plate	
43	70029781	3	Plate	
44	70029784	1	Flap	
45	70029786	1	Flap	
46	70029788	2	Chain	
47	70029790	2	Toplink	
48	70029793	6	Washer	
49	70029794	16	Pin, Lynch	

SECTION 3 - ATTACHMENTS

FIGURE 3-45. SWEEPER - CORE ASSEMBLY



ART_1001202904_5-B

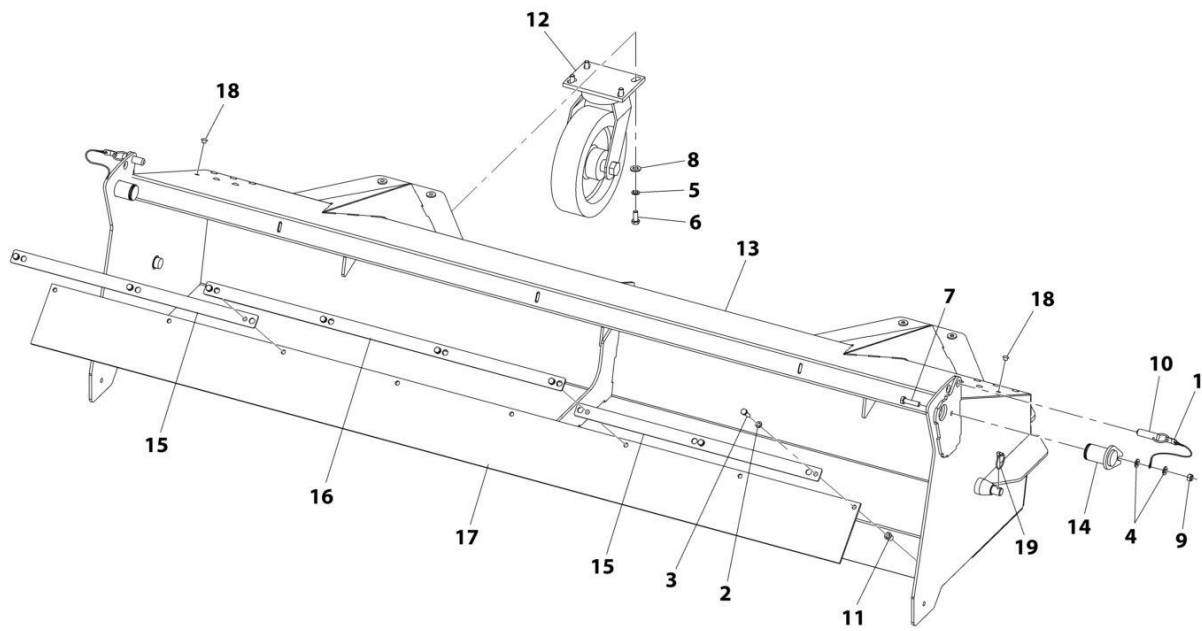
SECTION 3 - ATTACHMENTS

FIGURE 3-45. SWEEPER - CORE ASSEMBLY

ITEM	PART NUMBER	QTY	DESCRIPTION	REV
	1001202904	1	SWEEPER ASSEMBLY - CORE	
301	70029727	3	Nut	
302	70029730	3	Washer	
303	70029731	3	Screw	
304	70029782	1	Core	
305	70029783	1	Plate	

SECTION 3 - ATTACHMENTS

FIGURE 3-46. SWEEPER - HOPPER ASSEMBLY



ART_1001202904_1-B

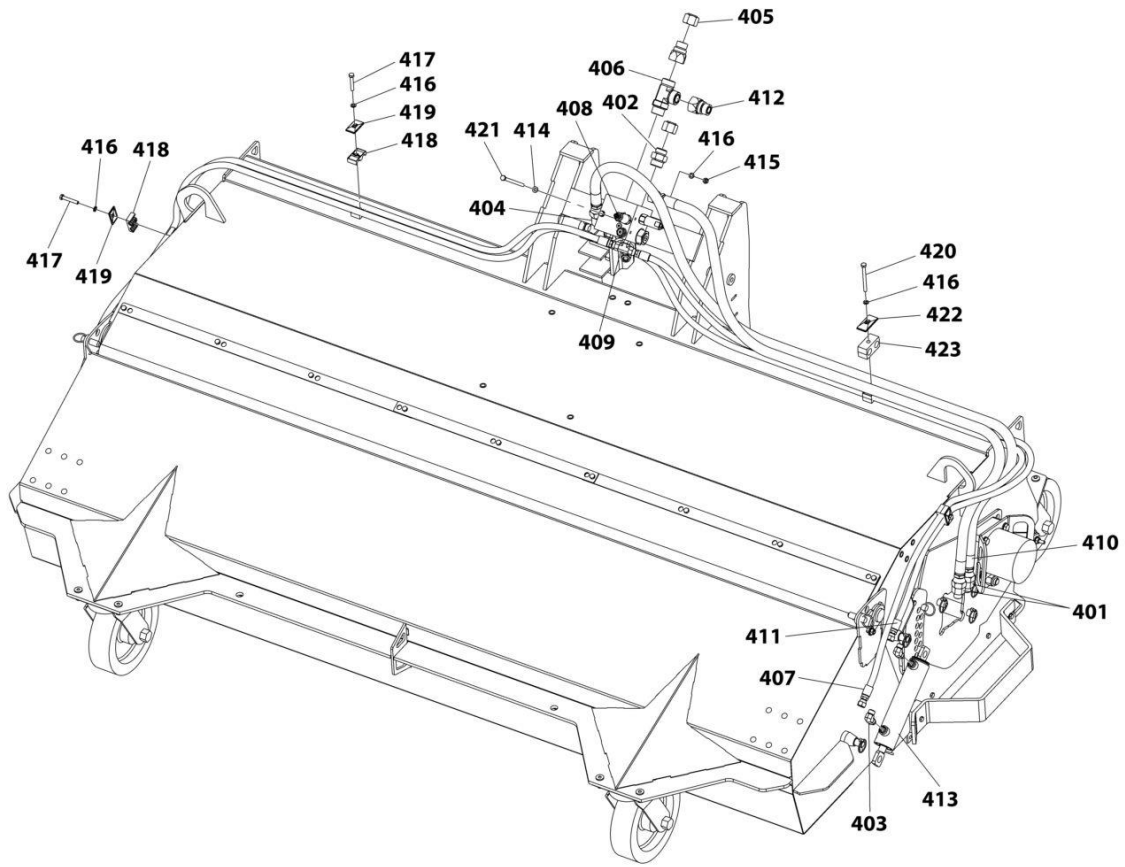
SECTION 3 - ATTACHMENTS

FIGURE 3-46. SWEEPER - HOPPER ASSEMBLY

ITEM	PART NUMBER	QTY	DESCRIPTION	REV
	1001202904	Ref	SWEEPER ASSEMBLY - HOPPER	
1	70029725	2	Lanyard	
2	70029734	8	Washer	
3	70029735	8	Screw	
4	70029738	4	Washer	
5	70029739	8	Washer	
6	70029740	8	Screw	
7	70029742	2	Screw	
8	70029743	8	Washer	
9	70029747	2	Nut	
10	70029750	2	Pin	
11	70029756	8	Nut	
12	70029762	2	Assembly, Caster	
13	See Note	NSS	Hopper (Note: Purchase Complete Assembly)	
14	70029777	2	Pin	
15	70029780	2	Plate	
16	70029781	1	Plate	
17	70029785	1	Flap	
18	70029792	12	Plug	
19	70029794	2	Pin, Lynch	

SECTION 3 - ATTACHMENTS

FIGURE 3-47. SWEEPER - HYDRAULIC SINGLE MOTOR ASSEMBLY



ART_1001202904_6-B

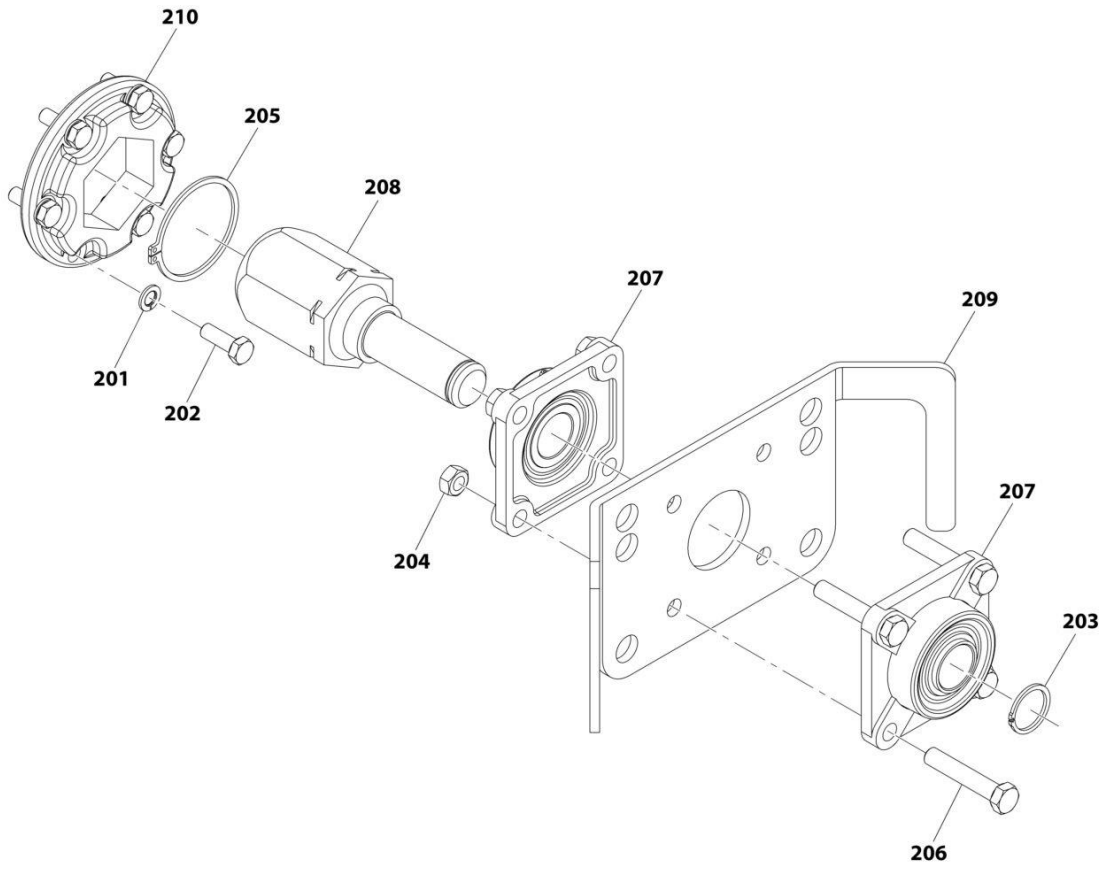
SECTION 3 - ATTACHMENTS

FIGURE 3-47. SWEEPER - HYDRAULIC SINGLE MOTOR ASSEMBLY

ITEM	PART NUMBER	QTY	DESCRIPTION	REV
	1001202904	Ref	SWEEPER ASSEMBLY - HYDRAULICS	
401	70029704	2	Fitting	
402	70029705	1	Fitting	
403	70029706	4	Fitting, 90	
404	70029707	1	Fitting, 90	
405	70029708	2	Cap	
406	70029709	1	Fitting, Tee	
407	70029710	2	Hose	
408	70029711	1	Manifold	
409	70029712	2	Fitting, Tee	
410	70029713	2	Hose	
411	70029714	2	Hose	
412	70029715	2	Fitting	
413	70029716	2	Cylinder	
413	70029791	1	Kit, Seal	
414	70029732	2	Washer	
415	70029733	2	Nut	
416	70029734	6	Washer	
417	70029737	3	Screw	
418	70029753	8	Hose	
419	70029754	3	Cover	
420	70029758	1	Screw	
421	70029759	2	Screw	
422	70029795	1	Cover	
423	70029796	1	Cradle, Hose	

SECTION 3 - ATTACHMENTS

FIGURE 3-48. SWEEPER - IDLER ASSEMBLY



ART_1001202904_4-B

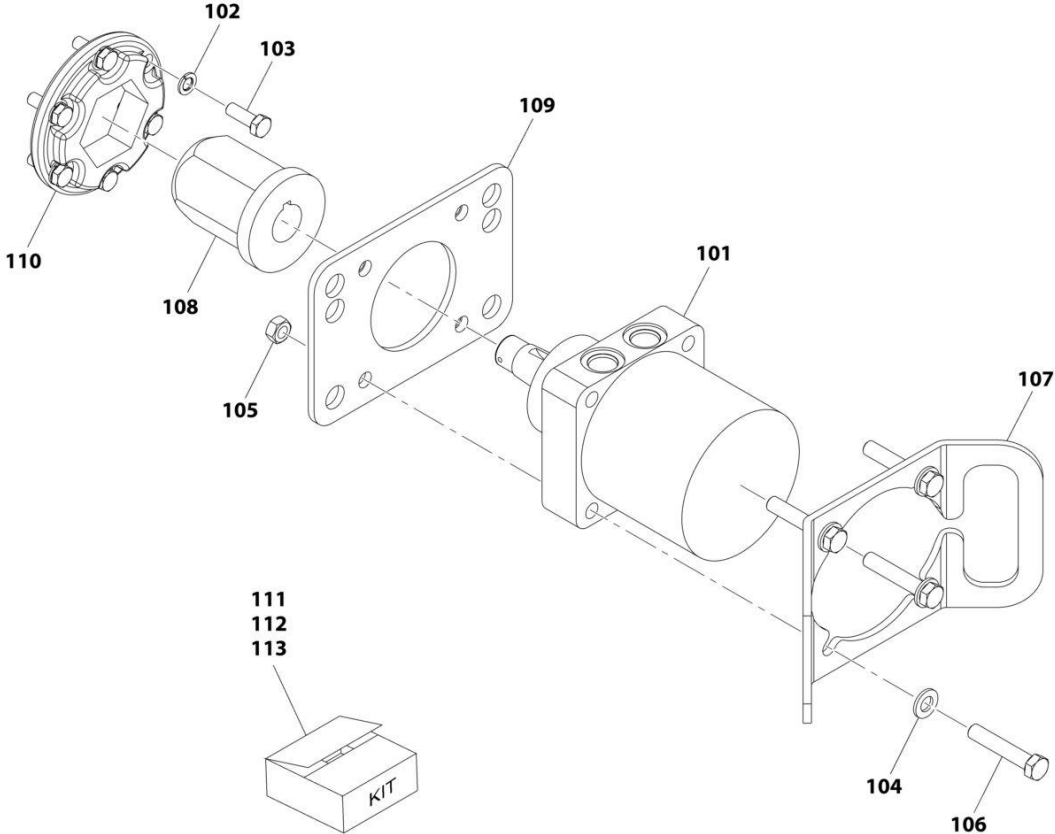
SECTION 3 - ATTACHMENTS

FIGURE 3-48. SWEEPER - IDLER ASSEMBLY

ITEM	PART NUMBER	QTY	DESCRIPTION	REV
	1001202904	Ref	SWEEPER ASSEMBLY - IDLER	
201	70029739	6	Washer	
202	70029741	6	Screw	
203	70029744	1	Ring, Snap	
204	70029746	4	Nut	
205	70029748	1	Ring, Snap	
206	70029749	4	Screw	
207	70029763	2	Bearing	
208	70029770	1	Hub	
209	70029787	1	Plate	
210	70029789	1	Plate	

SECTION 3 - ATTACHMENTS

FIGURE 3-49. SWEEPER - MOTOR ASSEMBLY



ART_1001202904_3-B

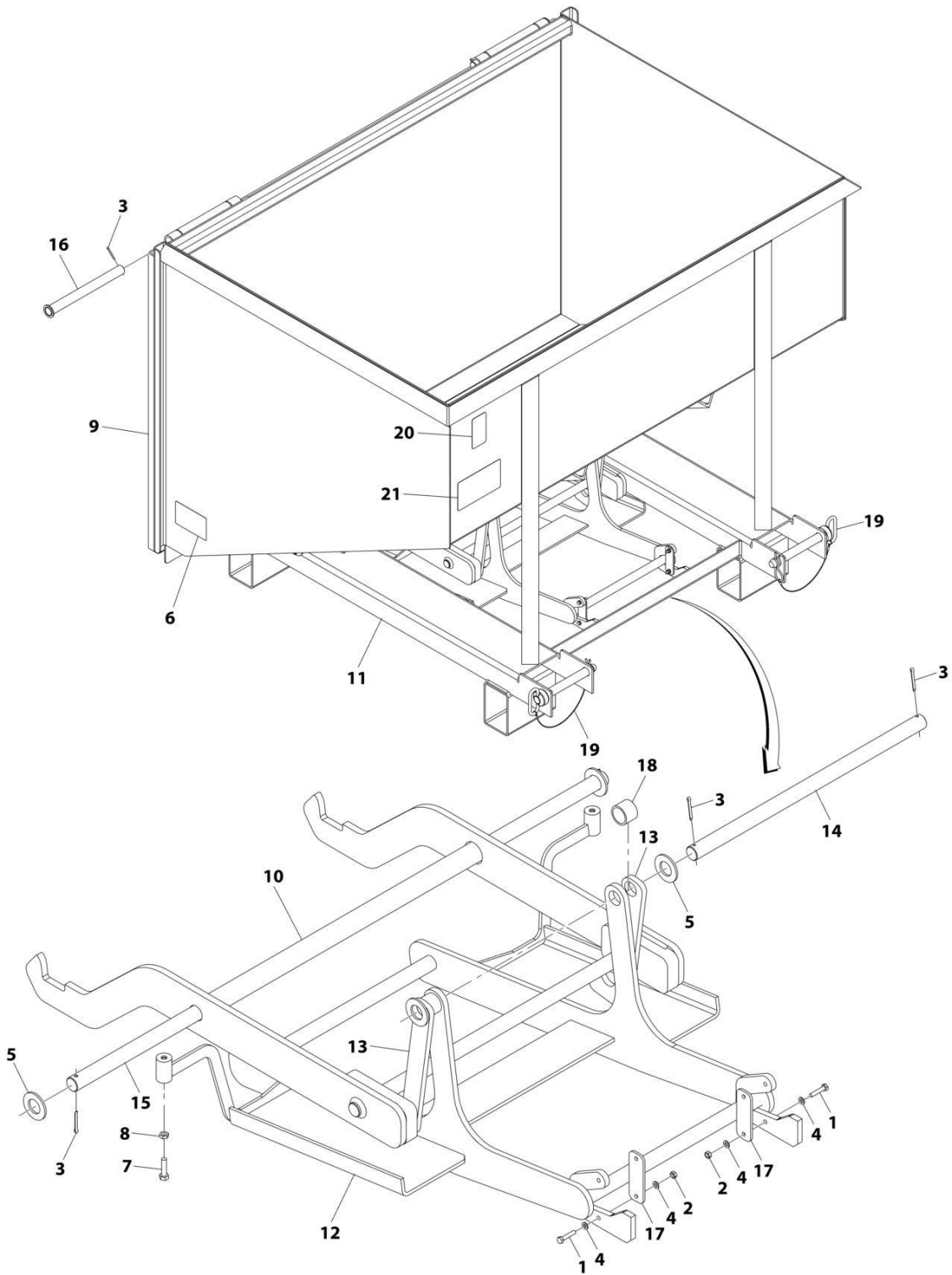
SECTION 3 - ATTACHMENTS

FIGURE 3-49. SWEEPER - MOTOR ASSEMBLY

ITEM	PART NUMBER	QTY	DESCRIPTION	REV
	1001202904	Ref	SWEEPER ASSEMBLY - MOTOR	
101	70029717	1	Motor	
102	70029739	6	Washer	
103	70029741	6	Screw	
104	70029743	4	Washer	
105	70029746	4	Nut	
106	70029749	4	Screw	
107	70029769	1	Plate	
108	70029771	1	Hub	
109	70029772	1	Plate	
110	70029789	1	Plate	
111	70029719	1	Nut, Motor Shaft Lock	
112	70029718	1	Kit, Seal	
113	70029761	1	Key	

SECTION 3 - ATTACHMENTS

FIGURE 3-50. TRASH HOPPER - FORK MOUNTED



ART_1001238566-B

SECTION 3 - ATTACHMENTS

FIGURE 3-50. TRASH HOPPER - FORK MOUNTED

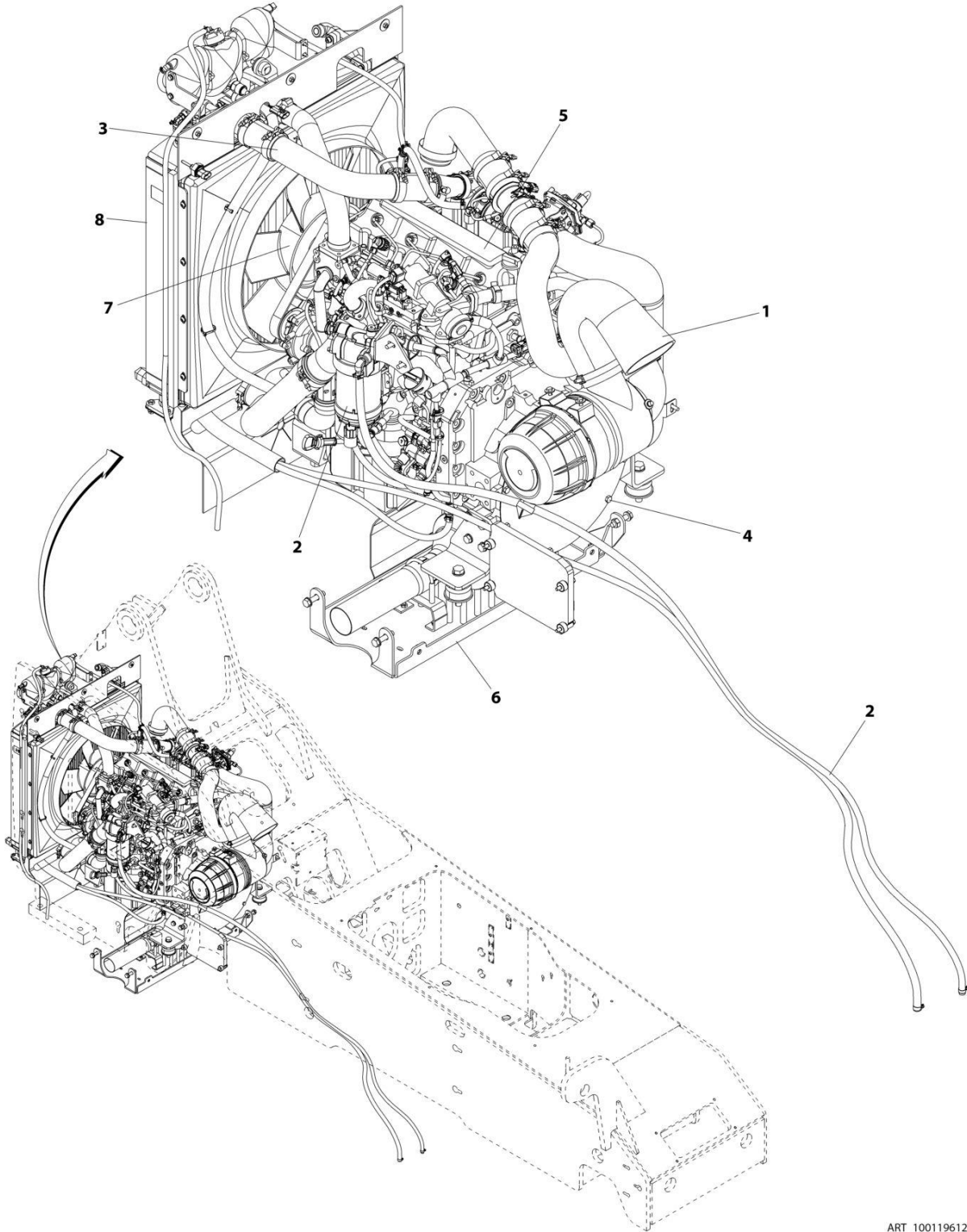
ITEM	PART NUMBER	QTY	DESCRIPTION	REV
	1001238566	Ref	FORK MOUNTED TRASH HOPPER	C
1	0700614	4	Bolt M6 x 30	
2	3290601	4	Nut M6 x 1	
3	3391410	6	Pin	
4	4811700	8	Washer M6	
5	5242400	4	Washer M24	
6	1706302	2	Decal, Pinch Point	
7	0641510	2	Bolt 5/16 x 1-1/4	
8	3311502	2	Nut 5/16	
9	1001192711	1	Door Assembly	
10	1001192720	1	Hook Assembly	
11	See Note	NSS	Hopper, Trash (Note: Purchase Complete Assembly)	
12	1001192875	1	Tray Assembly	
13	1001192876	2	Arm, Swing	
14	1001192877	1	Rod, Swing	
15	1001238570	1	Bar	
16	1001193540	2	Pin	
17	1001193729	2	Plate	
18	1001198355	2	Spacer	
19	1001238560	2	Pin	
20	See Note	NSS	SN Plate (Note: Stamped Part - Not Available for Purchase)	
21	1001203503	1	Decal, Trash Hopper Operation	

SECTION 4 - ENGINE AND ATTACHING PARTS

SECTION 4 - ENGINE AND ATTACHING PARTS

SECTION 4 - ENGINE AND ATTACHING PARTS

FIGURE 4-1. ENGINE COMPONENT INSTALLATION - 74HP (ULS)



ART_1001196127-A

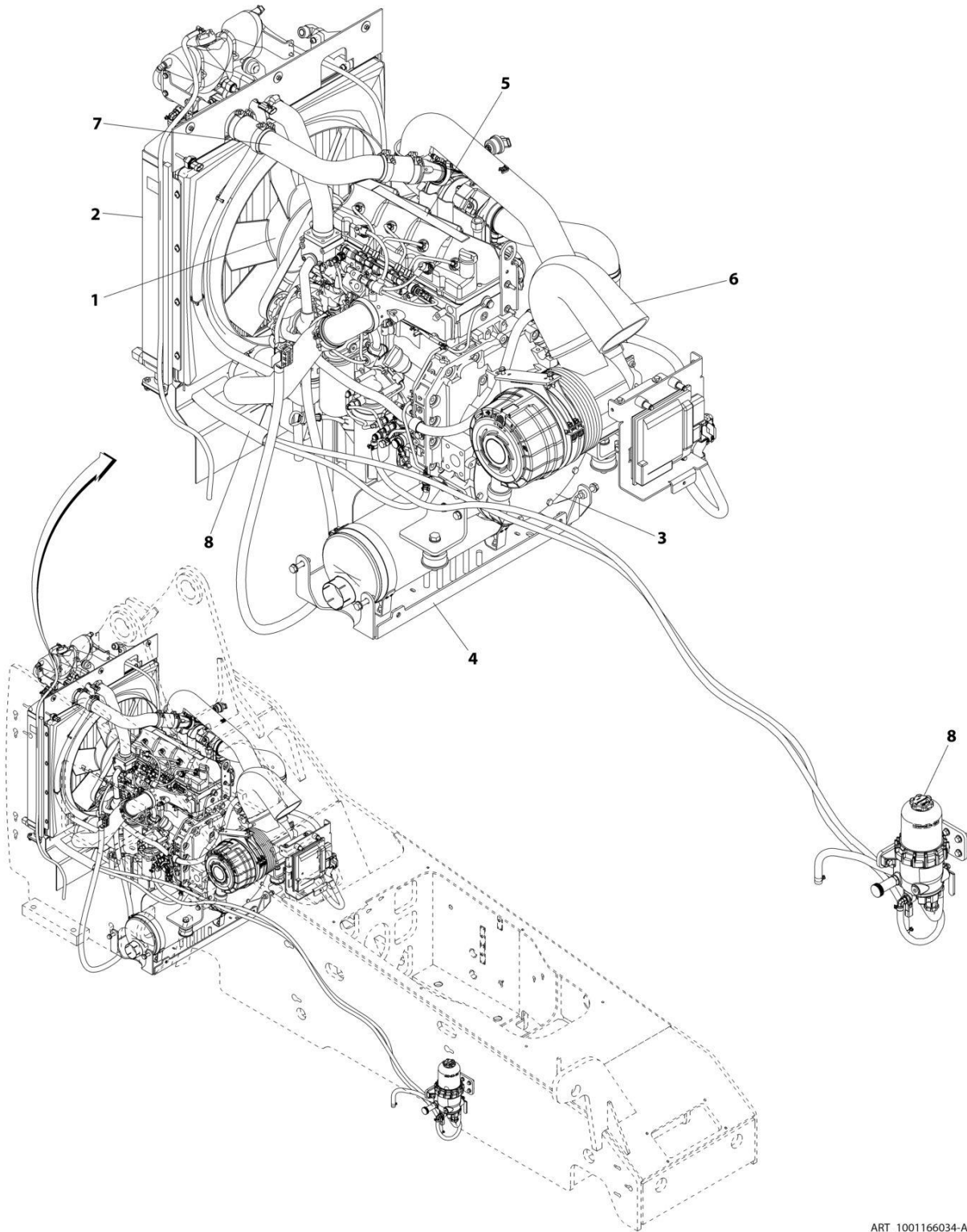
SECTION 4 - ENGINE AND ATTACHING PARTS

FIGURE 4-1. ENGINE COMPONENT INSTALLATION - 74HP (ULS)

ITEM	PART NUMBER	QTY	DESCRIPTION	REV
	1001196127	Ref	Engine Component Installation, 74HP (ULS)	A
1	1001165669	Ref	Installation, Air Cleaner (See Separate Breakdown in this Section)	
2	1001165672	Ref	Installation, Fuel Plumbing (See Separate Breakdown in this Section)	
3	1001165673	Ref	Installation, Plumbing Cooling (See Separate Breakdown in this Section)	
4	1001166229	Ref	Installation, Isolation Coupler (See Separate Breakdown in this Section)	
5	1001196124	Ref	Installation, Engine (74HP) (See Separate Breakdown in this Section)	
6	1001196125	Ref	Installation, Exhaust (See Separate Breakdown in this Section)	
7	1001196736	Ref	Installation, Fan (See Separate Breakdown in this Section)	
8	1001196737	Ref	Installation, Cooling (See Separate Breakdown in this Section)	

SECTION 4 - ENGINE AND ATTACHING PARTS

FIGURE 4-2. ENGINE COMPONENT INSTALLATION - 85HP (ULS)



ART_1001166034-A

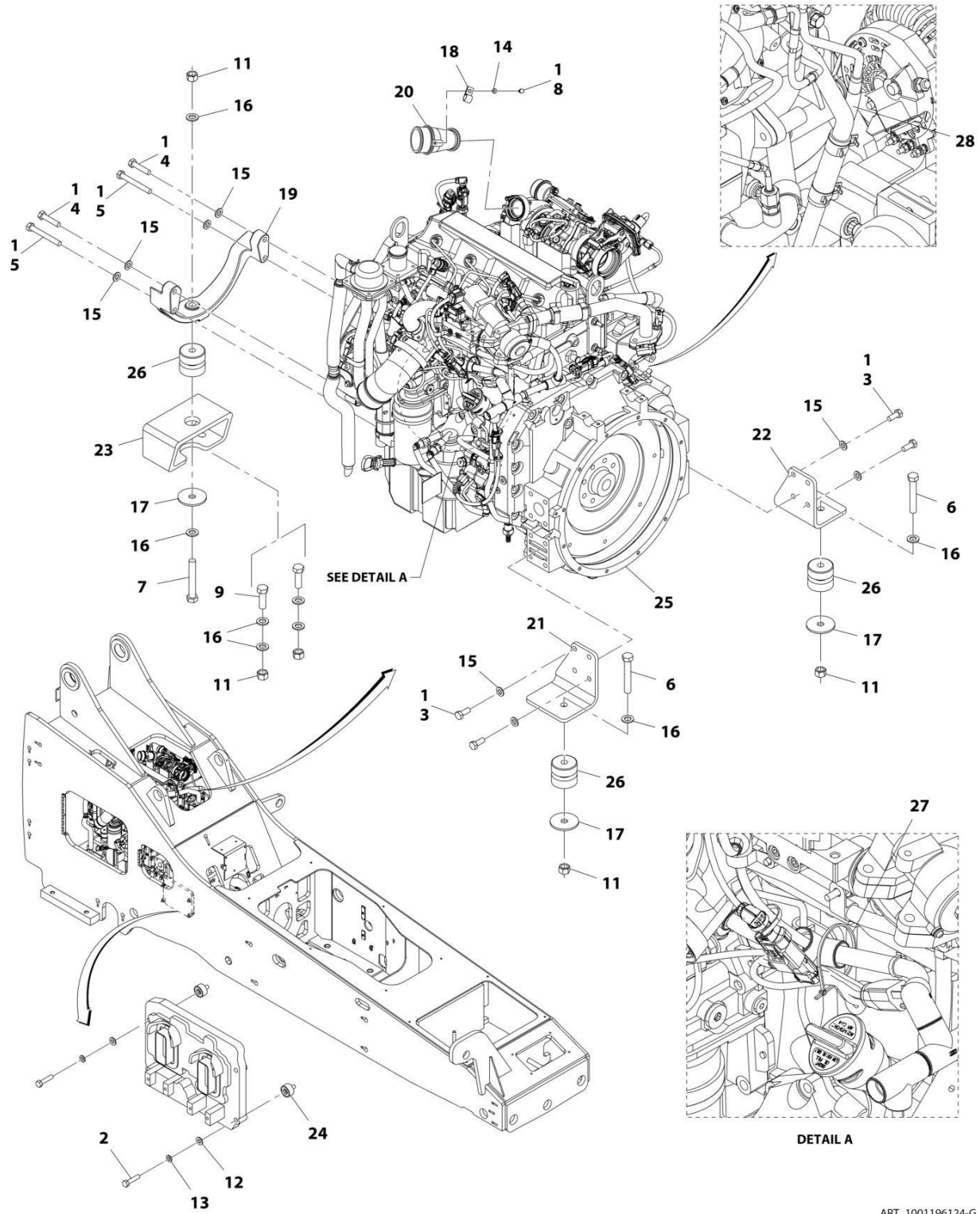
SECTION 4 - ENGINE AND ATTACHING PARTS

FIGURE 4-2. ENGINE COMPONENT INSTALLATION - 85HP (ULS)

ITEM	PART NUMBER	QTY	DESCRIPTION	REV
	1001166034	Ref	Engine Component Installation, 85HP (LS)	A
1	1001165668	Ref	Installation, Fan (See Separate Breakdown in this Section)	
2	1001165670	Ref	Installation, Cooling (See Separate Breakdown in this Section)	
3	1001166229	Ref	Installation, Isolation Coupler (See Separate Breakdown in this Section)	
4	1001185649	Ref	Installation, Exhaust (See Separate Breakdown in this Section)	
5	1001185650	Ref	Installation, Engine (See Separate Breakdown in this Section)	
6	1001185651	Ref	Installation, Air Cleaner (See Separate Breakdown in this Section)	
7	1001185652	Ref	Installation, Plumbing Cooling (See Separate Breakdown in this Section)	
8	1001186490	Ref	Installation, Fuel Plumbing (See Separate Breakdown in this Section)	

SECTION 4 - ENGINE AND ATTACHING PARTS

FIGURE 4-3. ENGINE INSTALLATION - 74HP (ULS)



ART_1001196124-G

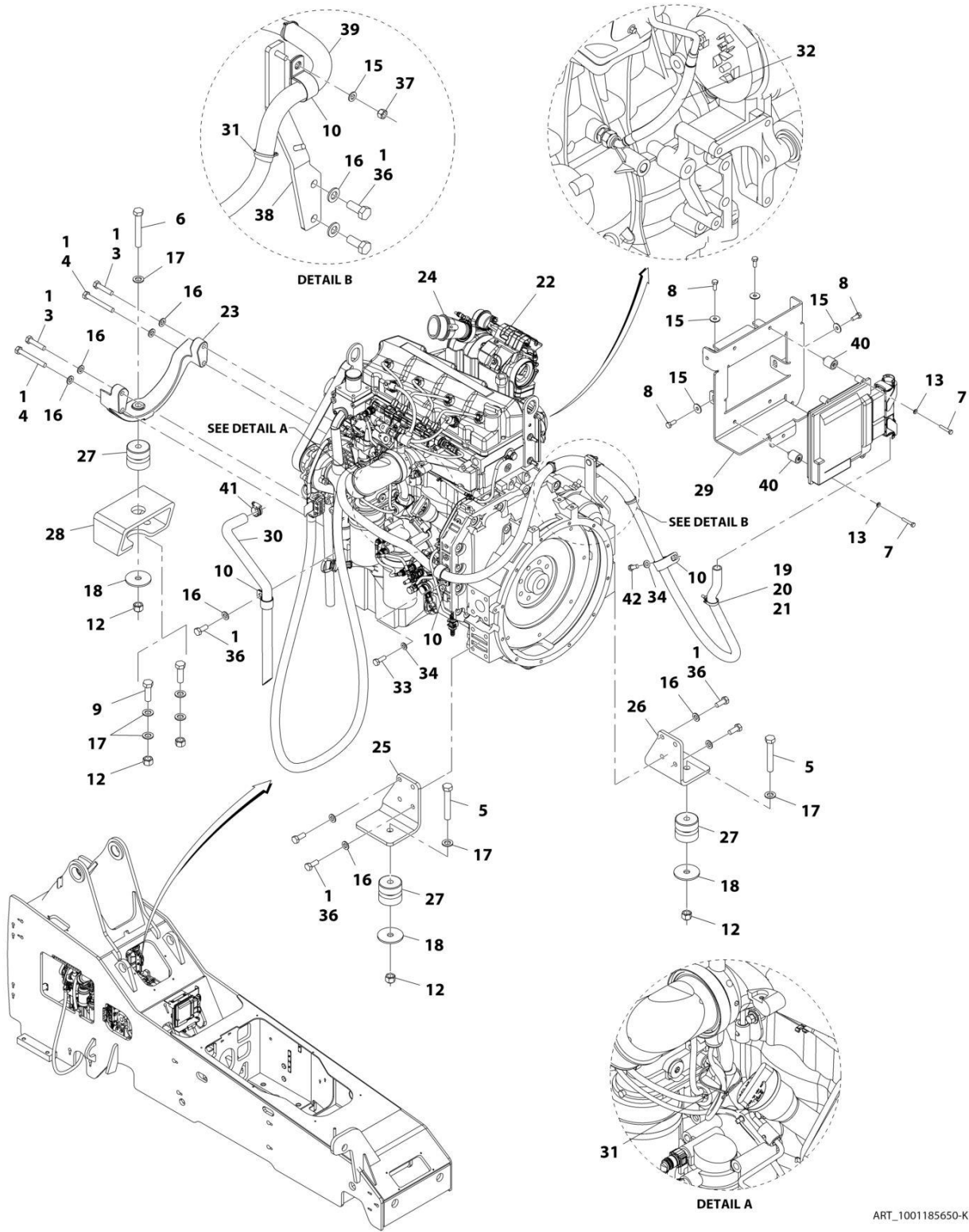
SECTION 4 - ENGINE AND ATTACHING PARTS

FIGURE 4-3. ENGINE INSTALLATION - 74HP (ULS)

ITEM	PART NUMBER	QTY	DESCRIPTION	REV
	1001196124	Ref	Engine Installation, 74HP (if equipped for ULS)	G
1	0100011	AR	Compound, Locking	
2	0641511	4	Bolt, 5/16-18X1-3/8	
3	0711214	8	Bolt, M12X30	
4	0711219	2	Bolt, M12X55	
5	0711227	2	Bolt, M12X100	
6	0711627	2	Bolt, M16X100	
7	0711628	1	Bolt, M16X110	
8	0760605	1	Bolt, M6X10	
9	0771618	2	Bolt, M16X50	
11	3331615	5	Nut, Lock M16X12	
12	4711500	4	Washer, 5/16	
13	4761500	4	Washer, Lock 5/16	
14	4811700	1	Washer, M6	
15	4812100	12	Washer, M12	
16	4812300	8	Washer, M16	
17	7300435	3	Washer, Rebound	
18	8406112	1	Clip, Tube 5/8	
19	1001160116	1	Bracket, Engine Mount Casting	
20	1001161920	1	Adapter	
21	1001165517	1	Bracket, Engine Mount	
22	1001165518	1	Bracket, Engine Mount	
23	1001180473	1	Bracket, Rear Engine Mount	
24	1001186373	4	Mount, Isolator ECM	
25	1001196665	1	Engine (See Separate Breakdown in this Section)	
26	1001165660	3	Mount, Isolator Engine	
27	4240099	1	Strap, Tie	
28	7125871	1	Conduit 0.5X8	

SECTION 4 - ENGINE AND ATTACHING PARTS

FIGURE 4-4. ENGINE INSTALLATION - 85HP (LS)



ART_1001185650-K

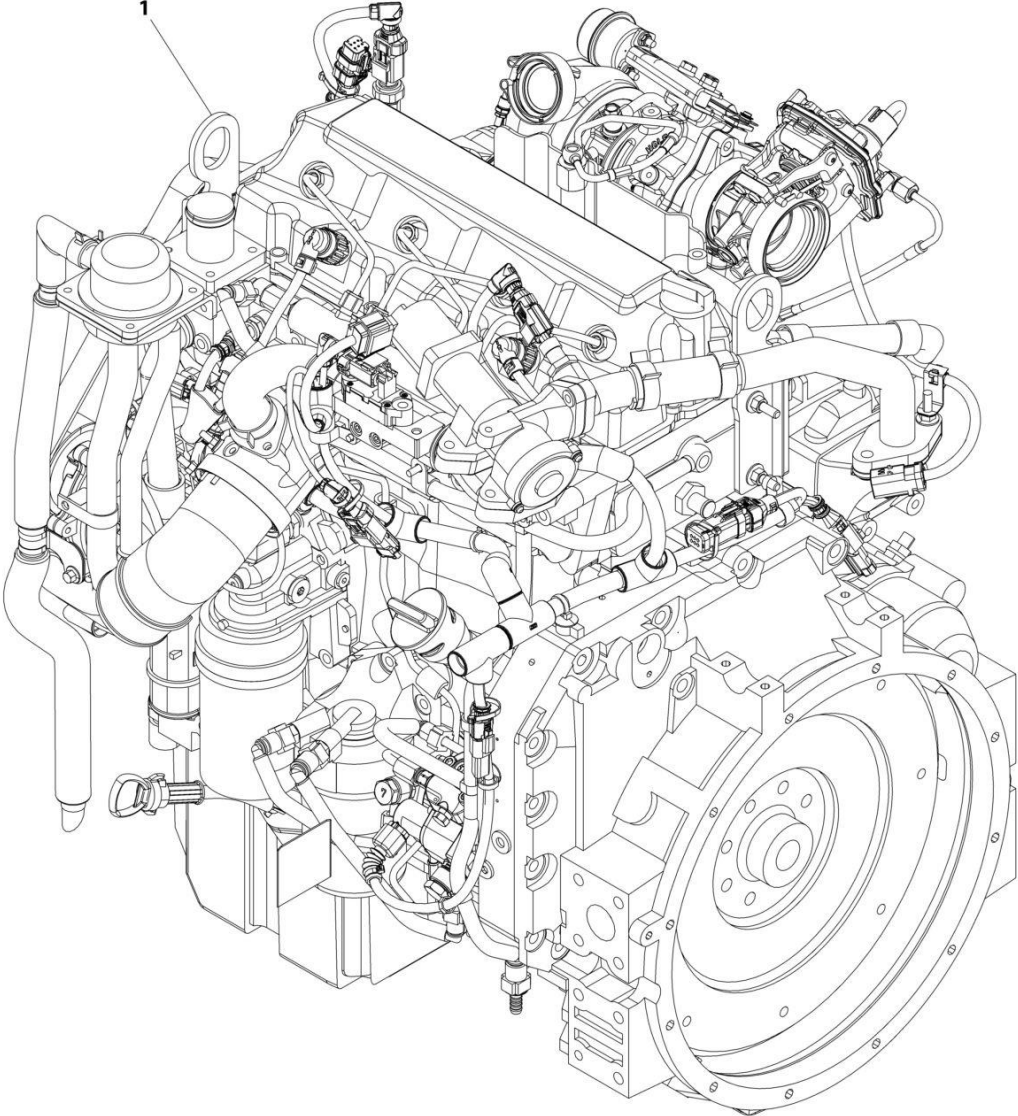
SECTION 4 - ENGINE AND ATTACHING PARTS

FIGURE 4-4. ENGINE INSTALLATION - 85HP (LS)

ITEM	PART NUMBER	QTY	DESCRIPTION	REV
	1001185650	Ref	Engine Installation (if equipped for LS)	K
1	0100011	AR	Compound, Locking	
3	0711219	2	Bolt, M12X55	
4	0711227	2	Bolt, M12X100	
5	0711627	2	Bolt, M16X100	
6	0711628	1	Bolt, M16X110	
7	0760614	4	Bolt, M6X30	
8	0760810	4	Bolt, M8X20	
9	0771618	2	Bolt, M16X50	
10	8406303	4	Clip, Tube 1-3/16	
12	3331615	5	Nut, Lock M16X2	
13	4811700	4	Washer, M6	
15	4811902	5	Washer, M8	
16	4812100	15	Washer, M12	
17	4812300	7	Washer, M16	
18	7300435	3	Washer, Rebound	
19	8881800	1	Strap, Cable	
20	88261015	1	Bolt, 1/4-20X5/8	
21	1001138645	1	Mount, Cable Tie	
22	1001154790	1	Engine (See Separate Breakdown in this Section)	
23	1001160116	1	Bracket, Engine Mount Casting	
24	1001161920	1	Adapter	
25	1001165517	1	Bracket, Engine Mount	
26	1001165518	1	Bracket, Engine Mount	
27	1001165660	3	Mount, Isolator Engine	
28	1001180473	1	Bracket, Rear Engine Mount	
29	1001211688	1	Bracket, ECM Mount	
30	1001192134	1	Hose	
31	4240099	3	Strap, Tie	
32	7125871	1	Conduit	
33	0761014	1	Capscrew, 10X30	
34	4812000	2	Washer, M10	
36	0711214	11	Bolt, M12X30	
37	3290805	1	Nut, Lock M8X1-1/4	
38	1001197233	1	Bracket	
39	1001186718	1	Insulate, Heat Shield Tube	
40	1001211697	4	Mount, Isolator ECM	
41	1001173535	1	Clamp	
42	0641608	1	Bolt, 3/8-16X1	

SECTION 4 - ENGINE AND ATTACHING PARTS

FIGURE 4-5. ENGINE - 74HP (ULS)



ART_1001196665

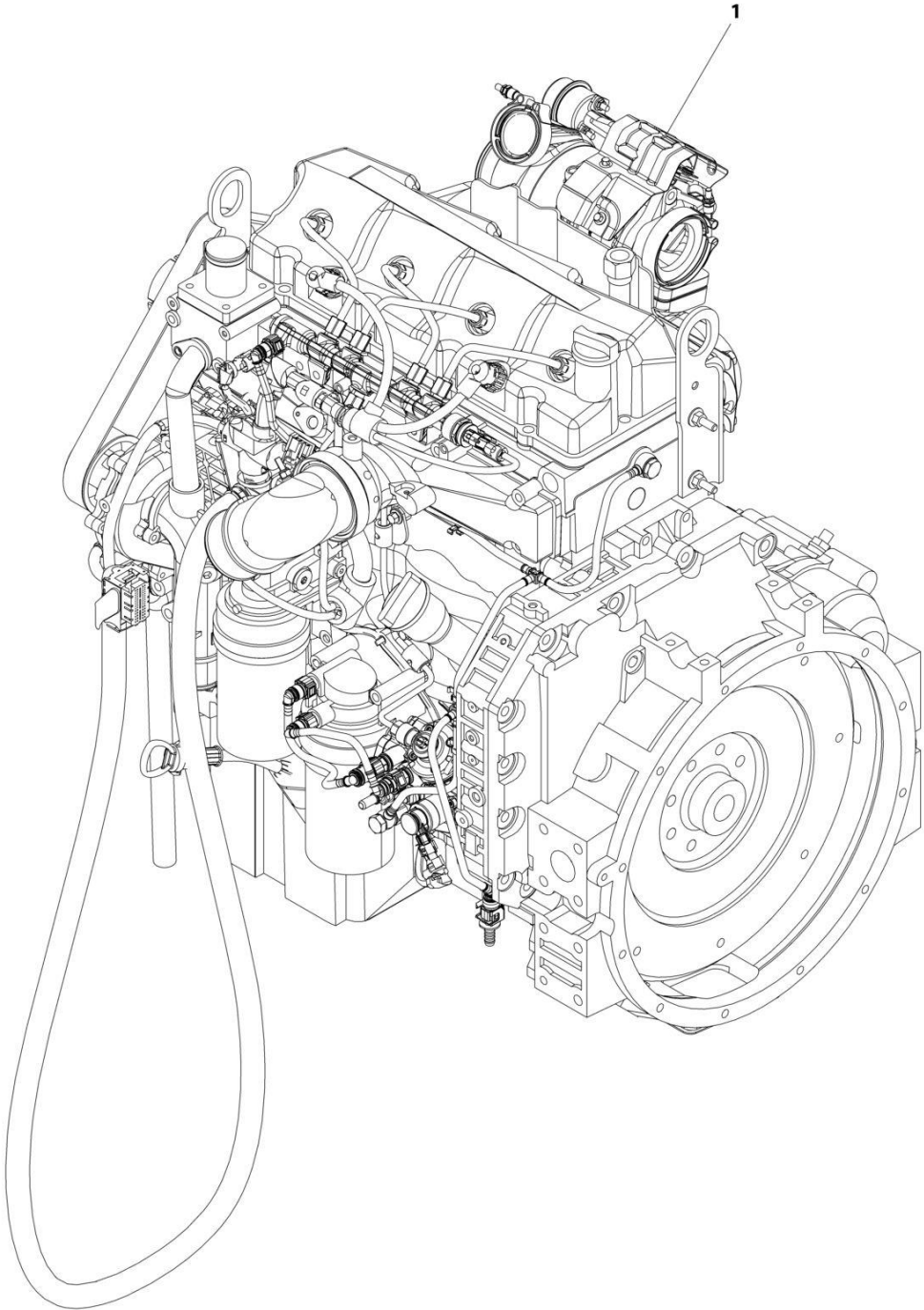
SECTION 4 - ENGINE AND ATTACHING PARTS

FIGURE 4-5. ENGINE - 74HP (ULS)

ITEM	PART NUMBER	QTY	DESCRIPTION	REV
1	1001196665	Ref	Engine, 74HP (if equipped for ULS)	O
	70026220	1	Assembly, Secondary Fuel Filter (includes filter head, seal and element)	
	70026453	1	Element, Fuel Filter	
	70026221	1	Head, Fuel Filter	
	70026222	1	Assembly, Flywheel Housing	
	70027281	1	Pan, Oil	
	70026224	1	Seal, Oil Pan	
	70026225	1	Plug, Oil Pan	
	70026226	1	Seal, Oil Pan Plug	
	1001128594	1	Starter	
	70026228	1	Filler Cap, Valve Cover	
	70026229	1	Fan Belt, V-Ribbed	
	70026230	1	Support, Fan	
	70026231	1	Pulley, Fan	
	70026232	1	Alternator	
	70028450	1	Assembly, Primary Fuel Filter	
	70026234	1	Element, Fuel Filter	
	70026235	1	Assembly, Dipstick Oil Level	
	70026241	1	Assembly, Fuel Filter Plug	
	70026237	1	Filter, Oil	
	70023933	1	O-Ring, Oil Pressure Switch	
	70041620	2	Ring, Retaining	
	70041616	1	Bolt	
	70041617	1	Bearing, Ball	
	70041619	1	Retainer, Fan Hub	
	1322039	1	Spacer, Fan Pilot	
	1321094	19	Screw	
	70024016	1	Cap, Side Oil Fill	
	70022634	1	Flywheel w/Ring Gear	
	70023736	1	Ring Gear, Flywheel	
	1322040	1	Plug, Flywheel	
	70031148	1	Sensor, Speed	

SECTION 4 - ENGINE AND ATTACHING PARTS

FIGURE 4-6. ENGINE - 85HP (LS)



ART_1001154790

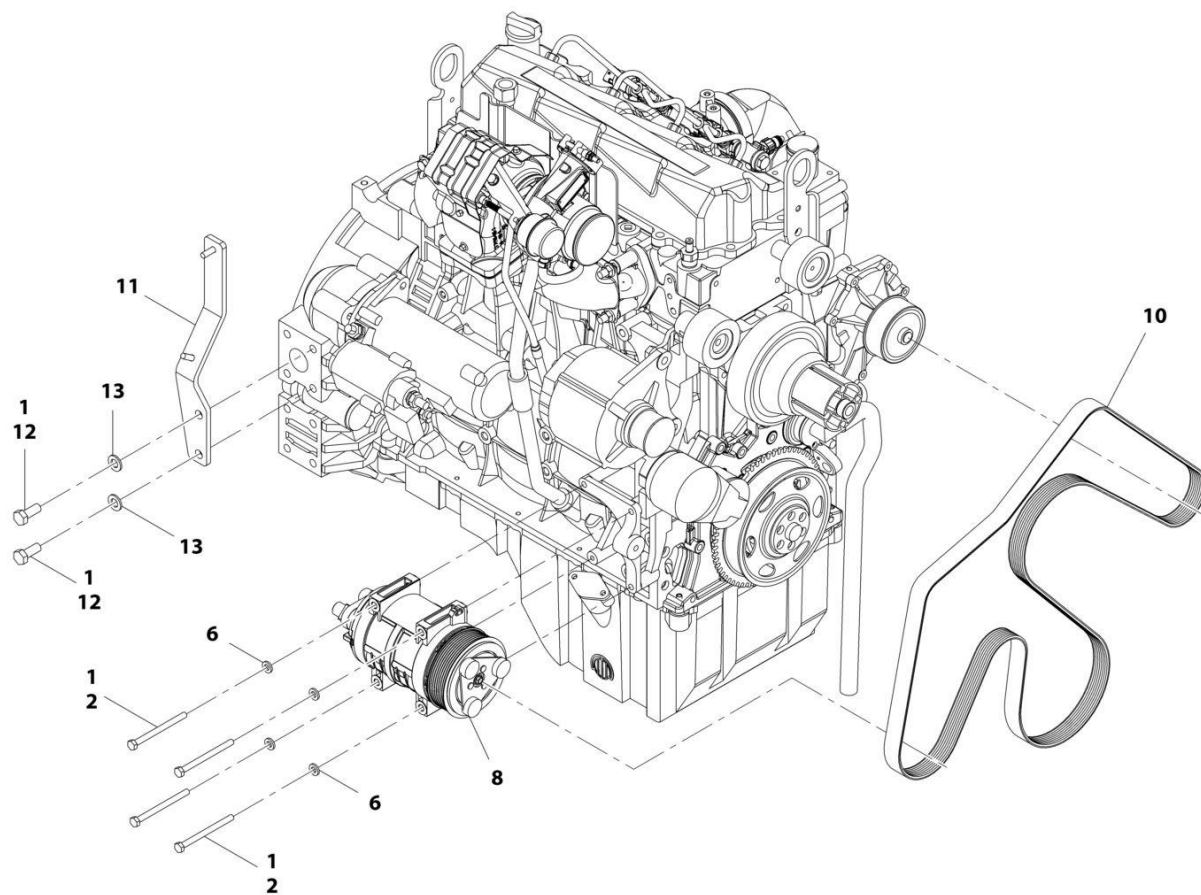
SECTION 4 - ENGINE AND ATTACHING PARTS

FIGURE 4-6. ENGINE - 85HP (LS)

ITEM	PART NUMBER	QTY	DESCRIPTION	REV
1	1001154790	Ref	3.8L Engine (LS)	L
	70026800	1	Fuel Filter Assembly	
	70026801	1	Fuel Filter Element	
	70026222	1	Assembly, Flywheel Housing	
	70027281	1	Pan, Oil	
	70026224	1	Seal, Oil Pan	
	70026225	1	Plug, Oil Pan	
	70026226	1	Seal, Oil Pan Plug	
	1001128594	1	Starter	
	70026228	1	Filler Cap, Valve Cover	
	70026229	1	Fan Belt, V-Ribbed	
	70026230	1	Support, Fan	
	70026231	1	Pulley, Fan	
	70026232	1	Alternator	
	70026233	1	Assembly, Primary Fuel Filter	
	70026234	1	Element, Fuel Filter	
	70026235	1	Assembly, Dipstick Oil Level	
	70026241	1	Assembly, Fuel Filter Plug	
	70026237	1	Filter, Oil	
	70041620	2	Ring, Retaining	
	70041616	1	Bolt	
	70041617	1	Bearing, Ball	
	70041619	1	Retainer, Fan Hub	
	1322039	1	Spacer, Fan Pilot	
	1321094	17	Screw	
	70024016	1	Cap, Side Oil Fill	
	70022634	1	Flywheel w/Ring Gear	
	70023736	1	Ring Gear, Flywheel	
	1322040	1	Plug, Flywheel	

SECTION 4 - ENGINE AND ATTACHING PARTS

FIGURE 4-7. A/C COMPONENTS INSTALLATION, 74HP



ART_1001190295-B

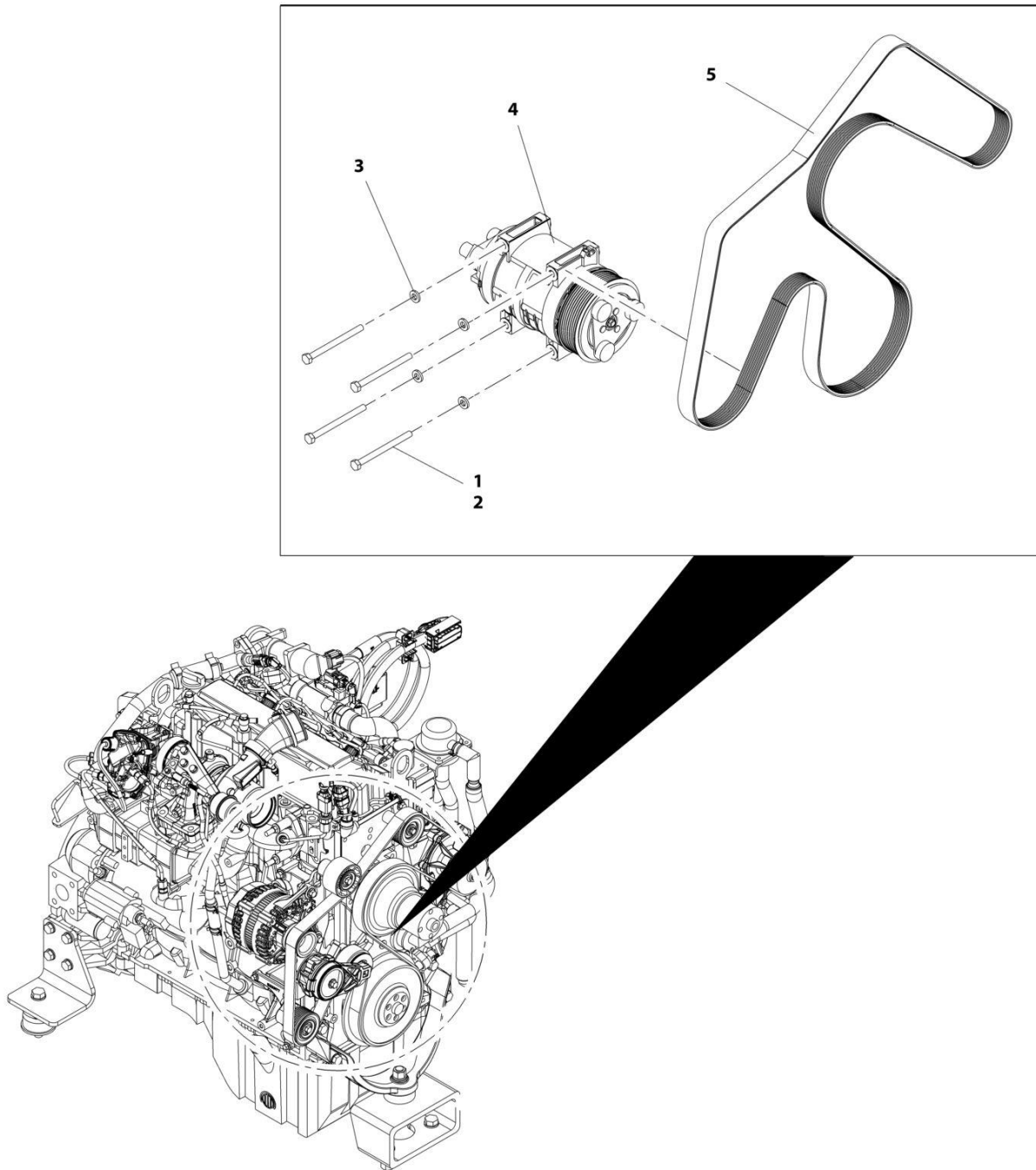
SECTION 4 - ENGINE AND ATTACHING PARTS

FIGURE 4-7. A/C COMPONENTS INSTALLATION, 74HP

ITEM	PART NUMBER	QTY	DESCRIPTION	REV
	1001190295	Ref	A/C Components Installation (if equipped for LS)	B
1	0100011	AR	Compound, Locking	
2	0700827	4	Bolt, M8X100	
6	5240800	4	Washer, M8	
8	1001157663	1	Compressor, A/C	
10	1001167357	1	Belt	
11	1001197233	1	Bracket, AC Hose Support	
12	0711214	2	Bolt, M12X30	
13	4812100	2	Washer, M12	

SECTION 4 - ENGINE AND ATTACHING PARTS

FIGURE 4-8. A/C COMPONENTS INSTALLATION, 85HP



ART_1001166008_A

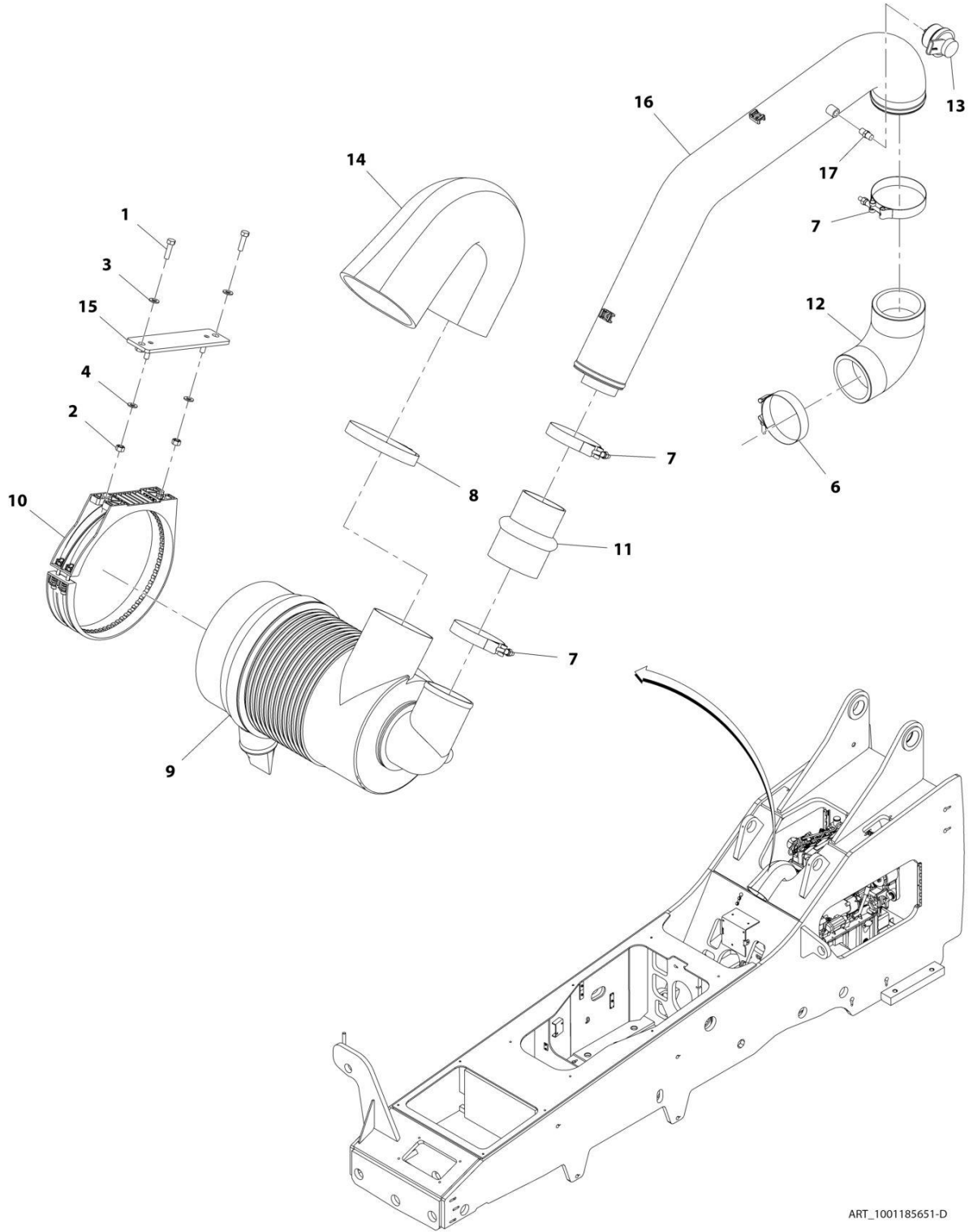
SECTION 4 - ENGINE AND ATTACHING PARTS

FIGURE 4-8. A/C COMPONENTS INSTALLATION, 85HP

ITEM	PART NUMBER	QTY	DESCRIPTION	REV
	1001166008	Ref	A/C Components Installation	A
1	0100011	AR	Compound, Locking	
2	0700827	4	Bolt, M8X100	
3	5240800	4	Washer, M8	
4	1001157663	1	Compressor, A/C	
5	1001167357	1	Belt	

SECTION 4 - ENGINE AND ATTACHING PARTS

FIGURE 4-9. AIR CLEANER INSTALLATION (LS)



ART_1001185651-D

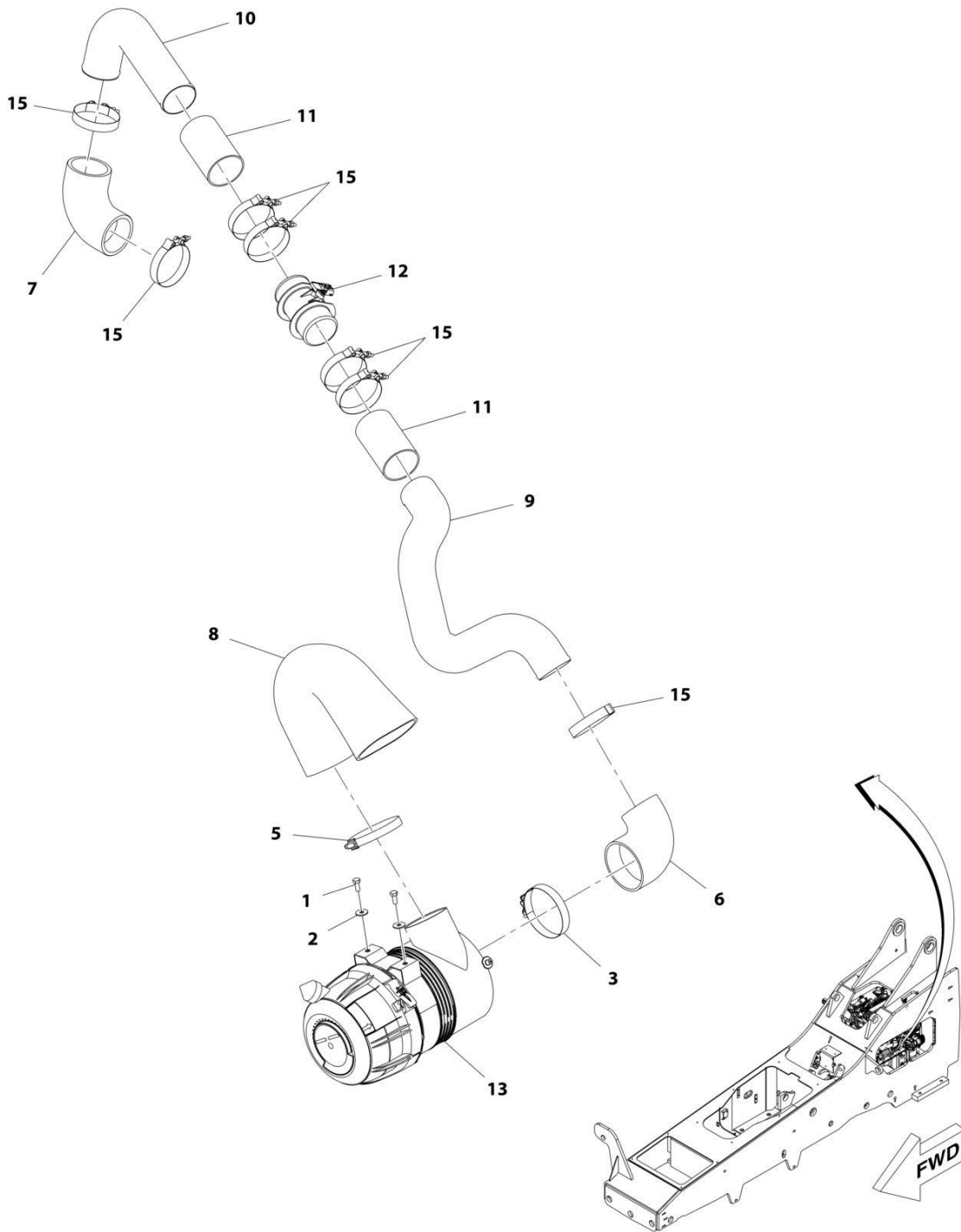
SECTION 4 - ENGINE AND ATTACHING PARTS

FIGURE 4-9. AIR CLEANER INSTALLATION (LS)

ITEM	PART NUMBER	QTY	DESCRIPTION	REV
	1001185651	Ref	Air Cleaner Installation (if equipped for LS)	D
1	0760815	2	Bolt, M8X35	
2	8305043	2	Nut, M8X1.25	
3	8307106	2	Washer, Plain 5/16	
4	8307222	2	Washer, Plain M8	
6	90028631	1	Clamp, T-Bolt	
7	8405307	3	Clamp, T-Bolt	
8	8410021	1	Clamp, T-Bolt	
9	10268515	1	Assembly, Air Cleaner (See Separate Breakdown in this Section)	
10	10268516	1	Band, Mounting	
11	91293003	1	Hose, Hump Reducer	
12	91083129	1	Elbow, Reducer	
13	1001166715	1	Restriction, Indicator	
14	1001190005	1	Hose, Air Intake	
15	1001190183	1	Bracket, Air Filter Band Mount	
16	1001212670	1	Pipe, Air Intake	
17	2180798	1	Fitting	

SECTION 4 - ENGINE AND ATTACHING PARTS

FIGURE 4-10. AIR CLEANER INSTALLATION (ULS)



ART_1001165669-D

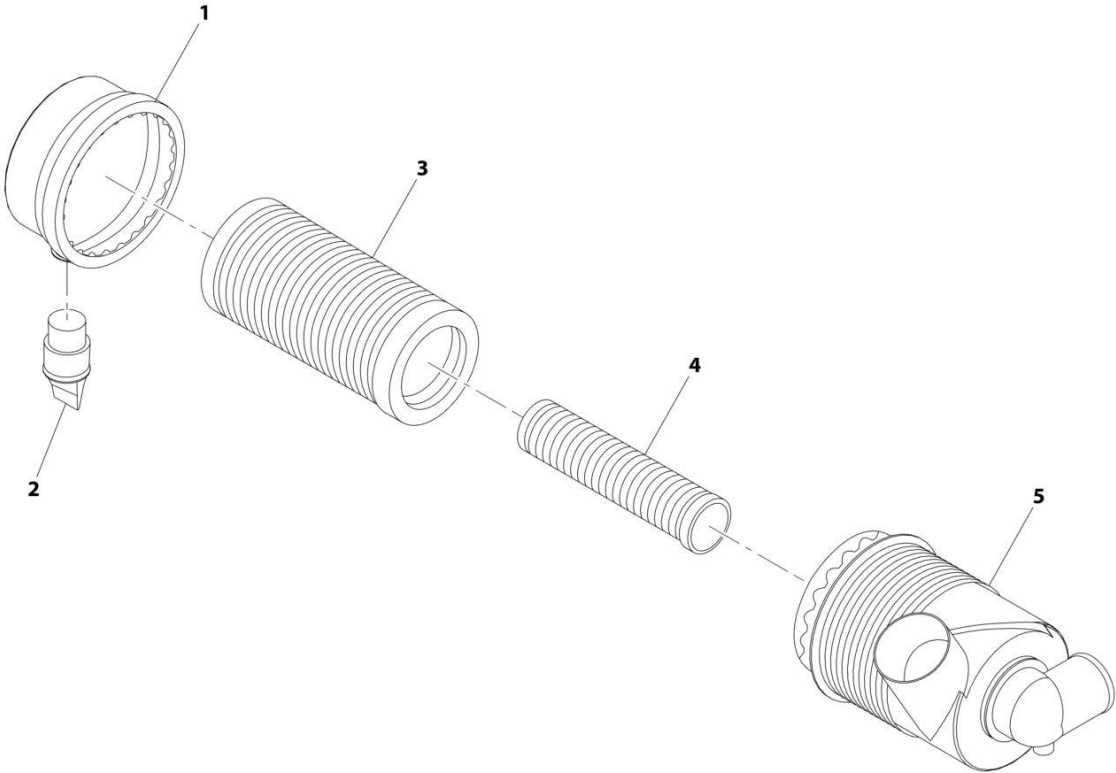
SECTION 4 - ENGINE AND ATTACHING PARTS

FIGURE 4-10. AIR CLEANER INSTALLATION (ULS)

ITEM	PART NUMBER	QTY	DESCRIPTION	REV
	1001165669	Ref	Air Cleaner Installation (if equipped for ULS)	D
1	0760810	2	Bolt, M8X20	
2	4811902	2	Washer, M8	
3	8405404	1	Clamp, T-Bolt	
5	10719267	1	Clamp, Hose	
6	1001201831	1	Hose, Air Intake	
7	1001120083	1	Hose, Air Intake	
8	1001165818	1	Hose, Air Intake	
9	1001168051	1	Pipe, Air Intake	
10	1001168052	1	Pipe, Air Intake	
11	1001168053	2	Hose, Sleeve	
12	1001169077	1	Sensor, PRS Temperature	
13	1001166566	1	Assembly, Air Cleaner (See Separate Breakdown in this Section)	
15	8410007	7	Clamp, T-Bolt	

SECTION 4 - ENGINE AND ATTACHING PARTS

FIGURE 4-11. AIR CLEANER ASSEMBLY (LS)



ART_10268515-D

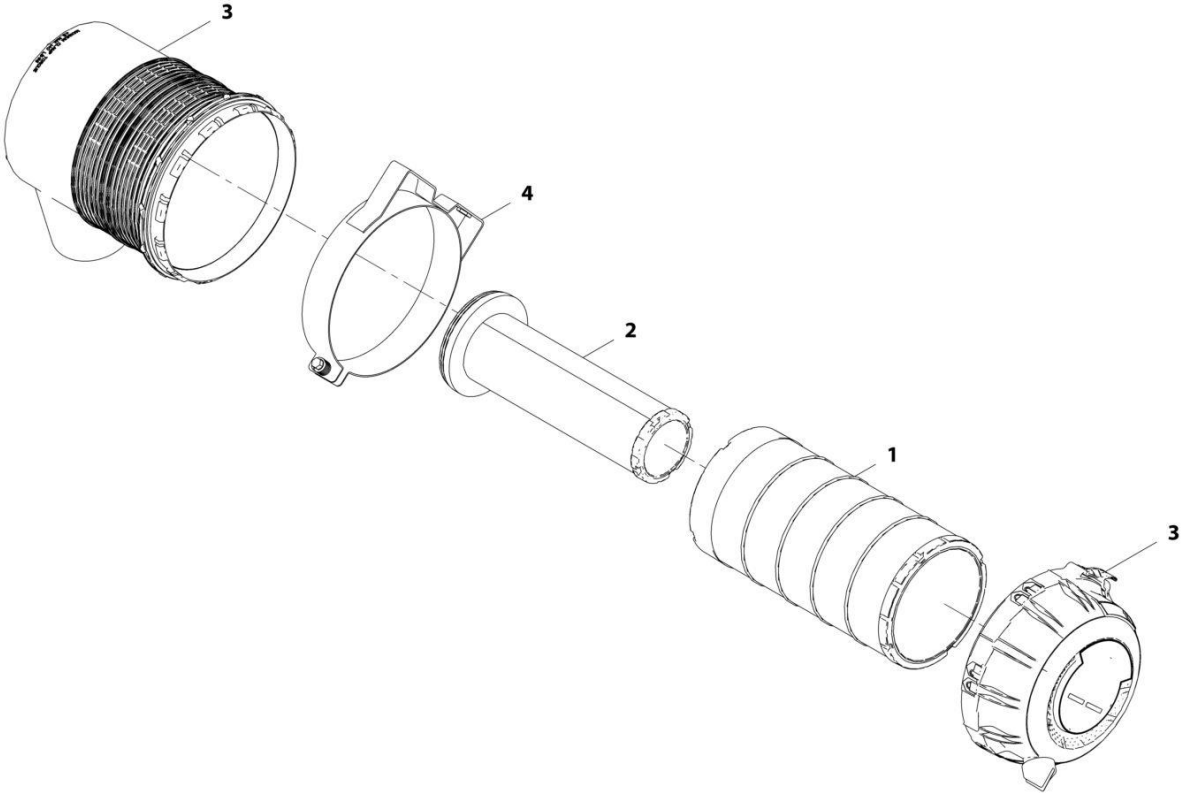
SECTION 4 - ENGINE AND ATTACHING PARTS

FIGURE 4-11. AIR CLEANER ASSEMBLY (LS)

ITEM	PART NUMBER	QTY	DESCRIPTION	REV
	10268515	Ref	Air Cleaner Assembly (if equipped for LS)	D
1	91364023	1	Cover Assembly	
2	80373094	1	Vacuator Valve	
3	1101312	1	Primary Filter Element	
4	1101313	1	Secondary Filter Element	
5	See Note	NSS	Air Cleaner Body (Note; Purchase Complete Assembly)	

SECTION 4 - ENGINE AND ATTACHING PARTS

FIGURE 4-12. AIR CLEANER ASSEMBLY (ULS)



ART_1001166566-G

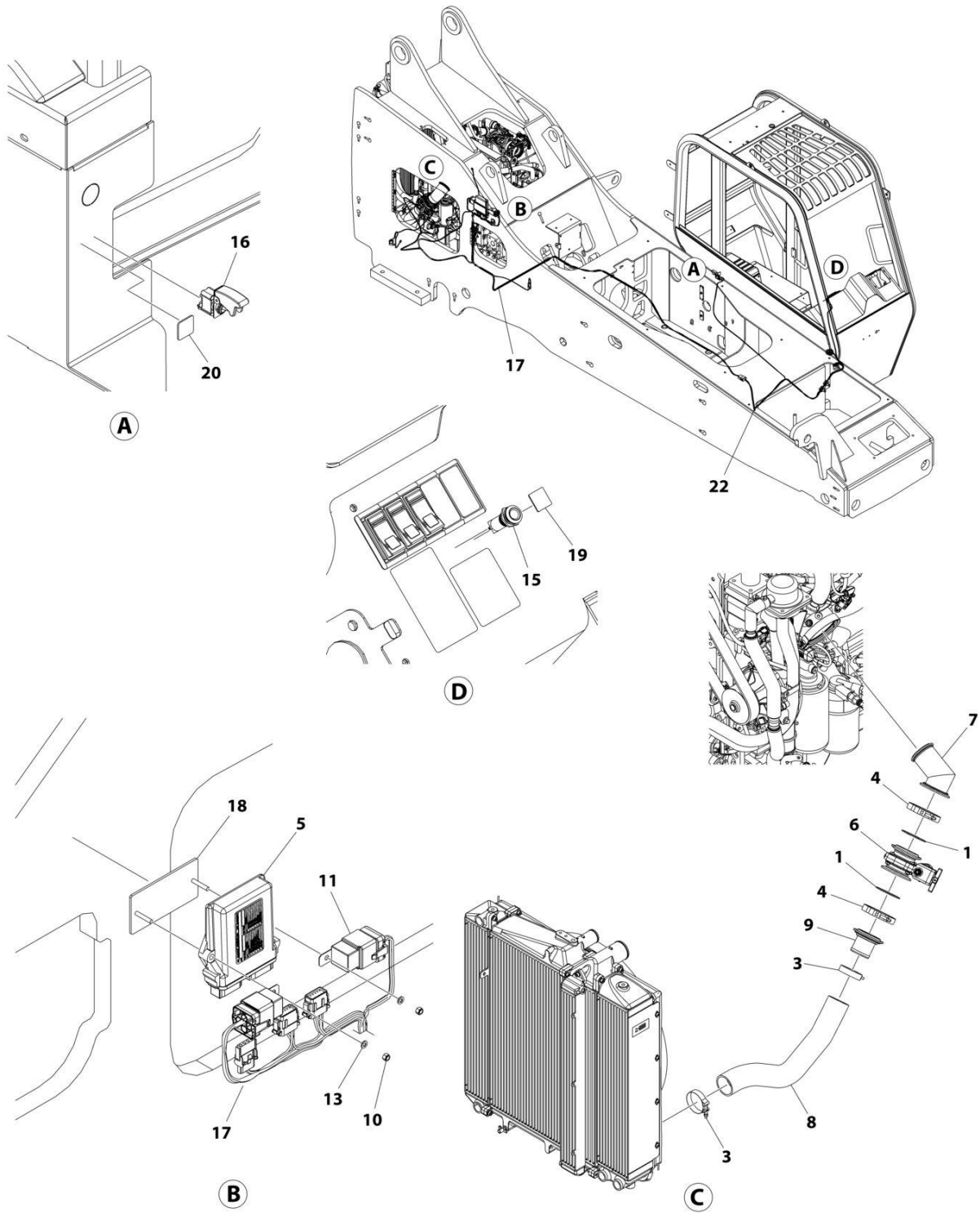
SECTION 4 - ENGINE AND ATTACHING PARTS

FIGURE 4-12. AIR CLEANER ASSEMBLY (ULS)

ITEM	PART NUMBER	QTY	DESCRIPTION	REV
	1001166566	Ref	Air Cleaner Assembly (74.4KW)	G
1	70025852	1	Filter, Air Cylindrical Primary	
2	70025853	1	Filter, Air Cylindrical Secondary	
3	70026393	1	Cover, Air Cleaner	
4	70026394	1	Bracket, Mounting Band	

SECTION 4 - ENGINE AND ATTACHING PARTS

FIGURE 4-13. AIR INTAKE SHUT OFF VALVE INSTALLATION



ART_1001202304_F

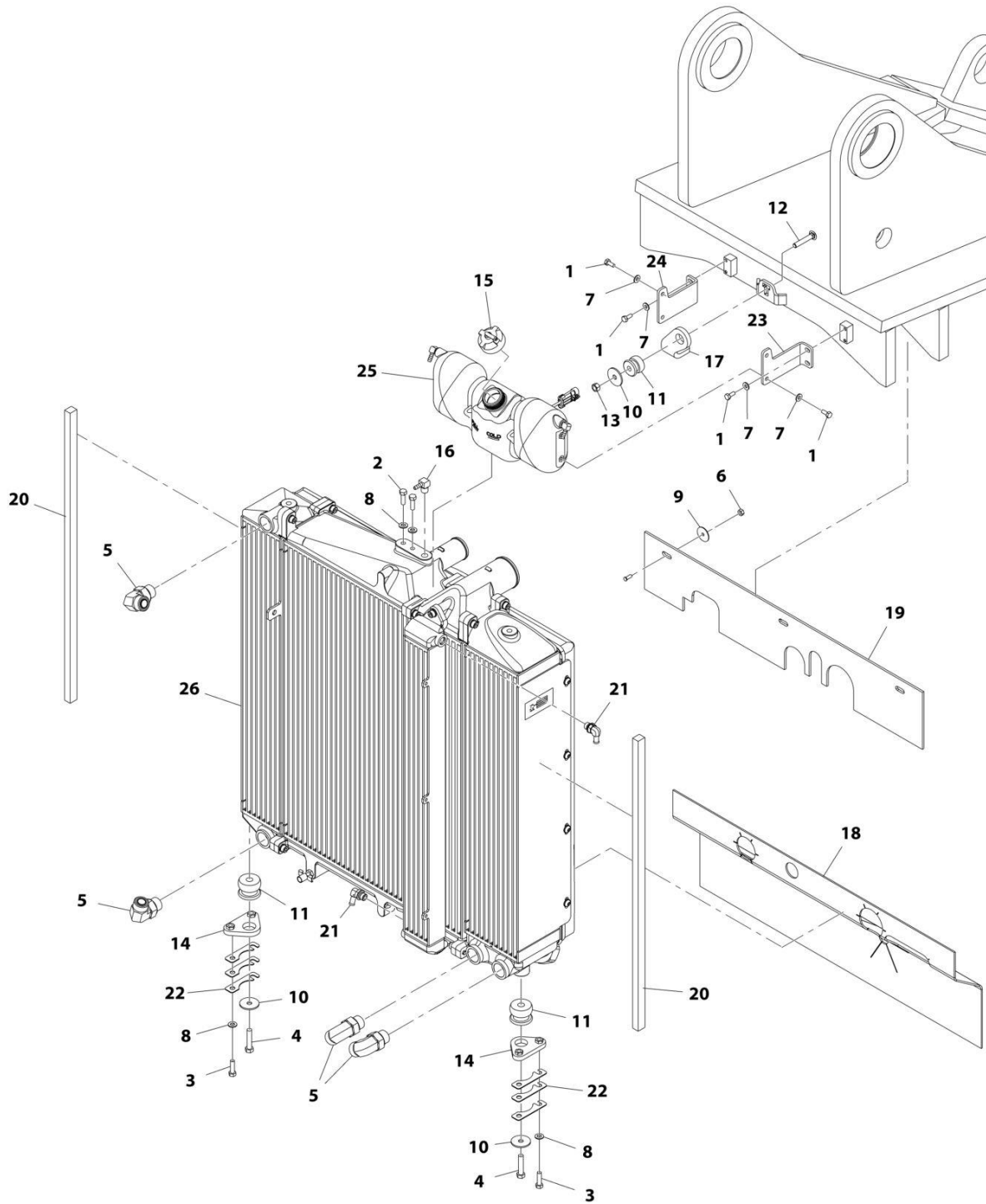
SECTION 4 - ENGINE AND ATTACHING PARTS

FIGURE 4-13. AIR INTAKE SHUT OFF VALVE INSTALLATION

ITEM	PART NUMBER	QTY	DESCRIPTION	REV
	1001202304	Ref	Air Intake Shut Off Valve Installation	F
1	3790152	2	Ring	
3	8405212	2	Clamp	
4	1001202247	2	Clamp	
5	1001203181	1	Accessory, Control	
6	1001204032	1	Valve, Air Shut Off (See Separate Breakdown in HYDRAULIC COMPONENTS Section)	
7	1001206956	1	Pipe	
8	1001206983	1	Hose	
9	1001206985	1	Adapter	
10	3290505	2	Nut M5 Grade 8	
11	3740080	2	Relay	
13	4811600	2	Washer, M5	
14	91053419	AR	Strap, Cable (not shown)	
15	1001239539	1	Lamp	
16	1001215941	1	Switch	
17	1001216455	1	Harness, POSI Air Shut Off Valve T4F (See Separate Breakdown in ELECTRICAL Section)	
18	1001219082	1	Bracket	
19	1001227077	1	Decal, Air Shut Off	
20	1001227964	1	Decal, ASOV Test	
22	1001231560	1	Harness, POSI Air Shut Off Valve Cab (See Separate Breakdown in ELECTRICAL Section)	

SECTION 4 - ENGINE AND ATTACHING PARTS

FIGURE 4-14. COOLING INSTALLATION, 74HP



ART_1001196737-E

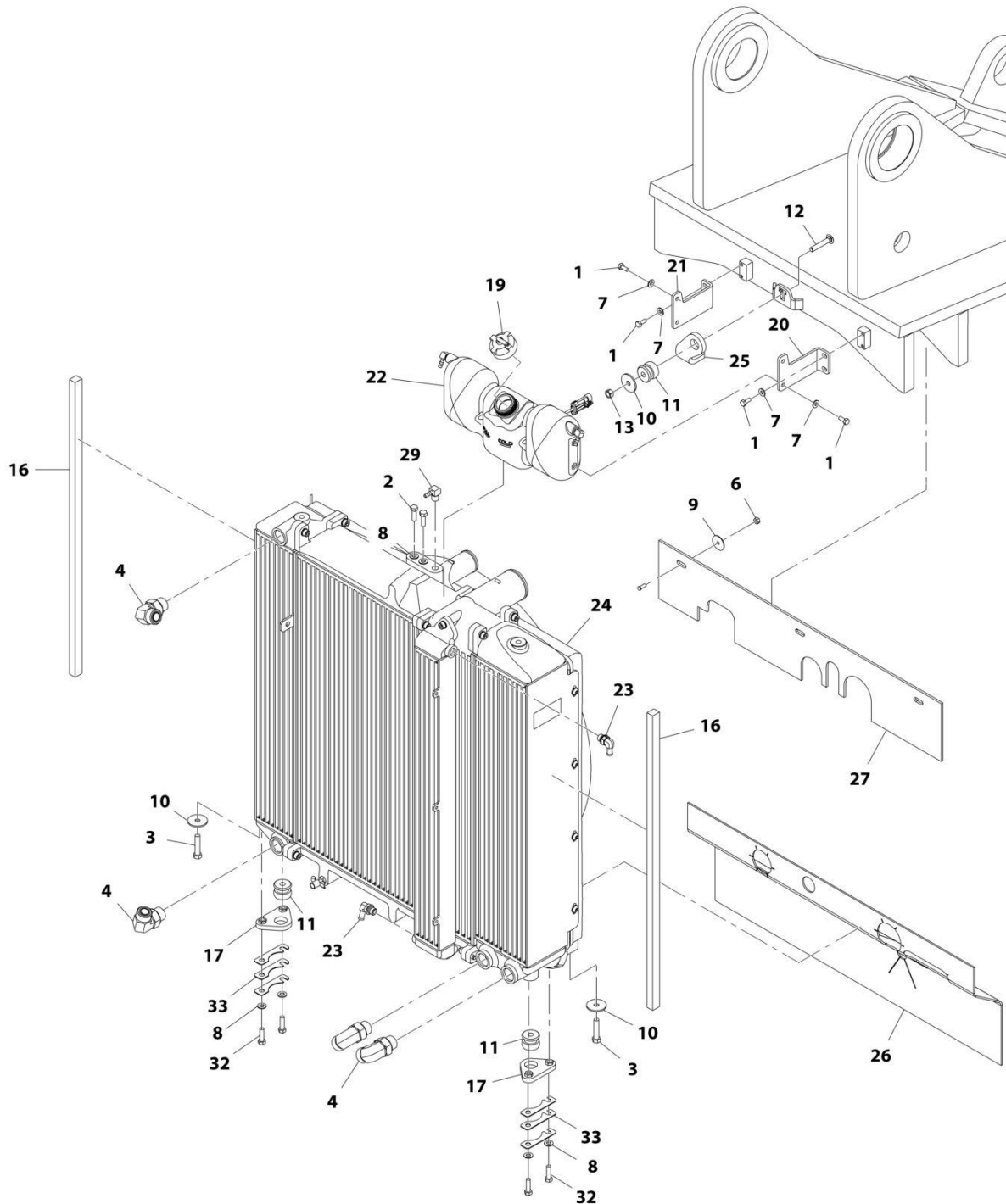
SECTION 4 - ENGINE AND ATTACHING PARTS

FIGURE 4-14. COOLING INSTALLATION, 74HP

ITEM	PART NUMBER	QTY	DESCRIPTION	REV
	1001196737	Ref	Cooling Installation, 74HP	E
1	0641405	8	Bolt, 1/4-20X5/8	
2	0641508	2	Bolt, 5/16-18X1	
3	0641509	4	Bolt, 5/16-18X1-1/8	
4	0641614	2	Bolt, 3/8-16X1-3/4	
5	2131212	4	Adapter, 90	
6	3311401	3	Nut, 1/4-20	
7	4711400	8	Washer, 1/4	
8	4711500	6	Washer, 5/16	
9	4740362	3	Washer, Fender, 1/4	
10	7057141	3	Washer, Flat	
11	8278020	3	Mount, Rubber Isolator	
12	8310281	1	Bolt, Carriage 3/8-16X2-1/4	
13	8305008	1	Nut, 3/8-16	
14	1001120869	2	Bracket, Cooler Mount Lower	
15	1001128341	1	Cap, Deaeration Tank	
16	1001134488	1	Fitting, Barbed 90	
17	1001169059	1	Mount, Cooler Bracket	
18	1001170117	1	Panel, Air Dam	
19	1001170186	1	Panel, Air Dam Upper	
20	1001178582	2	Seal, Foam Gasket	
21	1001178776	2	Fitting, Hose Barb 90	
22	1001179845	6	Shim	
23	1001181584	1	Bracket, LH Tank	
24	1001181585	1	Bracket, RH Tank	
25	1001182255	1	Assembly, Deaeration Tank (See Separate Breakdown in this Section)	
26	1001197475	1	Assembly, Radiator (See Separate Breakdown in this Section)	

SECTION 4 - ENGINE AND ATTACHING PARTS

FIGURE 4-15. COOLING INSTALLATION, 85HP



ART_1001165670-K

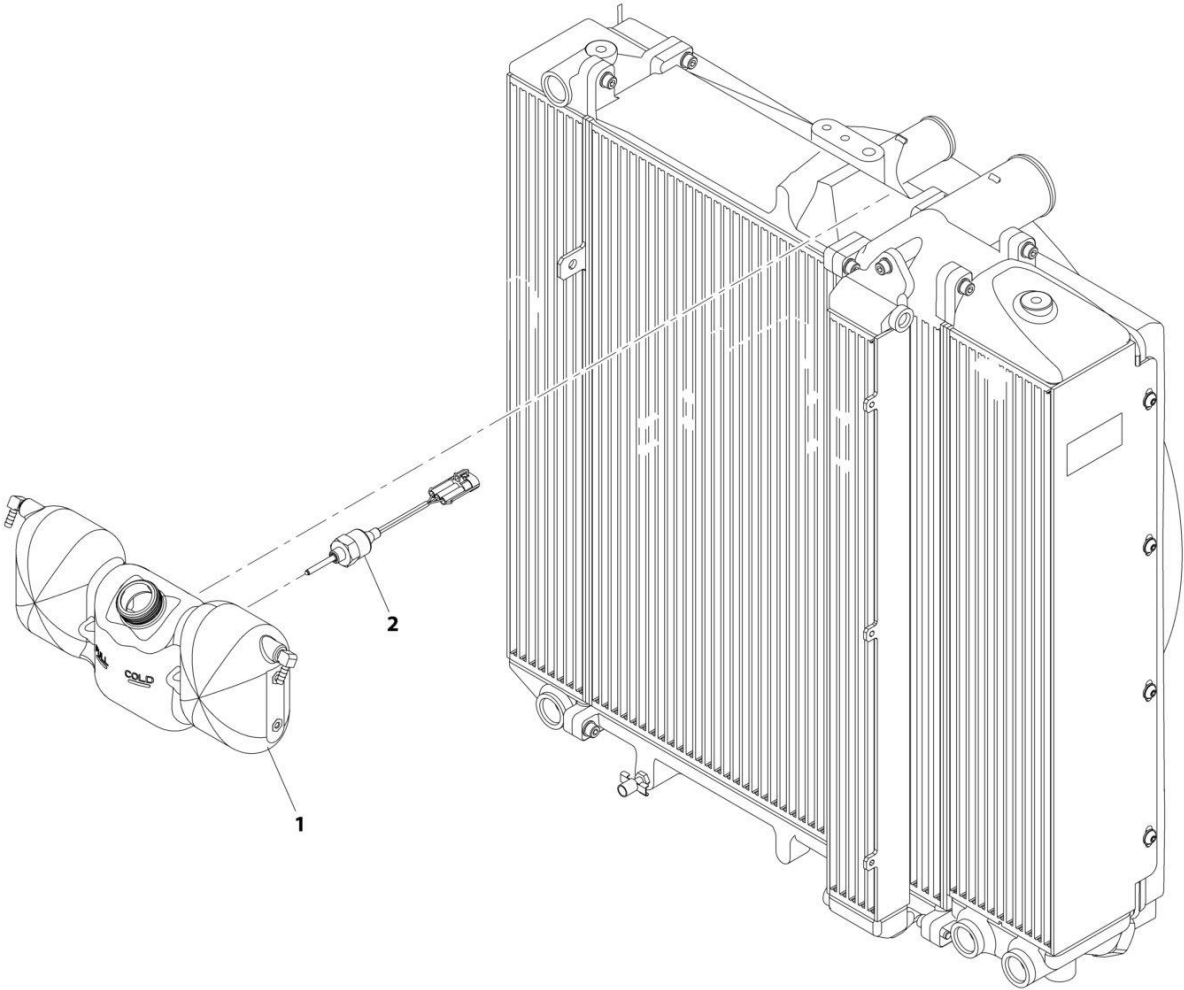
SECTION 4 - ENGINE AND ATTACHING PARTS

FIGURE 4-15. COOLING INSTALLATION, 85HP

ITEM	PART NUMBER	QTY	DESCRIPTION	REV
	1001165670	Ref	Cooling Installation, 85HP	K
1	0641405	8	Bolt, 1/4-20X5/8	
2	0641508	2	Bolt, 5/16-18X1	
3	0641614	2	Bolt, 3/8-16X1-3/4	
4	2131212	4	Adapter, 90	
6	3311401	3	Nut, 1/4-20	
7	4711400	8	Washer, 1/4	
8	4711500	6	Washer, 5/16	
9	4740362	3	Washer, Fender 1/4	
10	7057141	3	Washer, Flat	
11	8278020	3	Mount, Rubber Isolator	
12	8310281	1	Bolt, Carriage 3/8-16X2-1/4	
13	8305008	1	Nut, 3/8-16	
16	1001178582	2	Seal, Foam Gasket	
17	1001120869	2	Bracket, Cooler Mount Lower	
19	1001128341	1	Cap, Deaeration Tank	
20	1001181584	1	Bracket, LH Tank	
21	1001181585	1	Bracket, RH Tank	
22	1001182255	1	Assembly, Deaeration Tank (See Separate Breakdown in this Section)	
23	1001178776	2	Fitting, Hose Barb 90	
24	1001168478	1	Assembly, Radiator (See Separate Breakdown in this Section)	
25	1001169059	1	Mount, Cooler Bracket	
26	1001170117	1	Panel, Air Dam	
27	1001170186	1	Panel, Air Dam Upper	
29	1001134488	1	Fitting, Barbed 90	
32	0641509	4	Bolt, 5/16-18X1-1/8	
33	1001179845	6	Shim	

SECTION 4 - ENGINE AND ATTACHING PARTS

FIGURE 4-16. DEAERATION TANK ASSEMBLY



ART_1001182255-K

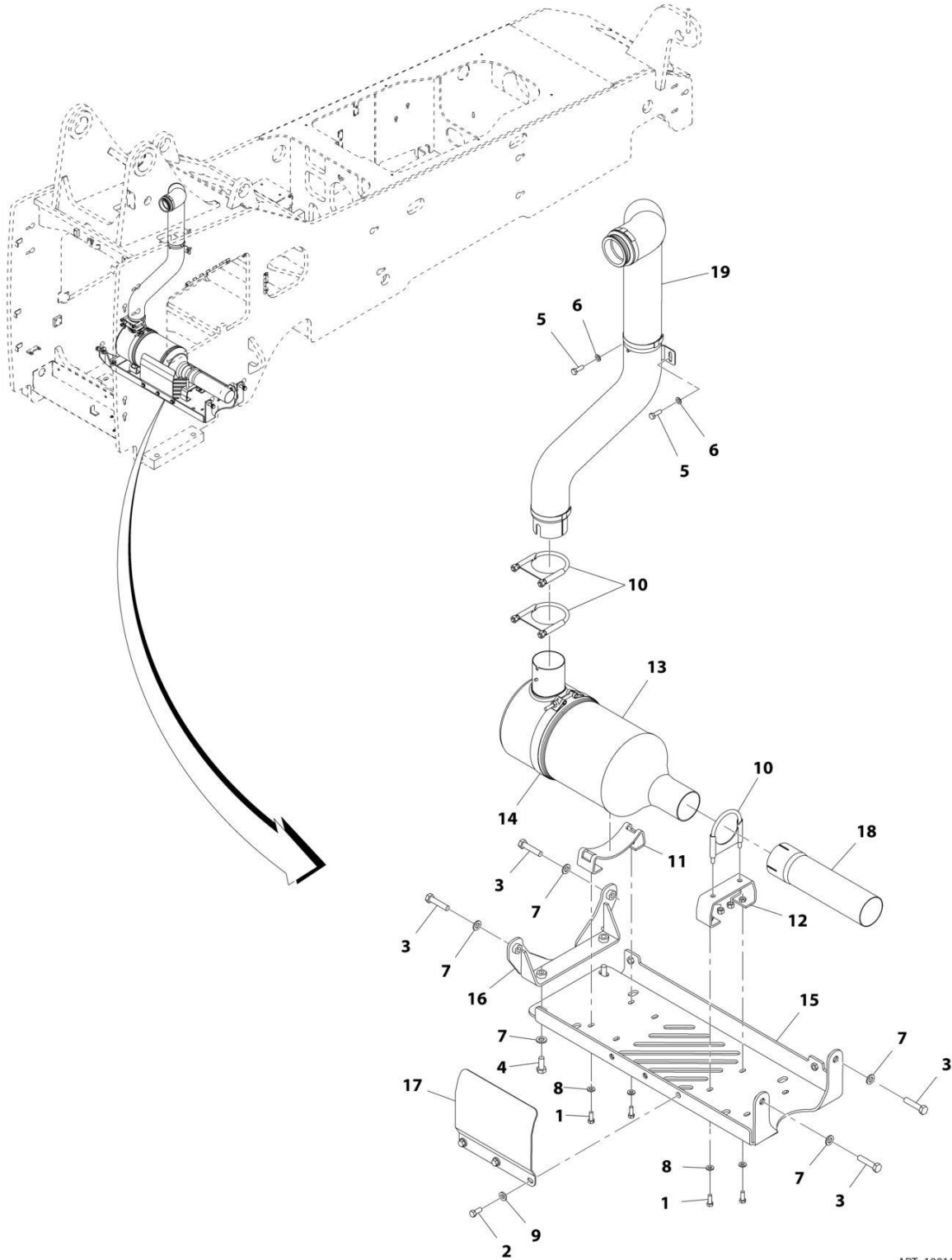
SECTION 4 - ENGINE AND ATTACHING PARTS

FIGURE 4-16. DEAERATION TANK ASSEMBLY

ITEM	PART NUMBER	QTY	DESCRIPTION	REV
	1001182255	Ref	Deaeration Tank Assembly	K
1	1001153912	1	Tank, Deaeration	
2	1001245478	1	Sensor, Coolant Level	

SECTION 4 - ENGINE AND ATTACHING PARTS

FIGURE 4-17. EXHAUST INSTALLATION - 74HP (ULS)



ART_1001196125-B

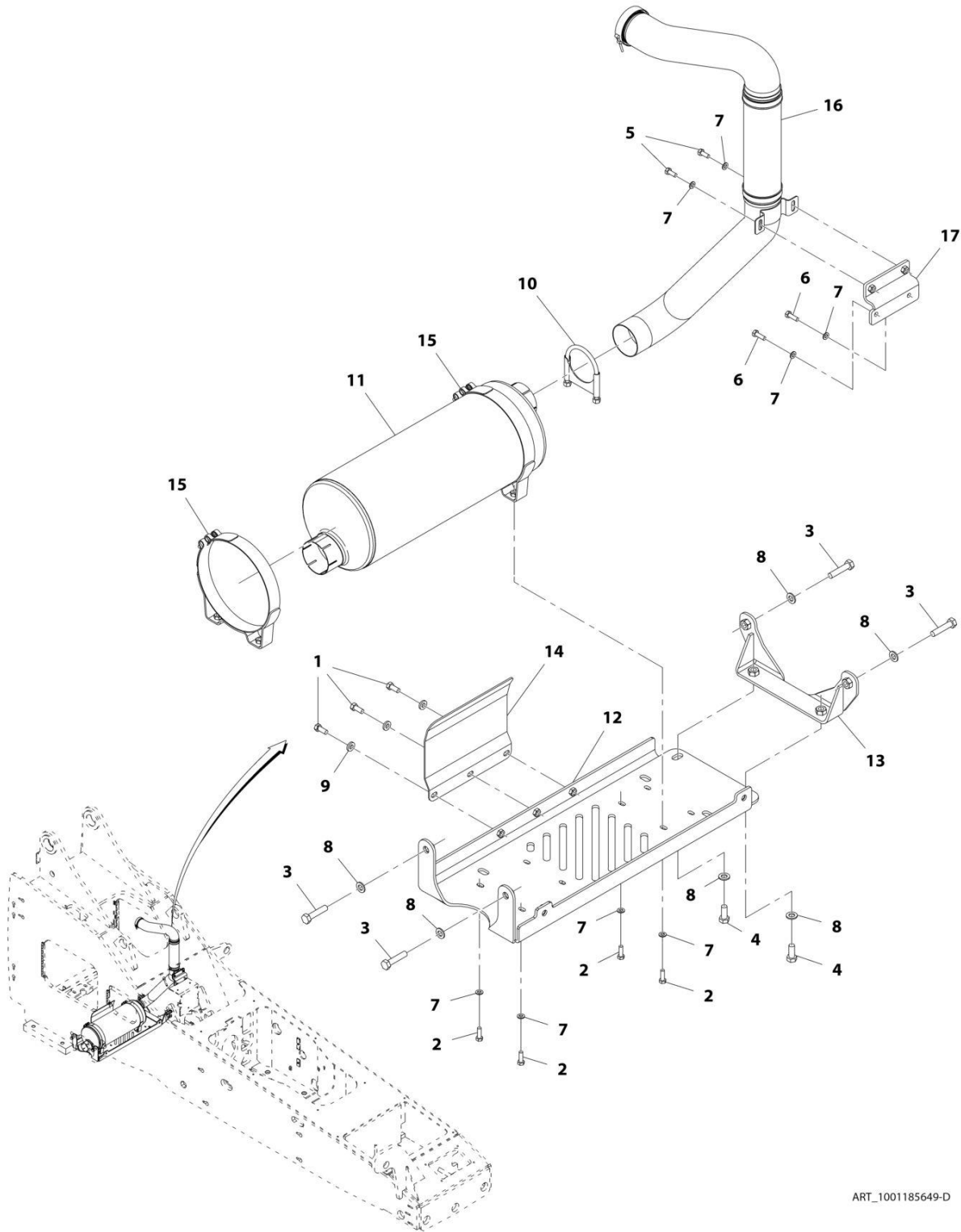
SECTION 4 - ENGINE AND ATTACHING PARTS

FIGURE 4-17. EXHAUST INSTALLATION - 74HP (ULS)

ITEM	PART NUMBER	QTY	DESCRIPTION	REV
	1001196125	Ref	Exhaust Installation, 74HP (if equipped for ULS)	B
1	0641507	4	Bolt, 5/16-18X7/8	
2	0641607	3	Bolt, 3/8-16X7/8	
3	0701219	4	Bolt, M12X55	
4	0711214	2	Bolt, M12X30	
5	0760812	2	Bolt, M8X25	
6	4811900	2	Washer, M8	
7	4812100	6	Washer, M12	
8	4891500	4	Washer, 5/16	
9	4891600	3	Washer, 3/8	
10	24921332	3	Clamp	
11	1001128363	1	Bracket	
12	1001128364	1	Bracket	
13	1001128714	1	Muffler	
14	1001128901	1	Strap	
15	1001166935	1	Bracket	
16	1001169057	1	Bracket	
17	1001174327	1	Shield	
18	1001196396	1	Pipe, Exhaust	
19	1001196397	1	Pipe, Exhaust	

SECTION 4 - ENGINE AND ATTACHING PARTS

FIGURE 4-18. EXHAUST INSTALLATION - 85HP (LS)



ART_1001185649-D

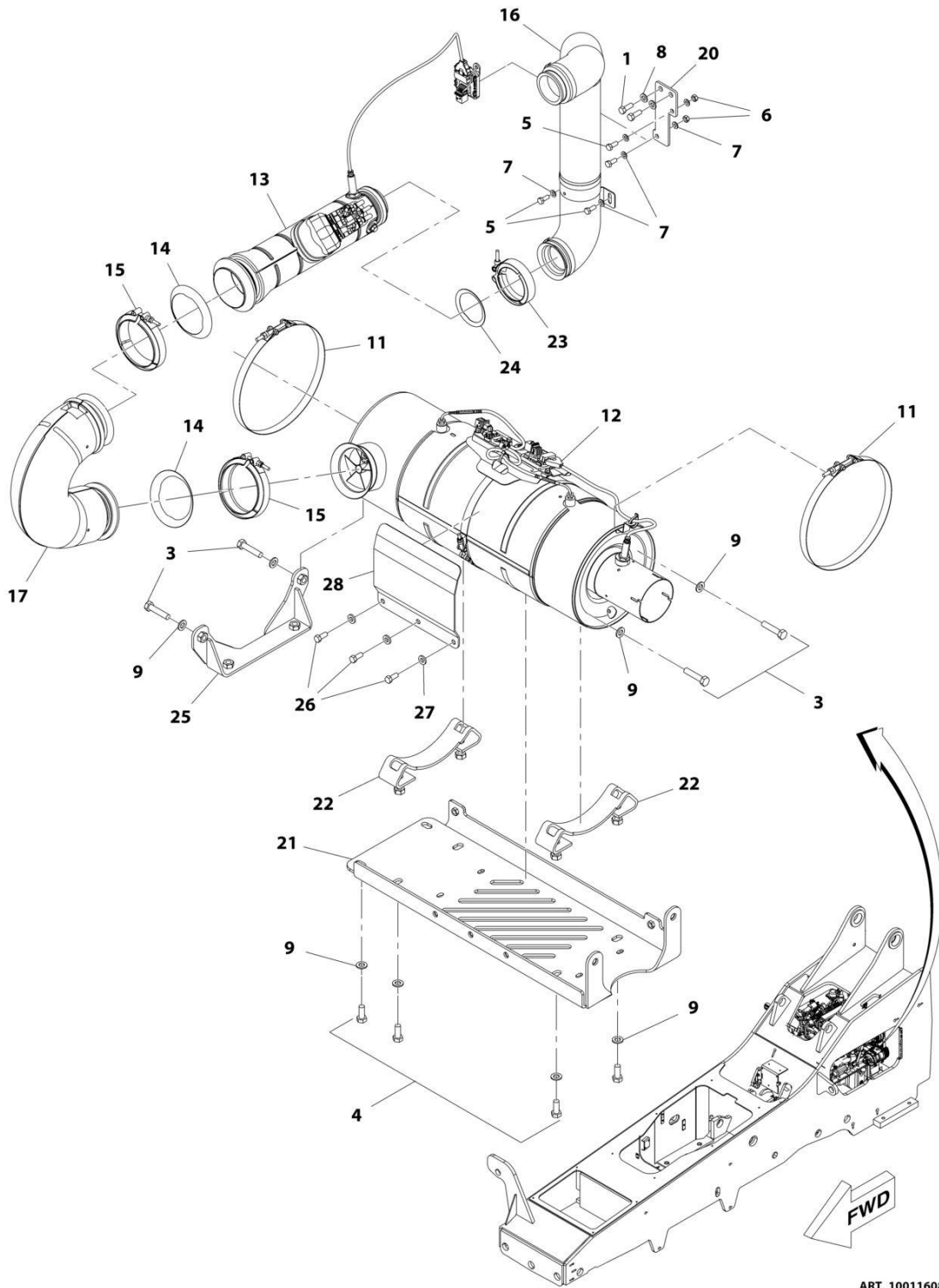
SECTION 4 - ENGINE AND ATTACHING PARTS

FIGURE 4-18. EXHAUST INSTALLATION - 85HP (LS)

ITEM	PART NUMBER	QTY	DESCRIPTION	REV
	1001185649	Ref	Exhaust Installation, 85HP (if equipped for LS)	D
1	0641607	3	Bolt, 3/8-16X7/8	
2	0700812	4	Bolt, M8X25	
3	0701219	4	Bolt, M12X55	
4	0711214	2	Bolt, M12X30, Grade 10.9	
5	0760810	2	Bolt, M8X20	
6	0760812	2	Bolt, M8X25	
7	4811900	8	Washer, M8	
8	4812100	6	Washer, M12	
9	4891600	3	Washer, 3/8	
10	24921332	1	Clamp	
11	91163035	1	Muffler	
12	1001166935	1	Bracket	
13	1001169057	1	Bracket	
14	1001174327	1	Shield	
15	1001180227	2	Muffler, Band Clamp	
16	1001190962	1	Pipe, Exhaust	
17	1001190990	1	Bracket, Exhaust Support	

SECTION 4 - ENGINE AND ATTACHING PARTS

FIGURE 4-19. EXHAUST INSTALLATION - 85HP (ULS)



ART_1001160844_I

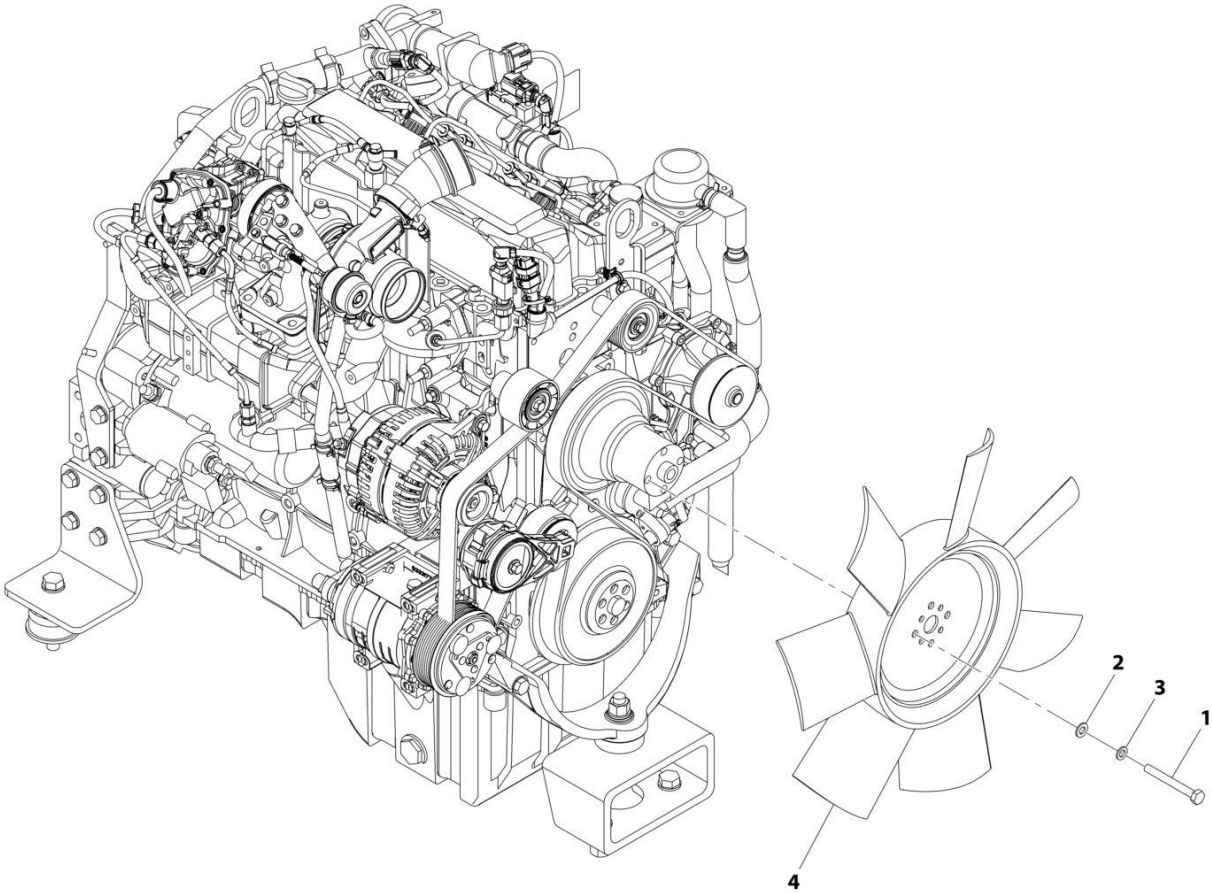
SECTION 4 - ENGINE AND ATTACHING PARTS

FIGURE 4-19. EXHAUST INSTALLATION - 85HP (ULS)

ITEM	PART NUMBER	QTY	DESCRIPTION	REV
	1001160844	Ref	EXHAUST INSTALLATION - 110HP (ULS)	H
1	0641608	2	Bolt 3/8-16 x 1	
3	0701219	4	Bolt M12 x 55	
4	0711214	6	Bolt M12 x 30, Grade 10.9	
5	0760810	4	Bolt M8 x 20	
6	3290801	2	Nut M8 x 1-1/4	
7	4811900	6	Washer M8	
8	4812000	2	Washer M10	
9	4812100	10	Washer M12	
11	1001159932	2	Strap, Clamp	
12	1001160782	1	Muffler, After-Treatment	
13	1001164404	1	Muffler, Decomposition Reactor Tube	
14	1001241318	2	Seal, Gasket	
15	1001241482	2	Clamp, V-Band	
16	1001183811	1	Pipe, Exhaust	
17	1001165609	1	Pipe, Exhaust	
20	1001166693	1	Bracket	
21	1001166935	1	Bracket	
22	1001166976	2	Bracket	
23	1001167167	1	Clamp, V-Band	
24	1001167168	1	Seal, Gasket	
25	1001169057	1	Bracket	
26	0641607	3	Bolt 3/8-16 x 7/8	
27	4891600	3	Washer 3/8	
28	1001174327	1	Shield	

SECTION 4 - ENGINE AND ATTACHING PARTS

FIGURE 4-20. FAN INSTALLATION - 74HP



ART_1001196736-C

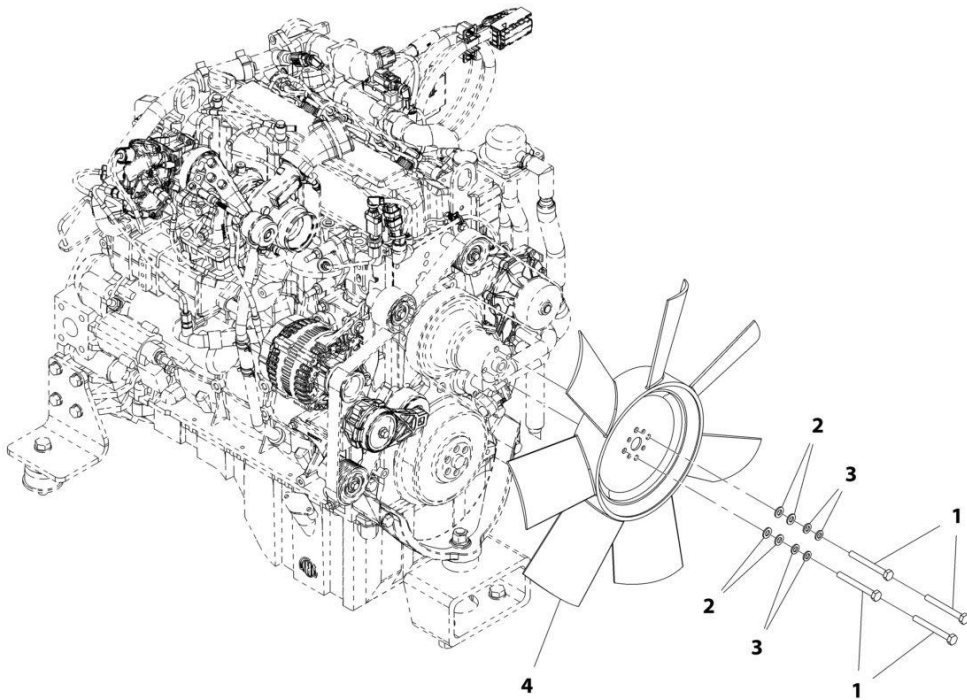
SECTION 4 - ENGINE AND ATTACHING PARTS

FIGURE 4-20. FAN INSTALLATION - 74HP

ITEM	PART NUMBER	QTY	DESCRIPTION	REV
	1001196736	Ref	Fan Installation, 74HP	C
1	0701026	4	Bolt, M10X90	
2	4812000	4	Washer, M10	
3	4832000	4	Washer, Lock M10	
4	1001210351	1	Fan	

SECTION 4 - ENGINE AND ATTACHING PARTS

FIGURE 4-21. FAN INSTALLATION - 85HP



ART_1001165668-B

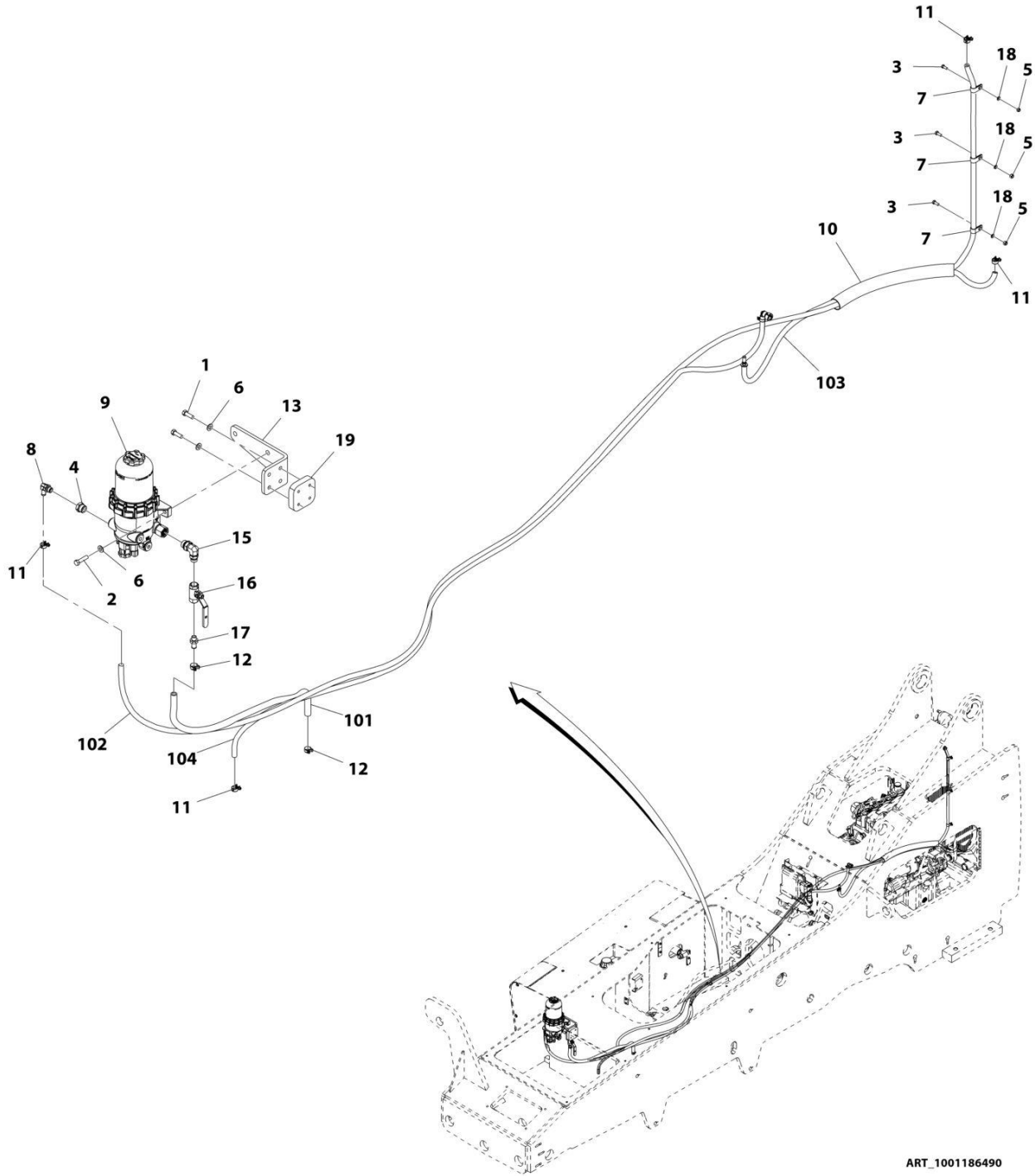
SECTION 4 - ENGINE AND ATTACHING PARTS

FIGURE 4-21. FAN INSTALLATION - 85HP

ITEM	PART NUMBER	QTY	DESCRIPTION	REV
	1001165668	Ref	Fan Installation, 85HP	B
1	0701026	4	Bolt, M10X90	
2	4812000	4	Washer, M10	
3	4832000	4	Washer, Lock M10	
4	1001174822	1	Fan	

SECTION 4 - ENGINE AND ATTACHING PARTS

FIGURE 4-22. FUEL PLUMBING INSTALLATION (LS)



ART_1001186490

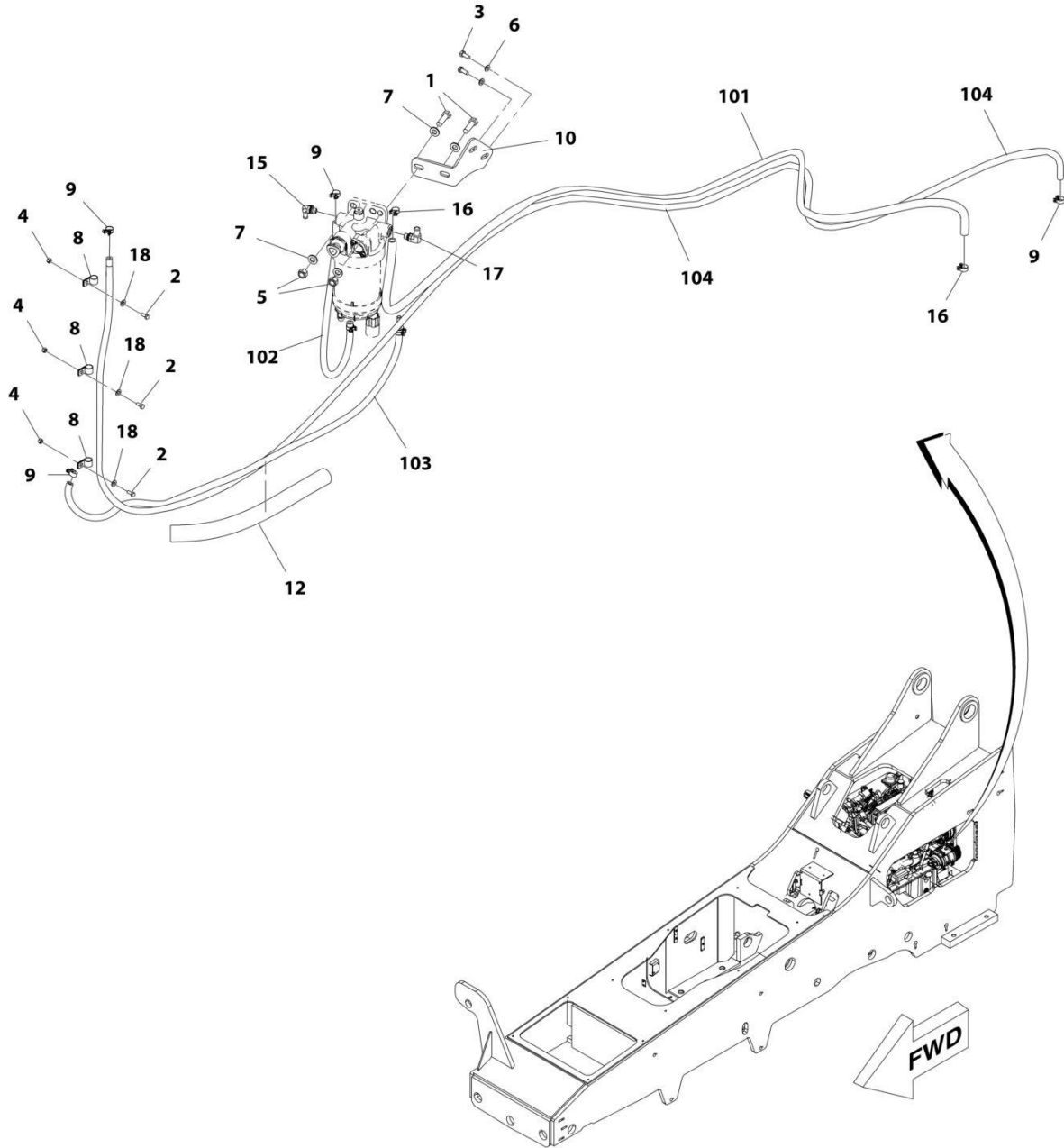
SECTION 4 - ENGINE AND ATTACHING PARTS

FIGURE 4-22. FUEL PLUMBING INSTALLATION (LS)

ITEM	PART NUMBER	QTY	DESCRIPTION	REV
	1001186490	Ref	Fuel Plumbing Installation (if equipped for LS)	J
1	0641609	4	Bolt, 3/8-16X1-1/8	
2	0641612	2	Bolt, 3/8-16X1-1/2	
3	0760608	3	Bolt, M6X16	
4	2220218	1	Adapter, Straight	
5	3290605	3	Nut, Lock M6X1	
6	4711600	6	Washer, 3/8	
7	8406112	3	Clip, Tube 5/8	
8	1001178776	1	Elbow, 90	
9	1001133534	1	Filter, Fuel	
10	1001136358	1	Sleeve, Abrasion	
11	1001136975	4	Clamp, Fuel Hose	
12	1001175568	2	Clip, Hose	
13	1001190349	1	Bracket, Support	
15	1001190629	1	Adapter, 90	
16	1001190630	1	Valve Shutoff, Female	
17	1001190631	1	Fitting, Hose Barb	
18	4811600	3	Washer, M6	
19	1001190344	1	Bracket	
100	1001190372	1	Hose Kit (Not Shown)	
101	1001190370	1	Hose	
102	1001190371	1	Hose	
103	1001201111	1	Hose	
104	1001171805	1	Hose	

SECTION 4 - ENGINE AND ATTACHING PARTS

FIGURE 4-23. FUEL PLUMBING INSTALLATION (ULS)



ART_1001165672-H

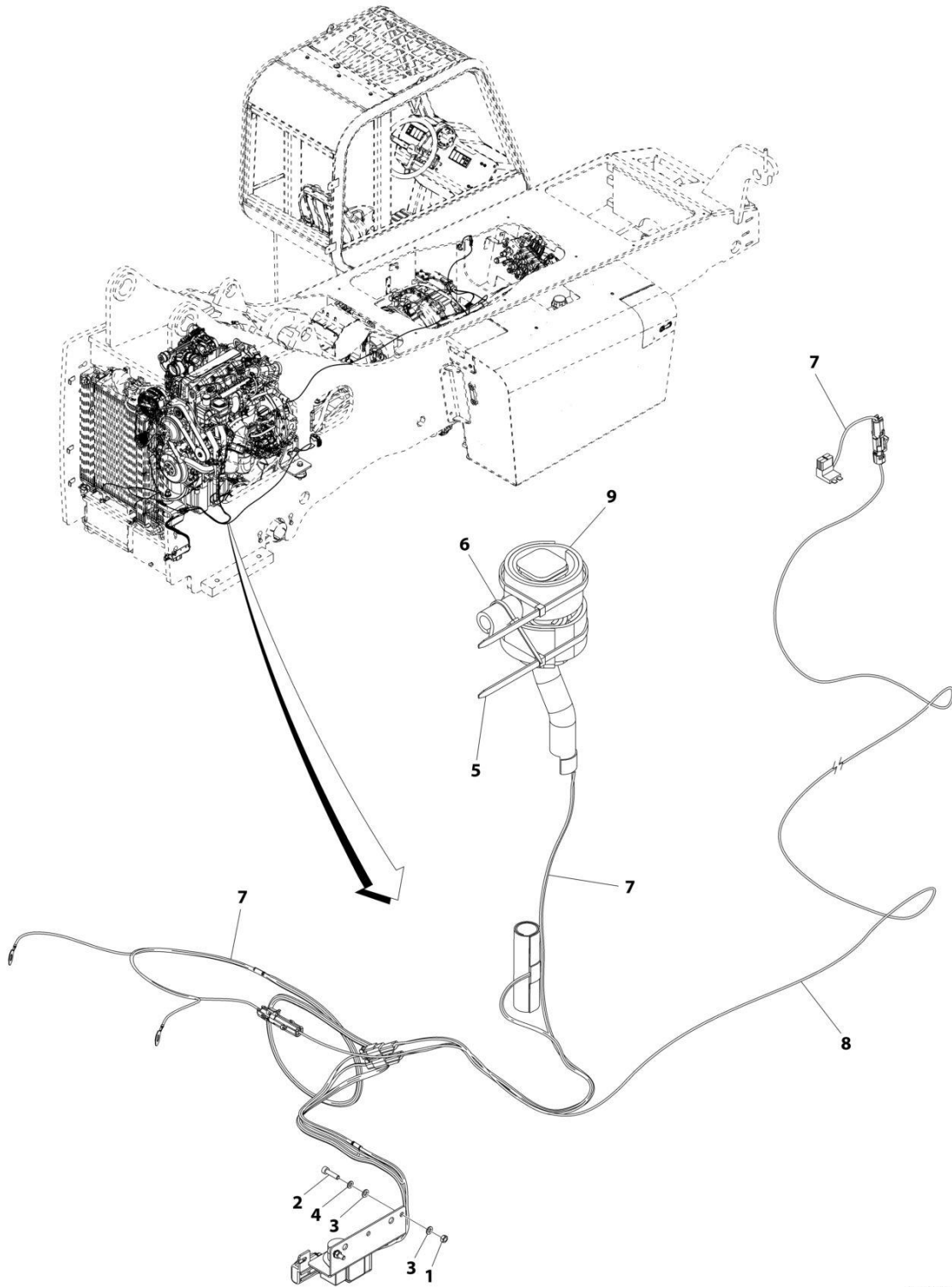
SECTION 4 - ENGINE AND ATTACHING PARTS

FIGURE 4-23. FUEL PLUMBING INSTALLATION (ULS)

ITEM	PART NUMBER	QTY	DESCRIPTION	REV
	1001165672	Ref	Fuel Plumbing Installation (if equipped for ULS)	H
1	0701216	2	Bolt, M12X40	
2	0760608	3	Bolt, M6X16	
3	0761012	2	Bolt, M10X25	
4	3290605	3	Nut, Lock M6X1	
5	3291205	2	Nut, Lock M12X1-3/4	
6	4812000	2	Washer, M10	
7	4812100	4	Washer, M12	
8	8406112	3	Clip, Tube 5/8	
9	1001136975	5	Clamp, Fuel Hose	
10	1001182603	1	Bracket, Filter Mount	
12	1001136358	1	Sleeve, Abrasion	
15	1001182094	1	Adapter, Banjo M14X3/8	
16	1001175568	2	Clip, Hose	
17	1001179375	1	Adapter, Banjo M14X1/2	
18	4811700	3	Washer, M6	
101	1001171802	1	Hose	
102	1001171803	1	Hose	
103	1001201111	1	Hose	
104	1001171805	1	Hose	

SECTION 4 - ENGINE AND ATTACHING PARTS

FIGURE 4-24. HEATER BREATHER



ART_1001232750-A

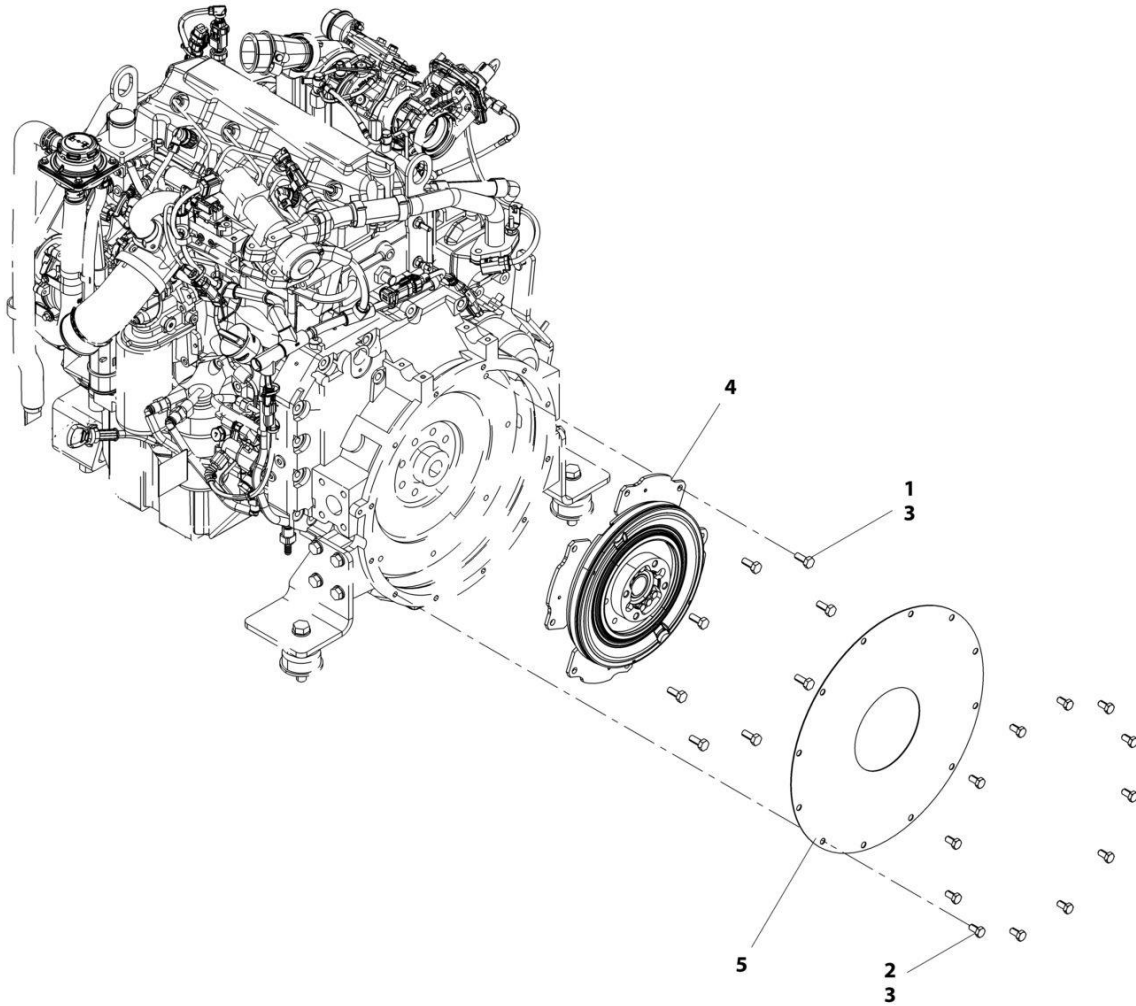
SECTION 4 - ENGINE AND ATTACHING PARTS

FIGURE 4-24. HEATER BREATHER

ITEM	PART NUMBER	QTY	DESCRIPTION	REV
	1001232750	Ref	Heater Breather - 74 HP	A
1	3290501	2	Nut, M5X0.8	
2	4031608	2	Screw, M5X20	
3	4811600	4	Washer, M5	
4	4831600	2	Washer, Lock M5	
5	01043892	2	Strap, Tie	
6	86683122	1	Strap, Tie	
7	1001232439	1	Engine, Cummins Breather Kit	
8	1001232599	1	Harness, Cummins Breather Heater	
9	1001232624	1	Insulate, Cummins Insulation	

SECTION 4 - ENGINE AND ATTACHING PARTS

FIGURE 4-25. ISOLATION COUPLER INSTALLATION



ART_1001166229_B

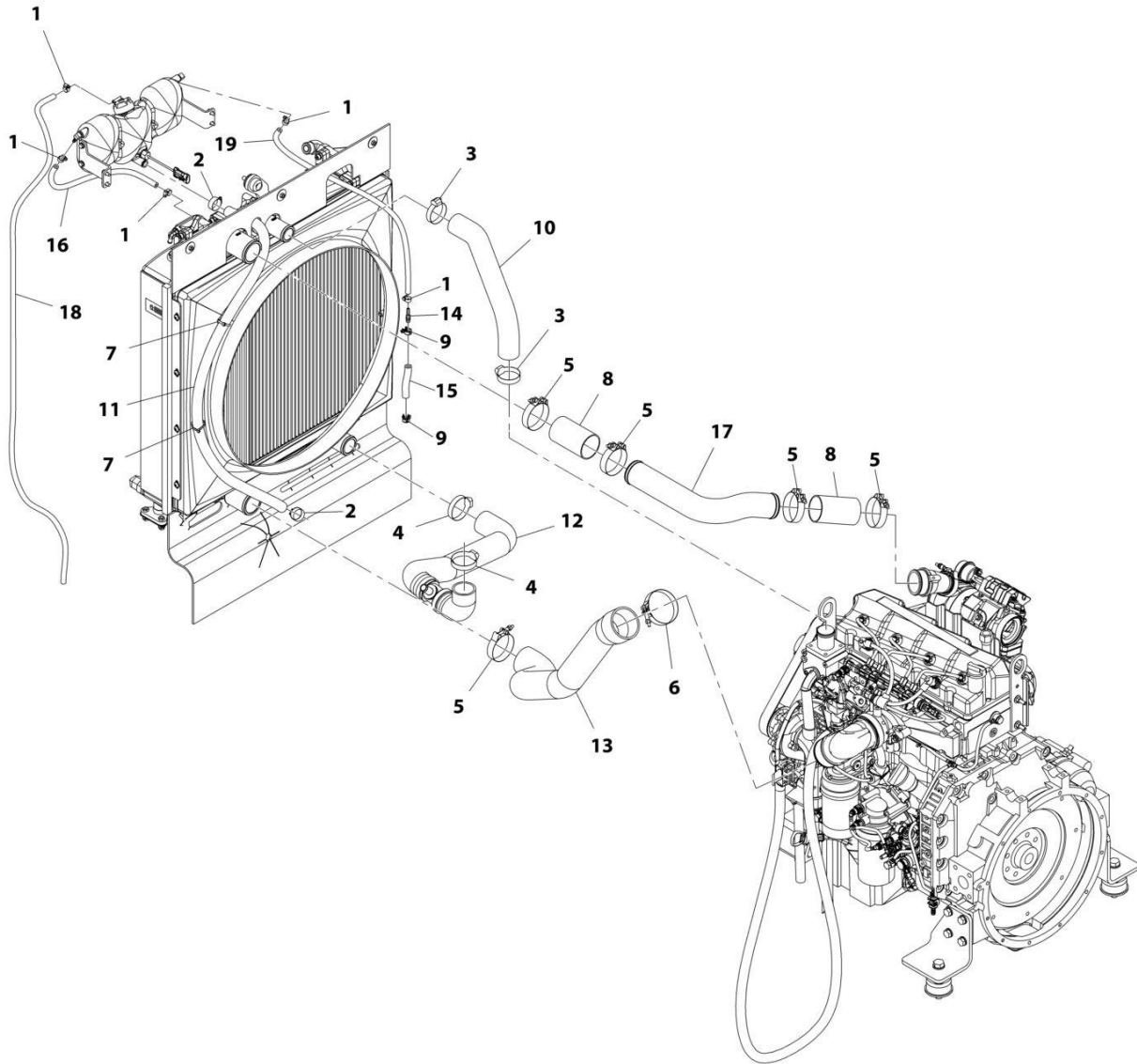
SECTION 4 - ENGINE AND ATTACHING PARTS

FIGURE 4-25. ISOLATION COUPLER INSTALLATION

ITEM	PART NUMBER	QTY	DESCRIPTION	REV
	1001166229	Ref	Isolation Coupler Installation	B
1	0761012	8	Bolt, M10X25	
2	8303784	12	Bolt, M10X20	
3	8526007	AR	Compound, Locking	
4	1001180244	1	Coupling, Torsion Damper	
5	1001185071	1	Panel, Isolation Coupler	

SECTION 4 - ENGINE AND ATTACHING PARTS

FIGURE 4-26. PLUMBING COOLING INSTALLATION (LS)



ART_1001185652-D

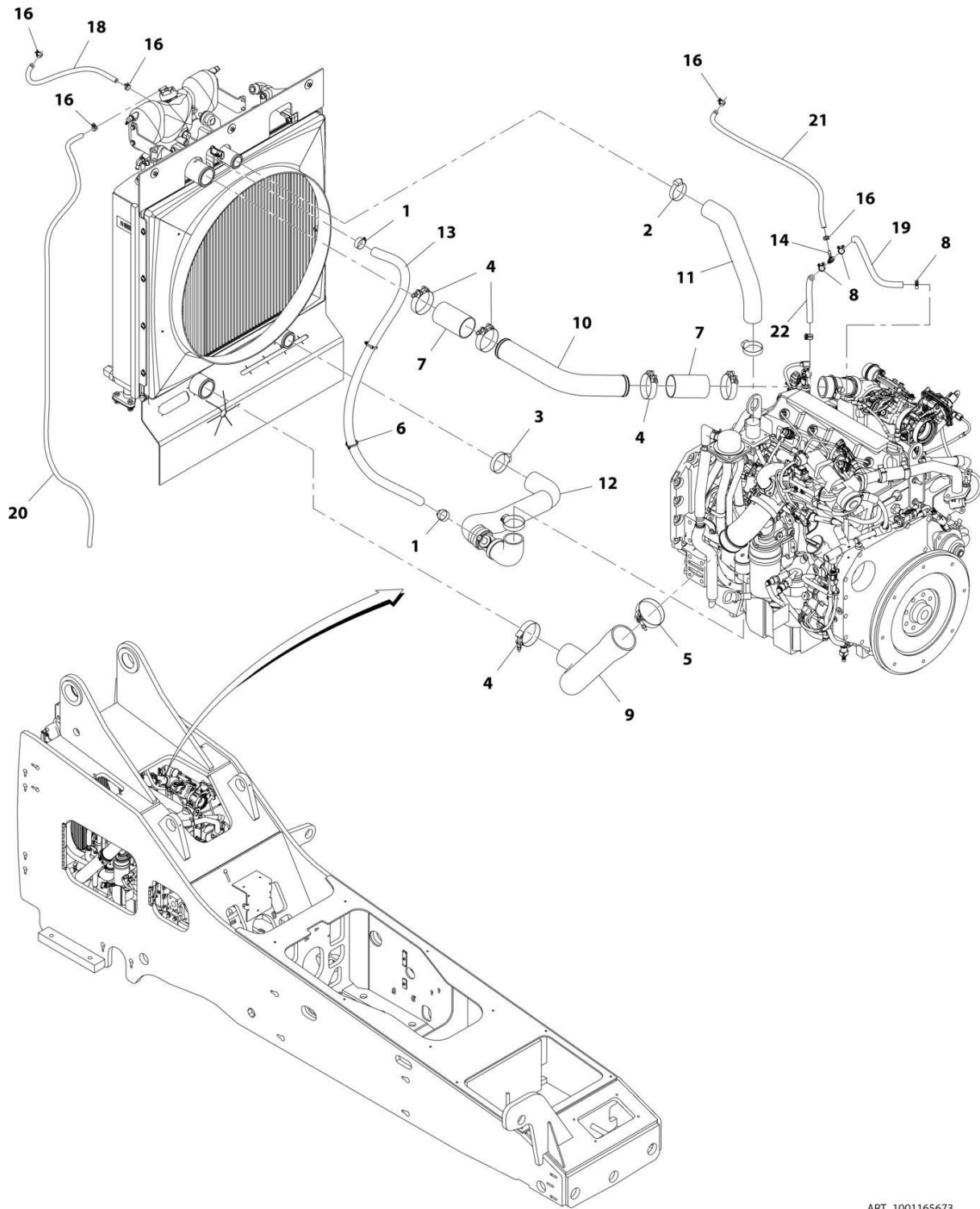
SECTION 4 - ENGINE AND ATTACHING PARTS

FIGURE 4-26. PLUMBING COOLING INSTALLATION (LS)

ITEM	PART NUMBER	QTY	DESCRIPTION	REV
	1001185652	Ref	Plumbing Cooling Installation (if equipped for LS)	D
1	1320022	5	Clamp, Fuel Line	
2	8405007	2	Clamp, Gear 1-1/4	
3	8405104	2	Clamp, Gear 2-1/4	
4	8405201	2	Clamp, Gear 2-1/2	
5	8405212	5	Clamp, T-Bolt	
6	8405305	1	Clamp, T-Bolt	
7	1001004720	2	Strap, Cable	
8	1001114495	2	Hose, CAC Straight	
9	1001136975	2	Clamp, Fuel Hose	
10	1001169272	1	Hose, Upper Radiator	
11	1001169274	1	Hose, Draw Down	
12	1001201945	1	Hose, Lower Radiator	
13	1001189318	1	Hose, CAC Outlet	
14	1001189602	1	Fitting, Union Tee	
15	1001189712	1	Hose, Vent Line 3/8	
16	1001203969	1	Hose, Vent 1/4	
17	1001189715	1	Pipe, CAC Inlet	
18	1001204097	1	Hose, Vent 1/4	
19	1001204098	1	Hose, Vent 1/4	

SECTION 4 - ENGINE AND ATTACHING PARTS

FIGURE 4-27. PLUMBING COOLING INSTALLATION (ULS)



ART_1001165673

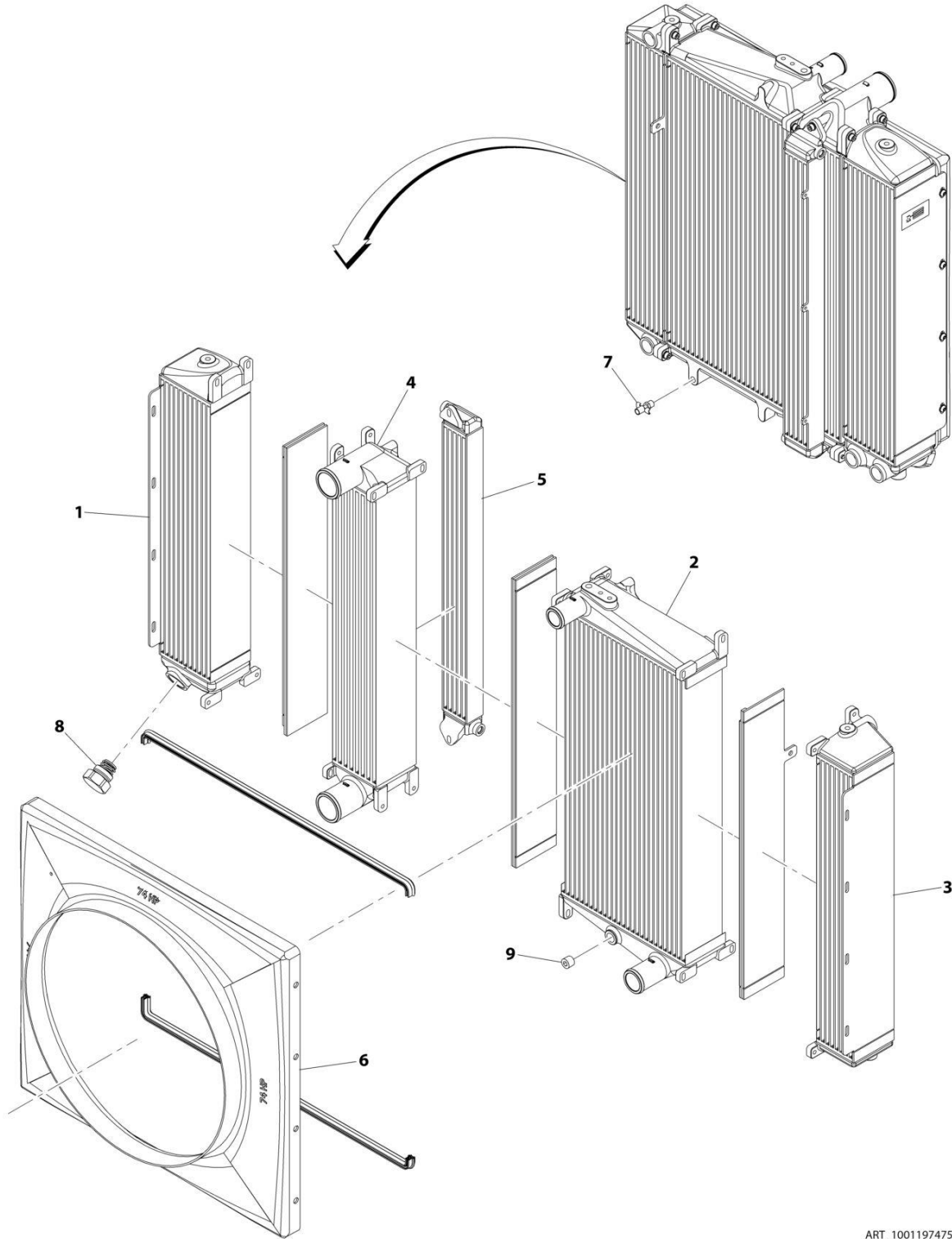
SECTION 4 - ENGINE AND ATTACHING PARTS

FIGURE 4-27. PLUMBING COOLING INSTALLATION (ULS)

ITEM	PART NUMBER	QTY	DESCRIPTION	REV
	1001165673	Ref	Plumbing Cooling Installation (if equipped for ULS)	I
1	8405007	2	Clamp, Gear 1-1/4	
2	8405104	2	Clamp, Gear 2-1/4	
3	8405201	2	Clamp, Gear 2-1/2	
4	8405212	5	Clamp, T-Bolt	
5	8405305	1	Clamp, T-Bolt	
6	1001004720	2	Strap, Cable	
7	1001114495	2	Hose, CAC Straight	
8	1001136975	4	Clamp, Fuel Hose	
9	1001201983	1	Hose, CAC Outlet	
10	1001169271	1	Pipe, CAC Inlet	
11	1001169272	1	Hose, Upper Radiator	
12	1001201945	1	Hose, Lower Radiator	
13	1001169274	1	Hose, Draw Down	
14	1001235725	1	Fitting, Union Tee	
16	1001213938	5	Clamp, Fuel Line	
18	1001203969	1	Hose, Vent Line	
19	1001203970	1	Hose, Vent Line	
20	1001204097	1	Hose, Vent Line	
21	1001204098	1	Hose, Vent Line	
22	1001204099	1	Hose, Vent Line	

SECTION 4 - ENGINE AND ATTACHING PARTS

FIGURE 4-28. RADIATOR ASSEMBLY, 74HP



ART_1001197475-D

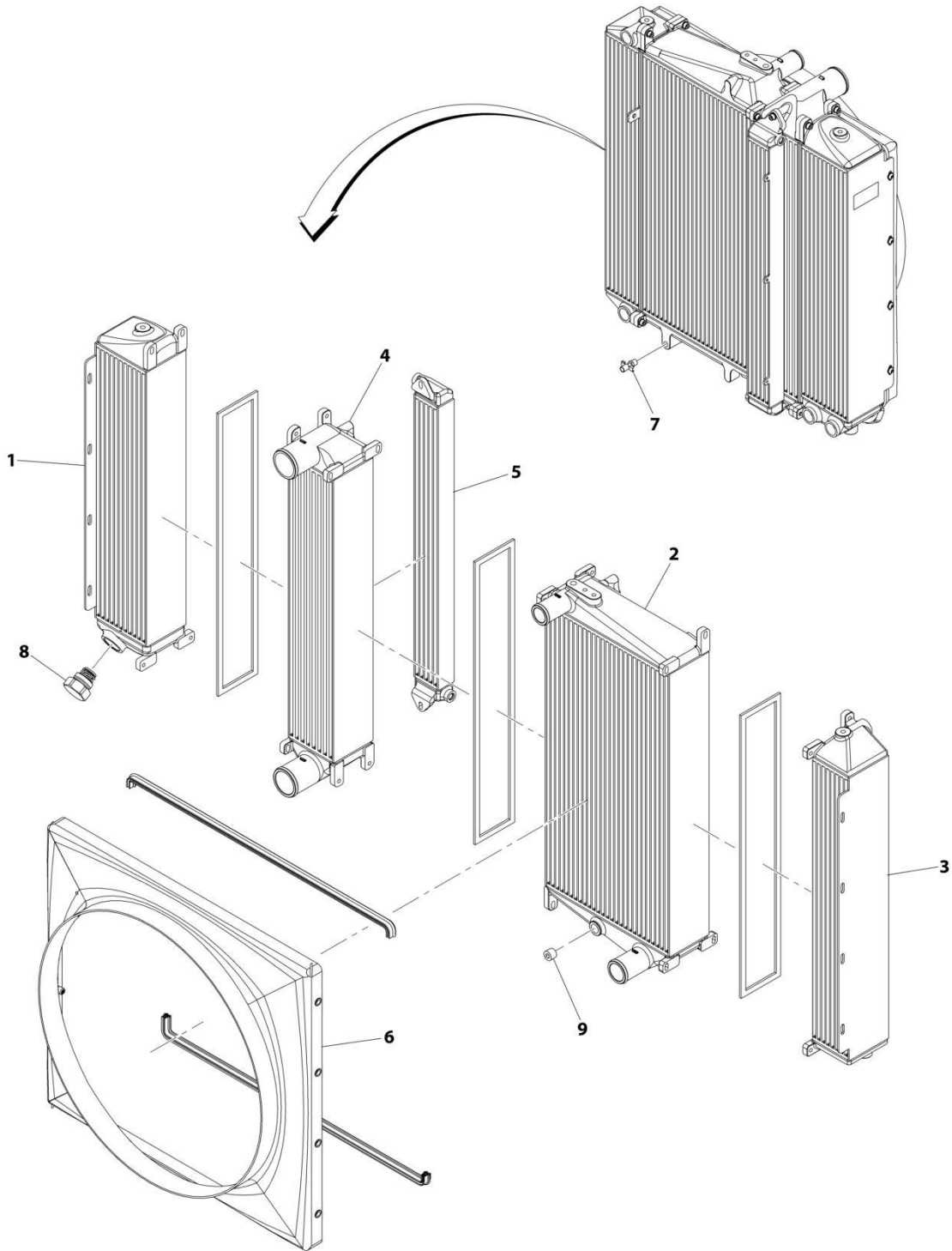
SECTION 4 - ENGINE AND ATTACHING PARTS

FIGURE 4-28. RADIATOR ASSEMBLY, 74HP

ITEM	PART NUMBER	QTY	DESCRIPTION	REV
	1001197475	Ref	Radiator Assembly (74HP)	D
1	70026075	1	Transmission Oil Cooler	
2	70026076	1	Radiator	
3	70026077	1	Hydraulic Oil Cooler	
4	70026078	1	Charge Air Cooler	
5	70026079	1	Fuel Cooler	
6	70027094	1	Fan Shroud	
7	70026081	1	Petcock	
8	70026082	1	Valve, Bypass	
9	70026083	1	Plug, Hex	

SECTION 4 - ENGINE AND ATTACHING PARTS

FIGURE 4-29. RADIATOR ASSEMBLY, 85HP



ART_1001168478

SECTION 4 - ENGINE AND ATTACHING PARTS

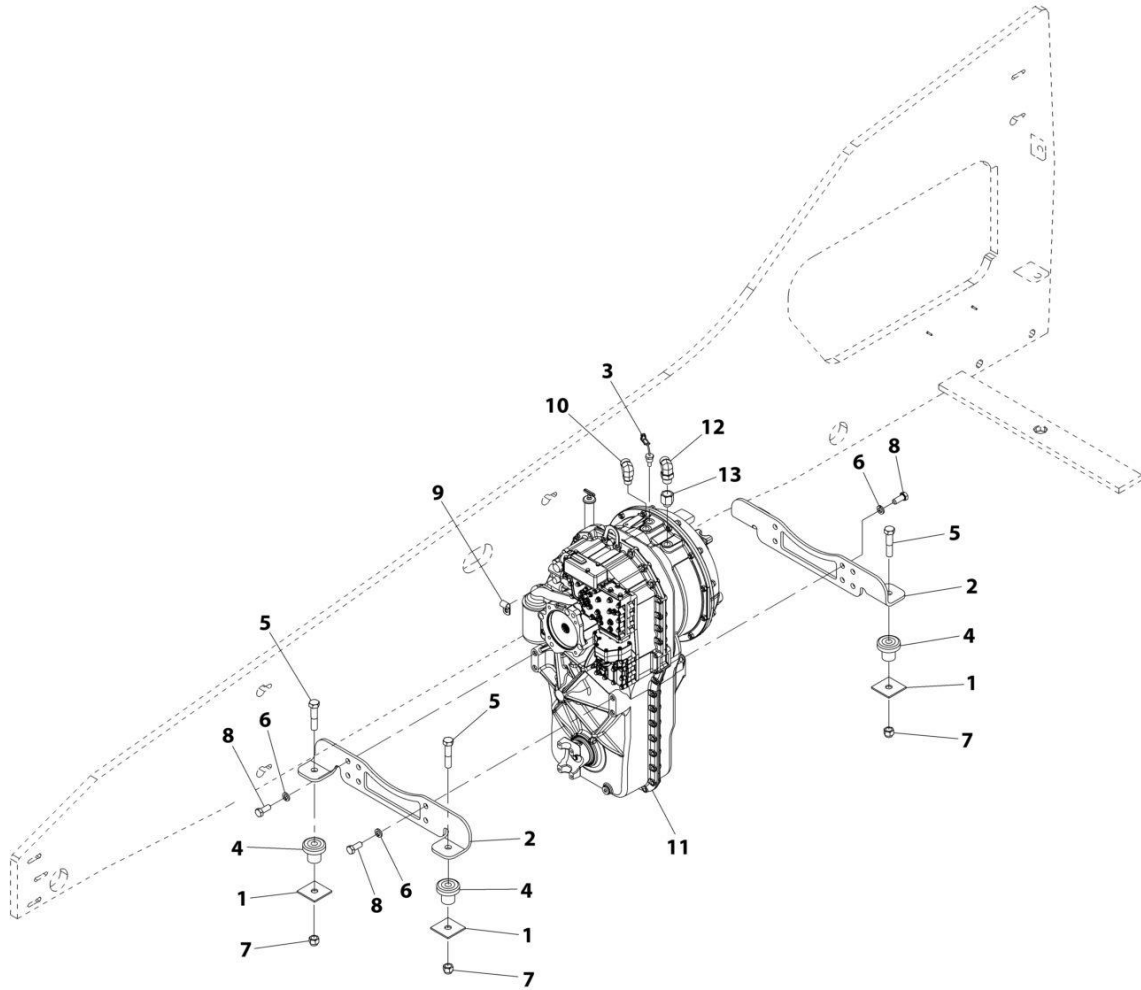
FIGURE 4-29. RADIATOR ASSEMBLY, 85HP

ITEM	PART NUMBER	QTY	DESCRIPTION	REV
	1001168478	Ref	Radiator Assembly	F
1	70026075	1	Transmission Oil Cooler	
2	70026076	1	Radiator	
3	70026077	1	Hydraulic Oil Cooler	
4	70026078	1	Charge Air Cooler	
5	70026079	1	Fuel Cooler	
6	70026080	1	Shroud, Fan	
7	70026081	1	Petcock	
8	70026082	1	Valve, Bypass	
9	70026083	1	Plug, Hex	

SECTION 5 - DRIVE TRAIN

SECTION 5 - DRIVE TRAIN

FIGURE 5-1. TRANSMISSION INSTALLATION



ART_1001108524-B

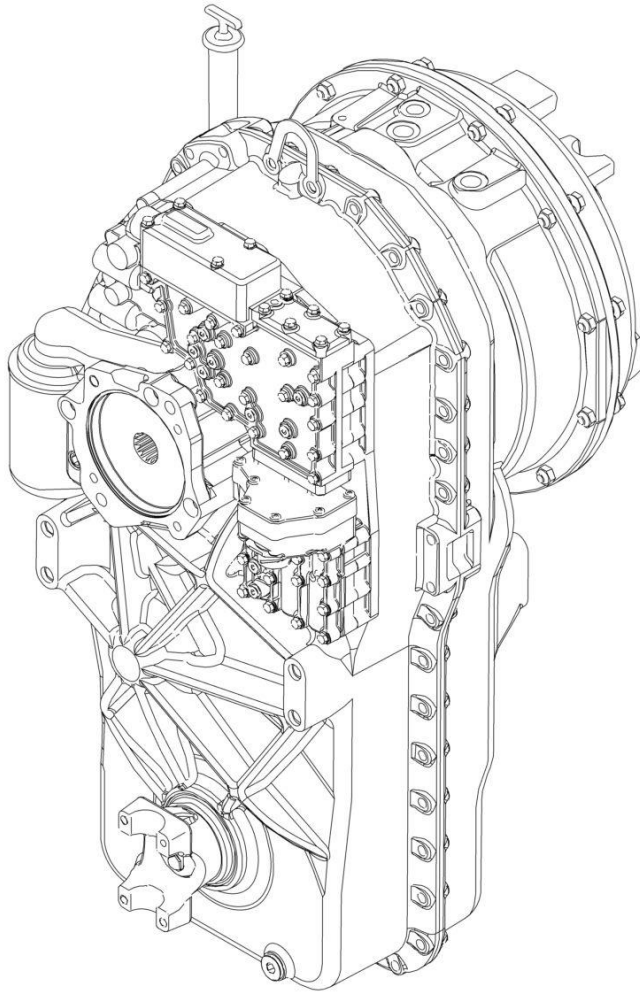
SECTION 5 - DRIVE TRAIN

FIGURE 5-1. TRANSMISSION INSTALLATION

ITEM	PART NUMBER	QTY	DESCRIPTION	REV
	1001108524	Ref	Transmission Installation	B
1	7054351	4	Washer, Rebound	
2	7138634	2	Bracket, Transmission Mount	
3	8223232	1	Switch, Transmission Temperature	
4	91403097	4	Mount, Rubber	
5	8303724	4	Bolt, 3/4-10X3-1/2	
6	8307049	8	Washer, Lock M16	
7	8310067	4	Nut, Lock 3/4-10	
8	8310215	8	Bolt, M16X40	
9	8406105	1	Clip, Tube	
10	2131210	1	Adapter, 90	
11	8841036	1	Transmission, 4-Speed (See Separate Breakdown in this Section)	
12	2131212	1	Adapter, 90	
13	8760548	1	Adapter, Straight	

SECTION 5 - DRIVE TRAIN

FIGURE 5-2. TRANSMISSION ASSEMBLY



ART_8841036_1-C

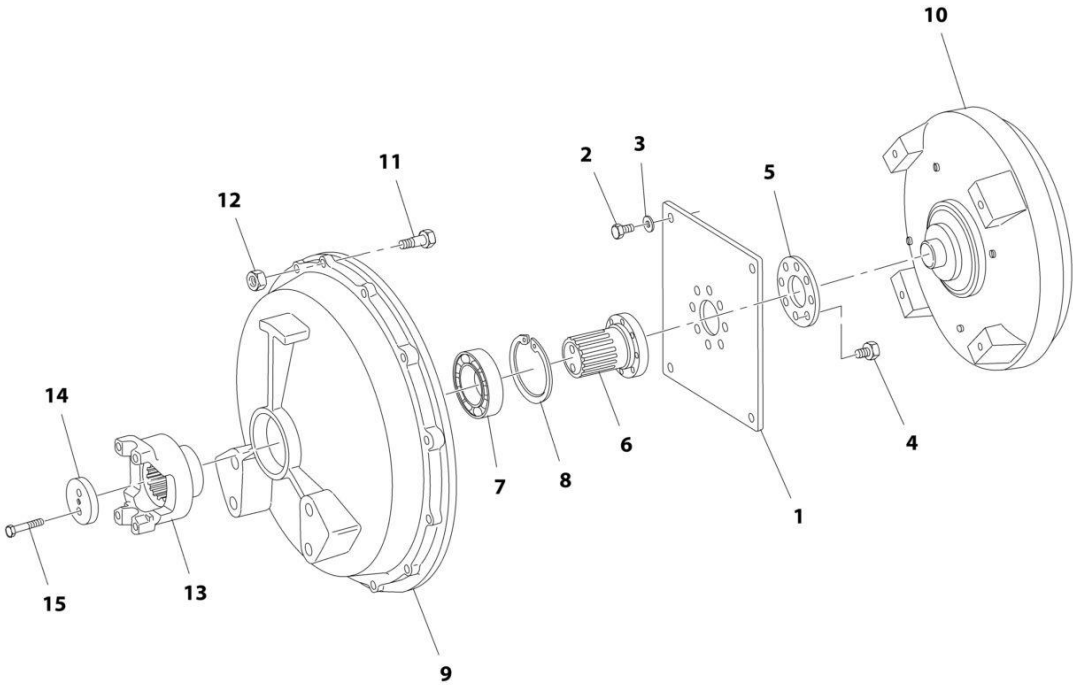
SECTION 5 - DRIVE TRAIN

FIGURE 5-2. TRANSMISSION ASSEMBLY

ITEM	PART NUMBER	QTY	DESCRIPTION	REV
	8841036	Ref	TRANSMISSION ASSEMBLY	C
		Ref	Transmission - Engine Connection and Converter (See Separate Breakdown in this Section)	
		Ref	Transmission - Input Shafts (See Separate Breakdown in this Section)	
		Ref	Transmission - Gearbox Housing (See Separate Breakdown in this Section)	
		Ref	Transmission - Coupling Group 1 (See Separate Breakdown in this Section)	
		Ref	Transmission - Coupling Group 2 (See Separate Breakdown in this Section)	
		Ref	Transmission - Coupling Group 3 (See Separate Breakdown in this Section)	
		Ref	Transmission - Coupling Group 4 (See Separate Breakdown in this Section)	
		Ref	Transmission - Reversing Gear Group 1 (See Separate Breakdown in this Section)	
		Ref	Transmission - Reversing Gear Group 2 (See Separate Breakdown in this Section)	
		Ref	Transmission - Output (See Separate Breakdown in this Section)	
		Ref	Transmission - Control Unit (See Separate Breakdown in this Section)	
		Ref	Transmission - Valve Housing Assembly (See Separate Breakdown in this Section)	
		Ref	Transmission - Valve Block Assembly (See Separate Breakdown in this Section)	
		Ref	Transmission - Oil Pump and Filter (See Separate Breakdown in this Section)	

SECTION 5 - DRIVE TRAIN

FIGURE 5-3. TRANSMISSION, ENGINE CONNECTION AND CONVERTER



ART_8841036_2-C

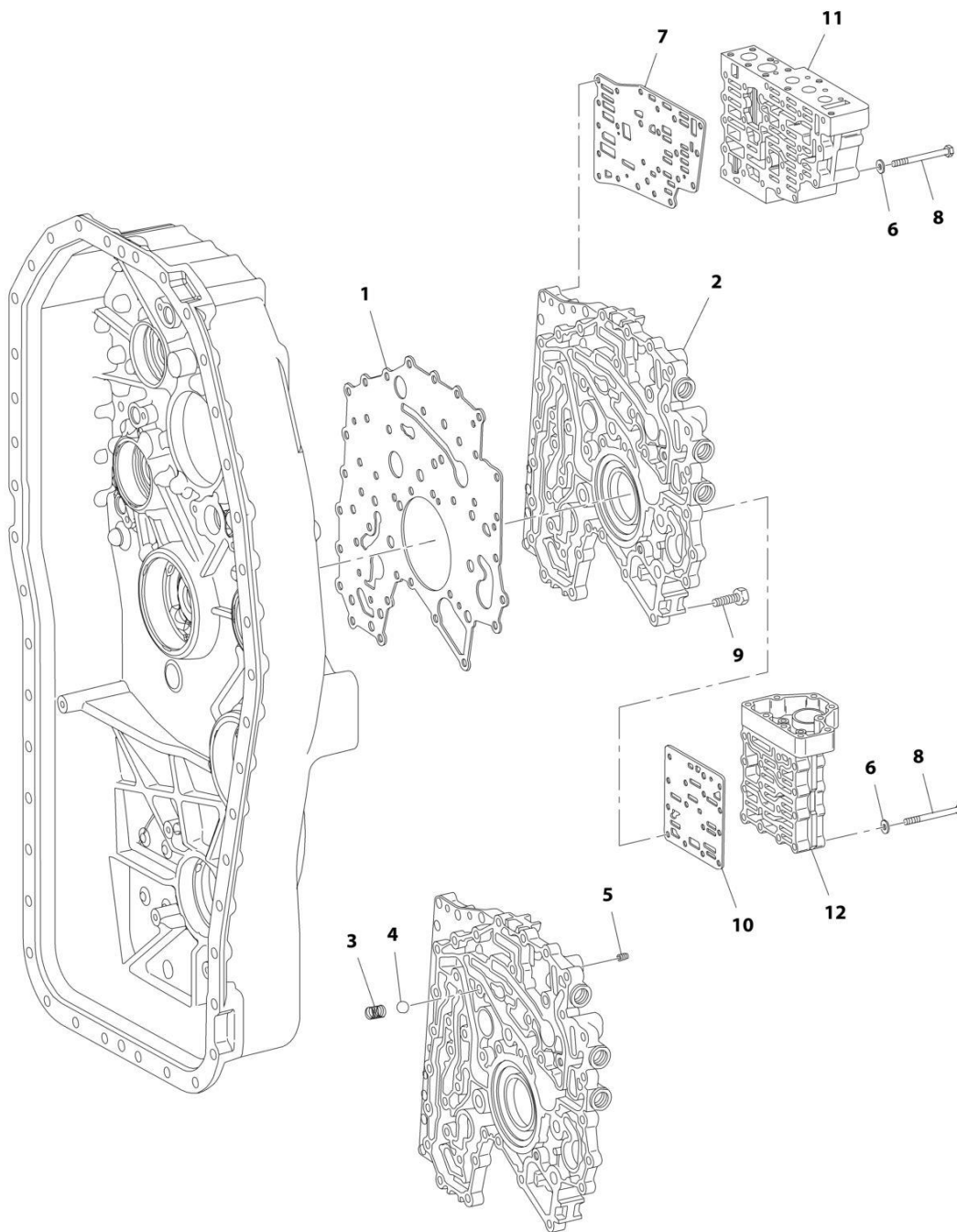
SECTION 5 - DRIVE TRAIN

FIGURE 5-3. TRANSMISSION, ENGINE CONNECTION AND CONVERTER

ITEM	PART NUMBER	QTY	DESCRIPTION	REV
	8841036	Ref	TRANSMISSION - ENGINE CONNECTION AND CONVERTER	
1	1319203	1	Diaphragm	
2	1319204	4	Bolt, M10X18	
3	10732095	4	Washer	
4	10731702	8	Bolt, M10X16	
5	1319213	1	Washer	
6	70023482	1	Shaft, Input	
7	1319209	1	Bearing, Ball	
8	1319210	1	Ring, Retaining	
9	8036021	1	Cover	
10	8036022	1	Converter	
11	10731748	12	Bolt, M10X45	
12	10731751	12	Nut, M10	
13	1319211	1	Yoke, End	
14	1319205	1	Washer	
15	70023483	2	Bolt	

SECTION 5 - DRIVE TRAIN

FIGURE 5-4. TRANSMISSION, CONTROL UNIT



ART_8841036_12-C

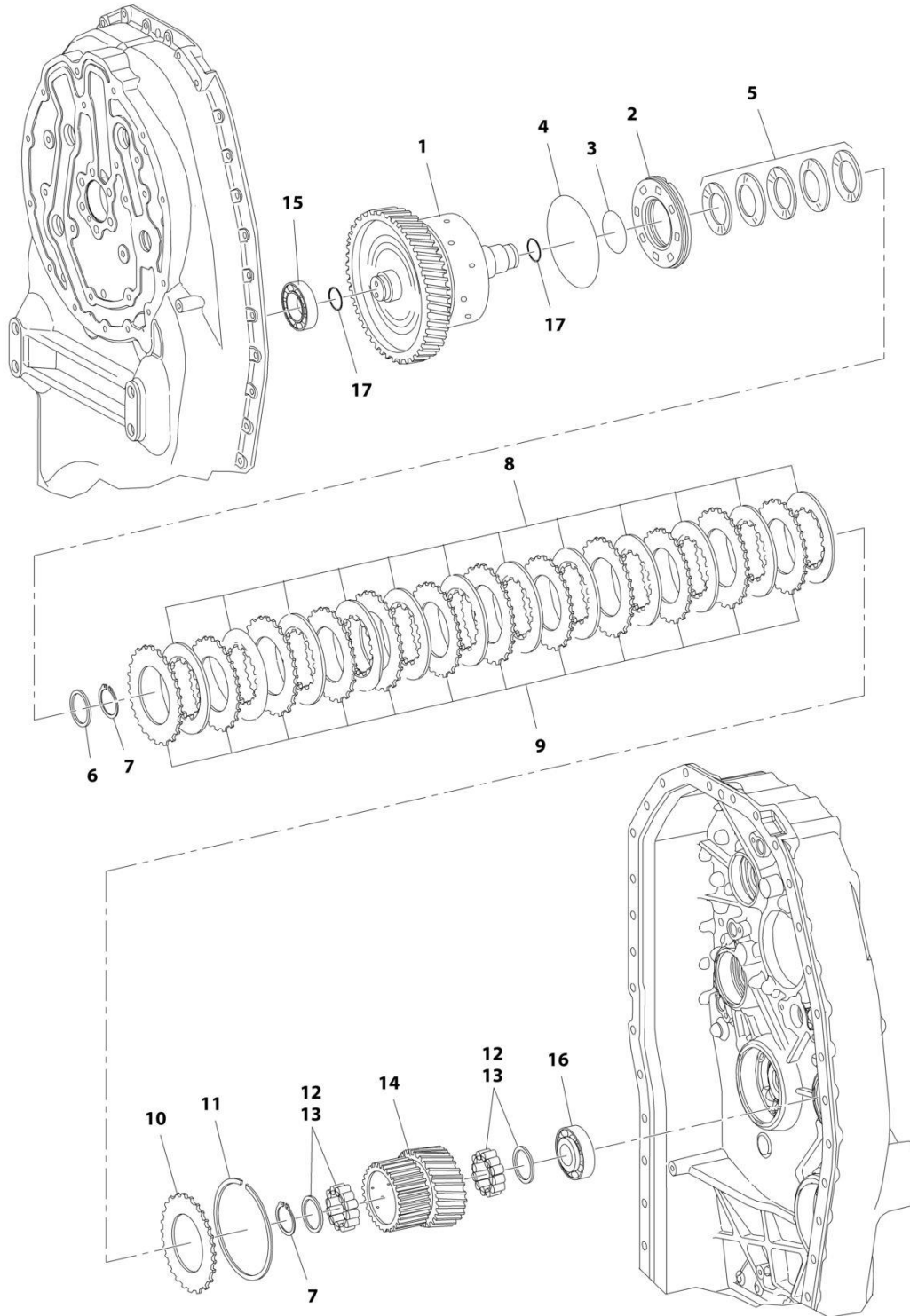
SECTION 5 - DRIVE TRAIN

FIGURE 5-4. TRANSMISSION, CONTROL UNIT

ITEM	PART NUMBER	QTY	DESCRIPTION	REV
	8841036	Ref	TRANSMISSION - CONTROL UNIT	
1	1319650	1	Gasket	
2	8036033	1	Plate, Duct	
3	10732072	1	Spring, Compression	
4	10732071	1	Ball	
5	1319652	1	Orifice	
6	1319661	19	Washer, 6.4	
7	70020425	1	Plate, Intermediate	
8	7029037	19	Bolt, M6X60	
9	1319659	43	Screw, Torx M8X30	
10	70020426	1	Plate, Intermediate	
11		Ref	Housing, Valve (See Separate Breakdown in this Section)	
12		Ref	Block, Valve (See Separate Breakdown in this Section)	

SECTION 5 - DRIVE TRAIN

FIGURE 5-5. TRANSMISSION, COUPLING GROUP 1



ART_8841036_5-C

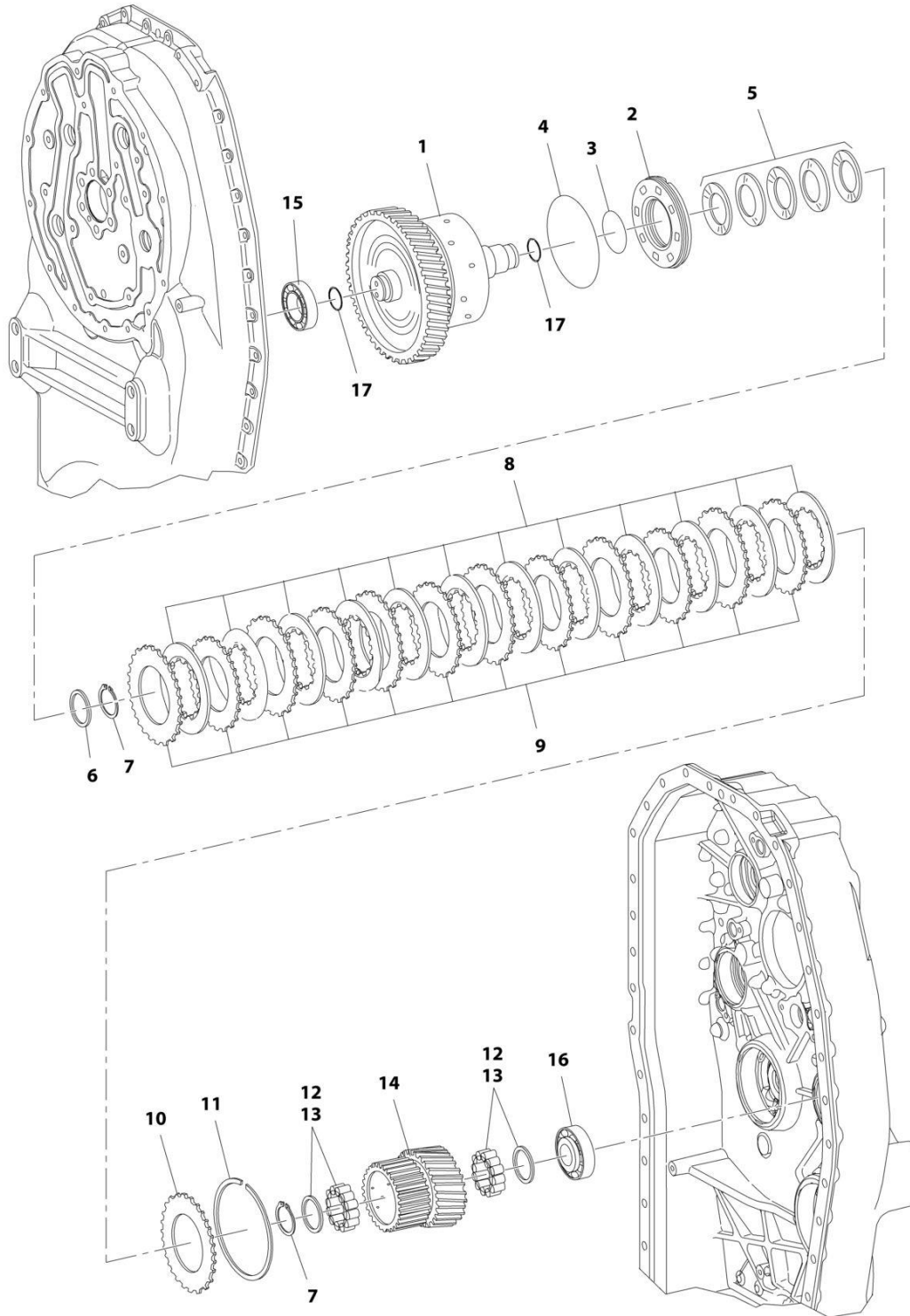
SECTION 5 - DRIVE TRAIN

FIGURE 5-5. TRANSMISSION, COUPLING GROUP 1

ITEM	PART NUMBER	QTY	DESCRIPTION	REV
	8841036	Ref	TRANSMISSION - COUPLING GROUP 1	
1	1319591	1	Coupling	
2	1319592	1	Piston	
3	1319593	1	O-Ring, 52X3	
4	1319594	1	O-Ring, 115X3	
5	1319595	5	Spring, Cup	
6	1319596	1	Shim	
7	10731845	2	Ring, Retaining	
8	7026758	12	Disc, Inner Clutch	
9	7026759	12	Disc, Outer Clutch	
10	7026760	1	Shim, End	
11	1319600	1	Ring, Snap 4	
11	1319601	1	Ring, Snap 3-1/2	
11	1319602	1	Ring, Snap 3	
11	1319603	1	Ring, Snap 2-1/2	
11	1319604	1	Ring, Snap 2	
12	1319605	2	Cage, Roller	
13	1319606	2	Cage, Roller	
14	1319607	1	Carrier, Disc	
15	1319608	1	Bearing, Roller	
16	1319609	1	Bearing, Roller	
16	1319610	1	Bearing, Roller	
16	1319611	1	Bearing, Roller	
17	1319612	2	Ring, Piston 30X2	

SECTION 5 - DRIVE TRAIN

FIGURE 5-6. TRANSMISSION, COUPLING GROUP 2



ART_8841036_6-C

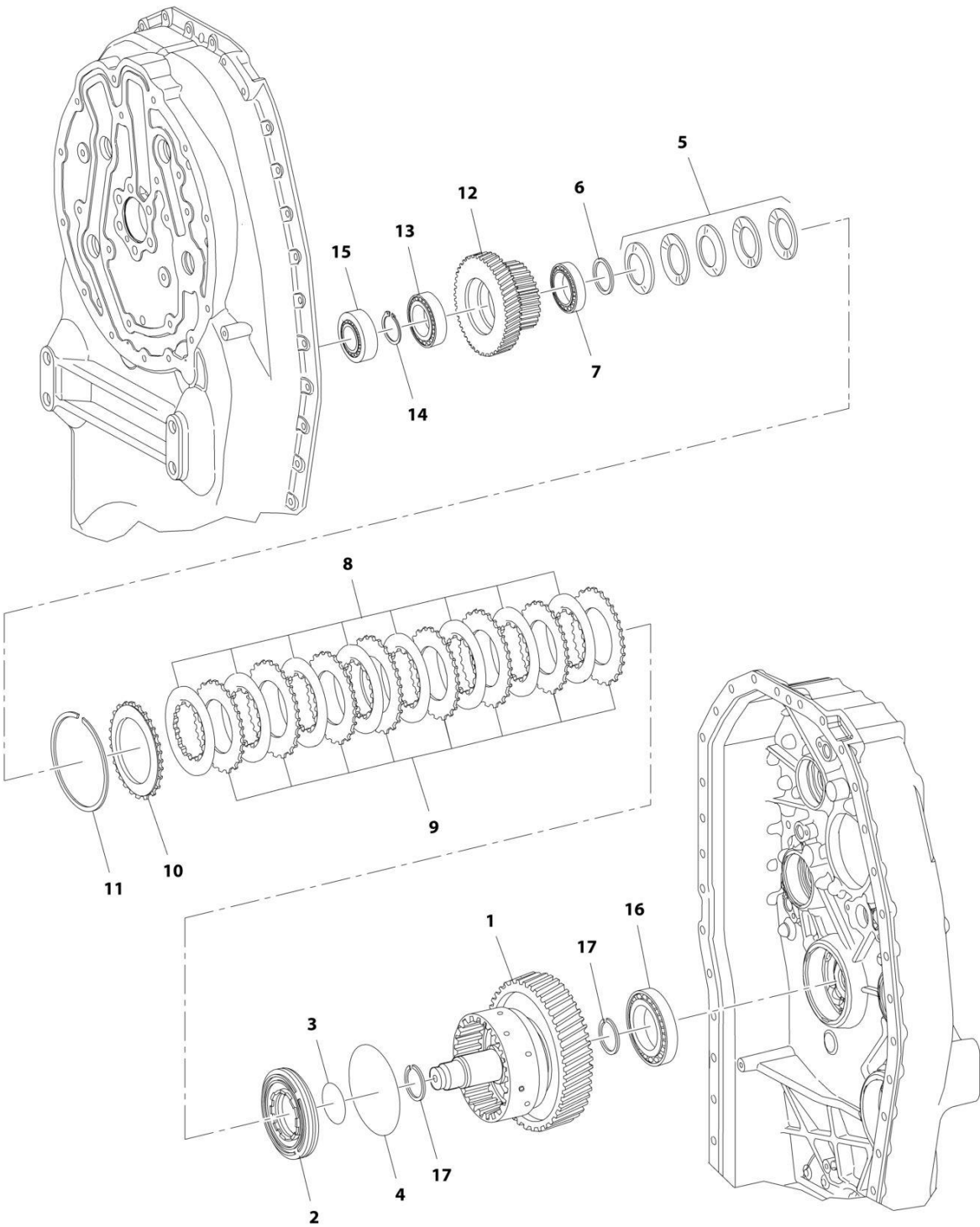
SECTION 5 - DRIVE TRAIN

FIGURE 5-6. TRANSMISSION, COUPLING GROUP 2

ITEM	PART NUMBER	QTY	DESCRIPTION	REV
	8841036	Ref	TRANSMISSION - COUPLING GROUP 2	
1	1319613	1	Coupling	
2	8036029	1	Piston	
3	1319593	1	O-Ring, 52X3	
4	1319594	1	O-Ring, 115X3	
5	1319595	5	Spring, Cup	
6	1319596	1	Shim	
7	10731845	2	Ring, Retaining	
8	7026758	8	Disc, Inner Clutch	
9	7026759	8	Disc, Outer Clutch	
10	7026760	1	Shim, End	
11	1319600	1	Ring, Snap 4	
11	1319601	1	Ring, Snap 3-1/2	
11	1319602	1	Ring, Snap 3	
11	1319603	1	Ring, Snap 2-1/2	
11	1319604	1	Ring, Snap 2	
12	1319605	2	Cage, Roller	
13	1319606	2	Cage, Roller	
14	1319614	1	Carrier, Disc	
15	1319615	1	Bearing, Roller	
16	8036190	1	Assembly, Roller Bearing	
16	7029532	1	Ring, Outer	
16	7029533	1	Ring, Inner	
17	1319612	2	Ring, Piston 30X2	

SECTION 5 - DRIVE TRAIN

FIGURE 5-7. TRANSMISSION, COUPLING GROUP 3



ART_8841036_7-C

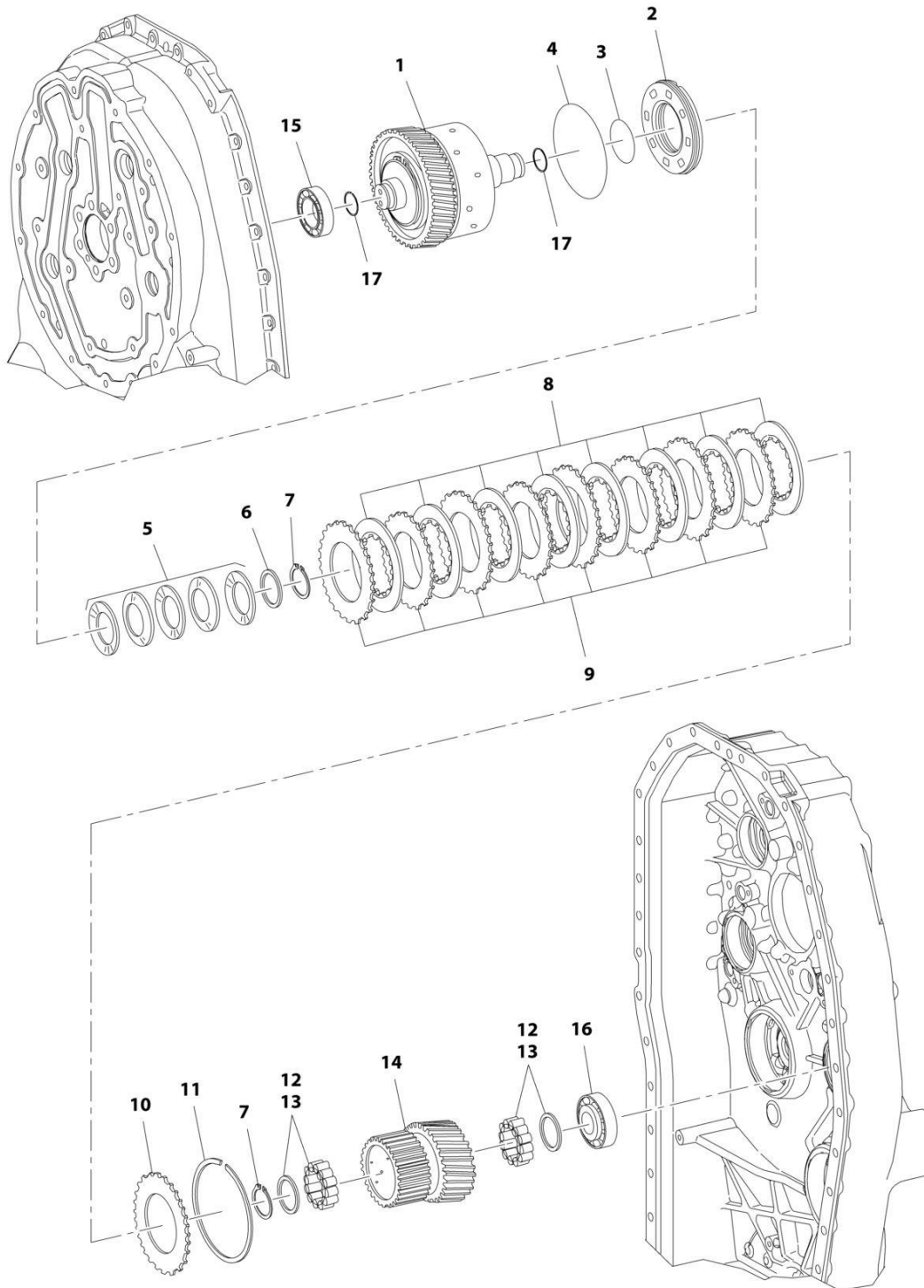
SECTION 5 - DRIVE TRAIN

FIGURE 5-7. TRANSMISSION, COUPLING GROUP 3

ITEM	PART NUMBER	QTY	DESCRIPTION	REV
	8841036	Ref	TRANSMISSION - COUPLING GROUP 3	
1	1319616	1	Coupling	
2	8036029	1	Piston	
3	1319593	1	O-Ring, 52X3	
4	1319594	1	O-Ring, 115X3	
5	1319595	5	Spring, Cup	
6	1319617	1	Shim, Support	
7	1319618	1	Bearing, Roller	
8	7026758	8	Disc, Inner Clutch	
9	7026759	8	Disc, Outer Clutch	
10	7026760	1	Shim, End	
11	1319600	1	Ring, Snap 4	
11	1319601	1	Ring, Snap 3-1/2	
11	1319602	1	Ring, Snap 3	
11	1319603	1	Ring, Snap 2-1/2	
11	1319604	1	Ring, Snap 2	
12	1319619	1	Carrier, Disc	
13	1319620	1	Bearing, Roller	
14	1319621	1	Ring, Retaining 3.2	
14	1319622	1	Ring, Retaining 3.1	
14	1319623	1	Ring, Retaining 3	
14	1319624	1	Ring, Retaining 2.9	
14	1319625	1	Ring, Retaining 2.8	
14	1319626	1	Ring, Retaining 2.7	
14	1319627	1	Ring, Retaining 2.6	
14	1319628	1	Ring, Retaining 2.5	
14	1319629	1	Ring, Retaining 2.4	
14	1319630	1	Ring, Retaining 2.3	
14	1319631	1	Ring, Retaining 2.2	
14	1319632	1	Ring, Retaining 2.1	
15	8036190	1	Assembly, Roller Bearing	
15	7029532	1	Ring, Outer	
15	7029533	1	Ring, Inner	
16	1319633	1	Bearing, Roller	
17	1319612	2	Ring, Piston 30X2	

SECTION 5 - DRIVE TRAIN

FIGURE 5-8. TRANSMISSION, COUPLING GROUP 4



ART_8841036_8-C

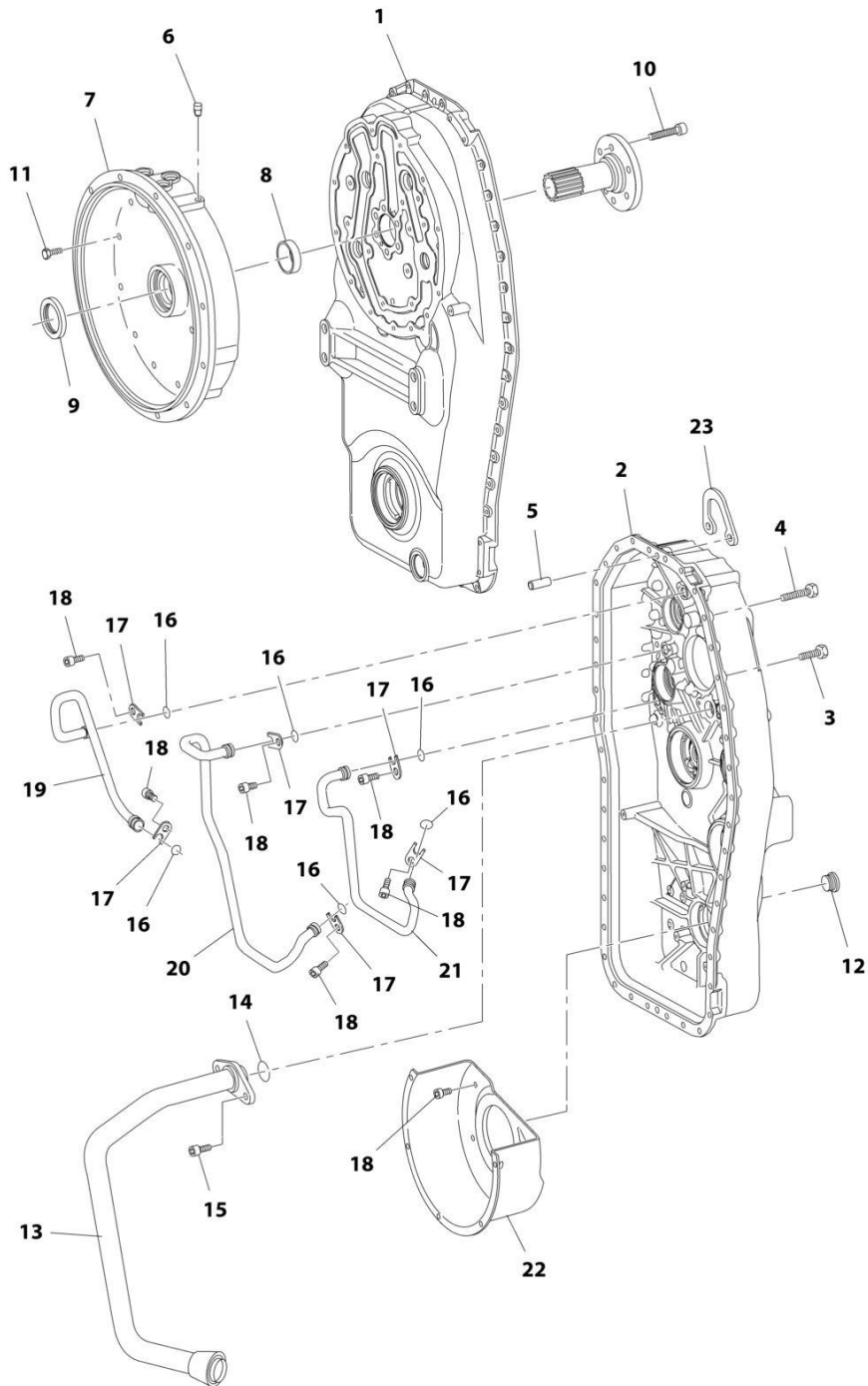
SECTION 5 - DRIVE TRAIN

FIGURE 5-8. TRANSMISSION, COUPLING GROUP 4

ITEM	PART NUMBER	QTY	DESCRIPTION	REV
	8841036	Ref	TRANSMISSION - COUPLING GROUP 4	
1	1319634	1	Coupling	
2	8036029	1	Piston	
3	1319593	1	O-Ring, 52X3	
4	1319594	1	O-Ring, 115X3	
5	1319595	5	Spring, Cup	
6	1319596	1	Shim	
7	10731845	2	Ring, Retaining	
8	7026758	8	Disc, Inner Clutch	
9	7026759	8	Disc, Outer Clutch	
10	7026760	1	Shim, End	
11	1319600	1	Ring, Snap 4	
11	1319601	1	Ring, Snap 3-1/2	
11	1319602	1	Ring, Snap 3	
11	1319603	1	Ring, Snap 2-1/2	
11	1319604	1	Ring, Snap 2	
12	1319605	2	Cage, Roller	
13	1319606	2	Cage, Roller	
14	1319635	1	Carrier, Disc	
15	1319615	1	Bearing, Roller	
16	1319636	1	Bearing, Roller	
17	1319612	2	Ring, Piston 30X2	

SECTION 5 - DRIVE TRAIN

FIGURE 5-9. TRANSMISSION, GEARBOX HOUSING



ART_8841036_4-C

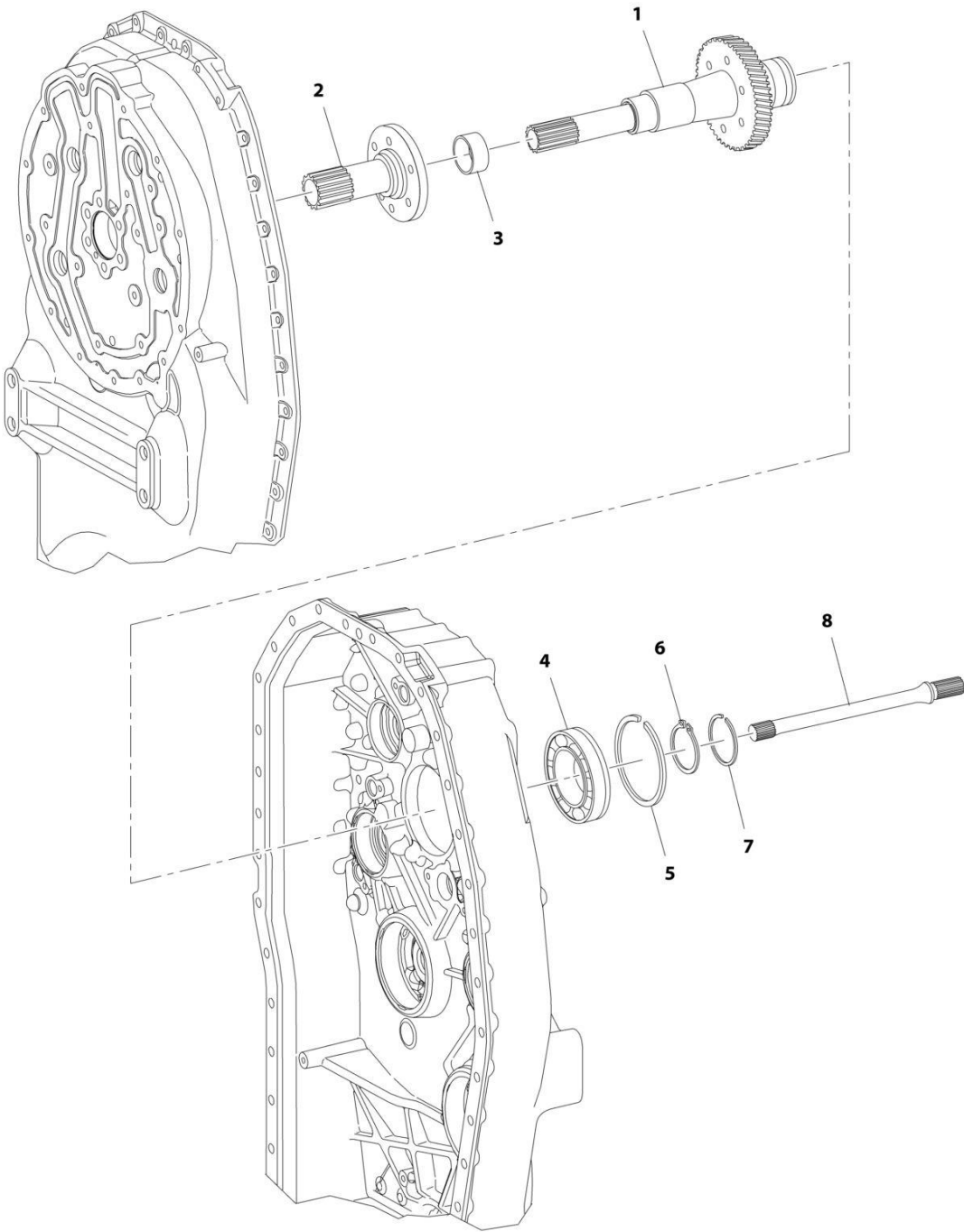
SECTION 5 - DRIVE TRAIN

FIGURE 5-9. TRANSMISSION, GEARBOX HOUSING

ITEM	PART NUMBER	QTY	DESCRIPTION	REV
	8841036	Ref	TRANSMISSION - GEARBOX HOUSING	
1	8036024	1	Housing I	
2	8036025	1	Housing II	
3	1319569	36	Bolt, M10X30	
4	1319570	6	Bolt, M10X50	
5	1319571	2	Pin, Cylindrical M6X24	
6	10731744	1	Breather	
7	1319574	1	Bell, Converter	
8	1319575	1	Bushing, Bearing	
9	1319576	1	Seal, Shaft	
10	1319577	6	Screw, M10X50	
11	1319569	23	Bolt, M10X30	
12	70023404	1	Plug, Screw	
13	8036026	1	Pipe, Oil Suction	
14	70023885	1	O-Ring	
15	1319582	2	Screw, M8X20	
16	1319583	6	O-Ring	
17	1319584	6	Plate, Fixing	
18	1319585	11	Screw, M8X16	
19	1319586	1	Pipe	
20	1319587	1	Pipe	
21	8036027	1	Pipe	
22	8036028	1	Sheet, Screen	
23	1319590	1	Bracket	

SECTION 5 - DRIVE TRAIN

FIGURE 5-10. TRANSMISSION, INPUT SHAFTS



ART_8841036_3-C

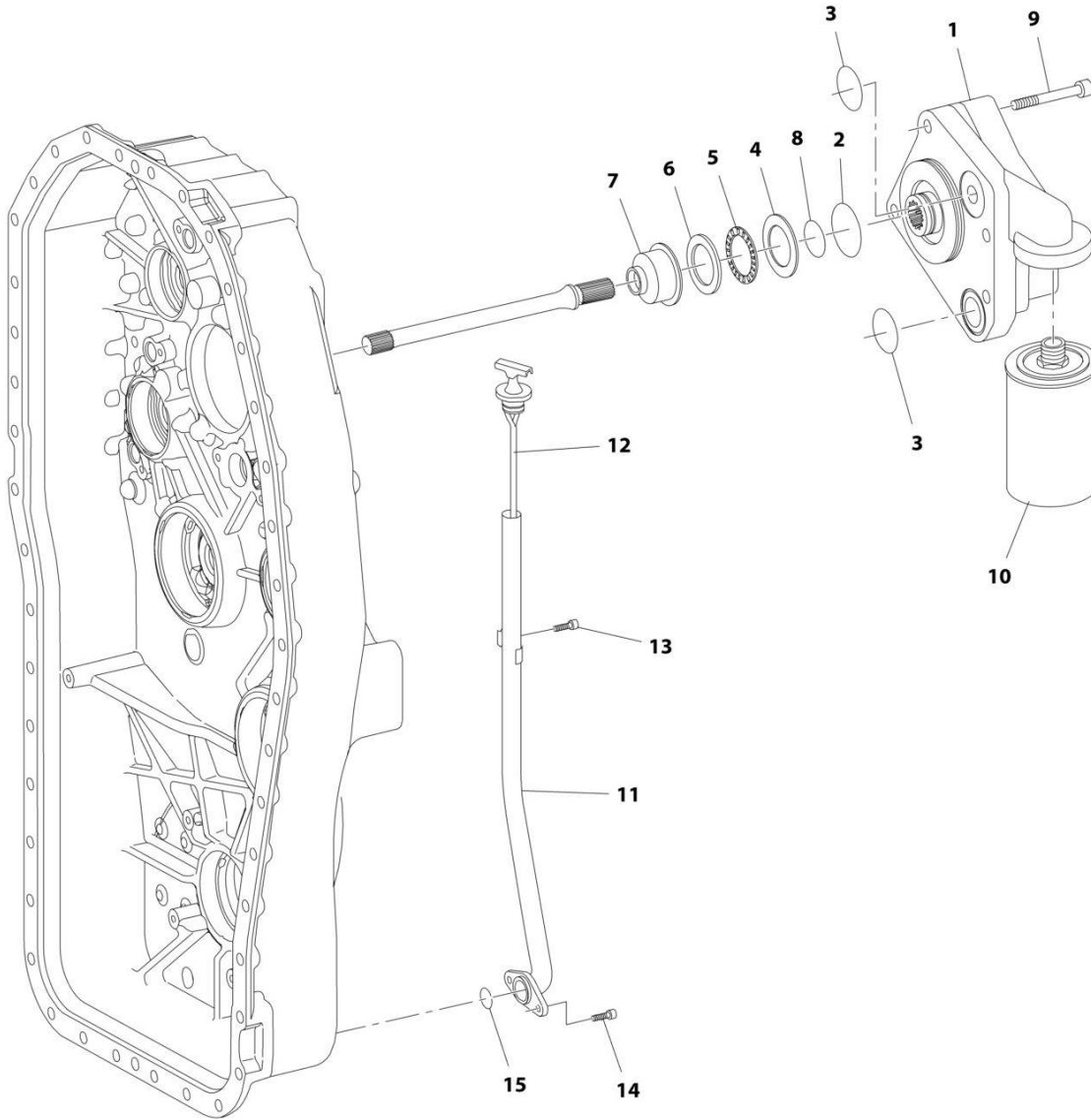
SECTION 5 - DRIVE TRAIN

FIGURE 5-10. TRANSMISSION, INPUT SHAFTS

ITEM	PART NUMBER	QTY	DESCRIPTION	REV
	8841036	Ref	TRANSMISSION - INPUT SHAFTS	
1	8036023	1	Shaft, Turbine	
2	1319557	1	Shaft, Stator	
3	1319558	1	Bushing, Bearing	
4	1319563	1	Bearing, Ball	
5	10731913	1	Ring, Snap	
6	80304405	1	Ring, Retaining	
7	1319565	1	Ring, Piston	
8	1319566	1	Shaft, Central	

SECTION 5 - DRIVE TRAIN

FIGURE 5-11. TRANSMISSION, OIL PUMP AND FILTER



ART_8841036_15-C

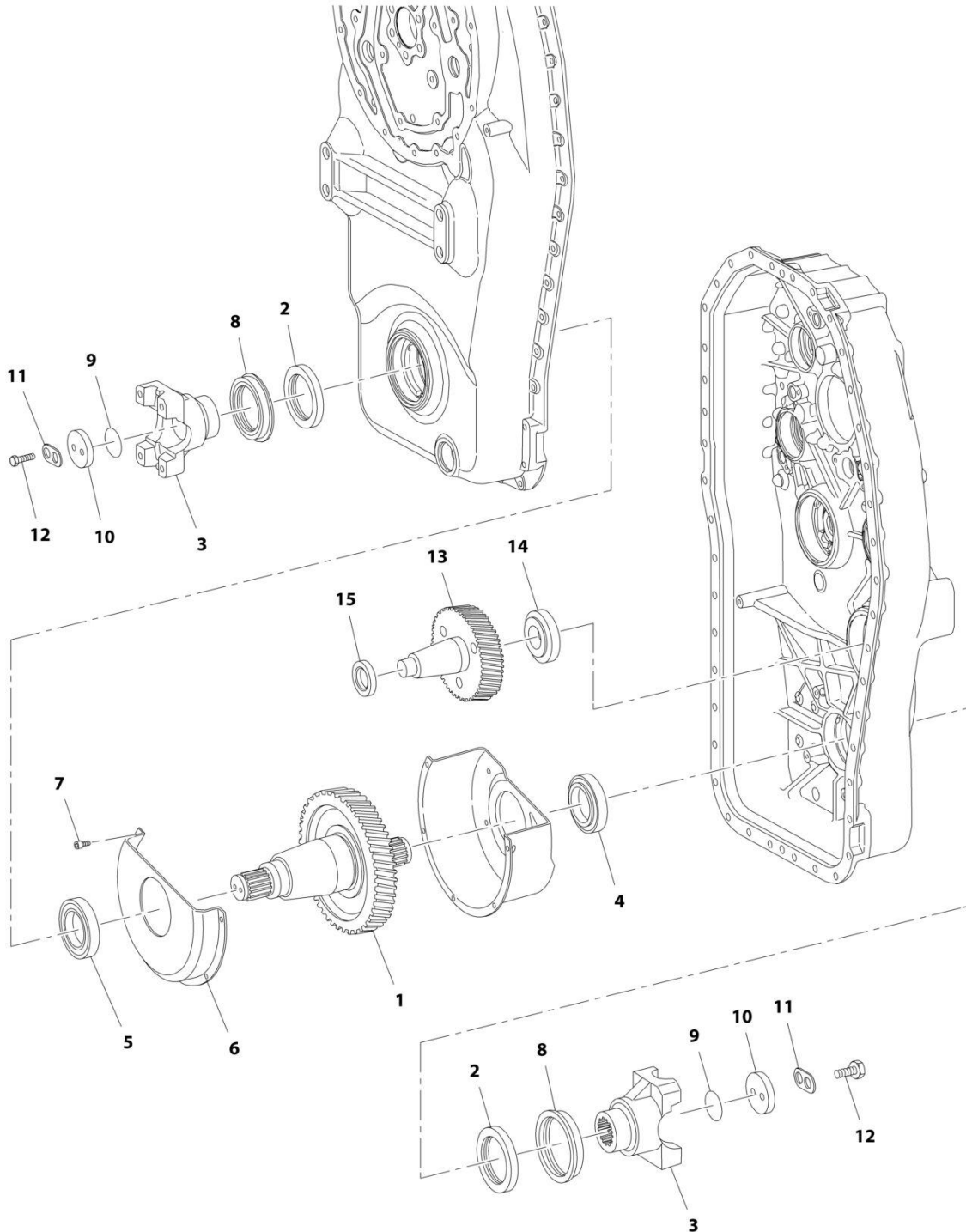
SECTION 5 - DRIVE TRAIN

FIGURE 5-11. TRANSMISSION, OIL PUMP AND FILTER

ITEM	PART NUMBER	QTY	DESCRIPTION	REV
	8841036	Ref	TRANSMISSION - OIL PUMP AND FILTER	
1	1319718	1	Pump	
1	7029417	1	O-Ring, (between pump halves), (not shown)	
2	8036250	1	O-Ring	
3	1319719	2	O-Ring	
4	1319720	1	Washer, Axial 40X60X1	
5	1319721	1	Cage, Axial Needle	
6	1319722	1	Disc, Angle	
7	1319723	1	Sleeve, Stop	
8	1319724	1	O-Ring	
9	1319725	4	Bolt, M12X115	
10	1319726	1	Filter, Transmission Oil	
11	8036041	1	Tube, Dipstick	
12	8036042	1	Dipstick	
13	1319585	1	Screw, M8X16	
14	1319582	1	Screw, M8X20	
15	70023885	1	O-Ring	

SECTION 5 - DRIVE TRAIN

FIGURE 5-12. TRANSMISSION, OUTPUT



ART_8841036_11-C

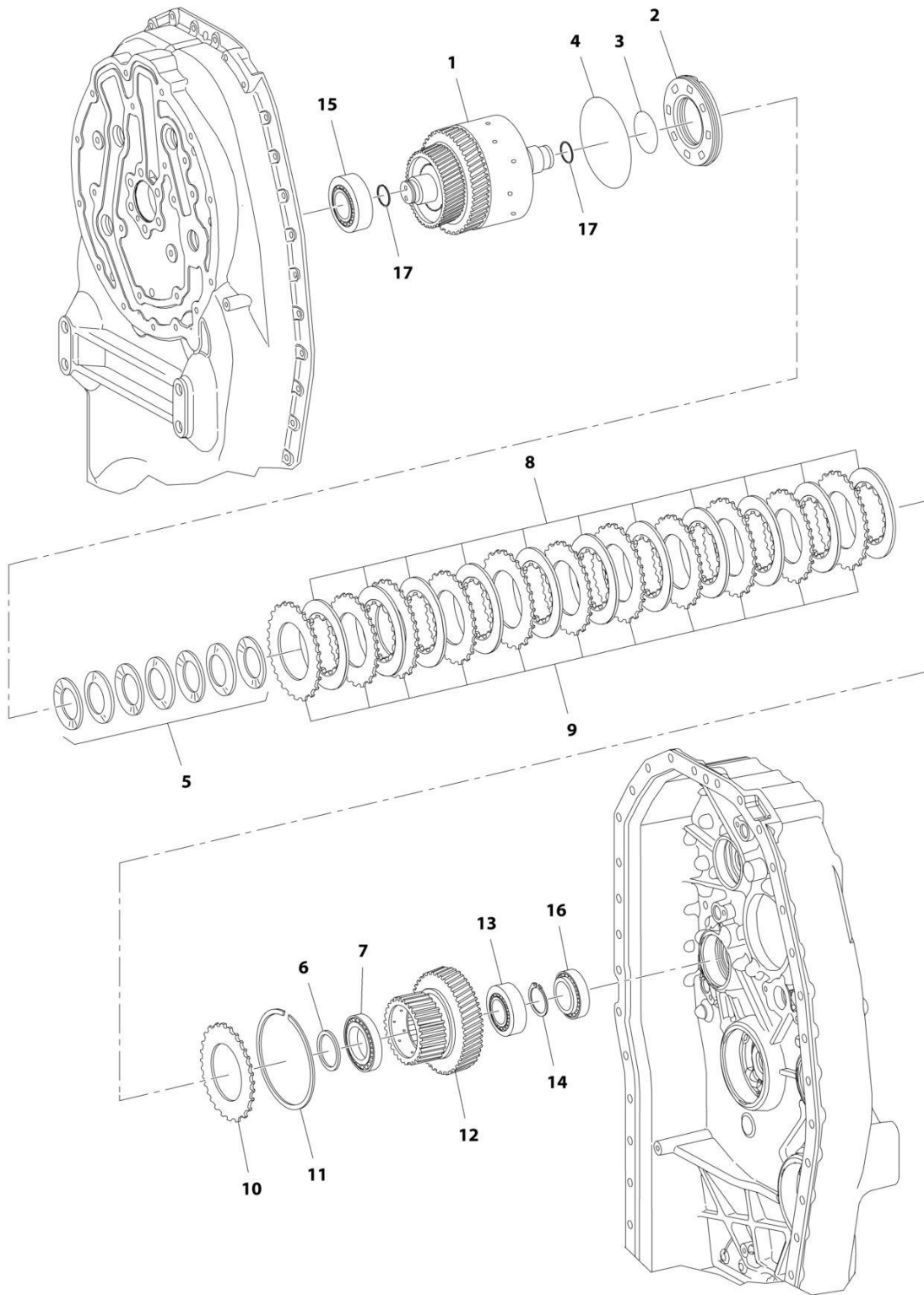
SECTION 5 - DRIVE TRAIN

FIGURE 5-12. TRANSMISSION, OUTPUT

ITEM	PART NUMBER	QTY	DESCRIPTION	REV
	8841036	Ref	TRANSMISSION - OUTPUT	
1	8036030	1	Shaft, Output	
2	1319641	2	Seal, Shaft	
3	7027273	2	Flange, Output	
4	N.S.S.	1	Assembly, Roller Bearing	
4	70020430	1	Cup, Bearing	
4	70020431	1	Cone, Bearing	
5	1319643	1	Bearing, Roller	
6	8036031	1	Sheet, Screen	
7	1319646	5	Bolt, M6X10	
8	1319647	2	Sheet, Screen	
9	10839156	2	O-Ring	
10	1319648	2	Washer, M10	
11	1319649	2	Washer, Tab	
12	10731959	4	Bolt, M8X25	
13	8036032	1	Shaft, Intermediate	
14	1319633	1	Bearing, Roller	
15	8036190	1	Assembly, Roller Bearing	
15	7029532	1	Ring, Outer	
15	7029533	1	Ring, Inner	

SECTION 5 - DRIVE TRAIN

FIGURE 5-13. TRANSMISSION, REVERSING GEAR GROUP 1



ART_8841036_9-C

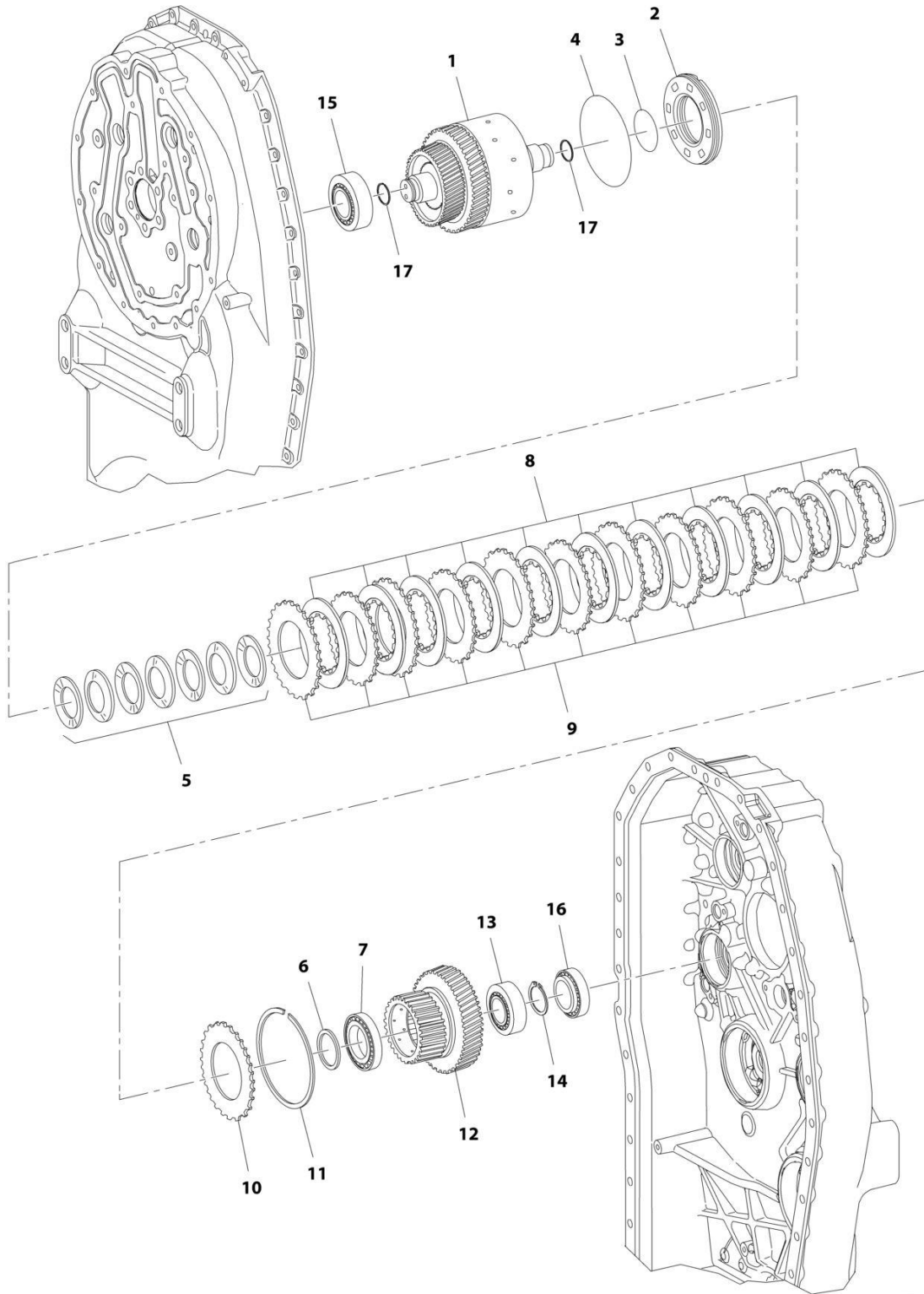
SECTION 5 - DRIVE TRAIN

FIGURE 5-13. TRANSMISSION, REVERSING GEAR GROUP 1

ITEM	PART NUMBER	QTY	DESCRIPTION	REV
	8841036	Ref	TRANSMISSION - REVERSE GEAR GROUP 1	
1	1319637	1	Coupling	
2	8036029	1	Piston	
3	1319593	1	O-Ring, 52X3	
4	1319594	1	O-Ring, 115X3	
5	1319595	7	Spring, Cup	
6	1319617	1	Shim, Support	
7	1319618	1	Bearing, Roller	
8	7026758	11	Disc, Inner Clutch	
9	7026759	11	Disc, Outer Clutch	
10	7026760	1	Shim, End	
11	1319600	1	Ring, Snap 4	
11	1319601	1	Ring, Snap 3-1/2	
11	1319602	1	Ring, Snap 3	
11	1319603	1	Ring, Snap 2-1/2	
11	1319604	1	Ring, Snap 2	
12	1319638	1	Disc, Carrier	
13	1319620	1	Bearing, Roller	
14	1319621	1	Ring, Retaining 3.2	
14	1319622	1	Ring, Retaining 3.1	
14	1319623	1	Ring, Retaining 3	
14	1319624	1	Ring, Retaining 2.9	
14	1319625	1	Ring, Retaining 2.8	
14	1319626	1	Ring, Retaining 2.7	
14	1319627	1	Ring, Retaining 2.6	
14	1319628	1	Ring, Retaining 2.5	
14	1319629	1	Ring, Retaining 2.4	
14	1319630	1	Ring, Retaining 2.3	
14	1319631	1	Ring, Retaining 2.2	
14	1319632	1	Ring, Retaining 2.1	
15	1319615	1	Bearing, Roller	
16	1319636	1	Bearing, Roller	
17	1319612	2	Ring, Piston 30X2	

SECTION 5 - DRIVE TRAIN

FIGURE 5-14. TRANSMISSION, REVERSING GEAR GROUP 2



ART_8841036_10-C

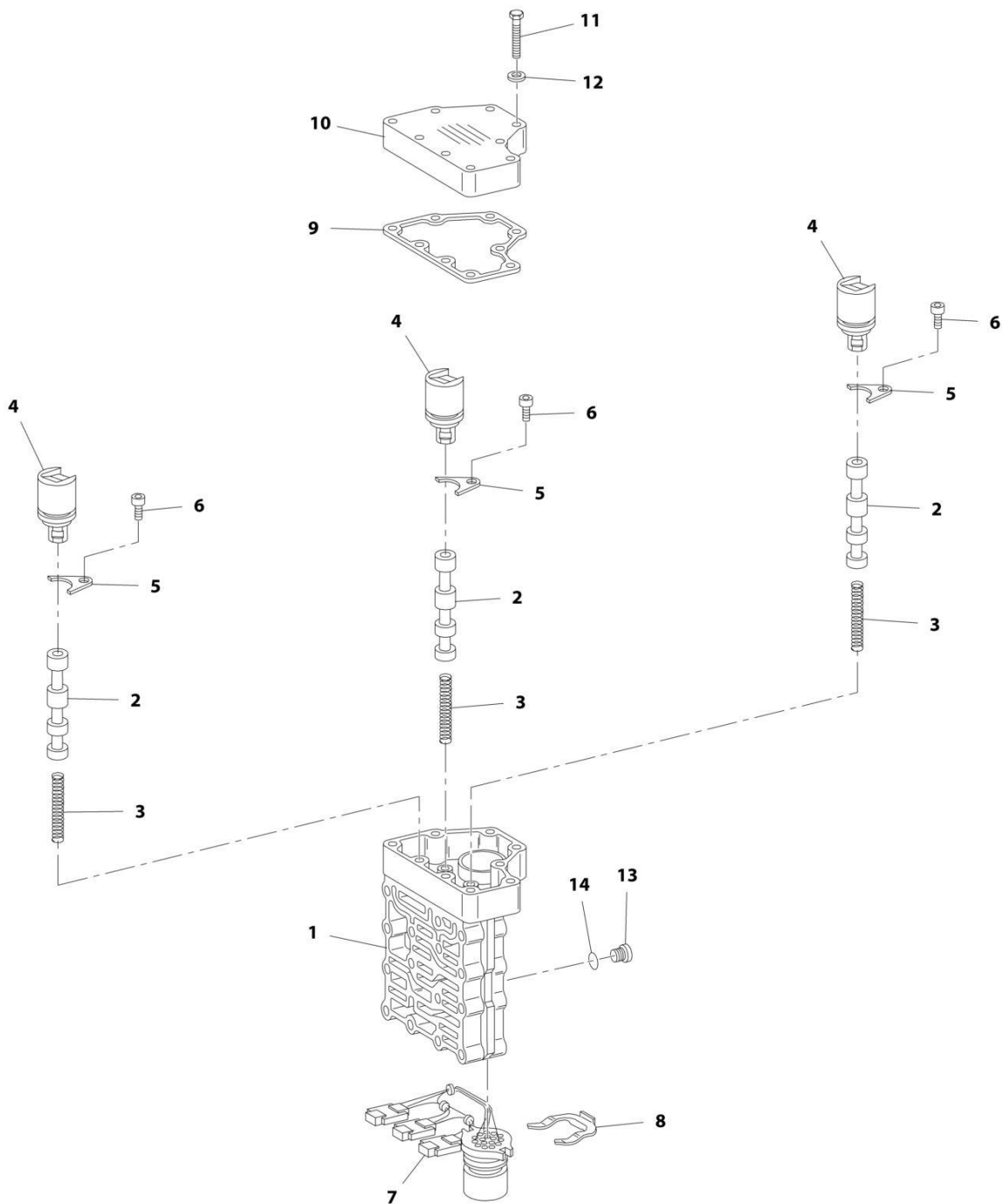
SECTION 5 - DRIVE TRAIN

FIGURE 5-14. TRANSMISSION, REVERSING GEAR GROUP 2

ITEM	PART NUMBER	QTY	DESCRIPTION	REV
	8841036	Ref	TRANSMISSION - REVERSING GEAR GROUP 2	
1	1319639	1	Coupling	
2	8036029	1	Piston	
3	1319593	1	O-Ring, 52X3	
4	1319594	1	O-Ring, 115X3	
5	1319595	7	Spring, Cup	
6	1319617	1	Shim, Support	
7	1319618	1	Bearing, Roller	
8	7026758	11	Disc, Inner Clutch	
9	7026759	11	Disc, Outer Clutch	
10	7026760	1	Shim, End	
11	1319600	1	Ring, Snap 4	
11	1319601	1	Ring, Snap 3-1/2	
11	1319602	1	Ring, Snap 3	
11	1319603	1	Ring, Snap 2-1/2	
11	1319604	1	Ring, Snap 2	
12	1319638	1	Disc, Carrier	
13	1319620	1	Bearing, Roller	
14	1319621	1	Ring, Retaining 3.2	
14	1319622	1	Ring, Retaining 3.1	
14	1319623	1	Ring, Retaining 3	
14	1319624	1	Ring, Retaining 2.9	
14	1319625	1	Ring, Retaining 2.8	
14	1319626	1	Ring, Retaining 2.7	
14	1319627	1	Ring, Retaining 2.6	
14	1319628	1	Ring, Retaining 2.5	
14	1319629	1	Ring, Retaining 2.4	
14	1319630	1	Ring, Retaining 2.3	
14	1319631	1	Ring, Retaining 2.2	
14	1319632	1	Ring, Retaining 2.1	
15	1319608	1	Bearing, Roller	
16	1319636	1	Bearing, Roller	
17	1319612	2	Ring, Piston 30X2	

SECTION 5 - DRIVE TRAIN

FIGURE 5-15. TRANSMISSION, VALVE BLOCK ASSEMBLY



ART_8841036_14-C

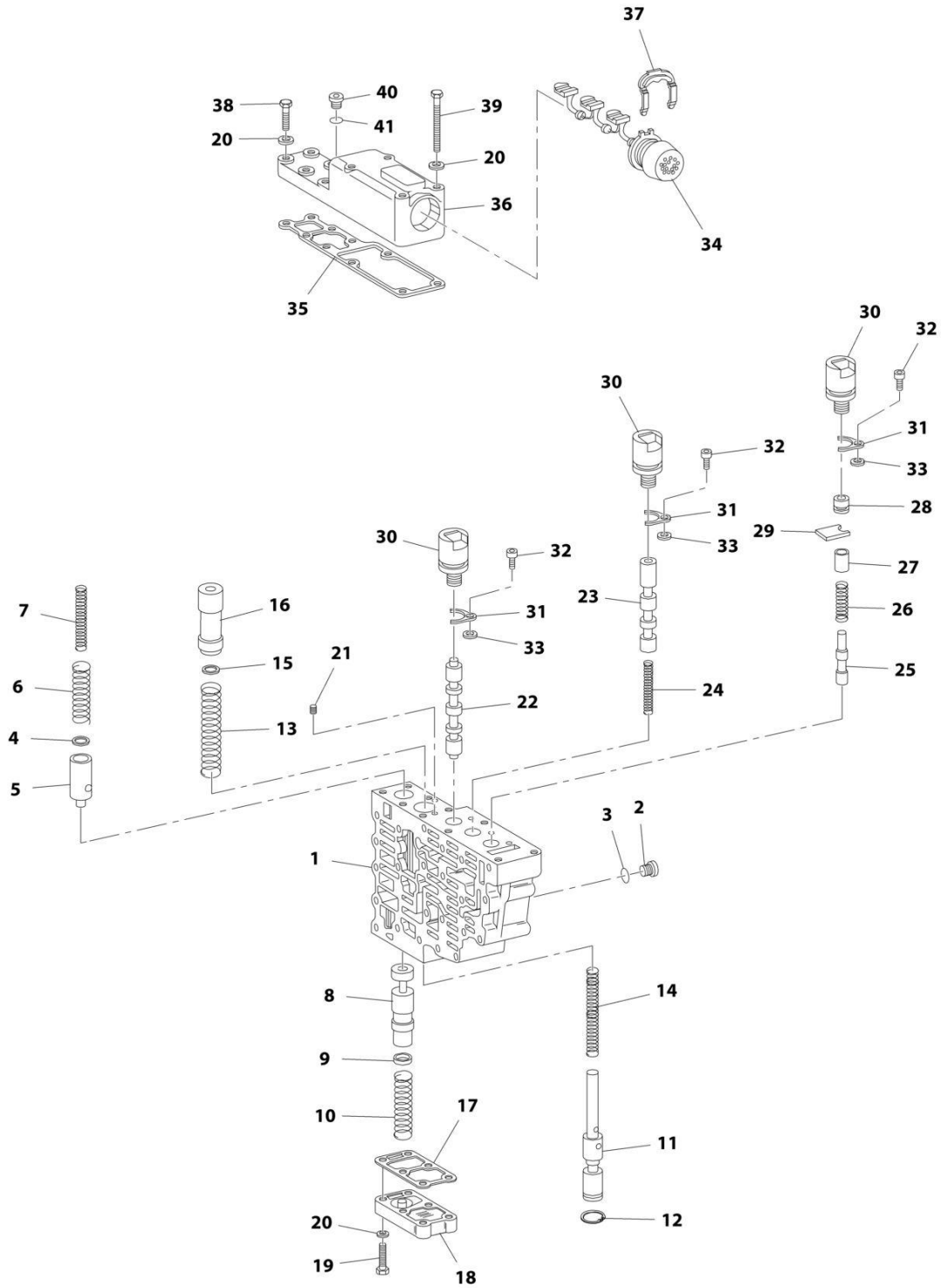
SECTION 5 - DRIVE TRAIN

FIGURE 5-15. TRANSMISSION, VALVE BLOCK ASSEMBLY

ITEM	PART NUMBER	QTY	DESCRIPTION	REV
	8841036	Ref	TRANSMISSION - VALVE BLOCK ASSEMBLY	
	1319717	Ref	Valve Block Assembly	
1	70020427	1	Block, Valve	
2	1319710	3	Piston	
3	1319696	3	Spring, Compression	
4	1319702	3	Valve, Solenoid	
5	10732063	3	Plate, Fixing	
6	1319703	3	Bolt, M5X12	
7	1319711	1	Harness, Wiring	
8	1319707	1	Clamp, Retaining	
9	1319712	1	Gasket	
10	1319713	1	Cover	
11	1319714	9	Bolt, M5X32	
12	1319715	9	Washer, 5.3	
13	1319670	3	Plug, Screw M10X1	
14	10731709	3	O-Ring	

SECTION 5 - DRIVE TRAIN

FIGURE 5-16. TRANSMISSION, VALVE HOUSING ASSEMBLY



ART_8841036_13-C

SECTION 5 - DRIVE TRAIN

FIGURE 5-16. TRANSMISSION, VALVE HOUSING ASSEMBLY

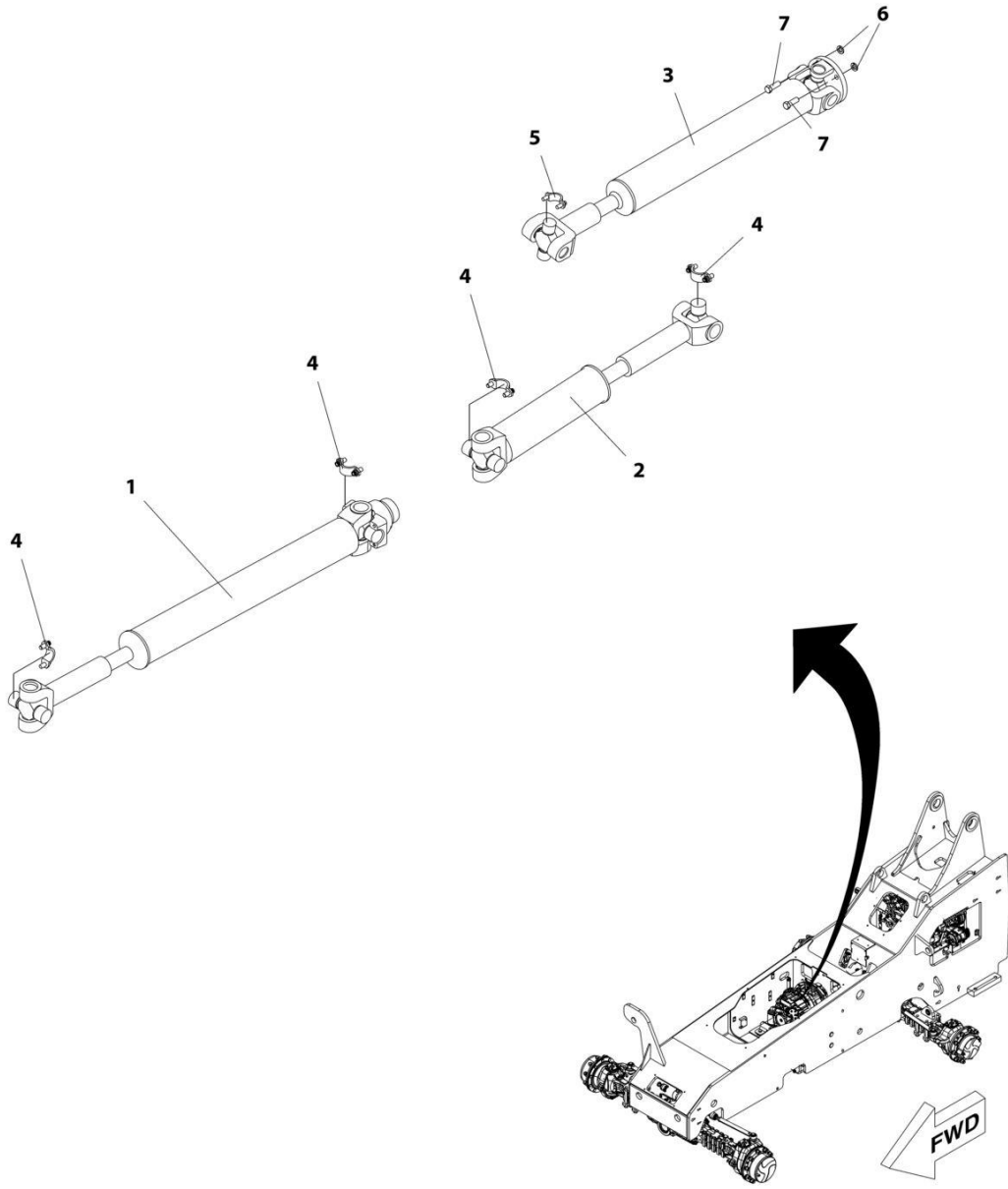
ITEM	PART NUMBER	QTY	DESCRIPTION	REV
	8841036	Ref	TRANSMISSION - VALVE HOUSING ASSEMBLY	
	8036040	Ref	Valve Housing Assembly	
1	1319671	1	Housing, Valve	
2	1319670	7	Plug, Screw M10X1	
3	10731709	7	O-Ring	
4	8036036	1	Washer, 1	
5	7029039	1	Piston	
6	1319673	1	Spring, Compression	
7	8036038	1	Spring, Compression	
8	1319674	1	Piston	
9	1319675	1	Washer, 3.6	
9	1319676	1	Washer, 3.2	
9	1319677	1	Washer, 2.8	
9	1319678	1	Washer, 2.4	
9	1319679	1	Washer, 2	
10	1319680	1	Spring, Compression	
11	1319681	1	Control, Piston	
12	1319682	1	Washer, Lock 12	
13	1319683	1	Spring, Compression	
14	1319684	1	Spring, Compression	
15	1319685	1	Washer, 2	
15	1319686	1	Washer, 1	
15	1319687	1	Washer, 0.5	
15	1319688	1	Washer, 0.3	
15	1319689	1	Washer, 0.2	
16	1319690	1	Piston	
17	1319691	1	Seal	
18	1319692	1	Cover	
19	1319693	6	Bolt, M6X25	
20	1319661	16	Washer, 6.4	
21	1319652	1	Orifice	
22	1319694	1	Valve	
23	1319695	1	Piston	
24	1319696	1	Spring, Compression	
25	1319697	1	Piston	
26	1319698	1	Spring, Compression	
27	1319699	1	Spacer, Sleeve	
28	1319700	1	Plug	
29	1319701	1	Plate, Fixing	
30	1319702	3	Valve, Solenoid	
31	10732063	3	Plate, Fixing	
32	1319703	3	Bolt, M5X12	
33	10732064	3	Washer, 2	
34	1319704	1	Harness, Wiring	
35	1319705	1	Seal	
36	8036039	1	Cover	
37	1319707	1	Clamp, Retaining	
38	1319693	6	Bolt, M6X25	
39	7029037	4	Bolt, M6X60	
40	1319670	1	Plug, Screw M10X1	

SECTION 5 - DRIVE TRAIN

ITEM	PART NUMBER	QTY	DESCRIPTION	REV
41	10731709	1	O-Ring	

SECTION 5 - DRIVE TRAIN

FIGURE 5-17. DRIVE SHAFT INSTALLATION



ART_1001166009_B

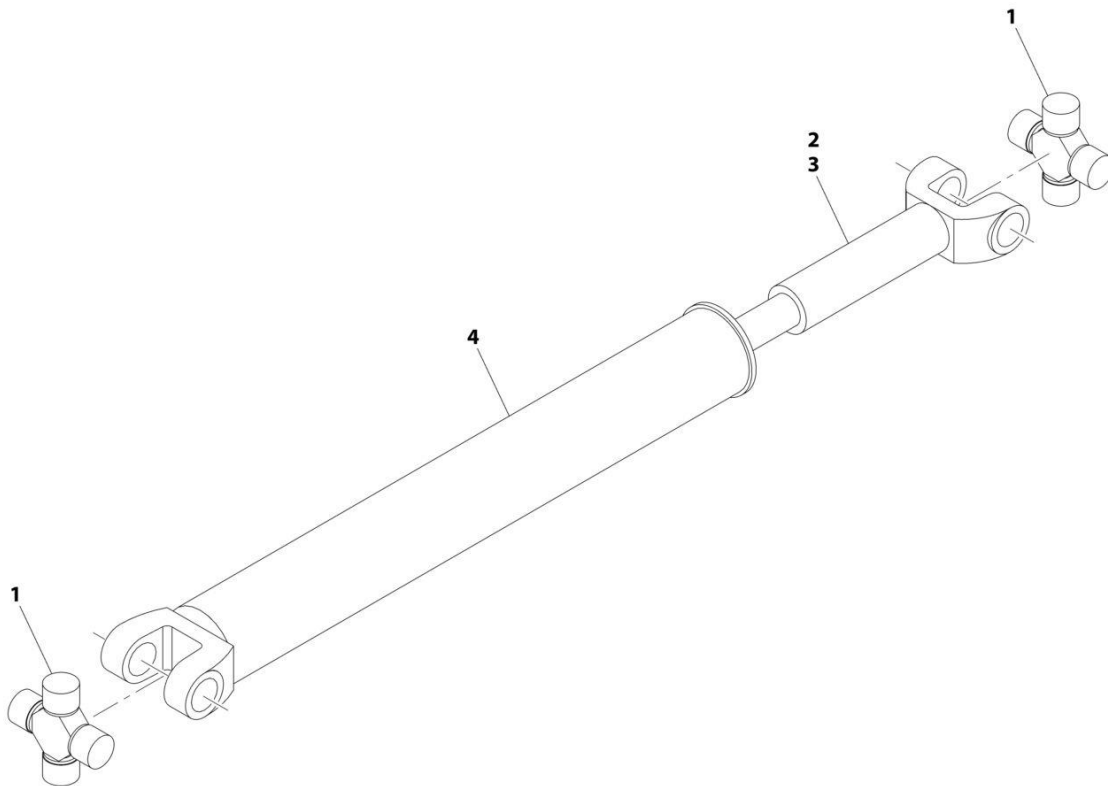
SECTION 5 - DRIVE TRAIN

FIGURE 5-17. DRIVE SHAFT INSTALLATION

ITEM	PART NUMBER	QTY	DESCRIPTION	REV
	1001166009	Ref	Drive Shaft Installation	B
1	7150579	1	Assembly, Front Drive Shaft (See Separate Breakdown in this Section)	
2	7150580	1	Assembly, Rear Drive Shaft (See Separate Breakdown in this Section)	
3	7302028	1	Input, Drive Shaft (See Separate Breakdown in this Section)	
4	8880218-OM	4	Kit, Strap	
5	8880219-OM	1	Kit, Strap	
6	8307006	4	Washer, Lock 7/16	
7	8310425	4	Bolt, 7/16-20X1-1/4, Grade 8	

SECTION 5 - DRIVE TRAIN

FIGURE 5-18. FRONT DRIVE SHAFT ASSEMBLY



ART_7150579-D

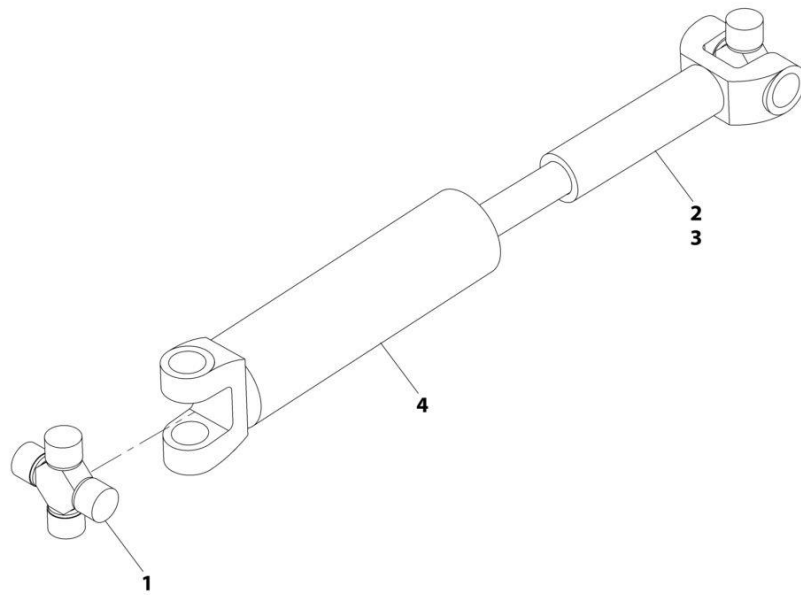
SECTION 5 - DRIVE TRAIN

FIGURE 5-18. FRONT DRIVE SHAFT ASSEMBLY

ITEM	PART NUMBER	QTY	DESCRIPTION	REV
	7150579	Ref	Front Drive Shaft Assembly	D
1	8036433	4	Kit, Cross and Bearing	
2	8035779	2	Kit, Dust Cap	
3	N.S.S.	1	Joint, Slip	
4	N.S.S.	1	Shaft, Yoke	

SECTION 5 - DRIVE TRAIN

FIGURE 5-19. REAR DRIVE SHAFT ASSEMBLY



ART_7150580-D

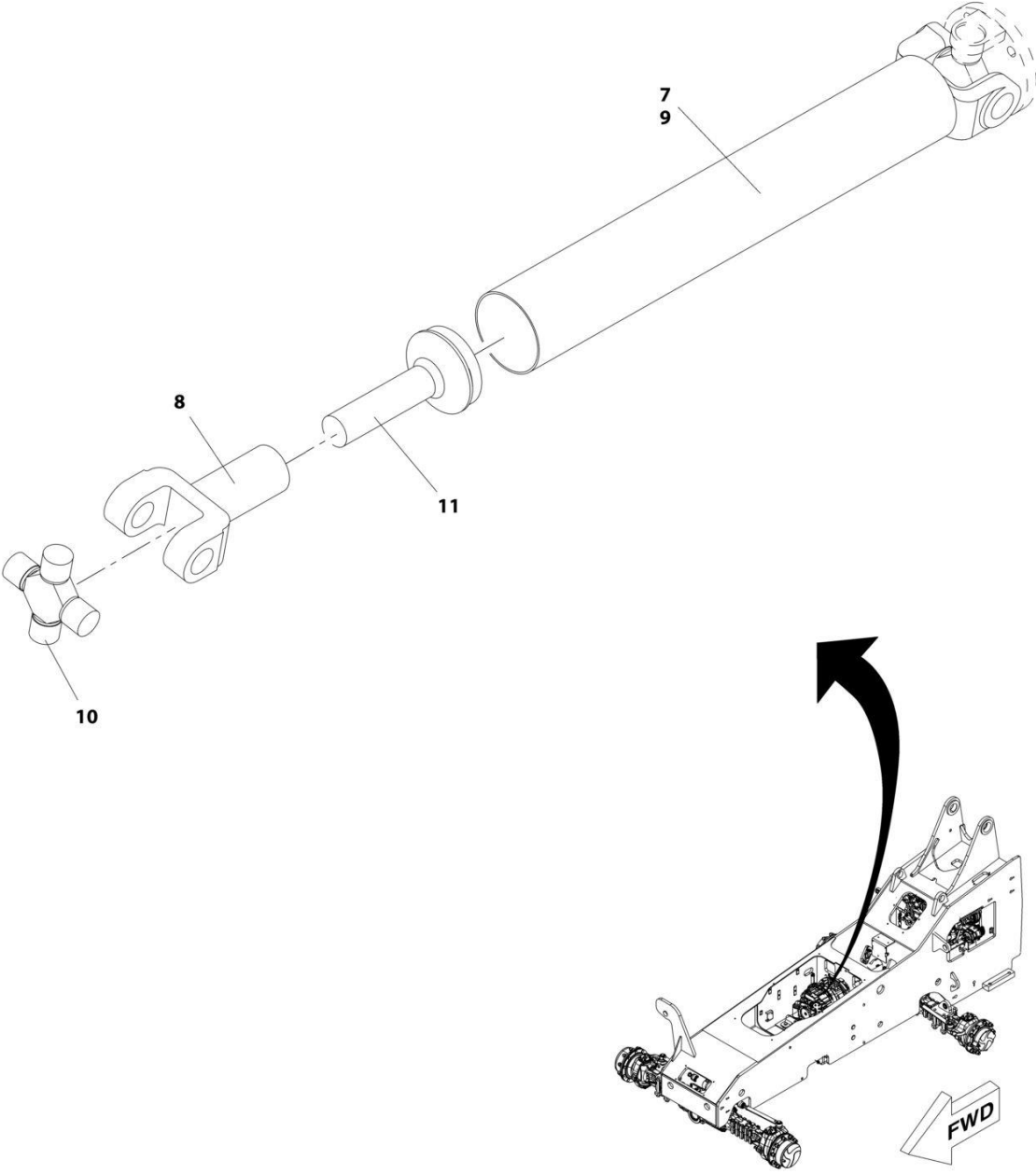
SECTION 5 - DRIVE TRAIN

FIGURE 5-19. REAR DRIVE SHAFT ASSEMBLY

ITEM	PART NUMBER	QTY	DESCRIPTION	REV
	7150580	Ref	Front Drive Shaft Assembly	D
1	8036433	4	Kit, Cross and Bearing	
2	8035779	2	Kit, Dust Cap	
3	N.S.S.	1	Joint, Slip	
4	N.S.S.	1	Shaft, Yoke	

SECTION 5 - DRIVE TRAIN

FIGURE 5-20. DRIVE SHAFT INPUT



ART_7302028_D

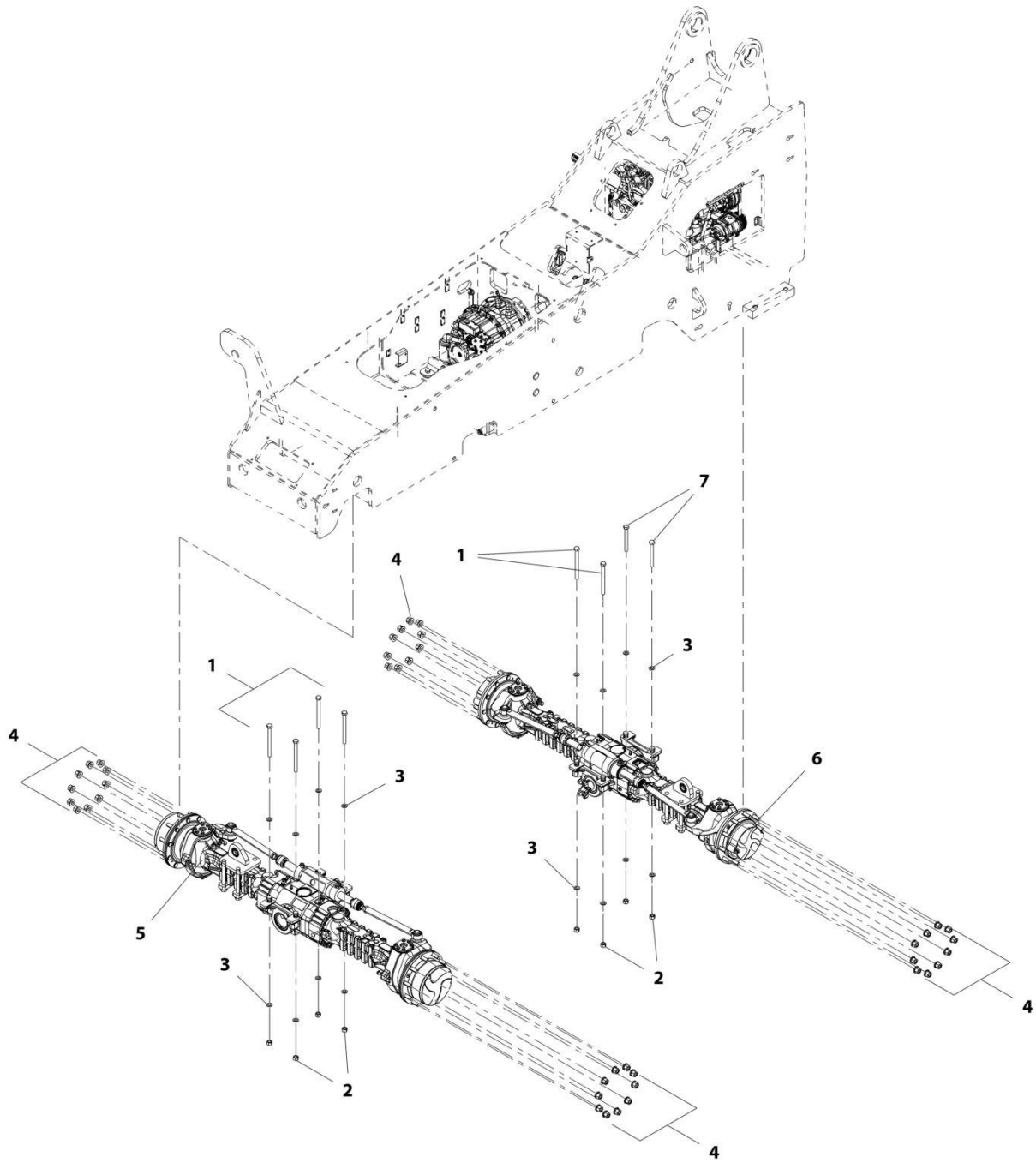
SECTION 5 - DRIVE TRAIN

FIGURE 5-20. DRIVE SHAFT INPUT

ITEM	PART NUMBER	QTY	DESCRIPTION	REV
	7302028	Ref	Drive Shaft Input	D
1	N.S.S.	1	Joint, Slip	
2	N.S.S.	1	Shaft, Yoke	
3	7029271	2	Kit, Cross and Bearing	
4	8033651	1	Kit, Dust Cap	

SECTION 5 - DRIVE TRAIN

FIGURE 5-21. AXLES INSTALLATION (6036)



ART_1001147874-C

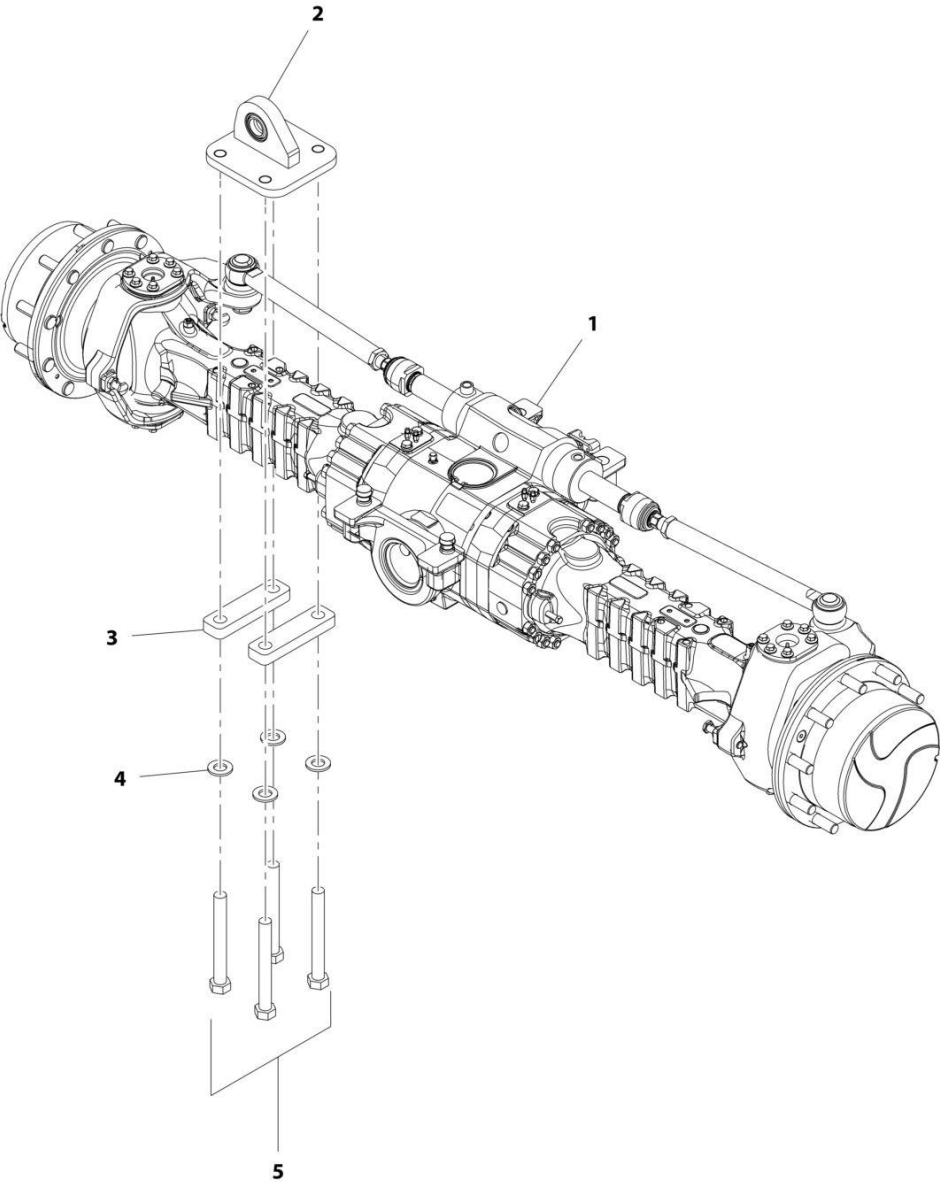
SECTION 5 - DRIVE TRAIN

FIGURE 5-21. AXLES INSTALLATION (6036)

ITEM	PART NUMBER	QTY	DESCRIPTION	REV
	1001147874	Ref	AXLES INSTALLATION - 6036 (6036)	C
1	0712040	6	Bolt, M20X230, Grade 10.9	
2	3332017	8	Nut, Lock M20X2-1/2	
3	8310620	16	Washer, M20	
4	91403193	40	Nut, Lug M22X1-1/2	
5	1001147378	1	Axle Sub-Assembly - Front (See Separate Breakdown in this Section)	
6	1001147379	1	Axle Assembly - Rear (See Separate Breakdown in this Section)	
7	1001150349	2	Bolt, M20X180, Grade 10.9	

SECTION 5 - DRIVE TRAIN

FIGURE 5-22. FRONT AXLE SUB-ASSEMBLY



ART_1001147378-A

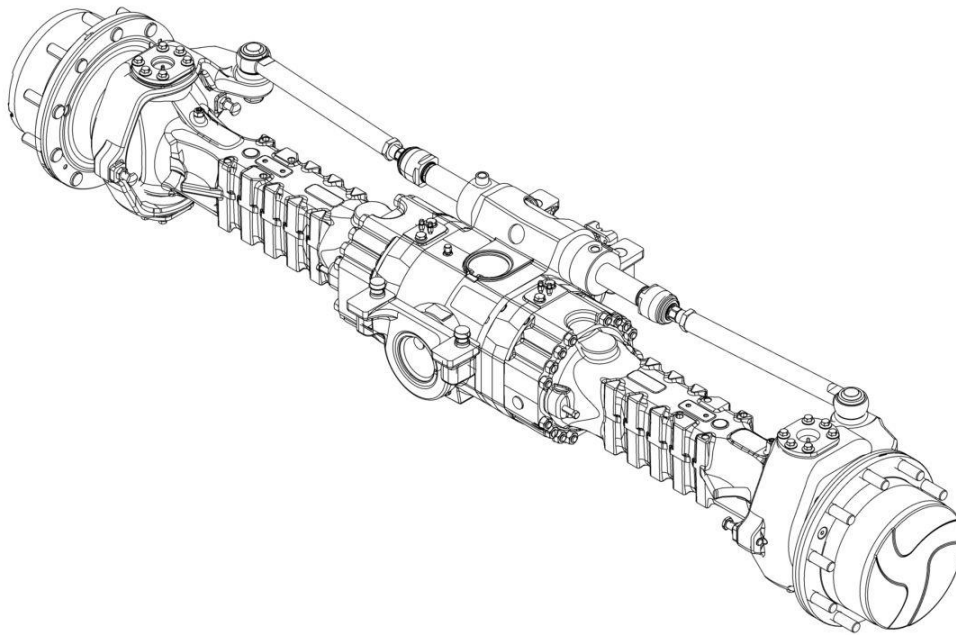
SECTION 5 - DRIVE TRAIN

FIGURE 5-22. FRONT AXLE SUB-ASSEMBLY

ITEM	PART NUMBER	QTY	DESCRIPTION	REV
	1001147378	Ref	FRONT AXLE SUB-ASSEMBLY	A
1	1001147377	1	Front Axle Assembly (See Separate Breakdown in this Section)	
2	1001147265	1	Bracket, Sway Pivot Assembly	
3	91471213	2	Plate, Retainer	
4	90027475	4	Washer	
5	83201147	4	Bolt, 1-8X8-1/2	

SECTION 5 - DRIVE TRAIN

FIGURE 5-23. FRONT AXLE ASSEMBLY



ART_1001147377_1-C

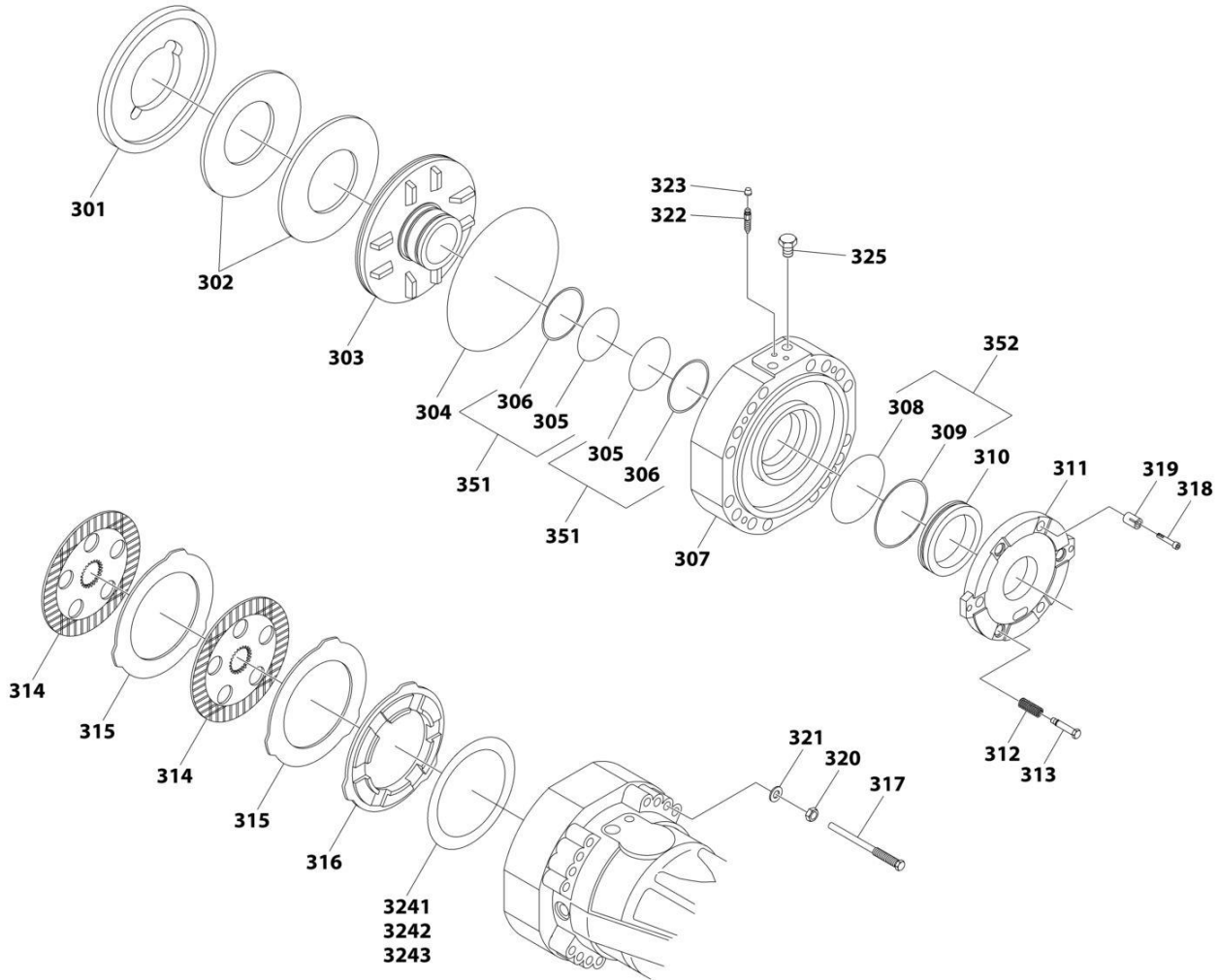
SECTION 5 - DRIVE TRAIN

FIGURE 5-23. FRONT AXLE ASSEMBLY

ITEM	PART NUMBER	QTY	DESCRIPTION	REV
	1001147377	Ref	FRONT AXLE ASSEMBLY	C
		Ref	Central Housing (See Separate Breakdown in this Section)	
		Ref	Differential (See Separate Breakdown in this Section)	
		Ref	Hub Reduction (See Separate Breakdown in this Section)	
		Ref	Brakes (See Separate Breakdown in this Section)	
		Ref	Steering (See Separate Breakdown in this Section)	
		Ref	Trunion (See Separate Breakdown in this Section)	

SECTION 5 - DRIVE TRAIN

FIGURE 5-24. FRONT AXLE, BRAKES



ART_1001147377_5-C

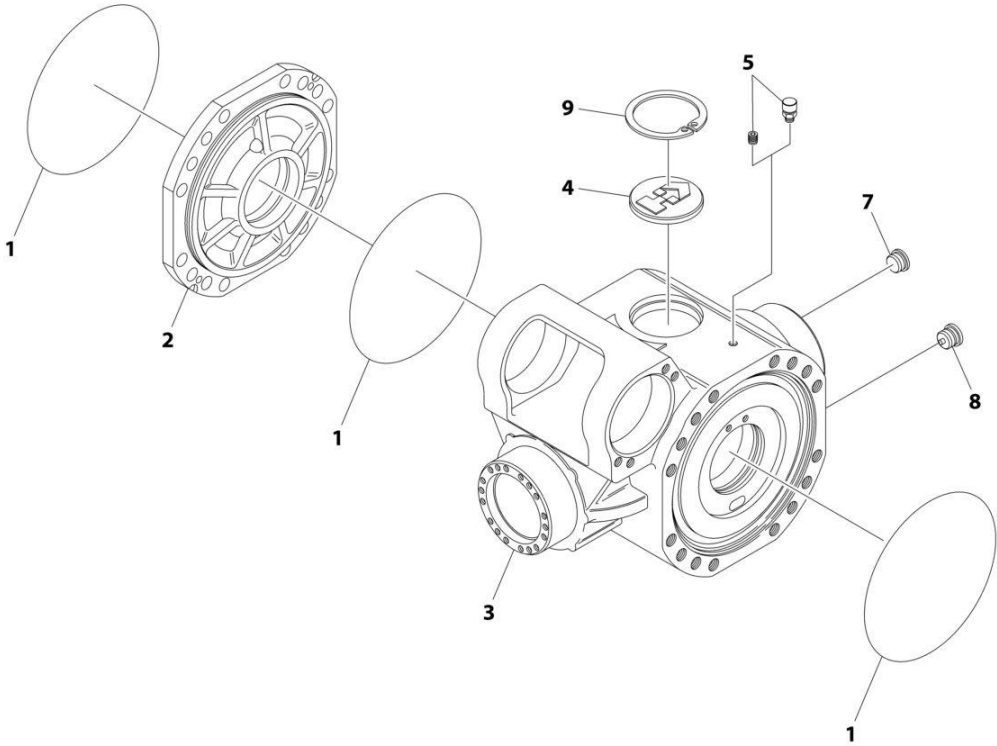
SECTION 5 - DRIVE TRAIN

FIGURE 5-24. FRONT AXLE, BRAKES

ITEM	PART NUMBER	QTY	DESCRIPTION	REV
	1001147377	Ref	FRONT AXLE - BRAKES	C
301	7028734	1	Spacer	
302	91474559	4	Spring	
303	91474560	2	Piston	
304	91474561	2	O-Ring	
305	91514167	NLA	O-Ring (Use Item 351 PN 70026262)	
306	91514153	NLA	Ring, Backup (Use Item 351 PN 70026262)	
307	7028735	2	Cover	
308	91474562	NLA	O-Ring (Use Item 352 PN 70026263)	
309	91474563	NLA	Ring, Backup (Use Item 352 PN 70026263)	
310	91474564	2	Piston	
311	91474565	2	Disc, Brake	
312	91514159	6	Spring	
313	91514160	6	Bolt, Adjusting	
314	91474568	8	Disc	
315	91474569	8	Disc, Brake	
316	91474570	2	Spacer	
317	7028736	4	Bolt	
318	7029788	6	Bolt, Adjusting	
319	91514165	6	Spring	
320	80204060	4	Nut	
321	80204108	4	Washer	
322	80204281	4	Bolt, Bleeding	
323	80204117	4	Plug	
325	91514154	4	Plug	
351	70026262	4	Kit, Seal (Includes Items 305 & 306)	
352	70026263	2	Kit, Seal (Includes Items 308 & 309)	
3241	91474571	2	Shim 0.20mm	
3242	91474572	2	Shim 0.30mm	
3243	91474573	2	Shim 0.50mm	

SECTION 5 - DRIVE TRAIN

FIGURE 5-25. FRONT AXLE, CENTRAL HOUSING



ART_1001147377_2-C

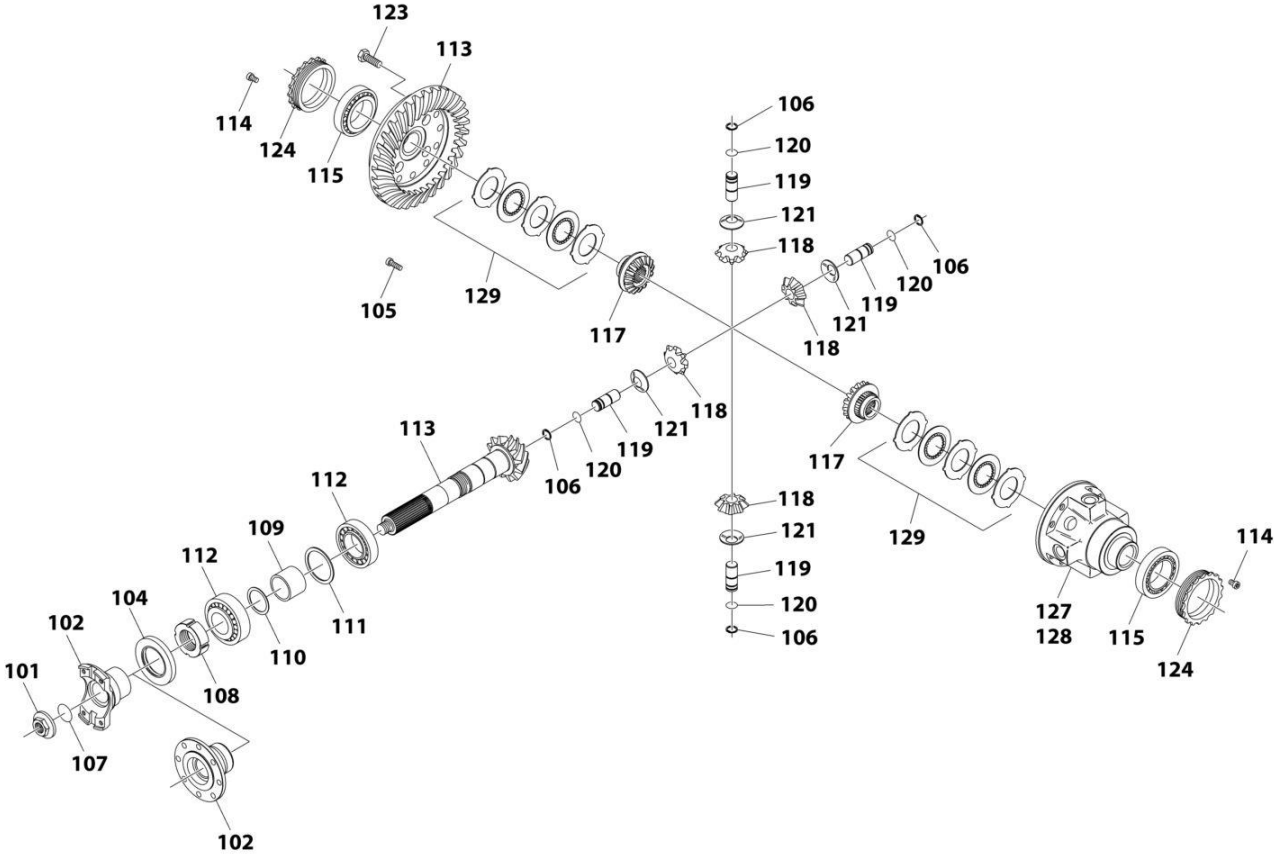
SECTION 5 - DRIVE TRAIN

FIGURE 5-25. FRONT AXLE, CENTRAL HOUSING

ITEM	PART NUMBER	QTY	DESCRIPTION	REV
	1001147377	Ref	FRONT AXLE - CENTRAL HOUSING	C
1	91474507	3	O-Ring	
2	70024872	1	Cover	
3	7029426	1	Housing	
4	91514098	1	Plug	
5	91474512	1	Vent	
7	91514188	1	Plug	
8	91474513	1	Plug, Magnet	
9	80204005	1	Circlip	

SECTION 5 - DRIVE TRAIN

FIGURE 5-26. FRONT AXLE, DIFFERENTIAL



ART_1001147377_3-C

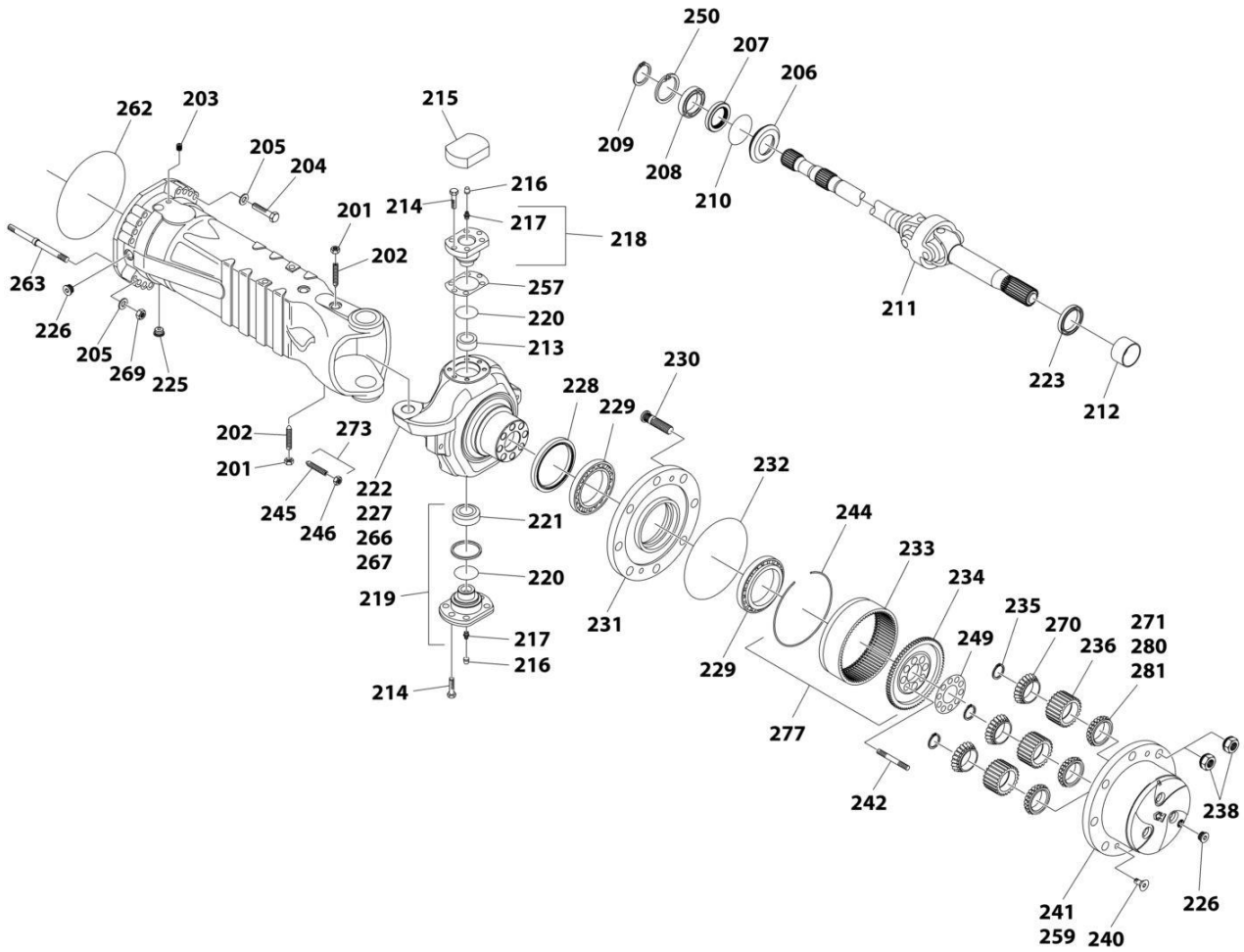
SECTION 5 - DRIVE TRAIN

FIGURE 5-26. FRONT AXLE, DIFFERENTIAL

ITEM	PART NUMBER	QTY	DESCRIPTION	REV
	1001147377	Ref	FRONT AXLE - DIFFERENTIAL	C
101	91474528	1	Nut	
102	70022797	1	Flange	
104	91474532	1	Seal	
105	91474591	4	Bolt	
106	91474550	4	Circlip	
107	91474529	1	O-Ring	
108	91474533	1	Ring Nut	
109	91474539	1	Spacer	
110	91474537	1	Shim	
111	91474542	1	Shim	
112	3968141	2	Bearing, Taper Roller	
113	70026134	1	Bevel Gear Set	
114	91514134	2	Bolt	
115	70026031	2	Bearing, Taper Roller	
117	91474549	2	Differential Side Gear	
118	7029129	4	Differential Pinion	
119	7029131	4	Kit, Pin and Circlip	
120	91474551	4	Circlip	
121	91474553	4	Washer, Friction	
123	91514123	12	Bolt	
124	91474547	2	Ring Nut	
127	8007751	1	Carrier, Differential	
128	7028710	1	Slip Differential	
129	8007755	2	Kit, Clutch Disc	

SECTION 5 - DRIVE TRAIN

FIGURE 5-27. FRONT AXLE, HUB REDUCTION



ART_1001147377_4-C

SECTION 5 - DRIVE TRAIN

FIGURE 5-27. FRONT AXLE, HUB REDUCTION

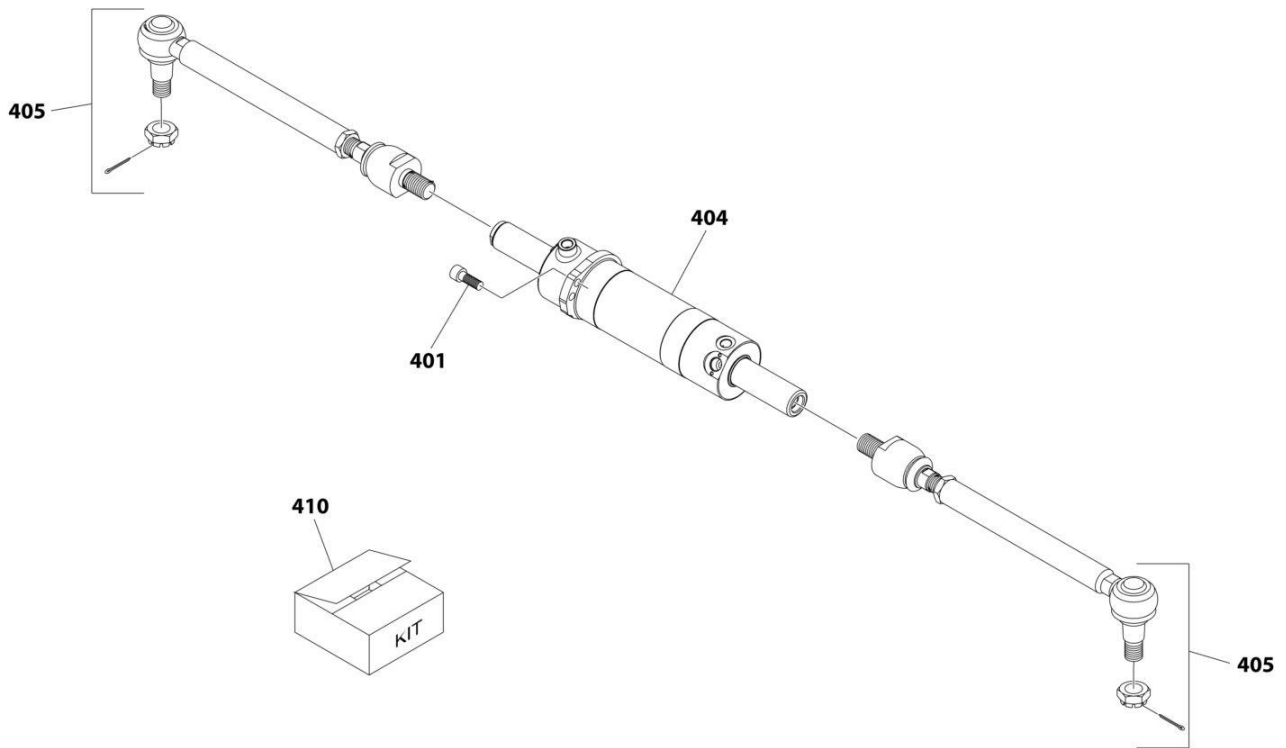
ITEM	PART NUMBER	QTY	DESCRIPTION	REV
	1001147377	Ref	FRONT AXLE - HUB REDUCTION	C
201	91514082	2	Nut	
202	91514081	2	Bolt	
203	70026135	2	Case, Axle	
204	70025548	24	Stud	
205	91514084	32	Washer	
206	91514149	2	Bushing, Reduction	
207	91514147	2	Seal	
208	91514146	2	Bearing, Ball	
209	80204071	2	Circlip	
210	91514148	2	O-Ring	
211	70026136	2	Joint, Double Universal	
212	91514111	1	Thrust Bushing	
213	7028714	2	Bushing	
214	91514123	24	Bolt	
215	91474524	2	Cover	
216	80204117	2	Plug	
217	91514099	2	Grease Fitting	
218	91514112	2	Pivot Pin	
219	7028715	2	Pivot Pin	
220	7028716	2	Dust Excluder	
221	91514095	2	Bearing	
222	7028717	1	Case, Steering (RH)	
223	70025857	2	Seal	
225	91474513	2	Magnet Plug	
226	91514188	4	Plug	
227	7028720	NLA	Case, Steering (LH) (Note: Use Item 7028730)	
228	7028721	2	Seal	
229	91474576	4	Bearing	
230	80214120	20	Stud	
231	7028722	2	Hub	
232	91514181	2	O-Ring	
233	70024147	2	Ring Gear	
234	7028723	2	Support, Ring Gear	
235	7028724	6	Circlip	
236	7028725	6	Pinion	
238	91474584	20	Nut	
240	91514189	4	Bolt	
241	7026731	2	Carrier, Planet Gear	
242	70027315	20	Stud	
244	91514175	2	Circlip	
245	91514117	4	Bolt	
246	80204065	4	Nut	
249	91474582	2	Plate, Locking	
250	80204005	2	Circlip	
257	91514115	6	Shim	
259	70040710	2	Carrier, Planet Gear	
262	91474507	2	O-Ring	
263	70025014	8	Stud	
266	7028729	1	Case, Steering (RH)	

SECTION 5 - DRIVE TRAIN

ITEM	PART NUMBER	QTY	DESCRIPTION	REV
267	7028730	1	Case, Steering (LH)	
269	91514083	32	Nut	
270	7028731	6	Bearing	
271	7028732	NLA	Bearing (Use Both PN 70031458 & 70031459 as Replacement)	
273	7028733	4	Bolt	
277	70025551	2	Support, Ring Gear	
280	70031458	6	Bearing	
281	70031459	6	Bearing	

SECTION 5 - DRIVE TRAIN

FIGURE 5-28. FRONT AXLE, STEERING



ART_1001147377_6-C

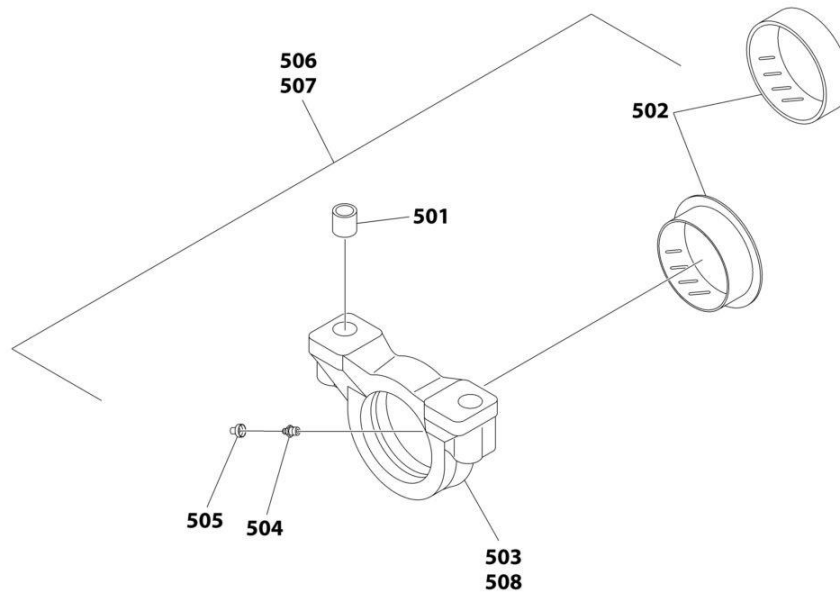
SECTION 5 - DRIVE TRAIN

FIGURE 5-28. FRONT AXLE, STEERING

ITEM	PART NUMBER	QTY	DESCRIPTION	REV
	1001147377	Ref	FRONT AXLE - STEERING	C
401	91474522	4	Bolt	
404	70026137	1	Cylinder (Includes Item 410)	
405	70026138	2	Bar	
410	70025842	1	Kit, Seal - 70026137 Cylinder	

SECTION 5 - DRIVE TRAIN

FIGURE 5-29. FRONT AXLE, TRUNNION



ART_1001147377_7-C

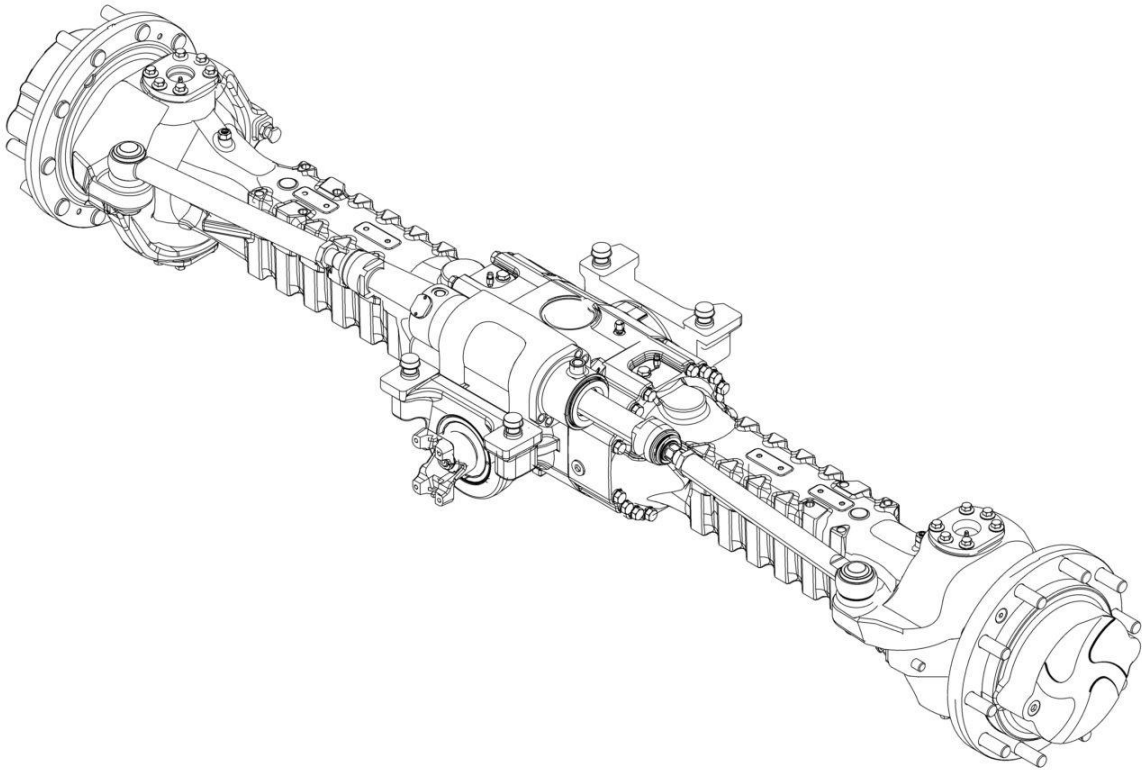
SECTION 5 - DRIVE TRAIN

FIGURE 5-29. FRONT AXLE, TRUNNION

ITEM	PART NUMBER	QTY	DESCRIPTION	REV
	1001147377	Ref	FRONT AXLE - TRUNION	C
501	91474516	2	Bushing, Reduction	
502	91474515	1	Bushing, Thrust	
503	See Note	NSS	Support (Note: Use PN 7029282)	
504	91514099	1	Fitting, Grease	
505	80204117	1	Plug	
506	7029282	1	Support Assembly	
507	7029283	1	Support Assembly	
508	See Note	NSS	Support (Note: Use PN 7029283)	

SECTION 5 - DRIVE TRAIN

FIGURE 5-30. REAR AXLE ASSEMBLY



ART_1001147379_1-C

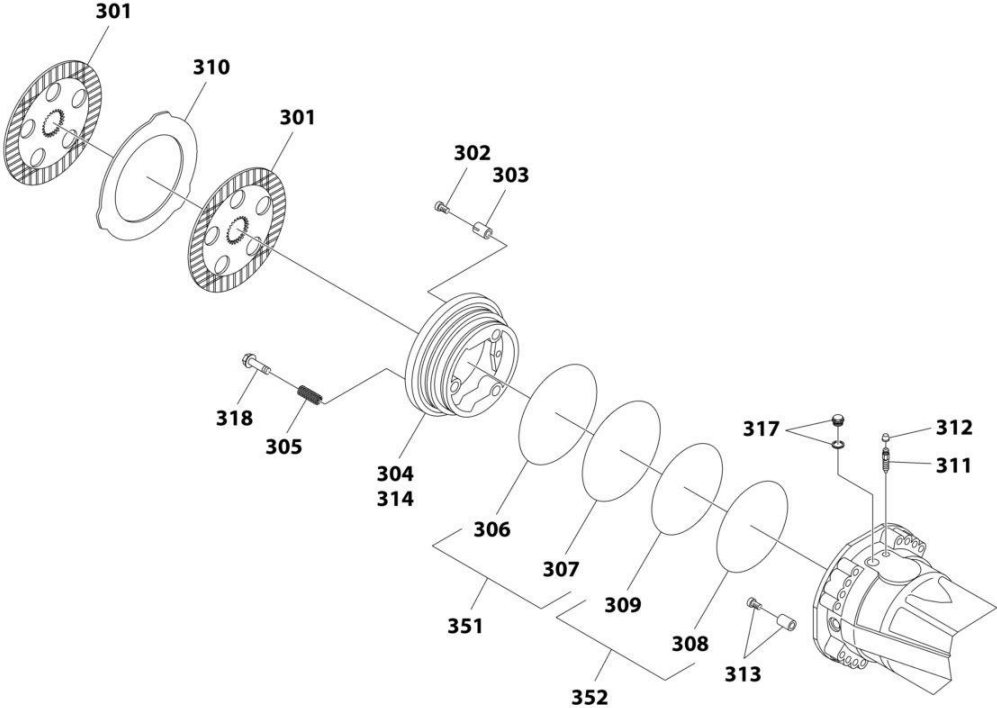
SECTION 5 - DRIVE TRAIN

FIGURE 5-30. REAR AXLE ASSEMBLY

ITEM	PART NUMBER	QTY	DESCRIPTION	REV
	1001147379	Ref	REAR AXLE ASSEMBLY	C
		Ref	Central Housing (See Separate Breakdown in this Section)	
		Ref	Differential (See Separate Breakdown in this Section)	
		Ref	Hub Reduction (See Separate Breakdown in this Section)	
		Ref	Brakes (See Separate Breakdown in this Section)	
		Ref	Steering (See Separate Breakdown in this Section)	
		Ref	Trunion (See Separate Breakdown in this Section)	

SECTION 5 - DRIVE TRAIN

FIGURE 5-31. REAR AXLE, BRAKES



ART_1001147379_5-C

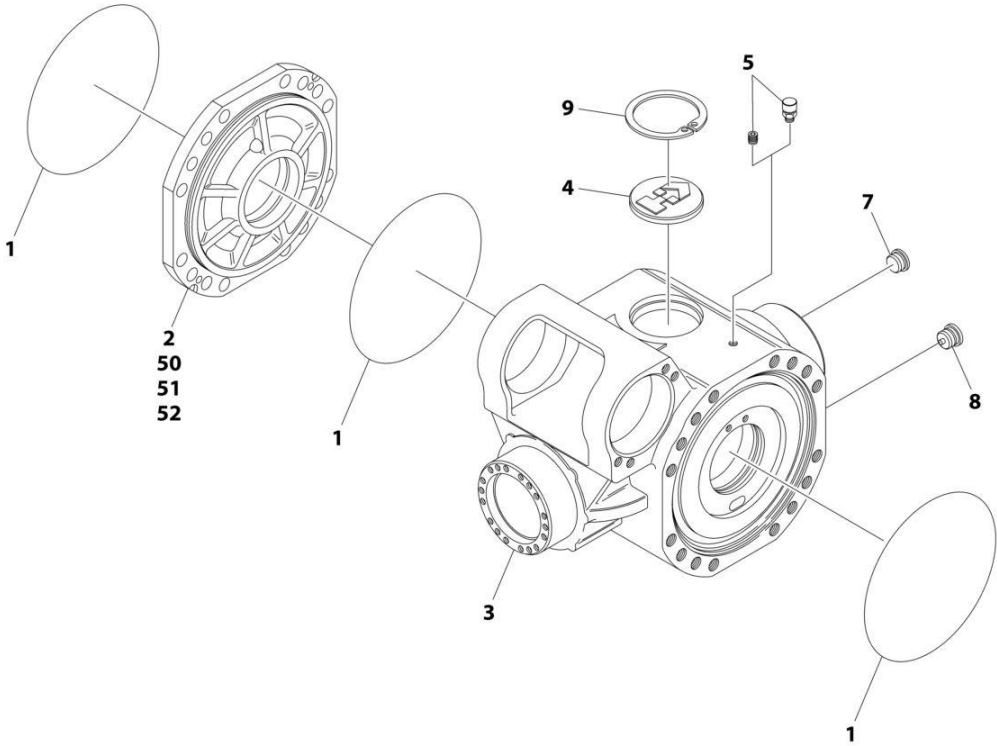
SECTION 5 - DRIVE TRAIN

FIGURE 5-31. REAR AXLE, BRAKES

ITEM	PART NUMBER	QTY	DESCRIPTION	REV
	1001147379	Ref	REAR AXLE - BRAKES	C
301	91474568	8	Disc, Brake	
302	7029786	6	Bolt, Adjusting	
303	70027317	6	Spring	
304	See Note	NSS	Piston (Note: Use PN 70024525)	
305	91514159	6	Spring	
306	3984436	NLA	Ring, Backup (Use PN 70025821)	
307	3984458	NLA	O-Ring (Use PN 70025821)	
308	3984447	NLA	Ring, Backup (Use PN 70025822)	
309	3984469	NLA	O-Ring (Use PN 70025822)	
310	91474569	10	Disc, Brake	
311	80204281	2	Bolt, Bleeding	
312	80204117	2	Plug	
313	70021613	2	Bolt, Pilot	
314	70028452	2	Kit, Piston Position	
317	91514154	2	Plug	
318	91514160	6	Bolt, Adjusting	
351	70025821	2	Kit, Seal (Includes Items 306 & 307)	
352	70025822	2	Kit, Seal (Includes Items 308 & 309)	

SECTION 5 - DRIVE TRAIN

FIGURE 5-32. REAR AXLE, CENTRAL HOUSING



ART_1001147379_2-C

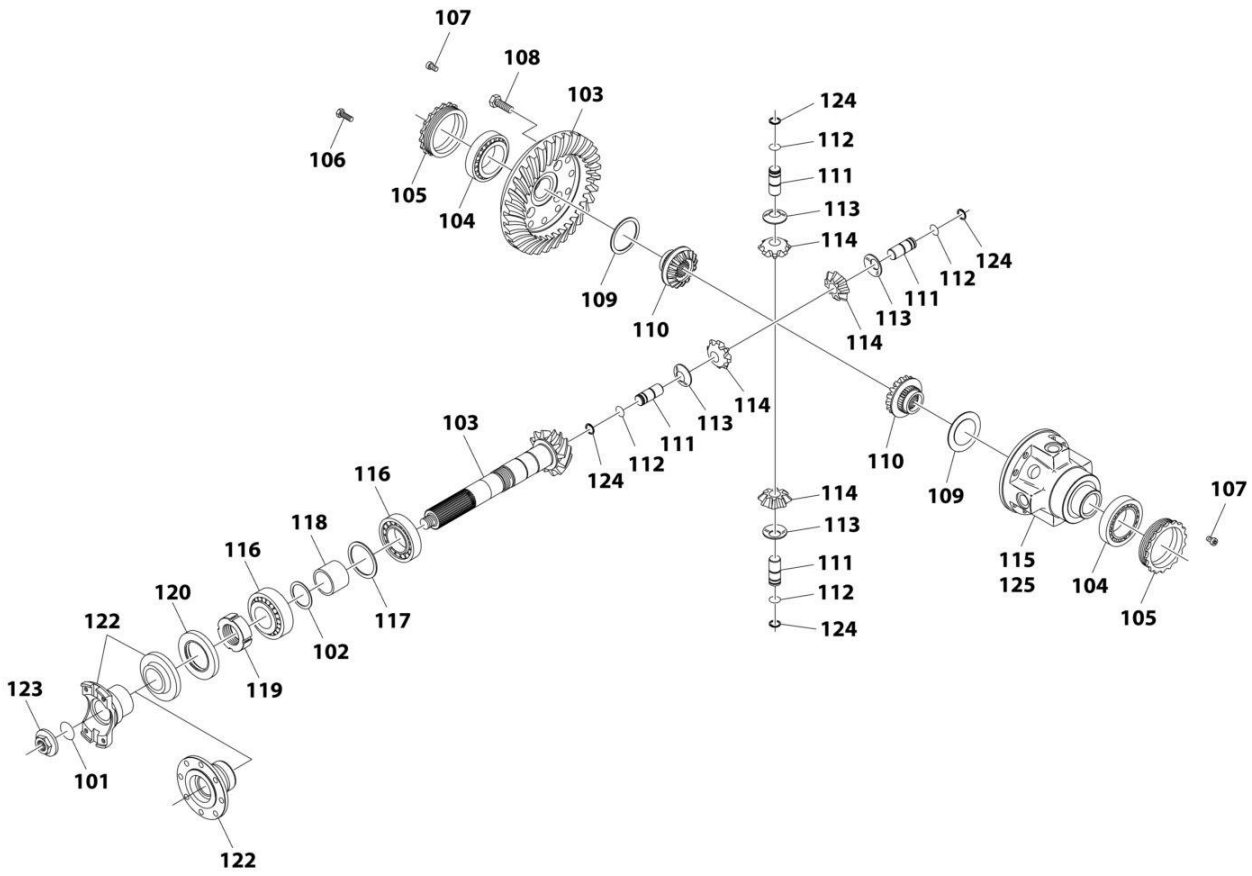
SECTION 5 - DRIVE TRAIN

FIGURE 5-32. REAR AXLE, CENTRAL HOUSING

ITEM	PART NUMBER	QTY	DESCRIPTION	REV
	1001147379	Ref	REAR AXLE - CENTRAL HOUSING	C
1	91474507	3	O-Ring	
2	70024519	NLA	Cover (Use Items 50-52)	
3	70026749	1	Housing	
4	91514098	1	Plug	
5	91474512	1	Vent	
7	91514188	1	Plug	
8	7028706	1	Magnet Plug	
9	80204005	1	Circlip	
50	70027107	1	Cover	
51	70028906	2	Case, Axle	
52	70021613	1	Bolt	

SECTION 5 - DRIVE TRAIN

FIGURE 5-33. REAR AXLE, DIFFERENTIAL



ART_1001147379_3-C

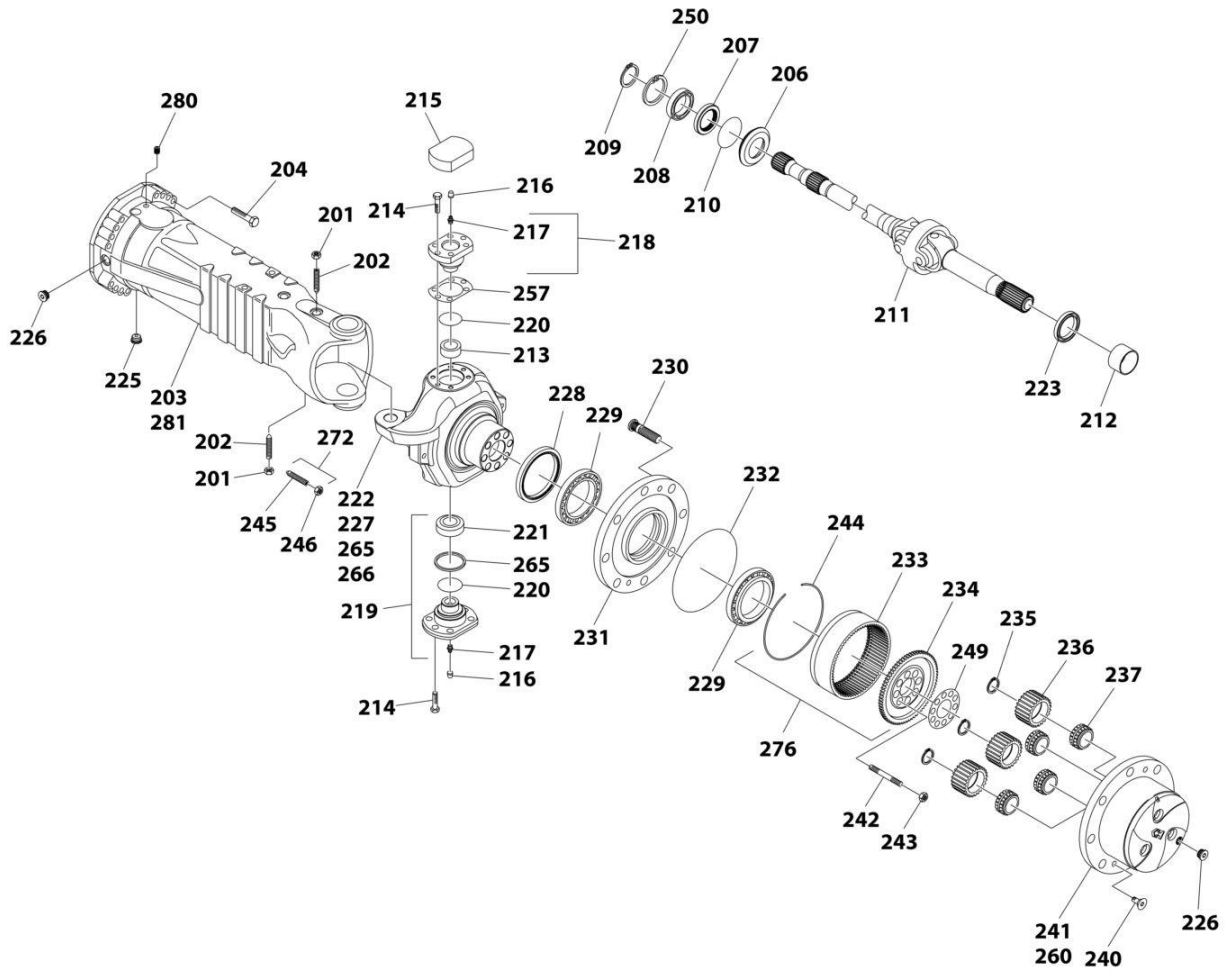
SECTION 5 - DRIVE TRAIN

FIGURE 5-33. REAR AXLE, DIFFERENTIAL

ITEM	PART NUMBER	QTY	DESCRIPTION	REV
	1001147379	Ref	REAR AXLE - DIFFERENTIAL	C
101	91474529	1	O-Ring	
102	91474537	1	Shim	
103	70026139	1	Bevel Gear Set	
104	70028471	2	Bearing, Taper Roller	
105	91474547	2	Ring Nut	
106	91474591	4	Bolt	
107	91514134	2	Bolt	
108	70025562	12	Bolt	
109	91474593	2	Washer, Friction	
110	91474594	2	Gear, Differential Side	
111	7029131	4	Kit, Pin and Circlip	
112	91474551	4	Circlip	
113	91474553	4	Washer, Friction	
114	91474554	4	Pinion, Differential	
115	91474595	1	Carrier, Differential	
116	3968141	2	Bearing, Taper Roller	
117	91474542	1	Shim	
118	91474539	1	Spacer	
119	91474533	1	Ring Nut	
120	91474532	1	Seal	
122	70022797	1	Kit, Flange and Cover	
123	70026631	1	Nut	
124	91474550	4	Circlip	
125	70029453	1	Kit, Differential	

SECTION 5 - DRIVE TRAIN

FIGURE 5-34. REAR AXLE, HUB REDUCTION



ART_1001147379_4-C

SECTION 5 - DRIVE TRAIN

FIGURE 5-34. REAR AXLE, HUB REDUCTION

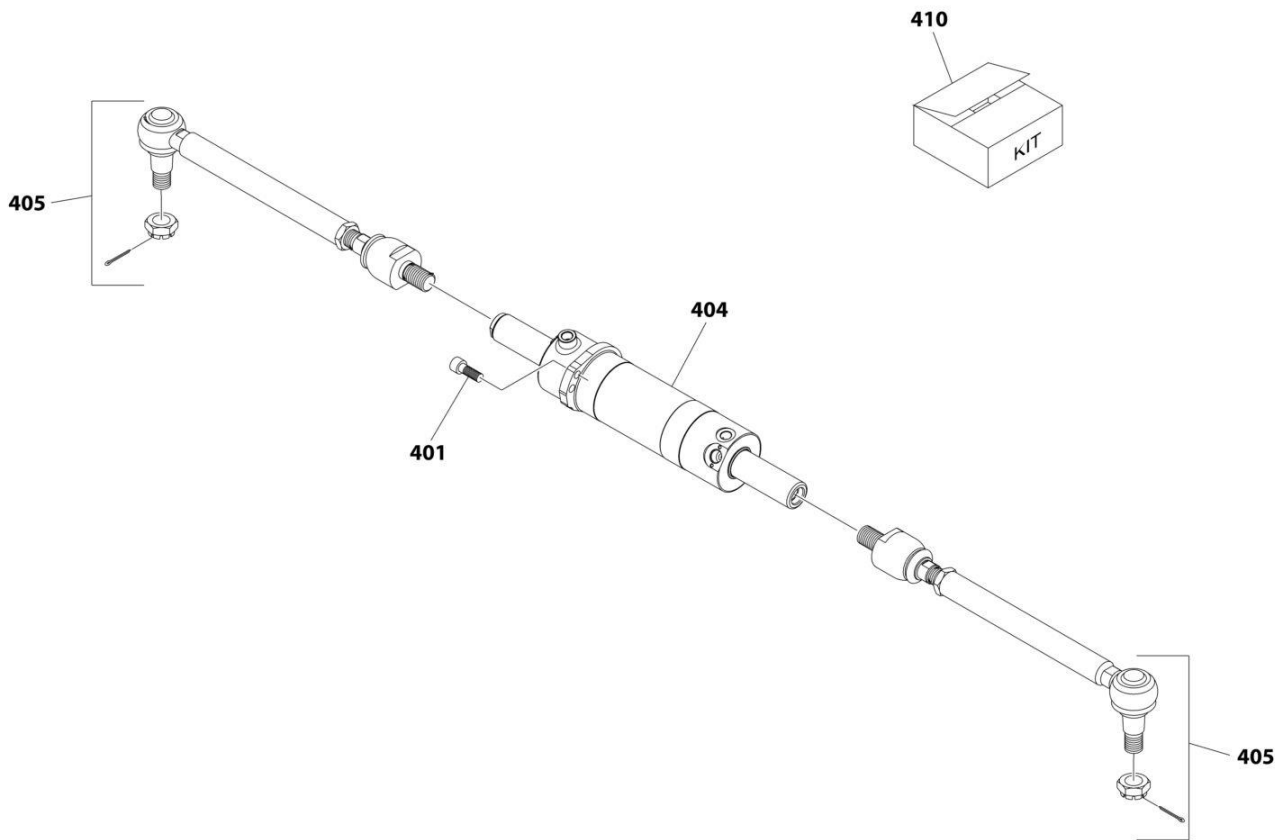
ITEM	PART NUMBER	QTY	DESCRIPTION	REV
	1001147379	Ref	REAR AXLE - HUB REDUCTION	C
201	91514082	2	Nut	
202	91514081	2	Bolt	
203	70026140	NLA	Case, Axle (Use PNs 70030150 & 70031523)	
204	70022799	32	Bolt	
206	70031449	2	Bushing, Reduction	
207	91514147	2	Seal	
208	91514146	2	Bearing, Ball	
209	80204071	2	Circlip	
210	91514148	2	O-Ring	
211	70026141	2	Joint, Double Universal	
212	91514111	1	Thrust Bushing	
213	7028714	2	Bushing	
214	70025562	24	Bolt	
215	70028392	2	Cover	
216	80204117	2	Plug	
217	70024881	2	Fitting, Grease	
218	91514112	2	Pin, Pivot	
219	7028715	2	Pin, Pivot	
220	7028716	2	Excluder, Dust	
221	91514095	2	Bearing	
222	7028717	1	Case, Steering (RH)	
223	70025857	2	Seal	
225	7028706	2	Plug	
226	91514188	4	Plug	
227	7028730	1	Case, Steering (LH)	
228	7028721	2	Seal	
229	91474576	4	Bearing	
230	80214120	20	Stud, Wheel	
231	7029737	2	Hub, Wheel	
232	91514181	2	O-Ring	
233	91474580	2	Gear, Ring	
234	91474581	2	Support, Ring Gear	
235	91474585	8	Circlip	
236	91474586	8	Gear, Planet	
237	91474587	8	Bearing	
240	91514189	4	Bolt	
241	7029286	2	Carrier, Planet Gear	
242	70027315	20	Stud	
243	91474584	20	Nut	
244	91474579	2	Circlip	
245	91514117	NLA	Bolt (Item 272 PN 7028733 Kit)	
246	80204065	4	Nut	
249	91474582	2	Plate, Locking	
250	80204005	2	Circlip	
257	91514115	2	Shim	
260	7029431	2	Carrier, Planet Gear	
265	7028729	1	Case, Steering (RH)	
266	7028730	1	Case, Steering (LH)	
272	7028733	4	Kit, Steering Bolt	

SECTION 5 - DRIVE TRAIN

ITEM	PART NUMBER	QTY	DESCRIPTION	REV
276	7029736	2	Support, Ring Gear	
280	70030150	2	Bolt	
281	70031523	2	Case, Axle	

SECTION 5 - DRIVE TRAIN

FIGURE 5-35. REAR AXLE, STEERING



ART_1001147379_6-C

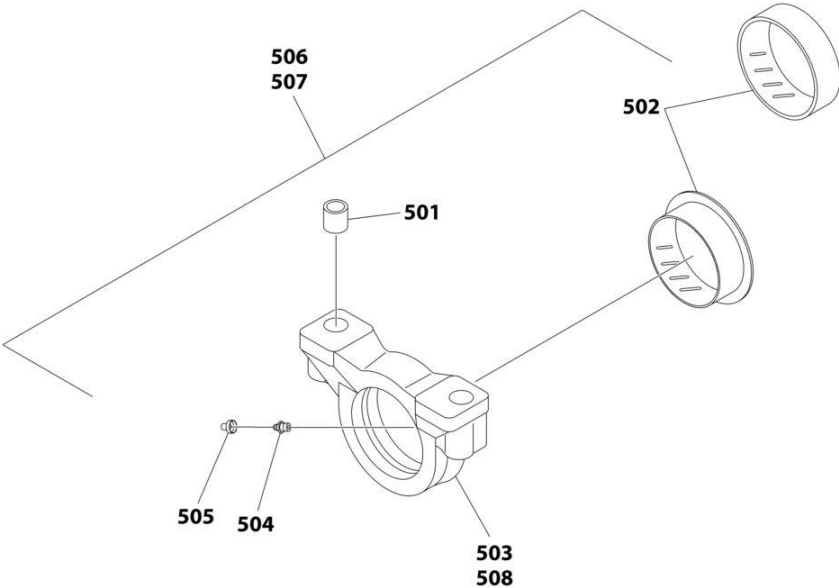
SECTION 5 - DRIVE TRAIN

FIGURE 5-35. REAR AXLE, STEERING

ITEM	PART NUMBER	QTY	DESCRIPTION	REV
	1001147379	Ref	REAR AXLE - STEERING	C
401	91474522	4	Bolt	
404	70026137	1	Cylinder	
405	70026138	2	Bar	
410	70025842	1	Kit, Seal - 70026137 Cylinder	

SECTION 5 - DRIVE TRAIN

FIGURE 5-36. REAR AXLE, TRUNNION



ART_1001147379_7-C

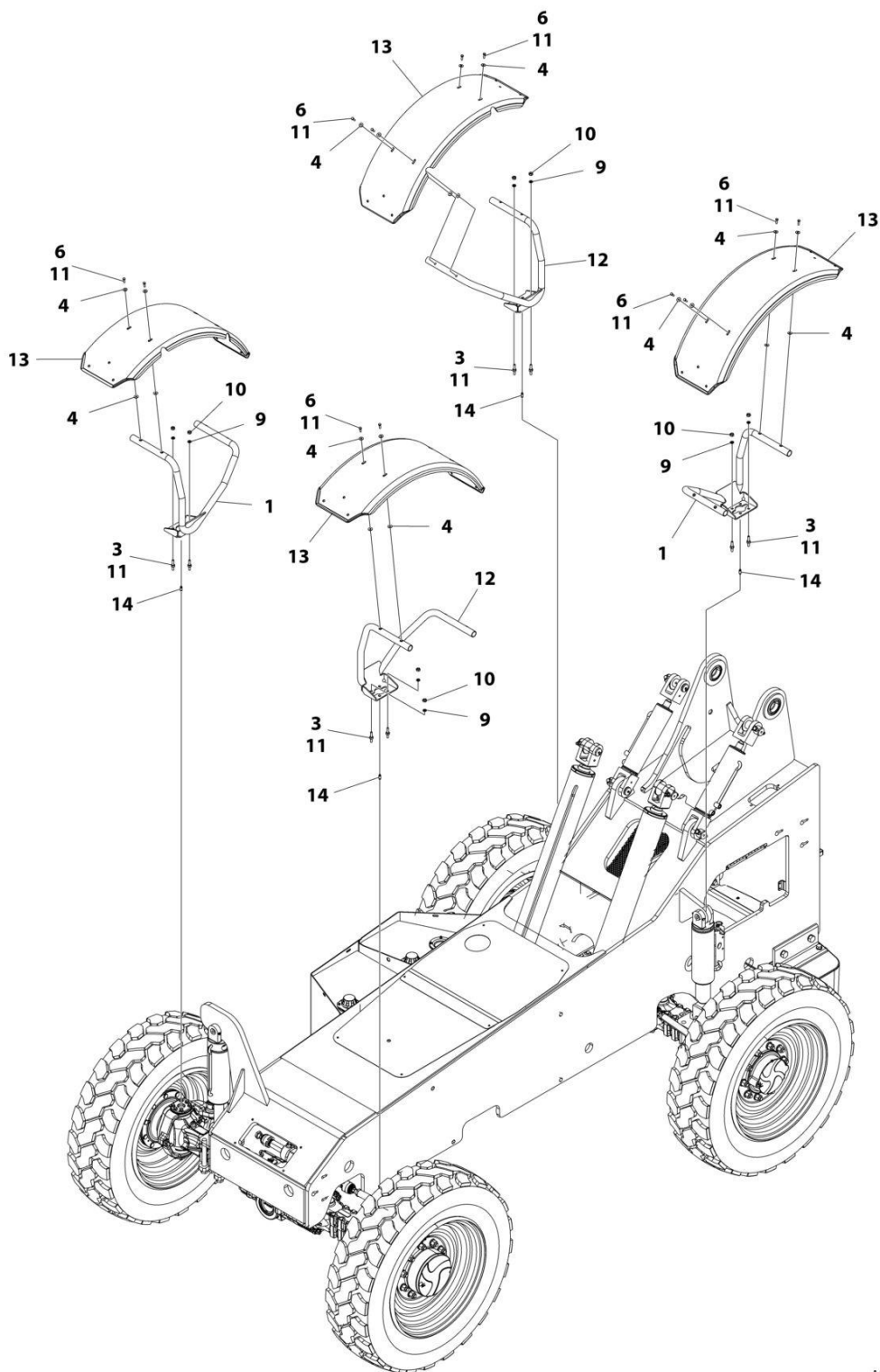
SECTION 5 - DRIVE TRAIN

FIGURE 5-36. REAR AXLE, TRUNNION

ITEM	PART NUMBER	QTY	DESCRIPTION	REV
	1001147379	Ref	REAR AXLE - TRUNION	C
501	91474516	2	Bushing, Reduction	
502	91474515	1	Thrust Bushing	
503	See Note	NSS	Support Assembly (Note: Use PN 7029283)	
504	70024881	1	Fitting, Grease	
505	80204117	1	Plug	
506	7029282	1	Support Assembly	
507	7029283	1	Support Assembly	
508	See Note	NSS	Support Assembly (Note: Use PN 7029282)	

SECTION 5 - DRIVE TRAIN

FIGURE 5-37. FENDER INSTALLATION



ART_1001150656

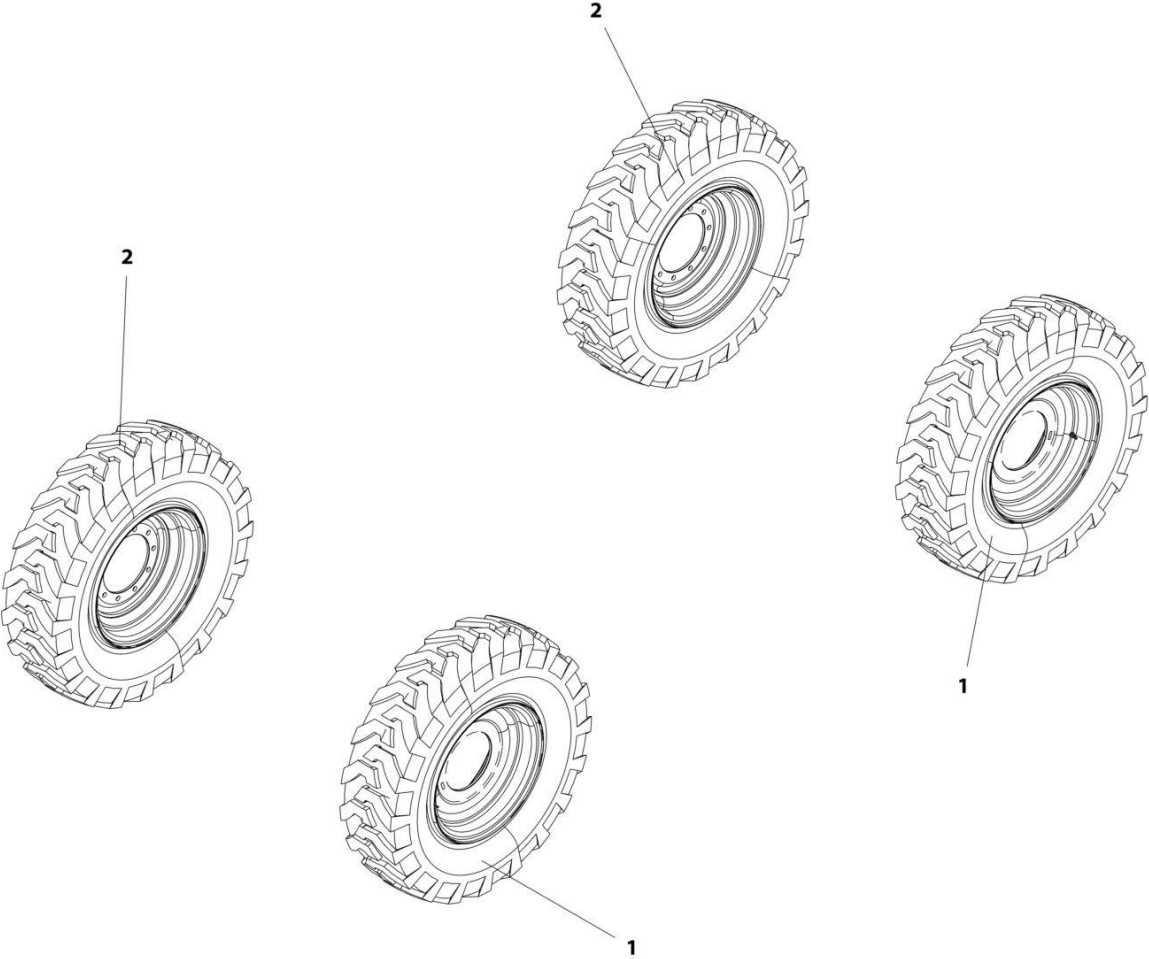
SECTION 5 - DRIVE TRAIN

FIGURE 5-37. FENDER INSTALLATION

ITEM	PART NUMBER	QTY	DESCRIPTION	REV
	1001150656	Ref	FENDER INSTALLATION	C
1	1001150652	2	Bracket, Fender Weldment	
14	1001225317	5	Fitting	
3	91514118	16	Stud, Fender	
4	4811902	32	Washer M8	
6	0760812	16	Bolt M8 x 25	
9	83191010	16	Washer M12	
10	91513266	16	Nut M12 x 1-1/4	
11	1001095650	AR	Compound, Locking	
12	1001150655	2	Bracket, Fender Weldment	
13	1001154055	4	Fender	

SECTION 5 - DRIVE TRAIN

FIGURE 5-38. TIRE SET, 13.00-24 PNEUMATIC



ART_4520368_B

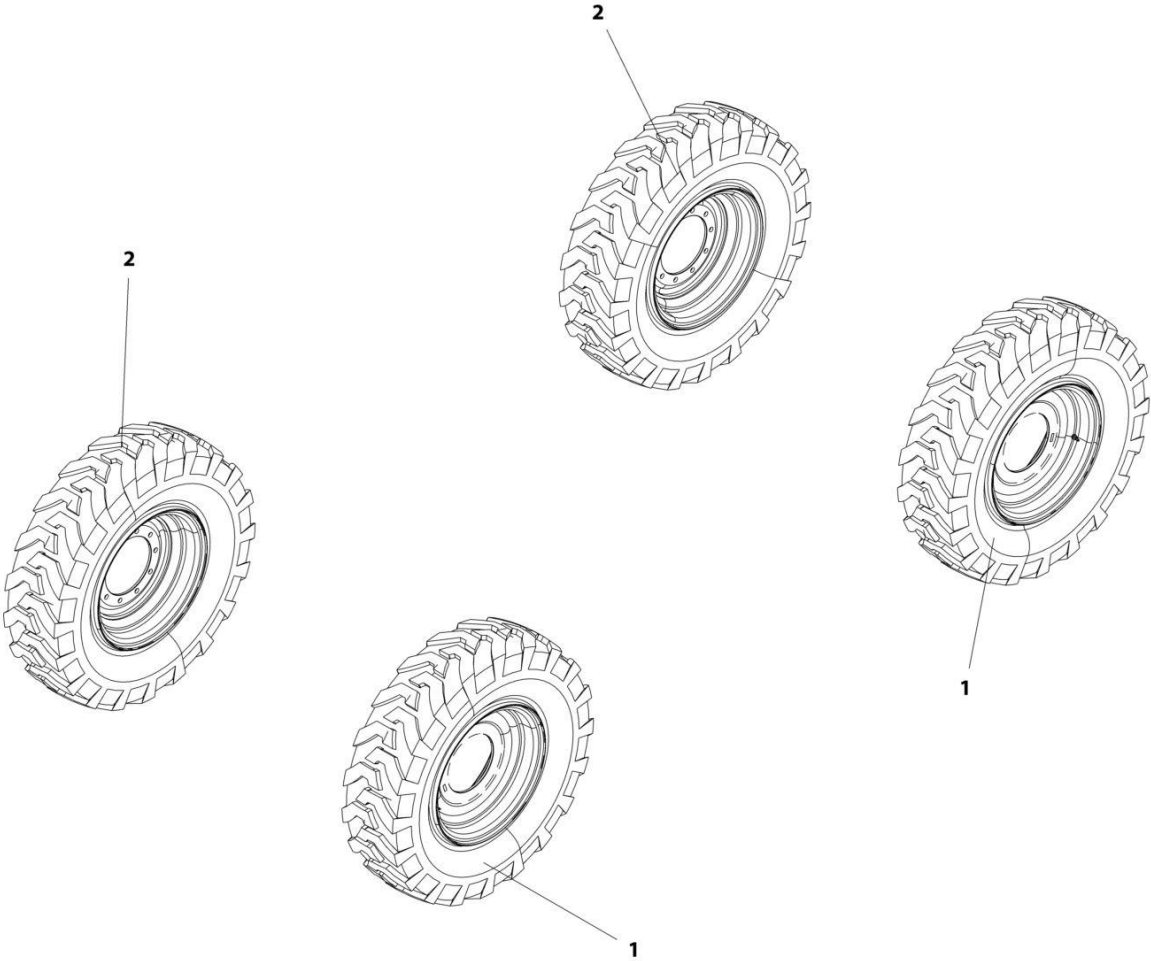
SECTION 5 - DRIVE TRAIN

FIGURE 5-38. TIRE SET, 13.00-24 PNEUMATIC

ITEM	PART NUMBER	QTY	DESCRIPTION	REV
	4520368	Ref	Tire Set, 13.00-24 Pneumatic	B
1	91405035	2	Assembly, RH Tire and Wheel (See Items 101-103 for Breakdown)	
1	8780031	2	Tire, 13.00x24 (1 per Assembly)	
1	8786514	2	Valve, Air (1 per Assembly)	
1	91473206	2	Wheel 24x9 (1 per Assembly)	
2	91405036	2	Assembly, LH Tire and Wheel (See Items 101-103 for Breakdown)	
2	8780031	2	Tire, 13.00x24 (1 per Assembly)	
2	8786514	2	Valve, Air (1 per Assembly)	
2	91473206	2	Wheel 24x9 (1 per Assembly)	

SECTION 5 - DRIVE TRAIN

FIGURE 5-39. TIRE SET, 13.00-24 FOAM FILLED



ART_4520370_B

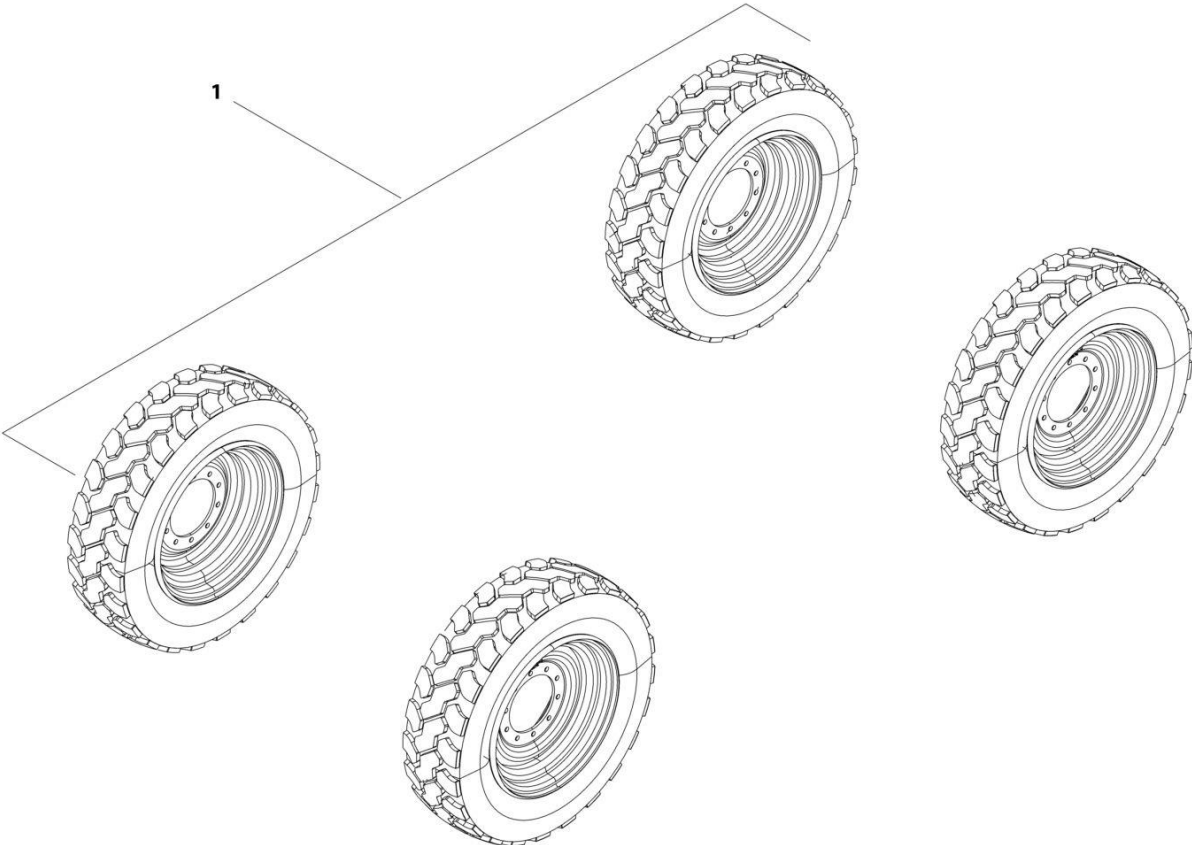
SECTION 5 - DRIVE TRAIN

FIGURE 5-39. TIRE SET, 13.00-24 FOAM FILLED

ITEM	PART NUMBER	QTY	DESCRIPTION	REV
	4520370	Ref	Tire/Wheel Set 13-24 12PR - Foam	B
		Ref	Note: Assemblies require ballast/foam filling to manufacture's specifications prior to installing on machine. Refer to Operation & Safety or Service & Maintenance Manuals.	
		Ref	Purchase individual tire and/or wheel only if able to foam fill tire & wheel assembly, otherwise purchase complete assembly.	
1	91475054	2	Tire/Wheel Assembly - RH 13-24 G-2 - Foam	
1	8780031	2	Tire, 13.00x24 TG 16 PLY G2, BIAS (1 Per Assembly)	
1	8786514	2	Valve, Stem (1 Per Assembly)	
1	91473206	2	Wheel, 24x9.00 GR (1 Per Assembly)	
2	91475055	2	Tire/Wheel Assembly - LH 13-24 G-2 - Foam	
2	8780031	2	Tire, 13.00x24 TG 16 PLY G2, BIAS (1 Per Assembly)	
2	8786514	2	Valve, Stem (1 Per Assembly)	
2	91473206	2	Wheel, 24x9.00 GR (1 Per Assembly)	

SECTION 5 - DRIVE TRAIN

FIGURE 5-40. TIRE SET, 370/75-28 PNEUMATIC



ART_1001120963_B

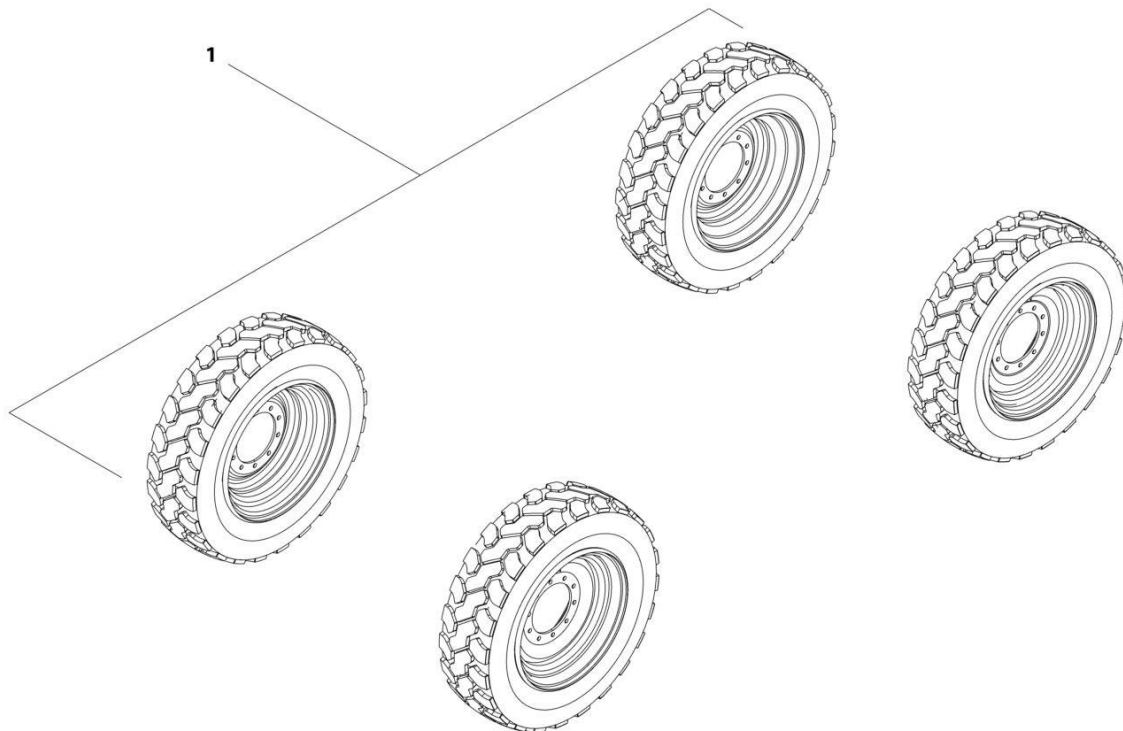
SECTION 5 - DRIVE TRAIN

FIGURE 5-40. TIRE SET, 370/75-28 PNEUMATIC

ITEM	PART NUMBER	QTY	DESCRIPTION	REV
	1001120963	Ref	Tire/Wheel Set 370/75-28 - Air	B
1	1001100323	4	Assembly, Tire/Wheel 370/75-28 - Air	
1	8786514	4	Valve, Air (1 per assembly)	
1	1001099976	4	Wheel (1 per assembly)	
1	1001100284	4	Tire (1 per assembly)	

SECTION 5 - DRIVE TRAIN

FIGURE 5-41. TIRE SET, 370/75-28 FOAM FILLED



ART_1001121519_B

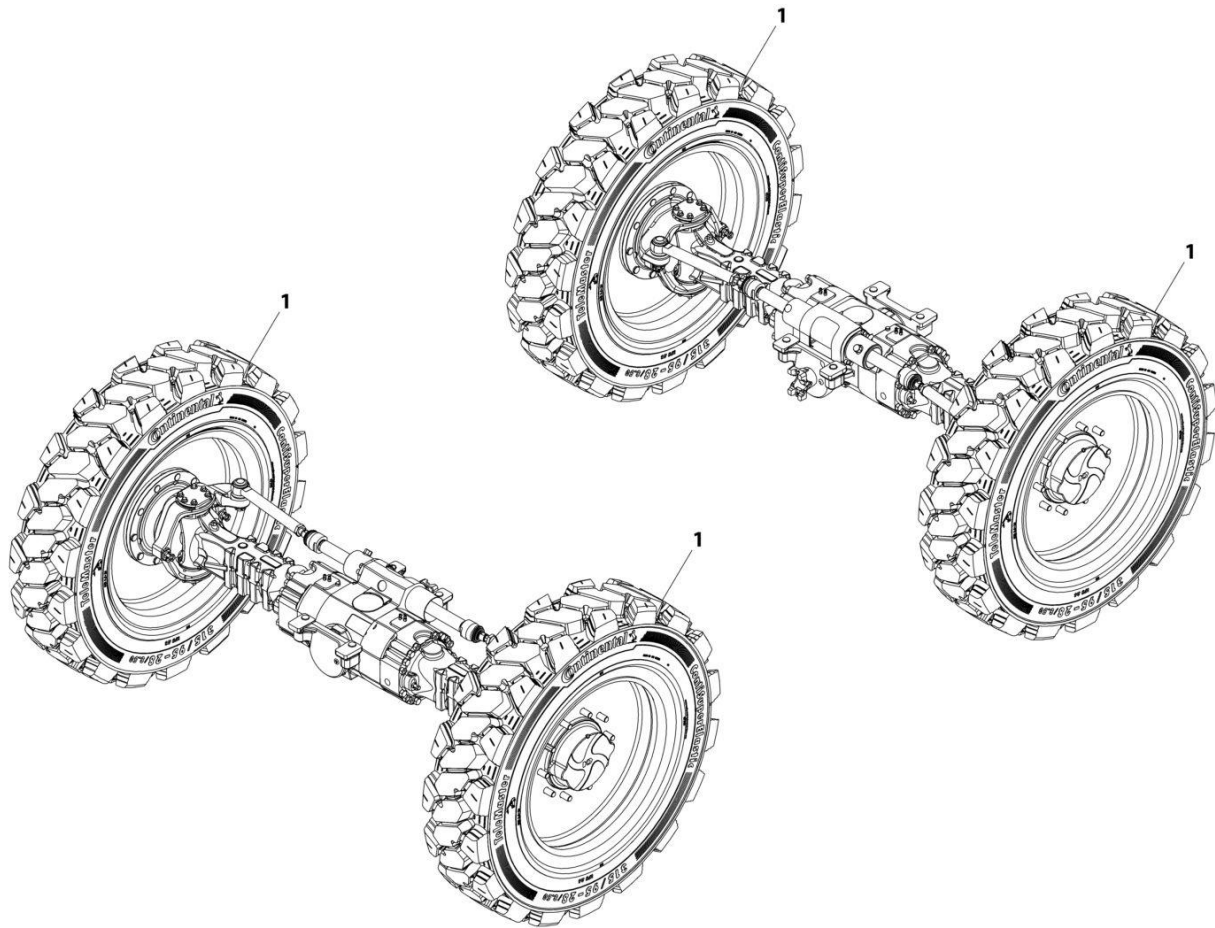
SECTION 5 - DRIVE TRAIN

FIGURE 5-41. TIRE SET, 370/75-28 FOAM FILLED

ITEM	PART NUMBER	QTY	DESCRIPTION	REV
	1001121519	Ref	Tire/Wheel Set 370/75-28 - Foam	B
		Ref	Note: Assemblies require ballast/foam filling to manufacture's specifications prior to installing on machine. Refer to Operation & Safety or Service & Maintenance Manuals.	
		Ref	Purchase individual tire and/or wheel only if able to foam fill tire & wheel assembly, otherwise purchase complete assembly.	
1	1001121101	4	Tire/Wheel Assembly 370/75-28 Foam	
1	8786514	4	Valve, Air (1 per assembly)	
1	1001099976	4	Wheel (1 per assembly)	
1	1001100284	4	Tire 370/75-28 Non-Marking (1 per assembly)	

SECTION 5 - DRIVE TRAIN

FIGURE 5-42. TIRE SET, 315/95-28/8.5 SOLID



ART_1001221500-A

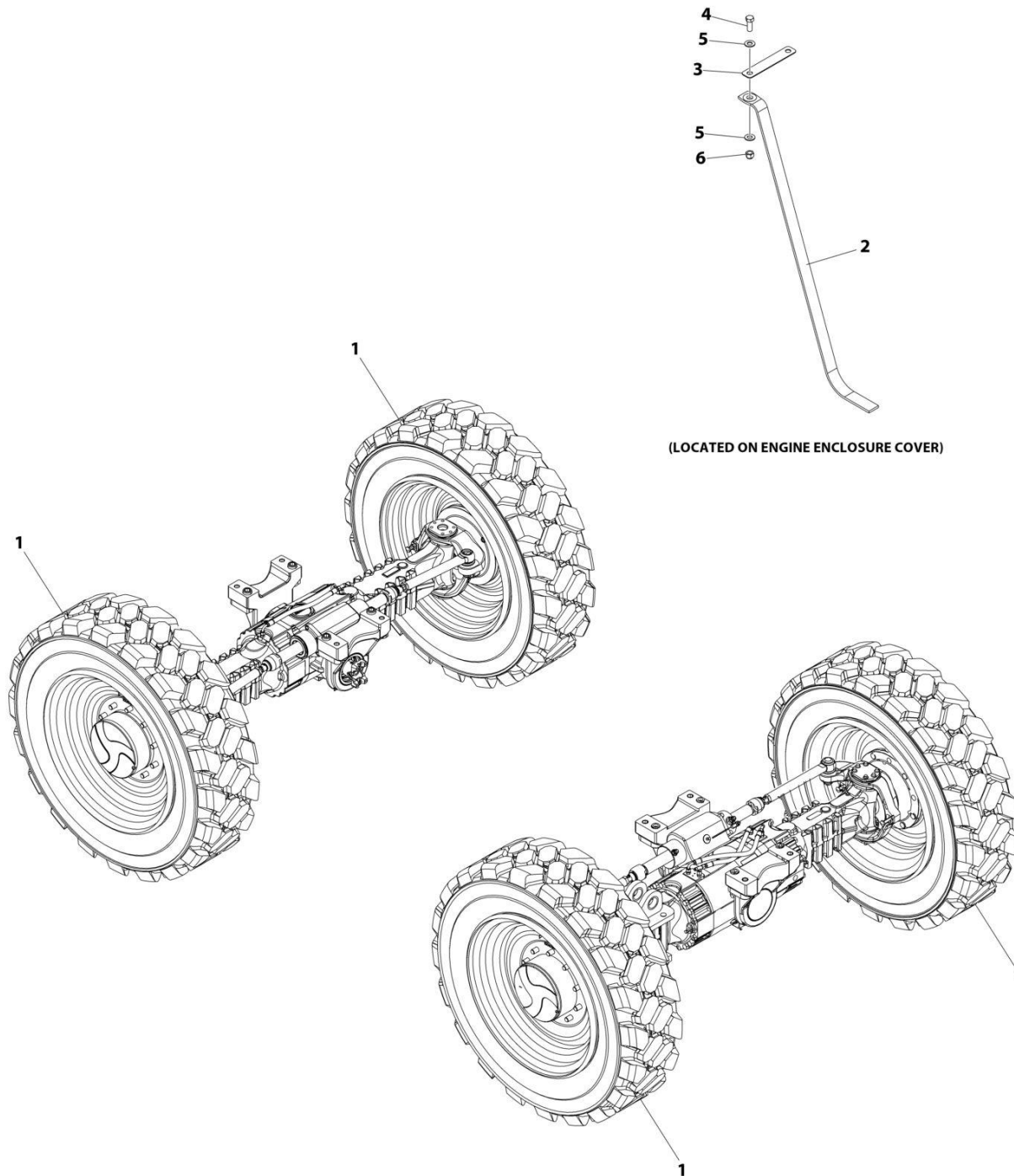
SECTION 5 - DRIVE TRAIN

FIGURE 5-42. TIRE SET, 315/95-28/8.5 SOLID

ITEM	PART NUMBER	QTY	DESCRIPTION	REV
1	1001221500 1001213199J	Ref 4	Tire Set, 315/95-28/8.5 Solid Tire & and Wheel Assembly - 315/95-28/8.5 Solid (Sold as an Assembly Only)	A

SECTION 5 - DRIVE TRAIN

FIGURE 5-43. TIRE SET, 370/75-28 PNEUMATIC NON-MARKING



ART_1001241846

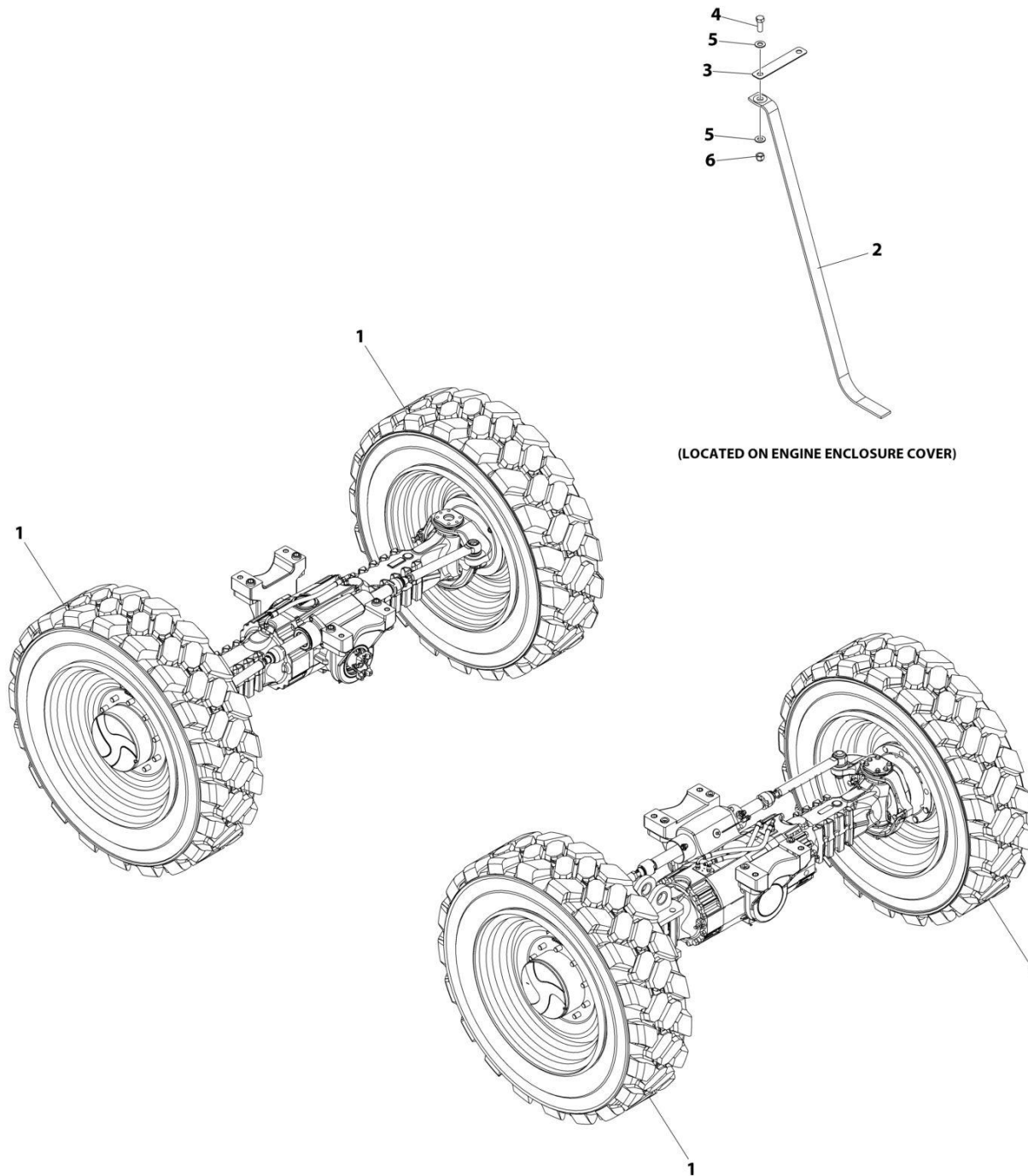
SECTION 5 - DRIVE TRAIN

FIGURE 5-43. TIRE SET, 370/75-28 PNEUMATIC NON-MARKING

ITEM	PART NUMBER	QTY	DESCRIPTION	REV
	1001241846	Ref	TIRE SET, 370/75-28 - PNEUMATIC NON-MARKING	B
1	1001241839	4	Tire and Wheel Assembly	
1	8786514	4	Valve, Air (1 per assembly)	
1	1001099976	4	Wheel (1 per assembly)	
1	1001241838	4	Tire 370/75-28 Non-Marking (1 per assembly)	
2	1001275637	1	Strap, Anti-Static	
3	1001275638	1	Bracket, Anti-Static Strap	
4	8303620	1	Bolt 3/8 x 1	
5	8307110	2	Washer 3/8	
6	8305645	1	Nut 3/8	

SECTION 5 - DRIVE TRAIN

FIGURE 5-44. TIRE SET, 370/75-28 FOAM FILLED NON-MARKING



ART_1001241847

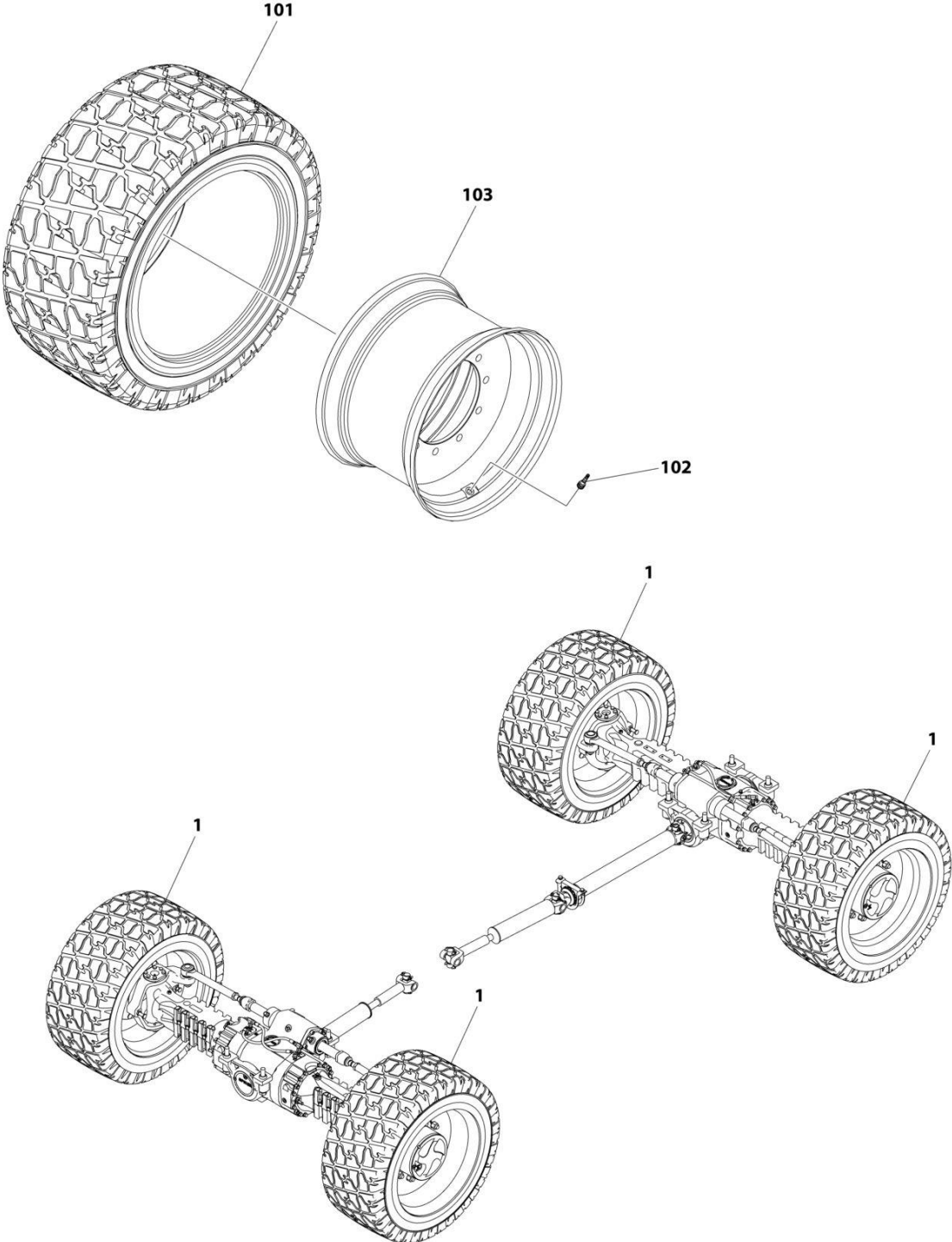
SECTION 5 - DRIVE TRAIN

FIGURE 5-44. TIRE SET, 370/75-28 FOAM FILLED NON-MARKING

ITEM	PART NUMBER	QTY	DESCRIPTION	REV
	1001241847	Ref	TIRE/WHEEL SET, 370/75-28 - FOAM NON-MARKING	B
		Ref	Note: Assemblies require ballast/foam filling to manufacture's specifications prior to installing on machine. Refer to Operation & Safety or Service & Maintenance Manuals.	
		Ref	Purchase individual tire and/or wheel only if able to foam fill tire & wheel assembly, otherwise purchase complete assembly.	
1	1001241840	4	Tire and Wheel, 370/75-28 - Foam Non-Marking	
1	8786514	4	Valve, Air (1 per assembly)	
1	1001099976	4	Wheel (1 per assembly)	
1	1001241838	4	Tire 370/75-28 Non-Marking (1 per assembly)	
2	1001275637	1	Strap, Anti-Static	
3	1001275638	1	Bracket, Anti-Static Strap	
4	8303620	1	Bolt 3/8 x 1	
5	8307110	2	Washer 3/8	
6	8305645	1	Nut 3/8	

SECTION 5 - DRIVE TRAIN

FIGURE 5-45. TIRE SET 18 X 625 PNUEMATIC TURF/SAND



ART_1001252986

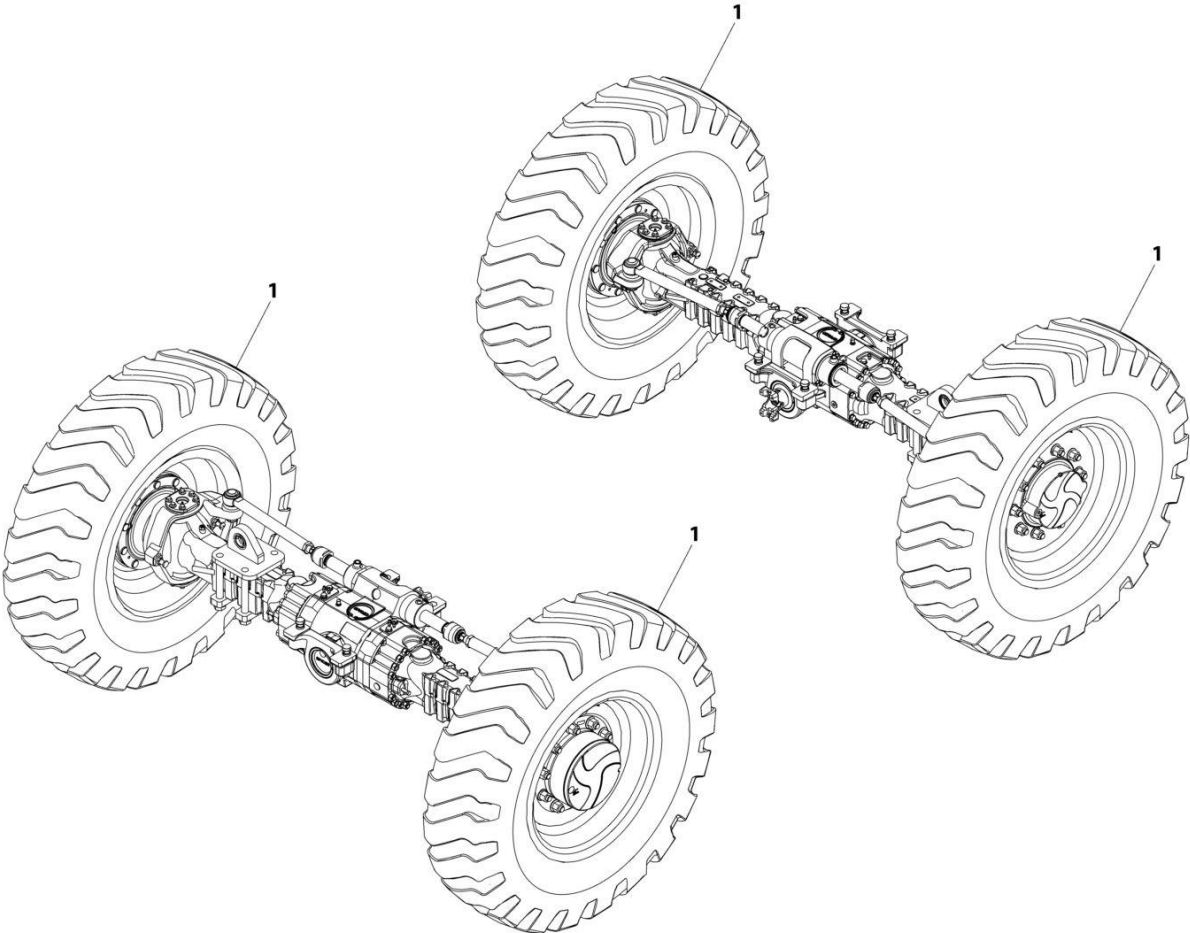
SECTION 5 - DRIVE TRAIN

FIGURE 5-45. TIRE SET 18 X 625 PNEUMATIC TURF/SAND

ITEM	PART NUMBER	QTY	DESCRIPTION	REV
	1001252986	Ref	TIRE SET - 18 X 625 (TURF PNEUMATIC)	B
1	1001259635	4	Tire and Wheel Assembly	
101	4520356	4	Tire - 18 x 625 Turf/Sand (1 per assembly)	
102	4641122	4	Valve, Air (1 per assembly)	
103	1001246001	4	Wheel (1 per assembly)	

SECTION 5 - DRIVE TRAIN

FIGURE 5-46. TIRE SET, 13.00-24 FOAM FILLED (E-3) (SUNSTATE ONLY)



ART_1001264712

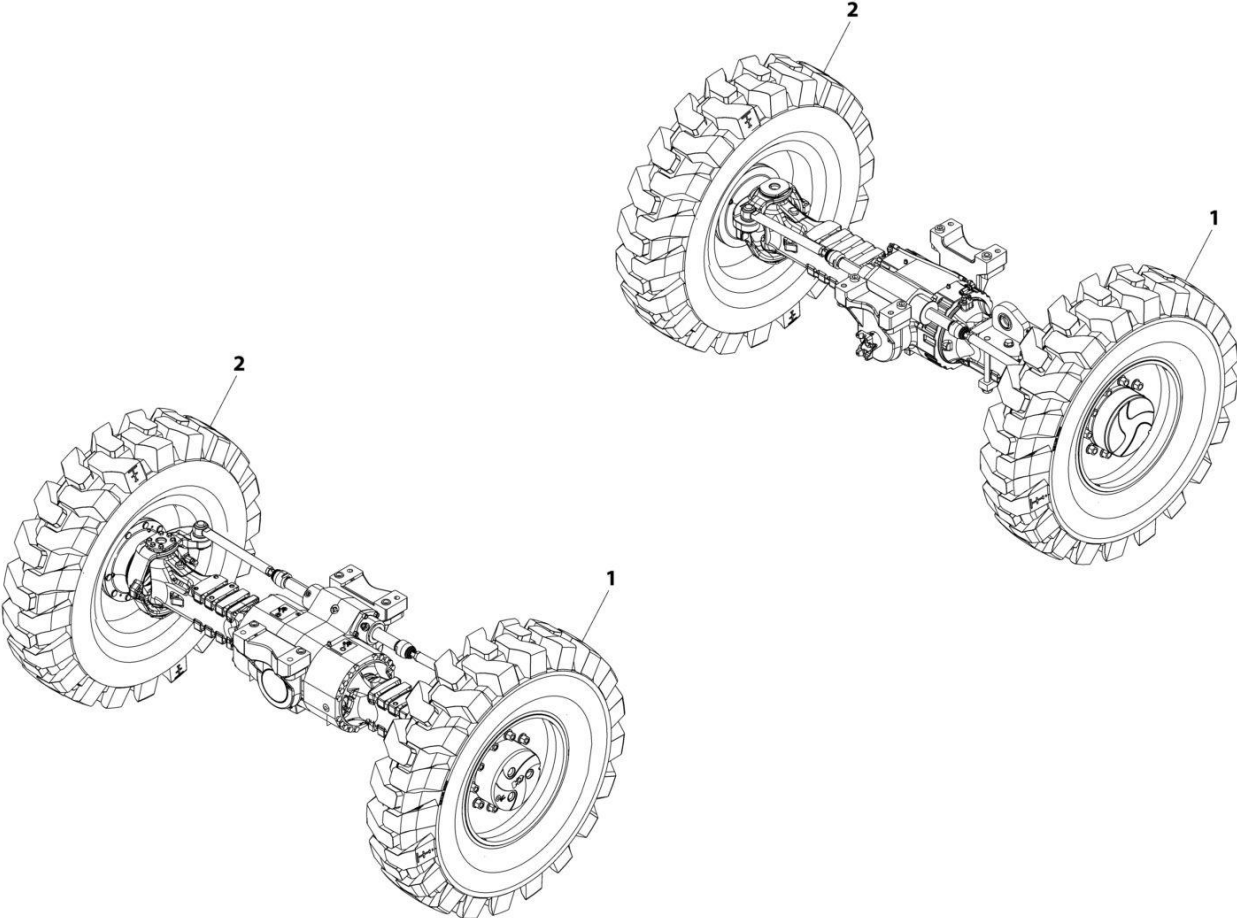
SECTION 5 - DRIVE TRAIN

FIGURE 5-46. TIRE SET, 13.00-24 FOAM FILLED (E-3) (SUNSTATE ONLY)

ITEM	PART NUMBER	QTY	DESCRIPTION	REV
	1001264712	Ref	TIRE SET, 13.00-24 FOAM Filled (E-3)	A
		Ref	Note: Assemblies require ballast/foam filling to manufacture's specifications prior to installing on machine. Refer to Operation & Safety or Service & Maintenance Manuals.	
		Ref	Purchase individual tire and/or wheel only if able to foam fill tire & wheel assembly, otherwise purchase complete assembly.	
1	1001264699	4	Tire/Wheel Assembly 13-24 E-3 - Foam Filled	
1	1001263010	4	Tire, 13.00x24 E-3 12 PLY	
1	8786514	4	Valve, Stem	
1	91473206	4	Wheel, 24x9.00 GR	

SECTION 5 - DRIVE TRAIN

FIGURE 5-47. TIRE SET, 13-24 SOLIDBOSS (DIRECTIONAL)



ART_1001274718

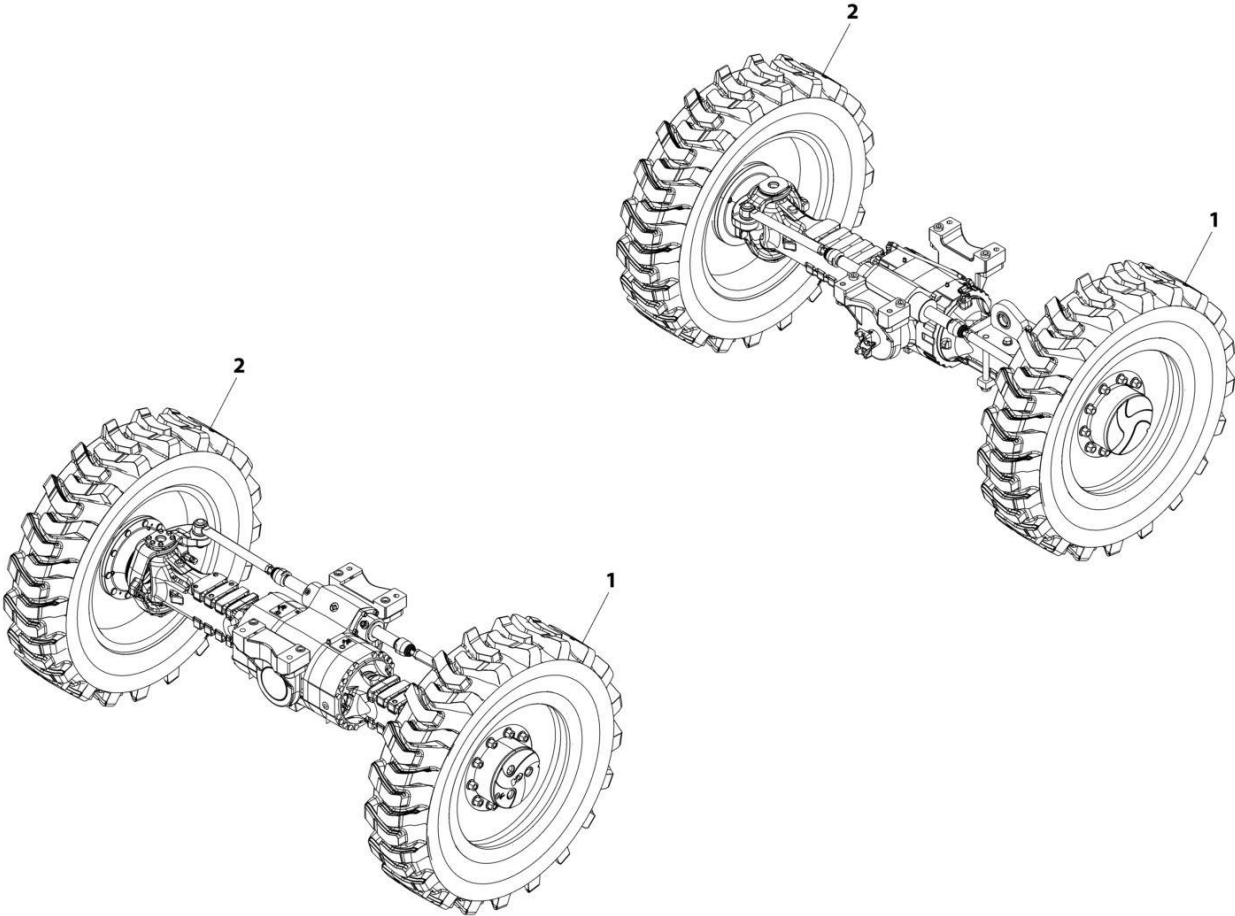
SECTION 5 - DRIVE TRAIN

FIGURE 5-47. TIRE SET, 13-24 SOLIDBOSS (DIRECTIONAL)

ITEM	PART NUMBER	QTY	DESCRIPTION	REV
	1001274718	Ref	TIRE/WHEEL SET 13-24 SOLIDBOSS (DIRECTIONAL)	A
1	1001274715	2	Tire/Wheel Left 13X24 - Solid	
2	1001274717	2	Tire/Wheel Right 13X24 - Solid	

SECTION 5 - DRIVE TRAIN

FIGURE 5-48. TIRE SET, 13-28 SOLIDBOSS (DIRECTIONAL)



ART_1001274257

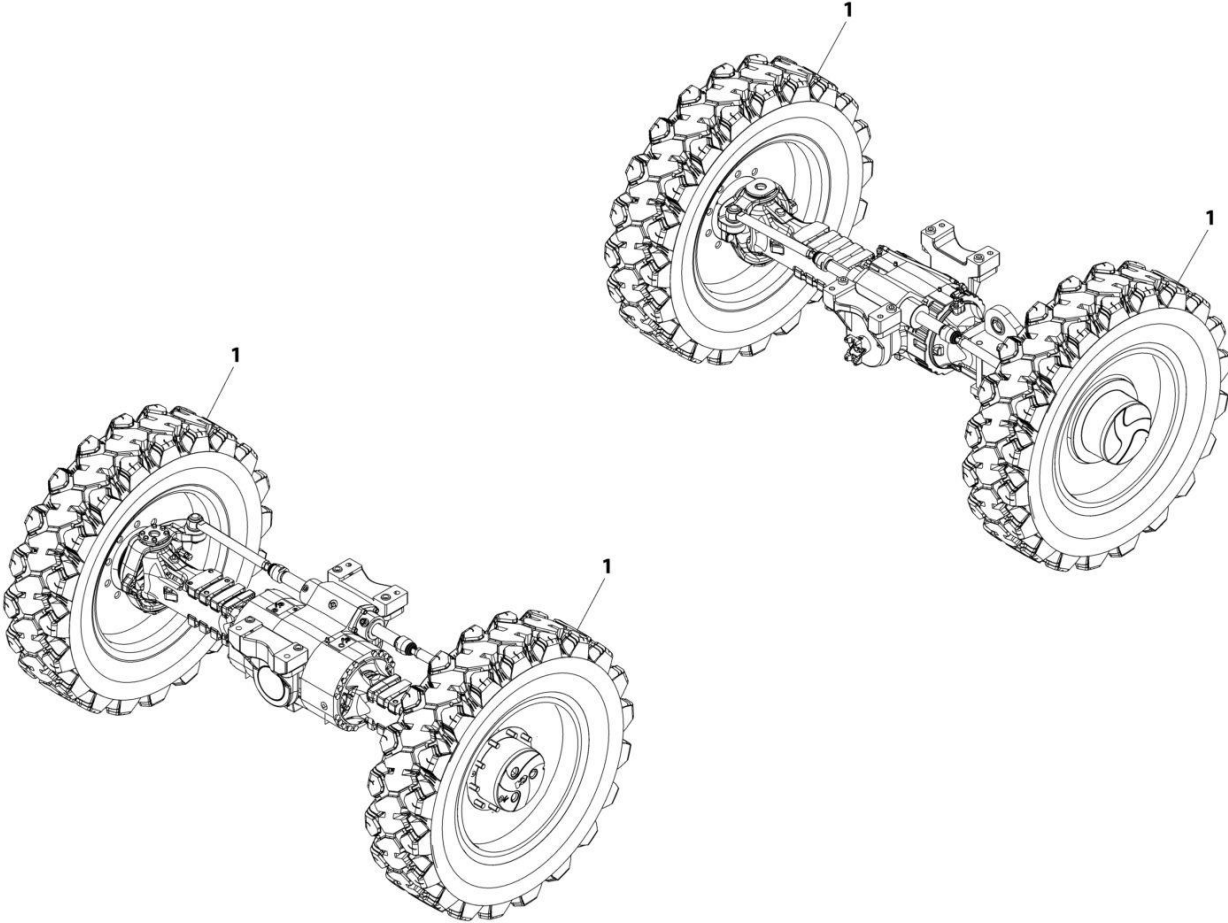
SECTION 5 - DRIVE TRAIN

FIGURE 5-48. TIRE SET, 13-28 SOLIDBOSS (DIRECTIONAL)

ITEM	PART NUMBER	QTY	DESCRIPTION	REV
	1001274257	Ref	TIRE/WHEEL SET 13-28 SOLIDBOSS (DIRECTIONAL)	A
1	1001274255	2	Tire/Wheel Left 13X28 - Solid	
2	1001274256	2	Tire/Wheel Right 13X28 - Solid	

SECTION 5 - DRIVE TRAIN

FIGURE 5-49. TIRE SET, 13-28 SOLIDBOSS (NON-DIRECTIONAL)



ART_1001274302

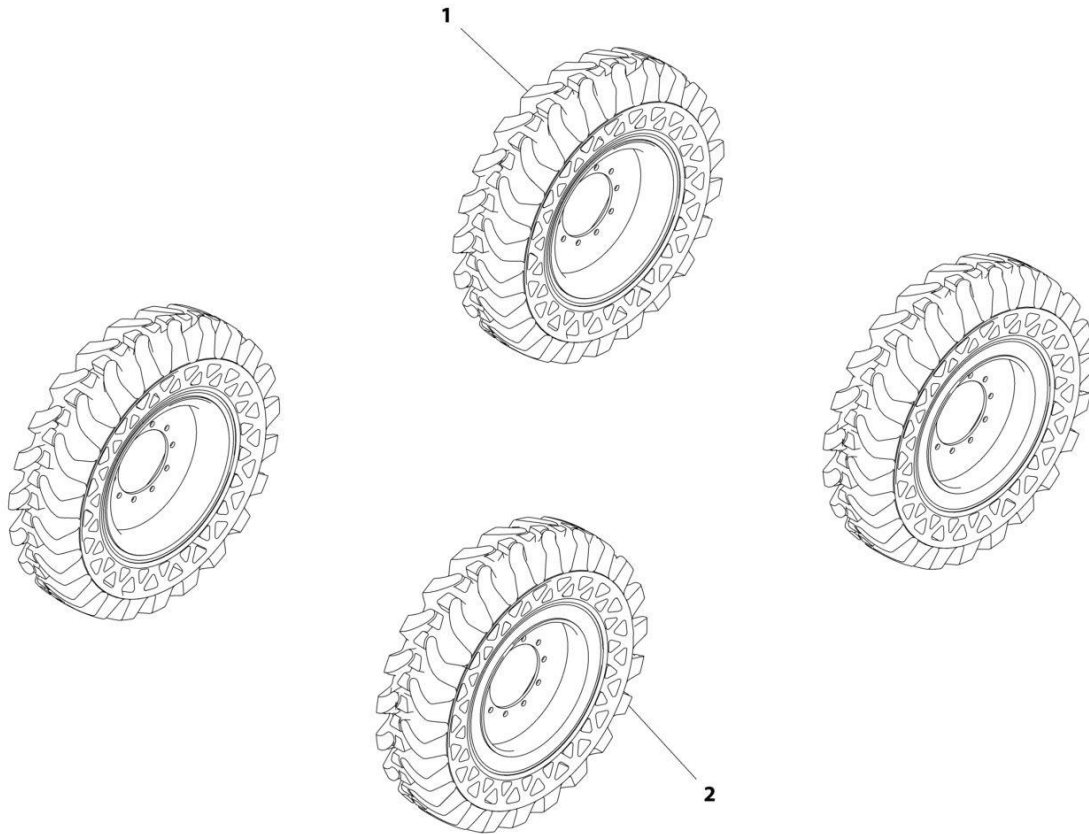
SECTION 5 - DRIVE TRAIN

FIGURE 5-49. TIRE SET, 13-28 SOLIDBOSS (NON-DIRECTIONAL)

ITEM	PART NUMBER	QTY	DESCRIPTION	REV
1	1001274302	Ref	TIRE/WHEEL SET 13-28 SOLIDBOSS (NON-DIRECTIONAL)	A
	1001274301	4	Tire/Wheel 13X28 - Solid	

SECTION 5 - DRIVE TRAIN

FIGURE 5-50. TIRE SET, 13-24 SOLID



ART_1001151106-A

SECTION 5 - DRIVE TRAIN

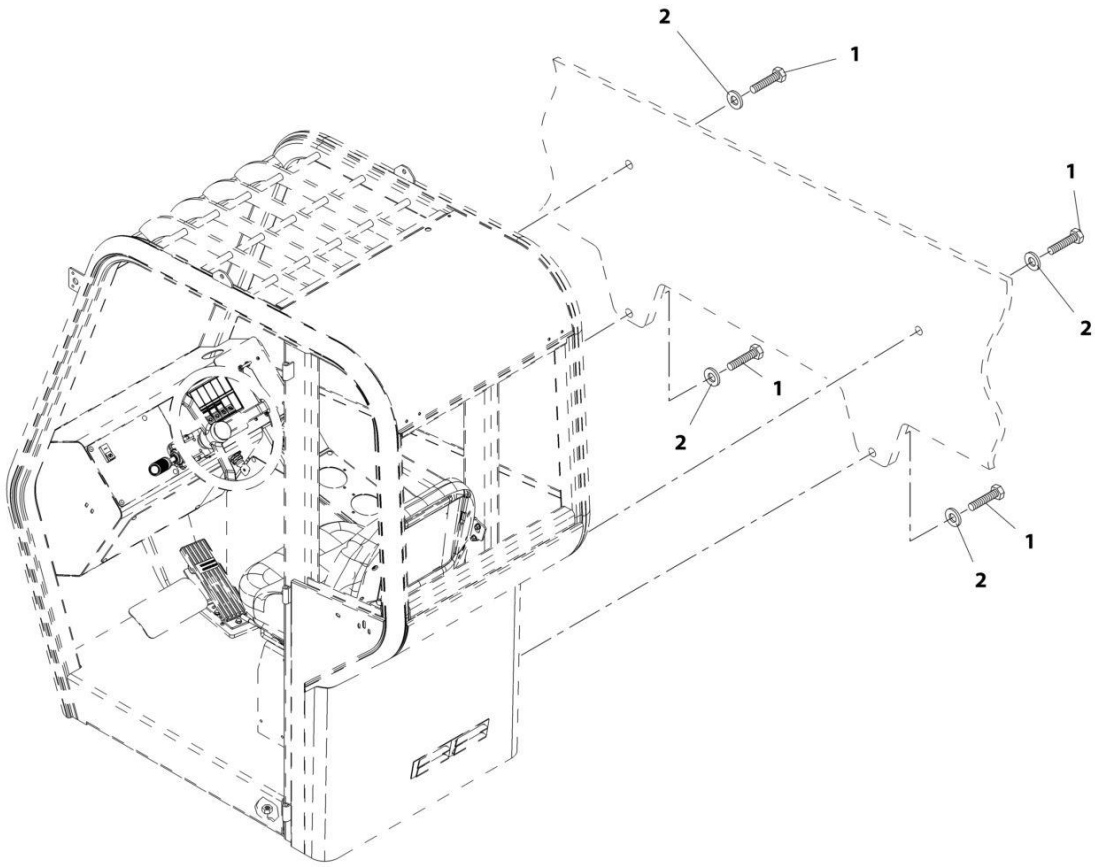
FIGURE 5-50. TIRE SET, 13-24 SOLID

ITEM	PART NUMBER	QTY	DESCRIPTION	REV
	1001151106	1	Tire/Wheel Set 13-24 - Solid	A
1	1001151097	2	Tire/Wheel Left 13-24 .219 - Offset	
2	1001151098	2	Tire/Wheel Right 13-24 .219 - Offset	

SECTION 6 - CAB

SECTION 6 - CAB

FIGURE 6-1. CAB INSTALLATION



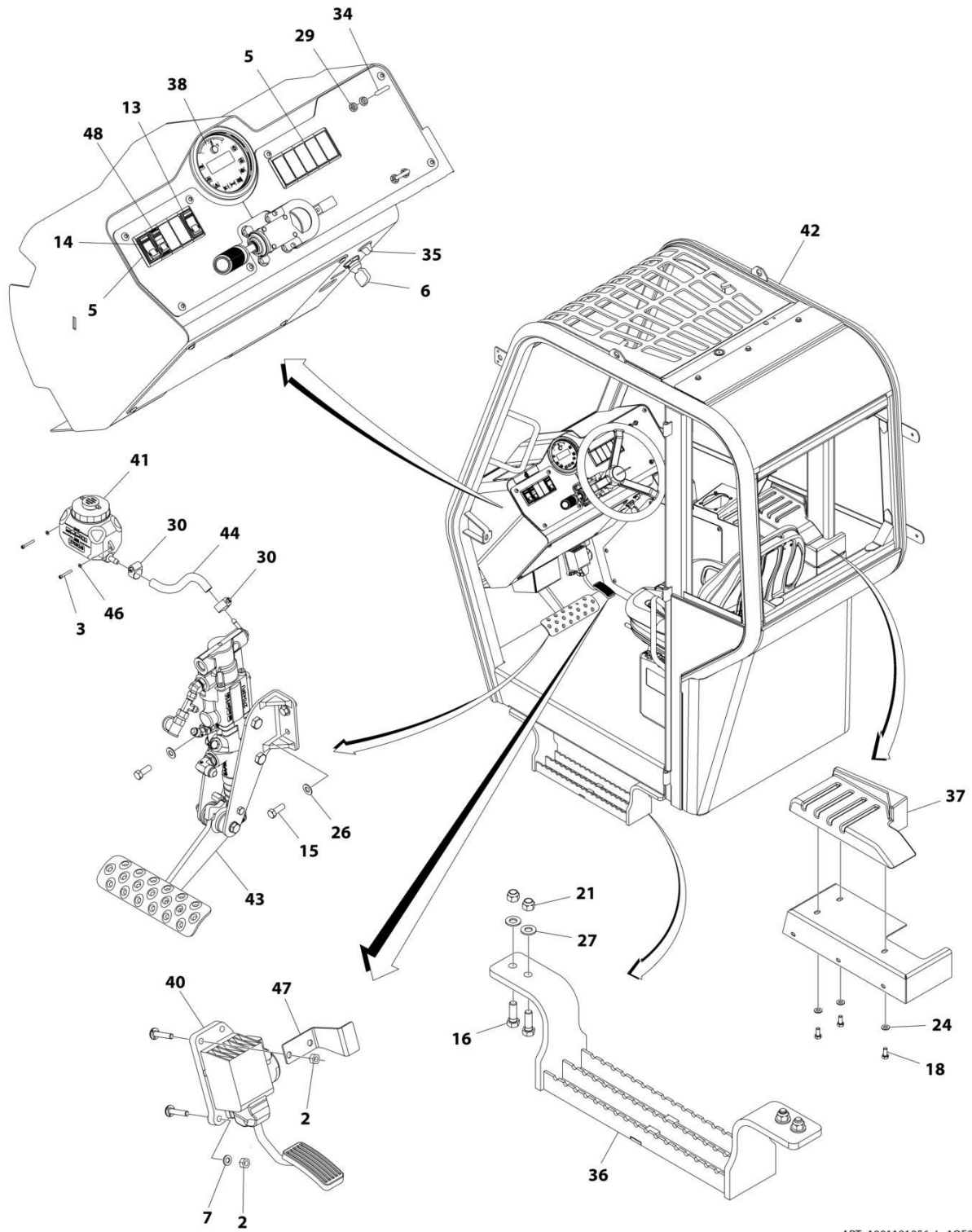
ART_713882_AA

FIGURE 6-1. CAB INSTALLATION

ITEM	PART NUMBER	QTY	DESCRIPTION	REV
	7138882	Ref	Cab Installation	AA
1	8310493	4	Bolt, 7/8-9X5-1/2, Grade 8	
2	8307011	4	Washer, Lock 7/8	

SECTION 6 - CAB

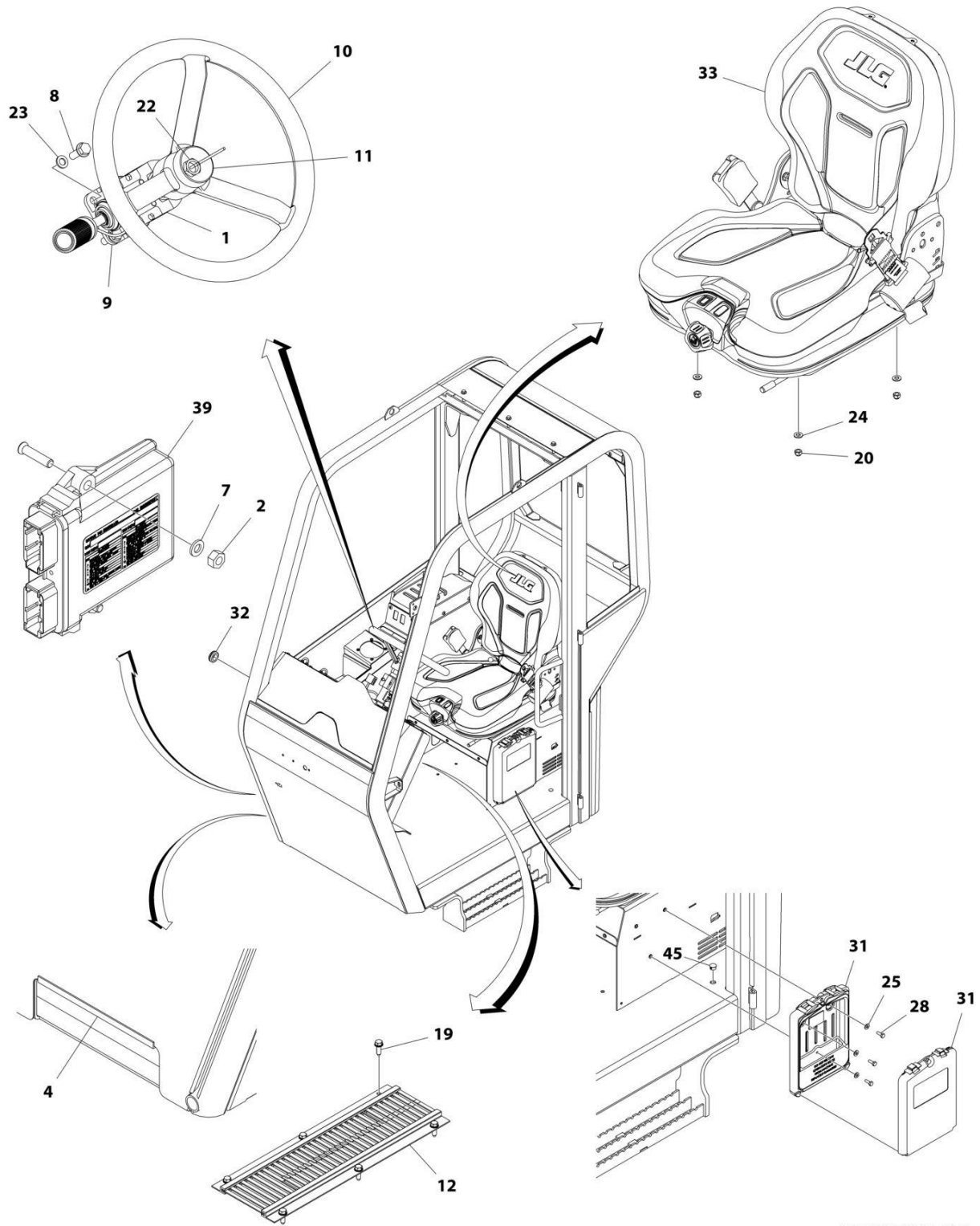
FIGURE 6-2. CAB INSTALLATION - OPEN CAB (ORANGE SEAT BELT)



ART_1001181956_L_10F2

SECTION 6 - CAB

FIGURE 6-3. CAB INSTALLATION - OPEN CAB (ORANGE SEAT BELT)



ART_1001181956_L_20F2

SECTION 6 - CAB

FIGURE 6-3. CAB INSTALLATION - OPEN CAB (ORANGE SEAT BELT)

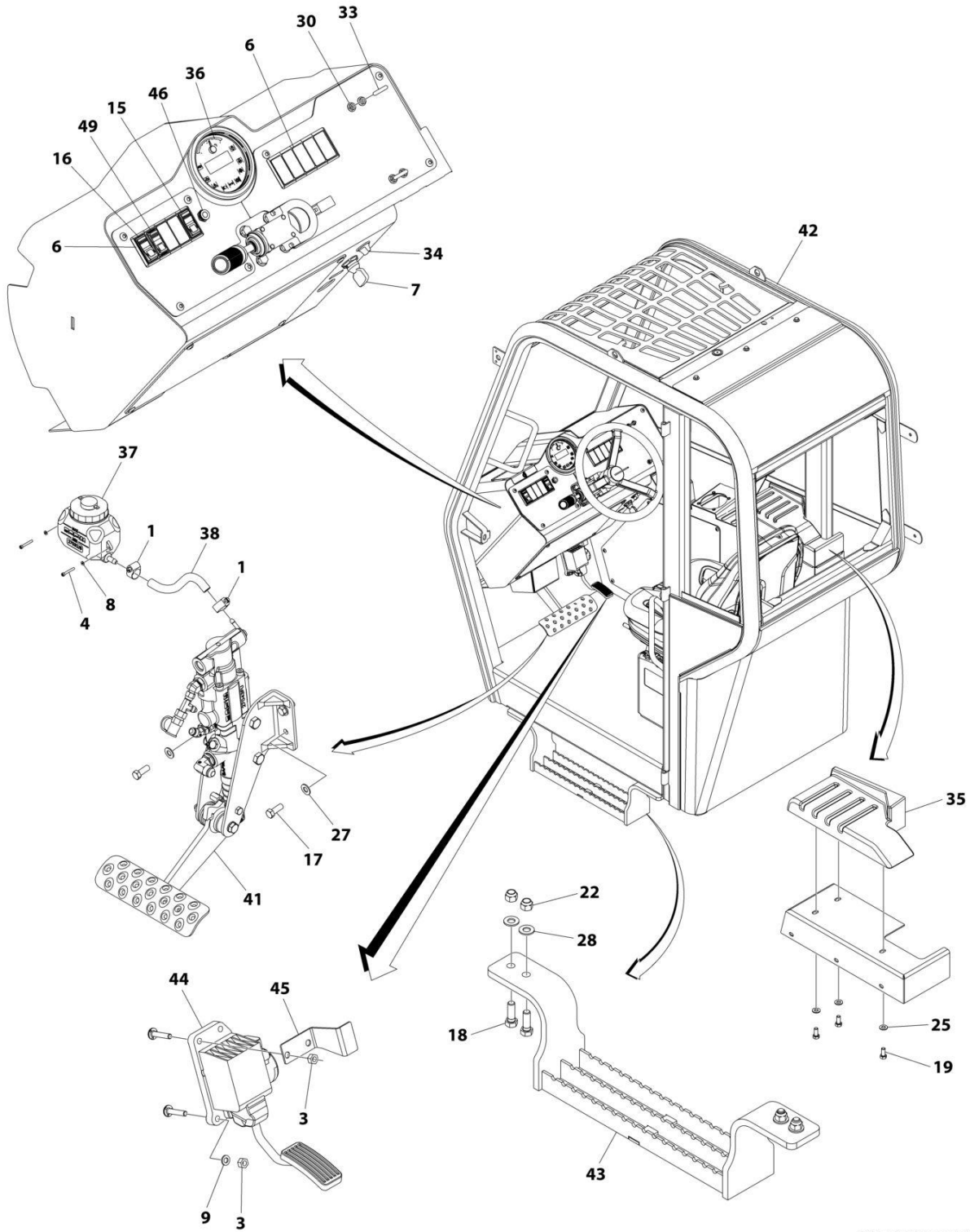
ITEM	PART NUMBER	QTY	DESCRIPTION	REV
	1001181956	Ref	OPEN CAB INSTALLATION	L
1	1600429	1	Selector, Transmission Control	
2	3311401	5	Nut 1/4	
3	3930610	2	Bolt #6 x 5/8	
4	4060806	11 in	Flex-Trim	
5	4360569	2	Switch, Bezel	
6	4360690	1	Switch, Ignition	
6	8035807	1	Key (with cover)	
7	4761400	3	Washer 1/4	
8	5251014	4	Bolt M10 x 30	
9	7138833	1	Column, Steering	
10	7138836	1	Wheel, Steering	
11	7138878	1	Button, Horn	
12	7138944	2	Strips, Brush	
13	8223037	1	Switch, Steer Select	
14	8223054	1	Switch, Park Brake	
15	8303620	4	Bolt 3/8 x 1	
16	8303626	4	Bolt 1/2 x 1-1/2	
18	8303697	3	Bolt 5/16 x 3/4	
19	8303982	6	Screw 1/4 x 3/4	
20	8305626	4	Nut 5/16	
21	8305644	4	Nut 1/2	
22	8305916	1	Nut, Steering Column	
23	8307023	4	Washer M10	
24	8307106	7	Washer 5/16	
25	8307109	3	Washer 1/4	
26	8307110	4	Washer 3/8	
27	8307112	4	Washer 1/2	
28	8310026	3	Bolt 1/4 x 3/4	
29	8310382	8	Nut 1/4	
30	1320022	2	Clamp, Fuel Line	
31	8990147	1	Holder, Manual	
32	1001081049	1	Grommet, Split	
33	1001275934	1	Seat, Cab (See Separate Breakdown in this Section)	
34	1001102844	2	U-Bolt 1/4 x 1-1/4	
35	1001114867	1	Socket, 12V Power Point	
36	1001256519	1	Mount, Cab Step	
37	1001159878	1	Support, Armrest	
38	1001170738	1	Gauge	
39	1001292279	1	Controller	
40	1001264554	1	Accelerator (Note: No Serviceable Parts - Purchase Complete Assembly)	
41	1001183164	1	Reservoir, Brake Valve	
42	1001246736	1	Cab, Open (See Separate Breakdown in this Section)	
43	1001223052	1	Assembly, Brake (See Separate Breakdown in CONTROLS Section)	
44	1001201658	1	Hose	
45	1001207963	1	Plug, 5/8	
46	4710600	2	Washer	
47	1001265914	1	Cover, Pedal	

SECTION 6 - CAB

ITEM	PART NUMBER	QTY	DESCRIPTION	REV
48	1001289539	1	Switch, Beacon	
49	1001284403	1	Harness, Beacon Option (Not Shown) (See Separate Breakdown in ELECTRICAL Section)	
50	1001182091	1	Duct, Wire (Not Shown)	

SECTION 6 - CAB

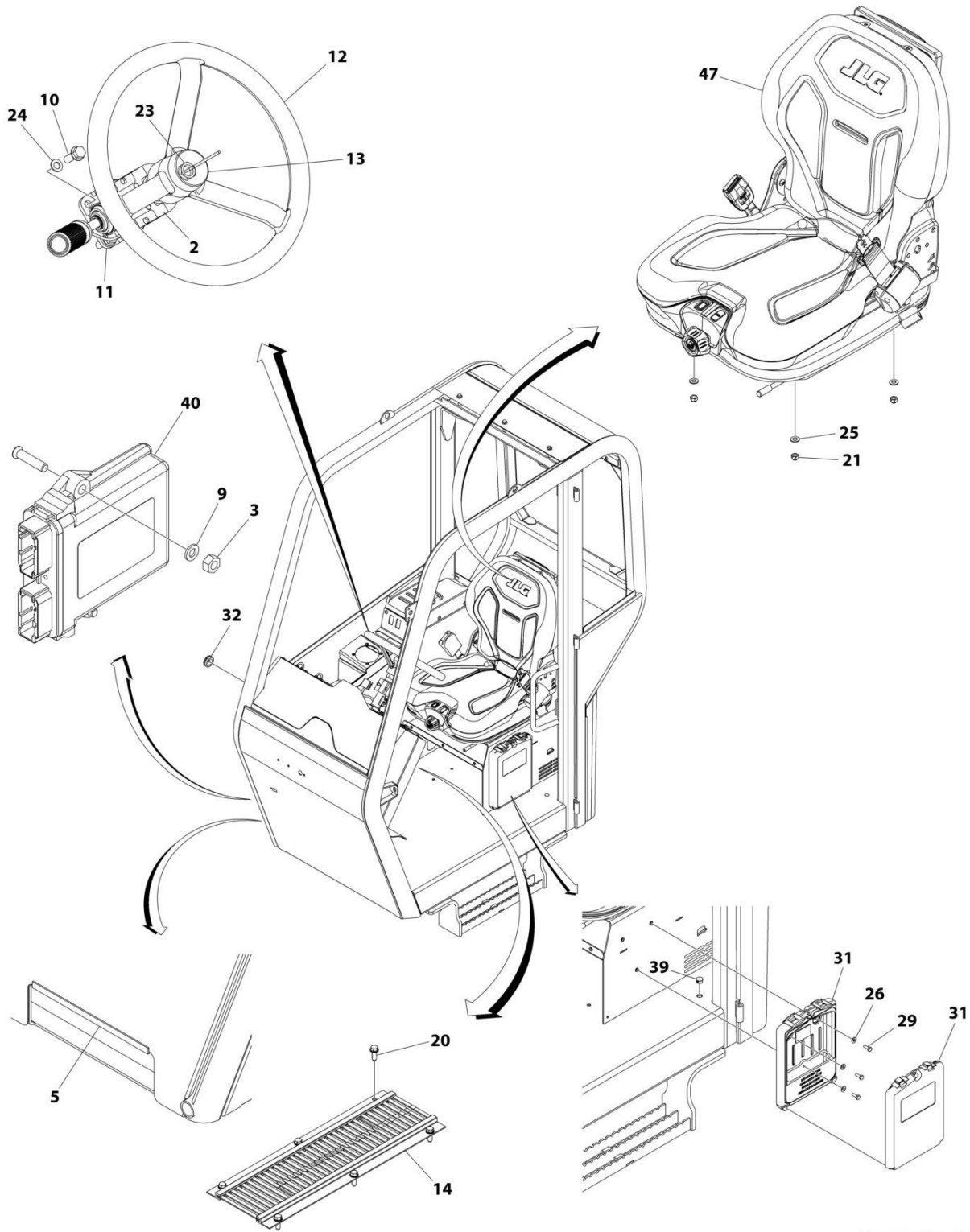
FIGURE 6-4. OPEN CAB SEAT BELT ENG INSTALLATION



ART_1001290540_10F2

SECTION 6 - CAB

FIGURE 6-5. OPEN CAB SEAT BELT ENG INSTALLATION



ART_1001290540_20F2

SECTION 6 - CAB

FIGURE 6-5. OPEN CAB SEAT BELT ENG INSTALLATION

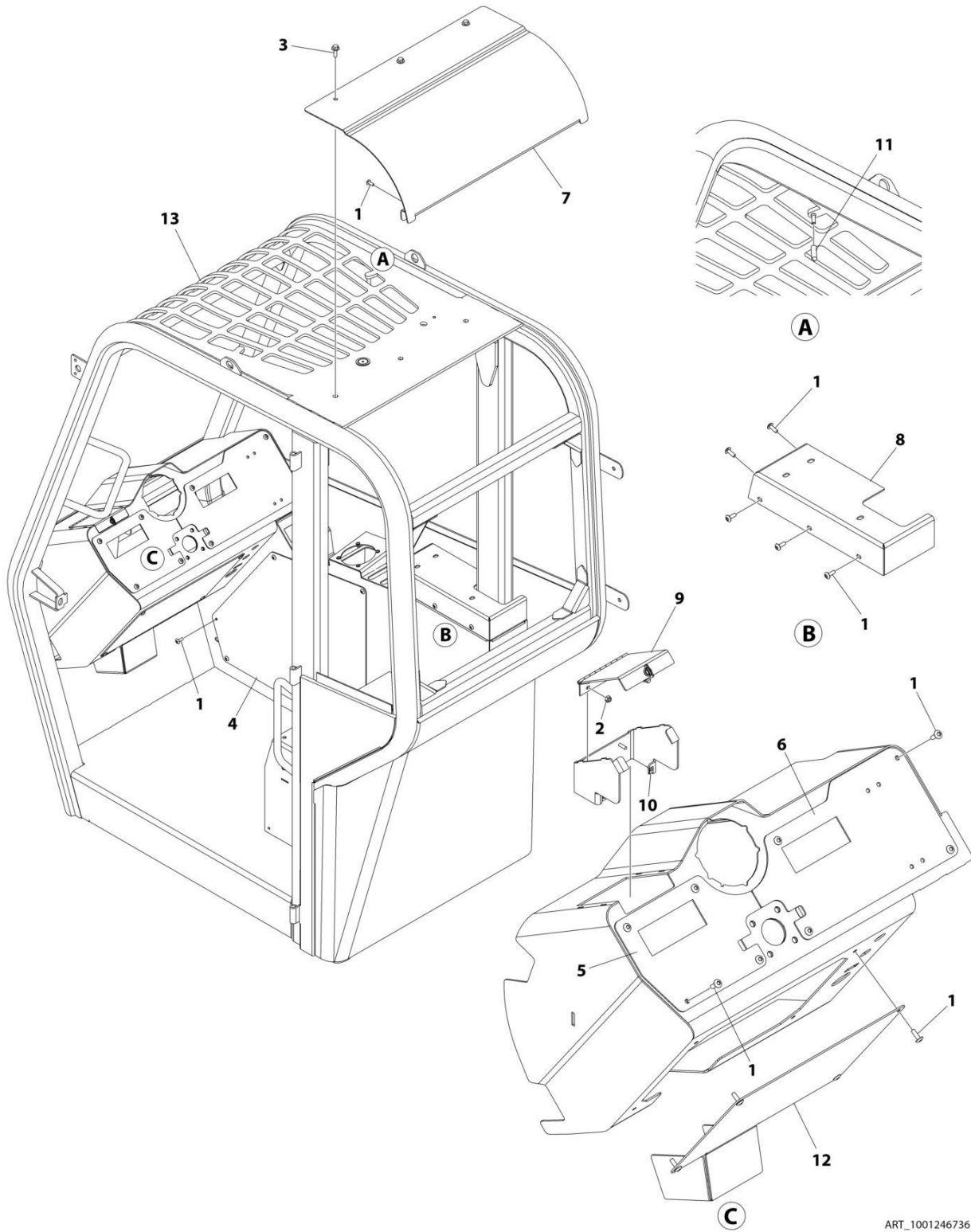
ITEM	PART NUMBER	QTY	DESCRIPTION	REV
	1001290540	Ref	OPEN CAB SEAT BELT ENG INSTALLATION	B
1	1320022	2	Clamp, Fuel Line	
2	1600429	1	Selector, Transmission Control	
3	3311401	5	Nut 1/4	
4	3930610	2	Bolt #6 x 5/8	
5	4060806	11 in	Flex-Trim	
6	4360569	2	Switch, Bezel	
7	4360690	1	Switch, Ignition	
7	8035807	1	Key (with cover)	
8	4710600	2	Washer	
9	4761400	3	Washer 1/4	
10	5251014	4	Bolt M10 x 30	
11	7138833	1	Column, Steering	
12	7138836	1	Wheel, Steering	
13	7138878	1	Button, Horn	
14	7138944	2	Strips, Brush	
15	8223037	1	Switch, Steer Select	
16	8223054	1	Switch, Park Brake	
17	8303620	4	Bolt 3/8 x 1	
18	8303626	4	Bolt 1/2 x 1-1/2	
19	8303697	3	Bolt 5/16 x 3/4	
20	8303982	6	Screw 1/4 x 3/4	
21	8305626	4	Nut 5/16	
22	8305644	4	Nut 1/2	
23	8305916	1	Nut, Steering Column	
24	8307023	4	Washer M10	
25	8307106	7	Washer 5/16	
26	8307109	3	Washer 1/4	
27	8307110	4	Washer 3/8	
28	8307112	4	Washer 1/2	
29	8310026	3	Bolt 1/4 x 3/4	
30	8310382	8	Nut 1/4	
31	8990147	1	Holder, Manual	
32	1001081049	1	Grommet, Split	
33	1001102844	2	U-Bolt 1/4 x 1-1/4	
34	1001114867	1	Socket, 12V Power Point	
35	1001159878	1	Support, Armrest	
36	1001170738	1	Gauge	
37	1001183164	1	Reservoir, Brake Valve	
38	1001201658	1	Hose	
39	1001207963	1	Plug, 5/8	
40	1001292279	1	Controller	
41	1001223052	1	Assembly, Brake (See Separate Breakdown in CONTROLS Section)	
42	1001246736	1	Cab, Open	
43	1001256519	1	Mount, Cab Step	
44	1001264554	1	Accelerator (Note: No Serviceable Parts - Purchase Complete Assembly)	
45	1001265914	1	Cover, Pedal	
46	1001266488	1	Lamp, LED Indicator	

SECTION 6 - CAB

ITEM	PART NUMBER	QTY	DESCRIPTION	REV
47	1001275931	1	Seat, Suspension (See Separate Breakdown in this Section)	
48	1001288679	1	Harness, Seat Belt Alarm (Not Shown) (See Separate Breakdown in ELECTRICAL Section)	
49	1001289539	1	Beacon Switch	
50	1001284403	1	Harness, Beacon Option (Not Shown) (See Separate Breakdown in ELECTRICAL Section)	
51	1001182091	1	Duct, Wire (Not Shown)	

SECTION 6 - CAB

FIGURE 6-6. CAB ASSEMBLY - OPEN CAB



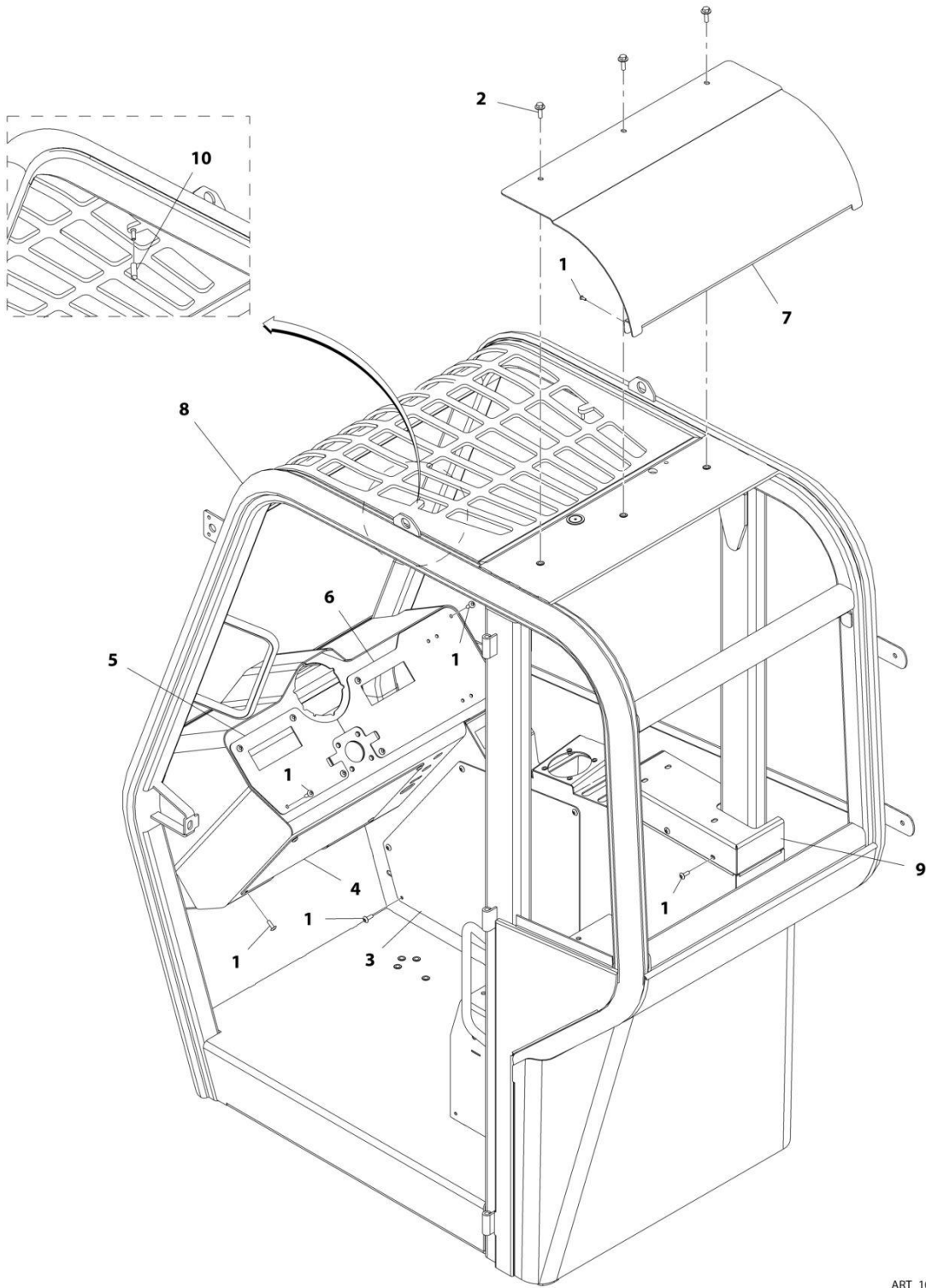
ART_1001246736

FIGURE 6-6. CAB ASSEMBLY - OPEN CAB

ITEM	PART NUMBER	QTY	DESCRIPTION	REV
	1001246736	Ref	CAB OPEN	D
1	8303034	25	Screw 1/4 x 3/4	
2	8310085	2	Nut M10	
3	1001149227	3	Screw 5/16 x 1	
4	1001160788	1	Panel, RH Console Access Plate	
5	1001160790	1	Panel, LH Dash Cover	
6	1001160791	1	Panel, RH Dash Cover	
7	1001160815	1	Panel, Roof Cover	
8	1001165617	1	Assembly, Side Console Access Panel	
9	1001202189	1	Door, Brake Reservoir	
10	1001202202	2	Nut	
11	1001202615	2	Cap, Silicon Stud Cover	
12	1001202746	1	Panel, Brake Access Plate	
13	1001246735	1	Cab Weldment	

SECTION 6 - CAB

FIGURE 6-7. OPEN CAB INSTALLATION WITH RED LED LIGHT ON DASHBOARD



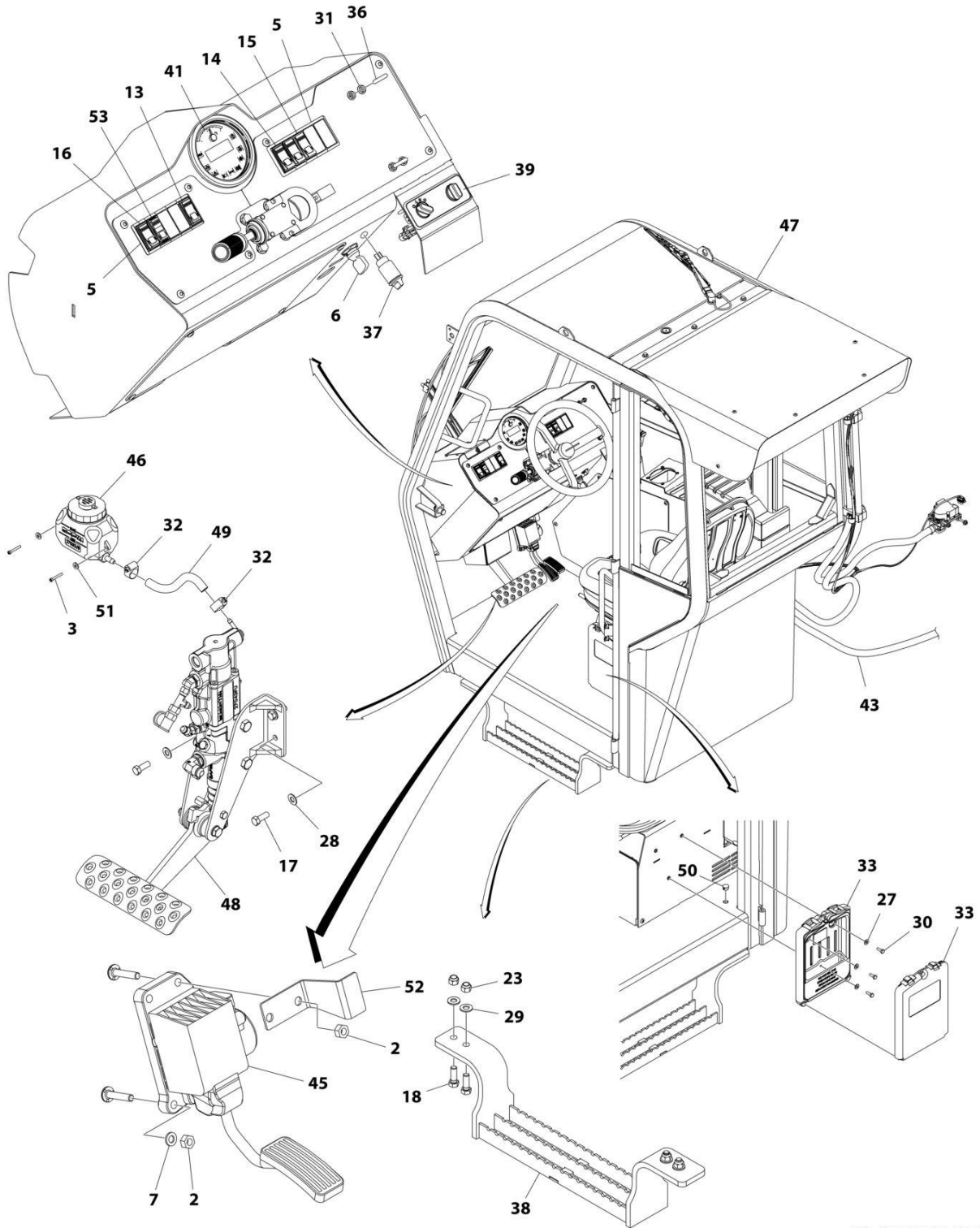
ART_1001158089-G

SECTION 6 - CAB**FIGURE 6-7. OPEN CAB INSTALLATION WITH RED LED LIGHT ON DASHBOARD**

ITEM	PART NUMBER	QTY	DESCRIPTION	REV
	1001158089	Ref	Open Cab	H
1	8303034	25	Screw, 1/4-20X3/4	
2	1001149227	3	Screw, Hex Flange 5/16-18X1	
3	1001160788	1	Panel, RH Console Access Plate	
4	1001160789	1	Panel, Brake Access Plate	
5	1001160790	1	Panel, LH Dash Cover	
6	1001160791	1	Panel, RH Dash Cover	
7	1001160815	1	Panel, Roof Cover	
8	1001165583	1	Weldment, Cab	
9	1001165617	1	Assembly, Side Console Access Panel	
10	1001202615	2	Cap, Silicone Stud Cover	

SECTION 6 - CAB

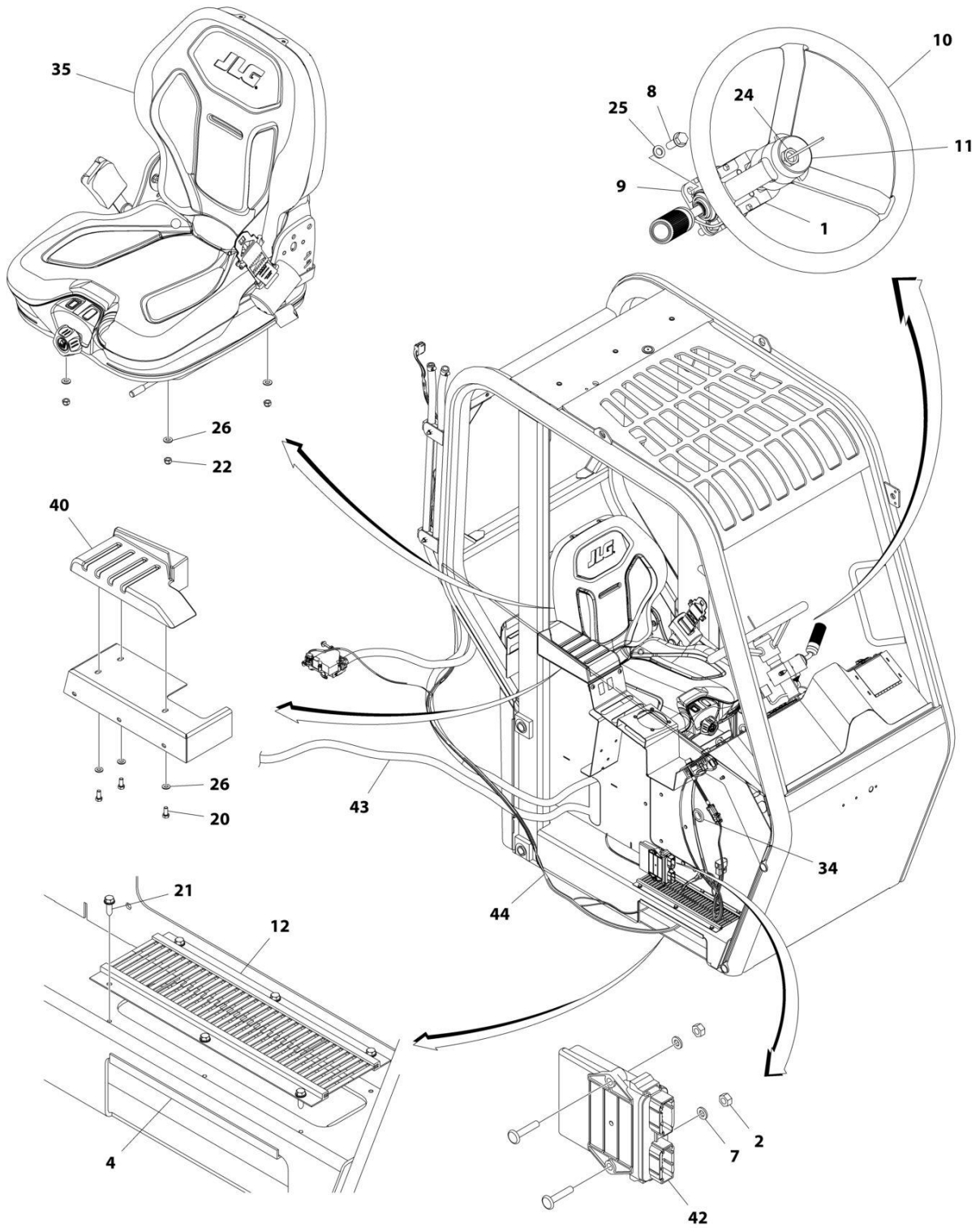
FIGURE 6-8. CAB INSTALLATION - ENCLOSED CAB WITH HEATER (ORANGE SEAT BELT)



ART_1001185776_L_10F2

SECTION 6 - CAB

FIGURE 6-9. CAB INSTALLATION - ENCLOSED CAB WITH HEATER (ORANGE SEAT BELT)



ART_1001185776_L_20F2

SECTION 6 - CAB

FIGURE 6-9. CAB INSTALLATION - ENCLOSED CAB WITH HEATER (ORANGE SEAT BELT)

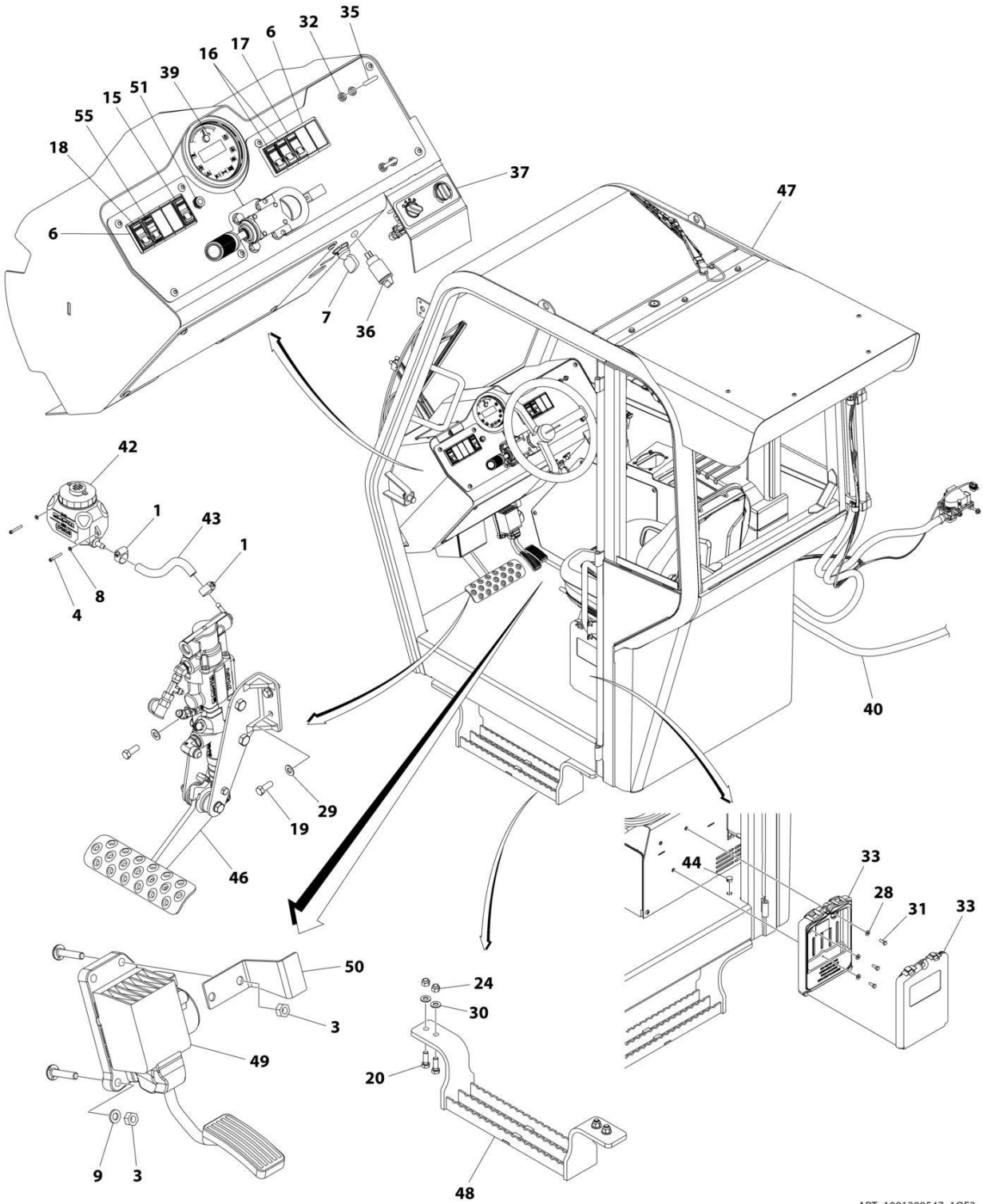
ITEM	PART NUMBER	QTY	DESCRIPTION	REV
	1001185776	Ref	ENCLOSED CAB WITH HEATER INSTALLATION	L
1	1600429	1	Selector, Transmission Control	
2	3311401	5	Nut 1/4	
3	3930610	2	Bolt 6 x 5/8	
4	4060806	11 in	Shield, Flex Trim, 5/16	
5	4360569	2	Switch, Bezel	
6	4360690	1	Switch, Ignition	
6	8035807	1	Key (with cover)	
7	4761400	3	Washer 1/4	
8	5251014	4	Bolt M10 x 30	
9	7138833	1	Column, Steering	
10	7138836	1	Wheel, Steering	
11	7138878	1	Button, Horn	
12	7138944	2	Strips, Brush	
13	8223037	1	Switch, Steer Select	
14	8223043	2	Switch, Windscreen Wiper	
15	8223044	1	Switch, Windscreen Washer	
16	8223054	1	Switch, Park Brake	
17	8303620	4	Bolt 3/8 x 1	
18	8303626	4	Bolt 1/2 x 1-1/2	
20	8303697	3	Bolt 5/16 x 3/4	
21	8303982	6	Screw 1/4 x 3/4	
22	8305626	4	Nut 5/16	
23	8305644	4	Nut 1/2	
24	8305916	1	Nut, Steering Column	
25	8307023	4	Washer M10	
26	8307106	7	Washer 5/16	
27	8307109	3	Washer 1/4	
28	8307110	4	Washer 3/8	
29	8307112	4	Washer 1/2	
30	8310026	3	Bolt 1/4 x 3/4	
31	8310382	8	Nut 1/4	
32	1320022	2	Clamp, Fuel Line	
33	8990147	1	Holder, Manual	
34	1001081049	1	Grommet, Split	
35	1001275934	1	Seat, Cab (See Separate Breakdown in this Section)	
36	1001102844	2	Bolt 1/4 x 1-1/4	
37	1001114867	1	Socket, 12V Power Point	
38	1001256519	1	Mount, Cab Step	
39	1001159850	1	Panel, Heater Control	
40	1001159878	1	Support, Armrest	
41	1001170738	1	Gauge	
42	1001292279	1	Controller	
43	1001171807	1	Installation, Cab Heater Lines (See Separate Breakdown in this Section)	
44	1001178347	1	Harness, HVAC (See Separate Breakdown in ELECTRICAL Section)	
45	1001264554	1	Accelerator (Note: No Serviceable Parts - Purchase Complete Assembly)	
46	1001183164	1	Reservoir, Brake Valve	

SECTION 6 - CAB

ITEM	PART NUMBER	QTY	DESCRIPTION	REV
47	1001246737	1	Cab, Enclosed with Heater (See Separate Breakdown in this Section)	
48	1001223052	1	Assembly, Brake (See Separate Breakdown in CONTROLS Section)	
49	1001201658	1	Hose	
50	1001207963	1	Plug, 5/8	
51	4710600	2	Washer #6	
52	1001265914	1	Cover, Pedal	
53	1001289539	1	Switch, Beacon	
54	1001284403	1	Harness, Beacon Option (Not Shown) (See Separate Breakdown in ELECTRICAL Section)	

SECTION 6 - CAB

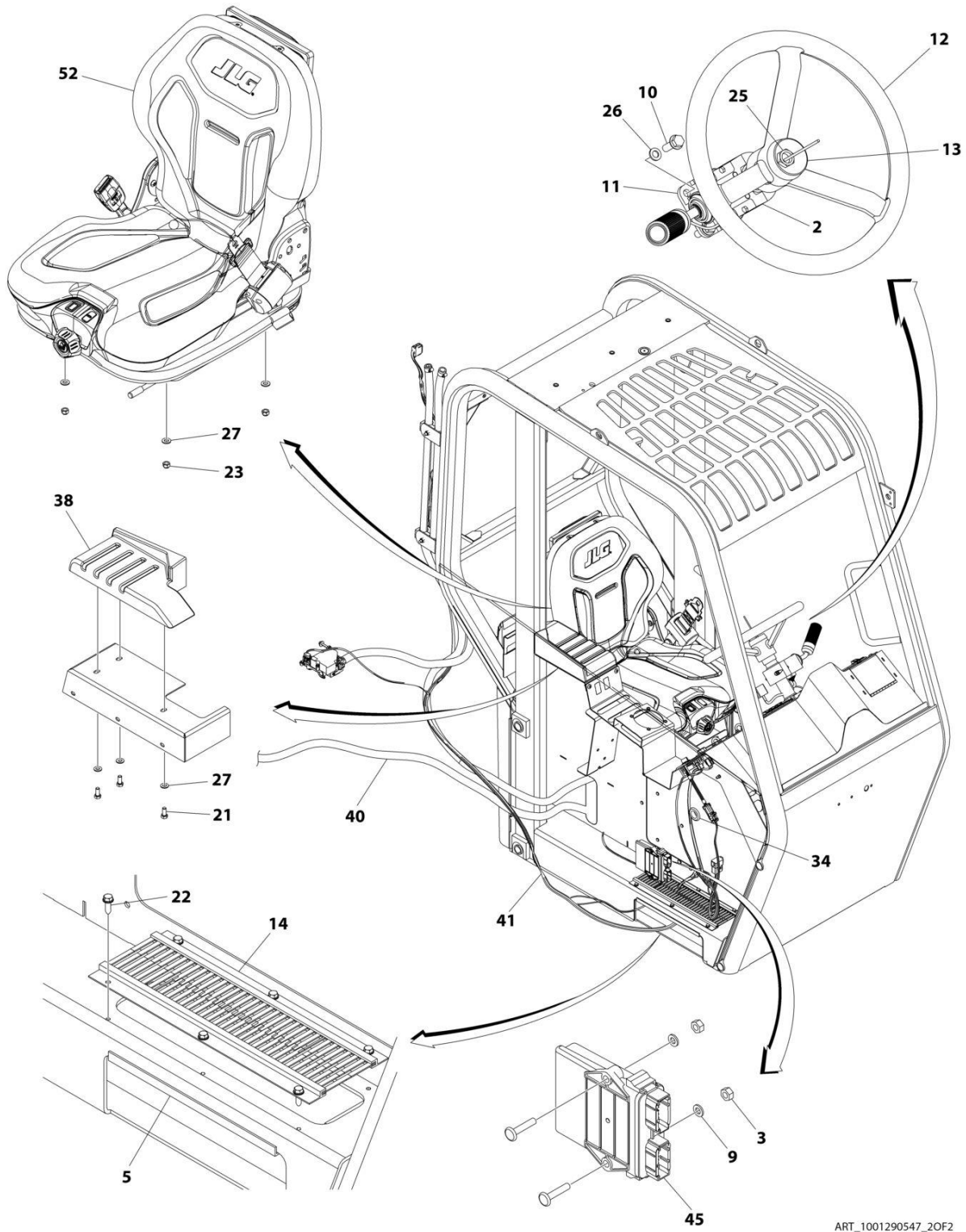
FIGURE 6-10. CAB INSTALLATION - CLOSED CAB WITH HEATER



ART_1001290547_10F2

SECTION 6 - CAB

FIGURE 6-11. CAB INSTALLATION - CLOSED CAB WITH HEATER



ART_1001290547_20F2

SECTION 6 - CAB

FIGURE 6-11. CAB INSTALLATION - CLOSED CAB WITH HEATER

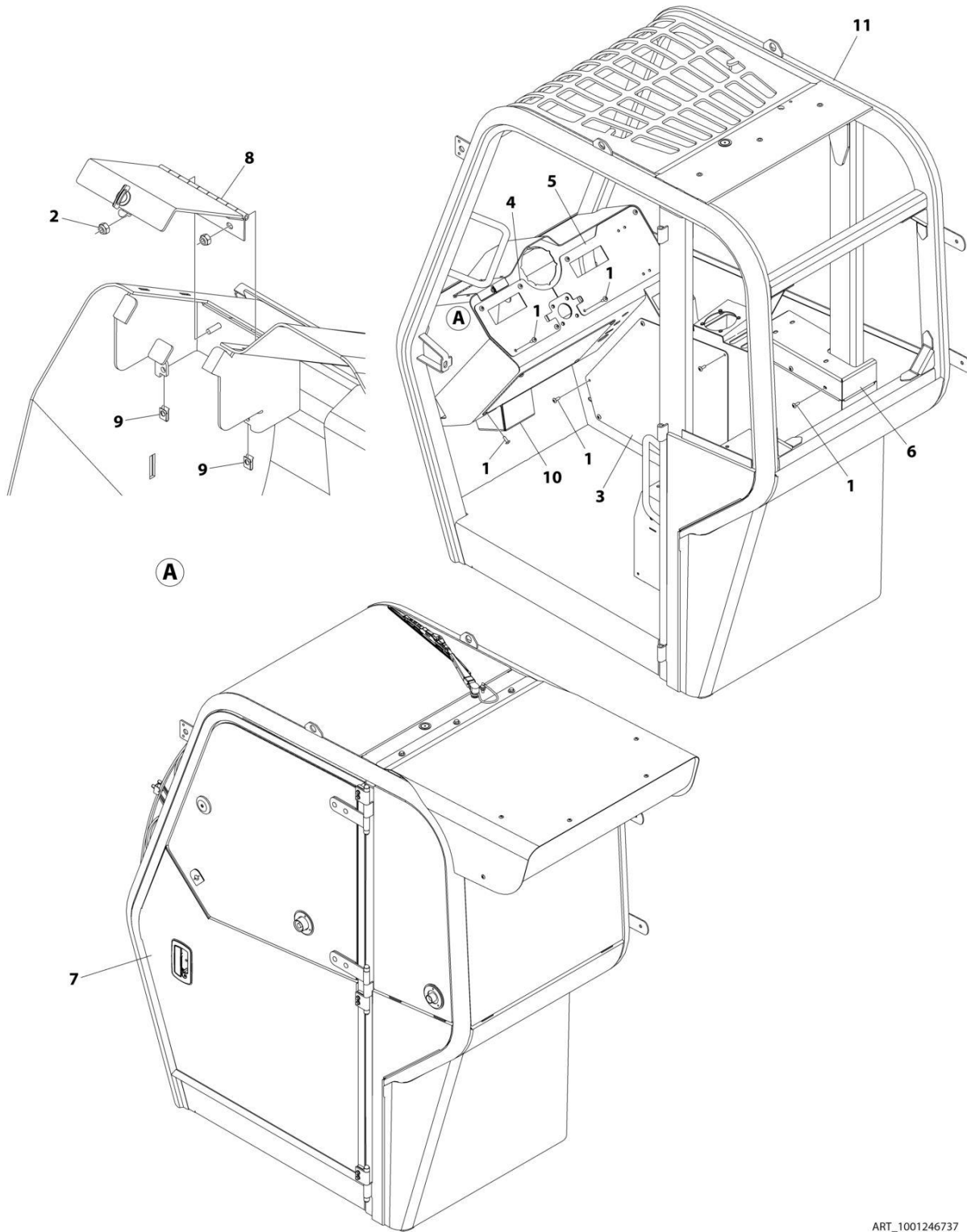
ITEM	PART NUMBER	QTY	DESCRIPTION	REV
	1001290547	Ref	CLOSED CAB WITH HEAT INSTALLATION	B
1	1320022	2	Clamp, Fuel Line	
2	1600429	1	Selector, Transmission Control	
3	3311401	5	Nut 1/4	
4	3930610	2	Bolt #6 x 5/8	
5	4060806	11 in	Shield, Flex Trim 5/16	
6	4360569	2	Switch, Bezel	
7	4360690	1	Switch, Ignition	
7	8035807	1	Key (with cover)	
8	4710600	2	Washer #6	
9	4761400	3	Washer 1/4	
10	5251014	4	Bolt M10 x 30	
11	7138833	1	Column, Steering	
12	7138836	1	Wheel, Steering	
13	7138878	1	Button, Horn	
14	7138944	2	Strips, Brush	
15	8223037	1	Switch, Steer Select	
16	8223043	2	Switch, Windscreen Wiper	
17	8223044	1	Switch, Windscreen Washer	
18	8223054	1	Switch, Park Brake	
19	8303620	4	Bolt 3/8 x 1	
20	8303626	4	Bolt 1/2 x 1-1/2	
21	8303697	3	Bolt 5/16 x 3/4	
22	8303982	6	Screw 1/4 x 3/4	
23	8305626	4	Nut 5/16	
24	8305644	4	Nut 1/2	
25	8305916	1	Nut, Steering Column	
26	8307023	4	Washer M10	
27	8307106	7	Washer 5/16	
28	8307109	3	Washer 1/4	
29	8307110	4	Washer 3/8	
30	8307112	4	Washer 1/2	
31	8310026	3	Bolt 1/4 x 3/4	
32	8310382	8	Nut 1/4	
33	8990147	1	Holder, Manual	
34	1001081049	1	Grommet	
35	1001102844	2	U-Bolt 1/4 x 1-1/4	
36	1001114867	1	Socket, 12V Power Point	
37	1001159850	1	Panel, Heater Control	
38	1001159878	1	Support, Armrest	
39	1001170738	1	Gauge	
40	1001171807	1	Installation, Cab Heater Lines (See Separate Breakdown in this Section)	
41	1001178347	1	Harness, HVAC (See Separate Breakdown in ELECTRICAL Section)	
42	1001183164	1	Reservoir, Brake Valve	
43	1001201658	1	Hose	
44	1001207963	1	Plug, 5/8	
45	1001292279	1	Controller	

SECTION 6 - CAB

ITEM	PART NUMBER	QTY	DESCRIPTION	REV
46	1001223052	1	Assembly, Brake (See Separate Breakdown in CONTROLS Section)	
47	1001246737	1	Cab, Enclosed with Heater (See Separate Breakdown in this Section)	
48	1001256519	1	Mount, Cab Step	
49	1001264554	1	Accelerator (Note: No Serviceable Parts - Purchase Complete Assembly)	
50	1001265914	1	Cover, Pedal	
51	1001266488	1	Lamp, LED Indicator	
52	1001275931	1	Seat, Suspension (See Separate Breakdown in this Section)	
53	1001288679	1	Harness, Seat Belt Alarm (Not Shown) (See Separate Breakdown in ELECTRICAL Section)	
54	1001284403	1	Harness, Beacon Option (Not Shown) (See Separate Breakdown in ELECTRICAL Section)	
55	1001289539	1	Beacon Switch	

SECTION 6 - CAB

FIGURE 6-12. CAB ASSEMBLY - ENCLOSED CAB WITH HEATER



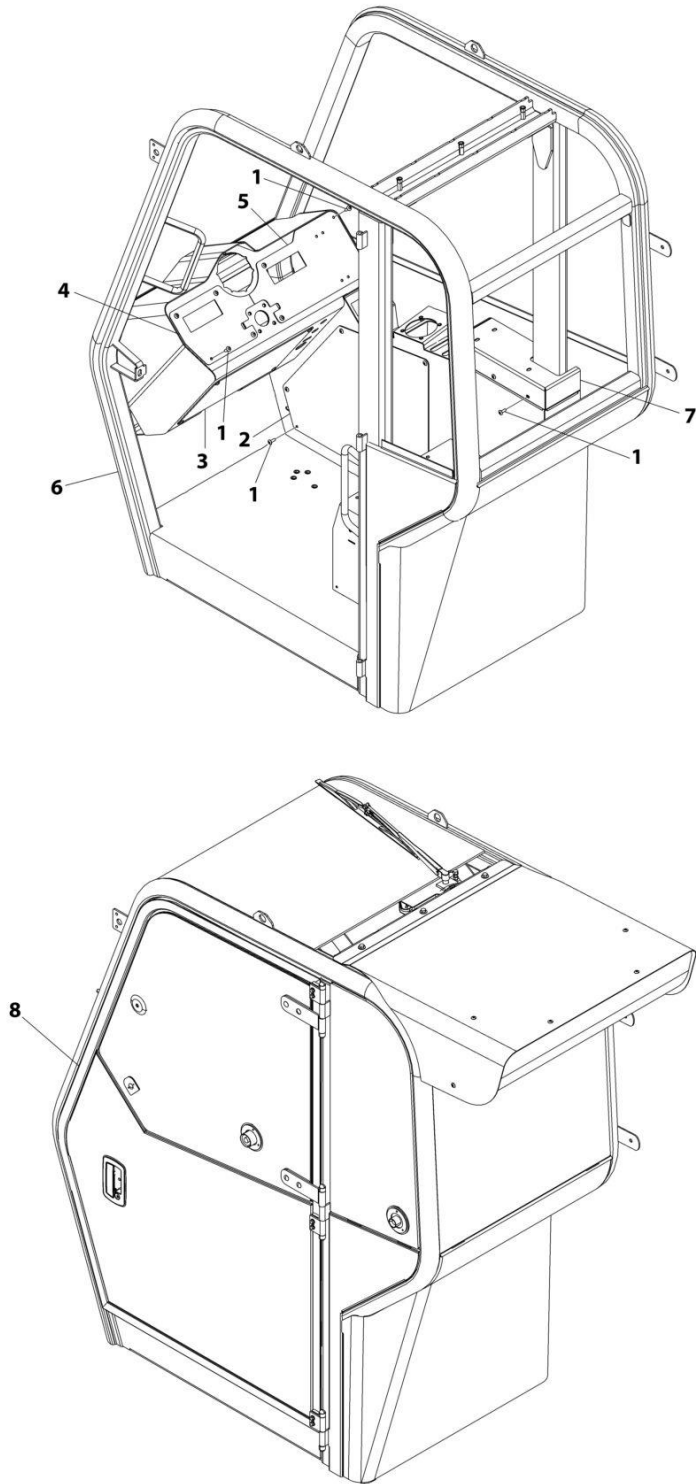
ART_1001246737

SECTION 6 - CAB**FIGURE 6-12. CAB ASSEMBLY - ENCLOSED CAB WITH HEATER**

ITEM	PART NUMBER	QTY	DESCRIPTION	REV
	1001246737	Ref	CAB ENCLOSED WITH HEATER	G
1	8303034	22	Screw 1/4 x 3/4	
2	8310085	2	Nut	
3	1001160788	1	Panel, RH Console Access Plate	
4	1001160790	1	Panel, LH Dash Cover	
5	1001160791	1	Panel, RH Dash Cover	
6	1001165617	1	Assembly, Side Console Access Panel	
7	1001165823	1	Enclosure, Cab (See Separate Breakdown in this Section)	
8	1001202189	1	Door, Brake Reservoir	
9	1001202202	2	Nut	
10	1001202746	1	Panel, Brake Access Plate	
11	See Note	NSS	Cab (Purchase Complete Assembly)	

SECTION 6 - CAB

FIGURE 6-13. CAB ASSEMBLY - ENCLOSED WITH HEATER



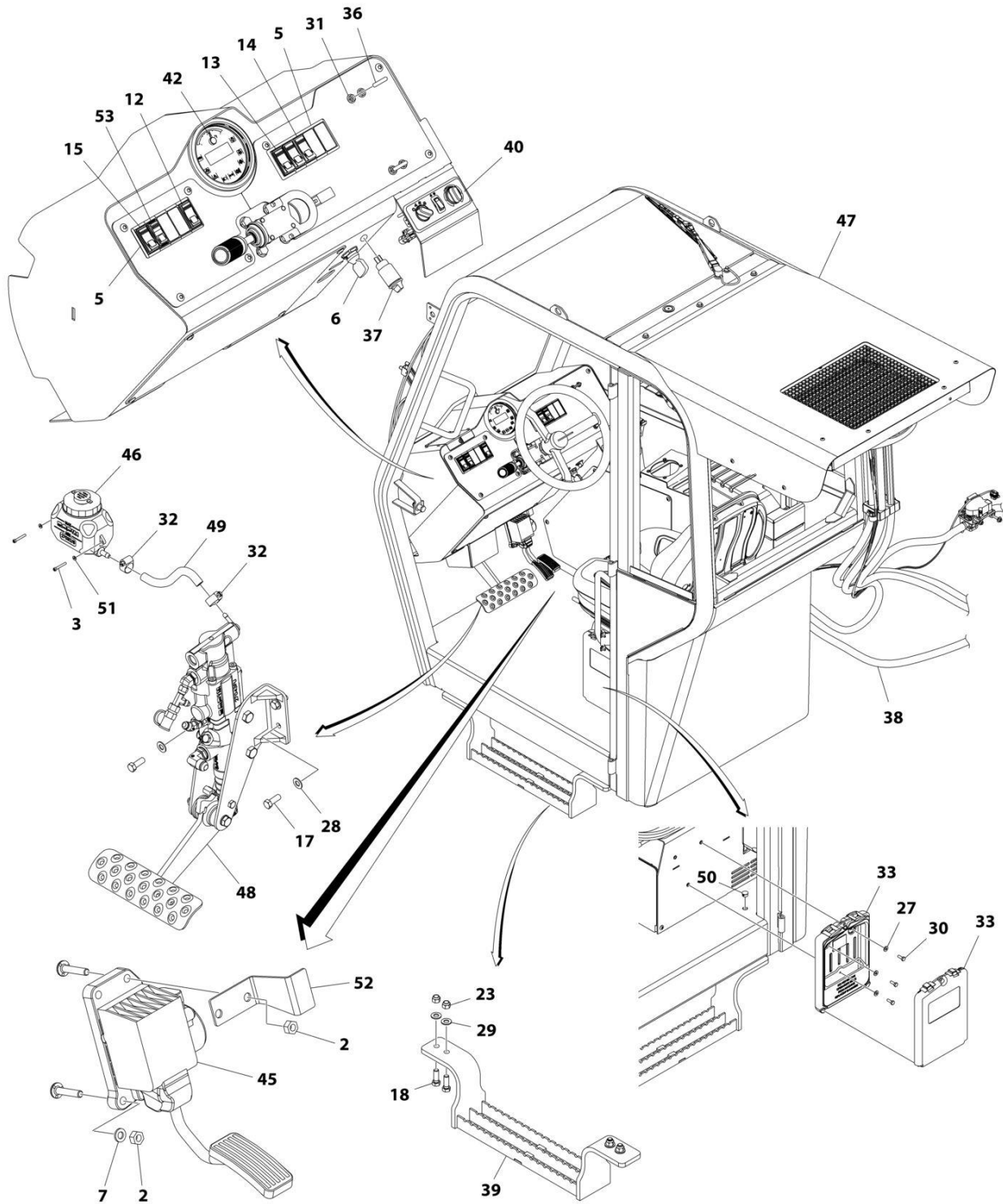
ART_1001158090-I

FIGURE 6-13. CAB ASSEMBLY - ENCLOSED WITH HEATER

ITEM	PART NUMBER	QTY	DESCRIPTION	REV
	1001158090	Ref	Enclosed Cab with Heater	K
1	8303034	22	Screw, 1/4-20X3/4	
2	1001160788	1	Panel, RH Console Access Plate	
3	1001160789	1	Panel, Brake Access Plate	
4	1001160790	1	Panel, LH Dash Cover	
5	1001160791	1	Panel, RH Dash Cover	
6	1001165583	1	Weldment, Cab	
7	1001165617	1	Assembly, Side Console Access Panel	
8	1001165823	1	Enclosure, Cab (See CAB ENCLOSURE for Breakdown)	

SECTION 6 - CAB

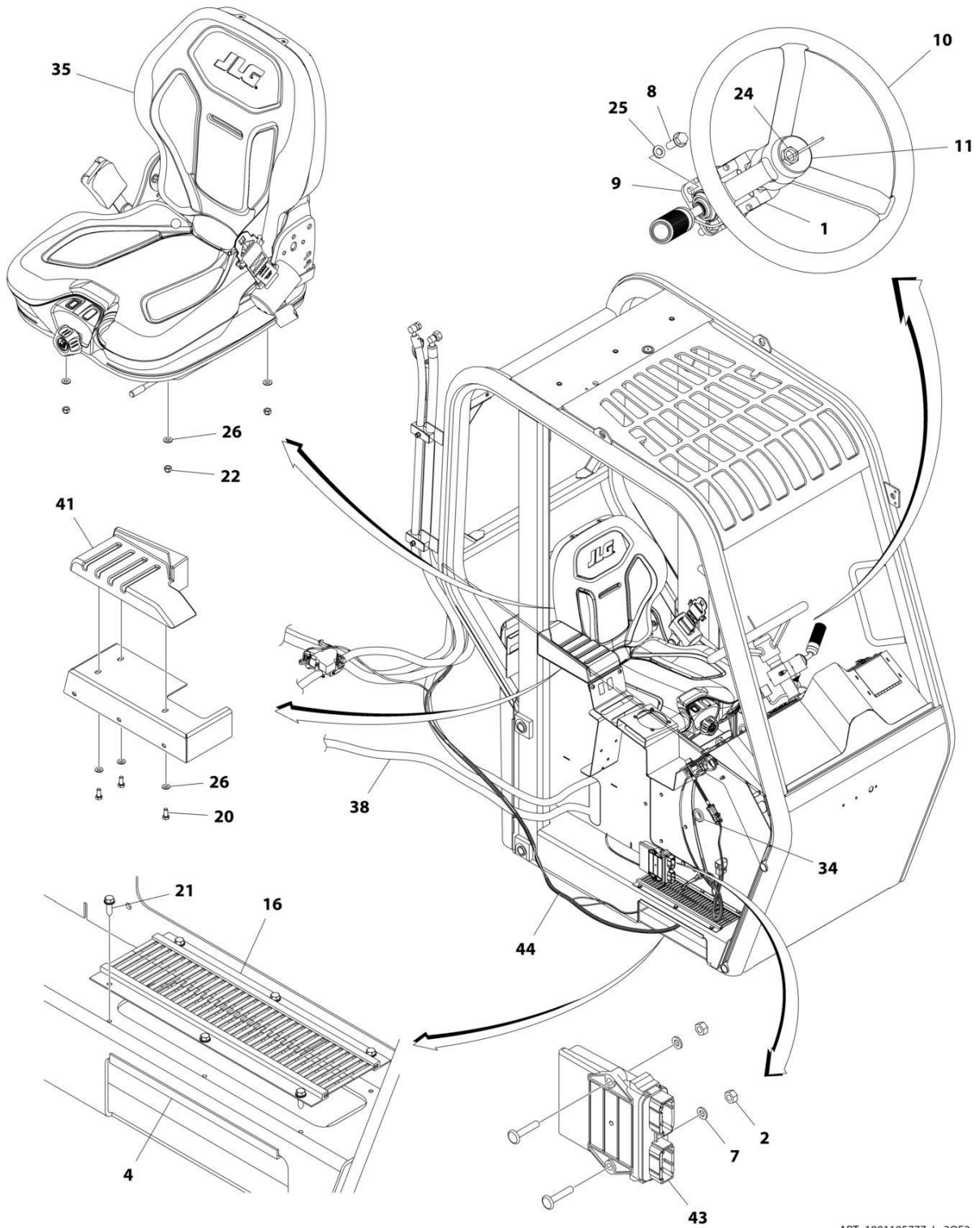
FIGURE 6-14. CAB INSTALLATION - ENCLOSED CAB WITH HEATER/AC (ORANGE SEAT BELT)



ART_1001185777_L_10F2

SECTION 6 - CAB

FIGURE 6-15. CAB INSTALLATION - ENCLOSED CAB WITH HEATER/AC (ORANGE SEAT BELT)



ART_1001185777_L_20F2

SECTION 6 - CAB

FIGURE 6-15. CAB INSTALLATION - ENCLOSED CAB WITH HEATER/AC (ORANGE SEAT BELT)

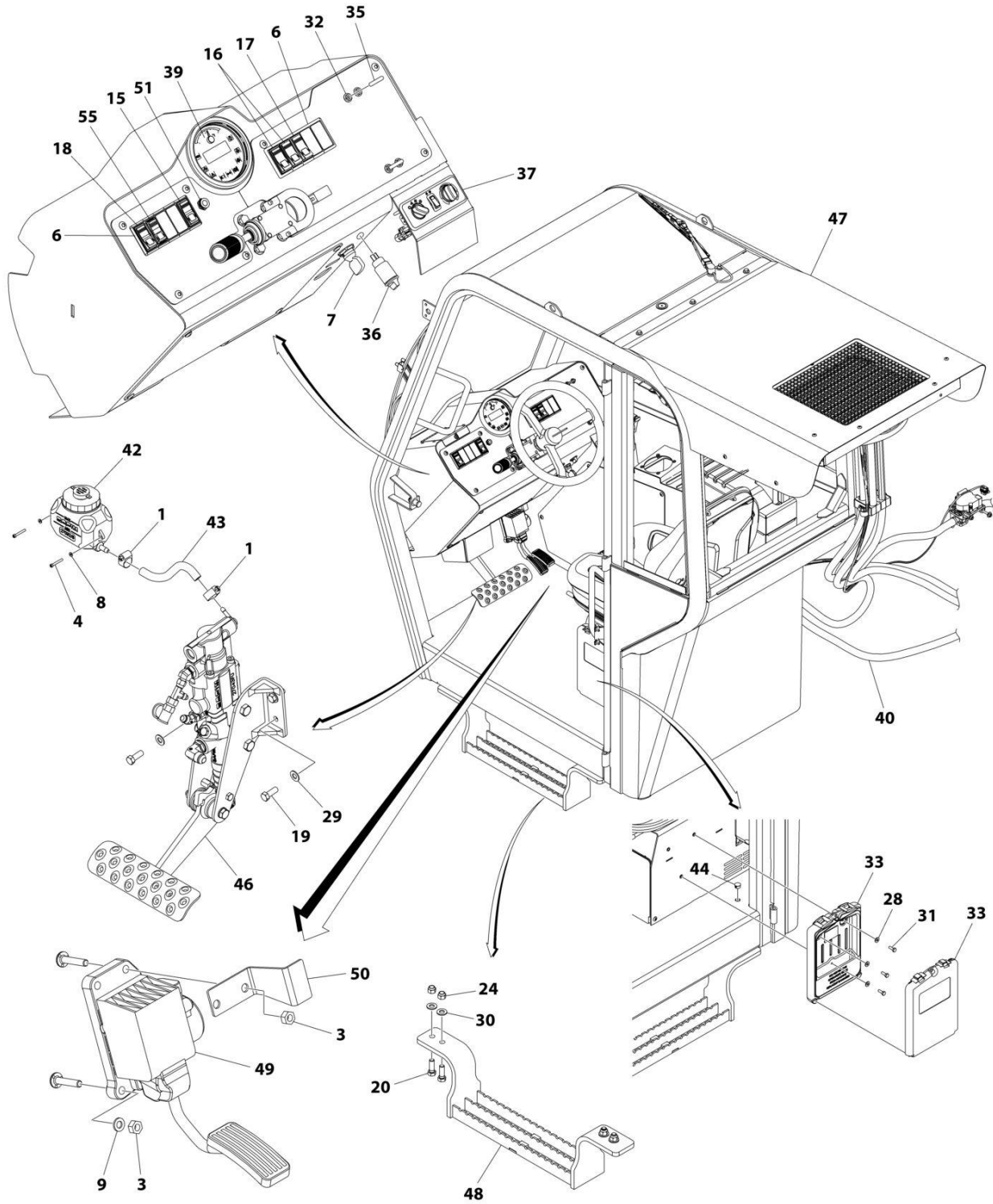
ITEM	PART NUMBER	QTY	DESCRIPTION	REV
	1001185777	Ref	ENCLOSED CAB WITH HEATER/AC INSTALLATION	L
1	1600429	1	Selector, Transmission Control	
2	3311401	5	Nut 1/4	
3	3930610	2	Bolt #6 x 5/8	
4	4060806	11 in	Shield, Flex Trim 5/16	
5	4360569	2	Switch, Bezel	
6	4360690	1	Switch, Ignition	
7	4761400	3	Washer 1/4	
8	5251014	4	Bolt M10 x 30	
9	7138833	1	Column, Steering	
10	7138836	1	Wheel, Steering	
11	7138878	1	Button, Horn	
12	8223037	1	Switch, Steer Select	
13	8223043	2	Switch, Windscreen Wiper	
14	8223044	1	Switch, Windscreen Washer	
15	8223054	1	Switch, Park Brake	
16	7138944	2	Strips, Brush	
17	8303620	4	Bolt 3/8 x 1	
18	8303626	4	Bolt 1/2 x 1-1/2	
20	8303697	3	Bolt 5/16 x 3/4	
21	8303982	6	Screw 1/4 x 3/4	
22	8305626	4	Nut 5/16	
23	8305644	4	Nut 1/2	
24	8305916	1	Nut, Steering Column	
25	8307023	4	Washer M10	
26	8307106	7	Washer 5/16	
27	8307109	3	Washer 1/4	
28	8307110	4	Washer 3/8	
29	8307112	4	Washer 1/2	
30	8310026	3	Bolt 1/4 x 3/4	
31	8310382	8	Nut 1/4	
32	1320022	2	Clamp, Fuel Line	
33	8990147	1	Holder, Manual	
34	1001081049	1	Grommet	
35	1001275934	1	Seat, Cab (See Separate Breakdown in this Section)	
36	1001102844	2	U-Bolt 1/4 x 1-1/4	
37	1001114867	1	Socket, 12V Power Point	
38	1001171806	1	Installation, Cab Heater/AC Lines (See Separate Breakdown in this Section)	
39	1001256519	1	Mount, Cab Step	
40	1001159851	1	Panel, HVAC Control	
40	1001204362	1	Switch, Fan	
40	7301265	1	Switch, A/C	
41	1001159878	1	Support, Armrest	
42	1001170738	1	Gauge	
43	1001292279	1	Controller	
44	1001178347	1	Harness, HVAC (See Separate Breakdown in ELECTRICAL Section)	
45	1001264554	1	Accelerator (Note: No Serviceable Parts - Purchase Complete Assembly)	

SECTION 6 - CAB

ITEM	PART NUMBER	QTY	DESCRIPTION	REV
46	1001183164	1	Reservoir, Brake Valve	
47	1001246738	1	Cab, Enclosed with Heater/AC (See Separate Breakdown in this Section)	
48	1001223052	1	Assembly, Brake (See Separate Breakdown in CONTROLS Section)	
49	1001201658	1	Hose	
50	1001207963	1	Plug, 5/8	
51	4710600	2	Washer #6	
52	1001265914	1	Cover, Pedal	
53	1001289539	1	Switch, Beacon	
54	1001284403	1	Harness, Beacon Option (Not Shown) (See Separate Breakdown in ELECTRICAL Section)	

SECTION 6 - CAB

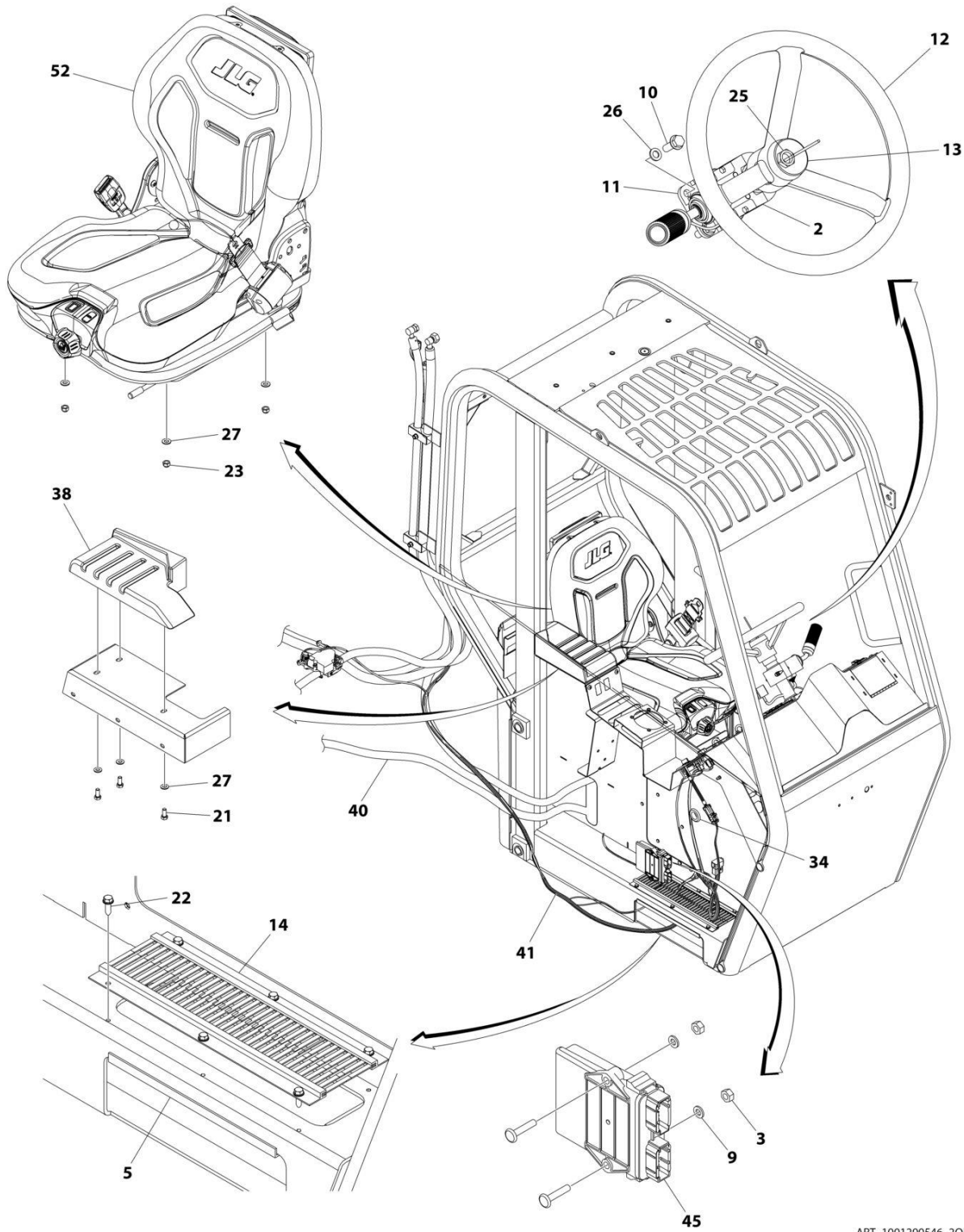
FIGURE 6-16. CLOSED CAB WITH HVAC INSTALLATION



ART_1001290546_10F2

SECTION 6 - CAB

FIGURE 6-17. CLOSED CAB WITH HVAC INSTALLATION



ART_1001290546_20F2

SECTION 6 - CAB

FIGURE 6-17. CLOSED CAB WITH HVAC INSTALLATION

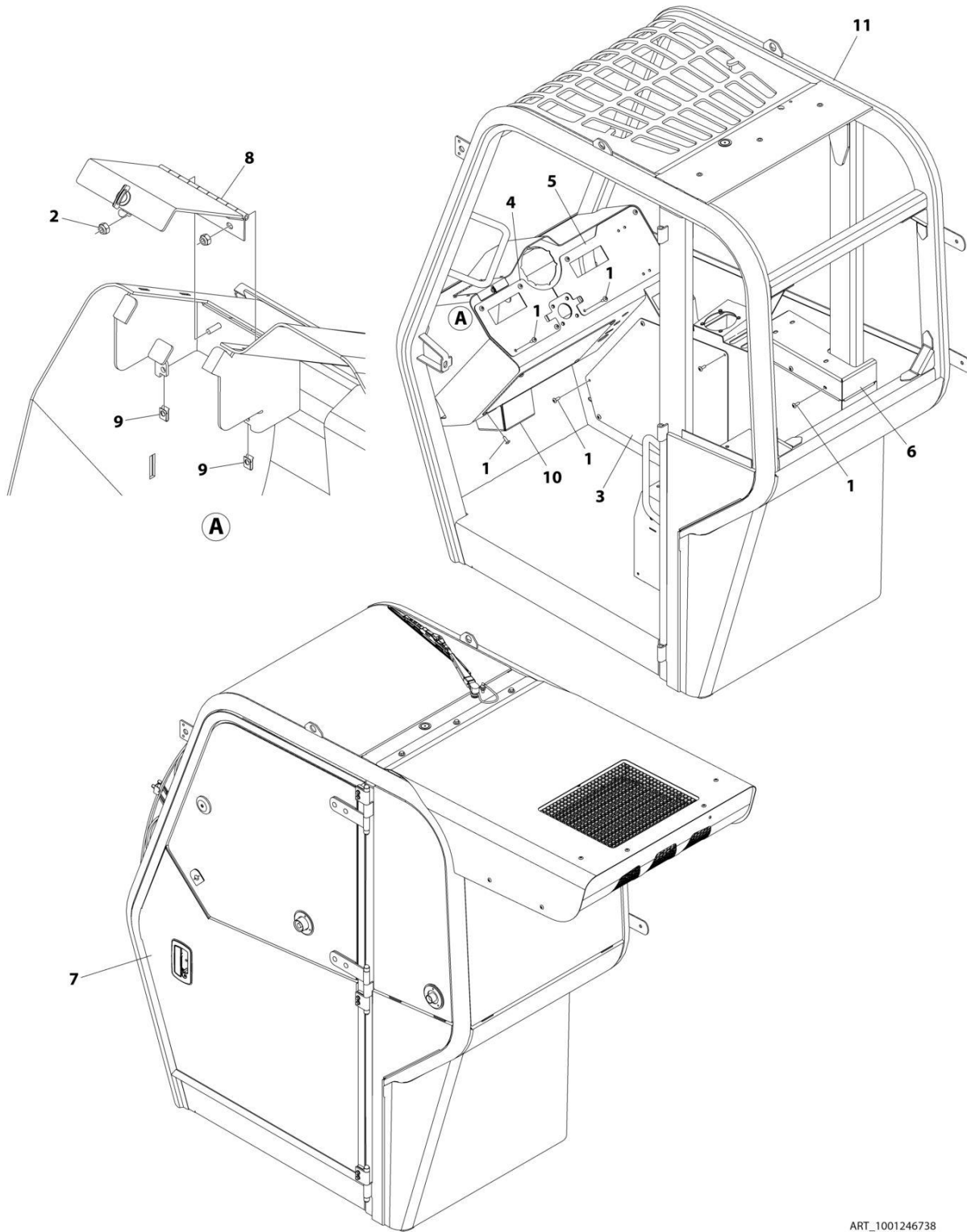
ITEM	PART NUMBER	QTY	DESCRIPTION	REV
	1001290546	Ref	CLOSED CAB WITH HVAC INSTALLATION	B
1	1320022	2	Clamp, Fuel Line	
2	1600429	1	Selector, Transmission Control	
3	3311401	5	Nut 1/4	
4	3930610	2	Bolt #6 x 5/8	
5	4060806	11 in	Shield, Flex Trim 5/16	
6	4360569	2	Switch, Bezel	
7	4360690	1	Switch, Ignition	
7	8035807	1	Key (with cover)	
8	4710600	2	Washer #6	
9	4761400	3	Washer 1/4	
10	5251014	4	Bolt M10 x 30	
11	7138833	1	Column, Steering	
12	7138836	1	Wheel, Steering	
13	7138878	1	Button, Horn	
14	7138944	2	Strips, Brush	
15	8223037	1	Switch, Steer Select	
16	8223043	2	Switch, Windscreen Wiper	
17	8223044	1	Switch, Windscreen Washer	
18	8223054	1	Switch, Park Brake	
19	8303620	4	Bolt 3/8 x 1	
20	8303626	4	Bolt 1/2 x 1-1/2	
21	8303697	3	Bolt 5/16 x 3/4	
22	8303982	6	Screw 1/4 x 3/4	
23	8305626	4	Nut 5/16	
24	8305644	4	Nut 1/2	
25	8305916	1	Nut, Steering Column	
26	8307023	4	Washer M10	
27	8307106	7	Washer 5/16	
28	8307109	3	Washer 1/4	
29	8307110	4	Washer 3/8	
30	8307112	4	Washer 1/2	
31	8310026	3	Bolt 1/4 x 3/4	
32	8310382	8	Nut 1/4	
33	8990147	1	Holder, Manual	
34	1001081049	1	Grommet	
35	1001102844	2	U-Bolt 1/4 x 1-1/4	
36	1001114867	1	Socket, 12V Power Point	
37	1001159851	1	Panel, HVAC Control	
37	1001204362	1	Switch, Fan	
37	7301265	1	Switch, A/C	
38	1001159878	1	Support, Armrest	
39	1001170738	1	Gauge	
40	1001171806	1	Installation, Cab Heater/AC Lines (See Separate Breakdown in this Section)	
41	1001178347	1	Harness, HVAC (See Separate Breakdown in ELECTRICAL Section)	
42	1001183164	1	Reservoir, Brake Valve	
43	1001201658	1	Hose	
44	1001207963	1	Plug, 5/8	

SECTION 6 - CAB

ITEM	PART NUMBER	QTY	DESCRIPTION	REV
45	1001292279	1	Controller	
46	1001223052	1	Assembly, Brake (See Separate Breakdown in CONTROLS Section)	
47	1001246738	1	Cab, Enclosed with Heater/AC (See Separate Breakdown in this Section)	
48	1001256519	1	Mount, Cab Step	
49	1001264554	1	Accelerator (Note: No Serviceable Parts - Purchase Complete Assembly)	
50	1001265914	1	Cover, Pedal	
51	1001266488	1	Lamp, LED Indicator	
52	1001275931	1	Seat, Suspension (See Separate Breakdown in this Section)	
53	1001288679	1	Harness, Seat Belt Alarm (Not Shown) (See Separate Breakdown in ELECTRICAL Section)	
54	1001284403	1	Harness, Beacon Option (Not Shown) (See Separate Breakdown in ELECTRICAL Section)	
55	1001289539	1	Beacon Switch	

SECTION 6 - CAB

FIGURE 6-18. CAB ASSEMBLY - ENCLOSED CAB WITH HEATER/AC



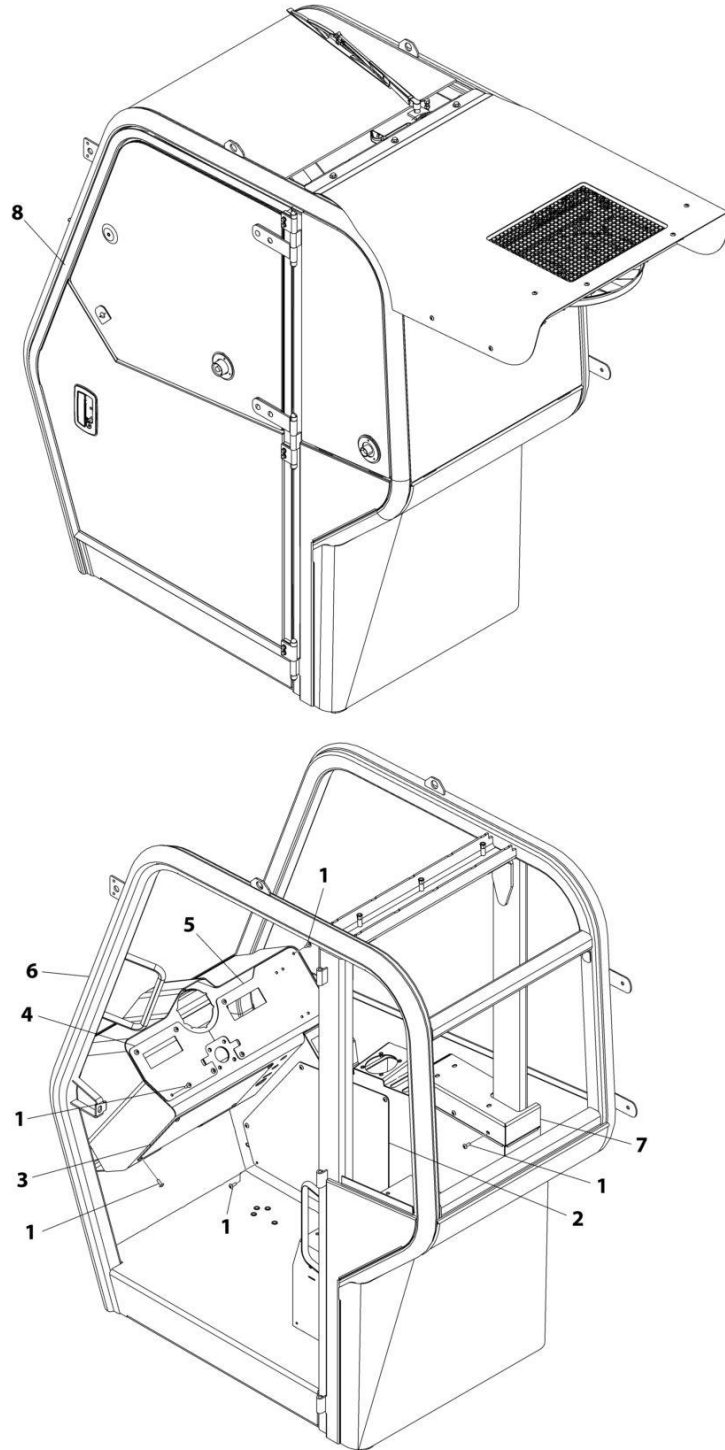
ART_1001246738

SECTION 6 - CAB**FIGURE 6-18. CAB ASSEMBLY - ENCLOSED CAB WITH HEATER/AC**

ITEM	PART NUMBER	QTY	DESCRIPTION	REV
	1001246738	Ref	CAB ENCLOSED WITH HEATER/AC	F
1	8303034	22	Screw 1/4 x 3/4	
2	8310085	2	Nut	
3	1001160788	1	Panel, RH Console Access Plate	
4	1001160790	1	Panel, LH Dash Cover	
5	1001160791	1	Panel, RH Dash Cover	
6	1001165617	1	Assembly, Side Console Access Panel	
7	1001168066	1	Enclosure, Cab HVAC (See Separate Breakdown in this Section)	
8	1001202189	1	Door, Brake Reservoir	
9	1001202202	2	Nut M6	
10	1001202746	1	Panel, Brake Access Plate	
11	1001246735	1	Cab Weldment	

SECTION 6 - CAB

FIGURE 6-19. CAB ASSEMBLY - ENCLOSED WITH HEATER & AC



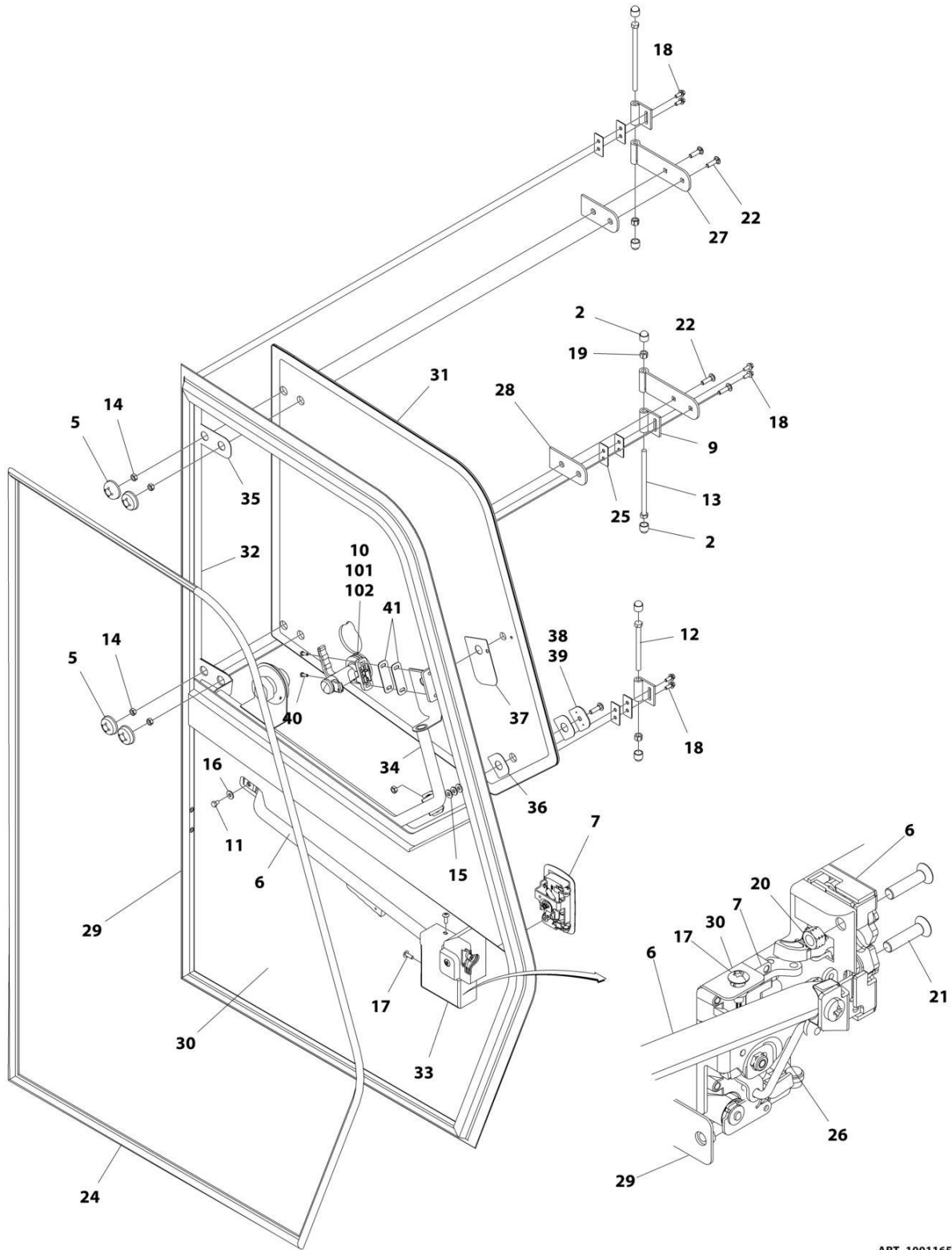
ART_1001158091-I

FIGURE 6-19. CAB ASSEMBLY - ENCLOSED WITH HEATER & AC

ITEM	PART NUMBER	QTY	DESCRIPTION	REV
	1001158091	Ref	Enclosed Cab with Heater/AC	1
1	8303034	22	Screw, 1/4-20X3/4	
2	1001160788	1	Panel, RH Console Access Plate	
3	1001160789	1	Panel, Brake Access Plate	
4	1001160790	1	Panel, LH Dash Cover	
5	1001160791	1	Panel, RH Dash Cover	
6	1001165583	1	Weldment, Cab	
7	1001165617	1	Assembly, Side Console Access Panel	
8	1001168066	1	Enclosure, Cab HVAC (See CAB HVAC ENCLOSURE for Breakdown)	

SECTION 6 - CAB

FIGURE 6-20. CAB DOOR



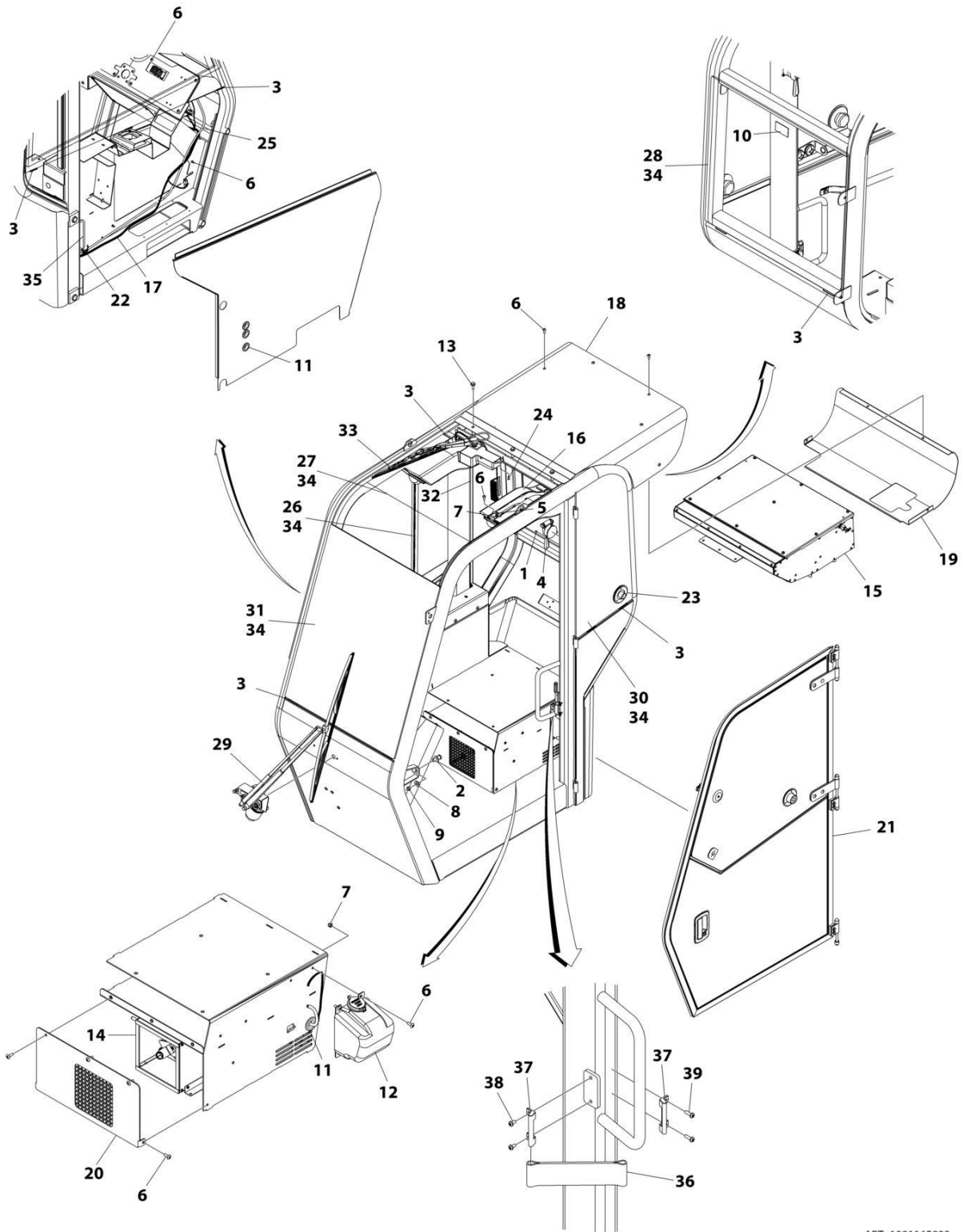
ART_1001165806

FIGURE 6-20. CAB DOOR

ITEM	PART NUMBER	QTY	DESCRIPTION	REV
	1001165806	Ref	CAB DOOR	I
1	1001183104	2	Fastener, Latch	
2	1001182663	6	Cap, Hex Dome	
5	1001081246	5	Cap, Nut M6	
6	1001081247	1	Handle, Interior Cab Door	
7	1001081241	1	Handle, Exterior Cab Door	
7	70021948	1	Key, Cab Door	
9	1001183209	3	Hinge, Slotted	
10	1001220260	1	Handle, Window	
11	0641403	1	Bolt 1/4 x 3/8	
12	0641636	1	Bolt 3/8 x 4-1/2	
13	0641652	2	Bolt 3/8 x 6-1/2	
14	3290801	5	Nut M8	
15	4711500	3	Washer 5/16	
16	4751400	1	Washer 1/4	
17	8303034	2	Screw 1/4 x 3/4	
18	8303119	6	Screw 1/4 x 5/8	
19	8305603	3	Nut 3/8	
20	8305638	2	Nut M8	
21	1001094312	2	Screw M8 x 30	
22	1001108575	5	Screw M8 x 30	
24	1001182408	1	Seal, Door	
25	1001182135	6	Shim, Door Hinge	
26	1001182514	1	Linkage, Exterior Latch	
27	1001081242	2	Hinge, Door	
28	1001081266	2	Spacer, Hinge	
29	1001182842	1	Weldment, Door	
30	1001182800	1	Foam, Door	
31	1001182808	1	Glass, Door	
32	1001182810	1	Seal, Glass	
33	1001182865	1	Cover, Latch	
34	1001182871	1	Handle, Door Glass	
35	1001182882	2	Shim, Hinge	
36	1001182883	2	Shim, Handle	
37	1001182884	1	Shim, Handle Latch	
38	1001183084	1	Plate, Window	
39	1001177746	1	Compound, Locking	
40	1001197099	2	Screw 1/4 x 5/8	
41	1001265272	AR	Shim	
101	1001165276	1	Striker Plate	
102	1001165275	1	Window Latch	
103	1001169787	1	Latch Seal (not shown)	
201	1001280231	1	Door Window Kit (Includes Items 5, 10, 14, 15, 22, 27, 28, 31, 32, 34-41 & Window Lock)	

SECTION 6 - CAB

FIGURE 6-21. CAB ENCLOSURE INSTALLATION



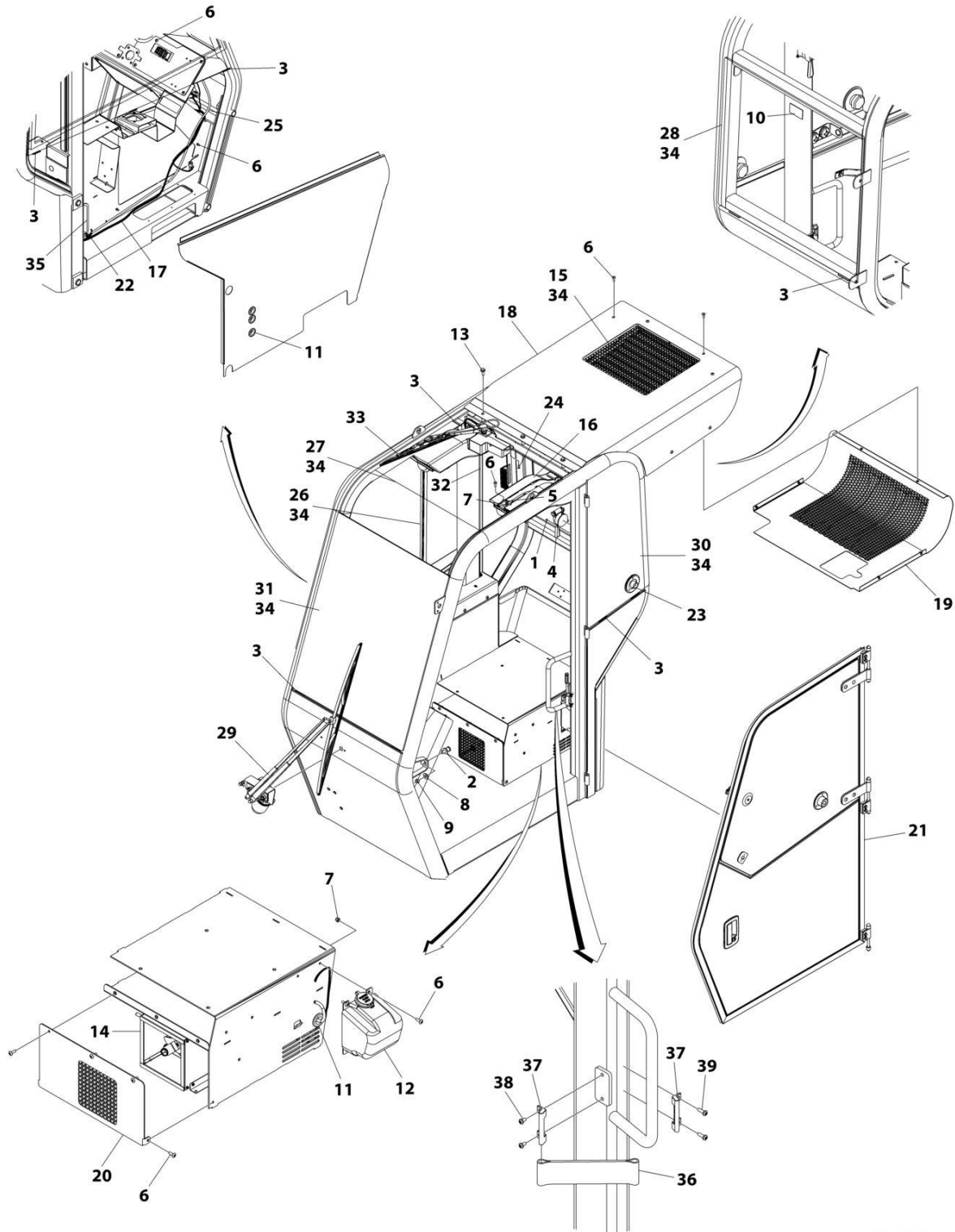
ART_1001165823

FIGURE 6-21. CAB ENCLOSURE INSTALLATION

ITEM	PART NUMBER	QTY	DESCRIPTION	REV
	1001165823	Ref	CAB ENCLOSURE	O
1	91404298	3	Rivet	
2	1001109478	1	Latch, Striker	
3	1001181968	13	Mould, Setting Block	
4	91404301	1	Hammer, Emergency	
5	4711400	2	Washer 1/4	
6	8303034	33	Screw 1/4 x 3/4	
7	8305624	4	Nut 1/4	
8	8307112	1	Washer 1/2	
9	8310109	1	Nut 7/164	
10	91404299	1	Decal, Escape	
11	1001081049	4	Grommet, Split	
12	1001111112	1	Tank, Window Washer Fluid	
12	70025480	1	Pump, Reservoir	
13	1001149227	3	Screw 5/16 x 1	
14	1001159856	1	Heater Assembly - Floor (See Separate Breakdown in this Section)	
15	1001159860	1	HVAC Assembly - Roof Top (See Separate Breakdown in this Section)	
16	1001160785	2	Duct, HVAC	
17	1001178349	1	Harness, Wiper (See Separate Breakdown in ELECTRICAL Section)	
18	1001164282	1	Hood, Top	
19	1001164284	1	Hood, Bottom	
20	1001164717	1	Panel, Floor Heater Access	
21	1001165806	1	Door, Cab (See Separate Breakdown in this Section)	
22	1001008742	1	Coupling, Tee	
23	1001081243	1	Retainer, Door Window Hold	
24	0630464	1	Screw #10 x 1/2	
25	82033997	168 in	Hose, Washer Fluid	
26	8036050	1	Window, RH Slider (See Separate Breakdown in this Section)	
27	7138958	1	Glass, Skylight	
28	1001181707	1	Window, Rear	
29	8036056	1	Assembly, Front Wiper (See Separate Breakdown in this Section)	
30	1001181893	1	Window, LH Rear	
31	1001181903	1	Window, Windshield	
32	1001182091	1	Duct, Wire	
33	1001182470	1	Wiper, Skylight (See Separate Breakdown in this Section)	
34	1001177746	AR	Compound, Locking	
35	4060803	16.5 in	Flex-Trim	
36	80384218	1	Strap, Door	
37	1001196128	2	Bracket, Strap Holder	
38	1001197098	2	Screw #10 x 3/8	
39	1001197099	2	Screw #10 x 5/8	

SECTION 6 - CAB

FIGURE 6-22. CAB ENCLOSURE INSTALLATION - WITH HVAC



ART_1001168066

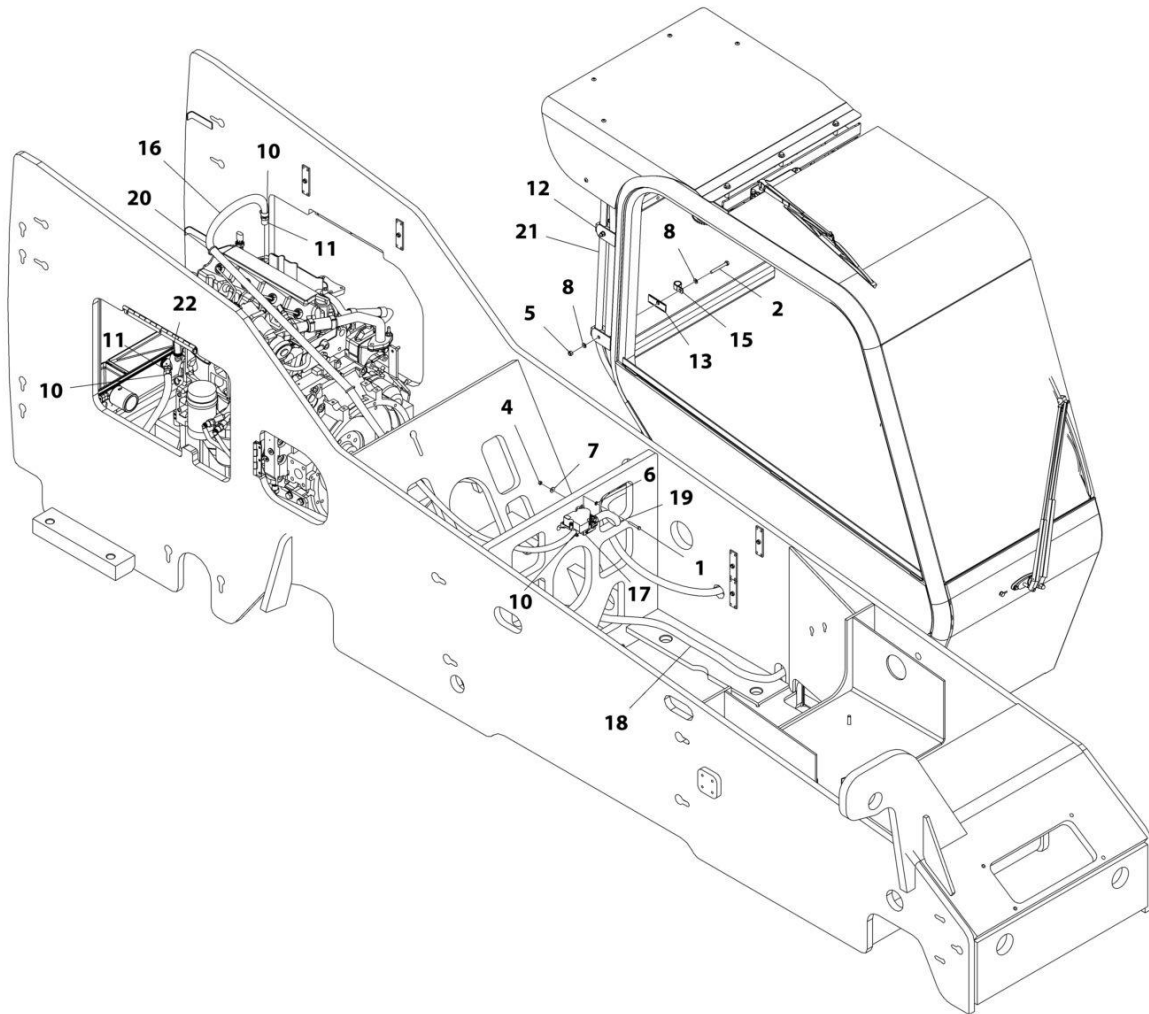
SECTION 6 - CAB

FIGURE 6-22. CAB ENCLOSURE INSTALLATION - WITH HVAC

ITEM	PART NUMBER	QTY	DESCRIPTION	REV
	1001168066	Ref	CAB HVAC ENCLOSURE	O
1	91404298	3	Rivet	
2	1001109478	1	Latch, Striker	
3	1001181968	13	Mould, Setting Block	
4	91404301	1	Hammer, Emergency	
5	4711400	2	Washer 1/4	
6	8303034	35	Screw 1/4 x 3/4	
7	8305624	4	Nut 1/4	
8	8307112	1	Washer 1/2	
9	8310109	1	Nut 7/16	
10	91404299	1	Decal, Escape	
11	1001081049	4	Grommet, Split	
12	1001111112	1	Tank, Window Washer Fluid	
12	70025480	1	Pump, Reservoir	
13	1001149227	3	Screw 5/16 x 1	
14	1001159856	1	Heater, Floor (See Separate Breakdown in this Section)	
15	1001159861	1	Box, Roof (See Separate Breakdown in this Section)	
16	1001160785	2	Duct, HVAC	
17	1001178349	1	Harness, Wiper (See Separate Breakdown in ELECTRICAL Section)	
18	1001164096	1	Hood, Top	
19	1001164099	1	Hood, Bottom	
20	1001164717	1	Panel, Floor Heater Access	
21	1001165806	1	Door, Cab (See Separate Breakdown in this Section)	
22	1001008742	1	Coupling, Tee	
23	1001081243	1	Retainer, Door Window Hold	
24	0630464	1	Screw #10 x 1/2	
25	82033997	168 in	Hose, Washer Fluid	
26	8036050	1	Window, RH Slider (See Separate Breakdown in this Section)	
27	7138958	1	Glass, Skylight	
28	1001181707	1	Window, Rear	
29	8036056	1	Assembly, Front Wiper (See Separate Breakdown in this Section)	
30	1001181893	1	Window, LH Rear	
31	1001181903	1	Window, Windshield	
32	1001182091	1	Duct, Wire	
33	1001182470	1	Wiper, Skylight (See Separate Breakdown in this Section)	
34	1001177746	AR	Compound, Locking	
35	4060803	16.5 in	Flex-Trim	
36	80384218	1	Strap, Door	
37	1001196128	2	Bracket, strap Holder	
38	1001197098	2	Screw #10 x 3/8	
39	1001197099	2	Screw #10 x 5/8	

SECTION 6 - CAB

FIGURE 6-23. CAB HEATER LINES INSTALLATION



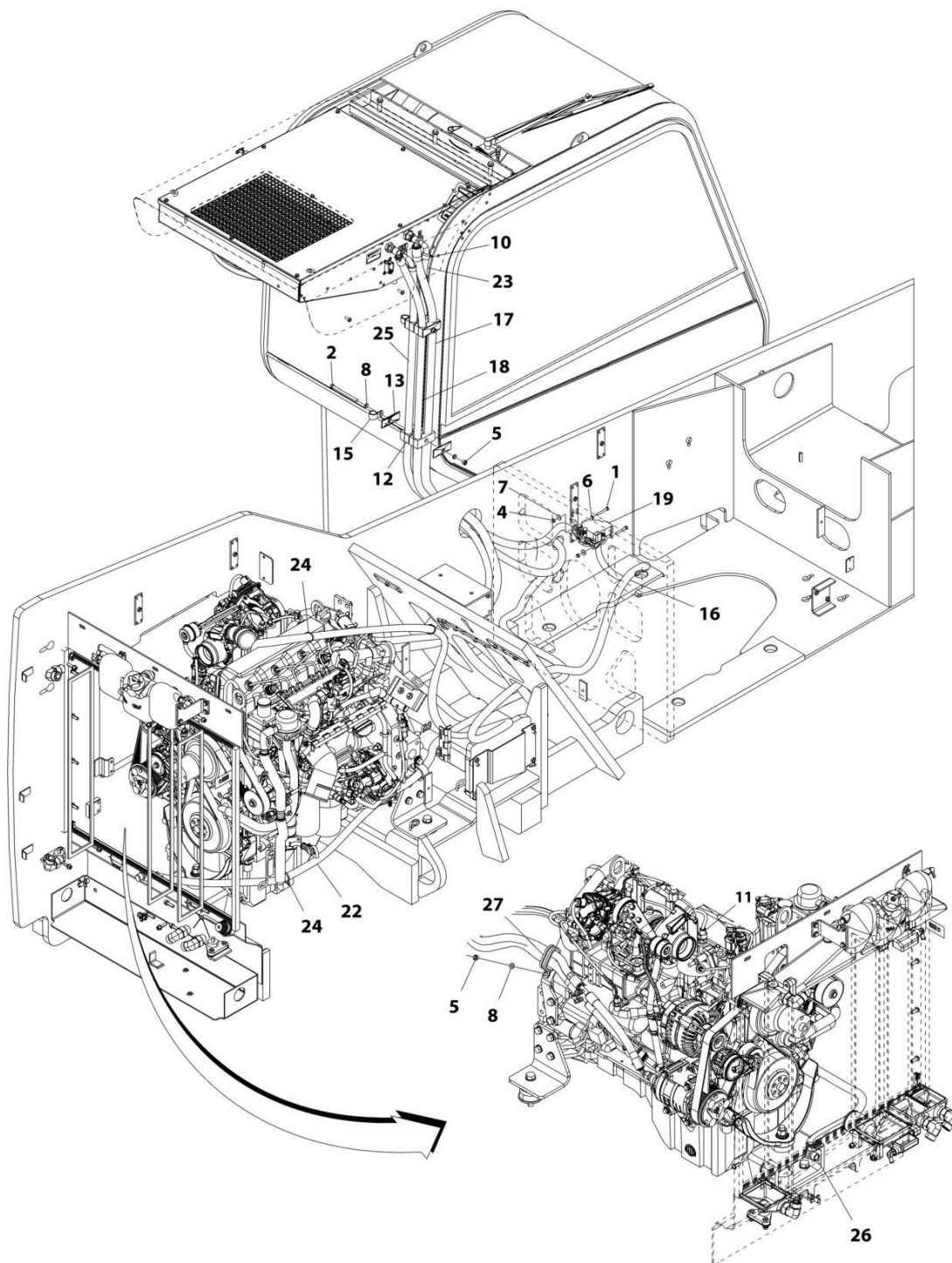
ART_1001171807-D

FIGURE 6-23. CAB HEATER LINES INSTALLATION

ITEM	PART NUMBER	QTY	DESCRIPTION	REV
	1001171807	Ref	Cab Heater Lines Installation	G
1	0700617	2	Bolt, M6X45	
2	0700822	2	Bolt, M8X70	
4	3290605	2	Nut, Lock M6X1	
5	3290805	2	Nut, Lock M8X1-1/4	
6	4811700	2	Washer, M6	
7	4811702	2	Washer, M6	
8	4811900	4	Washer, M8	
10	8405007	8	Clamp, Gear	
11	8430048	2	Reducer, Hose Barb	
12	77133133	2	Clamp, Twin	
13	77133134	2	Clamp, Cover Plate	
15	91043147	2	Clamp, Support	
16	1001158404	1	Hose, Cab Heater	
17	1001159844	1	Valve, Heater (See Separate Breakdown in this section)	
18	1001172537	1	Hose, Heater Return	
19	1001172561	1	Hose, Heater Send Valve to Roof	
20	8584001	4	Wrap, Tie	
21	1001173217	1	Hose, Heater Roof to Floor	
22	1001179229	1	Fitting, 45	

SECTION 6 - CAB

FIGURE 6-24. CAB HEATER/AC LINES INSTALLATION



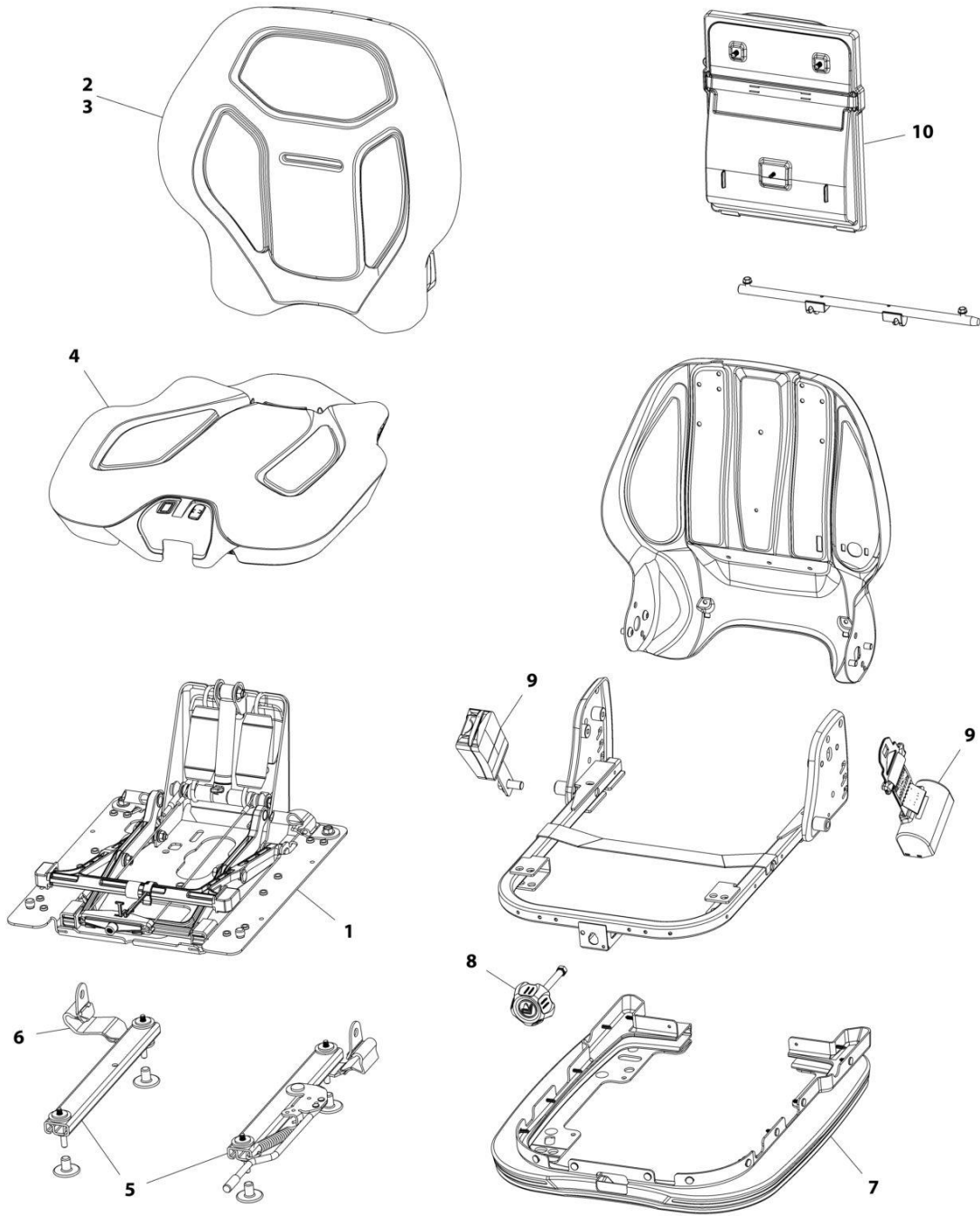
ART_1001171806-J

FIGURE 6-24. CAB HEATER/AC LINES INSTALLATION

ITEM	PART NUMBER	QTY	DESCRIPTION	REV
	1001171806	Ref	Cab Heater/AC Lines Installation	J
1	0700617	2	Bolt, M6X45	
2	0700828	2	Bolt, M8X110	
4	3290605	2	Nut, Lock M6X1	
5	3290805	3	Nut, Lock M8X1-1/4	
6	4811700	2	Washer, M6	
7	4811702	2	Washer, M6	
8	4811900	5	Washer, M8	
10	8405007	8	Clamp, Gear	
11	8430048	2	Reducer, Hose Barb	
12	77133133	4	Clamp, Twin	
13	77133134	4	Clamp, Cover Plate	
15	91043147	2	Clamp, Support	
16	1001158404	1	Hose, Cab Heater	
17	1001182798	1	Hose, A/C Compressor Suction	
18	1001182723	1	Hose, A/C Compressor Discharge	
19	1001159844	1	Valve, Heater (See Separate Breakdown in this section)	
22	1001172537	1	Hose, Heater Return	
23	1001172561	1	Hose, Heater Send Valve to Roof	
24	8584001	4	Wrap, Tie	
25	1001173217	1	Hose, Heater Roof to Floor	
26	1001179229	1	Fitting, 45	
27	1001164196	1	Clamp	

SECTION 6 - CAB

FIGURE 6-25. CAB SEAT (ORANGE SEAT BELT)



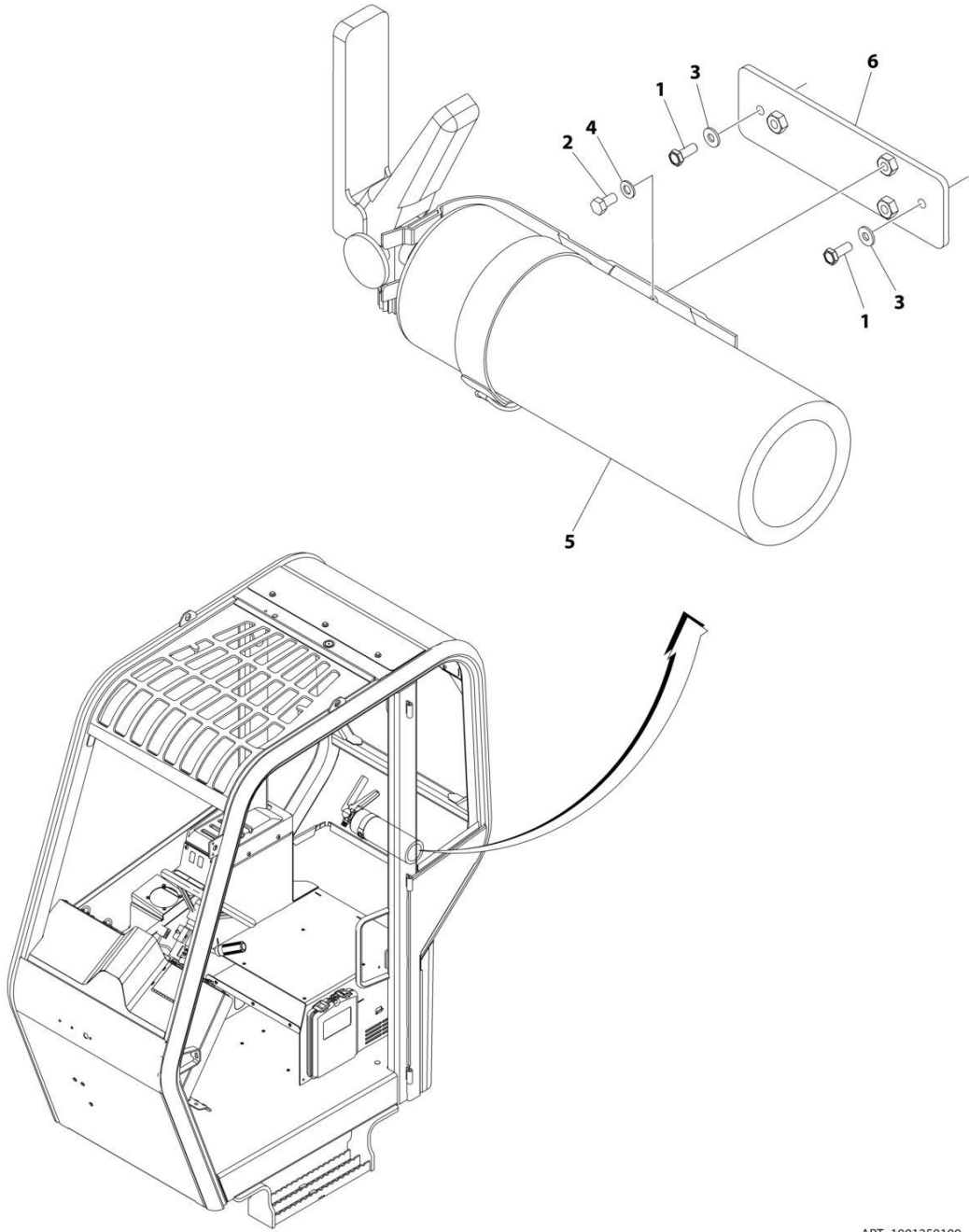
ART_1001275934

FIGURE 6-25. CAB SEAT (ORANGE SEAT BELT)

ITEM	PART NUMBER	QTY	DESCRIPTION	REV
	1001275934	Ref	SEAT INSTALLATION	B
1	70027024	1	Suspension Kit	
2	70027026	1	Back Cushion Kit (JLG)	
3	70027027	1	Back Cushion Kit (CAT)	
4	70027028	1	Seat Cushion Kit	
5	7026798	1	Adjuster Kit	
6	70027032	1	Tether strap	
7	70027030	1	Boot Kit	
8	70027033	1	Weight Adjust Knob Kit	
9	1001275933	1	Seat Belt	
10	70027035	1	Document box Kit	

SECTION 6 - CAB

FIGURE 6-26. FIRE EXTINGUISHER INSTALLATION



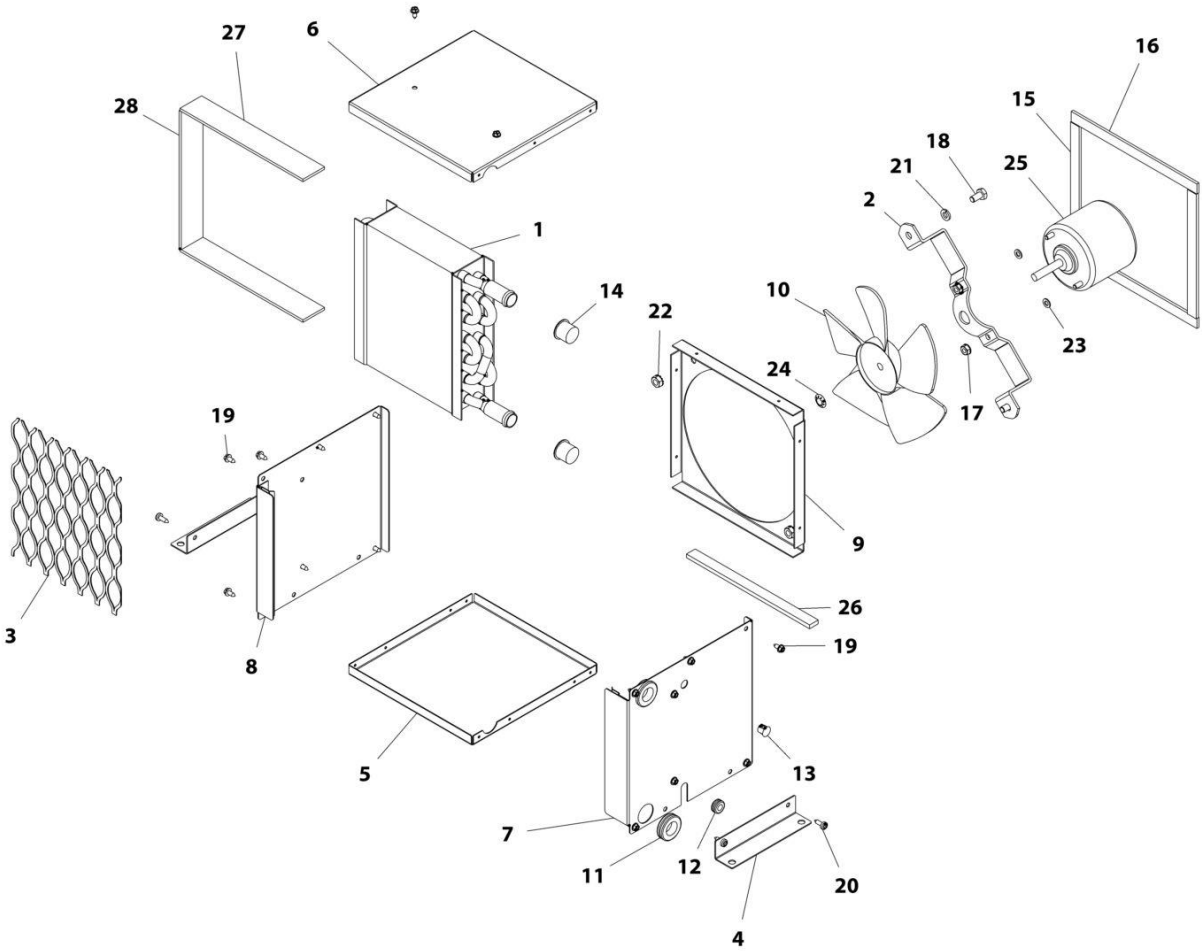
ART_1001258100

FIGURE 6-26. FIRE EXTINGUISHER INSTALLATION

ITEM	PART NUMBER	QTY	DESCRIPTION	REV
	1001258100	Ref	Skytrak Fire Extinguisher Installation	A
1	0721004	2	Screw M10X1/2	
2	0760505	3	Bolt M5X10	
3	4750800	2	Washer M8	
4	4811600	3	Washer M5	
5	1001099699	1	Extinguisher, Fire with Bracket	
5	1001100082	1	Bracket	
6	1001241305	1	Bracket	

SECTION 6 - CAB

FIGURE 6-27. FLOOR HEATER



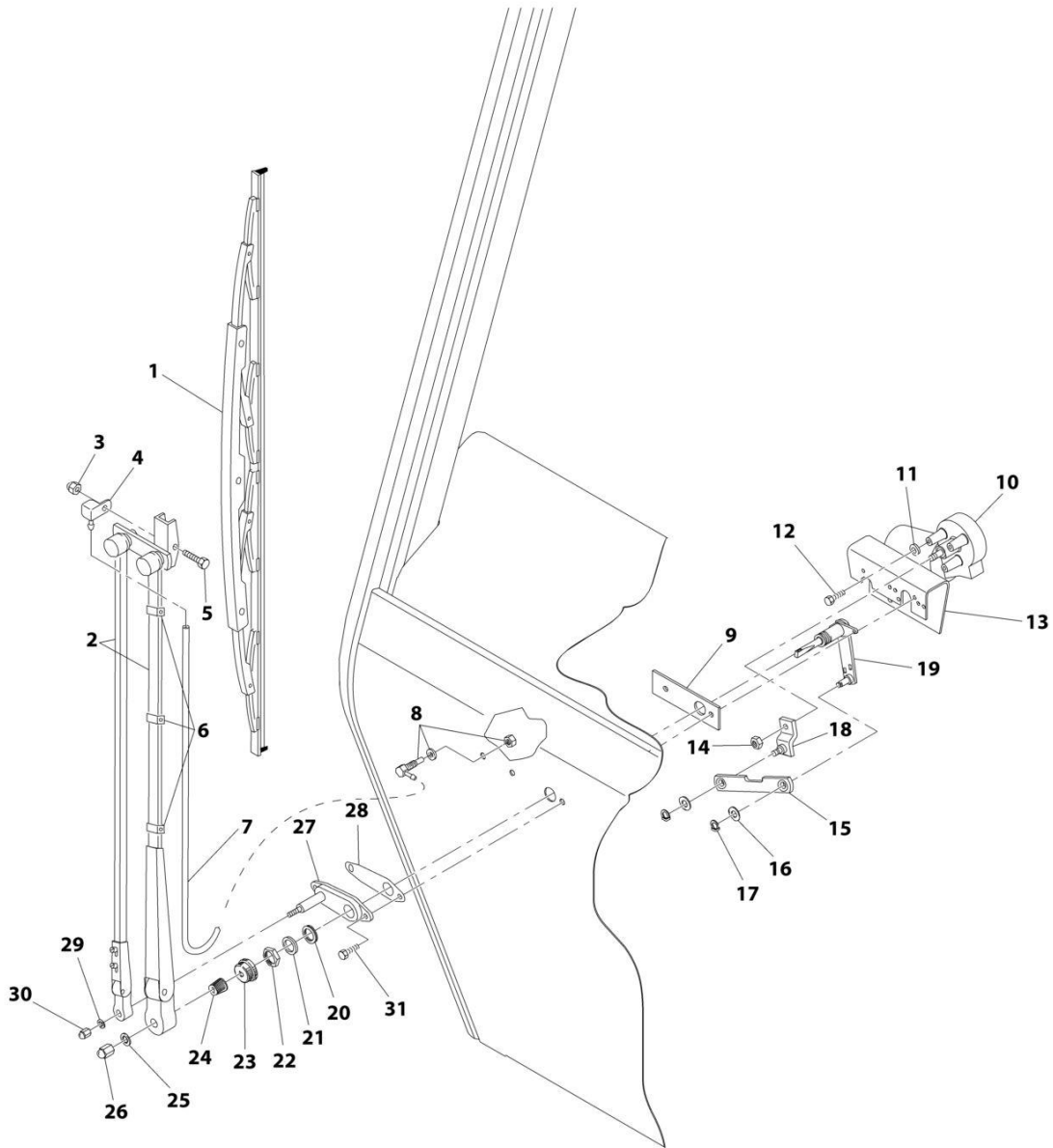
ART_1001159856-D

FIGURE 6-27. FLOOR HEATER

ITEM	PART NUMBER	QTY	DESCRIPTION	REV
	1001159856	Ref	Floor Heater	D
1	70026100	1	Coil, Heater	
2	70026101	1	Bracket, Motor	
3	70026102	1	Protector, Coil	
4	70026103	2	Bracket, Mounting	
5	70026104	1	Casing, Bottom	
6	70026105	1	Casing, Top	
7	70026106	1	Casing, RH Side	
8	70026107	1	Casing, LH Side	
9	70026108	1	Mount, Fan	
10	70026109	1	Fan	
11	70026110	2	Grommet	
12	70026111	1	Grommet, 3/8	
13	70026112	1	Plug, Hole 3/8	
14	70026113	2	Plug, 3/8	
15	70026114	2	Foam, 1/4X158	
16	70026114	2	Foam, 1/4X184	
17	70026115	2	Nut, 10-32	
18	70026116	2	Screw, 1/4-20X1/2	
19	70026117	16	Screw, 8X3/8	
20	70024855	4	Screw, Tap 8X1/2	
21	70026118	2	Lockwasher, 1/4	
22	70026119	2	Nut, Kep 1/4-20	
23	70026120	2	Washer, M5	
24	70026121	1	Retainer	
25	70026122	1	Motor Assembly, 12V	
26	70026123	1	Foam, 3/16X180	
27	70026124	2	Foam, 1/4X180	
28	70026124	1	Foam, 1/4X175	

SECTION 6 - CAB

FIGURE 6-28. FRONT WIPER ASSEMBLY



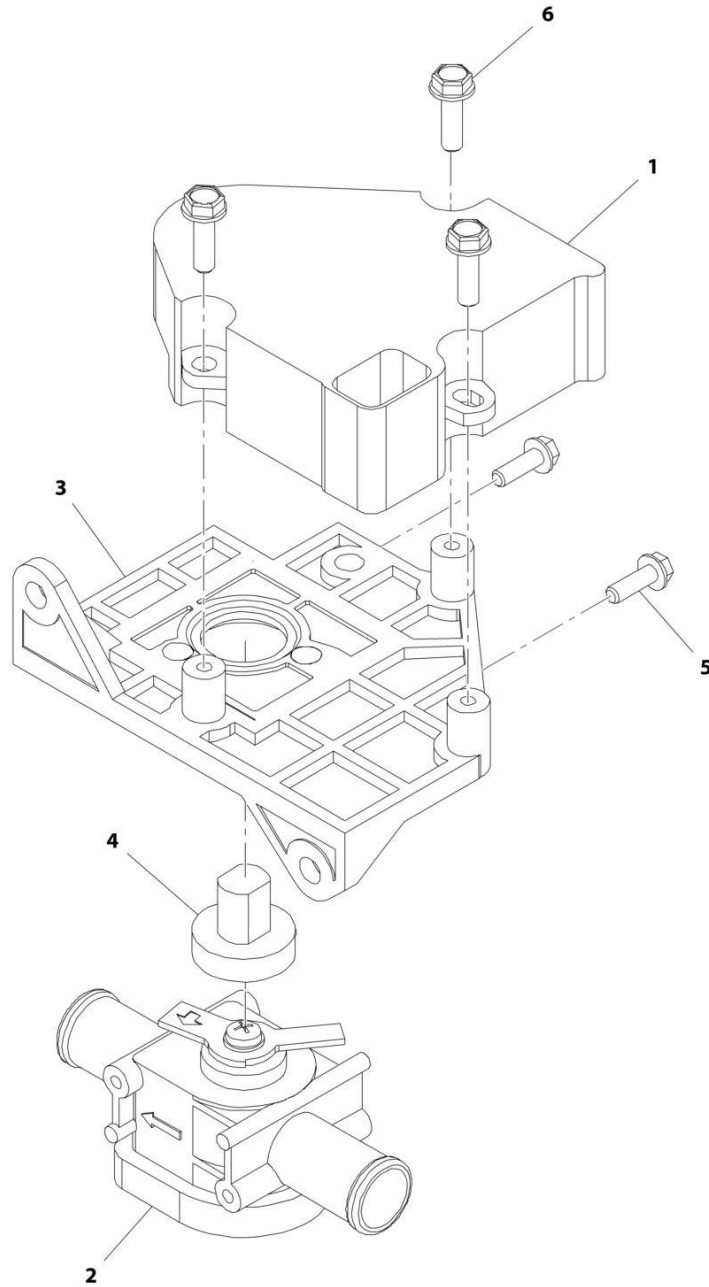
ART_8036056-A

FIGURE 6-28. FRONT WIPER ASSEMBLY

ITEM	PART NUMBER	QTY	DESCRIPTION	REV
	8036056	Ref	Front Wiper Assembly	A
1	80384213	1	Blade, Wiper	
2	8035393	1	Assembly, Wiper Arm	
3	N.S.S.	1	Nut, Lock	
4	N.S.S.	1	Nozzle, Sprayer	
5	N.S.S.	1	Bolt	
6	N.S.S.	3	Clip, Hose	
7	N.S.S.	1	Hose	
8	1001081310	1	Adaptor, Wet Arm	
9	8036100	1	Spacer, Front Wiper Motor	
10	7029860	1	Motor, Wiper 12V	
11	N.S.S.	3	Washer, 5/16	
12	N.S.S.	3	Bolt, 1/4-28X1	
13	N.S.S.	1	Bracket, Wiper Motor	
14	N.S.S.	1	Nut	
15	8035409	1	Link, Connecting	
16	N.S.S.	2	Washer, 0.56X0.251X0.015	
17	N.S.S.	2	Clip, Spring	
18	8035411	1	Drive, Wiper Arm	
19	8036099	1	Assembly, Wiper Shaft and Pivot	
20	N.S.S.	1	Washer, Rubber	
21	N.S.S.	1	Washer, Metal	
22	N.S.S.	1	Nut, Jam 11/16-18	
23	N.S.S.	1	Cap, Rubber	
24	N.S.S.	1	Driver, Knurled	
25	N.S.S.	1	Washer, Lock 3/8	
26	N.S.S.	1	Nut, Acorn 1/4-28	
27	8034815	1	Assembly, Panto Adaptor	
28	N.S.S.	1	Gasket	
29	N.S.S.	1	Washer, Lock 1/4	
30	N.S.S.	1	Nut, Acorn 1/4-28	
31	80384207	2	Bolt, 1/4-28X3/4	

SECTION 6 - CAB

FIGURE 6-29. HEATER VALVE



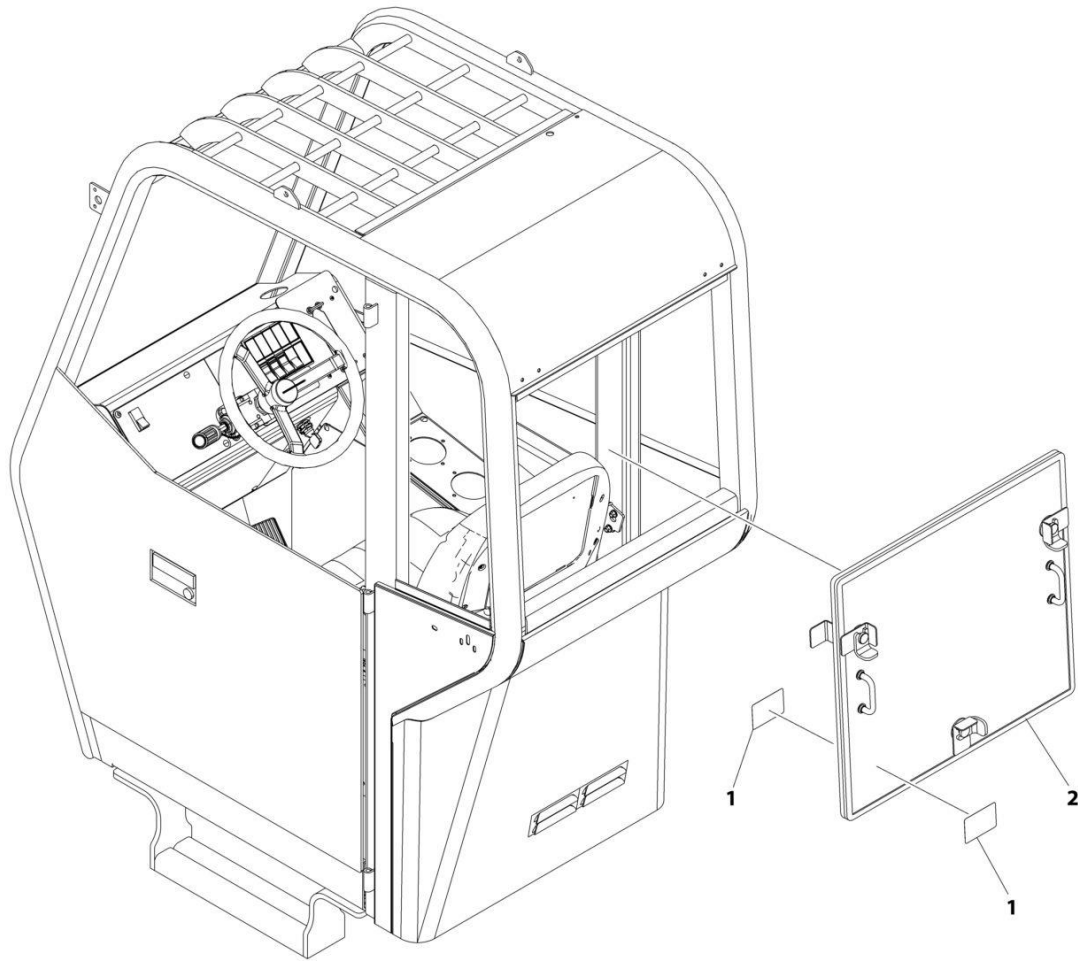
ART_1001159844-C

FIGURE 6-29. HEATER VALVE

ITEM	PART NUMBER	QTY	DESCRIPTION	REV
	1001159844	Ref	Heater Valve	C
1	70026088	1	Motor Actuator, 12V	
2	70026089	1	Assembly, Heater Valve	
3	70026090	1	Assembly, Valve Bracket	
4	70026091	1	Adapter, Shaft	
5	70026092	2	Screw, 8-18X1/2	
6	70026093	3	Screw, 10-16X5/8	

SECTION 6 - CAB

FIGURE 6-30. INSTALLTION, REAR WINDOW EXIT (ENG/SP)



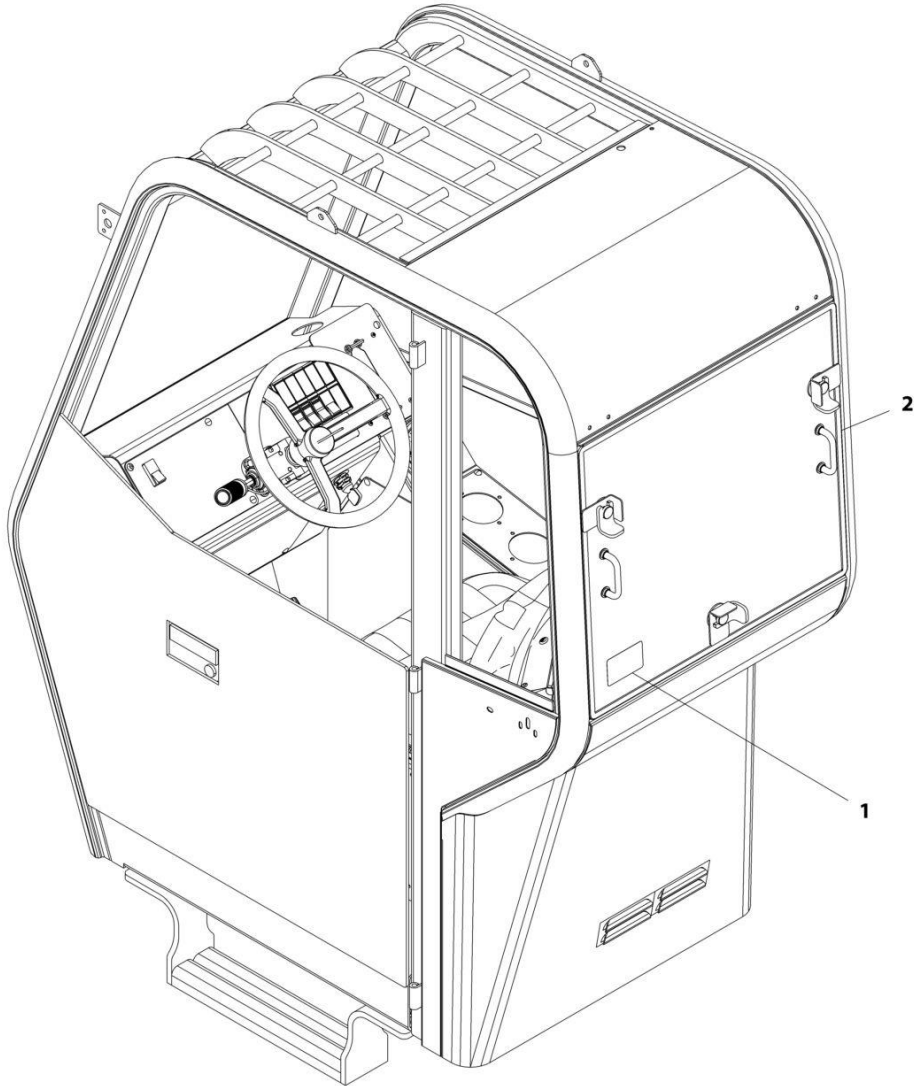
ART_1001242916

FIGURE 6-30. INSTALLTION, REAR WINDOW EXIT (ENG/SP)

ITEM	PART NUMBER	QTY	DESCRIPTION	REV
	1001242916	Ref	REAR WINDOW EXIT INSTALLATION (ENG/SP)	B
1	1001273850	2	Decal, Rear Window Entry/Exit	
2	1001162804	1	Window	

SECTION 6 - CAB

FIGURE 6-31. REAR DROPOUT WINDOW INSTALLATION (ANSI)



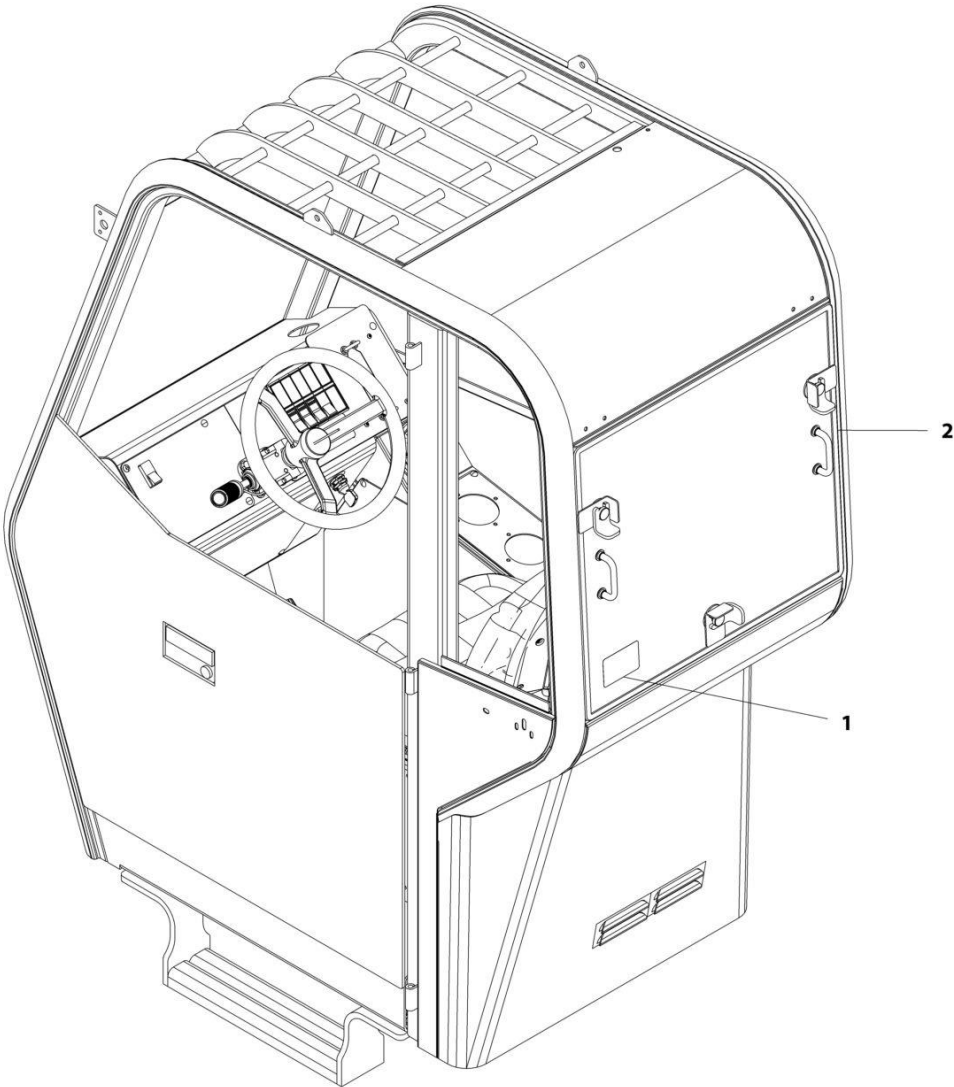
ART_1001162806-A

FIGURE 6-31. REAR DROPOUT WINDOW INSTALLATION (ANSI)

ITEM	PART NUMBER	QTY	DESCRIPTION	REV
	1001162806	Ref	Rear Dropout Window Installation (ANSI)	A
1	1001160071	2	Decal, Rear Emergency Exit	
2	1001162804	1	Window, Rear Dropout	

SECTION 6 - CAB

FIGURE 6-32. REAR DROPOUT WINDOW INSTALLATION (ENGLISH/FRENCH)



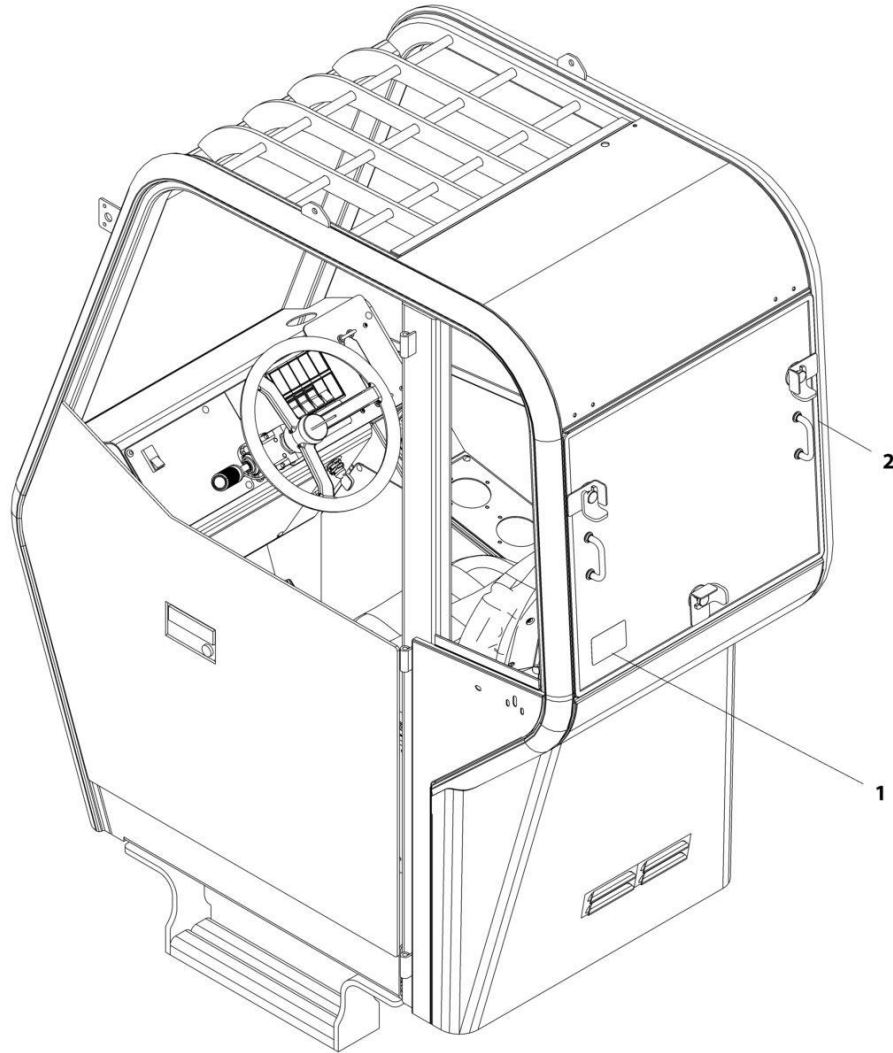
ART_1001167250-A

FIGURE 6-32. REAR DROPOUT WINDOW INSTALLATION (ENGLISH/FRENCH)

ITEM	PART NUMBER	QTY	DESCRIPTION	REV
	1001167250	Ref	Rear Dropout Window Installation (ENGLISH/FRENCH)	A
1	1001160787	2	Decal, Rear Emergency Exit	
2	1001162804	1	Window, Rear Dropout	

SECTION 6 - CAB

FIGURE 6-33. REAR DROPOUT WINDOW INSTALLATION (ISO)



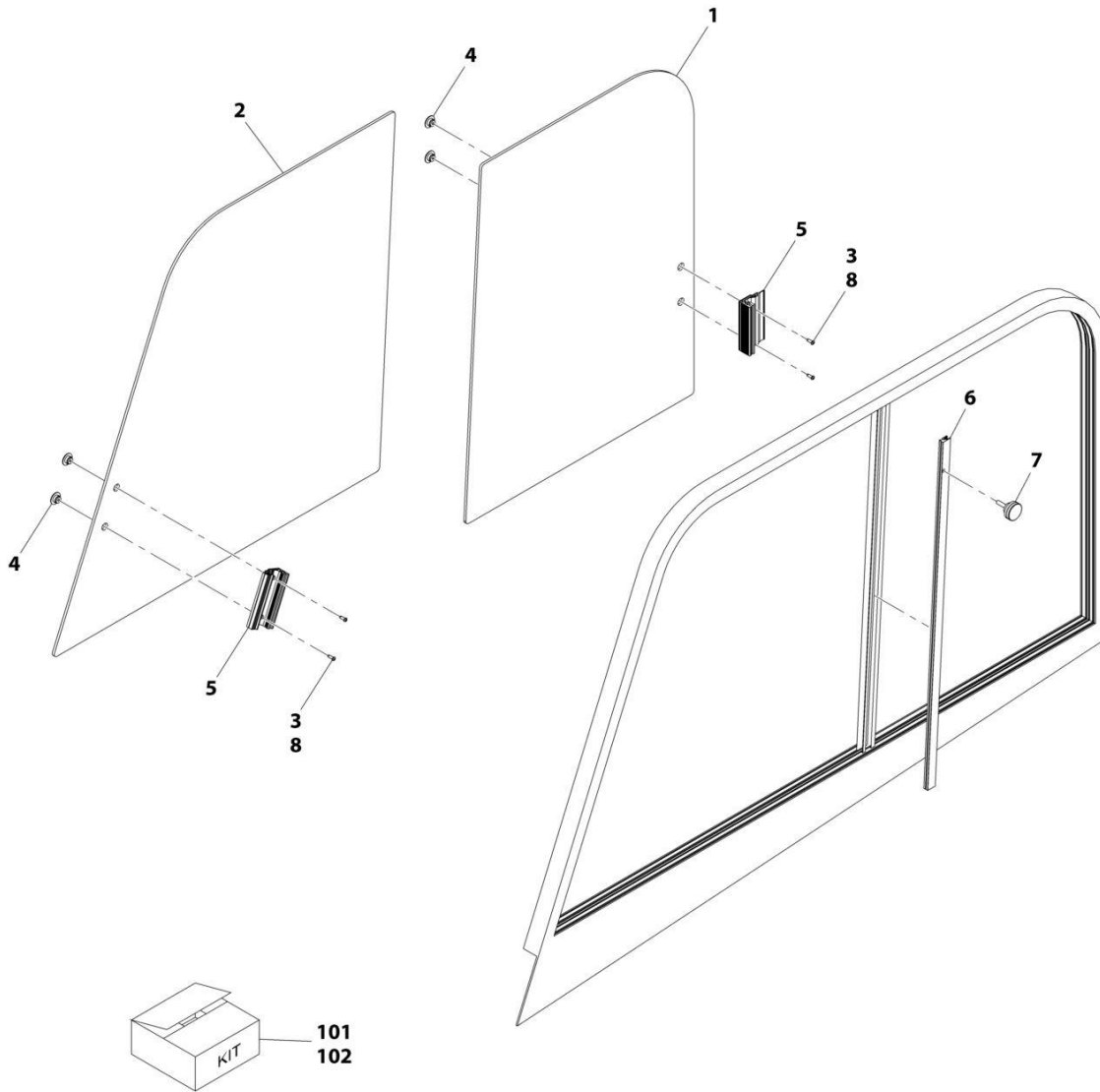
ART_1001167251-A

FIGURE 6-33. REAR DROPOUT WINDOW INSTALLATION (ISO)

ITEM	PART NUMBER	QTY	DESCRIPTION	REV
	1001167251	Ref	Rear Dropout Window Installation (ISO)	A
1	1001160912	2	Decal, Rear Emergency Exit	
2	1001162804	1	Window, Rear Dropout	

SECTION 6 - CAB

FIGURE 6-34. RH SLIDER WINDOW



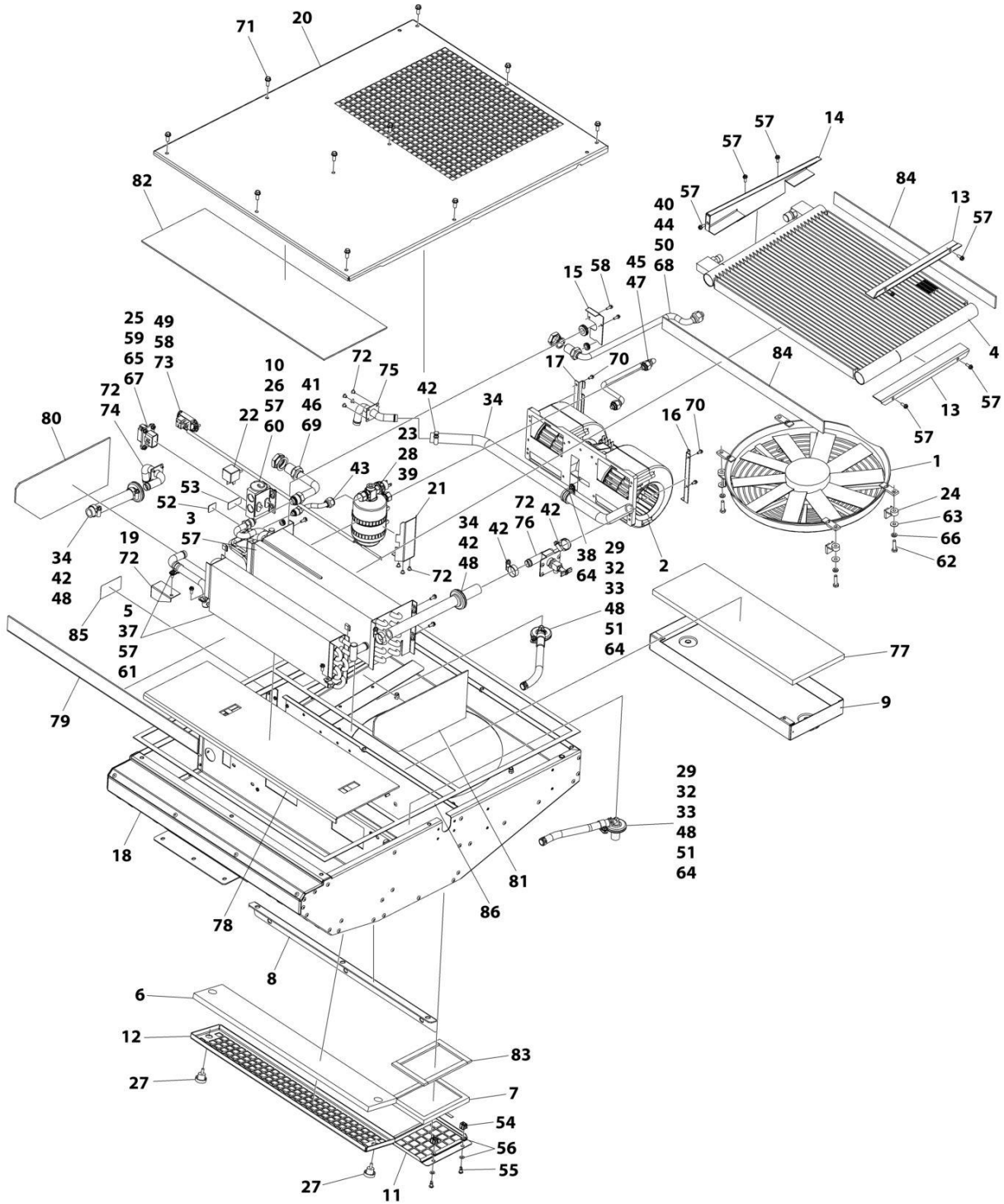
ART_8036050-B

FIGURE 6-34. RH SLIDER WINDOW

ITEM	PART NUMBER	QTY	DESCRIPTION	REV
	8036050	Ref	RH Slider Window	B
1	8036197	1	Glass, Rear Slide	
2	8036196	1	Glass, Front Slide	
3	Kit	NSS	Capscrew (Use Item 101)	
4	Kit	NSS	Spacer (Use Item 101)	
5	Kit	NSS	Latch (Use Item 101)	
6	Kit	NSS	Block, Lock (Use Item 102)	
7	Kit	NSS	Assembly, Knob (Use Item 102)	
8	8035523	AR	Compound, Locking	
101	80384445	1	Latch Assembly Kit (with Latch & Slider - Worthington Windows) (includes items 3 thru 5)	
101	8036199	1	Latch Assembly Kit (with Two Latches - Young Windows) (includes items 3 thru 5)	
102	8036198	1	Friction Lock Assembly Kit (includes items 6 & 7)	

SECTION 6 - CAB

FIGURE 6-35. ROOF BOX HVAC



ART_1001159861

FIGURE 6-35. ROOF BOX HVAC

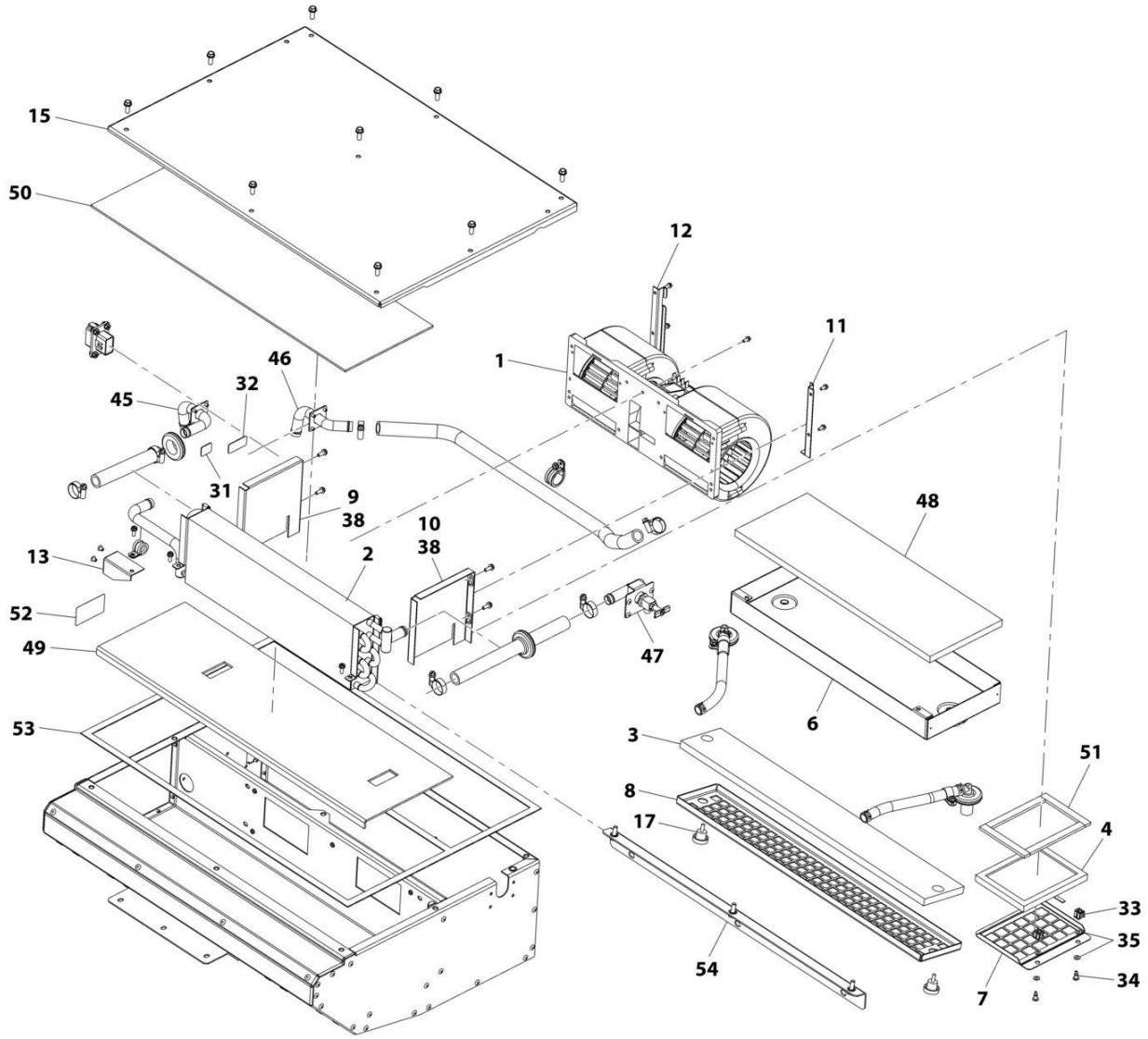
ITEM	PART NUMBER	QTY	DESCRIPTION	REV
	1001159861	Ref	ROOF BOX HVAC	B
1	70026945	1	Assembly, Fan	
2	70026978	1	Blower	
3	70026979	1	Coil, Evaporator	
4	70026980	1	Condenser	
5	70026981	1	Coil, Heater	
6	70026982	1	Filter, Air	
7	70026983	1	Filter, Air	
8	70030281	1	Bracket	
9	70029822	1	Pan, Drain	
10	NPN	1	Bracket	
11	70029823	1	Cover	
12	70029824	1	Cover	
13	NPN	2	Rail, Condenser	
14	NPN	1	Bracket, Condenser	
15	70031394	1	Bracket	
16	70029827	1	Bracket, Blower	
17	70029828	1	Bracket, Blower	
18	NPN	1	Housing	
19	70029829	1	Bracket	
20	70031395	1	Cover	
21	70031396	1	Bracket	
22	70026986	1	Relay	
23	70026854	1	Sensor, Pressure	
24	70029981	4	Mount, Fan	
25	70031397	1	Harness, Wiring	
26	70020876	1	Valve, Block	
27	8036726	2	Knob	
28	70026984	1	Drier, Receiver	
29	7029412	AR	Hose	
32	7029413	2	Fitting, 90	
33	7029415	4	Clamp	
34	70031398	AR	Hose	
37	70026987	1	Clamp	
38	70026988	1	Clamp	
39	70026989	2	Clamp	
40	70031402	1	Nut #8	
41	70031403	1	Nut #10	
42	70026990	6	Clamp	
43	70028782	1	Tube	
44	70028781	1	Tube	
45	70028780	1	Tube	
46	70028779	1	Tube	
47	70031404	1	Grommet	
48	70031405	4	Grommet	
49	70026111	1	Grommet	
50	70031406	1	Grommet	
51	NPN	2	Clamp	
52	70029832	1	Cover, In	
53	70029833	1	Cover, Out	

SECTION 6 - CAB

ITEM	PART NUMBER	QTY	DESCRIPTION	REV
54	70029834	2	Connector	
55	70029835	2	Screw	
56	70029836	4	Washer	
57	NPN	16	Bolt #10 x 1/2	
58	NPN	5	Bolt #8 x 1/2	
59	NPN	8	Washer #8	
60	NPN	2	Bolt 1/4 x 1-1/2	
61	70029837	2	Clip	
62	NPN	4	Bolt 1/4 x 1	
63	NPN	6	Washer 1/4	
64	NPN	3	Nut #10	
65	NPN	4	Nut #8	
66	70029984	4	Washer 1/4	
67	NPN	4	Bolt #8 x 1/2	
68	70031413	1	Washer	
69	70031414	1	Washer	
70	NPN	5	Bolt #8 x 3/8	
71	NPN	10	Bolt 1/4 x 5/8	
72	NPN	17	Rivet	
73	70026985	1	Thermostat	
74	70029838	1	Tube	
75	70029839	1	Tube	
76	70026991	1	Valve, Bleeder	
77	70029840	1	Foam	
78	70029841	1	Foam	
79	70031420	1	Foam	
80	70031421	1	Foam	
81	70031422	1	Foam	
82	70029842	1	Foam	
83	70026123	1	Insulation	
84	70026124	2	Foam	
85	NPN	1	Decal	
86	70029843	1	Foam	

SECTION 6 - CAB

FIGURE 6-36. ROOF HEATER BOX



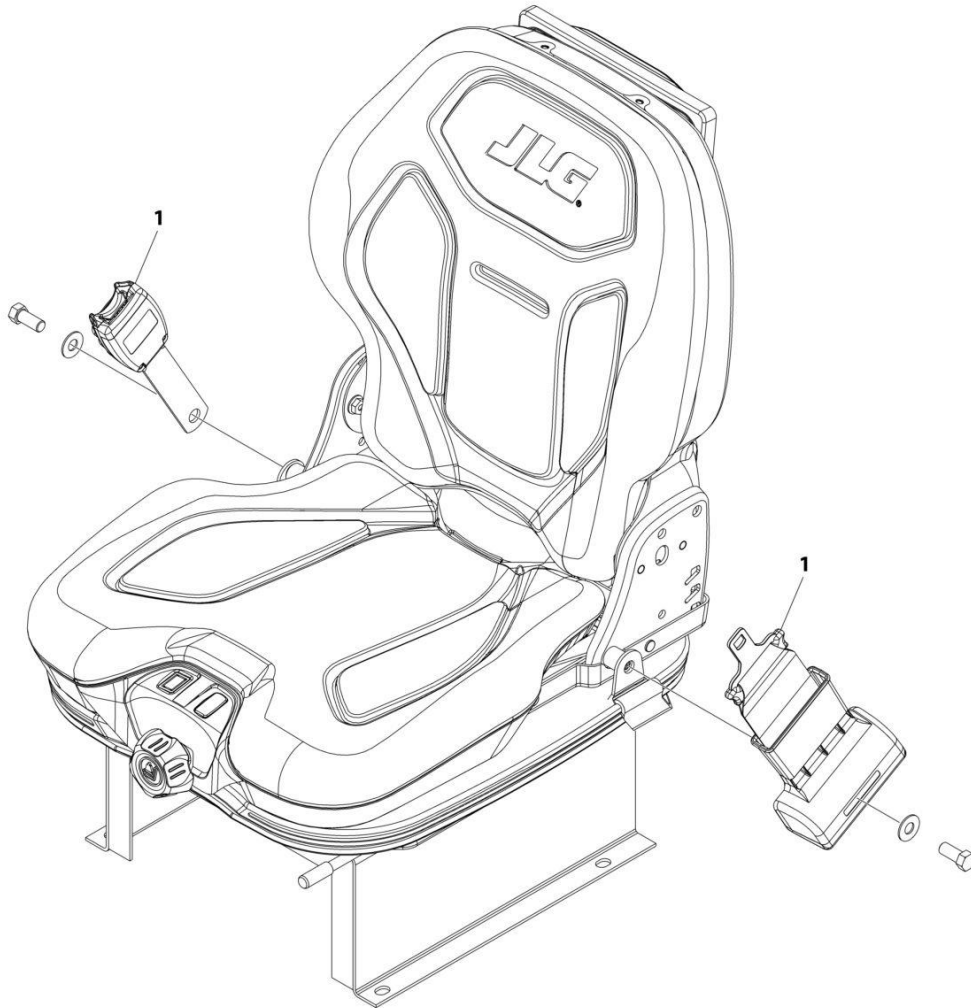
ART_1001159860-B

FIGURE 6-36. ROOF HEATER BOX

ITEM	PART NUMBER	QTY	DESCRIPTION	REV
	1001159860	Ref	Roof Heater Box	B
1	70026978	1	Blower, 12V	
2	70026981	1	Heater Coil	
3	70026982	1	Air Filter	
4	70026983	1	Air Filter	
6	70029822	1	Drain Pan	
7	70029823	1	Cover, Air Filter	
8	70029824	1	Cover, Air Filter	
9	70029825	1	Bracket, Coil (R)	
10	70029826	1	Bracket, Coil (L)	
11	70029827	1	Bracket, Blower	
12	70029828	1	Bracket, Blower	
13	70029829	1	Support Bracket	
15	70029830	1	Cover	
16	70029831	1	Harness (not shown)	
17	8036726	2	Knob	
31	70029832	1	Overlay In	
32	70029833	1	Overlay Out	
33	70029834	2	Receptacle	
34	70029835	2	Stud, Oval Slotted	
35	70029836	4	Retainer	
38	70029837	2	Panel, Coil Clip	
45	70029838	1	Tube Assembly	
46	70029839	1	Tube Assembly	
47	70026991	1	Valve, Bleeder	
48	70029840	1	Foam	
49	70029841	1	Foam, Closed Cell	
50	70029842	1	Foam, Closed Cell	
51	70026123	1	Foam, 3/16X180	
52	See Note	1	Foam 456mm	
53	70029843	1	Foam, Closed Cell	
54	70029844	1	Bracket Assembly	

SECTION 6 - CAB

FIGURE 6-37. SEAT BELT INSTALLATION (3IN WIDTH)



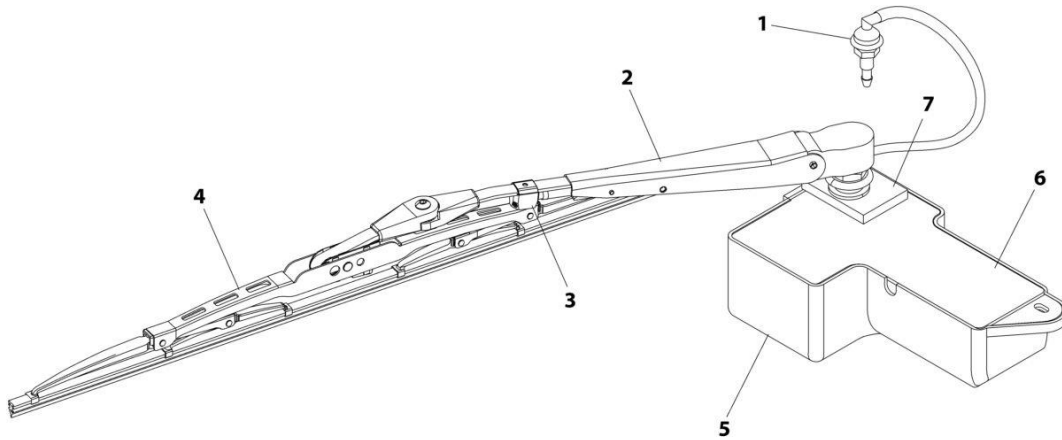
ART_1001258245

FIGURE 6-37. SEAT BELT INSTALLATION (3IN WIDTH)

ITEM	PART NUMBER	QTY	DESCRIPTION	REV
	1001258245	Ref	Seat Belt Installation (3in Width)	B
1	1001258244	1	Seat Belt (3in) (Black Strap)	
1	1001275933	1	Seat Belt (3in) (Orange Strap)	

SECTION 6 - CAB

FIGURE 6-38. SKYLIGHT WIPER ASSEMBLY



ART_1001182470

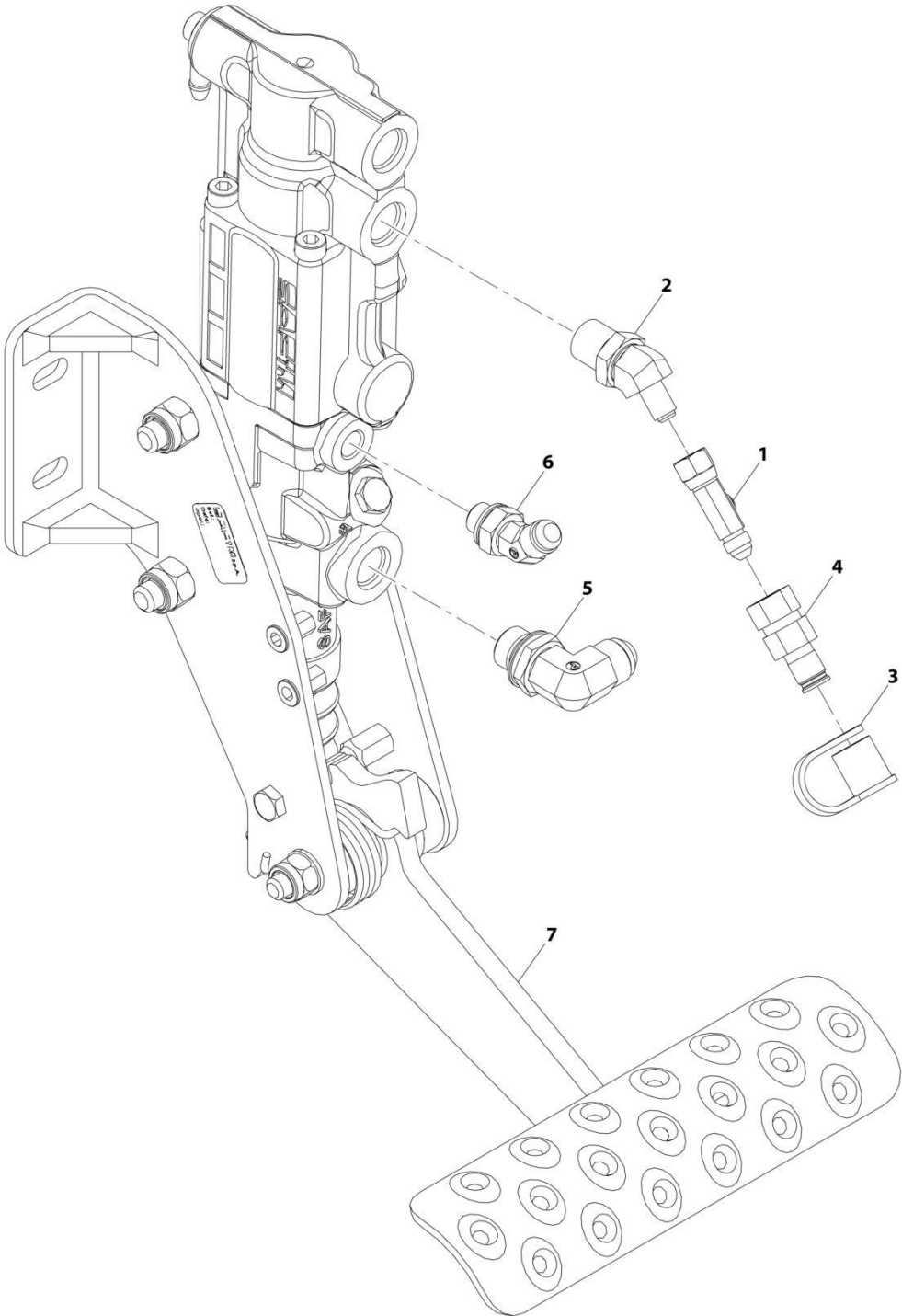
FIGURE 6-38. SKYLIGHT WIPER ASSEMBLY

ITEM	PART NUMBER	QTY	DESCRIPTION	REV
	1001182470	Ref	SKYLIGHT WIPER ASSEMBLY	B
1	1001081310	1	Adaptor, Wet Arm	
2	8035500	1	Arm, Wiper	
3	8035499	1	Arm, Wet Kit	
4	8035498	1	Blade, Wiper	
5	70020652	1	Motor, Wiper	
6	8035493	1	Cover, Wiper	
7	70026352	1	Block, Skylight Wiper Motor	

SECTION 7 - CONTROLS

SECTION 7 - CONTROLS

FIGURE 7-1. BRAKE ASSEMBLY



ART_1001223052-A

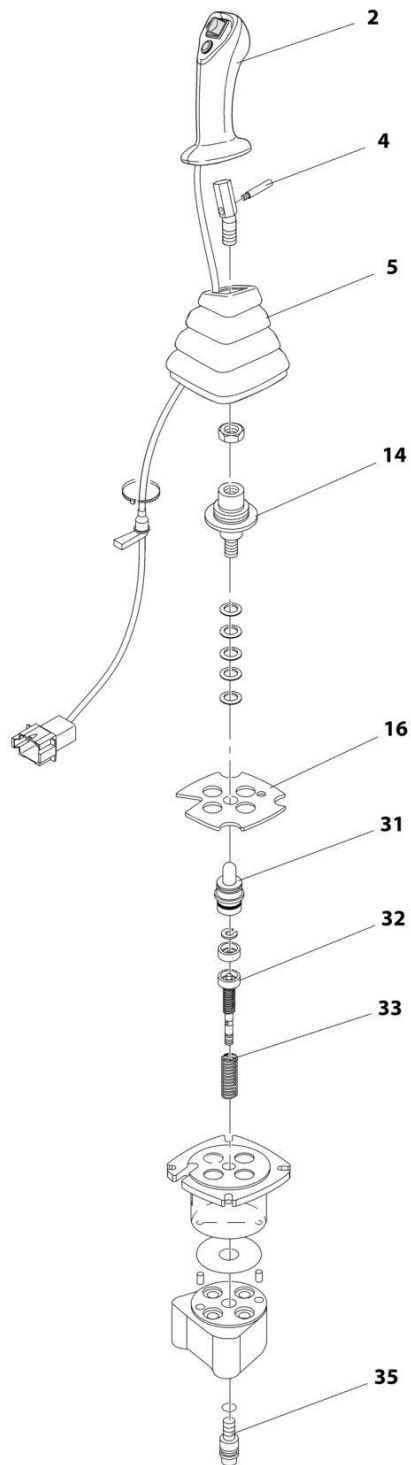
SECTION 7 - CONTROLS

FIGURE 7-1. BRAKE ASSEMBLY

ITEM	PART NUMBER	QTY	DESCRIPTION	REV
	1001223052	Ref	Brake Assembly - Safim	A
1	2220605	1	Adapter	
2	2221344	1	Adapter	
3	8430032	1	Plug, Dust Cap	
4	10727374	1	Adapter	
5	91473086	1	Adapter	
6	1001183341	1	Adapter	
7	1001223050	1	Installation, Hydraulic Brake Valve (See Separate Breakdown in HYDRAULIC CIRCUITS Section)	

SECTION 7 - CONTROLS

FIGURE 7-2. PILOT JOYSTICK CONTROL



ART_1001158002-B

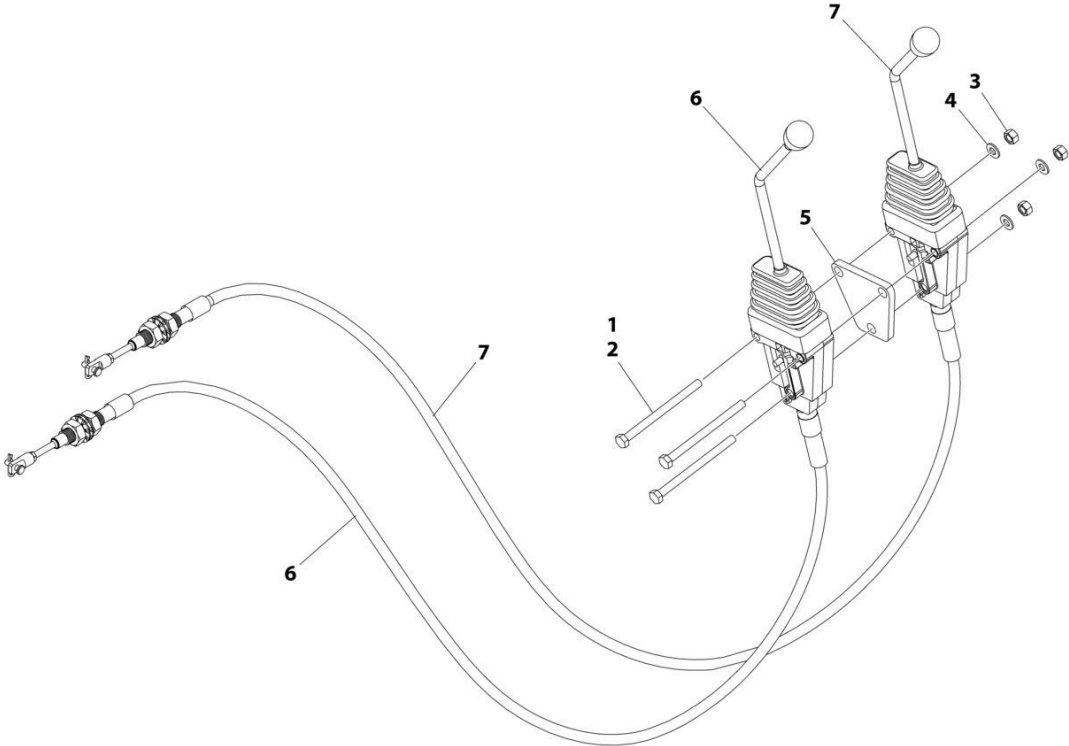
SECTION 7 - CONTROLS

FIGURE 7-2. PILOT JOYSTICK CONTROL

ITEM	PART NUMBER	QTY	DESCRIPTION	REV
	1001158002	Ref	Pilot Joystick Control	B
2	70026097	1	Handle	
4	91404011	1	Kit, Bent Lever	
5	80364095	1	Boot, Rubber	
14	80264138	1	Kit, Cardan	
16	91404013	1	Plate, Retaining	
31	91304025	2	Kit, Plunger (set of two)	
32	70026098	4	Unit, Regulating	
33	91514225	1	Spring, Return (set of four)	
35	91404326	1	Kit, Seal	

SECTION 7 - CONTROLS

FIGURE 7-3. SECONDARY CONTROLS INSTALLATION



ART_1001256070

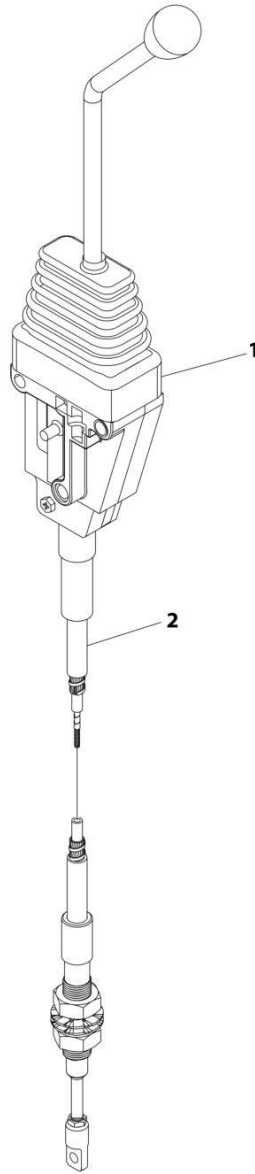
SECTION 7 - CONTROLS

FIGURE 7-3. SECONDARY CONTROLS INSTALLATION

ITEM	PART NUMBER	QTY	DESCRIPTION	REV
	1001256070	Ref	SECONDARY CONTROLS INSTALLATION	B
1	0100011	AR	Compound, Locking	
2	0700828	3	Bolt M8 x 110	
3	8305043	3	Nut M8 x 1.25	
4	8307222	3	Washer M8	
5	1001174340	1	Bracket, Control Spacer Plate	
6	1001256068	1	Secondary Tall Control (See Separate Breakdown in this Section)	
7	1001256069	1	Secondary Short Control (See Separate Breakdown in this Section)	

SECTION 7 - CONTROLS

FIGURE 7-4. SECONDARY SHORT CONTROL



ART_1001256069

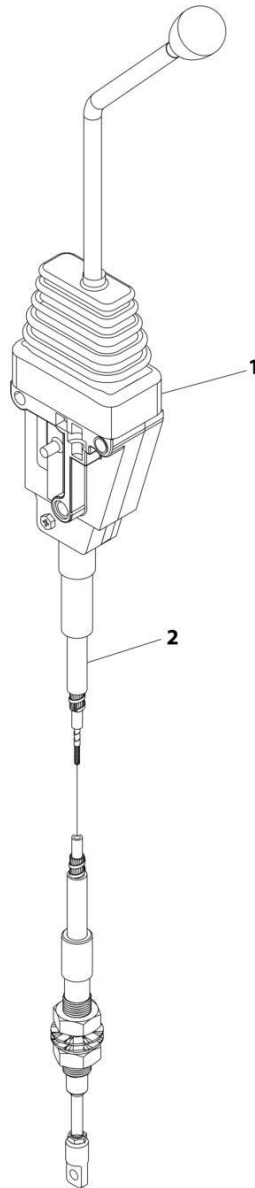
SECTION 7 - CONTROLS

FIGURE 7-4. SECONDARY SHORT CONTROL

ITEM	PART NUMBER	QTY	DESCRIPTION	REV
	1001256069	Ref	SECONDARY SHORT CONTROL	A
1	1001173582	1	Control	
2	1001256067	1	Cable	

SECTION 7 - CONTROLS

FIGURE 7-5. SECONDARY TALL CONTROL



ART_1001256068

SECTION 7 - CONTROLS

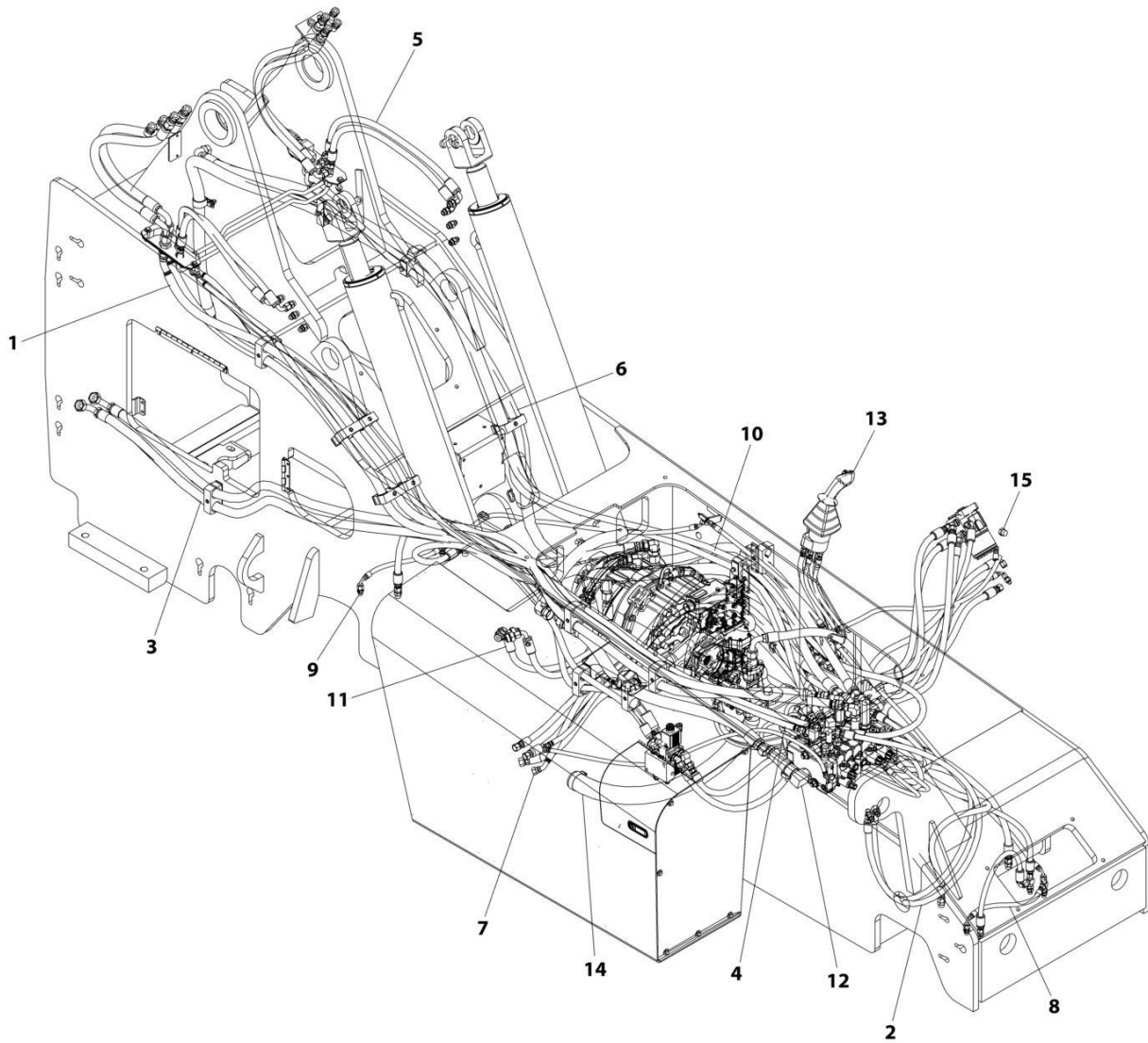
FIGURE 7-5. SECONDARY TALL CONTROL

ITEM	PART NUMBER	QTY	DESCRIPTION	REV
	1001256068	Ref	SECONDARY TALL CONTROL	A
1	1001173581	1	Control	
2	1001256067	1	Cable	

SECTION 8 - HYDRAULIC CIRCUITS

SECTION 8 - HYDRAULIC CIRCUITS

FIGURE 8-1. HYDRAULIC INSTALLATION



ART_1001205748

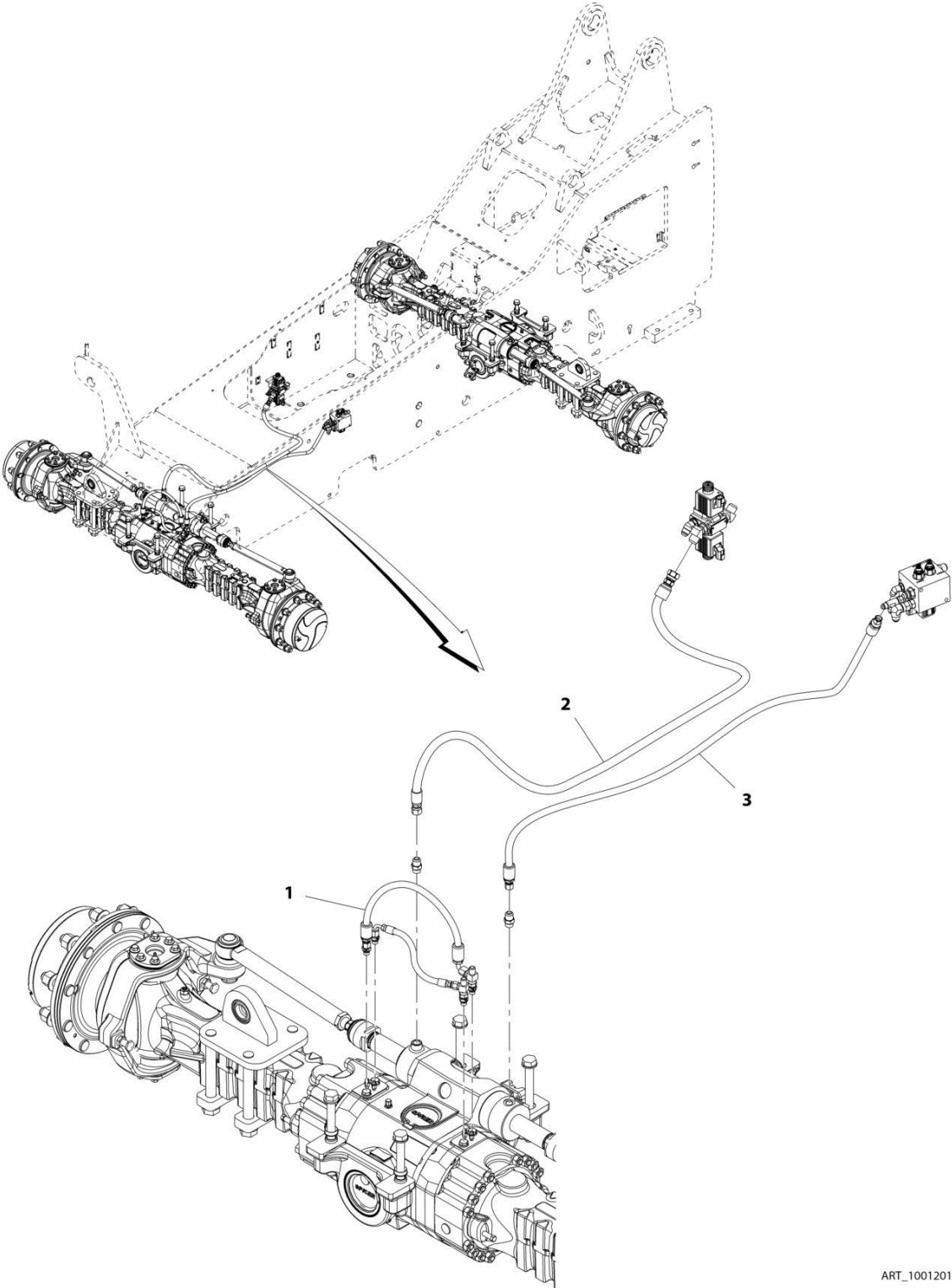
SECTION 8 - HYDRAULIC CIRCUITS

FIGURE 8-1. HYDRAULIC INSTALLATION

ITEM	PART NUMBER	QTY	DESCRIPTION	REV
	1001205748	Ref	HYDRAULIC INSTALLATION, 74HP (ULS)	E
1	1001159869	Ref	Hydraulic Extend Plumbing Installation (See Separate Breakdown in this Section)	
2	1001160825	Ref	Hydraulic Frame Tilt Plumbing Installation (See Separate Breakdown in this Section)	
3	1001171873	Ref	Hydraulic Transmission Cooler Plumbing Installation (See Separate Breakdown in this Section)	
4	1001196293	Ref	Hydraulic Fork Plumbing Installation (See Separate Breakdown in this Section)	
5	1001196388	Ref	Rear Bulkhead Installation (See Separate Breakdown in this Section)	
6	1001196668	Ref	Hydraulic Cooler Plumbing Installation (See Separate Breakdown in this Section)	
7	1001197421	Ref	Hydraulic Valves Installation (See Separate Breakdown in this Section)	
8	1001201987	Ref	Front Axle Hydraulic Installation (See Separate Breakdown in this Section)	
9	1001201989	Ref	Rear Axle Hydraulic Installation (See Separate Breakdown in this Section)	
10	1001202467	Ref	Frame Auxiliary Installation (See Separate Breakdown in this Section)	
11	1001215159	Ref	Hydraulic Frame Cylinders Installation (See Separate Breakdown in this Section)	
12	1001196290	Ref	Main Control Valve Installation (See Separate Breakdown in this Section)	
13	1001205754	Ref	Installation, Cab Hydraulics (See Separate Breakdown in this Section)	
14	1001196650	Ref	Hydraulic Pump Installation (See Separate Breakdown in this Section)	
15	1001211945	Ref	Brake Valve Plug Installation	
15	2220238	1	Plug	

SECTION 8 - HYDRAULIC CIRCUITS

FIGURE 8-2. AXLE (FRONT) HYDRAULICS INSTALLATION



ART_1001201987-C

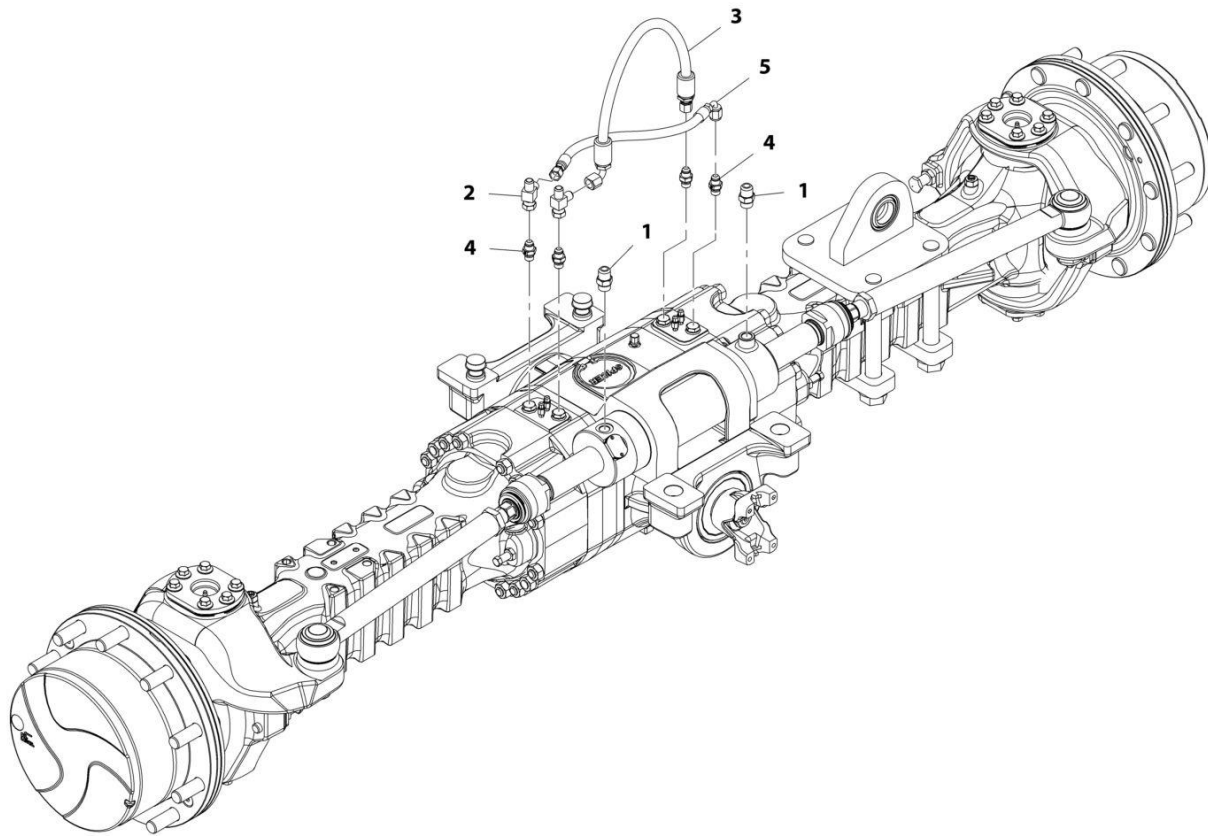
SECTION 8 - HYDRAULIC CIRCUITS

FIGURE 8-2. AXLE (FRONT) HYDRAULICS INSTALLATION

ITEM	PART NUMBER	QTY	DESCRIPTION	REV
1	1001201987	Ref	Front Axle Hydraulic Installation	C
	1001201988	1	Assembly, Front Axle Hydraulic (See Separate Breakdown in this Section)	
2	1001194757	1	Hose	
3	2716763	1	Hose	

SECTION 8 - HYDRAULIC CIRCUITS

FIGURE 8-3. AXLE (FRONT) HYDRAULICS ASSEMBLY



ART_1001201988-B

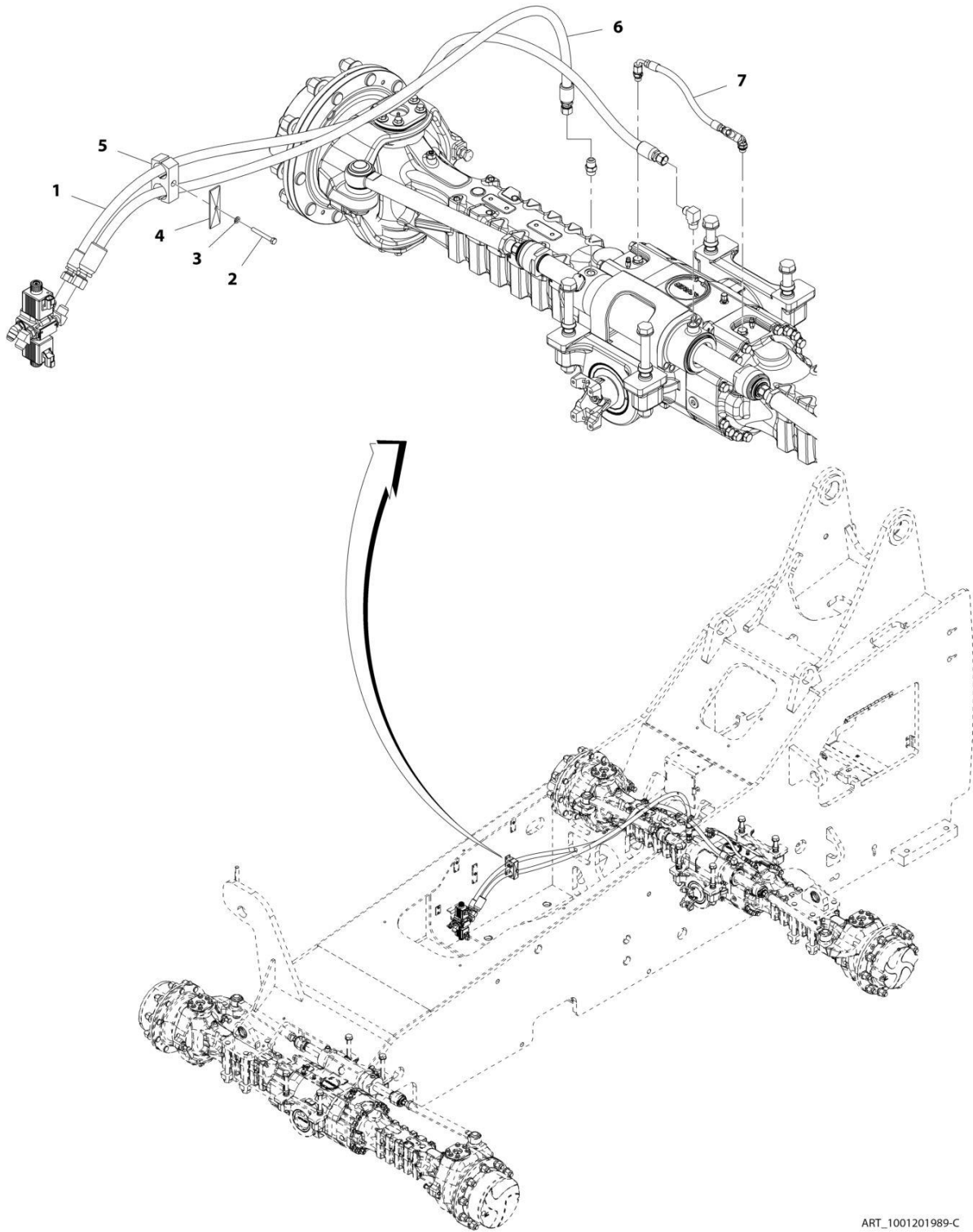
SECTION 8 - HYDRAULIC CIRCUITS

FIGURE 8-3. AXLE (FRONT) HYDRAULICS ASSEMBLY

ITEM	PART NUMBER	QTY	DESCRIPTION	REV
	1001201988	Ref	Front Axle Hydraulic Assembly	B
1	2220373	2	Adapter, Straight	
2	2220635	2	Adapter, Run Tee	
3	2716670	1	Hose	
4	8770064	4	Adapter, Straight	
5	1001210858	1	Hose	

SECTION 8 - HYDRAULIC CIRCUITS

FIGURE 8-4. AXLE (REAR) HYDRAULICS INSTALLATION



ART_1001201989-C

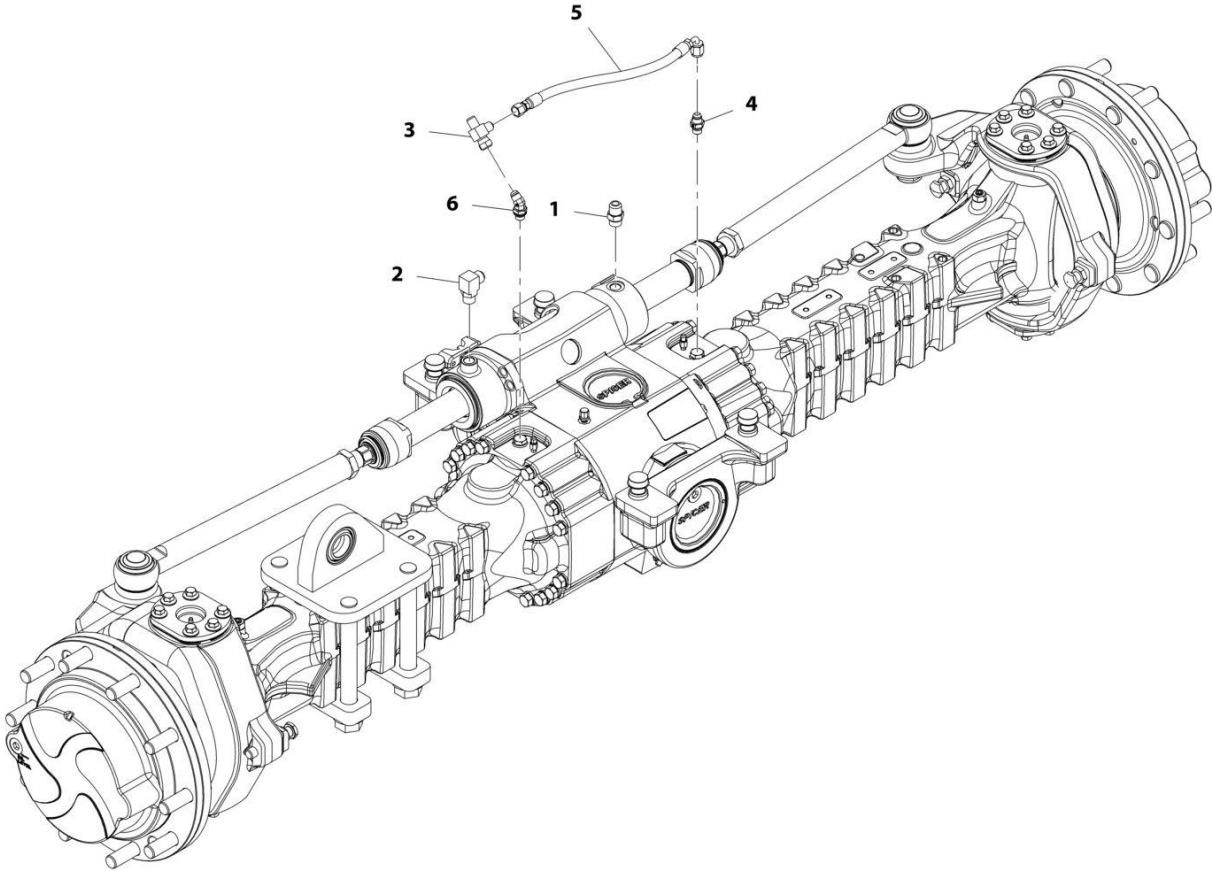
SECTION 8 - HYDRAULIC CIRCUITS

FIGURE 8-4. AXLE (REAR) HYDRAULICS INSTALLATION

ITEM	PART NUMBER	QTY	DESCRIPTION	REV
	1001201989	Ref	Rear Axle Hydraulic Installation	C
1	2716673	1	Hose	
2	8303757	1	Bolt, 5/16-18X2-1/2	
3	8307004	1	Washer, Lock 5/16	
4	8750025	1	Cover Plate, Twin	
5	8750040	1	Clamp Set, Twin	
6	1001178224	1	Hose	
7	1001201990	1	Assembly, Rear Axle Hydraulic (See Separate Breakdown in this Section)	

SECTION 8 - HYDRAULIC CIRCUITS

FIGURE 8-5. AXLE (REAR) HYDRAULICS ASSEMBLY



ART_1001201990-B

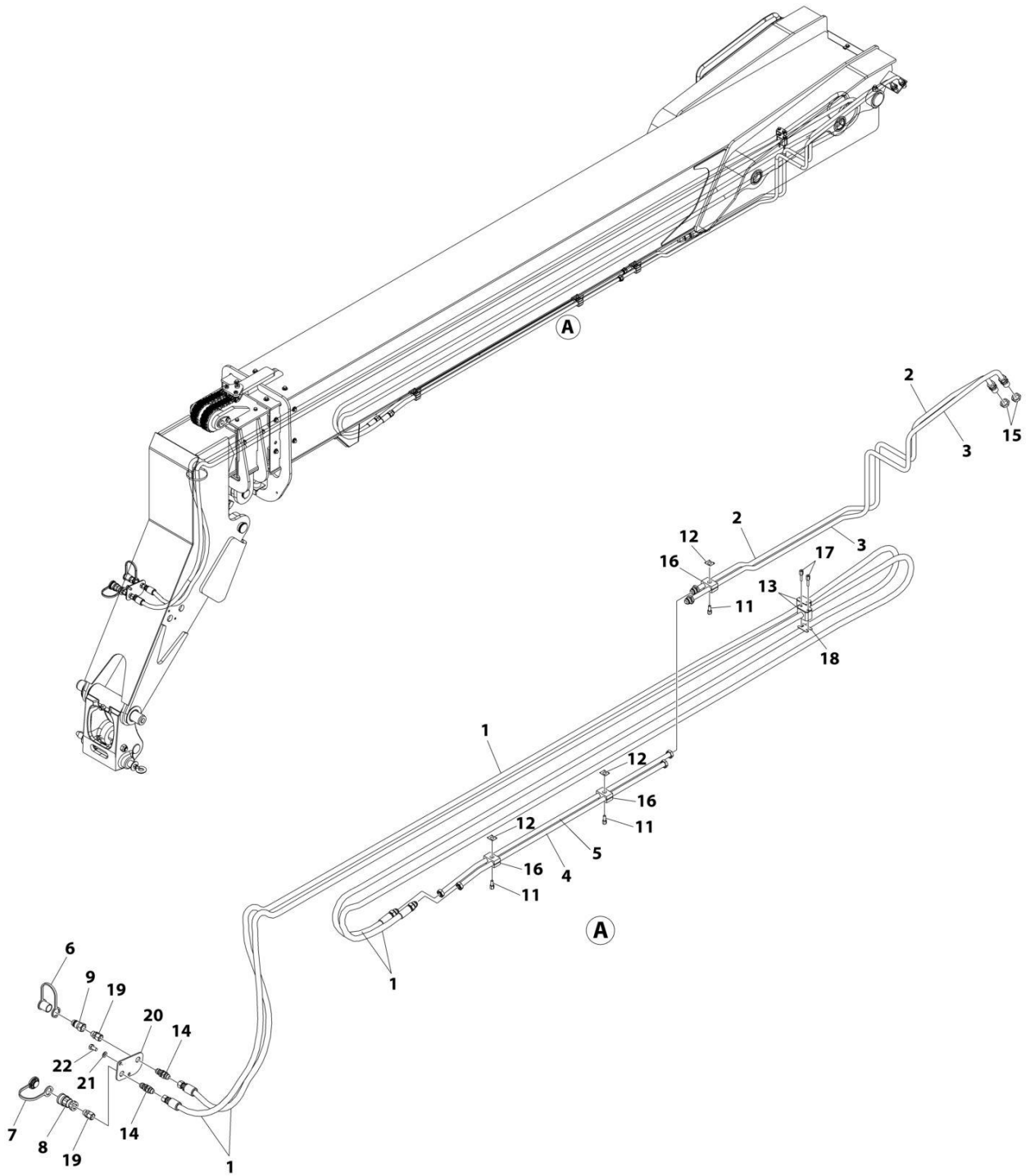
SECTION 8 - HYDRAULIC CIRCUITS

FIGURE 8-5. AXLE (REAR) HYDRAULICS ASSEMBLY

ITEM	PART NUMBER	QTY	DESCRIPTION	REV
	1001201990	Ref	Rear Axle Hydraulic Assembly	B
1	2220373	1	Adapter, Straight	
2	2220596	1	Adapter, 90	
3	2220635	1	Adapter, Run Tee	
4	8770064	1	Adapter, Straight	
5	1001210858	1	Hose	
6	1001202043	1	Adapter, 45	

SECTION 8 - HYDRAULIC CIRCUITS

FIGURE 8-6. BOOM AUXILIARY HYDRAULICS



ART_7139968_H

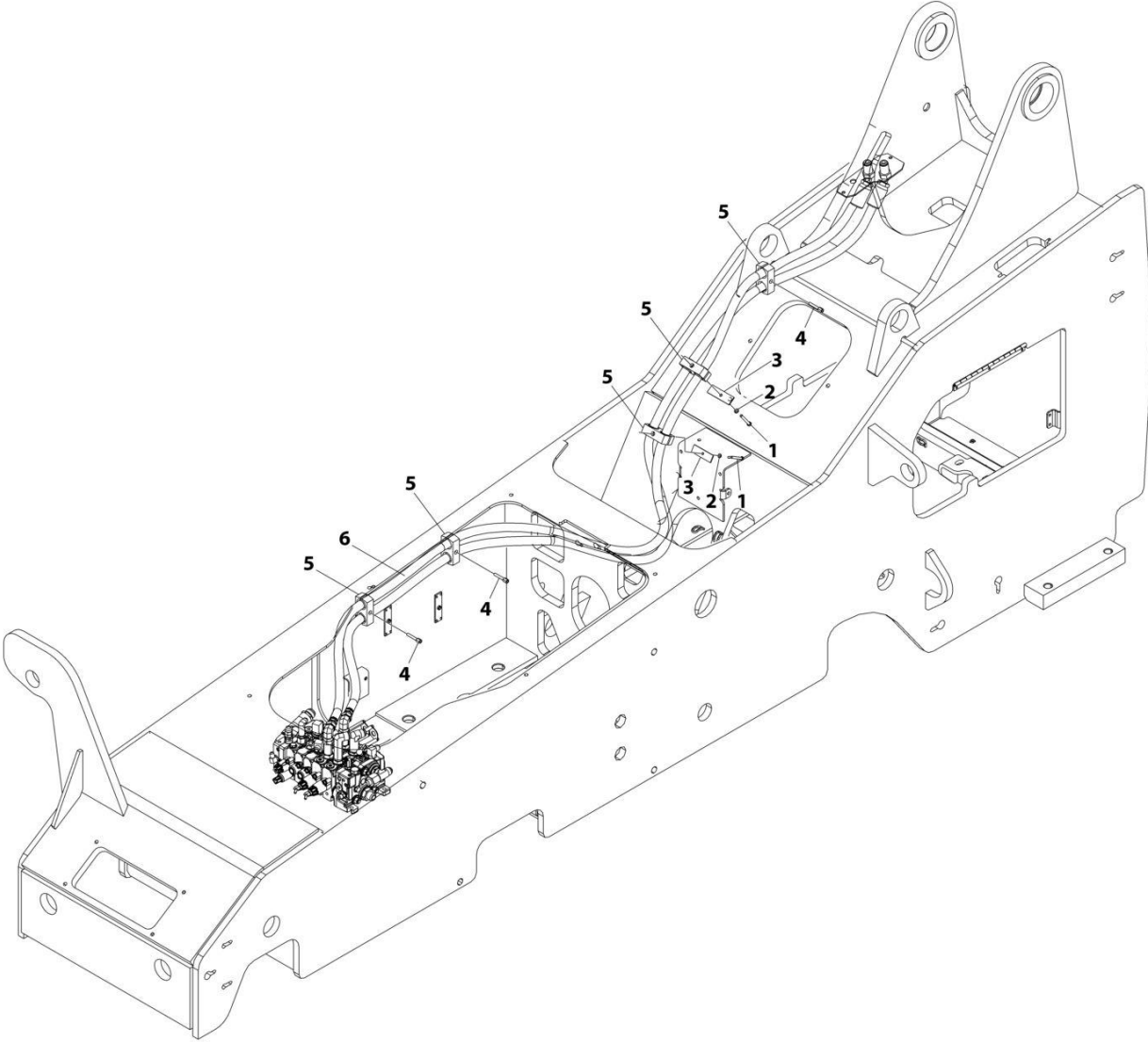
SECTION 8 - HYDRAULIC CIRCUITS

FIGURE 8-6. BOOM AUXILIARY HYDRAULICS

ITEM	PART NUMBER	QTY	DESCRIPTION	REV
	7139968	Ref	BOOM AUXILIARY HYDRAULICS INSTALLATION - 6036 (6036)	H
1	2716792	2	Hose	
2	7139728	1	Tube, Auxiliary Inside	
3	7139729	1	Tube, Auxiliary Outside	
4	7150837	1	Tube, Boom Extension Outside Pipe	
5	7150838	1	Tube, Boom Extension Inside Pipe	
6	8420053	1	Cap, Dust	
7	8420055	1	Plug, Dust	
8	91403413	1	Adapter, Quick Disconnect	
9	91403414	1	Adapter, Quick Disconnect	
11	8750011	3	Bolt, Stacking 5/16	
12	8750017	3	Plate, Twin Clamp Locking	
13	8750029	2	Clamp Set, Single 3/4	
14	2230025	2	Adapter, Bulkhead Straight	
15	8760465	2	Adapter, Bulkhead Nut	
16	8769122	3	Clamp Set, Twin 5/8	
17	8769155	4	Bolt, Stacking	
18	8769156	2	Plate, Single Safety Lock	
19	2220651	2	Adapter, Straight	
20	1001272715	1	Plate	
21	4812000	2	Washer M10	
22	0761010	2	Bolt M10 x 20	

SECTION 8 - HYDRAULIC CIRCUITS

FIGURE 8-7. BOOM EXTEND/RETRACT HYDRAULICS (MAIN VALVE TO BOOM)



ART_1001159869

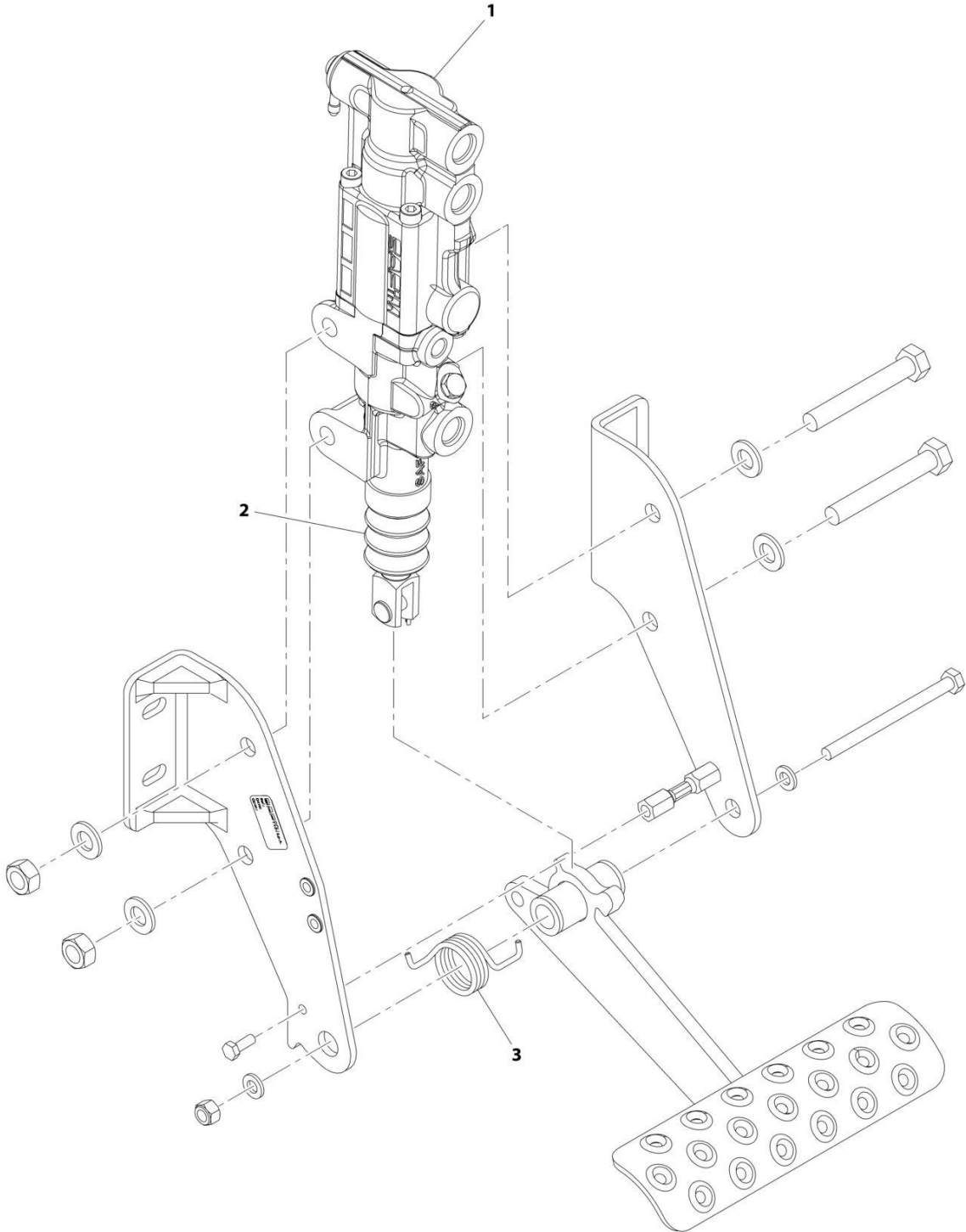
SECTION 8 - HYDRAULIC CIRCUITS

FIGURE 8-7. BOOM EXTEND/RETRACT HYDRAULICS (MAIN VALVE TO BOOM)

ITEM	PART NUMBER	QTY	DESCRIPTION	REV
	1001159869	Ref	HYDRAULIC EXTEND PLUMBING INSTALLATION	G
1	8303757	2	Bolt 5/16 x 2-1/2	
2	8307004	2	Washer 5/16	
3	8750025	2	Cover Plate, Twin	
4	8750026	3	Bolt, Stacking	
5	8750040	5	Clamp Set, Twin	
6	1001254087	2	Hose	

SECTION 8 - HYDRAULIC CIRCUITS

FIGURE 8-8. BRAKE & FITTINGS ASSEMBLY



ART_1001223050-B

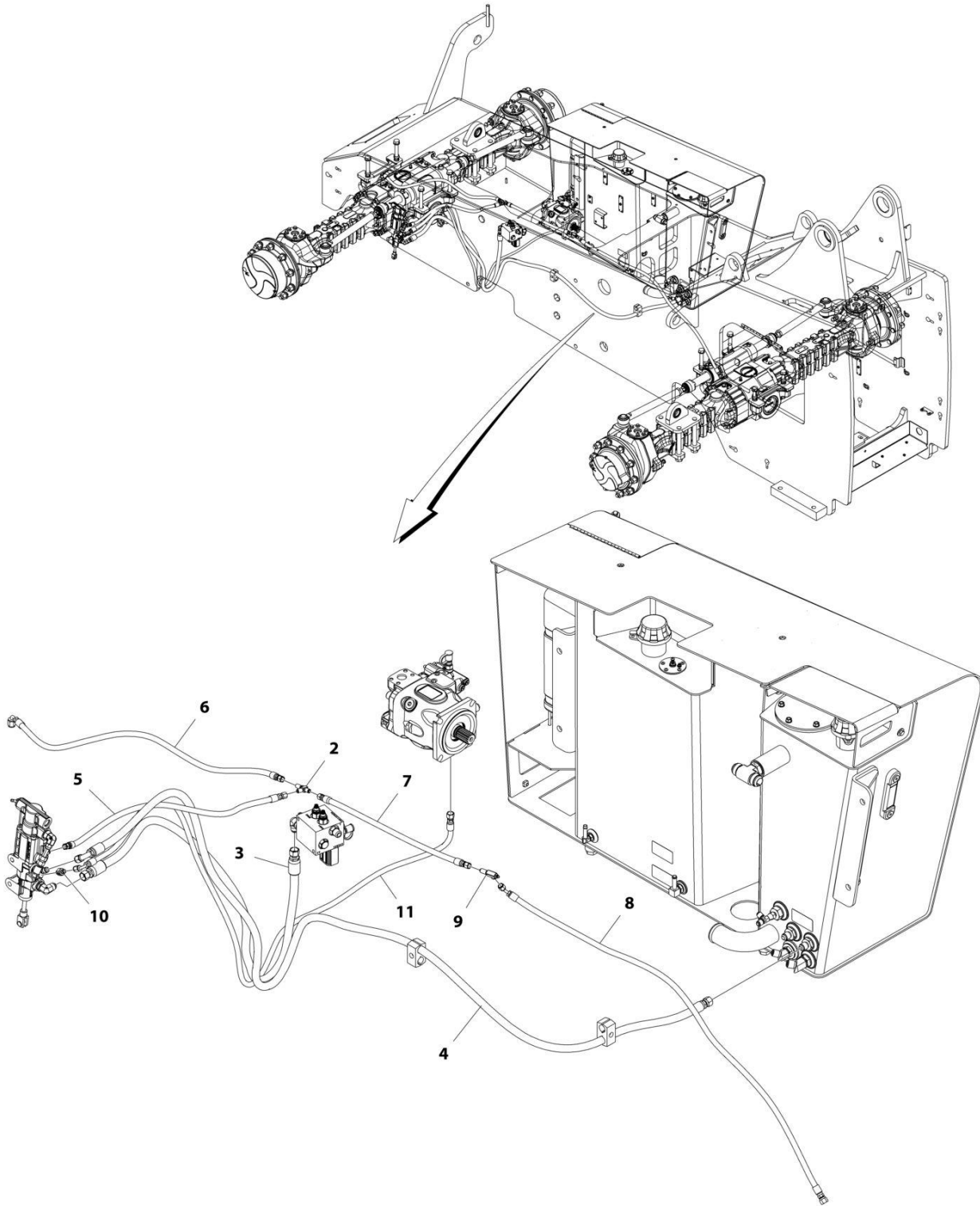
SECTION 8 - HYDRAULIC CIRCUITS

FIGURE 8-8. BRAKE & FITTINGS ASSEMBLY

ITEM	PART NUMBER	QTY	DESCRIPTION	REV
1	1001223050	Ref	Hydraulic Brake Valve Installation	B
	1001201721	1	Brake Valve (See Separate Breakdown in HYDRAULIC COMPONENTS Section)	
2	70025859	1	Dust Cover	
3	70028547	1	Spring, Return	

SECTION 8 - HYDRAULIC CIRCUITS

FIGURE 8-9. BRAKE HYDRAULICS



ART_1001205753

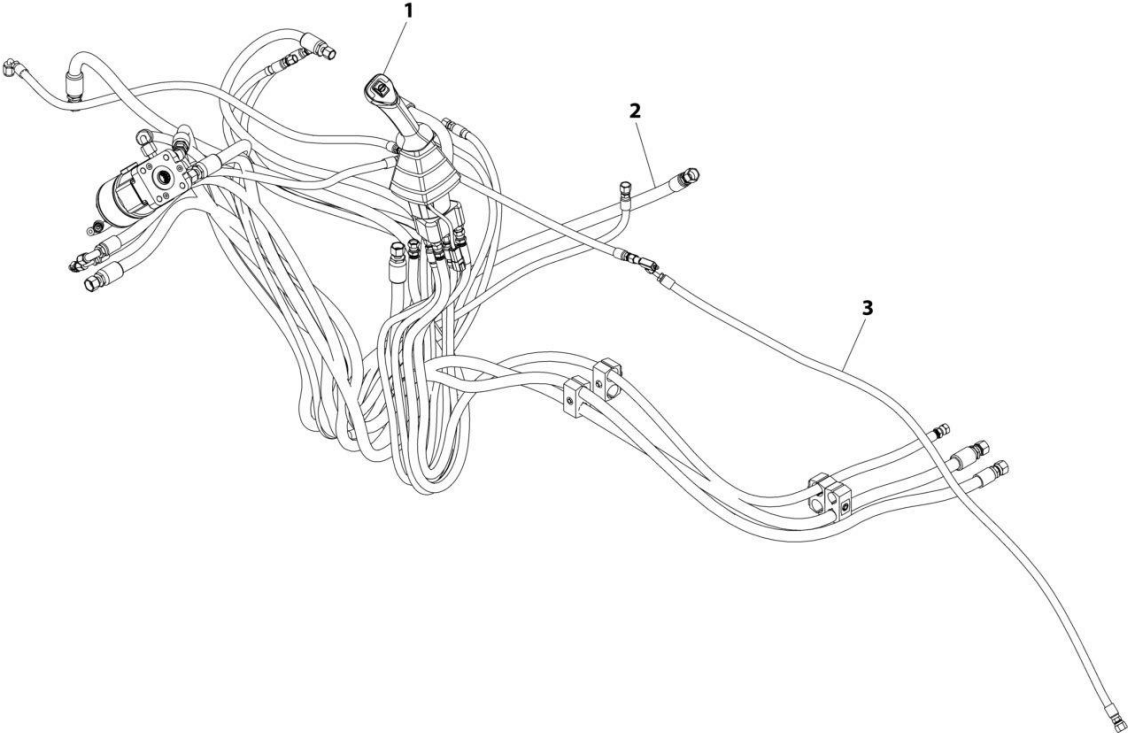
SECTION 8 - HYDRAULIC CIRCUITS

FIGURE 8-9. BRAKE HYDRAULICS

ITEM	PART NUMBER	QTY	DESCRIPTION	REV
	1001205753	Ref	BRAKE HYDRAULICS INSTALLATION, 74HP	D
2	10728823	1	Adapter, Run Tee	
3	1001201726	1	Hose	
4	1001201728	1	Hose	
5	1001210854	1	Hose	
6	1001210855	1	Hose	
7	1001210856	1	Hose	
8	1001210857	1	Hose	
9	1001201734	1	Manifold, Brake Bleeder Tee	
10	1001183370	1	Valve, Check	
11	1001209223	1	Hose	

SECTION 8 - HYDRAULIC CIRCUITS

FIGURE 8-10. CAB HYDRAULICS INSTALLATION



ART_1001205754

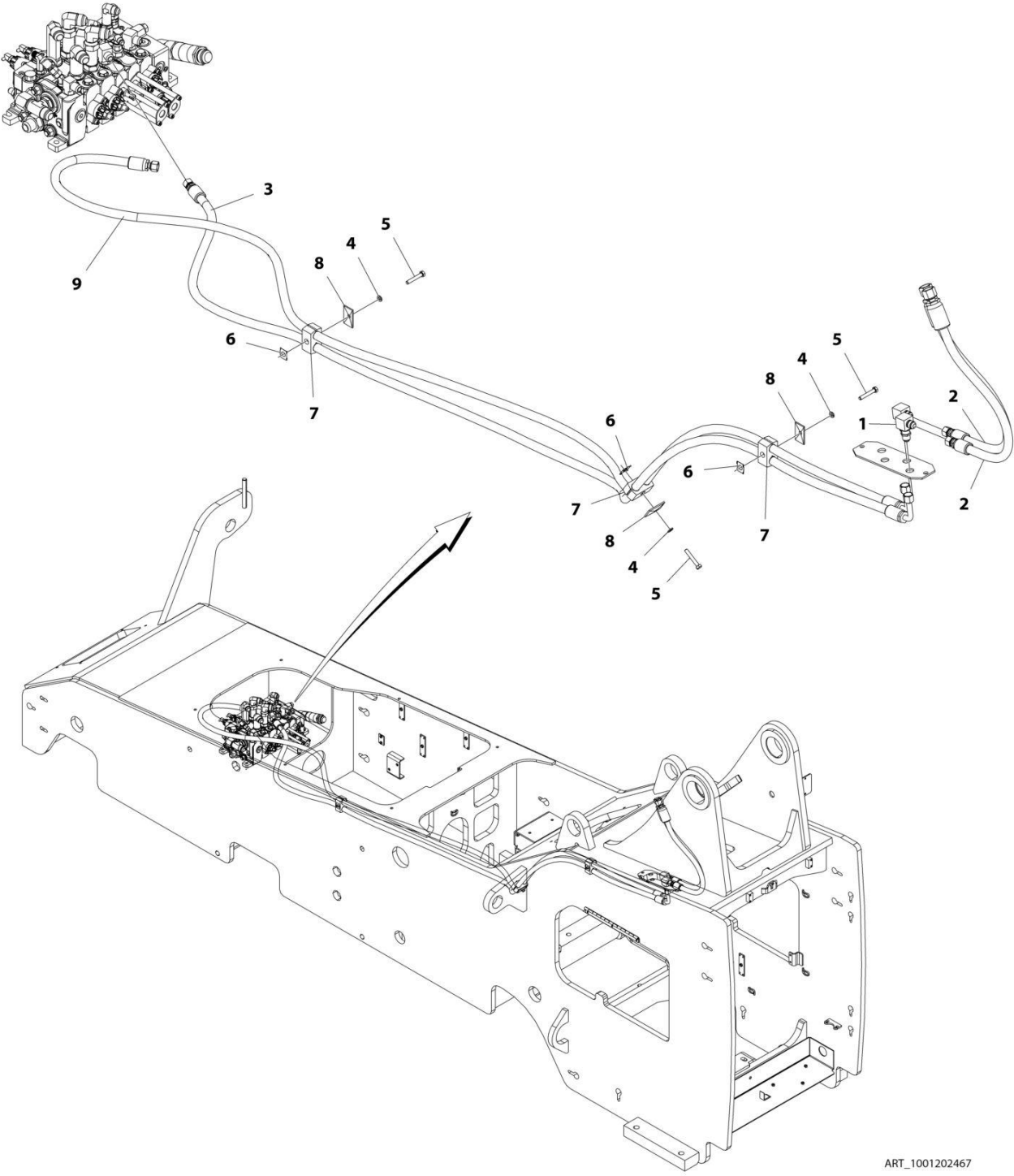
SECTION 8 - HYDRAULIC CIRCUITS

FIGURE 8-10. CAB HYDRAULICS INSTALLATION

ITEM	PART NUMBER	QTY	DESCRIPTION	REV
	1001205754	Ref	CAB HYDRAULICS INSTALLATION	C
1	1001158854	Ref	Installation, Pilot Control (See Separate Breakdown in this Section)	
2	1001158856	Ref	Installation, Steering Hydraulics (See Separate Breakdown in this Section)	
3	1001205753	Ref	Installation, Brake Hydraulics (See Separate Breakdown in this Section)	

SECTION 8 - HYDRAULIC CIRCUITS

FIGURE 8-11. FRAME AUXILIARY HYDRAULICS



ART_1001202467

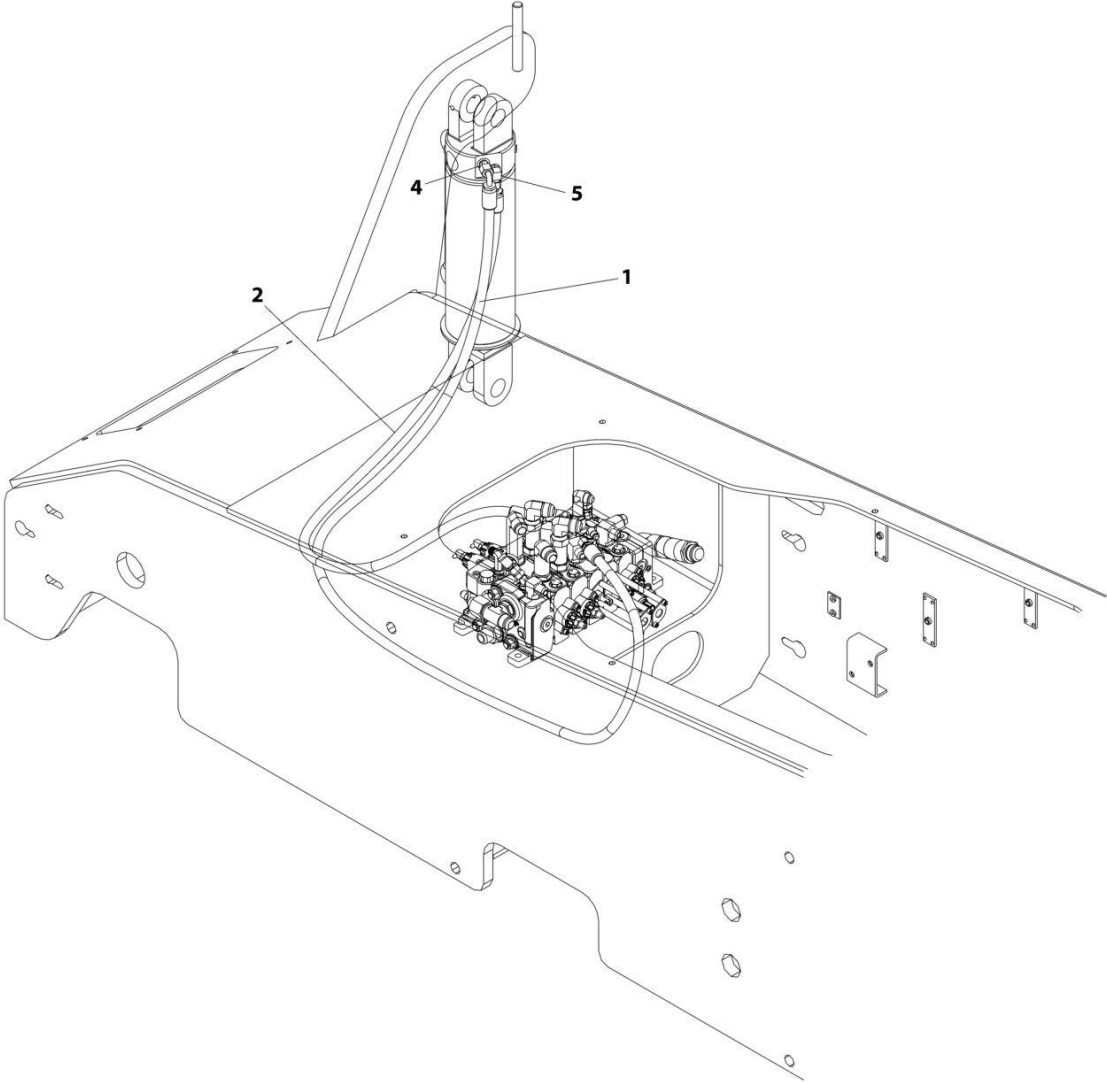
SECTION 8 - HYDRAULIC CIRCUITS

FIGURE 8-11. FRAME AUXILIARY HYDRAULICS

ITEM	PART NUMBER	QTY	DESCRIPTION	REV
	1001202467	Ref	FRAME AUXILIARY INSTALLATION	E
1	2230044	2	Adapter, Bulkhead 90 JIC	
2	2716713	2	Hose	
3	1001254102	1	Hose	
4	8307004	3	Washer 5/16	
5	8310009	3	Bolt 5/16 x 2	
6	8750017	3	Plate, Twin Clamp Locking	
7	8750027	3	Clamp Set, Twin	
8	8769128	3	Cover Plate, Twin	
9	1001254103	1	Hose	

SECTION 8 - HYDRAULIC CIRCUITS

FIGURE 8-12. FRAME TILT HYDRAULICS



ART_1001160825

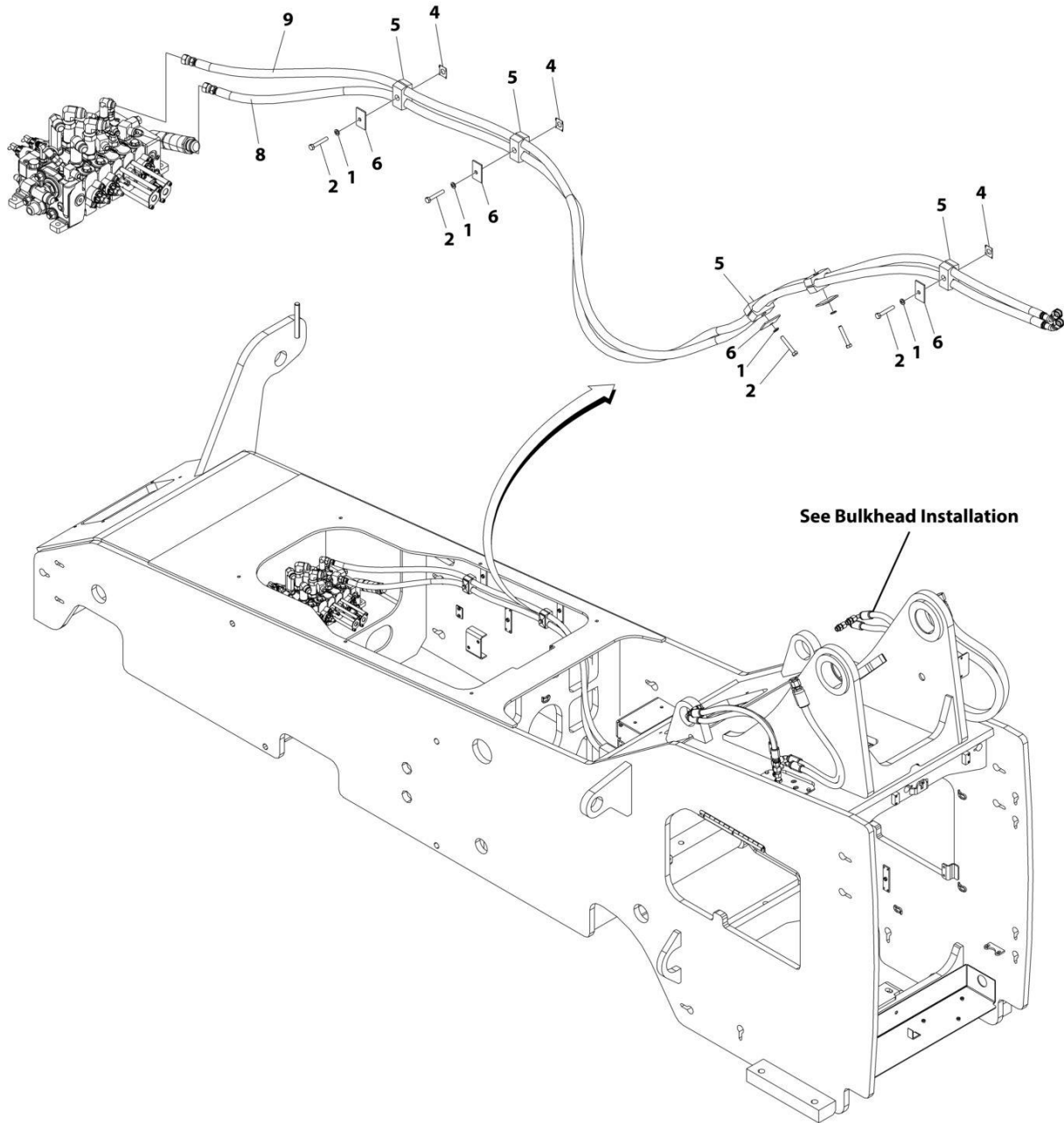
SECTION 8 - HYDRAULIC CIRCUITS

FIGURE 8-12. FRAME TILT HYDRAULICS

ITEM	PART NUMBER	QTY	DESCRIPTION	REV
	1001160825	Ref	HYDRAULIC FRAME TILT PLUMBING INSTALLATION	F
1	1001254106	1	Hose	
2	1001254107	1	Hose	
4	2220371	1	Fitting	
5	2220473	1	Fitting	

SECTION 8 - HYDRAULIC CIRCUITS

FIGURE 8-13. FORK HYDRAULICS (MAIN VALVE TO BOOM)



ART_1001196293

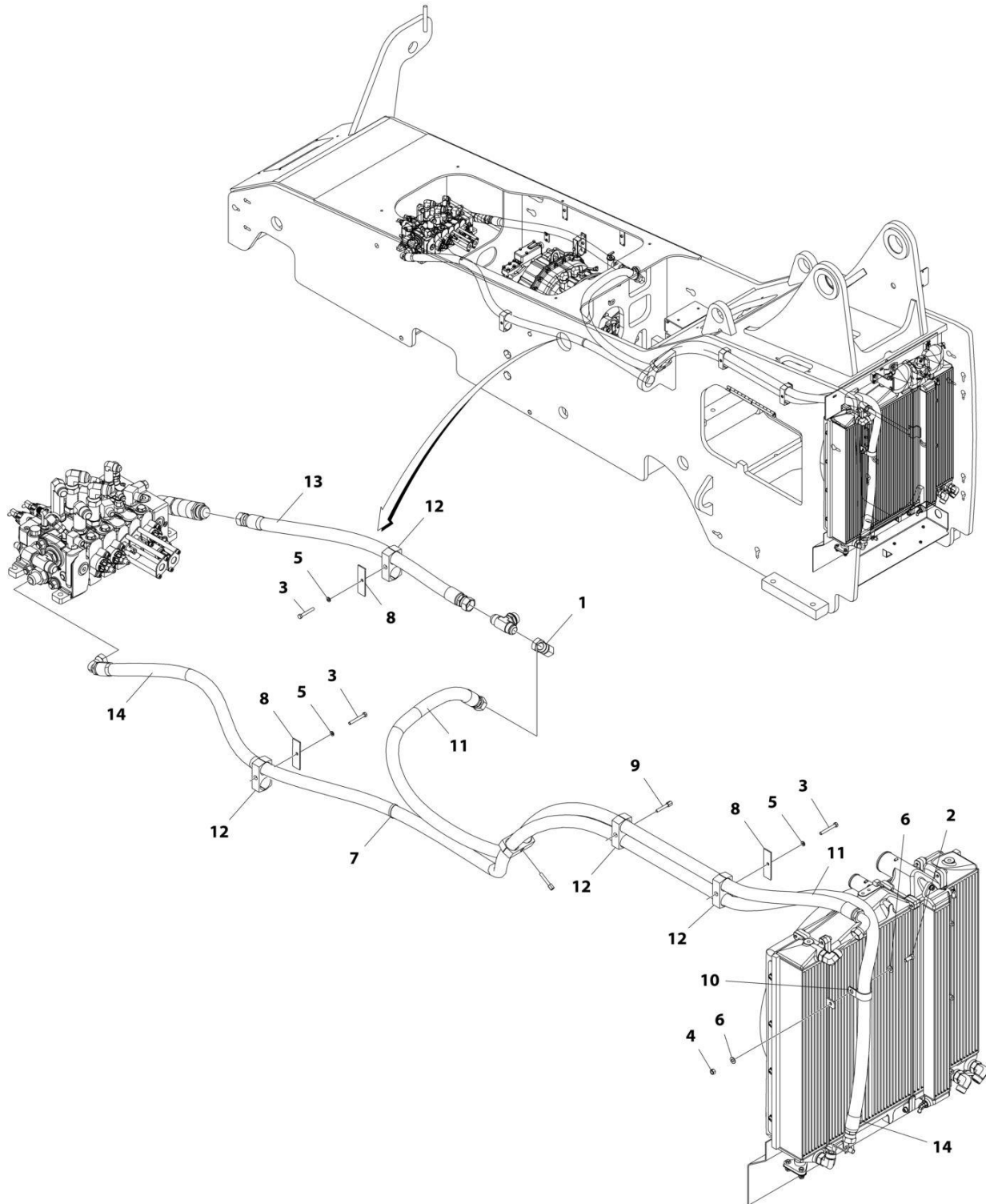
SECTION 8 - HYDRAULIC CIRCUITS

FIGURE 8-13. FORK HYDRAULICS (MAIN VALVE TO BOOM)

ITEM	PART NUMBER	QTY	DESCRIPTION	REV
	1001196293	Ref	HYDRAULIC FORK PLUMBING INSTALLATION	H
1	8307004	5	Washer 5/16	
2	8310009	5	Bolt 5/16 x 2	
4	8750017	3	Plate, Twin Clamp Locking	
5	8750027	5	Clamp Set, Twin	
6	8769128	5	Cover Plate, Twin	
8	1001254088	1	Hose	
9	1001254089	1	Hose	

SECTION 8 - HYDRAULIC CIRCUITS

FIGURE 8-14. HYDRAULIC OIL COOLER HYDRAULICS



ART_100119668

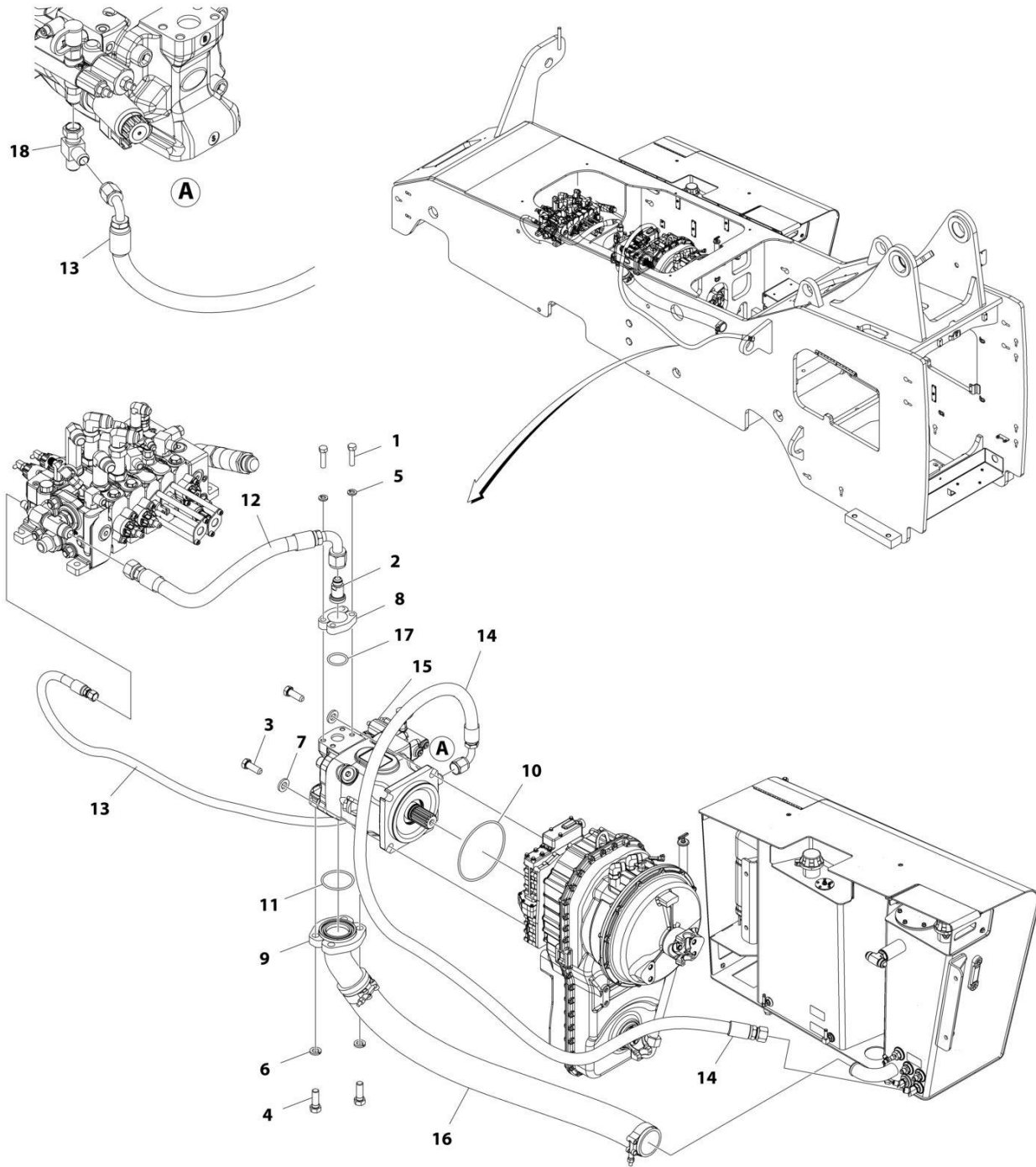
SECTION 8 - HYDRAULIC CIRCUITS

FIGURE 8-14. HYDRAULIC OIL COOLER HYDRAULICS

ITEM	PART NUMBER	QTY	DESCRIPTION	REV
	1001196668	Ref	HYDRAULIC COOLER PLUMBING INSTALLATION,	E
1	2220878	1	Adapter, 90	
2	8303620	1	Bolt 3/8 x 1	
3	8303757	3	Bolt 5/16 x 2-1/2	
4	8305008	1	Nut 3/8	
5	8307004	3	Washer 5/16	
6	8307110	2	Washer 3/8	
7	8584007	AR	Wrap, Tie	
8	8750025	3	Cover Plate, Twin	
9	8750026	2	Bolt, Stacking	
10	85841150	1	Clamp, Support	
11	1001192015	1	Hose	
12	1001196109	5	Clamp Set, Twin	
13	1001196669	1	Hose	
14	1001196671	1	Hose	

SECTION 8 - HYDRAULIC CIRCUITS

FIGURE 8-15. HYDRAULIC PUMP INSTALLATION



ART_1001196650

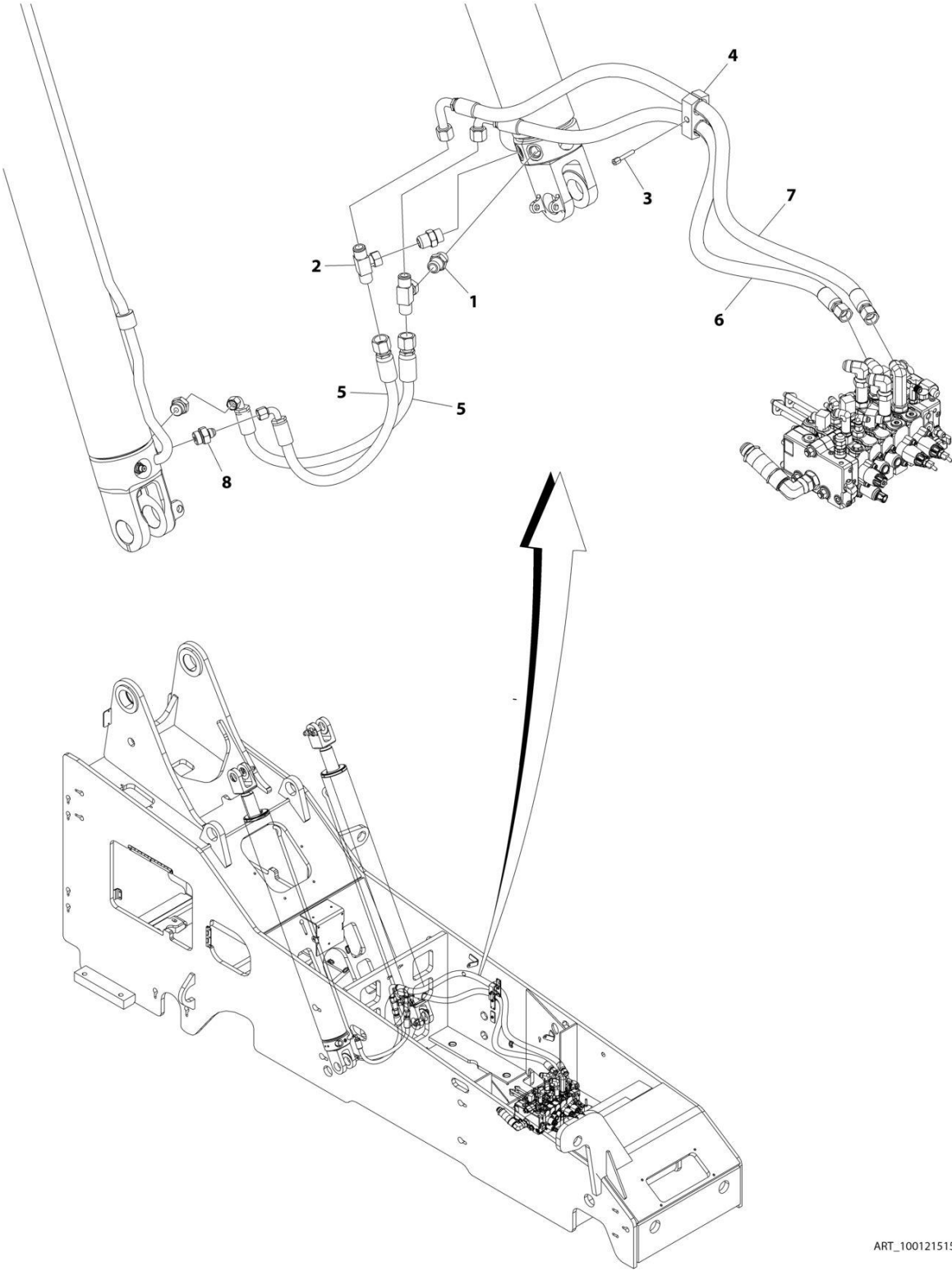
SECTION 8 - HYDRAULIC CIRCUITS

FIGURE 8-15. HYDRAULIC PUMP INSTALLATION

ITEM	PART NUMBER	QTY	DESCRIPTION	REV
	1001196650	Ref	HYDRAULIC PUMP INSTALLATION	H
1	0641612	4	Bolt 3/8 x 1-1/2	
2	1001213118	1	Adapter, 90	
3	8303519	4	Bolt M12 x 35	
4	8303626	4	Bolt 1/2 x 1-1/2	
5	8307005	4	Washer 3/8	
6	8307007	4	Washer 1/2	
7	8310356	4	Washer M12	
8	8530030	2	Flange Half	
9	8546407	2	Flange Half	
10	8630019	1	O-Ring	
11	8640208	1	O-Ring	
12	1001254104	1	Hose	
13	1001254105	1	Hose	
14	1001196649	1	Hose	
15	1001251426	1	Installation, Piston Pump (See Separate Breakdown in this Section)	
16	1001227508	1	Hose	
17	8640123	1	O-Ring	
18	2220635	1	Fitting	

SECTION 8 - HYDRAULIC CIRCUITS

FIGURE 8-16. LIFT CYLINDER HYDRAULICS



ART_1001215159

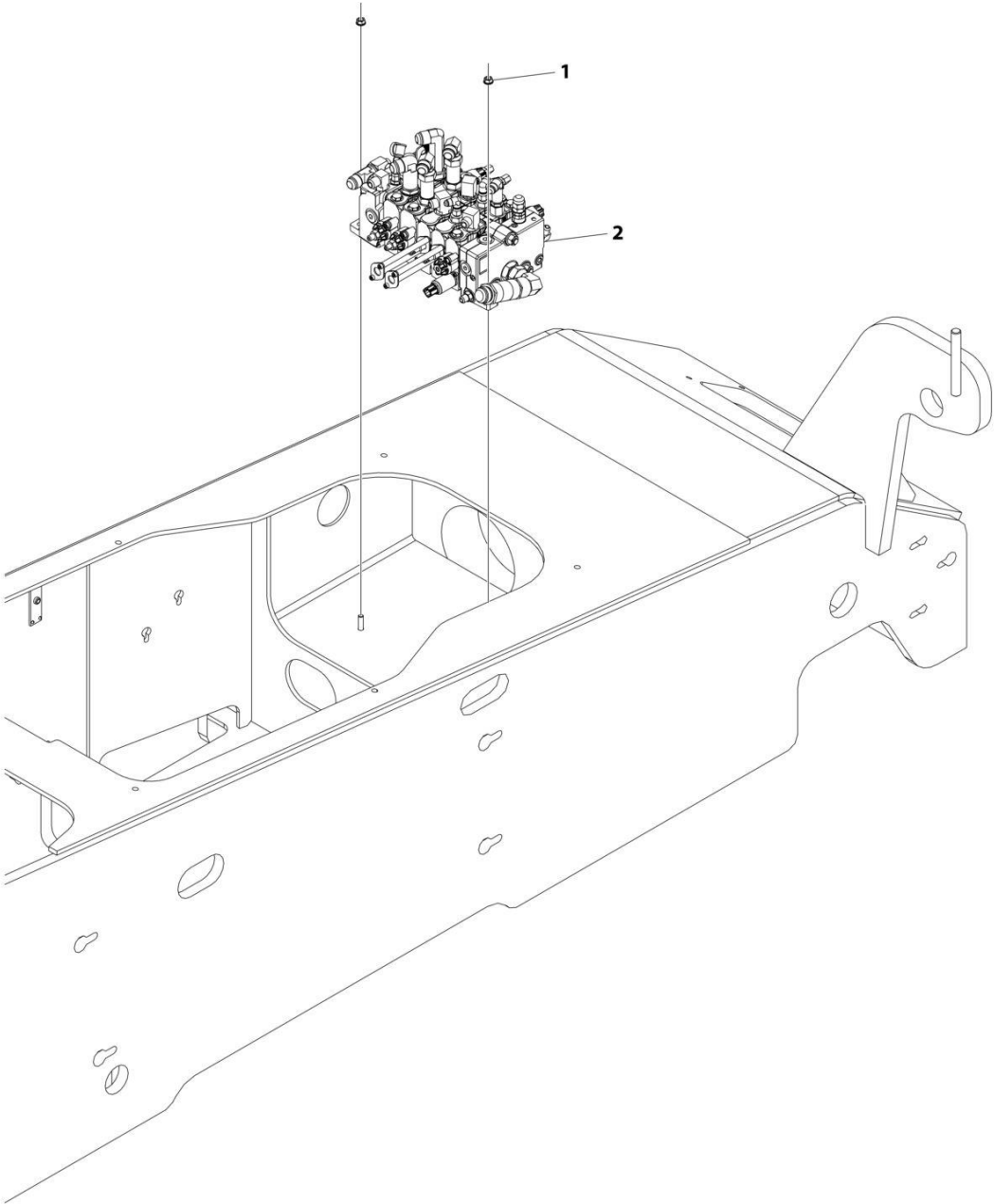
SECTION 8 - HYDRAULIC CIRCUITS

FIGURE 8-16. LIFT CYLINDER HYDRAULICS

ITEM	PART NUMBER	QTY	DESCRIPTION	REV
	1001215159	Ref	HYDRAULIC FRAME CYLINDERS INSTALLATION	B
1	2220451	2	Adapter	
2	2220682	2	Adapter	
3	8750026	1	Bolt, Stacking	
4	8750040	1	Clamp Set	
5	2716675	2	Hose	
6	1001254108	1	Hose	
7	1001254109	1	Hose	
8	2220375	2	Adapter	

SECTION 8 - HYDRAULIC CIRCUITS

FIGURE 8-17. MAIN CONTROL VALVE INSTALLATION



ART_1001196290_D

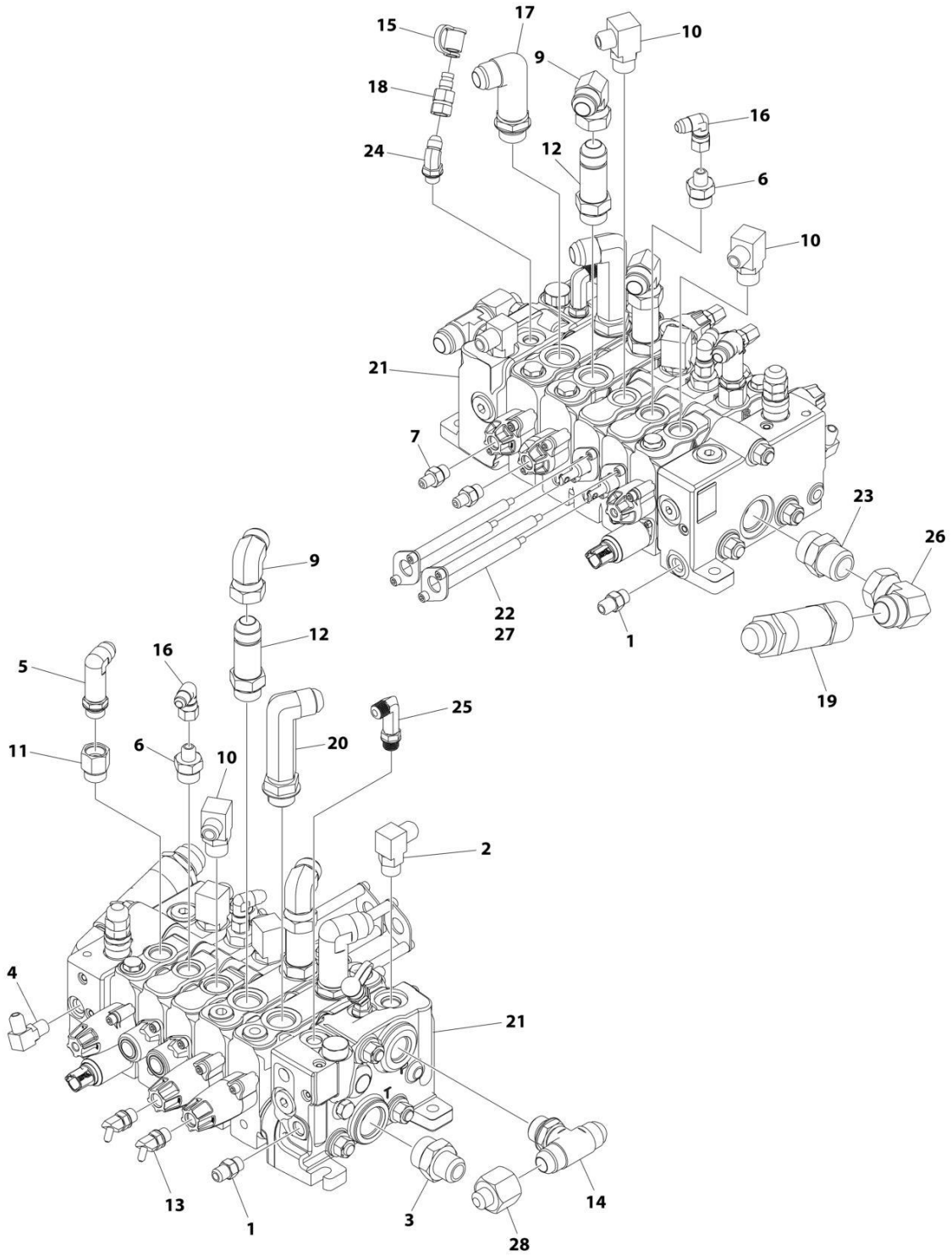
SECTION 8 - HYDRAULIC CIRCUITS

FIGURE 8-17. MAIN CONTROL VALVE INSTALLATION

ITEM	PART NUMBER	QTY	DESCRIPTION	REV
	1001196290	Ref	MAIN CONTROL VALVE INSTALLATION, 74HP	D
1	8310522	3	Nut 3/8	
2	1001252952	1	Assembly, Valve (See Separate Breakdown in this Section)	

SECTION 8 - HYDRAULIC CIRCUITS

FIGURE 8-18. MAIN CONTROL VALVE & FITTINGS ASSEMBLY



ART_1001252952

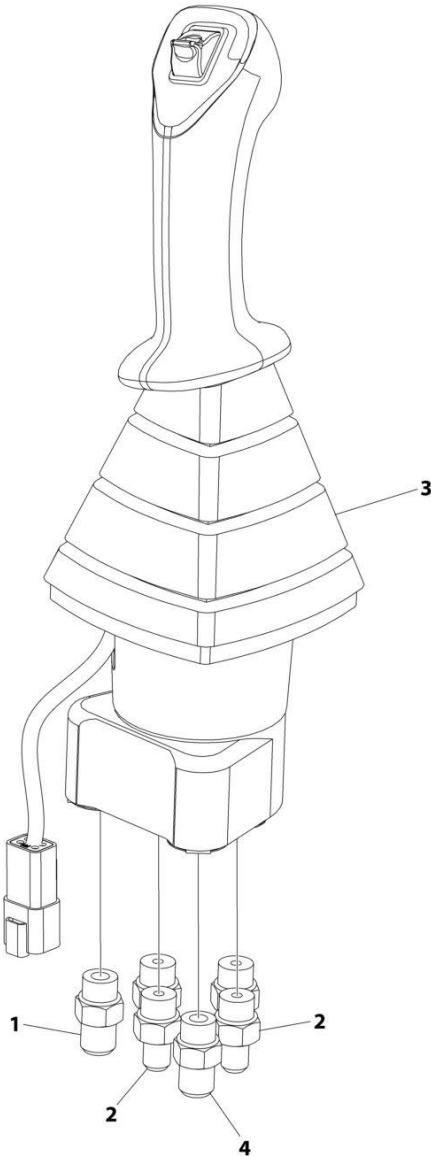
SECTION 8 - HYDRAULIC CIRCUITS

FIGURE 8-18. MAIN CONTROL VALVE & FITTINGS ASSEMBLY

ITEM	PART NUMBER	QTY	DESCRIPTION	REV
	1001252952	Ref	VALVE ASSEMBLY, 85HP	D
1	2220371	2	Adapter, Straight	
2	2220596	1	Adapter, 90	
3	2220435	1	Adapter, Straight	
4	2220473	1	Adapter, 90	
5	2220474	1	Adapter, 90	
6	2220497	2	Adapter	
7	2220582	2	Adapter, Straight	
9	2220655	2	Adapter, 90	
10	2220671	3	Adapter, 90	
11	2220810	1	Adapter, Straight	
12	2220974	2	Adapter, Long Straight	
13	2221040	2	Adapter, 45	
14	2220695	1	Adapter, Branch Tee	
15	8430032	1	Cap, Dust	
16	8760268	2	Adapter, 90	
17	8770157	1	Adapter, 90	
18	8430046	1	Adapter, Diagnostic	
19	1001174375	1	Valve, Check	
20	1001181576	1	Adapter, 90	
21	1001242925	1	Valve, Main Control (See Separate Breakdown in HYDRAULIC COMPONENTS Section)	
22	0100011	AR	Compound, Locking	
23	2220377	1	Adapter	
24	2220501	1	Adapter, 45	
25	2220819	1	Adapter, 90	
26	2220878	1	Adapter, 90	
27	1001254386	2	Mount, Cable Control	
28	2220622	1	Reducer	

SECTION 8 - HYDRAULIC CIRCUITS

FIGURE 8-19. PILOT CONTROL VALVE AND FITTINGS ASSEMBLY



ART_1001158004_C

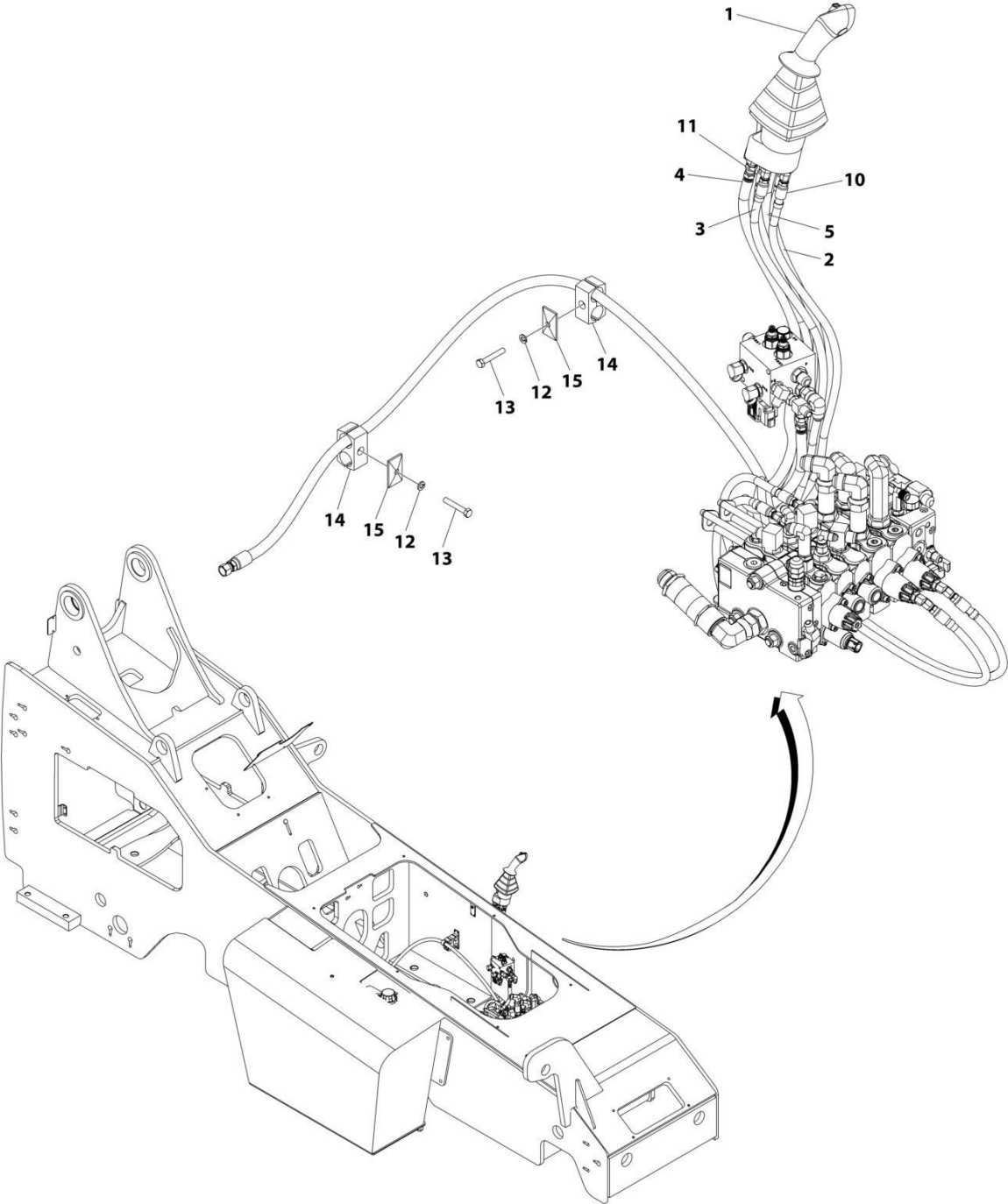
SECTION 8 - HYDRAULIC CIRCUITS

FIGURE 8-19. PILOT CONTROL VALVE AND FITTINGS ASSEMBLY

ITEM	PART NUMBER	QTY	DESCRIPTION	REV
	1001158004	Ref	PILOT JOYSTICK & FITTING ASSEMBLY	C
1	2220371	1	Adapter, Straight JIC	
2	2220582	4	Adapter, Straight JIC	
3	1001158002	1	Control & Fittings Assembly - Pilot Joystick (See Separate Breakdown in CONTROLS Section)	
4	1001282050	1	Adapter, Straight JIC	

SECTION 8 - HYDRAULIC CIRCUITS

FIGURE 8-20. PILOT CONTROL VALVE HYDRAULICS



ART_1001158854

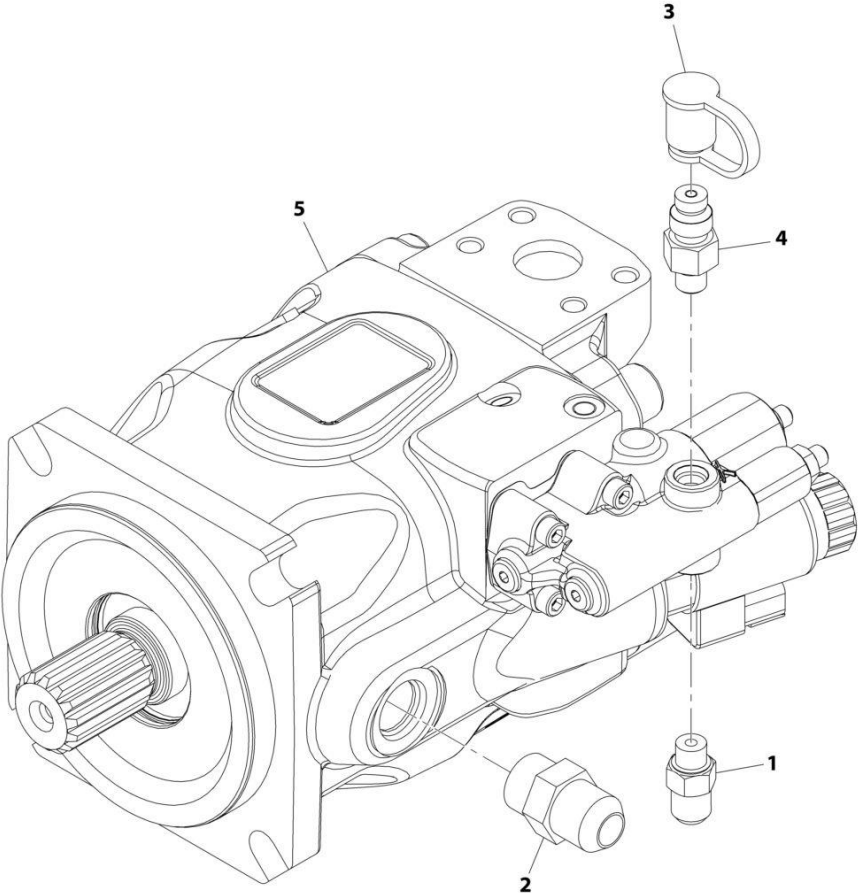
SECTION 8 - HYDRAULIC CIRCUITS

FIGURE 8-20. PILOT CONTROL VALVE HYDRAULICS

ITEM	PART NUMBER	QTY	DESCRIPTION	REV
	1001158854	Ref	PILOT CONTROLS INSTALLATION	H
1	1001158004	1	Assembly, Pilot Joystick (See Separate Breakdown in this Section)	
2	1001254096	1	Hose	
3	1001254094	1	Hose	
4	1001254099	1	Hose	
5	1001254098	1	Hose	
10	1001254097	1	Hose	
11	1001254095	1	Hose	
12	8307004	2	Washer 5/16	
13	8310009	2	Bolt 5/16 x 2	
14	8769127	2	Clamp	
15	8769128	2	Plate, Cover	

SECTION 8 - HYDRAULIC CIRCUITS

FIGURE 8-21. PISTON PUMP AND FITTINGS ASSEMBLY



ART_1001251426-A

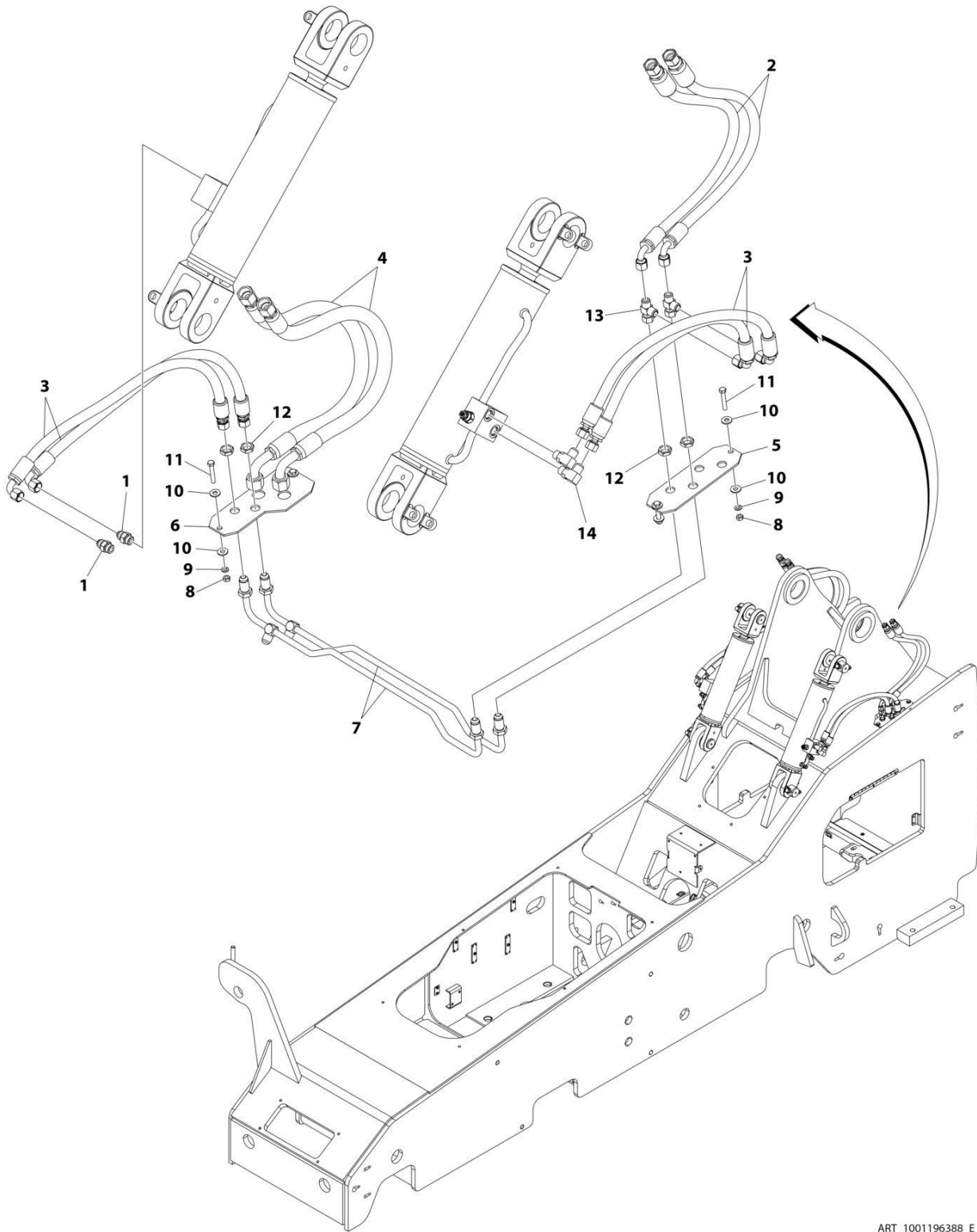
SECTION 8 - HYDRAULIC CIRCUITS

FIGURE 8-21. PISTON PUMP AND FITTINGS ASSEMBLY

ITEM	PART NUMBER	QTY	DESCRIPTION	REV
	1001251426	Ref	Piston Pump Installation	A
1	2220603	1	Adapter, Straight	
2	2220947	1	Adapter, Straight	
3	8430032	1	Cap Dust	
4	8430033	1	Adapter	
5	1001251423	1	Pump, Piston (See Separate Breakdown in HYDRAULIC COMPONENTS Section)	

SECTION 8 - HYDRAULIC CIRCUITS

FIGURE 8-22. REAR BULKHEAD TO COMPENSATION CYLINDERS HYDRAULICS



ART_1001196388_E

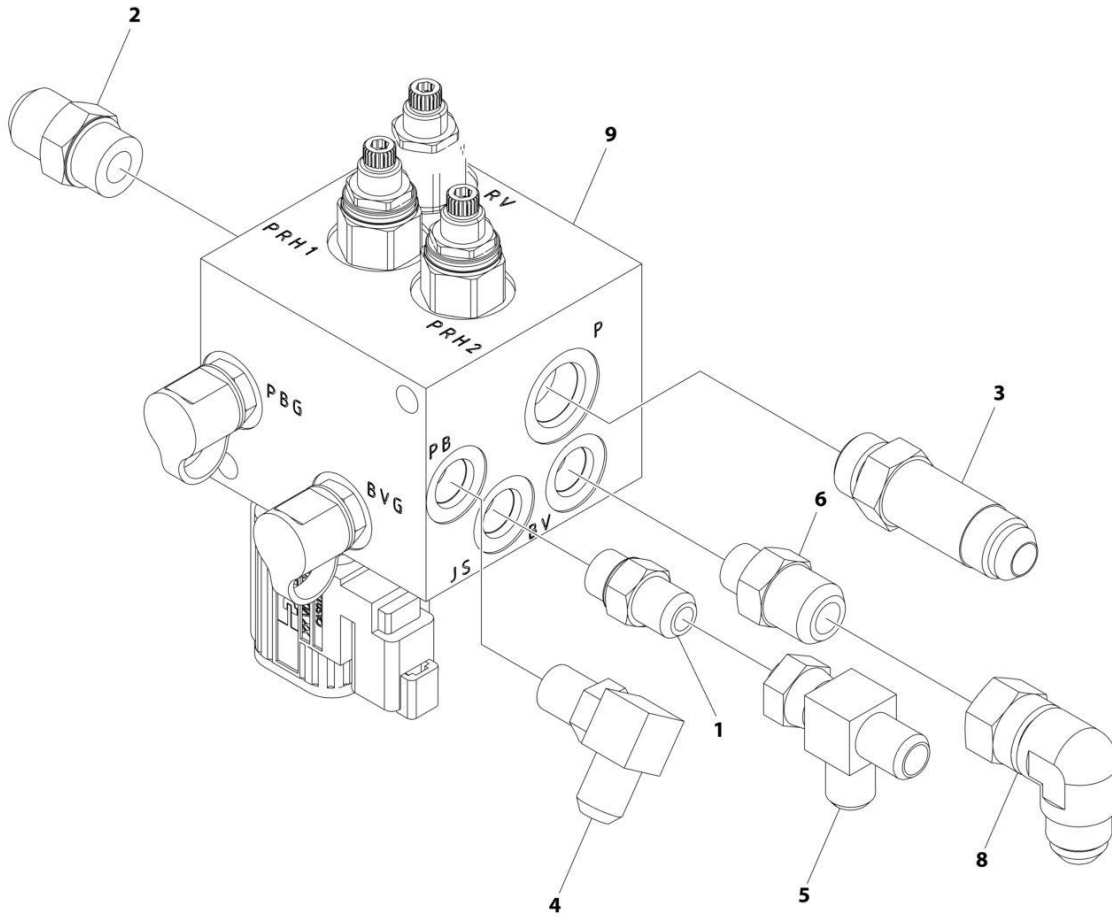
SECTION 8 - HYDRAULIC CIRCUITS

FIGURE 8-22. REAR BULKHEAD TO COMPENSATION CYLINDERS HYDRAULICS

ITEM	PART NUMBER	QTY	DESCRIPTION	REV
	1001196388	Ref	REAR BULKHEAD INSTALLATION (6036)	E
1	2220373	2	Adapter, Straight JIC	
2	2716714	2	Hose	
3	2716773	4	Hose	
4	2755060	2	Hose	
5	7139504	1	Sheet, Bulkhead	
6	7139505	1	Sheet, Bulkhead	
7	1001257571	2	Tube	
8	8305006	4	Nut 5/16	
9	8307004	4	Washer 5/16	
10	8307203	8	Washer 5/16	
11	8310009	4	Bolt 5/16 x 2	
12	8760463	4	Adapter, Bulkhead Nut	
13	2220385	2	Adapter, Run Tee	
14	2220596	2	Adapter, 90	

SECTION 8 - HYDRAULIC CIRCUITS

FIGURE 8-23. SECONDARY VALVE & FITTINGS ASSEMBLY



ART_1001197422_E

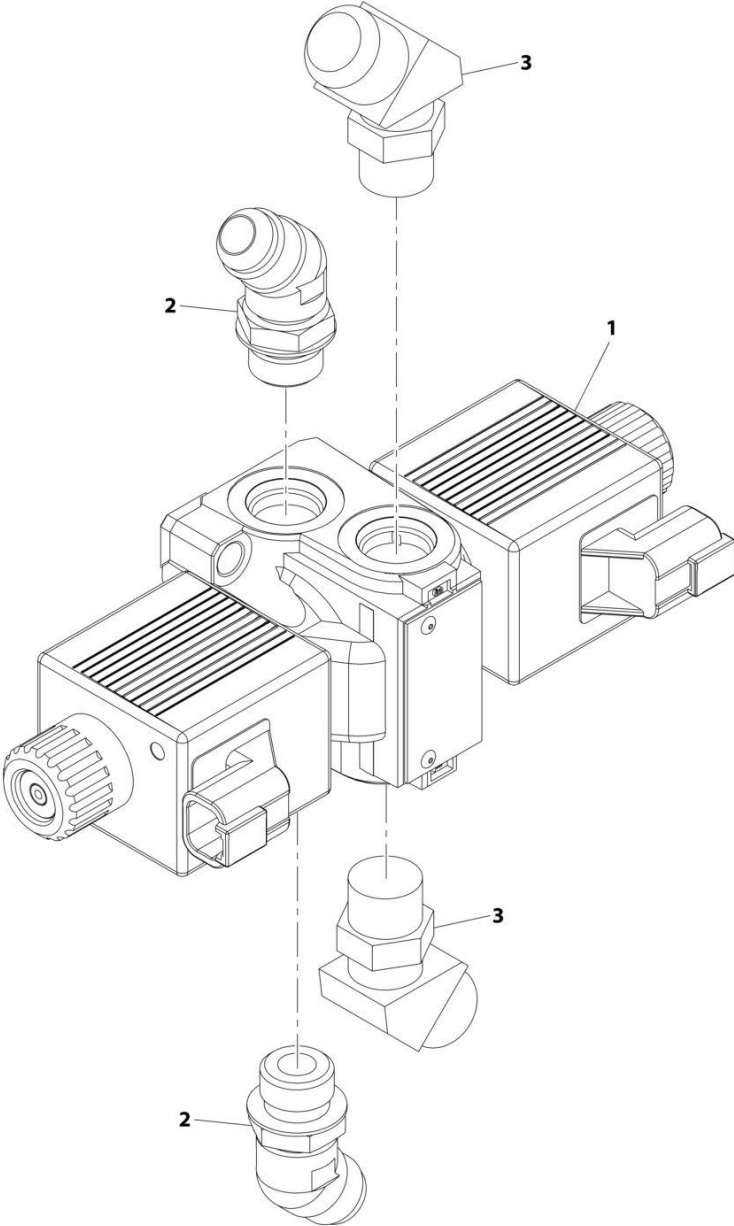
SECTION 8 - HYDRAULIC CIRCUITS

FIGURE 8-23. SECONDARY VALVE & FITTINGS ASSEMBLY

ITEM	PART NUMBER	QTY	DESCRIPTION	REV
	1001197422	Ref	SECONDARY VALVE INSTALLATION, 74HP (IF EQUIPPED)	E
1	2220371	1	Adapter, Straight	
2	2220373	1	Adapter, Straight	
3	2220381	1	Adapter, Straight	
4	2220473	1	Adapter, 90	
5	2220635	1	Adapter, Run Tee	
6	2220600	1	Adapter, Straight	
8	8765204	1	Adapter, 90	
9	1001266771	1	Valve, Secondary Control (See Separate Breakdown in HYDRAULIC COMPONENTS Section)	

SECTION 8 - HYDRAULIC CIRCUITS

FIGURE 8-24. STEER VALVE & FITTINGS ASSEMBLY



ART_1001228677-A

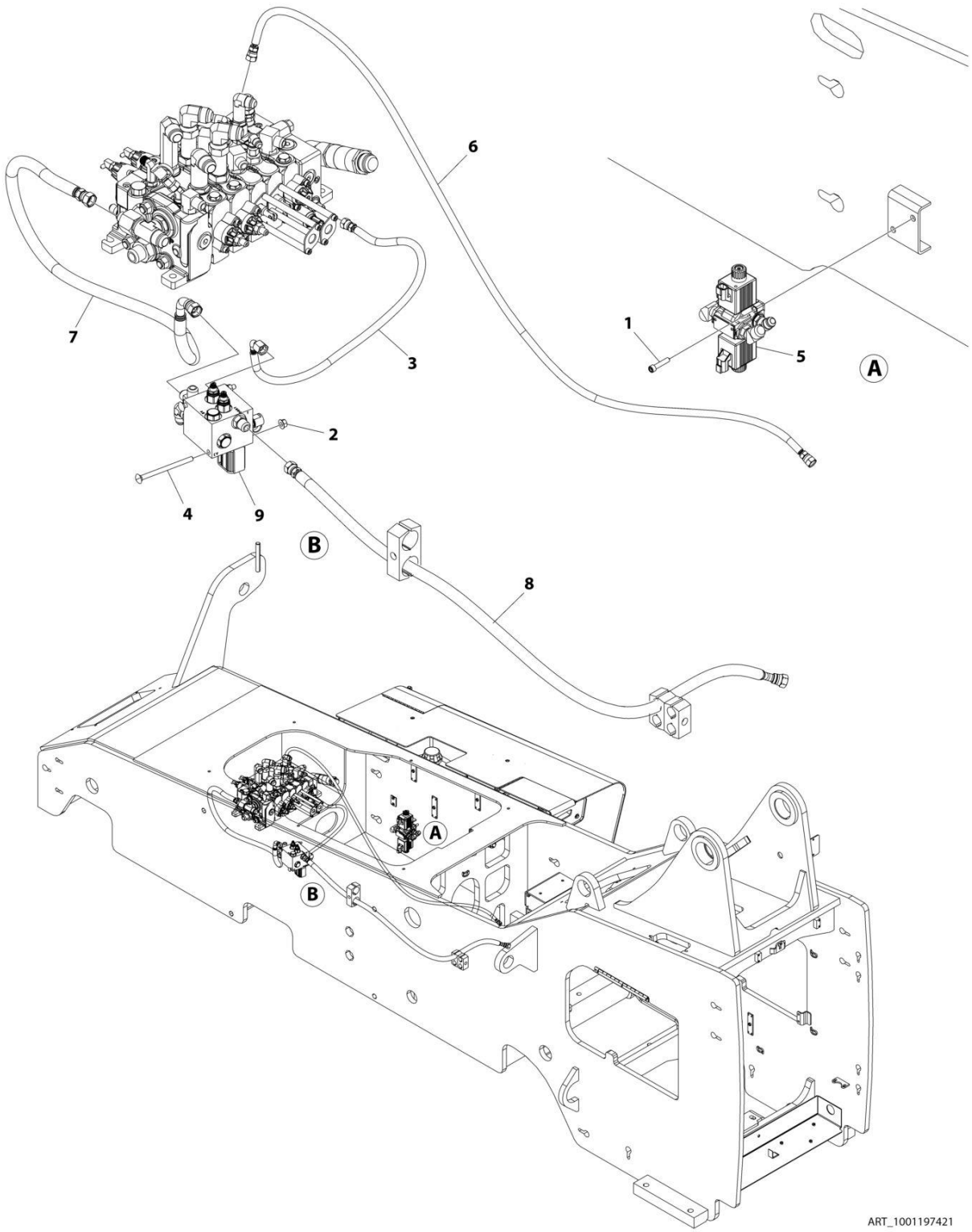
SECTION 8 - HYDRAULIC CIRCUITS

FIGURE 8-24. STEER VALVE & FITTINGS ASSEMBLY

ITEM	PART NUMBER	QTY	DESCRIPTION	REV
1	1001228677	Ref	Steer Select Valve Assembly	A
	1001153748	1	Valve, Steer Select (See Separate Breakdown in HYDRAULIC COMPONENTS Section)	
2	2220500	2	Adapter, 45	
3	2220950	2	Adapter, 45	

SECTION 8 - HYDRAULIC CIRCUITS

FIGURE 8-25. STEER/SECONDARY VALVES HYDRAULICS



ART_1001197421

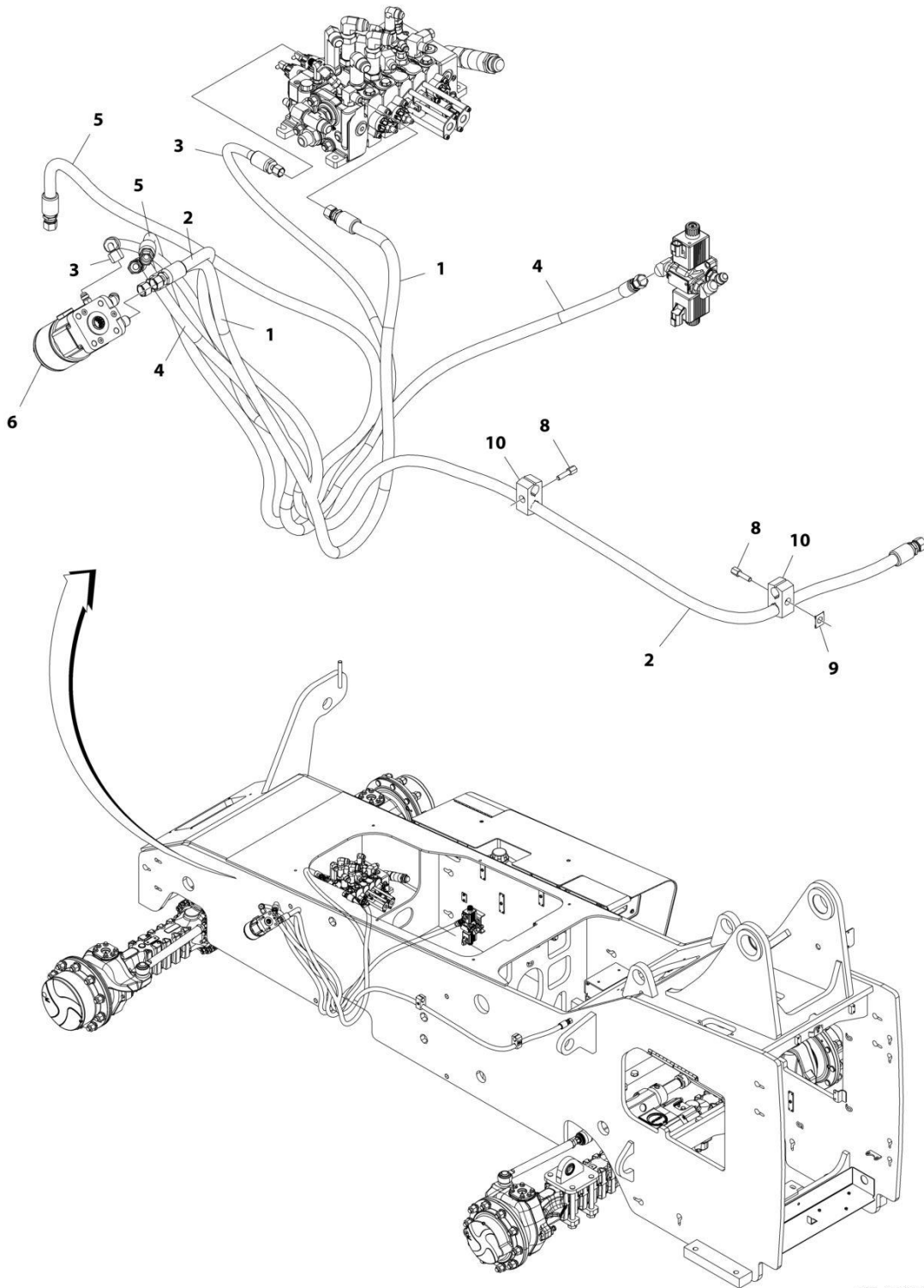
SECTION 8 - HYDRAULIC CIRCUITS

FIGURE 8-25. STEER/SECONDARY VALVES HYDRAULICS

ITEM	PART NUMBER	QTY	DESCRIPTION	REV
	1001197421	Ref	HYDRAULIC VALVES INSTALLATION	F
1	8304608	2	Screw 5/16 x 1-1/2	
2	8310420	2	Nut 5/16	
3	1001254090	1	Hose	
4	1001163685	2	Bolt 5/16 x 4-1/2	
5	1001228677	1	Assembly, Steer Select Valve (See Separate Breakdown in this Section)	
6	1001244302	1	Hose	
7	1001254092	1	Hose	
8	1001254093	1	Hose	
9	1001197422	1	Installation, Secondary Valve (See Separate Breakdown in this Section)	

SECTION 8 - HYDRAULIC CIRCUITS

FIGURE 8-26. STEERING HYDRAULICS



ART_1001158856

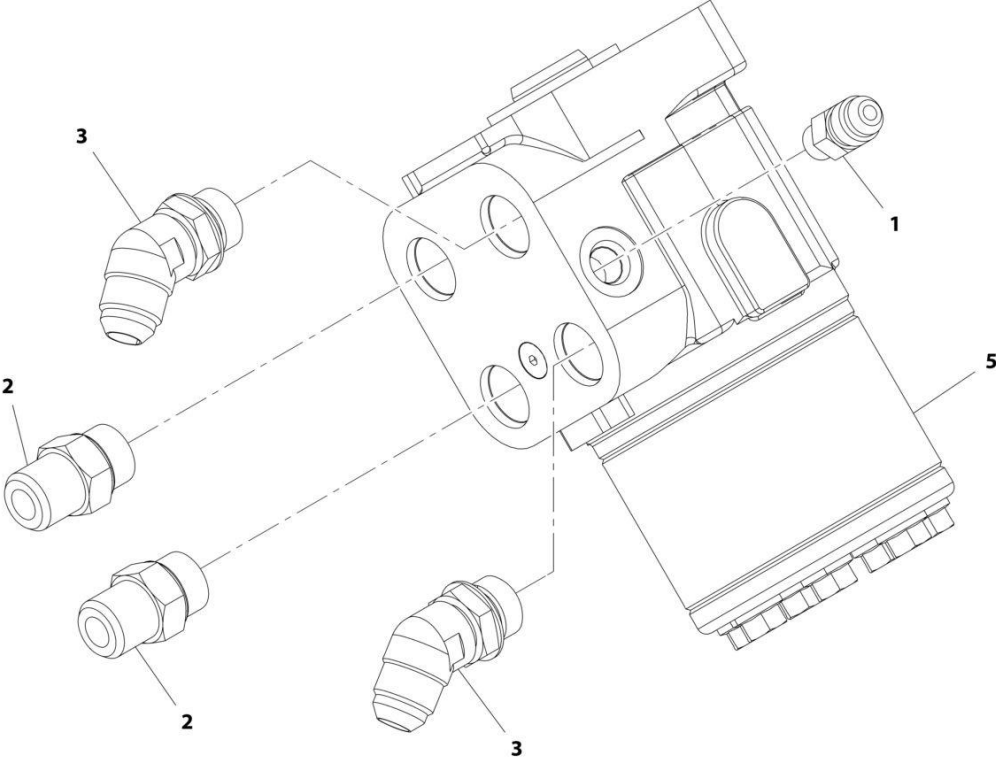
SECTION 8 - HYDRAULIC CIRCUITS

FIGURE 8-26. STEERING HYDRAULICS

ITEM	PART NUMBER	QTY	DESCRIPTION	REV
	1001158856	Ref	STEERING HYDRAULICS INSTALLATION	I
1	1001254100	1	Hose	
2	1001158266	1	Hose	
3	1001254101	1	Hose	
4	1001173230	1	Hose	
5	1001158337	1	Hose	
6	1001158528	1	Installation, Steering Valve (See Separate Breakdown in this Section)	
8	8750012	2	Bolt, Stacking	
9	8750017	1	Plate, Twin Clamp Locking	
10	8750027	2	Clamp Set, Twin	

SECTION 8 - HYDRAULIC CIRCUITS

FIGURE 8-27. STEERING VALVE AND FITTINGS ASSEMBLY



ART_1001158528-C

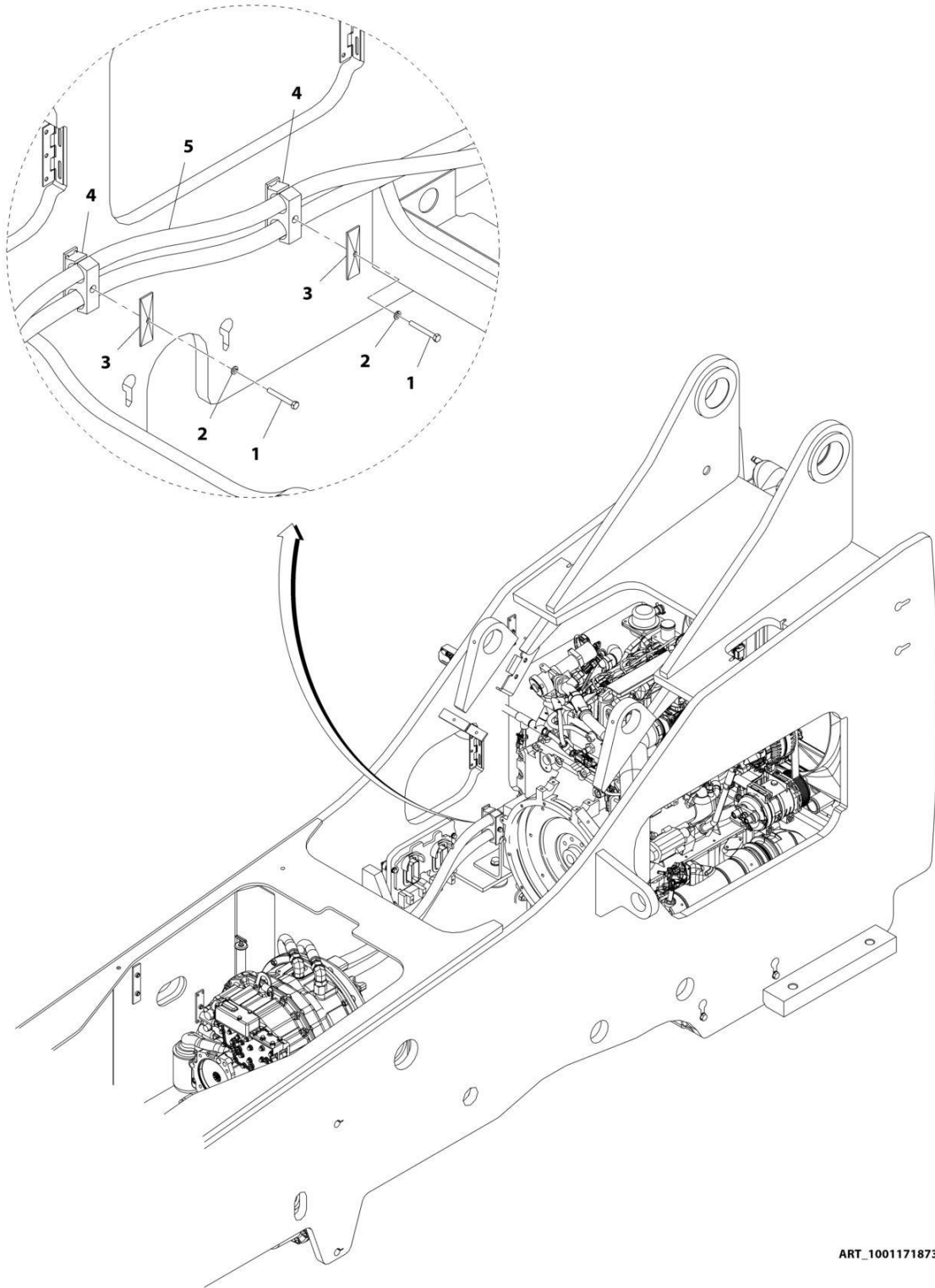
SECTION 8 - HYDRAULIC CIRCUITS

FIGURE 8-27. STEERING VALVE AND FITTINGS ASSEMBLY

ITEM	PART NUMBER	QTY	DESCRIPTION	REV
	1001158528	1	Steering Valve & Fitting Assembly	C
1	2220603	1	Adapter, Straight JIC	
2	2220373	2	Adapter, Straight JIC	
3	2220500	2	Adapter, 45 JIC	
5	1001158527	1	Valve, Steering	
5	70026401	1	Seal Kit - Steering Valve	

SECTION 8 - HYDRAULIC CIRCUITS

FIGURE 8-28. TRANSMISSION COOLER HYDRAULICS



ART_1001171873-C

SECTION 8 - HYDRAULIC CIRCUITS

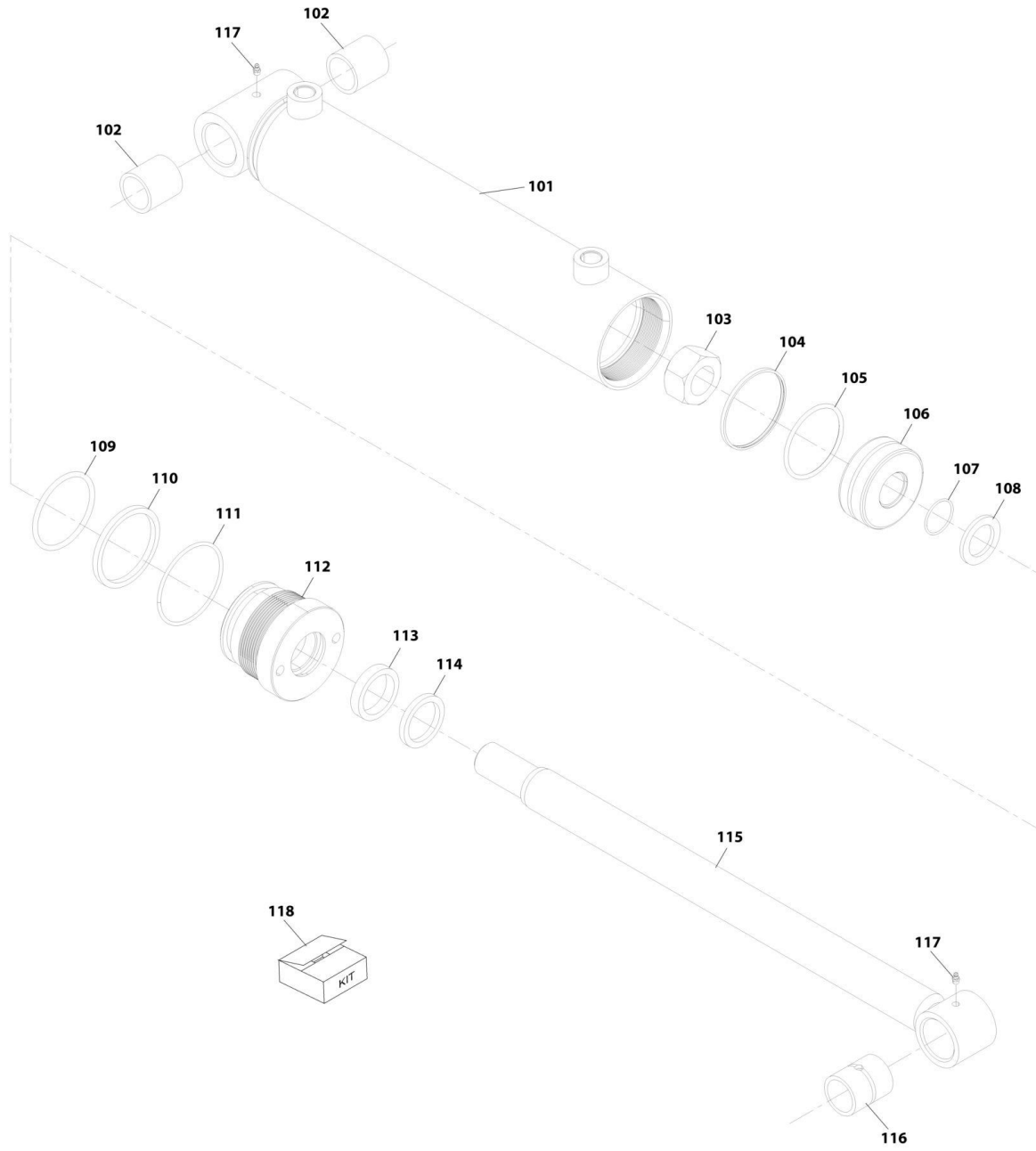
FIGURE 8-28. TRANSMISSION COOLER HYDRAULICS

ITEM	PART NUMBER	QTY	DESCRIPTION	REV
	1001171873	Ref	Hydraulic Transmission Cooler Plumbing Installation	C
1	8303757	2	Bolt, 5/16X2-1/2	
2	8307004	2	Washer, Lock 5/16	
3	8750025	2	Cover Plate, Twin	
4	8750040	2	Clamp Set, Twin	
5	1001171986	2	Hose	

SECTION 9 - HYDRAULIC COMPONENTS

SECTION 9 - HYDRAULIC COMPONENTS

FIGURE 9-1. CYLINDER - CARRIAGE SIDE SHIFT



ART_70021376

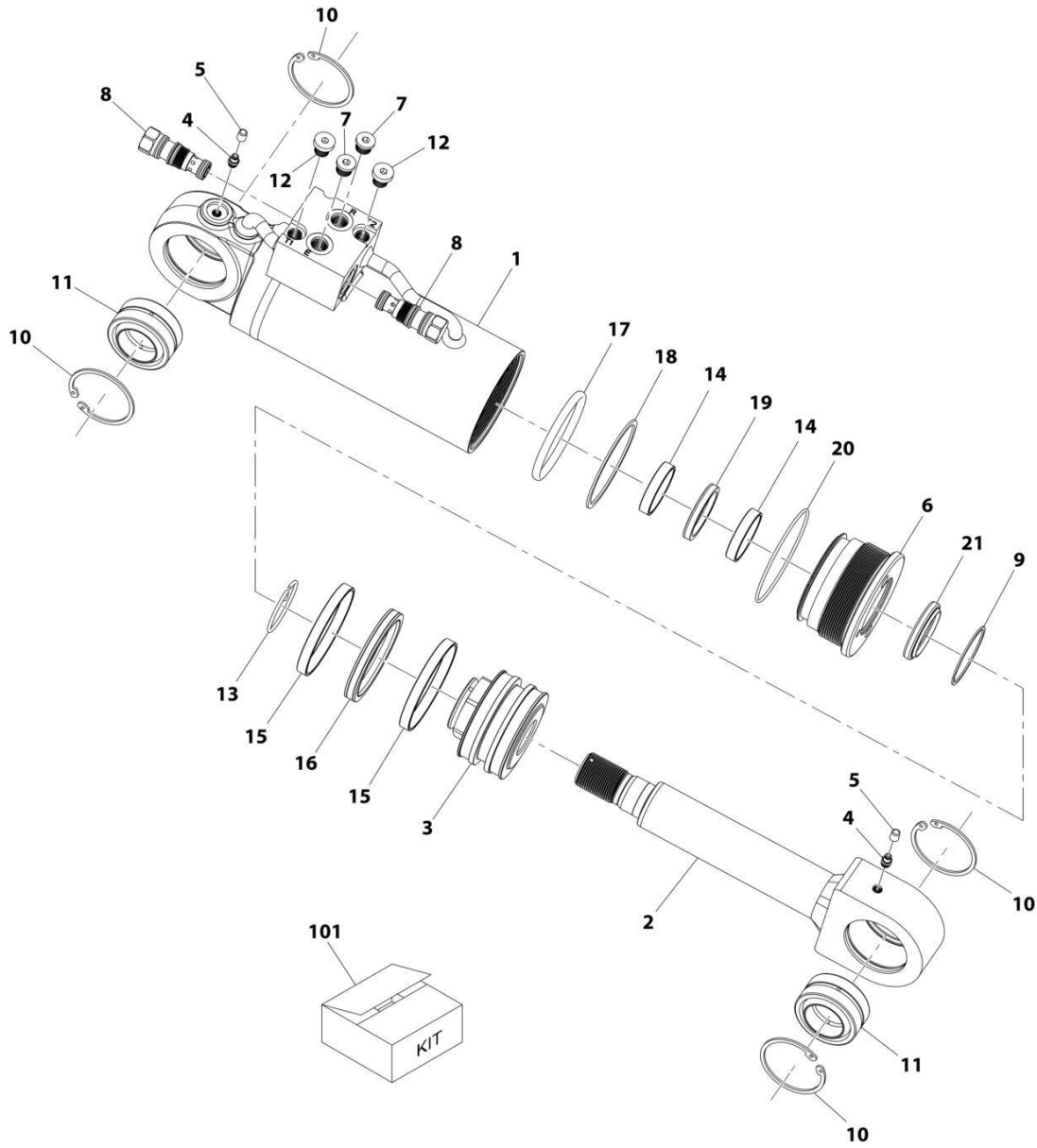
SECTION 9 - HYDRAULIC COMPONENTS

FIGURE 9-1. CYLINDER - CARRIAGE SIDE SHIFT

ITEM	PART NUMBER	QTY	DESCRIPTION	REV
	70021376	1	Cylinder Assembly, Side Shift Carriage 12K	
		Ref	Note: Original Cylinder May Have Been Replaced with Service Replacement. Identify PN Stamped on Cylinder Before Ordering Parts.	
101	See Note	NSS	Barrel (Note: Use PN 70021376)	
102	70021448	2	Bushing	
103	70021440	1	Nut	
104	See Note	NSS	Ring, Piston (Note Use Item 118)	
105	See Note	NSS	O-Ring (Note: Use Item 118)	
106	70021451	1	Piston	
107	See Note	NSS	O-Ring (Note: Use Item 118)	
108	70021444	1	Spacer, Sheave	
109	See Note	NSS	O-Ring (Note: Use Item 118)	
110	See Note	NSS	Washer, Back-Up (Note: Use Item 118)	
111	See Note	NSS	O-Ring (Note: Use Item 118)	
112	70021446	1	Head	
113	See Note	NSS	Seal (Note: Use Item 118)	
114	See Note	NSS	Wiper, Rod (Note: Use Item 118)	
115	70021445	1	Rod	
116	70021447	1	Bushing	
117	90554045	2	Grease Fitting	
118	70021452	1	Seal Kit, (includes items 104, 105, 107, 109, 110, 111, 113 & 114)	

SECTION 9 - HYDRAULIC COMPONENTS

FIGURE 9-2. CYLINDER - CARRIAGE SIDE TILT



ART_1001163414-A

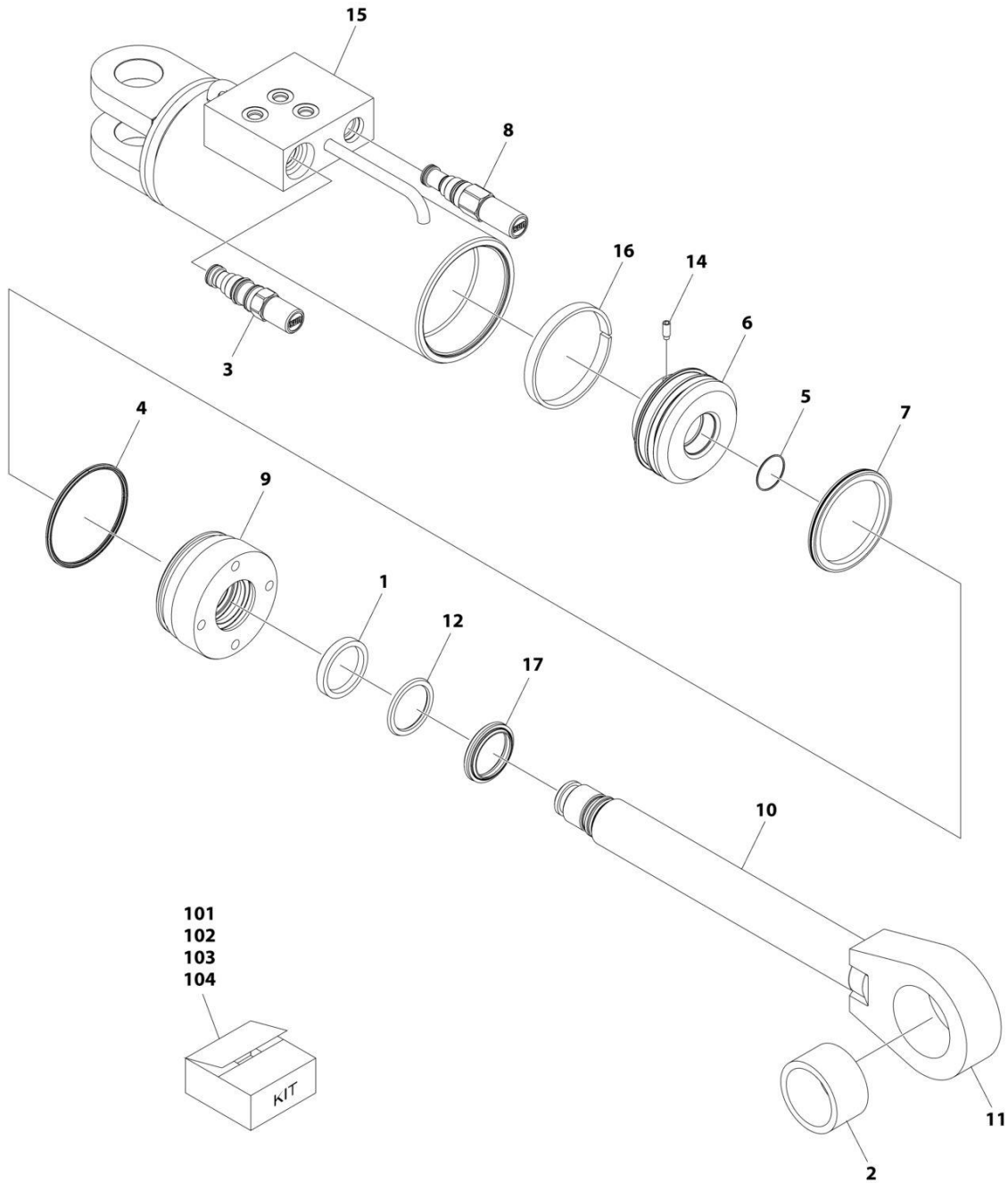
SECTION 9 - HYDRAULIC COMPONENTS

FIGURE 9-2. CYLINDER - CARRIAGE SIDE TILT

ITEM	PART NUMBER	QTY	DESCRIPTION	REV
	1001163414	Ref	Side Tilt Cylinder	A
		Ref	Note: Original Cylinder May Have Been Replaced with Service Replacement. Identify PN Stamped on Cylinder Before Ordering Parts.	
1	70026056	1	Barrel	
2	70026057	1	Rod	
3	70026058	1	Piston	
4	70025606	2	Nipple, Grease	
5	70024020	2	Fitting, Grease	
6	70003849	1	Head	
7	70025959	2	Plug	
8	70026059	2	Valve, Check	
9	70002219	1	Ring, Retaining	
10	70026060	4	Ring, Retaining	
11	70026061	2	Bearing	
12	70024262	2	Plug	
13	70002224	1	Ring, Lock	
14	Kit	NSS	Ring, Rod Bearing (Note: Use Item 101)	
15	Kit	NSS	Ring, Piston Bearing (Note: Use Item 101)	
16	Kit	NSS	Seal, Piston (Note: Use Item 101)	
17	Kit	NSS	O-Ring (Note: Use Item 101)	
18	Kit	NSS	Ring, Back-Up (Note: Use Item 101)	
19	Kit	NSS	Seal, Rod (Note: Use Item 101)	
20	Kit	NSS	O-Ring (Note: Use Item 101)	
21	Kit	NSS	Seal, Wiper (Note: Use Item 101)	
101	70026062	1	Kit, Seal (includes items 14 thru 21)	

SECTION 9 - HYDRAULIC COMPONENTS

FIGURE 9-3. CYLINDER - CARRIAGE SWING



ART_1001293182

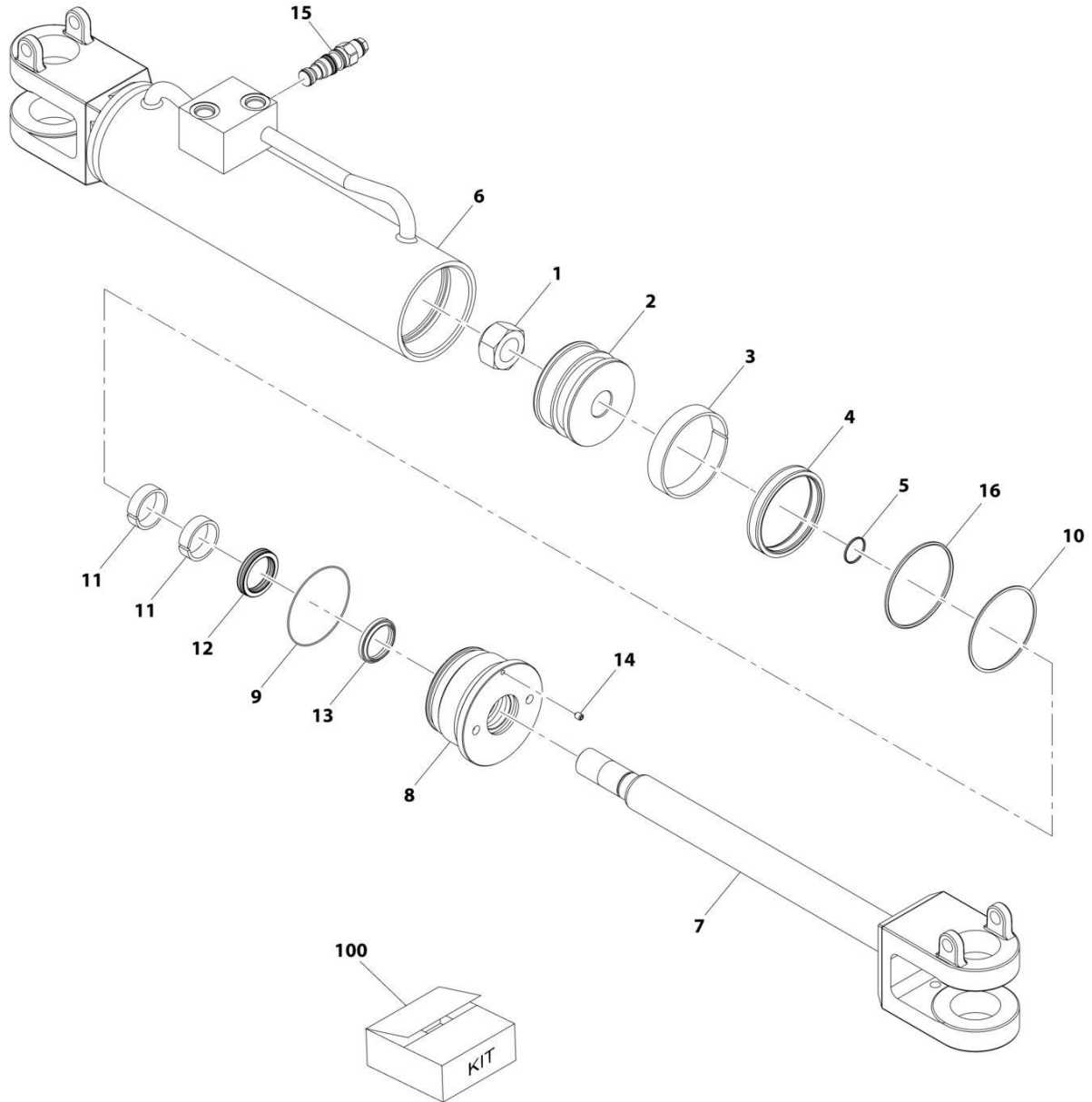
SECTION 9 - HYDRAULIC COMPONENTS

FIGURE 9-3. CYLINDER - CARRIAGE SWING

ITEM	PART NUMBER	QTY	DESCRIPTION	REV
	1001293182	Ref	SWING CARRIAGR CYLINDER	A
		Ref	Note: Original Cylinder May Have Been Replaced with Service Replacement. Identify PN Stamped on Cylinder Before Ordering Parts.	
1	See Note	NSS	Ring, Buffer (Note: Use Item 101 or 102)	
2	70031329	1	Bushing (Note: Use Item 104)	
3	8033786	1	Valve, Counterbalance	
4	See Note	NSS	Seal, Head (Note: Use Item 101 or 102)	
5	See Note	NSS	O-Ring (Note: Use Item 101)	
6	See Note	NSS	Piston (Note: Use Item 103)	
7	See Note	NSS	Seal, Piston (Note: Use Item 101 or 103)	
8	8902842	1	Valve, Relief	
9	See Note	NSS	Retainer (Note: Use Item 102)	
10	See Note	NSS	Rod (Note: Use Item 104)	
11	See Note	NSS	Rod End (Note: Use Item 104)	
12	See Note	NSS	Seal, Rod (Note: Use Item 101 or 102)	
14	See Note	NSS	Setscrew (Note: Use Item 103)	
15	See Note	NSS	Shell Assembly (Note: No Service Parts Available)	
16	See Note	NSS	Ring, Wear (Note: Use Items 101 or 103)	
17	See Note	NSS	Wiper (Note: Use Items 101 or 102)	
101	70031325	1	Seal Kit (Includes Items # 1, 4-5, 7, 12, 16 & 17)	
102	70031326	1	Retainer Kit (Includes Items # 1, 4, 9, 12 & 17)	
103	70031327	1	Piston Kit (Includes Items # 6-7, 14 & 16)	
104	70031328	1	Rod Service Kit (Includes Items # 2 & 10-11)	

SECTION 9 - HYDRAULIC COMPONENTS

FIGURE 9-4. CYLINDER - COMPENSATION



ART_1001196110-D

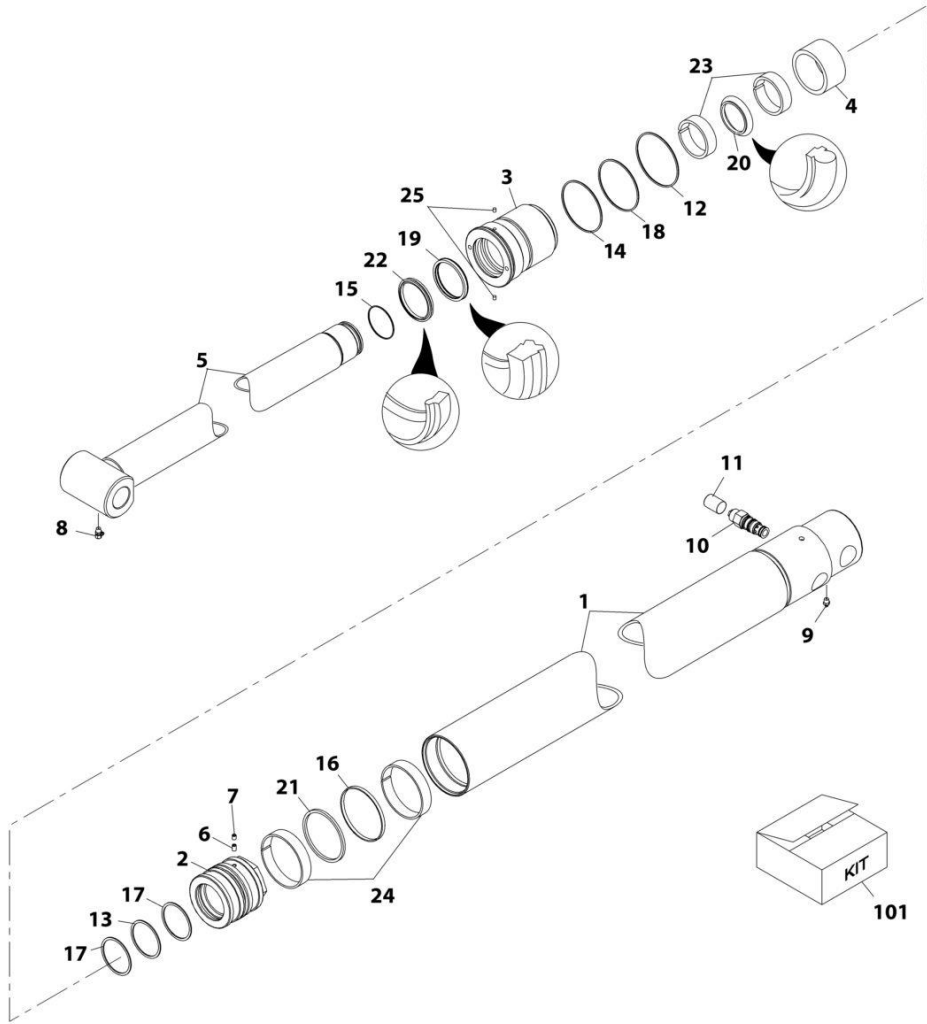
SECTION 9 - HYDRAULIC COMPONENTS

FIGURE 9-4. CYLINDER - COMPENSATION

ITEM	PART NUMBER	QTY	DESCRIPTION	REV
	1001196110	Ref	Compensation Cylinder	D
		Ref	Note: Original Cylinder May Have Been Replaced with Service Replacement. Identify PN Stamped on Cylinder Before Ordering Parts.	
1	8036778	1	Nut, Lock	
2	7029247	1	Piston	
3	Kit	NSS	Ring, Wear	
4	Kit	NSS	Seal, Piston	
5	Kit	NSS	O-Ring	
6	N.S.S.	NSS	Barrel (Note Use PN 1001196110)	
7	7029251	1	Rod	
8	70028160	1	Guide, Rod	
9	Kit	NSS	O-Ring	
10	Kit	NSS	Ring, Back-Up	
11	Kit	NSS	Ring, Wear	
12	Kit	NSS	Z-Seal	
13	Kit	NSS	Ring, Wiper	
14	Kit	NSS	Screw	
15	1001232216	1	Valve, Counterbalance	
16	Kit	NSS	O-Ring	
100	70028159	1	Seal Kit (includes items 3, 4, 5, 9 thru 14 & 16)	

SECTION 9 - HYDRAULIC COMPONENTS

FIGURE 9-5. CYLINDER - EXTEND/RETRACT



ART_1001156013-C

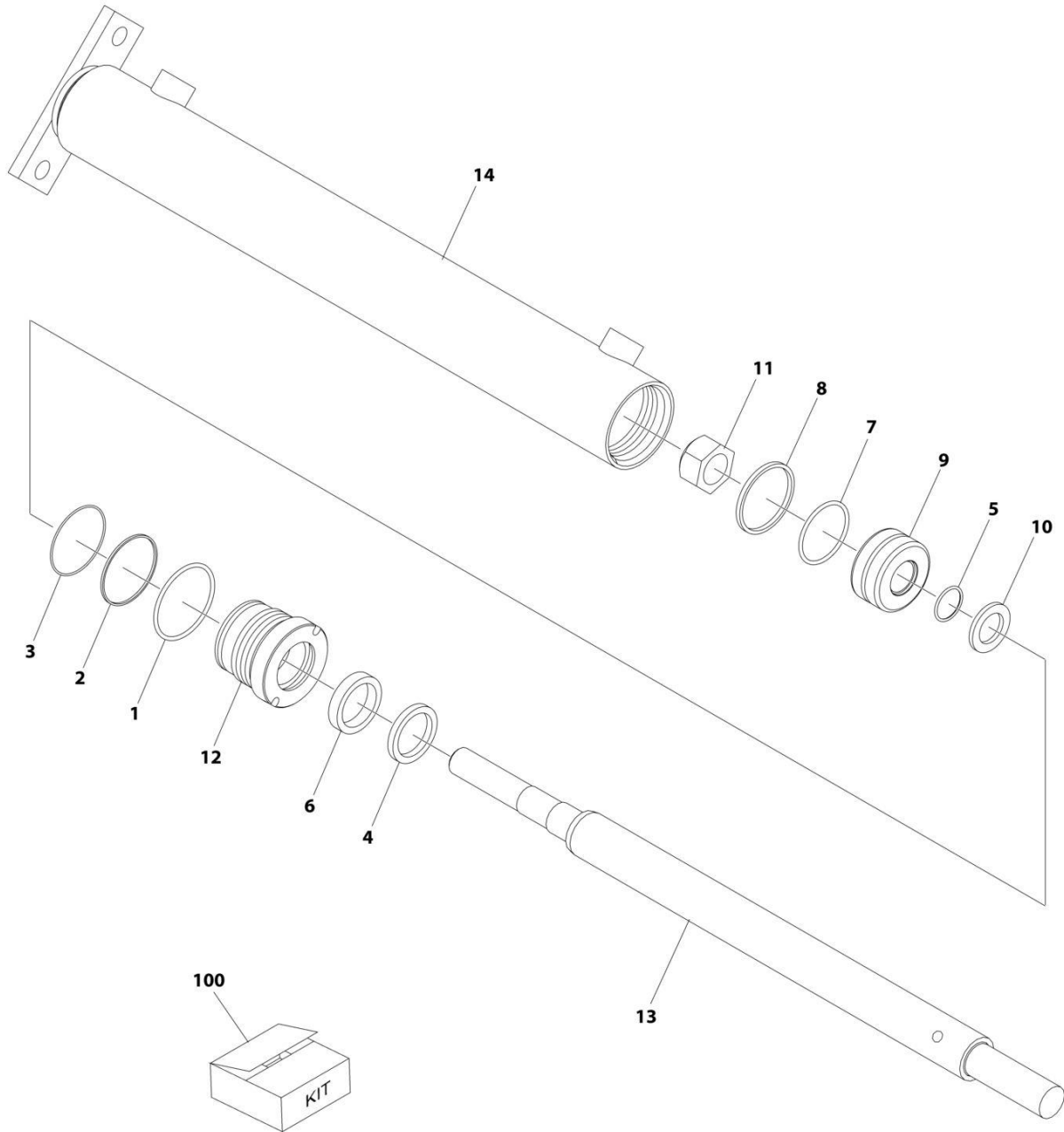
SECTION 9 - HYDRAULIC COMPONENTS

FIGURE 9-5. CYLINDER - EXTEND/RETRACT

ITEM	PART NUMBER	QTY	DESCRIPTION	REV
	1001156013	Ref	Extend/Retract Cylinder - 6036 (6036)	C
		Ref	Note: Original Cylinder May Have Been Replaced with Service Replacement. Identify PN Stamped on Cylinder Before Ordering Parts.	
1	70026033	1	Barrel	
2	8036402	1	Piston	
3	8036403	1	Head	
4	8036404	1	Spacer, Rod	
5	8036405	1	Rod	
6	8036406	1	Setscrew 5/16 x 3/8	
7	8035536	1	Setscrew 5/16X1/2	
8	8520021	1	Fitting, 90 Lube	
9	70020375	1	Fitting, Straight Lube	
10	70026034	1	Valve, Counterbalance	
11	8036407	1	Cap, Tamperproof	
12	Kit	NSS	O-Ring	
13	Kit	NSS	O-Ring	
14	Kit	NSS	O-Ring	
15	Kit	NSS	O-Ring	
16	Kit	NSS	Ring, Square	
17	Kit	NSS	Ring, Backup	
18	Kit	NSS	Ring, Backup	
19	Kit	NSS	U-Cup	
20	Kit	NSS	Seal, Buffer	
21	Kit	NSS	Seal, Piston	
22	Kit	NSS	Seal, Wiper	
23	Kit	NSS	Ring, Wear	
24	Kit	NSS	Ring, Wear	
25	Kit	NSS	Insert, Locking	
101	8036502	1	Kit, Seal (includes items 12 thru 25)	

SECTION 9 - HYDRAULIC COMPONENTS

FIGURE 9-6. CYLINDER - FORK POSITIONING



ART_2717283

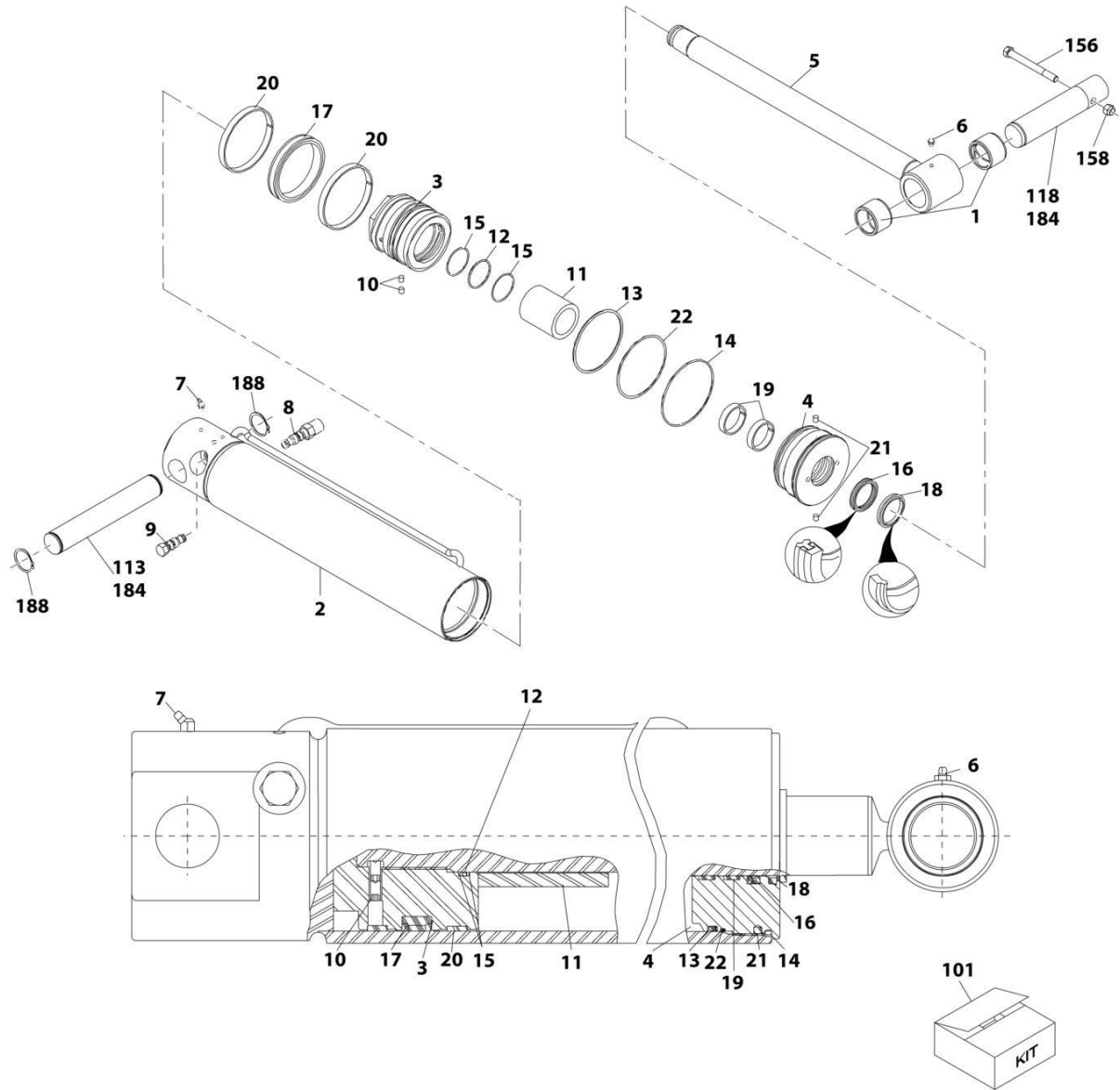
SECTION 9 - HYDRAULIC COMPONENTS

FIGURE 9-6. CYLINDER - FORK POSITIONING

ITEM	PART NUMBER	QTY	DESCRIPTION	REV
	2717283	Ref	FORK POSITIONING CYLINDER	B
		Ref	Note: Original Cylinder May Have Been Replaced with Service Replacement. Identify PN Stamped on Cylinder Before Ordering Parts.	
1	See Note	NSS	O-Ring (Use Item 100)	
2	See Note	NSS	Ring, Back-up (Use Item 100)	
3	See Note	NSS	O-Ring (Use Item 100)	
4	See Note	NSS	Seal (Use Item 100)	
5	See Note	NSS	O-Ring (Use Item 100)	
6	See Note	NSS	Seal (Use Item 100)	
7	See Note	NSS	O-Ring (Use Item 100)	
8	See Note	NSS	Seal (Use Item 100)	
9	70026771	1	Piston	
10	70026775	1	Washer	
11	70026770	1	Nut	
12	70026774	1	Head	
13	70026773	1	Rod	
14	See Note	NSS	Barrel (Note: Use PN 2717283)	
100	8036733	1	Seal Kit (includes items 1 thru 8)	

SECTION 9 - HYDRAULIC COMPONENTS

FIGURE 9-7. CYLINDER - FORK TILT



ART_2716614-E

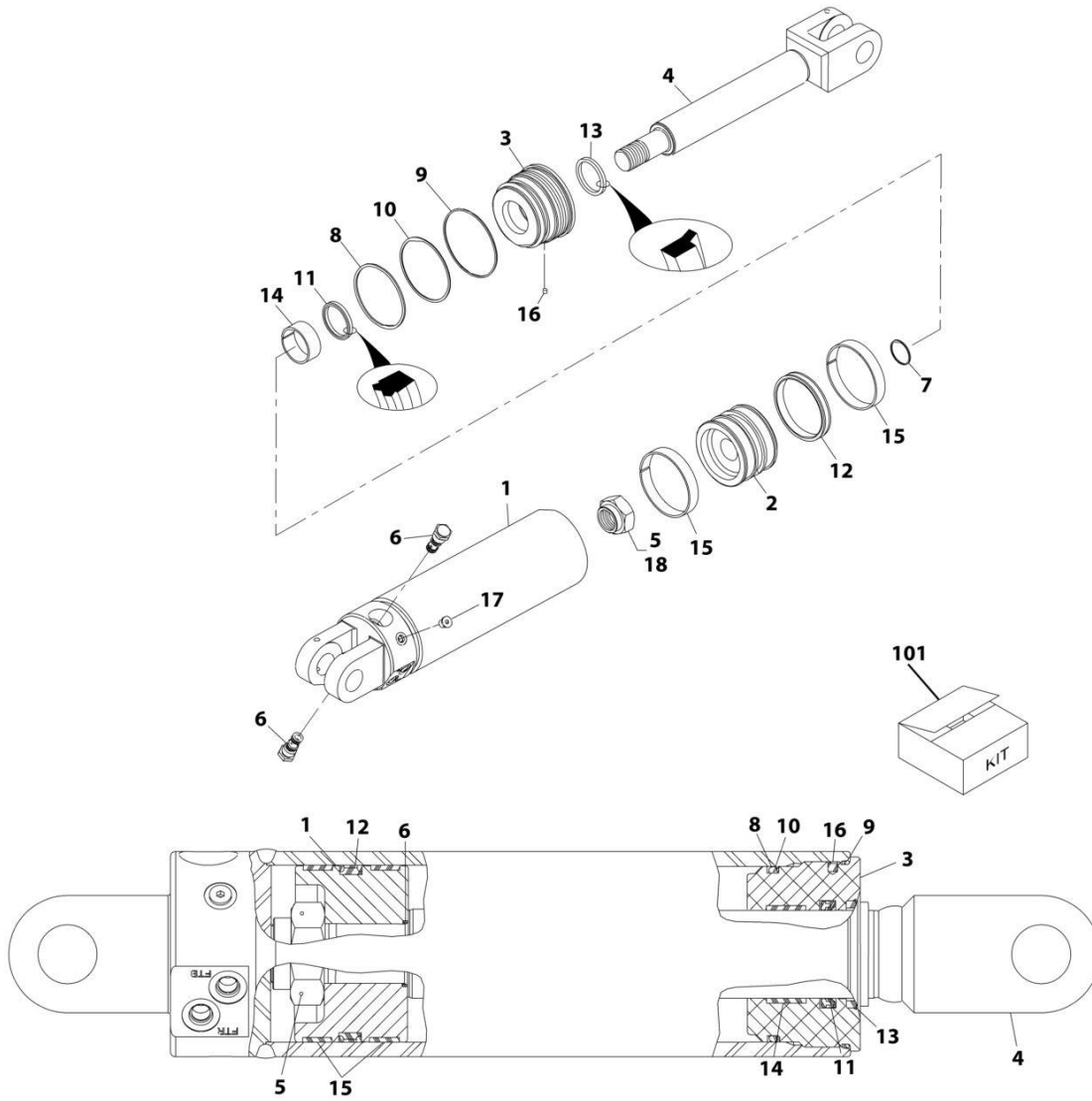
SECTION 9 - HYDRAULIC COMPONENTS

FIGURE 9-7. CYLINDER - FORK TILT

ITEM	PART NUMBER	QTY	DESCRIPTION	REV
	2716614	Ref	Fork Tilt Cylinder	E
		Ref	Note: Original Cylinder May Have Been Replaced with Service Replacement. Identify PN Stamped on Cylinder Before Ordering Parts.	
1	8036149	2	Bearing	
2	70023265	1	Barrel	
3	8036392	1	Piston	
4	8036391	1	Head	
5	8036389	1	Rod	
6	8036144	1	Fitting, Straight Lube	
7	8520034	1	Fitting, 45 Lube	
8	8035321	1	Valve, Counterbalance	
8	8035327	1	Seal Kit - 8035321 Valve	
9	8036393	1	Valve, Check	
9	8205655	1	Seal Kit - 8036393 Valve	
10	8035536	2	Setscrew 5/16X1/2	
11	8036390	1	Spacer, Rod	
12	Kit	NSS	O-Ring (Note: Use Item 101)	
13	Kit	NSS	O-Ring (Note: Use Item 101)	
14	Kit	NSS	O-Ring (Note: Use Item 101)	
15	Kit	NSS	Ring, Back-Up (Note: Use Item 101)	
16	Kit	NSS	Z-Seal (Note: Use Item 101)	
17	Kit	NSS	T-Seal (Note: Use Item 101)	
18	Kit	NSS	Seal, Wiper (Note: Use Item 101)	
19	Kit	NSS	Ring, Wear (Note: Use Item 101)	
20	Kit	NSS	Ring, Wear (Note: Use Item 101)	
21	Kit	NSS	Insert, Locking (Note: Use Item 101)	
22	Kit	NSS	Ring, Back-Up (Note: Use Item 101)	
101	8035720	1	Kit, Seal (includes items 12 thru 22)	

SECTION 9 - HYDRAULIC COMPONENTS

FIGURE 9-8. CYLINDER - FRAME LEVEL



ART_1001091901-C

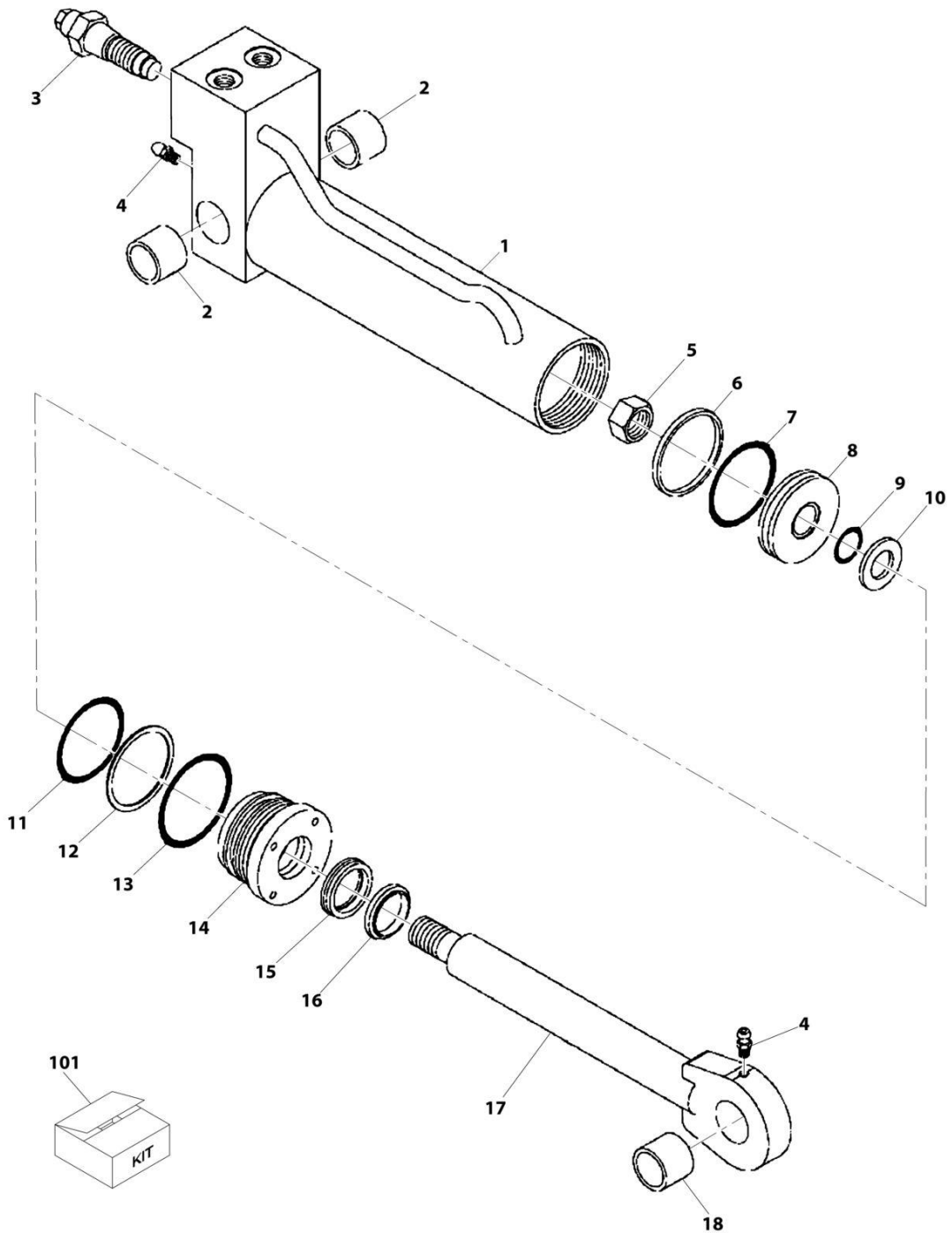
SECTION 9 - HYDRAULIC COMPONENTS

FIGURE 9-8. CYLINDER - FRAME LEVEL

ITEM	PART NUMBER	QTY	DESCRIPTION	REV
	1001091901	Ref	Frame Level Cylinder Assembly (6036)	C
		Ref	Note: Original Cylinder May Have Been Replaced with Service Replacement. Identify PN Stamped on Cylinder Before Ordering Parts.	
1	N.S.S.	NSS	Barrel (Note: Use PN 1001091901)	
2	8035323	1	Piston	
3	8035324	1	Head	
4	8035758	1	Rod	
5	8035322	1	Nut 1-1/2	
6	1001091885	2	Valve, Counterbalance	
6	70021583	2	Seal Kit - 1001091885 Valve	
7	Kit	NSS	O-Ring (Note: Use Item 101)	
8	Kit	NSS	O-Ring (Note: Use Item 101)	
9	Kit	NSS	O-Ring (Note: Use Item 101)	
10	Kit	NSS	Ring, Back-Up (Note: Use Item 101)	
11	Kit	NSS	Z-Seal (Note: Use Item 101)	
12	Kit	NSS	T-Seal (Note: Use Item 101)	
13	Kit	NSS	Seal, Wiper (Note: Use Item 101)	
14	Kit	NSS	Ring, Wear (Note: Use Item 101)	
15	Kit	NSS	Ring, Wear (Note: Use Item 101)	
16	Kit	NSS	Insert, Locking (Note: Use Item 101)	
17	8035785	2	Plug	
18	8526011	AR	Compound, Locking	
101	8035326	1	Kit, Seal (includes items 7 thru 16)	

SECTION 9 - HYDRAULIC COMPONENTS

FIGURE 9-9. CYLINDER - GRAPPLE BUCKET



ART_70021393-A

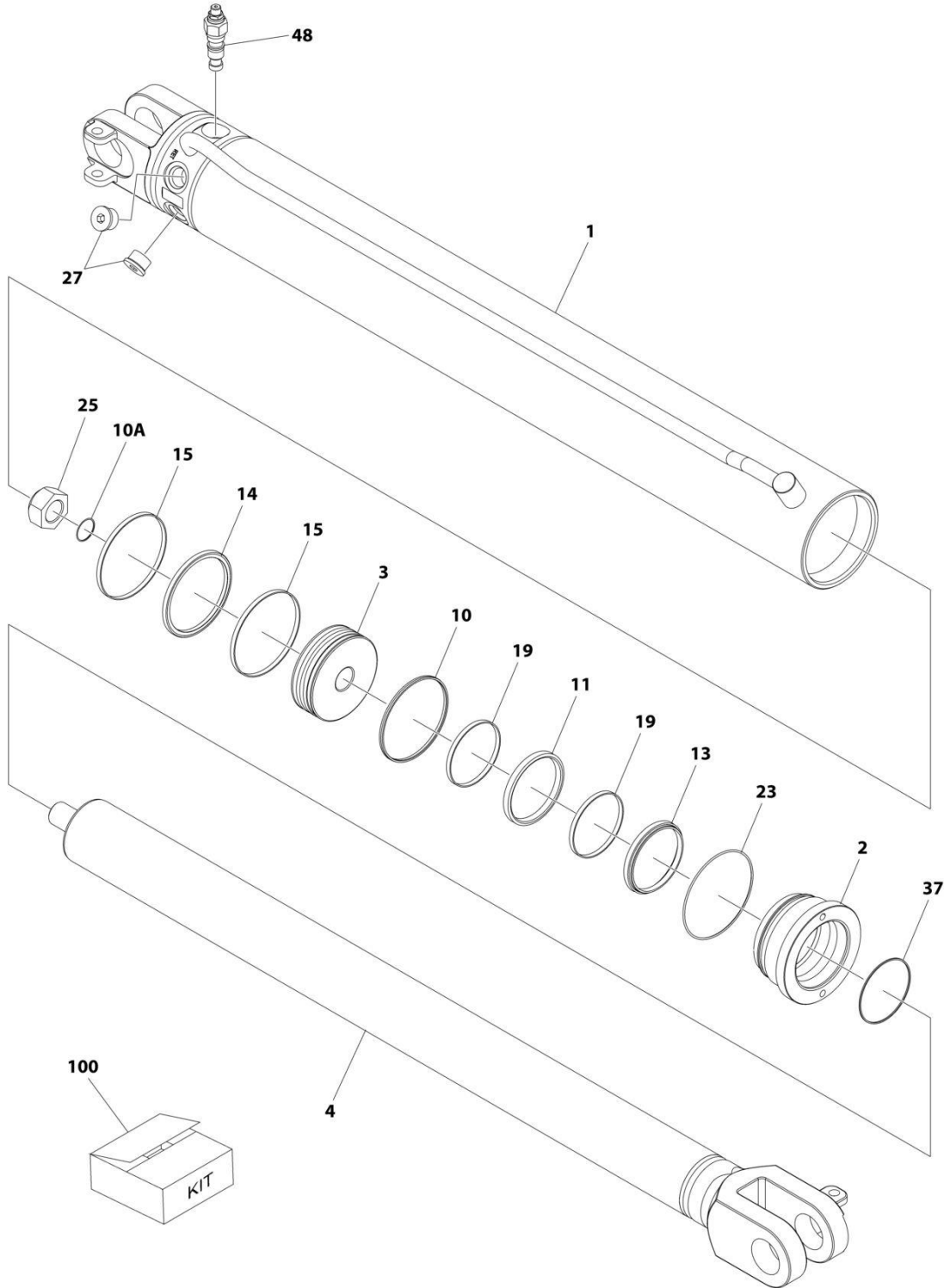
SECTION 9 - HYDRAULIC COMPONENTS

FIGURE 9-9. CYLINDER - GRAPPLE BUCKET

ITEM	PART NUMBER	QTY	DESCRIPTION	REV
	70021393	Ref	Grapple Bucket Cylinder	A
		Ref	Note: Original Cylinder May Have Been Replaced with Service Replacement. Identify PN Stamped on Cylinder Before Ordering Parts.	
1	70021465	1	Barrel	
2	70021448	2	Bushing	
3	70021464	2	Cartridge, Valve	
4	90554045	2	Fitting, Grease	
5	70021440	1	Nut	
6	Kit	NSS	Ring, Piston (Note: Use Item 101)	
7	Kit	NSS	O-Ring (Note: Use Item 101)	
8	70021451	1	Piston	
9	Kit	NSS	O-Ring (Note: Use Item 101)	
10	70021444	1	Washer	
11	Kit	NSS	O-Ring (Note: Use Item 101)	
12	Kit	NSS	Washer, Back-Up (Note: Use Item 101)	
13	Kit	NSS	O-Ring (Note: Use Item 101)	
14	70021446	1	Head	
15	Kit	NSS	Seal, Poly-Pak (Note: Use Item 101)	
16	Kit	NSS	Wiper, Rod (Note: Use Item 101)	
17	70021466	1	Rod	
18	70021447	1	Bushing	
101	70021452	1	Kit, Seal (includes items 6, 7, 9, 11 thru 13, 15 & 16)	

SECTION 9 - HYDRAULIC COMPONENTS

FIGURE 9-10. CYLINDER - LIFT



ART_1001267967

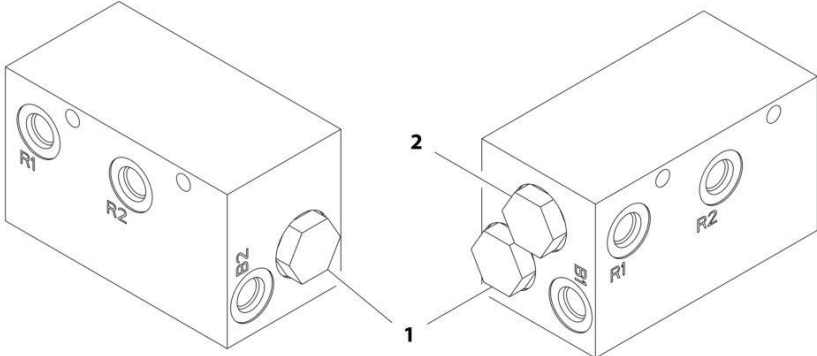
SECTION 9 - HYDRAULIC COMPONENTS

FIGURE 9-10. CYLINDER - LIFT

ITEM	PART NUMBER	QTY	DESCRIPTION	REV
	1001267967	Ref	CYLINDER ASSEMBLY	B
		Ref	Note: Original Cylinder May Have Been Replaced with Service Replacement. Identify PN Stamped on Cylinder Before Ordering Parts.	
1	See Note	NSS	Barrel (Note: Purchase PN 1001267967)	
2	70030382	1	Head	
3	70030383	1	Piston	
4	70030384	1	Rod	
10	See Note	NSS	Seal, Dual (Note: Use Item 100)	
10A	See Note	NSS	O-Ring (Note: Use Item 100)	
11	See Note	NSS	Seal, Rod (Note: Use Item 100)	
13	See Note	NSS	Wiper (Note: Use Item 100)	
14	See Note	NSS	Seal, Piston (Note: Use Item 100)	
15	See Note	NSS	Ring, Wear (Note: Use Item 100)	
19	See Note	NSS	Ring, Wear (Note: Use Item 100)	
23	See Note	NSS	Seal (Note: Use Item 100)	
25	70030385	1	Nut	
27	2220888	2	Plug	
37	70030386	1	Mask, Wiper	
48	7029327	1	Cartridge, Valve	
100	70030387	1	Seal Kit (Includes Items 10, 10A, 11, 13, 14, 15, 19 & 23)	

SECTION 9 - HYDRAULIC COMPONENTS

FIGURE 9-11. FLOW DIVIDER VALVE



ART_4641501-A

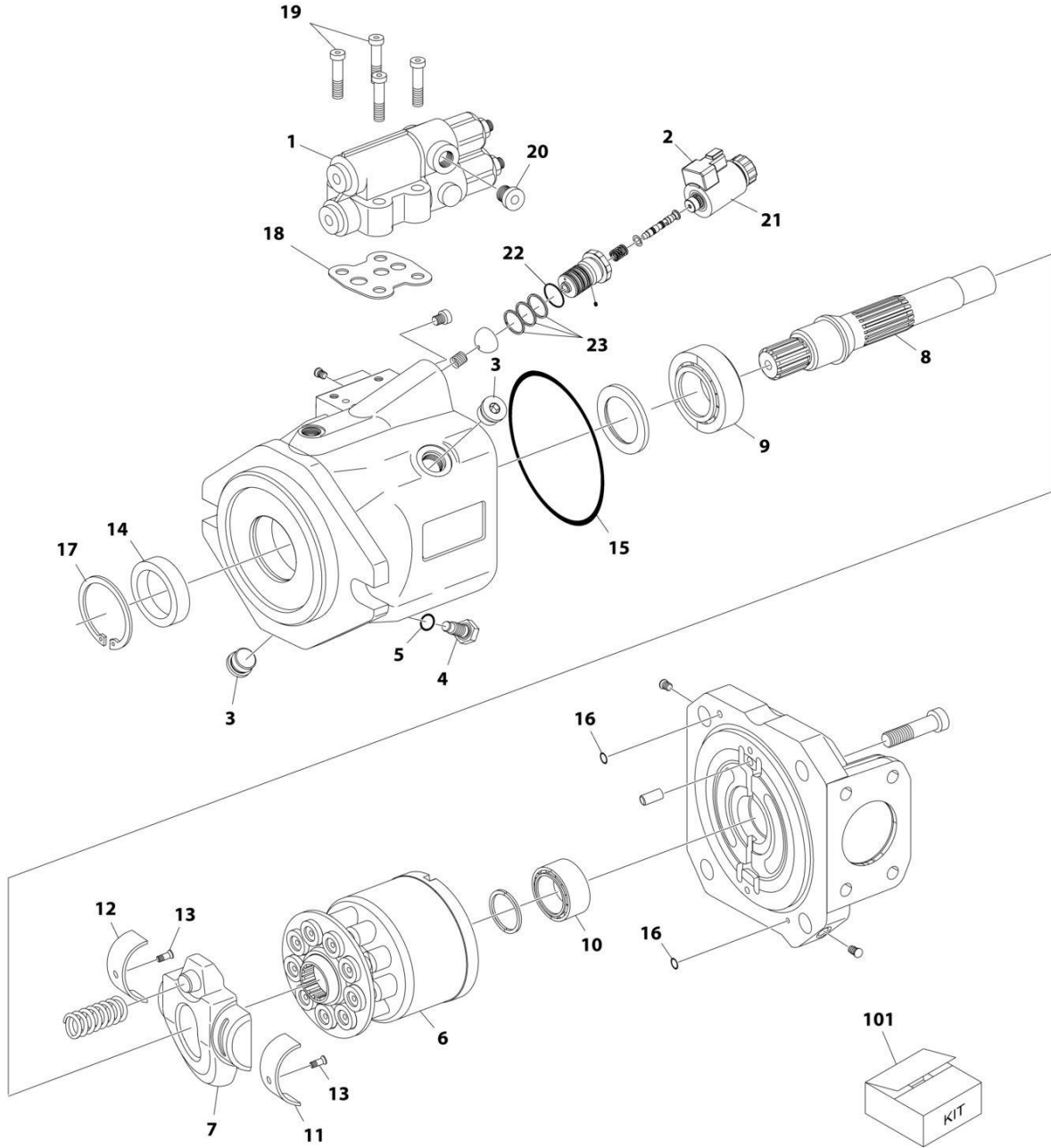
SECTION 9 - HYDRAULIC COMPONENTS

FIGURE 9-11. FLOW DIVIDER VALVE

ITEM	PART NUMBER	QTY	DESCRIPTION	REV
	4641501	Ref	Flow Divider Valve	A
1	70023928	2	Valve, Check	
2	70023929	1	Valve, Cartridge	

SECTION 9 - HYDRAULIC COMPONENTS

FIGURE 9-12. PUMP - PISTON



ART_1001251423_C

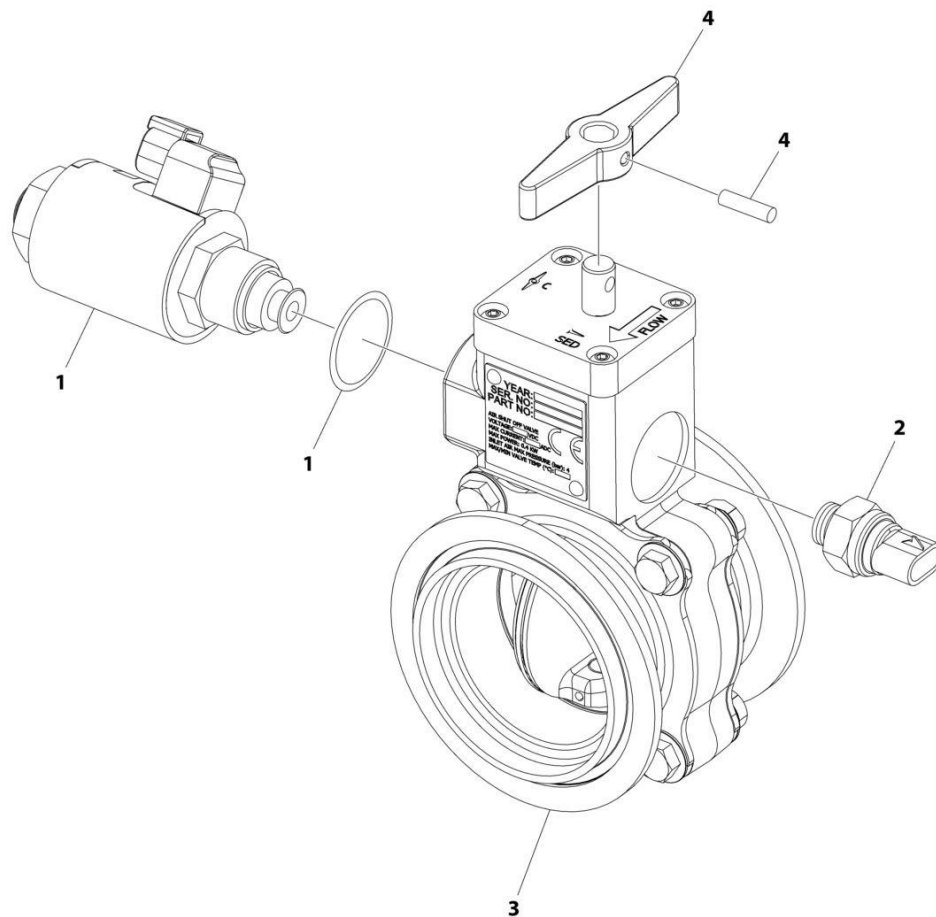
SECTION 9 - HYDRAULIC COMPONENTS

FIGURE 9-12. PUMP - PISTON

ITEM	PART NUMBER	QTY	DESCRIPTION	REV
	1001251423	Ref	PISTON PUMP	C
1	70003738	1	Control Valve	
2	70024186	1	Control Valve	
3	70024407	2	Plug	
4	70024408	1	Stop Screw	
4	See Note	NSS	O-Ring (Note: Use Item 101)	
6	70024411	1	Rotary Group	
7	70024412	1	Swash Plate	
8	7024939	1	Drive Shaft	
9	7024943	1	Bearing	
10	7024944	1	Bearing	
11	70024414	1	Bearing-Liner	
12	70024415	1	Bearing-Liner	
13	7024953	2	Screw	
14	80634004	1	Shaft Seal	
15	See Note	NSS	O-Ring (Note: Use Item 101)	
16	See Note	NSS	Seal (Note: Use Item 101)	
17	80334277	1	Ring, Retaining	
18	70021867	1	Gasket	
19	7024954	4	Capscrew	
20	70024416	1	Plug	
21	70025897	1	Solenoid	
22	See Note	NSS	O-Ring (Note: Use Item 101)	
23	See Note	NSS	R-Ring (Note: Use Item 101)	
101	70024189	1	Seal Kit (Includes Items 5, 15,16,22 & 23)	

SECTION 9 - HYDRAULIC COMPONENTS

FIGURE 9-13. VALVE - AIR SHUT OFF



ART_1001204032_C

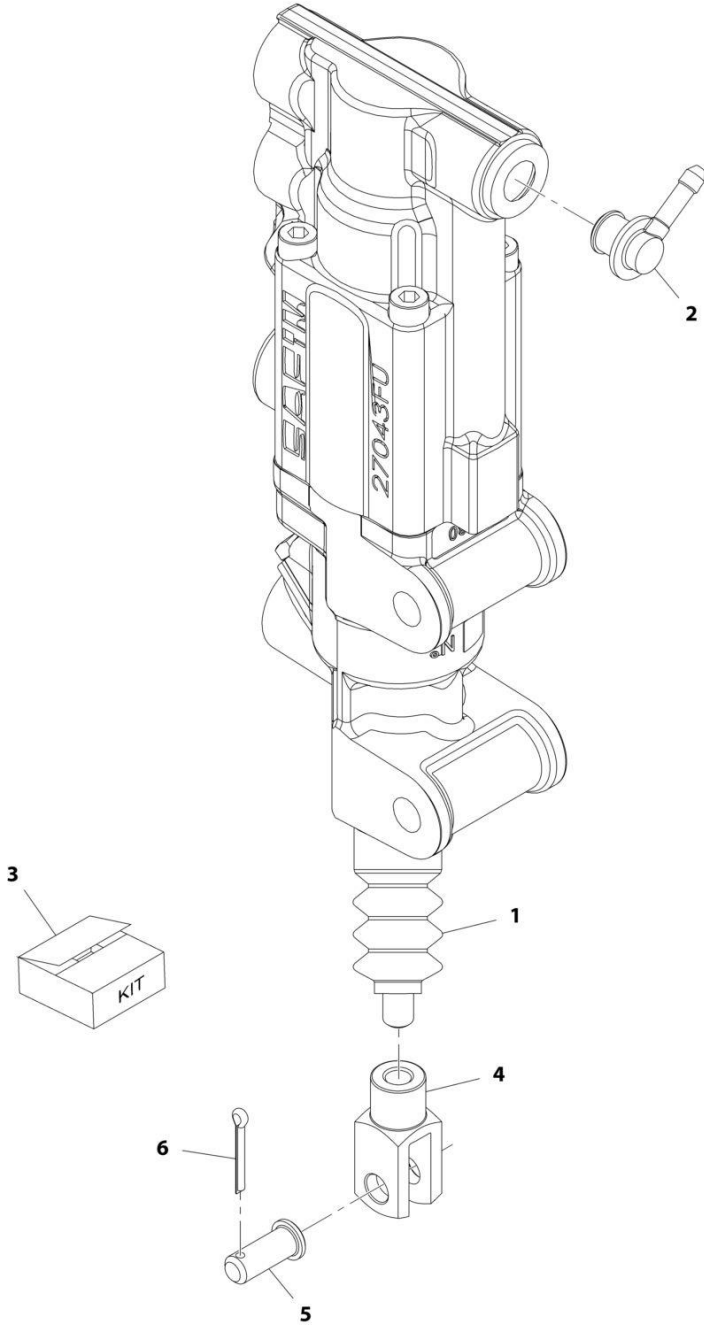
SECTION 9 - HYDRAULIC COMPONENTS

FIGURE 9-13. VALVE - AIR SHUT OFF

ITEM	PART NUMBER	QTY	DESCRIPTION	REV
	1001204032	Ref	Air Shut Off Valve	C
1	70028514	1	Kit, Solenoid 12V (Includes Solenoid, Coil, O-Ring)	
2	70028515	1	Kit, Switch (Includes Ball Switch & O-Ring)	
3	70028516	1	Kit, Flange and Hardware (Includes Flanges (Male & Female) & Mounting Hardware)	
4	70028517	1	Kit, Handle (Includes Handle & Pin)	

SECTION 9 - HYDRAULIC COMPONENTS

FIGURE 9-14. VALVE - BRAKE



ART_1001201721-D

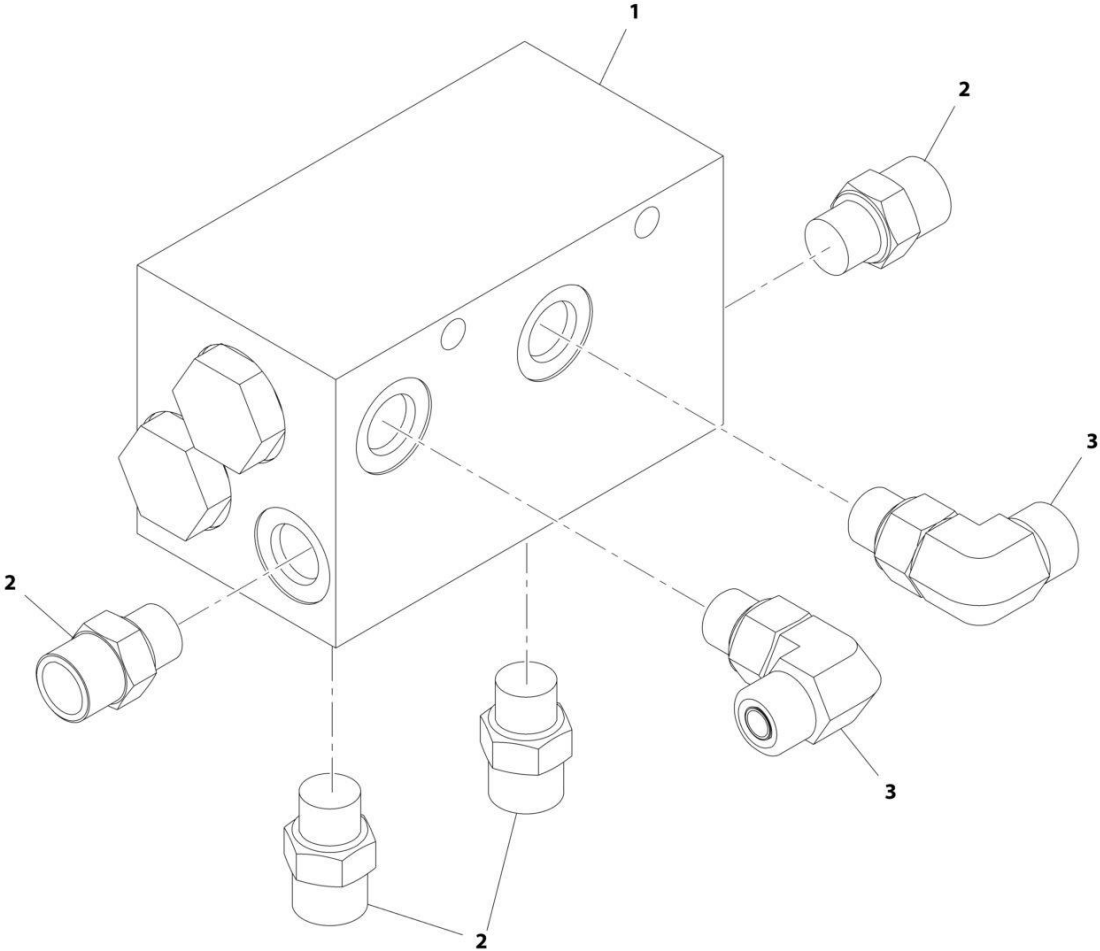
SECTION 9 - HYDRAULIC COMPONENTS

FIGURE 9-14. VALVE - BRAKE

ITEM	PART NUMBER	QTY	DESCRIPTION	REV
	1001201721	Ref	Brake Valve	D
1	70025859	1	Dust Cover	
2	70027275	1	Reservoir Joint	
3	70027276	1	Seal Kit	
4	70022650	1	Yoke	
5	70020743	1	Pin, Yoke	
6	70020745	1	Pin, Cotter	

SECTION 9 - HYDRAULIC COMPONENTS

FIGURE 9-15. VALVE - CARRIAGE



ART_4641502-B

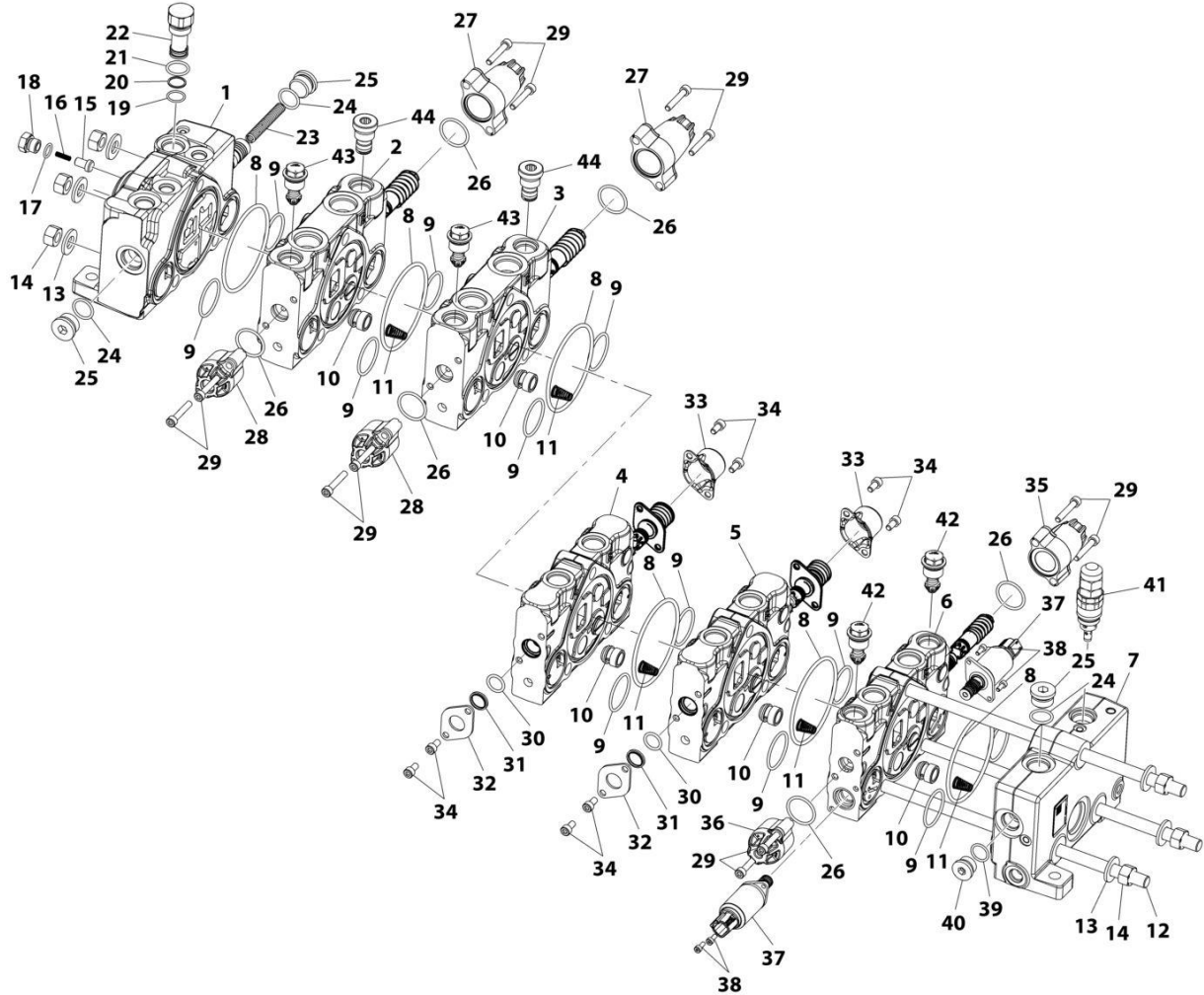
SECTION 9 - HYDRAULIC COMPONENTS

FIGURE 9-15. VALVE - CARRIAGE

ITEM	PART NUMBER	QTY	DESCRIPTION	REV
	4641502	Ref	Dual Fork Carriage Valve Assembly	B
1	4641501	1	Valve, Flow Divider (See Separate Breakdown in this Section)	
2	2110606	4	Fitting, Straight ORFS	
3	2130606	2	Fitting, 90	

SECTION 9 - HYDRAULIC COMPONENTS

FIGURE 9-16. VALVE - MAIN CONTROL



ART_1001242925

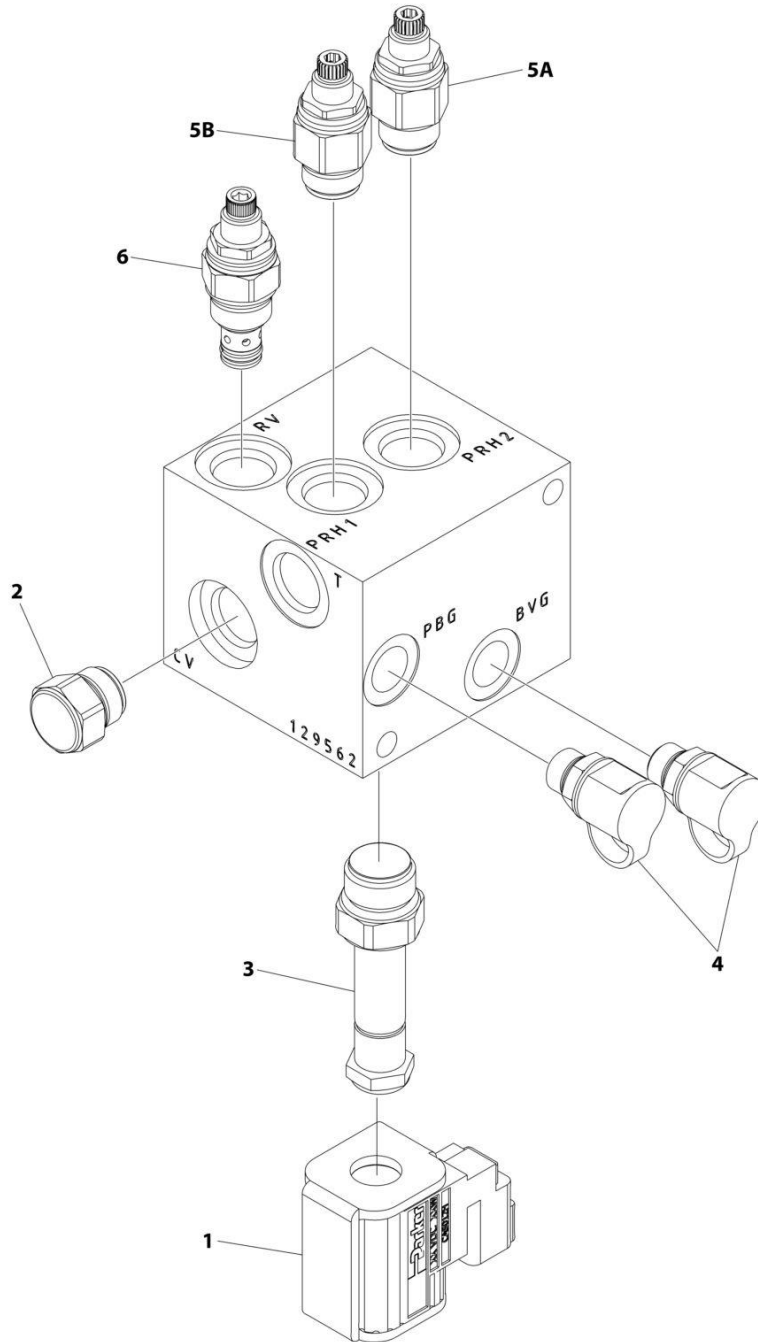
SECTION 9 - HYDRAULIC COMPONENTS

FIGURE 9-16. VALVE - MAIN CONTROL

ITEM	PART NUMBER	QTY	DESCRIPTION	REV
	1001242925	Ref	MAIN CONTROL VALVE	F
1	70030023	1	Inlet Section Assembly	
2	70030001	1	Lift Section Assembly	
3	70030002	1	Extend/Retract Section Assembly	
4	70030003	1	Aux Section Assembly	
5	70030004	1	Sway Section Assembly	
6	70030005	1	Tilt Section Assembly	
7	70030006	1	Outlet Section Assembly	
8	8034697	6	O-Ring	
9	70030007	12	O-Ring	
10	8903015	5	Poppet CV	
11	70030012	5	Spring	
12	70030038	3	Tie Rod	
13	70030039	6	Washer	
14	8035347	6	Nut	
15	70030009	1	Poppet, CV	
16	70030010	1	Spring	
17	70030040	1	O-Ring	
18	70030011	1	Plug	
19	70026370	1	O-Ring	
20	70026376	1	Back-Up Ring	
21	10837928	1	O-Ring	
22	70030041	1	Drain Regulator Assembly	
23	70030008	1	Spring	
24	70026652	3	O-Ring	
25	70026653	3	Plug	
26	70030013	6	O-Ring	
27	70030015	2	Spool Cap	
28	70030014	2	Spool Cap	
29	70030016	12	Screw	
30	8037109	2	O-Ring	
31	70030018	2	Wiper	
32	70030017	2	Sealing Plate	
33	70030019	2	Cap Spool	
34	70026133	8	Screw	
35	70030021	1	Spool Cap	
36	70030020	1	Spool Cap	
37	70029874	2	Valve, Solenoid Cartridge	
38	70022014	4	Screw	
39	70024202	1	O-Ring	
40	8035382	1	Plug Assembly	
41	70030022	1	Valve Assembly, LS Relief	
42	70027134	2	Valve Assembly, Relief	
43	70025982	2	Valve Assembly, Relief	
44	70022008	2	Shut-Off Plug Assembly	

SECTION 9 - HYDRAULIC COMPONENTS

FIGURE 9-17. VALVE - SECONDARY CONTROL



ART_1001266771

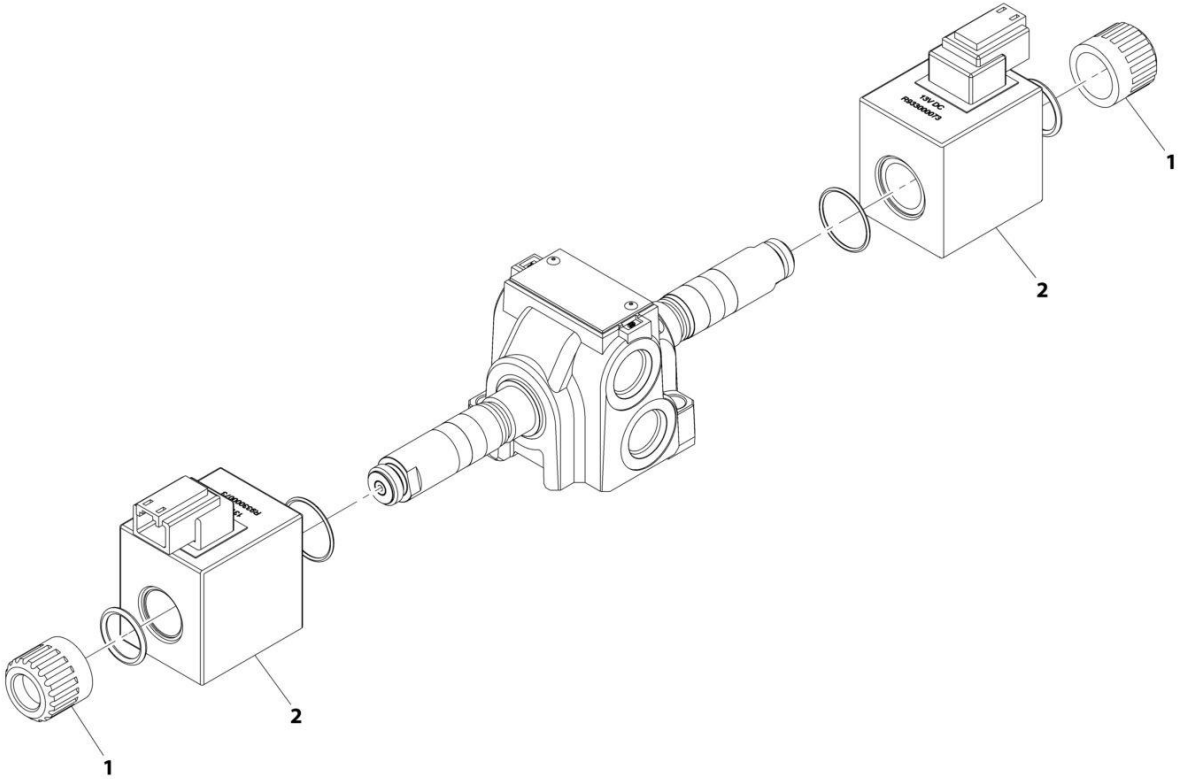
SECTION 9 - HYDRAULIC COMPONENTS

FIGURE 9-17. VALVE - SECONDARY CONTROL

ITEM	PART NUMBER	QTY	DESCRIPTION	REV
	1001266771	Ref	VALVE ASSEMBLY - SECONDARY	B
1	70026085	1	Coil	
2	91474023	1	Cartridge, Check Valve	
	7010769	1	Seal Kit - 91474023 Valve	
3	70026087	1	Cartridge, Solenoid Less Coil	
	8032695	1	Seal Kit - 70026087 Valve	
4	See Note	N.S.S.	Fitting, Straight	
5A	70029558	1	Cartridge, Pressure Relief Valve	
	8032694	1	Seal Kit - 70029558 Valve	
5B	70029584	1	Cartridge, Pressure Relief Valve	
	8032694	1	Seal Kit - 70029584 Valve	
6	70030292	1	Cartridge, Pressure Relief Valve	
	7010769	1	Seal Kit - 70030292 Valve	

SECTION 9 - HYDRAULIC COMPONENTS

FIGURE 9-18. VALVE - STEERING SELECT



ART_1001153748-C

SECTION 9 - HYDRAULIC COMPONENTS

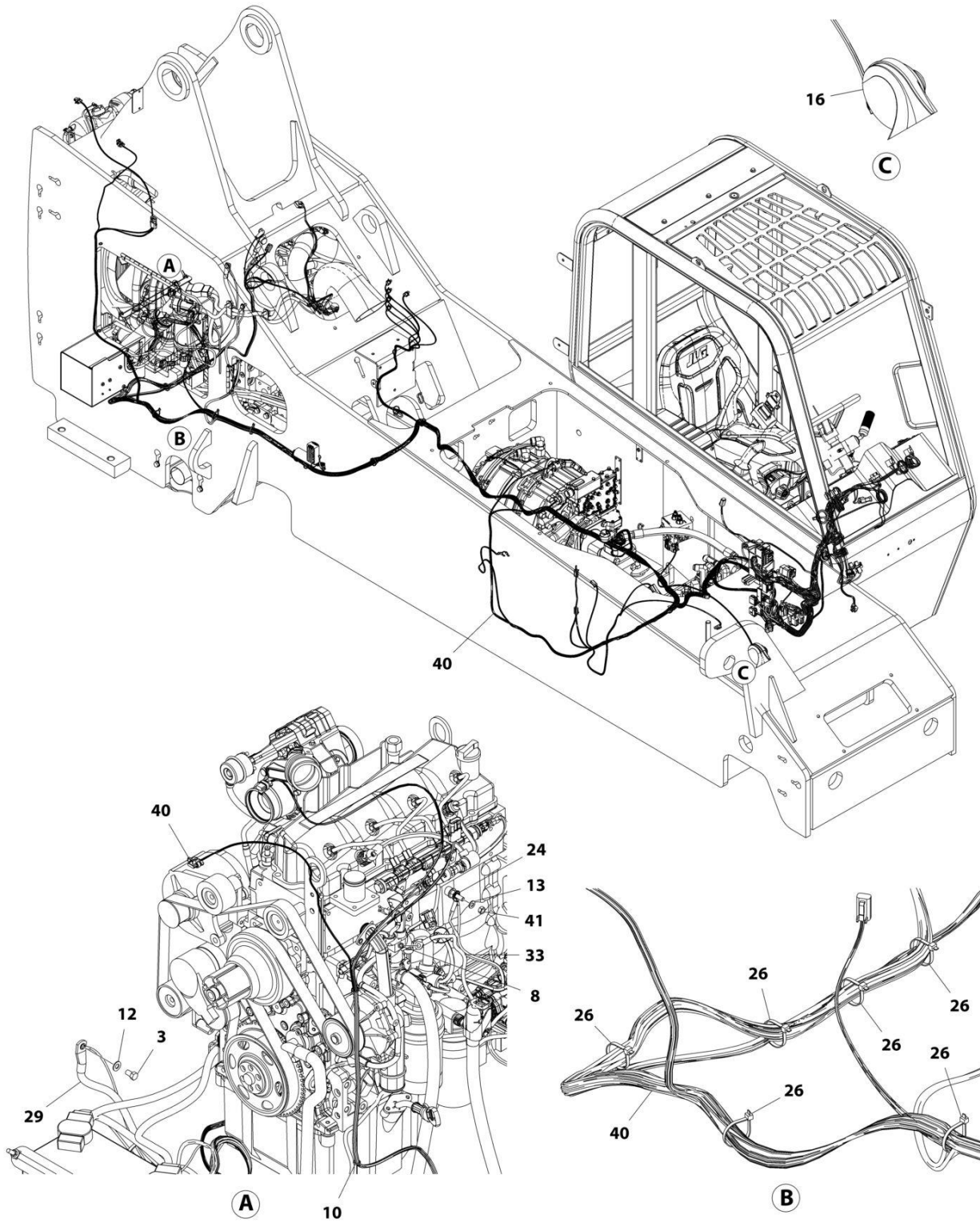
FIGURE 9-18. VALVE - STEERING SELECT

ITEM	PART NUMBER	QTY	DESCRIPTION	REV
	1001153748	Ref	Steering Select Valve	C
1	70020867	2	Nut, Coil	
2	70026582	2	Coil	

SECTION 10 - ELECTRICAL

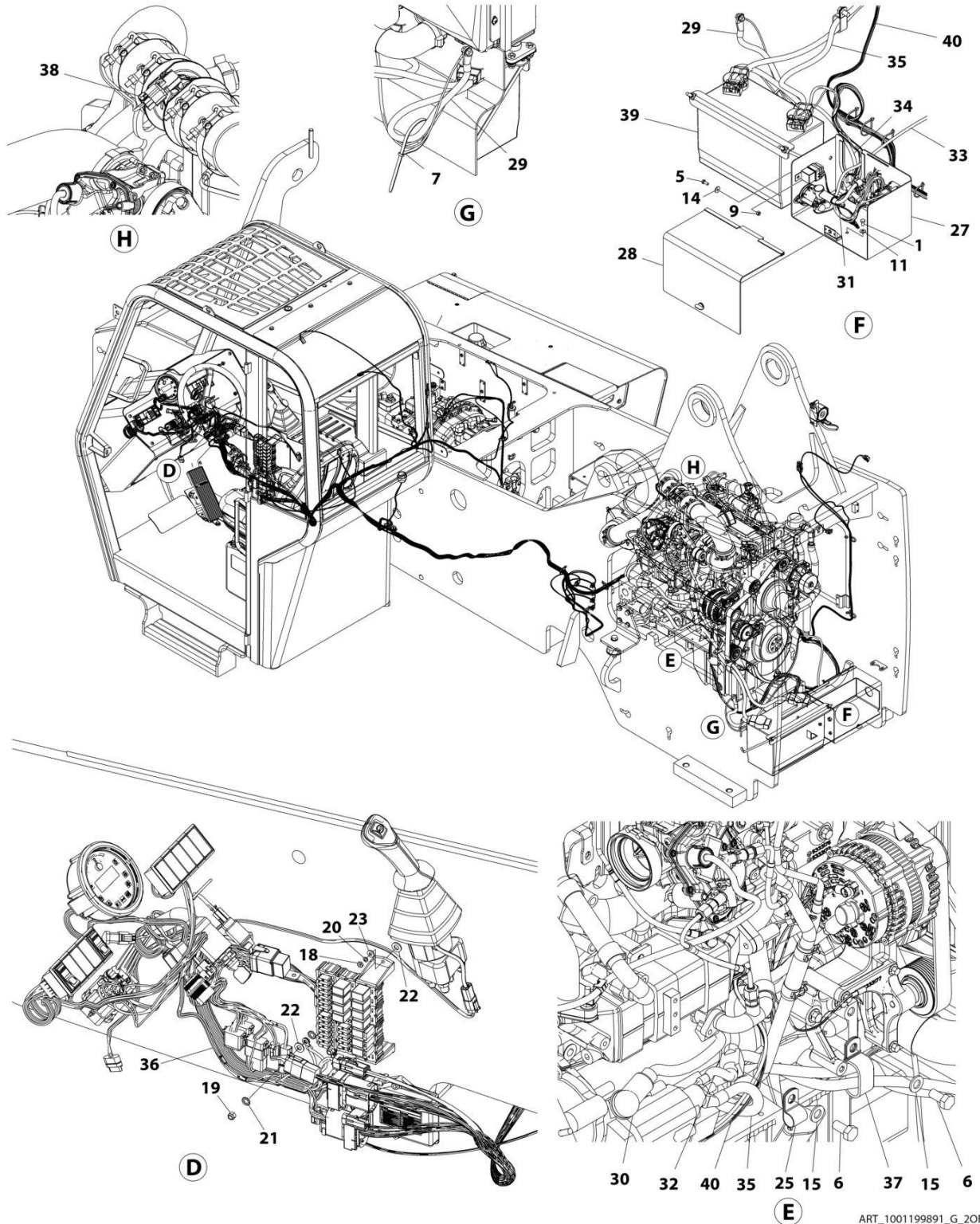
SECTION 10 - ELECTRICAL

FIGURE 10-1. ELECTRICAL INSTALLATION - 74HP



ART_1001199891_G_10F2

SECTION 10 - ELECTRICAL



ART_1001199891_G_20F2

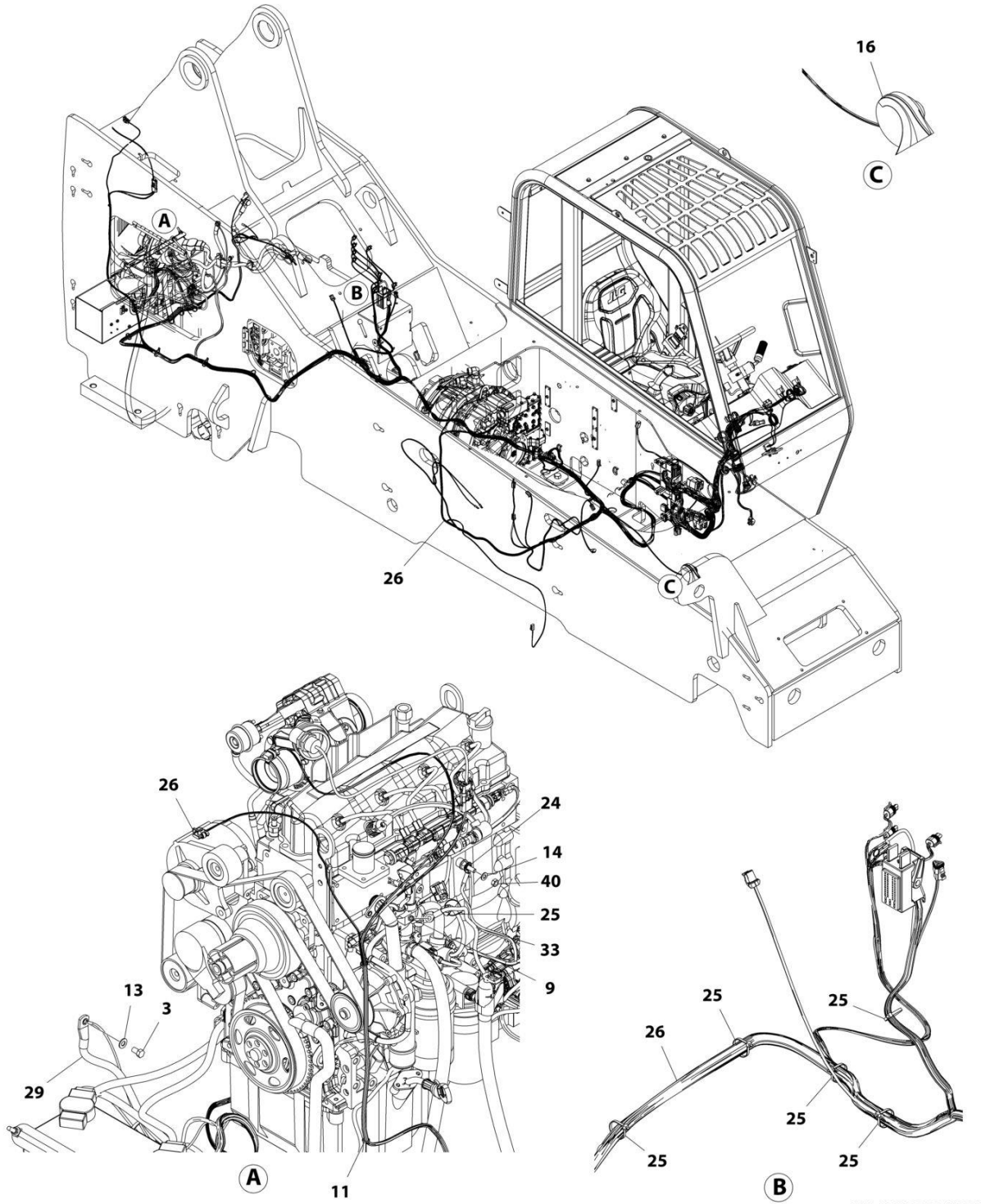
SECTION 10 - ELECTRICAL

FIGURE 10-1. ELECTRICAL INSTALLATION - 74HP

ITEM	PART NUMBER	QTY	DESCRIPTION	REV
	1001199891	Ref	ELECTRICAL INSTALLATION, 74HP - 6036 (IF EQUIPPED FOR ULS) (6036)	G
1	0641404	3	Bolt 1/4 x 1/2	
3	0641605	1	Bolt 3/8 x 5/8	
5	8303545	1	Bolt M6 x 14	
6	0761212	2	Bolt M12 x 25	
7	1062255	1	Strap, Tie	
8	3290601	1	Nut M6 x 1	
9	3290605	1	Nut M6 x 1	
10	4240017	3	Strap, Tie	
11	4711400	3	Washer 1/4	
12	4711600	1	Washer 3/8	
13	4811900	1	Washer M8	
14	4811702	1	Washer M6	
15	4812100	2	Washer M12	
16	8270620	1	Horn, Signal	
18	8305002	3	Nut #10	
19	8305624	2	Nut, Lock 1/4	
20	8307003	3	Washer, Lock M10	
21	8307027	4	Washer, Lock 5/16	
22	8307106	5	Washer 5/16	
23	8307111	3	Washer M10	
24	8310046	1	Washer, Lock M10	
25	8406105	1	Clip, Tube	
26	8584001	12	Wrap, Tie	
27	1001170233	1	Installation, Relay Panel (See Separate Breakdown in this Section)	
28	1001170234	1	Assembly, Relay Panel Cover (See Separate Breakdown in this Section)	
29	1001171234	1	Cable, Battery Negative	
30	1001171236	1	Cable, Starter Ground	
31	1001171237	1	Cable, Grid Heater to Fuse Power	
32	1001171238	1	Cable, Alternator Power	
33	1001171239	1	Cable, Grid Heater Power	
34	1001171633	1	Cable, Buss Power	
35	1001171757	1	Cable, Starter Power	
36	1001284542	1	Harness, Cab Power Distribution (See Separate Breakdown in this Section)	
37	1001181899	1	Clamp	
38	1001184835	1	Harness, TBAP (See Separate Breakdown in this Section)	
39	1001186841	1	Installation, Battery (See Separate Breakdown in this Section)	
40	1001199889	1	Engine Harness - 74HP (See Separate Breakdown in this Section)	
41	3290801	1	Nut M8 x 1.25	

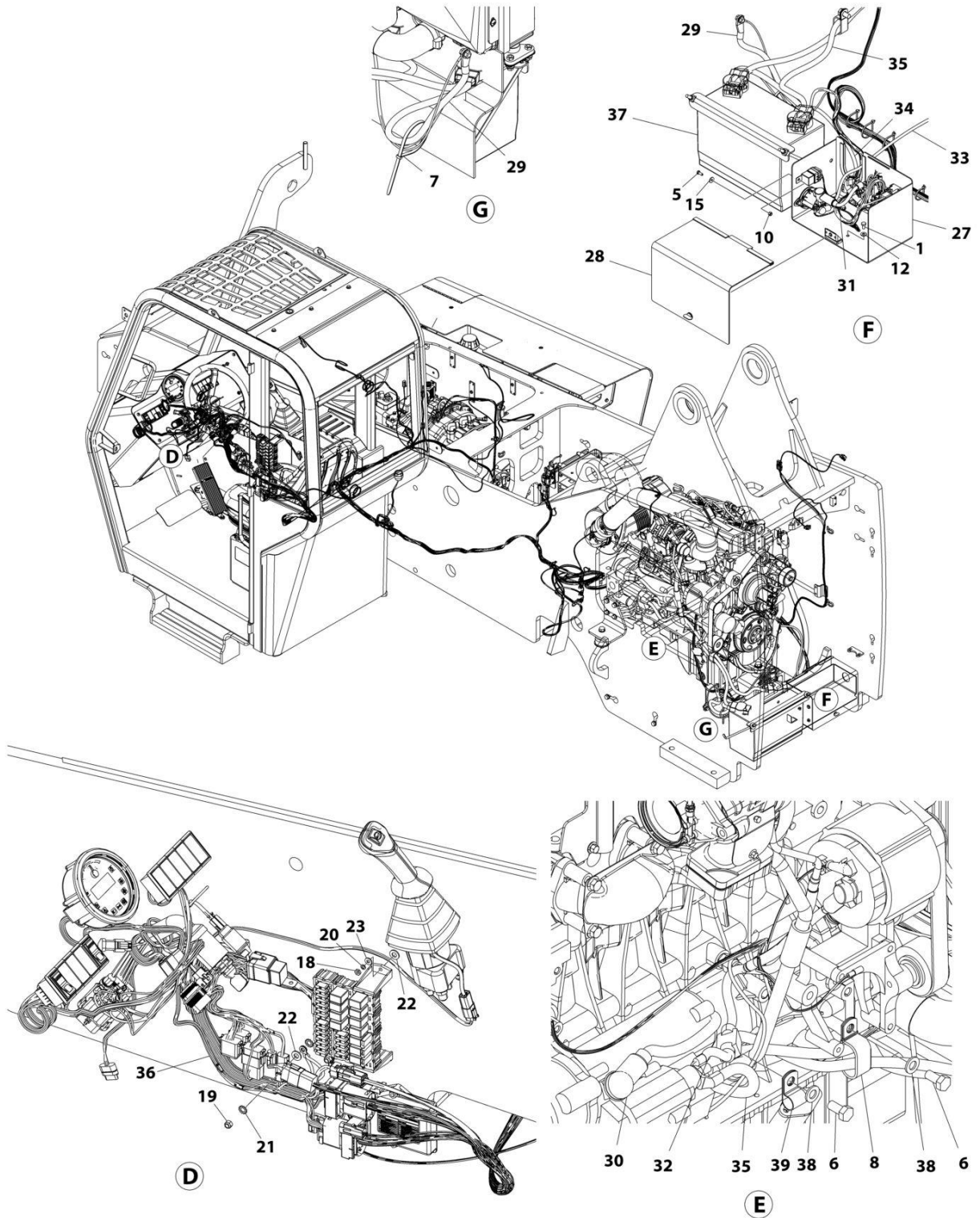
SECTION 10 - ELECTRICAL

FIGURE 10-2. ELECTRICAL INSTALLATION - 85HP



ART_1001166030_J_10F2

SECTION 10 - ELECTRICAL



ART_1001166030_J_2OF2

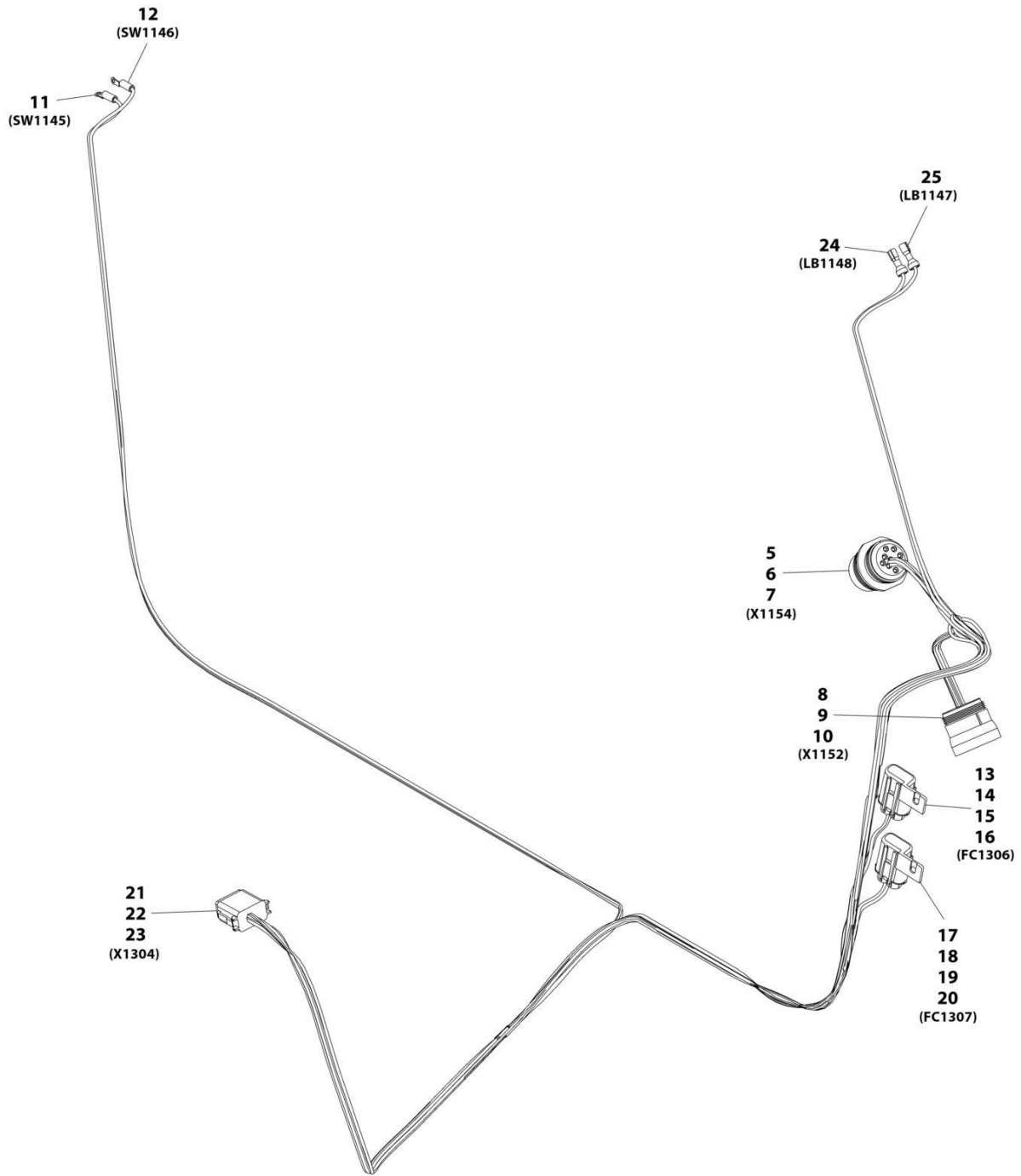
SECTION 10 - ELECTRICAL

FIGURE 10-2. ELECTRICAL INSTALLATION - 85HP

ITEM	PART NUMBER	QTY	DESCRIPTION	REV
	1001166030	Ref	ELECTRICAL INSTALLATION, 85HP - 6036 (IF EQUIPPED FOR LS) (6036)	J
1	0641404	3	Bolt 1/4 x 1/2	
3	0641605	1	Bolt 3/8 x 5/8	
5	8303545	1	Bolt M6 x 14	
6	0761212	2	Bolt M12 x 25	
7	1062255	1	Strap, Tie	
8	1001181899	1	Clamp	
9	3290601	1	Nut M6 x 1	
10	3290605	1	Nut M6 x 1	
11	4240017	3	Strap, Tie	
12	4711400	3	Washer 1/4	
13	4711600	1	Washer 3/8	
14	4811900	1	Washer M8	
15	4811702	1	Washer M6	
16	8270620	1	Horn, Signal	
18	8305002	3	Nut #10	
19	8305624	2	Nut, Lock 1/4	
20	8307003	3	Washer, Lock M10	
21	8307027	4	Washer, Lock 5/16	
22	8307106	5	Washer 5/16	
23	8307111	3	Washer M10	
24	8310046	1	Washer, Lock M10	
25	8584001	13	Wrap, Tie	
26	1001189488	1	Engine Harness (See Separate Breakdown in this Section)	
27	1001170233	1	Installation, Relay Panel (See Separate Breakdown in this Section)	
28	1001170234	1	Assembly, Relay Panel Cover (See Separate Breakdown in this Section)	
29	1001171234	1	Cable, Battery Negative	
30	1001171236	1	Cable, Starter Ground	
31	1001171237	1	Cable, Grid Heater to Fuse Power	
32	1001171238	1	Cable, Alternator Power	
33	1001171239	1	Cable, Grid Heater Power	
34	1001171633	1	Cable, Buss Power	
35	1001171757	1	Cable, Starter Power	
36	1001284542	1	Harness, Cab Power Distribution (See Separate Breakdown in this Section)	
37	1001186841	1	Installation, Battery (See Separate Breakdown in this Section)	
38	4812100	2	Washer M12	
39	8406105	1	Clip, Tube	
40	3290801	1	Nut M8 x 1.25	

SECTION 10 - ELECTRICAL

FIGURE 10-3. AIR SHUT OFF VALVE HARNESS - CAB



ART_1001231560-C

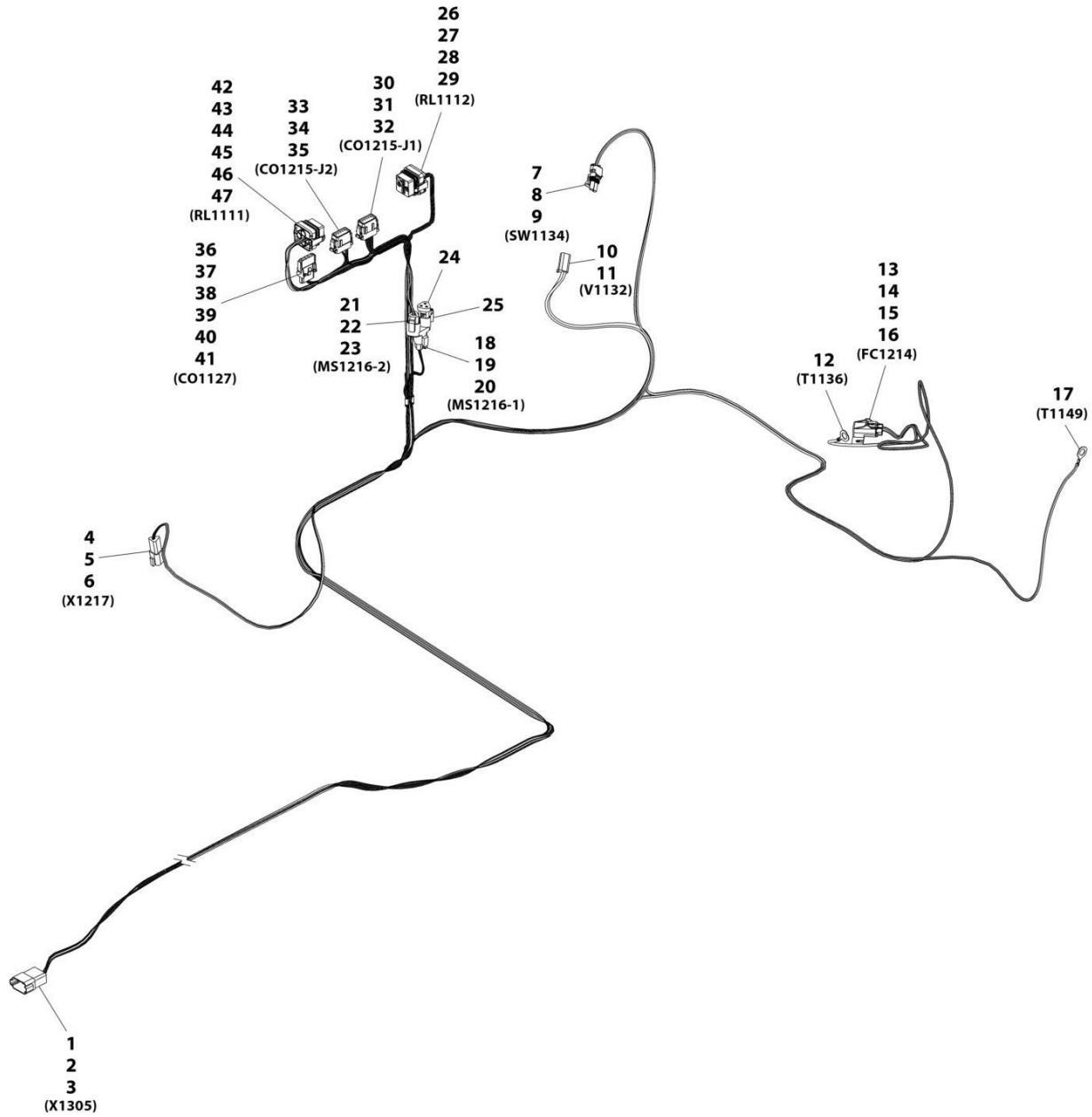
SECTION 10 - ELECTRICAL

FIGURE 10-3. AIR SHUT OFF VALVE HARNESS - CAB

ITEM	PART NUMBER	QTY	DESCRIPTION	REV
	1001231560	Ref	POSI Air Shut Off Valve Cab, Harness	C
5	1001112612	1	Connector	
6	4460464	6	Terminal	
7	4460466	3	Plug	
8	1001116945	1	Connector	
9	4460465	6	Terminal	
10	4460466	3	Plug	
11	8220035	1	Terminal, Ring	
12	8220035	1	Terminal, Ring	
13	1001231397	1	Connector	
14	8229261	1	Fuse 5A	
15	1001231400	2	Terminal	
16	1001231404	2	Plug	
17	1001231397	1	Connector	
18	8229234	1	Fuse 10A	
19	1001231400	2	Terminal	
20	1001231404	2	Plug	
21	4460930	1	Connector	
22	4460465	6	Terminal	
23	4460466	2	Plug	
24	8220108	1	Connector	
25	8220108	1	Connector	

SECTION 10 - ELECTRICAL

FIGURE 10-4. AIR SHUT OFF VALVE HARNESS - T4F



ART_1001216455

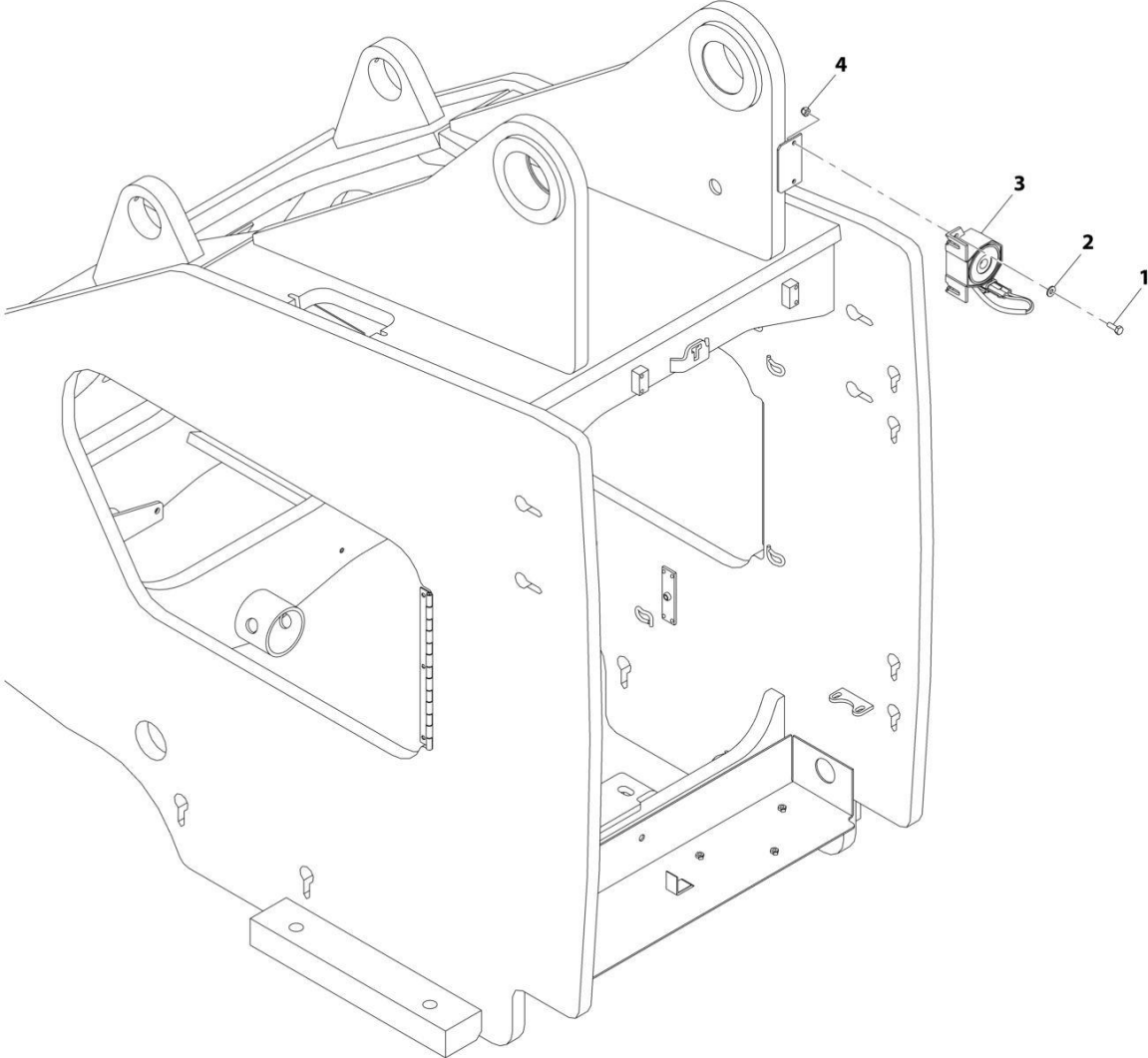
SECTION 10 - ELECTRICAL

FIGURE 10-4. AIR SHUT OFF VALVE HARNESS - T4F

ITEM	PART NUMBER	QTY	DESCRIPTION	REV
	1001216455	Ref	POSI Air Shut Off Valve T4F, Harness	F
1	4460931	1	Connector	
2	4460464	6	Terminal	
3	4460466	2	Plug	
4	1001144147	1	Connector	
5	4460464	2	Terminal	
6	4460466	1	Plug	
7	4460742	1	Connector	
8	4460475	2	Terminal	
9	4460458	2	Seal	
10	4460891	1	Connector	
11	1001157890	2	Terminal	
12	1001187078	1	Terminal, Ring	
13	1001231397	1	Connector	
14	8229235	1	Fuse 20A	
15	1001231401	2	Terminal	
16	1001230402	2	Seal	
17	1001187078	1	Connector	
18	1001116812	1	Connector	
19	4460465	2	Terminal	
20	4460466	1	Plug	
21	4460539	1	Connector	
22	4460465	2	Terminal	
23	4460466	1	Plug	
24	1001116815	1	Connector, 3 Pin	
25	4460945	1	Terminal, 3 Way "T" Receptacle	
26	1001231398	1	Connector	
27	1001231400	4	Terminal	
28	1001231406	1	Plug	
29	1001231404	4	Seal	
30	1001116808	1	Connector	
31	1001126008	9	Terminal	
32	4460518	3	Plug	
33	1001116774	1	Connector	
34	4460518	8	Plug	
35	1001126008	4	Terminal	
36	4460761	1	Connector	
37	4460321	1	Connector - 4 Position	
38	4460809	4	Plug	
39	1001118378	4	Terminal	
40	1001143551	1	Seal	
41	1001218358	1	Lanyard, Rope	
42	1001231398	1	Connector	
43	1001231401	2	Terminal	
44	1001231400	2	Terminal	
45	1001231406	1	Plug	
46	1001231402	2	Seal	
47	1001231404	2	Seal	

SECTION 10 - ELECTRICAL

FIGURE 10-5. ALARM INSTALLATION - BACK UP



ART_1001206542-A

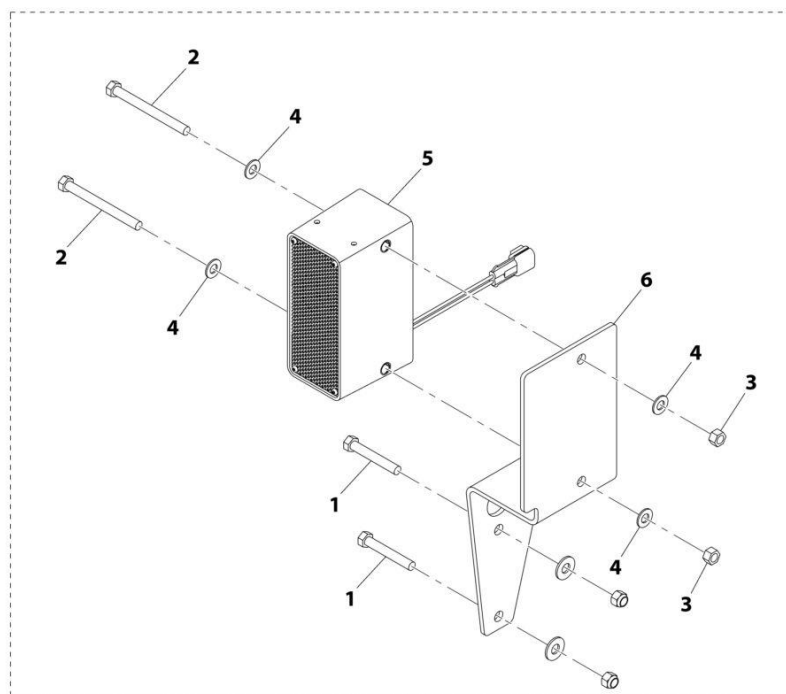
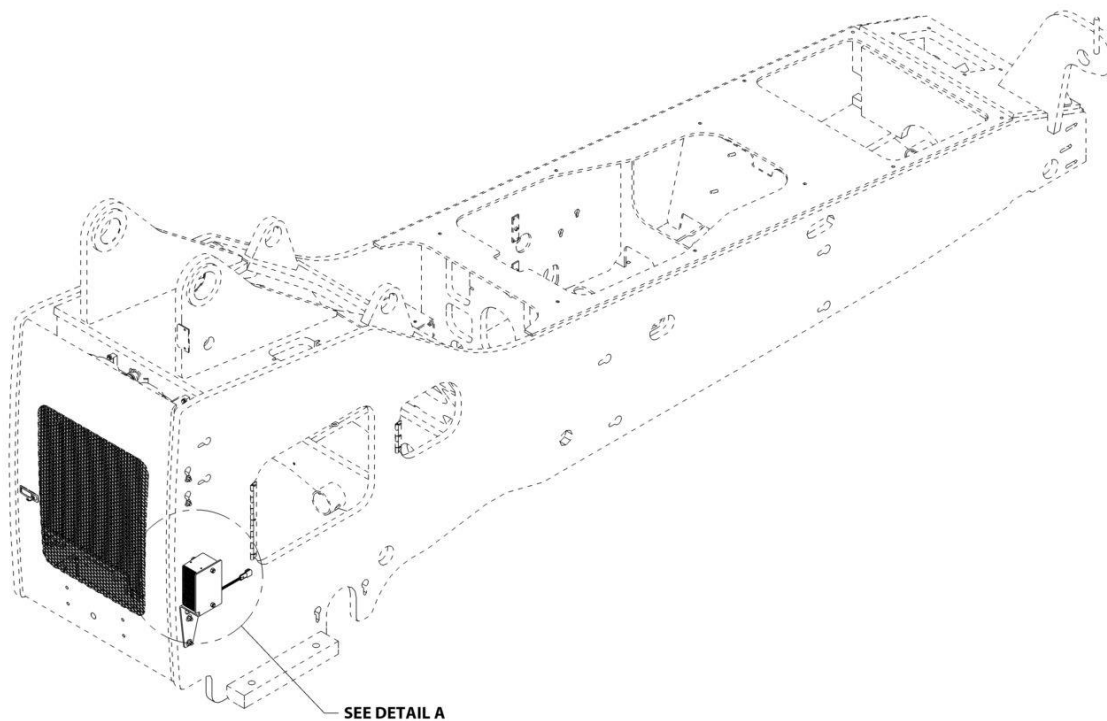
SECTION 10 - ELECTRICAL

FIGURE 10-5. ALARM INSTALLATION - BACK UP

ITEM	PART NUMBER	QTY	DESCRIPTION	REV
	1001206542	Ref	Back-Up Alarm Installation	A
1	0641406	2	Bolt 1/4X3/4	
2	4711400	2	Washer 1/4	
3	8270621	1	Alarm, Back-Up	
4	8305624	2	Nut 1/4	

SECTION 10 - ELECTRICAL

FIGURE 10-6. ALARM INSTALLATION - WHITE NOSE



DETAIL A

ART_1001206543-A

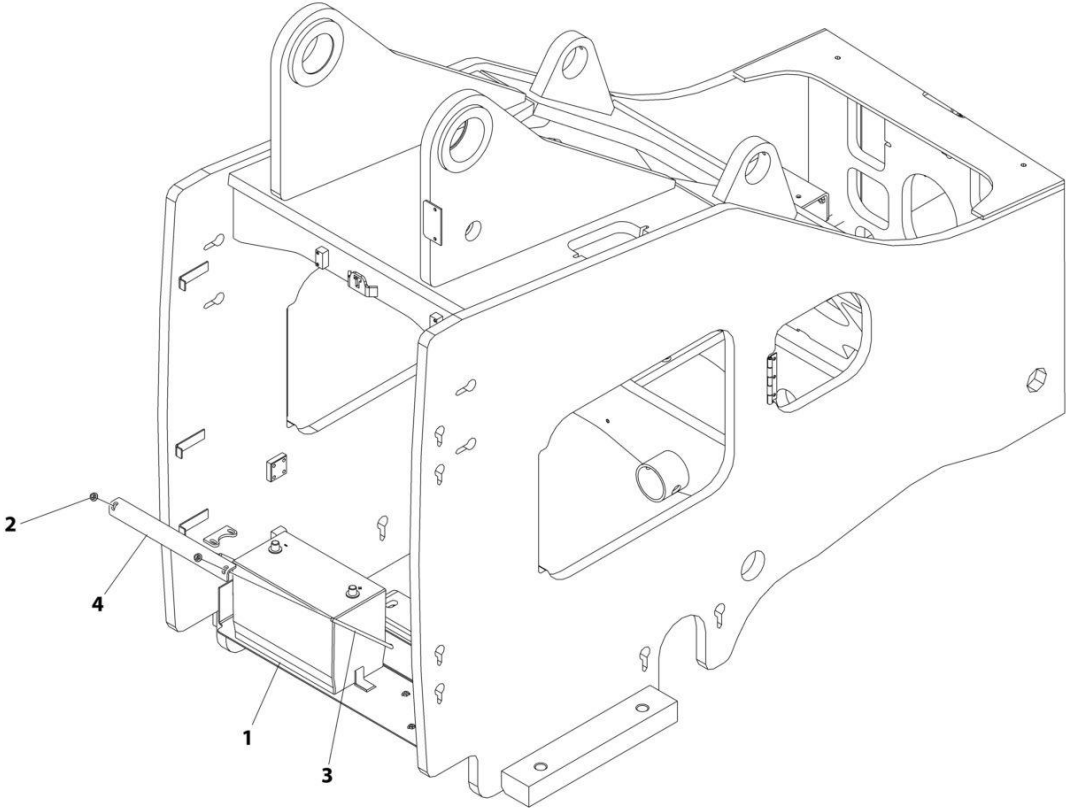
SECTION 10 - ELECTRICAL

FIGURE 10-6. ALARM INSTALLATION - WHITE NOISE

ITEM	PART NUMBER	QTY	DESCRIPTION	REV
	1001206543	Ref	Back-Up Alarm Installation (White Noise)	A
1	0641620	2	Bolt 3/82-1/2	
2	0641632	2	Bolt 3/8X4	
3	3311605	2	Nut 3/8	
4	4711600	4	Washer 3/8	
5	1001198728	1	Alarm	
6	1001213574	1	Bracket	

SECTION 10 - ELECTRICAL

FIGURE 10-7. BATTERY INSTALLATION



ART_1001186841

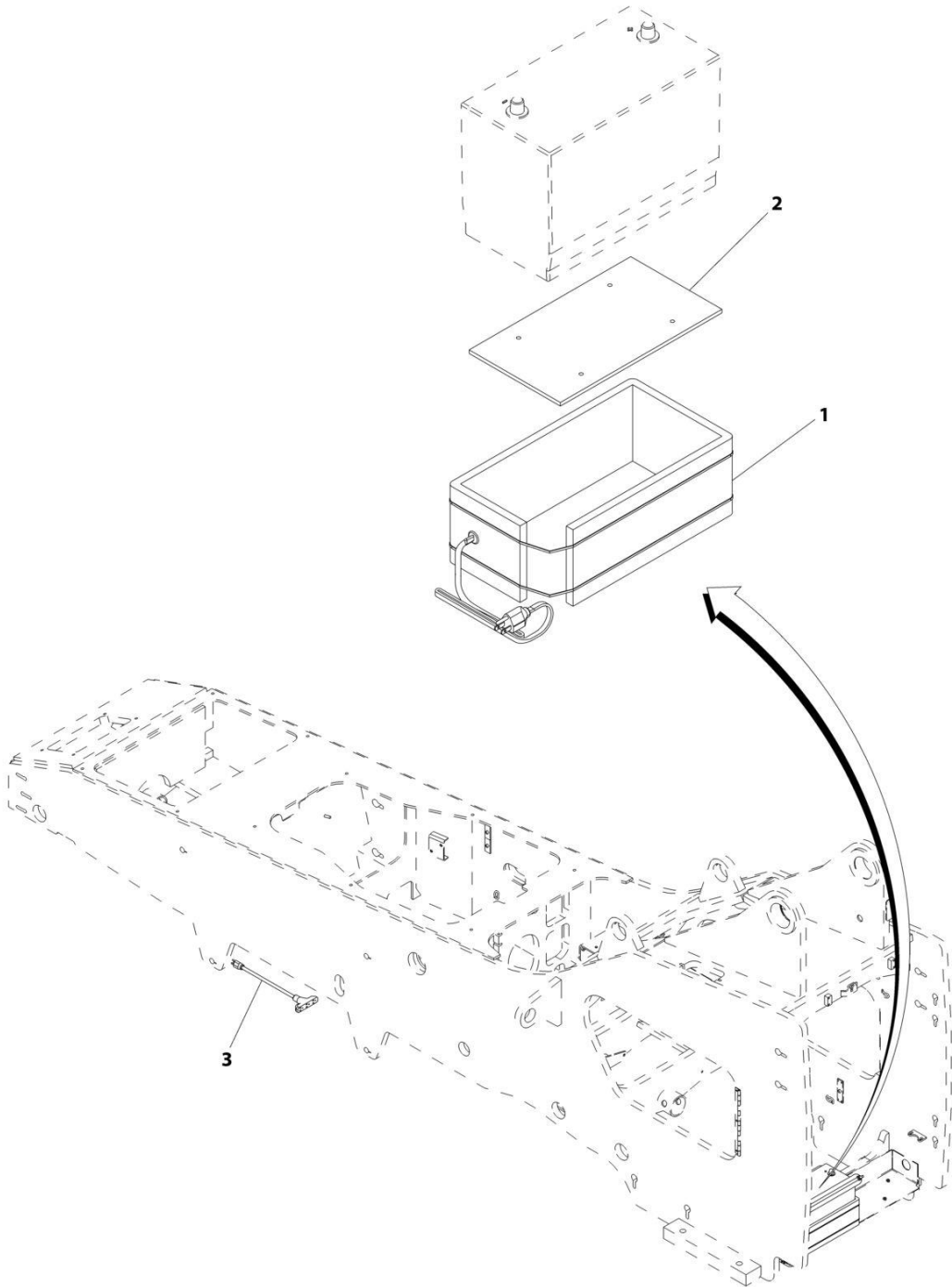
SECTION 10 - ELECTRICAL

FIGURE 10-7. BATTERY INSTALLATION

ITEM	PART NUMBER	QTY	DESCRIPTION	REV
	1001186841	Ref	Battery Installation	B
1	0400075	1	Battery, 12V	
2	77143006	2	Nut 5/16	
3	91081640	2	Bolt, Battery Hold Down	
4	1001258991	1	Plate, Battery Hold Down	

SECTION 10 - ELECTRICAL

FIGURE 10-8. BATTERY BLANKET INSTALLATION



ART_1001234216-A

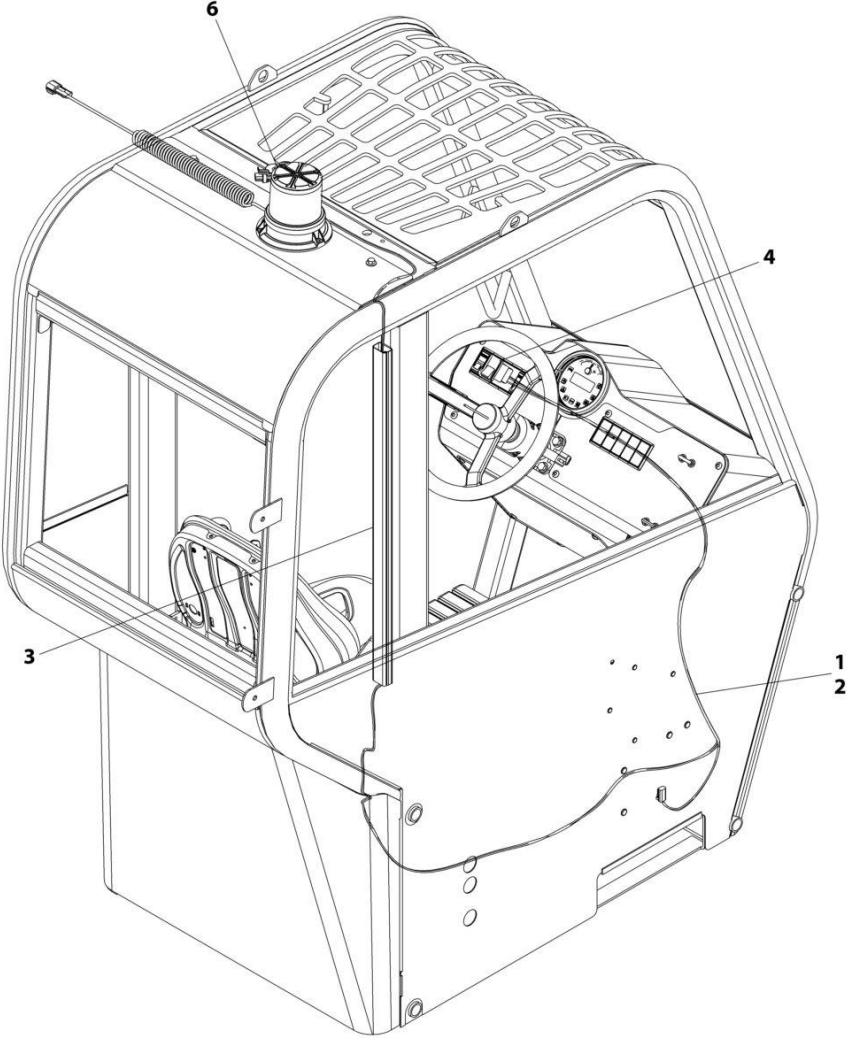
SECTION 10 - ELECTRICAL

FIGURE 10-8. BATTERY BLANKET INSTALLATION

ITEM	PART NUMBER	QTY	DESCRIPTION	REV
	1001234216	Ref	Battery Blanket Installation	A
1	1001093564	1	Battery Heater	
2	1001119278	1	Battery Insulate	
3	1060626	1	3 Way Plug	

SECTION 10 - ELECTRICAL

FIGURE 10-9. BEACON INSTALLATION (OPEN CAB)



ART_1001161212_J

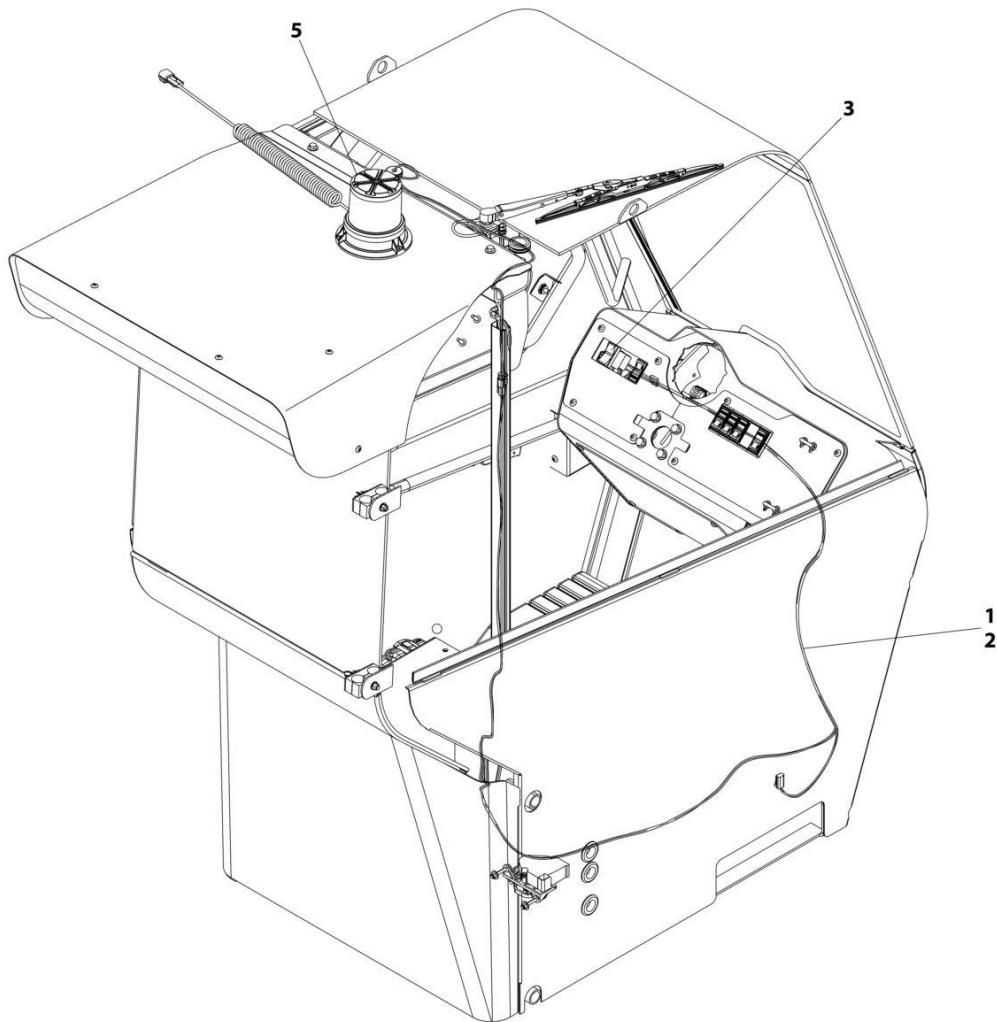
SECTION 10 - ELECTRICAL

FIGURE 10-9. BEACON INSTALLATION (OPEN CAB)

ITEM	PART NUMBER	QTY	DESCRIPTION	REV
	1001161212	Ref	LIGHTS - BEACON LIGHT INSTALLATION (OPEN CAB)	J
1	0100009	AR	Sealant	
2	1001284403	1	Harness, Beacon Option (See Separate Breakdown in this Section)	
3	1001182091	1	Duct, Upper Wire	
4	8223038	1	Switch, Beacon	
6	1001271586	1	Light, Rotating Beacon	

SECTION 10 - ELECTRICAL

FIGURE 10-10. BEACON INSTALLATION (ENCLOSED CAB)



ART_1001161213_H

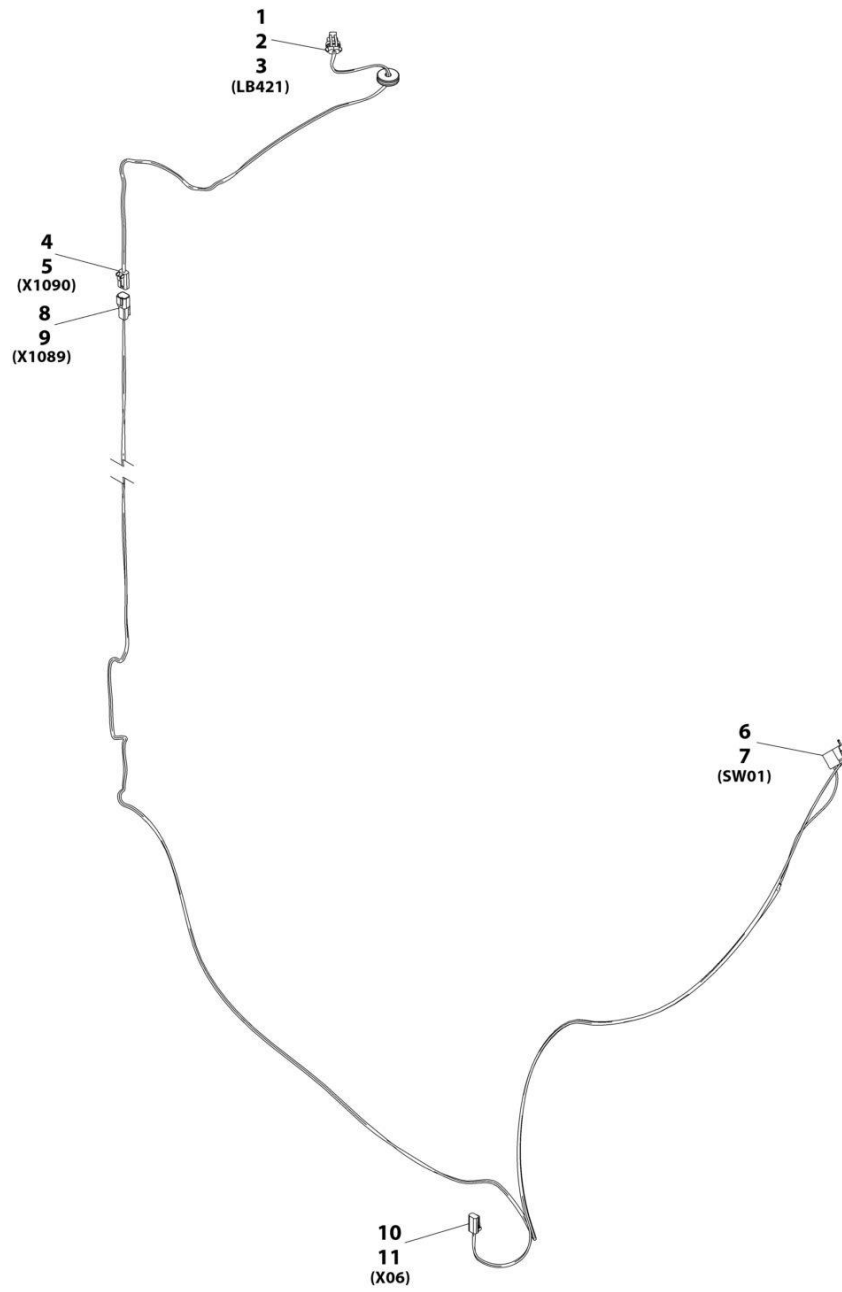
SECTION 10 - ELECTRICAL

FIGURE 10-10. BEACON INSTALLATION (ENCLOSED CAB)

ITEM	PART NUMBER	QTY	DESCRIPTION	REV
	1001161213	Ref	LIGHTS - BEACON LIGHT INSTALLATION (ENCLOSED CAB)	H
1	0100009	AR	Sealant	
2	1001284403	1	Harness, Beacon Option (See Separate Breakdown in this Section)	
3	8223038	1	Switch, Beacon	
5	1001271586	1	Light, Rotating Beacon	

SECTION 10 - ELECTRICAL

FIGURE 10-11. BEACON OPTION HARNESS



ART_1001284403

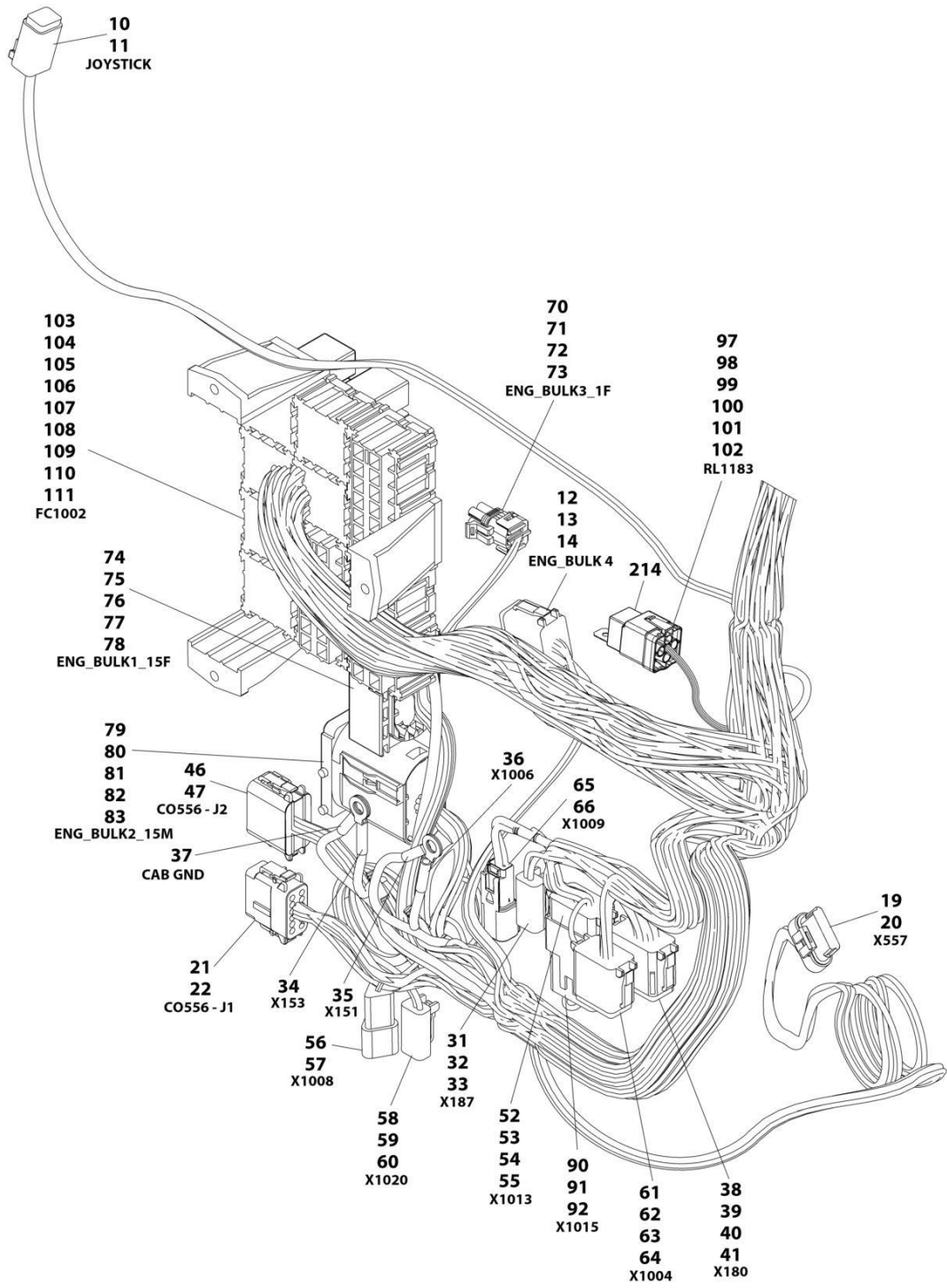
SECTION 10 - ELECTRICAL

FIGURE 10-11. BEACON OPTION HARNESS

ITEM	PART NUMBER	QTY	DESCRIPTION	REV
	1001284403	Ref	BEACON OPTION HARNESS	A
1	1001117021	1	Connector	
2	1001116728	2	Terminal	
3	4460458	2	Seal	
4	4460891	1	Connector	
5	4460465	2	Terminal	
6	8220904	1	Connector	
7	4460419	6	Terminal	
8	4460897	1	Connector	
9	4460464	2	Terminal	
10	4460539	1	Connector	
11	4460465	3	Terminal	

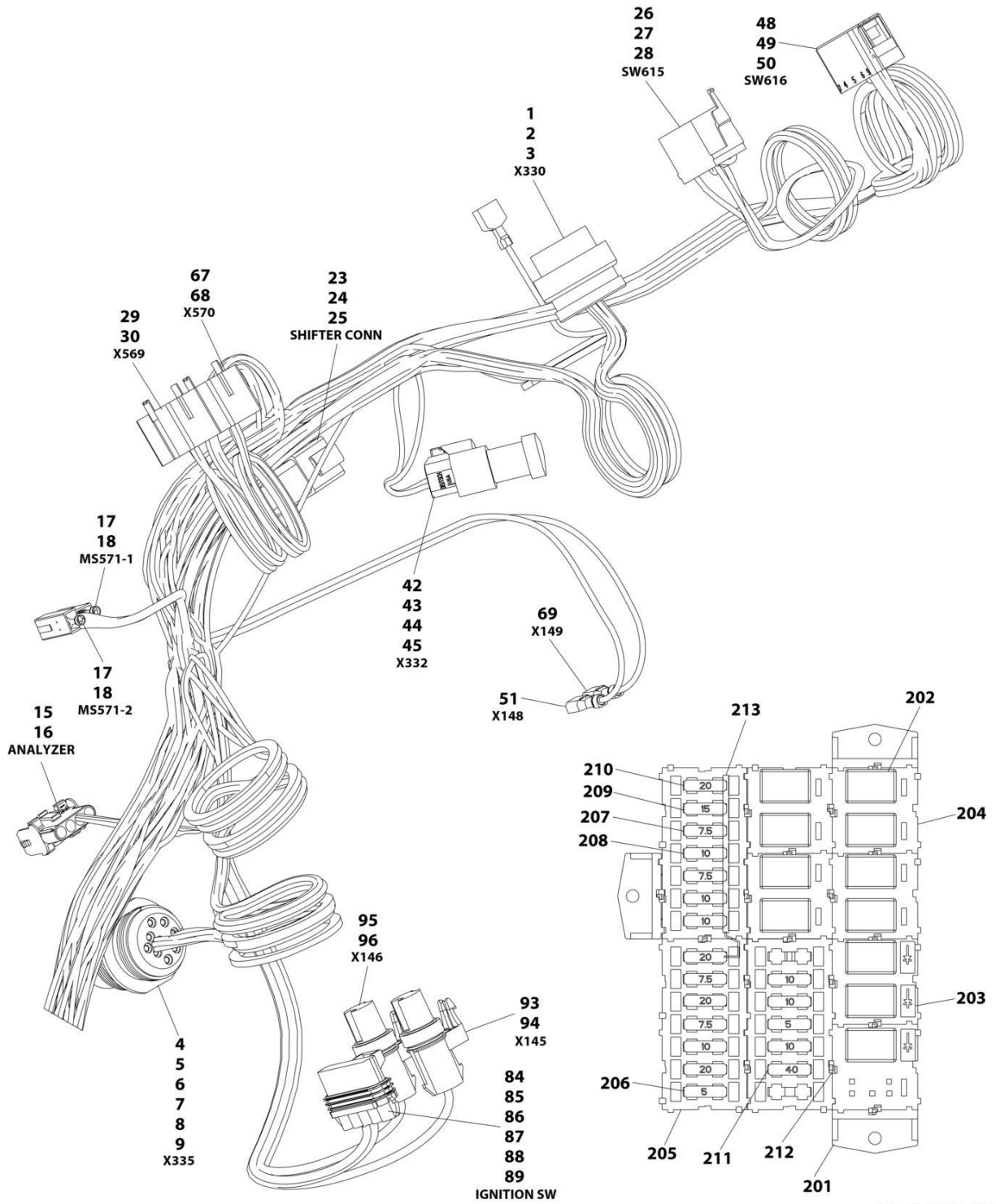
SECTION 10 - ELECTRICAL

FIGURE 10-12. CAB POWER DISTRIBUTION HARNESS



ART_1001284542_10F2

SECTION 10 - ELECTRICAL



ART_1001284542_20F2

SECTION 10 - ELECTRICAL

FIGURE 10-12. CAB POWER DISTRIBUTION HARNESS

ITEM	PART NUMBER	QTY	DESCRIPTION	REV
	1001284542	Ref	CAB POWER DISTRIBUTION HARNESS	B
1	4460872	1	Connector	
2	4460871	10	Terminal, Socket	
3	4460905	4	Plug, Seal	
4	1001112612	1	Connector	
5	1001149712	1	Cap	
6	1001125784	1	Lockwasher	
7	1001125785	1	Nut	
8	4460464	7	Terminal	
9	4460466	3	Plug	
10	4460884	1	Connector	
11	4460465	4	Terminal	
12	4460930	1	Connector	
13	4460465	6	Terminal	
14	4460466	2	Plug	
15	4460761	1	Connector	
16	1001118378	4	Terminal	
17	4460994	2	Connector	
18	1001200833	4	Terminal	
19	1001230931	1	Connector	
20	91554014	6	Terminal	
21	1001116808	1	Connector	
22	1001126008	12	Terminal, Socket	
23	4460970	1	Connector	
24	4460464	9	Terminal	
25	4460466	3	Plug	
26	8220904	1	Connector	
27	4460419	4	Terminal	
28	1001195760	2	Terminal	
29	1001117119	1	Connector	
30	1001159186	4	Terminal	
31	4460891	1	Connector	
32	1001157890	1	Terminal	
33	4460942	1	Terminal	
34	4460312	1	Terminal, Ring	
35	4460312	1	Terminal, Ring	
36	4460312	1	Terminal, Ring	
37	4460312	1	Terminal, Ring	
38	4460836	1	Connector	
39	1001157890	5	Terminal, Socket	
40	4460465	6	Terminal	
41	4460466	1	Plug	
42	1001116812	1	Connector	
43	4461070	1	Connector	
44	4460465	2	Terminal	
45	4460466	1	Plug	
46	1001116774	1	Connector	
47	1001126008	12	Terminal, Socket	
48	8220904	1	Connector	
49	4460419	2	Terminal	

SECTION 10 - ELECTRICAL

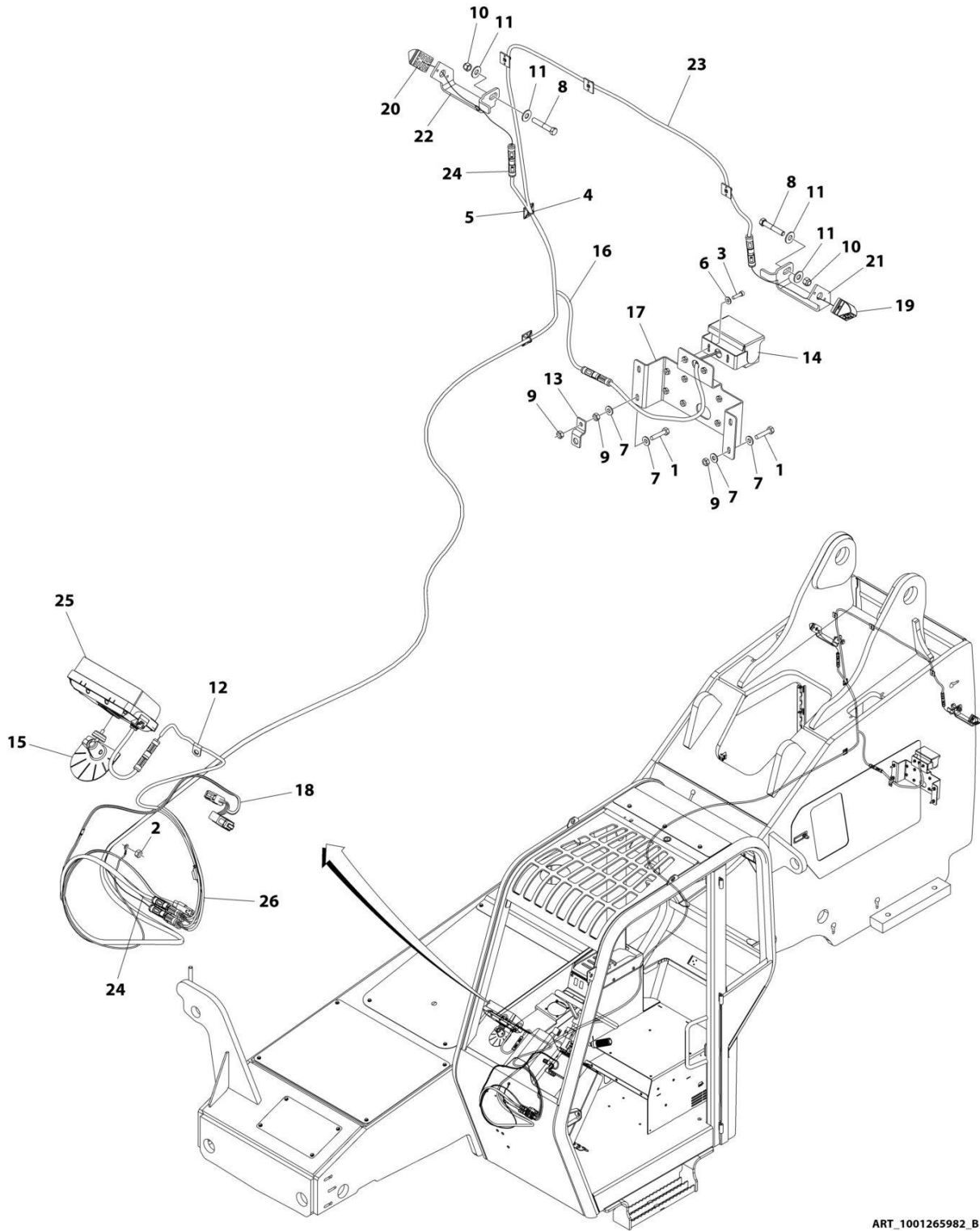
ITEM	PART NUMBER	QTY	DESCRIPTION	REV
50	1001195760	8	Terminal	
51	8220051	1	Terminal	
52	4460933	1	Connector	
53	1001003174	3	Terminal, Socket	
54	4460465	7	Terminal	
55	4460466	2	Terminal	
56	4460536	1	Connector	
57	4460464	3	Terminal	
58	4460891	1	Connector	
59	4460465	1	Terminal	
60	1001157890	1	Terminal	
61	4460930	1	Connector	
62	4460465	3	Terminal	
63	1001157890	2	Terminal	
64	4460466	3	Plug	
65	4461017	1	Connector	
66	4460508	2	Terminal, Socket	
67	1001117119	1	Connector	
68	1001159186	2	Terminal	
69	8220051	1	Terminal	
70	80963061	1	Connector	
71	4460790	2	Terminal, Socket	
72	1001116727	2	Terminal	
73	8220089	4	Seal	
74	8220927	1	Connector	
75	1001116747	12	Terminal	
76	4460746	3	Terminal	
77	4460458	3	Seal	
78	8220081	12	Seal	
79	8220929	1	Connector	
80	8220097	12	Terminal	
81	8220125	2	Terminal	
82	1001116727	1	Plug	
83	4460458	14	Seal	
84	1001121726	1	Connector	
85	8220125	2	Terminal	
86	8220089	2	Seal	
87	1001116726	1	Terminal	
88	4460458	1	Seal	
89	1001116727	2	Plug	
90	4460970	1	Connector	
91	4460466	6	Terminal	
92	4460464	6	Terminal	
93	1001121728	1	Connector, Packard Female, 1POS	
94	1001121730	1	Terminal	
95	1001121728	1	Connector, Packard Female, 1POS	
96	1001121730	1	Terminal	
97	1001231398	1	Connector	
98	1001231401	2	Terminal	
99	1001231400	2	Terminal	
100	1001231406	1	Plug	

SECTION 10 - ELECTRICAL

ITEM	PART NUMBER	QTY	DESCRIPTION	REV
101	1001231402	2	Seal	
102	1001231404	2	Seal	
103	1001116712	9	Terminal	
104	1001116710	18	Terminal	
105	1001116711	26	Terminal	
106	1001210779	8	Terminal	
107	1001192050	10	Terminal	
108	1001210776	4	Terminal	
109	1001192049	12	Terminal	
110	1001210778	1	Terminal	
111	1001210777	7	Terminal	
201	1001200845	3	Leg, Mounting	
202	1001205172	11	Relay, Micro 280, 12V, 35 Amp	
203	1001129285	3	Fuse, Mini Diode	
204	1001177198	6	Module, 2 Fuse	
205	1001187952	3	Assembly, Electrical	
206	8229261	2	Fuse, Type 5 A	
207	8229233	4	Fuse, Type 7.5 A	
208	8229234	7	Fuse, Type 10 A	
209	8229237	1	Fuse, Type 15 A	
210	8229235	4	Fuse, Type 20 A	
211	8229238	1	Fuse, Type 40 A	
212	4461103	17	Relay, Locking Wedge	
213	1001210779	1	Terminal	
214	3740080	1	Relay, Weather Proof	

SECTION 10 - ELECTRICAL

FIGURE 10-13. CAMERA INSTALLATION - REVERSE MULTI-VIEW



ART_1001265982_B

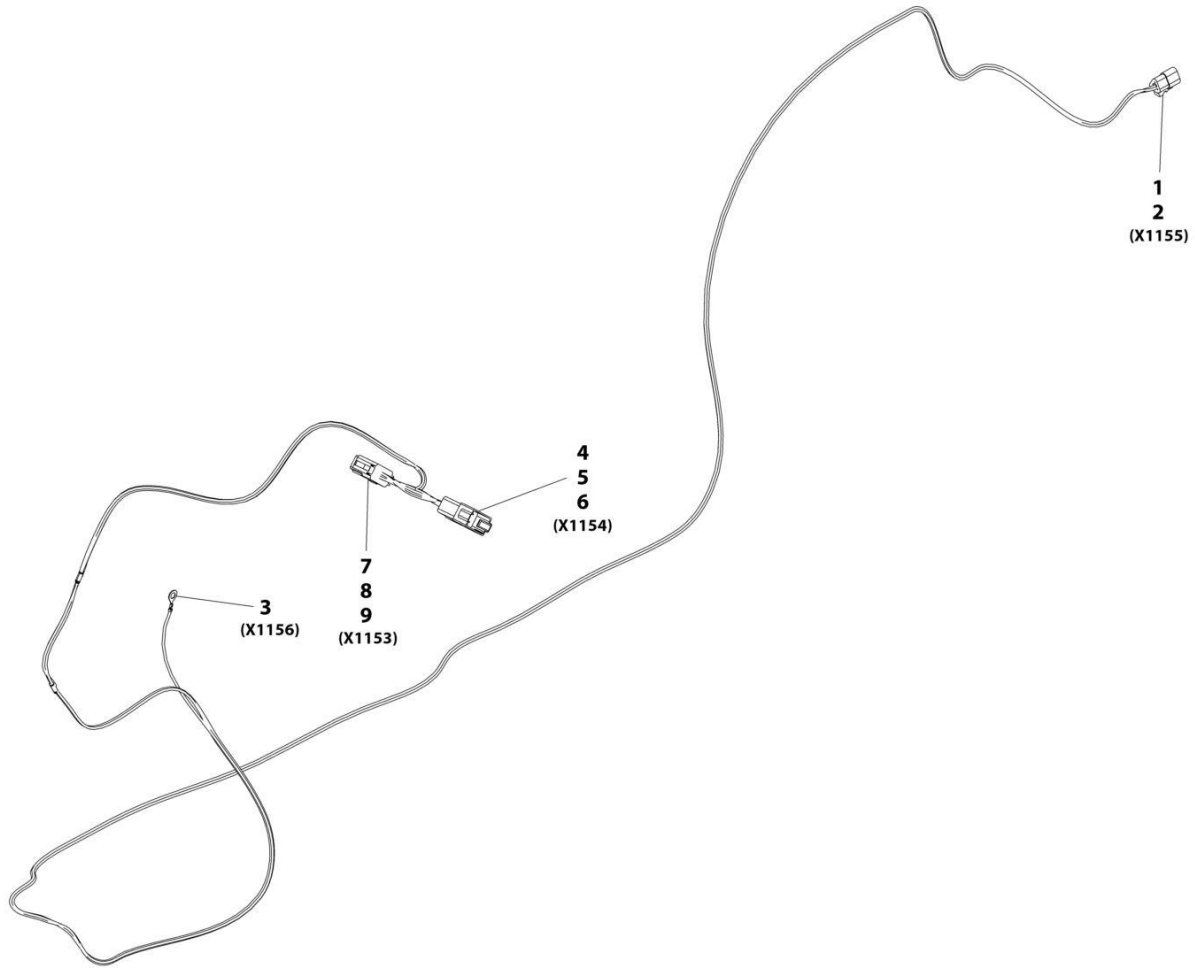
SECTION 10 - ELECTRICAL

FIGURE 10-13. CAMERA INSTALLATION - REVERSE MULTI-VIEW

ITEM	PART NUMBER	QTY	DESCRIPTION	REV
	1001265982	Ref	SKYTRAK BACKUP CAMERA INSTALLATION	B
1	0641410	4	Bolt 1/4 x 1	
2	3311401	1	Nut 1/4	
3	3931012	2	Capscrew, #10 x 3/4	
4	4240032	1	Tie-Strap	
5	4460234	1	Mount, Tie-Strap	
6	4711000	2	Washer M10	
7	4711400	8	Washer 1/4	
8	8303771	1	Bolt 3/8 x 2-1/4	
9	8305004	5	Nut 1/4	
10	8305645	2	Nut 3/8	
11	8307204	4	Washer 3/8	
12	8406010	1	Clip	
13	1001204692	1	Bracket	
14	1001233174	1	Camera, Rear View	
15	1001233217	1	Bracket, Monitor Mount	
16	1001233434	1	Harness, Extension Cable Camera	
17	1001233828	1	Bracket, Camera Mount	
18	1001233976	1	Harness, Rear Camera Option (See Separate Breakdown in this Section)	
19	1001264534	1	Camera (LH)	
19	70031717	1	Cable, Camera	
20	1001264536	1	Camera (RH)	
20	70031717	1	Cable, Camera	
21	1001265679	1	Bracket, Camera (LH)	
22	1001265680	1	Bracket, Camera (RH)	
23	1001265979	1	Harness, Extension (LH)	
24	1001265980	1	Harness, Extension (RH)	
25	1001289479	1	Monitor, Display	
26	1001265987	1	Harness, Monitor/Display	

SECTION 10 - ELECTRICAL

FIGURE 10-14. CAMERA OPTION HARNESS - REVERSE



ART_1001233976-A

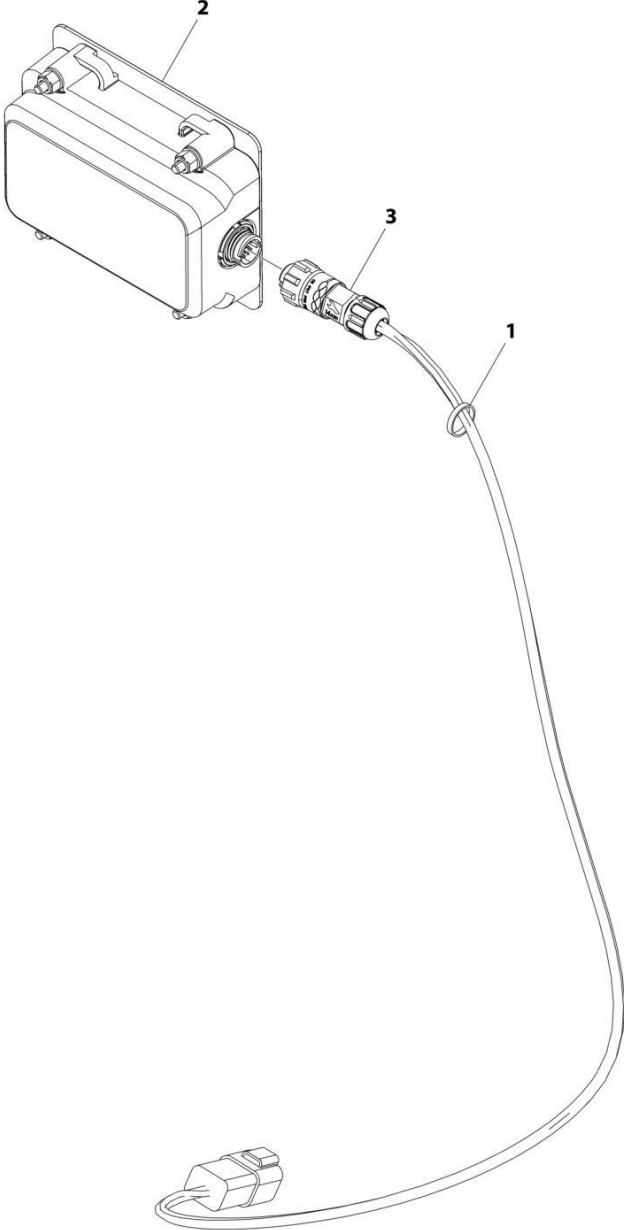
SECTION 10 - ELECTRICAL

FIGURE 10-14. CAMERA OPTION HARNESS - REVERSE

ITEM	PART NUMBER	QTY	DESCRIPTION	REV
	1001233976	Ref	Skytrak Rear Camera Option Harness	A
1	4460539	1	Connector	
2	4460465	3	Terminal	
3	1001207173	1	Terminal, Ring	
4	4460970	1	Connector	
5	4460464	9	Terminal	
6	4460466	3	Plug	
7	4460933	1	Connector	
8	4460465	9	Terminal	
9	4460466	3	Plug	

SECTION 10 - ELECTRICAL

FIGURE 10-15. CLEARSKY INSTALLATION 3-WIRE (ANSI)



ART_1001276920

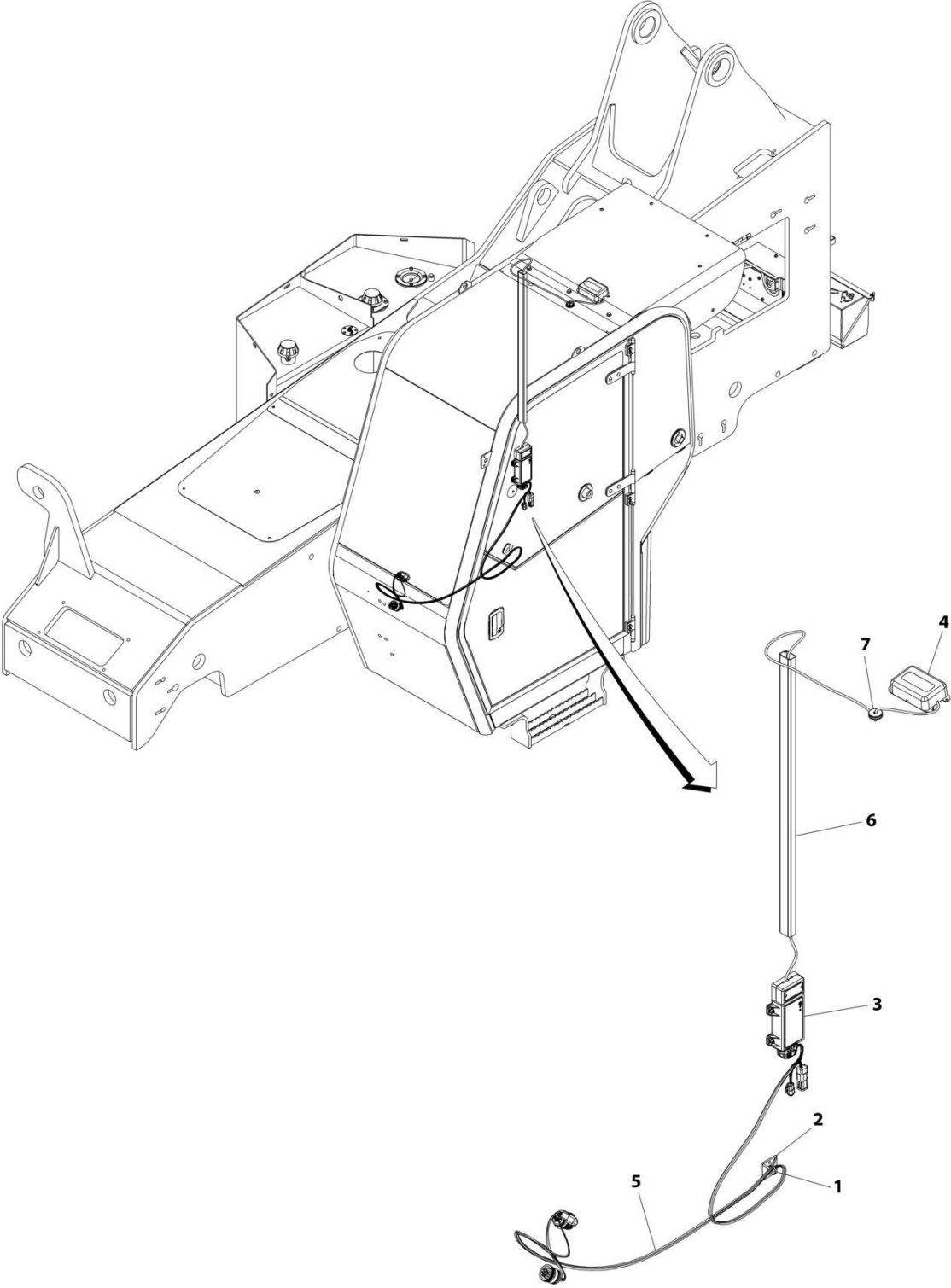
SECTION 10 - ELECTRICAL

FIGURE 10-15. CLEARSKY INSTALLATION 3-WIRE (ANSI)

ITEM	PART NUMBER	QTY	DESCRIPTION	REV
	1001276920	Ref	CLEARSKY TELEMATICS 3-WIRE INSTALLATION	A
1	4240032	AR	Tie, Strap	
2	1001272659	1	Module - GT1030	
3	1001273012	1	ClearSky Telematics 3-Wire Harness (See Separate Breakdown in this Section)	

SECTION 10 - ELECTRICAL

FIGURE 10-16. CLEARSKY INSTALLATION CANBUS (ANSI)



ART_1001227459_E

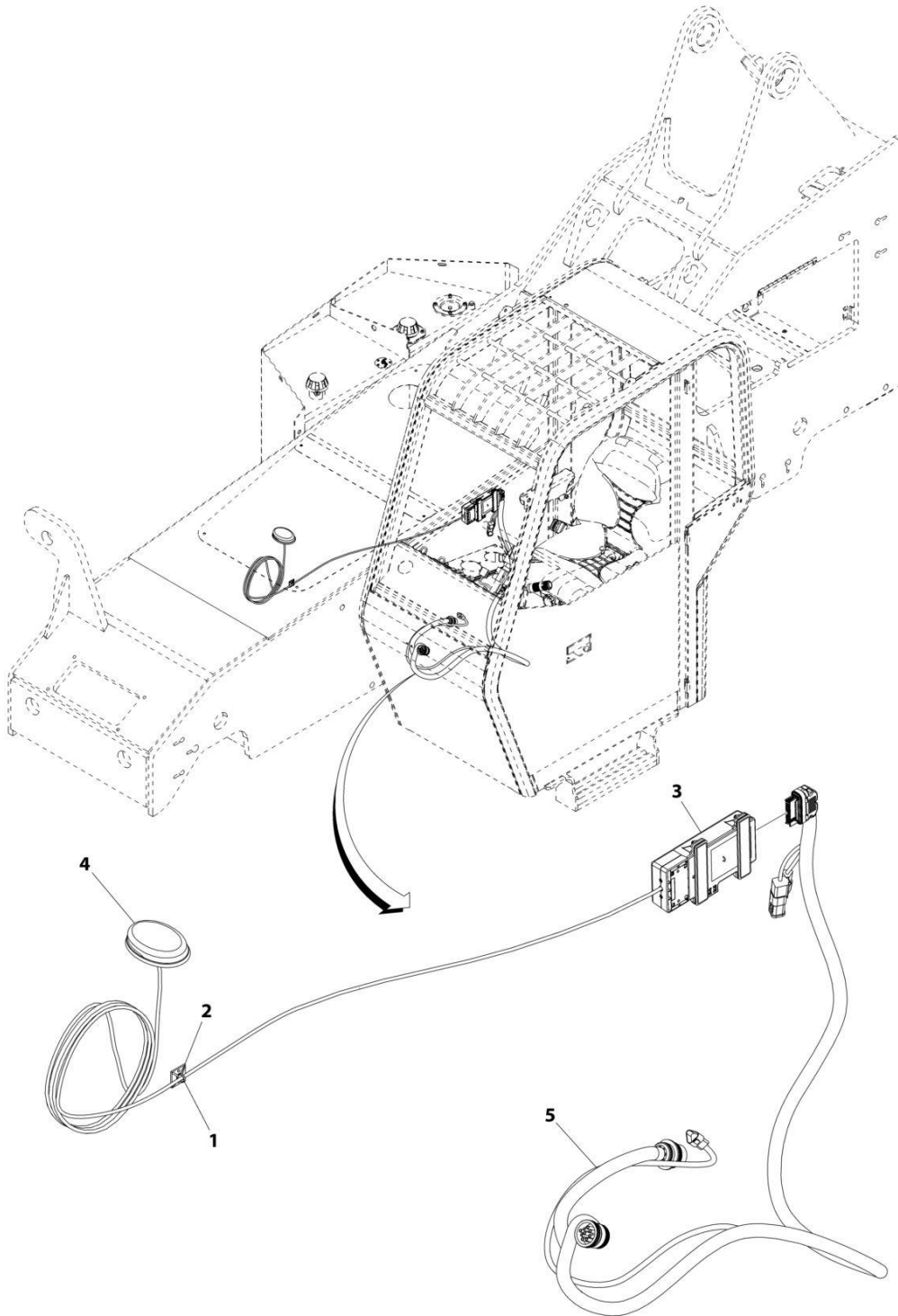
SECTION 10 - ELECTRICAL

FIGURE 10-16. CLEARSKY INSTALLATION CANBUS (ANSI)

ITEM	PART NUMBER	QTY	DESCRIPTION	REV
	1001227459	Ref	CLEARSKY INSTALLATION	E
1	4240032	AR	Tie-Strap	
2	4460234	AR	Mount, Tie-Strap	
3	1001262322	1	Module (4G)	
4	1001262327	1	Antenna (4G)	
5	1001226856	1	Harness, Clearsky (See Separate Breakdown in this Section)	
6	1001182091	1	Duct, Wire	
7	1001195913	1	Grommet	

SECTION 10 - ELECTRICAL

FIGURE 10-17. CLEARSKY INSTALLATION CANBUS (CE)



ART_1001239250-A

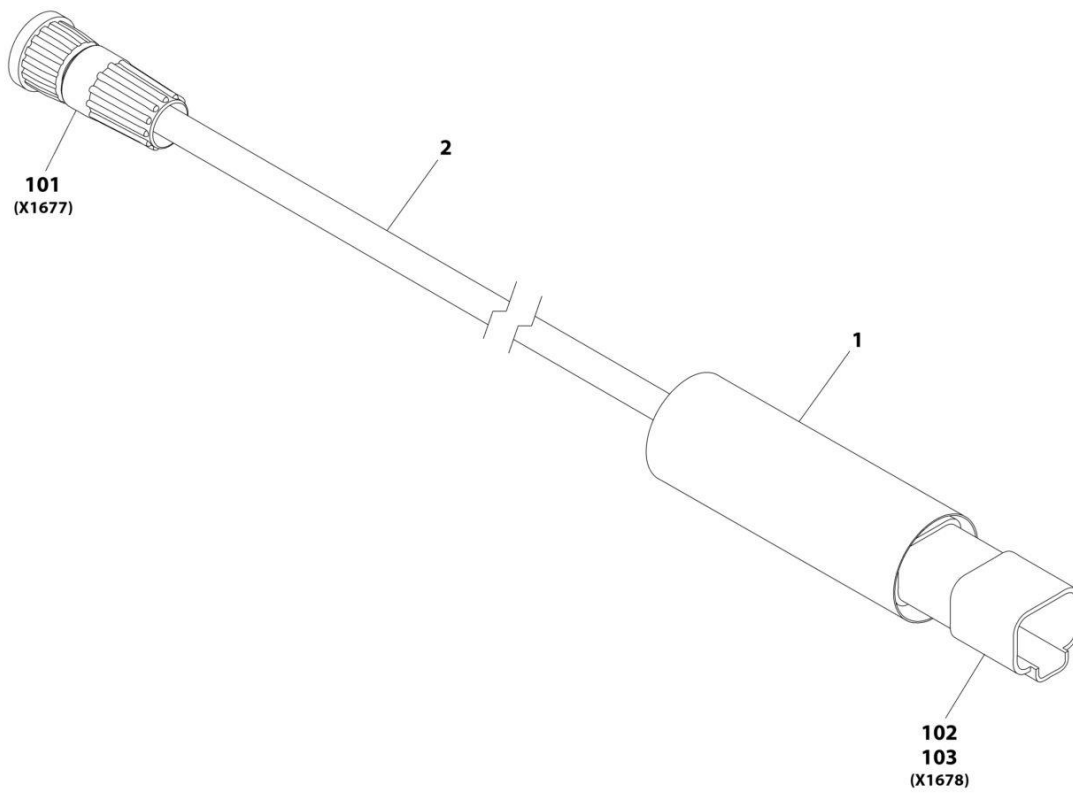
SECTION 10 - ELECTRICAL

FIGURE 10-17. CLEARSKY INSTALLATION CANBUS (CE)

ITEM	PART NUMBER	QTY	DESCRIPTION	REV
	1001239250	Ref	Clearsky Installation (CE)	A
1	4240032	AR	Tie-Strap	
2	4460234	AR	Mount, Tie-Strap	
3	1001228954	1	Module	
4	1001226799	1	Antenna	
5	1001226856	1	Harness, Clearsky (See Separate Breakdown in this Section)	

SECTION 10 - ELECTRICAL

FIGURE 10-18. CLEARSKY TELEMATICS HARNESS (3-WIRE)



ART_1001227066-A

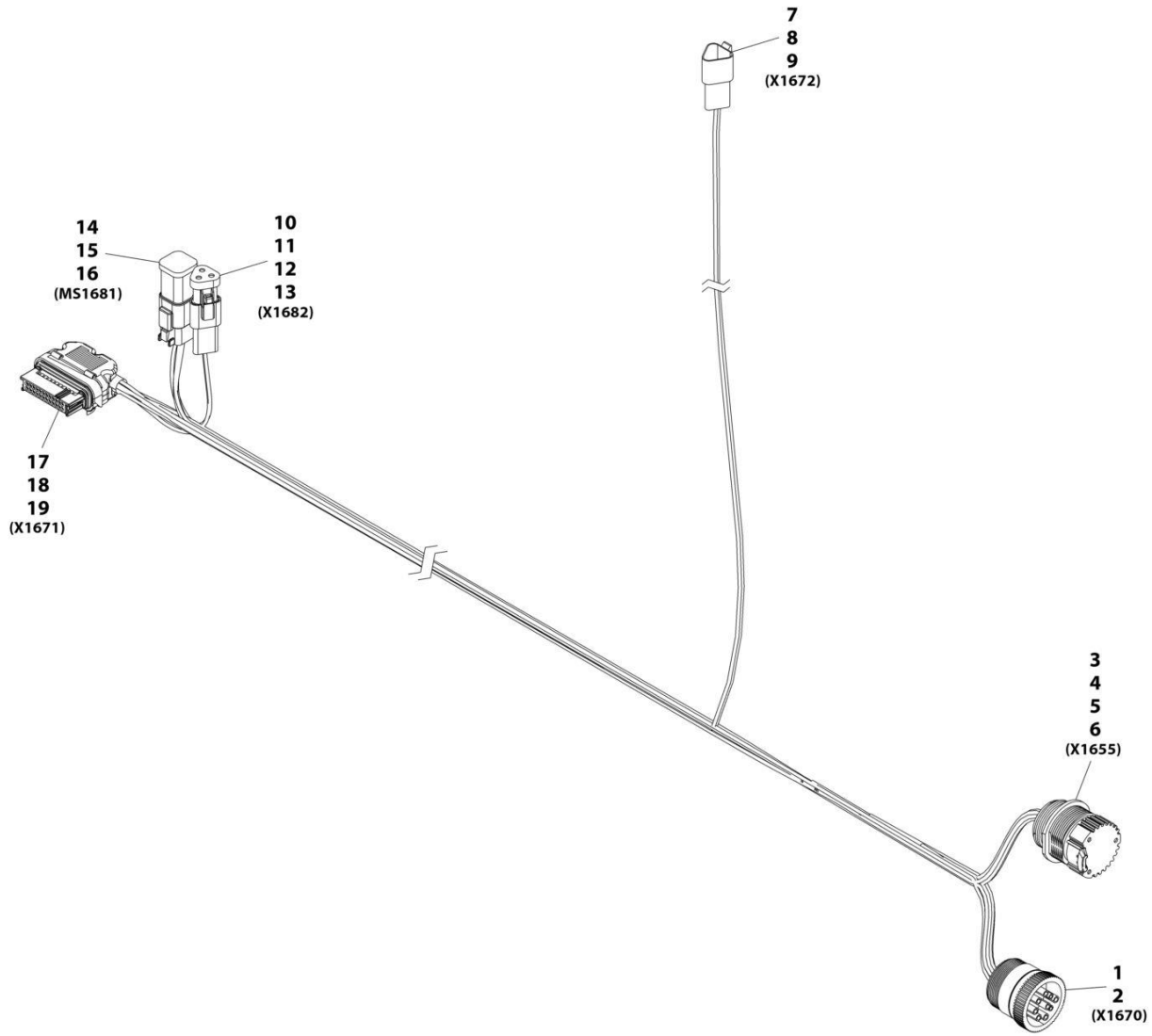
SECTION 10 - ELECTRICAL

FIGURE 10-18. CLEARSKY TELEMATICS HARNESS (3-WIRE)

ITEM	PART NUMBER	QTY	DESCRIPTION	REV
	1001227066	Ref	CLEARSKY TELEMATICS HARNESS	A
1	1001226400	0.33 ft	Insulate, Heat Shrink	
2	1001227068	3.3 ft	Cable	
101	1001227266	1	Connector	
102	1001129407	1	Connector	
103	4460464	4	Terminal	

SECTION 10 - ELECTRICAL

FIGURE 10-19. CLEARSKY TELEMATICS HARNESS (CANBUS)



ART_1001226856_B

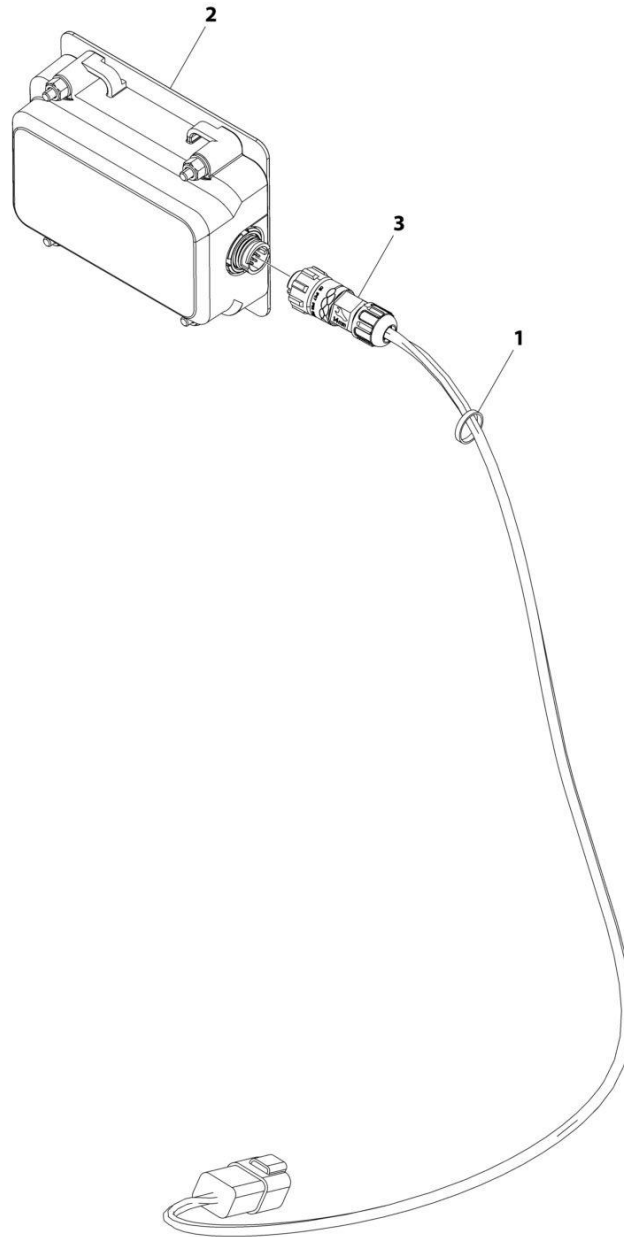
SECTION 10 - ELECTRICAL

FIGURE 10-19. CLEARSKY TELEMATICS HARNESS (CANBUS)

ITEM	PART NUMBER	QTY	DESCRIPTION	REV
	1001226856	Ref	CLEARSKY TELEMATICS HARNESS	B
1	1001112796	1	Connector	
2	4460465	9	Terminal	
3	1001112612	1	Connector	
4	1001149712	1	Cap	
5	4460464	6	Terminal	
6	4460466	3	Plug	
7	1001144147	1	Connector	
8	4460464	2	Terminal	
9	4460466	1	Plug	
10	1001144147	1	Connector	
11	1001116815	1	Plug	
12	4460464	2	Terminal	
13	4460466	1	Plug	
14	4460894	1	Connector	
15	1001226541	1	Bussbar	
16	4460465	6	Terminal	
17	1001226636	1	Connector	
18	1001116731	16	Plug	
19	1001226637	8	Terminal	

SECTION 10 - ELECTRICAL

FIGURE 10-20. CLEARSKY TELEMATICS 3-WIRE INSTALLATION



ART_1001276920

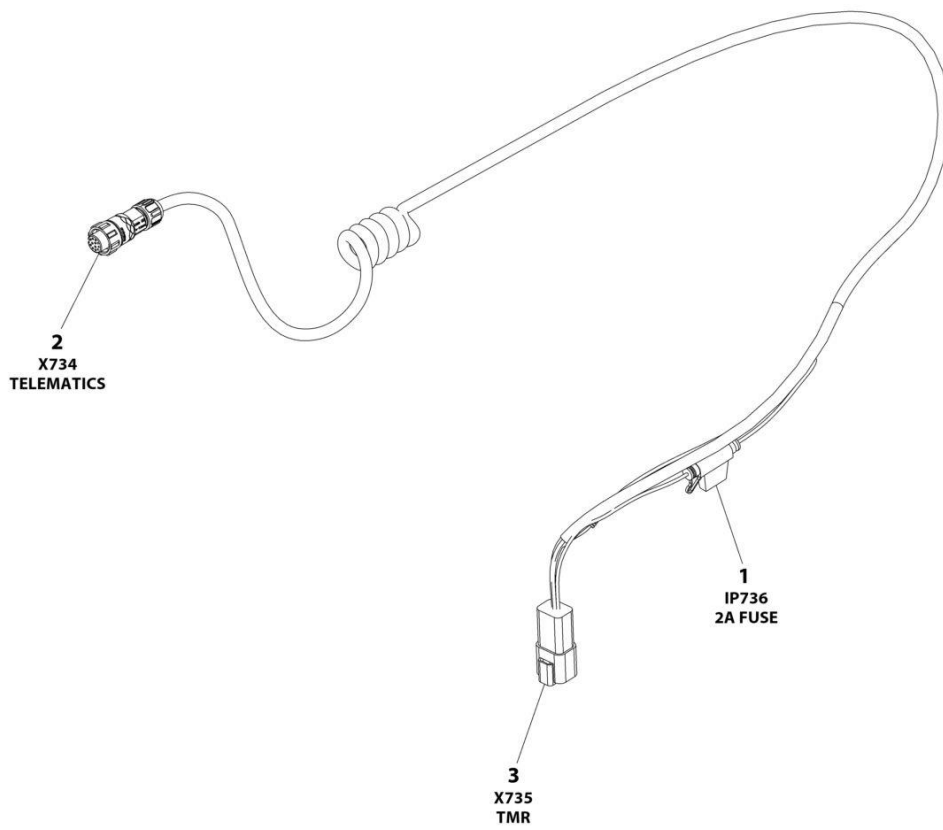
SECTION 10 - ELECTRICAL

FIGURE 10-20. CLEARSKY TELEMATICS 3-WIRE INSTALLATION

ITEM	PART NUMBER	QTY	DESCRIPTION	REV
	1001276920	Ref	CLEARSKY TELEMATICS 3-WIRE INSTALLATION	A
1	4240032	AR	Tie, Strap	
2	1001272659	1	Module - GT1030	
3	1001273012	1	ClearSky Telematics 3-Wire Harness (See Separate Breakdown in this Section)	

SECTION 10 - ELECTRICAL

FIGURE 10-21. CLEARSKY TELEMATICS 3-WIRE HARNESS



ART_1001273012

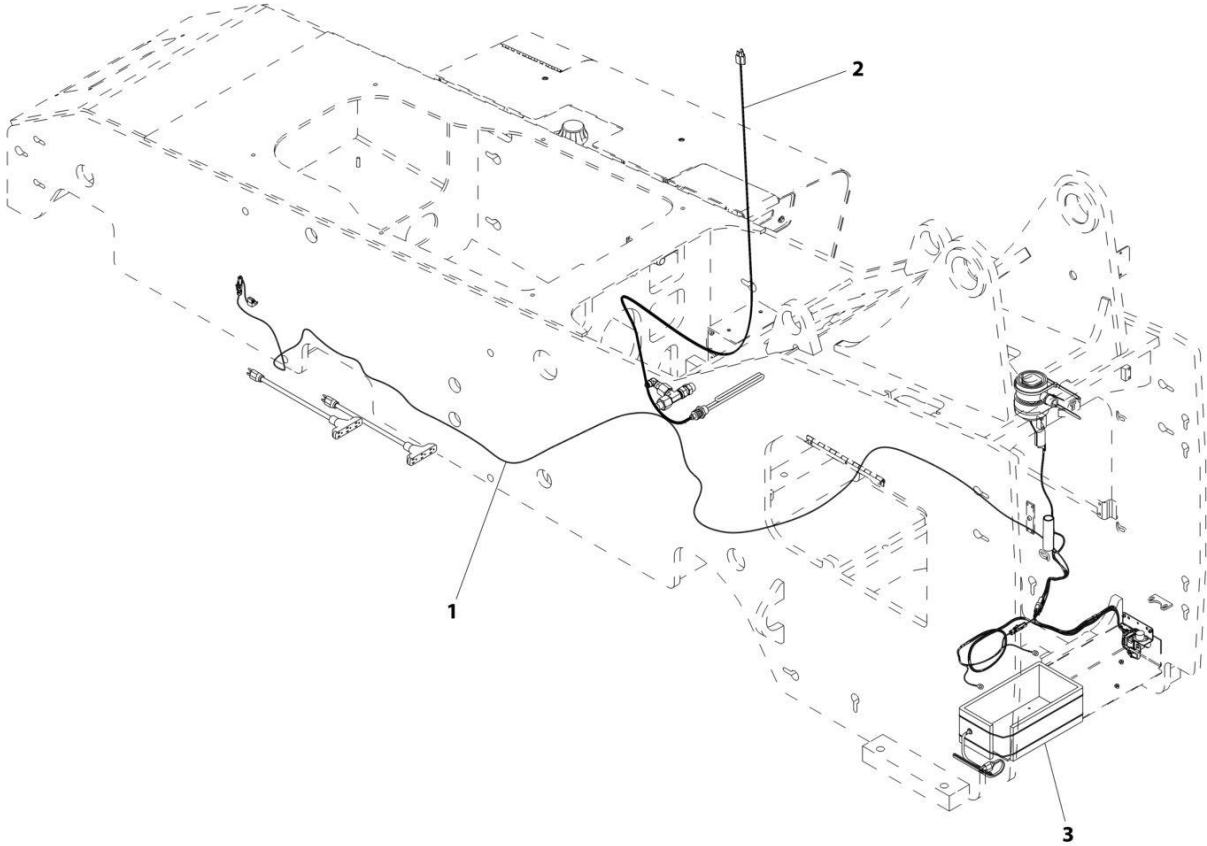
SECTION 10 - ELECTRICAL

FIGURE 10-21. CLEARSKY TELEMATICS 3-WIRE HARNESS

ITEM	PART NUMBER	QTY	DESCRIPTION	REV
	1001273012	Ref	CLEARSKY TELEMATICS HARNESS - GT1030	D
1	1001255901	1	Fuseholder	
1	1001196634	1	Fuse - 2Amp	
2	1001272997	1	Connector - 12 Position	
2		Ref	Terminal	
3	4460932	1	Receptacle, Female - 4 Position	
3	4460464	4	Pin, Male	

SECTION 10 - ELECTRICAL

FIGURE 10-22. COLD WEATHER PACKAGE INSTALLATION



ART_1001234531-A

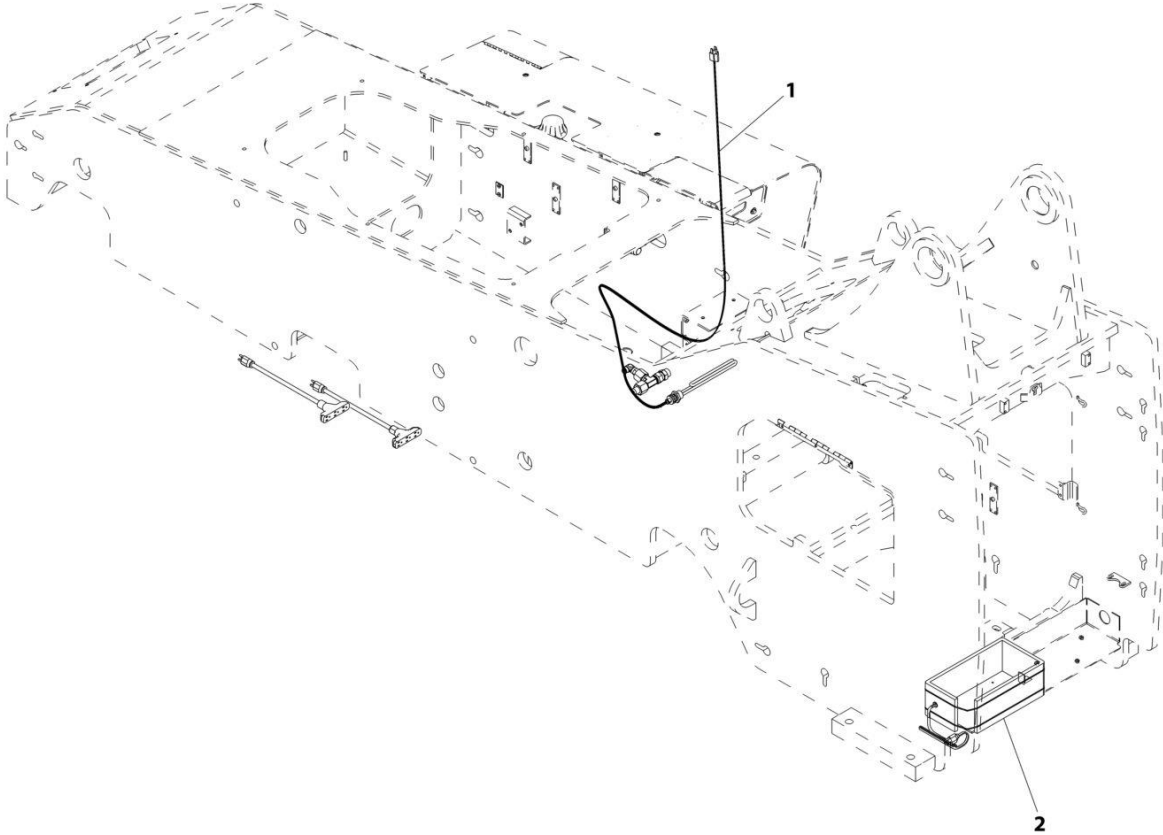
SECTION 10 - ELECTRICAL

FIGURE 10-22. COLD WEATHER PACKAGE INSTALLATION

ITEM	PART NUMBER	QTY	DESCRIPTION	REV
1	1001234531	Ref	Arctic Weather Package Installation - 74 HP (ULS)	A
	1001232750	Ref	Heater, Breather - 74 HP (See Separate Breakdown in ENGINE AND ATTACHING PARTS Section)	
2	1001234098	Ref	Installation, Tank Heater (See Separate Breakdown in this Section)	
3	1001234216	Ref	Installation, Battery Blanket (See Separate Breakdown in this Section)	

SECTION 10 - ELECTRICAL

FIGURE 10-23. COLD WEATHER PACKAGE INSTALLATION



ART_1001239959-A

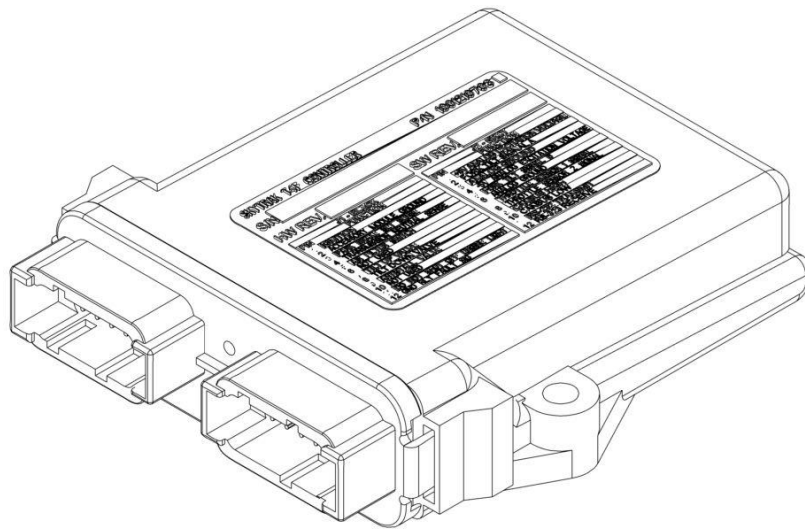
SECTION 10 - ELECTRICAL

FIGURE 10-23. COLD WEATHER PACKAGE INSTALLATION

ITEM	PART NUMBER	QTY	DESCRIPTION	REV
1	1001239959	Ref	Cold Weather Package Installation	A
	1001234098	1	Installation, Tank Heater (See Separate Breakdown in this Section)	
2	1001234216	1	Installation, Battery Blanket (See Separate Breakdown in this Section)	

SECTION 10 - ELECTRICAL

FIGURE 10-24. CONTROLLER



ART_1001292279

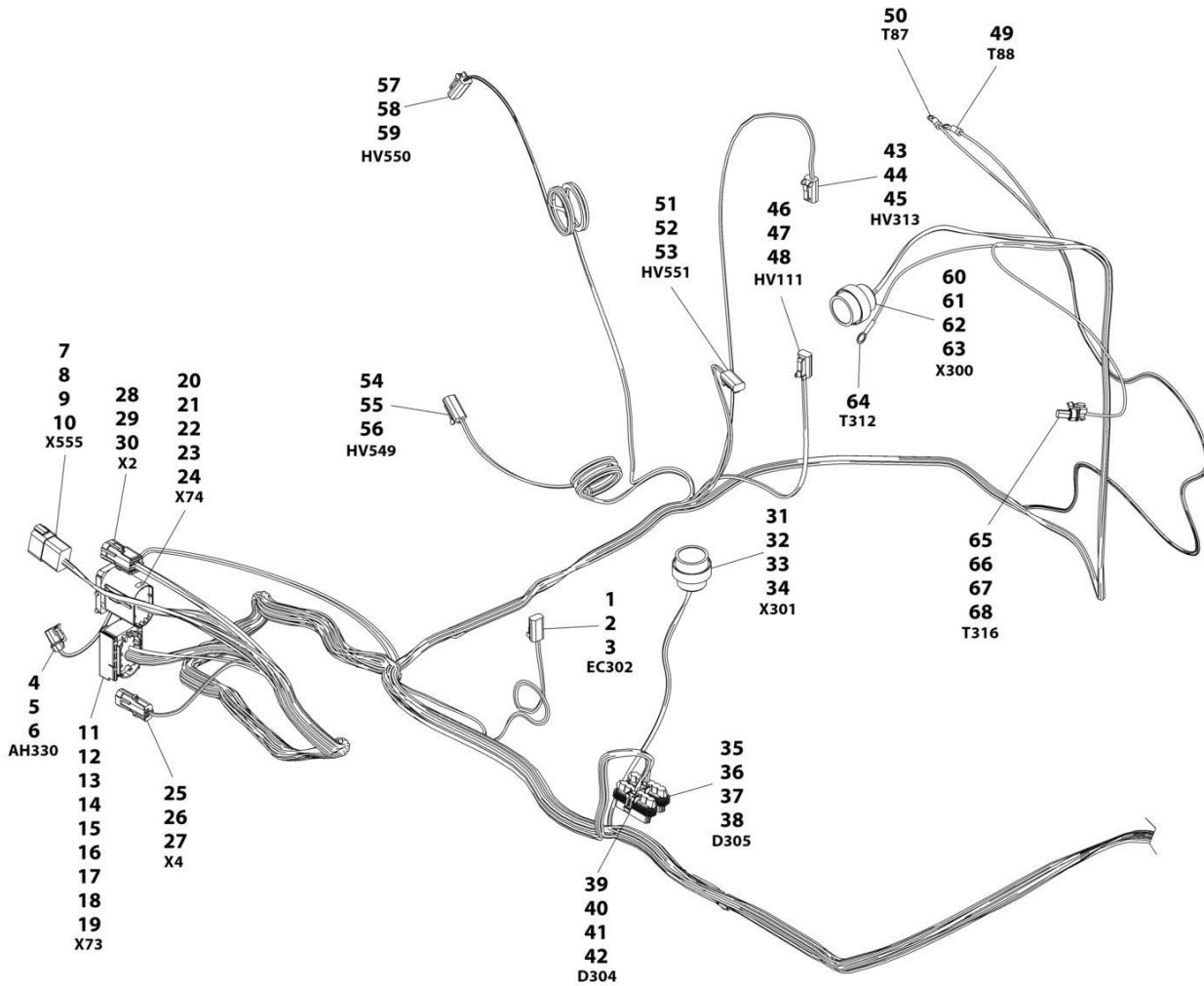
SECTION 10 - ELECTRICAL

FIGURE 10-24. CONTROLLER

ITEM	PART NUMBER	QTY	DESCRIPTION	REV
	1001292279 Note	Ref 1	Controller No Service Parts Available	A

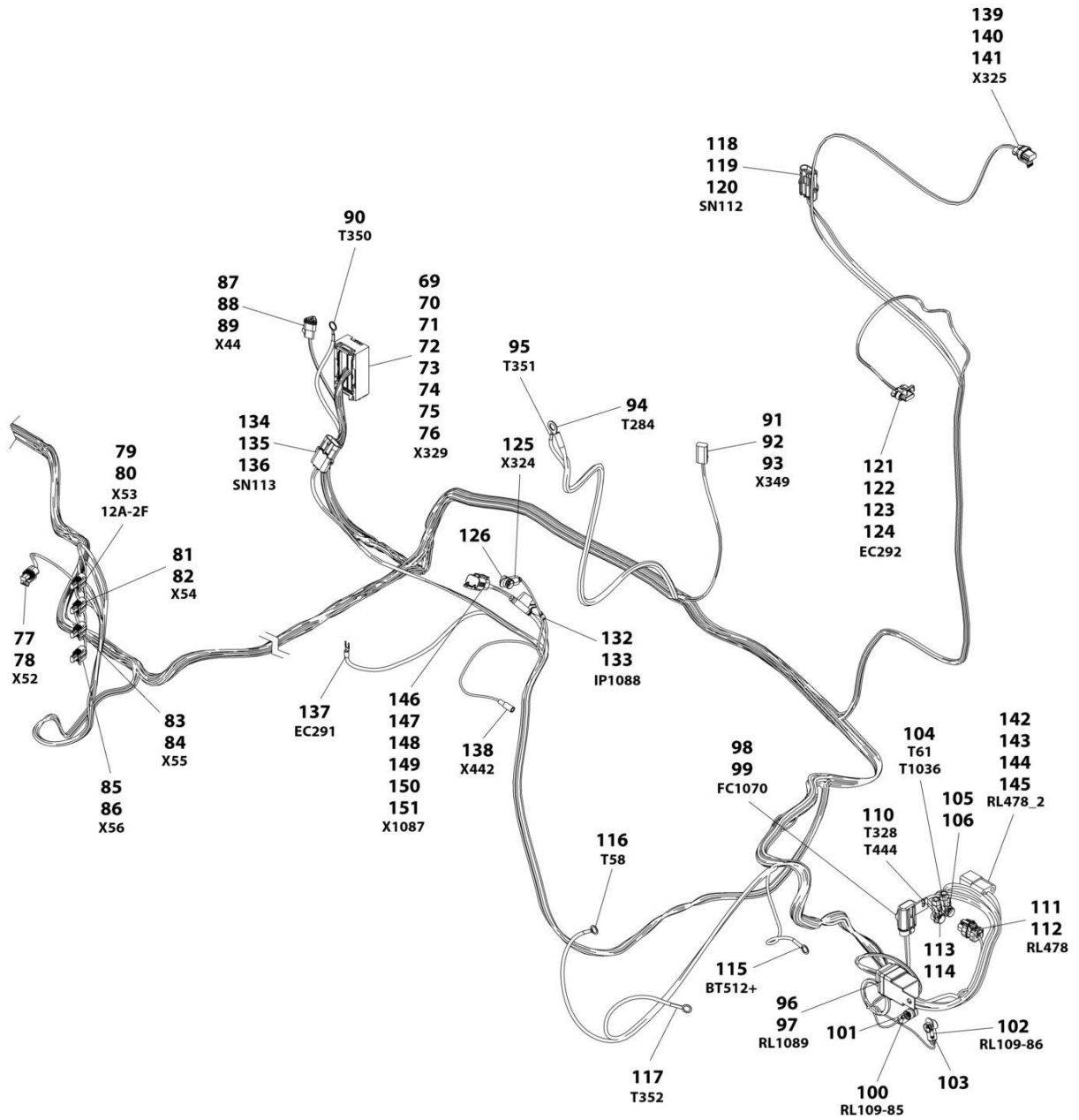
SECTION 10 - ELECTRICAL

FIGURE 10-25. ENGINE HARNESS - 74HP (ULS)



ART_1001199889_1OF2

SECTION 10 - ELECTRICAL



ART_1001199889_2OF2

SECTION 10 - ELECTRICAL

FIGURE 10-25. ENGINE HARNESS - 74HP (ULS)

ITEM	PART NUMBER	QTY	DESCRIPTION	REV
	1001199889	Ref	ENGINE HARNESS 74HP (IF EQUIPPED FOR ULS)	I
1	4460891	1	Connector	
2	80604018	1	Lock, Wedge	
3	4460465	2	Terminal	
4	1001117068	1	Connector	
5	8220124	2	Terminal	
6	80963067	2	Seal	
6	4460608	2	Seal	
7	4460931	1	Connector	
8	91503106	1	Lock, Wedge	
9	4460464	4	Terminal	
10	4460466	4	Plug	
11	8220927	1	Connector	
12	70024256	1	Lock, Slide	
13	70024255	1	Seal, Connector	
14	70024254	1	Lock, Secondary	
15	8220097	10	Terminal	
16	4460458	10	Seal	
17	8220098	3	Terminal	
18	80963067	3	Seal	
19	1001116727	2	Plug	
20	8220929	1	Connector	
21	70024253	1	Lock, Secondary	
22	1001116745	1	Terminal	
23	1001116729	14	Terminal	
24	4460458	15	Seal	
25	4461157	1	Connector	
26	4460475	2	Terminal	
27	4460458	2	Seal	
28	80963062	1	Connector	
29	4460850	4	Terminal	
30	80963067	4	Seal	
31	8220536	1	Connector	
32	1001116758	12	Plug	
33	1001116757	4	Terminal	
34	1001189875	4	Seal	
35	4460744	1	Connector	
36	1001116728	4	Terminal	
37	1001116727	2	Plug	
38	8220081	4	Seal	
39	4460744	1	Connector	
40	1001116728	4	Terminal	
41	1001116727	2	Plug	
42	8220081	4	Seal	
43	4460891	1	Connector	
44	80604018	1	Lock, Wedge	
45	4460465	2	Terminal	
46	4460891	1	Connector	
47	80604018	1	Lock, Wedge	
48	4460465	2	Terminal	

SECTION 10 - ELECTRICAL

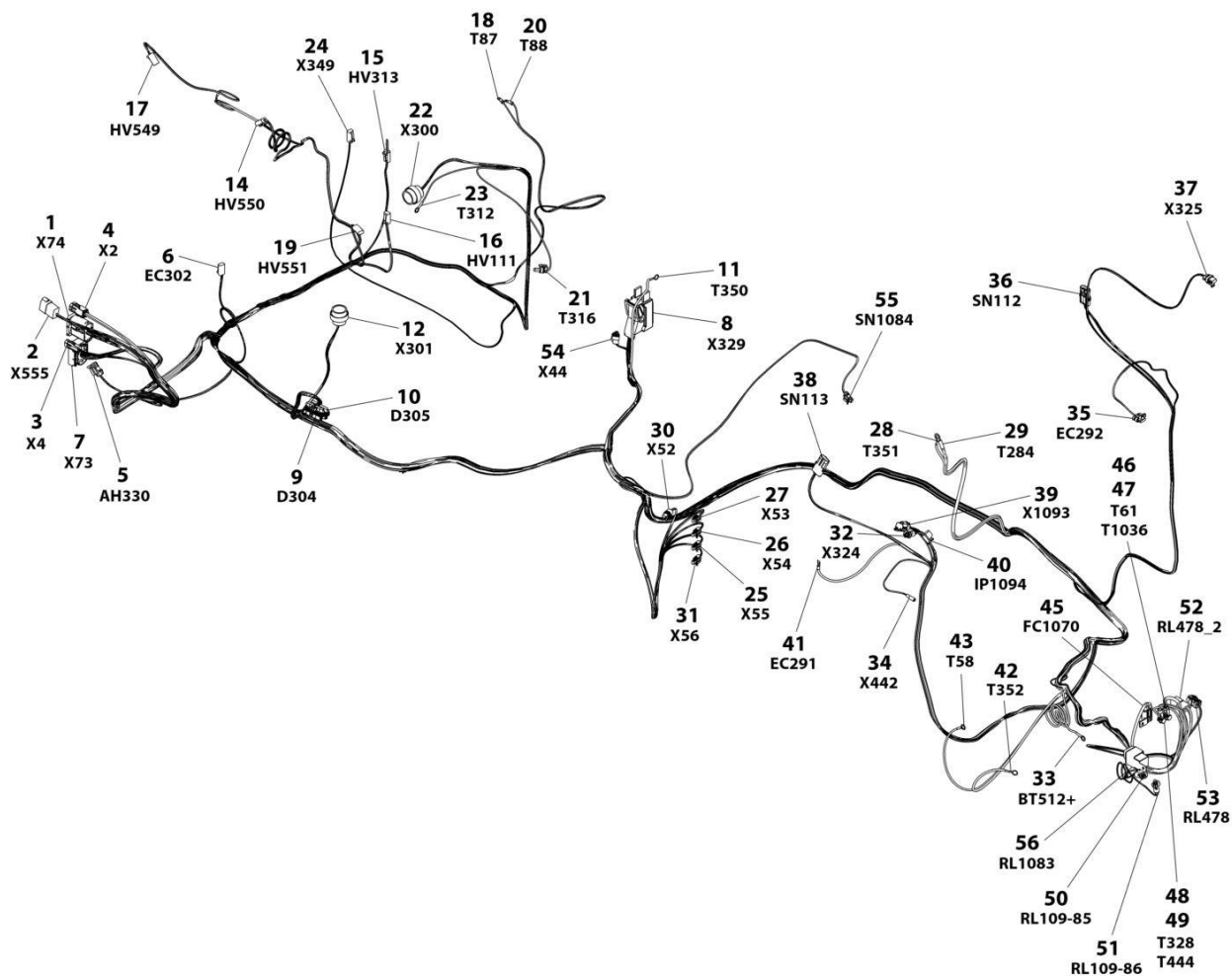
ITEM	PART NUMBER	QTY	DESCRIPTION	REV
49	4460042	1	Terminal, Ring	
50	4460042	1	Terminal, Ring	
51	4460891	1	Connector	
52	80604018	1	Lock, Wedge	
53	4460465	2	Terminal	
54	4460891	1	Connector	
55	80604018	1	Lock, Wedge	
56	4460465	2	Terminal	
57	4460891	1	Connector	
58	80604018	1	Lock, Wedge	
59	4460465	2	Terminal	
60	8220536	1	Connector	
61	1001116757	4	Terminal	
62	1001116758	12	Plug	
63	1001189875	4	Seal	
64	4460256	1	Terminal, Ring	
65	1001119004	1	Connector	
66	8220889	1	Lock, Secondary	
67	1001116728	1	Terminal	
68	4460458	1	Seal	
69	1001167641	1	Connector	
70	1001167643	1	Cover	
71	1001167644	1	Lock, Secondary	
72	1001167646	1	Lock, Secondary	
73	1001167647	1	Boot, Rubber	
74	1001167648	10	Terminal	
75	1001167650	75	Plug	
76	1001167649	11	Terminal	
77	4460955	1	Connector	
78	1001116748	2	Terminal	
79	4460955	1	Connector	
80	1001116748	2	Terminal	
81	4460955	1	Connector	
82	1001116748	2	Terminal	
83	4460955	1	Connector	
84	1001116748	2	Terminal	
85	4460955	1	Connector	
86	1001116748	2	Terminal	
87	4461095	1	Connector	
88	4460465	2	Terminal	
89	4460466	1	Plug	
90	4460019	1	Terminal, Ring	
91	4460891	1	Connector	
92	80604018	1	Lock, Wedge	
93	4460465	2	Terminal	
94	8220164	2	Terminal, Ring	
95	4460019	1	Terminal, Ring	
96	1001145707	1	Connector	
97	1001116732	4	Terminal	
98	1001117070	1	Connector	
99	1001116734	2	Terminal	

SECTION 10 - ELECTRICAL

ITEM	PART NUMBER	QTY	DESCRIPTION	REV
100	4460247	1	Terminal, Ring	
101	1001195057	1	Red Boot	
102	4460247	1	Terminal, Ring	
103	1001195055	1	Red Boot	
104	4460312	1	Terminal, Ring	
105	4460312	1	Terminal, Ring	
106	1001195087	1	Red Boot	
110	4460312	1	Terminal, Ring	
111	1001116950	1	Connector	
112	4460465	2	Terminal	
113	4460312	2	Terminal, Ring	
114	1001195087	1	Red Boot	
115	4460019	1	Terminal, Ring	
115	4460312	1	Terminal, Ring	
116	4460019	1	Terminal, Ring	
117	4460019	1	Terminal, Ring	
118	4460476	1	Connector	
119	4460475	3	Terminal	
120	4460458	3	Seal	
121	1001125027	1	Connector	
122	70026217	1	Lock, Secondary	
123	8220124	3	Terminal	
124	4460608	3	Seal	
125	8220058	1	Terminal, Ring	
126	1001195055	1	Red Boot	
132	2400060	1	Fuse Holder	
133	8229242	1	Fuse 5A	
134	4460476	1	Connector	
135	4460475	3	Terminal	
136	4460458	3	Seal	
137	1001117111	1	Terminal, Fork	
138	1001117125	1	Terminal, Snap Plug	
138	1001246391	1	Terminal, Snap Plug	
139	1001117021	1	Connector	
140	1001116728	2	Terminal	
141	8220081	2	Seal	
142	1001117103	1	Connector	
143	7026404	1	Lock, Connector	
144	1001121730	2	Terminal	
145	8220160	2	Seal	
146	4460884	1	Connector	
147	80604021	1	Lock, Wedge	
148	1001157890	1	Terminal	
149	1001116692	2	Terminal	
150	4460466	1	Plug	
151	1001192401	1	Dust Cap	

SECTION 10 - ELECTRICAL

FIGURE 10-26. ENGINE HARNESS - 85HP (ULS)



ART_1001189488

SECTION 10 - ELECTRICAL

FIGURE 10-26. ENGINE HARNESS - 85HP (ULS)

ITEM	PART NUMBER	QTY	DESCRIPTION	REV
	1001189488	Ref	ENGINE HARNESS	K
1	8220929	1	Connector	
	1001116745	1	Terminal	
	1001116729	14	Terminal	
	4460458	15	Seal	
2	4460931	1	Connector	
	80604024	1	Lock, Wedge	
	4460464	4	Terminal	
	4460466	4	Plug	
3	4461157	1	Connector	
	4460475	2	Terminal	
	4460458	2	Seal	
4	80963062	1	Connector	
	4460850	4	Terminal	
	80963067	4	Seal	
5	1001117068	1	Connector	
	8220124	2	Terminal	
	80963067	2	Seal	
6	4460891	1	Connector	
	80604018	1	Lock, Wedge	
	4460465	2	Terminal	
7	8220927	1	Connector	
	8220097	12	Terminal	
	8220098	2	Terminal	
	1001116727	1	Plug	
	4460458	11	Seal	
	80963067	2	Seal	
	1001189877	1	Seal	
8	1001133173	1	Connector	
	1001138643	6	Terminal	
	1001126356	77	Terminal	
	1001138642	8	Terminal	
	1001126351	3	Terminal	
	1001126353	6	Seal	
9	4460744	1	Connector	
	1001116728	4	Terminal	
	1001116727	2	Plug	
	8220081	4	Seal	
10	4460744	1	Connector	
	1001116728	4	Terminal	
	1001116727	2	Plug	
	8220081	4	Seal	
11	4460019	1	Terminal, Ring	
12	8220536	1	Connector	
	1001116758	12	Plug	
	1001116757	4	Terminal	
	1001189875	4	Seal	
14	4460891	1	Connector	
	80604018	1	Lock, Wedge	
	4460465	2	Terminal	

SECTION 10 - ELECTRICAL

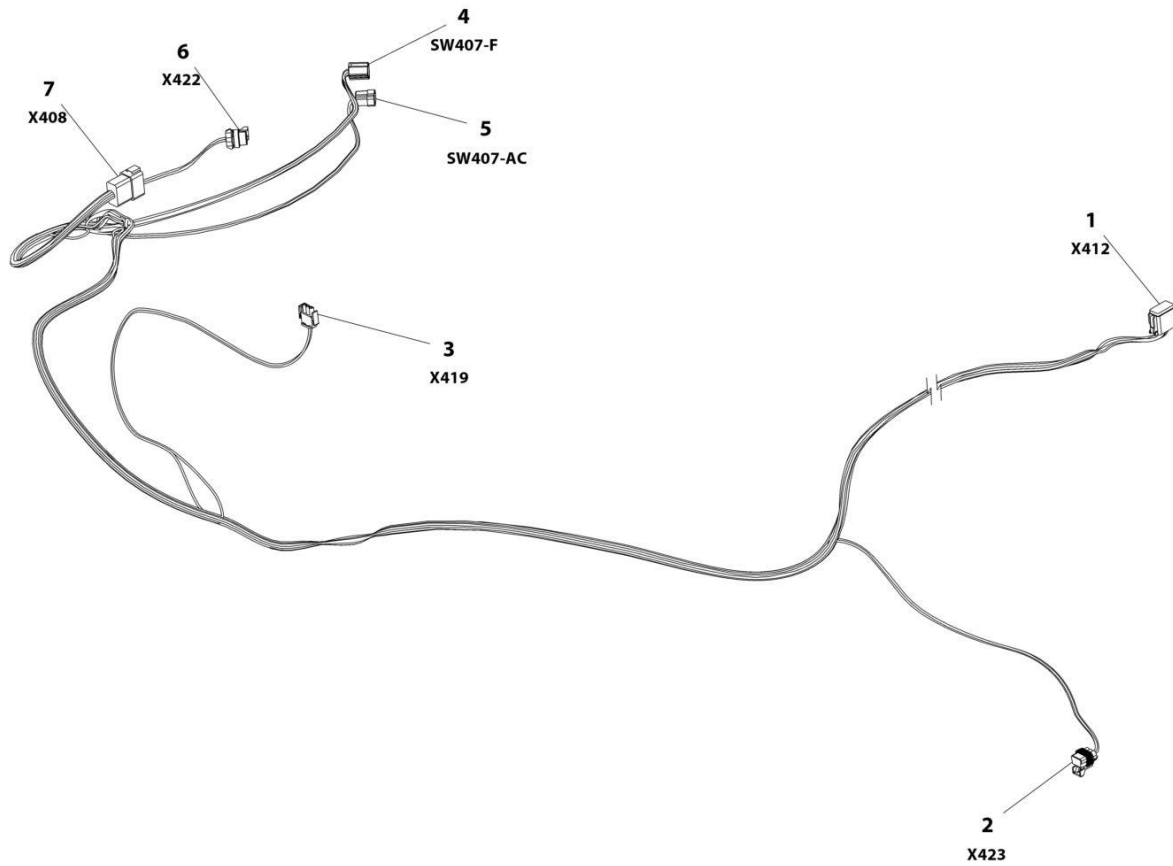
ITEM	PART NUMBER	QTY	DESCRIPTION	REV
15	4460891	1	Connector	
	80604018	1	Lock, Wedge	
	4460465	2	Terminal	
16	4460891	1	Connector	
	80604018	1	Lock, Wedge	
	4460465	2	Terminal	
17	4460891	1	Connector	
	80604018	1	Lock, Wedge	
	4460465	2	Terminal	
18	4460042	1	Terminal, Ring	
19	4460891	1	Connector	
	80604018	1	Lock, Wedge	
	4460465	2	Terminal	
20	4460042	1	Terminal, Ring	
21	1001119004	1	Connector	
	1001116728	1	Terminal	
	4460458	1	Seal	
22	8220536	1	Connector	
	1001116757	4	Terminal	
	1001116758	12	Plug	
	1001189875	4	Seal	
23	4460256	1	Terminal, Ring	
24	4460891	1	Connector	
	80604018	1	Lock, Wedge	
	4460465	2	Terminal	
25	4460955	1	Connector	
	1001116748	2	Terminal	
26	4460955	1	Connector	
	1001116748	2	Terminal	
27	4460955	1	Connector	
	1001116748	2	Terminal	
28	4460019	1	Terminal, Ring	
29	8220164	1	Terminal, Ring	
30	4460955	1	Connector	
	1001116748	2	Terminal	
31	4460955	1	Connector	
	1001116748	2	Terminal	
32	8220058	1	Terminal, Ring	
33	4460019	1	Terminal, Ring	
34	1001117125	1	Terminal, Snap Plug	
35	1001125027	1	Connector	
	8220124	3	Terminal	
	4460608	3	Seal	
36	4460476	1	Connector	
	4460475	3	Terminal	
	4460458	3	Seal	
37	1001117021	1	Connector	
	1001116728	2	Terminal	
	8220081	2	Seal	
38	4460476	1	Connector	
	4460475	3	Terminal	

SECTION 10 - ELECTRICAL

ITEM	PART NUMBER	QTY	DESCRIPTION	REV
	4460458	3	Seal	
39	4460884	1	Connector	
	80604021	1	Lock, Wedge	
	4460465	3	Terminal	
	4460466	1	Plug	
	1001192401	1	Dust Cap	
40	2400060	1	Fuse Holder	
41	4460142	1	Connector	
	1001117111	1	Terminal	
42	4460019	1	Terminal, Ring	
43	4460019	1	Terminal, Ring	
45	1001117070	1	Connector	
	1001116734	2	Terminal	
46	4460312	1	Terminal, Ring	
	1001195087	1	Red Boot	
47	4460312	2	Terminal, Ring	
48	4460312	2	Terminal, Ring	
	1001195087	1	Red Boot	
49	4460312	1	Terminal, Ring	
50	4460247	1	Terminal, Ring	
	1001195057	1	Black Boot	
51	4460247	1	Terminal, Ring	
	1001195055	1	Red Boot	
52	1001117103	1	Connector	
	1001121730	2	Terminal	
53	1001116950	1	Connector	
	4460465	2	Terminal	
54	4461095	1	Plug	
	4461070	1	Connector	
	4460465	2	Terminal	
	4460466	1	Terminal	
55	1001209097	1	Connector	
	8220124	2	Terminal	
56	1001145707	1	Connector	
	1001116732	4	Terminal	

SECTION 10 - ELECTRICAL

FIGURE 10-27. HVAC HARNESS



ART_1001178347-E

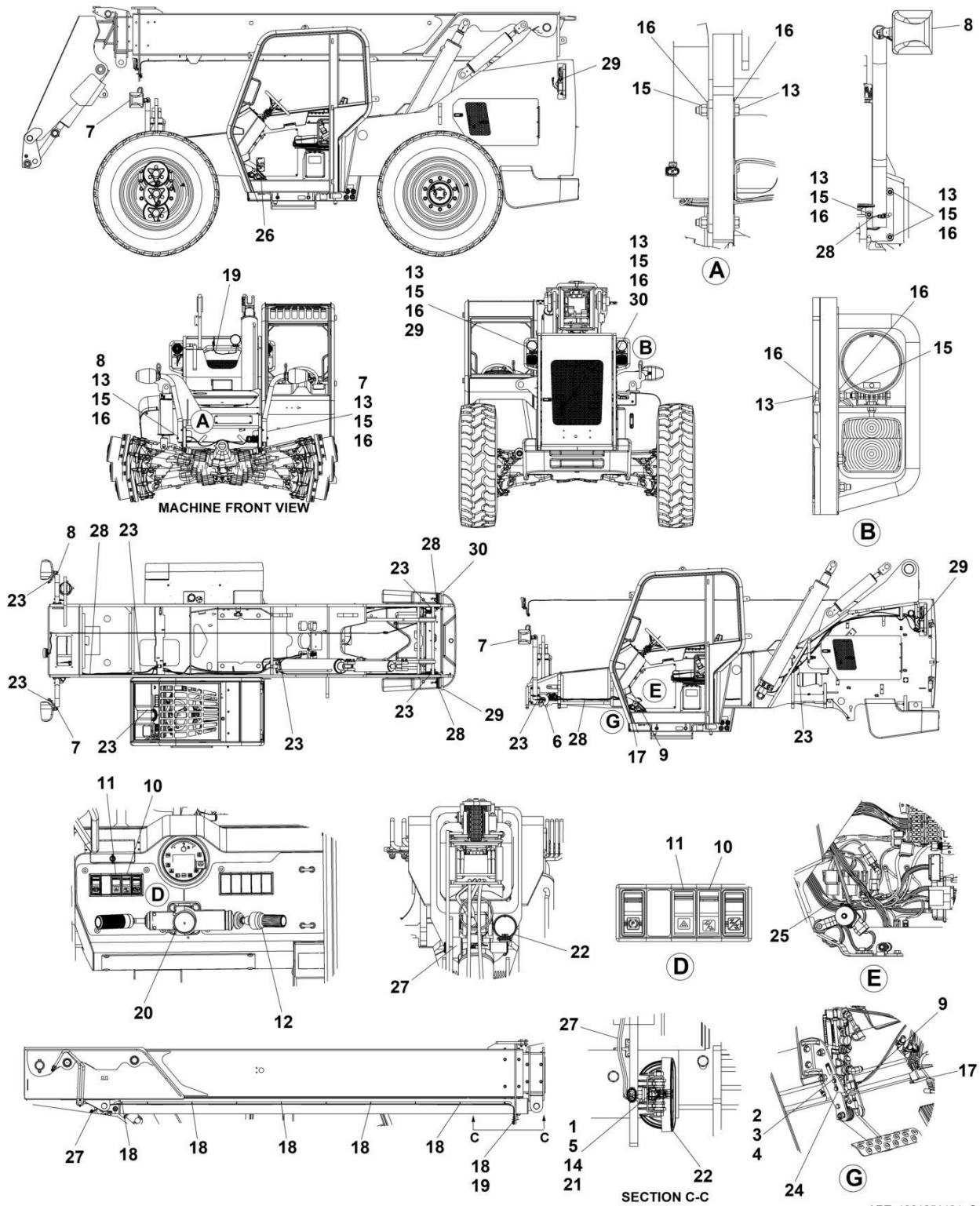
SECTION 10 - ELECTRICAL

FIGURE 10-27. HVAC HARNESS

ITEM	PART NUMBER	QTY	DESCRIPTION	REV
	1001178347	Ref	HVAC Harness	E
1	4460933	1	Connector	
	80604016	1	Lock, Wedge	
	4460942	9	Terminal	
	4460465	2	Terminal	
	4460466	1	Terminal	
2	8220895	1	Connector	
	70026216	1	Lock, Secondary	
	8220124	3	Terminal	
	1001116751	3	Terminal, Plug	
3	4460326	1	Connector	
	4460268	2	Terminal	
4	1001117080	1	Connector	
	1001116723	5	Terminal	
5	1001117059	1	Connector	
	1001116736	3	Terminal	
6	1001125027	1	Connector	
	70026217	1	Lock, Secondary	
	8220124	3	Terminal	
7	4460950	1	Connector	
	80363179	1	Lock, Wedge	
	1001157891	5	Terminal	
	4460464	6	Terminal	
	4460466	1	Terminal	

SECTION 10 - ELECTRICAL

FIGURE 10-28. LED ROADLIGHT INSTALLATION



ART_1001251494_C

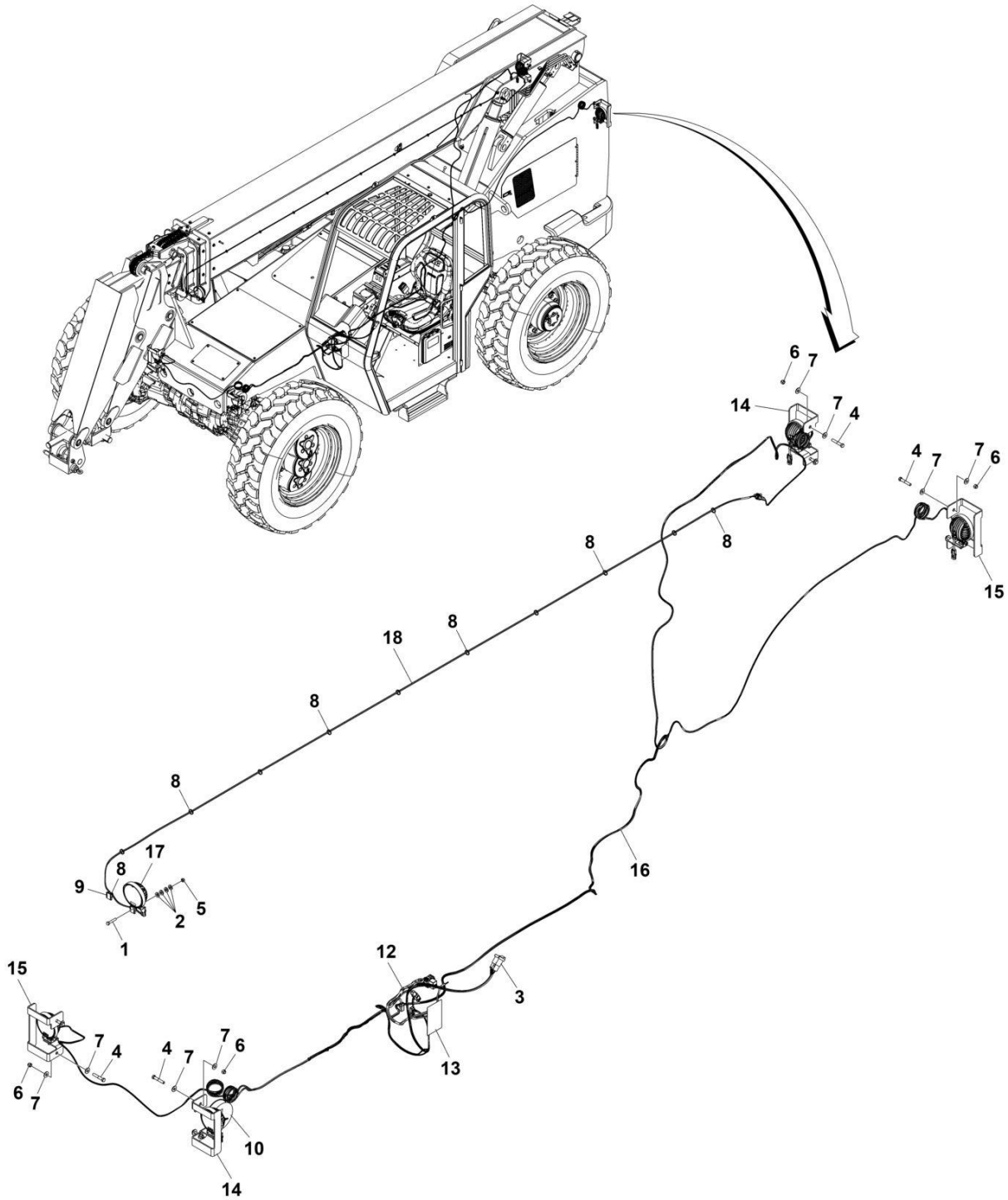
SECTION 10 - ELECTRICAL

FIGURE 10-28. LED ROADLIGHT INSTALLATION

ITEM	PART NUMBER	QTY	DESCRIPTION	REV
	1001251494	Ref	LED WORKLIGHT INSTALLATION	C
1	0641520	1	Bolt 5/16 x 2-1/2	
2	0700614	2	Bolt M6 x 30	
3	4811700	2	Washer M6	
4	4831700	2	Washer M6	
5	1001173257	1	Spacer Block	
6	7124471	1	Conduit 1 x 12.5	
7	7150699	1	Assembly, LH Roadlight Bracket (See Separate Breakdown in this Section)	
8	7150716	1	Assembly, RH Roadlight Bracket (See Separate Breakdown in this Section)	
9	8223025	1	Switch, Brake Lights	
10	8223059	1	Switch, Work Light	
11	8223060	1	Switch, Hazard	
12	8223073	1	Control, Turn Signal	
13	8303771	10	Bolt, 3/8 x 1/4	
14	8305626	1	Nut 5/16	
15	8305645	10	Nut 3/8	
16	8307204	20	Washer 3/8	
17	8500203	1	Flasher, Hazard Warning 12V	
18	8584001	32	Wrap, Tie	
19	8584018	2	Mount, Cable Tie	
20	88211516	2	Screw M10	
21	88501005	1	Nut 5/16	
22	1001273636	1	Lamp, LED Worklight	
23	1001296148	1	Harness, Road Light Option (See Separate Breakdown in this Section)	
24	1001201752	1	Bracket, Brake Switch	
25	1001205248	1	Harness, Roadlight Worklight (See Separate Breakdown in this Section)	
26	1001205264	1	Decal, Light Fuse Panel	
27	1001238111	1	Harness, Boom Worklight (See Separate Breakdown in this Section)	
28	1001238199	1	Harness, Work Light Option (See Separate Breakdown in this Section)	
29	1001251270	1	Installation, LH Roadlight (See Separate Breakdown in this Section)	
30	1001251271	1	Installation, RH Roadlight (See Separate Breakdown in this Section)	
31	7150685	1	Road Light Brake Assembly (LH)	
32	7150717	1	Road Light Bracket	
33	1001244593	1	Lamp (Front RH)	
34	1001244594	1	Lamp (Front LH)	

SECTION 10 - ELECTRICAL

FIGURE 10-29. LED WORKLIGHT PACKAGE INSTALLATION



ART_1001237847_F

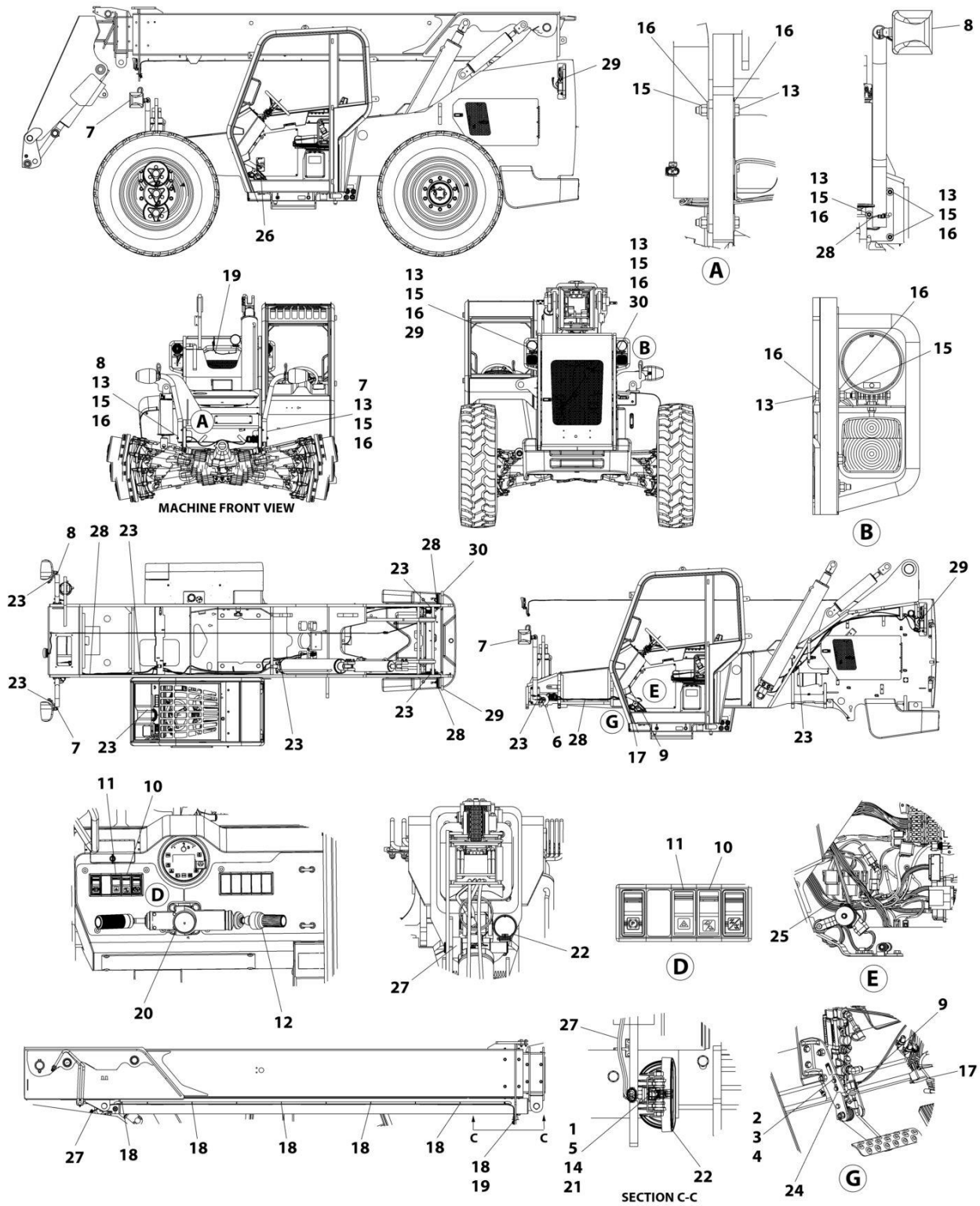
SECTION 10 - ELECTRICAL

FIGURE 10-29. LED WORKLIGHT PACKAGE INSTALLATION

ITEM	PART NUMBER	QTY	DESCRIPTION	REV
	1001237847	Ref	LIGHTS - LED WORK LIGHT PACKAGE INSTALLATION	F
1	0641520	1	Bolt 5/16 x 2-1/2	
2	1001305569	1	Spacer	
2	1001173257	1	Spacer Block	
3	8223059	1	Switch, Work Light	
4	8303771	8	Bolt 3/8 x 2-1/4	
5	8305626	1	Nut 5/16	
6	8305645	8	Nut 3/8	
7	8307204	16	Washer 3/8	
8	8584001	AR	Wrap, Tie	
9	8584018	4	Mount, Tie-Strap	
10	7124471	2	Conduit, 1 x 12.5	
11	88501005	AR	Nut 5/16	
12	1001205248	1	Harness, Roadlight Worklight (See Separate Breakdown in this Section)	
13	1001205264	1	Decal, Light Fuse Panel	
14	1001237853	2	Assembly, LED RH Worklight (See Separate Breakdown in this Section)	
15	1001237854	2	Assembly, LED LH Worklight (See Separate Breakdown in this Section)	
16	1001238199	1	Harness, Work Light Option (See Separate Breakdown in this Section)	
17	1001273636	1	Lamp, LED Worklight	
18	1001238111	1	Harness, Boom Worklight (See Separate Breakdown in this Section)	

SECTION 10 - ELECTRICAL

FIGURE 10-30. LIGHTS - ROADLIGHT PACKAGE INSTALLATION



ART_1001251494

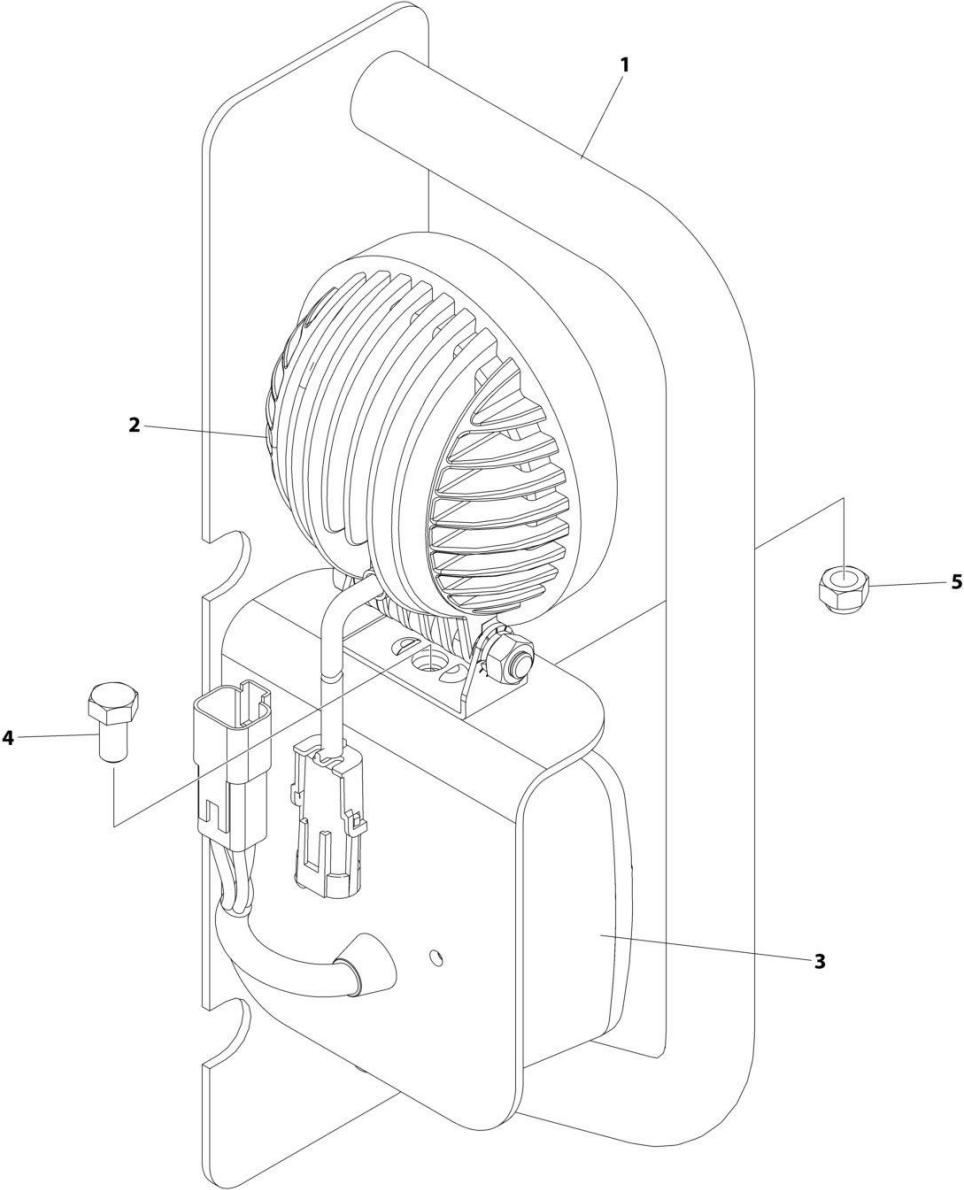
SECTION 10 - ELECTRICAL

FIGURE 10-30. LIGHTS - ROADLIGHT PACKAGE INSTALLATION

ITEM	PART NUMBER	QTY	DESCRIPTION	REV
	1001251494	Ref	LED WORKLIGHT INSTALLATION	A
1	0641512	1	Bolt 5/16 x 1	
2	0700614	2	Bolt M6 x 30	
3	4811700	2	Washer M6	
4	4831700	2	Washer M6	
5	4891600	2	Washer 3/8	
6	7124471	1	Conduit 1 x 12.5	
7	7150699	1	Assembly, LH Roadlight Bracket (See Separate Breakdown in this Section)	
8	7150716	1	Assembly, RH Roadlight Bracket (See Separate Breakdown in this Section)	
9	8223025	1	Switch, Brake Lights	
10	8223059	1	Switch, Work Light	
11	8223060	1	Switch, Hazard	
12	8223073	1	Control, Turn Signal	
13	8303771	10	Bolt, 3/8 x 1/4	
14	8305626	1	Nut 5/16	
15	8305645	10	Nut 3/8	
16	8307204	20	Washer 3/8	
17	8500203	1	Flasher, Hazard Warning 12V	
18	8584001	32	Wrap, Tie	
19	8584018	2	Mount, Cable Tie	
20	88211516	2	Screw M10	
21	88501005	1	Nut 5/16	
22	1001176337	1	Lamp, LED Worklight	
23	1001178346	1	Harness, Road Light Option (See Separate Breakdown in this Section)	
24	1001201752	1	Bracket, Brake Switch	
25	1001205248	1	Harness, Roadlight Worklight (See Separate Breakdown in this Section)	
26	1001205264	1	Decal, Light Fuse Panel	
27	1001238111	1	Harness, Boom Worklight (See Separate Breakdown in this Section)	
28	1001238199	1	Harness, Work Light Option (See Separate Breakdown in this Section)	
29	1001251270	1	Installation, LH Roadlight (See Separate Breakdown in this Section)	
30	1001251271	1	Installation, RH Roadlight (See Separate Breakdown in this Section)	

SECTION 10 - ELECTRICAL

FIGURE 10-31. LIGHTS - ROADLIGHT ASSEMBLY (LH)



ART_1001251270

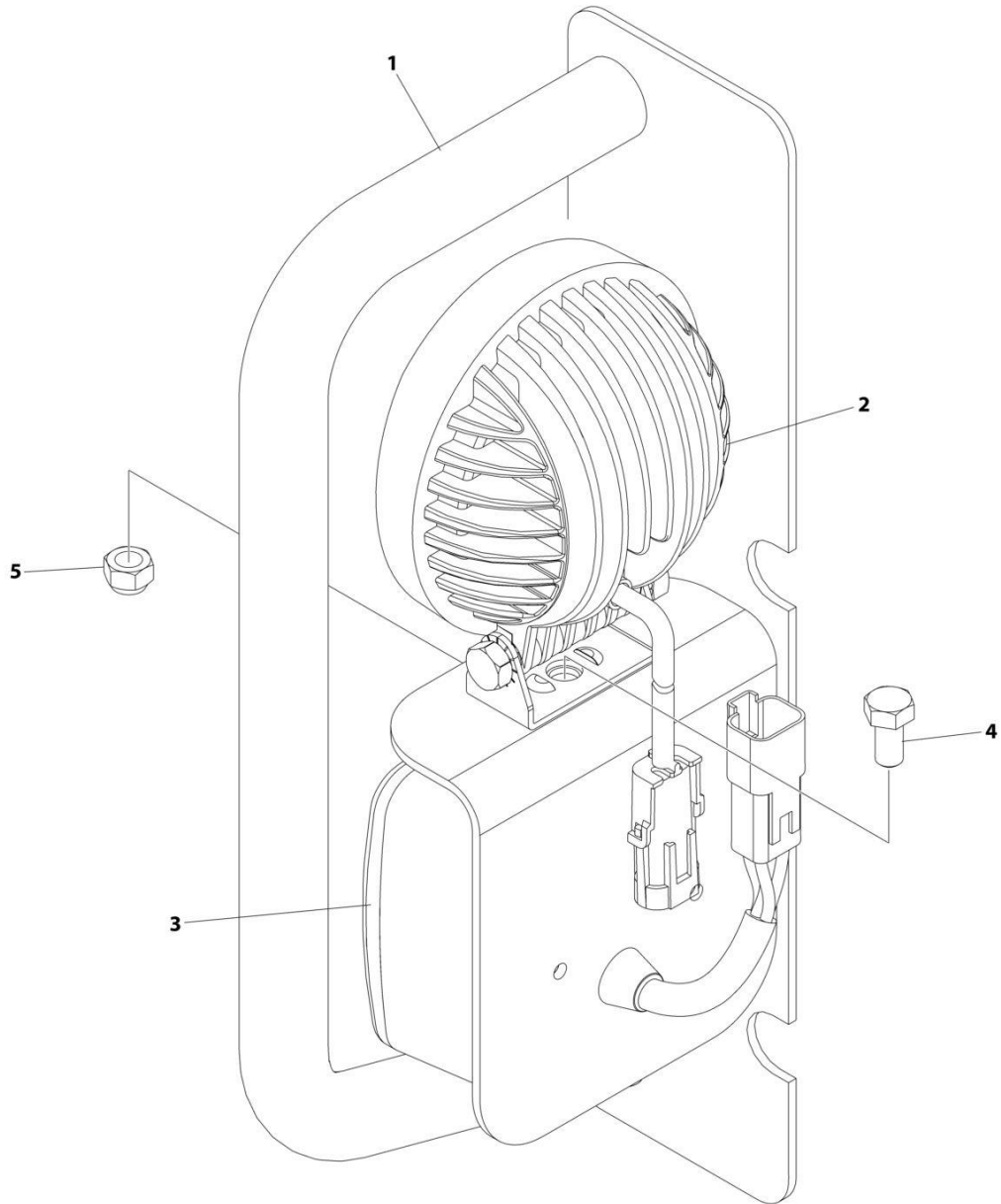
SECTION 10 - ELECTRICAL

FIGURE 10-31. LIGHTS - ROADLIGHT ASSEMBLY (LH)

ITEM	PART NUMBER	QTY	DESCRIPTION	REV
	1001251270	Ref	LH ROADLIGHT ASSEMBLY	A
1	7150681	1	Assembly, LH Roadlight Bracket	
2	1001176337	1	Lamp, LED Worklight	
3	7150690	1	Light, Tail/Indicator	
4	8303745	1	Bolt 5/16 x 5/8	
5	8305626	1	Nut 5/16	

SECTION 10 - ELECTRICAL

FIGURE 10-32. LIGHTS - ROADLIGHT ASSEMBLY (RH)



ART_1001251271

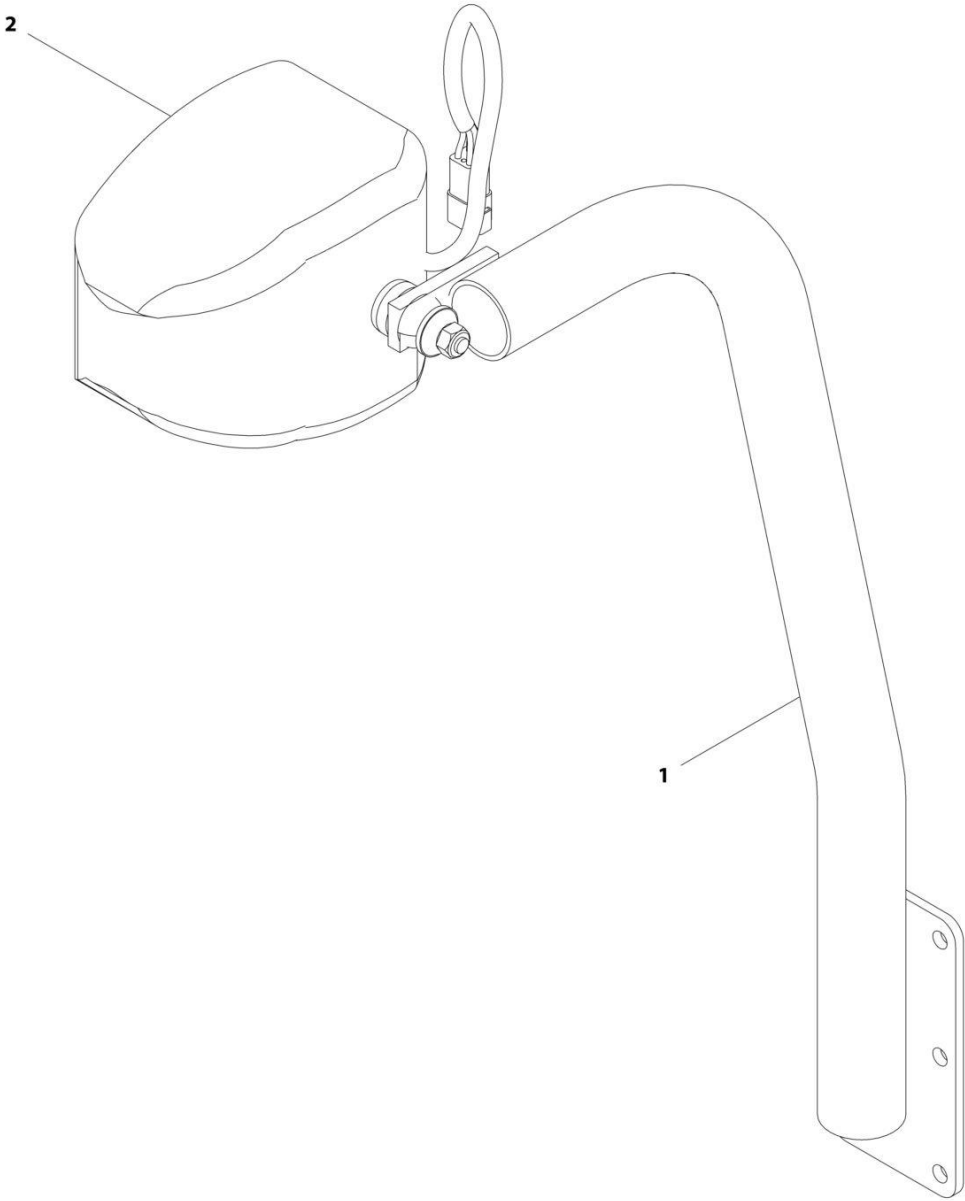
SECTION 10 - ELECTRICAL

FIGURE 10-32. LIGHTS - ROADLIGHT ASSEMBLY (RH)

ITEM	PART NUMBER	QTY	DESCRIPTION	REV
	1001251271	Ref	RH ROADLIGHT ASSEMBLY	A
1	7150680	1	Assembly, RH Roadlight Bracket	
2	1001176337	1	Lamp, LED Worklight	
3	7150690	1	Light, Tail/Indicator	
4	8303745	1	Bolt 5/16 x 5/8	
5	8305626	1	Nut 5/16	

SECTION 10 - ELECTRICAL

FIGURE 10-33. LIGHTS - ROADLIGHT BRACKET ASSEMBLY (LH)



ART_7150699-B

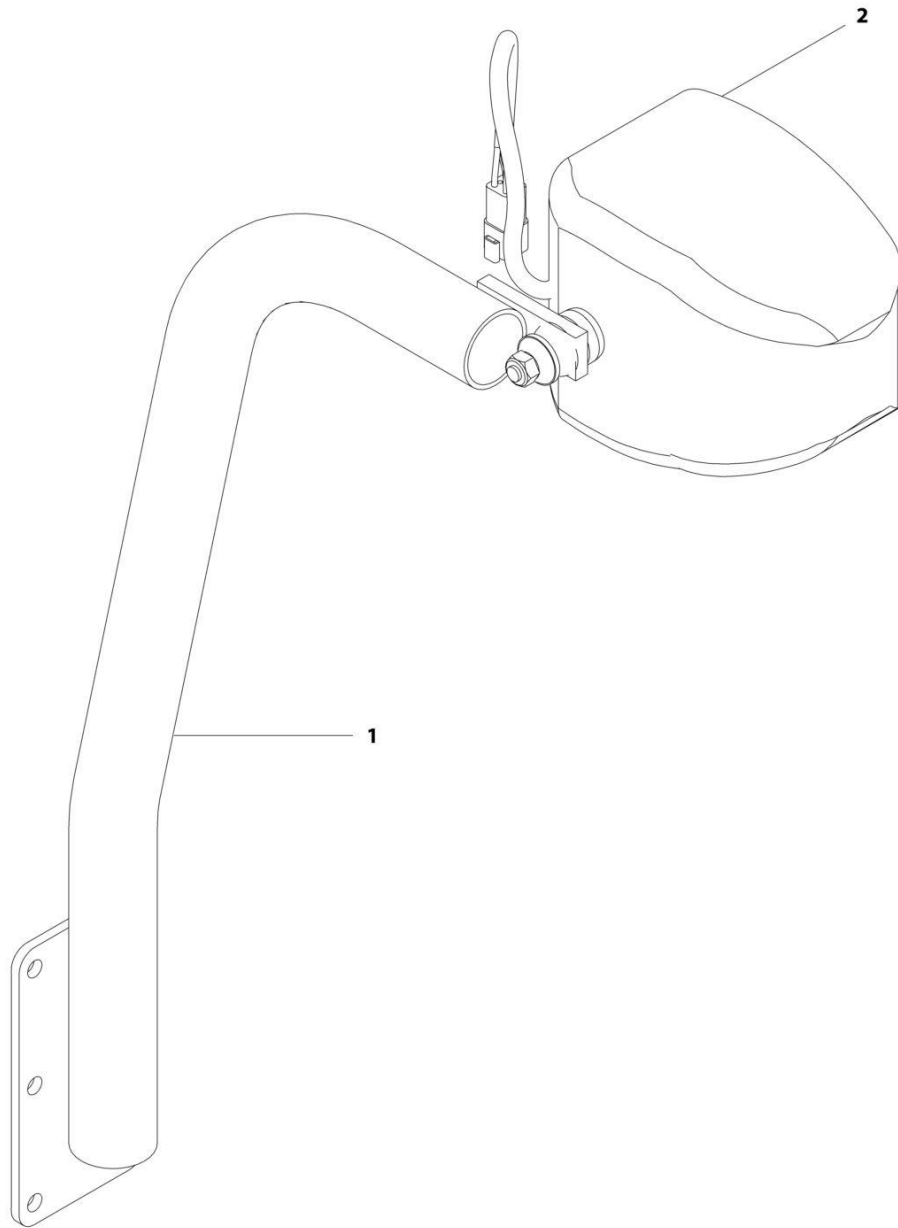
SECTION 10 - ELECTRICAL

FIGURE 10-33. LIGHTS - ROADLIGHT BRACKET ASSEMBLY (LH)

ITEM	PART NUMBER	QTY	DESCRIPTION	REV
	7150699	Ref	LH Roadlight Bracket Assembly	B
1	7150685	1	Bracket, LH Roadlight	
2	7150702	1	Roadlight, LH Front	
2	8036216	6	Screw, Headlight Lens	
2	8036212	1	Lens, Headlight	
2	8036213	1	Bulb, Headlight 12V, 60/55W	
2	8036214	1	Bulb, Blinker 12V, 5W	
2	8036215	1	Harness, Wiring (includes 6-way connector)	
2	8036209	1	Lens, Left Amber Headlight	

SECTION 10 - ELECTRICAL

FIGURE 10-34. LIGHTS - ROADLIGHT BRACKET ASSEMBLY (RH)



ART_7150716-B

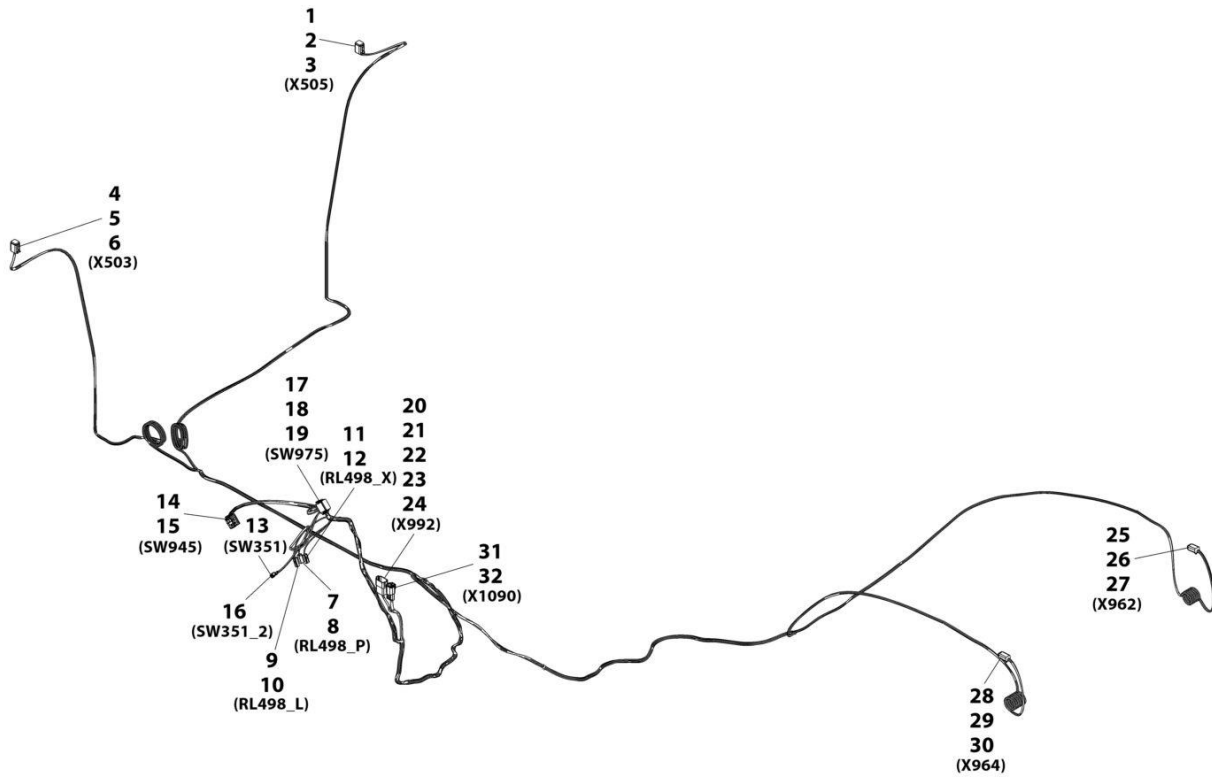
SECTION 10 - ELECTRICAL

FIGURE 10-34. LIGHTS - ROADLIGHT BRACKET ASSEMBLY (RH)

ITEM	PART NUMBER	QTY	DESCRIPTION	REV
	7150716	Ref	RH Roadlight Bracket Assembly	B
1	7150717	1	Bracket, RH Roadlight	
2	7150703	1	Roadlight, LH Front	
2	8036210	1	Lens, Right Amber Headlight	
2	8036216	6	Screw, Headlight Lens	
2	8036212	1	Lens, Headlight	
2	8036213	1	Bulb, Headlight, 12V, 60/55W	
2	8036214	1	Bulb, Blinker 12V, 5W	
2	8036215	1	Harness, Wiring (includes 6-way connector)	

SECTION 10 - ELECTRICAL

FIGURE 10-35. LIGHTS - ROADLIGHT OPTION HARNESS



ART_1001178346-H

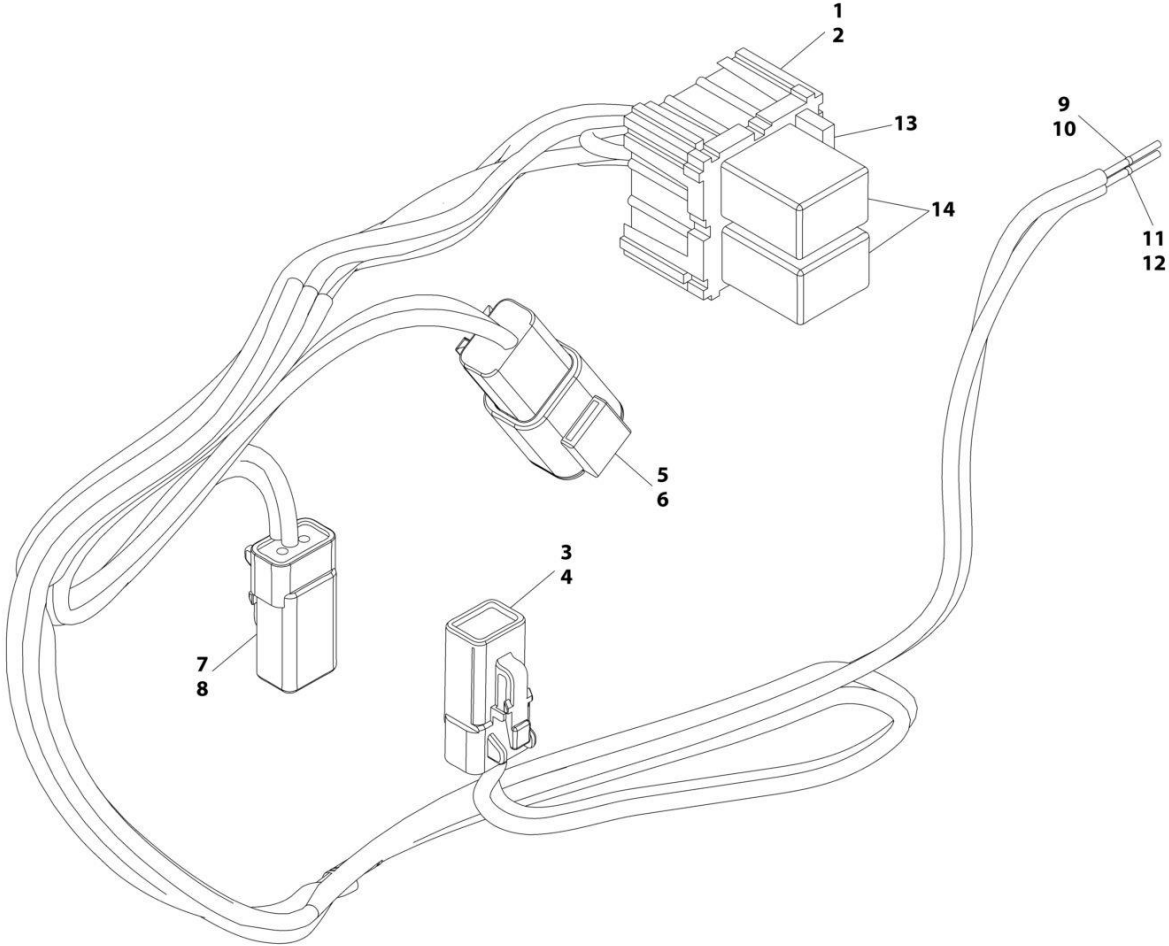
SECTION 10 - ELECTRICAL

FIGURE 10-35. LIGHTS - ROADLIGHT OPTION HARNESS

ITEM	PART NUMBER	QTY	DESCRIPTION	REV
	1001178346	Ref	ROAD LIGHT OPTION HARNESS	H
1	4460894	1	Connector	
2	4460465	5	Terminal	
3	4460466	1	Plug	
4	4460894	1	Connector	
5	4460465	5	Terminal	
6	4460466	1	Plug	
7	7116572	1	Connector	
8	1001116736	1	Terminal	
9	7116572	1	Connector	
10	1001116736	1	Terminal	
11	7116572	1	Connector	
12	1001116736	1	Terminal	
13	8220051	1	Terminal, Ring	
14	1001117079	1	Connector	
15	4460419	9	Terminal	
16	8220051	1	Terminal, Ring	
17	4460933	1	Connector	
18	4460465	8	Terminal	
19	4460466	4	Plug	
20	4460931	1	Connector	
21	4460466	3	Plug	
22	4460464	2	Terminal	
23	1001157891	2	Terminal	
24	4460941	1	Terminal	
25	4460884	1	Connector	
26	4460465	3	Terminal	
27	4460942	1	Terminal	
28	4460884	1	Connector	
29	4460465	3	Terminal	
30	4460942	1	Terminal	
31	4461017	1	Connector	
32	4460508	2	Terminal	

SECTION 10 - ELECTRICAL

FIGURE 10-36. LIGHTS - ROADLIGHT/WORKLIGHT OPTION HARNESS



ART_1001205248_A

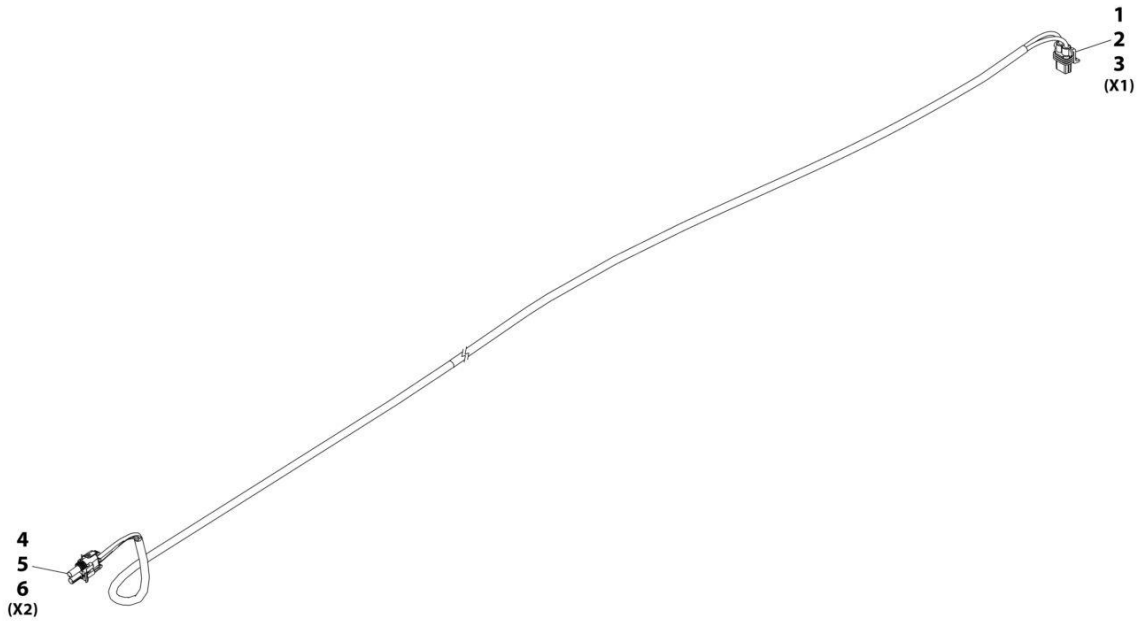
SECTION 10 - ELECTRICAL

FIGURE 10-36. LIGHTS - ROADLIGHT/WORKLIGHT OPTION HARNESS

ITEM	PART NUMBER	QTY	DESCRIPTION	REV
	1001205248	Ref	Roadlight Worklight Harness	A
1	1001177198	1	Connector	
2	1001116712	12	Terminal	
3	4461018	1	Connector	
4	4460509	2	Terminal	
5	4461017	1	Connector	
6	4460508	2	Terminal	
7	4461018	1	Connector	
8	4460509	2	Terminal	
9	4460790	1	Terminal, Socket	
10	8220089	1	Seal	
11	4460790	1	Terminal, Socket	
12	8220089	1	Seal	
13	8229245	2	Fuse 30Amp	
14	1001205172	2	Relay	

SECTION 10 - ELECTRICAL

FIGURE 10-37. LIGHTS - WORKLIGHT OPTION HARNESS (BOOM)



ART_1001238111

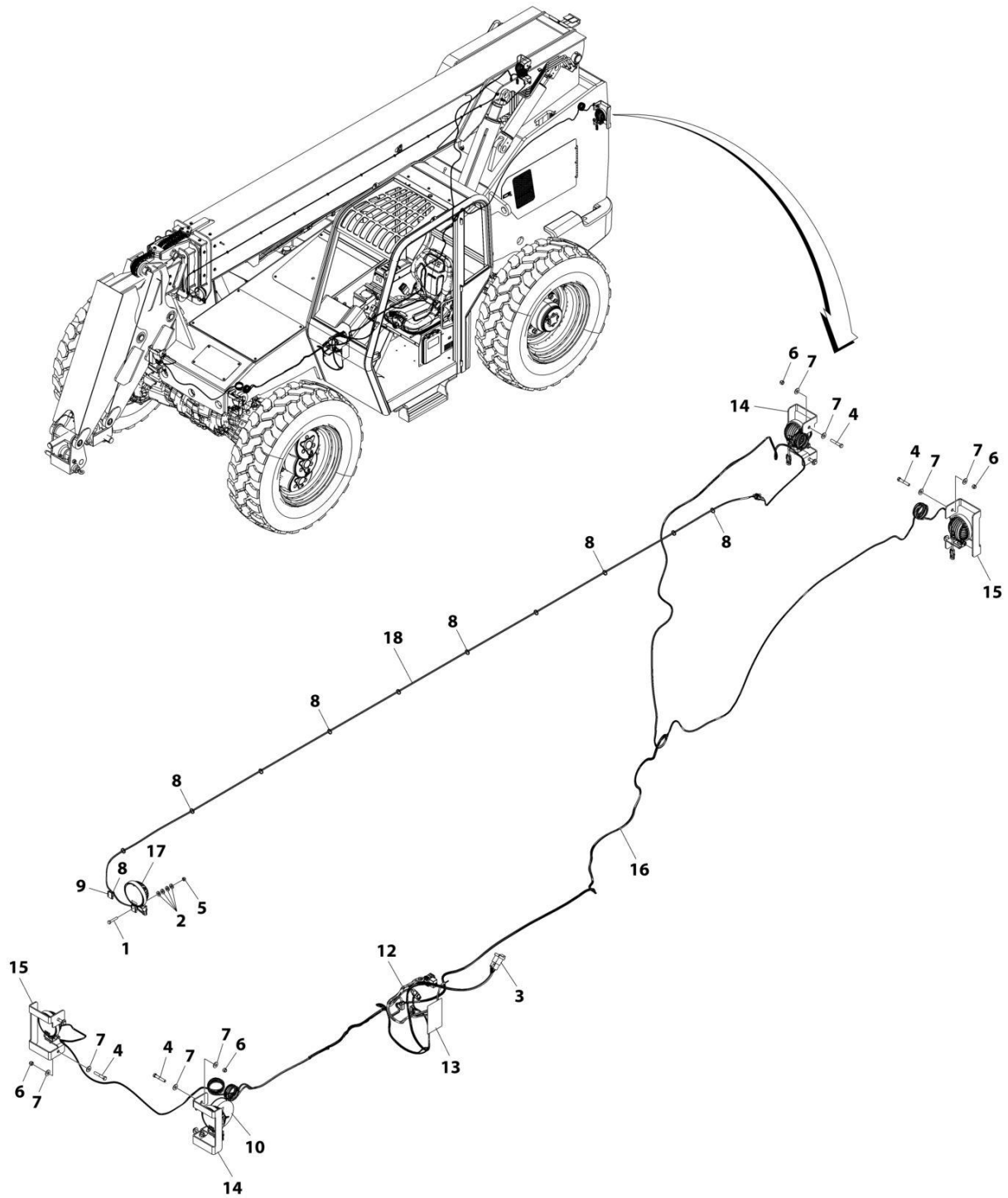
SECTION 10 - ELECTRICAL

FIGURE 10-37. LIGHTS - WORKLIGHT OPTION HARNESS (BOOM)

ITEM	PART NUMBER	QTY	DESCRIPTION	REV
	1001238111	Ref	Boom Worklight Harness	B
1	1001117021	1	Connector	
2	1001116747	2	Terminal	
3	4460789	2	Seal	
4	4460742	1	Connector	
5	4460457	2	Terminal	
6	4460789	2	Seal	

SECTION 10 - ELECTRICAL

FIGURE 10-38. LIGHTS - WORKLIGHT PACKAGE INSTALLATION



ART_1001237847

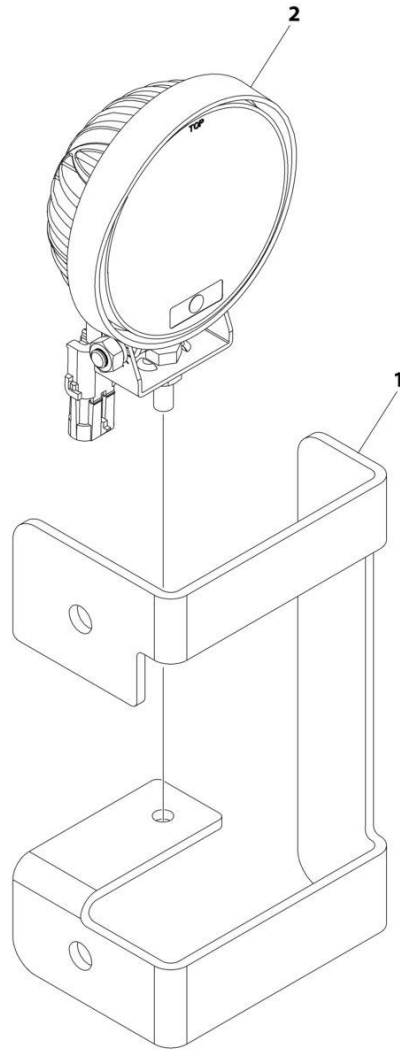
SECTION 10 - ELECTRICAL

FIGURE 10-38. LIGHTS - WORKLIGHT PACKAGE INSTALLATION

ITEM	PART NUMBER	QTY	DESCRIPTION	REV
	1001237847	Ref	LIGHTS - LED WORK LIGHT PACKAGE INSTALLATION	C
1	0641514	1	Bolt 5/16 x 1-3/8	
2	4891600	AR	Washer 3/8	
3	8223059	1	Switch, Work Light	
4	8303771	8	Bolt 3/8 x 2-1/4	
5	8305626	1	Nut 5/16	
6	8305645	8	Nut 3/8	
7	8307204	16	Washer 3/8	
8	8584001	AR	Wrap, Tie	
9	8584018	4	Mount, Tie-Strap	
10	7124471	1	Conduit, 1 x 12.5	
11	88501005	AR	Nut 5/16	
12	1001205248	1	Harness, Roadlight Worklight (See Separate Breakdown in this Section)	
13	1001205264	1	Decal, Light Fuse Panel	
14	1001237853	2	Assembly, LED RH Worklight (See Separate Breakdown in this Section)	
15	1001237854	2	Assembly, LED LH Worklight (See Separate Breakdown in this Section)	
16	1001238199	1	Harness, Work Light Option (See Separate Breakdown in this Section)	
17	1001176337	1	Lamp, LED Worklight	
18	1001238111	1	Harness, Boom Worklight (See Separate Breakdown in this Section)	

SECTION 10 - ELECTRICAL

FIGURE 10-39. LIGHTS - WORKLIGHT ASSEMBLY (RH) (LED)



ART_1001237853

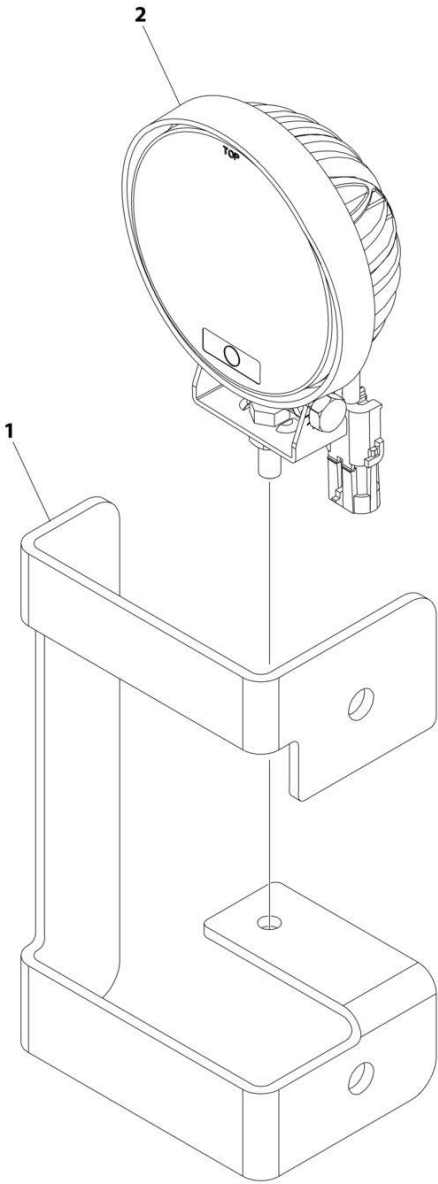
SECTION 10 - ELECTRICAL

FIGURE 10-39. LIGHTS - WORKLIGHT ASSEMBLY (RH) (LED)

ITEM	PART NUMBER	QTY	DESCRIPTION	REV
	1001237853	Ref	LIGHTS - WORK LIGHT ASSEMBLY - LED (RH)	A
1	1001097079	1	Bracket, RH Worklight Mount	
2	1001176337	1	Lamp, LED Worklight	

SECTION 10 - ELECTRICAL

FIGURE 10-40. LIGHTS - WORKLIGHT ASSEMBLY (RH) (LED)



ART_1001237854

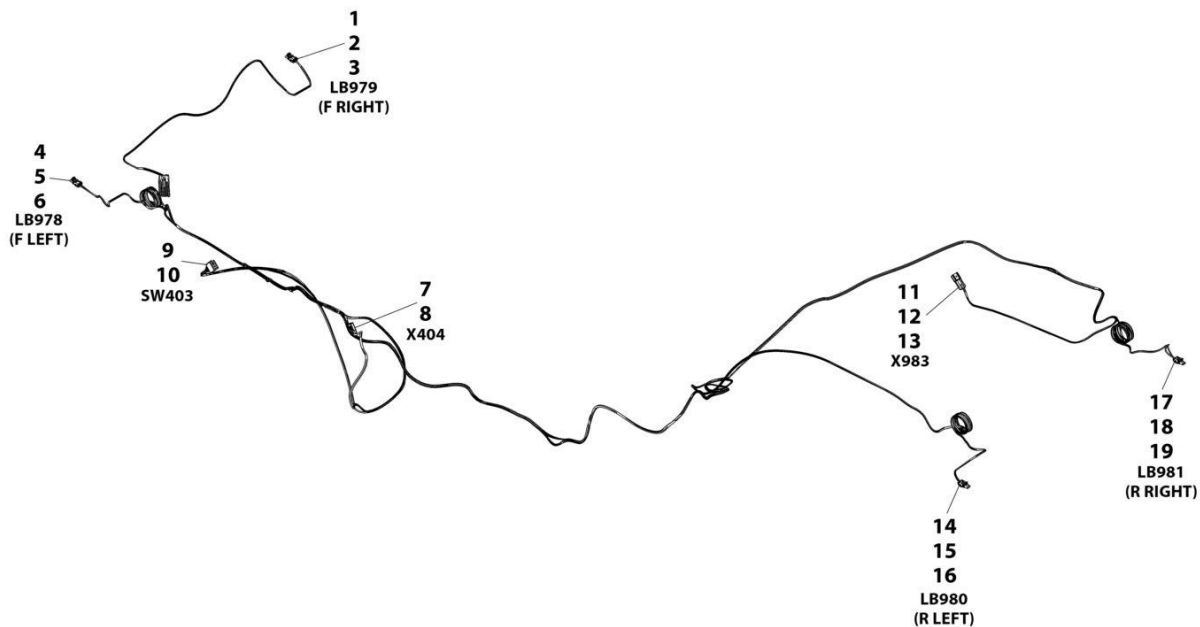
SECTION 10 - ELECTRICAL

FIGURE 10-40. LIGHTS - WORKLIGHT ASSEMBLY (RH) (LED)

ITEM	PART NUMBER	QTY	DESCRIPTION	REV
	1001237854	Ref	LIGHTS - WORK LIGHT ASSEMBLY - LED (LH)	A
1	1001097080	1	Bracket, LH Worklight Mount	
2	1001176337	1	Lamp, LED Worklight	

SECTION 10 - ELECTRICAL

FIGURE 10-41. LIGHTS - WORKLIGHT OPTION HARNESS



ART_1001238199-A

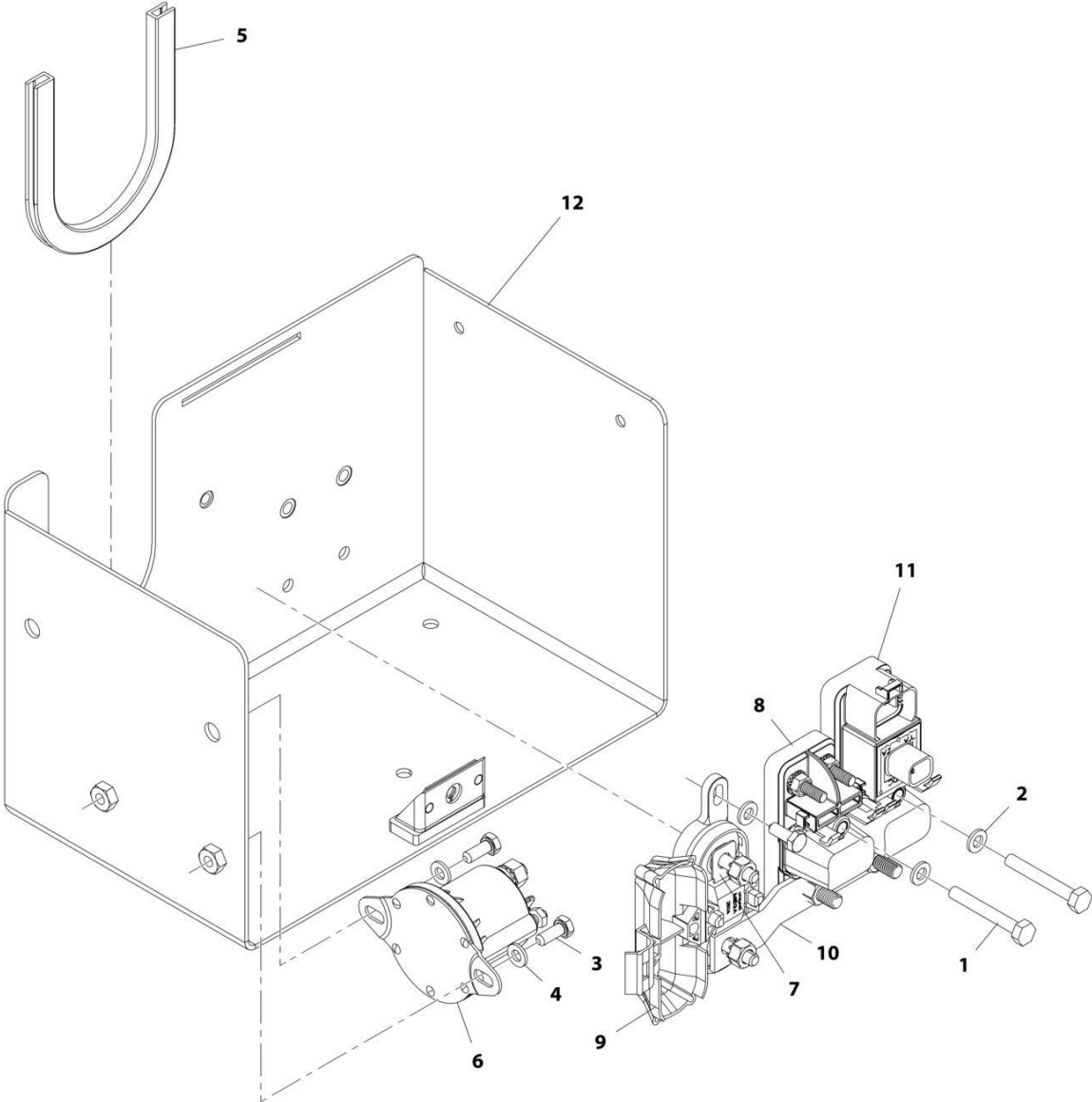
SECTION 10 - ELECTRICAL

FIGURE 10-41. LIGHTS - WORKLIGHT OPTION HARNESS

ITEM	PART NUMBER	QTY	DESCRIPTION	REV
	1001238199	Ref	Work Lighting Option Harness	A
1	4460742	1	Connector	
2	4460457	2	Terminal	
3	4460789	2	Seal	
4	4460742	1	Connector	
5	4460457	2	Terminal	
6	4460789	2	Seal	
7	4461018	1	Connector	
8	4460509	2	Terminal	
9	8220904	1	Connector	
10	4460419	6	Terminal	
11	1001117026	1	Connector	
12	1001116729	2	Terminal	
13	8220081	2	Seal	
14	4460742	1	Connector	
15	4460457	2	Terminal	
16	4460789	2	Seal	
17	4460742	1	Connector	
18	4460457	2	Terminal	
19	4460457	2	Seal	

SECTION 10 - ELECTRICAL

FIGURE 10-42. RELAY PANEL INSTALLATION



ART_1001170233-F

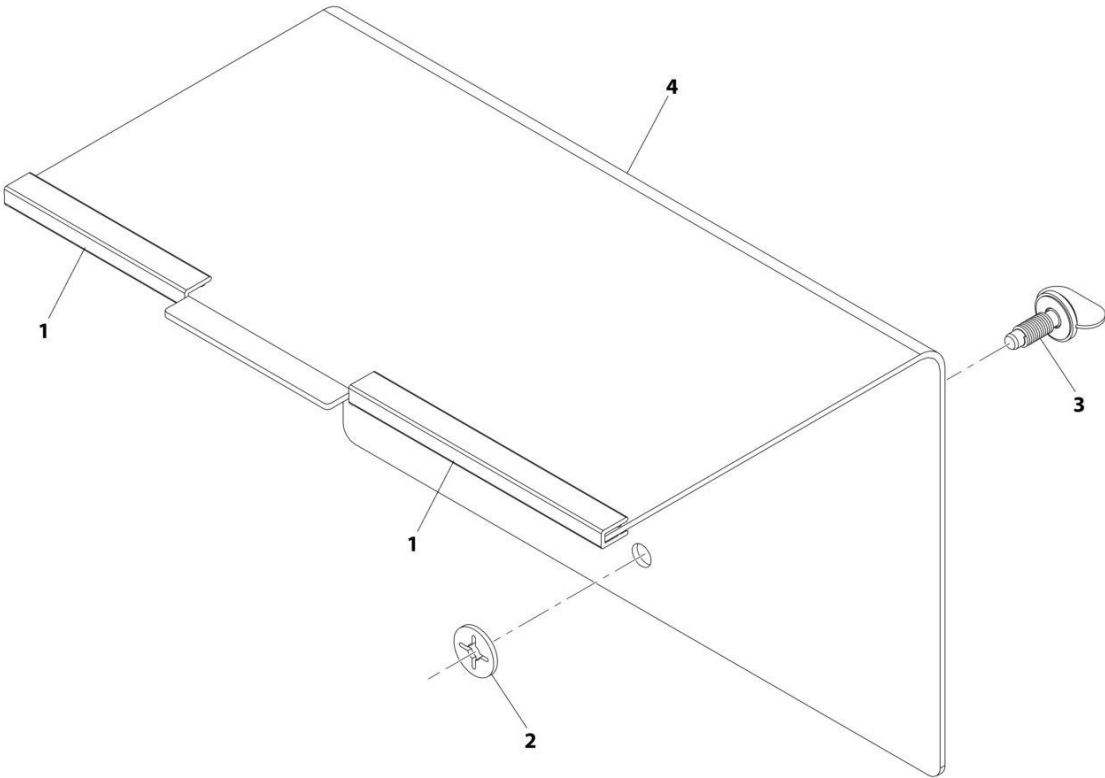
SECTION 10 - ELECTRICAL

FIGURE 10-42. RELAY PANEL INSTALLATION

ITEM	PART NUMBER	QTY	DESCRIPTION	REV
	1001170233	Ref	Relay Panel Installation	F
1	0641415	2	Bolt 1/4X1-7/8	
2	4761400	2	Washer 1/4	
3	8303545	4	Bolt M6X14	
4	8307219	4	Washer M6	
5	90206196	257 mm	Trim, Vinyl Edge	
6	1001186417	1	Relay, 150 Amp	
7	1001118245	1	Fuse, 250 Amp	
8	1001127699	1	Fuse, Power Module	
9	1001127700	1	Holder, AMG Fuse	
10	1001129615	1	Bar, Buss Connector	
11	1001184316	1	Relay, Power Module	
12	1001170230	1	Bracket, Relay Mount	

SECTION 10 - ELECTRICAL

FIGURE 10-43. RELAY PANEL COVER ASSEMBLY



ART_1001170234-B

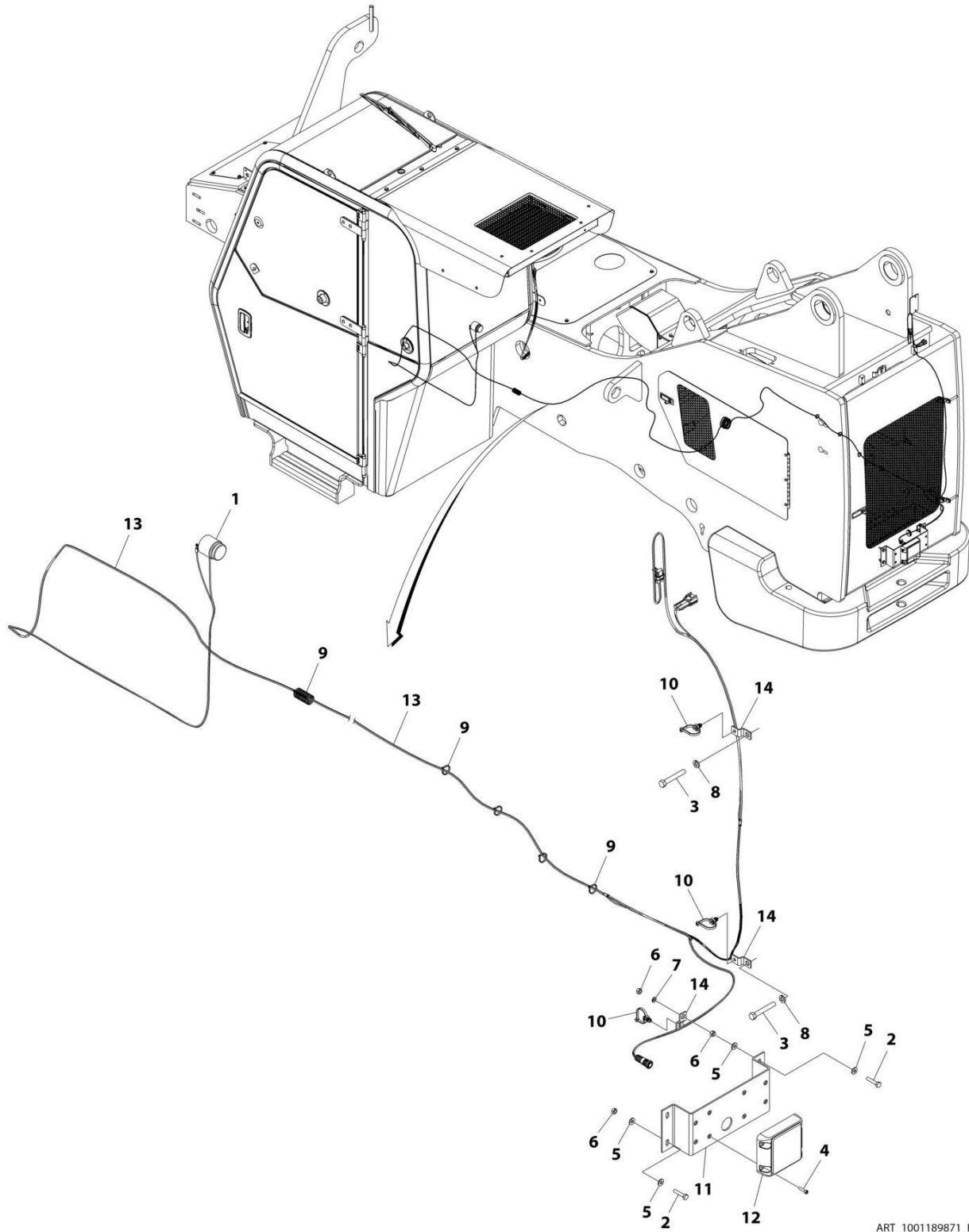
SECTION 10 - ELECTRICAL

FIGURE 10-43. RELAY PANEL COVER ASSEMBLY

ITEM	PART NUMBER	QTY	DESCRIPTION	REV
	1001170234	Ref	Relay Panel Cover Assembly	B
1	90206196	220 mm	Trim, Vinyl Edge	
2	1001135770	1	Washer, Push-On Retainer	
3	1001135777	1	Screw, Fastener Assembly Wing Head	
4	1001170235	1	Cover, Relay Panel	

SECTION 10 - ELECTRICAL

FIGURE 10-44. REVERSE SENSOR INSTALLATION



ART_1001189871_B

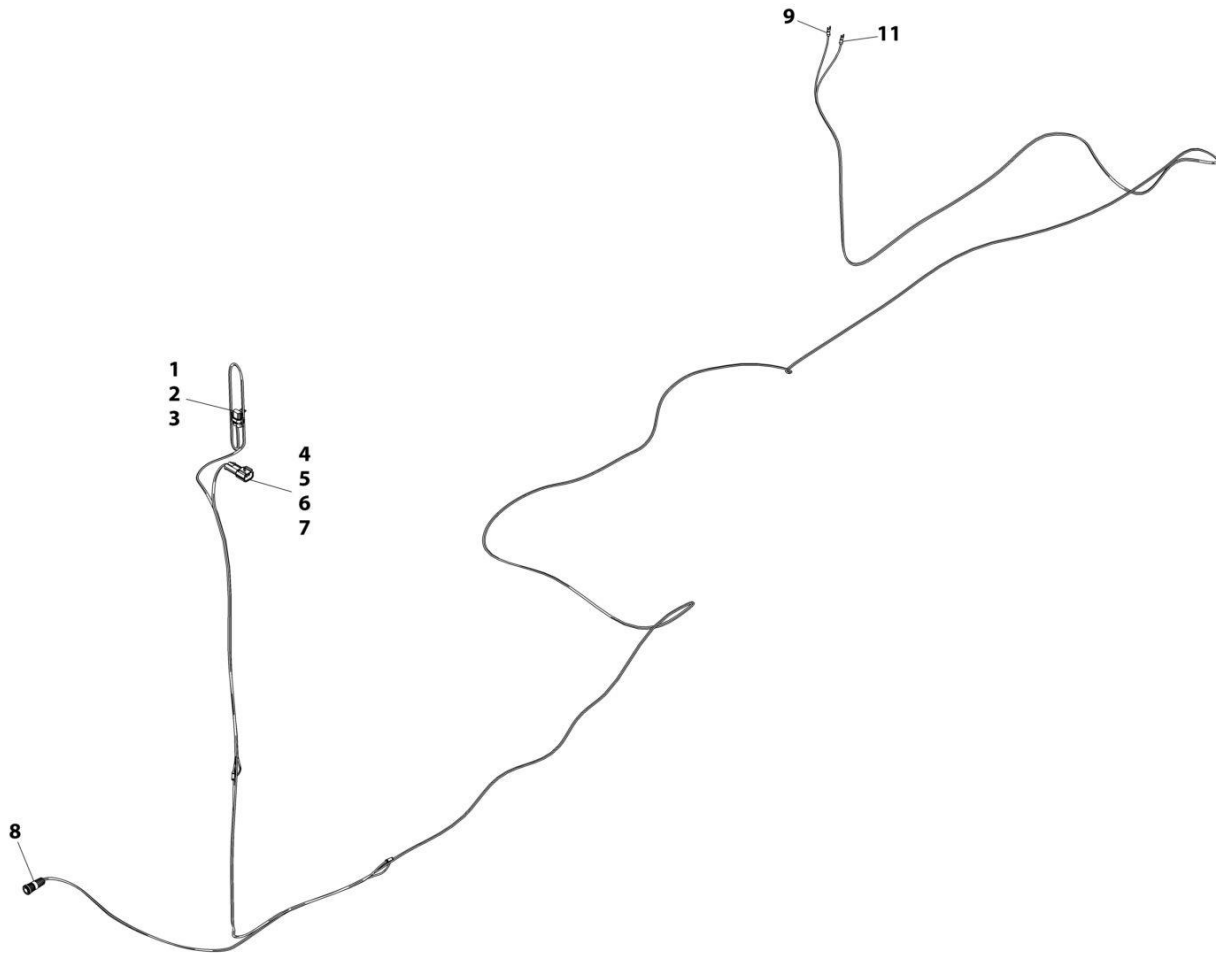
SECTION 10 - ELECTRICAL

FIGURE 10-44. REVERSE SENSOR INSTALLATION

ITEM	PART NUMBER	QTY	DESCRIPTION	REV
	1001189871	Ref	REVERSE SENSOR INSTALLATION	B
1	0140011	1	Audible, Signal Device	
2	0641410	4	Bolt 1/4 x 1	
3	0641620	2	Bolt 3/8 x 2	
4	3931012	4	Capscrew #10 x 3/4	
5	4711400	8	Washer 1/4	
6	8305004	5	Nut 1/4	
7	8307002	1	Washer 1/4	
8	8307005	2	Washer 3/8	
9	8584001	AR	Wrap, Tie 3/16	
10	1001004720	3	Strap, Cable	
11	1001154375	1	Bracket	
12	1001247421	1	Control, Reverse Sensor	
13	1001189886	1	Harness, Reverse Sensor (See Separate Breakdown in this Section)	
14	1001204692	3	Bracket	

SECTION 10 - ELECTRICAL

FIGURE 10-45. REVERSE SENSOR HARNESS



ART_1001189886-B

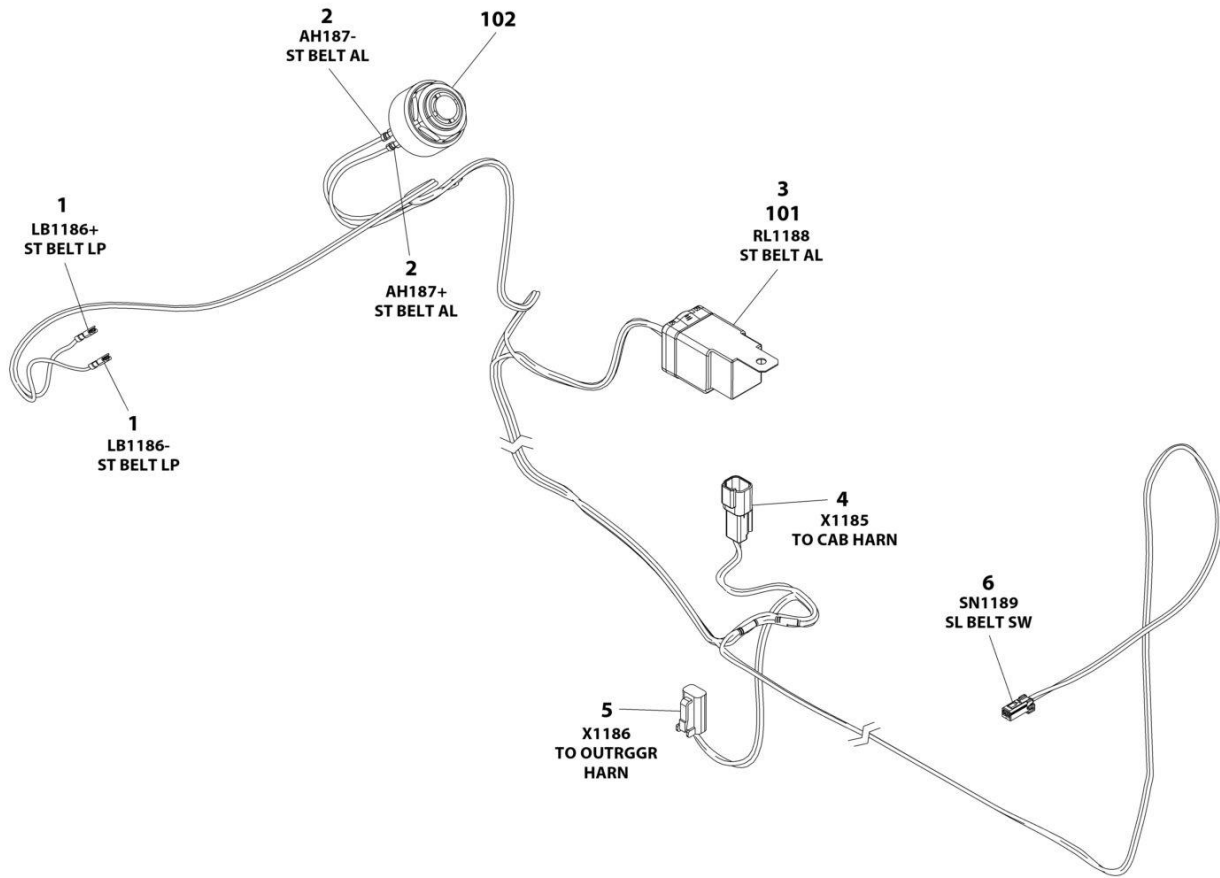
SECTION 10 - ELECTRICAL

FIGURE 10-45. REVERSE SENSOR HARNESS

ITEM	PART NUMBER	QTY	DESCRIPTION	REV
	1001189886	Ref	Reverse Sensor Harness	B
1	1001117021	1	Connector	
2	1001116728	2	Terminal	
3	4460458	2	Seal	
4	1001117026	1	Connector	
5	8220890	1	Lock, Secondary	
6	1001116745	2	Terminal	
7	4460458	2	Seal	
8	1001175733	1	Connector	
9	4460183	1	Fork Terminal	
11	4460183	1	Fork Terminal	

SECTION 10 - ELECTRICAL

FIGURE 10-46. SEAT BELT ALARM HARNESS



ART_1001288679

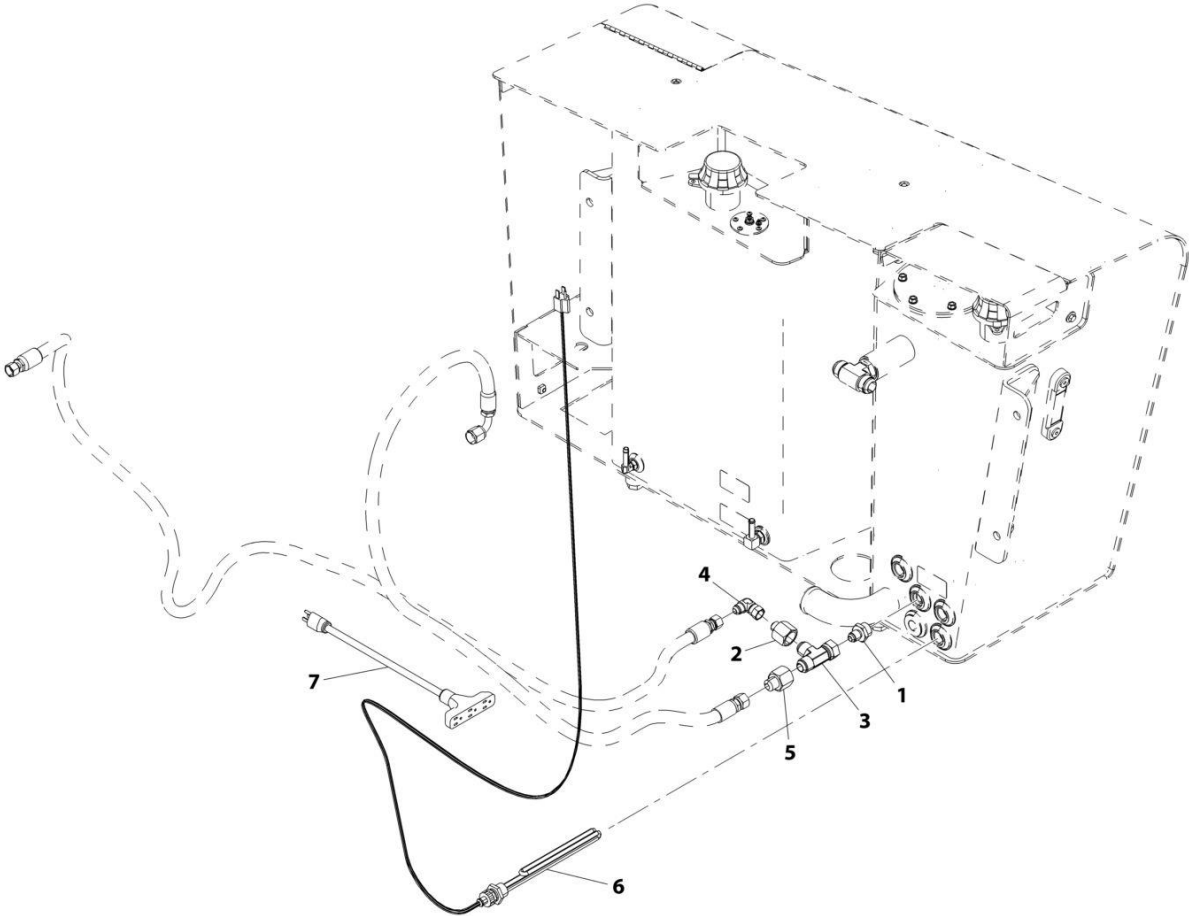
SECTION 10 - ELECTRICAL

FIGURE 10-46. SEAT BELT ALARM HARNESS

ITEM	PART NUMBER	QTY	DESCRIPTION	REV
	1001288679	Ref	SEAT BELT ALARM HARNESS	A
1	1001201885	2	Terminal, Faston	
2	1001194421	2	Terminal, Blade	
3	1001231398	1	Connector, Relay	
3	1001231400	4	Socket	
3	1001231404	4	Seal	
3	1001231406	1	Plug	
4	4460897	1	Connector	
4	4460464	2	Pin	
5	4460891	1	Connector	
5	4460465	2	Socket	
6	1001264844	1	Connector	
6	1001264861	2	Socket	
101	3740080	1	Relay	
102	1001091751	1	Buzzer Alarm	

SECTION 10 - ELECTRICAL

FIGURE 10-47. TANK (HYDRAULIC) HEATER INSTALLATION



ART_1001234098-A

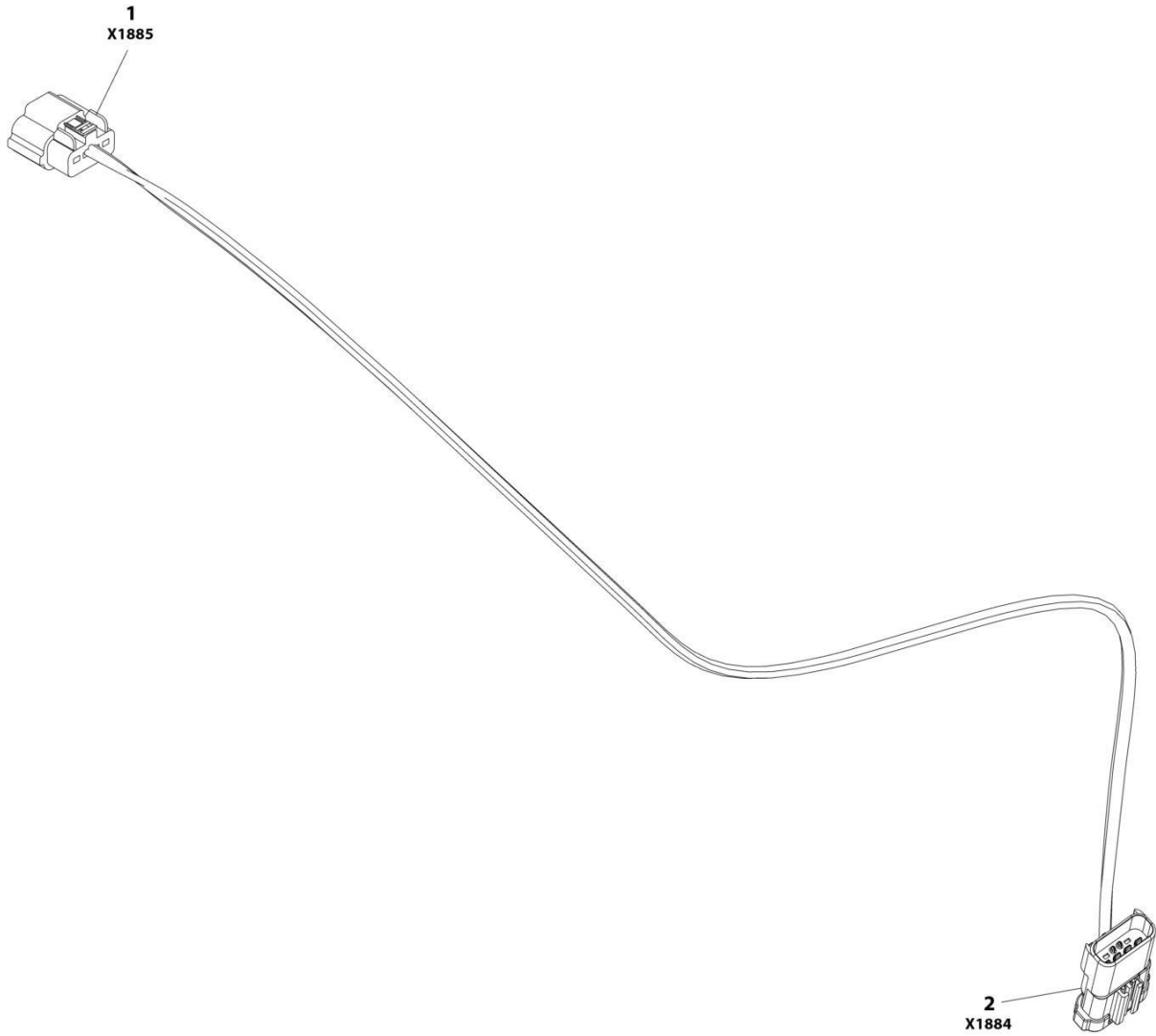
SECTION 10 - ELECTRICAL

FIGURE 10-47. TANK (HYDRAULIC) HEATER INSTALLATION

ITEM	PART NUMBER	QTY	DESCRIPTION	REV
	1001234098	Ref	Hydraulic Tank Heater Installation	A
1	2220451	1	Connector	
2	2220622	1	Reducer	
3	2220700	1	Tee Fitting	
4	8765204	1	Elbow	
5	1001094696	1	Adapter	
6	1001105886	1	Immersion Heater	
7	1060626	1	3 Way Plug	

SECTION 10 - ELECTRICAL

FIGURE 10-48. TBAP HARNESS



ART_1001184835

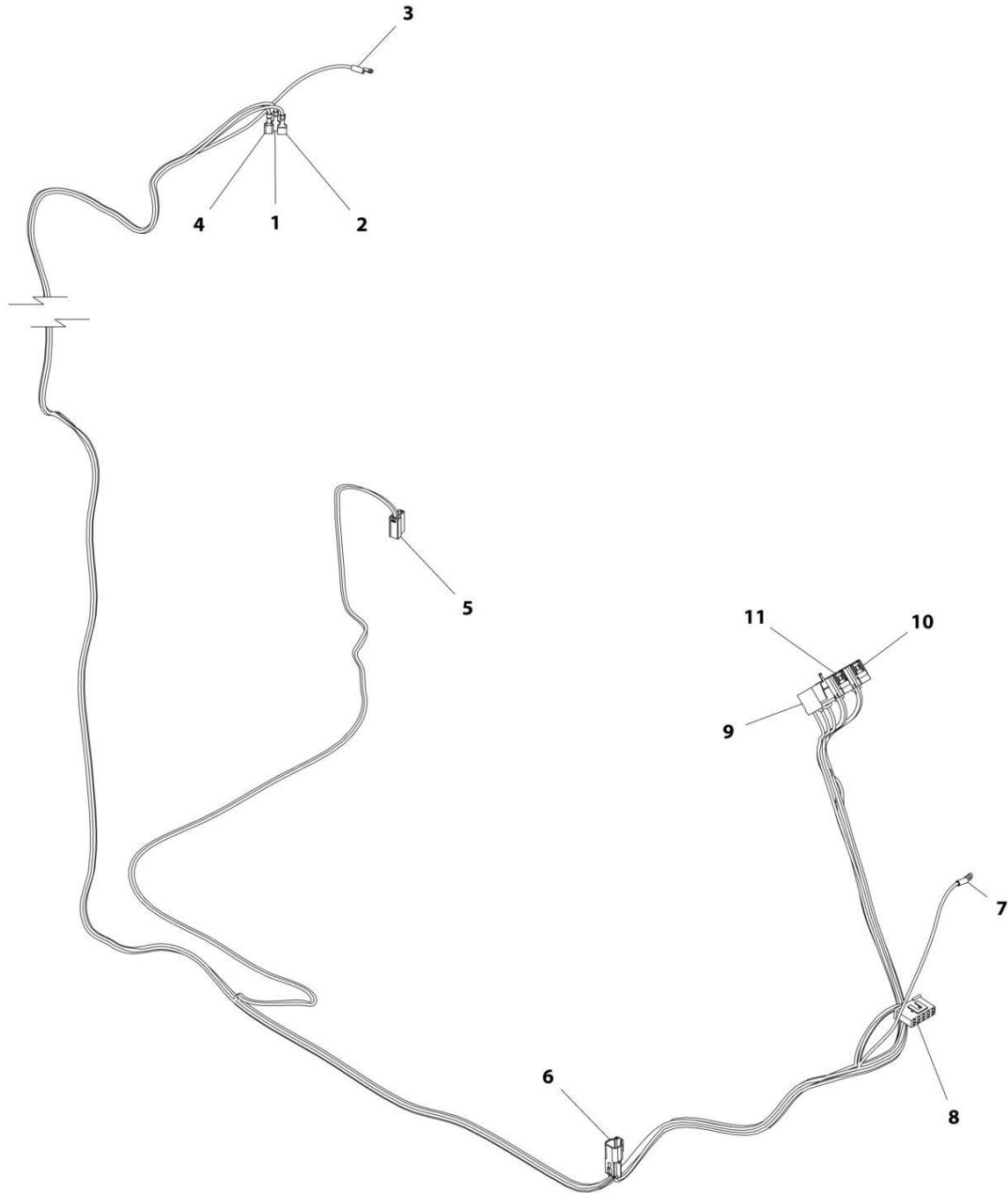
SECTION 10 - ELECTRICAL

FIGURE 10-48. TBAP HARNESS

ITEM	PART NUMBER	QTY	DESCRIPTION	REV
1	1001184835	Ref	TBAP Harness	C
	10011184495	1	Connector	
	1001260509	4	Terminal	
	1001184496	4	Seal	
2	1001184491	1	Connector	
	1001184493	4	Terminal	

SECTION 10 - ELECTRICAL

FIGURE 10-49. WIPER HARNESS



ART_1001178349-D

SECTION 10 - ELECTRICAL

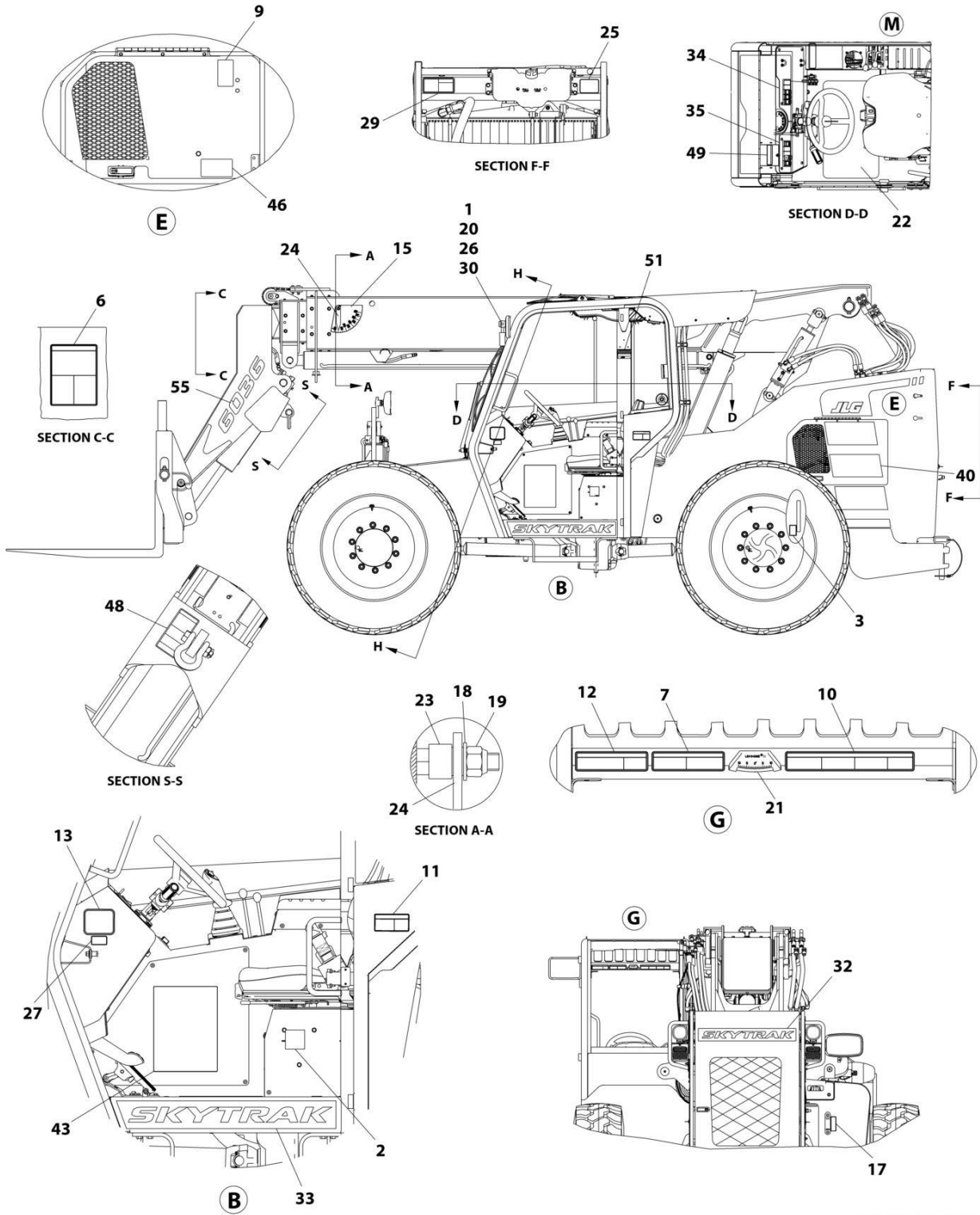
FIGURE 10-49. WIPER HARNESS

ITEM	PART NUMBER	QTY	DESCRIPTION	REV
	1001178349	Ref	Wiper Harness	D
1	8220051	1	Terminal	
2	8220051	1	Terminal	
3	8220035	1	Terminal, Ring	
4	8220051	1	Terminal	
5	4460994	1	Housing, Terminal	
	1001169816	2	Terminal	
6	4460897	1	Connector	
	80604017	1	Lock, Wedge	
	4460464	2	Terminal	
7	8220007	1	Terminal, Ring	
8	1001127066	1	Connector	
	1001116720	3	Terminal	
9	8220904	1	Connector	
	4460419	5	Terminal	
10	1001117081	1	Connector	
	4460419	9	Terminal	
11	1001117081	1	Connector	
	4460419	9	Terminal	

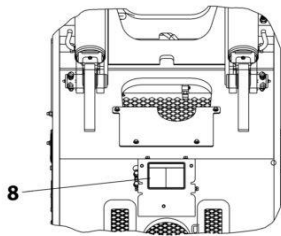
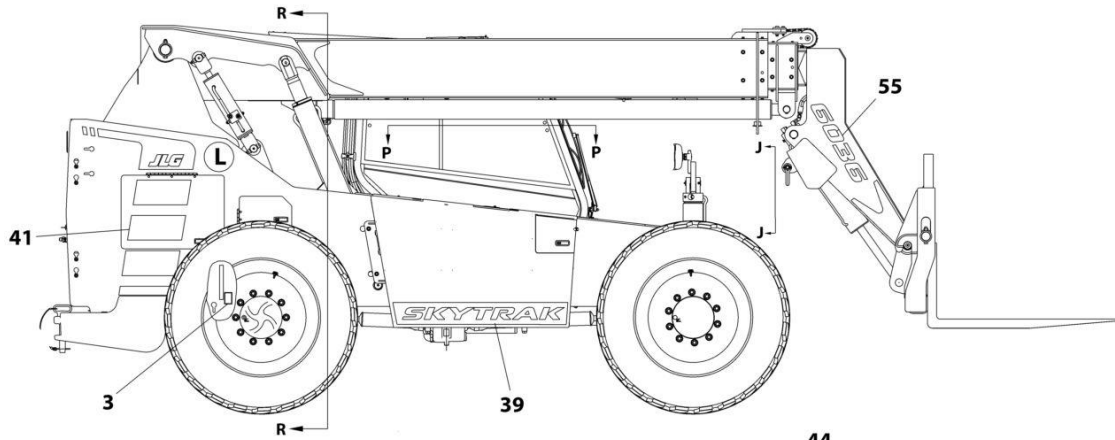
SECTION 11 - DECALS

SECTION 11 - DECALS

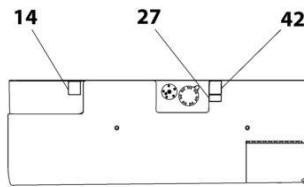
FIGURE 11-1. DECAL INSTALLATION - 74HP (ANSI)



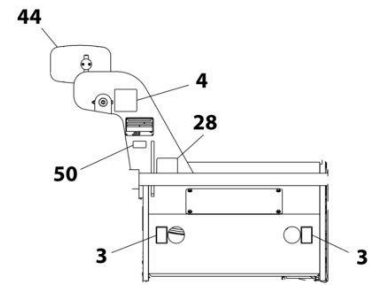
SECTION 11 - DECALS



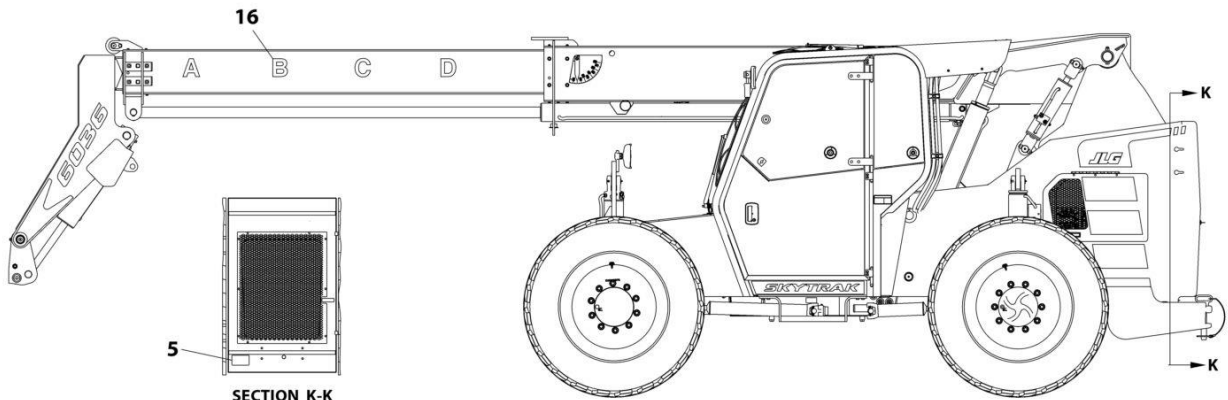
SECTION R-R



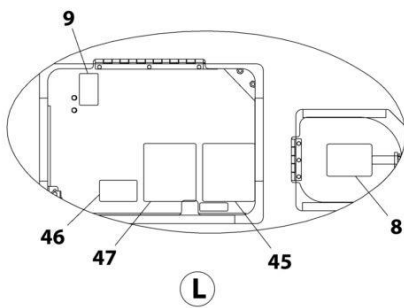
SECTION P-P



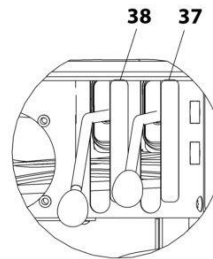
VIEW J



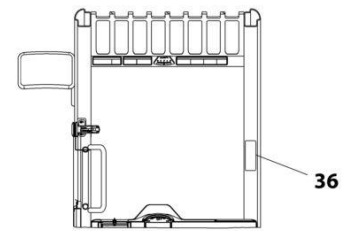
SECTION K-K



L



M



SECTION H-H

ART_1001202755_20F2

SECTION 11 - DECALS

FIGURE 11-1. DECAL INSTALLATION - 74HP (ANSI)

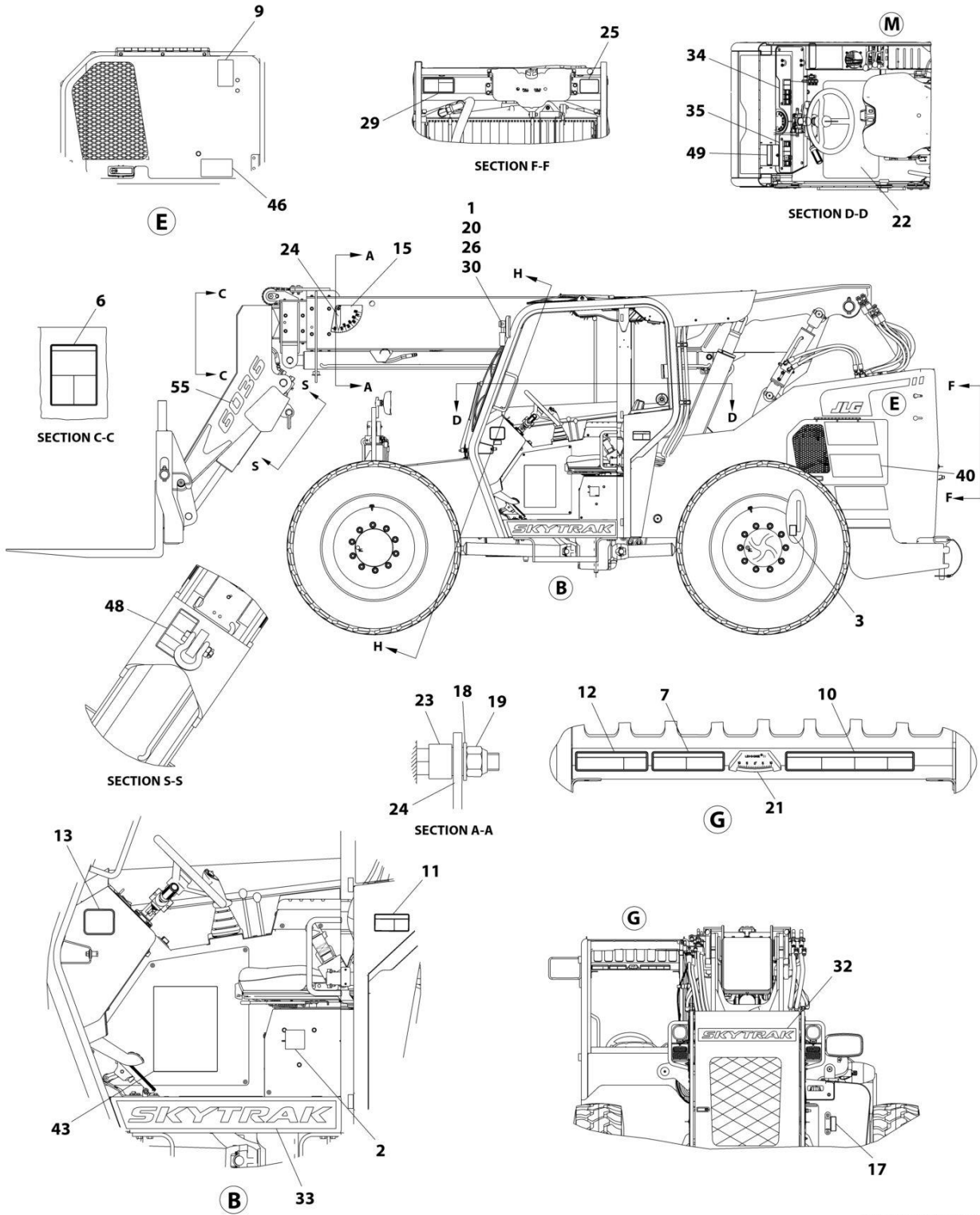
ITEM	PART NUMBER	QTY	DESCRIPTION	REV
	1001202755	Ref	DECAL INSTALLATION, 74HP (ANSI) (6036)	L
1	0700610	2	Bolt M6 x 20	
2	1701640	1	Decal, Manual	
3	1702300	4	Decal, Tie Down	
4	1702631	1	Decal, Bar Code	
5	1706296	1	Decal, Battery Hazard	
6	1706298	1	Decal, Carry Personnel	
7	1706299	1	Decal, Contacting Power Lines Warning	
8	1706300	2	Decal, Ether Starting Warning	
9	1706301	2	Decal, Keep Clear of Rotating Parts Warning	
10	1706306	1	Decal, Tip Over Warning	
11	1706768	1	Decal, No Riders	
12	1706850	1	Decal, Crush Hazard Warning	
13	3251813	1	Decal, USA	
14	4100181	1	Decal, Hydraulic Oil Fill	
15	4105262	1	Decal, Boom Angle Indicator	
16	4107442	1	Decal, Boom Extend Letters	
17	4108302	1	Decal, Hydraulic Oil Level	
18	4711600	1	Washer 3/8	
19	8305645	1	Nut 3/8	
20	8307024	2	Washer M6	
21	8466306	1	Gage, Tilt Angle	
22	10139087	1	Tread, Safety	
23	1001096404	1	Sleeve, Angle Indicator Spacer	
24	1001098769	1	Plate, Boom Angle Indicator	
25	1001109053	1	Decal, Coolant Fill	
26	1001114675	1	Arm, Mirror	
27	1001125387	2	Decal, Ultra Low Sulfur Fuel	
28	1001131271	1	Decal, Telehandlers Patent	
29	1001139578	1	Decal, Hot Fluid Warning	
30	1001148177	1	Mirror, Rectangular	
32	1001259303	1	Decal, Tank Side	
33	1001259302	1	Decal, Cab Side	
34	1001158272	1	Decal, RH Overlay	
35	1001158319	1	Decal, LH Overlay	
36	1001162734	1	Decal, Joystick Control	
37	1001162735	1	Decal, Sway Control	
38	1001162736	1	Decal, Auxiliary Control	
39	1001263821	1	Decal, Rear Door	
40	1001263819	1	Decal, Right Side Stripe	
41	1001263820	1	Decal, Left Side Stripe	
42	1001189017	1	Decal, Diesel Fuel Fill	
43	1001189327	1	Decal, Main Fuse Panel	
44	1001191635	1	Mirror Assembly, RH	
45	1001191992	1	Decal, Lubrication Chart	
46	1001202626	2	Decal, 74HP	
47	1001202627	1	Decal, Maintenance Chart	
48	1001207217	1	Decal, Danger Swinging Load	
49	1001218659	1	Decal, Brake Fluid	
50	1001223453	1	Decal, ICES (CAN)	

SECTION 11 - DECALS

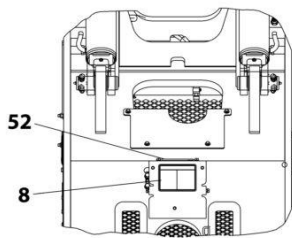
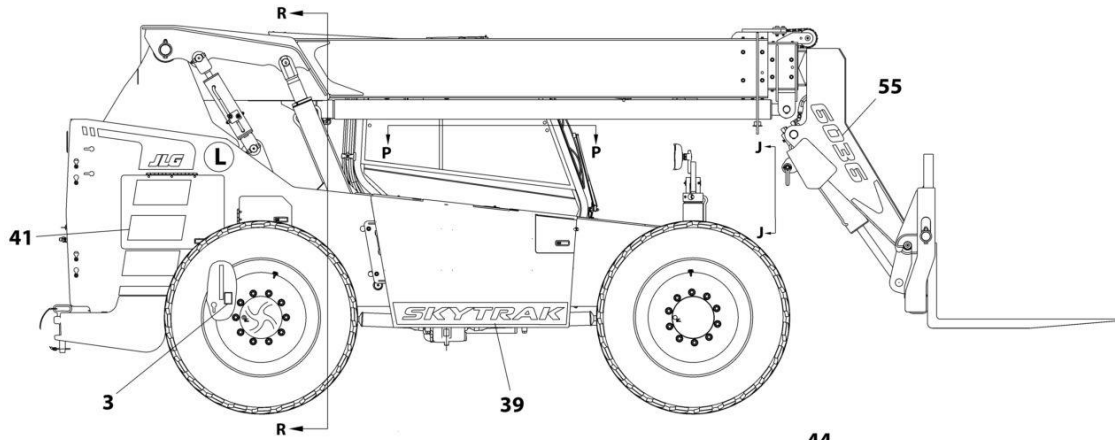
ITEM	PART NUMBER	QTY	DESCRIPTION	REV
51	1001231801	1	Decal, Warning Prop 65 Diesel	
55	1001263593	2	Decal, Model Boom Head	

SECTION 11 - DECALS

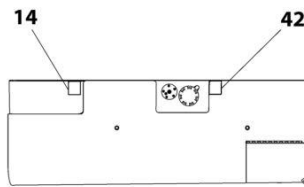
FIGURE 11-2. DECAL INSTALLATION HRC 74HP (ISO)(HRC)



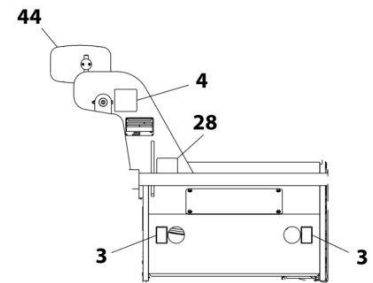
SECTION 11 - DECALS



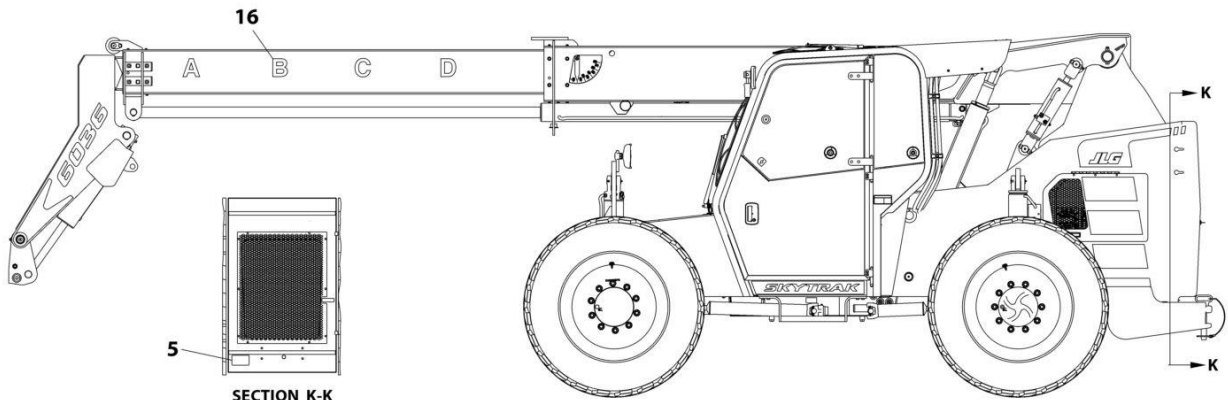
SECTION R-R



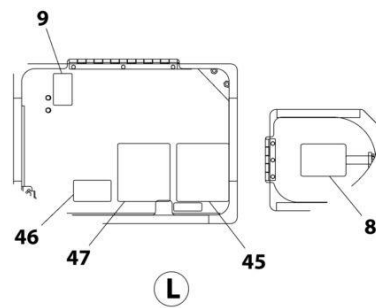
SECTION P-P



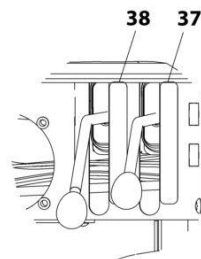
VIEW J



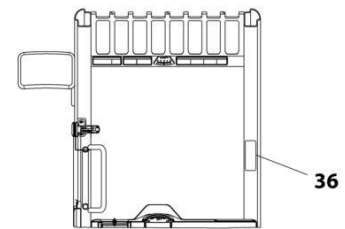
SECTION K-K



L



M



SECTION H-H

ART_1001296886_20F2

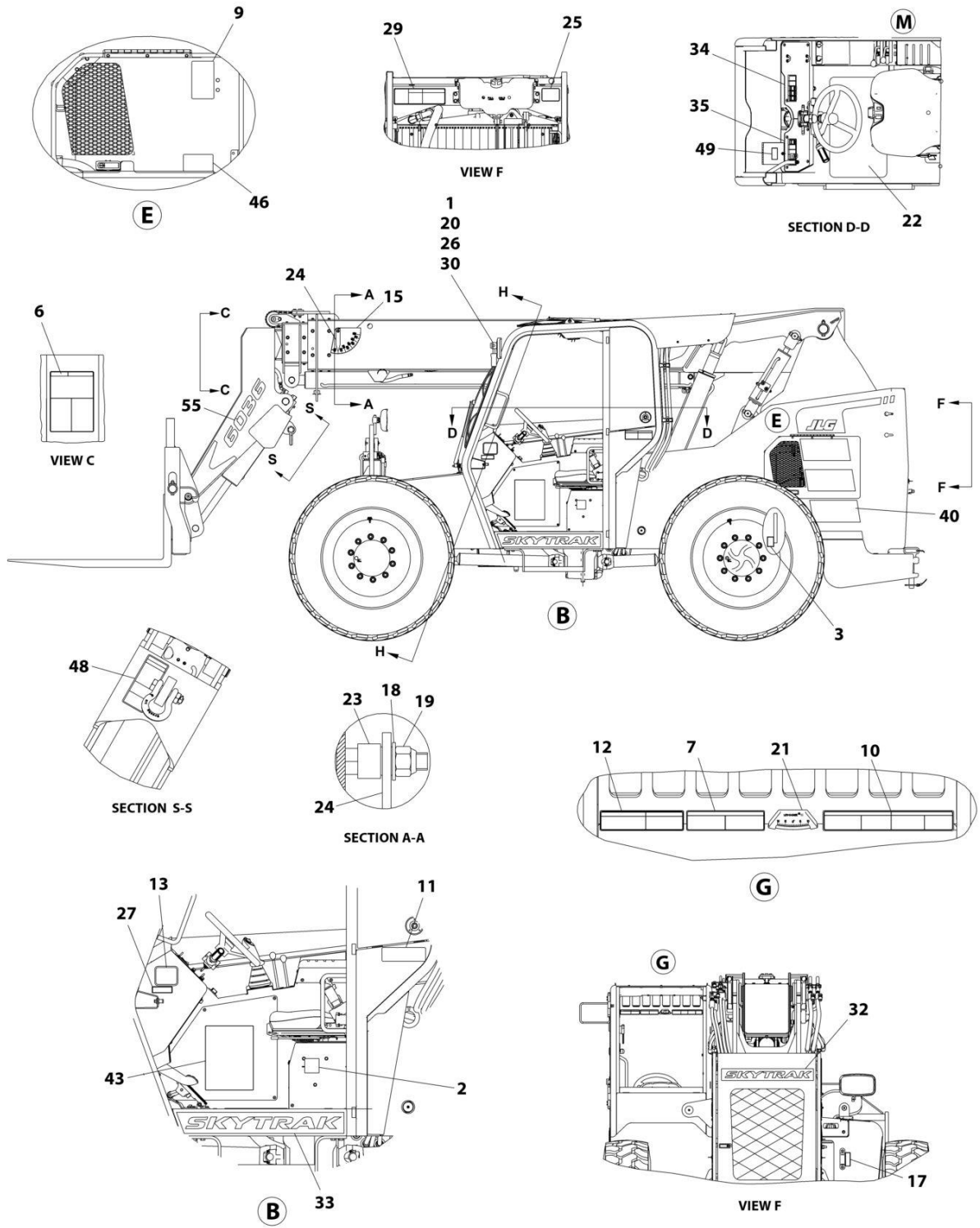
SECTION 11 - DECALS

FIGURE 11-2. DECAL INSTALLATION HRC 74HP (ISO)(HRC)

ITEM	PART NUMBER	QTY	DESCRIPTION	REV
	1001296886	Ref	DECAL INSTALLATION HRC 74HP	A
1	0700610	2	Bolt M6 x 20	
2	1701640	1	Decal - Manual	
3	1702300	4	Decal - Tie Down	
4	See Note	NSS	Decal - Bar Code (Note: Not Available for Purchase)	
5	1706281	1	Decal - Battery Warning	
6	1706282	1	Decal - Carry Personnel	
7	1706284	1	Decal - Electrocution Hazard	
8	1706098	2	Decal - Warning Ether Start	
9	1706285	2	Decal - Moving Parts	
10	1706288	1	Decal - Tip Over Warning	
11	1001092878	1	Decal - No Riders	
12	1001092877	1	Decal - Crush Hazard Warning	
13	3251813	1	Decal - USA	
14	4100181	1	Decal - Hydraulic Oil Fill	
15	4105262	1	Decal - Boom Angle Indicator	
16	4107442	1	Decal - Boom Extend Letters	
17	4108302	1	Decal - Hydraulic Oil Level	
18	4711600	1	Washer 3/8	
19	8305645	1	Nut 3/8	
20	8307024	2	Washer M6	
21	8466306	1	Gage, Tilt Angle	
22	10139087	1	Tread, Safety	
23	1001096404	1	Spacer, Sleeve	
24	1001098769	1	Plate	
25	1001109053	1	Decal - Coolant Fill	
26	1001114675	1	Arm, Mirror	
28	1001131271	1	Decal - Patent Telehandlers	
29	1001139942	1	Decal - Hot Fluid Warning	
30	1001148177	1	Mirror	
32	1001259303	1	Decal - Tank Side	
33	1001259302	1	Decal - Cab Side	
34	1001158320	1	Decal - LH Overlay	
35	1001158321	1	Decal - RH Overlay	
36	1001162734	1	Decal - Joystick Control	
37	1001162735	1	Decal - Sway Control	
38	1001162736	1	Decal - Auxiliary Control	
39	1001263821	1	Decal - Rear Door	
40	1001263819	1	Decal - Right Side Stripe	
41	1001263820	1	Decal - Left Side Stripe	
42	1001189017	1	Decal - Diesel Fuel Fill	
43	1001189327	1	Decal - Main Fuse Panel	
44	1001191635	1	Mirror Assembly, RH	
45	1001191992	1	Decal - Lubrication Chart	
46	1001202626	2	Decal - 74HP Skytrak	
47	1001202627	1	Decal - Maintenance Chart	
48	1001207218	1	Decal - Danger Swinging Load	
49	1001219211	1	Decal - Brake Fluid	
52	1001142452	1	Decal - No Step	
55	1001263593	2	Decal - Model Boom Head	

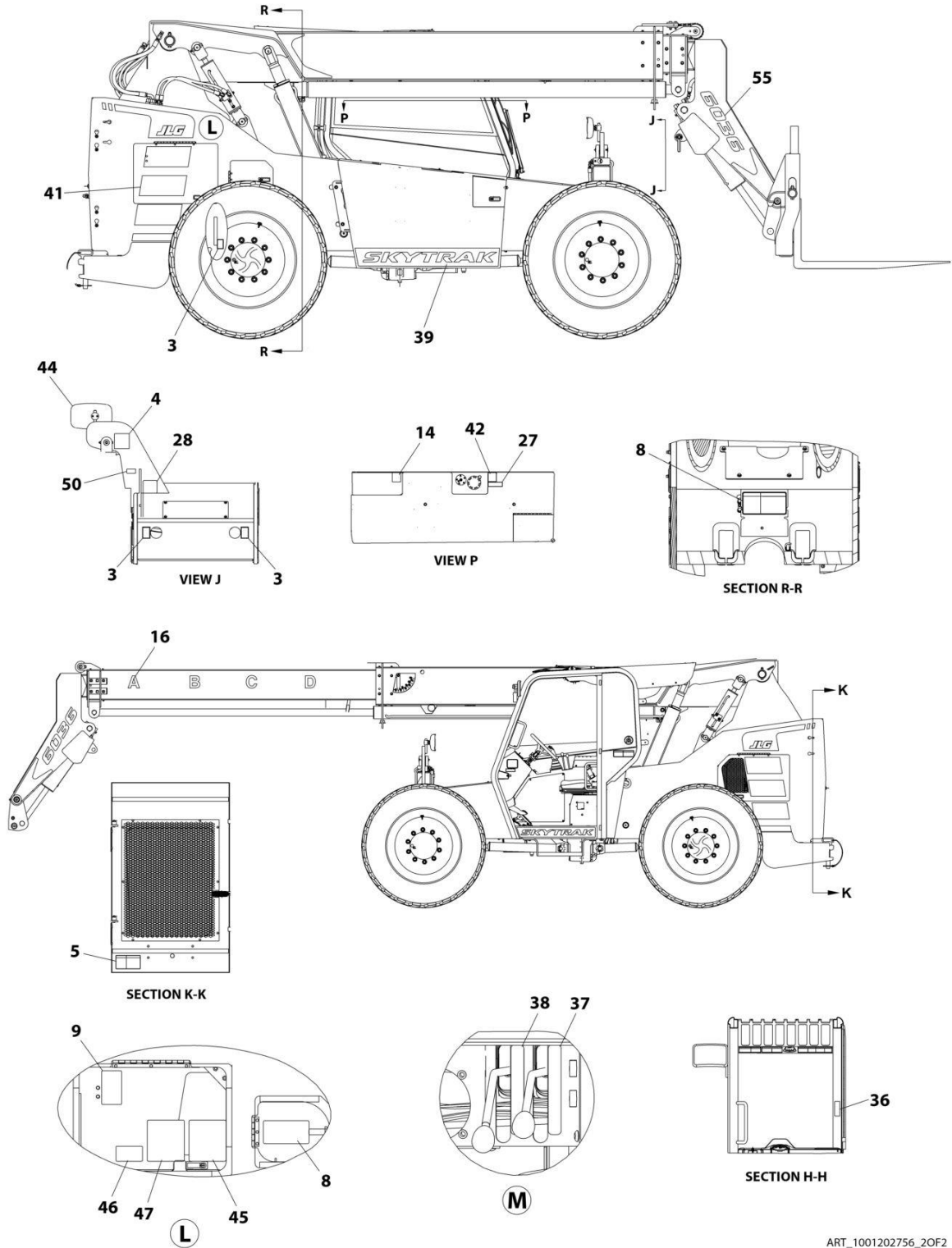
SECTION 11 - DECALS

FIGURE 11-3. DECAL INSTALLATION - 74HP (ENGLISH/FRENCH)



ART_1001202756_10F2

SECTION 11 - DECALS



ART_1001202756_20F2

SECTION 11 - DECALS

FIGURE 11-3. DECAL INSTALLATION - 74HP (ENGLISH/FRENCH)

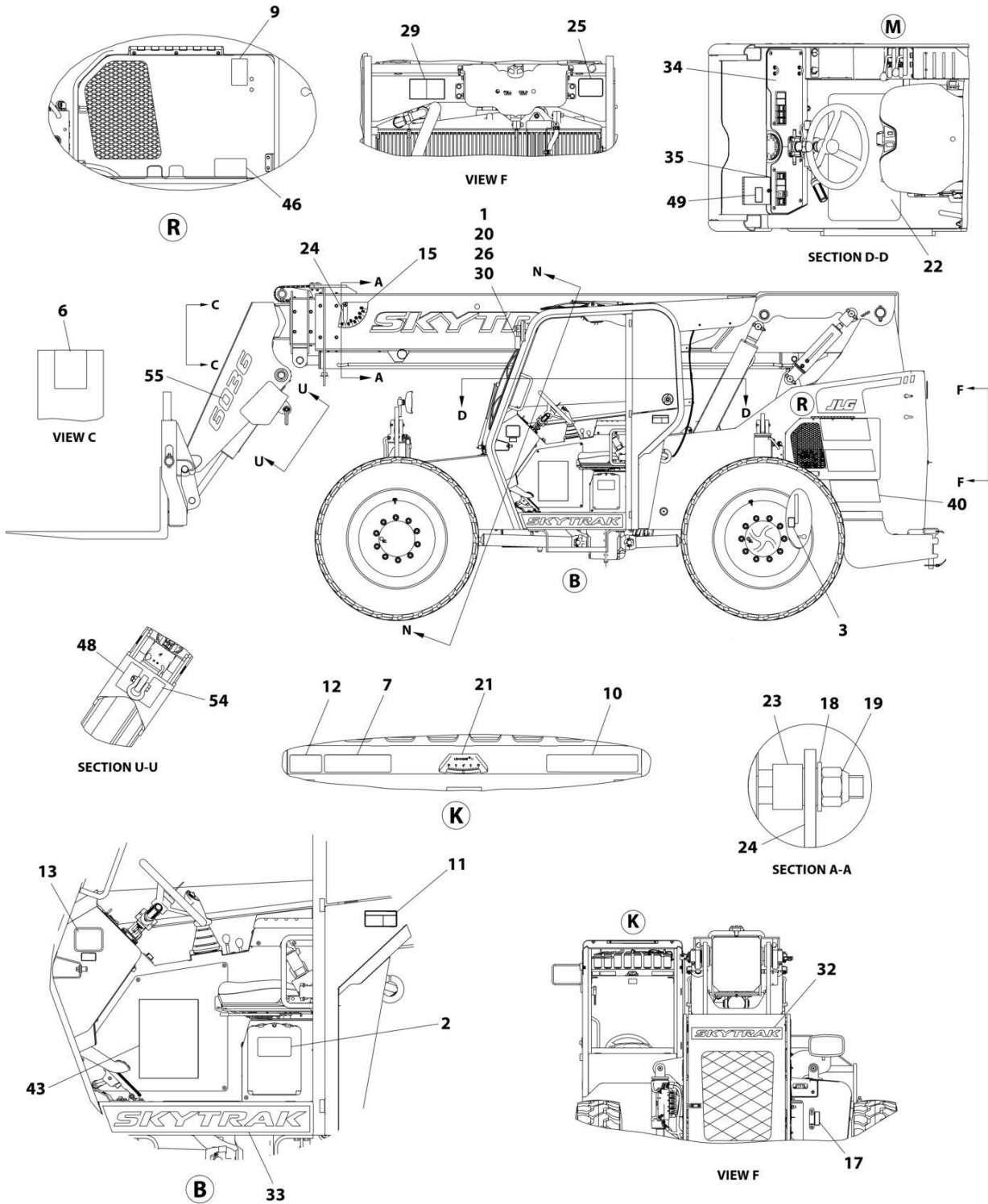
ITEM	PART NUMBER	QTY	DESCRIPTION	REV
	1001202756	Ref	DECAL INSTALLATION, 74HP (ENGLISH/FRENCH) (6036)	K
1	0700610	2	Bolt M6 x 20	
2	1701640	1	Decal, Manual	
3	1702300	4	Decal, Tie Down	
4	1702631	1	Decal, Bar Code	
5	1001163174	1	Decal, Battery Warning	
6	1001163206	1	Decal, Carry Personnel	
7	1001163210	1	Decal, Electrocution Hazard	
8	1001163212	2	Decal, No Ether Warning	
9	1001163222	2	Decal, Moving Parts	
10	1001163285	1	Decal, Tip Over Warning	
11	1001163300	1	Decal, No Riders	
12	1001163304	1	Decal, Crush Hazard Warning	
13	3251813	1	Decal, USA	
14	4100181	1	Decal, Hydraulic Oil Fill	
15	4105262	1	Decal, Boom Angle Indicator	
16	4107442	1	Decal, Boom Extend Letters	
17	4108302	1	Decal, Hydraulic Oil Level	
18	4711600	1	Washer 3/8	
19	8305645	1	Nut 3/8	
20	8307024	2	Washer M6	
21	8466306	1	Gage, Tilt Angle	
22	10139087	1	Tread, Safety	
23	1001096404	1	Sleeve, Angle Indicator Spacer	
24	1001098769	1	Plate, Boom Angle Indicator	
25	1001109053	1	Decal, Coolant Fill	
26	1001114675	1	Arm, Mirror	
27	1001163355	2	Decal, Ultra Low Sulfur Diesel	
28	1001131271	1	Decal, Telehandlers Patent	
29	1001163323	1	Decal, Hot Fluid Warning	
30	1001148177	1	Mirror, Rectangular	
32	1001259303	1	Decal, Tank Side	
33	1001259302	1	Decal, Cab Side	
34	1001180175	1	Decal, RH Overlay	
35	1001180176	1	Decal, LH Overlay	
36	1001162734	1	Decal, Joystick Control	
37	1001162735	1	Decal, Sway Control	
38	1001162736	1	Decal, Auxiliary Control	
39	1001263821	1	Decal, Rear Door	
40	1001263819	1	Decal, Right Side Stripe	
41	1001263820	1	Decal, Left Side Stripe	
42	1001189017	1	Decal, Diesel Fuel Fill	
43	1001189327	1	Decal, Main Fuse Panel	
44	1001191635	1	Mirror Assembly, RH	
45	1001191992	1	Decal, Lubrication Chart	
46	1001202626	2	Decal, 74HP	
47	1001202627	1	Decal, Maintenance Chart	
48	1001211278	1	Decal, Swinging Load Decal KIT (CAN)	
49	1001219211	1	Decal, Brake Fluid	
50	1001223453	1	Decal, ICES (CAN)	

SECTION 11 - DECALS

ITEM	PART NUMBER	QTY	DESCRIPTION	REV
55	1001263593	2	Decal, Model Boom Head	

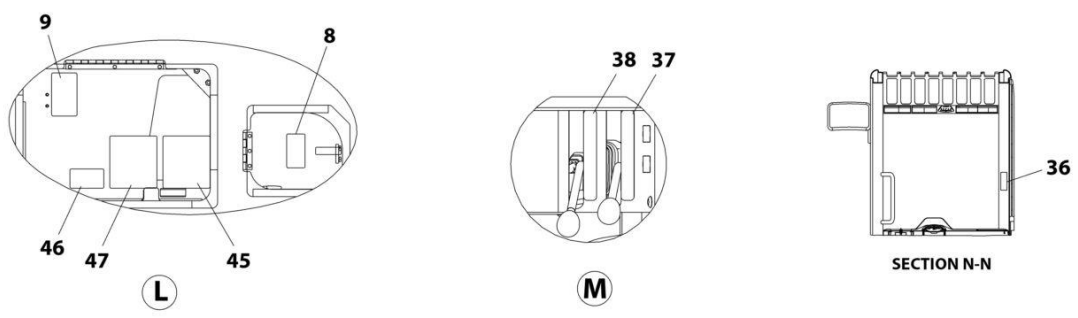
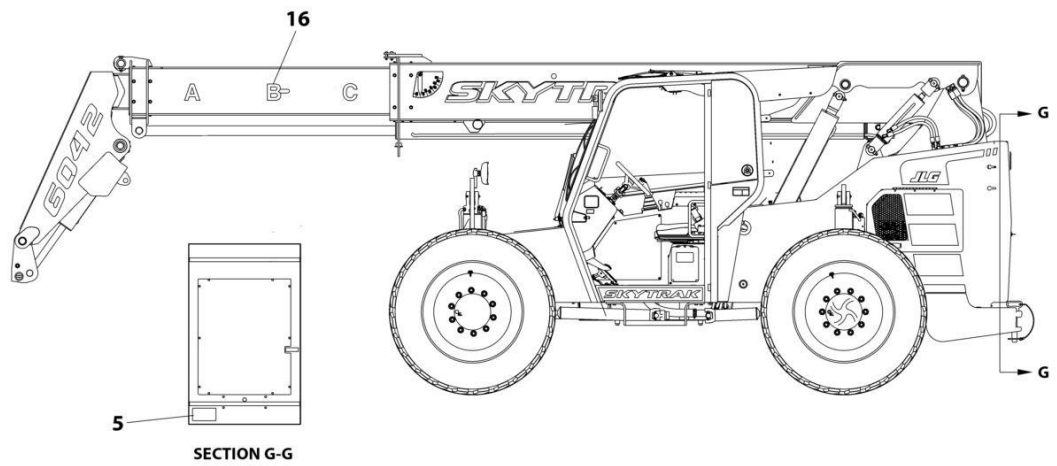
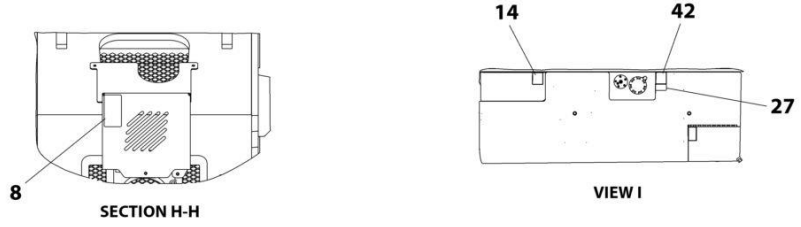
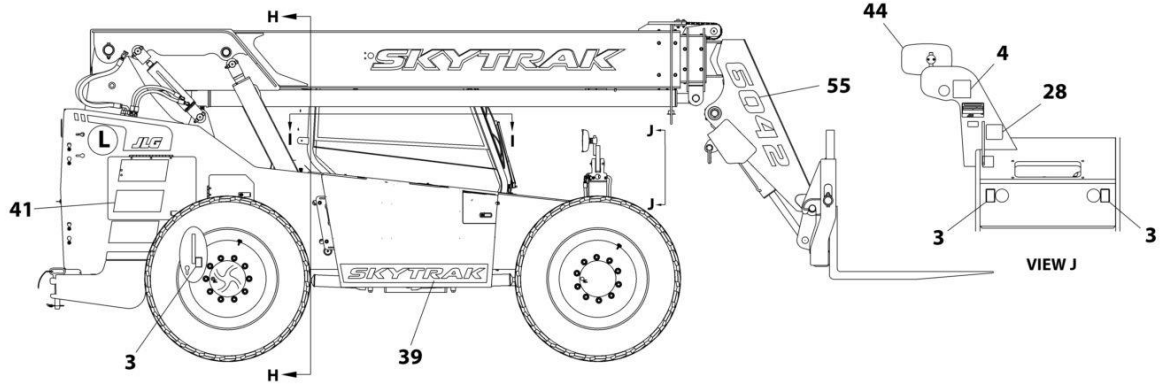
SECTION 11 - DECALS

FIGURE 11-4. DECAL INSTALLATION - 74HP (ENGLISH/SPANISH)



ART_1001242914_10F2

SECTION 11 - DECALS



ART_1001242914_20F2

SECTION 11 - DECALS

FIGURE 11-4. DECAL INSTALLATION - 74HP (ENGLISH/SPANISH)

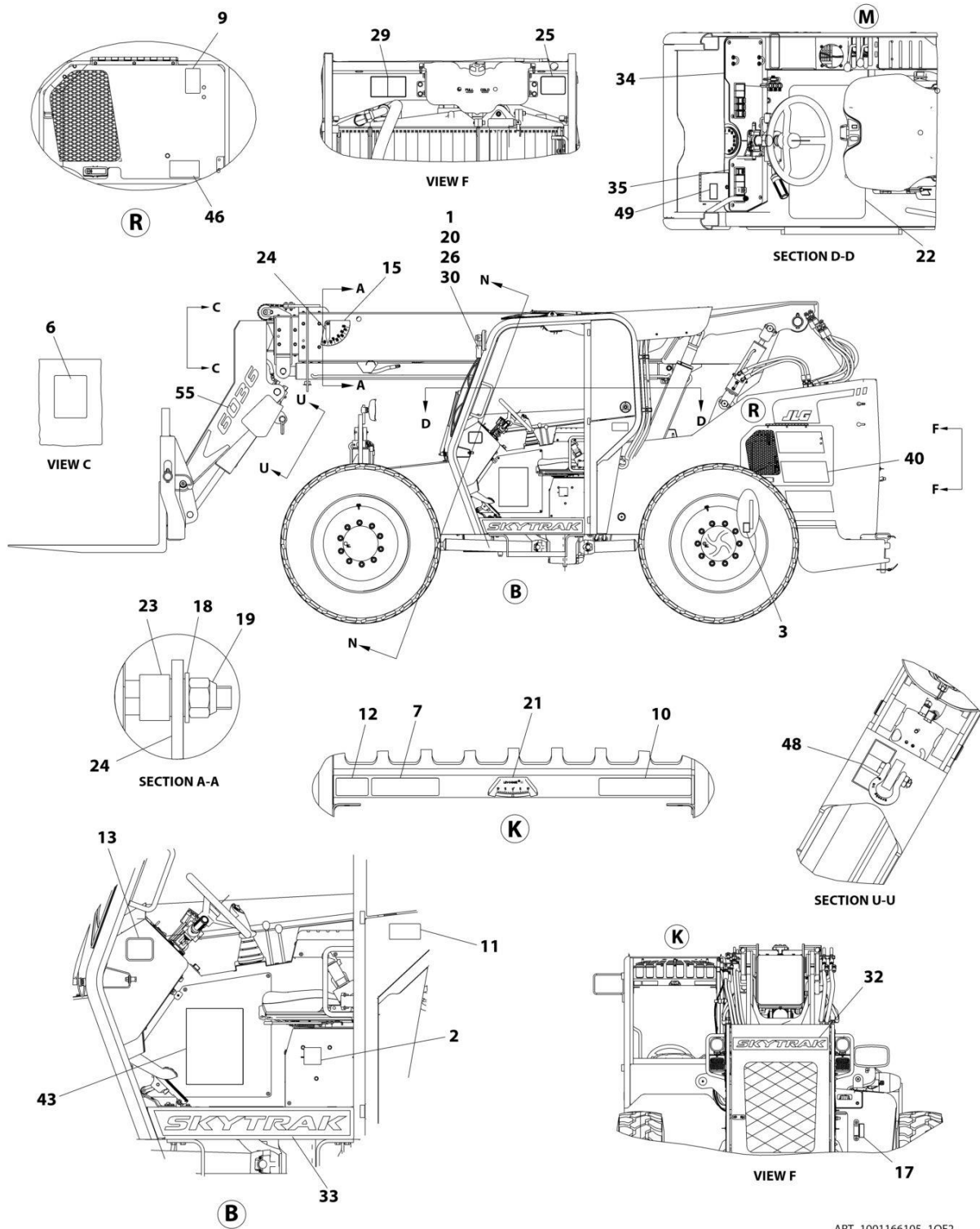
ITEM	PART NUMBER	QTY	DESCRIPTION	REV
	1001242914	Ref	DECAL INSTALLATION (ENGLISH/SPANISH)	F
1	0700610	2	Bolt M6 x 20	
2	1701640	1	Decal, Manual	
3	1702300	4	Decal, Tie Down	
4	1702631	1	Decal, Bar Code	
5	1001235794	1	Decal, Battery Warning	
6	1001235796	1	Decal, Carry Personnel	
7	1001235797	1	Decal, Electrocution Hazard	
8	1001235798	2	Decal, Ether Starting Warning	
9	1001235799	2	Decal, Moving Parts	
10	1001235801	1	Decal, Tip Over Warning	
11	1001235802	1	Decal, No Riders	
12	1001235803	1	Decal, Crush Hazard Warning	
13	3251813	1	Decal, USA	
14	4100181	1	Decal, Hydraulic Oil Fill	
15	4105262	1	Decal, Boom Angle Indicator	
16	4107442	1	Decal, Boom Extend Letters	
17	4108302	1	Decal, Hydraulic Oil Level	
18	4711600	1	Washer 3/8	
19	8305645	1	Nut 3/8	
20	8307024	2	Washer M6	
21	8466306	1	Gage, Tilt Angle	
22	10139087	1	Tread, Safety	
23	1001096404	1	Sleeve, Angle Indicator Spacer	
24	1001098769	1	Plate, Boom Angle Indicator	
25	1001109053	1	Decal, Coolant Fill	
26	1001114675	1	Arm, Mirror	
27	1001235804	2	Decal, Ultra Low Sulfur Diesel (SPAN)	
28	1001131271	1	Decal, Telehandlers Patent	
29	1001235805	1	Decal, Hot Fluid Warning	
30	1001148177	1	Mirror, Rectangular	
32	1001259303	1	Decal, Tank Side	
33	1001259302	1	Decal, Cab Side	
34	1001242172	1	Decal, RH Overlay	
35	1001242173	1	Decal, LH Overlay	
36	1001162734	1	Decal, Joystick Control	
37	1001162735	1	Decal, Sway Control	
38	1001162736	1	Decal, Auxiliary Control	
39	1001263821	1	Decal, Rear Door	
40	1001263819	1	Decal, Right Side Stripe	
41	1001263820	1	Decal, Left Side Stripe	
42	1001189017	1	Decal, Diesel Fuel Fill	
43	1001189327	1	Decal, Main Fuse Panel	
44	1001191635	1	Mirror, RH	
45	1001191992	1	Decal, Lubrication Chart	
46	1001236313	2	Decal, MCO 74HP	
47	1001202627	1	Decal, Maintenance Chart (74HP)	
48	1001246078	1	Decal, Danger Swinging Load	
49	1001219211	1	Decal, Brake Fluid	
54	1001242179	1	Decal, Danger Swinging Load	

SECTION 11 - DECALS

ITEM	PART NUMBER	QTY	DESCRIPTION	REV
55	1001263593	2	Decal, Model Boom Head	

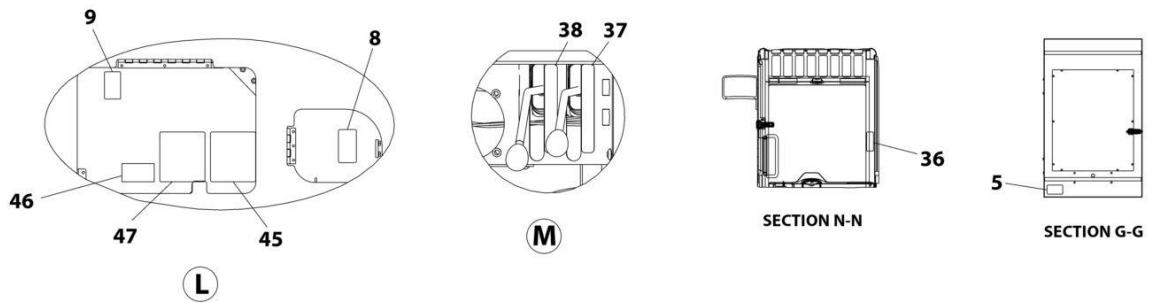
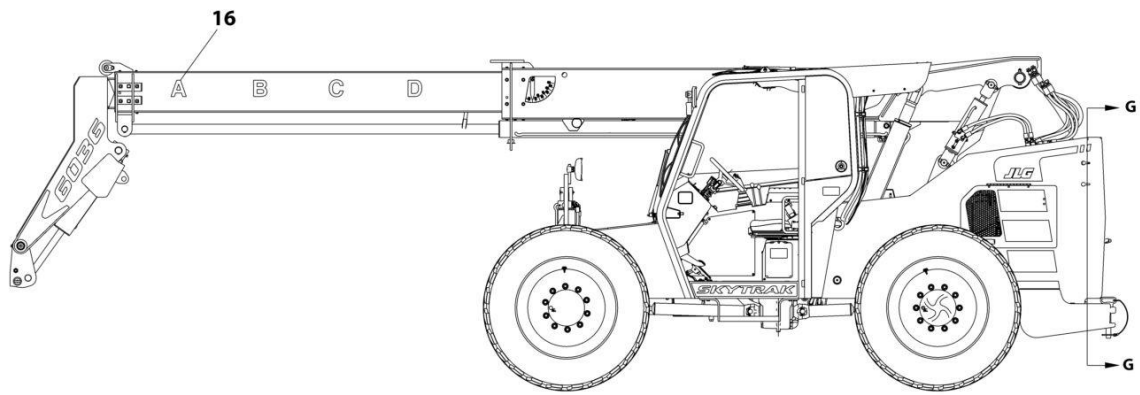
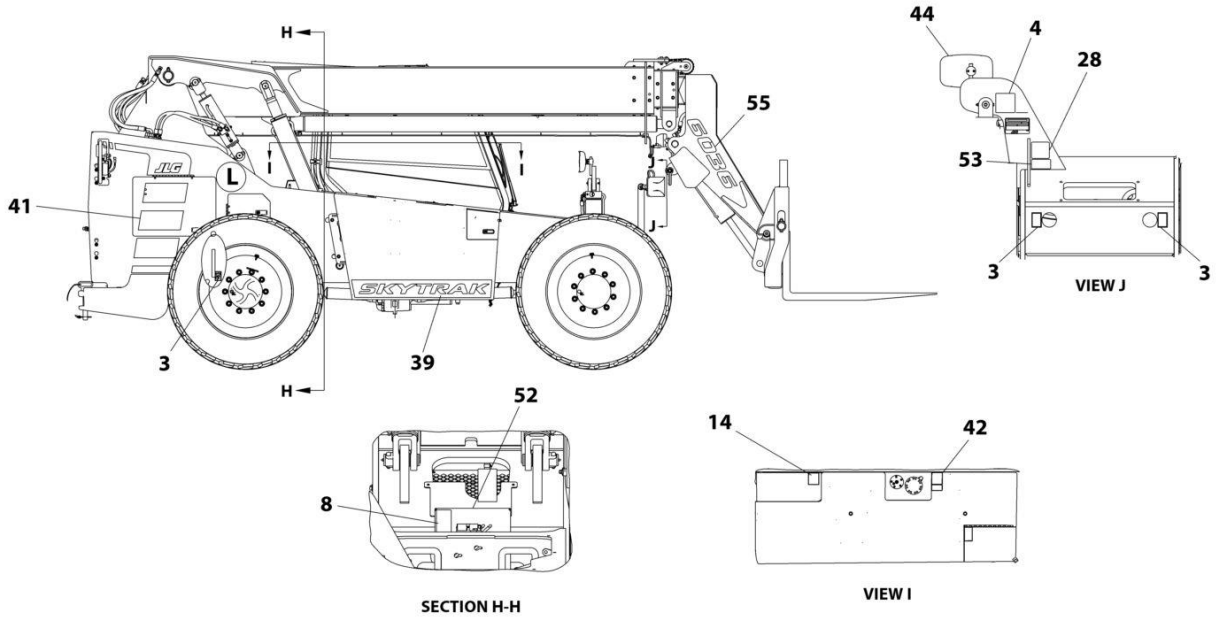
SECTION 11 - DECALS

FIGURE 11-5. DECAL INSTALLATION (ISO)



ART_1001166105_10F2

SECTION 11 - DECALS



ART_1001166105_2OF2

SECTION 11 - DECALS

FIGURE 11-5. DECAL INSTALLATION (ISO)

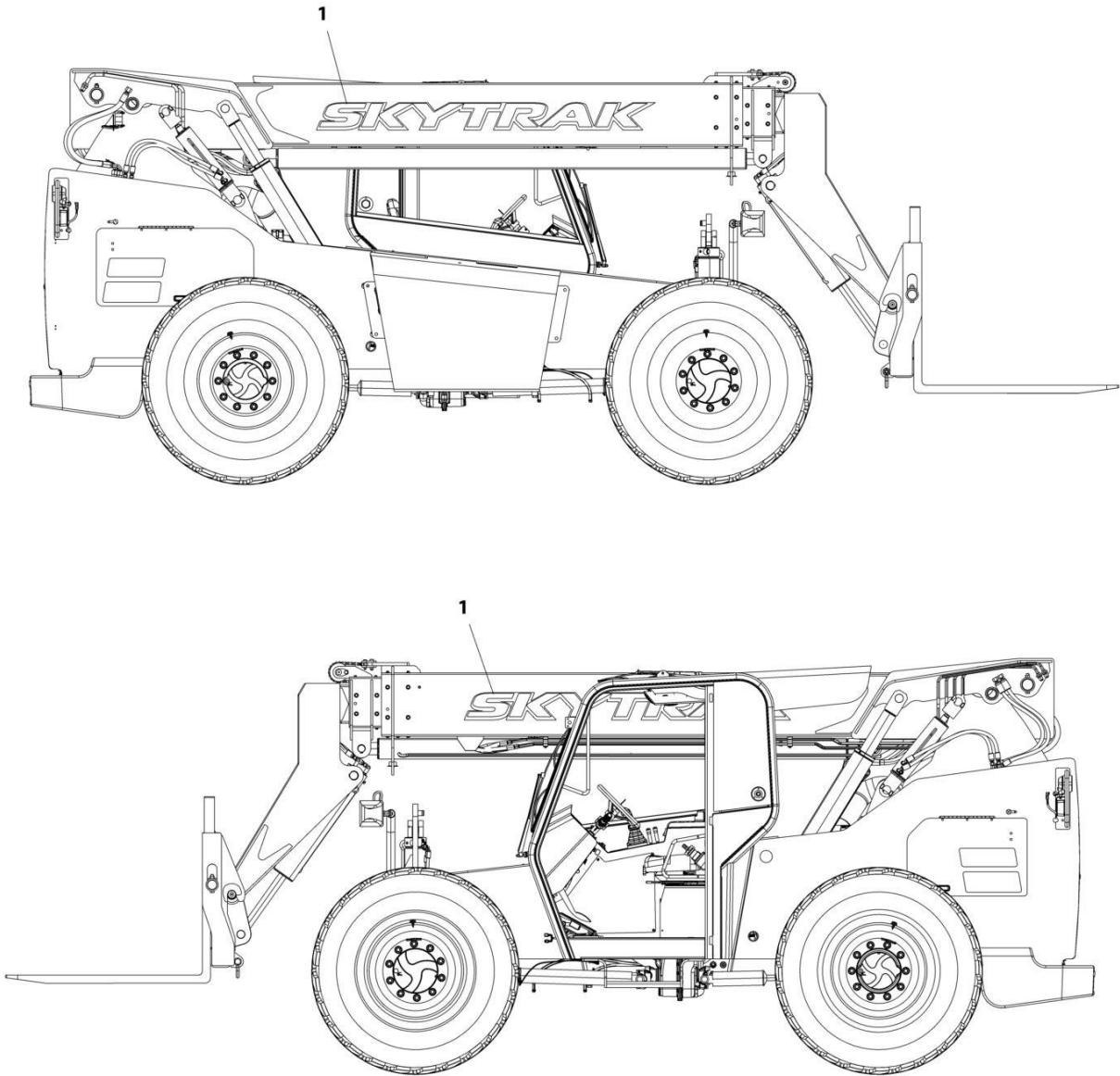
ITEM	PART NUMBER	QTY	DESCRIPTION	REV
	1001166105	Ref	DECAL INSTALLATION (ISO) (6036)	K
1	0700610	2	Bolt M6 x 20	
2	1701640	1	Decal, Manual	
3	1702300	4	Decal, Tie Down	
4	1702631	1	Decal, Bar Code	
5	1706281	1	Decal, Battery Warning	
6	1706282	1	Decal, Carry Personnel	
7	1706284	1	Decal, Electrocution Hazard	
8	1706098	2	Decal, Ether Starting Warning	
9	1706285	2	Decal, Moving Parts	
10	1706288	1	Decal, Tip Over Warning	
11	1001092878	1	Decal, No Riders	
12	1001092877	1	Decal, Crush Hazard Warning	
13	3251813	1	Decal, USA	
14	4100181	1	Decal, Hydraulic Oil Fill	
15	4105262	1	Decal, Boom Angle Indicator	
16	4107442	1	Decal, Boom Extend Letters	
17	4108302	1	Decal, Hydraulic Oil Level	
18	4711600	1	Washer 3/8	
19	8305645	1	Nut 3/8	
20	8307024	2	Washer M6	
21	8466306	1	Gage, Tilt Angle	
22	10139087	1	Tread, Safety	
23	1001096404	1	Sleeve, Angle Indicator Spacer	
24	1001098769	1	Plate, Boom Angle Indicator	
25	1001109053	1	Decal, Coolant Fill	
26	1001114675	1	Arm, Mirror	
28	1001131271	1	Decal, Telehandlers Patent	
29	1001139942	1	Decal, Hot Fluid Warning	
30	1001148177	1	Mirror, Rectangular	
32	1001259303	1	Decal, Tank Side	
33	1001259302	1	Decal, Cab Side	
34	1001158320	1	Decal, LH Overlay	
35	1001158321	1	Decal, RH Overlay	
36	1001162734	1	Decal, Joystick Control	
37	1001162735	1	Decal, Sway Control	
38	1001162736	1	Decal, Auxiliary Control	
39	1001263821	1	Decal, Rear Door	
40	1001263819	1	Decal, Right Side Stripe	
41	1001263820	1	Decal, Left Side Stripe	
42	1001189017	1	Decal, Diesel Fuel Fill	
43	1001189327	1	Decal, Main Fuse Panel	
44	1001191635	1	Mirror, RH	
45	1001191992	1	Decal, Lubrication Chart	
46	1001173423	2	Decal, MCO 85HP	
47	1001174152	1	Decal, Maintenance Chart (85HP)	
47	1001202627	1	Decal, Maintenance Chart (74HP)	
48	1001207218	1	Decal, Danger Swinging Load	
49	1001219211	1	Decal, DEF Fluid	
52	1001142452	1	Decal, No Step	

SECTION 11 - DECALS

ITEM	PART NUMBER	QTY	DESCRIPTION	REV
53	1001143852	1	Decal, LRC EPA	
55	1001263593	2	Decal, Model Boom Head	

SECTION 11 - DECALS

FIGURE 11-6. BOOM DECALS INSTALLATION (6036)



ART_1001158071

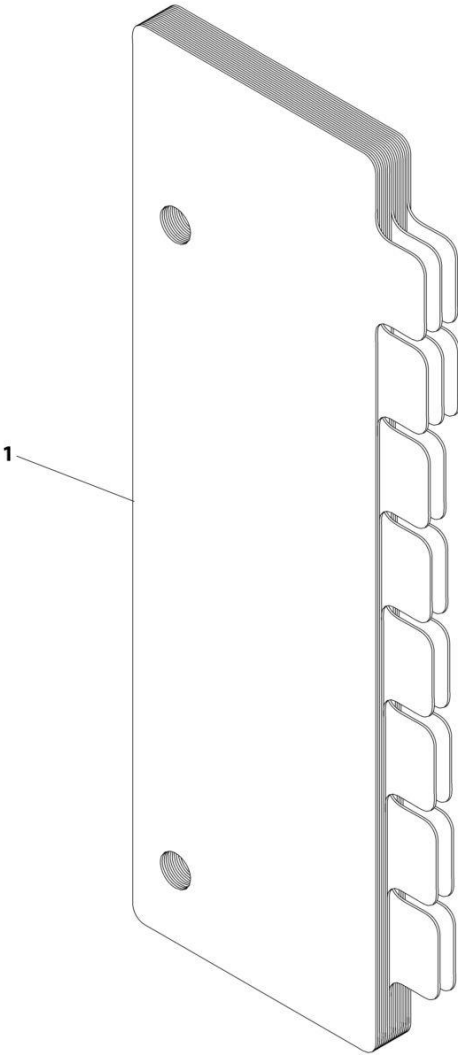
SECTION 11 - DECALS

FIGURE 11-6. BOOM DECALS INSTALLATION (6036)

ITEM	PART NUMBER	QTY	DESCRIPTION	REV
1	1001158071	Ref	BOOM DECALS INSTALLATION (6036)	B
	1001262057	2	Decal, Boom	

SECTION 11 - DECALS

FIGURE 11-7. CAPACITY CHART (ANSI)



ART_1001211867-F

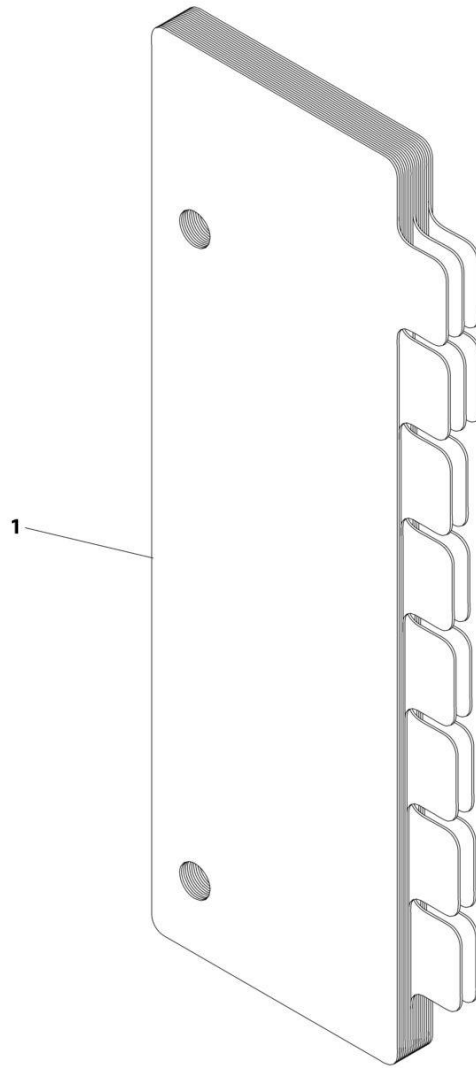
SECTION 11 - DECALS

FIGURE 11-7. CAPACITY CHART (ANSI)

ITEM	PART NUMBER	QTY	DESCRIPTION	REV
1	1001211867	1	Capacity Chart (ANSI) - 6036	F

SECTION 11 - DECALS

FIGURE 11-8. CAPACITY CHART - SUPPLEMENTAL (ISO)



ART_1001211868-F

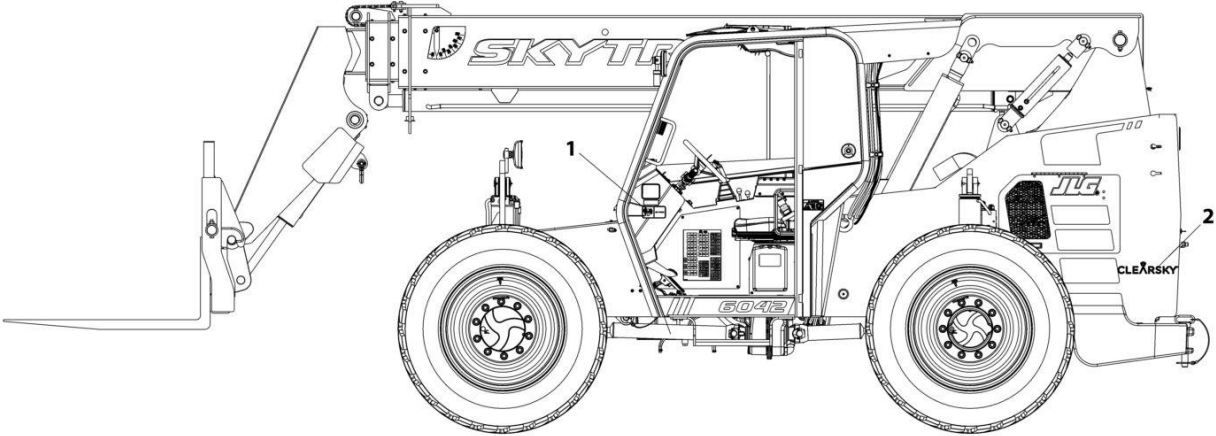
SECTION 11 - DECALS

FIGURE 11-8. CAPACITY CHART - SUPPLEMENTAL (ISO)

ITEM	PART NUMBER	QTY	DESCRIPTION	REV
1	1001211868	1	Capacity Chart (ISO) - 6036	F

SECTION 11 - DECALS

FIGURE 11-9. CLEARSKY DECAL INSTALLATION



ART_1001229703-B

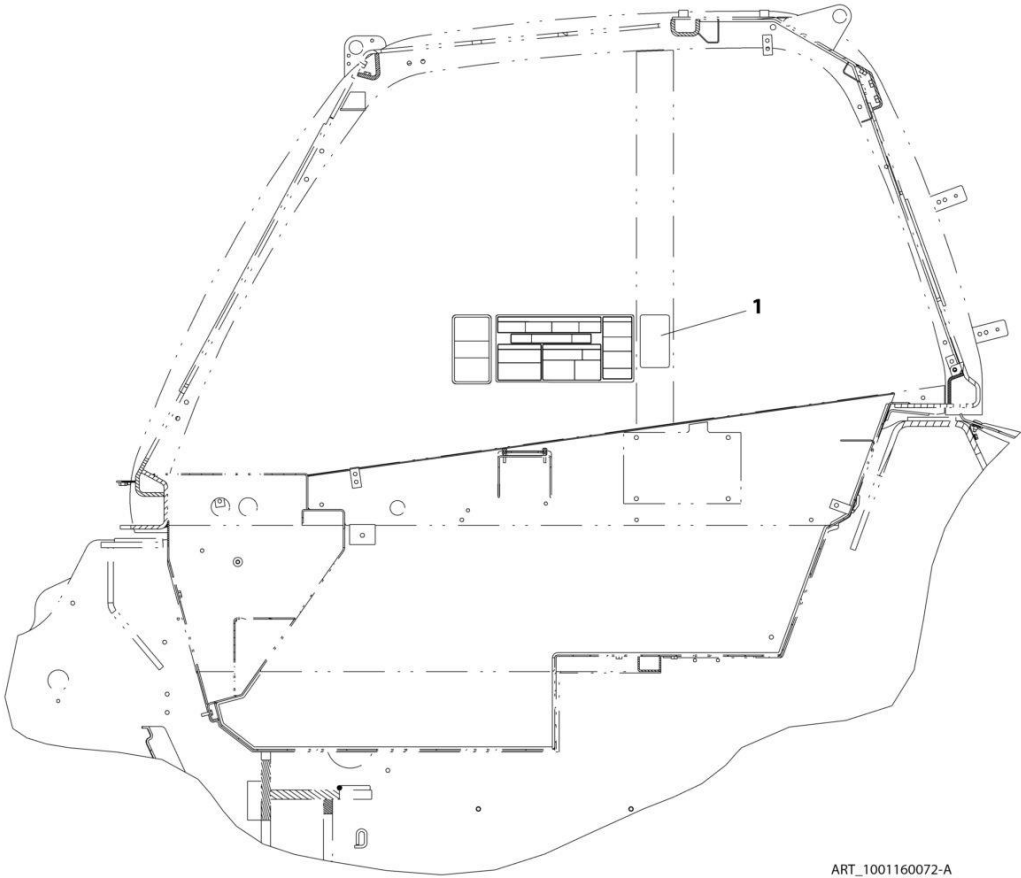
SECTION 11 - DECALS

FIGURE 11-9. CLEARSKY DECAL INSTALLATION

ITEM	PART NUMBER	QTY	DESCRIPTION	REV
	1001229703	Ref	Clearsky Decal Installation	B
1	1001120989	1	Decal, Radio Frequency	
2	1001116208	1	Decal, Clear Sky	

SECTION 11 - DECALS

FIGURE 11-10. REVERSE SENSOR SYSTEM DECAL (ENGLISH)



ART_1001160072-A

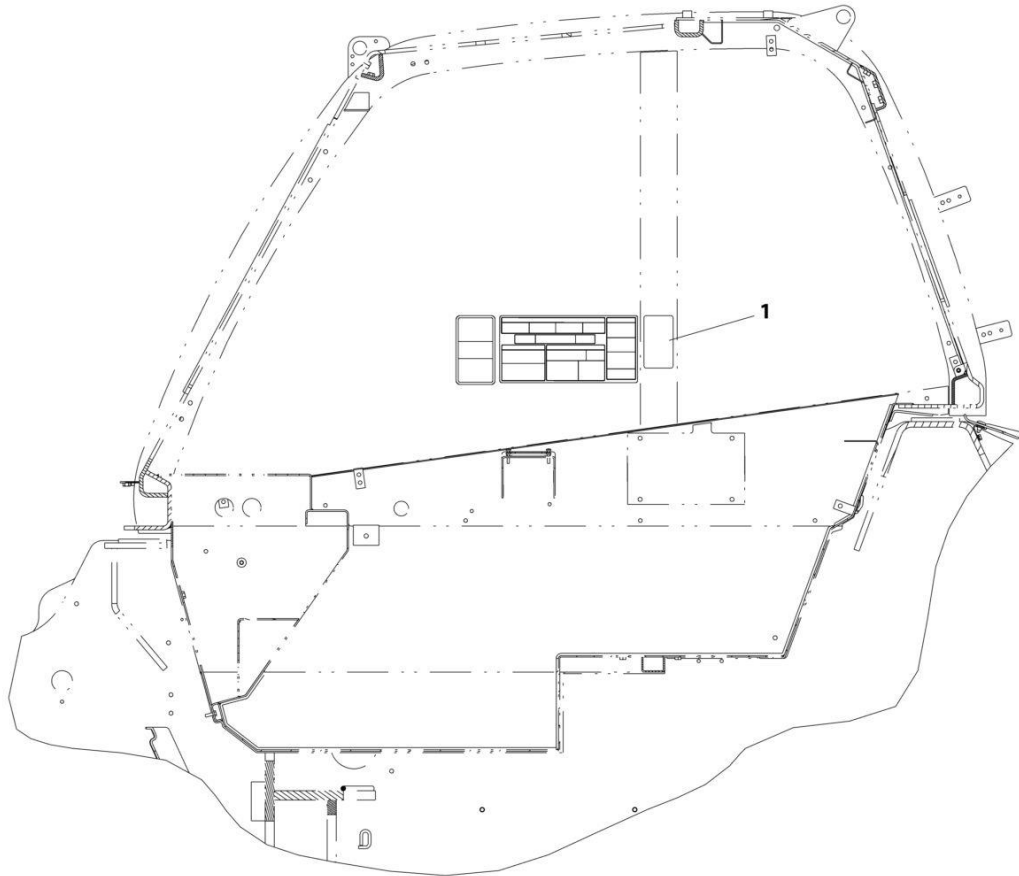
SECTION 11 - DECALS

FIGURE 11-10. REVERSE SENSOR SYSTEM DECAL (ENGLISH)

ITEM	PART NUMBER	QTY	DESCRIPTION	REV
1	1001160072	1	Reverse Sensor System Decal (English)	A

SECTION 11 - DECALS

FIGURE 11-11. REVERSE SENSOR SYSTEM DECAL (ENGLISH/FRENCH)



ART_1001160945-A

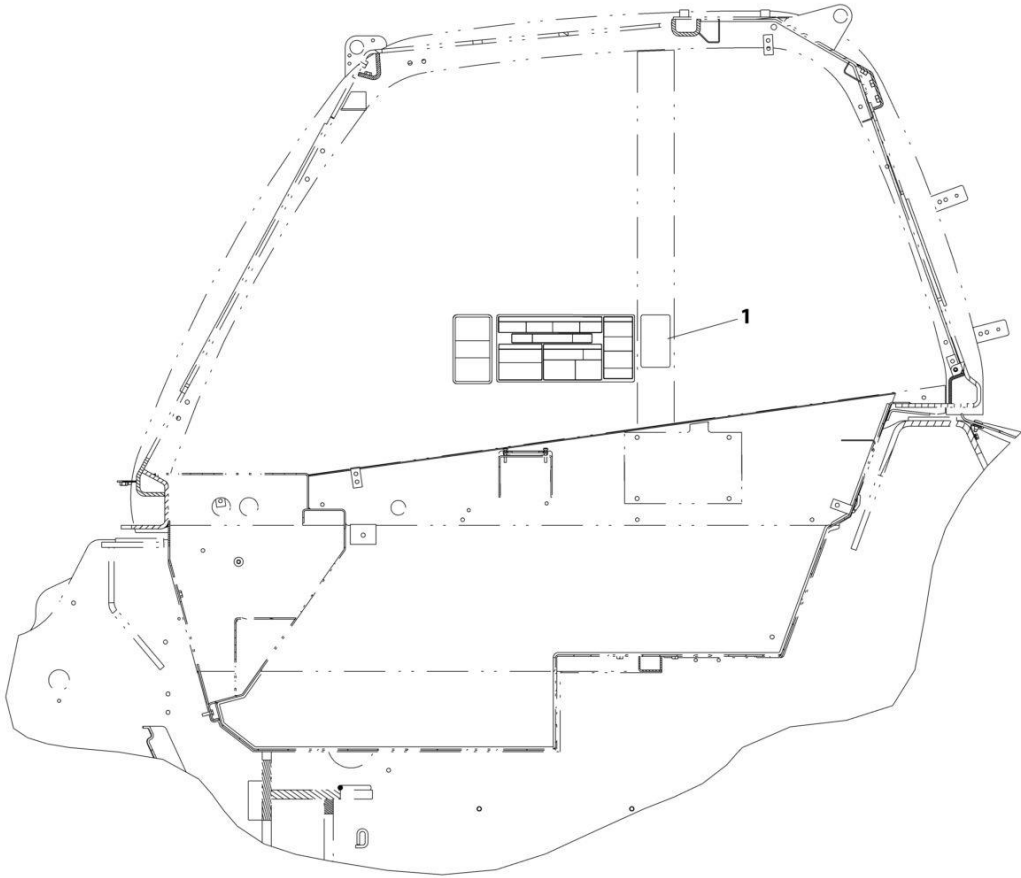
SECTION 11 - DECALS

FIGURE 11-11. REVERSE SENSOR SYSTEM DECAL (ENGLISH/FRENCH)

ITEM	PART NUMBER	QTY	DESCRIPTION	REV
1	1001160945	1	Reverse Sensor System Decal (ENGLISH/FRENCH)	A

SECTION 11 - DECALS

FIGURE 11-12. REVERSE SENSOR SYSTEM DECAL (ENGLISH/SPANISH)



ART_1001237846-A

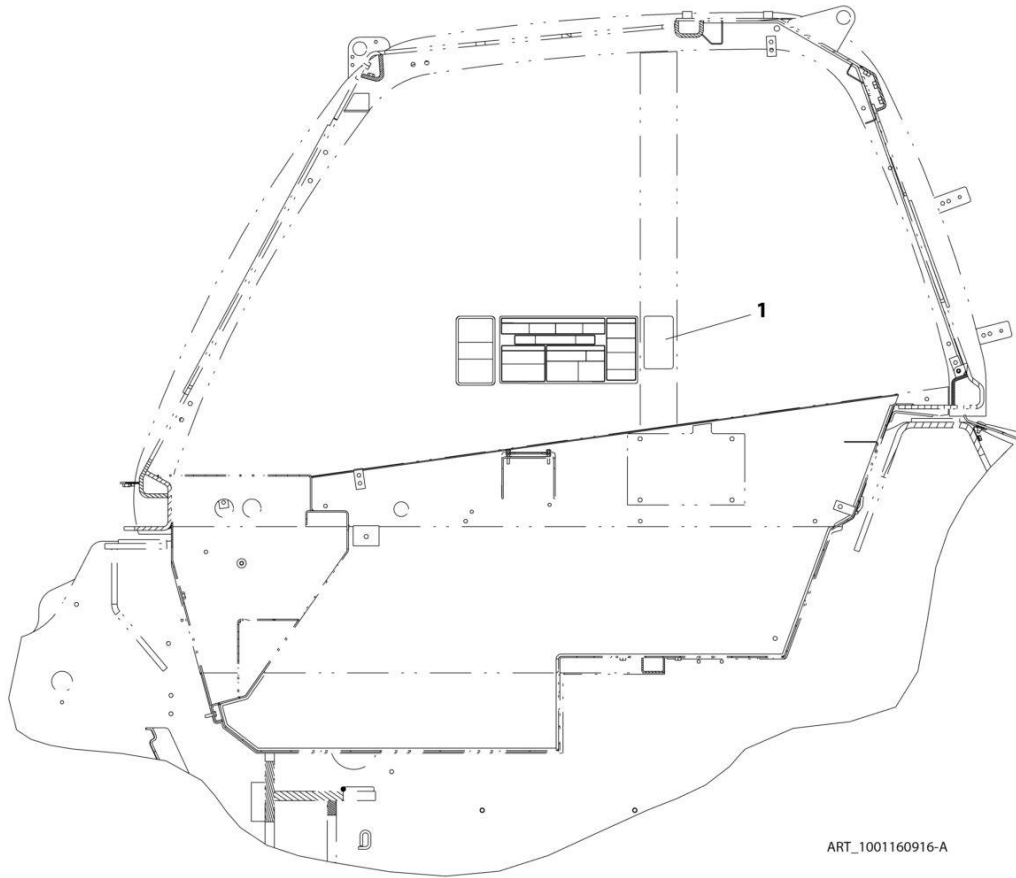
SECTION 11 - DECALS

FIGURE 11-12. REVERSE SENSOR SYSTEM DECAL (ENGLISH/SPANISH)

ITEM	PART NUMBER	QTY	DESCRIPTION	REV
1	1001237846	Ref	REVERSE SENSOR SYSTEM DECAL (ENGLISH/SPANISH LANGUAGES)	A

SECTION 11 - DECALS

FIGURE 11-13. REVERSE SENSOR SYSTEM DECAL (ISO)



SECTION 11 - DECALS

FIGURE 11-13. REVERSE SENSOR SYSTEM DECAL (ISO)

ITEM	PART NUMBER	QTY	DESCRIPTION	REV
1	1001160916	1	Reverse Sensor System Decal (ISO)	A

SECTION 12 - RECOMMENDED SERVICE PARTS STOCK

SECTION 12 - RECOMMENDED SERVICE PARTS STOCK

SECTION 12 - RECOMMENDED SERVICE PARTS STOCK

FIGURE 12-1. RECOMMENDED SERVICE PARTS STOCK

ITEM	PART NUMBER	QTY	DESCRIPTION	REV
		Ref	Note: The following list will service one machine (built to current production per date on the front cover) with emergency repair parts which can be installed in the field. Parts from the list should be replaced when inventory is depleted to keep service parts stock supplied. For further information, contact your JLG dealer or the JLG Industries Parts Department.	
	70026085	1	Coil (Secondary Control Valve)	
	70026582	1	Coil (Steering Select Valve)	
	1001158002	1	Controller, Pilot Joystick	
	1001173581	1	Controller, Short (Secondary Controls)	
	1001173582	1	Controller, Tall (Secondary Controls)	
	1600429	1	Controller, Transmission	
	8223073	1	Controller, Turn Signal	
		Ref	Engine - 74HP (ULS)	
	70025852	12	Element, Primary Air Cylindrical Filter	
	70025853	12	Element, Secondary Air Cylindrical Filter	
	70026234	12	Element, Primary Fuel Filter	
	70026453	12	Element, Secondary Fuel Filter	
	70026237	12	Filter, Oil	
	8229242	2	Fuse, 5A	
		Ref	Engine - 85HP (LS)	
	1101312	12	Element, Primary Air Filter	
	1101313	12	Element, Secondary Air Filter	
	70026234	12	Element, Primary Fuel Filter	
	70026801	12	Element, Secondary Fuel Filter	
	70026237	12	Filter, Oil	
	1001199205	12	Element, Filter (Hydraulic/Fuel/DEF Tank)	
	7139077	1	Filler/Breather	
	8229261	2	Fuse, 5A (ASOV & Cab Power Harness)	
	8229233	2	Fuse, 7.5A (Cab Power Harness)	
	8229234	2	Fuse, 10A (ASOV & Cab Power Harness)	
	8229237	2	Fuse, 15A (Cab Power Harness)	
	8229235	2	Fuse, 20A (ASOV & Cab Power Harness)	
	8229238	2	Fuse, 40A (Cab Power Harness)	
	1001118245	2	Fuse, 250A (Relay Panel)	
	1001129285	2	Fuse, Mini Diode (Cab Power Harness)	
	1001127699	2	Fuse, Power Module (Relay Panel)	
	8035807	1	Key (Ignition)	
	70021948	1	Key, Cab Door	
	2940074	1	Latch (Personal Basket)	
	1001203181	1	Module, Accessory Control (ASOV)	
	1001226328	1	Module, 3W TCU (ClearSky 3-Wire ANSI)	
	1001233236	1	Module, 3W TCU (ClearSky 3-Wire CE)	
	1001210703	1	Module, Cab Control	
	1001262322	1	Module, ClearSky (Canbus ANSI)	
	1001228954	1	Module, ClearSky (Canbus CE)	
	3740080	1	Relay (ASOV)	
	70026986	1	Relay, 12V 30/40A (Roof Box HVAC)	
	1001186417	1	Relay, 150 Amp (Relay Panel)	

SECTION 12 - RECOMMENDED SERVICE PARTS STOCK

ITEM	PART NUMBER	QTY	DESCRIPTION	REV
	1001205172	1	Relay, Micro 280, 12V, 35 Amp (Cab Power Harness)	
	1001184316	1	Relay, Power Module (Relay Panel)	
	1001245478	1	Sensor, Coolant Level (Deaeration Tank)	
	1001145026	1	Sensor, Fuel (Hydraulic/Fuel/DEF Tank)	
	70026854	1	Sensor, Pressure (Roof Box HVAC)	
	1001169077	1	Sensor, PRS Temperature (Air Cleaner - ULS)	
	1001247421	1	Sensor, Reverse	
	70028514	1	Solenoid (ASOV)	
	70025897	1	Solenoid (Piston Pump)	
	1319702	1	Solenoid (Transmission Valve)	
	1001215941	1	Switch (ASOV)	
	8223038	1	Switch, Beacon	
	8223025	1	Switch, Brake Lights (Roadlight Package)	
	8223060	1	Switch, Hazard (Roadlight Package)	
	1001159850	1	Switch, Heater Control	
	7138878	1	Switch, Horn	
	4360690	1	Switch, Ignition	
	8223054	1	Switch, Park Brake	
	8223037	1	Switch, Steer Select	
	8223044	1	Switch, Windscreen Washer (Enclosed Cab)	
	8223043	1	Switch, Windscreen Wiper (Enclosed Cab)	
	8223059	1	Switch, Work Light (Roadlight & Worklight Package)	

SECTION 13 - SPECIAL OPTIONS/ACCESSORIES/KITS

SECTION 13 - SPECIAL OPTIONS/ACCESSORIES/KITS

SECTION 13 - SPECIAL OPTIONS/ACCESSORIES/KITS

FIGURE 13-1. SPECIAL OPTIONS/ACCESSORIES/KITS

ITEM	PART NUMBER	QTY	DESCRIPTION	REV
	See Note	Ref	Note: This list is to accommodate machines ordered with special equipment. Options may not be applicable to all models. For more specific parts information contact JLG Parts Department.	
		Ref	SPECIAL OPTIONS/ACCESSORIES/KITS	
	1001273266	Ref	Accelerator Extension Harness (for Accelerator 1001264554) (Note: Verify cab power harness version before purchasing)	
	1001273267	Ref	Accelerator Extension Harness (for Accelerator 1001180555) (Note: Verify cab power harness version before purchasing)	
	1001243577	Ref	Access Control Kit	
	1001213547	Ref	Aftermarket Kits	N
	1001239455	Ref	Backup Camera Kit	
	1001214398	Ref	Battery Disconnect Kit	
	8024025	Ref	Boom Chain Kit - Extend	
	8024026	Ref	Boom Chain Kit - Retract	
	2910994	Ref	Boom Wear Pads Kit	
	1001167008	Ref	Brake inlet Pressure Hose Kit	
	1001171117	Ref	Brake Valve Fittings Kit	
	1001201455	Ref	Cab A/C Kit	
	1001280231	Ref	Cab Door Window Kit	
	1001154226	Ref	Cab Cooler Vent Kit	
	1001201453	Ref	Cab Enclosure Kit	
	1001193427	Ref	Cab Enclosure Kit with Heater	
	1001193428	Ref	Cab Enclosure Kit with HVAC	
	1001201454	Ref	Cab HVAC Kit	
	1001201456	Ref	Cab Heater Kit	
	1001162831	Ref	Cab Window Dropout Kit (ANSI)	
	1001162832	Ref	Cab Window Dropout Kit (English/French)	
	1001162833	Ref	Cab Window Dropout Kit (ISO)	
	1001268341	Ref	Camera Kit - Multi-View Rear	
	1001243184	Ref	ClearSky Telematics Kit - Canbus (CE)	
	1001243183	Ref	ClearSky Telematics Kit - Canbus (North America)	
	1001276923	Ref	ClearSky Telematics Add-on Kit (Contact JLG for Approved Countries)	
	1001242196	Ref	Cold Weather Kit	
	1001238934	Ref	Cold Weather - w/ Crankcase Breather Heater	
	1001262151	Ref	Decal Kit	
		Ref	Electrical Connector Kits	
	1001148902	Ref	Amp/Tyco Electrical Connectors	
	1001148903	Ref	Deutsch DT Electrical Connectors	
	1001148904	Ref	Deutsch HD Electrical Connectors	
	1001148905	Ref	Packard Electrical Connectors	
	1001148906	Ref	Various Electrical Connectors	
	1001177168	Ref	Engine Removal Brackets Kit	
	1001128806	Ref	Fan Shroud Kit	
	1001201461	Ref	Fender Kit	
	1001199737	Ref	Filter Kit - 250Hour	
	1001199738	Ref	Filter Kit - 1000Hour	
	1001239988	Ref	Fire Extinguisher Kit	
	1001253916	Ref	Latch Catch Kit (ANSI)	

SECTION 13 - SPECIAL OPTIONS/ACCESSORIES/KITS

ITEM	PART NUMBER	QTY	DESCRIPTION	REV
	1001201459	Ref	Lights - Beacon Lights Kit	
	1001213944	Ref	Lights - Roadlights Kit (Eaton Brakes)	
	1001201458	Ref	Lights - Roadlights Kit (Safim Brakes)	
	1001238893	Ref	Lights - Worklight Kit (LED)	
	1001188068	Ref	Luk Coupler Kit	
	1001253829	Ref	Reverse Sensing System Kit	
	1001130717	Ref	Service Kits	Z
	1001265373	Ref	Skytrak Telematics Harness Kit	
	1001274718	Ref	Tire Kit (Set of 4) Solid 13x24 Directional	
	1001248570	Ref	Tire Kit (Set of 4) G2 13x24 Foam-Filled	
	1001248571	Ref	Tire Kit (Set of 4) G2 13x24 Pneumatic	
	1001274257	Ref	Tire Kit (Set of 4) Solid 13x28 Directional	
	1001274302	Ref	Tire Kit (Set of 4) Solid 13x28 Non-Directional	
	1001274721	Ref	Tire Kit (Set of 4) Solid 14x24 Directional	
	1001274305	Ref	Tire Kit (Set of 4) Solid 14x28 Directional	
	1001274307	Ref	Tire Kit (Set of 4) Solid 14x28 Non-Directional	
		Ref	Tools for Service	
	1001249695	Ref	Analyzer and Cable Kit	
	1001249941	Ref	Analyzer and Cable Kit (Battery Powered)	
	70022871	Ref	Counter Support, ZF Transmission	
	7002821	Ref	Crimper, Wire	
	70023174	Ref	Eye Bolt Assortment, ZF Transmission	
	70022872	Ref	Internal Extractor, 45-58mm, ZF Transmission	
	7002823	Ref	Pin Extractor - Universal (For Electrical Connectors with Pins and Sockets)	
	4460510	Ref	Pin Extractor - 12-14 Gauge (For Removal of Pin/Sockets from Deutsch Connectors)	
	4460467	Ref	Pin Extractor - 16-18 Gauge (For Removal of Pin/Sockets from Deutsch Connectors)	
	1001281475	Ref	Quick Oil Drain Valve	
	7016654	Ref	Screwdriver, Magnetic	
	7002822	Ref	Screwdriver, Potentiometer	
	7004275	Ref	Seal Tool 1in (For Cylinders)	
	7004276	Ref	Seal Tool 1-1/2in (For Cylinders)	
	70026448	Ref	Spanner Wrench	
	7002828	Ref	Stripper, Wire	
	70010239	Ref	Two-Armed Puller, 160-150mm, ZF Transmission	
	1001262436	Ref	Turf Tire Kit	
	1001262959	Ref	Voltage Regulator Relocation Kit (for ClearSky)	
	1001200204	Ref	White Noise Alarm Kit	
	1001213885	Ref	White Noise Alarm Kit	

SECTION 13 - SPECIAL OPTIONS/ACCESSORIES/KITS

PART NUMBER INDEX

SECTION 13 - SPECIAL OPTIONS/ACCESSORIES/KITS

0100009	547, 549	0760810	165, 177, 193, 195	1001100266	79	1001117080	593
0100011	91, 95, 99, 163, 165, 171, 173, 423, 465	0760812	191, 193, 297	1001100267	83	1001117081	637
0100019	17, 19	0760815	175	1001100284	303, 305	1001117103	586, 591
01043892	205	0761010	441	1001100323	303	1001117111	586, 591
0140011	627	0761012	203, 207	1001100822	77	1001117119	554, 555
0240156	125	0761014	165	1001100823	79	1001117125	586, 590
0400075	543	0761017	71, 73	1001100824	83	1001118245	623, 678
0630464	379, 381	0761212	528, 532	1001100967	67	1001118378	537, 554
0641403	377	0771618	163, 165	1001101115	135, 139	10011184495	635
0641404	528, 532	0860520	61	1001101116	135, 137	1001119004	585, 590
0641405	61, 185, 187	0930020	81	1001101861	34	1001119278	545
0641406	539	1001003174	555	1001102844	331, 337, 347, 353, 363, 369	1001120083	177
0641407	41	1001004720	209, 211, 627	1001105886	633	1001120869	185, 187
0641410	559, 627	1001008742	379, 381	1001108524	219	1001120914	91, 95, 99
0641415	623	1001081049	331, 337, 347, 353, 363, 369, 379, 381	1001108575	377	1001120915	91, 95, 99
0641507	191	1001081241	377	1001108668	132	1001120963	303
0641508	185, 187	1001081242	377	1001109053	642, 646, 650, 654, 658	1001120989	667
0641509	185, 187	1001081243	379, 381	1001109478	379, 381	1001121101	305
0641510	155	1001081246	377	1001110704	101	1001121519	305
0641511	163	1001081247	377	1001111112	379, 381	1001121726	555
0641512	599	1001081266	377	1001111190	101, 132	1001121728	555
0641514	615	1001081310	393, 415	1001112612	535, 554, 571	1001121730	555, 586, 591
0641520	595, 597	1001090140	91, 95, 99	1001112796	571	1001125027	586, 590, 593
0641605	528, 532	1001091751	631	1001114495	209, 211	1001125387	642
0641607	191, 193, 195	1001091885	503	1001114675	642, 646, 650, 654, 658	1001125784	554
0641608	165, 195	1001091901	17, 19, 503	1001114867	331, 337, 347, 353, 363, 369	1001125785	554
0641609	201	1001092481	55	1001116208	667	1001126008	537, 554
0641612	201, 459	1001092482	55	1001116692	586	1001126351	589
0641614	185, 187	1001092877	646, 658	1001116710	556	1001126353	589
0641618	17, 19, 21, 23, 25	1001092878	646, 658	1001116711	556	1001126356	589
0641620	541, 627	1001093171	129	1001116712	556, 611	1001127066	637
0641632	541	1001093273	125	1001116720	637	1001127699	623, 678
0641636	377	1001093377	125, 135	1001116723	593	1001127700	623
0641652	377	1001093465	125	1001116726	555	1001128341	185, 187
0642032	87, 91, 93, 95, 97, 99	1001093564	545	1001116727	555, 584, 589	1001128363	191
0681810	91, 95, 99	1001094312	377	1001116728	551, 584, 585, 586, 589, 590, 629	1001128364	191
0682648	17, 19	1001094330	125	1001116729	584, 589, 621	1001128594	167, 169
0700610	642, 646, 650, 654, 658	1001094696	633	1001116731	571	1001128714	191
0700614	155, 595, 599	1001094830	125	1001116732	585, 591	1001128806	682
0700617	383, 385	1001095418	101	1001116734	585, 591	1001128890	65
0700812	193	1001095650	39, 41, 297	1001116736	593, 609	1001128901	191
0700822	383	1001095810	61	1001116745	584, 589, 629	1001129285	556, 678
0700827	171, 173	1001096019	59	1001116747	555, 613	1001129407	569
0700828	385, 423	1001096020	59	1001116748	585, 590	1001129615	623
0701026	197, 199	1001096021	57	1001116751	593	1001130717	683
0701216	203	1001096023	57	1001116757	584, 585, 589, 590	1001131271	642, 646, 650, 654, 658
0701219	191, 193, 195	1001096024	59	1001116758	584, 585, 589, 590	1001133173	589
0711214	163, 165, 171, 191, 193, 195	1001096025	57	1001116774	537, 554	1001133534	201
0711219	163, 165	1001096404	642, 646, 650, 654, 658	1001116808	537, 554	1001134488	185, 187
0711227	163, 165	1001097079	617	1001116812	537, 554	1001135770	625
0711627	163, 165	1001097080	619	1001116815	537, 571	1001135777	625
0711628	163, 165	1001097205	129	1001116945	535	1001136358	201, 203
0712040	261	1001098769	642, 646, 650, 654, 658	1001116950	586, 591	1001136975	201, 203, 209, 211
0721004	389	1001099113	91, 95, 99	1001117021	551, 586, 590, 613, 629	1001137512	123
0741410	41	1001099115	91, 95, 99	1001117026	621, 629	1001138642	589
0741610	91, 95, 99	1001099351	69	1001117059	593	1001138643	589
0760405	71, 73, 77, 79, 83, 87, 91, 93, 95, 97, 99, 101	1001099699	389	1001117068	584, 589	1001138645	165
0760505	41, 389	1001099976	303, 305, 309, 311	1001117070	585, 591	1001139578	642
0760605	163	1001100082	389	1001117079	609	1001139942	646, 658
0760608	201, 203	1001100227	135			1001142452	646, 658
0760610	25	1001100228	139			1001143551	537
0760614	165	1001100229	137			1001143852	659
		1001100265	77			1001144147	537, 571
						1001144629J	61
						1001145026	27, 29, 679

SECTION 13 - SPECIAL OPTIONS/ACCESSORIES/KITS

1001145707.....585, 591	1001159878...331, 337, 347, 353, 363, 369	1001165669..... 159, 177	1001171757528, 532
1001146160.....65	1001159932..... 195	1001165670..... 161, 187	1001171802203
1001147265..... 263	1001160071..... 399	1001165672..... 159, 203	1001171803203
1001147377.. 263, 265, 267, 269, 271, 273, 277, 279	1001160072..... 669	1001165673..... 159, 211	1001171805201, 203
1001147378..... 261, 263	1001160116.....163, 165	1001165806... 377, 379, 381	1001171806 ...363, 369, 385
1001147379.. 261, 281, 283, 285, 287, 289, 293, 295	1001160250..... 17, 19	1001165818..... 177	1001171807 ...347, 353, 383
1001147874..... 261	1001160782..... 195	1001165823... 357, 359, 379	1001171873431, 485
1001148177.. 642, 646, 650, 654, 658	1001160785.....379, 381	1001166008..... 173	1001171986485
1001148902..... 682	1001160787..... 401	1001166009..... 253	1001172537383, 385
1001148903..... 682	1001160788...341, 343, 357, 359, 373, 375	1001166030..... 532	1001172561383, 385
1001148904..... 682	1001160789...343, 359, 375	1001166034..... 161	1001173217383, 385
1001148905..... 682	1001160790...341, 343, 357, 359, 373, 375	1001166105..... 658	1001173230481
1001148906..... 682	1001160791...341, 343, 357, 359, 373, 375	1001166229 ... 159, 161, 207	1001173257595, 597
1001149227.. 341, 343, 379, 381	1001160815.....341, 343	1001166237..... 17	1001173423658
1001149712..... 554, 571	1001160825.....431, 453	1001166566..... 177, 181	1001173535165
1001150349..... 261	1001160844..... 195	1001166693..... 195	1001173581427, 678
1001150652..... 297	1001160912..... 403	1001166715..... 175	1001173582425, 678
1001150655..... 297	1001160916..... 675	1001166935... 191, 193, 195	1001174152658
1001150656..... 297	1001160945..... 671	1001166976..... 195	100117422717, 19
1001151097..... 323	1001161212..... 547	1001167008..... 682	100117422917, 19
1001151098..... 323	1001161213..... 549	1001167167..... 195	1001174327 ...191, 193, 195
1001151106..... 323	1001161920.....163, 165	1001167168..... 195	1001174340423
1001153748..... 477, 523	1001162734...642, 646, 650, 654, 658	1001167250..... 401	1001174375465
1001153912..... 189	1001162735...642, 646, 650, 654, 658	1001167251403	1001174822199
1001154055..... 297	1001162736...642, 646, 650, 654, 658	1001167357..... 171, 173	1001175568201, 203
1001154226..... 682	1001162804...397, 399, 401, 403	1001167641..... 585	1001175733629
1001154375..... 627	1001162806..... 399	1001167643..... 585	1001176337 ..599, 601, 603, 615, 617, 619
1001154790..... 165, 169	1001162831..... 682	1001167644..... 585	100117651563
1001155927..... 34	1001162832..... 682	1001167646..... 585	1001177168682
1001155928..... 34	1001162833..... 682	1001167648..... 585	1001177198556, 611
1001156013..... 34, 497	1001163174..... 650	1001167649..... 585	1001177746 ...377, 379, 381
1001156283..... 21, 23, 25	1001163206..... 650	1001167650..... 585	1001178224437
1001157663..... 171, 173	1001163210..... 650	1001167793..... 21, 23	1001178346599, 609
1001157890.. 537, 554, 555, 586	1001163212..... 650	1001168051..... 177	1001178347 ..347, 353, 363, 369, 593
1001157891..... 593, 609	1001163222..... 650	1001168052..... 177	1001178349 ...379, 381, 637
1001158002... 421, 467, 678	1001163285..... 650	1001168053..... 177	1001178582185, 187
1001158004..... 467, 469	1001163300..... 650	1001168066... 373, 375, 381	100117877627, 29, 185, 187, 201
1001158071..... 661	1001163304..... 650	1001168478..... 187, 215	1001179229383, 385
1001158089..... 343	1001163323..... 650	1001168930..... 21, 23, 25	1001179375203
1001158090..... 359	1001163355..... 650	1001169057... 191, 193, 195	1001179845185, 187
1001158091..... 375	1001163414..91, 95, 99, 491	1001169077..... 177, 679	1001180175650
1001158266..... 481	1001163685..... 479	1001169271..... 211	1001180176650
1001158272..... 642	1001164096..... 381	1001169272..... 209, 211	1001180227193
1001158319..... 642	1001164099..... 381	1001169274..... 209, 211	1001180244207
1001158320..... 646, 658	1001164196..... 385	1001169466..... 19, 27	1001180473163, 165
1001158321..... 646, 658	1001164282..... 379	1001169787..... 377	1001181576465
1001158337..... 481	1001164284..... 379	1001169816..... 637	1001181584185, 187
1001158404..... 383, 385	1001164404..... 195	1001170117..... 185, 187	1001181585185, 187
1001158527..... 483	1001164717.....379, 381	1001170186..... 185, 187	1001181707379, 381
1001158528..... 481, 483	1001165275..... 377	1001170230..... 623	1001181893379, 381
1001158854..... 449, 469	1001165276..... 377	1001170233... 528, 532, 623	1001181899528, 532
1001158856..... 449, 481	1001165517.....163, 165	1001170234... 528, 532, 625	1001181903379, 381
1001159186..... 554, 555	1001165518.....163, 165	1001170235..... 625	1001181956331
1001159319..... 21, 23, 25	1001165583...343, 359, 375	1001170329..... 27, 29	1001181968379, 381
1001159844... 383, 385, 395	1001165609..... 195	1001170738.. 331, 337, 347, 353, 363, 369	1001182091 ..332, 338, 379, 381, 547, 565
1001159850... 347, 353, 679	1001165617...341, 343, 357, 359, 373, 375	1001171117..... 682	1001182094203
1001159851..... 363, 369	1001165660.....163, 165	1001171234..... 528, 532	1001182135377
1001159856... 379, 381, 391	1001165668.....161, 199	1001171236..... 528, 532	1001182255 ...185, 187, 189
1001159860..... 379, 411		1001171237..... 528, 532	1001182408377
1001159861..... 381, 407		1001171238..... 528, 532	1001182470 ...379, 381, 415
1001159869..... 431, 443		1001171239..... 528, 532	1001182514377
		1001171383..... 23, 25	1001182603203
		1001171385..... 21, 23, 25	1001182663377
		1001171633..... 528, 532	

SECTION 13 - SPECIAL OPTIONS/ACCESSORIES/KITS

1001182723.....	385	1001190962.....	193	1001199737.....	682	1001205754.....	431, 449
1001182798.....	385	1001190990.....	193	1001199738.....	682	1001206542.....	539
1001182800.....	377	1001191635..	642, 646, 650, 654, 658	1001199889.....	528, 584	1001206543.....	541
1001182808.....	377	1001191992..	642, 646, 650, 654, 658	1001199891.....	528	1001206956.....	183
1001182810.....	377	1001192015.....	457	1001200204.....	683	1001206983.....	183
1001182842.....	377	1001192049.....	556	1001200833.....	554	1001206985.....	183
1001182865.....	377	1001192050.....	556	1001200845.....	556	1001207173.....	561
1001182871.....	377	1001192134.....	165	1001201111.....	201, 203	1001207217.....	642
1001182882.....	377	1001192401.....	586, 591	1001201453.....	682	1001207218.....	646, 658
1001182883.....	377	1001192711.....	155	1001201454.....	682	1001207606.....	127
1001182884.....	377	1001192720.....	155	1001201455.....	682	1001207963..	331, 337, 348, 353, 364, 369
1001183084.....	377	1001192875.....	155	1001201456.....	682	1001208280.....	25
1001183104.....	377	1001192876.....	155	1001201458.....	683	1001208662.....	17, 19
1001183164...331, 337, 347, 353, 364, 369		1001192877.....	155	1001201459.....	683	1001209097.....	591
1001183209.....	377	1001192877.....	155	1001201461.....	682	1001209223.....	447
1001183341.....	419	1001193427.....	682	1001201559.....	19	1001210351.....	197
1001183370.....	447	1001193428.....	682	1001201561.....	17, 19	1001210703.....	678
1001183811.....	195	1001193428.....	682	1001201658..	331, 337, 348, 353, 364, 369	1001210776.....	556
1001184316.....	623, 679	1001193540.....	155	1001201721.....	445, 515	1001210777.....	556
1001184491.....	635	1001193729.....	155	1001201726.....	447	1001210778.....	556
1001184493.....	635	1001194421.....	631	1001201728.....	447	1001210779.....	556
1001184496.....	635	1001194757.....	433	1001201728.....	447	1001210818.....	34
1001184835.....	528, 635	1001195055.....	586, 591	1001201734.....	447	1001210854.....	447
1001185071.....	207	1001195057.....	586, 591	1001201752.....	595, 599	1001210855.....	447
1001185649.....	161, 193	1001195087.....	586, 591	1001201831.....	177	1001210856.....	447
1001185650.....	161, 165	1001195760.....	554, 555	1001201885.....	631	1001210857.....	447
1001185651.....	161, 175	1001195826.....	17, 19	1001201923.....	17, 19	1001210858.....	435, 439
1001185652.....	161, 209	1001195913.....	565	1001201945.....	209, 211	1001211139.....	101
1001185776.....	347	1001195952.....	17, 19	1001201983.....	211	1001211278.....	650
1001185777.....	363	1001195970.....	75	1001201987.....	431, 433	1001211516.....	97
1001186373.....	163	1001196109.....	457	1001201988.....	433, 435	1001211688.....	165
1001186417.....	623, 678	1001196110.....	17, 19, 495	1001201989.....	431, 437	1001211690.....	25
1001186490.....	161, 201	1001196124.....	159, 163	1001201990.....	437, 439	1001211697.....	165
1001186535.....	25	1001196125.....	159, 191	1001202043.....	439	1001211867.....	663
1001186718.....	165	1001196127.....	159	1001202189..	341, 357, 373	1001211868.....	665
1001186841...528, 532, 543		1001196128.....	379, 381	1001202202..	341, 357, 373	1001211945.....	431
1001187078.....	537	1001196279.....	23	1001202247.....	183	1001212670.....	175
1001187952.....	556	1001196290.....	431, 463	1001202304.....	183	1001213118.....	459
1001188068.....	683	1001196293.....	431, 455	1001202467.....	431, 451	1001213199J.....	307
1001189017...642, 646, 650, 654, 658		1001196388.....	431, 473	1001202615.....	341, 343	1001213547.....	682
1001189318.....	209	1001196396.....	191	1001202626..	642, 646, 650	1001213574.....	541
1001189327...642, 646, 650, 654, 658		1001196397.....	191	1001202627..	642, 646, 650, 654, 658	1001213885.....	683
1001189488.....	532, 589	1001196634.....	575	1001202746..	341, 357, 373	1001213938.....	211
1001189602.....	209	1001196649.....	459	1001202755.....	642	1001213944.....	683
1001189712.....	209	1001196650.....	431, 459	1001202756.....	650	1001214398.....	682
1001189715.....	209	1001196665.....	163, 167	1001202904..	141, 143, 145, 147, 149, 151, 153	1001215159.....	431, 461
1001189871.....	627	1001196668.....	431, 457	1001203181.....	183, 678	1001215941.....	183, 679
1001189875...584, 585, 589, 590		1001196669.....	457	1001203503.....	155	1001216455.....	183, 537
1001189877.....	589	1001196671.....	457	1001203969.....	209, 211	1001216589.....	21
1001189886.....	627, 629	1001196736.....	159, 197	1001203970.....	211	1001218358.....	537
1001190005.....	175	1001196737.....	159, 185	1001204032.....	183, 513	1001218659.....	642
1001190183.....	175	1001197098.....	379, 381	1001204045.....	34	1001219082.....	183
1001190295.....	171	1001197233.....	165, 171	1001204097.....	209, 211	1001219211..	646, 650, 654, 658
1001190306.....	19	1001197421.....	431, 479	1001204098.....	209, 211	1001220260.....	377
1001190341.....	21, 23, 25	1001197422.....	475, 479	1001204099.....	211	1001221500.....	307
1001190344.....	201	1001197475.....	185, 213	1001204362.....	363, 369	1001223050.....	419, 445
1001190349.....	201	1001198355.....	155	1001204692.....	559, 627	1001223052..	331, 337, 348, 354, 364, 370, 419
1001190370.....	201	1001198728.....	541	1001205172..	556, 611, 679	1001223453.....	642, 650
1001190371.....	201	1001199116.....	27, 29	1001205248..	595, 597, 599, 611, 615	1001225317.....	297
1001190372.....	201	1001199135.....	27, 29	1001205264..	595, 597, 599, 615	1001226328.....	678
1001190629.....	201	1001199136.....	27, 29	1001205684.....	17	1001226400.....	569
1001190630.....	201	1001199177.....	27, 29	1001205748.....	431	1001226541.....	571
1001190631.....	201	1001199181.....	27, 29	1001205753.....	447, 449	1001226636.....	571
		1001199199.....	27			1001226637.....	571
		1001199205.....	27, 29, 678				
		1001199210.....	27, 29				

SECTION 13 - SPECIAL OPTIONS/ACCESSORIES/KITS

1001226799.....567	1001237854.....597, 615, 619	1001253916.....682	1001265373.....683
1001226856...565, 567, 571	1001238111...595, 597, 599, 613, 615	1001254087.....443	1001265679.....559
1001227066.....569	1001238199...595, 597, 599, 615, 621	1001254088.....455	1001265680.....559
1001227068.....569	1001238560.....61, 155	1001254089.....455	1001265914..331, 337, 348, 354, 364, 370
1001227077.....183	1001238565...55, 57, 59, 61	1001254090.....479	1001265979.....559
1001227211.....17, 29	1001238566.....155	1001254092.....479	1001265980.....559
1001227266.....569	1001238570.....155	1001254093.....479	1001265982.....559
1001227379.....113	1001238653.....55	1001254094.....469	1001265987.....559
1001227382.....117	1001238654.....57	1001254095.....469	1001266488...337, 354, 370
1001227459.....565	1001238655.....59	1001254096.....469	1001266771.....475, 521
1001227508.....459	1001238893.....683	1001254097.....469	1001267967.....17, 19, 507
1001227670..63, 67, 69, 71, 73, 77, 79, 81, 83, 85, 87, 89, 91, 93, 95, 97, 99, 101, 127, 132, 141	1001238934.....682	1001254098.....469	1001268341.....682
1001227964.....183	1001239250.....567	1001254099.....469	1001271586.....547, 549
1001228508.....21	1001239455.....682	1001254100.....481	1001272659.....563, 573
1001228677.....477, 479	1001239539.....183	1001254101.....481	1001272715.....441
1001228954.....567, 678	1001239734.....91, 95, 99	1001254102.....451	1001272997.....575
1001229703.....667	1001239959.....579	1001254103.....451	1001273012...563, 573, 575
1001230239.....65	1001239988.....682	1001254104.....459	1001273266.....682
1001230241.....65	1001241305.....389	1001254105.....459	1001273267.....682
1001230402.....537	1001241318.....195	1001254106.....453	1001273636.....595, 597
1001230931.....554	1001241482.....195	1001254107.....453	1001273850.....397
1001231397.....535, 537	1001241838.....309, 311	1001254108.....461	1001274255.....319
1001231398...537, 555, 631	1001241839.....309	1001254386.....465	1001274256.....319
1001231400..535, 537, 555, 631	1001241840.....311	1001255901.....575	1001274257.....319, 683
1001231401.....537, 555	1001241846.....309	1001256067.....425, 427	1001274301.....321
1001231402.....537, 556	1001241847.....311	1001256068.....423, 427	1001274302.....321, 683
1001231404..535, 537, 556, 631	1001242172.....654	1001256069.....423, 425	1001274305.....683
1001231406...537, 555, 631	1001242173.....654	1001256070.....423	1001274307.....683
1001231560.....183, 535	1001242179.....654	1001256519..331, 337, 347, 354, 363, 370	1001274715.....317
1001231692.....65	1001242196.....682	1001257571.....473	1001274717.....317
1001231801.....643	1001242644.....85	1001258100.....389	1001274718.....317, 683
1001232216.....495	1001242914.....654	1001258244.....413	1001274721.....683
1001232235.....119	1001242916.....397	1001258245.....413	1001275637.....309, 311
1001232439.....205	1001242925.....465, 519	1001258991.....543	1001275638.....309, 311
1001232500.....65	1001242996.....35, 49	1001259206.....107	1001275841.....71, 73
1001232599.....205	1001243025.....49	1001259302..642, 646, 650, 654, 658	1001275852.....73
1001232624.....205	1001243026.....49	1001259303..642, 646, 650, 654, 658	1001275853.....71
1001232750.....205, 577	1001243183.....682	1001259635.....313	1001275931...338, 354, 370
1001233174.....559	1001243184.....682	1001260509.....635	1001275933.....387, 413
1001233217.....559	1001243219.....49	1001262057.....661	1001275934..331, 347, 363, 387
1001233236.....678	1001243577.....682	1001262151.....682	1001276666.....99
1001233434.....559	1001244302.....479	1001262322.....565, 678	1001276920.....563, 573
1001233828.....559	1001244593.....595	1001262327.....565	1001276923.....682
1001233976.....559, 561	1001244594.....595	1001262436.....683	1001277290.....91
1001234098...577, 579, 633	1001245478.....189, 679	1001262959.....683	1001277338.....95
1001234216...545, 577, 579	1001246001.....313	1001263010.....315	1001280231.....377, 682
1001234531.....577	1001246078.....654	1001263593..643, 646, 651, 655, 659	1001281475.....683
1001235725.....211	1001246391.....586	1001263819..642, 646, 650, 654, 658	1001282050.....467
1001235794.....654	1001246735.....341, 373	1001263820..642, 646, 650, 654, 658	1001283919.....39
1001235796.....654	1001246736...331, 337, 341	1001263821..642, 646, 650, 654, 658	1001283928.....39, 41
1001235797.....654	1001246737...348, 354, 357	1001264534.....559	1001283930.....41
1001235798.....654	1001246738...364, 370, 373	1001264536.....559	1001284403..332, 338, 348, 354, 364, 370, 547, 549, 551
1001235799.....654	1001247421.....627, 679	1001264554..331, 337, 347, 354, 363, 370	1001284433.....41
1001235801.....654	1001248570.....683	1001264699.....315	1001284434.....41
1001235802.....654	1001248571.....683	1001264712.....315	1001284435.....41
1001235803.....654	1001249695.....683	1001264844.....631	1001284436.....39
1001235804.....654	1001249941.....683	1001264861.....631	1001284438.....41
1001235805.....654	1001251270...595, 599, 601	1001265272.....377	1001284542...528, 532, 554
1001236313.....654	1001251271...595, 599, 603		1001287742.....71, 73
1001237846.....673	1001251423.....471, 511		1001288418.....41
1001237847.....597, 615	1001251426.....459, 471		1001288679..338, 354, 370, 631
1001237853...597, 615, 617	1001251494.....595, 599		1001289479.....559

SECTION 13 - SPECIAL OPTIONS/ACCESSORIES/KITS

1001289539...332, 338, 348, 354, 364, 370	1319586.....235	1319661225, 249	1704277.....61
1001290540.....337	1319587.....235	1319670247, 249	1704885.....55, 57, 59
1001290546.....369	1319590.....235	1319671249	1706098.....646, 658
1001290547.....353	1319591.....227	1319673249	1706281.....646, 658
1001292279...331, 337, 347, 353, 363, 370, 581	1319592.....227	1319674249	1706282.....646, 658
1001293182.....101, 493	1319593 227, 229, 231, 233, 243, 245	1319675249	1706284.....646, 658
1001296148.....595	1319594 227, 229, 231, 233, 243, 245	1319676249	1706285.....646, 658
1001296886.....646	1319595 227, 229, 231, 233, 243, 245	1319677249	1706288.....646, 658
1001301599.....101	1319596.....227, 229, 233	1319678249	1706296.....642
1001301600.....101	1319600 227, 229, 231, 233, 243, 245	1319679249	1706298.....642
1001305569.....597	1319601 227, 229, 231, 233, 243, 245	1319680249	1706299.....642
10139087.....642, 646, 650, 654, 658	1319602 227, 229, 231, 233, 243, 245	1319681249	1706300.....642
10268515.....175, 179	1319603 227, 229, 231, 233, 243, 245	1319682249	1706301.....642
10268516.....175	1319604 227, 229, 231, 233, 243, 245	1319683249	1706302.....155
106037961	1319605.....227, 229, 233	1319684249	1706306.....642
1060626545, 633	1319606.....227, 229, 233	1319685249	1706768.....642
1062255528, 532	1319607.....227	1319686249	1706850.....642
10705034.....89	1319608.....227, 245	1319687249	1706892.....55
10719267.....177	1319609.....227	1319688249	2080040.....61
10727374.....419	1319610.....227	1319689249	2110606.....91, 95, 99, 517
10728823.....447	1319611.....227	1319690249	2130606.....89, 517
10731702.....223	1319612 227, 229, 231, 233, 243, 245	1319691249	2130608.....89
10731709.....247, 249, 250	1319613.....229	1319692249	2130808.....91, 95, 99
10731744.....235	1319614.....229	1319693249	2131210.....219
10731748.....223	1319615.....229, 233, 243	1319694249	2131212.....185, 187, 219
10731751.....223	1319616.....231	1319695249	2172106.....91, 95, 99
10731845.....227, 229, 233	1319617.....231, 243, 245	1319696247, 249	2180798.....175
10731913.....237	1319618.....231, 243, 245	1319697249	2220218.....201
10731959.....241	1319619.....231	1319698249	2220238.....431
10732063.....247, 249	1319620.....231, 243, 245	1319699249	2220239.....27, 29
10732064.....249	1319621.....231, 243, 245	1319700249	2220371 453, 465, 467, 475
10732071.....225	1319622.....231, 243, 245	1319701249	2220373 435, 439, 473, 475, 483
10732072.....225	1319623.....231, 243, 245	1319702247, 249, 679	2220375.....27, 29, 461
10732095.....223	1319624.....231, 243, 245	1319703247, 249	2220377.....465
10732150.....21, 23, 25	1319625.....231, 243, 245	1319704249	2220381.....475
10837928.....519	1319626.....231, 243, 245	1319705249	2220385.....473
10839156.....241	1319627.....231, 243, 245	1319707247, 249	2220388.....473
1101312179, 678	1319628.....231, 243, 245	1319710247	2220415.....101
1101313179, 678	1319629.....231, 243, 245	1319711247	2220435.....465
117002187	1319630.....231, 243, 245	1319712247	2220451.....461, 633
117002493	1319631.....231, 243, 245	1319713247	2220473 101, 453, 465, 475
1319203223	1319632.....231, 243, 245	1319714247	2220474.....465
1319204223	1319633.....231, 241	1319715247	2220497.....465
1319205223	1319634.....233	1319717247	2220499.....27, 29
1319209223	1319635.....233	1319718239	2220500.....477, 483
1319210223	1319636.....233, 243, 245	1319719239	2220501.....465
1319211223	1319637.....243	1319720239	2220567.....35
1319213223	1319638.....243, 245	1319721239	2220577.....27, 29
1319557237	1319639.....245	1319722239	2220582.....465, 467
1319558237	1319641.....241	1319723239	2220596... 34, 439, 465, 473
1319563237	1319643.....241	1319724239	2220600.....475
1319565237	1319646.....241	1319725239	2220603.....471, 483
1319566237	1319647.....241	1319726239	2220605.....419
1319569235	1319648.....241	1320022 209, 331, 337, 347, 353, 363, 369	2220622.....465, 633
1319570235	1319649.....241	1321094167, 169	2220635... 27, 29, 435, 439, 459, 475
1319571235	1319650.....225	1322039167, 169	2220651.....441
1319574235	1319652.....225, 249	1322040167, 169	2220655.....465
1319575235	1319659.....225	1600429 331, 337, 347, 353, 363, 369, 678	2220671.....465
1319576235		170150961	2220682.....461
1319577235		1701640 642, 646, 650, 654, 658	2220683.....36
1319582235, 239		1702300 642, 646, 650, 654, 658	2220695.....465
1319583235		1702631 642, 650, 654, 658	2220700.....633
1319584235		170277355, 57, 59	2220810.....465
1319585235, 239			2220819.....465
			2220878.....457, 465
			2220888.....507

SECTION 13 - SPECIAL OPTIONS/ACCESSORIES/KITS

2220947.....471	3423307.....91, 95, 99	4460466 535, 537, 554, 555, 561, 571, 584, 585, 586, 589, 591, 593, 609	4761400 331, 337, 347, 353, 363, 369, 623
2220950.....477	3440620.....65	4460467.....683	4761500.....163
2220974.....465	3520030.....21, 23, 25	4460475 537, 584, 586, 589, 590	4811400..71, 73, 77, 79, 83, 87, 91, 93, 95, 97, 99, 101
2221040.....465	3520072.....61	4460476.....586, 590	4811600.183, 201, 205, 389
2221344.....419	3520198.....61	4460508.....555, 609, 611	4811700 155, 163, 165, 203, 383, 385, 595, 599
2230025.....441	3740080 .183, 556, 631, 678	4460509.....611, 621	4811702 ..25, 383, 385, 528, 532
2230044.....451	3760170.....61	4460510.....683	4811900 191, 193, 195, 383, 385, 528, 532
2340037.....105	3790152.....183	4460518.....537	4811902.....165, 177, 297
2340038.....115	3820020.....61	4460536.....555	4812000 165, 195, 197, 199, 203, 441
2340039.....121	3841203.....91, 95, 99	4460539.....537, 551, 561	4812100 163, 165, 171, 191, 193, 195, 203, 528, 532
2340045.....111	3930610 331, 337, 347, 353, 363, 369	4460608.....584, 586, 590	4812300.....163, 165
2340046.....103	3931012.....559, 627	4460742.....537, 613, 621	4831600.....205
2400060.....586, 591	3968141.....271, 287	4460744.....584, 589	4831700.....595, 599
24921332.....191, 193	3984436.....283	4460746.....555	4832000.....197, 199
2600281.....61	3984447.....283	4460761.....537, 554	4891500.....191
2716614.....34, 501	3984458.....283	4460789.....613, 621	489160017, 19, 191, 193, 195, 599, 615
2716670.....435	3984469.....283	4460790.....555, 611	4891800.....91, 95, 99
2716673.....437	4031608.....205	4460809.....537	5240800.....171, 173
2716675.....461	4060803.....379, 381	4460836.....554	5241000.....71, 73
2716713.....451	4060806 331, 337, 347, 353, 363, 369	4460850.....584, 589	5242400.....155
2716714.....473	4100181 642, 646, 650, 654, 658	4460871.....554	5251014 331, 337, 347, 353, 363, 369
2716760.....34	4105262 642, 646, 650, 654, 658	4460872.....554	5724622.....34
2716763.....433	4107442 642, 646, 650, 654, 658	4460884.554, 586, 591, 609	5906392.....34
2716773.....473	4108302 642, 646, 650, 654, 658	4460891 537, 551, 554, 555, 584, 585, 589, 590, 631	6604662.....101
2716788.....34	4110422 ...65, 67, 69, 71, 73	4460894.....571, 609	70002219.....491
2716792.....441	4110473.....89	4460897.....551, 631, 637	70002224.....491
2717160.....89	4240017.....528, 532	4460905.....554	70003738.....511
2717161.....89	4240032 559, 563, 565, 567, 573	4460930.....535, 554, 555	70003849.....491
2717162.....89	4240099.....163, 165	4460931.537, 584, 589, 609	70010239.....683
2717283.....89, 499	4360569 331, 337, 347, 353, 363, 369	4460932.....575	70020002.....85
2717287.....101	4360690 331, 337, 347, 353, 363, 369, 679	4460933.555, 561, 593, 609	70020004.....143
2755060.....473	4420037.....21, 23, 25	4460941.....609	70020028.....85
2910994.....682	4460019 585, 586, 589, 590, 591	4460942.....554, 593, 609	70020375.....497
2940074.....61, 678	4460042.....585, 590	4460945.....537	70020425.....225
31200160.....55	4460142.....591	4460950.....593	70020426.....225
31200386.....59	4460183.....629	4460955.....585, 590	70020427.....247
31200387.....57	4460234.....559, 565, 567	4460970.....554, 555, 561	70020430.....241
31200388.....57	4460247.....586, 591	4460994.....554, 637	70020431.....241
3251813 642, 646, 650, 654, 658	4460256.....585, 590	4461017.....555, 609, 611	70020555.....127, 129
3290501.....205	4460268.....593	4461018.....611, 621	70020562.....81
3290505.....183	4460312.....554, 586, 591	4461070.....554, 591	70020652.....415
3290601.....155, 528, 532	4460321.....537	4461095.....585, 591	70020743.....515
3290605 201, 203, 383, 385, 528, 532	4460326.....593	4461103.....556	70020745.....515
3290801 .195, 377, 528, 532	4460419 551, 554, 609, 621, 637	4461157.....584, 589	70020867.....523
3290805.....165, 383, 385	4460457.....613, 621	4520356.....313	70020876.....407
3291007.....71, 73	4460458 537, 551, 555, 584, 585, 586, 589, 590, 591, 629	4520368.....299	70021342.....69, 81
3291205.....203	4460464 535, 537, 551, 554, 555, 561, 569, 571, 575, 584, 589, 593, 609, 631, 637	4520370.....301	70021349.....67, 69
3300240 ..87, 91, 93, 95, 97, 99	4460465 535, 537, 551, 554, 555, 561, 571, 584, 585, 586, 589, 590, 591, 593, 609, 631	4641122.....313	70021351.....85
3300429.....27, 29		4641501.....509, 517	70021358.....81
3311401 185, 187, 331, 337, 347, 353, 363, 369, 559		4641502.....89, 517	70021359.....81
3311405.....41, 61		4710600 331, 337, 348, 353, 364, 369	70021360.....81
3311502.....155		4711000.....559	70021361.....81
3311601.....34		4711400..61, 185, 187, 379, 381, 528, 532, 539, 559, 627	70021362.....81
3311605.....541		4711500.163, 185, 187, 377	70021364.....81
3331615.....163, 165		4711600 201, 528, 532, 541, 642, 646, 650, 654, 658	70021365.....81
3332017.....261		4740362.....185, 187	70021366.....81
3391410.....155		4750800.....389	70021367.....81
3421453.....61		4751400.....377	70021376.....85, 489
3423226.....34			
3423227.....17, 19			
3423242.....93, 95			
3423275.....87, 91			
3423276.....97, 99, 101			

SECTION 13 - SPECIAL OPTIONS/ACCESSORIES/KITS

70021377.....	85	70022992.....	132	70025859.....	445, 515	70026216.....	593
70021378.....	85	70022993.....	132	70025897.....	511, 679	70026217.....	586, 593
70021379.....	85	70022994.....	132	70025959.....	491	70026220.....	167
70021382.....	85	70022995.....	132	70025982.....	519	70026221.....	167
70021387.....	67, 81	70022998.....	133	70026031.....	271	70026222.....	167, 169
70021389.....	85	70023003.....	132	70026033.....	497	70026224.....	167, 169
70021391.....	81	70023004.....	132	70026034.....	497	70026225.....	167, 169
70021392.....	81	70023005.....	132	70026056.....	491	70026226.....	167, 169
70021393.....	81, 505	70023006.....	132	70026057.....	491	70026228.....	167, 169
70021399.....	81	70023007.....	132	70026058.....	491	70026229.....	167, 169
70021415.....	67, 69	70023008.....	132	70026059.....	491	70026230.....	167, 169
70021440.....	63, 489, 505	70023009.....	132	70026060.....	491	70026231.....	167, 169
70021444.....	489, 505	70023010.....	132	70026061.....	491	70026232.....	167, 169
70021445.....	489	70023014.....	132	70026062.....	491	70026233.....	169
70021446.....	489, 505	70023015.....	132	70026075.....	213, 215	70026234.....	167, 169, 678
70021447.....	489, 505	70023016.....	132	70026076.....	213, 215	70026235.....	167, 169
70021448.....	489, 505	70023174.....	683	70026077.....	213, 215	70026237.....	167, 169, 678
70021451.....	489, 505	70023265.....	501	70026078.....	213, 215	70026241.....	167, 169
70021452.....	489, 505	70023404.....	235	70026079.....	213, 215	70026262.....	267
70021464.....	505	70023482.....	223	70026080.....	215	70026263.....	267
70021465.....	505	70023483.....	223	70026081.....	213, 215	70026352.....	415
70021466.....	505	70023736.....	167, 169	70026082.....	213, 215	70026370.....	519
70021583.....	503	70023885.....	235, 239	70026083.....	213, 215	70026376.....	519
70021613.....	283, 285	70023925.....	132	70026085.....	521, 678	70026393.....	181
70021867.....	511	70023928.....	509	70026087.....	521	70026394.....	181
70021921.....	67, 69	70023929.....	509	70026088.....	395	70026401.....	483
70021935.....	67, 69	70023933.....	167	70026089.....	395	70026448.....	683
70021948.....	377, 678	70024016.....	167, 169	70026090.....	395	70026453.....	167, 678
70021977.....	67, 69	70024020.....	491	70026091.....	395	70026582.....	523, 678
70021978.....	67, 69	70024059.....	67, 69	70026092.....	395	70026631.....	287
70021979.....	67, 69	70024060.....	69	70026093.....	395	70026652.....	519
70021980.....	81	70024062.....	63	70026097.....	421	70026653.....	519
70021981.....	81	70024147.....	273	70026098.....	421	70026698.....	67, 69
70021982.....	81	70024152.....	27, 29	70026100.....	391	70026699.....	63
70022008.....	519	70024186.....	511	70026101.....	391	70026745.....	127
70022014.....	519	70024189.....	511	70026102.....	391	70026746.....	127
70022028.....	67, 69	70024202.....	519	70026103.....	391	70026747.....	63
70022527.....	67, 69, 81	70024253.....	584	70026104.....	391	70026749.....	285
70022528.....	67, 69	70024254.....	584	70026105.....	391	70026770.....	499
70022529.....	67, 69	70024255.....	584	70026106.....	391	70026771.....	499
70022634.....	167, 169	70024256.....	584	70026107.....	391	70026773.....	499
70022650.....	515	70024262.....	491	70026108.....	391	70026774.....	499
70022797.....	271, 287	70024306.....	123	70026109.....	391	70026775.....	499
70022799.....	289	70024307.....	123	70026110.....	391	70026800.....	169
70022871.....	683	70024407.....	511	70026111.....	391, 407	70026801.....	169, 678
70022872.....	683	70024408.....	511	70026112.....	391	70026854.....	407, 679
70022931.....	132	70024411.....	511	70026113.....	391	70026944.....	63
70022932.....	132	70024412.....	511	70026114.....	391	70026945.....	407
70022934.....	132	70024414.....	511	70026115.....	391	70026946.....	63
70022935.....	133	70024415.....	511	70026116.....	391	70026948.....	63
70022936.....	132	70024416.....	511	70026117.....	391	70026949.....	63
70022937.....	132	70024519.....	285	70026118.....	391	70026978.....	407, 411
70022939.....	133	70024855.....	391	70026119.....	391	70026979.....	407
70022942.....	132	70024872.....	269	70026120.....	391	70026980.....	407
70022946.....	133	70024881.....	289, 295	70026121.....	391	70026981.....	407, 411
70022949.....	132, 133	70025014.....	273	70026122.....	391	70026982.....	407, 411
70022950.....	132	70025480.....	379, 381	70026123.....	391, 408, 411	70026983.....	407, 411
70022952.....	132	70025548.....	273	70026124.....	391, 408	70026984.....	407
70022957.....	132	70025551.....	274	70026133.....	519	70026985.....	408
70022960.....	132	70025562.....	287, 289	70026134.....	271	70026986.....	407, 678
70022969.....	132	70025606.....	491	70026135.....	273	70026987.....	407
70022970.....	132	70025821.....	283	70026136.....	273	70026988.....	407
70022980.....	133	70025822.....	283	70026137.....	277, 293	70026989.....	407
70022984.....	132	70025842.....	277, 293	70026138.....	277, 293	70026990.....	407
70022985.....	132	70025852.....	181, 678	70026139.....	287	70026991.....	408, 411
70022987.....	132	70025853.....	181, 678	70026140.....	289	70027009.....	67
70022990.....	133	70025857.....	273, 289	70026141.....	289	70027024.....	387

SECTION 13 - SPECIAL OPTIONS/ACCESSORIES/KITS

70027026.....	387	70029732.....	143, 149	70029824.....	407, 411	70031326.....	493
70027027.....	387	70029733.....	149	70029825.....	411	70031327.....	493
70027028.....	387	70029734.....	143, 147, 149	70029826.....	411	70031328.....	493
70027030.....	387	70029735.....	143, 147	70029827.....	407, 411	70031329.....	493
70027032.....	387	70029736.....	143	70029828.....	407, 411	70031394.....	407
70027033.....	387	70029737.....	149	70029829.....	407, 411	70031395.....	407
70027035.....	387	70029738.....	143, 147	70029830.....	411	70031396.....	407
70027094.....	213	70029739.....	143, 147, 151, 153	70029831.....	411	70031397.....	407
70027107.....	285	70029740.....	147	70029832.....	407, 411	70031398.....	407
70027134.....	519	70029741.....	143, 151, 153	70029833.....	407, 411	70031402.....	407
70027275.....	515	70029742.....	143, 147	70029834.....	408, 411	70031403.....	407
70027276.....	515	70029743.....	143, 147, 153	70029835.....	408, 411	70031404.....	407
70027281.....	167, 169	70029744.....	151	70029836.....	408, 411	70031405.....	407
70027315.....	273, 289	70029745.....	143	70029837.....	408, 411	70031406.....	407
70027317.....	283	70029746.....	151, 153	70029838.....	408, 411	70031413.....	408
70027642.....	85	70029747.....	143, 147	70029839.....	408, 411	70031414.....	408
70028159.....	495	70029748.....	151	70029840.....	408, 411	70031420.....	408
70028160.....	495	70029749.....	151, 153	70029841.....	408, 411	70031421.....	408
7002821.....	683	70029750.....	147	70029842.....	408, 411	70031422.....	408
7002822.....	683	70029751.....	143	70029843.....	408, 411	70031443.....	89
7002823.....	683	70029752.....	143	70029844.....	411	70031444.....	85
7002828.....	683	70029753.....	149	70029874.....	519	70031445.....	67, 69
70028392.....	289	70029754.....	149	70029981.....	407	70031446.....	81
70028450.....	167	70029755.....	143	70029984.....	408	70031449.....	289
70028452.....	283	70029756.....	143, 147	70030001.....	519	70031458.....	274
70028471.....	287	70029757.....	143	70030002.....	519	70031459.....	274
70028514.....	513, 679	70029758.....	149	70030003.....	519	70031523.....	290
70028515.....	513	70029759.....	149	70030004.....	519	70031717.....	559
70028516.....	513	70029760.....	143	70030005.....	519	70040710.....	273
70028517.....	513	70029761.....	153	70030006.....	519	70041616.....	167, 169
70028547.....	445	70029762.....	143, 147	70030007.....	519	70041617.....	167, 169
70028779.....	407	70029763.....	151	70030008.....	519	70041619.....	167, 169
70028780.....	407	70029764.....	143	70030009.....	519	70041620.....	167, 169
70028781.....	407	70029765.....	143	70030010.....	519	7004275.....	683
70028782.....	407	70029766.....	143	70030011.....	519	7004276.....	683
70028906.....	285	70029767.....	143	70030012.....	519	7010769.....	521
70029453.....	287	70029768.....	143	70030013.....	519	7016654.....	683
70029558.....	521	70029769.....	153	70030014.....	519	7024441.....	27, 29
70029584.....	521	70029770.....	151	70030015.....	519	7024939.....	511
70029704.....	149	70029771.....	153	70030016.....	519	7024943.....	511
70029705.....	149	70029772.....	153	70030017.....	519	7024944.....	511
70029706.....	149	70029773.....	143	70030018.....	519	7024953.....	511
70029707.....	149	70029774.....	143	70030019.....	519	7024954.....	511
70029708.....	149	70029775.....	143	70030020.....	519	7026404.....	586
70029709.....	149	70029776.....	143	70030021.....	519	7026731.....	273
70029710.....	149	70029777.....	143, 147	70030022.....	519	7026758 227, 229, 231, 233,	
70029711.....	149	70029778.....	143	70030023.....	519	243, 245	
70029712.....	149	70029779.....	143	70030038.....	519	7026759 227, 229, 231, 233,	
70029713.....	149	70029780.....	143, 147	70030039.....	519	243, 245	
70029714.....	149	70029781.....	143, 147	70030040.....	519	7026760 227, 229, 231, 233,	
70029715.....	149	70029782.....	145	70030041.....	519	243, 245	
70029716.....	149	70029783.....	145	70030141.....	85	7026798.....	387
70029717.....	153	70029784.....	143	70030142.....	85	7027273.....	241
70029718.....	153	70029785.....	147	70030143.....	85	7028706.....	285, 289
70029719.....	153	70029786.....	143	70030144.....	85	7028710.....	271
70029720.....	143	70029787.....	151	70030145.....	85	7028714.....	273, 289
70029721.....	143	70029788.....	143	70030150.....	290	7028715.....	273, 289
70029722.....	143	70029789.....	151, 153	70030281.....	407	7028716.....	273, 289
70029723.....	143	70029790.....	143	70030292.....	521	7028717.....	273, 289
70029724.....	143	70029791.....	149	70030382.....	507	7028720.....	273
70029725.....	143, 147	70029792.....	147	70030383.....	507	7028721.....	273, 289
70029726.....	143	70029793.....	143	70030384.....	507	7028722.....	273
70029727.....	145	70029794.....	143, 147	70030385.....	507	7028723.....	273
70029728.....	143	70029795.....	149	70030386.....	507	7028724.....	273
70029729.....	143	70029796.....	149	70030387.....	507	7028725.....	273
70029730.....	145	70029822.....	407, 411	70031148.....	167	7028729.....	273, 289
70029731.....	145	70029823.....	407, 411	70031325.....	493	7028730.....	274, 289

SECTION 13 - SPECIAL OPTIONS/ACCESSORIES/KITS

7028731	274	7118882	47	8007755	271	8036099	393
7028732	274	7118892	34, 47	80204005269, 273, 285, 289		8036100	393
7028733	274, 289	7124301	17, 19	80204060	267	8036144	501
7028734	267	7124471	17, 19, 595, 597, 599, 615	80204065	273, 289	8036149	501
7028735	267			80204071	273, 289	8036190	229, 231, 241
7028736	267	7125811	34	80204108	267	8036196	405
7029037	225, 249	7125871	163, 165	80204117	267, 273, 279, 283, 289, 295	8036197	405
7029039	249	7137142	17, 19	80204281	267, 283	8036198	405
7029129	271	7138634	219	80214120	273, 289	8036199	405
7029131	271, 287	7138833 331, 337, 347, 353, 363, 369		8024025	682	8036209	605
7029247	495	7138836 331, 337, 347, 353, 363, 369		8024026	682	8036210	607
7029251	495	7138878 331, 337, 347, 353, 363, 369, 679		80241137	17, 19	8036212	605, 607
7029271	259	7138882	327	80264138	421	8036213	605, 607
7029282	279, 295	7138944 331, 337, 347, 353, 363, 369		80304405	237	8036214	605, 607
7029283	279, 295			8032694	521	8036215	605, 607
7029286	289			8032695	521	8036216	605, 607
7029327	507	7138958	379, 381	80334277	511	8036250	239
7029412	407	7138977	34	8033651	259	80363179	593
7029413	407	7138979	34	8033786	493	8036389	501
7029415	407	7138986	34	8034697	519	8036390	501
7029417	239	7139032	43, 51	8034815	393	8036391	501
7029426	269	7139077	27, 29, 678	8035321	501	8036392	501
7029431	289	7139180	34	8035322	503	8036393	501
7029520	129	7139406	21, 23, 25	8035323	503	8036402	497
7029521	129	7139416	43, 51	8035324	503	8036403	497
7029532	229, 231, 241	7139455	21, 23, 25	8035326	503	8036404	497
7029533	229, 231, 241	7139455	21, 23, 25	8035327	501	8036405	497
7029692	69, 81	7139504	473	8035347	519	8036406	497
7029711	85	7139505	473	8035382	519	8036407	497
7029714	81	7139613	17, 19	8035393	393	80364095	421
7029736	290	7139689	34, 51	8035409	393	8036433	255, 257
7029737	289	7139692	34, 43	8035411	393	8036502	497
7029786	283	7139714	21, 23, 25	8035493	415	8036726	407, 411
7029788	267	7139726	34	8035498	415	8036733	499
7029860	393	7139727	34	8035499	415	8036778	495
7054351	219	7139728	441	8035500	415	8037109	519
7057141	185, 187	7139729	441	8035523	405	80373094	179
7062922	101	7139730	34	8035536	497, 501	80384207	393
7063432	34	7139731	34	8035570	501	80384213	393
7079572	34	7139864	34	8035720	501	80384218	379, 381
7081621	34	7139918	89	8035758	503	80384445	405
7081631	34	7139968	36, 441	8035779	255, 257	8050001	17, 19
7082311	34	7150579	253, 255	8035785	503	80604016	593
7082342	34	7150580	253, 257	8035807 331, 337, 347, 353, 369, 678		80604017	637
7082362	34	7150608	21, 23, 25	8036021	223	80604018584, 585, 589, 590	
7083922	34	7150680	603	8036022	223	80604021	586, 591
7083992	34	7150681	601	8036023	237	80604024	589
7085442	34	7150685	595, 605	8036024	235	80634004	511
7085542	34	7150690	601, 603	8036025	235	8065062	101
7085571	49	7150699	595, 599, 605	8036026	235	8065640	17, 19, 35
7095522	34	7150702	605	8036027	235	8065641	17, 19
7096491	34	7150703	607	8036028	235	80963061	555
7110702	101	7150716	595, 599, 607	8036029 229, 231, 233, 243, 245		80963062	584, 589
7110712	101	7150717	595, 607	8036030	241	80963067	584, 589
7110722	101	7150837	35, 441	8036031	241	8124138	43, 51
7111572	34	7150838	35, 441	8036032	241	8127021	51
7112642	135	7300435	163, 165	8036033	225	8127024	43
7114941	137, 139	7301265	363, 369	8036036	249	82033997	379, 381
7116572	609	7301295	89	8036038	249	8205655	501
7116642	45	7301408	109	8036039	249	8220007	637
7116691	45	7302028	253, 259	8036040	249	8220035	535, 637
7116742	45	7302056	35	8036041	239	8220051	555, 609, 637
7116752	45	77133133	383, 385	8036042	239	8220058	586, 590
7116773	34, 45	77133134	383, 385	8036050	379, 381, 405	8220081 555, 584, 586, 589, 590, 621	
7116812	45	77143006	543	8036056	379, 381, 393	8220089	555, 611
7116822	34	8007751	271			8220097	555, 584, 589
7117031	34						

SECTION 13 - SPECIAL OPTIONS/ACCESSORIES/KITS

8220098.....584, 589	830372921, 23, 25	8307112 137, 139, 331, 337,	8430032419, 465, 471
8220108.....535	830373835	347, 353, 363, 369, 379,	8430033471
8220124 584, 586, 589, 590,	8303745601, 603	381	8430046465
591, 593	830374635	8307202.....21, 23, 25	8430048383, 385
8220125.....555	830375217, 19	8307203.....473	8466306 642, 646, 650, 654,
8220160.....586	8303757 .437, 443, 457, 485	8307204..21, 23, 25, 35, 39,	658
8220164.....585, 590	8303771 ..39, 559, 595, 597,	45, 559, 595, 597, 599,	8500203595, 599
8220536 .584, 585, 589, 590	599, 615	615	852000117, 19, 35
8220889585	830377235	8307206.....45	852000317, 19, 35
8220890629	830378217, 19	8307219.....623	8520021497
8220895593	8303784207	8307222.....175, 423	8520034501
8220904 .551, 554, 621, 637	8303982 331, 337, 347, 353,	8307904.....35, 101	8522012 ...17, 19, 35, 43, 51
8220927555, 584, 589	363, 369	8307910.....35	852600735, 47, 207
8220929555, 584, 589	8304608479	8307911.....35	8526011503
8223025595, 599, 679	8305002528, 532	8307918.....35, 101	852604835
8223037 331, 337, 347, 353,	830500421, 23, 25, 559, 627	8310009 .451, 455, 469, 473	852640635
363, 369, 679	830500621, 23, 25, 473	8310019.....35	8530030459
8223038547, 549, 679	8305008185, 187, 457	8310020.....35	8546407459
8223043 347, 353, 363, 369,	8305012135	8310026 331, 337, 347, 353,	8580315101
679	830501417, 19	363, 369	858042021, 23, 25
8223044 347, 353, 363, 369,	8305043175, 423	8310046.....528, 532	8584001 101, 383, 385, 528,
679	8305603377	8310067.....219	532, 595, 597, 599, 615,
8223054 331, 337, 347, 353,	830561949	8310085.....341, 357, 373	627
363, 369, 679	8305624 ..89, 379, 381, 528,	831009335	8584007457
8223059 595, 597, 599, 615,	532, 539	8310109.....379, 381	8584018 .595, 597, 599, 615
679	830562617, 19, 331, 337,	8310160.....101	85841150457
8223060595, 599, 679	347, 353, 363, 369, 595,	8310161.....101	863000389
8223073595, 599, 678	597, 599, 601, 603, 615	8310209.....45	8630019459
8223232219	8305638377	8310215219	8640123459
8229233556, 678	830564335, 89, 101	831023545	8640208459
8229234535, 556, 678	8305644 17, 19, 35, 45, 137,	831024545	8642207101
8229235537, 556, 678	139, 331, 337, 347, 353,	8310266.....47	864222435
8229237556, 678	363, 369	8310276.....47	864223435
8229238556, 678	8305645 ..21, 23, 25, 35, 39,	8310281185, 187	864223743, 51
8229242586, 678	45, 309, 311, 559, 595,	831030289	86683122205
8229245611	597, 599, 615, 642, 646,	8310356.....459	8750011441
8229261535, 556, 678	650, 654, 658	8310382 331, 337, 347, 353,	8750012481
8270620528, 532	830564635	363, 369	8750017 .441, 451, 455, 481
8270621539	830590635	8310420.....479	8750025 .437, 443, 457, 485
8278020185, 187	8305916 331, 337, 347, 353,	8310425253	8750026443, 457, 461
830247021, 23, 25	363, 369	831043135	8750027451, 455, 481
8303034 341, 343, 357, 359,	8307002 .21, 23, 25, 35, 627	831043589	875002935, 441
373, 375, 377, 379, 381	8307003528, 532	8310493.....327	8750040 .437, 443, 461, 485
830309035	830700421, 23, 25, 437,	831049735	8760268465
8303119377	443, 451, 455, 457, 469,	831052217, 19, 463	8760463473
8303519459	473, 485	8310620261	876046535, 441
8303545528, 532, 623	830700535, 459, 627	831070835	876046836
830361521, 23, 25	8307006253	831071235	8760548219
8303620 309, 311, 331, 337,	8307007 ..35, 135, 137, 139,	83191010.....297	876055227, 29
347, 353, 363, 369, 457	459	83201147263	8765204475, 633
830362435	830700917, 19	8405007 .209, 211, 383, 385	876912236, 441
8303626 135, 137, 139, 331,	8307011327	8405104209, 211	876912336
337, 347, 353, 363, 369,	8307023 331, 337, 347, 353,	8405201209, 211	8769127469
459	363, 369	8405212183, 209, 211	8769128 ...36, 451, 455, 469
830363489, 101	8307024 642, 646, 650, 654,	8405305209, 211	8769132101
830364049	658	8405307175	876913936
830365535	8307027528, 532	8405404177	876915336
830365621, 23, 25	8307049219	8406010559	8769155441
830365735	830710435, 49	8406105219, 528, 532	8769156441
830365889	8307106 ..35, 175, 331, 337,	8406112163, 201, 203	8770016101
830366635	347, 353, 363, 369, 528,	8406303165	877004827, 29
830367935	532	8410007177	8770064435, 439
830368135	8307109 ..35, 331, 337, 347,	8410021175	8770157465
830369727, 29, 35, 331,	353, 363, 369	8420053 ..67, 85, 89, 91, 95,	8780031299, 301
337, 347, 353, 363, 369	8307110 309, 311, 331, 337,	99, 101, 441	8786514 299, 301, 303, 305,
830371535, 101	347, 353, 363, 369, 457	8420055 ..67, 85, 89, 91, 95,	309, 311, 315
8303724219	8307111528, 532	99, 101, 441	88211516595, 599

SECTION 13 - SPECIAL OPTIONS/ACCESSORIES/KITS

88261015..... 165	91043126..... 132	91474532271, 287	91475054..... 301
8841036 219, 221, 223, 225, 227, 229, 231, 233, 235, 237, 239, 241, 243, 245, 247, 249	91043147..... 383, 385	91474533271, 287	91475055..... 301
88411148..... 17, 19	91053419..... 183	91474537271, 287	91503106..... 584
88501005595, 597, 599, 615	91081640..... 543	91474539271, 287	91513266..... 297
88671001.....91, 95, 99	91083129..... 175	91474542271, 287	91514081..... 273, 289
8880218-OM..... 253	91163035..... 193	91474547271, 287	91514082..... 273, 289
8880219-OM..... 253	91293003..... 175	91474549271	91514083..... 274
8881800 165	91304025..... 421	91474550271, 287	91514084..... 273
8902842 493	91364023..... 179	91474551271, 287	91514095..... 273, 289
8903015 519	91403097..... 219	91474553271, 287	91514098..... 269, 285
8990147 331, 337, 347, 353, 363, 369	91403193..... 261	91474554287	91514099..... 273, 279
90027475..... 263	91403413 67, 85, 89, 91, 95, 99, 101, 133, 441	91474559267	91514111..... 273, 289
90028631..... 175	91403414 67, 85, 89, 91, 95, 99, 101, 132, 441	91474560267	91514112..... 273, 289
90200003.87, 89, 91, 93, 95, 97, 99, 101	91403448..... 65	91474561267	91514115..... 273, 289
90206196..... 623, 625	91404011..... 421	91474562267	91514117..... 273, 289
90451058..... 89	91404013..... 421	91474563267	91514118..... 297
90554016.63, 67, 69, 81, 85, 127	91404298..... 379, 381	91474564267	91514123..... 271, 273
90554017..... 81, 85	91404299..... 379, 381	91474565267	91514134..... 271, 287
90554018..... 81	91404301..... 379, 381	91474568267, 283	91514146..... 273, 289
90554020.....67, 69, 85	91404326..... 421	91474569267, 283	91514147..... 273, 289
90554033..... 63	91405035..... 299	91474570267	91514148..... 273, 289
90554034..... 63	91405036..... 299	91474571267	91514149..... 273
90554042..... 67, 69	91471213..... 263	91474572267	91514153..... 267
90554045..... 489, 505	91473086..... 419	91474573267	91514154..... 267, 283
90554054..... 67, 69	91473206..... 299, 301, 315	91474576273, 289	91514159..... 267, 283
90554062..... 69, 81	91474023..... 521	91474579289	91514160..... 267, 283
90554065..... 81, 85	91474507..... 269, 273, 285	91474580289	91514165..... 267
90554067..... 85	91474512..... 269, 285	91474581289	91514167..... 267
90554076..... 69, 81	91474513..... 269, 273	91474582273, 289	91514175..... 273
90554080..... 129	91474515..... 279, 295	91474584273, 289	91514181..... 273, 289
91043125..... 133	91474516..... 279, 295	91474585289	91514188269, 273, 285, 289
	91474522..... 277, 293	91474586289	91514189..... 273, 289
	91474524..... 273	91474587289	91514225..... 421
	91474528..... 271	91474591271, 287	91554014..... 554
	91474529..... 271, 287	91474593287	
		91474594287	
		91474595287	



Corporate Office
JLG Industries, Inc.
1 JLG Drive
McConnellsburg, PA 17233-9533 USA
☎ **(717) 485-5161 (Corporate)**
☎ **(877) 554-5438 (Customer Support)**
📠 **(717) 485-6417**

Visit our website for JLG Worldwide Locations.
www.jlg.com



OSHKOSH™