



# *Illustrated Parts Manual*

***Model  
1043***

**PVC  
2211**

**P/N  
31211967**

**November 1, 2023 - Rev C**





## **EFFECTIVITY PAGE**

November 1, 2022 - A - Original Issue of Manual (Manual Edited to B/M 1001162008  
Revision BJ)

April 3, 2023 - B - Revised Manual (Manual Edited to B/M 1001162008 Revision BM)

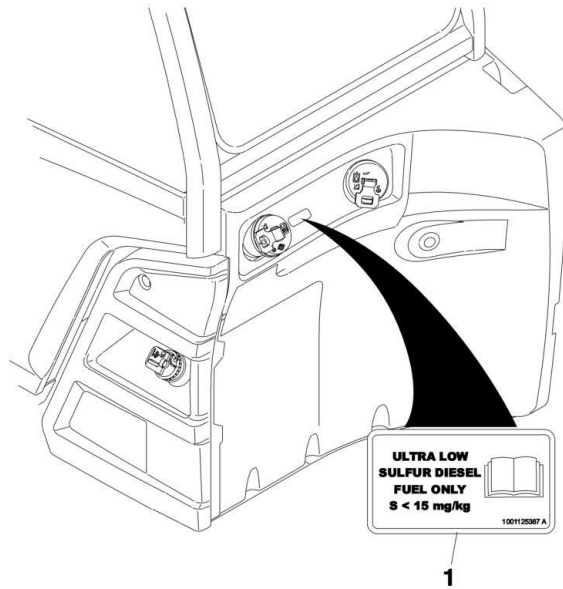
November 1, 2023 - C - Revised Manual (Edited to B/M 1001162008 Revision BM)

## Machine Configuration

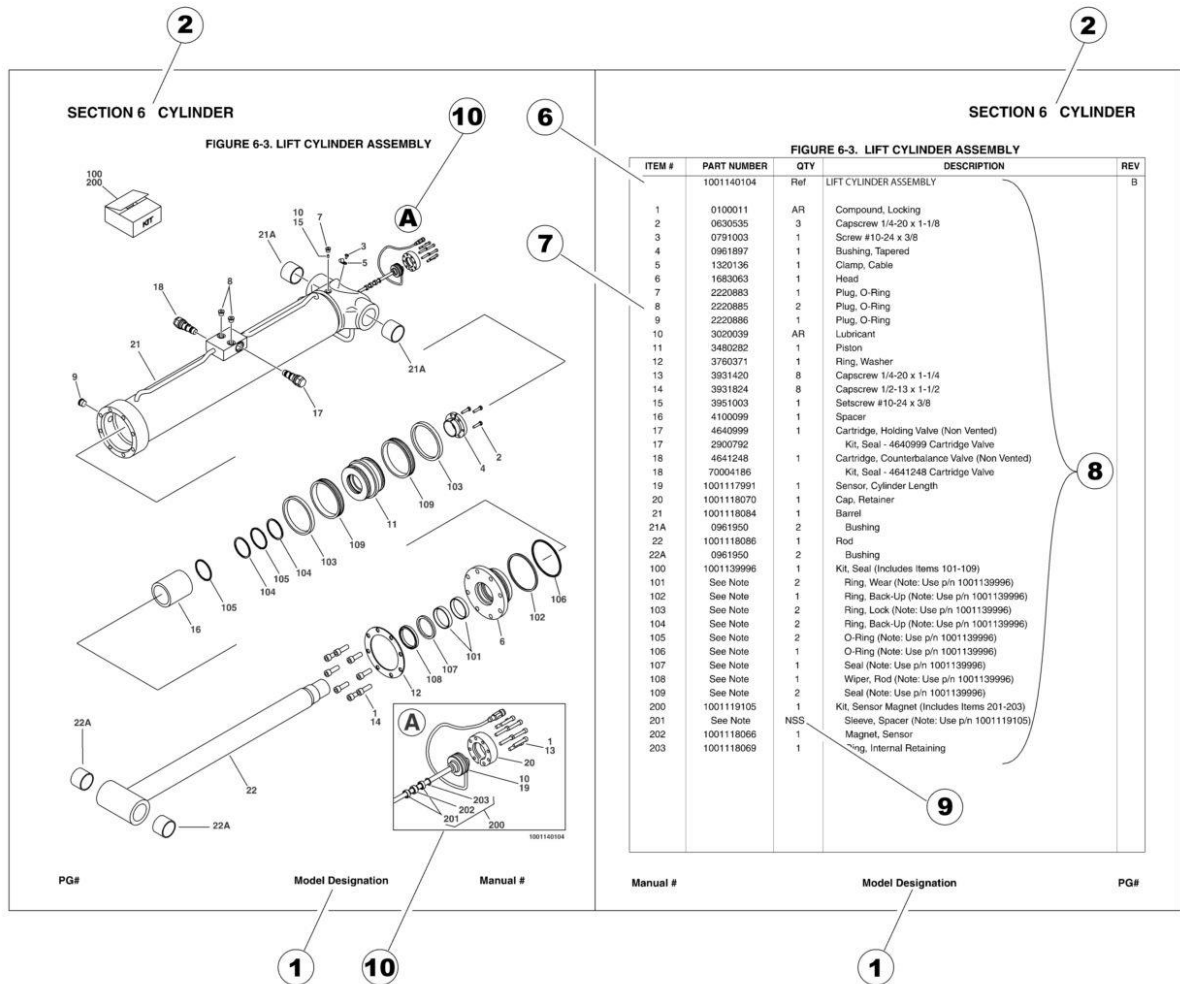
---

Two configurations of each machine are included in this manual. Determine if machine is equipped with Ultra Sulfur Fuel Decal (1) as indicated below.

- If equipped with the Ultra Low Sulfur decal, all specific references to this machine configuration will be referred to as Ultra Low Sulfur (ULS) from this point forward.
- If not equipped with the Ultra Low Sulfur decal, all specific references to this machine configuration will be referred to as Low Sulfur (LS) from this point forward.



# GENERAL INFORMATION



## 1) MACHINE IDENTIFICATION

Machines are identified by model and in some cases a combination of models, serial number (SN) or regional standard (i.e ANSI, CE, CSA). Components may also be identified by SN or manufacturer. Common components that may be identified by these characteristics are engines and hydraulic components.

## 2) PARTS MANUAL ORGANIZATION

Product information in this manual is organized under section titles. Frame, Cylinder, Hydraulic and Electrical are a few examples. Each section is organized by figure and page number. The information within the Figure is then organized by item number, part number, description and corresponding illustration (s).

## 3) TABLE OF CONTENTS (NOT SHOWN)

A table of contents is found toward the beginning of the manual. Figure number, description and page number are provided for quick reference to the page containing the related information.

## 4) RECOMMENDED SPARE PARTS (NOT SHOWN)

The Recommended Spare Parts List, located near the end of the manual, reference most frequently used maintenance parts.

## 5) PART NUMBER INDEX (NOT SHOWN)

A numerical index listing all part numbers and the corresponding page number(s) appears at the back of the manual.

## GENERAL INFORMATION

### 6) NON-SERVICED PARTS

In some instances, it is necessary to display non-serviced parts, assemblies or installations. In the case of assemblies and installations there will be a Ref in the Qty. column. In case of parts that are not available for service within assemblies or components, there will be a NSS (Not Sold Separately) or NLA (No Longer Available) listed in the Qty. column of the manual.

### 7) PARTS LIST ITEM NUMBERS

Numbers shown in the item# column correspond to numbers used in the associated illustration (s). Item numbers which are missing from the sequence in the parts list are not used on that page.

### 8) INDENTED PARTS DESCRIPTION

An indented part description is included in the item under which it is indented.

### 9) ABBREVIATION AND SYMBOLS

AC.....	Alternating Current	L.....	Liter
ADE.....	Advanced Design Electronics	LB(LBS).....	Pounds
AG.....	Agricultural	LCD.....	Liquid Crystal Display
ANSI.....	American National Standards Institute	LED.....	Light Emitting Diodes
AR.....	As Required	LH.....	Left Hand
ASSY.....	Assembly	LRC.....	Low Rated Countries
AUS.....	Australia	LSS.....	Load Sensing System
AUX.....	Auxiliary	M(m).....	Metric/Meter
AWG.....	American Wire Gauge	MM(mm).....	Milimeter
B/M.....	Bill of Material	mA.....	Miliamps
CAC.....	Charge Air Cooler	NLA.....	No Longer Available
CE.....	European Conformity	NPT.....	National Pipe Threads
CCW.....	Counter Clockwise	NSS.....	Not Sold Separately
CM.....	Centimeter	OD.....	Outside Diameter
CW.....	Clockwise	ORB.....	O-Ring Boss
CSA.....	Canadian Standards Association	ORFS.....	O-Ring Face Seal
CYL.....	Cylinder	OZ (oz).....	Ounces
DIA.....	Diameter	PG.....	Page
DC.....	Direct Current	PN.....	Part Number
DEF.....	Diesel Exhaust Fluid	QT(qt.).....	Quarts
EMS.....	Emergency Stop	QTY.....	Quantity
ENG.....	Engine	REF.....	Reference
FT(ft).....	Feet	REV.....	Revision Level
GA(Ga).....	Gauge	RH.....	Right Hand
HRC.....	High Rated Countries	SAE.....	Society of Automotive Engineers
HVAC.....	Heating, Ventilating, and Air Conditioning	SN.....	Serial Number
HYD.....	Hydraulic	SPEC(S).....	Specifications
Hz.....	Hertz	T/T.....	Turntable
ID.....	Inside Diameter	UGM.....	Universal Ground Module
IN.....	inches	V.....	Volts
ISO.....	International Organization for Standards	W.....	Watts
JIC.....	Joint Industry Council	#.....	Number
KG.....	Kilogram		

### 10) ILLUSTRATION REFERENCE LETTERS

When necessary, illustrations may contain reference letters that are intended to track information (i. e. hoses, harnesses) from one point to another or to track visual enlargement of components to show details that may be located in another area on the illustration.

*Note: Due to continuous product improvements, JLG Industries, Inc. reserves the right to make specification changes without prior notification. Contact JLG Industries, Inc. for updated information.*

# TABLE OF CONTENTS

SECTION 1 - FRAME AND ATTACHING PARTS.....	19
FIGURE 1-1. ENGINE ENCLOSURE INSTALLATION.....	20
FIGURE 1-2. ENGINE ENCLOSURE COVER INSTALLATION.....	22
FIGURE 1-3. HOOD ASSEMBLY.....	24
FIGURE 1-4. COVER INSTALLATION (OUTRIGGERS) (ULS).....	26
FIGURE 1-5. COVER INSTALLATION (OUTRIGGERS) (LS).....	28
FIGURE 1-6. COVER INSTALLATION (NO OUTRIGGERS) (ULS).....	30
FIGURE 1-7. TANK INSTALLATION.....	32
FIGURE 1-8. FUEL TANK INSTALLATION.....	34
FIGURE 1-9. HYDRAULIC TANK INSTALLATION.....	36
FIGURE 1-10. FUEL CAP ASSEMBLY.....	38
FIGURE 1-11. OUTRIGGERS INSTALLATION.....	40
FIGURE 1-12. MIRROR INSTALLATION.....	42
FIGURE 1-13. BOOM PROP INSTALLATION (ANSI).....	44
FIGURE 1-14. BOOM PROP INSTALLATION (CANADA).....	46
FIGURE 1-15. BOOM PROP BRACKET.....	48
FIGURE 1-16. COUNTERWEIGHT INSTALLATION.....	50
SECTION 2 - BOOM.....	53
FIGURE 2-1. BOOM ASSEMBLY.....	54
FIGURE 2-2. FIRST BOOM SECTION ASSEMBLY.....	56
FIGURE 2-3. SECOND BOOM SECTION ASSEMBLY.....	58
FIGURE 2-4. THIRD BOOM SECTION ASSEMBLY.....	60
FIGURE 2-5. RETRACT CHAIN INSTALLATION.....	62
FIGURE 2-6. EXTEND CHAIN INSTALLATION.....	64
FIGURE 2-7. PINS INSTALLATION.....	66
FIGURE 2-8. RETRACT CHAIN SHEAVE.....	68
FIGURE 2-9. EXTEND CHAIN ROLLER.....	70
FIGURE 2-10. HOSE BRACKET INSTALLATION.....	72
FIGURE 2-11. BOOM PINNING INSTALLATION.....	74
FIGURE 2-12. LIFT CYLINDER PINS INSTALLATION.....	76
FIGURE 2-13. COMPENSATION CYLINDER PINS INSTALLATION.....	78
FIGURE 2-14. BOOM PIVOT PIN INSTALLATION.....	80
FIGURE 2-15. MANUAL QUICK COUPLER INSTALLATION.....	82
FIGURE 2-16. HYDRAULIC QUICK COUPLER INSTALLATION.....	84
FIGURE 2-17. BOOM PIN INSTALLATION.....	86
FIGURE 2-18. TILT CYLINDER PIN INSTALLATION.....	88
FIGURE 2-19. BOOM ANGLE INDICATOR INSTALLATION.....	90
FIGURE 2-20. BOOM BRUSHES INSTALLATION.....	92
FIGURE 2-21. QUICK COUPLER ASSEMBLY.....	94
SECTION 3 - ATTACHMENTS.....	97
FIGURE 3-1. BASKET, PERSONNEL - 4FT X 8FT (ASME).....	98
FIGURE 3-2. BASKET, PERSONNEL - 4FT X 8FT (DOMESTIC).....	100
FIGURE 3-3. BASKET, PERSONNEL - 4FT X 8FT (ISO).....	102

# TABLE OF CONTENTS

FIGURE 3-4. BASKET, FORK MOUNTED .....	104
FIGURE 3-5. BOOM - ADJUSTABLE (CARRIAGE MOUNTED) .....	106
FIGURE 3-6. BOOM - ADJUSTABLE (FORK MOUNTED) .....	108
FIGURE 3-7. BOOM - 3FT WITH WINCH.....	110
FIGURE 3-8. BOOM - 12FT WITH WINCH.....	112
FIGURE 3-9. BOOM - 12FT WITHOUT WINCH .....	114
FIGURE 3-10. BOOM - 15FT WITHOUT WINCH .....	116
FIGURE 3-11. BUCKET - 60IN (1.3 CU YD) (FORK MOUNTED) .....	118
FIGURE 3-12. BUCKET - 72IN (1.0 CU YD).....	120
FIGURE 3-13. BUCKET - 96IN (1.5 CU YD).....	122
FIGURE 3-14. BUCKET - 96IN GRAPPLE .....	124
FIGURE 3-15. BUCKET - 102IN (2.0 CU YD).....	126
FIGURE 3-16. CARRIAGE ASSEMBLY - 48IN/12000# CAPACITY SIDE SHIFT .....	128
FIGURE 3-17. CARRIAGE ASSEMBLY - 50IN/1270MM .....	130
FIGURE 3-18. CARRIAGE ASSEMBLY - FORK POSITIONING WITH FORKS (4.5 TON).....	132
FIGURE 3-19. CARRIAGE ASSEMBLY - 50IN/12000# CAPACITY SIDE TILT .....	134
FIGURE 3-20. CARRIAGE ASSEMBLY - 60IN/1524MM .....	136
FIGURE 3-21. CARRIAGE ASSEMBLY - 60IN/12000# CAPACITY SIDE TILT .....	138
FIGURE 3-22. CARRIAGE ASSEMBLY - 72IN/1829MM .....	140
FIGURE 3-23. CARRIAGE ASSEMBLY - 72IN 90 DEGREE SWING.....	142
FIGURE 3-24. CARRIAGE ASSEMBLY - 72IN/12000# CAPACITY SIDE TILT .....	144
FIGURE 3-25. CARRIAGE ASSEMBLY - DRYWALL (SWING).....	146
FIGURE 3-26. CARRIAGE ASSEMBLY - DRYWALL SWING CARRIAGE .....	148
FIGURE 3-27. CARRIAGE ASSEMBLY - DRYWALL BOARD HANDLER .....	150
FIGURE 3-28. CARRIAGE ASSEMBLY - DRYWALL PIVOT FRAME .....	152
FIGURE 3-29. CARRIAGE ASSEMBLY - DRYWALL CYLINDER .....	154
FIGURE 3-30. CARRIAGE ASSEMBLY - DRYWALL HYDRAULICS.....	156
FIGURE 3-31. CARRIAGE ASSEMBLY - DRYWALL VALVE ASSEMBLY .....	158
FIGURE 3-32. CARRIAGE ASSEMBLY - DRYWALL CYLINDER .....	160
FIGURE 3-33. CARRIAGE ASSEMBLY - DRYWALL FORKS.....	162
FIGURE 3-34. FORK 2X2X48 / 1940# CAPACITY .....	164
FIGURE 3-35. FORK 2.36X4X48 / 5000# CAPACITY .....	166
FIGURE 3-36. FORK 2.36X4X48 / 5475# CAPACITY .....	168
FIGURE 3-37. FORK 2.00X6X48 / 6005# CAPACITY .....	170
FIGURE 3-38. FORK 2.36X5X48 / 6850# CAPACITY .....	172
FIGURE 3-39. FORK 2.36X4X60 / 5000# CAPACITY .....	174
FIGURE 3-40. FORK 2.36X5X60 / 6850# CAPACITY .....	176
FIGURE 3-41. FORK 2.36X6X60 / 8150# CAPACITY .....	178
FIGURE 3-42. FORK 2.00X6X72 / 6610# CAPACITY .....	180
FIGURE 3-43. FORK 2.36X5X72 / 6850# CAPACITY .....	182
FIGURE 3-44. FORK 40X150X1540.....	184
FIGURE 3-45. FORK 50X180X1540.....	186
FIGURE 3-46. FORK EXTENSION - 90IN .....	188
FIGURE 3-47. FORK CLAMPS INSTALLATION .....	190
FIGURE 3-48. HOOK, COUPLING .....	192



# TABLE OF CONTENTS

FIGURE 3-49. HOOK, CRANE .....	194
FIGURE 3-50. MAST, VERTICAL - 8FT (STANDARD) .....	196
FIGURE 3-51. MAST, VERTICAL - 8FT (SIDE TILT ELECTRIC MAST) .....	200
FIGURE 3-52. MAST, VERTICAL - DECAL KIT .....	206
FIGURE 3-53. MAST, VERTICAL - CYLINDER .....	208
FIGURE 3-54. SWEEPER ASSEMBLY .....	210
FIGURE 3-55. SWEEPER ASSEMBLY - HOPPER.....	212
FIGURE 3-56. SWEEPER ASSEMBLY - BODY .....	214
FIGURE 3-57. SWEEPER ASSEMBLY - MOTOR .....	216
FIGURE 3-58. SWEEPER ASSEMBLY - IDLER .....	218
FIGURE 3-59. SWEEPER ASSEMBLY - CORE .....	220
FIGURE 3-60. SWEEPER ASSEMBLY - HYDRAULIC SINGLE MOTOR ASSEMBLY .....	222
FIGURE 3-61. TRASH HOPPER.....	224
SECTION 4 - ENGINE AND ATTACHING PARTS .....	227
FIGURE 4-1. ENGINE INSTALLATION, 110HP (ULS).....	228
FIGURE 4-2. ENGINE COMPONENTS, 110HP (ULS) .....	230
FIGURE 4-3. ENGINE INSTALLATION, 110HP (LS) .....	232
FIGURE 4-4. ENGINE COMPONENTS, 110HP (LS).....	234
FIGURE 4-5. ENGINE MOUNTING INSTALLATION .....	236
FIGURE 4-6. ENGINE PARTS INSTALLATION (NO HEATER).....	238
FIGURE 4-7. ENGINE PARTS INSTALLATION (HEATER) .....	240
FIGURE 4-8. A/C PUMP INSTALLATION (LS) .....	242
FIGURE 4-9. A/C PUMP INSTALLATION (ULS).....	244
FIGURE 4-10. A/C LINES INSTALLATION .....	246
FIGURE 4-11. AIR CLEANER INSTALLATION (LS).....	248
FIGURE 4-12. AIR CLEANER INSTALLATION (ULS) .....	250
FIGURE 4-13. AIR CLEANER FILTER ASSEMBLY (ULS) .....	252
FIGURE 4-14. AIR CLEANER ASSEMBLY, 110HP .....	254
FIGURE 4-15. AIR INTAKE DUCT INSTALLATION.....	256
FIGURE 4-16. AIR CLEANER LINES INSTALLATION (LS).....	258
FIGURE 4-17. AIR CLEANER LINES INSTALLATION (ULS).....	260
FIGURE 4-18. AIR INTAKE SHUT OFF VALVE INSTALLATION .....	262
FIGURE 4-19. COOLING PACKAGE INSTALLATION (LS) .....	264
FIGURE 4-20. COOLING PACKAGE INSTALLATION (ULS) .....	266
FIGURE 4-21. CAC LINES INSTALLATION (LS).....	268
FIGURE 4-22. CAC LINES INSTALLATION (ULS) .....	270
FIGURE 4-23. COOLANT LINES INSTALLATION (LS) .....	272
FIGURE 4-24. COOLANT LINES INSTALLATION (ULS).....	274
FIGURE 4-25. HOC LINES INSTALLATION .....	276
FIGURE 4-26. RADIATOR COOLING PACKAGE.....	278
FIGURE 4-27. SURGE TANK INSTALLATION .....	280
FIGURE 4-28. TOC LINES INSTALLATION.....	282
FIGURE 4-29. EXHAUST INSTALLATION, 110HP (LS).....	284
FIGURE 4-30. MUFFLER INSTALLATION (LS).....	286
FIGURE 4-31. DEF LINES INSTALLATION .....	288

# TABLE OF CONTENTS

FIGURE 4-32. EXHAUST INSTALLATION, 110HP (ULS) .....	290
FIGURE 4-33. DEF TANK INSTALLATION .....	292
FIGURE 4-34. DEF TANK ASSEMBLY.....	294
FIGURE 4-35. DEF BREATHER VALVE .....	296
FIGURE 4-36. DEF PUMP AND CONTROL INSTALLATION.....	298
FIGURE 4-37. UREA PUMP .....	300
FIGURE 4-38. DEF PUMP LINES INSTALLATION .....	302
FIGURE 4-39. FUEL LINES INSTALLATION (LS).....	304
FIGURE 4-40. FUEL LINES INSTALLATION (ULS) .....	308
FIGURE 4-41. FAN INSTALLATION, 110HP .....	312
FIGURE 4-42. FAN GUARD INSTALLATION .....	314
FIGURE 4-43. FUEL TANK ASSEMBLY.....	316
FIGURE 4-44. PRIMARY FUEL FILTER INSTALLATION (LS).....	318
FIGURE 4-45. PRIMARY FUEL FILTER INSTALLATION (ULS) .....	320
FIGURE 4-46. ENGINE OIL QUICK DRAIN INSTALLATION .....	322
SECTION 5 - DRIVE TRAIN .....	325
FIGURE 5-1. TRANSMISSION INSTALLATION .....	326
FIGURE 5-2. POWERSHIFT TRANSMISSION .....	328
FIGURE 5-3. TRANSMISSION, ENGINE CONNECTION .....	332
FIGURE 5-4. TRANSMISSION, CONVERTER .....	334
FIGURE 5-5. TRANSMISSION, INPUT.....	336
FIGURE 5-6. TRANSMISSION, HOUSING GROUP 1.....	338
FIGURE 5-7. TRANSMISSION, HOUSING GROUP 2.....	340
FIGURE 5-8. TRANSMISSION, CLUTCH GROUP 1.....	342
FIGURE 5-9. TRANSMISSION, CLUTCH GROUP 2.....	344
FIGURE 5-10. TRANSMISSION, COUPLING GROUP 1.....	346
FIGURE 5-11. TRANSMISSION, COUPLING GROUP 2.....	348
FIGURE 5-12. TRANSMISSION, COUPLING GROUP 3.....	350
FIGURE 5-13. TRANSMISSION, COUPLING GROUP 4.....	352
FIGURE 5-14. TRANSMISSION, OUTPUT.....	354
FIGURE 5-15. TRANSMISSION, POWER TAKE-OFF .....	356
FIGURE 5-16. TRANSMISSION, CONTROL UNIT.....	358
FIGURE 5-17. TRANSMISSION, SHIFT SYSTEM .....	360
FIGURE 5-18. TRANSMISSION, PRESSURE REGULATOR .....	362
FIGURE 5-19. TRANSMISSION, PRESSURE OIL PUMP.....	364
FIGURE 5-20. TRANSMISSION, INDUCTIVE TRANSMITTER.....	366
FIGURE 5-21. TRANSMISSION, FILTER .....	368
FIGURE 5-22. TRANSMISSION, ACCESSORIES GROUP 1 .....	370
FIGURE 5-23. TRANSMISSION, PERIPHERALS GROUP 1 .....	372
FIGURE 5-24. TRANSMISSION, PERIPHERALS GROUP 2 .....	374
FIGURE 5-25. TRANSMISSION, ACCESSORIES GROUP 2 .....	376
FIGURE 5-26. TRANSMISSION, TRANSFER BOX.....	378
FIGURE 5-27. TRANSMISSION, TRANSFER BOX HOUSING 1 .....	380
FIGURE 5-28. TRANSMISSION, TRANSFER BOX HOUSING 2.....	382
FIGURE 5-29. TRANSMISSION, TRANSFER BOX HOUSING INPUT .....	384

# TABLE OF CONTENTS

FIGURE 5-30. TRANSMISSION, TRANSFER BOX HOUSING OUTPUT 1.....	386
FIGURE 5-31. TRANSMISSION, TRANSFER BOX HOUSING OUTPUT 2.....	388
FIGURE 5-32. DRIVE SHAFTS INSTALLATION.....	390
FIGURE 5-33. FRONT DRIVE SHAFT INSTALLATION.....	392
FIGURE 5-34. FRONT DRIVE SHAFT ASSEMBLY.....	394
FIGURE 5-35. REAR DRIVE SHAFT INSTALLATION.....	396
FIGURE 5-36. DRIVETRAIN INSTALLATION.....	398
FIGURE 5-37. FRONT AXLE INSTALLATION.....	400
FIGURE 5-38. FRONT AXLE LINES INSTALLATION.....	402
FIGURE 5-39. FRONT AXLE MOUNTING INSTALLATION.....	404
FIGURE 5-40. FRONT AXLE.....	406
FIGURE 5-41. FRONT AXLE, BRAKES.....	408
FIGURE 5-42. FRONT AXLE, CENTRAL HOUSING.....	410
FIGURE 5-43. FRONT AXLE, DIFFERENTIAL.....	412
FIGURE 5-44. FRONT AXLE, HUB REDUCTION.....	414
FIGURE 5-45. FRONT AXLE, STEERING.....	416
FIGURE 5-46. FRONT AXLE, TRUNION.....	418
FIGURE 5-47. FRONT AXLE, DIFFERENTIAL KIT.....	420
FIGURE 5-48. FRONT AXLE, PLANET GEAR CARRIER.....	422
FIGURE 5-49. FRONT AXLE, RING GEAR SUPPORT.....	424
FIGURE 5-50. FRONT AXLE, PLANET GEAR CARRIER.....	426
FIGURE 5-51. FRONT AXLE, SUPPORT.....	428
FIGURE 5-52. REAR AXLE INSTALLATION.....	430
FIGURE 5-53. REAR AXLE LINES INSTALLATION.....	432
FIGURE 5-54. REAR AXLE MOUNTING INSTALLATION.....	434
FIGURE 5-55. REAR AXLE.....	436
FIGURE 5-56. LSI AXLE SENSOR INSTALLATION.....	446
FIGURE 5-57. TIRE/WHEEL SET 360/85-28 - SOLID.....	448
FIGURE 5-58. TIRE/WHEEL SET 400/75-28 PNEUMATIC.....	450
FIGURE 5-59. TIRE/WHEEL SET 400/75-28 PNEUMATIC NON-MARKING.....	452
FIGURE 5-60. TIRE/WHEEL SET 400/75-28 - FOAM-FILLED.....	454
FIGURE 5-61. TIRE/WHEEL SET 400/75-28 NON-MARKING - FOAM-FILLED.....	456
FIGURE 5-62. TIRE/WHEEL SET 14-24 16PR PNEUMATIC.....	458
FIGURE 5-63. TIRE/WHEEL SET 14-24 12PR - FOAM-FILLED.....	460
FIGURE 5-64. TIRE/WHEEL SET 14-24 12PR - FOAM-FILLED (E-3) (SUNSHINE).....	462
FIGURE 5-65. TIRE/WHEEL SET 14-24 - FOAM-FILLED (E-3) (NON-MARKING) (SUNSHINE).....	464
FIGURE 5-66. TIRE/WHEEL SET 14-24 SOLIDBOSS (DIRECTIONAL).....	466
FIGURE 5-67. TIRE/WHEEL SET 14-24 SOLIDEAL (DIRECTIONAL).....	468
FIGURE 5-68. TIRE/WHEEL SET 14-28 SOLIDBOSS (DIRECTIONAL).....	470
FIGURE 5-69. TIRE/WHEEL SET 14-28 SOLIDBOSS (NON-DIRECTIONAL).....	472
FIGURE 5-70. TIRE/WHEEL SET 18 X 625 (PNEUMATIC TURF).....	474
FIGURE 5-71. FENDER INSTALLATION.....	476
FIGURE 5-72. WHEEL CHOCK INSTALLATION.....	478
FIGURE 5-73. TOOLBOX INSTALLATION.....	480
SECTION 6 - CAB.....	483

# TABLE OF CONTENTS

FIGURE 6-1. CAB MOUNTING.....	484
FIGURE 6-2. CAB MOUNTS INSTALLATION .....	486
FIGURE 6-3. FRONT CAB OUTRIGGER INSTALLATION.....	488
FIGURE 6-4. CAB FENDER INSTALLATION .....	490
FIGURE 6-5. CAB FENDER INSTALLATION REAR (LH) .....	492
FIGURE 6-6. OROPS CAB INSTALLATION.....	494
FIGURE 6-7. EROPS CAB INSTALLATION .....	496
FIGURE 6-8. CAB, TRIM KIT.....	498
FIGURE 6-9. CAB, TRIM KIT.....	500
FIGURE 6-10. OPEN CAB ASSEMBLY.....	502
FIGURE 6-11. LSI OPEN CAB INSTALLATION .....	504
FIGURE 6-12. OPEN CAB PLUG GROUP .....	506
FIGURE 6-13. CAB, EPD CAULK.....	508
FIGURE 6-14. ENCLOSED CAB ASSEMBLY .....	510
FIGURE 6-15. LSI EMCLOSED CAB INSTALLATION .....	512
FIGURE 6-16. REAR WINDOW INSTALLATION .....	514
FIGURE 6-17. REAR WINDOW INSTALLATION (WO/WIPER) (ANSI).....	516
FIGURE 6-18. REAR WINDOW INSTALLATION (WO/WIPER) (ISO).....	518
FIGURE 6-19. REAR WINDOW INSTALLATION (WO/WIPER) (ENG/SPAN) .....	520
FIGURE 6-20. REAR WINDOW ASSEMBLY.....	522
FIGURE 6-21. DOOR INSTALLATION .....	524
FIGURE 6-22. DOOR UPPER GLASS ASSEMBLY .....	526
FIGURE 6-23. CAB LATCH ASSEMBLY .....	528
FIGURE 6-24. CAB DOOR TRIGGER ASSEMBLY .....	530
FIGURE 6-25. DOOR ASSEMBLY.....	532
FIGURE 6-26. CAB DOOR .....	534
FIGURE 6-27. DOOR STRAP INSTALLATION .....	536
FIGURE 6-28. ENCLOSED CAB PLUG GROUP.....	538
FIGURE 6-29. LSI DISPLAY INSTALLATION (OPEN CAB).....	540
FIGURE 6-30. LSI DISPLAY INSTALLATION (ENCLOSED CAB) .....	542
FIGURE 6-31. BASIC MIRROR INSTALLATION.....	544
FIGURE 6-32. FRONT COVER INSTALLATION.....	546
FIGURE 6-33. FIRE EXTINGUISHER INSTALLATION .....	548
FIGURE 6-34. FILTER TRAY PANEL.....	550
FIGURE 6-35. FRONT DUCT COVER.....	552
FIGURE 6-36. LEVEL INDICATOR INSTALLATION .....	554
FIGURE 6-37. SEAT INSTALLATION - CLOTH (ORANGE SEAT BELT) .....	556
FIGURE 6-38. SEAT INSTALLATION - VINYL .....	558
FIGURE 6-39. SEAT ASSEMBLY - CLOTH (ORANGE SEAT BELT).....	560
FIGURE 6-40. SEAT ASSEMBLY - VINYL .....	562
FIGURE 6-41. SEAT BELT INSTALLATION (3 INCH).....	564
FIGURE 6-42. HEATER INSTALLATION.....	566
FIGURE 6-43. HEATER AND A/C INSTALLATION (CAB PARTS).....	568
FIGURE 6-44. HEATER ASSEMBLY.....	572
FIGURE 6-45. HEATER ASSEMBLY.....	574

# TABLE OF CONTENTS

FIGURE 6-46. HEATER AND A/C ASSEMBLY .....	576
FIGURE 6-47. HEATER AND A/C ASSEMBLY .....	578
FIGURE 6-48. CAB CONDENSER ASSEMBLY.....	580
FIGURE 6-49. A/C RECEIVER DRIER.....	582
FIGURE 6-50. CONDENSER .....	584
FIGURE 6-51. FRONT WIPER INSTALLATION.....	586
FIGURE 6-52. REAR WIPER INSTALLATION .....	588
FIGURE 6-53. ROOF WIPER INSTALLATION .....	590
FIGURE 6-54. HEADLINER INSTALLATION .....	592
FIGURE 6-55. TRIM INSTALLATION - OPEN CAB .....	594
FIGURE 6-56. TRIM INSTALLATION - ENCLOSED CAB.....	598
FIGURE 6-57. ARMREST .....	602
FIGURE 6-58. OPEN CAB FRONT COVER INSTALLATION .....	604
FIGURE 6-59. ENCLOSED CAB FRONT COVER INSTALLATION.....	606
FIGURE 6-60. ROOF CAP INSTALLATION (A/C).....	608
FIGURE 6-61. ROOF CAP INSTALLATION (NO A/C) .....	610
FIGURE 6-62. NON SKID TAPE INSTALLATION .....	612
FIGURE 6-63. EXTERNAL WINDOW RELEASE INSTALLATION (CAN & ISO) .....	614
FIGURE 6-64. WASHER TANK INSTALLATION .....	616
FIGURE 6-65. WASHER BOTTLE .....	618
FIGURE 6-66. CAB GUARD INSTALLATION (TOP AND FRONT).....	620
FIGURE 6-67. CAB GUARD INSTALLATION (TOP).....	622
FIGURE 6-68. CAB GUARD INSTALLATION (FRONT).....	624
FIGURE 6-69. ROOF PIGTAIL CAP INSTALLATION .....	626
FIGURE 6-70. ROOF PIGTAIL INSTALLATION.....	628
FIGURE 6-71. NO SUNSCREEN INSTALLATION.....	630
FIGURE 6-72. RETRACTABLE SUNSCREEN INSTALLATION .....	632
SECTION 7 - CONTROLS .....	635
FIGURE 7-1. ACCELERATOR PEDAL INSTALLATION .....	636
FIGURE 7-2. ACCELERATOR PEDAL .....	638
FIGURE 7-3. BRAKE PEDAL INSTALLATION.....	640
FIGURE 7-4. BRAKE PEDAL .....	642
FIGURE 7-5. BRAKE PEDAL PLATE .....	644
FIGURE 7-6. COLUMN CLAMP INSTALLATION.....	646
FIGURE 7-7. HORN BUTTON INSTALLATION .....	648
FIGURE 7-8. JOYSTICK INSTALLATION (ELOBAU BRAND).....	650
FIGURE 7-9. JOYSTICK INSTALLATION (BOSCH BRAND) .....	652
FIGURE 7-10. JOYSTICK ASSEMBLY (ELOBAU BRAND).....	654
FIGURE 7-11. JOYSTICK ASSEMBLY (BOSCH BRAND).....	656
FIGURE 7-12. OUTRIGGER SWITCHES INSTALLATION .....	658
FIGURE 7-13. STEERING COLUMN INSTALLATION.....	660
FIGURE 7-14. EMERGENCY STEERING COLUMN INSTALLATION .....	662
FIGURE 7-15. STEERING WHEEL INSTALLATION.....	664
FIGURE 7-16. STEERING WHEEL .....	666
FIGURE 7-17. WIPER-TURN SWITCH .....	668

# TABLE OF CONTENTS

SECTION 8 - HYDRAULIC CIRCUITS .....	671
FIGURE 8-1. MAIN HYDRAULIC INSTALLATION (OUTRIGGERS) .....	672
FIGURE 8-2. MAIN HYDRAULIC INSTALLATION, EMERGENCY STEERING (OUTRIGGERS) .....	674
FIGURE 8-3. BOOM HYDRAULIC INSTALLATION.....	676
FIGURE 8-4. BOOM AUXILIARY HYDRAULICS .....	678
FIGURE 8-5. BOOM AUXILIARY HYDRAULICS (HYDRAULIC COUPLER).....	680
FIGURE 8-6. QUICK COUPLER VALVE ASSEMBLY .....	682
FIGURE 8-7. BOOM HYDRAULIC TUBES INSTALLATION.....	684
FIGURE 8-8. CAB HYDRAULIC INSTALLATION .....	686
FIGURE 8-9. CAB HYDRAULIC INSTALLATION, EMERGENCY STEERING .....	688
FIGURE 8-10. COUNTERBALANCE VALVE INSTALLATION (LIFT - GLS NO RIDE CONTROL).....	690
FIGURE 8-11. COUNTERBALANCE VALVE HYDRAULIC LINES (LIFT - RIDE CONTROL).....	692
FIGURE 8-12. COUNTERBALANCE VALVE HYDRAULIC LINES (LIFT - RIDE CONTROL).....	694
FIGURE 8-13. EMERGENCY STEERING MANIFOLD & FITTINGS ASSEMBLY .....	696
FIGURE 8-14. FRAME HYDRAULICS INSTALLATION.....	698
FIGURE 8-15. FRAME LEVEL INSTALLATION .....	702
FIGURE 8-16. FRAME LEVEL HYDRAULICS INSTALLATION (OUTRIGGERS) .....	704
FIGURE 8-17. PISTON PUMP INSTALLATION .....	706
FIGURE 8-18. PISTON PUMP ASSEMBLY.....	708
FIGURE 8-19. REAR AXLE STABILIZER INSTALLATION.....	710
FIGURE 8-20. VALVE INSTALLATION (OUTRIGGERS) .....	712
FIGURE 8-21. VALVE INSTALLATION - FRAME LEVEL AND OUTRIGGER.....	714
FIGURE 8-22. VALVE ASSEMBLY - FRAME LEVEL AND OUTRIGGER.....	716
FIGURE 8-23. VALVES INSTALLATION - MAIN & PRIORITY .....	718
FIGURE 8-24. VALVE INSTALLATION - MAIN .....	720
FIGURE 8-25. VALVE AND FITTINGS ASSEMBLY- MAIN.....	722
FIGURE 8-26. VALVE INSTALLATION – PRIORITY .....	724
FIGURE 8-27. VALVE ASSEMBLY - PRIORITY FUNCTION MANIFOLD.....	726
FIGURE 8-28. VALVE INSTALLATION - SAHR BRAKE .....	728
FIGURE 8-29. VALVE ASSEMBLY - SAHR BRAKE.....	730
FIGURE 8-30. VALVES MOUNTING INSTALLATION - STEER SELECT.....	732
FIGURE 8-31. VALVE INSTALLATION - STEER SELECT.....	734
FIGURE 8-32. VALVE AND FITTINGS ASSEMBLY- STEER SELECT .....	736
FIGURE 8-33. VALVE ASSEMBLY - GLS (NO RIDE CONTROL).....	738
SECTION 9 - HYDRAULIC COMPONENTS .....	741
FIGURE 9-1. COUPLER - HYDRAULIC COUPLER .....	742
FIGURE 9-2. CYLINDER GROUP INSTALLATION.....	744
FIGURE 9-3. CYLINDER ASSEMBLY - CARRIAGE SIDE SHIFT.....	746
FIGURE 9-4. CYLINDER ASSEMBLY - CARRIAGE SIDE TILT.....	748
FIGURE 9-5. CYLINDER ASSEMBLY - CARRIAGE SWING .....	750
FIGURE 9-6. CYLINDER ASSEMBLY - COMPENSATION .....	752
FIGURE 9-7. CYLINDER SUB-ASSEMBLY - EXTEND/RETRACT .....	754
FIGURE 9-8. CYLINDER ASSEMBLY - EXTEND/RETRACT.....	756
FIGURE 9-9. CYLINDER ASSEMBLY - FORK POSITIONING.....	758

# TABLE OF CONTENTS

FIGURE 9-10. CYLINDER INSTALLATION - FRAME LEVEL.....	760
FIGURE 9-11. CYLINDER ASSEMBLY - FRAME LEVEL.....	762
FIGURE 9-12. CYLINDER ASSEMBLY - GRAPPLE BUCKET.....	764
FIGURE 9-13. LIFT CYLINDER ASSEMBLY, INSTALLATION.....	766
FIGURE 9-14. CYLINDER ASSEMBLY - LIFT.....	768
FIGURE 9-15. CYLINDER SUB-ASSEMBLY - QUICK COUPLER.....	770
FIGURE 9-16. CYLINDER ASSEMBLY - QUICK COUPLER.....	772
FIGURE 9-17. CYLINDER INSTALLATION - REAR AXLE STABILIZER.....	774
FIGURE 9-18. CYLINDER ASSEMBLY - STABILIZER (REAR AXLE).....	776
FIGURE 9-19. CYLINDER SUB-ASSEMBLY - TILT.....	778
FIGURE 9-20. CYLINDER ASSEMBLY - TILT.....	780
FIGURE 9-21. CYLINDER ASSEMBLY - OUTRIGGER.....	782
FIGURE 9-22. PUMP ASSEMBLY - PISTON.....	784
FIGURE 9-23. HYDRAULIC TANK.....	786
FIGURE 9-24. HYDRAULIC TANK FILTER ASSEMBLY.....	788
FIGURE 9-25. VALVE, AIR SHUT OFF.....	790
FIGURE 9-26. VALVE AND FITTINGS - CARRIAGE (DUAL FORK).....	792
FIGURE 9-27. VALVE - CARRIAGE DUAL FORK FLOW DIVIDER.....	794
FIGURE 9-28. VALVE ASSEMBLY - FRAME LEVEL AND OUTRIGGER.....	796
FIGURE 9-29. VALVE ASSEMBLY - MAIN CONTROL.....	798
FIGURE 9-30. VALVE ASSEMBLY - PRIORITY.....	800
FIGURE 9-31. VALVE ASSEMBLY - QUICK COUPLER.....	802
FIGURE 9-32. VALVE ASSEMBLY - SAHR BRAKE.....	804
FIGURE 9-33. VALVE ASSEMBLY - STABILIZER (REAR AXLE).....	806
FIGURE 9-34. VALVE ASSEMBLY - STEERING.....	808
FIGURE 9-35. VALVE ASSEMBLY - STEERING ORBITAL.....	810
FIGURE 9-36. VALVE ASSEMBLY - STEERING SELECT.....	812
SECTION 10 - ELECTRICAL.....	815
FIGURE 10-1. MAIN ELECTRICAL INSTALLATION (ULS).....	816
FIGURE 10-2. MAIN ELECTRICAL INSTALLATION (LS).....	818
FIGURE 10-3. A/C OPTION HARNESS.....	820
FIGURE 10-4. AIR SHUT OFF VALVE HARNESS - CAB.....	822
FIGURE 10-5. AIR SHUT OFF VALVE HARNESS - ENGINE.....	824
FIGURE 10-6. ALARM INSTALLATION - BACK UP (97DB).....	828
FIGURE 10-7. ALARM INSTALLATION - BACK UP (120DB).....	830
FIGURE 10-8. ALARM INSTALLATION - BACK UP (WHITE NOISE).....	832
FIGURE 10-9. ARCTIC COLD WEATHER PACKAGE INSTALLATION (ULS).....	834
FIGURE 10-10. ARCTIC COLD WEATHER PACKAGE INSTALLATION (LS).....	836
FIGURE 10-11. BATTERY INSTALLATION.....	838
FIGURE 10-12. BATTERY INSTALLATION - ARCTIC PACKAGE.....	840
FIGURE 10-13. BOOM ANGLE SENSOR INSTALLATION (STANDARD).....	842
FIGURE 10-14. BOOM ANGLE SENSOR INSTALLATION (LSI).....	844
FIGURE 10-15. BOOM ELECTRICAL HARNESS INSTALLATION.....	846
FIGURE 10-16. BOOM ELECTRIC HARNESS.....	848
FIGURE 10-17. BOOM AUXILIARY ELECTRIC INSTALLATION.....	850

# TABLE OF CONTENTS

FIGURE 10-18. BOOM AUXILIARY ELECTRIC HARNESS INSTALLATION.....	852
FIGURE 10-19. CAB DASH ELECTRICAL (ULS).....	854
FIGURE 10-20. CAB DASH ELECTRICAL (LS) .....	856
FIGURE 10-21. CAB ELECTRICAL INSTALLATION.....	858
FIGURE 10-22. CAB ELECTRICAL BOARD ASSEMBLY .....	860
FIGURE 10-23. CAB ELECTRICAL COMMUNICATION CABLE .....	862
FIGURE 10-24. CAB HARNESS.....	864
FIGURE 10-25. CAB ELECTRICAL INSTALLATION - ENCLOSED.....	868
FIGURE 10-26. CAB ELECTRICAL INSTALLATION - OPEN .....	870
FIGURE 10-27. CAB OPTION 1 ELECTRICAL BOARD.....	872
FIGURE 10-28. CAB OPTION 2 ELECTRICAL BOARD.....	874
FIGURE 10-29. CAB OPTION HARNESS .....	876
FIGURE 10-30. CAB OPTION 1 HARNESS .....	878
FIGURE 10-31. CAB OPTION 2 HARNESS .....	882
FIGURE 10-32. CAB - KEY HARNESS.....	884
FIGURE 10-33. CAB MULTIFUNCTION DISPLAY INSTALLATION.....	886
FIGURE 10-34. CAB SEAT BELT ALARM HARNESS .....	888
FIGURE 10-35. CLEARSKY INSTALLATION.....	890
FIGURE 10-36. CLEARSKY INSTALLATION.....	892
FIGURE 10-37. CLEARSKY HARNESS .....	894
FIGURE 10-38. CLEARSKY TELEMATICS READY INSTALLATION .....	896
FIGURE 10-39. CLEARSKY TELEMATICS READY HARNESS .....	898
FIGURE 10-40. DEF PURGE LIGHT HARNESS (ULS).....	900
FIGURE 10-41. ENGINE - WIRING INSTALLATION (ULS).....	902
FIGURE 10-42. ENGINE - WIRING INSTALLATION (LS) .....	906
FIGURE 10-43. ENGINE HARNESS (ULS) .....	910
FIGURE 10-44. ENGINE HARNESS (LS).....	914
FIGURE 10-45. ENGINE BAY - ELECTRICAL INSTALLATION (ULS).....	918
FIGURE 10-46. ENGINE BAY - ELECTRICAL INSTALLATION (LS) .....	920
FIGURE 10-47. ENGINE BAY - WIRING INSTALLATION (ULS) .....	922
FIGURE 10-48. ENGINE BAY - WIRING INSTALLATION (LS) .....	924
FIGURE 10-49. ENGINE/CHASSIS HARNESS (ULS).....	926
FIGURE 10-50. ENGINE - ECU INSTALLATION (ULS) .....	930
FIGURE 10-51. ENGINE - ECU INSTALLATION (LS).....	932
FIGURE 10-52. ENGINE TBAP HARNESS .....	934
FIGURE 10-53. FRAME - ELECTRICAL INSTALLATION .....	936
FIGURE 10-54. FRAME - POWER DISTRIBUTION BOX.....	938
FIGURE 10-55. FRAME - WIRING INSTALLATION (ULS).....	940
FIGURE 10-56. FRAME - WIRING INSTALLATION (LS) .....	942
FIGURE 10-57. FRAME HARNESS – FRONT .....	944
FIGURE 10-58. FRAME HARNESS - REAR.....	950
FIGURE 10-59. HEATER HARNESS - CUMMINS BREATHER (ULS).....	954
FIGURE 10-60. HEATER HARNESS - FUEL FILTER .....	956
FIGURE 10-61. HEATER HARNESS - HYDRAULIC TANK .....	958
FIGURE 10-62. HVAC ACTUATOR HARNESS.....	960



# TABLE OF CONTENTS

FIGURE 10-63. JOYSTICK HARNESS .....	962
FIGURE 10-64. LIGHTS - BOOM WORK LIGHTS SWITCH/HARNESS INSTALLATION (LED) .....	964
FIGURE 10-65. LIGHTS - BOOM WORK LIGHTS HARNESS INSTALLATION (LED) .....	966
FIGURE 10-66. LIGHTS - BOOM WORK LIGHTS HARNESS .....	968
FIGURE 10-67. LIGHTS - CAB WORK LIGHTS INSTALLATION (NO A/C) (LED) .....	970
FIGURE 10-68. LIGHTS - CAB WORK LIGHTS INSTALLATION (A/C) (LED) .....	972
FIGURE 10-69. LIGHTS - ROADLIGHTS INSTALLATION .....	974
FIGURE 10-70. LIGHTS - ROADLIGHTS HEADLIGHT HARNESS .....	976
FIGURE 10-71. LIGHTS - ROADLIGHTS TAILLIGHTS HARNESS .....	978
FIGURE 10-72. LIGHTS - SWITCH INSTALLATION .....	980
FIGURE 10-73. LSI HARNESS - BOOM RETRACT .....	982
FIGURE 10-74. MULTI VIEW CAMERA INSTALLATION .....	984
FIGURE 10-75. OUTRIGGER HARNESS .....	986
FIGURE 10-76. PLATFORM HARNESS .....	988
FIGURE 10-77. REVERSE CAMERA INSTALLATION .....	990
FIGURE 10-78. REVERSE SENSOR INSTALLATION .....	992
FIGURE 10-79. REVERSE SENSOR HARNESS .....	994
FIGURE 10-80. RIDE CONTROL VALVE HARNESS INSTALLATION .....	996
FIGURE 10-81. RIDE CONTROL VALVE HARNESS .....	998
FIGURE 10-82. ROOF PIGTAIL HARNESS .....	1000
FIGURE 10-83. USB CHARGER INSTALLATION .....	1002
SECTION 11 - DECALS .....	1005
FIGURE 11-1. DECAL INSTALLATION (ANSI) .....	1006
FIGURE 11-2. DECAL INSTALLATION HRC 110HP .....	1010
FIGURE 11-3. DECAL INSTALLATION (CSA ENGLISH/FRENCH) .....	1014
FIGURE 11-4. DECAL INSTALLATION HRC 74HP .....	1018
FIGURE 11-5. DECAL INSTALLATION (ISO) .....	1022
FIGURE 11-6. DECAL INSTALLATION (LATIN AMERICAN ENGLISH/SPANISH) .....	1026
FIGURE 11-7. BRAND AND MODEL DECAL INSTALLATION .....	1030
FIGURE 11-8. CAPACITY CHART BOOKLET (ANSI) (OUTRIGGERS) .....	1032
FIGURE 11-9. CAPACITY CHART BOOKLET (ISO) (OUTRIGGERS) .....	1034
FIGURE 11-10. CAPACITY CHART HOLDER INSTALLATION .....	1036
FIGURE 11-11. CLEARSKY DECAL INSTALLATION .....	1038
FIGURE 11-12. REVERSE SENSOR SYSTEM DECAL (ENGLISH) .....	1040
FIGURE 11-13. REVERSE SENSOR SYSTEM DECAL (ENGLISH/SPANISH) .....	1042
SECTION 12 - RECOMMENDED SERVICE PARTS STOCK .....	1045
FIGURE 12-1. RECOMMENDED SERVICE PARTS STOCK .....	1046
SECTION 13 - SPECIAL OPTIONS/ACCESSORIES/KITS .....	1049
FIGURE 13-1. SPECIAL OPTIONS/ACCESSORIES/KITS .....	1050
PART NUMBER INDEX .....	1053

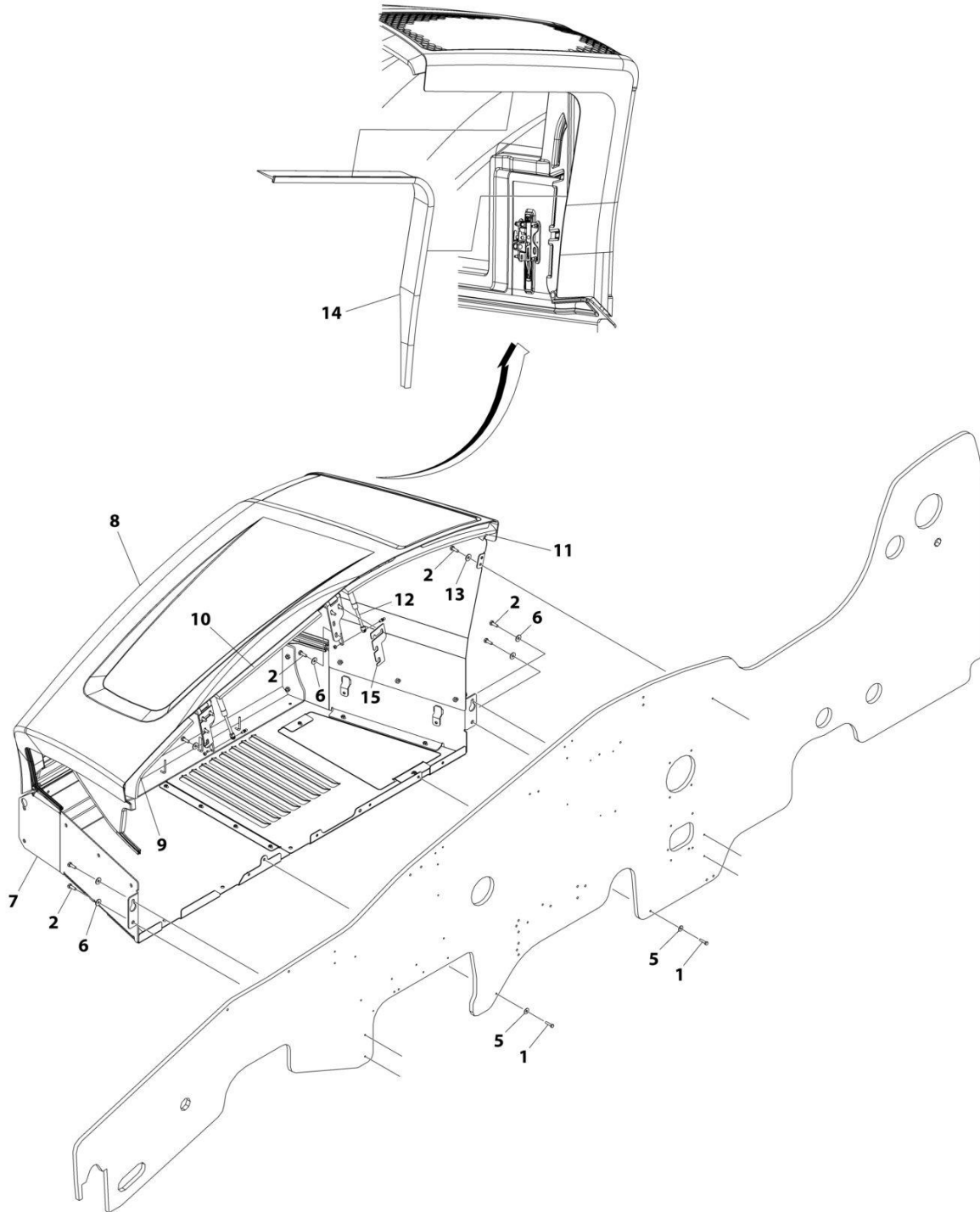


## **SECTION 1 - FRAME AND ATTACHING PARTS**

## **SECTION 1 - FRAME AND ATTACHING PARTS**

# SECTION 1 - FRAME AND ATTACHING PARTS

## FIGURE 1-1. ENGINE ENCLOSURE INSTALLATION



ART\_1001160253-J

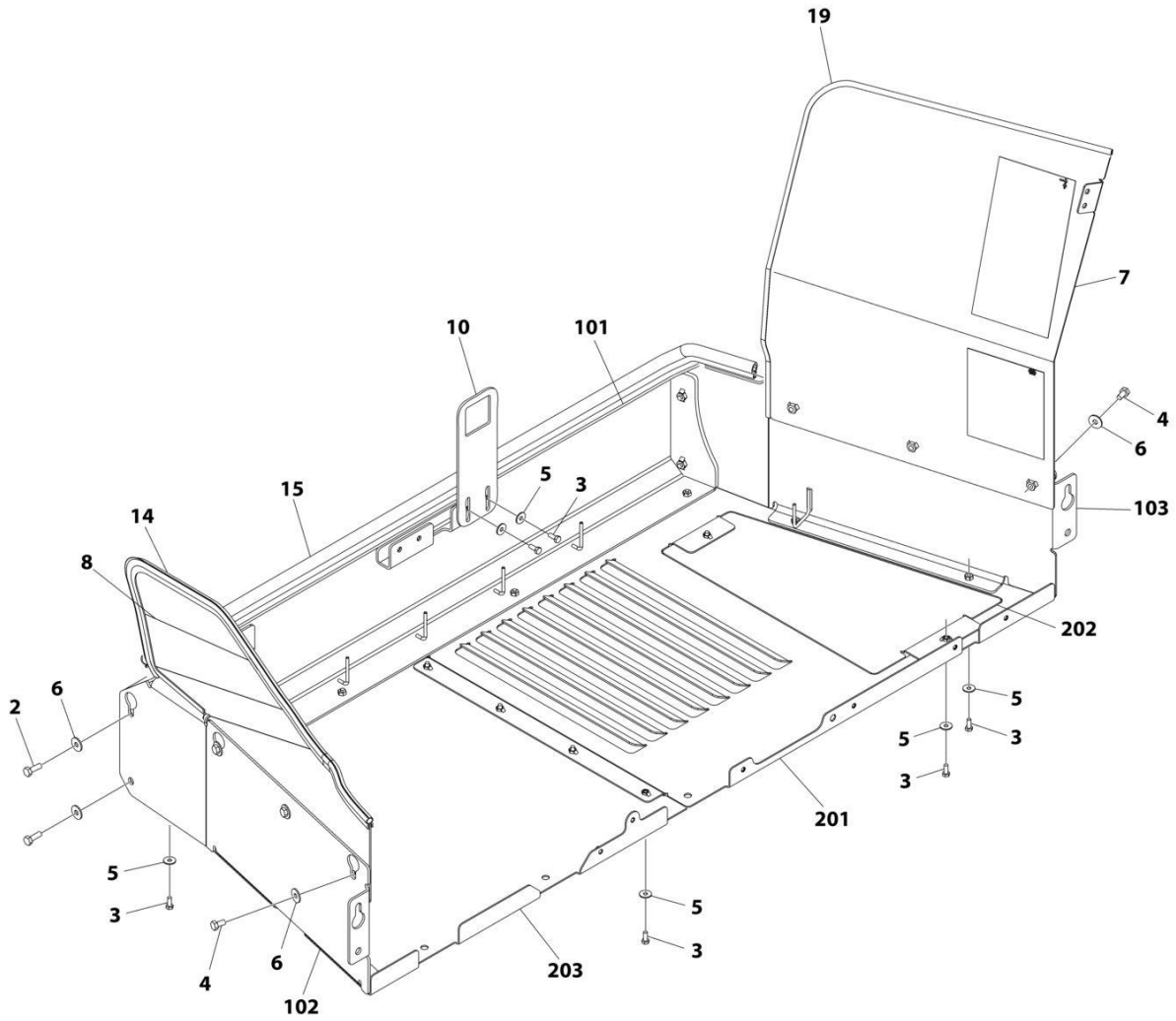
# SECTION 1 - FRAME AND ATTACHING PARTS

## FIGURE 1-1. ENGINE ENCLOSURE INSTALLATION

ITEM	PART NUMBER	QTY	DESCRIPTION	REV
	1001160253	Ref	Engine Enclosure Installation	J
1	0760815	2	Bolt, M8X35	
2	0701014	11	Bolt, M10X30	
5	4811902	2	Washer, M8	
6	4812002	10	Washer, M10	
7	1001162239	Ref	Installation, Engine Enclosure Cover (See Separate Breakdown in this Section)	
8	1001235963	Ref	Assembly, Hood (See Separate Breakdown in this Section)	
9	1001203932	1	Seal	
10	1001203933	1	Seal	
11	1001203934	1	Seal	
12	1001171885	2	Spring, Gas	
13	4812000	1	Washer, M10	
14	1001197339	1	Trim, Lock Seal	
15	1001241836	AR	Shim	

# SECTION 1 - FRAME AND ATTACHING PARTS

## FIGURE 1-2. ENGINE ENCLOSURE COVER INSTALLATION



ART\_1001162239-N

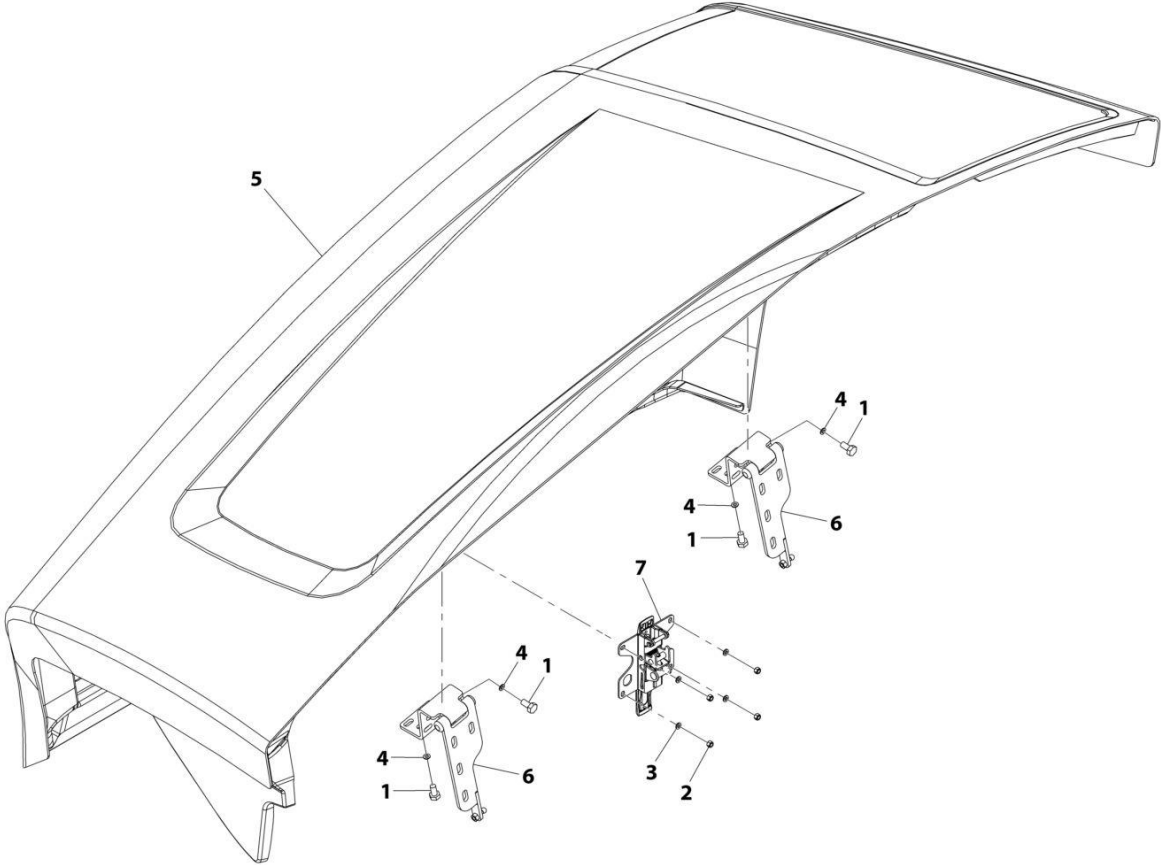
# SECTION 1 - FRAME AND ATTACHING PARTS

## FIGURE 1-2. ENGINE ENCLOSURE COVER INSTALLATION

ITEM	PART NUMBER	QTY	DESCRIPTION	REV
	1001162239	Ref	Engine Enclosure Cover Installation	N
2	0701014	4	Bolt, M10X30	
3	0760810	16	Bolt, M8X20	
4	0761010	6	Bolt, M10X20	
5	4811902	16	Washer, M8	
6	4812002	10	Washer, M10	
7	1001204086	1	Plate, Rear Cover	
8	1001184076	1	Panel, Front Cover	
10	1001209388	1	Latch, Hood	
14	1001003227	1375 mm	Seal	
15	1001204486	1795 mm	Seal	
19	90206198	1345 mm	Trim, Edge	
101	1001162240J	1	Panel, Side Skirt	
102	1001213126J	1	Panel, Front Skirt	
103	1001196426J	1	Panel, Rear Skirt	
201	1001196422	1	Panel, Bottom Cover	
202	1001169265	1	Panel, Access	
203	1001196404	1	Panel, Engine Pod	

**SECTION 1 - FRAME AND ATTACHING PARTS**

**FIGURE 1-3. HOOD ASSEMBLY**



ART\_1001235963-B



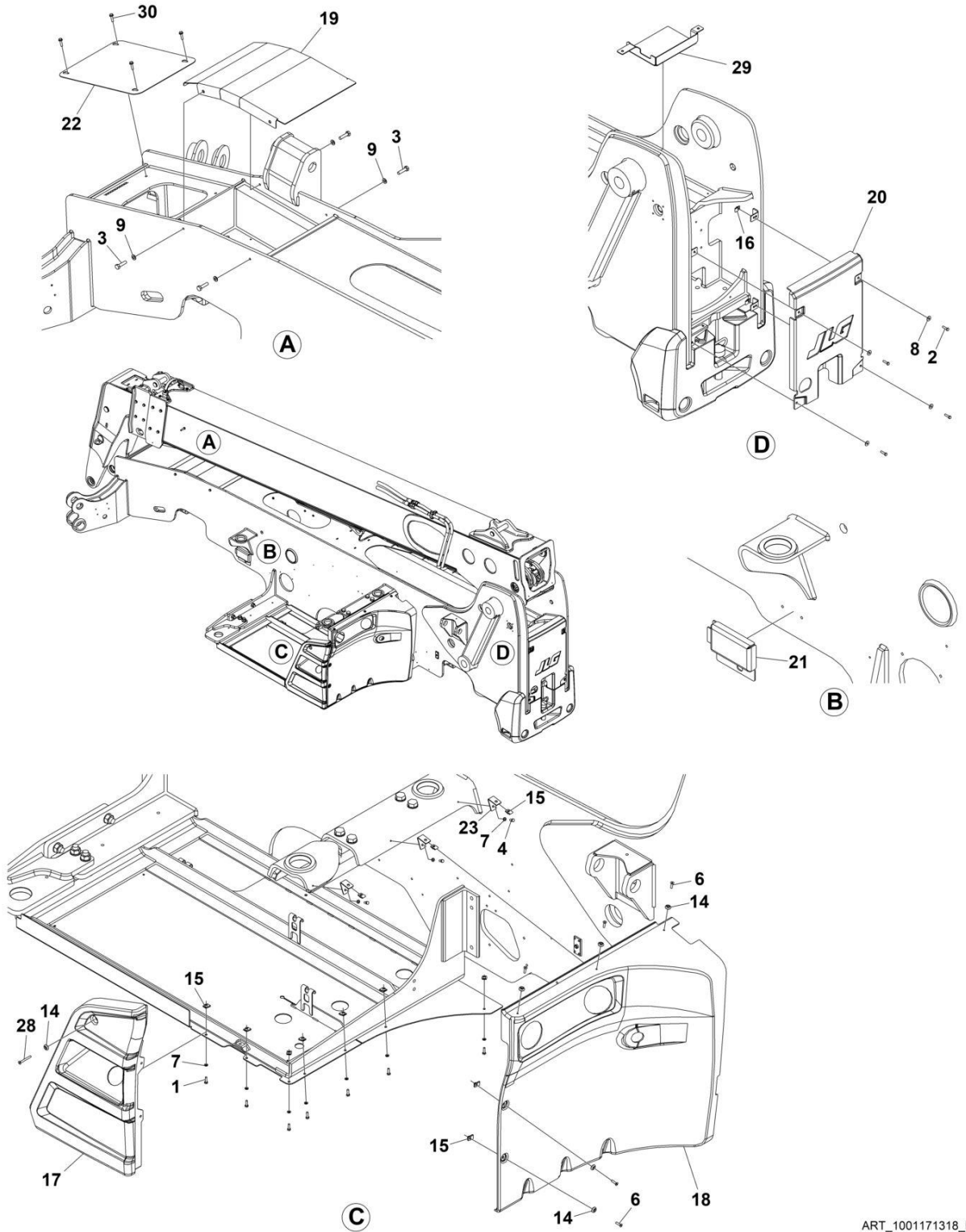
# SECTION 1 - FRAME AND ATTACHING PARTS

## FIGURE 1-3. HOOD ASSEMBLY

ITEM	PART NUMBER	QTY	DESCRIPTION	REV
	1001235963	Ref	Hood Assembly	B
1	0761010	8	Bolt, M10X20	
2	3290605	4	Nut, Lock M6X1	
3	4811700	4	Washer, M6	
4	4812000	8	Washer, M10	
5	1001234455	1	Hood	
6	1001209387	2	Hinge, Hood	
7	1001132168	1	Latch, Hood	

# SECTION 1 - FRAME AND ATTACHING PARTS

## FIGURE 1-4. COVER INSTALLATION (OUTRIGGERS) (ULS)



ART\_1001171318\_N

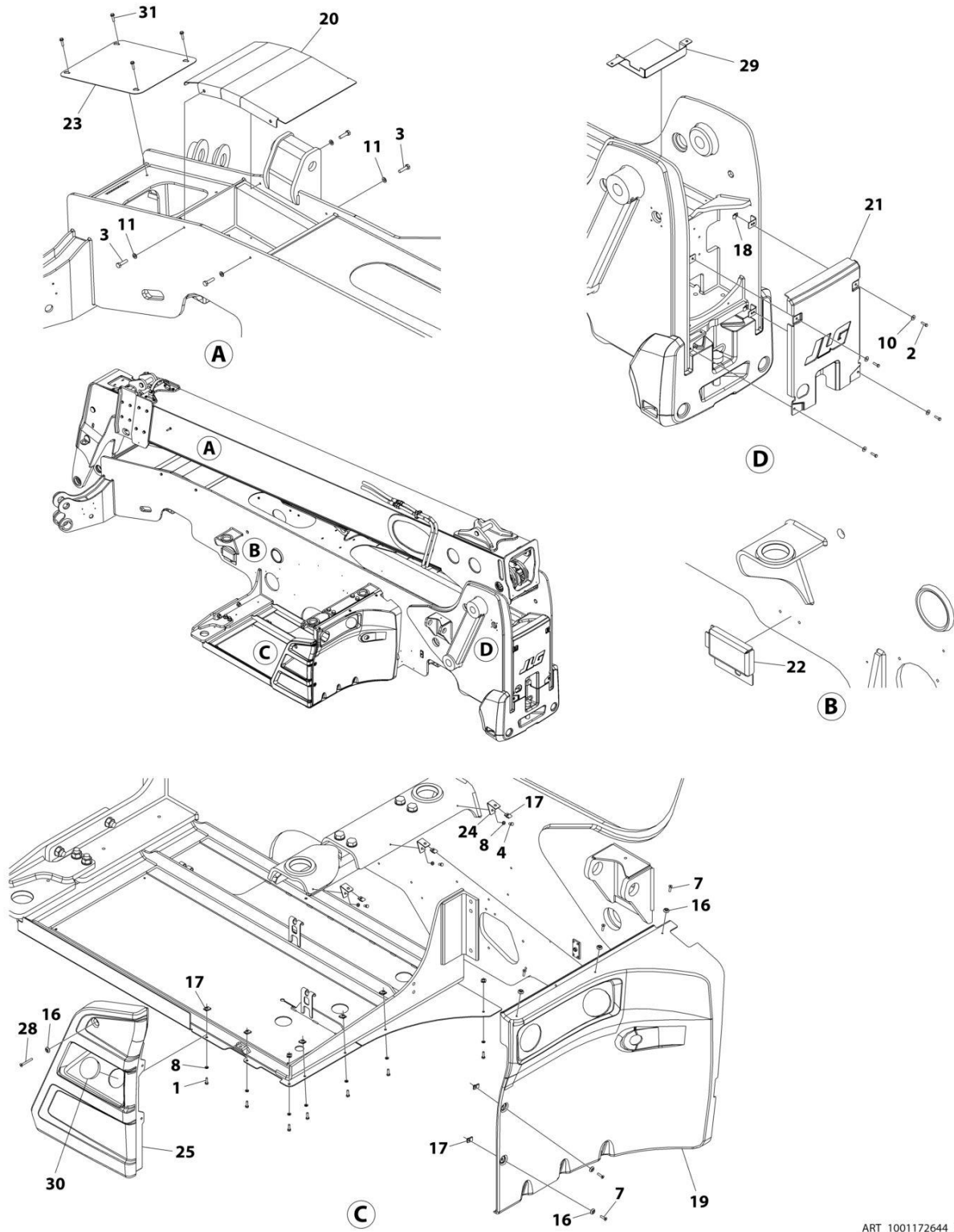
## SECTION 1 - FRAME AND ATTACHING PARTS

**FIGURE 1-4. COVER INSTALLATION (OUTRIGGERS) (ULS)**

ITEM	PART NUMBER	QTY	DESCRIPTION	REV
	1001171318	Ref	Cover Installation (Outriggers) (ULS)	N
1	0700610	7	Bolt, M6X20	
2	0700814	4	Bolt, M8X30	
3	0701016	4	Bolt, M10X40	
4	0760606	3	Bolt, M6X12	
6	3900379	5	Screw, M6-1X25	
7	4811700	10	Washer, M6	
8	4811902	4	Washer, M8	
9	4812000	4	Washer, M10	
14	1001097540	6	Washer, M6	
15	1001130220	12	Nut, M6	
16	1001149160	4	Nut, M8	
17	1001168760	1	Cover, Side Tank	
18	1001179548	1	Cover, Rear Tank	
19	1001207343	1	Shield, Battery	
20	1001170645	1	Cover	
21	1001201646	1	Shield, Inspection Port	
22	1001170665	1	Plate, Valve Cover	
23	1001171772	3	Plate, Angle Bracket	
28	1001112902	1	Screw, M6	
29	1001173468	1	Cover, Rear Frame Module	
30	5250814	4	Bolt, M8X30	

# SECTION 1 - FRAME AND ATTACHING PARTS

## FIGURE 1-5. COVER INSTALLATION (OUTRIGGERS) (LS)



ART\_1001172644\_M

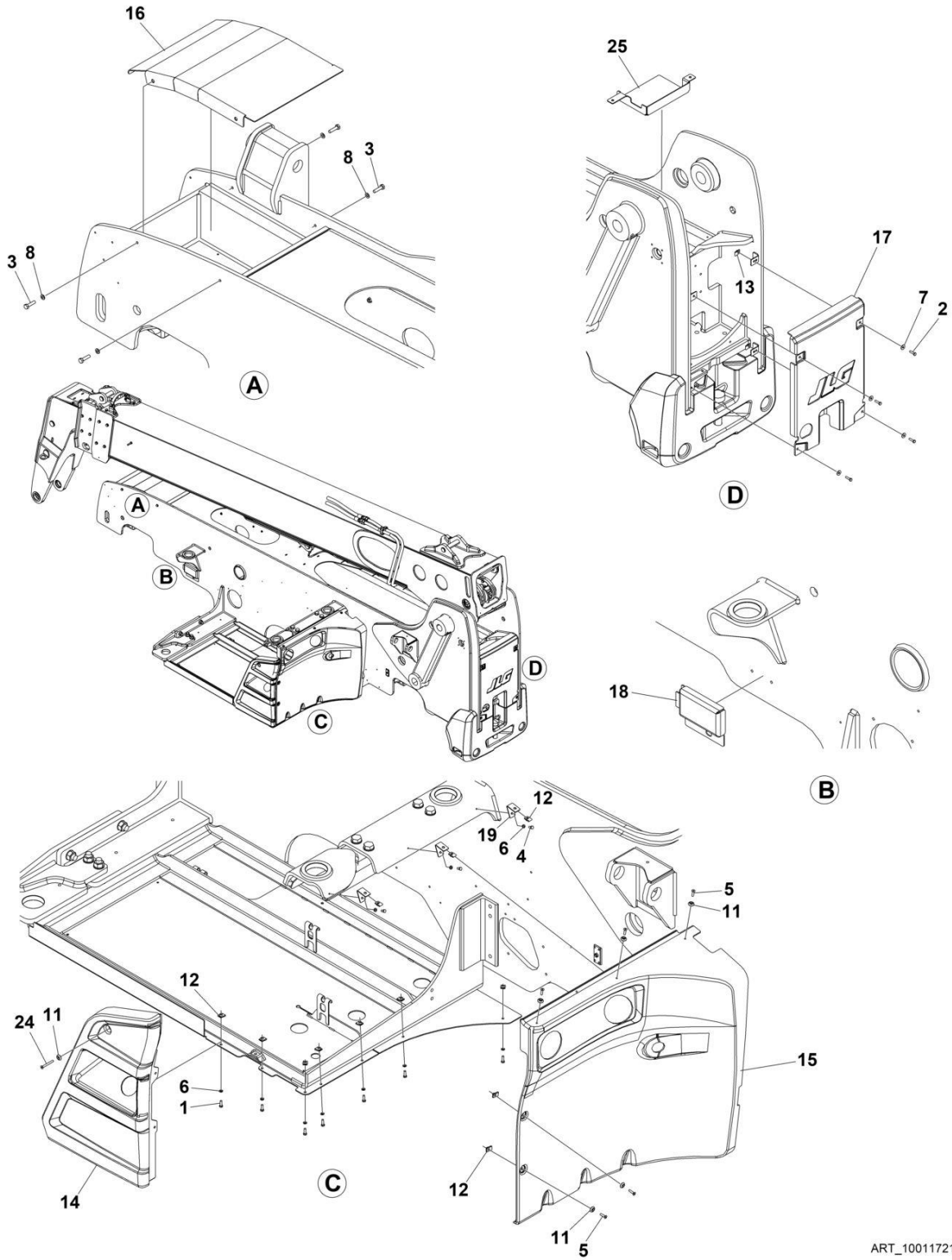
## SECTION 1 - FRAME AND ATTACHING PARTS

**FIGURE 1-5. COVER INSTALLATION (OUTRIGGERS) (LS)**

ITEM	PART NUMBER	QTY	DESCRIPTION	REV
	1001172644	Ref	Cover Installation (Outriggers) (LS)	M
1	0700610	7	Bolt, M6X20	
2	0700814	4	Bolt, M8X30	
3	0701016	4	Bolt, M10X40	
4	0760606	3	Bolt, M6X12	
7	3900379	5	Screw, M6-1X25	
8	4811700	10	Washer, M6	
10	4811902	4	Washer, M8	
11	4812000	4	Washer, M10	
16	1001097540	6	Washer, M6	
17	1001130220	12	Nut, M6	
18	1001149160	4	Nut, M8	
19	1001168761	1	Cover, Rear Tank	
20	1001207343	1	Shield, Battery	
21	1001170645	1	Cover	
22	1001201646	1	Shield, Inspection Port	
23	1001170665	1	Plate, Valve Cover	
24	1001171772	3	Plate, Angle Bracket	
25	1001168760	1	Cover, Side Tank	
28	1001112902	1	Screw, M6	
29	1001173468	1	Cover, Rear Frame Module	
30	1001206746	1	Cap, Side Tank Cover	
31	5250814	4	Bolt, M8X30	

# SECTION 1 - FRAME AND ATTACHING PARTS

## FIGURE 1-6. COVER INSTALLATION (NO OUTRIGGERS) (ULS)



ART\_1001172160\_L

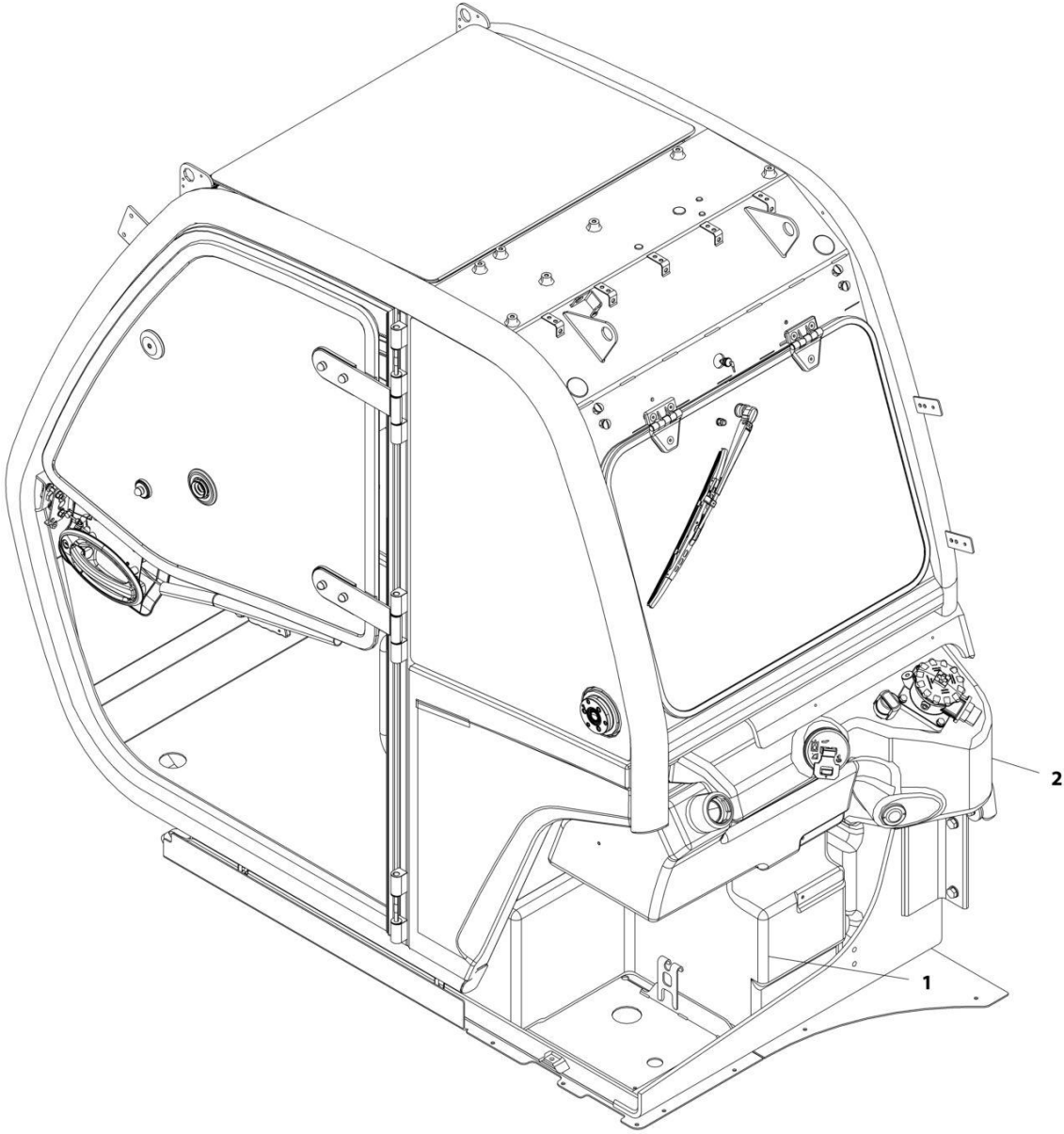
## SECTION 1 - FRAME AND ATTACHING PARTS

**FIGURE 1-6. COVER INSTALLATION (NO OUTRIGGERS) (ULS)**

ITEM	PART NUMBER	QTY	DESCRIPTION	REV
	1001172160	Ref	Cover Installation (No Outriggers) (ULS)	L
1	0700610	7	Bolt, M6X20	
2	0700814	4	Bolt, M8X30	
3	0701016	4	Bolt, M10X40	
4	0760606	3	Bolt, M6X12	
5	3900379	5	Screw, M6-1X25 Grade 10.9	
6	4811700	10	Washer, M6	
7	4811902	4	Washer, M8	
8	4812000	4	Washer, M10	
11	1001097540	6	Washer, M6	
12	1001130220	12	Nut, M6	
13	1001149160	4	Nut, M8	
14	1001168760	1	Cover, Side Tank	
15	1001179548	1	Cover, Rear Tank	
16	1001207343	1	Shield, Battery	
17	1001170645	1	Cover	
18	1001201646	1	Shield, Inspection Port	
19	1001171772	3	Bracket	
24	1001112902	1	Screw, M6	
25	1001173468	1	Cover, Rear Frame Module	

**SECTION 1 - FRAME AND ATTACHING PARTS**

**FIGURE 1-7. TANK INSTALLATION**



ART\_1001160735-A



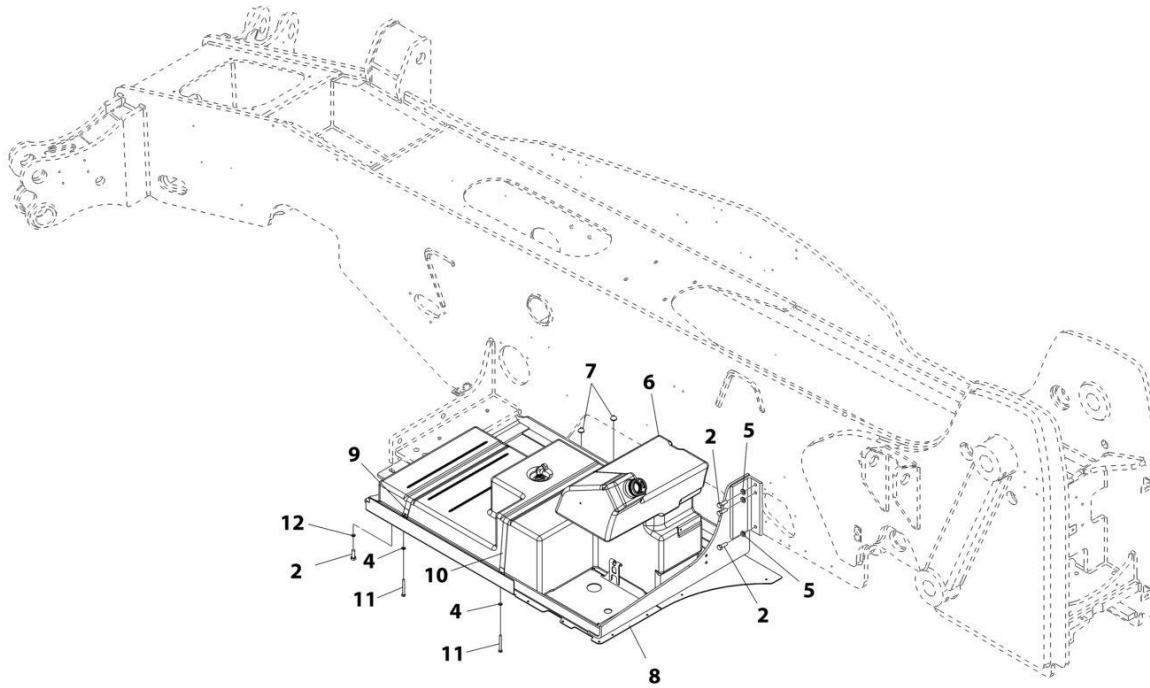
# SECTION 1 - FRAME AND ATTACHING PARTS

## FIGURE 1-7. TANK INSTALLATION

ITEM	PART NUMBER	QTY	DESCRIPTION	REV
	1001160735	Ref	Tank Installation	A
1	1001171153	1	Installation, Fuel Tank (See Separate Breakdown in this Section)	
2	1001171154	1	Installation, Hydraulic Tank (See Separate Breakdown in this Section)	

# SECTION 1 - FRAME AND ATTACHING PARTS

## FIGURE 1-8. FUEL TANK INSTALLATION



ART\_1001171153-H

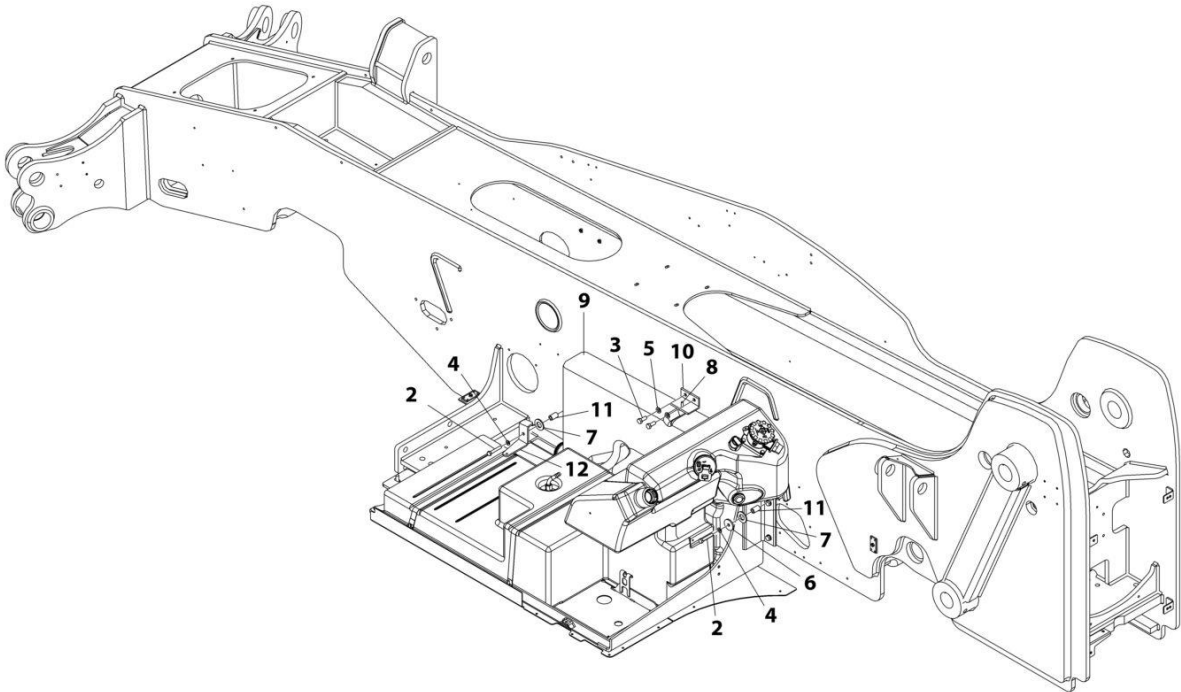
# SECTION 1 - FRAME AND ATTACHING PARTS

## FIGURE 1-8. FUEL TANK INSTALLATION

ITEM	PART NUMBER	QTY	DESCRIPTION	REV
	1001171153	Ref	Fuel Tank Installation	H
2	0761215	6	Bolt, M12X35	
4	4811900	2	Washer, M8	
5	4812100	3	Washer, M12	
6	1001211432	1	Tank, Fuel (See Separate Breakdown in ENGINE AND ATTACHING PARTS Section)	
7	1001169454	4	Mount, Buffer	
8	1001169602	1	Support, Tank Plate	
9	1001170071	1	Strap, Tank	
10	1001170072	1	Strap, Tank	
11	0760823	2	Bolt, M8X75	
12	4812102	3	Washer, M12	

**SECTION 1 - FRAME AND ATTACHING PARTS**

**FIGURE 1-9. HYDRAULIC TANK INSTALLATION**



ART\_1001171154-E

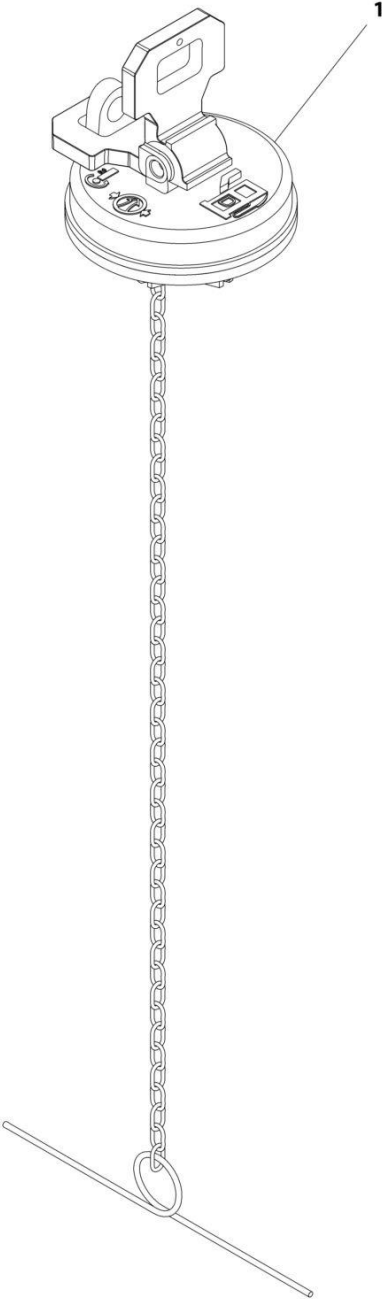
# SECTION 1 - FRAME AND ATTACHING PARTS

## FIGURE 1-9. HYDRAULIC TANK INSTALLATION

ITEM	PART NUMBER	QTY	DESCRIPTION	REV
	1001171154	Ref	Hydraulic Tank Installation	E
2	0701020	2	Bolt, M10X60	
3	0761214	2	Bolt, M12X30	
4	4812000	2	Washer, M10	
5	4812100	2	Washer, M12	
6	1001172147	1	Washer, M10	
7	1001172146	2	Washer, Rubber	
8	1001008575	1	Bumper, Conical	
9	1001163067	1	Tank, Hydraulic (See Separate Breakdown in HYDRAULIC COMPONENTS Section)	
10	1001169461	1	Bracket	
11	1001171179	2	Spacer	
12	1001210707	1	Bracket	

**SECTION 1 - FRAME AND ATTACHING PARTS**

**FIGURE 1-10. FUEL CAP ASSEMBLY**



ART\_1001194978-A

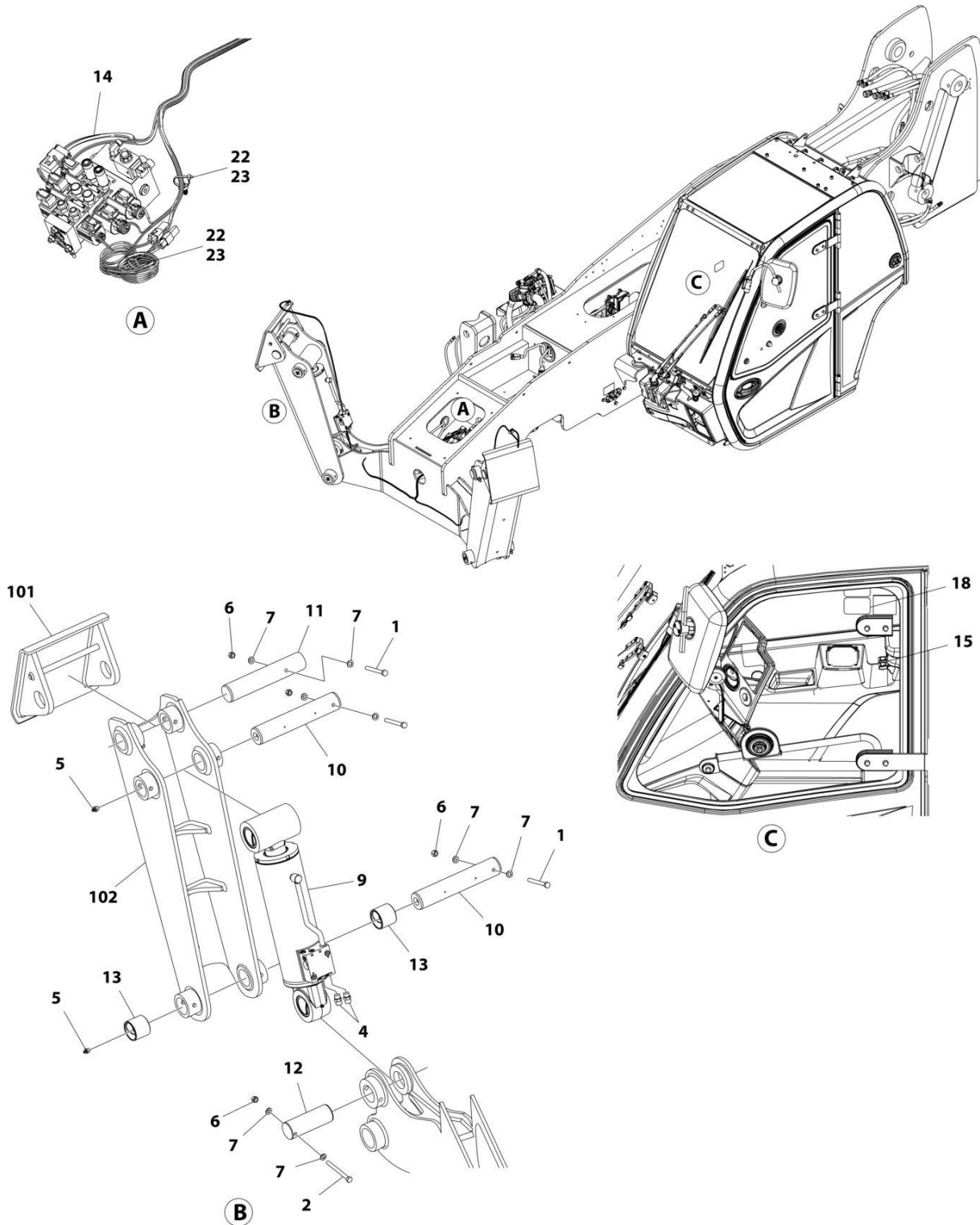
# SECTION 1 - FRAME AND ATTACHING PARTS

## FIGURE 1-10. FUEL CAP ASSEMBLY

ITEM	PART NUMBER	QTY	DESCRIPTION	REV
1	1001194978	1	Fuel Cap Assembly	A

# SECTION 1 - FRAME AND ATTACHING PARTS

FIGURE 1-11. OUTRIGGERS INSTALLATION



ART\_1001168644\_K



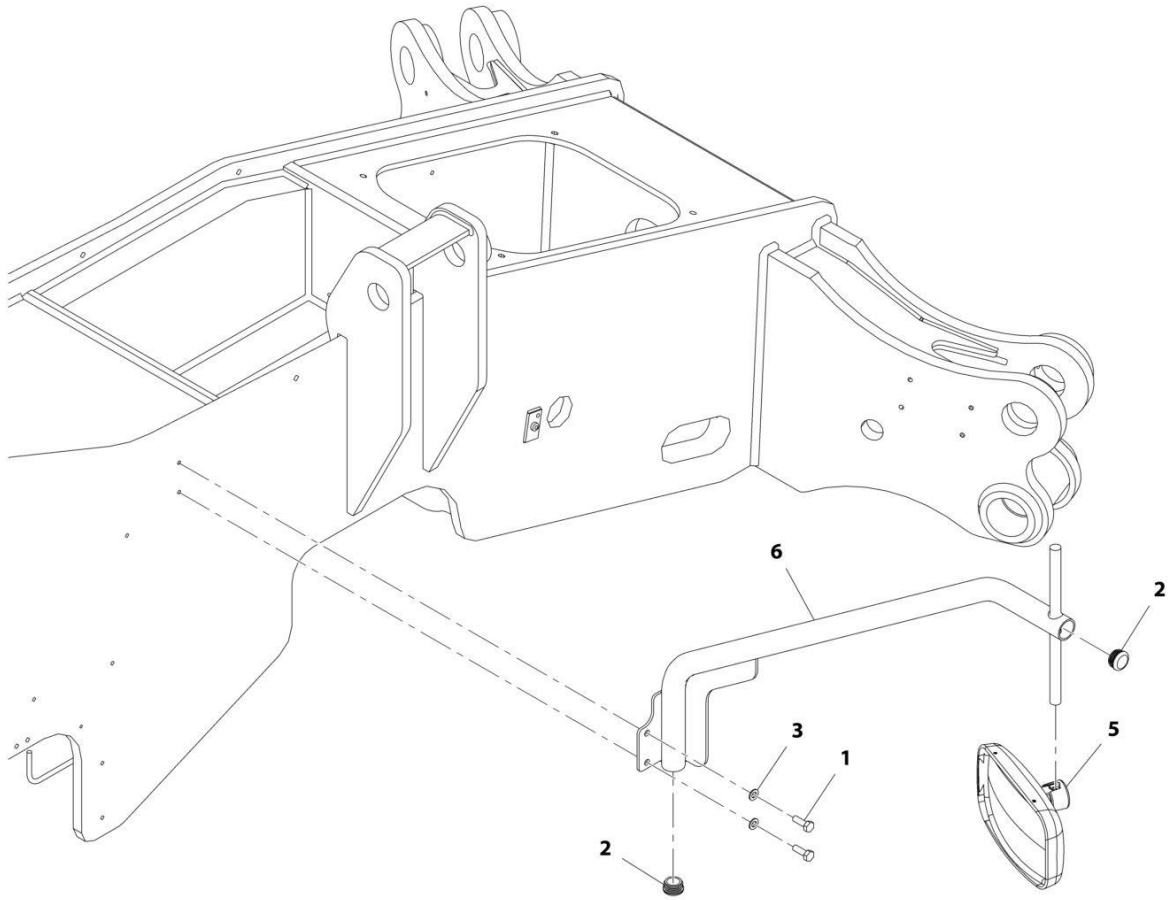
# SECTION 1 - FRAME AND ATTACHING PARTS

## FIGURE 1-11. OUTRIGGERS INSTALLATION

ITEM	PART NUMBER	QTY	DESCRIPTION	REV
	1001168644	Ref	Outriggers Installation	K
1	0701229	6	Bolt, M12X120	
2	0701230	2	Bolt, M12X130	
4	2110808	4	Fitting, Straight ORFS	
5	2160016	4	Fitting, Grease	
6	3291205	8	Nut, M12 Grade 8	
7	4812100	16	Washer, M12	
9	1001213065	2	Outrigger Cylinder (See Separate Breakdown in HYDRAULIC COMPONENTS Section)	
10	1001164436	4	Pin, Outrigger	
11	1001207292	2	Pin, Outrigger	
12	1001164454	2	Pin, Cylinder Base	
13	1001168281	4	Bearing, Outrigger	
14	1001172822	1	Harness, Outrigger (See Separate Breakdown in ELECTRICAL Section)	
15	1001174478	1	Installation, Outrigger Switches (See Separate Breakdown in CONTROLS Section)	
18	1001181537	1	Decal, Outrigger Switched	
22	1001202986	2	Strap, Cable Tie	
23	1001008559	2	Strap	
100	1001246533	1	Outrigger Plate Kit (Includes Items 101 & 102)	
101	1001161564	2	Weldment, Outrigger Pad	
102	1001207291J	2	Bracket, Outrigger Leg Weldment	

# SECTION 1 - FRAME AND ATTACHING PARTS

## FIGURE 1-12. MIRROR INSTALLATION



ART\_1001160255-D

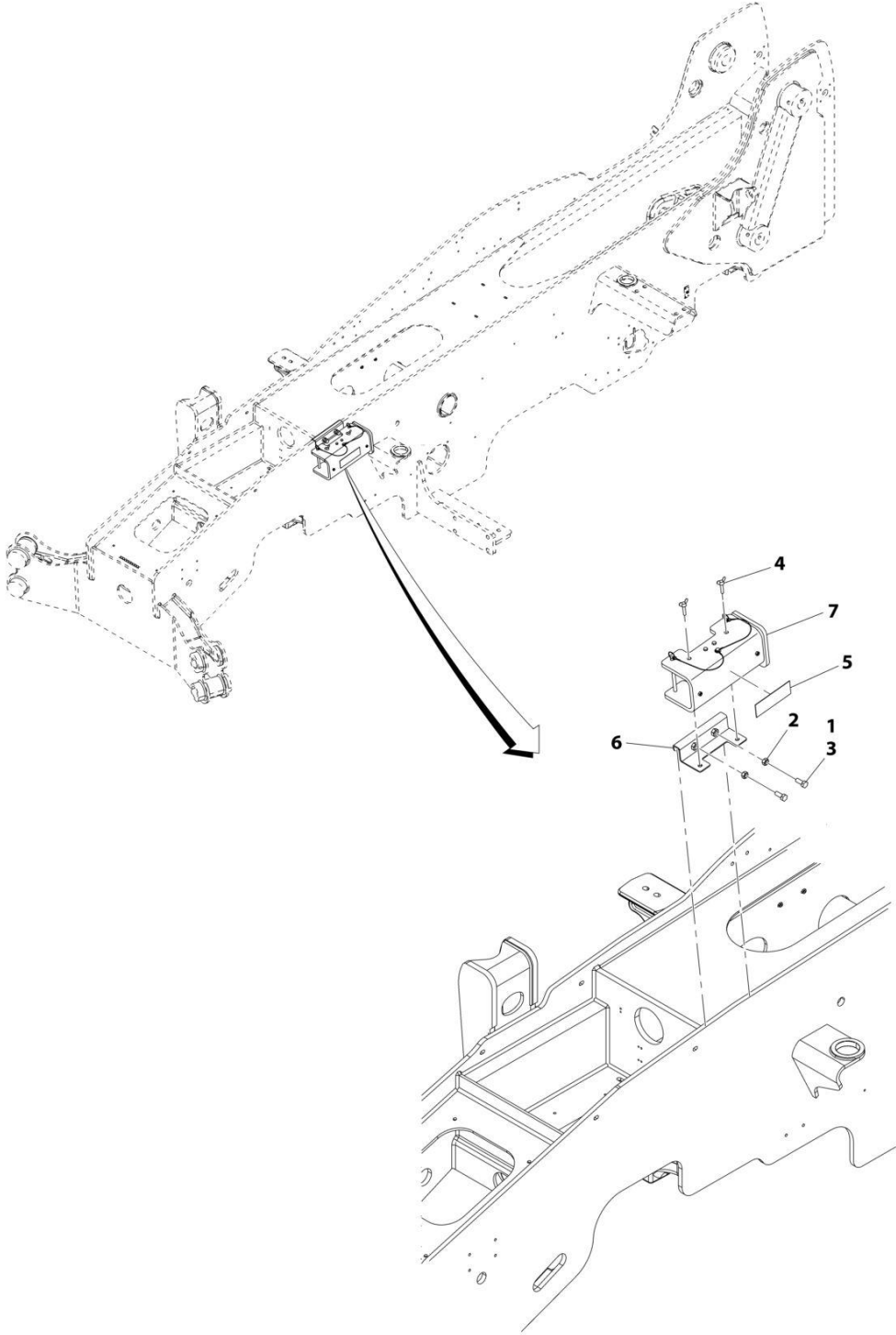
# SECTION 1 - FRAME AND ATTACHING PARTS

## FIGURE 1-12. MIRROR INSTALLATION

ITEM	PART NUMBER	QTY	DESCRIPTION	REV
	1001160255	Ref	Mirror Installation	D
1	0701014	2	Bolt, M10X30 Grade 8	
2	3520186	2	Plug	
3	4812000	2	Washer, M10	
5	1001191635	1	Mirror, Convex	
6	1001191603	1	Bracket	

# SECTION 1 - FRAME AND ATTACHING PARTS

FIGURE 1-13. BOOM PROP INSTALLATION (ANSI)



ART\_1001232338-A

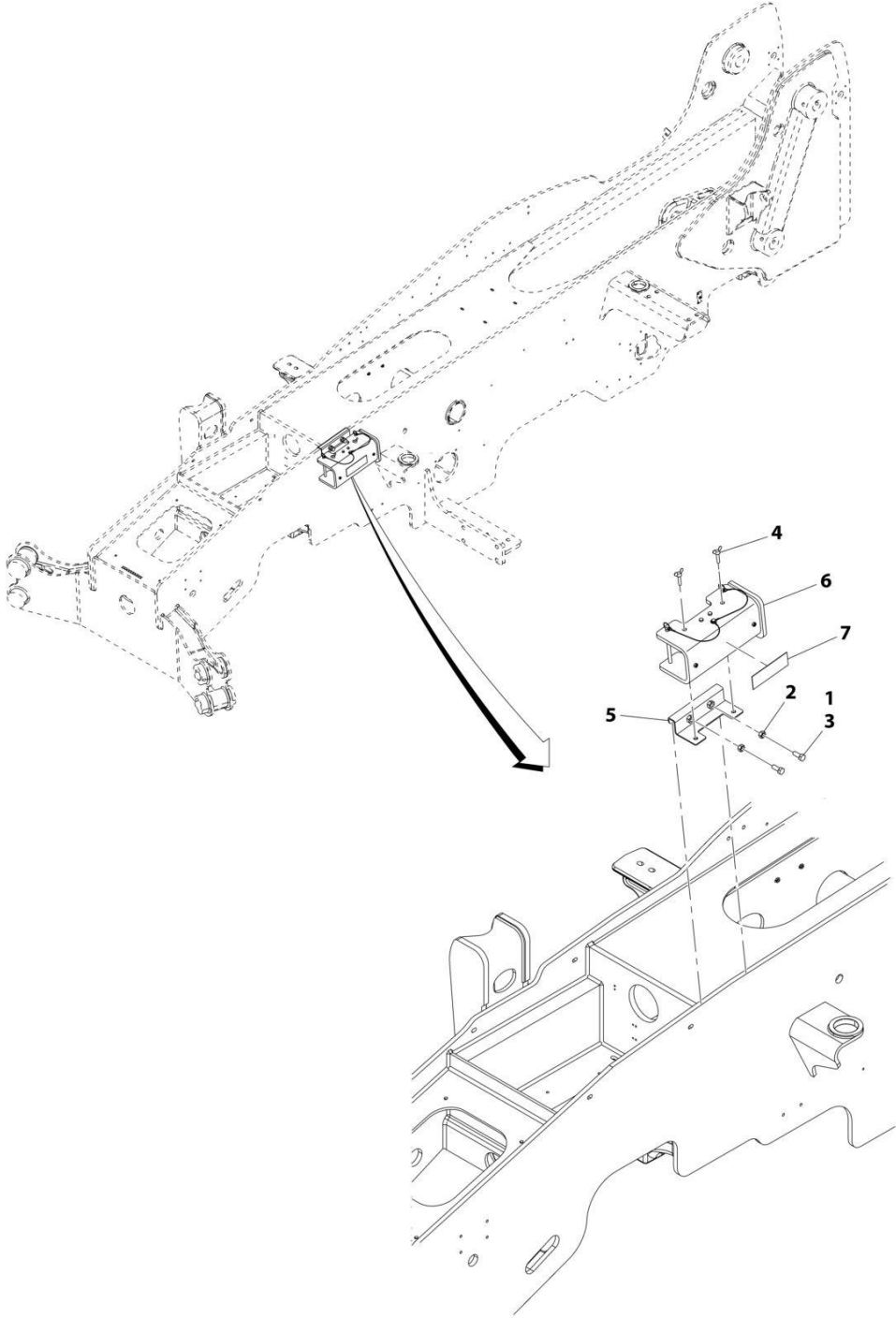
# SECTION 1 - FRAME AND ATTACHING PARTS

## FIGURE 1-13. BOOM PROP INSTALLATION (ANSI)

ITEM	PART NUMBER	QTY	DESCRIPTION	REV
	1001232338	Ref	Boom Prop Installation (ANSI)	A
1	0761214	2	Bolt, M12X30	
2	3291201	2	Nut, M12X1.75	
3	1001095650	AR	Compound, Locking	
4	1001101458	2	Wing Bolt, M8X40	
5	1001232147	1	Decal, Warning	
6	1001232299	1	Bracket, Mount	
7	1001232336	Ref	Bracket, Boom Prop (See Separate Breakdown in this Section)	

# SECTION 1 - FRAME AND ATTACHING PARTS

## FIGURE 1-14. BOOM PROP INSTALLATION (CANADA)



ART\_1001234139-A

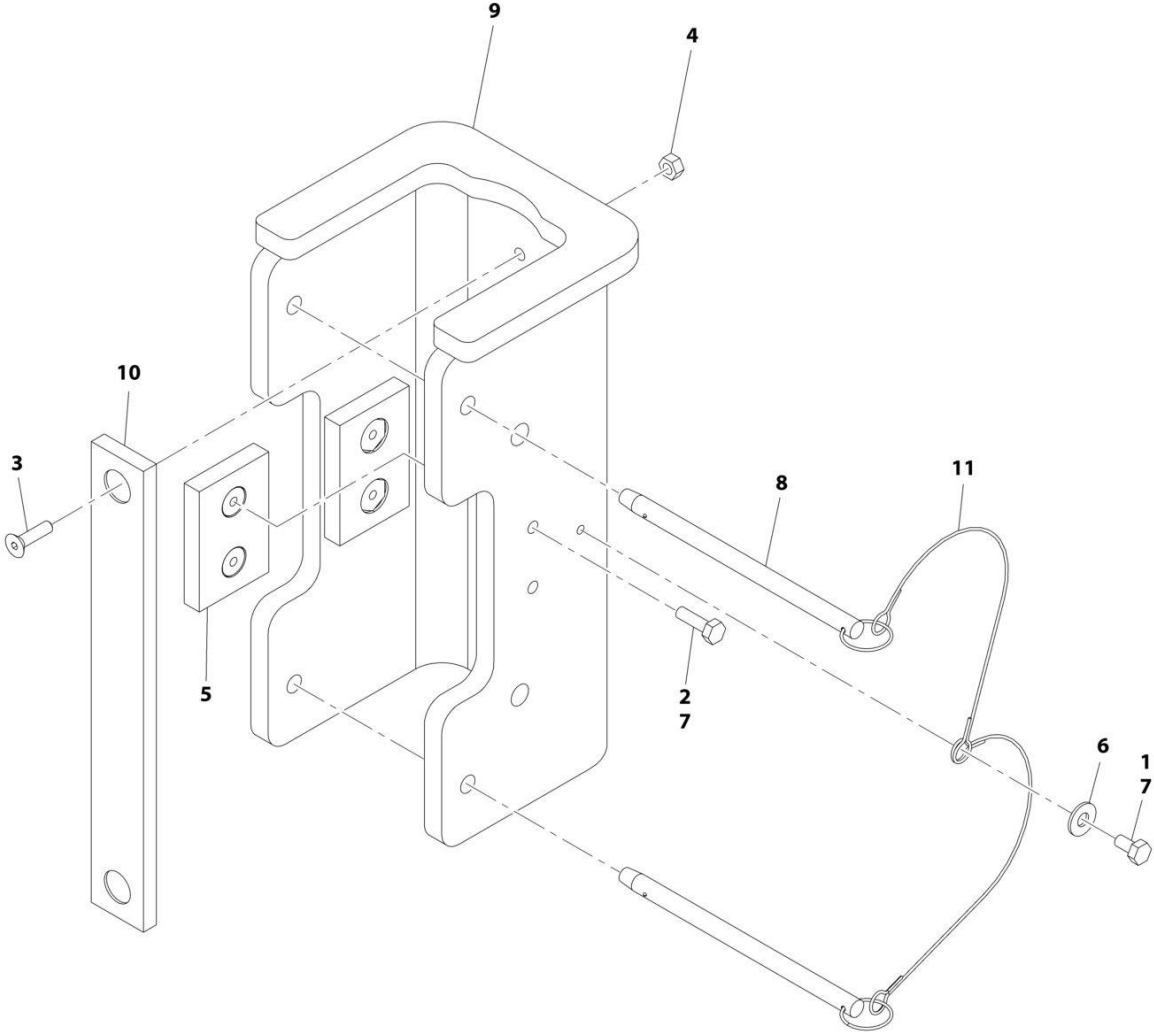
# SECTION 1 - FRAME AND ATTACHING PARTS

## FIGURE 1-14. BOOM PROP INSTALLATION (CANADA)

ITEM	PART NUMBER	QTY	DESCRIPTION	REV
	1001234139	Ref	Boom Prop Installation (Canada)	A
1	0761214	2	Bolt, M12X30	
2	3291201	2	Nut, M12X1.75	
3	1001095650	AR	Compound, Locking	
4	1001101458	2	Wing Bolt, M8X40	
5	1001232299	1	Bracket, Mount	
6	1001232336	Ref	Bracket, Boom Prop (See Separate Breakdown in this Section)	
7	1001234253	1	Decal, Warning	

**SECTION 1 - FRAME AND ATTACHING PARTS**

**FIGURE 1-15. BOOM PROP BRACKET**



ART\_1001232336-A



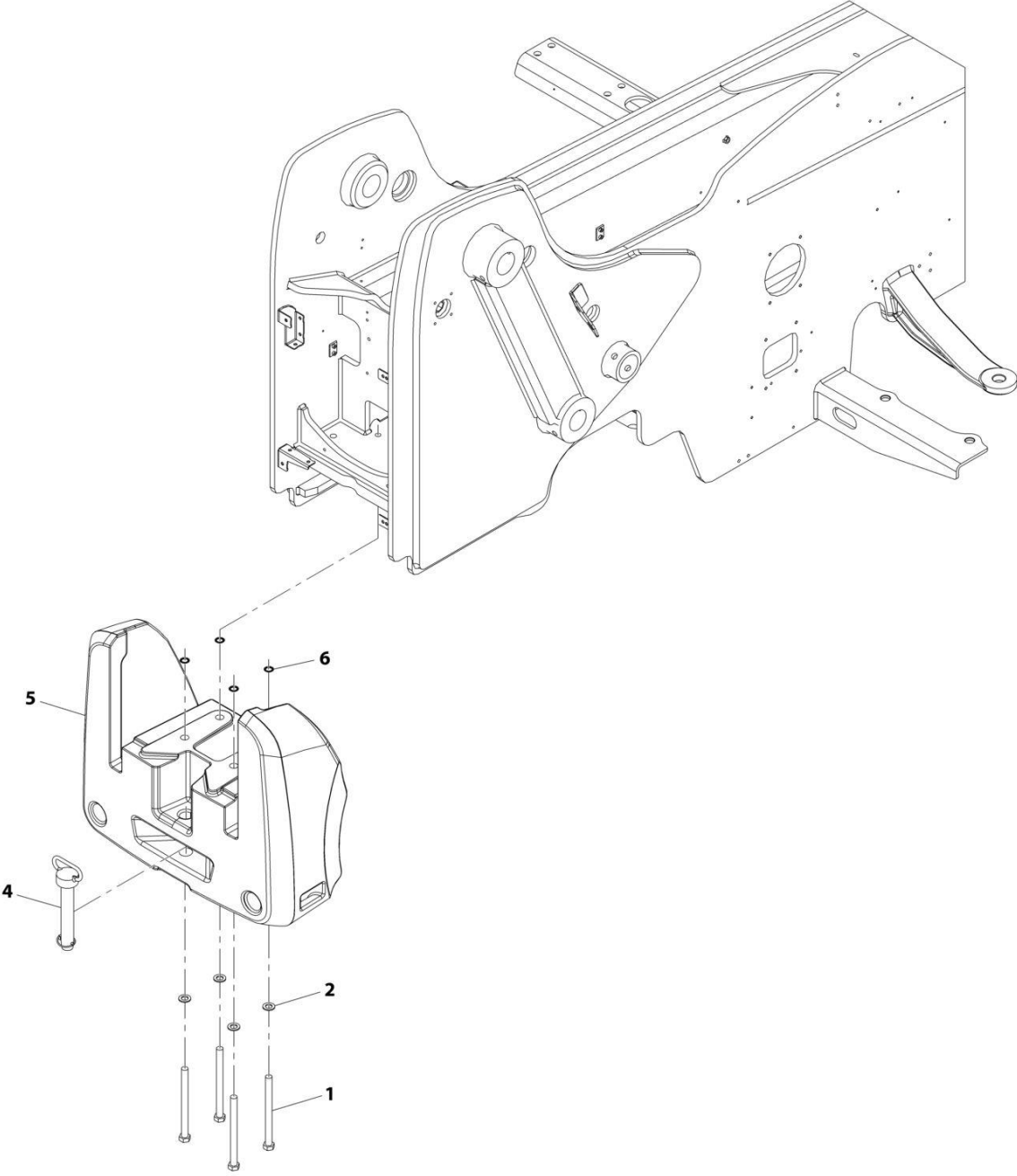
# SECTION 1 - FRAME AND ATTACHING PARTS

## FIGURE 1-15. BOOM PROP BRACKET

ITEM	PART NUMBER	QTY	DESCRIPTION	REV
	1001232336	Ref	Boom Prop Bracket	A
1	0641404	1	Bolt, 1/4-20X1/2	
2	0641407	4	Bolt, 1/4-20X7/8	
3	0741408	2	Bolt, 1/4-20	
4	3311405	2	Nut, Lock 1/4-20	
5	3340829	2	Pad, Wear	
6	4751400	1	Washer	
7	1001095650	AR	Compound, Locking	
8	1001164019	2	Pin, Ball Locking	
9	1001232588	1	Bracket	
10	4679000268	1	Pad, Wear	
11	1001164183	2	Lanyard, Boom Prop	

# SECTION 1 - FRAME AND ATTACHING PARTS

## FIGURE 1-16. COUNTERWEIGHT INSTALLATION



ART\_1001175368-E

# SECTION 1 - FRAME AND ATTACHING PARTS

## FIGURE 1-16. COUNTERWEIGHT INSTALLATION

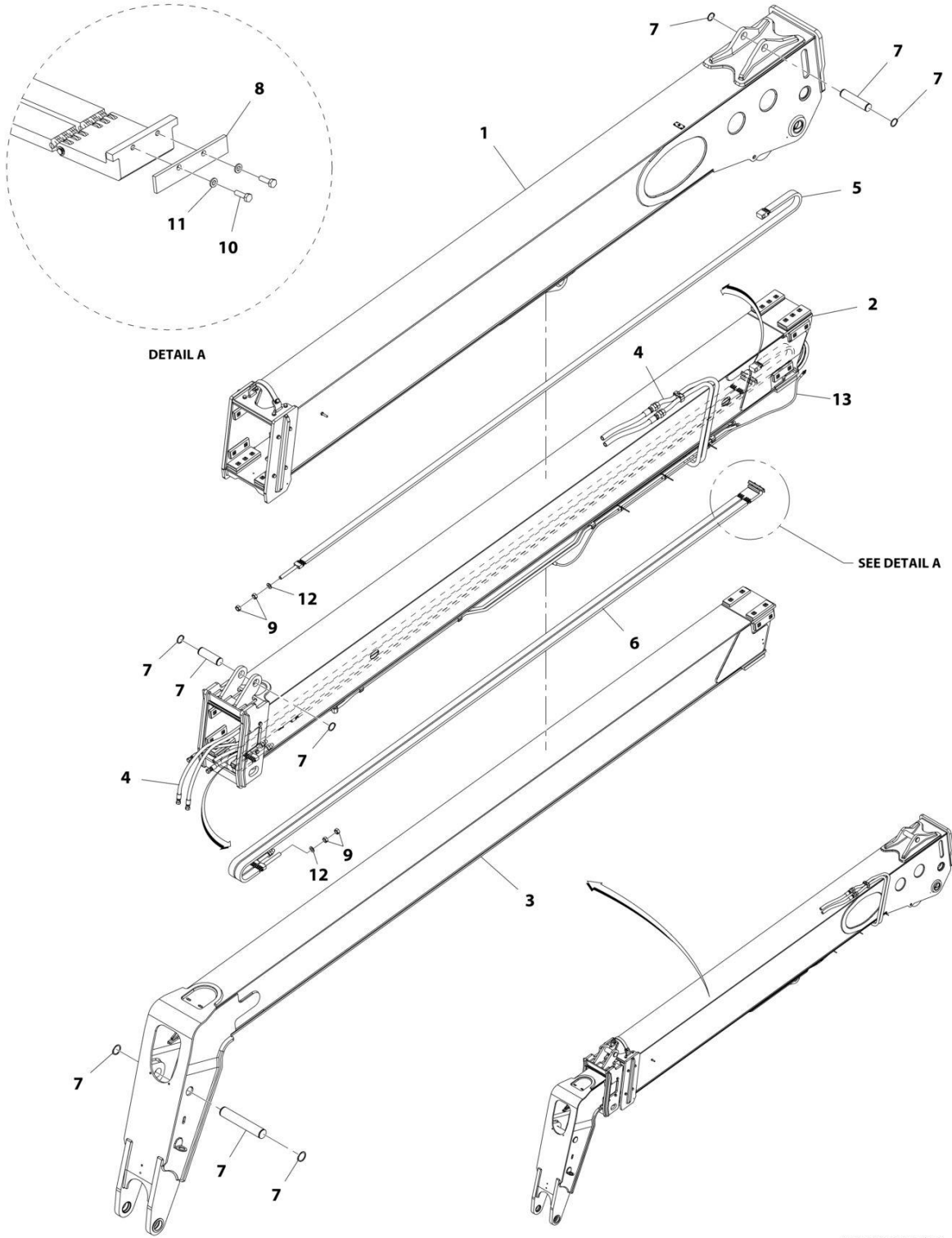
ITEM	PART NUMBER	QTY	DESCRIPTION	REV
	1001175368	Ref	Counterweight Installation	F
1	0712042	4	Bolt, M20X250 Grade 10.9	
2	8310620	4	Washer, M20	
4	1001160250	1	Pin, Hitch	
5	1001177654J	1	Counterweight	
6	1001218341	4	Washer	



**SECTION 2 - BOOM**

# SECTION 2 - BOOM

## FIGURE 2-1. BOOM ASSEMBLY



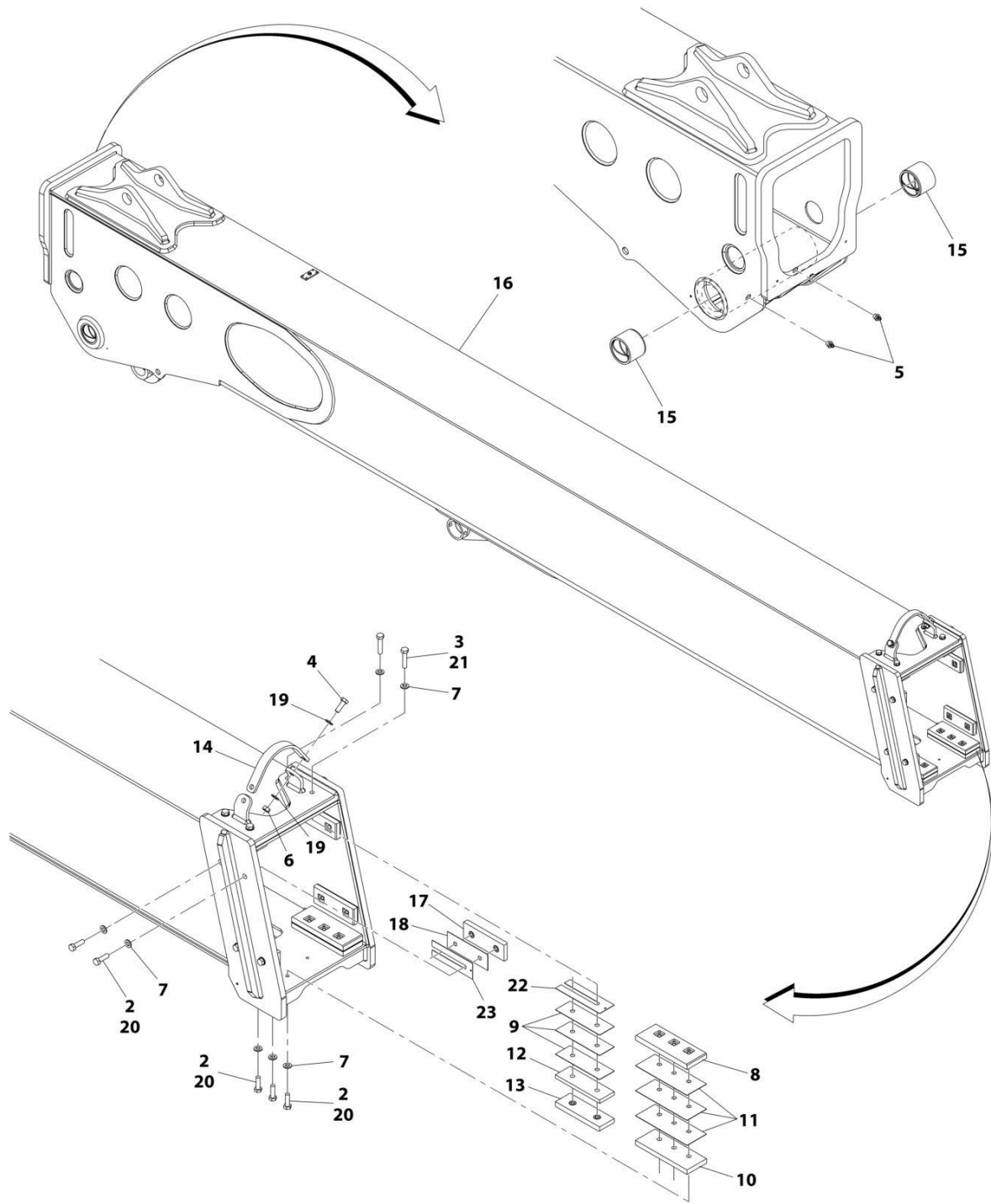
ART\_1001168658-D

FIGURE 2-1. BOOM ASSEMBLY

ITEM	PART NUMBER	QTY	DESCRIPTION	REV
	1001168658	Ref	Boom Assembly	D
1	1001168341	Ref	Assembly, First Boom Section (See Separate Breakdown in this Section)	
2	1001168546	Ref	Assembly, Second Boom Section (See Separate Breakdown in this Section)	
3	1001168602	Ref	Assembly, Third Boom Section (See Separate Breakdown in this Section)	
4	1001173471	Ref	Installation, Boom Hydraulic Tubes (See Separate Breakdown in HYDRAULIC CIRCUITS Section)	
5	1001169278	Ref	Installation, Retract Chain (See Separate Breakdown in this Section)	
6	1001169281	Ref	Installation, Extend Chain (See Separate Breakdown in this Section)	
7	1001173541	Ref	Installation, Pins (See Separate Breakdown in this Section)	
8	1001171450	1	Plate, Clevis	
9	3332011	6	Nut, M20X2.5	
10	0700610	2	Bolt, M6X20	
11	4811700	2	Washer, M6	
12	4812500	3	Washer, M20	
13	1001206432	1	Hose	

# SECTION 2 - BOOM

## FIGURE 2-2. FIRST BOOM SECTION ASSEMBLY



ART\_1001168341-F



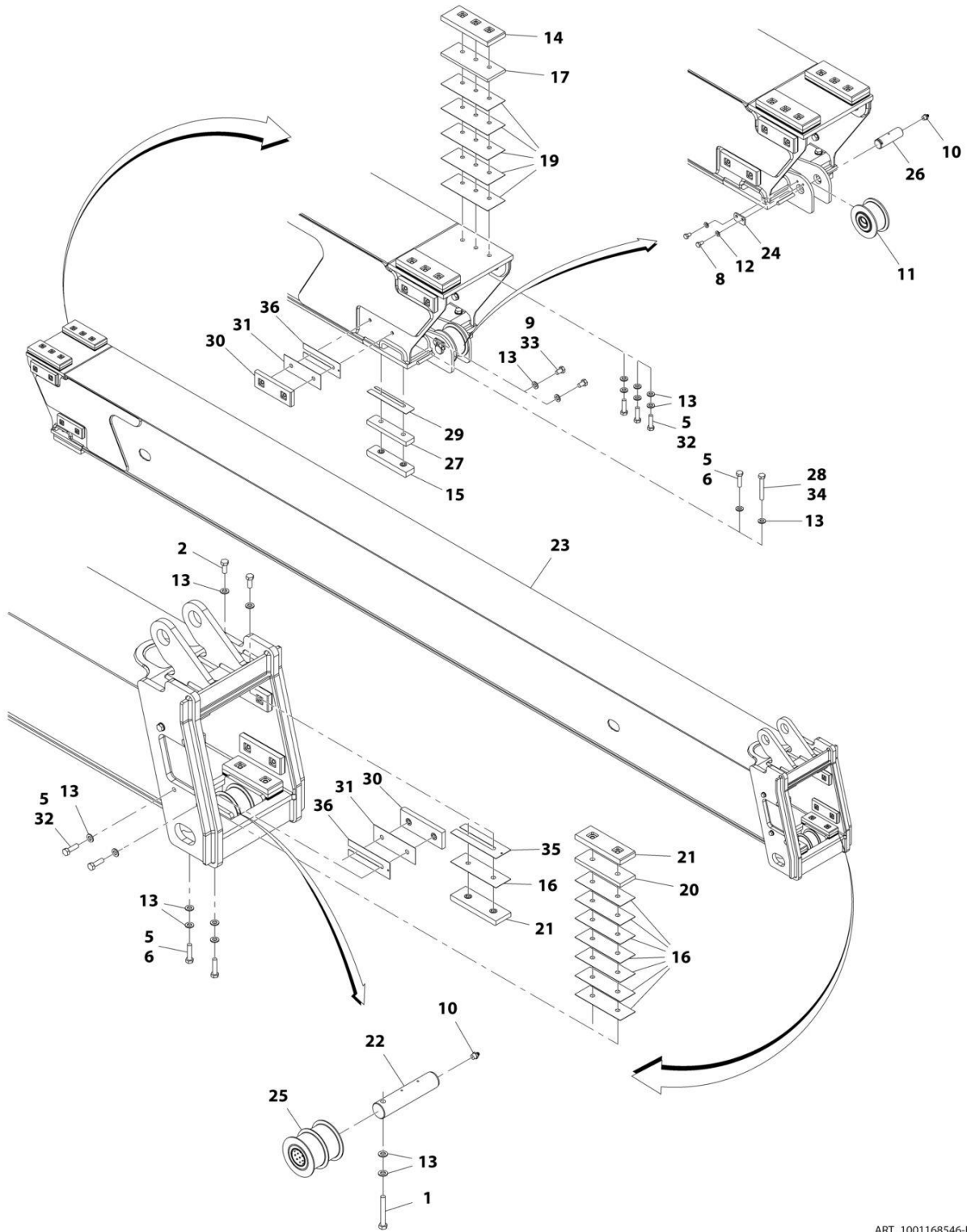
## SECTION 2 - BOOM

**FIGURE 2-2. FIRST BOOM SECTION ASSEMBLY**

ITEM	PART NUMBER	QTY	DESCRIPTION	REV
	1001168341	Ref	First Boom Section Assembly	F
2	0711216	14	Bolt, M12X40 Grade 10.9	
3	0711219	4	Bolt, M12X55 Grade 10.9	
4	0711215	2	Bolt, M12X35	
5	2160016	2	Fitting, Grease	
6	3291201	2	Nut, M12X1.75 Grade 8	
7	1001125117	AR	Washer, M12	
8	1001162469	2	Pad	
9	1001163034	AR	Plate, Spacer	
10	1001189714	2	Plate, Stop	
11	1001163112	AR	Plate, Spacer	
12	1001163136	2	Plate, Stop	
13	1001165171	2	Pad	
14	1001168368	1	Strap	
15	1001188244	2	Bearing, Boom Pivot	
16	1001168342J	1	Boom, First	
17	1001165172	4	Pad	
18	1001165367	AR	Plate, Spacer	
19	4812100	4	Washer, M12	
20	0711217	AR	Bolt, M12X45	
21	0711220	AR	Bolt, M12-1.75X60 Grade 10.9	
22	1001163103	AR	Plate, Shim	
23	1001200989	AR	Plate, Shim	

# SECTION 2 - BOOM

## FIGURE 2-3. SECOND BOOM SECTION ASSEMBLY



ART\_1001168546-F

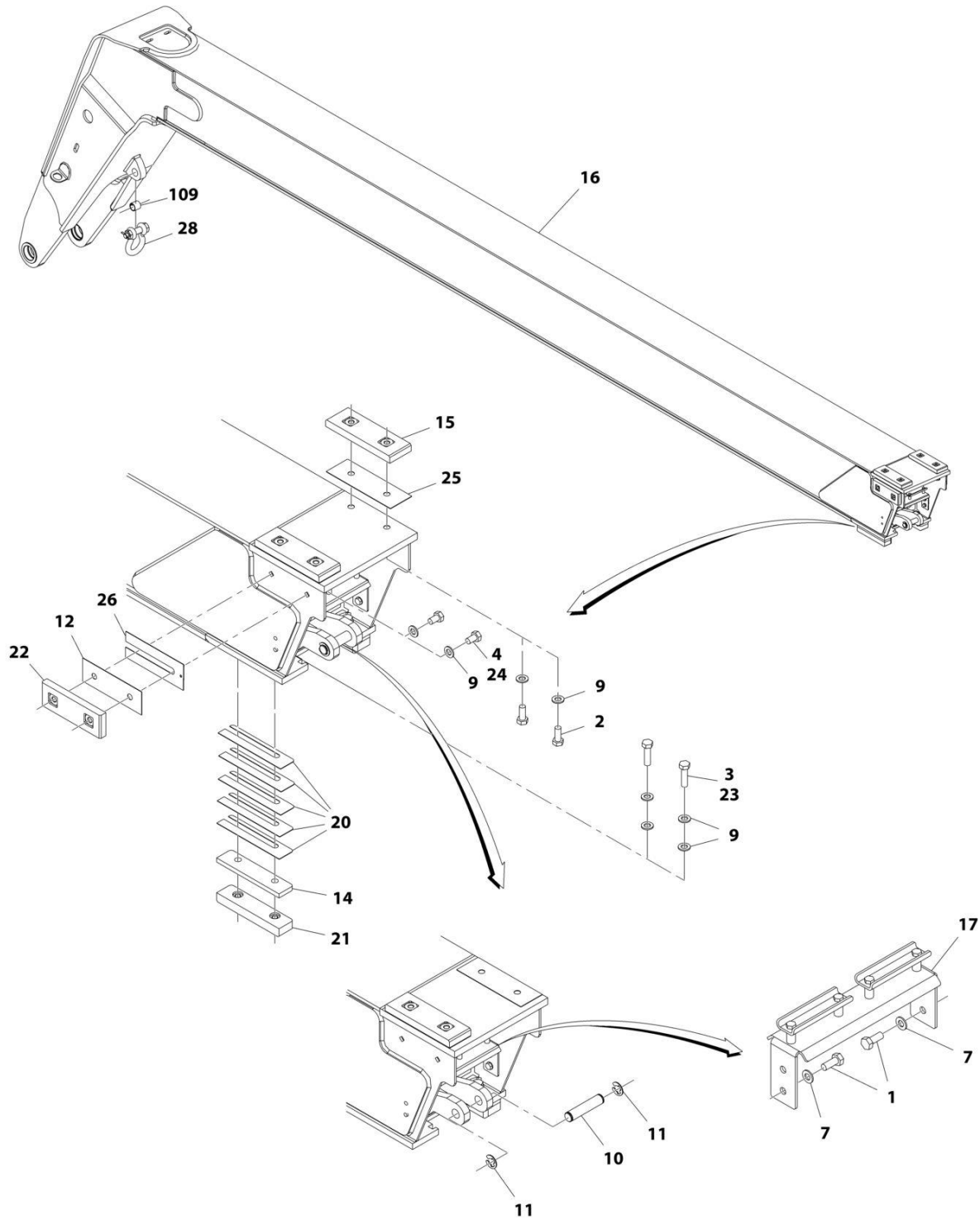
## SECTION 2 - BOOM

**FIGURE 2-3. SECOND BOOM SECTION ASSEMBLY**

ITEM	PART NUMBER	QTY	DESCRIPTION	REV
	1001168546	Ref	Second Boom Section Assembly	F
1	0701226	1	Bolt, M12X90 Grade 10.9	
2	0711214	4	Bolt, M12X30 Grade 10.9	
5	0711217	8	Bolt, M12X45	
6	0711218	4	Bolt, M12X50 Grade 10.9	
8	0770807	2	Bolt, M8X14 Grade 10.9	
9	0771210	8	Bolt, M12X20 Grade 10.9	
10	2160016	2	Fitting, Grease	
11	7138986	1	Sheave, Retract Chain (See Separate Breakdown in this Section)	
12	4811900	2	Washer, M8	
13	1001125117	AR	Washer, M12	
14	1001162469	2	Pad	
15	1001163029	2	Pad	
16	1001163034	AR	Plate, Spacer	
17	1001163035	2	Plate, Stop	
19	1001163112	AR	Plate, Spacer	
20	1001163136	2	Plate, Stop	
21	1001165171	4	Pad	
22	1001167493	1	Pin	
23	1001168547	1	Boom, Second	
24	1001168561	1	Bracket	
25	1001168567	1	Roller, Extend Chain (See Separate Breakdown in this Section)	
26	1001168587	1	Pin, Boom Chain Pulley	
27	1001189492	2	Plate, Stop	
28	0711225	2	Bolt, M12X85 Grade 10.9	
29	1001189793	AR	Shim	
30	1001165172	8	Pad	
31	1001165367	AR	Plate, Spacer	
32	0711216	8	Bolt, M12X40 Grade 10.9	
33	0771212	AR	Bolt, M12X25 Grade 10.9	
34	0711226	AR	Bolt, M12X90 Grade 10.9	
35	1001163103	AR	Plate, Shim	
36	1001200989	AR	Plate, Shim	

# SECTION 2 - BOOM

## FIGURE 2-4. THIRD BOOM SECTION ASSEMBLY



ART\_1001168602-H

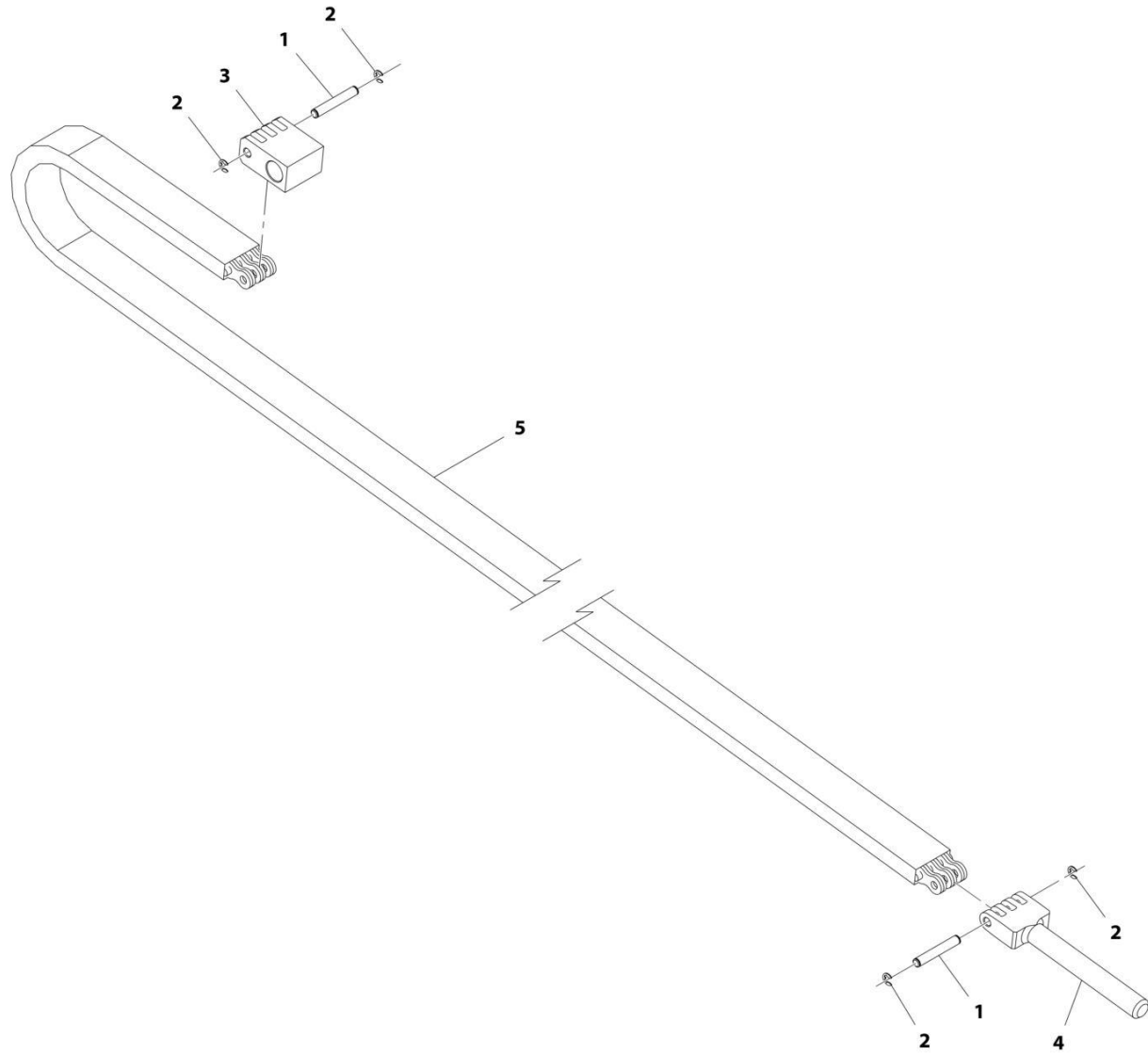
## SECTION 2 - BOOM

**FIGURE 2-4. THIRD BOOM SECTION ASSEMBLY**

ITEM	PART NUMBER	QTY	DESCRIPTION	REV
	1001168602	Ref	Third Boom Section Assembly	H
1	0760810	4	Bolt, M8X20	
2	0711214	4	Bolt, M12X30 Grade 10.9	
3	0711217	4	Bolt, M12X45	
4	0771210	4	Bolt, M12X20 Grade 10.9	
7	4811900	4	Washer, M8	
9	1001125117	AR	Washer, M12	
10	1001163712	1	Pin	
11	1001163704	2	Ring, M15	
12	1001165367	AR	Plate, Spacer	
14	1001168589	2	Plate, Stop	
15	1001165171	2	Pad	
16	1001168603	1	Boom, Third	
17	1001168630	Ref	Installation, Hose Bracket (See Separate Breakdown in this Section)	
20	1001189793	AR	Shim	
21	1001163029	2	Pad	
22	1001165172	2	Pad	
23	0711216	AR	Bolt, M12X40 Grade 10.9	
24	0771212	AR	Bolt, M12X25 Grade 10.9	
25	1001163034	AR	Plate, Spacer	
26	1001200989	AR	Plate, Shim	
28	1001204045	1	Clevis	
109	1001204047	1	Sleeve	

# SECTION 2 - BOOM

## FIGURE 2-5. RETRACT CHAIN INSTALLATION



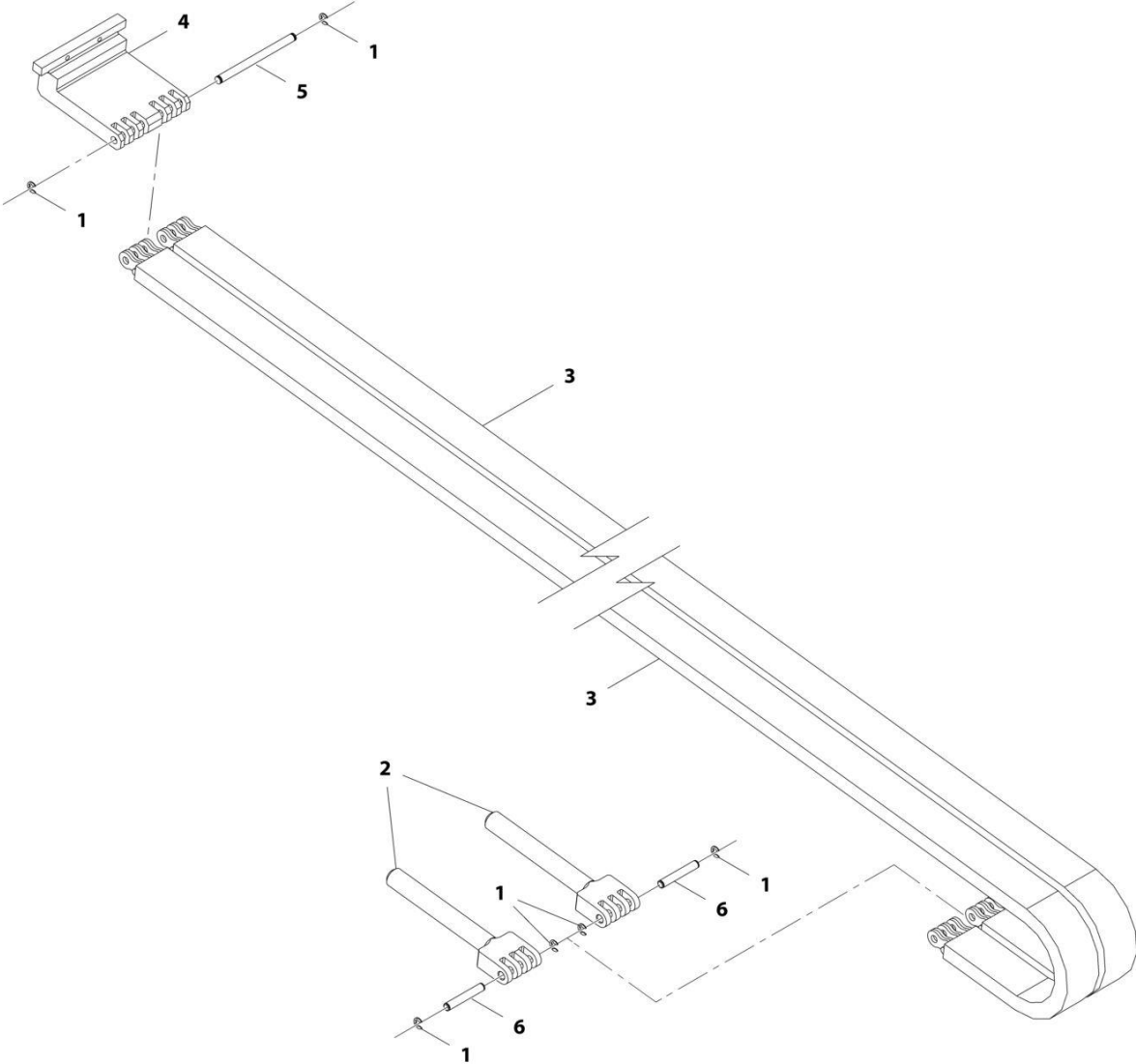
ART\_1001169278-B

FIGURE 2-5. RETRACT CHAIN INSTALLATION

ITEM	PART NUMBER	QTY	DESCRIPTION	REV
	1001169278	Ref	Retract Chain Installation	B
1	1001187785	2	Pin, Clevis	
2	1001166163	4	Ring, External M6	
3	1001166233	1	Clevis, Chain	
4	1001166235	1	Clevis, Chain	
5	1001169279	1	Chain, Retract	

**SECTION 2 - BOOM**

**FIGURE 2-6. EXTEND CHAIN INSTALLATION**



ART\_1001169281-B

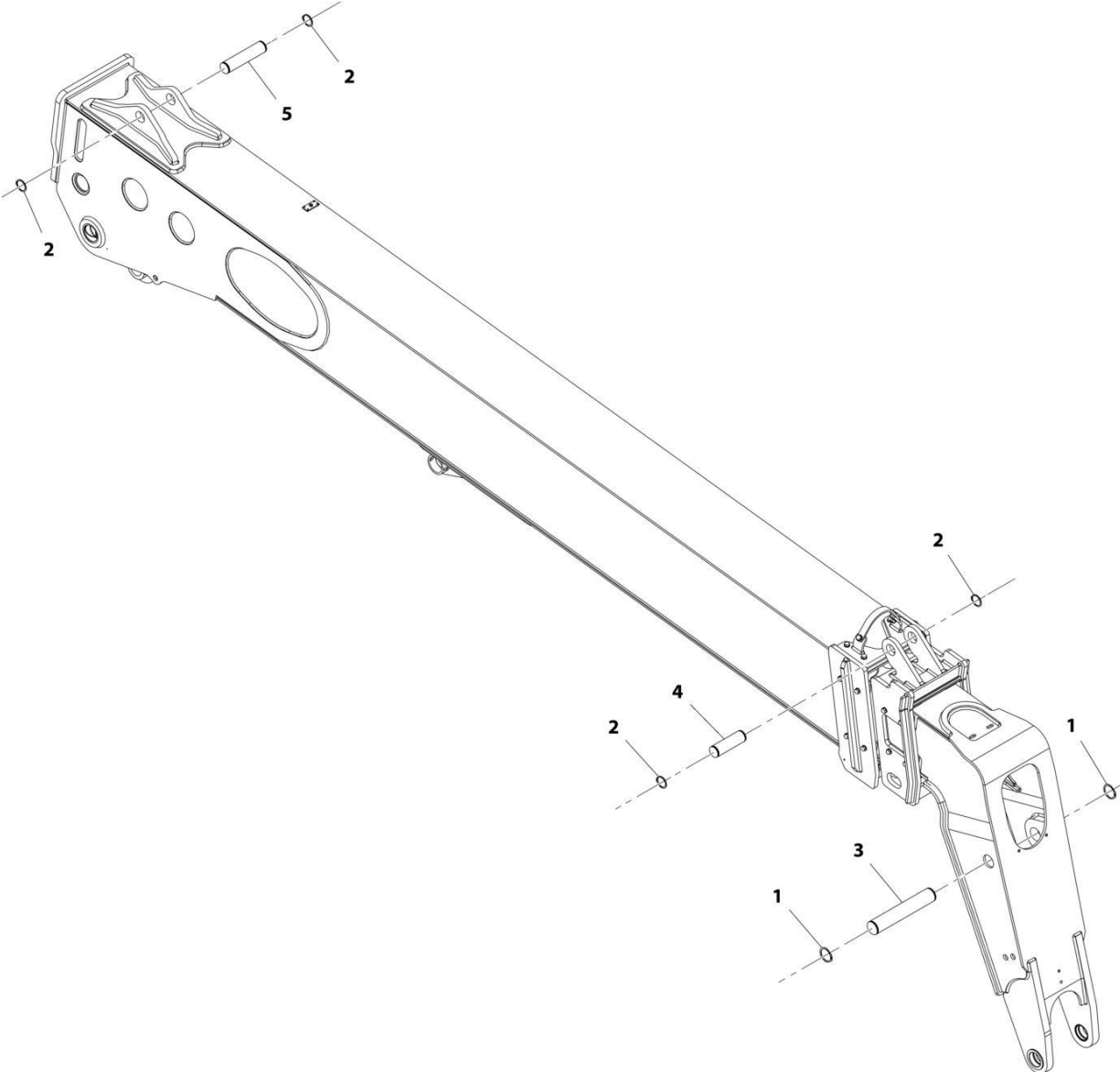


FIGURE 2-6. EXTEND CHAIN INSTALLATION

ITEM	PART NUMBER	QTY	DESCRIPTION	REV
	1001169281	Ref	Extend Chain Installation	B
1	1001166163	6	Ring, External M6	
2	1001166235	2	Clevis, Chain	
3	1001169279	2	Chain, Retract	
4	1001169373	1	Clevis, Dual	
5	1001169379	1	Pin, Clevis	
6	1001187785	2	Pin, Clevis	

**SECTION 2 - BOOM**

**FIGURE 2-7. PINS INSTALLATION**



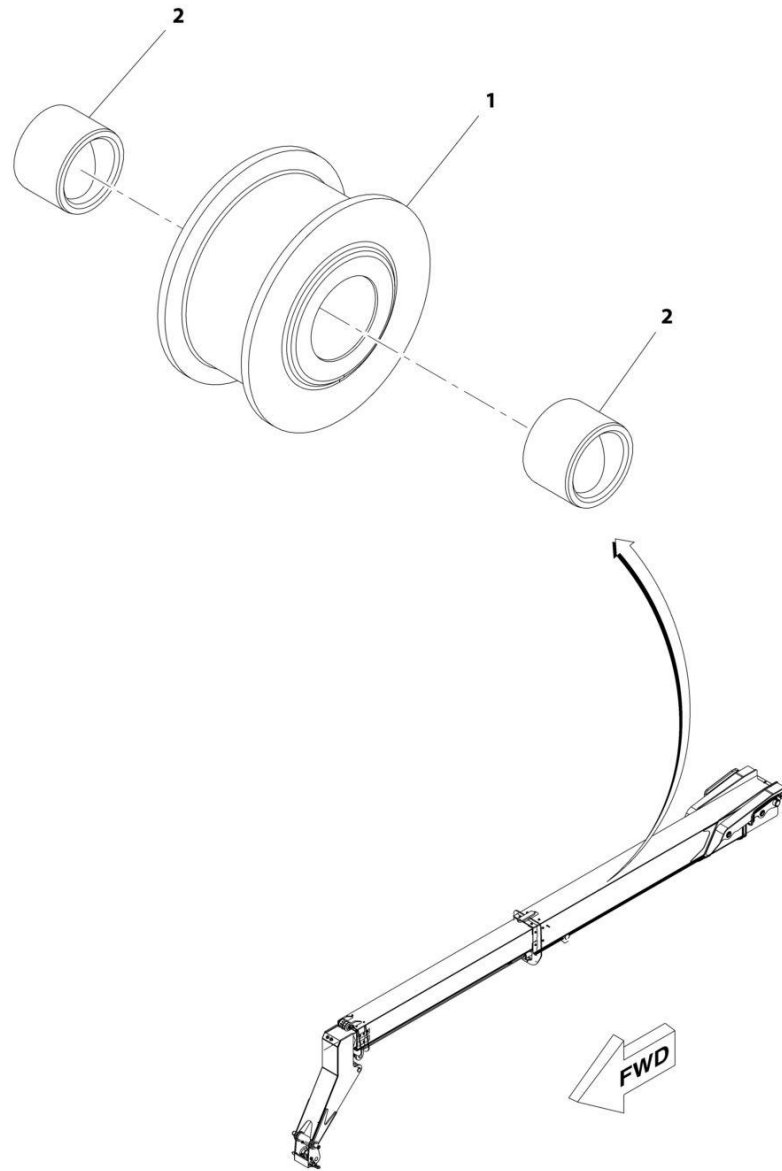
ART\_1001173541-B

FIGURE 2-7. PINS INSTALLATION

ITEM	PART NUMBER	QTY	DESCRIPTION	REV
	1001173541	Ref	Pins Installation	B
1	3760463	2	Ring, Retaining M60	
2	3760493	4	Ring, Retaining M50	
3	1001173538	1	Pin, Tilt Cylinder	
4	1001173539	1	Pin	
5	1001173540	1	Pin	

# SECTION 2 - BOOM

## FIGURE 2-8. RETRACT CHAIN SHEAVE



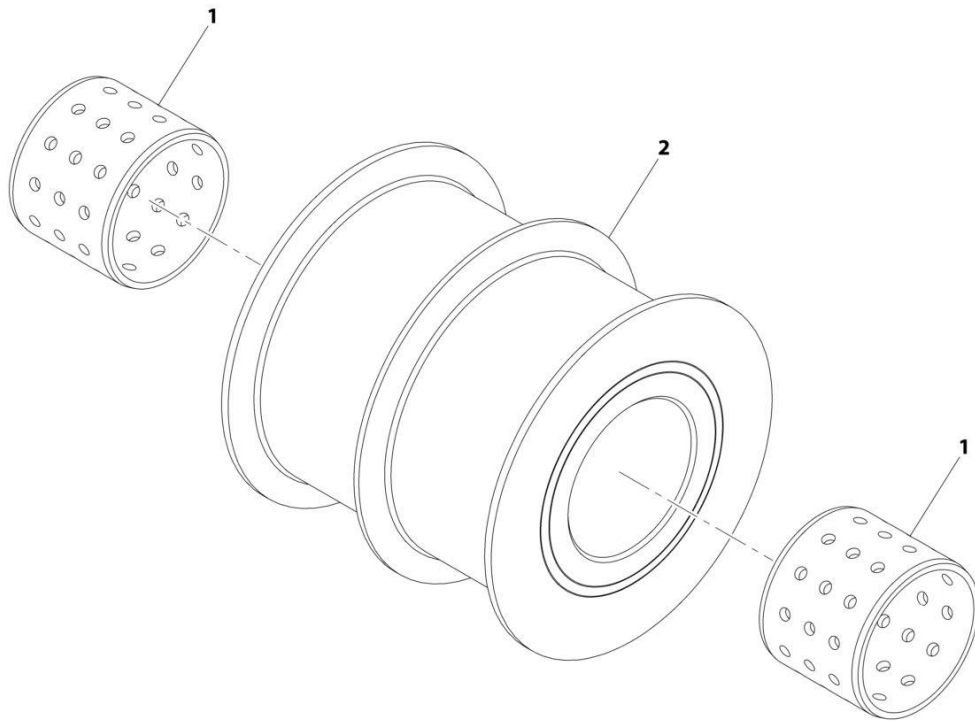
ART\_7138986-C

**FIGURE 2-8. RETRACT CHAIN SHEAVE**

<b>ITEM</b>	<b>PART NUMBER</b>	<b>QTY</b>	<b>DESCRIPTION</b>	<b>REV</b>
	7138986	Ref	Retract Chain Sheave	C
1	7138978	NSS	Sheave, Retract Chain (Use PN 713898)	
2	7138979	2	Bushing, Sheave Retract Chain	

## SECTION 2 - BOOM

FIGURE 2-9. EXTEND CHAIN ROLLER



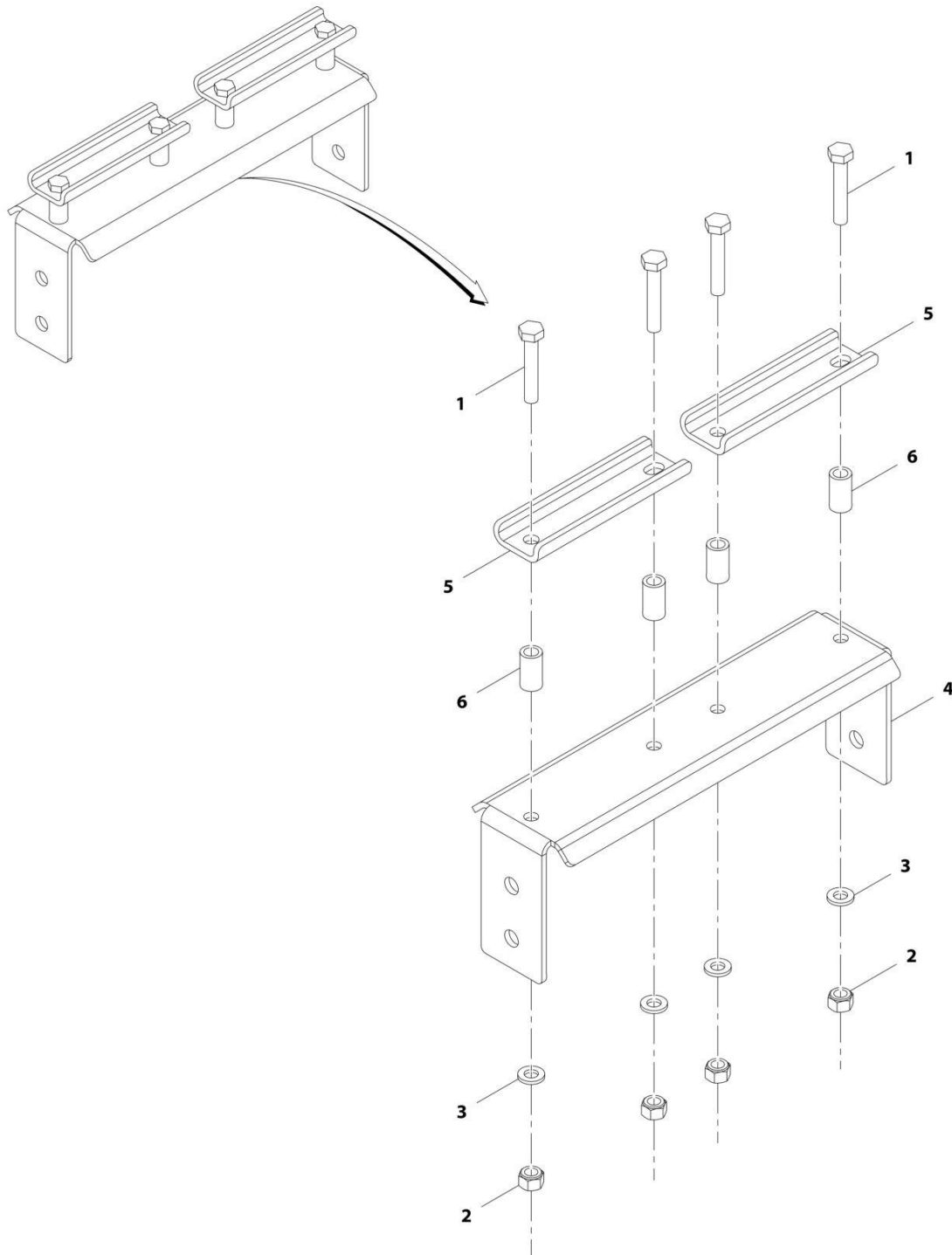
ART\_1001168567-D

FIGURE 2-9. EXTEND CHAIN ROLLER

ITEM	PART NUMBER	QTY	DESCRIPTION	REV
	1001168567	Ref	Extend Chain Roller	D
1	0440296	2	Bearing	
2	1001168831	1	Roller, Extend Chain	

# SECTION 2 - BOOM

## FIGURE 2-10. HOSE BRACKET INSTALLATION



ART\_1001168630-B

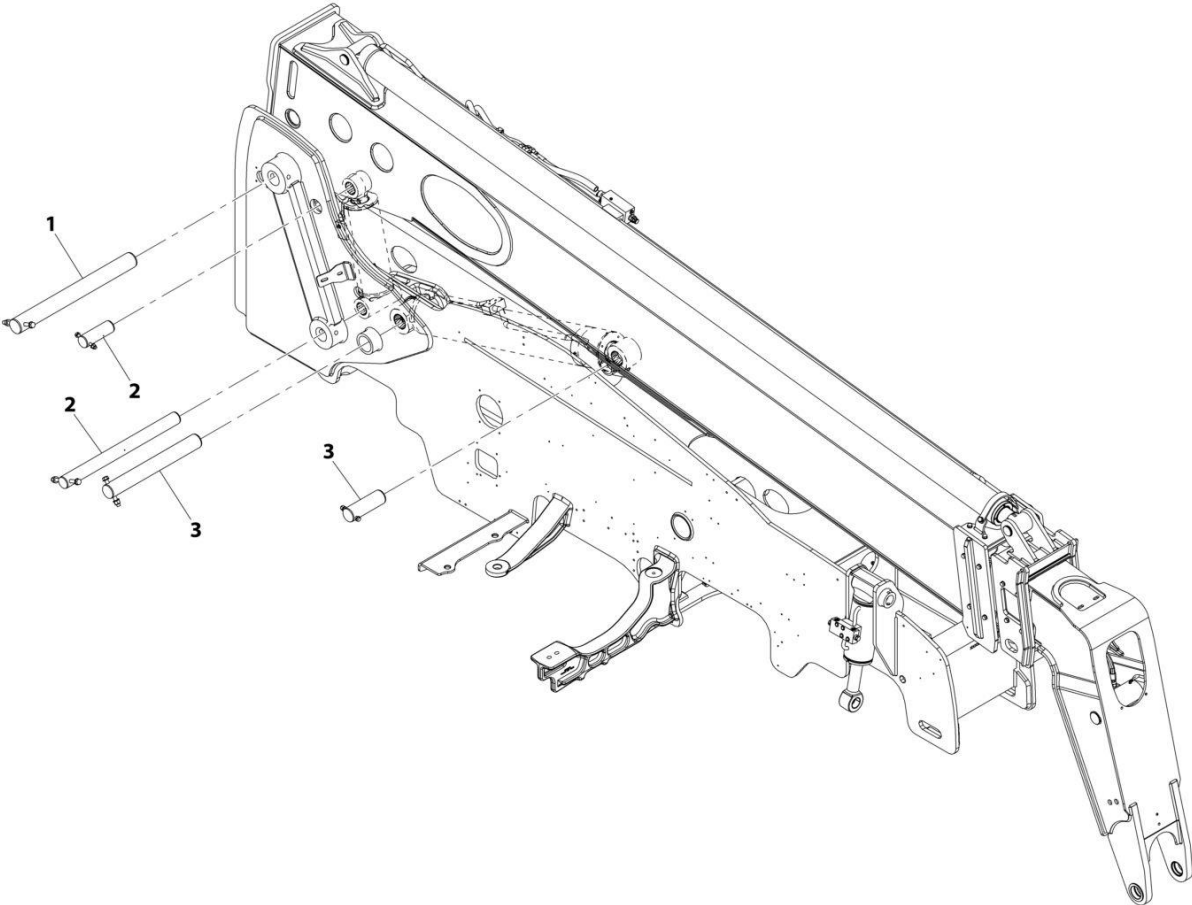


**FIGURE 2-10. HOSE BRACKET INSTALLATION**

ITEM	PART NUMBER	QTY	DESCRIPTION	REV
	1001168630	Ref	Hose Bracket Installation	B
1	0760615	4	Bolt, M6X35	
2	3290605	4	Nut, Lock M6X1 Grade 8	
3	4811700	4	Washer, M6	
4	1001168632	1	Bracket	
5	1001169209	2	Plate	
6	1001169214	4	Spacer	

**SECTION 2 - BOOM**

**FIGURE 2-11. BOOM PINNING INSTALLATION**



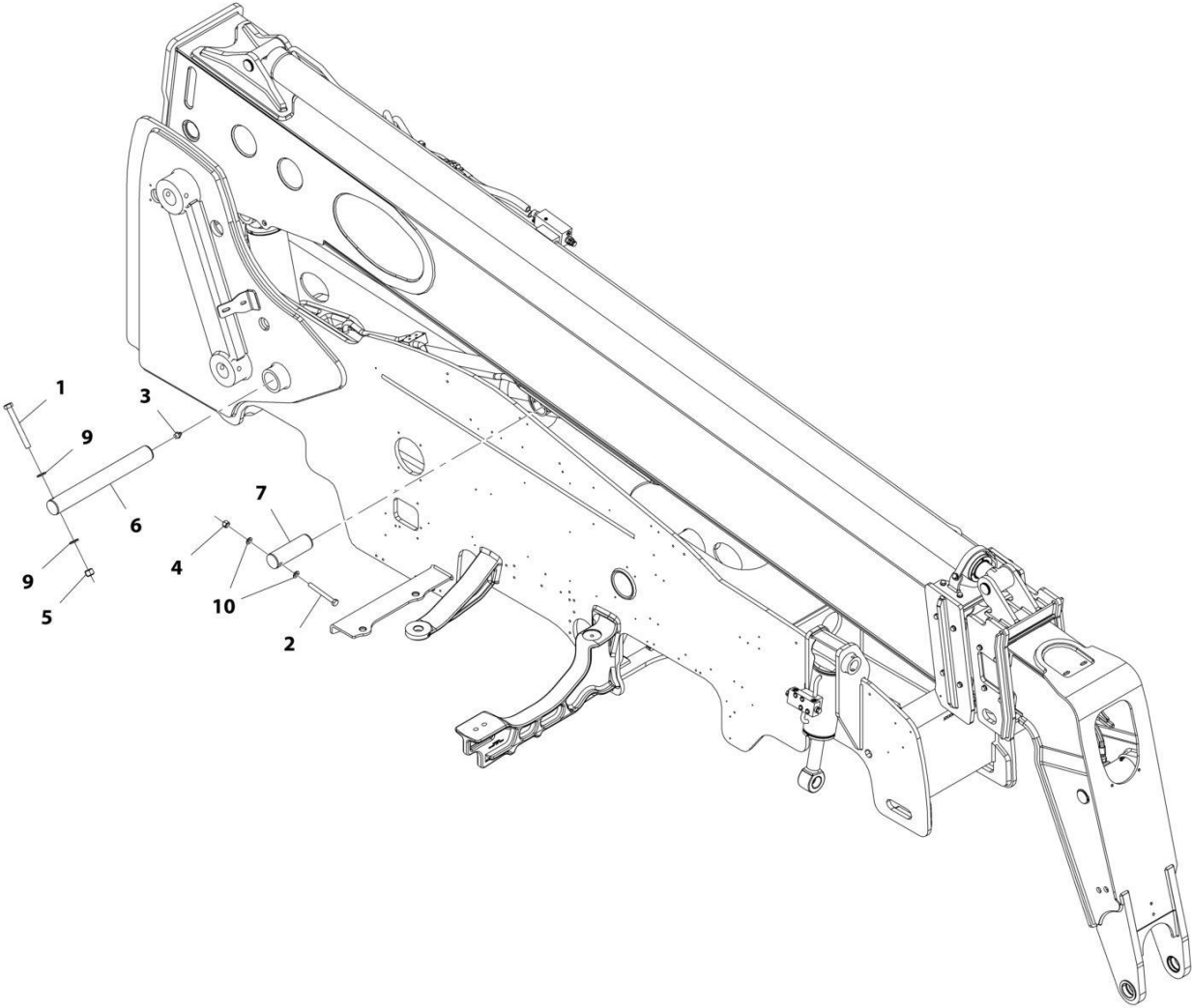
ART\_1001168486-C

**FIGURE 2-11. BOOM PINNING INSTALLATION**

ITEM	PART NUMBER	QTY	DESCRIPTION	REV
	1001168486	Ref	Boom Pinning Installation	D
1	1001172344	Ref	Installation, Boom Pivot Pin (See Separate Breakdown in this Section)	
2	1001172345	Ref	Installation, Compensation Cylinder Pins (See Separate Breakdown in this Section)	
3	1001172346	Ref	Installation, Lift Cylinder Pins (See Separate Breakdown in this Section)	

**SECTION 2 - BOOM**

**FIGURE 2-12. LIFT CYLINDER PINS INSTALLATION**



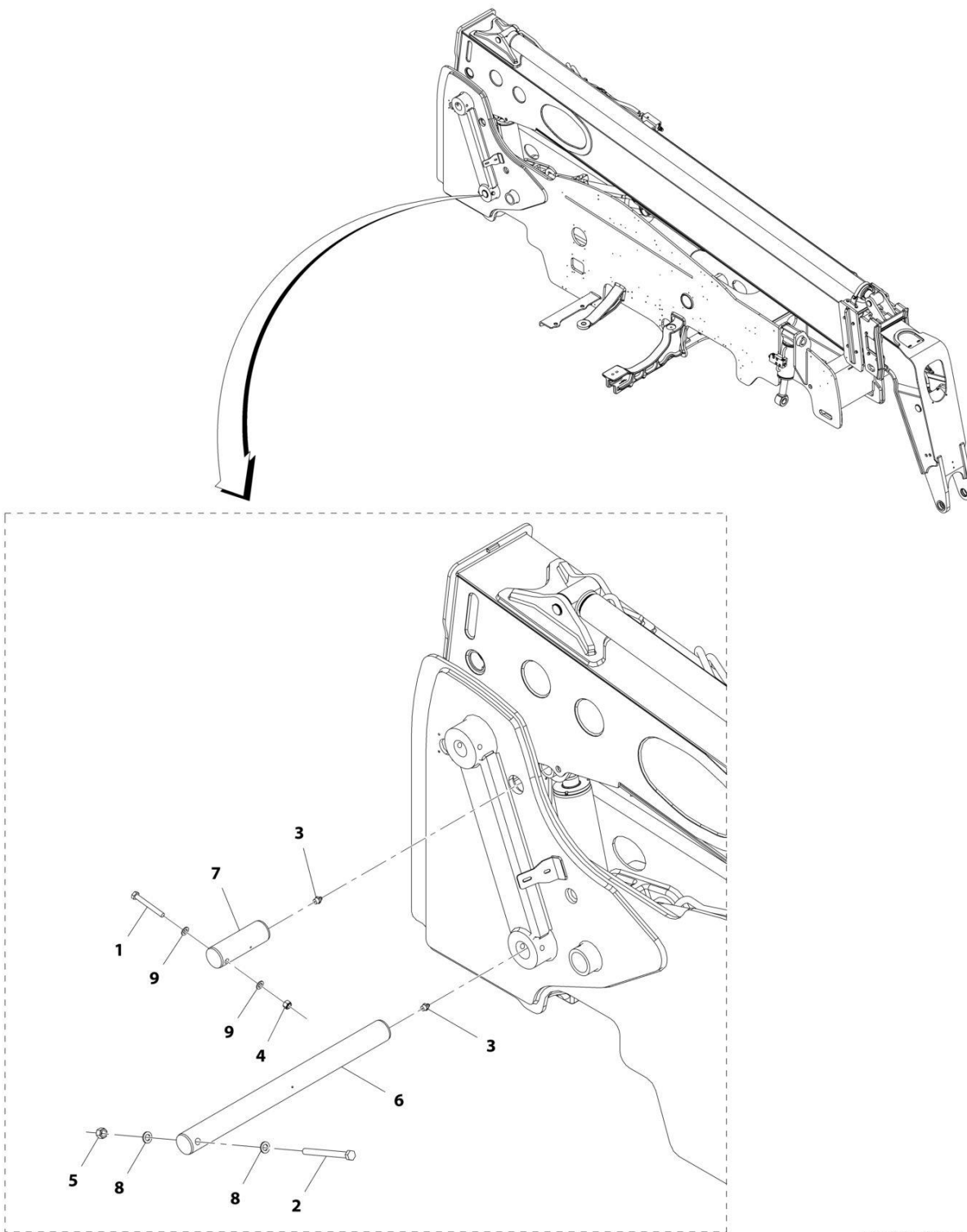
ART\_1001172346-G

FIGURE 2-12. LIFT CYLINDER PINS INSTALLATION

ITEM	PART NUMBER	QTY	DESCRIPTION	REV
	1001172346	Ref	Lift Cylinder Pins Installation	G
1	0711631	1	Bolt, M16X140	
2	0711228	1	Bolt, M12X110	
3	2160016	1	Fitting, Grease	
4	3291205	1	Nut, Lock M12X1.75 Grade 8	
5	3291605	1	Nut, Lock M16X2 Grade 8	
6	1001172350	1	Pin, Cylinder	
7	1001205335	1	Pin, Cylinder	
9	4812300	2	Washer, M16	
10	4812100	2	Washer, M12	

## SECTION 2 - BOOM

FIGURE 2-13. COMPENSATION CYLINDER PINS INSTALLATION



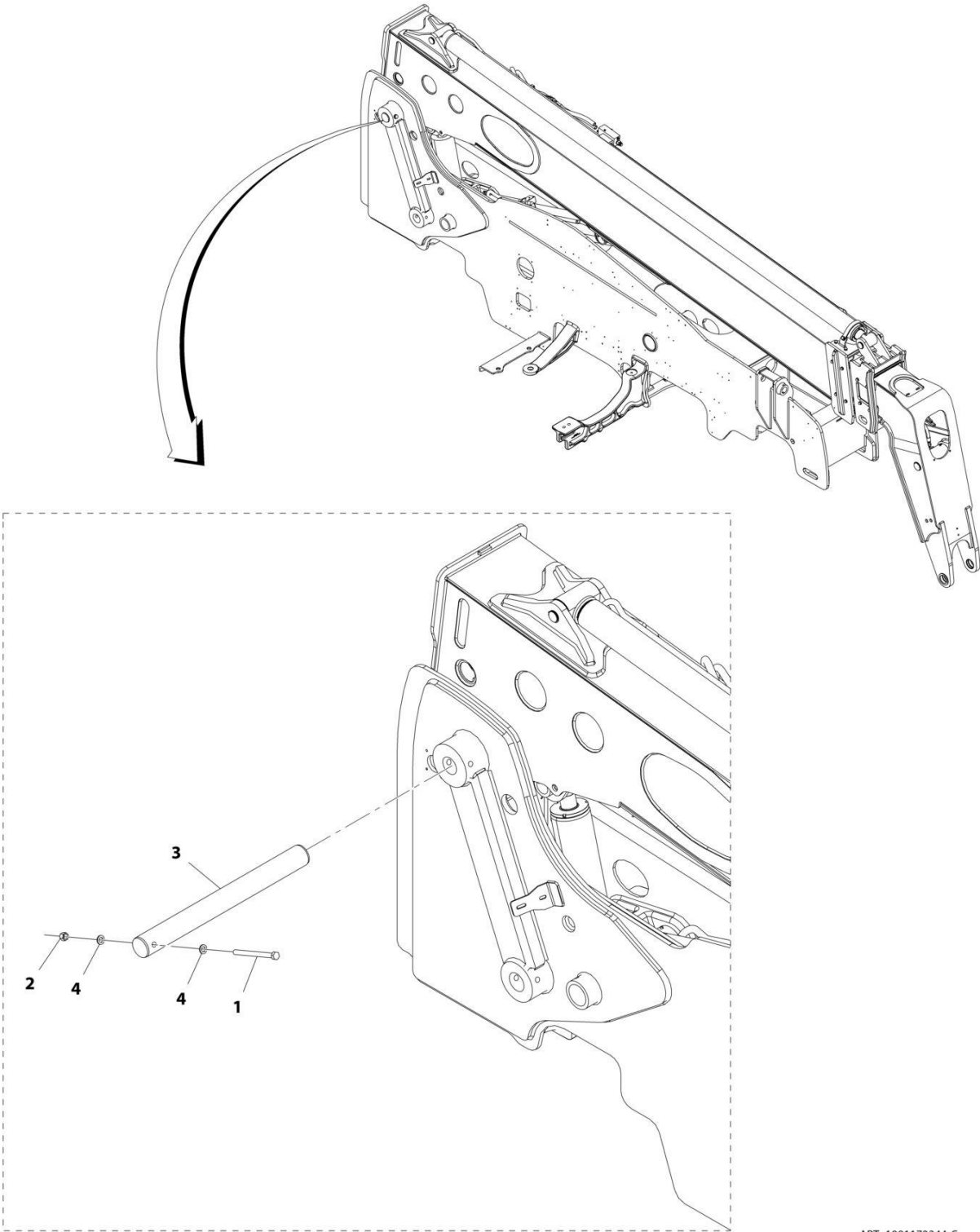
ART\_1001172345-D

**FIGURE 2-13. COMPENSATION CYLINDER PINS INSTALLATION**

<b>ITEM</b>	<b>PART NUMBER</b>	<b>QTY</b>	<b>DESCRIPTION</b>	<b>REV</b>
	1001172345	Ref	Compensation Cylinder Pins Installation	D
1	0711229	1	Bolt, M12X120 Grade 10.9	
2	0711635	1	Bolt, M16X180 Grade 10.9	
3	2160016	2	Fitting, Grease	
4	3291205	1	Nut, Lock M12X1.75 Grade 8	
5	3291605	1	Nut, Lock M16X2 Grade 8	
6	1001172352	1	Pin, Cylinder Base	
7	1001172353	1	Pin, Cylinder End	
8	4812300	2	Washer, M16	
9	4812100	2	Washer, M12	

**SECTION 2 - BOOM**

**FIGURE 2-14. BOOM PIVOT PIN INSTALLATION**



ART\_1001172344-C

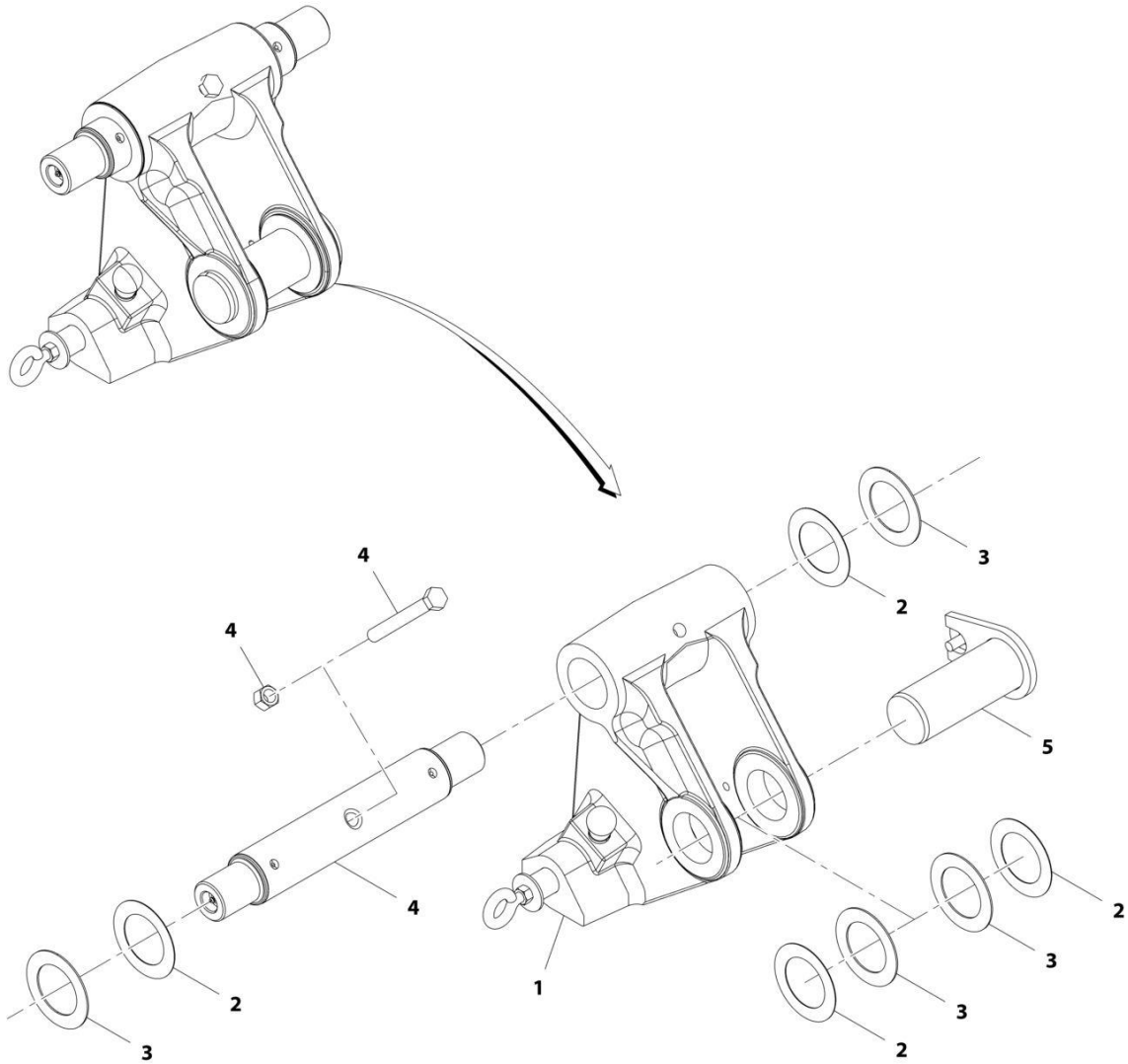


FIGURE 2-14. BOOM PIVOT PIN INSTALLATION

ITEM	PART NUMBER	QTY	DESCRIPTION	REV
	1001172344	Ref	Boom Pivot Pin Installation	D
1	1001091951	1	Bolt, M16X200	
2	3291605	1	Nut, Lock M16X2 Grade 8	
3	1001166975	1	Pin	
4	4812300	2	Washer, M16	

# SECTION 2 - BOOM

## FIGURE 2-15. MANUAL QUICK COUPLER INSTALLATION



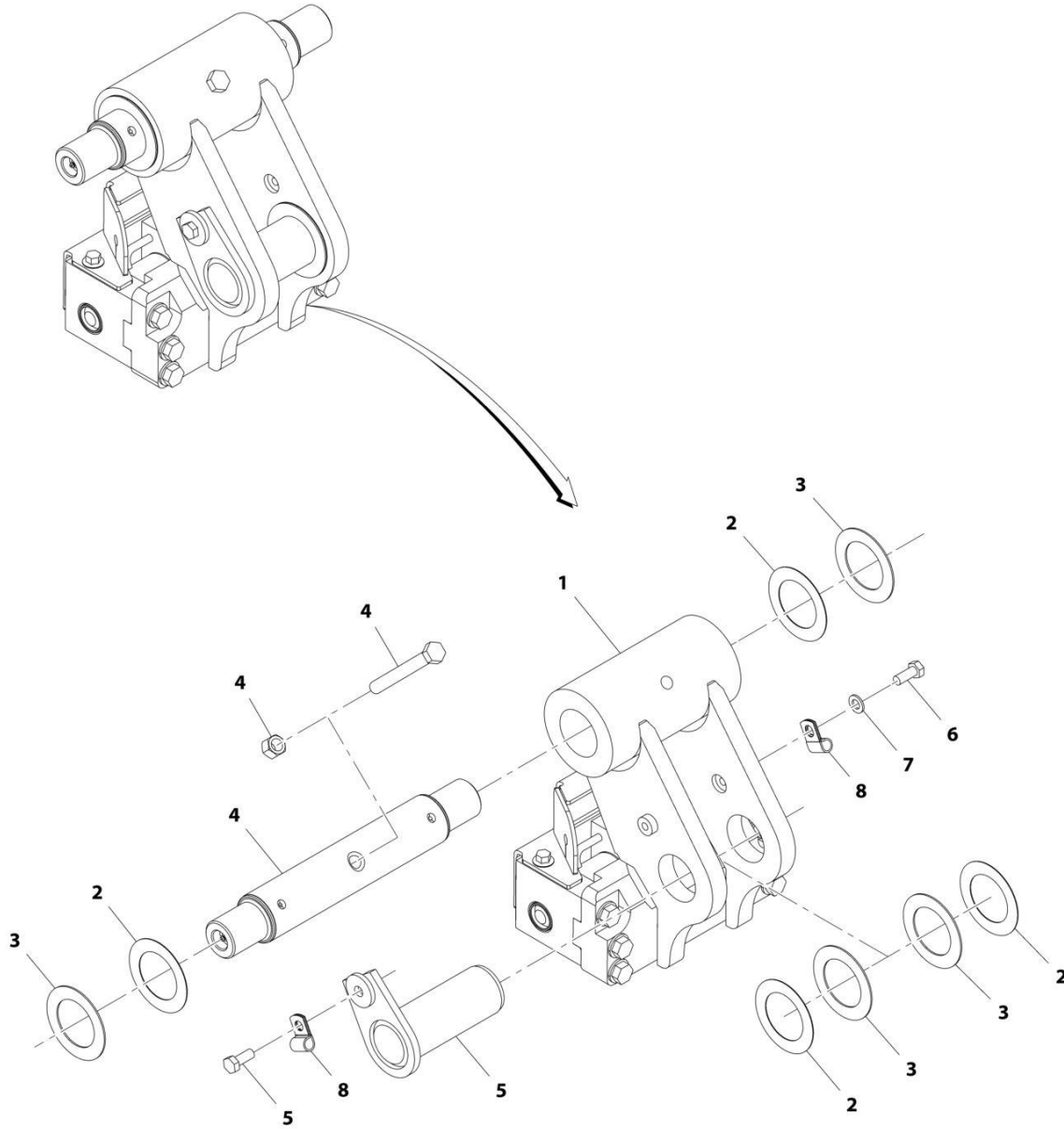
ART\_1001170628-A

**FIGURE 2-15. MANUAL QUICK COUPLER INSTALLATION**

ITEM	PART NUMBER	QTY	DESCRIPTION	REV
	1001170628	Ref	Manual Quick Coupler Installation	A
1	1001171764	1	Coupling, Quick Connect (See Separate Breakdown in this Section)	
2	1001164884	AR	Shim	
3	1001164885	AR	Shim	
4	1001167761	Ref	Installation, Boom Pin (See Separate Breakdown in this Section)	
5	1001167762	Ref	Installation, Tilt Cylinder Pin (See Separate Breakdown in this Section)	

# SECTION 2 - BOOM

## FIGURE 2-16. HYDRAULIC QUICK COUPLER INSTALLATION



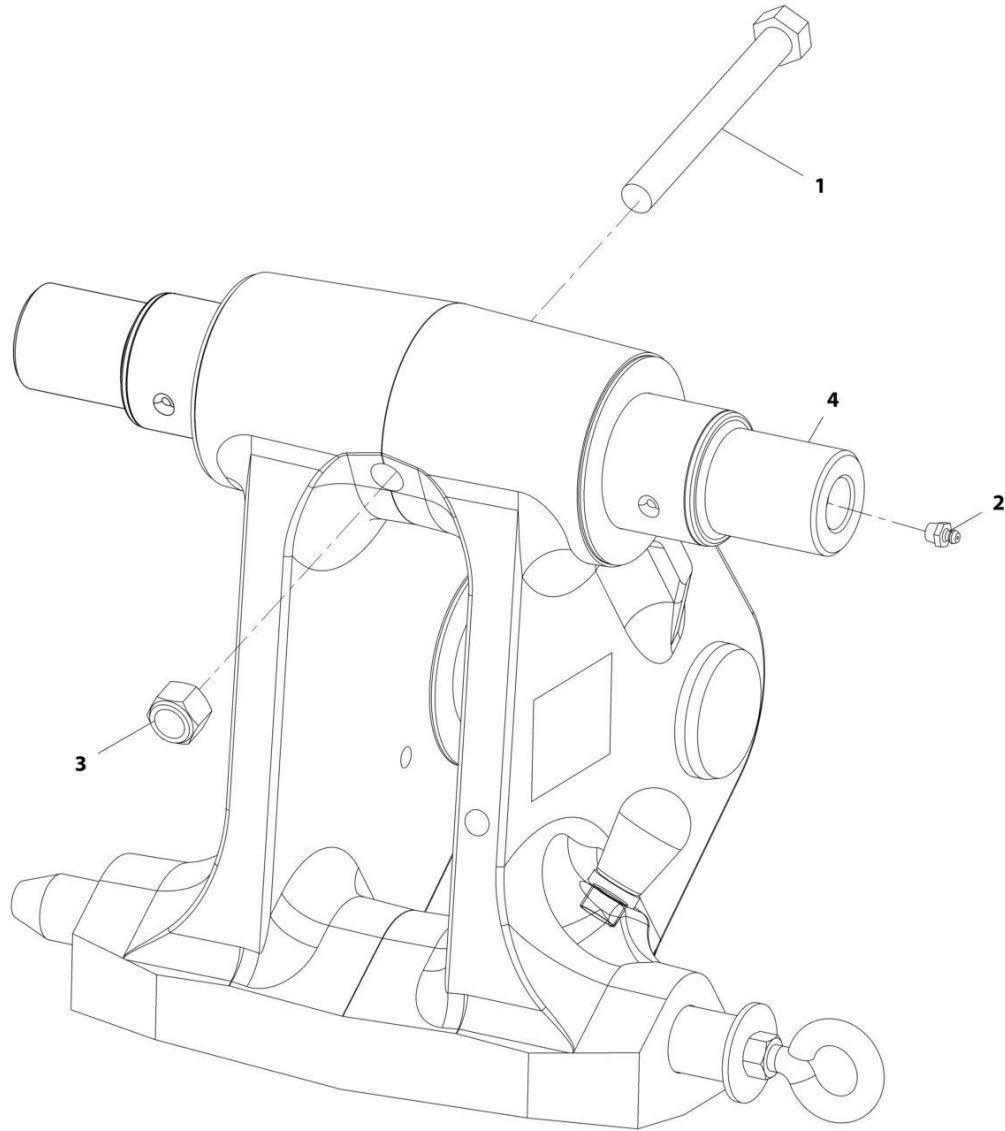
ART\_1001170631-B

**FIGURE 2-16. HYDRAULIC QUICK COUPLER INSTALLATION**

<b>ITEM</b>	<b>PART NUMBER</b>	<b>QTY</b>	<b>DESCRIPTION</b>	<b>REV</b>
	1001170631	Ref	Hydraulic Quick Coupler Installation	B
1	1001172134	1	Assembly, Hydraulic Quick Coupler (See Separate Breakdown in HYDRAULIC COMPONENTS Section)	
2	1001164884	AR	Shim	
3	1001164885	AR	Shim	
4	1001167761	Ref	Installation, Boom Pin (See Separate Breakdown in this Section)	
5	1001167762	Ref	Installation, Tilt Cylinder Pin (See Separate Breakdown in this Section)	
6	0761214	1	Capscrew, M12X30	
7	4812100	1	Washer, M12	
8	1001080996	2	Clamp	

## SECTION 2 - BOOM

### FIGURE 2-17. BOOM PIN INSTALLATION



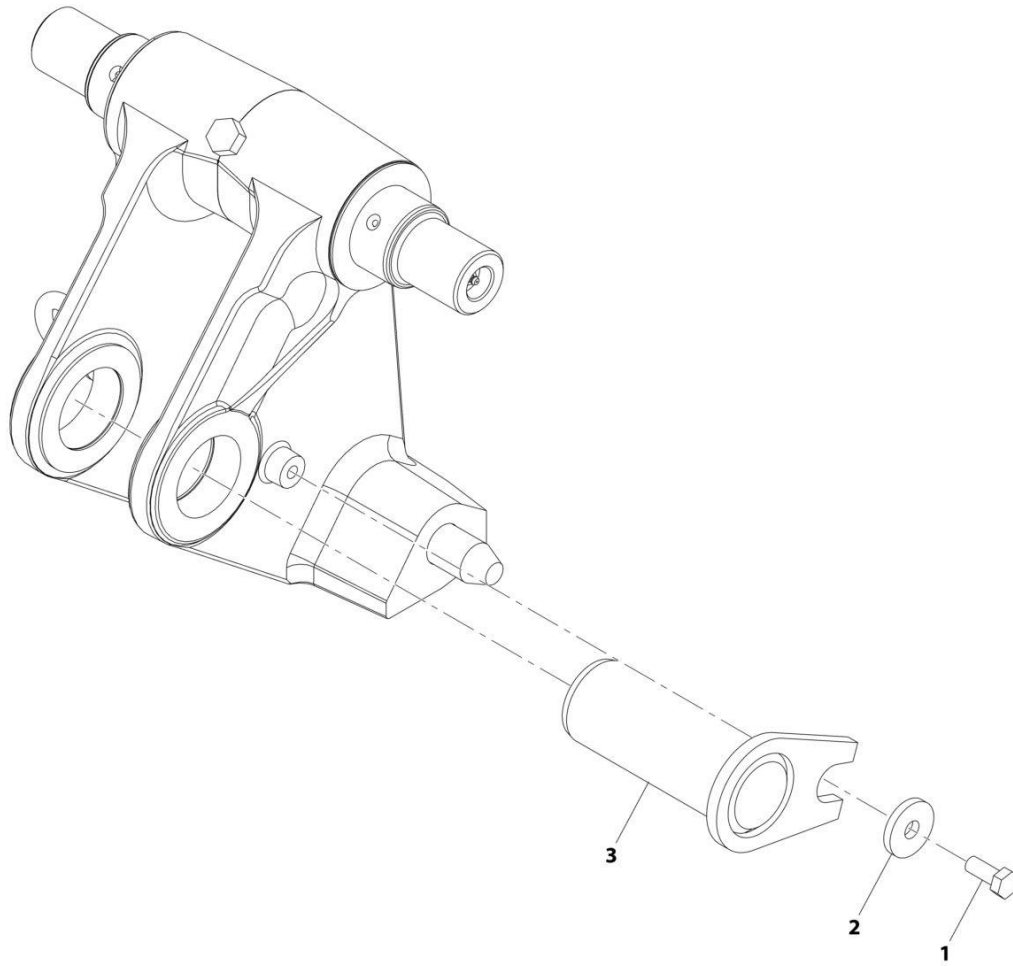
ART\_1001167761-B

FIGURE 2-17. BOOM PIN INSTALLATION

ITEM	PART NUMBER	QTY	DESCRIPTION	REV
	1001167761	Ref	Boom Pin Installation	B
1	0711631	1	Bolt, M16X140	
2	2160016	2	Fitting, Straight	
3	3291605	1	Nut, Lock M16X2	
4	1001164871	1	Pin	

## SECTION 2 - BOOM

FIGURE 2-18. TILT CYLINDER PIN INSTALLATION



ART\_1001167762-A

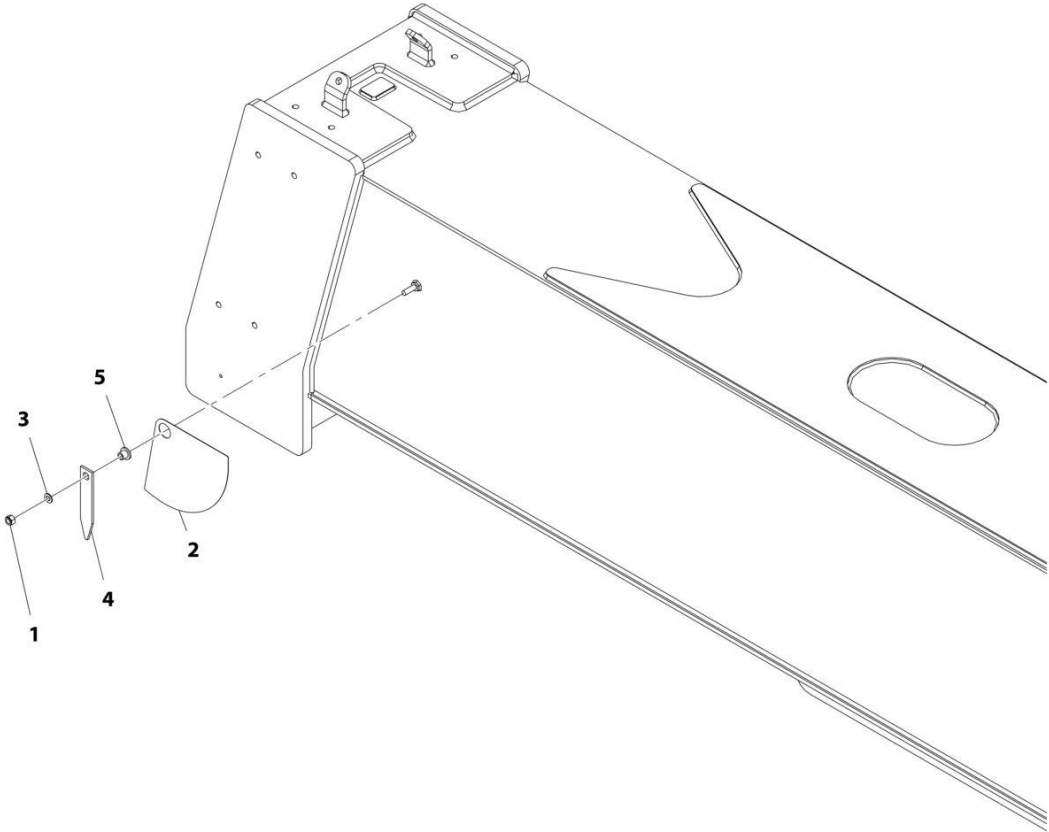


**FIGURE 2-18. TILT CYLINDER PIN INSTALLATION**

<b>ITEM</b>	<b>PART NUMBER</b>	<b>QTY</b>	<b>DESCRIPTION</b>	<b>REV</b>
	1001167762	Ref	Tilt Cylinder Pin Installation	A
1	0761214	1	Bolt, M12X30	
2	4740003	1	Washer	
3	1001164881	1	Pin	

**SECTION 2 - BOOM**

**FIGURE 2-19. BOOM ANGLE INDICATOR INSTALLATION**



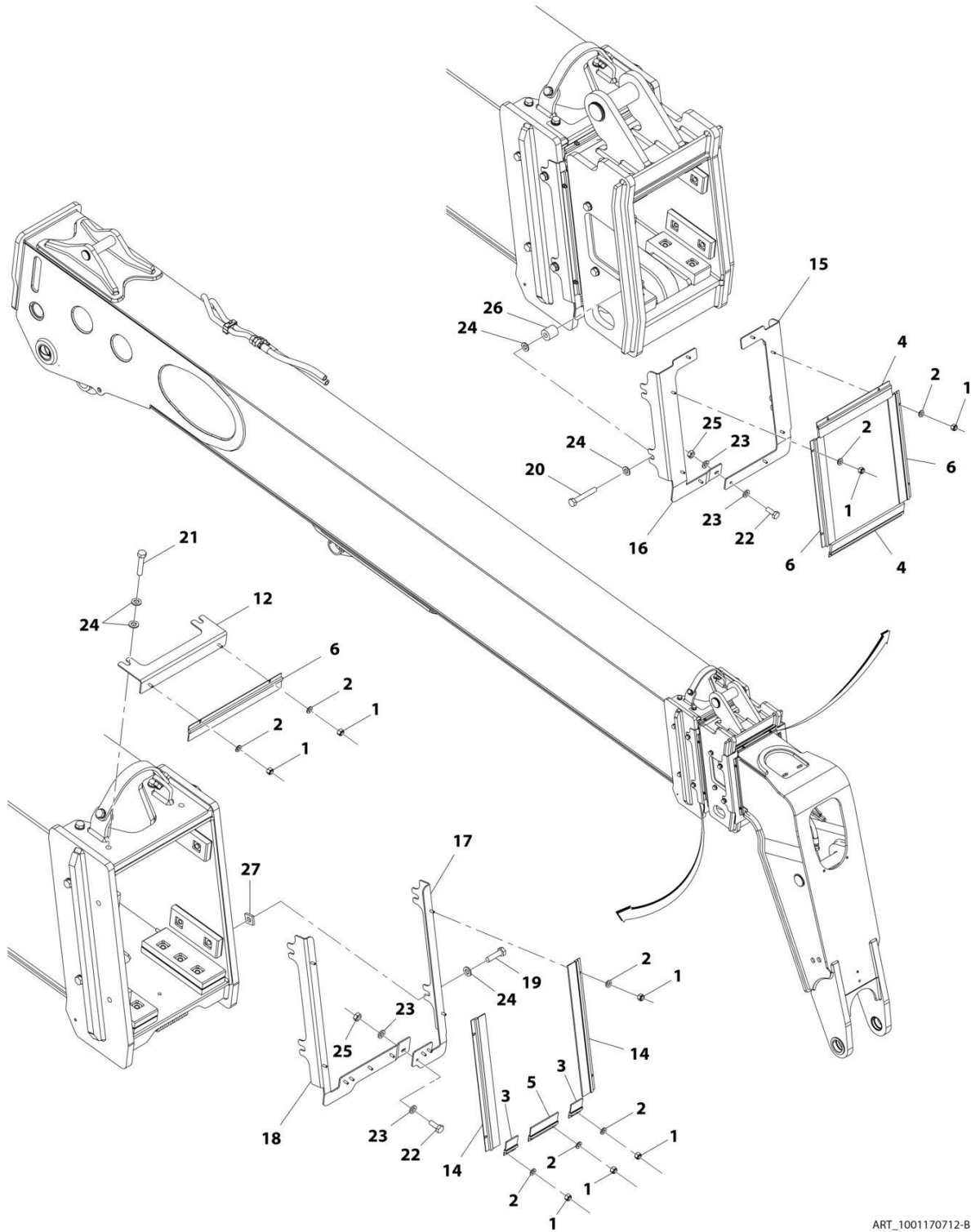
ART\_1001167806-B

FIGURE 2-19. BOOM ANGLE INDICATOR INSTALLATION

ITEM	PART NUMBER	QTY	DESCRIPTION	REV
	1001167806	Ref	Boom Angle Indicator Installation	B
1	3291005	1	Nut, Lock M10X1.5 Grade 8	
2	4105262	1	Decal, Boom Angle Indicator	
3	4812000	1	Washer, M10	
4	1001098769	1	Plate	
5	1001171808	1	Spacer	

# SECTION 2 - BOOM

## FIGURE 2-20. BOOM BRUSHES INSTALLATION



ART\_1001170712-B

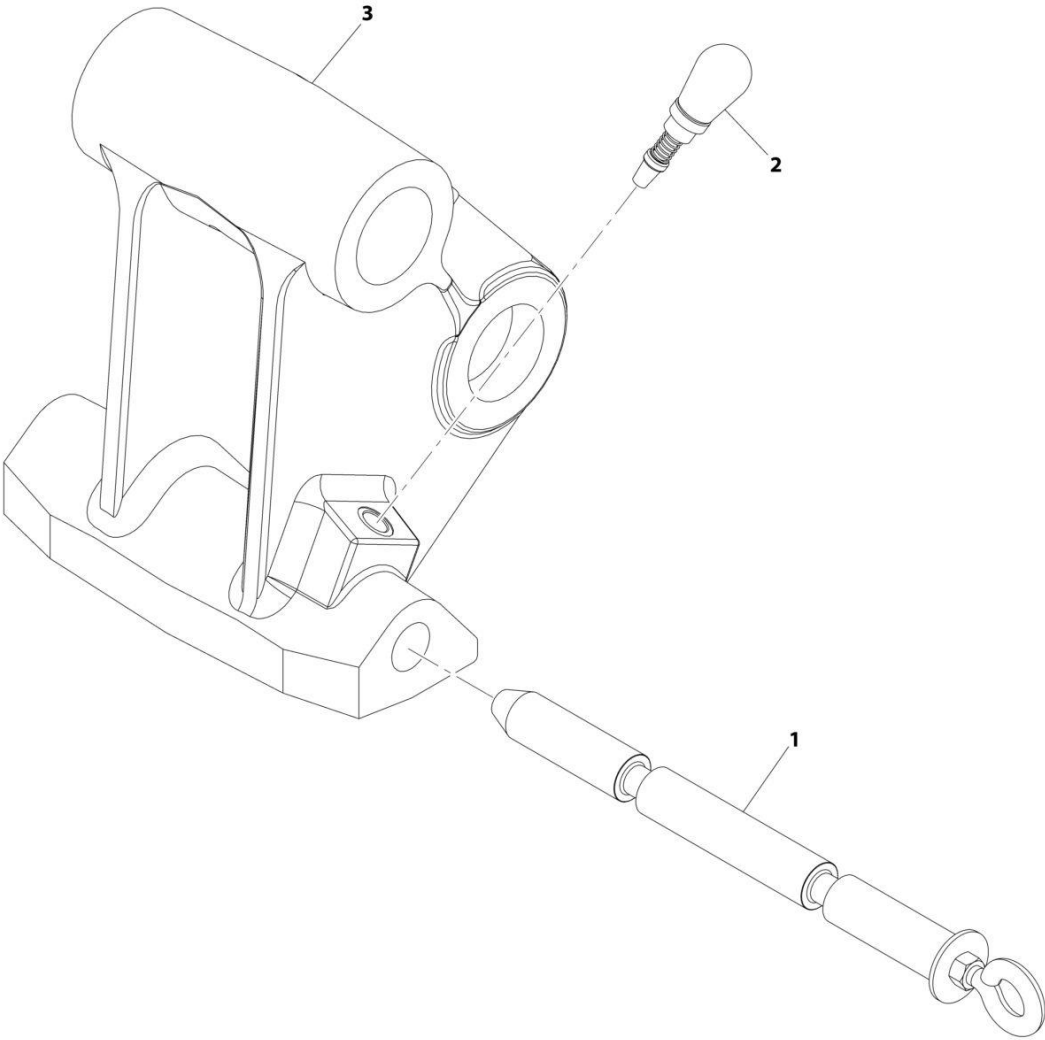
## SECTION 2 - BOOM

**FIGURE 2-20. BOOM BRUSHES INSTALLATION**

ITEM	PART NUMBER	QTY	DESCRIPTION	REV
	1001170712	Ref	Boom Brushes Installation	B
1	3290505	20	Nut, Lock M5X0.8 Grade 8	
2	4811600	20	Washer, M5	
3	1001172994	2	Brush, Boom	
4	1001172995	2	Brush, Boom	
5	1001172996	1	Brush, Boom	
6	1001172997	3	Brush, Boom	
12	1001175683	1	Bracket, Boom Brush	
14	1001173739	2	Brush, Boom	
15	1001193578	1	Bracket, Boom Brush	
16	1001193579	1	Bracket, Boom Brush	
17	1001194785	1	Bracket, Boom Brush	
18	1001194787	1	Bracket, Boom Brush	
19	0701217	4	Bolt, M12X45	
20	0701224	4	Bolt, M12X80	
21	0711220	2	Bolt, M12-1.75X60 Grade 10.9	
22	0760608	2	Bolt, M6X16	
23	4811700	4	Washer, M6	
24	1001125117	16	Washer, M12	
25	3290601	2	Nut, M6X1	
26	1001193577	4	Spacer	
27	1001194789	4	Plate	

**SECTION 2 - BOOM**

**FIGURE 2-21. QUICK COUPLER ASSEMBLY**



ART\_1001171764-A

FIGURE 2-21. QUICK COUPLER ASSEMBLY

ITEM	PART NUMBER	QTY	DESCRIPTION	REV
	1001171764	Ref	Quick Coupler Assembly	A
1	1001105441	1	Pin	
2	1001143692	1	Pin, Poppin	
3	1001164567	1	Coupling, Quick Connect	

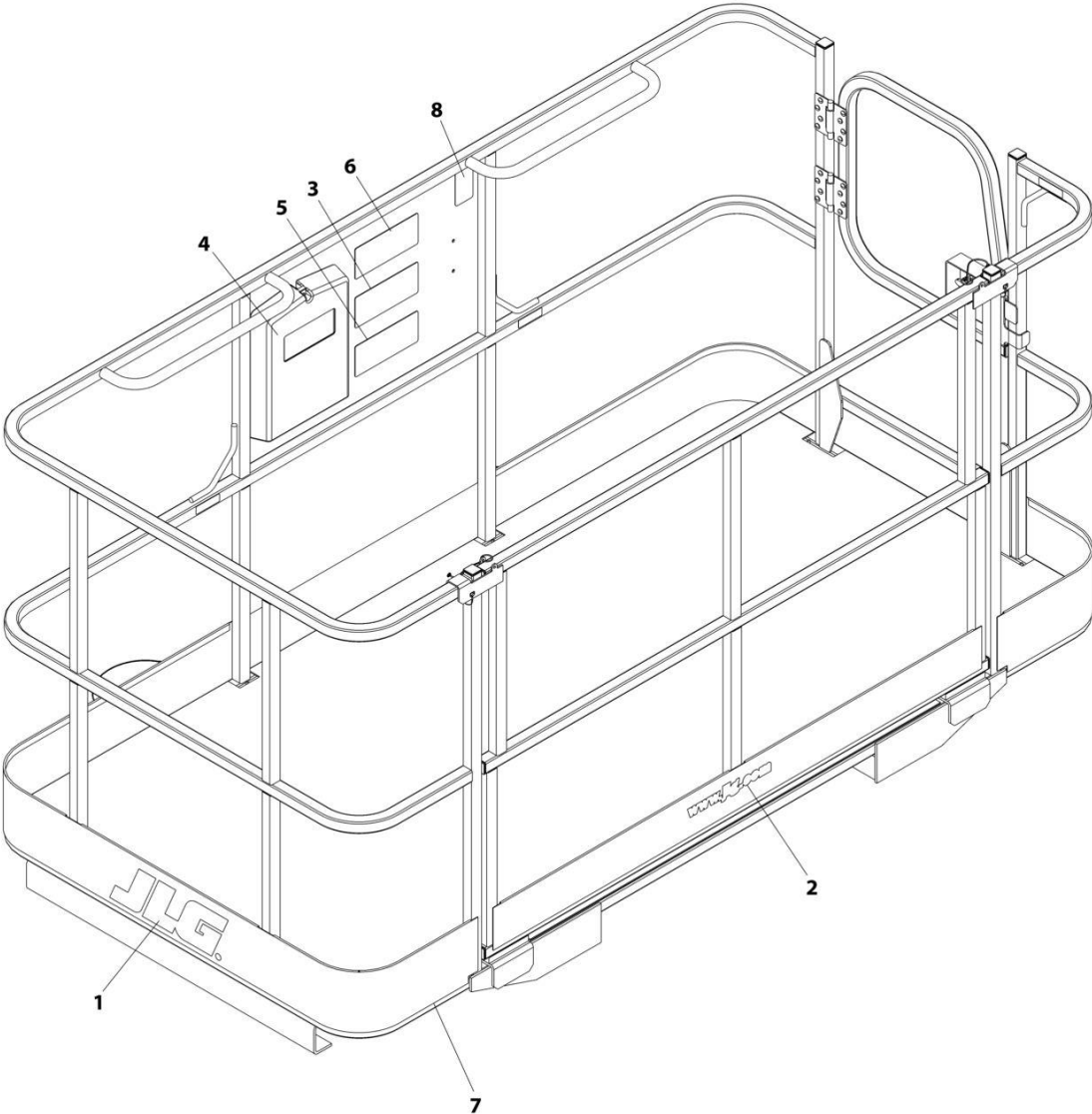




**SECTION 3 - ATTACHMENTS**

**SECTION 3 - ATTACHMENTS**

**FIGURE 3-1. BASKET, PERSONNEL - 4FT X 8FT (ASME)**



ART\_1001238653-A

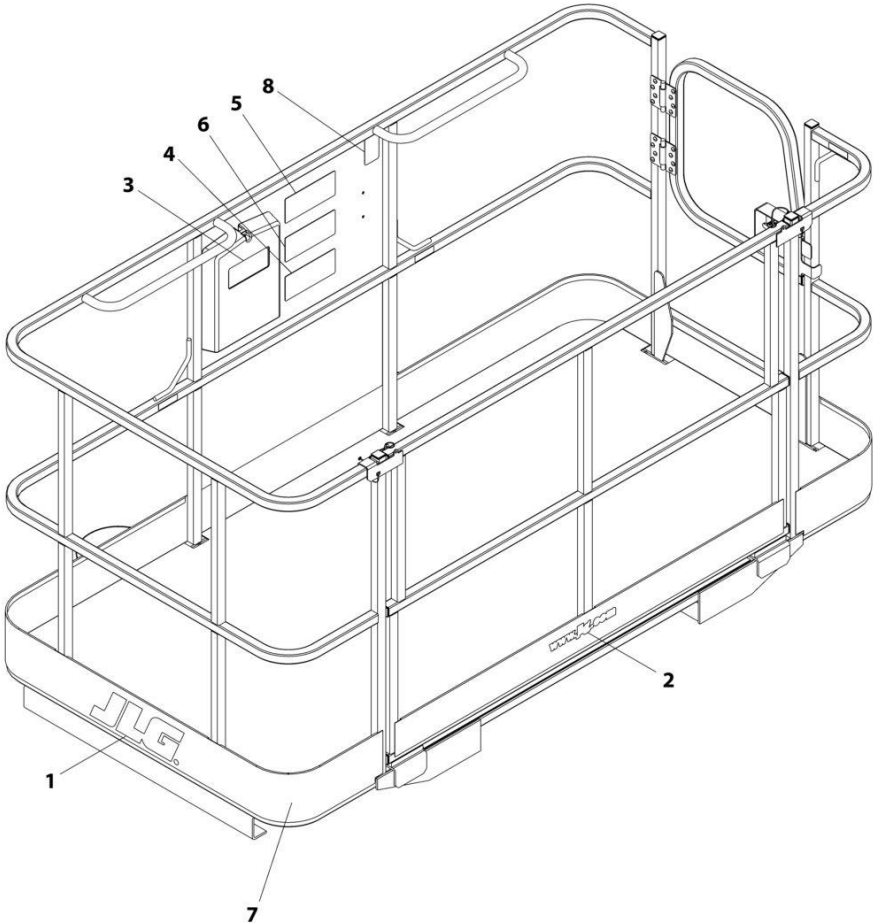
## SECTION 3 - ATTACHMENTS

**FIGURE 3-1. BASKET, PERSONNEL - 4FT X 8FT (ASME)**

ITEM	PART NUMBER	QTY	DESCRIPTION	REV
	1001238653	Ref	FORK MOUNTED PLATFORM	B
1	1702773	2	Decal, JLG	
2	1704885	1	Decal, Website	
3	1706892	1	Decal, Platform Warning	
4	31200160	1	Manual, Personnel Work Platform Operation and Safety	
5	1001092481	1	Decal, Warning Attachment	
6	1001092482	1	Decal, Platform Capacity	
7	1001238565	1	Platform, Fork Mounted (See Separate Breakdown in this Section)	
8	See Note	NSS	SN Plate (Note: Stamped Part - Not Available for Purchase)	

**SECTION 3 - ATTACHMENTS**

**FIGURE 3-2. BASKET, PERSONNEL - 4FT X 8FT (DOMESTIC)**



ART\_1001238655-A

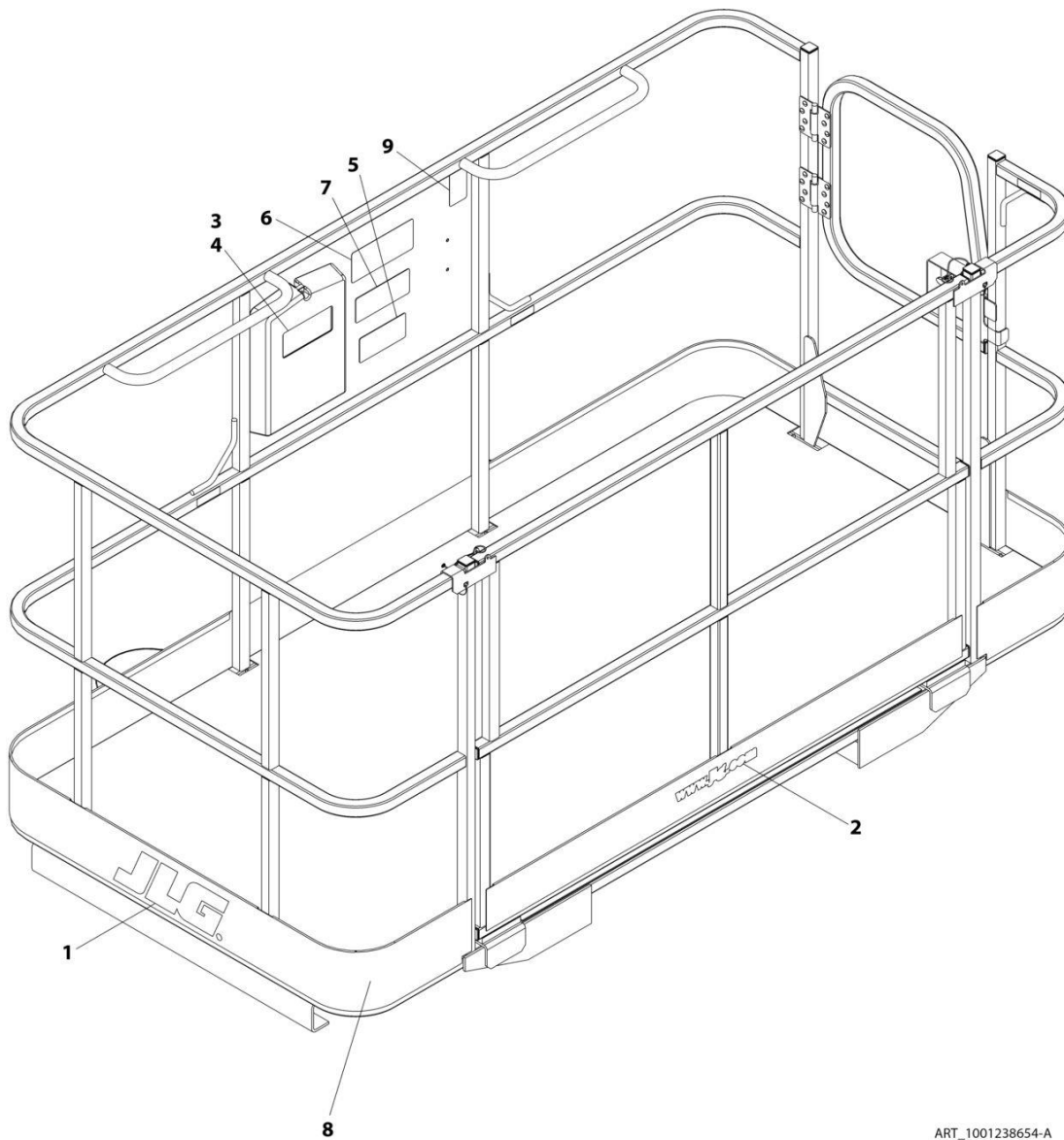
## SECTION 3 - ATTACHMENTS

**FIGURE 3-2. BASKET, PERSONNEL - 4FT X 8FT (DOMESTIC)**

ITEM	PART NUMBER	QTY	DESCRIPTION	REV
	1001238655	Ref	BASKET, PERSONNEL	B
1	1702773	2	Decal, JLG	
2	1704885	1	Decal, Website	
3	31200386	1	Manual, Operation and Safety (French)	
4	1001096019	1	Decal, Warning Attachment (French)	
5	1001096020	1	Decal, Platform Capacity (French)	
6	1001096024	1	Decal, Platform Warning (French)	
7	1001238565	1	Platform, Fork Mounted (ANSI) (See Separate Breakdown in this Section)	
8	See Note	NSS	SN Plate (Note: Stamped Part - Not Available for Purchase)	

# SECTION 3 - ATTACHMENTS

FIGURE 3-3. BASKET, PERSONNEL - 4FT X 8FT (ISO)



ART\_1001238654-A

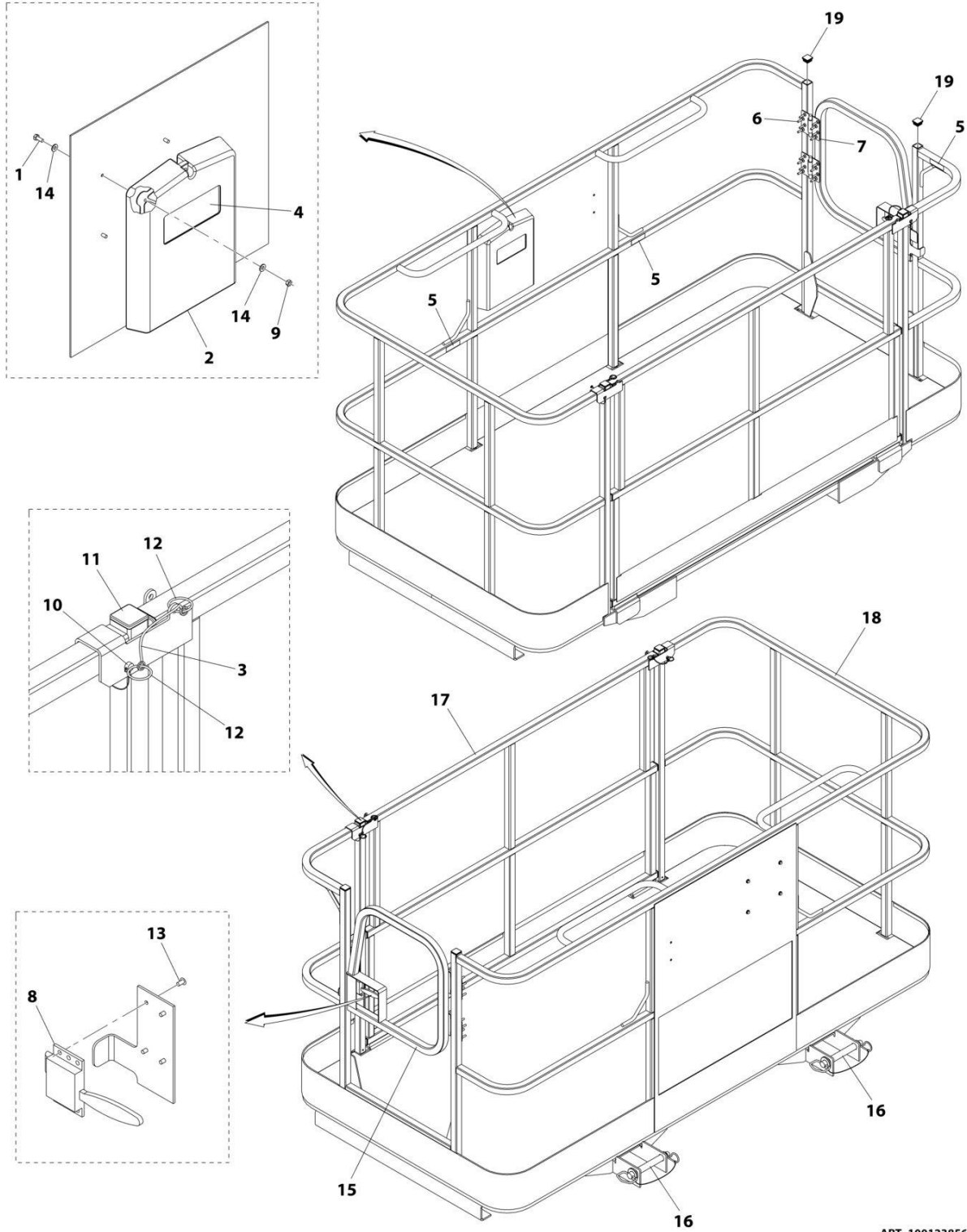
## SECTION 3 - ATTACHMENTS

**FIGURE 3-3. BASKET, PERSONNEL - 4FT X 8FT (ISO)**

ITEM	PART NUMBER	QTY	DESCRIPTION	REV
	1001238654	Ref	BASKET, PERSONNEL	B
1	1702773	2	Decal, JLG	
2	1704885	1	Decal, Website	
3	31200387	1	Manual, Operation and Safety, Spanish	
4	31200388	1	Manual, Operation and Safety, Portuguese	
5	1001096021	1	Decal, Warning Attachment	
6	1001096023	1	Decal, Platform Capacity	
7	1001096025	1	Decal, Platform Warning	
8	1001238565	1	Platform, Fork Mounted (ANSI) (See Separate Breakdown in this Section)	
9	See Note	NSS	SN Plate (Note: Stamped Part - Not Available for Purchase)	

# SECTION 3 - ATTACHMENTS

## FIGURE 3-4. BASKET, FORK MOUNTED



ART\_1001238565



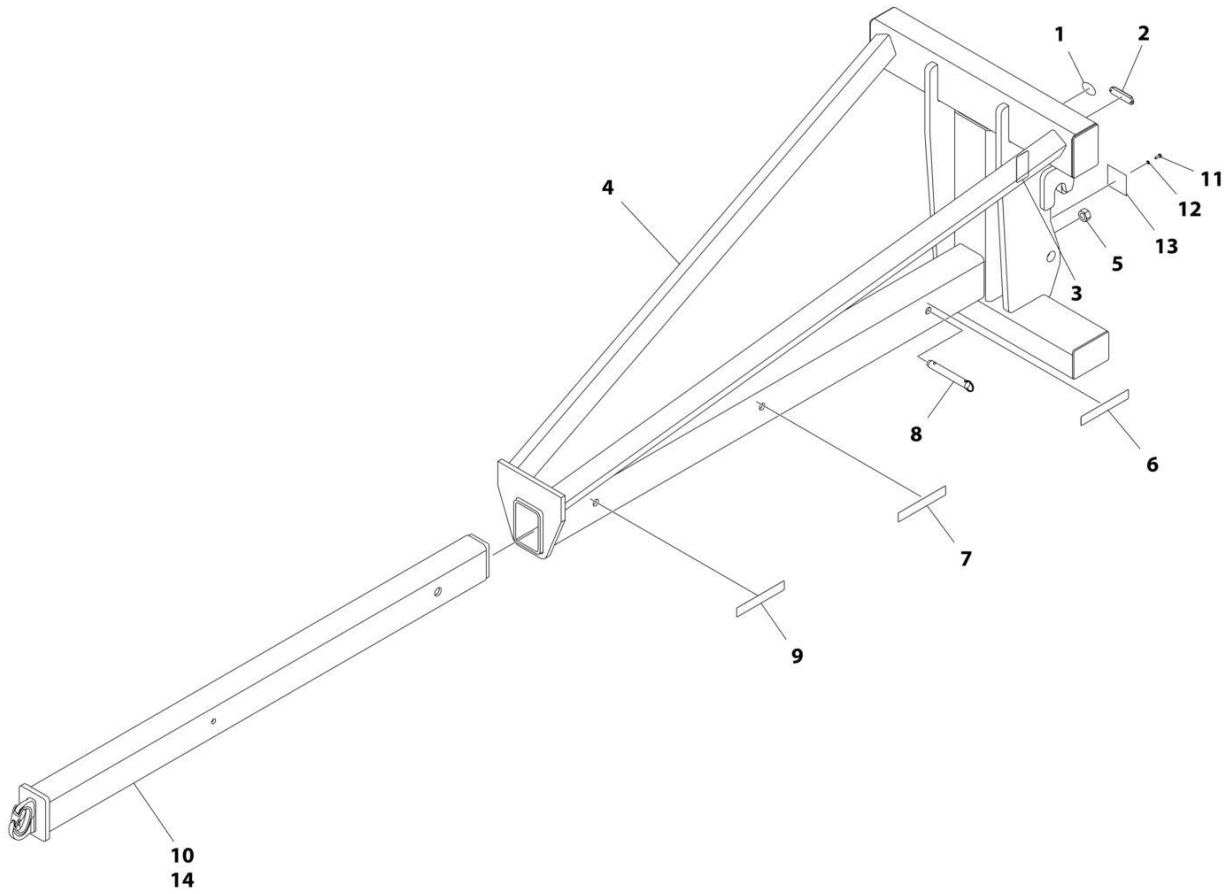
## SECTION 3 - ATTACHMENTS

### FIGURE 3-4. BASKET, FORK MOUNTED

ITEM	PART NUMBER	QTY	DESCRIPTION	REV
	1001238565	Ref	FORK MOUNTED PLATFORM ASSEMBLY	F
1	0641405	4	Bolt 1/4 x 5/8	
2	0860520	1	Box, Manual Storage	
3	1060379	2	Cable, Lanyard	
4	1701509	1	Decal, Manual	
5	1704277	3	Decal, Lanyard Attach	
6	2080040	16	Fastener	
7	2600281	2	Hinge	
8	2940074	1	Latch	
9	3311405	4	Nut 1/4	
10	3421453	2	Pin	
11	3520072	7	Plug	
12	3760170	4	Ring	
13	3820020	4	Rivet	
14	4711400	8	Washer 1/4	
15	1001144629J	1	Gate	
16	1001238560	2	Pin, Hitch	
17	1001095810	1	Gate	
18	See Note	NSS	Platform, Fork Mounted	
19	3520198	4	Plug	

# SECTION 3 - ATTACHMENTS

## FIGURE 3-5. BOOM - ADJUSTABLE (CARRIAGE MOUNTED)



ART\_1001176515\_D

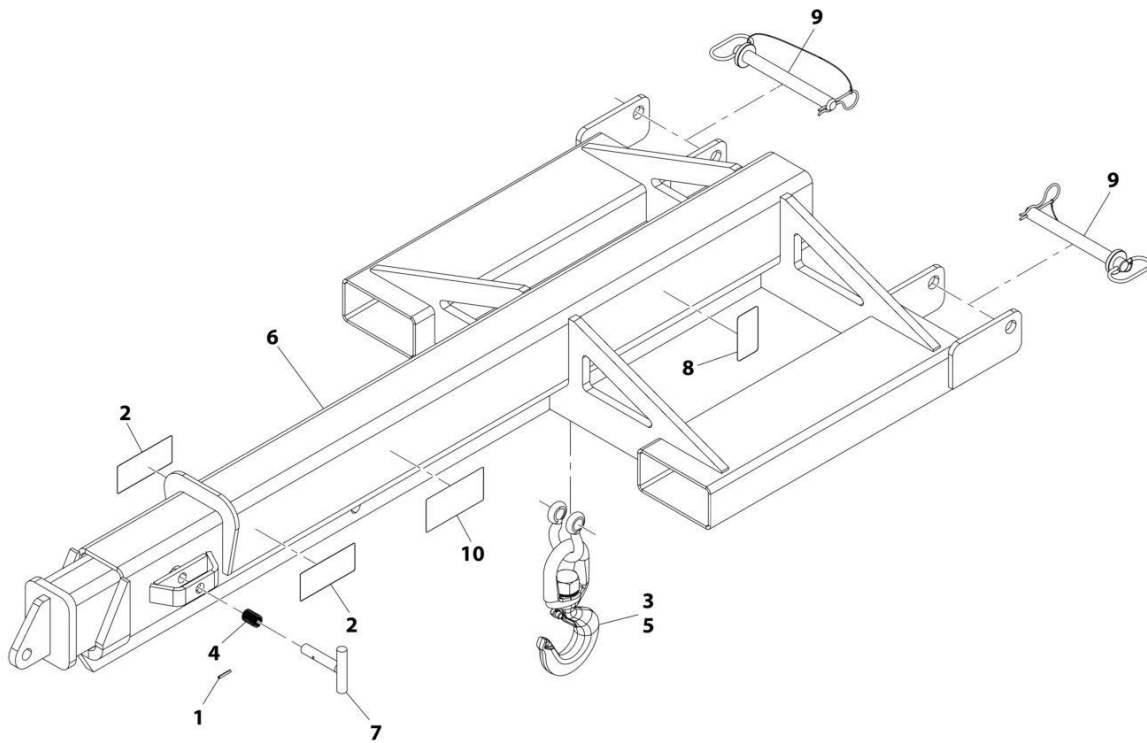
## SECTION 3 - ATTACHMENTS

**FIGURE 3-5. BOOM - ADJUSTABLE (CARRIAGE MOUNTED)**

ITEM	PART NUMBER	QTY	DESCRIPTION	REV
	1001176515	Ref	ADJUSTABLE TRUSS BOOM	E
1	90554016	1	Decal, Made in USA	
2	1001227670	1	Tag, RFID	
3	See Note	NSS	SN Plate (Note: Stamped Part - Not Available for Purchase)	
4	See Note	NSS	Truss Boom, Adjustable (Note: Purchase Complete Assembly)	
5	70021440	1	Nut, Lock	
6	70024062	2	Decal, 4000 lbs cap	
7	70026944	2	Decal, 3000 lbs cap	
8	70026946	1	Pin	
9	70026699	2	Decal, 2000 lbs cap	
10	70026747	1	Seal	
11	90554033	1	Bolt 3/4 x 1/4	
12	90554034	1	Washer 1/4	
13	70026948	1	Plate, Stop	
14	70026949	1	Boom, Telescopic	

# SECTION 3 - ATTACHMENTS

## FIGURE 3-6. BOOM - ADJUSTABLE (FORK MOUNTED)



ART\_1001230241-H

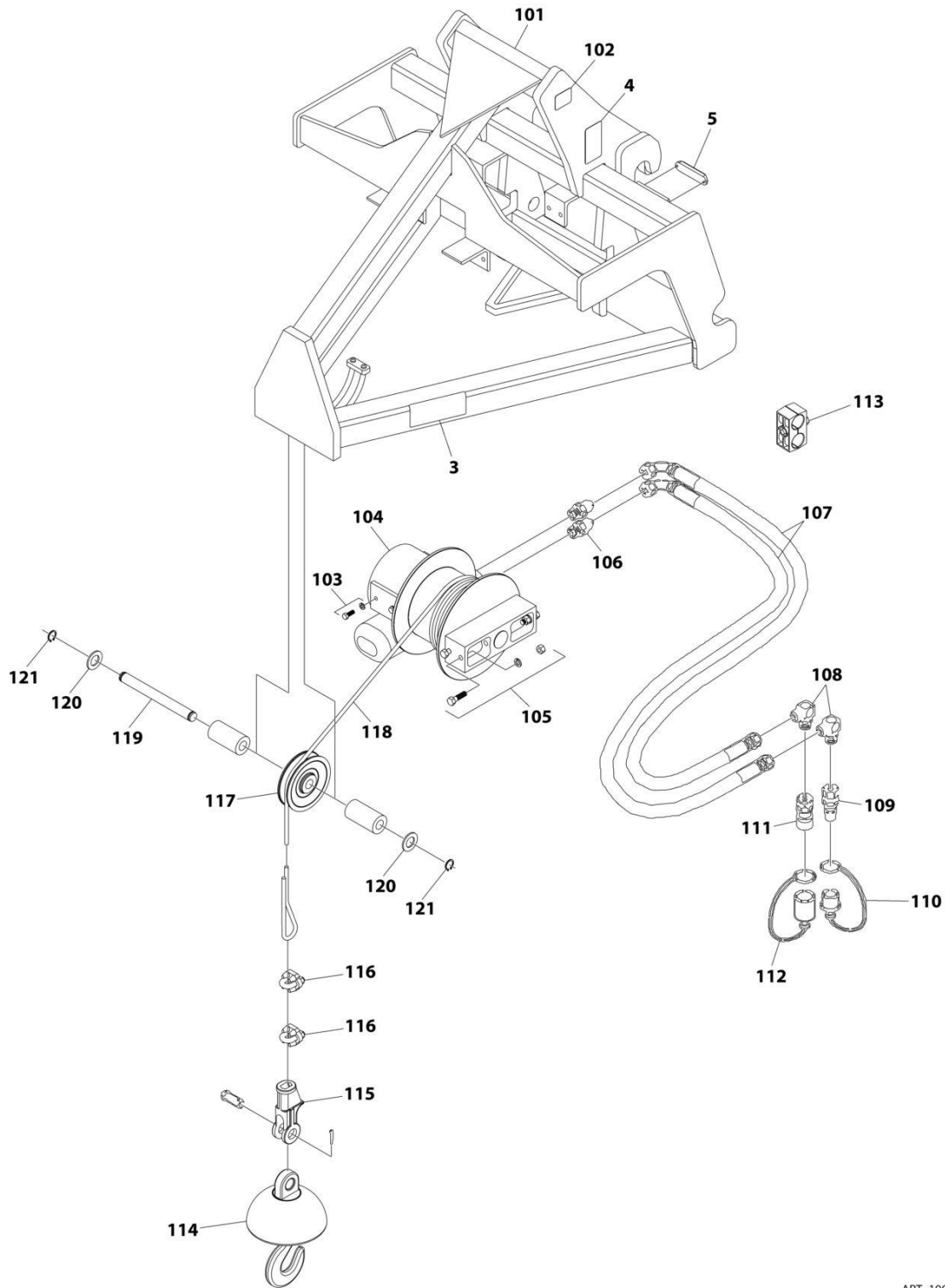
## SECTION 3 - ATTACHMENTS

**FIGURE 3-6. BOOM - ADJUSTABLE (FORK MOUNTED)**

ITEM	PART NUMBER	QTY	DESCRIPTION	REV
	1001230241	Ref	Adjustable Truss Boom Installation (Fork Mounted)	J
1	3440620	1	Pin	
2	4110422	2	Decal, Danger Swinging Loads	
3	91403448	1	Hook, Swivel	
4	1001128890	1	Spring	
5	1001146160	1	Shackle	
6	See Note	NSS	Boom, Truss - Adjustable (Note: Purchase Complete Assembly)	
7	1001230239	1	Pin	
8	See Note	NSS	SN Plate (Note:Stamped Part - Not Available for Purchase)	
9	1001231692	2	Pin	
10	1001232500	1	Decal, Load Capacities	

# SECTION 3 - ATTACHMENTS

## FIGURE 3-7. BOOM - 3FT WITH WINCH



ART\_1001100967\_H

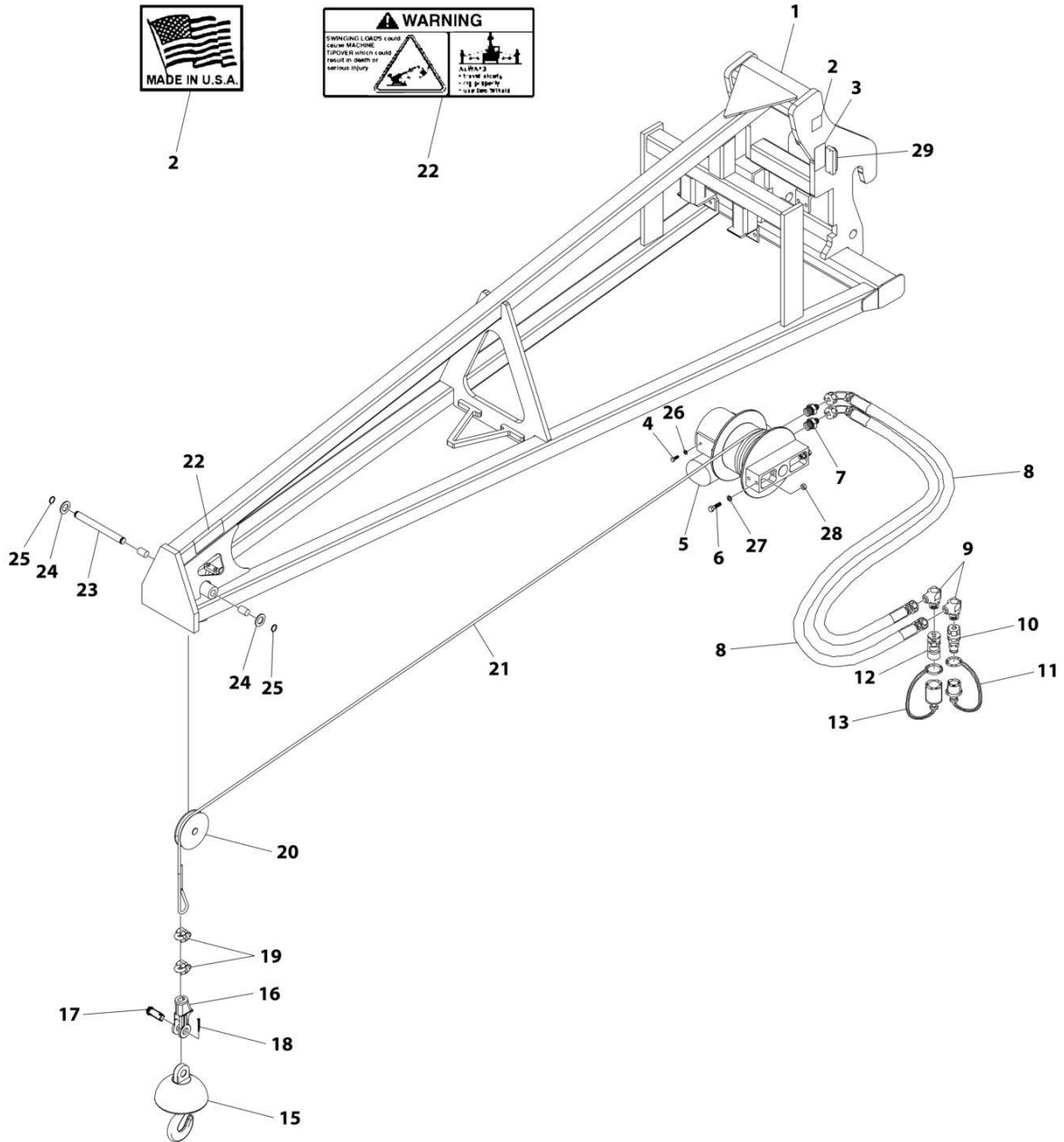
## SECTION 3 - ATTACHMENTS

**FIGURE 3-7. BOOM - 3FT WITH WINCH**

ITEM	PART NUMBER	QTY	DESCRIPTION	REV
	1001100967	Ref	TRUSS BOOM ASSEMBLY (3 FOOT WITH WINCH) (INCLUDES ITEMS 3, 4, 5 & 101 THRU 121)	H
3	4110422	2	Decal, Danger, Swinging Loads	
4	See Note	NSS	S/N Plate (Note: Stamped Part - Not Available for Purchase)	
5	1001227670	1	Tag, RFID	
101	See Note	NSS	Truss Boom Frame (Note: Purchase Complete Assembly)	
102	90554016	1	Decal	
103	70021349	4	Bolt	
103	90554042	4	Washer	
104	70021921	1	Winch, Truss Boom	
105	70024059	4	Bolt	
105	90554054	4	Nut	
105	90554020	4	Washer	
106	70021415	2	Fitting	
107	70021977	2	Hose 32in (Boom Front Disconnect)	
107	70031445	2	Hose 48in (Boom Side Disconnect)	
108	70022527	2	Fitting, 90	
109	91403414	1	Fitting, Straight	
110	8420053	1	Cap	
111	91403413	1	Fitting, Straight	
112	8420055	1	Plug	
113	70021387	1	Clamp	
114	70021978	1	Ball Swivel Safety Hook	
115	70021979	1	Assembly, Socket	
116	70022528	2	Clamp	
117	70021935	1	Pulley	
118	70022028	1	Cable	
119	70022529	1	Pin	
120	70027009	2	Washer	
121	70026698	2	Ring, Snap	

# SECTION 3 - ATTACHMENTS

## FIGURE 3-8. BOOM - 12FT WITH WINCH



ART\_1001099351\_N



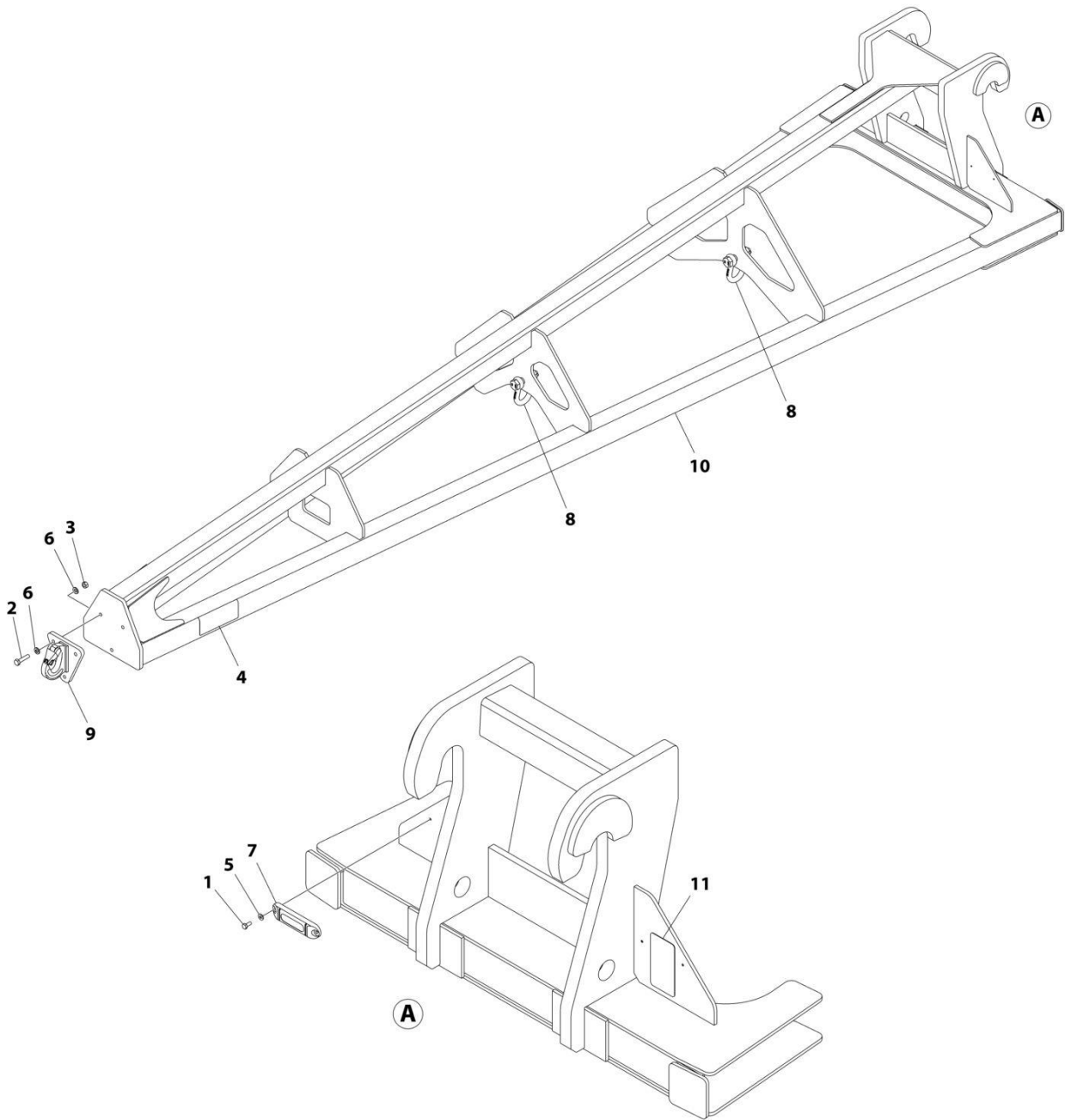
## SECTION 3 - ATTACHMENTS

### FIGURE 3-8. BOOM - 12FT WITH WINCH

ITEM	PART NUMBER	QTY	DESCRIPTION	REV
	1001099351	Ref	TRUSS BOOM (0.9 TON - 3.7M WITH WINCH)	N
1	N.S.S.	1	Frame, Truss Boom	
2	90554016	1	Decal, Made in USA	
3	N.S.S.	1	S/N Plate	
4	70021349	4	Bolt 3/8 x 1	
5	70021921	1	Motor, Truss Boom Winch	
6	70024059	2	Bolt 1/2 x 1-3/4	
7	70021415	2	Connector	
8	70021977	2	Hose 32in (Boom Front Disconnect)	
8	70031445	2	Hose 48in (Boom Side Disconnect)	
9	70022527	2	Fitting, 90	
10	7029692	1	Fitting, Straight	
11	90554062	1	Cap, Dust	
12	70021342	1	Fitting, Straight	
13	90554076	1	Cap, Dust	
15	70021978	1	Ball Swivel with Safety Hook	
16	70021979	1	Assembly, Socket (includes items 17 thru 18)	
17	N.S.S.	1	Pin	
18	N.S.S.	1	Pin, Cotter	
19	70022528	2	Clamp	
20	70021935	1	Pulley	
21	70022028	1	Cable	
22	4110422	2	Decal, Warning Swinging Loads	
23	70022529	1	Pin	
24	70024060	2	Washer	
25	70026698	2	Ring, Snap	
26	90554042	4	Washer 3/8	
27	90554020	2	Washer 1/2	
28	90554054	2	Nut 1/2	
29	1001227670	1	Tag, RFID	

# SECTION 3 - ATTACHMENTS

## FIGURE 3-9. BOOM - 12FT WITHOUT WINCH



ART\_1001275853

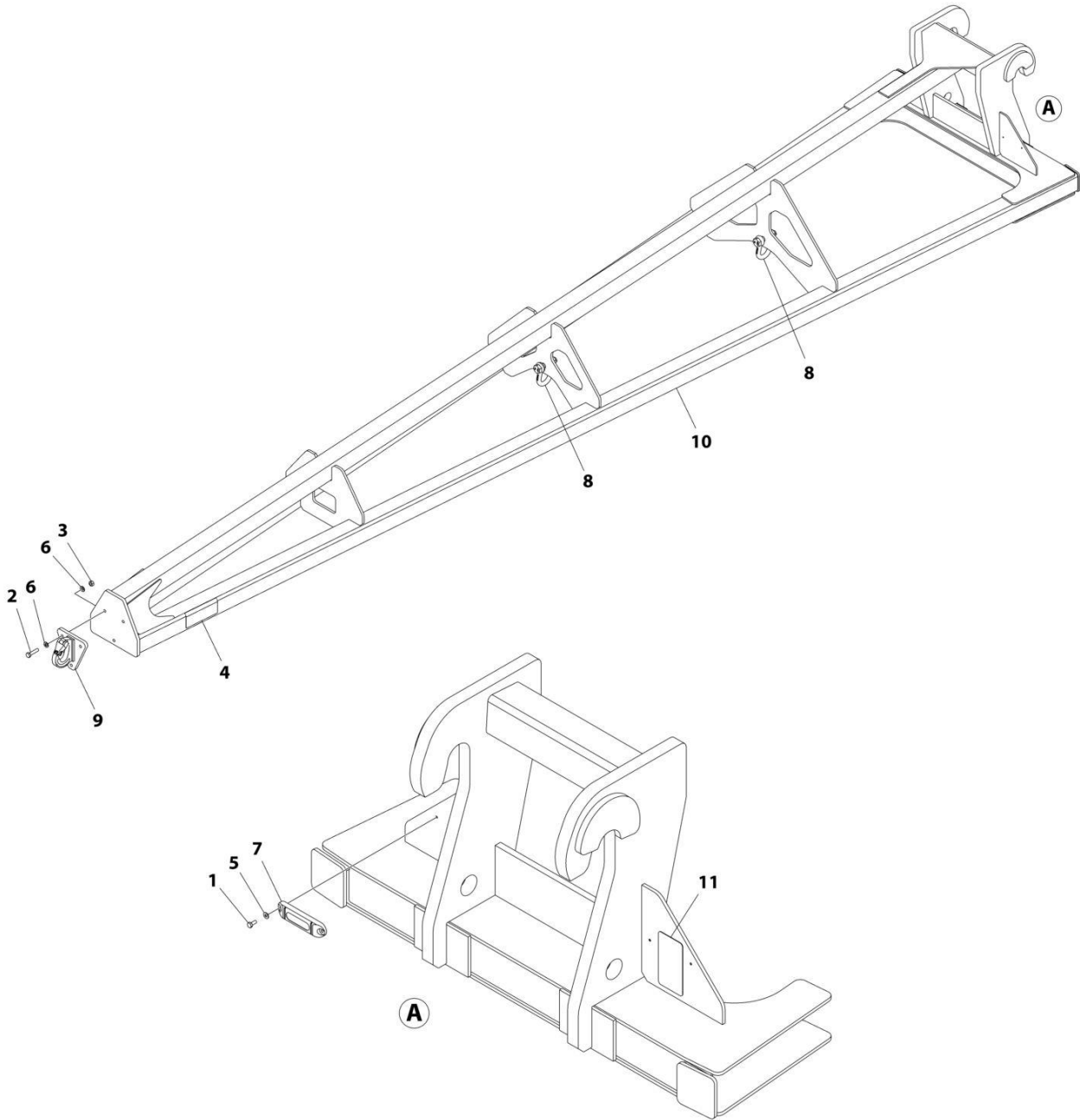
## SECTION 3 - ATTACHMENTS

**FIGURE 3-9. BOOM - 12FT WITHOUT WINCH**

ITEM	PART NUMBER	QTY	DESCRIPTION	REV
	1001275853	Ref	BOOM - 12FT WITHOUT WINCH	D
1	0760405	2	Bolt M4 x 10	
2	0761017	3	Bolt M10 x 45	
3	3291007	3	Nut M10	
4	4110422	2	Decal, Danger Swinging Loads	
5	4811400	2	Washer M4	
6	5241000	6	Washer M10	
7	1001227670	1	Tag, RFID	
8	1001287742	2	Clevis	
9	1001275841	1	Hook	
10	See Note	NSS	Boom, Truss (Note: Purchase Complete Assembly)	
11	See Note	NSS	SN Plate (Note: Stamped Part - Not Available for Purchase)	

# SECTION 3 - ATTACHMENTS

## FIGURE 3-10. BOOM - 15FT WITHOUT WINCH



ART\_1001275852

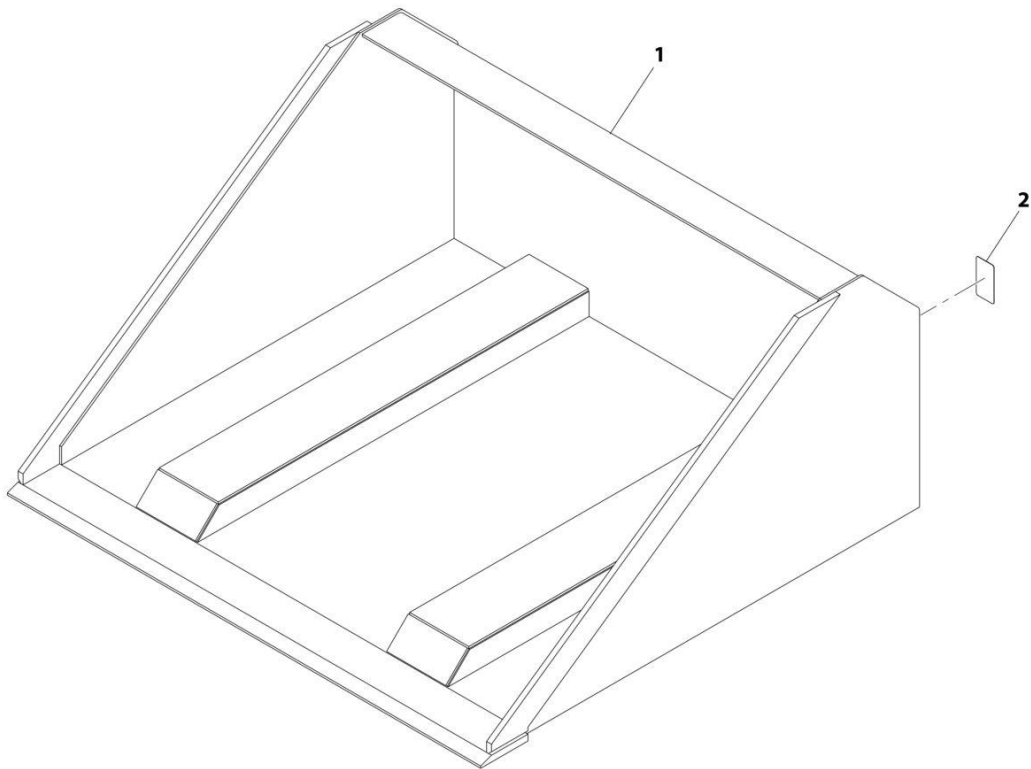
## SECTION 3 - ATTACHMENTS

**FIGURE 3-10. BOOM - 15FT WITHOUT WINCH**

ITEM	PART NUMBER	QTY	DESCRIPTION	REV
	1001275852	Ref	BOOM - 15FT WITHOUT WINCH	D
1	0760405	2	Bolt M4 x 10	
2	0761017	3	Bolt M10 x 45	
3	3291007	3	Nut M10	
4	4110422	2	Decal, Danger Swinging Loads	
5	4811400	2	Washer M4	
6	5241000	6	Washer M10	
7	1001227670	1	Tag, RFID	
8	1001287742	2	Clevis	
9	1001275841	1	Hook	
10	See Note	NSS	Boom, Truss (Note: Purchase Complete Assembly)	
11	See Note	NSS	SN Plate (Note: Stamped Part - Not Available for Purchase)	

# SECTION 3 - ATTACHMENTS

FIGURE 3-11. BUCKET - 60IN (1.3 CU YD) (FORK MOUNTED)



ART\_1001195970-D

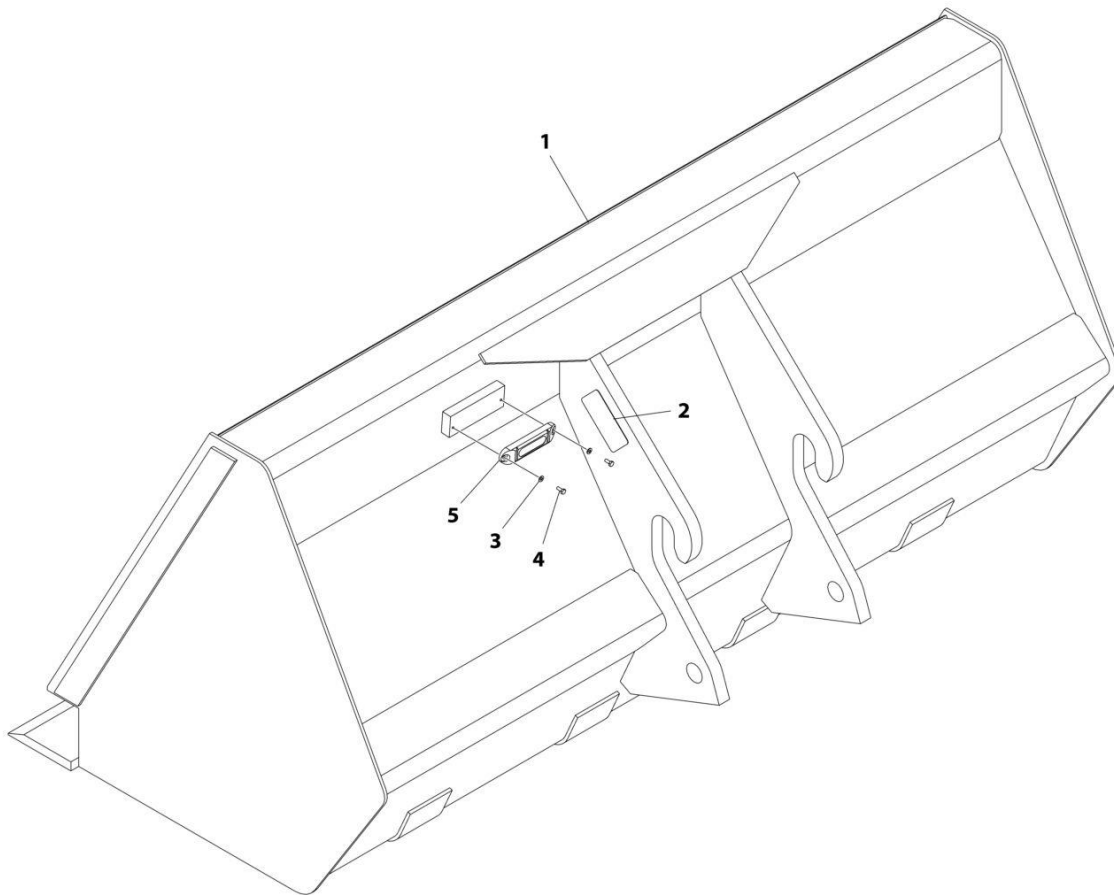
## SECTION 3 - ATTACHMENTS

**FIGURE 3-11. BUCKET - 60IN (1.3 CU YD) (FORK MOUNTED)**

ITEM	PART NUMBER	QTY	DESCRIPTION	REV
1	1001195970	Ref	Bucket 1.0 m <sup>3</sup> (Fork Mounted)	E
2	See Note	NSS	S/N Plate (Note: Stamped Part - Not Available for Purchase)	

# SECTION 3 - ATTACHMENTS

FIGURE 3-12. BUCKET - 72IN (1.0 CU YD)



ART\_1001100822\_I



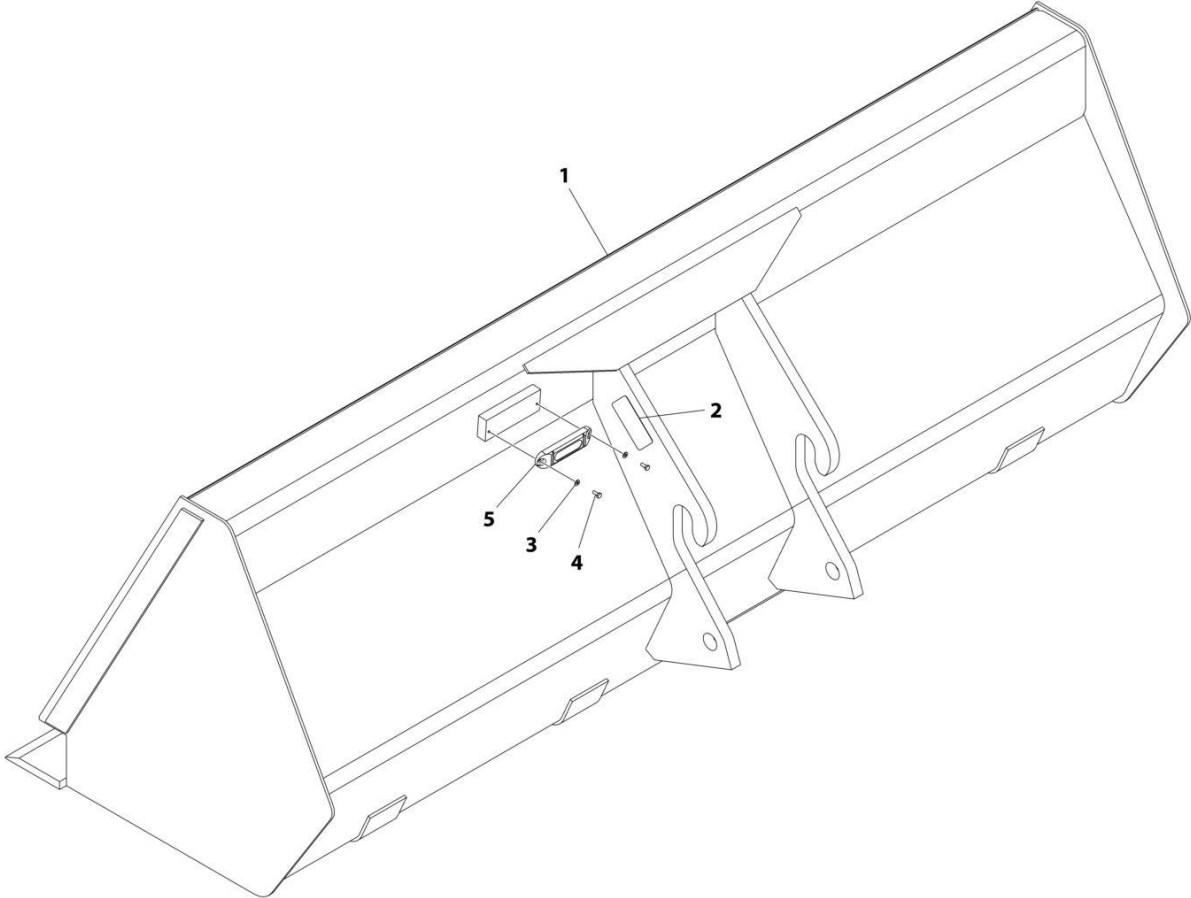
## SECTION 3 - ATTACHMENTS

### FIGURE 3-12. BUCKET - 72IN (1.0 CU YD)

ITEM	PART NUMBER	QTY	DESCRIPTION	REV
	1001100822	Ref	BUCKET 1.0 YD <sup>3</sup> (ANSI - JLG)	I
1	1001100265	1	Bucket Weldment	
2	See Note	NSS	SN Plate (Note:Stamped Part - Not Available for Purchase)	
3	4811400	2	Washer M4	
4	0760405	2	Bolt M4 x 10	
5	1001227670	1	Tag, RFID	

**SECTION 3 - ATTACHMENTS**

**FIGURE 3-13. BUCKET - 96IN (1.5 CU YD)**



ART\_1001100823\_I

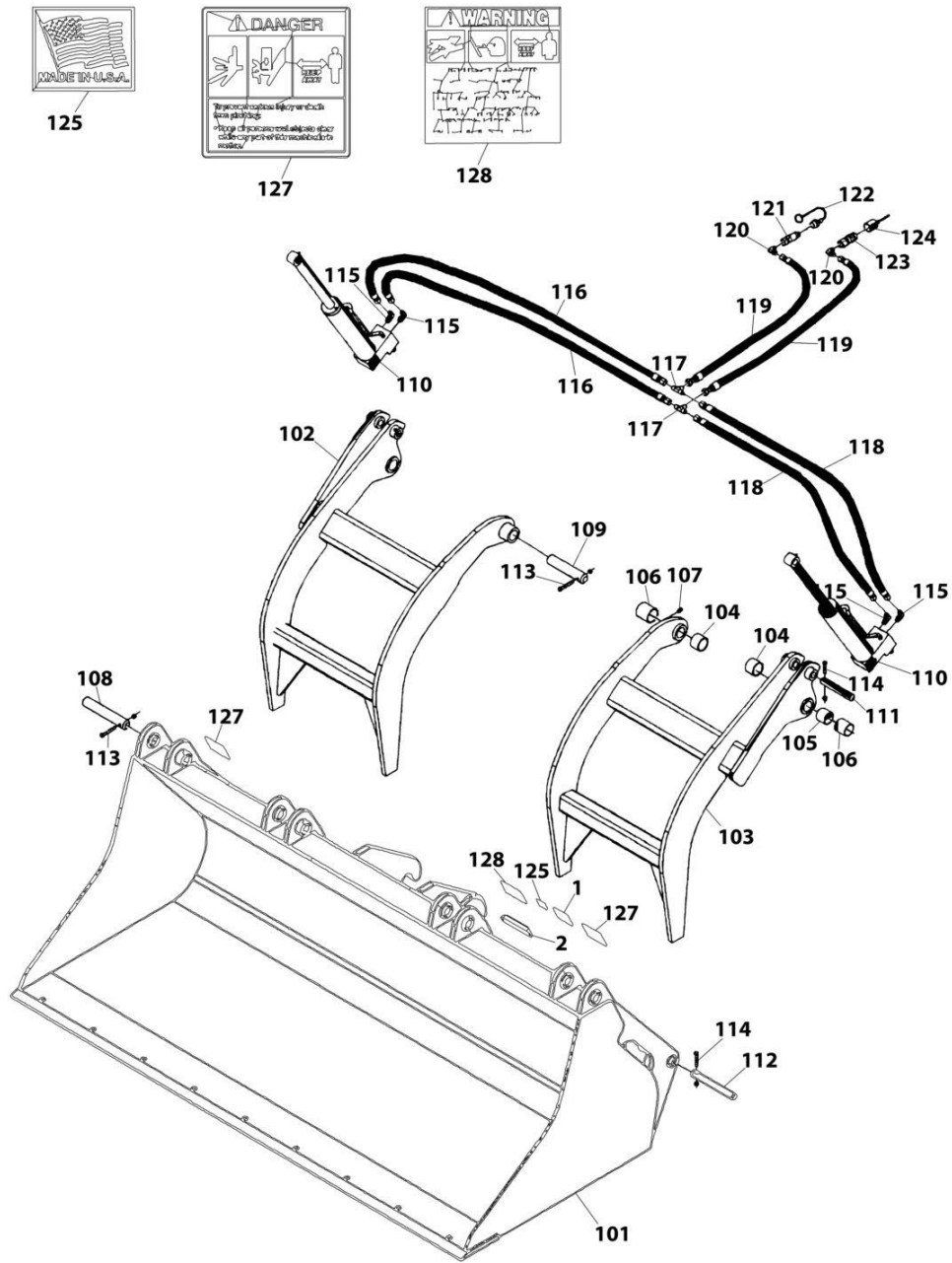
## SECTION 3 - ATTACHMENTS

**FIGURE 3-13. BUCKET - 96IN (1.5 CU YD)**

ITEM	PART NUMBER	QTY	DESCRIPTION	REV
	1001100823	Ref	BUCKET (1.15 M <sup>3</sup> )	I
1	1001100266	1	Bucket	
2	See Note	NSS	SN Plate (Note:Stamped Part - Not Available for Purchase)	
3	4811400	2	Washer M4	
4	0760405	2	Bolt M4 x 10	
5	1001227670	1	Tag, RFID	

# SECTION 3 - ATTACHMENTS

## FIGURE 3-14. BUCKET - 96IN GRAPPLE



ART\_0930020

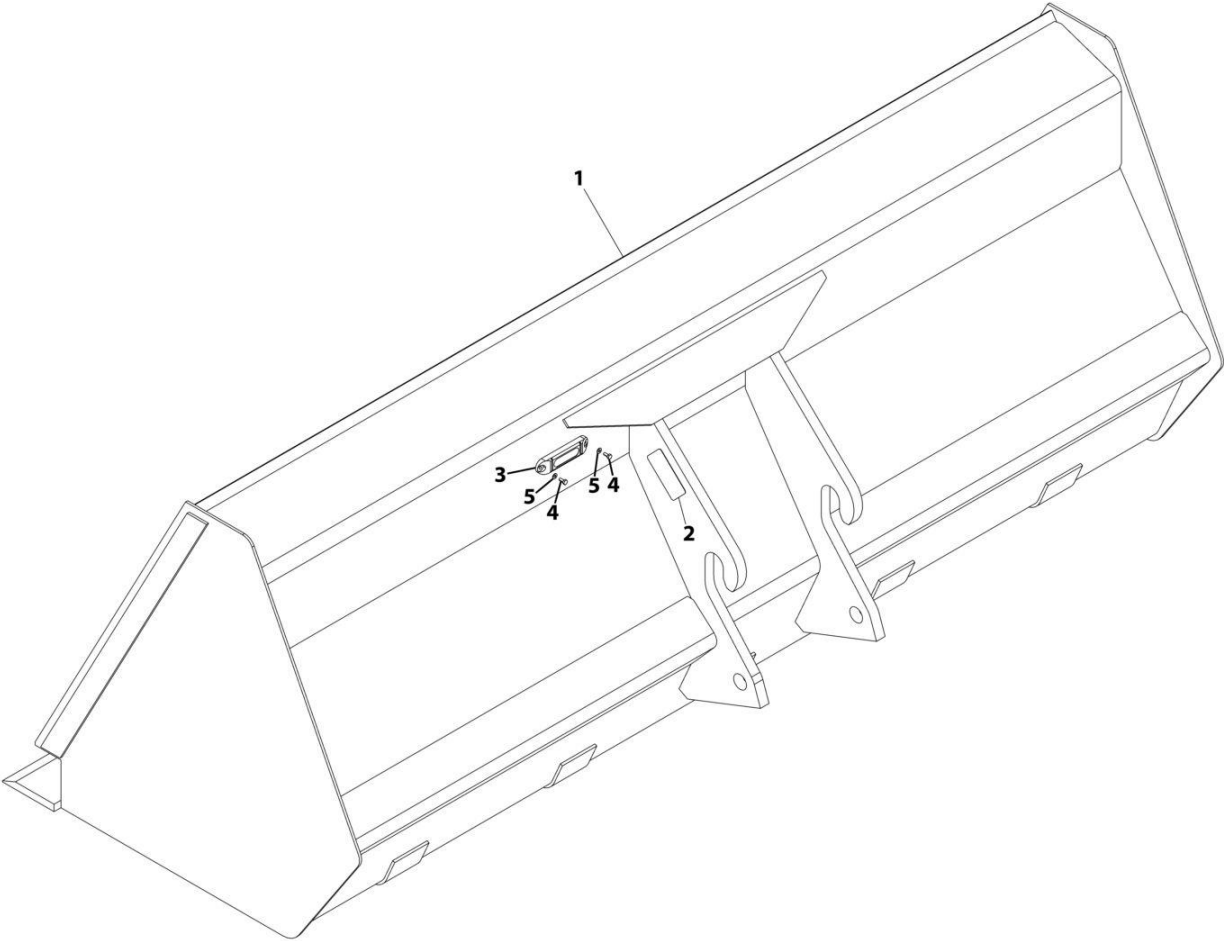
## SECTION 3 - ATTACHMENTS

### FIGURE 3-14. BUCKET - 96IN GRAPPLE

ITEM	PART NUMBER	QTY	DESCRIPTION	REV
	0930020	Ref	Multi-Purpose Grapple Bucket (2450 MM)	L
1	See Note	NSS	S/N Plate (Note: Stamped Part - Not Available for Purchase)	
2	1001227670	1	Tag, RFID	
101	N.S.S.	1	Bucket	
101	70021387	4	Clamp, Hose	
102	70021391	1	Hook, RH Grapple	
103	70021392	1	Hook, LH Grapple	
104	70021358	4	Bushing	
105	70021359	2	Spacer	
106	70021360	4	Bushing	
107	7029714	4	Fitting, Grease	
108	70021361	2	Pin	
109	70021362	2	Pin	
110	70021393	2	Cylinder, Grapple Bucket (See Separate Breakdown in HYDRAULIC COMPONENTS Section)	
111	70021364	2	Pin	
112	70021365	2	Pin	
113	70021366	4	Bolt, 3/8X2-3/4	
113	70021367	4	Nut 3/8	
114	70021399	4	Bolt, 3/8X2-1/4	
114	70021367	4	Nut, Lock 3/8	
115	90554065	4	Fitting, 90	
116	70021980	2	Hose	
117	70020562	2	Fitting, Tee	
118	70021981	2	Hose	
119	70021982	2	Hose 34in (Boom Front Disconnect)	
119	70031446	2	Hose 45in (Boom Side Disconnect)	
120	70022527	2	Fitting, 90	
121	7029692	1	Coupler	
122	90554062	1	Cover	
123	70021342	1	Coupler	
124	90554076	1	Cover	
125	90554016	1	Decal, Made in USA	
127	90554017	2	Decal, Danger Pinch Point	
128	90554018	1	Decal, Warning High Pressure	

**SECTION 3 - ATTACHMENTS**

**FIGURE 3-15. BUCKET - 102IN (2.0 CU YD)**



ART\_1001100824

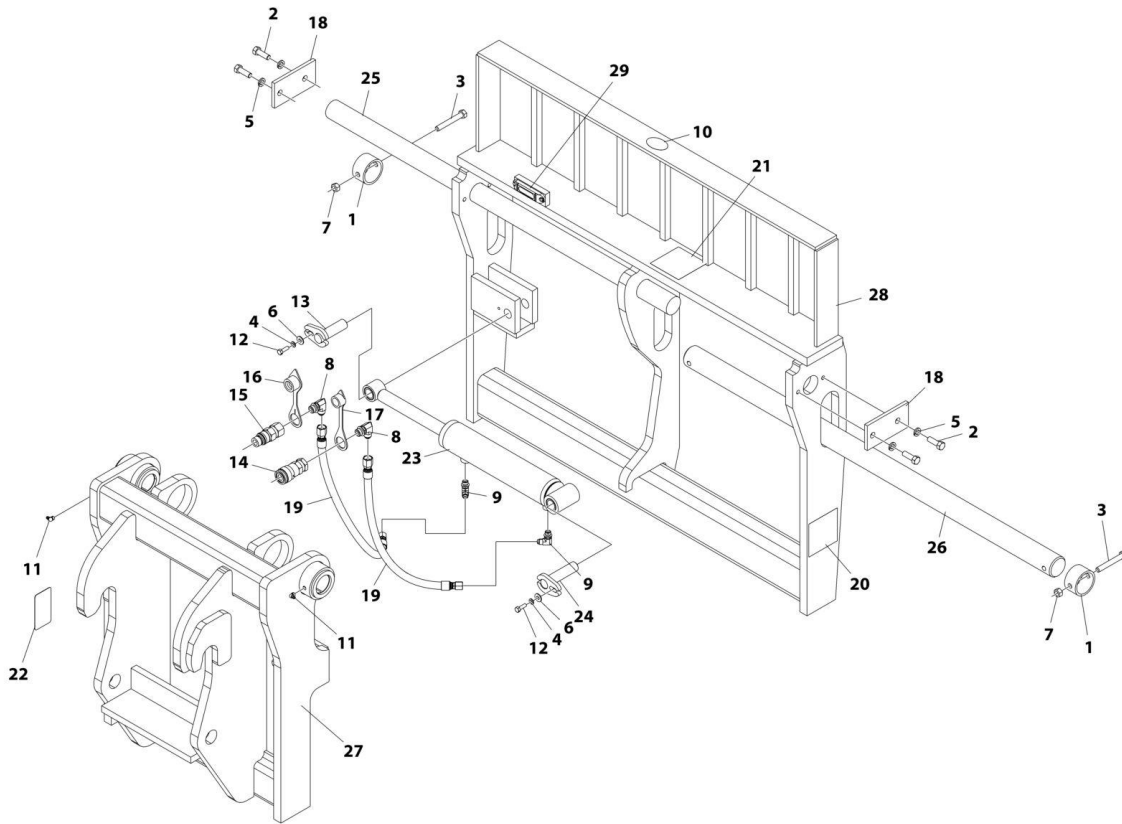
## SECTION 3 - ATTACHMENTS

**FIGURE 3-15. BUCKET - 102IN (2.0 CU YD)**

ITEM	PART NUMBER	QTY	DESCRIPTION	REV
	1001100824	Ref	Bucket (102 Inch)	H
1	1001100267	NLA	Bucket (Note: Purchase PN 1001100824)	
2	See Note	NSS	S/N Plate (Note: Stamped Part - Not Available for Purchase)	
3	1001227670	1	Tag, RFID	
4	0760405	2	Bolt M4 x 10	
5	4811400	2	Washer M4	

# SECTION 3 - ATTACHMENTS

## FIGURE 3-16. CARRIAGE ASSEMBLY - 48IN/12000# CAPACITY SIDE SHIFT



ART\_1001242644\_C



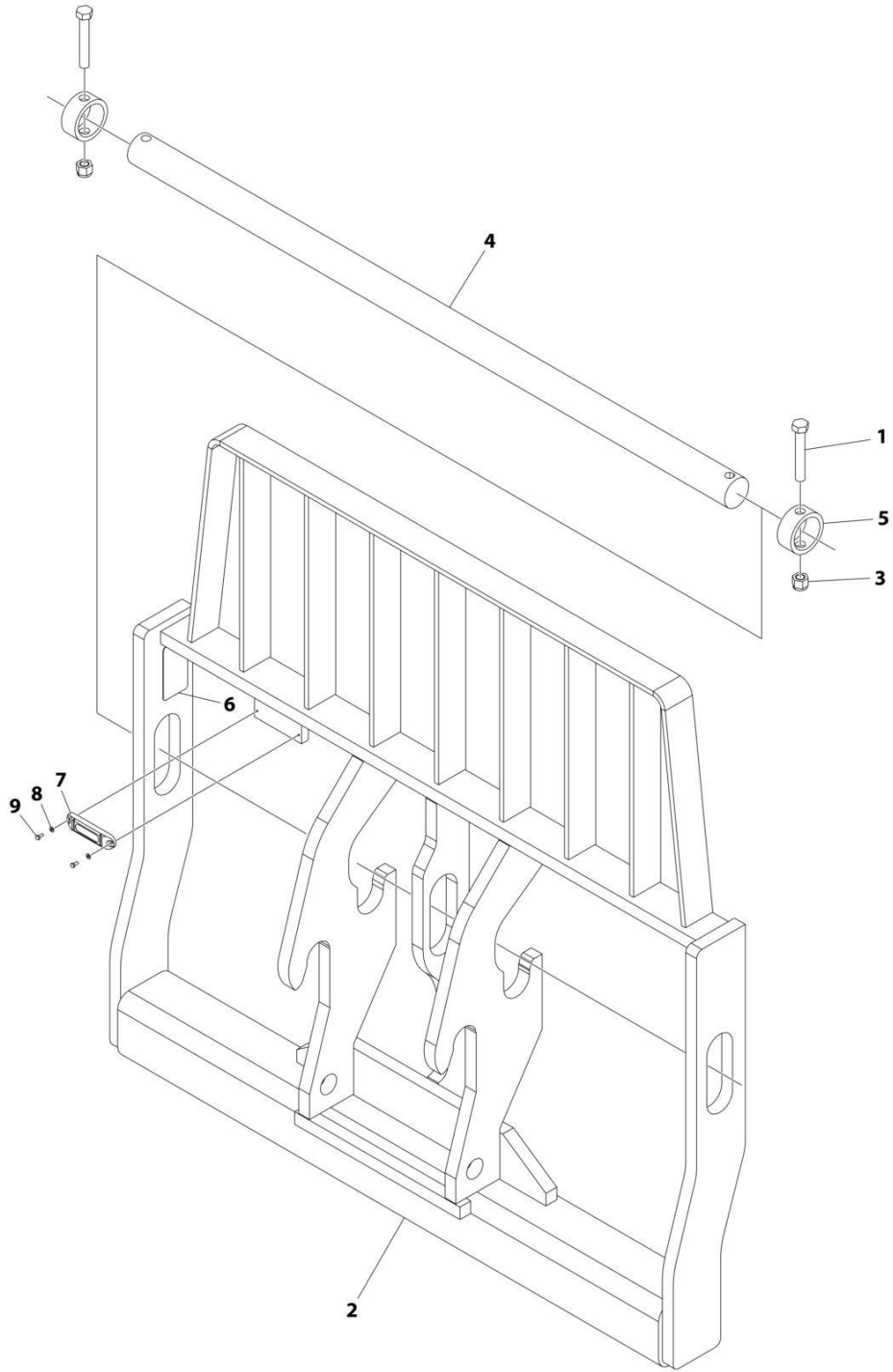
## SECTION 3 - ATTACHMENTS

**FIGURE 3-16. CARRIAGE ASSEMBLY - 48IN/12000# CAPACITY SIDE SHIFT**

ITEM	PART NUMBER	QTY	DESCRIPTION	REV
	1001242644	Ref	SIDE SHIFT CARRIAGE ASSEMBLY (48 INCH)	C
1	70020028	2	Bushing	
2	70021382	4	Bolt 1/2 x 1-1/2	
3	70020002	2	Bolt 1/2 x 4	
4	90554067	2	Washer 5/16	
5	90554020	4	Washer 1/2	
6	70021379	2	Washer	
7	70027642	2	Washer	
8	70030141	2	Elbow	
9	90554065	2	Elbow 90	
10	90554016	1	Decal - Made in USA	
11	70021389	2	Fitting 90	
12	70021378	2	Capscrew	
13	70021351	1	Pin	
14	91403413	1	Adapter	
15	91403414	1	Adapter	
16	8420053	1	Cap, Dust	
17	8420055	1	Plug, Dust	
18	70030142	2	Plate	
19	70030143	2	Hose 30in (Boom Front Disconnect)	
19	70031444	2	Hose 55in (Boom Side Disconnect)	
20	90554017	2	Decal - Danger Pinch Point	
21	7029711	1	Decal - High Pressure	
22	See Note	NSS	SN Plate (Note: Stamped Part - Not Available for Purchase)	
23	70021376	1	Cylinder Assembly (See Separate Breakdown in HYDRAULIC COMPONENTS Section)	
24	70021377	1	Pin	
25	70030144	1	Pin	
26	70030145	1	Pin	
27	See Note	NSS	Frame - Rear (Note: Purchase Complete Assembly)	
28	See Note	NSS	Frame - Front (Note: Purchase Complete Assembly)	
29	1001227670	1	Tag, RFID	

# SECTION 3 - ATTACHMENTS

## FIGURE 3-17. CARRIAGE ASSEMBLY - 50IN/1270MM



ART\_1170021\_I

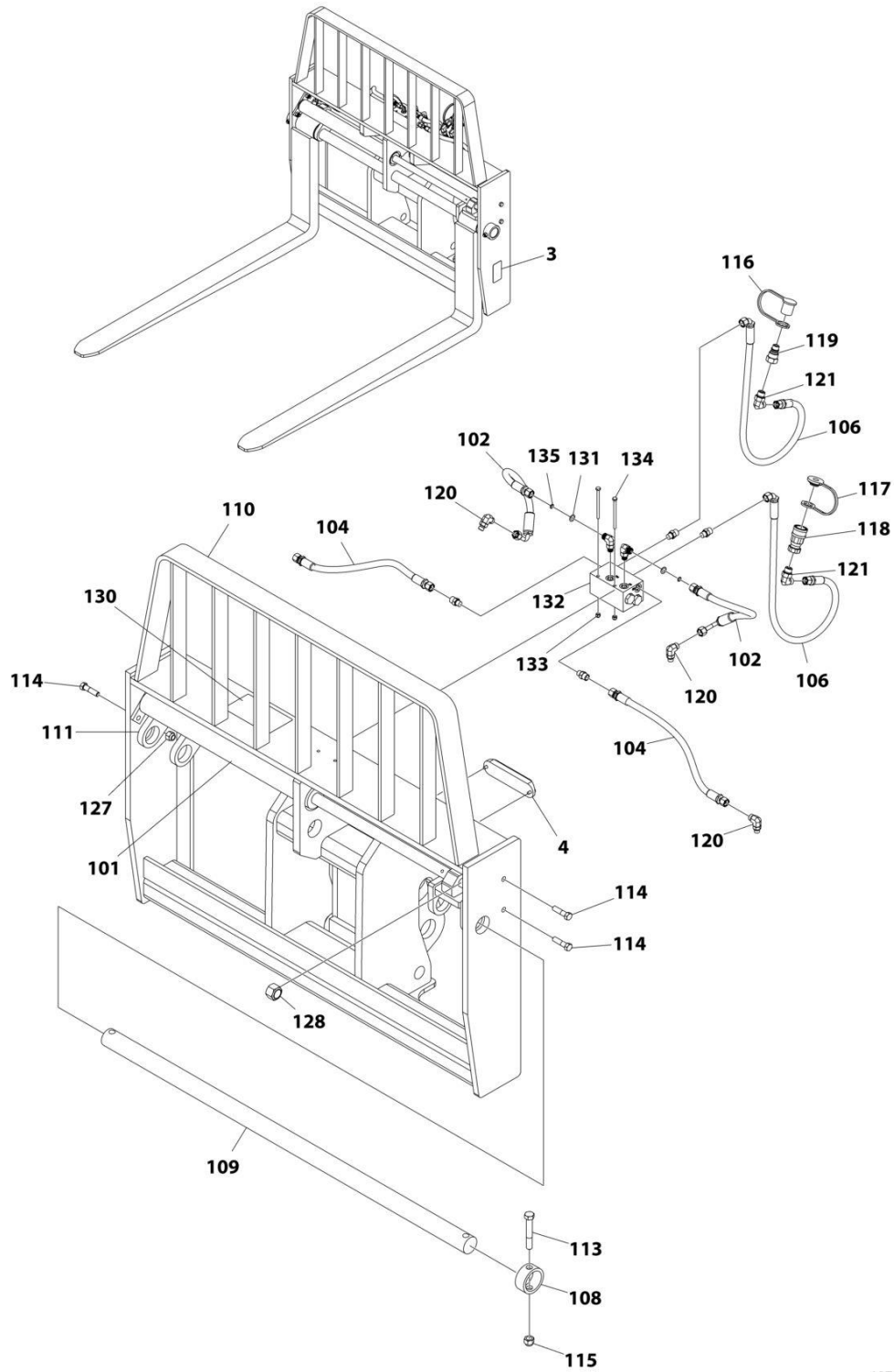
## SECTION 3 - ATTACHMENTS

**FIGURE 3-17. CARRIAGE ASSEMBLY - 50IN/1270MM**

ITEM	PART NUMBER	QTY	DESCRIPTION	REV
	1170021	Ref	CARRIAGE ASSEMBLY (50 INCH)	I
1	0642032	2	Bolt 5/8-11 x 4	
2	See Note	NSS	Carriage (Note: Purchase Complete Assembly)	
3	3300240	2	Nut 5/8-11	
4	3423275	1	Pin, Fork	
5	90200003	2	Collar, Fork Pin	
6	See Note	NSS	SN Plate (Note: Stamped Part - Not Available for Purchase)	
7	1001227670	1	Tag, RFID	
8	4811400	2	Washer M4	
9	0760405	2	Bolt M4 x 10	

# SECTION 3 - ATTACHMENTS

## FIGURE 3-18. CARRIAGE ASSEMBLY - FORK POSITIONING WITH FORKS (4.5 TON)



ART\_7301295\_L

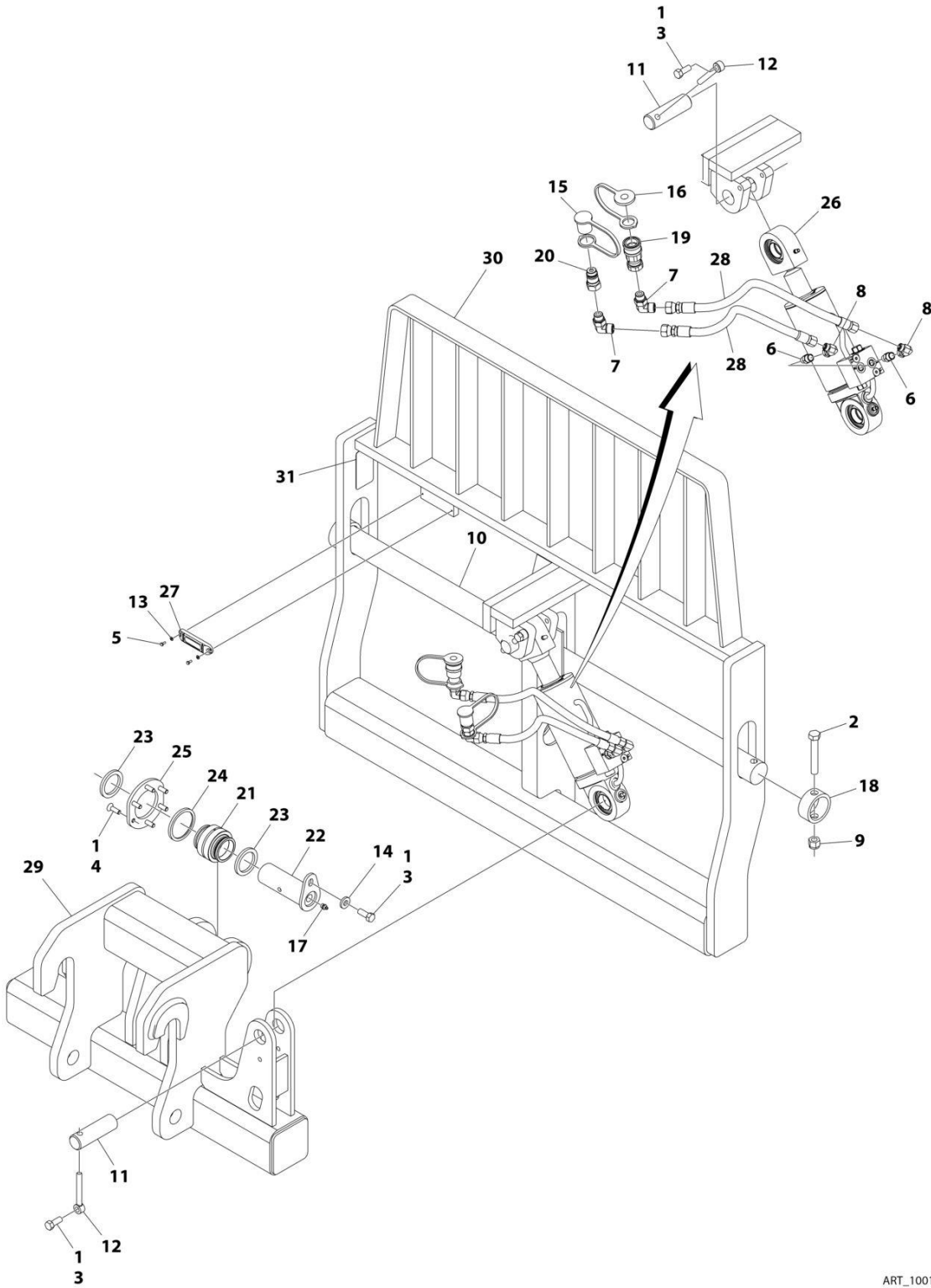
## SECTION 3 - ATTACHMENTS

**FIGURE 3-18. CARRIAGE ASSEMBLY - FORK POSITIONING WITH FORKS (4.5 TON)**

ITEM	PART NUMBER	QTY	DESCRIPTION	REV
	7301295	Ref	FORK POSITIONING CARRIAGE WITH FORKS (4.5 TON)	L
3	N.S.S.	1	S/N Plate	
4	1001227670	1	Tag, RFID	
101	2717283	2	Cylinder, Fork Positioning (See Separate Breakdown in HYDRAULIC COMPONENTS Section)	
102	2717160	2	Hose	
104	2717161	2	Hose	
106	2717162	2	Hose 36in (Boom Front Disconnect)	
106	70031443	2	Hose 44in (Boom Side Disconnect)	
108	90200003	2	Collar, Fork Pin	
109	90451058	1	Shaft, Fork	
110	N.S.S.	1	Weldment, Carriage	
111	N.S.S.	1	Weldment, Fork Adapter	
113	8303634	2	Bolt 5/8 x 4	
114	8303658	4	Bolt 1/2 x 2	
115	8305643	2	Nut 5/8	
116	8420053	1	Cap, Dust	
117	8420055	1	Plug, Dust	
118	91403413	1	Adapter, Quick Disconnect	
119	91403414	1	Adapter, Quick Disconnect	
120	2130606	4	Adapter, 90 Straight	
121	2130608	2	Adapter, 90 Straight	
127	8310302	4	Nut 1/2	
128	10705034	2	Nut 1	
130	4110473	1	Decal, Warning Route Hoses	
131	7139918	2	Disk, Orifice	
132	4641502	1	Assembly, Dual Fork Carriage Valve (See Separate Breakdown in HYDRAULIC COMPONENTS Section)	
133	8305624	2	Nut 1/4	
134	8310435	2	Bolt 1/4 x 3-3/4	
135	8630003	2	O-Ring	

# SECTION 3 - ATTACHMENTS

## FIGURE 3-19. CARRIAGE ASSEMBLY - 50IN/12000# CAPACITY SIDE TILT



ART\_1001277290

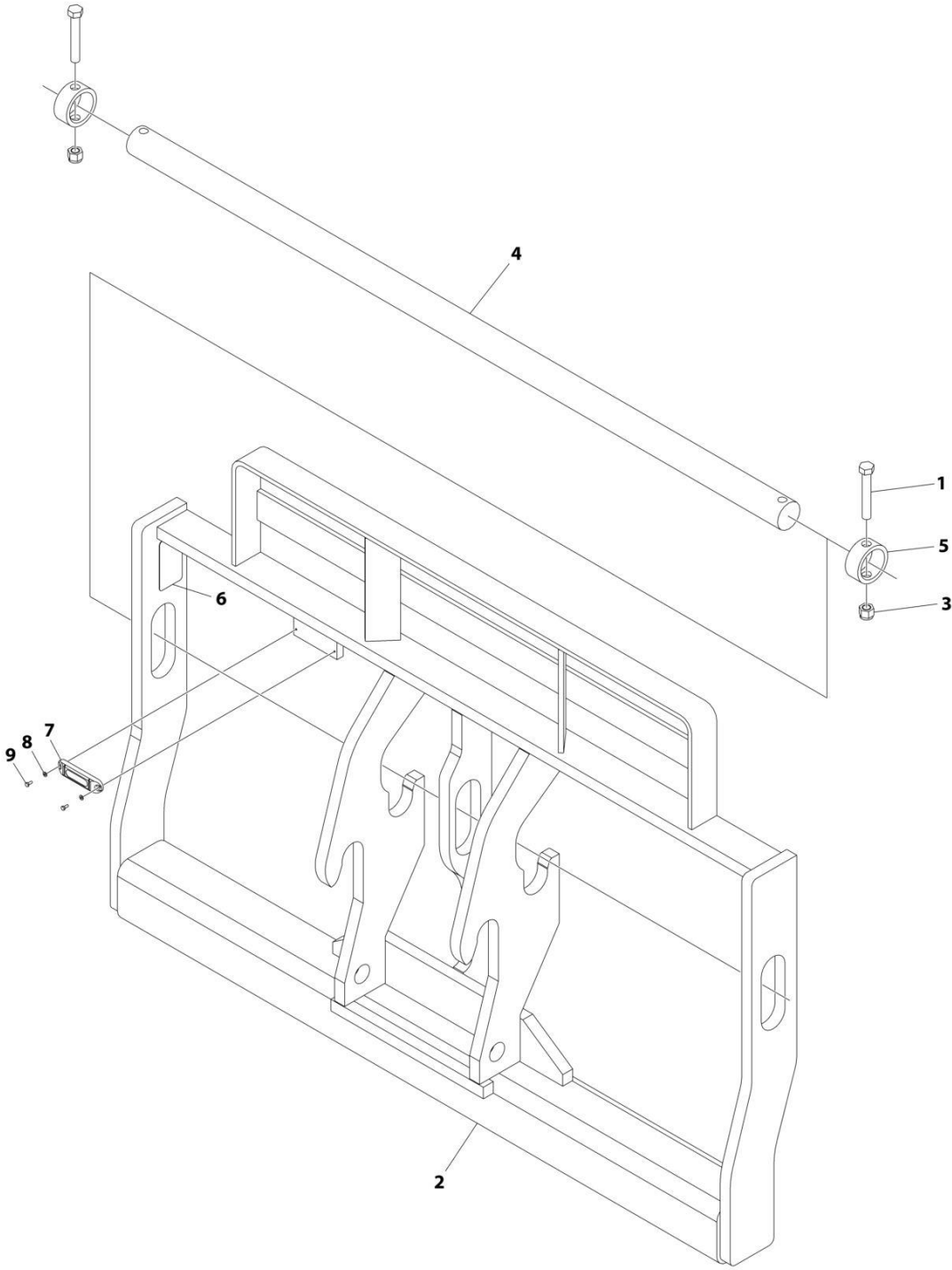
## SECTION 3 - ATTACHMENTS

**FIGURE 3-19. CARRIAGE ASSEMBLY - 50IN/12000# CAPACITY SIDE TILT**

ITEM	PART NUMBER	QTY	DESCRIPTION	REV
	1001277290	Ref	SIDE TILT CARRIAGE ASSEMBLY (50 INCH)	A
1	0100011	AR	Compound, Locking	
2	0642032	2	Bolt 5/8 x 4	
3	0681810	3	Bolt 1/2 x 1-1/4	
4	0741610	6	Screw 3/8 x 1-1/4	
5	0760405	2	Bolt M4 x 10	
6	2110606	2	Fitting, Straight ORFS	
7	2130808	2	Fitting, 90 ORFS	
8	2172106	2	Fitting, 90 ORFS	
9	3300240	2	Nut 5/8	
10	3423275	1	Pin	
11	3423307	2	Pin	
12	3841203	2	Keeper	
13	4811400	2	Washer M4	
14	4891800	1	Washer	
15	8420053	1	Cap	
16	8420055	1	Plug	
17	88671001	1	Fitting, Grease	
18	90200003	2	Collar	
19	91403413	1	Fitting, Straight	
20	91403414	1	Fitting, Straight	
21	1001090140	1	Bearing	
22	1001099113	1	Pin	
23	1001099115	2	Sleeve	
24	1001120914	1	Shim	
25	1001120915	1	Plate	
26	1001163414	1	Cylinder, Side Tilt (See Separate Breakdown in HYDRAULIC COMPONENTS Section)	
27	1001227670	1	Tag, RFID	
28	1001239734	2	Hose	
29	See Note	NSS	Carriage, Base Plate (Note: Purchase Complete Assembly)	
30	See Note	NSS	Carriage (Note: Purchase Complete Assembly)	
31	See Note	NSS	SN Plate (Note: Stamped Part - Not Available for Purchase)	

**SECTION 3 - ATTACHMENTS**

**FIGURE 3-20. CARRIAGE ASSEMBLY - 60IN/1524MM**



ART\_1170024\_I



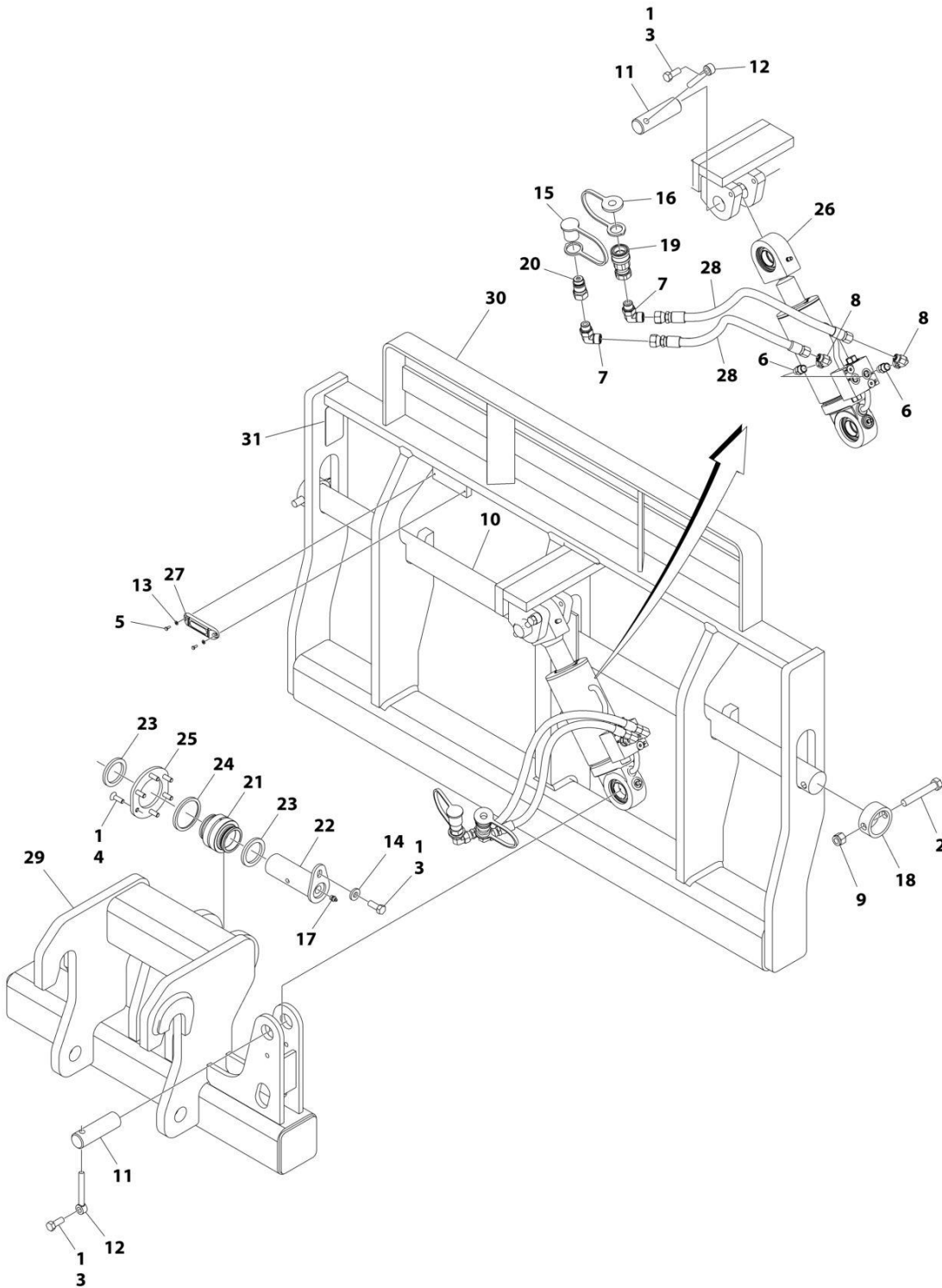
## SECTION 3 - ATTACHMENTS

### FIGURE 3-20. CARRIAGE ASSEMBLY - 60IN/1524MM

ITEM	PART NUMBER	QTY	DESCRIPTION	REV
	1170024	Ref	CARRIAGE ASSEMBLY (1524 MM)	I
1	0642032	2	Bolt 5/8 x 4	
2	See Note	NSS	Carriage (Note: Purchase Complete Assembly)	
3	3300240	2	Nut 5/8	
4	3423242	1	Pin	
5	90200003	2	Sleeve	
6	See Note	NSS	SN Plate (Note:Stamped Part - Not Available for Purchase)	
7	1001227670	1	Tag, RFID	
8	4811400	2	Washer M4	
9	0760405	2	Bolt M4 x 10	

# SECTION 3 - ATTACHMENTS

## FIGURE 3-21. CARRIAGE ASSEMBLY - 60IN/12000# CAPACITY SIDE TILT



ART\_1001277338

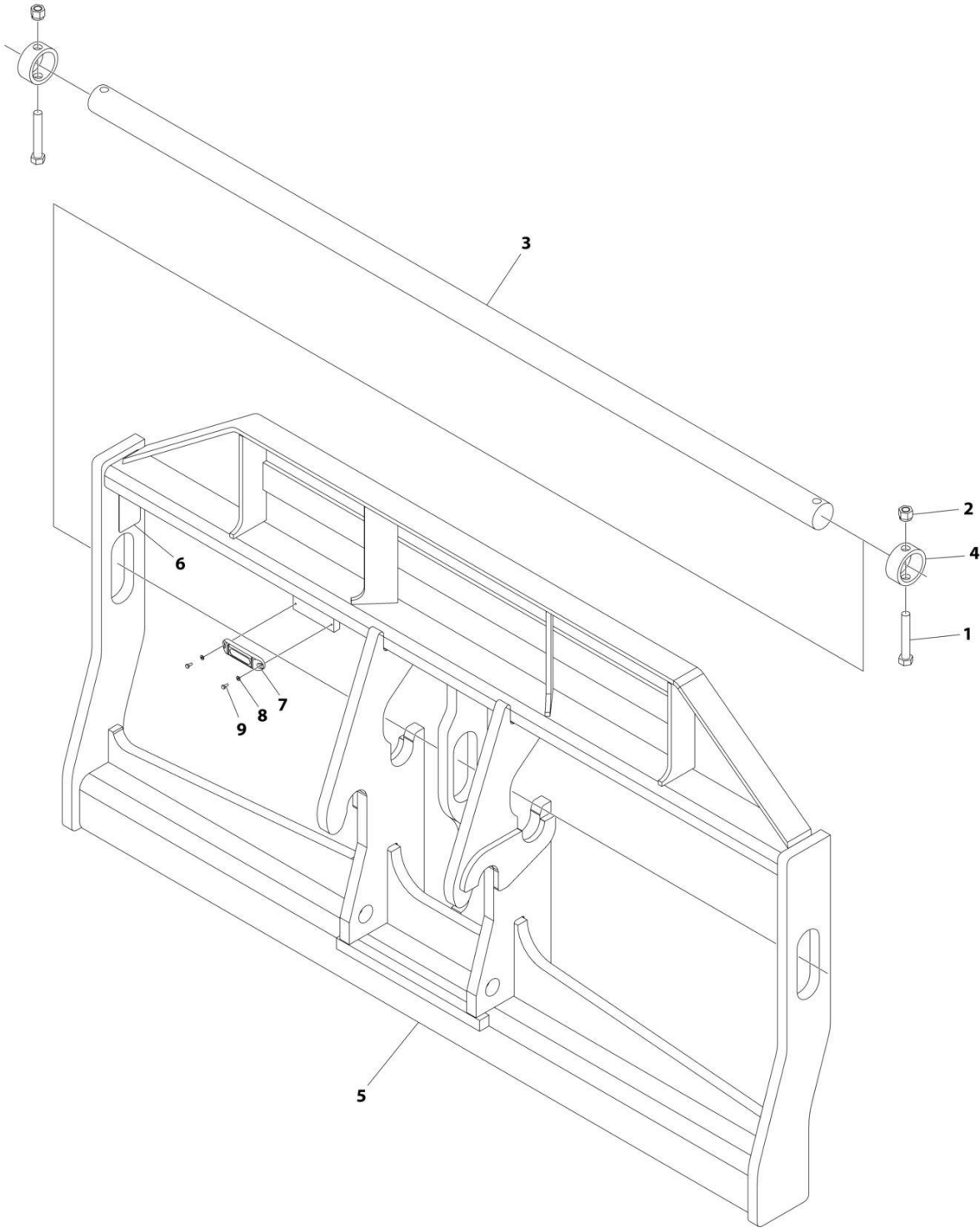
## SECTION 3 - ATTACHMENTS

**FIGURE 3-21. CARRIAGE ASSEMBLY - 60IN/12000# CAPACITY SIDE TILT**

ITEM	PART NUMBER	QTY	DESCRIPTION	REV
	1001277338	Ref	SIDE TILT CARRIAGE ASSEMBLY (60 INCH)	A
1	0100011	AR	Compound, Locking	
2	0642032	2	Bolt 5/8 x 4	
3	0681810	3	Bolt 1/2 x 1-1/4	
4	0741610	6	Screw 3/8 x 1-1/4	
5	0760405	2	Bolt M4 x 10	
6	2110606	2	Fitting, Straight	
7	2130808	2	Fitting, 90 ORFS	
8	2172106	2	Fitting, 90 ORFS	
9	3300240	2	Nut 5/8	
10	3423242	1	Pin	
11	3423307	2	Pin	
12	3841203	2	Keeper	
13	4811400	2	Washer M4	
14	4891800	1	Washer	
15	8420053	1	Cap	
16	8420055	1	Plug	
17	88671001	1	Fitting, Grease	
18	90200003	2	Collar	
19	91403413	1	Fitting, Straight	
20	91403414	1	Fitting, Straight	
21	1001090140	1	Bearing	
22	1001099113	1	Pin	
23	1001099115	2	Sleeve	
24	1001120914	1	Shim	
25	1001120915	1	Plate	
26	1001163414	1	Cylinder, Side Tilt (See Separate Breakdown in HYDRAULIC COMPONENTS Section)	
27	1001227670	1	Tag, RFID	
28	1001239734	2	Hose	
29	See Note	NSS	Carriage, Base Plate (Note: Purchase Complete Assembly)	
30	See Note	NSS	Carriage, Side Tilt (Note: Purchase Complete Assembly)	
31	See Note	NSS	SN Plate (Note: Stamped Part - Not Available for Purchase)	

**SECTION 3 - ATTACHMENTS**

**FIGURE 3-22. CARRIAGE ASSEMBLY - 72IN/1829MM**



ART\_1001211516\_E

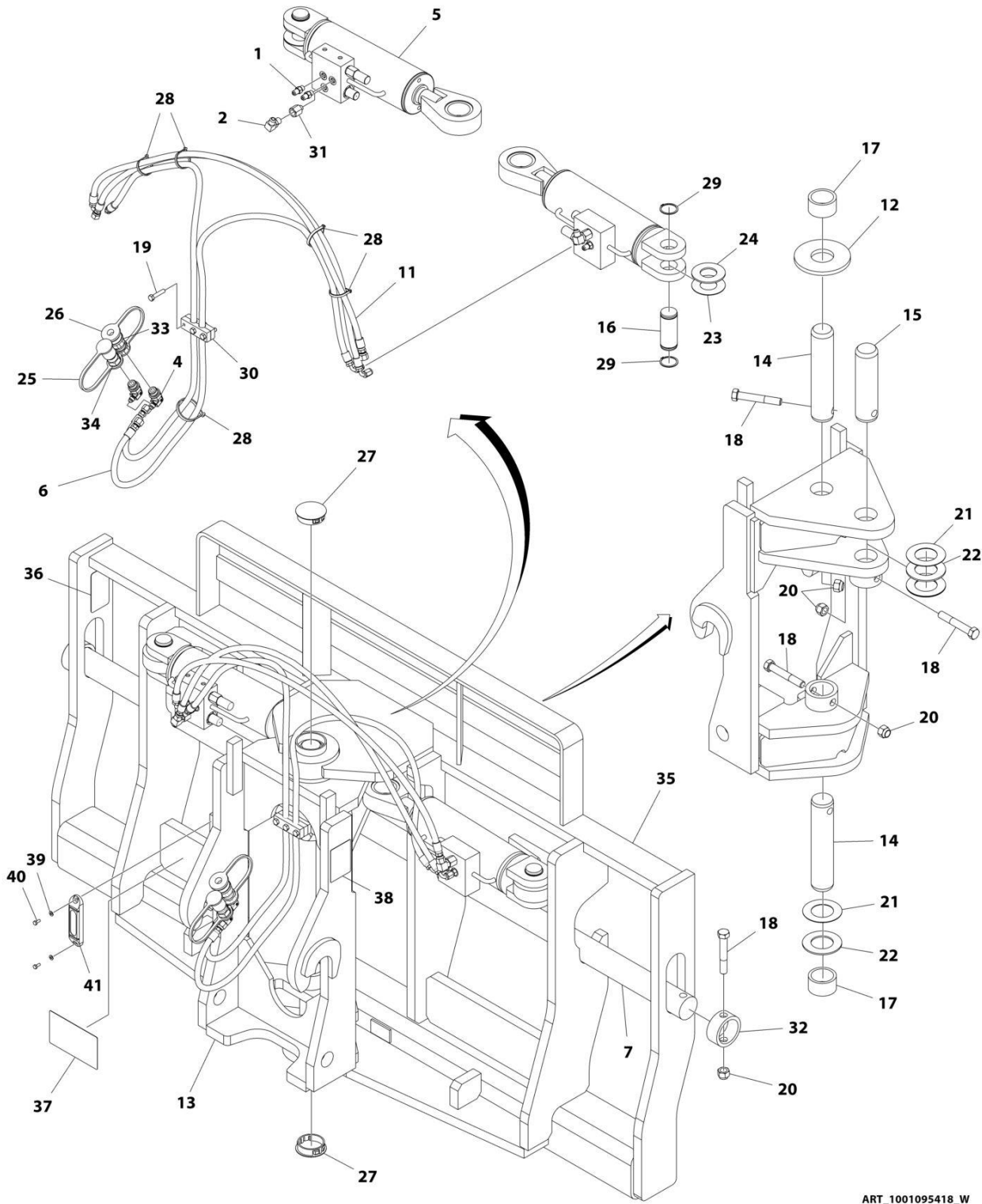
## SECTION 3 - ATTACHMENTS

**FIGURE 3-22. CARRIAGE ASSEMBLY - 72IN/1829MM**

ITEM	PART NUMBER	QTY	DESCRIPTION	REV
	1001211516	Ref	CARRIAGE ASSEMBLY (72 INCH)	F
1	0642032	2	Bolt 5/8 x 4	
2	3300240	2	Nut 5/8	
3	3423276	1	Pin	
4	90200003	2	Sleeve	
5	See Note	NSS	Carriage (Note: Purchase Complete Assembly)	
6	See Note	NSS	SN Plate (Note:Stamped Part - Not Available for Purchase)	
7	1001227670	1	Tag, RFID	
8	4811400	2	Washer M4	
9	0760405	2	Bolt M4 x 10	

# SECTION 3 - ATTACHMENTS

## FIGURE 3-23. CARRIAGE ASSEMBLY - 72IN 90 DEGREE SWING



ART\_1001095418\_W

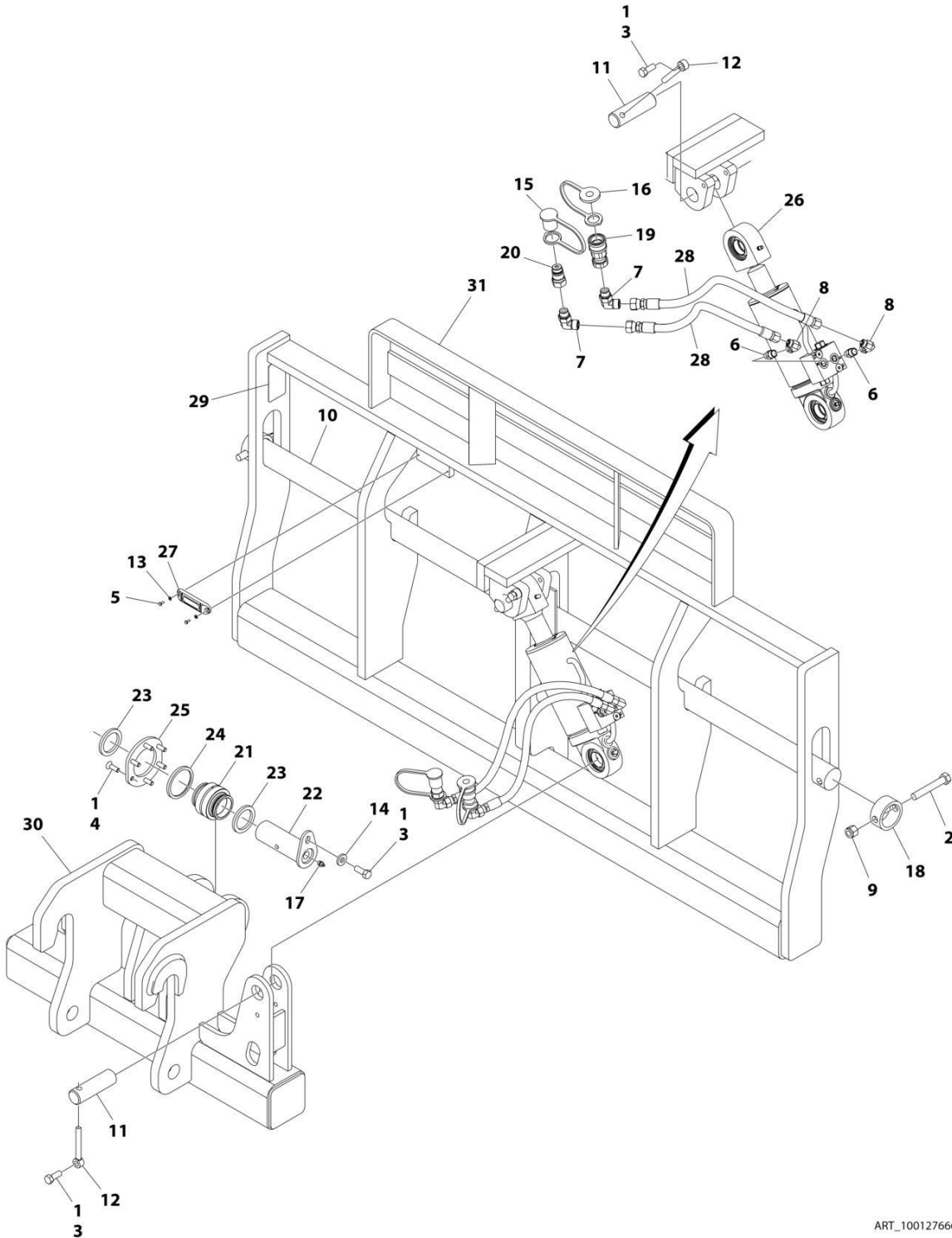
## SECTION 3 - ATTACHMENTS

**FIGURE 3-23. CARRIAGE ASSEMBLY - 72IN 90 DEGREE SWING**

ITEM	PART NUMBER	QTY	DESCRIPTION	REV
	1001095418	Ref	CARRIAGE ASSEMBLY - SWING (72 INCH)	W
1	2220415	4	Fitting, Straight ORFS	
2	2220473	2	Fitting, 90 ORFS	
4	1001211139	2	Adapter, 90	
5	1001293182	1	Swing Carriage Cylinder (See Separate Breakdown in HYDRAULIC COMPONENTS Section)	
6	2717287	2	Hose 58in (Boom Front Disconnect)	
6	1001301599	1	Hose 66in (Boom Side Disconnect)	
6	1001301600	1	Hose 46in (Boom Side Disconnect)	
7	3423276	1	Pin	
11	6604662	2	Hose	
12	7062922	1	Washer	
13	See Note	NSS	Pivot (Note: Purchase Complete Assembly)	
14	7110702	2	Pin	
15	7110712	1	Pin	
16	7110722	2	Pin	
17	8065062	2	Bushing	
18	8303634	5	Bolt 5/8 x 4	
19	8303715	3	Bolt 5/16 x 1-1/2	
20	8305643	5	Nut 5/8	
21	8307904	AR	Washer	
22	8307918	AR	Washer	
23	8310160	AR	Washer	
24	8310161	AR	Washer	
25	8420053	1	Cap	
26	8420055	1	Plug	
27	8580315	2	Plug	
28	8584001	5	Tie Wrap	
29	8642207	4	Ring, Retaining	
30	8769132	2	Clamp	
31	8770016	2	Fitting, Straight ORFS	
32	90200003	2	Collar	
33	91403413	1	Fitting, Straight ORFS	
34	91403414	1	Fitting, Straight	
35	See Note	NSS	Carriage (Note: Purchase Complete Assembly)	
36	See Note	NSS	SN Plate (Note: Stamped Part - Not Available for Purchase)	
37	1001110704	1	Decal, Warning Crushing Hazard	
38	1001111190	2	Decal, Warning	
39	4811400	2	Washer M4	
40	0760405	2	Bolt M4 x 10	
41	1001227670	1	Tag - RFID	

# SECTION 3 - ATTACHMENTS

## FIGURE 3-24. CARRIAGE ASSEMBLY - 72IN/12000# CAPACITY SIDE TILT



ART\_1001276666



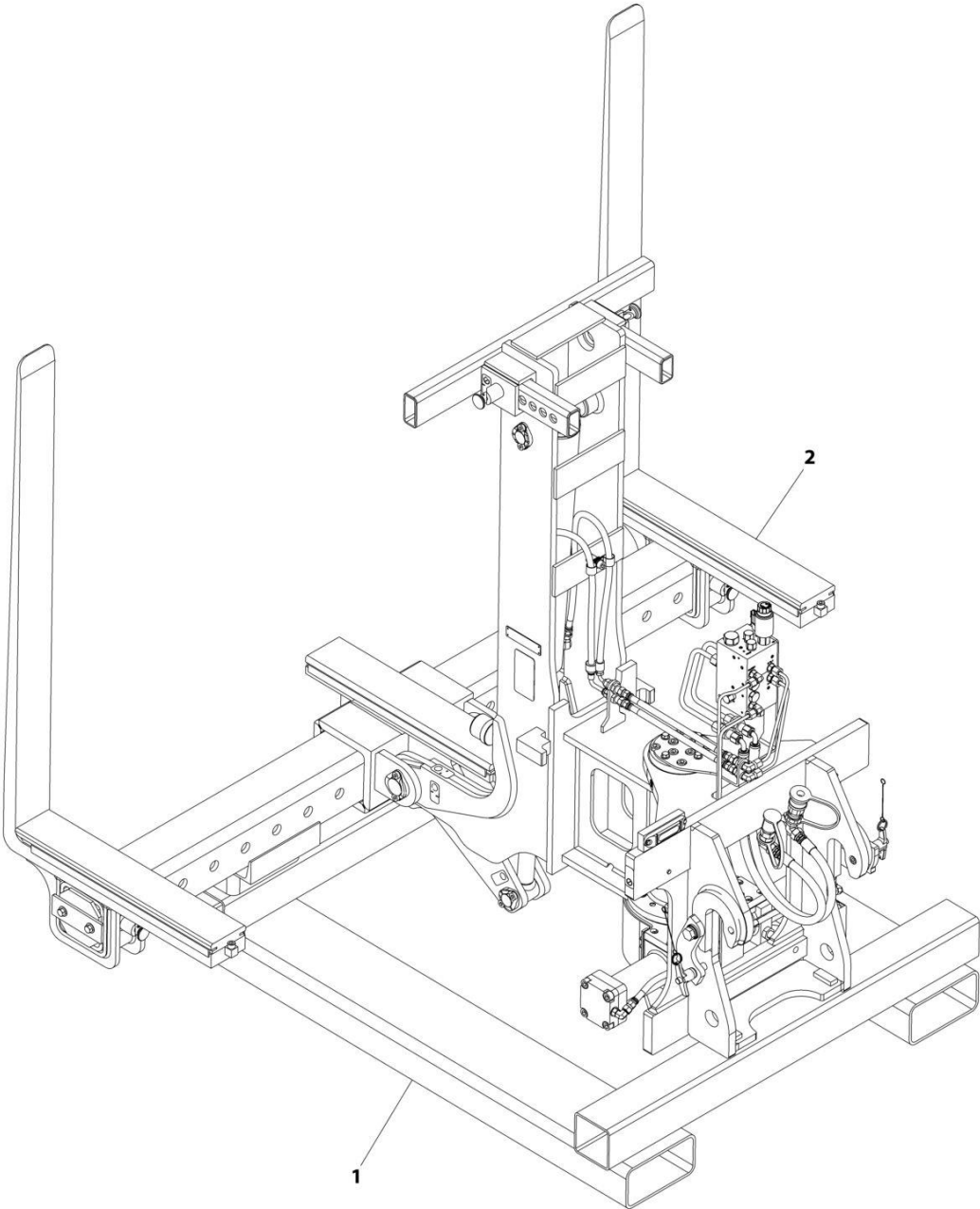
## SECTION 3 - ATTACHMENTS

**FIGURE 3-24. CARRIAGE ASSEMBLY - 72IN/12000# CAPACITY SIDE TILT**

ITEM	PART NUMBER	QTY	DESCRIPTION	REV
	1001276666	Ref	SIDE TILT CARRIAGE ASSEMBLY (72 INCH)	A
1	0100011	AR	Compound, Locking	
2	0642032	2	Bolt 5/8 x 4	
3	0681810	3	Bolt 1/2 x 1-1/4	
4	0741610	6	Screw 3/8 x 1-1/4	
5	0760405	2	Bolt M4 x 10	
6	2110606	2	Fitting, Straight	
7	2130808	2	Fitting, 90 ORFS	
8	2172106	2	Fitting, 90 ORFS	
9	3300240	2	Nut 5/8	
10	3423276	1	Pin, Fork	
11	3423307	2	Pin, Side Tilt Cylinder	
12	3841203	2	Keeper, Rod	
13	4811400	2	Washer M4	
14	4891800	1	Washer 1/2	
15	8420053	1	Cap, Dust	
16	8420055	1	Plug, Dust	
17	88671001	1	Fitting, Grease	
18	90200003	2	Collar, Fork Pin	
19	91403413	1	Fitting, Straight	
20	91403414	1	Fitting, Straight	
21	1001090140	1	Bearing, Side Tilt Spherical	
22	1001099113	1	Pin, Side Tilt Frame Pivot	
23	1001099115	2	Sleeve, Tilt Bearing Spacer	
24	1001120914	1	Shim, Bearing Retainer	
25	1001120915	1	Plate, Bearing Retainer	
26	1001163414	1	Cylinder, Side Tilt (See Separate Breakdown in HYDRAULIC COMPONENTS Section)	
27	1001227670	1	Tag, RFID	
28	1001239734	2	Hose	
29	See Note	NSS	SN Plate (Note: Stamped Part - Not Available for Purchase)	
30	See Note	NSS	Carriage, Base Plate (Note: Purchase Complete Assembly)	
31	See Note	NSS	Carriage, Side Tilt (Note: Purchase Complete Assembly)	

**SECTION 3 - ATTACHMENTS**

**FIGURE 3-25. CARRIAGE ASSEMBLY - DRYWALL (SWING)**



ART\_1001246022\_B

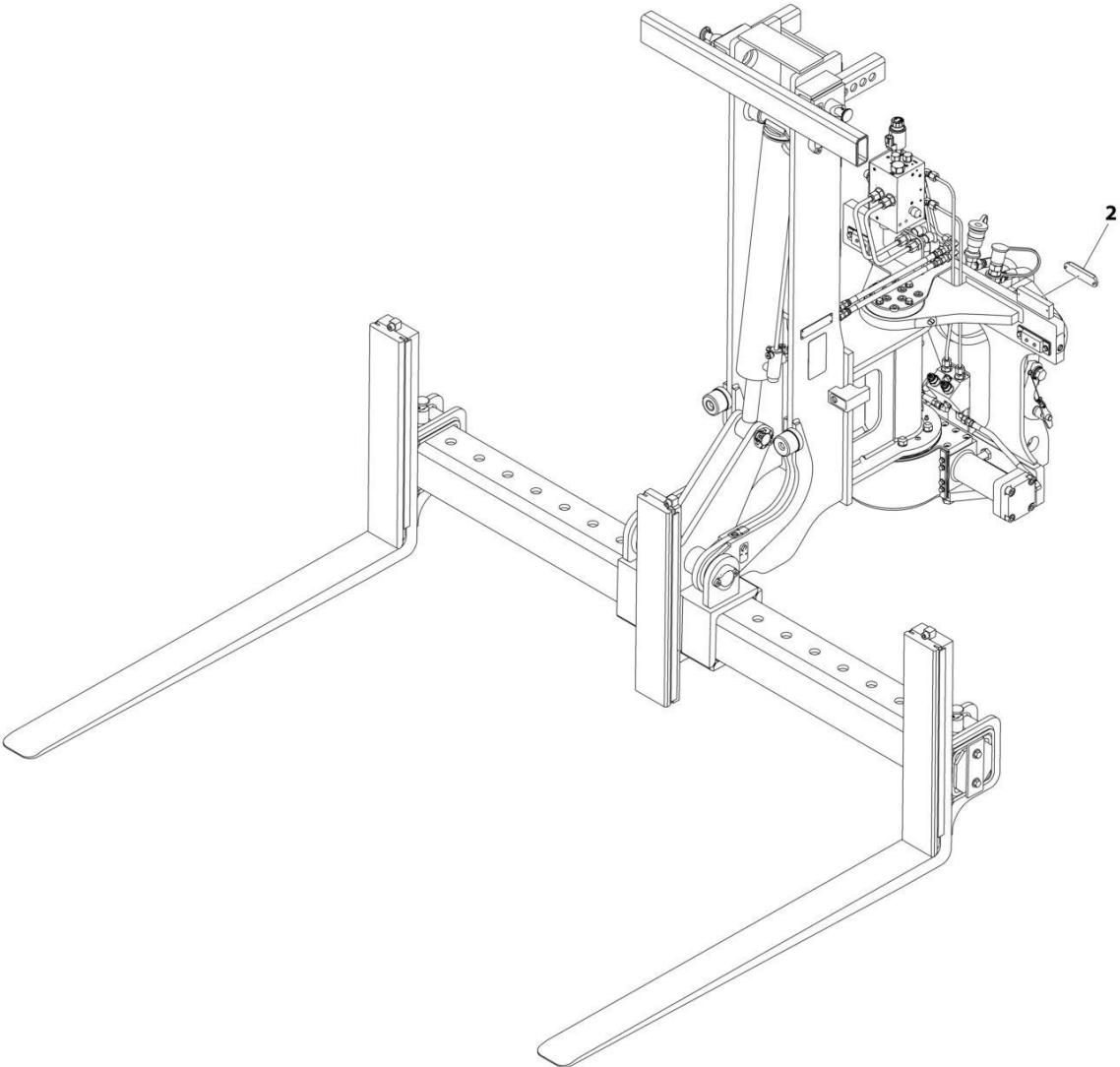
## SECTION 3 - ATTACHMENTS

**FIGURE 3-25. CARRIAGE ASSEMBLY - DRYWALL (SWING)**

ITEM	PART NUMBER	QTY	DESCRIPTION	REV
	1001246022	Ref	DRYWALL SWING CARRIAGE INSTALLATION	B
1	1001243214	1	Drywall Cradle	
2	1001230765	1	Rotating Drywall Carriage (See Separate Breakdown in this Section)	

**SECTION 3 - ATTACHMENTS**

**FIGURE 3-26. CARRIAGE ASSEMBLY - DRYWALL SWING CARRIAGE**



ART\_1001230765\_D

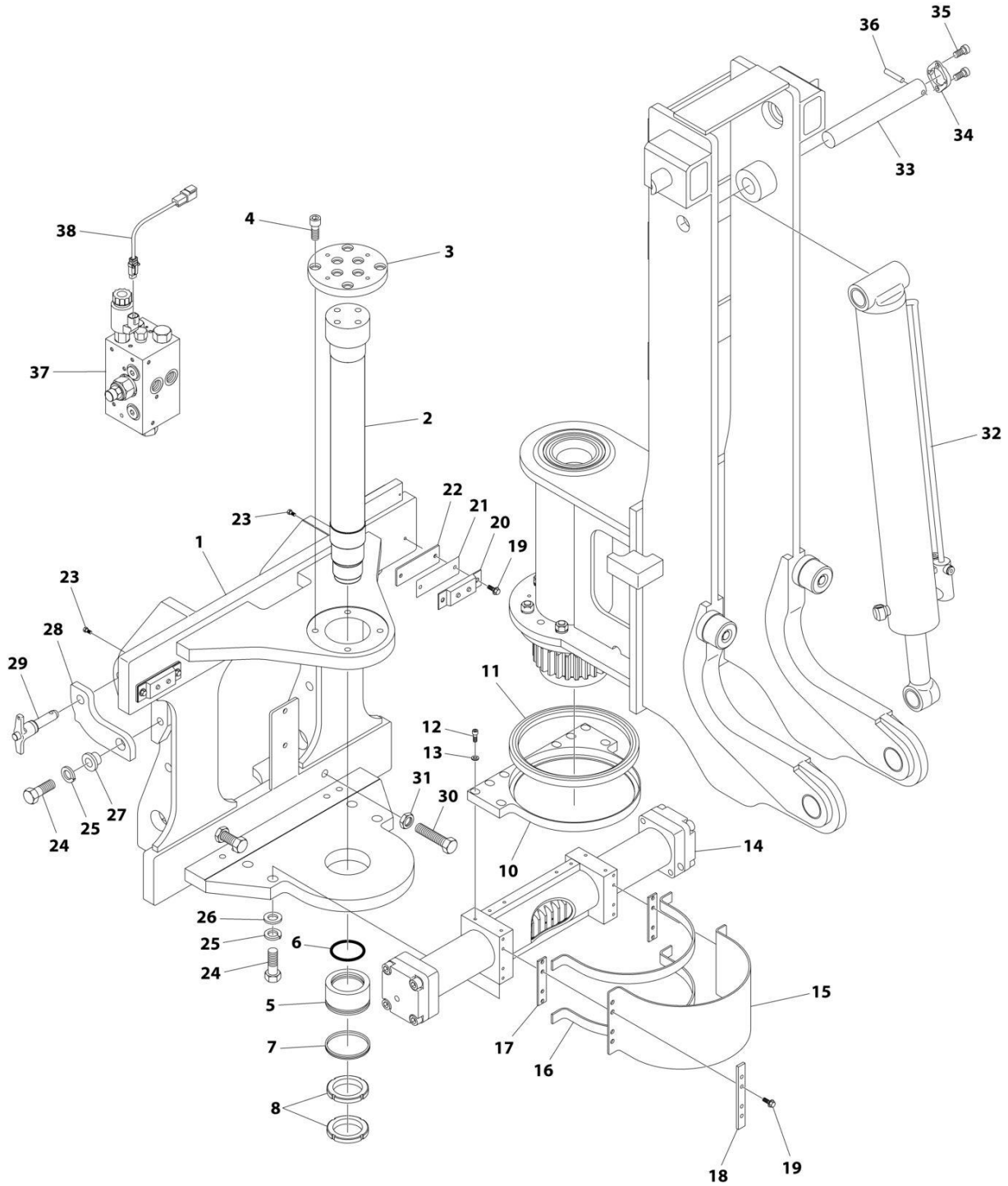
## SECTION 3 - ATTACHMENTS

**FIGURE 3-26. CARRIAGE ASSEMBLY - DRYWALL SWING CARRIAGE**

ITEM	PART NUMBER	QTY	DESCRIPTION	REV
	1001230765	Ref	ROTATING DRYWALL CARRIAGE	D
		Ref	Drywall Board Handler (See Separate Breakdown in this Section)	
		Ref	Drywall Pivot Frame Group (See Separate Breakdown in this Section)	
		Ref	Drywall Cylinder (See Separate Breakdown in this Section)	
		Ref	Drywall Hydraulic Group (See Separate Breakdown in this Section)	
		Ref	Drywall Valve Assembly (See Separate Breakdown in this Section)	
		Ref	Drywall Cylinder (See Separate Breakdown in this Section)	
		Ref	Drywall Fork Group (See Separate Breakdown in this Section)	
2	1001227670	1	Tag, RFID	

# SECTION 3 - ATTACHMENTS

## FIGURE 3-27. CARRIAGE ASSEMBLY - DRYWALL BOARD HANDLER



ART\_1001230765\_1

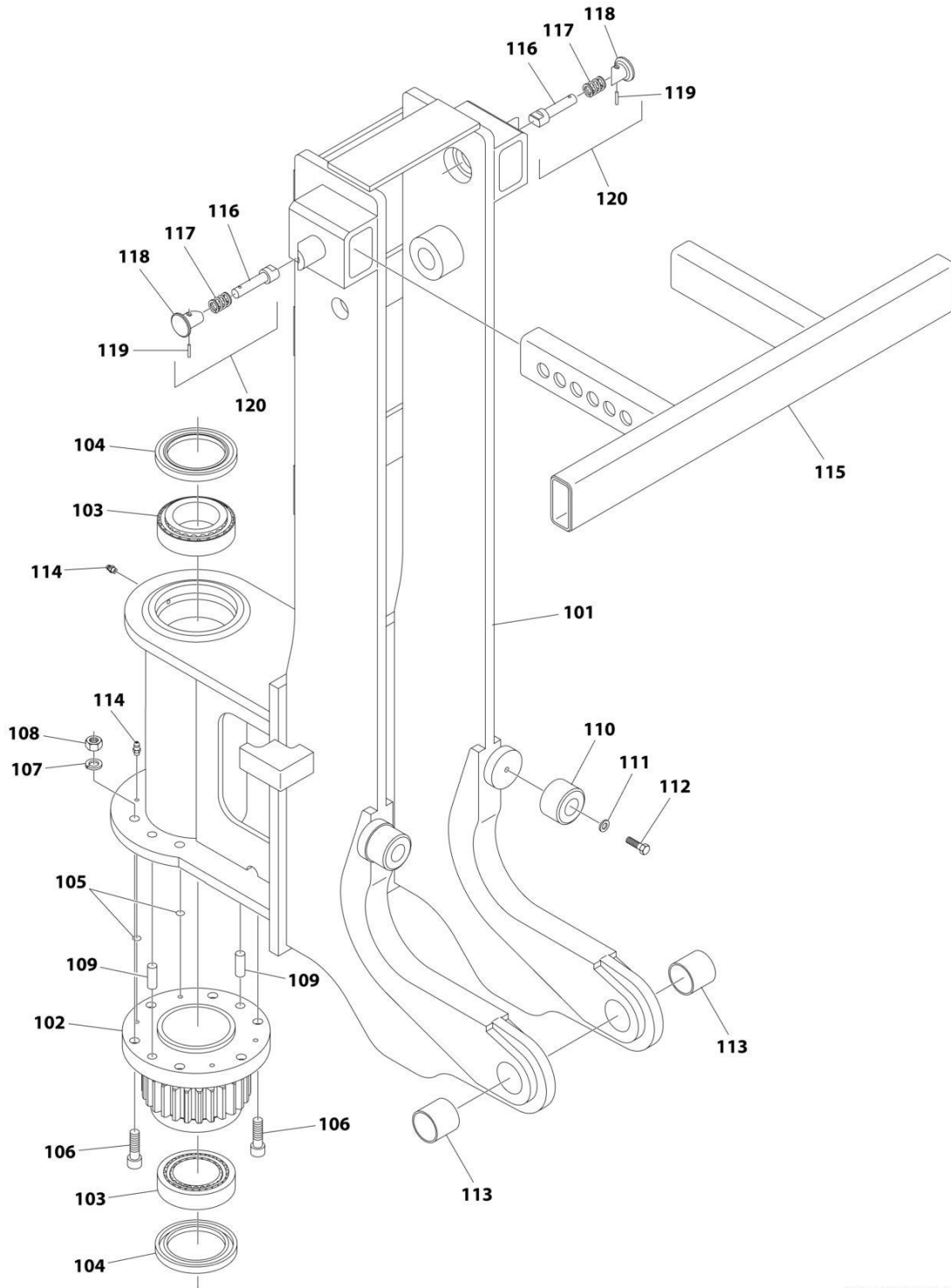
## SECTION 3 - ATTACHMENTS

**FIGURE 3-27. CARRIAGE ASSEMBLY - DRYWALL BOARD HANDLER**

ITEM	PART NUMBER	QTY	DESCRIPTION	REV
	1001230765	Ref	Drywall - Board Handler	
1	70029608	1	Carriage, Hook Mount	
2	70029609	1	Pivot Shaft	
3	70029610	1	Cap	
4	70029611	8	Screw	
5	70029612	1	Spacer	
6	70029613	1	O-Ring	
7	70029614	1	Dual Seal	
8	70029615	2	Locknut	
10	70029616	1	Upper Housing Assembly	
11	70029648	1	Shaft Seal	
12	70029617	8	Screw	
13	70026480	8	Washer	
14	70029586	1	Cylinder Assembly	
15	70029618	1	Cover Assembly (includes Items 16 & 17)	
16	N.S.S.	2	Gasket	
17	N.S.S.	2	Gasket	
18	70029619	2	Plate	
19	70029620	12	Screw	
20	70029621	2	Cushion	
21	70029622	AR	Shim	
22	70029623	AR	Shim	
23	70029624	2	Screw	
24	70024552	6	Screw	
25	70024551	6	Lockwasher	
26	70029625	4	Washer	
27	70029626	2	Shoulder Boss	
28	70029627	2	Lock Plate	
29	70029628	2	Ball Lock Pin	
30	70029629	2	Screw	
31	70029630	2	Jam Nut	
32	70029587	1	Cylinder Assembly	
33	70029631	1	Pin	
34	70028702	1	Pin Retainer	
35	70028701	2	Screw	
36	70028703	1	Grooved Pin	
37	70029595	1	Valve Assembly	
38	70029588	1	Cable Assembly	

# SECTION 3 - ATTACHMENTS

## FIGURE 3-28. CARRIAGE ASSEMBLY - DRYWALL PIVOT FRAME



ART\_1001230765\_2



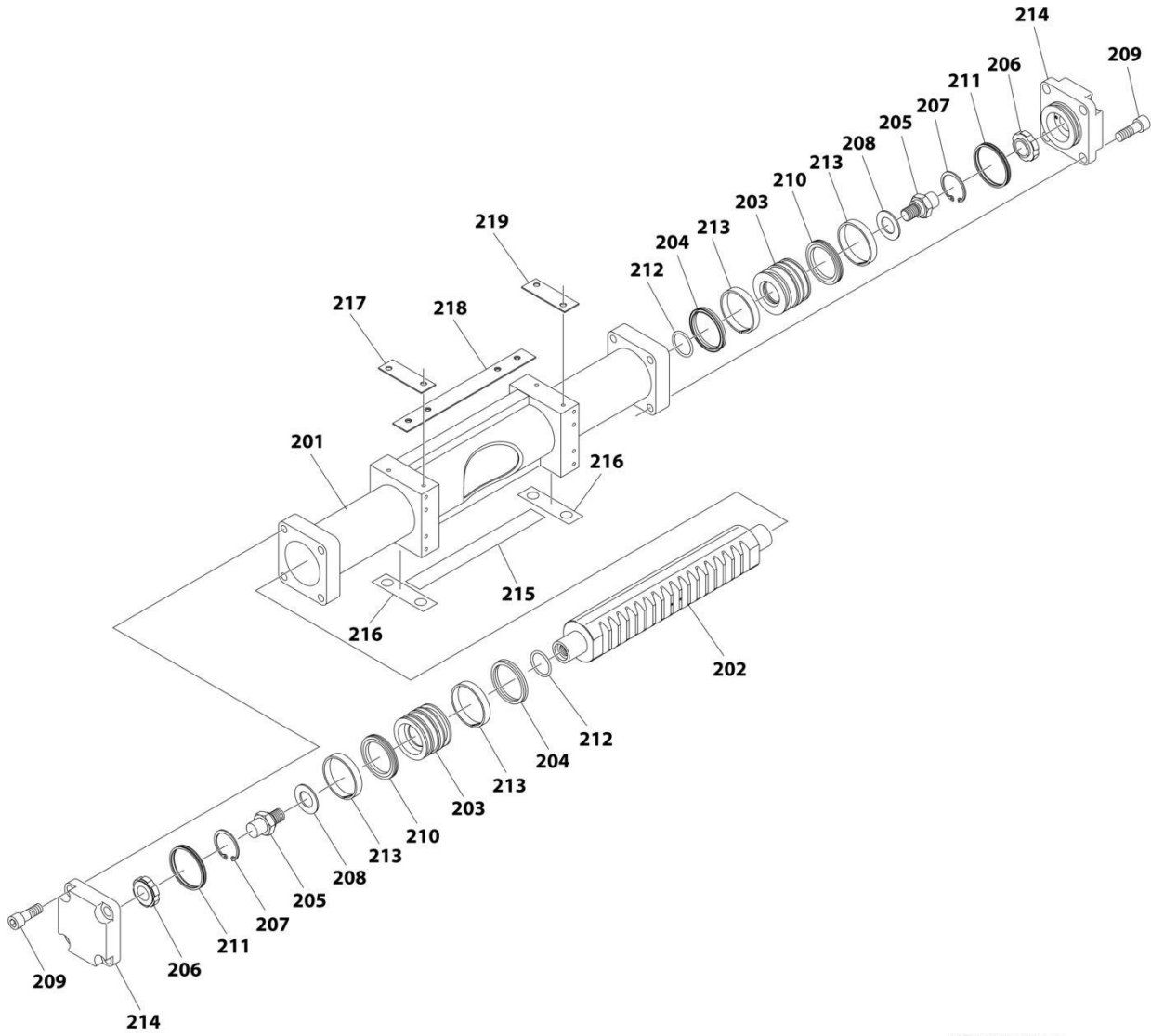
## SECTION 3 - ATTACHMENTS

**FIGURE 3-28. CARRIAGE ASSEMBLY - DRYWALL PIVOT FRAME**

ITEM	PART NUMBER	QTY	DESCRIPTION	REV
	1001230765	Ref	Drywall - Pivot Frame Group	
101	70029632	1	Pivot Frame	
102	70029633	1	Pinion Gear	
103	70029634	2	Bearing	
104	70029635	2	Shaft Seal	
105	70029636	2	O-Ring	
106	70024684	6	Screw	
107	70029637	6	Lockwasher	
108	70029638	6	Nut	
109	70029639	2	Dowel Pin	
110	70029640	2	Bumper	
111	70024721	2	Washer, M8	
112	70029641	2	Screw	
113	70029642	2	Bearing	
114	70024679	3	Grease Fitting	
115	70029643	1	Load Support	
116	70028154	1	Pin	
117	70028155	1	Spring	
118	70024759	1	Knob	
119	70024761	1	Spring Pin	
120	70028153	2	Pin Kit (includes Items 116 thru 119)	

# SECTION 3 - ATTACHMENTS

## FIGURE 3-29. CARRIAGE ASSEMBLY - DRYWALL CYLINDER



ART\_1001230765\_3

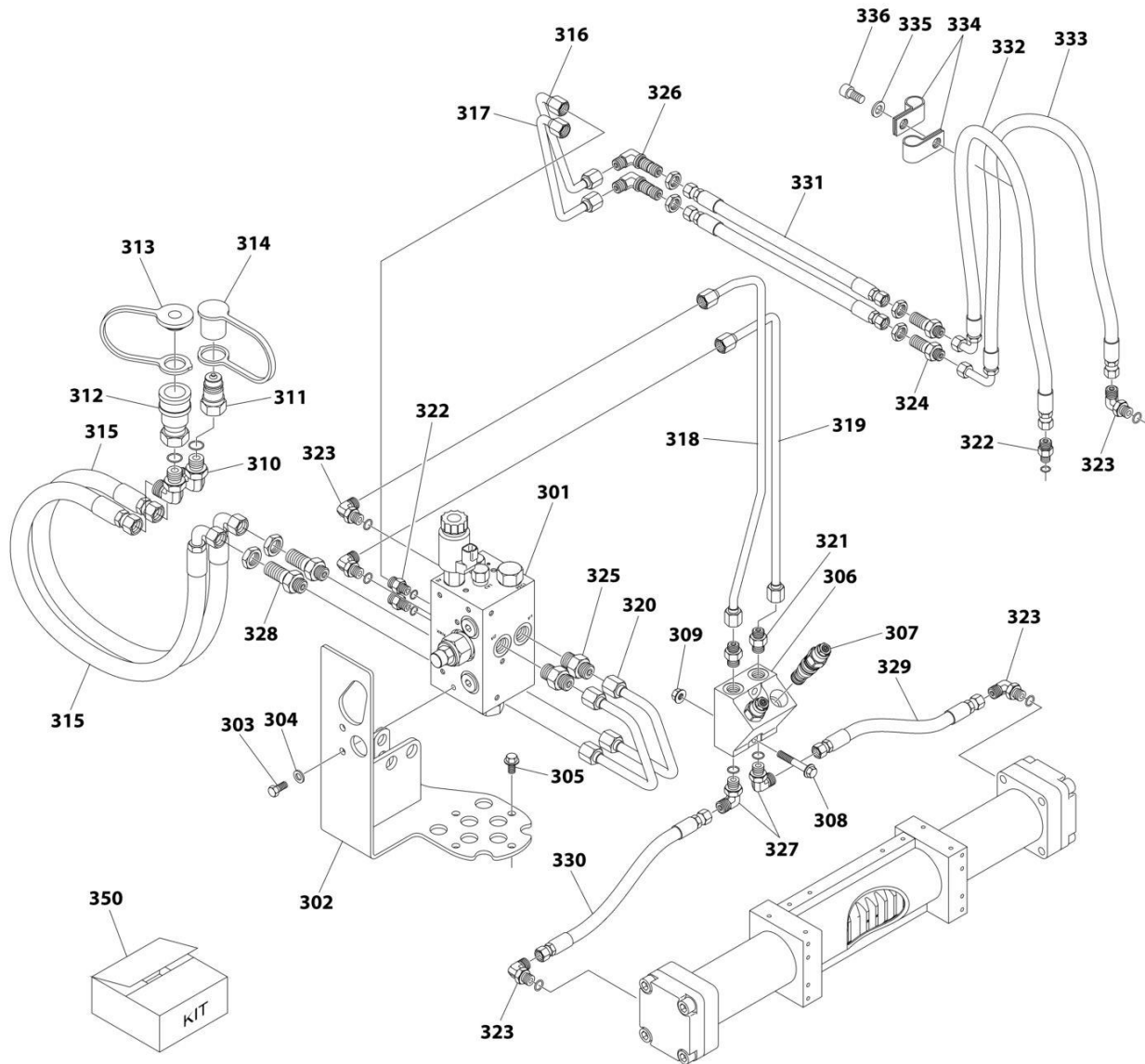
## SECTION 3 - ATTACHMENTS

### FIGURE 3-29. CARRIAGE ASSEMBLY - DRYWALL CYLINDER

ITEM	PART NUMBER	QTY	DESCRIPTION	REV
201	1001230765	Ref	Drywall - Cylinder	
	N.S.S.	1	Barrel	
		Ref	<b>Note: Original Cylinder May Have Been Replaced with Service Replacement. Identify PN Stamped on Cylinder Before Ordering Parts.</b>	
202	70029644	1	Rod	
203	70029645	3	Piston	
204	70029646	2	Wiper	
205	70029681	2	Cushion Spear	
206	70029682	2	Cushion	
207	70029683	2	Retaining Ring	
208	70029684	2	Washer	
209	70029685	8	Screw	
210	70029686	2	Piston Seal	
211	70029687	2	Dual Seal	
212	70029688	2	O-Ring	
213	70029689	4	Wear Ring	
214	70029690	2	End Cap	
215	70029691	1	Gasket Tape	
216	70029692	2	Gasket Tape	
217	70029693	1	Gasket, RH	
218	70029694	1	Gasket, Rear	
219	70029695	1	Gasket, LH	

# SECTION 3 - ATTACHMENTS

## FIGURE 3-30. CARRIAGE ASSEMBLY - DRYWALL HYDRAULICS



ART\_1001230765\_4

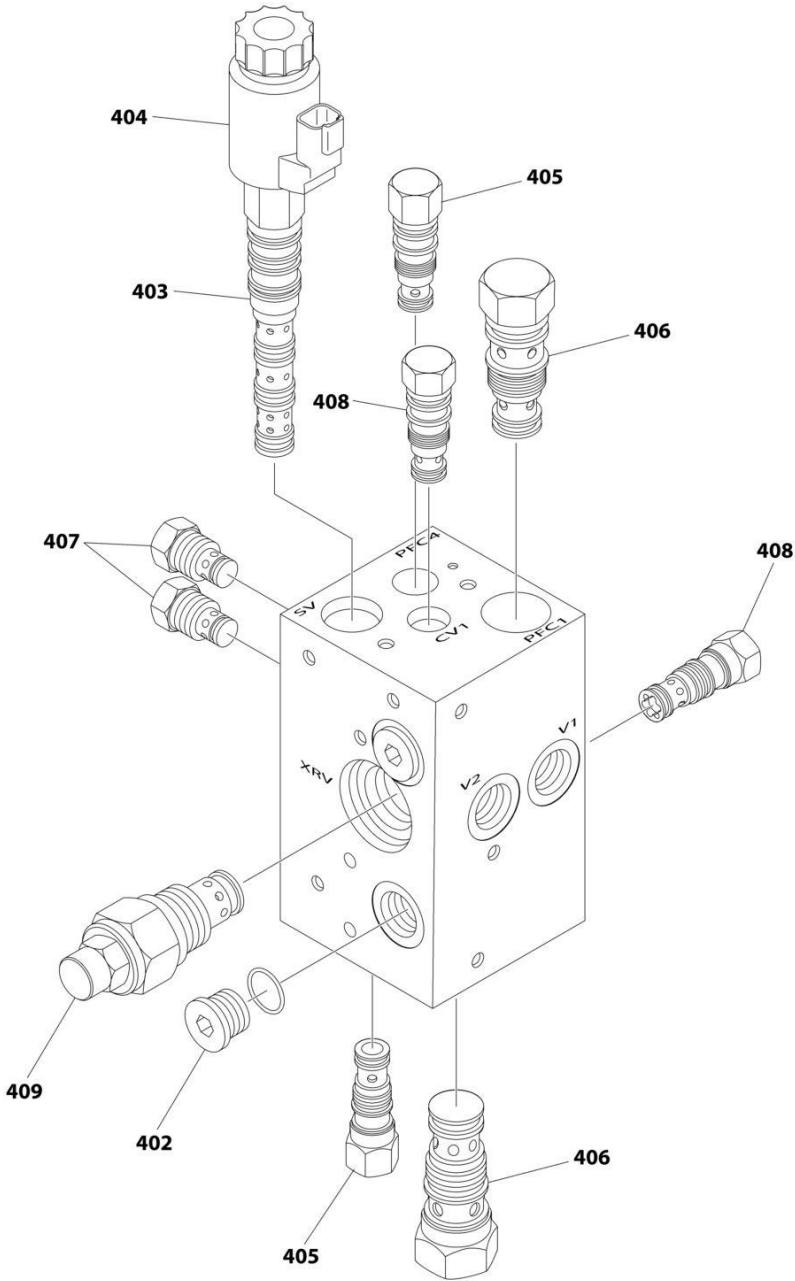
## SECTION 3 - ATTACHMENTS

**FIGURE 3-30. CARRIAGE ASSEMBLY - DRYWALL HYDRAULICS**

ITEM	PART NUMBER	QTY	DESCRIPTION	REV
	1001230765	Ref	Drywall - Hydraulic Group	
301	70029595	1	Valve Assembly	
302	70029659	1	Valve Mounting Bracket	
303	70028130	2	Screw	
304	70024721	2	Washer	
305	70029660	4	Bolt	
306	70029661	1	Inline Valve Body	
307	70029662	2	Cartridge, Counterbalance	
308	70029663	2	Screw	
309	70029664	2	Nut	
310	70024127	2	Adapter	
311	91403414	1	Quick Disconnect, Male	
312	91403413	1	Quick Disconnect, Female	
313	8420055	1	Dust Cap	
314	8420053	1	Dust Plug	
315	70029665	2	Hose 30in (Boom Front Disconnect)	
315	70031447	2	Hose 42in (Boom Side Disconnect)	
316	70029666	1	Tube	
317	70029667	1	Tube	
318	70029668	1	Tube	
319	70029669	1	Tube	
320	70029670	2	Tube	
321	70029671	2	Fitting	
322	70029672	3	Fitting	
323	70029673	5	Fitting	
324	70028768	2	Fitting	
325	70029674	2	Fitting	
326	70029675	2	Fitting	
327	70028661	2	Fitting	
328	70023000	2	Bulkhead Union Elbow	
329	70029676	1	Hose, 310 mm	
330	70029677	1	Hose, 255 mm	
331	70029678	2	Hose, 340 mm	
332	70029679	1	Hose, 800 mm	
333	70029680	1	Hose, 805 mm	
334	70026481	2	Hose Clamp	
335	70026482	1	Washer	
336	70028672	1	Screw	
350	70031440	1	Disconnect Hose Kit (Boom Front Disconnect) (Includes Items 310-315)	
350	70031441	1	Disconnect Hose Kit (Boom Side Disconnect) (Includes Items 310-315)	

# SECTION 3 - ATTACHMENTS

## FIGURE 3-31. CARRIAGE ASSEMBLY - DRYWALL VALVE ASSEMBLY



ART\_1001230765\_5

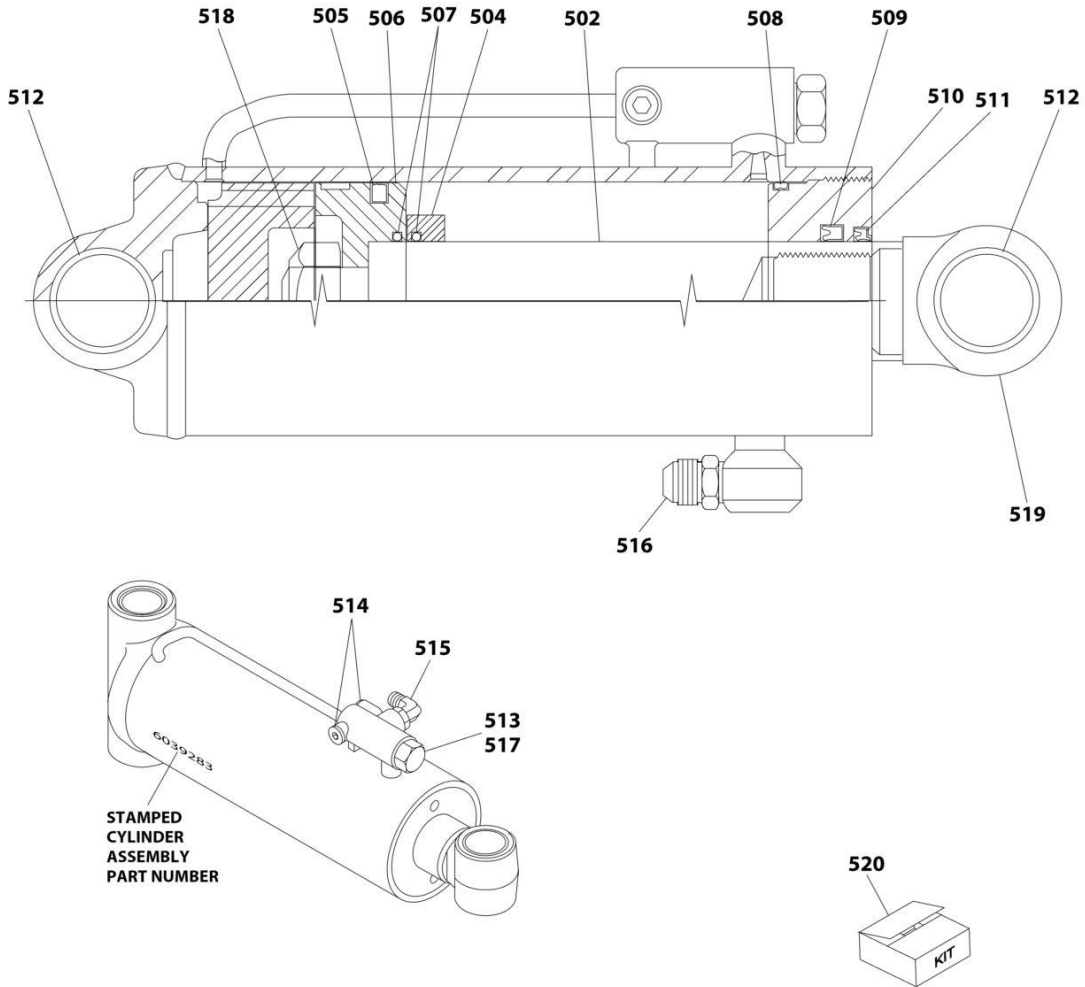
## SECTION 3 - ATTACHMENTS

**FIGURE 3-31. CARRIAGE ASSEMBLY - DRYWALL VALVE ASSEMBLY**

ITEM	PART NUMBER	QTY	DESCRIPTION	REV
	1001230765	Ref	Drywall - Valve Assembly	
402	70028119	2	Plug	
403	70029596	1	Cartridge, Directional Control	
404	70029597	1	Coil, 12V	
405	70029598	2	Cartridge, Flow Control	
406	70029599	2	Cartridge, Flow Control	
407	70029600	2	Cartridge, Check	
408	70029601	2	Cartridge, Check	
409	70029602	1	Cartridge, Pressure Control	

# SECTION 3 - ATTACHMENTS

## FIGURE 3-32. CARRIAGE ASSEMBLY - DRYWALL CYLINDER



ART\_1001230765\_6



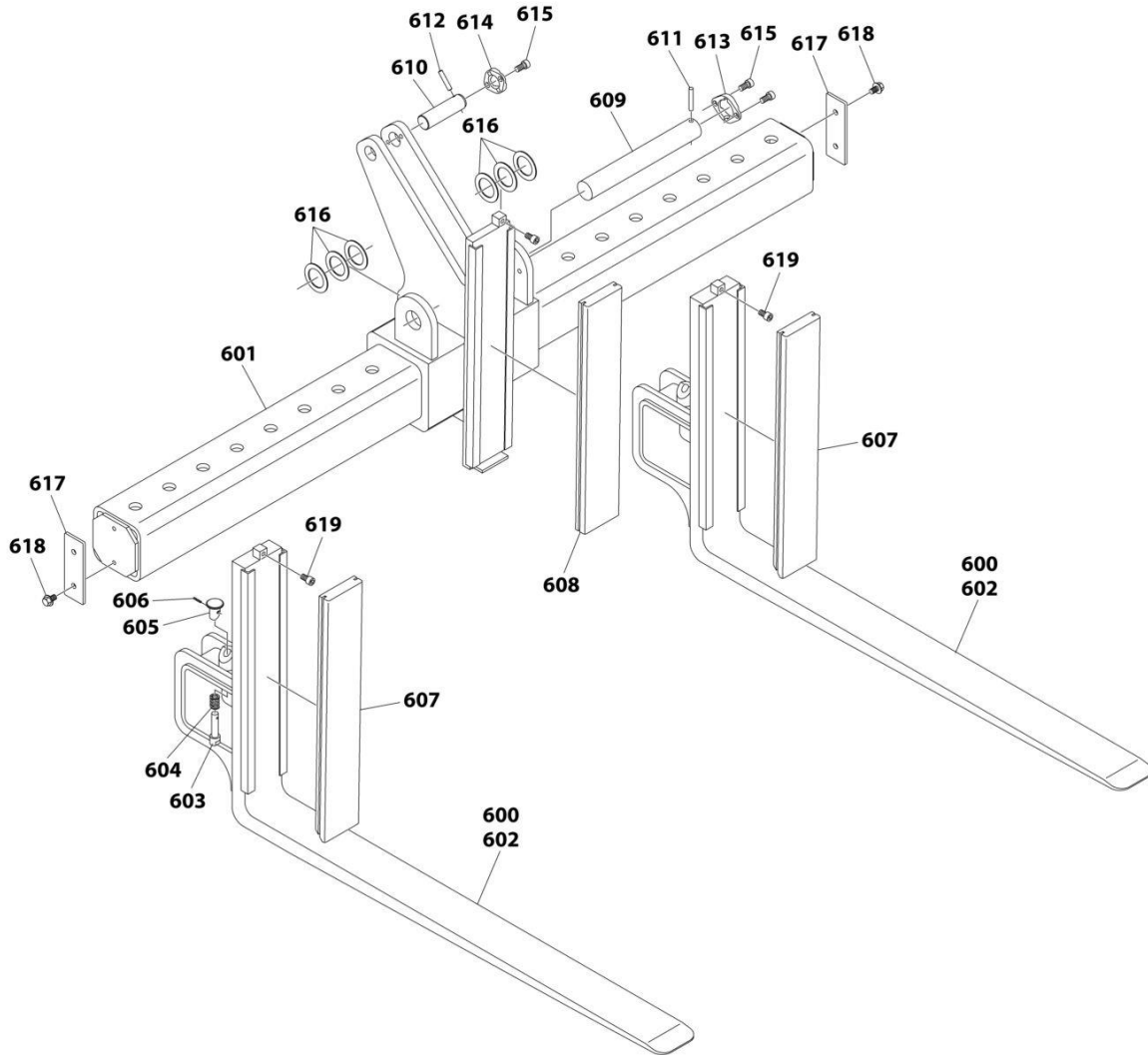
## SECTION 3 - ATTACHMENTS

**FIGURE 3-32. CARRIAGE ASSEMBLY - DRYWALL CYLINDER**

ITEM	PART NUMBER	QTY	DESCRIPTION	REV
502	1001230765	Ref	Drywall - Cylinder	
	70029593	1	Rod Assembly (Includes Item 512 & 519)	
		Ref	<b>Note: Original Cylinder May Have Been Replaced with Service Replacement. Identify PN Stamped on Cylinder Before Ordering Parts.</b>	
504	70029603	1	Spacer, Piston	
505	N.S.S.	1	Piston Seal	
506	70029594	1	Piston	
507	N.S.S.	2	O-Ring	
508	N.S.S.	1	Dual Seal	
509	N.S.S.	1	Rod Seal	
510	70029604	1	Retainer	
511	N.S.S.	1	Rod Wiper	
512	70029605	2	Bushing	
513	70024733	1	Valve, Check	
514	70024129	2	Fitting	
515	70029606	1	Fitting	
516	70029607	1	Fitting	
517	70024734	1	Check Valve Service Kit	
518	70026503	1	Nut	
519	70029647	1	Rod End	
520	70029592	1	Service Kit, Cylinder (Includes Items 505, 507 thru 511)	

# SECTION 3 - ATTACHMENTS

## FIGURE 3-33. CARRIAGE ASSEMBLY - DRYWALL FORKS



ART\_1001230765\_7

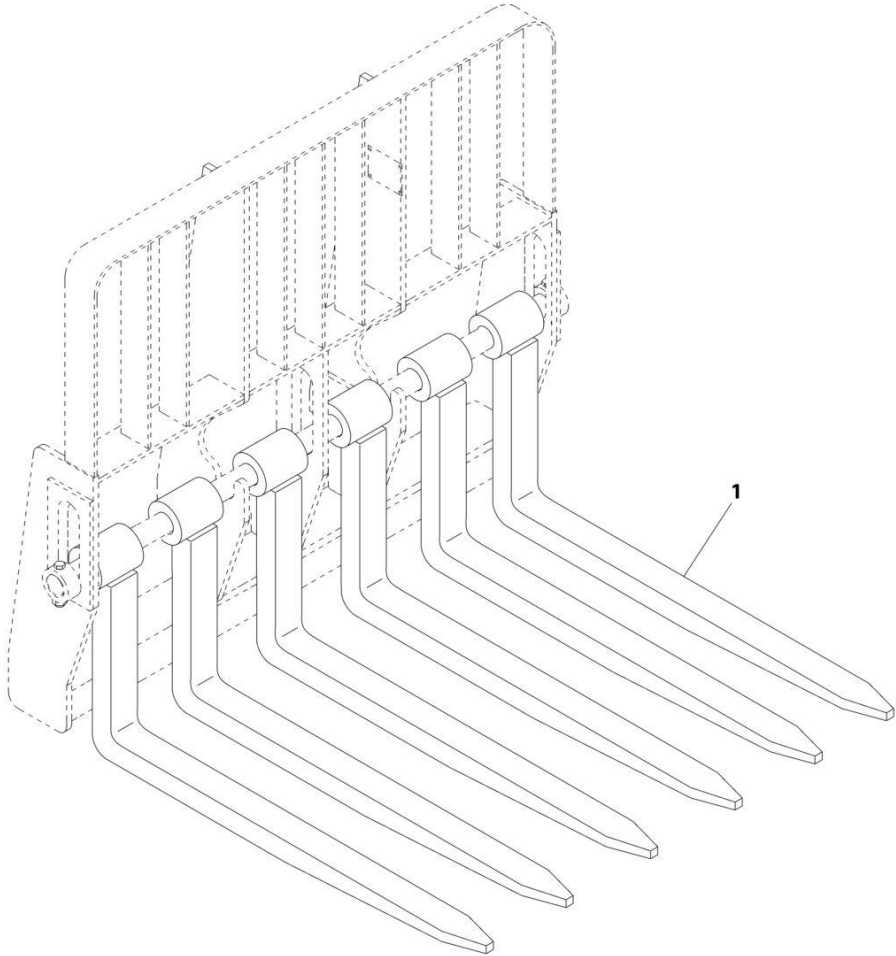
## SECTION 3 - ATTACHMENTS

**FIGURE 3-33. CARRIAGE ASSEMBLY - DRYWALL FORKS**

ITEM	PART NUMBER	QTY	DESCRIPTION	REV
	1001230765	Ref	Drywall - Fork Group	
600	70029649	2	Fork Assembly	
601	70029650	1	Fork Mount Assembly	
602	70029651	1	Fork	
	70028153	1	Pin Kit (includes Items 603 thru 606)	
603	70028154	1	Pin	
604	70028155	1	Spring	
605	70024759	1	Knob	
606	70024761	1	Spring Pin	
607	70029652	2	Bumper	
608	70029653	1	Bumper	
609	70029654	1	Pin	
610	70029655	1	Pin	
611	70028706	1	Pin	
612	70028703	1	Pin	
613	70028707	1	Retainer	
614	70028702	1	Retainer	
615	70028701	4	Bolt	
616	70028708	6	Shim	
617	70029656	2	Retainer	
618	70029657	4	Screw	
619	70029658	3	Screw	

**SECTION 3 - ATTACHMENTS**

**FIGURE 3-34. FORK 2X2X48 / 1940# CAPACITY**



ART\_2340037

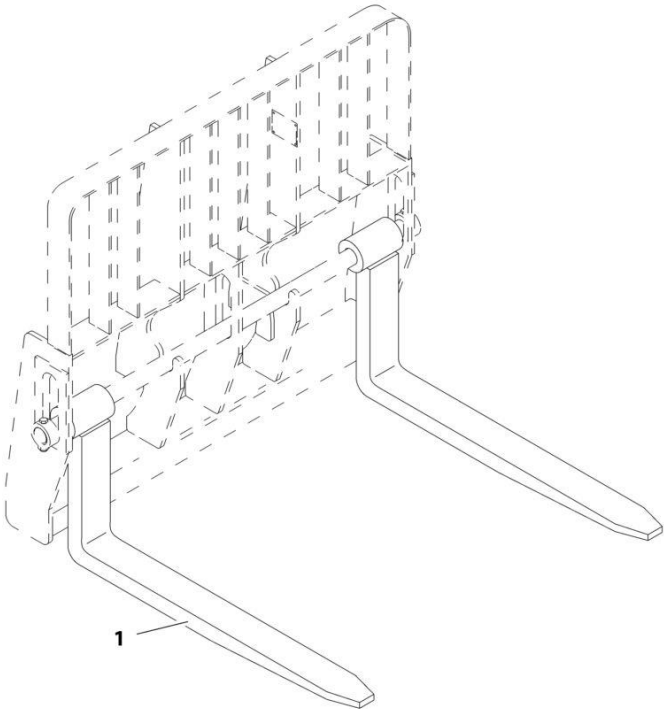
## SECTION 3 - ATTACHMENTS

**FIGURE 3-34. FORK 2X2X48 / 1940# CAPACITY**

ITEM	PART NUMBER	QTY	DESCRIPTION	REV
1	2340037	1	Cubing Fork (2.00X2X48)	A
	Note	Ref	<b>FORKS RATED LESS THAN THE ATTACHMENT OR MACHINE'S CAPACITY DECREASES CAPACITY OF THE ATTACHMENT OR MACHINE TO THAT OF THE FORKS. FORKS RATED MORE THAN THE ATTACHMENT OR MACHINE'S CAPACITY DO NOT INCREASE ATTACHMENT OR MACHINE'S CAPACITY.</b>	
	Note	Ref	<b>PLEASE CONSULT JLG PARTS DEPARTMENT TO DETERMINE THE CORRECT FORKS APPLICABLE TO YOUR SPECIFIC CARRIAGE ASSEMBLY AND APPLICATION.</b>	

**SECTION 3 - ATTACHMENTS**

**FIGURE 3-35. FORK 2.36X4X48 / 5000# CAPACITY**



ART\_2340045

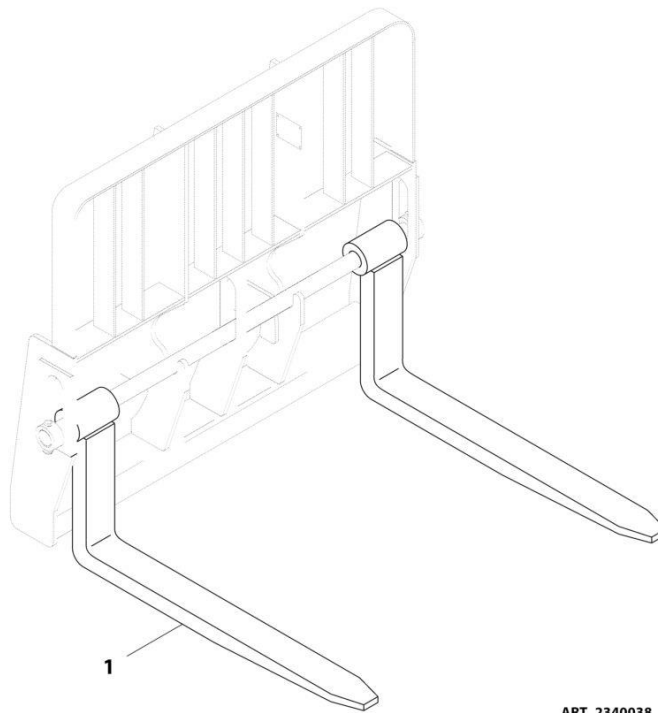
## SECTION 3 - ATTACHMENTS

**FIGURE 3-35. FORK 2.36X4X48 / 5000# CAPACITY**

ITEM	PART NUMBER	QTY	DESCRIPTION	REV
1	2340045	2	Pallet Fork (2.36X4X48)	
	Note	Ref	<b>FORKS RATED LESS THAN THE ATTACHMENT OR MACHINE'S CAPACITY DECREASES CAPACITY OF THE ATTACHMENT OR MACHINE TO THAT OF THE FORKS. FORKS RATED MORE THAN THE ATTACHMENT OR MACHINE'S CAPACITY DO NOT INCREASE ATTACHMENT OR MACHINE'S CAPACITY.</b>	
	Note	Ref	<b>PLEASE CONSULT JLG PARTS DEPARTMENT TO DETERMINE THE CORRECT FORKS APPLICABLE TO YOUR SPECIFIC CARRIAGE ASSEMBLY AND APPLICATION.</b>	

## SECTION 3 - ATTACHMENTS

FIGURE 3-36. FORK 2.36X4X48 / 5475# CAPACITY



ART\_2340038



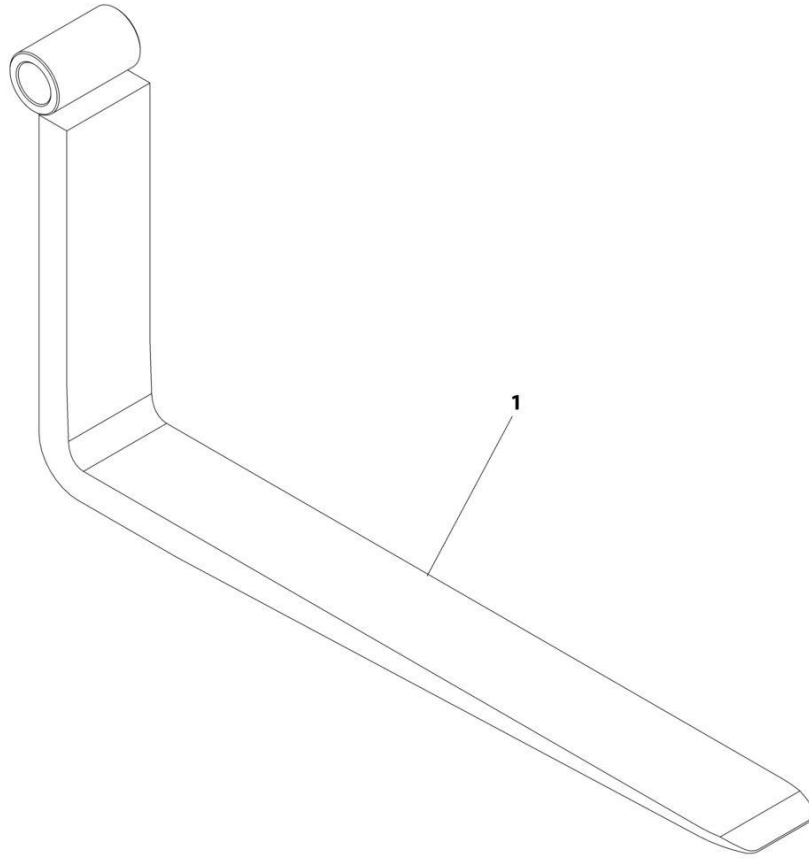
## SECTION 3 - ATTACHMENTS

**FIGURE 3-36. FORK 2.36X4X48 / 5475# CAPACITY**

ITEM	PART NUMBER	QTY	DESCRIPTION	REV
1	2340038	2	Pallet Fork (2.36X5X48)	B
	Note	Ref	<b>FORKS RATED LESS THAN THE ATTACHMENT OR MACHINE'S CAPACITY DECREASES CAPACITY OF THE ATTACHMENT OR MACHINE TO THAT OF THE FORKS. FORKS RATED MORE THAN THE ATTACHMENT OR MACHINE'S CAPACITY DO NOT INCREASE ATTACHMENT OR MACHINE'S CAPACITY.</b>	
	Note	Ref	<b>PLEASE CONSULT JLG PARTS DEPARTMENT TO DETERMINE THE CORRECT FORKS APPLICABLE TO YOUR SPECIFIC CARRIAGE ASSEMBLY AND APPLICATION.</b>	

# SECTION 3 - ATTACHMENTS

FIGURE 3-37. FORK 2.00X6X48 / 6005# CAPACITY



ART\_1001258605

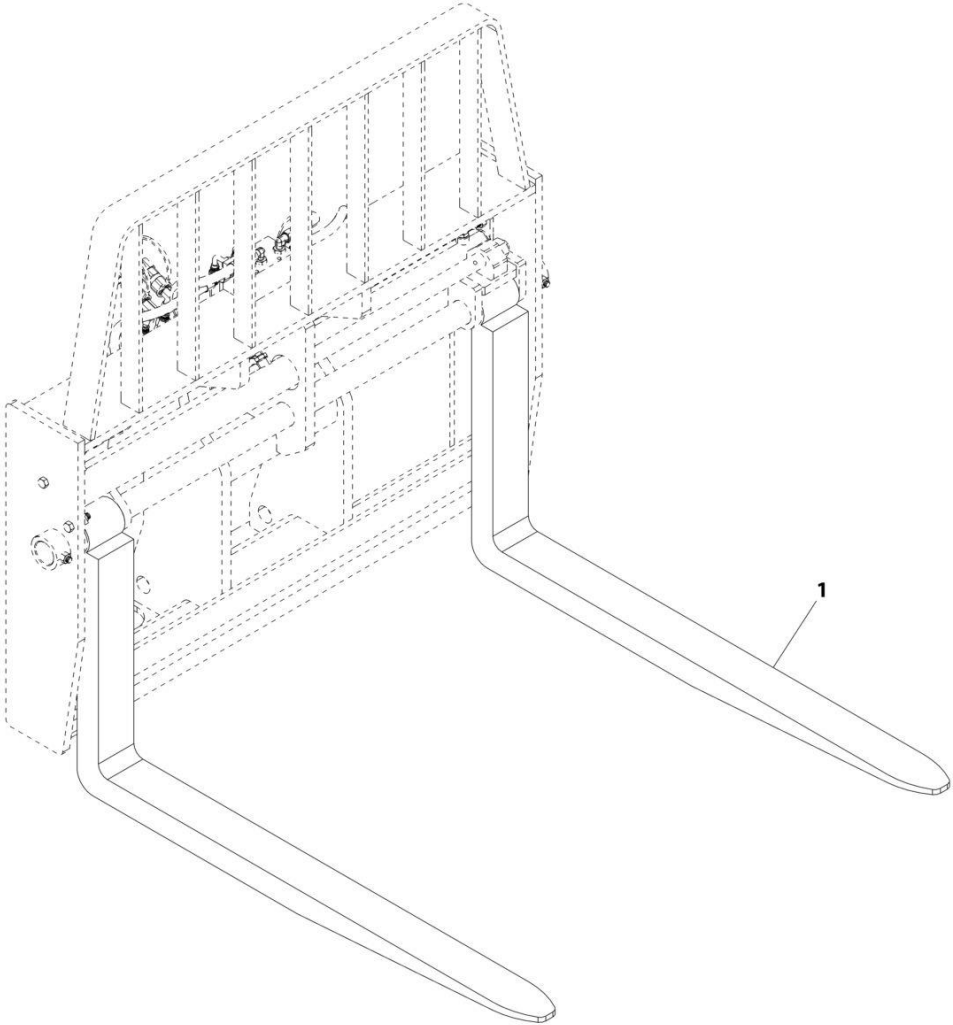
## SECTION 3 - ATTACHMENTS

**FIGURE 3-37. FORK 2.00X6X48 / 6005# CAPACITY**

ITEM	PART NUMBER	QTY	DESCRIPTION	REV
1	1001258605	2	Fork - Pallet (2.00X6X48)	A
N1	Note	Ref	FORKS RATED LESS THAN THE ATTACHMENT OR MACHINE'S CAPACITY DECREASES CAPACITY OF THE ATTACHMENT OR MACHINE TO THAT OF THE FORKS. FORKS RATED MORE THAN THE ATTACHMENT OR MACHINE'S CAPACITY DO NOT INCREASE ATTACHMENT OR MACHINE'S CAPACITY.	
N2	Note	Ref	PLEASE CONSULT JLG PARTS DEPARTMENT TO DETERMINE THE CORRECT FORKS APPLICABLE TO YOUR SPECIFIC CARRIAGE ASSEMBLY AND APPLICATION.	

**SECTION 3 - ATTACHMENTS**

**FIGURE 3-38. FORK 2.36X5X48 / 6850# CAPACITY**



ART\_7301408

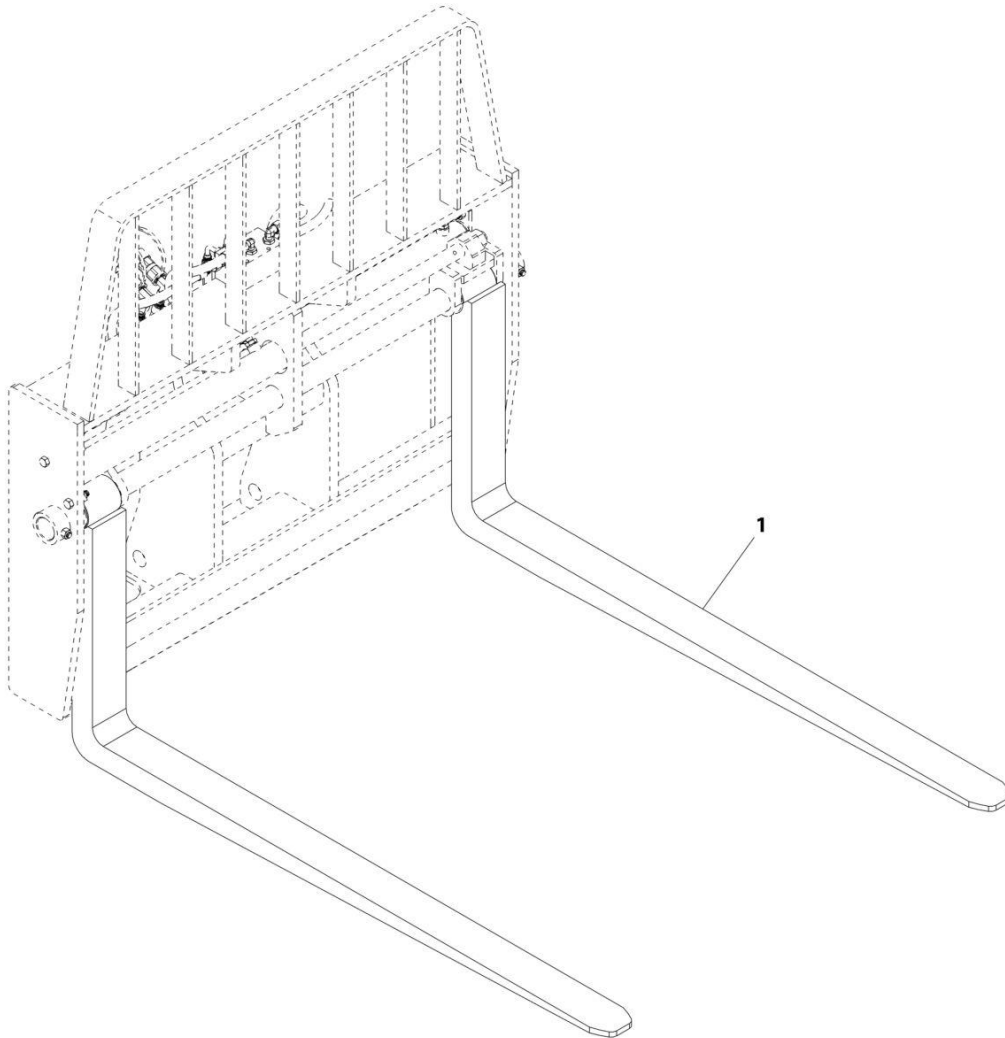
## SECTION 3 - ATTACHMENTS

**FIGURE 3-38. FORK 2.36X5X48 / 6850# CAPACITY**

ITEM	PART NUMBER	QTY	DESCRIPTION	REV
1	7301408	2	Pallet Fork (2.36X4X48)	D
N1	Note	Ref	<b>FORKS RATED LESS THAN THE ATTACHMENT OR MACHINE'S CAPACITY DECREASES CAPACITY OF THE ATTACHMENT OR MACHINE TO THAT OF THE FORKS. FORKS RATED MORE THAN THE ATTACHMENT OR MACHINE'S CAPACITY DO NOT INCREASE ATTACHMENT OR MACHINE'S CAPACITY.</b>	
N2	Note	Ref	<b>PLEASE CONSULT JLG PARTS DEPARTMENT TO DETERMINE THE CORRECT FORKS APPLICABLE TO YOUR SPECIFIC CARRIAGE ASSEMBLY AND APPLICATION.</b>	

# SECTION 3 - ATTACHMENTS

FIGURE 3-39. FORK 2.36X4X60 / 5000# CAPACITY



ART\_1001227379

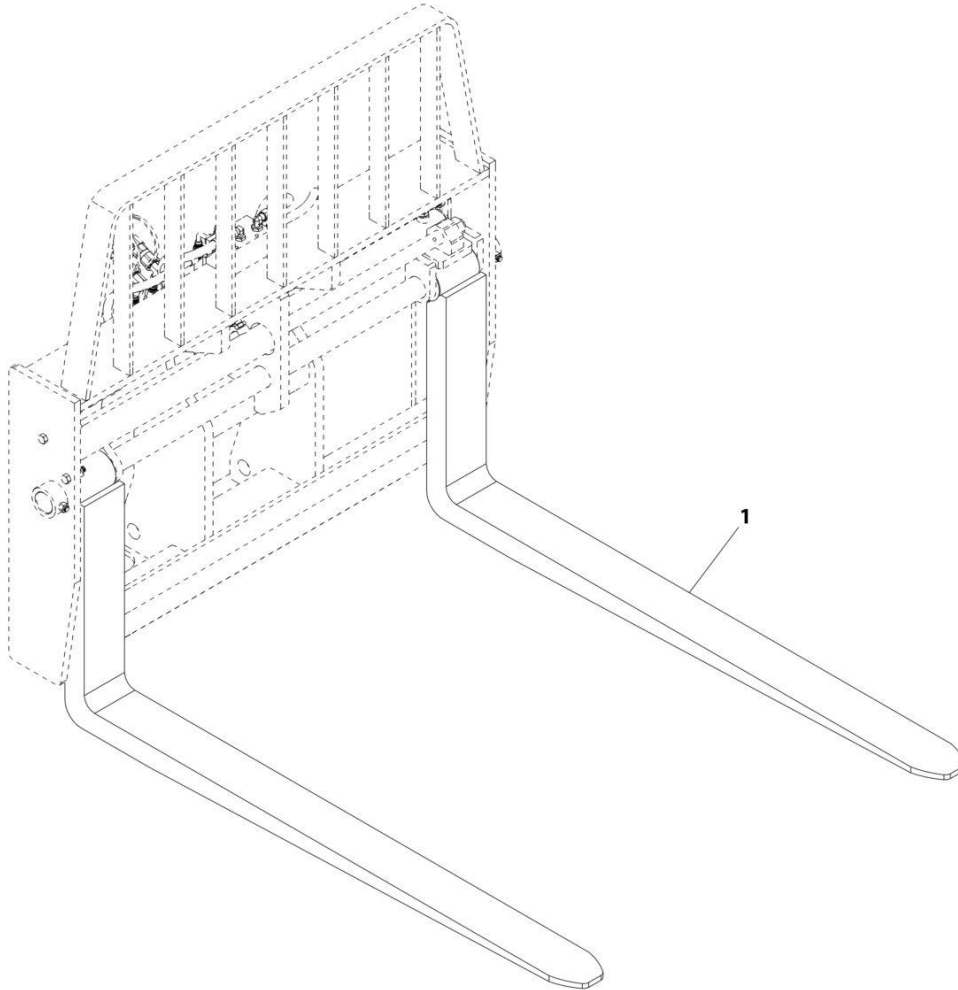
## SECTION 3 - ATTACHMENTS

**FIGURE 3-39. FORK 2.36X4X60 / 5000# CAPACITY**

ITEM	PART NUMBER	QTY	DESCRIPTION	REV
1	1001227379	2	Pallet Fork (2.36X4X60)	A
N1	Note	Ref	<b>FORKS RATED LESS THAN THE ATTACHMENT OR MACHINE'S CAPACITY DECREASES CAPACITY OF THE ATTACHMENT OR MACHINE TO THAT OF THE FORKS. FORKS RATED MORE THAN THE ATTACHMENT OR MACHINE'S CAPACITY DO NOT INCREASE ATTACHMENT OR MACHINE'S CAPACITY.</b>	
N2	Note	Ref	<b>PLEASE CONSULT JLG PARTS DEPARTMENT TO DETERMINE THE CORRECT FORKS APPLICABLE TO YOUR SPECIFIC CARRIAGE ASSEMBLY AND APPLICATION.</b>	

# SECTION 3 - ATTACHMENTS

FIGURE 3-40. FORK 2.36X5X60 / 6850# CAPACITY



ART\_1001227382



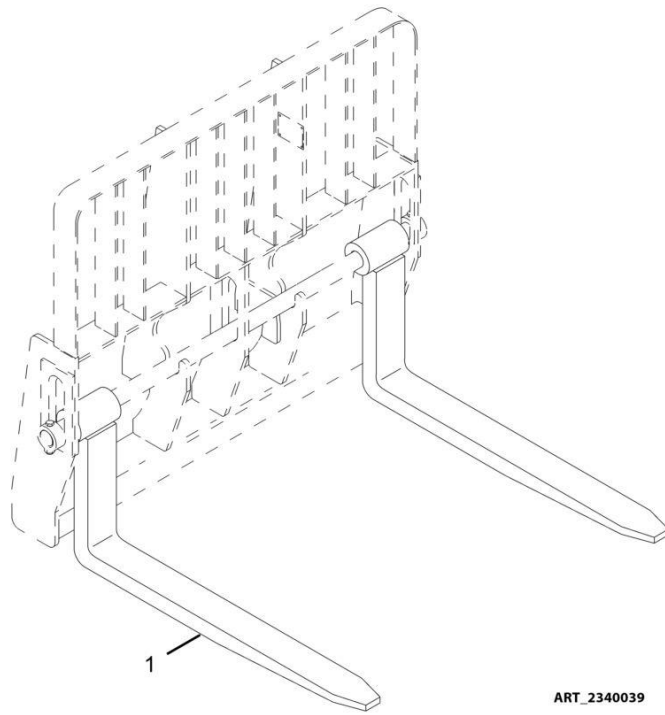
## SECTION 3 - ATTACHMENTS

**FIGURE 3-40. FORK 2.36X5X60 / 6850# CAPACITY**

ITEM	PART NUMBER	QTY	DESCRIPTION	REV
1	1001227382	1	Pallet Fork (2.36X5X60)	A
N1	Note	Ref	<b>FORKS RATED LESS THAN THE ATTACHMENT OR MACHINE'S CAPACITY DECREASES CAPACITY OF THE ATTACHMENT OR MACHINE TO THAT OF THE FORKS. FORKS RATED MORE THAN THE ATTACHMENT OR MACHINE'S CAPACITY DO NOT INCREASE ATTACHMENT OR MACHINE'S CAPACITY.</b>	
N2	Note	Ref	<b>PLEASE CONSULT JLG PARTS DEPARTMENT TO DETERMINE THE CORRECT FORKS APPLICABLE TO YOUR SPECIFIC CARRIAGE ASSEMBLY AND APPLICATION.</b>	

# SECTION 3 - ATTACHMENTS

FIGURE 3-41. FORK 2.36X6X60 / 8150# CAPACITY



ART\_2340039

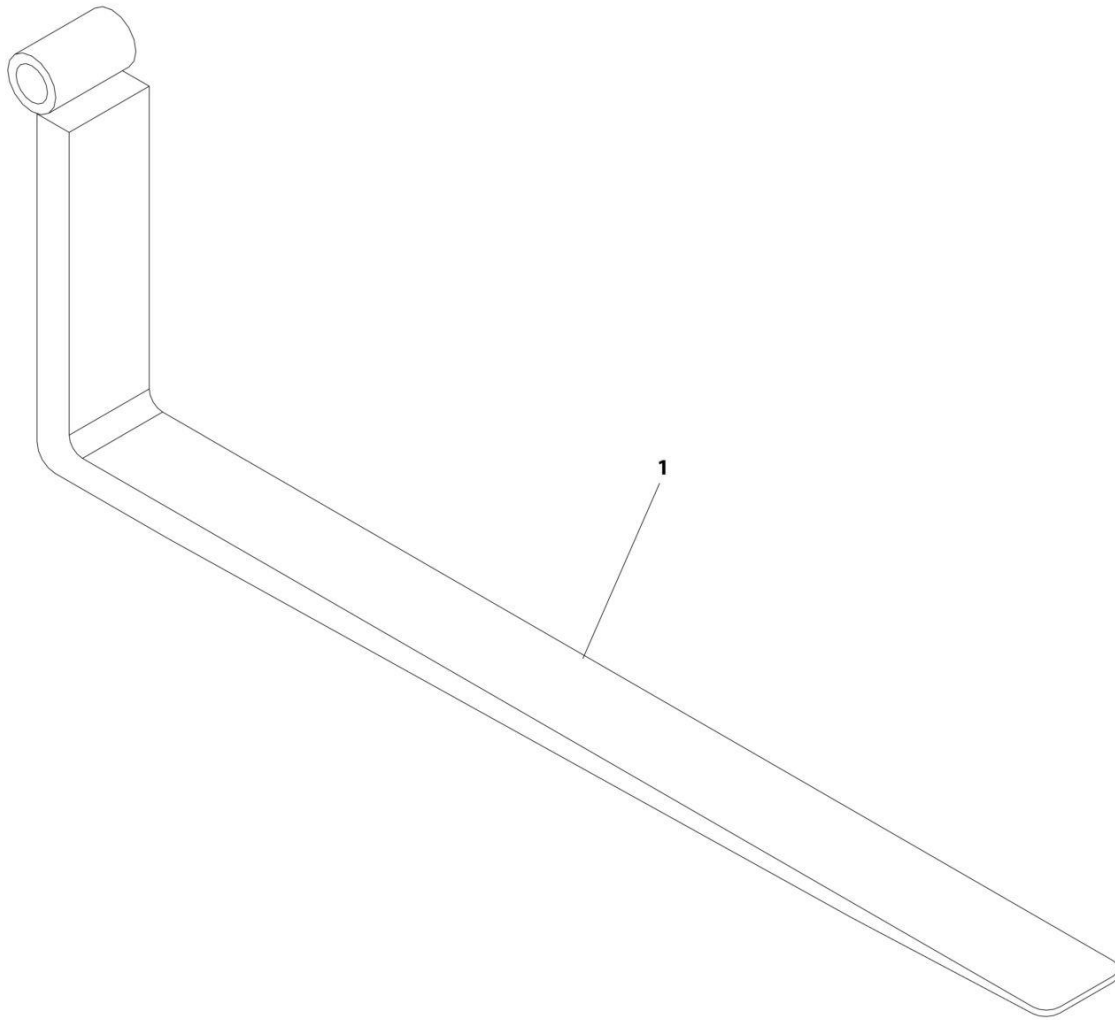
## SECTION 3 - ATTACHMENTS

**FIGURE 3-41. FORK 2.36X6X60 / 8150# CAPACITY**

ITEM	PART NUMBER	QTY	DESCRIPTION	REV
1	2340039	2	Lumber Fork (60X150X1524)	
	Note	Ref	<b>FORKS RATED LESS THAN THE ATTACHMENT OR MACHINE'S CAPACITY DECREASES CAPACITY OF THE ATTACHMENT OR MACHINE TO THAT OF THE FORKS. FORKS RATED MORE THAN THE ATTACHMENT OR MACHINE'S CAPACITY DO NOT INCREASE ATTACHMENT OR MACHINE'S CAPACITY.</b>	
	Note	Ref	<b>PLEASE CONSULT JLG PARTS DEPARTMENT TO DETERMINE THE CORRECT FORKS APPLICABLE TO YOUR SPECIFIC CARRIAGE ASSEMBLY AND APPLICATION.</b>	

# SECTION 3 - ATTACHMENTS

FIGURE 3-42. FORK 2.00X6X72 / 6610# CAPACITY



ART\_1001259206

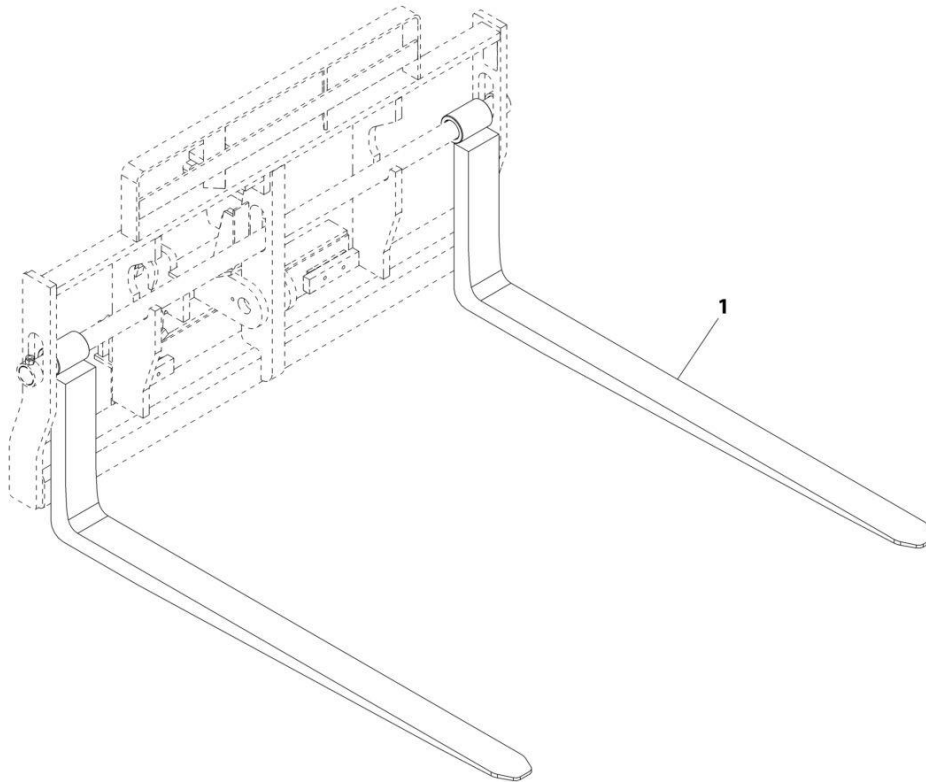
## SECTION 3 - ATTACHMENTS

**FIGURE 3-42. FORK 2.00X6X72 / 6610# CAPACITY**

ITEM	PART NUMBER	QTY	DESCRIPTION	REV
1	1001259206	2	Dual Taper Fork (2.00X6X72)	A
	Note	Ref	FORKS RATED LESS THAN THE ATTACHMENT OR MACHINE'S CAPACITY DECREASES CAPACITY OF THE ATTACHMENT OR MACHINE TO THAT OF THE FORKS. FORKS RATED MORE THAN THE ATTACHMENT OR MACHINE'S CAPACITY DO NOT INCREASE ATTACHMENT OR MACHINE'S CAPACITY.	
	Note	Ref	PLEASE CONSULT JLG PARTS DEPARTMENT TO DETERMINE THE CORRECT FORKS APPLICABLE TO YOUR SPECIFIC CARRIAGE ASSEMBLY AND APPLICATION.	

# SECTION 3 - ATTACHMENTS

FIGURE 3-43. FORK 2.36X5X72 / 6850# CAPACITY



ART\_1001232355

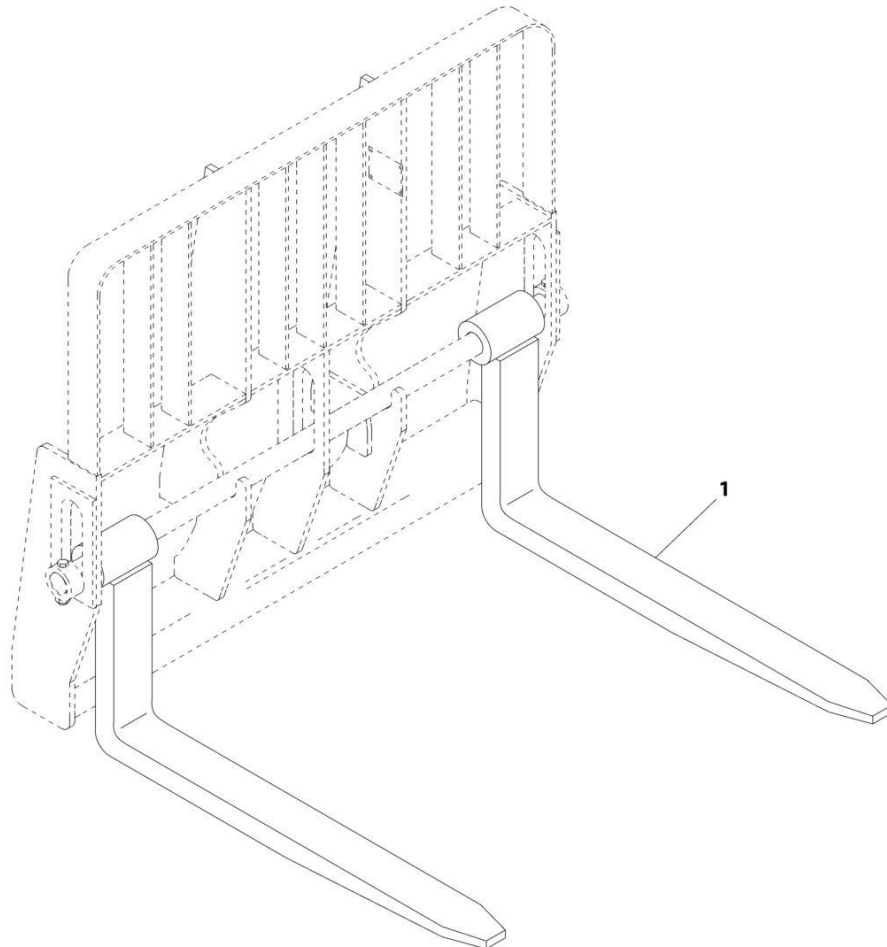
## SECTION 3 - ATTACHMENTS

**FIGURE 3-43. FORK 2.36X5X72 / 6850# CAPACITY**

ITEM	PART NUMBER	QTY	DESCRIPTION	REV
	1001232355	1 pr	Pallet Fork (2.36X5X72)	A
	Note	Ref	<b>FORKS RATED LESS THAN THE ATTACHMENT OR MACHINE'S CAPACITY DECREASES CAPACITY OF THE ATTACHMENT OR MACHINE TO THAT OF THE FORKS. FORKS RATED MORE THAN THE ATTACHMENT OR MACHINE'S CAPACITY DO NOT INCREASE ATTACHMENT OR MACHINE'S CAPACITY.</b>	
	Note	Ref	<b>PLEASE CONSULT JLG PARTS DEPARTMENT TO DETERMINE THE CORRECT FORKS APPLICABLE TO YOUR SPECIFIC CARRIAGE ASSEMBLY AND APPLICATION.</b>	

# SECTION 3 - ATTACHMENTS

## FIGURE 3-44. FORK 40X150X1540



ART\_1001099457-C



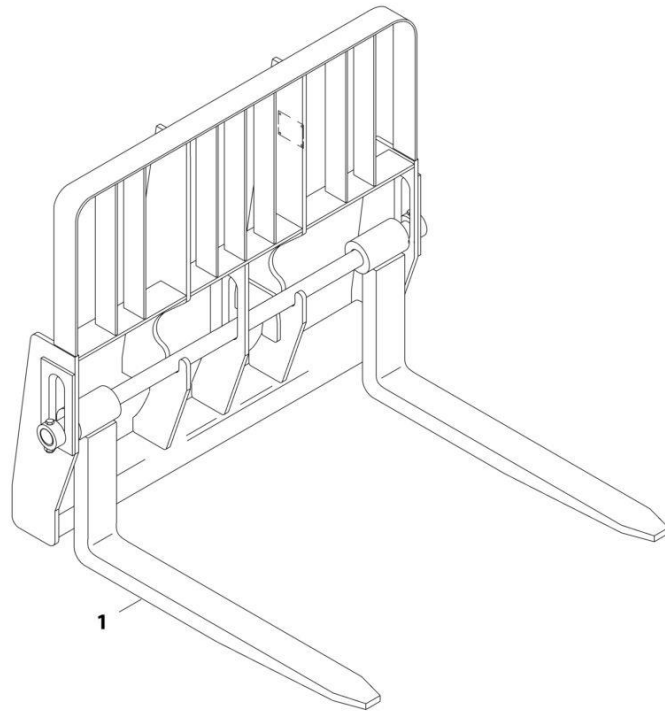
## SECTION 3 - ATTACHMENTS

**FIGURE 3-44. FORK 40X150X1540**

ITEM	PART NUMBER	QTY	DESCRIPTION	REV
1	1001099457	2	Lumber Fork (1.5X6X60)	C
	Note	Ref	<b>FORKS RATED LESS THAN THE ATTACHMENT OR MACHINE'S CAPACITY DECREASES CAPACITY OF THE ATTACHMENT OR MACHINE TO THAT OF THE FORKS. FORKS RATED MORE THAN THE ATTACHMENT OR MACHINE'S CAPACITY DO NOT INCREASE ATTACHMENT OR MACHINE'S CAPACITY.</b>	
	Note	Ref	<b>PLEASE CONSULT JLG PARTS DEPARTMENT TO DETERMINE THE CORRECT FORKS APPLICABLE TO YOUR SPECIFIC CARRIAGE ASSEMBLY AND APPLICATION.</b>	

## SECTION 3 - ATTACHMENTS

FIGURE 3-45. FORK 50X180X1540



ART\_1001097110-A

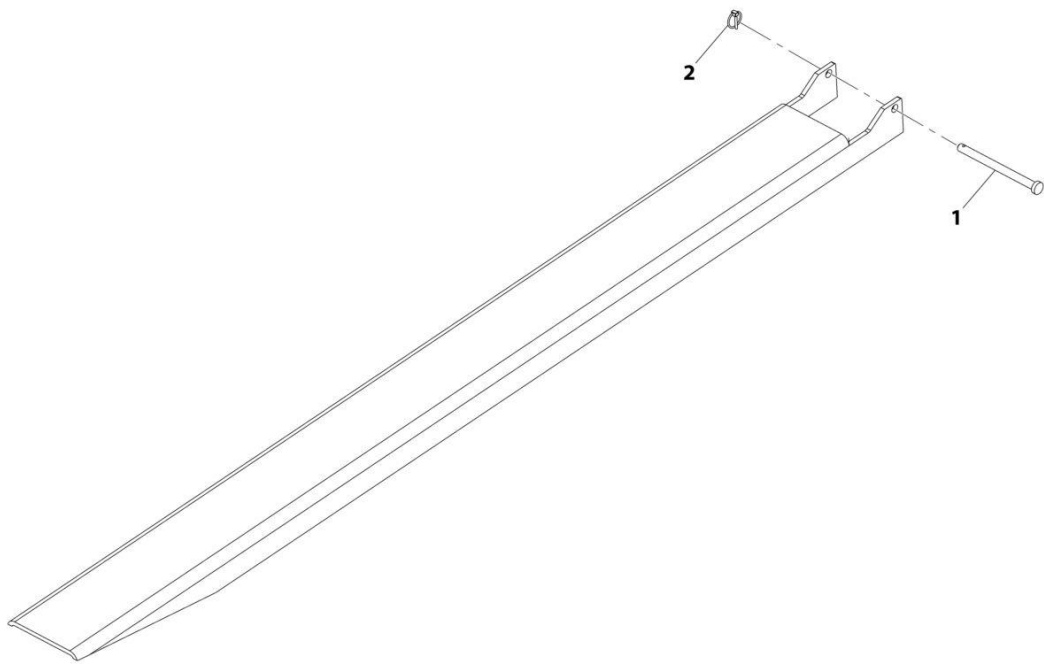
## SECTION 3 - ATTACHMENTS

**FIGURE 3-45. FORK 50X180X1540**

ITEM	PART NUMBER	QTY	DESCRIPTION	REV
1	1001097110	2	Lumber Fork (2.00X7X60)	A
	Note	Ref	<b>FORKS RATED LESS THAN THE ATTACHMENT OR MACHINE'S CAPACITY DECREASES CAPACITY OF THE ATTACHMENT OR MACHINE TO THAT OF THE FORKS. FORKS RATED MORE THAN THE ATTACHMENT OR MACHINE'S CAPACITY DO NOT INCREASE ATTACHMENT OR MACHINE'S CAPACITY.</b>	
	Note	Ref	<b>PLEASE CONSULT JLG PARTS DEPARTMENT TO DETERMINE THE CORRECT FORKS APPLICABLE TO YOUR SPECIFIC CARRIAGE ASSEMBLY AND APPLICATION.</b>	

# SECTION 3 - ATTACHMENTS

## FIGURE 3-46. FORK EXTENSION - 90IN



ART\_1001137512-D

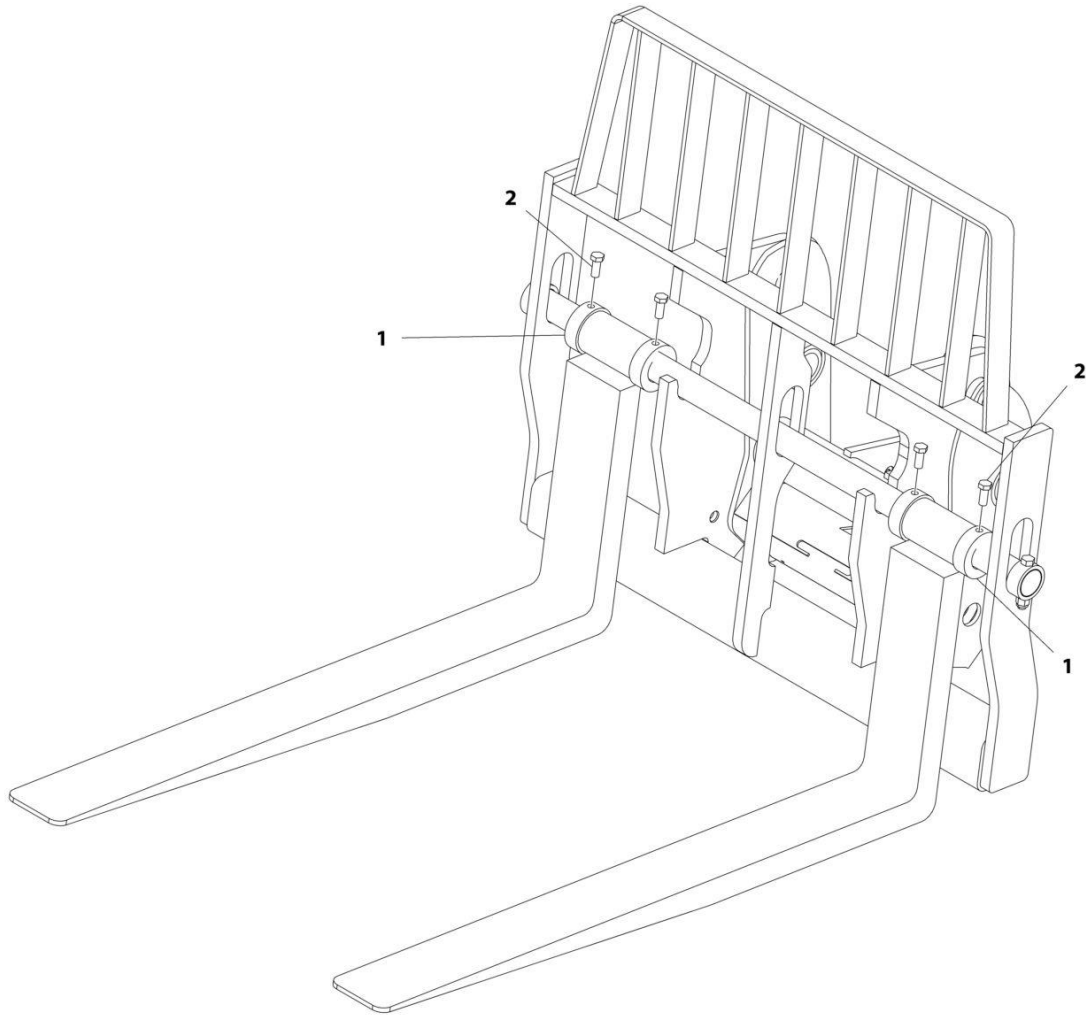
## SECTION 3 - ATTACHMENTS

### FIGURE 3-46. FORK EXTENSION - 90IN

ITEM	PART NUMBER	QTY	DESCRIPTION	REV
	1001137512	2 pr	Fork Extensions (62X163X2286)	D
1	70024306	1	Pin	
2	70024307	1	Clip	

# SECTION 3 - ATTACHMENTS

## FIGURE 3-47. FORK CLAMPS INSTALLATION



ART\_1001094134-A

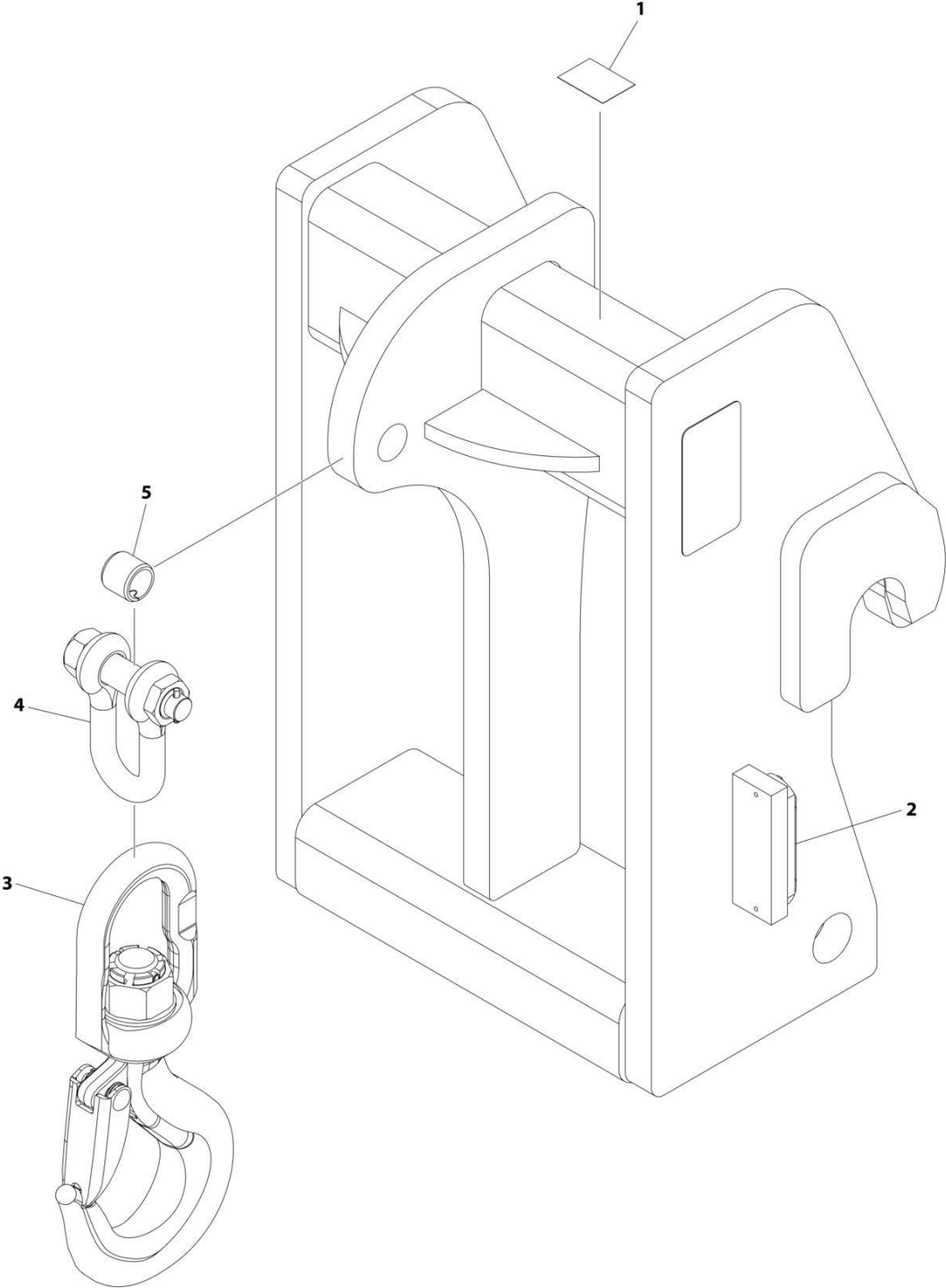
## SECTION 3 - ATTACHMENTS

### FIGURE 3-47. FORK CLAMPS INSTALLATION

ITEM	PART NUMBER	QTY	DESCRIPTION	REV
	1001094134	Ref	Fork Clamps Installation	A
1	1001094136	4	Clamp, Fork	
2	10700681	4	Bolt, 0.625-18X1.5	

**SECTION 3 - ATTACHMENTS**

**FIGURE 3-48. HOOK, COUPLING**



ART\_1001207606\_D



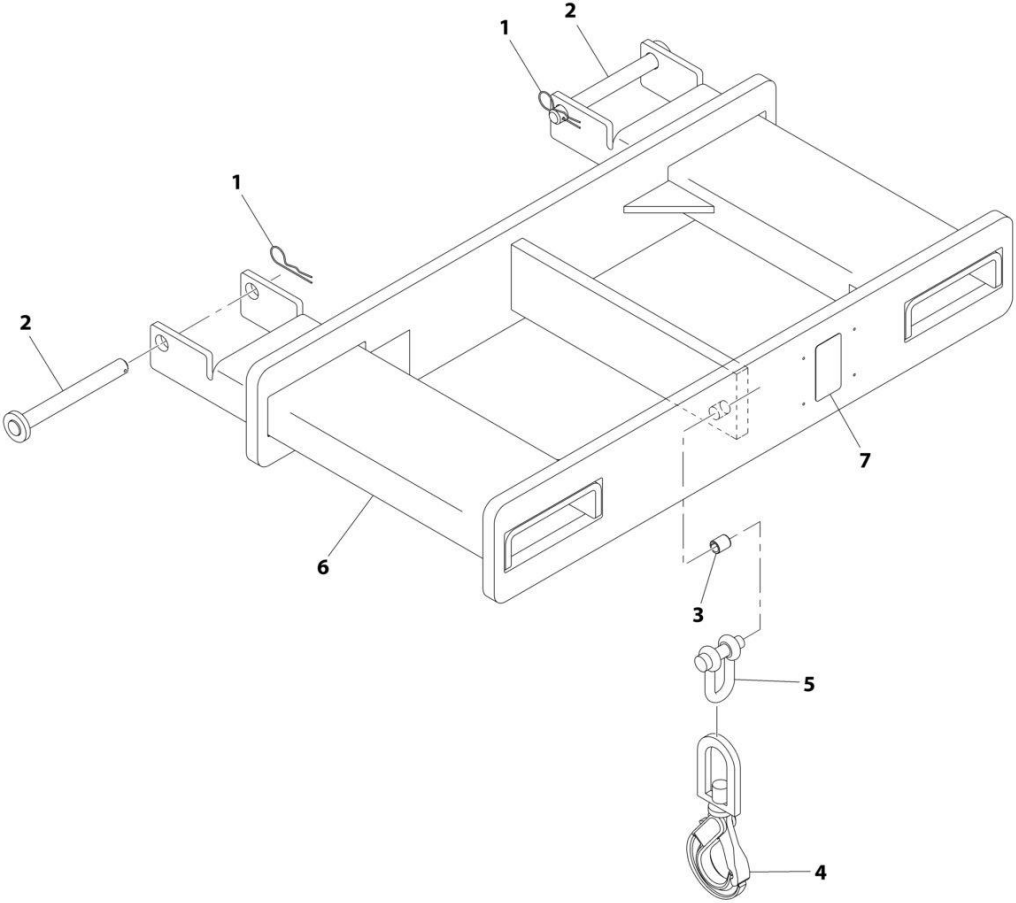
## SECTION 3 - ATTACHMENTS

### FIGURE 3-48. HOOK, COUPLING

ITEM	PART NUMBER	QTY	DESCRIPTION	REV
	1001207606	Ref	COUPLER MOUNTED HOOK	E
1	90554016	1	Decal	
2	1001227670	1	Tag, RFID	
3	70026745	1	Hook Swivel	
4	70026746	1	Shackle Chain	
5	70020555	1	Bushing	

**SECTION 3 - ATTACHMENTS**

**FIGURE 3-49. HOOK, CRANE**



ART\_1001097205-I

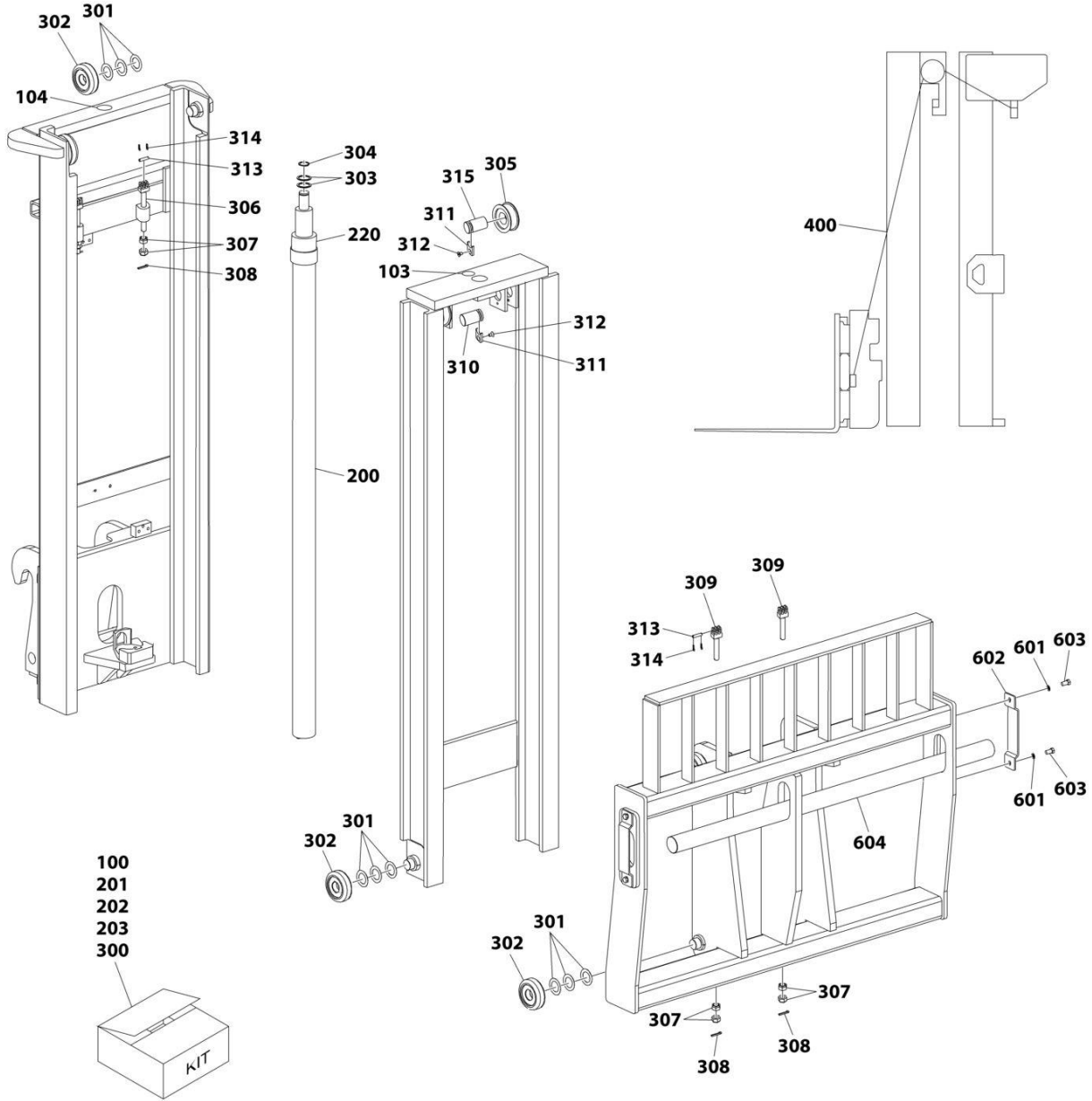
## SECTION 3 - ATTACHMENTS

### FIGURE 3-49. HOOK, CRANE

ITEM	PART NUMBER	QTY	DESCRIPTION	REV
	1001097205	Ref	Fork Mounted Hook (4 Ton)	J
1	7029520	2	Pin, Cotter	
2	1001093171	2	Pin	
3	70020555	1	Bushing	
4	90554080	1	Hook	
5	7029521	1	Shackle	
6	See Note	NSS	Frame, Hook (Note: Purchase Complete Assembly)	
7	See Note	NSS	S/N Plate (Note: Stamped Part - Not Available for Purchase)	

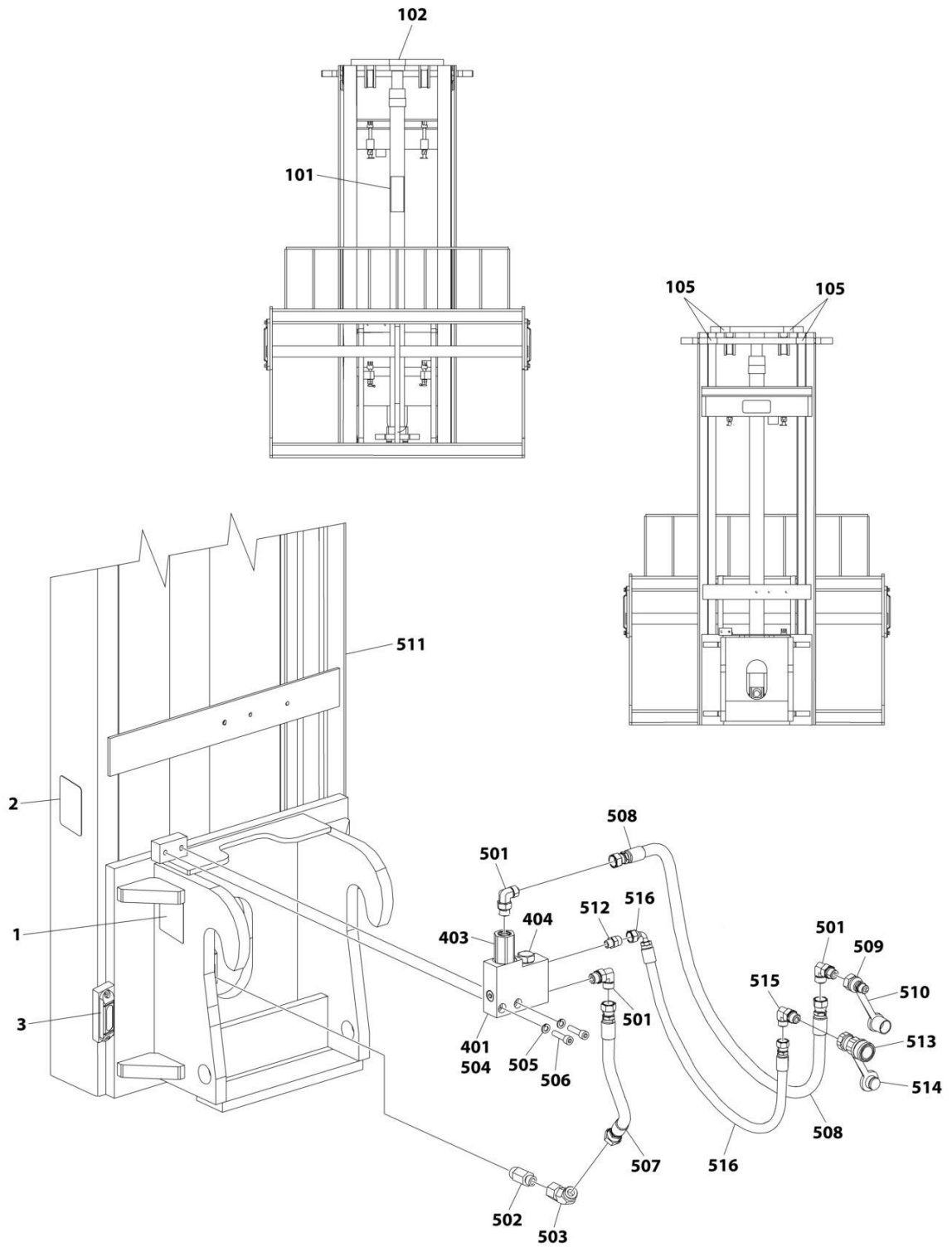
# SECTION 3 - ATTACHMENTS

## FIGURE 3-50. MAST, VERTICAL - 8FT (STANDARD)



ART\_1001108668\_1OF2

# SECTION 3 - ATTACHMENTS



ART\_1001108668\_20F2

## SECTION 3 - ATTACHMENTS

**FIGURE 3-50. MAST, VERTICAL - 8FT (STANDARD)**

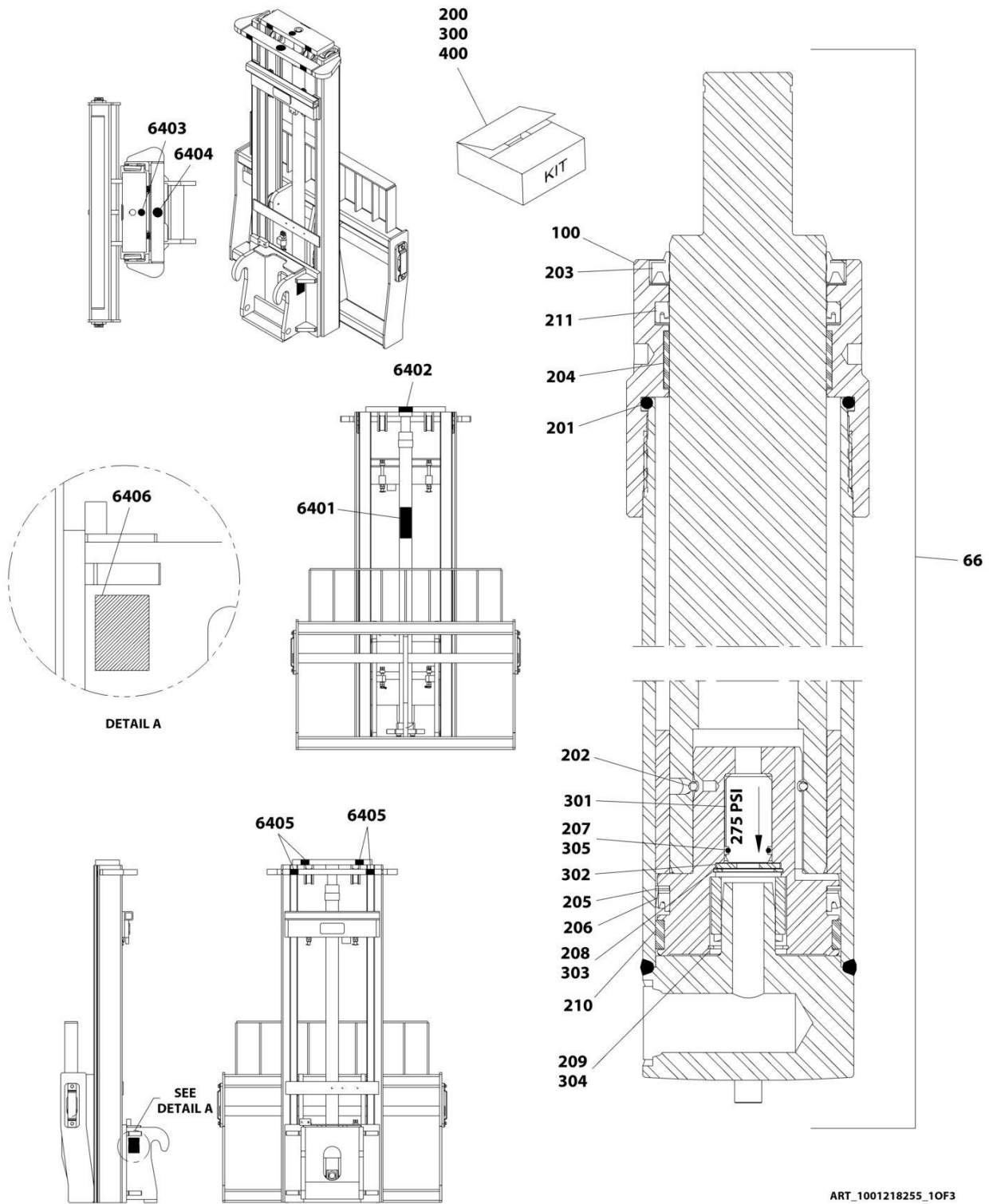
ITEM	PART NUMBER	QTY	DESCRIPTION	REV
	1001108668	Ref	MAST ASSEMBLY - 8FT	G
1	See Note	NSS	Nameplate, Serial Number (Note: Not Available for Purchase)	
2	1001111190	2	Decal - Warning	
3	1001227670	1	RFID Tag	
100	70023925	1	Decal Kit (includes items 1, Warning, No Step & Hose Routing Decals)	
101	See Note	NSS	Decal, Warning (Use Item 100)	
102	See Note	NSS	Decal, Warning (Use Item 100)	
103	See Note	NSS	Decal, No Step (Use Item 100)	
104	See Note	NSS	Decal, No Step (Use Item 100)	
105	See Note	NSS	Decal, Hands Off (Use Item 100)	
200	70023008	1	Cylinder Assembly - Lift (includes items 201-203 & 220. No Other Service Parts Available)	
201	70023005	1	Seal Kit - 70023008 Cylinder (includes Seals & Seal Retaining Hardware)	
202	70023006	1	Check Valve Kit (includes Mounting O-Rings & Hardware)	
203	70023007	1	Shim Kit (Includes items 303)	
220	70023004	1	Head/Retainer	
300	70023015	1	Mast Kit (includes items 100 & 301-315)	
301	70023014	24	Shim	
302	70022987	8	Bearing, Ball	
303	See Note	NLA	Shim (Note: Use item 203)	
304	70023016	1	Ring, Retaining	
305	70022969	2	Sheave	
306	70022960	2	Anchor, Chain	
307	70022957	8	Nut 5/8	
308	70022993	4	Pin, Cotter	
309	70022995	2	Anchor, Chain	
310	70022984	1	Shaft, Sheave	
311	70022970	2	Bar	
312	70023003	2	Screw	
313	70022994	4	Pin	
314	70022992	8	Pin, Cotter	
315	70022985	1	Shaft, Sheave	
400	70023009	2	Chain, Hoist	
401	70022932	1	Valve Assembly - Lowering Control	
403	70022931	1	Cartridge, Valve	
404	70023010	1	Cartridge, Valve	
501	70022934	3	Fitting, 90	
502	70022936	1	Fitting, Flow Limiter	
503	70022937	1	Fitting, 45	
504	70022932	1	Valve Assembly - Lowering Control (Note: Duplicate of Item 401 - Only Qty 1 Used)	
505	70022949	2	Washer, M10	
506	70022950	2	Bolt M10	
507	70022942	1	Hose	
508	70022952	1	Hose	
509	91403414	1	Fitting, Quick Disconnect Coupling (Male)	
510	91043126	1	Cap, Dust	
511	70023015	1	Mast Kit (Note: Duplicate of Item 300 - Only Qty 1 Used)	

## SECTION 3 - ATTACHMENTS

ITEM	PART NUMBER	QTY	DESCRIPTION	REV
512	70022939	1	Fitting, Straight	
513	91403413	1	Fitting, Quick Disconnect Coupling (Female)	
514	91043125	1	Cap, Dust	
515	70022935	1	Fitting, 90	
516	70022946	1	Hose	
601	70022949	4	Washer M10	
602	70022980	2	Keeper, Pin	
603	70022998	4	Bolt M10 x 20	
604	70022990	1	Pin, Fork	

# SECTION 3 - ATTACHMENTS

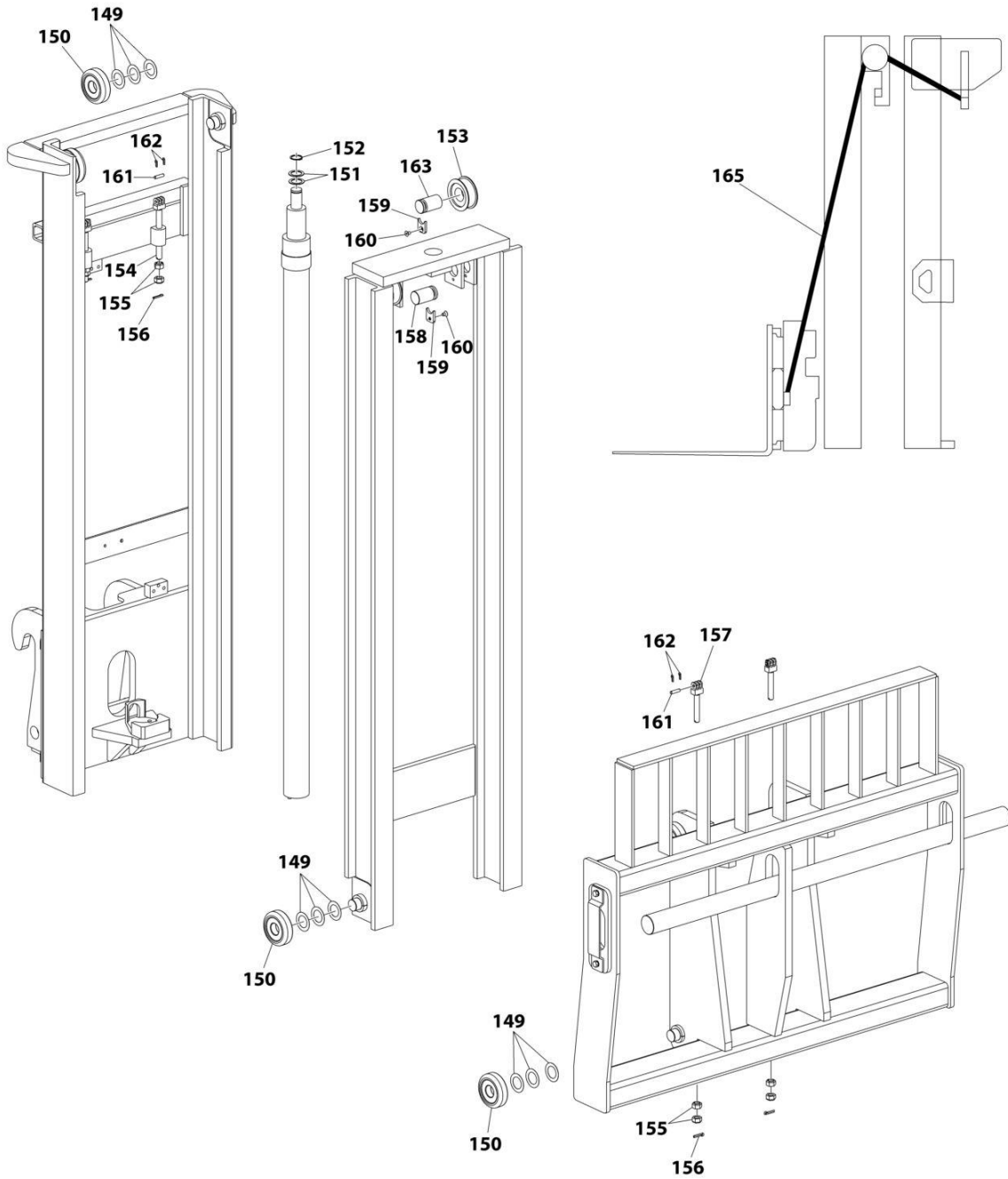
## FIGURE 3-51. MAST, VERTICAL - 8FT (SIDE TILT ELECTRIC MAST)



ART\_1001218255\_10F3

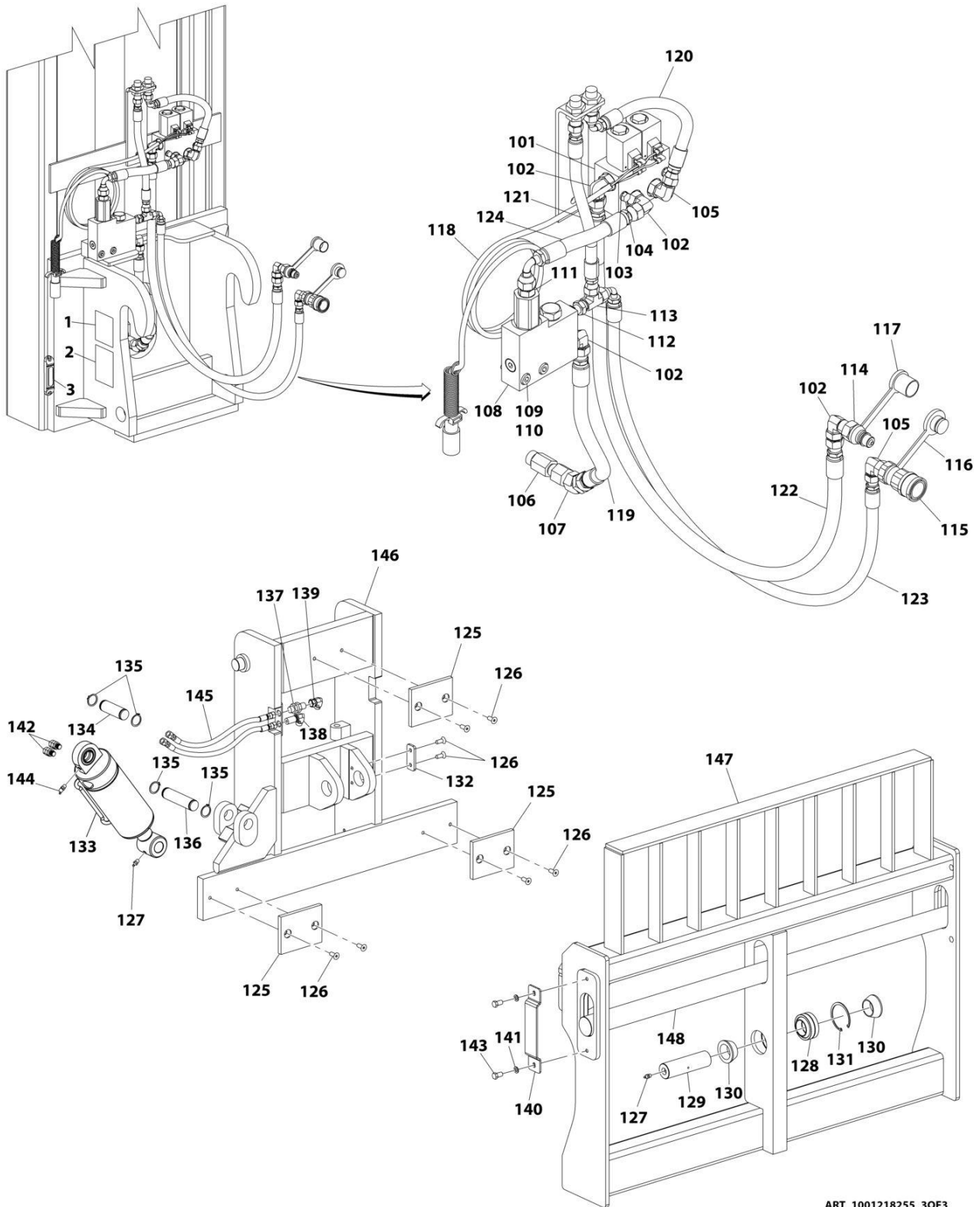


# SECTION 3 - ATTACHMENTS



ART\_1001218255\_20F3

# SECTION 3 - ATTACHMENTS



ART\_1001218255\_30F3

## SECTION 3 - ATTACHMENTS

**FIGURE 3-51. MAST, VERTICAL - 8FT (SIDE TILT ELECTRIC MAST)**

ITEM	PART NUMBER	QTY	DESCRIPTION	REV
	1001218255	Ref	Side Tilt Electric Mast (8 Foot)	F
1	1001111190	2	Decal, Hose Routing	
2	See Note	NSS	S/N Plate (Note: Stamped Part - Not Available for Purchase)	
3	1001227670	1	Tag, RFID	
101	70022933	1	Solenoid Valve Bank	
102	70022934	4	Fitting, 90	
103	70022948	2	Washer, Lock M8	
104	70022951	2	Screw, M8X60	
105	70022935	2	Elbow, Straight Thread	
106	70022936	1	Limiter, Flow	
107	70022937	1	Fitting, 45	
108	70022932	1	Assembly, PO Check Valve	
108	N.S.S.	1	Manifold	
108	70022931	1	Cartridge, PO Check Valve	
108	70023010	1	Check, PO	
109	70022949	2	Washer, Lock M10	
110	70022950	2	Bolt	
111	70022938	1	Fitting, Straight	
112	70022939	1	Fitting, Straight	
113	70022940	1	Tee Fitting	
114	91403414	1	Adapter, Male Quick Disconnect	
115	91403413	1	Adapter, Female Quick Disconnect	
116	8420055	1	Cover, Dust	
117	8420053	1	Cover, Dust	
118	70022941	1	Harness	
119	70022942	1	Hose	
120	70022943	1	Hose	
121	70022944	1	Hose	
122	70022945	1	Hose	
123	70022946	1	Hose	
124	70022947	1	Hose	
125	70022972	3	Wear Pad	
126	70022971	8	Capscrew, Flat Head	
127	70023001	2	Grease Fitting	
128	70022975	1	Spherical Bearing	
129	70022973	1	Pivot Shaft	
130	70022974	2	Beveled Spacer	
131	70022988	1	Ring, Retaining	
132	70022976	1	Retainer Plate	
133	2716143	1	Tilt Cylinder	
134	70022977	1	Pin	
135	70023016	4	Ring, Snap	
136	70022978	1	Pin	
137	70023000	1	Fitting	
138	70022999	1	Elbow	
139	70022982	1	Elbow, Straight Thread	
140	70022980	2	Keeper, Fork Pin	
141	70022949	4	Washer, Lock M10	
142	70022939	2	Fitting, Straight	
143	70022998	4	Screw, M10X20	

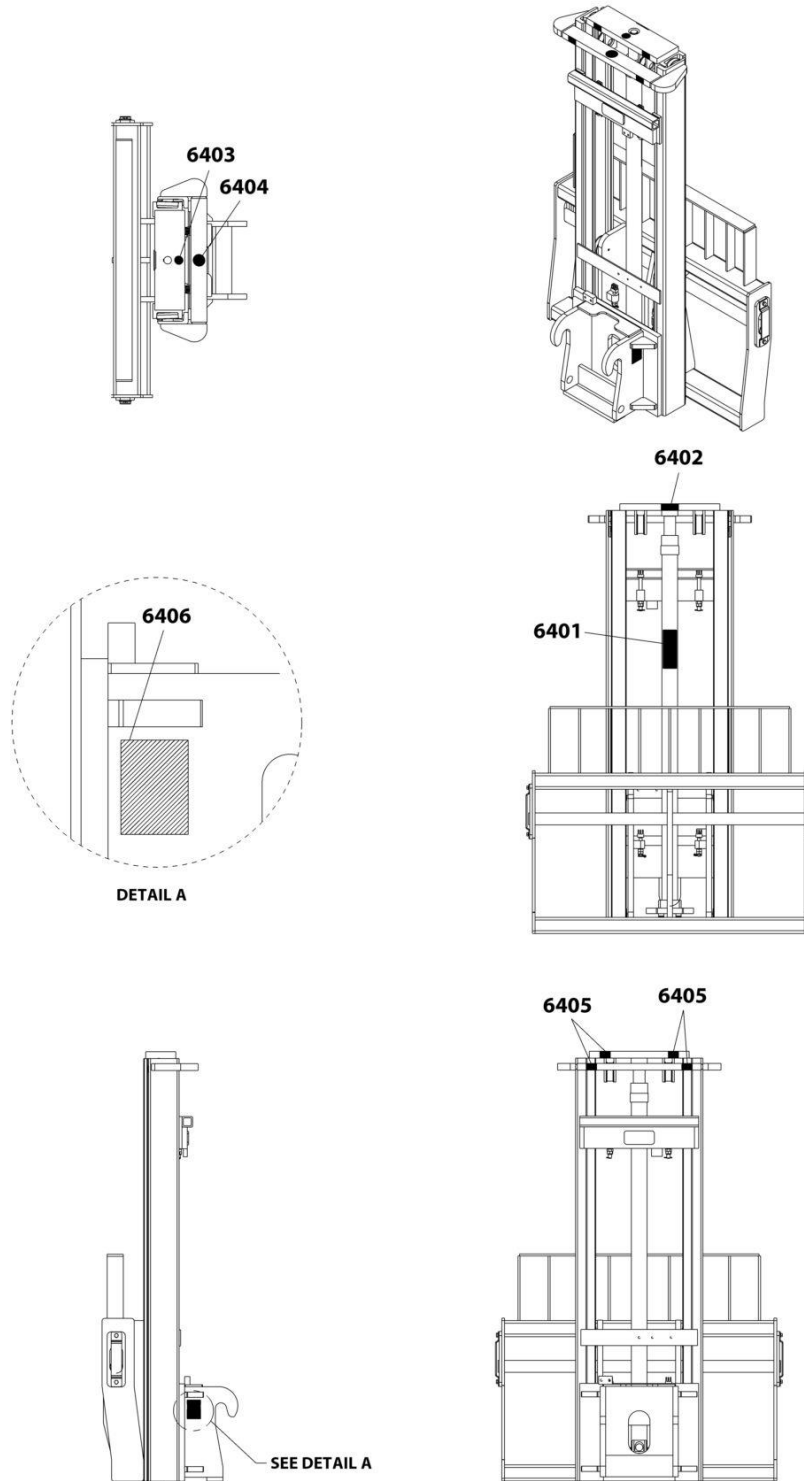
## SECTION 3 - ATTACHMENTS

ITEM	PART NUMBER	QTY	DESCRIPTION	REV
144	70022966	1	Grease Fitting 30	
145	70022979	2	Hose	
146	70025353	1	Spine Weldment	
147	N.S.S.	1	Front Frame Weldment	
148	70022990	1	Pin, Fork	
149	70023014	24	Shim	
150	70022987	8	Bearing, Ball	
151	70027951	2	Washer, Shim	
152	70023016	1	Ring, Snap	
153	70022969	2	Assembly, Sheave	
154	70022960	2	Anchor, Chain	
155	70022957	8	Nut, 5/8-18	
156	70022993	4	Pin, Cotter	
157	70022995	2	Anchor, Chain	
158	70022984	1	Shaft, Sheave	
159	70022970	2	Bar, Retainer	
160	70023003	2	Capscrew	
161	70022994	4	Pin, Chain Anchor	
162	70022992	8	Pin, Cotter	
163	70022985	1	Shaft, Sheave	
164	70023925	1	Kit, Decal (Not Shown) (See Separate Breakdown in this Section)	
165	70023009	2	Chain, Lift	
166	70023008	1	Cylinder, Main Lift (Not Shown) (See Separate Breakdown in this Section)	



# SECTION 3 - ATTACHMENTS

## FIGURE 3-52. MAST, VERTICAL - DECAL KIT



ART\_70023925-A

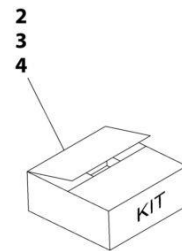
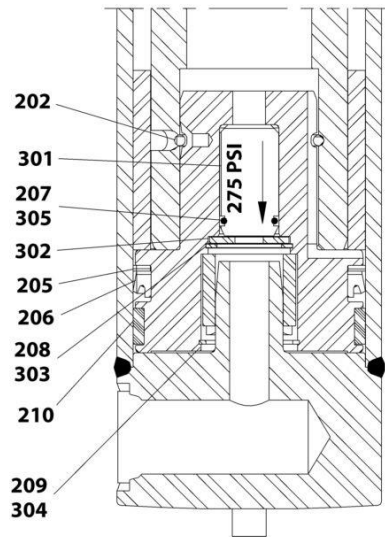
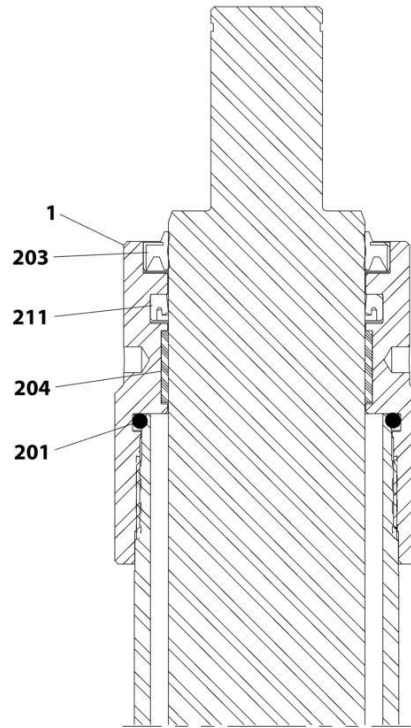
## SECTION 3 - ATTACHMENTS

### FIGURE 3-52. MAST, VERTICAL - DECAL KIT

ITEM	PART NUMBER	QTY	DESCRIPTION	REV
	70023925	Ref	Kit, Decal	A
6401	Kit	1	Decal, Warning	
6402	Kit	1	Decal, Warning	
6403	Kit	1	Decal, No Step	
6404	Kit	1	Decal, No Step	
6405	Kit	4	Decal, Hands Off	
6406	Kit	2	Decal, Hose Routing	

# SECTION 3 - ATTACHMENTS

## FIGURE 3-53. MAST, VERTICAL - CYLINDER



ART\_70023008-A



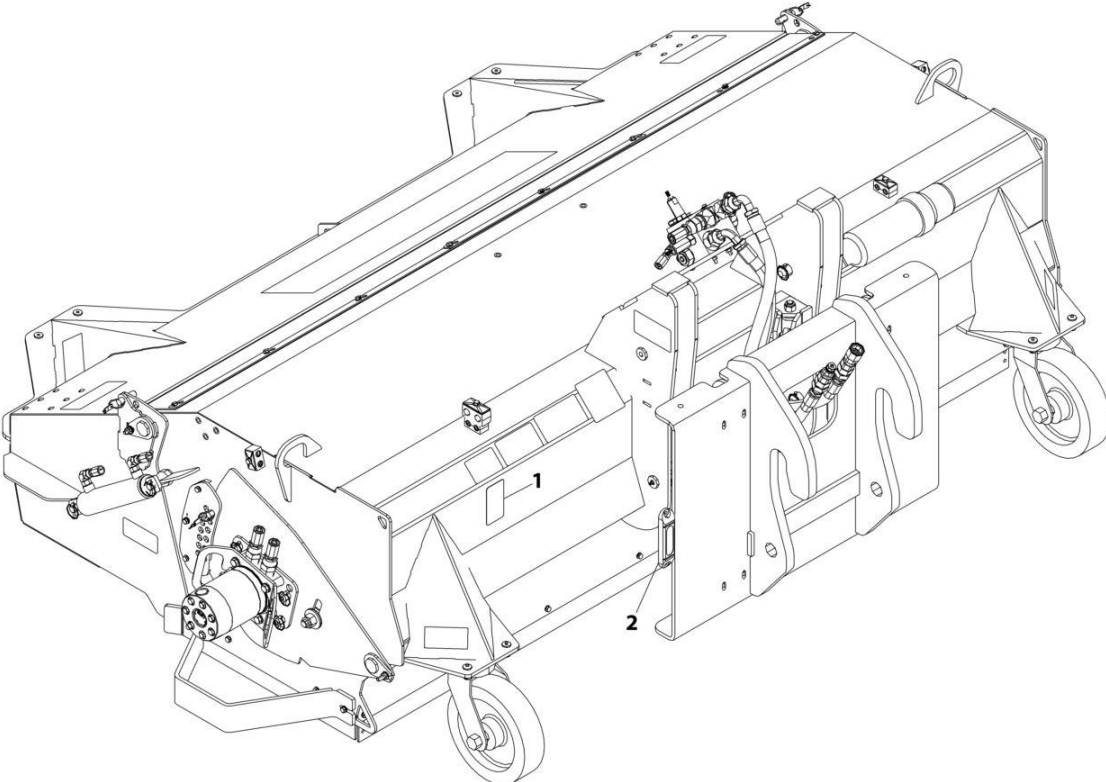
## SECTION 3 - ATTACHMENTS

**FIGURE 3-53. MAST, VERTICAL - CYLINDER**

ITEM	PART NUMBER	QTY	DESCRIPTION	REV
	70023008	Ref	Main Lift Cylinder	A
1	70023004	1	Retainer/Gland	
2	70023005	1	Seal Kit, Main Lift Cylinder	
201	Kit	1	O-Ring	
202	Kit	1	Wire, Pull	
203	Kit	1	Wiper	
204	Kit	1	Bushing	
205	Kit	1	Ring, Nylon	
206	Kit	1	Seal, Piston	
207	Kit	1	O-Ring	
208	Kit	1	Circlip	
209	Kit	1	Ring, Retaining	
210	Kit	1	Ring, Wear	
211	Kit	1	Seal, Rod	
3	70023006	1	Kit, Check Valve	
301	Kit	1	Valve, Check	
302	Kit	1	Washer	
303	Kit	1	Circlip	
304	Kit	1	Ring, Retaining	
304	Kit	1	O-Ring	
4	70023007	1	Kit, Shim	

**SECTION 3 - ATTACHMENTS**

**FIGURE 3-54. SWEEPER ASSEMBLY**



ART\_1001202904

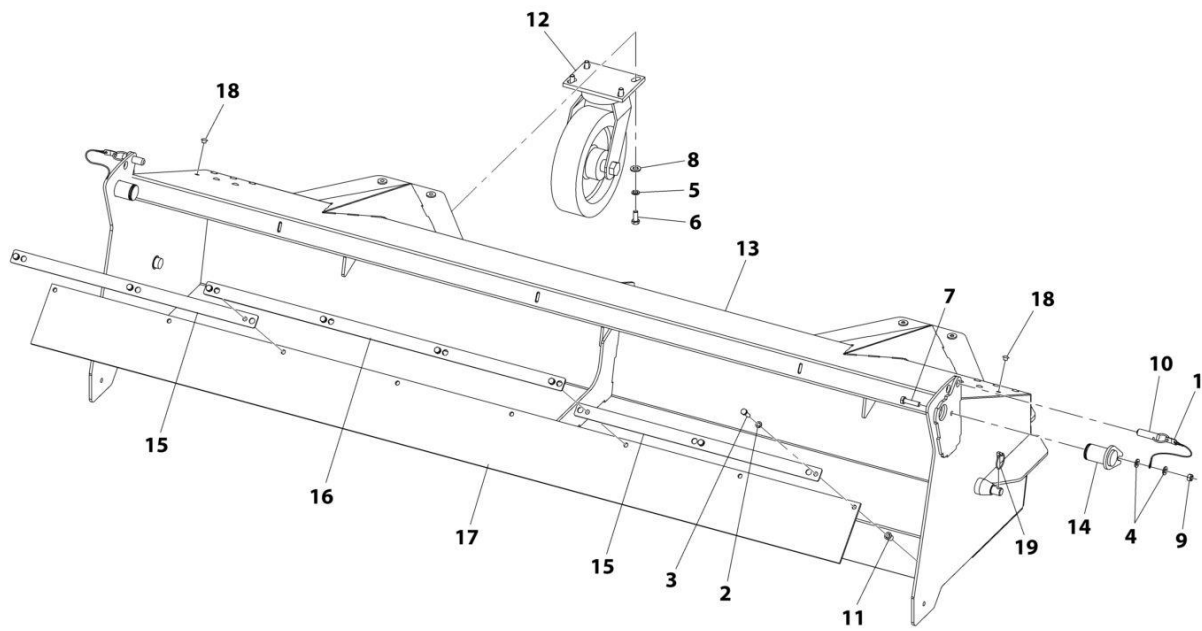
## SECTION 3 - ATTACHMENTS

**FIGURE 3-54. SWEEPER ASSEMBLY**

ITEM	PART NUMBER	QTY	DESCRIPTION	REV
	1001202904	Ref	Sweeper Assembly	D
1	See Note	NSS	S/N Plate (Note: Stamped Part - Not Available for Purchase)	
2	1001227670	1	Tag, RFID	
		Ref	Sweeper Assembly- Hopper (See Separate Breakdown in this Section)	
		Ref	Sweeper Assembly - Body (See Separate Breakdown in this Section)	
		Ref	Sweeper Assembly - Motor (See Separate Breakdown in this Section)	
		Ref	Sweeper Assembly - Idler (See Separate Breakdown in this Section)	
		Ref	Sweeper Assembly - Core (See Separate Breakdown in this Section)	
		Ref	Sweeper Assembly - Hydraulic Single Motor (See Separate Breakdown in this Section)	

# SECTION 3 - ATTACHMENTS

## FIGURE 3-55. SWEEPER ASSEMBLY - HOPPER



ART\_1001202904\_1-B

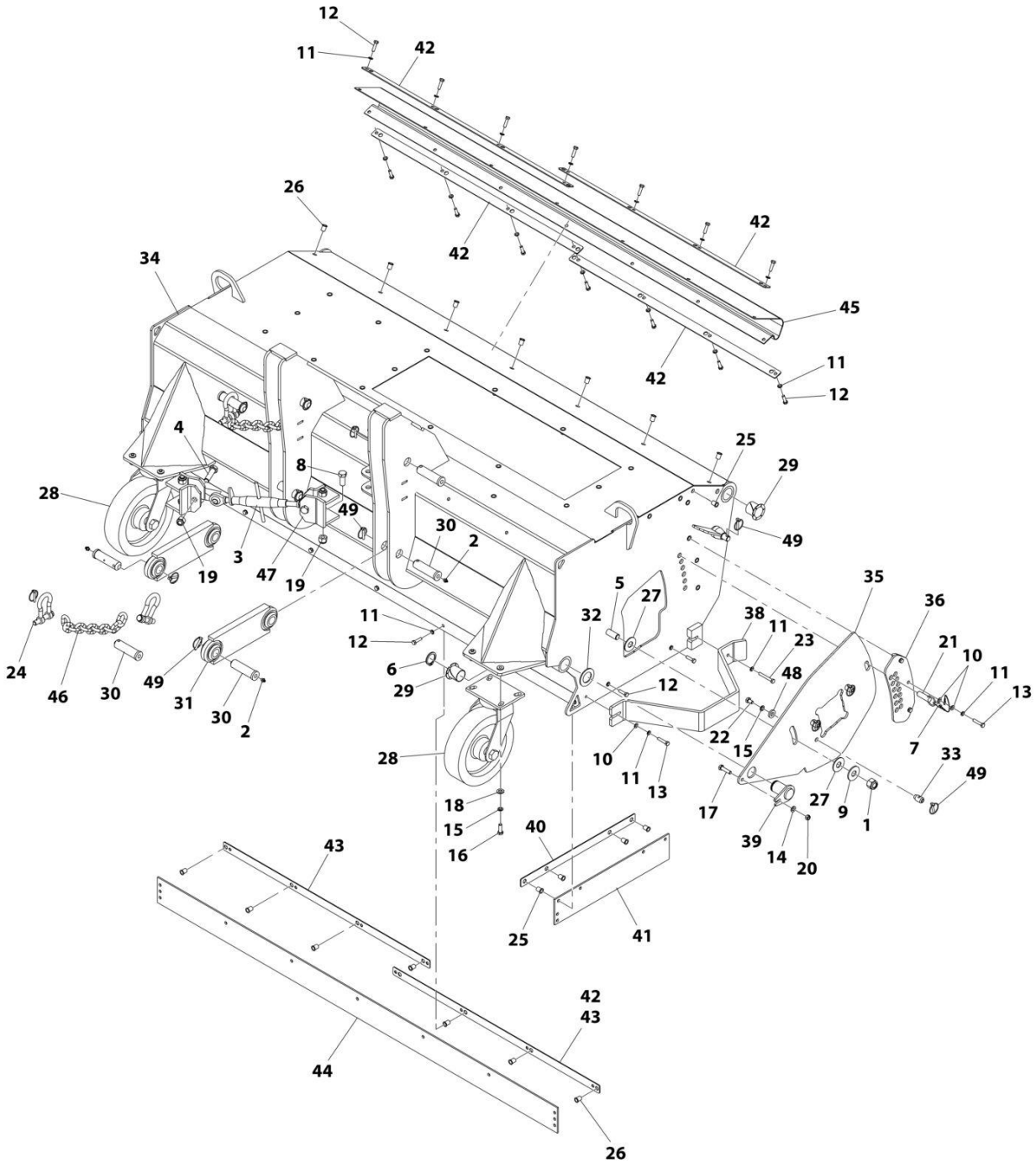
## SECTION 3 - ATTACHMENTS

**FIGURE 3-55. SWEEPER ASSEMBLY - HOPPER**

ITEM	PART NUMBER	QTY	DESCRIPTION	REV
	1001202904	Ref	SWEEPER ASSEMBLY - HOPPER	
1	70029725	2	Lanyard	
2	70029734	8	Washer	
3	70029735	8	Screw	
4	70029738	4	Washer	
5	70029739	8	Washer	
6	70029740	8	Screw	
7	70029742	2	Screw	
8	70029743	8	Washer	
9	70029747	2	Nut	
10	70029750	2	Pin	
11	70029756	8	Nut	
12	70029762	2	Assembly, Caster	
13	See Note	NSS	Hopper (Note: Purchase Complete Assembly)	
14	70029777	2	Pin	
15	70029780	2	Plate	
16	70029781	1	Plate	
17	70029785	1	Flap	
18	70029792	12	Plug	
19	70029794	2	Pin, Lynch	

# SECTION 3 - ATTACHMENTS

## FIGURE 3-56. SWEEPER ASSEMBLY - BODY



ART\_1001202904\_2-B

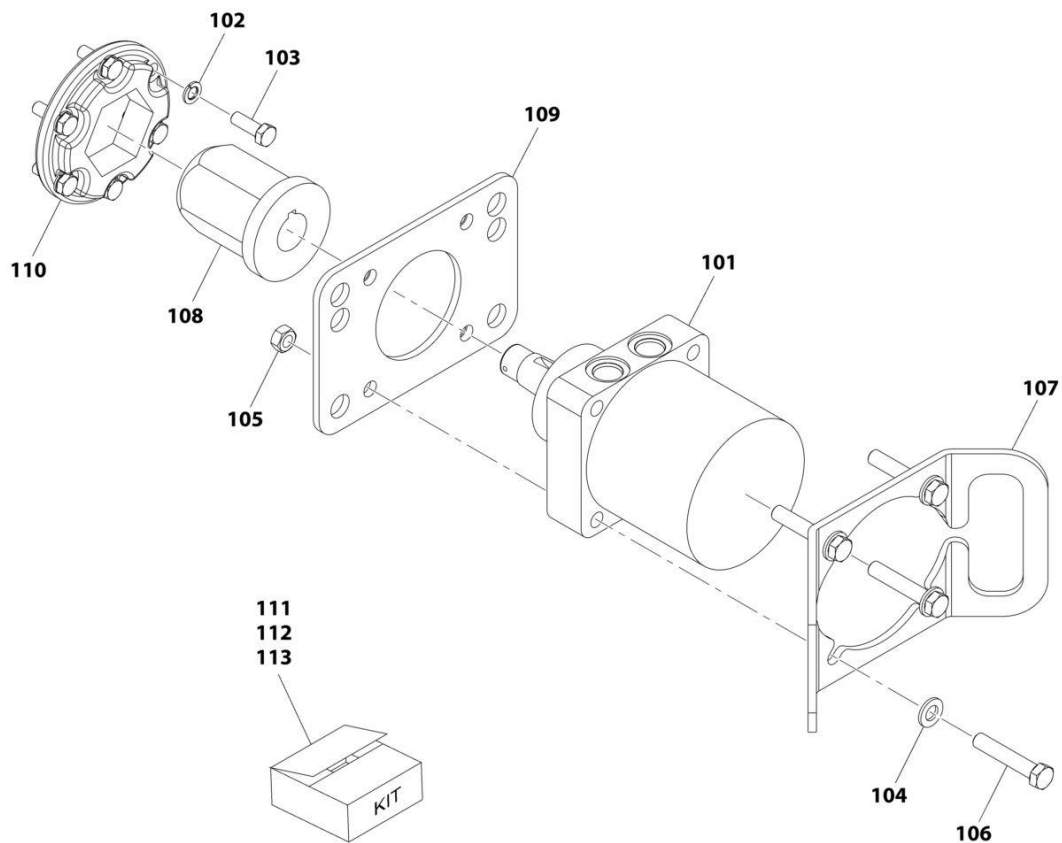
## SECTION 3 - ATTACHMENTS

**FIGURE 3-56. SWEEPER ASSEMBLY - BODY**

ITEM	PART NUMBER	QTY	DESCRIPTION	REV
	1001202904	Ref	SWEEPER ASSEMBLY - BODY	
1	70029720	2	Nut	
2	70029721	4	Fitting, Grease	
3	70029722	1	Toplink	
4	70029723	2	Screw	
5	70020004	2	Screw	
6	70029724	2	Ring, Snap	
7	70029725	2	Lanyard	
8	70029726	4	Screw	
9	70029728	2	Washer	
10	70029732	6	Washer	
11	70029734	38	Washer	
12	70029735	32	Screw	
13	70029736	4	Screw	
14	70029738	2	Washer	
15	70029739	14	Washer	
16	70029741	8	Screw	
17	70029742	2	Screw	
18	70029743	8	Washer	
19	70029745	6	Nut	
20	70029747	2	Nut	
21	70029729	2	Pin	
22	70029751	6	Screw	
23	70029752	2	Screw	
24	70029755	4	Shackle	
25	70029756	45	Nut	
26	70029757	25	Nut	
27	70029760	4	Washer	
28	70029762	2	Assembly, Caster	
29	70029764	4	Bearing	
30	70029765	8	Pin	
31	70029766	2	Link	
32	70029767	2	Washer	
33	70029768	6	Stud	
34	See Note	NSS	Body, Sweeper (Note: Purchase Complete Assembly)	
35	70029773	2	Plate	
36	70029774	2	Plate	
37	70029775	2	Plate	
38	70029776	2	Plate	
39	70029777	2	Pin	
40	70029778	2	Plate	
41	70029779	2	Flap	
42	70029780	6	Plate	
43	70029781	3	Plate	
44	70029784	1	Flap	
45	70029786	1	Flap	
46	70029788	2	Chain	
47	70029790	2	Toplink	
48	70029793	6	Washer	
49	70029794	16	Pin, Lynch	

# SECTION 3 - ATTACHMENTS

## FIGURE 3-57. SWEEPER ASSEMBLY - MOTOR



ART\_1001202904\_3-B



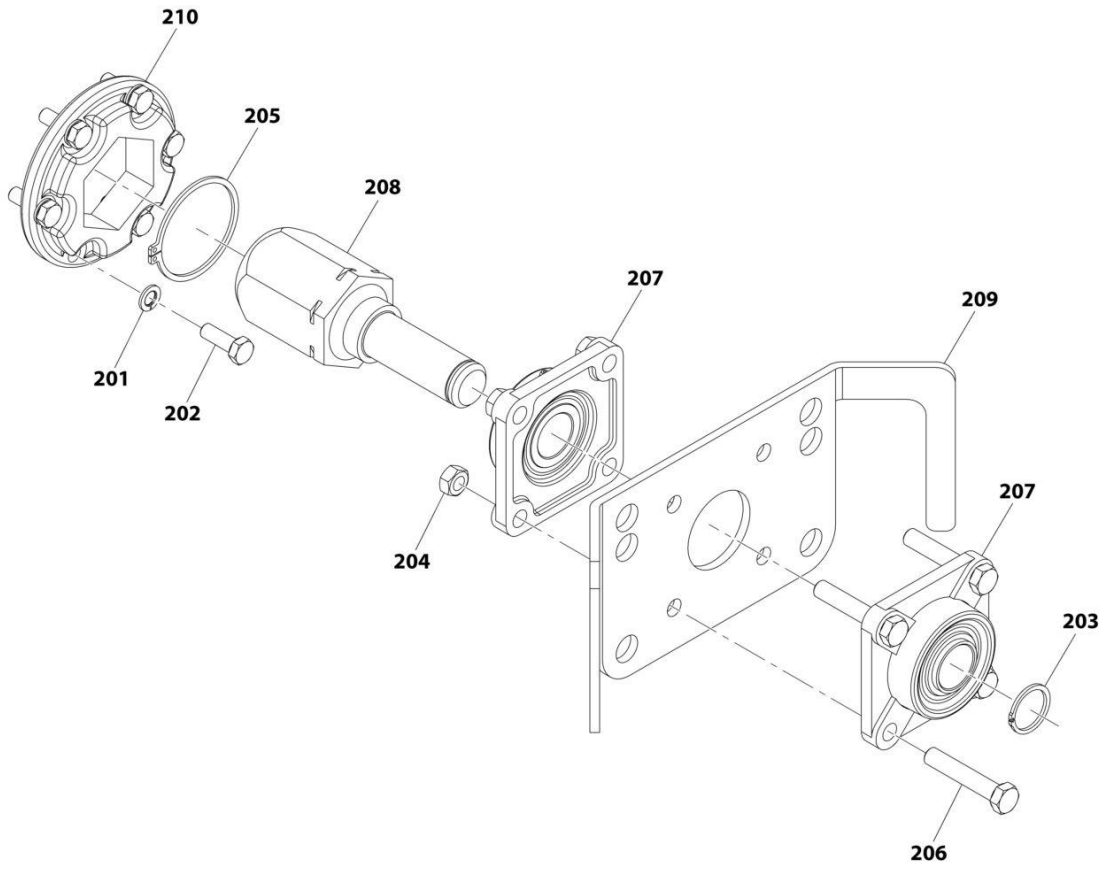
## SECTION 3 - ATTACHMENTS

**FIGURE 3-57. SWEEPER ASSEMBLY - MOTOR**

ITEM	PART NUMBER	QTY	DESCRIPTION	REV
	1001202904	Ref	SWEEPER ASSEMBLY - MOTOR	
101	70029717	1	Motor	
102	70029739	6	Washer	
103	70029741	6	Screw	
104	70029743	4	Washer	
105	70029746	4	Nut	
106	70029749	4	Screw	
107	70029769	1	Plate	
108	70029771	1	Hub	
109	70029772	1	Plate	
110	70029789	1	Plate	
111	70029719	1	Nut, Motor Shaft Lock	
112	70029718	1	Kit, Seal	
113	70029761	1	Key	

# SECTION 3 - ATTACHMENTS

## FIGURE 3-58. SWEEPER ASSEMBLY - IDLER



ART\_1001202904\_4-B

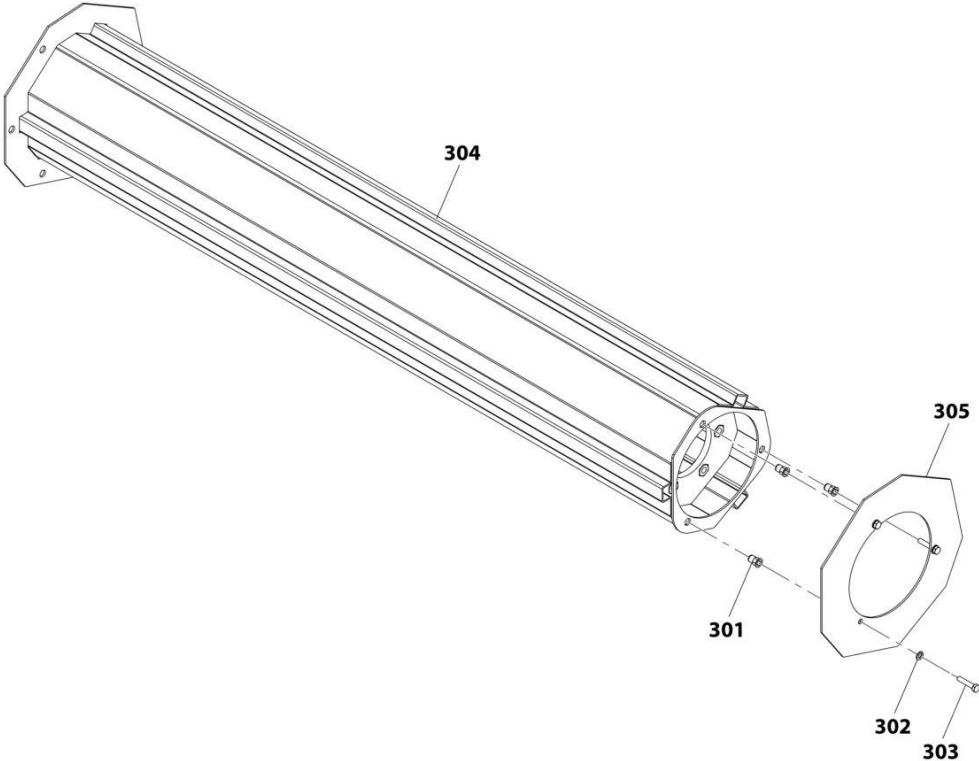
## SECTION 3 - ATTACHMENTS

**FIGURE 3-58. SWEEPER ASSEMBLY - IDLER**

ITEM	PART NUMBER	QTY	DESCRIPTION	REV
	1001202904	Ref	SWEEPER ASSEMBLY - IDLER	
201	70029739	6	Washer	
202	70029741	6	Screw	
203	70029744	1	Ring, Snap	
204	70029746	4	Nut	
205	70029748	1	Ring, Snap	
206	70029749	4	Screw	
207	70029763	2	Bearing	
208	70029770	1	Hub	
209	70029787	1	Plate	
210	70029789	1	Plate	

**SECTION 3 - ATTACHMENTS**

**FIGURE 3-59. SWEEPER ASSEMBLY - CORE**



ART\_1001202904\_5-B

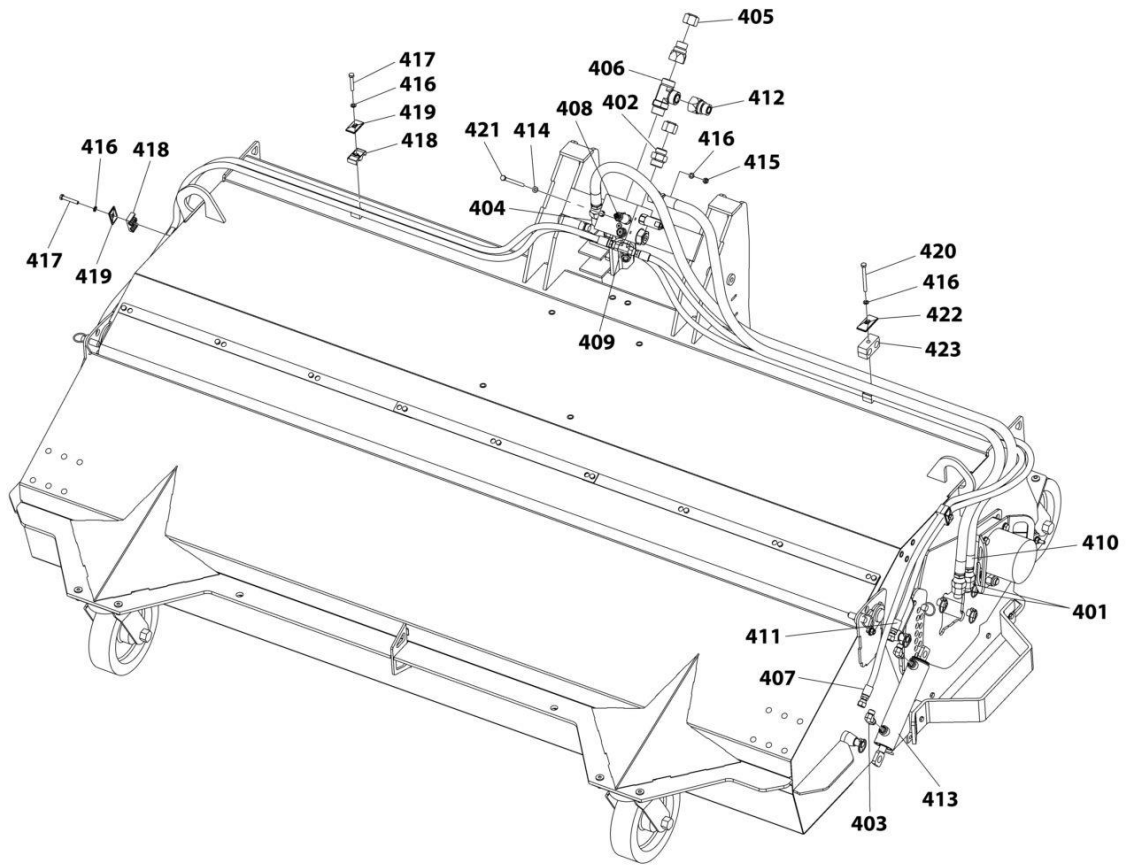
## SECTION 3 - ATTACHMENTS

### FIGURE 3-59. SWEEPER ASSEMBLY - CORE

ITEM	PART NUMBER	QTY	DESCRIPTION	REV
	1001202904	1	SWEEPER ASSEMBLY - CORE	
301	70029727	3	Nut	
302	70029730	3	Washer	
303	70029731	3	Screw	
304	70029782	1	Core	
305	70029783	1	Plate	

# SECTION 3 - ATTACHMENTS

## FIGURE 3-60. SWEEPER ASSEMBLY - HYDRAULIC SINGLE MOTOR ASSEMBLY



ART\_1001202904\_6-B

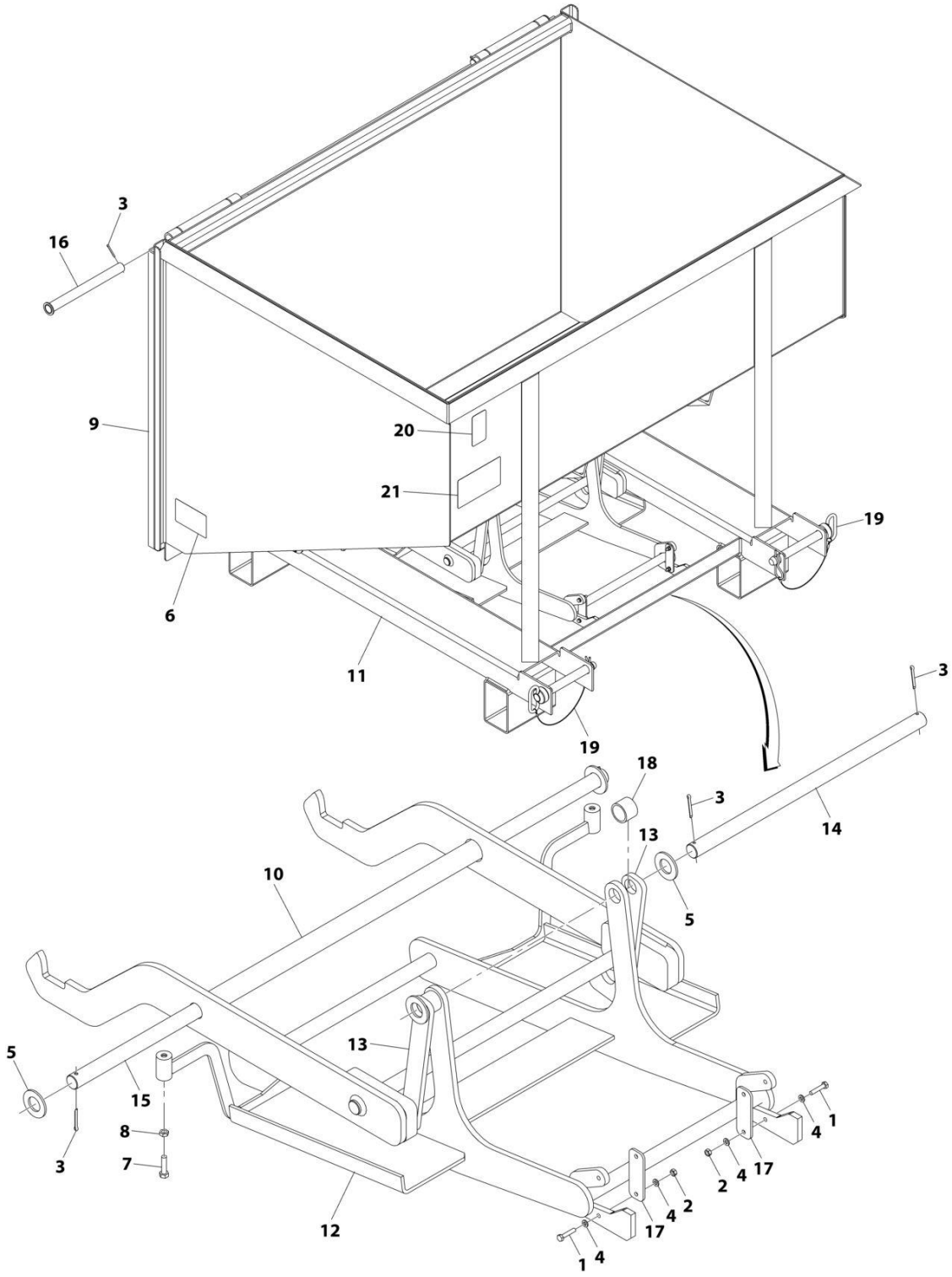
## SECTION 3 - ATTACHMENTS

**FIGURE 3-60. SWEEPER ASSEMBLY - HYDRAULIC SINGLE MOTOR ASSEMBLY**

ITEM	PART NUMBER	QTY	DESCRIPTION	REV
	1001202904	Ref	SWEEPER ASSEMBLY - HYDRAULICS	
401	70029704	2	Fitting	
402	70029705	1	Fitting	
403	70029706	4	Fitting, 90	
404	70029707	1	Fitting, 90	
405	70029708	2	Cap	
406	70029709	1	Fitting, Tee	
407	70029710	2	Hose	
408	70029711	1	Manifold	
409	70029712	2	Fitting, Tee	
410	70029713	2	Hose	
411	70029714	2	Hose	
412	70029715	2	Fitting	
413	70029716	2	Cylinder	
413	70029791	1	Kit, Seal	
414	70029732	2	Washer	
415	70029733	2	Nut	
416	70029734	6	Washer	
417	70029737	3	Screw	
418	70029753	8	Hose	
419	70029754	3	Cover	
420	70029758	1	Screw	
421	70029759	2	Screw	
422	70029795	1	Cover	
423	70029796	1	Cradle, Hose	

# SECTION 3 - ATTACHMENTS

## FIGURE 3-61. TRASH HOPPER



ART\_1001238566-B



## SECTION 3 - ATTACHMENTS

### FIGURE 3-61. TRASH HOPPER

ITEM	PART NUMBER	QTY	DESCRIPTION	REV
	1001238566	Ref	FORK MOUNTED TRASH HOPPER	C
1	0700614	4	Bolt M6 x 30	
2	3290601	4	Nut M6 x 1	
3	3391410	6	Pin	
4	4811700	8	Washer M6	
5	5242400	4	Washer M24	
6	1706302	2	Decal, Pinch Point	
7	0641510	2	Bolt 5/16 x 1-1/4	
8	3311502	2	Nut 5/16	
9	1001192711	1	Door Assembly	
10	1001192720	1	Hook Assembly	
11	See Note	NSS	Hopper, Trash (Note: Purchase Complete Assembly)	
12	1001192875	1	Tray Assembly	
13	1001192876	2	Arm, Swing	
14	1001192877	1	Rod, Swing	
15	1001238570	1	Bar	
16	1001193540	2	Pin	
17	1001193729	2	Plate	
18	1001198355	2	Spacer	
19	1001238560	2	Pin	
20	See Note	NSS	SN Plate (Note: Stamped Part - Not Available for Purchase)	
21	1001203503	1	Decal, Trash Hopper Operation	

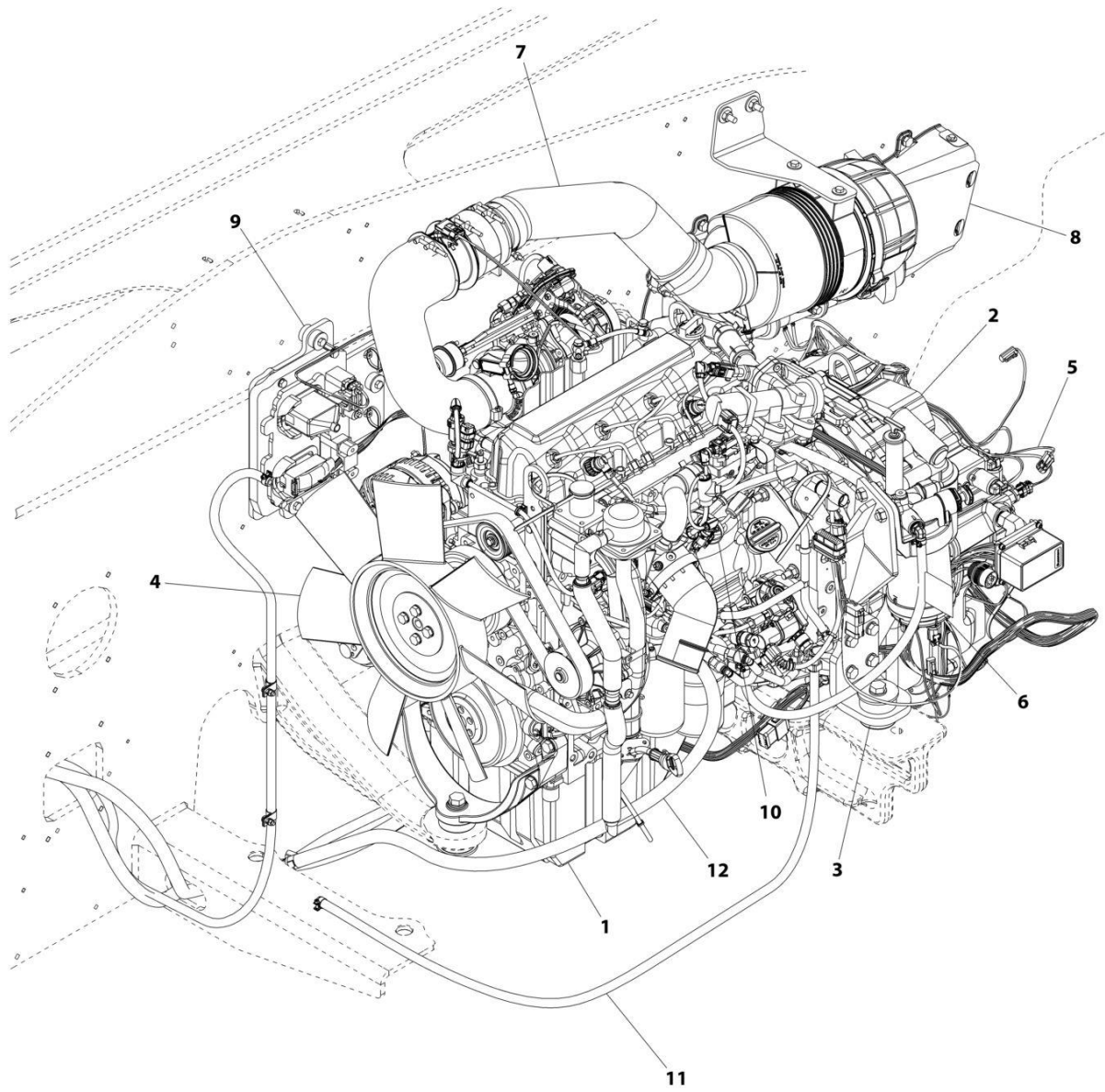


## **SECTION 4 - ENGINE AND ATTACHING PARTS**

## **SECTION 4 - ENGINE AND ATTACHING PARTS**

# SECTION 4 - ENGINE AND ATTACHING PARTS

FIGURE 4-1. ENGINE INSTALLATION, 110HP (ULS)



ART\_1001169009-H

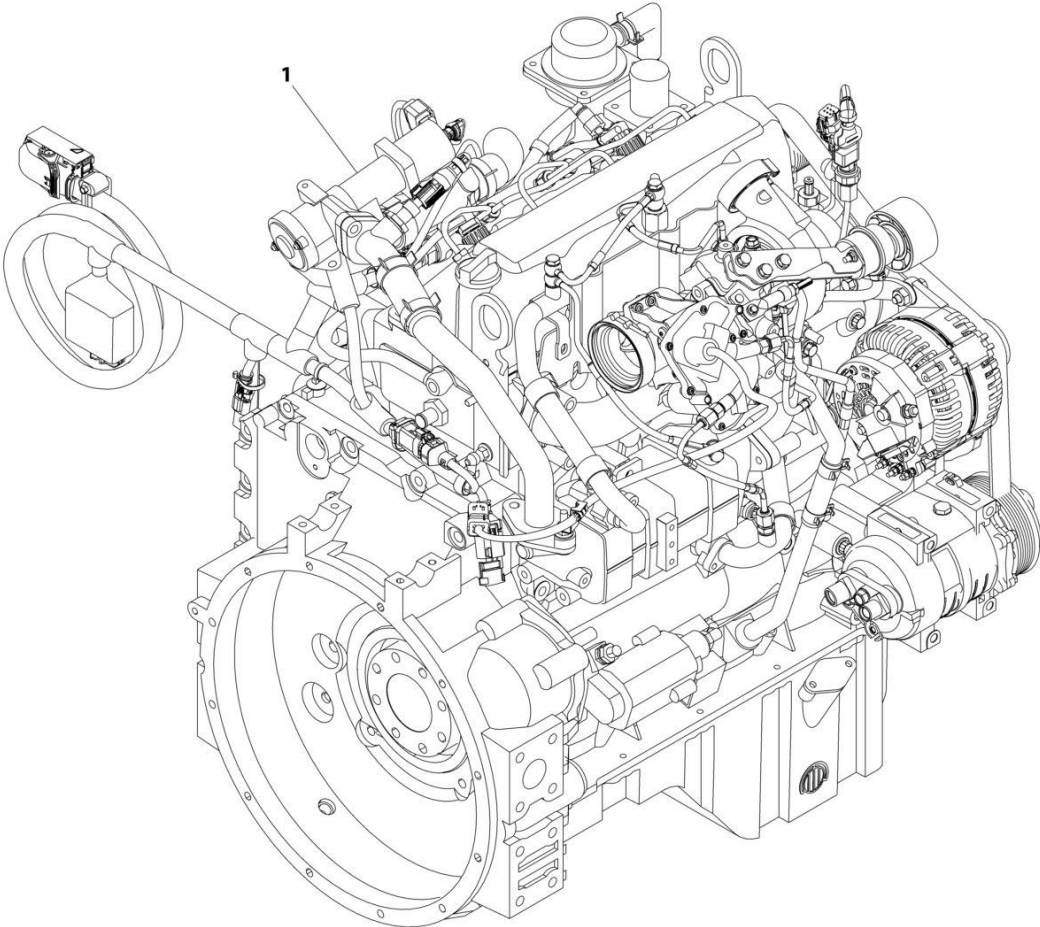
## SECTION 4 - ENGINE AND ATTACHING PARTS

**FIGURE 4-1. ENGINE INSTALLATION, 110HP (ULS)**

ITEM	PART NUMBER	QTY	DESCRIPTION	REV
	1001169009	Ref	Engine Installation, 110HP (ULS)	H
1	1001154511	Ref	Engine, 110HP (ULS) (See Separate Breakdown in this Section)	
2	1001161664	Ref	Installation, Transmission (See Separate Breakdown in DRIVETRAIN Section)	
3	1001163227	Ref	Installation, Engine Mounting (See Separate Breakdown in this Section)	
4	1001163230	Ref	Installation, Fan (See Separate Breakdown in this Section)	
5	1001163233	Ref	Installation, Engine Wiring (ULS) (See Separate Breakdown in ELECTRICAL Section)	
6	1001163235	Ref	Installation, Primary Fuel Filter (See Separate Breakdown in this Section)	
7	1001169011	Ref	Installation, Air Cleaner Lines (See Separate Breakdown in this Section)	
8	1001169012	Ref	Installation, Air Cleaner (See Separate Breakdown in this Section)	
9	1001194286	Ref	Installation, Engine ECU (See Separate Breakdown in ELECTRICAL Section)	
10	1062255	1	Strap, Tie	
11	1001163231	Ref	Installation, Fuel Lines (See Separate Breakdown in this Section)	
12	1001163232	Ref	Installation, DEF Lines (See Separate Breakdown in this Section)	

**SECTION 4 - ENGINE AND ATTACHING PARTS**

**FIGURE 4-2. ENGINE COMPONENTS, 110HP (ULS)**



ART\_1001154511

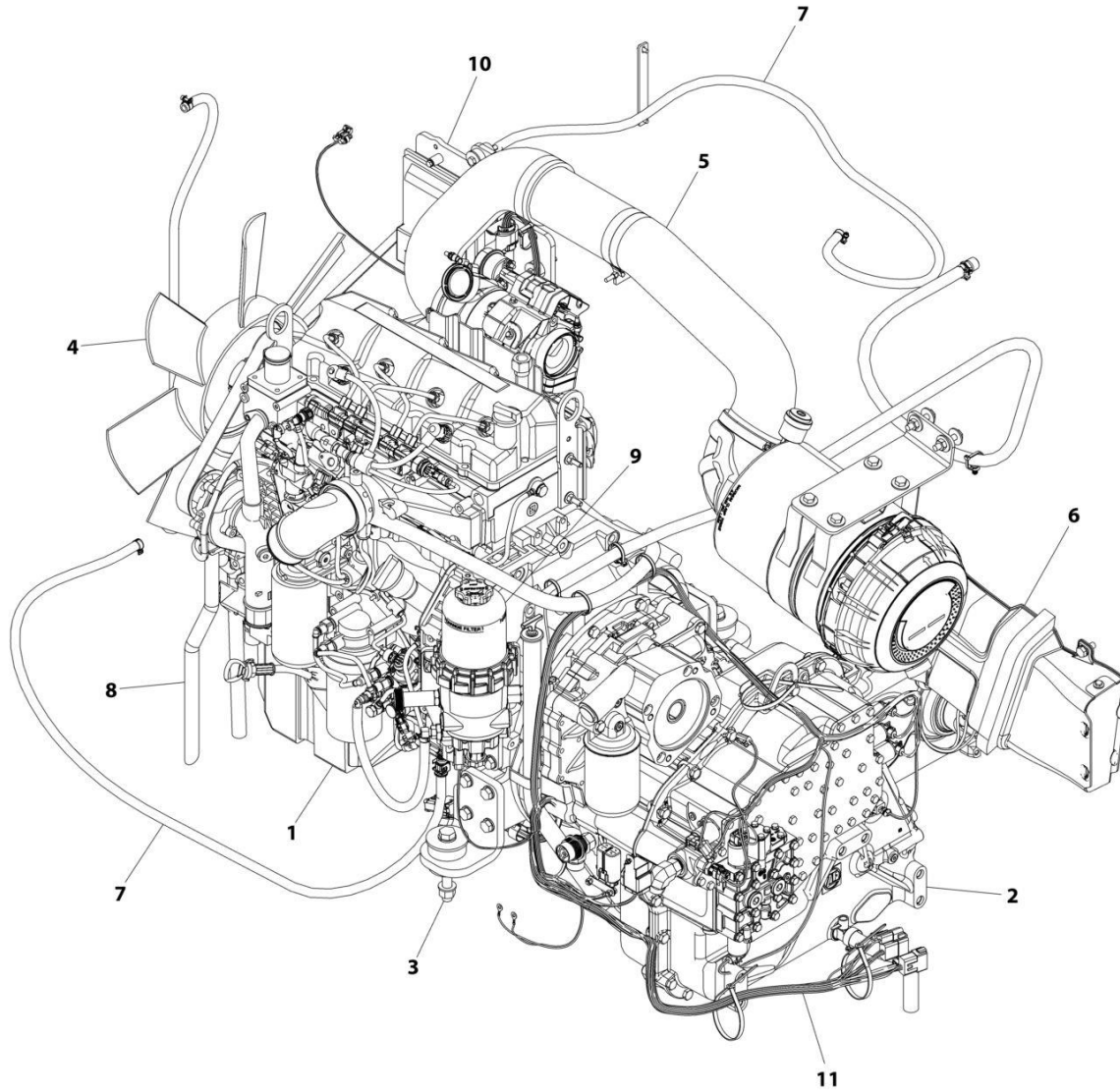
## SECTION 4 - ENGINE AND ATTACHING PARTS

**FIGURE 4-2. ENGINE COMPONENTS, 110HP (ULS)**

ITEM	PART NUMBER	QTY	DESCRIPTION	REV
1	1001154511	Ref	Engine, QSF 3.8L (if equipped for ULS)	W
	70026220	1	Assembly, Secondary Fuel Filter (includes shell, seal and cartridge)	
	70026453	1	Cartridge, Fuel Filter	
	70031350	1	Rail, Fuel	
	70031351	1	Sensor, Fuel Pressure	
	70031352	1	Valve, Fuel Pressure Relief Valve	
	70026223	1	Pan, Oil	
	70026224	1	Seal, Oil Pan	
	70026225	1	Plug, Oil Pan	
	70026226	1	Seal, Oil Pan Plug	
	1001128594	1	Starter	
	70026228	1	Filler Cap, Valve Cover	
	70026229	1	Fan Belt, V-Ribbed	
	70026230	1	Support, Fan	
	70026231	1	Pulley, Fan	
	70026232	1	Alternator	
	70028450	1	Assembly, Primary Fuel Filter, (includes filter head, seal and element)	
	70026235	1	Assembly, Dipstick Oil Level	
	70026236	1	Assembly, Block Heater	
	70026241	1	Assembly, Fuel Filter Plug	
	70026237	1	Filter, Oil	
	70023933	1	O-Ring, Oil Pressure Switch	
	70041620	2	Ring, Retaining	
	70041616	1	Bolt, Fan Drive	
	70041617	1	Bearing, Ball	
	70041619	1	Retainer, Fan Hub	
	1322039	1	Spacer, Fan Pilot	
	1321094	16	Bolt, Oil Pan	
	70024016	1	Cap, Side Oil Fill	
	70022634	1	Flywheel w/Ring Gear	
	70023736	1	Ring Gear, Flywheel	
	1322040	1	Plug, Flywheel	
	70030317	1	Connection, Fuel Actuator	
	70030347	1	Valve, Exhaust Throttle	
	70031380	1	Harness, ECM	

# SECTION 4 - ENGINE AND ATTACHING PARTS

## FIGURE 4-3. ENGINE INSTALLATION, 110HP (LS)



ART\_1001160396-D



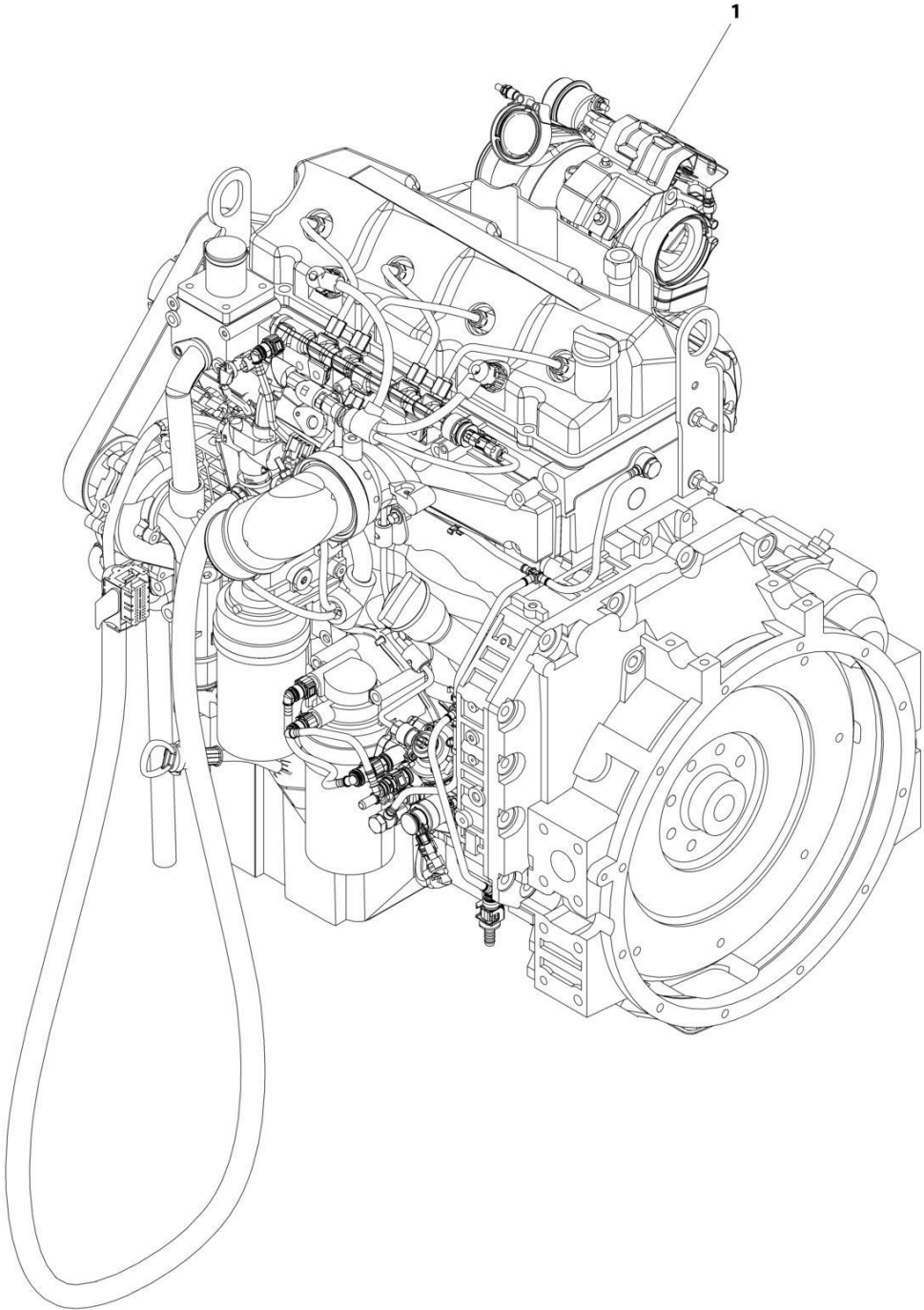
## SECTION 4 - ENGINE AND ATTACHING PARTS

**FIGURE 4-3. ENGINE INSTALLATION, 110HP (LS)**

ITEM	PART NUMBER	QTY	DESCRIPTION	REV
	1001160396	Ref	Engine Installation, 110HP (LS)	D
1	1001154790	Ref	Engine, 110HP (LS) (See Separate Breakdown in this Section)	
2	1001161664	Ref	Installation, Transmission (See Separate Breakdown in DRIVETRAIN Section)	
3	1001163227	Ref	Installation, Engine Mounting (See Separate Breakdown in this Section)	
4	1001163230	Ref	Installation, Fan (See Separate Breakdown in this Section)	
5	1001163238	Ref	Installation, Air Intake Lines (LS) (See Separate Breakdown in this Section)	
6	1001163239	Ref	Installation, Air Cleaner (LS) (See Separate Breakdown in this Section)	
7	1001163241	Ref	Installation, Fuel Lines (LS) (See Separate Breakdown in this Section)	
8	1001176228	1	Hose, 3.8L	
9	1001180076	Ref	Installation, Primary Fuel Filter (LS) (See Separate Breakdown in this Section)	
10	1001180242	Ref	Installation, Engine ECM (LS) (See Separate Breakdown in ELECTRICAL Section)	
11	1001163242	Ref	Installation, Engine Wiring (LS) (See Separate Breakdown in ELECTRICAL Section)	

**SECTION 4 - ENGINE AND ATTACHING PARTS**

**FIGURE 4-4. ENGINE COMPONENTS, 110HP (LS)**



ART\_1001154790

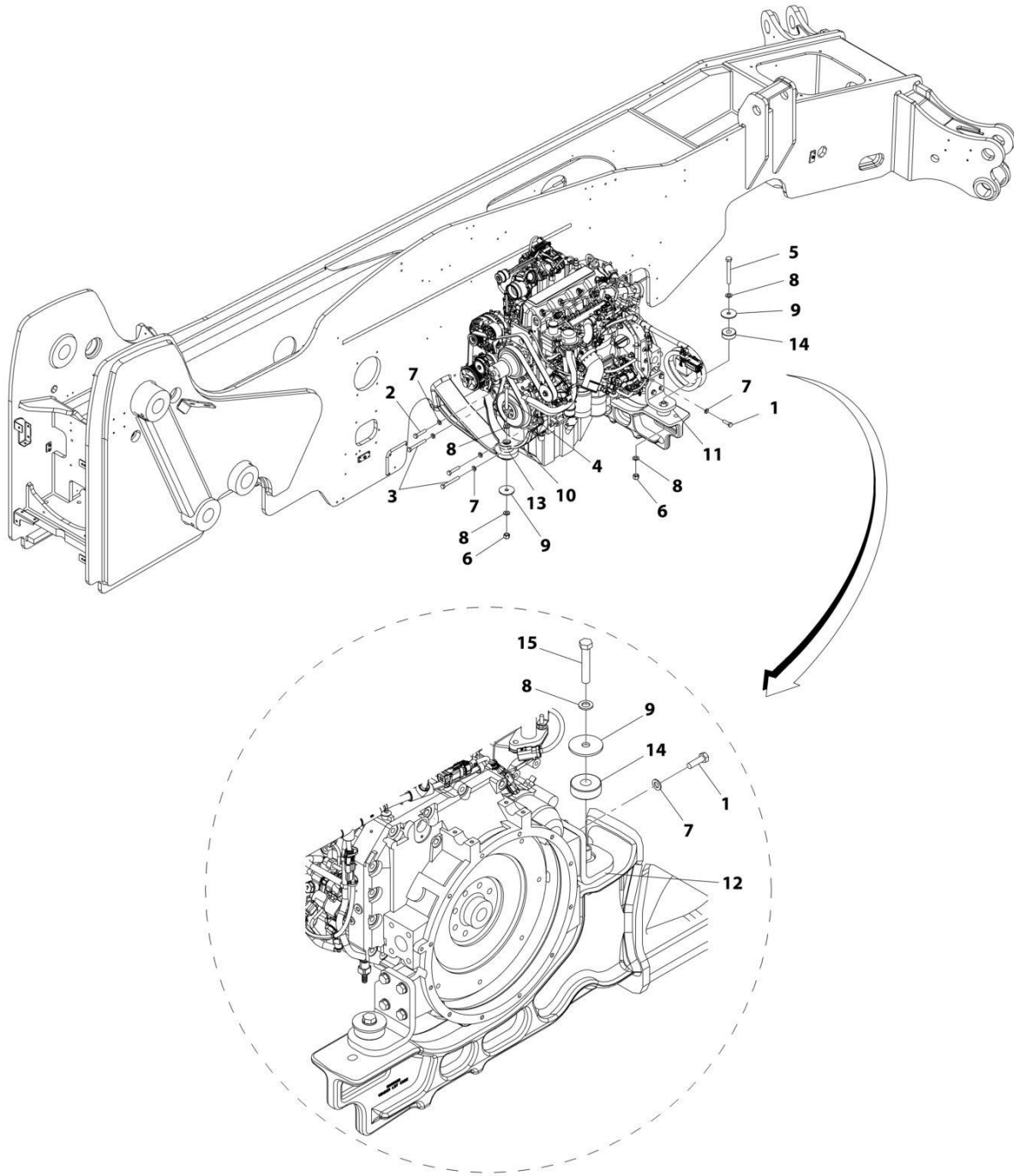
## SECTION 4 - ENGINE AND ATTACHING PARTS

**FIGURE 4-4. ENGINE COMPONENTS, 110HP (LS)**

ITEM	PART NUMBER	QTY	DESCRIPTION	REV
1	1001154790	Ref	3.8L Engine (LS)	L
	70026800	1	Fuel Filter Assembly	
	70026801	1	Fuel Filter Element	
	70026222	1	Assembly, Flywheel Housing	
	70027281	1	Pan, Oil	
	70026224	1	Seal, Oil Pan	
	70026225	1	Plug, Oil Pan	
	70026226	1	Seal, Oil Pan Plug	
	1001128594	1	Starter	
	70026228	1	Filler Cap, Valve Cover	
	70026229	1	Fan Belt, V-Ribbed	
	70026230	1	Support, Fan	
	70026231	1	Pulley, Fan	
	70026232	1	Alternator	
	70026233	1	Assembly, Primary Fuel Filter	
	70026234	1	Element, Fuel Filter	
	70026235	1	Assembly, Dipstick Oil Level	
	70026241	1	Assembly, Fuel Filter Plug	
	70026237	1	Filter, Oil	
	70041620	2	Ring, Retaining	
	70041616	1	Bolt	
	70041617	1	Bearing, Ball	
	70041619	1	Retainer, Fan Hub	
	1322039	1	Spacer, Fan Pilot	
	1321094	17	Screw	
	70024016	1	Cap, Side Oil Fill	
	70022634	1	Flywheel w/Ring Gear	
	70023736	1	Ring Gear, Flywheel	
	1322040	1	Plug, Flywheel	

# SECTION 4 - ENGINE AND ATTACHING PARTS

## FIGURE 4-5. ENGINE MOUNTING INSTALLATION



ART\_1001163227-H

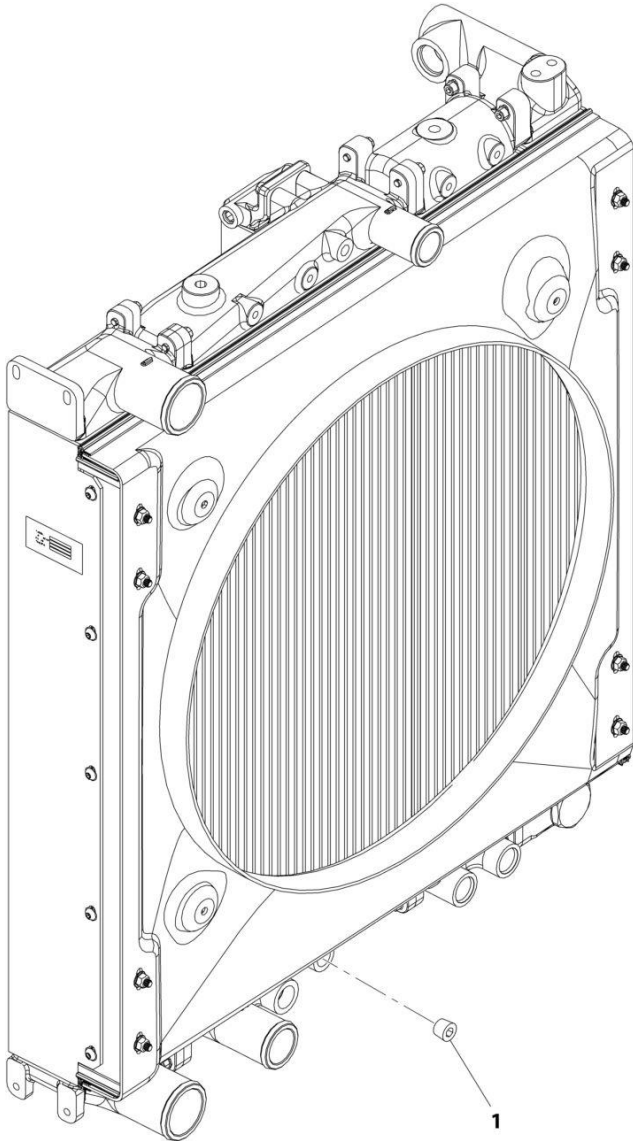
## SECTION 4 - ENGINE AND ATTACHING PARTS

### FIGURE 4-5. ENGINE MOUNTING INSTALLATION

ITEM	PART NUMBER	QTY	DESCRIPTION	REV
	1001163227	Ref	Engine Mounting Installation	H
1	0701216	8	Bolt, M12X40	
2	0701220	2	Bolt, M12X60	
3	0701227	2	Bolt, M12X100	
4	0711629	1	Bolt, M16x120	
5	0711630	1	Bolt, M16X130	
6	3331615	2	Nut, M16	
7	4812100	12	Washer, M12	
8	4812300	5	Washer, M16	
9	7300435	3	Washer	
10	1001160116	1	Bracket, Engine	
11	1001168795	1	Plate, Engine Mount	
12	1001168797	1	Plate, Engine Mount	
13	1001160888	1	Mount, Isolator Engine	
14	1001195518	2	Mount, Isolator Engine	
15	0711626	1	Bolt, M16X90	

**SECTION 4 - ENGINE AND ATTACHING PARTS**

**FIGURE 4-6. ENGINE PARTS INSTALLATION (NO HEATER)**



ART\_1001163133-D

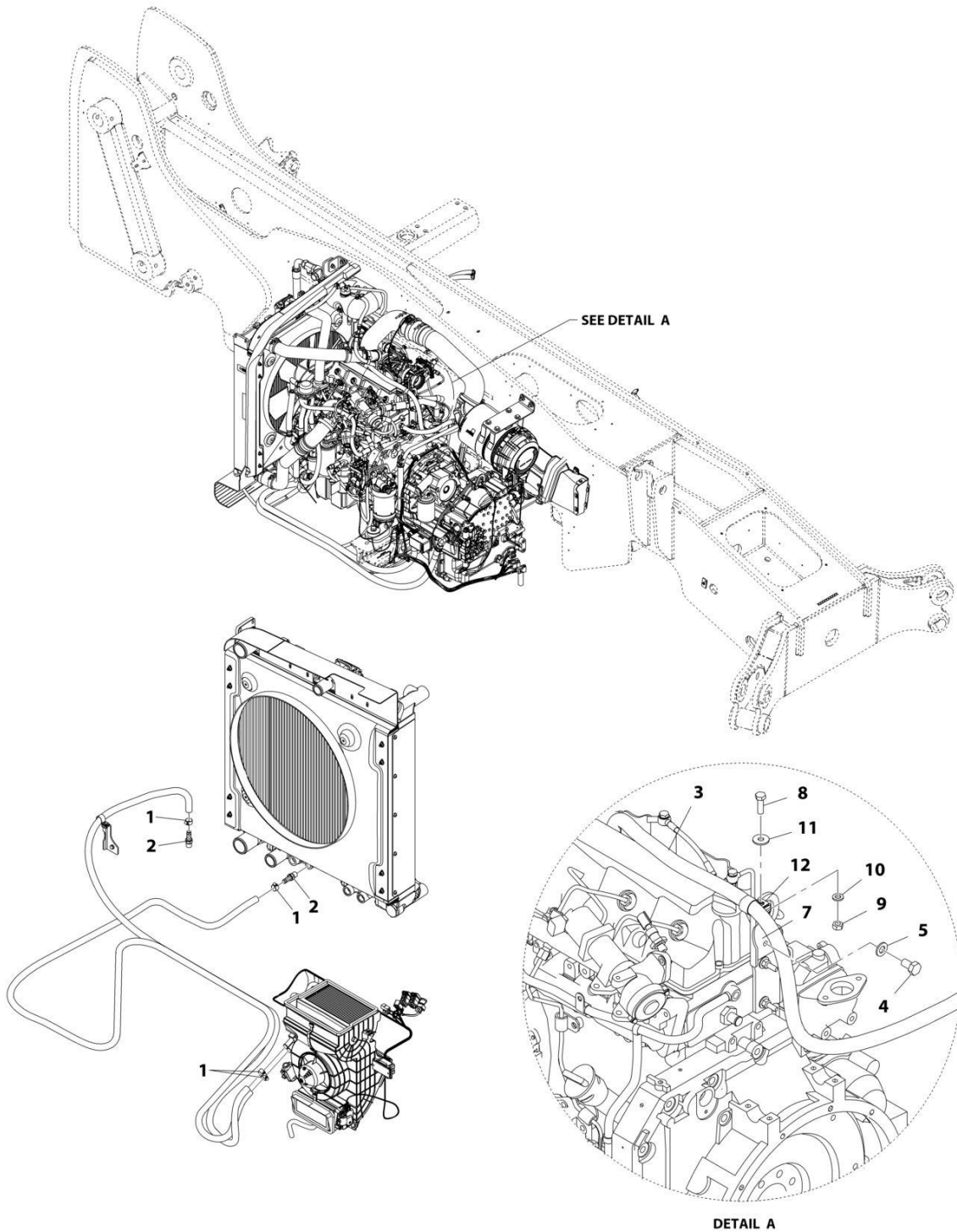
## SECTION 4 - ENGINE AND ATTACHING PARTS

FIGURE 4-6. ENGINE PARTS INSTALLATION (NO HEATER)

ITEM	PART NUMBER	QTY	DESCRIPTION	REV
1	1001163133 2200223	Ref 1	Engine Parts Installation (No Heater) Plug	D

# SECTION 4 - ENGINE AND ATTACHING PARTS

## FIGURE 4-7. ENGINE PARTS INSTALLATION (HEATER)



ART\_1001163134-J



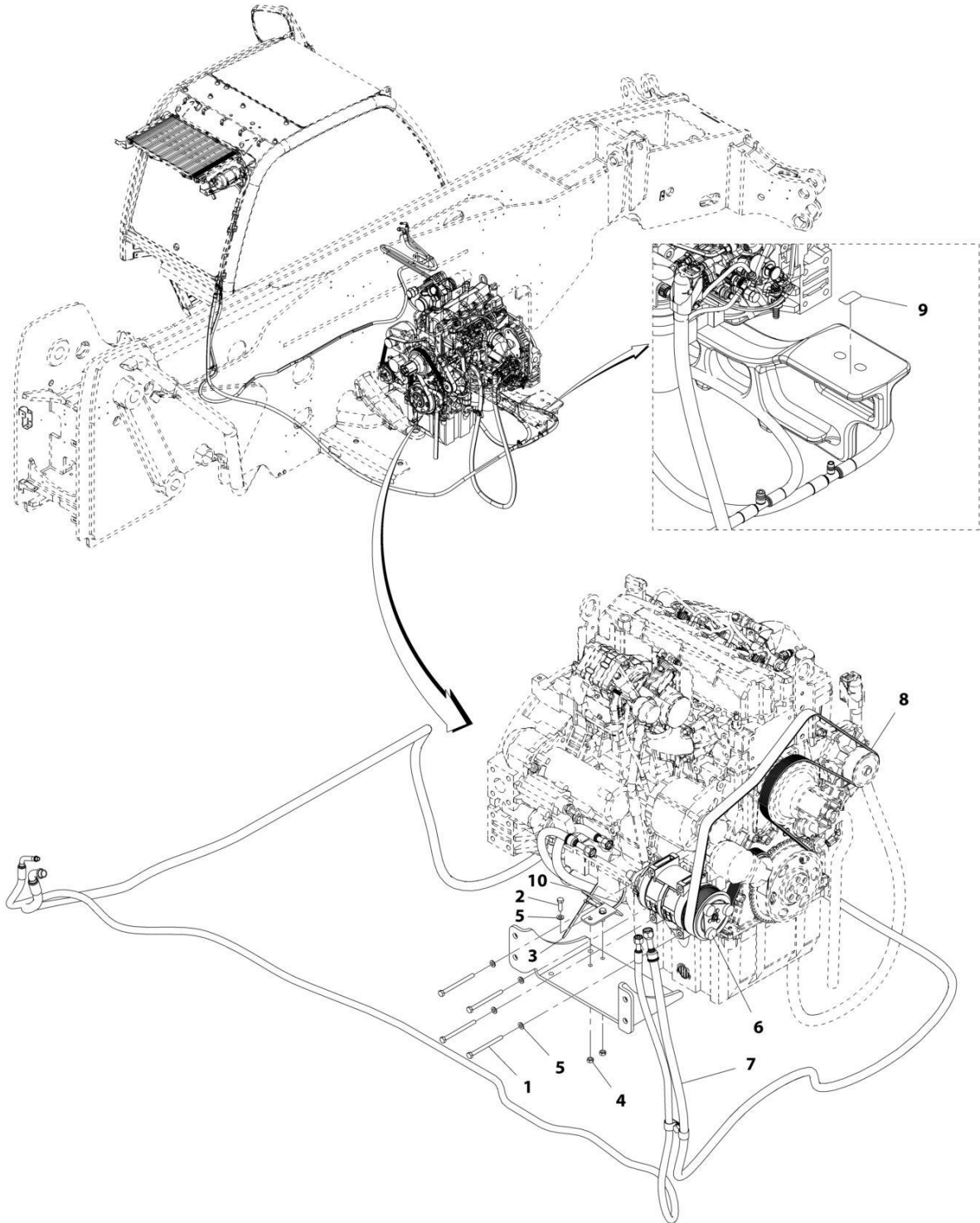
## SECTION 4 - ENGINE AND ATTACHING PARTS

FIGURE 4-7. ENGINE PARTS INSTALLATION (HEATER)

ITEM	PART NUMBER	QTY	DESCRIPTION	REV
	1001163134	Ref	Engine Parts Installation (Heater)	J
1	8410009	4	Clamp, Gear	
2	1001104685	2	Pipe	
3	82033995	7 m	Hose	
4	0760807	1	Bolt, M8X14	
5	4811900	1	Washer, M8	
7	1001200555	1	Bracket	
8	0700610	1	Bolt, M6X20	
9	3290601	1	Nut, M6X1	
10	4811700	1	Washer, M6	
11	4811702	1	Washer, M6	
12	8406201	1	Clip	

# SECTION 4 - ENGINE AND ATTACHING PARTS

## FIGURE 4-8. A/C PUMP INSTALLATION (LS)



ART\_1001206448-A

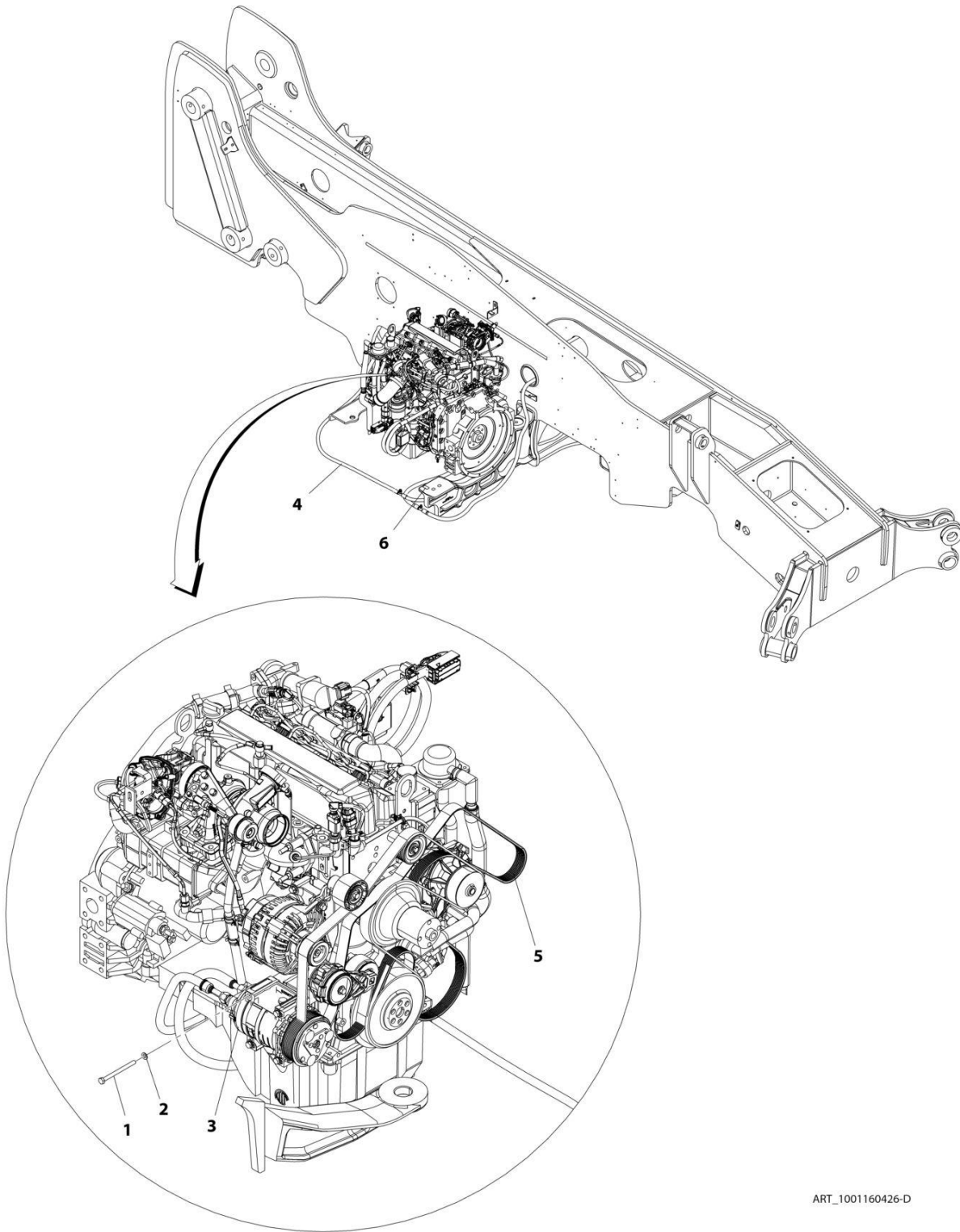
## SECTION 4 - ENGINE AND ATTACHING PARTS

### FIGURE 4-8. A/C PUMP INSTALLATION (LS)

ITEM	PART NUMBER	QTY	DESCRIPTION	REV
	1001206448	Ref	A/C Pump Installation (LS)	A
1	0700827	4	Bolt, M8X100	
2	0760812	2	Bolt, M8X25	
3	1062255	1	Strap, Tie	
4	3290801	2	Nut, M8X1.25 Grade 8	
5	4811900	6	Washer, M8	
6	1001157663	1	Compressor, A/C	
7	1001163254	1	Installation, A/C Lines (See Separate Breakdown in this Section)	
8	1001167357	1	Belt	
9	1001193026	1	Decal, A/C Refrigerant	
10	1001206332	1	Bracket	

# SECTION 4 - ENGINE AND ATTACHING PARTS

## FIGURE 4-9. A/C PUMP INSTALLATION (ULS)



ART\_1001160426-D

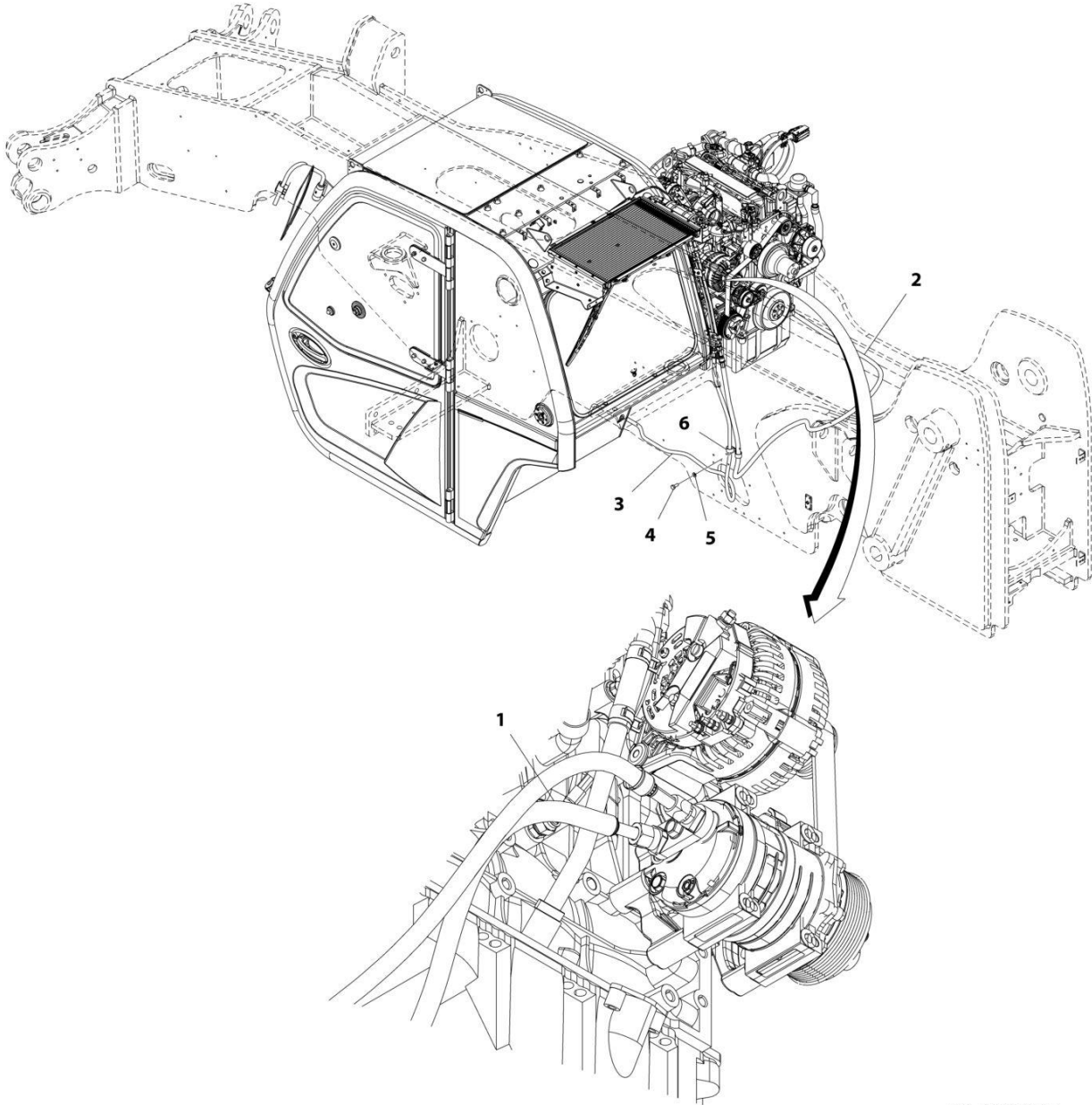
## SECTION 4 - ENGINE AND ATTACHING PARTS

FIGURE 4-9. A/C PUMP INSTALLATION (ULS)

ITEM	PART NUMBER	QTY	DESCRIPTION	REV
	1001160426	Ref	A/C Pump Installation (ULS)	D
1	0700827	4	Bolt, M8X100	
2	4811900	4	Washer, M8	
3	1001157663	1	Compressor, A/C	
4	1001163254	1	Installation, A/C Lines (See Separate Breakdown in this Section)	
5	1001167357	1	Belt	
6	1001193026	1	Decal, A/C Refrigerant	

# SECTION 4 - ENGINE AND ATTACHING PARTS

## FIGURE 4-10. A/C LINES INSTALLATION



ART\_1001163254-H

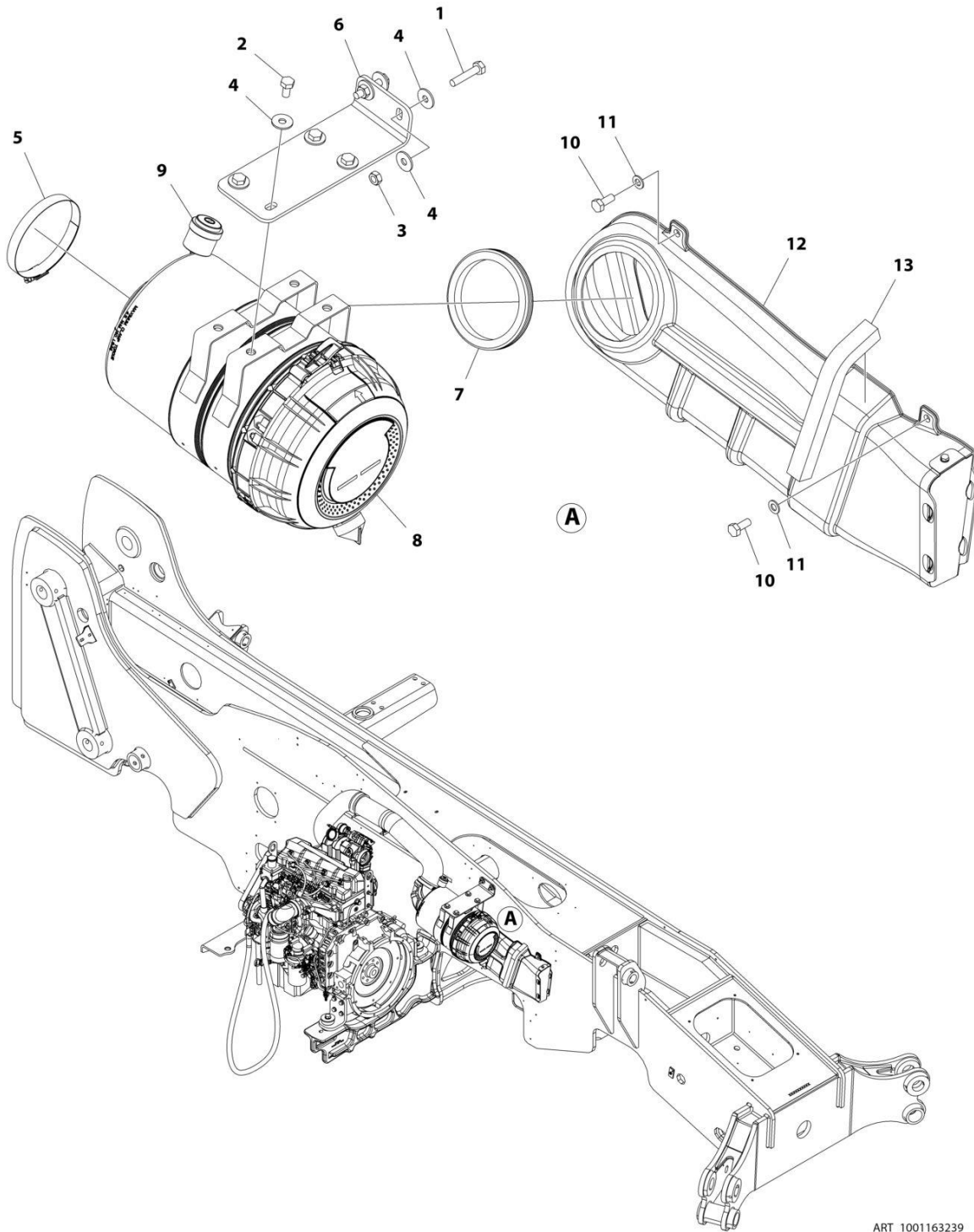
## SECTION 4 - ENGINE AND ATTACHING PARTS

### FIGURE 4-10. A/C LINES INSTALLATION

ITEM	PART NUMBER	QTY	DESCRIPTION	REV
	1001163254	Ref	A/C Lines Installation	H
1	1001196491	1	Hose	
2	1001184017	1	Hose	
3	1001186705	1	Hose	
4	0761012	1	Bolt, M10X25	
5	4812000	1	Washer, M10	
6	8406102	2	Clip	

# SECTION 4 - ENGINE AND ATTACHING PARTS

## FIGURE 4-11. AIR CLEANER INSTALLATION (LS)



ART\_1001163239



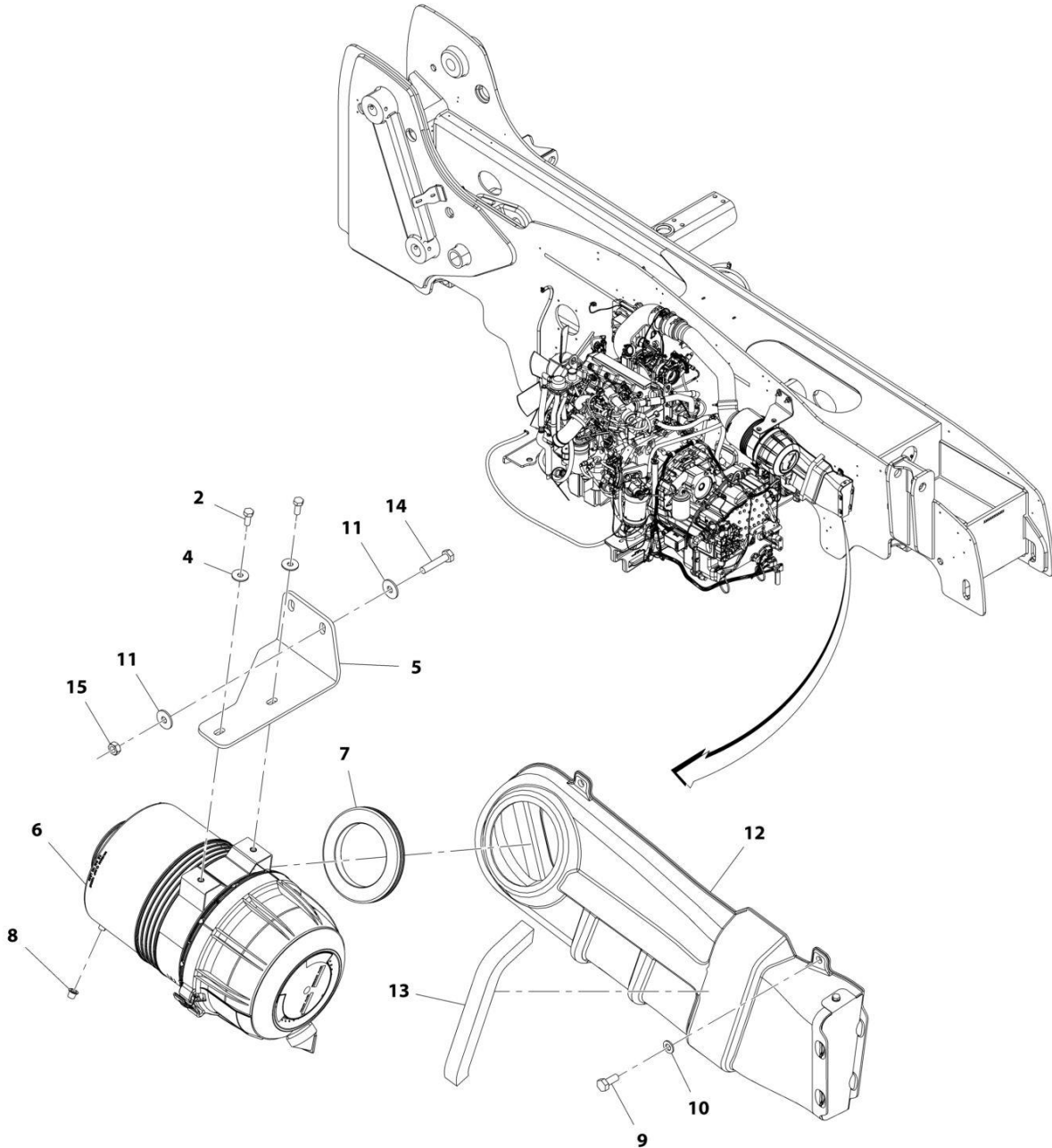
## SECTION 4 - ENGINE AND ATTACHING PARTS

FIGURE 4-11. AIR CLEANER INSTALLATION (LS)

ITEM	PART NUMBER	QTY	DESCRIPTION	REV
	1001163239	Ref	AIR CLEANER INSTALLATION (LS)	F
1	0701018	2	Bolt M10 x 50	
2	0761010	4	Bolt M10 x 20	
3	3291001	2	Nut M10 x 1.5 Grade 8	
4	4812002	8	Washer M10	
5	8405402	1	Clamp	
6	1001194534	1	Bracket, Air Cleaner Mount	
7	1001183831	1	Grommet	
8	1001166565	1	Filter, Air Cleaner (See Separate Breakdown in this Section)	
9	1001166716	1	Indicator	
10	0761012	4	Bolt M10 x 25	
11	4812000	4	Washer M10	
12	1001183835	1	Installation, Duct Air Intake (See Separate Breakdown in this Section)	
13	1001186898	1	Seal	

# SECTION 4 - ENGINE AND ATTACHING PARTS

## FIGURE 4-12. AIR CLEANER INSTALLATION (ULS)



ART\_1001169012-F

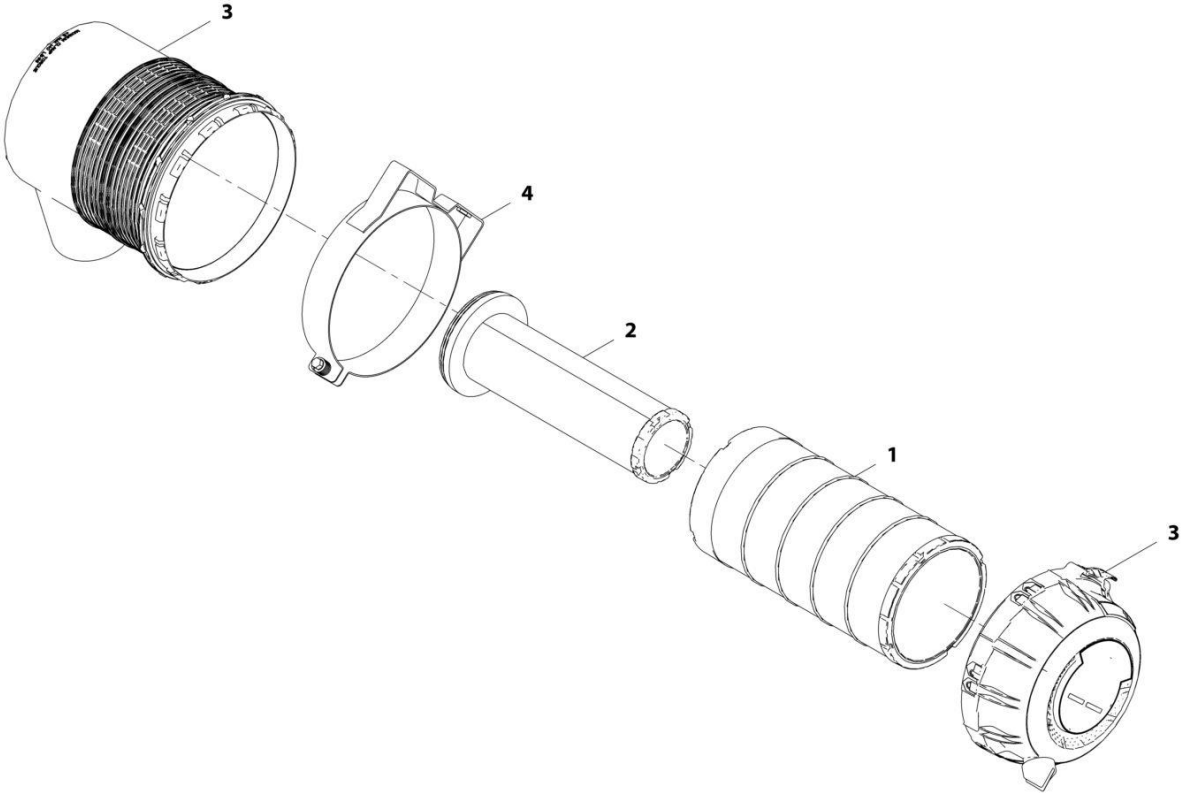
## SECTION 4 - ENGINE AND ATTACHING PARTS

**FIGURE 4-12. AIR CLEANER INSTALLATION (ULS)**

ITEM	PART NUMBER	QTY	DESCRIPTION	REV
	1001169012	Ref	Air Cleaner Installation	F
2	0760810	2	Bolt, M8X20	
4	4811902	2	Washer, M8	
5	1001185278	1	Bracket	
6	1001166566	1	Filter, Air Cleaner (See Separate Breakdown in this Section)	
7	1001183830	1	Grommet, Intake	
8	1001183177	1	Cap, Air Cleaner	
9	0761012	4	Bolt, M10X25	
10	4812000	4	Washer, M10	
11	4812002	4	Washer, M10	
12	1001183835	1	Installation, Air Intake Duct (See Separate Breakdown in this Section)	
13	1001186898	1	Seal	
14	0701018	2	Bolt, M8X50	
15	3291001	1	Nut, M10X1.5 Grade 8	

**SECTION 4 - ENGINE AND ATTACHING PARTS**

**FIGURE 4-13. AIR CLEANER FILTER ASSEMBLY (ULS)**



ART\_1001166566-G

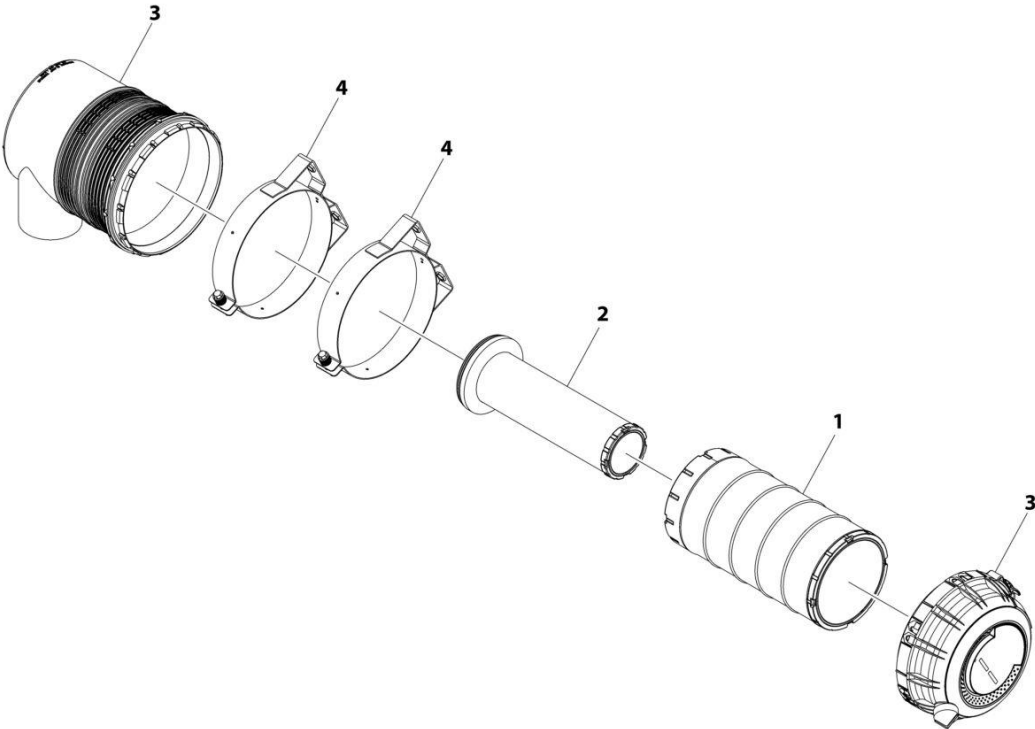
## SECTION 4 - ENGINE AND ATTACHING PARTS

FIGURE 4-13. AIR CLEANER FILTER ASSEMBLY (ULS)

ITEM	PART NUMBER	QTY	DESCRIPTION	REV
	1001166566	Ref	Air Cleaner Assembly (74.4KW)	G
1	70025852	1	Filter, Air Cylindrical Primary	
2	70025853	1	Filter, Air Cylindrical Secondary	
3	70026393	1	Cover, Air Cleaner	
4	70026394	1	Bracket, Mounting Band	

**SECTION 4 - ENGINE AND ATTACHING PARTS**

**FIGURE 4-14. AIR CLEANER ASSEMBLY, 110HP**



ART\_1001166565

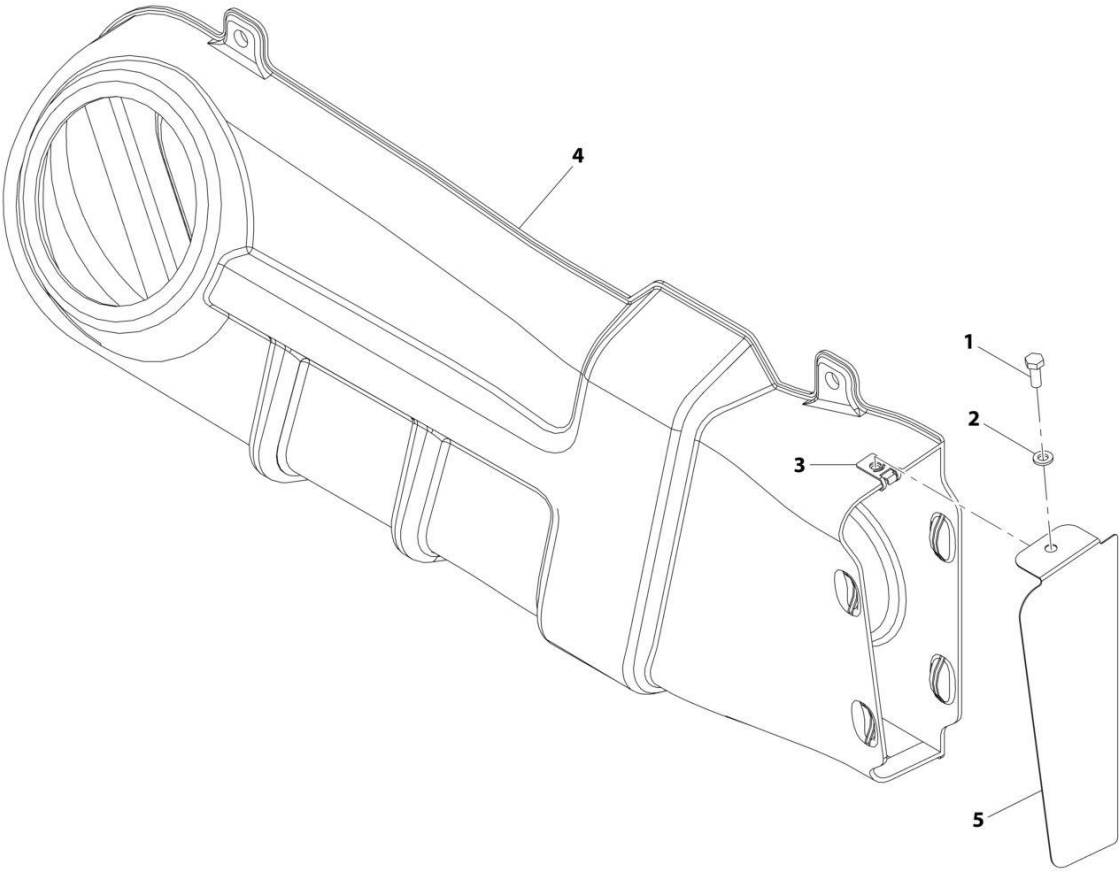
## SECTION 4 - ENGINE AND ATTACHING PARTS

FIGURE 4-14. AIR CLEANER ASSEMBLY, 110HP

ITEM	PART NUMBER	QTY	DESCRIPTION	REV
	1001166565	Ref	AIR FILTER ASSEMBLY (90/100KW)	F
1	70025850	1	Filter, Cylindrical Air Primary	
2	70025851	1	Filter, Cylindrical Air Secondary	
3	70026395	1	Cover	
4	70026396	2	Bracket	

**SECTION 4 - ENGINE AND ATTACHING PARTS**

**FIGURE 4-15. AIR INTAKE DUCT INSTALLATION**



ART\_1001183835-C



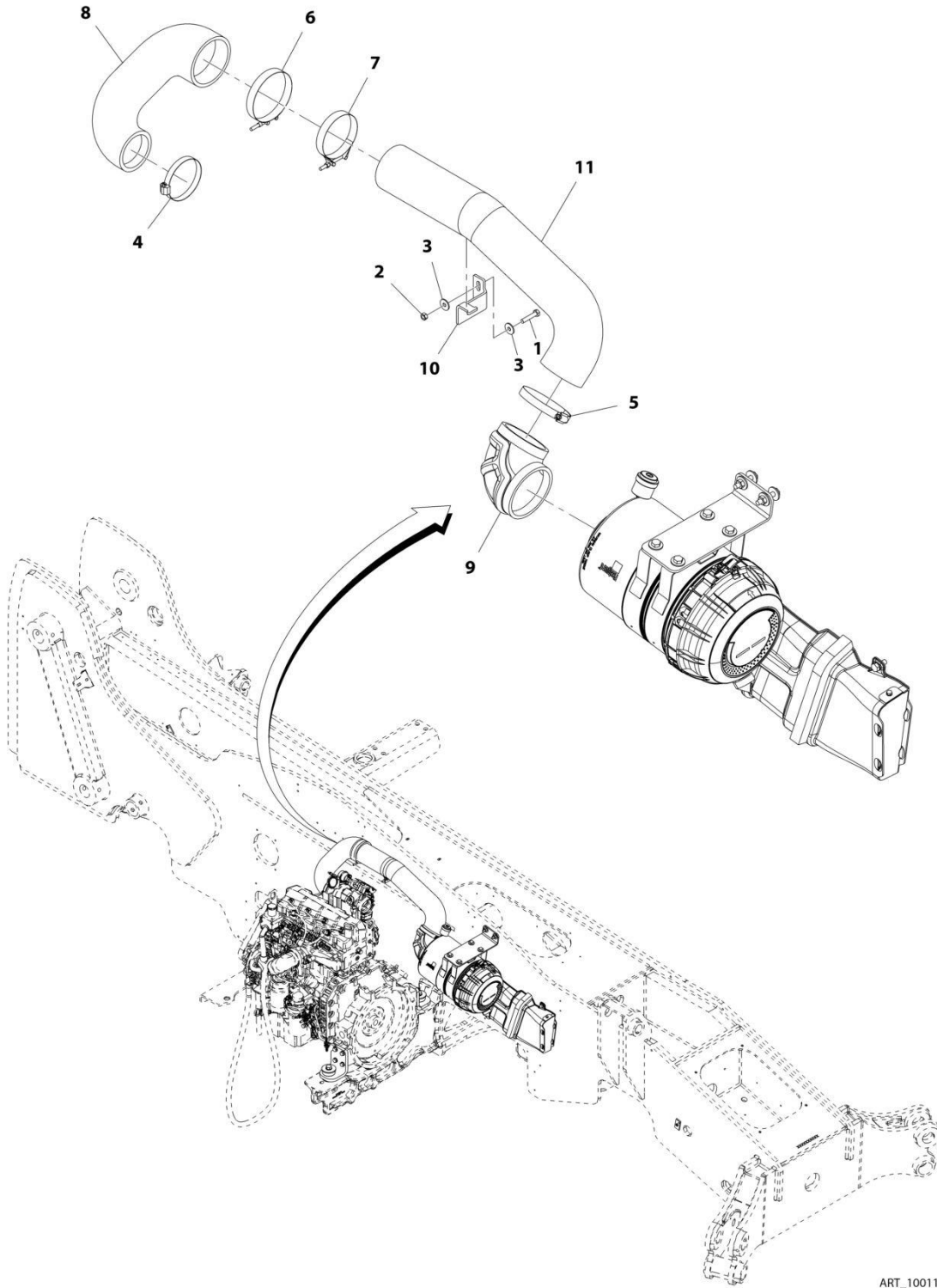
## SECTION 4 - ENGINE AND ATTACHING PARTS

FIGURE 4-15. AIR INTAKE DUCT INSTALLATION

ITEM	PART NUMBER	QTY	DESCRIPTION	REV
	1001183835	Ref	Air Intake Duct Installation	C
1	0760608	1	Bolt, M6X16	
2	4811702	1	Washer, M6	
3	8305919	1	Nut	
4	1001183827	1	Duct	
5	1001183829	1	Plate	

# SECTION 4 - ENGINE AND ATTACHING PARTS

## FIGURE 4-16. AIR CLEANER LINES INSTALLATION (LS)



ART\_1001163238-C

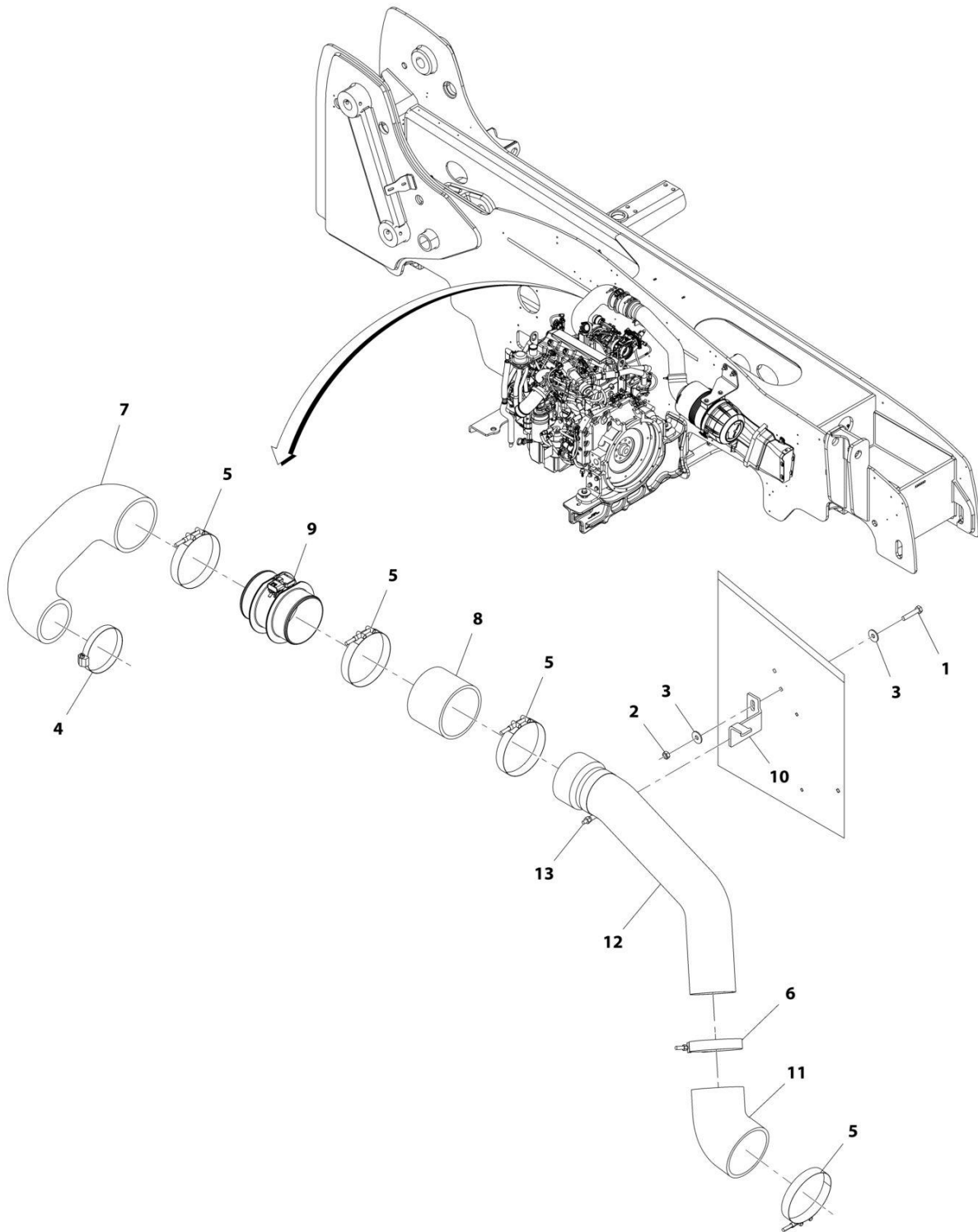
## SECTION 4 - ENGINE AND ATTACHING PARTS

FIGURE 4-16. AIR CLEANER LINES INSTALLATION (LS)

ITEM	PART NUMBER	QTY	DESCRIPTION	REV
	1001163238	Ref	Air Intake Lines Installation (LS)	C
1	0700816	1	Bolt, M8X40	
2	3290801	1	Nut, M8X1.25 Grade 8	
3	4811902	2	Washer, M8	
4	8410011	1	Clamp	
5	10719267	1	Clamp	
6	80933367	1	Clamp	
7	91413025	1	Clamp	
8	1001166449	1	Hose	
9	1001166451	1	Elbow	
10	1001169155	1	Bracket	
11	1001185498	1	Tube	

# SECTION 4 - ENGINE AND ATTACHING PARTS

## FIGURE 4-17. AIR CLEANER LINES INSTALLATION (ULS)



ART\_1001169011-C

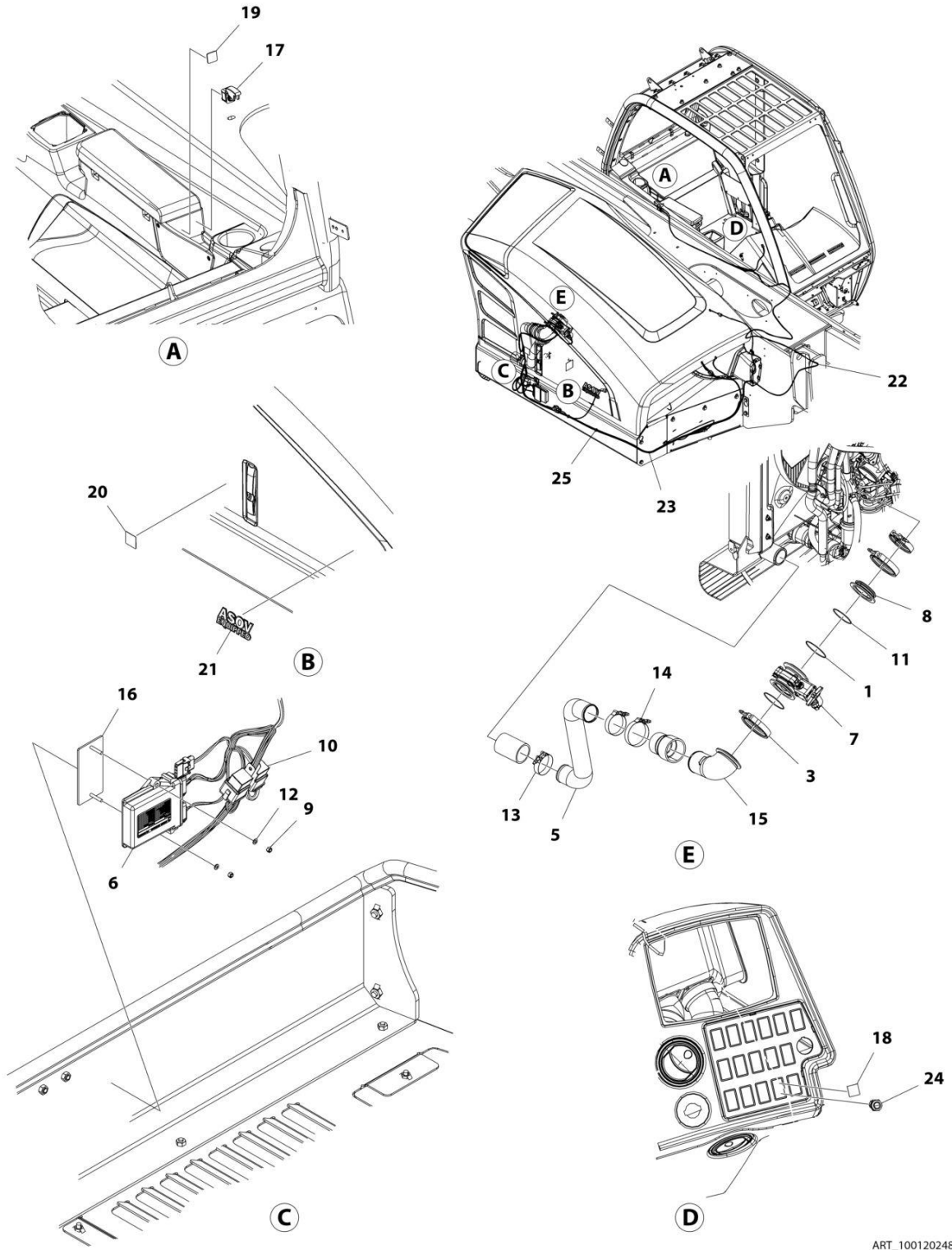
## SECTION 4 - ENGINE AND ATTACHING PARTS

**FIGURE 4-17. AIR CLEANER LINES INSTALLATION (ULS)**

ITEM	PART NUMBER	QTY	DESCRIPTION	REV
	1001169011	Ref	Air Cleaner Lines Installation	C
1	0700816	1	Bolt, M8X40	
2	3290801	1	Nut, M8X1.25 Grade 8	
3	4811902	2	Washer, M8	
4	8410011	1	Clamp	
5	80933367	4	Clamp	
6	91413025	1	Clamp	
7	1001166449	1	Hose	
8	1001166450	1	Hose	
9	1001168771	1	Tube	
10	1001169155	1	Bracket	
11	1001185505	1	Elbow	
12	1001185497	1	Tube	
13	8410007	1	Clamp, T-Bolt	

# SECTION 4 - ENGINE AND ATTACHING PARTS

## FIGURE 4-18. AIR INTAKE SHUT OFF VALVE INSTALLATION



ART\_1001202487\_D

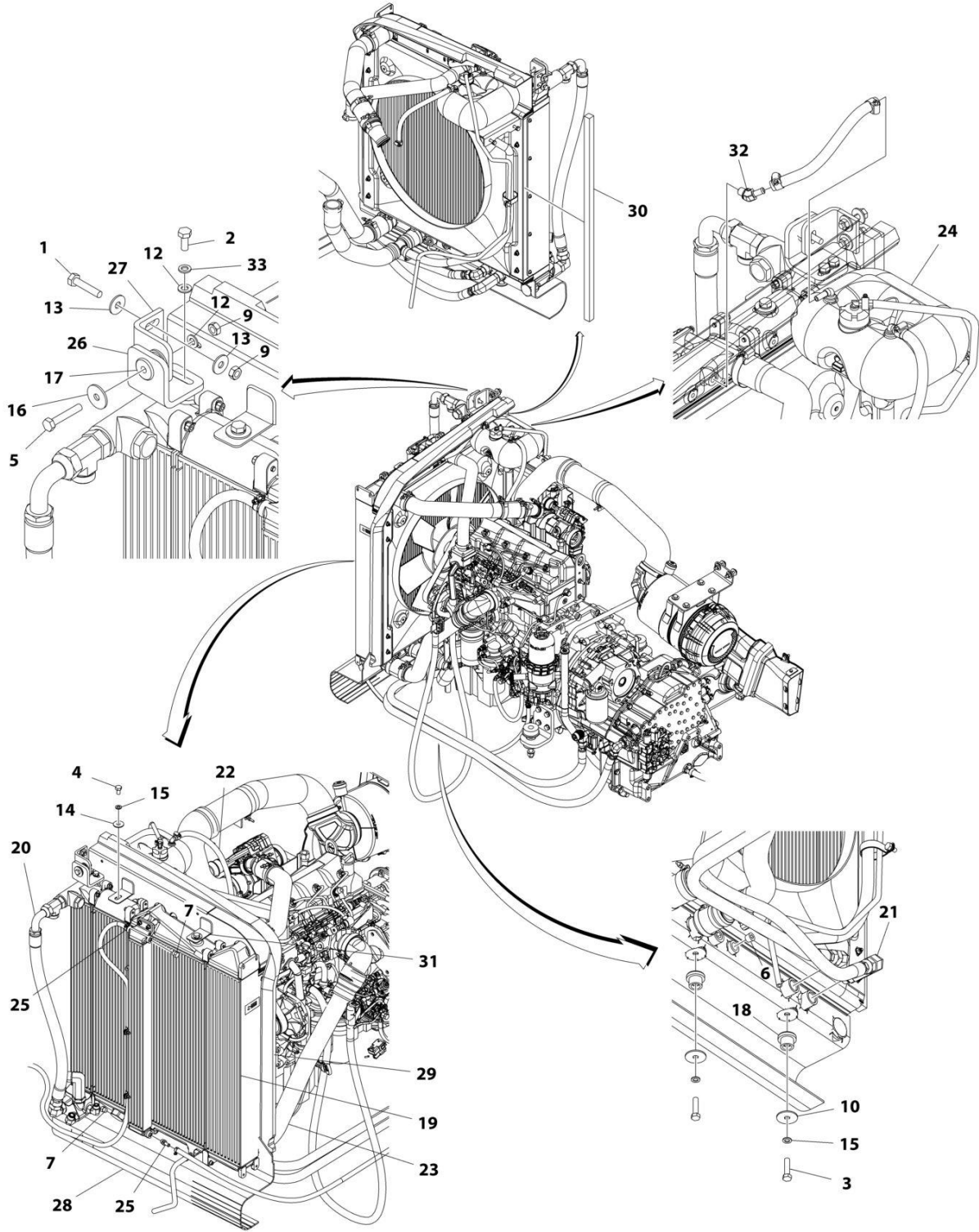
## SECTION 4 - ENGINE AND ATTACHING PARTS

**FIGURE 4-18. AIR INTAKE SHUT OFF VALVE INSTALLATION**

ITEM	PART NUMBER	QTY	DESCRIPTION	REV
	1001202487	Ref	Air Intake Shut Off Valve Installation	D
1	3790152	2	Ring	
3	1001202247	2	Clamp	
5	1001202491	1	Pipe	
6	1001203181	1	Accessory, Control	
7	1001204032	1	Valve, Air Shut Off (See Separate Breakdown in HYDRAULIC COMPONENTS Section)	
8	1001206980	1	Plate	
9	3290505	2	Nut, Lock M5X0.8 Grade 8	
10	3740080	2	Relay	
11	3790151	1	O-Ring	
12	4811600	2	Washer, M5	
13	8405212	2	Clamp	
14	8405305	1	Clamp	
15	1001215476	1	Pipe	
16	1001219082	1	Bracket	
17	1001215941	1	Switch	
18	1001227077	1	Decal, Air Shut Off	
19	1001227964	1	Decal, ASOV Test	
20	1001228273	1	Decal, Air Shut Off	
21	1001228643	1	Decal, ASOV Equipped	
22	1001231407	1	Harness, Cab Air Shut Off Valve (See Separate Breakdown in ELECTRICAL Section)	
23	1001231483	1	Harness, Engine Air Shut Off Valve (See Separate Breakdown in ELECTRICAL Section)	
24	1001239539	1	Lamp	
25	91053419	AR	Strap, Cable	

# SECTION 4 - ENGINE AND ATTACHING PARTS

## FIGURE 4-19. COOLING PACKAGE INSTALLATION (LS)



ART\_1001160402\_F



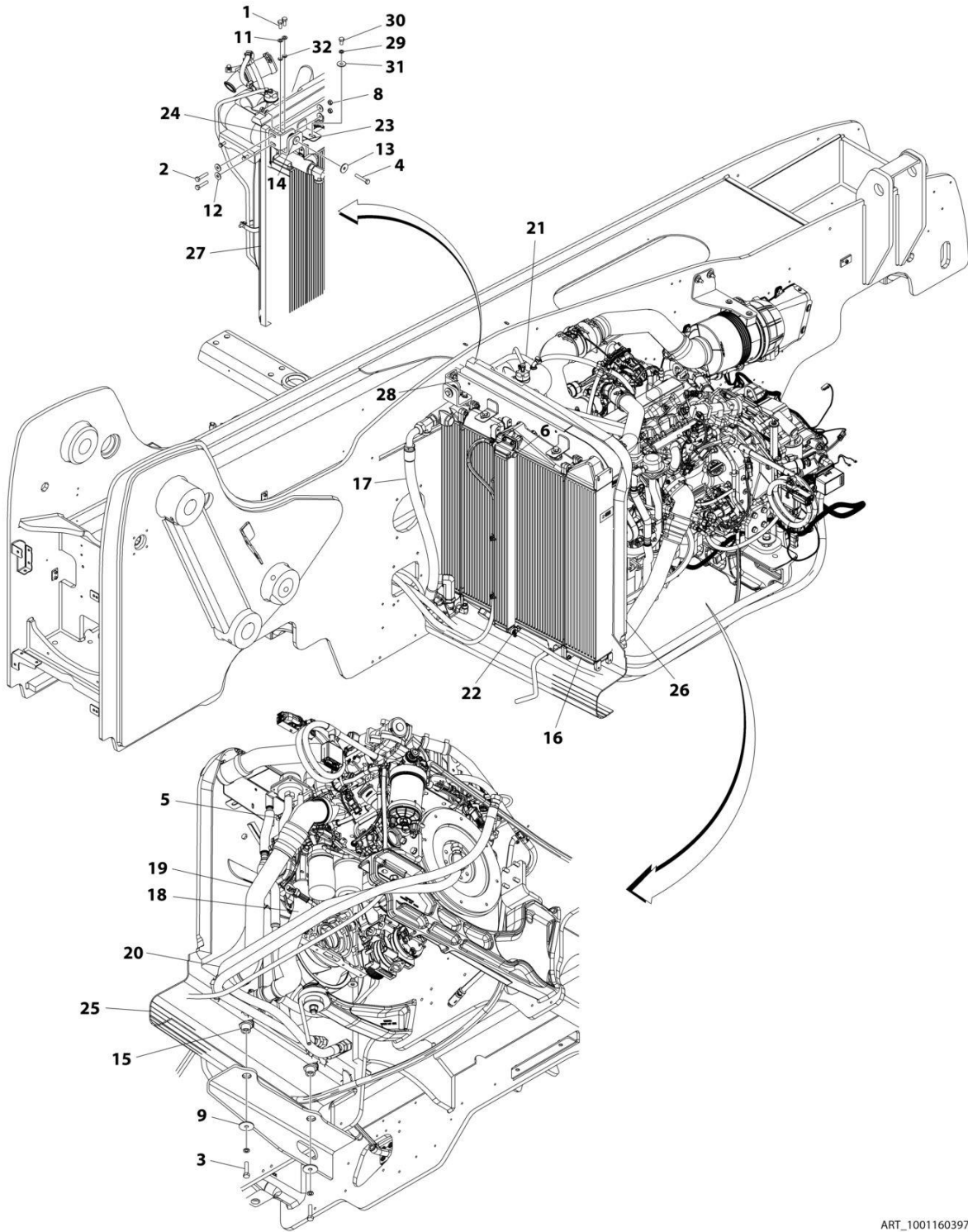
## SECTION 4 - ENGINE AND ATTACHING PARTS

**FIGURE 4-19. COOLING PACKAGE INSTALLATION (LS)**

ITEM	PART NUMBER	QTY	DESCRIPTION	REV
	1001160402	Ref	Cooling Package Installation (LS)	F
1	0701018	2	Bolt, M10X50	
2	0761012	2	Bolt, M10X25	
3	0761218	2	Bolt, M12X50	
4	0771210	2	Bolt, M12X20 Grade 10.9	
5	0701020	1	Bolt, M10X60	
6	2200223	1	Plug	
7	2220237	2	Plug	
9	3291001	3	Nut, M10X1.5 Grade 8	
10	4740274	4	Washer	
12	4812000	3	Washer, M10	
13	4812002	4	Washer, M10	
14	4812102	2	Washer, M12	
15	4832100	4	Washer, Lock M12	
16	1001155540	2	Washer	
17	8278020	1	Mount	
18	1001114803	2	Mount	
19	1001159347	1	Radiator Cooling Package (See Separate Breakdown in this Section)	
20	1001163082	1	Installation, HOC Lines (See Separate Breakdown in this Section)	
21	1001163247	1	Installation, TOC Lines (See Separate Breakdown in this Section)	
22	1001163248	1	Installation, Coolant Lines (LS) (See Separate Breakdown in this Section)	
23	1001163249	1	Installation, CAC Lines (LS) (See Separate Breakdown in this Section)	
24	1001167078	1	Installation, Surge Tank (See Separate Breakdown in this Section)	
25	1001168030	2	Barb, Hose	
26	1001169173	1	Bracket	
27	1001169174	1	Bracket	
28	1001169965	1	Panel, Air Dam	
29	1001173452	1	Gasket	
30	1001173457	1	Gasket	
31	1001173546	1	Bracket, Air Baffle	
32	1001174356	1	Barb, Hose	
33	4832000	2	Washer, Lock M10	

# SECTION 4 - ENGINE AND ATTACHING PARTS

## FIGURE 4-20. COOLING PACKAGE INSTALLATION (ULS)



ART\_1001160397\_I

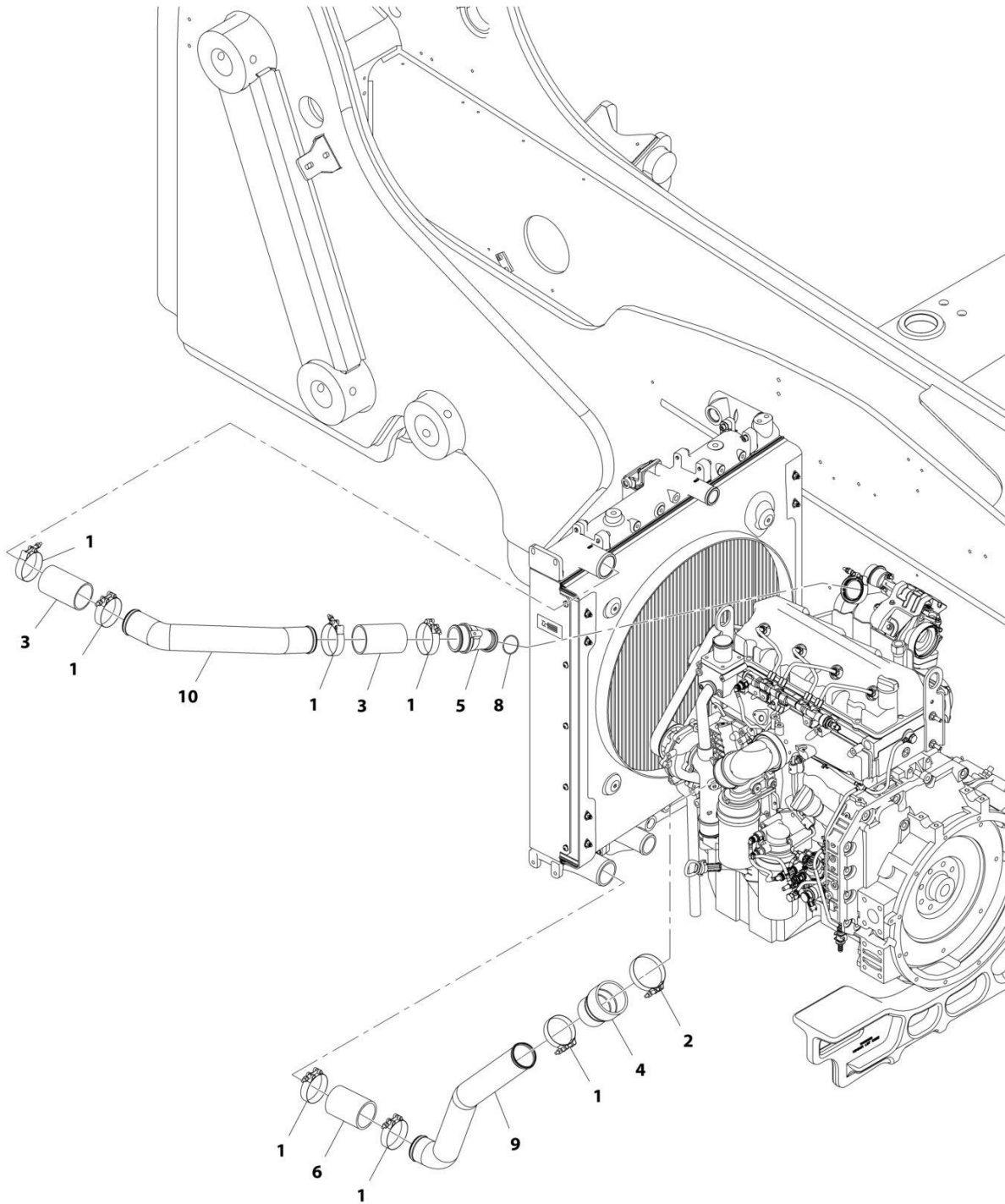
## SECTION 4 - ENGINE AND ATTACHING PARTS

**FIGURE 4-20. COOLING PACKAGE INSTALLATION (ULS)**

ITEM	PART NUMBER	QTY	DESCRIPTION	REV
	1001160397	Ref	Cooling Package Installation (ULS)	1
1	0761012	2	Bolt, M10X25	
2	0701018	2	Bolt, M10X50	
3	0761218	2	Bolt, M12X50	
4	0701020	1	Bolt, M10X60	
5	1001174356	1	Barb, Hose	
6	2220237	2	Plug	
8	3291001	3	Nut, M10X1.5 Grade 8	
9	4740274	4	Washer	
11	4812000	3	Washer, M10	
12	4812002	4	Washer, M10	
13	1001155540	2	Washer	
14	8278020	1	Mount	
15	1001114803	2	Mount	
16	1001159347	1	Radiator Cooling Package (See Separate Breakdown in this Section)	
17	1001163082	1	Installation, HOC Lines (See Separate Breakdown in this Section)	
18	1001163245	1	Installation, Coolant Lines (ULS) (See Separate Breakdown in this Section)	
19	1001163246	1	Installation, CAC Lines (ULS) (See Separate Breakdown in this Section)	
20	1001163247	1	Installation, TOC Lines (See Separate Breakdown in this Section)	
21	1001167078	1	Installation, Surge Tank (See Separate Breakdown in this Section)	
22	1001168030	2	Barb, Hose	
23	1001169173	1	Bracket	
24	1001169174	1	Bracket	
25	1001169965	1	Panel	
26	1001173452	1	Seal, Foam Gasket	
27	1001173457	1	Seal, Foam Gasket	
28	1001173546	1	Bracket	
29	4832100	4	Washer, Lock M12	
30	0761210	2	Bolt, M12X20	
31	4812102	2	Washer, M12	
32	4832000	2	Washer, Lock M10	

# SECTION 4 - ENGINE AND ATTACHING PARTS

## FIGURE 4-21. CAC LINES INSTALLATION (LS)



ART\_1001163249-C

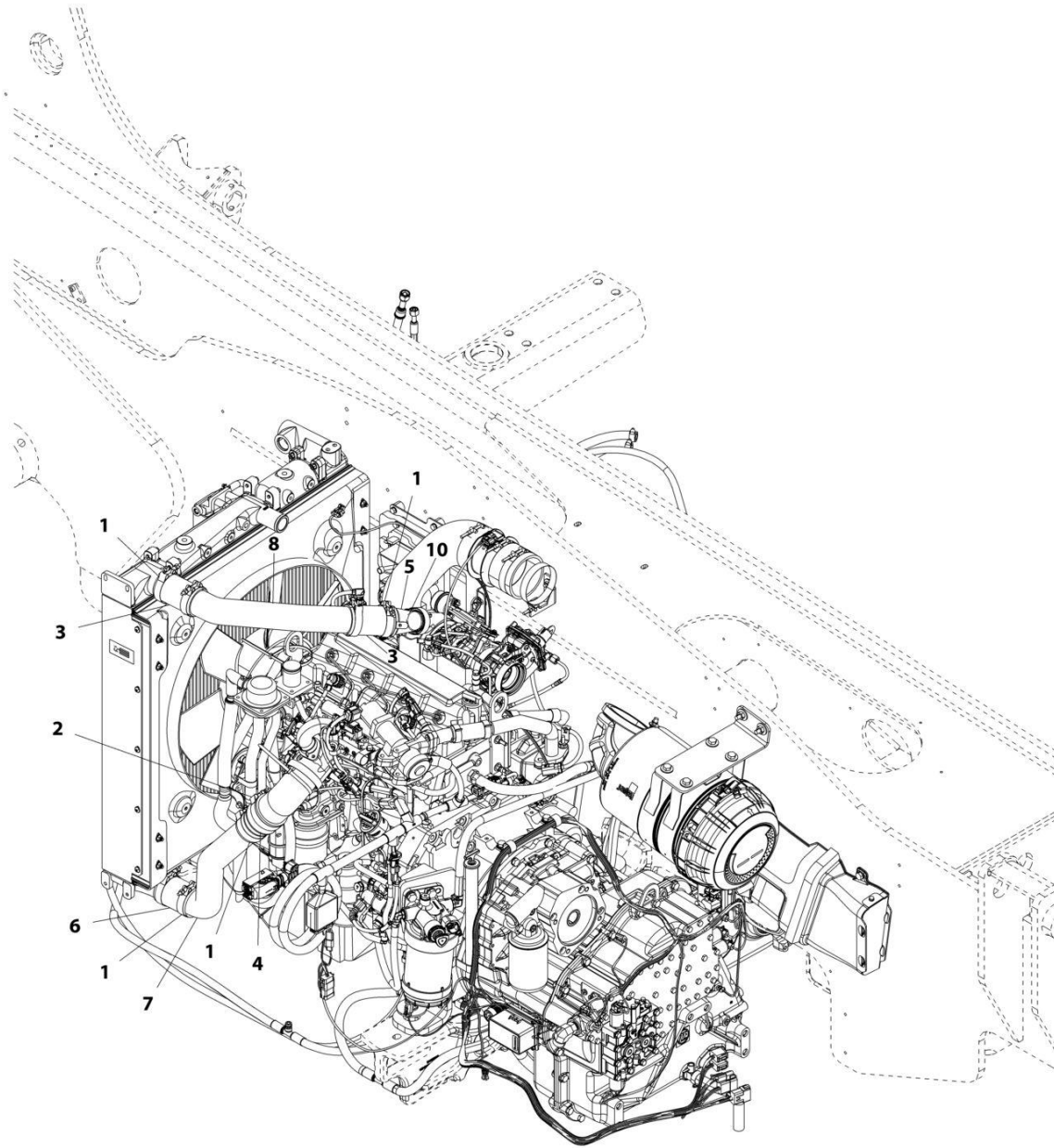
## SECTION 4 - ENGINE AND ATTACHING PARTS

FIGURE 4-21. CAC LINES INSTALLATION (LS)

ITEM	PART NUMBER	QTY	DESCRIPTION	REV
	1001163249	Ref	CAC Lines Installation (LS)	C
1	8405212	7	Clamp, T-Bolt	
2	8405305	1	Clamp, T-Bolt	
3	1001114495	2	Hose	
4	1001138348	1	Hose	
5	1001161920	1	Adapter Mech	
6	1001166416	1	Hose	
8	1001172591	1	O-Ring	
9	1001174832	1	Pipe	
10	1001179376	1	Pipe	

# SECTION 4 - ENGINE AND ATTACHING PARTS

## FIGURE 4-22. CAC LINES INSTALLATION (ULS)



ART\_1001163246-F

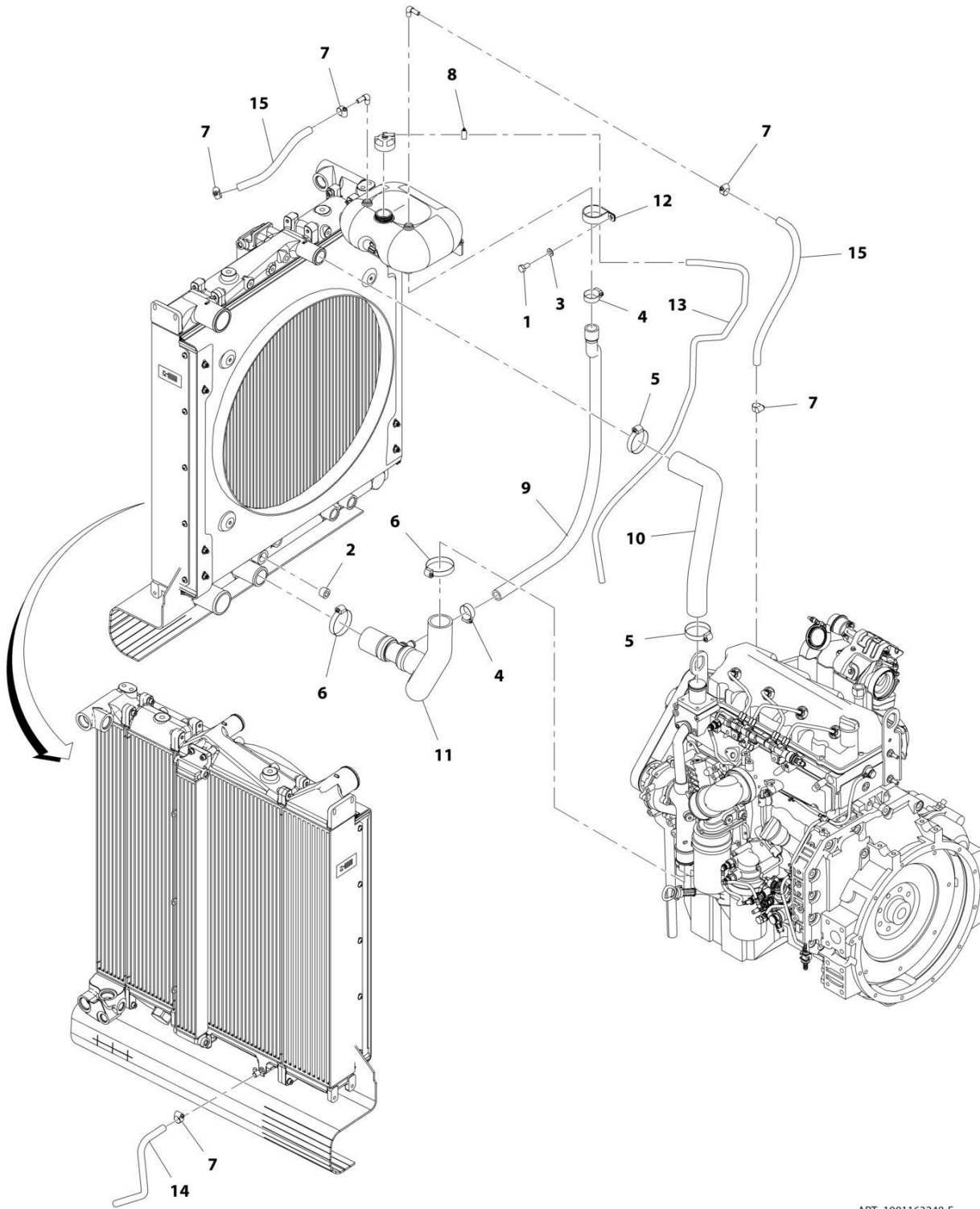
## SECTION 4 - ENGINE AND ATTACHING PARTS

FIGURE 4-22. CAC LINES INSTALLATION (ULS)

ITEM	PART NUMBER	QTY	DESCRIPTION	REV
	1001163246	Ref	CAC Lines Installation (ULS)	F
1	8405212	7	Clamp, T-Bolt	
2	8405305	1	Clamp, T-Bolt	
3	1001114495	2	Hose	
4	1001138348	1	Hose	
5	1001161920	1	Adapter Mech	
6	1001166416	1	Hose	
7	1001166925	1	Pipe	
8	1001166993	1	Pipe	
10	1001172591	1	O-Ring	

# SECTION 4 - ENGINE AND ATTACHING PARTS

## FIGURE 4-23. COOLANT LINES INSTALLATION (LS)



ART\_1001163248-F



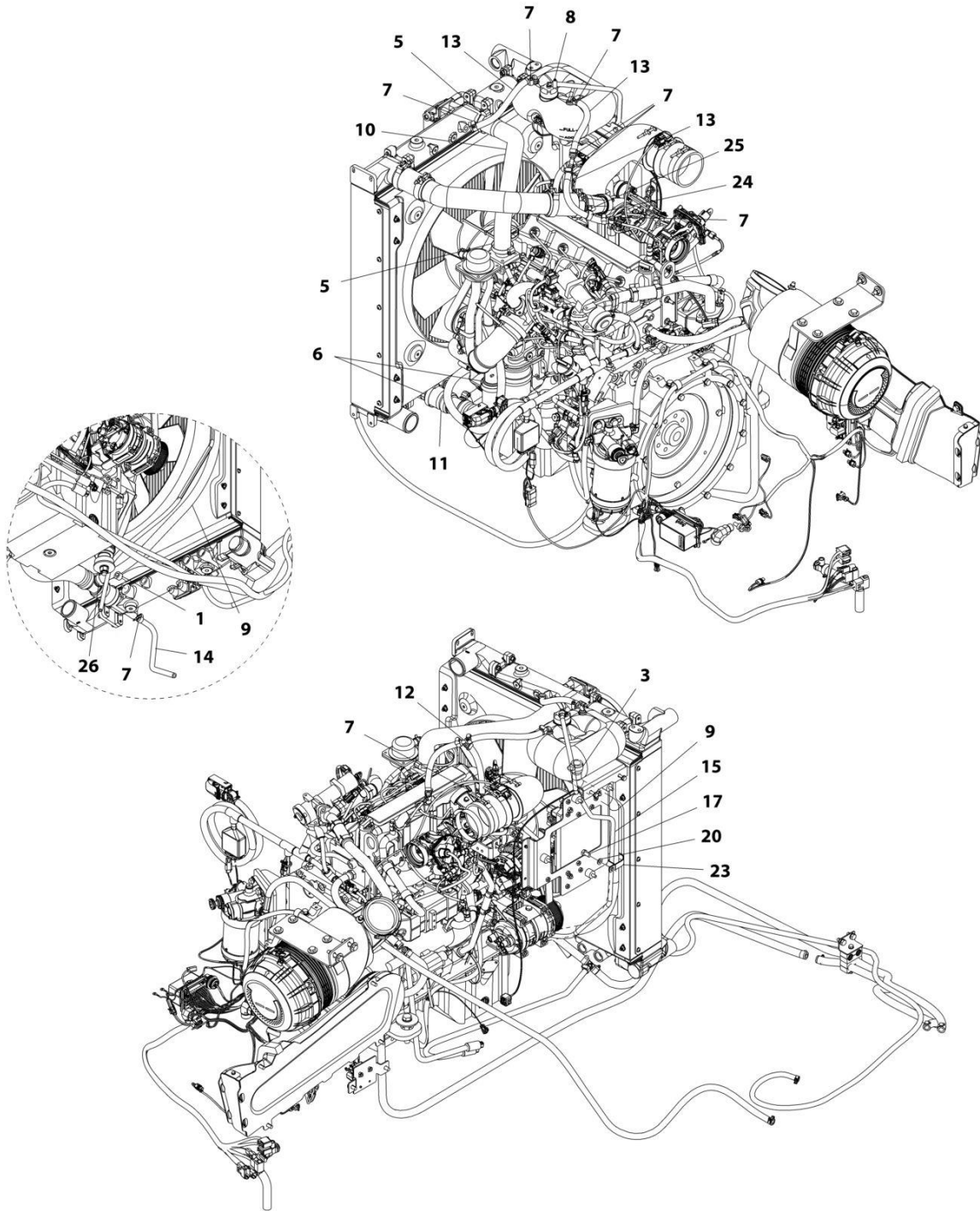
## SECTION 4 - ENGINE AND ATTACHING PARTS

**FIGURE 4-23. COOLANT LINES INSTALLATION (LS)**

ITEM	PART NUMBER	QTY	DESCRIPTION	REV
	1001163248	Ref	Coolant Lines Installation (LS)	F
1	0761010	1	Bolt, M10X20	
2	2200224	1	Plug	
3	4812000	1	Washer, M10	
4	8405101	2	Clamp, Gear	
5	8405201	2	Clamp, Gear	
6	8405202	2	Clamp, Gear	
7	8410013	5	Clamp, Gear	
8	8405009	1	Clamp, Gear	
9	1001182011	1	Hose	
10	1001166430	1	Pipe	
11	1001182012	1	Hose	
12	1001097588	1	Clamp	
13	1001180542	1680 mm	Hose	
14	1001180553	369 mm	Hose	
15	1001181625	711 mm	Hose	

# SECTION 4 - ENGINE AND ATTACHING PARTS

## FIGURE 4-24. COOLANT LINES INSTALLATION (ULS)



ART\_1001163245-1

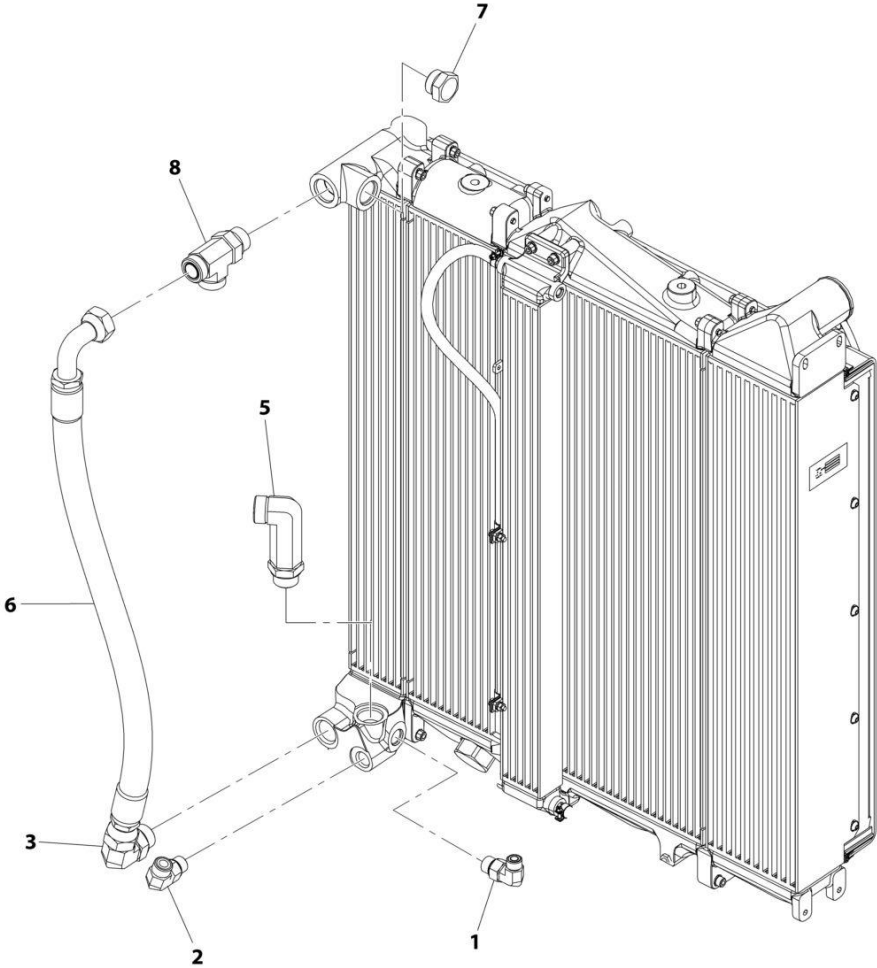
## SECTION 4 - ENGINE AND ATTACHING PARTS

**FIGURE 4-24. COOLANT LINES INSTALLATION (ULS)**

ITEM	PART NUMBER	QTY	DESCRIPTION	REV
	1001163245	Ref	Coolant Lines Installation (ULS)	I
1	2200224	1	Plug	
3	8405101	AR	Clamp, Gear	
5	8405201	2	Clamp, Gear	
6	8405202	2	Clamp, Gear	
7	8410013	9	Clamp, Gear	
8	8405009	1	Clamp, Gear	
9	1001182011	1	Hose	
10	1001166430	1	Pipe	
11	1001182012	1	Hose	
12	1001172953	1	Pipe, Tee	
13	1001181625	1042 mm	Hose	
14	1001180553	370 mm	Hose	
15	1001180542	1680 mm	Hose	
17	0761010	1	Bolt, M10X20	
20	4812000	1	Washer, M10	
23	1001097588	1	Clamp	
24	8410019	1	Clamp, 7/8	
25	0760605	1	Bolt, 6X10	
26	8405007	1	Clamp	

# SECTION 4 - ENGINE AND ATTACHING PARTS

## FIGURE 4-25. HOC LINES INSTALLATION



ART\_1001163082-D

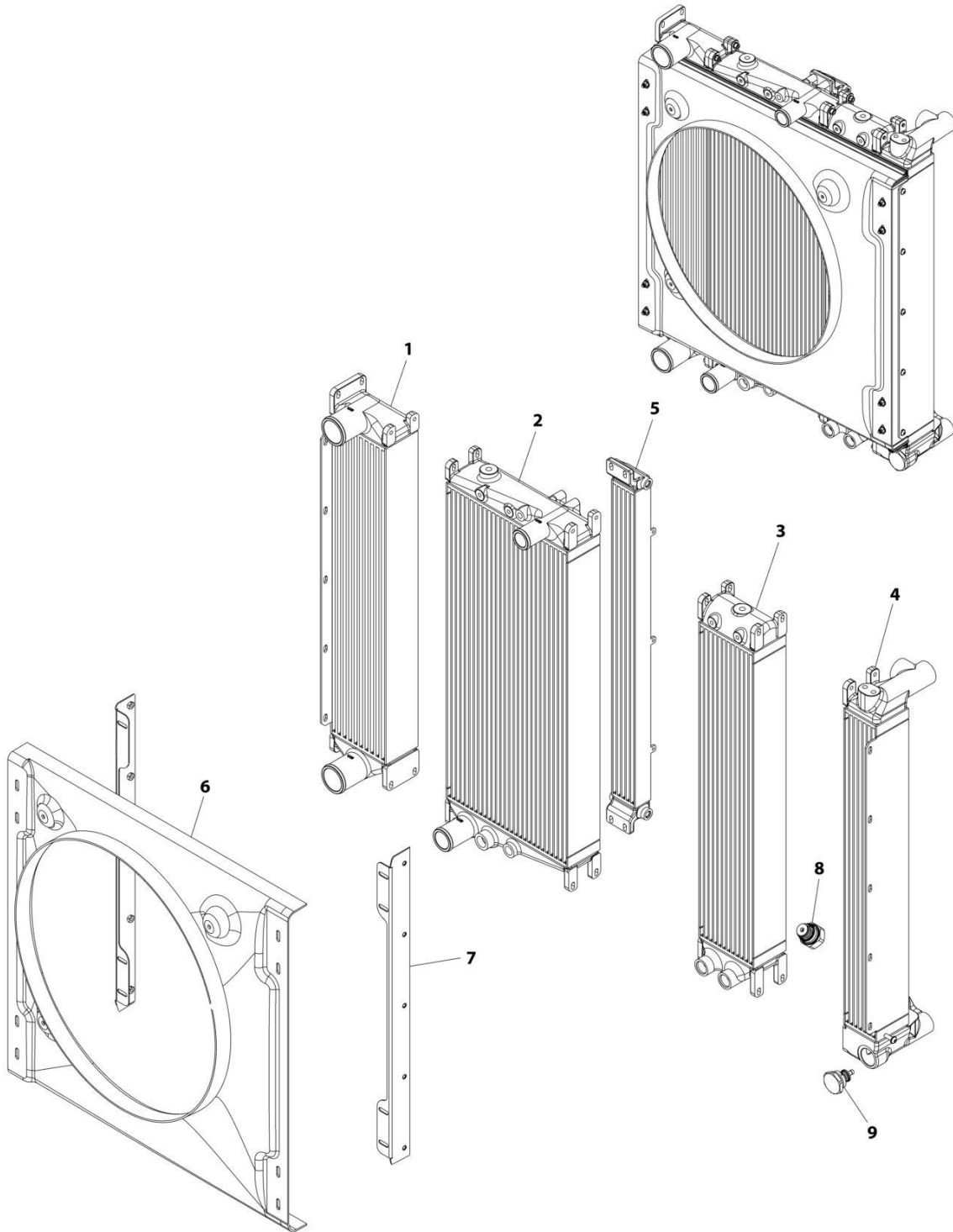
## SECTION 4 - ENGINE AND ATTACHING PARTS

FIGURE 4-25. HOC LINES INSTALLATION

ITEM	PART NUMBER	QTY	DESCRIPTION	REV
	1001163082	Ref	HOC Lines Installation	D
1	2130810	1	Fitting, ORFS	
2	2131010	1	Fitting, ORFS	
3	2131616	1	Fitting, ORFS	
5	2170216	1	Fitting, ORFS	
6	1001163723	1	Hose	
7	2220242	1	Fitting	
8	2170316	1	Fitting, Tee ORFS	

# SECTION 4 - ENGINE AND ATTACHING PARTS

## FIGURE 4-26. RADIATOR COOLING PACKAGE



ART\_1001159347\_H

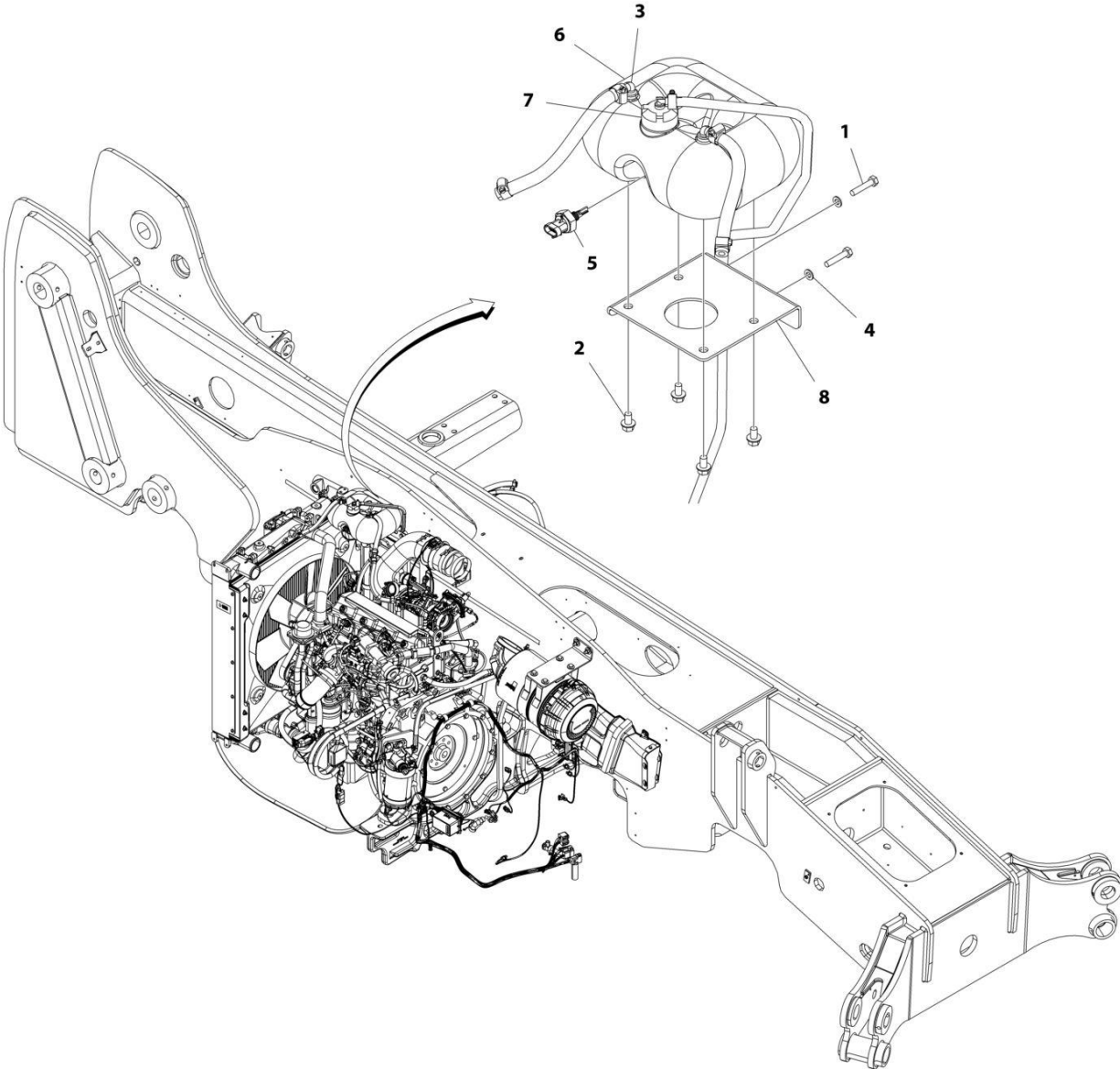
## SECTION 4 - ENGINE AND ATTACHING PARTS

FIGURE 4-26. RADIATOR COOLING PACKAGE

ITEM	PART NUMBER	QTY	DESCRIPTION	REV
	1001159347	Ref	RADIATOR COOLING PACKAGE	H
1	70026353	1	Cooler, Air Charge	
2	70026354	1	Radiator	
3	70026355	1	Cooler, Transmission Oil	
4	70026356	1	Cooler, Hydraulic Oil	
5	70026357	1	Cooler, Fuel	
6	70026358	1	Shroud	
7	70026359	2	Bracket, Shroud Mounting	
8	70026082	1	Valve, Bypass	
9	70026360	1	Valve, Bypass	
10	70026081	1	Petcock	

# SECTION 4 - ENGINE AND ATTACHING PARTS

## FIGURE 4-27. SURGE TANK INSTALLATION



ART\_1001167078\_F



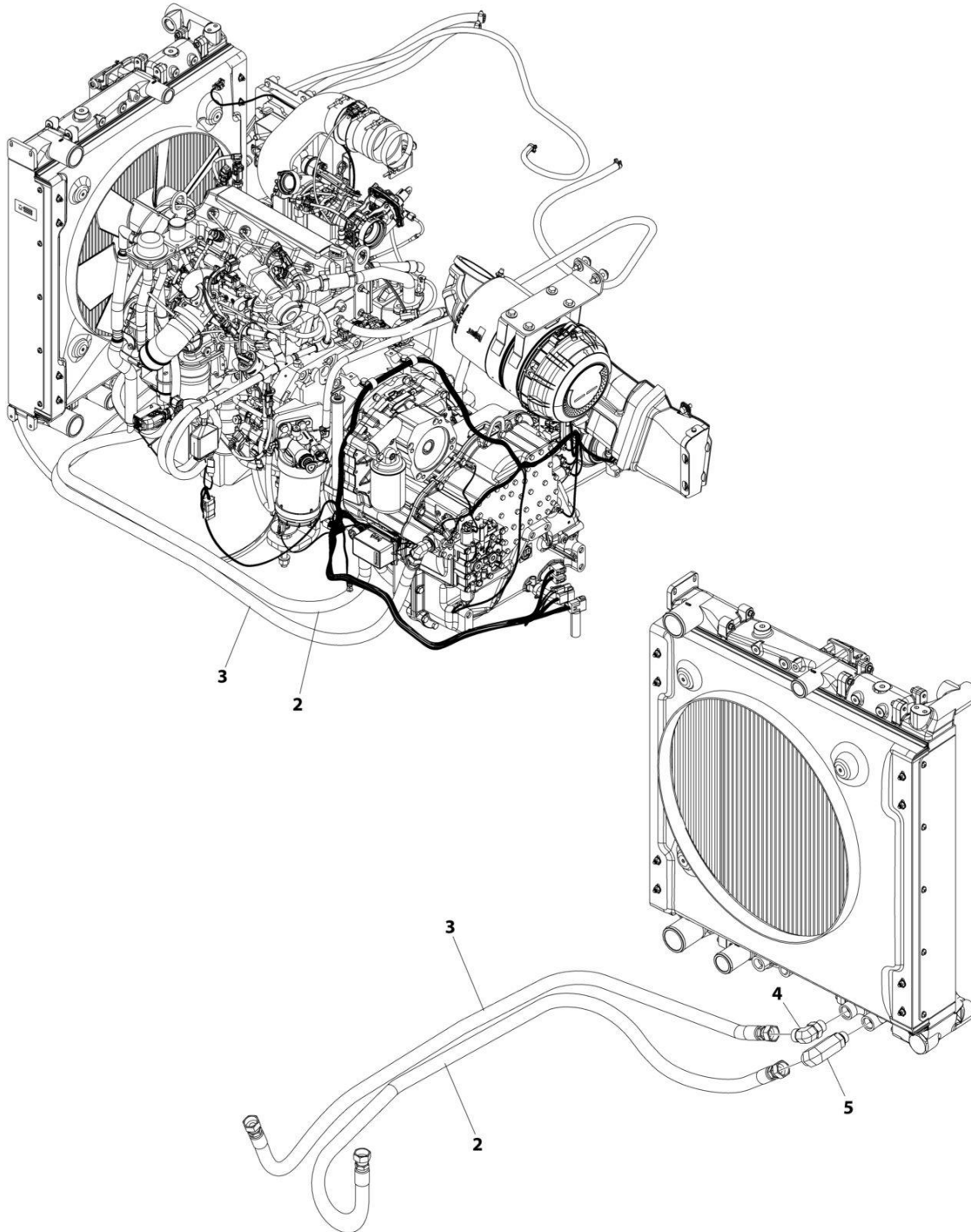
## SECTION 4 - ENGINE AND ATTACHING PARTS

### FIGURE 4-27. SURGE TANK INSTALLATION

ITEM	PART NUMBER	QTY	DESCRIPTION	REV
	1001167078	Ref	SURGE TANK INSTALLATION	F
1	0700816	2	Bolt M8 x 40	
2	0791605	4	Bolt M3/8-16 x 5/8	
3	2180467	2	Fitting	
4	4811900	2	Washer M8	
5	1001286175	1	Sensor, Coolant Level	
6	1001128144	1	Tank, Coolant	
7	1001128341	1	Cap	
8	1001163637	1	Bracket, Coolant Tank	

# SECTION 4 - ENGINE AND ATTACHING PARTS

## FIGURE 4-28. TOC LINES INSTALLATION



ART\_1001163247-D

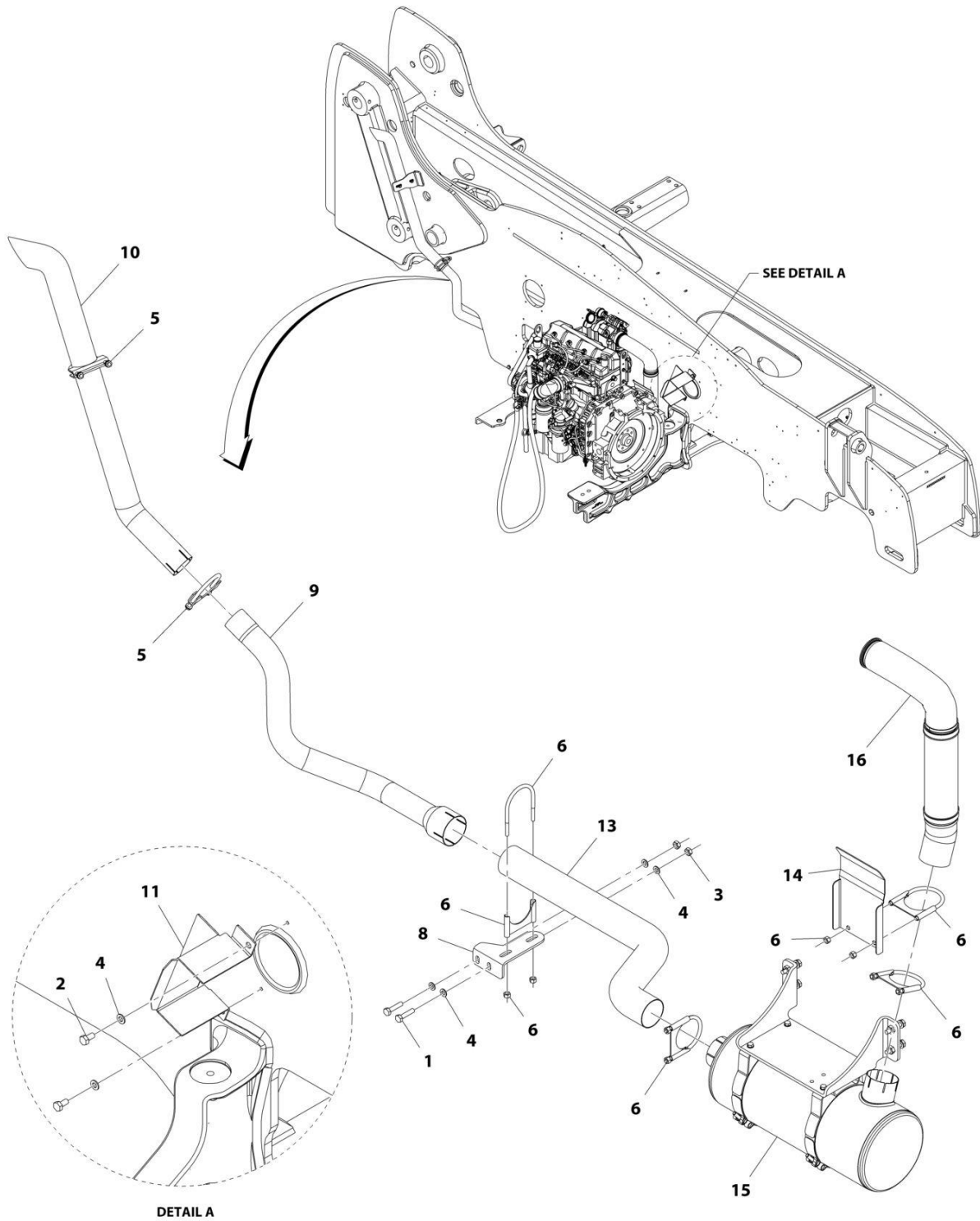
## SECTION 4 - ENGINE AND ATTACHING PARTS

FIGURE 4-28. TOC LINES INSTALLATION

ITEM	PART NUMBER	QTY	DESCRIPTION	REV
	1001163247	Ref	TOC Lines Installation	D
2	1001169207	1	Hose	
3	1001169393	1	Hose	
4	2131212	1	Fitting, 90 ORFS	
5	2170212	1	Fitting, 90 ORFS	

# SECTION 4 - ENGINE AND ATTACHING PARTS

## FIGURE 4-29. EXHAUST INSTALLATION, 110HP (LS)



ART\_1001169850-E

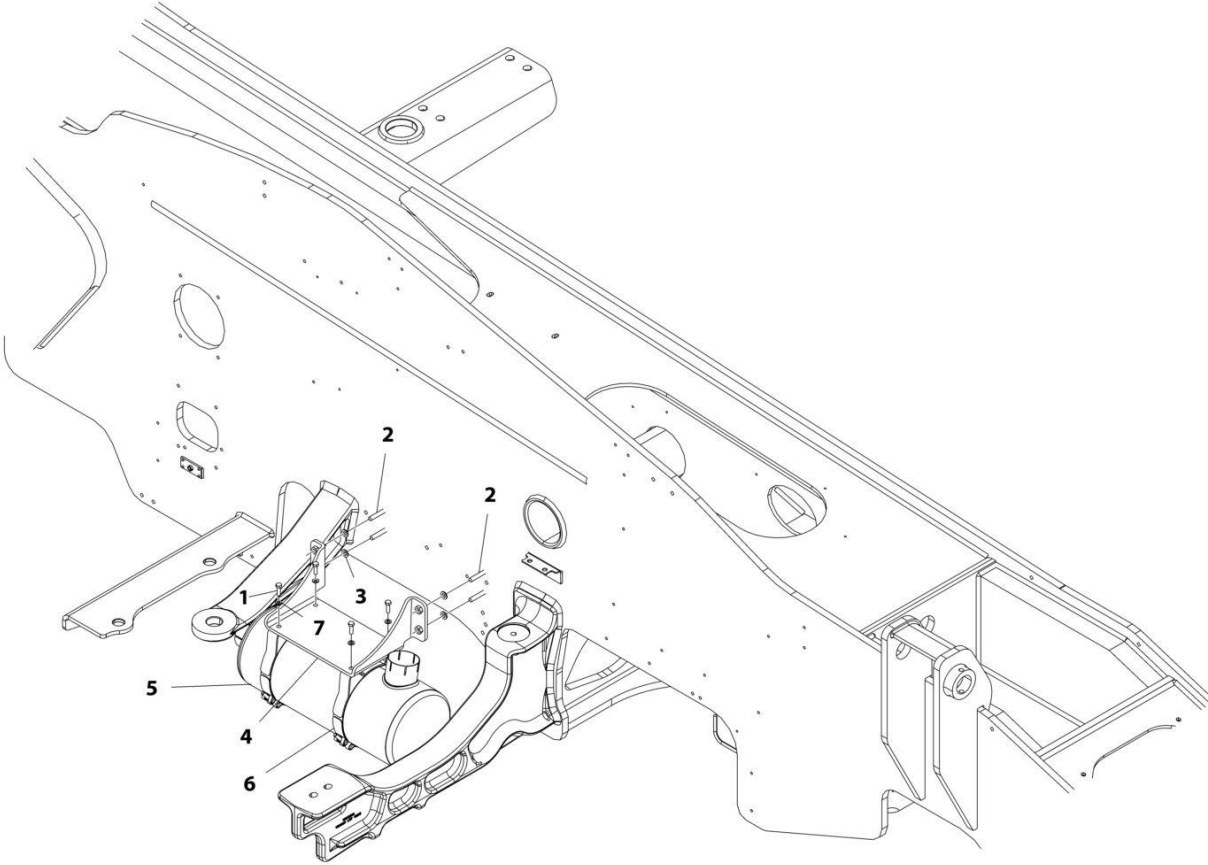
## SECTION 4 - ENGINE AND ATTACHING PARTS

**FIGURE 4-29. EXHAUST INSTALLATION, 110HP (LS)**

ITEM	PART NUMBER	QTY	DESCRIPTION	REV
	1001169850	Ref	Exhaust Installation (LS)	E
1	0701017	2	Bolt, M10X45	
2	0761010	2	Bolt, M10X20	
3	3291001	2	Nut, M10X1.5	
4	4812000	6	Washer, M10	
5	8275212	2	Clamp, Exhaust	
6	24921332	4	Clamp, Exhaust	
8	1001162281	1	Bracket, Exhaust	
9	1001208186	1	Pipe, Exhaust	
10	1001173626	1	Pipe, Exhaust	
11	1001179206	1	Bracket, Heat Shield	
13	1001179972	1	Pipe, Exhaust	
14	1001181815	1	Plate, Heat Shield	
15	1001179968	1	Installation, Muffler (LS) (See Separate Breakdown in this Section)	
16	1001191348	1	Pipe, Exhaust Flex	

# SECTION 4 - ENGINE AND ATTACHING PARTS

## FIGURE 4-30. MUFFLER INSTALLATION (LS)



ART\_1001179968-D

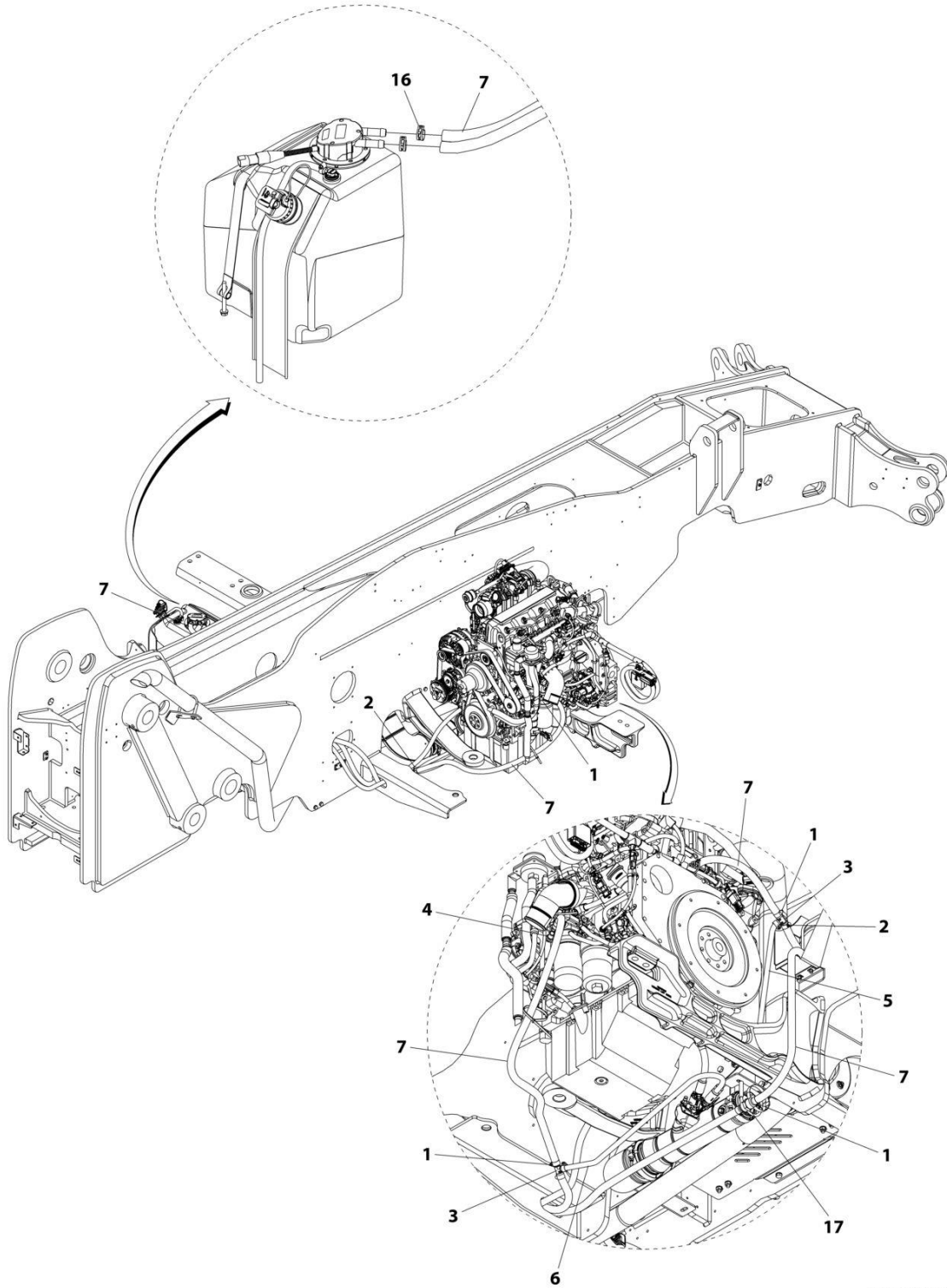
## SECTION 4 - ENGINE AND ATTACHING PARTS

FIGURE 4-30. MUFFLER INSTALLATION (LS)

ITEM	PART NUMBER	QTY	DESCRIPTION	REV
	1001179968	Ref	Muffler Installation (LS)	D
1	0760812	4	Bolt, M8X25	
2	0701017	4	Bolt, M10X45	
3	4812000	4	Washer, M10	
4	1001179973	1	Bracket	
5	1001180226	1	Muffler	
6	1001180227	2	Clamp, Muffler	
7	4811900	4	Washer, M8	

# SECTION 4 - ENGINE AND ATTACHING PARTS

## FIGURE 4-31. DEF LINES INSTALLATION



ART\_1001163232-1



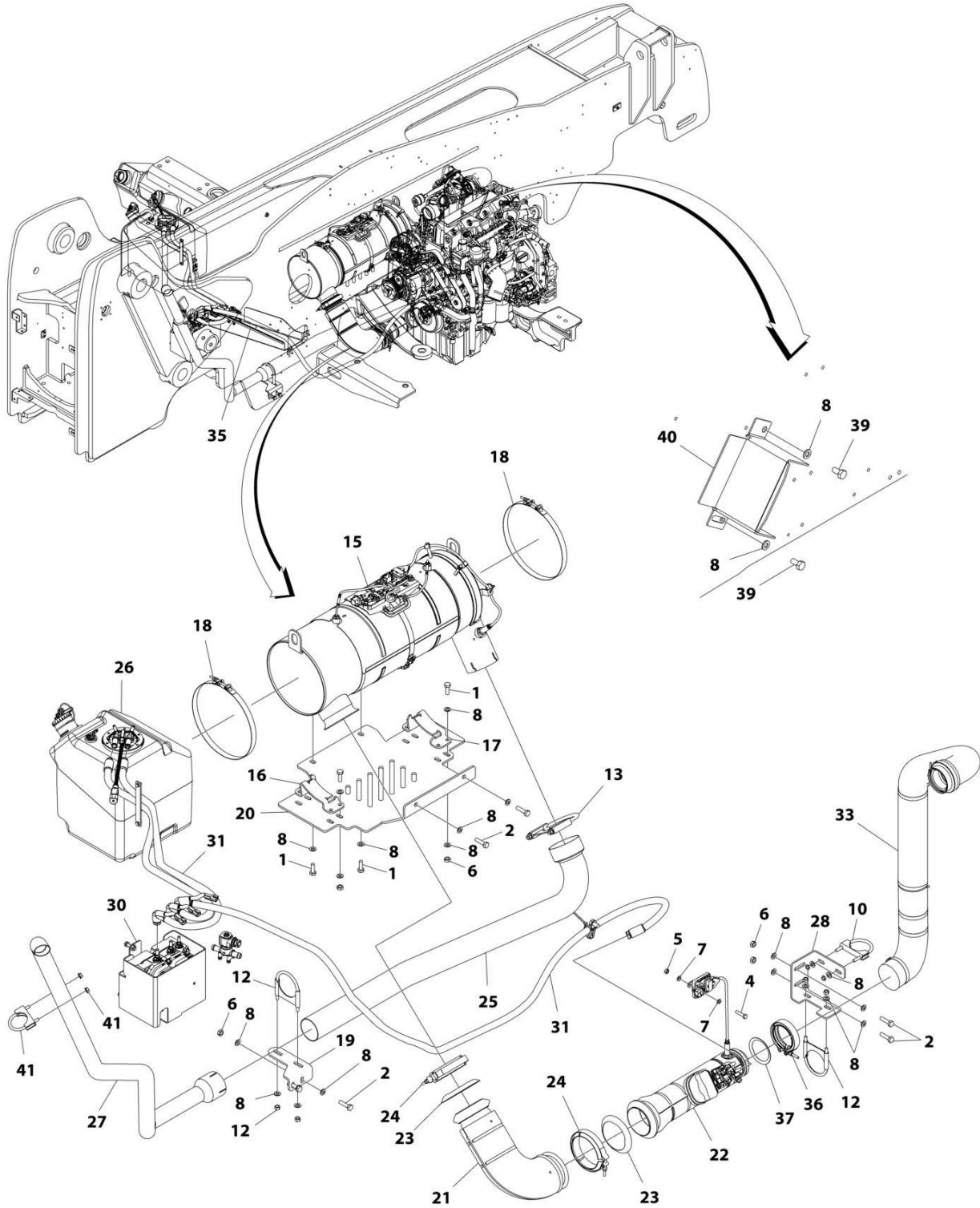
## SECTION 4 - ENGINE AND ATTACHING PARTS

FIGURE 4-31. DEF LINES INSTALLATION

ITEM	PART NUMBER	QTY	DESCRIPTION	REV
	1001163232	Ref	DEF Lines Installation	I
1	8410009	10	Gear Clamp	
2	8410013	2	Gear Clamp	
3	1001162212	2	Pipe	
4	1001168822	1	Pipe	
5	1001169409	1	Hose	
6	1001169410	1	Hose	
7	82033995	6.9 m	Hose	
16	1001202526	2	Clamp	
17	1001228872	1	Filter	

# SECTION 4 - ENGINE AND ATTACHING PARTS

## FIGURE 4-32. EXHAUST INSTALLATION, 110HP (ULS)



ART\_1001171701\_P

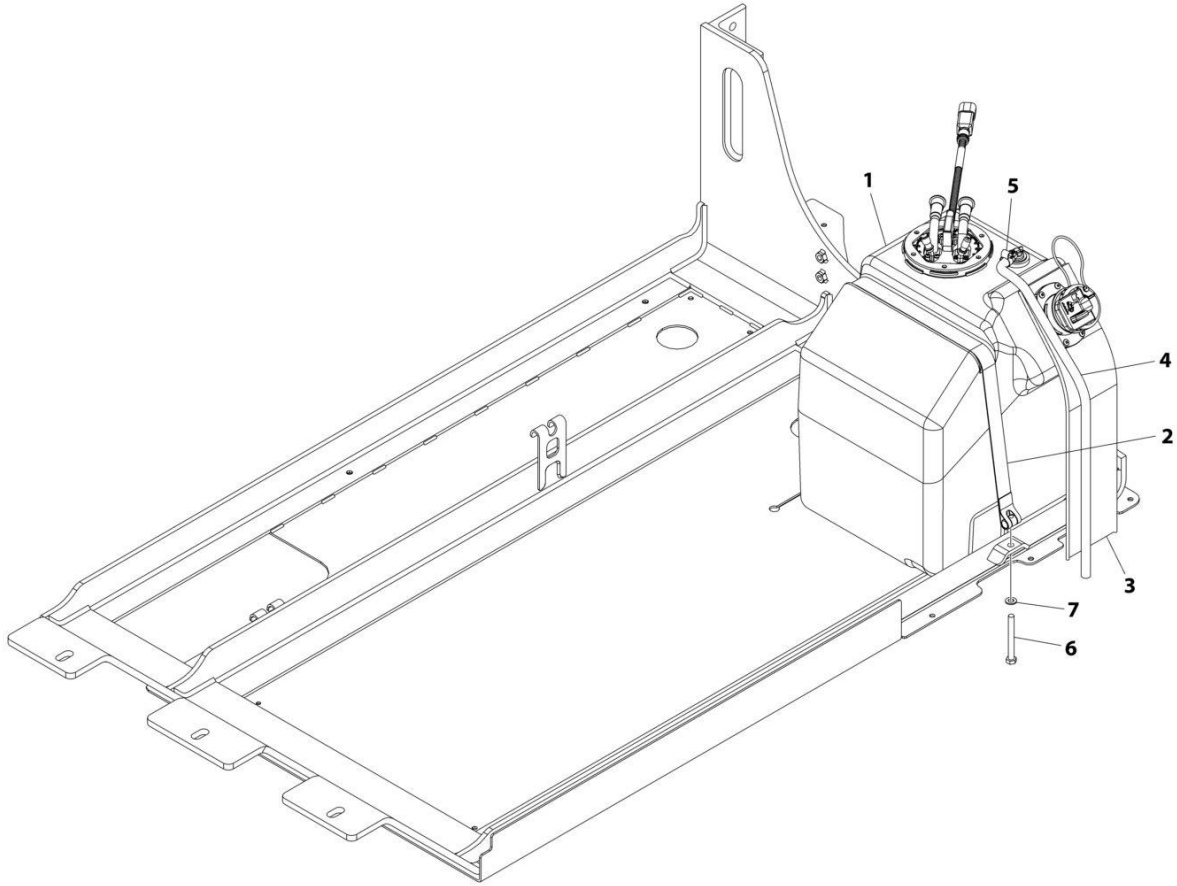
## SECTION 4 - ENGINE AND ATTACHING PARTS

**FIGURE 4-32. EXHAUST INSTALLATION, 110HP (ULS)**

ITEM	PART NUMBER	QTY	DESCRIPTION	REV
	1001171701	Ref	EXHAUST INSTALLATION (ULS)	P
1	0701014	10	Bolt M10 x 30	
2	0701016	6	Bolt M10 x 40	
4	0760815	2	Bolt M8 x 35	
5	3290801	2	Nut M8 x 1.25	
6	3291001	12	Nut M10 x 1.5	
7	4811900	4	Washer M8	
8	4812000	36	Washer M10	
10	8275212	1	Clamp	
12	24921332	2	Clamp	
13	86883127	1	Clamp	
15	1001155261	1	Muffler	
16	1001159881	1	Bracket	
17	1001159882	1	Bracket	
18	1001176945	2	Strap	
19	1001162281	1	Support	
20	1001162597	1	Bracket	
21	1001163546	1	Pipe	
22	1001164404	1	Tube, Decomposition Reactor	
23	1001241318	2	Gasket	
24	1001241482	2	Clamp	
25	1001168560	1	Pipe	
26	1001168638	Ref	Installation, DEF Tank (See Separate Breakdown in this Section)	
27	1001204144	1	Pipe	
28	1001183836	1	Bracket	
30	1001174271	Ref	Installation, DEF Pump and Control (See Separate Breakdown in this Section)	
31	1001163253	Ref	Installation, DEF Pump Lines (See Separate Breakdown in this Section)	
33	1001183759	1	Pipe	
35	90206195	490 mm	Trim-Lock	
36	1001167167	1	Clamp	
37	1001167168	1	Seal	
39	0761010	2	Bolt M10 x 20	
40	1001179206	1	Bracket	
41	86683211	1	Clamp	

# SECTION 4 - ENGINE AND ATTACHING PARTS

## FIGURE 4-33. DEF TANK INSTALLATION



ART\_1001168638\_L

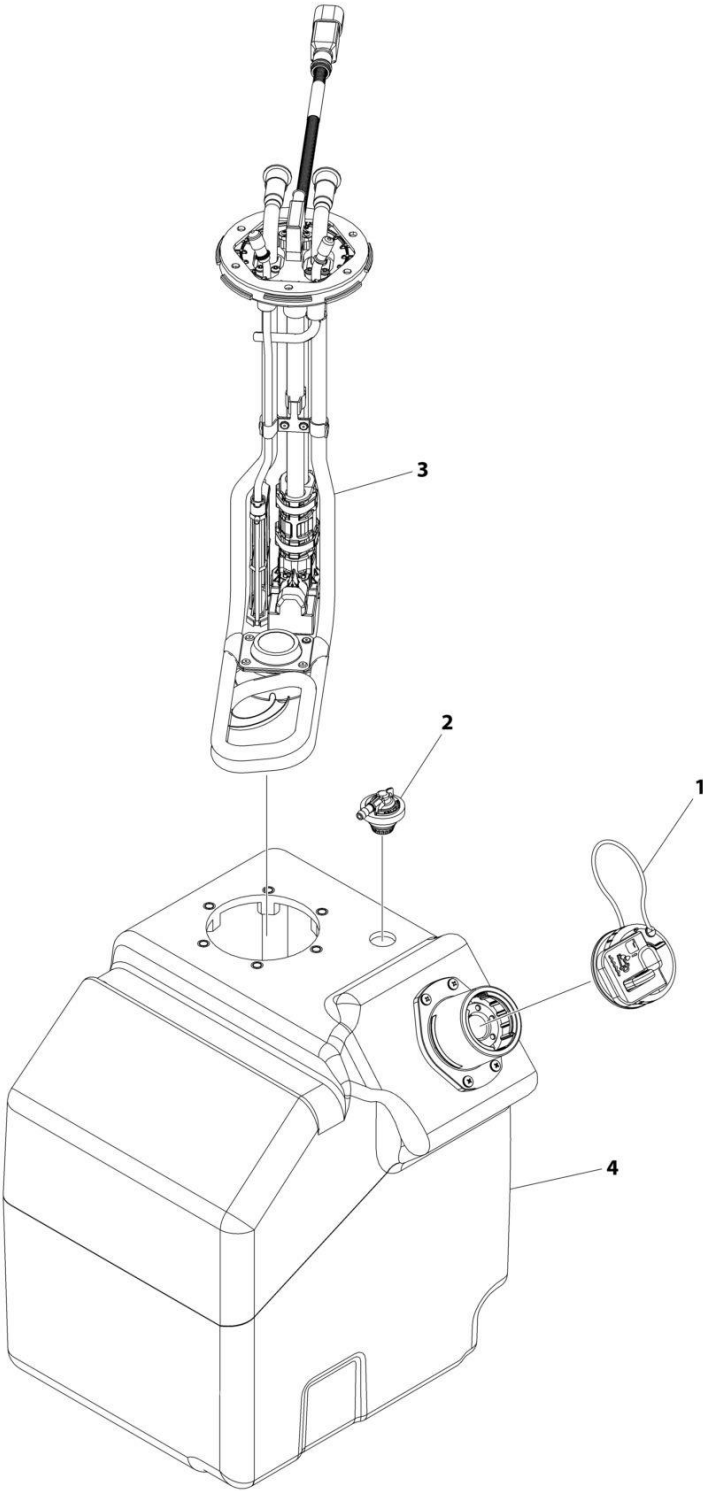
## SECTION 4 - ENGINE AND ATTACHING PARTS

FIGURE 4-33. DEF TANK INSTALLATION

ITEM	PART NUMBER	QTY	DESCRIPTION	REV
	1001168638	Ref	DEF TANK INSTALLATION	L
1	1001289561	1	Tank, DEF (See Separate Breakdown in this Section)	
2	1001178791	1	Strap, Tank	
3	1001168272	1	Sleeve	
4	1001175201	0.6 m	Hose	
5	8405009	1	Clamp, Gear	
6	0760823	1	Bolt M8 x 75	
7	4811900	1	Washer M8	

**SECTION 4 - ENGINE AND ATTACHING PARTS**

**FIGURE 4-34. DEF TANK ASSEMBLY**



ART\_1001289561

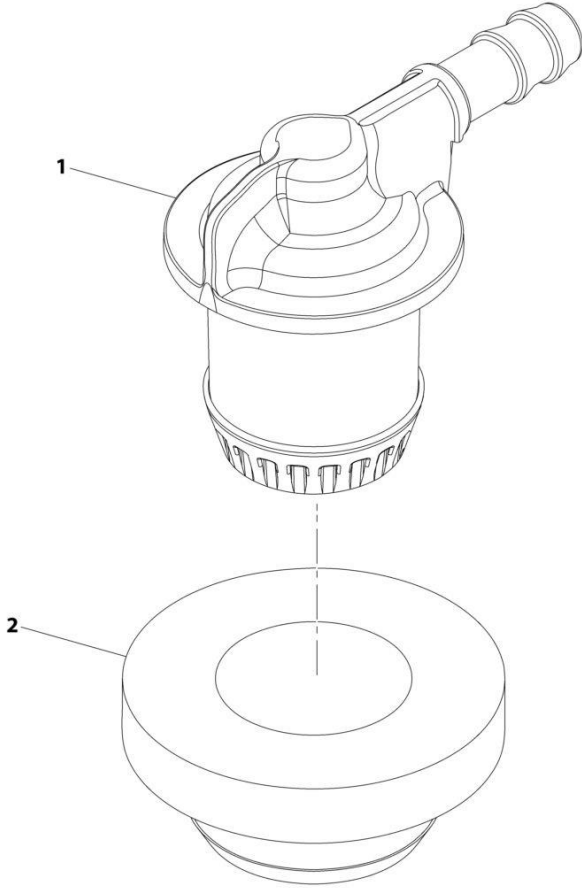
## SECTION 4 - ENGINE AND ATTACHING PARTS

**FIGURE 4-34. DEF TANK ASSEMBLY**

ITEM	PART NUMBER	QTY	DESCRIPTION	REV
	1001289561	Ref	DEF TANK ASSEMBLY	A
1	1001174795	1	Cap	
2	1001215319	1	Valve (See Separate Breakdown in this Section)	
3	1001278919	1	Assembly, DEF Electrical	
4	1001289559	1	Tank	

**SECTION 4 - ENGINE AND ATTACHING PARTS**

**FIGURE 4-35. DEF BREATHER VALVE**



ART\_1001215319-B



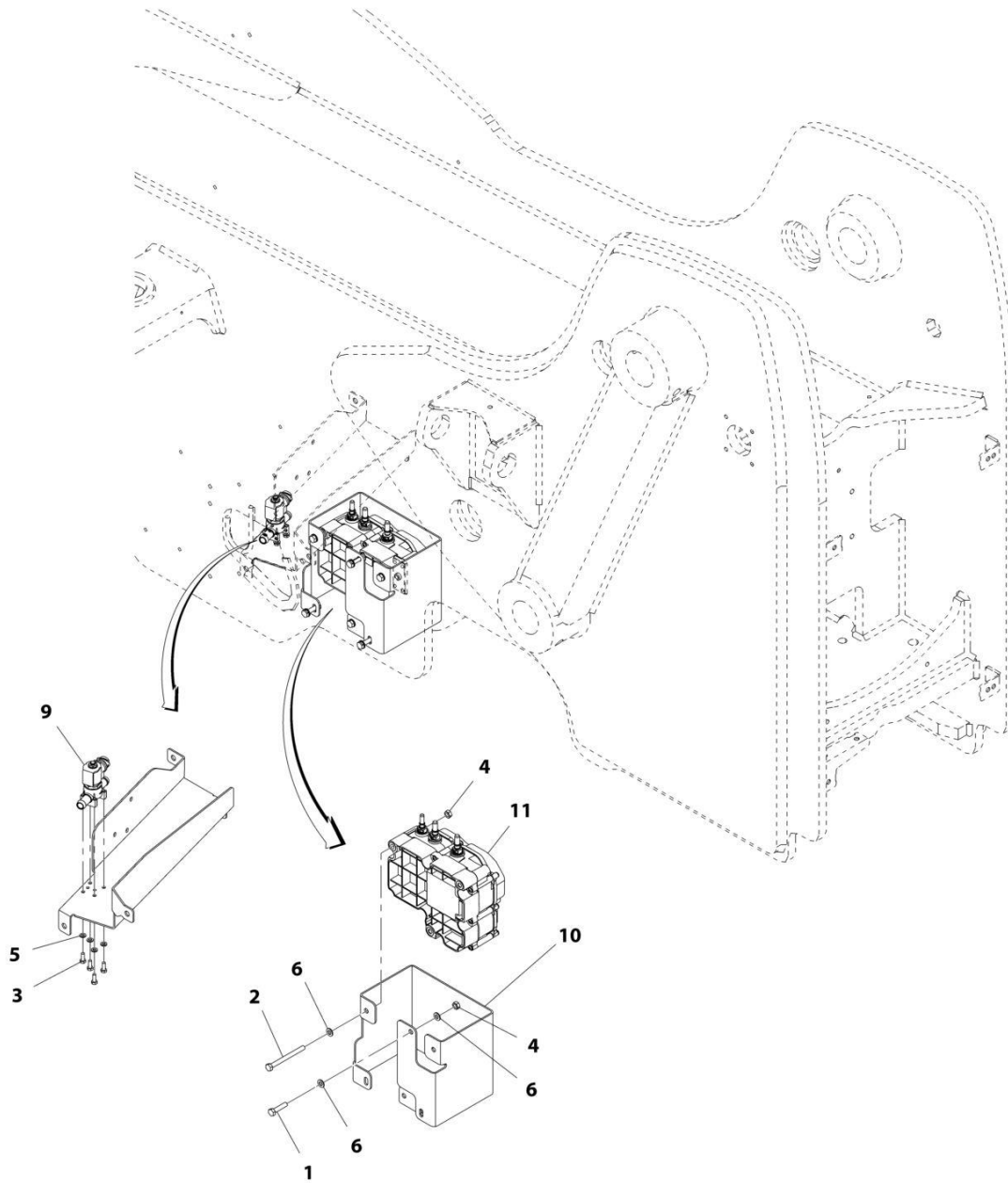
## SECTION 4 - ENGINE AND ATTACHING PARTS

### FIGURE 4-35. DEF BREATHER VALVE

ITEM	PART NUMBER	QTY	DESCRIPTION	REV
	1001215319	Ref	DEF Breather Valve	B
1	1001239510	1	Valve, DEF Breather	
2	1001239511	1	Grommet, DEF Breather	

# SECTION 4 - ENGINE AND ATTACHING PARTS

## FIGURE 4-36. DEF PUMP AND CONTROL INSTALLATION



ART\_1001174271-H

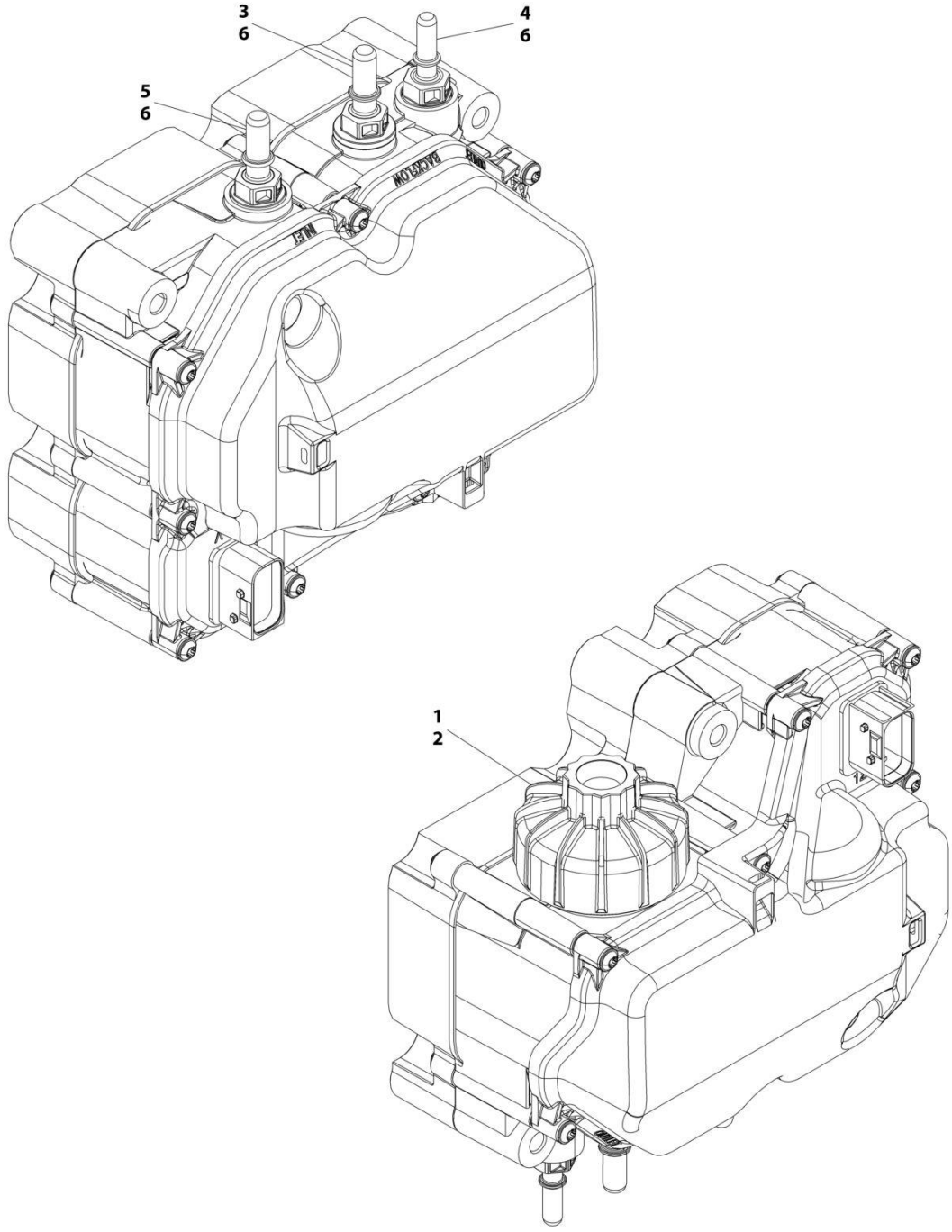
## SECTION 4 - ENGINE AND ATTACHING PARTS

FIGURE 4-36. DEF PUMP AND CONTROL INSTALLATION

ITEM	PART NUMBER	QTY	DESCRIPTION	REV
	1001174271	Ref	DEF Pump and Control Installation	I
1	0700815	3	Bolt, M8X35	
2	0700826	3	Bolt, M8X90	
3	0760608	4	Bolt, M6X16	
4	3290801	5	Nut, M8X1.25	
5	4811700	4	Washer, M6	
6	4811900	8	Washer, M8	
9	1001199670	1	Valve, DEF Tank Coolant Flow	
10	1001191168	1	Bracket	
11	1001213210	1	Pump, Urea (See Separate Breakdown in this Section)	

# SECTION 4 - ENGINE AND ATTACHING PARTS

## FIGURE 4-37. UREA PUMP



ART\_1001213210-A

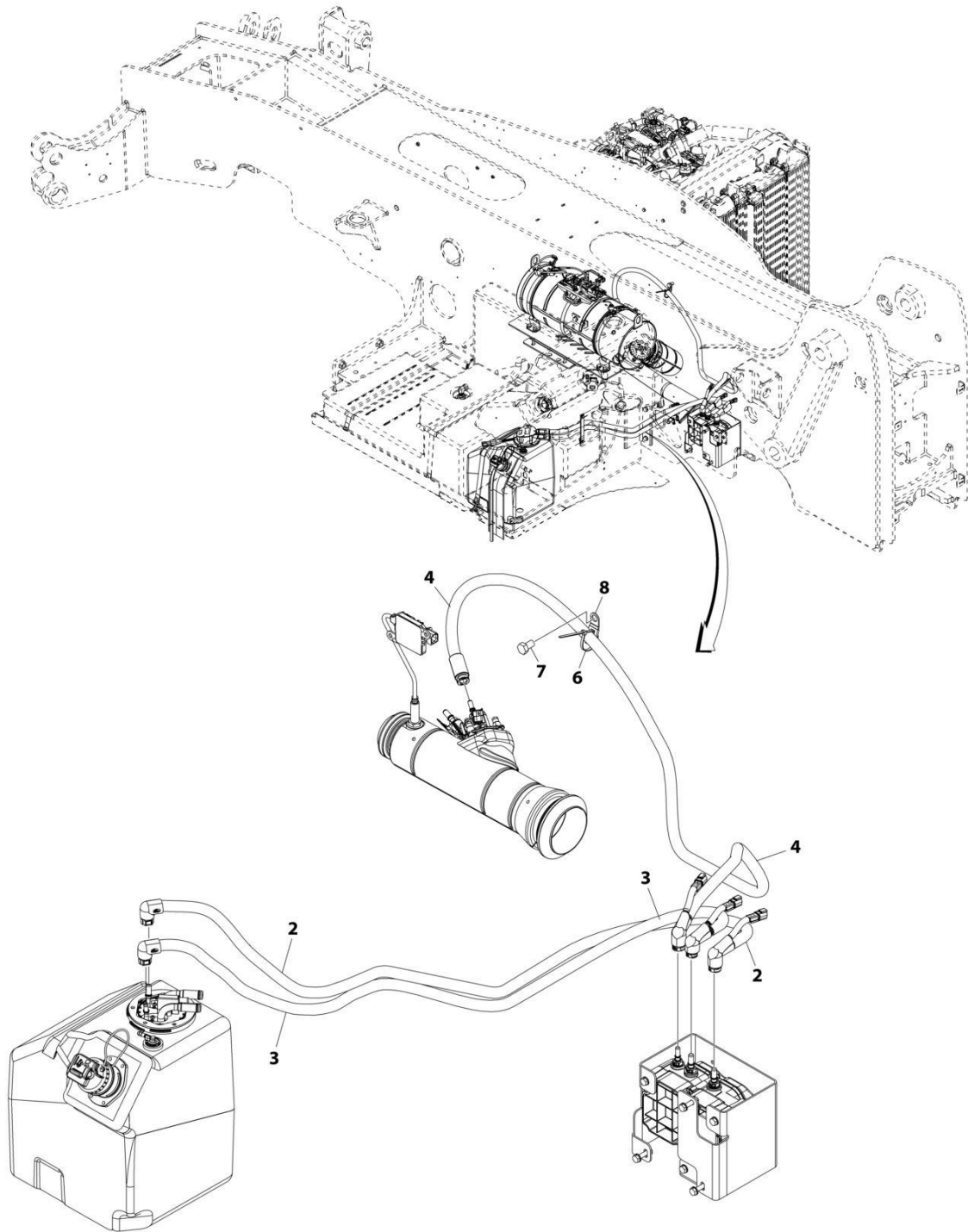
## SECTION 4 - ENGINE AND ATTACHING PARTS

FIGURE 4-37. UREA PUMP

ITEM	PART NUMBER	QTY	DESCRIPTION	REV
	1001213210	Ref	DEF Module Pump	B
1	70026248	1	Kit, Filter	
2	70026247	1	Cap, Filter	
3	70027705	1	Connector, Male (Backflow)	
4	70026245	1	Connector, Male (Outlet)	
5	70026244	1	Connector, Male (Inlet)	
6	70027706	3	Gasket, Circular (O-Ring)	

# SECTION 4 - ENGINE AND ATTACHING PARTS

## FIGURE 4-38. DEF PUMP LINES INSTALLATION



ART\_1001163253-I

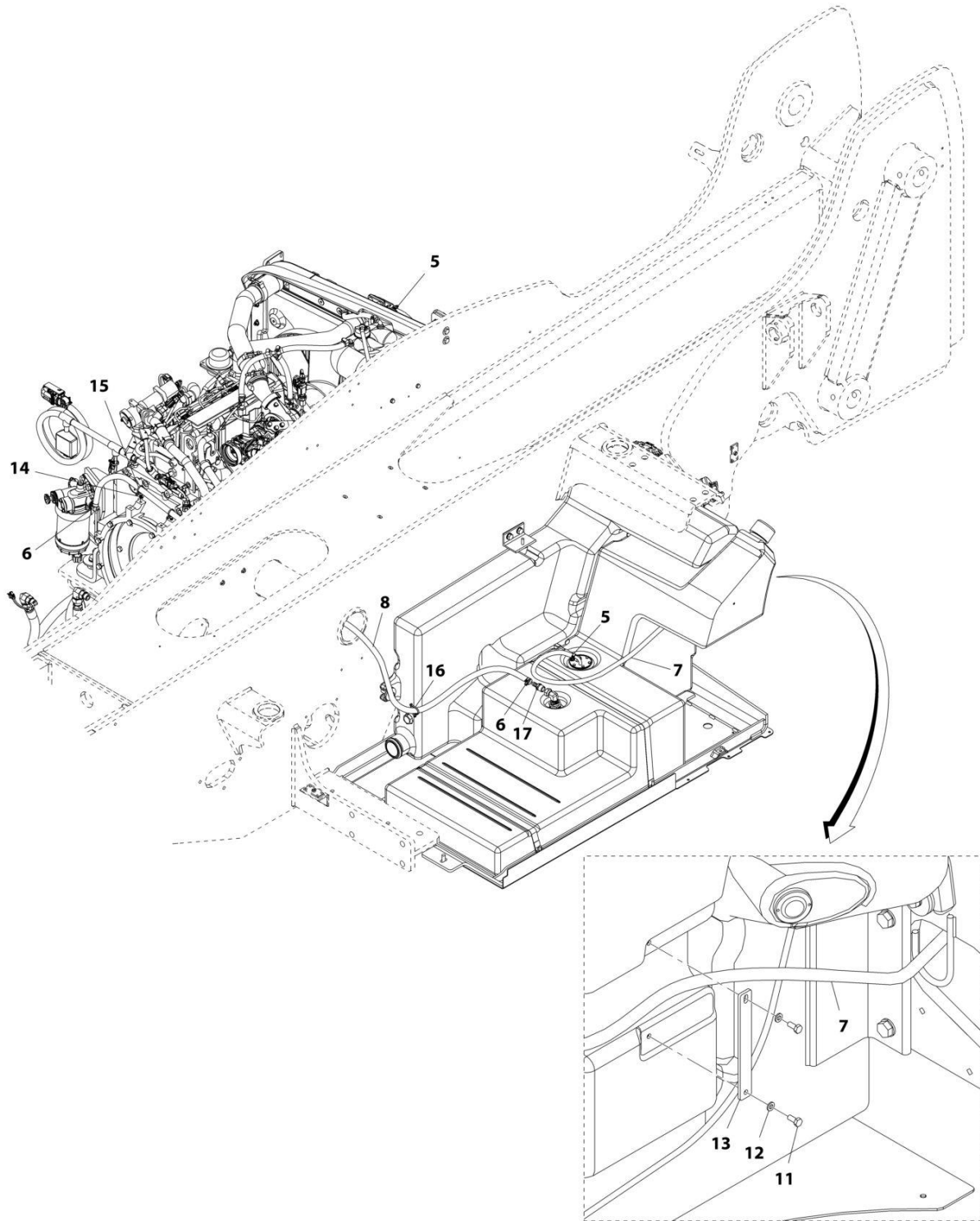
## SECTION 4 - ENGINE AND ATTACHING PARTS

FIGURE 4-38. DEF PUMP LINES INSTALLATION

ITEM	PART NUMBER	QTY	DESCRIPTION	REV
	1001163253	Ref	DEF Pump Lines Installation	I
1	0760607	AR	Bolt, M6X14	
2	1001231002	1	Hose	
3	1001231003	1	Hose	
4	1001167971	1	Hose	
5	1001196440	AR	Plate, Retainer	
6	8881802	1	Strap, Tie	
7	0761210	1	Bolt, M12X20	
8	1001025750	1	Clip	
9	4831700	AR	Washer, Lock M6	

# SECTION 4 - ENGINE AND ATTACHING PARTS

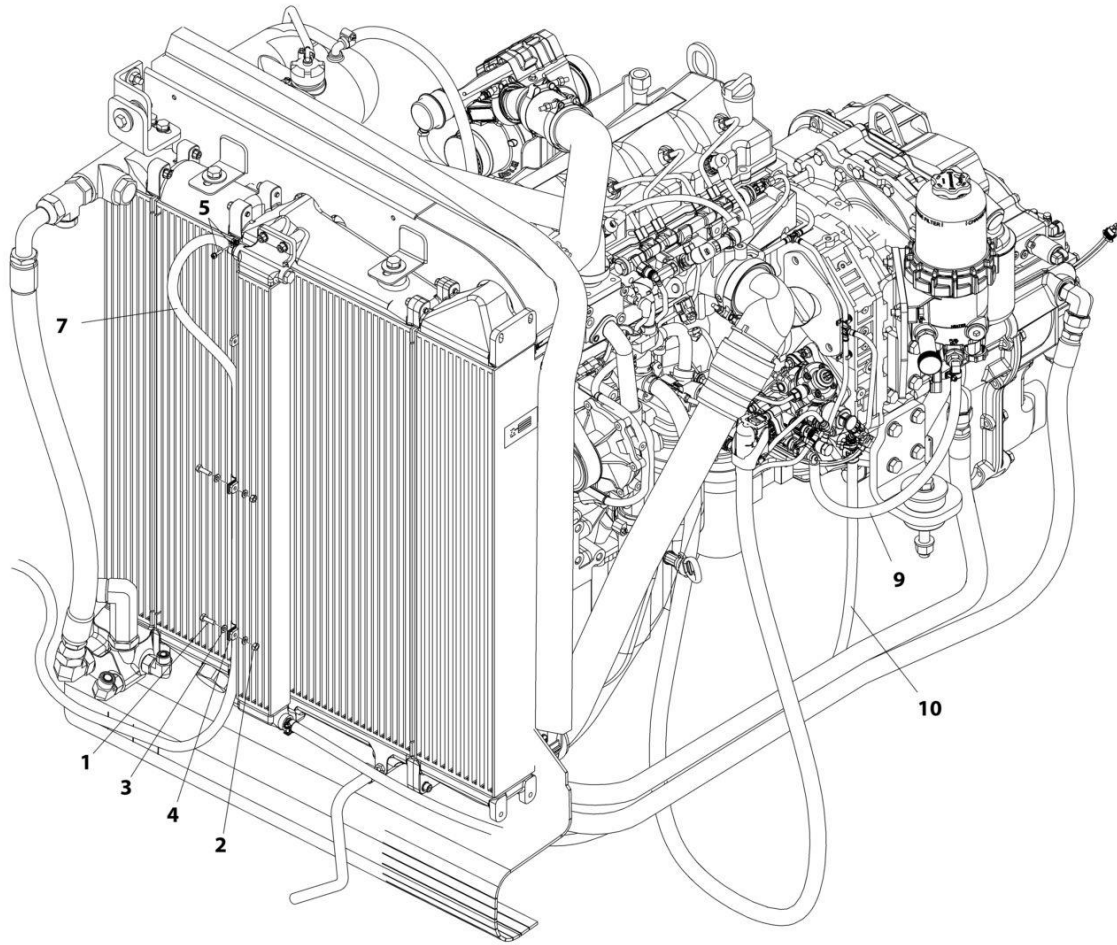
## FIGURE 4-39. FUEL LINES INSTALLATION (LS)



ART\_1001163241\_1-G



# SECTION 4 - ENGINE AND ATTACHING PARTS



ART\_1001163241\_2-G

## SECTION 4 - ENGINE AND ATTACHING PARTS

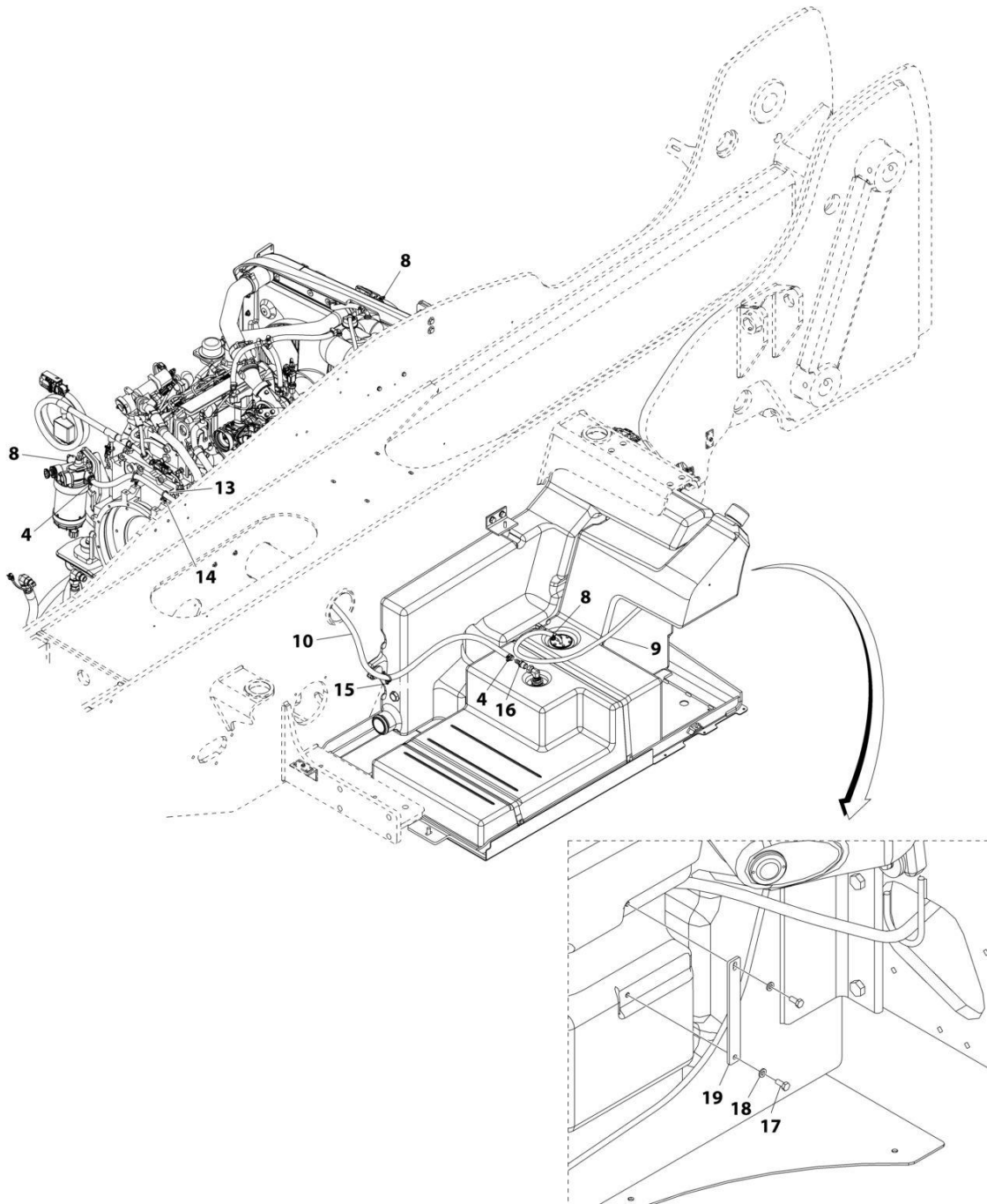
FIGURE 4-39. FUEL LINES INSTALLATION (LS)

ITEM	PART NUMBER	QTY	DESCRIPTION	REV
	1001163241	Ref	Fuel Lines Installation (LS)	G
1	0700610	2	Bolt, M6X20	
2	3290601	2	Nut, M6X1 Grade 8	
3	4811700	4	Washer, M6	
4	8406112	2	Clip	
5	1001136975	4	Clamp	
6	1001186342	2	Clip	
7	1001141400	3.7 m	Hose	
8	1001172755	2.4 m	Hose	
9	1001190980	1	Hose	
10	1001197299	1	Hose	
11	0760607	2	Bolt, M6X14	
12	4831700	2	Washer, Lock M6	
13	1001196440	1	Plate, Retainer	
14	1001202986	2	Strap, Fir Tree Push Mount	
15	1001008559	2	Strap	
16	1001146588	1	Strap	
17	1001206588	1	Fitting	



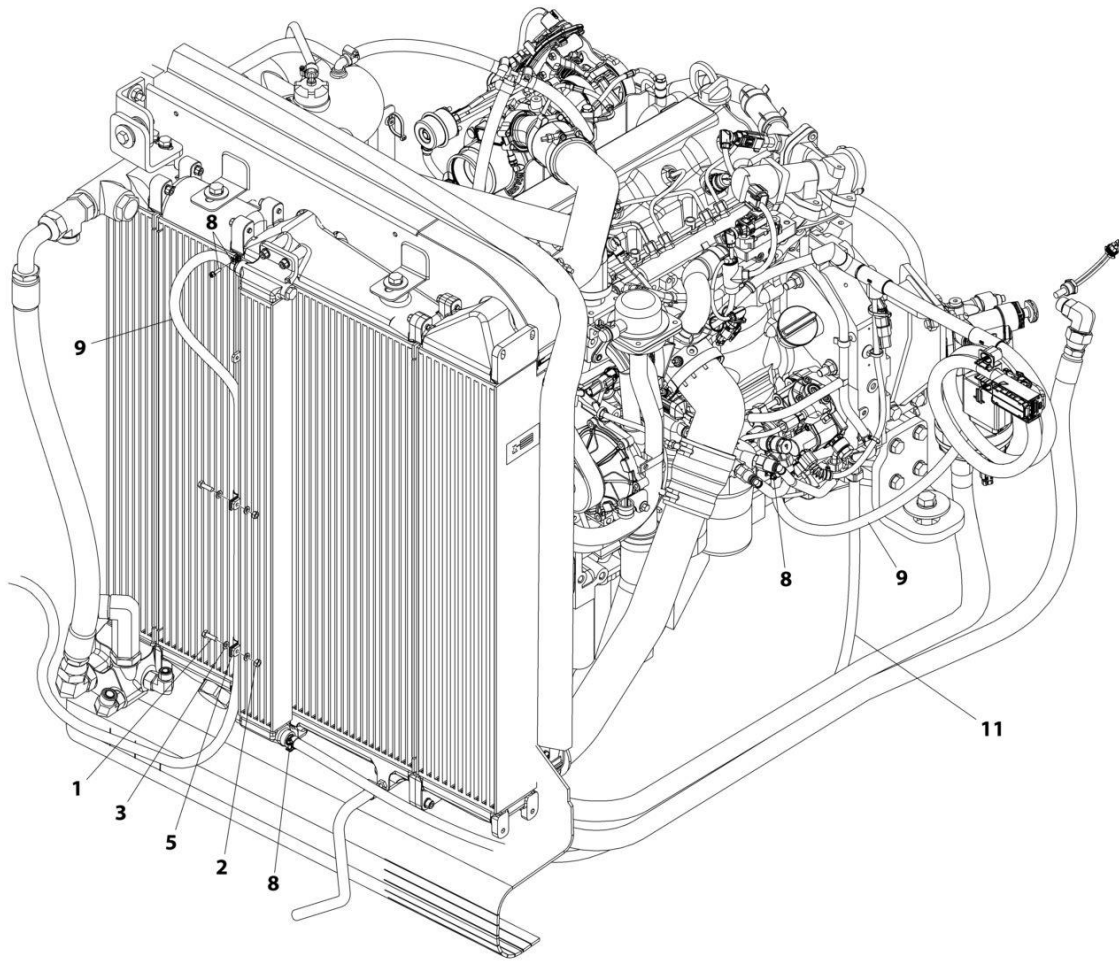
# SECTION 4 - ENGINE AND ATTACHING PARTS

## FIGURE 4-40. FUEL LINES INSTALLATION (ULS)



ART\_1001163231-1-J

# SECTION 4 - ENGINE AND ATTACHING PARTS



ART\_1001163231\_2-J

## SECTION 4 - ENGINE AND ATTACHING PARTS

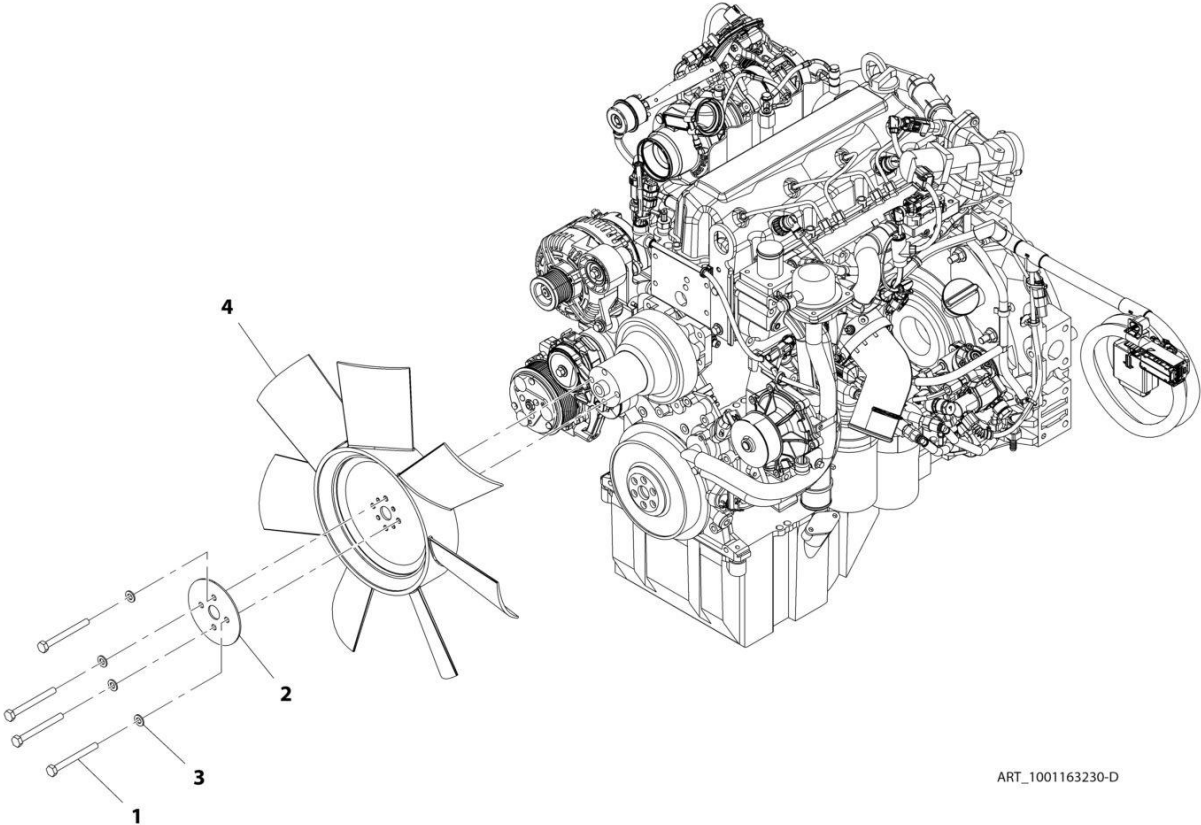
FIGURE 4-40. FUEL LINES INSTALLATION (ULS)

ITEM	PART NUMBER	QTY	DESCRIPTION	REV
	1001163231	Ref	Fuel Lines Installation	J
1	0700610	2	Bolt, M6X20	
2	3290601	2	Nut, M6X1 Grade 8	
3	4811700	4	Washer, M6	
4	1001186342	2	Clip, Hose	
5	8406112	2	Clip, Tube	
8	1001136975	5	Clamp	
9	1001141400	4.3 m	Hose	
10	1001172755	2.4 m	Hose	
11	1001197299	1	Hose	
13	1001008559	2	Strap	
14	1001202986	2	Strap, Fir Tree Push Mount	
15	1001146588	1	Strap	
16	1001206588	1	Fitting	
17	0760607	2	Nut, M6X14	
18	4831700	2	Washer, Lock M6	
19	1001196440	1	Plate, Retainer	



**SECTION 4 - ENGINE AND ATTACHING PARTS**

**FIGURE 4-41. FAN INSTALLATION, 110HP**



ART\_1001163230-D



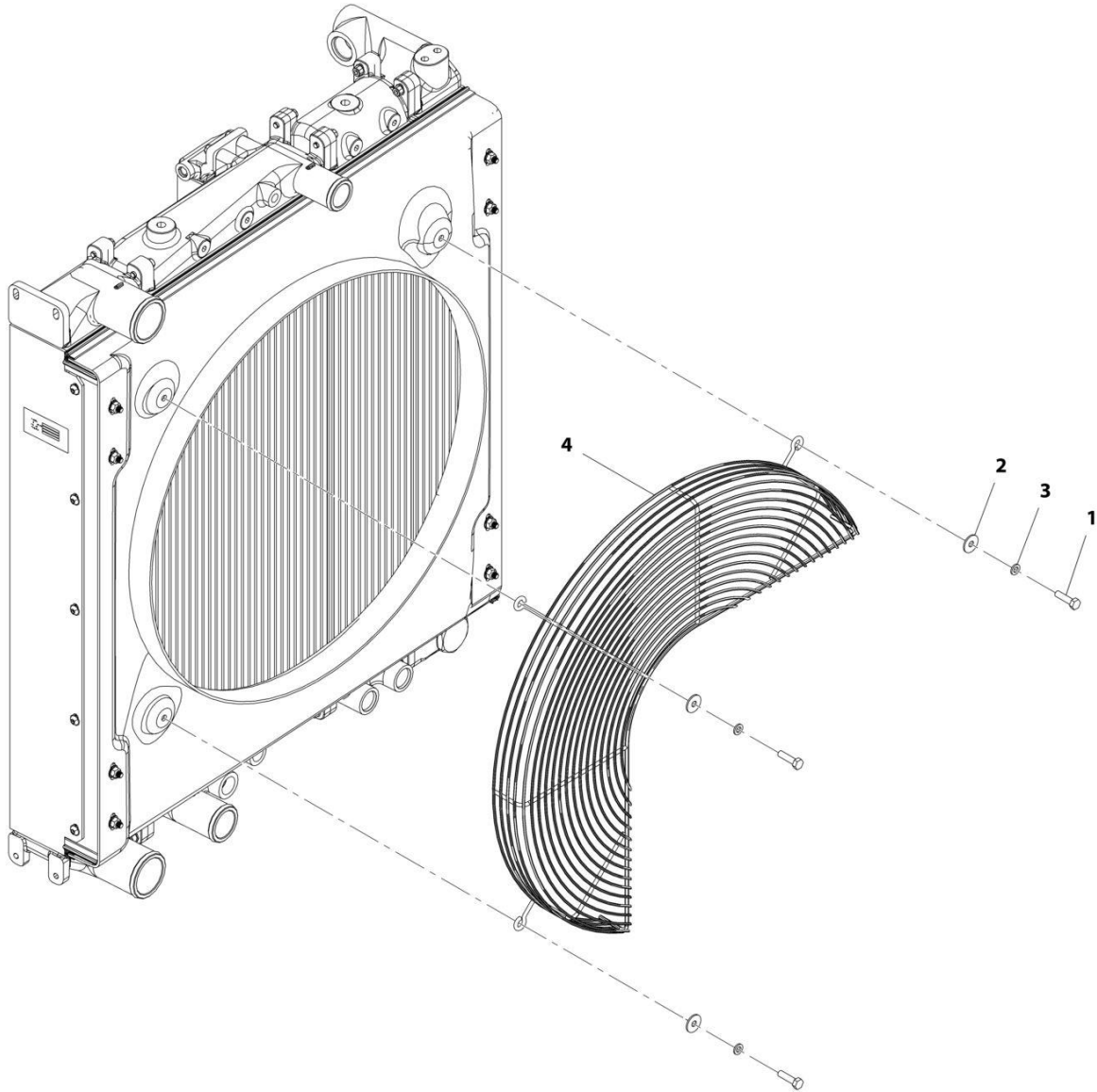
## SECTION 4 - ENGINE AND ATTACHING PARTS

FIGURE 4-41. FAN INSTALLATION, 110HP

ITEM	PART NUMBER	QTY	DESCRIPTION	REV
	1001163230	Ref	Fan Installation	D
1	0701027	4	Bolt, M10X100	
2	3575947	1	Plate	
3	4812000	4	Washer, M10	
4	1001175269	1	Fan, Cooling	

# SECTION 4 - ENGINE AND ATTACHING PARTS

## FIGURE 4-42. FAN GUARD INSTALLATION



ART\_1001160420-D

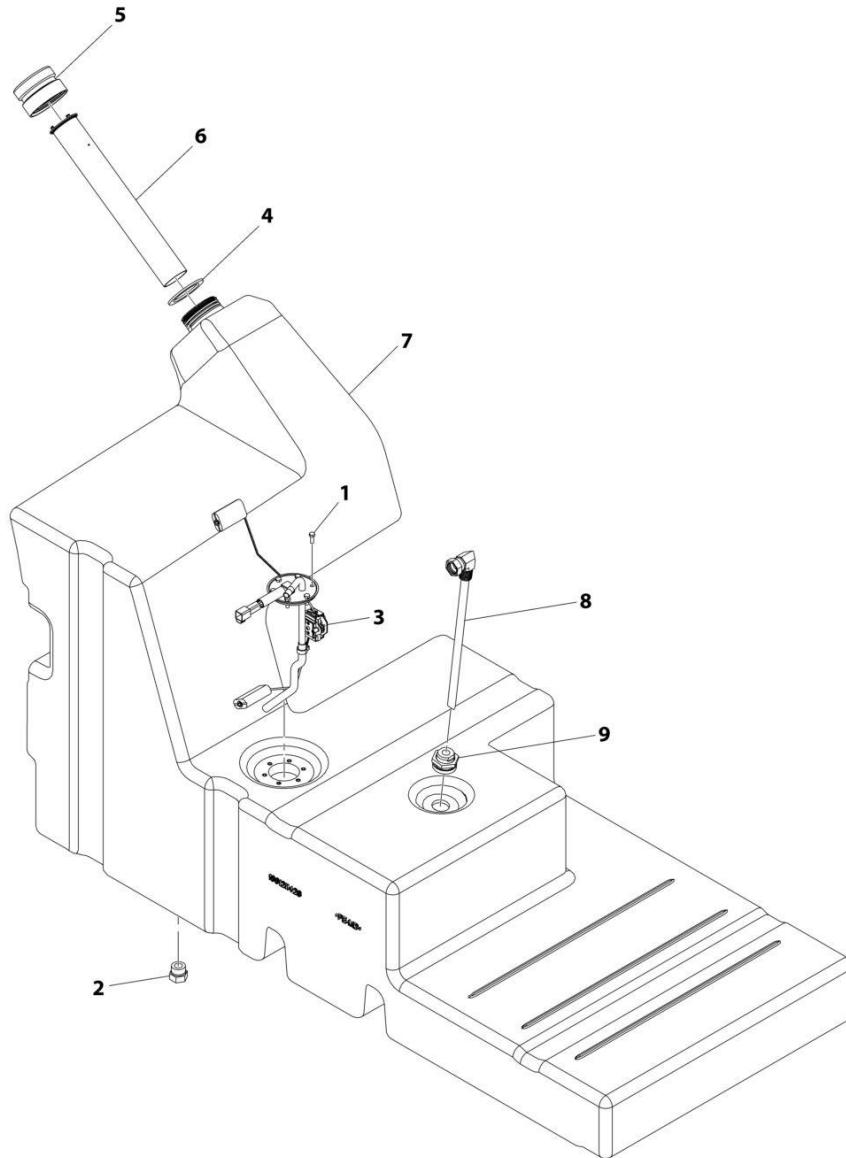
## SECTION 4 - ENGINE AND ATTACHING PARTS

FIGURE 4-42. FAN GUARD INSTALLATION

ITEM	PART NUMBER	QTY	DESCRIPTION	REV
	1001160420	Ref	Fan Guard Installation	D
1	0700814	3	Bolt, M8X30	
2	4811902	3	Washer, M8	
3	4831900	3	Washer, Lock M8	
4	1001167186	1	Grill	

# SECTION 4 - ENGINE AND ATTACHING PARTS

## FIGURE 4-43. FUEL TANK ASSEMBLY



ART\_1001211432-F

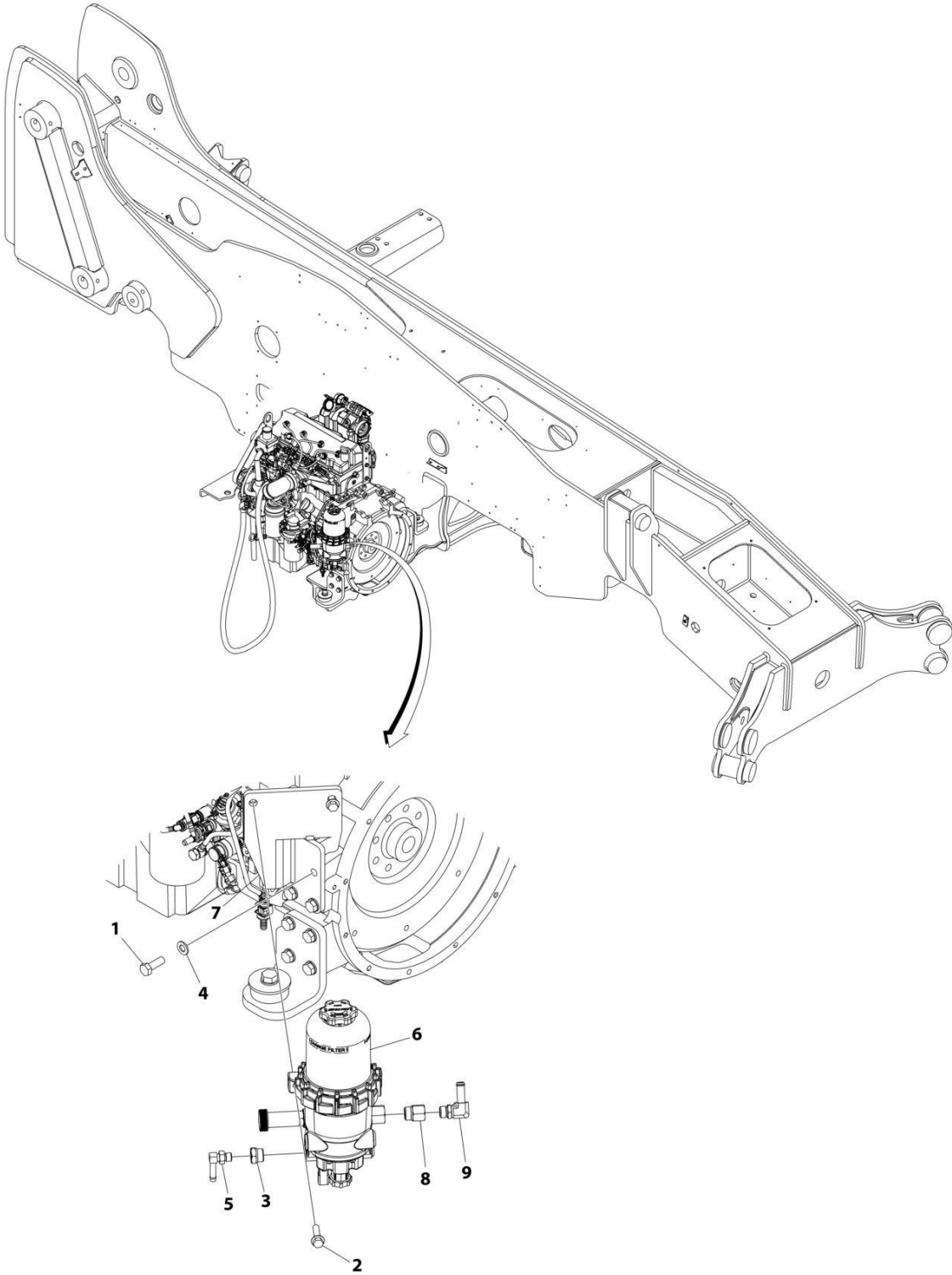
## SECTION 4 - ENGINE AND ATTACHING PARTS

### FIGURE 4-43. FUEL TANK ASSEMBLY

ITEM	PART NUMBER	QTY	DESCRIPTION	REV
	1001211432	Ref	Fuel Tank Assembly	F
1	0760507	6	Bolt, M5X14	
2	1001003427	1	Plug	
3	1001235100	1	Gauge, Fuel Level	
4	1001172178	1	Gasket	
5	1001207282	1	Adapter, Tank Cap	
6	1001207557	1	Pipe, Fuel Tank Drop	
7	1001211428	1	Tank, Fuel	
8	1001211429	1	Coupling, ORFS	
9	1001211747	1	Pipe, Fuel Supply	

# SECTION 4 - ENGINE AND ATTACHING PARTS

## FIGURE 4-44. PRIMARY FUEL FILTER INSTALLATION (LS)



ART\_1001180076\_E

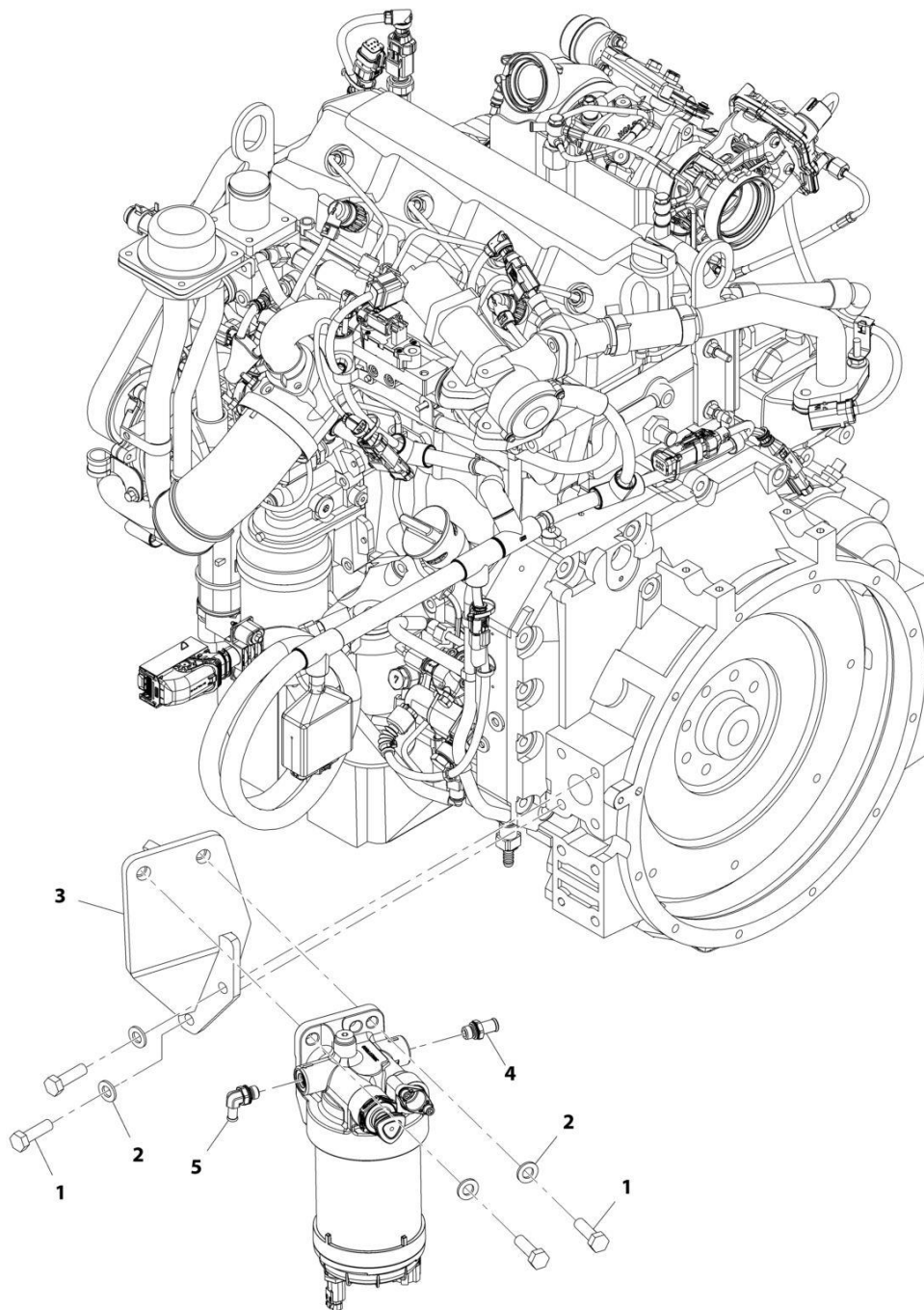
## SECTION 4 - ENGINE AND ATTACHING PARTS

FIGURE 4-44. PRIMARY FUEL FILTER INSTALLATION (LS)

ITEM	PART NUMBER	QTY	DESCRIPTION	REV
	1001180076	Ref	Primary Fuel Filter Installation (LS)	E
1	0701215	3	Bolt, M12X35	
2	0781016	2	Bolt, M10X40	
3	2220218	1	Fitting, Straight ORFS	
4	4812100	3	Washer, M12	
5	8430034	1	Elbow, 90	
6	1001133534	1	Filter, Fuel	
7	1001180078	1	Bracket, Fuel Filter Mount	
8	2220810	1	Fitting, Straight	
9	1001200239	1	Fitting, 90 ORFS	

# SECTION 4 - ENGINE AND ATTACHING PARTS

## FIGURE 4-45. PRIMARY FUEL FILTER INSTALLATION (ULS)



ART\_1001163235-F



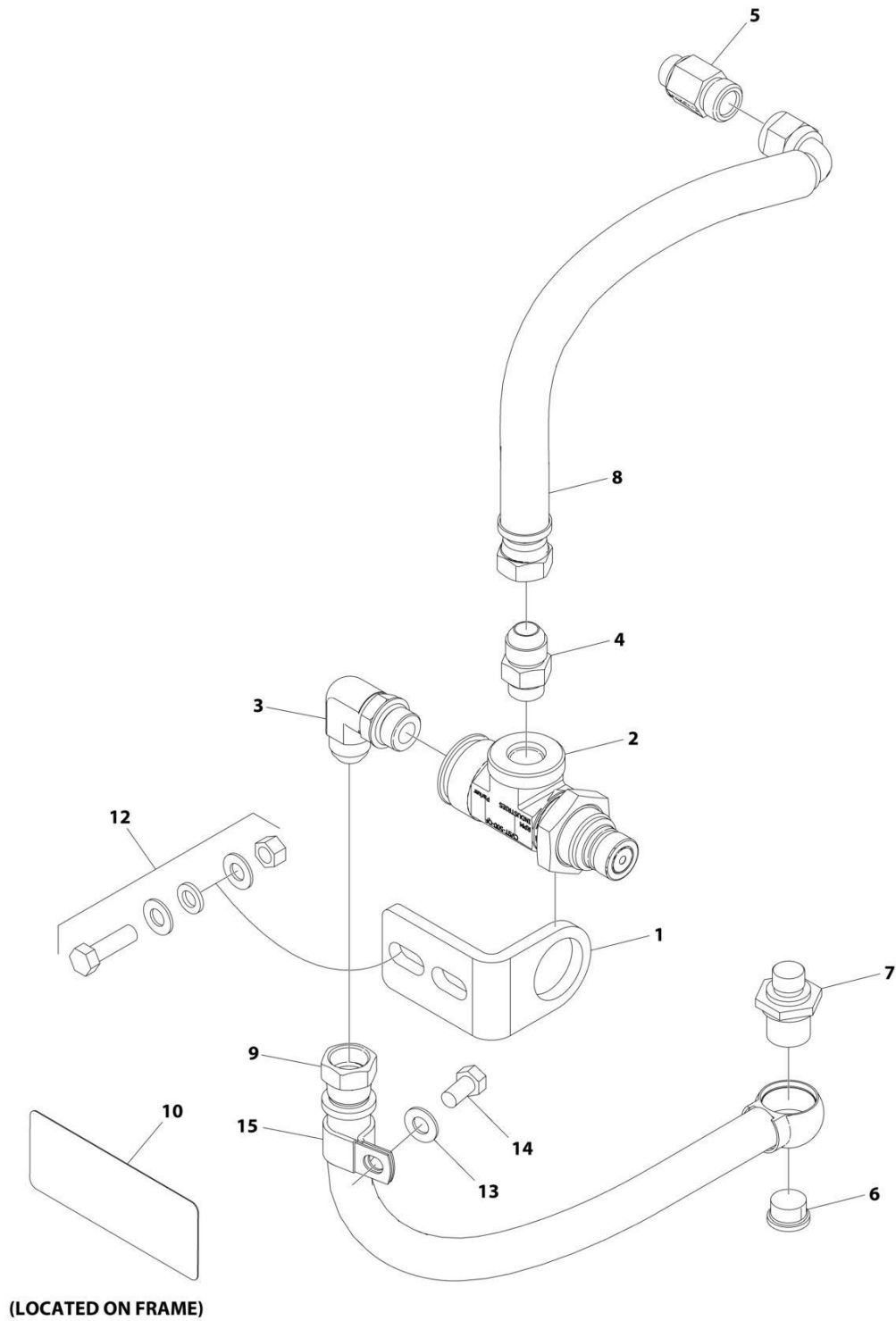
## SECTION 4 - ENGINE AND ATTACHING PARTS

FIGURE 4-45. PRIMARY FUEL FILTER INSTALLATION (ULS)

ITEM	PART NUMBER	QTY	DESCRIPTION	REV
	1001163235	Ref	Primary Fuel Filter Installation	F
1	0701216	4	Bolt, M12X40	
2	4812100	4	Washer, M12	
3	1001206019	1	Bracket, Fuel Filter Mount	
4	1001217467	1	Barb, Hose	
5	1001182094	1	Hose	

# SECTION 4 - ENGINE AND ATTACHING PARTS

## FIGURE 4-46. ENGINE OIL QUICK DRAIN INSTALLATION



ART\_1001281468

## SECTION 4 - ENGINE AND ATTACHING PARTS

**FIGURE 4-46. ENGINE OIL QUICK DRAIN INSTALLATION**

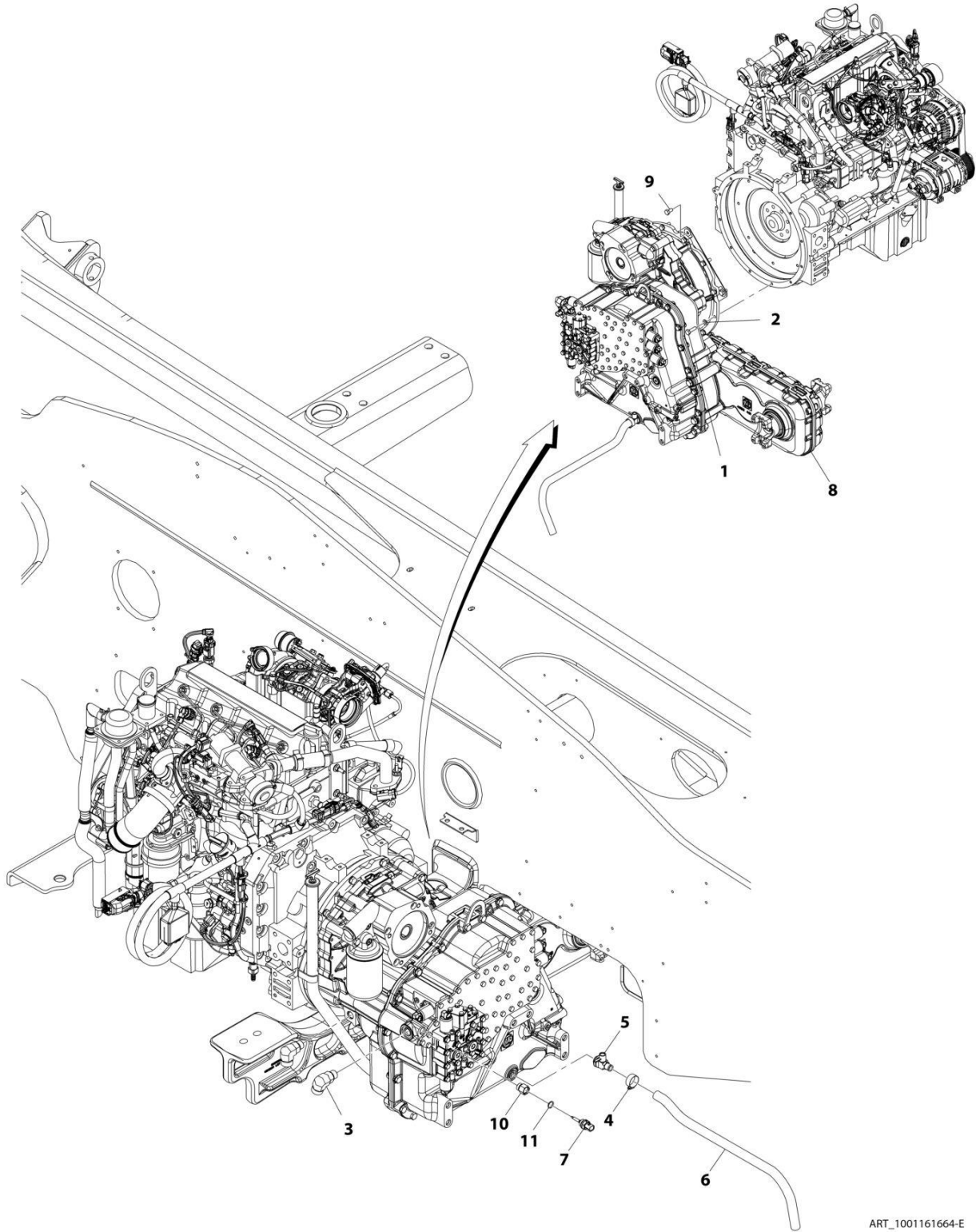
ITEM	PART NUMBER	QTY	DESCRIPTION	REV
	1001281468	Ref	QUICK DRAIN OIL VALVE INSTALLATION	A
1	1001281297	1	Bracket	
2	1001281298	1	Valve, Small Quickfit	
3	1001281301	1	Fitting, 90	
4	1001281302	1	Fitting, Straight	
5	1001281303	1	Valve, Check Quickfit	
6	1001281304	1	Plug, Quickfit	
7	1001281305	1	Fitting, Straight Quickfit	
8	1001283990	1	Hose	
9	1001281354	1	Hose	
10	1001281360	1	Decal - RPM Quickfit	
11	1001281656	AR	Tie-Strap (Not Shown)	
12	1001281888	2	Bolt 3/8 x 1-1/4	
13	1001282009	1	Washer M8	
14	1001282010	1	Bolt M8 x 18	
15	1001282011	1	Clip	



**SECTION 5 - DRIVE TRAIN**

# SECTION 5 - DRIVE TRAIN

## FIGURE 5-1. TRANSMISSION INSTALLATION



ART\_1001161664-E

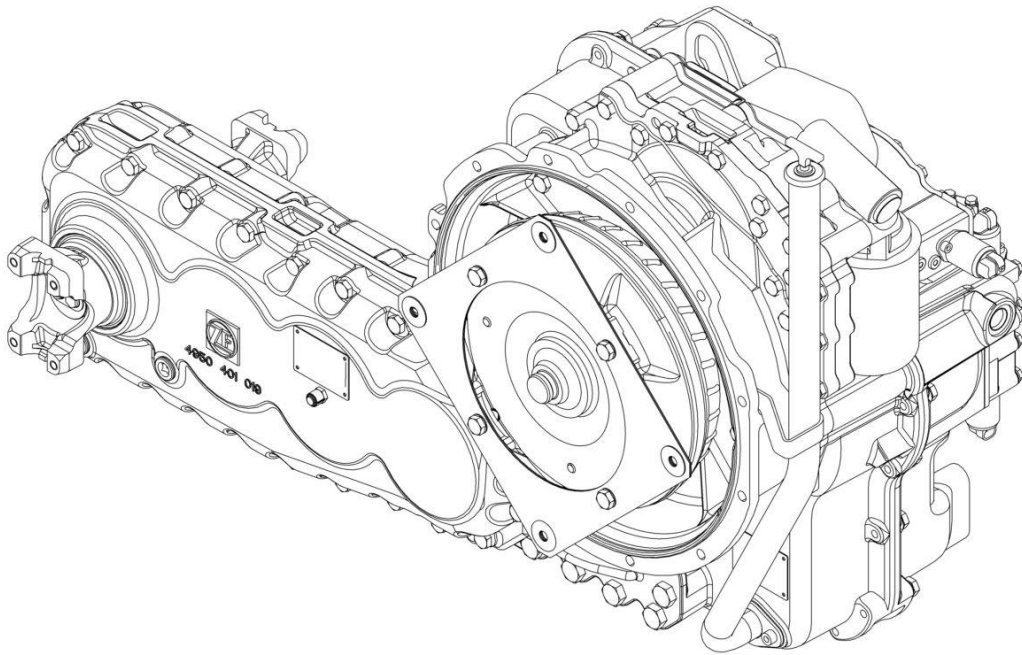
## SECTION 5 - DRIVE TRAIN

### FIGURE 5-1. TRANSMISSION INSTALLATION

ITEM	PART NUMBER	QTY	DESCRIPTION	REV
	1001161664	Ref	Transmission Installation	E
1	0711015	12	Screw, M10X35	
2	4812000	12	Washer, M10	
3	2131210	2	Fitting, 90 ORFS	
4	8405007	1	Clamp, Hose	
5	1001097053	1	Valve, Oil Drain	
6	1001186225	1	Hose, Drain	
7	1001128478	1	Switch, Oil Temperature	
8	1001170171	1	Transmission, Powershift (See Separate Breakdown in this Section)	
9	0761010	4	Screw, M10X20	
10	1001220760	1	Adapter	
11	1001009163	1	Seal	

## SECTION 5 - DRIVE TRAIN

FIGURE 5-2. POWERSHIFT TRANSMISSION



ART\_1001170171\_1-C



## SECTION 5 - DRIVE TRAIN

**FIGURE 5-2. POWERSHIFT TRANSMISSION**

ITEM	PART NUMBER	QTY	DESCRIPTION	REV
	1001170171	Ref	Powershift Transmission	C
		Ref	Transmission, Engine Connection (See Separate Breakdown in this Section)	
		Ref	Transmission, Converter (See Separate Breakdown in this Section)	
		Ref	Transmission, Input (See Separate Breakdown in this Section)	
		Ref	Transmission, Housing Group 1 (See Separate Breakdown in this Section)	
		Ref	Transmission, Housing Group 2 (See Separate Breakdown in this Section)	
		Ref	Transmission, Clutch Group 1 (See Separate Breakdown in this Section)	
		Ref	Transmission, Clutch Group 2 (See Separate Breakdown in this Section)	
		Ref	Transmission, Coupling Group 1 (See Separate Breakdown in this Section)	
		Ref	Transmission, Coupling Group 2 (See Separate Breakdown in this Section)	
		Ref	Transmission, Coupling Group 3 (See Separate Breakdown in this Section)	
		Ref	Transmission, Coupling Group 4 (See Separate Breakdown in this Section)	
		Ref	Transmission, Output (See Separate Breakdown in this Section)	
		Ref	Transmission, Power Take-Off (See Separate Breakdown in this Section)	
		Ref	Transmission, Control Unit (See Separate Breakdown in this Section)	
		Ref	Transmission, Shift System (See Separate Breakdown in this Section)	
		Ref	Transmission, Pressure Regulator (See Separate Breakdown in this Section)	
		Ref	Transmission, Pressure Oil Pump (See Separate Breakdown in this Section)	
		Ref	Transmission, Inductive Transmitter (See Separate Breakdown in this Section)	
		Ref	Transmission, Filter (See Separate Breakdown in this Section)	
		Ref	Transmission, Accessories Group 1 (See Separate Breakdown in this Section)	
		Ref	Transmission, Peripherals Group 1 (See Separate Breakdown in this Section)	
		Ref	Transmission, Peripherals Group 2 (See Separate Breakdown in this Section)	
		Ref	Transmission, Accessories Group 2 (See Separate Breakdown in this Section)	
		Ref	Transmission, Housing Group (See Separate Breakdown in this Section)	
		Ref	Transmission, Housing 1 (See Separate Breakdown in this Section)	
		Ref	Transmission, Housing 2 (See Separate Breakdown in this Section)	
		Ref	Transmission, Housing Input (See Separate Breakdown in this Section)	
		Ref	Transmission, Housing Output 1 (See Separate Breakdown in this Section)	

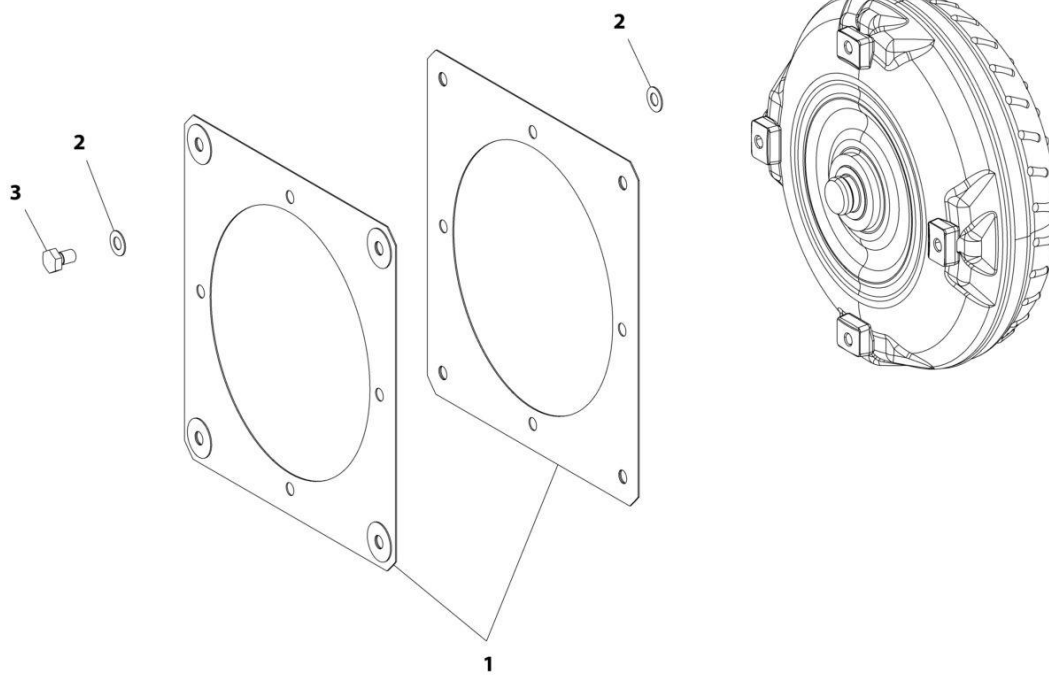
## SECTION 5 - DRIVE TRAIN

ITEM	PART NUMBER	QTY	DESCRIPTION	REV
		Ref	Transmission, Housing Output 2 (See Separate Breakdown in this Section)	



# SECTION 5 - DRIVE TRAIN

## FIGURE 5-3. TRANSMISSION, ENGINE CONNECTION



ART\_1001170171\_2-C

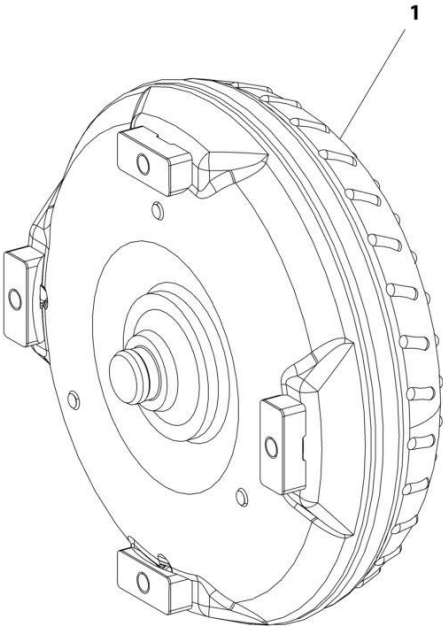
## SECTION 5 - DRIVE TRAIN

### FIGURE 5-3. TRANSMISSION, ENGINE CONNECTION

ITEM	PART NUMBER	QTY	DESCRIPTION	REV
	1001170171	Ref	TRANSMISSION, ENGINE CONNECTION	C
1	1319229	2	Diaphragm	
2	7026745	8	Washer, Thrust M10	
3	7026744	4	Bolt, M10X16	

**SECTION 5 - DRIVE TRAIN**

**FIGURE 5-4. TRANSMISSION, CONVERTER**



ART\_1001170171\_3-C

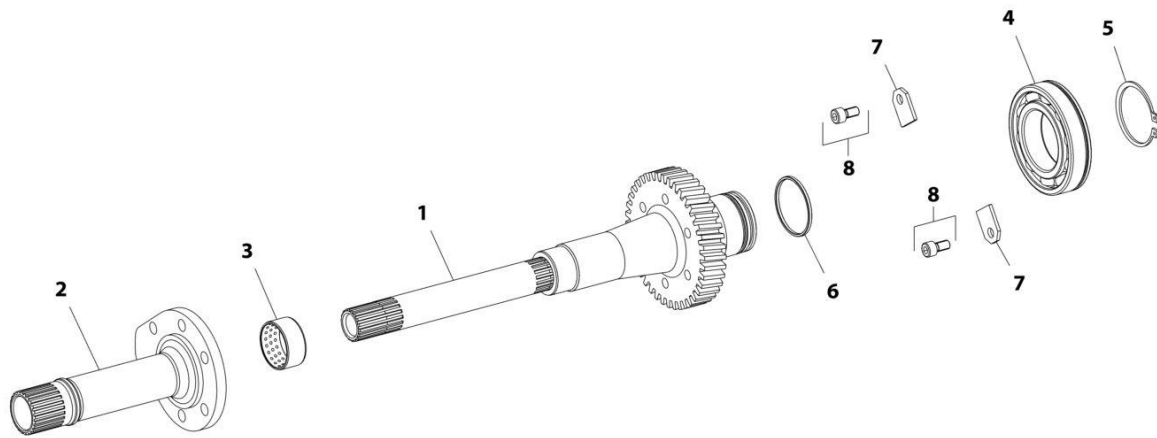
## SECTION 5 - DRIVE TRAIN

FIGURE 5-4. TRANSMISSION, CONVERTER

ITEM	PART NUMBER	QTY	DESCRIPTION	REV
1	1001170171 7026746	Ref 1	TRANSMISSION, CONVERTER Converter, Torque	C

# SECTION 5 - DRIVE TRAIN

## FIGURE 5-5. TRANSMISSION, INPUT



ART\_1001170171\_4-C



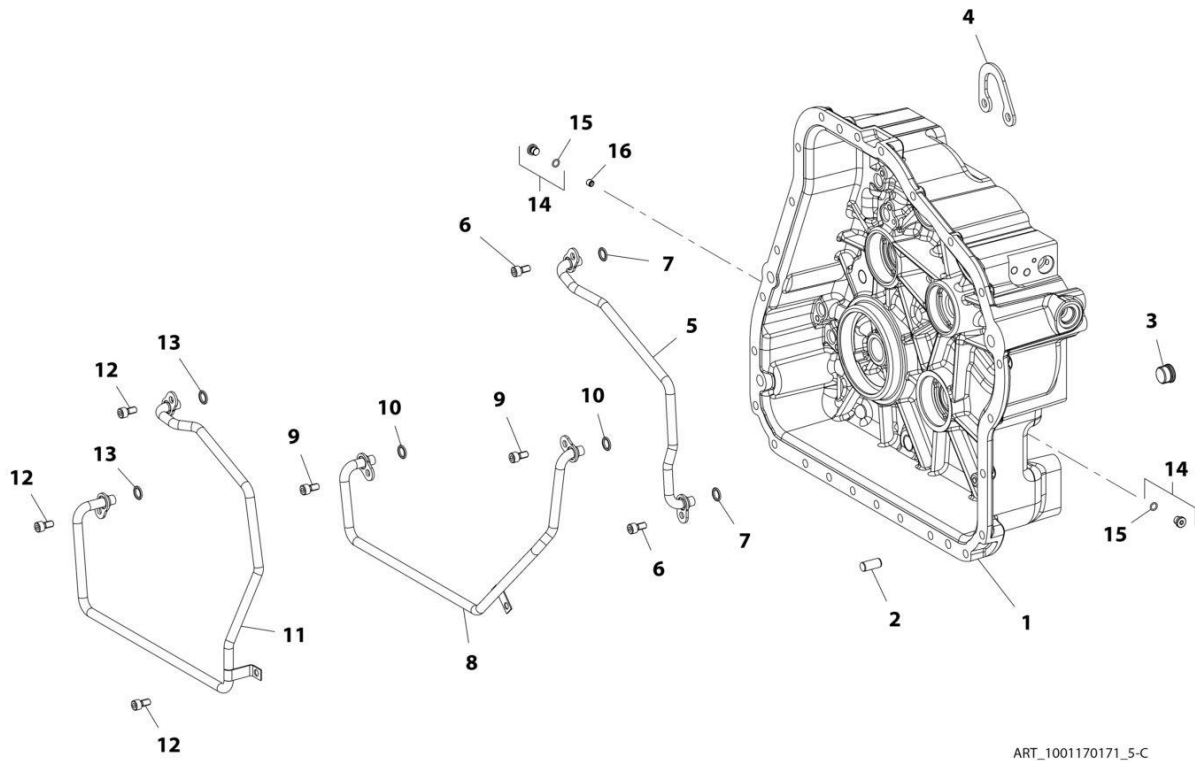
## SECTION 5 - DRIVE TRAIN

### FIGURE 5-5. TRANSMISSION, INPUT

ITEM	PART NUMBER	QTY	DESCRIPTION	REV
	1001170171	Ref	TRANSMISSION, INPUT	C
1	7026747	1	Shaft, Turbine	
2	7026748	1	Shaft, Stator	
3	1319558	1	Bushing, Bearing	
4	1319563	1	Bearing, Ball	
5	80304405	1	Ring, Retaining	
6	7026749	1	Ring, Piston	
7	70026515	2	Strap	
8	70026516	2	Bolt, M8X16	

# SECTION 5 - DRIVE TRAIN

## FIGURE 5-6. TRANSMISSION, HOUSING GROUP 1



ART\_1001170171\_5-C

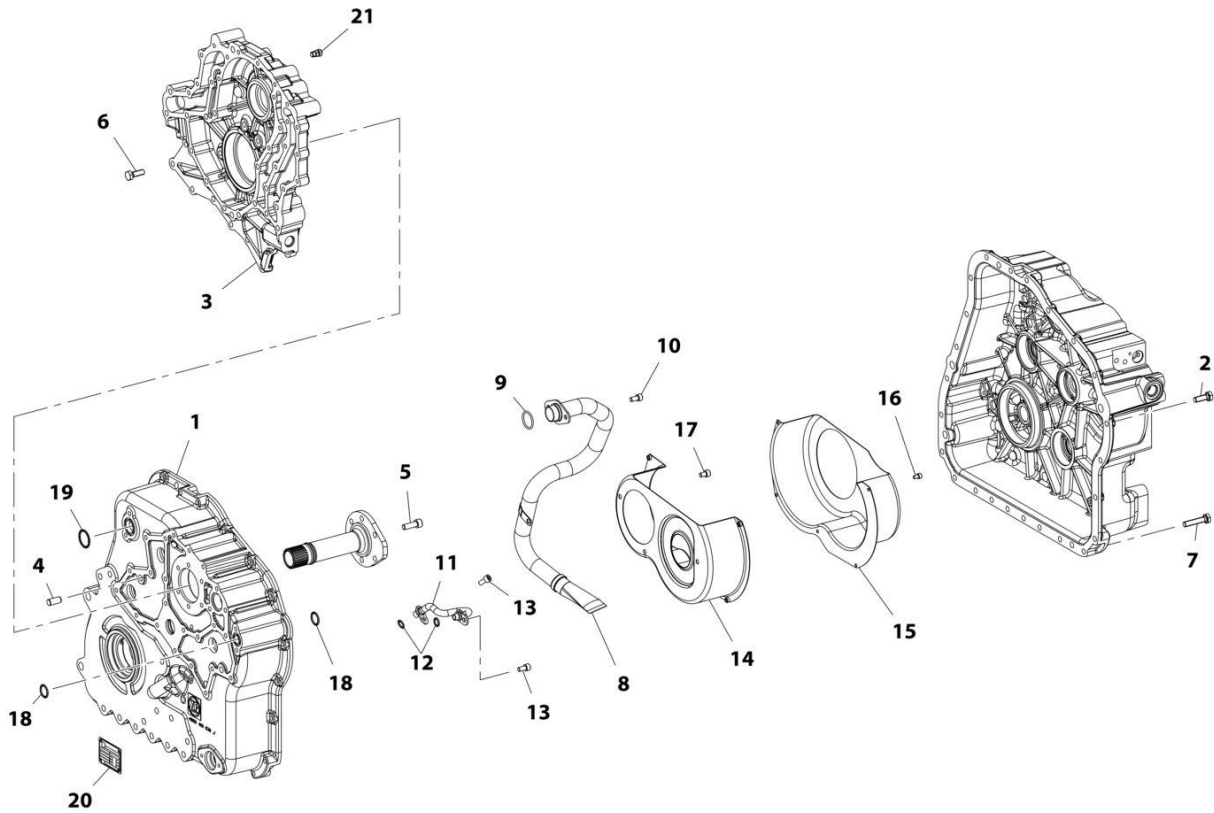
## SECTION 5 - DRIVE TRAIN

**FIGURE 5-6. TRANSMISSION, HOUSING GROUP 1**

ITEM	PART NUMBER	QTY	DESCRIPTION	REV
	1001170171	Ref	TRANSMISSION, HOUSING GROUP 1	C
1	7029973	1	Housing	
2	1319571	2	Pin, Dowel	
3	70023404	1	Plug	
4	1319590	1	Bracket, Lift	
5	7026750	1	Pipe	
6	70026516	2	Bolt, M8X16	
7	8036847	2	O-Ring	
8	7026751	1	Pipe	
9	70026516	2	Bolt, M8X16	
10	8036847	2	O-Ring	
11	7026752	1	Pipe	
12	70026516	3	Bolt, M8X16	
13	8036847	2	O-Ring	
14	70026517	7	Plug, Screw	
15	10731709	7	O-Ring	
16	70026518	1	Nozzle	

# SECTION 5 - DRIVE TRAIN

## FIGURE 5-7. TRANSMISSION, HOUSING GROUP 2



ART\_1001170171\_6-C

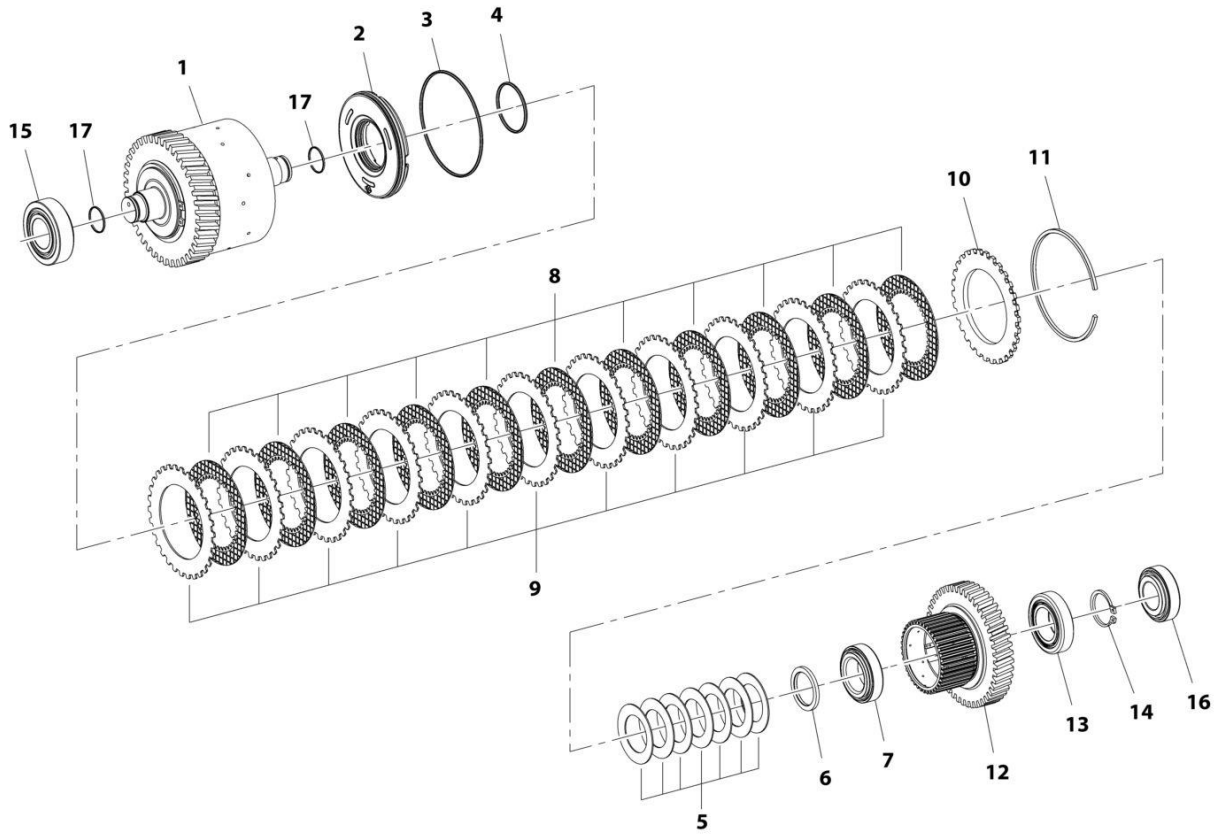
## SECTION 5 - DRIVE TRAIN

**FIGURE 5-7. TRANSMISSION, HOUSING GROUP 2**

ITEM	PART NUMBER	QTY	DESCRIPTION	REV
	1001170171	Ref	TRANSMISSION, HOUSING GROUP 2	C
1	7029972	1	Housing	
2	80304394	18	Bolt, M10X30	
3	70021920	1	Housing, PTO	
4	1319571	2	Pin, Dowel	
5	70026519	6	Bolt, M10X30	
6	80304394	13	Bolt, M10X30	
7	7026794	6	Bolt, M10X50	
8	7026753	1	Tube, Suction	
9	70023885	1	O-Ring	
10	70026516	2	Bolt, M8X16	
11	7026754	1	Pipe	
12	8036847	2	O-Ring	
13	70026516	2	Bolt, M8X16	
14	7026755	1	Sheet, Screen	
15	7026756	1	Sheet, Screen	
16	70026520	5	Bolt, M6X10	
17	70026521	3	Bolt, M8X12	
18	7026792	2	O-Ring	
19	70023885	1	O-Ring	
20	N.S.S.	1	Plate, Serial Number	
21	10731744	1	Breather	

# SECTION 5 - DRIVE TRAIN

## FIGURE 5-8. TRANSMISSION, CLUTCH GROUP 1



ART\_1001170171\_7-C

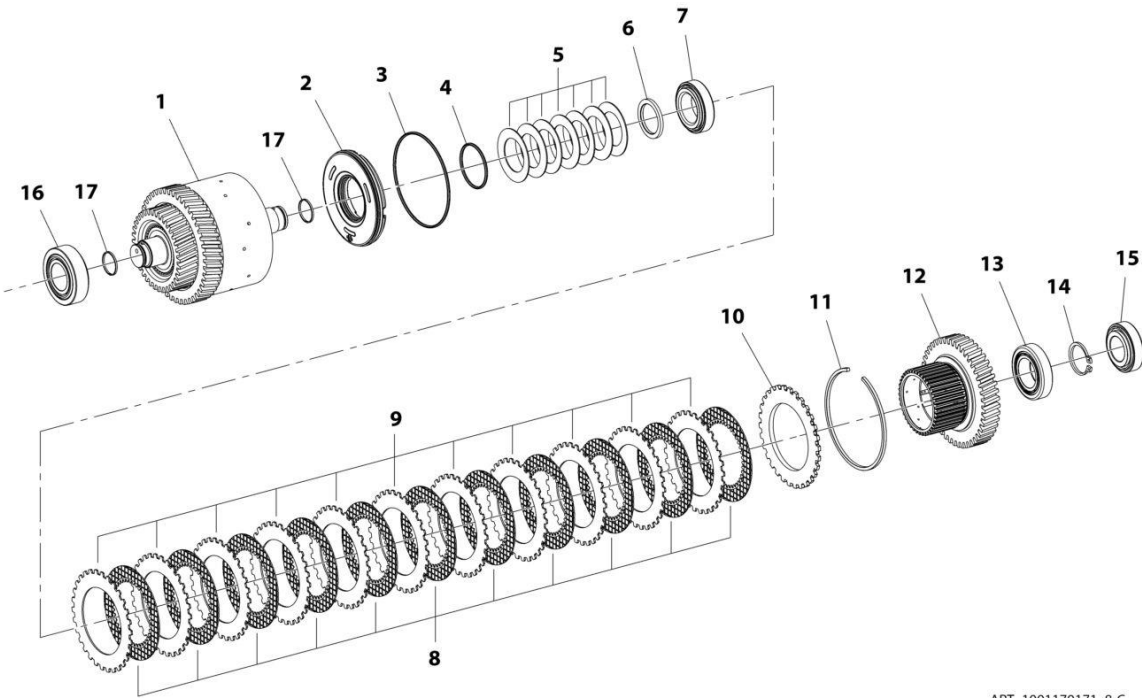
## SECTION 5 - DRIVE TRAIN

**FIGURE 5-8. TRANSMISSION, CLUTCH GROUP 1**

ITEM	PART NUMBER	QTY	DESCRIPTION	REV
	1001170171	Ref	TRANSMISSION, CLUTCH GROUP 1	C
1	7026757	1	Coupling	
2	70022075	1	Piston	
3	1319594	1	O-Ring	
4	1319593	1	O-Ring	
5	1319595	7	Spring, Cup	
6	1319617	1	Shim	
7	1319618	AR	Bearing, Roller	
8	7026758	11	Disc, Friction	
9	7026759	11	Disc, Clutch	
10	7026760	1	Shim	
11	70026527	AR	Ring, Snap 2.00	
11	70026528	AR	Ring, Snap 2.25	
11	70026529	AR	Ring, Snap 2.50	
11	7029852	AR	Ring	
11	1319602	AR	Ring	
11	7029849	AR	Ring	
11	1319601	AR	Ring	
11	7029850	AR	Ring	
11	1319600	AR	Ring	
12	1319638	1	Carrier, Inner Disc	
13	1319620	AR	Bearing, Roller	
14	1319632	AR	Ring	
14	1319631	AR	Ring	
14	1319630	AR	Ring	
14	1319629	AR	Ring	
14	1319628	AR	Ring	
14	1319627	AR	Ring	
14	1319626	AR	Ring	
14	1319625	AR	Ring	
14	1319624	AR	Ring	
14	1319623	AR	Ring	
14	1319622	AR	Ring	
14	1319621	AR	Ring	
15	1319615	1	Bearing, Roller	
16	1319636	1	Bearing, Roller	
17	7026761	2	Ring, Piston	

# SECTION 5 - DRIVE TRAIN

## FIGURE 5-9. TRANSMISSION, CLUTCH GROUP 2



ART\_1001170171\_8-C



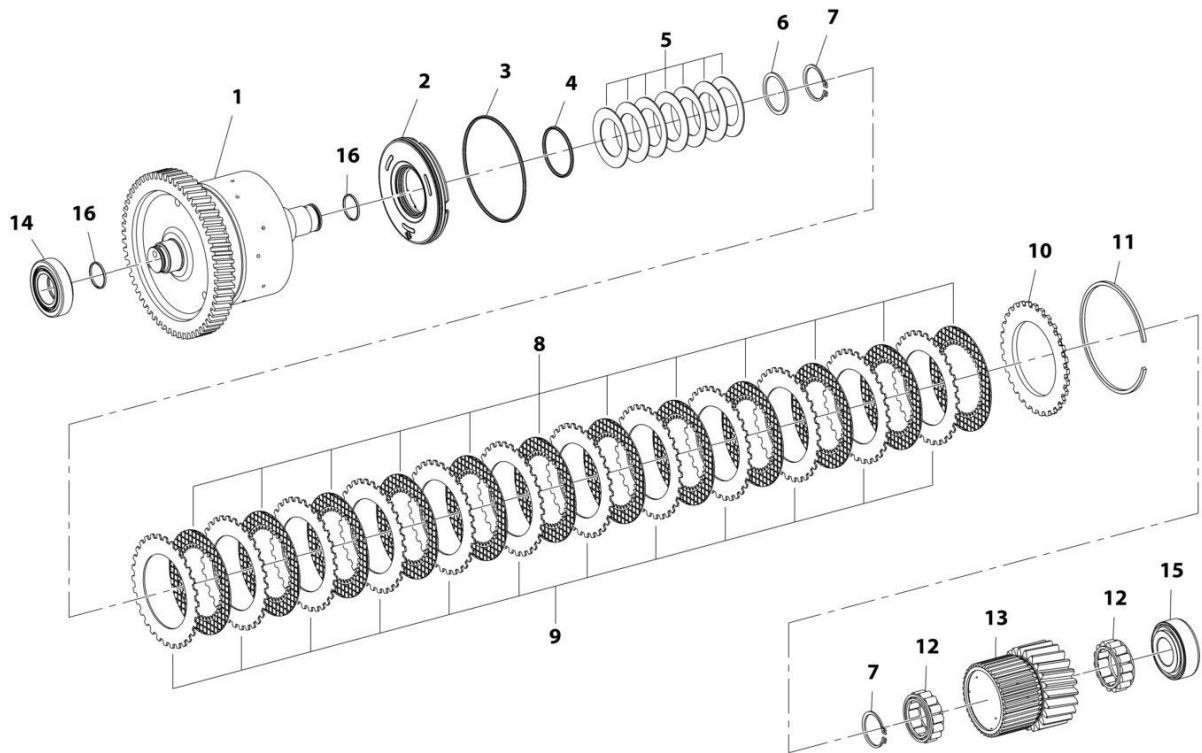
## SECTION 5 - DRIVE TRAIN

### FIGURE 5-9. TRANSMISSION, CLUTCH GROUP 2

ITEM	PART NUMBER	QTY	DESCRIPTION	REV
	1001170171	Ref	TRANSMISSION, CLUTCH GROUP 2	C
1	7026762	1	Coupling	
2	70022075	1	Piston	
3	1319594	1	O-Ring	
4	1319593	1	O-Ring	
5	1319595	7	Spring, Cup	
6	1319617	1	Shim	
7	1319618	AR	Bearing, Roller	
8	7026758	11	Disc, Friction	
9	7026759	11	Disc, Static	
10	7026760	1	Shim	
11	70026527	AR	Ring, Snap 2.00	
11	70026528	AR	Ring, Snap 2.25	
11	70026529	AR	Ring, Snap 2.50	
11	7029852	AR	Ring	
11	1319602	AR	Ring	
11	7029849	AR	Ring	
11	1319601	AR	Ring	
11	7029850	AR	Ring	
11	1319600	AR	Ring	
12	1319638	1	Carrier, Disc	
13	1319620	1	Bearing, Roller	
14	1319632	AR	Ring	
14	1319631	AR	Ring	
14	1319630	AR	Ring	
14	1319629	AR	Ring	
14	1319628	AR	Ring	
14	1319627	AR	Ring	
14	1319626	AR	Ring	
14	1319625	AR	Ring	
14	1319624	AR	Ring	
14	1319623	AR	Ring	
14	1319622	AR	Ring	
14	1319621	AR	Ring	
15	1319615	1	Bearing, Roller	
16	1319636	1	Bearing, Roller	
17	7026761	2	Ring, Piston	

# SECTION 5 - DRIVE TRAIN

## FIGURE 5-10. TRANSMISSION, COUPLING GROUP 1



ART\_1001170171\_9-C

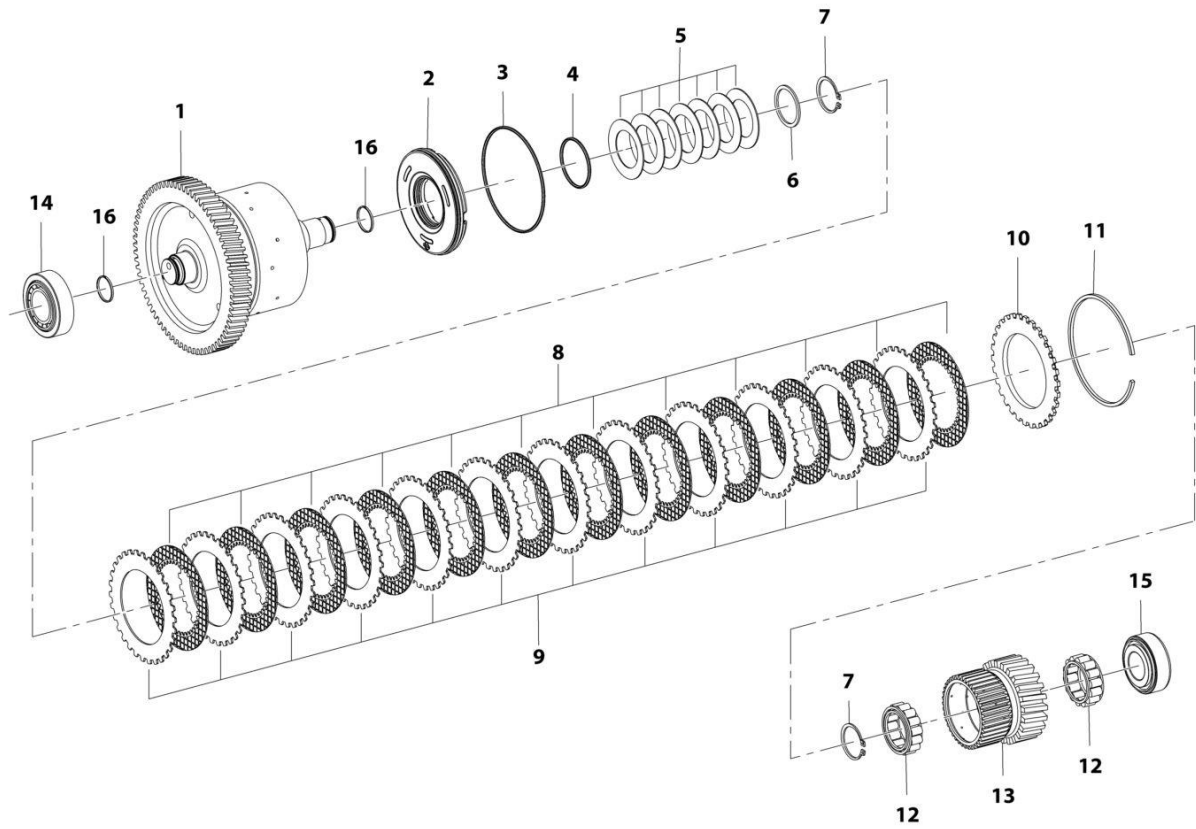
## SECTION 5 - DRIVE TRAIN

**FIGURE 5-10. TRANSMISSION, COUPLING GROUP 1**

ITEM	PART NUMBER	QTY	DESCRIPTION	REV
	1001170171	Ref	TRANSMISSION, COUPLING GROUP 1	C
1	70026530	1	Coupling	
2	70022075	1	Piston	
3	1319594	1	O-Ring	
4	1319593	1	O-Ring	
5	1319595	7	Spring, Cup	
6	1319596	1	Shim	
7	10731845	2	Ring, Retaining	
8	7026758	12	Disc, Friction	
9	7026759	12	Disc, Clutch	
10	7026760	1	Shim	
11	70026527	AR	Ring, Snap 2.00	
11	70026528	AR	Ring, Snap 2.25	
11	70026529	AR	Ring, Snap 2.50	
11	7029852	AR	Ring	
11	1319602	AR	Ring	
11	7029849	AR	Ring	
11	1319601	AR	Ring	
11	7029850	AR	Ring	
11	1319600	AR	Ring	
12	1319605	AR	Cage, Roller	
13	1319607	1	Carrier, Disc	
14	1319608	1	Bearing, Roller	
15	8036190	1	Bearing, Roller	
16	7026761	2	Piston Ring	

# SECTION 5 - DRIVE TRAIN

## FIGURE 5-11. TRANSMISSION, COUPLING GROUP 2



ART\_1001170171\_10-C

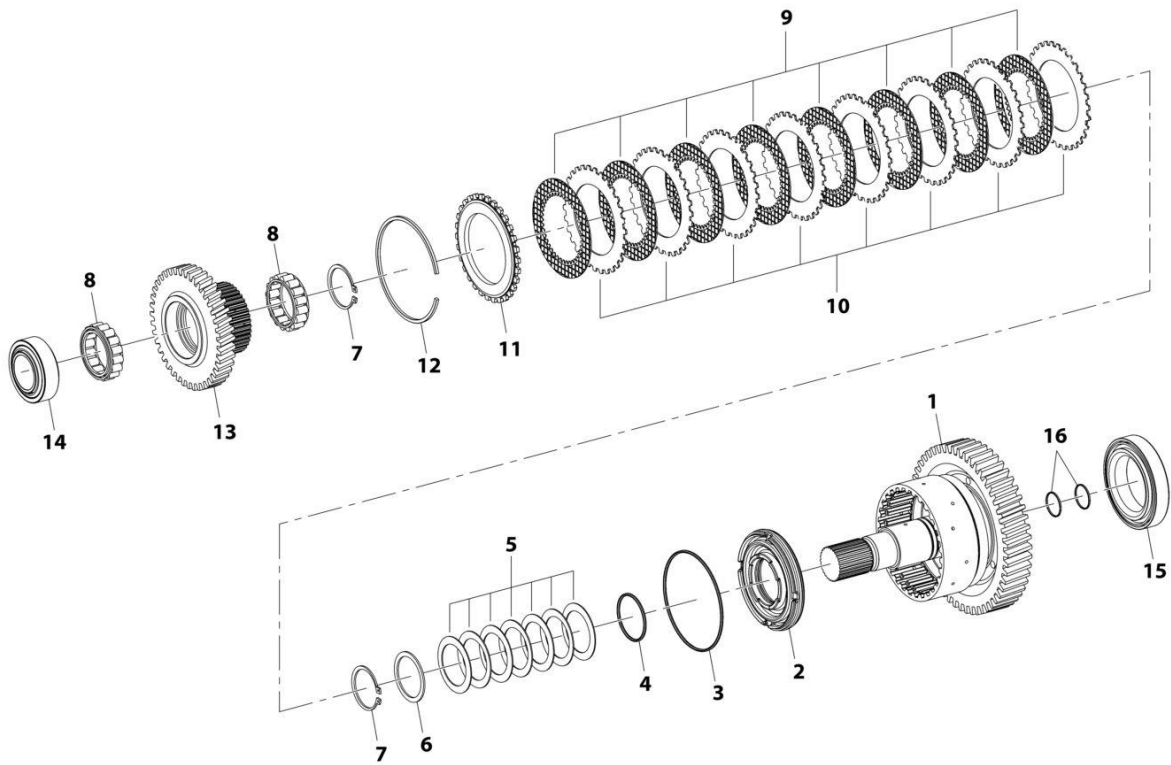
## SECTION 5 - DRIVE TRAIN

**FIGURE 5-11. TRANSMISSION, COUPLING GROUP 2**

ITEM	PART NUMBER	QTY	DESCRIPTION	REV
	1001170171	Ref	TRANSMISSION, COUPLING GROUP 2	C
1	70026531	1	Coupling	
2	70022075	1	Piston	
3	1319594	1	O-Ring	
4	1319593	1	O-Ring	
5	1319595	7	Spring, Cup	
6	1319596	1	Shim	
7	10731845	2	Ring, Retaining	
8	7026758	12	Disc, Friction	
9	7026759	12	Disc, Clutch	
10	7026760	1	Shim	
11	70026527	AR	Ring, Snap 2.00	
11	70026528	AR	Ring, Snap 2.25	
11	70026529	AR	Ring, Snap 2.50	
11	7029852	AR	Ring	
11	1319602	AR	Ring	
11	7029849	AR	Ring	
11	1319601	AR	Ring	
11	7029850	AR	Ring	
11	1319600	AR	Ring	
12	1319605	AR	Bearing, Roller	
13	1319614	1	Carrier, Disc	
14	1319615	1	Bearing, Roller	
15	8036190	1	Bearing, Roller	
16	7026761	2	Ring, Piston	

# SECTION 5 - DRIVE TRAIN

## FIGURE 5-12. TRANSMISSION, COUPLING GROUP 3



ART\_1001170171\_11-C

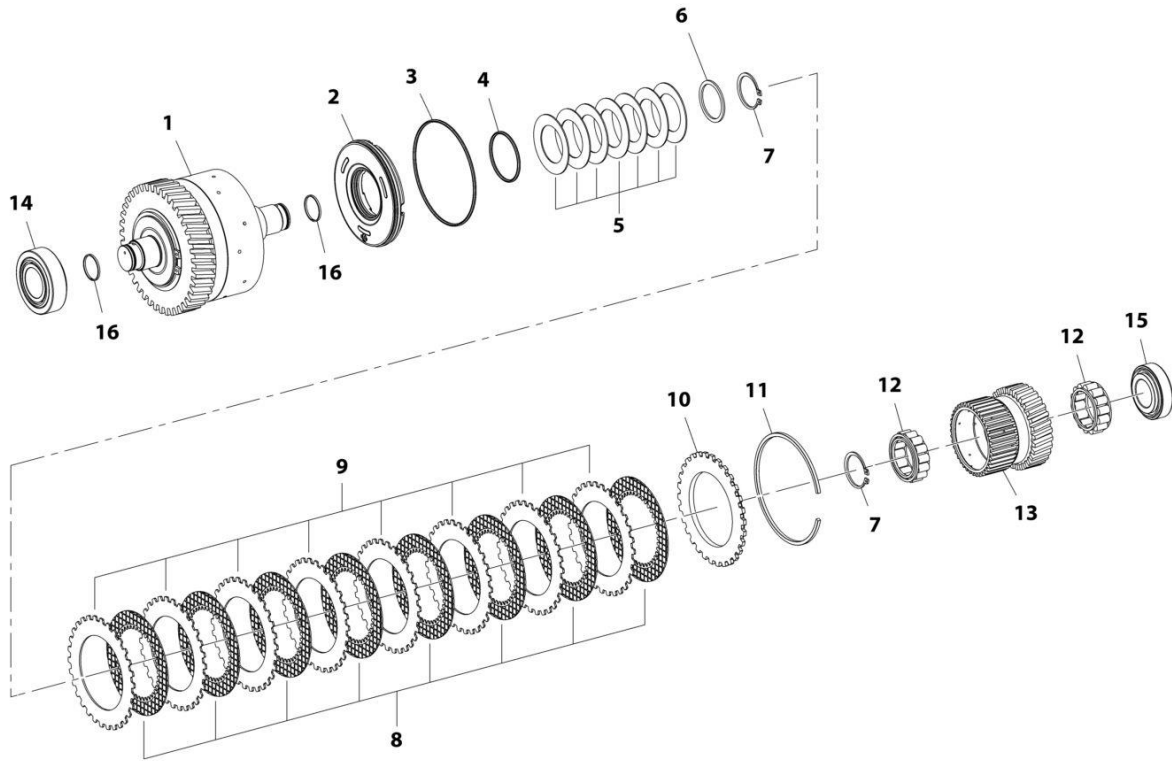
## SECTION 5 - DRIVE TRAIN

**FIGURE 5-12. TRANSMISSION, COUPLING GROUP 3**

ITEM	PART NUMBER	QTY	DESCRIPTION	REV
	1001170171	Ref	TRANSMISSION, COUPLING GROUP 3	C
1	70026532	1	Coupling	
2	70022075	1	Piston	
3	1319594	1	O-Ring	
4	1319593	1	O-Ring	
5	7026765	7	Spring, Cup	
6	7026766	1	Washer	
7	80304227	AR	Ring, Retaining	
8	70021227	AR	Ring	
8	70021228	AR	Cage, Roller	
9	7026758	AR	Disc, Friction	
10	7026759	AR	Disc, Clutch	
11	7026760	AR	Shim	
12	70026527	AR	Ring	
12	70026528	AR	Ring	
12	70026529	AR	Ring	
12	7029852	AR	Ring	
12	1319602	AR	Ring	
12	7029849	AR	Ring	
12	1319601	AR	Ring	
12	7029850	AR	Ring	
12	1319600	AR	Ring	
13	7027267	1	Carrier, Disc	
14	70021268	1	Bearing, Outer Ring	
14	70021269	1	Bearing, Inner Ring	
15	7026769	AR	Bearing, Roller	
16	7026761	2	Ring, Piston	

# SECTION 5 - DRIVE TRAIN

## FIGURE 5-13. TRANSMISSION, COUPLING GROUP 4



ART\_1001170171\_12-C



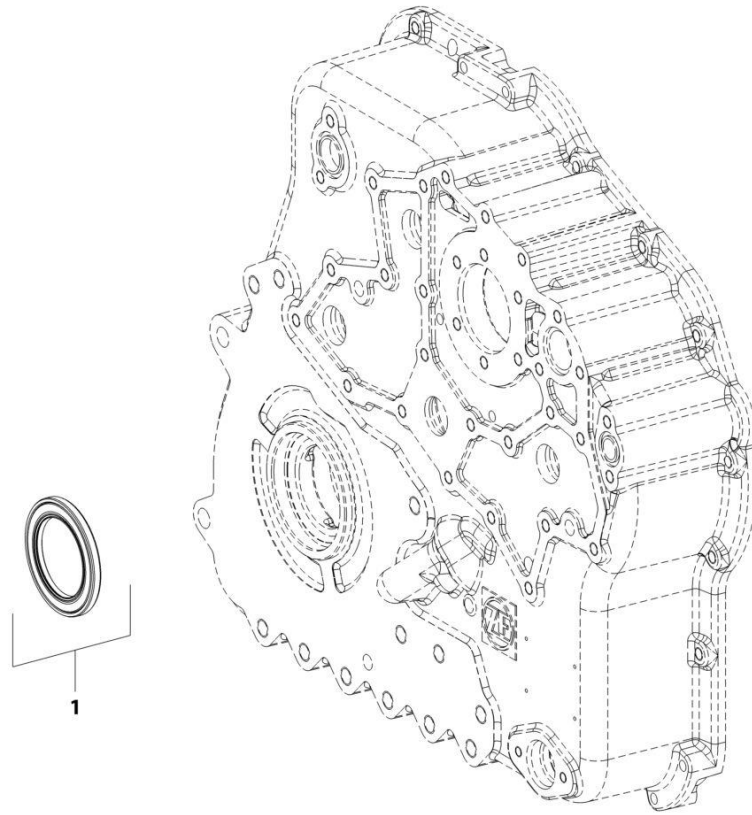
## SECTION 5 - DRIVE TRAIN

**FIGURE 5-13. TRANSMISSION, COUPLING GROUP 4**

ITEM	PART NUMBER	QTY	DESCRIPTION	REV
	1001170171	Ref	TRANSMISSION, COUPLING GROUP 4	C
1	70026535	1	Coupling	
2	70022075	1	Piston	
3	1319594	1	O-Ring	
4	1319593	1	O-Ring	
5	1319595	7	Spring, Cup	
6	1319596	1	Shim	
7	10731845	2	Ring, Retaining	
8	7026758	8	Disc, Friction	
9	7026759	8	Disc, Clutch	
10	7026760	1	Shim	
11	70026527	AR	Ring, Snap 2.00	
11	70026528	AR	Ring, Snap 2.25	
11	70026529	AR	Ring, Snap 2.50	
11	7029852	AR	Ring	
11	1319602	AR	Ring	
11	7029849	AR	Ring	
11	1319601	AR	Ring	
11	7029850	AR	Ring	
11	1319600	AR	Ring	
12	1319605	AR	Bearing, Roller	
13	1319635	1	Carrier, Disc	
14	1319615	1	Bearing, Roller	
15	1319636	1	Bearing, Roller	
16	7026761	2	Ring, Piston	

# SECTION 5 - DRIVE TRAIN

## FIGURE 5-14. TRANSMISSION, OUTPUT



ART\_1001170171\_13-C

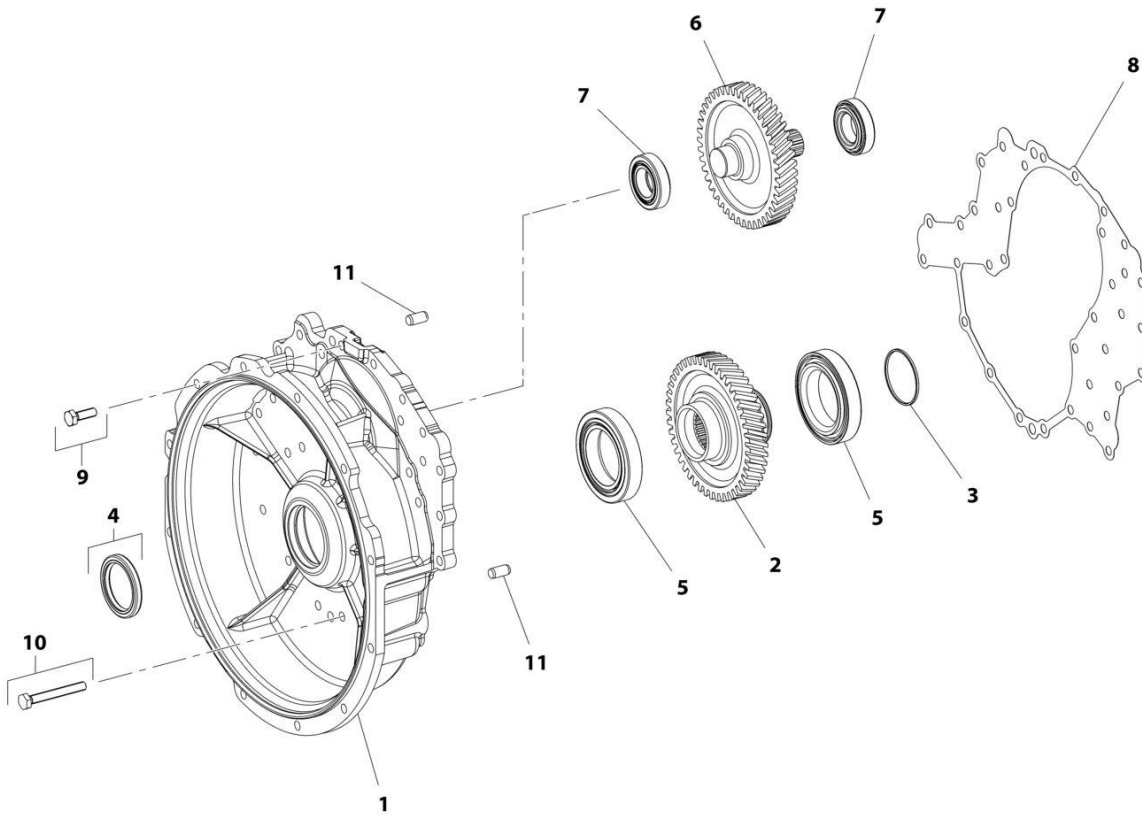
## SECTION 5 - DRIVE TRAIN

FIGURE 5-14. TRANSMISSION, OUTPUT

ITEM	PART NUMBER	QTY	DESCRIPTION	REV
1	1001170171 70026536	Ref 1	TRANSMISSION, OUTPUT Seal, Shaft	C

# SECTION 5 - DRIVE TRAIN

## FIGURE 5-15. TRANSMISSION, POWER TAKE-OFF



ART\_1001170171\_14-C

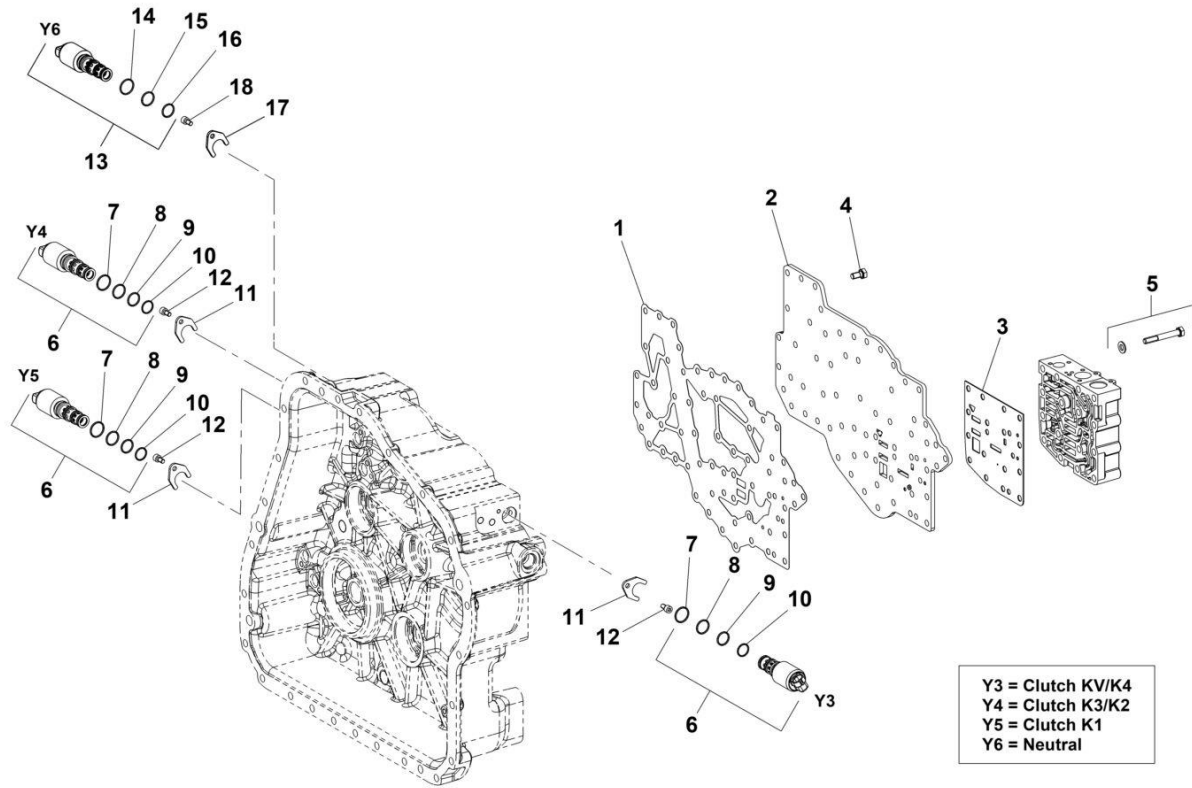
## SECTION 5 - DRIVE TRAIN

### FIGURE 5-15. TRANSMISSION, POWER TAKE-OFF

ITEM	PART NUMBER	QTY	DESCRIPTION	REV
	1001170171	Ref	TRANSMISSION, POWER TAKE-OFF	C
1	70021526	1	Housing	
2	7026771	1	Shaft	
3	7026772	1	Ring, Piston	
4	1319576	1	Seal, Shaft	
5	7026769	AR	Bearing, Roller	
6	7026773	1	Shaft	
7	1319608	AR	Bearing, Roller	
8	7026774	1	Gasket	
9	80304394	21	Bolt, M10X30	
10	7026775	15	Bolt, M10X80	
11	1319571	2	Pin	

# SECTION 5 - DRIVE TRAIN

FIGURE 5-16. TRANSMISSION, CONTROL UNIT



ART\_1001170171\_15-C

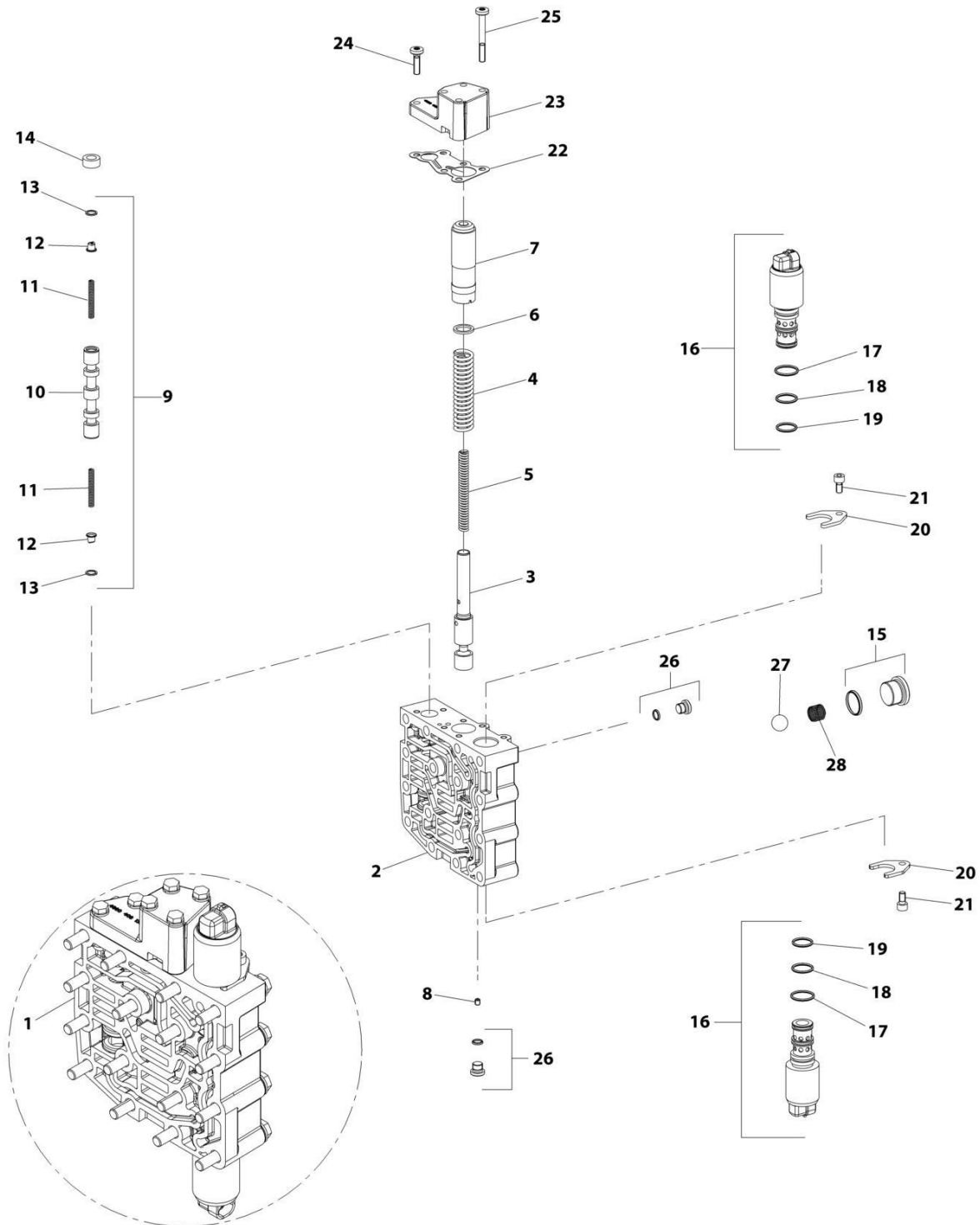
## SECTION 5 - DRIVE TRAIN

**FIGURE 5-16. TRANSMISSION, CONTROL UNIT**

ITEM	PART NUMBER	QTY	DESCRIPTION	REV
	1001170171	Ref	TRANSMISSION, CONTROL UNIT	C
1	7026776	1	Gasket	
2	70026538	1	Plate	
3	70026539	1	Sheet, Intermediate	
4	7026780	46	Bolt, M8X16	
5	7026781	16	Bolt, M8X60 (includes washer)	
5	10732095	16	Washer	
6	8036529	3	Valve, Solenoid (includes items 7 thru 10)	
7	N.S.S.	3	O-Ring	
8	N.S.S.	3	O-Ring	
9	N.S.S.	3	O-Ring	
10	N.S.S.	3	O-Ring	
11	7029267	3	Bracket	
12	70026544	3	Bolt, M6X12	
13	8036528	1	Valve, Solenoid (includes items 14 thru 16)	
14	N.S.S.	1	O-Ring	
15	N.S.S.	1	O-Ring	
16	N.S.S.	1	O-Ring	
17	7029267	1	Bracket	
18	70026544	1	Bolt, M6X12	

# SECTION 5 - DRIVE TRAIN

## FIGURE 5-17. TRANSMISSION, SHIFT SYSTEM



ART\_1001170171\_16-C



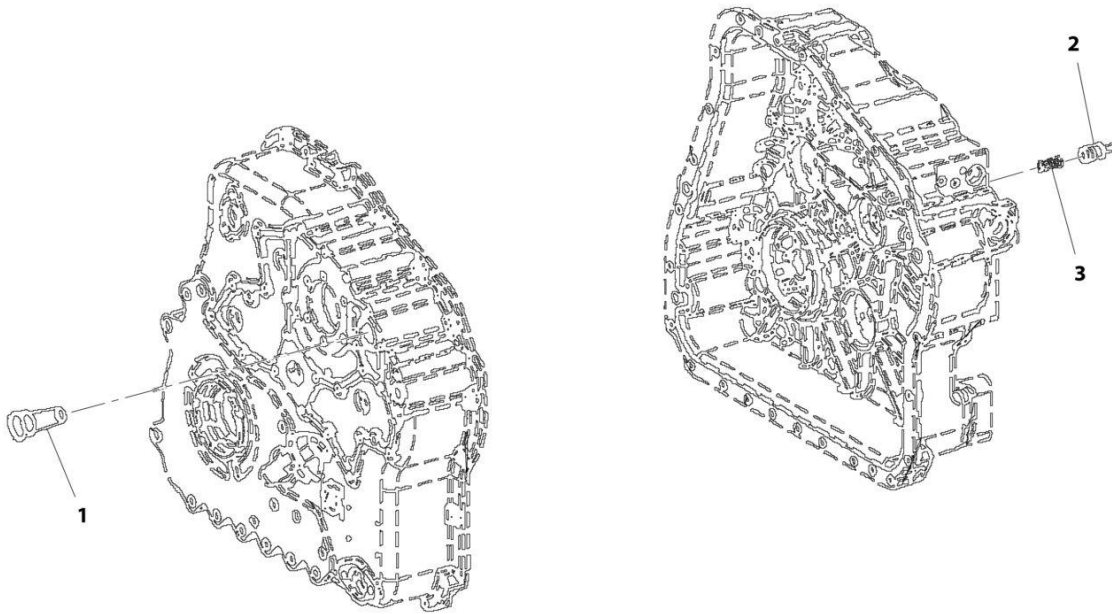
## SECTION 5 - DRIVE TRAIN

**FIGURE 5-17. TRANSMISSION, SHIFT SYSTEM**

ITEM	PART NUMBER	QTY	DESCRIPTION	REV
	1001170171	Ref	TRANSMISSION, SHIFT SYSTEM	C
1	70026561	1	Assembly, Shift System (includes all items)	
2	70026546	1	Housing, Valve	
3	70026547	1	Piston, Control	
4	1319683	1	Spring	
5	1319684	1	Spring	
6	1319689	AR	Washer	
6	1319688	AR	Washer	
6	1319687	AR	Washer	
6	1319686	AR	Washer	
6	1319685	AR	Washer	
7	70026548	1	Piston	
8	70026549	1	Nozzle	
9	1319694	1	Assembly, Valve (includes items 10 thru 13)	
10	N.S.S.	1	Piston	
11	N.S.S.	2	Spring, Compression	
12	N.S.S.	2	Sleeve, Spring	
13	N.S.S.	2	Ring, Snap	
14	7026787	1	Spacer	
15	70026554	1	Plug, Screw (includes o-ring)	
15	70000656	1	O-Ring	
16	8036528	2	Valve, Solenoid (includes items 17 thru 19)	
17	N.S.S.	2	O-Ring	
18	N.S.S.	2	O-Ring	
19	N.S.S.	2	O-Ring	
20	7029267	2	Bracket	
21	70026544	2	Bolt, M6X12	
22	7026788	1	Gasket	
23	7026789	1	Cover	
24	70026555	2	Screw, Torx M6X23	
25	70026556	4	Screw, Torx M6X52	
26	70026517	2	Plug, Screw (includes o-ring)	
26	10731709	2	O-Ring	
27	10732071	1	Ball	
28	10732072	1	Spring	

# SECTION 5 - DRIVE TRAIN

## FIGURE 5-18. TRANSMISSION, PRESSURE REGULATOR



ART\_1001170171\_17-C

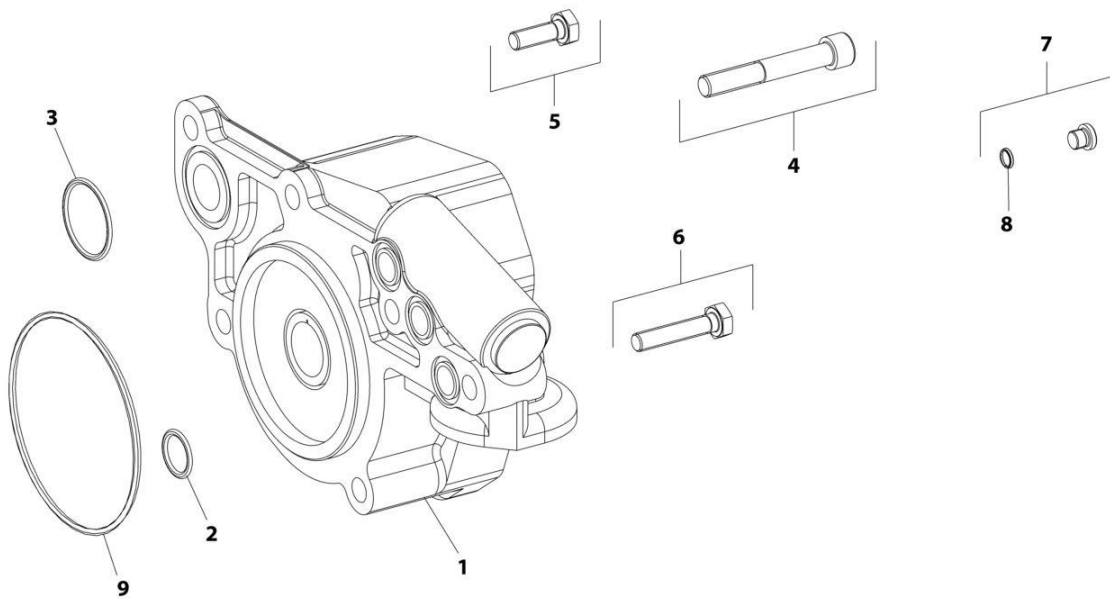
## SECTION 5 - DRIVE TRAIN

FIGURE 5-18. TRANSMISSION, PRESSURE REGULATOR

ITEM	PART NUMBER	QTY	DESCRIPTION	REV
	1001170171	Ref	TRANSMISSION, PRESSURE REGULATOR	C
1	7026782	1	Valve	
2	7026783	1	Piston	
3	7026784	1	Spring	

# SECTION 5 - DRIVE TRAIN

## FIGURE 5-19. TRANSMISSION, PRESSURE OIL PUMP



ART\_1001170171\_18-C

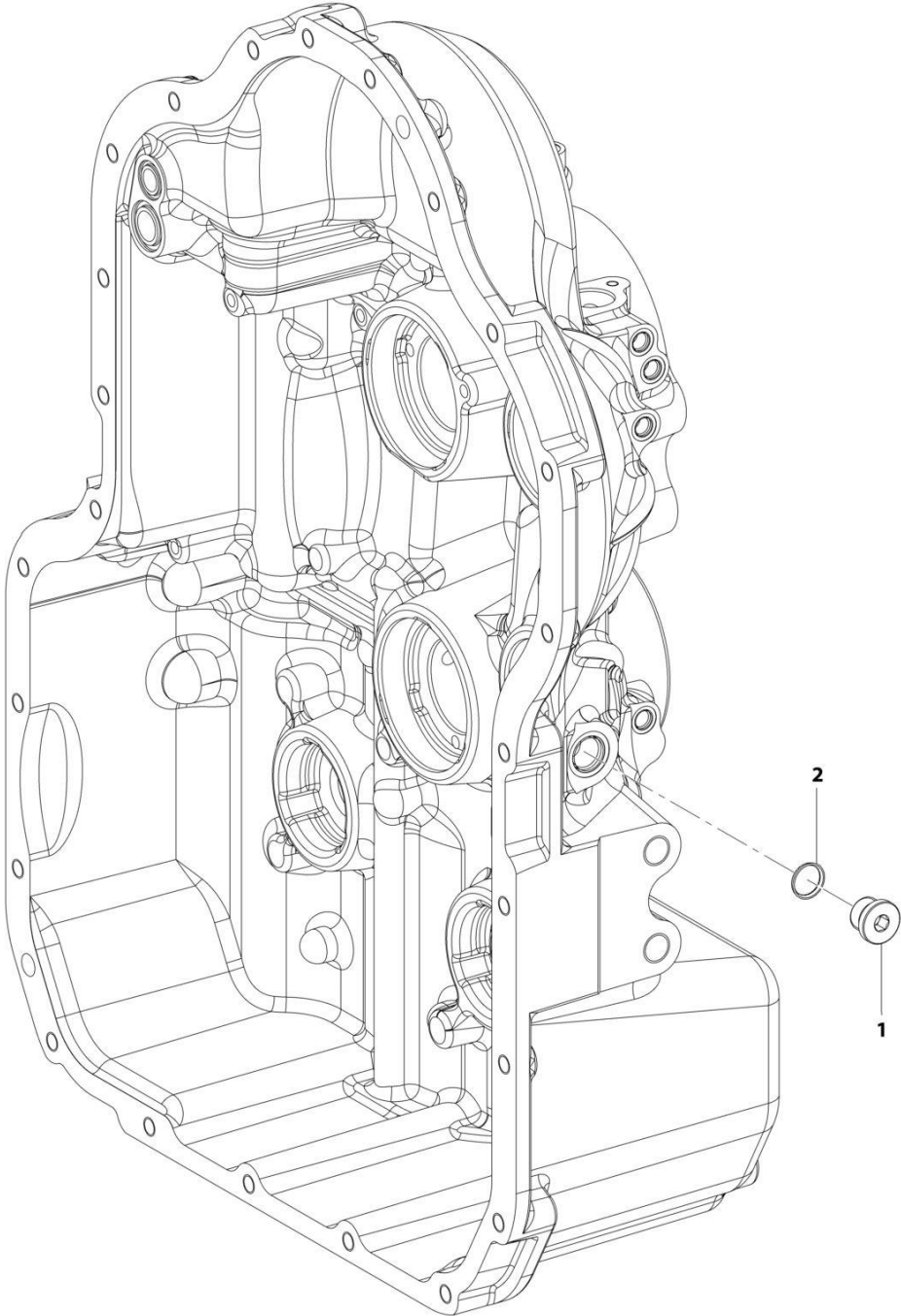
## SECTION 5 - DRIVE TRAIN

### FIGURE 5-19. TRANSMISSION, PRESSURE OIL PUMP

ITEM	PART NUMBER	QTY	DESCRIPTION	REV
	1001170171	Ref	TRANSMISSION, PRESSURE OIL PUMP	C
1	7026791	1	Pump	
2	7026792	3	O-Ring	
3	1319719	1	O-Ring	
4	7026793	4	Bolt, M12X80	
5	80304394	1	Bolt, M10X30	
6	7026794	1	Bolt, M10X50	
7	70026517	2	Plug, Screw	
8	10731709	2	O-Ring	
9	8036250	1	O-RING (located between oil pump and transmission)	

**SECTION 5 - DRIVE TRAIN**

**FIGURE 5-20. TRANSMISSION, INDUCTIVE TRANSMITTER**



ART\_1001170171\_19-C

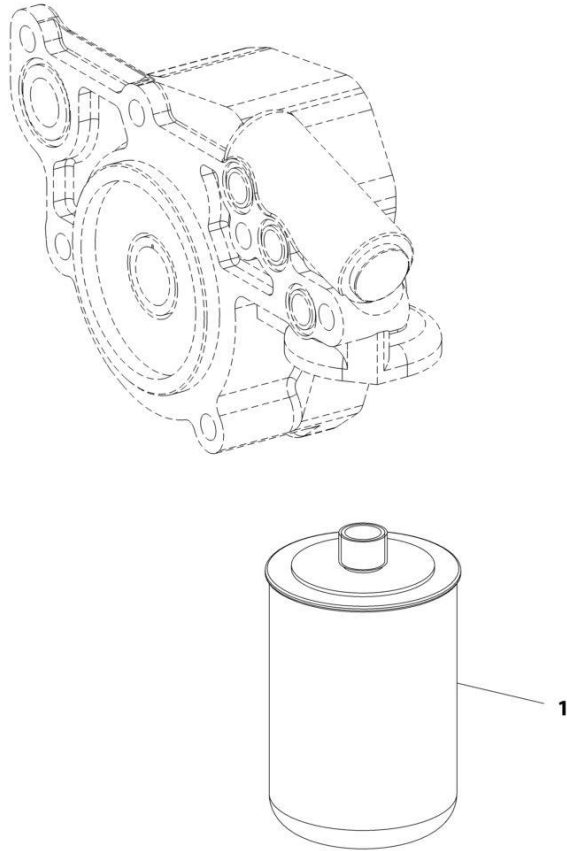
## SECTION 5 - DRIVE TRAIN

**FIGURE 5-20. TRANSMISSION, INDUCTIVE TRANSMITTER**

ITEM	PART NUMBER	QTY	DESCRIPTION	REV
	1001170171	Ref	TRANSMISSION, INDUCTIVE TRANSMITTER	C
1	70024895	1	Plug, Screw (includes o-ring)	
2	N.S.S.	1	O-Ring	

# SECTION 5 - DRIVE TRAIN

## FIGURE 5-21. TRANSMISSION, FILTER



ART\_1001170171\_20-C



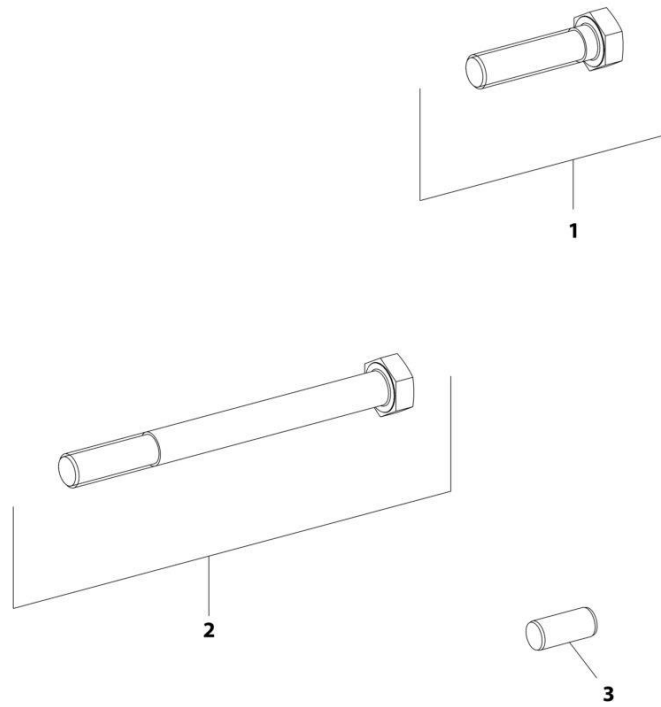
## SECTION 5 - DRIVE TRAIN

FIGURE 5-21. TRANSMISSION, FILTER

ITEM	PART NUMBER	QTY	DESCRIPTION	REV
1	1001170171 1319726	Ref 1	TRANSMISSION, FILTER Filter	C

# SECTION 5 - DRIVE TRAIN

## FIGURE 5-22. TRANSMISSION, ACCESSORIES GROUP 1



ART\_1001170171\_21-C

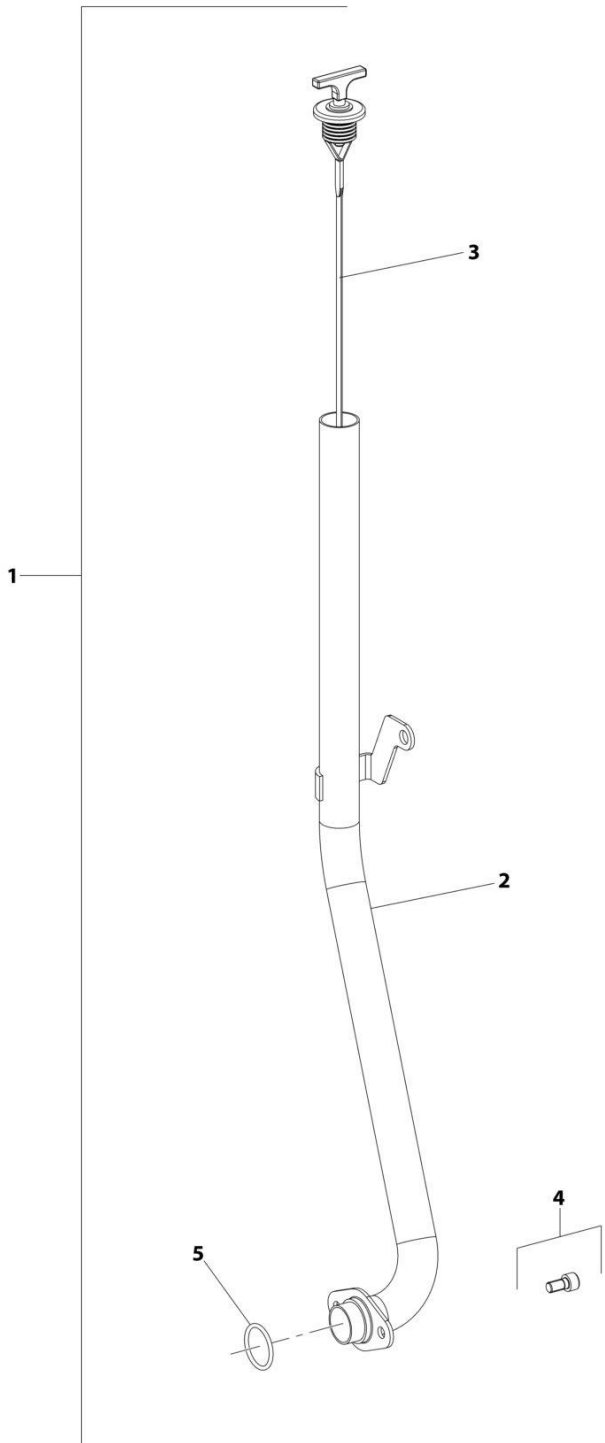
## SECTION 5 - DRIVE TRAIN

FIGURE 5-22. TRANSMISSION, ACCESSORIES GROUP 1

ITEM	PART NUMBER	QTY	DESCRIPTION	REV
	1001170171	Ref	TRANSMISSION, ACCESSORIES GROUP 1	C
1	7027254	12	Bolt, M14X55	
2	7027255	2	Bolt, M14X150	
3	1319571	1	Pin	

**SECTION 5 - DRIVE TRAIN**

**FIGURE 5-23. TRANSMISSION, PERIPHERALS GROUP 1**



ART\_1001170171\_22-C

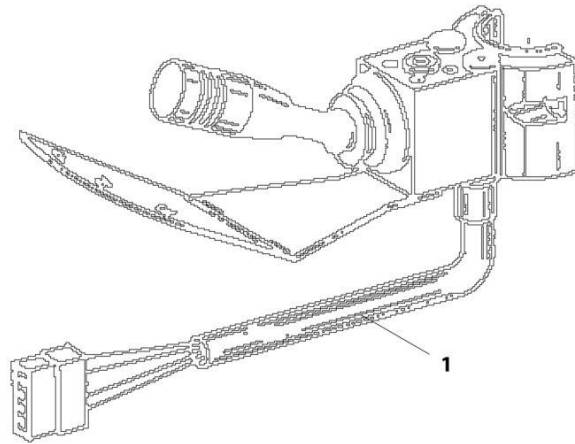
## SECTION 5 - DRIVE TRAIN

FIGURE 5-23. TRANSMISSION, PERIPHERALS GROUP 1

ITEM	PART NUMBER	QTY	DESCRIPTION	REV
	1001170171	Ref	TRANSMISSION, PERIPHERALS GROUP 1	C
1	1001095738	1	Kit, Oil Level Dipstick (includes items 2 & 3)	
2	1001095744	1	Tube, Oil Level	
3	8841322	1	Dipstick, Oil Level	
4	70026516	2	Bolt, M8X16	
5	70023885	1	O-Ring	

# SECTION 5 - DRIVE TRAIN

FIGURE 5-24. TRANSMISSION, PERIPHERALS GROUP 2



ART\_1001170171\_23

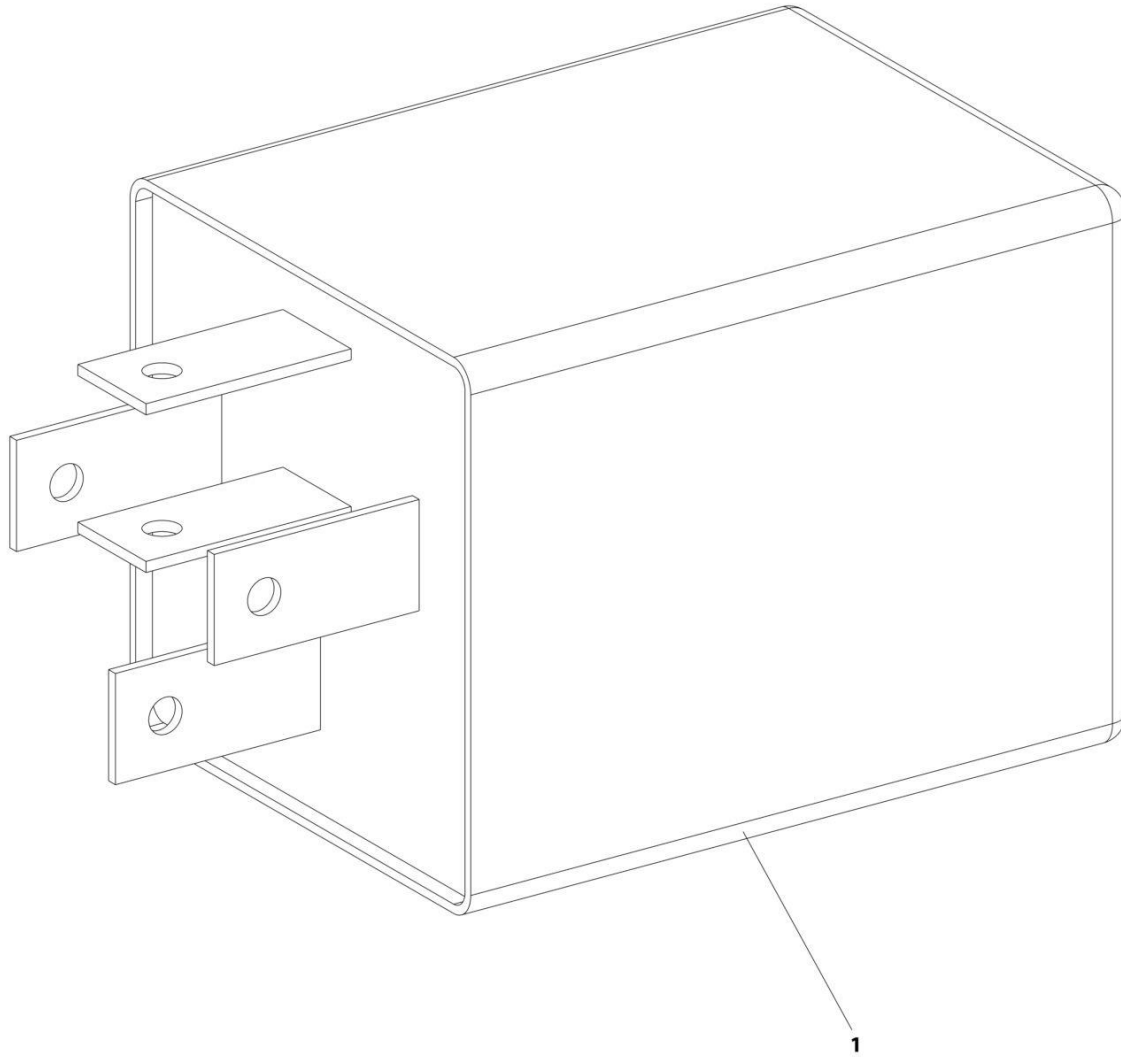
## SECTION 5 - DRIVE TRAIN

FIGURE 5-24. TRANSMISSION, PERIPHERALS GROUP 2

ITEM	PART NUMBER	QTY	DESCRIPTION	REV
1	1001170171 70026558	Ref 1	TRANSMISSION, PERIPHERALS GROUP 2 Selector, Range	C

# SECTION 5 - DRIVE TRAIN

## FIGURE 5-25. TRANSMISSION, ACCESSORIES GROUP 2



ART\_1001170171\_24-C



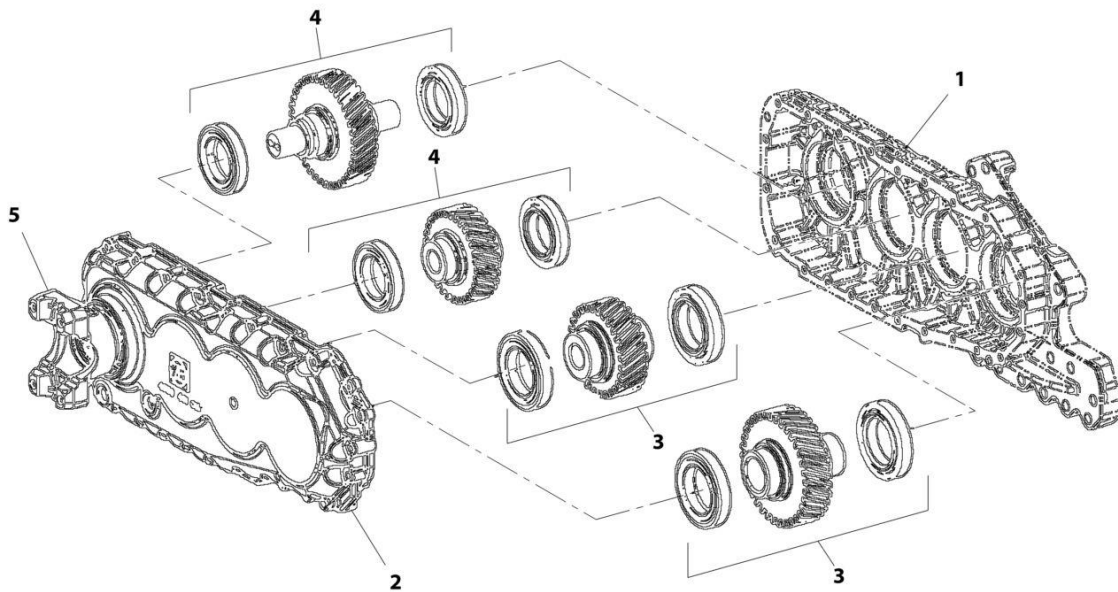
## SECTION 5 - DRIVE TRAIN

FIGURE 5-25. TRANSMISSION, ACCESSORIES GROUP 2

ITEM	PART NUMBER	QTY	DESCRIPTION	REV
1	1001170171 70026559	Ref 1	TRANSMISSION, ACCESSORIES GROUP 2 Relay	C

# SECTION 5 - DRIVE TRAIN

## FIGURE 5-26. TRANSMISSION, TRANSFER BOX



ART\_1001170171\_25-C

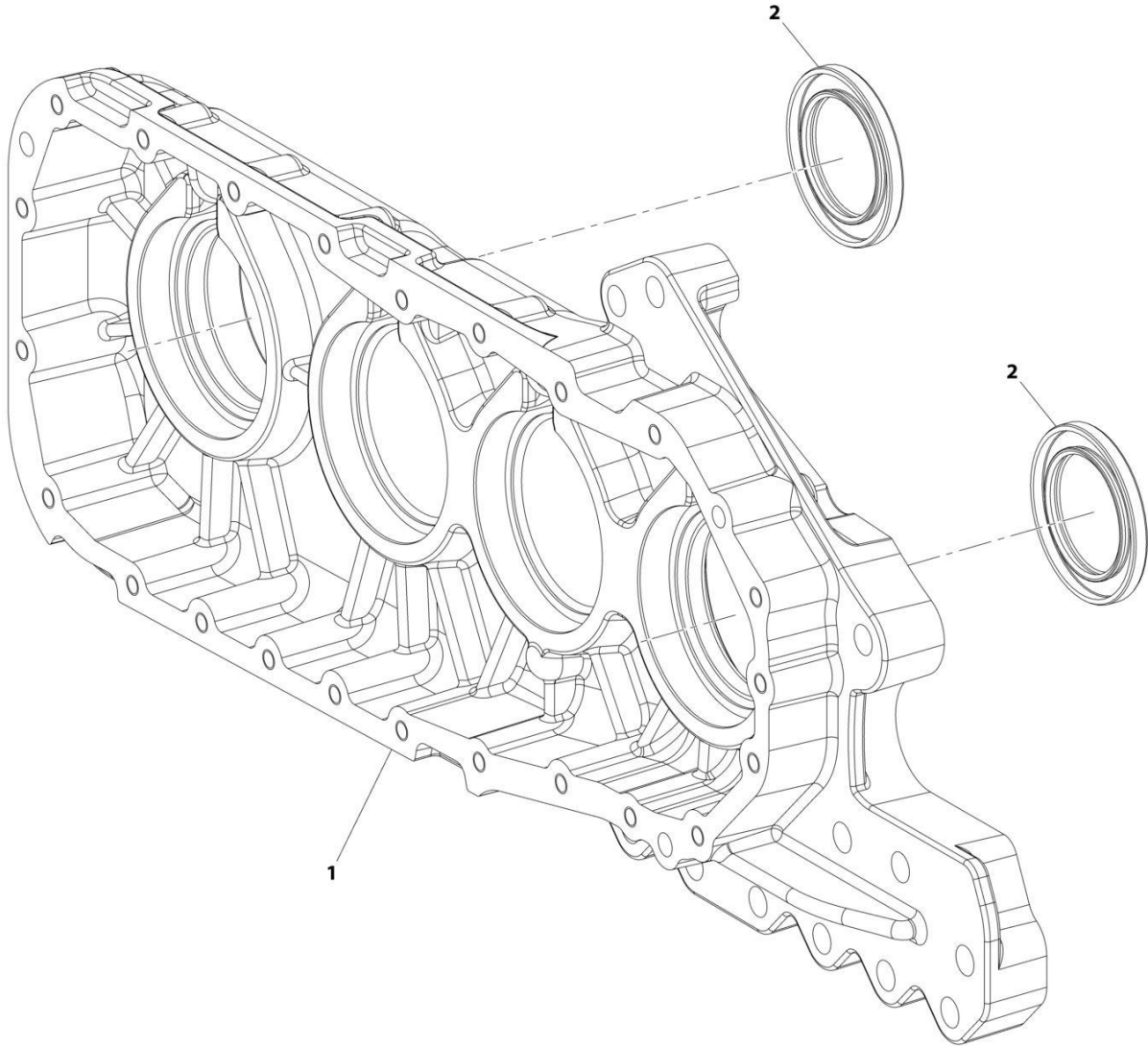
## SECTION 5 - DRIVE TRAIN

**FIGURE 5-26. TRANSMISSION, TRANSFER BOX**

ITEM	PART NUMBER	QTY	DESCRIPTION	REV
	1001170171	Ref	TRANSMISSION, TRANSFER BOX	C
	70023502	1	Box Transfer (includes all items)	
1	N.S.S.	Ref	Housing 1, Transfer Box (See Separate Breakdown in this Section)	
2	N.S.S.	Ref	Housing 2, Transfer Box (See Separate Breakdown in this Section)	
3	N.S.S.	Ref	Input, Transfer Box (See Separate Breakdown in this Section)	
4	N.S.S.	Ref	Output 1, Transfer Box (See Separate Breakdown in this Section)	
5	N.S.S.	Ref	Output 2, Transfer Box (See Separate Breakdown in this Section)	

**SECTION 5 - DRIVE TRAIN**

**FIGURE 5-27. TRANSMISSION, TRANSFER BOX HOUSING 1**



ART\_1001170171\_26-C

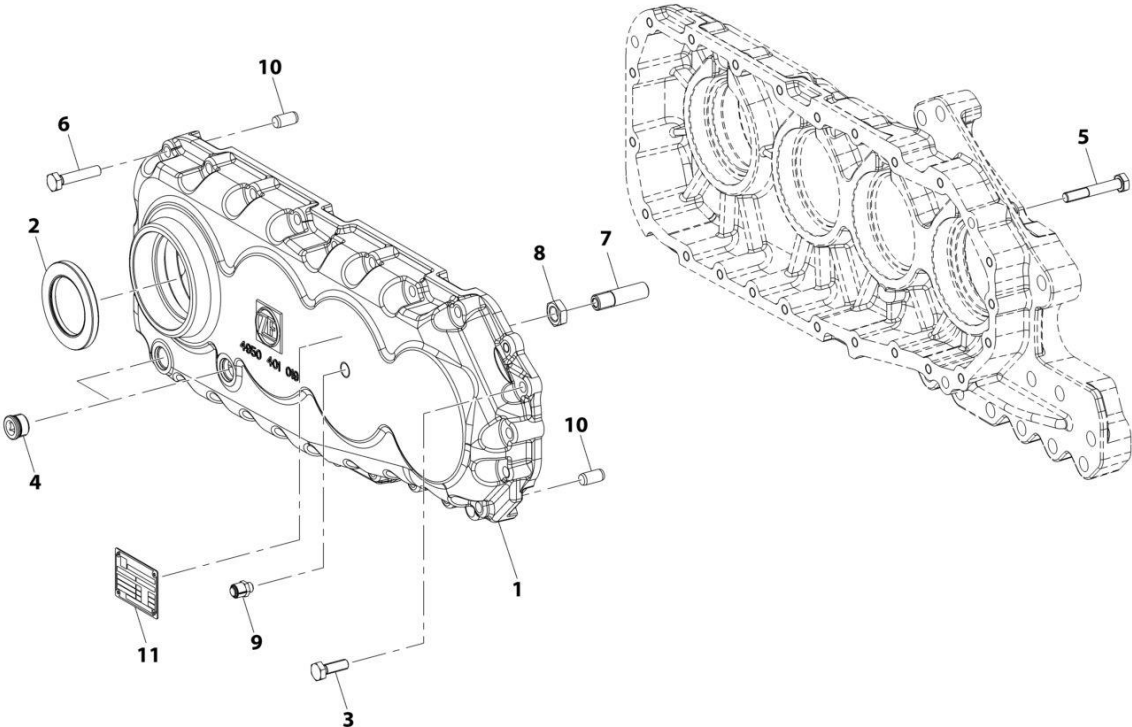
## SECTION 5 - DRIVE TRAIN

FIGURE 5-27. TRANSMISSION, TRANSFER BOX HOUSING 1

ITEM	PART NUMBER	QTY	DESCRIPTION	REV
	1001170171	Ref	TRANSMISSION, TRANSFER BOX HOUSING 1	C
1	70023474	1	Housing, Transfer Box	
2	70026536	2	Seal, Shaft	

**SECTION 5 - DRIVE TRAIN**

**FIGURE 5-28. TRANSMISSION, TRANSFER BOX HOUSING 2**



ART\_1001170171\_27-C

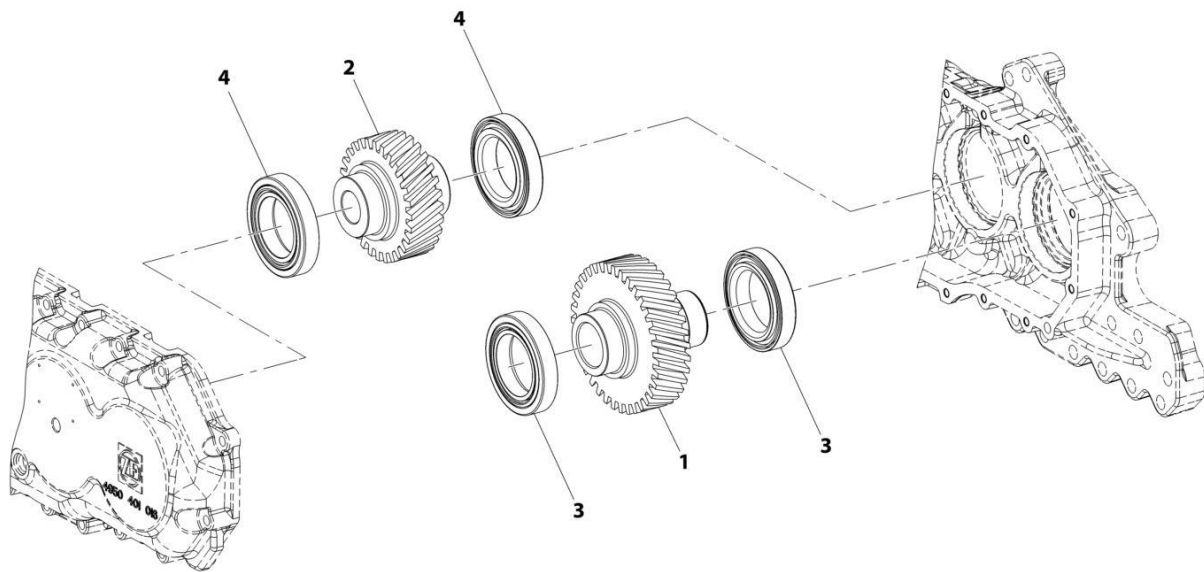
## SECTION 5 - DRIVE TRAIN

### FIGURE 5-28. TRANSMISSION, TRANSFER BOX HOUSING 2

ITEM	PART NUMBER	QTY	DESCRIPTION	REV
	1001170171	Ref	TRANSMISSION, TRANSFER BOX HOUSING 2	C
1	70023475	1	Housing	
2	70026536	1	Seal, Shaft	
3	70023800	1	Bolt, M10X30	
4	70023404	2	Plug	
5	70023476	1	Bolt, M10X65	
6	70023801	22	Bolt, M10X50	
7	7026577	1	Sleeve	
8	7026578	1	Nut, M16	
9	1319436	1	Breather	
10	1319571	2	Pin	
11	N.S.S.	1	Plate, Serial Number	

# SECTION 5 - DRIVE TRAIN

## FIGURE 5-29. TRANSMISSION, TRANSFER BOX HOUSING INPUT



ART\_1001170171\_28-C



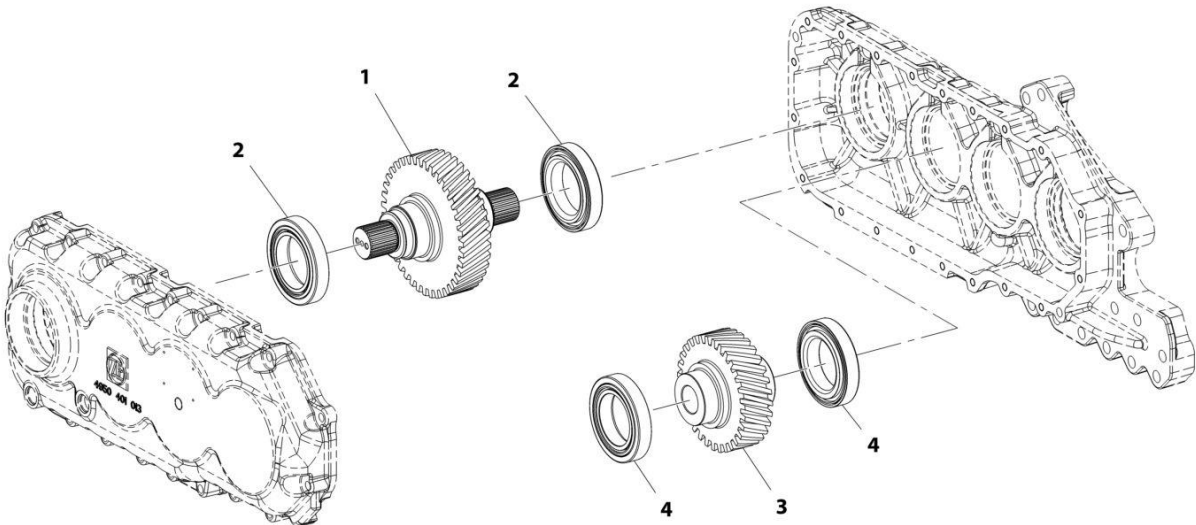
## SECTION 5 - DRIVE TRAIN

**FIGURE 5-29. TRANSMISSION, TRANSFER BOX HOUSING INPUT**

ITEM	PART NUMBER	QTY	DESCRIPTION	REV
	1001170171	Ref	TRANSMISSION, TRANSFER BOX HOUSING INPUT	C
1	7027269	1	Shaft	
2	7027270	1	Gear, Idler	
3	7026769	2	Bearing, Roller	
4	1320748	2	Cup, Tapered Roller	
4	1320754	2	Cone, Tapered Roller	

**SECTION 5 - DRIVE TRAIN**

**FIGURE 5-30. TRANSMISSION, TRANSFER BOX HOUSING OUTPUT 1**



ART\_1001170171\_29-C

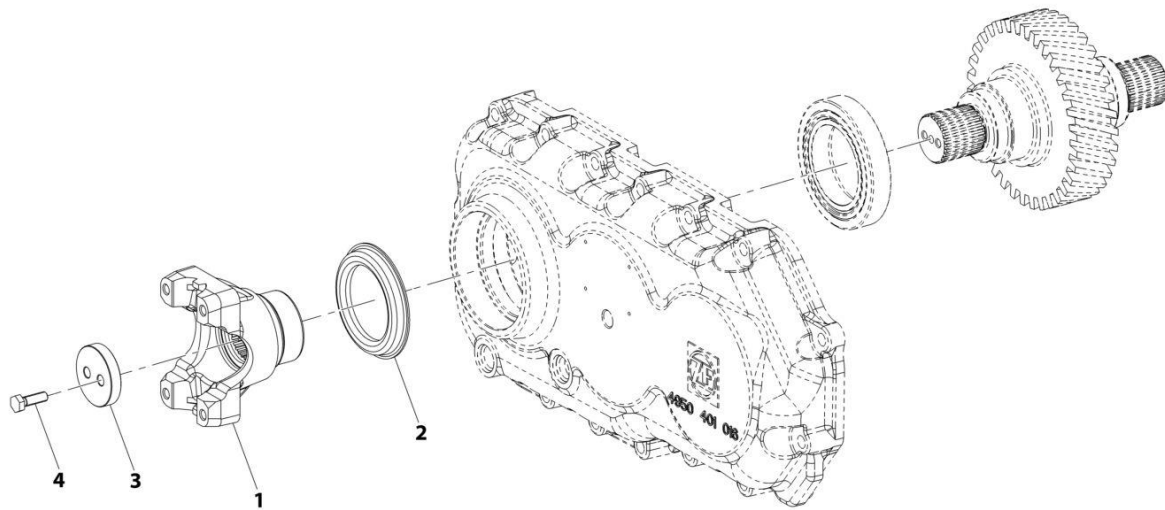
## SECTION 5 - DRIVE TRAIN

**FIGURE 5-30. TRANSMISSION, TRANSFER BOX HOUSING OUTPUT 1**

ITEM	PART NUMBER	QTY	DESCRIPTION	REV
	1001170171	Ref	TRANSMISSION, TRANSFER BOX HOUSING OUTPUT 1	C
1	7027271	1	Gear, Output	
2	7026769	2	Bearing, Roller	
3	7027272	1	Gear, Idler	
4	1320748	2	Cup, Tapered Roller	
4	1320754	2	Cone, Tapered Roller	

## SECTION 5 - DRIVE TRAIN

FIGURE 5-31. TRANSMISSION, TRANSFER BOX HOUSING OUTPUT 2



ART\_1001170171\_30-C

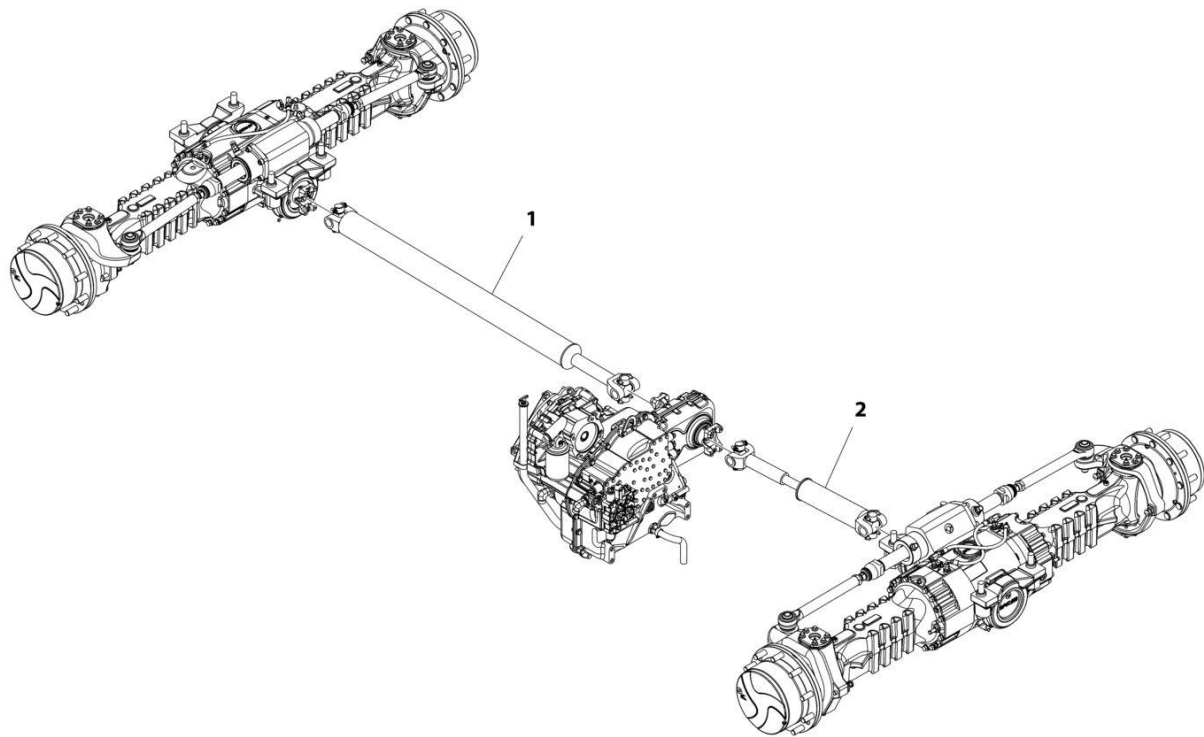
## SECTION 5 - DRIVE TRAIN

**FIGURE 5-31. TRANSMISSION, TRANSFER BOX HOUSING OUTPUT 2**

ITEM	PART NUMBER	QTY	DESCRIPTION	REV
	1001170171	Ref	TRANSMISSION, TRANSFER BOX HOUSING OUTPUT 2	C
1	7027273	2	Flange (one per side)	
2	1319647	2	Sheet, Screen (one per side)	
3	1319648	2	Washer, (one per side)	
4	10731959	4	Bolt, M8X25 (two per side)	

# SECTION 5 - DRIVE TRAIN

## FIGURE 5-32. DRIVE SHAFTS INSTALLATION



ART\_1001169350-A

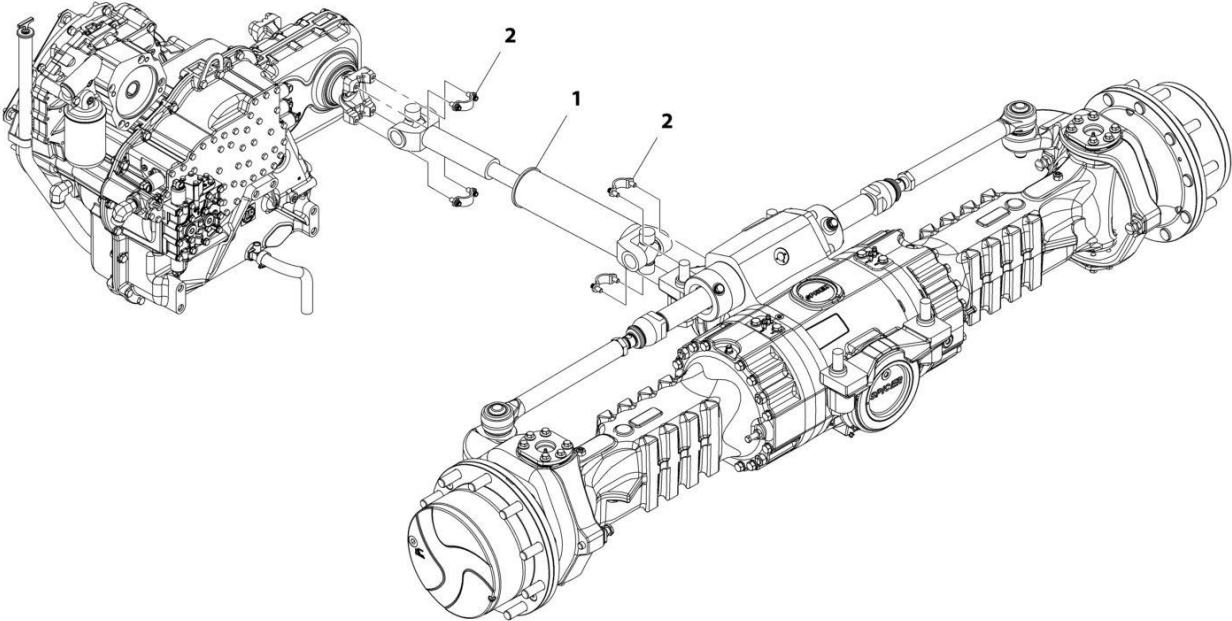
## SECTION 5 - DRIVE TRAIN

### FIGURE 5-32. DRIVE SHAFTS INSTALLATION

ITEM	PART NUMBER	QTY	DESCRIPTION	REV
1	1001169350	Ref	Drive Shafts Installation	A
	1001169351	Ref	Installation, Rear Drive Shaft (See Separate Breakdown in this Section)	
2	1001172954	Ref	Installation, Front Drive Shaft (See Separate Breakdown in this Section)	

**SECTION 5 - DRIVE TRAIN**

**FIGURE 5-33. FRONT DRIVE SHAFT INSTALLATION**



ART\_1001172954-A



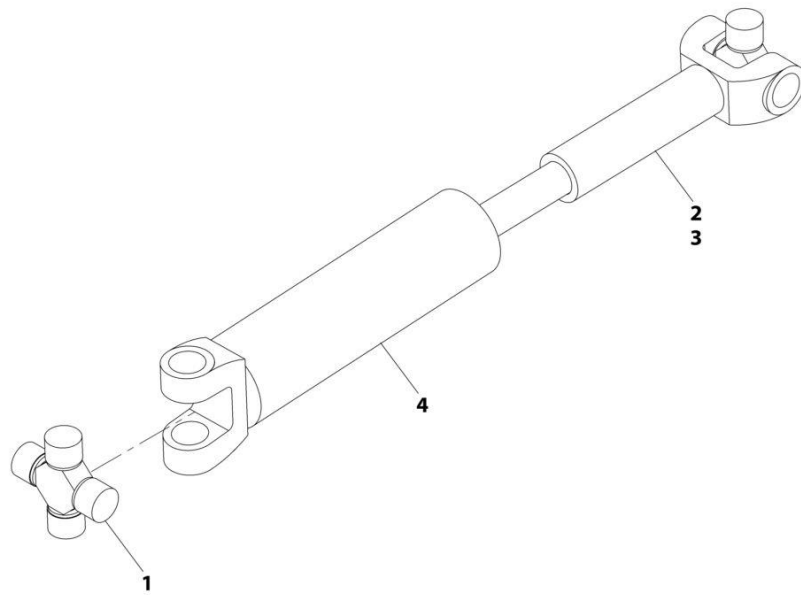
## SECTION 5 - DRIVE TRAIN

**FIGURE 5-33. FRONT DRIVE SHAFT INSTALLATION**

ITEM	PART NUMBER	QTY	DESCRIPTION	REV
	1001172954	Ref	Front Drive Shaft Installation	A
1	7150580	1	Drive Shaft, Front (See Separate Breakdown in this Section)	
2	8880218-OM	2	Kit, Strap	

# SECTION 5 - DRIVE TRAIN

## FIGURE 5-34. FRONT DRIVE SHAFT ASSEMBLY



ART\_7150580-D

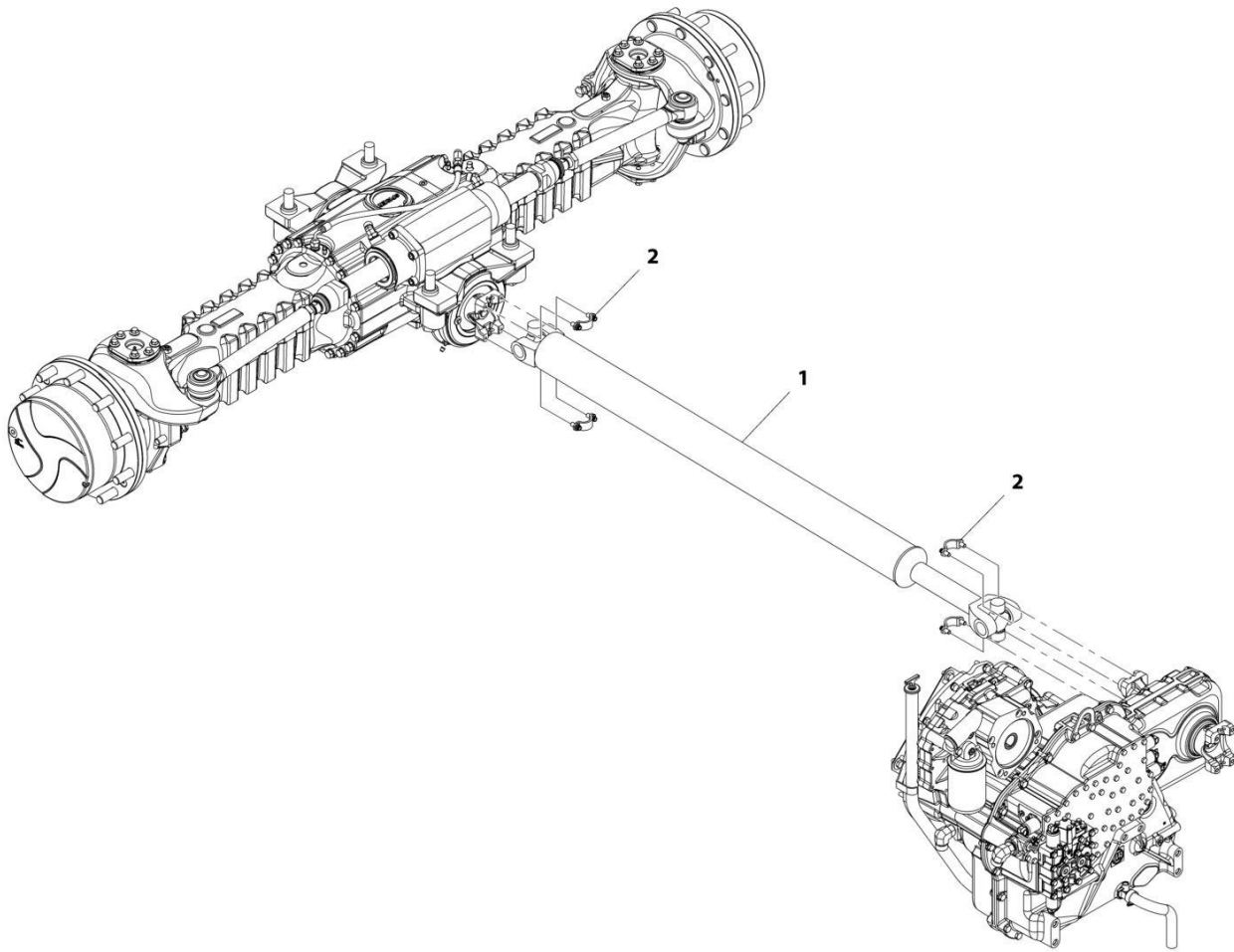
## SECTION 5 - DRIVE TRAIN

### FIGURE 5-34. FRONT DRIVE SHAFT ASSEMBLY

ITEM	PART NUMBER	QTY	DESCRIPTION	REV
	7150580	Ref	Front Drive Shaft Assembly	D
1	8036433	4	Kit, Cross and Bearing	
2	8035779	2	Kit, Dust Cap	
3	N.S.S.	1	Joint, Slip	
4	N.S.S.	1	Shaft, Yoke	

# SECTION 5 - DRIVE TRAIN

## FIGURE 5-35. REAR DRIVE SHAFT INSTALLATION



ART\_1001169351-A

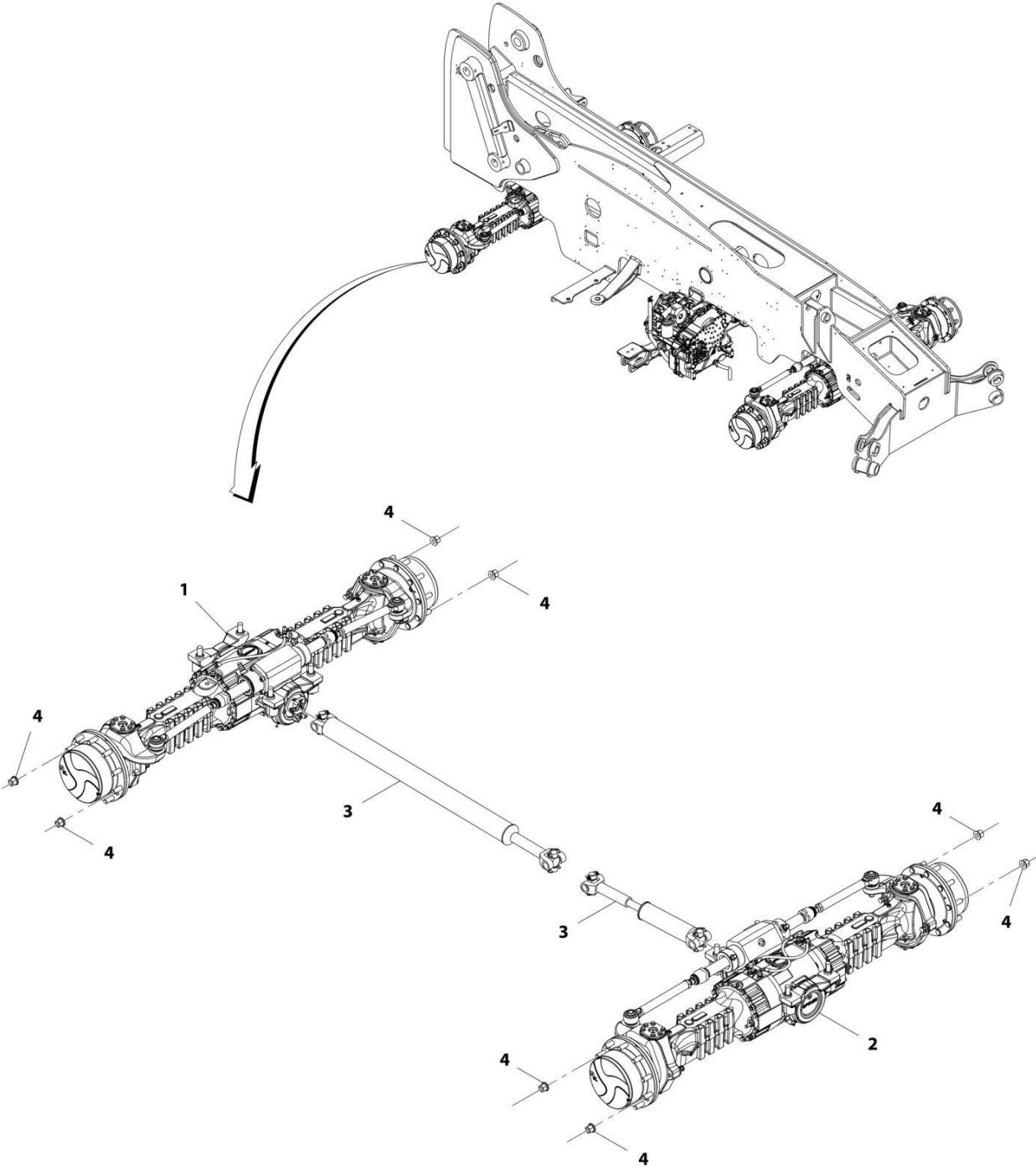
## SECTION 5 - DRIVE TRAIN

**FIGURE 5-35. REAR DRIVE SHAFT INSTALLATION**

ITEM	PART NUMBER	QTY	DESCRIPTION	REV
	1001169351	Ref	Rear Drive Shaft Installation	A
1	1001170616	1	Drive Shaft, Rear	
2	8880218-OM	2	Kit, Strap	

**SECTION 5 - DRIVE TRAIN**

**FIGURE 5-36. DRIVETRAIN INSTALLATION**



ART\_1001168786-B

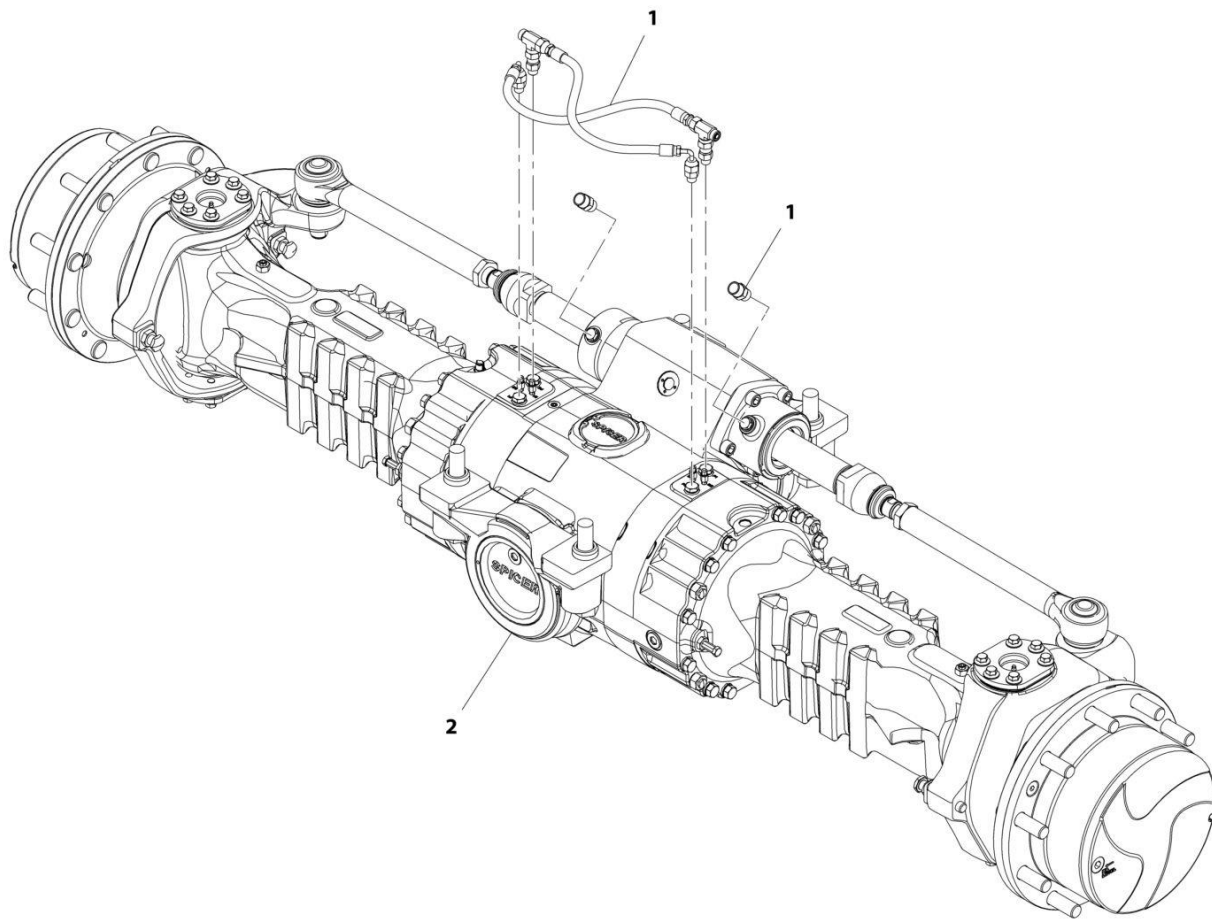
## SECTION 5 - DRIVE TRAIN

**FIGURE 5-36. DRIVETRAIN INSTALLATION**

ITEM	PART NUMBER	QTY	DESCRIPTION	REV
	1001168786	Ref	Drivetrain Installation	B
1	1001168783	Ref	Installation, Rear Axle (See Separate Breakdown in this Section)	
2	1001168785	Ref	Installation, Front Axle (See Separate Breakdown in this Section)	
3	1001169350	Ref	Installation, Drive Shafts (See Separate Breakdown in this Section)	
4	91403193	40	Nut, Lug M22X1.5	

# SECTION 5 - DRIVE TRAIN

## FIGURE 5-37. FRONT AXLE INSTALLATION



ART\_1001168785-A



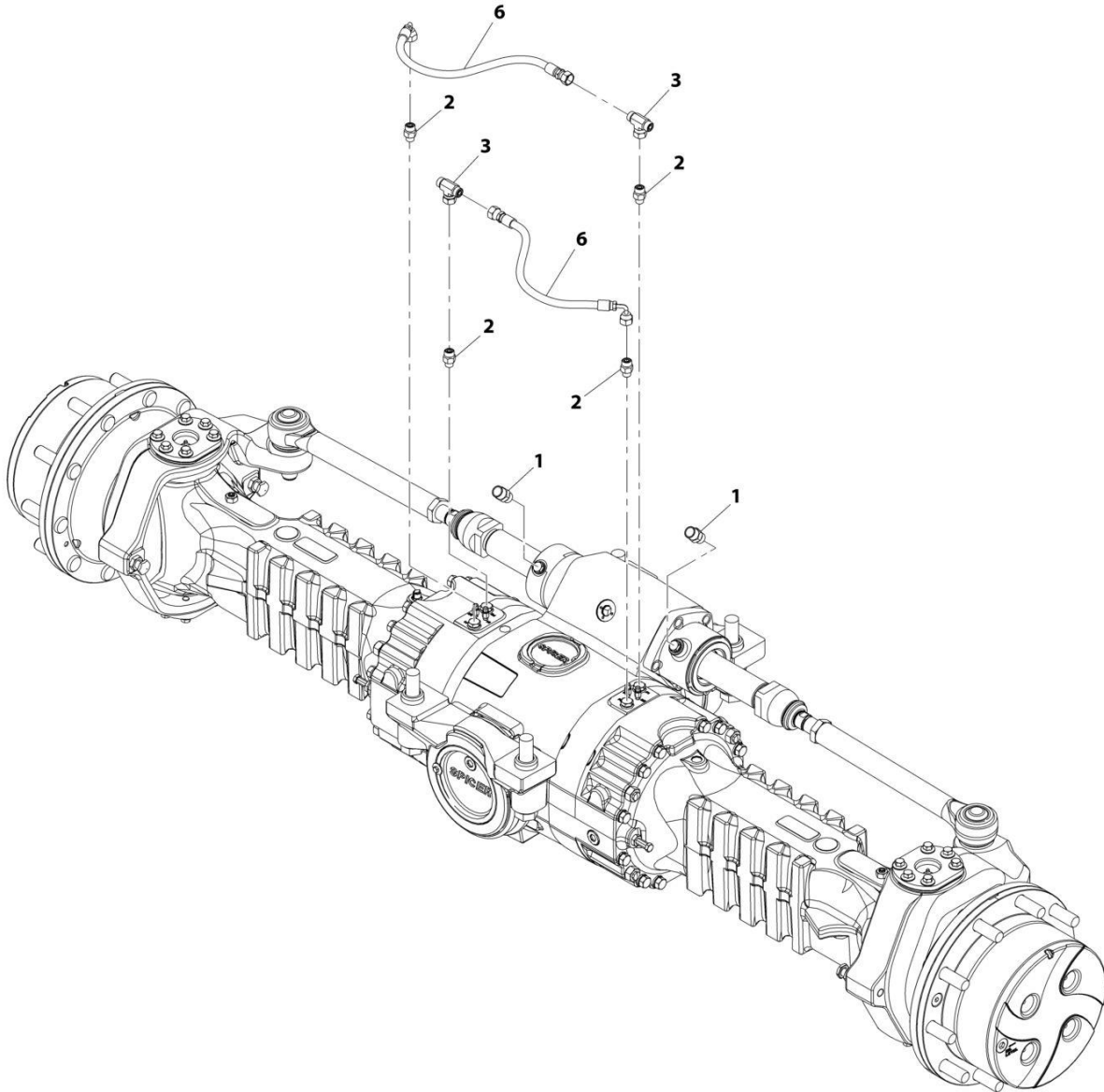
## SECTION 5 - DRIVE TRAIN

### FIGURE 5-37. FRONT AXLE INSTALLATION

ITEM	PART NUMBER	QTY	DESCRIPTION	REV
1	1001168785	Ref	Front Axle Installation	A
	1001161421	Ref	Installation, Front Axle Lines (See Separate Breakdown in this Section)	
2	1001168784	Ref	Installation, Front Axle Mounting (See Separate Breakdown in this Section)	

# SECTION 5 - DRIVE TRAIN

## FIGURE 5-38. FRONT AXLE LINES INSTALLATION



ART\_1001161421-D

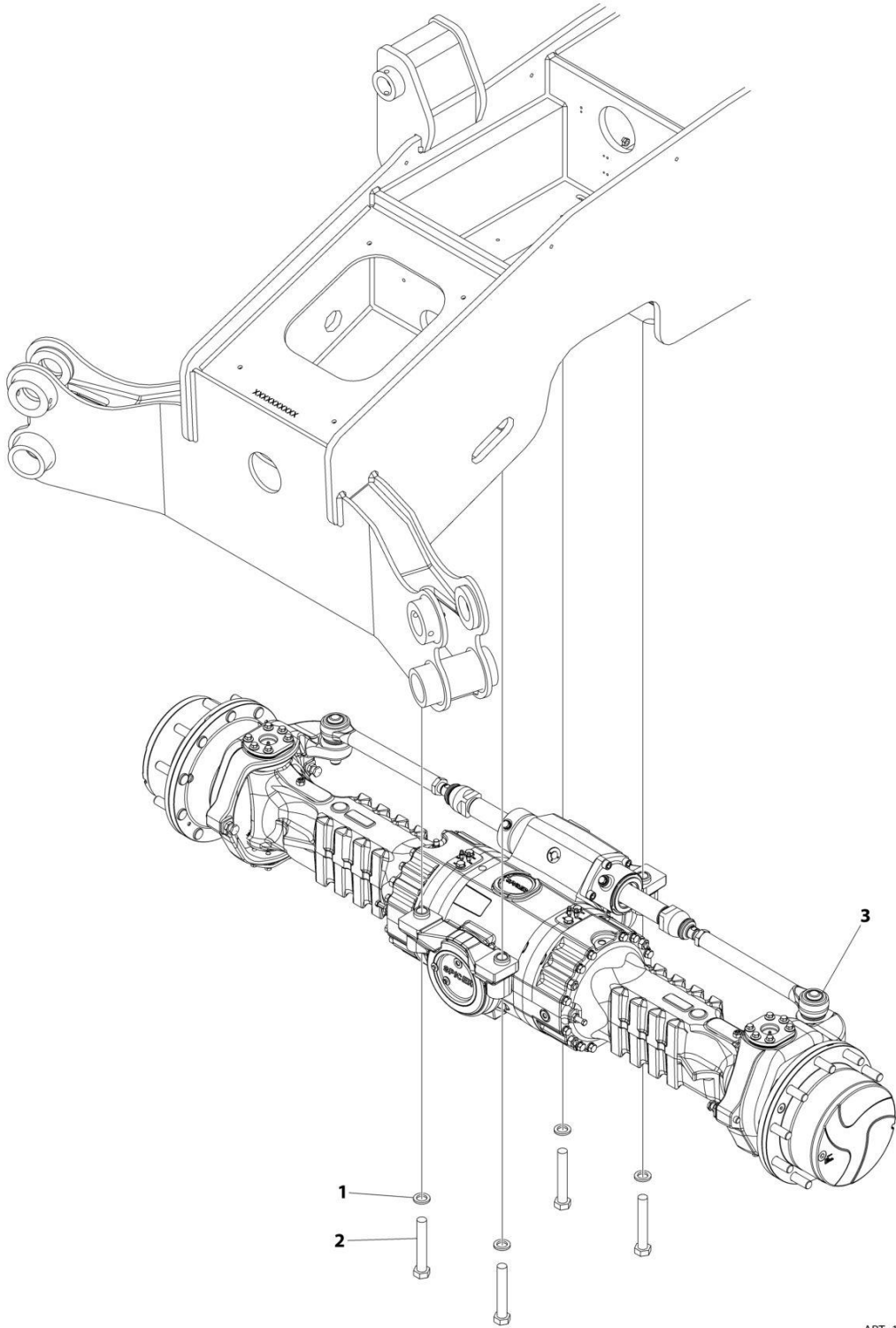
## SECTION 5 - DRIVE TRAIN

**FIGURE 5-38. FRONT AXLE LINES INSTALLATION**

ITEM	PART NUMBER	QTY	DESCRIPTION	REV
	1001161421	Ref	Front Axle Lines Installation	D
1	2110808	2	Fitting, Straight ORFS	
2	2144605	4	Fitting, Straight ORFS	
3	2170806	2	Fitting, Tee ORFS	
6	1001097810	2	Hose	

**SECTION 5 - DRIVE TRAIN**

**FIGURE 5-39. FRONT AXLE MOUNTING INSTALLATION**



ART\_1001168784\_D

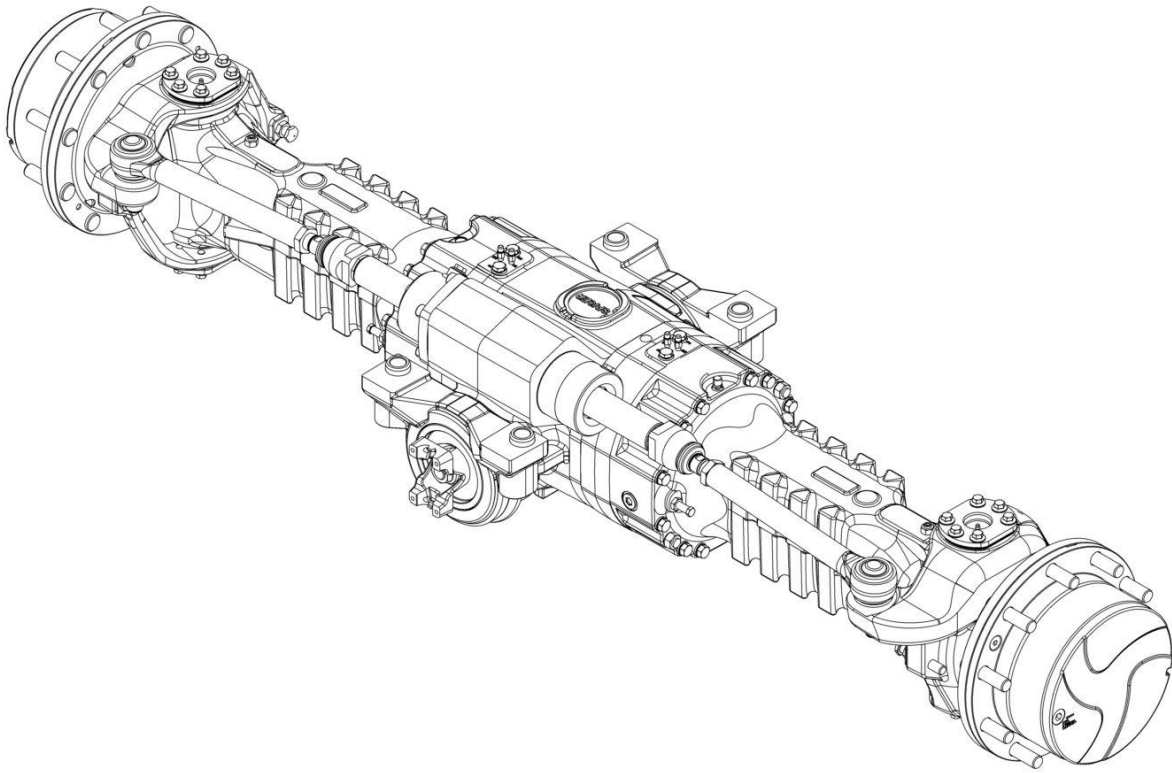
## SECTION 5 - DRIVE TRAIN

### FIGURE 5-39. FRONT AXLE MOUNTING INSTALLATION

ITEM	PART NUMBER	QTY	DESCRIPTION	REV
	1001168784	Ref	Front Axle Mounting Installation	D
1	4892600	4	Washer	
2	1001097587	4	Bolt, M24-3X150	
3	1001165831	1	Axle, Front (See Separate Breakdown in this Section)	

# SECTION 5 - DRIVE TRAIN

## FIGURE 5-40. FRONT AXLE



ART\_1001165831\_I

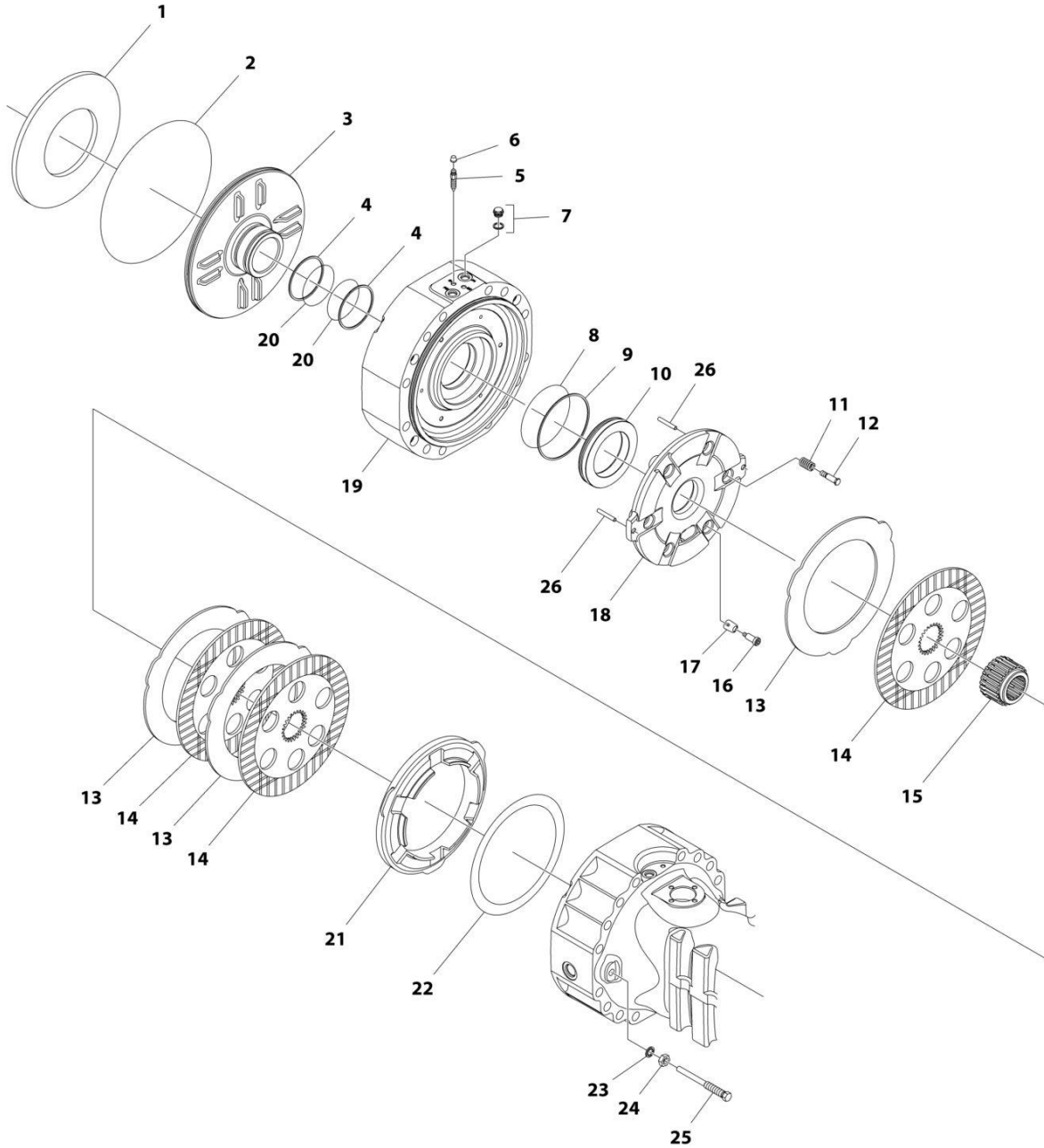
## SECTION 5 - DRIVE TRAIN

**FIGURE 5-40. FRONT AXLE**

ITEM	PART NUMBER	QTY	DESCRIPTION	REV
	1001165831	Ref	Front Axle	1
		Ref	Front Axle, Brakes (See Separate Breakdown in this Section)	
		Ref	Front Axle, Central Housing (See Separate Breakdown in this Section)	
		Ref	Front Axle, Differential (See Separate Breakdown in this Section)	
		Ref	Front Axle, Hub Reduction (See Separate Breakdown in this Section)	
		Ref	Front Axle, Steering (See Separate Breakdown in this Section)	
		Ref	Front Axle, Trunion (See Separate Breakdown in this Section)	
		Ref	Front Axle, Differential Kit (See Separate Breakdown in this Section)	
		Ref	Front Axle, Planet Gear Carrier (See Separate Breakdown in this Section)	
		Ref	Front Axle, Ring Gear Support (See Separate Breakdown in this Section)	
		Ref	Front Axle, Planet Gear Carrier (See Separate Breakdown in this Section)	
		Ref	Front Axle, Support (See Separate Breakdown in this Section)	

# SECTION 5 - DRIVE TRAIN

## FIGURE 5-41. FRONT AXLE, BRAKES



ART\_1001165831\_1



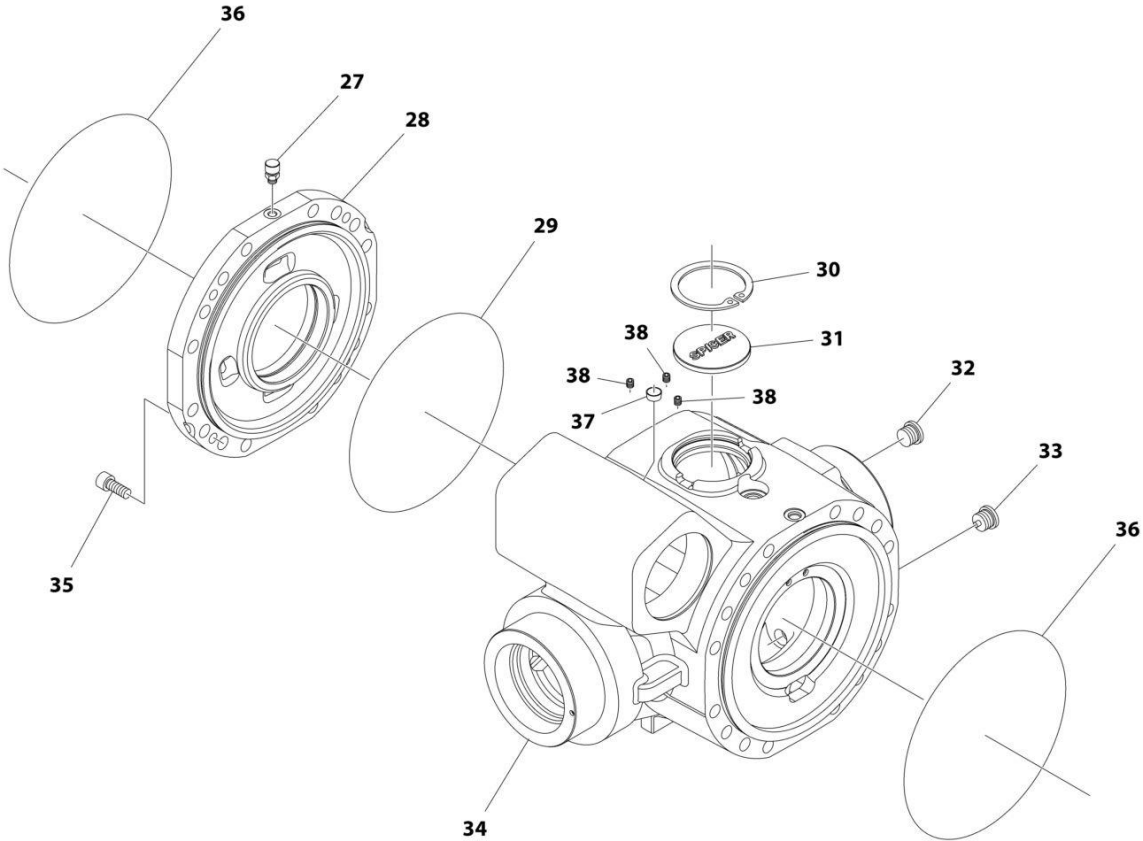
## SECTION 5 - DRIVE TRAIN

### FIGURE 5-41. FRONT AXLE, BRAKES

ITEM	PART NUMBER	QTY	DESCRIPTION	REV
	1001165831	Ref	FRONT AXLE, BRAKES	1
1	91514151	2	Washer	
2	91514089	2	O-Ring	
3	91514152	2	Piston	
4	91514153	4	Ring, Backup	
5	80204281	4	Bolt	
6	80204117	4	Plug	
7	91514154	4	Plug	
8	91514156	2	O-Ring	
9	91514157	2	Ring, Backup	
10	91514158	1	Piston	
11	91514159	6	Spring	
12	70024210	6	Adjusting	
13	91514161	6	Disc, Intermediate Brake	
14	7029735	6	Disc, Brake	
15	7029734	2	Bushing, Reduction	
16	7029789	6	Bolt	
17	91514165	6	Spring	
18	70024849	2	Disc, Intermediate Brake	
19	70024848	2	Cover	
20	91514167	4	O-Ring	
21	7029298	2	Spacer	
22	70025970	1	Shim	
23	80204108	4	Washer, Lock	
24	80204060	4	Nut	
25	70024213	4	Bolt, M12X122.5	
26	70024215	4	Dowel	

**SECTION 5 - DRIVE TRAIN**

**FIGURE 5-42. FRONT AXLE, CENTRAL HOUSING**



ART\_1001165831\_L\_2

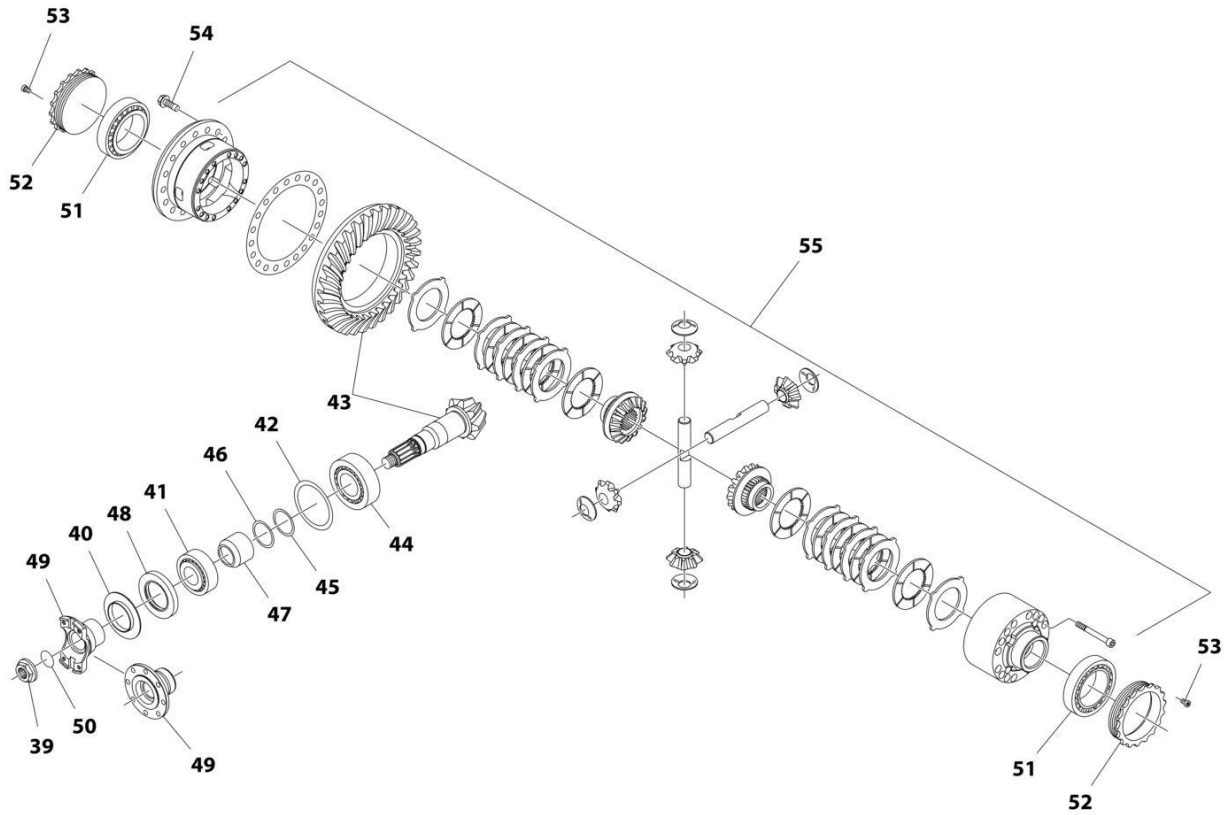
## SECTION 5 - DRIVE TRAIN

**FIGURE 5-42. FRONT AXLE, CENTRAL HOUSING**

ITEM	PART NUMBER	QTY	DESCRIPTION	REV
	1001165831	Ref	FRONT AXLE, CENTRAL HOUSING	1
27	91474512	1	Vent	
28	7029288	1	Cover, Intermediate	
29	80204002	1	O-Ring	
30	80204005	1	Circlip	
31	91514098	1	Plug	
32	91514087	1	Plug	
33	70021177	1	Plug	
34	70025335	1	Housing	
35	91514101	4	Bolt	
36	91514089	2	O-Ring	
37	7029307	1	Plug	
38	8008175	3	Bolt	

# SECTION 5 - DRIVE TRAIN

## FIGURE 5-43. FRONT AXLE, DIFFERENTIAL



ART\_1001165831\_I\_3

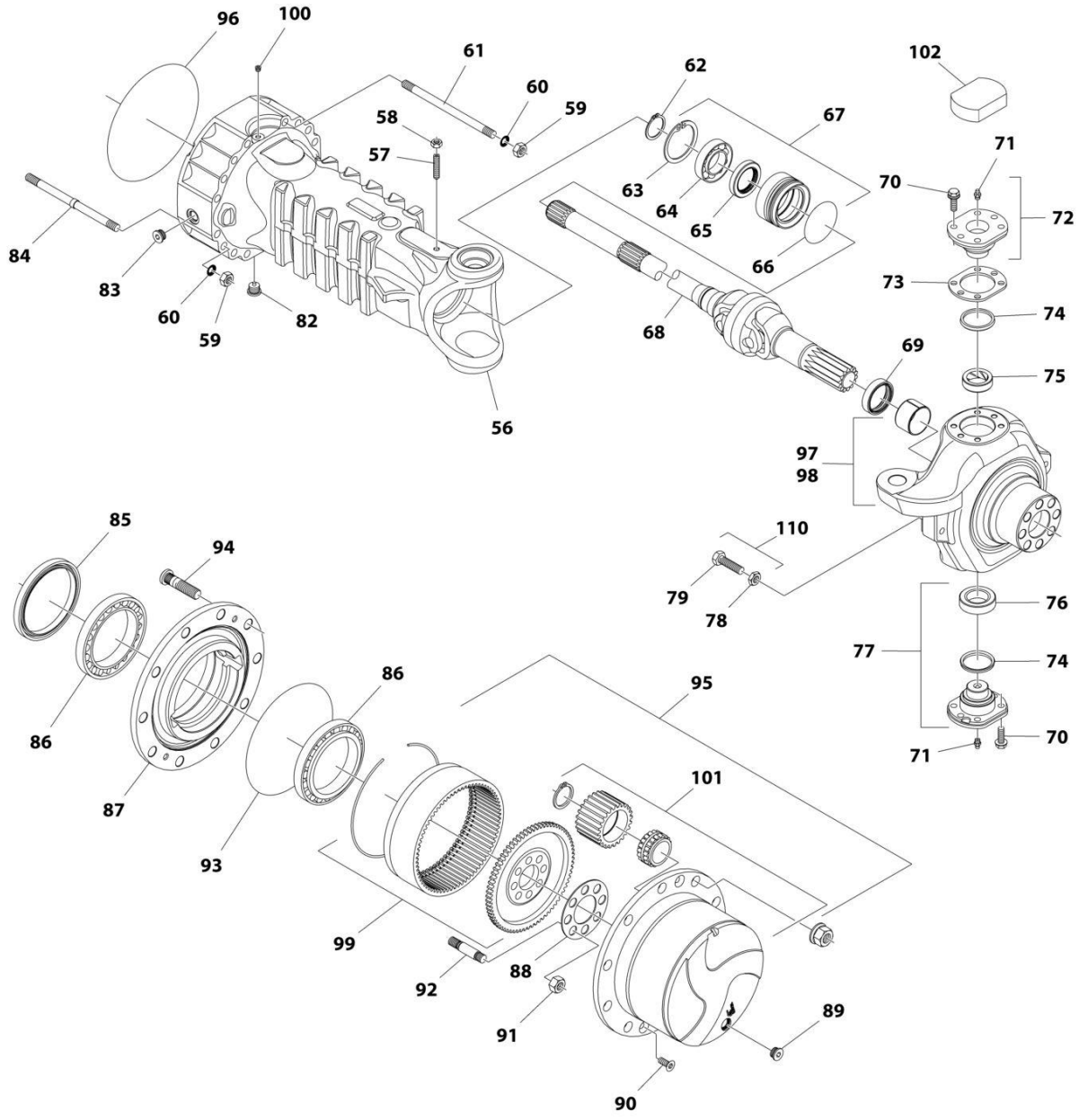
## SECTION 5 - DRIVE TRAIN

**FIGURE 5-43. FRONT AXLE, DIFFERENTIAL**

ITEM	PART NUMBER	QTY	DESCRIPTION	REV
	1001165831	Ref	FRONT AXLE, DIFFERENTIAL	1
39	80204043	1	Nut	
40	91514130	1	Plate, Cover	
41	80204048	1	Bearing, Tape Roller	
42	70023469	1	Shim	
43	70026633	1	Gear, Bevel Set	
44	80204035	1	Bearing, Tape Roller	
45	70026438	1	Kit, Shim	
46	70026439	1	Kit, Shim	
47	70022140	1	Spacer	
48	70025887	1	Seal	
49	91514131	1	Flange	
50	10725554	1	O-Ring	
51	80204033	2	Bearing, Tape Roller	
52	91514133	2	Nut, Ring	
53	91514134	2	Bolt	
54	91514123	16	Bolt	
55	70024005	1	Kit, Differential (See Separate Breakdown in this Section)	

# SECTION 5 - DRIVE TRAIN

## FIGURE 5-44. FRONT AXLE, HUB REDUCTION



ART\_1001165831\_I\_4

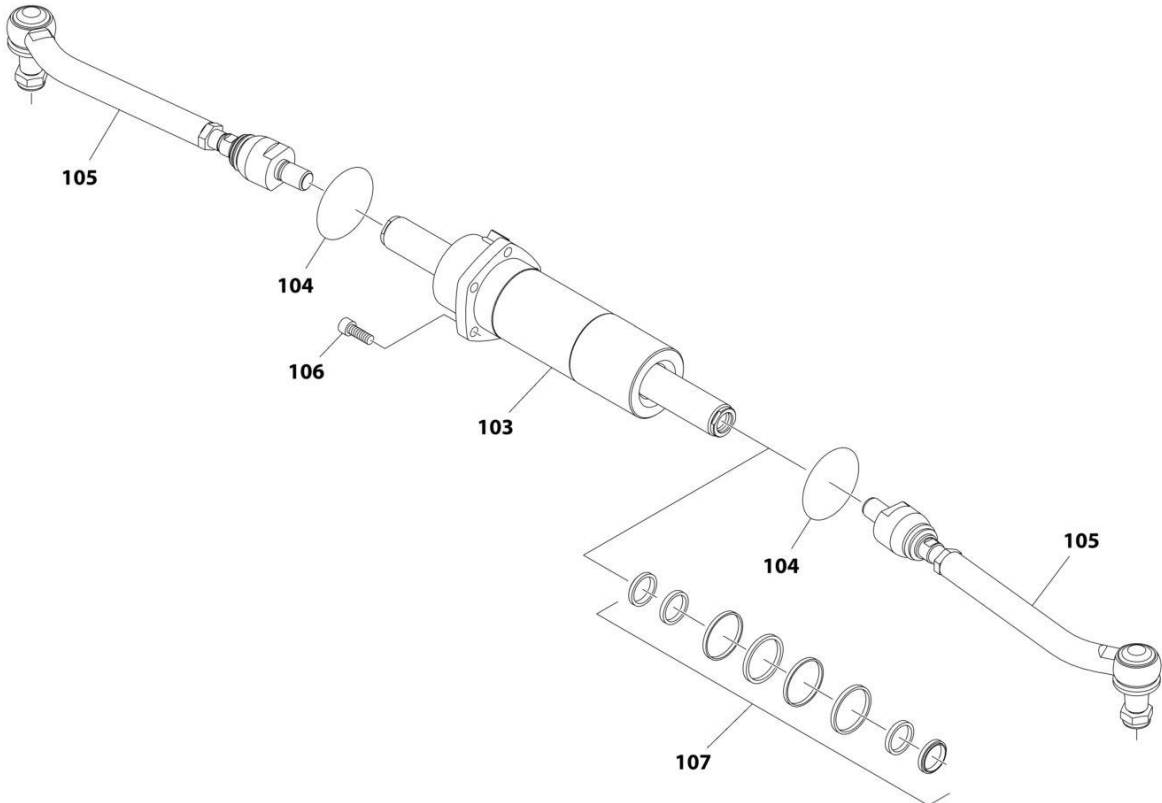
## SECTION 5 - DRIVE TRAIN

**FIGURE 5-44. FRONT AXLE, HUB REDUCTION**

ITEM	PART NUMBER	QTY	DESCRIPTION	REV
	1001165831	Ref	FRONT AXLE, HUB REDUCTION	1
57	91514081	2	Bolt	
58	91514082	2	Nut	
59	91514083	8	Nut	
56	70024850	2	Case, Axle	
60	91514084	8	Washer	
61	7029309	24	Bolt	
62	80204071	2	Circlip	
63	80204005	2	Circlip	
64	91514146	2	Ball Bearing	
65	91514147	2	Seal	
66	91514148	2	O-Ring	
67	91514149	2	Bushing, Reduction	
68	70025855	2	Joint, Double Universal	
69	70026238	2	Seal	
70	91514123	24	Bolt	
71	91514099	4	Fitting, Grease	
72	91514112	2	Pin, Pivot	
73	70025561	1	Kit, Shim	
74	7028716	4	Seal, Dust	
75	7028714	2	Bushing	
76	91514095	2	Bearing	
77	7028715	2	Pin, Pivot	
78	80204065	4	Nut	
79	91514117	4	Bolt	
82	70021177	2	Plug	
83	91514087	2	Plug	
84	70024851	8	Stud	
85	7029300	2	Seal	
86	80204076	4	Bearing, Taper Roller	
87	91514174	2	Hub, Wheel	
88	91514178	1	Plate, Locking	
89	91514188	2	Plug	
90	91514189	4	Bolt	
91	91514179	16	Nut	
92	91514180	16	Stud	
93	91514181	2	O-Ring	
94	91514183	20	Stud	
95	70025972	2	Kit, Planet Gear Carrier (See Separate Breakdown in this Section)	
96	91514089	2	O-Ring	
97	70026239	1	Case, Steering	
98	70026240	NLA	Case, Steering (No Longer Available, Use Item 70030026)	
98	70030026	1	Case, Steering	
99	70024146	2	Kit, Ring Gear Support (See Separate Breakdown in this Section)	
110	7028733	1	Bolt, Steering Adjust (includes items 78 & 79)	
100	80204012	2	Plug	
101	7029733	2	Kit, Planet Gear Carrier (See Separate Breakdown in this Section)	
102	91474524	2	Cover	

**SECTION 5 - DRIVE TRAIN**

**FIGURE 5-45. FRONT AXLE, STEERING**



ART\_1001165831\_L\_5



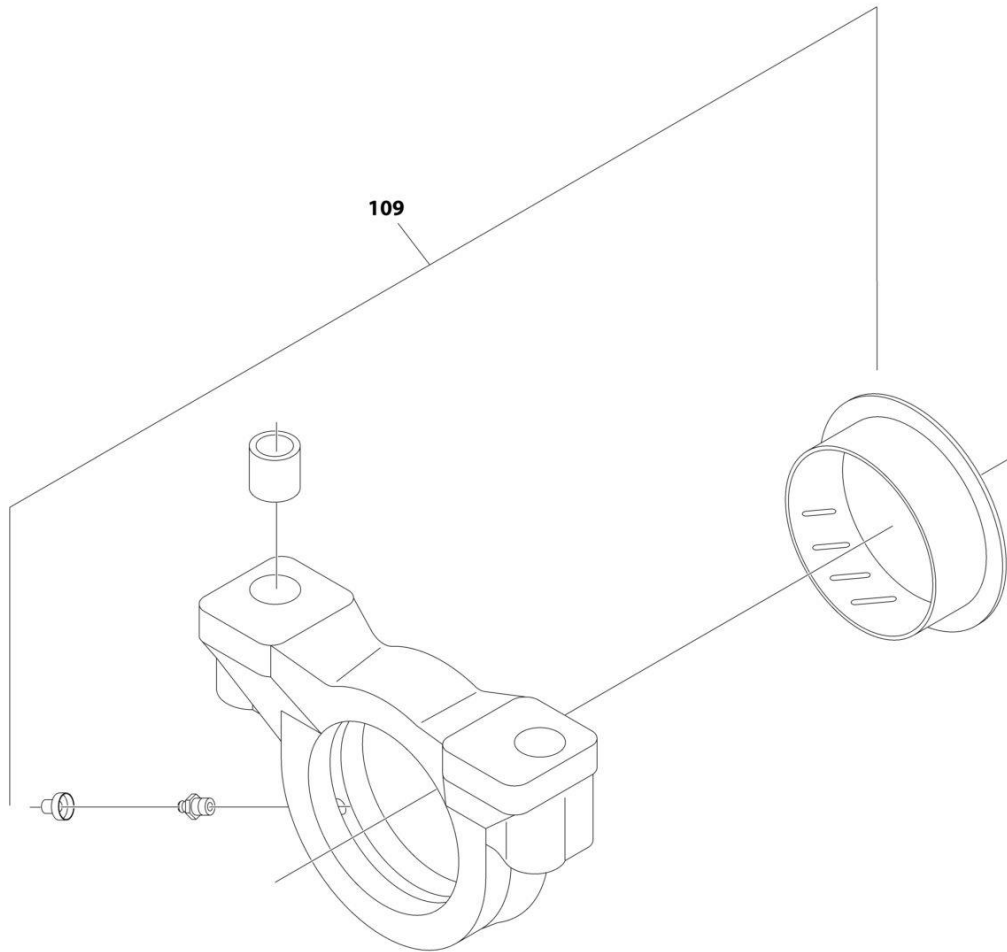
## SECTION 5 - DRIVE TRAIN

### FIGURE 5-45. FRONT AXLE, STEERING

ITEM	PART NUMBER	QTY	DESCRIPTION	REV
	1001165831	Ref	FRONT AXLE, STEERING	I
103	7026490	1	Cylinder	
104	80204143	2	O-Ring	
105	70021614	2	Rod, Articulated Tie	
106	80204144	5	Bolt	
107	7029127	1	Kit, Seal	

# SECTION 5 - DRIVE TRAIN

## FIGURE 5-46. FRONT AXLE, TRUNION



ART\_1001165831\_L\_6

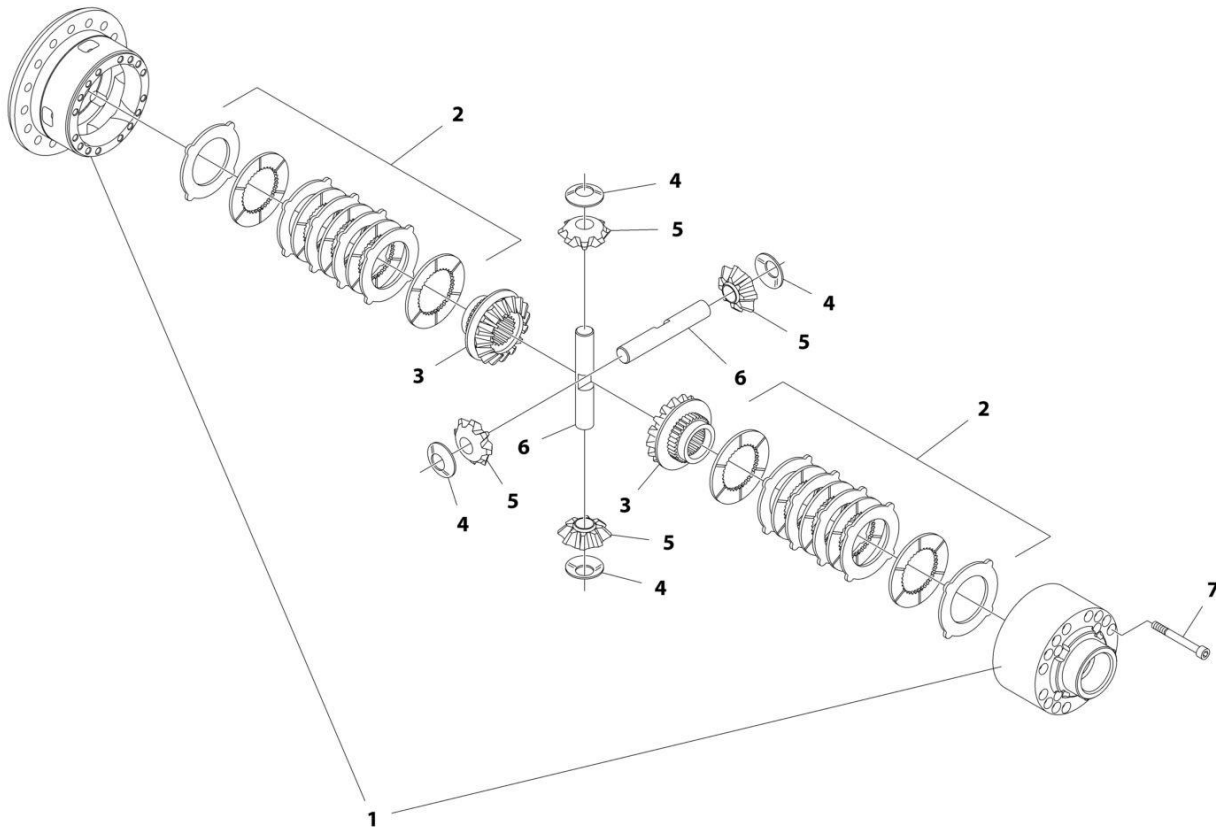
## SECTION 5 - DRIVE TRAIN

### FIGURE 5-46. FRONT AXLE, TRUNION

ITEM	PART NUMBER	QTY	DESCRIPTION	REV
109	1001165831 70026266	Ref 2	FRONT AXLE, TRUNION Trunion (See Separate Breakdown in this Section)	1

# SECTION 5 - DRIVE TRAIN

## FIGURE 5-47. FRONT AXLE, DIFFERENTIAL KIT



ART\_1001165831\_L7

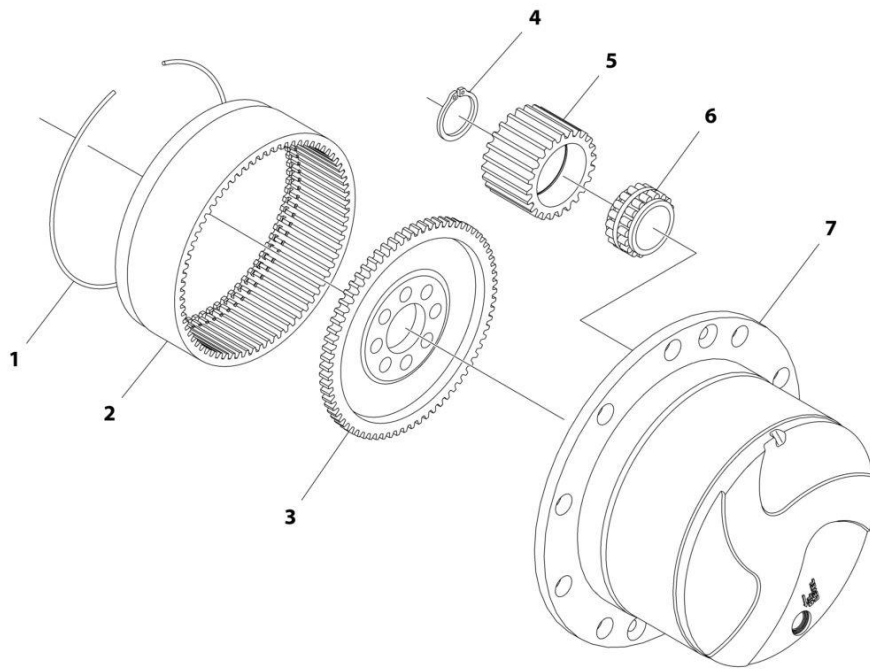
## SECTION 5 - DRIVE TRAIN

### FIGURE 5-47. FRONT AXLE, DIFFERENTIAL KIT

ITEM	PART NUMBER	QTY	DESCRIPTION	REV
	1001165831	Ref	FRONT AXLE, DIFFERENTIAL KIT	I
	70024005	Ref	Differential Kit	
1	70024004	1	Carrier, Differential	
2	70023496	2	Disc, Clutch	
3	70025856	2	Gear, Differential Side	
4	70023491	4	Washer	
5	70025339	4	Pinion, Differential	
6	70023490	2	Shaft, Differential	
7	91514143	1	Bolt	

# SECTION 5 - DRIVE TRAIN

## FIGURE 5-48. FRONT AXLE, PLANET GEAR CARRIER



ART\_1001165831\_I\_8

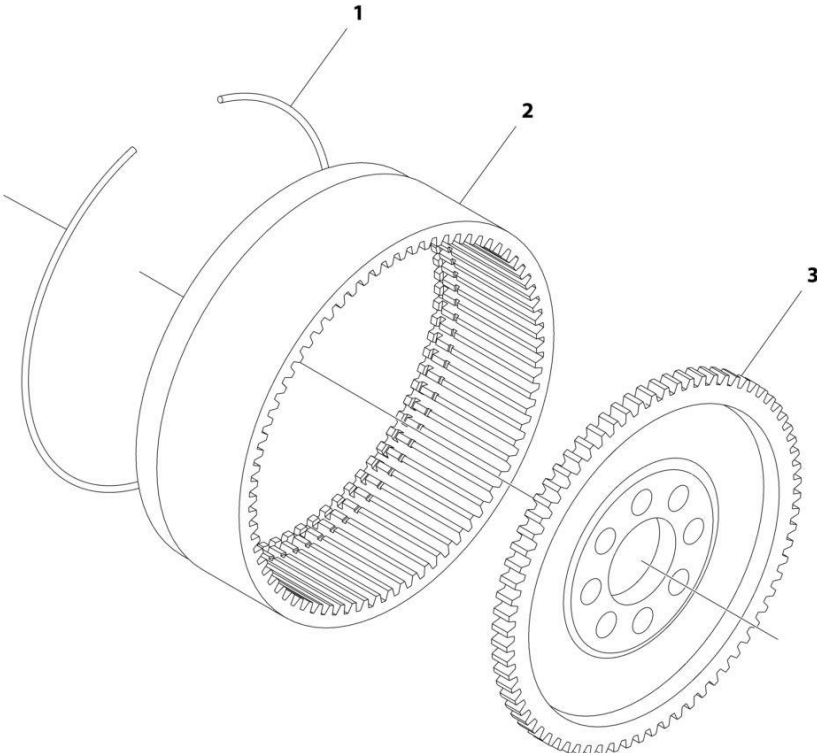
## SECTION 5 - DRIVE TRAIN

### FIGURE 5-48. FRONT AXLE, PLANET GEAR CARRIER

ITEM	PART NUMBER	QTY	DESCRIPTION	REV
	1001165831	Ref	FRONT AXLE, PLANET GEAR CARRIER	I
	70025972	Ref	Planet Gear Carrier	
1	91514175	1	Circlip	
2	70024147	1	Gear, Ring	
3	91514177	1	Gear, Ring Support	
4	91514184	3	Ring, Snap	
5	91514185	3	Gear, Planet	
6	91514186	3	Bearing	
7	7026731	1	Carrier, Planet Gear	

**SECTION 5 - DRIVE TRAIN**

**FIGURE 5-49. FRONT AXLE, RING GEAR SUPPORT**



ART\_1001165831\_L9



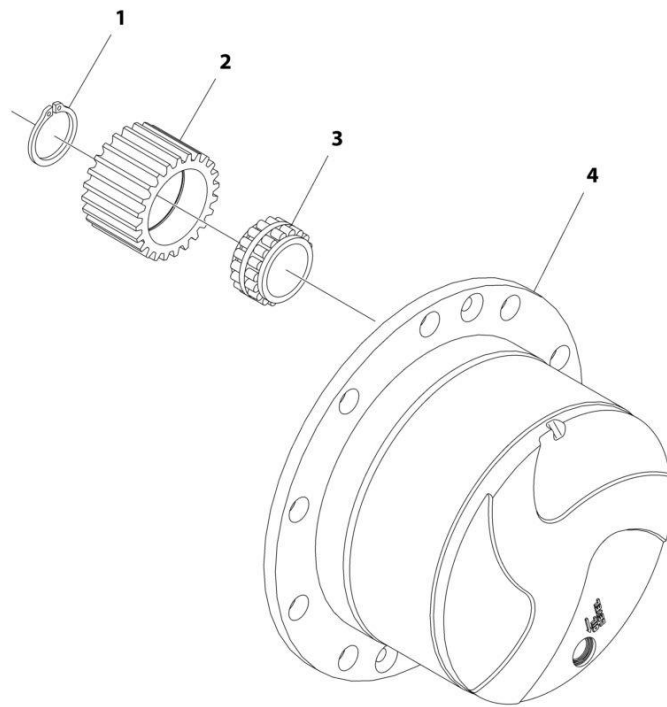
## SECTION 5 - DRIVE TRAIN

### FIGURE 5-49. FRONT AXLE, RING GEAR SUPPORT

ITEM	PART NUMBER	QTY	DESCRIPTION	REV
	1001165831	Ref	FRONT AXLE, RIGHT GEAR SUPPORT	I
	70024146	Ref	Ring Gear Support	
1	91514175	1	Circlip	
2	70024147	1	Gear, Ring	
3	91514177	1	Gear, Ring Support	

# SECTION 5 - DRIVE TRAIN

## FIGURE 5-50. FRONT AXLE, PLANET GEAR CARRIER



ART\_1001165831\_I\_10

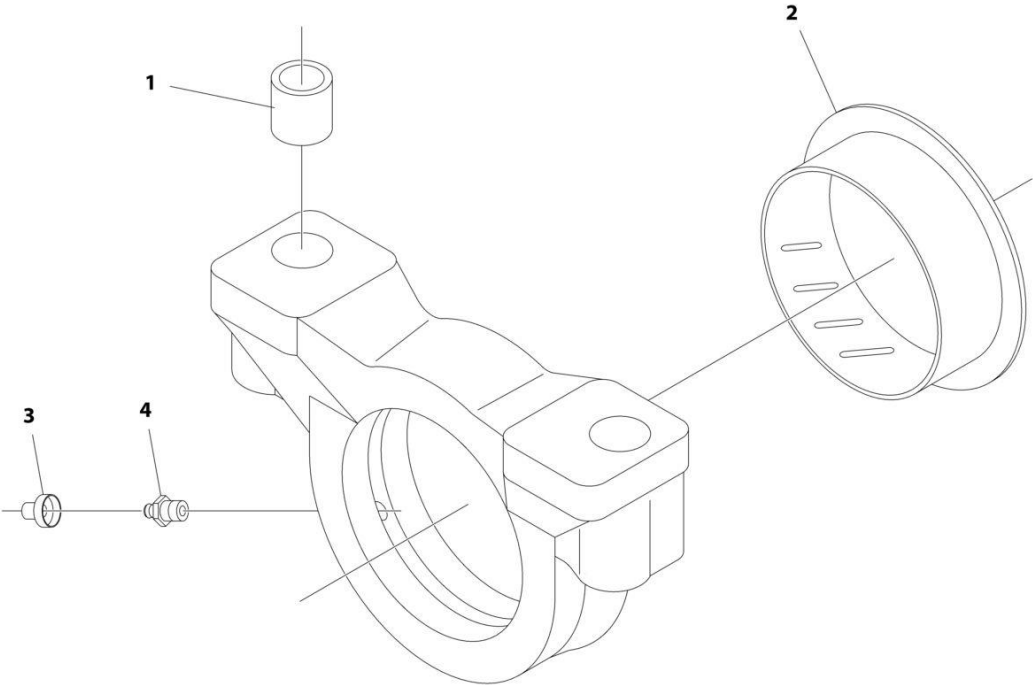
## SECTION 5 - DRIVE TRAIN

### FIGURE 5-50. FRONT AXLE, PLANET GEAR CARRIER

ITEM	PART NUMBER	QTY	DESCRIPTION	REV
	1001165831	Ref	FRONT AXLE, PLANET GEAR CARRIER	I
	7029733	Ref	Planet Gear Carrier	
1	91514184	3	Ring, Snap	
2	91514185	3	Gear, Planet	
3	91514186	3	Bearing	
4	7026731	1	Carrier, Planet Gear	

**SECTION 5 - DRIVE TRAIN**

**FIGURE 5-51. FRONT AXLE, SUPPORT**



ART\_1001165831\_I\_11

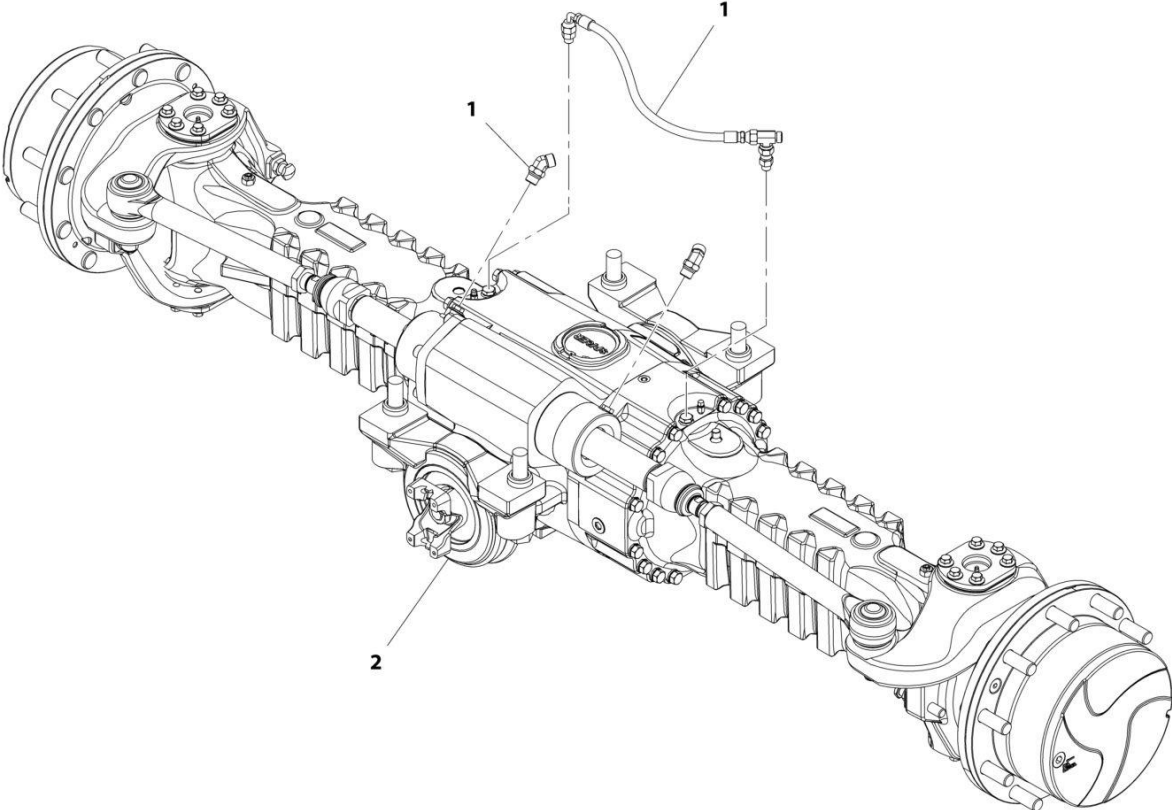
## SECTION 5 - DRIVE TRAIN

### FIGURE 5-51. FRONT AXLE, SUPPORT

ITEM	PART NUMBER	QTY	DESCRIPTION	REV
	1001165831	Ref	FRONT AXLE, SUPPORT	I
	70026266	Ref	Support	
1	7029290	2	Bushing, Reduction	
2	91514090	1	Bushing, Thrust	
3	80204117	1	Plug	
4	91514099	1	Fitting, Grease	

**SECTION 5 - DRIVE TRAIN**

**FIGURE 5-52. REAR AXLE INSTALLATION**



ART\_1001168783-A

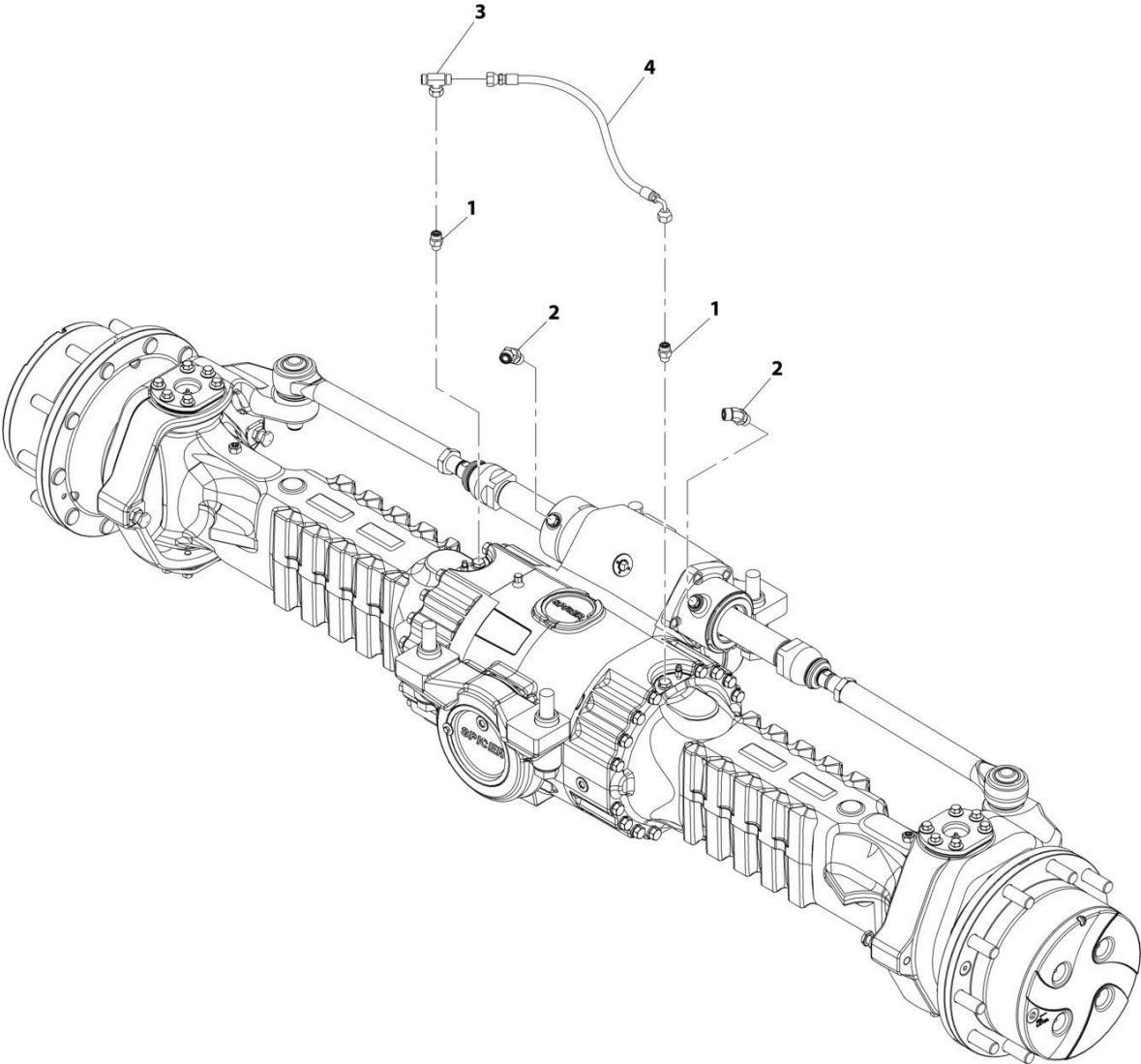
## SECTION 5 - DRIVE TRAIN

### FIGURE 5-52. REAR AXLE INSTALLATION

ITEM	PART NUMBER	QTY	DESCRIPTION	REV
1	1001168783	Ref	Rear Axle Installation	A
	1001161424	Ref	Installation, Rear Axle Lines (See Separate Breakdown in this Section)	
2	1001168782	Ref	Installation, Rear Axle Mounting (See Separate Breakdown in this Section)	

**SECTION 5 - DRIVE TRAIN**

**FIGURE 5-53. REAR AXLE LINES INSTALLATION**



ART\_1001161424-D



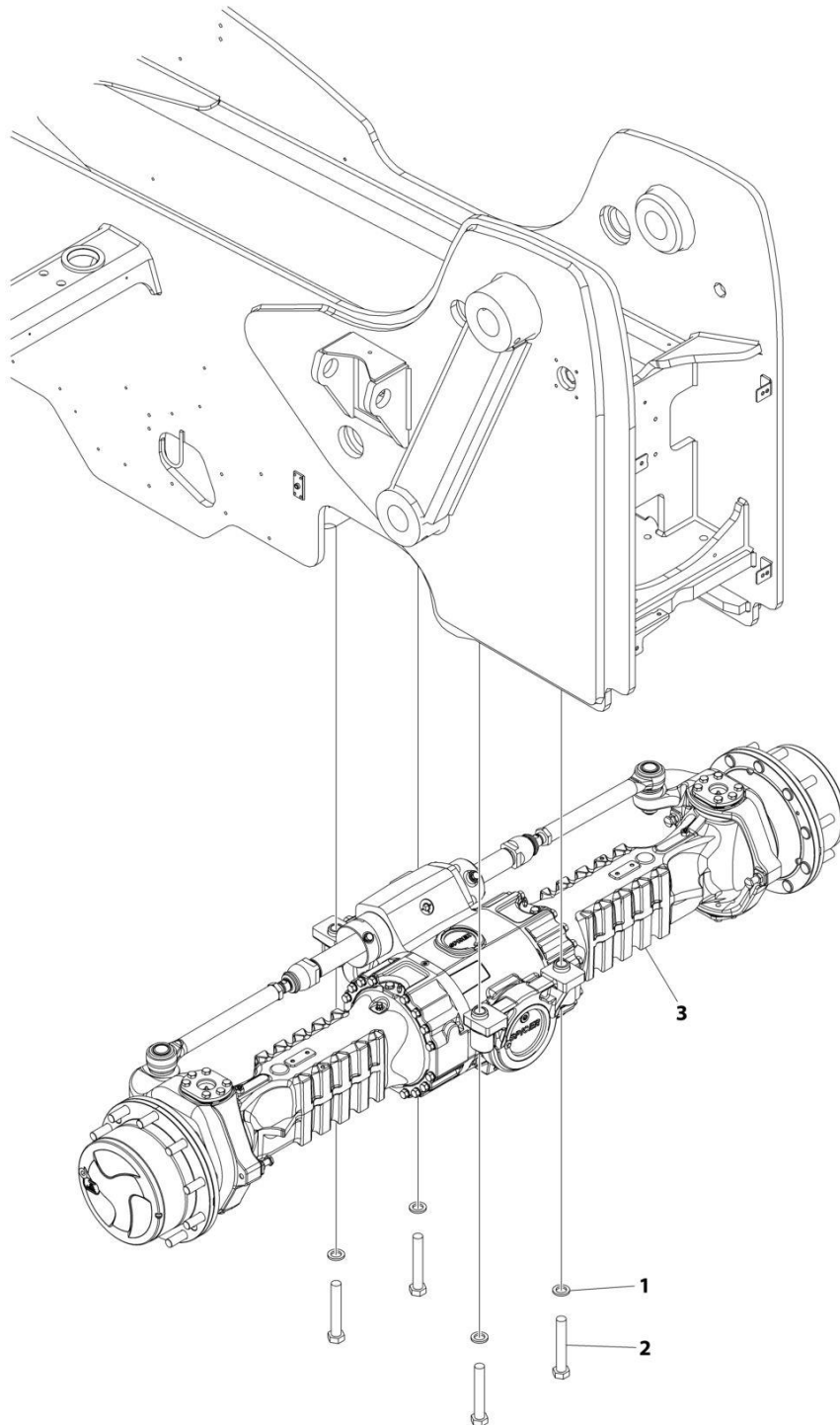
## SECTION 5 - DRIVE TRAIN

### FIGURE 5-53. REAR AXLE LINES INSTALLATION

ITEM	PART NUMBER	QTY	DESCRIPTION	REV
	1001161424	Ref	Rear Axle Lines Installation	D
1	2144605	2	Fitting, Straight ORFS	
2	2150808	2	Fitting, 45 ORFS	
3	2170806	1	Fitting, Tee ORFS	
4	1001102509	1	Hose	

# SECTION 5 - DRIVE TRAIN

## FIGURE 5-54. REAR AXLE MOUNTING INSTALLATION



ART\_1001168782\_D

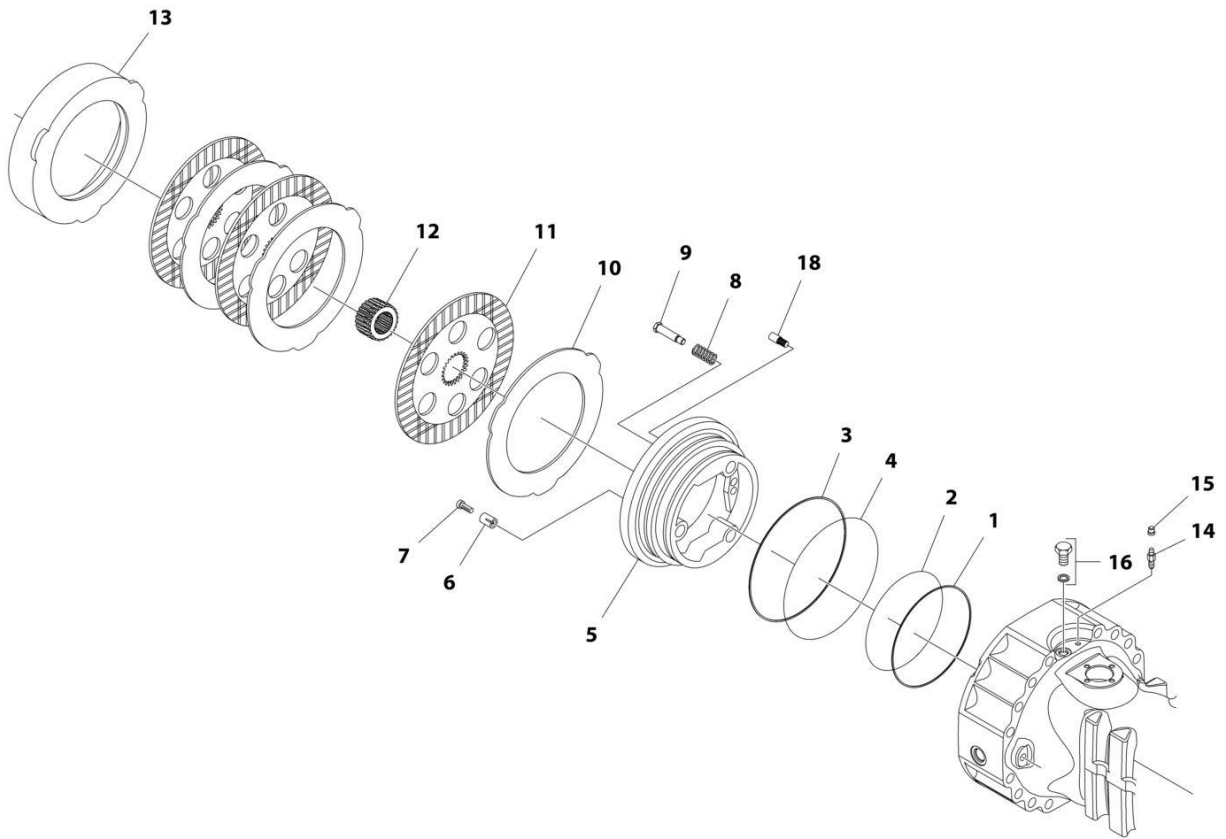
## SECTION 5 - DRIVE TRAIN

### FIGURE 5-54. REAR AXLE MOUNTING INSTALLATION

ITEM	PART NUMBER	QTY	DESCRIPTION	REV
	1001168782	Ref	Rear Axle Mounting Installation	D
1	4892600	4	Washer	
2	1001097587	4	Bolt, M24X150	
3	1001262336	1	Axle, Rear (See Separate Breakdown in this Section)	

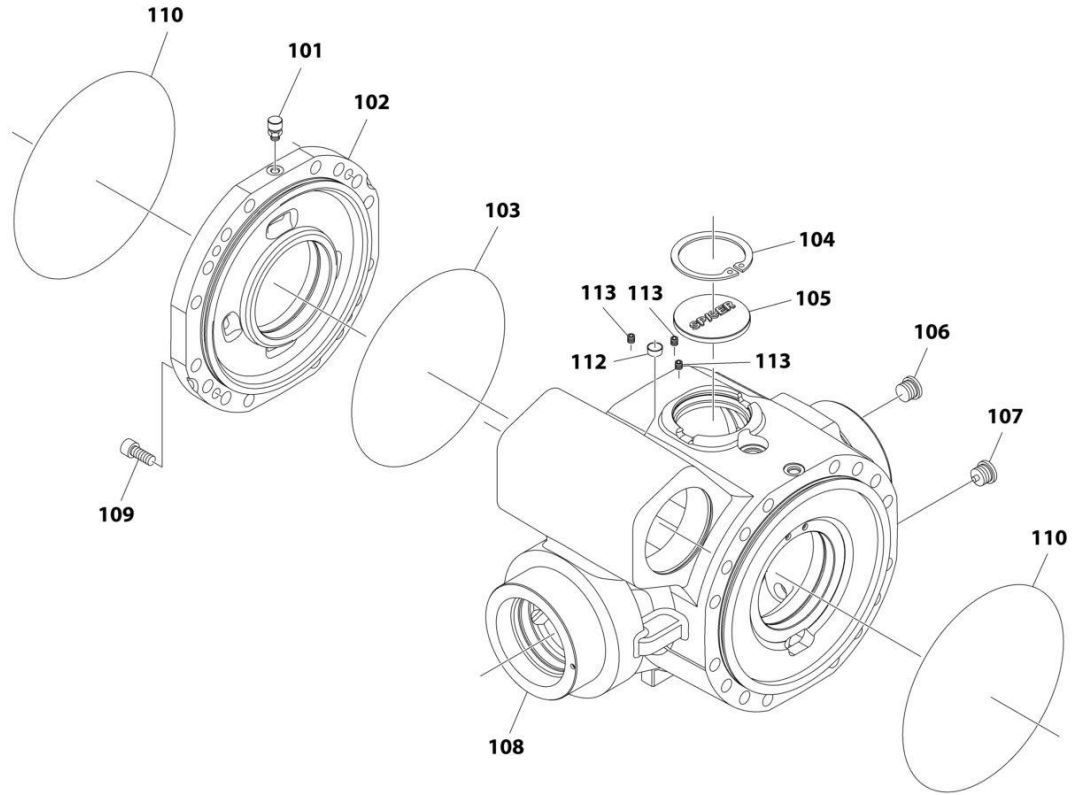
# SECTION 5 - DRIVE TRAIN

## FIGURE 5-55. REAR AXLE



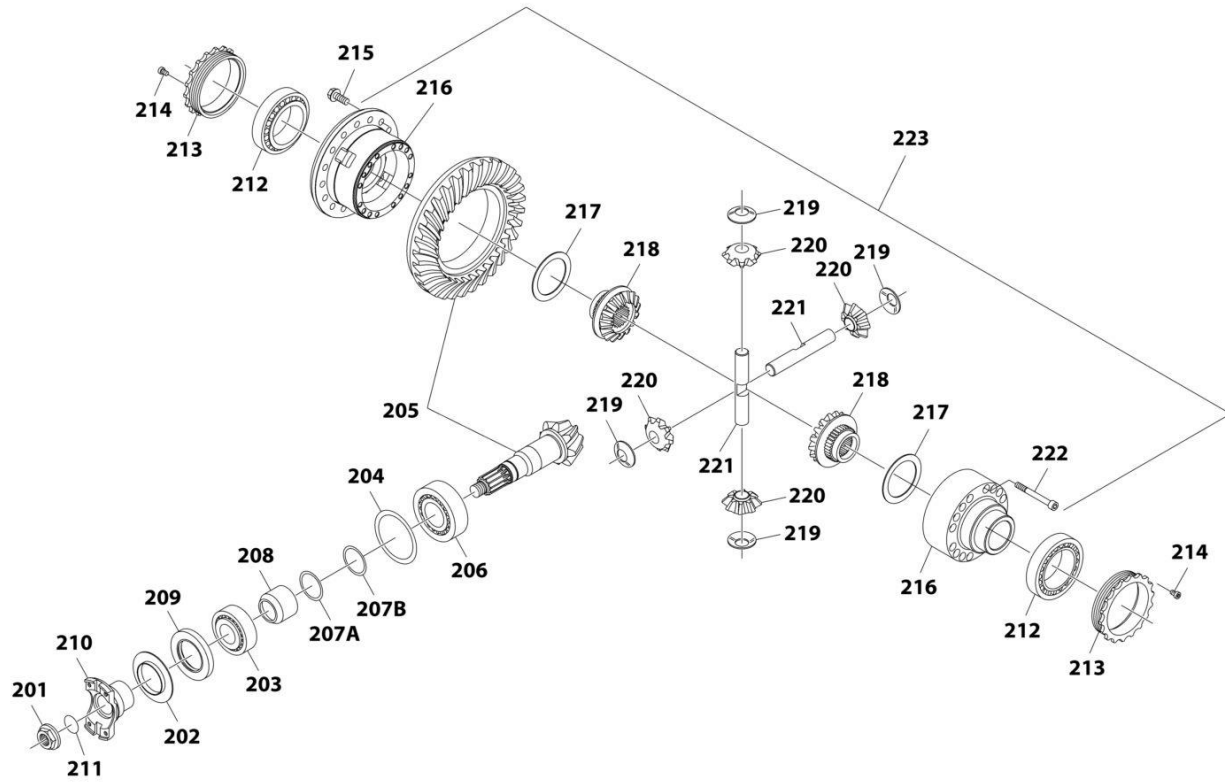
ART\_1001262336\_10F6

# SECTION 5 - DRIVE TRAIN



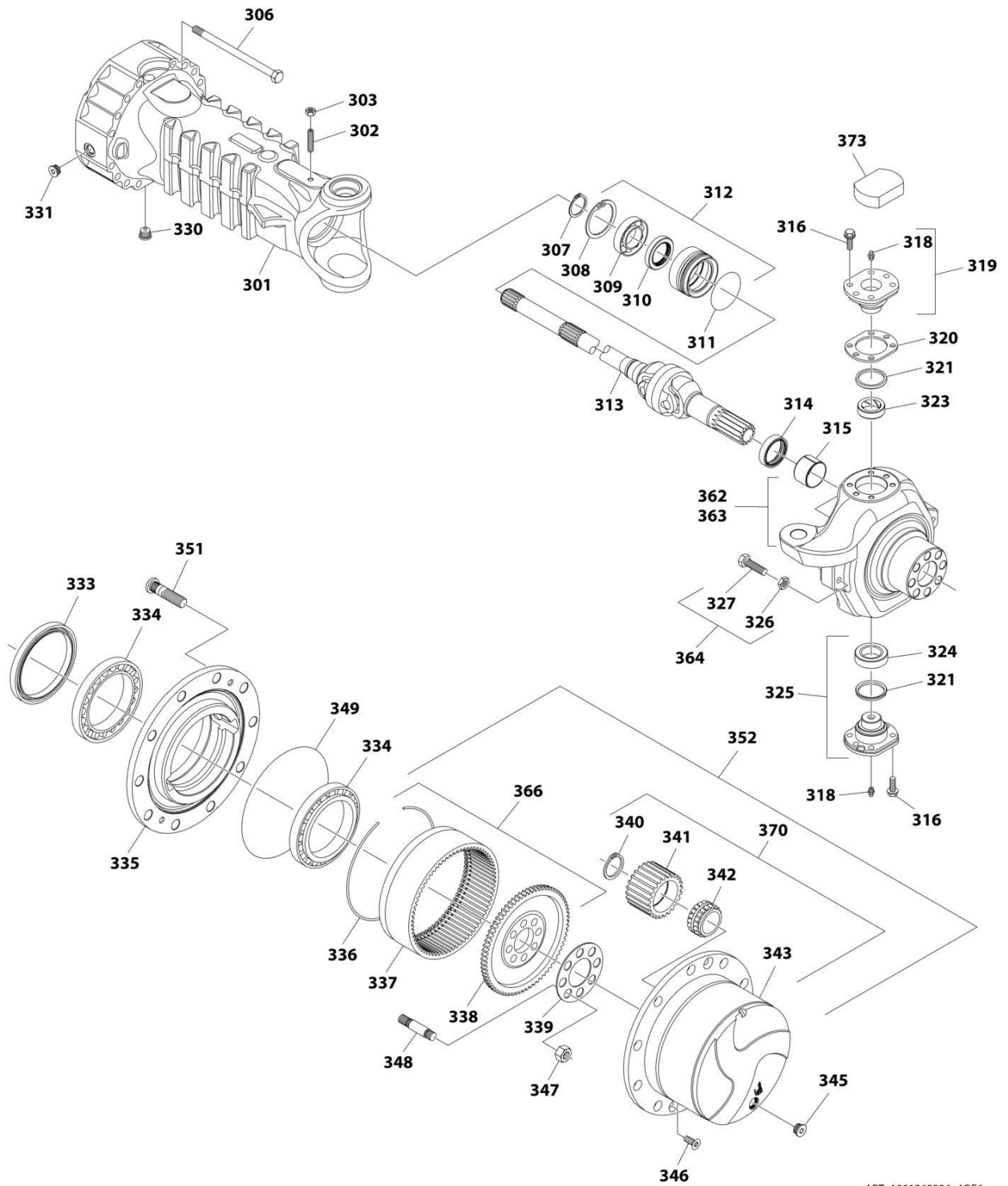
ART\_1001262336\_20F6

# SECTION 5 - DRIVE TRAIN



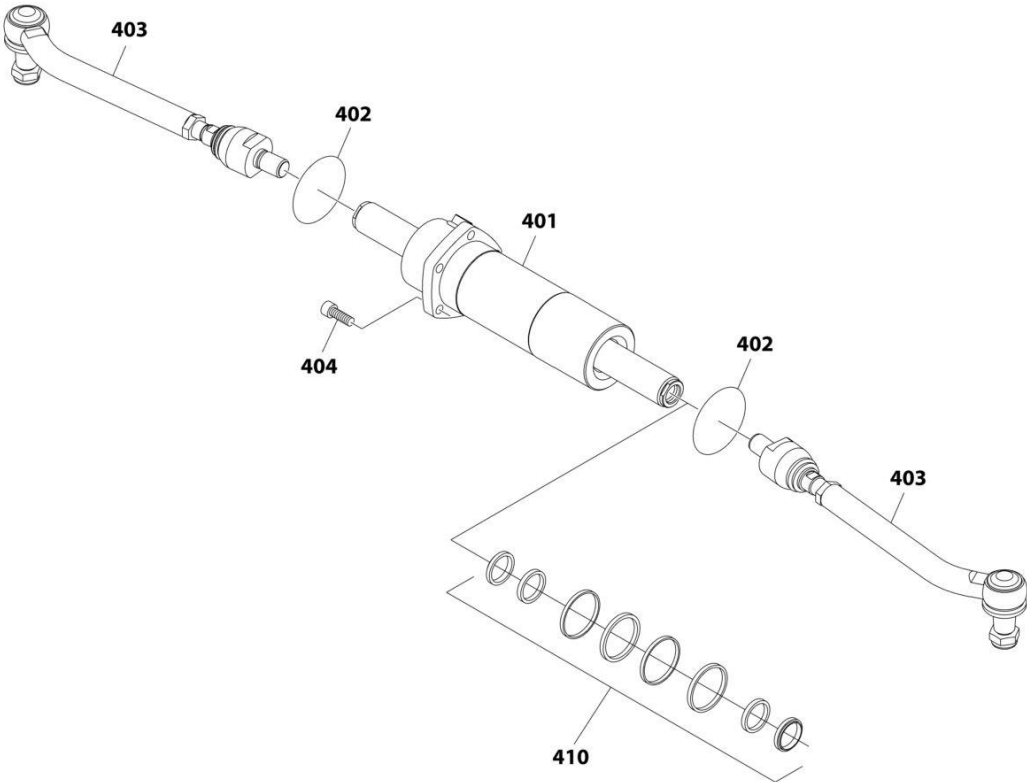
ART\_1001262336\_3OF6

# SECTION 5 - DRIVE TRAIN



ART\_1001262336\_40F6

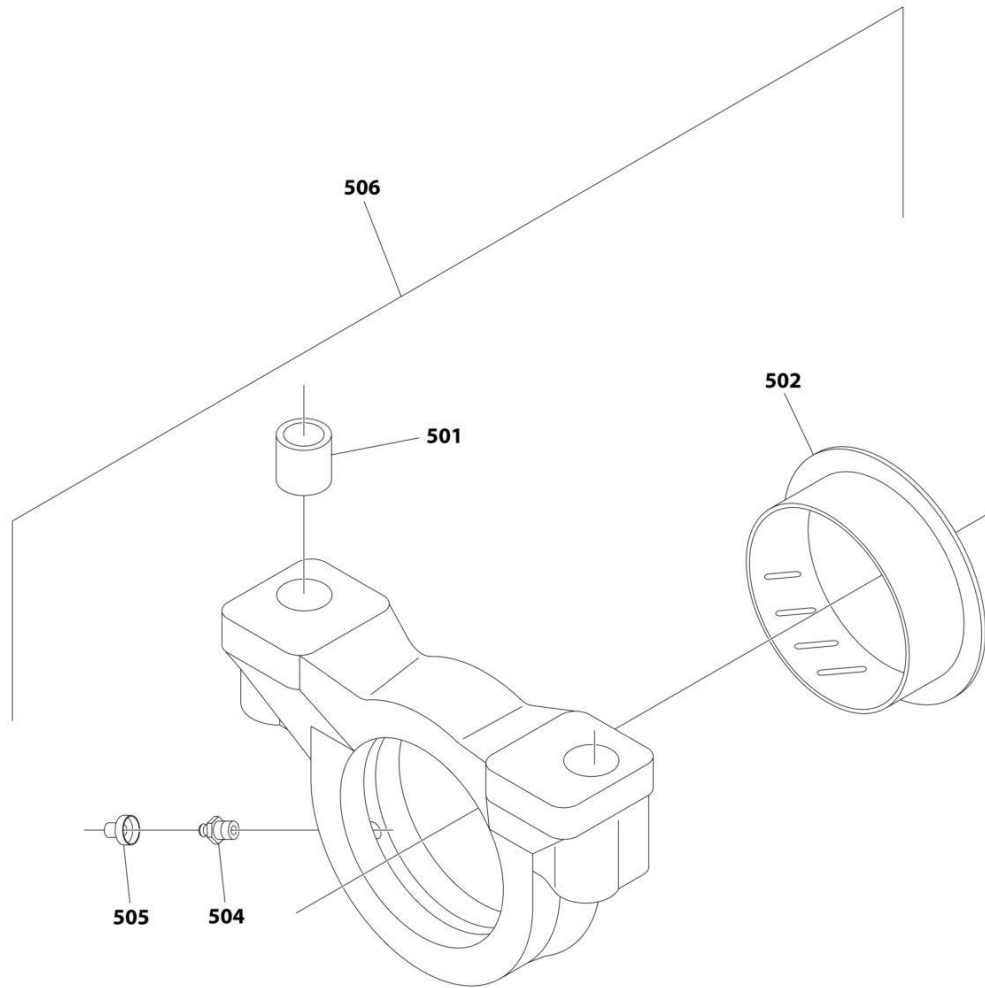
**SECTION 5 - DRIVE TRAIN**



ART\_1001262336\_50F6



# SECTION 5 - DRIVE TRAIN



ART\_1001262336\_6OF6

# SECTION 5 - DRIVE TRAIN

## FIGURE 5-55. REAR AXLE

ITEM	PART NUMBER	QTY	DESCRIPTION	REV
	1001262336	Ref	REAR AXLE ASSEMBLY	A
		Ref	BRAKE ASSEMBLY	
1	70021609	2	Ring, Back-Up	
2	70021610	2	O-Ring	
3	70021612	2	Ring, Back-Up	
4	70021611	2	O-Ring	
5	70024216	2	Piston	
6	91514165	6	Spring	
7	70021607	6	Bolt, Adjusting	
8	91514159	6	Spring	
9	70024210	6	Bolt, Adjusting	
10	91514161	6	Disc, Intermediate Brake	
11	7029735	6	Disk, Brake	
12	7029734	2	Bushing, Reduction	
13	70021606	2	Spacer	
14	80204281	2	Bolt, Bleeding	
15	80204117	2	Plug	
16	91514154	2	Bolt	
18	70021613	2	Bolt, Pilot	
		Ref	CENTRAL HOUSING ASSEMBLY	
101	91474512	1	Vent	
102	7029288	1	Cover, Intermediate	
103	80204002	1	O-Ring	
104	80204005	1	Circlip	
105	91514098	1	Plug	
106	91514087	1	Plug	
107	70021177	1	Plug	
108	70025335	1	Housing	
109	91514101	4	Bolt	
110	91514089	2	O-Ring	
112	7029307	1	Plug	
113	8008175	3	Bolt	
		Ref	DIFFERENTIAL ASSEMBLY	
201	80204043	1	Nut	
202	91514130	1	Plate, Cover	
203	70030024	1	Bearing, Taper Roller	
204	70023469	1	Shim	
205	70026632	1	Gear, Bevel Set	
206	80204035	1	Bearing, Taper Roller	
207A	70026438	1	Kit, Shim	
207B	70026439	1	Kit, Shim	
208	70022140	1	Spacer	
209	70025887	1	Seal	
210	91514131	1	Flange	
211	10725554	1	O-Ring	
212	80204033	2	Bearing, Taper Roller	
213	91514133	2	Nut, Ring	
214	91514134	2	Bolt	
215	91514123	16	Bolt	
216	70025337	1	Carrier, Differential	

## SECTION 5 - DRIVE TRAIN

ITEM	PART NUMBER	QTY	DESCRIPTION	REV
217	70023493	2	Washer, Friction	
218	70025338	2	Gear, Differential Side	
219	70027105	4	Washer, Friction	
220	70025339	4	Pinion, Differential	
221	70023490	2	Shaft, Differential	
222	70023489	15	Bolt	
223	70026030	1	Kit, Differential (Includes Items 216-222)	
		Ref	HUB REDUCTION ASSEMBLY	
301	70025980	2	Case, Axle	
302	91514081	2	Bolt	
303	91514082	2	Nut	
306	70022814	32	Bolt	
307	80204071	2	Circlip	
308	80204005	2	Circlip	
309	91514146	2	Ball Bearing	
310	91514147	2	Seal	
311	91514148	2	O-Ring	
312	91514149	2	Bushing, Reduction	
313	70025855	2	Joint, Double Universal	
314	70026238	2	Seal	
315	91514111	2	Bushing, Thrust	
316	70025562	24	Bolt	
318	70024881	4	Fitting, Grease	
319	91514112	2	Pin, Pivot	
320	70025561	1	Kit, Shim	
321	7028716	4	Seal, Dust	
323	7028714	2	Bushing	
324	91514095	2	Bearing	
325	7028715	2	Pin, Pivot	
326	80204065	4	Nut	
327	7028733	4	Bolt	
330	70028388	2	Plug	
331	70028329	2	Bolt	
333	70026002	2	Seal	
334	80204076	4	Bearing, Taper Roller	
335	91514174	2	Hub, Wheel	
336	91514175	2	Circlip	
337	70024147	2	Gear, Ring	
338	91514177	2	Support, Ring Gear	
339	91514178	2	Plate, Locking	
340	91514184	6	Circlip	
341	91514185	6	Gear, Planet	
342	91514186	6	Bearing	
343	7026731	2	Carrier, Planetary Gear	
345	91514188	2	Plug	
346	91514189	4	Bolt, Countersunk	
347	91514179	16	Nut	
348	91514180	16	Stud	
349	91514181	2	O-Ring	
351	91514183	20	Stud, Wheel	
352	70025972	2	Carrier, Planet Gear (Includes Items 501, 502, 504 & 505)	

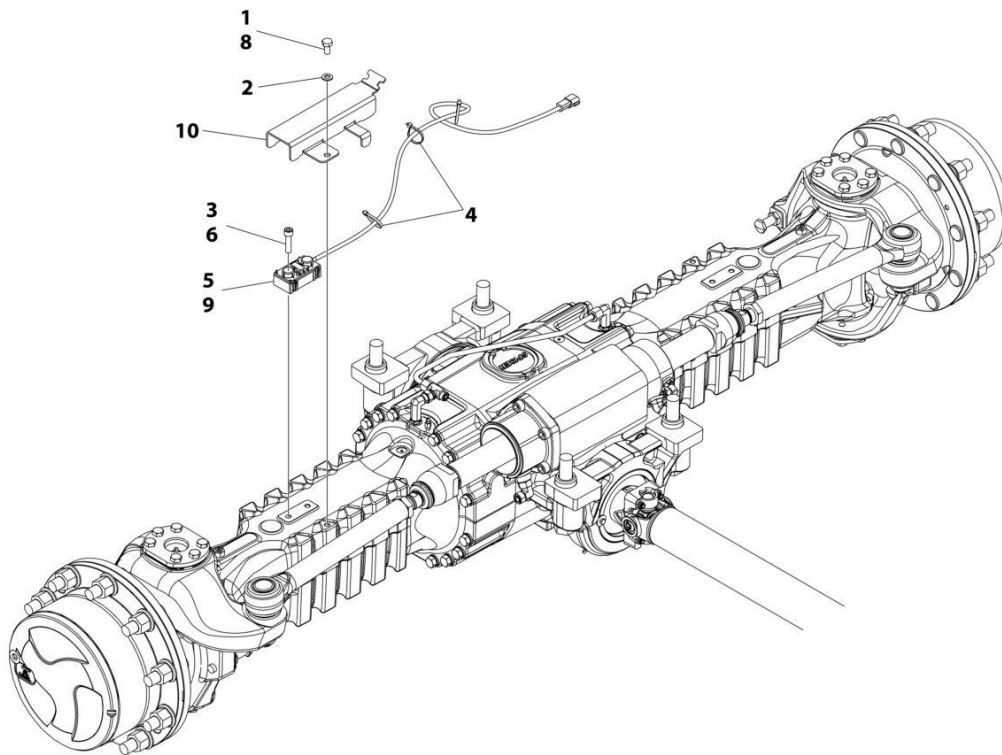
## SECTION 5 - DRIVE TRAIN

ITEM	PART NUMBER	QTY	DESCRIPTION	REV
362	70026239	1	Carrier, Steering (Includes Items 315)	
363	70030026	1	Carrier, Steering (Includes Items 315)	
364	7028733	4	Bolt, Steering Adjust (Includes Items 326-327)	
366	70024146	4	Support, Ring Gear (Includes Items 336-338)	
370	70028882	2	Carrier, Planet Gear (Includes Items 340-343)	
373	70028392	2	Cover	
		Ref	STEERING ASSEMBLY	
401	7026490	1	Cylinder	
402	80204143	2	O-Ring	
403	70021614	2	Bar	
404	80204144	5	Bolt	
410	7029127	1	Kit, Seal	
		Ref	TRUNION ASSEMBLY	
501	7029290	2	Bushing	
502	91514090	1	Bushing, Thrust	
504	70024881	1	Fitting, Grease	
505	80204117	1	Plug	
506	70026266	Ref	Kit, Support (Includes Items 501, 502, 504 & 505)	



# SECTION 5 - DRIVE TRAIN

## FIGURE 5-56. LSI AXLE SENSOR INSTALLATION



ART\_1001258644

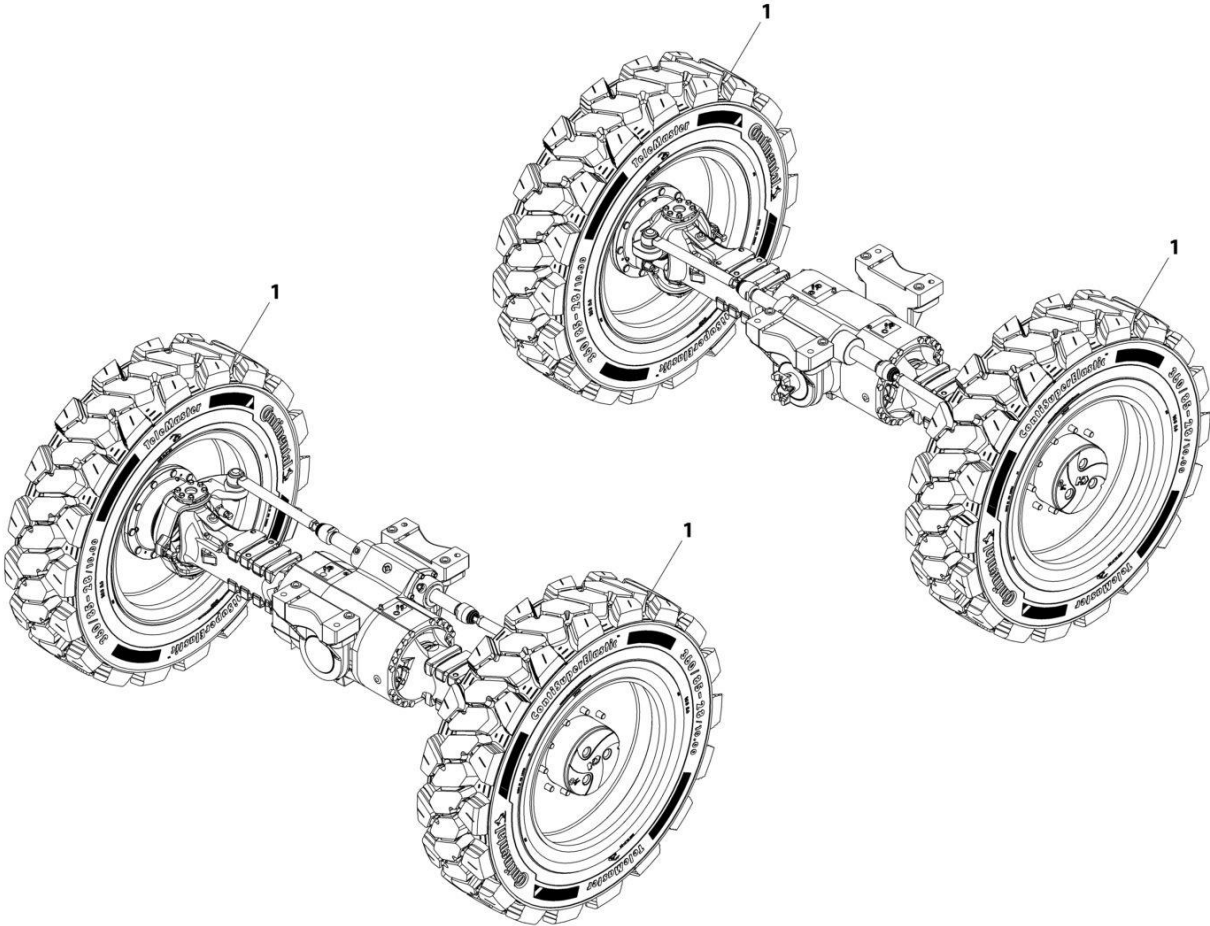
## SECTION 5 - DRIVE TRAIN

### FIGURE 5-56. LSI AXLE SENSOR INSTALLATION

ITEM	PART NUMBER	QTY	DESCRIPTION	REV
	1001258644	Ref	LSI Sensor Installation	B
1	0761010	1	Bolt, M10X20	
2	4812000	1	Washer, M10	
3	5272012	2	Bolt, M10X40	
4	1001008559	3	Strap, Cable	
5	1001116128	AR	Seal	
6	1001125465	AR	Locking, Compound	
8	1001289296	AR	Adhesive	
9	1001289105	1	Sensor, Rear Axle	
10	1001290669	1	Bracket	

**SECTION 5 - DRIVE TRAIN**

**FIGURE 5-57. TIRE/WHEEL SET 360/85-28 - SOLID**



ART\_1001221504-A



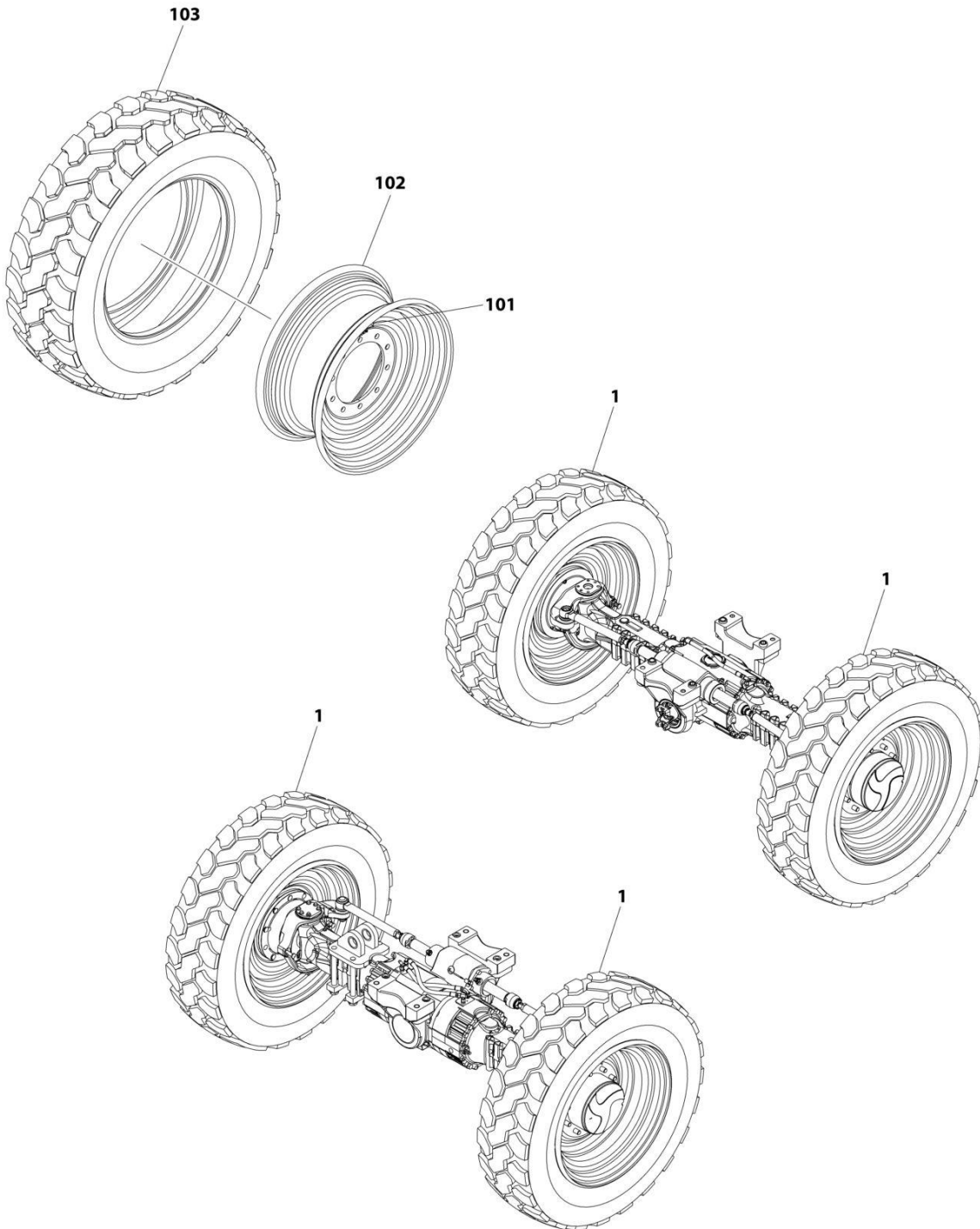
## SECTION 5 - DRIVE TRAIN

**FIGURE 5-57. TIRE/WHEEL SET 360/85-28 - SOLID**

ITEM	PART NUMBER	QTY	DESCRIPTION	REV
1	1001221504	Ref	Tire/Wheel Set 360/85-28 - Solid	A
	1001213200J	4	Tire/Wheel Solid 360/85-28/10 - 1M Offset	

# SECTION 5 - DRIVE TRAIN

## FIGURE 5-58. TIRE/WHEEL SET 400/75-28 PNEUMATIC



ART\_1001121109

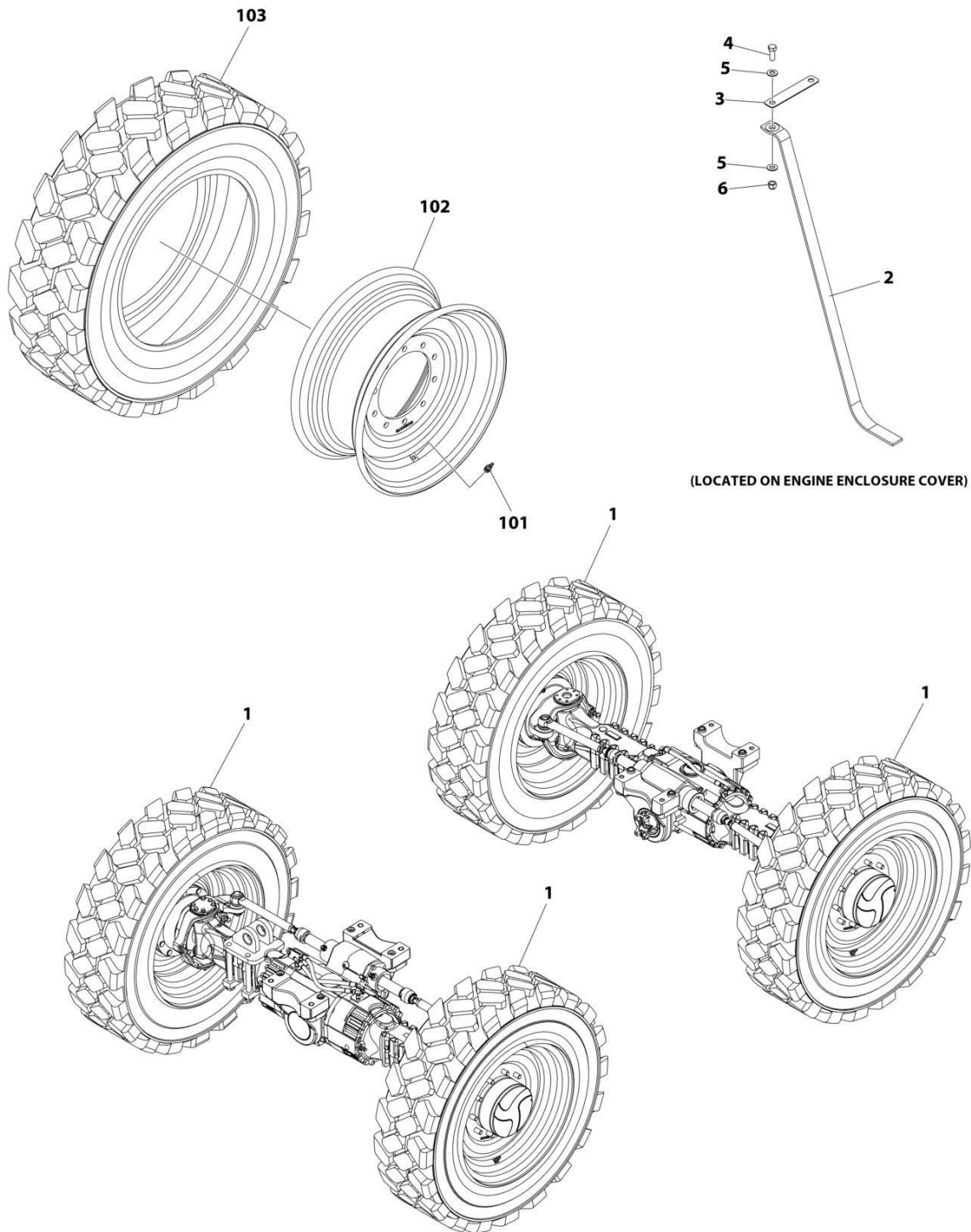
## SECTION 5 - DRIVE TRAIN

**FIGURE 5-58. TIRE/WHEEL SET 400/75-28 PNEUMATIC**

ITEM	PART NUMBER	QTY	DESCRIPTION	REV
	1001121109	Ref	TIRE/WHEEL SET 400/75-28 - AIR	B
1	1001121103	4	Assembly, Tire/Wheel 400/75-28 - Air	
101	8786514	4	Valve, Stem (1 per assembly)	
102	1001120178	4	Wheel, 28.00 x 12W/0.75 Offset (1 per assembly)	
103	1001120179	4	Tire, 400/75D-28 (1 per assembly)	

# SECTION 5 - DRIVE TRAIN

## FIGURE 5-59. TIRE/WHEEL SET 400/75-28 PNEUMATIC NON-MARKING



ART\_1001241848

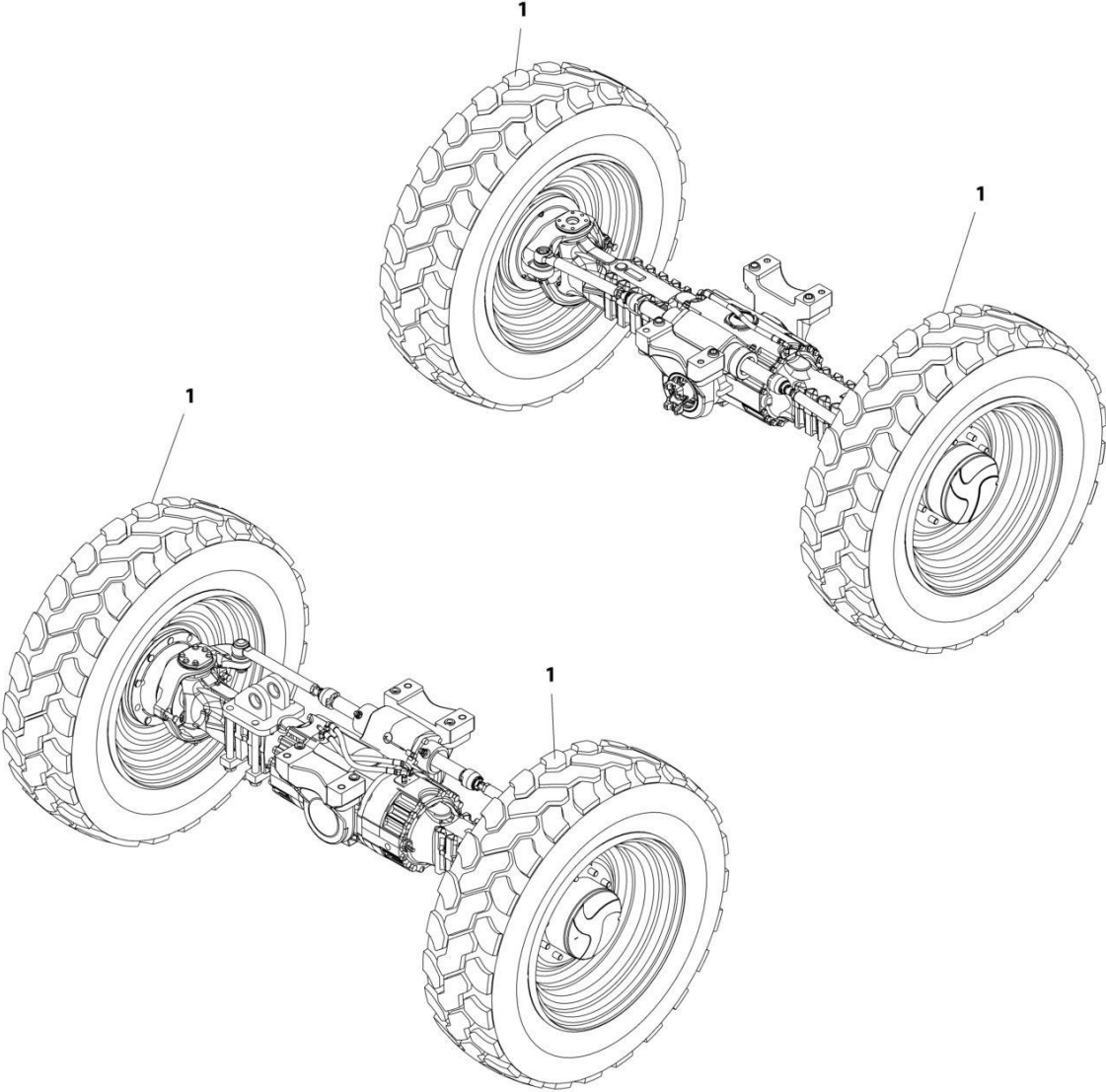
## SECTION 5 - DRIVE TRAIN

**FIGURE 5-59. TIRE/WHEEL SET 400/75-28 PNEUMATIC NON-MARKING**

ITEM	PART NUMBER	QTY	DESCRIPTION	REV
	1001241848	Ref	TIRE/WHEEL SET - 400/75-28 - PNEUMATIC NON MARKING	B
1	1001241841	4	Assembly, Tire and Wheel - 400/75-28 - Pneumatic Non-Marking (See Items 101-103)	
2	1001275637	1	Strap, Anti-Static	
3	1001275638	1	Bracket	
4	8303620	1	Bolt 3/8 x 1	
5	8307110	2	Washer 3/8	
6	8305645	1	Nut 3/8	
	1001241841	Ref	ASSEMBLY, TIRE AND WHEEL - 400/75-28 - PNEUMATIC NON-MARKING	A
101	8786514	4	Valve, Air (1 per assembly)	
102	1001120178	4	Wheel (1 per assembly)	
103	1001241837	4	Tire 400/75-28 Non-Marking (1 per assembly)	

**SECTION 5 - DRIVE TRAIN**

**FIGURE 5-60. TIRE/WHEEL SET 400/75-28 - FOAM-FILLED**



ART\_1001125410\_D

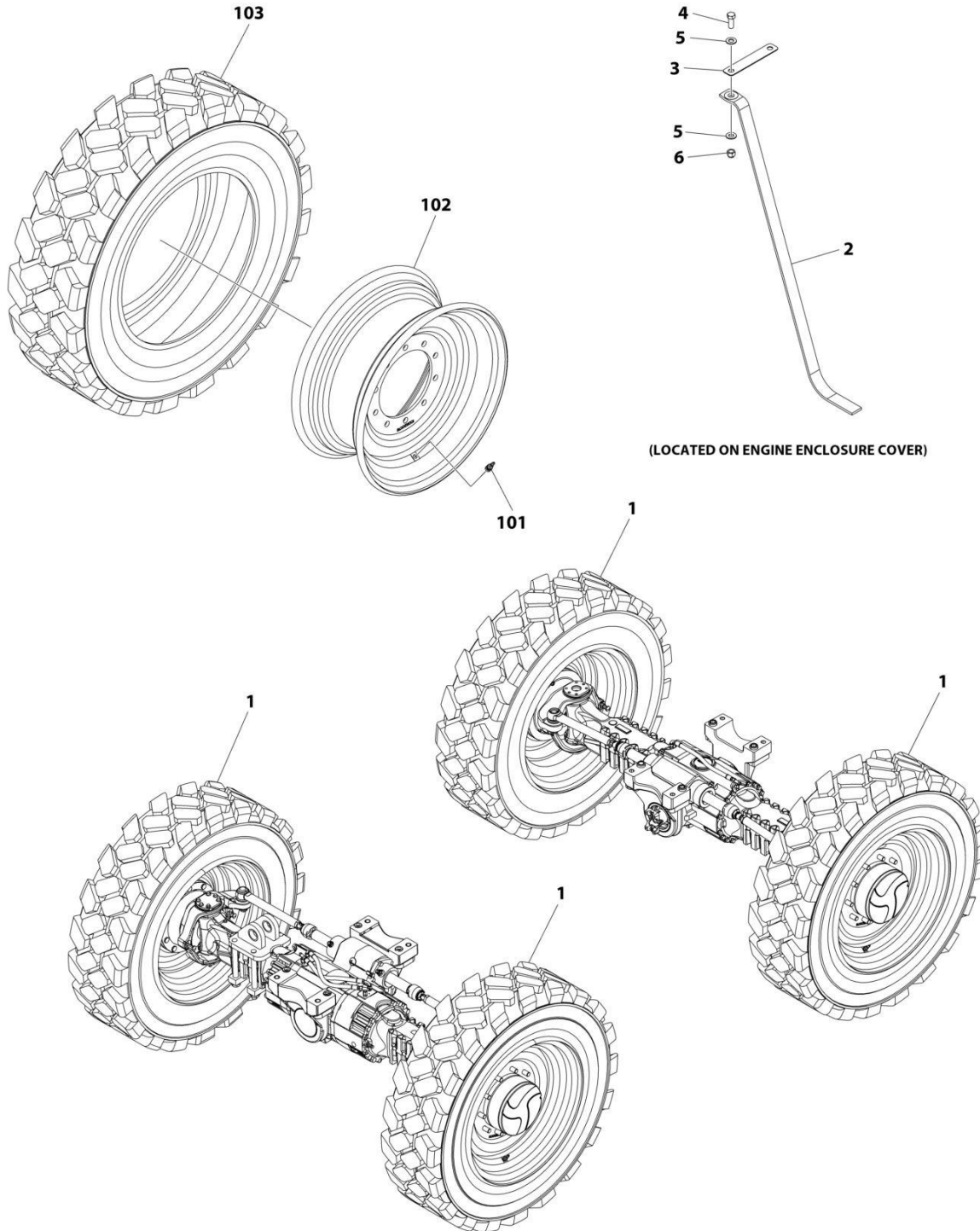
## SECTION 5 - DRIVE TRAIN

**FIGURE 5-60. TIRE/WHEEL SET 400/75-28 - FOAM-FILLED**

ITEM	PART NUMBER	QTY	DESCRIPTION	REV
	1001125410	1	Tire/Wheel Set 400/75-28 - Foam	D
		Ref	Note: Assemblies require ballast/foam filling to manufacture's specifications prior to installing on machine. Refer to Operation & Safety or Service & Maintenance Manuals.	
		Ref	Purchase individual tire and/or wheel only if able to foam fill tire & wheel assembly, otherwise purchase complete assembly.	
1	1001121105	4	Tire/Wheel 400/75-28 Foam	
1	8786514	4	Vavle, Air (1 per assembly)	
1	1001120178	4	Wheel (1 per assembly)	
1	1001120179	4	Tire 400/75-28 Non-Marking (1 per assembly)	

# SECTION 5 - DRIVE TRAIN

## FIGURE 5-61. TIRE/WHEEL SET 400/75-28 NON-MARKING - FOAM-FILLED



ART\_1001241849



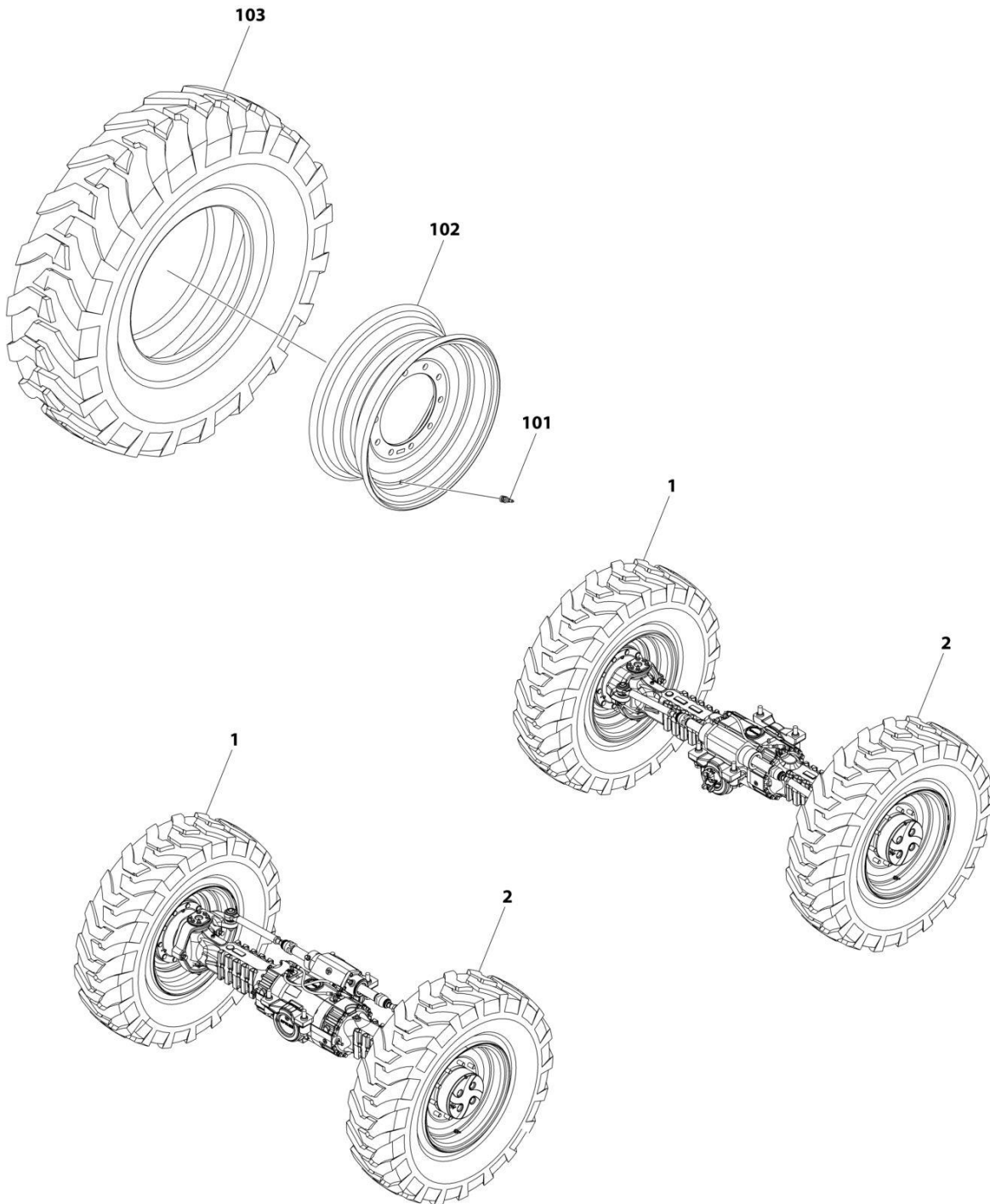
## SECTION 5 - DRIVE TRAIN

**FIGURE 5-61. TIRE/WHEEL SET 400/75-28 NON-MARKING - FOAM-FILLED**

ITEM	PART NUMBER	QTY	DESCRIPTION	REV
	1001241849	Ref	TIRE/WHEEL SET 400/75-28 - FOAM FILLED NON MARKING	B
		Ref	Note: Assemblies require ballast/foam filling to manufacture's specifications prior to installing on machine. Refer to Operation & Safety or Service & Maintenance Manuals.	
		Ref	Purchase individual tire and/or wheel only if able to foam fill tire & wheel assembly, otherwise purchase complete assembly.	
1	1001241842	4	Tire and Wheel Assembly (See Items 101-103)	
2	1001275637	1	Strap, Anti-Static	
3	1001275638	1	Bracket	
4	8303620	1	Bolt 3/8 x 1	
5	8307110	2	Washer 3/8	
6	8305645	1	Nut 3/8	
	1001241842	Ref	TIRE AND WHEEL ASSEMBLY	A
101	8786514	4	Valve, Air (1 per assembly)	
102	1001120178	4	Wheel (1 per assembly)	
103	1001241837	4	Tire 400/75-28 Non-Marking (1 per assembly)	

# SECTION 5 - DRIVE TRAIN

FIGURE 5-62. TIRE/WHEEL SET 14-24 16PR PNEUMATIC



ART\_1001198291

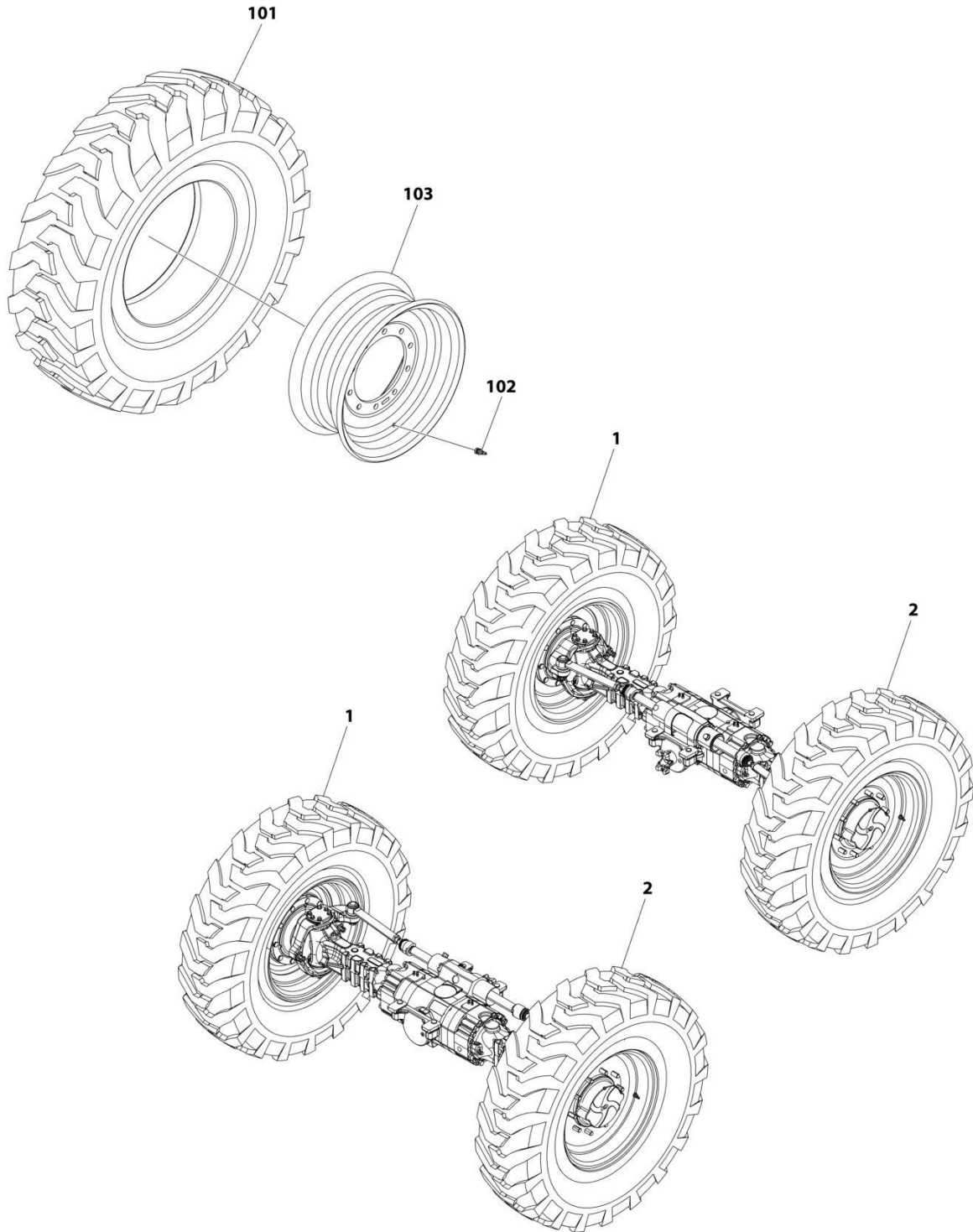
## SECTION 5 - DRIVE TRAIN

**FIGURE 5-62. TIRE/WHEEL SET 14-24 16PR PNEUMATIC**

ITEM	PART NUMBER	QTY	DESCRIPTION	REV
	1001198291	Ref	TIRE/WHEEL SET 14-24 16PR - AIR	A
1	1001197715	2	Assembly, Tire/Wheel Right 14-24 16PR - Air (Includes Item 101-103)	
2	1001197716	2	Assembly, Tire/Wheel Left 14-24 16PR - Air (Includes Item 101-103)	
101	8786514	4	Valve, Stem (1 per assembly)	
102	91473206	4	Wheel, 24 x 9.00 GR (1 per assembly)	
103	1001197709	4	Tire, 14.00 x 24 TG 16 PLY BIAS G2 (1 per assembly)	

# SECTION 5 - DRIVE TRAIN

## FIGURE 5-63. TIRE/WHEEL SET 14-24 12PR - FOAM-FILLED



ART\_4520482

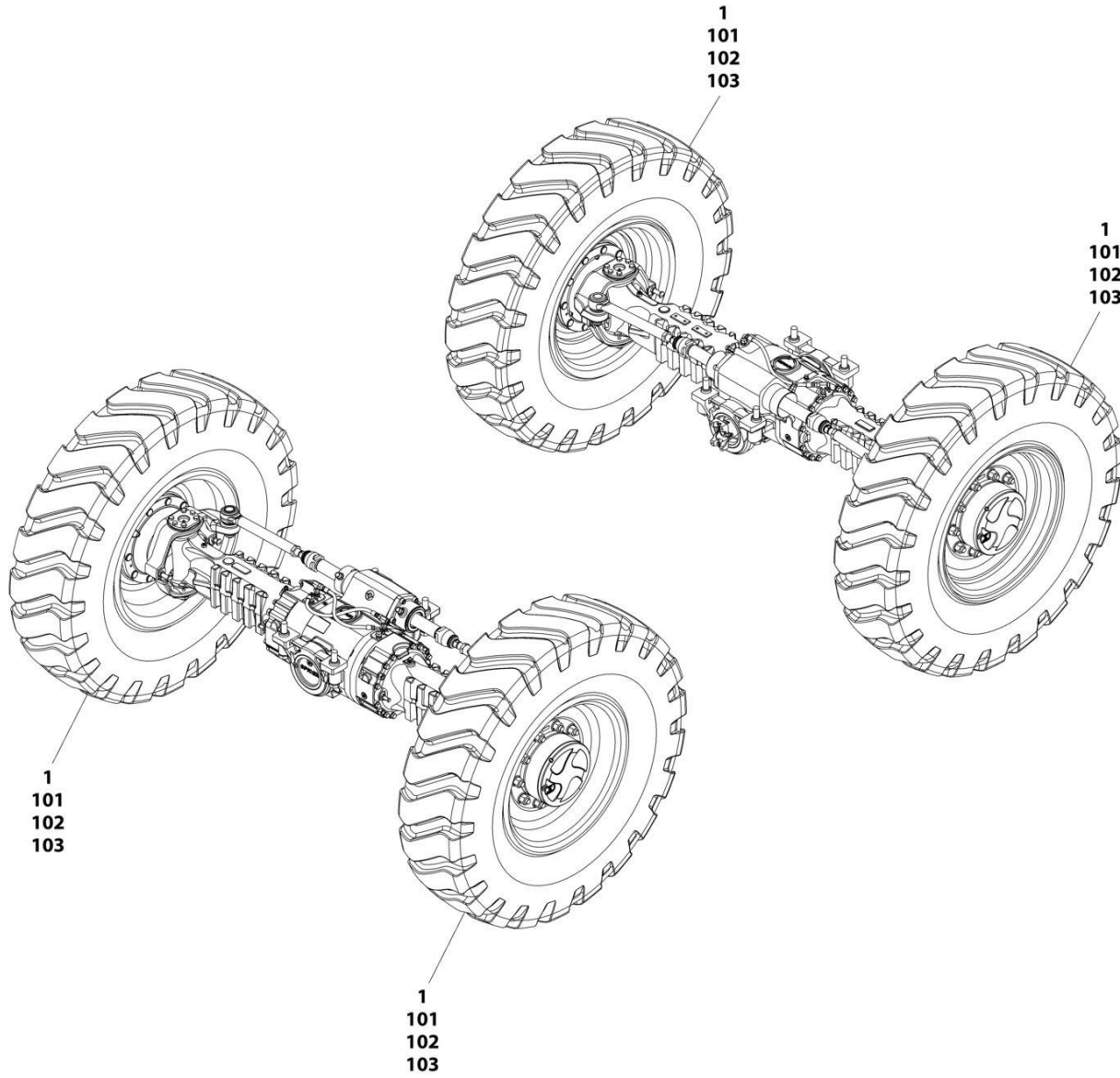
## SECTION 5 - DRIVE TRAIN

**FIGURE 5-63. TIRE/WHEEL SET 14-24 12PR - FOAM-FILLED**

ITEM	PART NUMBER	QTY	DESCRIPTION	REV
	4520482	Ref	TIRE/WHEEL SET - 14.00-24 FOAM FILLED	C
		Ref	Note: Assemblies require ballast/foam filling to manufacture's specifications prior to installing on machine. Refer to Operation & Safety or Service & Maintenance Manuals.	
		Ref	Purchase individual tire and/or wheel only if able to foam fill tire & wheel assembly, otherwise purchase complete assembly.	
1	91355037	2	Tire/Wheel Right 14-24 G-2 - Foam (Includes Item 101-103)	
2	91355038	2	Tire/Wheel Left 14-24 G-2 - Foam (Includes Item 101-103)	
101	91043084	4	Tire, 13.00 x 24 TG 16 PLY G2, BIAS (1 per assembly)	
102	8786514	4	Valve, Stem (1 per assembly)	
103	91473206	4	Wheel, 24 x 9.00 GR (1 per assembly)	

# SECTION 5 - DRIVE TRAIN

FIGURE 5-64. TIRE/WHEEL SET 14-24 12PR - FOAM-FILLED (E-3) (SUNSHINE)



ART\_1001264713

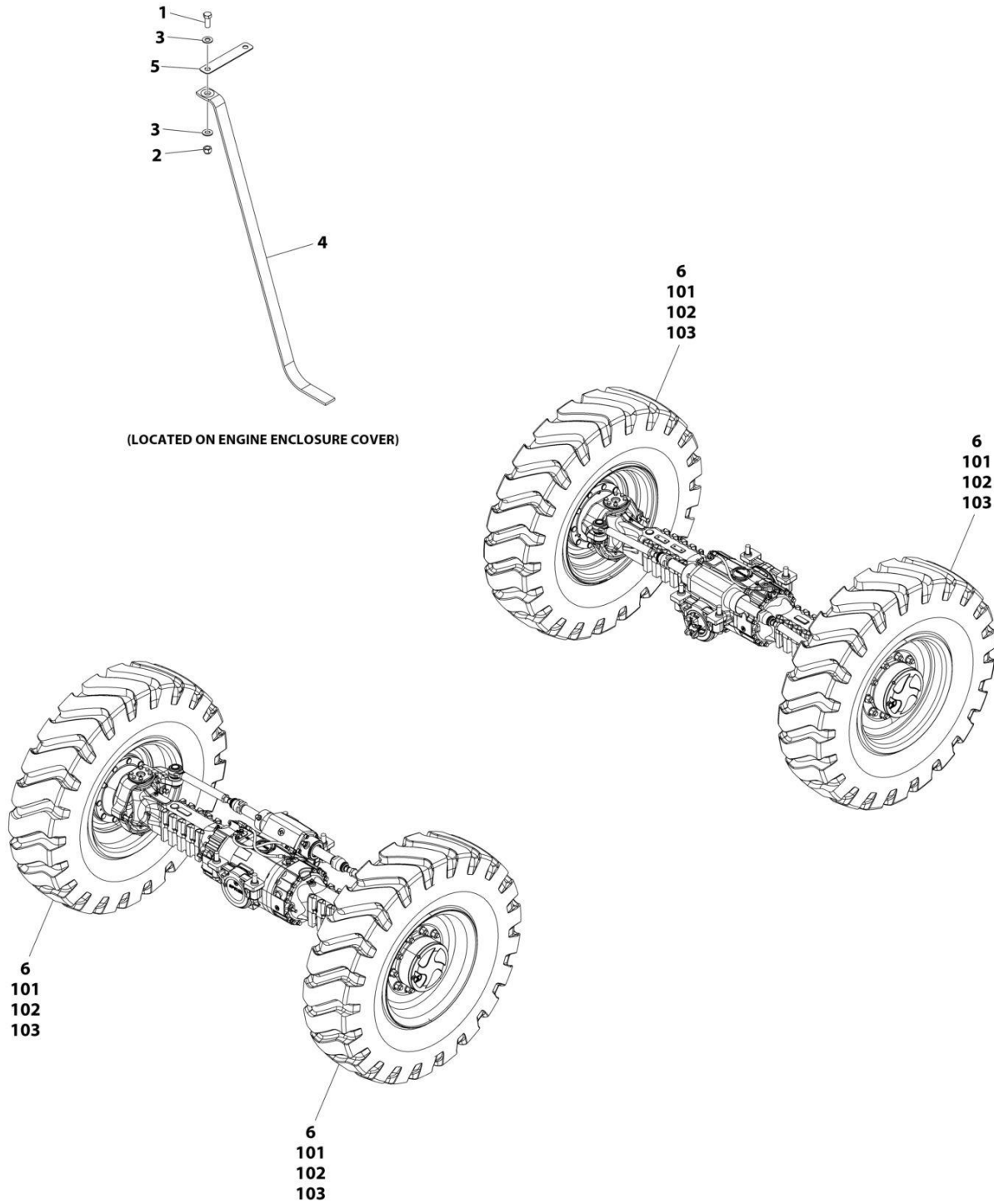
## SECTION 5 - DRIVE TRAIN

**FIGURE 5-64. TIRE/WHEEL SET 14-24 12PR - FOAM-FILLED (E-3) (SUNSHINE)**

ITEM	PART NUMBER	QTY	DESCRIPTION	REV
	1001264713	Ref	TIRE WHEEL SET - 14.00-24 - FOAM-FILLED	A
		Ref	<b>Note: Assemblies require ballast/foam filling to manufacture's specifications prior to installing on machine. Refer to Operation &amp; Safety or Service &amp; Maintenance Manuals.</b>	
		Ref	<b>Purchase individual tire and/or wheel only if able to foam fill tire &amp; wheel assembly, otherwise purchase complete assembly.</b>	
1	1001264700	4	Tire and Wheel Assembly	
101	8786514	4	Valve, Air (1 per assembly)	
102	91473206	4	Wheel (1 per assembly)	
103	1001263011	4	Tire 14.00-24 (1 per assembly)	

# SECTION 5 - DRIVE TRAIN

FIGURE 5-65. TIRE/WHEEL SET 14-24 - FOAM-FILLED (E-3) (NON-MARKING) (SUNSHINE)



(LOCATED ON ENGINE ENCLOSURE COVER)

ART\_1001281186



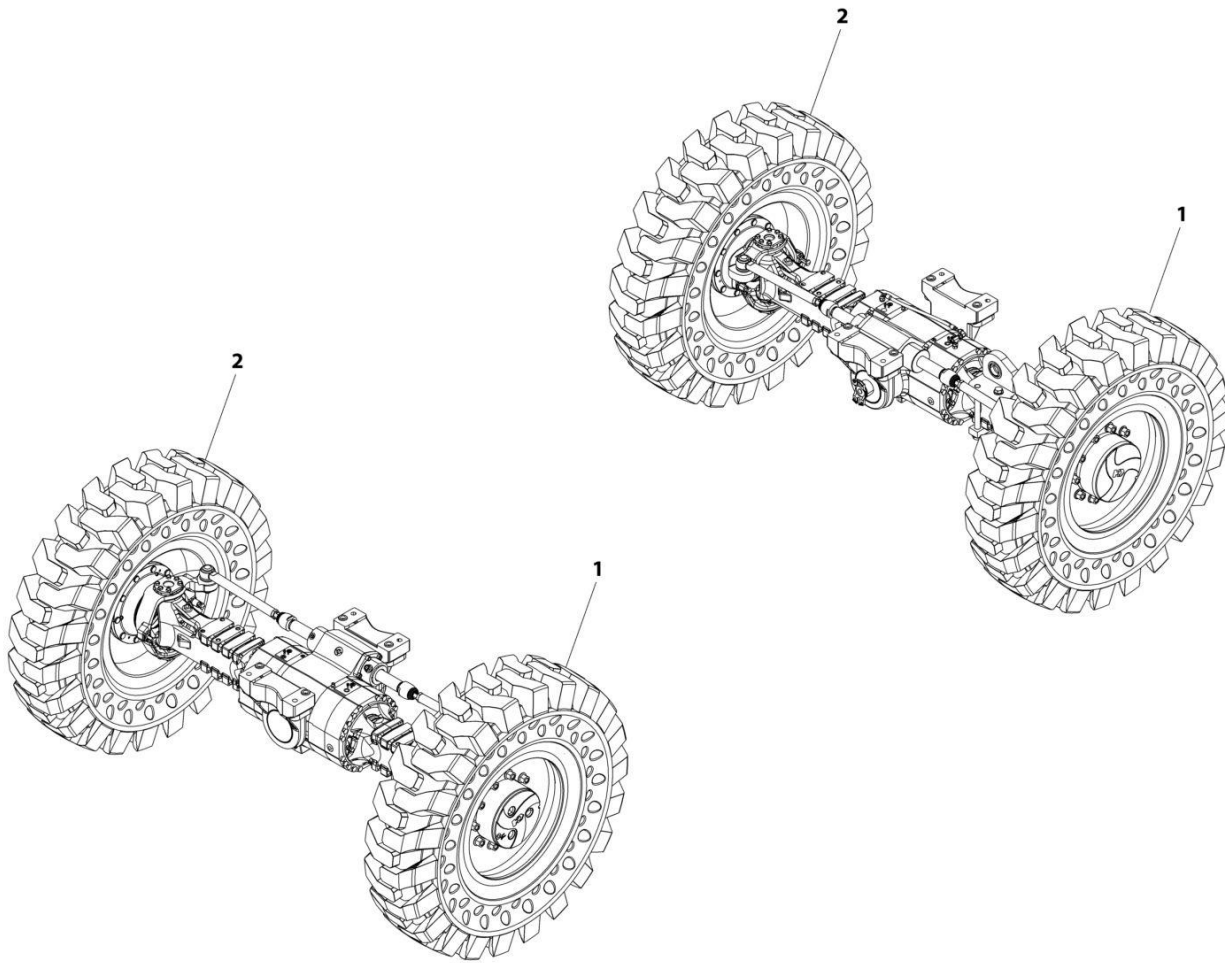
## SECTION 5 - DRIVE TRAIN

**FIGURE 5-65. TIRE/WHEEL SET 14-24 - FOAM-FILLED (E-3) (NON-MARKING) (SUNSHINE)**

ITEM	PART NUMBER	QTY	DESCRIPTION	REV
	1001281186	Ref	TIRE/WHEEL SET 14-24 - FOAM-FILLED (E-3) (NON-MARKING) (SUNSHINE)	A
		Ref	Note: Assemblies require ballast/foam filling to manufacture's specifications prior to installing on machine. Refer to Operation & Safety or Service & Maintenance Manuals.	
		Ref	Purchase individual tire and/or wheel only if able to foam fill tire & wheel assembly, otherwise purchase complete assembly.	
1	8303620	1	Screw 3/8 x 1	
2	8305645	1	Nut 3/8	
3	8307110	2	Washer 3/8	
4	1001275637	1	Strap, Anti-Static	
5	1001275638	1	Bracket	
6	1001281184	4	Tire and Wheel Assembly	
101	8786514	4	Valve, Air (1 per assembly)	
102	91473206	4	Wheel (1 per assembly)	
103	1001281182	4	Tire 14.00-24 (1 per assembly)	

# SECTION 5 - DRIVE TRAIN

FIGURE 5-66. TIRE/WHEEL SET 14-24 SOLIDBOSS (DIRECTIONAL)



ART\_1001274721

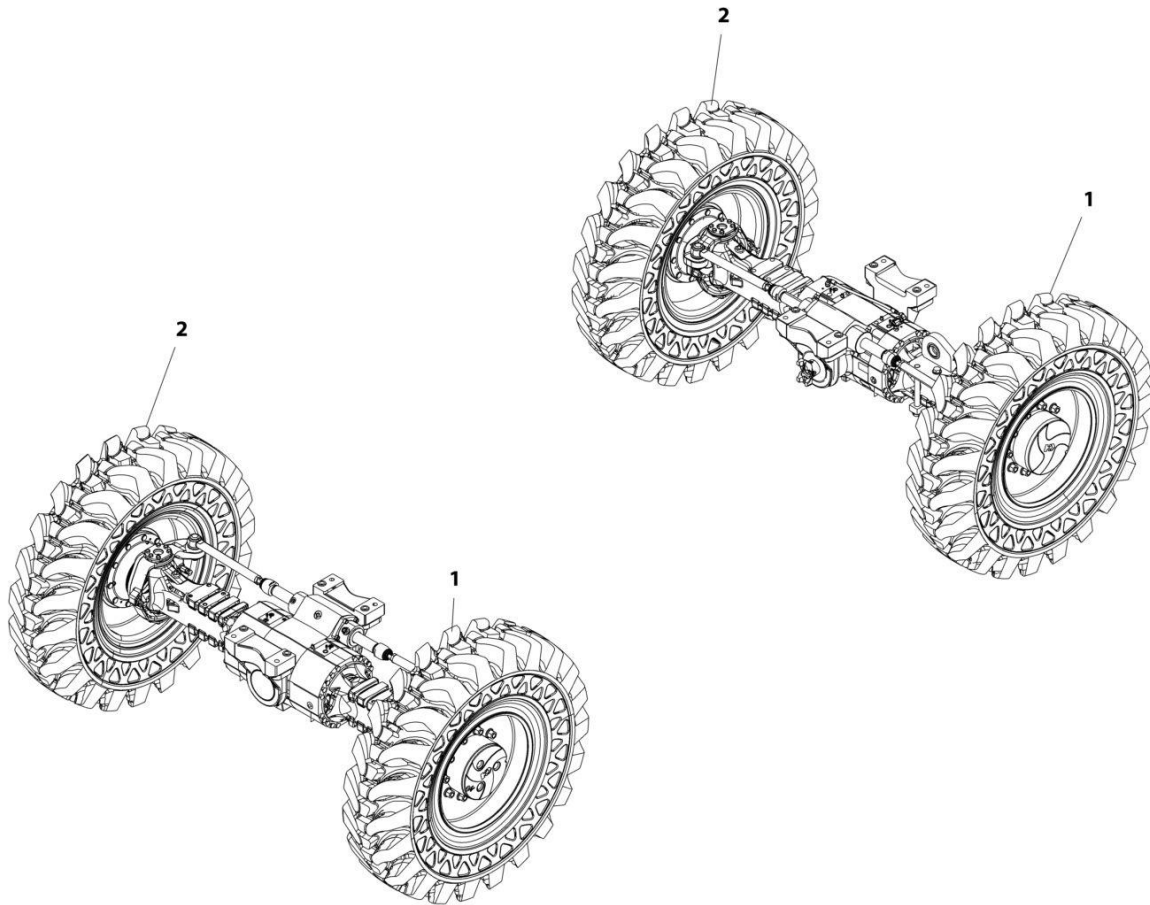
## SECTION 5 - DRIVE TRAIN

**FIGURE 5-66. TIRE/WHEEL SET 14-24 SOLIDBOSS (DIRECTIONAL)**

ITEM	PART NUMBER	QTY	DESCRIPTION	REV
	1001274721	Ref	TIRE/WHEEL SET 14-24 SOLIDBOSS (DIRECTIONAL)	A
1	1001274719	2	Tire/Wheel Left 14X24 - Solid	
2	1001274720	2	Tire/Wheel Right 14X24 - Solid	

## SECTION 5 - DRIVE TRAIN

FIGURE 5-67. TIRE/WHEEL SET 14-24 SOLIDEAL (DIRECTIONAL)



ART\_1001151108-A

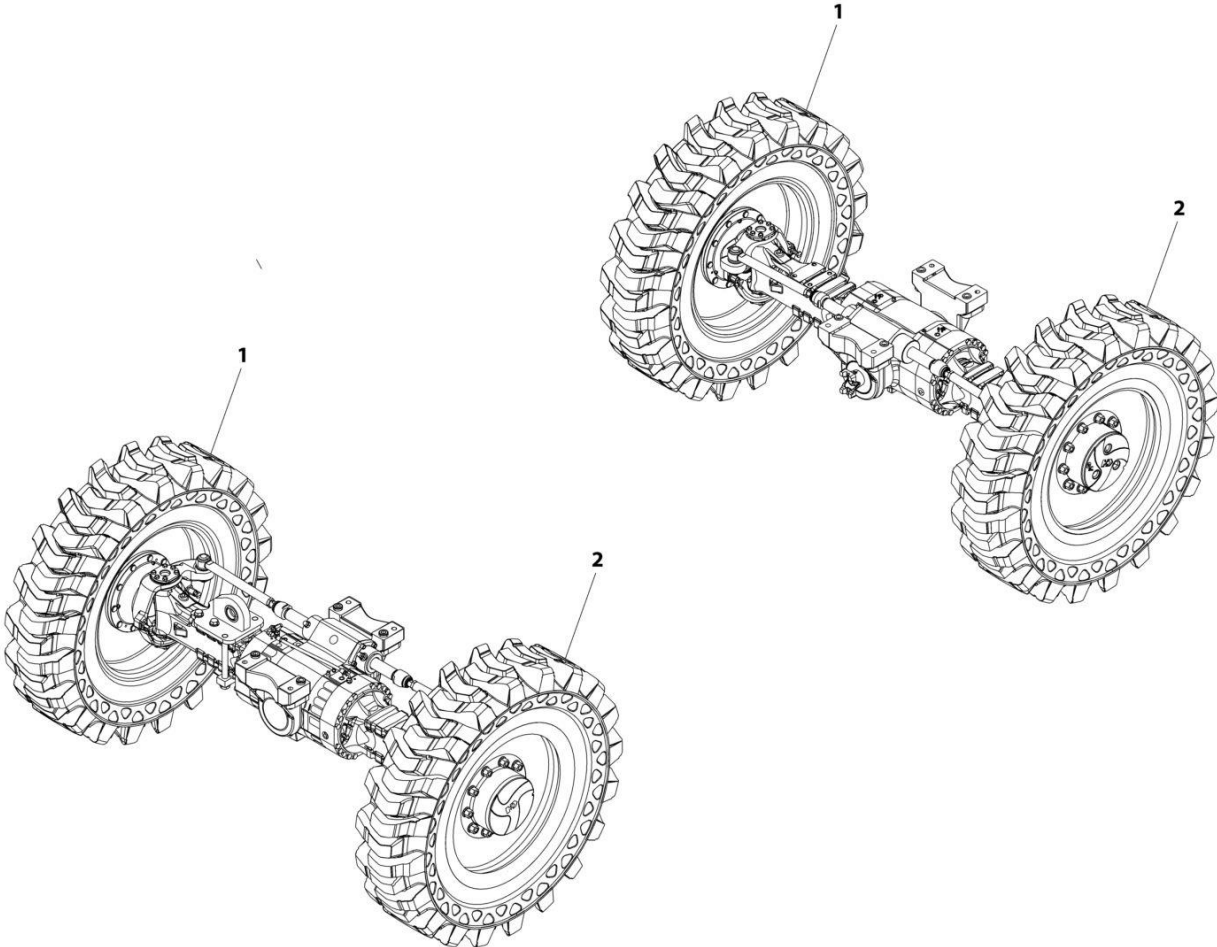
## SECTION 5 - DRIVE TRAIN

FIGURE 5-67. TIRE/WHEEL SET 14-24 SOLIDEAL (DIRECTIONAL)

ITEM	PART NUMBER	QTY	DESCRIPTION	REV
	1001151108	1	Tire/Wheel Set 14-24 - Solid	A
1	1001151101	2	Tire/Wheel Left 14-24 .219 - Offset	
2	1001151102	2	Tire/Wheel Right 14-24 .219 - Offset	

**SECTION 5 - DRIVE TRAIN**

**FIGURE 5-68. TIRE/WHEEL SET 14-28 SOLIDBOSS (DIRECTIONAL)**



ART\_1001274305

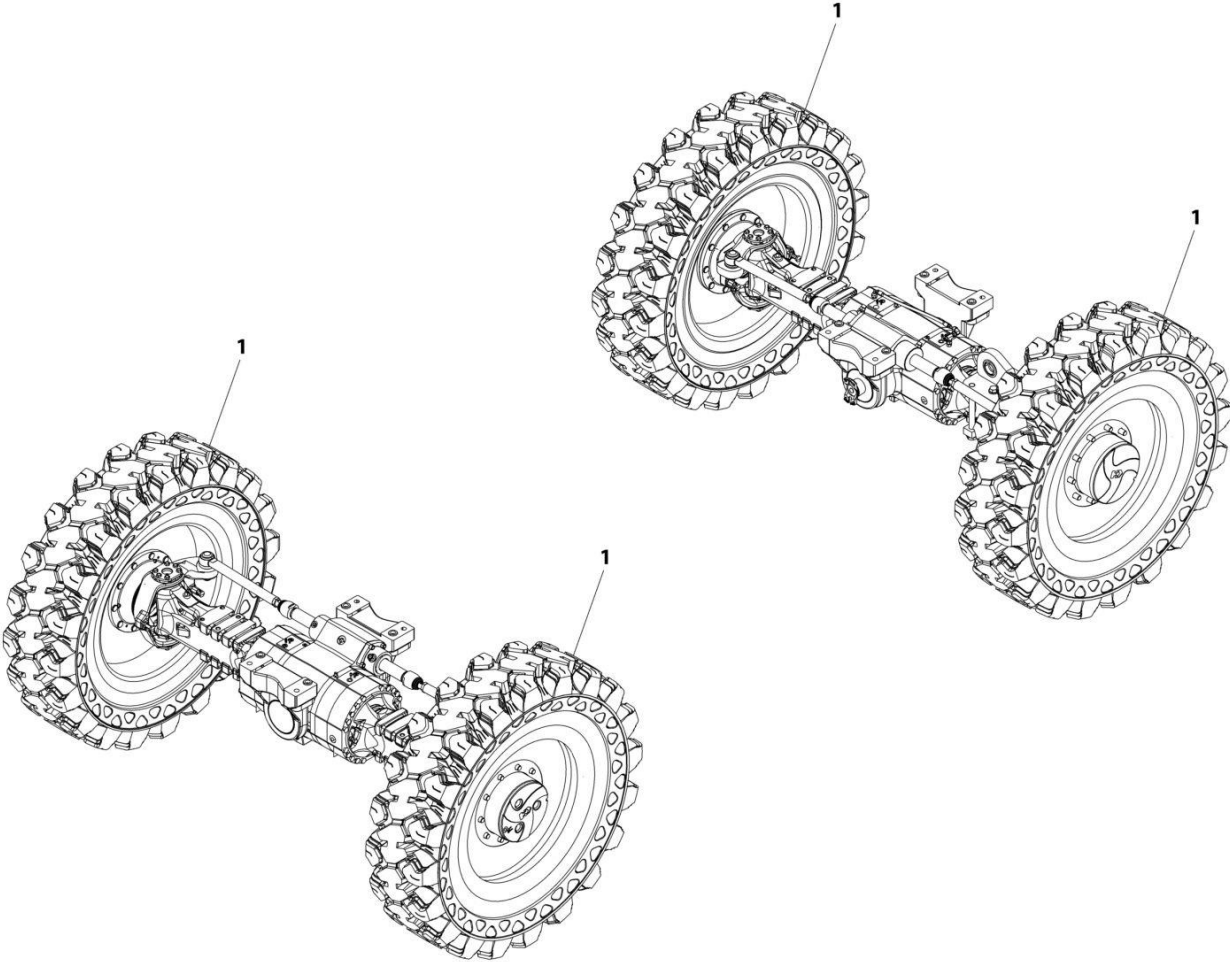
## SECTION 5 - DRIVE TRAIN

**FIGURE 5-68. TIRE/WHEEL SET 14-28 SOLIDBOSS (DIRECTIONAL)**

ITEM	PART NUMBER	QTY	DESCRIPTION	REV
	1001274305	Ref	TIRE/WHEEL SET 14-28 SOLIDBOSS (DIRECTIONAL)	A
1	1001274303	2	Tire/Wheel Left 14X28 - Solid	
2	1001274304	2	Tire/Wheel Right 14X28 - Solid	

**SECTION 5 - DRIVE TRAIN**

**FIGURE 5-69. TIRE/WHEEL SET 14-28 SOLIDBOSS (NON-DIRECTIONAL)**



ART\_1001274307



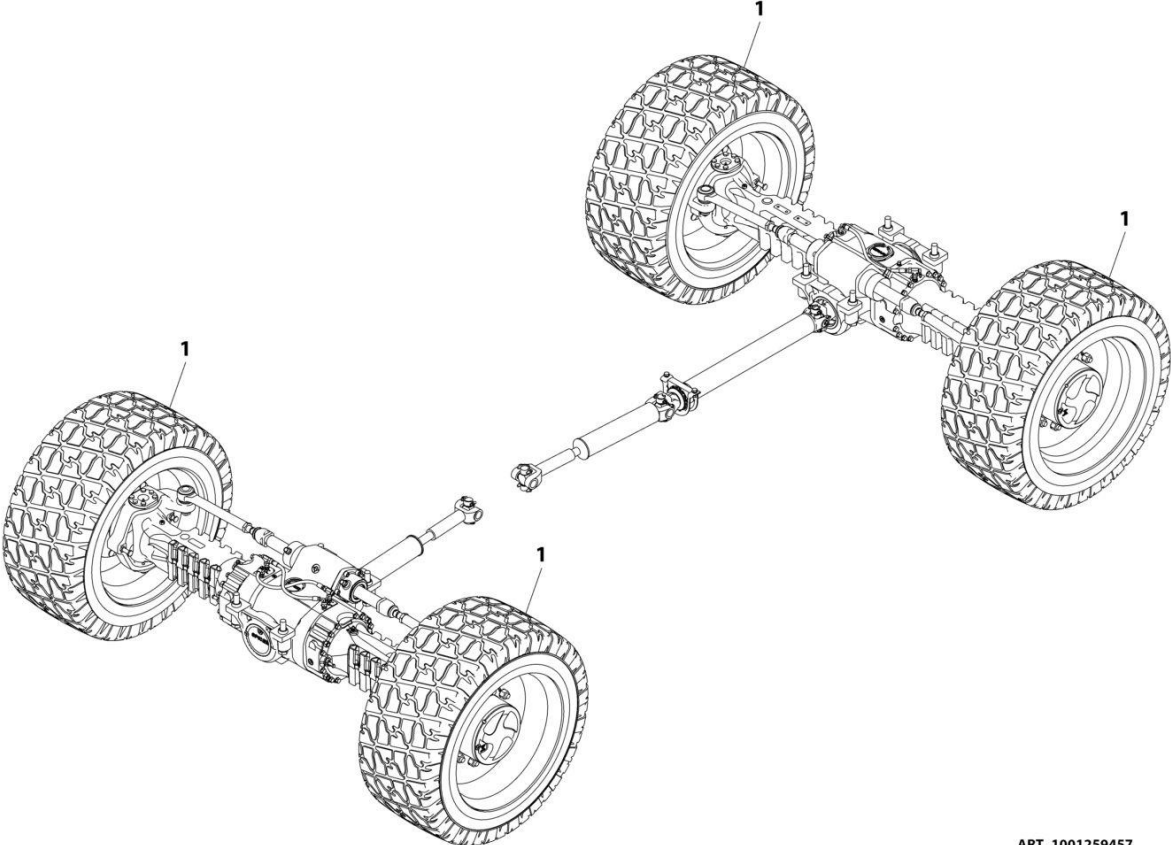
## SECTION 5 - DRIVE TRAIN

**FIGURE 5-69. TIRE/WHEEL SET 14-28 SOLIDBOSS (NON-DIRECTIONAL)**

ITEM	PART NUMBER	QTY	DESCRIPTION	REV
1	1001274307	Ref	TIRE/WHEEL SET 14-28 SOLIDBOSS (NON-DIRECTIONAL)	A
	1001274306	4	Tire/Wheel 14X28 - Solid	

**SECTION 5 - DRIVE TRAIN**

**FIGURE 5-70. TIRE/WHEEL SET 18 X 625 (PNEUMATIC TURF)**



ART\_1001259457

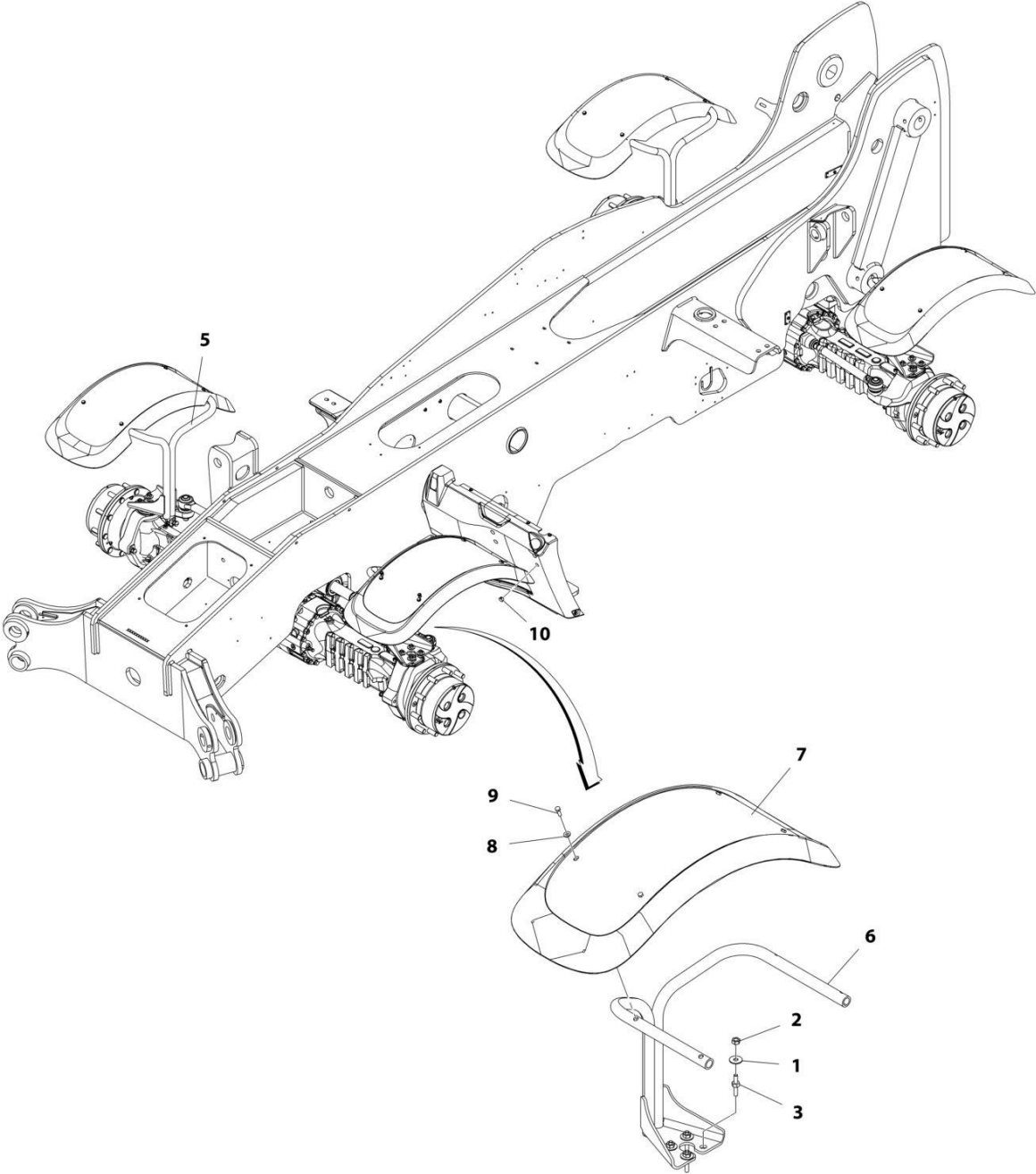
## SECTION 5 - DRIVE TRAIN

**FIGURE 5-70. TIRE/WHEEL SET 18 X 625 (PNEUMATIC TURF)**

ITEM	PART NUMBER	QTY	DESCRIPTION	REV
	1001259457	Ref	TIRE SET - 18 X 625 (TURF PNEUMATIC)	A
1	1001259635	4	Tire and Wheel Assembly	
1	4520356	4	Tire - 18 x 625 Turf/Sand (1 Per Assembly)	
1	4641122	4	Valve, Air (1 Per Assembly)	
1	1001246001	4	Wheel (1 Per Assembly)	

**SECTION 5 - DRIVE TRAIN**

**FIGURE 5-71. FENDER INSTALLATION**



ART\_1001171242-E

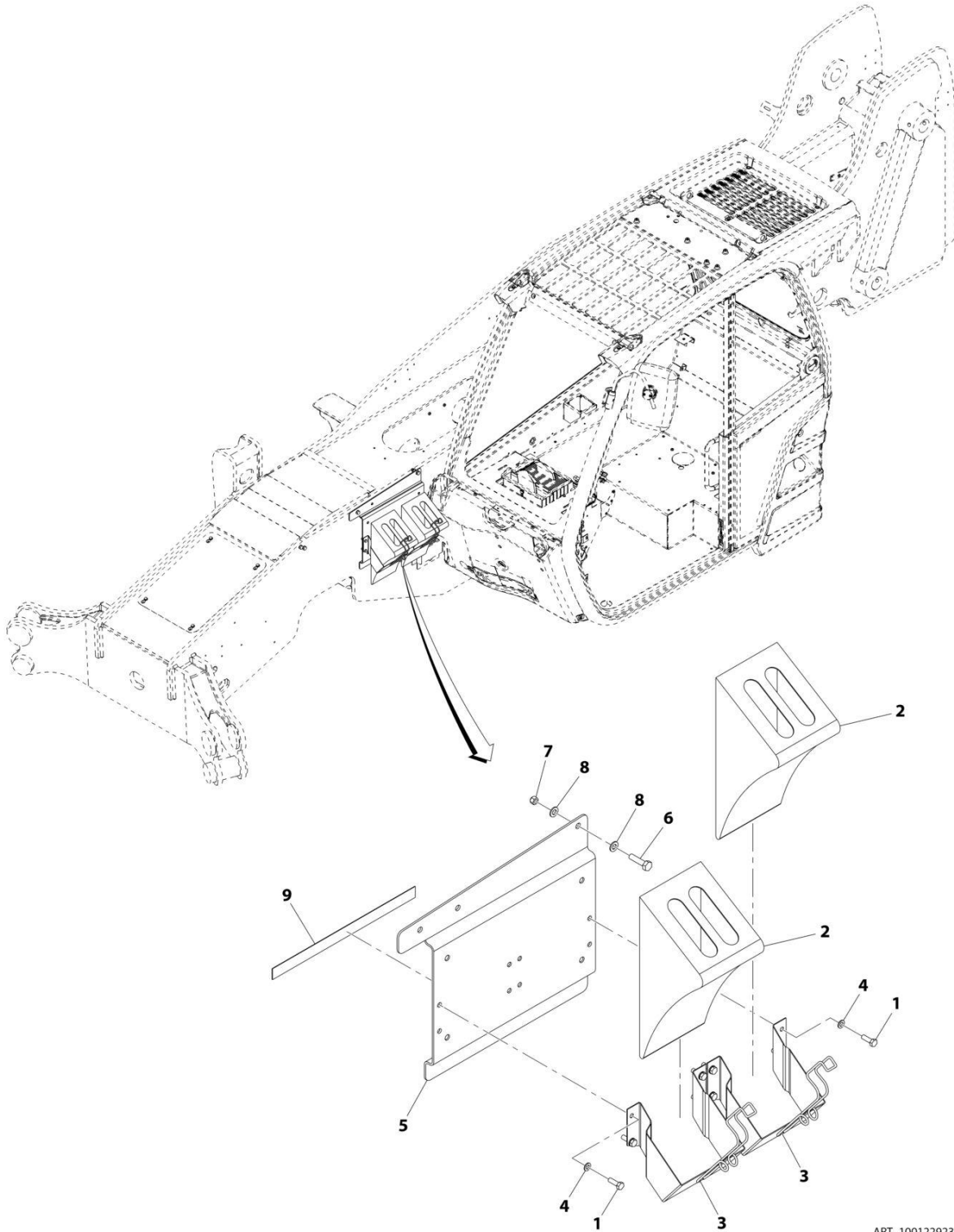
## SECTION 5 - DRIVE TRAIN

### FIGURE 5-71. FENDER INSTALLATION

ITEM	PART NUMBER	QTY	DESCRIPTION	REV
	1001171242	Ref	Fender Installation	E
1	4812102	16	Washer, M12	
2	91513266	16	Nut, M12X1.25	
3	91514118	16	Stud, Fender	
5	1001202513	2	RH Bracket	
6	1001202512	2	LH Bracket	
7	1001168264	4	Fender	
8	1001202786	16	Washer	
9	0760812	16	Screw, M8X25	
10	1001208338	4	Plug	

# SECTION 5 - DRIVE TRAIN

## FIGURE 5-72. WHEEL CHOCK INSTALLATION



ART\_1001229235-B

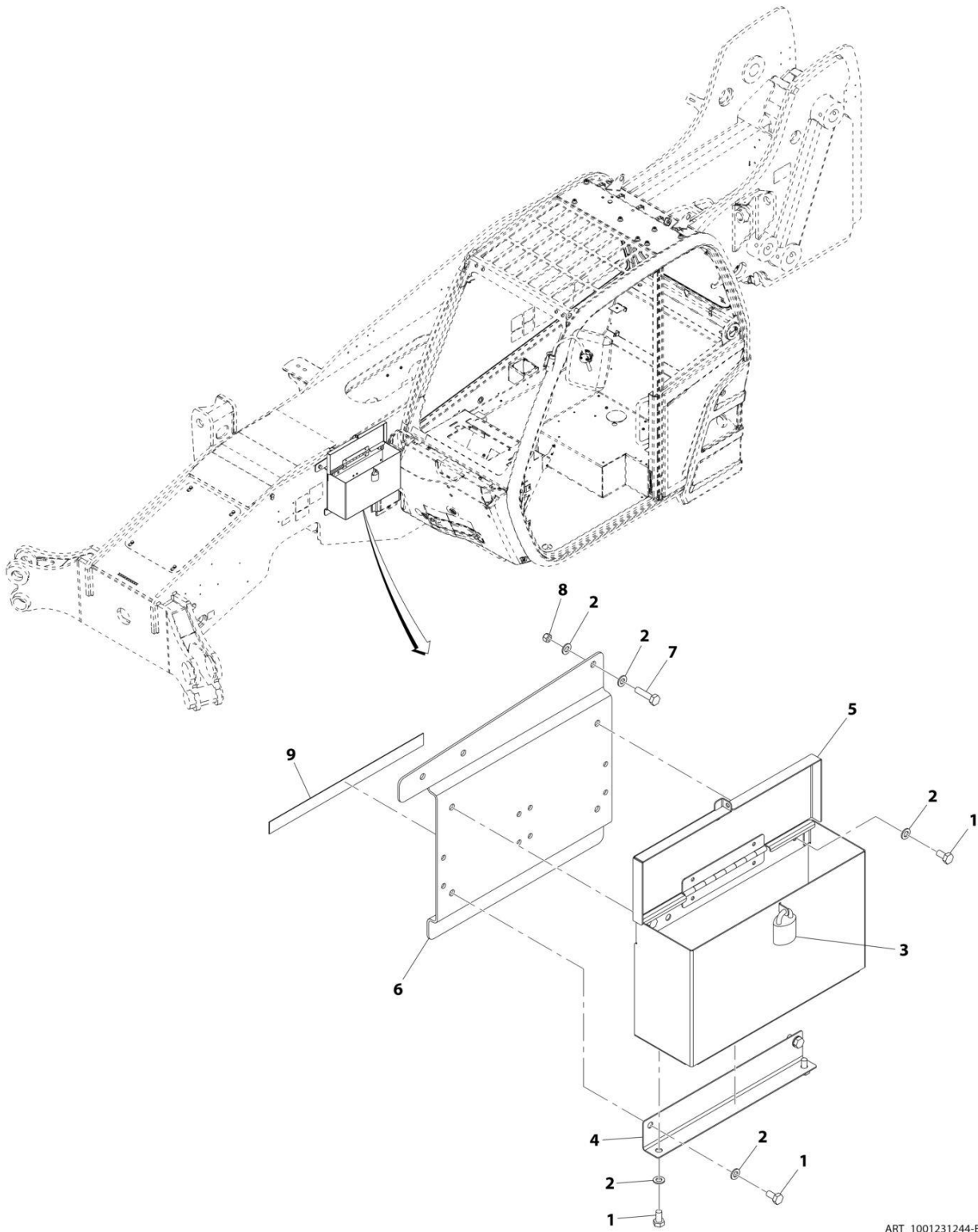
## SECTION 5 - DRIVE TRAIN

### FIGURE 5-72. WHEEL CHOCK INSTALLATION

ITEM	PART NUMBER	QTY	DESCRIPTION	REV
	1001229235	Ref	Wheel Chock Installation (If equipped)	B
1	0700812	8	Screw, 8X25 LG	
2	806253	2	Wedge	
3	806264	2	Holder	
4	4811900	8	Washer, 8mm	
5	1001230713J	1	Bracket	
6	0701016	1	Bolt, M10X40	
7	3290805	1	Nut, Lock M8X1.25	
8	4812000	2	Washer, M10	
9	1001165978	380 mm	Adhesive	

# SECTION 5 - DRIVE TRAIN

## FIGURE 5-73. TOOLBOX INSTALLATION



ART\_1001231244-B



## SECTION 5 - DRIVE TRAIN

### FIGURE 5-73. TOOLBOX INSTALLATION

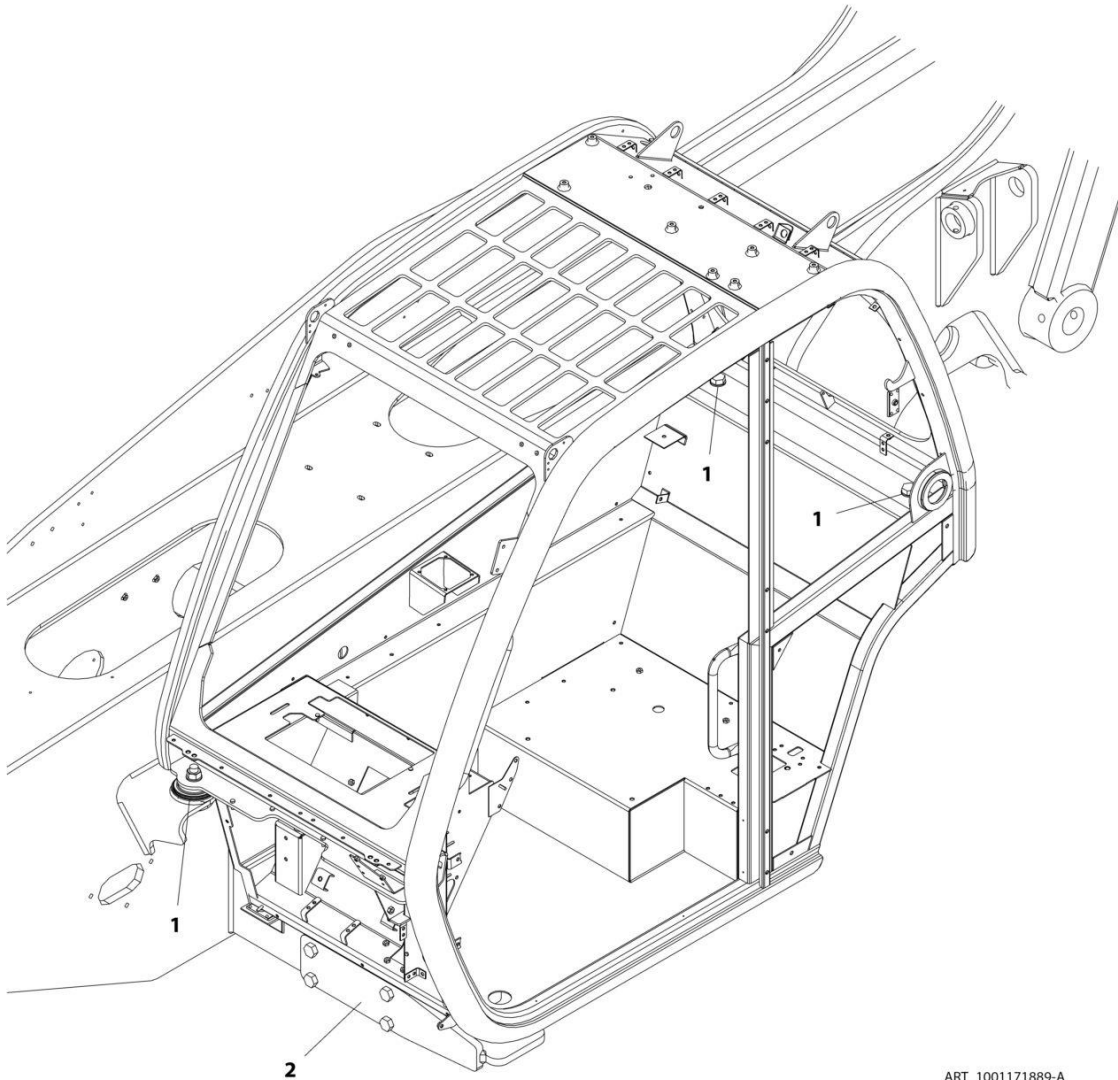
ITEM	PART NUMBER	QTY	DESCRIPTION	REV
	1001231244	Ref	ToolBox Installation (If equipped)	B
1	0761010	6	Bolt, M10X20	
2	4812000	8	Washer, M10	
3	1001008687	1	Padlock	
4	1001178729	1	Bracket	
5	1001192836	1	Box	
6	1001230713J	1	Bracket	
7	0701016	1	Bolt, M10X40	
8	3290805	1	Nut, Lock M8X1.25	
9	1001165978	380 mm	Adhesive	



**SECTION 6 - CAB**

# SECTION 6 - CAB

## FIGURE 6-1. CAB MOUNTING



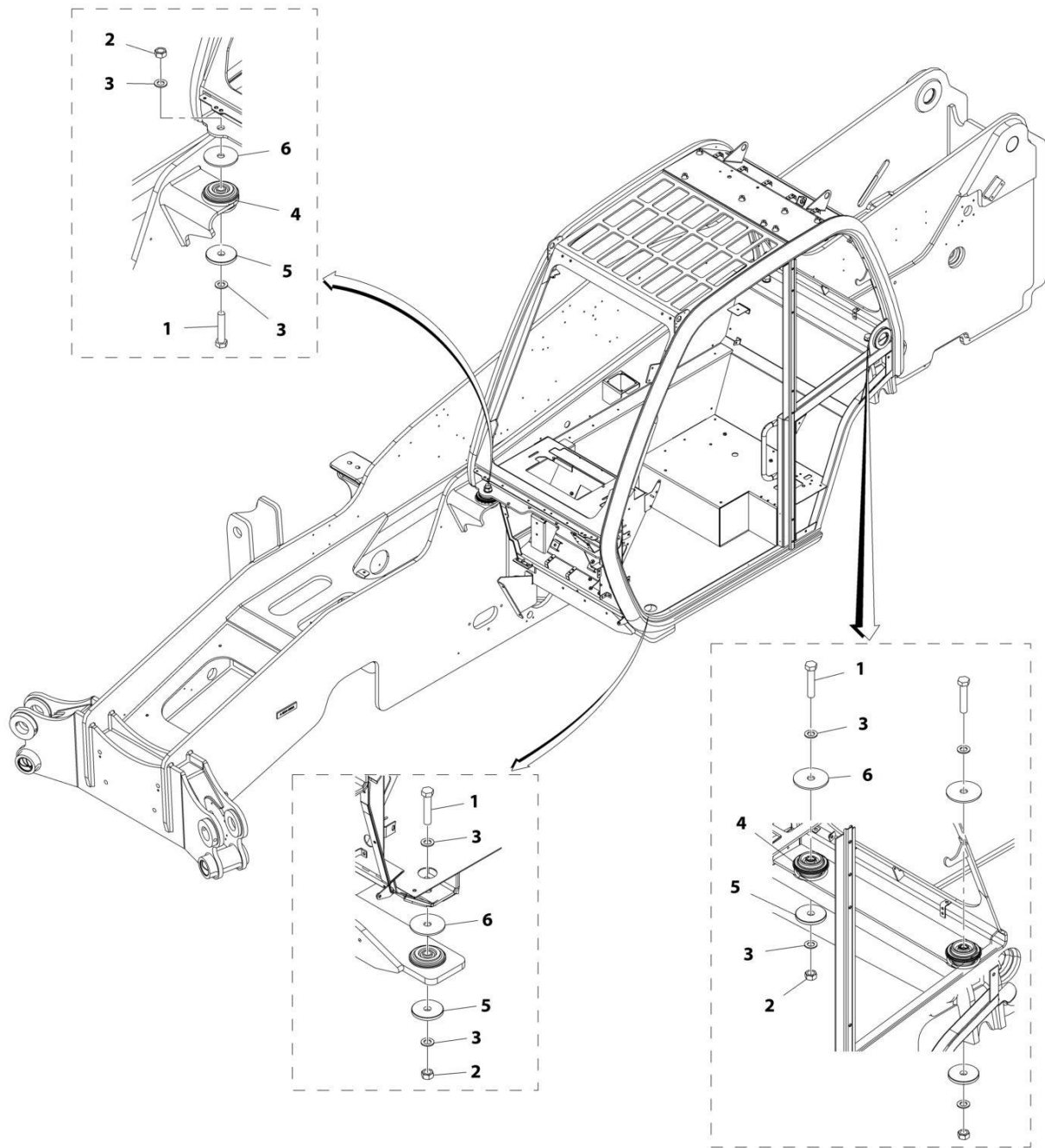
ART\_1001171889-A

**FIGURE 6-1. CAB MOUNTING**

<b>ITEM</b>	<b>PART NUMBER</b>	<b>QTY</b>	<b>DESCRIPTION</b>	<b>REV</b>
	1001171889	Ref	Cab Mounting	A
1	1001155446	1	Installation, Cab Mounts (See Separate Breakdown in this Section)	
2	1001171890	1	Installation, Front Cab Outrigger (See Separate Breakdown in this Section)	

# SECTION 6 - CAB

## FIGURE 6-2. CAB MOUNTS INSTALLATION



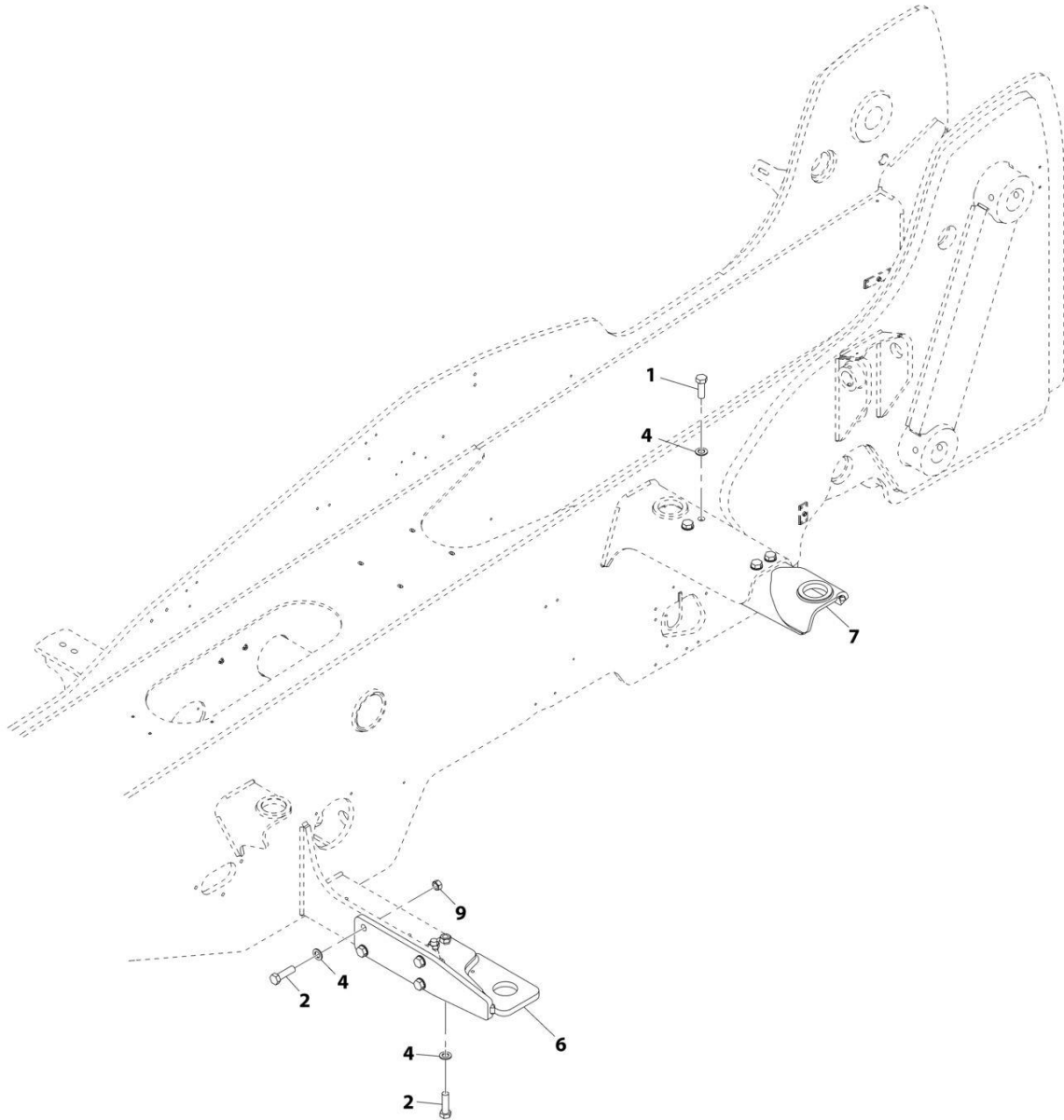
ART\_1001155446-E

FIGURE 6-2. CAB MOUNTS INSTALLATION

ITEM	PART NUMBER	QTY	DESCRIPTION	REV
	1001155446	Ref	Cab Mounts Installation	E
1	0712027	4	Bolt, M20X100	
2	3332011	4	Nut, M20X2.5	
3	4812500	8	Washer, M20	
4	1001166754	4	Mount, Cab Isolation	
5	1001166755	4	Washer, Cab Rebound	
6	1001220540	4	Washer, Cab Mount	

# SECTION 6 - CAB

## FIGURE 6-3. FRONT CAB OUTRIGGER INSTALLATION



ART\_1001171890-E

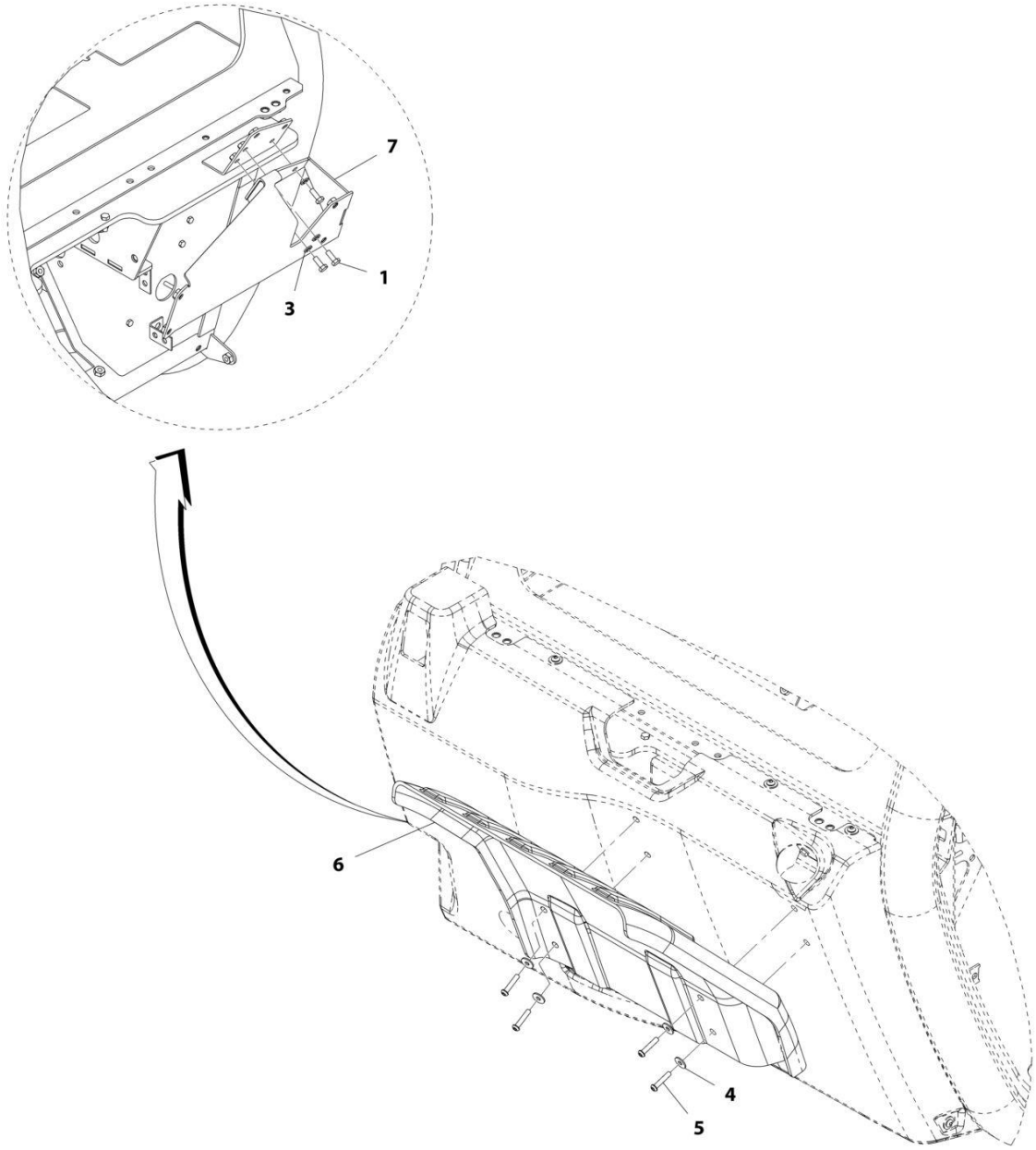


FIGURE 6-3. FRONT CAB OUTRIGGER INSTALLATION

ITEM	PART NUMBER	QTY	DESCRIPTION	REV
	1001171890	Ref	Front Cab Outrigger Installation	E
1	0712020	4	Bolt, M20X60	
2	0712022	6	Bolt, M20X70	
4	4812500	10	Washer, M20	
6	1001208106	1	Bracket, Front Lower Cab	
7	1001210782	1	Bracket, Rear Cab Mount	
9	3292001	4	Hex Nut, M20X2.5	

**SECTION 6 - CAB**

**FIGURE 6-4. CAB FENDER INSTALLATION**



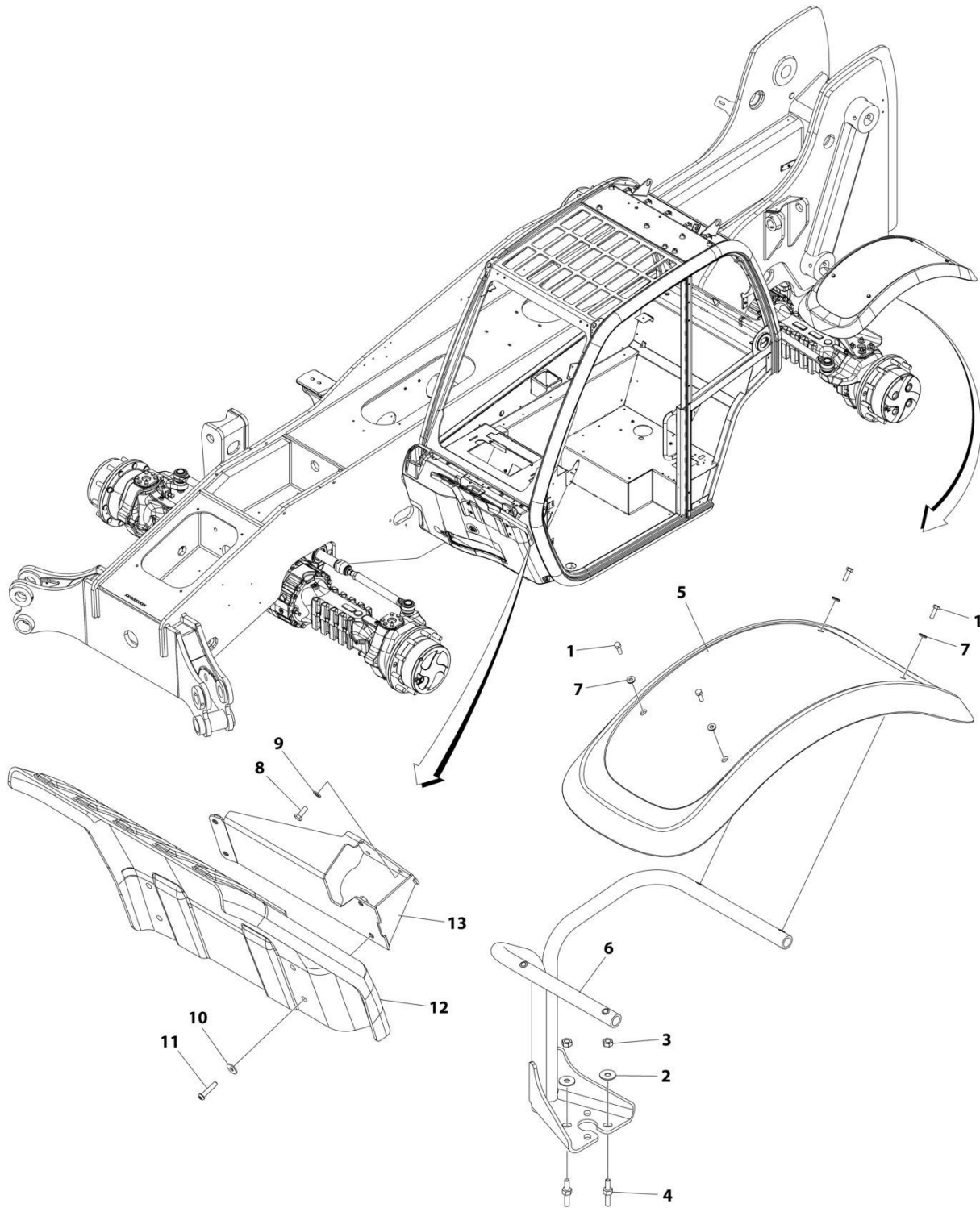
ART\_1001195972-C

FIGURE 6-4. CAB FENDER INSTALLATION

ITEM	PART NUMBER	QTY	DESCRIPTION	REV
	1001195972	Ref	Cab Fender Installation	C
1	0760608	3	Bolt, M6X16	
3	4811700	3	Washer, M6	
4	4811702	4	Washer, M6	
5	1001097202	4	Screw, M6X30	
6	1001187335	1	Fender, Front	
7	1001188048	1	Plate	

# SECTION 6 - CAB

## FIGURE 6-5. CAB FENDER INSTALLATION REAR (LH)



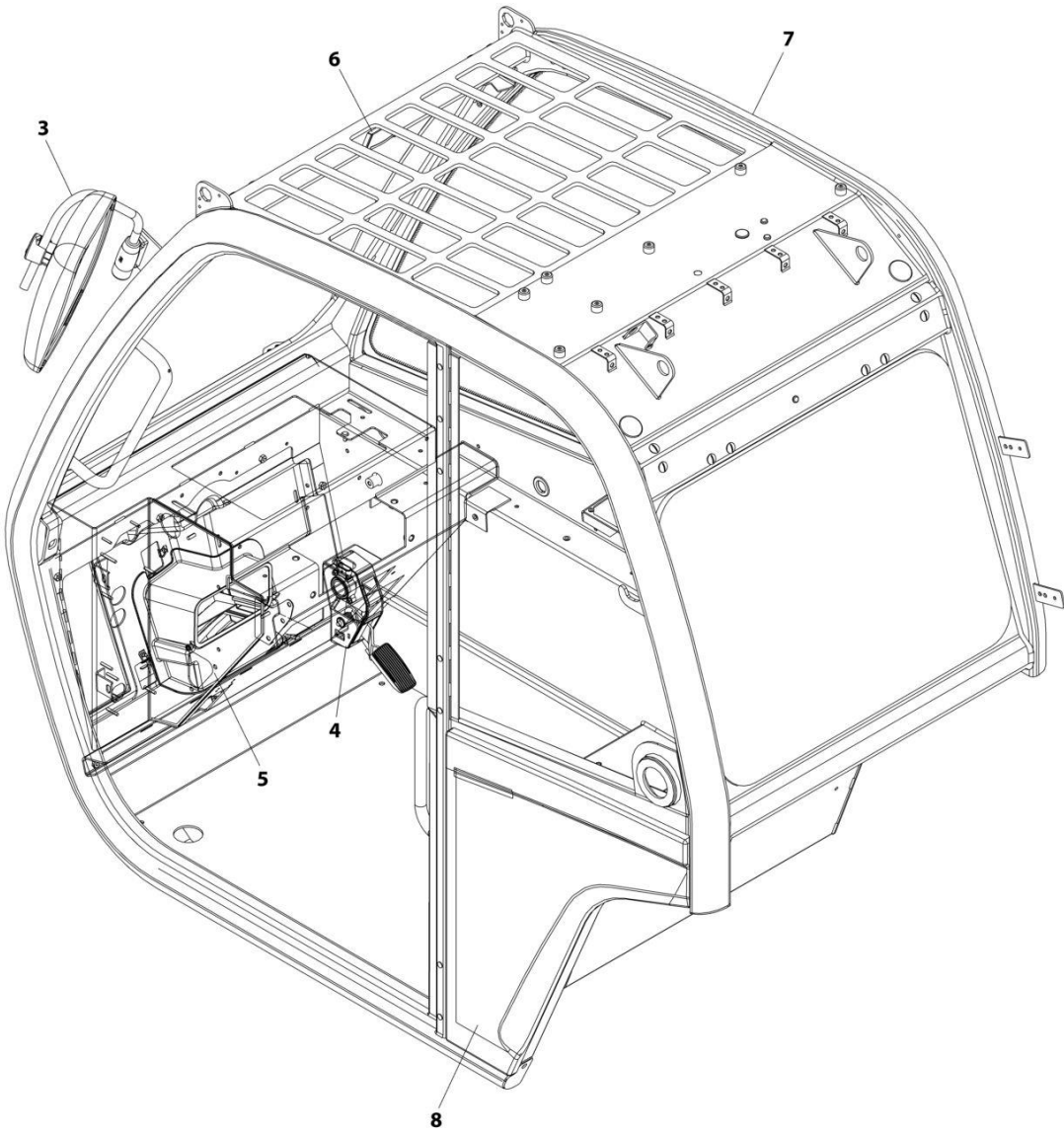
ART\_1001236542\_B

FIGURE 6-5. CAB FENDER INSTALLATION REAR (LH)

ITEM	PART NUMBER	QTY	DESCRIPTION	REV
	1001236542	Ref	Cab Fender Installation Rear (LH)	B
1	0760812	4	Bolt, M8X25	
2	4812102	4	Washer, M12	
3	91513266	4	Nut, M12X1.25	
4	91514118	4	Stud	
5	1001168264	1	Fender	
6	1001202512	1	Bracket	
7	1001202786	4	Washer	
8	0760608	3	Bolt M6 x 16	
9	4811700	3	Washer M6	
10	4811702	4	Washer M6	
11	1001097202	4	Bolt M6 x 30	
12	1001187335	1	Fender, Front	
13	1001188048	1	Plate	

**SECTION 6 - CAB**

**FIGURE 6-6. OROPS CAB INSTALLATION**



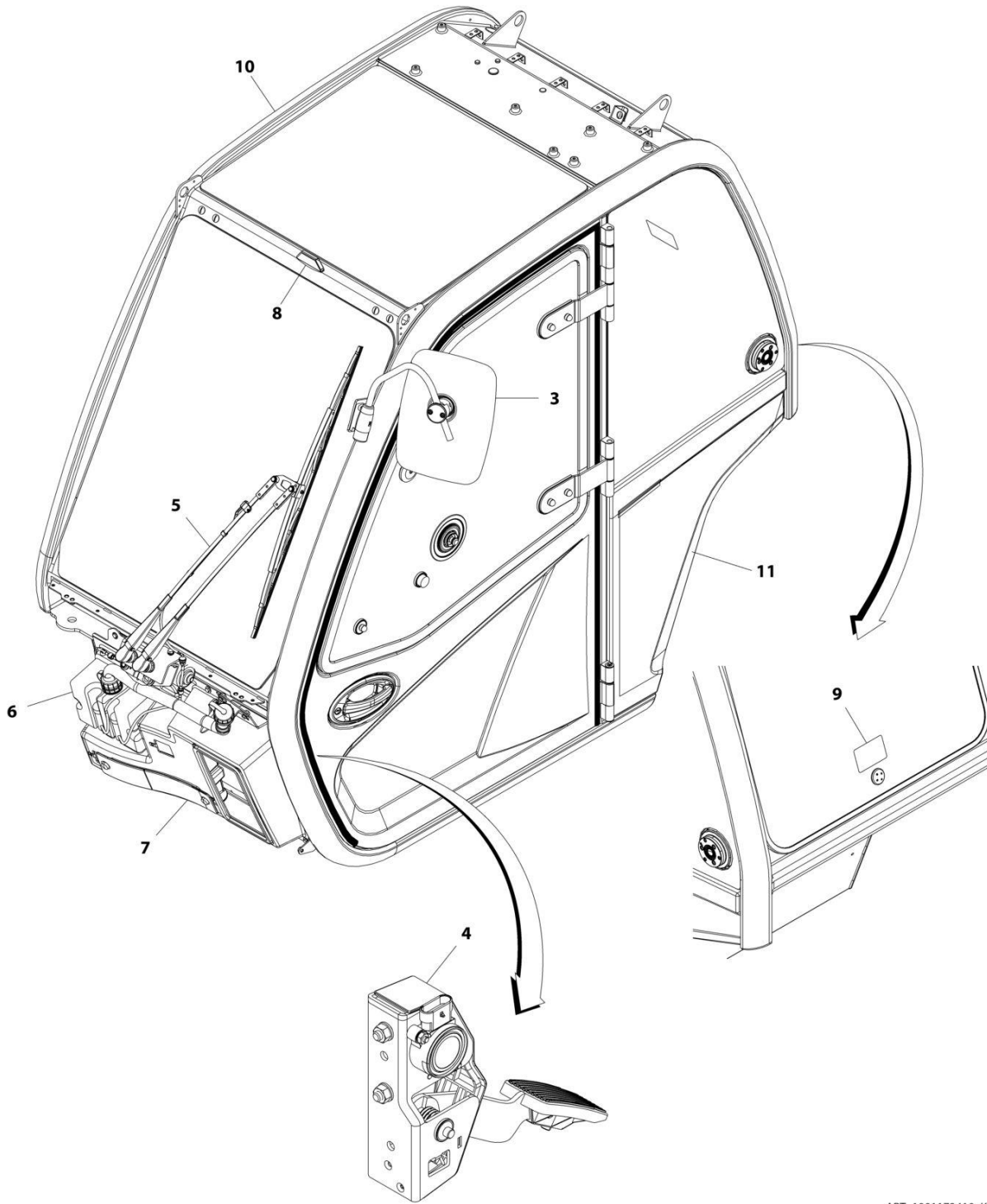
ART\_1001154984\_I

FIGURE 6-6. OROPS CAB INSTALLATION

ITEM	PART NUMBER	QTY	DESCRIPTION	REV
	1001154984	Ref	OROPS Cab Installation	J
3	1001160508	Ref	Installation, Mirror (See Separate Breakdown in this Section)	
4	1001161499	Ref	Installation, Accelerator Pedal (See Separate Breakdown in Controls Section)	
5	1001293104	Ref	Installation, Front Cover (See Separate Breakdown in this Section)	
6	1001172401	Ref	Installation, Level Indicator (See Separate Breakdown in this Section)	
7	1001214326	Ref	Cab (See Separate Breakdown in this Section)	
8	1001214331	Ref	Installation, Open Cab (See Separate Breakdown in this Section)	

# SECTION 6 - CAB

## FIGURE 6-7. EROPS CAB INSTALLATION



ART\_1001173419\_K

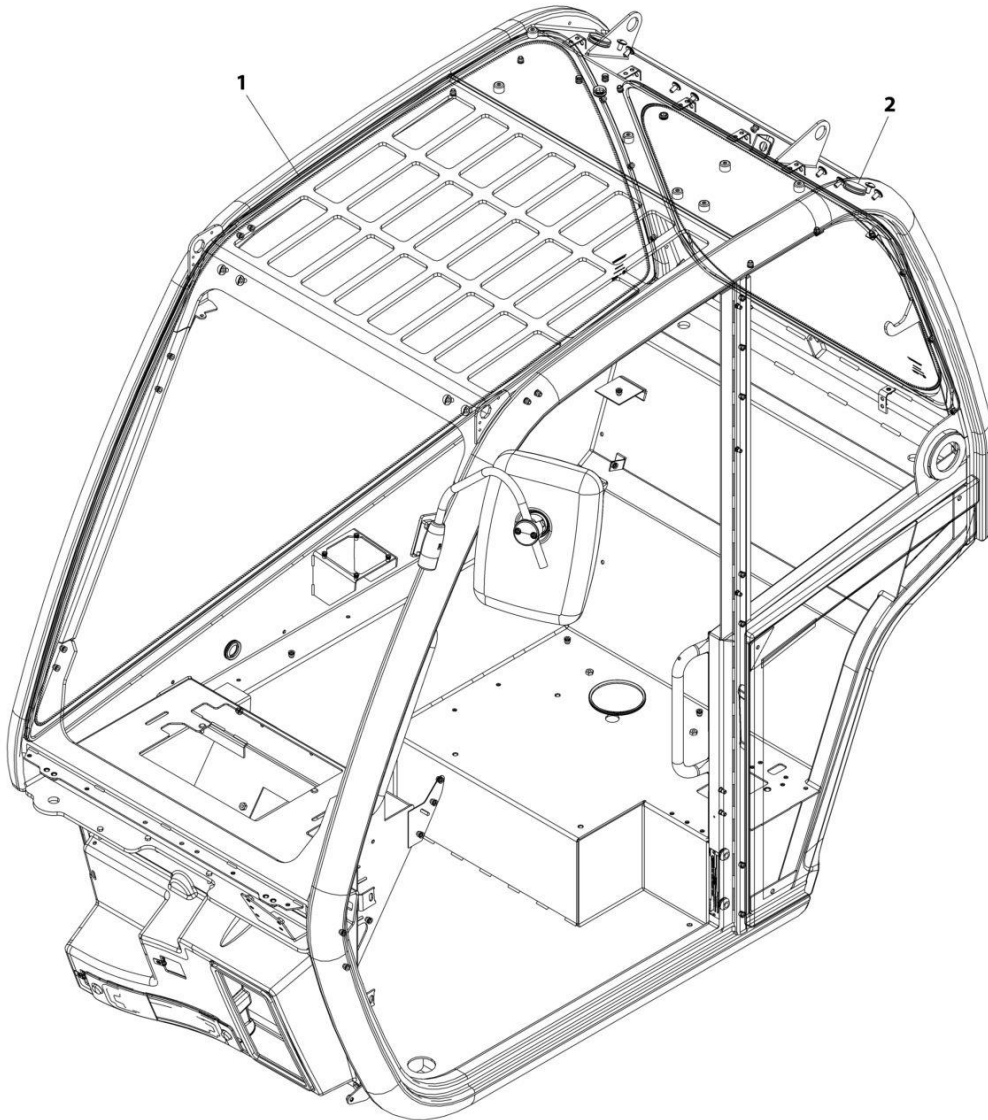


FIGURE 6-7. EROPS CAB INSTALLATION

ITEM	PART NUMBER	QTY	DESCRIPTION	REV
	1001173419	Ref	EROPS CAB INSTALLATION	K
3	1001160508	Ref	Installation, Mirror (See Separate Breakdown in this Section)	
4	1001161499	Ref	Installation, Accelerator Pedal (See Separate Breakdown in Controls Section)	
5	1001155447	Ref	Installation, Front Wiper (See Separate Breakdown in this Section)	
6	1001162789	Ref	Installation, Washer Tank (See Separate Breakdown in this Section)	
7	1001170366	Ref	Installation, Front Cover (See Separate Breakdown in this Section)	
8	1001172401	Ref	Installation, Level Indicator (See Separate Breakdown in this Section)	
9	1001204598	1	Decal, Emergency Exit	
10	1001214326	Ref	Cab (See Separate Breakdown in this Section)	
11	1001214332	Ref	Installation, Enclosed Cab (See Separate Breakdown in this Section)	

# SECTION 6 - CAB

## FIGURE 6-8. CAB, TRIM KIT



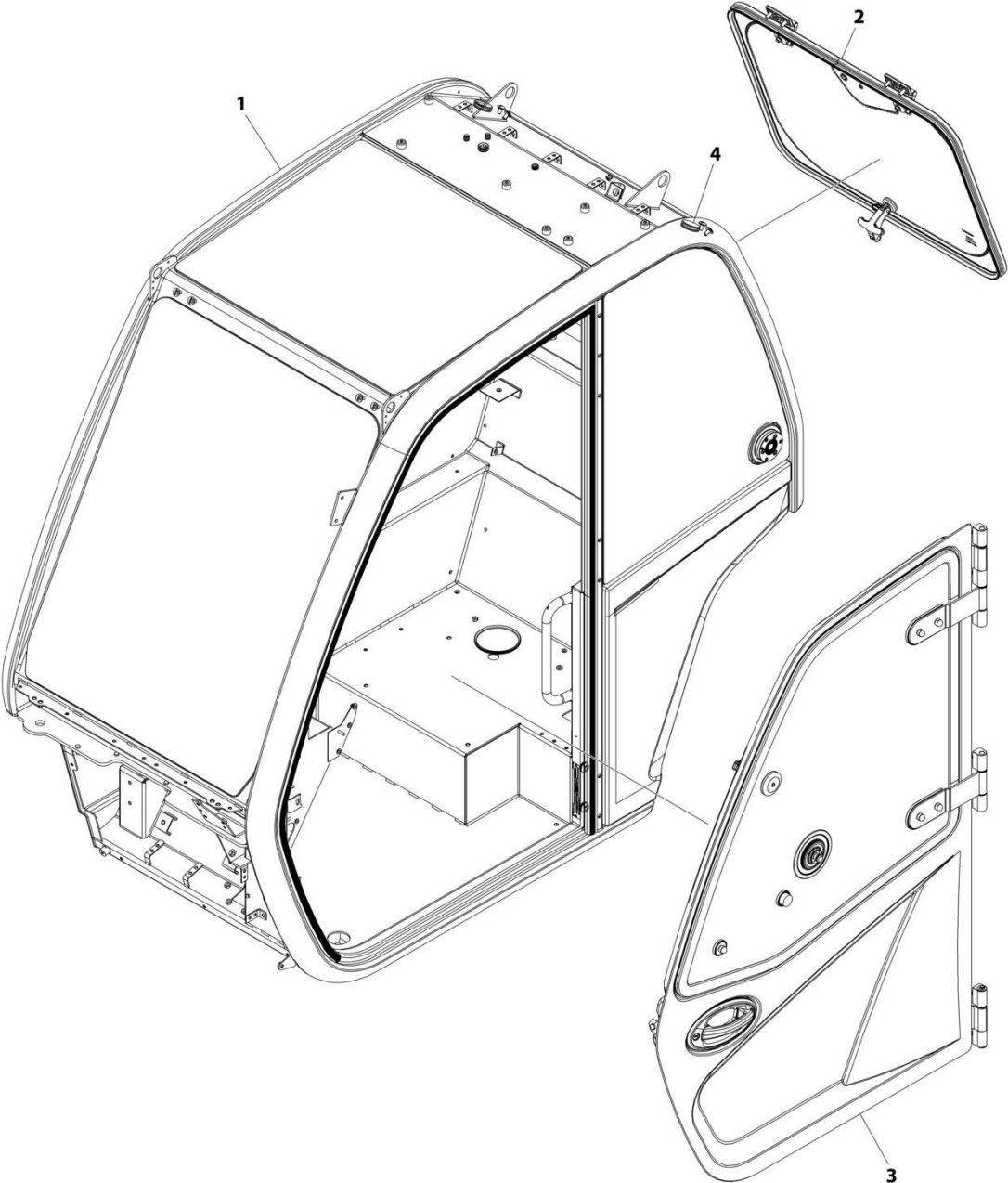
ART\_1001214331\_E

FIGURE 6-8. CAB, TRIM KIT

ITEM	PART NUMBER	QTY	DESCRIPTION	REV
	1001214331	Ref	Open Cab Installation	E
1	1001154721	1	Assembly, Open Cab (See Separate Breakdown in this Section)	
2	1001170495	1	Group, Open Cab Plug (See Separate Breakdown in this Section)	

**SECTION 6 - CAB**

**FIGURE 6-9. CAB, TRIM KIT**



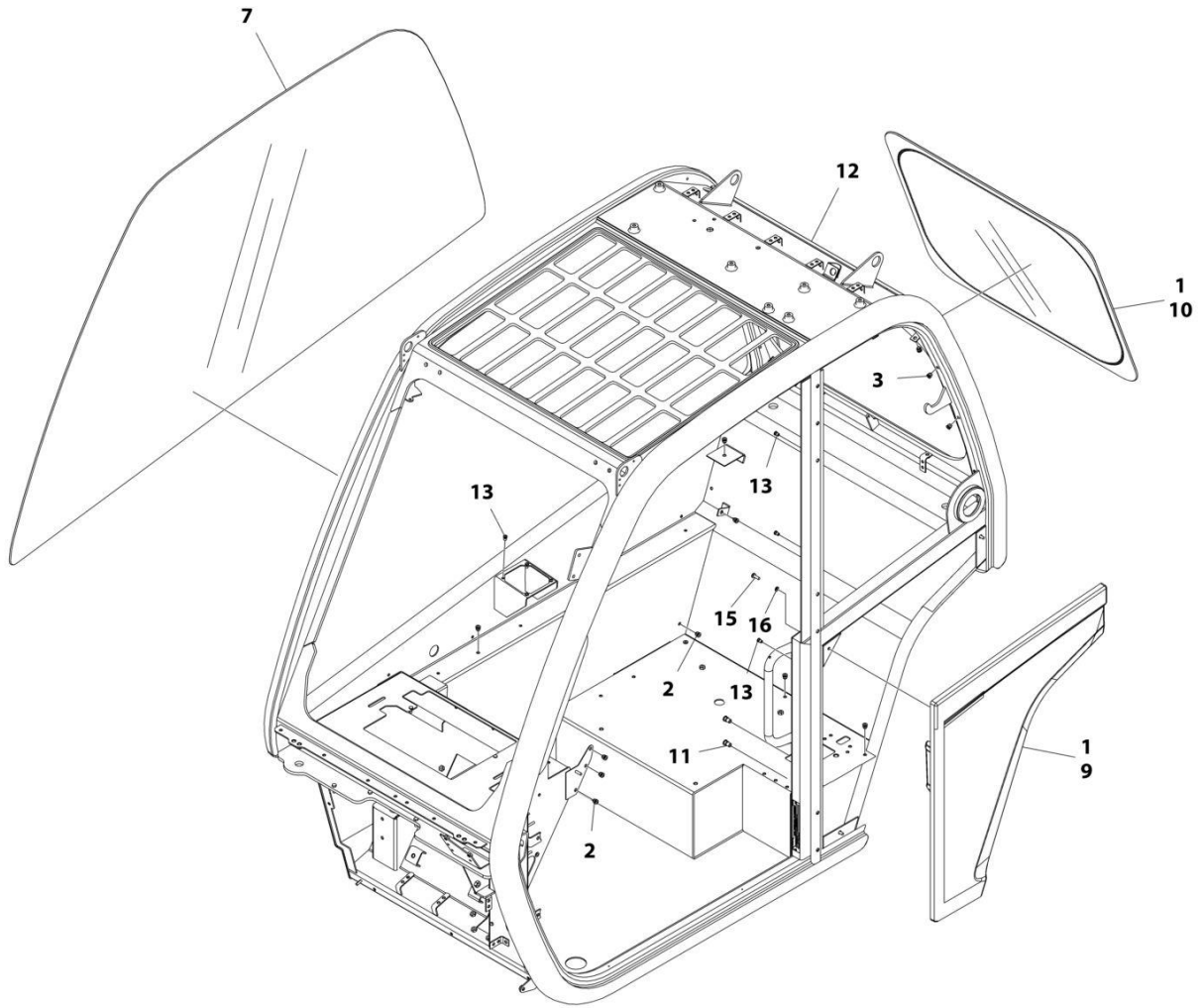
ART\_1001214332

FIGURE 6-9. CAB, TRIM KIT

ITEM	PART NUMBER	QTY	DESCRIPTION	REV
1	1001214332	Ref	Enclosed Cab Installation	1
	1001154365	1	Assembly, Enclosed Cab (See Separate Breakdown in this Section)	
2	1001170500	1	Installation, Rear Window (See Separate Breakdown in this Section)	
3	1001165080	1	Installation, Door (See Separate Breakdown in this Section)	
4	1001170603	1	Group, Enclosed Cab Plug (See Separate Breakdown in this Section)	

# SECTION 6 - CAB

## FIGURE 6-10. OPEN CAB ASSEMBLY



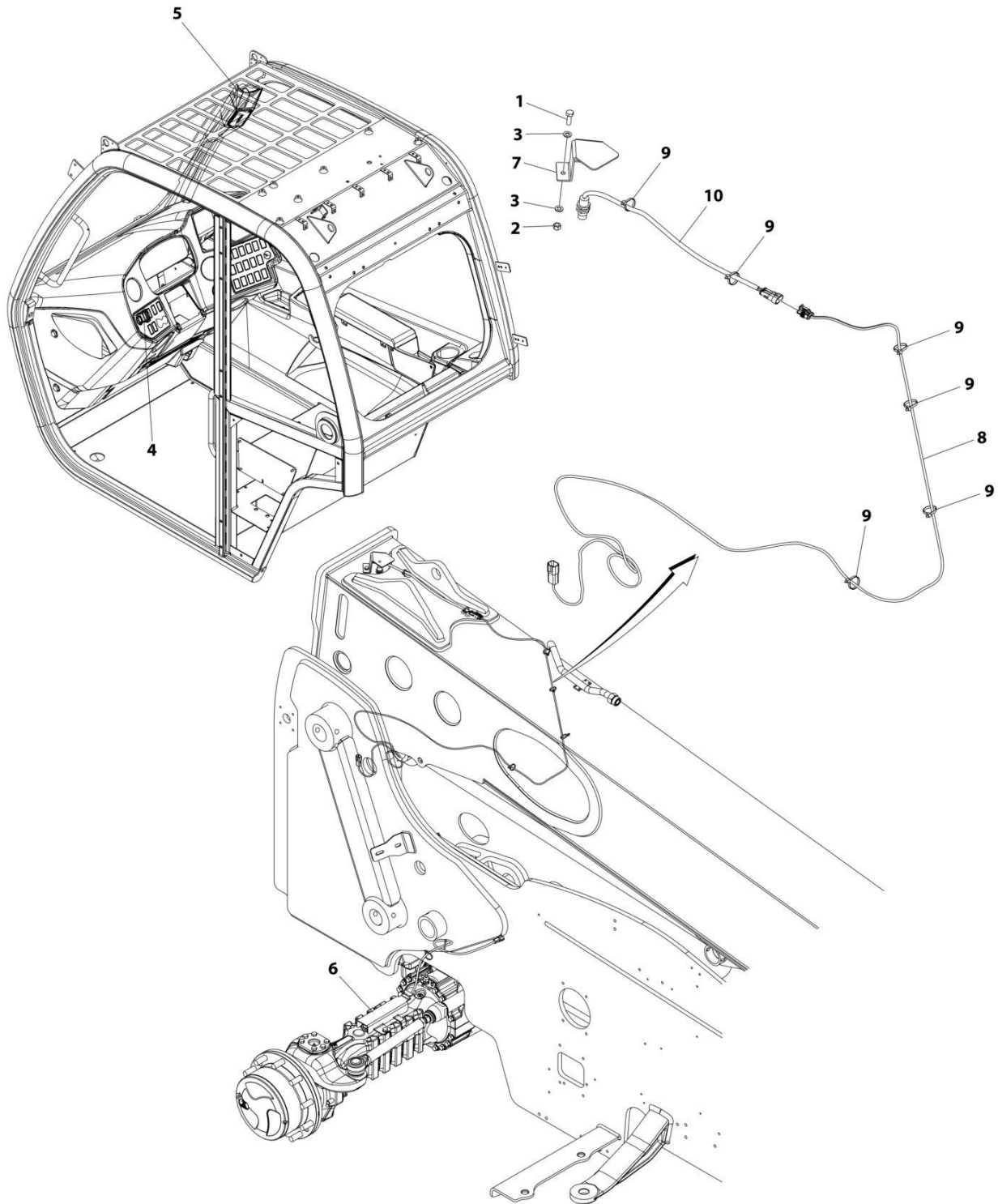
ART\_1001154721\_J

FIGURE 6-10. OPEN CAB ASSEMBLY

ITEM	PART NUMBER	QTY	DESCRIPTION	REV
	1001154721	Ref	Open Cab Assembly	J
1	1001111317	AR	Compound, Locking	
2	2080086	17	Rivnut, M6X1	
3	2080087	16	Rivnut, M8X1.25	
7	1001152947	1	Glass, RH Screen	
9	1001256073	1	Panel, Cab Quarter	
10	1001161538	1	Glass, Rear Window	
11	1001172193	2	Rivnut, M5X0.8	
12	See Note	NSS	Weldment, Cab (Note: Not available for purchase)	
13	1001195878	7	Rivnut, M5X0.8	
15	N.S.S.	3	Screw	
16	4811700	3	Washer, M6	

# SECTION 6 - CAB

## FIGURE 6-11. LSI OPEN CAB INSTALLATION



ART\_1001258808

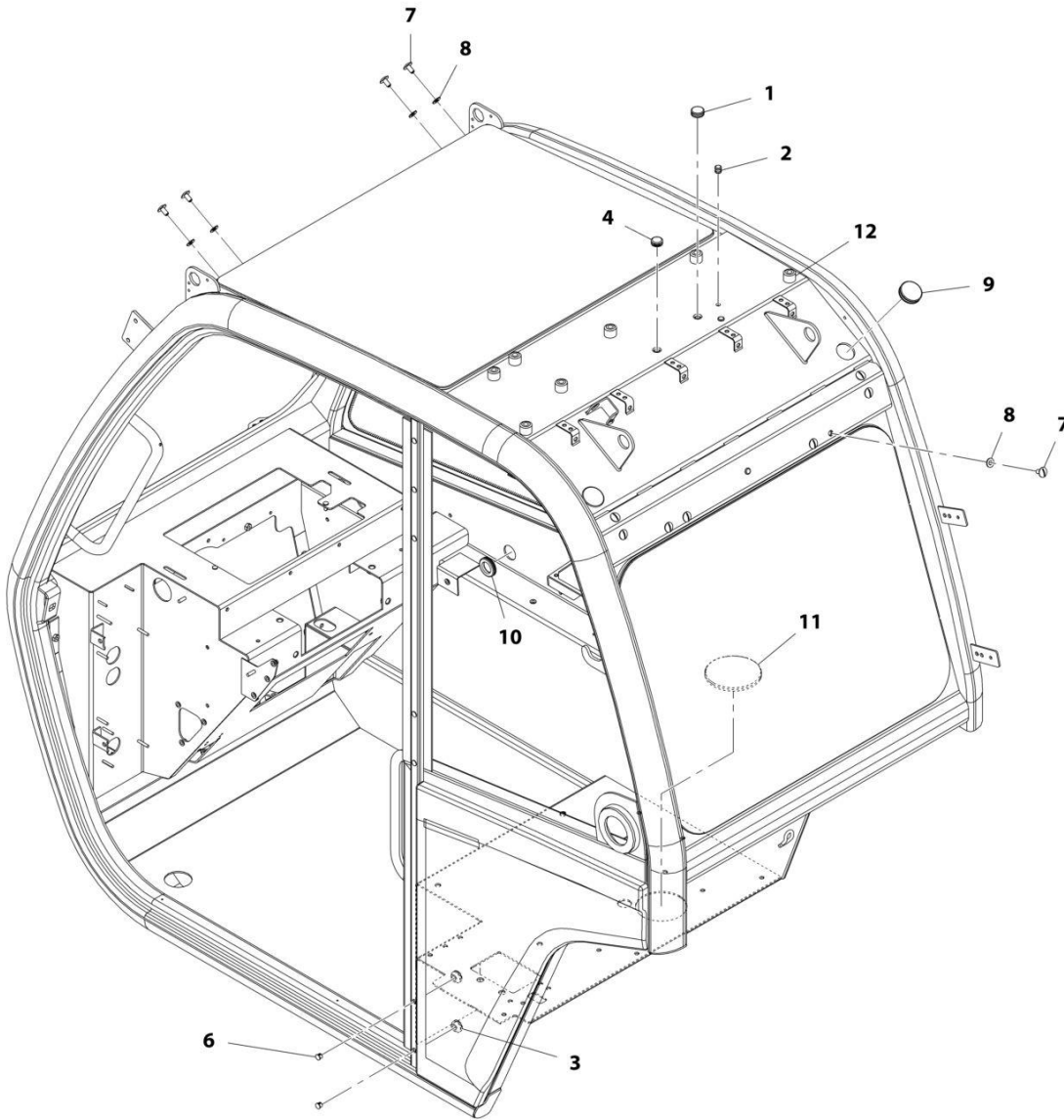


FIGURE 6-11. LSI OPEN CAB INSTALLATION

ITEM	PART NUMBER	QTY	DESCRIPTION	REV
	1001258808	Ref	LSI Open Cab Installation	A
1	0760812	2	Bolt M8X25	
2	3290805	2	Nut M8	
3	4811900	4	Washer M8	
4	1001159742	1	Switch, LSI Override	
5	1001258563	1	LSI Display Installation (See Separate Breakdown in this Section)	
6	1001258644	1	LSI Axle Sensor Installation (See Separate Breakdown in DRIVETRAIN Section)	
7	1001258862	1	Plate	
8	1001259062	1	Harness, Boom Retract (See Separate Breakdown in ELECTRICAL Section)	
9	1001008559	AR	Strap, Cable	
10	1001183024	1	Sensor, Proximity	

# SECTION 6 - CAB

## FIGURE 6-12. OPEN CAB PLUG GROUP



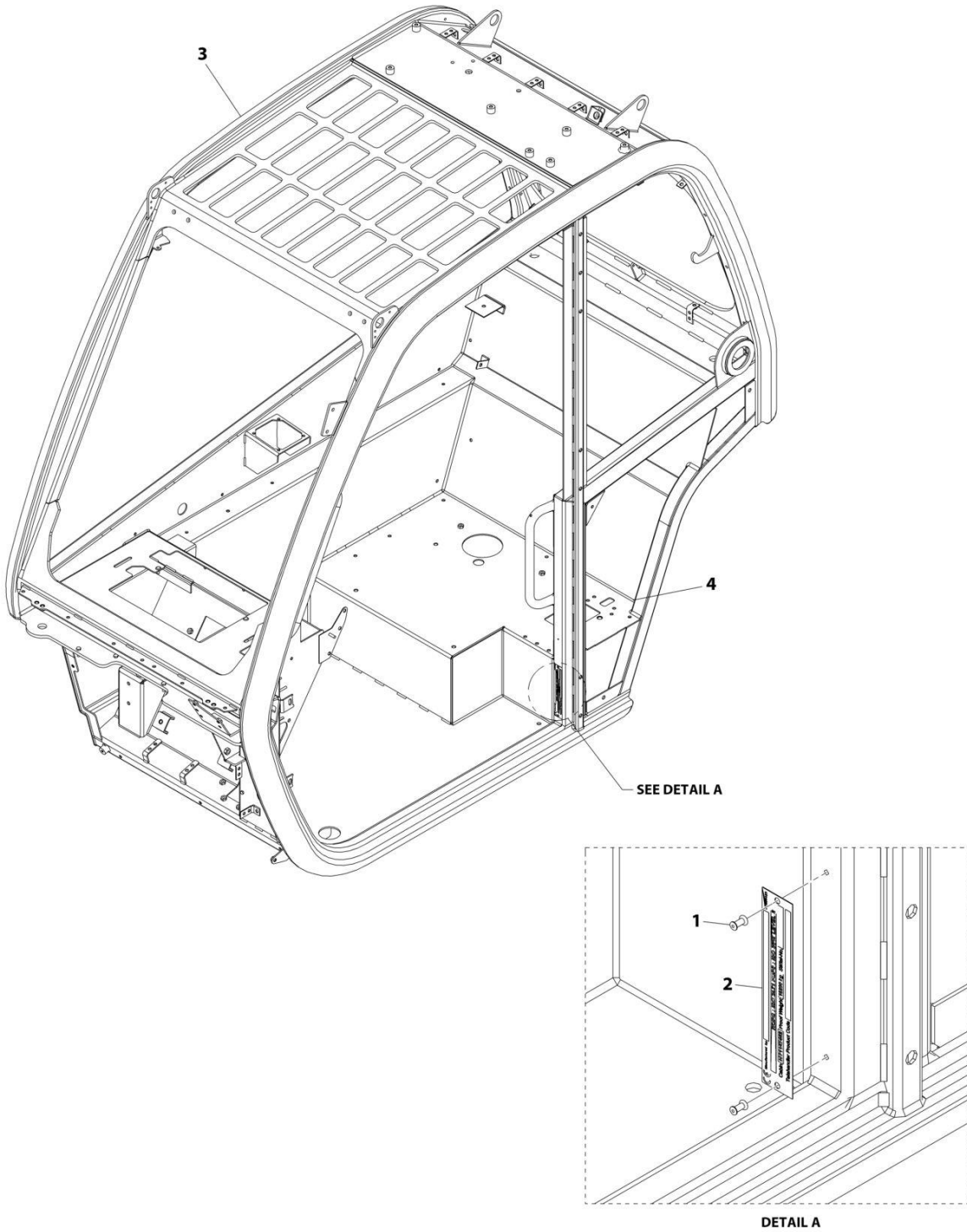
ART\_1001170495-E

FIGURE 6-12. OPEN CAB PLUG GROUP

ITEM	PART NUMBER	QTY	DESCRIPTION	REV
	1001170495	Ref	Open Cab Plug Group	E
1	1001176273	1	Plug	
2	1001176272	3	Plug	
3	1001143200	2	Plug	
4	1001176626	1	Plug	
6	1001170374	7	Plug	
7	1001181920	12	Screw, M8X16	
8	1001181921	12	Washer, M8 Rubber	
9	1001182123	2	Plug	
10	1001182139	1	Plug	
11	1001209899	1	Plug	
12	1001219220	1	Cap, Vinyl Round	

# SECTION 6 - CAB

## FIGURE 6-13. CAB, EPD CAULK



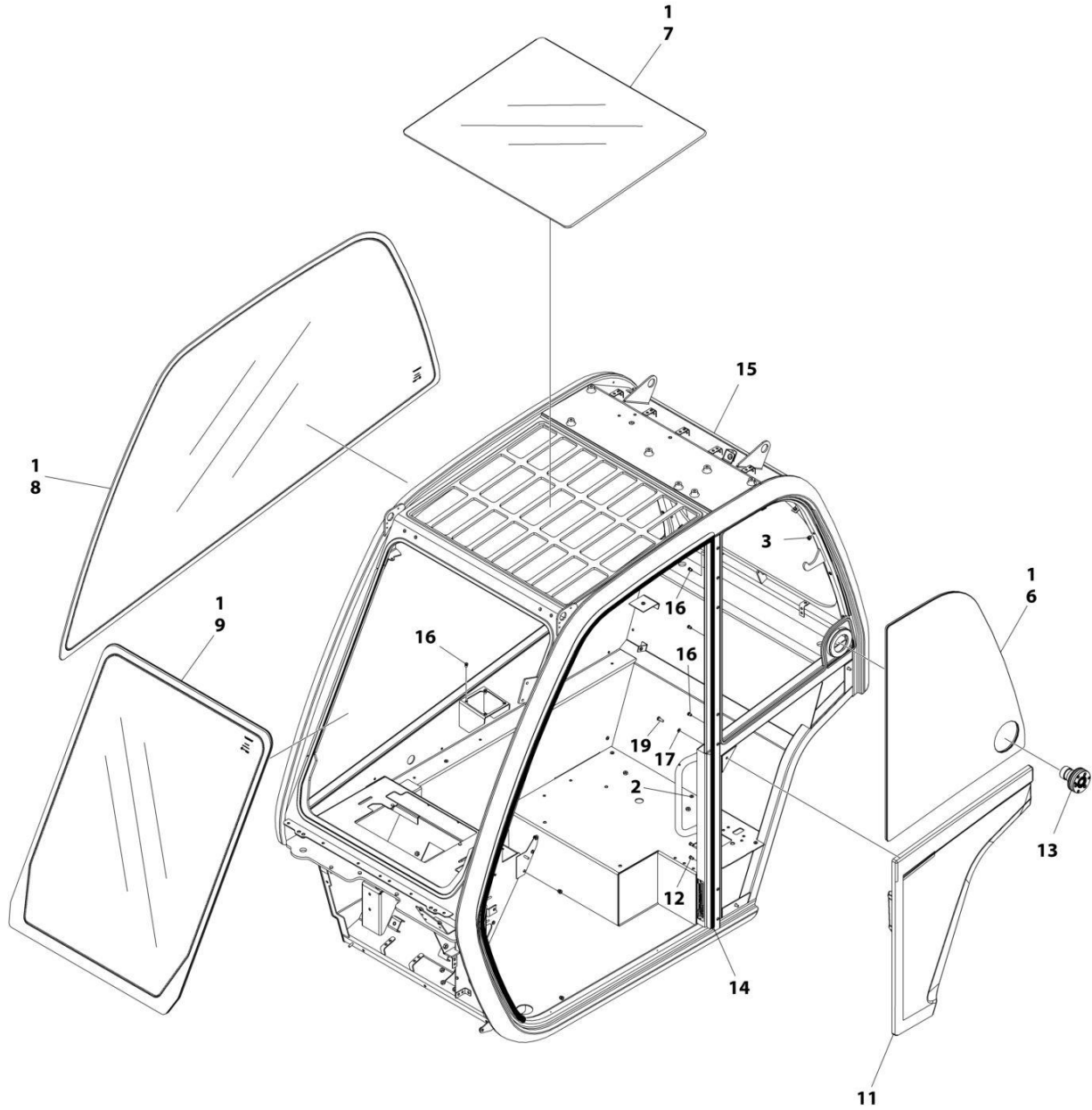
ART\_1001214326-E

FIGURE 6-13. CAB, EPD CAULK

ITEM	PART NUMBER	QTY	DESCRIPTION	REV
	1001214326	Ref	Cab	E
1	1001099170	2	Rivet, 4	
2	N.S.S.	1	Plate, Serial Number	
3	N.S.S.	1	Weldment	
4	1001205402	AR	Sealant	

# SECTION 6 - CAB

## FIGURE 6-14. ENCLOSED CAB ASSEMBLY



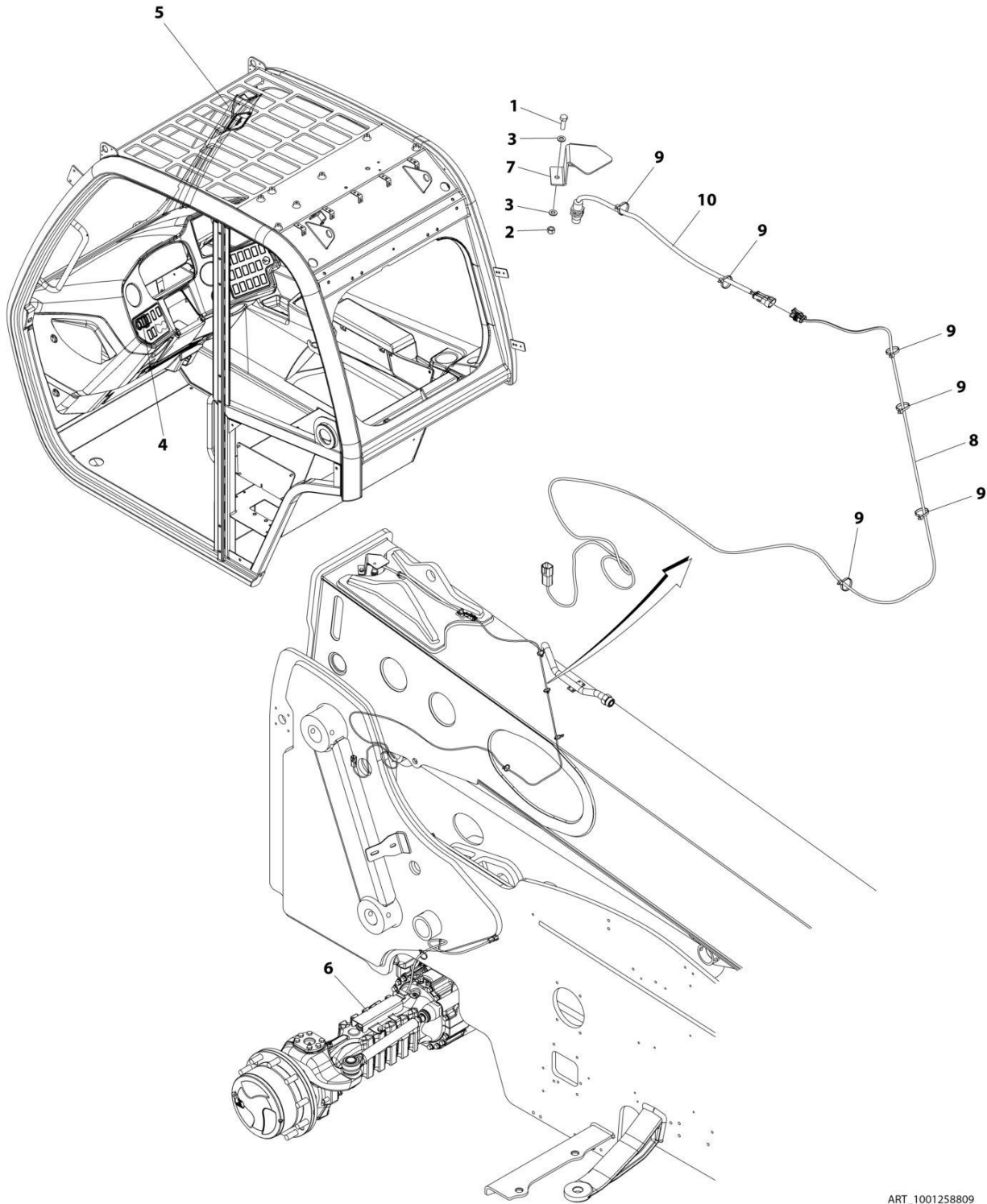
ART\_1001154365\_K

FIGURE 6-14. ENCLOSED CAB ASSEMBLY

ITEM	PART NUMBER	QTY	DESCRIPTION	REV
	1001154365	Ref	Enclosed Cab Assembly	K
1	1001111317	AR	Compound, Locking	
2	2080086	17	Rivnut, M6X1	
3	2080087	16	Rivnut, M8X1.25	
6	1001152915	1	Glass, LH Screen	
7	1001152934	1	Glass, Roof	
8	1001152947	1	Glass, RH Screen	
9	1001154419	1	Glass, Front	
11	1001256073	1	Panel, Cab Quarter	
12	1001172193	2	Rivnut, M5X0.8	
13	1001174320	1	Latch, Top Window	
14	1001227186	1	Seal, Cab Door	
15	See Note	NSS	Weldment, Cab (Note: Not available for purchase)	
16	1001195878	7	Rivnut, M5X0.8	
17	4811700	3	Washer, M6	
19	N.S.S.	3	Screw	

# SECTION 6 - CAB

## FIGURE 6-15. LSI EMCLOSED CAB INSTALLATION



ART\_1001258809

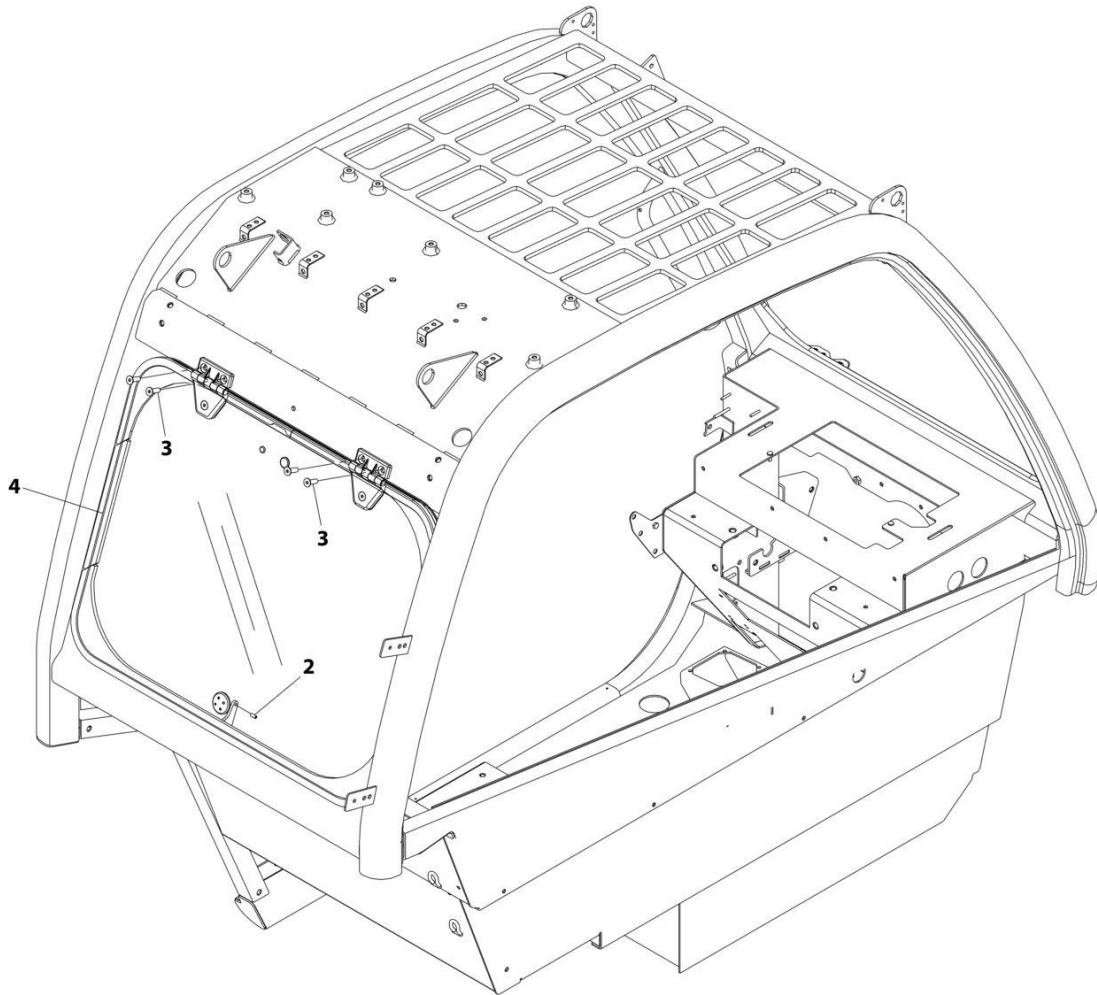


FIGURE 6-15. LSI EMCLOSED CAB INSTALLATION

ITEM	PART NUMBER	QTY	DESCRIPTION	REV
	1001258809	Ref	LSI Enclosed Cab Installation	A
1	0760812	2	Bolt M8X25	
2	3290805	2	Nut M8	
3	4811900	4	Washer M8	
4	1001159742	1	Switch, LSI Override	
5	1001207594	1	LSI Display Installation (See Separate Breakdown in this Section)	
6	1001258644	1	LSI Axle Sensor Installation (See Separate Breakdown in DRIVETRAIN Section)	
7	1001258862	1	Plate	
8	1001259062	1	Harness, Boom Retract (See Separate Breakdown in ELECTRICAL Section)	
9	1001008559	AR	Strap, Cable	
10	1001183024	1	Sensor, Proximity	

# SECTION 6 - CAB

## FIGURE 6-16. REAR WINDOW INSTALLATION



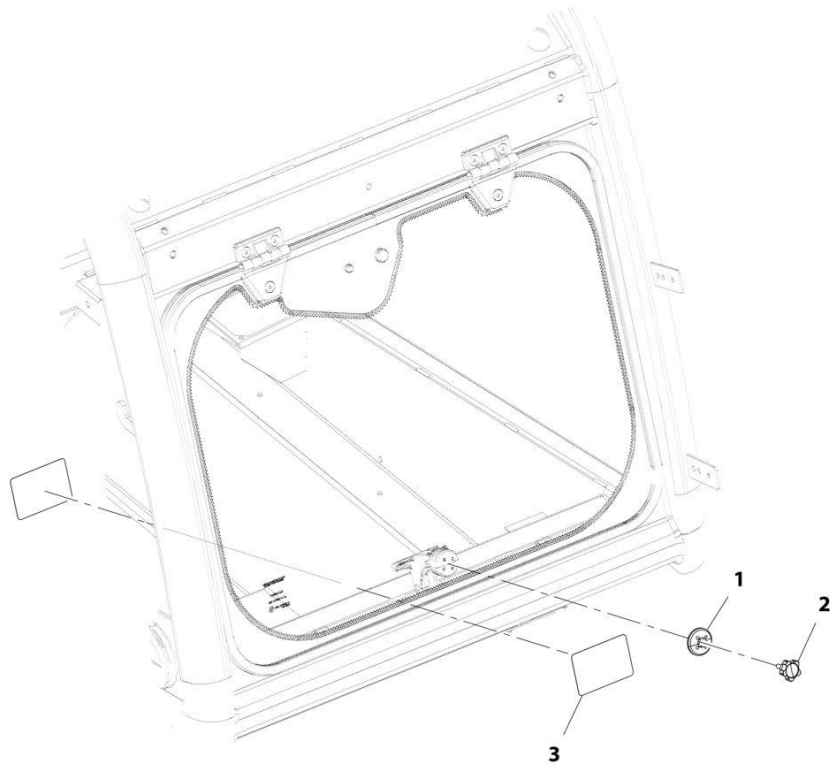
ART\_1001170500-D

FIGURE 6-16. REAR WINDOW INSTALLATION

ITEM	PART NUMBER	QTY	DESCRIPTION	REV
	1001170500	Ref	Rear Window Installation	D
2	1001003043	1	Pin, Spring	
3	1001097586	4	Bolt, M8-1.25X25	
4	1001170502	1	Window, Rear (See Separate Breakdown in this Section)	

# SECTION 6 - CAB

## FIGURE 6-17. REAR WINDOW INSTALLATION (WOWIPER) (ANSI)



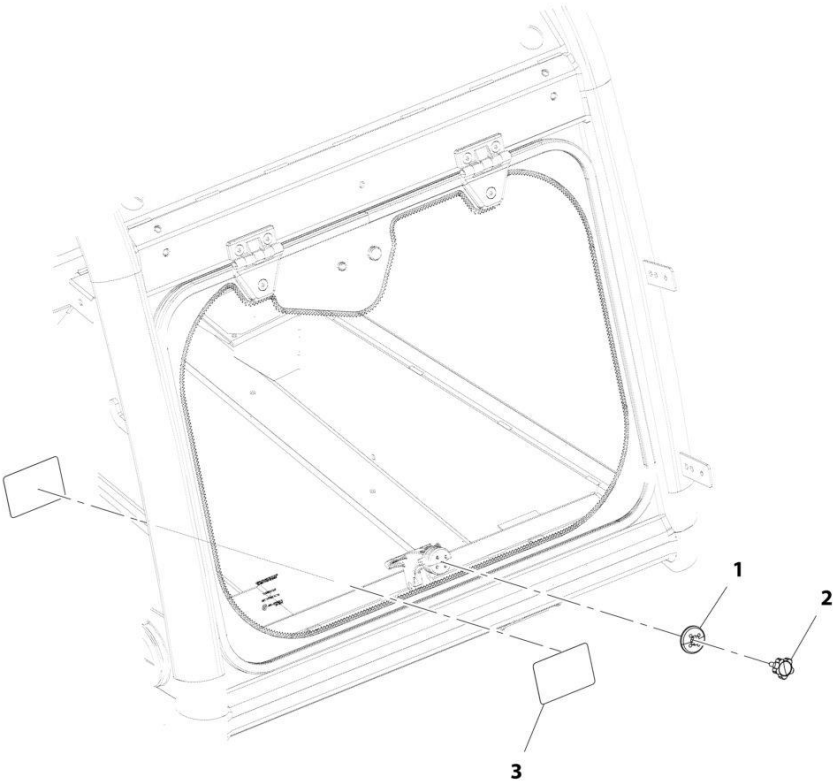
ART\_1001212047-A

FIGURE 6-17. REAR WINDOW INSTALLATION (WO/WIPER) (ANSI)

ITEM	PART NUMBER	QTY	DESCRIPTION	REV
	1001212047	Ref	External Window Release Installation (ANSI)	A
1	1001179008	1	Cap, Latch Window	
2	1001179009	1	Cap, Knob M6	
3	1001212049	2	Decal, Emergency Exit	

**SECTION 6 - CAB**

**FIGURE 6-18. REAR WINDOW INSTALLATION (WO/WIPER) (ISO)**



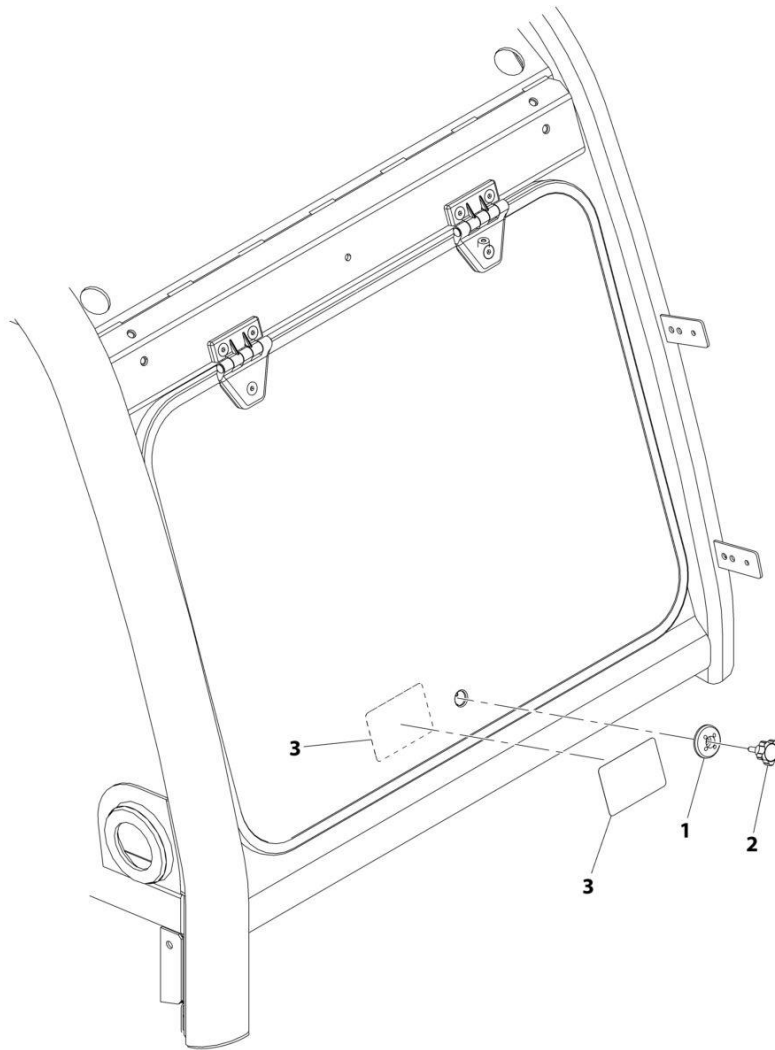
ART\_1001212048-A

FIGURE 6-18. REAR WINDOW INSTALLATION (WO/WIPER) (ISO)

ITEM	PART NUMBER	QTY	DESCRIPTION	REV
	1001212048	Ref	Rear Window Installation (WO/Wiper) (ISO)	A
1	1001179008	1	Cap, Latch Window	
2	1001179009	1	Cap, Knob M6	
3	1001212050	2	Decal, Emergency Exit	

# SECTION 6 - CAB

## FIGURE 6-19. REAR WINDOW INSTALLATION (WO/WIPER) (ENG/SPAN)



ART\_1001237852-A

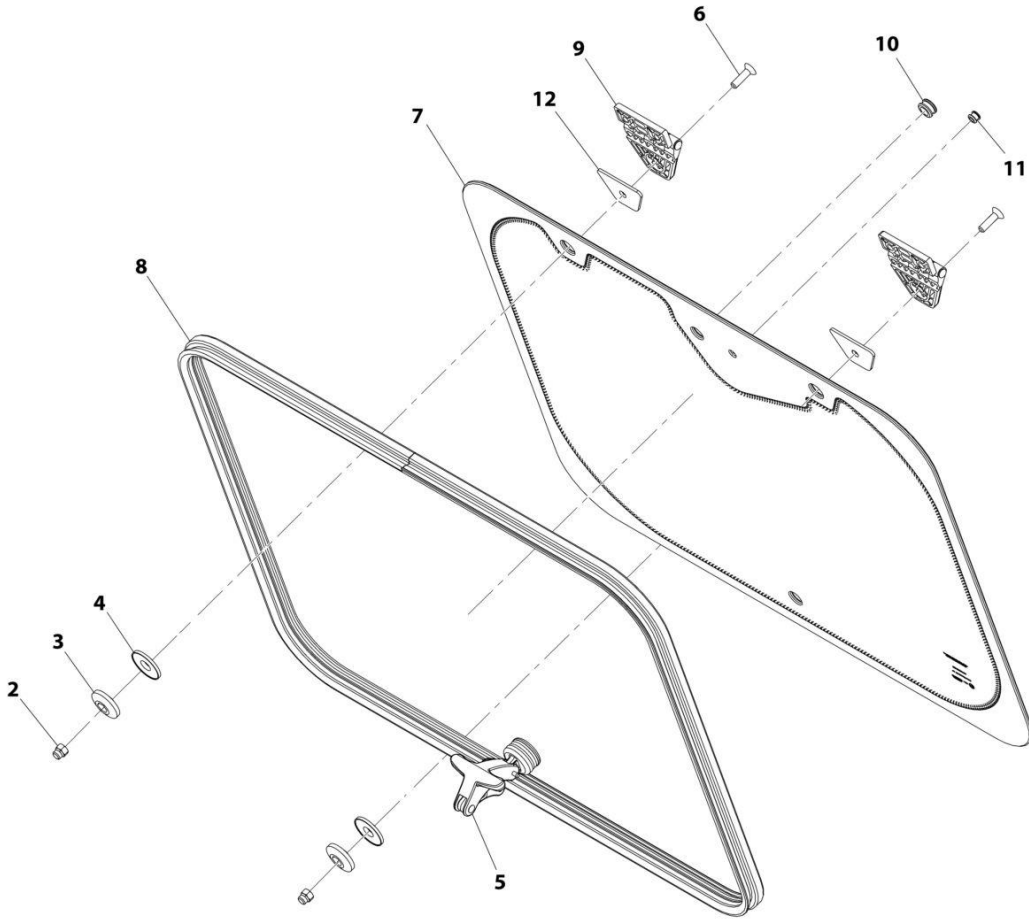


**FIGURE 6-19. REAR WINDOW INSTALLATION (WO/WIPER) (ENG/SPAN)**

<b>ITEM</b>	<b>PART NUMBER</b>	<b>QTY</b>	<b>DESCRIPTION</b>	<b>REV</b>
	1001237852	Ref	Rear Window Installation (WO/Wiper) (ENG/SPAN)	A
1	1001179008	1	Cap, Latch Window	
2	1001179009	1	Cap, Knob M6	
3	1001237845	2	Decal, Emergency Exit	

# SECTION 6 - CAB

## FIGURE 6-20. REAR WINDOW ASSEMBLY



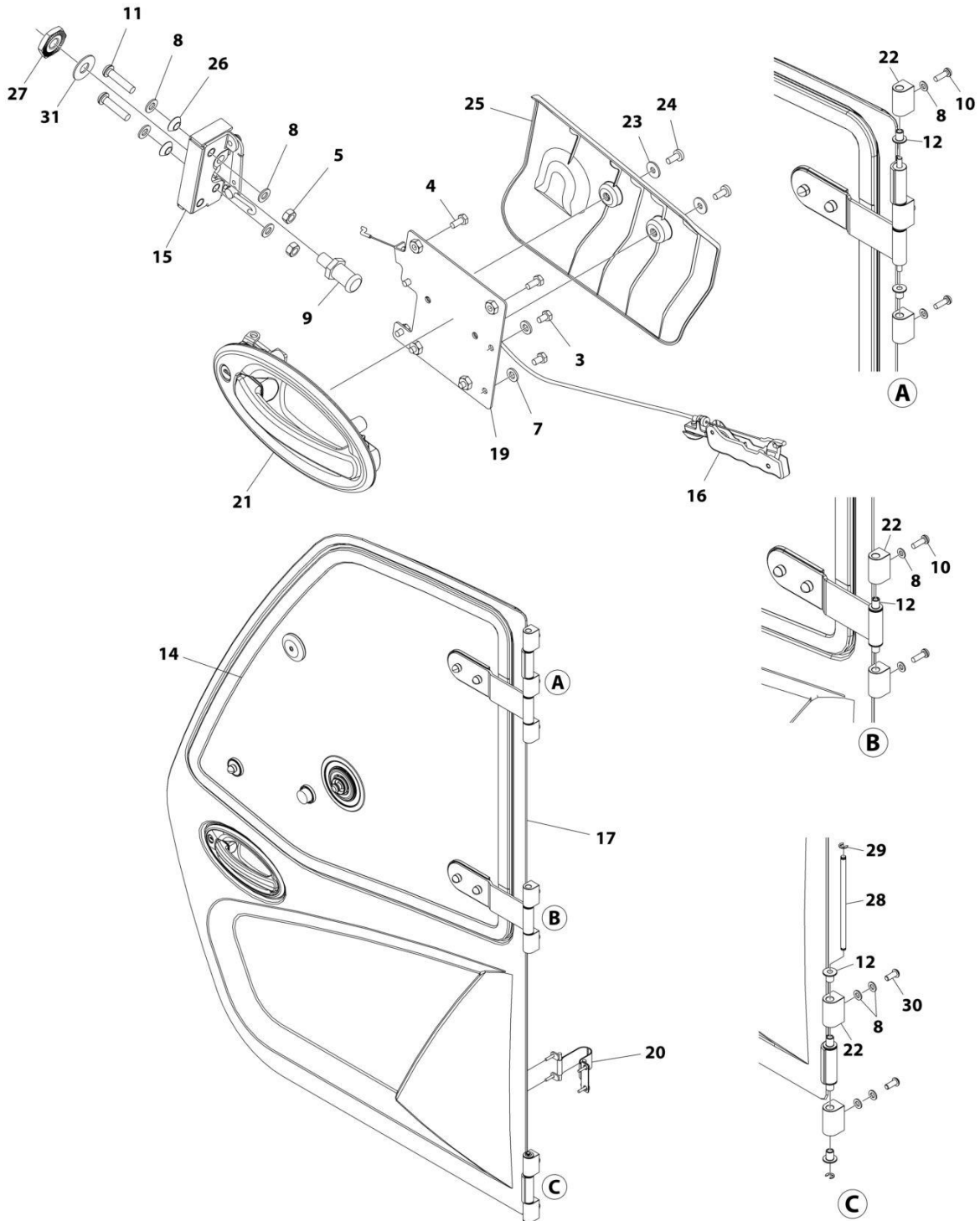
ART\_1001170502-D

FIGURE 6-20. REAR WINDOW ASSEMBLY

ITEM	PART NUMBER	QTY	DESCRIPTION	REV
	1001170502	Ref	Rear Window Assembly	D
2	3290806	2	Nut, M8X1.25 Grade 8	
3	8000759	2	Spacer	
4	8004398	2	Washer	
5	1001005368	1	Latch, Window	
6	2080078	2	Fastener, M8X30	
7	1001157481	1	Glass, Rear Window	
8	1001157487	1	Seal	
9	1001139568	2	Hinge	
10	1001171182	1	Grommet	
11	1001171183	1	Grommet	
12	1001181411	2	Gasket, Rear Window Hinge	

# SECTION 6 - CAB

## FIGURE 6-21. DOOR INSTALLATION



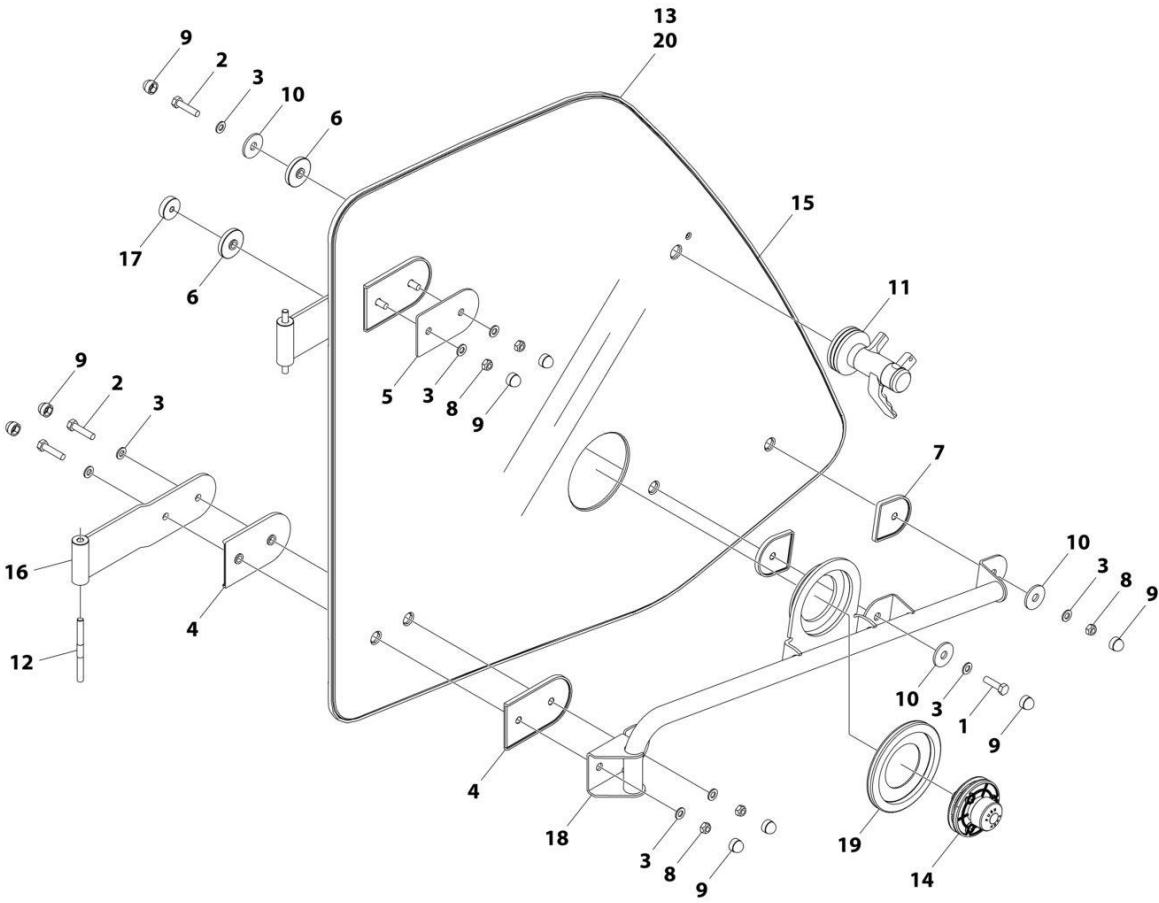
ART\_1001165080

FIGURE 6-21. DOOR INSTALLATION

ITEM	PART NUMBER	QTY	DESCRIPTION	REV
	1001165080	Ref	Door Installation	P
3	0760605	4	Bolt, M6X10	
4	0760607	4	Bolt, M6X14	
5	3290801	2	Nut, M8X1.25 Grade 8	
7	4811700	4	Washer, M6	
8	4811900	13	Washer, M8	
9	8000803	1	Pin, Door Striker	
10	1001008988	5	Screw M8X25	
11	1001047062	2	Screw, M8X35	
12	1001107192	10	Sleeve, Hinge	
14	1001205532	1	Assembly, Door Upper Glass (See Separate Breakdown in this Section)	
15	1001192766	1	Assembly, Cab Latch (See Separate Breakdown in this Section)	
16	1001167958	1	Assembly, Cab Door Trigger (See Separate Breakdown in this Section)	
17	1001169881	1	Assembly, Door (See Separate Breakdown in this Section)	
19	1001173298	1	Bracket	
20	1001174295	1	Installation, Door Strap (See Separate Breakdown in this Section)	
21	1001192646	1	Handle, Exterior Door	
22	1001170601J	7	Lug, Hinge	
23	4811702001	2	Washer, M6	
24	4010608002	2	Screw, M6X16	
25	1001175477	1	Cover, Cab Door Interior	
26	1001184439	2	Bushing	
27	1001192309	1	Nut, M12X1	
28	1001213791	1	Pin, Hinge	
29	0498748	2	Clip, Snap Ring	
30	1001164726	2	Bolt, M8X20	
31	1001227802	1	Washer	

# SECTION 6 - CAB

## FIGURE 6-22. DOOR UPPER GLASS ASSEMBLY



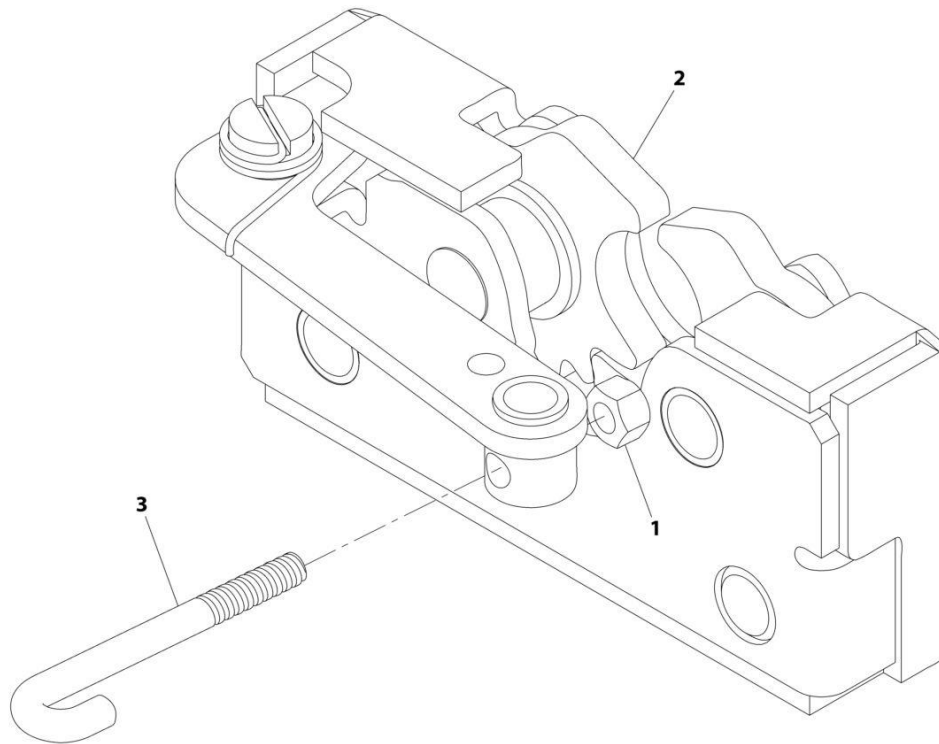
ART\_1001205532

FIGURE 6-22. DOOR UPPER GLASS ASSEMBLY

ITEM	PART NUMBER	QTY	DESCRIPTION	REV
	1001205532	Ref	Door Upper Glass Assembly	G
1	0760812	1	Bolt, M8X25	
2	0760815	5	Bolt, M8X35	
3	4811900	11	Washer, 8MM	
4	1001002946	4	Mount, Hinge	
5	1001002947	1	Mount, Hinge	
6	1001002953	2	Mount, Rubber	
7	1001002957	2	Mount, Latch	
8	1001008857	5	Nut, Lock	
9	1001096365	11	Cap, M8	
10	1001141246	3	Mount, Rubber	
11	1001165275	1	Latch, Window	
12	1001166634	2	Pin, Hinge	
13	1001170944	1	Panel, Window Surround	
14	1001174321	1	Striker, Top Window	
15	1001204066	1	Glass, Window	
16	1001204115	2	Hinge	
17	1001222741	1	Buffer, Cab	
18	1001204120	1	Handle	
19	1001213331	1	Gasket	
20	1001215531	AR	Adhesive	

# SECTION 6 - CAB

## FIGURE 6-23. CAB LATCH ASSEMBLY



ART\_1001192766\_C

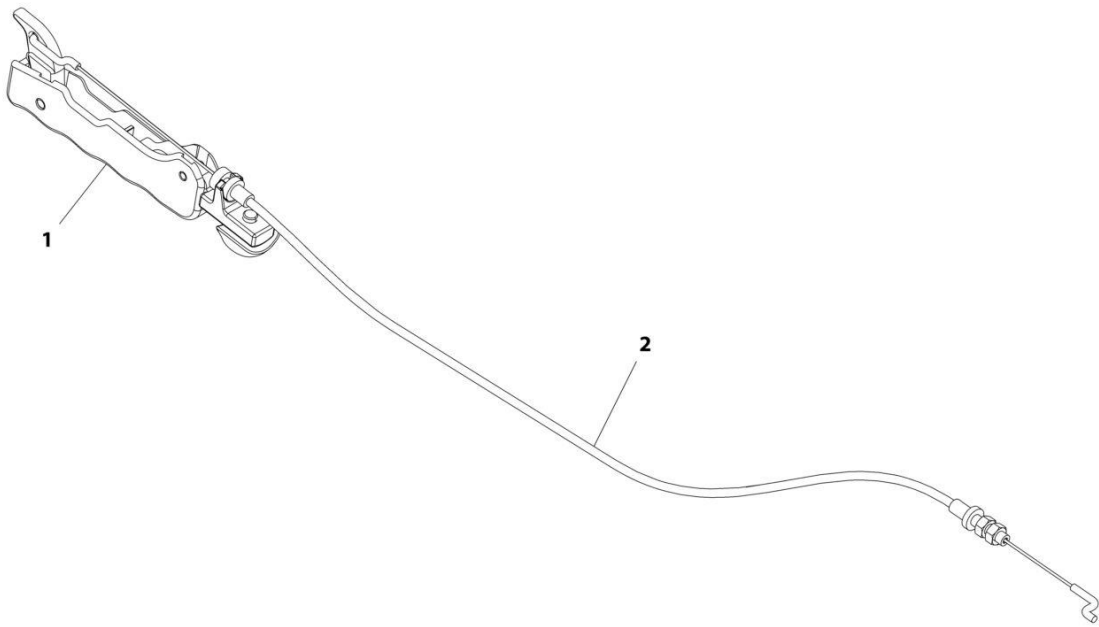


FIGURE 6-23. CAB LATCH ASSEMBLY

ITEM	PART NUMBER	QTY	DESCRIPTION	REV
	1001192766	Ref	Cab Latch Assembly	C
1	3290405	1	Nut, M4X0.7 Grade 8	
2	1001192643	1	Latch	
3	1001241308	1	Link, Door Handle	

# SECTION 6 - CAB

## FIGURE 6-24. CAB DOOR TRIGGER ASSEMBLY



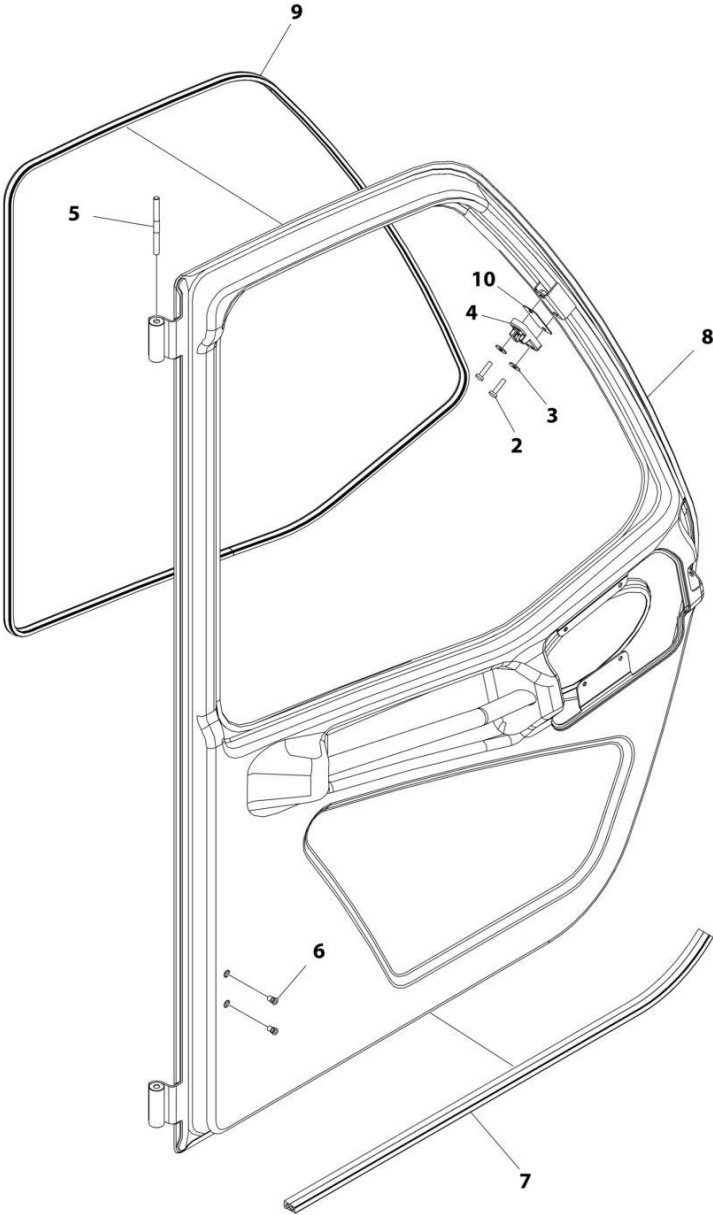
ART\_1001167958-E

**FIGURE 6-24. CAB DOOR TRIGGER ASSEMBLY**

<b>ITEM</b>	<b>PART NUMBER</b>	<b>QTY</b>	<b>DESCRIPTION</b>	<b>REV</b>
	1001167958	Ref	Cab Door Trigger Assembly	E
1	1001167937	1	Trigger, Cab Interior Release	
2	1001192644	1	Cable, Cab Latch Release	

SECTION 6 - CAB

FIGURE 6-25. DOOR ASSEMBLY



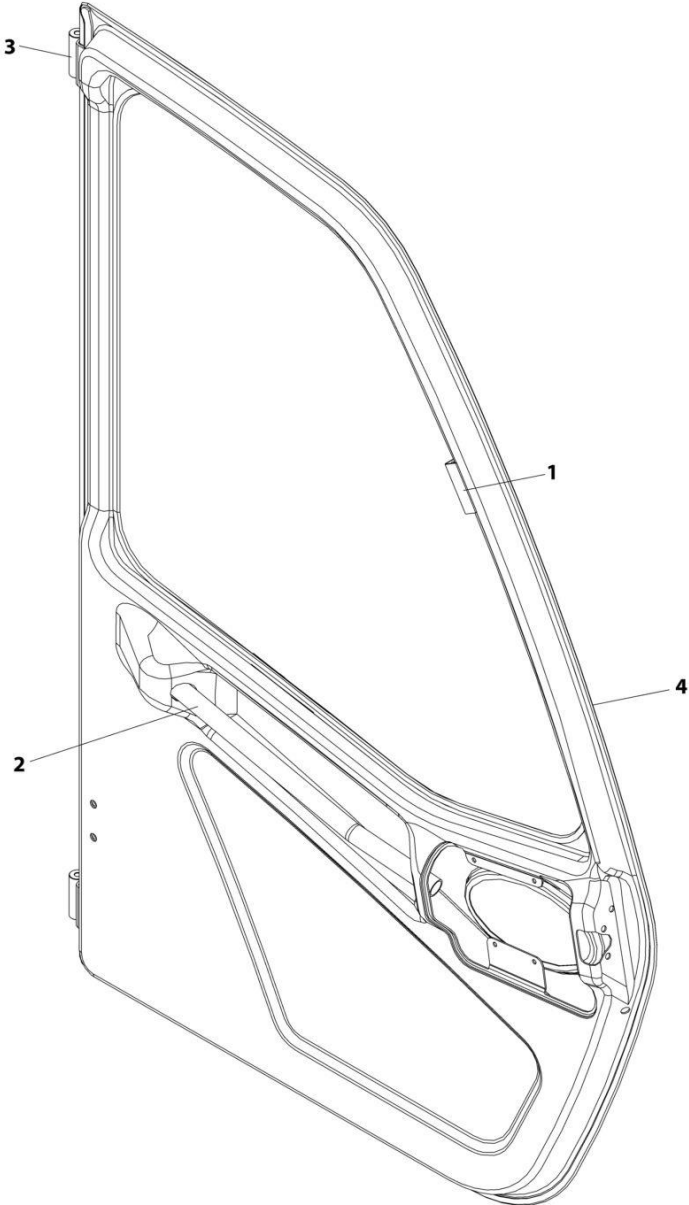
ART\_1001169881\_K

FIGURE 6-25. DOOR ASSEMBLY

ITEM	PART NUMBER	QTY	DESCRIPTION	REV
	1001169881	Ref	Door Assembly	K
2	4010612002	2	Screw, Posi-Drive, M6X25	
3	4811702001	2	Washer, M6	
4	1001165276	1	Plate, Window Latch Striker	
5	1001166634	1	Pin, Hinge	
6	1001172193	2	Rivnut, M5X0.8	
7	1001227188	1	Seal, Cab Door	
8	1001165022J	1	Door, Cab (See Separate Breakdown in this Section)	
9	1001227187	1	Seal, Cab Door Window	
10	1001193210	AR	Shim, Window Latch	

**SECTION 6 - CAB**

**FIGURE 6-26. CAB DOOR**



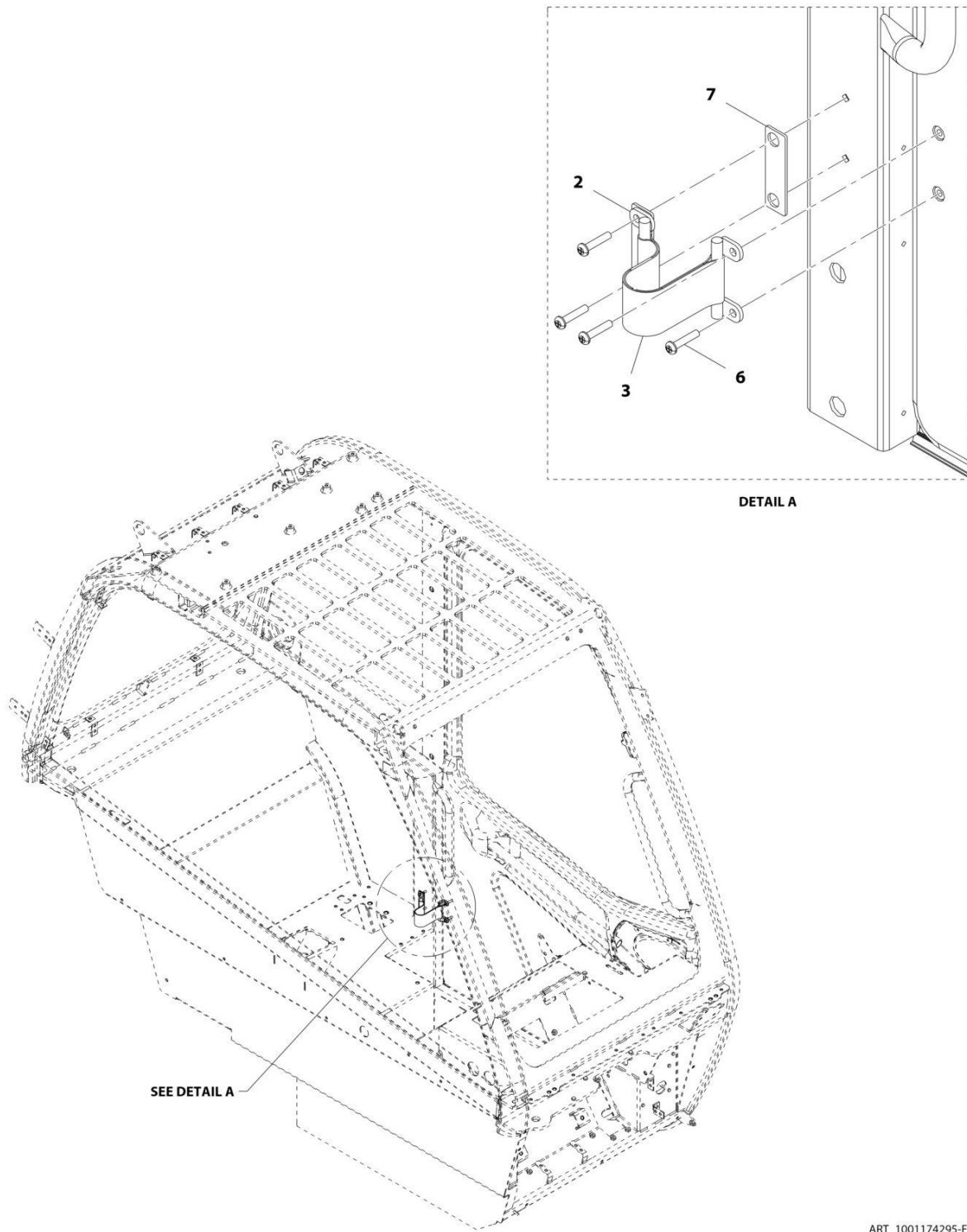
ART\_1001165022-E

FIGURE 6-26. CAB DOOR

ITEM	PART NUMBER	QTY	DESCRIPTION	REV
	1001165022	Ref	Cab Door	E
1	1001169883	1	Bracket, Window Latch	
2	1001169885	1	Handle, Interior Door	
3	1001171037	1	Plate, Hinge	
4	1001171634	1	Frame, Door	

# SECTION 6 - CAB

## FIGURE 6-27. DOOR STRAP INSTALLATION



ART\_1001174295-F

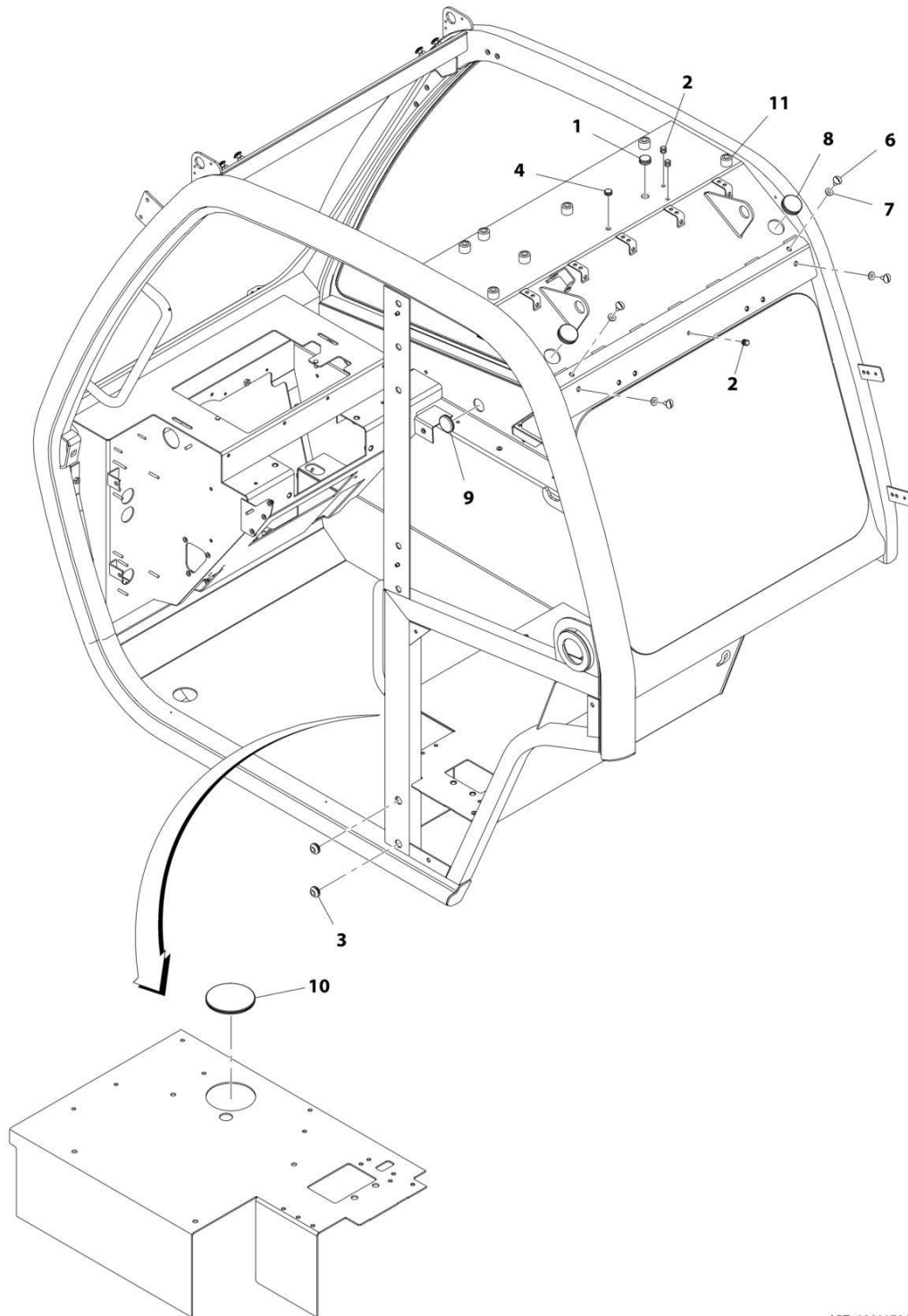


FIGURE 6-27. DOOR STRAP INSTALLATION

ITEM	PART NUMBER	QTY	DESCRIPTION	REV
	1001174295	Ref	Door Strap Installation	F
2	1001230163	2	Bracket, Strap Holder	
3	1001212011	1	Strap, Door Hold Open	
6	8310559	4	Screw	
7	1001191091	1	Plate, Cab Door Strap	

# SECTION 6 - CAB

## FIGURE 6-28. ENCLOSED CAB PLUG GROUP



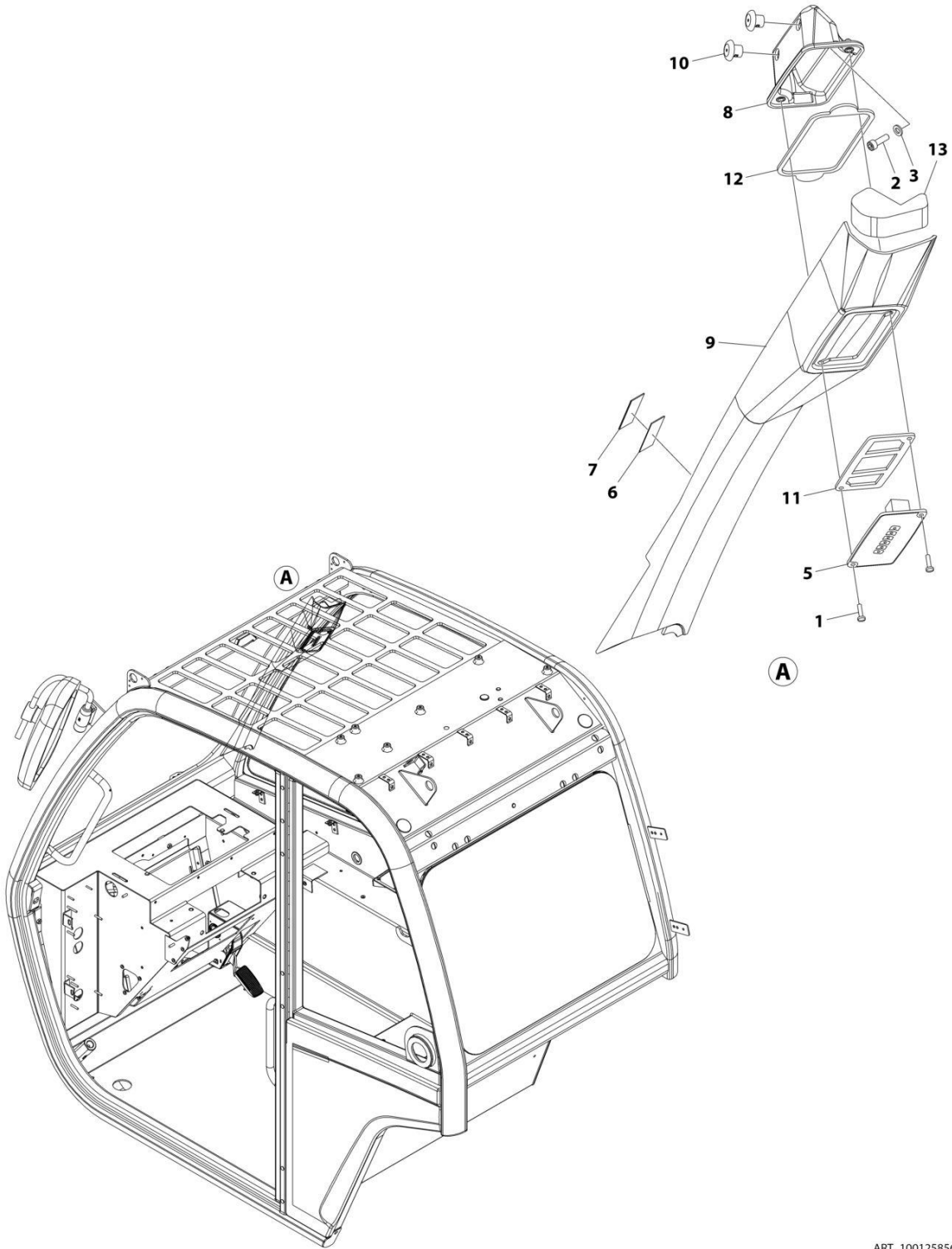
ART\_1001170603-E

FIGURE 6-28. ENCLOSED CAB PLUG GROUP

ITEM	PART NUMBER	QTY	DESCRIPTION	REV
	1001170603	Ref	Enclosed Cab Plug Group	E
1	1001176273	1	Plug	
2	1001176272	3	Plug	
3	1001143200	2	Plug	
4	1001176626	1	Plug	
6	1001181920	8	Screw, M8X16	
7	1001181921	8	Washer, Rubber M8	
8	1001182123	2	Plug	
9	1001182139	1	Plug	
10	1001209899	1	Plug	
11	1001219220	7	Cap, Vinyl Round	

# SECTION 6 - CAB

## FIGURE 6-29. LSI DISPLAY INSTALLATION (OPEN CAB)



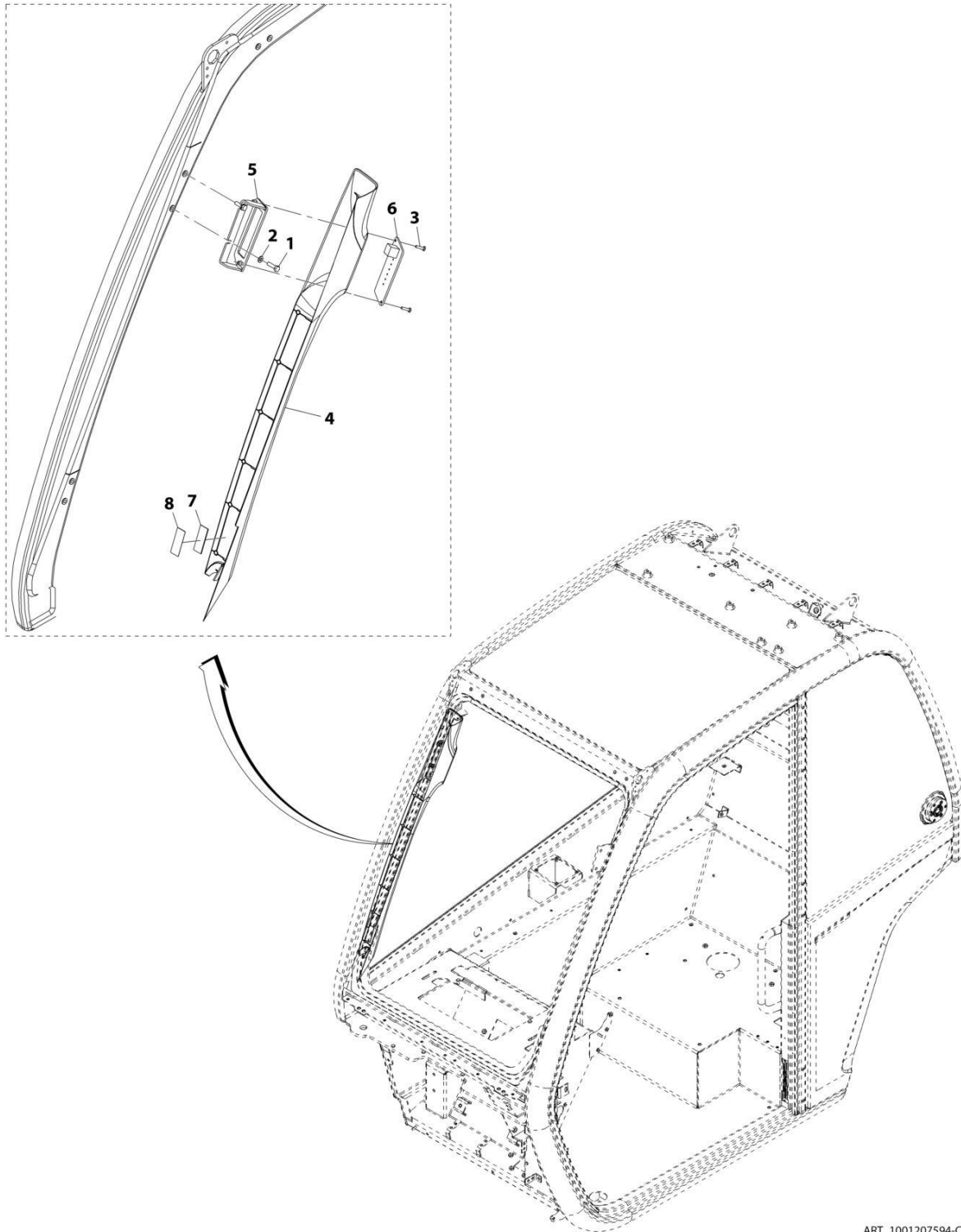
ART\_1001258563\_B

FIGURE 6-29. LSI DISPLAY INSTALLATION (OPEN CAB)

ITEM	PART NUMBER	QTY	DESCRIPTION	REV
	1001258563	Ref	LSI DISPLAY INSTALLATION	B
1	1001126837	2	Screw M4 x 16	
2	4031708	2	Bolt M6 x 20	
3	4811700	2	Washer M6	
5	1001213752	1	LSI Display Electrical Assembly	
5	1001205976	1	Decal - LSI Display	
5	1001209028	1	Gauge	
6	1001221318	1	Tape, Hook Fastener	
7	1001221319	1	Tape, Loop Fastener	
8	1001257058	1	Box	
9	1001257059	1	Panel	
10	1001257067	2	Grommet	
11	1001257069	1	Seal	
12	1001257087	1	Seal	
13	1001264415	1	Seal	

# SECTION 6 - CAB

## FIGURE 6-30. LSI DISPLAY INSTALLATION (ENCLOSED CAB)



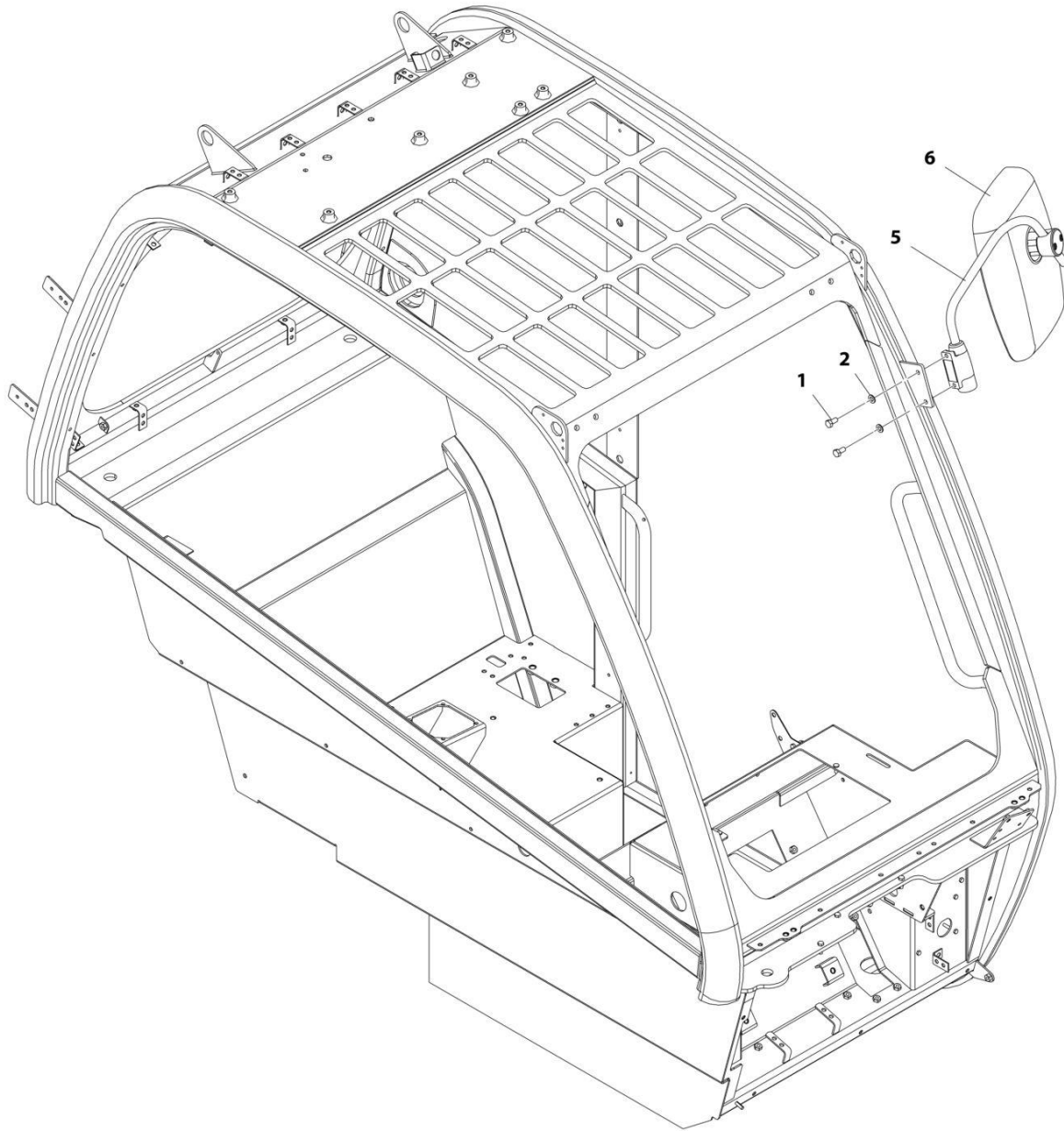
ART\_1001207594-C

FIGURE 6-30. LSI DISPLAY INSTALLATION (ENCLOSED CAB)

ITEM	PART NUMBER	QTY	DESCRIPTION	REV
	1001207594	Ref	LSI Display Installation	C
1	0760610	2	Bolt, M6X20	
2	4811700	2	Washer, M6	
3	1001126837	2	Screw, M4X16	
4	1001182839	1	Cover	
5	1001214401	1	Bracket	
6	1001213752	1	Display, LSI	
7	1001221318	1	Tape, Hook Fastener	
8	1001221319	1	Tape, Hook Fastener	

# SECTION 6 - CAB

## FIGURE 6-31. BASIC MIRROR INSTALLATION



ART\_1001160508-E

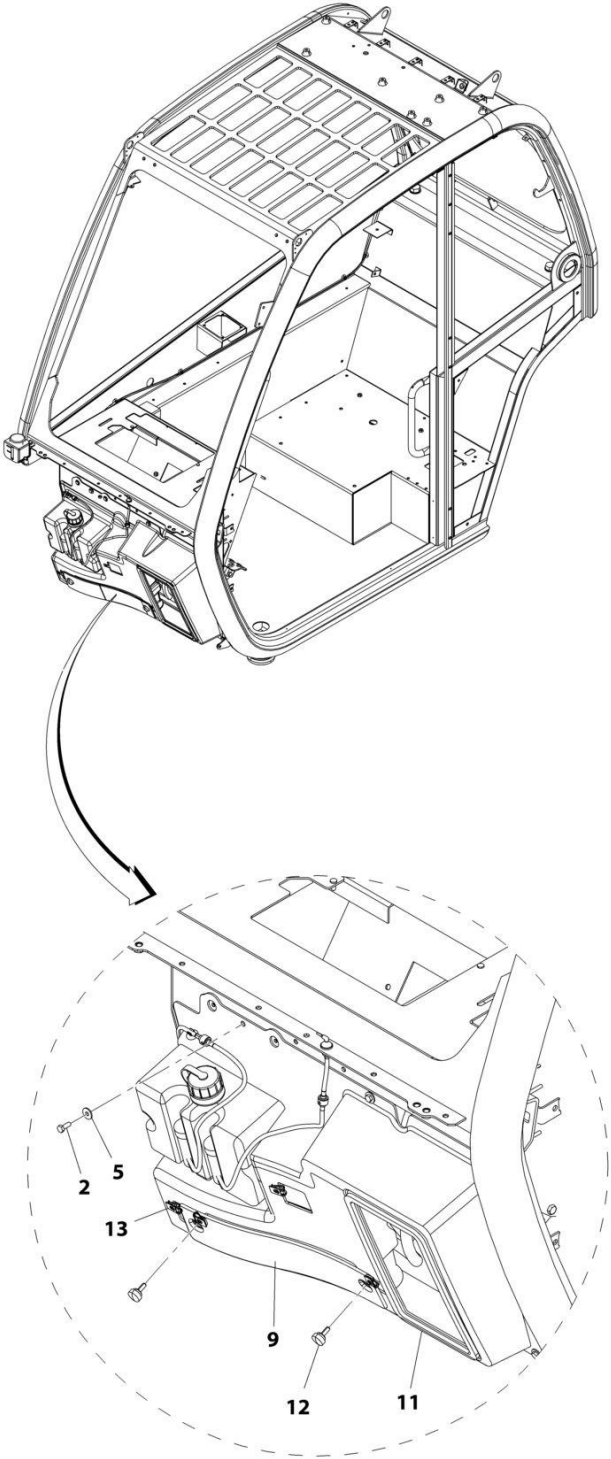


FIGURE 6-31. BASIC MIRROR INSTALLATION

ITEM	PART NUMBER	QTY	DESCRIPTION	REV
	1001160508	Ref	Basic Mirror Installation	E
1	0760808	2	Bolt, M8X16	
2	4811900	2	Washer, M8	
5	1001164655	1	Bracket	
6	80363195	1	Mirror	

**SECTION 6 - CAB**

**FIGURE 6-32. FRONT COVER INSTALLATION**



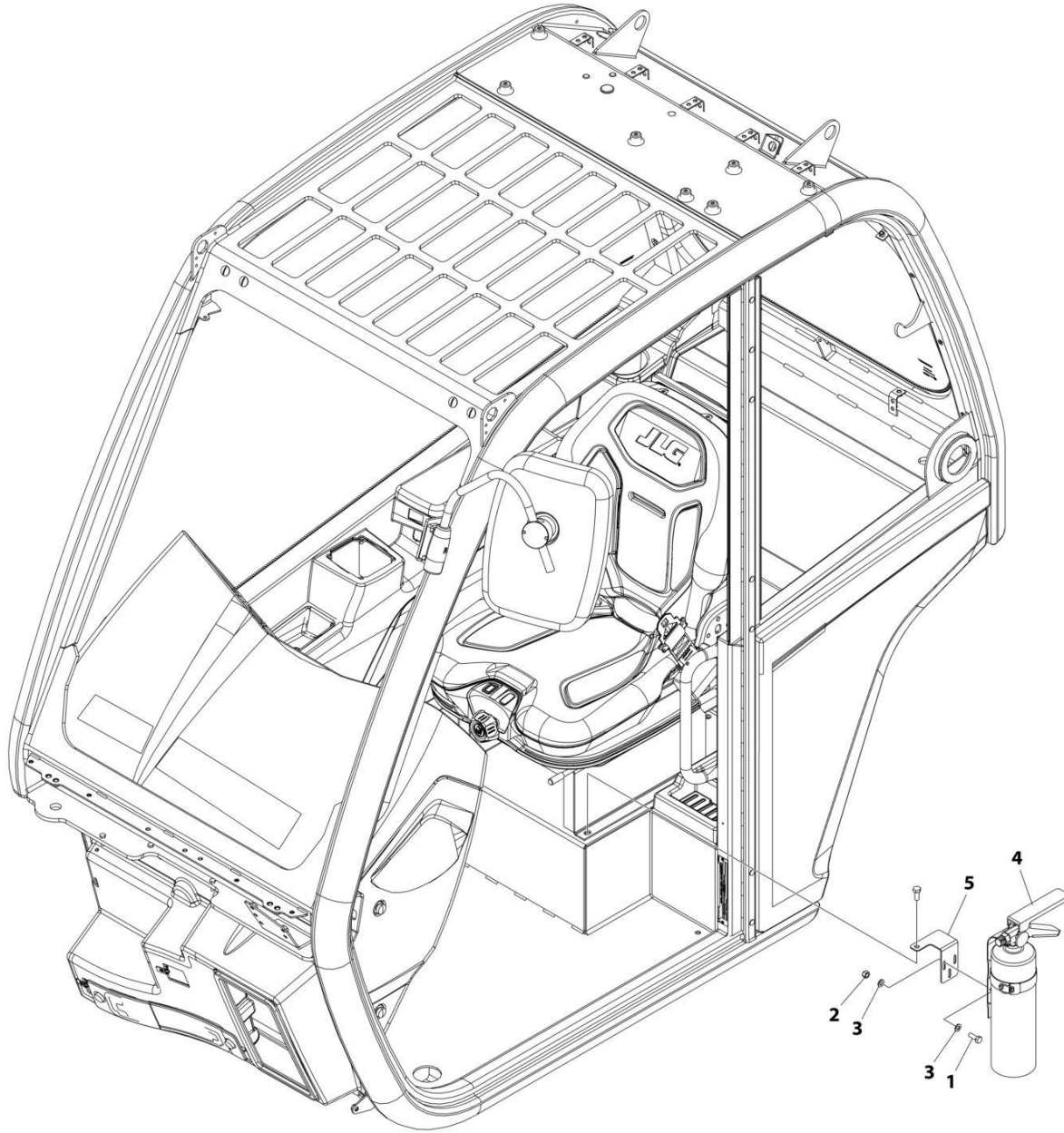
ART\_1001170366-G

FIGURE 6-32. FRONT COVER INSTALLATION

ITEM	PART NUMBER	QTY	DESCRIPTION	REV
	1001170366	Ref	Front Cover Installation	G
2	0760608	7	Bolt, M6X16	
5	4811702	7	Washer, M6	
9	1001175471	1	Panel, Filter Tray (See Separate Breakdown in this Section)	
11	1001176121	1	Cover, Front Duct (See Separate Breakdown in this Section)	
12	2080092	2	Thumb Screw, M6X16	
13	8305919	4	Nut, M6	

# SECTION 6 - CAB

## FIGURE 6-33. FIRE EXTINGUISHER INSTALLATION



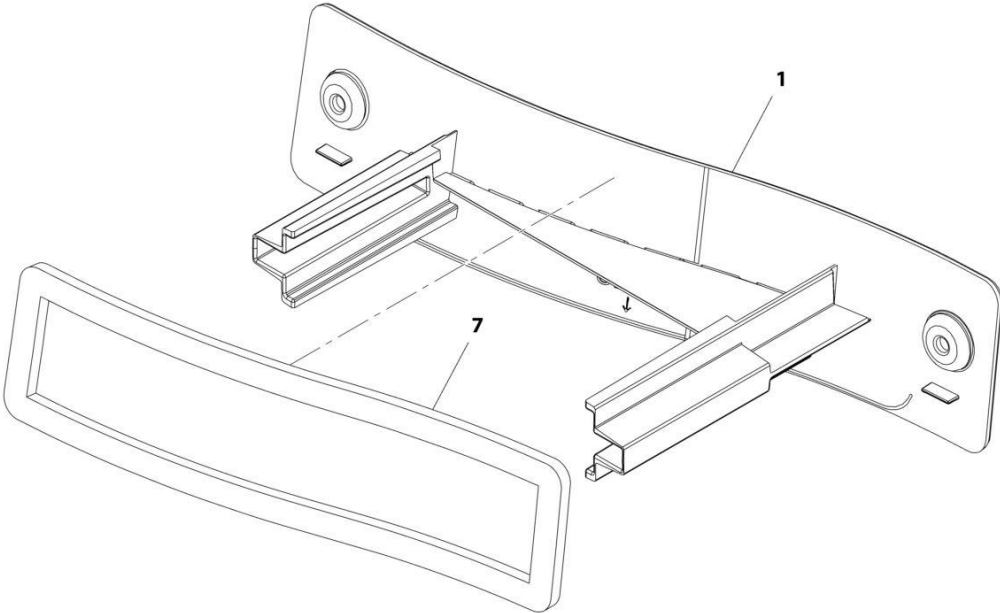
ART\_1001258099

FIGURE 6-33. FIRE EXTINGUISHER INSTALLATION

ITEM	PART NUMBER	QTY	DESCRIPTION	REV
	1001258099	Ref	FIRE EXTINGUISHER INSTALLATION	A
1	0760507	3	Bolt M5X14	
2	3290505	3	Nut M5	
3	4811600	6	Washer M5	
4	1001099699	1	Fire Extinguisher Assy	
5	1001241337	1	Bracket	

**SECTION 6 - CAB**

**FIGURE 6-34. FILTER TRAY PANEL**



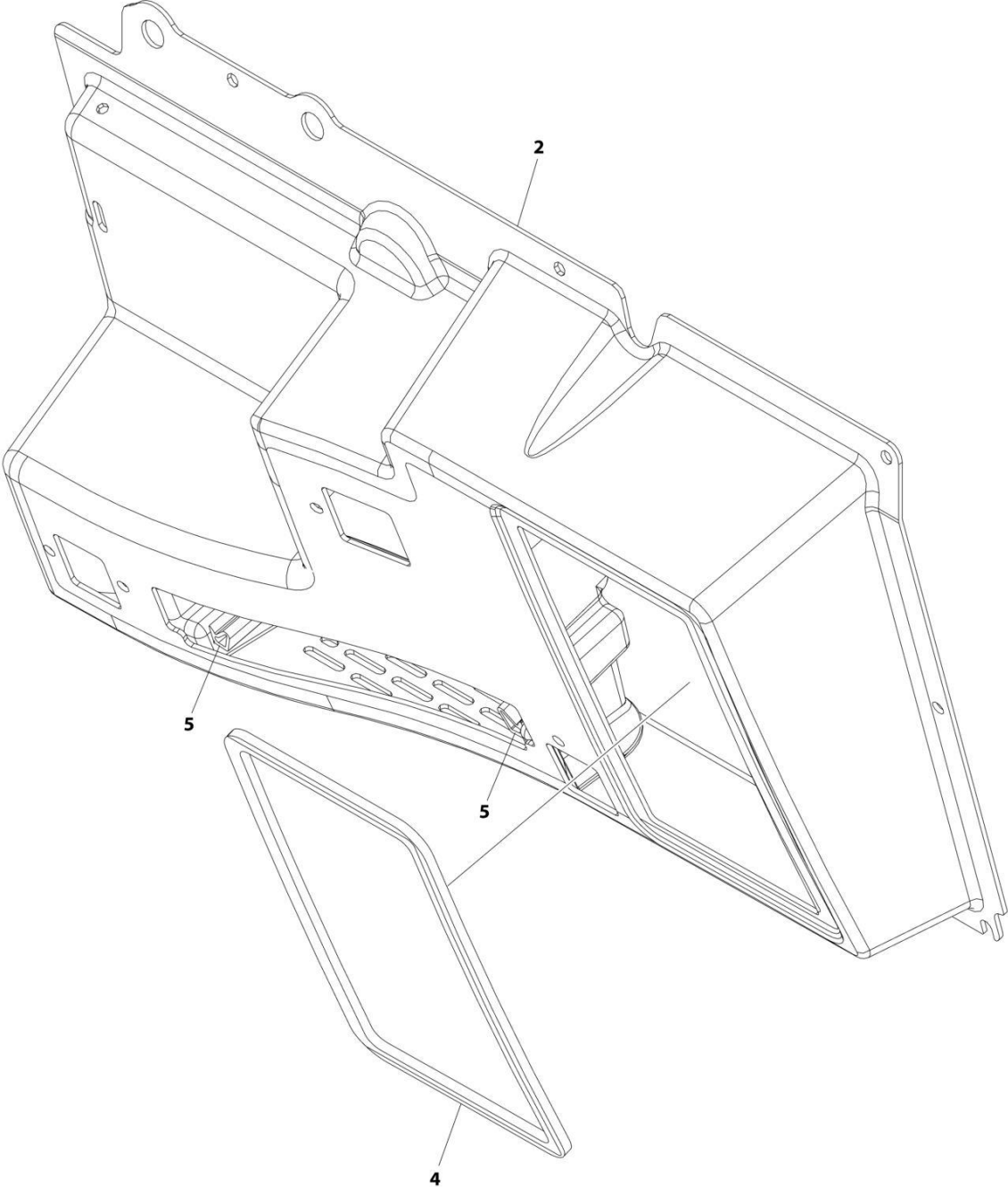
ART\_1001175471-D

**FIGURE 6-34. FILTER TRAY PANEL**

<b>ITEM</b>	<b>PART NUMBER</b>	<b>QTY</b>	<b>DESCRIPTION</b>	<b>REV</b>
	1001175471	Ref	Filter Tray Panel	D
1	1001170993	1	Panel, Front Inlet	
7	1001171767	1	Cab, Front Panel Seal	

**SECTION 6 - CAB**

**FIGURE 6-35. FRONT DUCT COVER**



ART\_1001176121

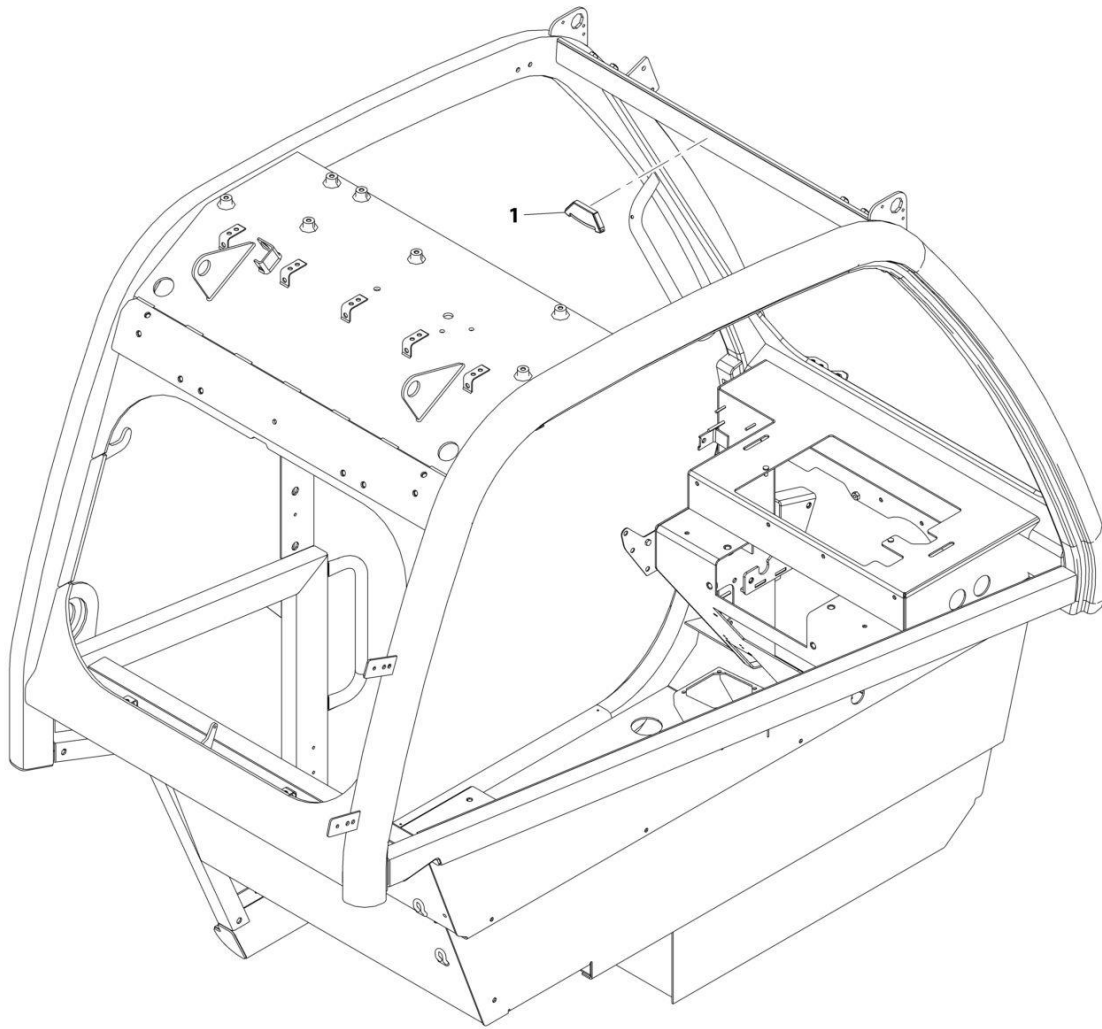


**FIGURE 6-35. FRONT DUCT COVER**

<b>ITEM</b>	<b>PART NUMBER</b>	<b>QTY</b>	<b>DESCRIPTION</b>	<b>REV</b>
	1001176121	Ref	FRONT DUCT COVER	H
2	1001170326	1	Cover, Front	
4	1001175470	1	Seal, Front Cab Panel	
5	1001270117	AR	Seal, Bulb	

# SECTION 6 - CAB

## FIGURE 6-36. LEVEL INDICATOR INSTALLATION



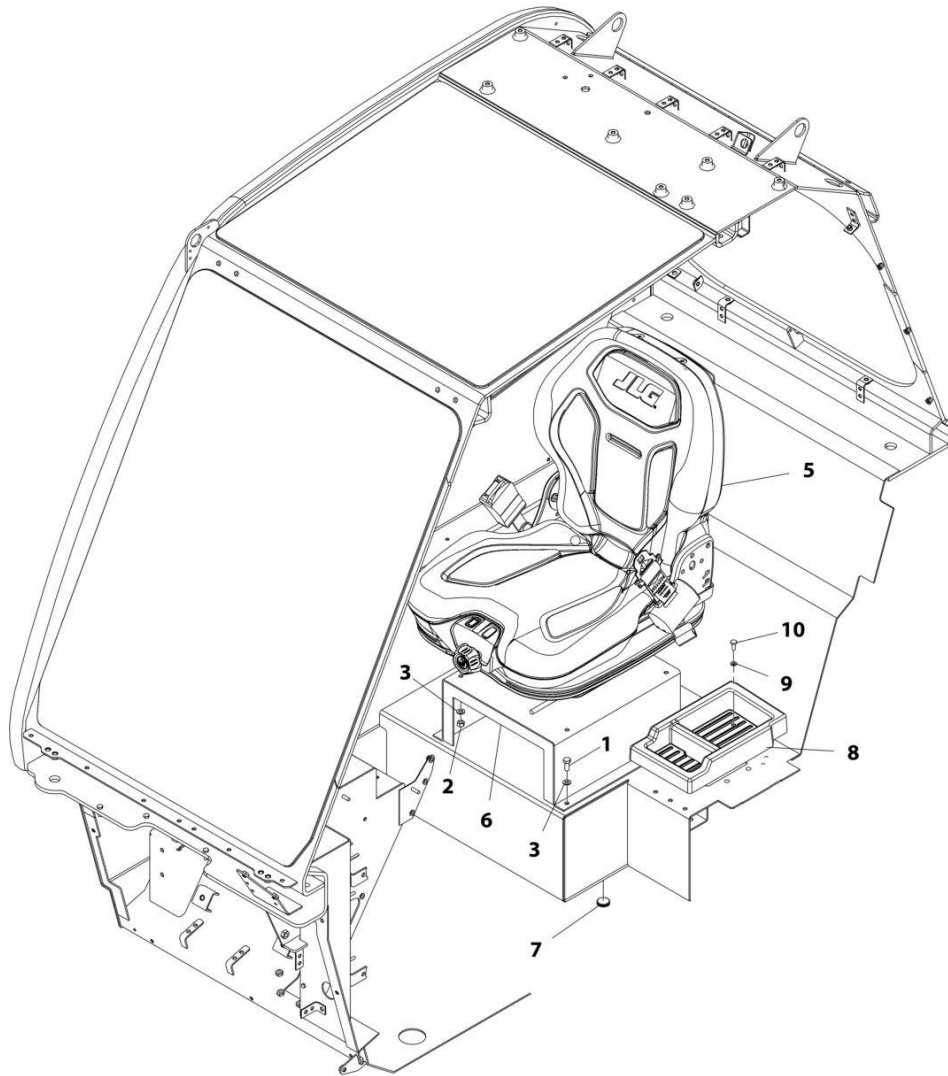
ART\_1001172401-C

**FIGURE 6-36. LEVEL INDICATOR INSTALLATION**

<b>ITEM</b>	<b>PART NUMBER</b>	<b>QTY</b>	<b>DESCRIPTION</b>	<b>REV</b>
1	1001172401 8466306	Ref 1	Level Indicator Installation Gauge, Tilt Angle	C

# SECTION 6 - CAB

## FIGURE 6-37. SEAT INSTALLATION - CLOTH (ORANGE SEAT BELT)



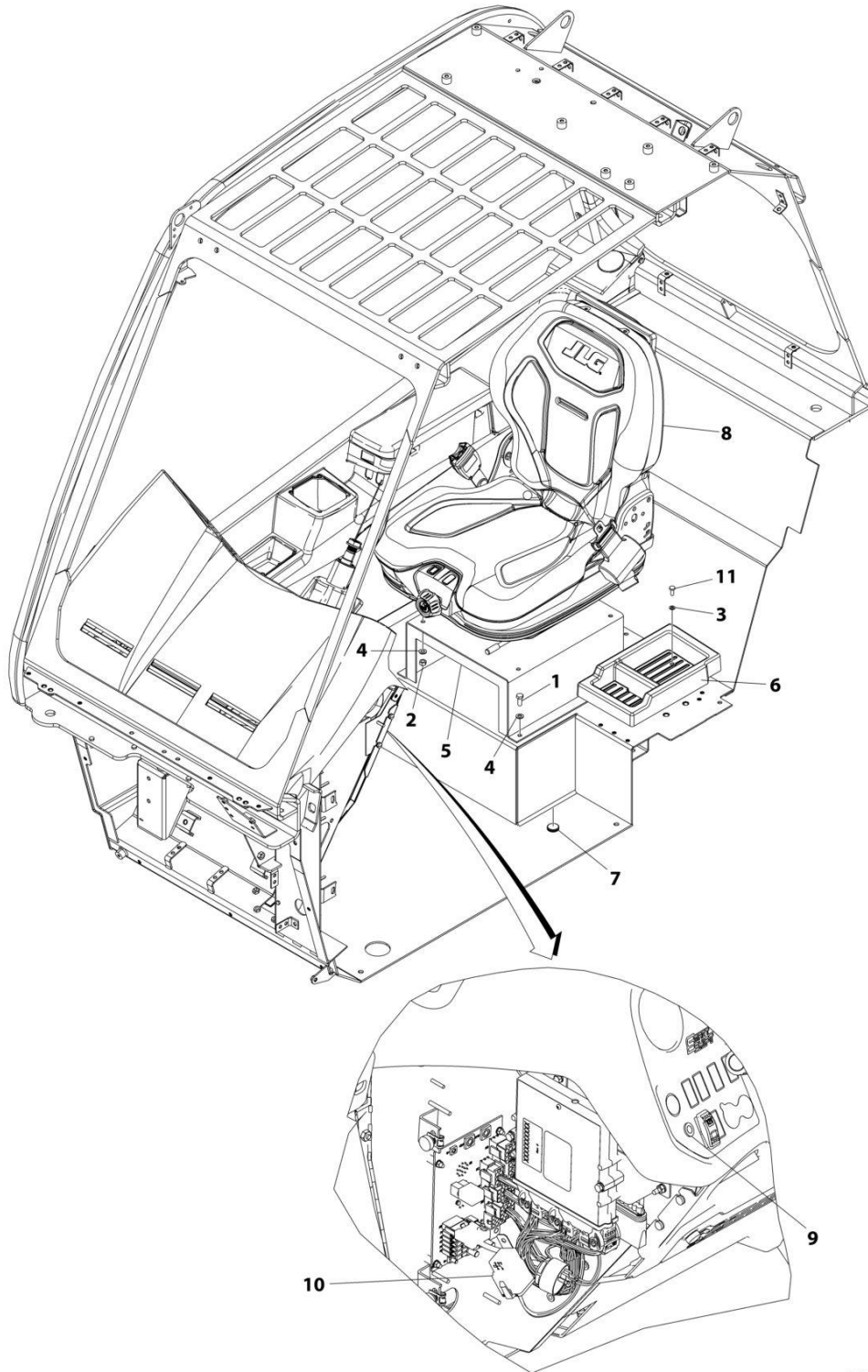
ART\_1001164615-G

FIGURE 6-37. SEAT INSTALLATION - CLOTH (ORANGE SEAT BELT)

ITEM	PART NUMBER	QTY	DESCRIPTION	REV
	1001164615	Ref	Seat Installation	I
1	0760810	4	Bolt, M8X20	
2	3311505	4	Nut, Lock 5/16-18	
3	4811900	8	Washer, M8	
5	1001275929	1	Seat (See Separate Breakdown in this Section)	
6	1001164498	1	Plinth, Seat	
7	1001196076	1	Plug	
8	1001170515	1	Insert, Storage Tray	
9	4811700	1	Washer, M6	
10	4010608002	1	Screw, Posi-Drive, M6X16	

# SECTION 6 - CAB

## FIGURE 6-38. SEAT INSTALLATION - VINYL



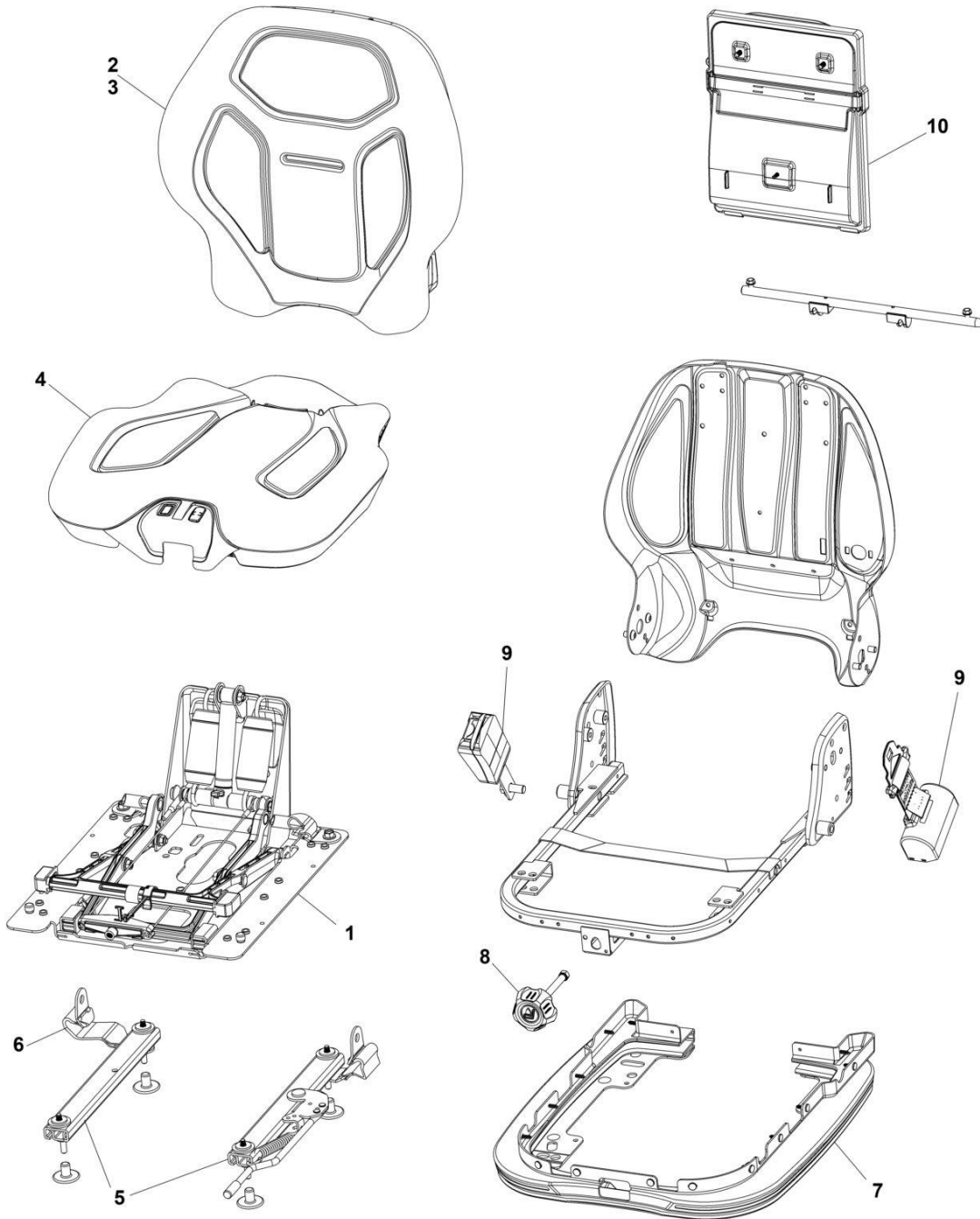
ART\_1001268804\_B

FIGURE 6-38. SEAT INSTALLATION - VINYL

ITEM	PART NUMBER	QTY	DESCRIPTION	REV
	1001268804	Ref	SEAT INSTALLATION - VINYL	B
1	0760810	1	Bolt M8 x 20	
2	3311505	1	Nut 5/16	
3	4811700	1	Washer M6	
4	4811900	1	Washer M8	
5	1001164498	1	Plinth, Seat	
6	1001170515	1	Insert, Storage Tray	
7	1001196076	1	Plug	
8	1001275931	1	Seat Assembly (See Separate Breakdown in this Section)	
9	1001266488	1	Light, Indicator - Red	
10	1001268744	1	Harness, Seat Belt Alarm (See Separate Breakdown in ELECTRICAL Section)	
11	4010608002	1	Screw M6 x 16	

# SECTION 6 - CAB

## FIGURE 6-39. SEAT ASSEMBLY - CLOTH (ORANGE SEAT BELT)



ART\_1001275929

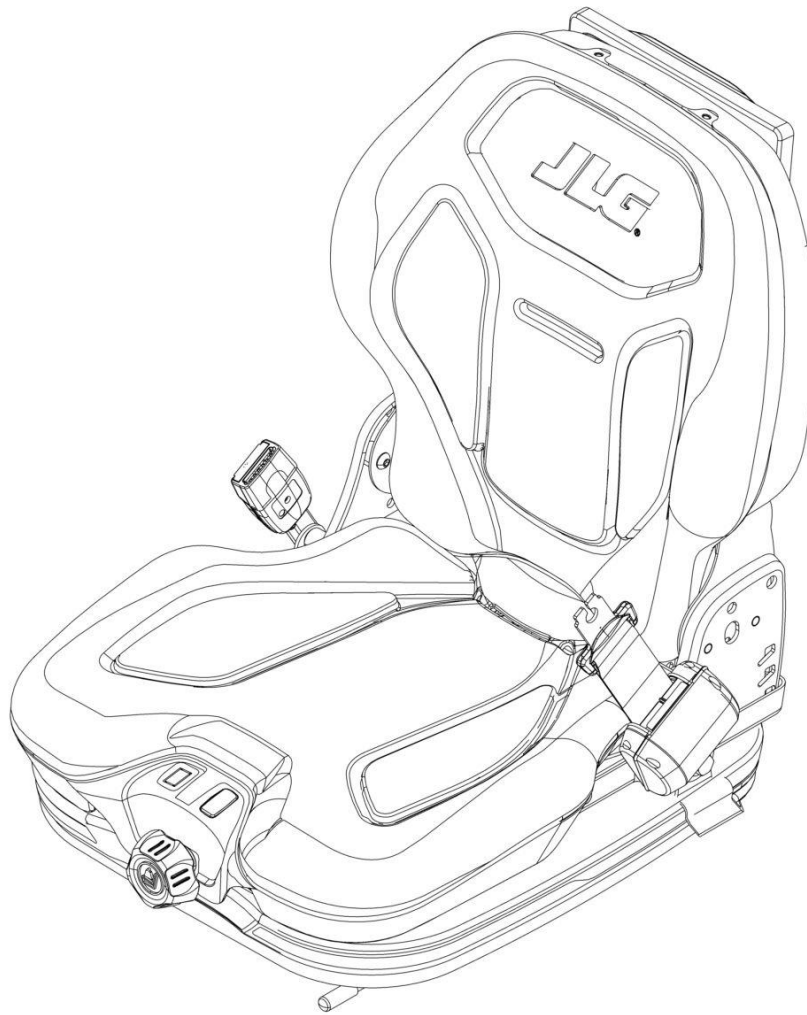


**SECTION 6 - CAB****FIGURE 6-39. SEAT ASSEMBLY - CLOTH (ORANGE SEAT BELT)**

<b>ITEM</b>	<b>PART NUMBER</b>	<b>QTY</b>	<b>DESCRIPTION</b>	<b>REV</b>
	1001275929	Ref	Seat Assembly	A
1	70027024	1	Suspension Kit	
2	70027026	1	Back Cushion Kit (JLG)	
3	70027027	1	Back Cushion Kit (CAT)	
4	70027028	1	Seat Cushion Kit	
5	7026798	1	Adjuster Kit	
6	70027032	1	Tether strap	
7	70027030	1	Boot Kit	
8	70027033	1	Weight Adjust Knob Kit	
9	1001275933	1	Seat Belt	
10	70027035	1	Document box Kit	

**SECTION 6 - CAB**

**FIGURE 6-40. SEAT ASSEMBLY - VINYL**



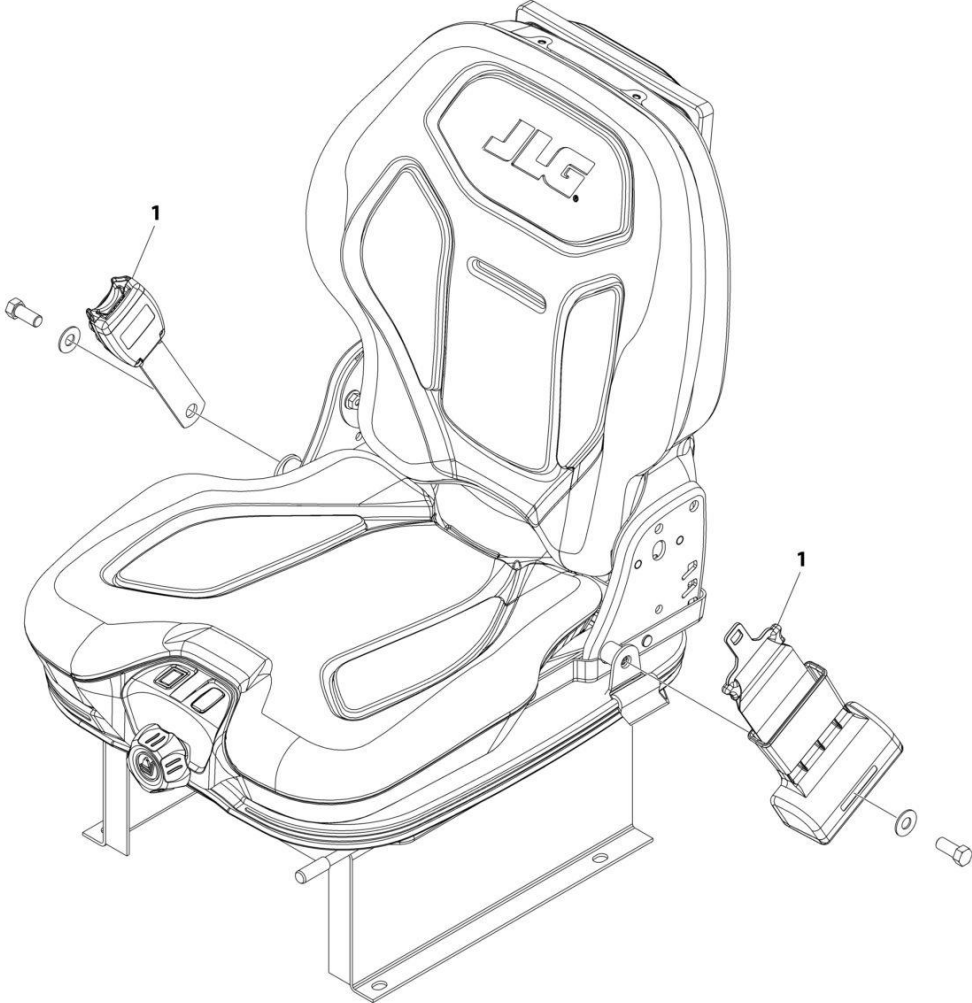
ART\_1001275931

FIGURE 6-40. SEAT ASSEMBLY - VINYL

ITEM	PART NUMBER	QTY	DESCRIPTION	REV
	1001275931	Ref Ref	SEAT ASSEMBLY - VINYL Note: No Service Parts Available at Time of Printing	A

**SECTION 6 - CAB**

**FIGURE 6-41. SEAT BELT INSTALLATION (3 INCH)**



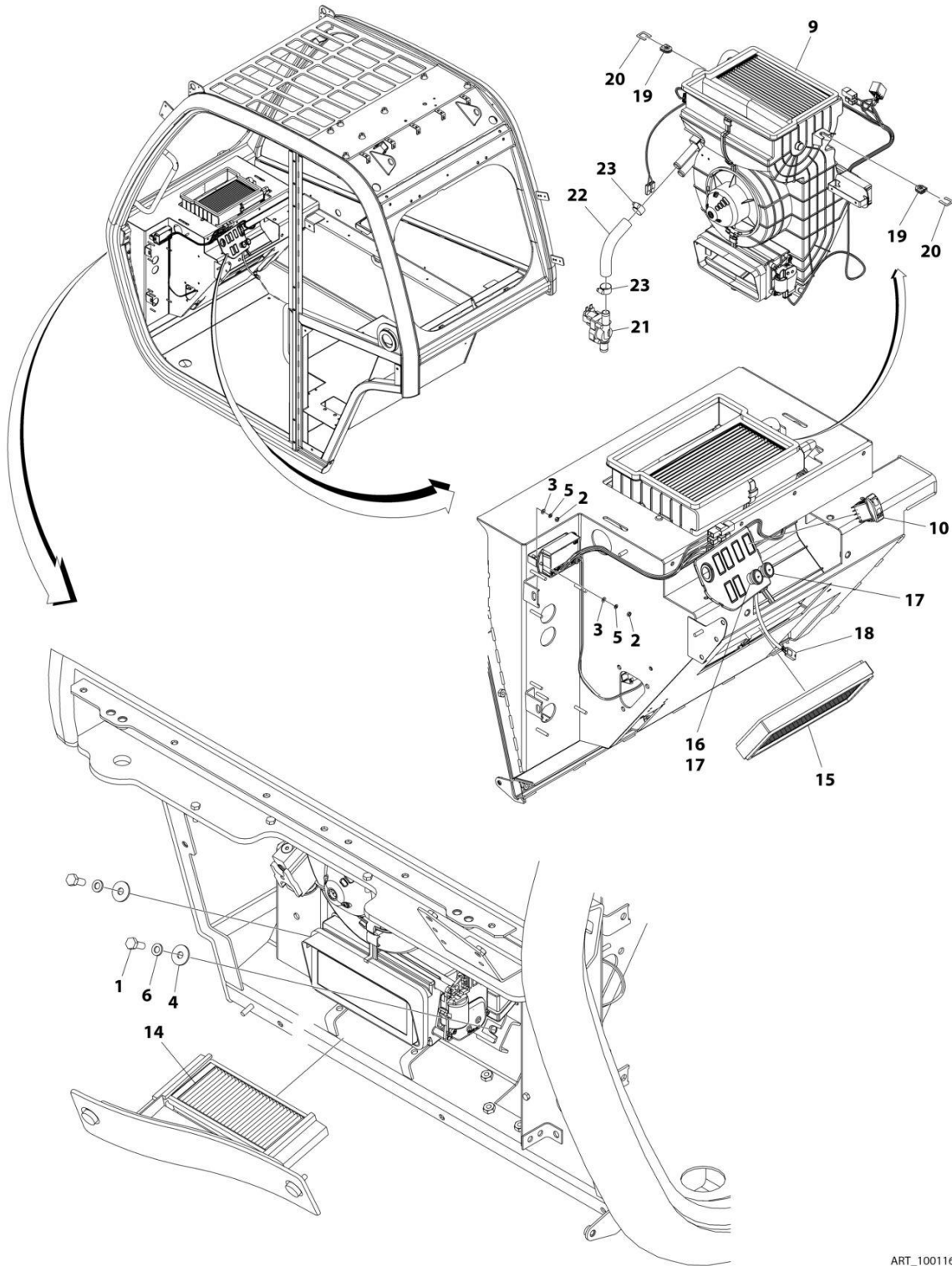
ART\_1001258245

**FIGURE 6-41. SEAT BELT INSTALLATION (3 INCH)**

<b>ITEM</b>	<b>PART NUMBER</b>	<b>QTY</b>	<b>DESCRIPTION</b>	<b>REV</b>
	1001258245	Ref	Seat Belt Installation (3in Width)	B
1	1001258244	1	Seat Belt (3in) (Black Strap)	
1	1001275933	1	Seat Belt (3in) (Orange Strap)	

# SECTION 6 - CAB

## FIGURE 6-42. HEATER INSTALLATION



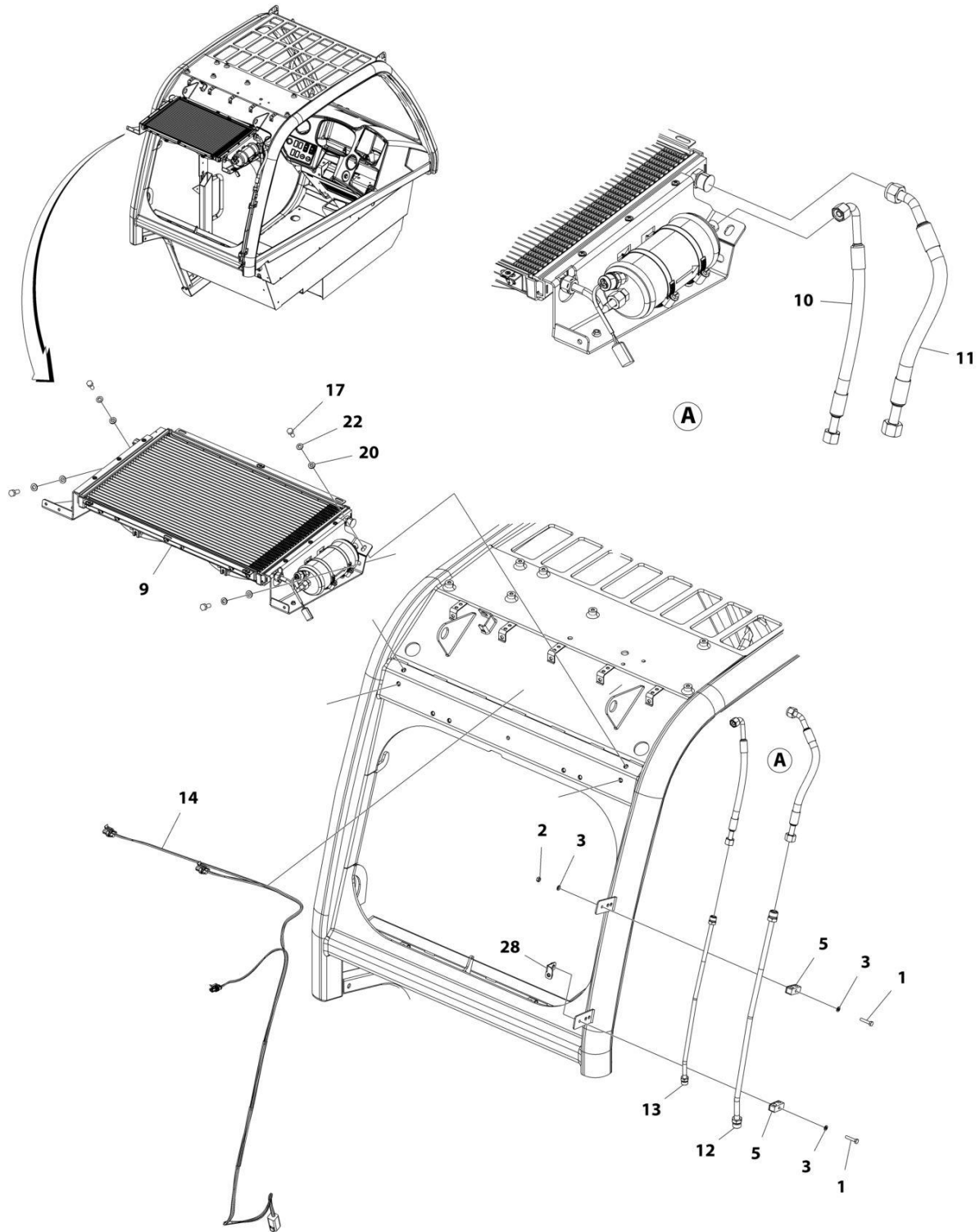
ART\_1001160043-L

FIGURE 6-42. HEATER INSTALLATION

ITEM	PART NUMBER	QTY	DESCRIPTION	REV
	1001160043	Ref	HEATER INSTALLATION	L
1	0760810	2	Bolt M8 x 20	
2	3290401	4	Nut M4	
3	4811400	4	Washer M4	
4	4811902	2	Washer M8	
5	4831400	4	Washer M4	
6	4831900	2	Washer M8	
9	1001268827	1	Assembly, Heater (See Separate Breakdown in this Section)	
10	1001159925	1	Switch, HVAC Recycle	
14	1001218996	1	Filter, HVAC Air	
15	1001172553	1	Filter, HVAC Recirculation Air	
16	1001172547	1	Switch, HVAC Rotary 3 Speed	
17	1001172550	2	Knob, HVAC Control	
18	1001270976	1	Cable, HVAC	
19	1001188590	2	Grommet	
20	1001218542	2	Shim	
21	1001221059	1	Valve, Water	
22	1001221295	1	House	
23	8410009	2	Clamp	

# SECTION 6 - CAB

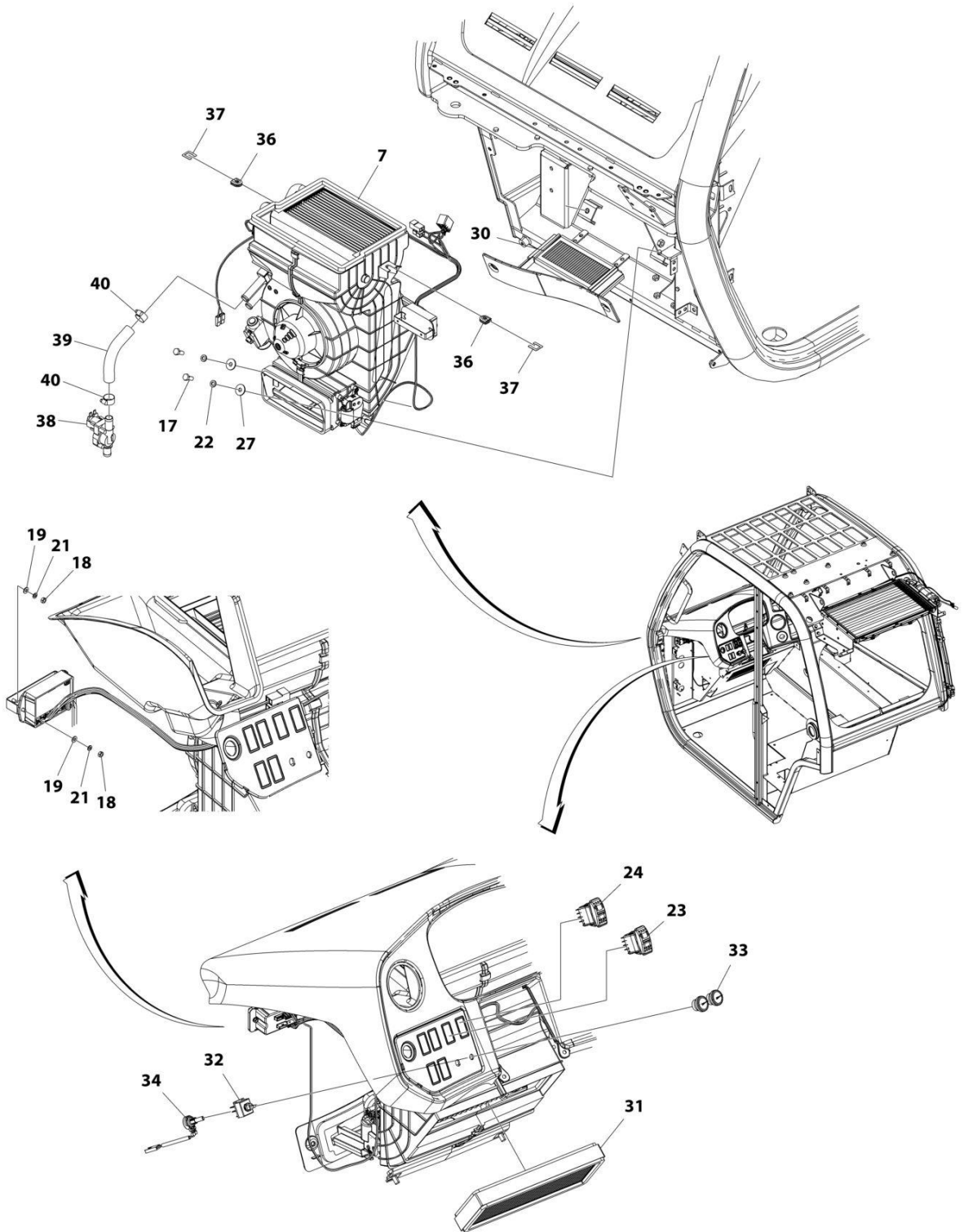
## FIGURE 6-43. HEATER AND A/C INSTALLATION (CAB PARTS)



ART\_1001160042\_O\_10F2



# SECTION 6 - CAB



ART\_1001160042\_O\_20F2

## SECTION 6 - CAB

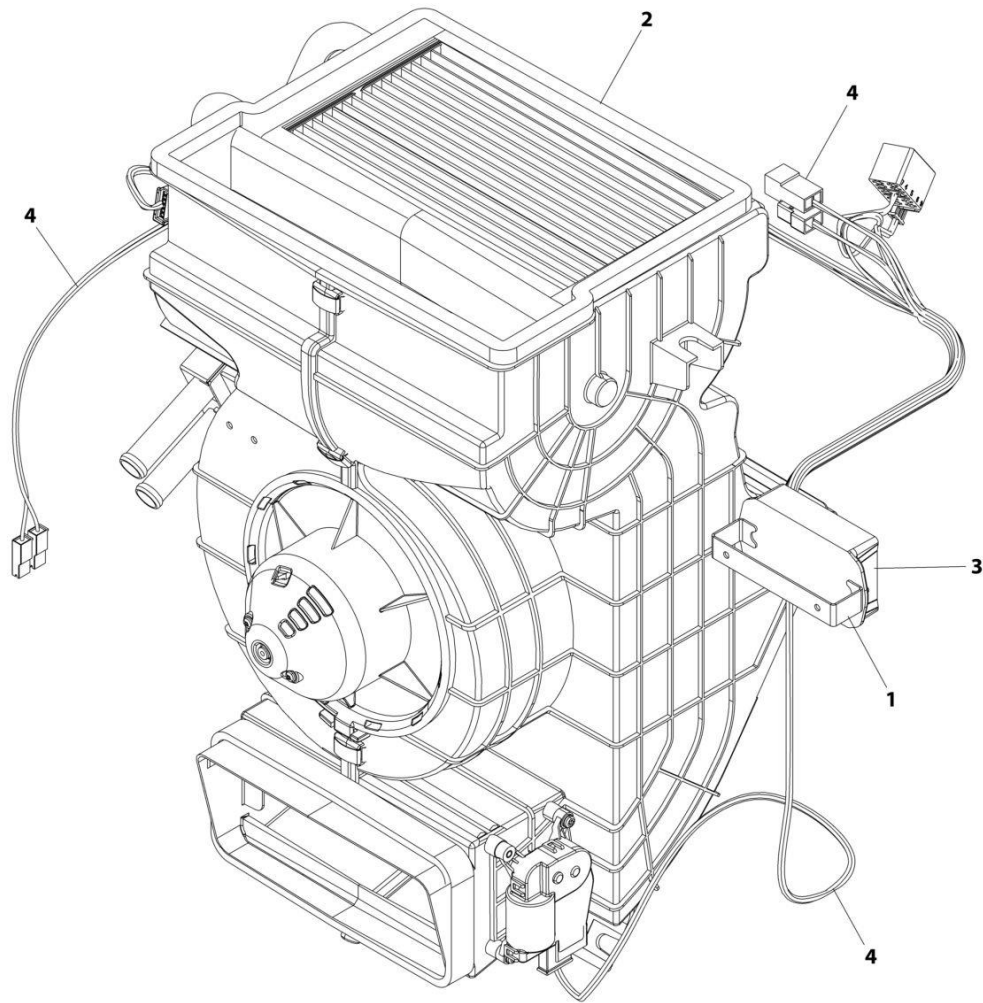
**FIGURE 6-43. HEATER AND A/C INSTALLATION (CAB PARTS)**

ITEM	PART NUMBER	QTY	DESCRIPTION	REV
	1001160042	Ref	HEATER AND A/C INSTALLATION (CAB PARTS)	O
1	0700614	2	Bolt M6 x 30	
2	3290601	1	Nut M6	
3	4811700	3	Washer M6	
5	1001145539	2	Support, Pipe	
7	1001268831	1	Assembly, Heater and A/C (See Separate Breakdown in this Section)	
9	1001162953	1	Assembly, Cab Condenser (See Separate Breakdown in this Section)	
10	1001168327	1	Hose	
11	1001168330	1	Hose	
12	1001168331	1	Tube	
13	1001168456	1	Tube	
14	1001169151	1	Harness, A/C Option (See Separate Breakdown in ELECTRICAL Section)	
17	0760810	6	Bolt M8 x 20 GR8.8	
18	3290401	4	Nut M4	
19	4811400	4	Washer M4	
20	4811900	4	Washer M8	
21	4831400	4	Washer M4	
22	4831900	6	Washer M8	
23	1001159925	1	Switch, HVAC Recycle	
24	1001160326	1	Switch, HVAC On/Off	
27	4811902	2	Washer M8	
28	1001178170	1	Bracket	
30	1001218996	1	Filter, HVAC Fresh Air	
31	1001172553	1	Filter, HVAC Air Recirculation	
32	1001172547	1	Switch, HVAC Rotary 3 Speed	
33	1001172550	2	Knob, HVAC Control	
34	1001270976	1	Cable, HVAC	
35	1320022	1	Clamp	
36	1001188590	2	Grommet	
37	1001218542	2	Shim	
38	1001221059	1	Valve, Water	
39	1001221295	1	Hose	
40	8410009	2	Clamp	



# SECTION 6 - CAB

## FIGURE 6-44. HEATER ASSEMBLY



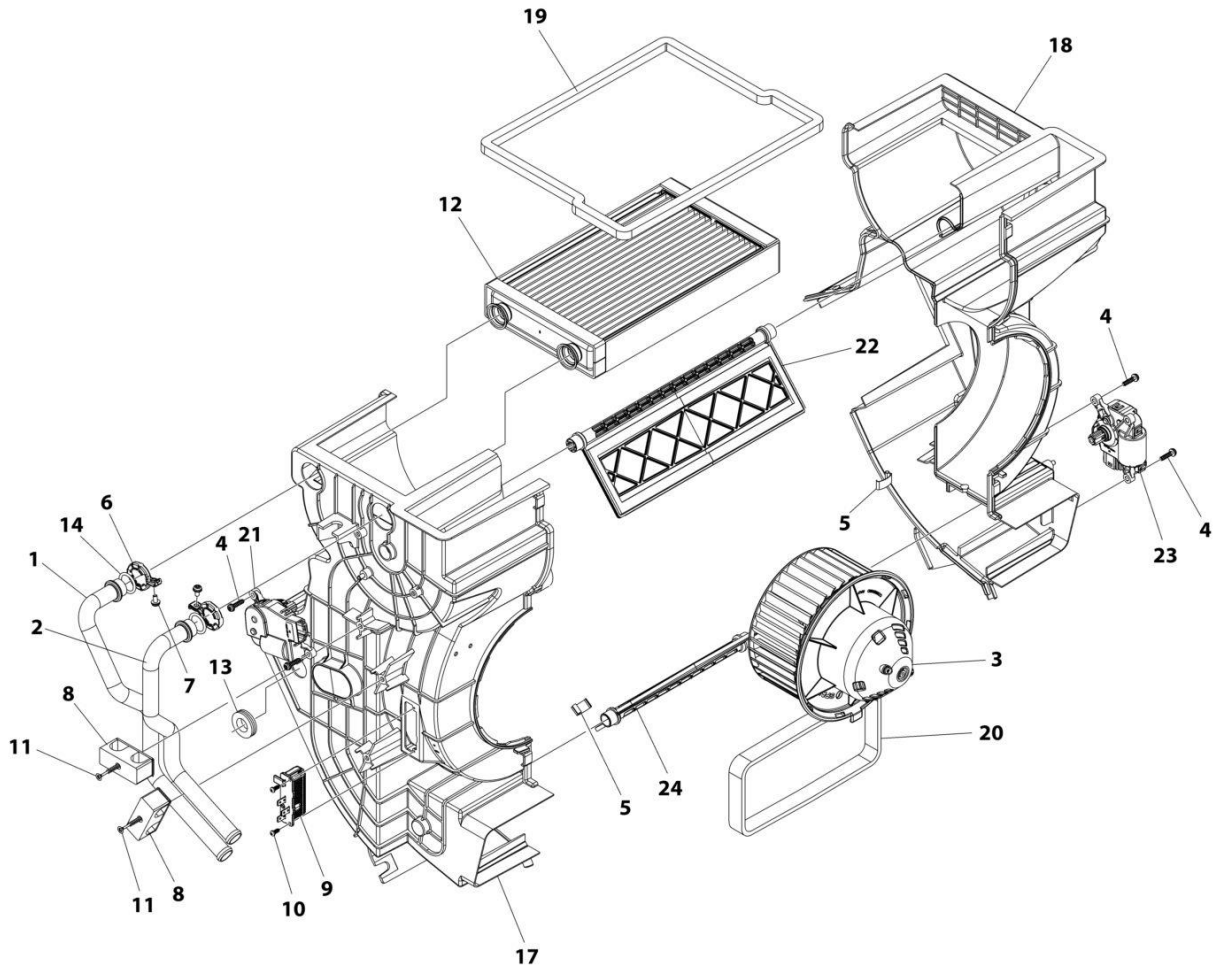
ART\_1001268827

FIGURE 6-44. HEATER ASSEMBLY

ITEM	PART NUMBER	QTY	DESCRIPTION	REV
	1001268827	Ref	HEATER ASSEMBLY	B
1	1001264976	1	Bracket	
2	1001268828	1	Heater, Cab (See Separate Breakdown in this Section)	
3	1001268829	1	Actuator, HVAC Cab	
4	1001268830	1	Harness, HVAC Actuator (See Separate Breakdown in ELECTRICAL Section)	

# SECTION 6 - CAB

## FIGURE 6-45. HEATER ASSEMBLY



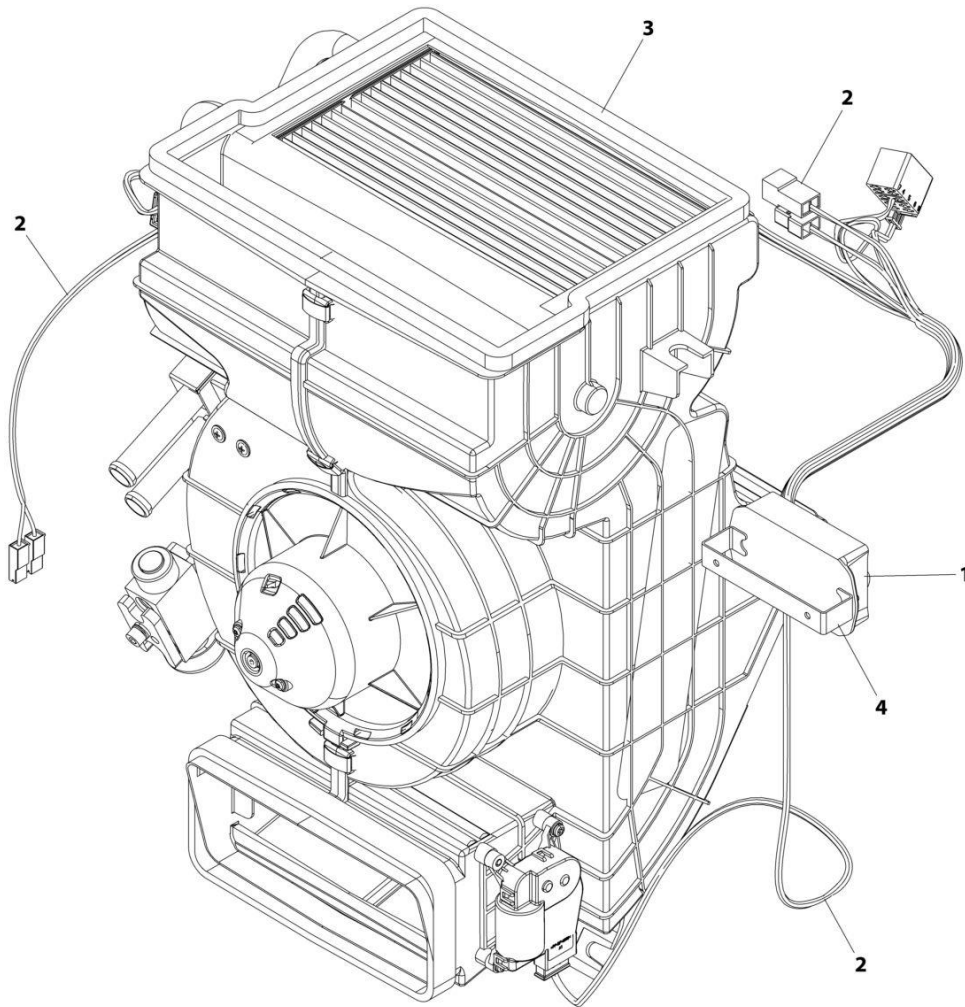
ART\_1001268828

FIGURE 6-45. HEATER ASSEMBLY

ITEM	PART NUMBER	QTY	DESCRIPTION	REV
	1001268828	Ref	HEATER	B
1	1001184296	1	Pipe, Water	
2	1001184297	1	Pipe, Water	
3	1001188594	1	Fan, 12V	
4	1001188602	4	Screw	
5	1001188603	9	Clamp	
6	1001188604	2	Clamp	
7	1001188610	2	Screw	
8	1001188612	2	Clamp	
9	1001188614	1	Resistor	
10	1001188720	2	Screw	
11	1001188725	2	Screw	
12	1001188729	1	Radiator, Heater Core	
13	1001188733	1	Grommet	
14	1001189025	2	O-Ring	
17	1001269555	1	Housing, RH	
18	1001269556	1	Housing, LH	
19	1001269558	1	Foam, Air Outlet	
20	1001269559	1	Foam, Air Inlet	
21	1001269560	1	Actuator, Fresh/Recirculation Air	
22	1001269561	1	Flap, Mixing	
23	1001269563	1	Actuator, Fresh/Recirculation Air	
24	1001269564	1	Flap, HVAC Fresh	

# SECTION 6 - CAB

## FIGURE 6-46. HEATER AND A/C ASSEMBLY



ART\_1001268831

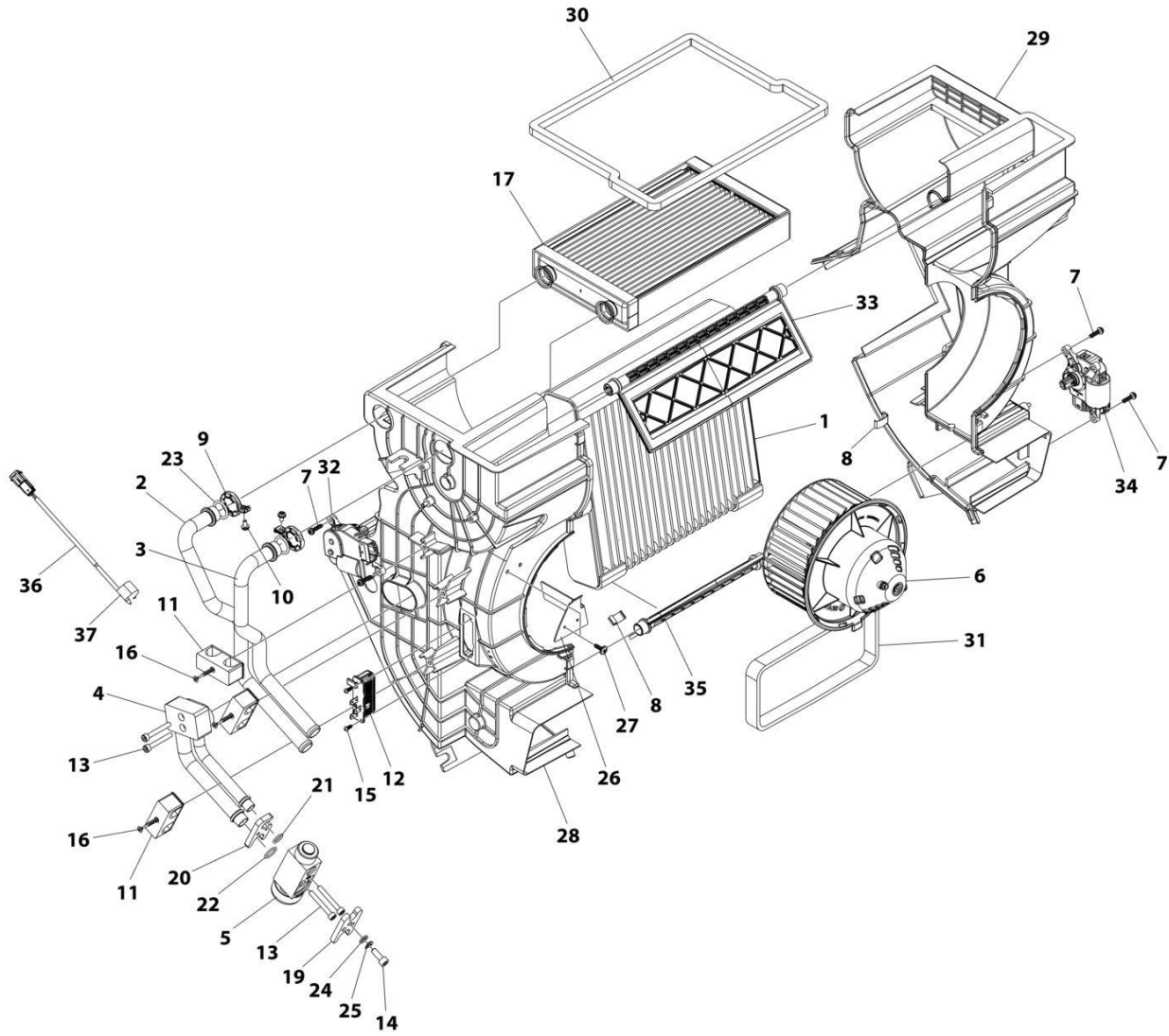


FIGURE 6-46. HEATER AND A/C ASSEMBLY

ITEM	PART NUMBER	QTY	DESCRIPTION	REV
	1001268831	Ref	HEATER AND A/C ASSEMBLY	B
1	1001268829	1	Actuator, HVAC Cab	
2	1001268830	1	Harness, HVAC Actuator (See Separate Breakdown in this Section)	
3	1001268832	1	Heater and A/C (See Separate Breakdown in this Section)	
4	1001264976	1	Bracket	

# SECTION 6 - CAB

## FIGURE 6-47. HEATER AND A/C ASSEMBLY



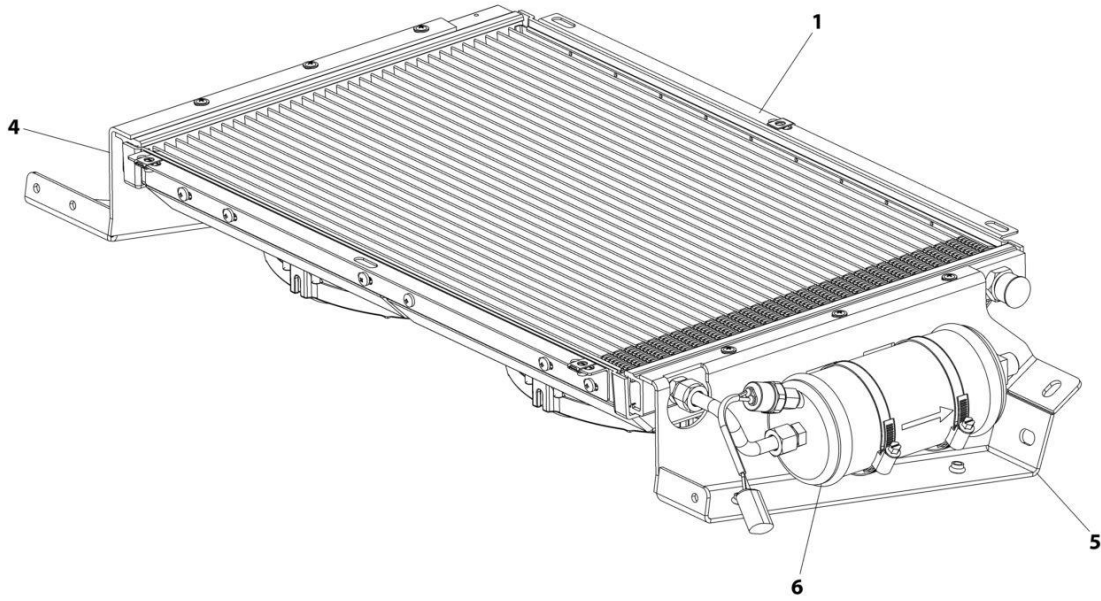
ART\_1001268832

FIGURE 6-47. HEATER AND A/C ASSEMBLY

ITEM	PART NUMBER	QTY	DESCRIPTION	REV
	1001268832	Ref	HEATER AND A/C	B
1	1001184280	1	Evaporator, Heater	
2	1001184296	1	Pipe, Heater Water	
3	1001184297	1	Pipe, Heater Water	
4	1001184427	1	Pipe, Heater	
5	1001188592	1	Valve, HVAC Expansion	
6	1001188594	1	Fan, HVAC Centrifugal 12V	
7	1001188602	4	Screw M4	
8	1001188603	9	Clamp, HVAC Case	
9	1001188604	2	Clamp, HVAC Pipe	
10	1001188610	2	Screw M4	
11	1001188612	3	Clamp, Pipe	
12	1001188614	1	Resistor	
13	1001188618	4	Screw M5	
14	1001188619	1	Screw M6	
15	1001188720	2	Screw M2.9 x 9.5	
16	1001188725	3	Screw M4 x 35	
17	1001188729	1	Radiator, Heater Core	
19	1001188817	1	Clamp, Hose	
20	1001188818	1	Clamp, HVAC EVAP/Valve	
21	1001189023	1	O-Ring	
22	1001189024	1	O-Ring	
23	1001189025	2	O-Ring	
24	1001189048	1	Washer	
25	1001189054	1	Washer, Spring	
26	1001221057	1	Plate	
27	1001221058	2	Screw	
28	1001269555	1	Housing, HVAC RH	
29	1001269556	1	Housing, HVAC LH	
30	1001269558	1	Seal, Heater Outlet Foam	
31	1001269559	1	Seal, Air Inlet Foam	
32	1001269560	1	Actuator, Hot/Cold Mixing	
33	1001269561	1	Foam, Heater Mixing Flap	
34	1001269563	1	Actuator, Fresh/Recirculation Air	
35	1001269564	1	Foam, Heater Mixing Flap	
36	1001269578	1	Temperature Sensor	
37	1001269579	1	Clamp, Temperature Sensor	

# SECTION 6 - CAB

## FIGURE 6-48. CAB CONDENSER ASSEMBLY



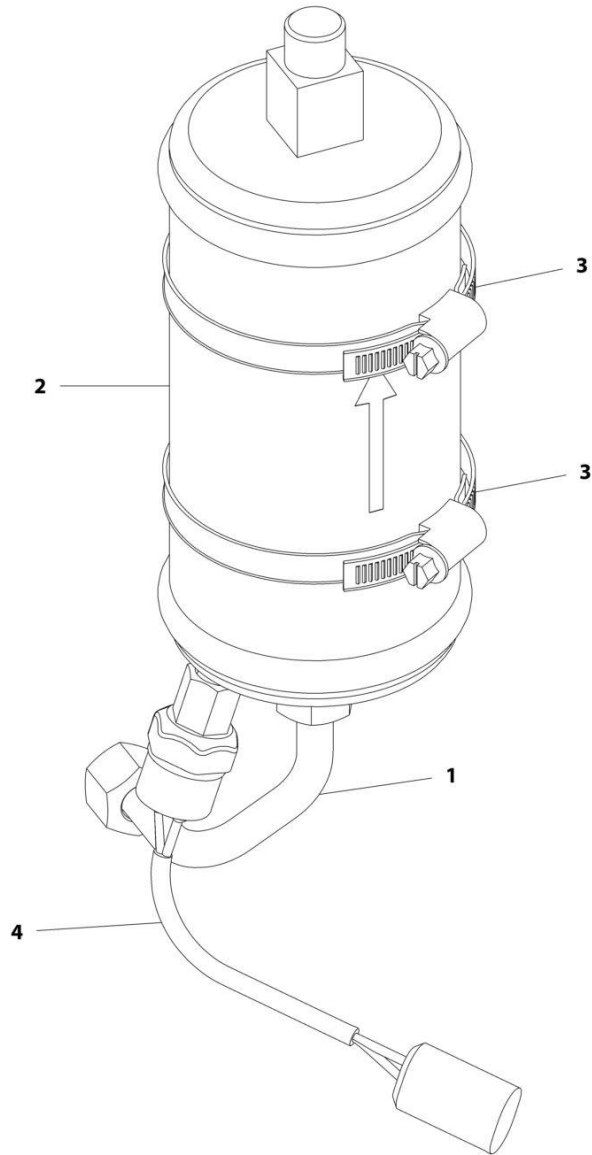
ART\_1001162953

FIGURE 6-48. CAB CONDENSER ASSEMBLY

ITEM	PART NUMBER	QTY	DESCRIPTION	REV
	1001162953	Ref	Cab Condenser Assembly	G
1	1001167266	1	Condenser (See Separate Breakdown in this Section)	
4	1001179080	1	Bracket	
5	1001179081	1	Bracket	
6	1001179130	1	Drier, A/C Receiver (See Separate Breakdown in this Section)	

# SECTION 6 - CAB

## FIGURE 6-49. A/C RECEIVER DRIER



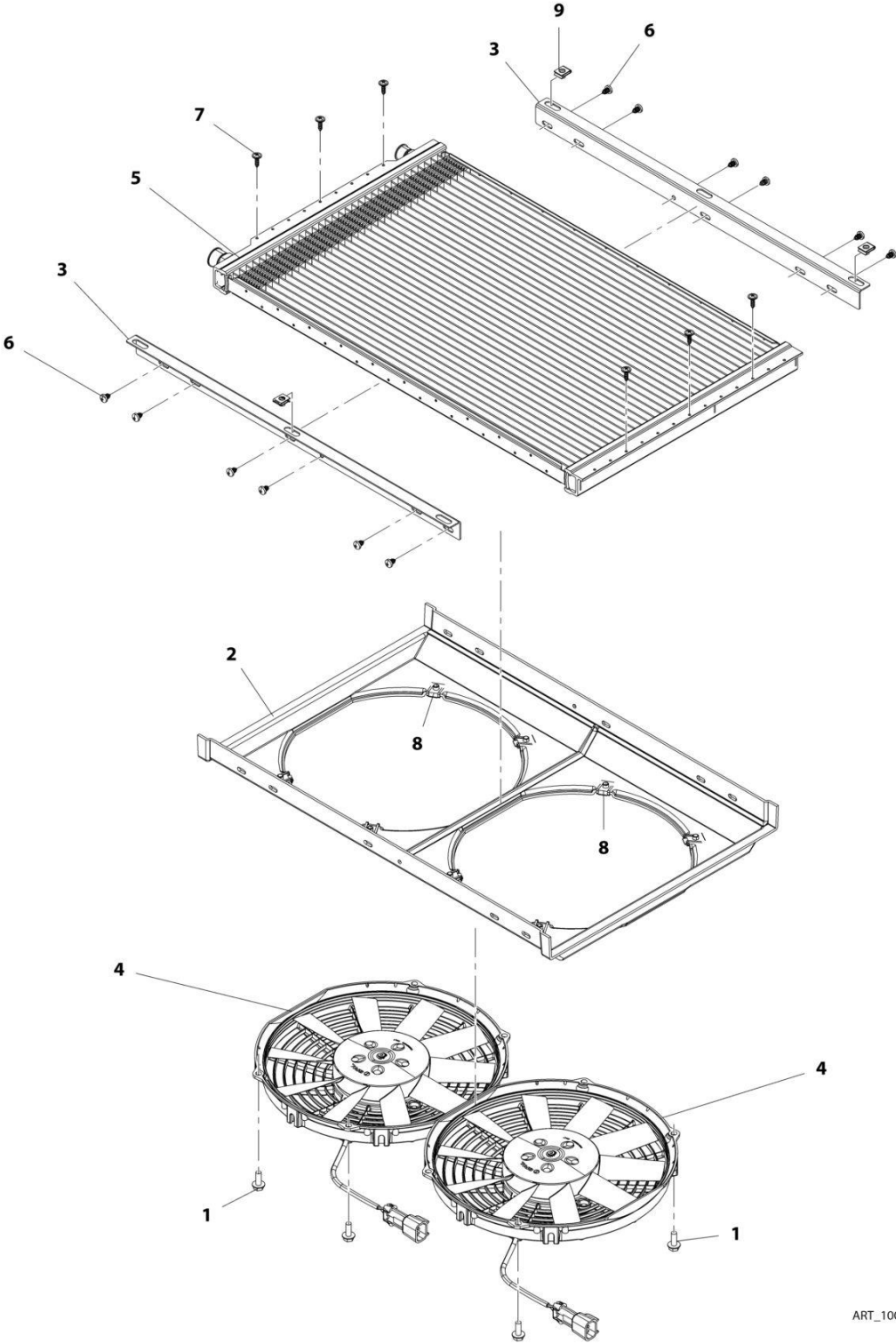
ART\_1001179130-B

FIGURE 6-49. A/C RECEIVER DRIER

ITEM	PART NUMBER	QTY	DESCRIPTION	REV
	1001179130	Ref	A/C Receiver Drier	B
1	1001184403	1	Tube, Heater	
2	1001184404	1	Receiver, Heater Drier	
3	1001184405	2	Clamp	
4	1001184406	1	Connector, Heater	

SECTION 6 - CAB

FIGURE 6-50. CONDENSER



ART\_1001167266-C

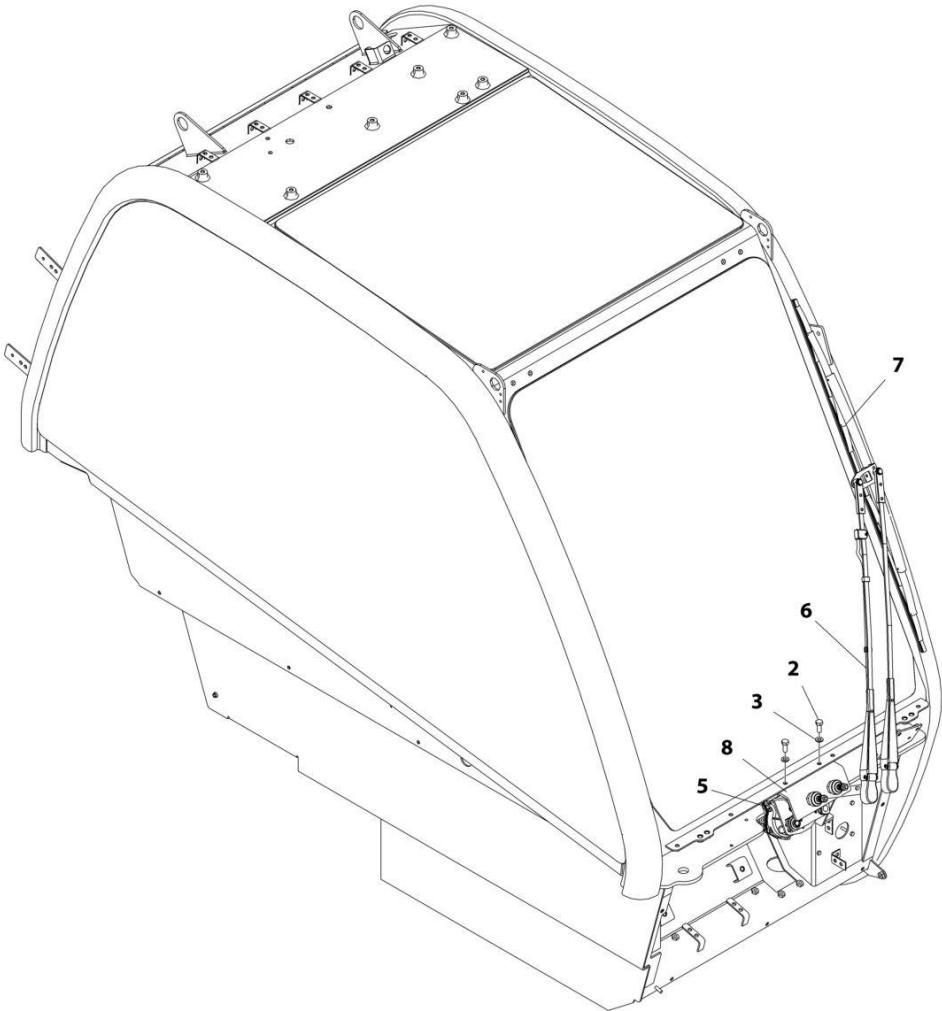


FIGURE 6-50. CONDENSER

ITEM	PART NUMBER	QTY	DESCRIPTION	REV
	1001167266	Ref	Condenser	C
1	5250608	8	Bolt, M6X16	
2	1001195342	1	Bracket, Condenser Fan Mount	
3	1001195343	2	Support, Condenser	
4	1001195345	2	Fan, Condenser	
5	1001195346	1	Condenser	
6	1001195385	12	Screw, M3.9X9.5	
7	1001195386	6	Screw, M4.2X16	
8	1001195437	8	Clip, M6X1	
9	1001195438	3	Clip, M6X1	

**SECTION 6 - CAB**

**FIGURE 6-51. FRONT WIPER INSTALLATION**



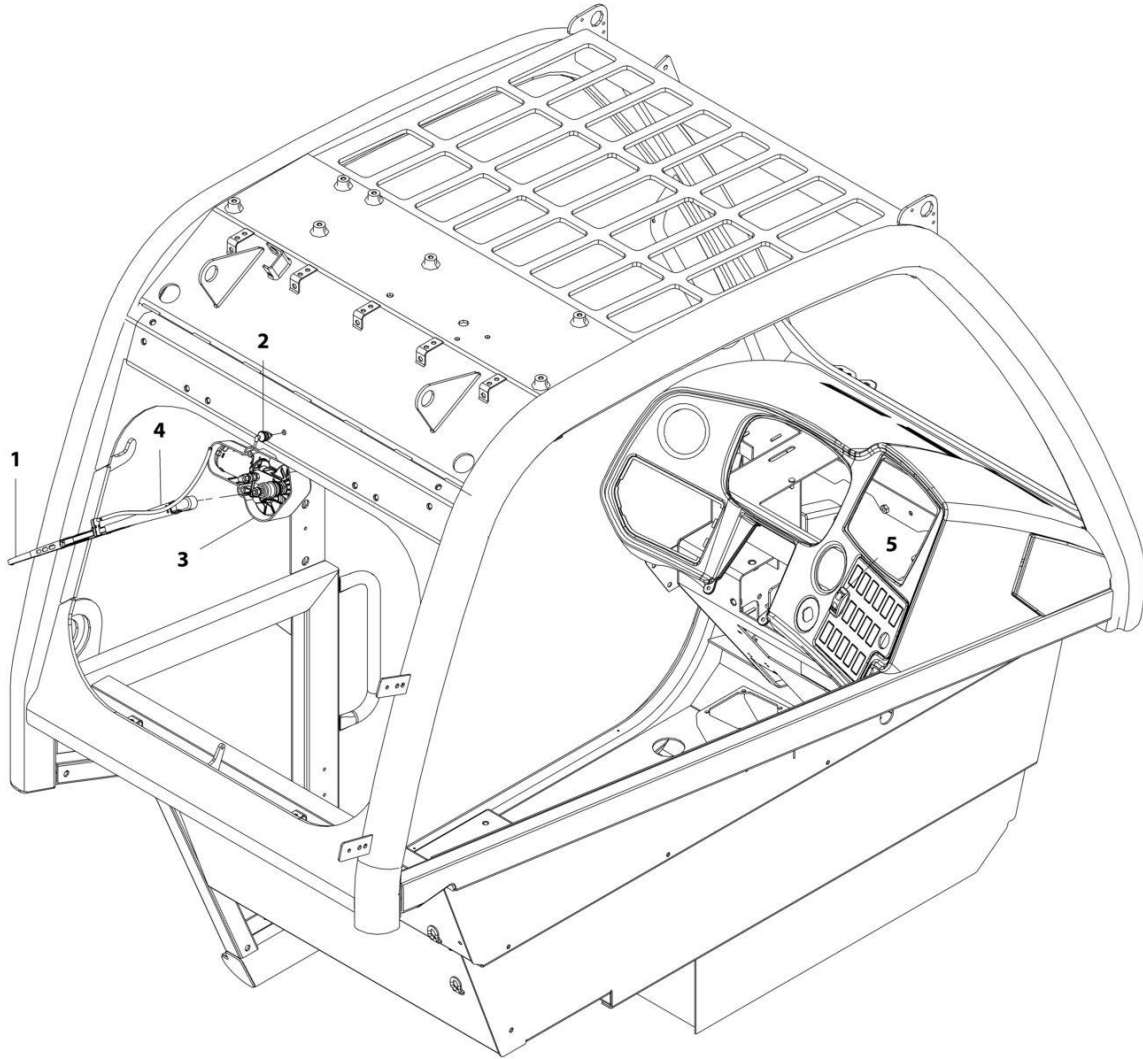
ART\_1001155447-G

FIGURE 6-51. FRONT WIPER INSTALLATION

ITEM	PART NUMBER	QTY	DESCRIPTION	REV
	1001155447	Ref	Front Wiper Installation	G
2	0760810	2	Bolt, M8X20	
3	4811900	2	Washer, M8	
5	1001214092	1	Motor, Front Wiper	
6	1001212369	1	Arm, Front Wiper	
7	1001141281	1	Blade, Wiper	
8	1001165637	1	Bracket	

# SECTION 6 - CAB

## FIGURE 6-52. REAR WIPER INSTALLATION



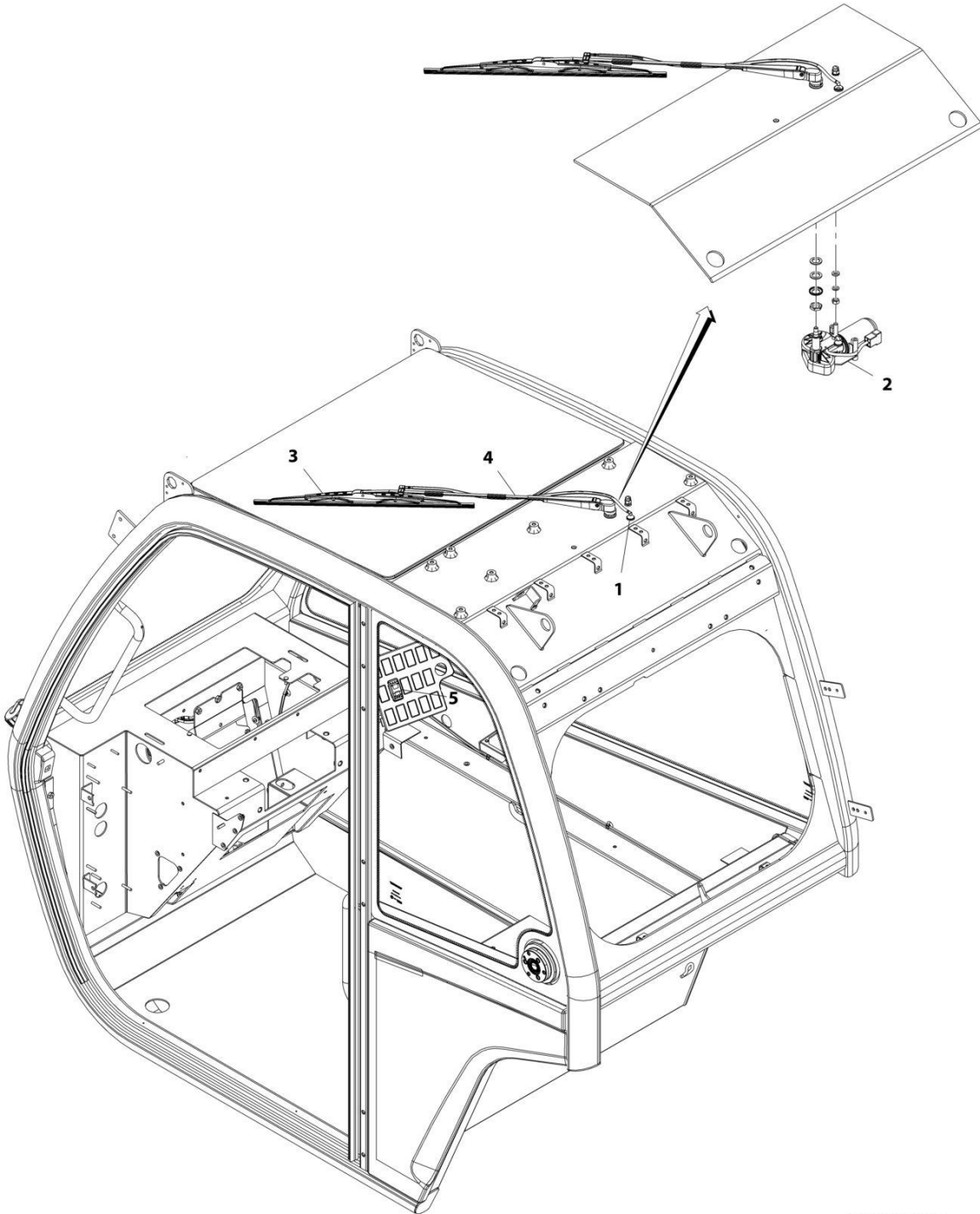
ART\_1001176164-B

FIGURE 6-52. REAR WIPER INSTALLATION

ITEM	PART NUMBER	QTY	DESCRIPTION	REV
	1001176164	Ref	Rear Wiper Installation	C
1	4807718	1	Blade, Wiper	
3	1001139552	1	Motor, Rear Wiper Window	
4	1001141312	1	Arm, Rear Window Wiper Blade	
5	1001159735	1	Switch, Rear Wiper	

# SECTION 6 - CAB

## FIGURE 6-53. ROOF WIPER INSTALLATION



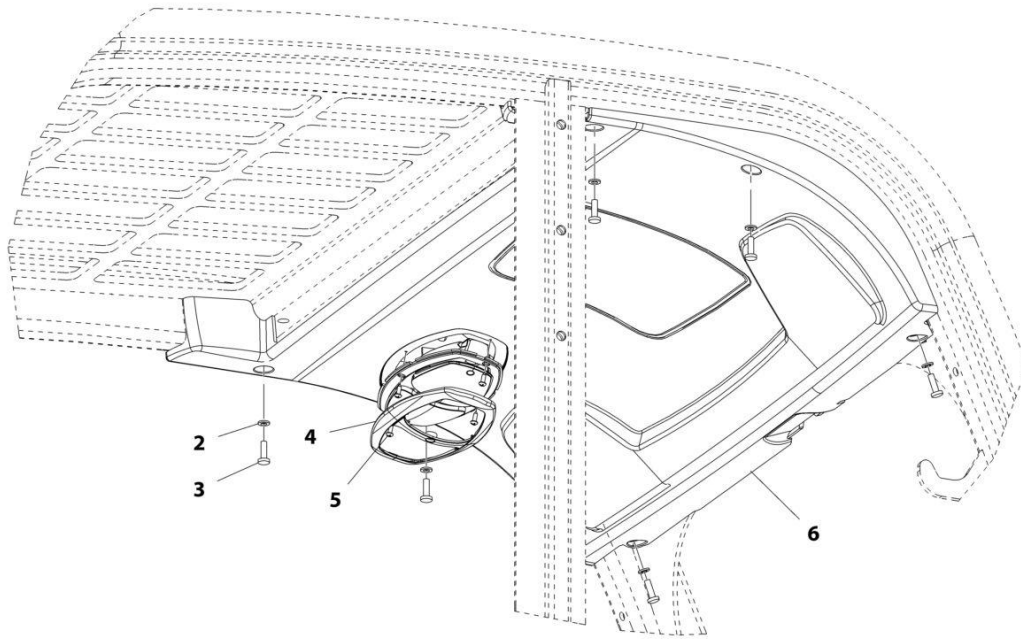
ART\_1001155486-B

FIGURE 6-53. ROOF WIPER INSTALLATION

ITEM	PART NUMBER	QTY	DESCRIPTION	REV
	1001155486	Ref	Roof Wiper Installation	B
1	1001090343	1	Connector	
2	1001139551	1	Motor, Roof Wiper	
3	1001141313	1	Blade, Roof Wiper	
4	1001141311	1	Arm, Roof Wiper Blade	
5	1001159736	1	Switch, Roof Wiper	

# SECTION 6 - CAB

## FIGURE 6-54. HEADLINER INSTALLATION



ART\_1001170717-D

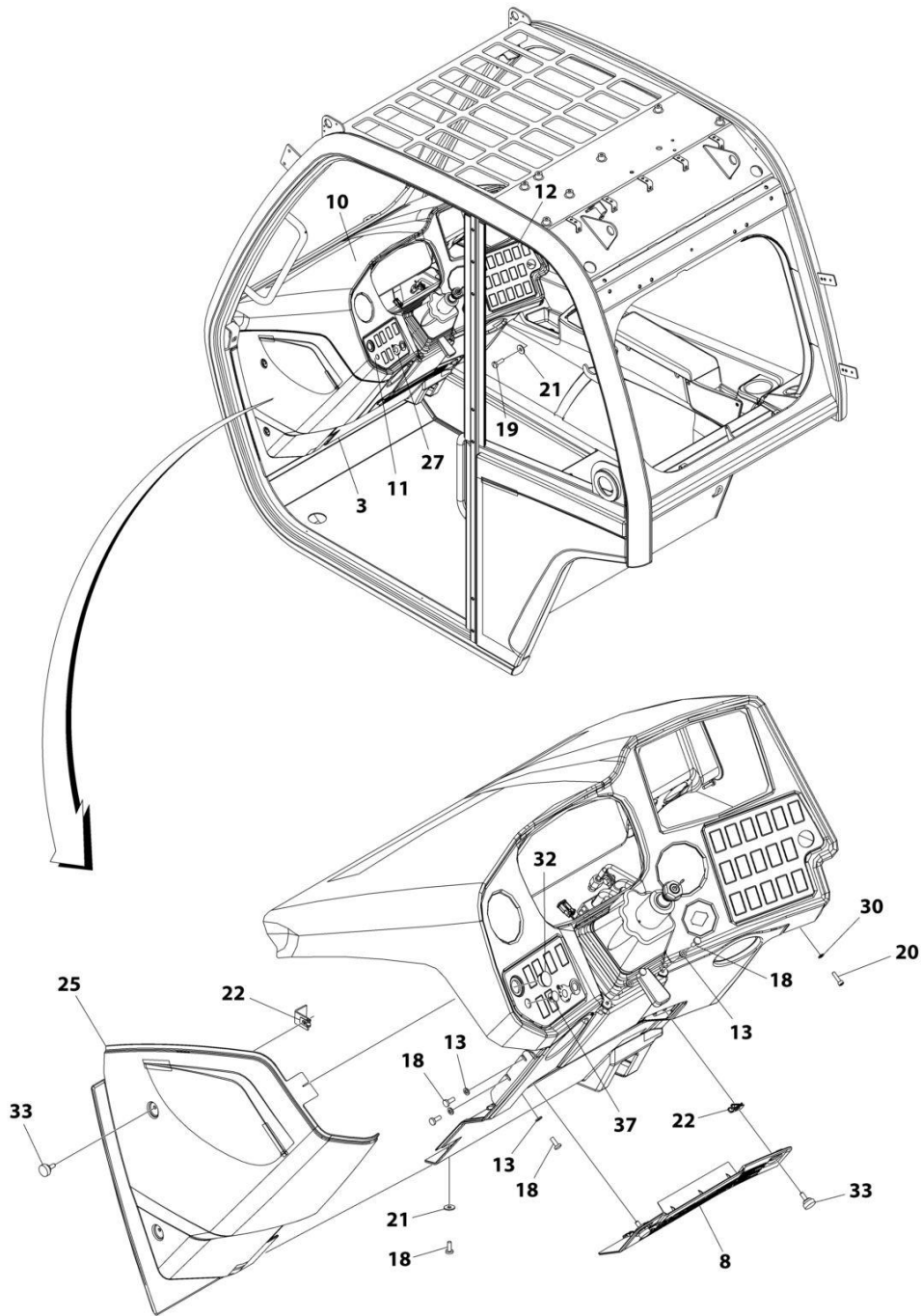


FIGURE 6-54. HEADLINER INSTALLATION

ITEM	PART NUMBER	QTY	DESCRIPTION	REV
	1001170717	Ref	Headliner Installation	E
2	4811700	6	Washer, M6	
3	4031708001	6	Screw, M6X20	
4	1001167015	1	Lamp	
5	7029486	4	Screw	
6	1001161069	1	Panel, Headliner	

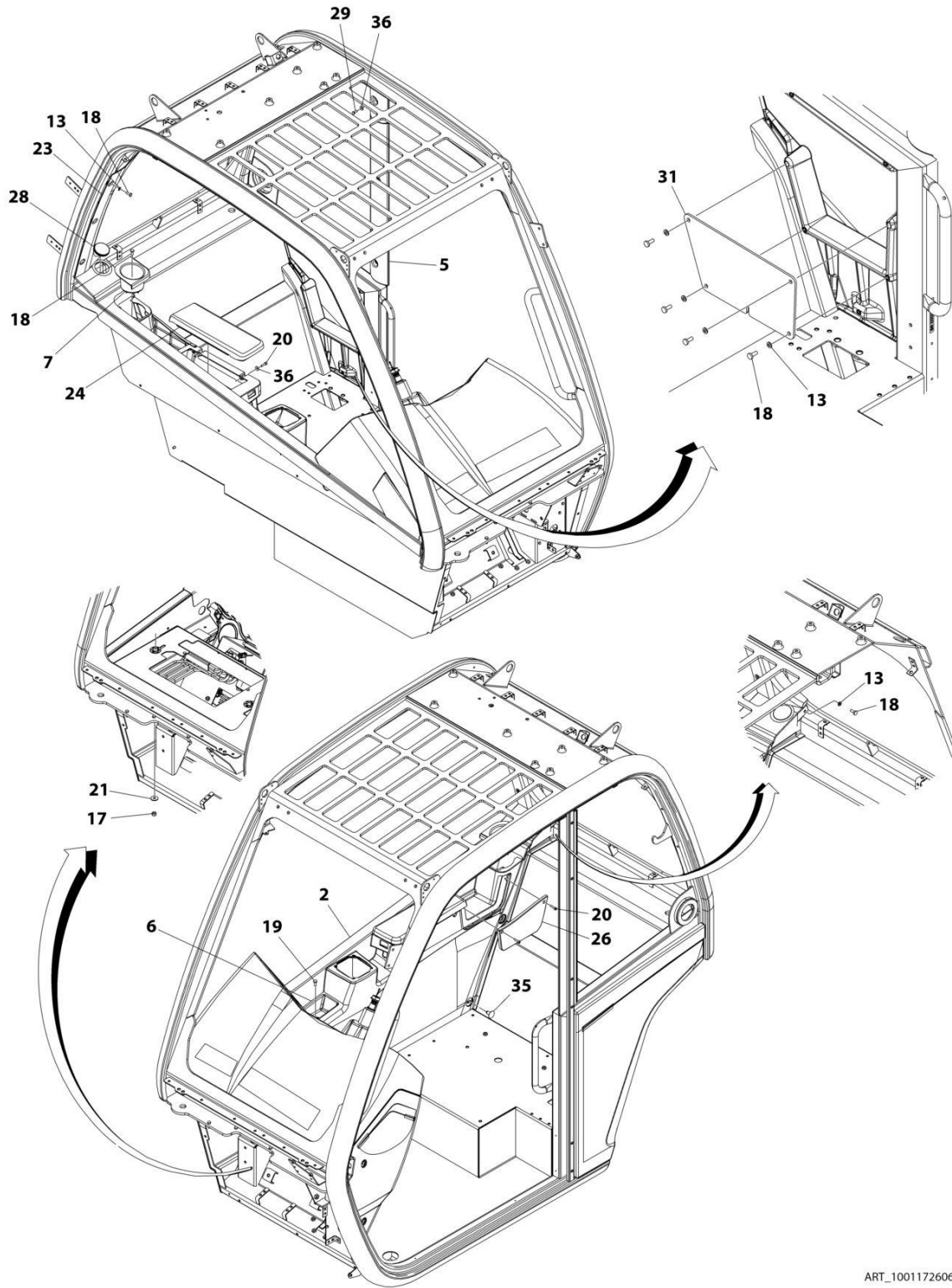
# SECTION 6 - CAB

## FIGURE 6-55. TRIM INSTALLATION - OPEN CAB



ART\_1001172606\_10F2

# SECTION 6 - CAB



ART\_1001172606\_20F2

## SECTION 6 - CAB

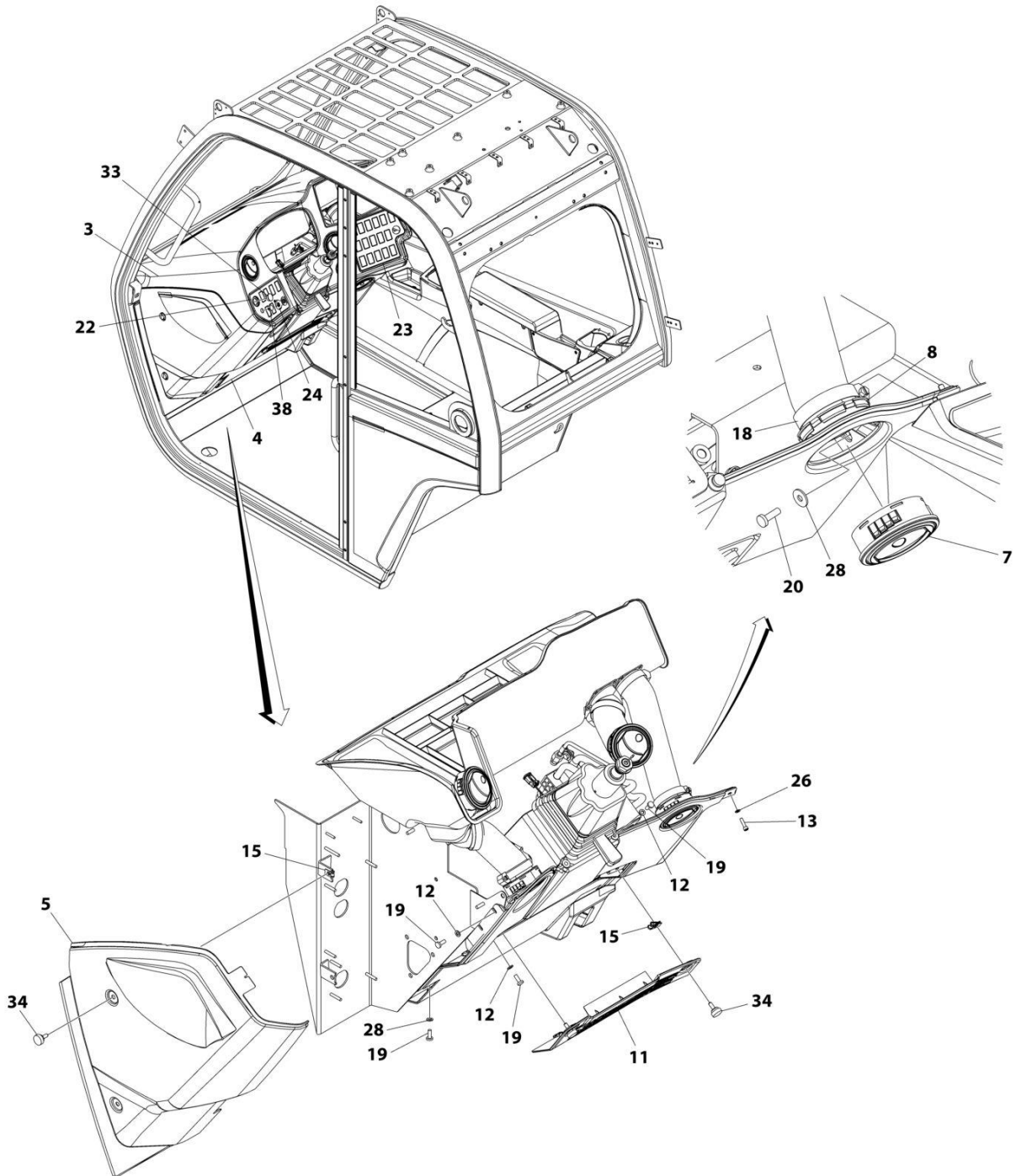
**FIGURE 6-55. TRIM INSTALLATION - OPEN CAB**

ITEM	PART NUMBER	QTY	DESCRIPTION	REV
	1001172606	Ref	Open Cab Trim Installation	K
2	1001169605	1	Cover, Side	
3	1001175904	1	Panel, Lower Dash	
5	1001219076	1	Panel, Cover	
6	1001169603	1	Panel, Trinket Tray	
7	1001170518	1	Holder, Cup	
8	1001170504	1	Panel, Recirculation Grille Cover	
10	1001172608	1	Panel, Dash	
11	1001268846	1	Plate, LH Switch	
12	1001219865	1	Plate, RH Switch	
13	4811700001	14	Washer, M6	
17	3290605	2	Nut, Lock M6X1 Grade 8	
18	4010608002	18	Screw, Posi-Drive M6X16 GR4.8	
19	4010610002	2	Screw, Posi-Drive M6X20 GR4.8	
20	4031608001	5	Screw, M5X20	
21	4811702001	6	Washer, M6	
22	8305919	4	Nut, M6	
23	1001191617	1	Panel, Cover	
24	1001161854	1	Armrest (See Separate Breakdown in this Section)	
25	1001161855	1	Panel, LH Dash	
26	1001173965	1	Bezel, RH	
27	1001190347	1	Decal, No HVAC	
28	1001223265	1	Plug	
29	4010508002	3	Screw, Posi-Drive M5X16	
30	4811600	1	Washer, M5	
31	1001185179	1	Cover, LH Rear Panel	
32	1001190589	1	Blanking Plug	
33	1001208308	4	Screw, M6X15	
35	1001211907	1	Screw	
36	4811602001	5	Washer, M5	
37	1001207963	1	PLUG,5/8 PUSH IN	



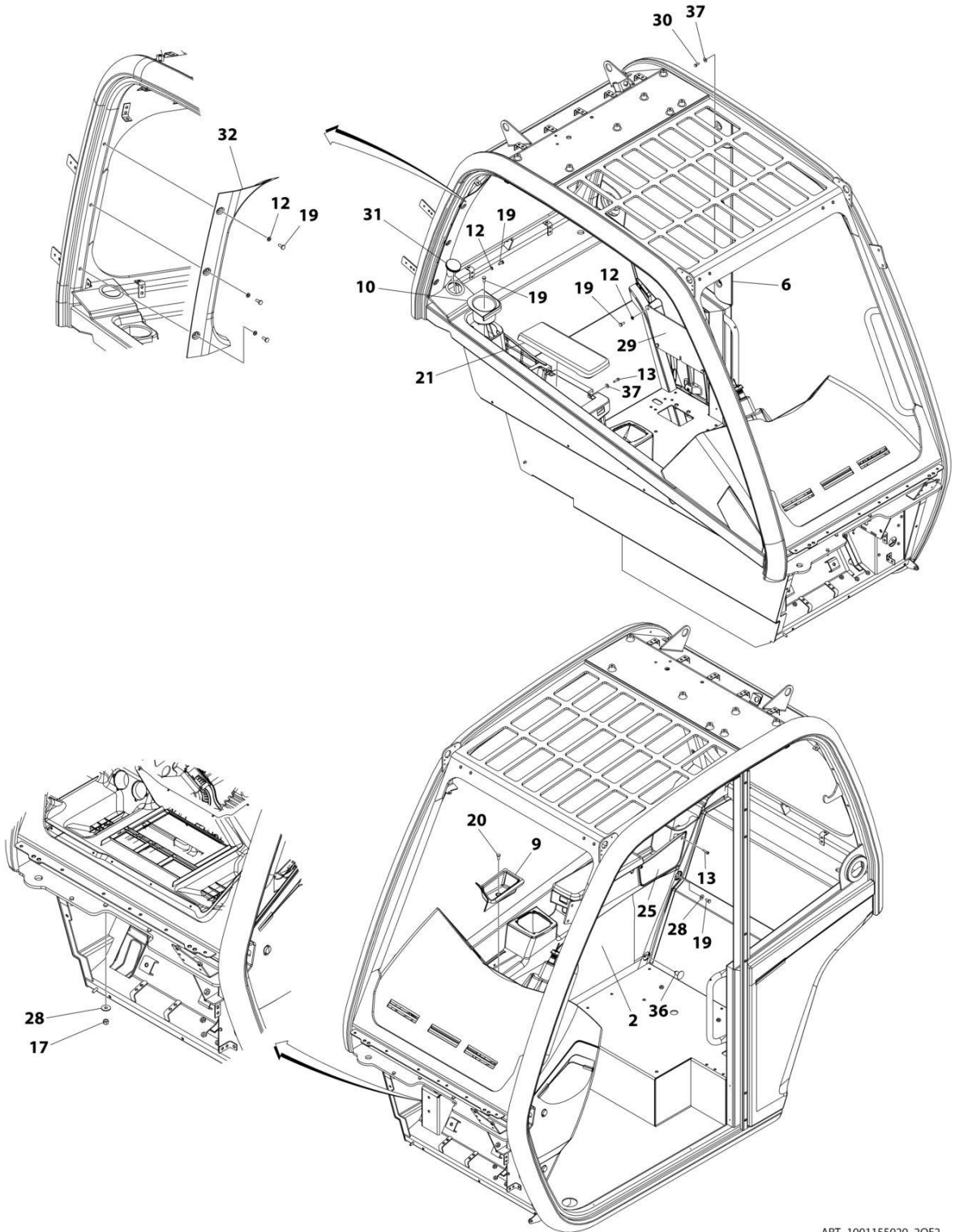
# SECTION 6 - CAB

## FIGURE 6-56. TRIM INSTALLATION - ENCLOSED CAB



ART\_1001155020\_10F2

# SECTION 6 - CAB



ART\_1001155020\_20F2

## SECTION 6 - CAB

**FIGURE 6-56. TRIM INSTALLATION - ENCLOSED CAB**

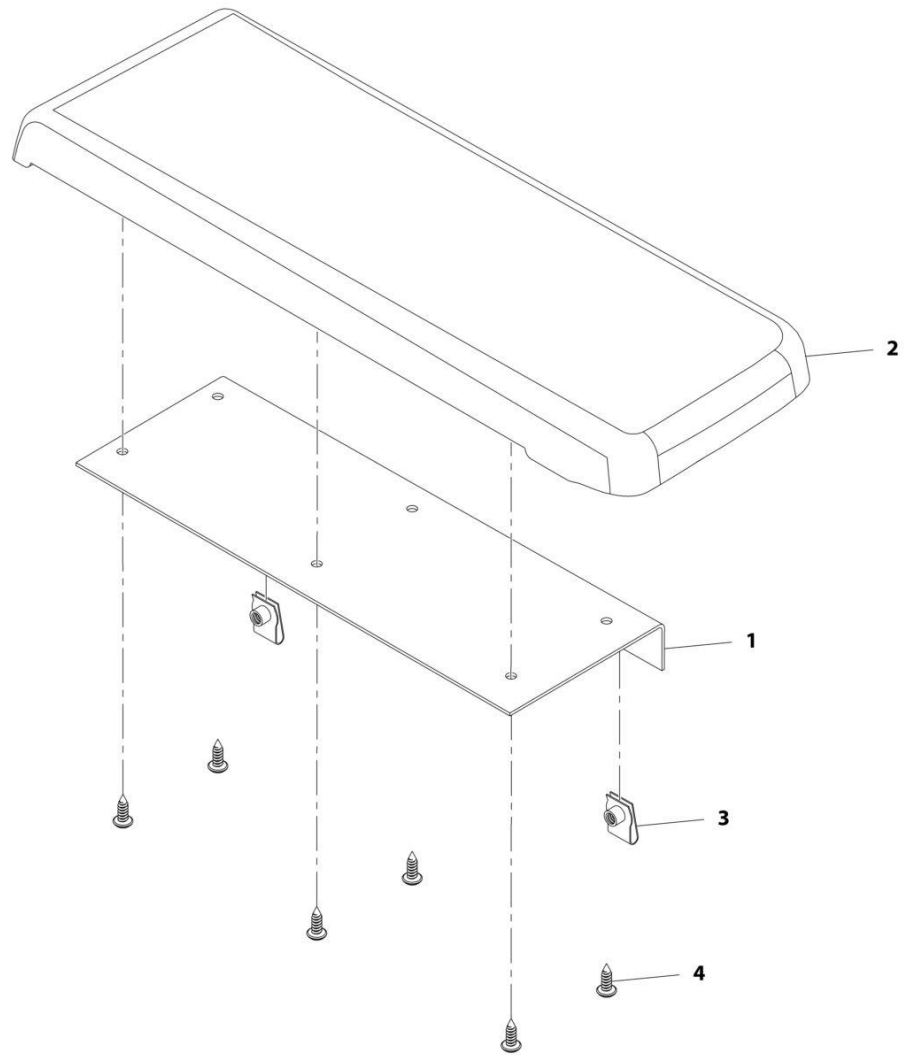
ITEM	PART NUMBER	QTY	DESCRIPTION	REV
	1001155020	Ref	Enclosed Cab Trim Installation	N
2	1001169605	1	Cover, Side	
3	1001169604	1	Cover, Dash	
4	1001175903	1	Panel, Lower Dash	
5	1001161855	1	Panel, Cover	
6	1001219076	1	Panel, Cover	
7	1001147449	2	Vent, Air	
8	1001149278	2	Vent, Connector	
9	1001169603	1	Panel, Trinket Tray	
10	1001170518	1	Holder, Cup	
11	1001170504	1	Panel, Recirculation Grille Cover	
12	4811700001	14	Washer, M6	
13	4031608001	5	Bolt, M5X20	
15	8305919	4	Nut, M6	
17	3290605	2	Nut, Lock M6X1 Grade 8	
18	8405201	2	Clamp, Gear	
19	4010608002	18	Screw, Posi-Drive, M6X16	
20	4010610002	1	Screw, M6X20	
21	1001161854	1	Armrest (See Separate Breakdown in this Section)	
22	1001268846	1	Plate, LH Switch	
23	1001219865	1	Plate, RH Switch	
24	1001184975	1	Decal, HVAC	
25	1001173965	1	Bezel, RH	
26	4811600	1	Washer, M5	
28	4811702001	6	Washer, M6	
29	1001185179	1	Panel, LH Rear Cover	
30	4010508002	3	Screw, Posi-Drive M5X16	
31	1001223265	1	Plug	
32	1001191617	1	Panel, RH C Post	
33	1001190589	1	Blanking Plug	
34	1001208308	4	Thumb Screw, M6X15	
36	1001211907	1	Screw	
37	4811602001	5	Washer, Flat	
38	1001207963	1	Plug	





SECTION 6 - CAB

FIGURE 6-57. ARMREST



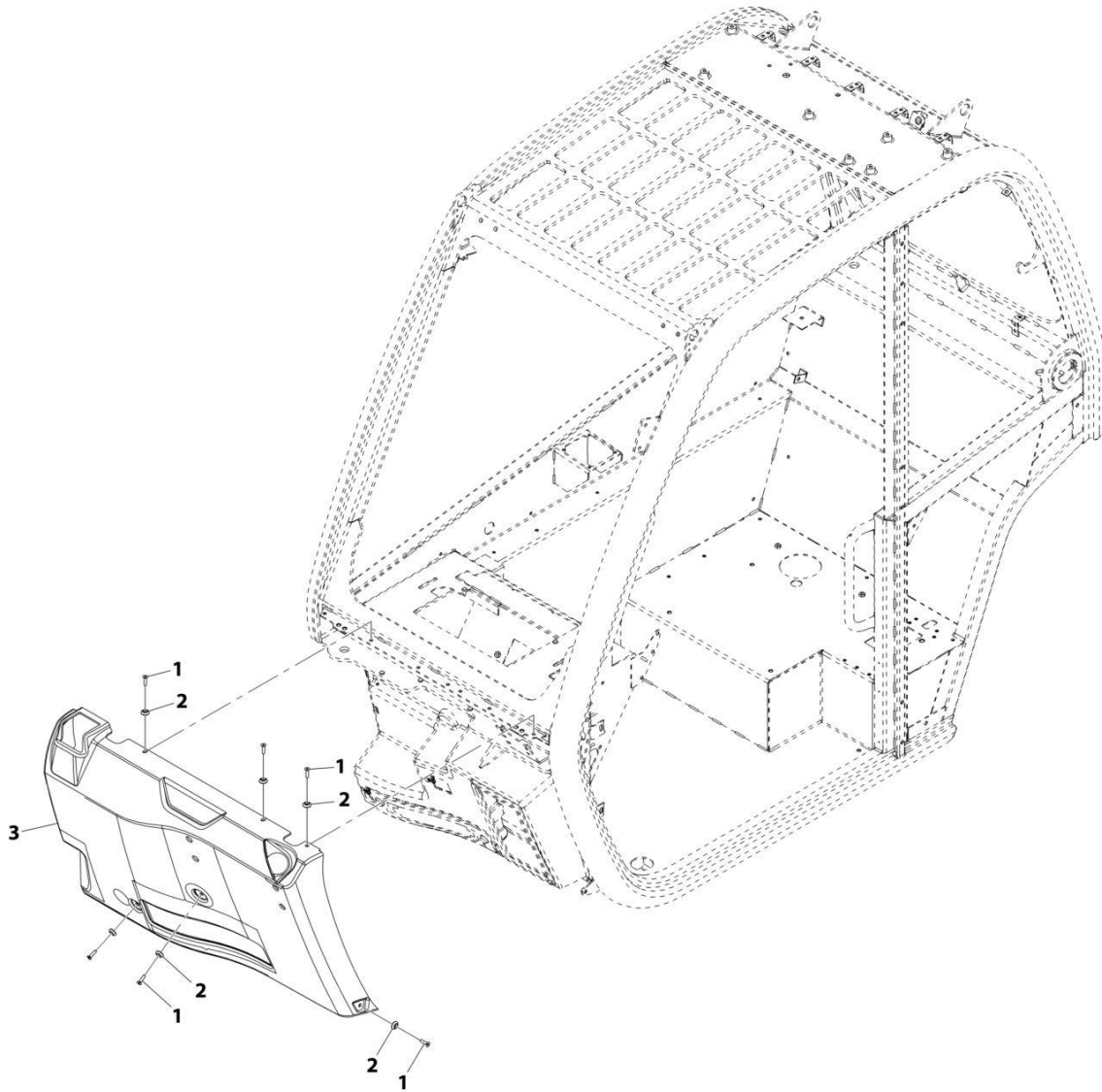
ART\_1001161854-E

FIGURE 6-57. ARMREST

ITEM	PART NUMBER	QTY	DESCRIPTION	REV
	1001161854	Ref	Armrest Assembly	E
1	1001174581	1	Bracket	
2	1001179484	1	Arm Rest	
3	1001183550	2	Nut, Cage M5	
4	1001192240	6	Screw	

# SECTION 6 - CAB

## FIGURE 6-58. OPEN CAB FRONT COVER INSTALLATION



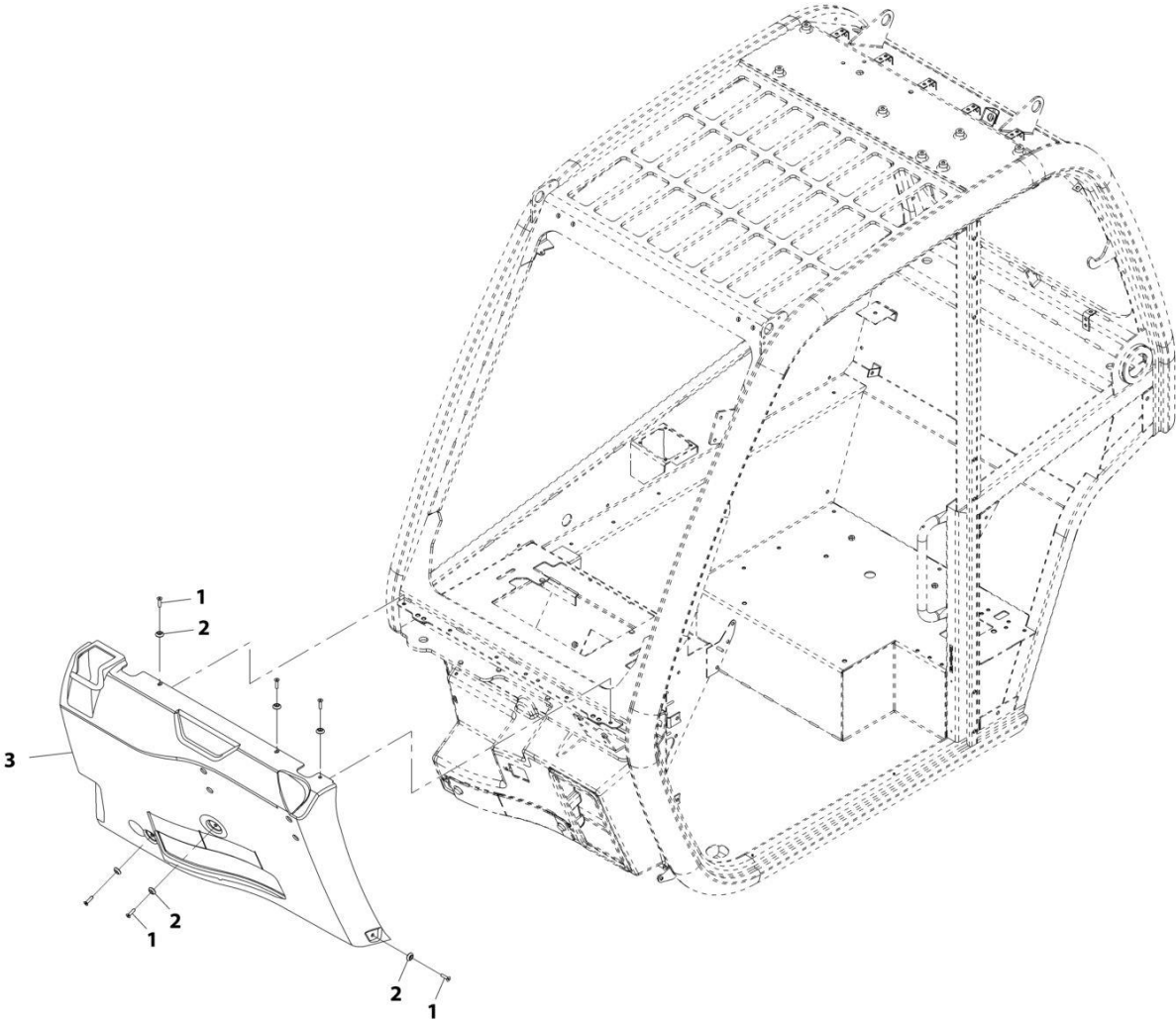
ART\_1001229550-A

**FIGURE 6-58. OPEN CAB FRONT COVER INSTALLATION**

<b>ITEM</b>	<b>PART NUMBER</b>	<b>QTY</b>	<b>DESCRIPTION</b>	<b>REV</b>
	1001229550	Ref	Open Cab Front Cover Installation	A
1	3900379	6	Screw, Socket HD M6-1X25	
2	1001097540	6	Washer, M6	
3	1001229540	1	Cover, Front	

**SECTION 6 - CAB**

**FIGURE 6-59. ENCLOSED CAB FRONT COVER INSTALLATION**



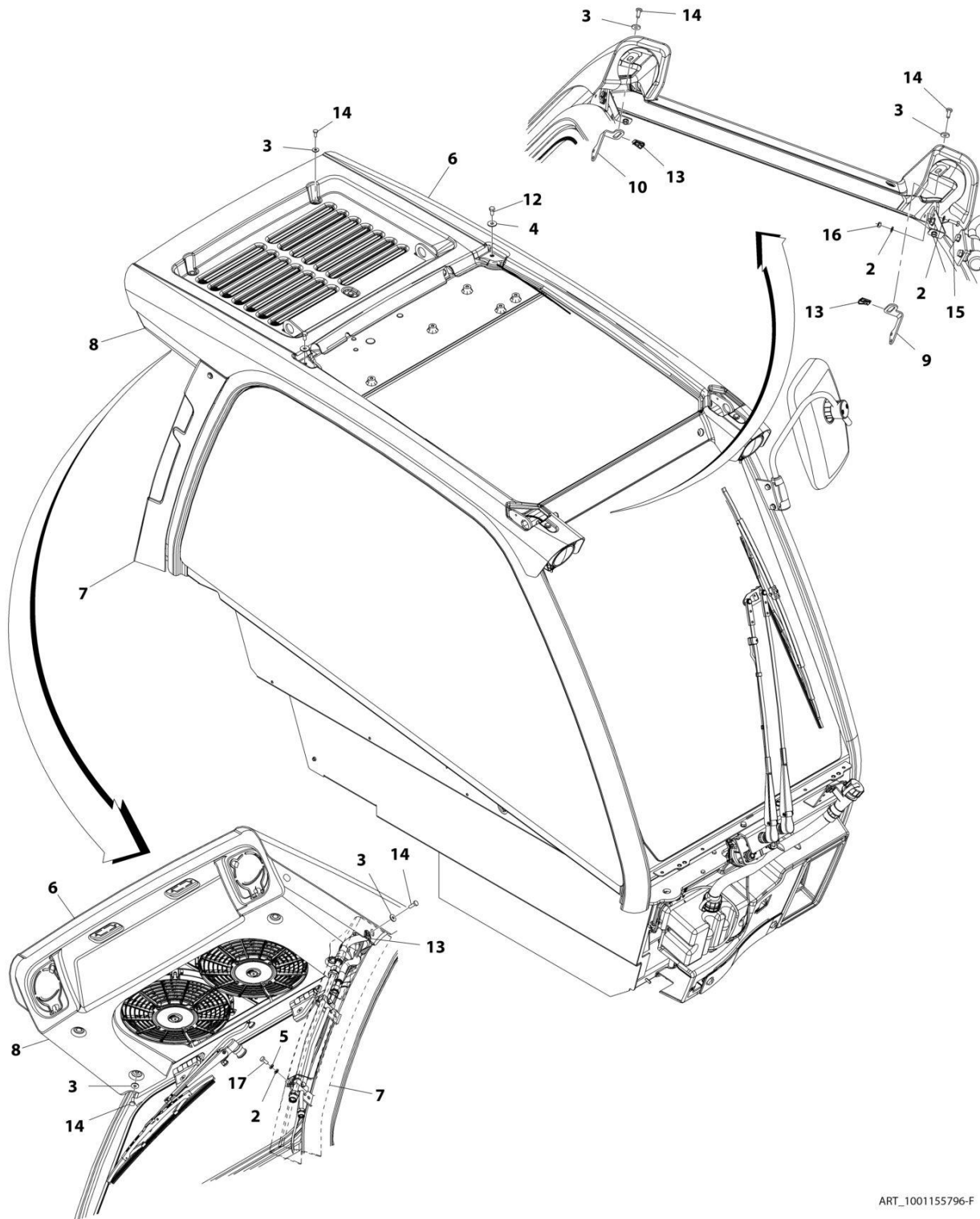
ART\_1001229551-A

FIGURE 6-59. ENCLOSED CAB FRONT COVER INSTALLATION

ITEM	PART NUMBER	QTY	DESCRIPTION	REV
	1001229551	Ref	Enclosed Cab Front Cover Installation	A
1	3900379	6	Screw, Socket Hd M6-1x100	
2	1001097540	6	Washer, M6	
3	1001229541	1	Cover, Front Cab	

# SECTION 6 - CAB

## FIGURE 6-60. ROOF CAP INSTALLATION (A/C)



ART\_1001155796-F

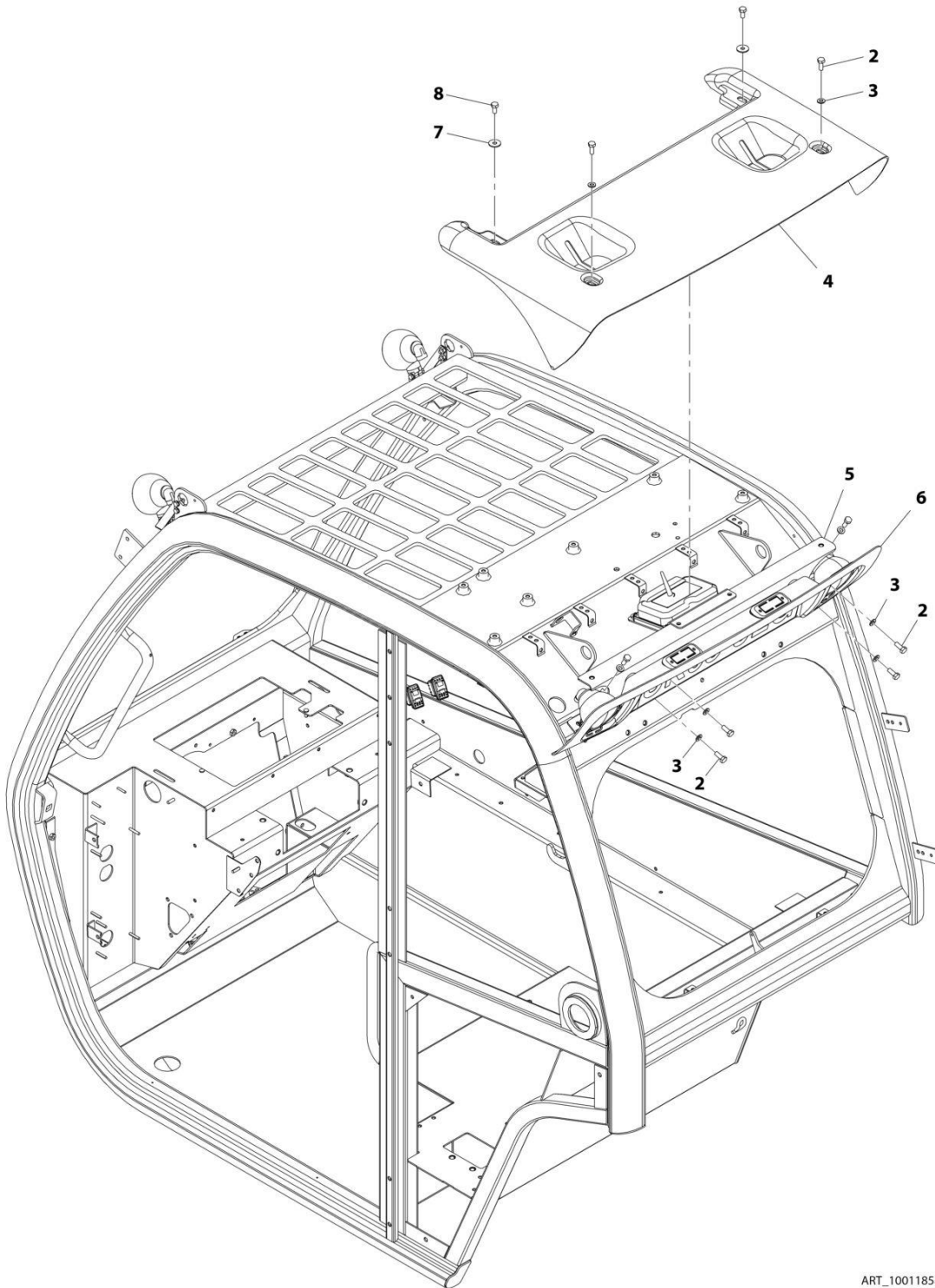


FIGURE 6-60. ROOF CAP INSTALLATION (A/C)

ITEM	PART NUMBER	QTY	DESCRIPTION	REV
	1001155796	Ref	Roof Cap Installation (A/C) (Construction)	F
2	4811700	9	Washer, M6	
3	4811702	10	Washer, M6	
4	4811902	2	Washer, M8	
5	4831700	1	Washer, Lock M6	
6	1001155800	1	Cover, Upper Roof Cap	
7	1001174741	1	Cover	
8	1001214156	1	Cover, Lower Roof Cap	
9	1001174800	1	Bracket, Roof Cap	
10	1001174801	1	Bracket, Roof Cap	
12	0760808	2	Bolt, M8X16	
13	8305919	3	Nut, M6	
14	4010610002	10	Screw, Posi-Drive M6X20	
15	0700610	4	Bolt, M6X20	
16	3290601	4	Nut, M6X1	
17	4010608002	1	Screw, Posi-Drive, M6X16	

# SECTION 6 - CAB

## FIGURE 6-61. ROOF CAP INSTALLATION (NO A/C)



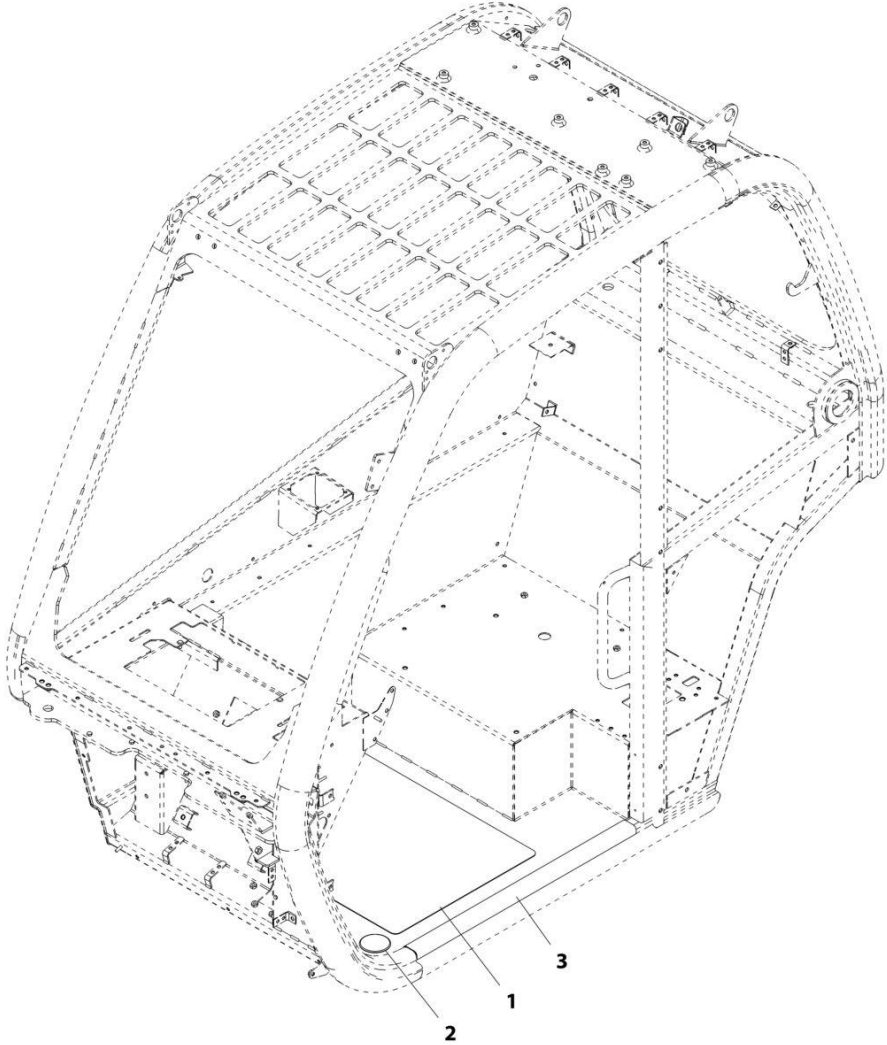
ART\_1001185846-D

FIGURE 6-61. ROOF CAP INSTALLATION (NO A/C)

ITEM	PART NUMBER	QTY	DESCRIPTION	REV
	1001185846	Ref	Roof Cap Installation (No A/C)	D
2	0760810	8	Bolt, M8X20	
3	4811900	8	Washer, M8	
4	1001182328	1	Cover, Short Upper Roof Cap	
5	1001185633	1	Bracket	
6	1001214535	2	Cover, Short Lower Roof Cap	
7	4811902	2	Washer, M8	
8	0760808	2	Bolt, M8X16	

**SECTION 6 - CAB**

**FIGURE 6-62. NON SKID TAPE INSTALLATION**



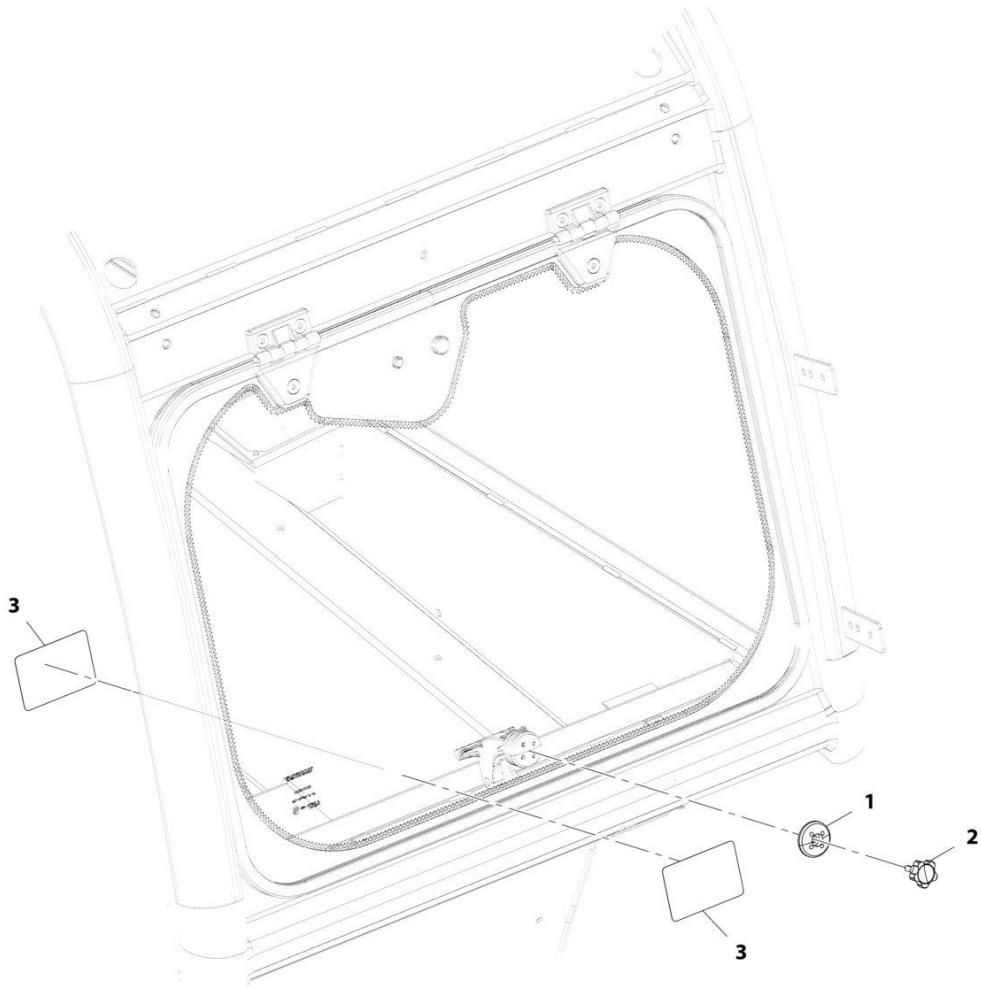
ART\_1001197219-B

FIGURE 6-62. NON SKID TAPE INSTALLATION

ITEM	PART NUMBER	QTY	DESCRIPTION	REV
	1001197219	Ref	Non Skid Tape Installation	B
1	1001197217	1	Tape, Non Skid Floor	
2	1001197218	1	Grommet	
3	1001197259	1	Tape, Non Skid Frame	

**SECTION 6 - CAB**

**FIGURE 6-63. EXTERNAL WINDOW RELEASE INSTALLATION (CAN & ISO)**



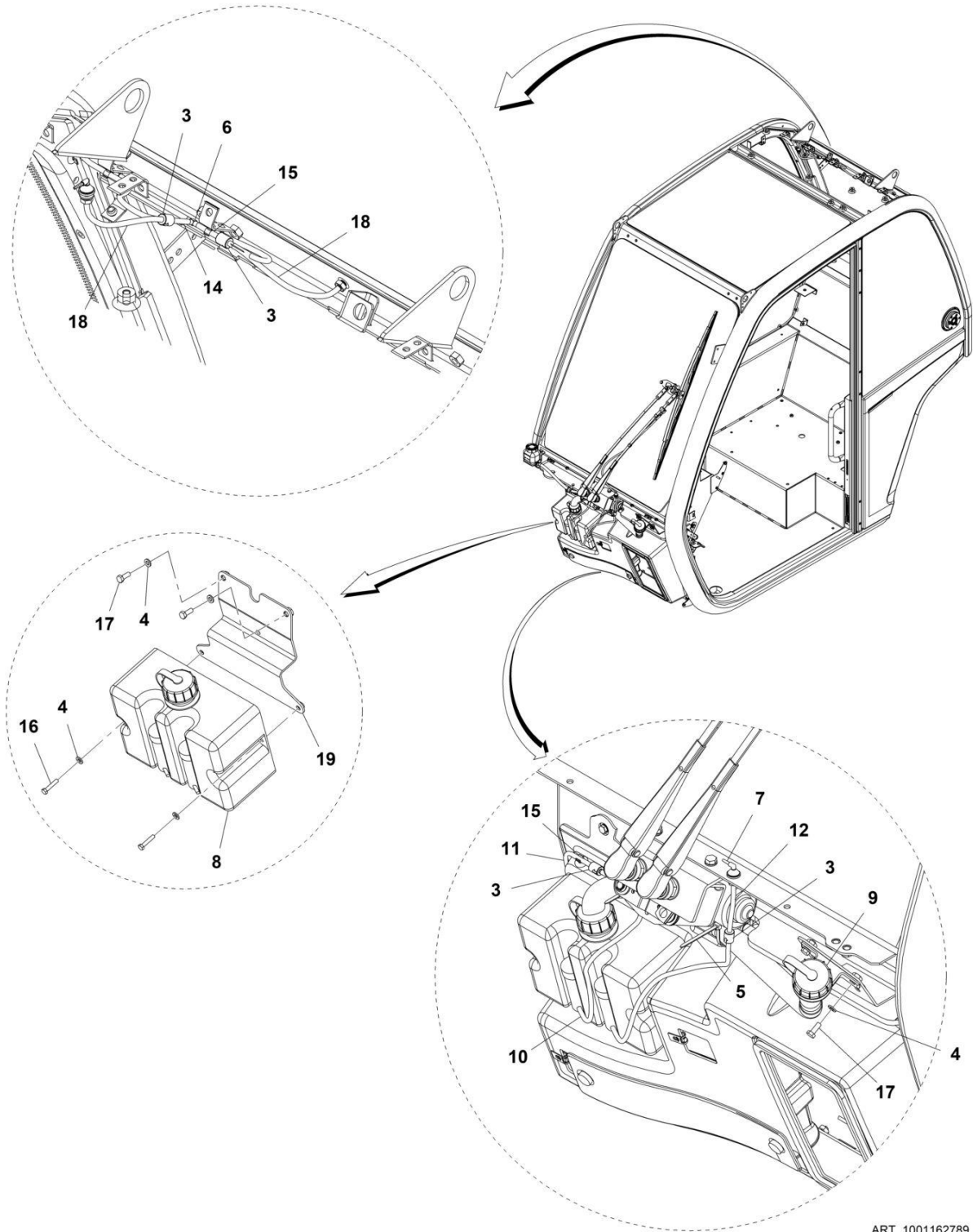
ART\_1001178826-C

**FIGURE 6-63. EXTERNAL WINDOW RELEASE INSTALLATION (CAN & ISO)**

<b>ITEM</b>	<b>PART NUMBER</b>	<b>QTY</b>	<b>DESCRIPTION</b>	<b>REV</b>
	1001178826	Ref	External Window Release Installation (English/French)	C
1	1001179008	1	Cap, Latch Window	
2	1001179009	1	Knob	
3	1001204709	2	Decal, Emergency Exit (English/French)	

# SECTION 6 - CAB

## FIGURE 6-64. WASHER TANK INSTALLATION



ART\_1001162789

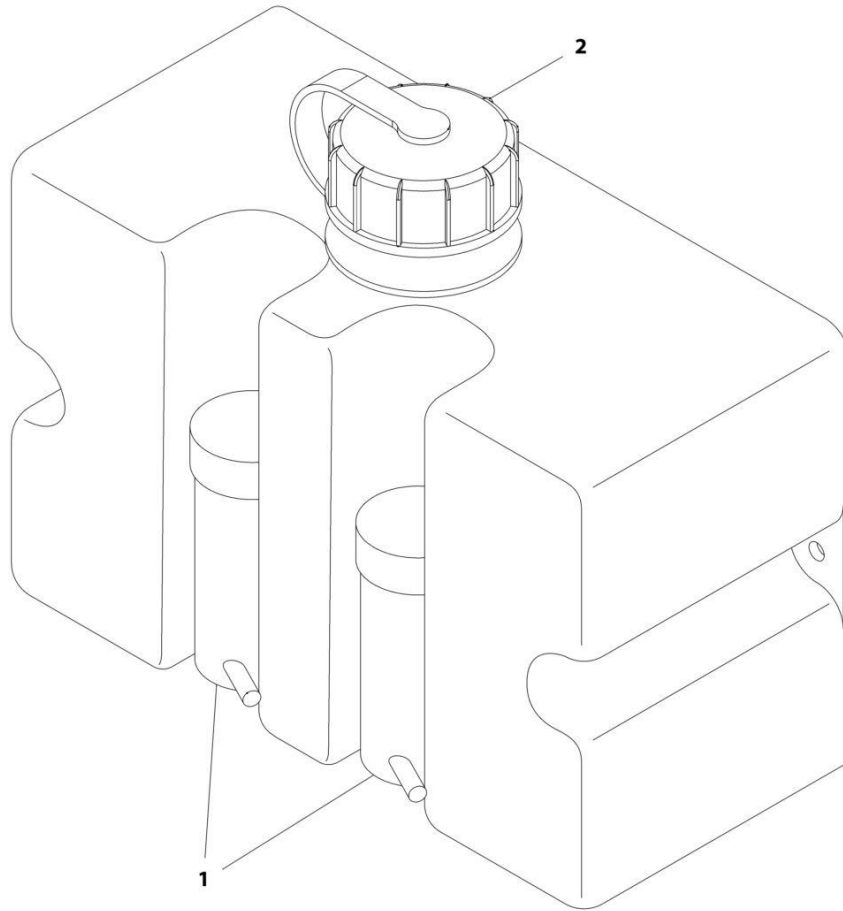


FIGURE 6-64. WASHER TANK INSTALLATION

ITEM	PART NUMBER	QTY	DESCRIPTION	REV
	1001162789	Ref	Washer Tank Installation	M
3	1001201331	4	Valve, Check	
4	4811700	6	Washer, M6	
5	471678	2	Strap, Tie	
6	1001008742	1	Coupling, Tee	
8	1001165269	1	Bottle, Washer (See Separate Breakdown in this Section)	
9	1001165270	1	Hose, Washer Filler	
10	1001165351	2	Hose	
11	1001165407	1	Hose	
12	1001165416	1	Hose	
14	1001165455	2	Hose	
15	1001165458	16	Hose	
16	0760512	2	Bolt M5X25	
17	0760608	4	Bolt, M6X16	
18	1001178123	2	Hose	
19	1001171756	1	Bracket	

**SECTION 6 - CAB**

**FIGURE 6-65. WASHER BOTTLE**



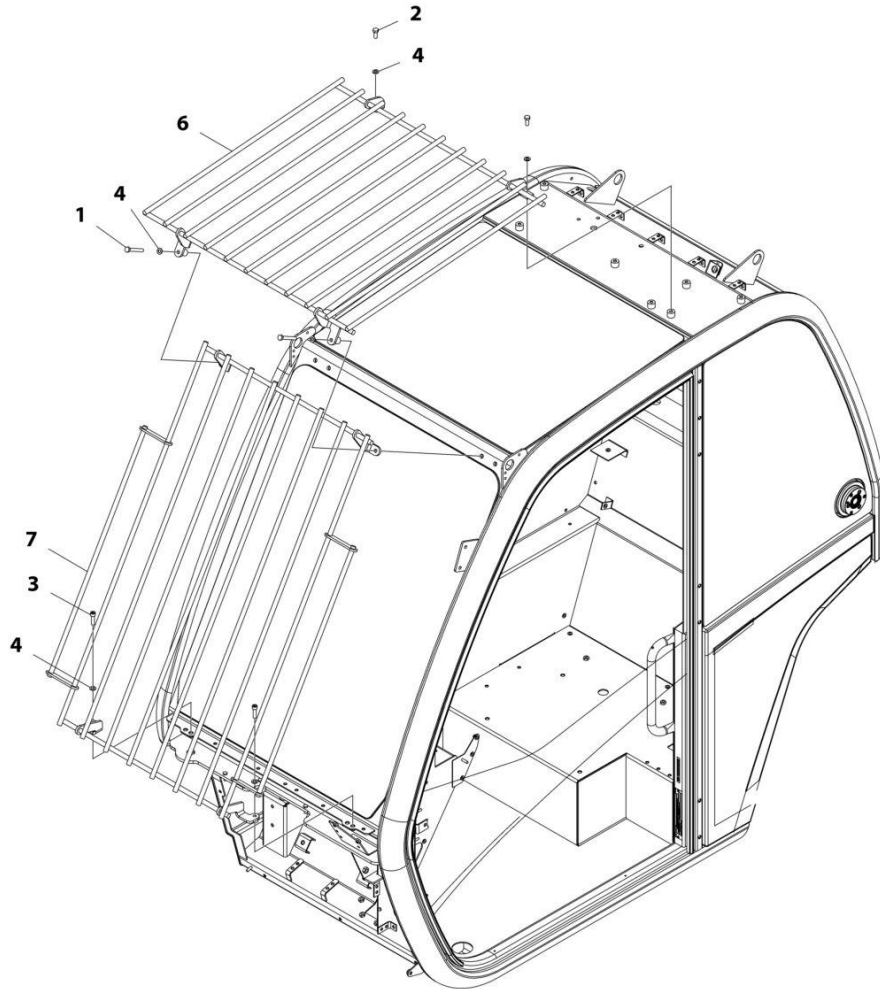
ART\_1001165269-B

**FIGURE 6-65. WASHER BOTTLE**

<b>ITEM</b>	<b>PART NUMBER</b>	<b>QTY</b>	<b>DESCRIPTION</b>	<b>REV</b>
	1001165269	Ref	Washer Bottle	B
1	1001165327	2	Pump, Washer	
2	1001165273	1	Cap, Washer	

# SECTION 6 - CAB

## FIGURE 6-66. CAB GUARD INSTALLATION (TOP AND FRONT)



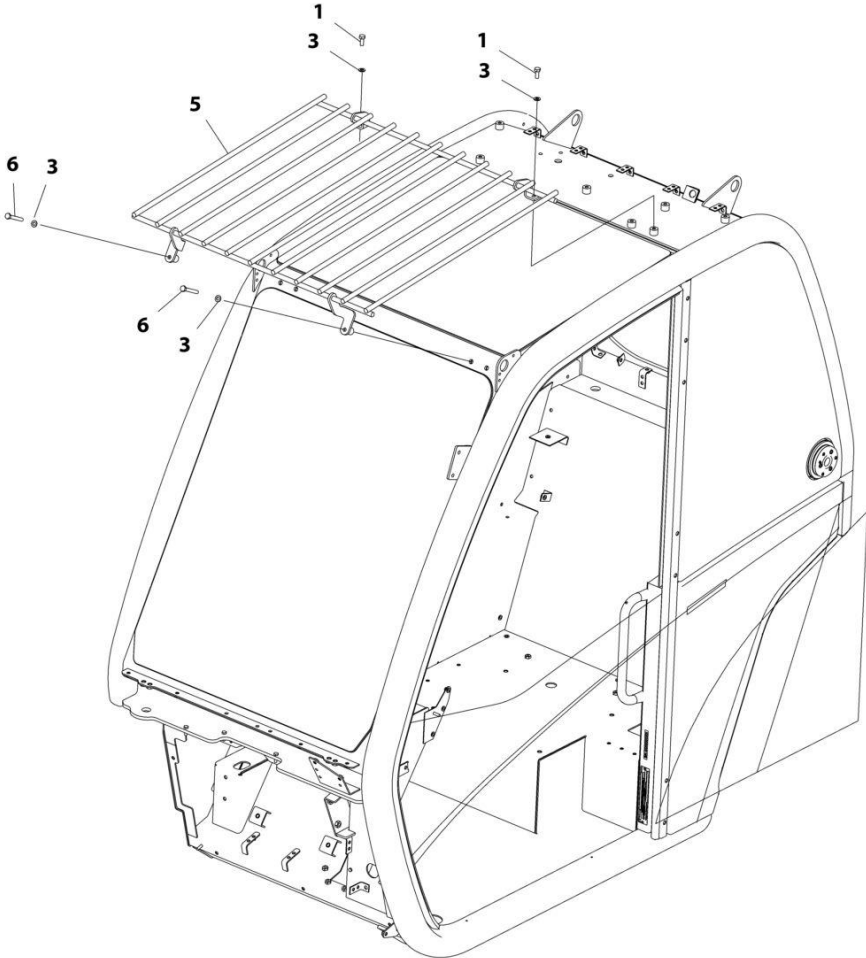
ART\_1001172774

**FIGURE 6-66. CAB GUARD INSTALLATION (TOP AND FRONT)**

ITEM	PART NUMBER	QTY	DESCRIPTION	REV
	1001172774	Ref	CAB GUARD INSTALLATION (TOP AND FRONT)	G
1	0700820	2	Bolt M8 x 60	
2	0760810	2	Bolt M8 x 20	
3	4031910	2	Bolt M8 x 30	
4	4811900	6	Washer M8	
6	1001160503	1	Guard, Top Screen	
7	1001180263	1	Guard, Front Screen	

**SECTION 6 - CAB**

**FIGURE 6-67. CAB GUARD INSTALLATION (TOP)**



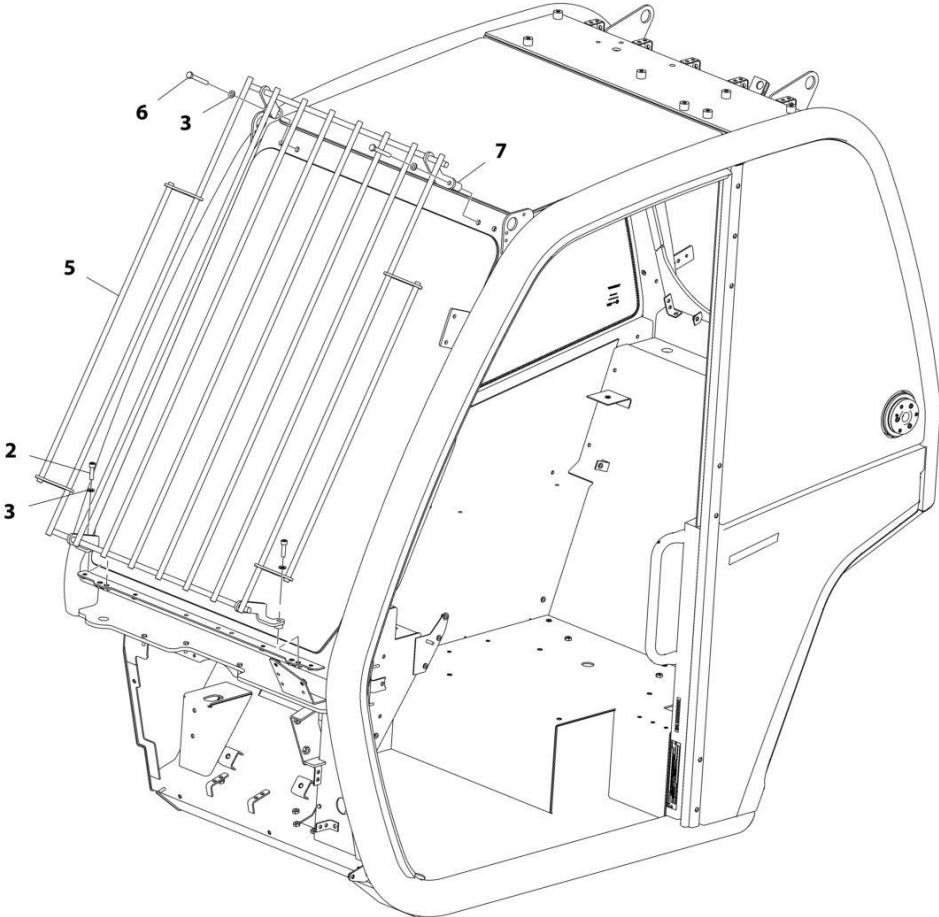
ART\_1001160496

**FIGURE 6-67. CAB GUARD INSTALLATION (TOP)**

ITEM	PART NUMBER	QTY	DESCRIPTION	REV
	1001160496	Ref	Cab Guard Installation (Top)	G
1	0760810	2	Bolt, M8X20	
3	4811900	4	Washer, M8	
5	1001160503	1	Guard, Top Screen	
6	0700820	2	Bolt, M8X60	

**SECTION 6 - CAB**

**FIGURE 6-68. CAB GUARD INSTALLATION (FRONT)**



ART\_1001160506-G

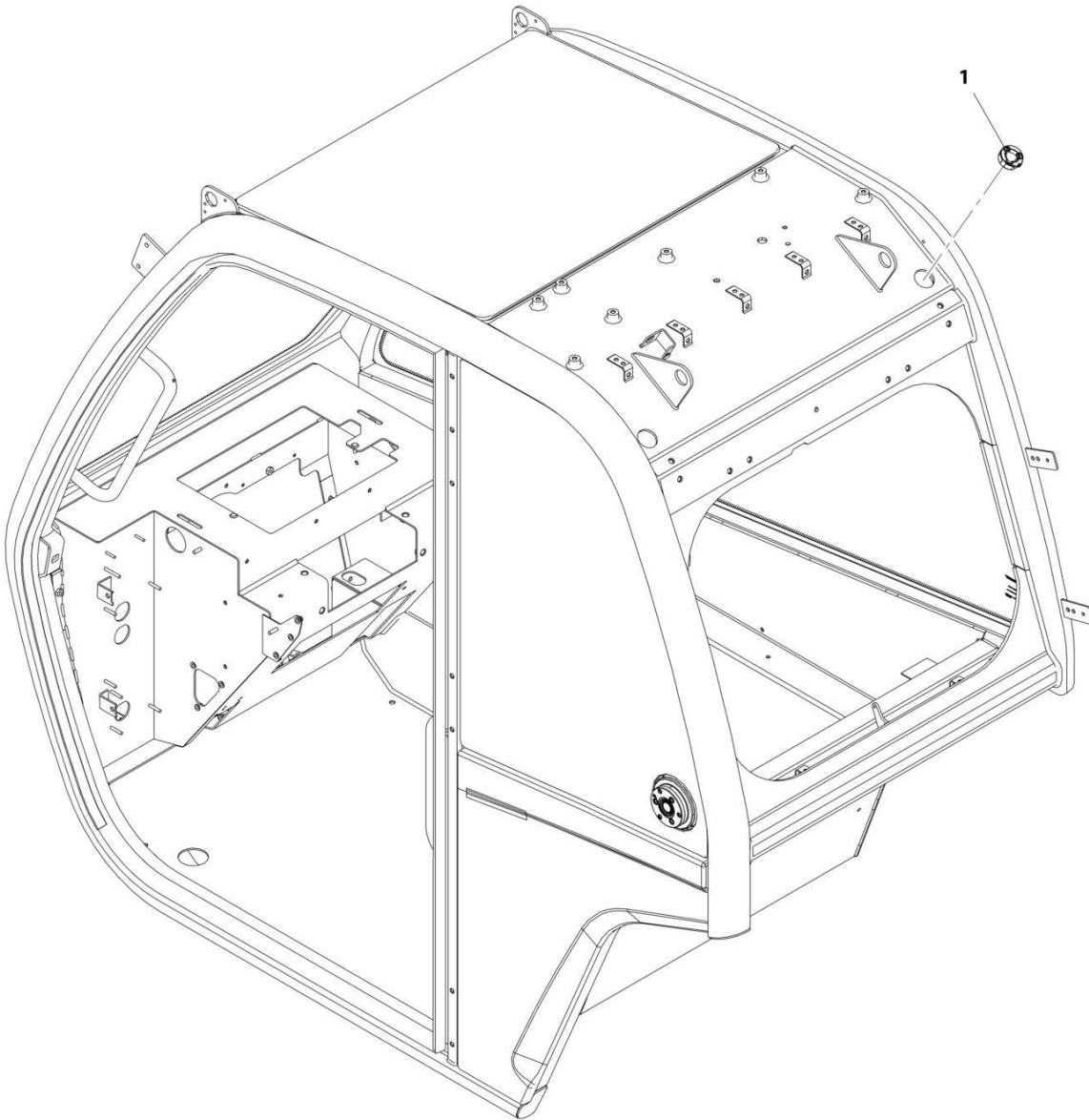


FIGURE 6-68. CAB GUARD INSTALLATION (FRONT)

ITEM	PART NUMBER	QTY	DESCRIPTION	REV
	1001160506	Ref	Cab Guard Installation (Front)	G
2	4031910	2	Bolt, M8X30	
3	4811900	4	Washer, M8	
5	1001180263	1	Guard, Front Screen	
6	0700820	2	Bolt, M8X60	
7	1001173257	2	Spacer	

# SECTION 6 - CAB

## FIGURE 6-69. ROOF PIGTAIL CAP INSTALLATION



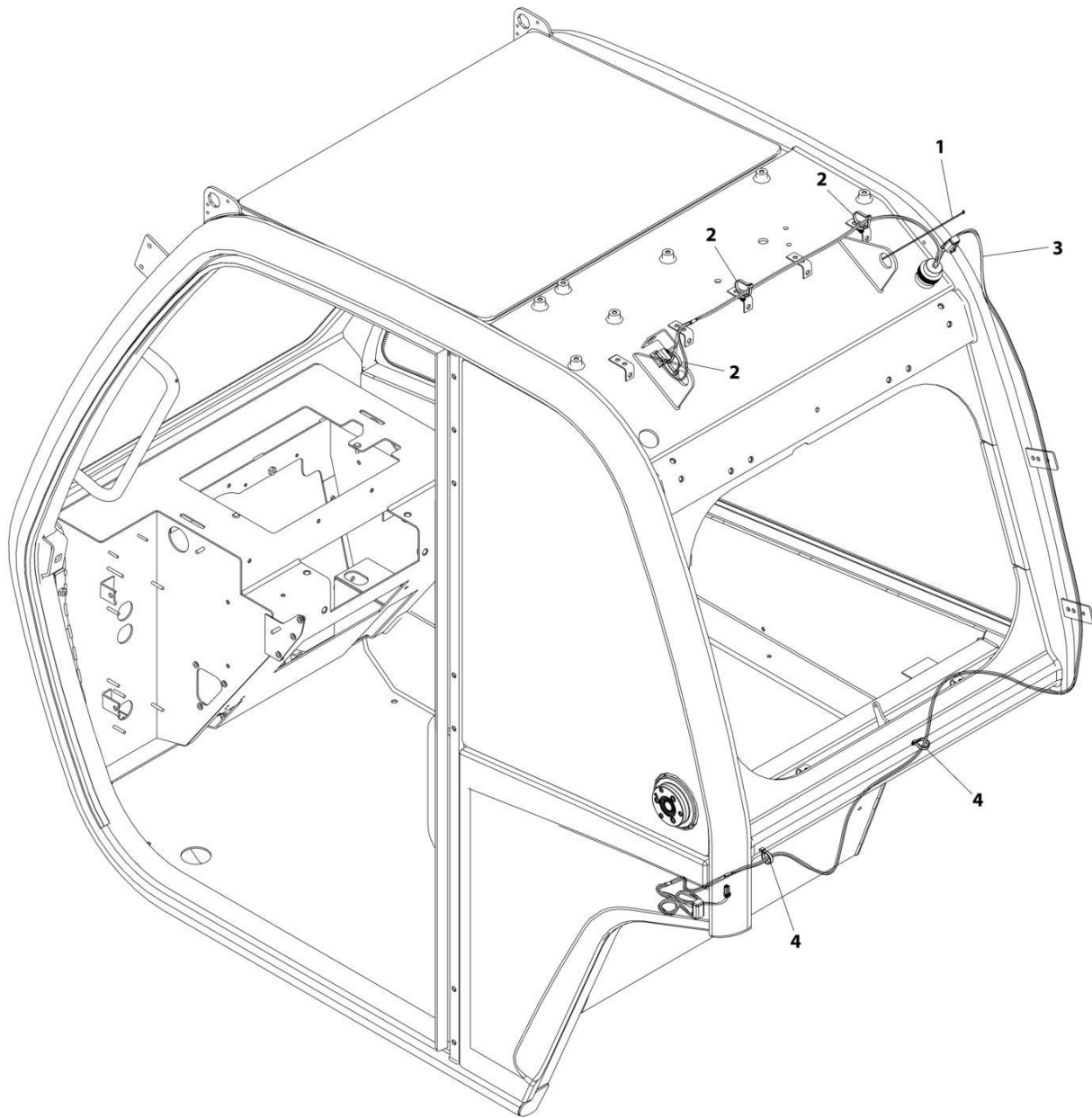
ART\_1001202138-A

**FIGURE 6-69. ROOF PIGTAIL CAP INSTALLATION**

<b>ITEM</b>	<b>PART NUMBER</b>	<b>QTY</b>	<b>DESCRIPTION</b>	<b>REV</b>
1	1001202138 1001202134	Ref 1	Roof Pigtail Cap Installation Cap, Deutsch Dust	A

# SECTION 6 - CAB

## FIGURE 6-70. ROOF PIGTAIL INSTALLATION



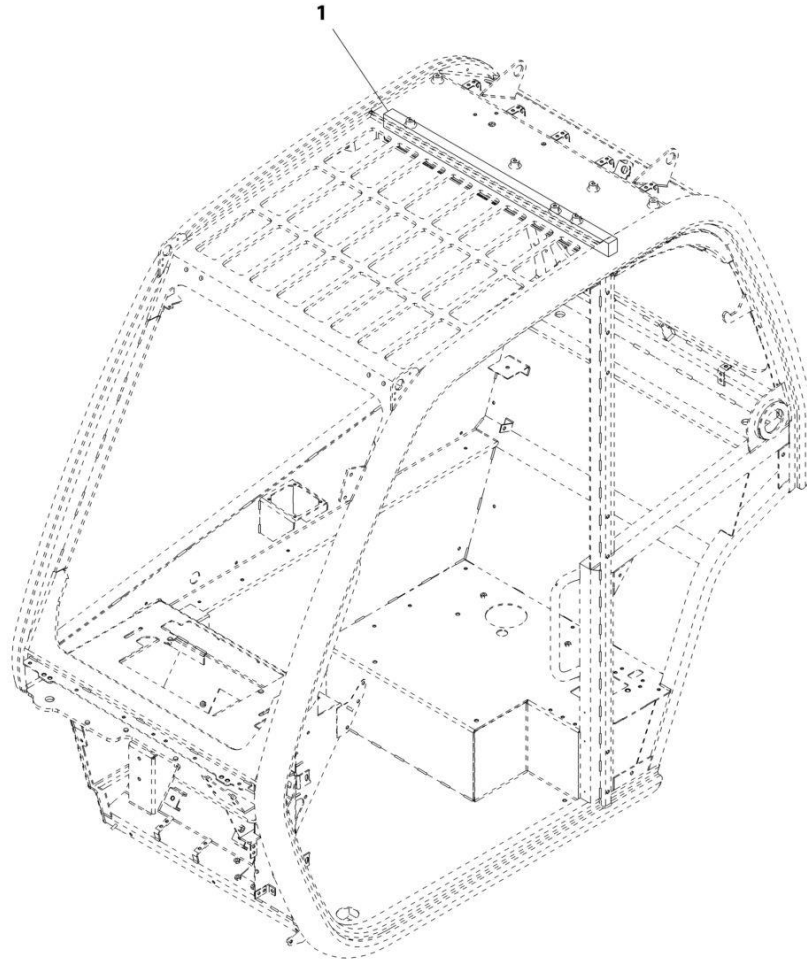
ART\_1001202133\_B

FIGURE 6-70. ROOF PIGTAIL INSTALLATION

ITEM	PART NUMBER	QTY	DESCRIPTION	REV
	1001202133	Ref	Roof Pigtail Installation	B
1	4240033	1	Cable Tie	
2	1001146588	3	Strap	
3	1001265200	1	Harness, Roof Pigtail (See Separate Breakdown in ELECTRICAL Section)	
4	1001008559	2	Strap	

# SECTION 6 - CAB

## FIGURE 6-71. NO SUNSCREEN INSTALLATION



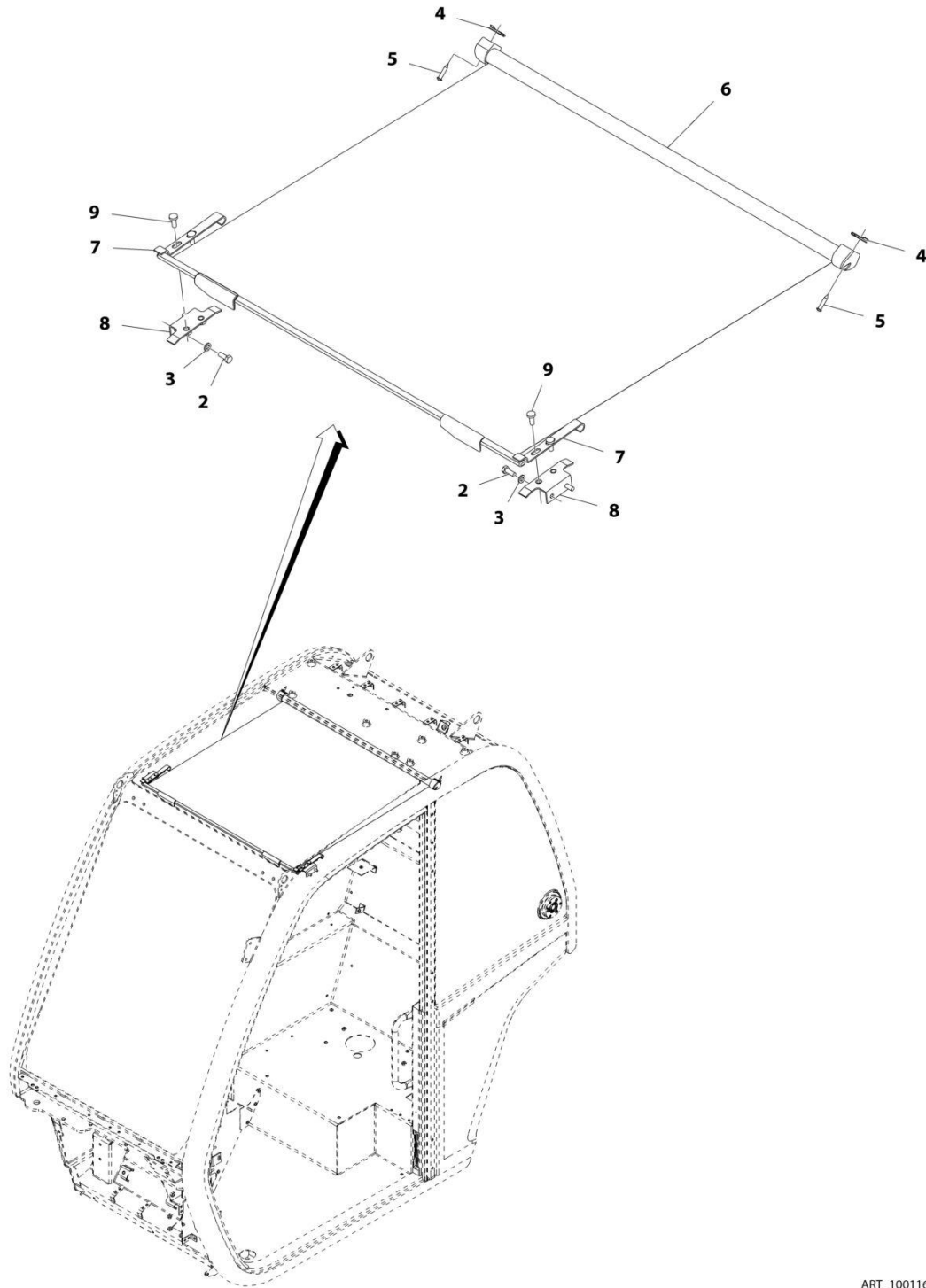
ART\_1001211041-A

**FIGURE 6-71. NO SUNSCREEN INSTALLATION**

<b>ITEM</b>	<b>PART NUMBER</b>	<b>QTY</b>	<b>DESCRIPTION</b>	<b>REV</b>
1	1001211041 1001208192	Ref 1	No Sunscreen Installation Seal, Foam	A

# SECTION 6 - CAB

## FIGURE 6-72. RETRACTABLE SUNSCREEN INSTALLATION



ART\_1001163151-G



FIGURE 6-72. RETRACTABLE SUNSCREEN INSTALLATION

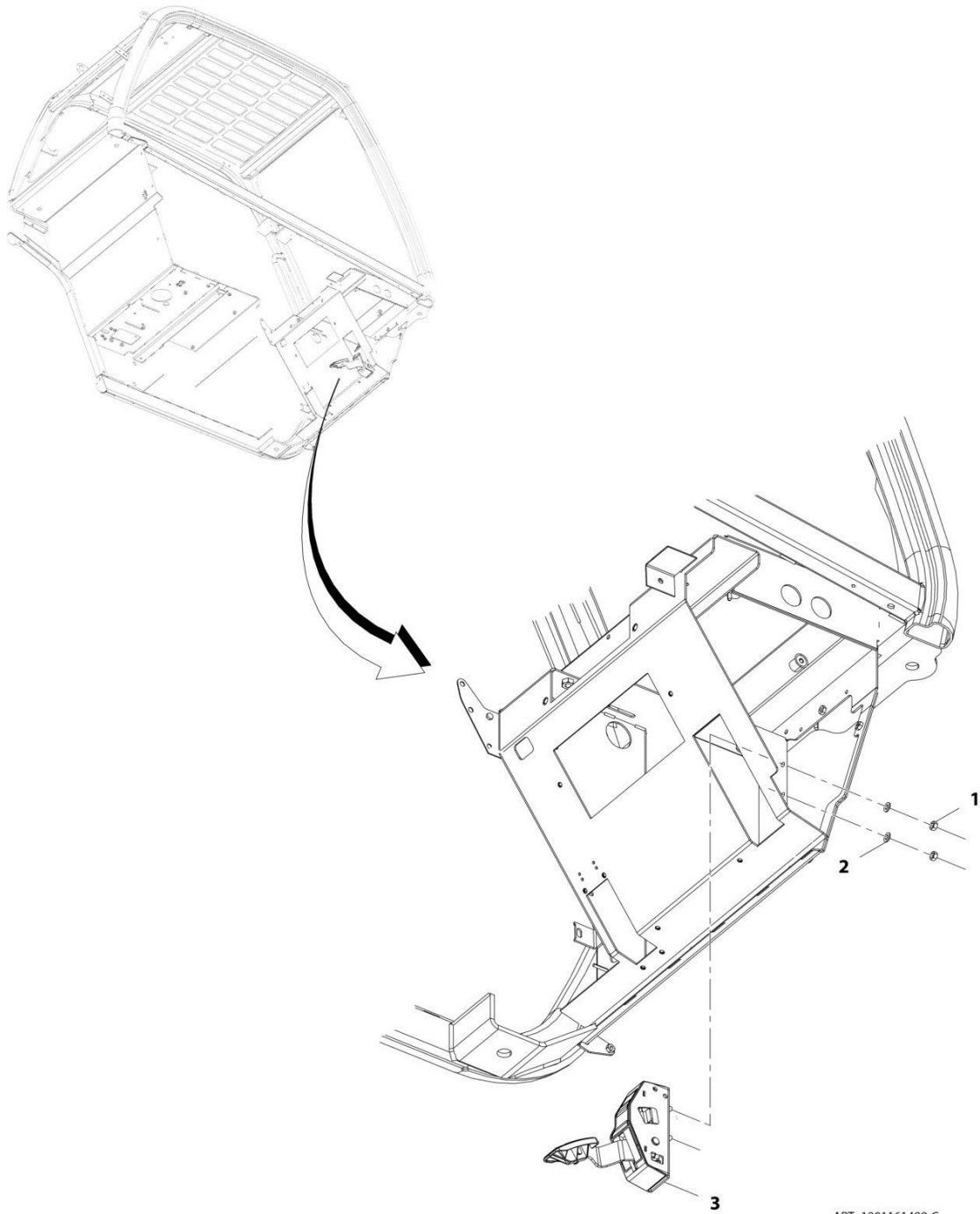
ITEM	PART NUMBER	QTY	DESCRIPTION	REV
	1001163151	Ref	Retractable Sunscreen Installation	G
2	0760608	4	Bolt, M6X16	
3	4811700	4	Washer, M6	
4	1001111076	2	Nut	
5	1001111147	2	Screw	
6	1001163170	1	Cab, Screen Blind	
7	1001209463	2	Bracket, Sunscreen Mount	
8	1001166385	2	Bracket	
9	4010608002	4	Screw, M6X16	



**SECTION 7 - CONTROLS**

# SECTION 7 - CONTROLS

## FIGURE 7-1. ACCELERATOR PEDAL INSTALLATION



ART\_1001161499-C

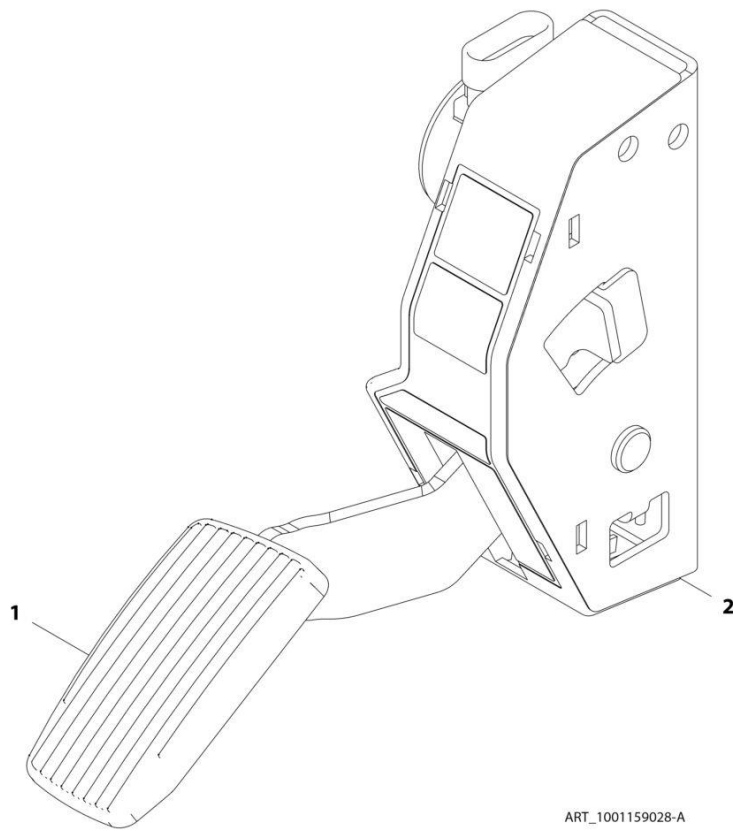
## SECTION 7 - CONTROLS

### FIGURE 7-1. ACCELERATOR PEDAL INSTALLATION

ITEM	PART NUMBER	QTY	DESCRIPTION	REV
	1001161499	Ref	Accelerator Pedal Installation	C
1	3290801	2	Nut, M8X1.25	
2	4811900	2	Washer, M8	
3	1001159028	1	Pedal, Accelerator (See Separate Breakdown in this Section)	

# SECTION 7 - CONTROLS

## FIGURE 7-2. ACCELERATOR PEDAL



ART\_1001159028-A

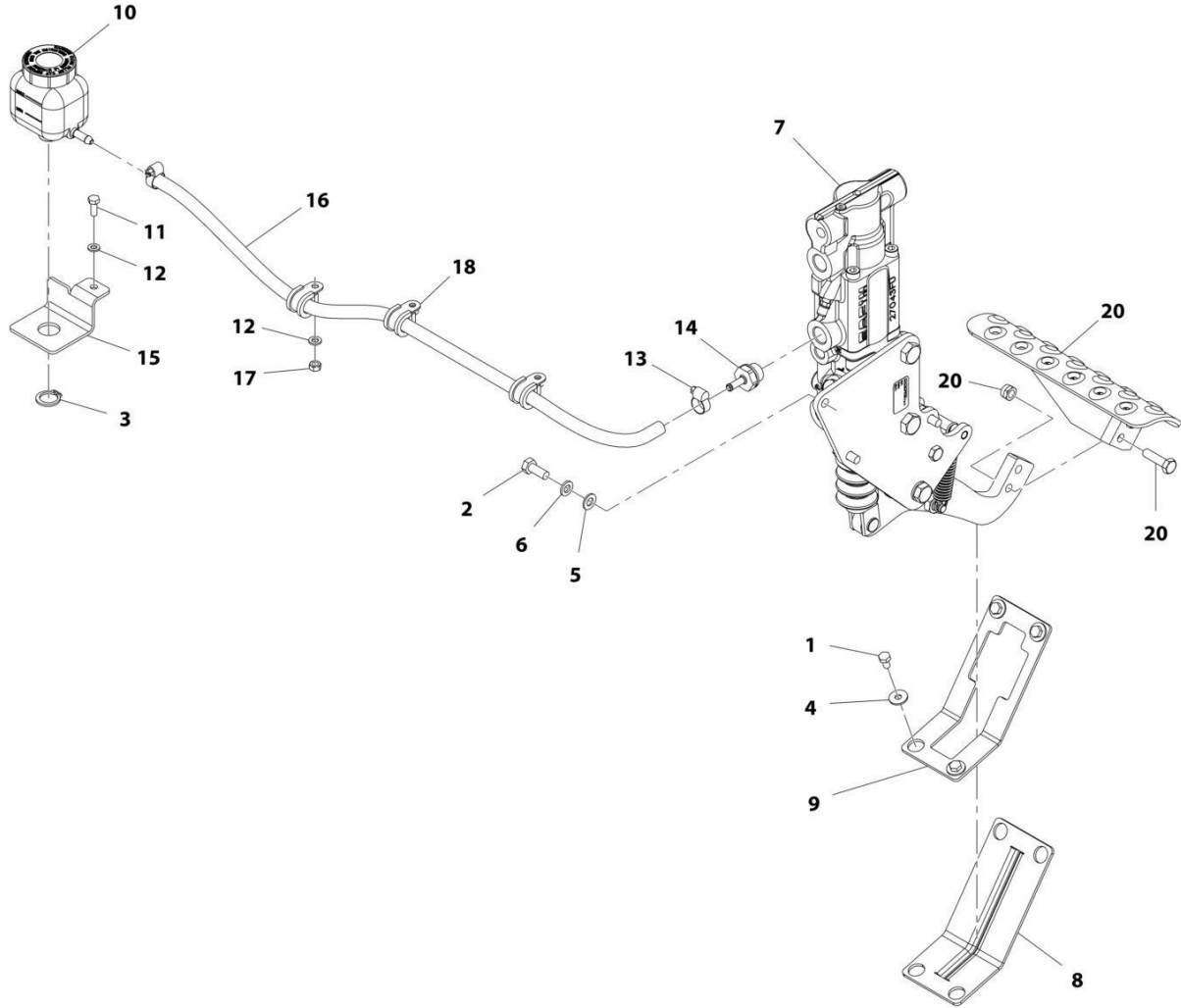
## SECTION 7 - CONTROLS

### FIGURE 7-2. ACCELERATOR PEDAL

ITEM	PART NUMBER	QTY	DESCRIPTION	REV
	1001159028	Ref	Accelerator Pedal	A
1	70025816	1	Pad, Rubber	
2	70025817	1	Cover, Rubber	

# SECTION 7 - CONTROLS

## FIGURE 7-3. BRAKE PEDAL INSTALLATION



ART\_1001204225-C



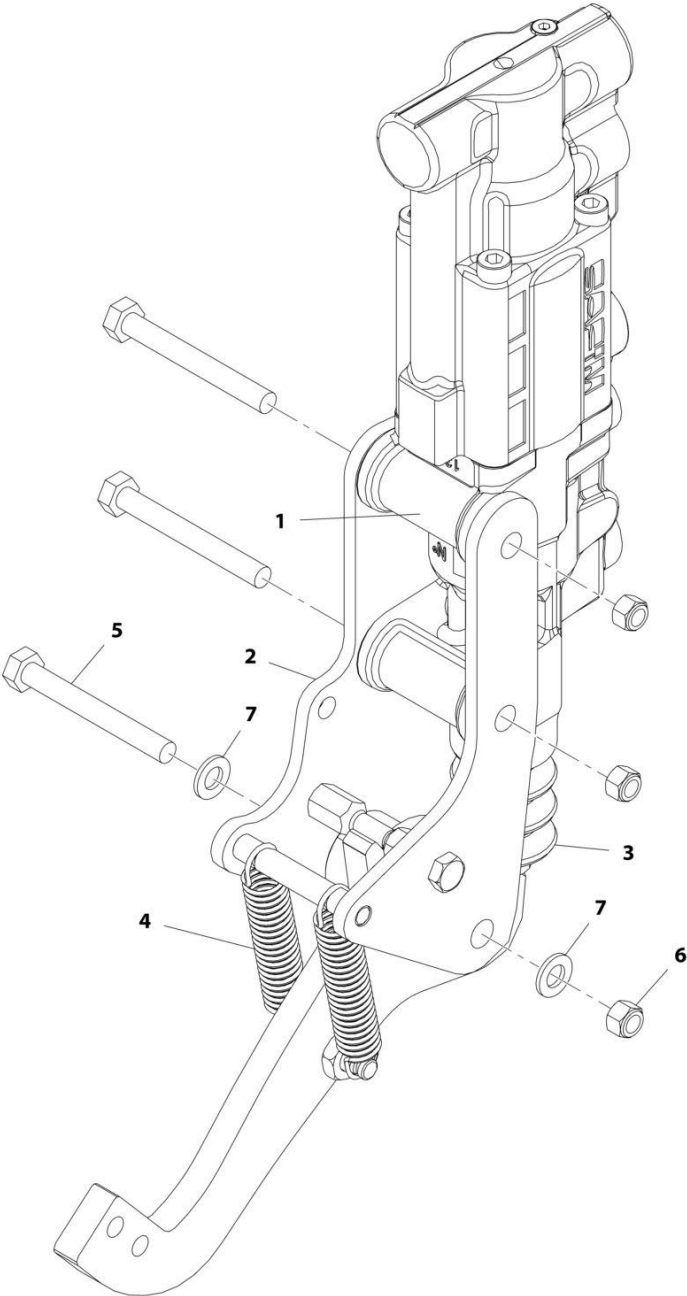
## SECTION 7 - CONTROLS

### FIGURE 7-3. BRAKE PEDAL INSTALLATION

ITEM	PART NUMBER	QTY	DESCRIPTION	REV
	1001204225	Ref	Brake Pedal Installation	C
1	0760605	4	Bolt, M6X10	
2	0760810	3	Bolt, M8X20	
3	3760348	1	Ring, Retaining	
4	4811702	4	Washer, M6	
5	4811900	3	Washer, M8	
6	4831900	3	Washer, Lock M8	
7	1001197138	1	Pedal, Brake (See Separate Breakdown in this Section)	
8	1001162920	1	Gasket, Brake Pedal	
9	1001162922	1	Plate	
10	1001214220	1	Reservoir, Brake	
11	0760608	1	Bolt, M6X16	
12	4811700	4	Washer, M6	
13	8405009	2	Clamp, Gear	
14	1001171874	1	Fitting, Hose Barb	
15	1001172088	1	Bracket, Brake Reservoir	
16	1001172094	1	Hose, Brake Reservoir	
17	3290601	3	Nut, M6X1	
18	1001170231	3	Clip, M6X15	
20	1001197139	1	Plate, Brake Pedal (See Separate Breakdown in this Section)	

**SECTION 7 - CONTROLS**

**FIGURE 7-4. BRAKE PEDAL**



ART\_1001197138-D

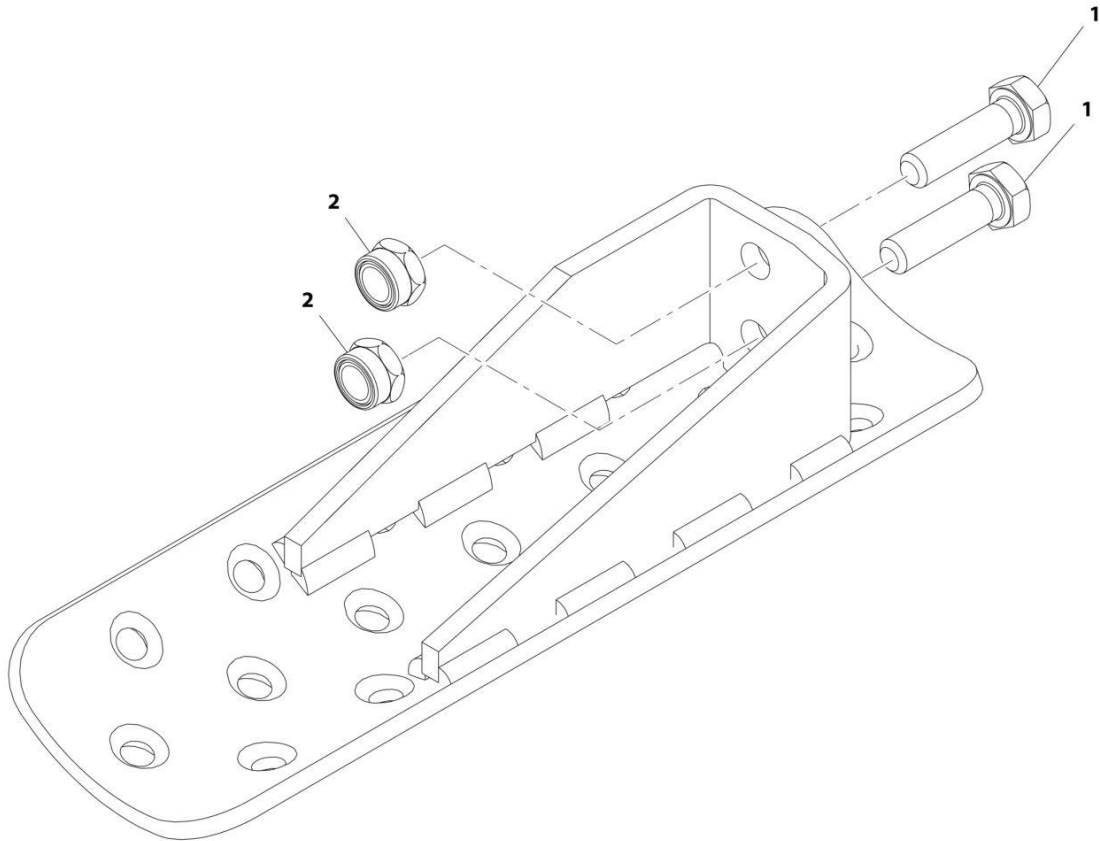
## SECTION 7 - CONTROLS

### FIGURE 7-4. BRAKE PEDAL

ITEM	PART NUMBER	QTY	DESCRIPTION	REV
	1001197138	Ref	Brake Pedal	D
1	70026432	1	Cylinder, Master	
2	70026433	1	Support	
3	70025859	1	Cover, Dust	
4	70025860	2	Spring, Return	
5	0701226	3	Bolt, M12X90	
6	3291205	3	Nut, Lock M12X1.75	
7	4812100	2	Washer, M12	

# SECTION 7 - CONTROLS

## FIGURE 7-5. BRAKE PEDAL PLATE



ART\_1001197139-A

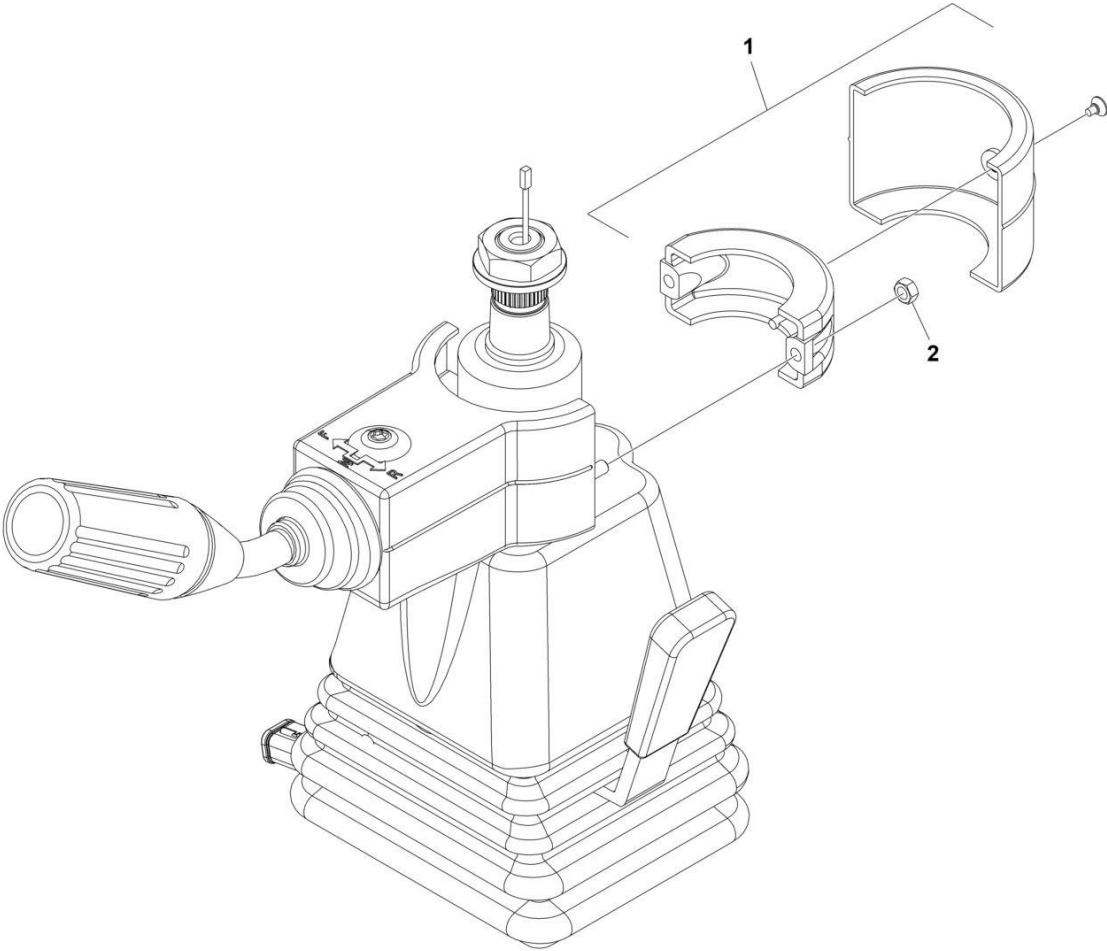
## SECTION 7 - CONTROLS

### FIGURE 7-5. BRAKE PEDAL PLATE

ITEM	PART NUMBER	QTY	DESCRIPTION	REV
	1001197139	Ref	Brake Pedal Plate	A
1	0770814	1	Bolt, M8X30 Grade 10.9	
2	3290805	1	Nut, Lock M8X1.25 Grade 8	

**SECTION 7 - CONTROLS**

**FIGURE 7-6. COLUMN CLAMP INSTALLATION**



ART\_1001182671\_E

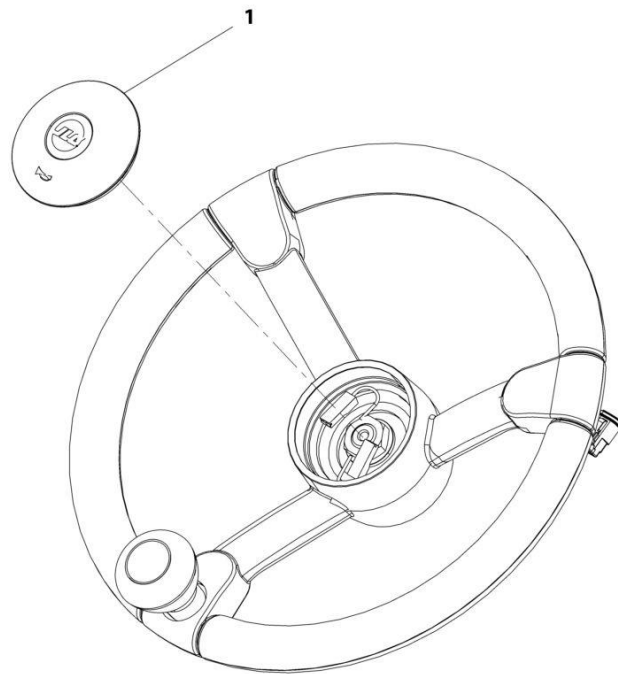
## SECTION 7 - CONTROLS

**FIGURE 7-6. COLUMN CLAMP INSTALLATION**

ITEM	PART NUMBER	QTY	DESCRIPTION	REV
	1001182671	Ref	Column Clamp Installation	E
1	1001146949	1	Clamp	
2	3290505	2	Nut, Lock M5	

# SECTION 7 - CONTROLS

## FIGURE 7-7. HORN BUTTON INSTALLATION



ART\_1001169763-A



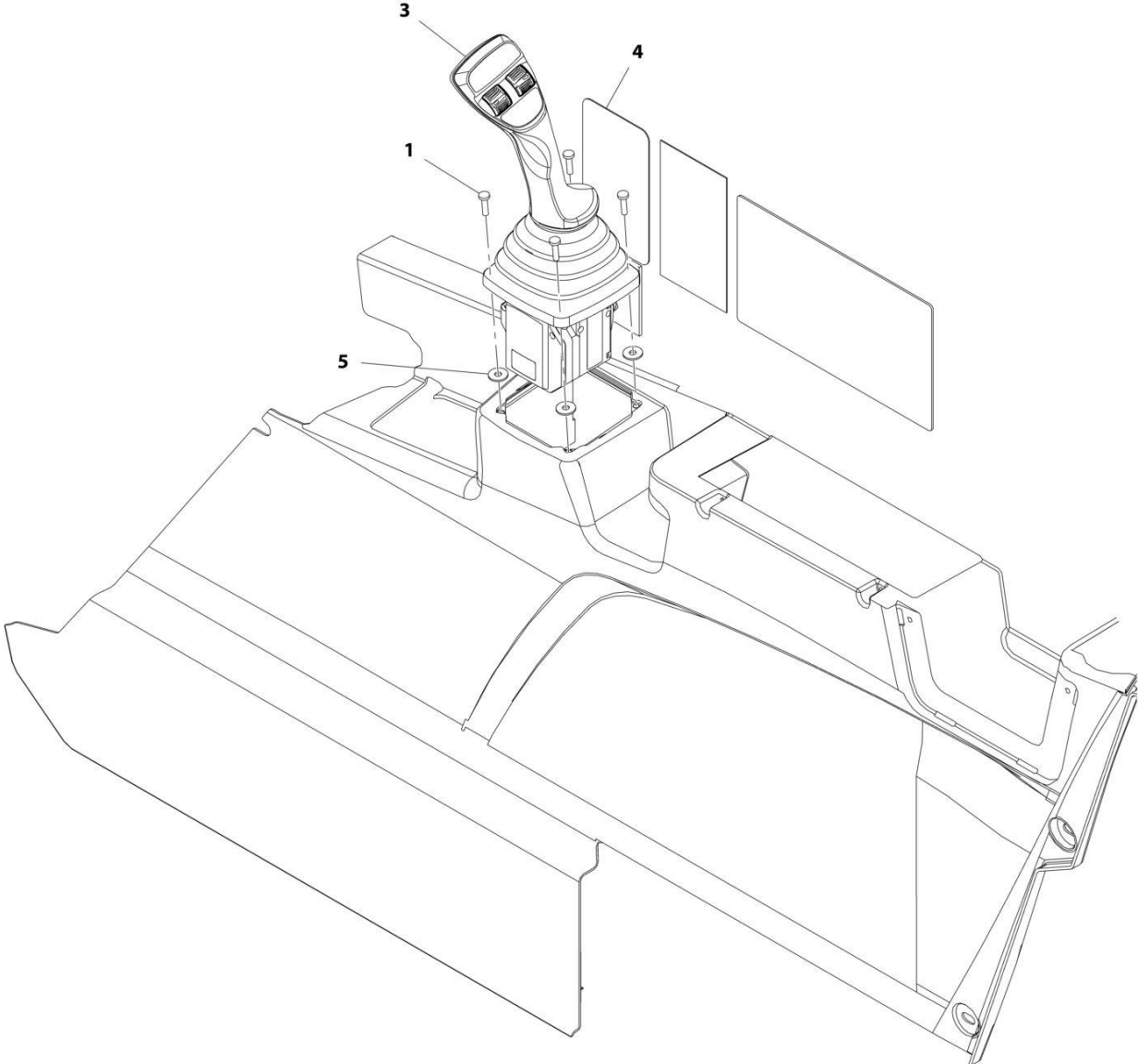
## SECTION 7 - CONTROLS

### FIGURE 7-7. HORN BUTTON INSTALLATION

ITEM	PART NUMBER	QTY	DESCRIPTION	REV
1	1001169763 1001169268	Ref 1	Horn Button Installation Button, Horn	A

**SECTION 7 - CONTROLS**

**FIGURE 7-8. JOYSTICK INSTALLATION (ELOBAU BRAND)**



ART\_1001167001-E

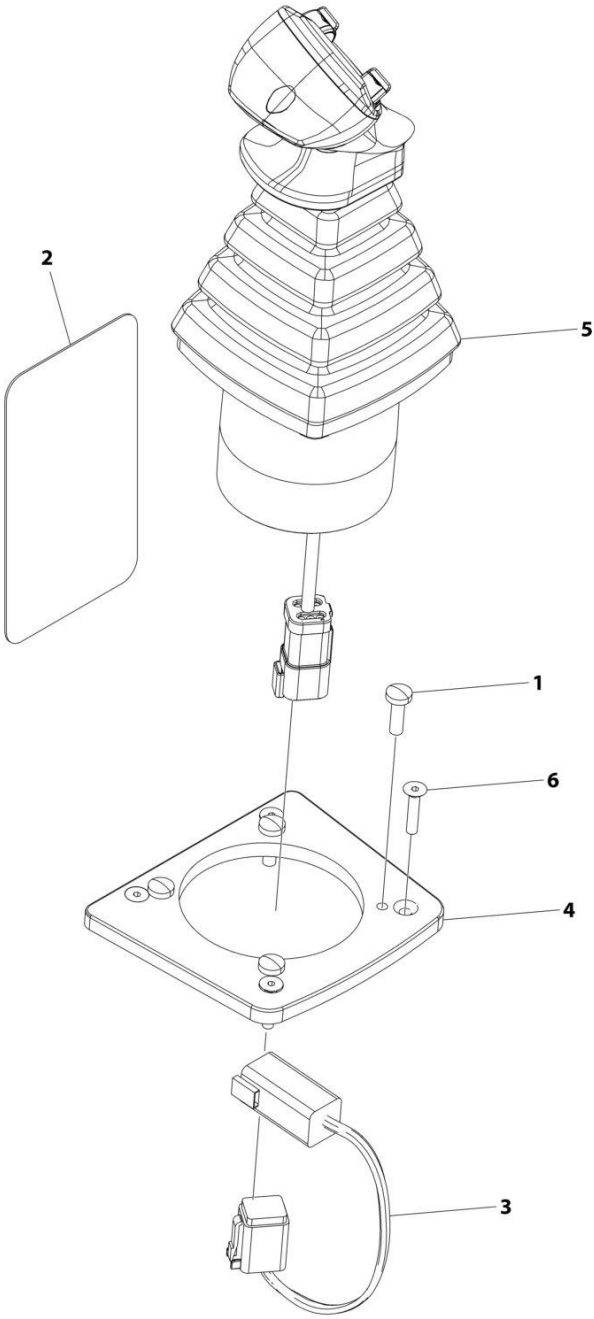
## SECTION 7 - CONTROLS

**FIGURE 7-8. JOYSTICK INSTALLATION (ELOBAU BRAND)**

ITEM	PART NUMBER	QTY	DESCRIPTION	REV
	1001167001	Ref	Joystick Installation (2 Roller, 0 Button)	E
1	4010510	4	Screw, M5X20	
3	1001222609	1	Joystick (See Separate Breakdown in this Section)	
4	1001181543	1	Decal, Joystick	
5	4811702001	AR	Washer	

# SECTION 7 - CONTROLS

## FIGURE 7-9. JOYSTICK INSTALLATION (BOSCH BRAND)



ART\_1001298454

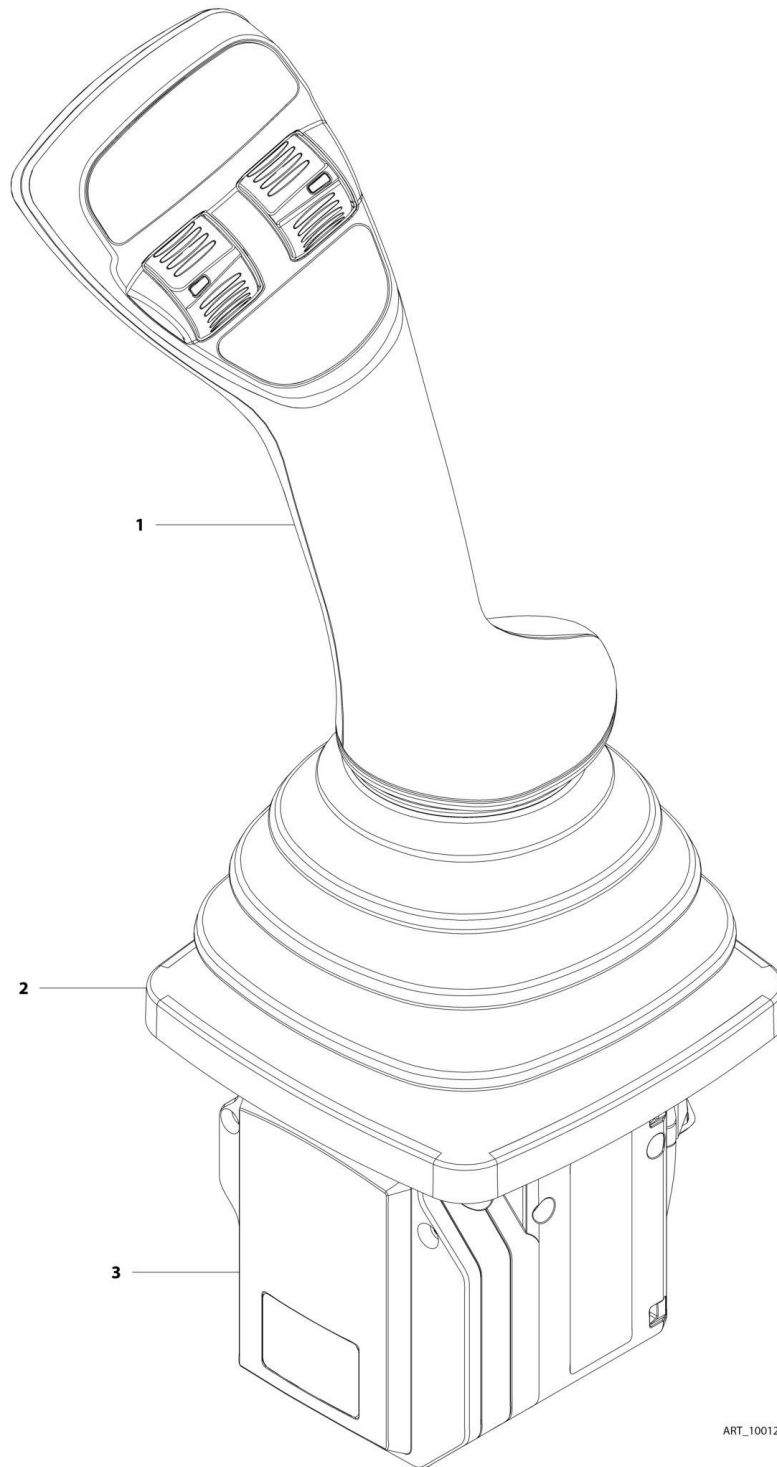
## SECTION 7 - CONTROLS

### FIGURE 7-9. JOYSTICK INSTALLATION (BOSCH BRAND)

ITEM	PART NUMBER	QTY	DESCRIPTION	REV
	1001298454	Ref	JOYSTICK INSTALLATION	A
1	4010610	4	Bolt M6 x 20	
2	1001181543	1	Decal – Joystick	
3	1001297247	1	Joystick Harness (See Separate Breakdown in ELECTRICAL Section)	
4	1001297803	1	Plate	
5	1001298306	1	Joystick Assembly (See Separate Breakdown in this Section)	
6	1001298623	4	Bolt M5 x 25	

## SECTION 7 - CONTROLS

FIGURE 7-10. JOYSTICK ASSEMBLY (ELOBAU BRAND)



ART\_1001222609-A

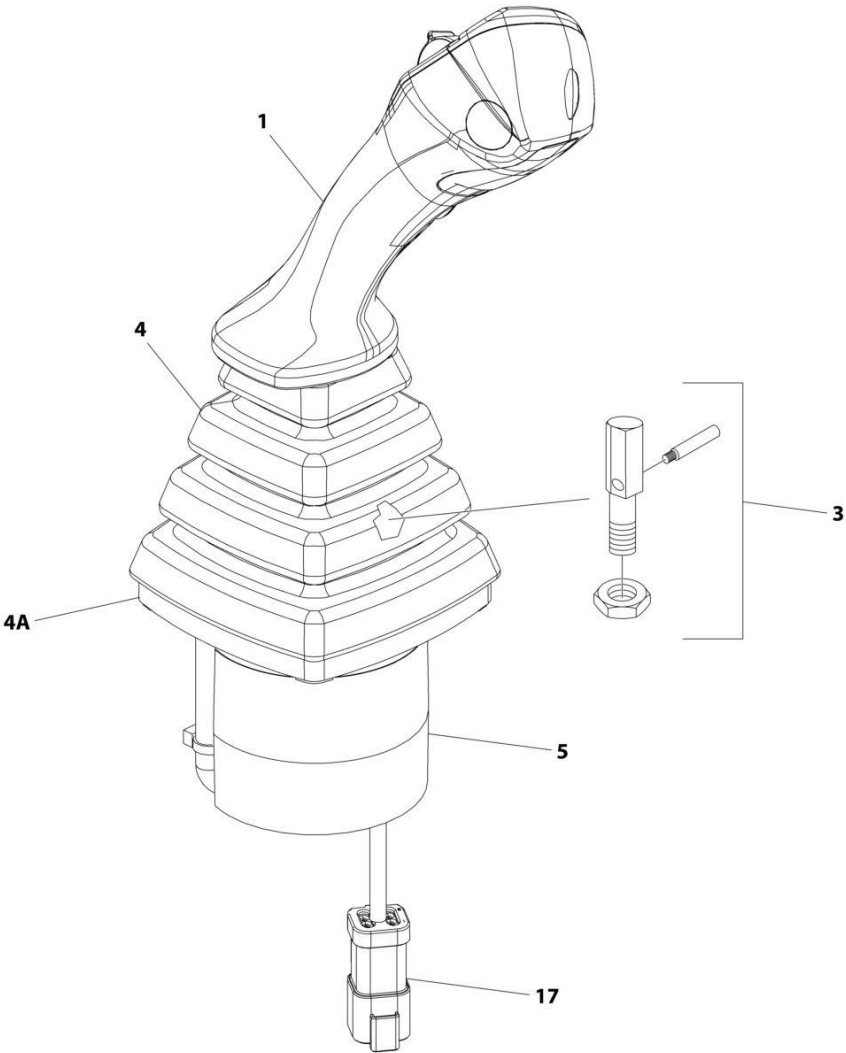
## SECTION 7 - CONTROLS

**FIGURE 7-10. JOYSTICK ASSEMBLY (ELOBAU BRAND)**

ITEM	PART NUMBER	QTY	DESCRIPTION	REV
	1001222609	Ref	Joystick	A
1	70026257	1	Handle, Joystick	
2	70025844	1	Gaiter	
3	70026258	1	Base, Joystick	

**SECTION 7 - CONTROLS**

**FIGURE 7-11. JOYSTICK ASSEMBLY (BOSCH BRAND)**



ART\_1001298306



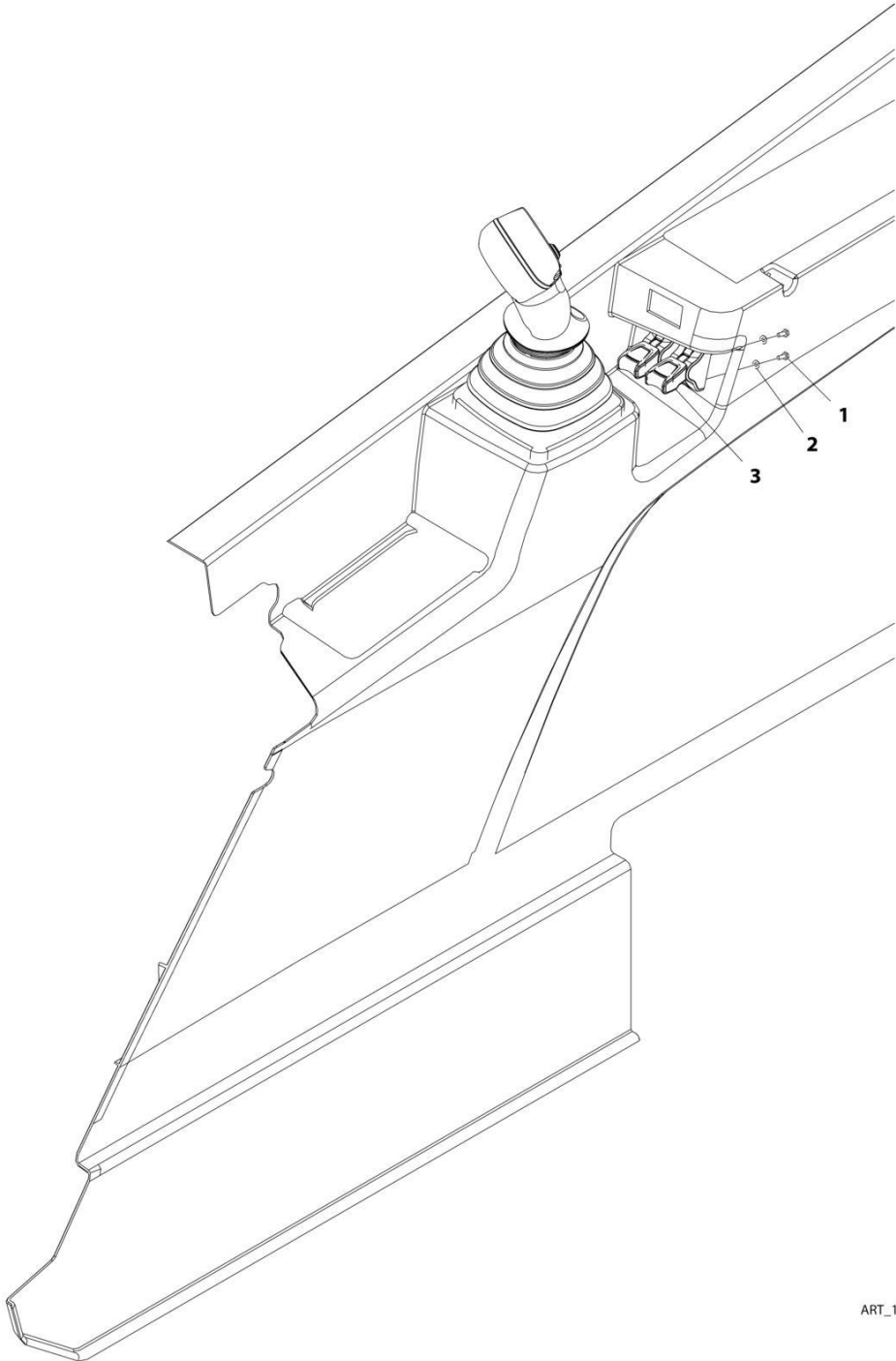
## SECTION 7 - CONTROLS

**FIGURE 7-11. JOYSTICK ASSEMBLY (BOSCH BRAND)**

ITEM	PART NUMBER	QTY	DESCRIPTION	REV
	1001298306	Ref	JOYSTICK ASSEMBLY	B
1	70031450	1	Grip	
3	70020770	1	Lever Kit	
4	70031451	1	Boot	
4A	70031452	1	Base, Boot	
5	See Note	NSS	Base (Note: Purchase PN 1001298306)	
17	70031453	1	Connector Kit	

**SECTION 7 - CONTROLS**

**FIGURE 7-12. OUTRIGGER SWITCHES INSTALLATION**



ART\_1001174478-C

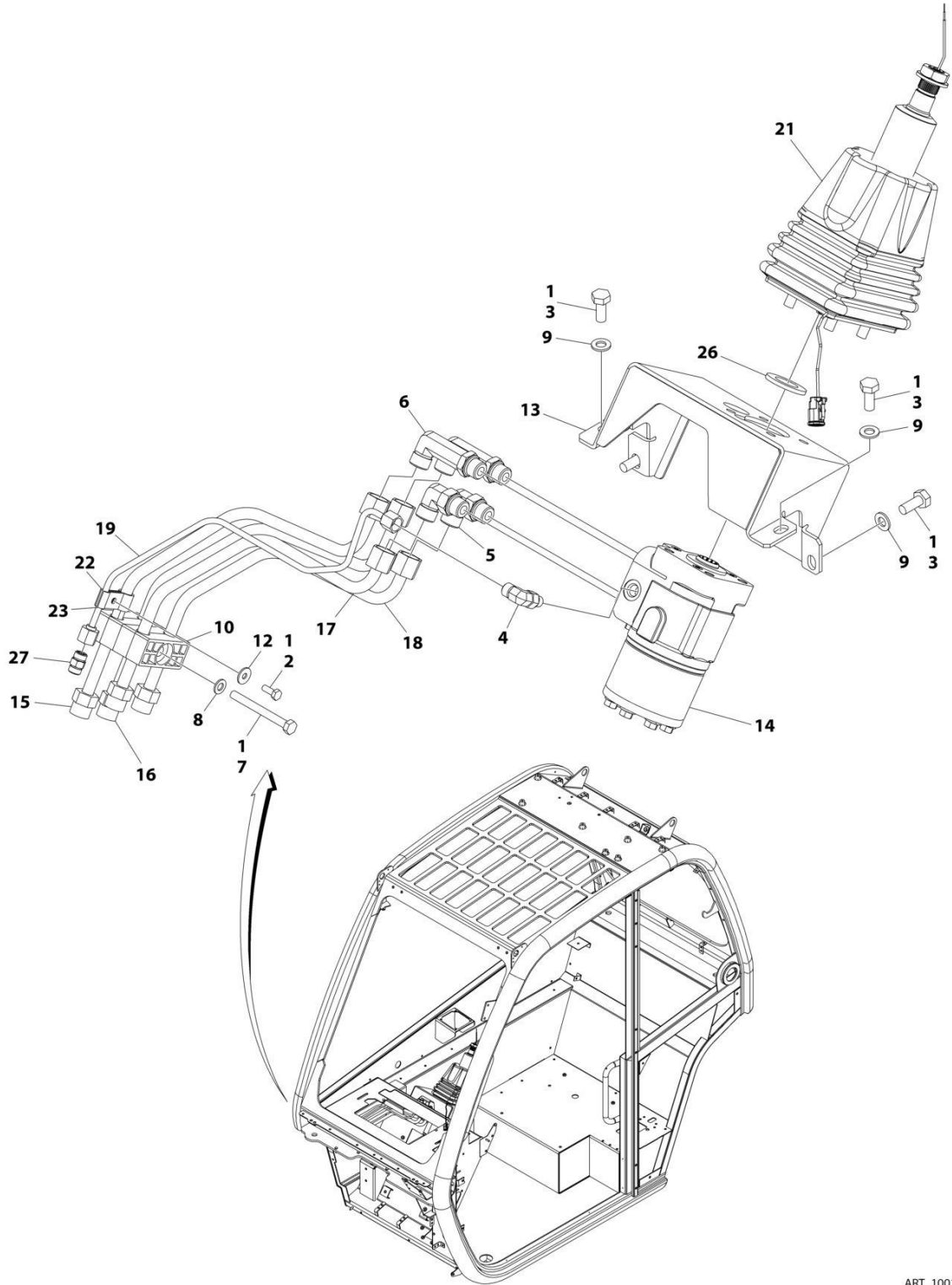
## SECTION 7 - CONTROLS

### FIGURE 7-12. OUTRIGGER SWITCHES INSTALLATION

ITEM	PART NUMBER	QTY	DESCRIPTION	REV
	1001174478	Ref	Outrigger Switches Installation	C
1	0760304	4	Bolt, M3X8 GR8.8	
2	1001110544	4	Washer, M3	
3	1001242098	2	Control, Fingertip Joystick	

# SECTION 7 - CONTROLS

## FIGURE 7-13. STEERING COLUMN INSTALLATION



ART\_1001155307\_G

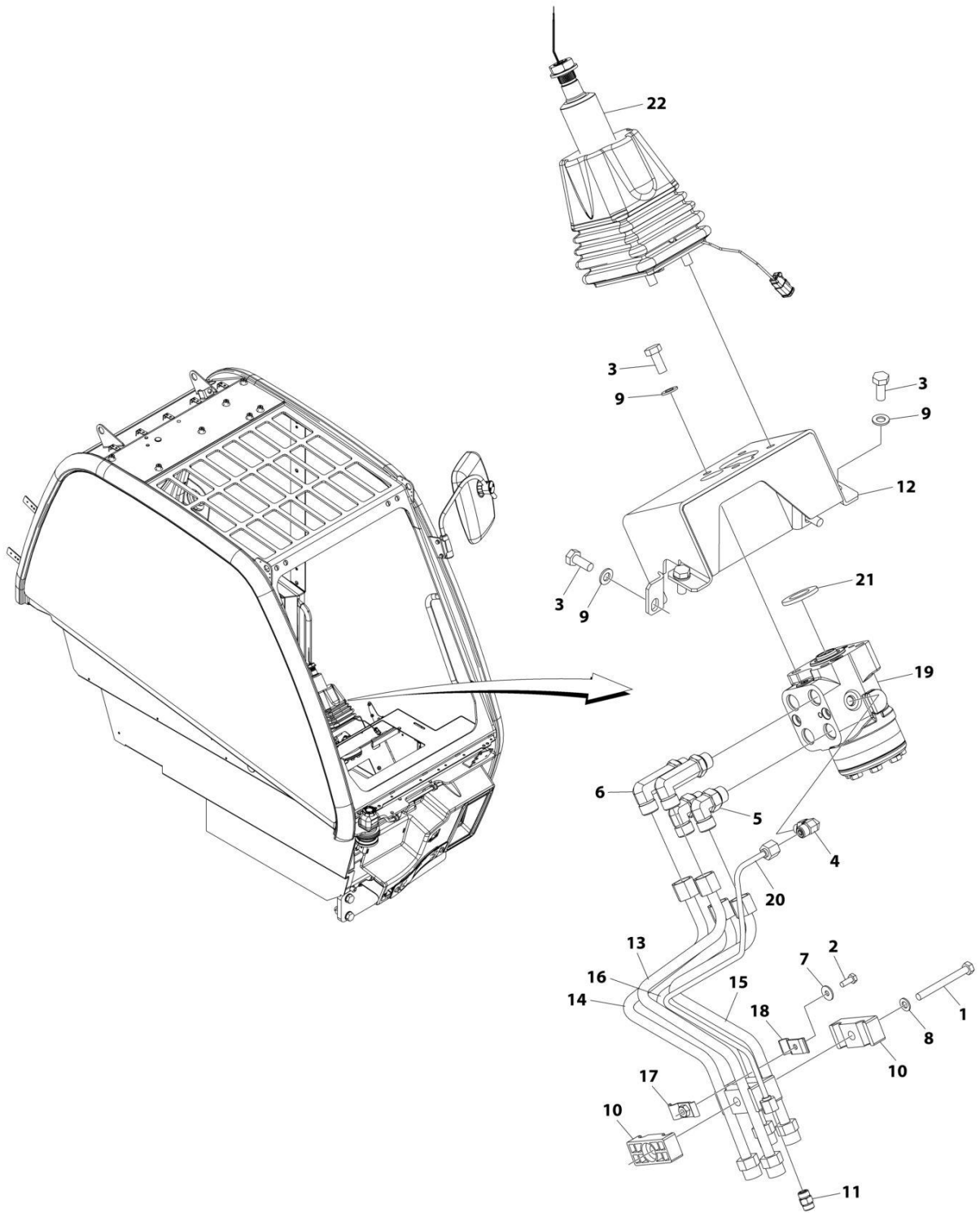
## SECTION 7 - CONTROLS

**FIGURE 7-13. STEERING COLUMN INSTALLATION**

ITEM	PART NUMBER	QTY	DESCRIPTION	REV
	1001155307	Ref	Steering Column Installation	G
1	1001095650	AR	Compound, Locking	
2	0760608	1	Bolt, M6X16	
3	0761012	8	Bolt, M10X25	
4	2130404	1	Fitting, 90 ORFS	
5	2130808	2	Fitting, 90 ORFS	
6	2170208	2	Fitting, 90 ORFS	
7	0700824	1	Bolt, M8X80	
8	4811900	1	Washer, M8	
9	4812000	8	Washer, M10	
10	1001004640	4	Clamp	
12	4811702	1	Washer, M6	
13	1001156265	1	Cab, Steering Column Support	
14	1001158527	1	Valve, Steering (See Separate Breakdown in HYDRAULIC COMPONENTS Section)	
15	1001161672	1	Pipe	
16	1001161896	1	Pipe	
17	1001161897	1	Pipe	
18	1001161898	1	Pipe	
19	1001162979	1	Pipe	
21	1001256952	1	Column, Steering	
22	1001168142	1	Bracket	
23	1001168151	1	Bracket	
26	1001214480	1	Washer	
27	1001143857	1	Adaptor	

# SECTION 7 - CONTROLS

## FIGURE 7-14. EMERGENCY STEERING COLUMN INSTALLATION



ART\_1001221749\_B

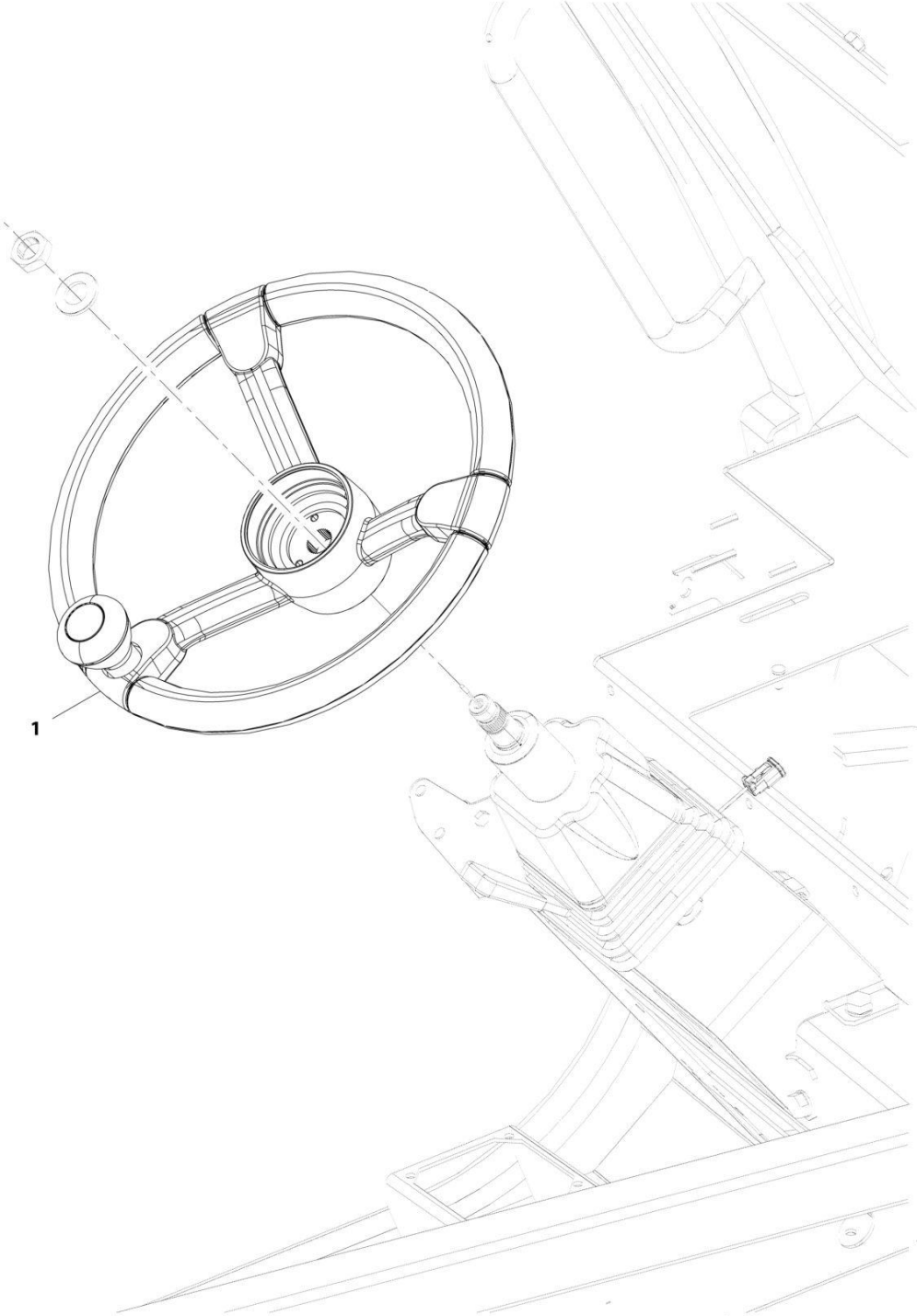
## SECTION 7 - CONTROLS

**FIGURE 7-14. EMERGENCY STEERING COLUMN INSTALLATION**

ITEM	PART NUMBER	QTY	DESCRIPTION	REV
	1001221749	Ref	Emergency Steering Column Installation	B
1	0700824	1	Bolt, M8X80	
2	0760608	1	Bolt, M6X16	
3	0761012	8	Bolt, M10X25	
4	2130404	1	Fitting, 90 ORFS	
5	2130808	2	Fitting, 90 ORFS	
6	2170208	2	Fitting, 90 ORFS	
7	4811702	1	Washer, M6	
8	4811900	1	Washer, M8	
9	4812000	8	Washer, M10	
10	1001004640	4	Clamp	
11	1001143857	1	Adapter	
12	1001156265	1	Cab, Steering Column Support	
13	1001161672	1	Pipe	
14	1001161896	1	Pipe	
15	1001161897	1	Pipe	
16	1001161898	1	Pipe	
17	1001168142	1	Bracket	
18	1001168151	1	Bracket	
19	1001178670	1	Valve, Steering (See Separate Breakdown in HYDRAULIC COMPONENTS Section)	
20	1001194282	1	Pipe	
21	1001214480	1	Washer	
22	1001256952	1	Column, Steering	

**SECTION 7 - CONTROLS**

**FIGURE 7-15. STEERING WHEEL INSTALLATION**



ART\_1001169751-C



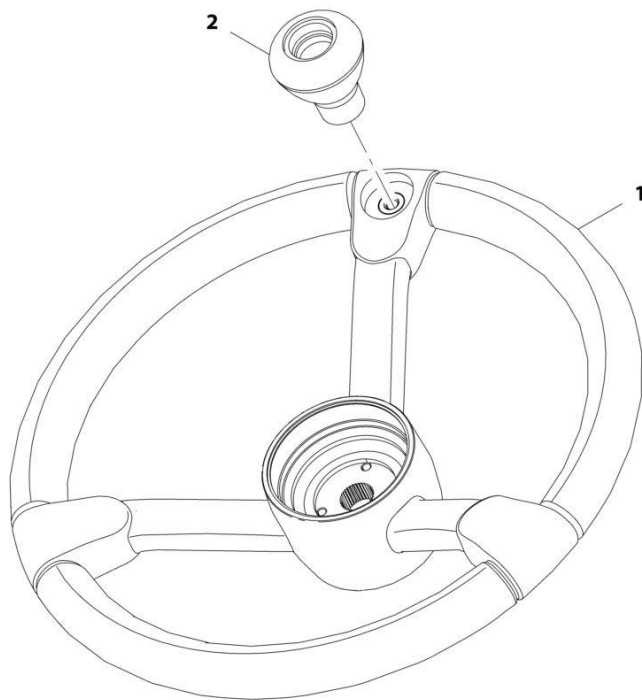
## SECTION 7 - CONTROLS

**FIGURE 7-15. STEERING WHEEL INSTALLATION**

ITEM	PART NUMBER	QTY	DESCRIPTION	REV
1	1001169751 1001169354	Ref 1	Steering Wheel Installation Wheel, Steering (See Separate Breakdown in this Section)	C

# SECTION 7 - CONTROLS

## FIGURE 7-16. STEERING WHEEL



ART\_1001169354-D

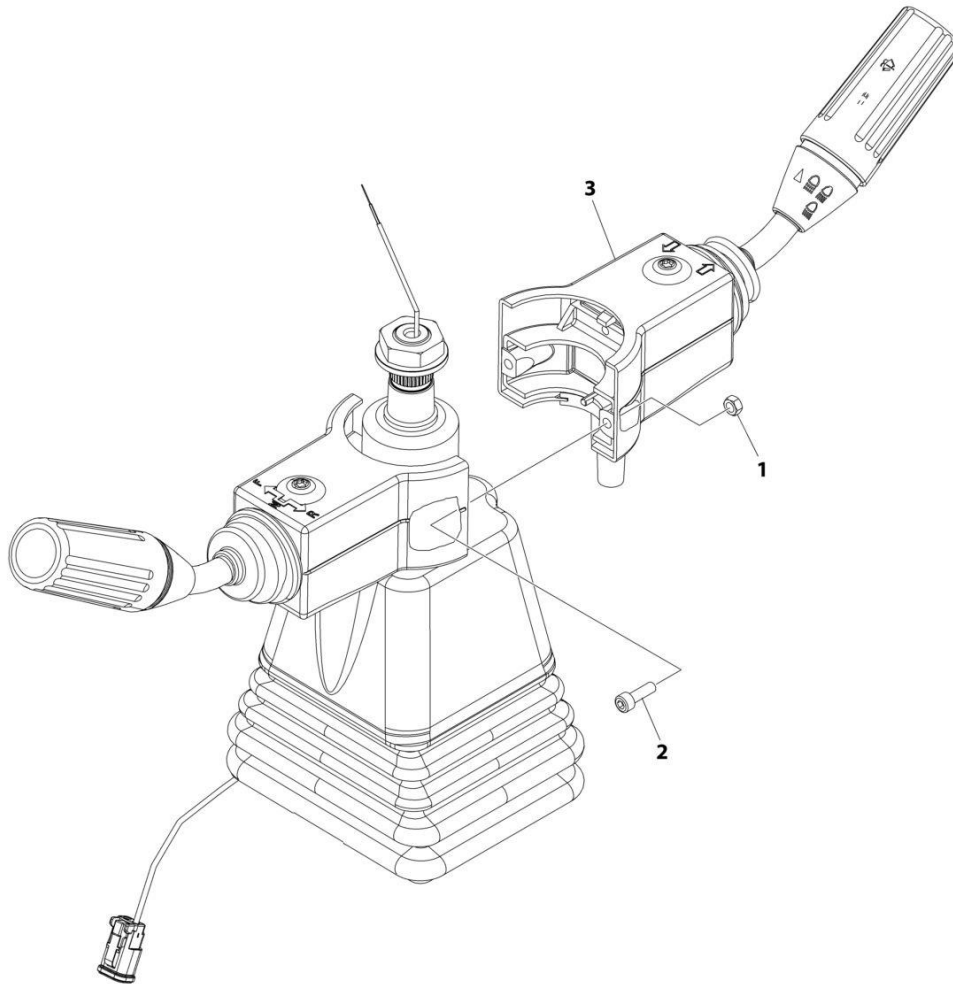
## SECTION 7 - CONTROLS

### FIGURE 7-16. STEERING WHEEL

ITEM	PART NUMBER	QTY	DESCRIPTION	REV
	1001169354	Ref	Steering Wheel	D
1	1001169367	1	Wheel, Steering	
2	1001169355	1	Handle, Steer Spinner	

# SECTION 7 - CONTROLS

## FIGURE 7-17. WIPER-TURN SWITCH



ART\_1001257071

## SECTION 7 - CONTROLS

### FIGURE 7-17. WIPER-TURN SWITCH

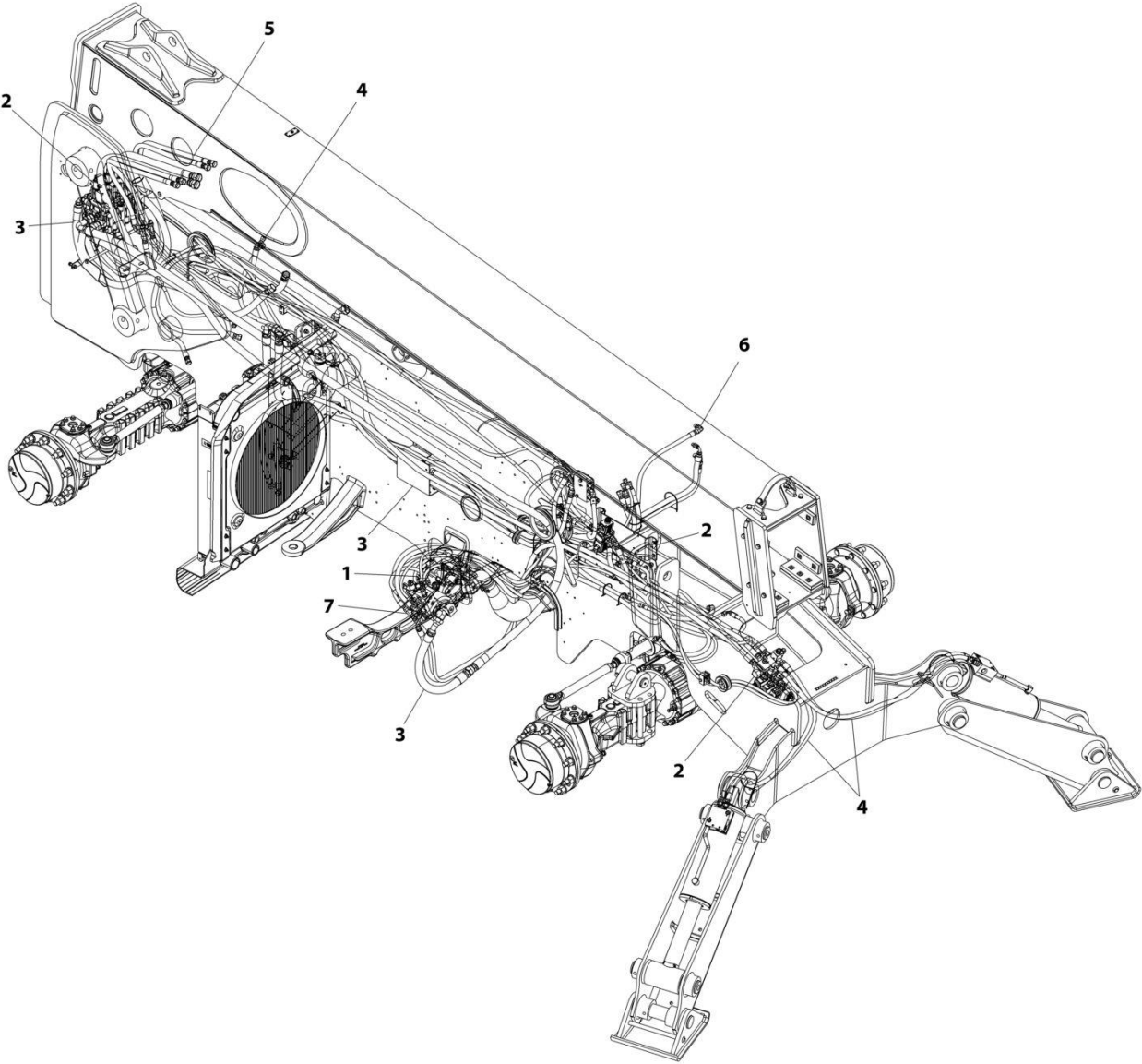
ITEM	PART NUMBER	QTY	DESCRIPTION	REV
	1001257071	Ref	Wiper-Turn Switch Installation	B
1	3290505	2	Nut, Lock M5	
2	4031607	2	Capscrew M5 x 16	
3	1001256974	1	Switch, Turn-Wiper	



**SECTION 8 - HYDRAULIC CIRCUITS**

# SECTION 8 - HYDRAULIC CIRCUITS

FIGURE 8-1. MAIN HYDRAULIC INSTALLATION (OUTRIGGERS)



ART\_1001227386\_B



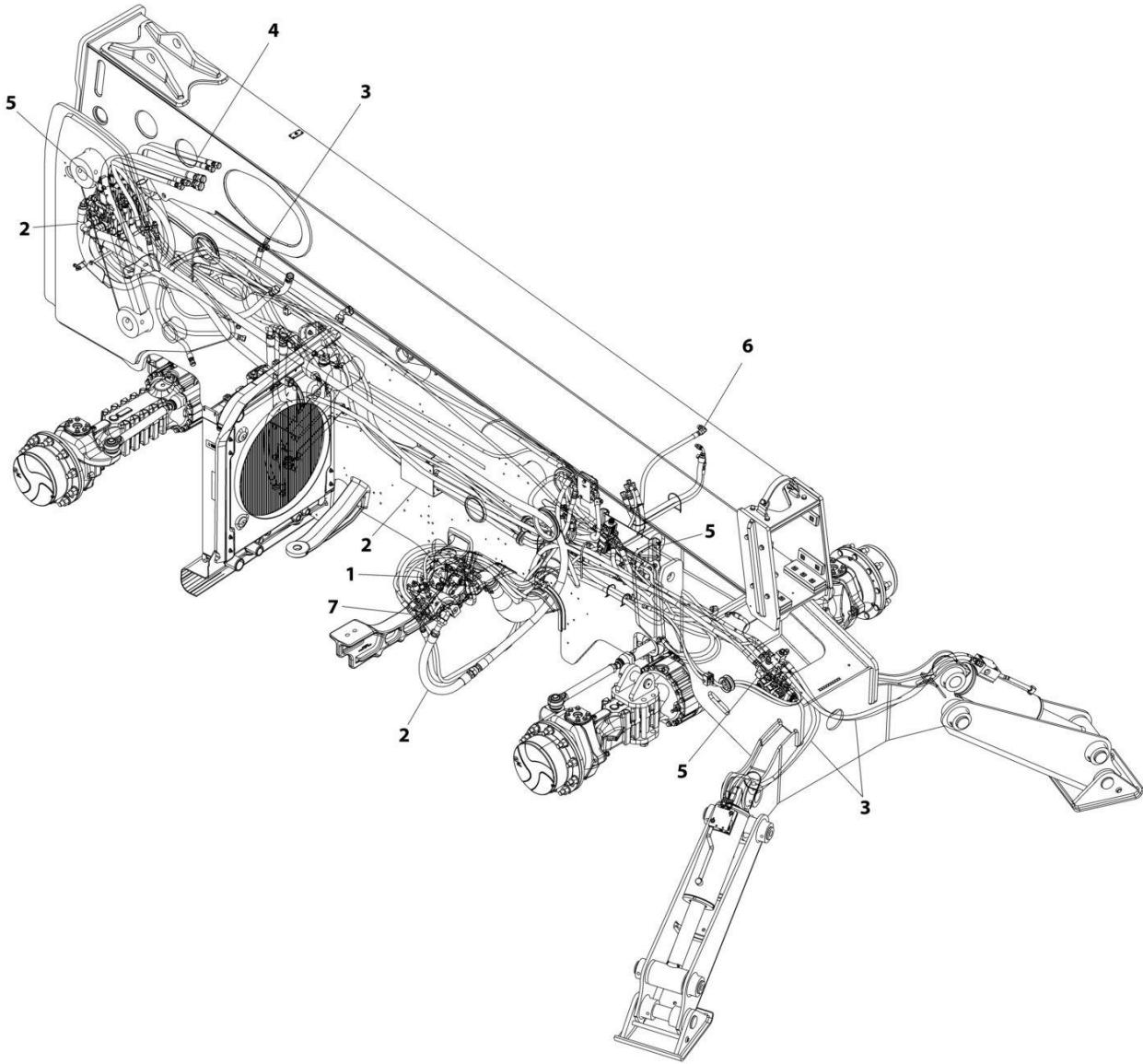
## SECTION 8 - HYDRAULIC CIRCUITS

**FIGURE 8-1. MAIN HYDRAULIC INSTALLATION (OUTRIGGERS)**

ITEM	PART NUMBER	QTY	DESCRIPTION	REV
1	1001227386	Ref	Main Hydraulic Installation (Outriggers)	B
	1001162670	Ref	Installation, Piston Pump (See Separate Breakdown in this Section)	
2	1001225749	Ref	Installation, Valve (See Separate Breakdown in this Section)	
3	1001227497	Ref	Installation, Main Hydraulics (See Separate Breakdown in this Section)	
4	1001168469	Ref	Installation, Frame Level Hydraulics (See Separate Breakdown in this Section)	
5	1001170100	Ref	Installation, Boom Hydraulic (See Separate Breakdown in this Section)	
6	1001175789	Ref	Installation, Cab Hydraulics (See Separate Breakdown in this Section)	
7	1001161308	Ref	Installation, Priority Manifold Valve (See Separate Breakdown in this Section)	

# SECTION 8 - HYDRAULIC CIRCUITS

FIGURE 8-2. MAIN HYDRAULIC INSTALLATION, EMERGENCY STEERING (OUTRIGGERS)



ART\_1001227388\_B

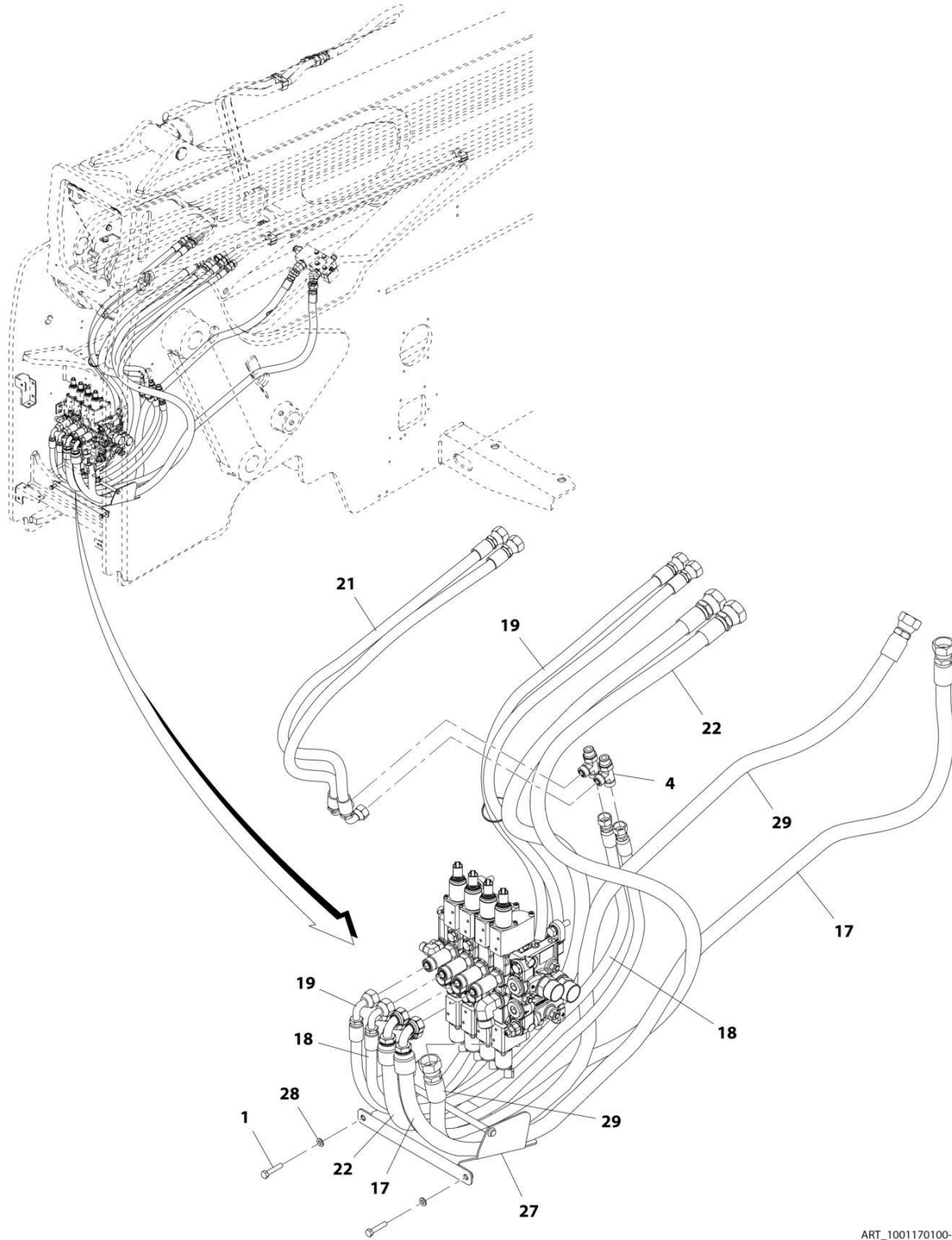
## SECTION 8 - HYDRAULIC CIRCUITS

**FIGURE 8-2. MAIN HYDRAULIC INSTALLATION, EMERGENCY STEERING (OUTRIGGERS)**

ITEM	PART NUMBER	QTY	DESCRIPTION	REV
1	1001227388	Ref	Main Hydraulic Installation, Emergency Steering (Outriggers)	B
	1001162670	Ref	Installation, Piston Pump (See Separate Breakdown in this Section)	
2	1001227497	Ref	Installation, Hydraulic Lines (74HP) (See Separate Breakdown in this Section)	
3	1001168469	Ref	Installation, Frame Level Hydraulics (Outriggers) (See Separate Breakdown in this Section)	
4	1001170100	Ref	Installation, Boom Hydraulic (See Separate Breakdown in this Section)	
5	1001225749	Ref	Installation, Valve (See Separate Breakdown in this Section)	
6	1001226575	Ref	Installation, Cab Hydraulic, Emergency Steering (See Separate Breakdown in this Section)	
7	1001161308	Ref	Installation, Priority Manifold Valve (See Separate Breakdown in this Section)	

# SECTION 8 - HYDRAULIC CIRCUITS

## FIGURE 8-3. BOOM HYDRAULIC INSTALLATION



ART\_1001170100-I

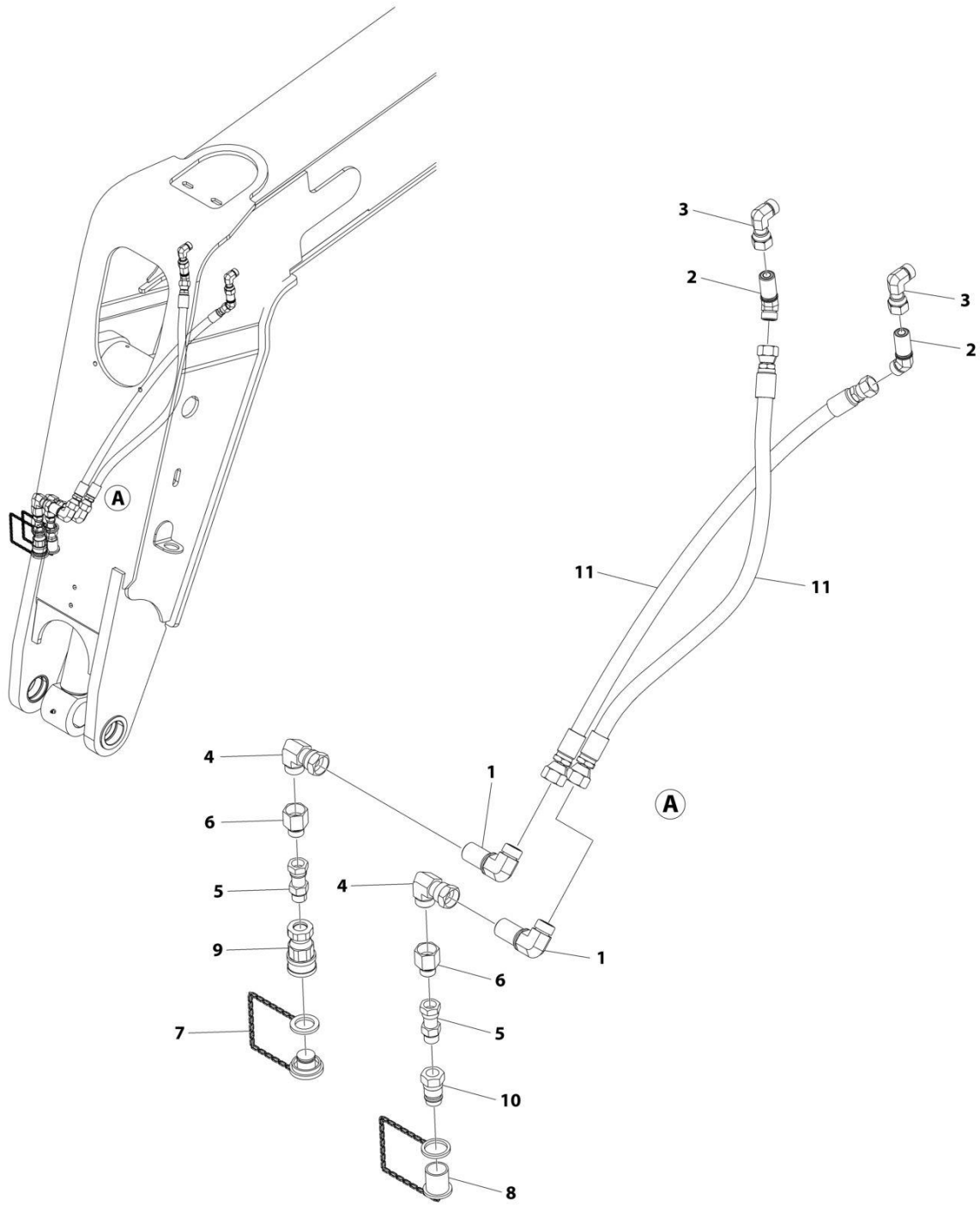
## SECTION 8 - HYDRAULIC CIRCUITS

### FIGURE 8-3. BOOM HYDRAULIC INSTALLATION

ITEM	PART NUMBER	QTY	DESCRIPTION	REV
	1001170100	Ref	Boom Hydraulic Installation, Emergency Steering	I
1	0700816	2	Bolt, M8X40	
4	2170308	2	Fitting, Tee ORFS	
17	1001169375	1	Hose	
18	1001188637	2	Hose	
19	1001169378	2	Hose	
21	1001175718	1	Hose	
22	1001169376	2	Hose	
27	1001193771	1	Channel, Boom Hose	
28	4811900	2	Washer, M8	
29	1001195217	1	Hose	

# SECTION 8 - HYDRAULIC CIRCUITS

## FIGURE 8-4. BOOM AUXILIARY HYDRAULICS



ART\_1001286329

## SECTION 8 - HYDRAULIC CIRCUITS

### FIGURE 8-4. BOOM AUXILIARY HYDRAULICS

ITEM	PART NUMBER	QTY	DESCRIPTION	REV
	1001286329	Ref	BOOM AUXILIARY HYDRAULICS INSTALLATION	A
1	2171210	2	Fitting, 90 with Lock Nut	
2	2171308	2	Fitting, 45 ORFS	
3	2172108	2	Fitting, 90 ORFS	
4	2172110	2	Fitting, 90 ORFS	
5	2180849	2	Fitting, Straight	
6	8770296	2	Fitting, Straight	
7	91043125	1	Plug	
8	91043126	1	Cap	
9	91403413	1	Fitting, Straight	
10	91403414	1	Fitting, Straight	
11	1001286468	2	Hose	





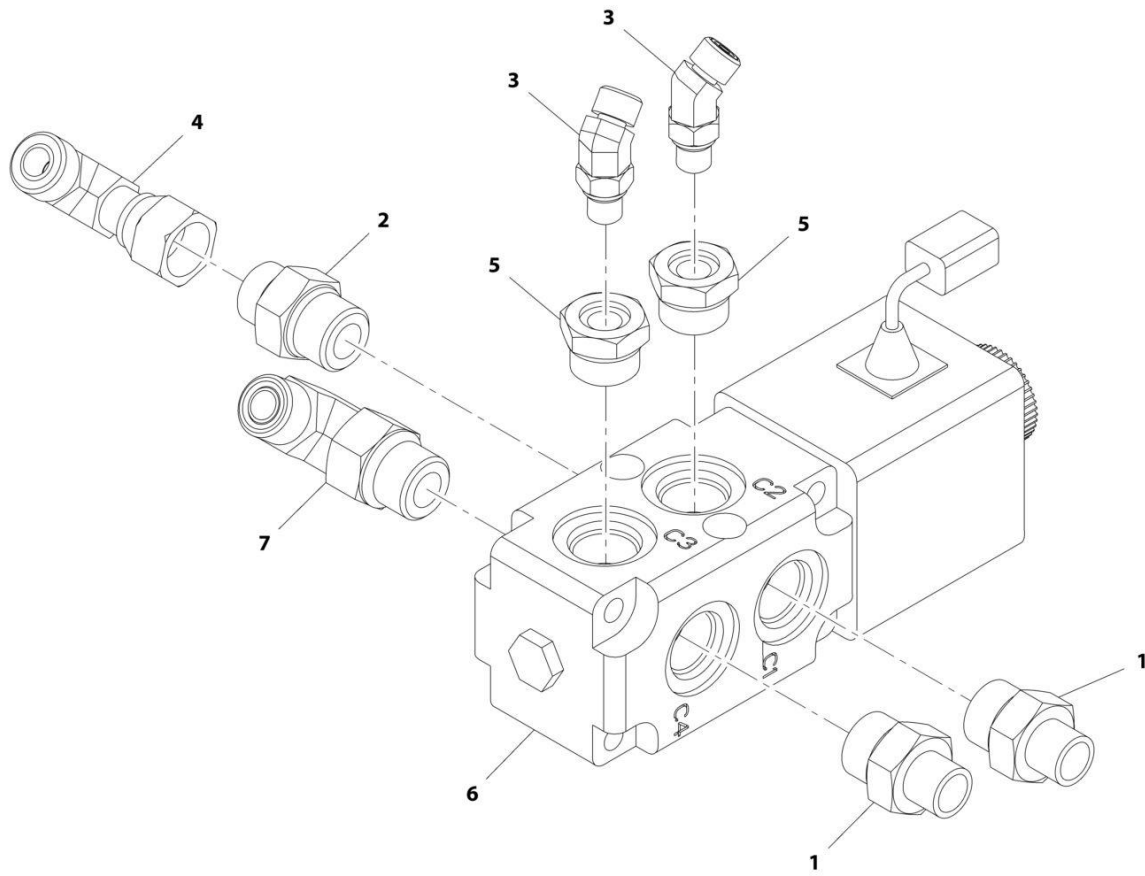
## SECTION 8 - HYDRAULIC CIRCUITS

**FIGURE 8-5. BOOM AUXILIARY HYDRAULICS (HYDRAULIC COUPLER)**

ITEM	PART NUMBER	QTY	DESCRIPTION	REV
	1001286330	Ref	BOOM AUXILIARY HYDRAULICS (HYDRAULIC COUPLER) INSTALLATION	A
1	0701016	2	Bolt M10 x 40	
2	0761012	2	Bolt M10 x 25	
3	0761212	2	Bolt M12 x 25	
4	2171210	2	Fitting, with Lock Nut	
5	2171308	2	Fitting, 45°	
6	2172110	2	Fitting, 90°	
7	2180849	2	Fitting, Straight	
8	3291005	4	Nut, Lock M10	
9	4031918	2	Bolt M8 x 70	
10	4240099	AR	Tie Strap (Not Shown)	
11	4812000	4	Washer M10	
12	8770296	2	Fitting, Straight	
13	91043125	1	Plug	
14	91043126	1	Cap	
15	91403413	1	Fitting, Straight	
16	91403414	1	Fitting, Straight	
17	1001080375	1	Switch, Quick	
18	1001080996	2	Clamp	
19	1001125117	2	Washer M12	
20	1001164870	1	Plate	
21	1001189299	1	Hose	
22	1001189308	1	Hose	
23	1001189663	1	Assembly, Valve Quick Coupler (See Separate Breakdown in this Section)	
24	1001210340	2	Hose	
25	1001286468	2	Hose	
26	1001289855	1	Bracket	

# SECTION 8 - HYDRAULIC CIRCUITS

## FIGURE 8-6. QUICK COUPLER VALVE ASSEMBLY



ART\_1001189663-C

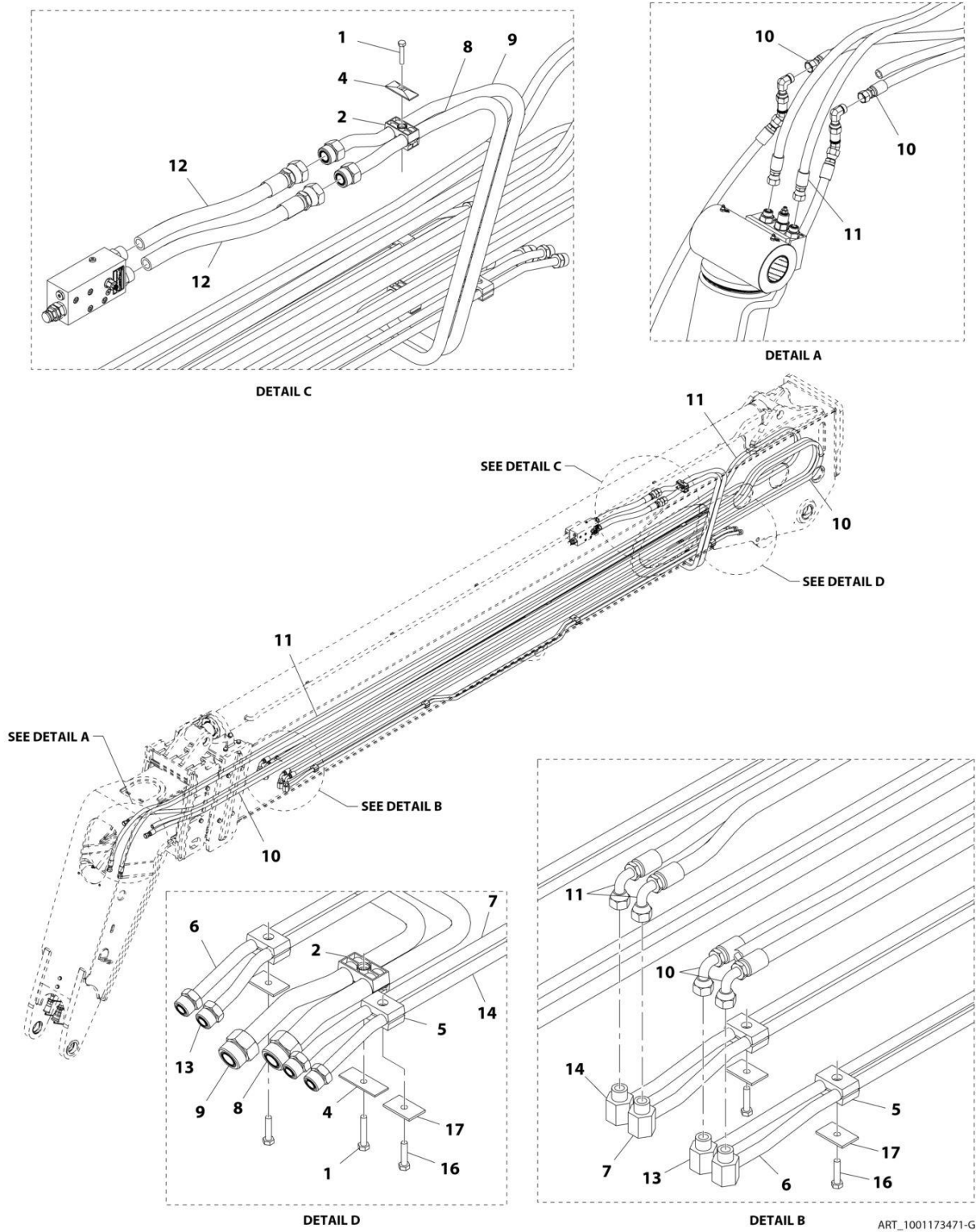
## SECTION 8 - HYDRAULIC CIRCUITS

### FIGURE 8-6. QUICK COUPLER VALVE ASSEMBLY

ITEM	PART NUMBER	QTY	DESCRIPTION	REV
	1001189663	Ref	Quick Coupler Valve Assembly	C
1	2110610	2	Fitting, Straight ORFS	
2	2110810	1	Fitting, Straight ORFS	
3	2150404	2	Fitting, 45 ORFS	
4	2172108	1	Fitting, 90 ORFS	
5	1001001568	2	Reducer	
6	1001104477	1	Valve, Quick Coupler (See Separate Breakdown in HYDRAULIC COMPONENTS Section)	
7	2130810	1	Fitting, 90 ORFS	

# SECTION 8 - HYDRAULIC CIRCUITS

## FIGURE 8-7. BOOM HYDRAULIC TUBES INSTALLATION



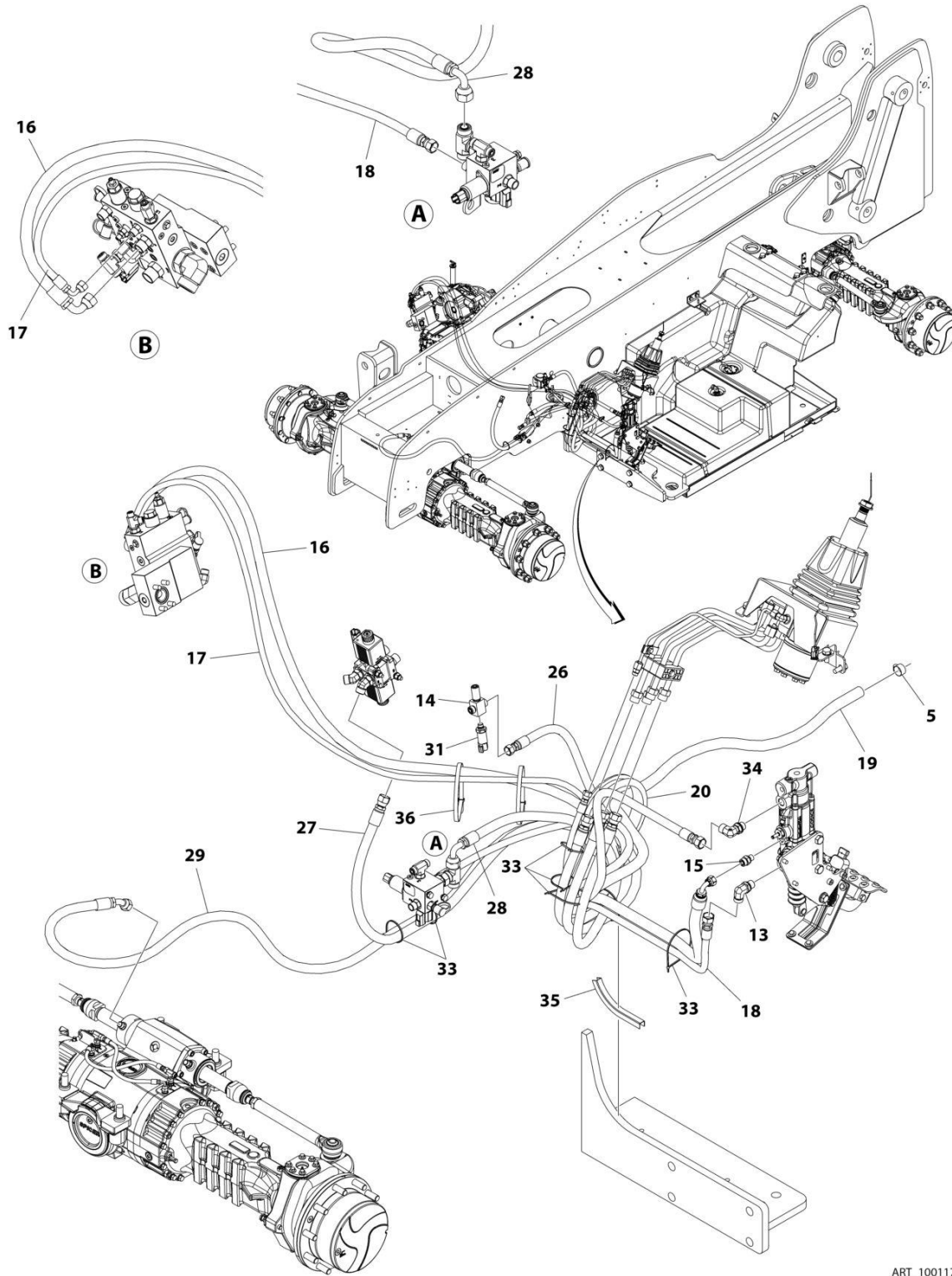
## SECTION 8 - HYDRAULIC CIRCUITS

**FIGURE 8-7. BOOM HYDRAULIC TUBES INSTALLATION**

ITEM	PART NUMBER	QTY	DESCRIPTION	REV
	1001173471	Ref	Boom Hydraulic Tubes Installation	G
1	0700817	2	Bolt, M8X45	
2	1321329	2	Clamp	
4	77133137	2	Plate, Cover	
5	77133139	8	Clamp	
6	1001162339	1	Tube	
7	1001162346	1	Tube	
8	1001162365	1	Tube	
9	1001162366	1	Tube	
10	1001163072	1	Hose	
11	1001163073	1	Hose	
12	1001170549	2	Hose	
13	1001173956	1	Tube	
14	1001173957	1	Tube	
16	0760815	8	Bolt, M8X35	
17	77133140	8	Plate, Cover	

# SECTION 8 - HYDRAULIC CIRCUITS

## FIGURE 8-8. CAB HYDRAULIC INSTALLATION



ART\_1001175789\_I

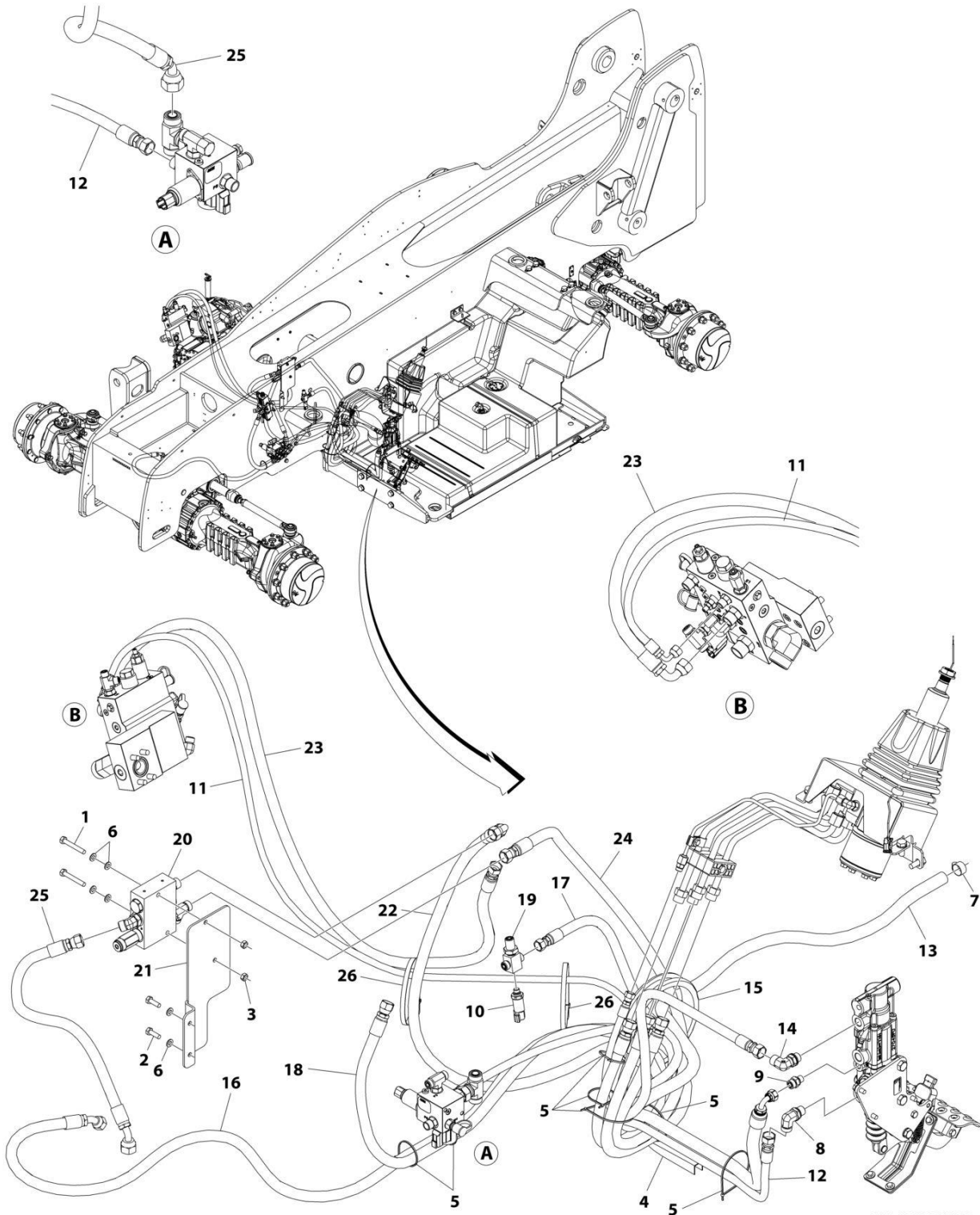
## SECTION 8 - HYDRAULIC CIRCUITS

**FIGURE 8-8. CAB HYDRAULIC INSTALLATION**

ITEM	PART NUMBER	QTY	DESCRIPTION	REV
	1001175789	Ref	Cab Hydraulic Installation	1
5	8405006	1	Clamp, Gear	
13	8770120	1	Fitting, 90 ORFS	
14	1001205756	1	Adapter	
15	80233218	1	Fitting, Straight ORFS	
16	1001253154	1	Hose	
17	1001253097	1	Hose	
18	1001253103	1	Hose	
19	1001161528	1	Hose	
20	1001169830	1	Grommet	
26	1001203067	1	Hose	
27	1001204152	1	Hose	
28	1001253156	1	Hose	
29	1001175713	1	Hose	
31	1001147340	1	Sensor, Pressure Transducer	
33	4240099	AR	Tie, Wire	
34	1001168054	1	Fitting, 90 ORFS	
35	4060919	230 mm	Trim, Hose Protection	
36	1001158298	2	Strap, Tie	

# SECTION 8 - HYDRAULIC CIRCUITS

## FIGURE 8-9. CAB HYDRAULIC INSTALLATION, EMERGENCY STEERING



ART\_1001226575\_B



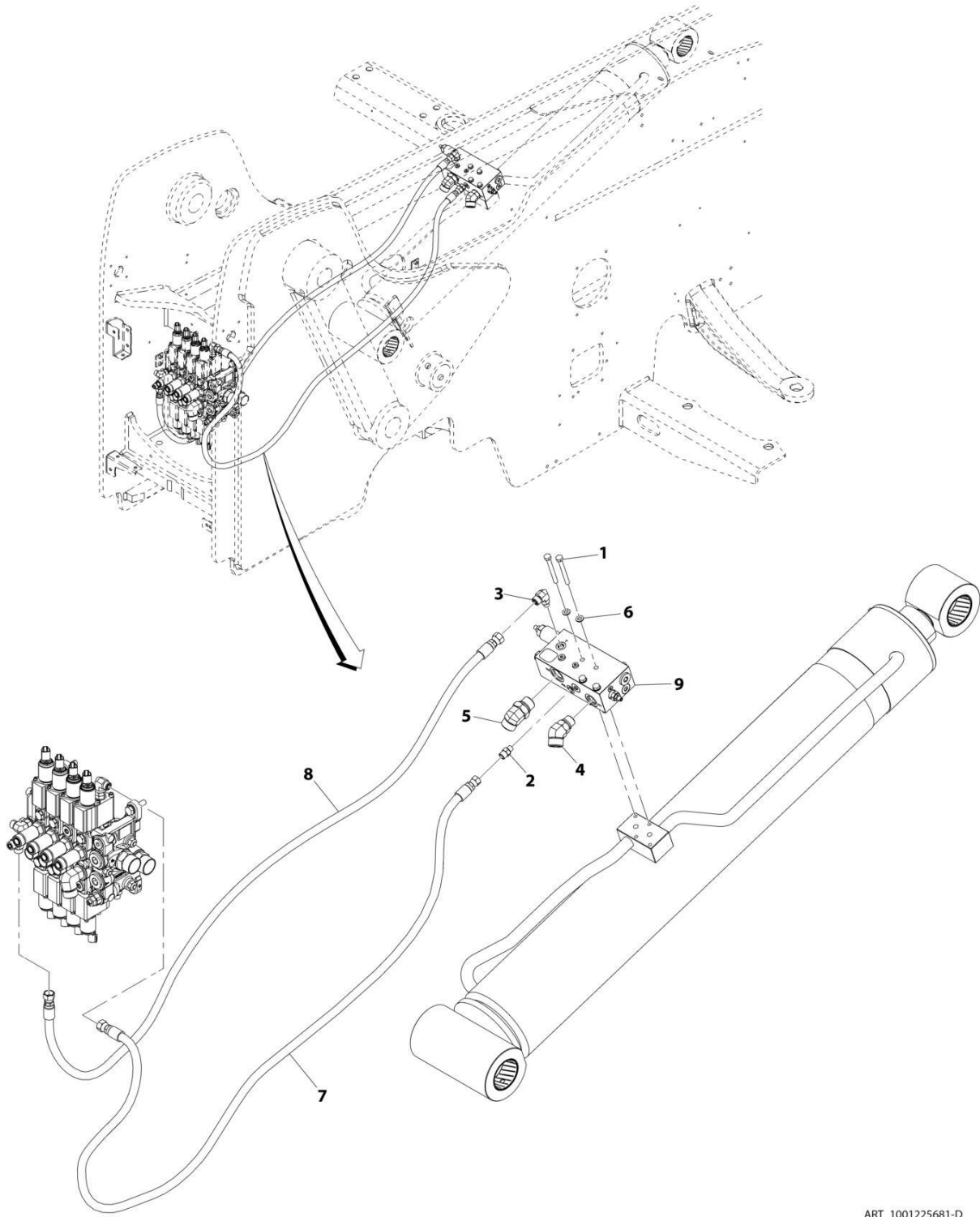
## SECTION 8 - HYDRAULIC CIRCUITS

**FIGURE 8-9. CAB HYDRAULIC INSTALLATION, EMERGENCY STEERING**

ITEM	PART NUMBER	QTY	DESCRIPTION	REV
	1001226575	Ref	Cab Hydraulic Installation, Emergency Steering (Outriggers)	B
1	0700819	2	Bolt, M8X55	
2	0760812	2	Bolt, M8X25	
3	3290801	2	Nut, M8X1.25	
4	4060919	230 mm	Trim, Hose Protection	
5	4240099	AR	Tie, Wire	
6	4811900	6	Washer, M8	
7	8405006	1	Clamp, Gear	
8	8770120	1	Fitting, 90 ORFS	
9	80233218	1	Fitting, Straight ORFS	
10	1001147340	1	Sensor, Pressure Transducer	
11	1001253097	1	Hose	
12	1001253103	1	Hose	
13	1001161528	1	Hose	
14	1001168054	1	Fitting, 90 ORFS	
15	1001169830	1	Grommet	
16	1001175713	1	Hose	
17	1001203067	1	Hose	
18	1001204152	1	Hose	
19	1001205756	1	Adapter	
20	1001219191	1	Emergency Steering Manifold Installation (See Separate Breakdown in this Section)	
21	1001221520	1	Bracket, Emergency Steer Manifold	
22	1001221527	1	Hose	
23	1001253158	1	Hose	
24	1001221742	1	Hose	
25	1001253155	1	Hose	
26	1001158298	2	Strap, Tie	

# SECTION 8 - HYDRAULIC CIRCUITS

## FIGURE 8-10. COUNTERBALANCE VALVE INSTALLATION (LIFT - GLS NO RIDE CONTROL)



ART\_1001225681-D

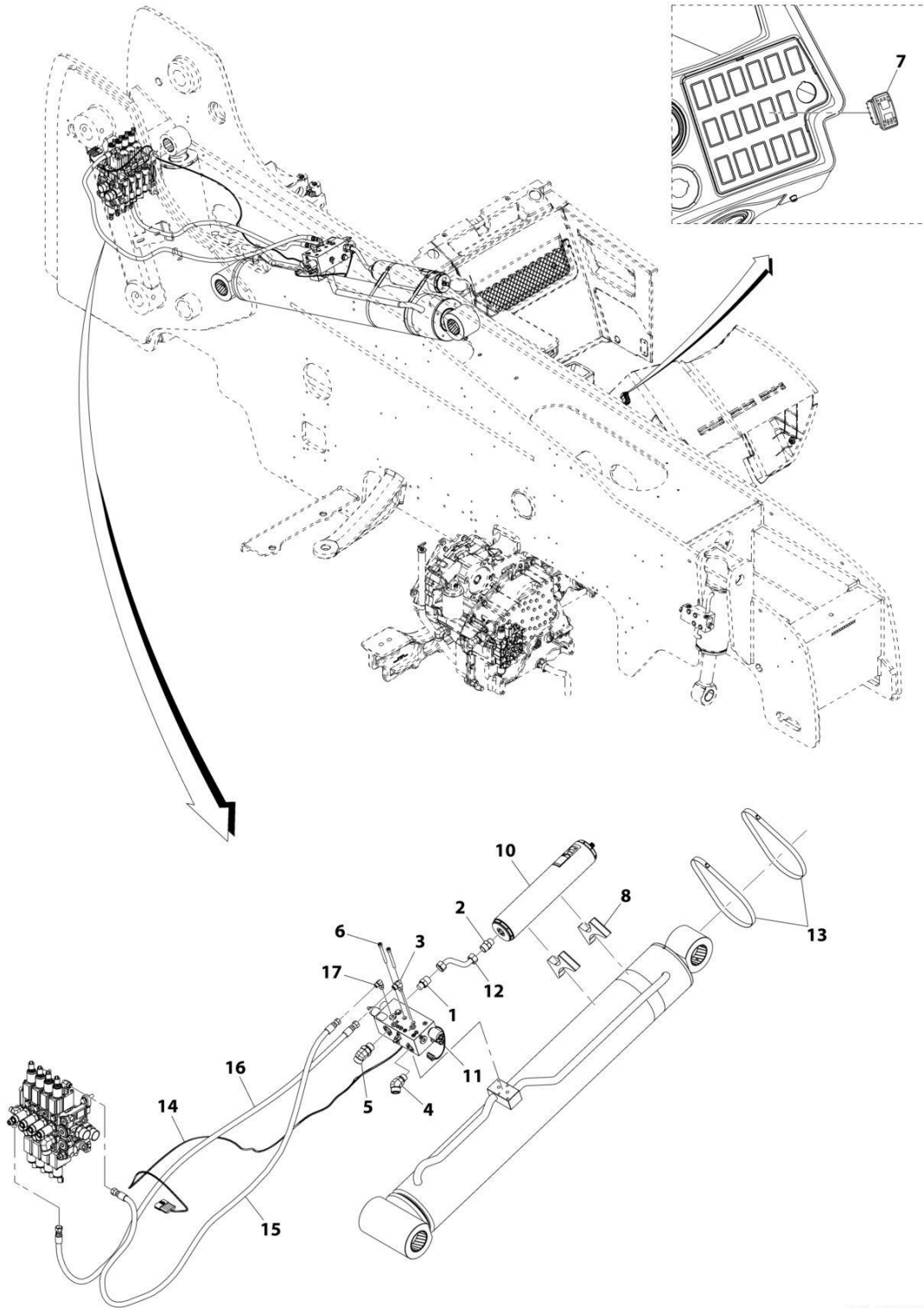
## SECTION 8 - HYDRAULIC CIRCUITS

**FIGURE 8-10. COUNTERBALANCE VALVE INSTALLATION (LIFT - GLS NO RIDE CONTROL)**

ITEM	PART NUMBER	QTY	DESCRIPTION	REV
	1001225681	Ref	Counterbalance Valve Installation (Lift - PGLS No Ride Control)	D
1	0700823	4	Bolt, M8X75	
2	2110404	1	Fitting, Straight ORFS	
3	2130604	1	Fitting, 90 ORFS	
4	2151210	1	Fitting, 45 ORFS	
5	2151212	1	Fitting, 45 ORFS	
6	4811900	4	Washer, M8	
7	1001225462	1	Hose	
8	1001225464	1	Hose	
9	1001226035	1	Valve, Counterbalance (Note: Sold as Complete Assembly Only)	
9A	70028453	2	O-Ring (Between Valve & Cylinder) (Not Shown)	

# SECTION 8 - HYDRAULIC CIRCUITS

## FIGURE 8-11. COUNTERBALANCE VALVE HYDRAULIC LINES (LIFT - RIDE CONTROL)



ART\_1001225682-F

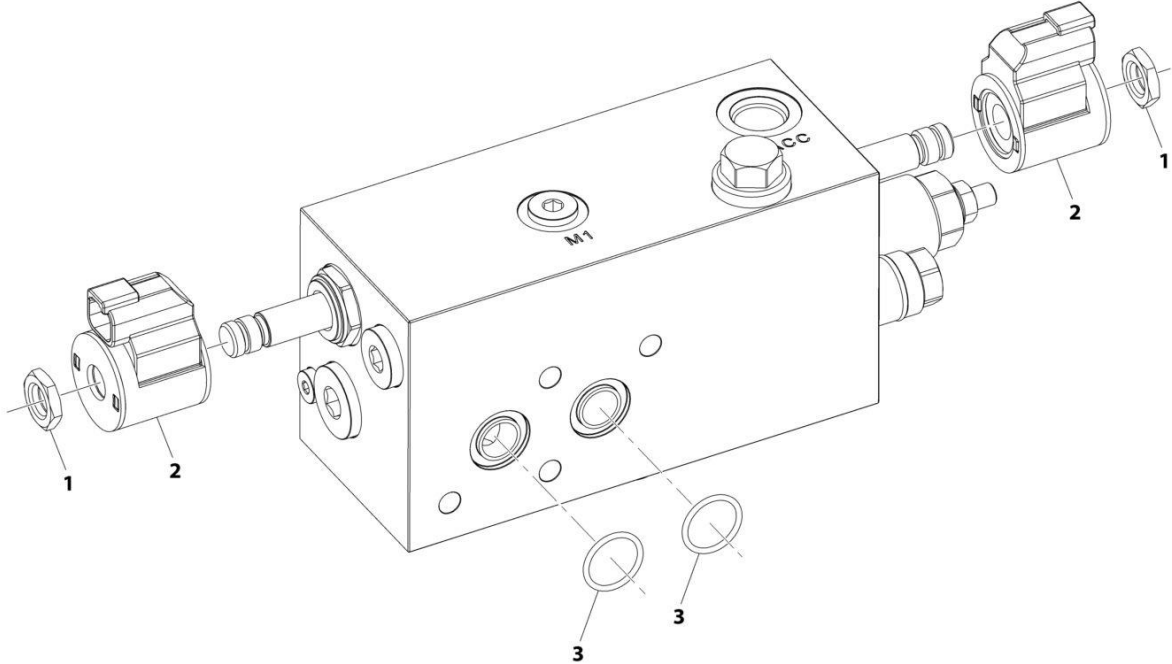
## SECTION 8 - HYDRAULIC CIRCUITS

**FIGURE 8-11. COUNTERBALANCE VALVE HYDRAULIC LINES (LIFT - RIDE CONTROL)**

ITEM	PART NUMBER	QTY	DESCRIPTION	REV
	1001225682	Ref	Counterbalance Valve Installation (Lift - Ride Control)	F
1	2111008	1	Fitting, Straight ORFS	
2	2111010	1	Fitting, Straight ORFS	
3	2130604	1	Fitting, 90 ORFS	
4	2151210	1	Fitting, 45 ORFS	
5	2151212	1	Fitting, 45 ORFS	
6	4031921	4	Bolt, M8X85	
7	1001159745	1	Switch, Boom Ride	
8	1001175741	2	Bumper, Cylinder Saddle	
10	1001192435	1	Cylinder, Piston	
11	1001227056	1	Line, Counterbalance Valve (Lift - Ride Control) (See Separate Breakdown in this Section)	
12	1001227137	1	Pipe, Ride Control	
13	1001095396	2	Clamp	
14	1001175677	1	Installation, Ride Control CB Valve Harness (Lift) (See Separate Breakdown in Electrical Section)	
15	1001225462	1	Hose	
16	1001225464	1	Hose	
17	2130404	1	Fitting, 90 ORFS	

**SECTION 8 - HYDRAULIC CIRCUITS**

**FIGURE 8-12. COUNTERBALANCE VALVE HYDRAULIC LINES (LIFT - RIDE CONTROL)**



ART\_1001227056-D

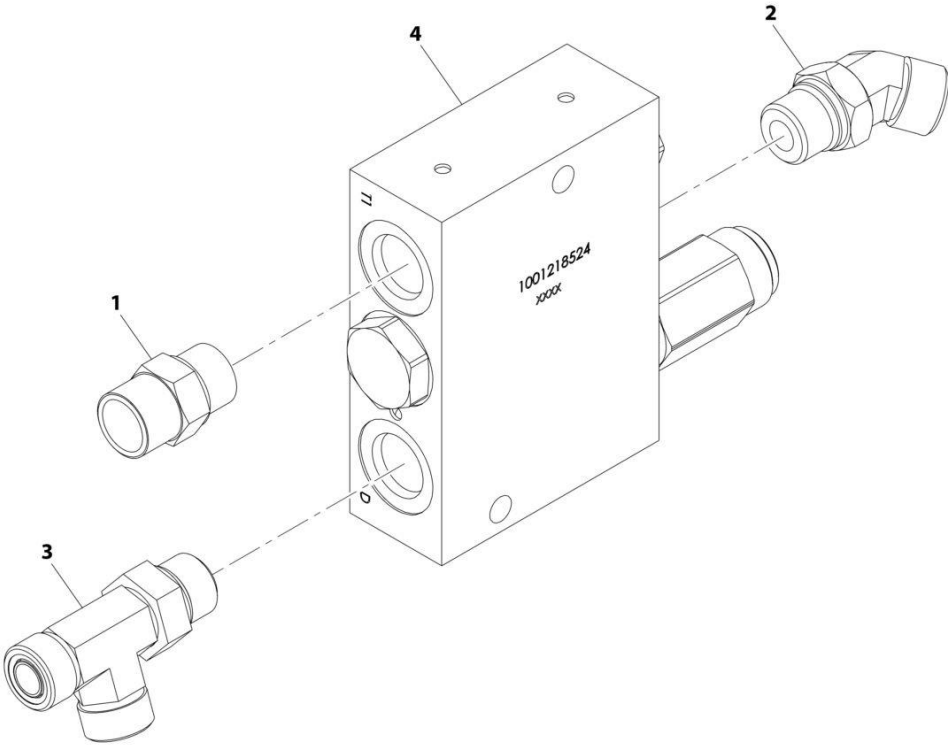
## SECTION 8 - HYDRAULIC CIRCUITS

**FIGURE 8-12. COUNTERBALANCE VALVE HYDRAULIC LINES (LIFT - RIDE CONTROL)**

ITEM	PART NUMBER	QTY	DESCRIPTION	REV
	1001227056	Ref	Counterbalance Valve Hydraulic Lines (Lift - Ride Control)	D
1	7022390	2	Nut	
2	70028281	2	Coil	
3	70028453	2	O-Ring	

# SECTION 8 - HYDRAULIC CIRCUITS

FIGURE 8-13. EMERGENCY STEERING MANIFOLD & FITTINGS ASSEMBLY



ART\_1001219191-A



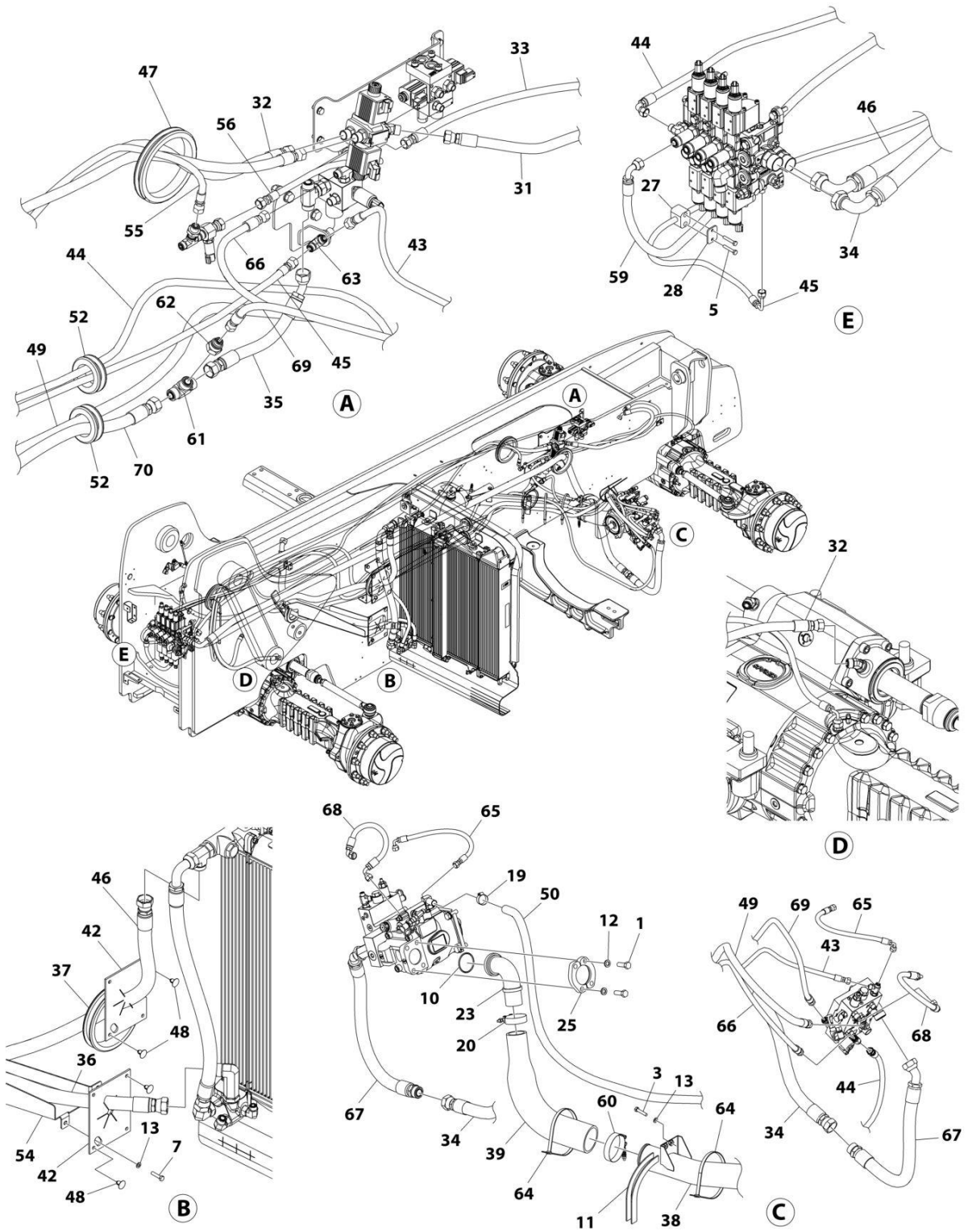
## SECTION 8 - HYDRAULIC CIRCUITS

**FIGURE 8-13. EMERGENCY STEERING MANIFOLD & FITTINGS ASSEMBLY**

ITEM	PART NUMBER	QTY	DESCRIPTION	REV
	1001219191	Ref	Emergency Steering Manifold	A
1	2110808	1	Fitting, Straight ORFS	
2	2150808	1	Fitting, 45 ORFS	
3	2170308	1	Fitting, Tee ORFS	
4	1001218524	1	Manifold	

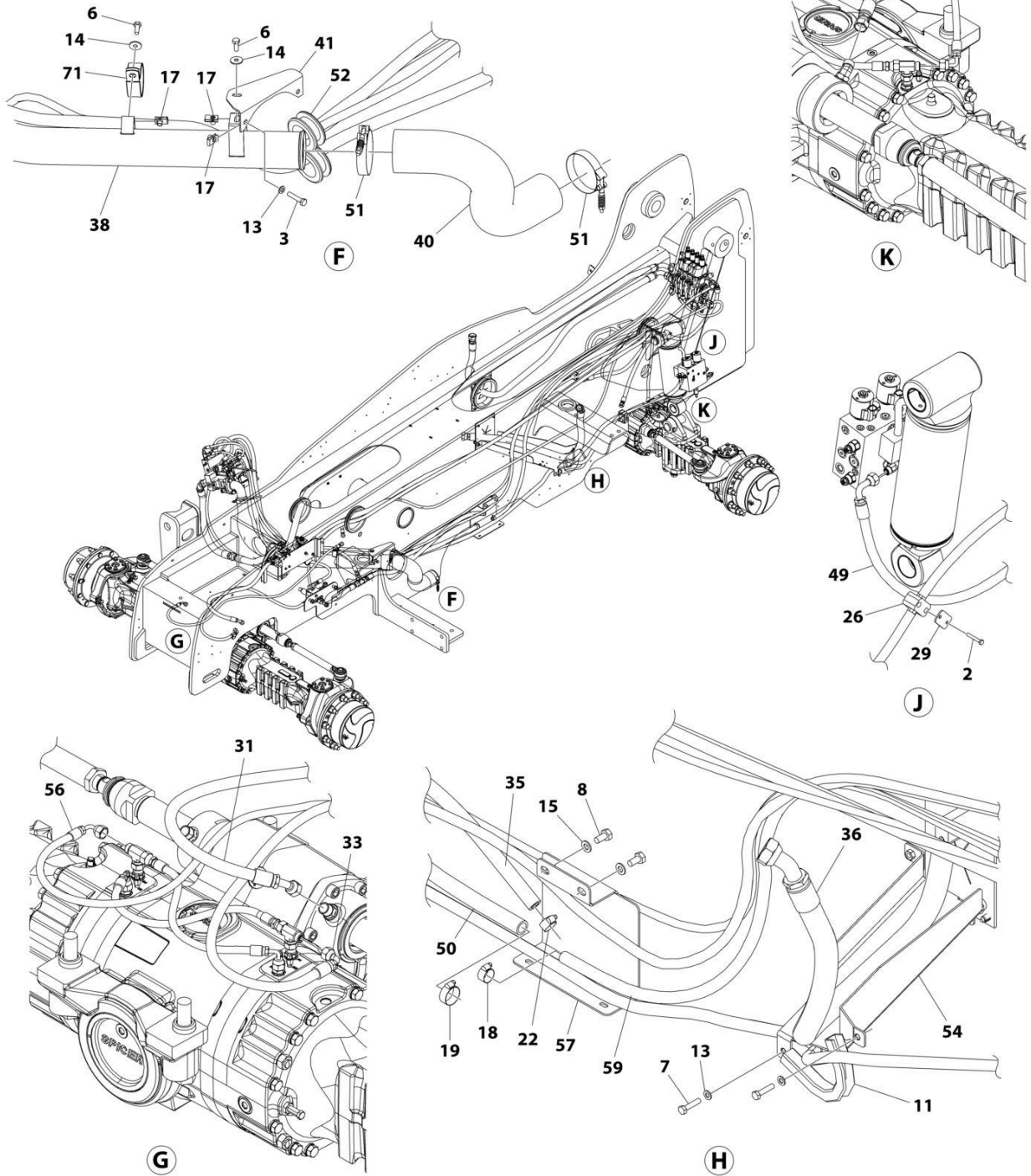
# SECTION 8 - HYDRAULIC CIRCUITS

## FIGURE 8-14. FRAME HYDRAULICS INSTALLATION



ART\_1001227497\_F\_10F2

# SECTION 8 - HYDRAULIC CIRCUITS



ART\_1001227497\_F\_2OF2

# SECTION 8 - HYDRAULIC CIRCUITS

## FIGURE 8-14. FRAME HYDRAULICS INSTALLATION

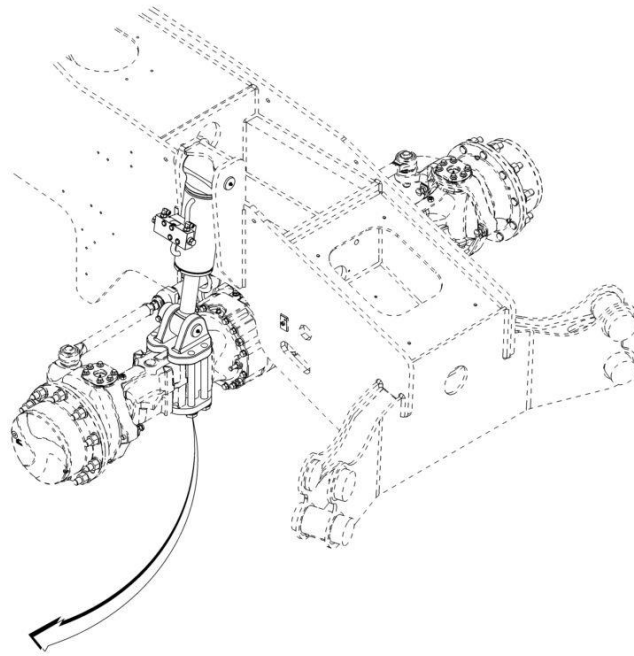
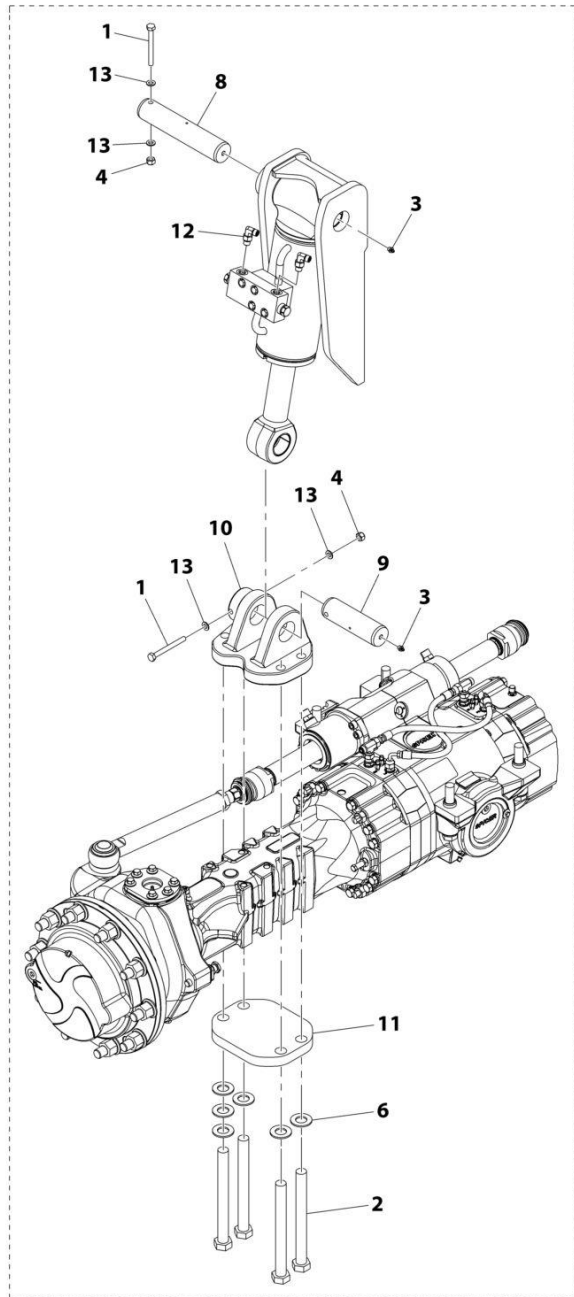
ITEM	PART NUMBER	QTY	DESCRIPTION	REV
	1001227497	Ref	Hydraulic Lines Installation	F
1	0641812	4	Bolt 1/2 x 1	
2	0700616	2	Bolt M6 x 40	
3	0700816	4	Bolt M8 x 40	
5	0760615	4	Bolt M6 x 35	
6	0760810	2	Bolt M8 x 20	
7	0760815	4	Bolt M8 x 35	
8	0761010	2	Bolt M10 x 20	
10	3790228	1	O-Ring	
11	4060919	467 mm	Trim	
12	4761800	4	Washer 1/2	
13	4811900	8	Washer M8	
14	4811902	2	Washer M8	
15	4812000	2	Washer M10	
17	8310686	4	Nut, Retainer M8 x 12-1/2	
18	8405006	1	Clamp, Gear	
19	8405007	2	Clamp, Hose	
20	8405209	1	Clamp, T-Bolt	
22	8410009	1	Clamp, Gear	
23	8424233	1	Elbow, 90	
25	8546407	2	Flange, Half	
26	8750029	1	Clamp, Hose	
27	8750030	2	Clamp, Hose	
28	8769146	2	Plate, Cover	
29	8769153	1	Plate, Cover	
31	1001161340	1	Hose	
32	1001161343	2	Hose	
33	1001253102	1	Hose	
34	1001253079	1	Hose	
35	1001253078	1	Hose	
36	1001161978	1	Hose	
37	1001169830	1	Grommet	
38	1001173446	1	Pipe	
39	1001173450	1	Hose	
40	1001173451	1	Hose	
41	1001174338	1	Bracket	
42	1001175347	2	Grommet	
43	1001253089	1	Hose	
44	1001253112	1	Hose	
45	1001253099	1	Hose	
46	1001175699	1	Hose	
47	1001177704	2	Grommet	
48	1001180306	8	Screw	
49	1001253160	1	Hose	
50	1001186418	1	Hose	
51	1001186843	2	Clamp, T-Bolt	
52	1001188971	2	Grommet	
54	1001257763	1	Channel	
55	1001202847	1	Hose	
56	1001203502	1	Hose	

## SECTION 8 - HYDRAULIC CIRCUITS

ITEM	PART NUMBER	QTY	DESCRIPTION	REV
57	1001208881	1	Bracket	
59	1001225467	1	Hose	
60	1001232377	1	Clamp	
61	2170510	1	Fitting, Tee ORFS/ORFS/ORFS	
62	2221244	1	Fitting, Straight ORFS/FSORFS	
63	88662434	1	Fitting, Tee ORFS/ORFS/ORFS	
64	1001158298	4	Strap, Tie	
65	1001253086	1	Hose	
66	1001253107	1	Hose	
67	1001259141	1	Hose	
68	1001260572	1	Hose	
69	1001260573	1	Hose	
70	1001260599	1	Hose	
71	1320219	1	Clamp	
72	4060807	1	FLEX TRIM (Not Shown)	

# SECTION 8 - HYDRAULIC CIRCUITS

## FIGURE 8-15. FRAME LEVEL INSTALLATION



ART\_1001168764-H

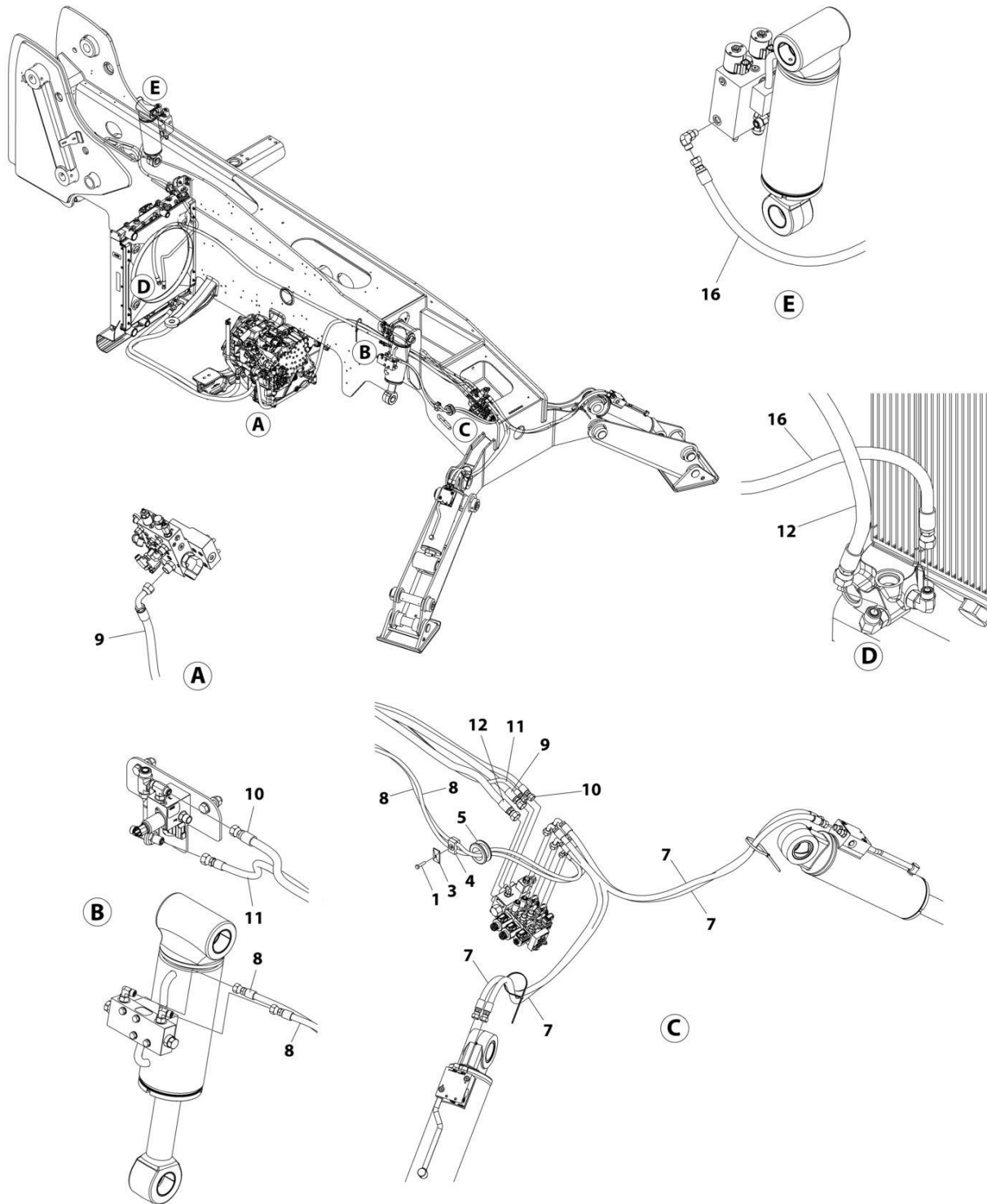
## SECTION 8 - HYDRAULIC CIRCUITS

### FIGURE 8-15. FRAME LEVEL INSTALLATION

ITEM	PART NUMBER	QTY	DESCRIPTION	REV
	1001168764	Ref	Frame Level Installation	H
1	0711027	2	Bolt, M10X100	
2	0712442	4	Bolt, M24X250	
3	2160016	2	Fitting, Grease	
4	3291005	2	Nut, Lock M10X1.5	
6	5242400	6	Washer, M24	
8	1001164971	1	Pin	
9	1001164972	1	Pin	
10	1001250331	1	Bracket	
11	1001168629	1	Plate	
12	2130406	2	Fitting, 90 ORFS	
13	4812000	4	Washer, M10	

# SECTION 8 - HYDRAULIC CIRCUITS

## FIGURE 8-16. FRAME LEVEL HYDRAULICS INSTALLATION (OUTRIGGERS)



ART\_1001168469\_M



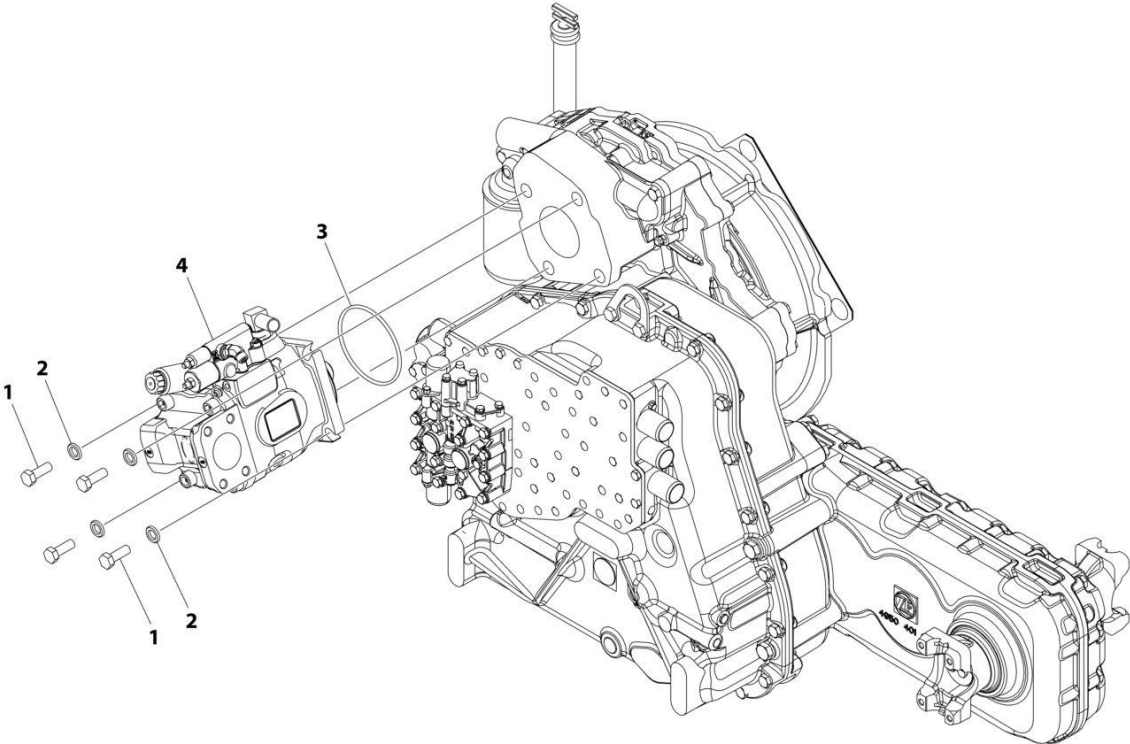
## SECTION 8 - HYDRAULIC CIRCUITS

**FIGURE 8-16. FRAME LEVEL HYDRAULICS INSTALLATION (OUTRIGGERS)**

ITEM	PART NUMBER	QTY	DESCRIPTION	REV
	1001168469	Ref	Frame Level Hydraulics Installation (Outriggers)	M
1	0760815	1	Bolt, M8X35	
3	1321752	1	Clamp	
4	77133168	1	Clamp	
5	1001028308	1	Grommet	
7	1001214468	4	Hose	
8	1001175570	2	Hose	
9	1001253083	1	Hose	
10	1001253159	1	Hose	
11	1001253088	1	Hose	
12	1001175814	1	Hose	
16	1001192042	1	Hose	
17	1001097810	AR	Hose	

# SECTION 8 - HYDRAULIC CIRCUITS

## FIGURE 8-17. PISTON PUMP INSTALLATION



ART\_1001162670\_D

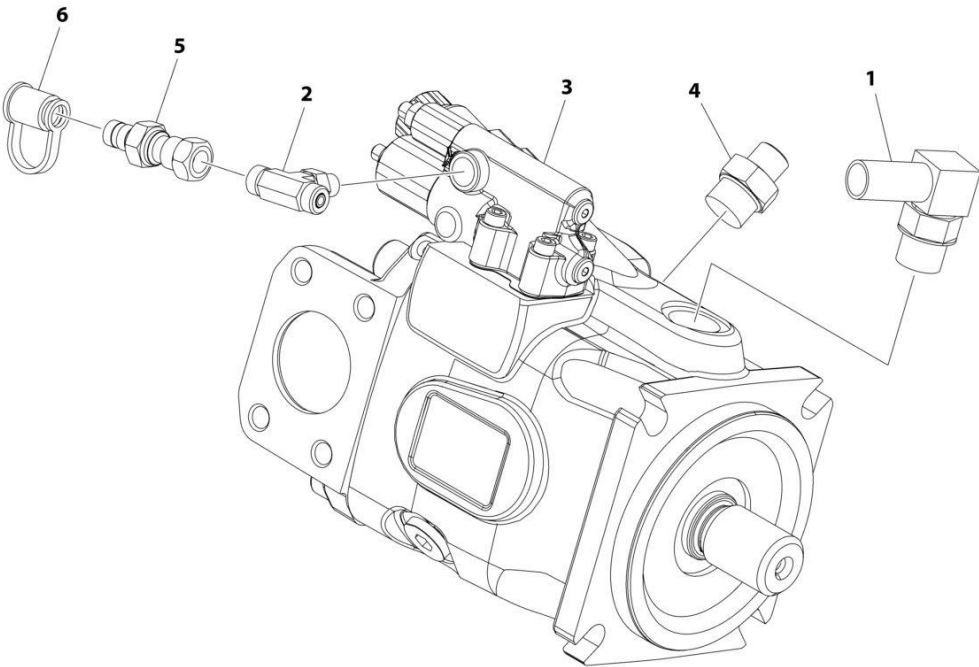
## SECTION 8 - HYDRAULIC CIRCUITS

### FIGURE 8-17. PISTON PUMP INSTALLATION

ITEM	PART NUMBER	QTY	DESCRIPTION	REV
	1001162670	Ref	Piston Pump Installation	D
1	0761215	4	Bolt, M12X35	
2	4740532	4	Washer	
3	80933113	1	O-Ring	
4	1001162674	1	Assembly, Piston Pump (See Separate Breakdown in this Section)	

**SECTION 8 - HYDRAULIC CIRCUITS**

**FIGURE 8-18. PISTON PUMP ASSEMBLY**



ART\_1001162674\_E

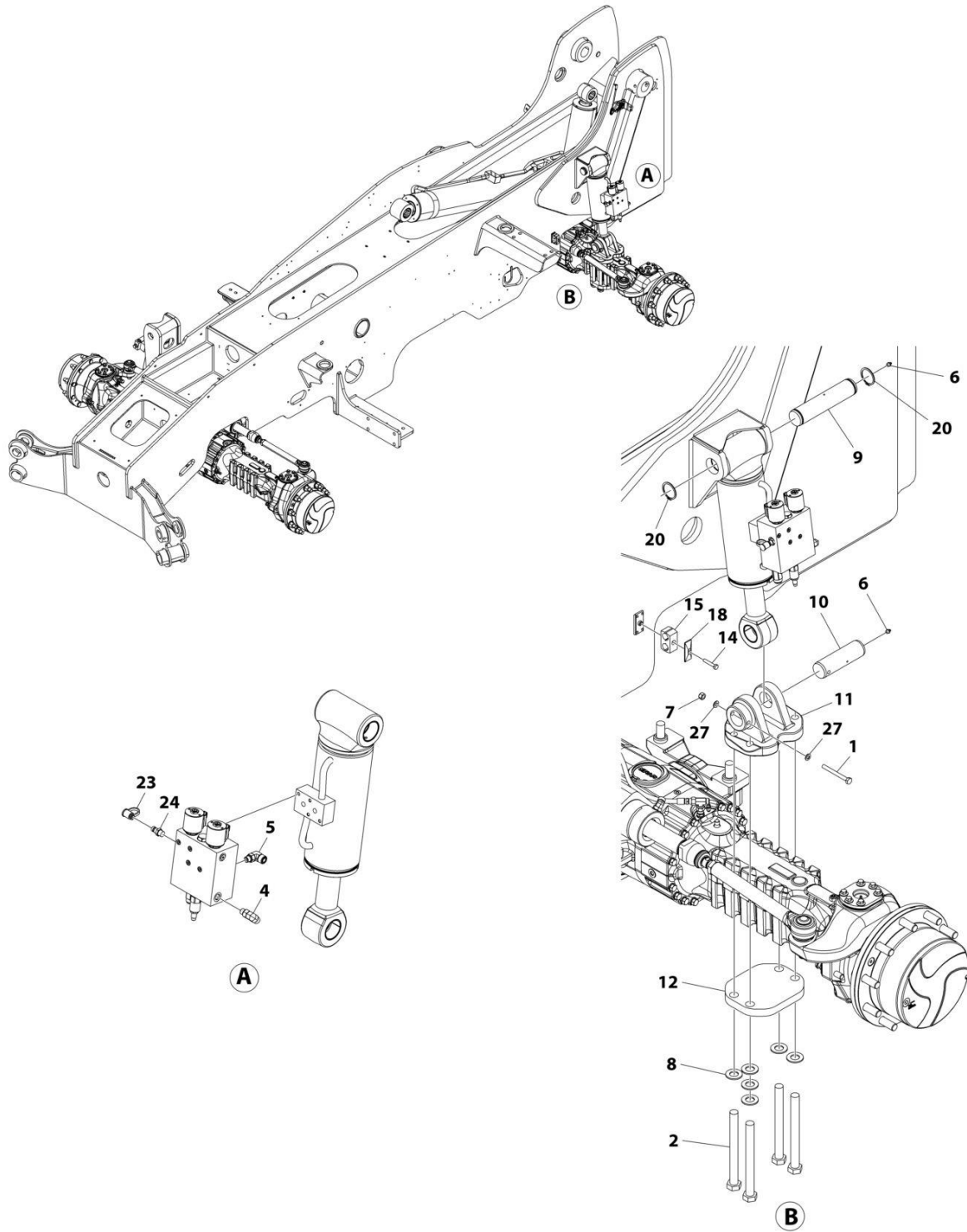
## SECTION 8 - HYDRAULIC CIRCUITS

### FIGURE 8-18. PISTON PUMP ASSEMBLY

ITEM	PART NUMBER	QTY	DESCRIPTION	REV
	1001162674	Ref	PISTON PUMP ASSEMBLY	E
1	8424217	1	Fitting, 90	
2	2170404	1	Fitting, Tee ORFS/ORB/ORFS	
3	1001182279	1	Piston Pump (See Separate Breakdown in HYDRAULIC COMPONENTS Section)	
4	2110610	1	Fitting, Straight ORFS/ORB	
5	2221229	1	Fitting, Straight ORFS	
6	8430032	1	Plug	

# SECTION 8 - HYDRAULIC CIRCUITS

## FIGURE 8-19. REAR AXLE STABILIZER INSTALLATION



ART\_1001182911\_K

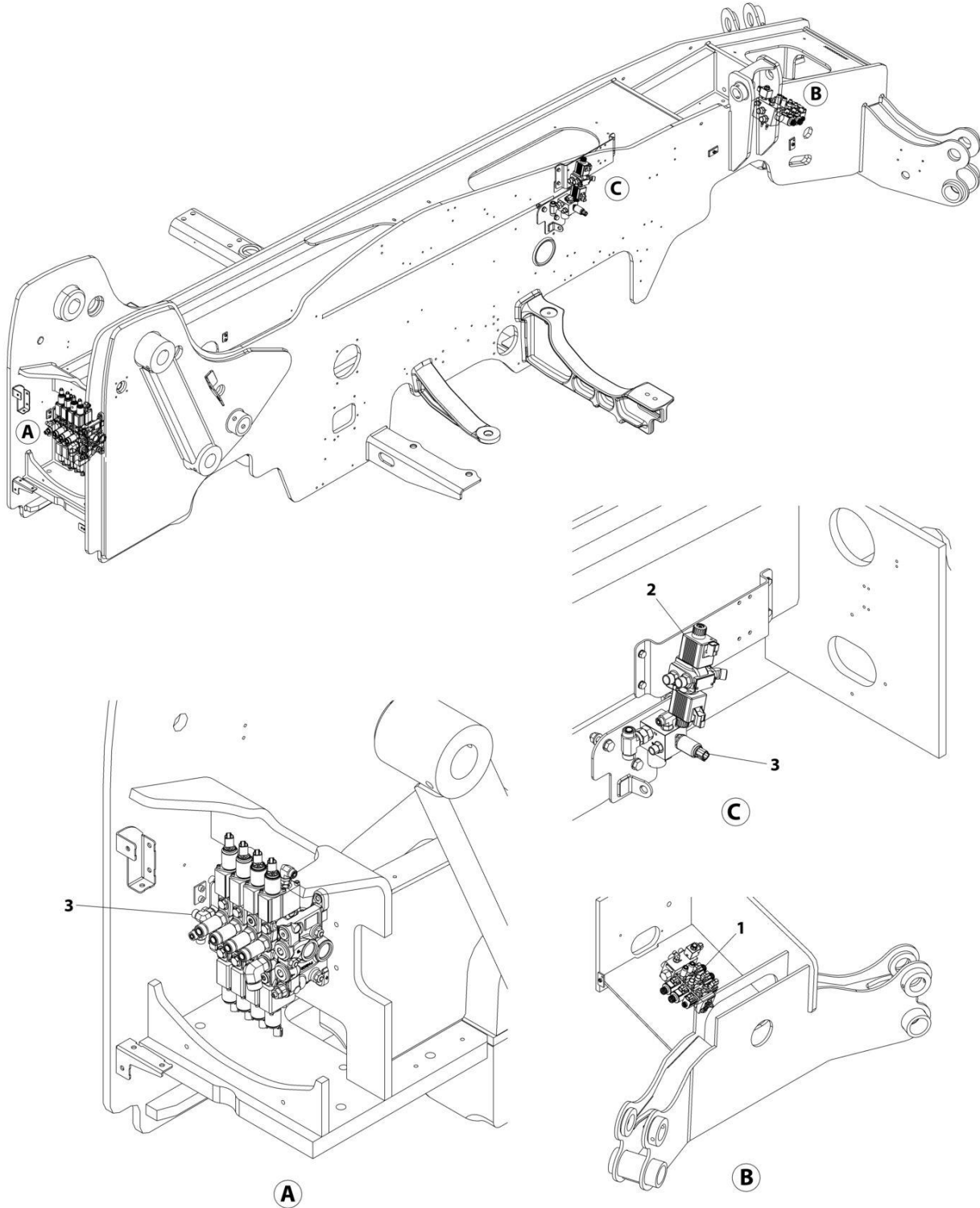
## SECTION 8 - HYDRAULIC CIRCUITS

**FIGURE 8-19. REAR AXLE STABILIZER INSTALLATION**

ITEM	PART NUMBER	QTY	DESCRIPTION	REV
	1001182911	Ref	Rear Axle Stabilizer Installation	K
1	0711027	1	Bolt, M10X100	
2	0712442	4	Bolt, M24X250	
4	2130606	1	Fitting, 90 ORFS	
5	2130806	1	Fitting, 90 ORFS	
6	2160016	2	Fitting, Grease	
7	3291005	1	Nut, Lock M10X1.5	
8	5242400	6	Washer, M24	
9	1001192341	1	Pin	
10	1001164972	1	Pin	
11	1001250331	1	Bracket	
12	1001168629	1	Plate	
14	0760817	1	Bolt, M8X45	
15	8750016	1	Clamp	
18	77133137	1	Plate	
20	3760493	2	Ring, Retaining	
23	8430032	1	Plug	
24	1001003590	1	Fitting, Straight	
25	2220885	AR	Plug	
26	2170306	AR	Fitting, Tee ORFS	
27	4812000	2	Washer, M10	

# SECTION 8 - HYDRAULIC CIRCUITS

## FIGURE 8-20. VALVE INSTALLATION (OUTRIGGERS)



ART\_1001225749\_B



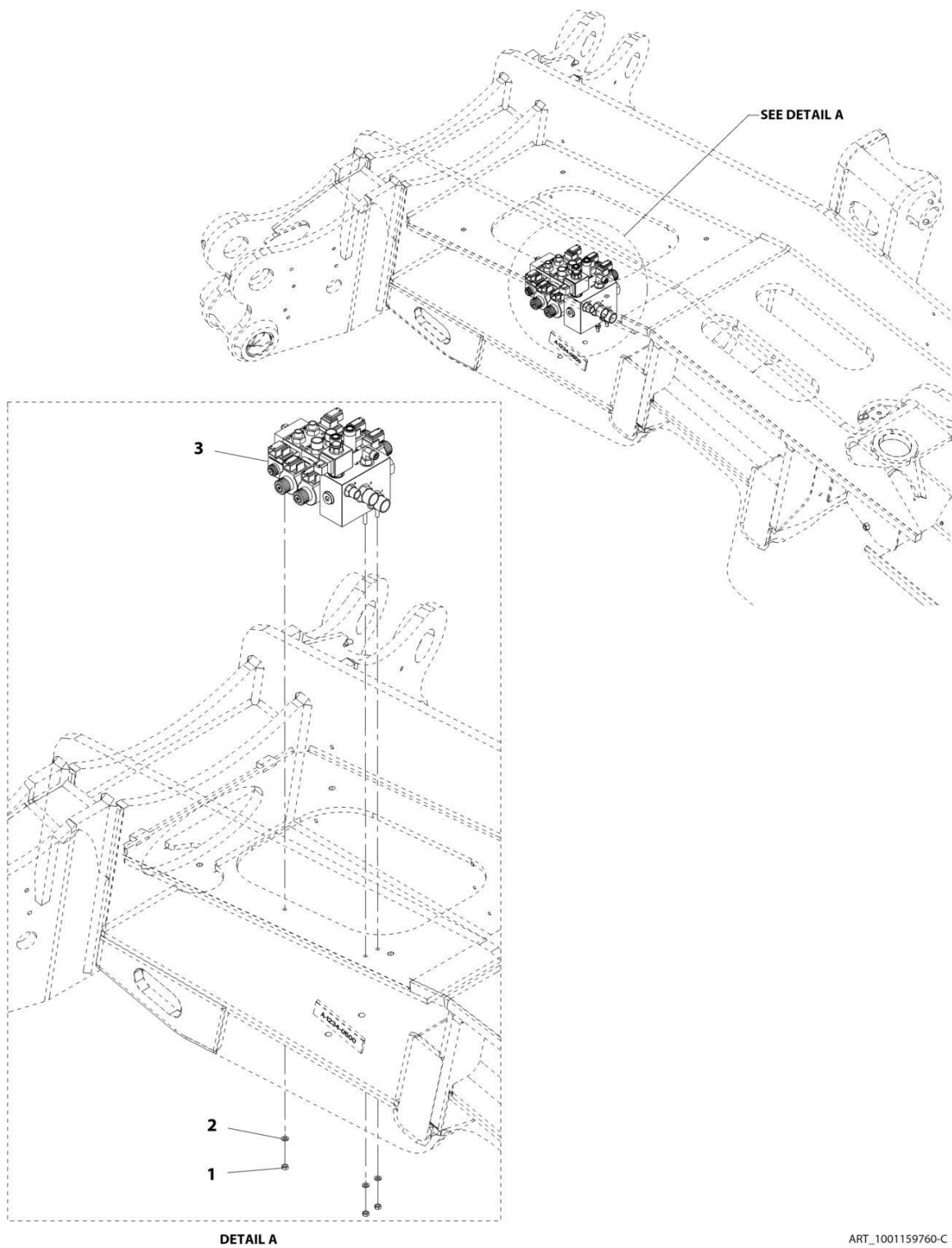
## SECTION 8 - HYDRAULIC CIRCUITS

**FIGURE 8-20. VALVE INSTALLATION (OUTRIGGERS)**

ITEM	PART NUMBER	QTY	DESCRIPTION	REV
1	1001225749	Ref	Valve Installation (Outriggers)	B
	1001159760	Ref	Installation, Frame Level and Outrigger Valve (See Separate Breakdown in this Section)	
2	1001168464	Ref	Installation, Steering Select Valve Mounting (See Separate Breakdown in this Section)	
3	1001225750	Ref	Installation, Main Control Valve (See Separate Breakdown in this Section)	

# SECTION 8 - HYDRAULIC CIRCUITS

## FIGURE 8-21. VALVE INSTALLATION - FRAME LEVEL AND OUTRIGGER



ART\_1001159760-C

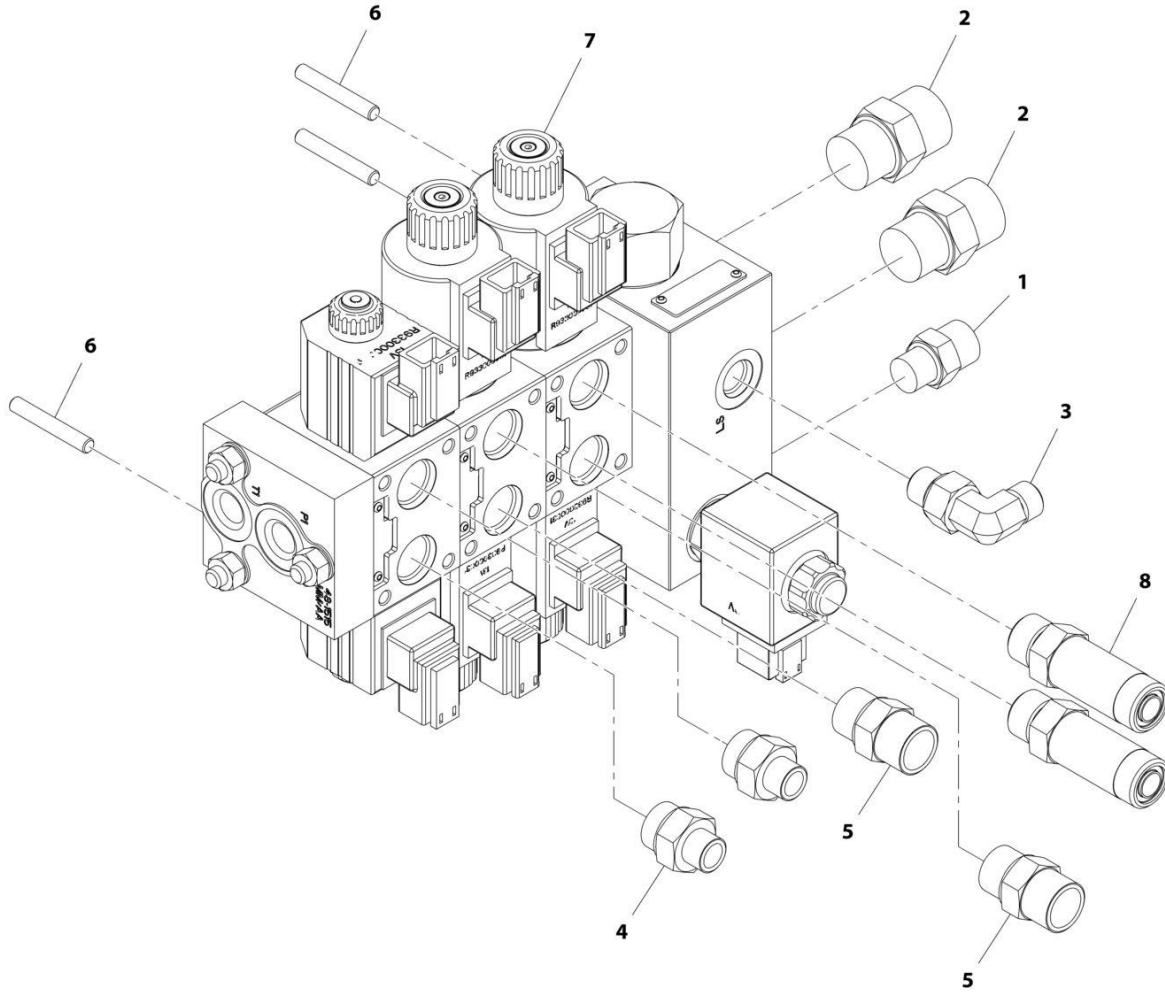
## SECTION 8 - HYDRAULIC CIRCUITS

**FIGURE 8-21. VALVE INSTALLATION - FRAME LEVEL AND OUTRIGGER**

ITEM	PART NUMBER	QTY	DESCRIPTION	REV
	1001159760	Ref	Frame Level and Outrigger Valve Installation	C
1	3290601	3	Nut, M6X1	
2	4811700	3	Washer, M6	
3	1001159847	1	Assembly, Frame Level and Outrigger Valve (See Separate Breakdown in this Section)	

# SECTION 8 - HYDRAULIC CIRCUITS

## FIGURE 8-22. VALVE ASSEMBLY - FRAME LEVEL AND OUTRIGGER



ART\_1001159847-E

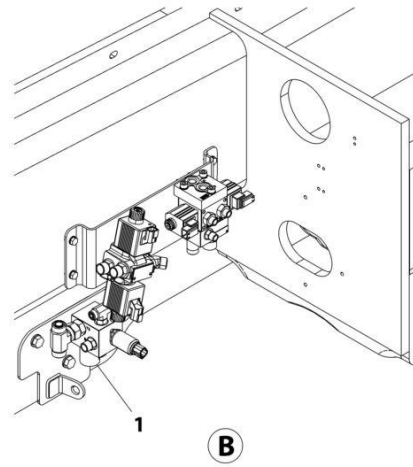
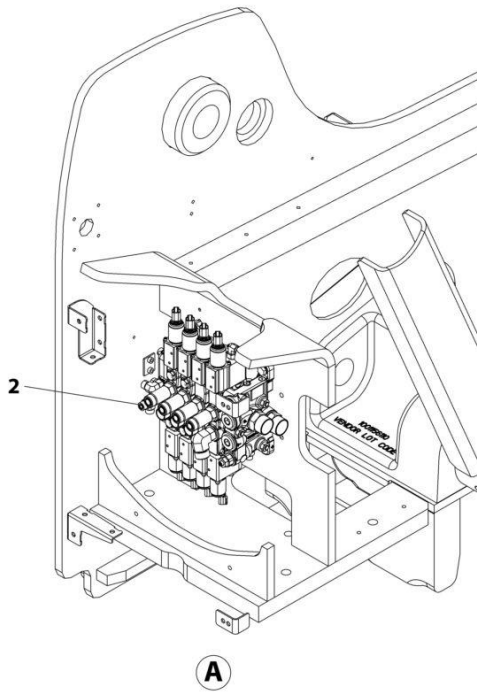
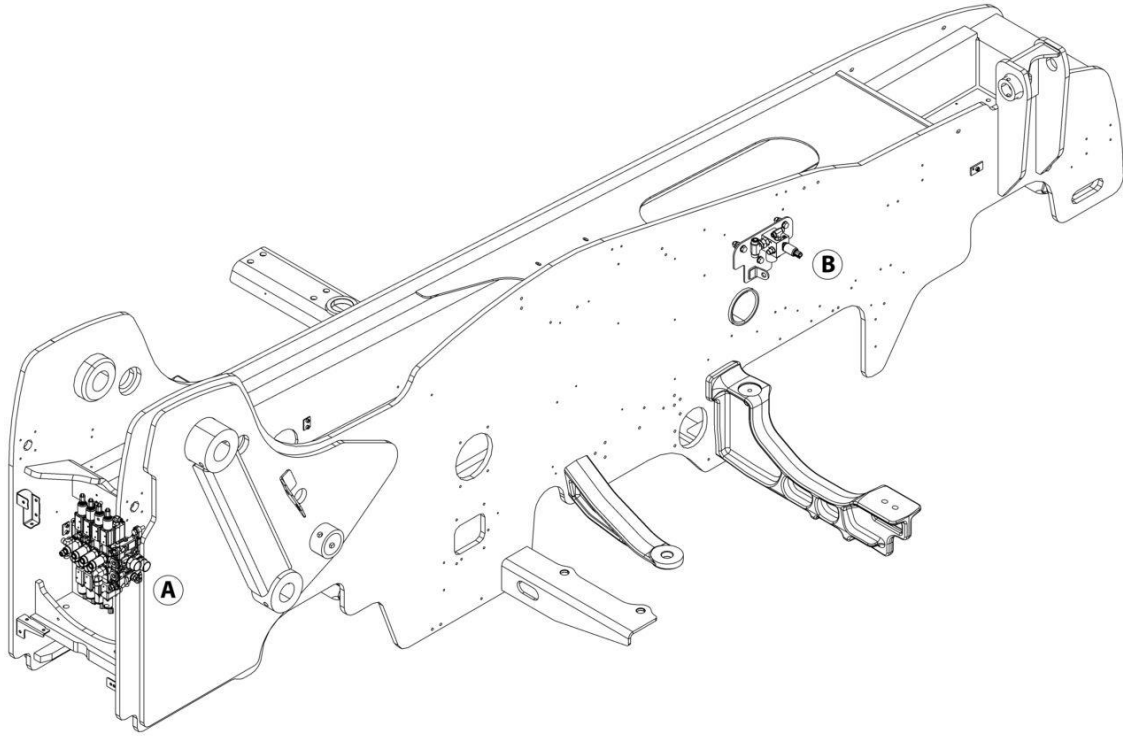
## SECTION 8 - HYDRAULIC CIRCUITS

**FIGURE 8-22. VALVE ASSEMBLY - FRAME LEVEL AND OUTRIGGER**

ITEM	PART NUMBER	QTY	DESCRIPTION	REV
	1001159847	Ref	Frame Level and Outrigger Valve Assembly	E
1	2110606	1	Fitting, Straight	
2	2111010	2	Fitting, Straight ORFS	
3	2130406	1	Fitting, 90 ORFS	
4	2110408	2	Fitting, Straight ORFS	
5	2110808	2	Fitting, Straight ORFS	
6	1001177702	3	Stud, M6X40	
7	1001157972	1	Valve, Frame Level and Outrigger (See Separate Breakdown in HYDRAULIC COMPONENTS Section)	
8	2170108	2	Fitting	

# SECTION 8 - HYDRAULIC CIRCUITS

## FIGURE 8-23. VALVES INSTALLATION - MAIN & PRIORITY



ART\_1001225750\_B

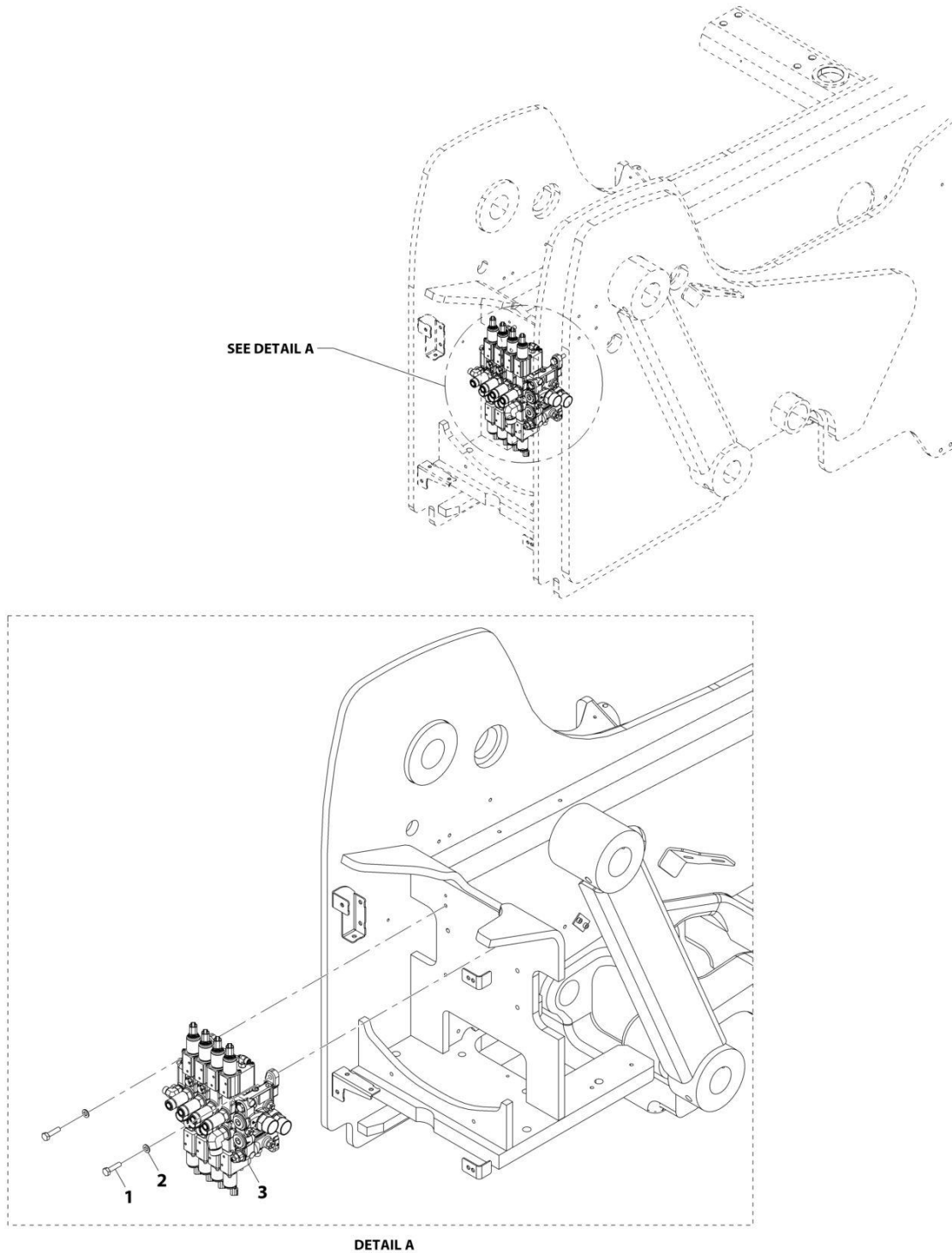
## SECTION 8 - HYDRAULIC CIRCUITS

**FIGURE 8-23. VALVES INSTALLATION - MAIN & PRIORITY**

ITEM	PART NUMBER	QTY	DESCRIPTION	REV
1	1001225750	Ref	Main Hydraulic Valves Installation	B
	1001253371	Ref	Installation, Sahr Brake Valve (See Separate Breakdown in this Section)	
2	1001225751	Ref	Installation, Main Control Valve (See Separate Breakdown in this Section)	

# SECTION 8 - HYDRAULIC CIRCUITS

## FIGURE 8-24. VALVE INSTALLATION - MAIN



ART\_1001225751-A



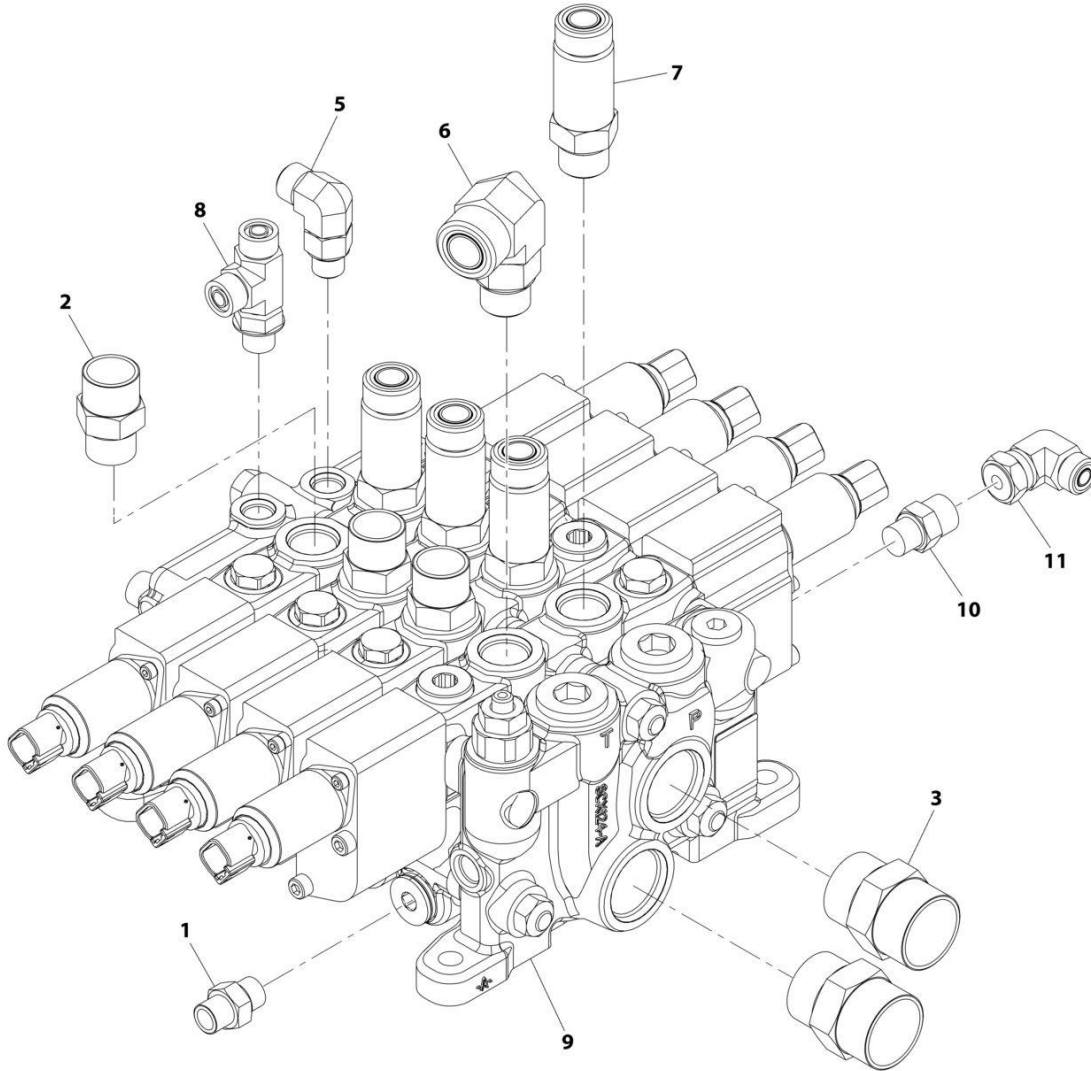
## SECTION 8 - HYDRAULIC CIRCUITS

FIGURE 8-24. VALVE INSTALLATION - MAIN

ITEM	PART NUMBER	QTY	DESCRIPTION	REV
	1001225751	Ref	Main Control Valve Installation	A
1	0701016	3	Bolt, M10X40	
2	4812000	3	Washer, M10	
3	1001225752	1	Assembly, Main Control Valve Assembly (See Separate Breakdown in this Section)	

# SECTION 8 - HYDRAULIC CIRCUITS

## FIGURE 8-25. VALVE AND FITTINGS ASSEMBLY- MAIN



ART\_1001225752-D

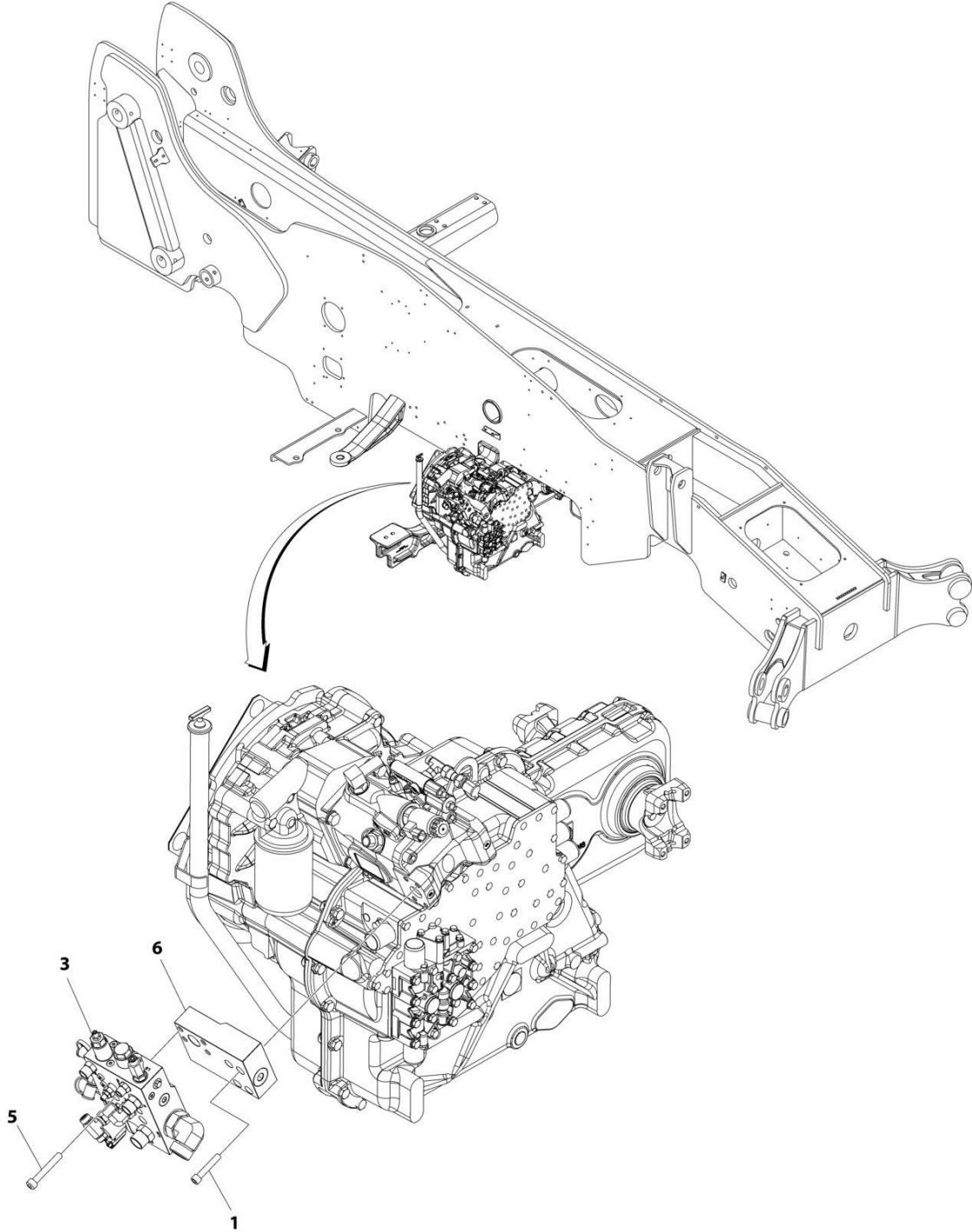
## SECTION 8 - HYDRAULIC CIRCUITS

**FIGURE 8-25. VALVE AND FITTINGS ASSEMBLY- MAIN**

ITEM	PART NUMBER	QTY	DESCRIPTION	REV
	1001225752	Ref	Main Control Valve Assembly	D
1	2110406	1	Fitting, Straight ORFS	
2	2111010	3	Fitting, Straight ORFS	
3	2111616	2	Fitting, Straight ORFS	
5	2130606	1	Fitting, 90 ORFS	
6	2131210	1	Fitting, 90 ORFS	
7	2170110	4	Fitting, Straight ORFS	
8	2170306	1	Fitting, Tee ORFS	
9	1001241879	Ref	Valve, Main Control (See Separate Breakdown in HYDRAULIC COMPONENTS Section)	
10	2110606	1	Fitting, Straight ORFS	
11	2172106	1	Adapter, 90	

**SECTION 8 - HYDRAULIC CIRCUITS**

**FIGURE 8-26. VALVE INSTALLATION – PRIORITY**



ART\_1001161308\_D

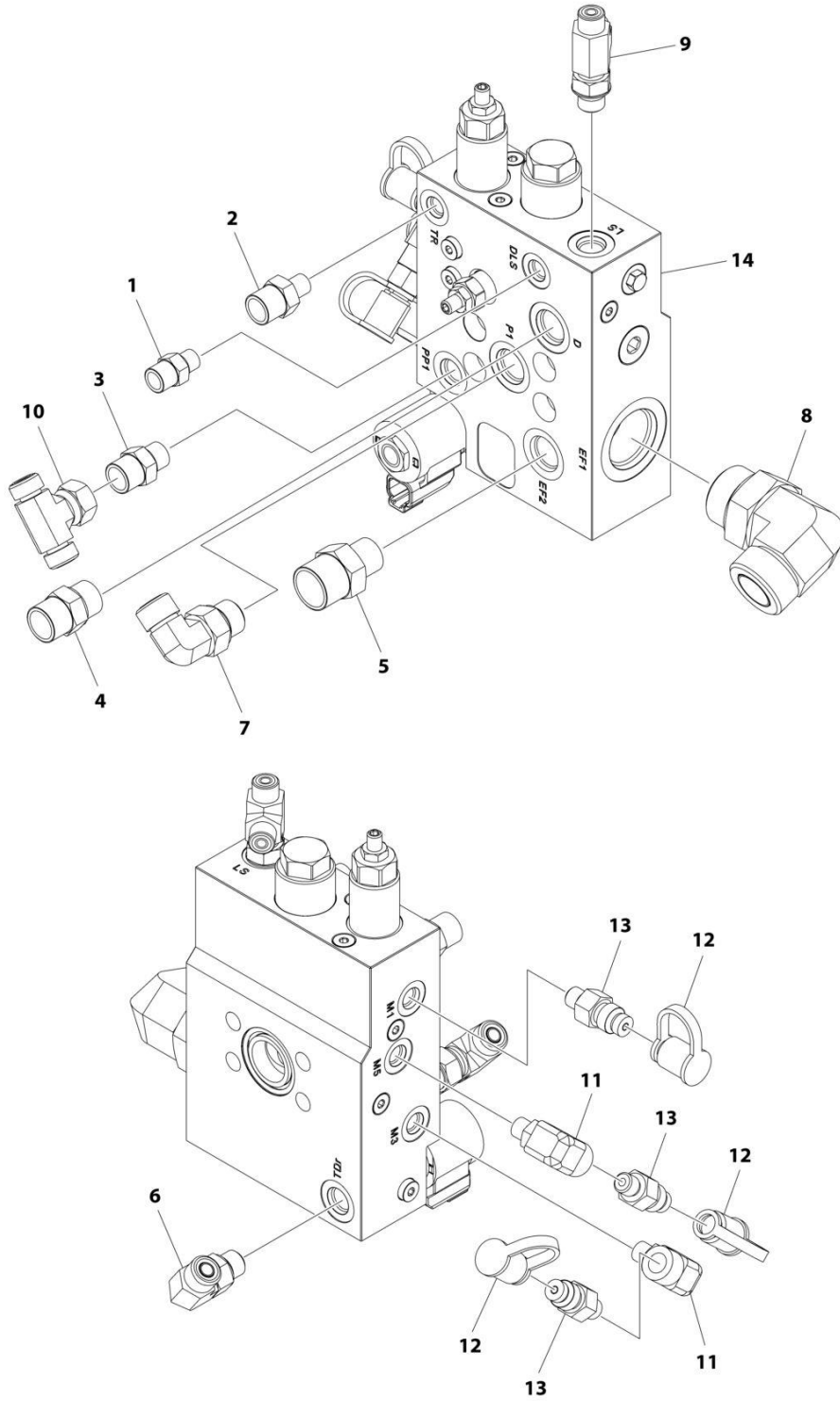
## SECTION 8 - HYDRAULIC CIRCUITS

FIGURE 8-26. VALVE INSTALLATION – PRIORITY

ITEM	PART NUMBER	QTY	DESCRIPTION	REV
	1001161308	Ref	Priority Function Manifold Installation	D
1	3931632	4	Bolt 3/8X2	
3	1001253252	1	Assembly, Priority Manifold Valve (See Separate Breakdown in this Section)	
5	4032017	4	Bolt M10X65	
6	1001252571	1	Valve, Spacer	

# SECTION 8 - HYDRAULIC CIRCUITS

## FIGURE 8-27. VALVE ASSEMBLY - PRIORITY FUNCTION MANIFOLD



ART\_1001253252

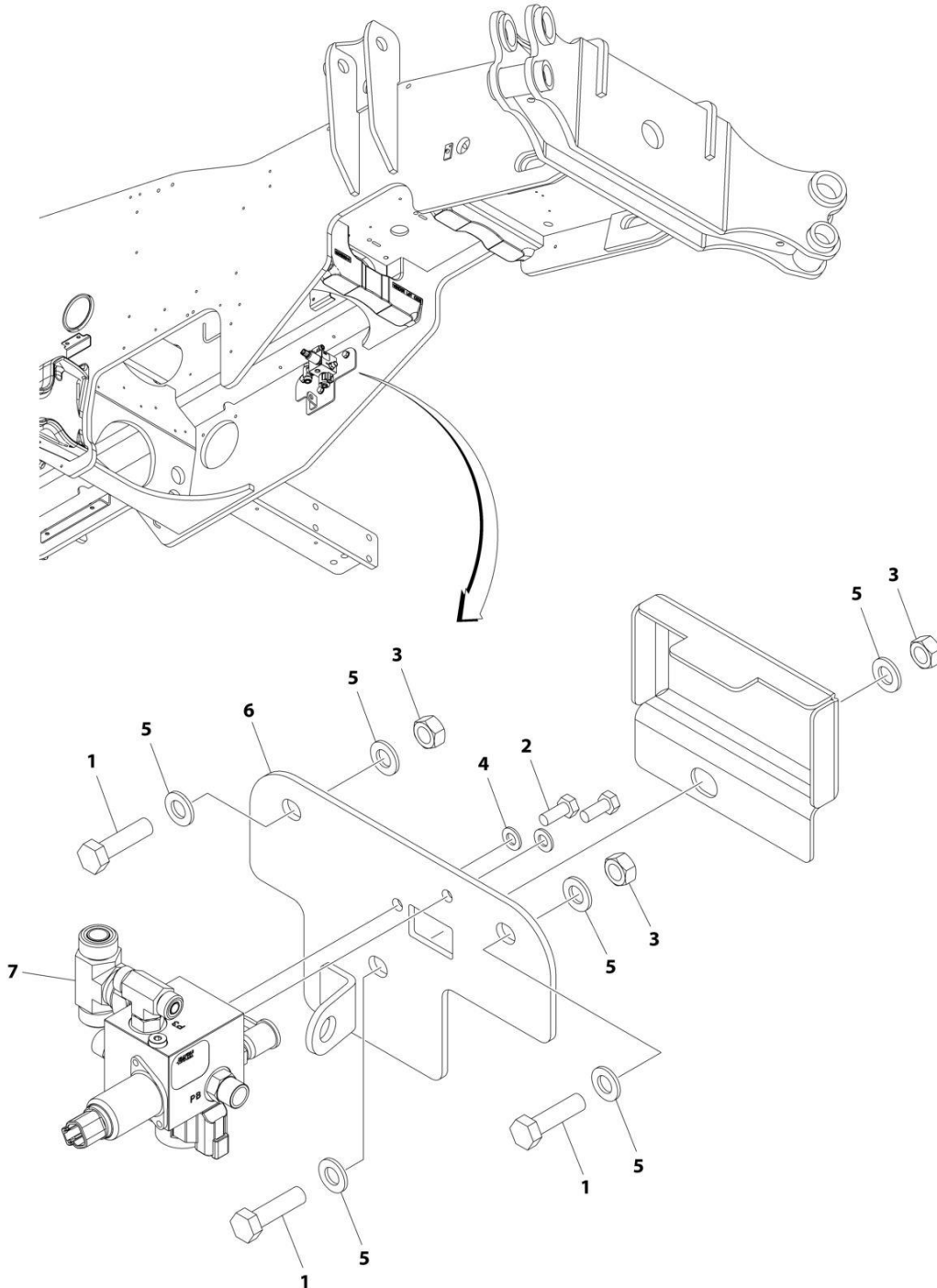
## SECTION 8 - HYDRAULIC CIRCUITS

**FIGURE 8-27. VALVE ASSEMBLY - PRIORITY FUNCTION MANIFOLD**

ITEM	PART NUMBER	QTY	DESCRIPTION	REV
	1001253252	Ref	Priority Function Manifold Valve Assembly	B
1	2110406	1	Fitting, Straight ORFS	
2	2110604	1	Fitting, Straight ORFS	
3	2110606	1	Fitting, Straight ORFS	
4	2110808	1	Fitting, Straight ORFS	
5	2111008	1	Fitting, Straight ORFS	
6	2130606	1	Fitting, 90 ORFS	
7	2130808	1	Fitting, 90 ORFS	
8	2131616	1	Fitting, 90 ORFS	
9	2170350	1	Fitting, Tee ORFS/ORB/ORFS	
10	2170806	1	Fitting, Tee ORFS	
11	2221116	2	Fitting, 90 ORB	
12	8430032	3	Plug	
13	8430033	3	Fitting, Straight	
14	1001252567	1	Valve, Priority Manifold (See Separate Breakdown in HYDRAULIC COMPONENTS Section)	

# SECTION 8 - HYDRAULIC CIRCUITS

## FIGURE 8-28. VALVE INSTALLATION - SAHR BRAKE



ART\_1001253371



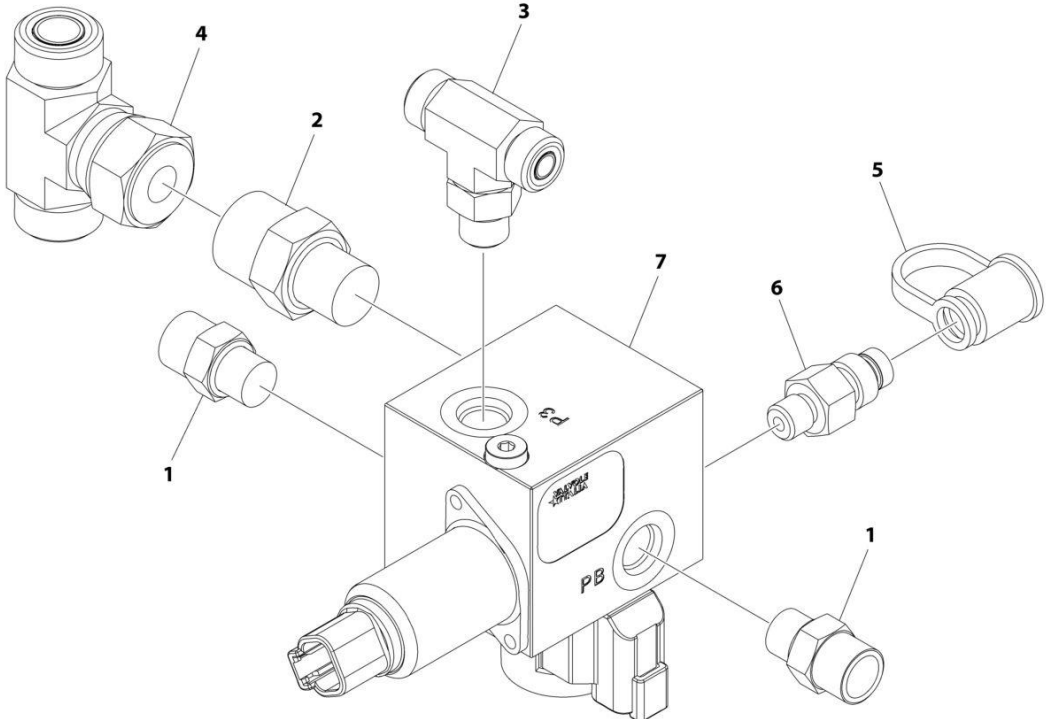
## SECTION 8 - HYDRAULIC CIRCUITS

FIGURE 8-28. VALVE INSTALLATION - SAHR BRAKE

ITEM	PART NUMBER	QTY	DESCRIPTION	REV
	1001253371	Ref	Valve Installation - Sahr Brake	A
1	0701217	3	Bolt, M12X45	
2	0760810	2	Bolt M8X20	
3	3291201	3	Nut M12	
4	4811900	2	Washer M8	
5	4812100	6	Washer M12	
6	1001234277	1	Plate, Mounting	
7	1001253253	1	Valve, Sahr Brake (See Separate Breakdown in this Section)	

**SECTION 8 - HYDRAULIC CIRCUITS**

**FIGURE 8-29. VALVE ASSEMBLY - SAHR BRAKE**



ART\_1001253253

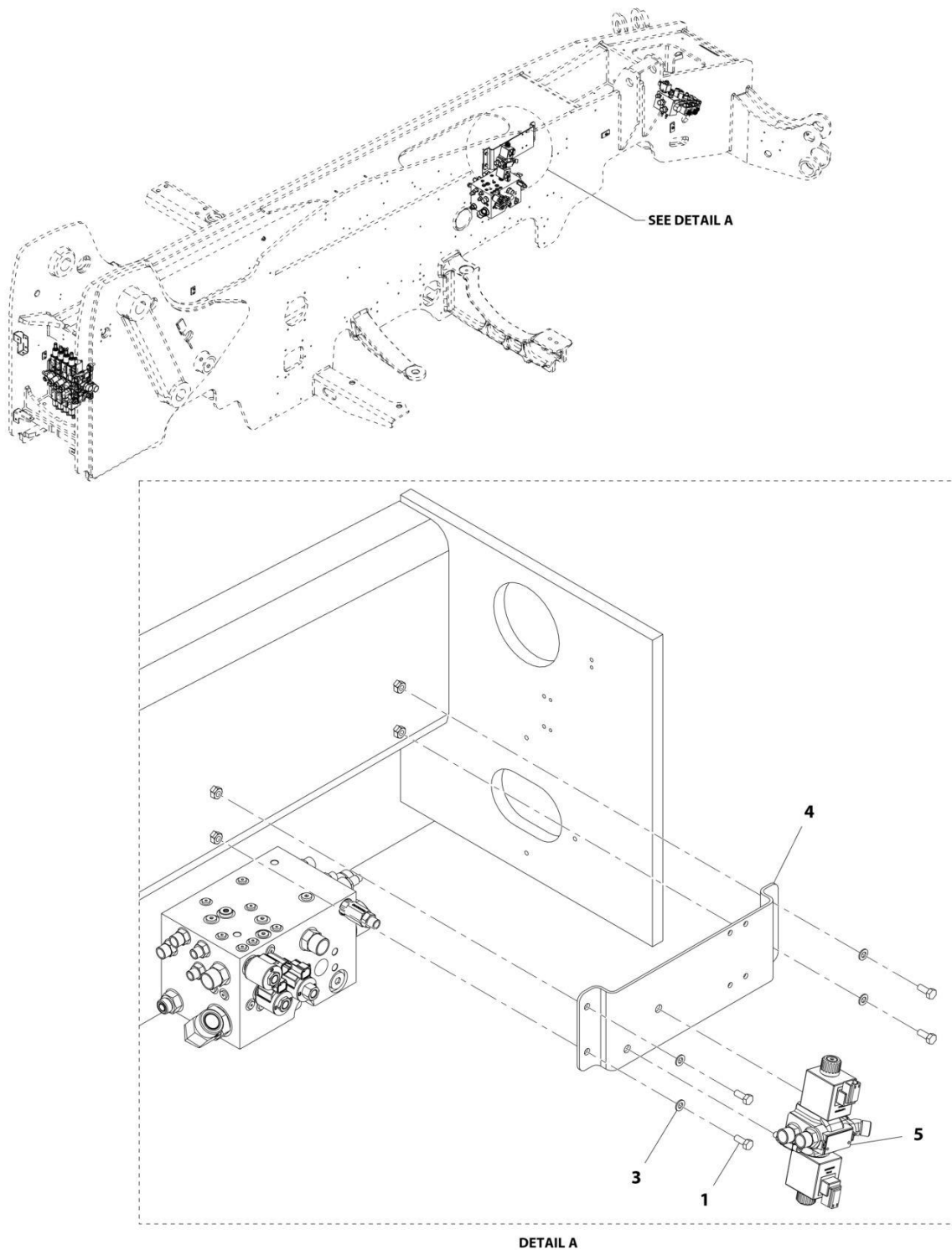
## SECTION 8 - HYDRAULIC CIRCUITS

### FIGURE 8-29. VALVE ASSEMBLY - SAHR BRAKE

ITEM	PART NUMBER	QTY	DESCRIPTION	REV
	1001253253	Ref	Valve Assembly - Sahr Brake	B
1	2110606	2	Fitting, Straight ORFS/ORB	
2	2111008	1	Fitting, Straight ORFS/ORB	
3	2170406	1	Fitting, Tee ORFS/ORB/ORFS	
4	2170810	1	Fitting, Tee ORFS/FSORFS/ORFS	
5	8430032	1	Plug	
6	8430033	1	Fitting, Straight ORB	
7	1001234127	1	Valve, Sahr Brake (See Separate Breakdown in HYDRAULIC COMPONENTS Section)	

# SECTION 8 - HYDRAULIC CIRCUITS

## FIGURE 8-30. VALVES MOUNTING INSTALLATION - STEER SELECT



ART\_1001168464-E

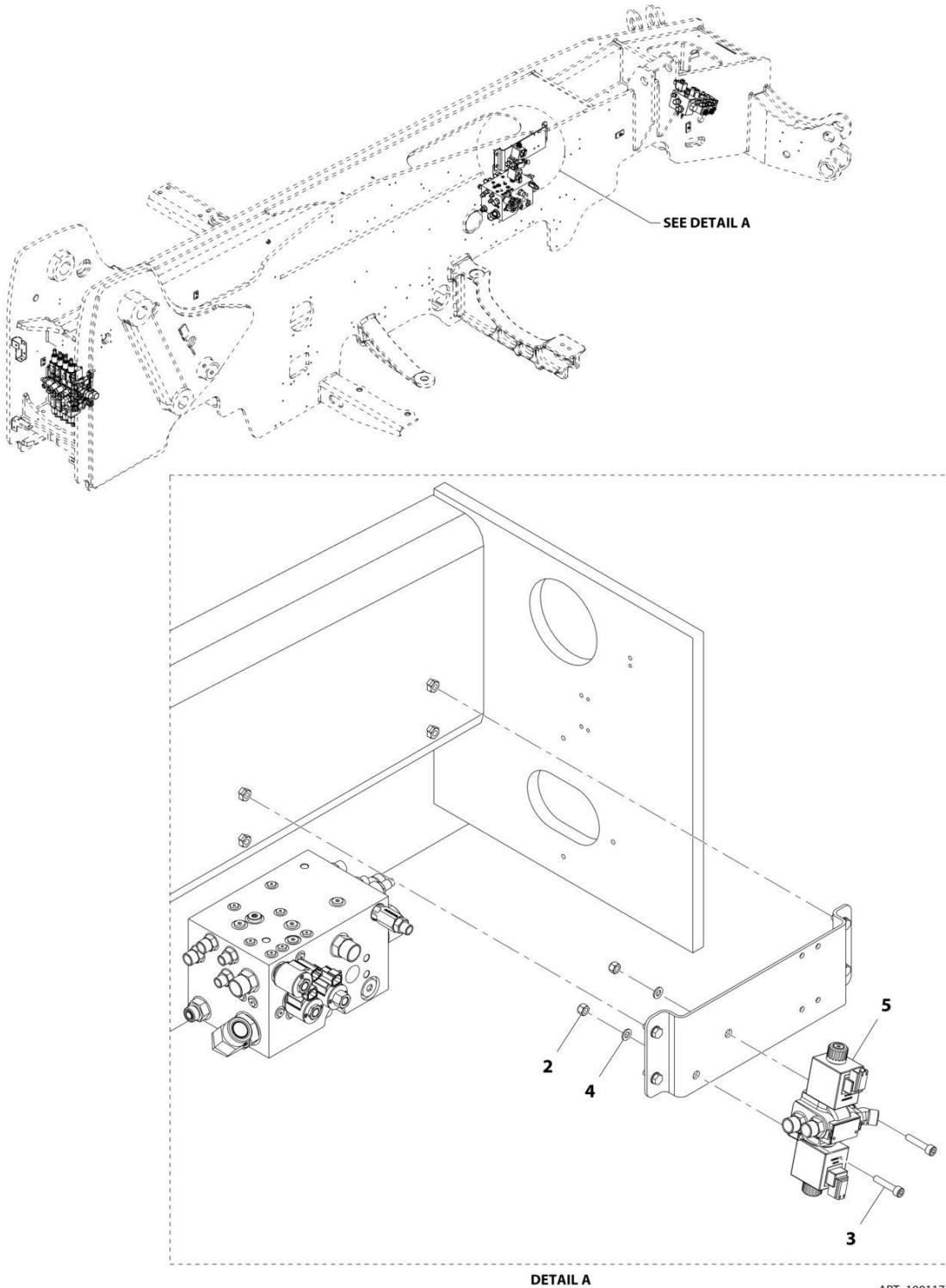
## SECTION 8 - HYDRAULIC CIRCUITS

**FIGURE 8-30. VALVES MOUNTING INSTALLATION - STEER SELECT**

ITEM	PART NUMBER	QTY	DESCRIPTION	REV
	1001168464	Ref	Steering Select Valve Mounting Installation	E
1	0760810	4	Bolt, M8X20	
3	4811900	4	Washer, M8	
4	1001167437	1	Bracket	
5	1001173702	Ref	Installation, Steering Select Valve (See Separate Breakdown in this Section)	

# SECTION 8 - HYDRAULIC CIRCUITS

## FIGURE 8-31. VALVE INSTALLATION - STEER SELECT



ART\_1001173702-D

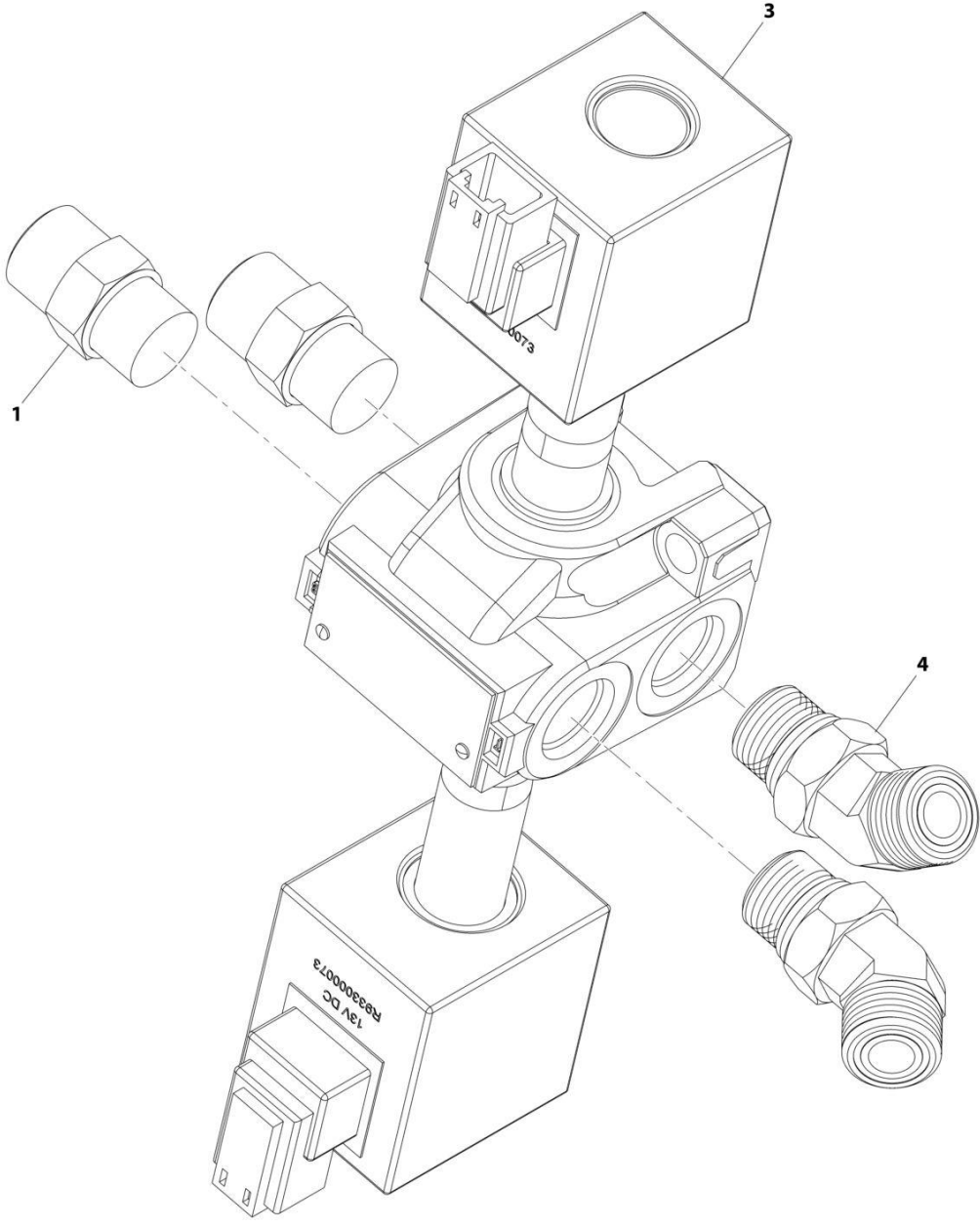
## SECTION 8 - HYDRAULIC CIRCUITS

### FIGURE 8-31. VALVE INSTALLATION - STEER SELECT

ITEM	PART NUMBER	QTY	DESCRIPTION	REV
	1001173702	Ref	Steering Select Valve Installation	D
2	3290805	2	Nut, Lock M8X1.25	
3	4031912	2	Bolt, M8X40	
4	4811900	2	Washer, M8	
5	1001161304	1	Assembly, Valve (See Separate Breakdown in this Section)	

# SECTION 8 - HYDRAULIC CIRCUITS

## FIGURE 8-32. VALVE AND FITTINGS ASSEMBLY- STEER SELECT



ART\_1001161304-B



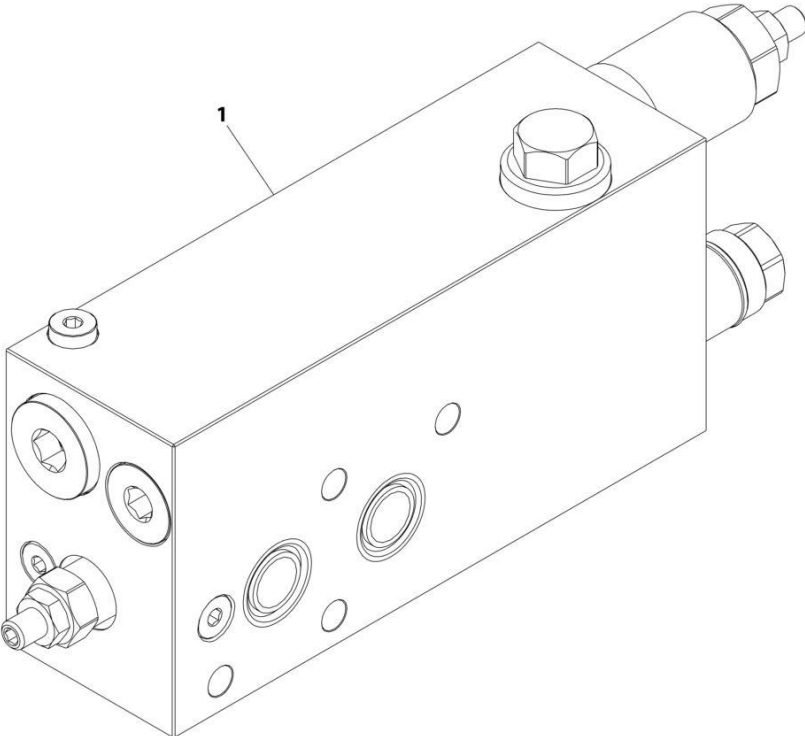
## SECTION 8 - HYDRAULIC CIRCUITS

FIGURE 8-32. VALVE AND FITTINGS ASSEMBLY- STEER SELECT

ITEM	PART NUMBER	QTY	DESCRIPTION	REV
	1001161304	Ref	Steering Select Valve Assembly	B
1	2110808	2	Fitting, Straight ORFS	
3	1001153748	1	Assembly, Valve (See Separate Breakdown in HYDRAULIC COMPONENTS Section)	
4	2150808	2	Fitting, 45 ORFS	

**SECTION 8 - HYDRAULIC CIRCUITS**

**FIGURE 8-33. VALVE ASSEMBLY - GLS (NO RIDE CONTROL)**



ART\_1001226035-B

## SECTION 8 - HYDRAULIC CIRCUITS

FIGURE 8-33. VALVE ASSEMBLY - GLS (NO RIDE CONTROL)

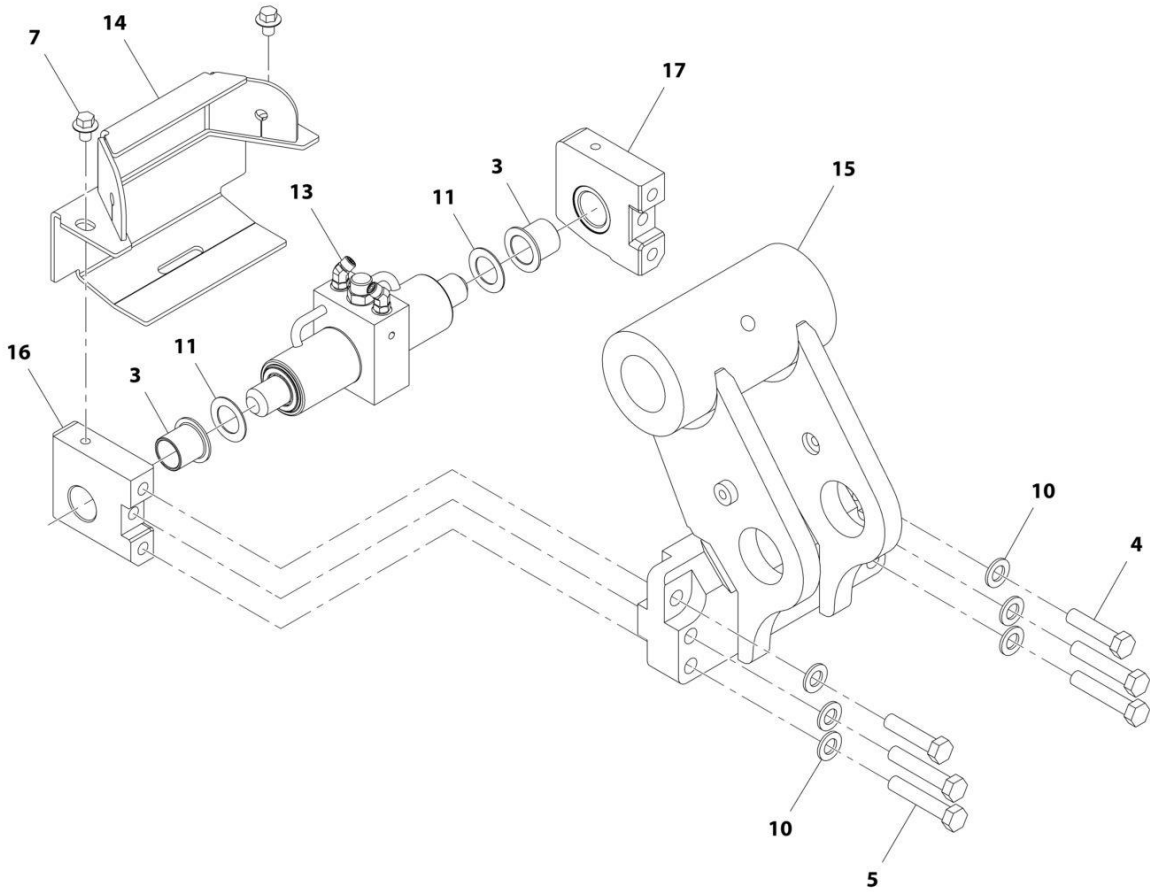
ITEM	PART NUMBER	QTY	DESCRIPTION	REV
	1001226035	Ref	Valve, Counterbalance (PGLS)	B



**SECTION 9 - HYDRAULIC COMPONENTS**

# SECTION 9 - HYDRAULIC COMPONENTS

## FIGURE 9-1. COUPLER - HYDRAULIC COUPLER



ART\_1001172134

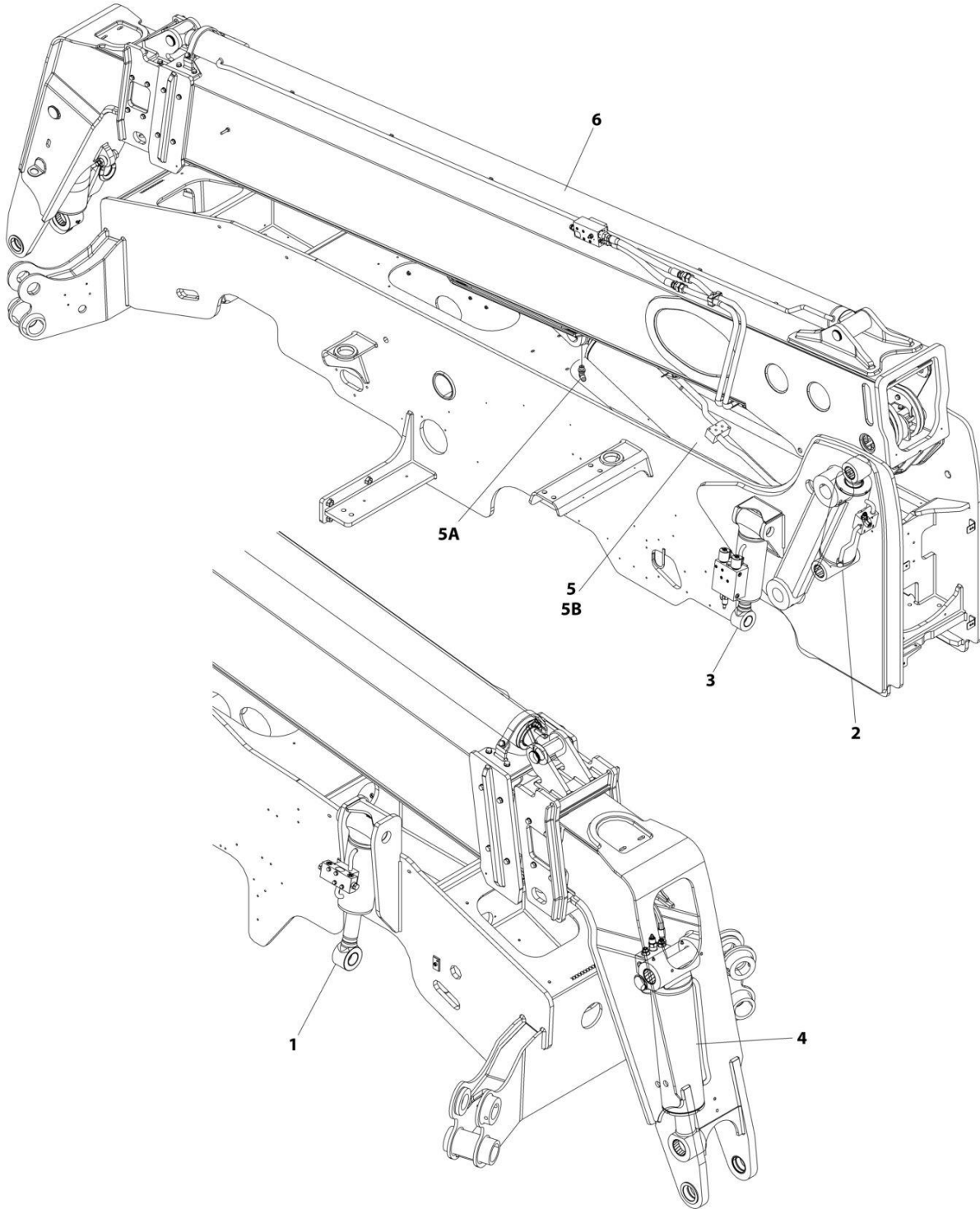
## SECTION 9 - HYDRAULIC COMPONENTS

### FIGURE 9-1. COUPLER - HYDRAULIC COUPLER

ITEM	PART NUMBER	QTY	DESCRIPTION	REV
	1001172134	Ref	Hydraulic Quick Coupler Assembly	E
3	0440321	2	Bearing, Flange 1.5 Length	
3	1001263046	2	Bearing, Flange 1.375 Length	
4	1001191503	2	Bolt, M16X1.5X17 GR10.9	
5	1001191505	4	Bolt, M16X1.5X85 GR10.9	
7	0781208	2	Bolt, M12X16	
10	5241600	6	Washer, M16	
11	91561240	AR	Shim	
13	1001210390	1	Assembly, Quick Coupler Cylinder (See Separate Breakdown in HYDRAULIC COMPONENTS Section)	
14	1001164860	1	Cover	
15	1001172075	1	Fitting, Straight	
16	1001172077	1	Plate	
17	1001172078	1	Plate	

# SECTION 9 - HYDRAULIC COMPONENTS

## FIGURE 9-2. CYLINDER GROUP INSTALLATION



ART\_1001227676\_G



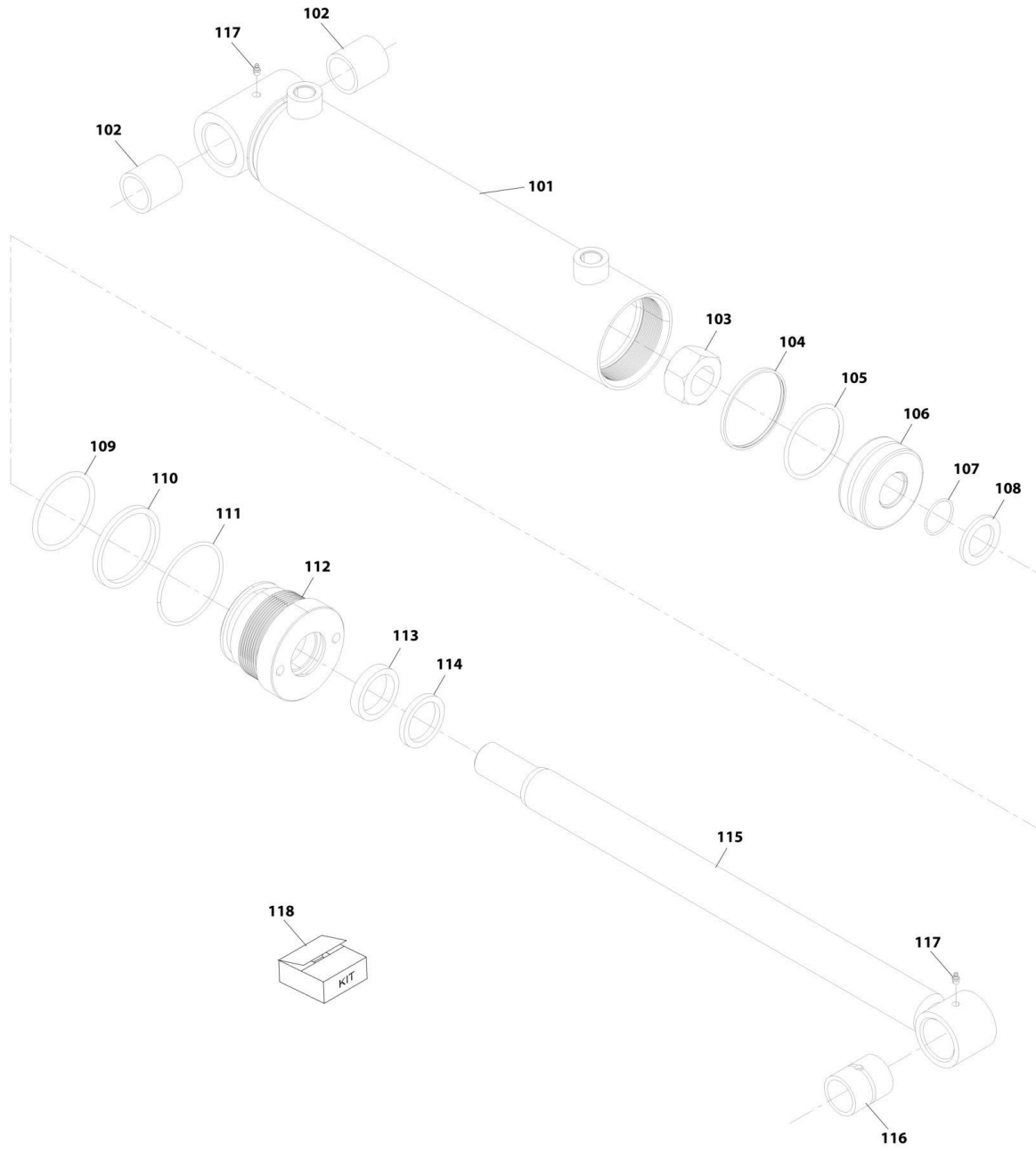
## SECTION 9 - HYDRAULIC COMPONENTS

**FIGURE 9-2. CYLINDER GROUP INSTALLATION**

ITEM	PART NUMBER	QTY	DESCRIPTION	REV
	1001227676	Ref	CYLINDER GROUP INSTALLATION	G
1	1001162076	Ref	Cylinder, Frame Level (See Separate Breakdown in this Section)	
2	1001162600	Ref	Cylinder, Compensation (See Separate Breakdown in this Section)	
3	1001164036	Ref	Cylinder, Rear Axle Stabilizer (See Separate Breakdown in this Section)	
4	1001184640	Ref	Cylinder, Tilt (See Separate Breakdown in this Section)	
5	1001264884	Ref	Installation, Lift Cylinder Assembly	A
5A	8770215	1	Elbow	
5B	1001251095	1	Cylinder, Lift (See Separate Breakdown in this Section)	
6	1001227677	Ref	Cylinder, Extend/Retract (See Separate Breakdown in this Section)	

# SECTION 9 - HYDRAULIC COMPONENTS

## FIGURE 9-3. CYLINDER ASSEMBLY - CARRIAGE SIDE SHIFT



ART\_70021376

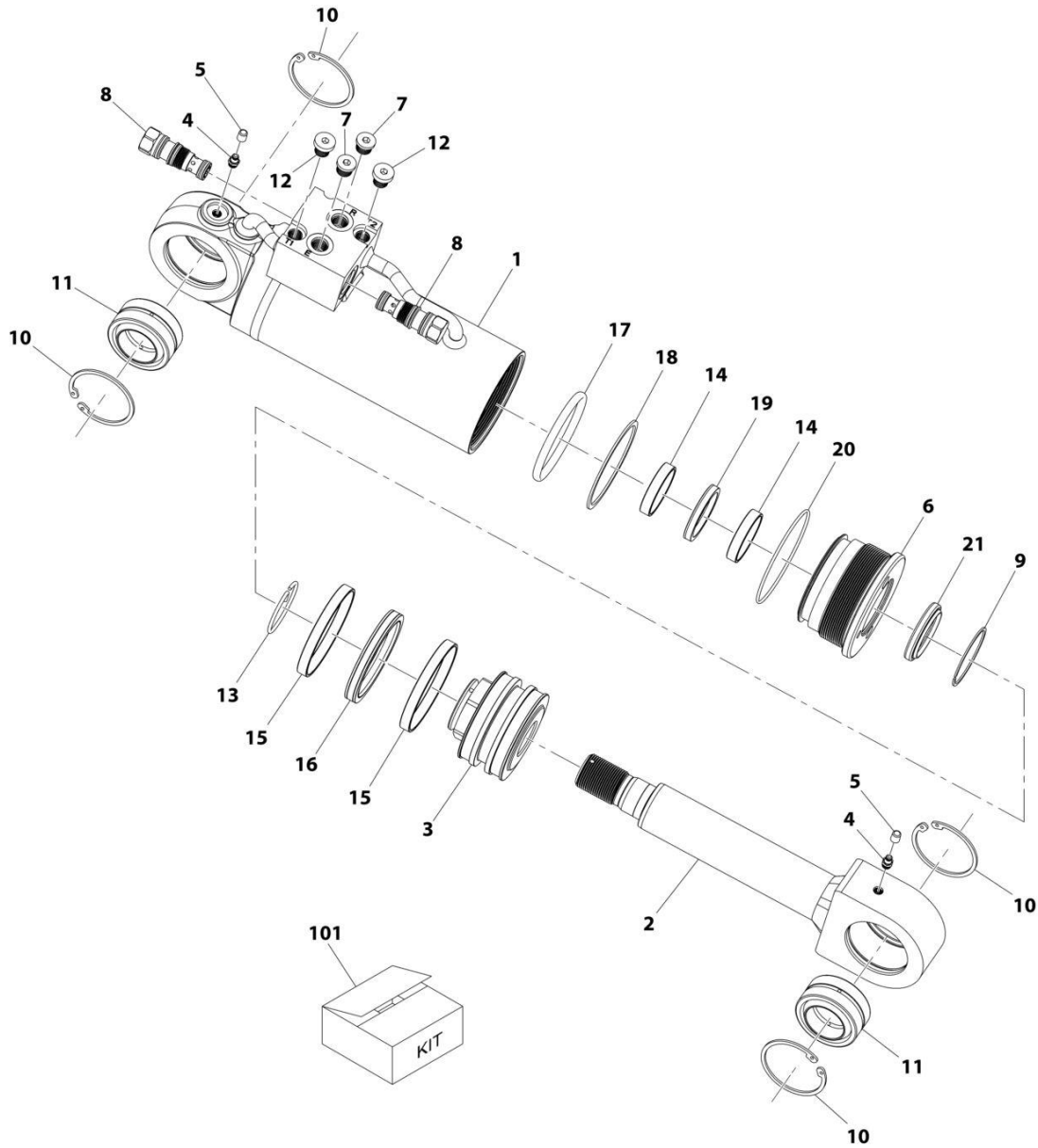
## SECTION 9 - HYDRAULIC COMPONENTS

**FIGURE 9-3. CYLINDER ASSEMBLY - CARRIAGE SIDE SHIFT**

ITEM	PART NUMBER	QTY	DESCRIPTION	REV
	70021376	1	Cylinder Assembly, Side Shift Carriage 12K	
		Ref	Note: Original Cylinder May Have Been Replaced with Service Replacement. Identify PN Stamped on Cylinder Before Ordering Parts.	
101	See Note	NSS	Barrel (Note: Use PN 70021376)	
102	70021448	2	Bushing	
103	70021440	1	Nut	
104	See Note	NSS	Ring, Piston (Note Use Item 118)	
105	See Note	NSS	O-Ring (Note: Use Item 118)	
106	70021451	1	Piston	
107	See Note	NSS	O-Ring (Note: Use Item 118)	
108	70021444	1	Spacer, Sheave	
109	See Note	NSS	O-Ring (Note: Use Item 118)	
110	See Note	NSS	Washer, Back-Up (Note: Use Item 118)	
111	See Note	NSS	O-Ring (Note: Use Item 118)	
112	70021446	1	Head	
113	See Note	NSS	Seal (Note: Use Item 118)	
114	See Note	NSS	Wiper, Rod (Note: Use Item 118)	
115	70021445	1	Rod	
116	70021447	1	Bushing	
117	90554045	2	Grease Fitting	
118	70021452	1	Seal Kit, (includes items 104, 105, 107, 109, 110, 111, 113 & 114)	

# SECTION 9 - HYDRAULIC COMPONENTS

## FIGURE 9-4. CYLINDER ASSEMBLY - CARRIAGE SIDE TILT



ART\_1001163414-A

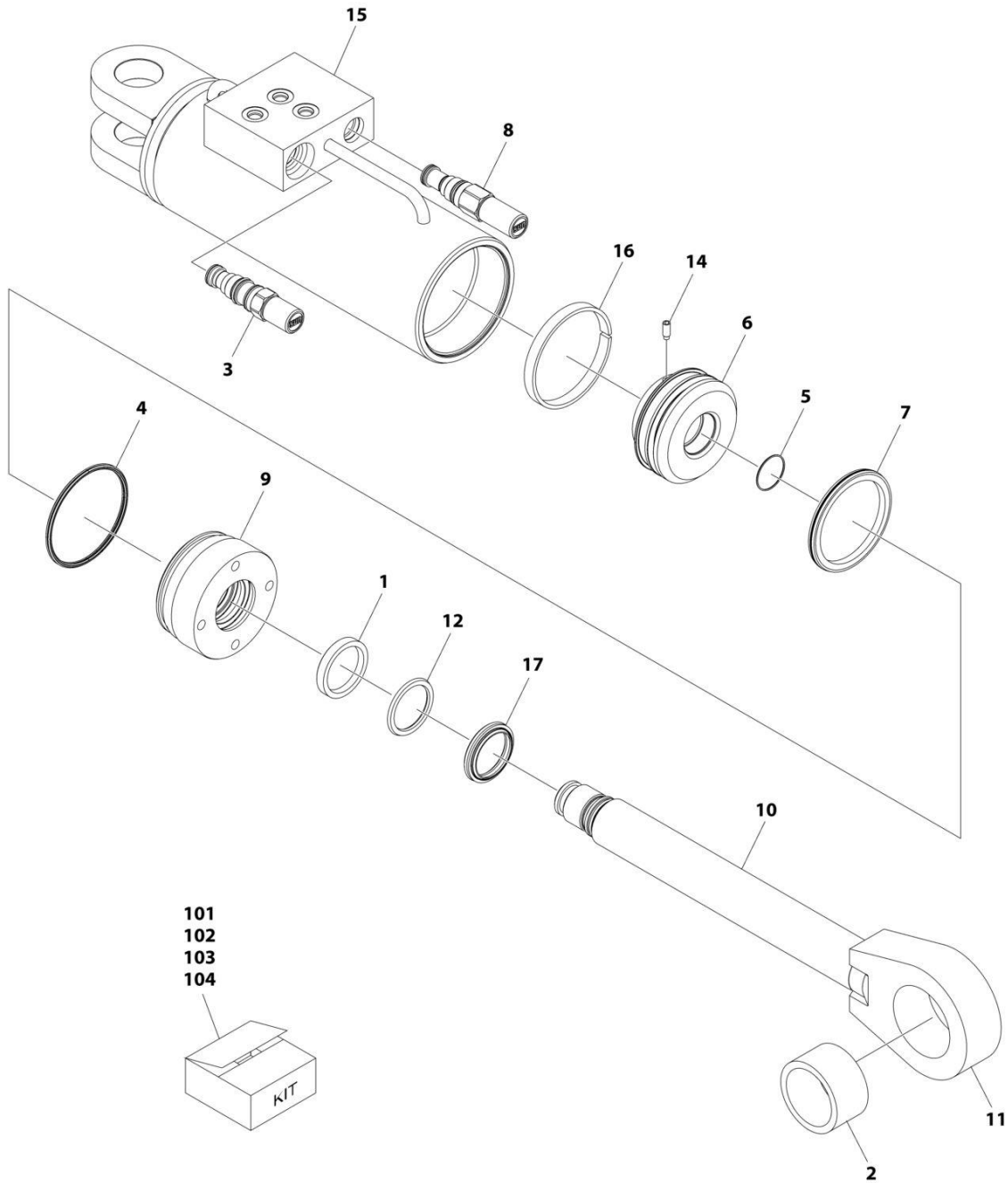
## SECTION 9 - HYDRAULIC COMPONENTS

### FIGURE 9-4. CYLINDER ASSEMBLY - CARRIAGE SIDE TILT

ITEM	PART NUMBER	QTY	DESCRIPTION	REV
	1001163414	Ref	Side Tilt Cylinder	A
		Ref	<b>Note: Original Cylinder May Have Been Replaced with Service Replacement. Identify PN Stamped on Cylinder Before Ordering Parts.</b>	
1	70026056	1	Barrel	
2	70026057	1	Rod	
3	70026058	1	Piston	
4	70025606	2	Nipple, Grease	
5	70024020	2	Fitting, Grease	
6	70003849	1	Head	
7	70025959	2	Plug	
8	70026059	2	Valve, Check	
9	70002219	1	Ring, Retaining	
10	70026060	4	Ring, Retaining	
11	70026061	2	Bearing	
12	70024262	2	Plug	
13	70002224	1	Ring, Lock	
14	Kit	NSS	Ring, Rod Bearing (Note: Use Item 101)	
15	Kit	NSS	Ring, Piston Bearing (Note: Use Item 101)	
16	Kit	NSS	Seal, Piston (Note: Use Item 101)	
17	Kit	NSS	O-Ring (Note: Use Item 101)	
18	Kit	NSS	Ring, Back-Up (Note: Use Item 101)	
19	Kit	NSS	Seal, Rod (Note: Use Item 101)	
20	Kit	NSS	O-Ring (Note: Use Item 101)	
21	Kit	NSS	Seal, Wiper (Note: Use Item 101)	
101	70026062	1	Kit, Seal (includes items 14 thru 21)	

# SECTION 9 - HYDRAULIC COMPONENTS

## FIGURE 9-5. CYLINDER ASSEMBLY - CARRIAGE SWING



ART\_1001293182

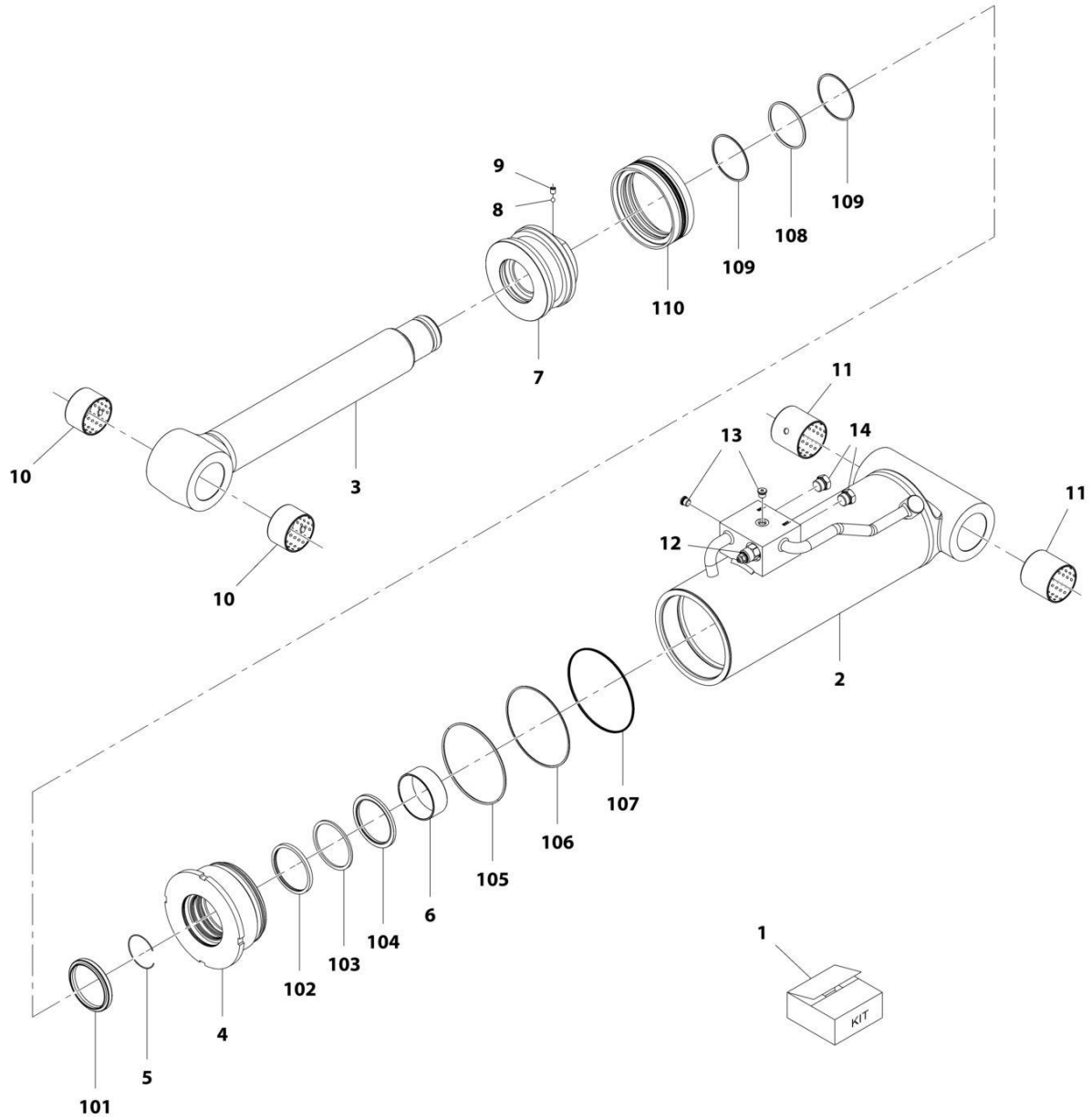
## SECTION 9 - HYDRAULIC COMPONENTS

**FIGURE 9-5. CYLINDER ASSEMBLY - CARRIAGE SWING**

ITEM	PART NUMBER	QTY	DESCRIPTION	REV
	1001293182	Ref	SWING CARRIAGR CYLINDER	A
		Ref	Note: Original Cylinder May Have Been Replaced with Service Replacement. Identify PN Stamped on Cylinder Before Ordering Parts.	
1	See Note	NSS	Ring, Buffer (Note: Use Item 101 or 102)	
2	70031329	1	Bushing (Note: Use Item 104)	
3	8033786	1	Valve, Counterbalance	
4	See Note	NSS	Seal, Head (Note: Use Item 101 or 102)	
5	See Note	NSS	O-Ring (Note: Use Item 101)	
6	See Note	NSS	Piston (Note: Use Item 103)	
7	See Note	NSS	Seal, Piston (Note: Use Item 101 or 103)	
8	8902842	1	Valve, Relief	
9	See Note	NSS	Retainer (Note: Use Item 102)	
10	See Note	NSS	Rod (Note: Use Item 104)	
11	See Note	NSS	Rod End (Note: Use Item 104)	
12	See Note	NSS	Seal, Rod (Note: Use Item 101 or 102)	
14	See Note	NSS	Setscrew (Note: Use Item 103)	
15	See Note	NSS	Shell Assembly (Note: No Service Parts Available)	
16	See Note	NSS	Ring, Wear (Note: Use Items 101 or 103)	
17	See Note	NSS	Wiper (Note: Use Items 101 or 102)	
101	70031325	1	Seal Kit (Includes Items # 1, 4-5, 7, 12, 16 & 17)	
102	70031326	1	Retainer Kit (Includes Items # 1, 4, 9, 12 & 17)	
103	70031327	1	Piston Kit ( Includes Items # 6-7, 14 & 16)	
104	70031328	1	Rod Service Kit ( Includes Items # 2 & 10-11)	

# SECTION 9 - HYDRAULIC COMPONENTS

## FIGURE 9-6. CYLINDER ASSEMBLY - COMPENSATION



ART\_1001162600-F



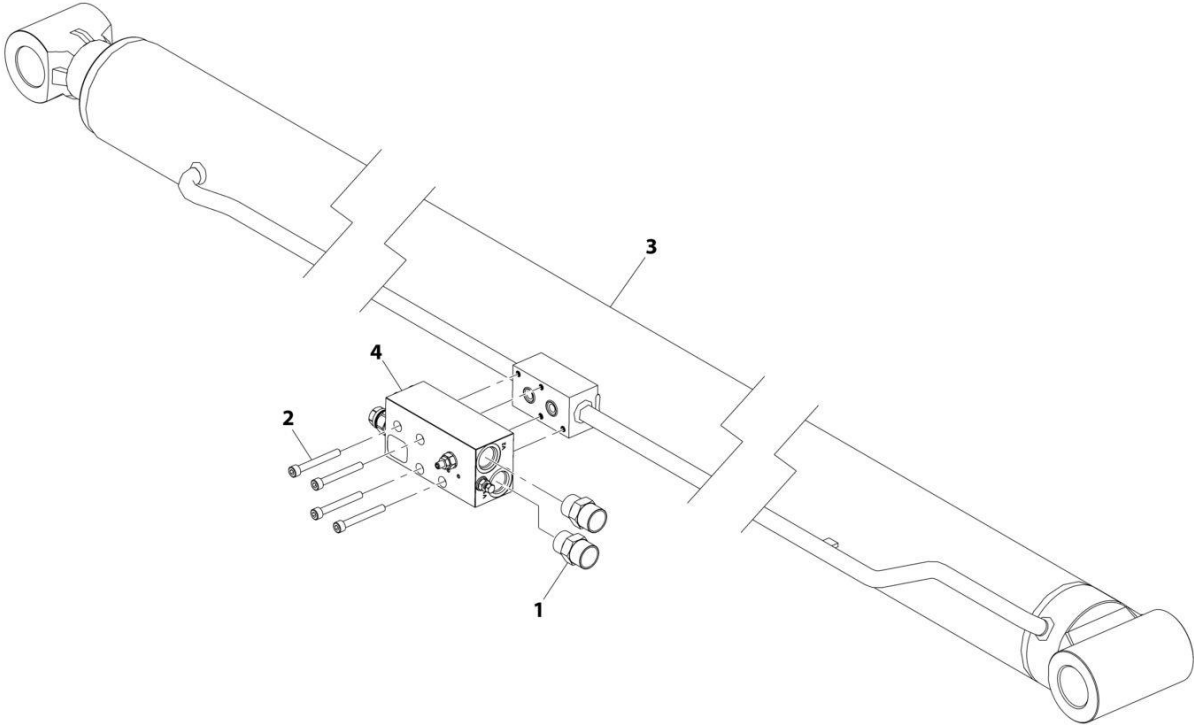
## SECTION 9 - HYDRAULIC COMPONENTS

### FIGURE 9-6. CYLINDER ASSEMBLY - COMPENSATION

ITEM	PART NUMBER	QTY	DESCRIPTION	REV
	1001162600	Ref	Compensation Cylinder	F
		Ref	<b>Note: Original Cylinder May Have Been Replaced with Service Replacement. Identify PN Stamped on Cylinder Before Ordering Parts.</b>	
1	70026550	1	Kit, Seal (includes items 101 thru 110)	
2	70026540	1	Barrel	
3	70026541	1	Gland	
4	70026542	1	Ring, Retaining	
5	70023379	1	Ring, Retaining	
6	70026302	1	Bearing, Dry	
7	70026303	1	Piston	
8	70022564	1	Ball, Steel	
9	70023369	1	Screw, Set	
10	70026543	2	Bearing, Dry	
11	70026545	2	Bearing, Dry	
12	70026336	1	Valve, Counterbalance	
13	70023370	2	Plug, Socket	
14	70023372	2	Plug, Hex	
101	Kit	1	Wiper, Dust	
102	Kit	1	Seal, Rod	
103	Kit	1	Ring, Backup	
104	Kit	1	Ring, Buffer	
105	Kit	1	O-Ring	
106	Kit	1	Ring, Backup	
107	Kit	1	O-Ring	
108	Kit	1	O-Ring	
109	Kit	2	Ring, Backup	
110	Kit	1	Seal, Piston	

# SECTION 9 - HYDRAULIC COMPONENTS

FIGURE 9-7. CYLINDER SUB-ASSEMBLY - EXTEND/RETRACT



ART\_1001227677-A

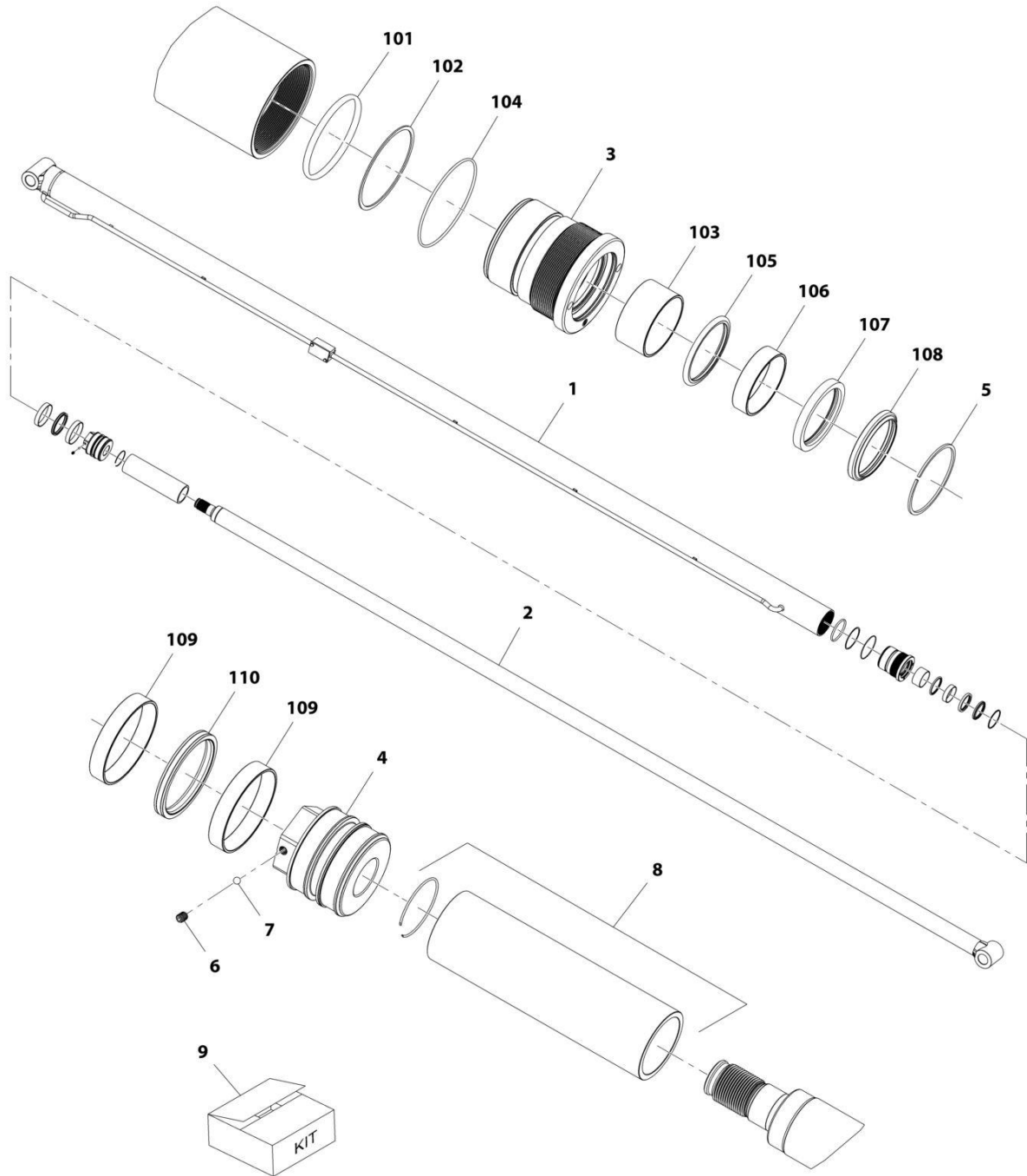
## SECTION 9 - HYDRAULIC COMPONENTS

FIGURE 9-7. CYLINDER SUB-ASSEMBLY - EXTEND/RETRACT

ITEM	PART NUMBER	QTY	DESCRIPTION	REV
	1001227677	Ref	Extend/Retract Cylinder Assembly	A
1	2111212	2	Fitting, Straight ORFS	
2	4031917	4	Bolt, M8X65	
3	1001162685	1	Extend/Retract Cylinder (See Separate Breakdown in this Section)	
4	1001226876	1	Valve, Counterbalance (includes 2 O-Ring)	

# SECTION 9 - HYDRAULIC COMPONENTS

## FIGURE 9-8. CYLINDER ASSEMBLY - EXTEND/RETRACT



ART\_1001162685-E

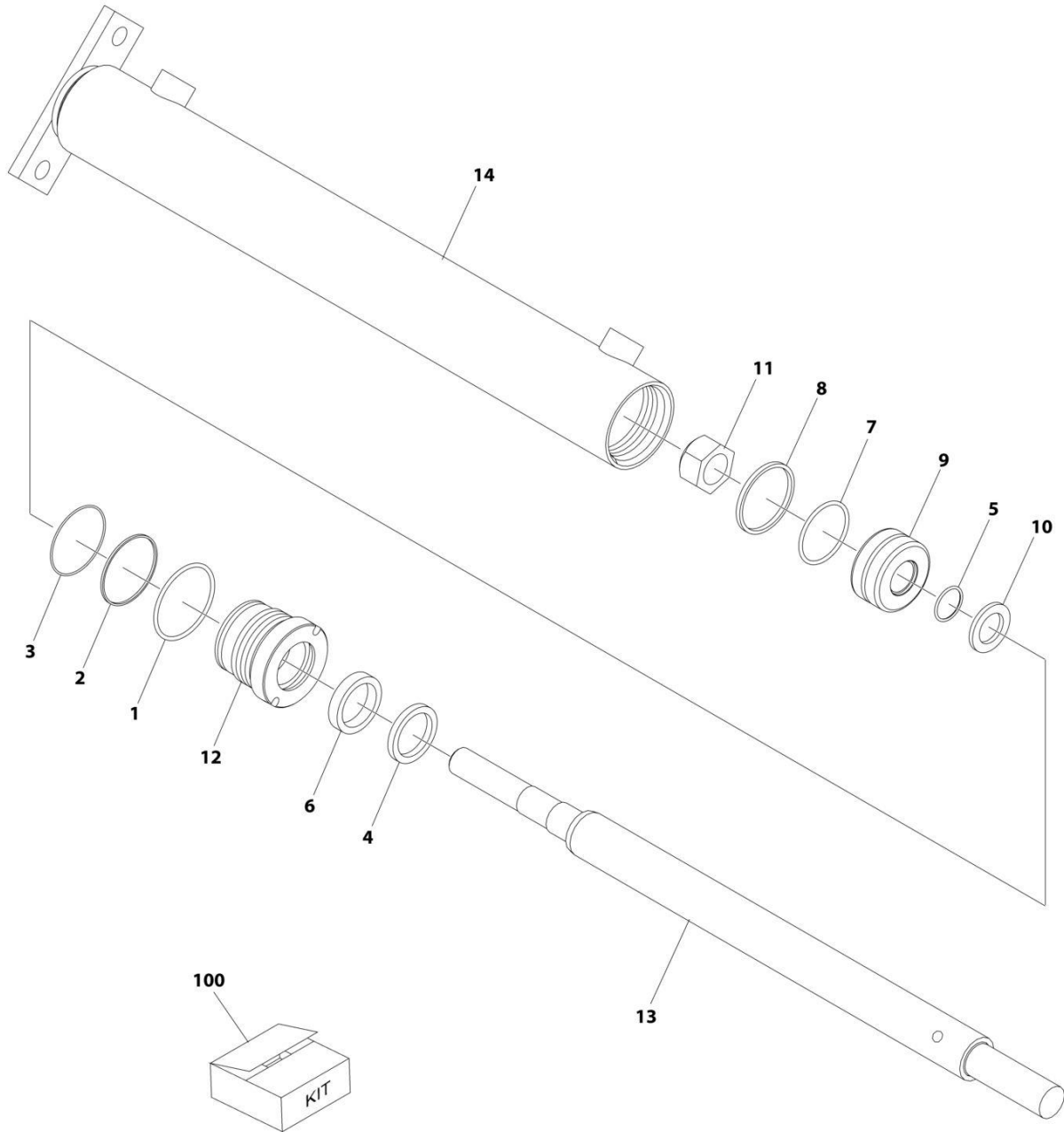
## SECTION 9 - HYDRAULIC COMPONENTS

**FIGURE 9-8. CYLINDER ASSEMBLY - EXTEND/RETRACT**

ITEM	PART NUMBER	QTY	DESCRIPTION	REV
	1001162685	Ref	Extend/Retract Cylinder	E
		Ref	Note: Original Cylinder May Have Been Replaced with Service Replacement. Identify PN Stamped on Cylinder Before Ordering Parts.	
1	70026456	1	Barrel	
2	70026457	1	Rod	
3	70026459	1	Gland	
4	70026460	1	Head, Piston	
5	70023086	1	Ring, Snap	
6	70026461	1	Screw, Set	
7	70025614	1	Ball, Steel	
8	70026458	1	Spacer	
9	70026462	1	Kit, Seal (includes items 101 thru 110)	
101	Kit	1	O-Ring	
102	Kit	1	Ring, Backup	
103	Kit	1	Ring, Bearing	
104	Kit	1	O-Ring	
105	Kit	1	Seal, Rod	
106	Kit	1	Ring, Bearing	
107	Kit	1	Seal, Rod	
108	Kit	1	Seal, Wiper	
109	Kit	2	Ring, Bearing	
110	Kit	1	Seal, Piston	

# SECTION 9 - HYDRAULIC COMPONENTS

## FIGURE 9-9. CYLINDER ASSEMBLY - FORK POSITIONING



ART\_2717283

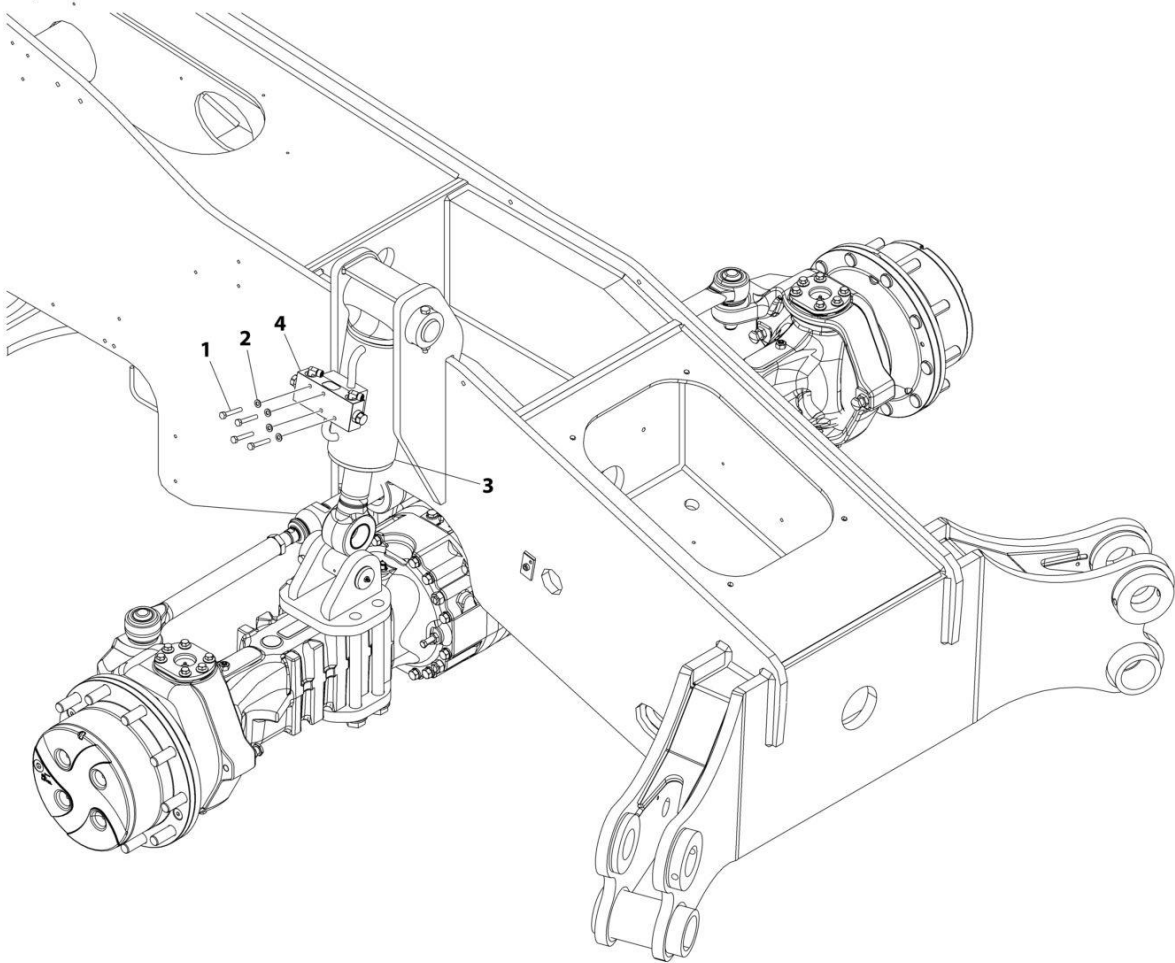
## SECTION 9 - HYDRAULIC COMPONENTS

### FIGURE 9-9. CYLINDER ASSEMBLY - FORK POSITIONING

ITEM	PART NUMBER	QTY	DESCRIPTION	REV
	2717283	Ref	FORK POSITIONING CYLINDER	B
		Ref	<b>Note: Original Cylinder May Have Been Replaced with Service Replacement. Identify PN Stamped on Cylinder Before Ordering Parts.</b>	
1	See Note	NSS	O-Ring (Use Item 100)	
2	See Note	NSS	Ring, Back-up (Use Item 100)	
3	See Note	NSS	O-Ring (Use Item 100)	
4	See Note	NSS	Seal (Use Item 100)	
5	See Note	NSS	O-Ring (Use Item 100)	
6	See Note	NSS	Seal (Use Item 100)	
7	See Note	NSS	O-Ring (Use Item 100)	
8	See Note	NSS	Seal (Use Item 100)	
9	70026771	1	Piston	
10	70026775	1	Washer	
11	70026770	1	Nut	
12	70026774	1	Head	
13	70026773	1	Rod	
14	See Note	NSS	Barrel (Note: Use PN 2717283)	
100	8036733	1	Seal Kit (includes items 1 thru 8)	

# SECTION 9 - HYDRAULIC COMPONENTS

FIGURE 9-10. CYLINDER INSTALLATION - FRAME LEVEL



ART\_1001162076\_E



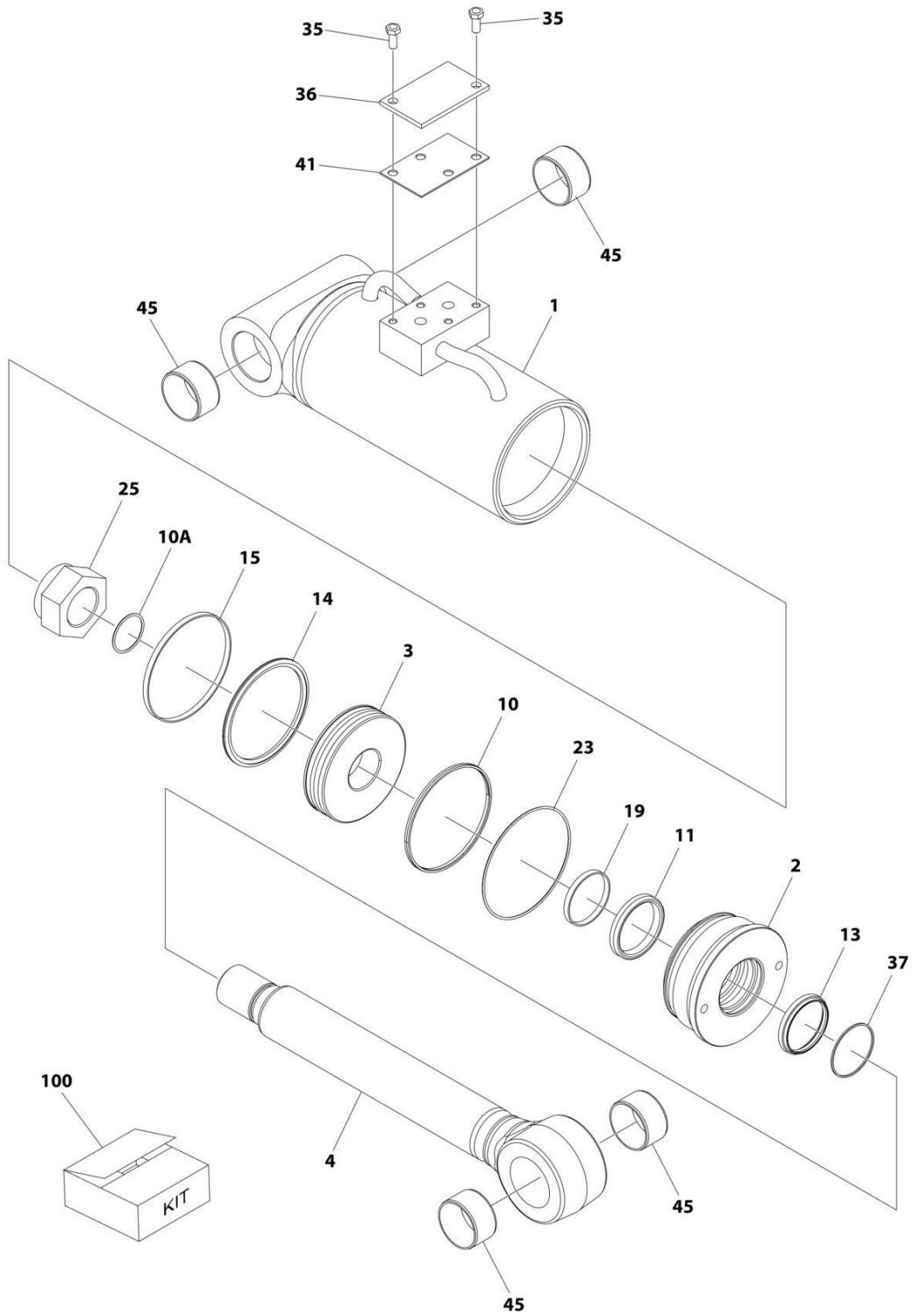
## SECTION 9 - HYDRAULIC COMPONENTS

FIGURE 9-10. CYLINDER INSTALLATION - FRAME LEVEL

ITEM	PART NUMBER	QTY	DESCRIPTION	REV
	1001162076	Ref	FRAME LEVEL CYLINDER INSTALLATION	E
1	0700818	4	Bolt M8 x 50	
2	4811900	4	Washer M8	
3	1001267970	1	Cylinder, Frame Stability (See Separate Breakdown in this Section)	
4	1001252522	1	Valve, Counterbalance	

# SECTION 9 - HYDRAULIC COMPONENTS

## FIGURE 9-11. CYLINDER ASSEMBLY - FRAME LEVEL



ART\_1001267970

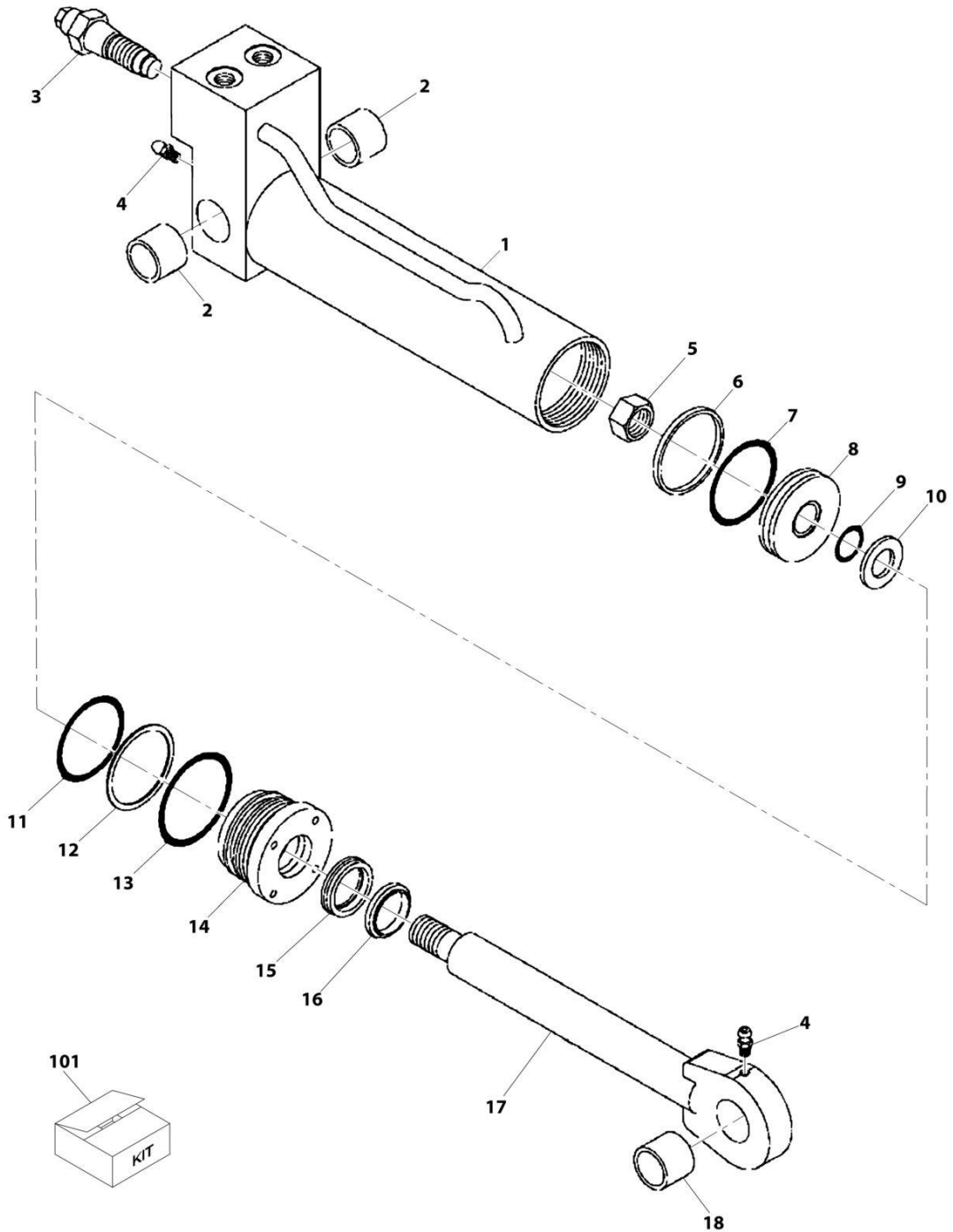
## SECTION 9 - HYDRAULIC COMPONENTS

**FIGURE 9-11. CYLINDER ASSEMBLY - FRAME LEVEL**

ITEM	PART NUMBER	QTY	DESCRIPTION	REV
	1001267970	Ref	CYLINDER ASSEMBLY	B
		Ref	Note: Original Cylinder May Have Been Replaced with Service Replacement. Identify PN Stamped on Cylinder Before Ordering Parts.	
1	See Note	NSS	Barrel (Note: Use PN 1001267970)	
2	70030388	1	Head	
3	70030389	1	Piston	
4	70030395	1	Rod	
10	See Note	NSS	Seal, Dual (Note: Use Item 100)	
10A	See Note	NSS	O-Ring (Note: Use Item 100)	
11	See Note	NSS	Seal, Rod (Note: Use Item 100)	
13	See Note	NSS	Wiper (Note: Use Item 100)	
14	See Note	NSS	Seal, Piston (Note: Use Item 100)	
15	See Note	NSS	Ring, Wear (Note: Use Item 100)	
19	See Note	NSS	Ring, Wear (Note: Use Item 100)	
23	See Note	NSS	Seal, Environmental (Note: Use Item 100)	
25	70030391	1	Nut 1-3/4	
35		Ref	Bolt M8 x 1-1/4	
36		Ref	Plate, Shipping	
37	70030392	1	Mask, Wiper	
41		Ref	Gasket, Shipping	
45	70030393	4	Bushing	
100	70030394	1	Seal Kit (Includes Items 10, 10A, 11, 13, 14, 15, 19 & 23)	

# SECTION 9 - HYDRAULIC COMPONENTS

## FIGURE 9-12. CYLINDER ASSEMBLY - GRAPPLE BUCKET



ART\_70021393-A

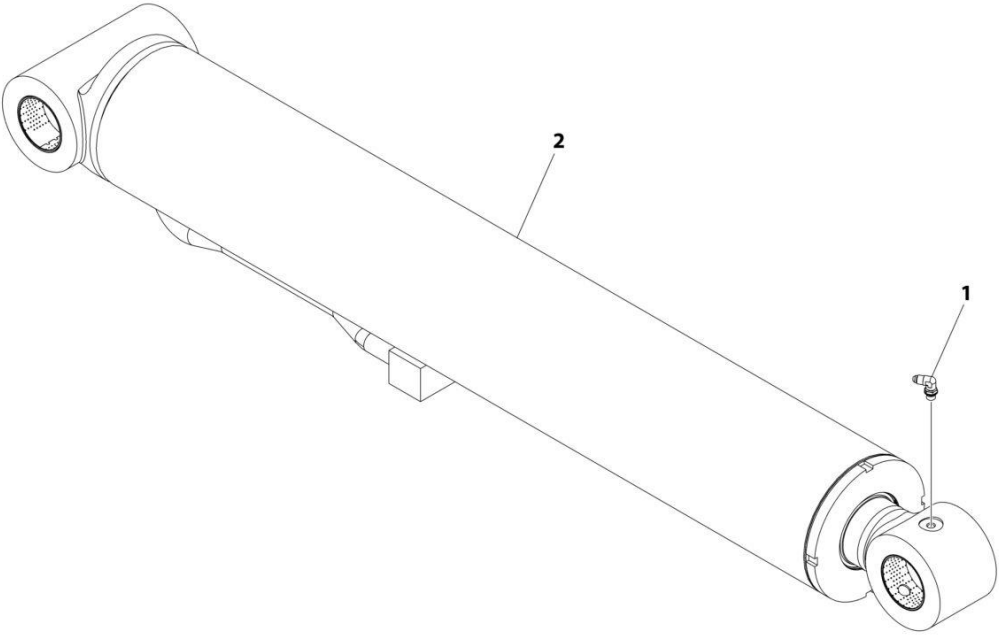
## SECTION 9 - HYDRAULIC COMPONENTS

**FIGURE 9-12. CYLINDER ASSEMBLY - GRAPPLE BUCKET**

ITEM	PART NUMBER	QTY	DESCRIPTION	REV
	70021393	Ref	Grapple Bucket Cylinder	A
		Ref	Note: Original Cylinder May Have Been Replaced with Service Replacement. Identify PN Stamped on Cylinder Before Ordering Parts.	
1	70021465	1	Barrel	
2	70021448	2	Bushing	
3	70021464	2	Cartridge, Valve	
4	90554045	2	Fitting, Grease	
5	70021440	1	Nut	
6	Kit	NSS	Ring, Piston (Note: Use Item 101)	
7	Kit	NSS	O-Ring (Note: Use Item 101)	
8	70021451	1	Piston	
9	Kit	NSS	O-Ring (Note: Use Item 101)	
10	70021444	1	Washer	
11	Kit	NSS	O-Ring (Note: Use Item 101)	
12	Kit	NSS	Washer, Back-Up (Note: Use Item 101)	
13	Kit	NSS	O-Ring (Note: Use Item 101)	
14	70021446	1	Head	
15	Kit	NSS	Seal, Poly-Pak (Note: Use Item 101)	
16	Kit	NSS	Wiper, Rod (Note: Use Item 101)	
17	70021466	1	Rod	
18	70021447	1	Bushing	
101	70021452	1	Kit, Seal (includes items 6, 7, 9, 11 thru 13, 15 & 16)	

**SECTION 9 - HYDRAULIC COMPONENTS**

**FIGURE 9-13. LIFT CYLINDER ASSEMBLY, INSTALLATION**



ART\_1001264884

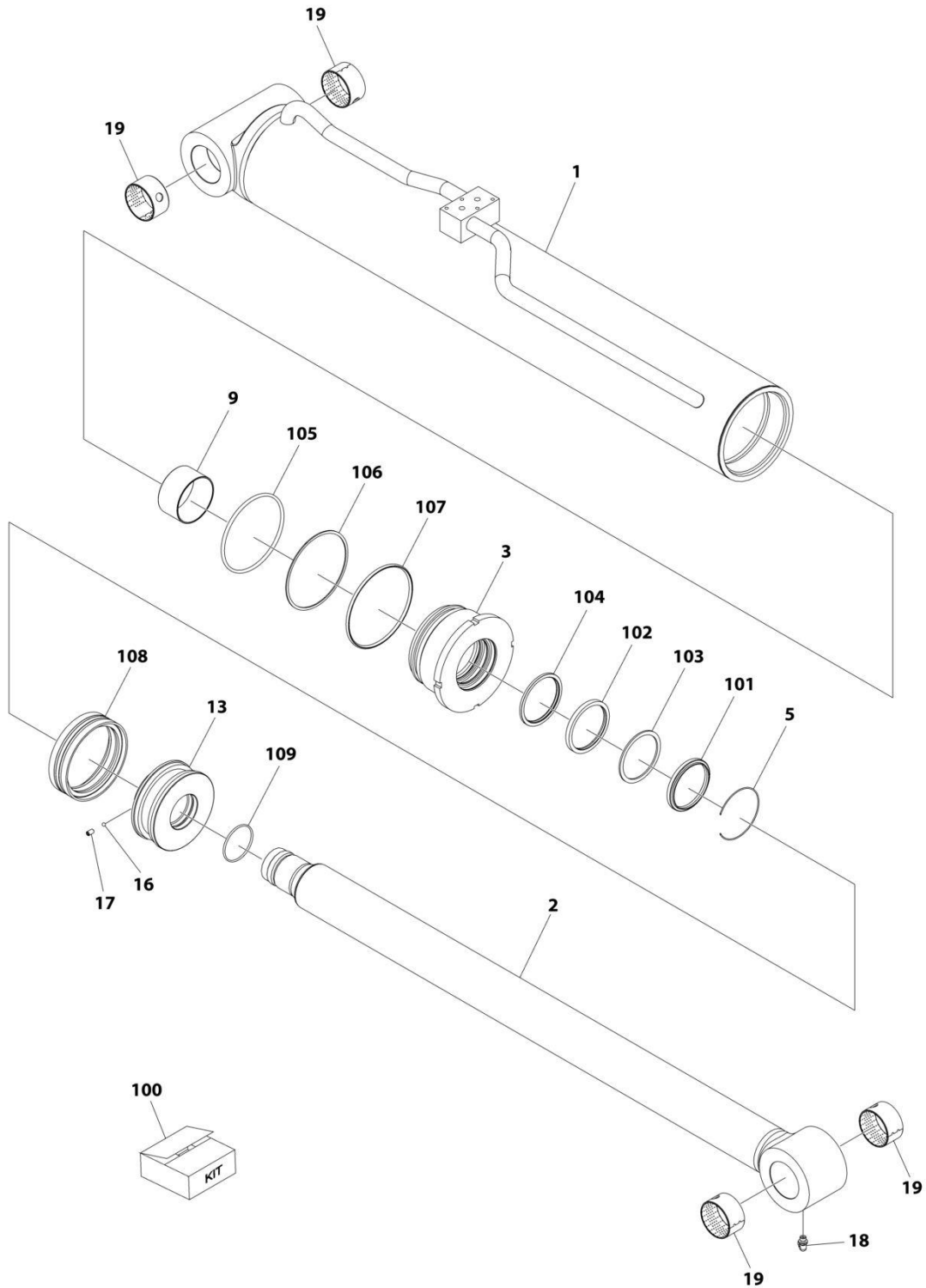
## SECTION 9 - HYDRAULIC COMPONENTS

FIGURE 9-13. LIFT CYLINDER ASSEMBLY, INSTALLATION

ITEM	PART NUMBER	QTY	DESCRIPTION	REV
	1001264884	Ref	LIFT CYLINDER ASSEMBLY INSTALLATION	A
1	8770215	1	Elbow	
2	1001251095	1	Cylinder, Lift (See Separate Breakdown in this Section)	

# SECTION 9 - HYDRAULIC COMPONENTS

## FIGURE 9-14. CYLINDER ASSEMBLY - LIFT



ART\_1001251095



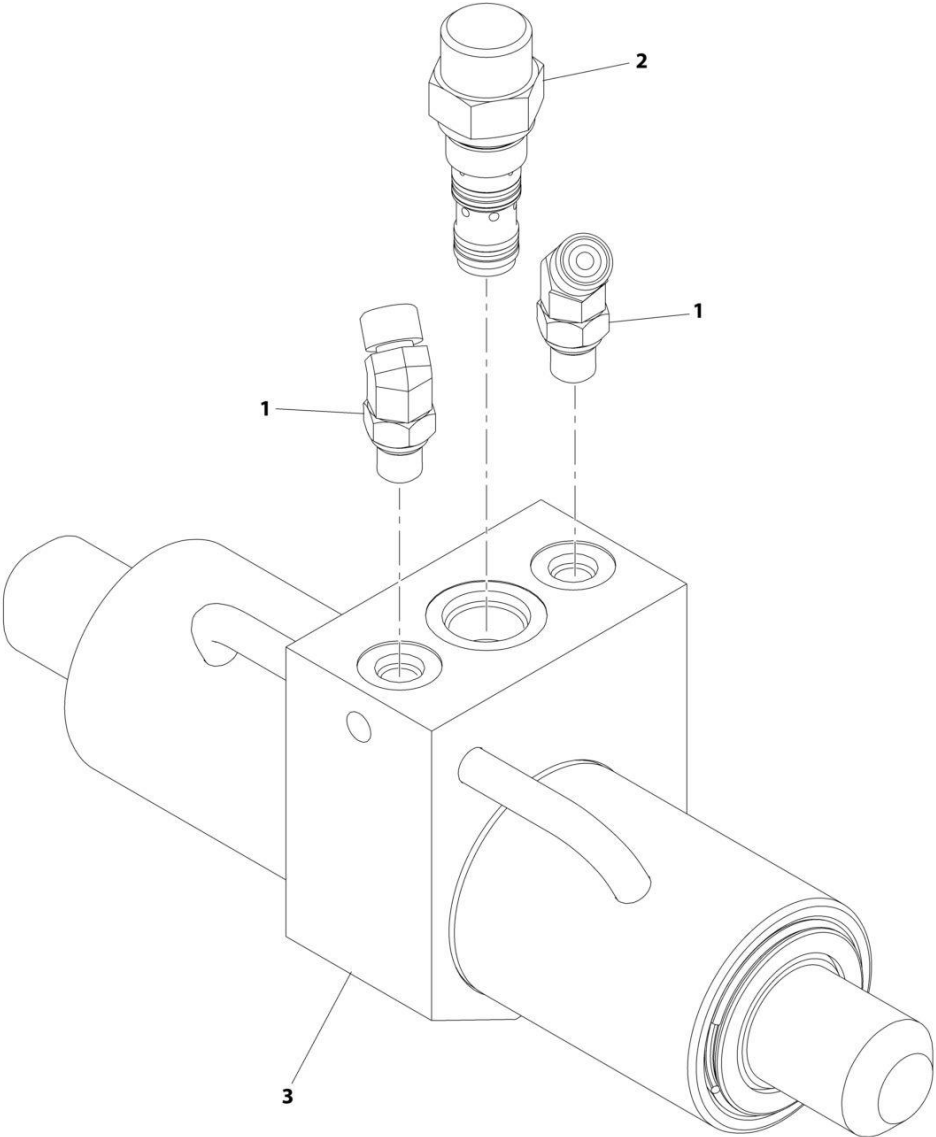
## SECTION 9 - HYDRAULIC COMPONENTS

### FIGURE 9-14. CYLINDER ASSEMBLY - LIFT

ITEM	PART NUMBER	QTY	DESCRIPTION	REV
	1001251095	Ref	Lift Cylinder	C
		Ref	Note: Original Cylinder May Have Been Replaced with Service Replacement. Identify PN Stamped on Cylinder Before Ordering Parts.	
1	N.S.S.	1	Barrel	
2	70029800	1	Rod	
3	70029801	1	Gland	
5	70023380	1	Ring, Retaining	
9	70029802	1	Bearing	
13	70029803	1	Piston	
16	70022564	1	Steel Ball	
17	70029468	1	Setscrew	
18	70023376	1	Fitting, Grease	
19	70029804	4	Bearing	
100	70029805	1	Kit, Seal (includes items 101 thru 109)	
101	Kit	1	Wiper	
102	Kit	1	Seal, Rod	
103	Kit	1	Ring, Backup	
104	Kit	1	Seal, Buffer	
105	Kit	1	O-Ring	
106	Kit	1	Ring, Backup	
107	Kit	1	O-Ring	
108	Kit	1	Piston Seal	
109	Kit	1	O-Ring	

**SECTION 9 - HYDRAULIC COMPONENTS**

**FIGURE 9-15. CYLINDER SUB-ASSEMBLY - QUICK COUPLER**



ART\_1001210390-A

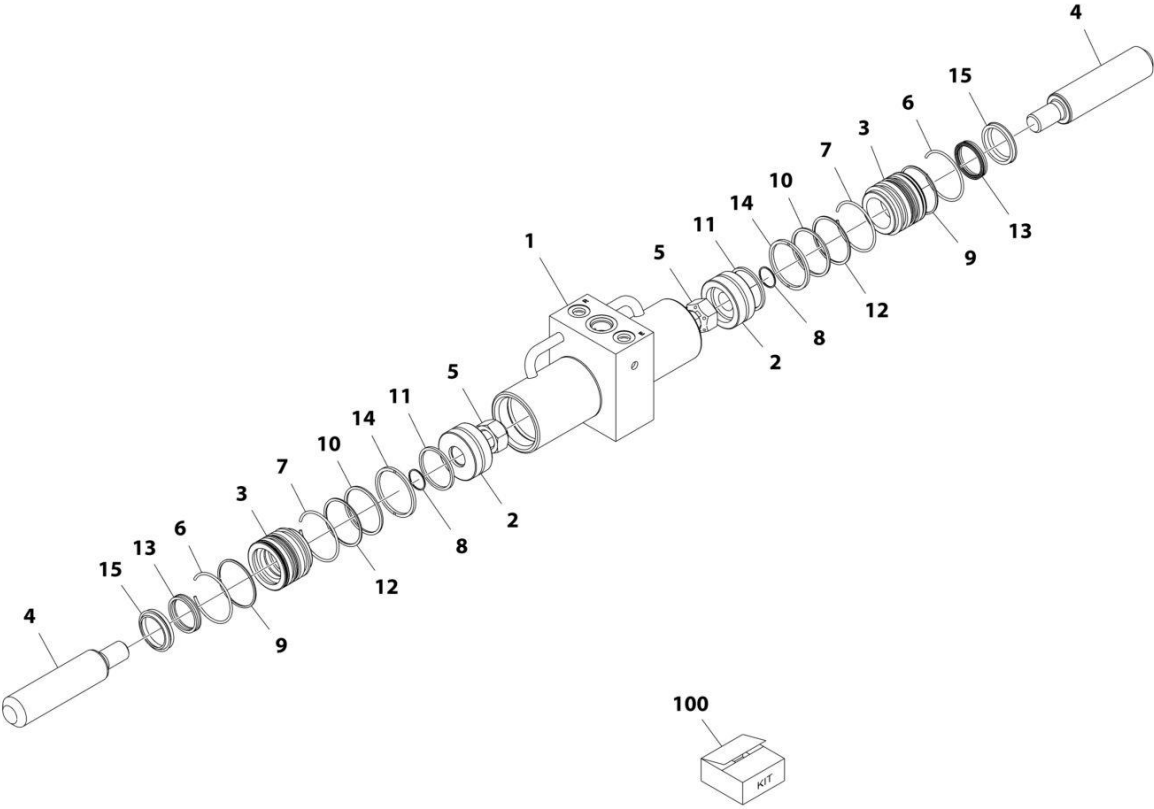
## SECTION 9 - HYDRAULIC COMPONENTS

FIGURE 9-15. CYLINDER SUB-ASSEMBLY - QUICK COUPLER

ITEM	PART NUMBER	QTY	DESCRIPTION	REV
	1001210390	Ref	Quick Coupler Cylinder Assembly	A
1	2150404	2	Fitting, 45 ORFS	
2	1001007056	1	Valve, Check	
3	1001120163	1	Cylinder, Quick Coupler (See Separate Breakdown in this Section)	

# SECTION 9 - HYDRAULIC COMPONENTS

## FIGURE 9-16. CYLINDER ASSEMBLY - QUICK COUPLER



ART\_1001120163-D

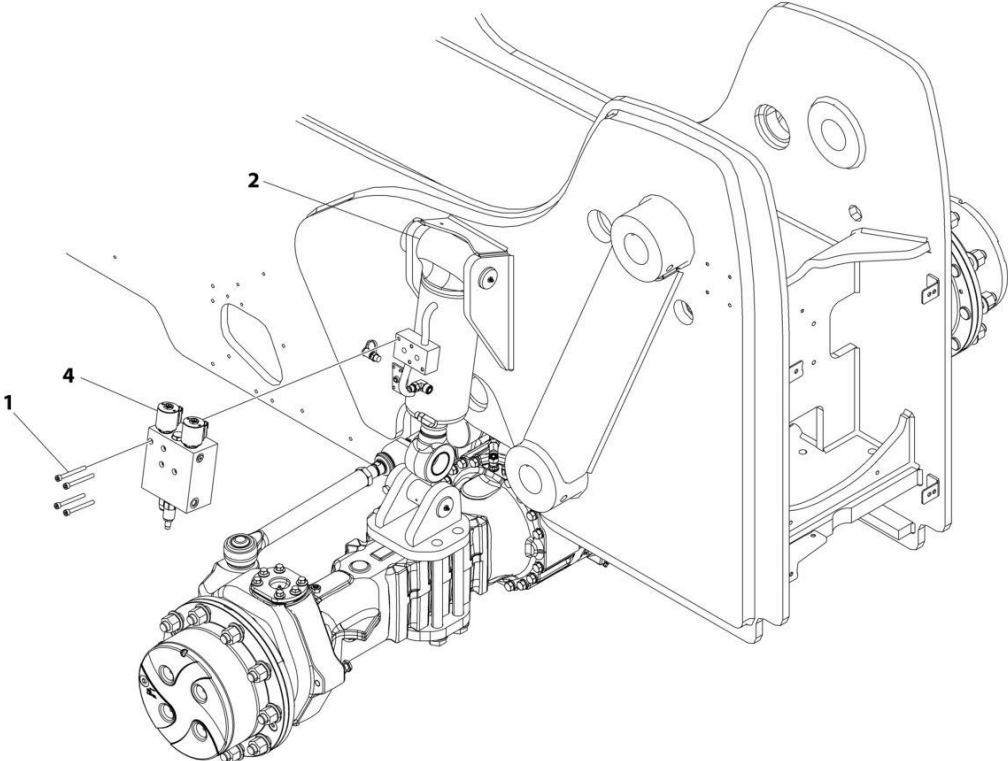
## SECTION 9 - HYDRAULIC COMPONENTS

**FIGURE 9-16. CYLINDER ASSEMBLY - QUICK COUPLER**

ITEM	PART NUMBER	QTY	DESCRIPTION	REV
	1001120163	Ref	Quick Coupler Cylinder	D
		Ref	Note: Original Cylinder May Have Been Replaced with Service Replacement. Identify PN Stamped on Cylinder Before Ordering Parts.	
1	70026211	1	Barrel	
2	70026212	2	Piston	
3	70026213	2	Head Gland	
4	70026214	2	Cylinder Rod	
5	8037140	2	Locknut	
6	Kit	2	Round Retaining Ring	
7	Kit	2	Round Retaining Ring	
8	Kit	2	O-Ring	
9	Kit	2	O-Ring	
10	Kit	2	O-Ring	
11	Kit	2	Square Ring	
12	Kit	2	Backup Ring	
13	Kit	2	Rod Seal	
14	Kit	2	Piston Seal	
15	Kit	2	Rod Wiper	
100	70026215	1	Seal Kit (includes items 6 thru 15)	

**SECTION 9 - HYDRAULIC COMPONENTS**

**FIGURE 9-17. CYLINDER INSTALLATION - REAR AXLE STABILIZER**



ART\_1001164036\_F

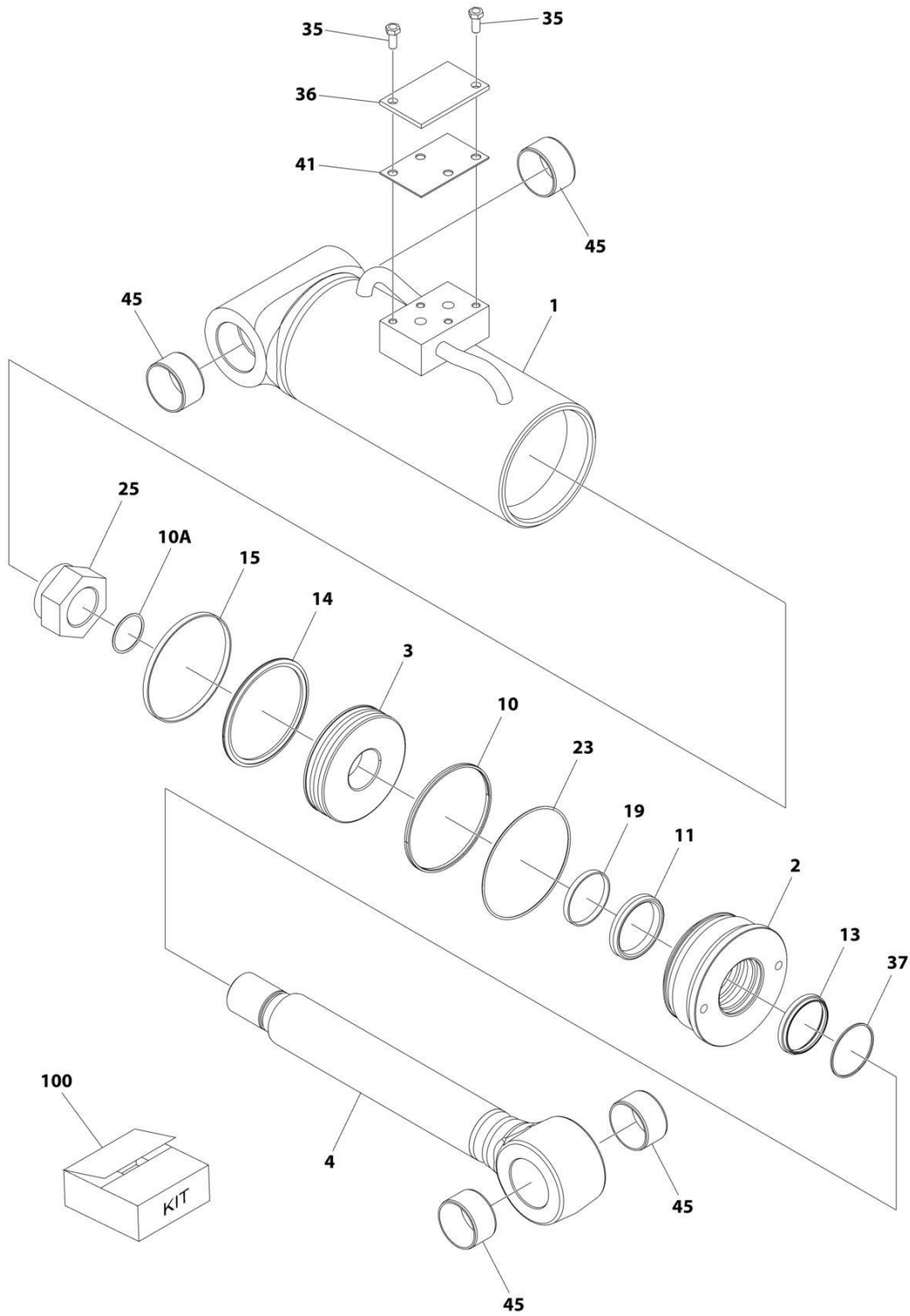
## SECTION 9 - HYDRAULIC COMPONENTS

FIGURE 9-17. CYLINDER INSTALLATION - REAR AXLE STABILIZER

ITEM	PART NUMBER	QTY	DESCRIPTION	REV
	1001164036	Ref	REAR AXLE STABILIZER CYLINDER INSTALLATION	F
1	4031920	4	Screw M8 x 1-1/4	
2	1001267969	1	Cylinder, Frame Stability (See Separate Breakdown in this Section)	
4	1001197600	Ref	Valve (See Separate Breakdown in HYDRAULIC COMPONENTS Section)	

# SECTION 9 - HYDRAULIC COMPONENTS

## FIGURE 9-18. CYLINDER ASSEMBLY - STABILIZER (REAR AXLE)



ART\_1001267969



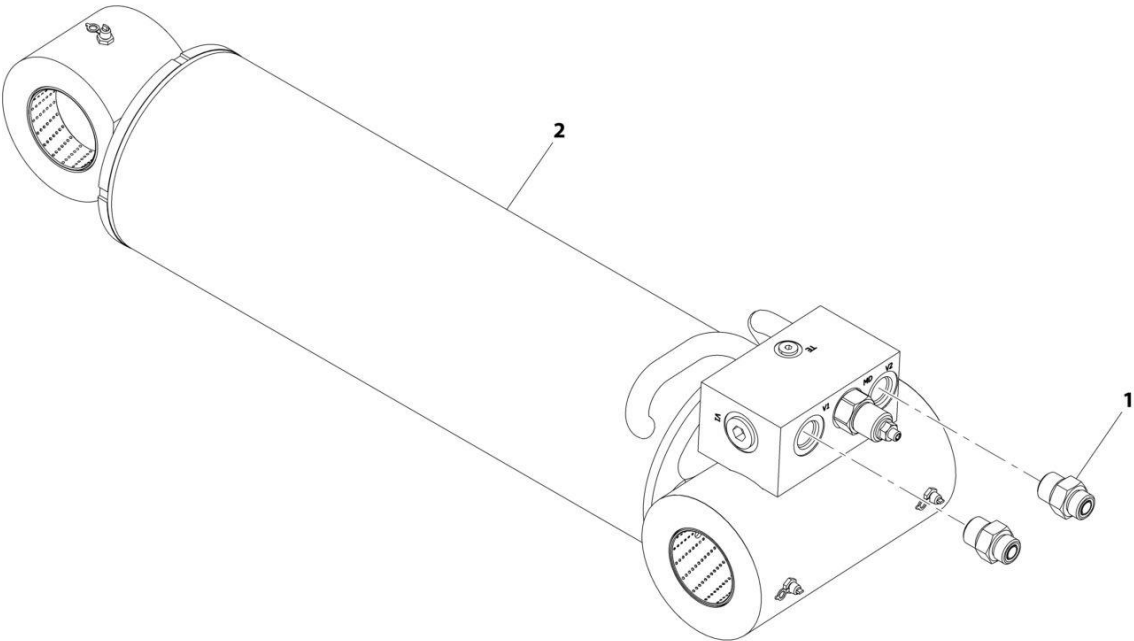
## SECTION 9 - HYDRAULIC COMPONENTS

**FIGURE 9-18. CYLINDER ASSEMBLY - STABILIZER (REAR AXLE)**

ITEM	PART NUMBER	QTY	DESCRIPTION	REV
	1001267969	Ref	CYLINDER ASSEMBLY	B
		Ref	Note: Original Cylinder May Have Been Replaced with Service Replacement. Identify PN Stamped on Cylinder Before Ordering Parts.	
1	See Note	NSS	Barrel (Note: Use PN 1001267969)	
2	70030388	1	Head	
3	70030389	1	Piston	
4	70030390	1	Rod	
10	See Note	NSS	Seal, Dual (Note: Use Item 100)	
10A	See Note	NSS	O-Ring (Note: Use Item 100)	
11	See Note	NSS	Seal, Rod (Note: Use Item 100)	
13	See Note	NSS	Wiper (Note: Use Item 100)	
14	See Note	NSS	Seal, Piston (Note: Use Item 100)	
15	See Note	NSS	Ring, Wear (Note: Use Item 100)	
19	See Note	NSS	Ring, Wear (Note: Use Item 100)	
23	See Note	NSS	Seal, Environmental (Note: Use Item 100)	
25	70030391	1	Nut 1-3/4	
35		Ref	Bolt M8 x 1-1/4	
36		Ref	Plate, Shipping	
37	70030392	1	Mask, Wiper	
41		Ref	Gasket, Shipping	
45	70030393	4	Bushing	
100	70030394	1	Seal Kit (Includes Items 10, 10A, 11, 13, 14, 15, 19 & 23)	

**SECTION 9 - HYDRAULIC COMPONENTS**

**FIGURE 9-19. CYLINDER SUB-ASSEMBLY - TILT**



ART\_1001184640\_D

## SECTION 9 - HYDRAULIC COMPONENTS

FIGURE 9-19. CYLINDER SUB-ASSEMBLY - TILT

ITEM	PART NUMBER	QTY	DESCRIPTION	REV
1	1001184640	Ref	Tilt Cylinder Assembly	D
2	2110810	2	Fitting, Straight ORFS	
2	1001251073	Ref	Tilt Cylinder (See Separate Breakdown in this Section)	

## SECTION 9 - HYDRAULIC COMPONENTS

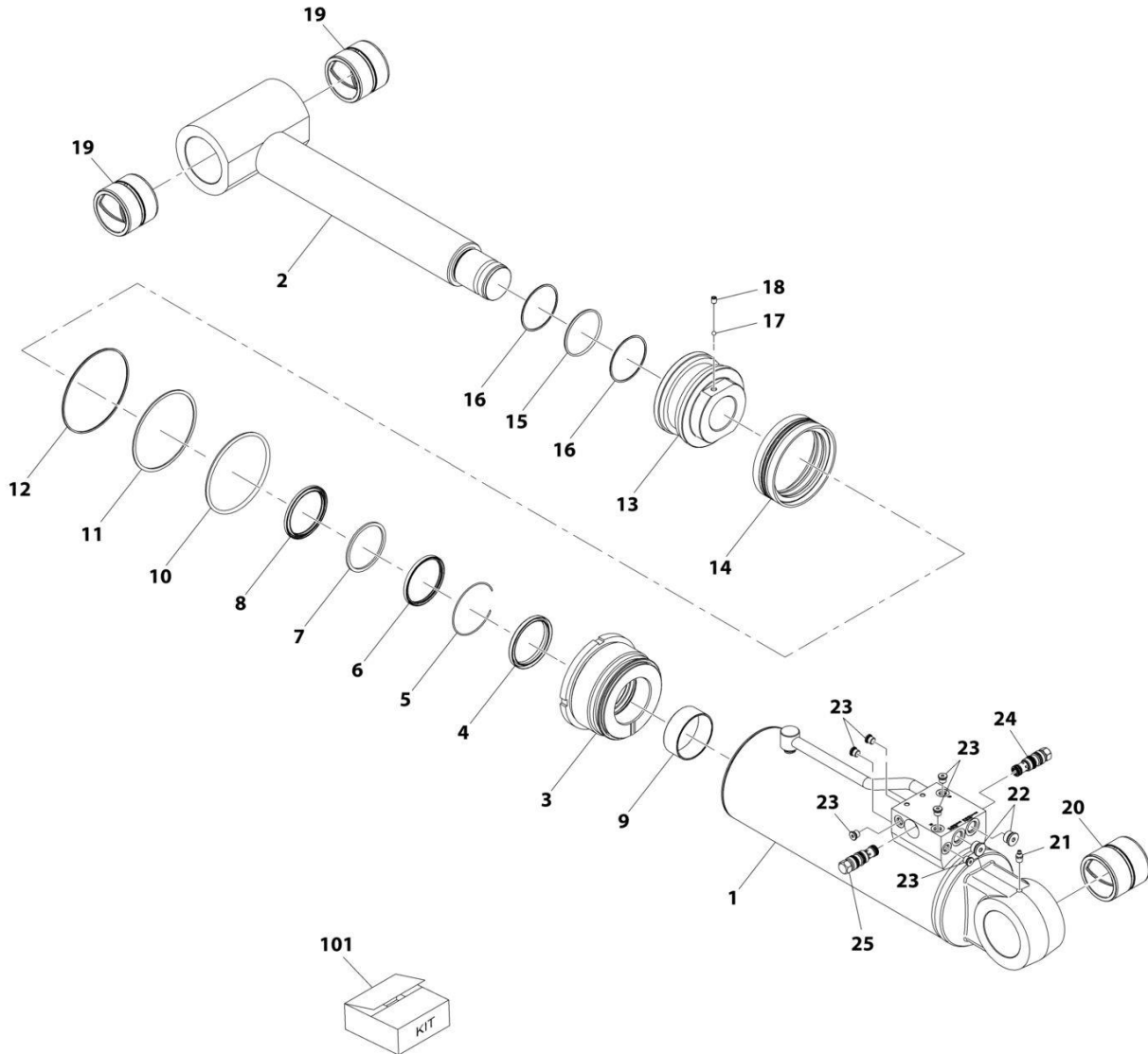
FIGURE 9-20. CYLINDER ASSEMBLY - TILT

ITEM	PART NUMBER	QTY	DESCRIPTION	REV
	1001251073	Ref	CYLINDER ASSEMBLY - TILT	B
		Ref	Note: Original Cylinder May Have Been Replaced with Service Replacement. Identify PN Stamped on Cylinder Before Ordering Parts.	
1	1001168038	2	Bushing	
2	1001168041	2	Bushing	
3	1001189888	1	Valve, Counterbalance	
101	SEE NOTE	NSS	Barrel (Note: Use PN 1001251073)	
102	70031339	1	Rod	
103	70031340	1	Head	
104	SEE NOTE	NSS	Wiper, Dust (Note: Use Item 201)	
105	70023379	1	Ring, Retaining	
106	See Note	NSS	Seal, Rod (Note: Use Item 201)	
107	See Note	NSS	Ring, Backup (Note: Use Item 201)	
108	See Note	NSS	Ring, Buffer (Note: Use Item 201)	
109	70026302	1	Bushing	
110	See Note	NSS	O-Ring (Note: Use Item 201)	
111	See Note	NSS	Ring, Backup (Note: Use Item 201)	
112	70031341	1	O-Ring	
113	70031342	1	Piston	
114	See Note	NSS	Seal, Piston (Note: Use Item 201)	
115	See Note	NSS	O-Ring (Note: Use Item 201)	
116	See Note	NSS	Ring, Backup (Note: Use Item 201)	
117	70022564	1	Bearing, Ball	
118	70023369	1	Set-Screw	
120	70005433	3	Plug	
121	2220883	1	Plug	
124	70029469	3	Nipple, Grease	
201	70031343	1	Seal Kit - 1001251073 Cylinder (Includes Items 104, 106-108, 110, 111 & 114-116)	



# SECTION 9 - HYDRAULIC COMPONENTS

## FIGURE 9-21. CYLINDER ASSEMBLY - OUTRIGGER



ART\_1001213065-C

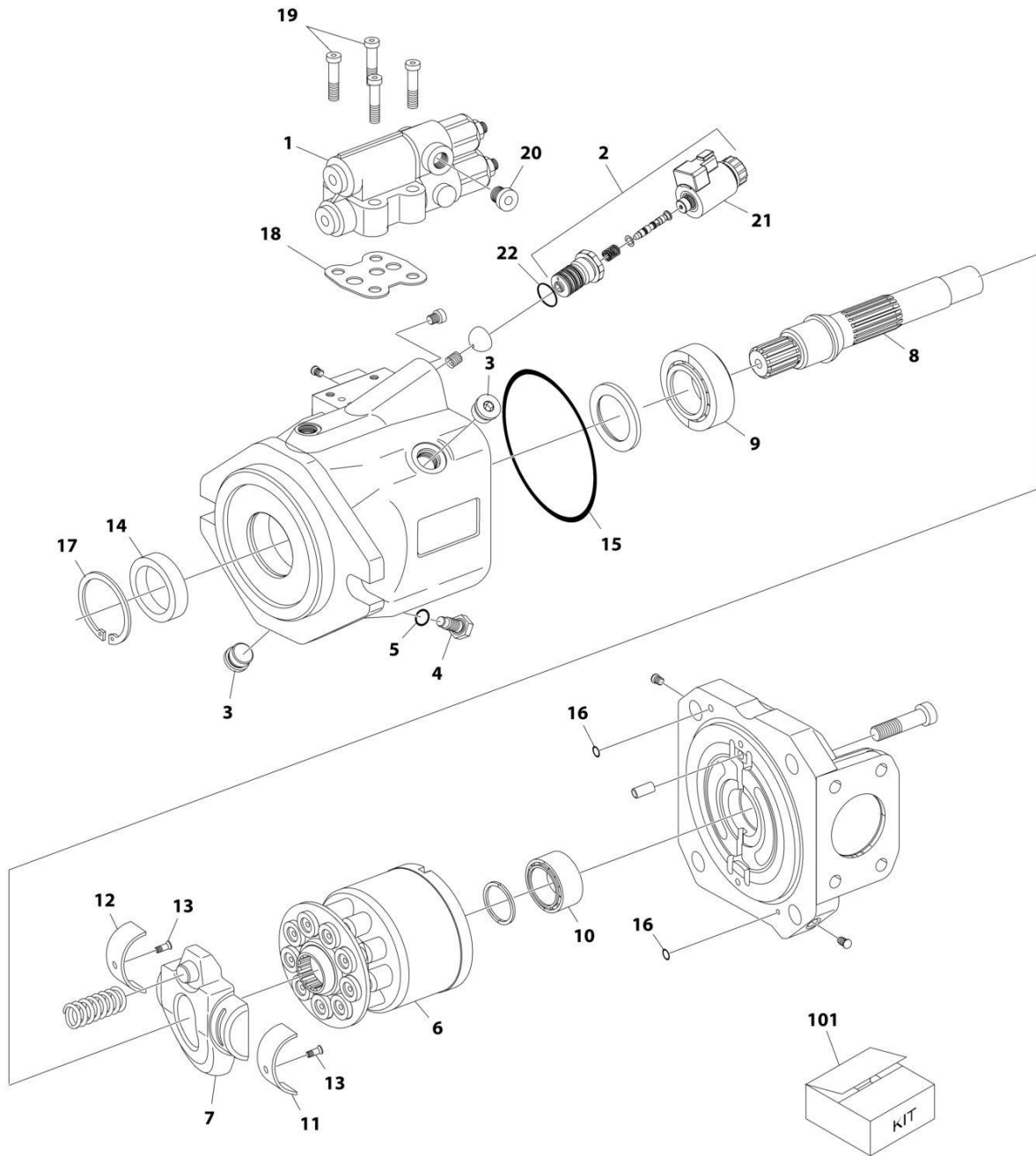
## SECTION 9 - HYDRAULIC COMPONENTS

**FIGURE 9-21. CYLINDER ASSEMBLY - OUTRIGGER**

ITEM	PART NUMBER	QTY	DESCRIPTION	REV
	1001213065	Ref	Outrigger Cylinder	C
		Ref	Note: Original Cylinder May Have Been Replaced with Service Replacement. Identify PN Stamped on Cylinder Before Ordering Parts.	
1	70027758	1	Tube Assembly	
2	70026300	1	Rod Assembly	
3	70026301	1	Gland	
4	Kit	1	Dust Wiper	
5	70023379	1	Retain Ring	
6	Kit	1	Rod Seal	
7	Kit	1	Back-up Ring	
8	Kit	1	Buffer Ring	
9	70026302	1	Dry Bearing	
10	Kit	1	O-ring	
11	Kit	1	Back-up Ring	
12	Kit	1	O-ring	
13	70026303	1	Piston	
14	Kit	1	Piston Seal	
15	Kit	1	O-ring	
16	Kit	2	Back-up Ring	
17	70022564	1	Steel Ball	
18	70023369	1	Set Screw	
19	70026304	2	Pin Bush	
20	70026305	1	Pin Bush	
21	70026308	1	Grease Nipple	
22	2220886	2	Hex Soc. Plug	
23	2220883	6	Hex Soc. Plug	
24	1001214653	1	Counter Balance Valve	
25	1001214654	1	Counter Balance Valve	
101	70026309	1	Kit, Seal (includes items 4, 6, 7, 8, 10, 11, 12 & 14 thru 16)	

# SECTION 9 - HYDRAULIC COMPONENTS

## FIGURE 9-22. PUMP ASSEMBLY - PISTON



ART\_1001182279



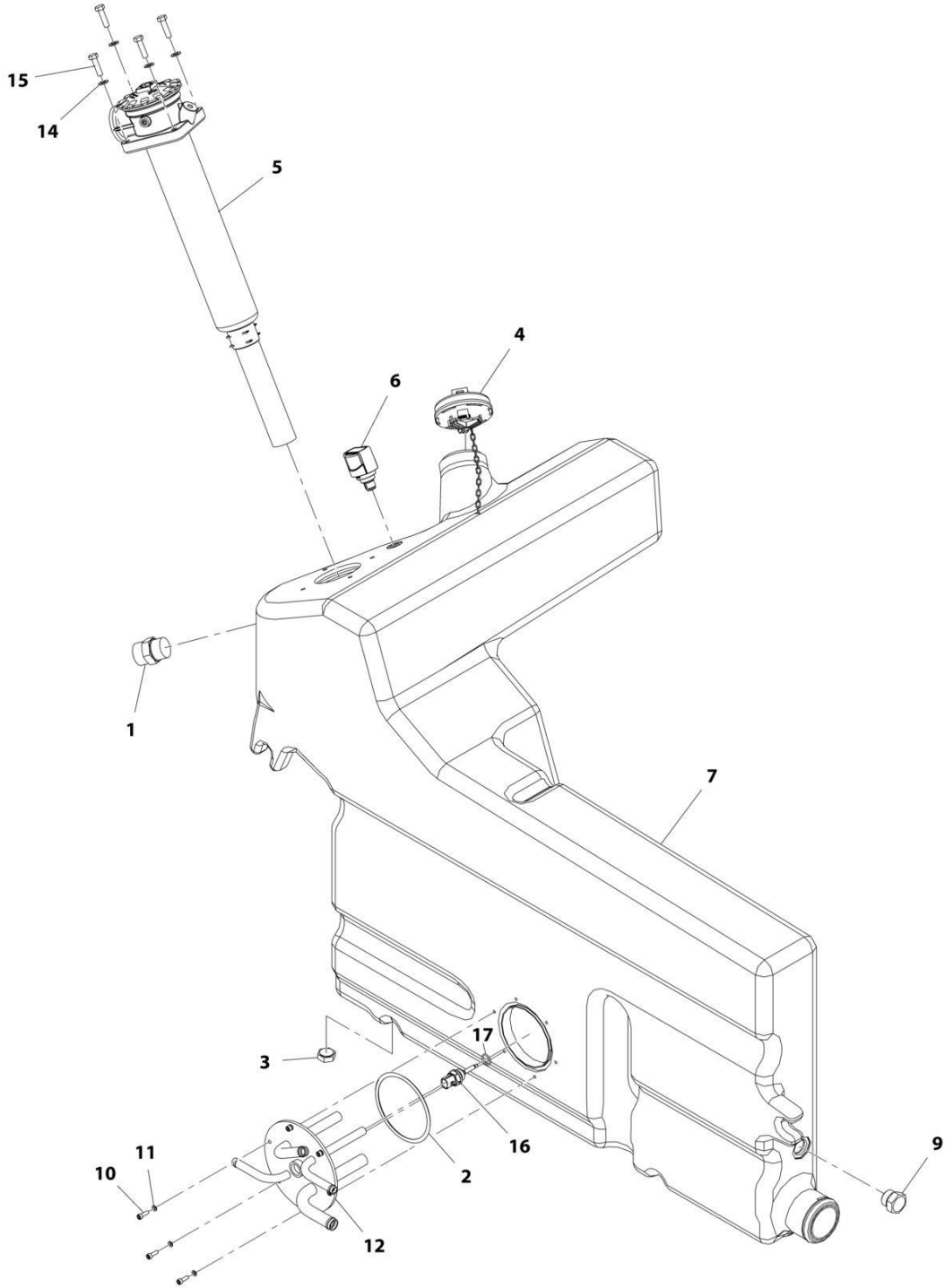
## SECTION 9 - HYDRAULIC COMPONENTS

### FIGURE 9-22. PUMP ASSEMBLY - PISTON

ITEM	PART NUMBER	QTY	DESCRIPTION	REV
	1001182279	Ref	Piston Pump Assembly	B
1	70026572	1	Valve, Control	
2	70024186	1	Valve, Control (Includes Item 21)	
3	70024407	2	Plug	
4	70024408	1	Screw, Stop	
5	Kit	1	O-Ring	
6	70024188	1	Group, Rotary	
7	70026583	1	Plate, Swash	
8	7024939	1	Shaft, Drive	
9	7024943	1	Bearing, Front	
10	7024944	1	Bearing, Rear	
11	70024414	1	Liner, Bearing	
12	70024415	1	Liner, Bearing	
13	7024953	2	Screw, M5X16	
14	80634004	1	Seal, Shaft	
15	Kit	1	O-Ring	
16	Kit	2	Sing, Seal	
17	80334277	1	Ring, Safety	
18	70021867	1	Gasket	
19	7024954	4	Screw, M6X30	
20	70024416	1	Plug	
21	70025897	1	Coil (Part of Item 2)	
22	Kit	1	O-Ring	
101	70024189	1	Kit, Seal (includes items 5, 15 thru 16 & 22)	

# SECTION 9 - HYDRAULIC COMPONENTS

## FIGURE 9-23. HYDRAULIC TANK



ART\_1001163067-O

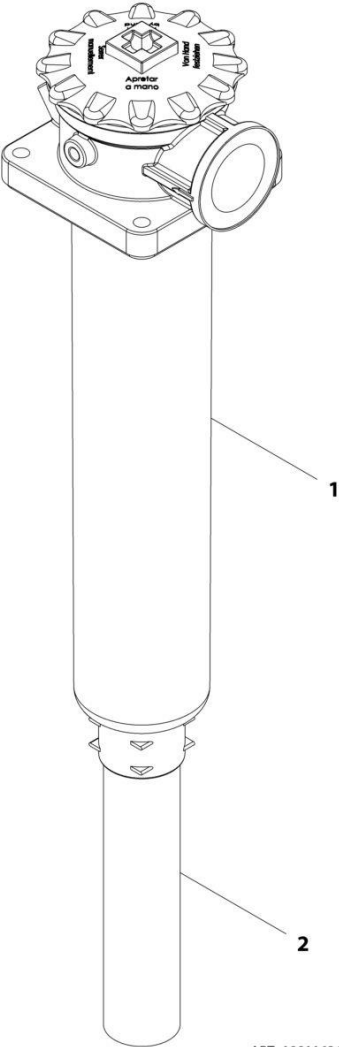
## SECTION 9 - HYDRAULIC COMPONENTS

**FIGURE 9-23. HYDRAULIC TANK**

ITEM	PART NUMBER	QTY	DESCRIPTION	REV
	1001163067	Ref	Hydraulic Tank	O
1	2111616	1	Fitting, Straight ORFS	
2	1001003301	1	Seal O-Ring	
3	2220239	1	Plug	
4	1001194981	1	Cap	
5	1001162660	1	Filter Assembly (See Separate Breakdown in this Section)	
6	1001162662	1	Filter, Breather	
7	1001162765	1	Tank	
9	2220240	1	Adapter	
10	4031607	6	Screw, M5-0.8X16	
11	4831600	6	Washer, Lock M5	
12	1001167281	1	Manifold, Hydraulic Return	
14	4811900	4	Washer, M8	
15	0700814	4	Bolt, M8X30	
16	1001128478	1	Sensor	
17	1001009163	1	Seal	

**SECTION 9 - HYDRAULIC COMPONENTS**

**FIGURE 9-24. HYDRAULIC TANK FILTER ASSEMBLY**



ART\_1001162660-C

## SECTION 9 - HYDRAULIC COMPONENTS

FIGURE 9-24. HYDRAULIC TANK FILTER ASSEMBLY

ITEM	PART NUMBER	QTY	DESCRIPTION	REV
1	1001162660	Ref	Hydraulic Filter	C
	1001162661	1	Filter	
	1001162663	1	Element, Filter	
2	1001162667	1	Pipe, Filter Return	



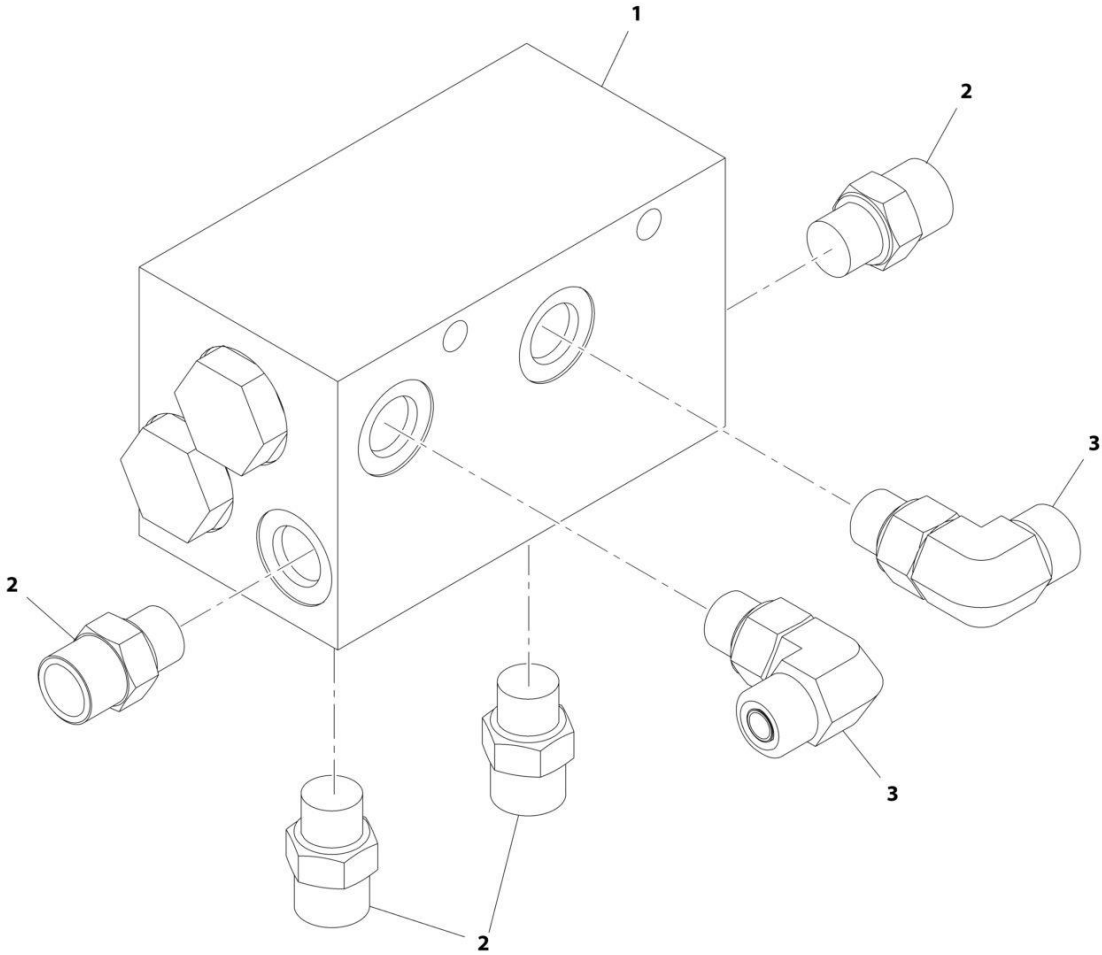
## SECTION 9 - HYDRAULIC COMPONENTS

FIGURE 9-25. VALVE, AIR SHUT OFF

ITEM	PART NUMBER	QTY	DESCRIPTION	REV
	1001204032	Ref	Air Shut Off Valve	C
1	70028514	1	Kit, Solenoid 12V (Includes Solenoid, Coil, O-Ring)	
2	70028515	1	Kit, Switch (Includes Ball Switch & O-Ring)	
3	70028516	1	Kit, Flange and Hardware (Includes Flanges (Male & Female) & Mounting Hardware)	
4	70028517	1	Kit, Handle (Includes Handle & Pin)	

**SECTION 9 - HYDRAULIC COMPONENTS**

**FIGURE 9-26. VALVE AND FITTINGS - CARRIAGE (DUAL FORK)**



ART\_4641502-B



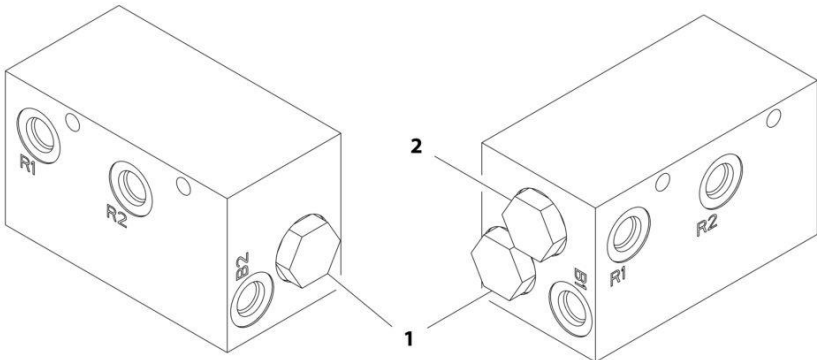
## SECTION 9 - HYDRAULIC COMPONENTS

**FIGURE 9-26. VALVE AND FITTINGS - CARRIAGE (DUAL FORK)**

ITEM	PART NUMBER	QTY	DESCRIPTION	REV
	4641502	Ref	Dual Fork Carriage Valve Assembly	B
1	4641501	1	Valve, Flow Divider (See Separate Breakdown in this Section)	
2	2110606	4	Fitting, Straight ORFS	
3	2130606	2	Fitting, 90	

**SECTION 9 - HYDRAULIC COMPONENTS**

**FIGURE 9-27. VALVE - CARRIAGE DUAL FORK FLOW DIVIDER**



ART\_4641501-A

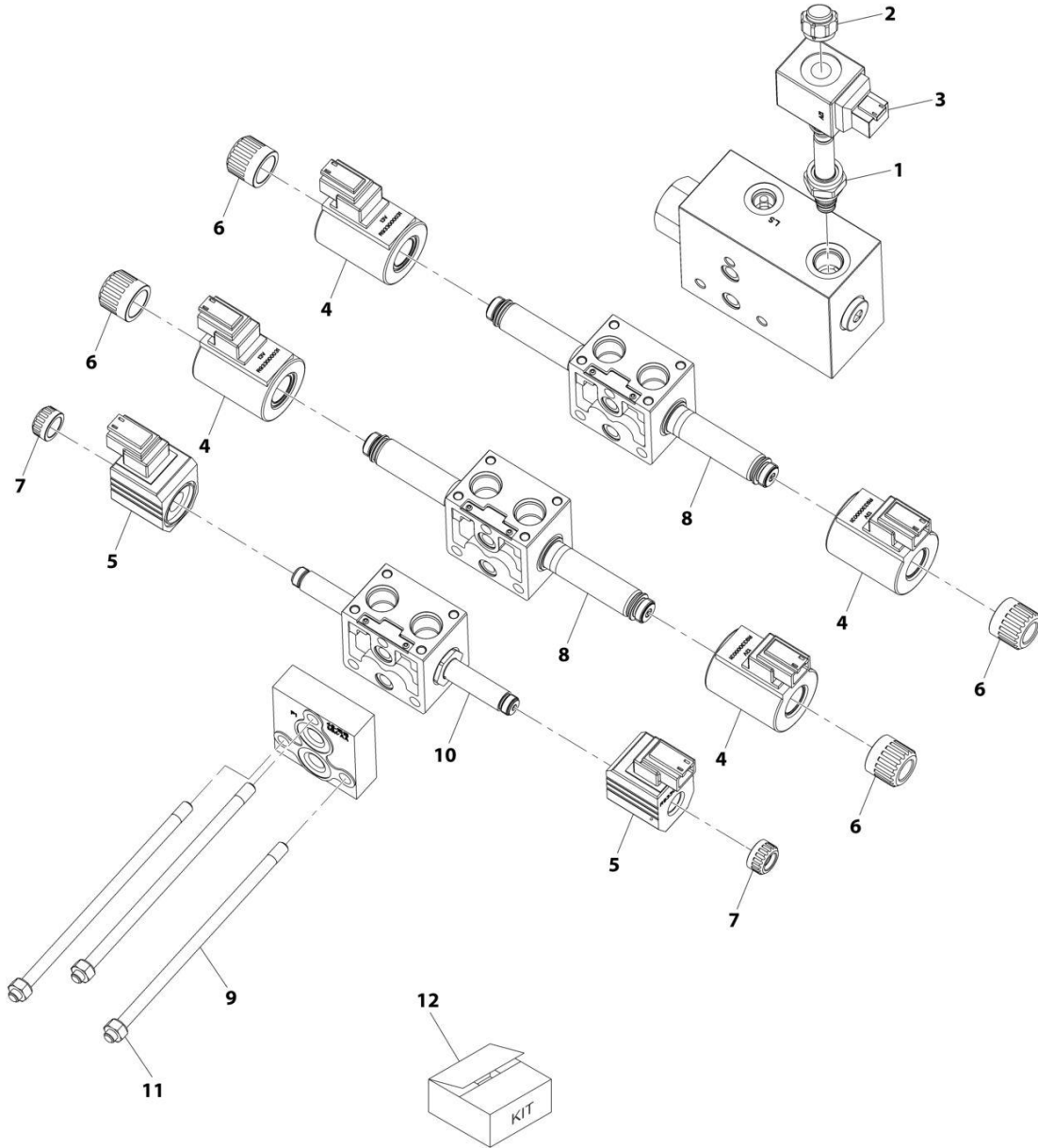
## SECTION 9 - HYDRAULIC COMPONENTS

FIGURE 9-27. VALVE - CARRIAGE DUAL FORK FLOW DIVIDER

ITEM	PART NUMBER	QTY	DESCRIPTION	REV
	4641501	Ref	Flow Divider Valve	A
1	70023928	2	Valve, Check	
2	70023929	1	Valve, Cartridge	

# SECTION 9 - HYDRAULIC COMPONENTS

## FIGURE 9-28. VALVE ASSEMBLY - FRAME LEVEL AND OUTRIGGER



ART\_1001157972-F

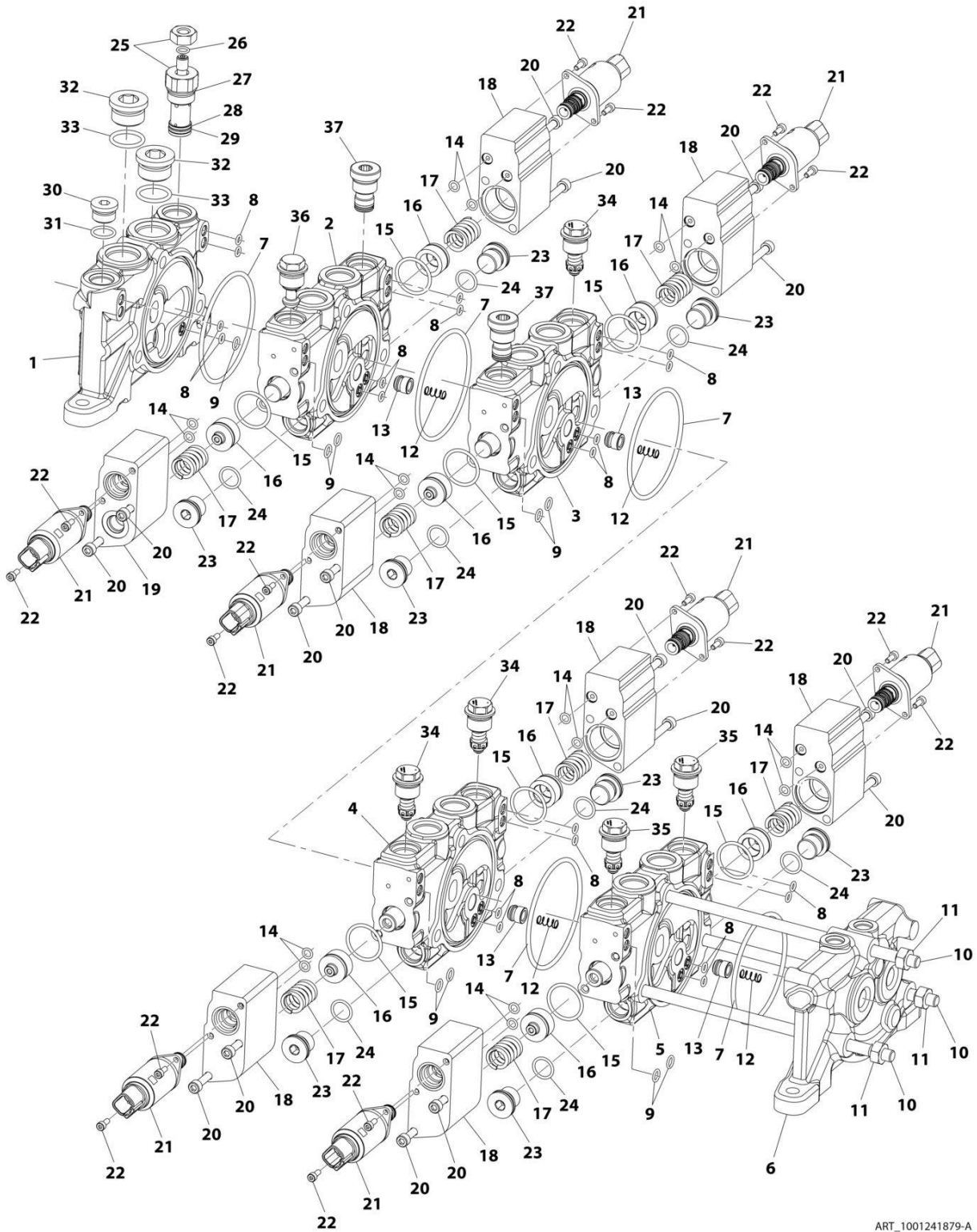
## SECTION 9 - HYDRAULIC COMPONENTS

**FIGURE 9-28. VALVE ASSEMBLY - FRAME LEVEL AND OUTRIGGER**

ITEM	PART NUMBER	QTY	DESCRIPTION	REV
	1001157972	Ref	Valve, Frame Level and Outrigger	F
1	70023327	1	Solenoid	
2	70004654	1	Nut, Coil	
3	70022147	1	Coil	
4	70020868	4	Coil	
5	70021208	2	Coil	
6	70020867	4	Kit, Retainer, W/Seals	
7	70021209	2	Kit, Retainer, W/Seals	
8	70026568	2	Section, Outrigger Valve	
9	70026569	3	Rod, Tie	
10	70021213	1	Section, Frame Level	
11	70026570	3	Nut	
12	70026571	1	Kit, Seal	
	Kit	1	O-Ring	
	Kit	1	O-Ring	
	Kit	1	O-Ring	
	Kit	1	O-Ring	
	Kit	1	O-Ring	
	Kit	1	O-Ring	
	Kit	4	O-Ring	
	Kit	4	O-Ring	
	Kit	2	O-Ring	
	Kit	2	O-Ring	

# SECTION 9 - HYDRAULIC COMPONENTS

## FIGURE 9-29. VALVE ASSEMBLY - MAIN CONTROL



ART\_1001241879-A

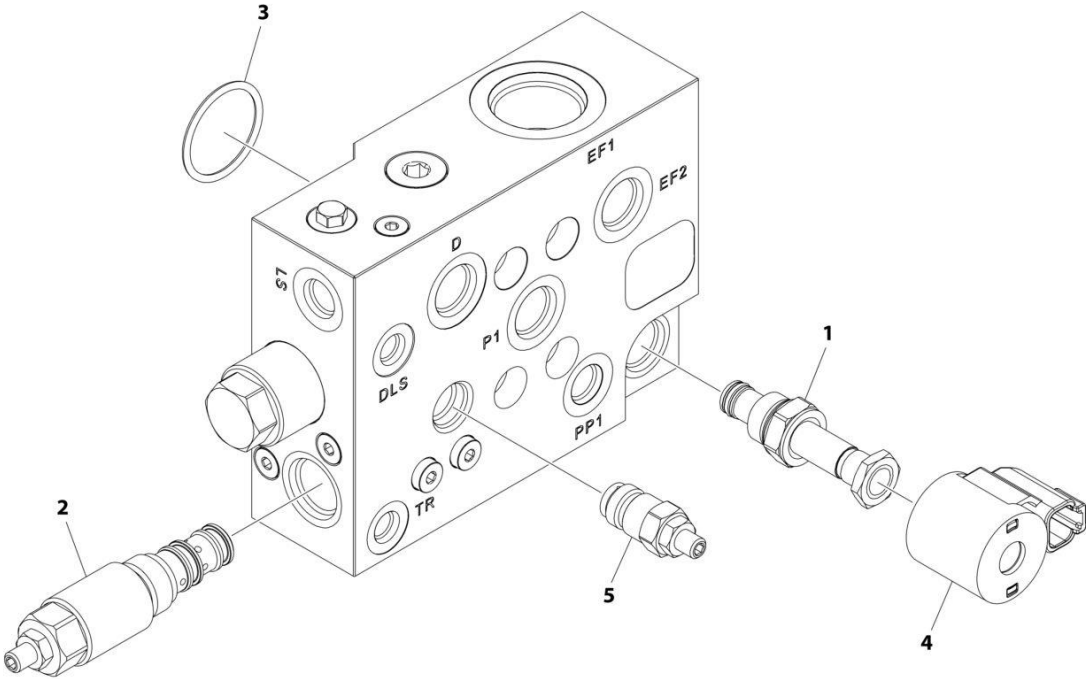
## SECTION 9 - HYDRAULIC COMPONENTS

**FIGURE 9-29. VALVE ASSEMBLY - MAIN CONTROL**

ITEM	PART NUMBER	QTY	DESCRIPTION	REV
	1001241879	Ref	Main Control Valve	A
1	70028478	1	Inlet Section Assembly	
2	70029816	1	Lift Section Assembly	
3	70029817	1	Extend/Retract Section Assembly	
4	70029818	1	Tilt Section Assembly	
5	70029819	1	Aux Section Assembly	
6	70026389	1	Outlet Section Assembly	
7	8034697	5	O-Ring	
8	70050508	20	O-Ring	
9	70050507	9	O-Ring	
10	70026375	3	Tie Rod	
11	70050481	6	Nut-Metric	
12	10837937	4	Spring	
13	10837929	4	Poppet	
14	70026369	16	O-Ring	
15	70026380	8	O-Ring	
16	70026378	8	Spring Seat	
17	70026377	8	Spring	
18	70026381	7	Solenoid, End Cap	
19	70028482	1	Solenoid, End Cap	
20	70026383	16	Screw	
21	70029820	8	Solenoid, Cartridge Valve	
22	70022014	16	Screw	
23	70050504	8	Plug Assembly	
24	70027130	8	O-Ring	
25	70022012	1	Drain Regulator Assembly	
26	70026373	1	O-Ring	
27	10837928	1	O-Ring	
28	70026376	1	Back-Up Ring	
29	70026370	1	O-Ring	
30	8035382	1	Plug Assembly	
31	70024202	1	O-Ring	
32	70050472	2	Plug Assembly (With O-Ring)	
33	70026374	2	O-Ring	
34	70022010	3	Relief Valve Assembly, 280 Bar	
35	70027098	2	Relief Valve Assembly, 205 Bar	
36	70028484	1	Anti-Void Assembly	
37	70022008	2	Shut-Off Plug Assembly	

# SECTION 9 - HYDRAULIC COMPONENTS

FIGURE 9-30. VALVE ASSEMBLY – PRIORITY



ART\_1001252567



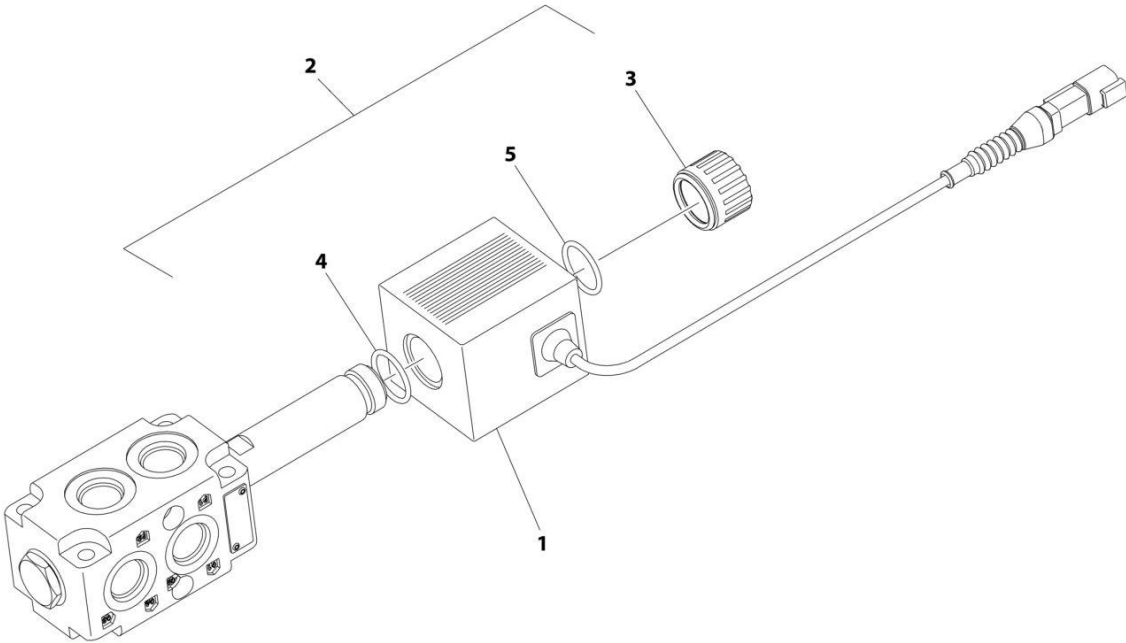
## SECTION 9 - HYDRAULIC COMPONENTS

FIGURE 9-30. VALVE ASSEMBLY – PRIORITY

ITEM	PART NUMBER	QTY	DESCRIPTION	REV
	1001252567	Ref	PRIORITY MANIFOLD VALVE	D
1	70029976	1	Cartridge	
2	70029977	1	Valve, Check	
3	70030100	1	O-Ring	
4	70002963	1	Coil	
5	70030101	1	Valve, Check	

**SECTION 9 - HYDRAULIC COMPONENTS**

**FIGURE 9-31. VALVE ASSEMBLY - QUICK COUPLER**



ART\_1001104477

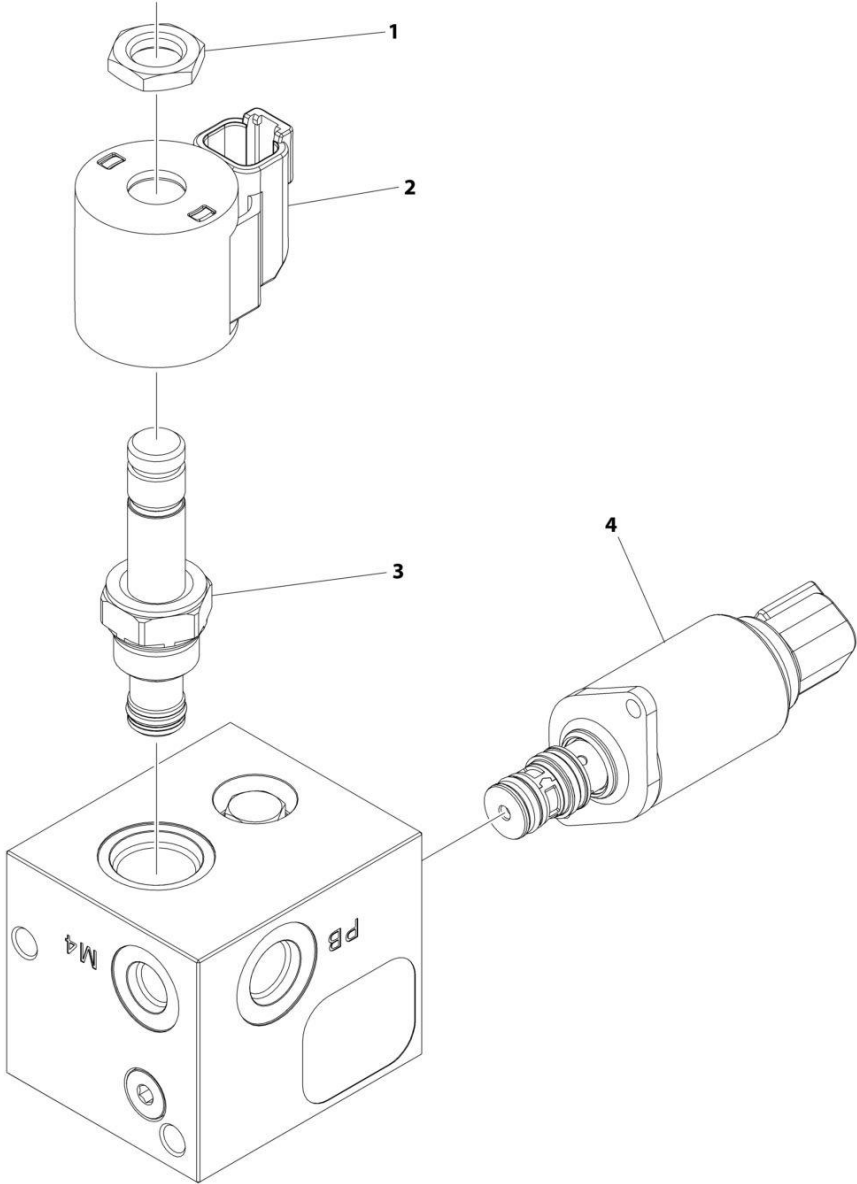
## SECTION 9 - HYDRAULIC COMPONENTS

FIGURE 9-31. VALVE ASSEMBLY - QUICK COUPLER

ITEM	PART NUMBER	QTY	DESCRIPTION	REV
	1001104477	Ref	DIVERTOR VALVE	D
1	70020764	1	Coil	
2	70021531	1	Retainer Kit (Includes Items 3-5)	
3	Kit	1	Nut	
4	Kit	1	O-Ring	
5	Kit	1	O-Ring	

**SECTION 9 - HYDRAULIC COMPONENTS**

**FIGURE 9-32. VALVE ASSEMBLY - SAHR BRAKE**



ART\_1001234127

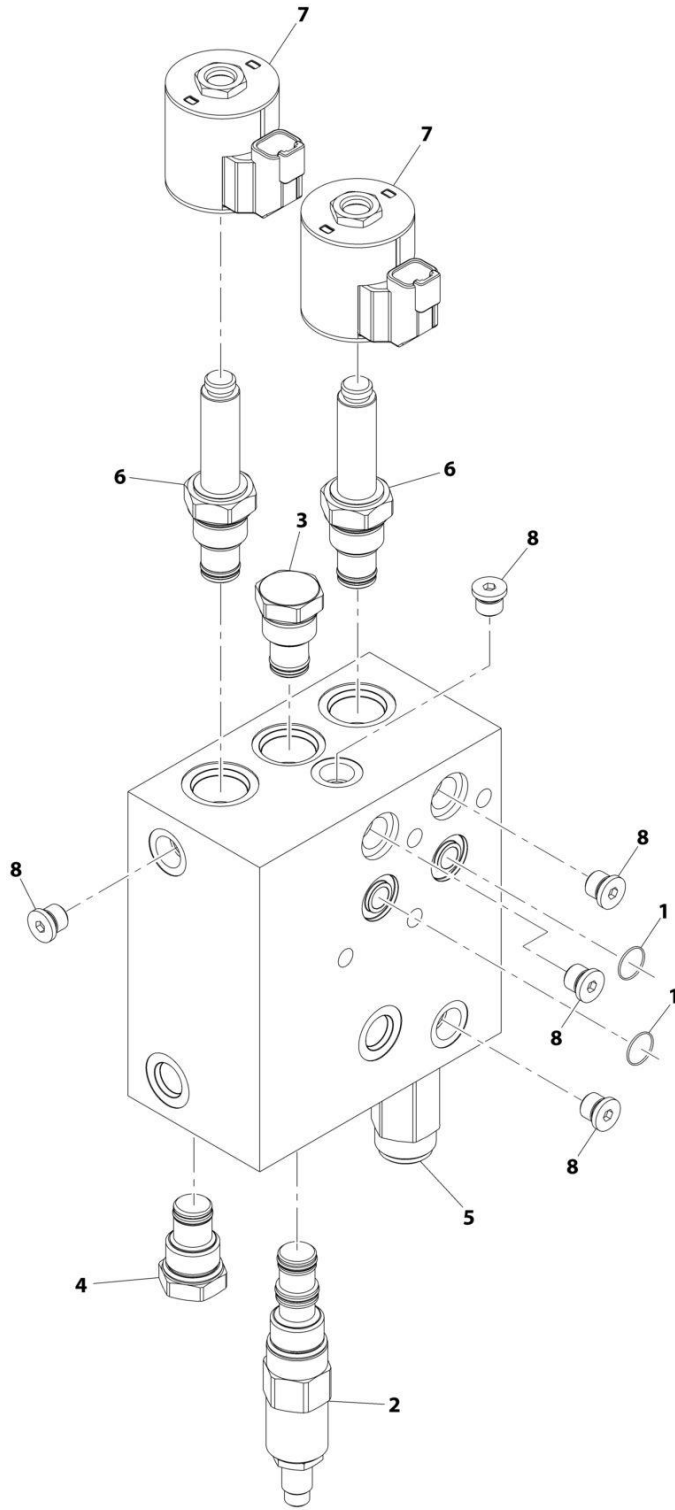
## SECTION 9 - HYDRAULIC COMPONENTS

### FIGURE 9-32. VALVE ASSEMBLY - SAHR BRAKE

ITEM	PART NUMBER	QTY	DESCRIPTION	REV
	1001234127	Ref	Sahr Brake Valve	C
1	7022390	1	Nut	
2	70002963	1	Coil	
3	70002955	1	Cartridge	
4	70030036	1	Solenoid Valve	

# SECTION 9 - HYDRAULIC COMPONENTS

FIGURE 9-33. VALVE ASSEMBLY - STABILIZER (REAR AXLE)



ART\_1001197600-A

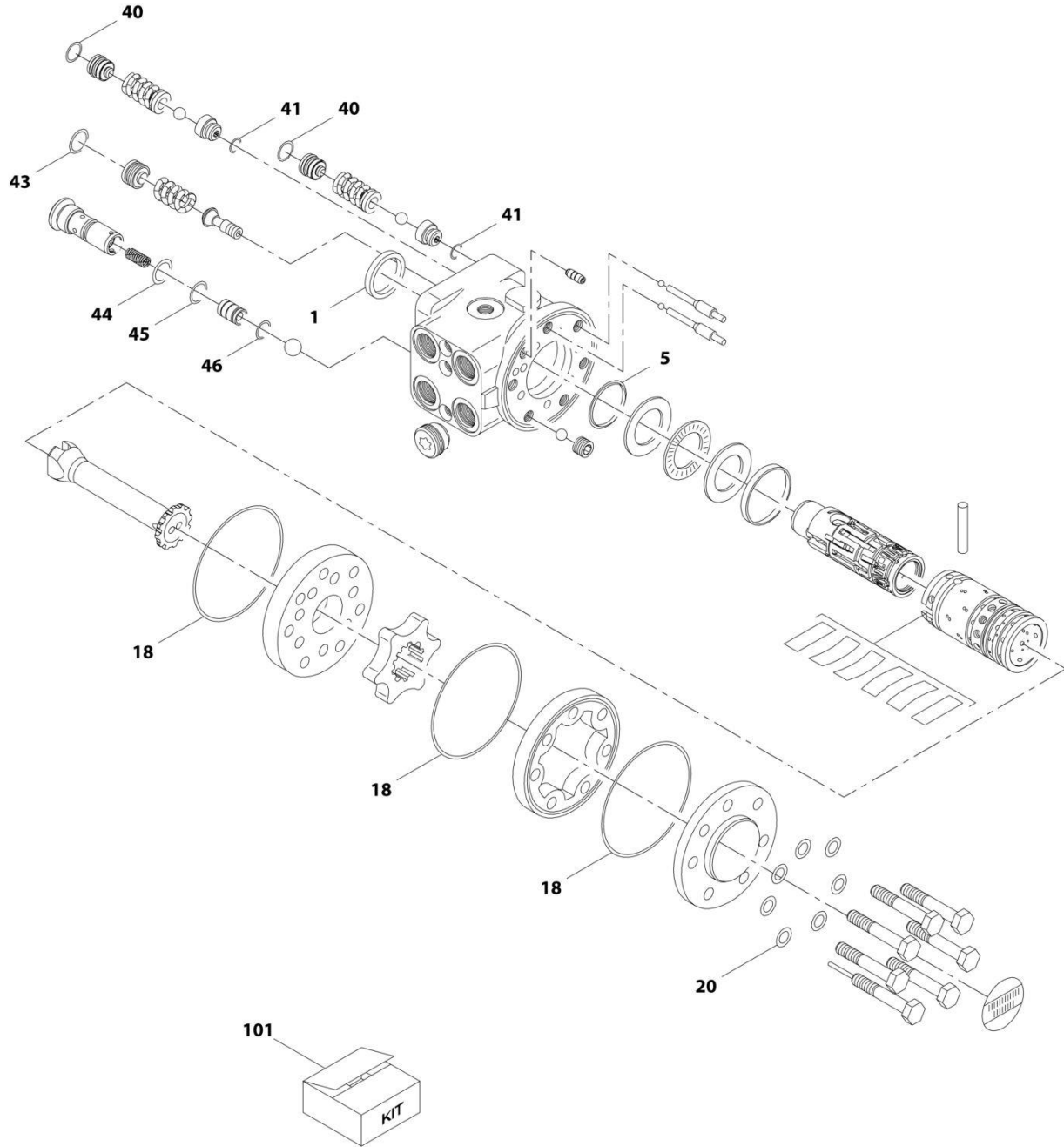
## SECTION 9 - HYDRAULIC COMPONENTS

**FIGURE 9-33. VALVE ASSEMBLY - STABILIZER (REAR AXLE)**

ITEM	PART NUMBER	QTY	DESCRIPTION	REV
	1001197600	Ref	Rear Axle Stabilizer Valve	A
1	70026440	2	O-Ring	
2	70026442	1	Cartridge Valve	
2	7012510	1	Seal Kit	
2	Kit	1	O-Ring	
2	Kit	1	O-Ring	
2	Kit	1	O-Ring	
3	70026443	1	Cartridge Valve	
3	7024808	1	Seal Kit	
3	Kit	1	O-Ring	
3	Kit	1	O-Ring	
4	70026444	1	Cartridge Valve	
4	7022399	1	Seal Kit	
4	Kit	1	O-Ring	
4	Kit	1	O-Ring	
5	70028451	1	Cartridge Valve	
5	7024808	1	Seal Kit	
5	Kit	1	O-Ring	
5	Kit	1	O-Ring	
6	70026445	2	Cartridge Valve	
6	70026446	1	Seal Kit	
6	Kit	1	O-Ring	
7	70003788	2	Coil	
8	2220883	5	Plug	

# SECTION 9 - HYDRAULIC COMPONENTS

## FIGURE 9-34. VALVE ASSEMBLY - STEERING



ART\_1001178670-B



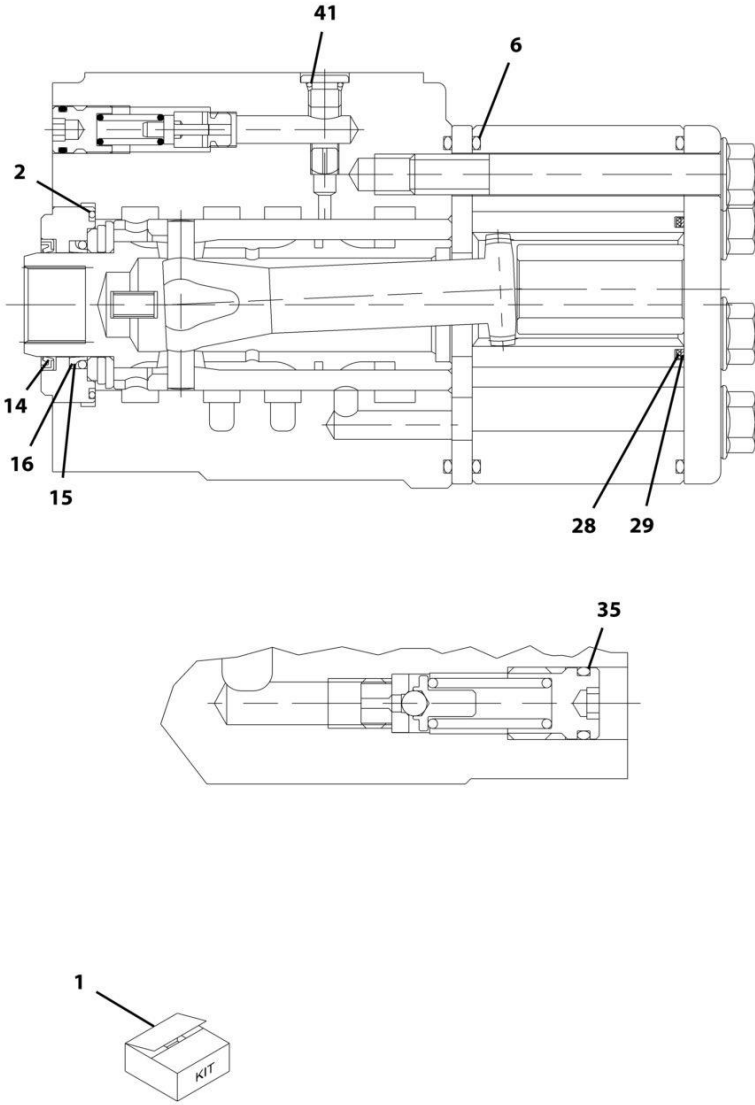
## SECTION 9 - HYDRAULIC COMPONENTS

**FIGURE 9-34. VALVE ASSEMBLY - STEERING**

ITEM	PART NUMBER	QTY	DESCRIPTION	REV
	1001178670	Ref	Steer Unit Valve	B
1	Kit	2	Ring, Dust Seal	
5	Kit	2	Seal, Shaft	
18	Kit	2	O-Ring	
20	Kit	2	Washer	
40	Kit	2	O-Ring	
41	Kit	2	O-Ring	
43	Kit	2	O-Ring	
44	Kit	2	O-Ring	
45	Kit	2	O-Ring	
46	Kit	2	O-Ring	
101	70028285	1	Kit, Seal (includes items 1, 5, 18, 20, 40, 41 and 43 thru 46)	

# SECTION 9 - HYDRAULIC COMPONENTS

FIGURE 9-35. VALVE ASSEMBLY - STEERING ORBITAL



ART\_1001158527-E

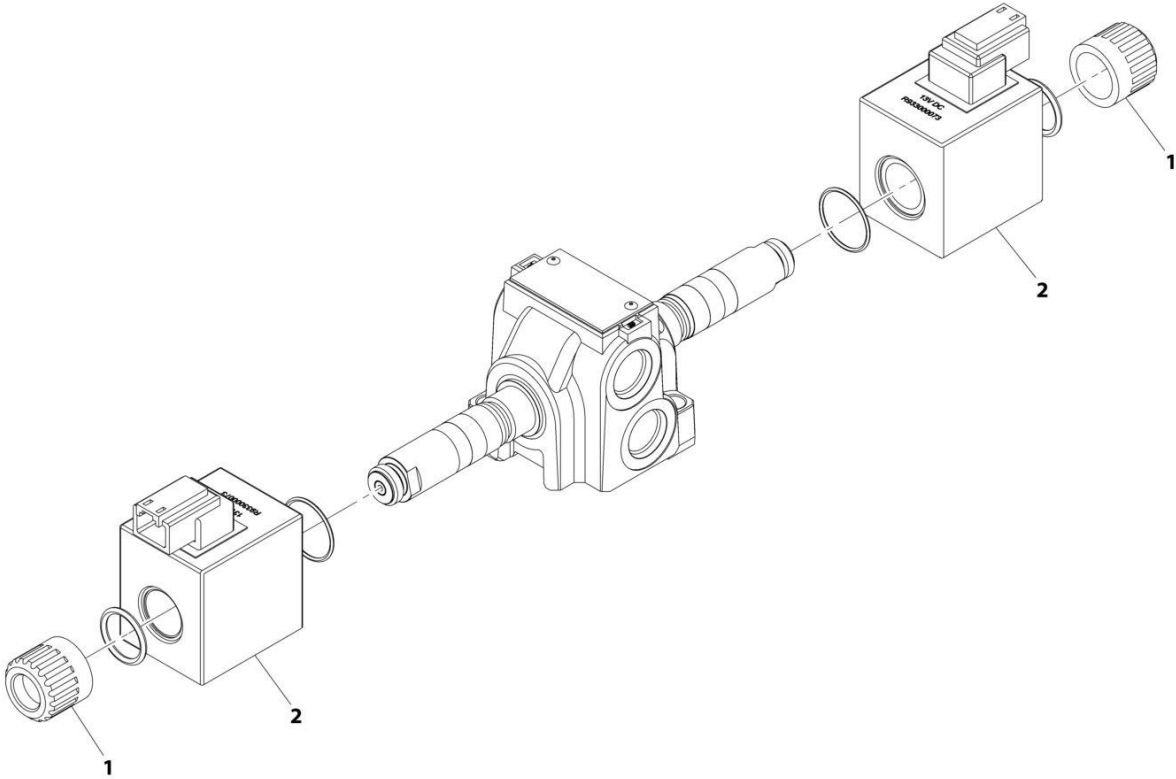
## SECTION 9 - HYDRAULIC COMPONENTS

**FIGURE 9-35. VALVE ASSEMBLY - STEERING ORBITAL**

ITEM	PART NUMBER	QTY	DESCRIPTION	REV
	1001158527	1	Steering Orbital Valve	E
1	70026401	1	Kit, Seal (includes items 2 thru 41)	
2	Kit	1	O-Ring	
6	Kit	3	O-Ring	
14	Kit	1	Seal, Dust	
15	Kit	1	O-Ring	
16	Kit	1	Seal, Shaft	
28	Kit	1	Washer, Back-Up	
29	Kit	1	Seal, Ring	
35	Kit	3	O-Ring	
41	Kit	2	O-Ring	

**SECTION 9 - HYDRAULIC COMPONENTS**

**FIGURE 9-36. VALVE ASSEMBLY - STEERING SELECT**



ART\_1001153748-C

## SECTION 9 - HYDRAULIC COMPONENTS

FIGURE 9-36. VALVE ASSEMBLY - STEERING SELECT

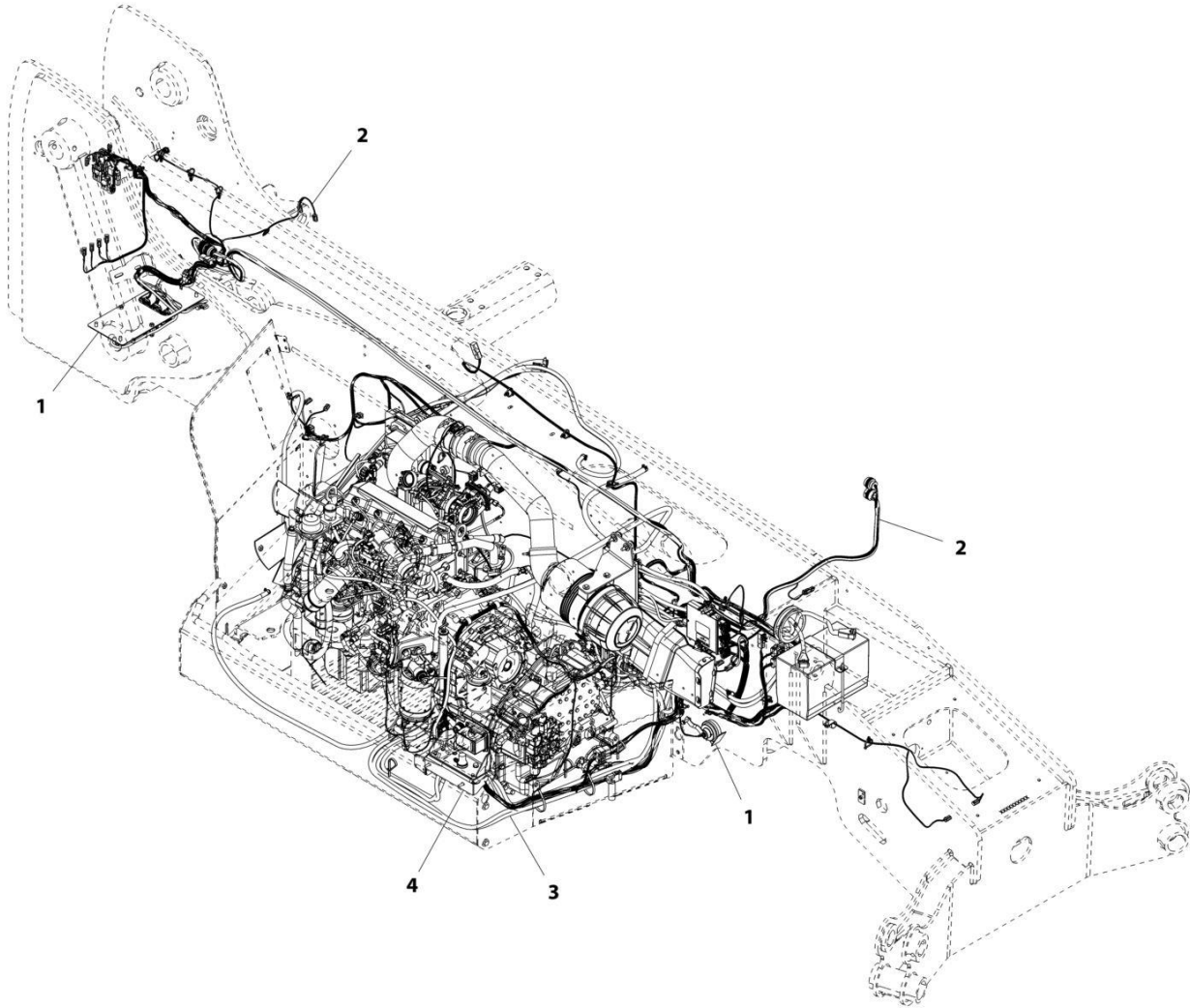
ITEM	PART NUMBER	QTY	DESCRIPTION	REV
	1001153748	Ref	Steering Select Valve	C
1	70020867	2	Nut, Coil	
2	70026582	2	Coil	



**SECTION 10 - ELECTRICAL**

# SECTION 10 - ELECTRICAL

## FIGURE 10-1. MAIN ELECTRICAL INSTALLATION (ULS)



ART\_1001167050-C



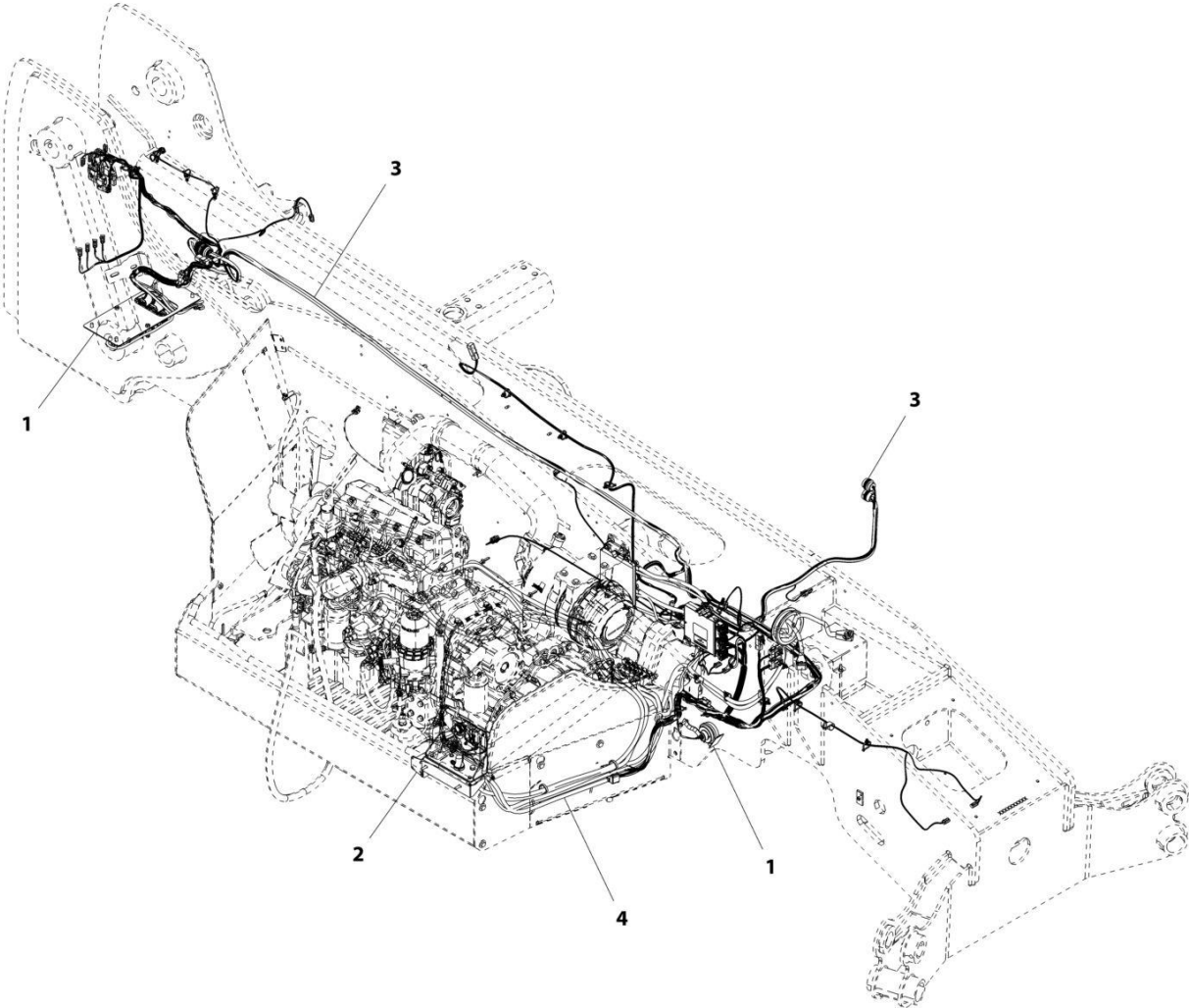
## SECTION 10 - ELECTRICAL

### FIGURE 10-1. MAIN ELECTRICAL INSTALLATION (ULS)

ITEM	PART NUMBER	QTY	DESCRIPTION	REV
1	1001167050	Ref	Main Electrical Installation (ULS)	C
	1001167051	Ref	Installation, Electrical Frame (See Separate Breakdown in this Section)	
2	1001173530	Ref	Installation, Frame Wiring (ULS) (See Separate Breakdown in this Section)	
3	1001173531	Ref	Installation, Engine Bay Wiring (ULS) (See Separate Breakdown in this Section)	
4	1001163127	Ref	Installation, Engine Bay Electrical (See Separate Breakdown in this Section)	

**SECTION 10 - ELECTRICAL**

**FIGURE 10-2. MAIN ELECTRICAL INSTALLATION (LS)**



ART\_1001192303-A

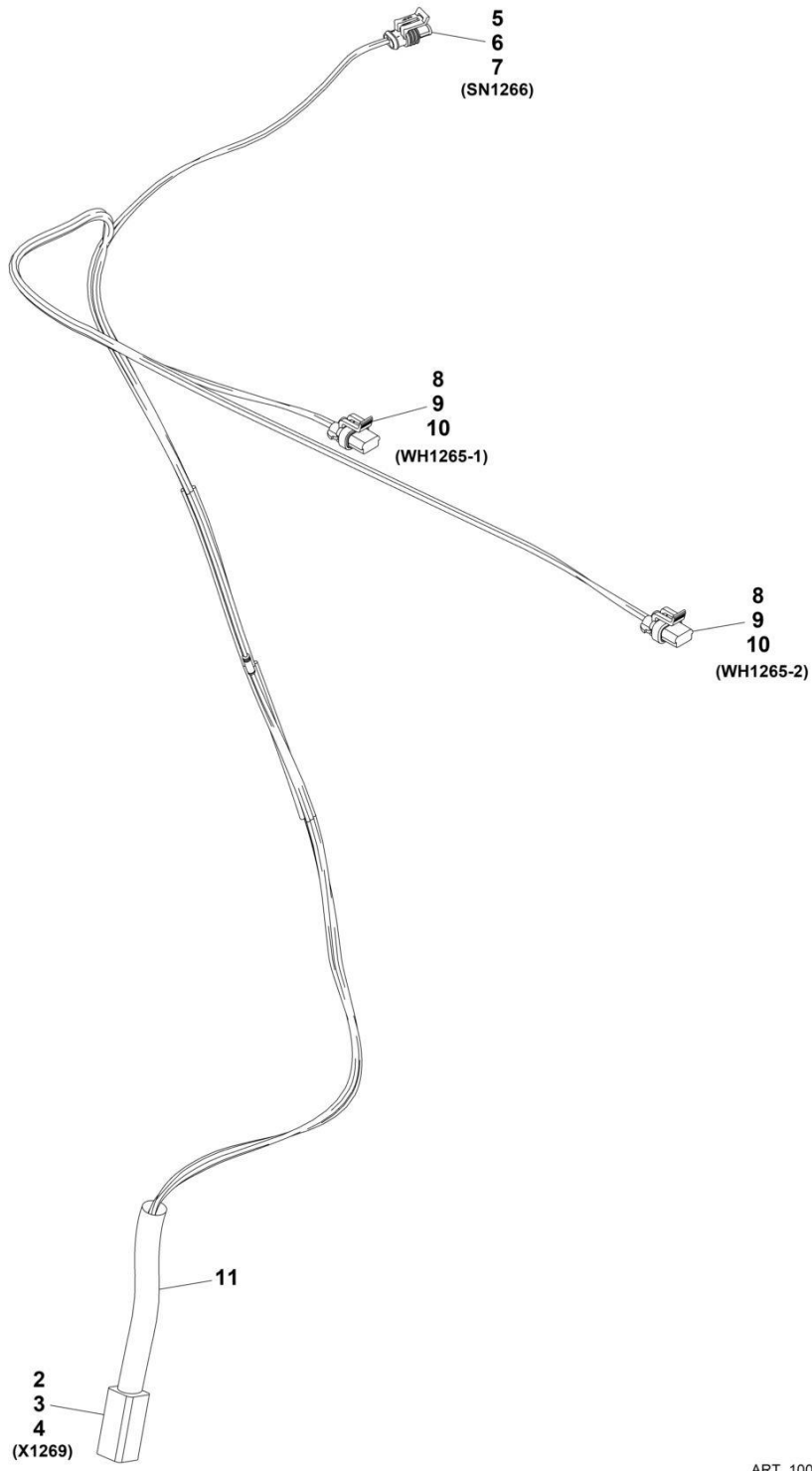
## SECTION 10 - ELECTRICAL

**FIGURE 10-2. MAIN ELECTRICAL INSTALLATION (LS)**

ITEM	PART NUMBER	QTY	DESCRIPTION	REV
1	1001192303	Ref	Main Electrical Installation (LS)	A
	1001167051	Ref	Installation, Electrical Frame (See Separate Breakdown in this Section)	
2	1001173765	Ref	Installation, Engine Bay Electrical (See Separate Breakdown in this Section)	
3	1001192305	Ref	Installation, Frame Wiring (LS) (See Separate Breakdown in this Section)	
4	1001193171	Ref	Installation, Engine Bay Wiring (See Separate Breakdown in this Section)	

# SECTION 10 - ELECTRICAL

## FIGURE 10-3. A/C OPTION HARNESS



ART\_1001169151

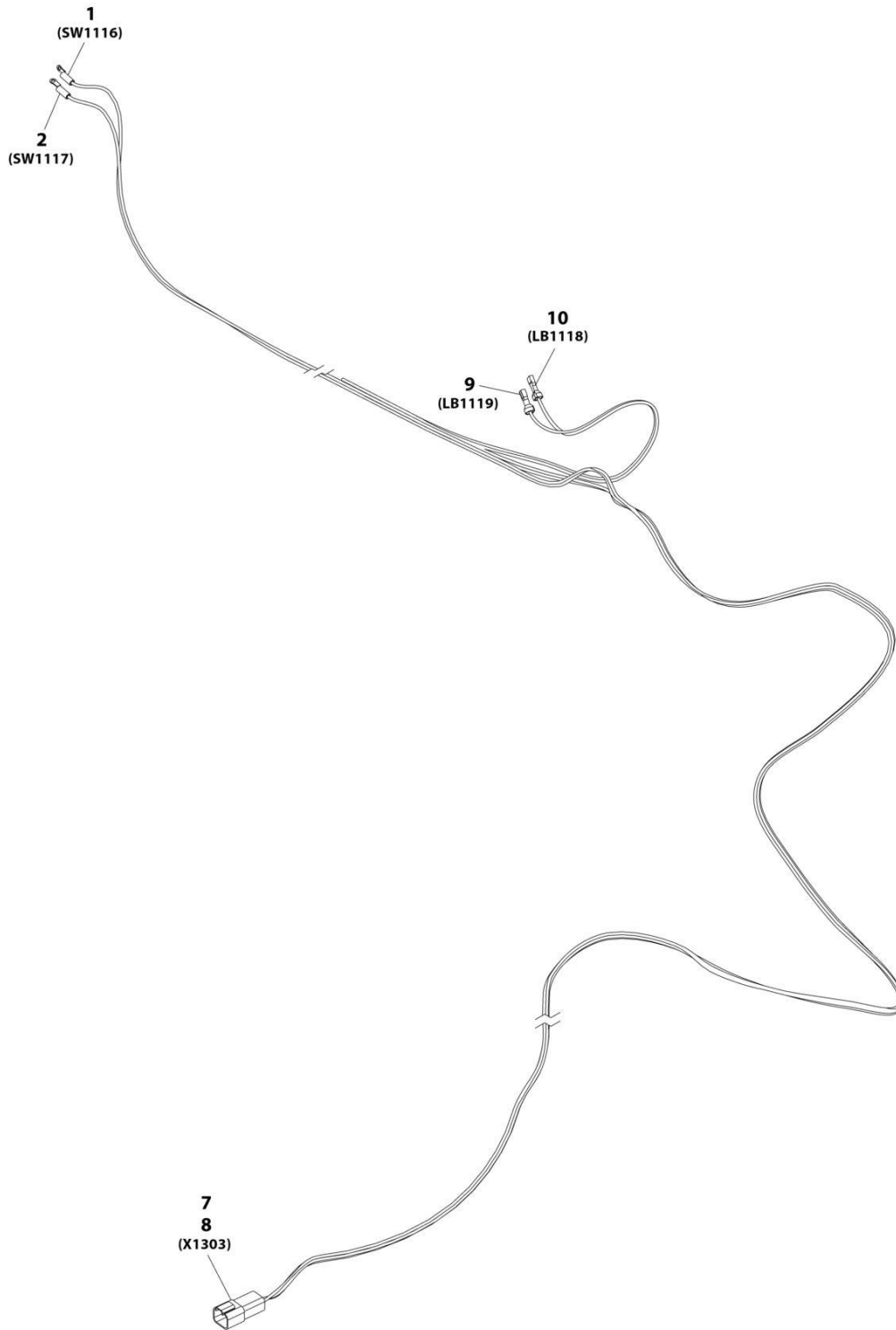
# SECTION 10 - ELECTRICAL

## FIGURE 10-3. A/C OPTION HARNESS

ITEM	PART NUMBER	QTY	DESCRIPTION	REV
	1001169151	Ref	A/C Option Harness	G
2	4460899	1	Connector	
3	4460941	4	Terminal	
4	4460464	2	Terminal	
5	4461118	1	Connector	
6	1001107854	2	Terminal	
7	1001116763	2	Seal	
8	1001117021	2	Connector	
9	1001116747	4	Terminal	
10	4460789	4	Seal	
11	70028546	1	Backshell	

# SECTION 10 - ELECTRICAL

## FIGURE 10-4. AIR SHUT OFF VALVE HARNESS - CAB



ART\_1001231407-C

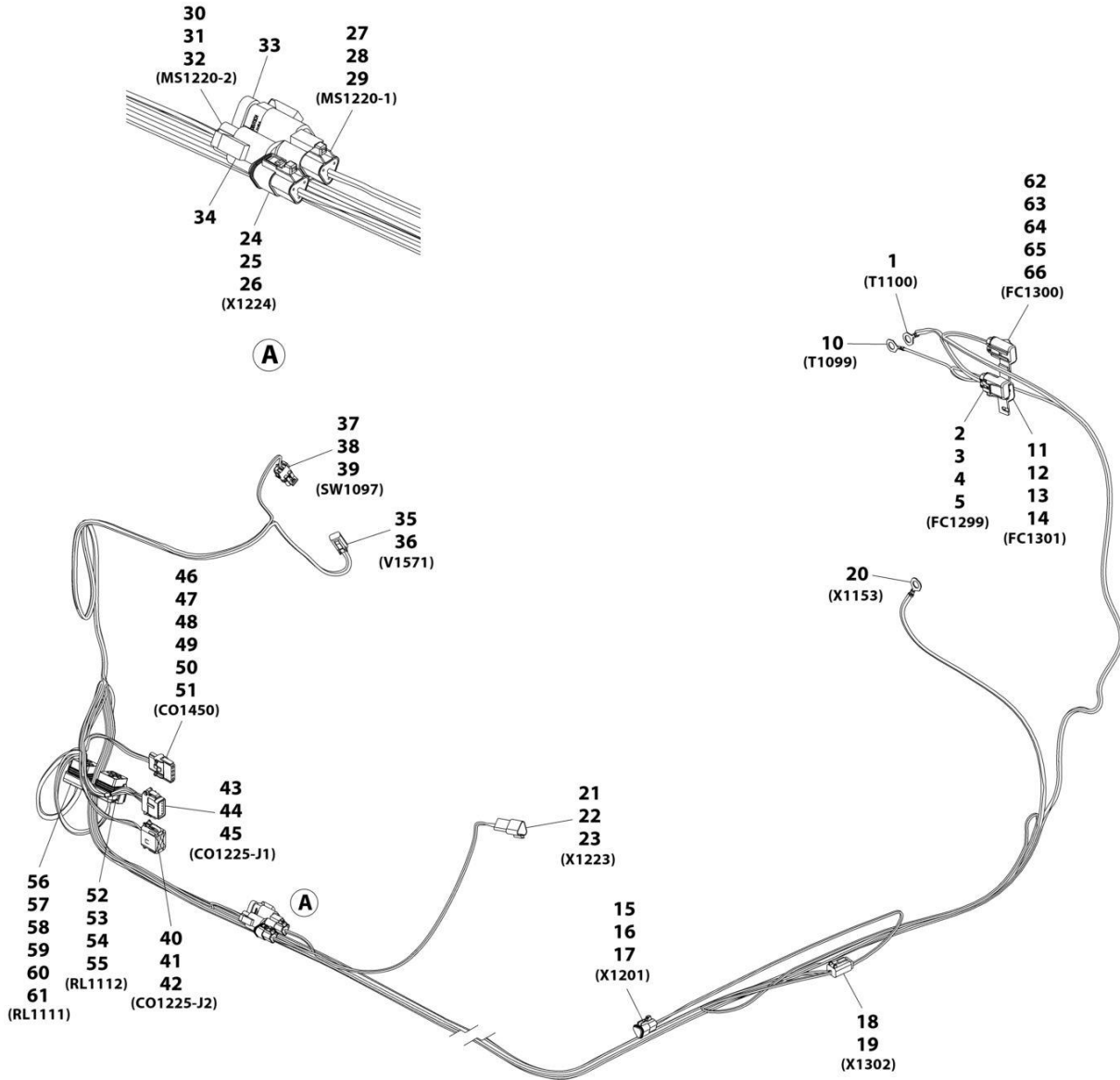
## SECTION 10 - ELECTRICAL

### FIGURE 10-4. AIR SHUT OFF VALVE HARNESS - CAB

ITEM	PART NUMBER	QTY	DESCRIPTION	REV
	1001231407	1	Air Shutoff Valve Harness	C
1	8220035	1	Terminal, Ring	
2	8220035	1	Terminal, Ring	
7	4460932	1	Connector	
8	4460464	4	Pin	
9	8220108	1	Connector, Female	
10	8220108	1	Connector, Female	

# SECTION 10 - ELECTRICAL

## FIGURE 10-5. AIR SHUT OFF VALVE HARNESS - ENGINE



ART\_1001231483\_D



## SECTION 10 - ELECTRICAL

### FIGURE 10-5. AIR SHUT OFF VALVE HARNESS - ENGINE

ITEM	PART NUMBER	QTY	DESCRIPTION	REV
	1001231483	Ref	Air Shut Off Valve Harness (Engine)	D
1	1001187079	1	Terminal, Ring	
2	1001231397	1	Connector	
3	8229235	1	Fuse, 20amp	
4	1001231401	2	Terminal	
5	1001230402	2	Seal	
10	1001187078	1	Terminal, Ring	
11	1001231397	1	Connector	
12	8229261	1	Fuse, 5amp	
13	1001231400	2	Terminal	
14	1001230403	2	Seal	
15	1001116812	1	Connector	
16	4460465	2	Terminal	
17	4460466	1	Plug	
18	4460884	1	Connector	
19	4460465	4	Terminal	
20	1001187079	1	Terminal, Ring	
21	1001144147	1	Connector	
22	4460464	2	Terminal	
23	4460466	1	Plug	
24	1001116812	1	Connector	
25	4460465	2	Terminal	
26	4460466	1	Plug	
27	1001116812	1	Connector	
28	4460465	2	Terminal	
29	4460466	1	Plug	
30	4460539	1	Connector	
31	4460465	2	Terminal	
32	4460466	1	Plug	
33	1001116815	1	Connector, 3 Pin	
34	4460945	1	Terminal, 3 Way "T" Receptacle	
35	4460891	1	Connector	
36	1001157890	2	Terminal	
37	4460742	1	Connector	
38	4460475	2	Terminal	
39	4460458	2	Plug	
40	1001116774	1	Connector	
41	4460518	8	Plug	
42	1001126008	4	Terminal	
43	1001116808	1	Connector	
44	1001126008	9	Terminal	
45	4460518	3	Plug	
46	4460761	1	Connector	
47	4460321	1	Terminal	
48	1001118378	4	Terminal	
49	4460809	4	Plug	
50	1001143551	1	Seal	
51	1001218358	1	Lanyard Rope	
52	1001231398	1	Connector	
53	1001231400	4	Terminal	

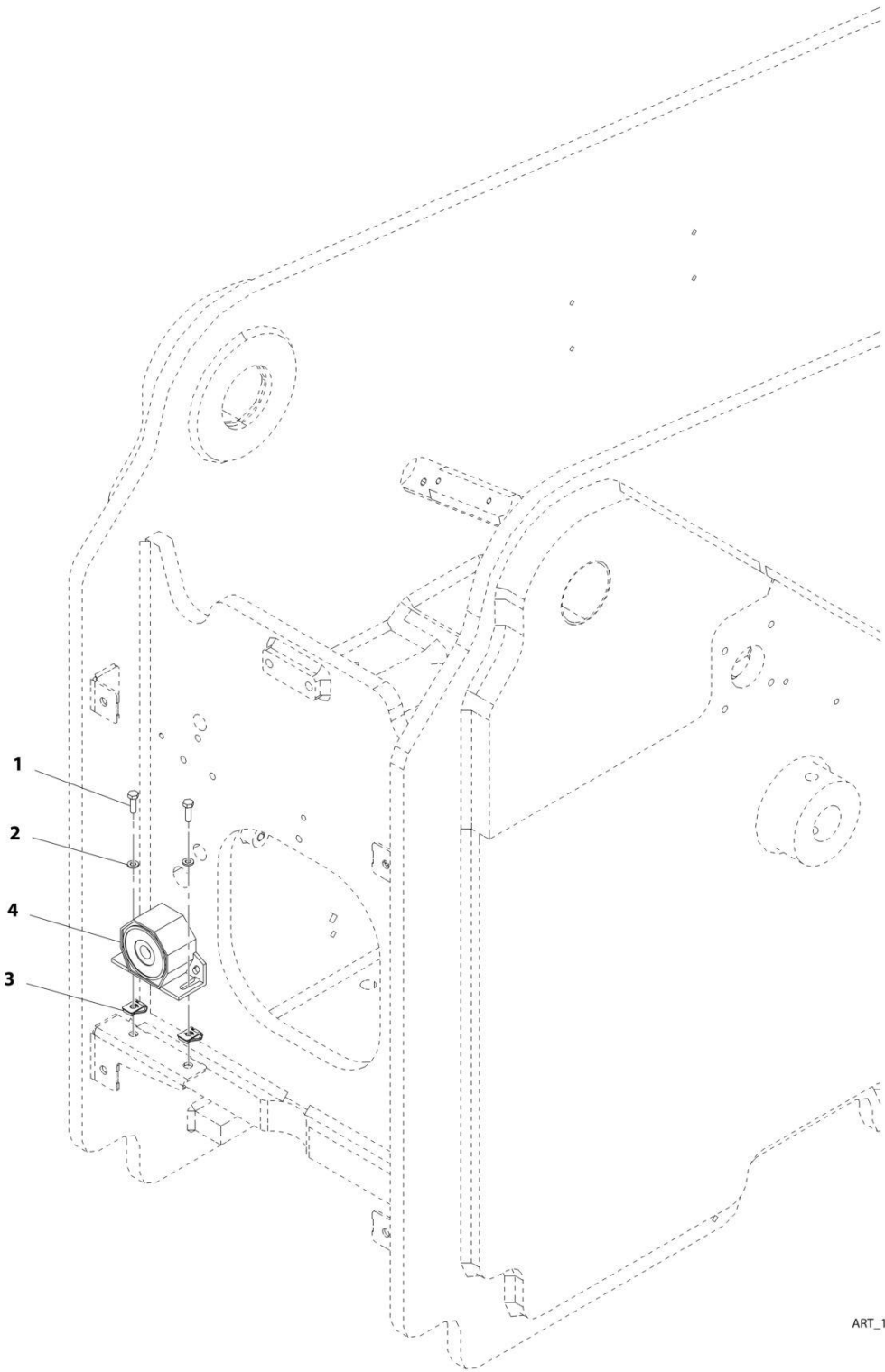
## SECTION 10 - ELECTRICAL

ITEM	PART NUMBER	QTY	DESCRIPTION	REV
54	1001231404	4	Seal	
55	1001231406	1	Plug	
56	1001231398	1	Connector	
57	1001231401	2	Terminal	
58	1001231402	2	Seal	
59	1001231400	2	Terminal	
60	1001231404	2	Seal	
61	1001231406	1	Plug	
62	1001231397	1	Connector	
63	8229234	1	Fuse, 10amp	
64	1001231400	2	Terminal	
65	1001230403	1	Seal	
66	1001230404	1	Seal	



**SECTION 10 - ELECTRICAL**

**FIGURE 10-6. ALARM INSTALLATION - BACK UP (97DB)**



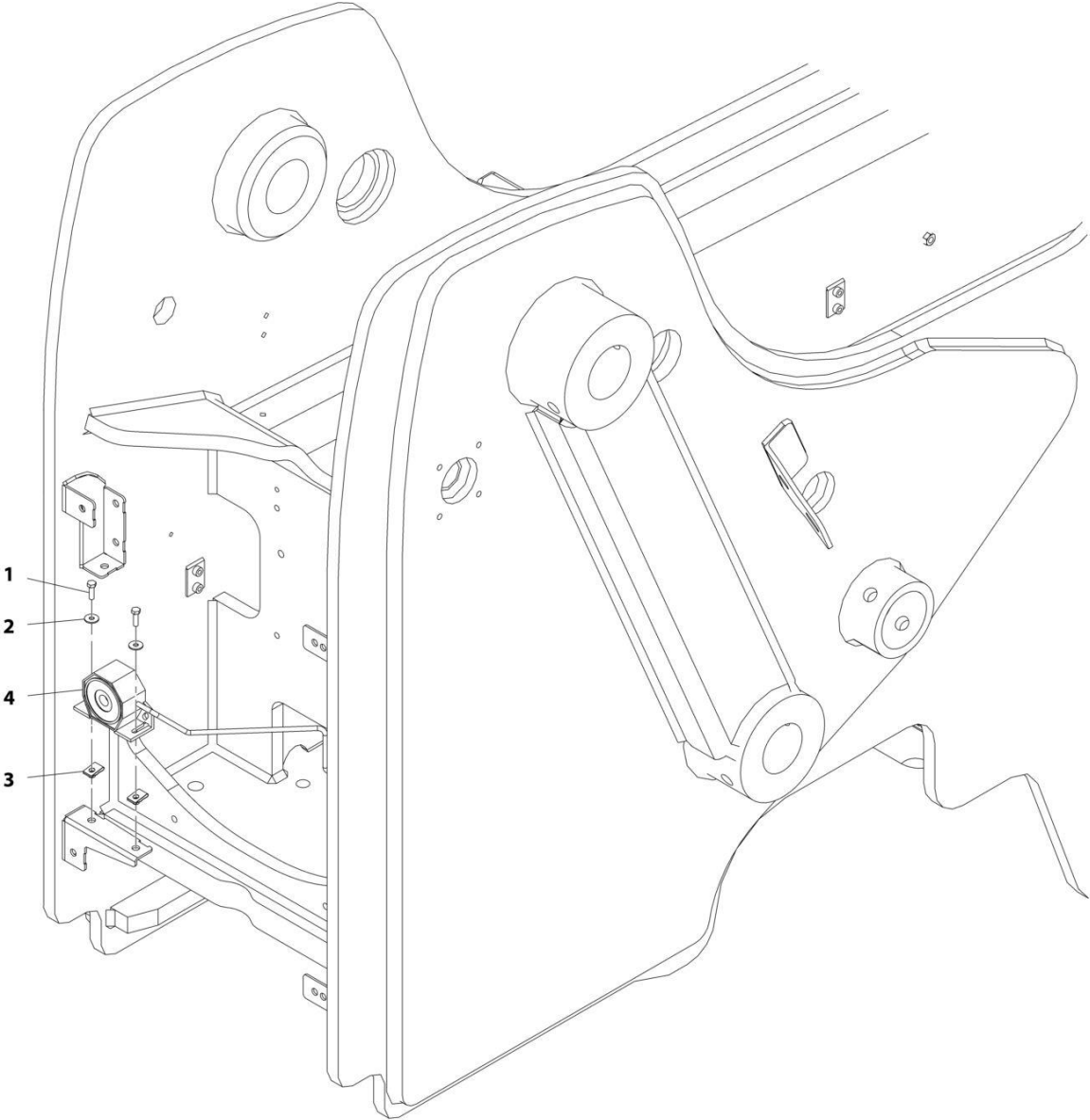
## SECTION 10 - ELECTRICAL

**FIGURE 10-6. ALARM INSTALLATION - BACK UP (97DB)**

ITEM	PART NUMBER	QTY	DESCRIPTION	REV
	1001192393	Ref	Backup Alarm Installation (97 dB)	D
1	0700610	2	Bolt, M6X20	
2	4811702	2	Washer, M6	
3	8305919	2	Nut, M6	
4	1001101808	1	Alarm, Backup	

**SECTION 10 - ELECTRICAL**

**FIGURE 10-7. ALARM INSTALLATION - BACK UP (120DB)**



ART\_1001199183-B

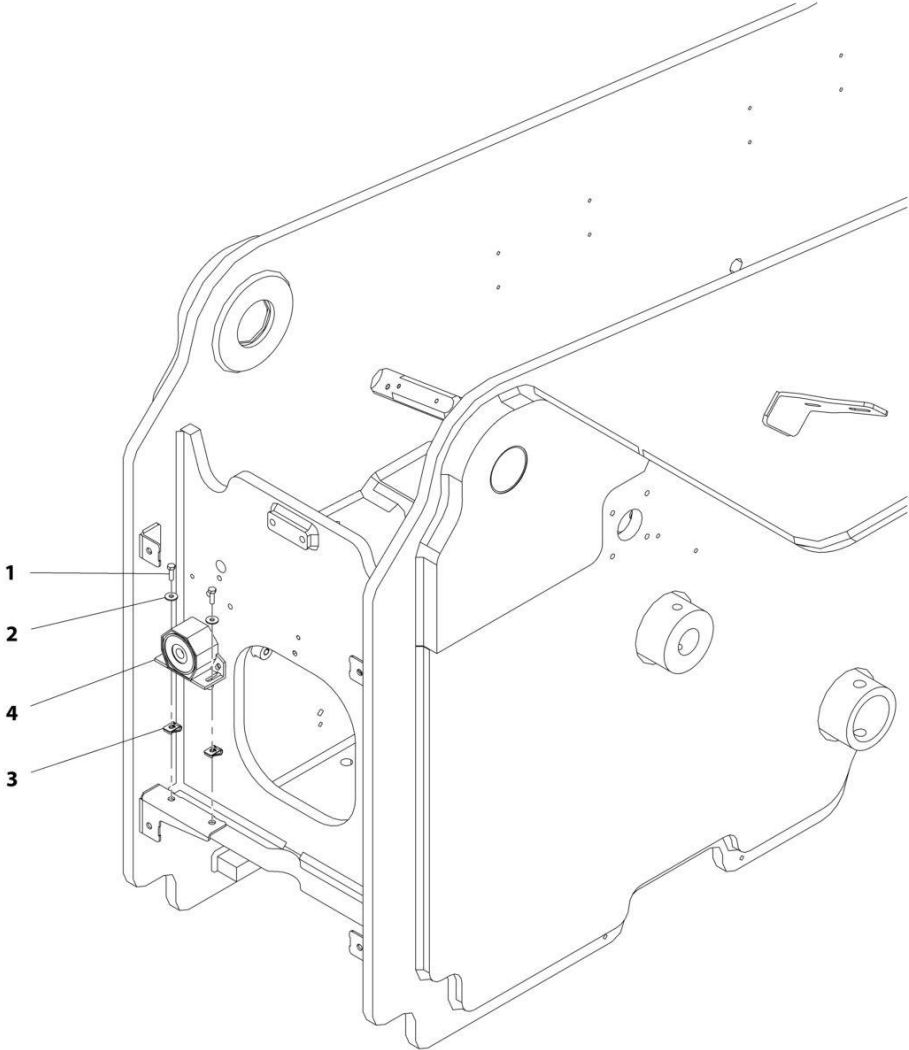
## SECTION 10 - ELECTRICAL

### FIGURE 10-7. ALARM INSTALLATION - BACK UP (120DB)

ITEM	PART NUMBER	QTY	DESCRIPTION	REV
	1001199183	Ref	Backup Alarm Installation (120 dB)	B
1	0700610	2	Bolt, M6X20	
2	4811702	2	Washer, M6	
3	1001130220	2	Nut, M6	
4	1001147060	1	Alarm, Backup	

**SECTION 10 - ELECTRICAL**

**FIGURE 10-8. ALARM INSTALLATION - BACK UP (WHITE NOISE)**



ART\_1001192394-D



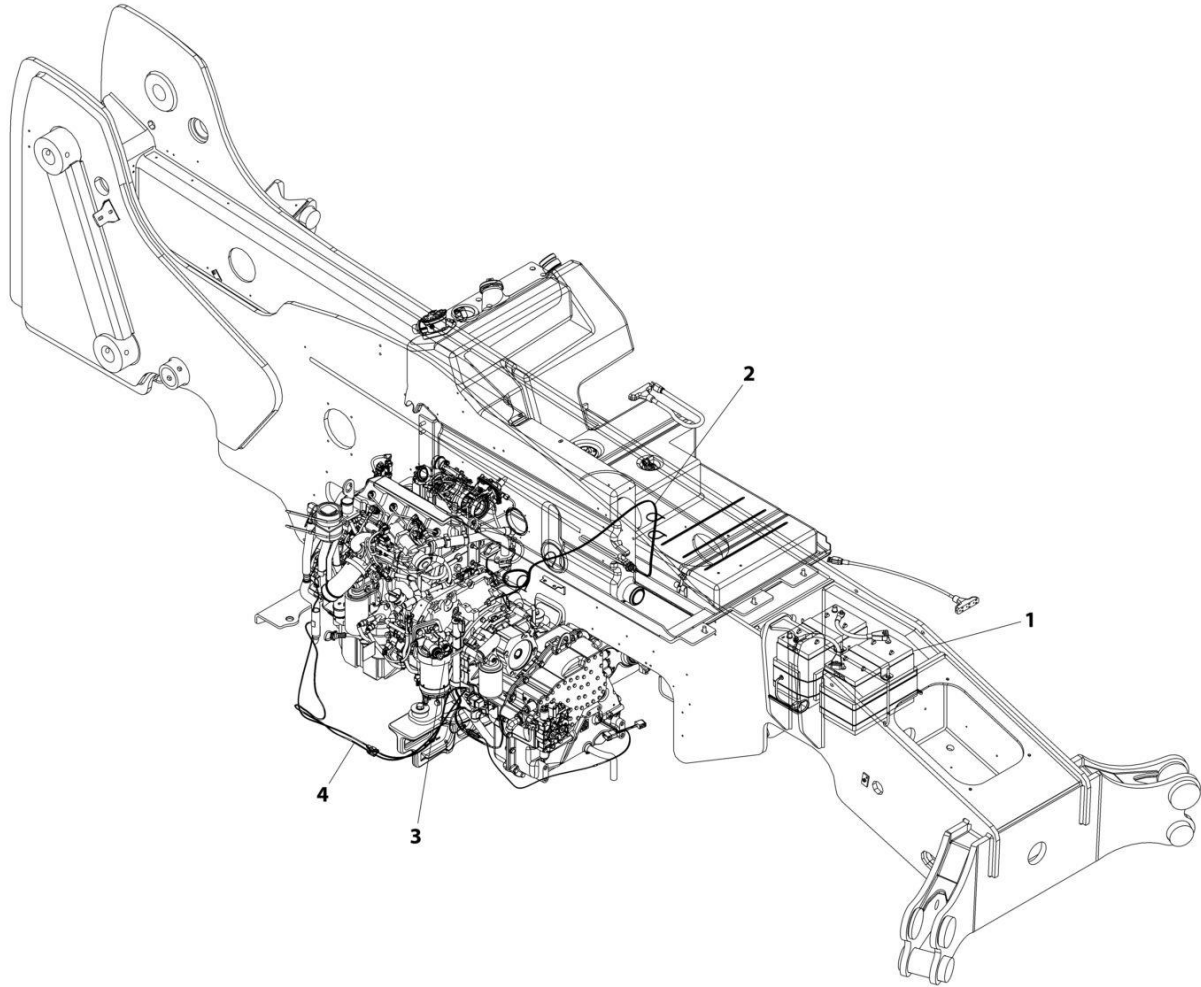
## SECTION 10 - ELECTRICAL

**FIGURE 10-8. ALARM INSTALLATION - BACK UP (WHITE NOISE)**

ITEM	PART NUMBER	QTY	DESCRIPTION	REV
	1001192394	Ref	White Noise Backup Alarm Installation	D
1	0700610	2	Bolt, M6X20	
2	4811702	2	Washer, M6	
3	8305919	2	Nut, M6	
4	1001165827	1	Alarm, White Noise Backup	

# SECTION 10 - ELECTRICAL

## FIGURE 10-9. ARCTIC COLD WEATHER PACKAGE INSTALLATION (ULS)



ART\_1001190179\_E

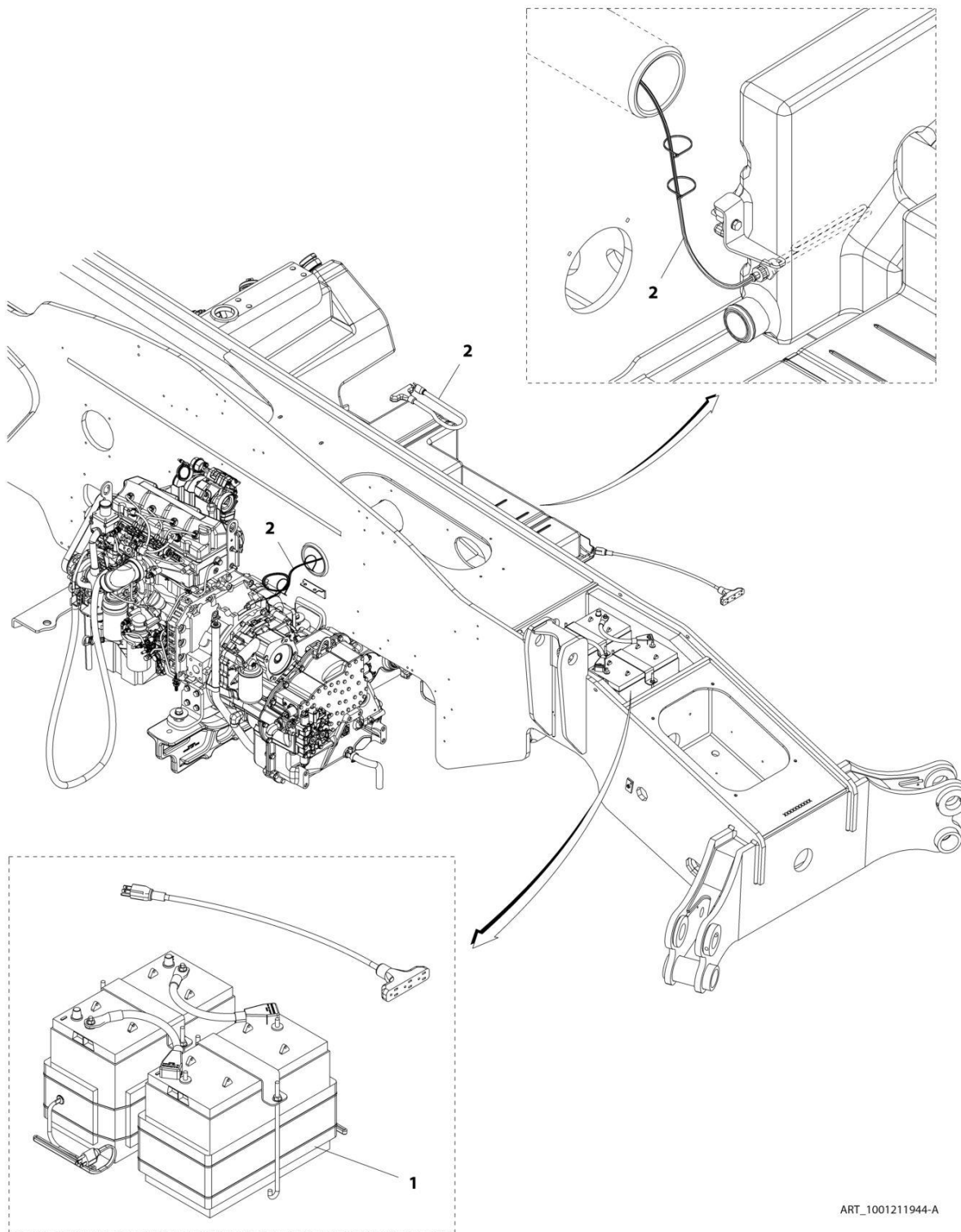
## SECTION 10 - ELECTRICAL

**FIGURE 10-9. ARCTIC COLD WEATHER PACKAGE INSTALLATION (ULS)**

ITEM	PART NUMBER	QTY	DESCRIPTION	REV
1	1001190179	Ref	Arctic Weather Package Installation - 110 HP (ULS)	E
	1001190670	Ref	Installation, Arctic Batteries (See Separate Breakdown in this Section)	
2	1001190671	Ref	Installation, Tank Heater (See Separate Breakdown in this Section)	
3	1001204095	Ref	Installation, Fuel Filter Heater (See Separate Breakdown in this Section)	
4	1001232751	Ref	Heater, Breather - 110 HP (See Separate Breakdown in this Section)	

# SECTION 10 - ELECTRICAL

## FIGURE 10-10. ARCTIC COLD WEATHER PACKAGE INSTALLATION (LS)



ART\_1001211944-A

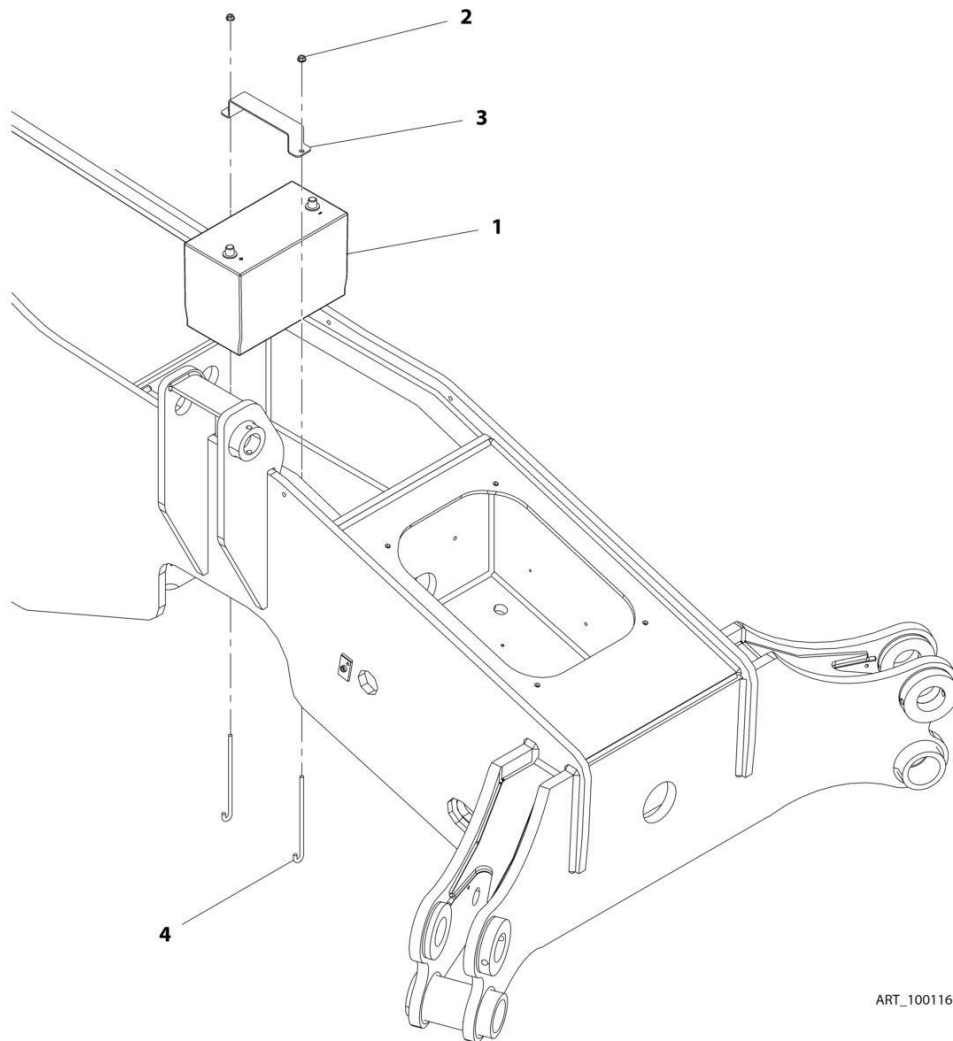
## SECTION 10 - ELECTRICAL

**FIGURE 10-10. ARCTIC COLD WEATHER PACKAGE INSTALLATION (LS)**

ITEM	PART NUMBER	QTY	DESCRIPTION	REV
1	1001211944	Ref	Arctic Weather Package Installation (LS)	A
	1001190670	Ref	Installation, Arctic Batteries (See Separate Breakdown in this Section)	
2	1001190671	Ref	Installation, Tank Heater (See Separate Breakdown in this Section)	

# SECTION 10 - ELECTRICAL

## FIGURE 10-11. BATTERY INSTALLATION



ART\_1001160711-C

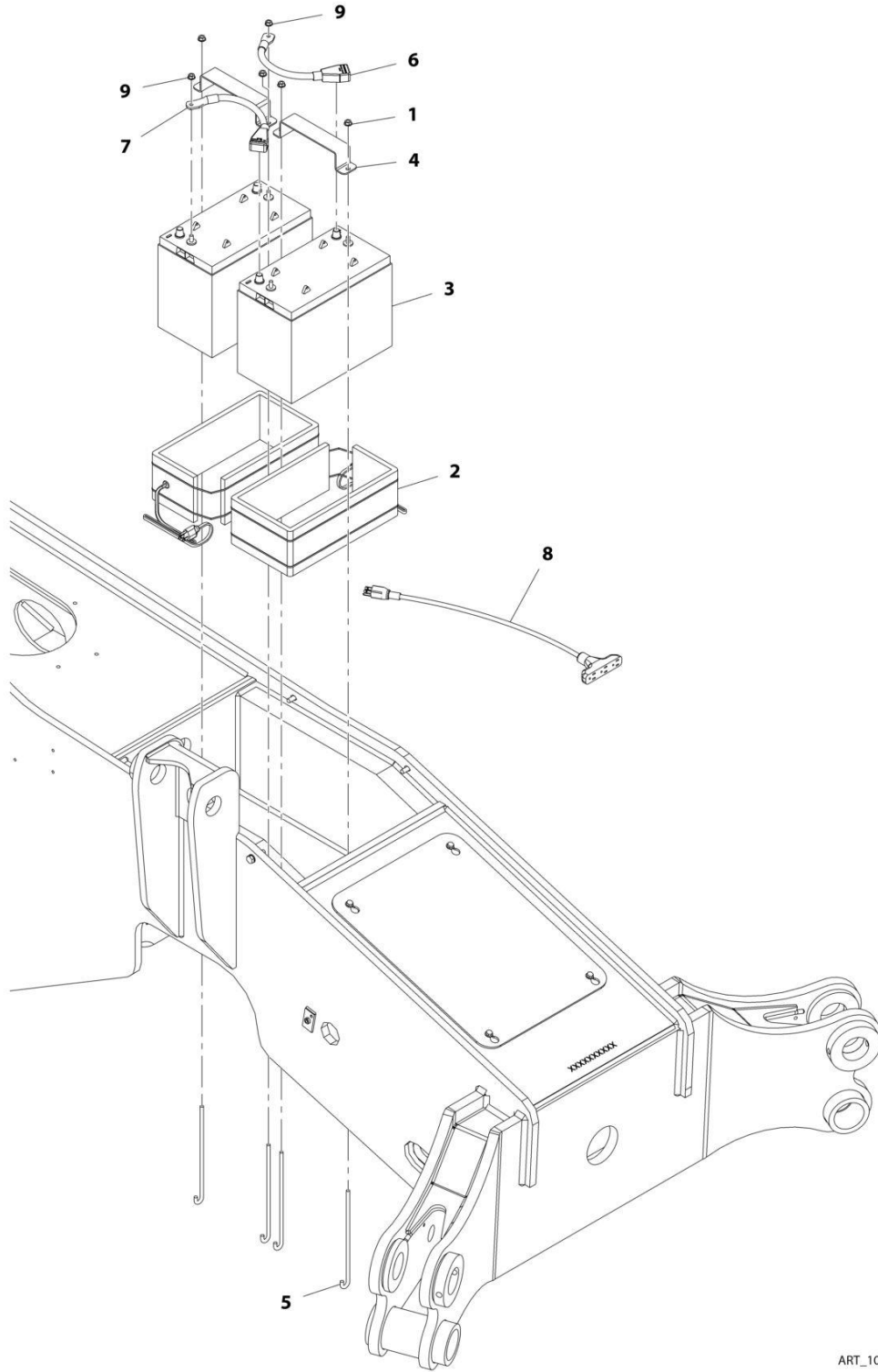
## SECTION 10 - ELECTRICAL

### FIGURE 10-11. BATTERY INSTALLATION

ITEM	PART NUMBER	QTY	DESCRIPTION	REV
	1001160711	Ref	Battery Installation	C
1	0400075	1	Battery, 12V	
2	5220800	2	Nut, M8	
3	1001160927	1	Plate	
4	1001181961	2	J-Bolt	

# SECTION 10 - ELECTRICAL

## FIGURE 10-12. BATTERY INSTALLATION - ARCTIC PACKAGE



ART\_1001190670-C



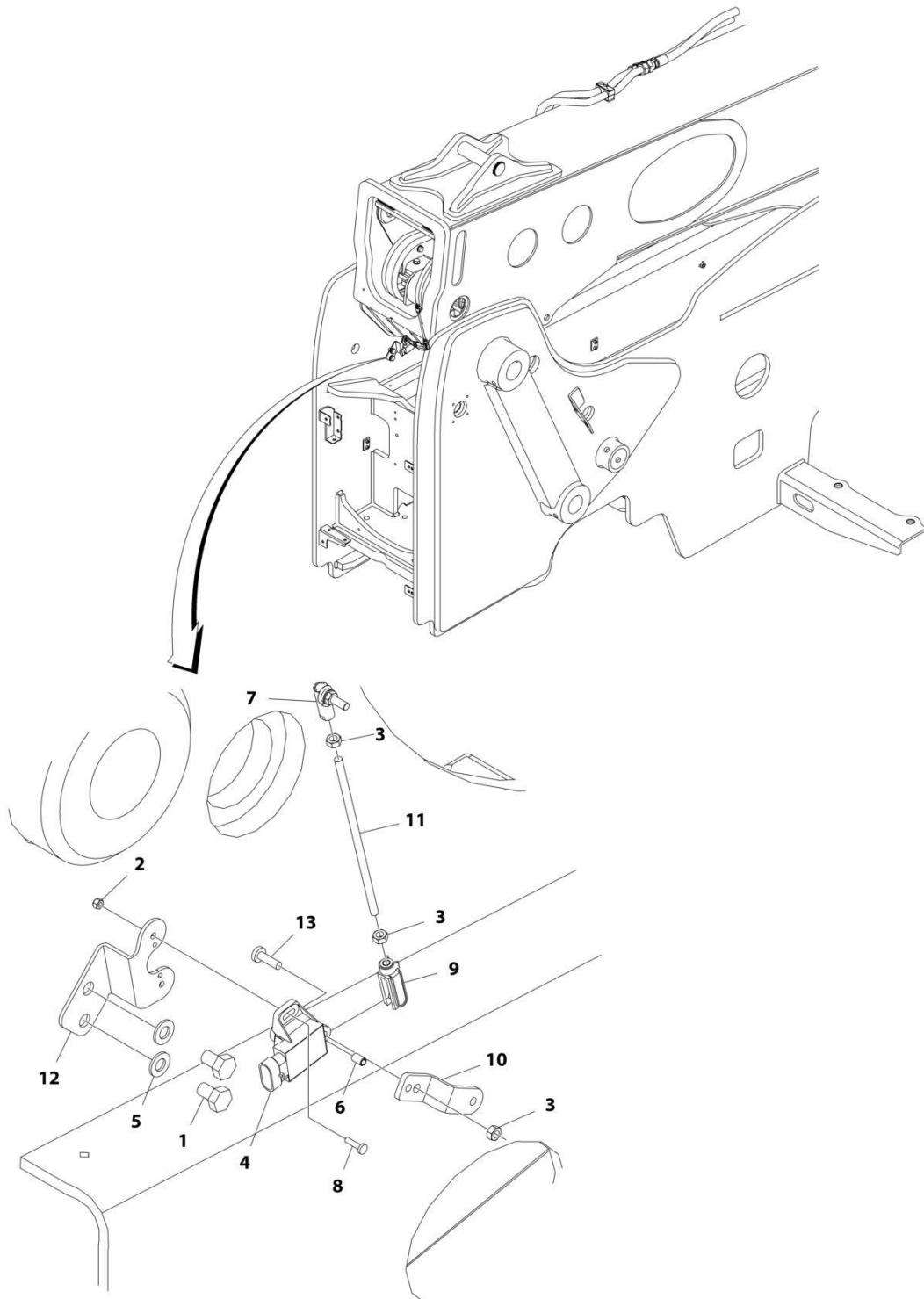
## SECTION 10 - ELECTRICAL

### FIGURE 10-12. BATTERY INSTALLATION - ARCTIC PACKAGE

ITEM	PART NUMBER	QTY	DESCRIPTION	REV
	1001190670	Ref	Artic Batteries Installation	C
1	5220800	4	Nut, M8	
2	1001093564	2	Heater, Battery	
3	1001098762	2	Battery, 12V	
4	1001160927	2	Plate	
5	1001160928	4	J-Bolt	
6	1001172495	1	Cable	
7	1001172496	1	Cable	
8	1060626	1	Cord, 3-Way Extension	
9	3311508	2	Nut	

# SECTION 10 - ELECTRICAL

## FIGURE 10-13. BOOM ANGLE SENSOR INSTALLATION (STANDARD)



ART\_1001184056\_D

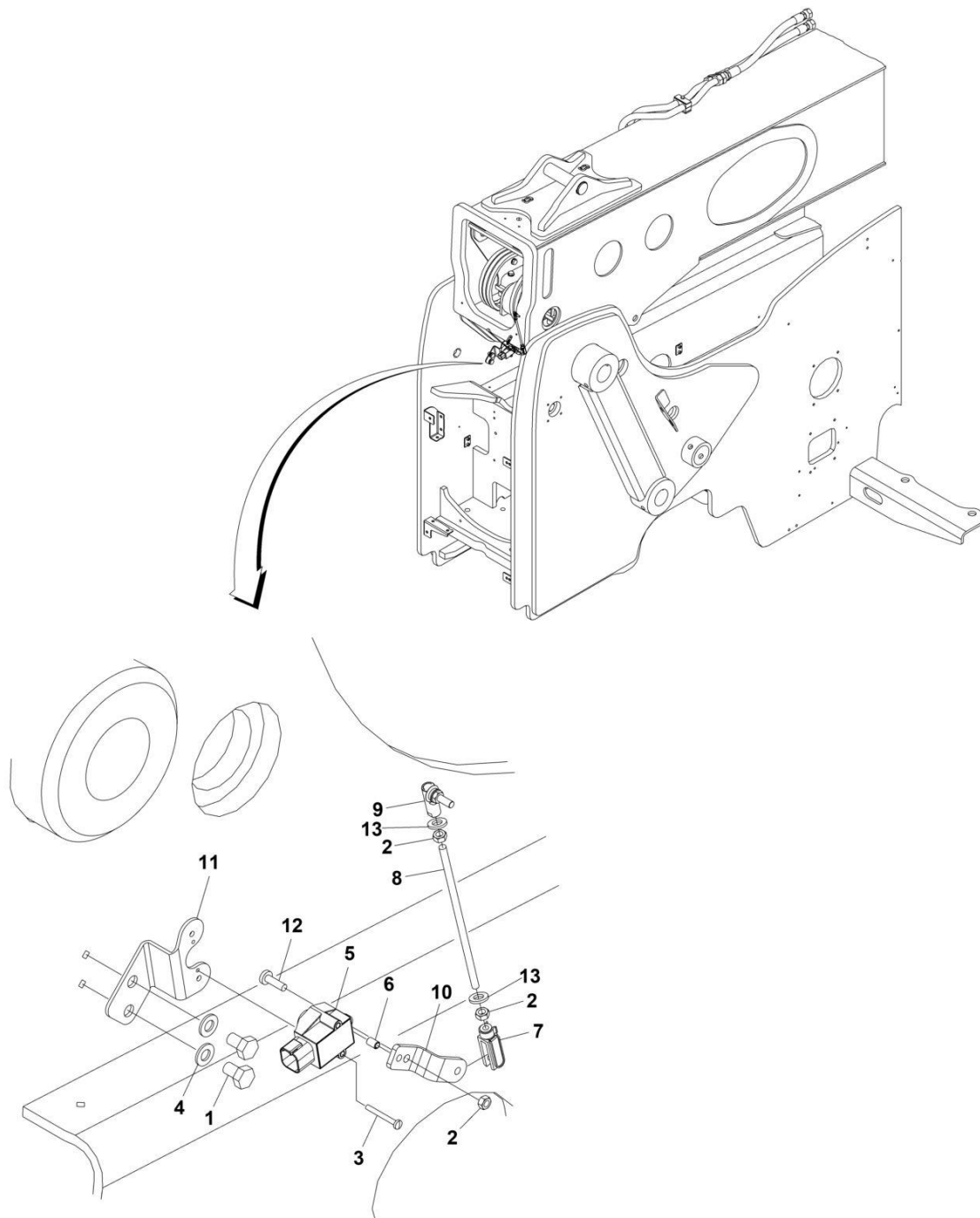
## SECTION 10 - ELECTRICAL

**FIGURE 10-13. BOOM ANGLE SENSOR INSTALLATION (STANDARD)**

ITEM	PART NUMBER	QTY	DESCRIPTION	REV
	1001184056	Ref	BOOM ANGLE SENSOR INSTALLATION (STANDARD)	D
1	0761008	2	Bolt M10 x 16	
2	3290405	2	Nut M4 x 0.7	
3	3290601	3	Nut M6 x 1	
4	1001278028	1	Sensor, Angle	
5	4812000	2	Washer M10	
6	1001103156	1	Pin	
7	1001184484	1	Joint, Ball	
8	1001126837	2	Screw M4 x 16	
9	1001134274	1	Clevis	
10	1001188787	1	Link, Boom Angle Sensor	
11	1001168482	1	Rod	
12	1001211059	1	Bracket, Boom Angle Sensor	
13	4010610002	1	Screw M6 x 20	

# SECTION 10 - ELECTRICAL

## FIGURE 10-14. BOOM ANGLE SENSOR INSTALLATION (LSI)



ART\_1001259082

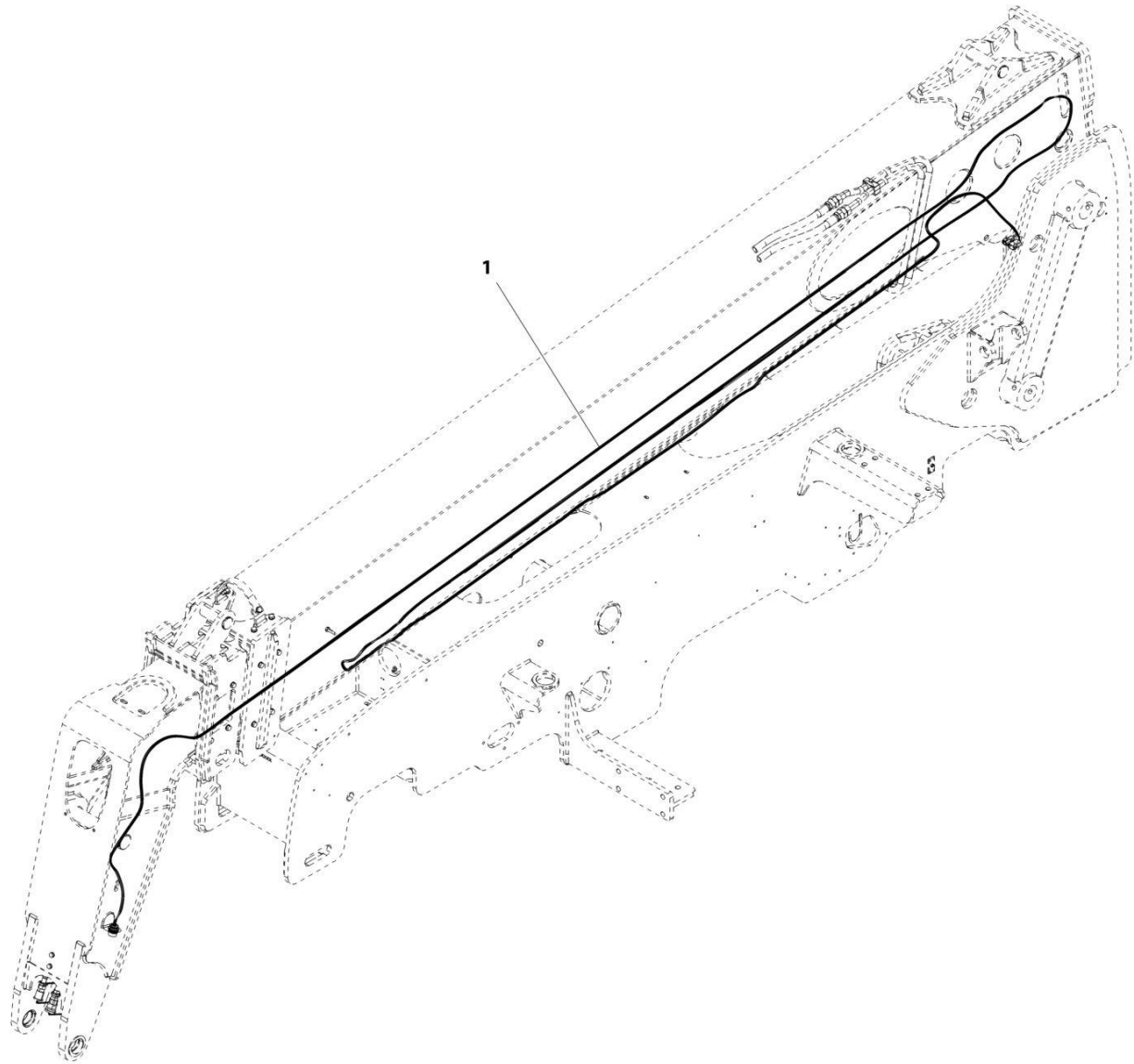
## SECTION 10 - ELECTRICAL

### FIGURE 10-14. BOOM ANGLE SENSOR INSTALLATION (LSI)

ITEM	PART NUMBER	QTY	DESCRIPTION	REV
	1001259082	Ref	BOOM ANGLE SENSOR INSTALLATION	B
1	0761008	2	Bolt M10 X 16	
2	3290601	3	Nut M6	
3	4010415	2	Screw M4 x 35	
4	4812000	2	Washer M10	
5	1001099717	1	Sensor, Angle	
6	1001103156	1	Pin	
7	1001134274	1	Clevis	
8	1001168482	1	Rod	
9	1001184484	1	Joint, Ball	
10	1001188787	1	Link, Boom Angle Sensor	
11	1001211059	1	Bracket, Boom Angle Sensor	
12	4010610002	1	Screw M6 X 20	
13	4761400	1	Washer 1/4	

# SECTION 10 - ELECTRICAL

## FIGURE 10-15. BOOM ELECTRICAL HARNESS INSTALLATION



ART\_1001174426-E

## SECTION 10 - ELECTRICAL

**FIGURE 10-15. BOOM ELECTRICAL HARNESS INSTALLATION**

ITEM	PART NUMBER	QTY	DESCRIPTION	REV
1	1001174426 1001172728	Ref 1	Boom Electrical Harness Installation Harness, Boom (See Separate Breakdown in this Section)	E

**SECTION 10 - ELECTRICAL**

**FIGURE 10-16. BOOM ELECTRIC HARNESS**



ART\_1001172728-D



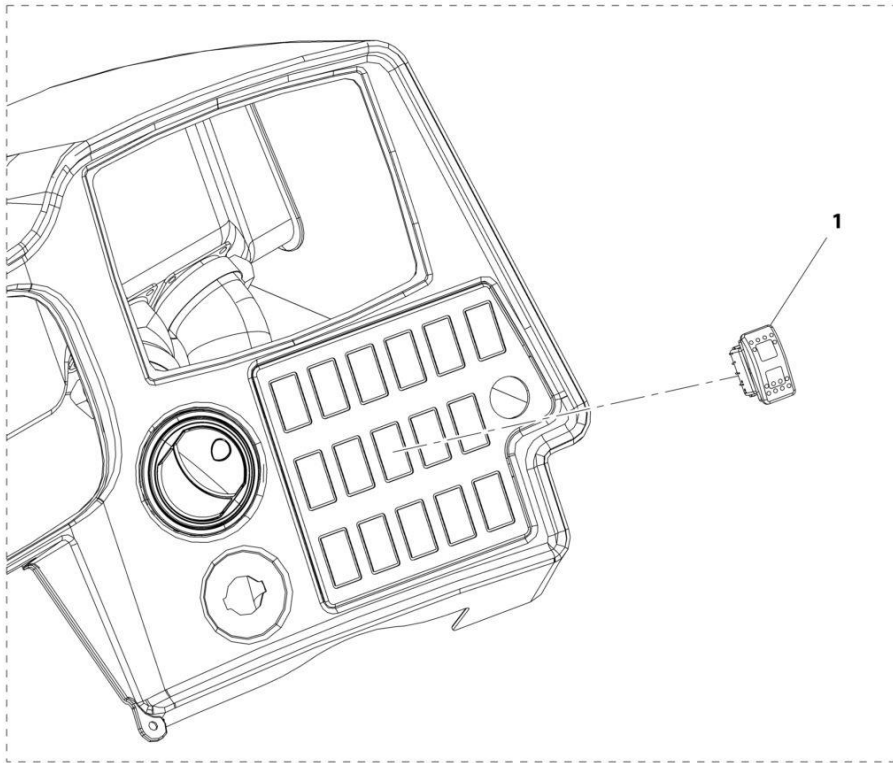
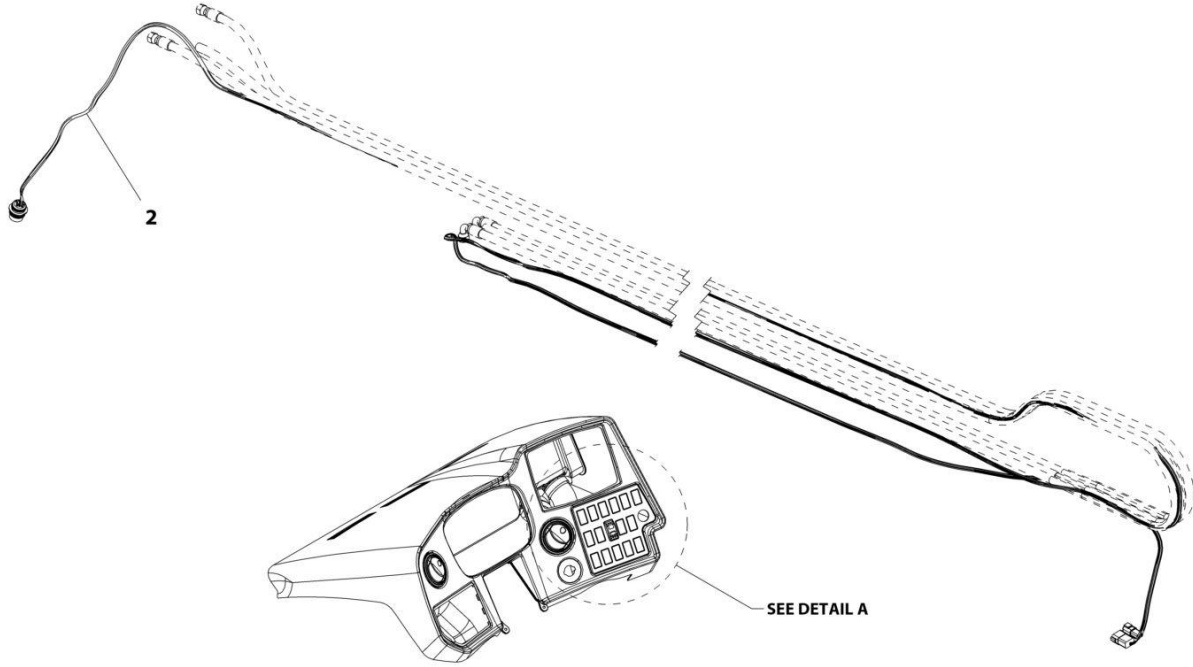
# SECTION 10 - ELECTRICAL

## FIGURE 10-16. BOOM ELECTRIC HARNESS

ITEM	PART NUMBER	QTY	DESCRIPTION	REV
	1001172728	Ref	Boom Harness	D
1	4460931	1	Connector	
2	4460943	2	Terminal	
3	4460464	4	Terminal	
4	4460466	2	Plug	
5	4461017	1	Connector	
6	4460508	2	Terminal	
7	1001112612	1	Connector	
8	1001183221	1	Boot	
9	1001157891	1	Terminal	
10	4460464	4	Terminal	
11	4460943	2	Terminal	
12	4460466	1	Plug	

# SECTION 10 - ELECTRICAL

## FIGURE 10-17. BOOM AUXILIARY ELECTRIC INSTALLATION



DETAIL A

ART\_1001187532-A

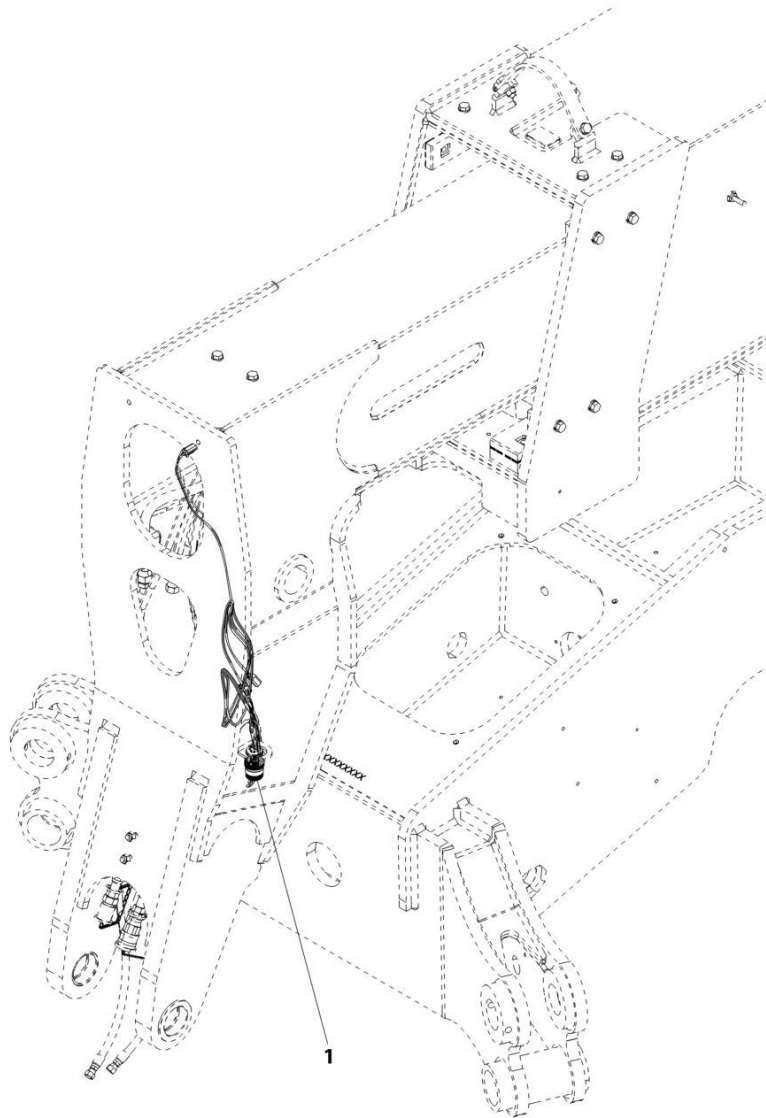
## SECTION 10 - ELECTRICAL

**FIGURE 10-17. BOOM AUXILIARY ELECTRIC INSTALLATION**

ITEM	PART NUMBER	QTY	DESCRIPTION	REV
	1001187532	Ref	Boom Auxiliary Electric Installation	A
1	1001159746	1	Switch, Auxiliary Electric	
2	1001174426	1	Installation, Boom Electrical Harness (See Separate Breakdown in this Section)	

# SECTION 10 - ELECTRICAL

## FIGURE 10-18. BOOM AUXILIARY ELECTRIC HARNESS INSTALLATION



ART\_1001167799-B

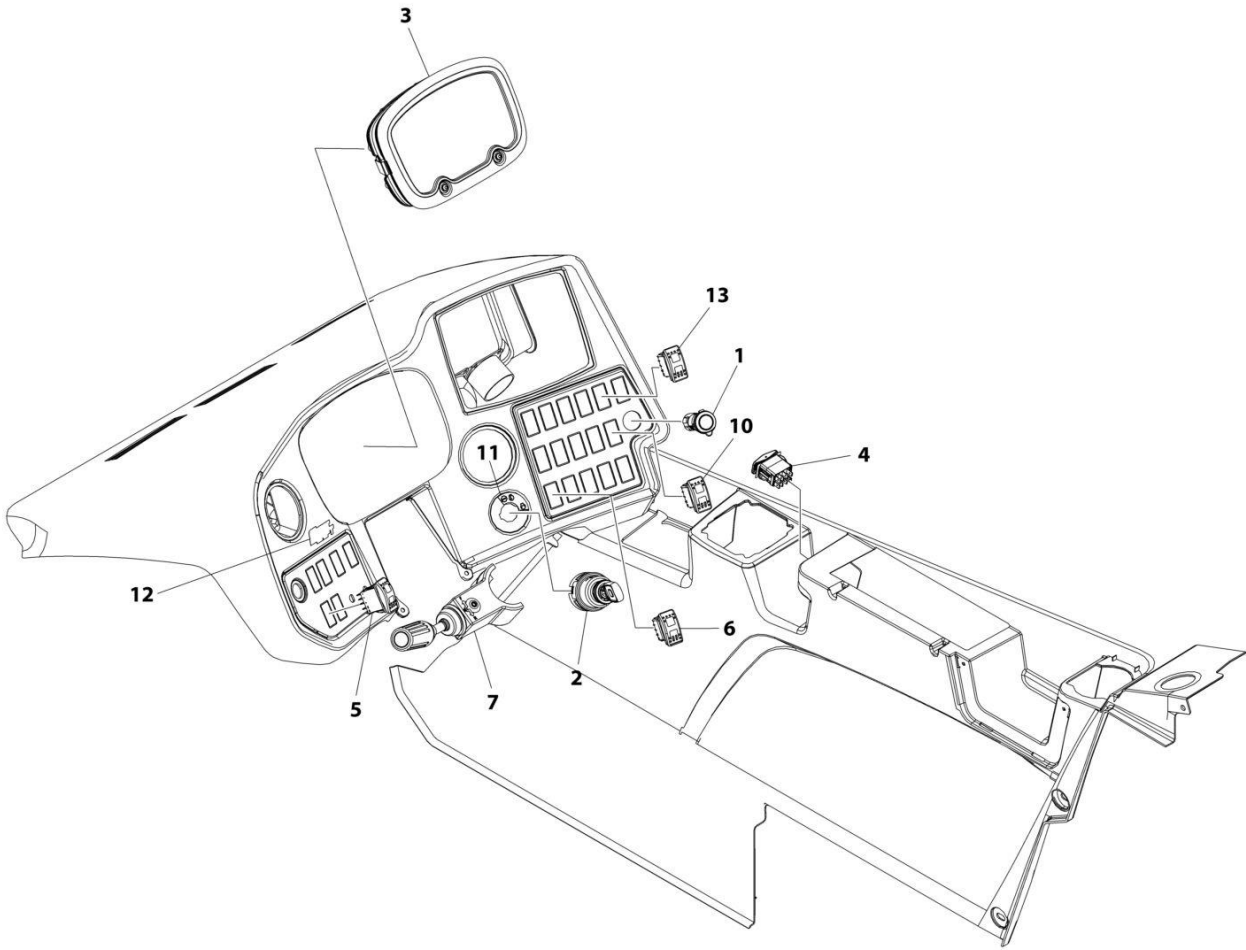
## SECTION 10 - ELECTRICAL

**FIGURE 10-18. BOOM AUXILIARY ELECTRIC HARNESS INSTALLATION**

ITEM	PART NUMBER	QTY	DESCRIPTION	REV
1	1001167799 1001167695	Ref 1	Boom Auxiliary Electric Harness Installation Harness, Platform (See Separate Breakdown in this Section)	B

# SECTION 10 - ELECTRICAL

## FIGURE 10-19. CAB DASH ELECTRICAL (ULS)



ART\_1001173849\_J

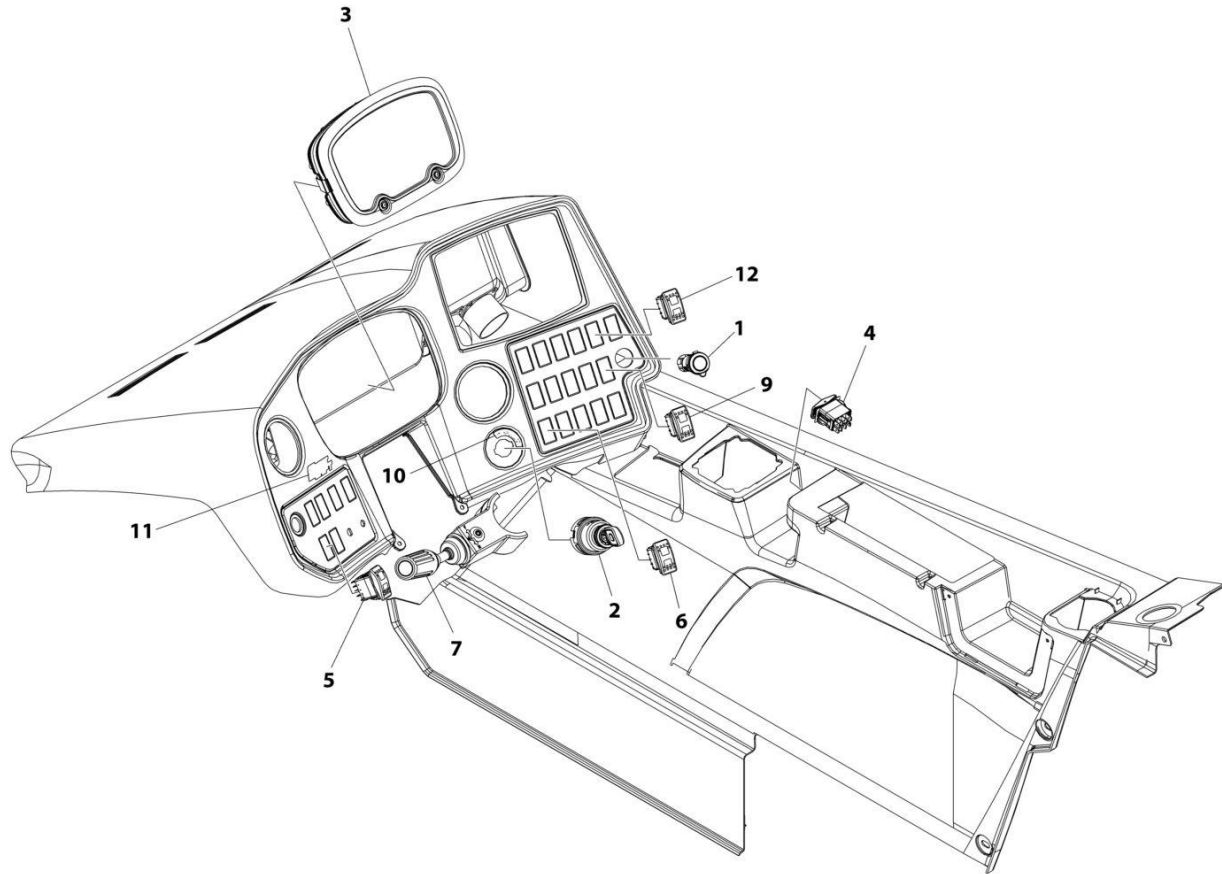
## SECTION 10 - ELECTRICAL

**FIGURE 10-19. CAB DASH ELECTRICAL (ULS)**

ITEM	PART NUMBER	QTY	DESCRIPTION	REV
	1001173849	Ref	DASH ELECTRICAL INSTALLATION (IF EQUIPPED FOR ULS)	J
1	1001095804	1	Connector, 12V Power Socket	
2	1001102502	1	Switch, 4 Position Key	
2	70022765	1	Key, Ignition	
3	1001158146	1	Cluster, Electrical Gauge	
4	1001212470	1	Switch, Frame Level	
5	1001159753	1	Switch, Park Brake	
6	1001159849	1	Switch, Steer Mode	
7	1001239793	1	Switch, FNR 4 Speed	
10	1001104654	1	Switch, AUX	
11	1001181531	1	Decal, Ignition Switch	
12	1001262072	1	Decal, Smart Shift Logo	
13	1001285715	1	Switch, Beacon	

# SECTION 10 - ELECTRICAL

## FIGURE 10-20. CAB DASH ELECTRICAL (LS)



ART\_1001203225\_F



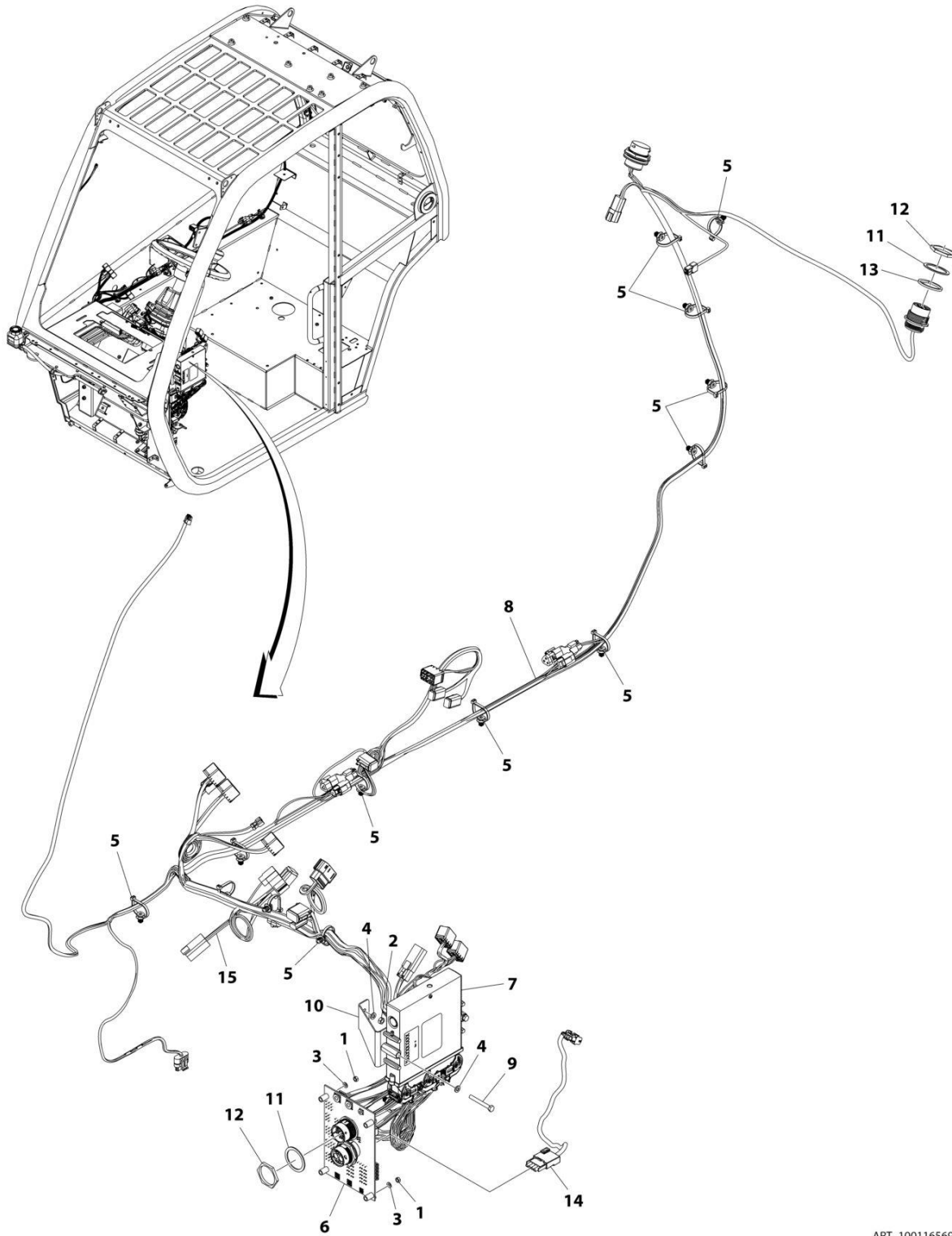
## SECTION 10 - ELECTRICAL

### FIGURE 10-20. CAB DASH ELECTRICAL (LS)

ITEM	PART NUMBER	QTY	DESCRIPTION	REV
	1001203225	Ref	DASH ELECTRICAL INSTALLATION (LS)	F
1	1001095804	1	Connector, 12V Power Socket	
2	1001102502	1	Switch, 4 Position Key	
2	70022765	1	Key, Ignition	
3	1001202454	1	Cluster, Electrical Gauge	
4	1001212470	1	Switch, Frame Level	
5	1001159753	1	Switch, Park Brake	
6	1001159849	1	Switch, Steer Mode	
7	1001239793	1	Switch, FNR 4 Speed	
9	1001104654	1	Switch, AUX	
10	1001181531	1	Decal, Ignition Switch	
11	1001262072	1	Decal, Smart Shift Logo	
12	1001285715	1	Switch, Beacon	

# SECTION 10 - ELECTRICAL

## FIGURE 10-21. CAB ELECTRICAL INSTALLATION



ART\_1001165699\_M

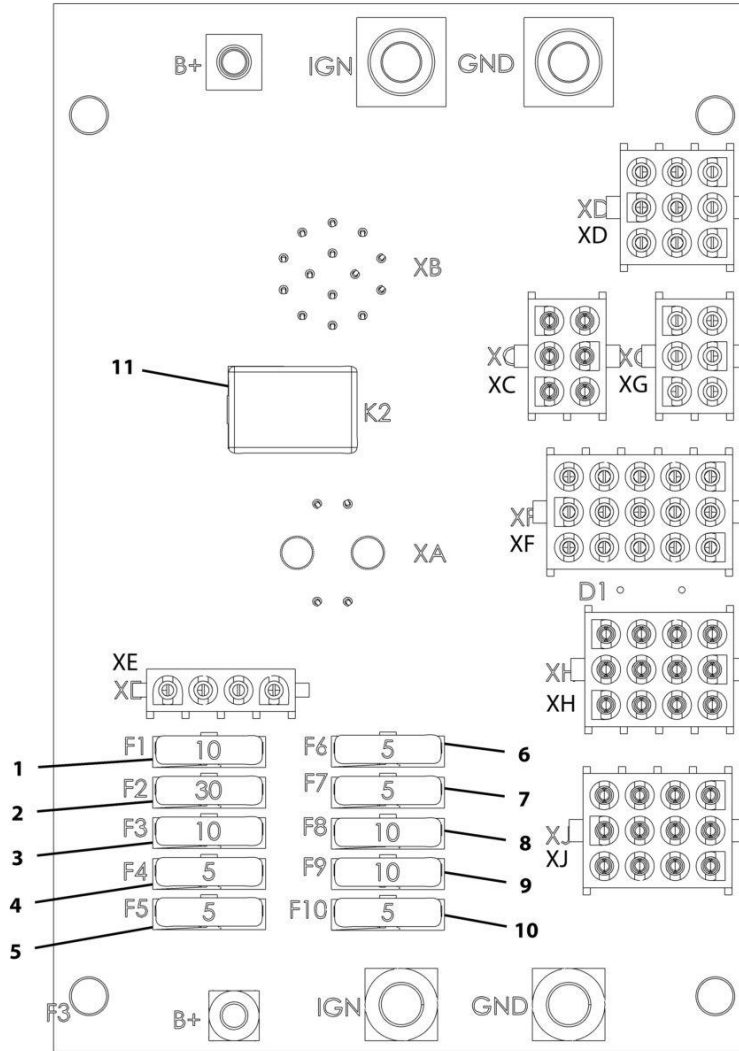
## SECTION 10 - ELECTRICAL

**FIGURE 10-21. CAB ELECTRICAL INSTALLATION**

ITEM	PART NUMBER	QTY	DESCRIPTION	REV
	1001165699	Ref	CAB ELECTRICAL INSTALLATION	M
1	3290501	3	Nut M5 x 0.8	
2	3290601	2	Nut M6 x 1	
3	120034	3	Washer, Plastic	
4	4811700	4	Washer M6	
5	1001146588	16	Tie Strap	
6	1001161769	1	Assembly, Standard Electrical Board (See Separate Breakdown in this Section)	
7	1001270466	1	Module	
8	1001282322	1	Harness, Cab (See Separate Breakdown in this Section)	
9	0700618	2	Bolt M6 x 50	
10	1001178933	1	Bracket	
11	4460496	4	Washer, Terminal Lock	
12	4460497	4	Nut, Terminal	
13	1001211693	2	Seal	
14	1001213988	1	Cable (See Separate Breakdown in this Section)	
15	1001241610	1	Key Harness (See Separate Breakdown in this Section)	

# SECTION 10 - ELECTRICAL

FIGURE 10-22. CAB ELECTRICAL BOARD ASSEMBLY



ART\_1001161769-C

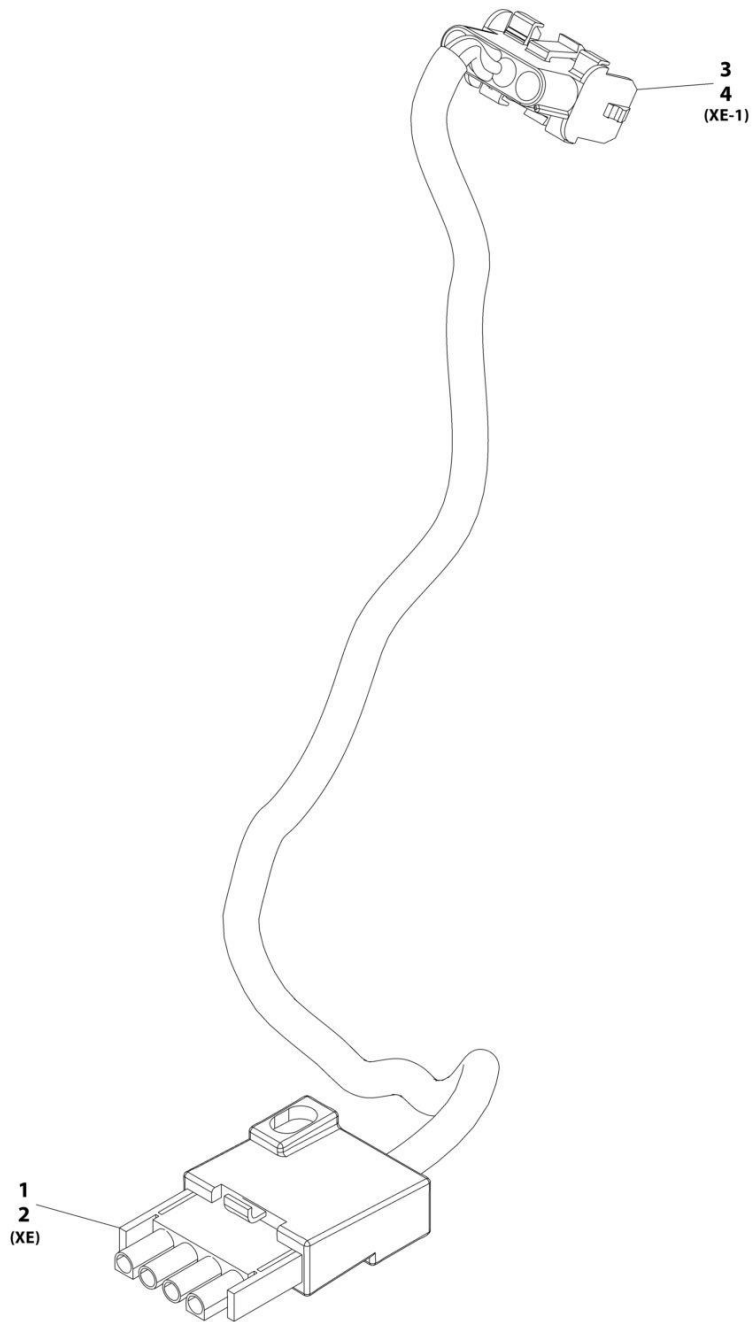
## SECTION 10 - ELECTRICAL

### FIGURE 10-22. CAB ELECTRICAL BOARD ASSEMBLY

ITEM	PART NUMBER	QTY	DESCRIPTION	REV
	1001161769	Ref	Standard Electrical Board Assembly	C
1	80983191	1	Fuse, 10AMP	
2	8229245	1	Fuse, 30AMP	
3	80983191	1	Fuse, 10AMP	
4	8229242	1	Fuse, 5AMP	
5	8229242	1	Fuse, 5AMP	
6	8229242	1	Fuse, 5AMP	
7	8229242	1	Fuse, 5AMP	
8	80983191	1	Fuse, 10AMP	
9	80983191	1	Fuse, 10AMP	
10	8229242	1	Fuse, 5AMP	
11	70026292	1	Fuse, 35AMP	

# SECTION 10 - ELECTRICAL

## FIGURE 10-23. CAB ELECTRICAL COMMUNICATION CABLE



ART\_1001213988-A

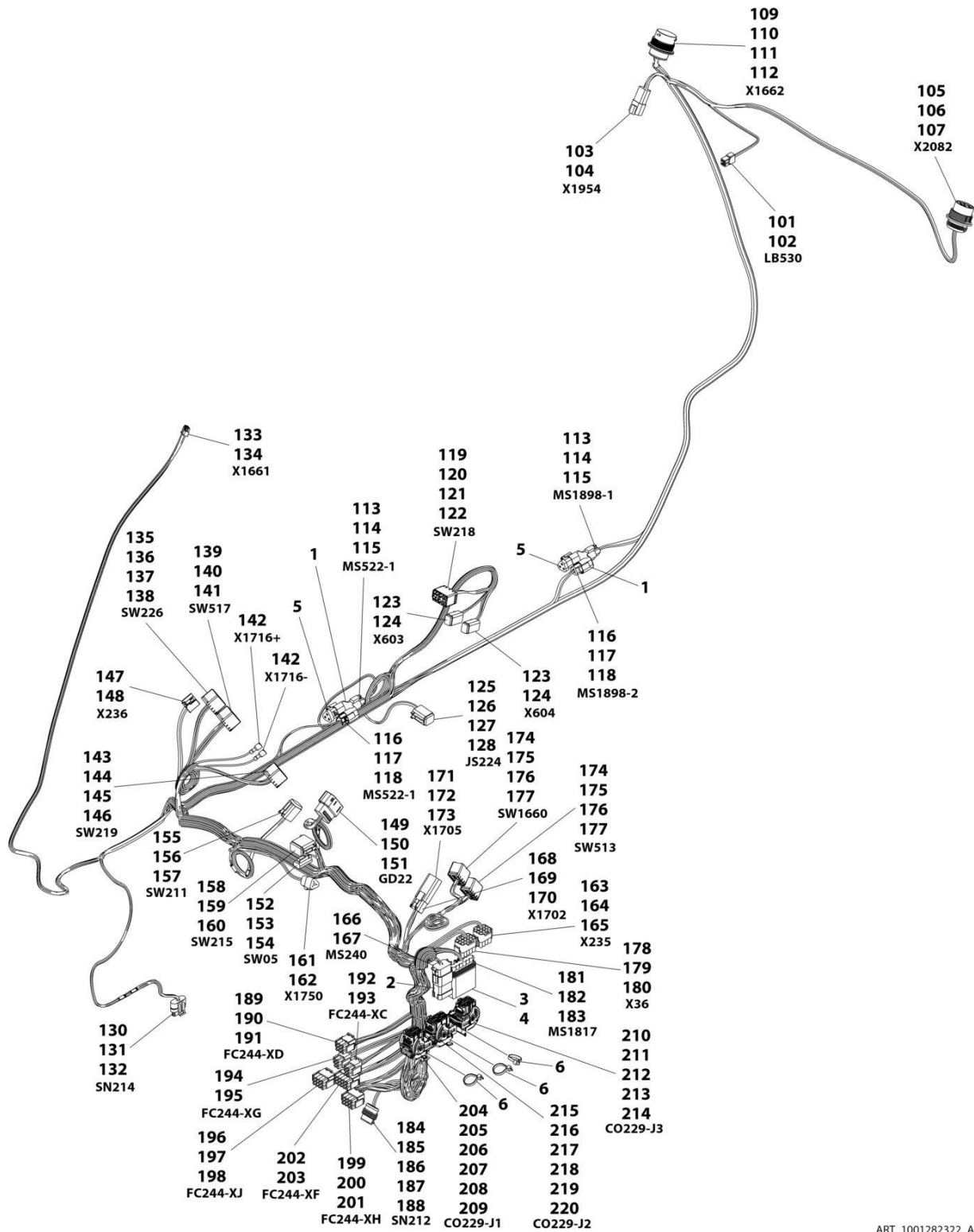
## SECTION 10 - ELECTRICAL

**FIGURE 10-23. CAB ELECTRICAL COMMUNICATION CABLE**

ITEM	PART NUMBER	QTY	DESCRIPTION	REV
	1001213988	Ref	Communication Analyzer Cable	A
1	4460321	1	Connector	
2	4460268	4	Terminal	
3	4460761	1	Connector	
4	4460267	4	Terminal	

# SECTION 10 - ELECTRICAL

## FIGURE 10-24. CAB HARNESS



ART\_1001282322\_A



# SECTION 10 - ELECTRICAL

## FIGURE 10-24. CAB HARNESS

ITEM	PART NUMBER	QTY	DESCRIPTION	REV
	1001282322	Ref	CAB HARNESS	B
1	4460945	2	Terminal, 3 Way "T" Receptacle	
2	4460984	1	Plug, 8 Pin	
3	8220375	1	Cap	
4	1001177597	2	Diode, 6amp	
5	1001116815	1	Connector, 3 Pin	
6	1001008559	3	Tie-Strap	
101	1001116991	1	Connector	
102	1001118384	2	Terminal	
103	4460932	1	Connector	
104	4460941	4	Terminal	
105	1001112612	1	Connector	
106	4460464	5	Terminal	
107	4460943	4	Terminal	
109	4461016	1	Connector	
110	4460941	6	Terminal	
111	4460464	5	Terminal	
112	4460466	3	Plug	
113	1001116812	2	Connector	
114	4460944	4	Terminal	
115	4460466	2	Plug	
116	4460539	2	Connector	
117	4460944	4	Terminal	
118	4460466	2	Plug	
119	1001117081	1	Connector	
120	1001223455	2	Terminal	
121	1001118384	2	Terminal	
122	1001116723	2	Terminal	
123	4460884	2	Connector	
124	4460465	8	Terminal	
125	4460894	1	Connector	
126	4460465	3	Terminal	
127	4460944	2	Terminal	
128	4460466	1	Plug	
130	1001230931	1	Connector	
131	1001116748	4	Terminal	
132	1001273991	2	Terminal	
133	1001150735	1	Connector	
134	1001150737	7	Terminal	
135	1001117081	1	Connector	
136	1001118384	3	Terminal	
137	1001223455	1	Terminal	
138	1001116723	4	Terminal	
139	1001117081	1	Connector	
140	1001116723	6	Terminal	
141	1001223455	1	Terminal	
142	1001194421	1	Connector	
143	1001117081	1	Connector	
144	1001223455	3	Terminal	
145	1001118384	2	Terminal	

## SECTION 10 - ELECTRICAL

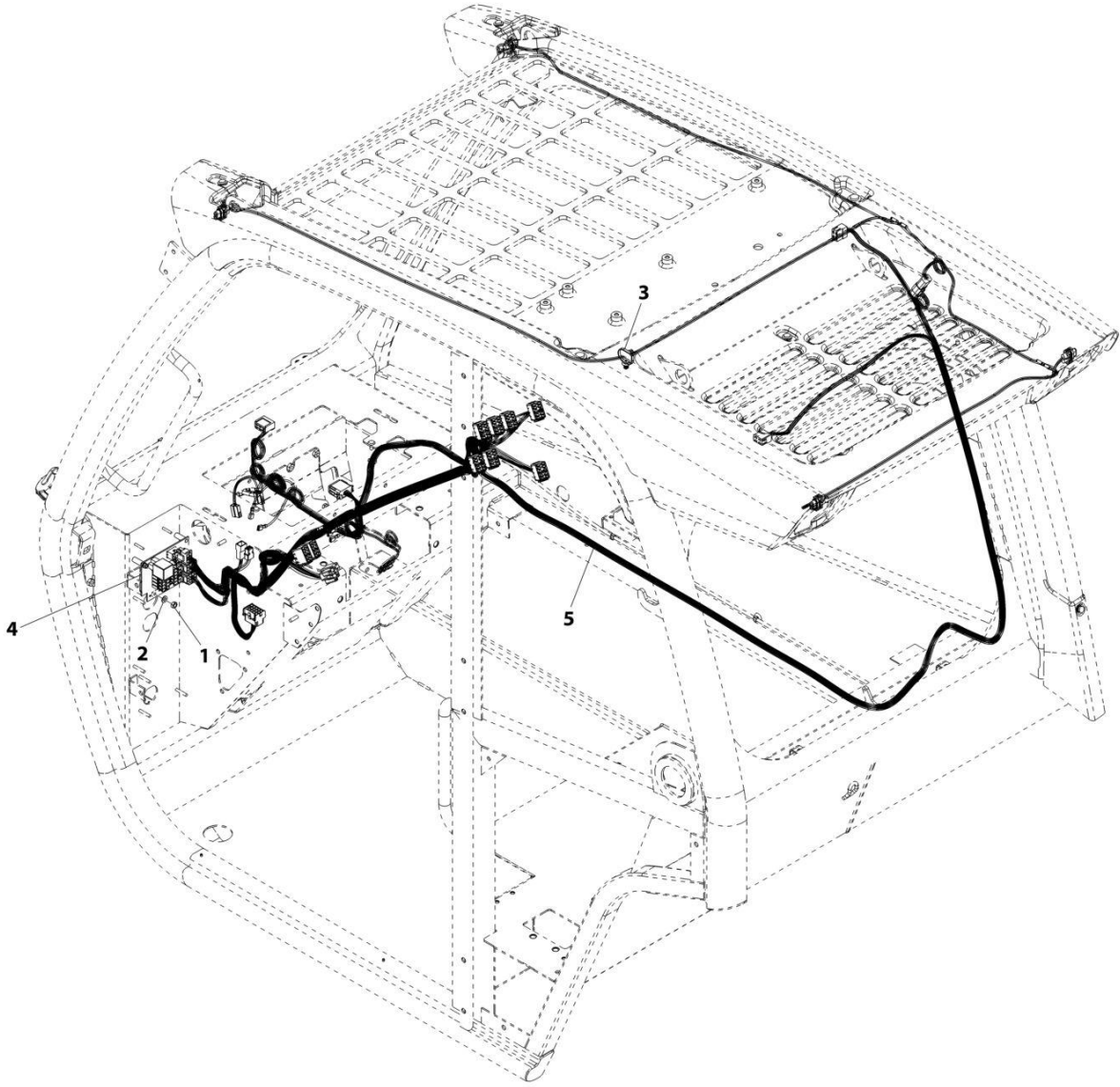
ITEM	PART NUMBER	QTY	DESCRIPTION	REV
146	1001116723	6	Terminal	
147	1001118684	1	Connector	
148	1001116754	2	Terminal	
149	1001162886	1	Connector	
150	1001162887	7	Terminal	
151	1001163340	13	Plug	
152	4460897	1	Connector	
153	4460464	1	Terminal	
154	4460466	1	Plug	
155	4460894	1	Connector	
156	4460465	4	Terminal	
157	4460466	2	Plug	
158	4460933	1	Connector	
159	4460465	9	Terminal	
160	4460466	3	Plug	
161	4460539	1	Connector	
162	4460465	3	Terminal	
163	4460343	1	Connector	
164	4460268	6	Terminal	
165	1001223457	15	Terminal	
166	4460930	1	Connector	
167	4460465	8	Terminal	
168	4460894	1	Connector	
169	4460465	5	Terminal	
170	4460466	1	Plug	
171	4460899	1	Connector	
172	4460464	1	Terminal	
173	4460466	5	Plug	
174	1001117081	2	Connector	
175	1001118384	2	Terminal	
176	1001223455	2	Terminal	
177	1001116723	8	Terminal	
178	4460434	1	Connector	
179	4460268	6	Terminal	
180	1001223457	7	Terminal	
181	4460744	1	Connector	
182	4460746	6	Terminal	
183	1001175265	6	Seal	
184	1001103012	1	Connector	
185	1001116698	2	Plug	
186	1001116697	1	Terminal	
187	1001237212	1	Terminal	
188	1001116763	2	Seal	
189	4460265	1	Connector	
190	4460268	7	Terminal	
191	1001223457	2	Terminal	
192	4460225	1	Connector	
193	4460267	6	Terminal	
194	4460225	1	Connector	
195	4460268	5	Terminal	
196	4460343	1	Connector	

## SECTION 10 - ELECTRICAL

ITEM	PART NUMBER	QTY	DESCRIPTION	REV
197	4460267	11	Terminal	
198	1001223456	1	Terminal	
199	4460343	1	Connector	
200	4460268	8	Terminal	
201	1001223457	1	Terminal	
202	4460434	1	Connector	
203	4460268	12	Terminal	
204	1001160498	1	Connector	
205	1001161097	22	Terminal	
206	1001161098	6	Terminal	
207	1001161099	1	Terminal	
208	1001161100	2	Plug	
209	1001161101	1	Plug	
210	1001161959	1	Connector	
211	1001161097	12	Terminal	
212	1001161098	1	Terminal	
213	1001161100	10	Plug	
214	1001161101	7	Plug	
215	1001160502	1	Connector	
216	1001161097	21	Terminal	
217	1001161098	5	Terminal	
218	1001161099	1	Terminal	
219	1001161100	19	Plug	
220	1001161101	2	Plug	

**SECTION 10 - ELECTRICAL**

**FIGURE 10-25. CAB ELECTRICAL INSTALLATION - ENCLOSED**



ART\_1001166763-E

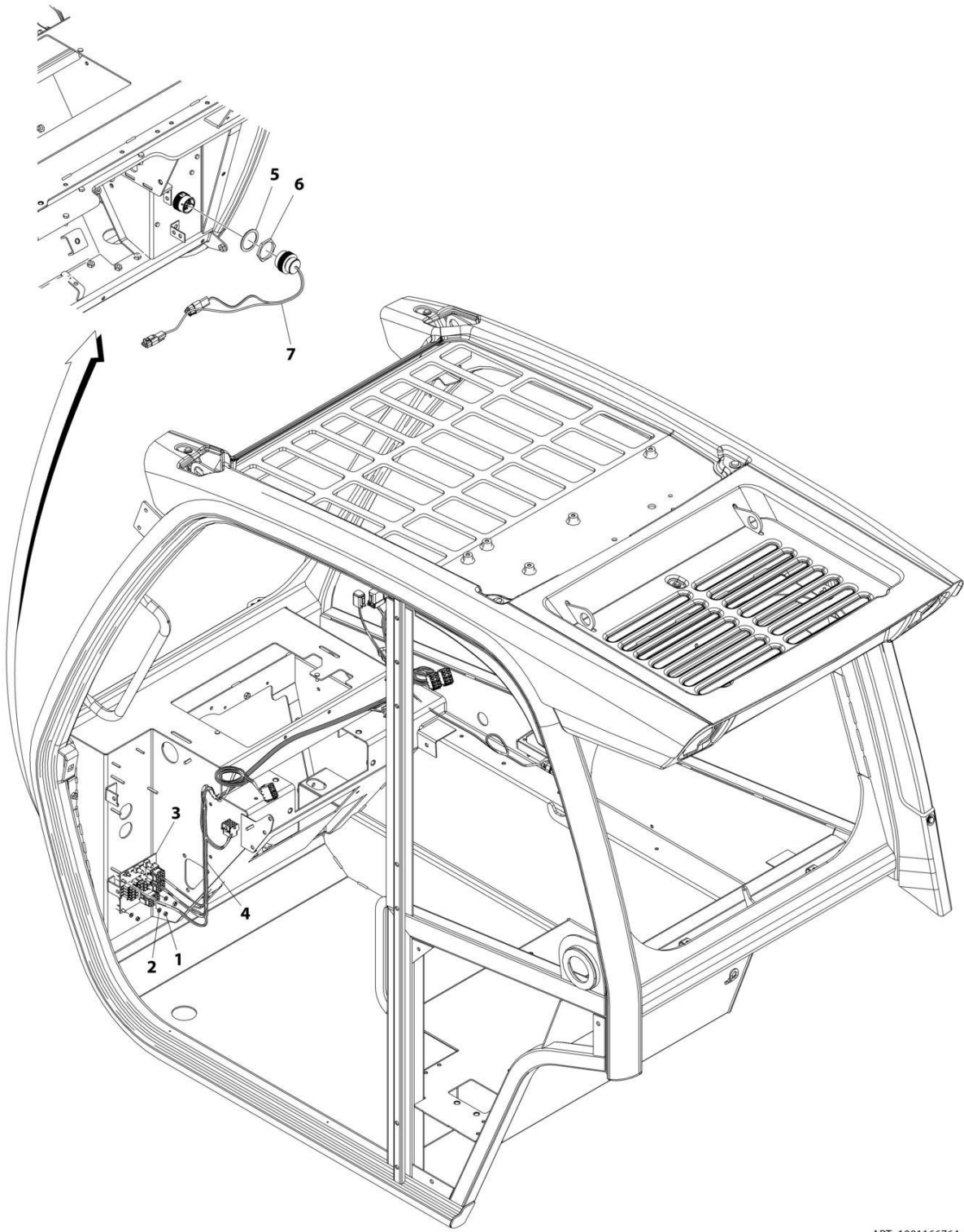
## SECTION 10 - ELECTRICAL

### FIGURE 10-25. CAB ELECTRICAL INSTALLATION - ENCLOSED

ITEM	PART NUMBER	QTY	DESCRIPTION	REV
	1001166763	Ref	Enclosed Cab Electrical Installation with Options	E
1	3290501	1	Nut, M5X0.8	
2	120034	1	Washer, Plastic	
3	1001146588	1	Strap, Tie	
4	1001161770	1	Assembly, Option 1 Electrical Board (See Separate Breakdown in this Section)	
5	1001163371	1	Harness, Option 1 Cab (See Separate Breakdown in this Section)	

**SECTION 10 - ELECTRICAL**

**FIGURE 10-26. CAB ELECTRICAL INSTALLATION - OPEN**



ART\_1001166764\_G

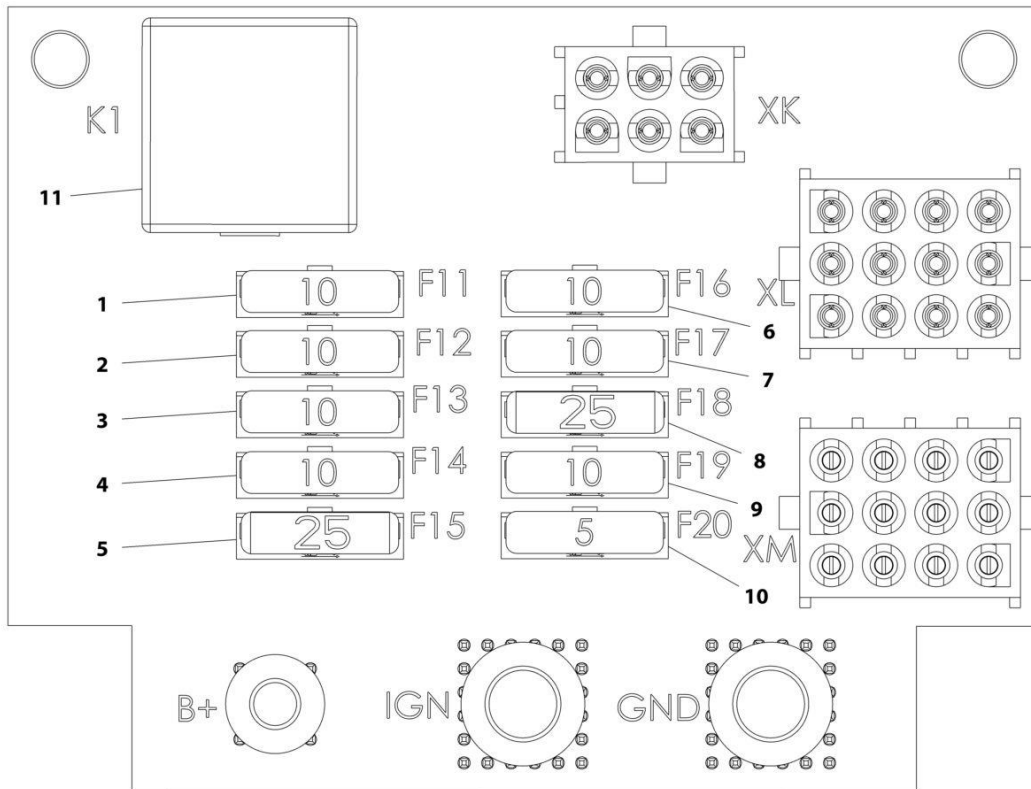
## SECTION 10 - ELECTRICAL

### FIGURE 10-26. CAB ELECTRICAL INSTALLATION - OPEN

ITEM	PART NUMBER	QTY	DESCRIPTION	REV
	1001166764	Ref	CAB ELECTRICAL INSTALLATION - OPEN	G
1	3290501	3	Nut M5 x 5/16	
2	120034	3	Washer, Plastic	
3	1001161771	1	Assembly, Option 2 Electrical Board (See Separate Breakdown in this Section)	
4	1001283420	1	Harness, Option 2 Cab (See Separate Breakdown in this Section)	
5	4460496	1	Washer, Terminal Lock	
6	4460497	1	Nut, Terminal	
7	1001271436	1	Harness, Cab Option (See Separate Breakdown in this Section)	

# SECTION 10 - ELECTRICAL

## FIGURE 10-27. CAB OPTION 1 ELECTRICAL BOARD



ART\_1001161770-C



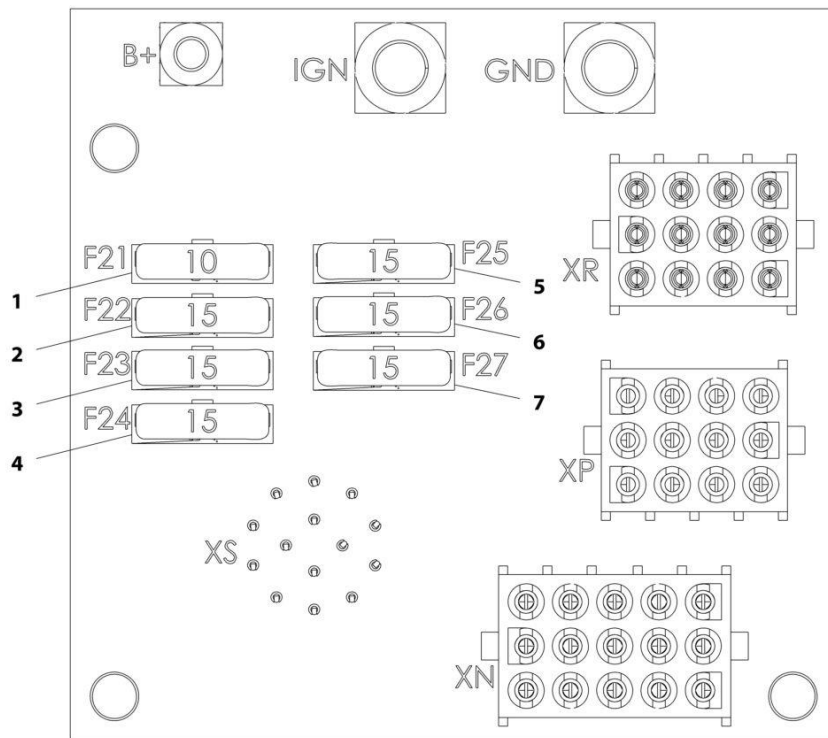
## SECTION 10 - ELECTRICAL

### FIGURE 10-27. CAB OPTION 1 ELECTRICAL BOARD

ITEM	PART NUMBER	QTY	DESCRIPTION	REV
	1001161770	Ref	Option 1 Electrical Board Assembly	C
1	80983191	1	Fuse, 10AMP	
2	80983191	1	Fuse, 10AMP	
3	80983191	1	Fuse, 10AMP	
4	80983191	1	Fuse, 10AMP	
5	8229247	1	Fuse, 25AMP	
6	80983191	1	Fuse, 10AMP	
7	80983191	1	Fuse, 10AMP	
8	8229247	1	Fuse, 25AMP	
9	80983191	1	Fuse, 10AMP	
10	8229242	1	Fuse, 5AMP	
11	70026293	1	Fuse, 50AMP	

# SECTION 10 - ELECTRICAL

## FIGURE 10-28. CAB OPTION 2 ELECTRICAL BOARD



ART\_1001161771-B

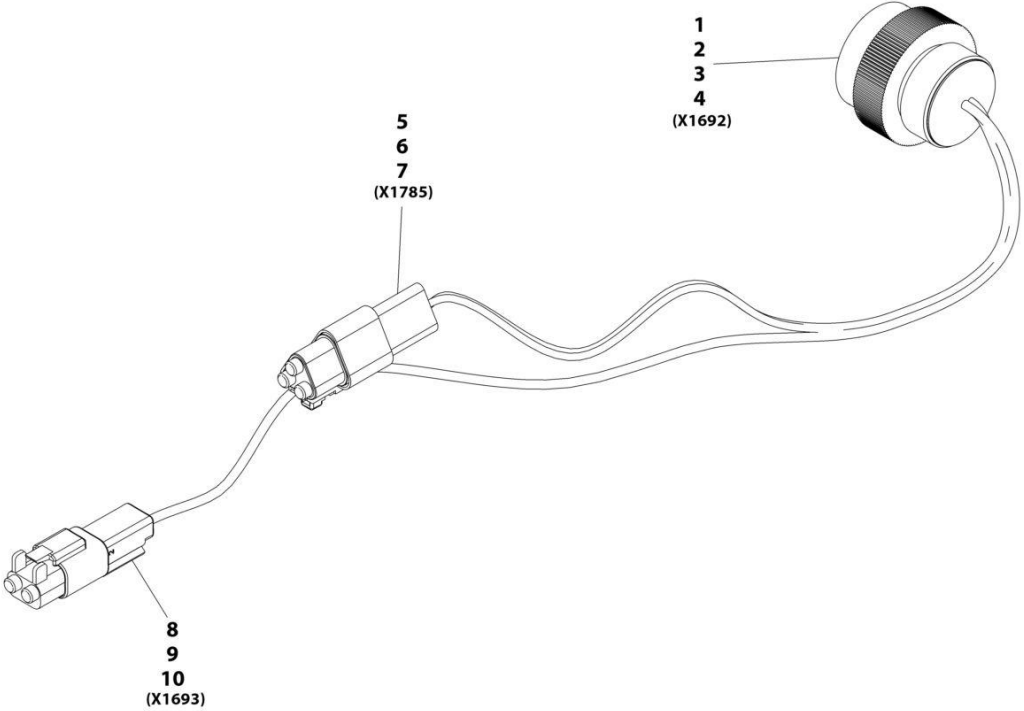
# SECTION 10 - ELECTRICAL

## FIGURE 10-28. CAB OPTION 2 ELECTRICAL BOARD

ITEM	PART NUMBER	QTY	DESCRIPTION	REV
	1001161771	Ref	Option 2 Electrical Board Assembly	B
1	80983191	1	Fuse, 10AMP	
2	8229244	1	Fuse, 15AMP	
3	8229244	1	Fuse, 15AMP	
4	8229244	1	Fuse, 15AMP	
5	8229244	1	Fuse, 15AMP	
6	8229244	1	Fuse, 15AMP	
7	8229244	1	Fuse, 15AMP	

**SECTION 10 - ELECTRICAL**

**FIGURE 10-29. CAB OPTION HARNESS**



ART\_1001271436-A

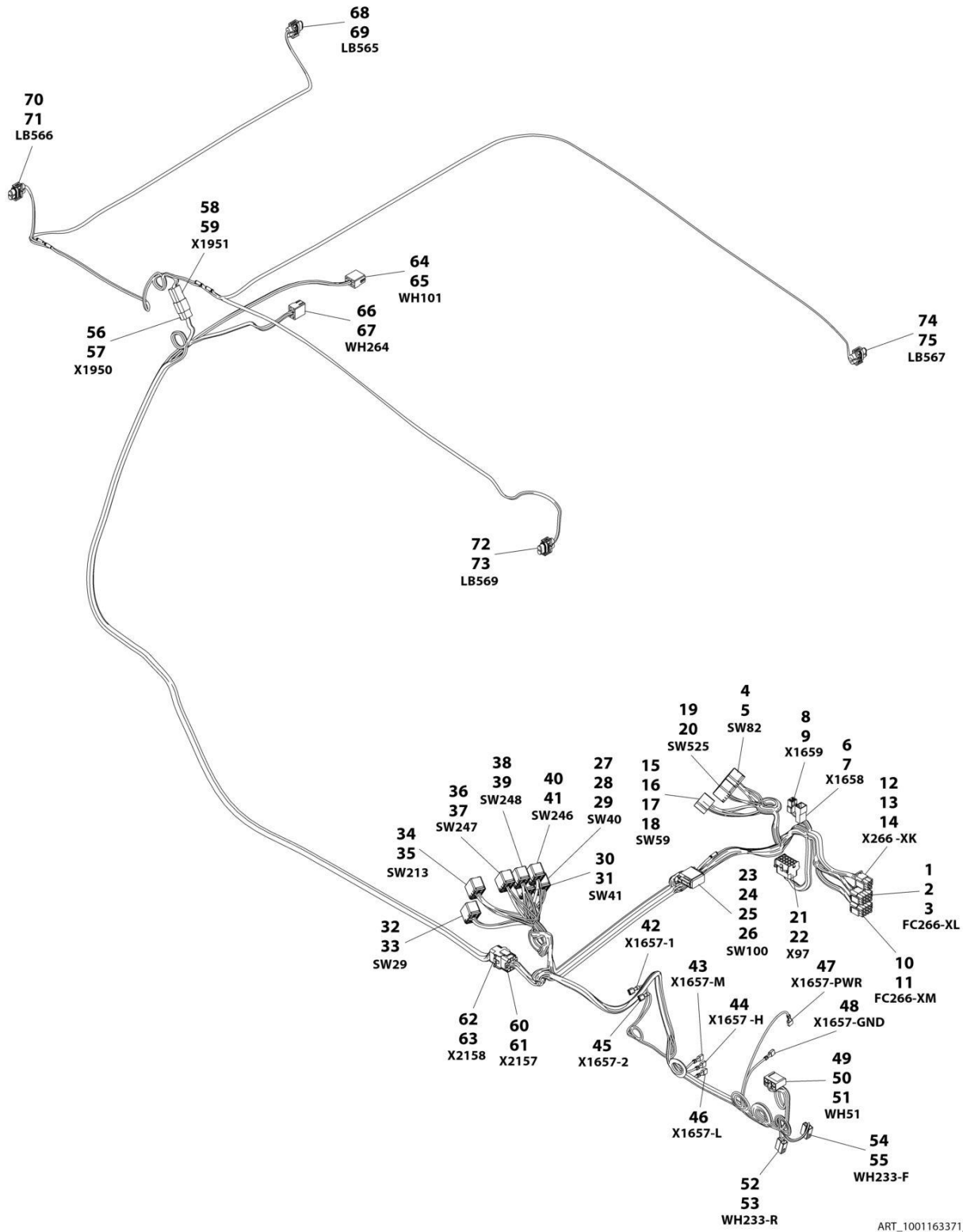
## SECTION 10 - ELECTRICAL

### FIGURE 10-29. CAB OPTION HARNESS

ITEM	PART NUMBER	QTY	DESCRIPTION	REV
	1001271436	Ref	CAB OPTION HARNESS	A
1	4461015	1	Connector	
2	4460465	2	Terminal	
3	4460942	1	Terminal	
4	4460466	11	Plug	
5	1001144147	1	Connector	
6	4460943	2	Terminal	
7	4460466	1	Plug	
8	4460897	1	Connector	
9	4460941	1	Terminal	
10	4460466	1	Plug	

# SECTION 10 - ELECTRICAL

## FIGURE 10-30. CAB OPTION 1 HARNESS



ART\_1001163371\_H

# SECTION 10 - ELECTRICAL

## FIGURE 10-30. CAB OPTION 1 HARNESS

ITEM	PART NUMBER	QTY	DESCRIPTION	REV
	1001163371	Ref	CAB OPTION 1 HARNESS	H
1	4460343	1	Connector	
2	4460268	10	Terminal	
3	4460906	1	Terminal	
4	1001117081	1	Connector	
5	1001118384	7	Terminal	
6	1001116999	1	Connector	
7	1001116700	4	Terminal	
8	1001116991	1	Connector	
9	1001118384	2	Terminal	
10	4460343	1	Connector	
11	4460267	6	Terminal	
12	4460225	1	Connector	
13	4460267	5	Terminal	
14	4460705	1	Terminal	
15	1001173411	1	Connector	
16	1001265008	2	Terminal	
17	1001104519	3	Terminal	
18	1001116716	2	Terminal	
19	1001117081	1	Connector	
20	1001118384	6	Terminal	
21	4460708	1	Connector	
22	4460267	14	Terminal	
23	4460836	1	Connector	
24	4460942	3	Terminal	
25	4460465	8	Terminal	
26	1001157890	1	Terminal	
27	1001117081	1	Connector	
28	1001118384	8	Terminal	
29	1001116723	2	Terminal	
30	1001117081	1	Connector	
31	1001118384	7	Terminal	
32	1001117081	1	Connector	
33	1001118384	10	Terminal	
34	1001274300	1	Connector	
35	1001118384	8	Terminal	
36	1001117081	1	Connector	
37	1001118384	4	Terminal	
38	1001117081	1	Connector	
39	1001118384	6	Terminal	
40	1001117081	1	Connector	
41	1001118384	6	Terminal	
42	8220051	1	Female Blade Coupler	
43	8220051	1	Female Blade Coupler	
44	8220051	1	Female Blade Coupler	
45	8220051	1	Female Blade Coupler	
46	8220051	1	Female Blade Coupler	
47	8220051	1	Female Blade Coupler	
48	8220051	1	Female Blade Coupler	
49	1001116997	1	Connector	

## SECTION 10 - ELECTRICAL

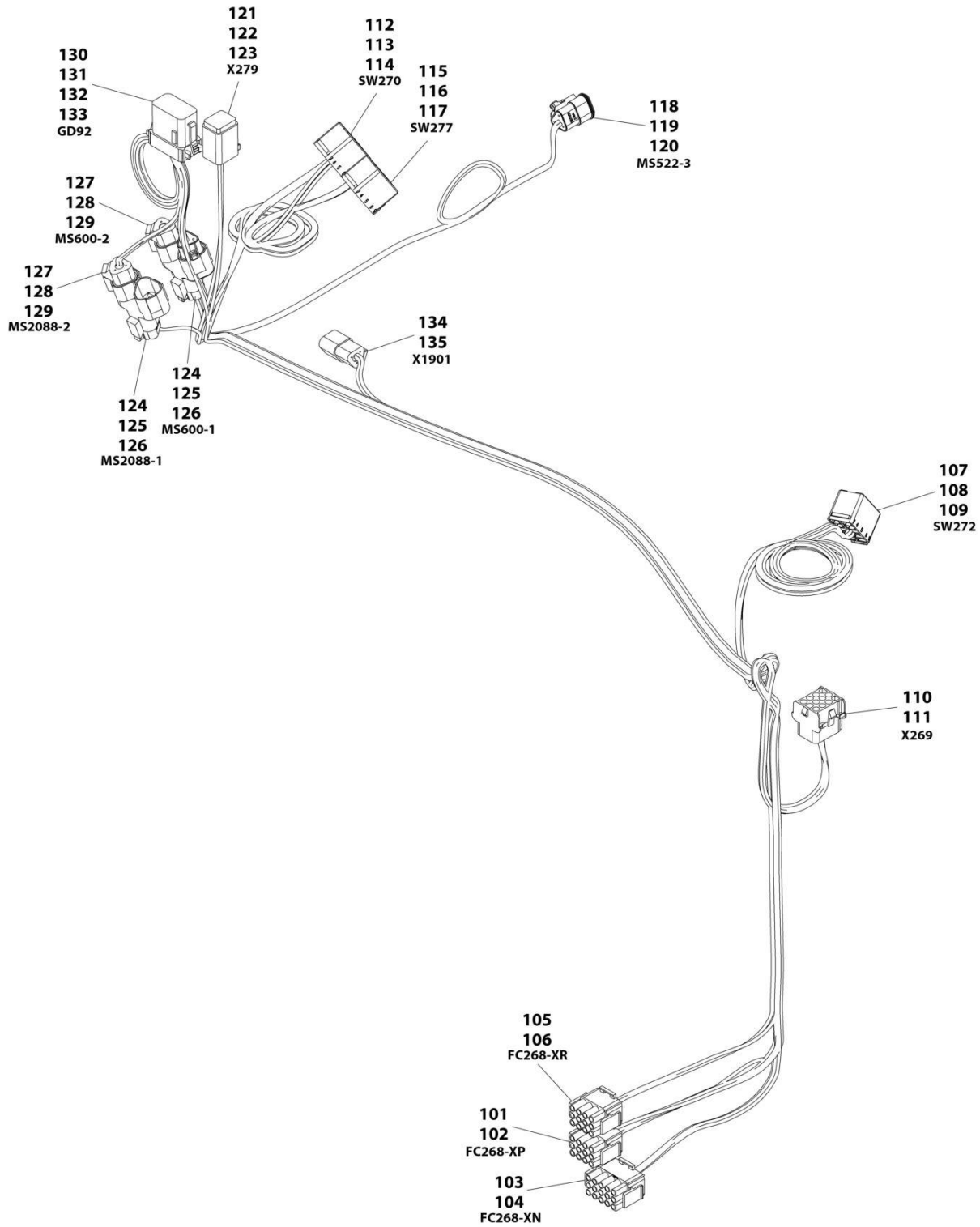
ITEM	PART NUMBER	QTY	DESCRIPTION	REV
50	1001118384	4	Terminal	
51	1001116723	1	Terminal	
52	4460994	1	Connector	
53	1001118384	2	Terminal	
54	4460994	1	Connector	
55	1001118384	3	Terminal	
56	4460884	1	Connector	
57	4460942	4	Terminal	
58	4460932	1	Connector	
59	4460941	4	Terminal	
60	4460343	1	Connector	
61	4460268	12	Terminal	
62	4460367	1	Connector	
63	4460267	12	Terminal	
64	1001116986	1	Connector	
65	1001118384	4	Terminal	
66	1001116986	1	Connector	
67	1001118384	4	Terminal	
68	4461115	1	Connector	
69	1001116747	2	Terminal	
70	4461115	1	Connector	
71	1001116747	2	Terminal	
72	4461115	1	Connector	
73	1001116747	2	Terminal	
74	4461115	1	Connector	
75	1001116747	2	Terminal	





# SECTION 10 - ELECTRICAL

## FIGURE 10-31. CAB OPTION 2 HARNESS



ART\_1001283420\_A

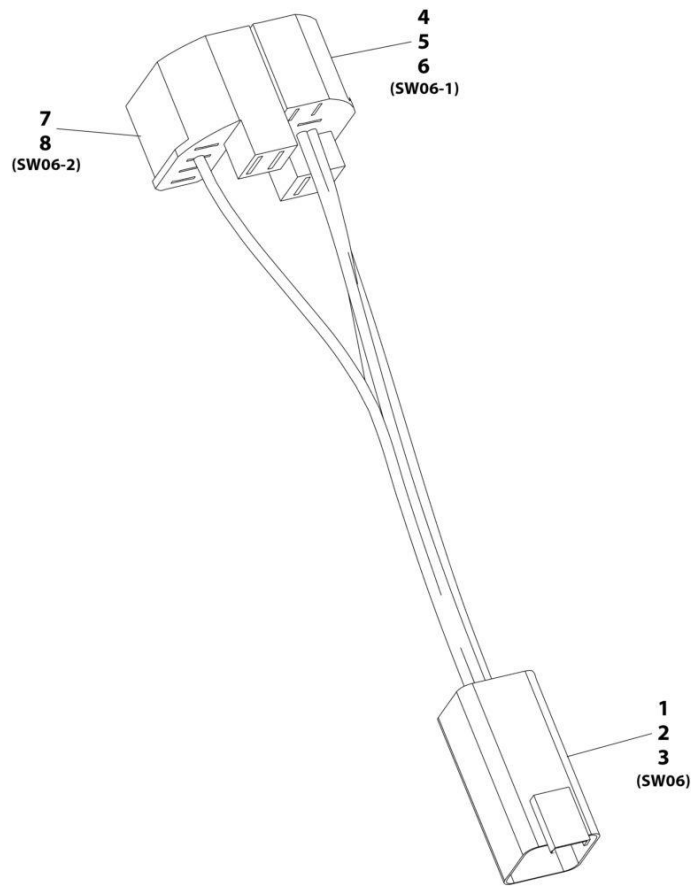
## SECTION 10 - ELECTRICAL

### FIGURE 10-31. CAB OPTION 2 HARNESS

ITEM	PART NUMBER	QTY	DESCRIPTION	REV
	1001283420	Ref	CAB OPTION 2 HARNESS	A
101	4460343	1	Connector	
102	4460268	6	Terminal	
103	4460434	1	Connector	
104	4460268	8	Terminal	
105	4460343	1	Connector	
106	4460267	3	Terminal	
107	1001117081	1	Connector	
108	1001118384	1	Terminal	
109	1001116723	6	Terminal	
110	4460367	1	Connector	
111	4460267	7	Terminal	
112	1001117081	1	Connector	
113	1001118384	2	Terminal	
114	1001116723	4	Terminal	
115	1001117081	1	Connector	
116	1001118384	3	Terminal	
117	1001116723	2	Terminal	
118	1001116812	1	Connector	
119	4460944	2	Terminal	
120	4460466	1	Plug	
121	4460930	1	Connector	
122	4460466	6	Plug	
123	4460465	2	Terminal	
124	1001116812	2	Connector	
125	4460944	4	Terminal	
126	4460466	2	Plug	
127	4460539	2	Connector	
128	4460944	4	Terminal	
129	4460466	2	Plug	
130	1001176333	1	Connector	
131	4460466	11	Plug	
132	4460465	3	Terminal	
133	4460944	4	Terminal	
134	4460539	1	Connector	
135	4460465	3	Terminal	

# SECTION 10 - ELECTRICAL

## FIGURE 10-32. CAB - KEY HARNESS



ART\_1001241610-A

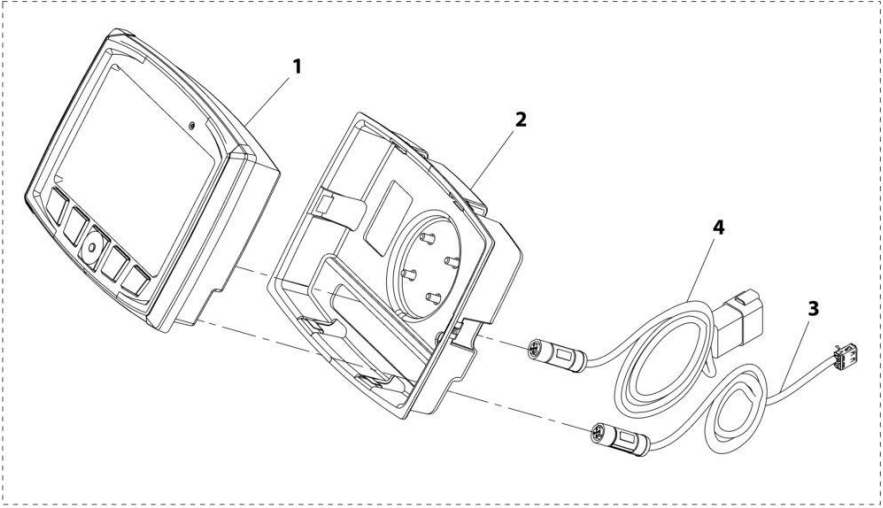
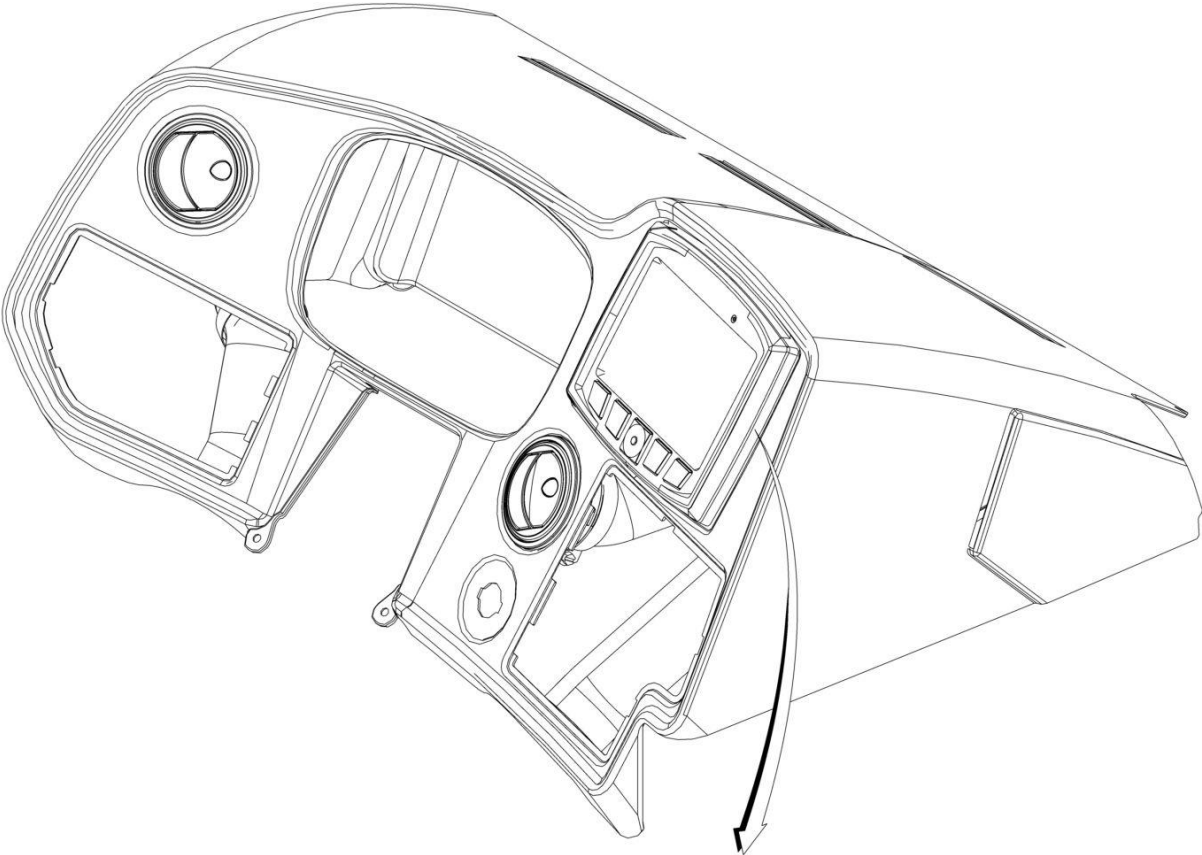
## SECTION 10 - ELECTRICAL

### FIGURE 10-32. CAB - KEY HARNESS

ITEM	PART NUMBER	QTY	DESCRIPTION	REV
	1001241610	Ref	Key Harness	A
1	4460899	1	Connector	
2	4460464	4	Terminal	
3	4460466	2	Plug	
4	1001118685	1	Connector	
5	1001104519	2	Terminal	
6	1001118383	1	Terminal	
7	1001117121	1	Connector	
8	1001104519	1	Terminal	

**SECTION 10 - ELECTRICAL**

**FIGURE 10-33. CAB MULTIFUNCTION DISPLAY INSTALLATION**



ART\_1001176338-C

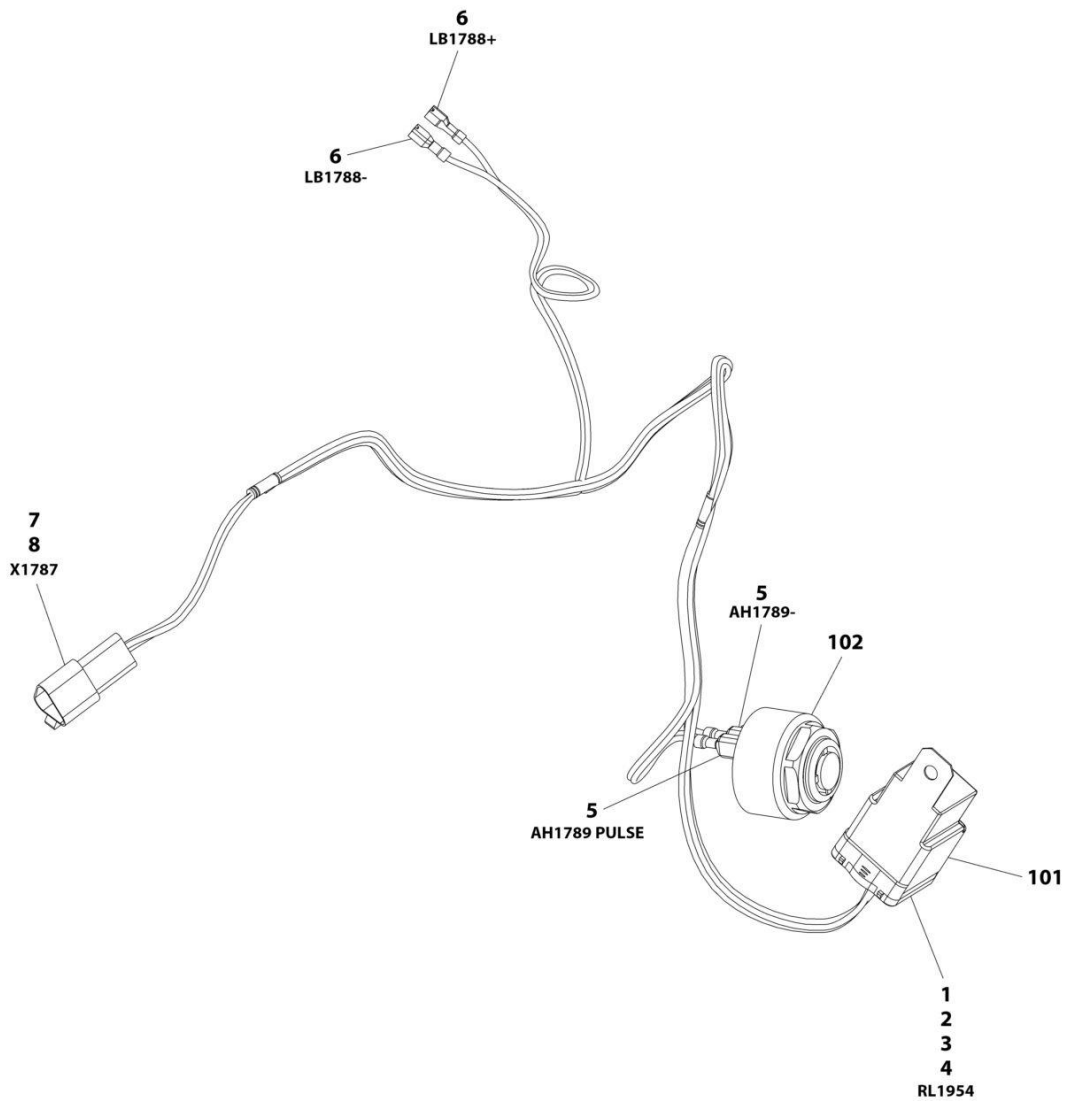
## SECTION 10 - ELECTRICAL

### FIGURE 10-33. CAB MULTIFUNCTION DISPLAY INSTALLATION

ITEM	PART NUMBER	QTY	DESCRIPTION	REV
	1001176338	Ref	Multifunction Display Installation	C
1	1001250161	1	Display	
2	1001178783	1	Bezel	
3	1001180682	1	Cable	
4	1001180683	1	Cable, Video	

# SECTION 10 - ELECTRICAL

## FIGURE 10-34. CAB SEAT BELT ALARM HARNESS



ART\_1001268744



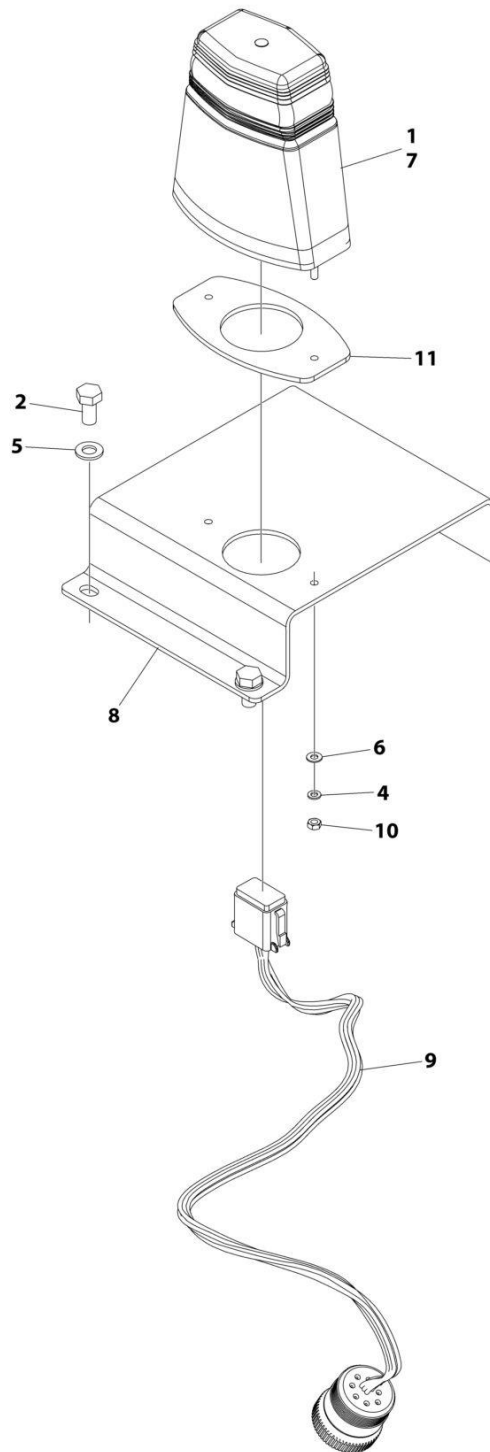
## SECTION 10 - ELECTRICAL

### FIGURE 10-34. CAB SEAT BELT ALARM HARNESS

ITEM	PART NUMBER	QTY	DESCRIPTION	REV
	1001268744	Ref	SEAT BELT ALARAM HARNESS	B
1	1001231398	1	Connector	
2	1001231400	4	Terminal	
3	1001231406	1	Terminal	
4	1001231404	4	Plug	
5	1001194421	2	Terminal	
6	1001201885	2	Terminal	
7	4460536	1	Connector	
8	4460464	3	Terminal	
101	3740080	1	Relay, Weather Proof	
102	1001091751	1	Buzzer Alarm	

# SECTION 10 - ELECTRICAL

## FIGURE 10-35. CLEARSKY INSTALLATION



ART\_1001289792\_B

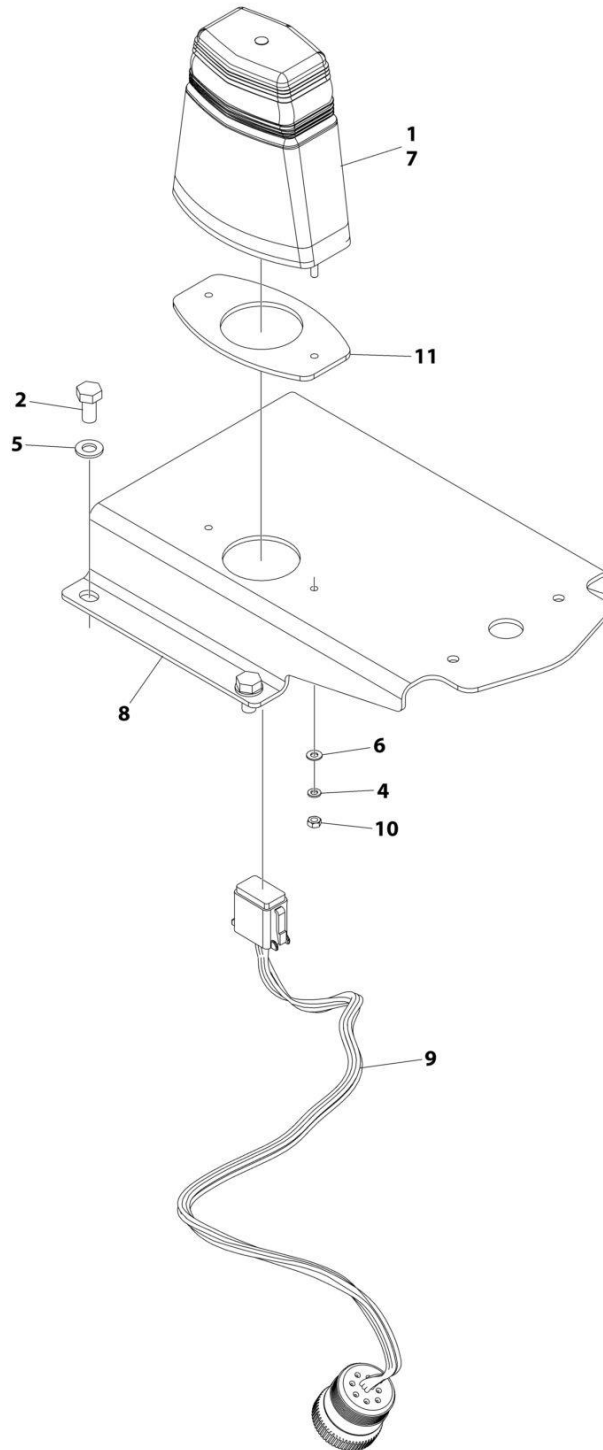
## SECTION 10 - ELECTRICAL

### FIGURE 10-35. CLEARSKY INSTALLATION

ITEM	PART NUMBER	QTY	DESCRIPTION	REV
	1001289792	Ref	CLEARSKY INSTALLATION	B
1	0100011	AR	Compound, Locking	
2	0760808	3	Bolt M8 x 16	
4	4811400	2	Washer M4	
5	4811900	3	Washer M8	
6	4831400	2	Washer, Lock M4	
7	1001280661	1	Module, ClearSky	
8	1001287012	1	Bracket, ClearSky Mounting	
9	1001286941	1	Harness, ClearSky (See Separate Breakdown in this Section)	
10	3290401	2	Nut M4	
11	1001291056	1	Gasket	

# SECTION 10 - ELECTRICAL

## FIGURE 10-36. CLEARSKY INSTALLATION



ART\_1001289812\_B

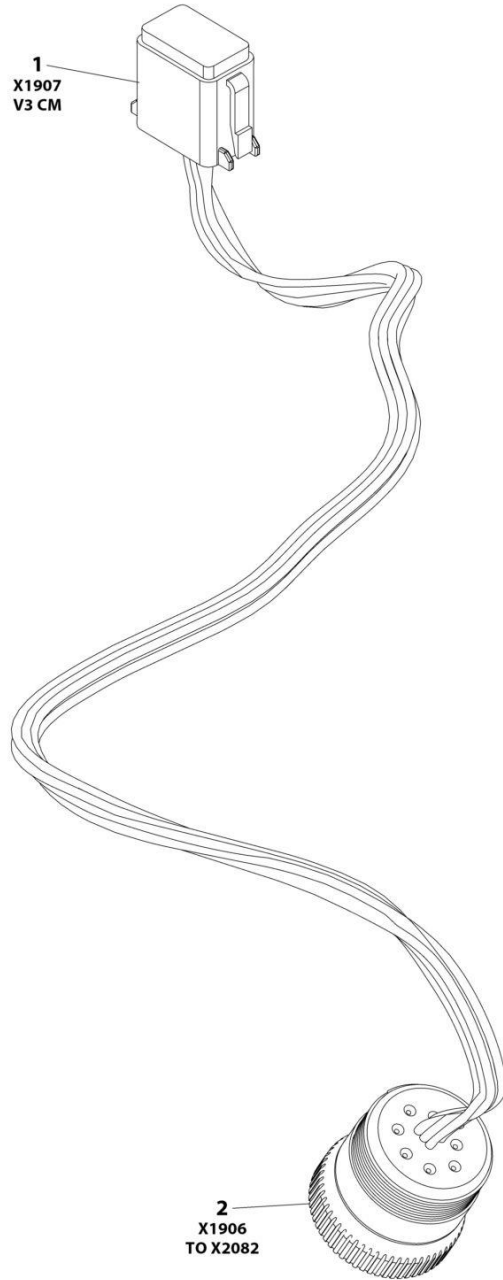
## SECTION 10 - ELECTRICAL

### FIGURE 10-36. CLEARSKY INSTALLATION

ITEM	PART NUMBER	QTY	DESCRIPTION	REV
	1001289812	Ref	CLEARSKY WITH BEACON INSTALLATION	B
1	0100011	AR	Compound, Locking	
2	0760808	3	Bolt M8 x 16	
4	4811400	2	Washer M4	
5	4811900	3	Washer M8	
6	4831400	2	Washer M4	
7	1001280661	1	Module, ClearSky	
8	1001287012	1	Bracket, ClearSky Mounting	
9	1001286941	1	Harness, ClearSky (See Separate Breakdown in this Section)	
10	3290401	2	Nut M4	
11	1001291056	1	Gasket	

# SECTION 10 - ELECTRICAL

## FIGURE 10-37. CLEARSKY HARNESS



ART\_1001286941

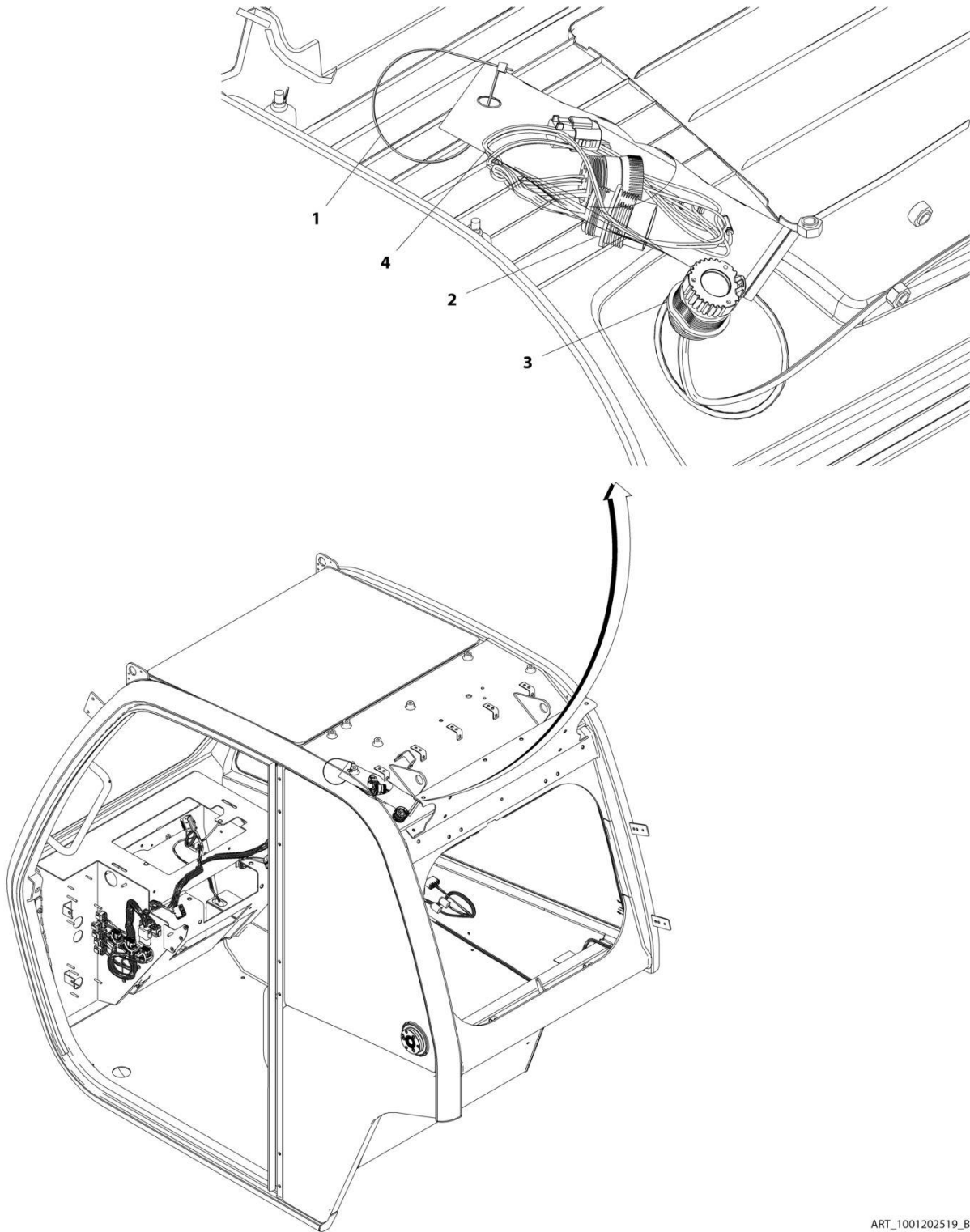
## SECTION 10 - ELECTRICAL

### FIGURE 10-37. CLEARSKY HARNESS

ITEM	PART NUMBER	QTY	DESCRIPTION	REV
	1001286941	Ref	CLEARSKY HARNESS	A
1	4460930	1	Connector	
1	4460465	8	Socket	
2	1001112796	1	Connector	
2	4460465	8	Socket	
2	4460466	1	Plug	

# SECTION 10 - ELECTRICAL

FIGURE 10-38. CLEARSKY TELEMATICS READY INSTALLATION



ART\_1001202519\_B



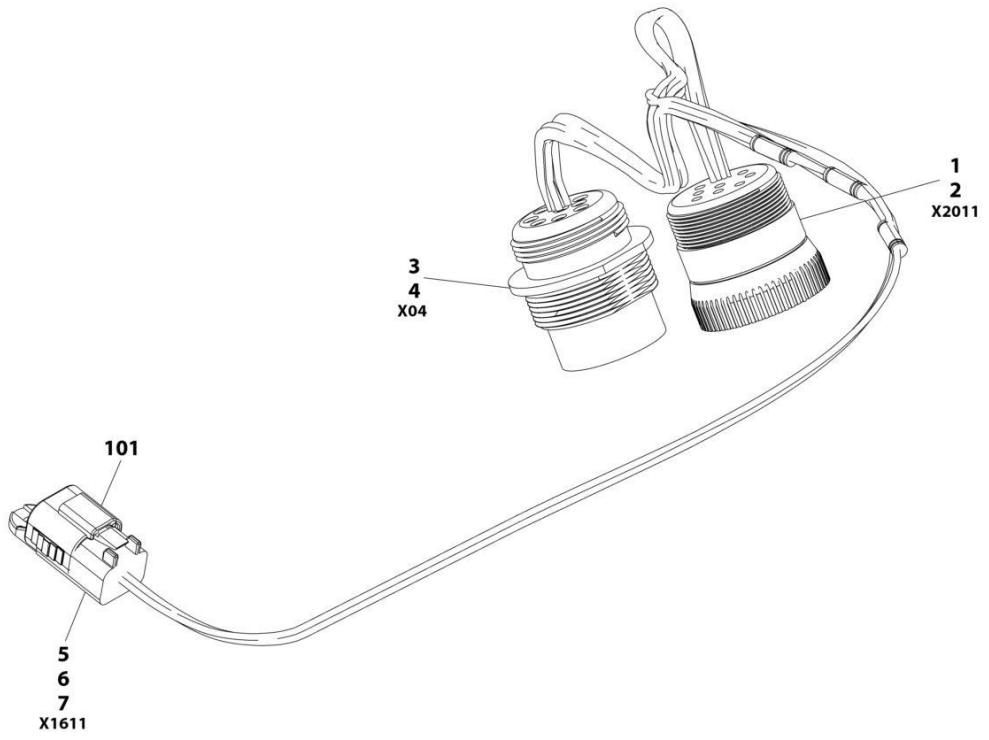
## SECTION 10 - ELECTRICAL

**FIGURE 10-38. CLEARSKY TELEMATICS READY INSTALLATION**

ITEM	PART NUMBER	QTY	DESCRIPTION	REV
	1001202519	Ref	TELEMATICS READY INSTALLATION	B
1	8584003	1	Strap, Tie	
2	1001291182	1	Harness, Telematics Ready (See Separate Breakdown in ELECTRICAL Section)	
3	1001201162	1	Cap	
4	1001202617	1	Bag	

# SECTION 10 - ELECTRICAL

## FIGURE 10-39. CLEARSKY TELEMATICS READY HARNESS



ART\_1001291182

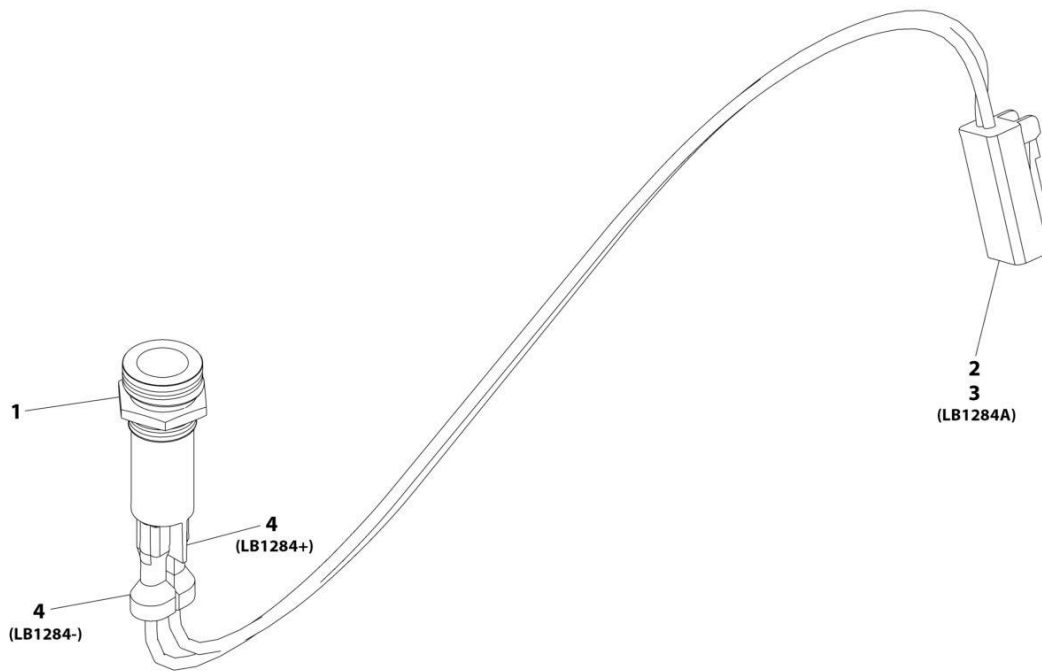
## SECTION 10 - ELECTRICAL

### FIGURE 10-39. CLEARSKY TELEMATICS READY HARNESS

ITEM	PART NUMBER	QTY	DESCRIPTION	REV
	1001291182	Ref	TELEMATICS READY HARNESS	A
1	1001112796	1	Connector	
2	4460465	9	Terminal	
3	1001112612	1	Connector	
4	4460464	9	Terminal	
5	4460884	1	Connector	
6	4460465	3	Terminal	
7	4460466	1	Plug	
101	1001192401	1	Dust Cap	

# SECTION 10 - ELECTRICAL

## FIGURE 10-40. DEF PURGE LIGHT HARNESS (ULS)



ART\_1001232288-A

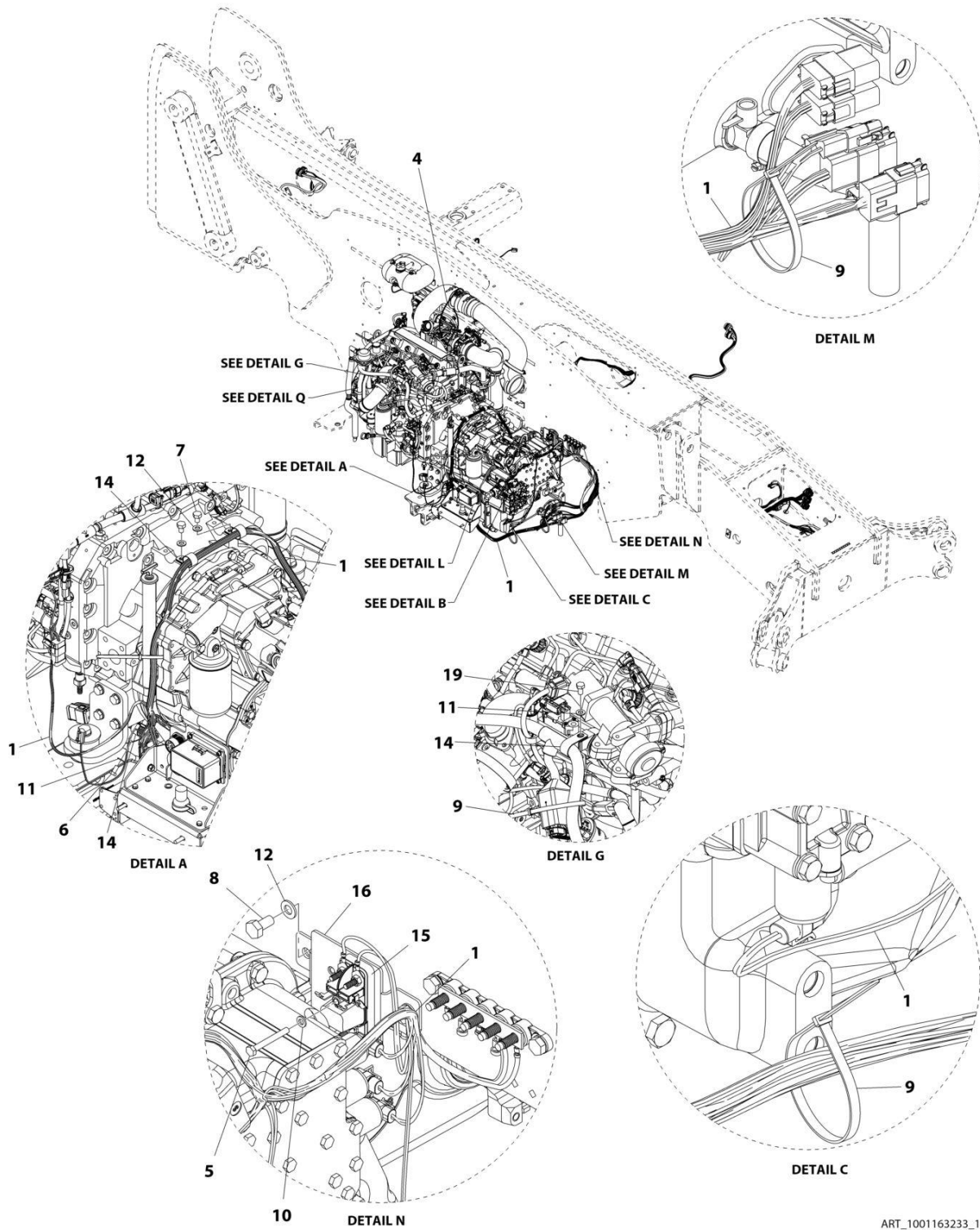
## SECTION 10 - ELECTRICAL

### FIGURE 10-40. DEF PURGE LIGHT HARNESS (ULS)

ITEM	PART NUMBER	QTY	DESCRIPTION	REV
	1001232288	Ref	DEF Purge Light Harness	A
1	1001169825	1	LED Lamp 12V	
2	4461290	1	Connector	
3	1001126008	2	Terminal	
4	8220108	2	Connector	

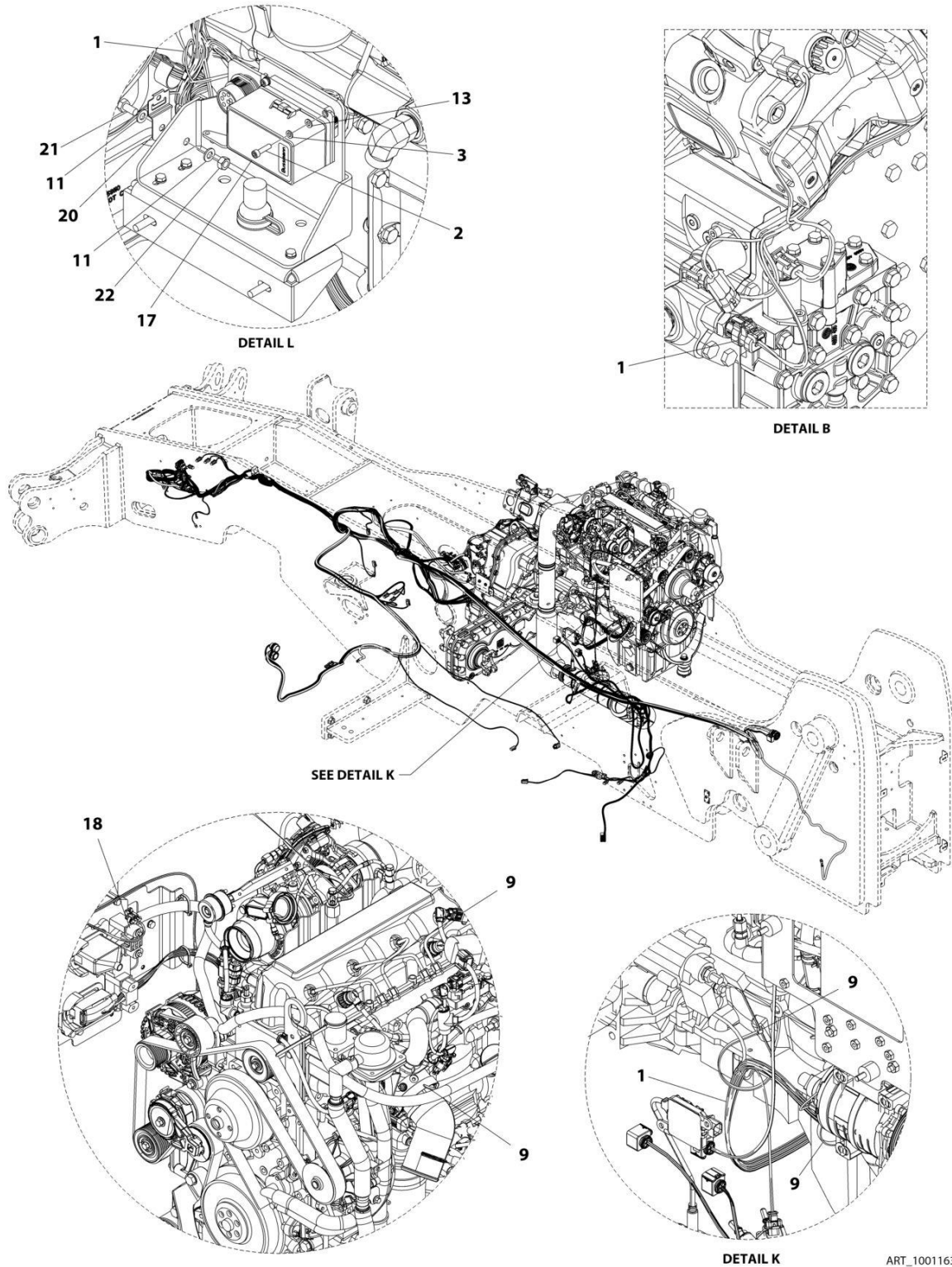
# SECTION 10 - ELECTRICAL

## FIGURE 10-41. ENGINE - WIRING INSTALLATION (ULS)

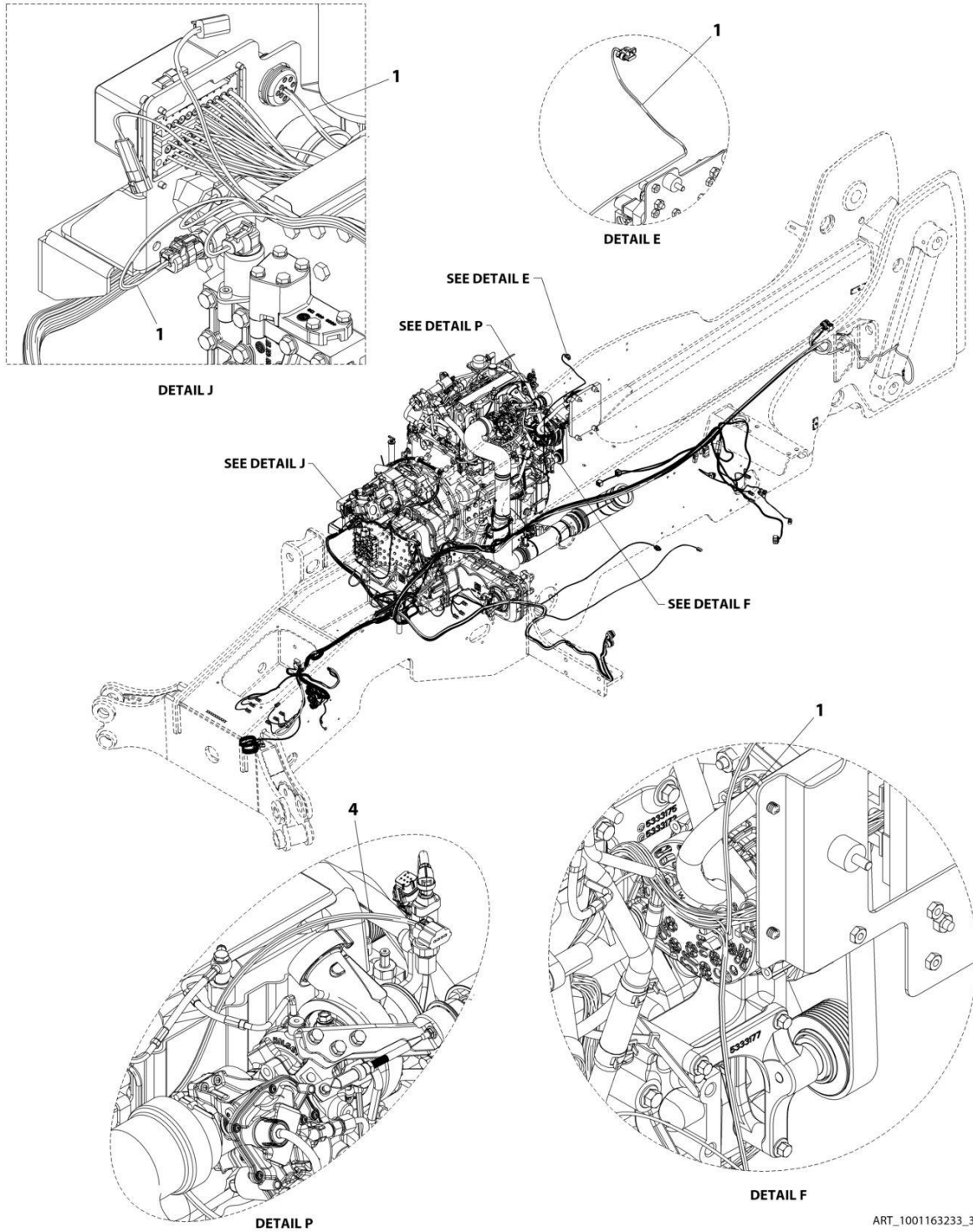


ART\_1001163233\_1-L

# SECTION 10 - ELECTRICAL



# SECTION 10 - ELECTRICAL





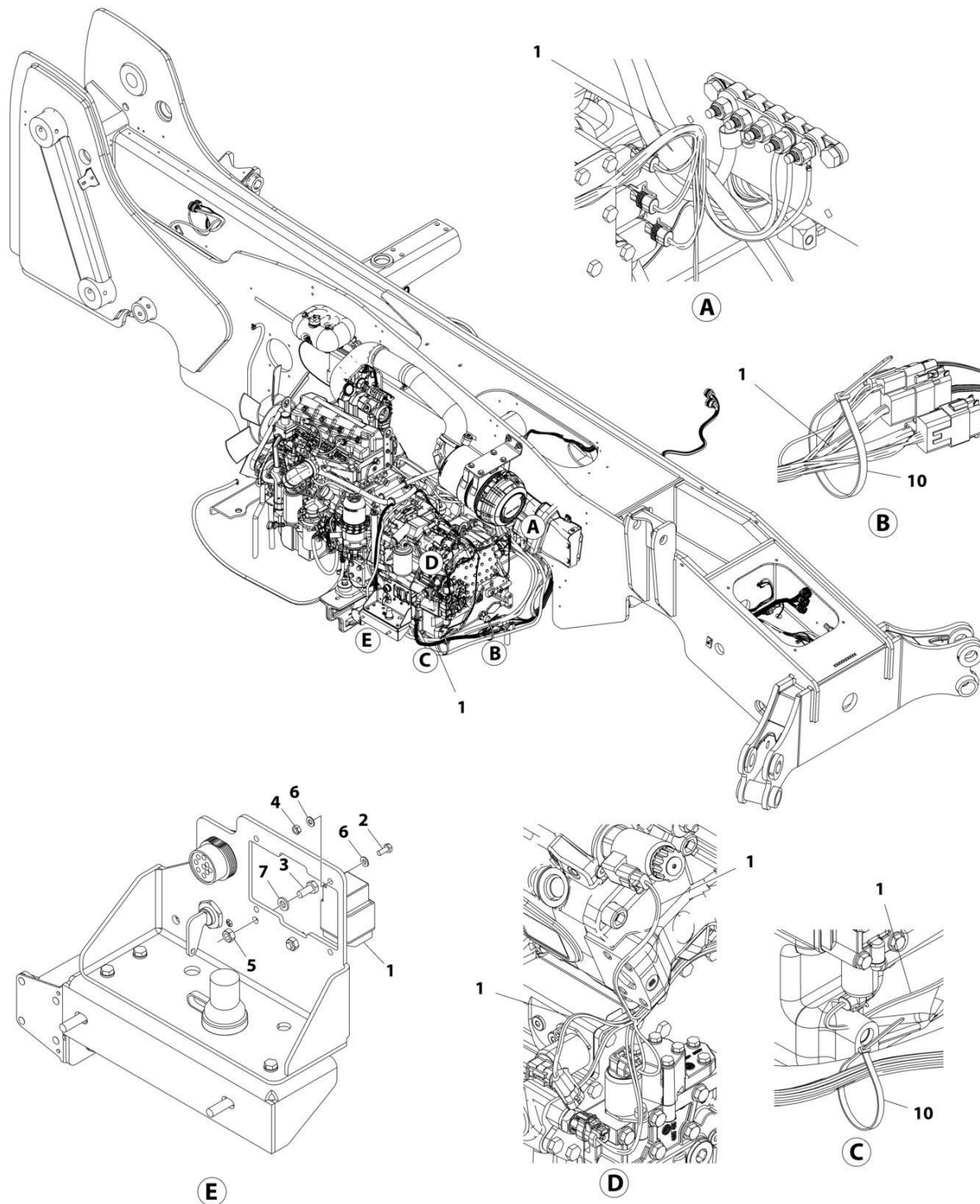
## SECTION 10 - ELECTRICAL

**FIGURE 10-41. ENGINE - WIRING INSTALLATION (ULS)**

ITEM	PART NUMBER	QTY	DESCRIPTION	REV
	1001163233	Ref	Engine Wiring Installation (ULS)	M
1	1001235696	1	Harness, Engine (ULS) (See Separate Breakdown in this Section)	
2	4031608	4	Screw, M5X20	
3	4811600	4	Washer, M5	
4	1001184835	1	Harness, TBAP (See Separate Breakdown in this Section)	
5	0700618	1	Bolt, M6X50	
6	0760808	1	Bolt, M8X16	
7	0761007	2	Bolt, M10X14	
8	0761010	2	Bolt, M10X20	
9	1062255	8	Strap, Tie	
10	4811700	1	Washer, M6	
11	4811900	4	Washer, M8	
12	4812000	4	Washer, M10	
13	4831600	4	Washer, Lock M5	
14	8406201	4	Clip, Tube	
15	1001131177	1	Fuse, Power Module	
16	1001189046	1	Bracket	
17	1001191486	1	Decal	
18	1001167646	1	Connector, Strain Relief	
19	0760807	1	Bolt, M8X14	
20	1001153749	1	Clip	
21	0700808	1	Bolt, M8X16	
22	3290801	1	Hex Nut, M8X1.25	

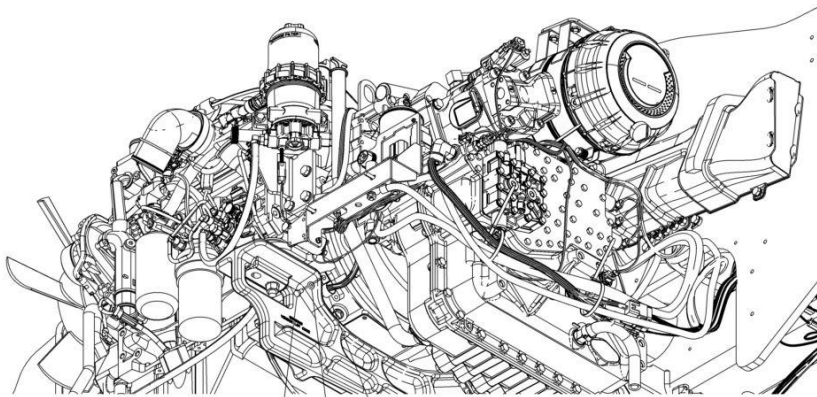
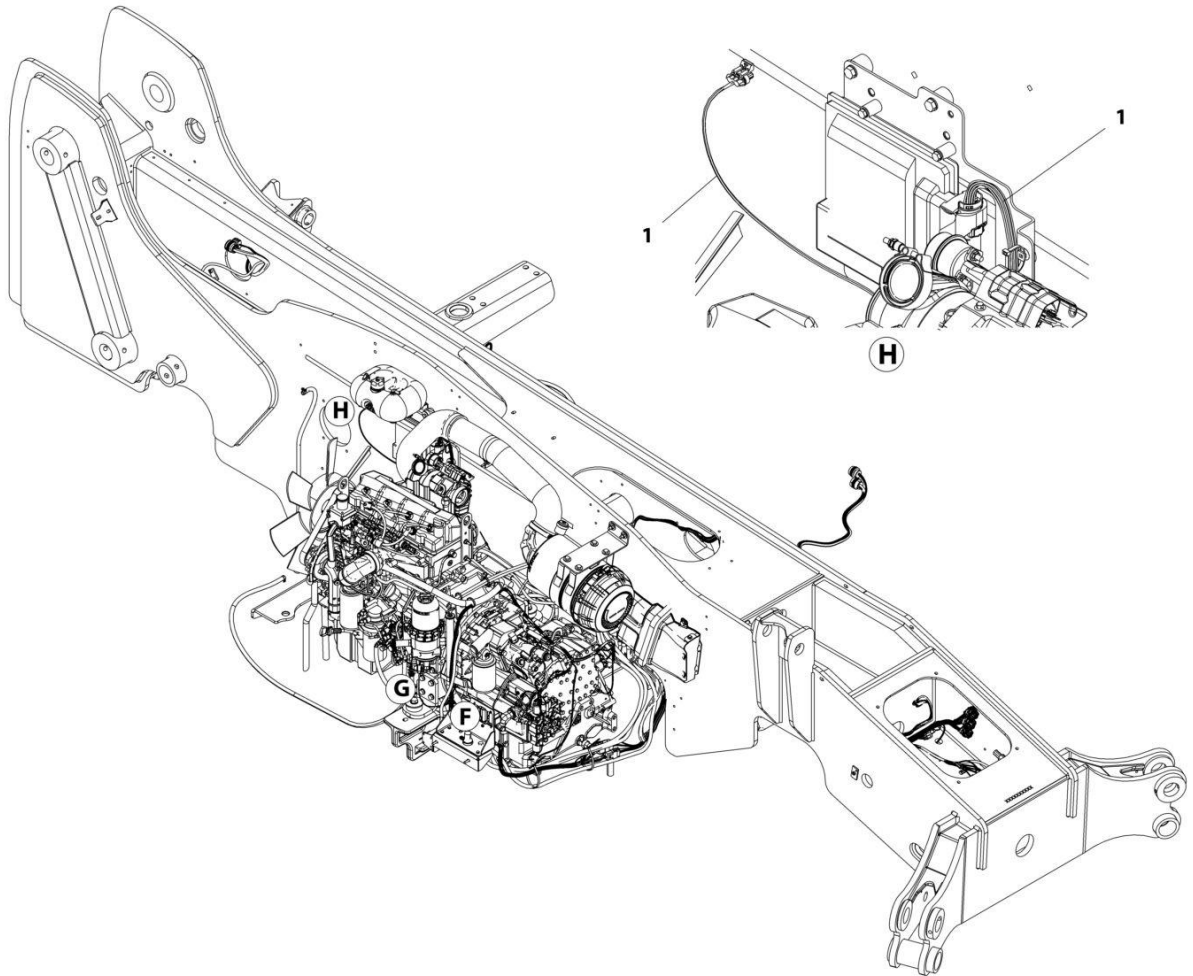
# SECTION 10 - ELECTRICAL

## FIGURE 10-42. ENGINE - WIRING INSTALLATION (LS)

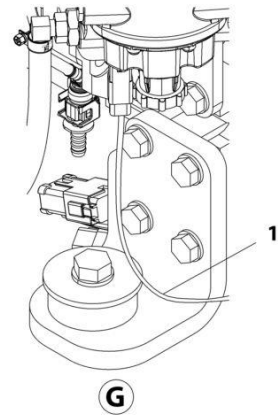


ART\_1001163242\_J\_10F3

# SECTION 10 - ELECTRICAL



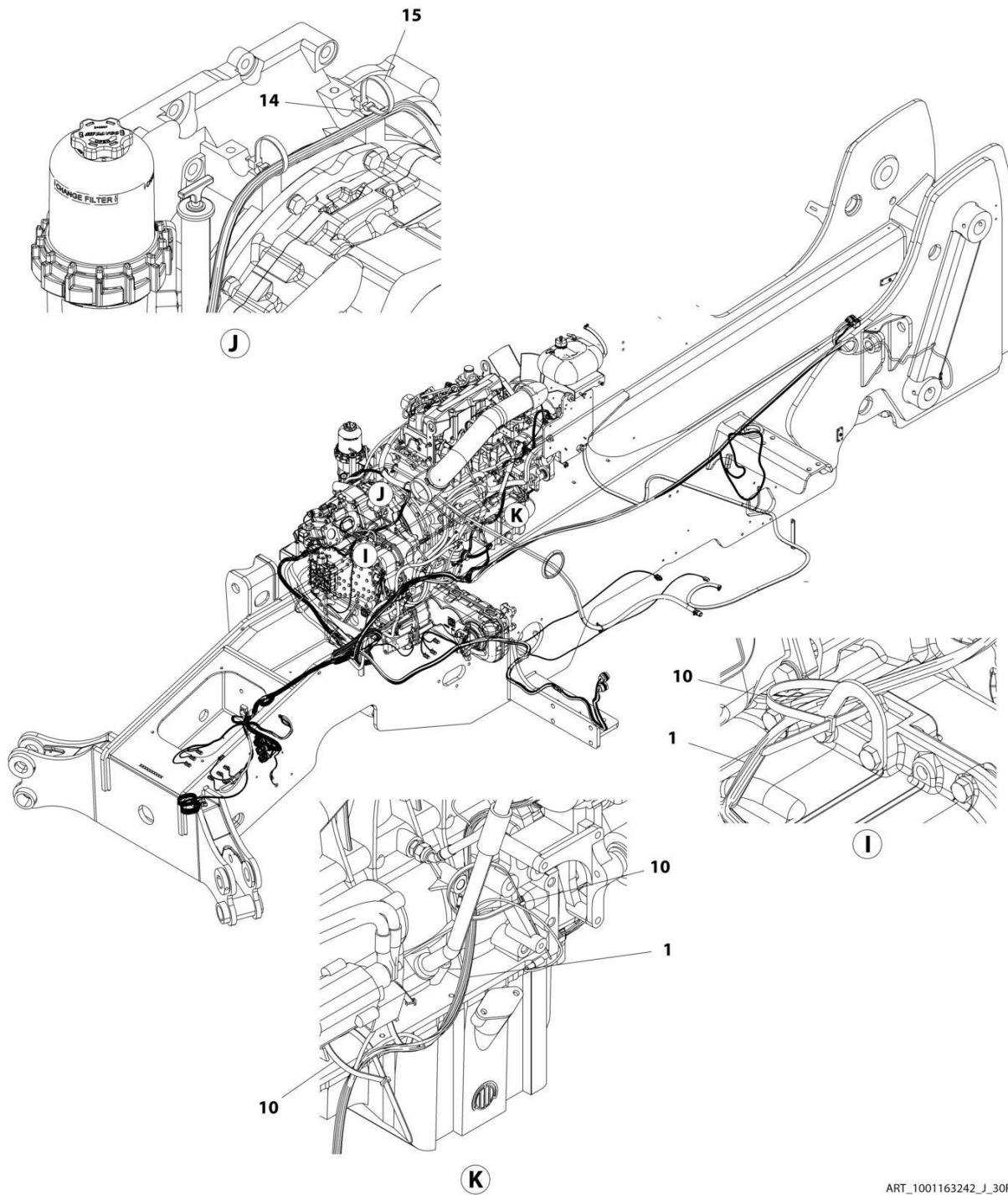
8 11 13 (F)



(G)

ART\_1001163242\_J\_20F3

# SECTION 10 - ELECTRICAL



ART\_1001163242\_J\_30F3

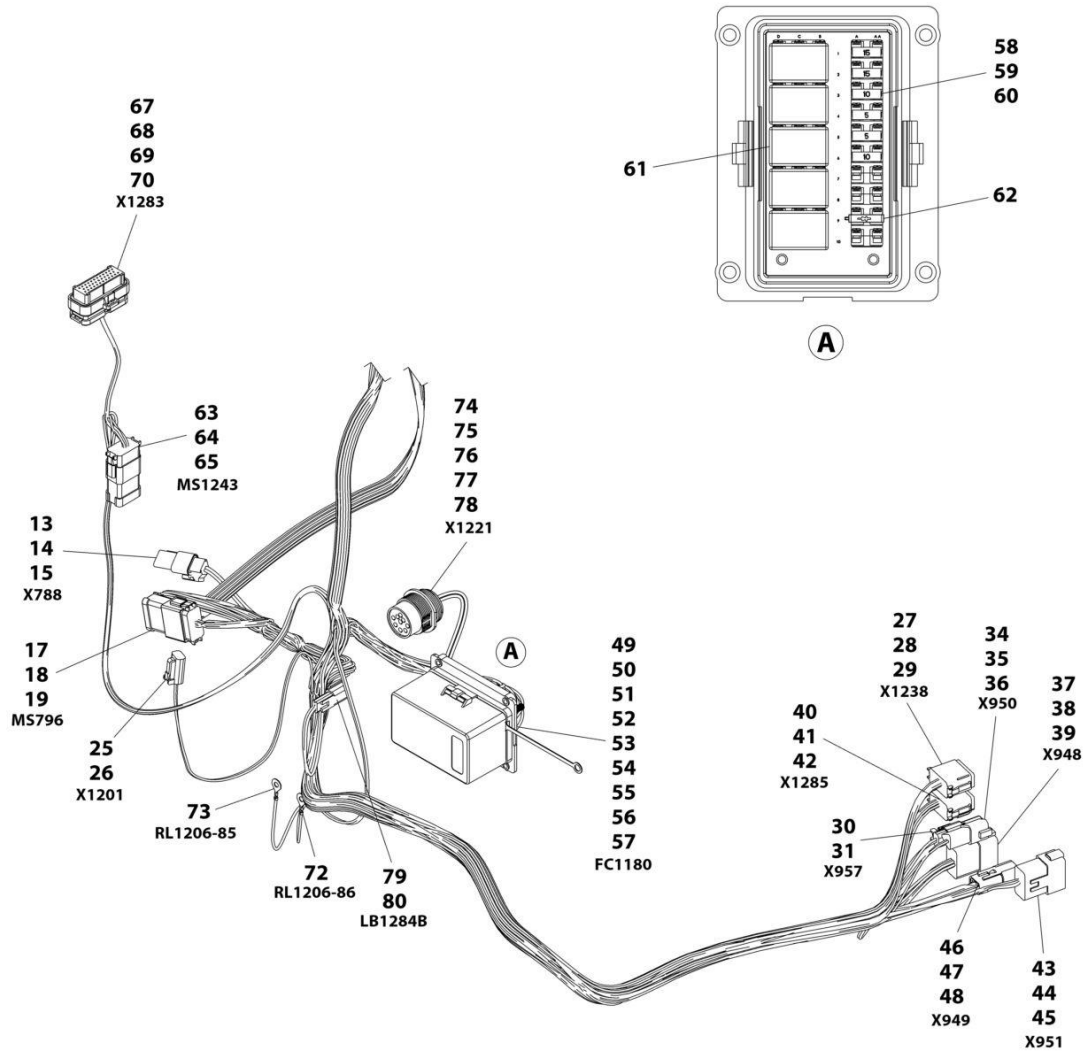
## SECTION 10 - ELECTRICAL

### FIGURE 10-42. ENGINE - WIRING INSTALLATION (LS)

ITEM	PART NUMBER	QTY	DESCRIPTION	REV
	1001163242	Ref	Engine Wiring Installation (LS)	J
1	1001222715	1	Harness, Engine (LS) (See Separate Breakdown in this Section)	
2	0760405	1	Bolt, M4X10	
3	0760607	2	Bolt, M6X14	
4	3290401	1	Nut, M4X0.7	
5	3290601	2	Nut, M6X1 Grade 8	
6	4811400	2	Washer, M4	
7	4811700	2	Washer, M6	
8	0760808	1	Bolt, M8X16	
10	1062255	5	Strap, Tie	
11	4811900	1	Washer, M8	
13	8406201	1	Clip	
14	1001202986	2	Strap, Tie	
15	1001008559	2	Strap, Tie	

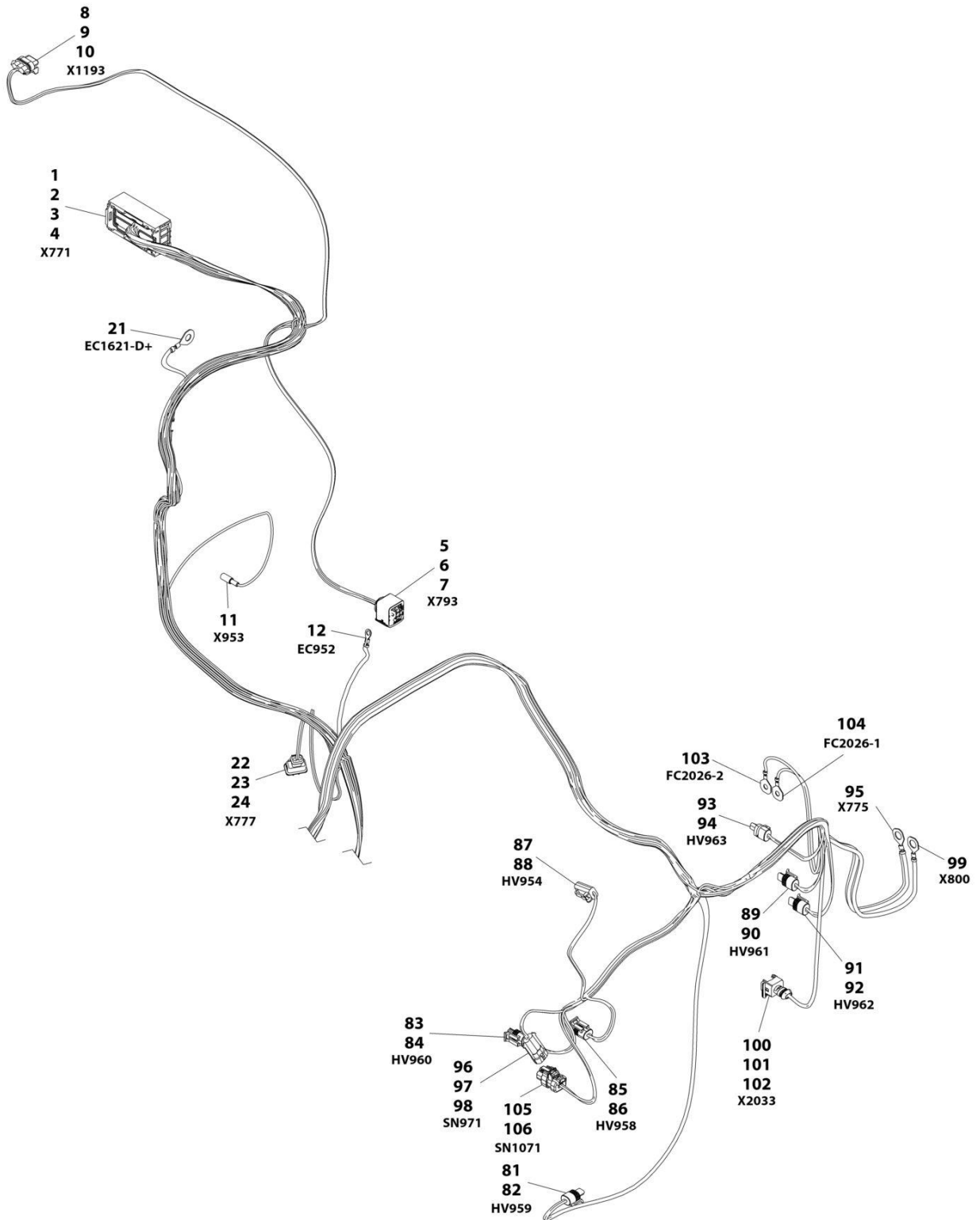
# SECTION 10 - ELECTRICAL

## FIGURE 10-43. ENGINE HARNESS (ULS)



ART\_1001235696\_C\_1OF2

# SECTION 10 - ELECTRICAL



ART\_1001235696\_C\_20F2

# SECTION 10 - ELECTRICAL

## FIGURE 10-43. ENGINE HARNESS (ULS)

ITEM	PART NUMBER	QTY	DESCRIPTION	REV
	1001235696	Ref	Engine Harness (if equipped for ULS)	D
1	1001167641	1	Connector	
2	1001167648	10	Terminal	
3	1001167649	27	Terminal	
4	1001167650	59	Plug	
5	1001176935	1	Connector	
6	1001166704	4	Terminal	
7	4461006	4	Seal	
8	1001125027	1	Connector	
9	8220124	3	Terminal	
10	4460608	3	Seal	
11	1001246391	1	Terminal, Snap Plug	
12	1001197407	1	Ring, Terminal	
13	4461095	1	Connector	
14	4460944	2	Terminal	
15	4460466	1	Plug	
17	4460933	1	Connector	
18	4460465	8	Terminal	
19	4460466	4	Plug	
21	1001187070	1	Ring, Terminal	
22	1001126487	1	Connector	
23	1001167656	2	Terminal	
24	1001167657	2	Seal	
25	4460891	1	Connector	
26	4460465	2	Terminal	
27	4460934	1	Connector	
28	4460465	10	Terminal	
29	4460466	2	Plug	
30	4460891	1	Connector	
31	4460465	2	Terminal	
34	1001144147	1	Connector	
35	4460464	2	Terminal	
36	4460466	1	Plug	
37	4460950	1	Connector	
38	4460464	9	Terminal	
39	4460466	3	Plug	
40	4460935	1	Connector	
41	4460465	11	Terminal	
42	4460466	1	Plug	
43	4460970	1	Connector	
44	4460464	8	Terminal	
45	4460466	4	Plug	
46	1001116811	1	Connector	
47	4460508	3	Terminal	
48	1001150610	1	Terminal	
49	1001167616	1	Connector	
50	1001190921	1	Seal, Foam Fuse Box	
51	8220098	3	Terminal	
52	4460789	9	Seal	
53	8220097	29	Terminal	

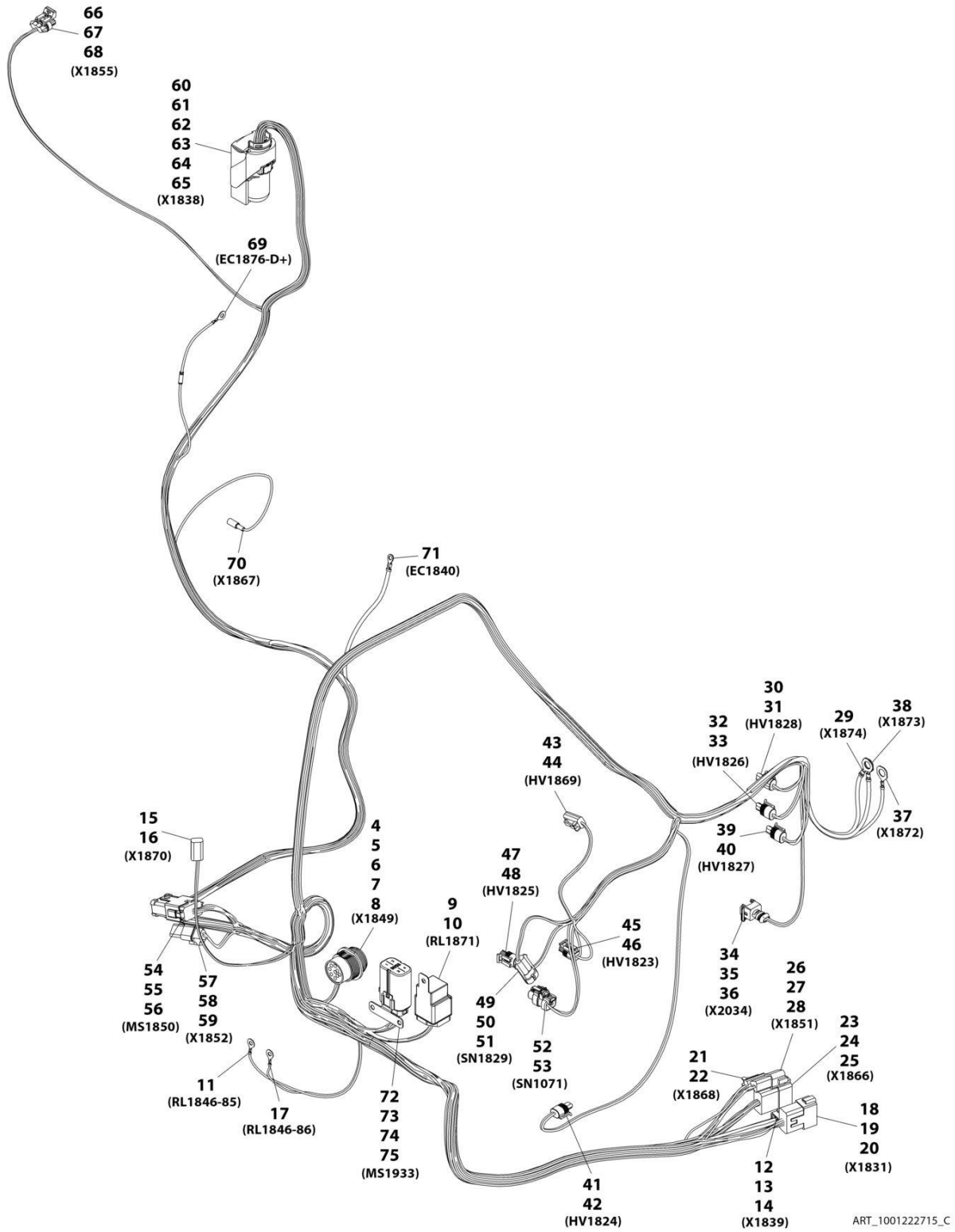


## SECTION 10 - ELECTRICAL

ITEM	PART NUMBER	QTY	DESCRIPTION	REV
54	4460458	23	Seal	
55	4460748	11	Plug	
56	1001116725	2	Terminal	
57	80963067	2	Plug	
58	8229244	2	Fuse, 15amp	
59	80983191	2	Fuse, 10amp	
60	8229242	2	Fuse, 5amp	
61	1001205172	5	Relay, 35amp	
62	1001177597	1	Diode, 6amp	
63	4460930	1	Connector	
64	4460465	6	Terminal	
65	4460466	2	Plug	
67	1001125083	1	Connector	
68	1001195782	7	Plug	
69	1001195781	14	Plug	
70	1001125085	3	Terminal	
72	1001187070	1	Ring, Terminal	
73	1001187070	1	Ring, Terminal	
74	1001112612	1	Connector	
75	4469464	4	Terminal	
76	4460466	5	Plug	
77	4460497	1	Nut	
78	4460496	1	Lockwasher	
79	1001153612	1	Connector	
80	1001126011	1	Terminal	
81	4460955	1	Connector	
82	1001116748	2	Terminal	
83	4460955	1	Connector	
84	1001116748	2	Terminal	
85	4460955	1	Connector	
86	1001116748	2	Terminal	
87	4460891	1	Connector	
88	4460465	2	Terminal	
89	4460955	1	Connector	
90	1001116748	2	Terminal	
91	4460955	1	Connector	
92	1001116748	2	Terminal	
93	4460955	1	Connector	
94	1001116748	2	Terminal	
95	1001187080	1	Ring, Terminal	
96	1001117073	1	Connector	
97	1001116749	2	Terminal	
98	4460608	2	Seal	
99	1001187079	1	Ring, Terminal	
100	1001190322	1	Connector	
101	4461005	2	Terminal	
102	4461054	2	Seal	
103	1001207171	1	Ring, Terminal	
104	1001207171	1	Ring, Terminal	
105	1001116950	1	Connector	
106	4460465	2	Terminal	

# SECTION 10 - ELECTRICAL

## FIGURE 10-44. ENGINE HARNESS (LS)



## SECTION 10 - ELECTRICAL

### FIGURE 10-44. ENGINE HARNESS (LS)

ITEM	PART NUMBER	QTY	DESCRIPTION	REV
	1001222715	Ref	Engine Harness (LS)	C
4	1001112612	1	Connector	
5	4460464	4	Terminal	
6	4460466	5	Plug	
7	4460497	1	Nut	
8	4460496	1	Washer	
9	1001145707	1	Connector	
10	1001116732	4	Terminal	
11	1001187070	1	Ring, Terminal	
12	1001116811	1	Connector	
13	4460508	3	Terminal	
14	1001150610	1	Terminal	
15	4460891	1	Connector	
16	4460465	2	Terminal	
17	1001187070	1	Ring, Terminal	
18	4460970	1	Connector	
19	4460464	8	Terminal	
20	4460466	4	Plug	
21	4460891	1	Connector	
22	4460465	2	Terminal	
23	4460950	1	Connector	
24	4460464	9	Terminal	
25	4460466	3	Plug	
26	1001144147	1	Connector	
27	4460464	2	Terminal	
28	4460466	1	Plug	
29	1001187079	1	Ring, Terminal	
30	4460955	1	Connector	
31	1001116748	2	Terminal	
32	4460955	1	Connector	
33	1001116748	2	Terminal	
34	1001190322	1	Connector	
35	4461005	2	Terminal	
36	4461006	2	Seal	
37	1001187078	1	Ring, Terminal	
38	1001187079	1	Ring, Terminal	
39	4460955	1	Connector	
40	1001116748	2	Terminal	
41	4460955	1	Connector	
42	1001116748	2	Terminal	
43	4460891	1	Connector	
44	4460465	2	Terminal	
45	4460955	1	Connector	
46	1001116748	2	Terminal	
47	4460955	1	Connector	
48	1001116748	2	Terminal	
49	1001117073	1	Connector	
50	1001116749	2	Terminal	
51	4460608	2	Seal	
52	1001116950	1	Connector	

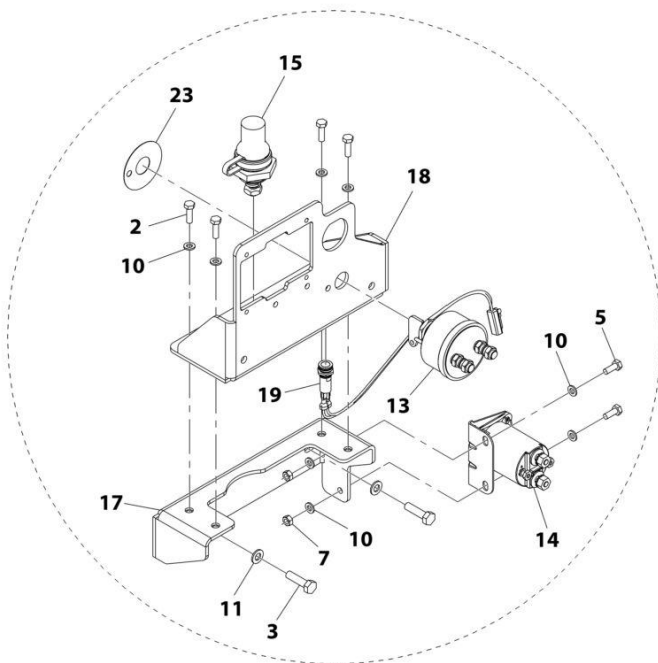
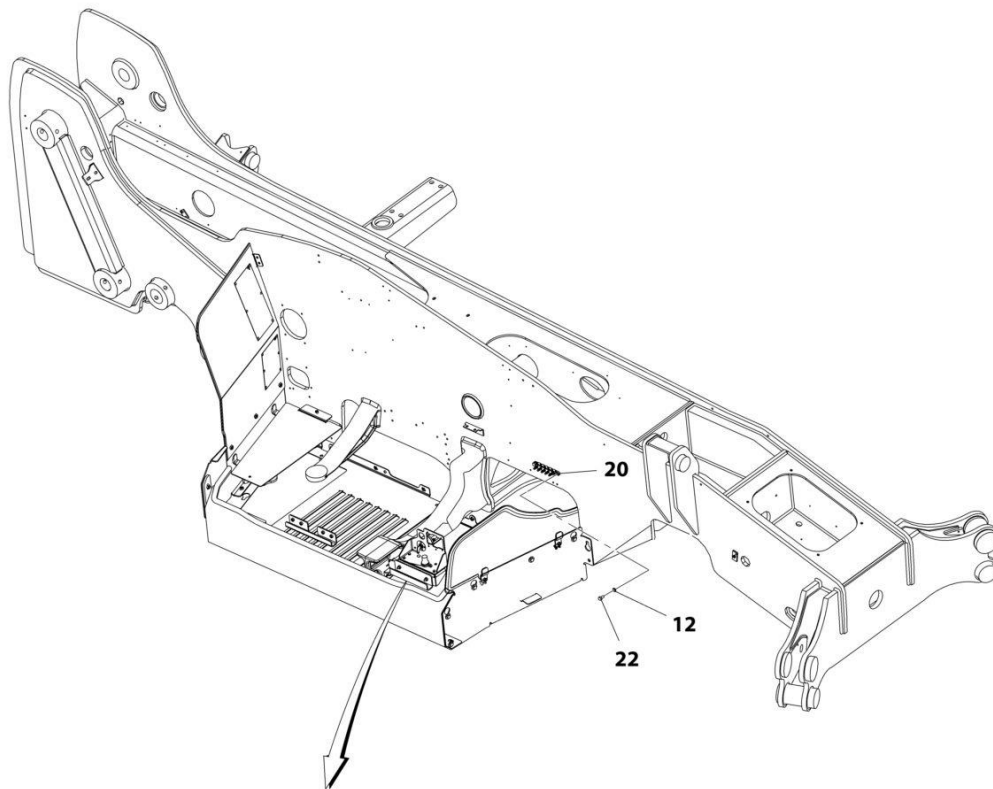
## SECTION 10 - ELECTRICAL

ITEM	PART NUMBER	QTY	DESCRIPTION	REV
53	4460465	2	Terminal	
54	4460933	1	Connector	
55	4460465	8	Terminal	
56	4460466	4	Plug	
57	4461095	1	Connector	
58	4460943	2	Terminal	
59	4460466	1	Plug	
60	1001126349	1	Connector	
61	1001185824	6	Terminal	
62	1001185823	11	Terminal	
63	1001126353	6	Seal	
64	1001126357	4	Plug	
65	1001126356	73	Plug	
66	1001125027	1	Connector	
67	8220124	3	Terminal	
68	4460608	3	Seal	
69	1001187070	1	Ring, Terminal	
70	1001246391	1	Terminal, Snap Plug	
71	1001197407	1	Ring, Terminal	
72	1001184551	1	Connector	
73	1001234800	1	Terminal	
74	4460746	7	Terminal	
75	4460458	8	Seal	



# SECTION 10 - ELECTRICAL

## FIGURE 10-45. ENGINE BAY - ELECTRICAL INSTALLATION (ULS)



ART\_1001163127-J

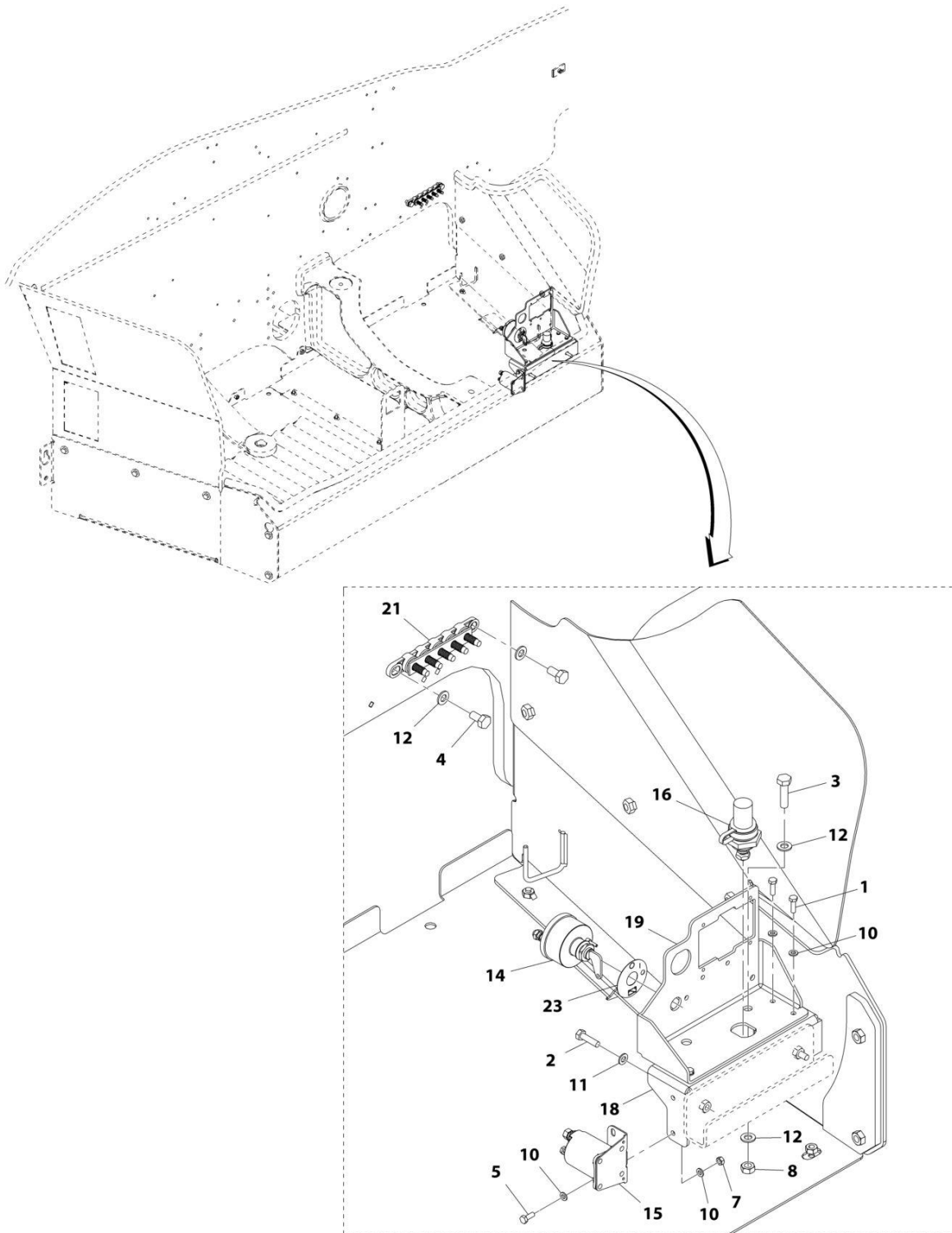
## SECTION 10 - ELECTRICAL

**FIGURE 10-45. ENGINE BAY - ELECTRICAL INSTALLATION (ULS)**

ITEM	PART NUMBER	QTY	DESCRIPTION	REV
	1001163127	Ref	Engine Bay Electrical Installation (if equipped for ULS)	J
2	0700610	4	Bolt, M6X20	
3	0700814	2	Bolt, M8X30	
5	0760608	2	Bolt, M6X16	
7	3290601	2	Nut, M6X1 Grade 8	
10	4811700	8	Washer, M6	
11	4811900	2	Washer, M8	
12	4812000	2	Washer, M10	
13	1001192142	1	Switch, Disconnect	
14	1001117308	1	Relay	
15	1001193993	1	Terminal	
17	1001199099	1	Bracket	
18	1001198321	1	Bracket	
19	1001232288	Ref	Harness, DEF Purge Light, (See Separate Breakdown in this Section)	
20	1001181128	1	Bussbar	
22	0761010	2	Bolt, M10X20	
23	1001008540	1	Plate	

# SECTION 10 - ELECTRICAL

## FIGURE 10-46. ENGINE BAY - ELECTRICAL INSTALLATION (LS)



ART\_1001173765-J



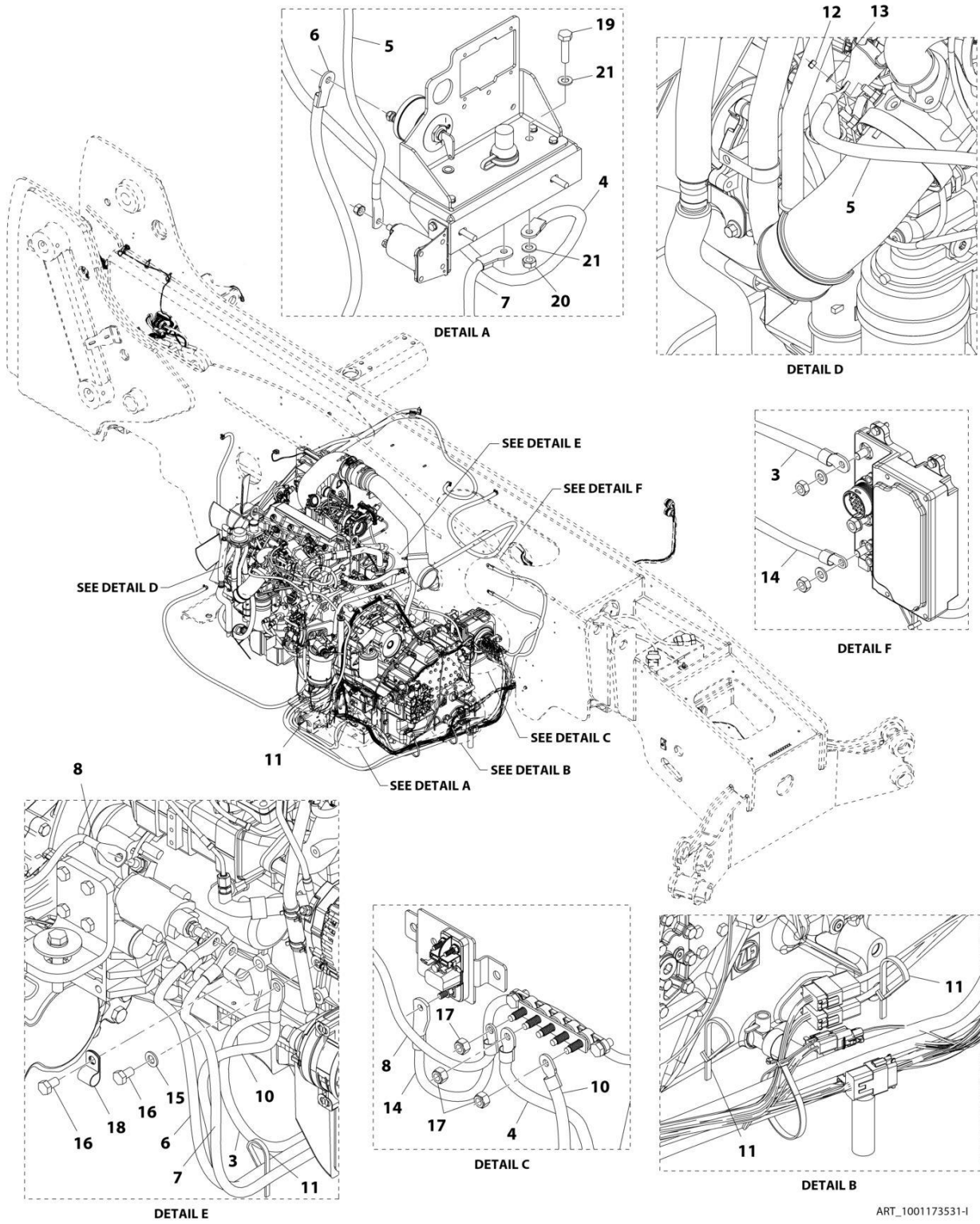
## SECTION 10 - ELECTRICAL

**FIGURE 10-46. ENGINE BAY - ELECTRICAL INSTALLATION (LS)**

ITEM	PART NUMBER	QTY	DESCRIPTION	REV
	1001173765	Ref	Engine Bay Electrical Installation	J
1	0700610	4	Bolt, M6X20	
2	0700814	2	Bolt, M8X30	
3	0701016	1	Bolt, M10X40	
4	0761010	2	Bolt, M10X20	
5	0760608	2	Bolt, M6X16	
7	3290601	2	Nut, M6X1	
8	3291001	1	Nut, M10X1.5	
10	4811700	8	Washer, M6	
11	4811900	2	Washer, M8	
12	4812000	4	Washer, M10	
14	1001192142	1	Switch, Disconnect	
15	1001117308	1	Relay	
16	1001193993	1	Terminal	
18	1001199099	1	Bracket	
19	1001198321	1	Bracket	
21	1001181128	1	Bussbar	
23	1001008540	1	Plate	

# SECTION 10 - ELECTRICAL

## FIGURE 10-47. ENGINE BAY - WIRING INSTALLATION (ULS)



ART\_1001173531-I

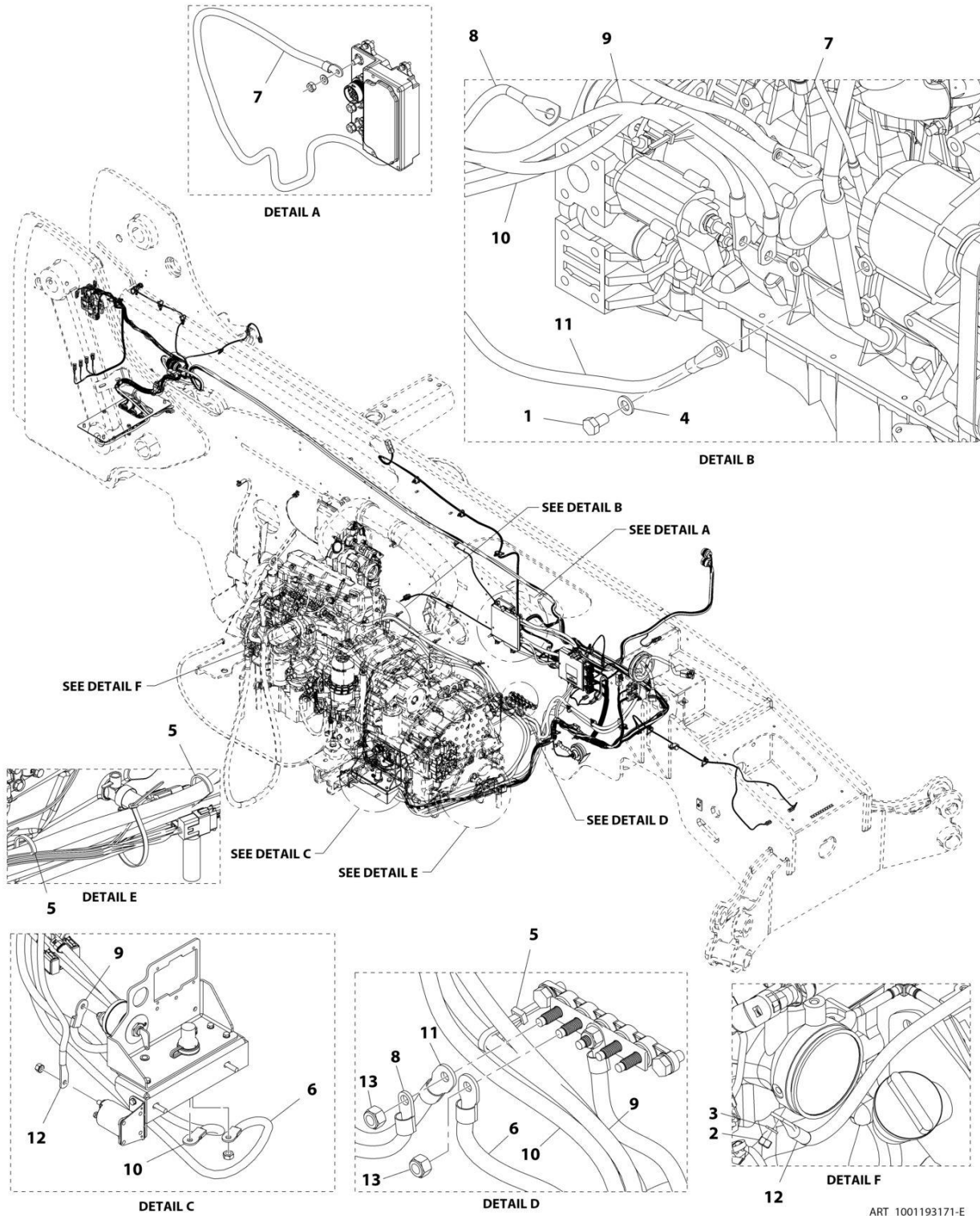
## SECTION 10 - ELECTRICAL

**FIGURE 10-47. ENGINE BAY - WIRING INSTALLATION (ULS)**

ITEM	PART NUMBER	QTY	DESCRIPTION	REV
	1001173531	Ref	Engine Bay Wiring Installation (ULS)	1
3	1001170215	1	Cable, PDM to ALT+	
4	1001200102	1	Cable, Ground Buss to Remote Ground	
5	1001170816	1	Cable, Grid Heater	
6	1001170740	1	Cable, Starter to Battery Disconnect	
7	1001170741	1	Cable, Starter to Remote B+	
8	1001170320	1	Cable, Starter Ground	
10	1001170749	1	Cable, Engine Ground	
11	1001008559	5	Strap, Cable	
12	3290605	1	Nut, Lock M6X1	
13	4811700	1	Washer, M6	
14	1001190585	1	Cable, Glow Plug	
15	4812100	1	Washer, M12	
16	0761210	2	Bolt, M12X20	
17	3291005	3	Nut, Lock M10X1.5	
18	8406105	1	Clip, Tube	
19	0701016	1	Bolt, M10X40	
20	3291001	1	Nut, M10X1.5	
21	4812000	2	Washer, M10	

# SECTION 10 - ELECTRICAL

## FIGURE 10-48. ENGINE BAY - WIRING INSTALLATION (LS)



ART\_1001193171-E

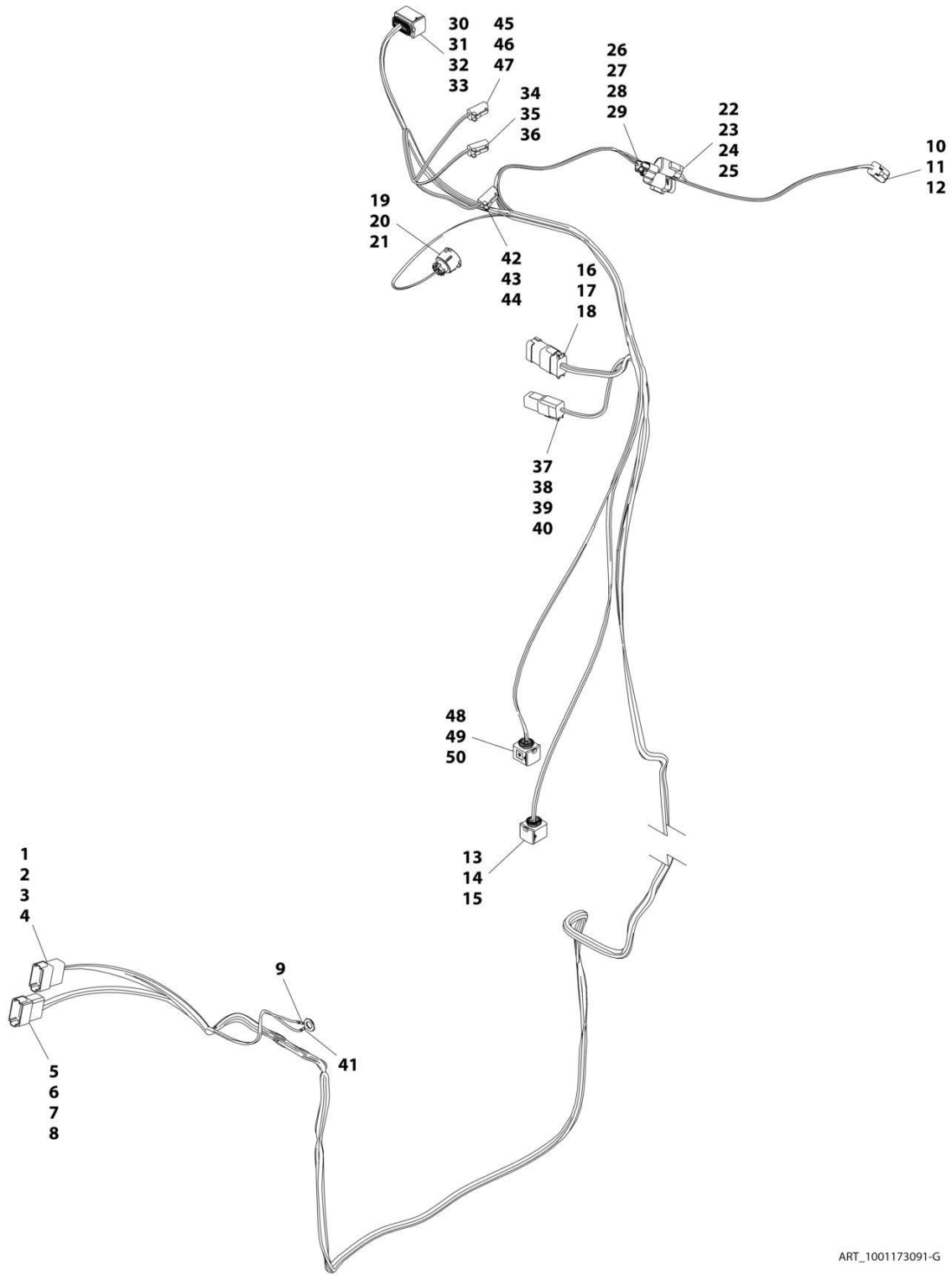
## SECTION 10 - ELECTRICAL

**FIGURE 10-48. ENGINE BAY - WIRING INSTALLATION (LS)**

ITEM	PART NUMBER	QTY	DESCRIPTION	REV
	1001193171	Ref	Engine Bay Wiring Installation (LS)	E
1	0761210	1	Bolt, M12X20	
2	3290605	1	Nut, Lock M6X1	
3	4811700	1	Washer, M6	
4	4812100	1	Washer, M12	
5	1001008559	6	Strap, Cable	
6	1001200102	1	Cable, Ground Buss to Remote Ground	
7	1001205254	1	Cable, PDM to Alt+	
8	1001170320	1	Cable, Starter Ground	
9	1001187623	1	Cable, Starter to Battery Disconnect	
10	1001187624	1	Cable, Starter to Remote B+	
11	1001205255	1	Cable, Engine Ground	
12	1001170816	1	Cable, Grid Heater	
13	3291005	2	Nut, Lock M10X1.5	

# SECTION 10 - ELECTRICAL

## FIGURE 10-49. ENGINE/CHASSIS HARNESS (ULS)



ART\_1001173091-G

## SECTION 10 - ELECTRICAL

**FIGURE 10-49. ENGINE/CHASSIS HARNESS (ULS)**

ITEM	PART NUMBER	QTY	DESCRIPTION	REV
	1001173091	Ref	Engine Chassis Harness (ULS)	G
1	4460982	1	Connector	
2	80363179	1	Lock, Connector	
3	4460464	11	Terminal	
4	4460466	1	Plug	
5	1001152742	1	Connector	
6	80363179	1	Lock, Connector	
7	4460464	10	Terminal	
8	4460466	2	Plug	
9	1001187077	1	Terminal, Ring	
10	4460884	1	Connector	
11	80604021	1	Lock, Connector	
12	4460465	4	Terminal	
13	1001167528	1	Connector	
14	1001166704	4	Terminal	
15	1001137578	4	Seal, Terminal	
16	4460930	1	Connector	
17	80604025	1	Lock, Connector	
18	4460465	8	Terminal	
19	1001167620	1	Connector	
20	1001176004	2	Terminal	
21	1001167624	2	Plug	
22	4460539	1	Connector	
23	77363244	1	Lock, Connector	
24	4460944	2	Terminal	
25	4460466	1	Plug	
26	1001116812	1	Connector	
27	91554019	1	Lock, Connector	
28	4460944	2	Terminal	
29	4460466	1	Plug	
30	1001165194	1	Connector	
31	1001166703	10	Terminal	
32	1001126393	10	Seal, Terminal	
33	1001126391	2	Plug	
34	4460891	1	Connector	
35	80604018	1	Lock, Connector	
36	4460465	2	Terminal	
37	4460894	1	Connector	
38	91504107	1	Lock, Connector	
39	4460465	4	Terminal	
40	4460466	2	Plug	
41	1001187077	1	Terminal, Ring	
42	4460891	1	Connector	
43	80604018	1	Lock, Connector	
44	4460465	2	Terminal	
45	4460891	1	Connector	
46	80604018	1	Lock, Connector	
47	4460465	2	Terminal	
48	1001176935	1	Connector	
49	1001166704	4	Terminal	

## SECTION 10 - ELECTRICAL

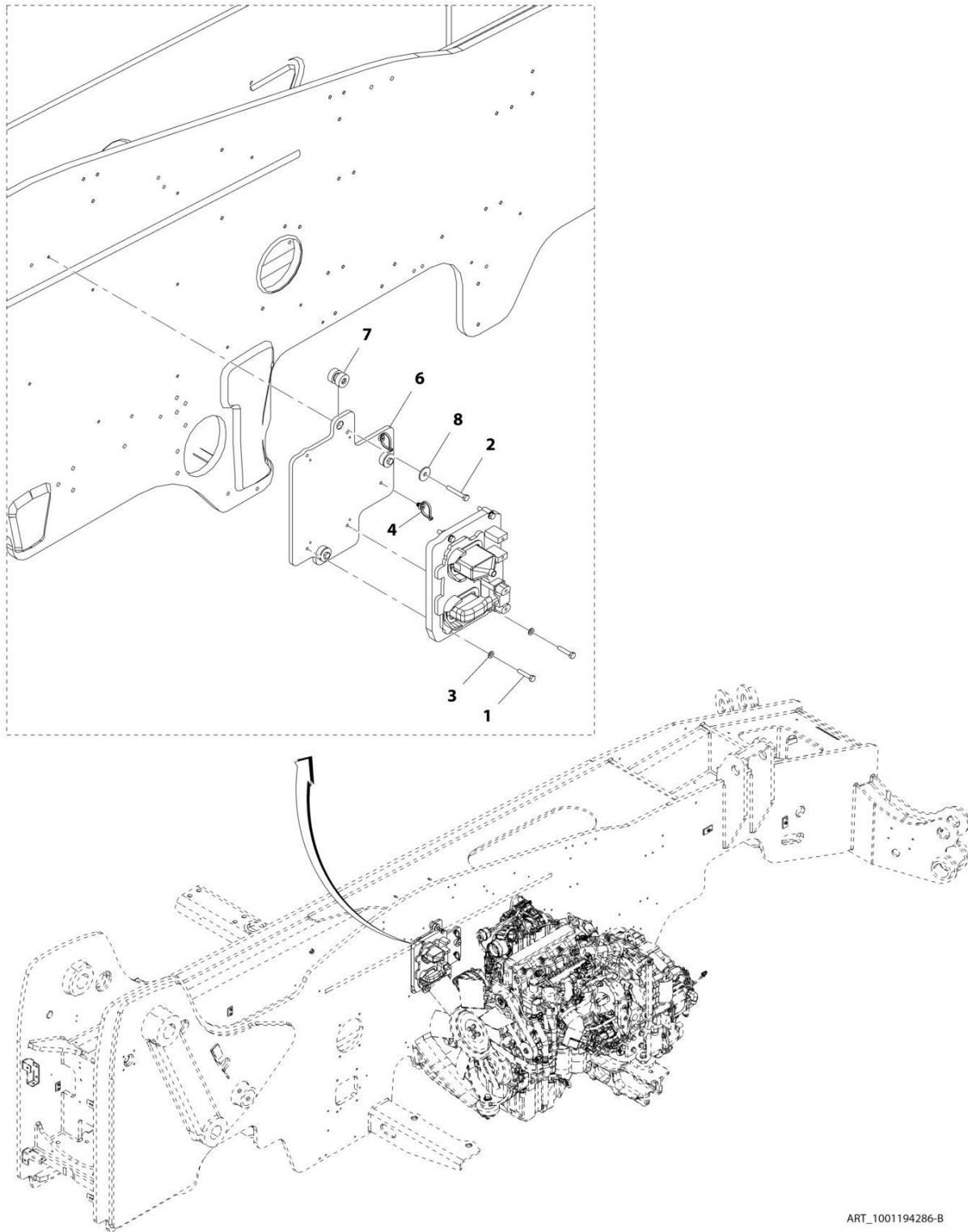
ITEM	PART NUMBER	QTY	DESCRIPTION	REV
50	1001137578	4	Seal, Terminal	





# SECTION 10 - ELECTRICAL

## FIGURE 10-50. ENGINE - ECU INSTALLATION (ULS)



ART\_1001194286-B

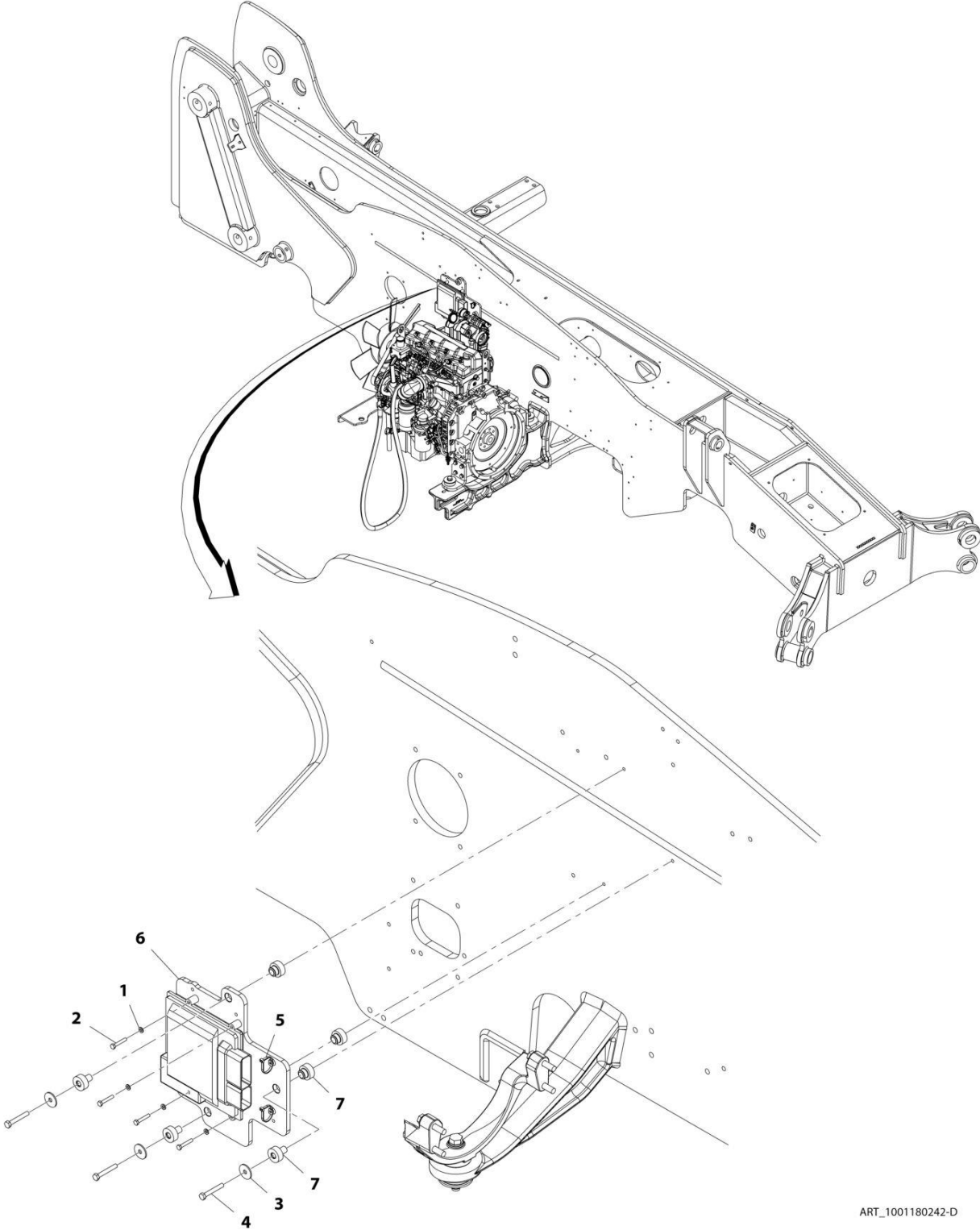
## SECTION 10 - ELECTRICAL

### FIGURE 10-50. ENGINE - ECU INSTALLATION (ULS)

ITEM	PART NUMBER	QTY	DESCRIPTION	REV
	1001194286	Ref	Engine ECU Installation	B
1	0700816	4	Bolt, M8X40	
2	0700819	3	Bolt, M8X55	
3	4811900	4	Washer, M8	
4	1001146588	2	Strap, Tie	
6	1001192468	1	Bracket	
7	1001192471	3	Mount	
8	1001195089	3	Washer	

# SECTION 10 - ELECTRICAL

## FIGURE 10-51. ENGINE - ECU INSTALLATION (LS)



ART\_1001180242-D

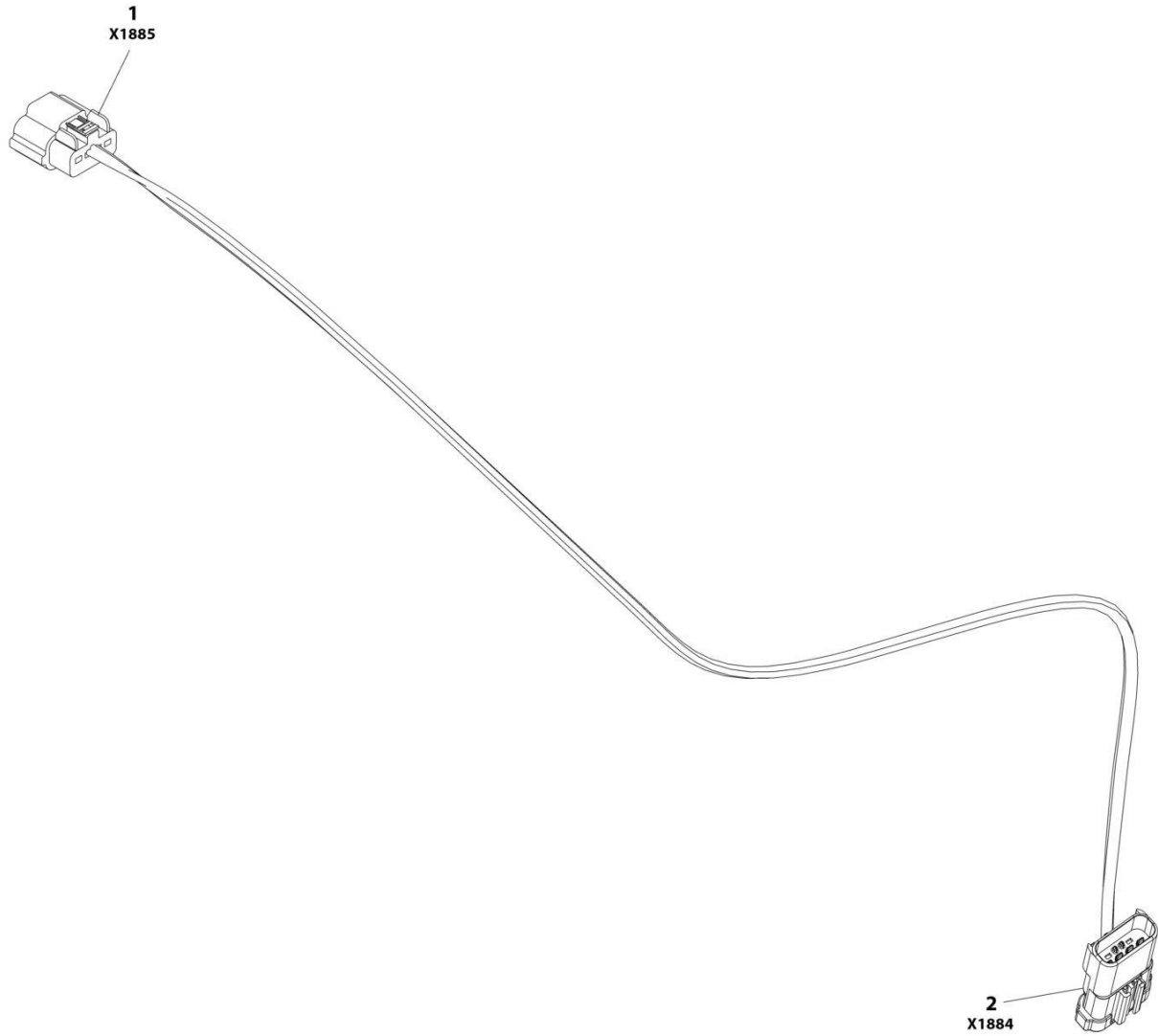
## SECTION 10 - ELECTRICAL

### FIGURE 10-51. ENGINE - ECU INSTALLATION (LS)

ITEM	PART NUMBER	QTY	DESCRIPTION	REV
	1001180242	Ref	Engine ECM Installation (LS)	D
1	4811700	4	Washer, M6	
2	0760615	4	Bolt, M6X35	
3	1001195089	3	Washer	
4	0700819	3	Bolt, Grade 8	
5	1001146588	2	Strap, Tie	
6	1001192468	1	Bracket	
7	1001192471	3	Mount, Isolator	

# SECTION 10 - ELECTRICAL

## FIGURE 10-52. ENGINE TBAP HARNESS



ART\_1001184835

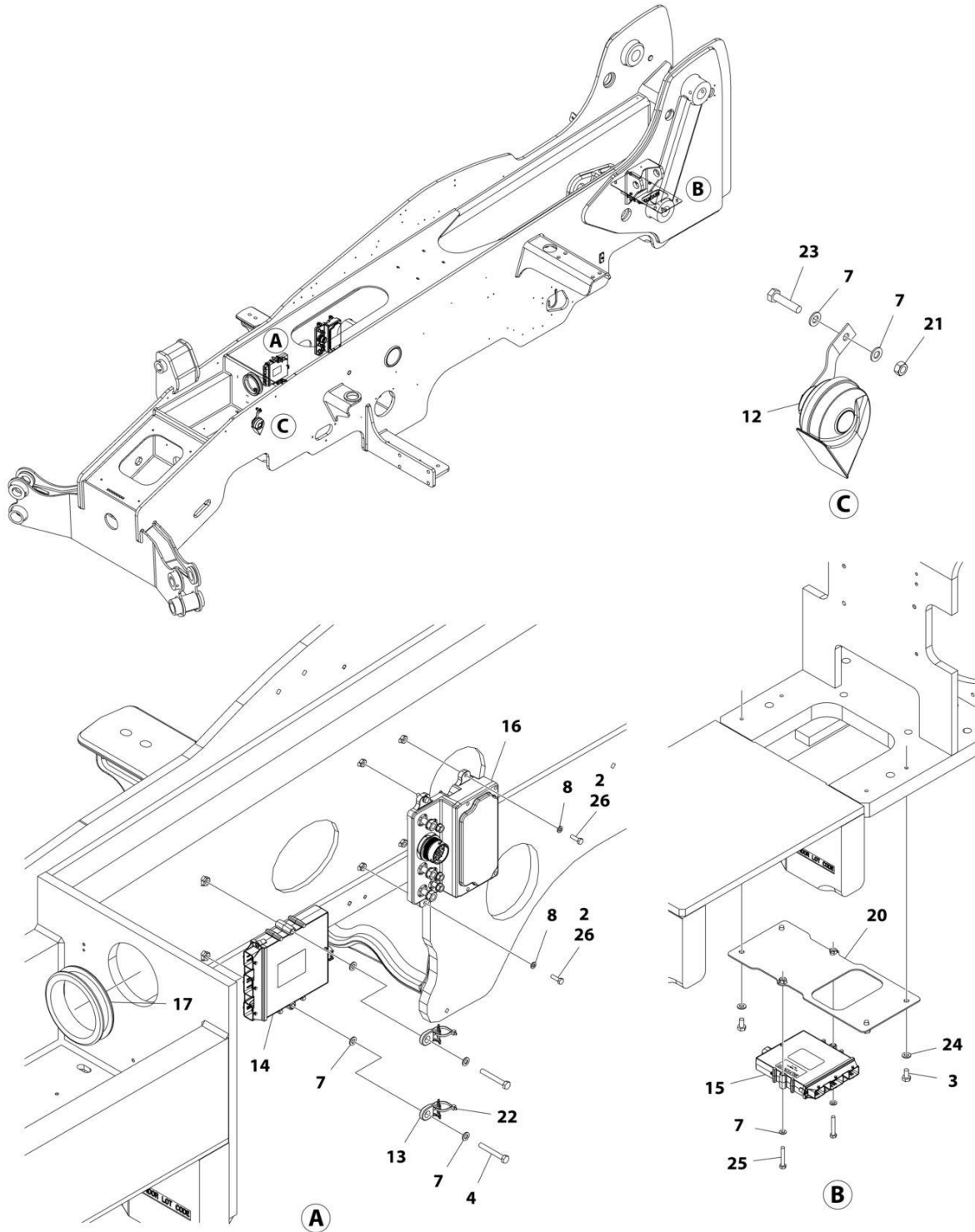
# SECTION 10 - ELECTRICAL

## FIGURE 10-52. ENGINE TBAP HARNESS

ITEM	PART NUMBER	QTY	DESCRIPTION	REV
1	1001184835	Ref	TBAP Harness	C
	10011184495	1	Connector	
	1001260509	4	Terminal	
	1001184496	4	Seal	
2	1001184491	1	Connector	
	1001184493	4	Terminal	

# SECTION 10 - ELECTRICAL

## FIGURE 10-53. FRAME - ELECTRICAL INSTALLATION



ART\_1001167051\_K



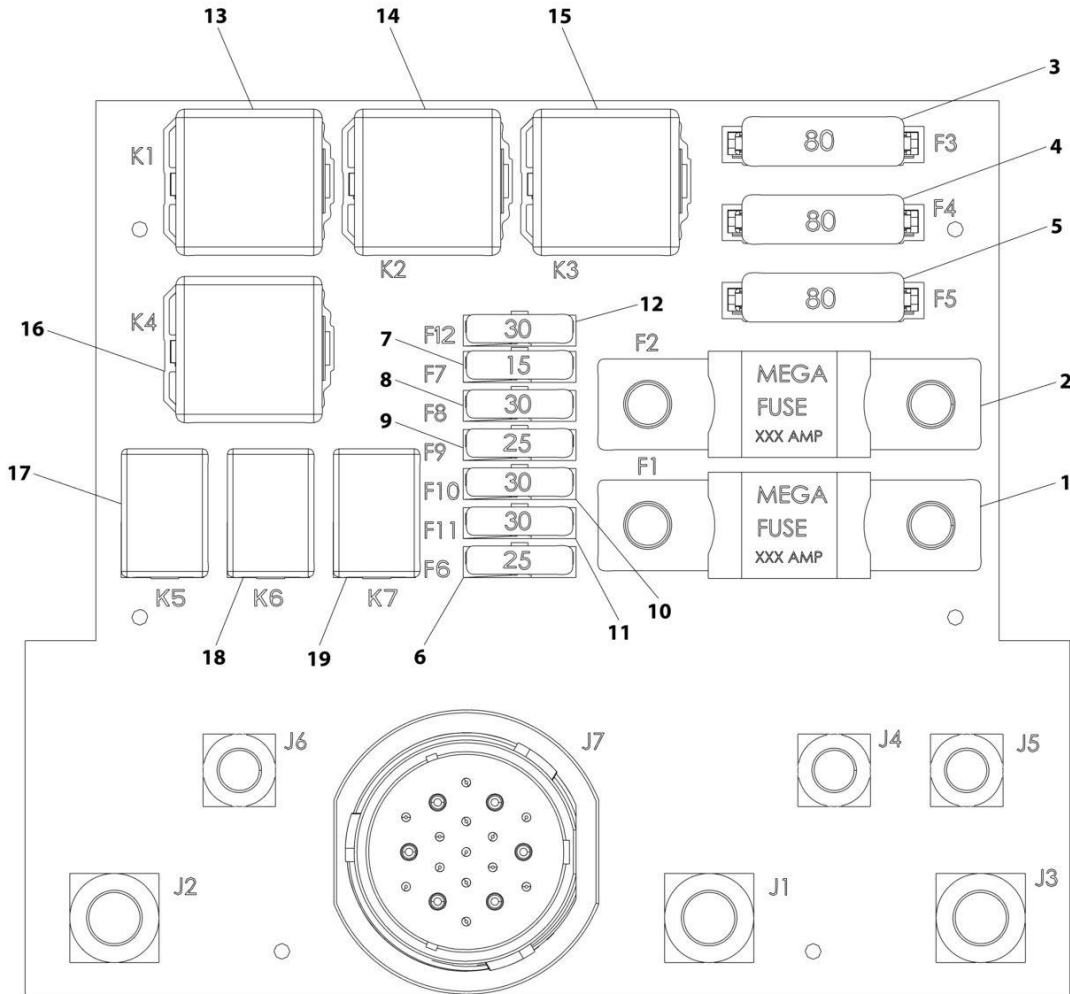
## SECTION 10 - ELECTRICAL

**FIGURE 10-53. FRAME - ELECTRICAL INSTALLATION**

ITEM	PART NUMBER	QTY	DESCRIPTION	REV
	1001167051	Ref	ELECTRICAL FRAME INSTALLATION	K
2	0700610	4	Bolt M6 x 20	
3	0761010	4	Bolt M10 x 20	
4	0700820	2	Bolt M8 x 60	
7	4811900	8	Washer M8	
8	4811700	4	Washer M6	
12	10713707	1	Horn	
13	1001169146	2	Mount	
14	1001270467	1	Module, Front Frame Control	
15	1001270468	1	Module, Rear Frame Control	
16	1001164402	1	Box, Power Distribution Electrical (See Separate Breakdown in this Section)	
17	1001166397	1	Grommet	
20	1001210450	1	Plate, Mounting	
21	3290801	1	Nut M8 x 1-1/4	
22	1001008559	2	Strap, Cable	
23	0760815	1	Bolt M8 x 35	
24	4812000	4	Washer M10	
25	0700818	2	Bolt M8 x 50	
26	1001180620	AR	Locking, Compound	

# SECTION 10 - ELECTRICAL

## FIGURE 10-54. FRAME - POWER DISTRIBUTION BOX



ART\_1001164402-G

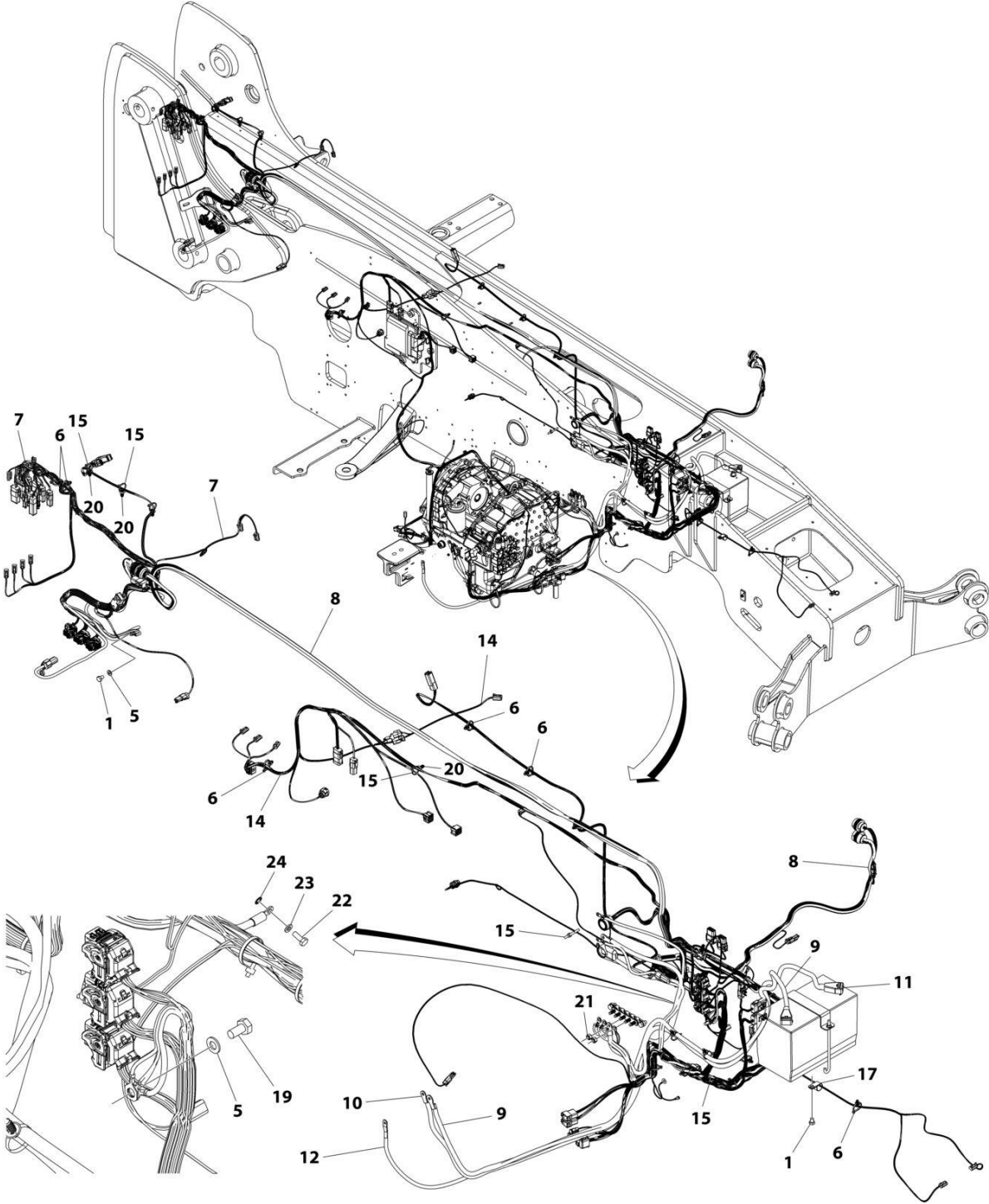
## SECTION 10 - ELECTRICAL

**FIGURE 10-54. FRAME - POWER DISTRIBUTION BOX**

ITEM	PART NUMBER	QTY	DESCRIPTION	REV
	1001164402	Ref	Power Distribution Electrical Box	G
1	1001095336	1	Fuse, 150AMP	
2	70026296	1	Fuse, 200AMP	
3	70026297	1	Fuse, 80AMP	
4	70026297	1	Fuse, 80AMP	
5	70026297	1	Fuse, 80AMP	
6	8229247	1	Fuse, 25AMP	
7	8229244	1	Fuse, 15AMP	
8	8229245	1	Fuse, 30AMP	
9	8229247	1	Fuse, 25AMP	
10	8229245	1	Fuse, 30AMP	
11	8229245	1	Fuse, 30AMP	
12	8229245	1	Fuse, 30AMP	
13	70026294	1	Fuse, 70AMP	
14	70026294	1	Fuse, 70AMP	
15	70026294	1	Fuse, 70AMP	
16	70026294	1	Fuse, 70AMP	
17	70026295	1	Fuse, 35AMP	
18	70026295	1	Fuse, 35AMP	
19	70026295	1	Fuse, 35AMP	

**SECTION 10 - ELECTRICAL**

**FIGURE 10-55. FRAME - WIRING INSTALLATION (ULS)**



ART\_1001173530\_Q

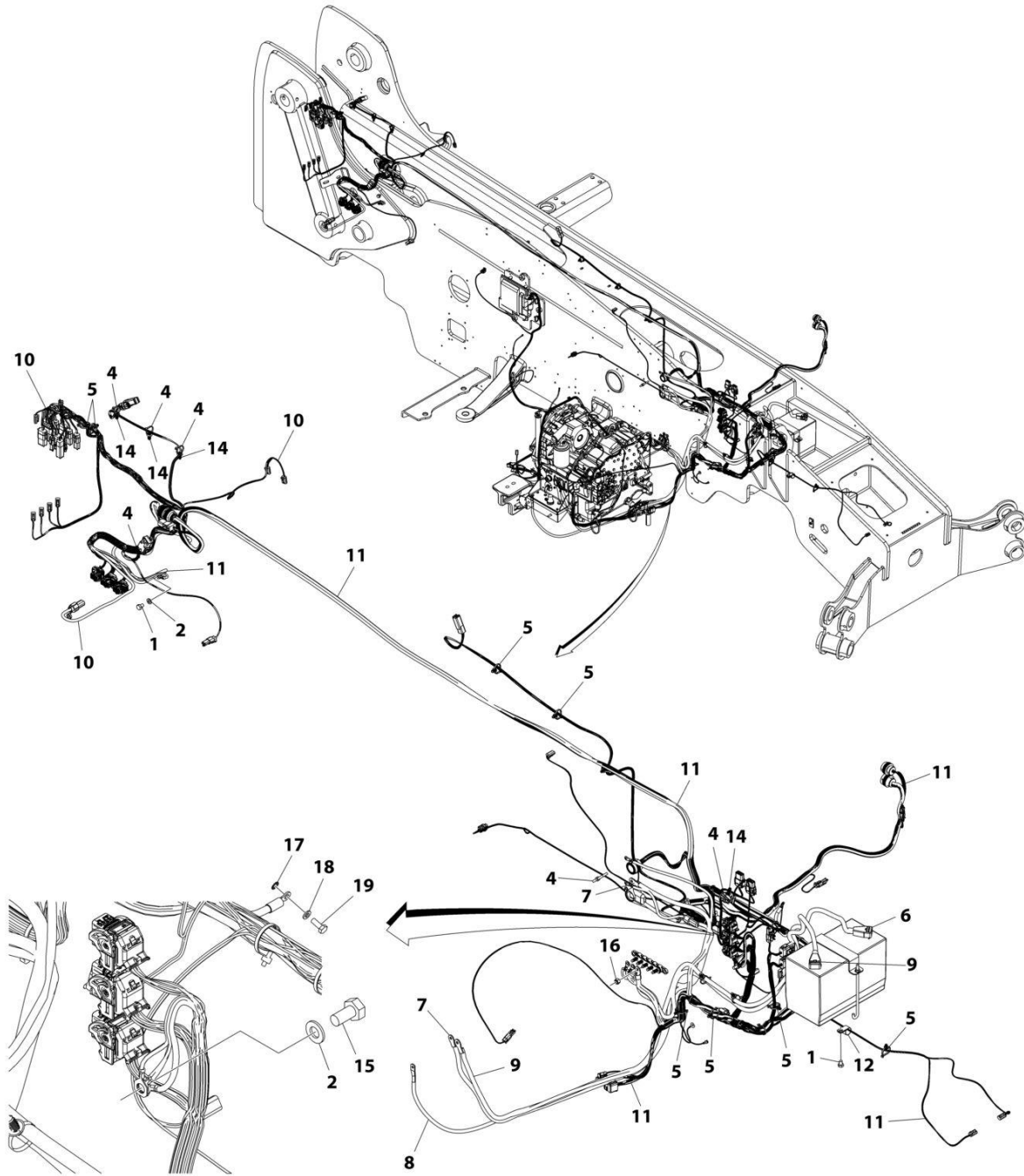
## SECTION 10 - ELECTRICAL

**FIGURE 10-55. FRAME - WIRING INSTALLATION (ULS)**

ITEM	PART NUMBER	QTY	DESCRIPTION	REV
	1001173530	Ref	FRAME - WIRING INSTALLATION (110HP) (ULS)	Q
1	0761007	2	Bolt M10 x 14	
5	4812000	2	Washer M10	
6	1001146588	14	Strap, Fir Tree Cable Tie	
7	1001266971	1	Harness, Rear Frame (See Separate Breakdown in this Section)	
8	1001281268	1	Harness, Front Frame (See Separate Breakdown in this Section)	
9	1001170624	1	Cable, Battery + to Battery Disconnect	
10	1001170566	1	Cable, Battery Disconnect to PDM	
11	1001169365	1	Cable, Battery Negative	
12	1001200082	1	Cable, PDM to Grid Heater	
14	1001173091	1	Harness, Engine Chassis Harness (See Separate Breakdown in this Section)	
15	1001008559	20	Strap, Cable	
17	8406201	1	Clip, Wire and Tube	
19	0761010	1	Bolt M10 x 20	
20	1001202986	9	Strap, Fir Tree Push Mount	
21	3291005	2	Nut M10 x 1-1/2	
22	0760608	1	Bolt M6 x 16	
23	4811700	1	Washer M6	
24	4871700	1	Washer M6	

# SECTION 10 - ELECTRICAL

## FIGURE 10-56. FRAME - WIRING INSTALLATION (LS)



ART\_1001192305\_O

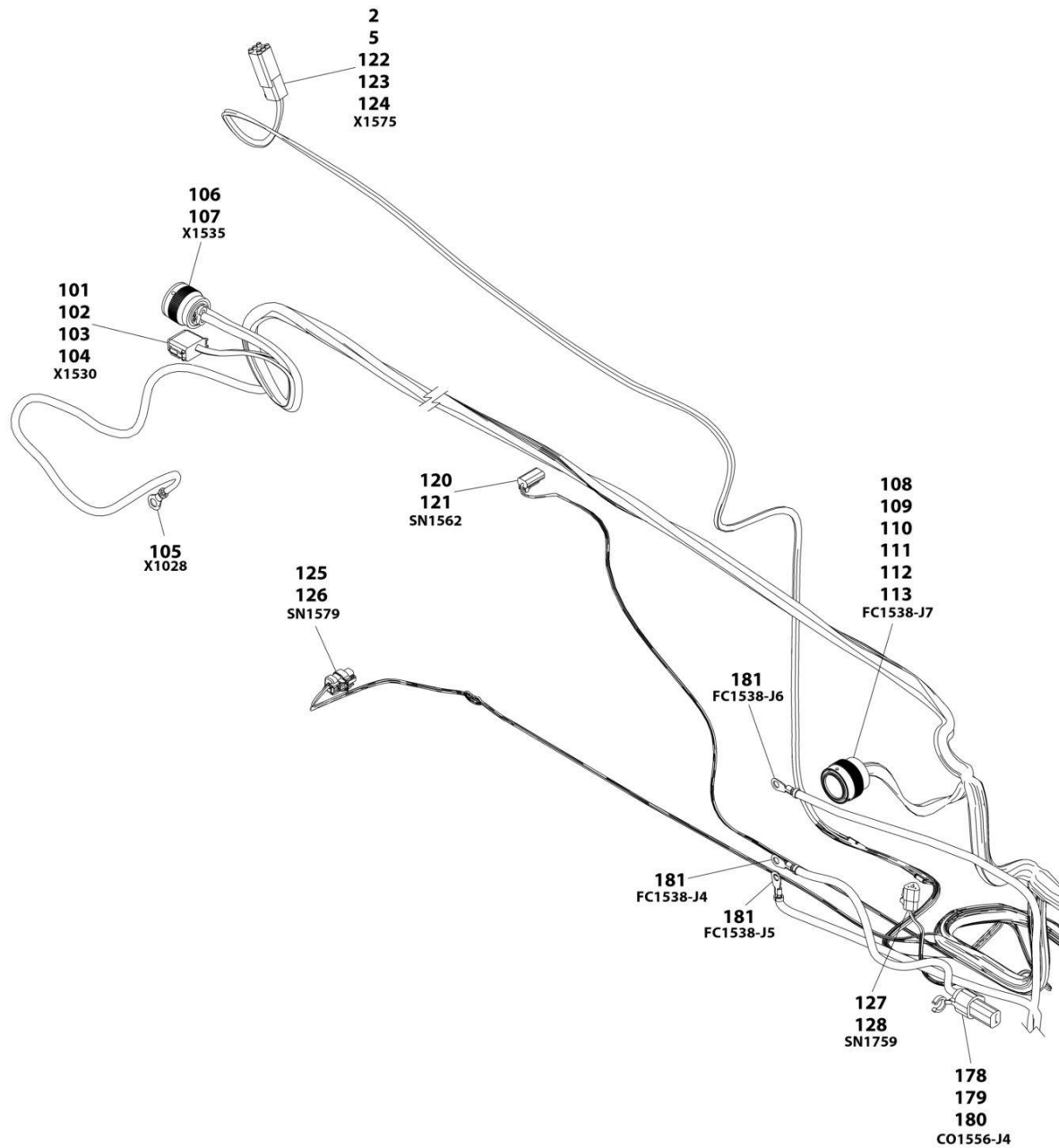
## SECTION 10 - ELECTRICAL

**FIGURE 10-56. FRAME - WIRING INSTALLATION (LS)**

ITEM	PART NUMBER	QTY	DESCRIPTION	REV
	1001192305	Ref	FRAME - WIRING INSTALLATION (110HP) (LS)	O
1	0761007	2	Bolt M10 x 14	
2	4812000	2	Washer M10	
4	1001008559	19	Strap, Cable	
5	1001146588	13	Strap, Fir Tree Cable Tie	
6	1001169365	1	Cable, Battery Negative	
7	1001170566	1	Cable, Battery Disconnect to PDM	
8	1001200082	1	Cable, PDM to Grid Heater	
9	1001170624	1	Cable, Battery + to Battery Disconnect	
10	1001266971	1	Harness, Rear Frame (See Separate Breakdown in this Section)	
11	1001281268	1	Harness, Front Frame (See Separate Breakdown in this Section)	
12	8406201	1	Clip, Wire and Tube	
14	1001202986	8	Strap, Fir Tree Push Mount	
15	0761010	1	Bolt M10 x 20	
16	3291005	1	Nut M10 x 1-1/2	
17	4871700	1	Washer M6	
18	4811700	1	Washer M6	
19	0760608	1	Bolt M6 x 16	

# SECTION 10 - ELECTRICAL

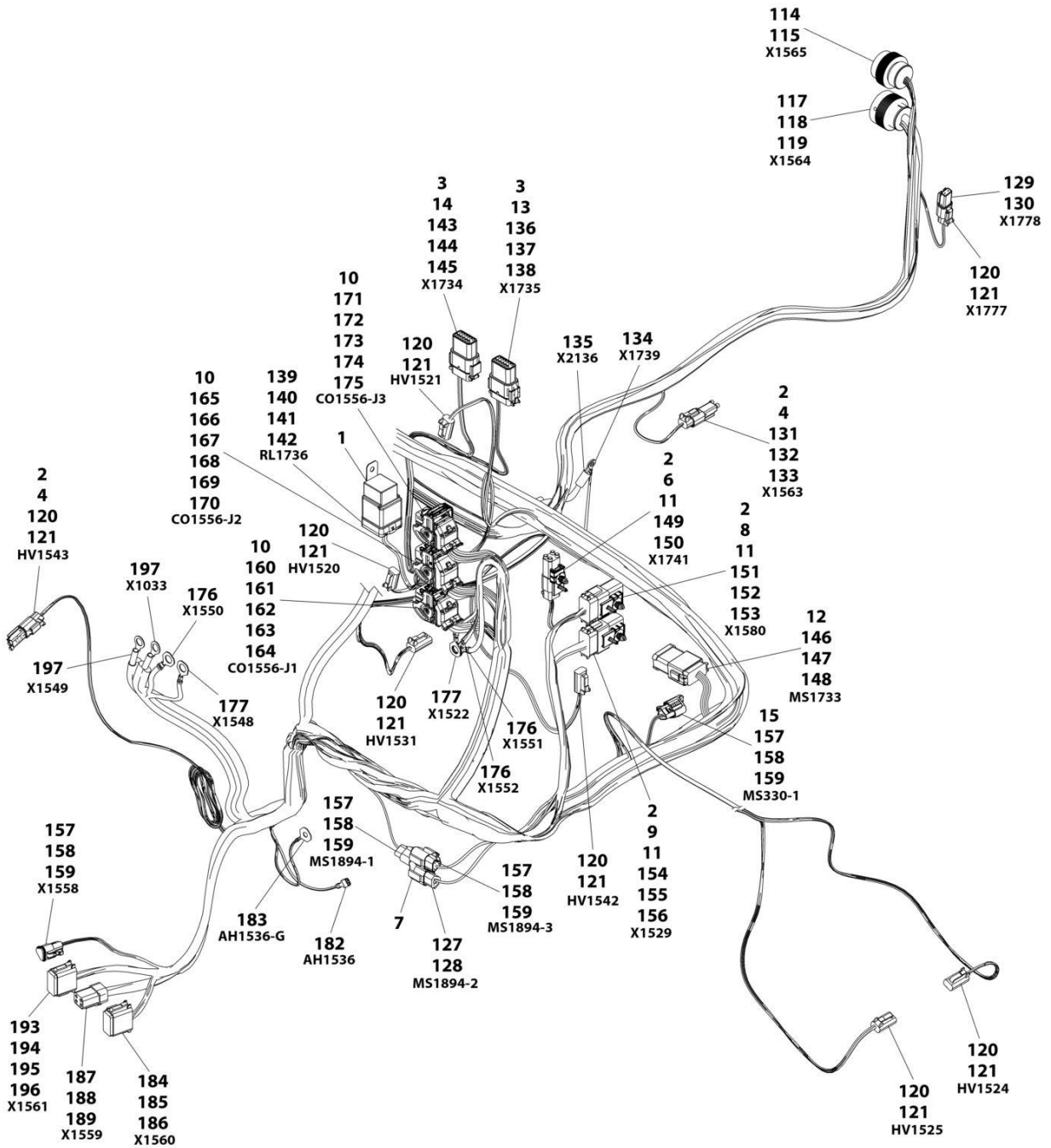
## FIGURE 10-57. FRAME HARNESS – FRONT



ART\_1001281268\_A\_10F2



# SECTION 10 - ELECTRICAL



ART\_1001281268\_A\_20F2

# SECTION 10 - ELECTRICAL

## FIGURE 10-57. FRAME HARNESS – FRONT

ITEM	PART NUMBER	QTY	DESCRIPTION	REV
	1001281268	Ref	FRONT FRAME HARNESS	A
1	3740080	1	Relay	
3	4460518	34	Terminal	
4	4460897	2	Connector	
4	1001144295	2	Connector	
5	4460899	1	Connector	
5	1001213448	1	Connector	
6	4460932	1	Connector	
6	1001192401	1	Connector	
7	4460945	1	Receptacle, 3 - Way	
8	4460950	1	Connector	
8	1001215898	1	Connector	
10	1001008559	3	Tie-Strap	
11	1001121172	3	Bracket, Mounting	
11	1001306315	1	Bracket, Mounting	
12	1001125677	1	Bus Bar	
13	1001132169	1	Connector	
14	1001132170	1	Connector	
15	1001144296	1	Cap	
101	4460933	1	Connector	
102	4460465	4	Terminal	
103	4460942	2	Terminal	
104	4460466	6	Plug	
105	1001187076	1	Connector	
106	1001165310	1	Connector	
107	91013192	2	Terminal	
108	1001165309	1	Connector	
109	4460466	2	Plug	
110	4460465	8	Terminal	
111	4460942	3	Terminal	
112	4460509	3	Terminal	
113	1001150611	3	Terminal	
114	4461015	1	Connector	
114	1001201080	1	Connector	
115	4460465	14	Terminal	
117	1001118323	1	Connector	
118	4460942	4	Terminal	
119	91013192	2	Terminal	
120	4460891	8	Connector	
121	4460465	16	Terminal	
122	4460894	1	Connector	
123	4460465	2	Terminal	
124	4460942	4	Terminal	
125	1001116950	1	Connector	
126	4460465	2	Terminal	
127	4460539	2	Connector	
128	4460465	6	Plug	
129	4460897	1	Connector	
130	4460464	2	Terminal	
131	4460891	1	Connector	

## SECTION 10 - ELECTRICAL

ITEM	PART NUMBER	QTY	DESCRIPTION	REV
132	4460942	1	Terminal	
133	4460465	1	Terminal	
134	1001207173	1	Connector	
135	8220116	1	Connector	
136	1001116774	1	Connector	
137	4460518	10	Plug	
138	1001126008	2	Terminal	
139	1001231398	1	Connector	
140	1001231400	4	Terminal	
140	1001231399	4	Terminal	
141	1001231406	1	Plug	
142	1001231404	4	Seal	
143	1001116808	1	Connector	
144	4460518	9	Plug	
145	1001126008	3	Terminal	
146	4460933	1	Connector	
147	4460465	10	Terminal	
148	4460466	2	Terminal	
149	4460884	1	Connector	
150	4460465	4	Terminal	
151	4460836	1	Connector	
152	4460465	7	Terminal	
153	4460466	5	Plug	
154	4460933	1	Connector	
155	4460942	10	Terminal	
156	4460466	2	Terminal	
157	1001116812	4	Connector	
158	4460944	8	Terminal	
159	4460466	4	Terminal	
160	1001161957	1	Connector	
161	1001161097	19	Terminal	
162	1001161100	5	Plug	
163	1001161101	7	Plug	
164	1001161098	1	Terminal	
165	1001161963	1	Connector	
166	1001161097	17	Terminal	
167	1001161100	23	Plug	
168	1001161098	1	Terminal	
169	1001161099	5	Terminal	
170	1001161101	2	Plug	
171	1001160500	1	Connector	
172	1001161100	15	Plug	
173	1001161097	9	Terminal	
174	1001161099	7	Terminal	
175	1001161101	1	Plug	
176	1001187080	3	Connector	
177	1001187079	2	Connector	
178	1001160509	1	Connector	
179	1001160510	1	Terminal	
180	1001175267	1	Seal	
181	1001187075	3	Connector	

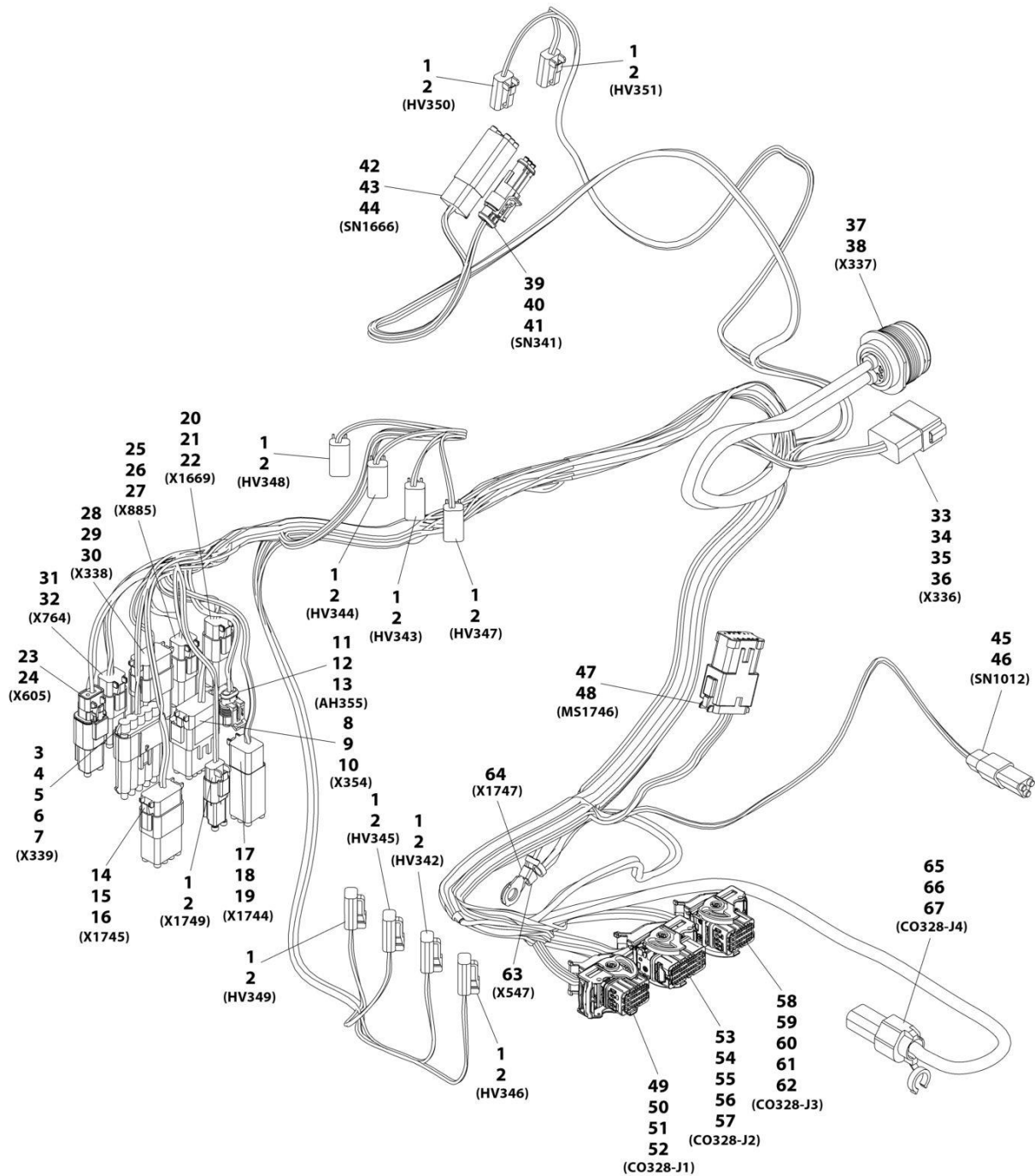
## SECTION 10 - ELECTRICAL

ITEM	PART NUMBER	QTY	DESCRIPTION	REV
182	8220051	1	Connector	
183	1001211775	1	Connector	
184	4460933	1	Connector	
185	4460465	8	Terminal	
186	4460466	4	Plug	
187	1001116810	1	Connector	
188	4460509	1	Terminal	
189	1001150611	3	Terminal	
193	4460836	1	Connector	
194	4460942	1	Terminal	
195	4460465	10	Terminal	
196	4460466	1	Terminal	
197	1001128127	2	Connector	



# SECTION 10 - ELECTRICAL

## FIGURE 10-58. FRAME HARNESS - REAR



ART\_1001266971-C

## SECTION 10 - ELECTRICAL

### FIGURE 10-58. FRAME HARNESS - REAR

ITEM	PART NUMBER	QTY	DESCRIPTION	REV
	1001266971	Ref	REAR FRAME HARNESS (9/10)	C
1	4460891	1	Connector	
2	4460465	2	Terminal	
3	1001121726	1	Connector	
4	1001116728	3	Terminal	
5	1001116727	2	Plug	
6	1001175265	2	Seal	
7	4460458	1	Seal	
8	4460933	1	Connector	
9	4460942	10	Terminal	
10	4460466	2	Plug	
11	4461118	1	Connector	
12	1001107854	2	Terminal	
13	1001116763	2	Seal	
14	4460930	1	Connector	
15	4460465	6	Terminal	
16	4460466	2	Plug	
17	4460894	1	Connector	
18	4460465	3	Terminal	
19	4460466	3	Plug	
20	4460884	1	Connector	
21	4460465	3	Terminal	
22	4460466	1	Plug	
23	4461018	1	Connector	
24	4460509	2	Terminal	
25	4460884	1	Connector	
26	4460465	2	Terminal	
27	4460466	2	Plug	
28	4460930	1	Connector	
29	4460466	6	Plug	
30	4460465	2	Terminal	
31	4460884	1	Connector	
32	4460465	4	Terminal	
33	4460970	1	Connector	
34	4460464	5	Terminal	
35	4460941	1	Terminal	
36	4460466	6	Plug	
37	1001165311	1	Connector	
38	91013191	2	Terminal	
39	4461262	1	Connector	
40	1001107854	3	Terminal	
41	1001114498	3	Seal	
42	4460894	1	Connector	
43	4460465	4	Terminal	
44	4460466	2	Plug	
45	4460539	1	Connector	
46	4460465	3	Terminal	
47	4460933	1	Connector	
48	4460465	12	Terminal	
49	1001161957	1	Connector	

## SECTION 10 - ELECTRICAL

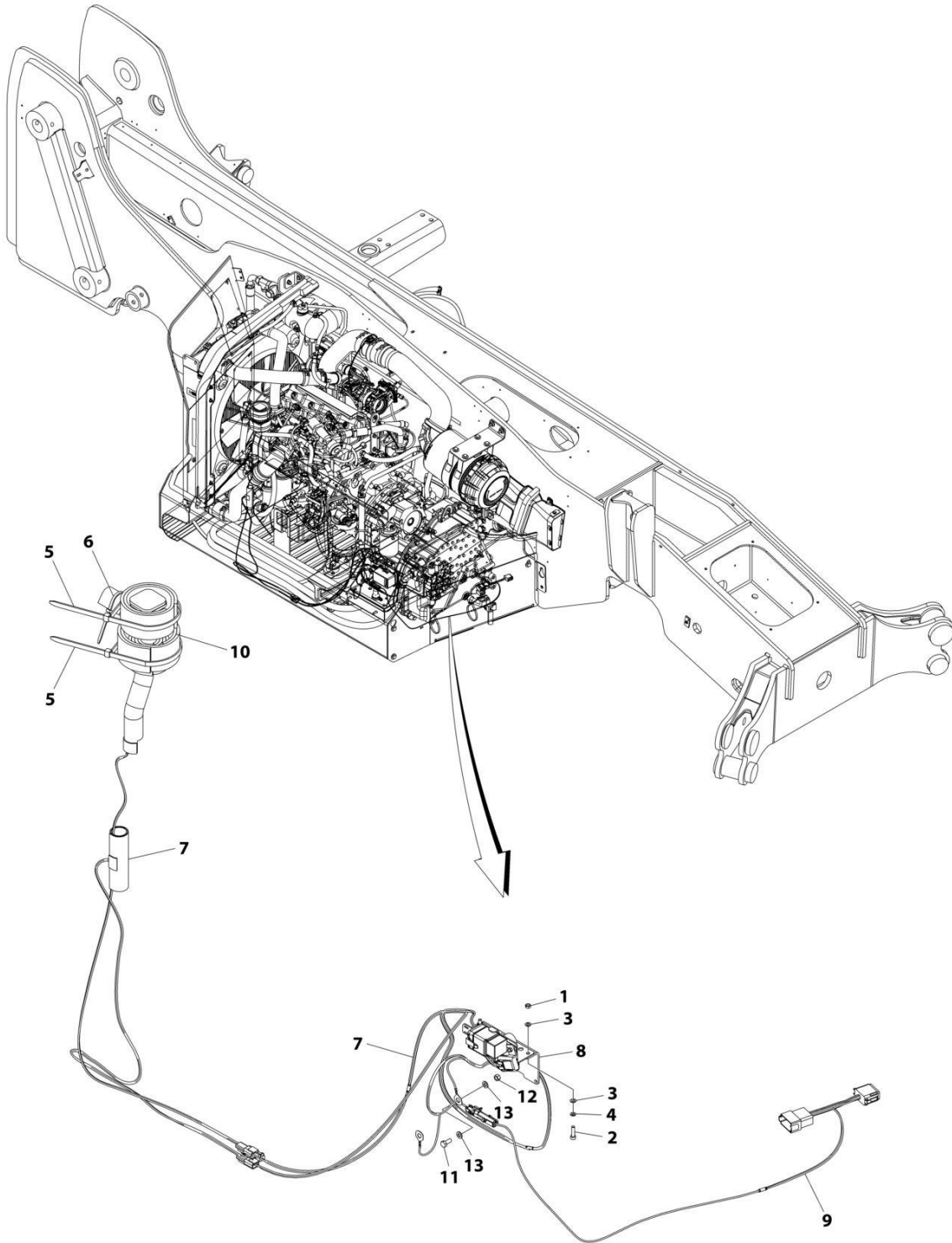
ITEM	PART NUMBER	QTY	DESCRIPTION	REV
50	1001161097	7	Terminal	
51	1001161100	17	Plug	
52	1001161101	8	Plug	
53	1001161963	1	Connector	
54	1001161097	27	Terminal	
55	1001161100	13	Plug	
56	1001161099	5	Terminal	
57	1001161101	3	Plug	
58	1001160500	1	Connector	
59	1001161100	20	Plug	
60	1001161097	4	Terminal	
61	1001161099	7	Terminal	
62	1001161101	1	Plug	
63	1001187076	1	Connector	
64	1001187078	1	Terminal Ring	
65	1001160509	1	Connector	
66	1001160510	1	Terminal	
67	1001175267	1	Seal	





# SECTION 10 - ELECTRICAL

## FIGURE 10-59. HEATER HARNESS - CUMMINS BREATHER (ULS)



ART\_1001232751\_C

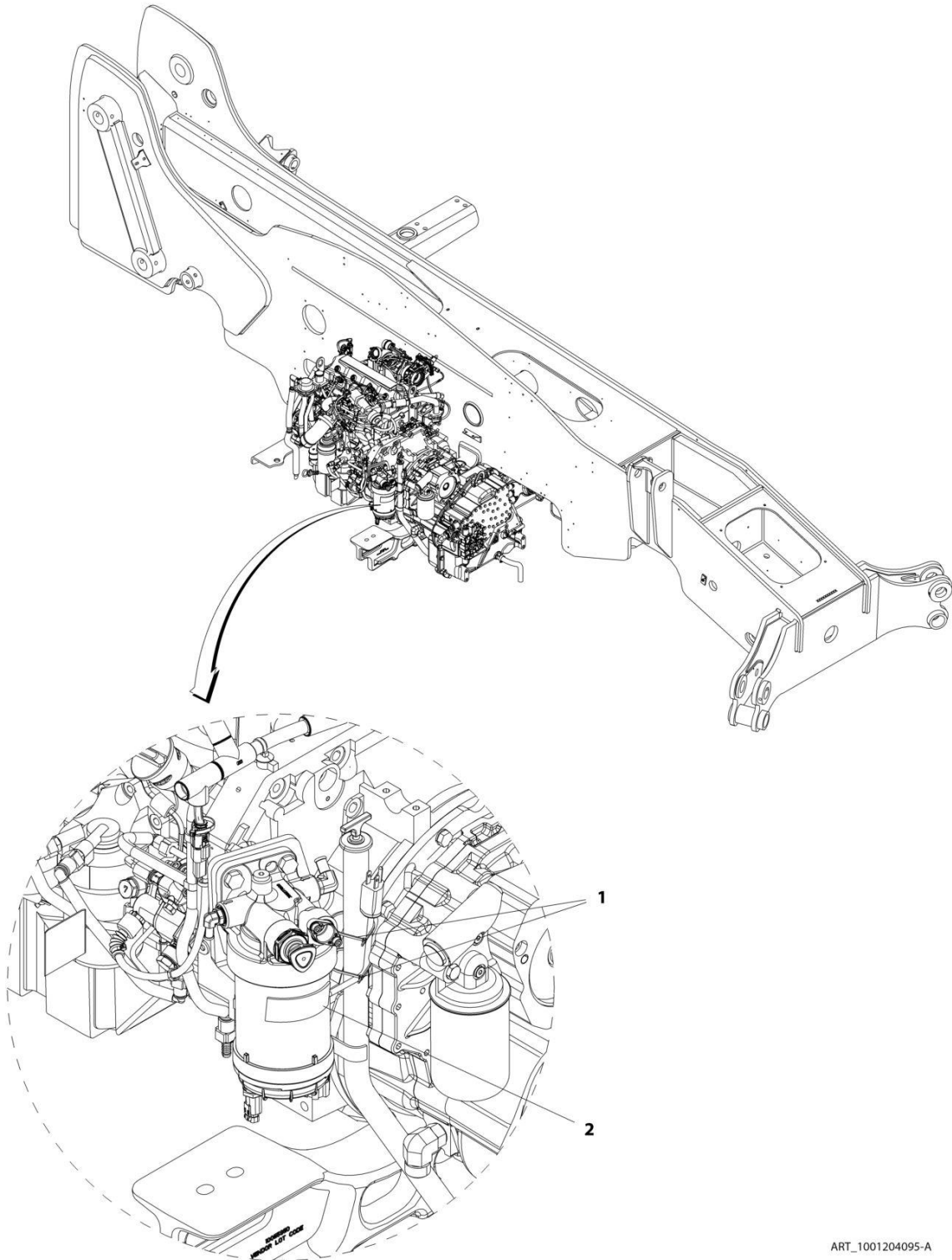
## SECTION 10 - ELECTRICAL

### FIGURE 10-59. HEATER HARNESS - CUMMINS BREATHER (ULS)

ITEM	PART NUMBER	QTY	DESCRIPTION	REV
	1001232751	Ref	Heater Breather - 110 HP	C
1	3290501	2	Nut, M5X0.8	
2	4031608	2	Screw, M5X20	
3	4811600	4	Washer, M5	
4	4831600	2	Washer, Lock M5	
5	01043892	2	Strap, Tie	
6	86683122	1	Strap, Tie	
7	1001232439	1	Engine, Cummins Breather Kit	
8	1001253331	1	Bracket	
9	1001232556	1	Harness, Cummins Heater Jump	
10	1001232624	1	Insulate, Cummins Insulation	
11	0760607	1	Bolt, M6X1	
12	3290601	1	Nut, M6X1	
13	4811700	2	Washer, M6	

# SECTION 10 - ELECTRICAL

## FIGURE 10-60. HEATER HARNESS - FUEL FILTER



ART\_1001204095-A

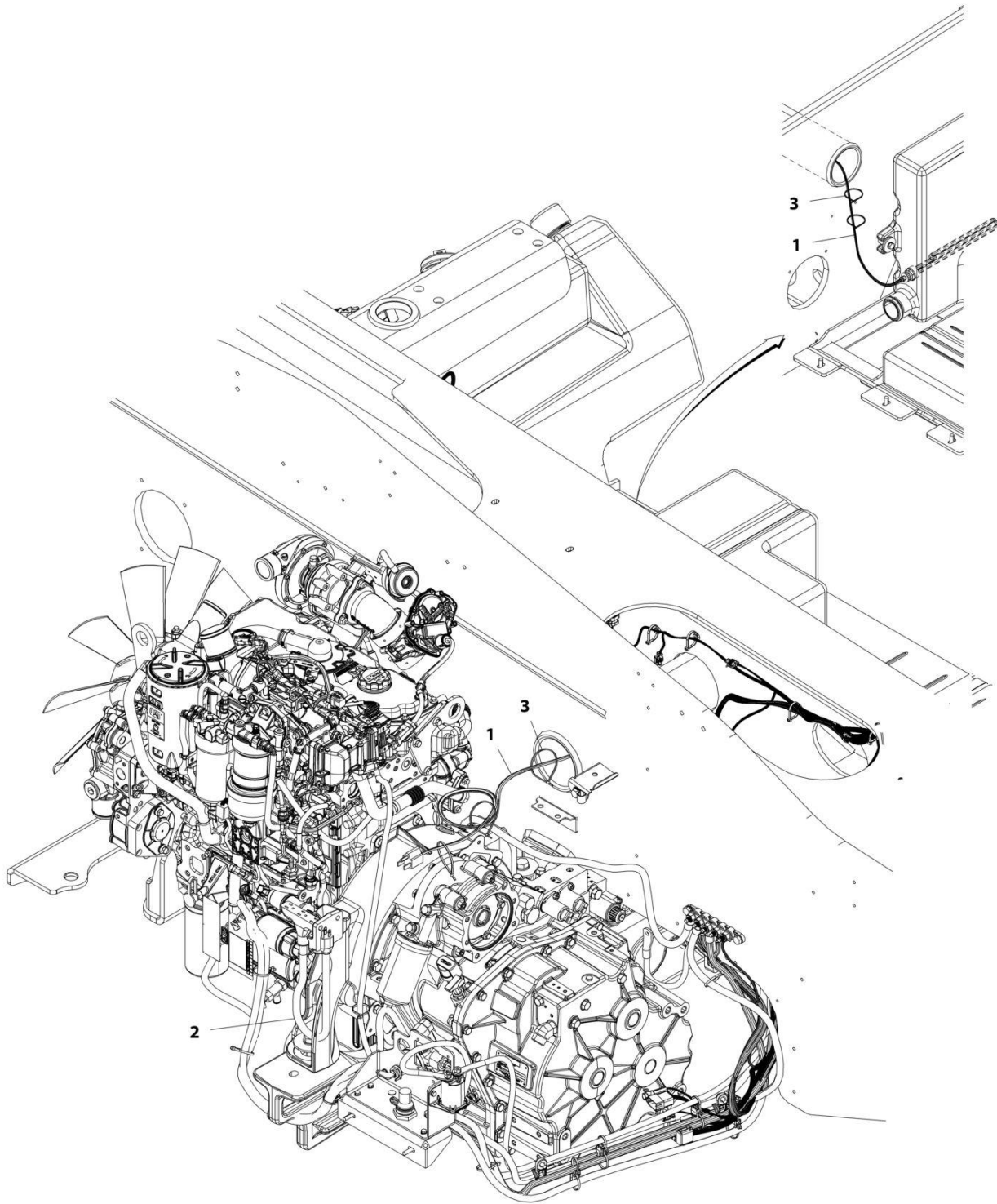
## SECTION 10 - ELECTRICAL

### FIGURE 10-60. HEATER HARNESS - FUEL FILTER

ITEM	PART NUMBER	QTY	DESCRIPTION	REV
	1001204095	Ref	Fuel Filter Heater Installation	A
1	4240099	2	Strap, Tie	
2	1001202498	1	Pad	

# SECTION 10 - ELECTRICAL

## FIGURE 10-61. HEATER HARNESS - HYDRAULIC TANK



ART\_1001190671-B

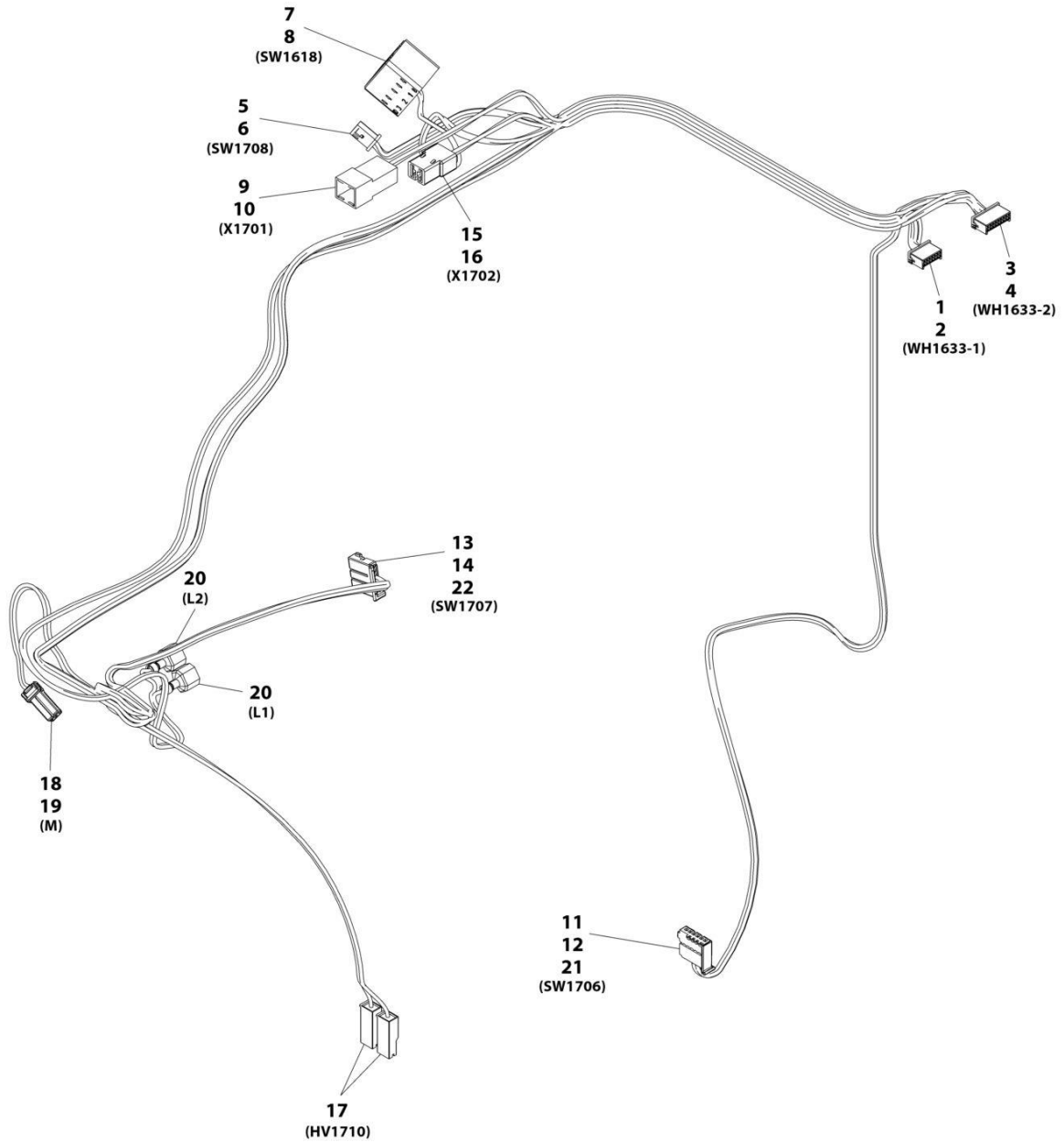
## SECTION 10 - ELECTRICAL

### FIGURE 10-61. HEATER HARNESS - HYDRAULIC TANK

ITEM	PART NUMBER	QTY	DESCRIPTION	REV
	1001190671	Ref	Hydraulic Tank Heater Installation	B
1	1001105886	1	Heater, Immersion	
2	1060626	1	Cord, 3-Way Extension	
3	4240099	5	Strap, Tie	

# SECTION 10 - ELECTRICAL

## FIGURE 10-62. HVAC ACTUATOR HARNESS



ART\_1001268830



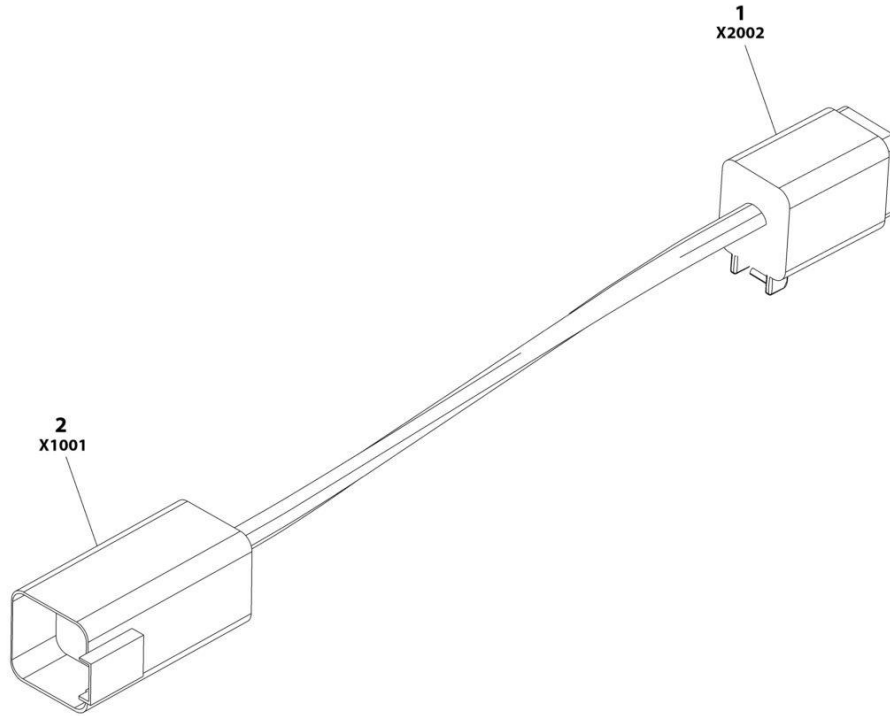
## SECTION 10 - ELECTRICAL

### FIGURE 10-62. HVAC ACTUATOR HARNESS

ITEM	PART NUMBER	QTY	DESCRIPTION	REV
	1001268830	Ref	CAB HVAC ACTUATOR HARNESS	B
1	1001274536	1	Connector	
2	1001274543	10	Terminal	
3	1001274537	1	Connector	
4	1001274543	8	Terminal	
5	1001184473	1	Connector	
6	1001184479	3	Terminal	
7	1001274533	1	Connector	
8	1001274539	4	Terminal	
9	1001116999	1	Connector	
10	1001274540	2	Terminal	
11	1001274534	1	Connector	
12	1001274541	2	Terminal	
13	1001274534	1	Connector	
14	1001274541	5	Terminal	
15	1001116991	1	Connector	
16	1001116720	2	Terminal	
17	1001274535	2	Connector	
18	1001274538	1	Connector	
19	1001274544	2	Terminal	
20	8220050	2	Terminal	
21	1001274553	1	Retainer	
22	1001274553	1	Retainer	

# SECTION 10 - ELECTRICAL

## FIGURE 10-63. JOYSTICK HARNESS



ART\_1001297247

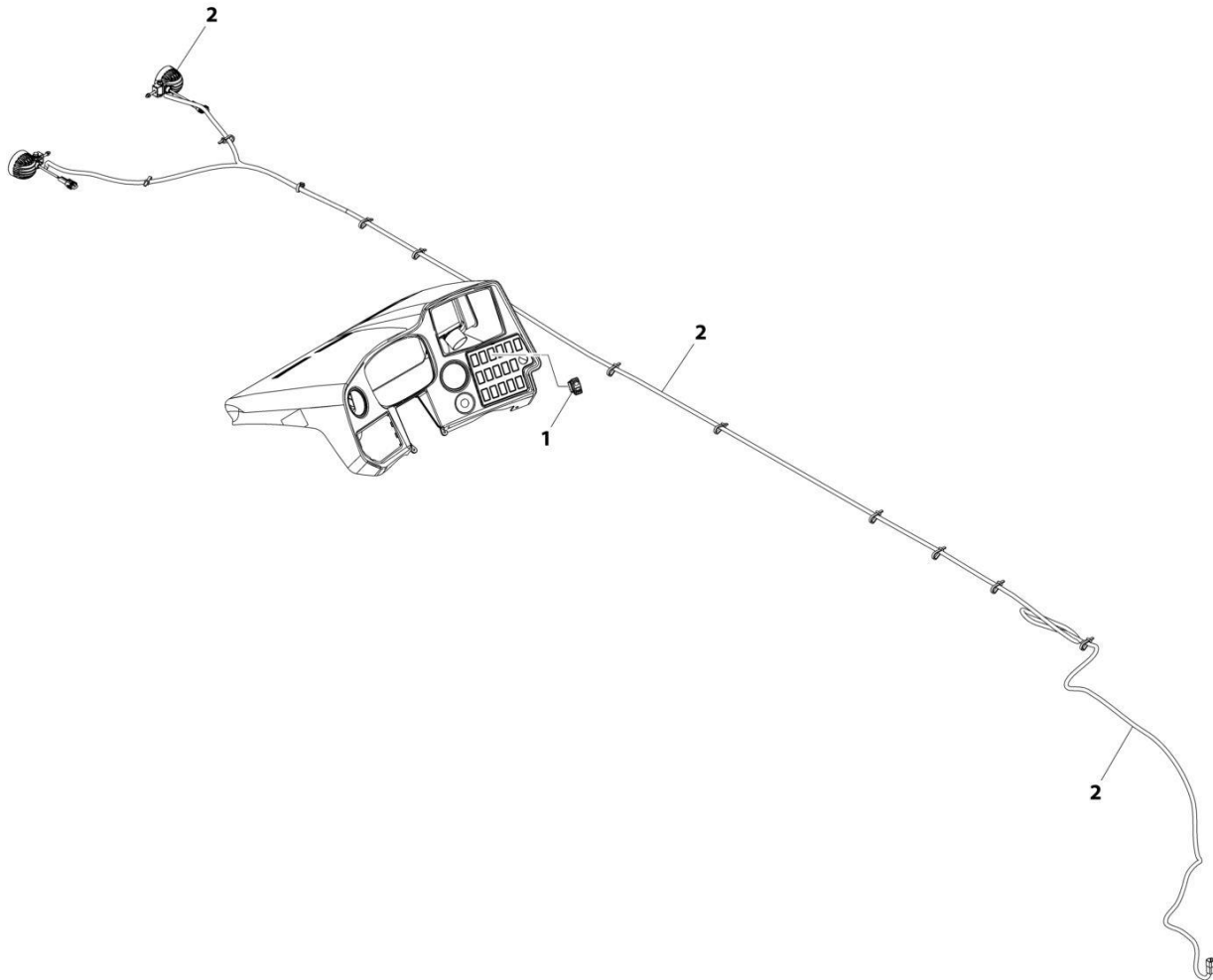
## SECTION 10 - ELECTRICAL

### FIGURE 10-63. JOYSTICK HARNESS

ITEM	PART NUMBER	QTY	DESCRIPTION	REV
	1001297247	Ref	BOSCH JOYSTICK HARNESS	A
1	4460894	1	Connector	
2	4460899	2	Connector	

# SECTION 10 - ELECTRICAL

FIGURE 10-64. LIGHTS - BOOM WORK LIGHTS SWITCH/HARNESS INSTALLATION (LED)



ART\_1001230599-A

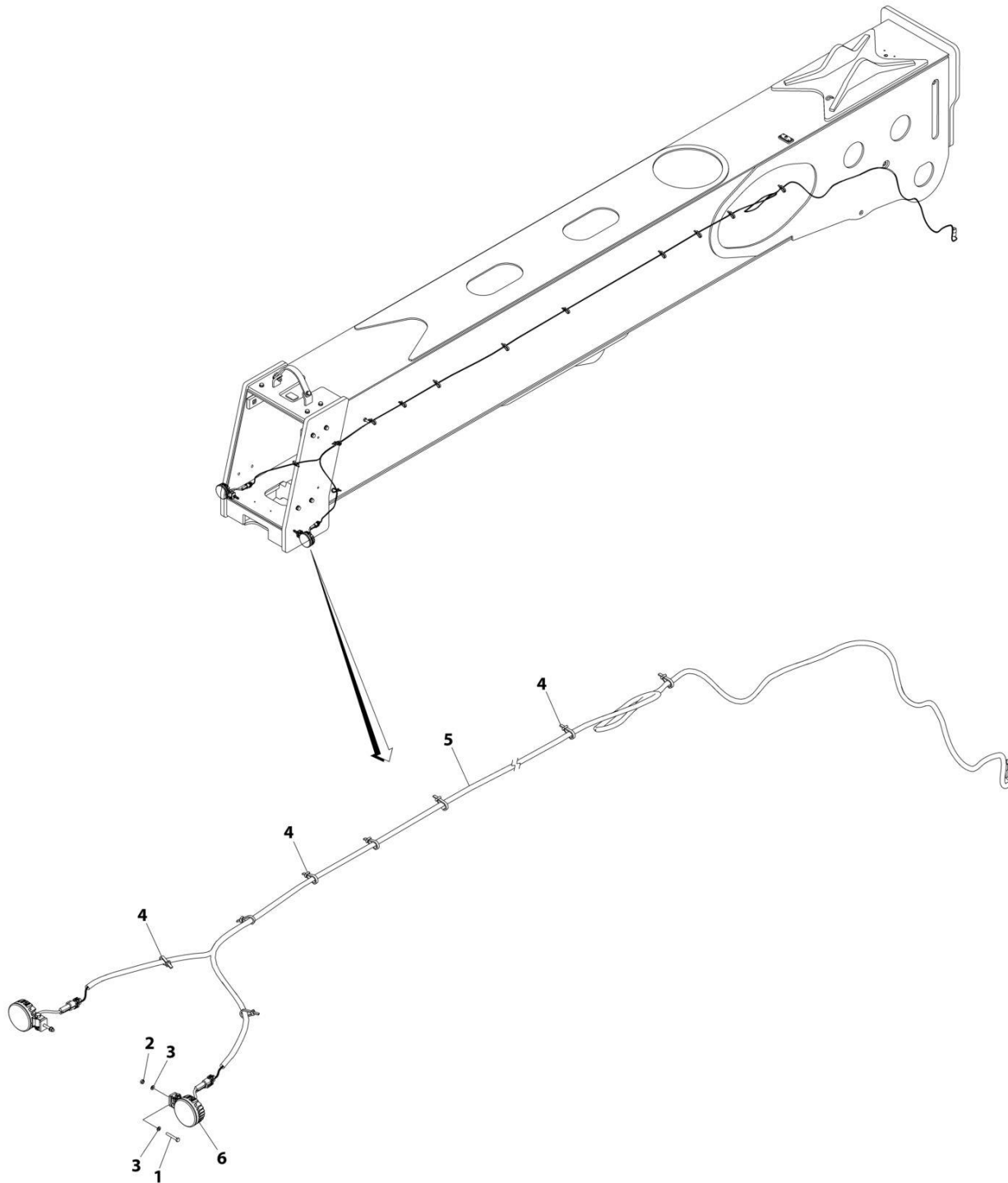
## SECTION 10 - ELECTRICAL

**FIGURE 10-64. LIGHTS - BOOM WORK LIGHTS SWITCH/HARNESS INSTALLATION (LED)**

ITEM	PART NUMBER	QTY	DESCRIPTION	REV
	1001230599	Ref	Boom Work Lights Installation	A
1	1001159739	1	Switch, Boom Work Lights	
2	1001230623	1	Installation, Boom LED Work Lights (See Separate Breakdown in this Section)	

# SECTION 10 - ELECTRICAL

## FIGURE 10-65. LIGHTS - BOOM WORK LIGHTS HARNESS INSTALLATION (LED)



ART\_1001230623\_B

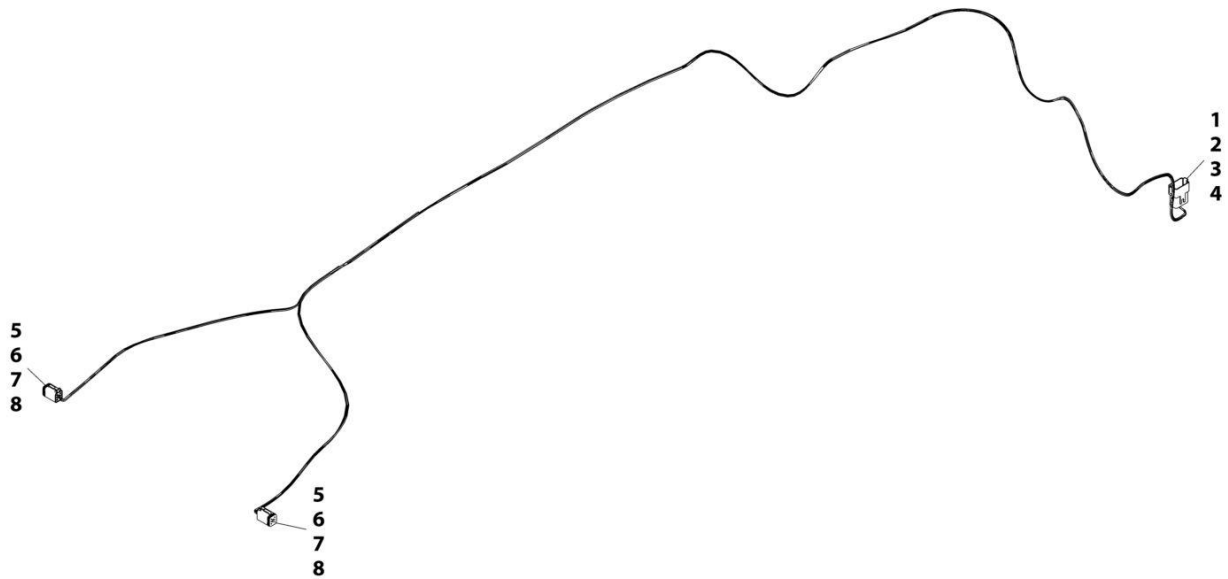
## SECTION 10 - ELECTRICAL

### FIGURE 10-65. LIGHTS - BOOM WORK LIGHTS HARNESS INSTALLATION (LED)

ITEM	PART NUMBER	QTY	DESCRIPTION	REV
	1001230623	Ref	BOOM WORK LIGHTS HARNESS INSTALLATION (LED)	B
1	0700616	2	Bolt M6 x 40	
2	3290601	2	Nut M6	
3	4811700	4	Washer M6	
4	1001008923	AR	Strap, Cable	
5	1001167608	1	Harness, Boom Worklights (See Separate Breakdown in this Section)	
6	1001273635	2	Lamp, LED Work light	

# SECTION 10 - ELECTRICAL

## FIGURE 10-66. LIGHTS - BOOM WORK LIGHTS HARNESS



ART\_1001167608-E



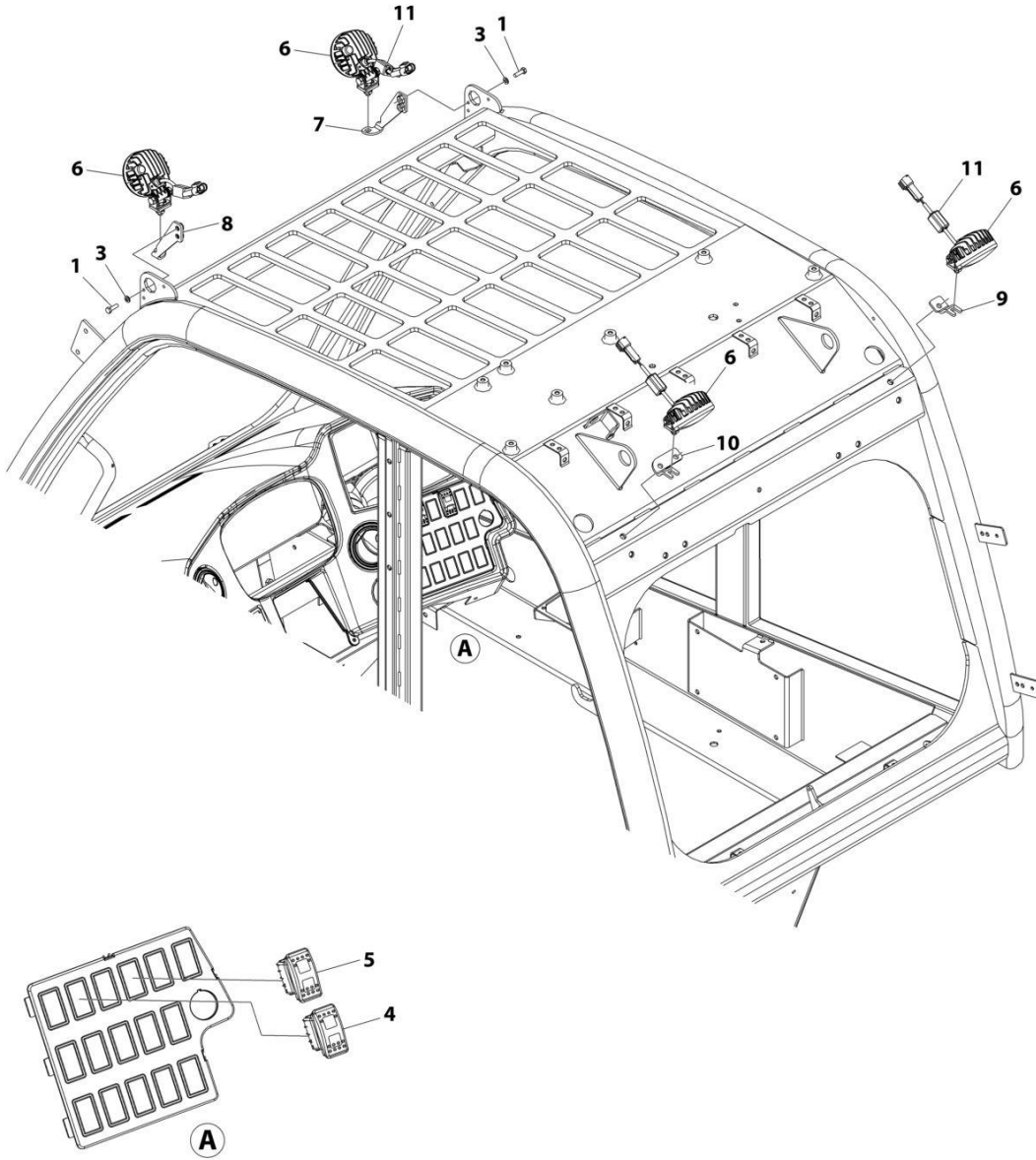
## SECTION 10 - ELECTRICAL

### FIGURE 10-66. LIGHTS - BOOM WORK LIGHTS HARNESS

ITEM	PART NUMBER	QTY	DESCRIPTION	REV
	1001167608	Ref	Boom Worklights Harness	E
1	4460932	1	Connector	
2	80604020	1	Lock, Connector	
3	4460464	2	Terminal	
4	4460466	2	Plug	
5	4461115	2	Connector	
6	1001103564	2	Lock, Terminal	
7	1001116728	2	Terminal	
8	4460458	2	Seal	

# SECTION 10 - ELECTRICAL

## FIGURE 10-67. LIGHTS - CAB WORK LIGHTS INSTALLATION (NO A/C) (LED)



ART\_1001200538\_E

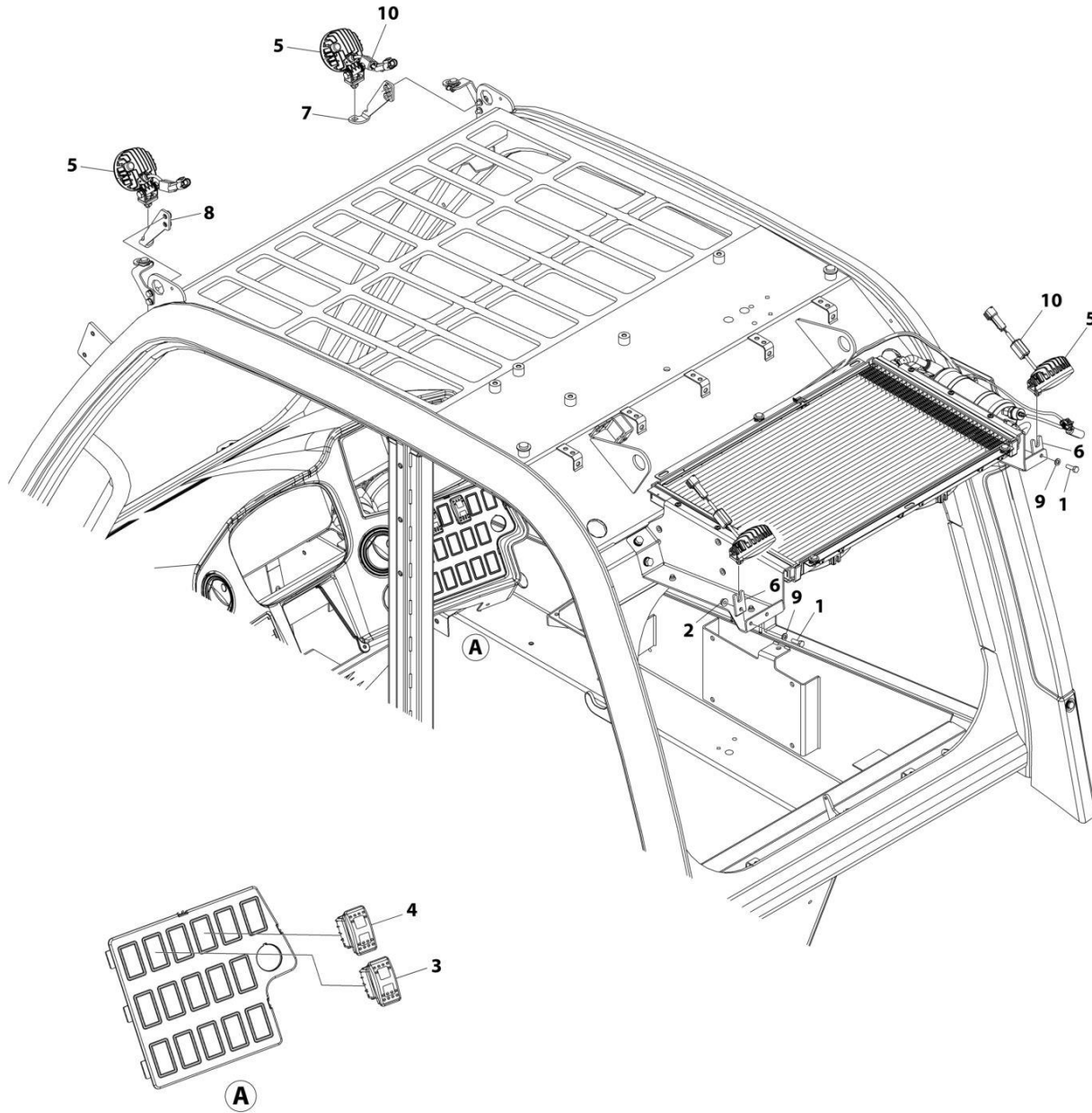
## SECTION 10 - ELECTRICAL

**FIGURE 10-67. LIGHTS - CAB WORK LIGHTS INSTALLATION (NO A/C) (LED)**

ITEM	PART NUMBER	QTY	DESCRIPTION	REV
	1001200538	Ref	LIGHTS - CAB WORK LIGHTS INSTALLATION (NO A/C) (LED)	E
1	0700610	4	Bolt M6 x 20	
3	4811700	4	Washer M6	
4	1001159845	1	Switch, Front Worklights	
5	1001159846	1	Switch, Rear Worklights	
6	1001273635	4	Lamp, LED Work Light	
7	1001244193	1	Support, LED Work Light RH	
8	1001244192	1	Support, LED Work Light LH	
9	1001204528	1	Support, LED Work Light RH	
10	1001204530	1	Support, LED Work Light LH	
11	1001228989	4	Harness, Ferrite	

# SECTION 10 - ELECTRICAL

## FIGURE 10-68. LIGHTS - CAB WORK LIGHTS INSTALLATION (A/C) (LED)



ART\_1001200539\_E

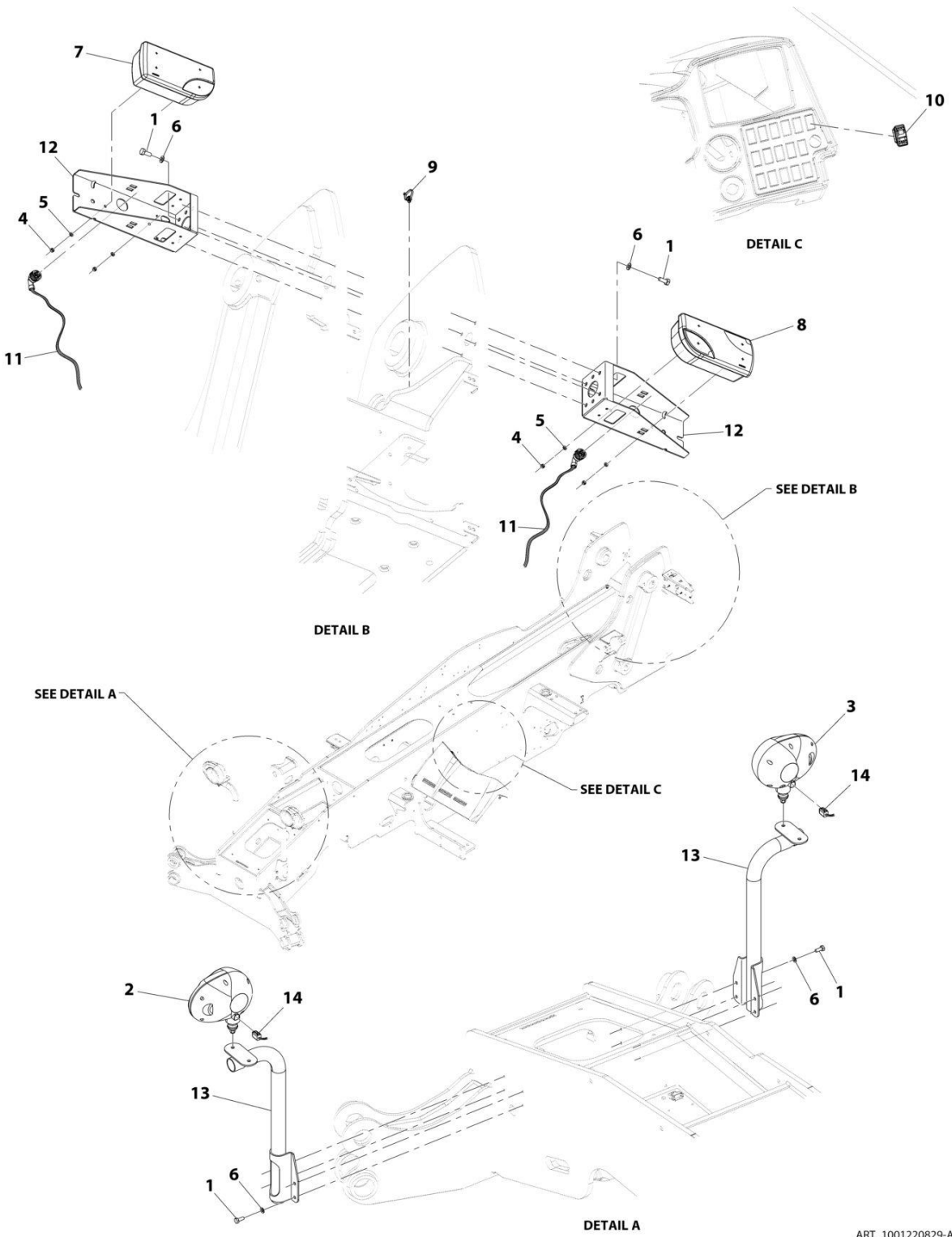
## SECTION 10 - ELECTRICAL

**FIGURE 10-68. LIGHTS - CAB WORK LIGHTS INSTALLATION (A/C) (LED)**

ITEM	PART NUMBER	QTY	DESCRIPTION	REV
	1001200539	Ref	LIGHTS - CAB WORK LIGHTS INSTALLATION (A/C) (LED)	E
1	0700610	2	Bolt M6 x 20	
2	5220600	2	Nut M6	
3	1001159845	1	Switch, Front Worklights	
4	1001159846	1	Switch, Rear Worklights	
5	1001273635	4	Lamp, LED Worklights	
6	1001204060	2	Bracket	
7	1001244193	1	Support, LED Work Light RH	
8	1001244192	1	Support, LED Work Light LH	
9	4811700	2	Washer M6	
10	1001228989	4	Harness, Ferrite	

# SECTION 10 - ELECTRICAL

## FIGURE 10-69. LIGHTS - ROADLIGHTS INSTALLATION



ART\_1001220829-A

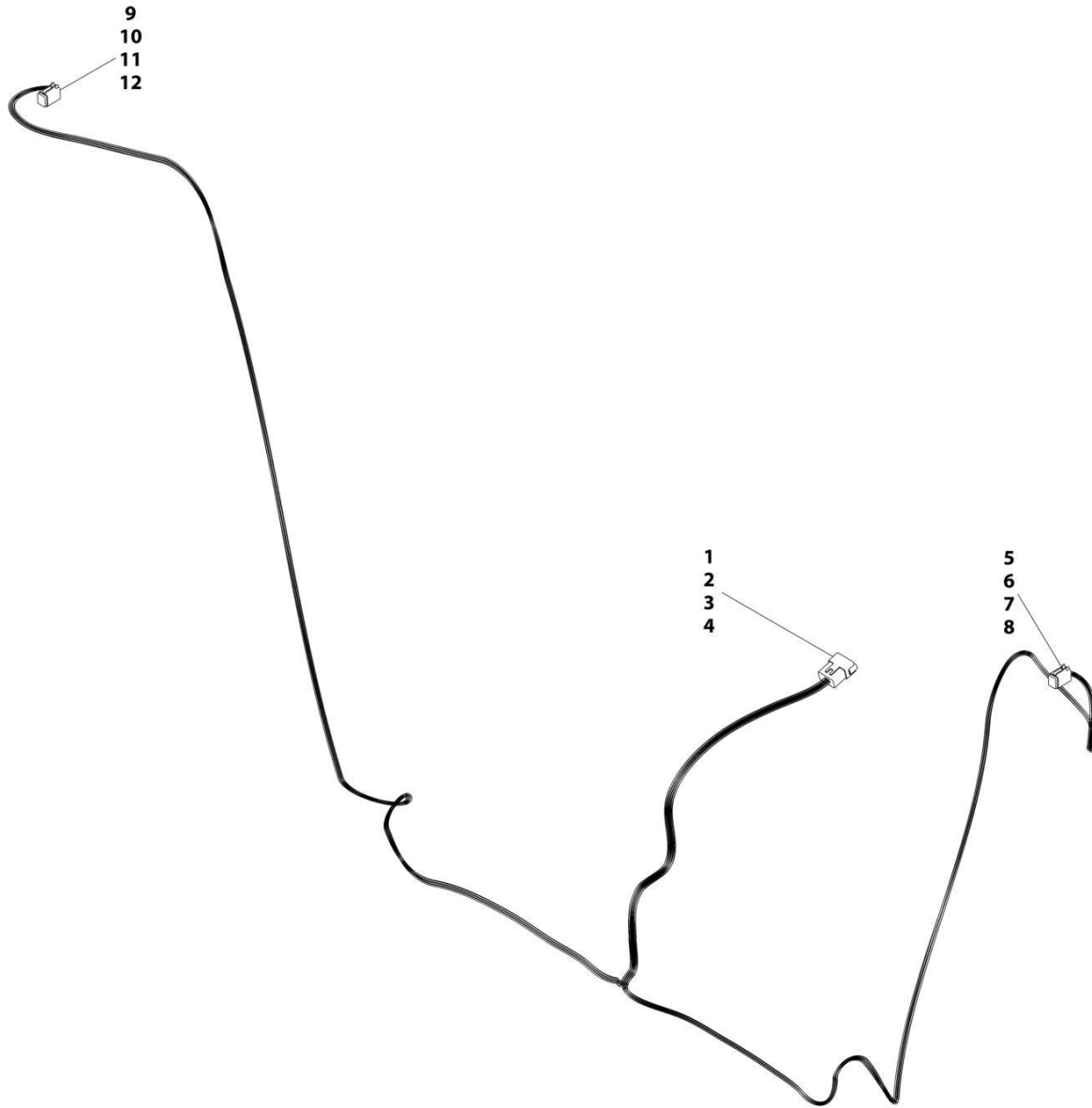
## SECTION 10 - ELECTRICAL

**FIGURE 10-69. LIGHTS - ROADLIGHTS INSTALLATION**

ITEM	PART NUMBER	QTY	DESCRIPTION	REV
	1001220829	Ref	Road Lights Installation	A
1	0761010	16	Bolt, M10X20	
2	2920207	1	Driving Light, LH	
3	2920208	1	Driving Light, RH	
4	3290607	4	Nut, M6X1	
5	4811700	4	Washer, M6	
6	4812000	16	Washer, M10	
7	1001091715	1	Lamp, Rear LH	
8	1001091716	1	Lamp, Rear RH	
9	1001146588	1	Strap, Cable	
10	1001159734	1	Switch, Hazard	
11	1001173092	1	Harness, HBP Tail Lights (See Separate Breakdown in Electrical Section)	
12	1001196100	2	Bracket	
13	1001220817	2	Bracket	
14	1001165360	1	Harness, Front Frame Headlight (See Separate Breakdown in Electrical Section)	

# SECTION 10 - ELECTRICAL

## FIGURE 10-70. LIGHTS - ROADLIGHTS HEADLIGHT HARNESS



ART\_1001165360-D



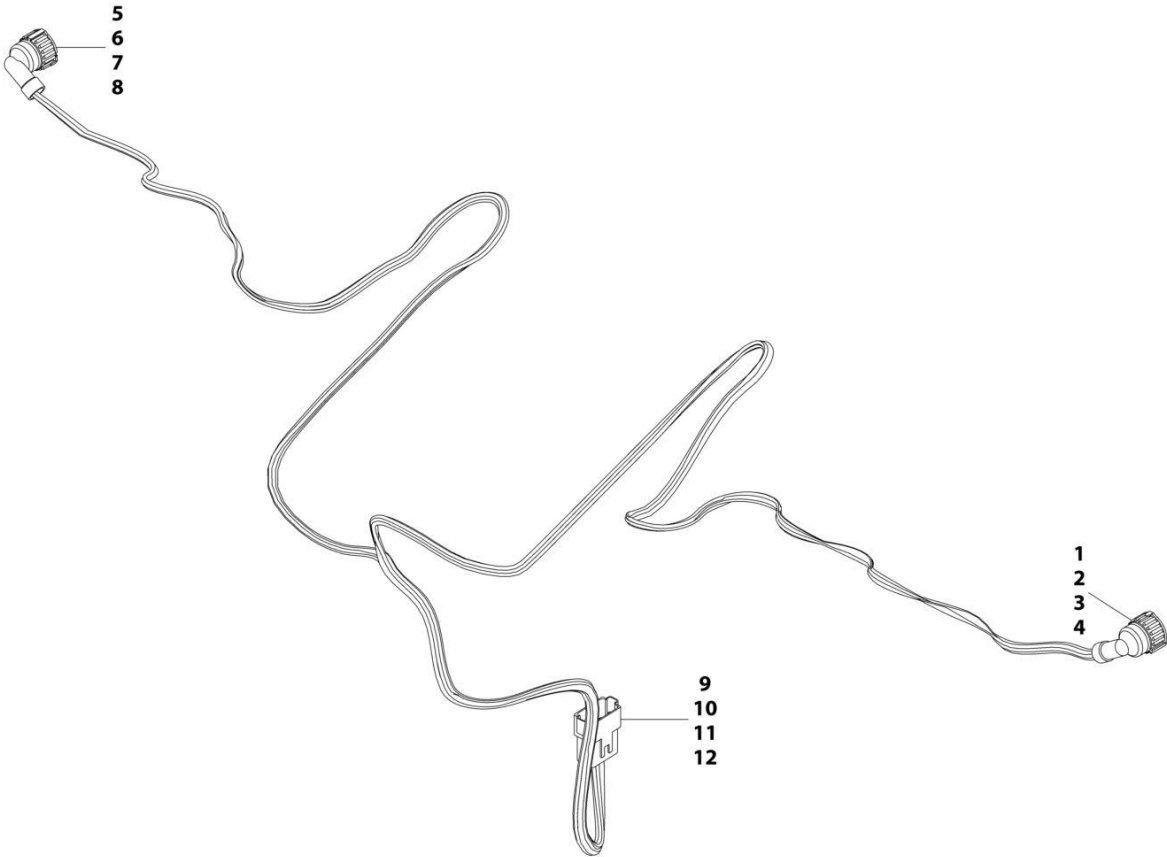
## SECTION 10 - ELECTRICAL

### FIGURE 10-70. LIGHTS - ROADLIGHTS HEADLIGHT HARNESS

ITEM	PART NUMBER	QTY	DESCRIPTION	REV
	1001165360	Ref	Front Frame Headlight Harness	D
1	4460970	1	Connector	
2	80363179	1	Lock, Connector	
3	4460941	10	Terminal	
4	4460466	2	Plug	
5	4460894	1	Connector	
6	91504107	1	Lock, Connector	
7	4460942	5	Terminal	
8	4460466	1	Plug	
9	4460894	1	Connector	
10	91504107	1	Lock, Connector	
11	4460942	5	Terminal	
12	4460466	1	Plug	

# SECTION 10 - ELECTRICAL

## FIGURE 10-71. LIGHTS - ROADLIGHTS TAILLIGHTS HARNESS



ART\_1001173092-D

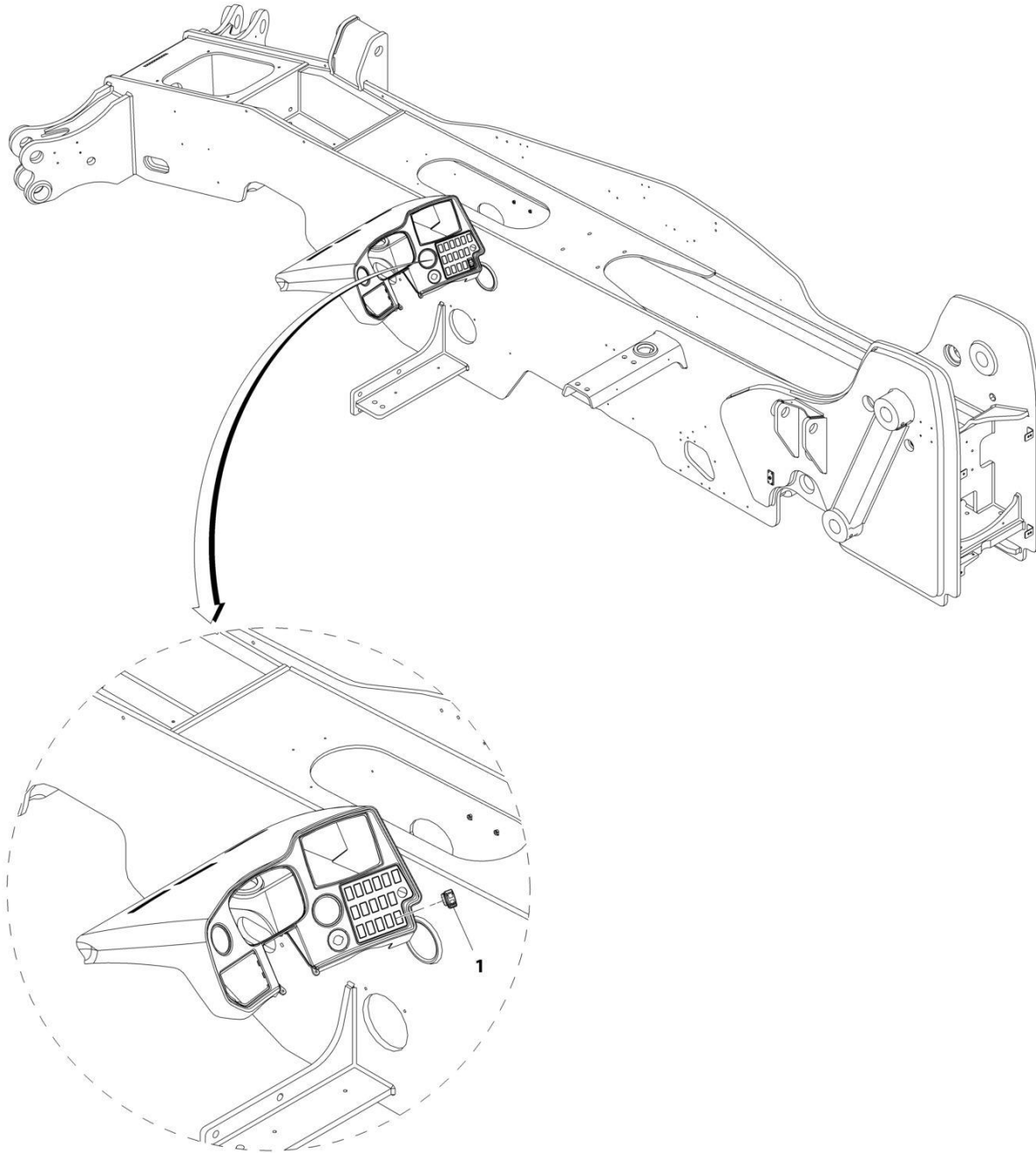
## SECTION 10 - ELECTRICAL

### FIGURE 10-71. LIGHTS - ROADLIGHTS TAILLIGHTS HARNESS

ITEM	PART NUMBER	QTY	DESCRIPTION	REV
	1001173092	Ref	HBP Tail Lights Harness	D
1	1001116996	1	Connector	
2	1001118392	5	Terminal	
3	4461054	5	Seal	
4	1001116696	2	Plug	
5	1001116996	1	Connector	
6	1001118392	5	Terminal	
7	4461054	5	Seal	
8	1001116696	2	Plug	
9	4460970	1	Connector	
10	80363179	1	Lock, Connector	
11	4460941	10	Terminal	
12	4460466	2	Plug	

# SECTION 10 - ELECTRICAL

## FIGURE 10-72. LIGHTS - SWITCH INSTALLATION



ART\_100197282-A

## SECTION 10 - ELECTRICAL

### FIGURE 10-72. LIGHTS - SWITCH INSTALLATION

ITEM	PART NUMBER	QTY	DESCRIPTION	REV
1	1001197282	Ref	Switch Light Installation	A
	1001163639	1	Switch, Driving Lights	

# SECTION 10 - ELECTRICAL

## FIGURE 10-73. LSI HARNESS - BOOM RETRACT



ART\_1001259062-A

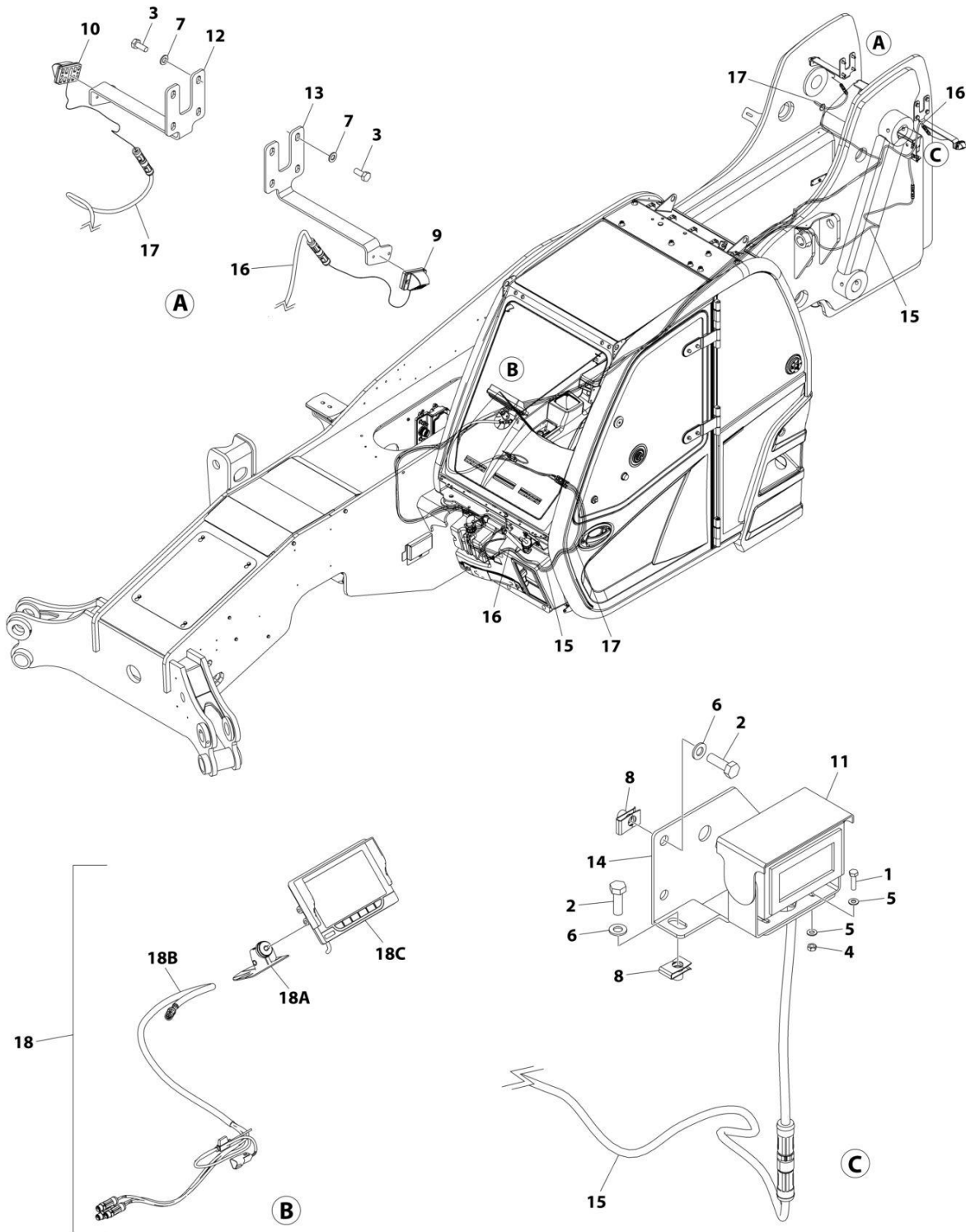
## SECTION 10 - ELECTRICAL

### FIGURE 10-73. LSI HARNESS - BOOM RETRACT

ITEM	PART NUMBER	QTY	DESCRIPTION	REV
	1001259062	Ref	Boom Retract Harness	B
1	4461262	1	Connector	
2	1001107854	3	Terminal	
3	1001104498	3	Seal	
4	4460932	1	Connector	
5	4460464	3	Terminal	
6	4460466	1	Plug	

# SECTION 10 - ELECTRICAL

## FIGURE 10-74. MULTI VIEW CAMERA INSTALLATION



ART\_1001297563



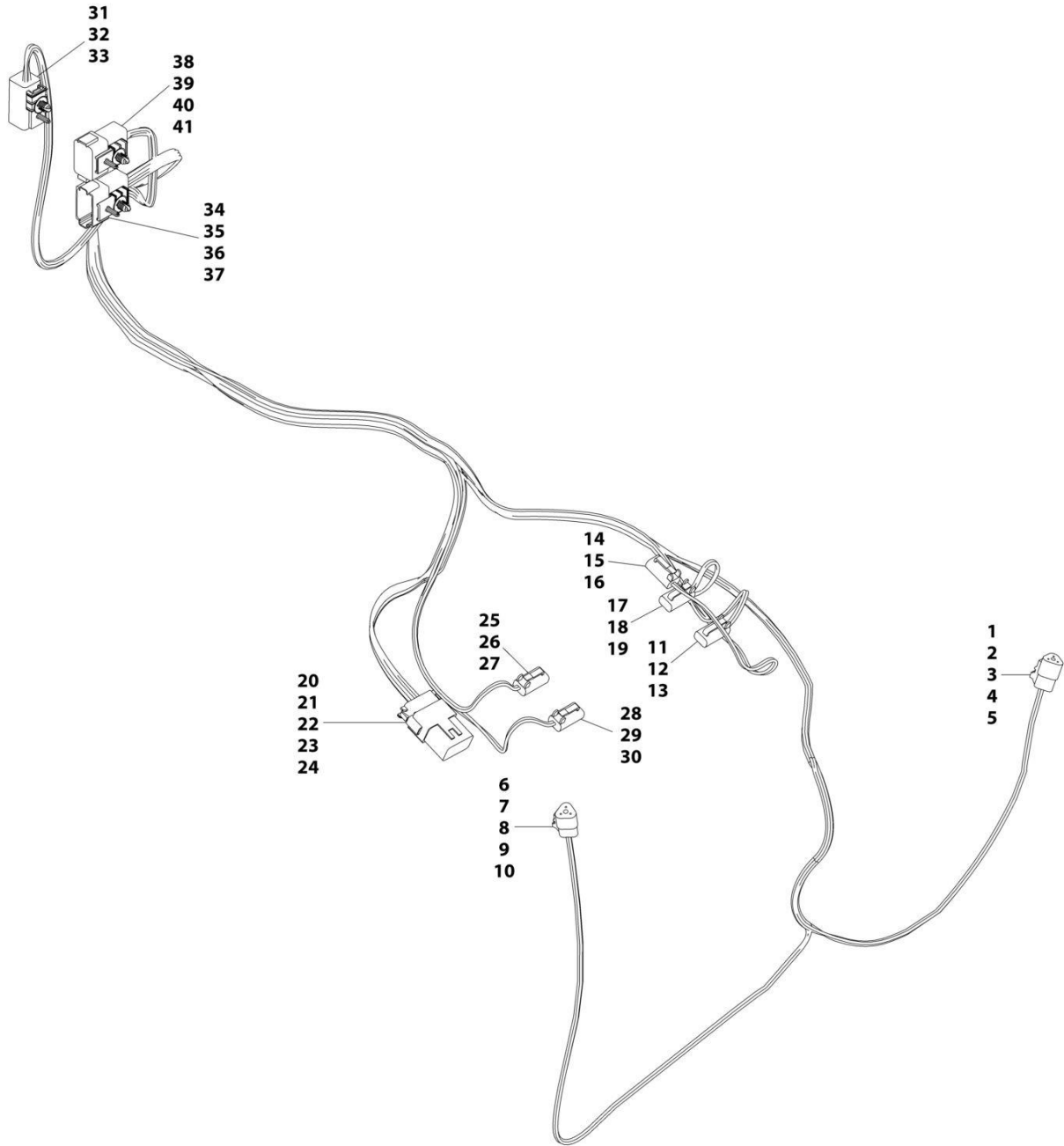
## SECTION 10 - ELECTRICAL

### FIGURE 10-74. MULTI VIEW CAMERA INSTALLATION

ITEM	PART NUMBER	QTY	DESCRIPTION	REV
	1001297563	Ref	MULTI VIEW CAMERA INSTALLATION	A
1	0700408	2	Bolt M4 x 16	
2	0760812	3	Bolt M8 x 25	
3	0761012	8	Bolt M10 x 25	
4	3290401	2	Nut M4	
5	4811400	4	Washer M4	
6	4811900	3	Washer M8	
7	4812000	8	Washer M10	
8	8310686	3	Nut, Retainer M8	
9	1001264534	1	Camera, Side View (LH)	
10	1001264536	1	Camera, Side View (RH)	
11	1001233174	1	Camera, Rear View	
12	1001280434	1	Bracket, Camera (RH)	
13	1001280435	1	Bracket, Camera (LH)	
14	1001291685	1	Bracket, Rear Camera	
15	1001233434	1	Extension Cable Camera Harness	
16	1001265979	1	Extension Cable Camera Harness (LH)	
17	1001265980	1	Extension Cable Camera Harness (RH)	
18	1001289479	1	Quad View Monitor Assembly	C
18A	1001233217	1	Bracket	
18B	1001294608	1	Quad View Monitor Harness	
18C	1001302410	1	Monitor LED Display	

# SECTION 10 - ELECTRICAL

## FIGURE 10-75. OUTRIGGER HARNESS



ART\_1001172822-E

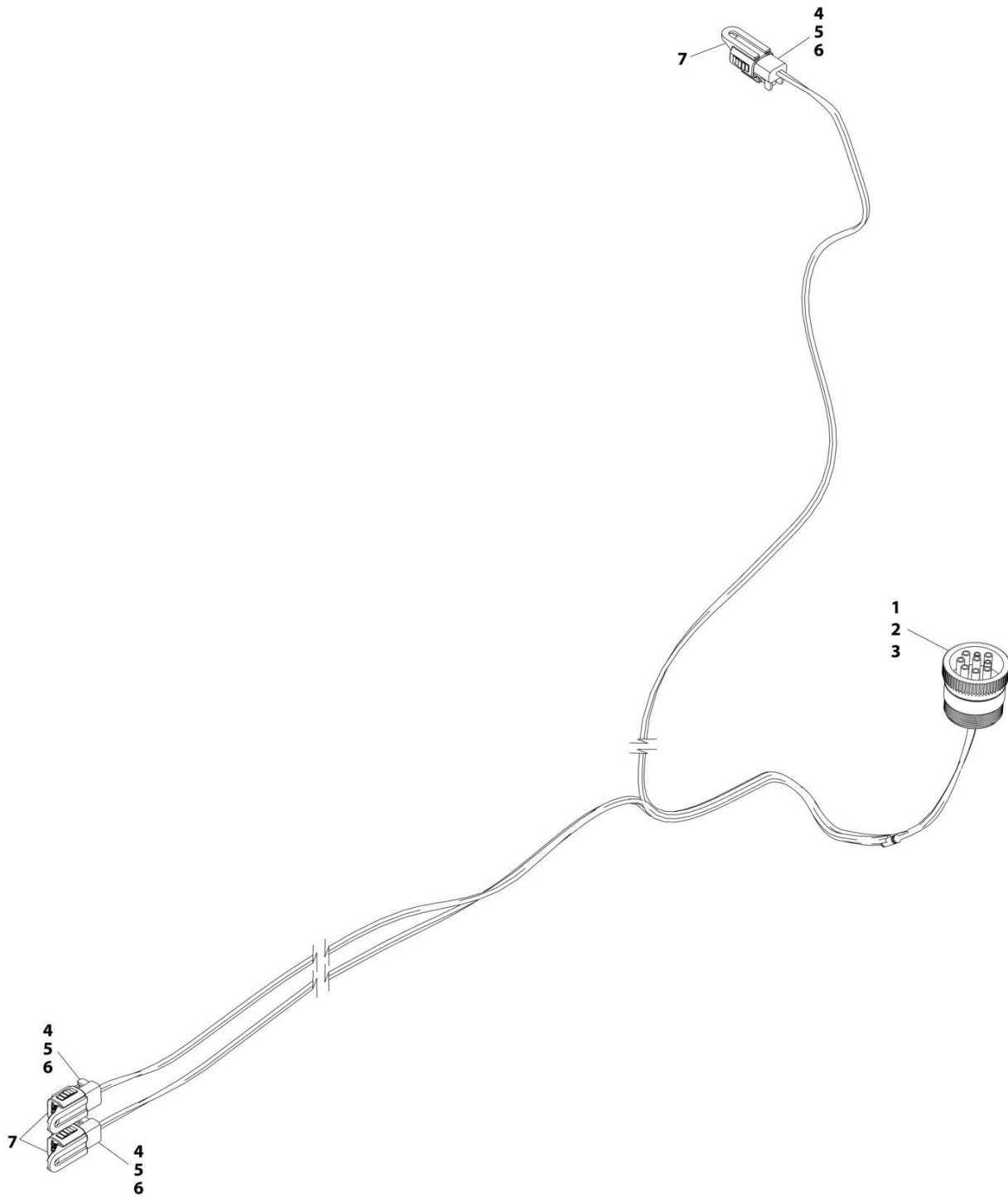
## SECTION 10 - ELECTRICAL

### FIGURE 10-75. OUTRIGGER HARNESS

ITEM	PART NUMBER	QTY	DESCRIPTION	REV
	1001172822	Ref	Outrigger Harness	E
1	4460539	1	Connector	
2	77363244	1	Lock, Secondary	
3	4460536	1	Terminal, 3 Pin Male	
4	4460465	3	Terminal	
5	4460466	1	Plug	
6	4460539	1	Connector	
7	77363244	1	Lock, Secondary	
8	4460536	1	Terminal, 3 Pin Male	
9	4460465	3	Terminal	
10	4460466	1	Plug	
11	4460891	1	Connector	
12	80604018	1	Lock, Secondary	
13	4460465	2	Terminal	
14	4460891	1	Connector	
15	80604018	1	Lock, Secondary	
16	4460465	2	Terminal	
17	4460891	1	Connector	
18	80604018	1	Lock, Secondary	
19	4460465	2	Terminal	
20	4460933	1	Connector	
21	80604016	1	Lock, Secondary	
22	4460970	1	Terminal, Receptacle	
23	4460942	10	Terminal	
24	4460466	2	Plug	
25	4460891	1	Connector	
26	80604018	1	Lock, Secondary	
27	4460465	2	Terminal	
28	4460891	1	Connector	
29	80604018	1	Lock, Secondary	
30	4460465	2	Terminal	
31	4460899	1	Connector	
32	80604022	1	Lock, Secondary	
33	4460464	6	Terminal	
34	4460970	1	Connector	
35	80363179	1	Lock, Secondary	
36	4460941	10	Terminal	
37	4460466	2	Plug	
38	4460950	1	Connector	
39	80363179	1	Lock, Secondary	
40	4460464	7	Terminal	
41	4460466	5	Plug	

# SECTION 10 - ELECTRICAL

## FIGURE 10-76. PLATFORM HARNESS



ART\_1001167695-C

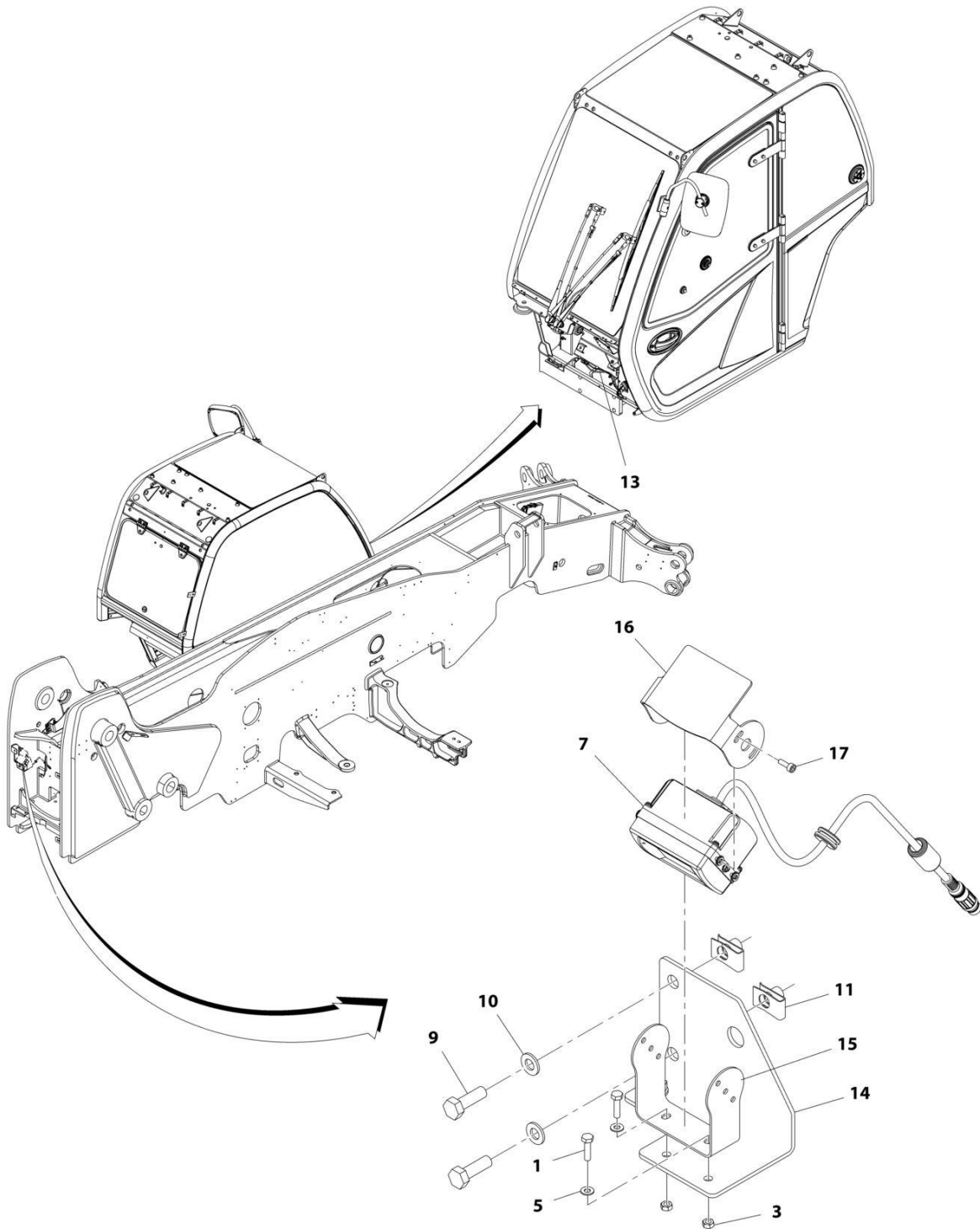
## SECTION 10 - ELECTRICAL

### FIGURE 10-76. PLATFORM HARNESS

ITEM	PART NUMBER	QTY	DESCRIPTION	REV
	1001167695	Ref	Platform Harness	C
1	1001112796	1	Connector	
2	4460466	5	Terminal	
3	4460465	4	Terminal	
4	4460891	3	Connector, (includes rear seal)	
5	80604018	2	Lock, Connector	
6	4460465	2	Terminal	
7	1001155806	3	Cap, Dust	

# SECTION 10 - ELECTRICAL

## FIGURE 10-77. REVERSE CAMERA INSTALLATION



ART\_1001168031-E

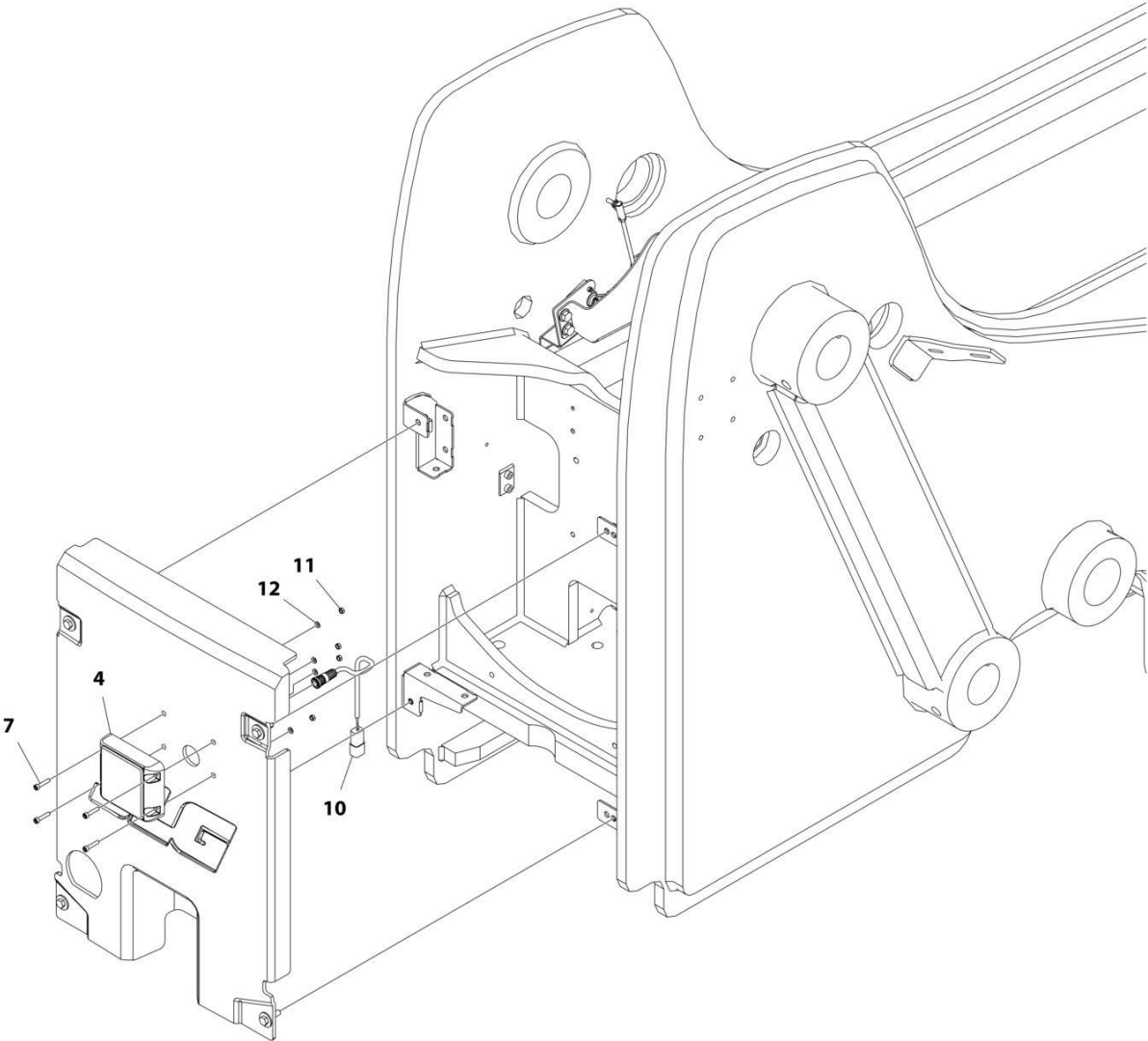
## SECTION 10 - ELECTRICAL

### FIGURE 10-77. REVERSE CAMERA INSTALLATION

ITEM	PART NUMBER	QTY	DESCRIPTION	REV
	1001168031	Ref	Reverse Camera Installation	E
1	0700408	2	Bolt, M4X16	
3	3290401	2	Nut, M4X0.7	
5	4811400	2	Washer, M4	
7	1001167017	1	Camera	
9	0760812	3	Bolt, M8X25	
10	4811900	3	Washer, M8	
11	8310686	3	Nut, Retainer M8X12.5	
13	1001171962	1	Cable, Reverse Camera	
14	1001202620	1	Bracket, Reverse Camera Mount	
15	1001202621	1	Bracket, Reverse Camera Mount	
16	1001202622	1	Bracket, Reverse Sun Shield	
17	4031205	4	Bolt, M3X10	

**SECTION 10 - ELECTRICAL**

**FIGURE 10-78. REVERSE SENSOR INSTALLATION**



ART\_1001172536\_I



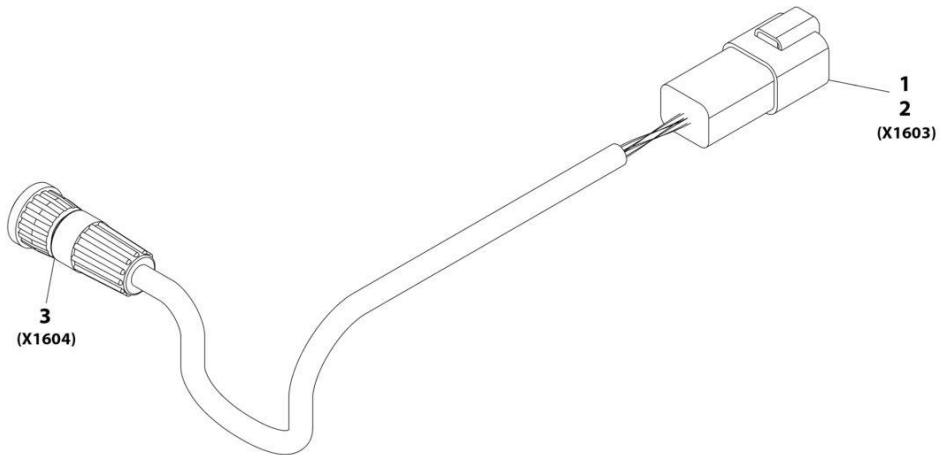
## SECTION 10 - ELECTRICAL

### FIGURE 10-78. REVERSE SENSOR INSTALLATION

ITEM	PART NUMBER	QTY	DESCRIPTION	REV
	1001172536	Ref	Reverse Sensor Installation	I
4	1001247421	1	Sensor, Reverse	
7	5271609	4	Screw, M5X25	
10	1001175776	1	Harness, Reverse Sensor (See Separate Breakdown in this Section)	
11	3290501	4	Nut, M5X0.8	
12	4811600	4	Washer, M5	

# SECTION 10 - ELECTRICAL

## FIGURE 10-79. REVERSE SENSOR HARNESS



ART\_1001175776-C

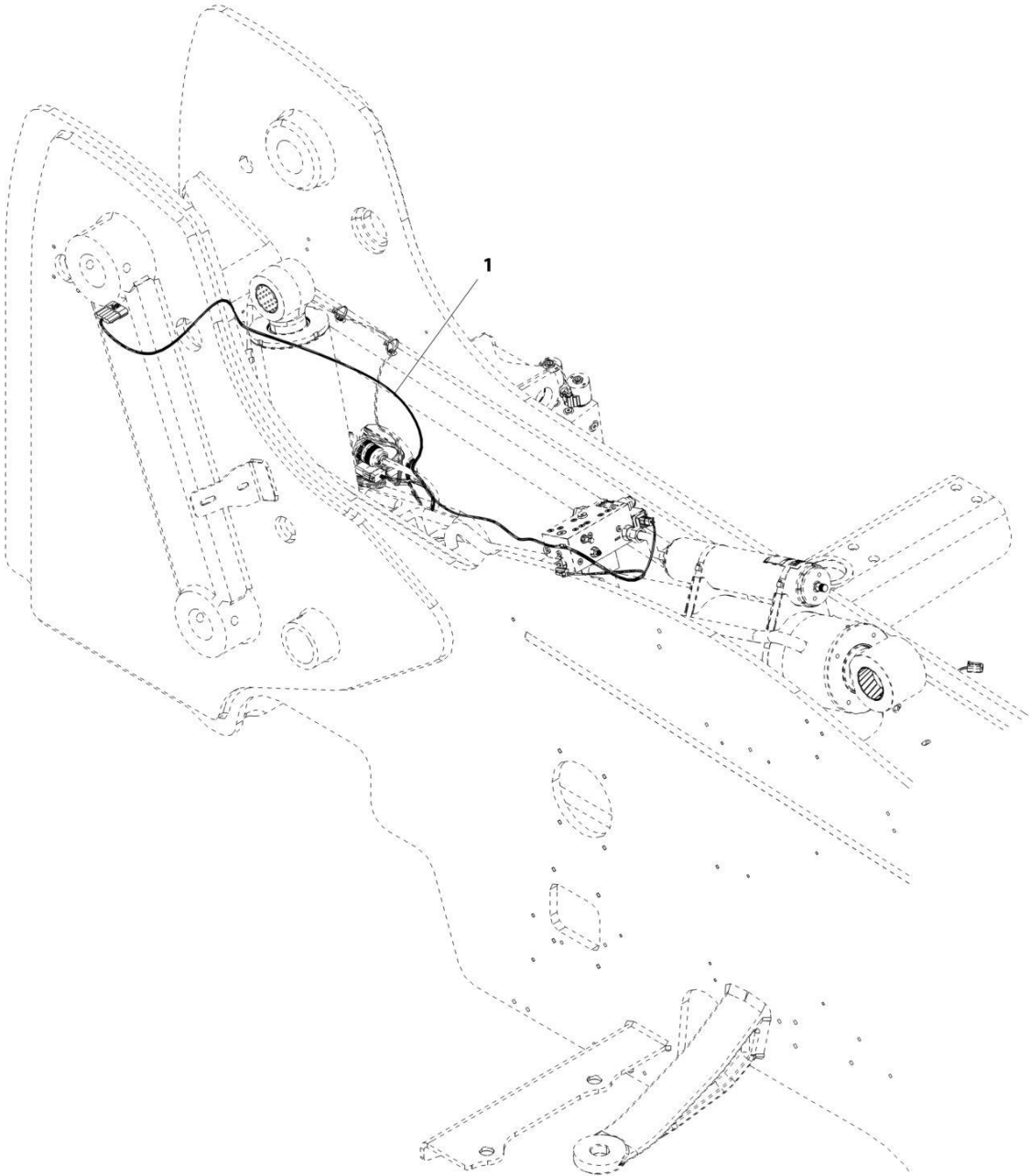
## SECTION 10 - ELECTRICAL

### FIGURE 10-79. REVERSE SENSOR HARNESS

ITEM	PART NUMBER	QTY	DESCRIPTION	REV
	1001175776	Ref	Reverse Sensor Harness	C
1	4460932	1	Connector	
2	4460464	4	Terminal	
3	1001175733	1	Connector	

**SECTION 10 - ELECTRICAL**

**FIGURE 10-80. RIDE CONTROL VALVE HARNESS INSTALLATION**



ART\_1001175677-A

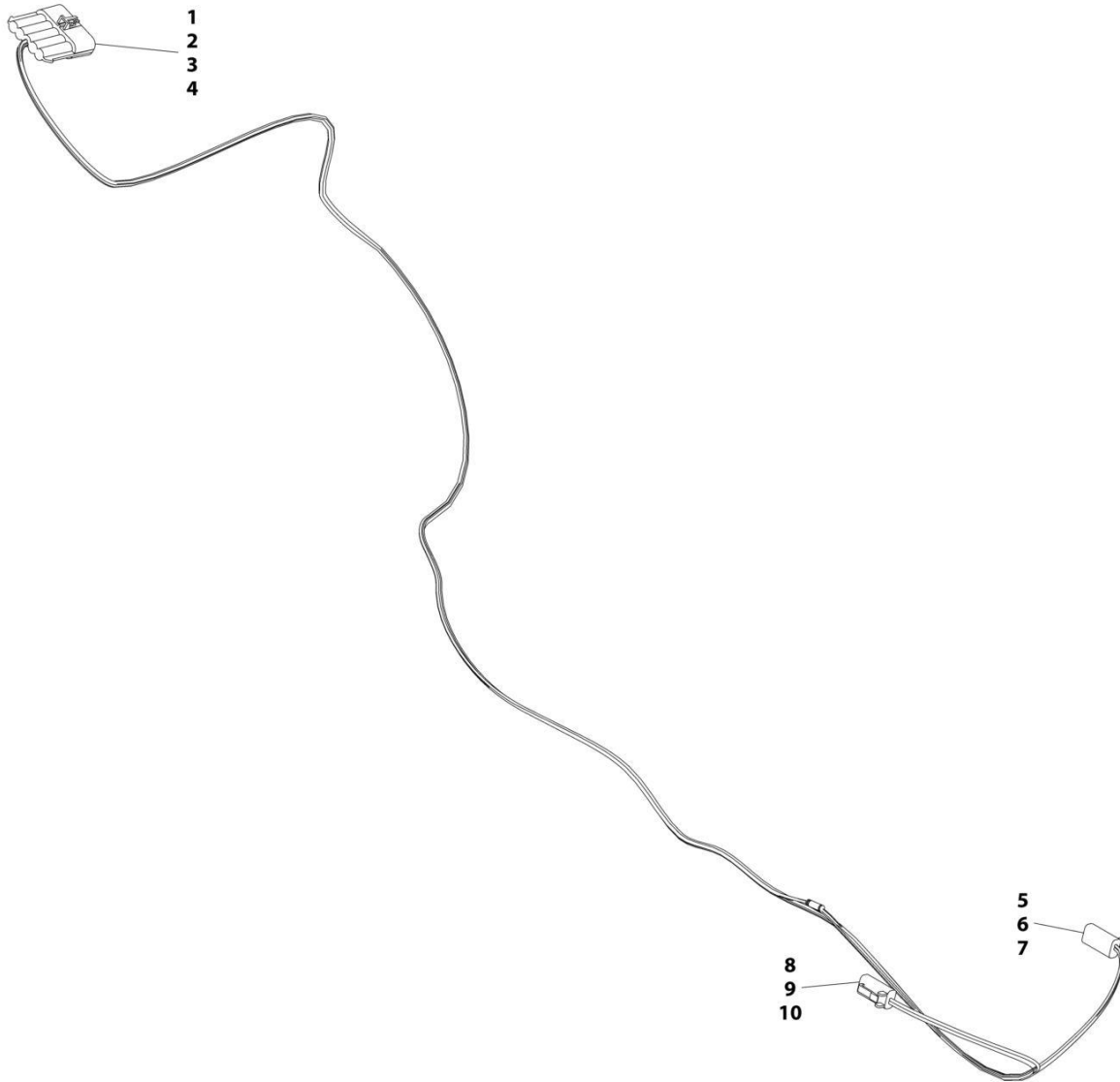
## SECTION 10 - ELECTRICAL

**FIGURE 10-80. RIDE CONTROL VALVE HARNESS INSTALLATION**

ITEM	PART NUMBER	QTY	DESCRIPTION	REV
1	1001175677 1001173527	Ref 1	Ride Control CB Valve Harness Installation Harness, Ride Control CB Valve (See Separate Breakdown in this Section)	A

# SECTION 10 - ELECTRICAL

## FIGURE 10-81. RIDE CONTROL VALVE HARNESS



ART\_1001173527-B

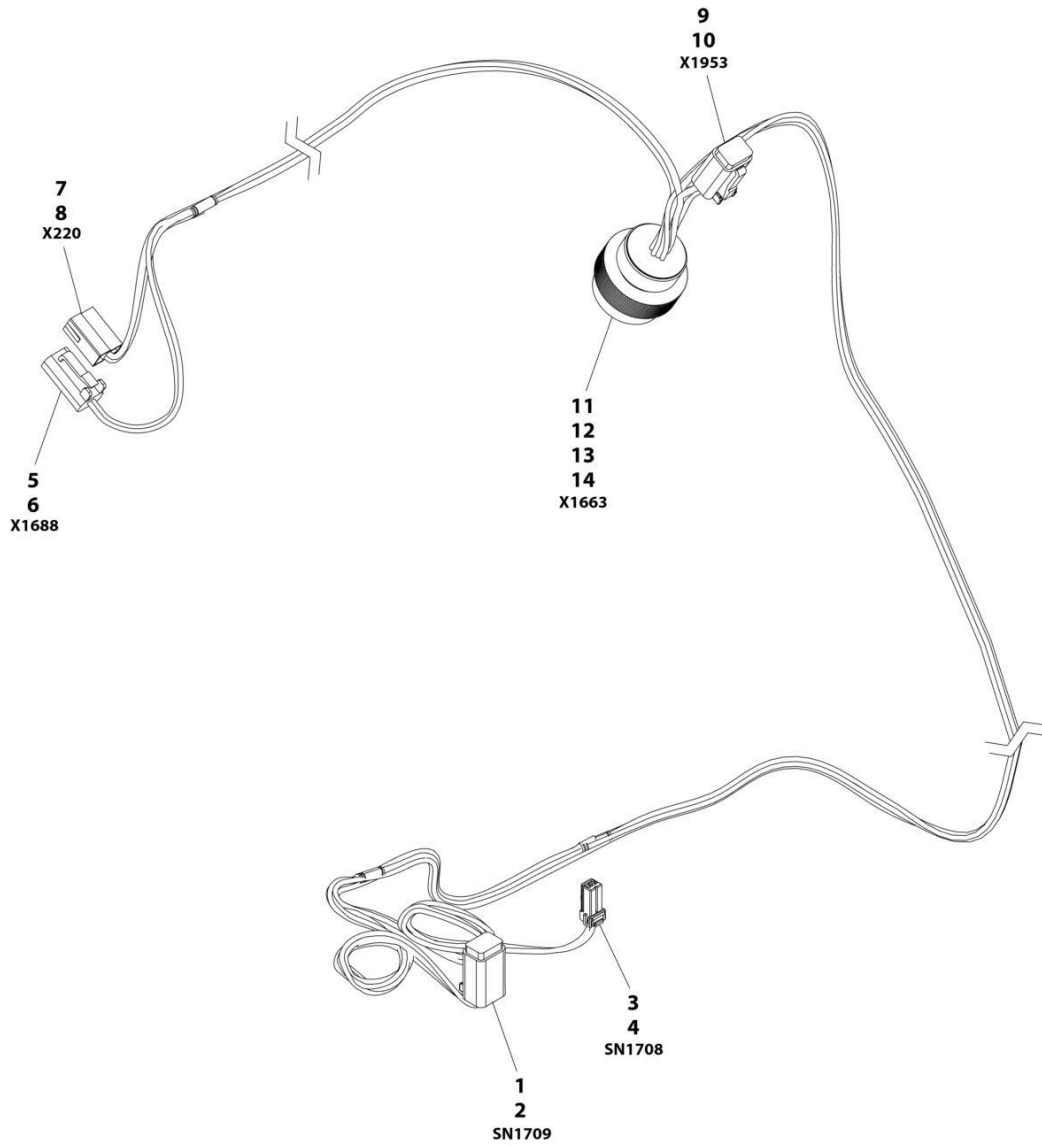
## SECTION 10 - ELECTRICAL

### FIGURE 10-81. RIDE CONTROL VALVE HARNESS

ITEM	PART NUMBER	QTY	DESCRIPTION	REV
	1001173527	Ref	Ride Control CB Valve Harness	B
1	1001121727	1	Connector	
2	1001166727	2	Plug	
3	1001116745	2	Terminal	
4	1001116729	1	Terminal	
5	4460891	1	Connector	
6	80604018	1	Lock, Secondary	
7	4460465	2	Terminal	
8	4460891	1	Connector	
9	80604018	1	Lock, Secondary	
10	4460465	2	Terminal	

# SECTION 10 - ELECTRICAL

## FIGURE 10-82. ROOF PIGTAIL HARNESS



ART\_1001265200



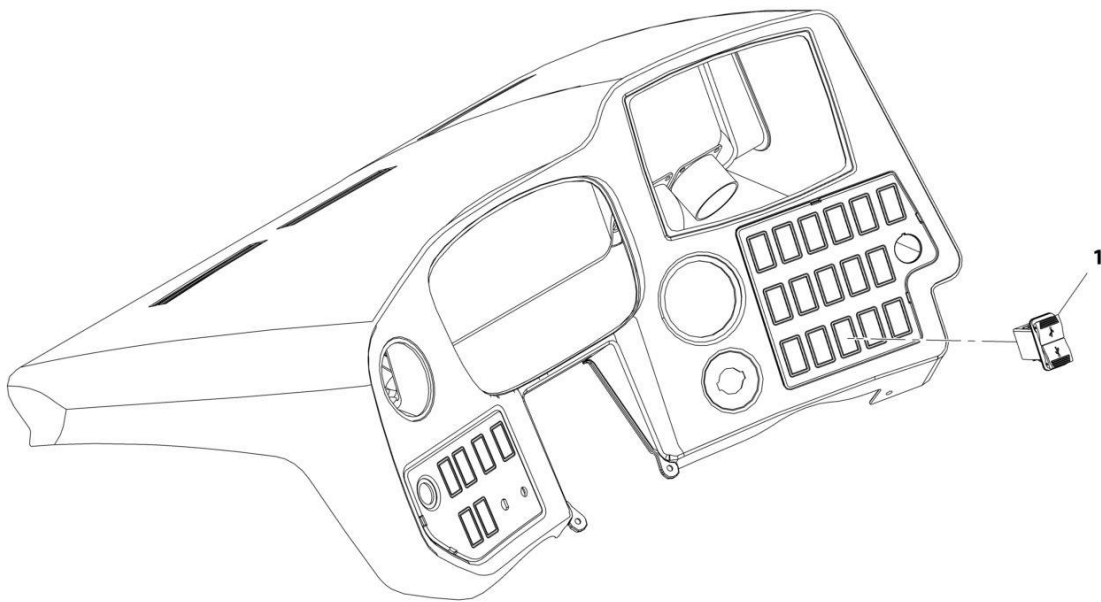
## SECTION 10 - ELECTRICAL

### FIGURE 10-82. ROOF PIGTAIL HARNESS

ITEM	PART NUMBER	QTY	DESCRIPTION	REV
	1001265200	Ref	Roof Pigtail Harness	A
1	4460884	1	Connector	
2	4460465	4	Terminal	
3	1001264844	1	Connector	
4	1001264861	2	Terminal	
5	4460891	1	Connector	
6	4460465	2	Terminal	
7	4460994	1	Connector	
8	1001118384	2	Terminal	
9	4460884	1	Connector	
10	4460942	4	Terminal	
11	4461015	1	Connector	
12	4460942	6	Terminal	
13	4460465	5	Terminal	
14	4460466	3	Plug	

# SECTION 10 - ELECTRICAL

## FIGURE 10-83. USB CHARGER INSTALLATION



ART\_1001200152-A

## SECTION 10 - ELECTRICAL

### FIGURE 10-83. USB CHARGER INSTALLATION

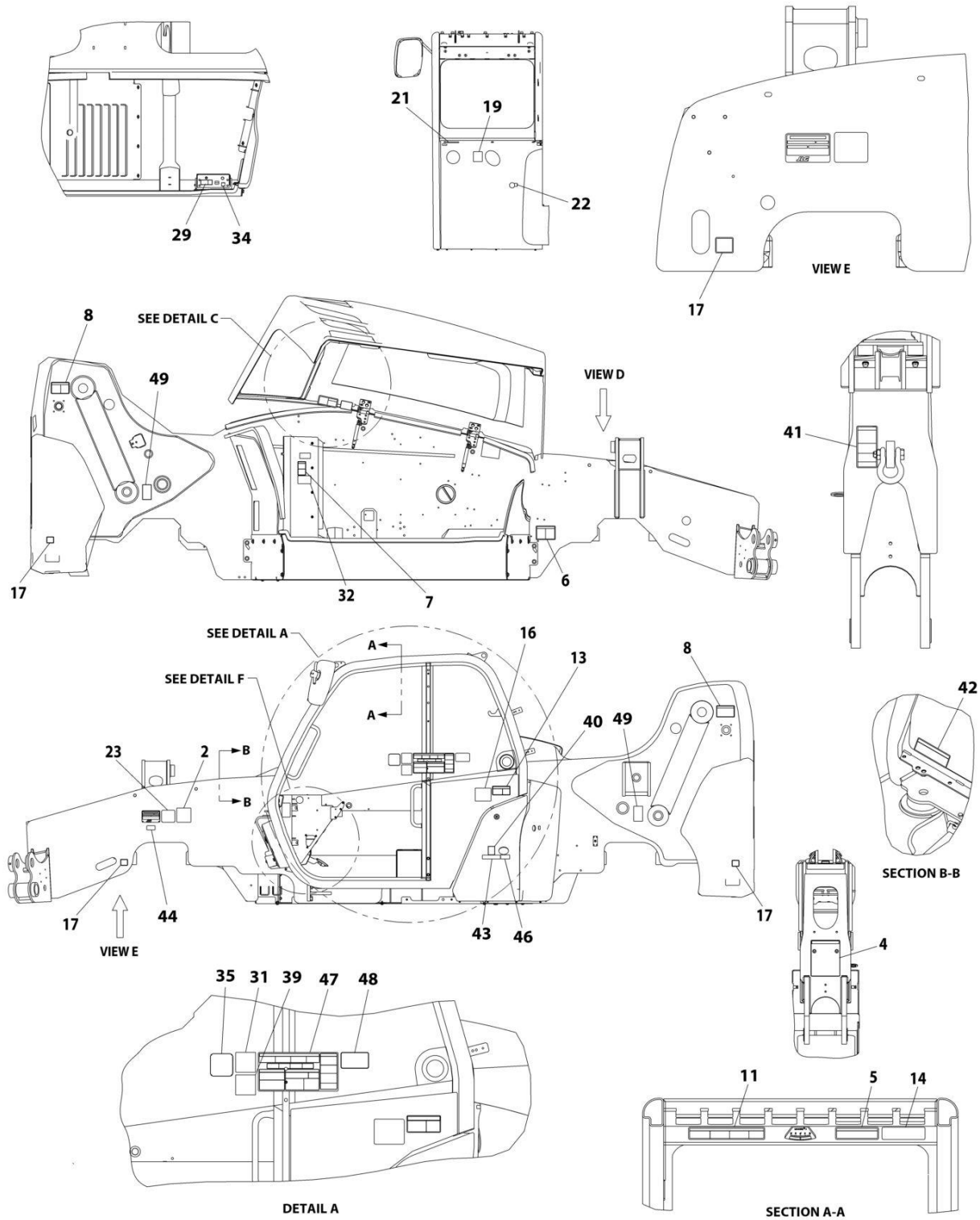
ITEM	PART NUMBER	QTY	DESCRIPTION	REV
1	1001200152 1001174712	Ref 1	USB Charger Installation USB Charger Assembly	A



**SECTION 11 - DECALS**

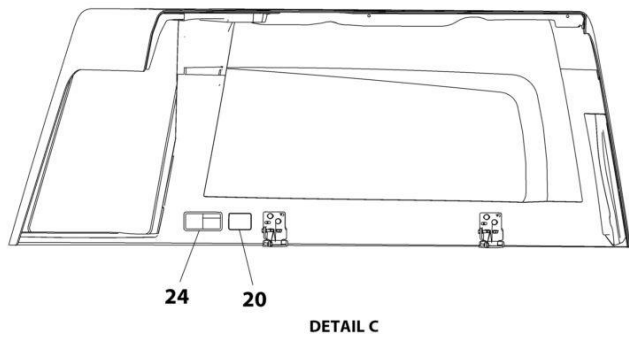
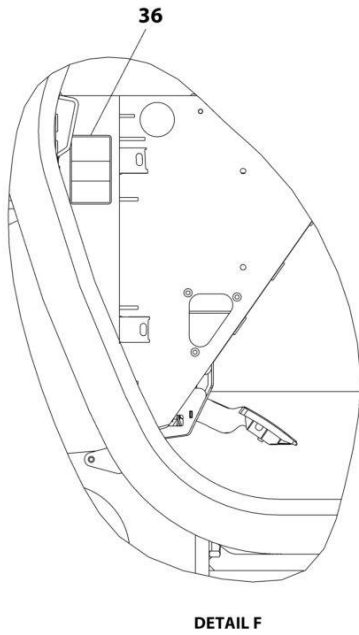
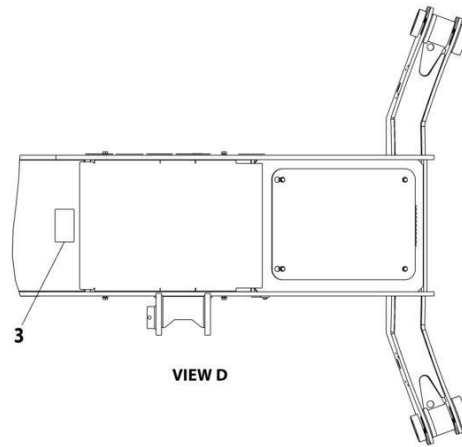
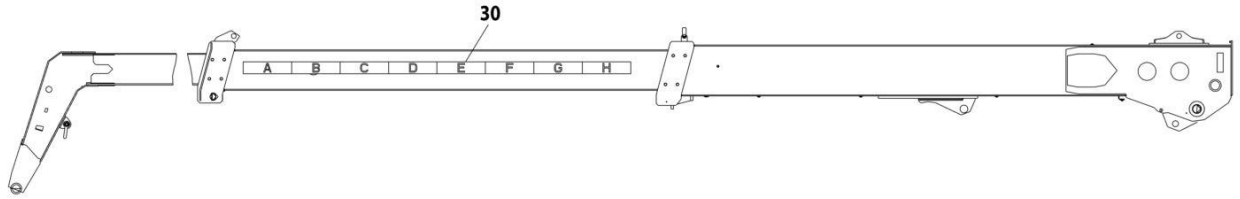
# SECTION 11 - DECALS

## FIGURE 11-1. DECAL INSTALLATION (ANSI)



ART\_1001173429\_1-P

# SECTION 11 - DECALS



ART\_1001173429\_2-P

# SECTION 11 - DECALS

**FIGURE 11-1. DECAL INSTALLATION (ANSI)**

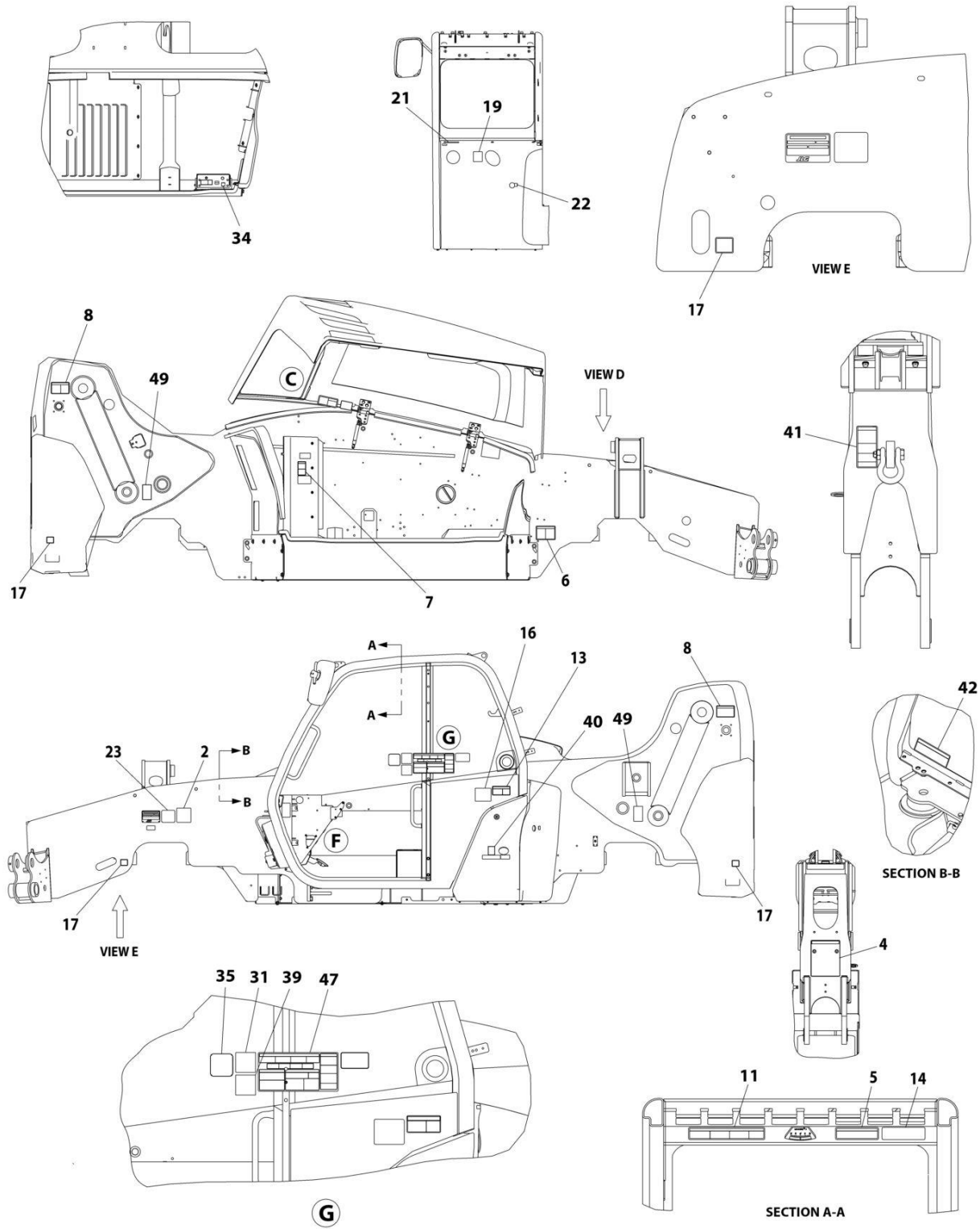
ITEM	PART NUMBER	QTY	DESCRIPTION	REV
	1001173429	Ref	Decal Installation	P
2	1702631	1	Decal, Bar Code	
3	1706296	1	Decal, Battery Warning	
4	1001195849	1	Decal, Carry Personnel	
5	1706299	1	Decal, Contacting Power Lines Warning	
6	1706300	1	Decal, Ether Warning	
7	1706301	1	Decal, Keep Clear Of Rotating Parts Warning	
8	1706302	2	Decal, Pinch Point Boom Holes	
11	1706306	1	Decal, Tip Over Warning	
13	1706768	1	Decal, Vehicle Roll Away	
14	1706850	1	Decal, Crush Hazard Warning	
16	3251813	1	Decal, USA	
17	4109801	4	Decal, Tie Down Point	
19	1001094708	1	Decal, Hydraulic Oil	
20	1001109053	1	Decal, Coolant Fill	
21	1001218704	1	Decal, Ultra Low Sulfur Diesel	
22	1001130323	1	Decal, Oil Level	
23	1001131271	1	Decal, Patent	
24	1001139578	1	Decal, Hot Fluid Warning	
26	1001229575	1	Decal, Nameplate	
29	1001195855	1	Decal, Battery Disconnect	
30	1001171277	1	Decal, Boom Extend	
31	1001172035	1	Decal, No Weld or Drill	
32	1001173422	1	Decal, MCO 110HP	
34	1001184632	1	Decal, Battery Positive	
35	1001188372	1	Decal, Sway	
36	1001191229	1	Decal, Fuse Panel	
39	1001200101	1	Decal, Manual	
40	1001196806	1	Decal, Diesel Exhaust Fluid	
41	1001207217	1	Decal, Danger Swinging Loads	
42	1001218659	1	Decal, Brake Fluid	
43	1001219212	1	Decal, DEF Fluid	
44	1001223453	1	Decal, ICES	
45	1001009178	4	Decal, Track Metal	
46	1001230310	1	Decal, JLG DEF Tank Service	
48	1001231801	1	Decal, Warning Prop 65 Diesel	
49	1001222650	2	Decal, Axle Lift	





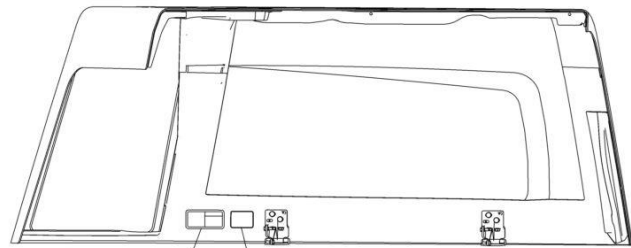
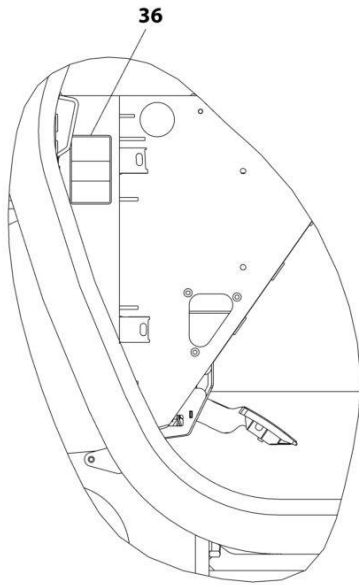
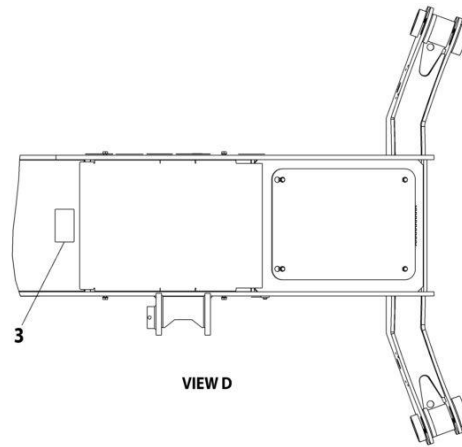
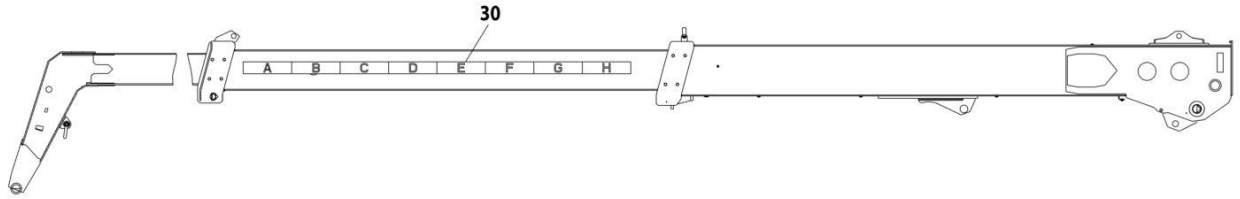
# SECTION 11 - DECALS

## FIGURE 11-2. DECAL INSTALLATION HRC 110HP



ART\_1001296815\_10F2

# SECTION 11 - DECALS



F

C

ART\_1001296815\_20F2

# SECTION 11 - DECALS

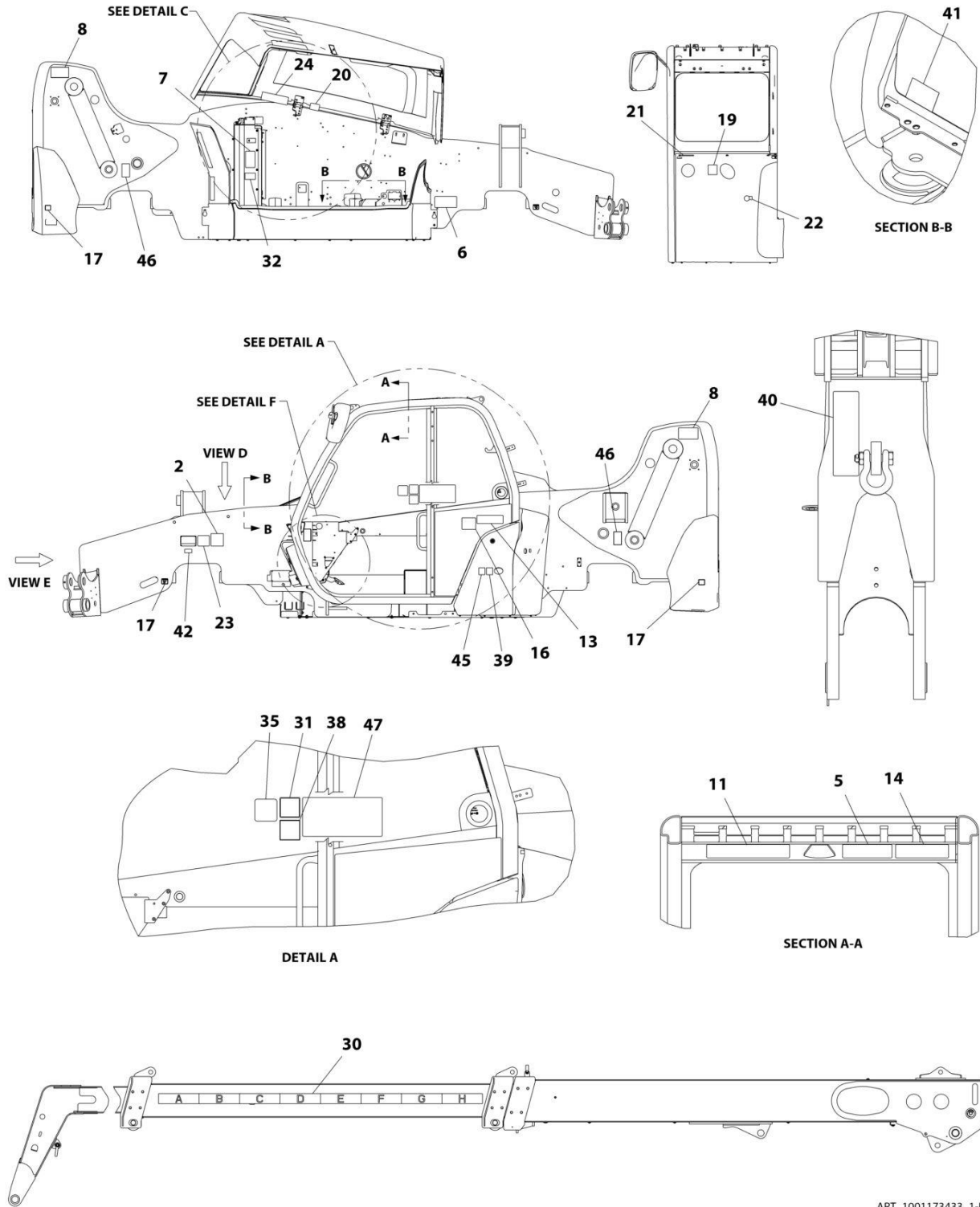
**FIGURE 11-2. DECAL INSTALLATION HRC 110HP**

ITEM	PART NUMBER	QTY	DESCRIPTION	REV
	1001296815	Ref	DECAL INSTALLATION HRC 110HP	A
2	See Note	1	Decal - Bar Code (Note: Not Available for Purchase)	
3	1706281	1	Decal - Battery Warning (ISO)	
4	1706282	1	Decal - Carry Personnel	
5	1706284	1	Decal - Electrocution Hazard (ISO)	
6	1706098	1	Decal - Warning Ether Start	
7	1706285	1	Decal - Moving Parts (ISO)	
8	1706292	2	Decal - Pinch Point	
11	1706288	1	Decal - Tip Over Warning	
13	1001092878	1	Decal - No Riders	
14	1001092877	1	Decal - Crush Hazard Warning	
16	3251813	1	Decal - USA	
17	4109801	4	Decal - Tie Down	
19	1001094708	1	Decal - Hydraulic Oil	
20	1001109053	1	Decal - Coolant Fill	
21	1001218704	1	Decal - Ultra Low Sulfur Diesel	
22	1001130323	1	Decal - Oil Level	
23	1001131271	1	Decal - Patent Telehandlers	
24	1001139942	1	Decal - Hot Fluid Warning	
30	1001171277	1	Decal - Boom Extend	
31	1001172035	1	Decal - No Weld or Drill	
34	1001184632	1	Decal - Battery Positive	
35	1001188372	1	Decal - Sway	
36	1001191229	1	Decal - Fuse Panel	
39	1001200101	1	Decal - Manual Location	
40	1001196806	1	Decal - Diesel Exhaust Fluid	
41	1001207218	1	Decal - Danger Swinging Loads	
42	1001219211	1	Decal - Brake Fluid Spec	
46	1001230310	1	Decal - JLG DEF Tank	
47	1001101895	1	Decal - Warning-Cab	
49	1001222650	2	Decal - Axle Lift	



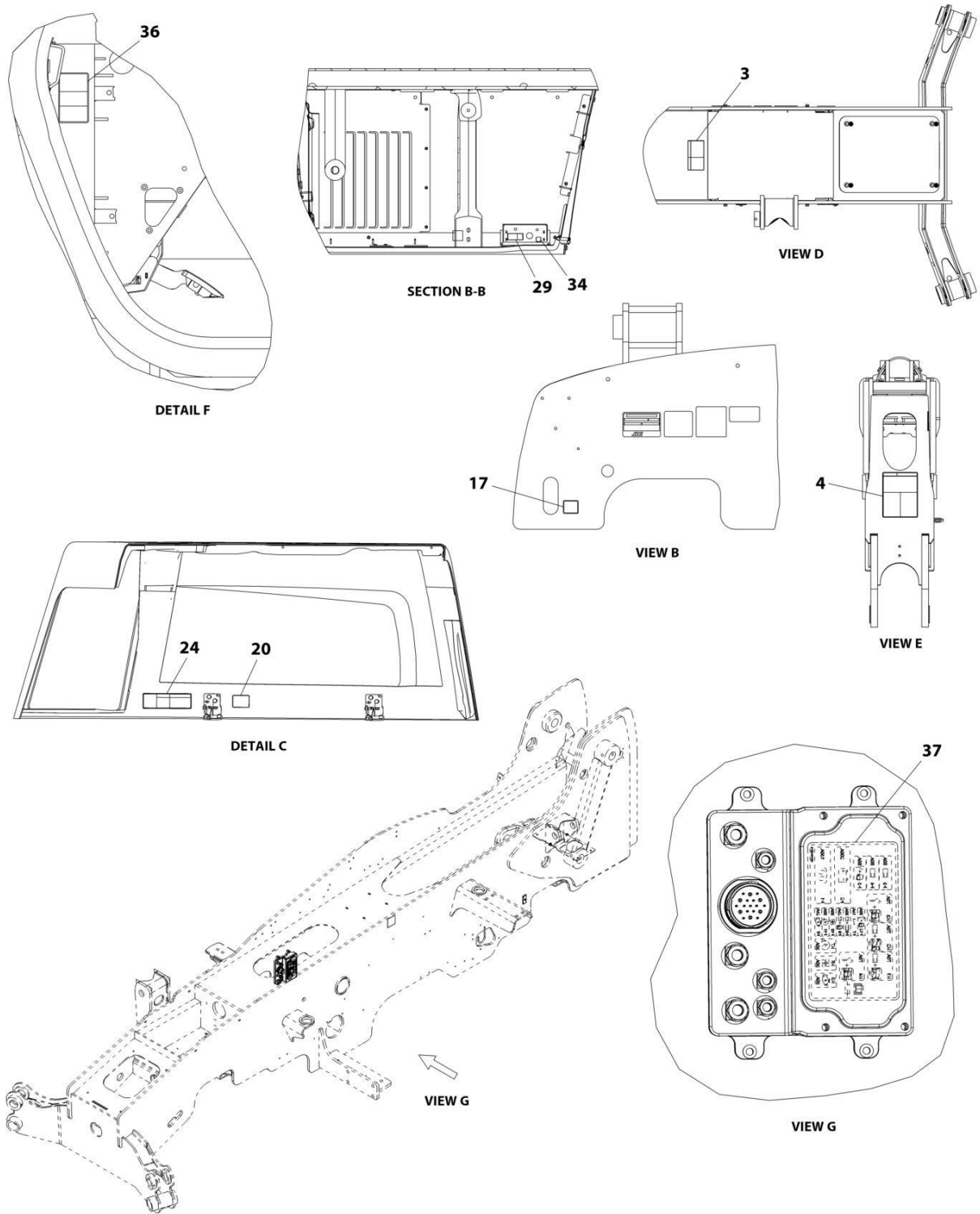
# SECTION 11 - DECALS

## FIGURE 11-3. DECAL INSTALLATION (CSA ENGLISH/FRENCH)



ART\_1001173433\_1-P

# SECTION 11 - DECALS



ART\_1001173433\_2-P

## SECTION 11 - DECALS

FIGURE 11-3. DECAL INSTALLATION (CSA ENGLISH/FRENCH)

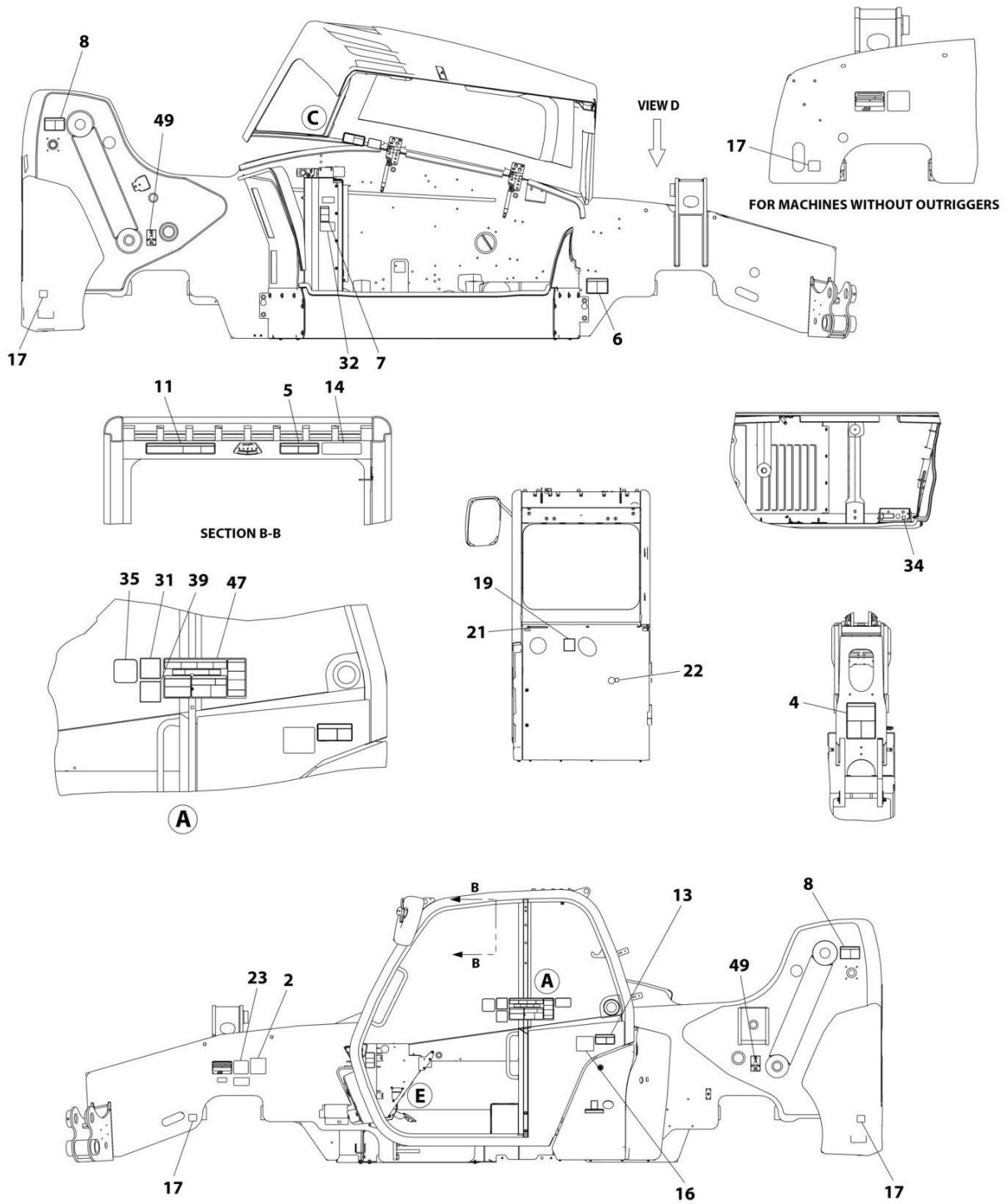
ITEM	PART NUMBER	QTY	DESCRIPTION	REV
	1001173433	Ref	Decal Installation (CSA English/French)	P
2	1702631	1	Decal, Bar Code	
3	1001163174	1	Decal, Battery Warning	
4	1001195851	1	Decal, Carry Personnel	
5	1001163210	1	Decal, Electrocutation Hazard	
6	1001163212	1	Decal, Warning No Either	
7	1001163222	1	Decal, Moving Parts	
8	1001163223	2	Decal, Pinch Point	
11	1001163285	1	Decal, Warning Tip Over	
13	1001163300	1	Decal, No Riders	
14	1001163304	1	Decal, Warning Crushing Hazard	
16	3251813	1	Decal, USA	
17	4109801	1	Decal, Tie Down Point	
19	1001094708	1	Decal, Hydraulic Oil	
20	1001109053	1	Decal, Coolant Fill	
21	1001163355	1	Decal, Ultra Low Sulfur Diesel	
22	1001130323	1	Decal, Oil Level	
23	1001131271	1	Decal, Patent	
24	1001163323	1	Decal, Warning Hot Fluid	
26	1001229575	1	Decal, Nameplate	
29	1001195855	1	Decal, Battery Disconnect	
30	1001171277	1	Decal, Boom Extend	
31	1001172035	1	Decal, No Weld Or Drill	
32	1001173422	1	Decal, MCO, 130HP	
34	1001184632	1	Decal, Battery Positive	
35	1001188372	1	Decal, Sway	
36	1001191229	1	Decal, Fuse Panel	
37	1001191487	1	Decal, Fuse Panel (Note: Supply with power distribution box)	
38	1001200101	1	Decal, Manual	
39	1001196806	1	Decal, Diesel Exhaust Fluid	
40	1001209625	1	Decal, Danger Swinging Loads	
41	1001219211	1	Decal, Brake Fluid	
42	1001223453	1	Decal, ICES	
44	1001009178	4	Decal, Track Metal	
45	1001230311	1	Decal DEF Tank	





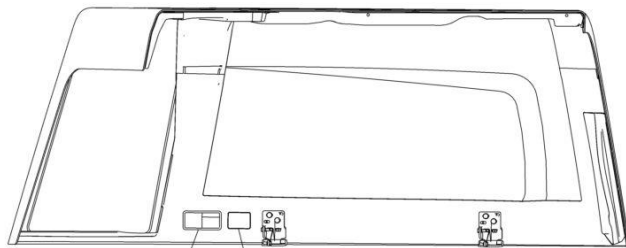
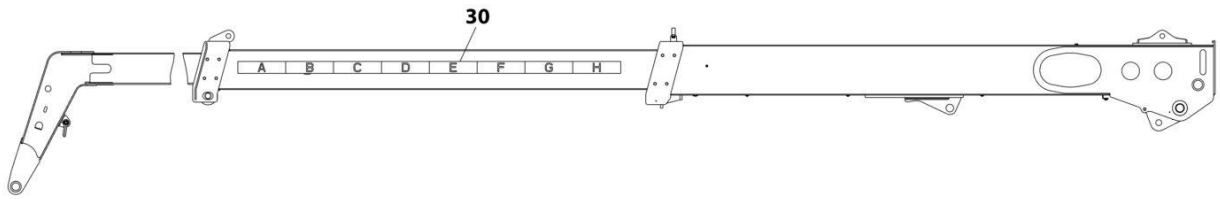
# SECTION 11 - DECALS

## FIGURE 11-4. DECAL INSTALLATION HRC 74HP



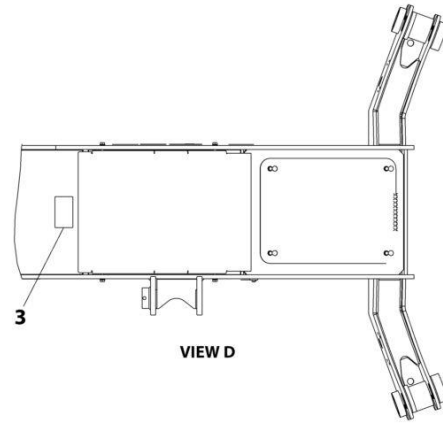
ART\_1001296825\_10F2

# SECTION 11 - DECALS

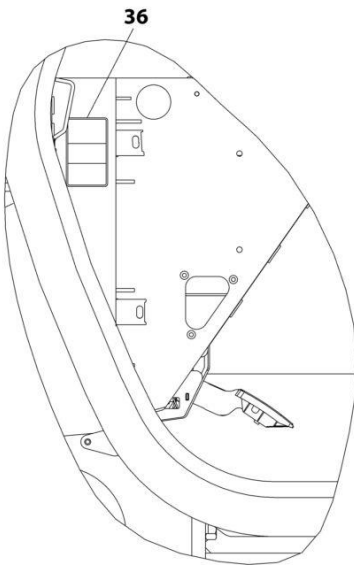


24 20

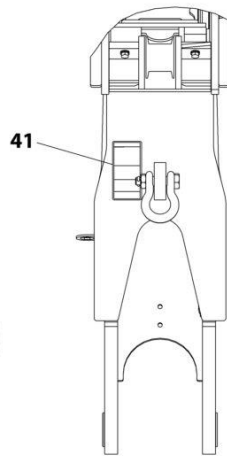
C



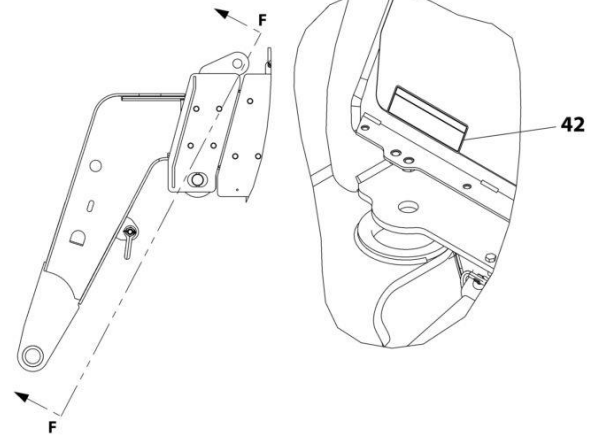
VIEW D



E



SECTION F-F



ART\_1001296825\_20F2

# SECTION 11 - DECALS

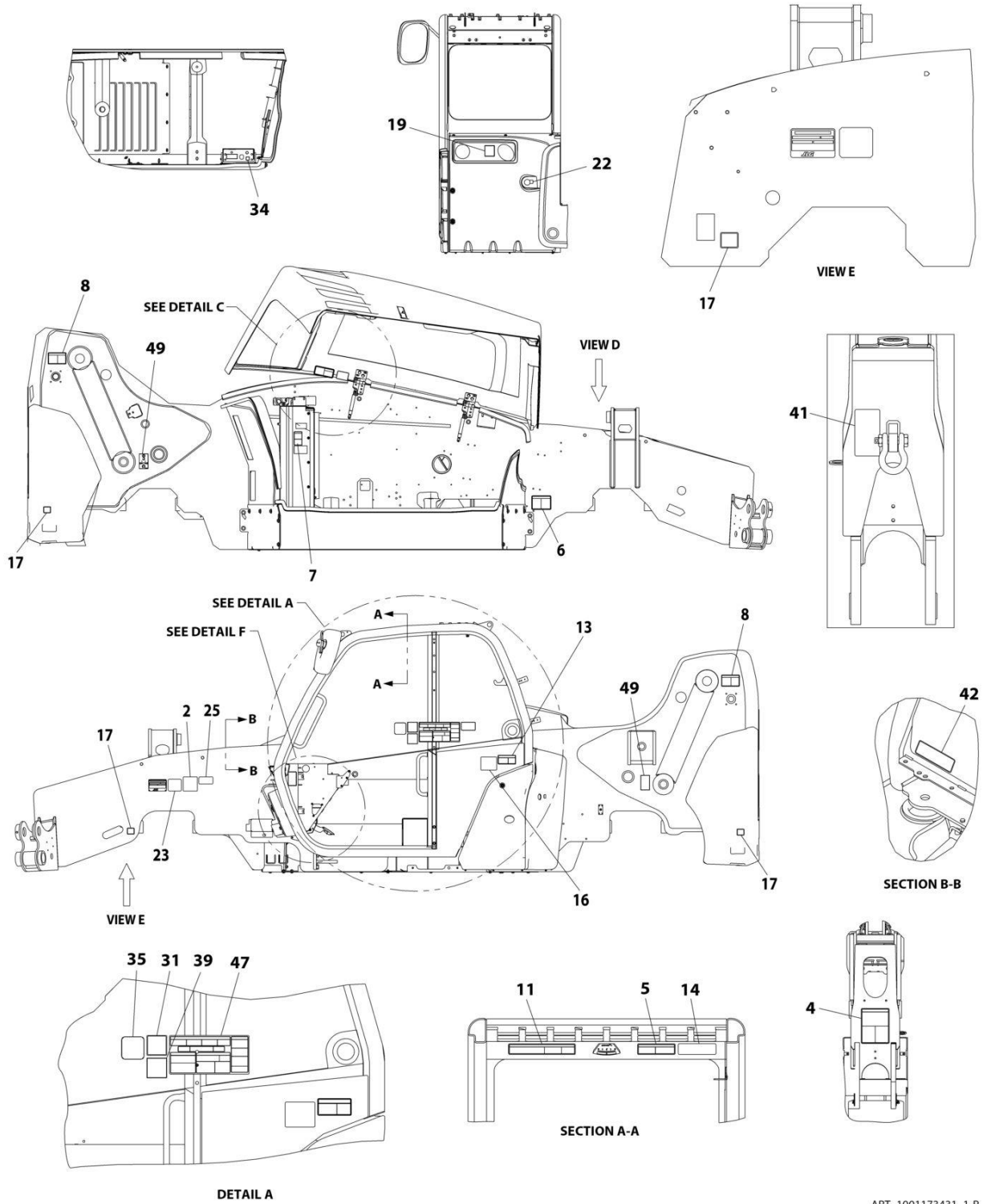
**FIGURE 11-4. DECAL INSTALLATION HRC 74HP**

ITEM	PART NUMBER	QTY	DESCRIPTION	REV
	1001296825	Ref	DECAL INSTALLATION HRC 74HP	A
2	See Note	1	Decal - Bar Code (Note: Not Available for Purchase)	
3	1706281	1	Decal - Battery Warning (ISO)	
4	1706282	1	Decal - Carry Personnel	
5	1706284	1	Decal - Electrocution Hazard (ISO)	
6	1706098	1	Decal - Warning Ether Start	
7	1706285	1	Decal - Moving Parts (ISO)	
8	1706292	2	Decal - Pinch Point	
11	1706288	1	Decal - Tip Over Warning	
13	1001092878	1	Decal - No Riders	
14	1001092877	1	Decal - Crush Hazard Warning	
16	3251813	1	Decal - USA	
17	4109801	4	Decal - Tie Down	
19	1001094708	1	Decal - Hydraulic Oil	
20	1001109053	1	Decal - Coolant Fill	
21	1001218704	1	Decal - Ultra Low Sulfur Diesel	
22	1001130323	1	Decal - Oil Level	
23	1001131271	1	Decal - Patent Telehandlers	
24	1001139942	1	Decal - Hot Fluid Warning	
30	1001171277	1	Decal - Boom Extend	
31	1001172035	1	Decal - No Weld or Drill	
32	1001202626	1	Decal - 74HP SkyTrak	
34	1001184632	1	Decal - Battery Positive	
35	1001188372	1	Decal - Sway	
36	1001191229	1	Decal - Fuse Panel	
39	1001200101	1	Decal - Manual Location	
41	1001207218	1	Decal - Danger Swinging Loads	
42	1001219211	1	Decal - Brake Fluid Spec	
47	1001101895	1	Decal - Warning-Cab	
49	1001222650	2	Decal - Axle Lift	



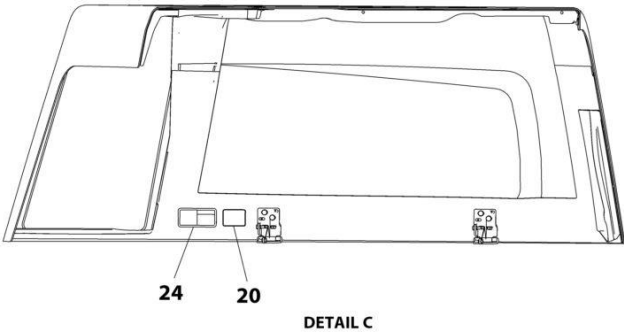
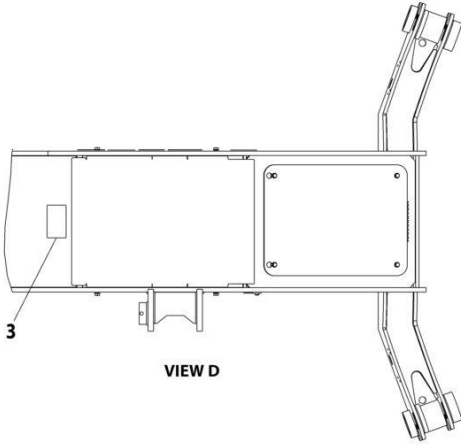
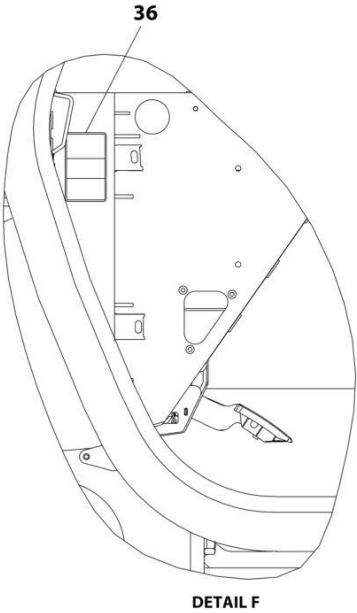
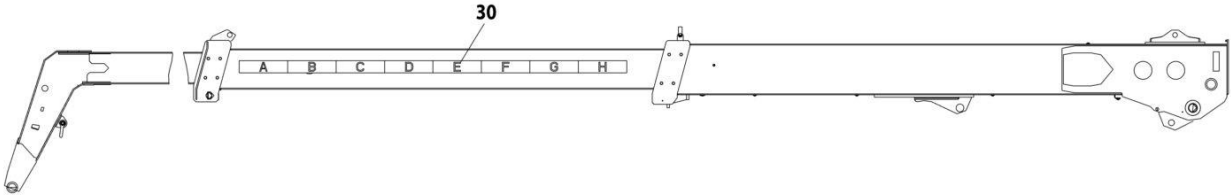
# SECTION 11 - DECALS

## FIGURE 11-5. DECAL INSTALLATION (ISO)



ART\_1001173431\_1-P

**SECTION 11 - DECALS**



ART\_1001173431\_2-P

## SECTION 11 - DECALS

**FIGURE 11-5. DECAL INSTALLATION (ISO)**

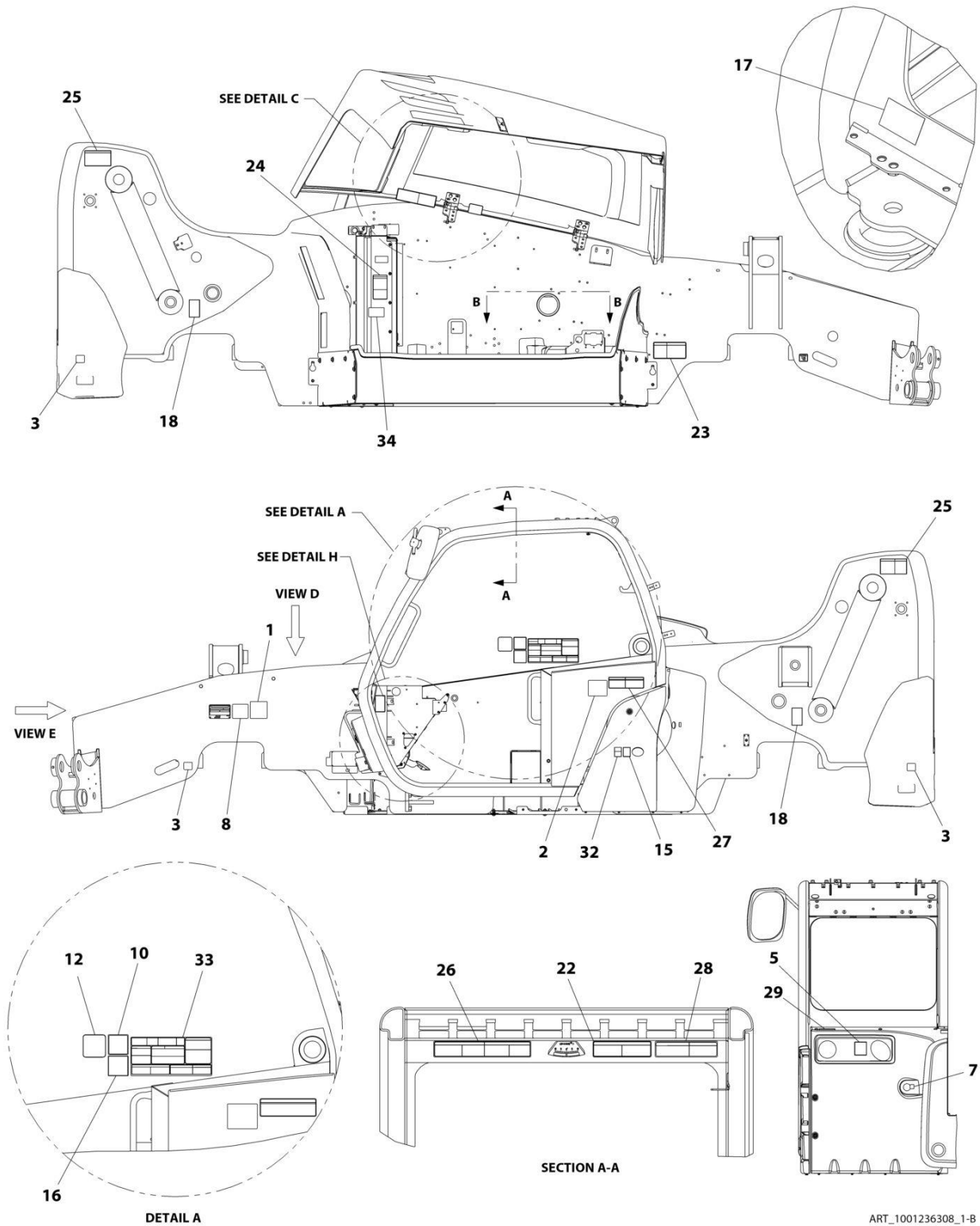
ITEM	PART NUMBER	QTY	DESCRIPTION	REV
	1001173431	1	Decal Installation (ISO)	P
2	1702631	1	Decal, Bar Code	
3	1706281	1	Decal, Battery Warning	
4	1706282	1	Decal, Carry Personnel	
5	1706284	1	Decal, Electrocutation Hazard	
6	1706098	1	Decal, Ether Warning	
7	1706285	1	Decal, Keep Clear of Rotating Parts Warning	
8	1706292	2	Decal, Pinch Point Boom Holes	
11	1706288	1	Decal, Tip Over Warning	
13	1001092878	1	Decal, No Riders	
14	1001092877	1	Decal, Crush Hazard Warning	
16	3251813	1	Decal, USA	
17	4109801	4	Decal, Tie Down Point	
19	1001094708	1	Decal, Hydraulic Oil	
20	1001109053	1	Decal, Coolant Fill	
22	1001130323	1	Decal, Oil Level	
23	1001131271	1	Decal, Patent	
24	1001139942	1	Decal, Hot Fluid Warning	
25	1001143852	1	Decal, EPA (LS)	
26	1001229575	1	Decal, Nameplate	
30	1001171277	1	Decal, Boom Extend	
31	1001172035	1	Decal, No Weld or Drill	
32	1001173422	1	Decal, MCO 110HP	
34	1001184632	1	Decal, Battery Positive	
35	1001188372	1	Decal, Sway	
36	1001191229	1	Decal, Fuse Panel	
39	1001200101	1	Decal, Manual	
41	1001207218	1	Decal, Danger Swinging Loads	
42	1001219211	1	Decal, Brake Fluid	
45	1001009178	4	Decal, Track Metal	
49	1001222650	2	Decal, Axle Lift	



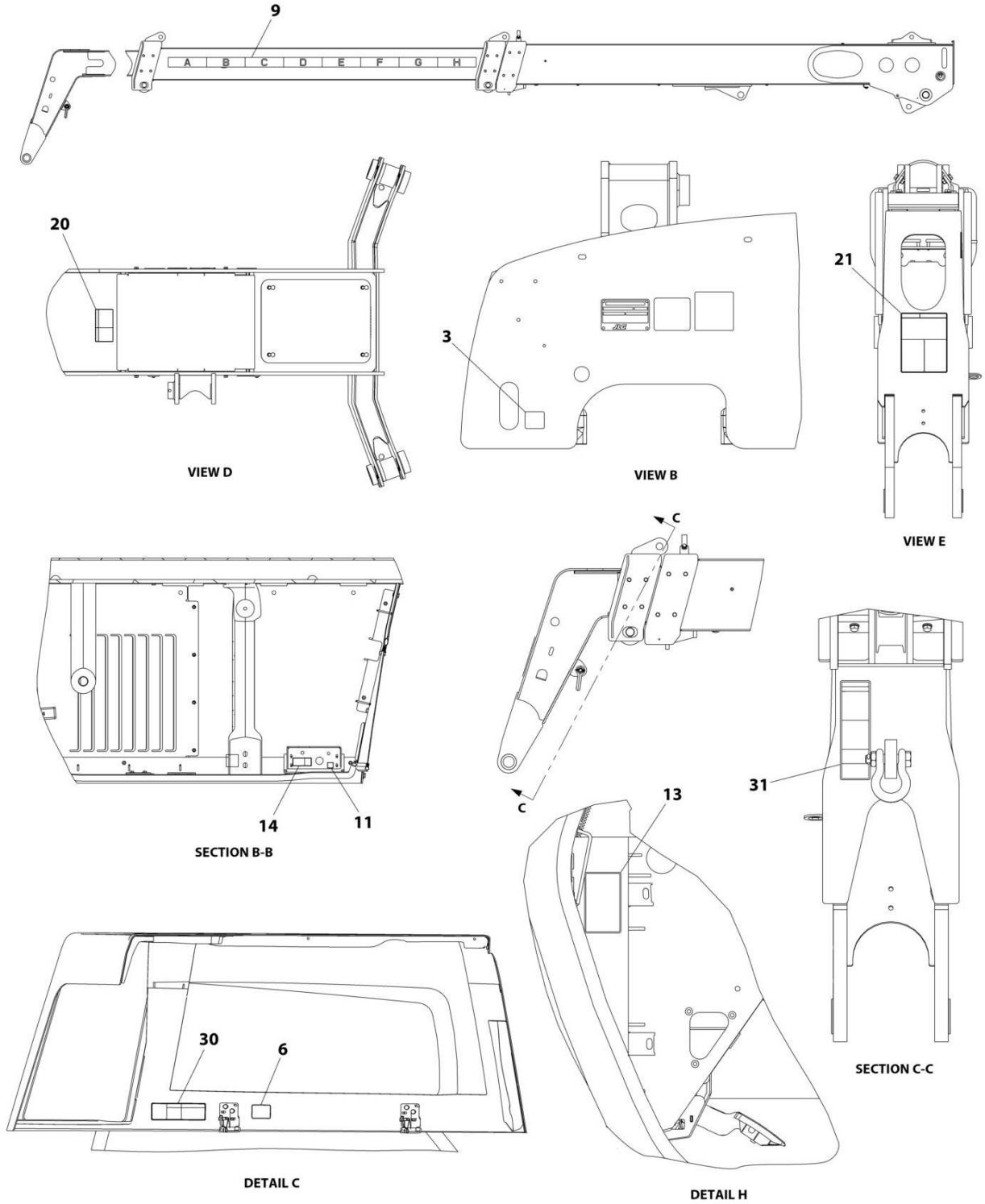


# SECTION 11 - DECALS

## FIGURE 11-6. DECAL INSTALLATION (LATIN AMERICAN ENGLISH/SPANISH)



# SECTION 11 - DECALS



ART\_1001236308\_2-B

## SECTION 11 - DECALS

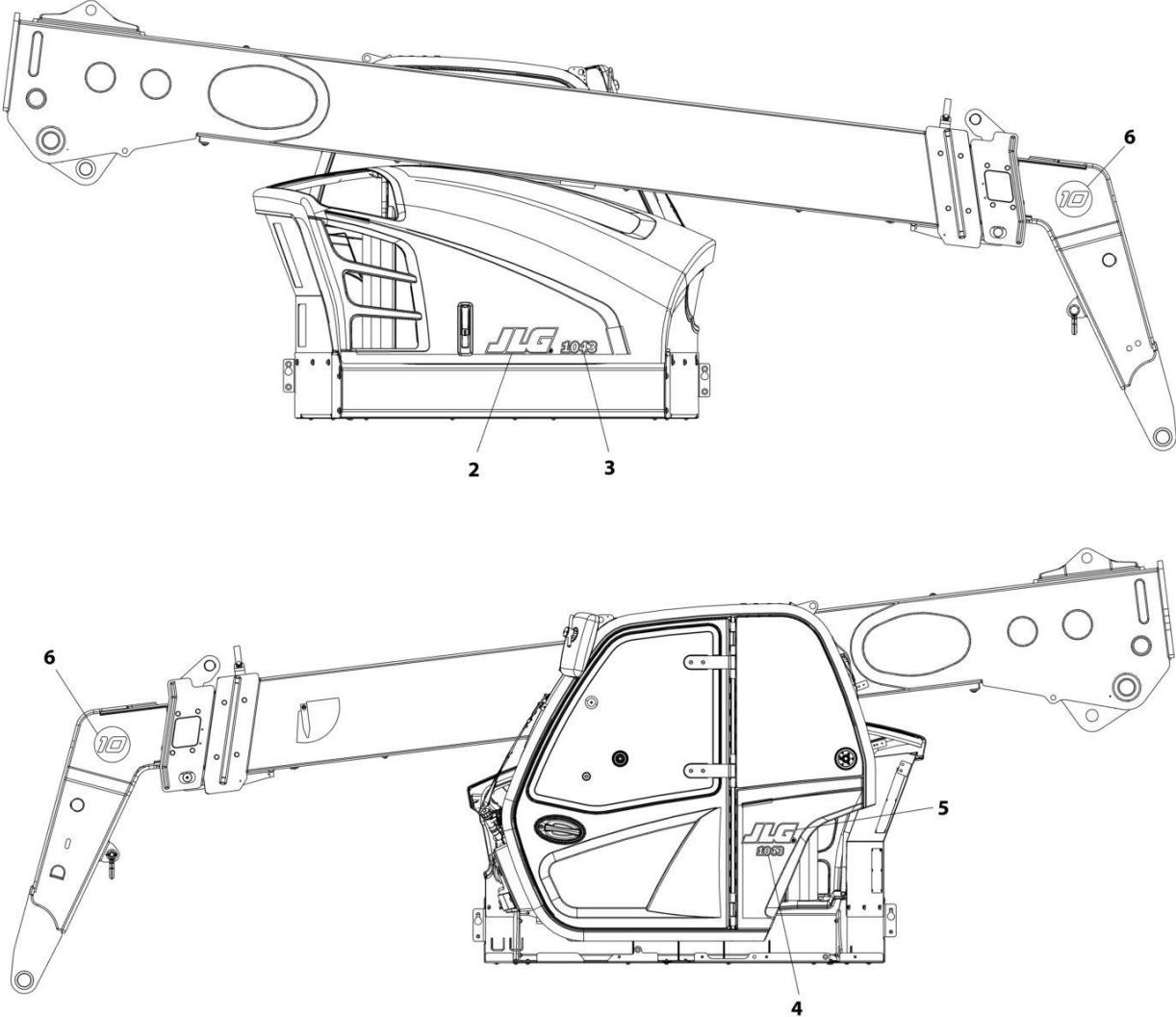
FIGURE 11-6. DECAL INSTALLATION (LATIN AMERICAN ENGLISH/SPANISH)

ITEM	PART NUMBER	QTY	DESCRIPTION	REV
	1001236308	Ref	Decal Installation	B
1	1702631	1	Decal, Bar Code	
2	3251813	1	Decal, USA	
3	4109801	4	Decal, Tie Down Point	
5	1001094708	1	Decal, Hydraulic Oil	
6	1001109053	1	Decal, Coolant Fill	
7	1001130323	1	Decal, Oil Level	
8	1001131271	1	Decal, Patent	
9	1001171277	1	Decal, Boom Extend	
10	1001172035	1	Decal, No Weld or Drill	
11	1001184632	1	Decal, Battery Positive	
12	1001188372	1	Decal, Sway	
13	1001191229	1	Decal, Fuse Panel	
14	1001195855	1	Decal, Battery Disconnect	
15	1001196806	1	Decal, Diesel Exhaust Fluid	
16	1001200101	1	Decal, Manual	
17	1001219211	1	Decal, Brake Fluid	
18	1001222650	2	Decal, Axle Lift	
20	1001235794	1	Decal, Battery Warning	
21	1001235796	1	Decal, Carry Personnel	
22	1001235797	1	Decal, Electrocutation Hazard	
23	1001235798	1	Decal, Warning No Either	
24	1001235799	1	Decal, Moving Parts	
25	1001235800	2	Decal, Pinch Point	
26	1001235801	1	Decal, Warning Tip Over	
27	1001235802	1	Decal, No Riders	
28	1001235803	1	Decal, Warning Crushing Hazard	
29	1001235804	1	Decal, Ultra Low Sulfur Diesel	
30	1001235805	1	Decal, Warning Hot Fluid	
31	1001235807	1	Decal, Danger Swinging Loads	
32	1001235808	1	Decal, JLG DEF Tank Service	
33	1001235809	1	Decal, Warning/Danger Cab	
34	1001236312	1	Decal, MCO 130HP	



**SECTION 11 - DECALS**

**FIGURE 11-7. BRAND AND MODEL DECAL INSTALLATION**



ART\_1001172979\_F

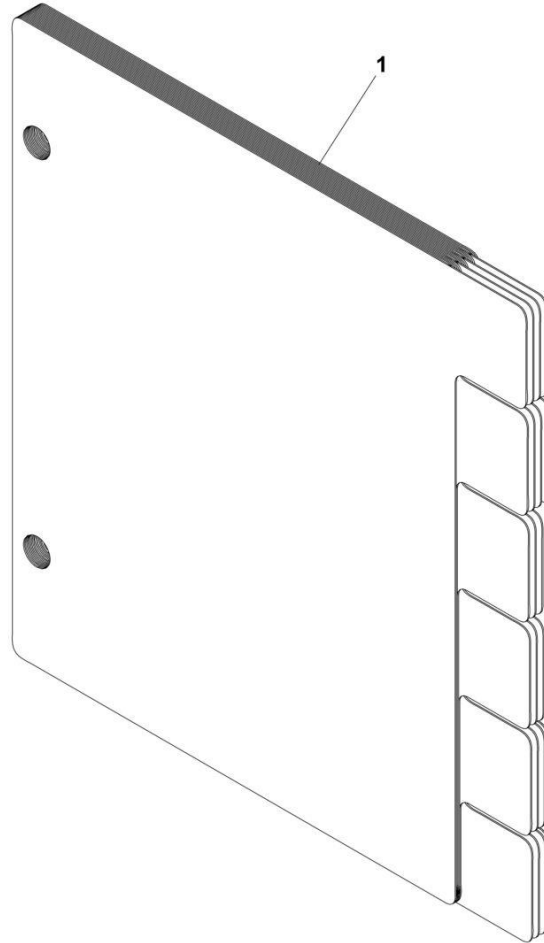
## SECTION 11 - DECALS

### FIGURE 11-7. BRAND AND MODEL DECAL INSTALLATION

ITEM	PART NUMBER	QTY	DESCRIPTION	REV
	1001172979	Ref	Brand and Model Decal Installation	F
2	1001160775	1	Decal, JLG 5 Black	
3	1001276760	1	Decal, JLG 1043	
4	1001276761	1	Decal, JLG 1043 Cab	
5	1001169674	1	Decal, JLG	
6	1001279167	2	Decal, Boom Head	

# SECTION 11 - DECALS

FIGURE 11-8. CAPACITY CHART BOOKLET (ANSI) (OUTRIGGERS)



ART\_1001212419-J



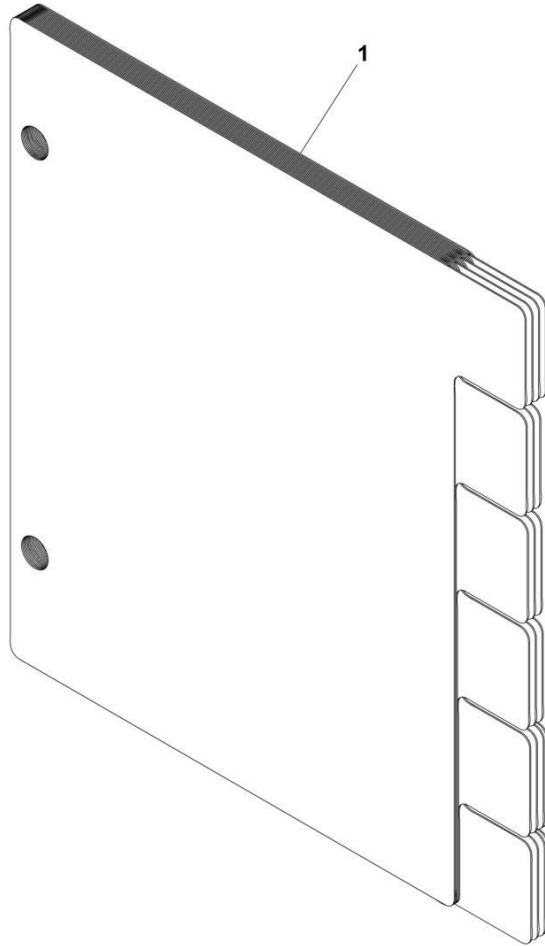
## SECTION 11 - DECALS

**FIGURE 11-8. CAPACITY CHART BOOKLET (ANSI) (OUTRIGGERS)**

ITEM	PART NUMBER	QTY	DESCRIPTION	REV
1	1001212419	1	Capacity Chart Booklet (ANSI), (Outriggers) - 1043	J

# SECTION 11 - DECALS

FIGURE 11-9. CAPACITY CHART BOOKLET (ISO) (OUTRIGGERS)



ART\_1001206371-J

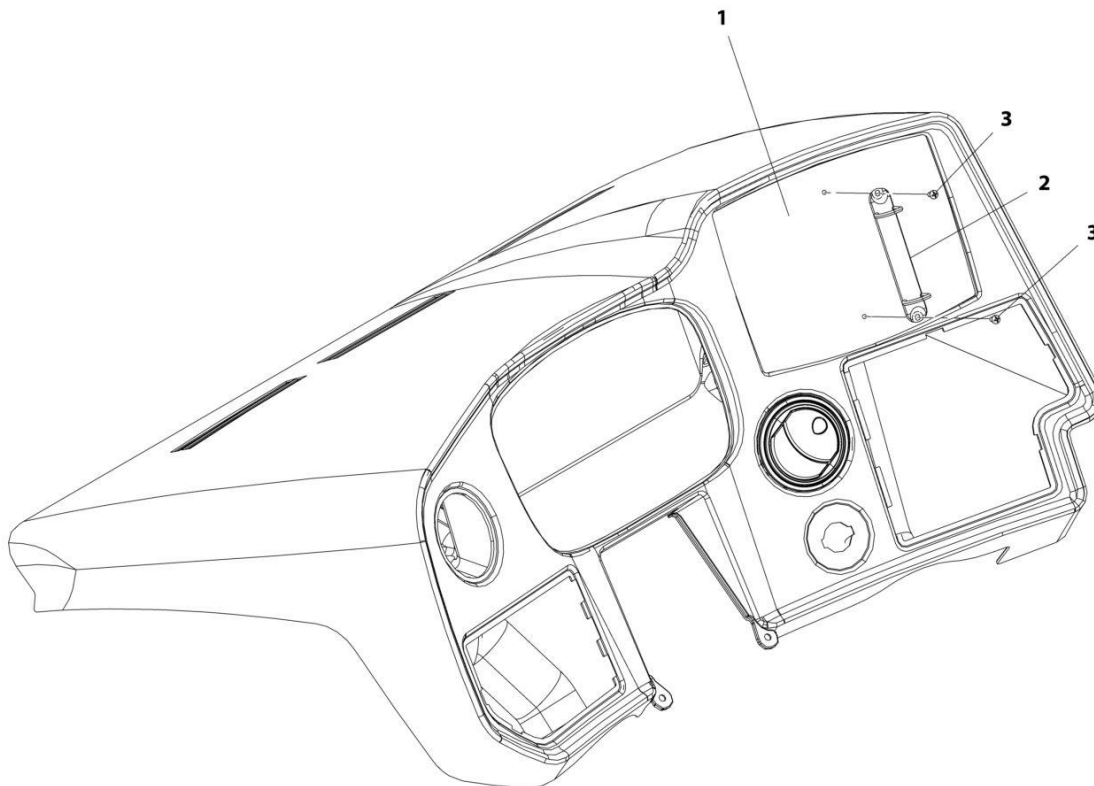
## SECTION 11 - DECALS

**FIGURE 11-9. CAPACITY CHART BOOKLET (ISO) (OUTRIGGERS)**

ITEM	PART NUMBER	QTY	DESCRIPTION	REV
1	1001206371	1	Capacity Chart Booklet (ISO), (Outriggers) - 1043	J

# SECTION 11 - DECALS

## FIGURE 11-10. CAPACITY CHART HOLDER INSTALLATION



ART\_1001178706-A

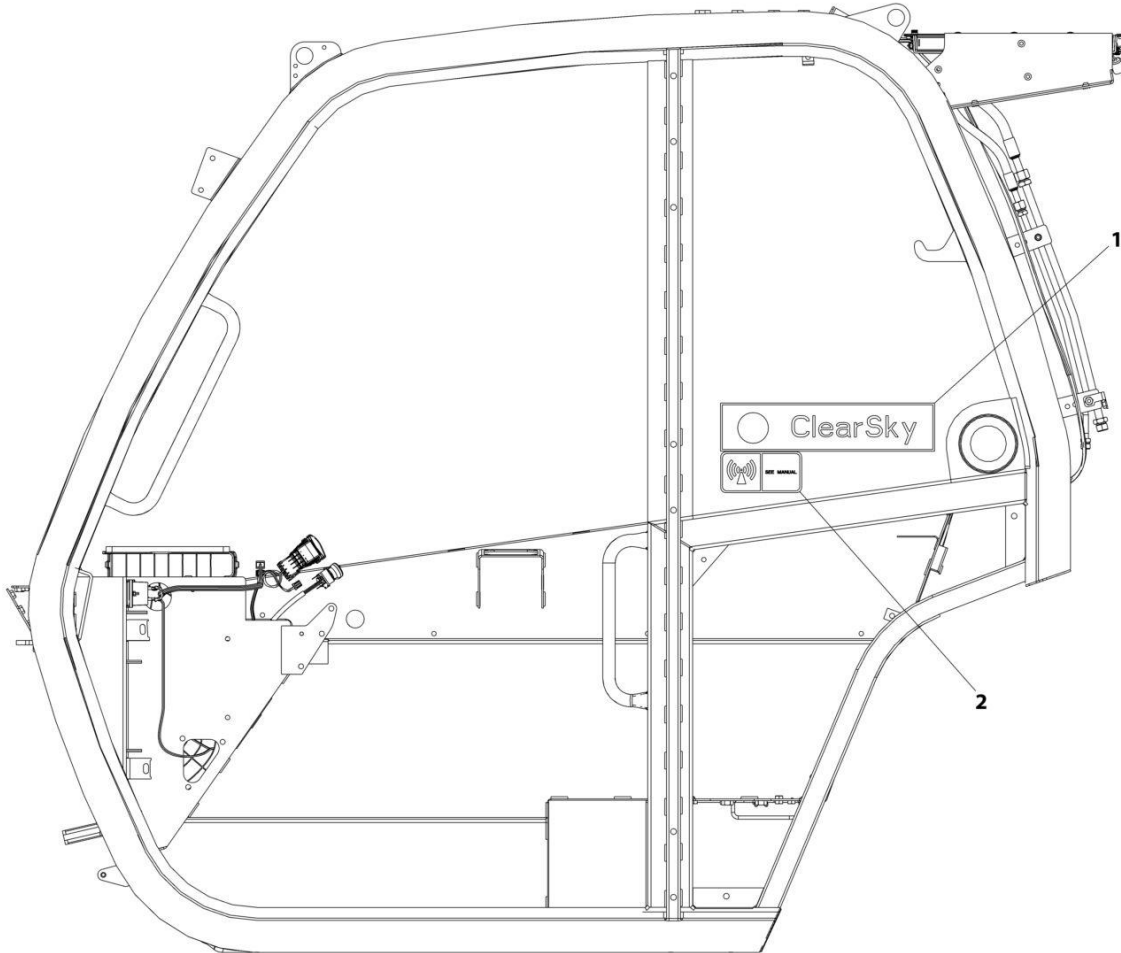
## SECTION 11 - DECALS

**FIGURE 11-10. CAPACITY CHART HOLDER INSTALLATION**

ITEM	PART NUMBER	QTY	DESCRIPTION	REV
	1001178706	Ref	Capacity Chart Holder Installation	A
1	1001179297	1	Load Chart, Bezel	
2	1001005960	1	Holder	
3	7029486	2	Screw	

# SECTION 11 - DECALS

## FIGURE 11-11. CLEARSKY DECAL INSTALLATION



ART\_1001229707

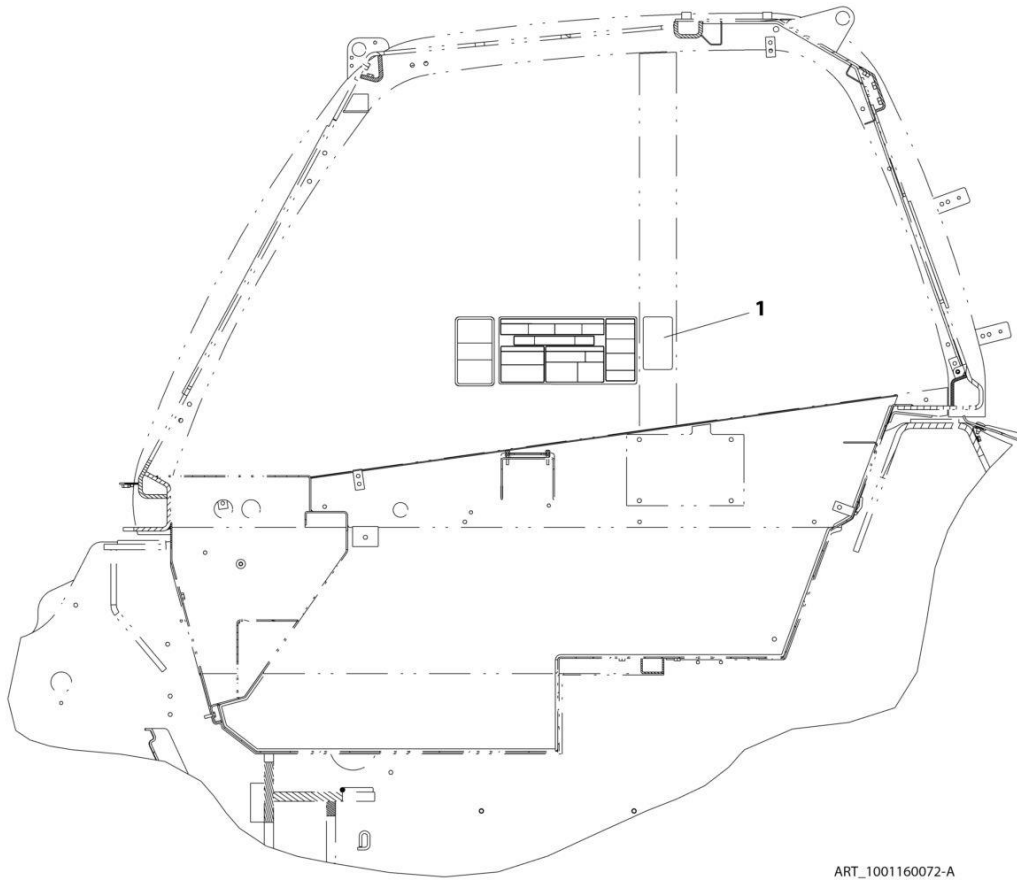
## SECTION 11 - DECALS

### FIGURE 11-11. CLEARSKY DECAL INSTALLATION

ITEM	PART NUMBER	QTY	DESCRIPTION	REV
	1001229707	Ref	Clearsky Decal Installation	C
1	1001294815	1	Decal - ClearSky	
2	1001120989	1	Radio Frequency Decal	

# SECTION 11 - DECALS

## FIGURE 11-12. REVERSE SENSOR SYSTEM DECAL (ENGLISH)



ART\_1001160072-A



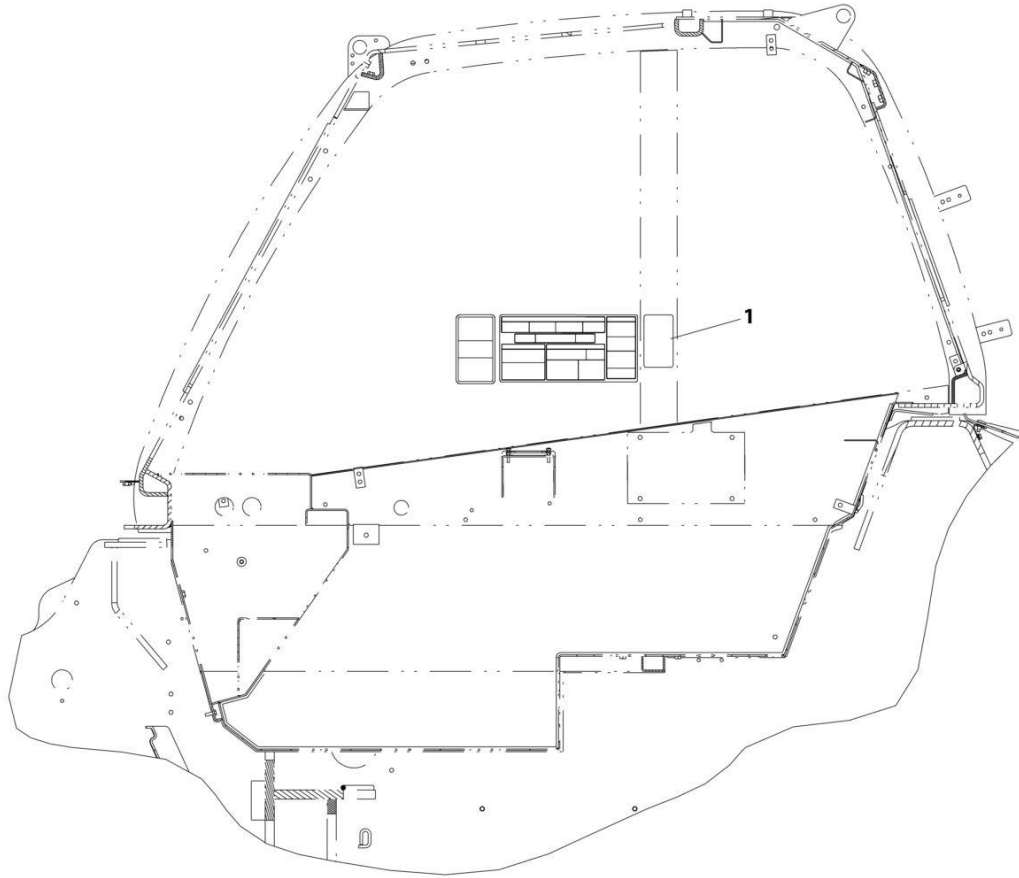
## SECTION 11 - DECALS

FIGURE 11-12. REVERSE SENSOR SYSTEM DECAL (ENGLISH)

ITEM	PART NUMBER	QTY	DESCRIPTION	REV
1	1001160072	1	Reverse Sensor System Decal (English)	A

# SECTION 11 - DECALS

## FIGURE 11-13. REVERSE SENSOR SYSTEM DECAL (ENGLISH/SPANISH)



ART\_1001237846-A

## SECTION 11 - DECALS

**FIGURE 11-13. REVERSE SENSOR SYSTEM DECAL (ENGLISH/SPANISH)**

ITEM	PART NUMBER	QTY	DESCRIPTION	REV
1	1001237846	Ref	REVERSE SENSOR SYSTEM DECAL (ENGLISH/SPANISH LANGUAGES)	A



**SECTION 12 - RECOMMENDED SERVICE PARTS STOCK**

**SECTION 12 - RECOMMENDED SERVICE PARTS STOCK**

# SECTION 12 - RECOMMENDED SERVICE PARTS STOCK

## FIGURE 12-1. RECOMMENDED SERVICE PARTS STOCK

ITEM	PART NUMBER	QTY	DESCRIPTION	REV
		Ref	Note: The following list will service one machine (built to current production per date on the front cover) with emergency repair parts which can be installed in the field. Parts from the list should be replaced when inventory is depleted to keep service parts stock supplied. For further information, contact your JLG dealer or the JLG Industries Parts Department.	
	70029597	1	Coil, 12V (Drywall Carriage)	
	70028281	1	Coil (Ride Control)	
	70022147	1	Coil (Frame Level & Outrigger Valve)	
	70020868	1	Coil (Frame Level & Outrigger Valve)	
	70021208	1	Coil (Frame Level & Outrigger Valve)	
	70002963	1	Coil (Priority Valve & Sahr Brake)	
	70020764	1	Coil (Quick Coupler)	
	70003788	1	Coil (Stabilizer Valve)	
	70026582	1	Coil (Steer Select Valve)	
	1001159028	1	Controller, Accelerator	
	1001197138	1	Controller, Brake	
	1001242098	1	Controller, Fingertip Joystick (Outrigger Switches Installation)	
	1001222609	1	Controller, Joystick	
	70026558	1	Controller, Range Selector	
	1001177597	2	Diode, 6amp (Engine Harness ULS)	
		Ref	Engine - Cummins 110HP ULS	
	70026237	12	Filter, Oil	
	70025850	12	Filter, Primary Air	
	70025851	12	Filter, Secondary Air	
	70026453	12	Filter, Secondary Fuel	
		Ref	Engine - Cummins 110HP LS	
	70026237	12	Filter, Oil	
	70025850	12	Filter, Primary Air	
	70026234	12	Filter, Primary Fuel	
	70025851	12	Filter, Secondary Air	
	70026801	12	Filter, Secondary Fuel	
	1001162662	12	Filter, Breather	
	8229261	2	Fuse, 5A (ASOV)	
	8229242	2	Fuse, 5A (Cab Electrical Board, Cab Option 1 Board, Cab Option 2 Board, Clearsky2 Harness, Engine Harness ULS)	
	80983191	2	Fuse, 10A (Cab Electrical Board, Cab Option 1 Board, Cab Option 2 Board, Engine Harness ULS)	
	8229244	2	Fuse, 15A (Cab Option 2 Board, Engine Harness ULS, Frame Power Distribution Box)	
	8229235	2	Fuse, 20A (ASOV)	
	8229247	2	Fuse, 25A (Cab Option 1 Board, Frame Power Distribution Box, Frame Power Distribution Box)	
	8229245	2	Fuse, 30AMP (Cab Electrical Board & Frame Power Distribution Box)	
	70026297	2	Fuse, 80A (Frame Power Distribution Box)	
	1001095336	2	Fuse, 150A (Frame Power Distribution Box)	
	70026296	2	Fuse, 200A (Frame Power Distribution Box)	
	1001131177	2	Fuse, Power Module	
	70022765	1	Key, Ignition	
	2940074	1	Latch (Fork Mounted Basket)	

## SECTION 12 - RECOMMENDED SERVICE PARTS STOCK

ITEM	PART NUMBER	QTY	DESCRIPTION	REV
	1001203181	1	Module, Accessory (ASOV)	
	1001270467	1	Module, Front Frame Control (Frame Electrical Installation)	
	1001270468	1	Module, Rear Frame Control (Frame Electrical Installation)	
	3740080	1	Relay (ASOV & Cab Seat Belt Alarm Harness)	
	1001205172	1	Relay (Engine Harness)	
	1001117308	1	Relay (Engine Bay Electrical Installation)	
	70026292	1	Relay, 35A (Cab Electrical Board)	
	70026295	1	Relay, 35A (Frame Power Distribution Box)	
	70026293	1	Relay, 50A (Cab Option 1 Board)	
	70026294	1	Relay, 70A (Frame Power Distribution Box)	
	4000015	1	Sensor, Angle (Boom Angle Sensor Installation)	
	1001121955	1	Sensor, Coolant Level	
	1001147340	1	Sensor, Pressure Transducer (Cab Hydraulics)	
	1001183024	1	Sensor, Proximity (LSI)	
	1001160730	1	Sensor, Rear Axle (LSI)	
	1001247421	1	Sensor, Reverse	
	1001128478	1	Sensor, Temperature (Tank Hydraulic)	
	1001104654	1	Switch, AUX	
	1001159746	1	Switch, Auxiliary Electric	
	1001159738	1	Switch (Beacon)	
	1001159745	1	Switch, Boom Ride (Ride Control)	
	1001159739	1	Switch, Boom Work Lights	
	1001192142	1	Switch, Disconnect	
	1001163639	1	Switch, Driving Lights	
	1001239793	1	Switch, FNR 4 Speed	
	1001212470	1	Switch, Frame Level	
	1001159845	1	Switch, Front Worklights	
	1001159734	1	Switch, Hazard (Roadlights)	
	1001169268	1	Switch, Horn Button	
	1001160326	1	Switch, HVAC On/Off (Heater & AC)	
	1001159925	1	Switch, HVAC Recycle (Heater & AC)	
	1001172547	1	Switch, HVAC Rotary 3 Speed (Heater & AC)	
	1001159742	1	Switch, LSI Override	
	1001159753	1	Switch, Park Brake	
	1001080375	1	Switch, Quick Coupler (Hydraulic Coupler)	
	1001159735	1	Switch, Rear Wiper	
	1001159846	1	Switch, Rear Worklights	
	1001159736	1	Switch, Roof Wiper	
	1001159849	1	Switch, Steer Mode	
	1001215941	1	Switch, Toggle (ASOV)	
	1001256974	1	Switch, Turn-Wiper	
	1001102502	1	Switch, 4 Position Key	





**SECTION 13 - SPECIAL OPTIONS/ACCESSORIES/KITS**

**SECTION 13 - SPECIAL OPTIONS/ACCESSORIES/KITS**

# SECTION 13 - SPECIAL OPTIONS/ACCESSORIES/KITS

## FIGURE 13-1. SPECIAL OPTIONS/ACCESSORIES/KITS

ITEM	PART NUMBER	QTY	DESCRIPTION	REV
	See Note	Ref	Note: This list is to accommodate machines ordered with special equipment. Options may not be applicable to all models. For more specific parts information contact JLG Parts Department.	
		Ref	SPECIAL OPTIONS/ACCESSORIES/KITS	
	1001254401	Ref	Access Control Kit	
	1001202371	1	Aftermarket/Service Kits	T
	1001249695	Ref	Analyzer and Cable Kit	
	1001249941	Ref	Battery Powered Analyzer Cable Kit	
	1001199376	Ref	Beacon Kit	
	1001211987	Ref	Boom Kit	
	1001208646	Ref	Boom Wear Pads Kit	
	1001211985	Ref	Boom Wiper Kit	
	1001213286	Ref	Cab Display Kit	
	1001210341	Ref	Cab Electrical Option 1	
	1001210342	Ref	Cab Electrical Option 2	
	1001290616	1	Cab Electrical Prep Installation - Open	
	1001199381	Ref	Cab Guard Kit (Front)	
	1001199380	Ref	Cab Guard Kit (Top)	
	1001199382	Ref	Cab Guard Kit (Front and Top)	
	1001213334	Ref	Cab Enclosure Kit	
	1001213342	Ref	Cab Enclosure Kit with Heater (ULS /LS)	
	1001213343	Ref	Cab Enclosure Kit with Heater and A/C (ULS) (ANSI, ANSI Export and Canada)	
	1001213344	Ref	Cab Enclosure Kit with Heater and A/C (LS) (ANSI Export and Latin America)	
	1001213336	Ref	Cab Heater Kit (ULS /LS)	
	1001213339	Ref	Cab Heater and A/C Kit (ULS) (ANSI, ANSI Export and Canada)	
	1001213340	Ref	Cab Heater and A/C Kit (LS) (ANSI Export and Latin America)	
	1001213349	Ref	Cab Heater - Upgrader from Heater Only to Heater and A/C Kit (ULS) (ANSI, ANSI Export and Canada)	
	1001213350	Ref	Cab Heater - Upgrader from Heater Only to Heater and A/C Kit (LS) (ANSI Export and Latin America)	
	1001268341	Ref	Camera (Rear View) Add-on Kit(Dealer Installed)	
	1001199333	Ref	ClearSky Telematics Kit - Long Roof Cap (ANSI, ANSI Export and Canada)	
	1001199334	Ref	ClearSky Telematics Kit - Short Roof Cap (ANSI, ANSI Export and Canada)	
	1001243187	Ref	ClearSky Telematics Kit - Canbus (North America) (ANSI, ANSI Export and Canada)	
	1001265378	Ref	ClearSky Telematics Kit - Canbus (CE) (ANSI Export and CE)	
	1001265372	Ref	ClearSky Telematics Kit - Canbus (North America) (ANSI and Canada)	
	1001254390	Ref	ClearSky Telematics Kit - Canbus (CE) (ANSI Export and CE)	
	1001276923	Ref	ClearSky Telematics Add-on Kit (Contact JLG for Approved Countries)	
	1001254400	Ref	ClearSky Telematics Extension Kit - Canbus	
	1001291382	1	ClearSky Prep Installation	
	1001211991	Ref	Cold Weather Kit (ULS) (ANSI, ANSI Export and Canada)	
	1001211992	Ref	Cold Weather Kit (LS) (ANSI Export and Latin America)	
	1001211919	Ref	Decal Kit - 1043	
	1001238953	Ref	DEF Sensor Upgrade Kit (ANSI, ANSI Export and Canada)	

## SECTION 13 - SPECIAL OPTIONS/ACCESSORIES/KITS

ITEM	PART NUMBER	QTY	DESCRIPTION	REV
	1001148902	Ref	Electrical Connector Kit - Amp/Tyco Electrical Connectors	
	1001148903	Ref	Electrical Connector Kit - Deutsch DT Electrical Connectors	
	1001148904	Ref	Electrical Connector Kit - Deutsch HD Electrical Connectors	
	1001148905	Ref	Electrical Connector Kit - Packard Electrical Connectors	
	1001148906	Ref	Electrical Connector Kit - Various Electrical Connectors	
	1001272892	Ref	EROPS Service Kit	
	1001214167	Ref	External Rear Window Release Kit	
	1001199378	Ref	Fender Kit	
	1001208643	Ref	Filter Kit - 250Hour (ANSI, ANSI Export and Canada)	
	1001208644	Ref	Filter Kit - 1000Hour (ANSI, ANSI Export and Canada)	
	1001239961	Ref	Fire Extinguisher Kit	
	1001278325	Ref	Fuel Cap Cover Kit	
	1001209981	Ref	Lights – Boom Worklight Kit	
	1001230107	Ref	Lights - Roadlights Kit (Outriggers)	
	1001208847	Ref	Lights - Worklight Kit	
	1001235921	Ref	Lights - Worklight Kit (LED)	
	1001272890	Ref	OROPS Service Kit	
	1001199362	Ref	Rear Wiper Kit	
	1001199366	Ref	Reverse Camera Kit	
	1001245914	Ref	Reverse Camera Kit (4WARD)	
	1001252086	Ref	Reverse Sensing System Kit	
	1001199328	Ref	Roof Wiper Kit	
	1001213289	Ref	Short Roof Cap Kit	
	1001260947	Ref	Smart Shift Kit	
	1001274892	Ref	Steering Column Service Kit - 0 Speed FNR (with Worklights)	
	1001275150	Ref	Steering Column Service Kit - 2 Speed FNR (with Worklights)	
	1001274891	Ref	Steering Column Service Kit - 2 Speed FNR (with Clamp)	
	1001274889	Ref	Steering Column Service Kit - 4 Speed FNR (with Worklights)	
	1001274890	Ref	Steering Column Service Kit - 4 Speed FNR (with Clamp)	
	1001229799	Ref	Strainer Kit	
	1001274718	Ref	Tire Set - Solid 13x24 Directional	
	1001274257	Ref	Tire Set - Solid 13x28 Directional	
	1001274302	Ref	Tire Set - Solid 13x28 Non-Directional	
	1001274721	Ref	Tire Set - Solid 14x24 Directional	
	1001274305	Ref	Tire Set - Solid 14x28 Directional	
	1001274307	Ref	Tire Set - Solid 14x28 Non-Directional	
	1001263075	Ref	Tire Kit – Turf (Pneumatic)	
	1001249695	Ref	Tools- Analyzaer and Cable Kit	
	1001249941	Ref	Tools- Analyzaer and Cable Kit (Battery Powered)	
	7002821	Ref	Tools - Crimper, Wire	
	7002823	Ref	Tools - Pin Extractor - Universal (For Electrical Connectors with Pins and Sockets)	
	4460510	Ref	Tools - Pin Extractor - 12-14 Gauge (For Removal of Pin/Sockets from Deutsch Connectors)	
	4460467	Ref	Tools - Pin Extractor - 16-18 Gauge (For Removal of Pin/Sockets from Deutsch Connectors)	
	7016654	Ref	Tools - Screwdriver, Magnetic	
	7002822	Ref	Tools - Screwdriver, Potentiometer	
	7004275	Ref	Tools - Seal Tool 1in (For Cylinders)	
	7004276	Ref	Tools - Seal Tool 1-1/2in (For Cylinders)	
	7002828	Ref	Tools - Stripper, Wire	
	1001262959	Ref	Voltage Regulator Relocation Kit	



## **SECTION 13 - SPECIAL OPTIONS/ACCESSORIES/KITS**

### **PART NUMBER INDEX**

## SECTION 13 - SPECIAL OPTIONS/ACCESSORIES/KITS

0100011.....135, 139, 145, 891, 893	0711226.....59	0771212.....59, 61	1001096019.....101
01043892.....955	0711228.....77	0781016.....319	1001096020.....101
0400075.....839	0711229.....79	0781208.....743	1001096021.....103
0440296.....71	0711626.....237	0791605.....281	1001096023.....103
0440321.....743	0711629.....237	0860520.....105	1001096024.....101
0498748.....525	0711630.....237	0930020.....125	1001096025.....103
0641404.....49	0711631.....77, 87	1001001568.....683	1001096365.....527
0641405.....105	0711635.....79	1001002946.....527	1001097053.....327
0641407.....49	0712020.....489	1001002947.....527	1001097110.....187
0641510.....225	0712022.....489	1001002953.....527	1001097202.....491, 493
0641812.....700	0712027.....487	1001002957.....527	1001097205.....195
0642032....131, 135, 137, 139, 141, 145	0712042.....51	1001003043.....515	1001097540....27, 29, 31, 605, 607
0681810....135, 139, 145	0712442.....703, 711	1001003227.....23	1001097586.....515
0700408.....985, 991	0741408.....49	1001003301.....787	1001097587.....405, 435
0700610....27, 29, 31, 55, 241, 306, 310, 609, 829, 831, 833, 919, 921, 937, 971, 973	0741610 ....135, 139, 145	1001003427.....317	1001097588.....273, 275
0700614.....225, 570	0760304.....659	1001003590.....711	1001097810.....403, 705
0700616.....700, 967	0760405...115, 117, 121, 123, 127, 131, 135, 137, 139, 141, 143, 145, 909	1001004640.....661, 663	1001098762.....841
0700618.....859, 905	0760507.....317, 549	1001005368.....523	1001098769.....91
0700808.....905	0760512.....617	1001005960.....1037	1001099113.....135, 139, 145
0700812.....479	0760605....275, 525, 641	1001007056.....771	1001099115.....135, 139, 145
0700814..27, 29, 31, 315, 787, 919, 921	0760606.....27, 29, 31	1001008540.....919, 921	1001099170.....509
0700815.....299	0760607...303, 306, 310, 525, 909, 955	100100855941, 306, 310, 447, 505, 513, 629, 865, 909, 923, 925, 937, 941, 943, 946	1001099351.....113
0700816....259, 261, 281, 677, 700, 931	0760608....93, 257, 299, 491, 493, 547, 617, 633, 641, 661, 663, 919, 921, 941, 943	1001008575.....37	1001099457.....185
0700817.....685	0760610.....543	1001008687.....481	1001099699.....549
0700818.....761, 937	0760615.....73, 700, 933	1001008742.....617	1001099717.....845
0700819....689, 931, 933	0760807.....241, 905	1001008857.....527	1001100265.....121
0700820....621, 623, 625, 937	0760808...545, 609, 611, 891, 893, 905, 909	1001008923.....967	1001100266.....123
0700823.....691	076081023, 61, 251, 557, 559, 567, 570, 587, 611, 621, 623, 641, 700, 729, 733	1001008988.....525	1001100267.....127
0700824.....661, 663	0760812...243, 287, 477, 493, 505, 513, 527, 689, 985, 991	1001009163.....327, 787	1001100822.....121
0700826.....299	0760815....21, 291, 527, 685, 700, 705, 937	1001009178 .1008, 1016, 1024	1001100823.....123
0700827.....243, 245	0760817.....711	1001025750.....303	1001100824.....127
0701014...21, 23, 43, 291	0760823.....35, 293	1001028308.....705	1001100967.....111
0701016..27, 29, 31, 291, 479, 481, 681, 721, 921, 923	0761007...905, 941, 943	1001047062.....525	1001101458.....45, 47
0701017.....285, 287	0761008.....843, 845	1001080375....681, 1047	1001101808.....829
0701018....249, 251, 265, 267	076101023, 25, 249, 273, 275, 285, 291, 327, 447, 481, 700, 905, 919, 921, 937, 941, 943, 975	1001080996.....85, 681	1001101895...1012, 1020
0701020.....37, 265, 267	0761012...247, 249, 251, 265, 267, 661, 663, 681, 985	1001090140 ....135, 139, 145	1001102502.....855, 857, 1047
0701027.....313	0761017.....115, 117	1001090343.....591	1001102509.....433
0701215.....319	0761210...267, 303, 923, 925	1001091715.....975	1001103012.....866
0701216.....237, 321	0761212.....681	1001091716.....975	1001103156.....843, 845
0701217.....93, 729	0761214...37, 45, 47, 85, 89	1001091751.....889	1001103564.....969
0701220.....237	0761215.....35, 707	1001091951.....81	1001104477.....683, 803
0701224.....93	0761218.....265, 267	1001092481.....99	1001104498.....983
0701226.....59, 643	0770807.....59	1001092482.....99	1001104519.....879, 885
0701227.....237	0770814.....645	1001092877 .1012, 1020, 1024	1001104654.....855, 857, 1047
0701229.....41	0771210.....59, 61, 265	1001092878 .1012, 1020, 1024	1001104685.....241
0701230.....41		1001093171.....195	1001105441.....95
0711015.....327		1001093564.....841	1001105886.....959
0711027.....703, 711		1001094134.....191	1001107192.....525
0711214.....59, 61		1001094136.....191	1001107854.....821, 951, 983
0711215.....57		1001094708 .1008, 1012, 1016, 1020, 1024, 1028	1001108668.....198
0711216.....57, 59, 61		1001095336....939, 1046	1001109053..1008, 1012, 1016, 1020, 1024, 1028
0711217.....57, 59, 61		1001095396.....693	1001110544.....659
0711218.....59		1001095418.....143	1001110704.....143
0711219.....57		1001095650...45, 47, 49, 661	1001111076.....633
0711220.....57, 93		1001095738.....373	1001111147.....633
0711225.....59		1001095744.....373	1001111190.....143, 198, 203
		1001095804.....855, 857	1001111317.....503, 511
		1001095810.....105	1001112612.....849, 865, 899, 913, 915

## SECTION 13 - SPECIAL OPTIONS/ACCESSORIES/KITS

1001112796 ..... 895, 899, 989	1001120989..... 1039	1001143857.....661, 663	1001159347 ..... 265, 267, 279
1001112902 .... 27, 29, 31	1001121103..... 451	1001144147.....825, 877, 912, 915	1001159734 .... 975, 1047
1001114495 ..... 269, 271	1001121105..... 455	1001144295..... 946	1001159735 .... 589, 1047
1001114498 ..... 951	1001121109..... 451	1001144296..... 946	1001159736 .... 591, 1047
1001114803 ..... 265, 267	1001121172..... 946	1001144629J..... 105	1001159738 ..... 1047
1001116128 ..... 447	1001121726..... 951	1001145539..... 570	1001159739 .... 965, 1047
1001116696 ..... 979	1001121727..... 999	1001145707..... 915	1001159742 ..... 505, 513, 1047
1001116697 ..... 866	1001121955..... 1047	1001146160..... 109	1001159745 .... 693, 1047
1001116698 ..... 866	1001125027..... 912, 916	1001146588.....306, 310, 629, 859, 869, 931, 933, 941, 943, 975	1001159746 .... 851, 1047
1001116700 ..... 879	1001125083..... 913	1001146949..... 647	1001159753 ..... 855, 857, 1047
1001116716 ..... 879	1001125085..... 913	1001147060..... 831	1001159760 ..... 713, 715
1001116720 ..... 961	1001125117..... 57, 59, 61, 93, 681	1001147340.....687, 689, 1047	1001159845 ..... 971, 973, 1047
1001116723 ..... 865, 866, 879, 880, 883	1001125410..... 455	1001147449..... 600	1001159846 ..... 971, 973, 1047
1001116725 ..... 913	1001125465..... 447	1001148902..... 1051	1001159847 ..... 715, 717
1001116727 ..... 951	1001125677..... 946	1001148903..... 1051	1001159849 ..... 855, 857, 1047
1001116728 ..... 951, 969	1001126008..... 825, 901, 947	1001148904..... 1051	1001159881 ..... 291
1001116729 ..... 999	1001126011..... 913	1001148905..... 1051	1001159882 ..... 291
1001116732 ..... 915	1001126349..... 916	1001148906..... 1051	1001159925 ..... 567, 570, 1047
1001116745 ..... 999	1001126353..... 916	1001149160.....27, 29, 31	1001160042 ..... 570
1001116747 ..... 821, 880	1001126356..... 916	1001149278..... 600	1001160043 ..... 567
1001116748 ..... 865, 913, 915	1001126357..... 916	1001150610..... 912, 915	1001160072 ..... 1041
1001116749 ..... 913, 915	1001126391..... 927	1001150611 ..... 946, 948	1001160116 ..... 237
1001116754 ..... 866	1001126393..... 927	1001150735..... 865	1001160250 ..... 51
1001116763 ..... 821, 866, 951	1001126487..... 912	1001150737..... 865	1001160253 ..... 21
1001116774 ..... 825, 947	1001126837..... 541, 543, 843	1001151101..... 469	1001160255 ..... 43
1001116808 ..... 825, 947	1001128127..... 948	1001151102..... 469	1001160326 .... 570, 1047
1001116810 ..... 948	1001128144..... 281	1001151108..... 469	1001160396 ..... 233
1001116811 ..... 912, 915	1001128341..... 281	1001152742..... 927	1001160397 ..... 267
1001116812 ..... 825, 865, 883, 927, 947	1001128478..... 327, 787, 1047	1001152915..... 511	1001160402 ..... 265
1001116815 ..... 825, 865	1001128594..... 231, 235	1001152934..... 511	1001160420 ..... 315
1001116950 ..... 913, 915, 946	1001128890..... 109	1001152947..... 503, 511	1001160426 ..... 245
1001116986 ..... 880	1001130220..... 27, 29, 31, 831	1001153612..... 913	1001160496 ..... 623
1001116991 ..... 865, 879, 961	1001130323.. 1008, 1012, 1016, 1020, 1024, 1028	1001153748..... 737, 813	1001160498 ..... 867
1001116996 ..... 979	1001131177..... 905, 1046	1001153749 ..... 905	1001160500 ..... 947, 952
1001116997 ..... 879	1001131271.. 1008, 1012, 1016, 1020, 1024, 1028	1001154365..... 501, 511	1001160502 ..... 867
1001116999 ..... 879, 961	1001132168..... 25	1001154419..... 511	1001160503 ..... 621, 623
1001117021 ..... 821	1001132169..... 946	1001154511 ..... 229, 231	1001160506 ..... 625
1001117073 ..... 913, 915	1001132170..... 946	1001154721 ..... 499, 503	1001160508 ..... 495, 497, 545
1001117081 ..... 865, 866, 879, 883	1001133534..... 319	1001154790..... 233, 235	1001160509 ..... 947, 952
1001117121 ..... 885	1001134274..... 843, 845	1001154984..... 495	1001160510 ..... 947, 952
1001117308 ..... 919, 921, 1047	1001136975..... 306, 310	1001155020..... 600	1001160711 ..... 839
1001118323 ..... 946	1001137512..... 189	1001155261 ..... 291	1001160730 ..... 1047
1001118378 ..... 825	1001137578..... 927, 928	1001155307..... 661	1001160735 ..... 33
1001118383 ..... 885	1001138348..... 269, 271	1001155446..... 485, 487	1001160775 ..... 1031
1001118384 ..... 865, 866, 879, 880, 883, 1001	1001139551..... 591	1001155447 ..... 497, 587	1001160888 ..... 237
1001118392 ..... 979	1001139552..... 589	1001155486..... 591	1001160927 ..... 839, 841
10011184495 ..... 935	1001139568..... 523	1001155540..... 265, 267	1001160928 ..... 841
1001118684 ..... 866	1001139578..... 1008	1001155796..... 609	1001161069 ..... 593
1001118685 ..... 885	1001139942.. 1012, 1020, 1024	1001155800..... 609	1001161097 ..... 867, 947, 952
1001120163 ..... 771, 773	1001141246..... 527	1001155806..... 989	1001161098 ..... 867, 947
1001120178 ..... 451, 453, 455, 457	1001141281..... 587	1001156265..... 661, 663	1001161099 ..... 867, 947, 952
1001120179 ..... 451, 455	1001141311..... 591	1001157481..... 523	1001161100 ..... 867, 947, 952
1001120914 ..... 135, 139, 145	1001141312..... 589	1001157487..... 523	1001161101 ..... 867, 947, 952
1001120915 ..... 135, 139, 145	1001141313..... 591	1001157663..... 243, 245	1001161304 ..... 735, 737
	1001141400..... 306, 310	1001157890..... 825, 879	
	1001143200..... 507, 539	1001157891..... 849	
	1001143551..... 825	1001157972..... 717, 797	
	1001143692..... 95	1001158146..... 855	
	1001143852..... 1024	1001158298..... 687, 689, 701	
		1001158527..... 661, 811	
		1001159028..... 637, 639, 1046	

## SECTION 13 - SPECIAL OPTIONS/ACCESSORIES/KITS

1001161308.....673, 675, 725	1001163127 ..... 817, 919	1001165022 ..... 535	1001167357.....243, 245
1001161340.....700	1001163133 ..... 239	1001165022J..... 533	1001167437 ..... 733
1001161343.....700	1001163134 ..... 241	1001165080 ..... 501, 525	1001167493..... 59
1001161421 ..... 401, 403	1001163136 ..... 57, 59	1001165171 .... 57, 59, 61	1001167528..... 927
1001161424.....431, 433	1001163151 ..... 633	1001165172 .... 57, 59, 61	1001167608.....967, 969
1001161499.....495, 497, 637	1001163170 ..... 633	1001165194 ..... 927	1001167616..... 912
1001161528.....687, 689	1001163174 ..... 1016	1001165269 ..... 617, 619	1001167620..... 927
1001161538 ..... 503	1001163210 ..... 1016	1001165270 ..... 617	1001167624..... 927
1001161564..... 41	1001163212 ..... 1016	1001165273 ..... 619	1001167641..... 912
1001161664.....229, 233, 327	1001163222 ..... 1016	1001165275 ..... 527	1001167646..... 905
1001161672.....661, 663	1001163223 ..... 1016	1001165276 ..... 533	1001167648..... 912
1001161769.....859, 861	1001163227 .... 229, 233, 237	1001165309 ..... 946	1001167649..... 912
1001161770.....869, 873	1001163230 .... 229, 233, 313	1001165310 ..... 946	1001167650..... 912
1001161771.....871, 875	1001163231 ..... 229, 310	1001165311 ..... 951	1001167656..... 912
1001161854.....596, 600, 603	1001163232 ..... 229, 289	1001165327 ..... 619	1001167657..... 912
1001161855.....596, 600	1001163233 ..... 229, 905	1001165351 ..... 617	1001167695.....853, 989
1001161896.....661, 663	1001163235 ..... 229, 321	1001165360 ..... 975, 977	1001167761.....83, 85, 87
1001161897.....661, 663	1001163238 ..... 233, 259	1001165367 .... 57, 59, 61	1001167762.....83, 85, 89
1001161898.....661, 663	1001163239 ..... 233, 249	1001165407 ..... 617	1001167799..... 853
1001161920.....269, 271	1001163241 ..... 233, 306	1001165416 ..... 617	1001167806..... 91
1001161957.....947, 951	1001163242 ..... 233, 909	1001165455 ..... 617	1001167937..... 531
1001161959.....867	1001163245 ..... 267, 275	1001165458 ..... 617	1001167958..... 525, 531
1001161963.....947, 952	1001163246 ..... 267, 271	1001165458 ..... 617	1001167971..... 303
1001161978.....700	1001163247 .... 265, 267, 283	1001165637 ..... 587	1001168030..... 265, 267
1001162076.....745, 761	1001163248 ..... 265, 273	1001165699 ..... 859	1001168031..... 991
1001162212 ..... 289	1001163249 ..... 265, 269	1001165827 ..... 833	1001168038..... 780
1001162239 ..... 21, 23	1001163253 ..... 291, 303	1001165831 .... 405, 407, 409, 411, 413, 415, 417, 419, 421, 423, 425, 427, 429	1001168038..... 780
1001162240J ..... 23	1001163254 ..... 243, 245, 247	1001165978 ..... 479, 481	1001168041..... 780
1001162281 ..... 285, 291	1001163285 ..... 1016	1001166163 ..... 63, 65	1001168054..... 687, 689
1001162339 ..... 685	1001163300 ..... 1016	1001166233 ..... 63	1001168142..... 661, 663
1001162346 ..... 685	1001163304 ..... 1016	1001166235 ..... 63, 65	1001168151..... 661, 663
1001162365 ..... 685	1001163323 ..... 1016	1001166385 ..... 633	1001168264..... 477, 493
1001162366 ..... 685	1001163340 ..... 866	1001166397 ..... 937	1001168272..... 293
1001162469 ..... 57, 59	1001163355 ..... 1016	1001166416 ..... 269, 271	1001168281..... 41
1001162597 ..... 291	1001163371 ..... 869, 879	1001166430 ..... 273, 275	1001168327..... 570
1001162600 ..... 745, 753	1001163414 .... 135, 139, 145, 749	1001166449 ..... 259, 261	1001168330..... 570
1001162660 ..... 787, 789	1001163546 ..... 291	1001166450 ..... 261	1001168331..... 570
1001162661 ..... 789	1001163637 ..... 281	1001166451 ..... 259	1001168341..... 55, 57
1001162662 ..... 787, 1046	1001163639 .... 981, 1047	1001166565 ..... 249, 255	1001168342J ..... 57
1001162663 ..... 789	1001163704 ..... 61	1001166566 ..... 251, 253	1001168368..... 57
1001162667 ..... 789	1001163712 ..... 61	1001166634 ..... 527, 533	1001168456..... 570
1001162670 ..... 673, 675, 707	1001163723 ..... 277	10011666703 ..... 927	1001168464..... 713, 733
1001162674 ..... 707, 709	1001164019 ..... 49	1001166704 ..... 912, 927	1001168469..... 673, 675, 705
1001162685 ..... 755, 757	1001164036 ..... 745, 775	1001166716 ..... 249	1001168482..... 843, 845
1001162765 ..... 787	1001164183 ..... 49	1001166727 ..... 999	1001168486..... 75
1001162789 ..... 497, 617	1001164402 ..... 937, 939	1001166754 ..... 487	1001168546..... 55, 59
1001162886 ..... 866	1001164404 ..... 291	1001166755 ..... 487	1001168547..... 59
1001162887 ..... 866	1001164436 ..... 41	1001166763 ..... 869	1001168560..... 291
1001162920 ..... 641	1001164454 ..... 41	1001166764 ..... 871	1001168561..... 59
1001162922 ..... 641	1001164498 ..... 557, 559	1001166766 ..... 871	1001168567..... 59, 71
1001162953 ..... 570, 581	1001164567 ..... 95	1001166769 ..... 871	1001168587..... 59
1001162979 ..... 661	1001164615 ..... 557	1001166925 ..... 271	1001168589..... 61
1001163029 ..... 59, 61	1001164655 ..... 545	1001166975 ..... 81	1001168602..... 55, 61
1001163034 ..... 57, 59, 61	1001164726 ..... 525	1001166993 ..... 271	1001168603..... 61
1001163035 ..... 59	1001164860 ..... 743	1001167001 ..... 651	1001168629..... 703, 711
1001163067 ..... 37, 787	1001164870 ..... 681	1001167015 ..... 593	1001168630..... 61, 73
1001163072 ..... 685	1001164871 ..... 87	1001167017 ..... 991	1001168632..... 73
1001163073 ..... 685	1001164881 ..... 89	1001167050 ..... 817	1001168638..... 291, 293
1001163082 ..... 265, 267, 277	1001164884 ..... 83, 85	1001167051 .... 817, 819, 937	1001168644..... 41
1001163103 ..... 57, 59	1001164885 ..... 83, 85	1001167078 .... 265, 267, 281	1001168658..... 55
1001163112 ..... 57, 59	1001164971 ..... 703	1001167167 ..... 291	1001168760..... 27, 29, 31
	1001164972 ..... 703, 711	1001167168 ..... 291	1001168761..... 29
		1001167186 ..... 315	1001168764..... 703
		1001167266 ..... 581, 585	1001168771..... 261
		1001167281 ..... 787	1001168782..... 431, 435
			1001168783..... 399, 431
			1001168784..... 401, 405



## SECTION 13 - SPECIAL OPTIONS/ACCESSORIES/KITS

1001168785 ..... 399, 401	1001170320..... 923, 925	1001172346..... 75, 77	1001174356 ..... 265, 267
1001168786 ..... 399	1001170326..... 553	1001172350..... 77	1001174426 ..... 847, 851
1001168795 ..... 237	1001170366..... 497, 547	1001172352..... 79	1001174478 ..... 41, 659
1001168797 ..... 237	1001170374..... 507	1001172353..... 79	1001174581 ..... 603
1001168822 ..... 289	1001170495..... 499, 507	1001172401..... 495, 497, 555	1001174712 ..... 1003
1001168831 ..... 71	1001170500..... 501, 515	1001172495..... 841	1001174741 ..... 609
1001169009 ..... 229	1001170502..... 515, 523	1001172496..... 841	1001174795 ..... 295
1001169011 ..... 229, 261	1001170504..... 596, 600	1001172536..... 993	1001174800 ..... 609
1001169012 ..... 229, 251	1001170515..... 557, 559	1001172547..... 567, 570, 1047	1001174832 ..... 269
1001169146 ..... 937	1001170518..... 596, 600	1001172550..... 567, 570	1001175201 ..... 293
1001169151 ..... 570, 821	1001170549..... 685	1001172553..... 567, 570	1001175265 ..... 866, 951
1001169155 ..... 259, 261	1001170566..... 941, 943	1001172591..... 269, 271	1001175267 ..... 947, 952
1001169173 ..... 265, 267	1001170601J..... 525	1001172606..... 596	1001175269 ..... 313
1001169174 ..... 265, 267	1001170603..... 501, 539	1001172608..... 596	1001175347 ..... 700
1001169207 ..... 283	1001170616..... 397	1001172644..... 29	1001175368 ..... 51
1001169209 ..... 73	1001170624..... 941, 943	1001172728..... 847, 849	1001175470 ..... 553
1001169214 ..... 73	1001170628..... 83	1001172755..... 306, 310	1001175471 ..... 547, 551
1001169265 ..... 23	1001170631..... 85	1001172774..... 621	1001175477 ..... 525
1001169268 ..... 649, 1047	1001170645..... 27, 29, 31	1001172822..... 41, 987	1001175570 ..... 705
1001169278 ..... 55, 63	1001170665..... 27, 29	1001172953..... 275	1001175677 ..... 693, 997
1001169279 ..... 63, 65	1001170712..... 93	1001172954..... 391, 393	1001175683 ..... 93
1001169281 ..... 55, 65	1001170717..... 593	1001172979..... 1031	1001175699 ..... 700
1001169350 ..... 391, 399	1001170740..... 923	1001172994..... 93	1001175713 ..... 687, 689
1001169351 ..... 391, 397	1001170741..... 923	1001172995..... 93	1001175718 ..... 677
1001169354 ..... 665, 667	1001170749..... 923	1001172996..... 93	1001175733 ..... 995
1001169355 ..... 667	1001170816..... 923, 925	1001172997..... 93	1001175741 ..... 693
1001169365 ..... 941, 943	1001170944..... 527	1001173091..... 927, 941	1001175776 ..... 993, 995
1001169367 ..... 667	1001170993..... 551	1001173092..... 975, 979	1001175789 ..... 673, 687
1001169373 ..... 65	1001171037..... 535	1001173257..... 625	1001175814 ..... 705
1001169375 ..... 677	1001171153..... 33, 35	1001173298..... 525	1001175903 ..... 600
1001169376 ..... 677	1001171154..... 33, 37	1001173411..... 879	1001175904 ..... 596
1001169378 ..... 677	1001171179..... 37	1001173419..... 497	1001176004 ..... 927
1001169379 ..... 65	1001171182..... 523	1001173422.. 1008, 1016, 1024	1001176121 ..... 547, 553
1001169393 ..... 283	1001171183..... 523	1001173429..... 1008	1001176164 ..... 589
1001169409 ..... 289	1001171242..... 477	1001173431..... 1024	1001176228 ..... 233
1001169410 ..... 289	1001171277.. 1008, 1012, 1016, 1020, 1024, 1028	1001173433..... 1016	1001176272 ..... 507, 539
1001169454 ..... 35	1001171318..... 27	1001173446..... 700	1001176273 ..... 507, 539
1001169461 ..... 37	1001171450..... 55	1001173450..... 700	1001176333 ..... 883
1001169602 ..... 35	1001171634..... 535	1001173451..... 700	1001176338 ..... 887
1001169603 ..... 596, 600	1001171701..... 291	1001173452..... 265, 267	1001176515 ..... 107
1001169604 ..... 600	1001171756..... 617	1001173457..... 265, 267	1001176626 ..... 507, 539
1001169605 ..... 596, 600	1001171764..... 83, 95	1001173468..... 27, 29, 31	1001176935 ..... 912, 927
1001169674 ..... 1031	1001171767..... 551	1001173471..... 55, 685	1001176945 ..... 291
1001169751 ..... 665	1001171772..... 27, 29, 31	1001173527..... 997, 999	1001177597 ..... 865, 913, 1046
1001169763 ..... 649	1001171808..... 91	1001173530..... 817, 941	1001177654J ..... 51
1001169825 ..... 901	1001171874..... 641	1001173531..... 817, 923	1001177702 ..... 717
1001169830 ..... 687, 689, 700	1001171885..... 21	1001173538..... 67	1001177704 ..... 700
1001169850 ..... 285	1001171889..... 485	1001173539..... 67	1001178123 ..... 617
1001169881 ..... 525, 533	1001171890..... 485, 489	1001173540..... 67	1001178170 ..... 570
1001169883 ..... 535	1001171962..... 991	1001173541..... 55, 67	1001178670 ..... 663, 809
1001169885 ..... 535	1001172035.. 1008, 1012, 1016, 1020, 1024, 1028	1001173546..... 265, 267	1001178706 ..... 1037
1001169965 ..... 265, 267	1001172075..... 743	1001173626..... 285	1001178729 ..... 481
1001170071 ..... 35	1001172077..... 743	1001173702..... 733, 735	1001178783 ..... 887
1001170072 ..... 35	1001172078..... 743	1001173739..... 93	1001178791 ..... 293
1001170100 ..... 673, 675, 677	1001172088..... 641	1001173765..... 819, 921	1001178826 ..... 615
1001170171 ..... 327, 329, 333, 335, 337, 339, 341, 343, 345, 347, 349, 351, 353, 355, 357, 359, 361, 363, 365, 367, 369, 371, 373, 375, 377, 379, 381, 383, 385, 387, 389	1001172094..... 641	1001173849..... 855	1001178933 ..... 859
1001170215 ..... 923	1001172134..... 85, 743	1001173956..... 685	1001179008 ..... 517, 519, 521, 615
1001170231 ..... 641	1001172146..... 37	1001173957..... 685	1001179009 ..... 517, 519, 521, 615
	1001172147..... 37	1001173965..... 596, 600	1001179080 ..... 581
	1001172160..... 31	1001174271..... 291, 299	1001179081 ..... 581
	1001172178..... 317	1001174295..... 525, 537	1001179130 ..... 581, 583
	1001172193..... 503, 511, 533	1001174320..... 511	1001179206 ..... 285, 291
	1001172344..... 75, 81	1001174321..... 527	1001179297 ..... 1037
	1001172345..... 75, 79	1001174338..... 700	

## SECTION 13 - SPECIAL OPTIONS/ACCESSORIES/KITS

1001179376.....269	1001184493..... 935	1001189054 ..... 579	1001194421.....865, 889
1001179484.....603	1001184496 ..... 935	1001189299 ..... 681	1001194534.....249
1001179548.....27, 31	1001184551 ..... 916	1001189308 ..... 681	1001194785.....93
1001179968.....285, 287	1001184632. 1008, 1012, 1016, 1020, 1024, 1028	1001189492 ..... 59	1001194787.....93
1001179972.....285	1001184640 ..... 745, 779	1001189663 ..... 681, 683	1001194789.....93
1001179973.....287	1001184835 ..... 905, 935	1001189714 ..... 57	1001194978.....39
1001180076.....233, 319	1001184975 ..... 600	1001189793 ..... 59, 61	1001194981.....787
1001180078.....319	1001185179 ..... 596, 600	1001189888 ..... 780	1001195089.....931, 933
1001180226.....287	1001185278 ..... 251	1001190179 ..... 835	1001195217.....677
1001180227.....287	1001185497 ..... 261	1001190322 ..... 913, 915	1001195342.....585
1001180242.....233, 933	1001185498 ..... 259	1001190347 ..... 596	1001195343.....585
1001180263.....621, 625	1001185505 ..... 261	1001190585 ..... 923	1001195345.....585
1001180306.....700	1001185633 ..... 611	1001190589 ..... 596, 600	1001195346.....585
1001180542.....273, 275	1001185823 ..... 916	1001190670 ..... 835, 837, 841	1001195385.....585
1001180553.....273, 275	1001185824 ..... 916	1001190671 ..... 835, 837, 959	1001195386.....585
1001180620.....937	1001185846 ..... 611	1001190921 ..... 912	1001195437.....585
1001180682.....887	1001186225 ..... 327	1001190980 ..... 306	1001195438.....585
1001180683.....887	1001186342 ..... 306, 310	1001191091 ..... 537	1001195518.....237
1001181128.....919, 921	1001186418 ..... 700	1001191168 ..... 299	1001195781.....913
1001181411.....523	1001186705 ..... 247	1001191229. 1008, 1012, 1016, 1020, 1024, 1028	1001195782.....913
1001181531.....855, 857	1001186843 ..... 700	1001191348 ..... 285	1001195849.....1008
1001181537.....41	1001186898 ..... 249, 251	1001191486 ..... 905	1001195851.....1016
1001181543.....651, 653	1001187070 ..... 912, 913, 915, 916	1001191487 ..... 1016	1001195855.. 1008, 1016, 1028
1001181625.....273, 275	1001187075 ..... 947	1001191503 ..... 743	1001195878.....503, 511
1001181815.....285	1001187076 ..... 946, 952	1001191505 ..... 743	1001195970.....119
1001181920.....507, 539	1001187077 ..... 927	1001191603 ..... 43	1001195972.....491
1001181921.....507, 539	1001187078 ..... 825, 915, 952	1001191617 ..... 596, 600	1001196076.....557, 559
1001181961.....839	1001187079 ..... 825, 913, 915, 947	1001191635 ..... 43	1001196100.....975
1001182011.....273, 275	1001187080 ..... 913, 947	1001192042 ..... 705	1001196404.....23
1001182012.....273, 275	1001187335 ..... 491, 493	1001192142 ..... 919, 921, 1047	1001196422.....23
1001182094.....321	1001187532 ..... 851	1001192240 ..... 603	1001196426J.....23
1001182123.....507, 539	1001187623 ..... 925	1001192303 ..... 819	1001196440.....303, 306, 310
1001182139.....507, 539	1001187624 ..... 925	1001192305 ..... 819, 943	1001196491.....247
1001182279.....709, 785	1001187785 ..... 63, 65	1001192309 ..... 525	1001196806.. 1008, 1012, 1016, 1028
1001182328.....611	1001188048 ..... 491, 493	1001192341 ..... 711	1001197138.....641, 643, 1046
1001182671.....647	1001188244 ..... 57	1001192393 ..... 829	1001197139.....641, 645
1001182839.....543	1001188372. 1008, 1012, 1016, 1020, 1024, 1028	1001192394 ..... 833	1001197217.....613
1001182911.....711	1001188590 ..... 567, 570	1001192401 ..... 899, 946	1001197218.....613
1001183024.....505, 513, 1047	1001188592 ..... 579	1001192435 ..... 693	1001197219.....613
1001183177.....251	1001188594 ..... 575, 579	1001192468 ..... 931, 933	1001197259.....613
1001183221.....849	1001188602 ..... 575, 579	1001192471 ..... 931, 933	1001197282.....981
1001183550.....603	1001188603 ..... 575, 579	1001192643 ..... 529	1001197299.....306, 310
1001183759.....291	1001188604 ..... 575, 579	1001192644 ..... 531	1001197339.....21
1001183827.....257	1001188604 ..... 575, 579	1001192646 ..... 525	1001197407.....912, 916
1001183829.....257	1001188610 ..... 575, 579	1001192711 ..... 225	1001197600.....775, 807
1001183830.....251	1001188612 ..... 575, 579	1001192720 ..... 225	1001197709.....459
1001183831.....249	1001188614 ..... 575, 579	1001192766 ..... 525, 529	1001197715.....459
1001183835.....249, 251, 257	1001188618 ..... 579	1001192836 ..... 481	1001197716.....459
1001183836.....291	1001188619 ..... 579	1001192875 ..... 225	1001198291.....459
1001184017.....247	1001188637 ..... 677	1001192876 ..... 225	1001198321.....919, 921
1001184056.....843	1001188720 ..... 575, 579	1001192877 ..... 225	1001198355.....225
1001184076.....23	1001188725 ..... 575, 579	1001193026 ..... 243, 245	1001199099.....919, 921
1001184280.....579	1001188729 ..... 575, 579	1001193171 ..... 819, 925	1001199183.....831
1001184296.....575, 579	1001188733 ..... 575	1001193210 ..... 533	1001199328.....1051
1001184297.....575, 579	1001188787 ..... 843, 845	1001193540 ..... 225	1001199333.....1050
1001184403.....583	1001188817 ..... 579	1001193577 ..... 93	1001199334.....1050
1001184404.....583	1001188818 ..... 579	1001193578 ..... 93	1001199362.....1051
1001184405.....583	1001188971 ..... 700	1001193579 ..... 93	1001199366.....1051
1001184406.....583	1001189023 ..... 579	1001193729 ..... 225	1001199376.....1050
1001184427.....579	1001189024 ..... 579	1001193771 ..... 677	1001199378.....1051
1001184439.....525	1001189025 ..... 575, 579	1001193993 ..... 919, 921	1001199380.....1050
1001184473.....961	1001189046 ..... 905	1001194282 ..... 663	1001199381.....1050
1001184479.....961	1001189048 ..... 579	1001194286 ..... 229, 931	1001199382.....1050
1001184484.....843, 845			
1001184491.....935			

## SECTION 13 - SPECIAL OPTIONS/ACCESSORIES/KITS

1001199670..... 299	1001205255..... 925	1001211992..... 1050	1001220540..... 487
1001200082..... 941, 943	1001205335..... 77	1001212011..... 537	1001220760..... 327
1001200101 . 1008, 1012, 1016, 1020, 1024, 1028	1001205402..... 509	1001212047..... 517	1001220817..... 975
1001200102..... 923, 925	1001205532..... 525, 527	1001212048..... 519	1001220829..... 975
1001200152..... 1003	1001205756..... 687, 689	1001212049..... 517	1001221057..... 579
1001200239..... 319	1001205976..... 541	1001212050..... 519	1001221058..... 579
1001200538..... 971	1001206019..... 321	1001212369..... 587	1001221059..... 567, 570
1001200539..... 973	1001206332..... 243	1001212419..... 1033	1001221295..... 567, 570
1001200555..... 241	1001206371..... 1035	1001212470..... 855, 857, 1047	1001221318..... 541, 543
1001200989..... 57, 59, 61	1001206432..... 55	1001213065..... 41, 783	1001221319..... 541, 543
1001201080..... 946	1001206448..... 243	1001213126J..... 23	1001221504..... 449
1001201162..... 897	1001206588..... 306, 310	1001213200J..... 449	1001221520..... 689
1001201331..... 617	1001206746..... 29	1001213210..... 299, 301	1001221527..... 689
1001201646..... 27, 29, 31	1001206980..... 263	1001213286..... 1050	1001221742..... 689
1001201885..... 889	1001207171..... 913	1001213289..... 1051	1001221749..... 663
1001202133..... 629	1001207173..... 947	1001213331..... 527	1001222609..... 651, 655, 1046
1001202134..... 627	1001207217..... 1008	1001213334..... 1050	1001222650 . 1008, 1012, 1020, 1024, 1028
1001202138..... 627	1001207218.. 1012, 1020, 1024	1001213336..... 1050	1001222715..... 909, 915
1001202247..... 263	1001207282..... 317	1001213339..... 1050	1001222741..... 527
1001202371..... 1050	1001207291J..... 41	1001213340..... 1050	1001223265..... 596, 600
1001202454..... 857	1001207292..... 41	1001213342..... 1050	1001223453 .. 1008, 1016
1001202487..... 263	1001207343..... 27, 29, 31	1001213343..... 1050	1001223455..... 865, 866
1001202491..... 263	1001207557..... 317	1001213344..... 1050	1001223456..... 867
1001202498..... 957	1001207594..... 513, 543	1001213349..... 1050	1001223457..... 866, 867
1001202512..... 477, 493	1001207606..... 193	1001213350..... 1050	1001225462..... 691, 693
1001202513..... 477	1001207963..... 596, 600	1001213448..... 946	1001225464..... 691, 693
1001202519..... 897	1001208106..... 489	1001213752..... 541, 543	1001225467..... 701
1001202526..... 289	1001208186..... 285	1001213791..... 525	1001225681..... 691
1001202617..... 897	1001208192..... 631	1001213988..... 859, 863	1001225682..... 693
1001202620..... 991	1001208308..... 596, 600	1001214092..... 587	1001225749..... 673, 675, 713
1001202621..... 991	1001208338..... 477	1001214156..... 609	1001225750..... 713, 719
1001202622..... 991	1001208643..... 1051	1001214167..... 1051	1001225751..... 719, 721
1001202626..... 1020	1001208644..... 1051	1001214220..... 641	1001225752..... 721, 723
1001202786..... 477, 493	1001208646..... 1050	1001214326..... 495, 497, 509	1001226035..... 691, 739
1001202847..... 700	1001208847..... 1051	1001214331..... 495, 499	1001226575..... 675, 689
1001202904..... 211, 213, 215, 217, 219, 221, 223	1001208881..... 701	1001214332..... 497, 501	1001226876..... 755
1001202986 41, 306, 310, 909, 941, 943	1001209028..... 541	1001214401..... 543	1001227056..... 693, 695
1001203067..... 687, 689	1001209387..... 25	1001214468..... 705	1001227077..... 263
1001203181..... 263, 1047	1001209388..... 23	1001214480..... 661, 663	1001227137..... 693
1001203225..... 857	1001209463..... 633	1001214535..... 611	1001227186..... 511
1001203502..... 700	1001209625..... 1016	1001214653..... 783	1001227187..... 533
1001203503..... 225	1001209899..... 507, 539	1001214654..... 783	1001227188..... 533
1001203932..... 21	1001209981..... 1051	1001215319..... 295, 297	1001227379..... 175
1001203933..... 21	1001210340..... 681	1001215476..... 263	1001227382..... 177
1001203934..... 21	1001210341..... 1050	1001215531..... 527	1001227386..... 673
1001204032..... 263, 791	1001210342..... 1050	1001215898..... 946	1001227388..... 675
1001204045..... 61	1001210390..... 743, 771	1001215941..... 263, 1047	1001227497..... 673, 675, 700
1001204047..... 61	1001210450..... 937	1001217467..... 321	1001227670..... 107, 111, 113, 115, 117, 121, 123, 125, 127, 129, 131, 133, 135, 137, 139, 141, 143, 145, 149, 193, 198, 203, 211
1001204060..... 973	1001210707..... 37	1001218255..... 203	1001227676..... 745
1001204066..... 527	1001210782..... 489	1001218341..... 51	1001227677..... 745, 755
1001204086..... 23	1001211041..... 631	1001218358..... 825	1001227802..... 525
1001204095..... 835, 957	1001211059..... 843, 845	1001218524..... 697	1001227964..... 263
1001204115..... 527	1001211139..... 143	1001218542..... 567, 570	1001228273..... 263
1001204120..... 527	1001211428..... 317	1001218659..... 1008	1001228643..... 263
1001204144..... 291	1001211429..... 317	1001218704.. 1008, 1012, 1020	1001228872..... 289
1001204152..... 687, 689	1001211432..... 35, 317	1001218996..... 567, 570	1001228989..... 971, 973
1001204225..... 641	1001211516..... 141	1001219076..... 596, 600	1001229235..... 479
1001204486..... 23	1001211693..... 859	1001219082..... 263	1001229540..... 605
1001204528..... 971	1001211747..... 317	1001219191..... 689, 697	
1001204530..... 971	1001211775..... 948	1001219211.. 1012, 1016, 1020, 1024, 1028	
1001204598..... 497	1001211907..... 596, 600	1001219212..... 1008	
1001204709..... 615	1001211919..... 1050	1001219220..... 507, 539	
1001205172..... 913, 1047	1001211944..... 837	1001219865..... 596, 600	
1001205254..... 925	1001211985..... 1050		
	1001211987..... 1050		
	1001211991..... 1050		

## SECTION 13 - SPECIAL OPTIONS/ACCESSORIES/KITS

1001229541.....607	1001235796..... 1028	1001251073 ..... 779, 780	1001263011.....463
1001229550.....605	1001235797..... 1028	1001251095 ..... 745, 767, 769	1001263046.....743
1001229551.....607	1001235798..... 1028	1001252086 ..... 1051	1001263075.....1051
1001229575..1008, 1016, 1024	1001235799..... 1028	1001252522 ..... 761	1001264415.....541
1001229707.....1039	1001235800..... 1028	1001252567 ..... 727, 801	1001264534.....985
1001229799.....1051	1001235801..... 1028	1001252571 ..... 725	1001264536.....985
1001230107.....1051	1001235802..... 1028	1001253078 ..... 700	1001264700.....463
1001230163.....537	1001235803..... 1028	1001253079 ..... 700	1001264713.....463
1001230239.....109	1001235804..... 1028	1001253083 ..... 705	1001264844.....1001
1001230241.....109	1001235805..... 1028	1001253086 ..... 701	1001264861.....1001
1001230310...1008, 1012	1001235807..... 1028	1001253088 ..... 705	1001264884.....745, 767
1001230311.....1016	1001235808..... 1028	1001253089 ..... 700	1001264976.....573, 577
1001230402.....825	1001235809..... 1028	1001253097 ..... 687, 689	1001265008.....879
1001230403.....825, 826	1001235921..... 1051	1001253099 ..... 700	1001265200.....629, 1001
1001230404.....826	1001235963..... 21, 25	1001253102 ..... 700	1001265372.....1050
1001230599.....965	1001236308..... 1028	1001253103 ..... 687, 689	1001265378.....1050
1001230623.....965, 967	1001236312..... 1028	1001253107 ..... 701	1001265979.....985
1001230713J....479, 481	1001236542..... 493	1001253112 ..... 700	1001265980.....985
1001230765.....147, 149, 151, 153, 155, 157, 159, 161, 163	1001237212..... 866	1001253154 ..... 687	1001266488.....559
1001230931.....865	1001237845..... 521	1001253155 ..... 689	1001266971.....941, 943, 951
1001231002.....303	1001237846..... 1043	1001253156 ..... 687	1001267969.....775, 777
1001231003.....303	1001237852..... 521	1001253158 ..... 689	1001267970.....761, 763
1001231244.....481	1001238560..... 105, 225	1001253159 ..... 705	1001268341.....1050
1001231397.....825, 826	1001238565 99, 101, 103, 105	1001253160 ..... 700	1001268744.....559, 889
1001231398.....825, 826, 889, 947	1001238566..... 225	1001253252 ..... 725, 727	1001268804.....559
1001231399.....947	1001238570..... 225	1001253253 ..... 729, 731	1001268827.....567, 573
1001231400.....825, 826, 889, 947	1001238653..... 99	1001253331 ..... 955	1001268828.....573, 575
1001231401.....825, 826	1001238654..... 103	1001253371 ..... 719, 729	1001268829.....573, 577
1001231402.....826	1001238655..... 101	1001254390 ..... 1050	1001268830.....573, 577, 961
1001231404.....826, 889, 947	1001238953..... 1050	1001254401 ..... 1050	1001268831.....570, 577
1001231406.....826, 889, 947	1001239510..... 297	1001256073 ..... 503, 511	1001268832.....577, 579
1001231407.....263, 823	1001239511..... 297	1001256952 ..... 661, 663	1001268846.....596, 600
1001231483.....263, 825	1001239539..... 263	1001256974 .... 669, 1047	1001269555.....575, 579
1001231692.....109	1001239734 .... 135, 139, 145	1001257058 ..... 541	1001269556.....575, 579
1001231801.....1008	1001239793 .... 855, 857, 1047	1001257059 ..... 541	1001269558.....575, 579
1001232147.....45	1001239961 ..... 1051	1001257067 ..... 541	1001269559.....575, 579
1001232288.....901, 919	1001241308..... 529	1001257069 ..... 541	1001269560.....575, 579
1001232299.....45, 47	1001241318..... 291	1001257071 ..... 669	1001269561.....575, 579
1001232336.....45, 47, 49	1001241337..... 549	1001257087 ..... 541	1001269563.....575, 579
1001232338.....45	1001241482..... 291	1001257763 ..... 700	1001269564.....575, 579
1001232355.....183	1001241482 ..... 291	1001258099 ..... 549	1001269578.....579
1001232377.....701	1001241610 ..... 859, 885	1001258244 ..... 565	1001269579.....579
1001232439.....955	1001241836..... 21	1001258245 ..... 565	1001270117.....553
1001232500.....109	1001241837 ..... 453, 457	1001258563 ..... 505, 541	1001270466.....859
1001232556.....955	1001241841 ..... 453	1001258605 ..... 171	1001270467.....937, 1047
1001232588.....49	1001241842 ..... 457	1001258644 .... 447, 505, 513	1001270468.....937, 1047
1001232624.....955	1001241844 ..... 453	1001258808 ..... 505	1001270976.....567, 570
1001232751.....835, 955	1001241849 ..... 457	1001258809 ..... 513	1001271436.....871, 877
1001233174.....985	1001241879 ..... 723, 799	1001258862 ..... 505, 513	1001272890.....1051
1001233217.....985	1001242098 .... 659, 1046	1001259062 ..... 505, 513, 983	1001272892.....1051
10012333434.....985	1001242644 ..... 129	1001259082 ..... 845	1001273635.....967, 971, 973
1001234127 .....731, 805	1001243187..... 1050	1001259141 ..... 701	1001273991.....865
1001234139.....47	1001243214 ..... 147	1001259206 ..... 181	1001274257.....1051
1001234253.....47	1001244192 ..... 971, 973	1001259457 ..... 475	1001274300.....879
1001234277.....729	1001244193 ..... 971, 973	1001259635 ..... 475	1001274302.....1051
1001234455.....25	1001245914 ..... 1051	1001260509 ..... 935	1001274303.....471
1001234800.....916	1001246001 ..... 475	1001260572 ..... 701	1001274304.....471
1001235100.....317	1001246022 ..... 147	1001260573 ..... 701	1001274305.....471, 1051
1001235696.....905, 912	1001246391 ..... 912, 916	1001260599 ..... 701	1001274306.....473
1001235794.....1028	1001246533 ..... 41	1001260947 ..... 1051	1001274307.....473, 1051
	1001247421 .... 993, 1047	1001262072 ..... 855, 857	1001274533.....961
	1001249695 .. 1050, 1051	1001262336 ..... 435, 442	1001274534.....961
	1001249941 .. 1050, 1051	1001262959 ..... 1051	1001274535.....961
	1001250161 ..... 887		1001274536.....961
	1001250331 ..... 703, 711		

## SECTION 13 - SPECIAL OPTIONS/ACCESSORIES/KITS

1001274537 ..... 961	1001286468..... 679, 681	1319594.... 343, 345, 347,	1706282 ..... 1012, 1020,
1001274538 ..... 961	1001286941..... 891, 893,	349, 351, 353	1024
1001274539 ..... 961	895	1319595.... 343, 345, 347,	1706284 ..... 1012, 1020,
1001274540 ..... 961	1001287012..... 891, 893	349, 353	1024
1001274541 ..... 961	1001287742..... 115, 117	1319596.... 347, 349, 353	1706285 ..... 1012, 1020,
1001274543 ..... 961	1001289105..... 447	1319600.... 343, 345, 347,	1024
1001274544 ..... 961	1001289296..... 447	349, 351, 353	1706288 ..... 1012, 1020,
1001274553 ..... 961	1001289479..... 985	1319601.... 343, 345, 347,	1024
1001274718 ..... 1051	1001289559..... 295	349, 351, 353	1706292 ..... 1012, 1020,
1001274719 ..... 467	1001289561..... 293, 295	1319602.... 343, 345, 347,	1024
1001274720 ..... 467	1001289792..... 891	349, 351, 353	1706296 ..... 1008
1001274721 .... 467, 1051	1001289812..... 893	1319605.... 347, 349, 353	1706299 ..... 1008
1001274889 ..... 1051	1001289855..... 681	1319607 ..... 347	1706300 ..... 1008
1001274890 ..... 1051	1001290616..... 1050	1319608..... 347, 357	1706301 ..... 1008
1001274891 ..... 1051	1001290669..... 447	1319614 ..... 349	1706302 ..... 225, 1008
1001274892 ..... 1051	1001291056..... 891, 893	1319615.... 343, 345, 349,	1706306 ..... 1008
1001275150 ..... 1051	1001291182..... 897, 899	353	1706768 ..... 1008
1001275637 .... 453, 457,	1001291382..... 1050	1319617 ..... 343, 345	1706850 ..... 1008
465	1001291685..... 985	1319618..... 343, 345	1706892 ..... 99
1001275638 .... 453, 457,	1001293104..... 495	1319620..... 343, 345	2080040 ..... 105
465	1001293182..... 143, 751	1319621 ..... 343, 345	2080078 ..... 523
1001275841 ..... 115, 117	1001294608..... 985	1319622..... 343, 345	2080086 ..... 503, 511
1001275852 ..... 117	1001294815..... 1039	1319623..... 343, 345	2080087 ..... 503, 511
1001275853 ..... 115	1001296815..... 1012	1319624..... 343, 345	2080092 ..... 547
1001275929 ..... 557, 561	1001296825..... 1020	1319625..... 343, 345	2110404 ..... 691
1001275931 ..... 559, 563	1001297247..... 653, 963	1319626..... 343, 345	2110406 ..... 723, 727
1001275933 ..... 561, 565	1001297563..... 985	1319627 ..... 343, 345	2110408 ..... 717
1001276666 ..... 145	1001297803..... 653	1319628..... 343, 345	2110604 ..... 727
1001276760 ..... 1031	1001298306..... 653, 657	1319629..... 343, 345	2110606... 135, 139, 145,
1001276761 ..... 1031	1001298454..... 653	1319630..... 343, 345	717, 723, 727, 731, 793
1001276923 ..... 1050	1001298623..... 653	1319631 ..... 343, 345	2110610 ..... 683, 709
1001277290 ..... 135	1001301599..... 143	1319632..... 343, 345	2110808 .... 41, 403, 697,
1001277338 ..... 139	1001301600..... 143	1319635..... 353	717, 727, 737
1001278028 ..... 843	1001302410..... 985	1319636.... 343, 345, 353	2110810 ..... 683, 779
1001278325 ..... 1051	1001306315..... 946	1319638..... 343, 345	2111008 .... 693, 727, 731
1001278919 ..... 295	1060379 ..... 105	1319647 ..... 389	2111010 .... 693, 717, 723
1001279167 ..... 1031	1060626 ..... 841, 959	1319648..... 389	2111212 ..... 755
1001280434 ..... 985	1062255 ... 229, 243, 905,	1319683..... 361	2111616 ..... 723, 787
1001280435 ..... 985	909	1319684..... 361	2130404 .... 661, 663, 693
1001280661 ..... 891, 893	10700681 ..... 191	1319685..... 361	2130406 ..... 703, 717
1001281182 ..... 465	10705034 ..... 133	1319686..... 361	2130604 ..... 691, 693
1001281184 ..... 465	10713707 ..... 937	1319687 ..... 361	2130606... 133, 711, 723,
1001281186 ..... 465	10719267 ..... 259	1319688..... 361	727, 793
1001281268 .... 941, 943,	10725554 ..... 413, 442	1319689..... 361	2130608 ..... 133
946	10731709 .. 339, 361, 365	1319694..... 361	2130806 ..... 711
1001281297 ..... 323	10731744 ..... 341	1319719..... 365	2130808 ... 135, 139, 145,
1001281298 ..... 323	10731845 .. 347, 349, 353	1319726..... 369	661, 663, 727
1001281301 ..... 323	10731959 ..... 389	1320022..... 570	2130810 ..... 277, 683
1001281302 ..... 323	10732071 ..... 361	1320219..... 701	2131010 ..... 277
1001281303 ..... 323	10732072 ..... 361	1320748..... 385, 387	2131210 ..... 327, 723
1001281304 ..... 323	10732095 ..... 359	1320754..... 385, 387	2131212 ..... 283
1001281305 ..... 323	10837928 ..... 799	1321094..... 231, 235	2131616 ..... 277, 727
1001281354 ..... 323	10837929 ..... 799	1321329..... 685	2144605 ..... 403, 433
1001281360 ..... 323	10837937 ..... 799	1321752..... 705	2150404 ..... 683, 771
1001281468 ..... 323	1170021 ..... 131	1322039..... 231, 235	2150808 .... 433, 697, 737
1001281656 ..... 323	1170024 ..... 137	1322040..... 231, 235	2151210 ..... 691, 693
1001281888 ..... 323	120034 ..... 859, 869, 871	1701509..... 105	2151212 ..... 691, 693
1001282009 ..... 323	1319229 ..... 333	1702631..... 1008, 1016,	2160016... 41, 57, 59, 77,
1001282010 ..... 323	1319436 ..... 383	1024, 1028	79, 87, 703, 711
1001282011 ..... 323	1319558 ..... 337	1702773..... 99, 101, 103	2170108 ..... 717
1001282322 ..... 859, 865	1319563 ..... 337	1704277 ..... 105	2170110 ..... 723
1001283420 ..... 871, 883	1319571 ... 339, 341, 357,	1704885..... 99, 101, 103	2170208 ..... 661, 663
1001283990 ..... 323	371, 383	1706098..... 1012, 1020,	2170212 ..... 283
1001285715 ..... 855, 857	1319576 ..... 357	1024	2170216 ..... 277
1001286175 ..... 281	1319590 ..... 339	1706281..... 1012, 1020,	2170306 ..... 711, 723
1001286329 ..... 679	1319593 ... 343, 345, 347,	1024	2170308 ..... 677, 697
1001286330 ..... 681	349, 351, 353		2170316 ..... 277

## SECTION 13 - SPECIAL OPTIONS/ACCESSORIES/KITS

2170350.....727	3290801 ... 243, 259, 261, 291, 299, 525, 637, 689, 905, 937	4031917 ..... 755	4460748.....913
2170404.....709	3290805 ... 479, 481, 505, 513, 645, 735	4031918 ..... 681	4460761.....825, 863
2170406.....731	3290806 ..... 523	4031920 ..... 775	4460789.....821, 912
2170510.....701	3291001 ... 249, 251, 265, 267, 285, 291, 921, 923	4031921 ..... 693	4460809.....825
2170806.....403, 433, 727	3291005 .... 91, 681, 703, 711, 923, 925, 941, 943	4032017 ..... 725	4460836.....879, 947, 948
2170810.....731	3291007 ..... 115, 117	4060807 ..... 701	4460884....825, 865, 880, 899, 927, 947, 951, 1001
2171210.....679, 681	3291201 ...45, 47, 57, 729	4060919 .... 687, 689, 700	4460891....825, 912, 913, 915, 927, 946, 951, 987, 989, 999, 1001
2171308.....679, 681	3291205 ...41, 77, 79, 643	4105262 ..... 91	4460894....865, 866, 927, 946, 951, 963, 977
2172106....135, 139, 145, 723	3291605 .... 77, 79, 81, 87	4109801 ..... 1008, 1012, 1016, 1020, 1024, 1028	4460897....866, 877, 946
2172108.....679, 683	3292001 ..... 489	4110422 ... 109, 111, 113, 115, 117	4460899....821, 866, 885, 946, 963, 987
2172110.....679, 681	3300240 ... 131, 135, 137, 139, 141, 145	4110473 ..... 133	4460906.....879
2180467 .....281	3311405 ..... 49, 105	4240033 ..... 629	4460930....866, 883, 895, 913, 927, 951
2180849.....679, 681	3311502 ..... 225	4240099 ... 681, 687, 689, 957, 959	4460931.....849
2200223.....239, 265	3311505 ..... 557, 559	4460225 ..... 866, 879	4460932....823, 865, 880, 946, 969, 983, 995
2200224.....273, 275	3311508 ..... 841	4460267 ... 863, 866, 867, 879, 880, 883	4460933....866, 912, 916, 946, 947, 948, 951, 987
2220218.....319	3311615 ..... 237	4460268 ... 863, 866, 867, 879, 880, 883	4460934.....912
2220237.....265, 267	3332011 ..... 55, 487	4460321 ..... 825, 863	4460935.....912
2220239.....787	3340829 ..... 49	4460343 ... 866, 867, 879, 880, 883	4460941....821, 865, 877, 880, 951, 977, 979, 987
2220240.....787	3391410 ..... 225	4460367 ..... 880, 883	4460942....877, 879, 880, 946, 947, 948, 951, 977, 987, 1001
2220242.....277	3421453 ..... 105	4460434 .... 866, 867, 883	4460943....849, 865, 877, 916
2220415.....143	3423242 ..... 137, 139	4460458 ... 825, 913, 916, 951, 969	4460944....865, 883, 912, 927, 947
2220473.....143	3423275 ..... 131, 135	4460464 ... 821, 823, 825, 849, 865, 866, 885, 889, 899, 912, 915, 927, 946, 951, 969, 983, 987, 995	4460945....825, 865, 946
2220810.....319	3423307 ... 135, 139, 145	4460465 ... 825, 865, 866, 877, 879, 883, 895, 899, 912, 913, 915, 916, 927, 946, 947, 948, 951, 987, 989, 999, 1001	4460950....912, 915, 946, 987
2220883....780, 783, 807	3440620 ..... 109	4460466 ... 825, 849, 865, 866, 877, 883, 885, 895, 899, 912, 913, 915, 916, 927, 946, 947, 948, 951, 969, 977, 979, 983, 987, 989, 1001	4460955.....913, 915
2220885.....711	3520072 ..... 105	4460467 ..... 1051	4460970....912, 915, 951, 977, 979, 987
2220886.....783	3520186 ..... 43	4460475 ..... 825	4460982.....927
2221116.....727	3520198 ..... 105	4460496 ... 859, 871, 913, 915	4460984.....865
2221229.....709	3575947 ..... 313	4460497 ... 859, 871, 913, 915	4460994.....880, 1001
2221244.....701	3740080 ... 263, 889, 946, 1047	4460508 .... 849, 912, 915	4461005.....913, 915
2340037 .....165	3760170 ..... 105	4460509 .... 946, 948, 951	4461006.....912, 915
2340038.....169	3760348 ..... 641	4460510 ..... 1051	4461015...877, 946, 1001
2340039.....179	3760463 ..... 67	4460518 .... 825, 946, 947	4461016.....865
2340045.....167	3760493 ..... 67, 711	4460536 ..... 889, 987	4461017.....849
24921332.....285, 291	3790151 ..... 263	4460539 ... 825, 865, 866, 883, 927, 946, 951, 987	4461018.....951
2600281.....105	3790152 ..... 263	4460608 ... 912, 913, 915, 916	4461054.....913, 979
2716143.....203	3790228 ..... 700	4460705 ..... 879	4461095.....912, 916
2717160.....133	3820020 ..... 105	4460708 ..... 879	4461115.....880, 969
2717161.....133	3841203 .... 135, 139, 145	4460742 ..... 825	4461118.....821, 951
2717162.....133	3900379 . 27, 29, 31, 605, 607	4460744 ..... 866	4461262.....951, 983
2717283.....133, 759	3931632 ..... 725	4460746 ..... 866, 916	4461290.....901
2717287 .....143	4000015 ..... 1047		4469464.....913
2920207.....975	4010415 ..... 845		4520356.....475
2920208.....975	4010508002 .... 596, 600		4520482.....461
2940074.....105, 1046	4010510 ..... 651		4641122.....475
31200160.....99	4010608002 .... 525, 557, 559, 596, 600, 609, 633		4641501.....793, 795
31200386.....101	4010610 ..... 653		4641502.....133, 793
31200387.....103	4010610002 .... 596, 600, 609, 843, 845		4679000268.....49
31200388.....103	4010612002 ..... 533		4711400.....105
3251813.....1008, 1012, 1016, 1020, 1024, 1028	4031205 ..... 991		471678.....617
3290401....567, 570, 891, 893, 909, 985, 991	4031607 ..... 669, 787		4740003.....89
3290405.....529, 843	4031608 ..... 905, 955		4740274.....265, 267
3290501....859, 869, 871, 955, 993	4031608001 ..... 596, 600		
3290505....93, 263, 549, 647, 669	4031708 ..... 541		
3290601....93, 225, 241, 306, 310, 570, 609, 641, 715, 843, 845, 859, 909, 919, 921, 955, 967	4031708001 ..... 593		
3290605 25, 73, 596, 600, 923, 925	4031910 ..... 621, 625		
3290607 .....975	4031912 ..... 735		

## SECTION 13 - SPECIAL OPTIONS/ACCESSORIES/KITS

4740532 ..... 707	4831700 ... 303, 306, 310, 609	70021399.....125	70022948..... 203
4751400 ..... 49	4831900 ... 315, 567, 570, 641	70021415.....111, 113	70022949.. 198, 199, 203
4761400 ..... 845	4832000 ..... 265, 267	70021440...107, 747, 765	70022950..... 198, 203
4761800 ..... 700	4832100 ..... 265, 267	70021444..... 747, 765	70022951..... 203
4807718 ..... 589	4871700 ..... 941, 943	70021445..... 747	70022952..... 198
4811400 ... 115, 117, 121, 123, 127, 131, 135, 137, 139, 141, 143, 145, 567, 570, 891, 893, 909, 985, 991	4891800 .... 135, 139, 145	70021446..... 747, 765	70022957..... 198, 204
4811600 ..... 93, 263, 549, 596, 600, 905, 955, 993	4892600 ..... 405, 435	70021447..... 747, 765	70022960..... 198, 204
4811602001 ..... 596, 600	5220600 ..... 973	70021448..... 747, 765	70022966..... 204
4811700 ... 25, 27, 29, 31, 55, 73, 93, 225, 241, 299, 306, 310, 491, 493, 503, 511, 525, 541, 543, 557, 559, 570, 593, 609, 617, 633, 641, 715, 859, 905, 909, 919, 921, 923, 925, 933, 937, 941, 943, 955, 967, 971, 973, 975	5220800 ..... 839, 841	70021451..... 747, 765	70022969..... 198, 204
4811700001 ..... 596, 600	5241000 ..... 115, 117	70021452..... 747, 765	70022970..... 198, 204
4811702 ... 241, 257, 491, 493, 547, 609, 641, 661, 663, 829, 831, 833	5242400 .... 225, 703, 711	70021464..... 765	70022971..... 203
4811702001 ..... 525, 533, 596, 600, 651	5250608 ..... 585	70021465..... 765	70022972..... 203
4811900 . 35, 59, 61, 241, 243, 245, 281, 287, 291, 293, 299, 479, 505, 513, 525, 527, 545, 557, 559, 570, 587, 611, 621, 623, 625, 637, 641, 661, 663, 677, 689, 691, 700, 729, 733, 735, 761, 787, 891, 893, 905, 909, 919, 921, 931, 937, 985, 991	5250814 ..... 27, 29	70021466..... 765	70022973..... 203
4811902 ... 21, 23, 27, 29, 31, 251, 259, 261, 315, 567, 570, 609, 611, 700	5271609 ..... 993	70021526..... 357	70022974..... 203
4812000 ... 21, 25, 27, 29, 31, 37, 43, 91, 247, 249, 251, 265, 267, 273, 275, 285, 287, 291, 313, 327, 447, 479, 481, 661, 663, 681, 700, 703, 711, 721, 843, 845, 905, 919, 921, 923, 937, 941, 943, 975, 985	5272012 ..... 447	70021531..... 803	70022975..... 203
4812002 21, 23, 249, 251, 265, 267	6604662 ..... 143	70021606..... 442	70022976..... 203
4812100 ... 35, 37, 41, 57, 77, 79, 85, 237, 319, 321, 643, 729, 923, 925	70000656 ..... 361	70021607..... 442	70022977..... 203
4812102 ..... 35, 265, 267, 477, 493	70002219 ..... 749	70021609..... 442	70022978..... 203
4812300 .. 77, 79, 81, 237	70002224 ..... 749	70021610..... 442	70022979..... 204
4812500 ..... 55, 487, 489	70002955 ..... 805	70021611..... 442	70022980..... 199, 203
4831400 ... 567, 570, 891, 893	70002963 801, 805, 1046	70021612..... 442	70022982..... 203
4831600 .... 787, 905, 955	70003788 ..... 807, 1046	70021613..... 442	70022984..... 198, 204
	70003849 ..... 749	70021614..... 417, 444	70022985..... 198, 204
	70004654 ..... 797	70021867..... 785	70022987..... 198, 204
	70005433 ..... 780	70021920..... 341	70022988..... 203
	70020002 ..... 129	70021921..... 111, 113	70022990..... 199, 204
	70020004 ..... 215	70021935..... 111, 113	70022992..... 198, 204
	70020028 ..... 129	70021977..... 111, 113	70022993..... 198, 204
	70020555 ..... 193, 195	70021978..... 111, 113	70022994..... 198, 204
	70020562 ..... 125	70021979..... 111, 113	70022995..... 198, 204
	70020764 ..... 803, 1046	70021980..... 125	70022998..... 199, 203
	70020770 ..... 657	70021981..... 125	70022999..... 203
	70020867 ..... 797, 813	70021982..... 125	70023000..... 157, 203
	70020868 ..... 797, 1046	70022008..... 799	70023001..... 203
	70021177 .. 411, 415, 442	70022010..... 799	70023003..... 198, 204
	70021208 ..... 797, 1046	70022012..... 799	70023004..... 198, 209
	70021209 ..... 797	70022028..... 111, 113	70023005..... 198, 209
	70021213 ..... 797	70022028..... 111, 113	70023006..... 198, 209
	70021227 ..... 351	70022075.. 343, 345, 347, 349, 351, 353	70023007..... 198, 209
	70021228 ..... 351	70022140..... 413, 442	70023008.. 198, 204, 209
	70021268 ..... 351	70022147..... 797, 1046	70023009..... 198, 204
	70021269 ..... 351	70022527... 111, 113, 125	70023010..... 198, 203
	70021342 ..... 113, 125	70022528..... 111, 113	70023014..... 198, 204
	70021349 ..... 111, 113	70022529..... 111, 113	70023015..... 198
	70021351 ..... 129	70022564.. 753, 769, 780, 783	70023016.. 198, 203, 204
	70021358 ..... 125	70022634..... 231, 235	70023086..... 757
	70021359 ..... 125	70022765.. 855, 857, 1046	70023327..... 797
	70021360 ..... 125	70022814..... 443	70023369.. 753, 780, 783
	70021361 ..... 125	70022931..... 198, 203	70023370..... 753
	70021362 ..... 125	70022932..... 198, 203	70023372..... 753
	70021364 ..... 125	70022933..... 203	70023376..... 769
	70021365 ..... 125	70022934..... 198, 203	70023379.. 753, 780, 783
	70021366 ..... 125	70022935..... 199, 203	70023380..... 769
	70021367 ..... 125	70022936..... 198, 203	70023404..... 339, 383
	70021376 ..... 129, 747	70022937..... 198, 203	70023469..... 413, 442
	70021377 ..... 129	70022938..... 203	70023474..... 381
	70021378 ..... 129	70022939..... 199, 203	70023475..... 383
	70021379 ..... 129	70022940..... 203	70023476..... 383
	70021382 ..... 129	70022941..... 203	70023489..... 443
	70021387 ..... 111, 125	70022942..... 198, 203	70023490..... 421, 443
	70021389 ..... 129	70022943..... 203	70023491..... 421
	70021391 ..... 125	70022944..... 203	70023493..... 443
	70021392 ..... 125	70022945..... 203	70023496..... 421
	70021393 ..... 125, 765	70022946..... 199, 203	70023502..... 379
		70022947..... 203	70023736..... 231, 235
			70023800..... 383
			70023801..... 383

## SECTION 13 - SPECIAL OPTIONS/ACCESSORIES/KITS

70023885.....341, 373	70025887 ..... 413, 442	70026356 ..... 279	70026542.....753
70023925...198, 204, 207	70025897 ..... 785	70026357 ..... 279	70026543.....753
70023928.....795	70025959 ..... 749	70026358 ..... 279	70026544.....359, 361
70023929.....795	70025970 ..... 409	70026359 ..... 279	70026545.....753
70023933.....231	70025972 .. 415, 423, 443	70026360 ..... 279	70026546.....361
70024004.....421	70025980 ..... 443	70026369 ..... 799	70026547.....361
70024005.....413, 421	70026002 ..... 443	70026370 ..... 799	70026548.....361
70024016.....231, 235	70026030 ..... 443	70026373 ..... 799	70026549.....361
70024020.....749	70026056 ..... 749	70026374 ..... 799	70026550.....753
70024059.....111, 113	70026057 ..... 749	70026375 ..... 799	70026554.....361
70024060.....113	70026058 ..... 749	70026376 ..... 799	70026555.....361
70024062.....107	70026059 ..... 749	70026377 ..... 799	70026556.....361
70024127.....157	70026060 ..... 749	70026378 ..... 799	70026558.....375, 1046
70024129.....161	70026061 ..... 749	70026380 ..... 799	70026559.....377
70024146...415, 425, 444	70026062 ..... 749	70026381 ..... 799	70026561.....361
70024147...423, 425, 443	70026081 ..... 279	70026383 ..... 799	70026568.....797
70024186.....785	70026082 ..... 279	70026389 ..... 799	70026569.....797
70024188.....785	70026211 ..... 773	70026393 ..... 253	70026570.....797
70024189.....785	70026212 ..... 773	70026394 ..... 253	70026571.....797
70024202.....799	70026213 ..... 773	70026395 ..... 255	70026572.....785
70024210.....409, 442	70026214 ..... 773	70026396 ..... 255	70026582.....813, 1046
70024213.....409	70026215 ..... 773	70026401 ..... 811	70026583.....785
70024215.....409	70026220 ..... 231	70026432 ..... 643	70026632.....442
70024216.....442	70026222 ..... 235	70026433 ..... 643	70026633.....413
70024262.....749	70026223 ..... 231	70026438 ..... 413, 442	70026698.....111, 113
70024306.....189	70026224 ..... 231, 235	70026439 ..... 413, 442	70026699.....107
70024307.....189	70026225 ..... 231, 235	70026440 ..... 807	70026745.....193
70024407.....785	70026226 ..... 231, 235	70026442 ..... 807	70026746.....193
70024408.....785	70026228 ..... 231, 235	70026443 ..... 807	70026747.....107
70024414.....785	70026229 ..... 231, 235	70026444 ..... 807	70026770.....759
70024415.....785	70026230 ..... 231, 235	70026445 ..... 807	70026771.....759
70024416.....785	70026231 ..... 231, 235	70026446 ..... 807	70026773.....759
70024551.....151	70026232 ..... 231, 235	70026453 ..... 231, 1046	70026774.....759
70024552.....151	70026233 ..... 235	70026456 ..... 757	70026775.....759
70024679.....153	70026234 ..... 235, 1046	70026457 ..... 757	70026800.....235
70024684.....153	70026235 ..... 231, 235	70026458 ..... 757	70026801.....235, 1046
70024721.....153, 157	70026236 ..... 231	70026459 ..... 757	70026944.....107
70024733.....161	70026237 231, 235, 1046	70026460 ..... 757	70026946.....107
70024734.....161	70026238 ..... 415, 443	70026461 ..... 757	70026948.....107
70024759.....153, 163	70026239 ..... 415, 444	70026462 ..... 757	70026949.....107
70024761.....153, 163	70026240 ..... 415	70026480 ..... 151	70027009.....111
70024848.....409	70026241 ..... 231, 235	70026481 ..... 157	70027024.....561
70024849.....409	70026244 ..... 301	70026482 ..... 157	70027026.....561
70024850.....415	70026245 ..... 301	70026503 ..... 161	70027027.....561
70024851.....415	70026247 ..... 301	70026515 ..... 337	70027028.....561
70024881.....443, 444	70026248 ..... 301	70026516 . 337, 339, 341, 373	70027030.....561
70024895.....367	70026257 ..... 655	70026517 .. 339, 361, 365	70027032.....561
70025335.....411, 442	70026258 ..... 655	70026518 ..... 339	70027033.....561
70025337.....442	70026266 .. 419, 429, 444	70026519 ..... 341	70027035.....561
70025338.....443	70026292 ..... 861, 1047	70026520 ..... 341	70027098.....799
70025339.....421, 443	70026293 ..... 873, 1047	70026521 ..... 341	70027105.....443
70025353.....204	70026294 ..... 939, 1047	70026521 ..... 341	70027130.....799
70025561.....415, 443	70026295 ..... 939, 1047	70026527 . 343, 345, 347, 349, 351, 353	70027281.....235
70025562.....443	70026296 ..... 939, 1046	70026528 . 343, 345, 347, 349, 351, 353	70027642.....129
70025606.....749	70026297 ..... 939, 1046	70026529 . 343, 345, 347, 349, 351, 353	70027705.....301
70025614.....757	70026300 ..... 783	70026529 . 343, 345, 347, 349, 351, 353	70027706.....301
70025816.....639	70026301 ..... 783	70026529 . 343, 345, 347, 349, 351, 353	70027758.....783
70025817.....639	70026302 .. 753, 780, 783	70026530 ..... 347	70027951.....204
70025844.....655	70026303 ..... 753, 783	70026531 ..... 349	70028119.....159
70025850.....255, 1046	70026304 ..... 783	70026532 ..... 351	70028130.....157
70025851.....255, 1046	70026305 ..... 783	70026533 ..... 353	70028153.....153, 163
70025852.....253	70026308 ..... 783	70026536 .. 355, 381, 383	70028154.....153, 163
70025853.....253	70026309 ..... 783	70026538 ..... 359	70028155.....153, 163
70025855.....415, 443	70026336 ..... 753	70026539 ..... 359	7002821.....1051
70025856.....421	70026353 ..... 279	70026540 ..... 753	7002822.....1051
70025859.....643	70026354 ..... 279	70026541 ..... 753	7002823.....1051
70025860.....643	70026355 ..... 279		7002828.....1051



## SECTION 13 - SPECIAL OPTIONS/ACCESSORIES/KITS

70028281	695, 1046	70029628	151	70029695	155	70029769	217
70028285	809	70029629	151	70029704	223	70029770	219
70028329	443	70029630	151	70029705	223	70029771	217
70028388	443	70029631	151	70029706	223	70029772	217
70028392	444	70029632	153	70029707	223	70029773	215
70028450	231	70029633	153	70029708	223	70029774	215
70028451	807	70029634	153	70029709	223	70029775	215
70028453	691, 695	70029635	153	70029710	223	70029776	215
70028478	799	70029636	153	70029711	223	70029777	213, 215
70028482	799	70029637	153	70029712	223	70029778	215
70028484	799	70029638	153	70029713	223	70029779	215
70028514	791	70029639	153	70029714	223	70029780	213, 215
70028515	791	70029640	153	70029715	223	70029781	213, 215
70028516	791	70029641	153	70029716	223	70029782	221
70028517	791	70029642	153	70029717	217	70029783	221
70028546	821	70029643	153	70029718	217	70029784	215
70028661	157	70029644	155	70029719	217	70029785	213
70028672	157	70029645	155	70029720	215	70029786	215
70028701	151, 163	70029646	155	70029721	215	70029787	219
70028702	151, 163	70029647	161	70029722	215	70029788	215
70028703	151, 163	70029648	151	70029723	215	70029789	217, 219
70028706	163	70029649	163	70029724	215	70029790	215
70028707	163	70029650	163	70029725	213, 215	70029791	223
70028708	163	70029651	163	70029726	215	70029792	213
70028768	157	70029652	163	70029727	221	70029793	215
70028882	444	70029653	163	70029728	215	70029794	213, 215
70029468	769	70029654	163	70029729	215	70029795	223
70029469	780	70029655	163	70029730	221	70029796	223
70029586	151	70029656	163	70029731	221	70029800	769
70029587	151	70029657	163	70029732	215, 223	70029801	769
70029588	151	70029658	163	70029733	223	70029802	769
70029592	161	70029659	157	70029734	213, 215, 223	70029803	769
70029593	161	70029660	157	70029735	213, 215	70029804	769
70029594	161	70029661	157	70029736	215	70029805	769
70029595	151, 157	70029662	157	70029737	223	70029816	799
70029596	159	70029663	157	70029738	213, 215	70029817	799
70029597	159, 1046	70029664	157	70029739	213, 215, 217, 219	70029818	799
70029598	159	70029665	157	70029740	213	70029819	799
70029599	159	70029666	157	70029741	215, 217, 219	70029820	799
70029600	159	70029667	157	70029742	213, 215	70029976	801
70029601	159	70029668	157	70029743	213, 215, 217	70029977	801
70029602	159	70029669	157	70029744	219	70030024	442
70029603	161	70029670	157	70029745	215	70030026	415, 444
70029604	161	70029671	157	70029746	217, 219	70030036	805
70029605	161	70029672	157	70029747	213, 215	70030100	801
70029606	161	70029673	157	70029748	219	70030101	801
70029607	161	70029674	157	70029749	217, 219	70030141	129
70029608	151	70029675	157	70029750	213	70030142	129
70029609	151	70029676	157	70029751	215	70030143	129
70029610	151	70029677	157	70029752	215	70030144	129
70029611	151	70029678	157	70029753	223	70030145	129
70029612	151	70029679	157	70029754	223	70030317	231
70029613	151	70029680	157	70029755	215	70030347	231
70029614	151	70029681	155	70029756	213, 215	70030388	763, 777
70029615	151	70029682	155	70029757	215	70030389	763, 777
70029616	151	70029683	155	70029758	223	70030390	777
70029617	151	70029684	155	70029759	223	70030391	763, 777
70029618	151	70029685	155	70029760	215	70030392	763, 777
70029619	151	70029686	155	70029761	217	70030393	763, 777
70029620	151	70029687	155	70029762	213, 215	70030394	763, 777
70029621	151	70029688	155	70029763	219	70030395	763
70029622	151	70029689	155	70029764	215	70031325	751
70029623	151	70029690	155	70029765	215	70031326	751
70029624	151	70029691	155	70029766	215	70031327	751
70029625	151	70029692	155	70029767	215	70031328	751
70029626	151	70029693	155	70029768	215	70031329	751
70029627	151	70029694	155			70031339	780

## SECTION 13 - SPECIAL OPTIONS/ACCESSORIES/KITS

70031340.....780	7026765.....351	7138986.....59, 69	80983191..861, 873, 875, 913, 1046
70031341.....780	7026766.....351	7139918.....133	82033995.....241, 289
70031342.....780	7026769... 351, 357, 385, 387	7150580.....393, 395	8220035.....823
70031343.....780	7026771.....357	7300435.....237	8220050.....961
70031350.....231	7026772.....357	7301295.....133	8220051.....879, 948
70031351.....231	7026773.....357	7301408.....173	8220097.....912
70031352.....231	7026774.....357	77133137.....685, 711	8220098.....912
70031380.....231	7026775.....357	77133139.....685	8220108.....823, 901
70031440.....157	7026776.....359	77133168.....705	8220116.....947
70031441.....157	7026780.....359	77363244.....927, 987	8220124.....912, 916
70031443.....133	7026781.....359	8000759.....523	8220375.....865
70031444.....129	7026782.....363	8000803.....525	8229234.....826
70031445.....111, 113	7026783.....363	8004398.....523	8229235.....825, 1046
70031446.....125	7026784.....363	8008175.....411, 442	8229242... 861, 873, 913, 1046
70031447.....157	7026787.....361	80204002.....411, 442	8229244... 875, 913, 939, 1046
70031450.....657	7026788.....361	80204005 . 411, 415, 442, 443	8229245... 861, 939, 1046
70031451.....657	7026789.....361	80204012.....415	8229247... 873, 939, 1046
70031452.....657	7026791.....365	80204033.....413, 442	8229261.....825, 1046
70031453.....657	7026792.....341, 365	80204035.....413, 442	8275212.....285, 291
70041616.....231, 235	7026793.....365	80204043.....413, 442	8278020.....265, 267
70041617.....231, 235	7026798.....341, 365	80204048.....413	8303620... 453, 457, 465
70041619.....231, 235	7026798.....561	80204060.....409	8303634.....133, 143
70041620.....231, 235	7027254.....371	80204065.....415, 443	8303658.....133
7004275.....1051	7027255.....371	80204071.....415, 443	8303715.....143
7004276.....1051	7027267.....351	80204076.....415, 443	8305624.....133
70050472.....799	7027269.....385	80204108.....409	8305643.....133, 143
70050481.....799	7027270.....385	80204117 . 409, 429, 442, 444	8305645... 453, 457, 465
70050504.....799	7027271.....387	80204143.....417, 444	8305919... 257, 547, 596, 600, 609, 829, 833
70050507.....799	7027272.....387	80204144.....417, 444	8307110... 453, 457, 465
70050508.....799	7027273.....389	80204281.....409, 442	8307904.....143
7012510.....807	7028714.....415, 443	80233218.....687, 689	8307918.....143
7016654.....1051	7028715.....415, 443	80304227.....351	8310160.....143
7022390.....695, 805	7028716.....415, 443	80304394 . 341, 357, 365	8310161.....143
7022399.....807	7028733... 415, 443, 444	80304405.....337	8310302.....133
7024808.....807	7029127.....417, 444	80334277.....785	8310435.....133
7024939.....785	7029267.....359, 361	8033786.....751	8310559.....537
7024943.....785	7029288.....411, 442	8034697.....799	8310620.....51
7024944.....785	7029290.....429, 444	8035382.....799	8310686... 700, 985, 991
7024953.....785	7029298.....409	8035779.....395	8405006... 687, 689, 700
7024954.....785	7029300.....415	8036190.....347, 349	8405007... 275, 327, 700
7026490.....417, 444	7029307.....411, 442	8036250.....365	8405009... 273, 275, 293, 641
7026577.....383	7029309.....415	80363179 . 927, 977, 979, 987	8405101.....273, 275
7026578.....383	7029486.....593, 1037	8036433.....395	8405201... 273, 275, 600
7026731... 423, 427, 443	7029520.....195	8036528.....359, 361	8405202.....273, 275
7026744.....333	7029521.....195	8036529.....359	8405209.....700
7026745.....333	7029692.....113, 125	8036733.....759	8405212... 263, 269, 271
7026746.....335	7029711.....129	8036847.....339, 341	8405305... 263, 269, 271
7026747.....337	7029714.....125	8037140.....773	8405402.....249
7026748.....337	7029733.....415, 427	80604016.....987	8406102.....247
7026749.....337	7029734.....409, 442	80604018 . 927, 987, 989, 999	8406105.....923
7026750.....339	7029735.....409, 442	80604020.....969	8406112.....306, 310
7026751.....339	7029789.....409	80604021.....927	8406201... 241, 905, 909, 941, 943
7026752.....339	7029849... 343, 345, 347, 349, 351, 353	80604022.....987	8410007.....261
7026753.....341	7029850... 343, 345, 347, 349, 351, 353	80604025.....927	8410009... 241, 289, 567, 570, 700
7026754.....341	7029852... 343, 345, 347, 349, 351, 353	806253.....479	8410011.....259, 261
7026755.....341	7029972.....341	806264.....479	8410013... 273, 275, 289
7026756.....341	7029973.....339	80634004.....785	8410019.....275
7026757.....343	7062922.....143	8065062.....143	8420053... 111, 129, 133, 135, 139, 143, 145, 157, 203
7026758... 343, 345, 347, 349, 351, 353	7110702.....143	80933113.....707	
7026759... 343, 345, 347, 349, 351, 353	7110712.....143	80933367.....259, 261	
7026760... 343, 345, 347, 349, 351, 353	7110722.....143	80963067.....913	
7026761... 343, 345, 347, 349, 351, 353	7138978.....69		
7026762.....345	7138979.....69		

## SECTION 13 - SPECIAL OPTIONS/ACCESSORIES/KITS

8420055 ... 111, 129, 133, 135, 139, 143, 145, 157, 203	88671001 .. 135, 139, 145	91403413.. 111, 129, 133, 135, 139, 143, 145, 157, 199, 203, 679, 681	91514133 ..... 413, 442
8424217 ..... 709	8880218-OM..... 393, 397	91403414.. 111, 129, 133, 135, 139, 143, 145, 157, 198, 203, 679, 681	91514134 ..... 413, 442
8424233 ..... 700	8902842 ..... 751	91403448..... 109	91514143 ..... 421
8430032 ... 709, 711, 727, 731	90200003 . 131, 133, 135, 137, 139, 141, 143, 145	91413025..... 259, 261	91514146 ..... 415, 443
8430033 ..... 727, 731	90206195 ..... 291	91473206.. 459, 461, 463, 465	91514147 ..... 415, 443
8430034 ..... 319	90206198 ..... 23	91474512..... 411, 442	91514148 ..... 415, 443
8466306 ..... 555	90451058 ..... 133	91474524..... 415	91514149 ..... 415, 443
8546407 ..... 700	90554016 . 107, 111, 113, 125, 129, 193	91504107..... 927, 977	91514151 ..... 409
8580315 ..... 143	90554017 ..... 125, 129	91513266..... 477, 493	91514152 ..... 409
8584001 ..... 143	90554018 ..... 125	91514081..... 415, 443	91514153 ..... 409
8584003 ..... 897	90554020 .. 111, 113, 129	91514082..... 415, 443	91514154 ..... 409, 442
8630003 ..... 133	90554033 ..... 107	91514083..... 415	91514156 ..... 409
8642207 ..... 143	90554034 ..... 107	91514084..... 415	91514157 ..... 409
86683122 ..... 955	90554042 ..... 111, 113	91514087... 411, 415, 442	91514158 ..... 409
86683211 ..... 291	90554045 ..... 747, 765	91514089.. 409, 411, 415, 442	91514159 ..... 409, 442
86883127 ..... 291	90554054 ..... 111, 113	91514090..... 429, 444	91514161 ..... 409, 442
8750016 ..... 711	90554062 ..... 113, 125	91514095..... 415, 443	91514165 ..... 409, 442
8750029 ..... 700	90554065 ..... 125, 129	91514098..... 411, 442	91514167 ..... 409
8750030 ..... 700	90554067 ..... 129	91514099..... 415, 429	91514174 ..... 415, 443
8769132 ..... 143	90554076 ..... 113, 125	91514101..... 411, 442	91514175 .. 423, 425, 443
8769146 ..... 700	90554080 ..... 195	91514111..... 443	91514177 .. 423, 425, 443
8769153 ..... 700	91013191 ..... 951	91514112..... 415, 443	91514178 ..... 415, 443
8770016 ..... 143	91013192 ..... 946	91514117..... 415	91514179 ..... 415, 443
8770120 ..... 687, 689	91043084 ..... 461	91514118..... 477, 493	91514180 ..... 415, 443
8770215 ..... 745, 767	91043125 .. 199, 679, 681	91514123... 413, 415, 442	91514181 ..... 415, 443
8770296 ..... 679, 681	91043126 .. 198, 679, 681	91514130..... 413, 442	91514183 ..... 415, 443
8786514 ... 451, 453, 455, 457, 459, 461, 463, 465	91053419 ..... 263	91514131..... 413, 442	91514184 .. 423, 427, 443
8841322 ..... 373	91355037 ..... 461		91514185 .. 423, 427, 443
88662434 ..... 701	91355038 ..... 461		91514186 .. 423, 427, 443
	91403193 ..... 399		91514188 ..... 415, 443
			91514189 ..... 415, 443
			91554019 ..... 927
			91561240 ..... 743



**Corporate Office  
JLG Industries, Inc.  
1 JLG Drive  
McConnellsburg, PA 17233-9533 USA  
☎ (717) 485-5161 (Corporate)  
☎ (877) 554-5438 (Customer Support)  
📠 (717) 485-6417**

**Visit our website for JLG Worldwide Locations.  
[www.jlg.com](http://www.jlg.com)**



**OSHKOSH™**