



---

# Illustrated Parts Manual

***Models***  
***RT3394***  
***RT4394***

**PVC**  
**2304**

**P/N**  
**31221546**  
**February 5, 2024 - Rev B**

**ANSI**

**CE**



**UK**  
**CA**

**AS/NZS**



An Oshkosh Corporation Company



## **REVISION LOG**

April 10, 2023 - A - Original Issue of Manual (Edited to 1001264334 Rev H)  
February 5, 2024 - B - Revised Manual (Edited to 1001264334 Rev K)

# GENERAL INFORMATION



## 1) MACHINE IDENTIFICATION

Machines are identified by model and in some cases a combination of models, serial number (SN) or regional standard (i.e ANSI, CE, CSA). Components may also be identified by SN or manufacturer. Common components that may be identified by these characteristics are engines and hydraulic components.

## 2) PARTS MANUAL ORGANIZATION

Product information in this manual is organized under section titles. Frame, Cylinder, Hydraulic and Electrical are a few examples. Each section is organized by figure and page number. The information within the Figure is then organized by item number, part number, description and corresponding illustration (s).

## 3) TABLE OF CONTENTS (NOT SHOWN)

A table of contents is found toward the beginning of the manual. Figure number, description and page number are provided for quick reference to the page containing the related information.

## 4) RECOMMENDED SPARE PARTS (NOT SHOWN)

The Recommended Spare Parts List, located near the end of the manual, reference most frequently used maintenance parts.

## 5) PART NUMBER INDEX (NOT SHOWN)

A numerical index listing all part numbers and the corresponding page number(s) appears at the back of the manual.



## GENERAL INFORMATION

### 6) NON-SERVICED PARTS

In some instances, it is necessary to display non-serviced parts, assemblies or installations. In the case of assemblies and installations there will be a Ref in the Qty. column. In case of parts that are not available for service within assemblies or components, there will be a NSS (Not Sold Separately) or NLA (No Longer Available) listed in the Qty. column of the manual.

### 7) PARTS LIST ITEM NUMBERS

Numbers shown in the item# column correspond to numbers used in the associated illustration (s). Item numbers which are missing from the sequence in the parts list are not used on that page.

### 8) INDENTED PARTS DESCRIPTION

An indented part description is included in the item under which it is indented.

### 9) ABBREVIATION AND SYMBOLS

AC.....	Alternating Current	L.....	Liter
ADE.....	Advanced Design Electronics	LB(LBS).....	Pounds
AG.....	Agricultural	LCD.....	Liquid Crystal Display
ANSI.....	American National Standards Institute	LED.....	Light Emitting Diodes
AR.....	As Required	LH.....	Left Hand
ASSY.....	Assembly	LRC.....	Low Rated Countries
AUS.....	Australia	LSS.....	Load Sensing System
AUX.....	Auxiliary	M(m).....	Metric/Meter
AWG.....	American Wire Gauge	MM(mm).....	Milimeter
B/M.....	Bill of Material	mA.....	Miliamps
CAC.....	Charge Air Cooler	NLA.....	No Longer Available
CE.....	European Conformity	NPT.....	National Pipe Threads
CCW.....	Counter Clockwise	NSS.....	Not Sold Separately
CM.....	Centimeter	OD.....	Outside Diameter
CW.....	Clockwise	ORB.....	O-Ring Boss
CSA.....	Canadian Standards Association	ORFS.....	O-Ring Face Seal
CYL.....	Cylinder	OZ (oz).....	Ounces
DIA.....	Diameter	PG.....	Page
DC.....	Direct Current	PN.....	Part Number
DEF.....	Diesel Exhaust Fluid	QT(qt.).....	Quarts
EMS.....	Emergency Stop	QTY.....	Quantity
ENG.....	Engine	REF.....	Reference
FT(ft).....	Feet	REV.....	Revision Level
GA(Ga).....	Gauge	RH.....	Right Hand
HRC.....	High Rated Countries	SAE.....	Society of Automotive Engineers
HVAC.....	Heating, Ventilating, and Air Conditioning	SN.....	Serial Number
HYD.....	Hydraulic	SPEC(S).....	Specifications
Hz.....	Hertz	T/T.....	Turntable
ID.....	Inside Diameter	UGM.....	Universal Ground Module
IN.....	inches	V.....	Volts
ISO.....	International Organization for Standards	W.....	Watts
JIC.....	Joint Industry Council	#.....	Number
KG.....	Kilogram		

### 10) ILLUSTRATION REFERENCE LETTERS

When necessary, illustrations may contain reference letters that are intended to track information (i. e. hoses, harnesses) from one point to another or to track visual enlargement of components to show details that may be located in another area on the illustration.

*Note: Due to continuous product improvements, JLG Industries, Inc. reserves the right to make specification changes without prior notification. Contact JLG Industries, Inc. for updated information.*



# TABLE OF CONTENTS

SECTION 1 - FRAME.....	11
FIGURE 1-1. AXLE INSTALLATION .....	12
FIGURE 1-2. STEER INSTALLATION (ALL SPECS EXCEPT CE AND JAPANESE SPECS) .....	14
FIGURE 1-3. STEER INSTALLTION (CE, JAPANESE & UK CA SPECS).....	16
FIGURE 1-4. WHEEL DRIVE INSTALLATION .....	18
FIGURE 1-5. DRIVE HUB ASSEMBLY - FRONT.....	20
FIGURE 1-6. DRIVE HUB AND BRAKE ASSEMBLY - REAR .....	22
FIGURE 1-7. DRIVE MOTOR ASSEMBLY .....	26
FIGURE 1-8. TIRE AND WHEEL INSTALLATION - 12 X 16.5 FOAM FILLED (AVAILABLE ON ALL SPECS).....	28
FIGURE 1-9. TIRE AND WHEEL INSTALLATION - 12 X 16.5 FOAM-FILLED NON MARKING .....	30
FIGURE 1-10. TIRE AND WHEEL INSTALLATION - 33/16LL X 16.1 FOAM-FILLED .....	32
FIGURE 1-11. TIRE AND WHEEL INSTALLATION - 33/1550-16.5 FOAM-FILLED .....	34
FIGURE 1-12. TIRE AND WHEEL INSTALLATION - IN315/55D20 FOAM-FILLED .....	36
FIGURE 1-13. STROBE LIGHT INSTALLATION (AMBER) .....	38
FIGURE 1-14. LEVELING JACKS INSTALLATION.....	40
FIGURE 1-15. LEVELING JACKS ASSEMBLY .....	42
FIGURE 1-16. LEVELING JACKS VALVE ASSEMBLY .....	44
SECTION 2 - GROUND CONTROLS .....	47
FIGURE 2-1. VALVES INSTALLATION (ALL SPECS EXCEPT CE AND JAPANESE SPECS) .....	48
FIGURE 2-2. VALVES INSTALLATION (CE, JAPANESE & UK CA SPECS) .....	50
FIGURE 2-3. MAIN VALVE ASSEMBLY (ALL SPECS EXCEPT CE, JAPANESE & UK CA SPECS) .....	52
FIGURE 2-4. MAIN VALVE ASSEMBLY (CE, JAPANESE & UK CA SPECS).....	54
FIGURE 2-5. FLOW DIVIDER VALVE ASSEMBLY .....	56
FIGURE 2-6. TANKS AND HORN INSTALLATION (DIESEL MACHINES).....	58
FIGURE 2-7. TANKS AND HORN INSTALLATION (GAS MACHINES).....	60
FIGURE 2-8. HYDRAULIC TANK ASSEMBLY.....	62
FIGURE 2-9. GROUND CONTROL BOX ASSEMBLY (DIESEL MACHINES).....	64
FIGURE 2-10. GROUND CONTROL BOX ASSEMBLY (GAS MACHINES).....	66
FIGURE 2-11. MOTION ALARM INSTALLATION .....	68
FIGURE 2-12. HOODS INSTALLATION .....	70
SECTION 3 - ENGINE .....	75
FIGURE 3-1. ENGINE INSTALLATION - KUBOTA DIESEL T4F .....	76
FIGURE 3-2. ENGINE AND PUMP SUB-ASSEMBLY - KUBOTA DIESEL E4B .....	80
FIGURE 3-3. ENGINE ASSEMBLY - KUBOTA DIESEL E4B.....	82
FIGURE 3-4. ENGINE INSTALLATION - KUBOTA DIESEL STAGE T4F WITH GENERATOR .....	86
FIGURE 3-5. ENGINE AND PUMP SUB-ASSEMBLY - KUBOTA DIESEL E4B WITH GENERATOR.....	90
FIGURE 3-6. ENGINE ASSEMBLY - KUBOTA DIESEL E4B WITH GENERATOR .....	92
FIGURE 3-7. ENGINE COMPONENTS - KUBOTA DIESEL E4B .....	96
FIGURE 3-8. ENGINE INSTALLATION - KUBOTA GASOLINE.....	100
FIGURE 3-9. ENGINE AND PUMP SUB-ASSEMBLY - KUBOTA GASOLINE .....	104
FIGURE 3-10. ENGINE ASSEMBLY - KUBOTA GASOLINE .....	106
FIGURE 3-11. ENGINE ASSEMBLY - KUBOTA GASOLINE (SN M200085013 to Present, SN M200085096 to Present) .....	110
FIGURE 3-12. ENGINE INSTALLATION - KUBOTA GASOLINE WITH GENERATOR .....	114

# TABLE OF CONTENTS

FIGURE 3-13. ENGINE AND PUMP SUB-ASSEMBLY - KUBOTA GASOLINE WITH GENERATOR .....	118
FIGURE 3-14. ENGINE ASSEMBLY - KUBOTA GASOLINE WITH GENERATOR.....	120
FIGURE 3-15. ENGINE ASSEMBLY - KUBOTA GASOLINE WITH GENERATOR (SN M200085013 to Present, SN M200085096 to Present).....	124
FIGURE 3-16. ENGINE COMPONENTS - KUBOTA GASOLINE .....	128
FIGURE 3-17. ENGINE COMPONENTS - KUBOTA GASOLINE (SN M200085013 to Present, SN M200085096 to Present)....	132
FIGURE 3-18. FUEL/WATER SEPARATOR ASSEMBLY - DIESEL ENGINES .....	134
FIGURE 3-19. COUPLING KIT - DIESEL ENGINES .....	136
FIGURE 3-20. COUPLING KIT - GASOLINE ENGINES.....	138
FIGURE 3-21. PISTON PUMP ASSEMBLY.....	140
FIGURE 3-22. 7500W GENERATOR INSTALLATION - 50HZ (KUBOTA DIESEL) .....	144
FIGURE 3-23. 7500W GENERATOR INSTALLATION - 60HZ (KUBOTA DIESEL) .....	148
FIGURE 3-24. 7500W GENERATOR INSTALLATION - 60HZ (KUBOTA GASOLINE) .....	152
FIGURE 3-25. 4000W GENERATOR INSTALLATION - 50HZ (KUBOTA DIESEL) .....	156
FIGURE 3-26. 4000W GENERATOR INSTALLATION - 60HZ (KUBOTA DIESEL) .....	160
FIGURE 3-27. 4000W GENERATOR INSTALLATION - 60HZ (KUBOTA DUAL FUEL).....	164
FIGURE 3-28. QUICKFIT OIL DRAIN INSTALLATION - KUBOTA DIESEL ENGINE .....	168
FIGURE 3-29. QUICKFIT OIL DRAIN INSTALLATION - KUBOTA GASOLINE ENGINE.....	170
SECTION 4 - SCISSORS ARMS.....	173
FIGURE 4-1. SCISSORS ARMS INSTALLATION (RT3394) .....	174
FIGURE 4-2. SCISSORS ARMS ASSEMBLY (RT3394) .....	176
FIGURE 4-3. SCISSORS ARMS INSTALLATION - WITH GENERATOR (RT3394) .....	182
FIGURE 4-4. SCISSORS ARMS ASSEMBLY - WITH GENERATOR (RT3394) .....	184
FIGURE 4-5. SCISSORS ARMS INSTALLATION (RT4394) .....	190
FIGURE 4-6. SCISSORS ARMS ASSEMBLY (RT4394) .....	192
FIGURE 4-7. SCISSORS ARMS INSTALLATION - WITH GENERATOR (RT4394) .....	198
FIGURE 4-8. SCISSORS ARMS ASSEMBLY - WITH GENERATOR (RT4394) .....	200
SECTION 5 - PLATFORM.....	205
FIGURE 5-1. LADDER INSTALLATION (RT4394).....	206
FIGURE 5-2. PLATFORM MOUNT INSTALLATION (LSS) .....	208
FIGURE 5-3. PLATFORM WITH SINGLE EXTENSION INSTALLATION.....	210
FIGURE 5-4. PLATFORM (12.6FT/3.84M LENGTH) WITH DUAL EXTENSION INSTALLATION .....	212
FIGURE 5-5. RAIL INSTALLATION - PLATFORM WITH SINGLE EXTENSION.....	214
FIGURE 5-6. RAIL INSTALLATION - 12.6FT/3.84M LENGTH PLATFORM WITH DUAL EXTENSION.....	218
FIGURE 5-7. PLATFORM CONSOLE BOX INSTALLATION - DIESEL MACHINES (WITHOUT LEVELING JACKS).....	222
FIGURE 5-8. PLATFORM CONSOLE BOX INSTALLATION - DIESEL MACHINES (WITH LEVELING JACKS) .....	224
FIGURE 5-9. PLATFORM CONSOLE BOX INSTALLATION - GASOLINE MACHINES (WITHOUT LEVELING JACKS) .....	226
FIGURE 5-10. PLATFORM CONSOLE BOX INSTALLATION - GASOLINE MACHINES (WITH LEVELING JACKS).....	228
FIGURE 5-11. DRIVE/STEER CONTROLLER ASSEMBLY .....	230
FIGURE 5-12. PLATFORM MODULE INSTALLATION (LSS) .....	232
FIGURE 5-13. PIPE RACKS INSTALLATION (OPTIONAL) .....	234
FIGURE 5-14. WELDER ASSEMBLY .....	236
FIGURE 5-15. WORKSTATION INSTALLATION (OPTIONAL) .....	238
SECTION 6 - CYLINDER.....	241

# TABLE OF CONTENTS

FIGURE 6-1. AXLE LOCKOUT CYLINDER ASSEMBLY .....	242
FIGURE 6-2. LEVELING JACK CYLINDER ASSEMBLY .....	244
FIGURE 6-3. LIFT CYLINDER ASSEMBLY .....	246
FIGURE 6-4. STEER CYLINDER ASSEMBLY .....	248
SECTION 7 - HYDRAULIC .....	251
FIGURE 7-1. HYDRAULIC DIAGRAM - LEVELING JACKS .....	252
FIGURE 7-2. HYDRAULIC DIAGRAM - STANDARD (ALL SPECS EXCEPT CE, JAPANESE & UK CA SPECS).....	254
FIGURE 7-3. HYDRAULIC DIAGRAM - STANDARD (CE, JAPANESE & UK CA SPECS) .....	258
SECTION 8 - ELECTRICAL .....	263
FIGURE 8-1. AC BOX AT PLATFORM INSTALLATION - 110V GFI (ALL SPECS EXCEPT AUSTRALIAN, CE & UK CA SPECS) .....	264
FIGURE 8-2. AC BOX AT PLATFORM INSTALLATION - 220V (PLUG AND RECEPTACLE SUPPLY LOCALLY) (ALL SPECS EXCEPT AUSTRALIAN, CE & UK CA SPECS) .....	266
FIGURE 8-3. AC BOX AT PLATFORM INSTALLATION - 220V (PLUG AND RECEPTACLE BOX SUPPLY LOCALLY) (ALL SPECS EXCEPT JAPANESE SPECS) .....	268
FIGURE 8-4. AC BOX AT PLATFORM INSTALLATION - 110V IEC YELLOW (CE & UK CA SPECS) .....	270
FIGURE 8-5. AC BOX AT PLATFORM INSTALLATION - 220V IEC BLUE (CE & UK CA SPECS) .....	272
FIGURE 8-6. AC BOX AT PLATFORM INSTALLATION - 220V AFSINT 107 (CE & UK CA SPECS) .....	274
FIGURE 8-7. AC BOX AT PLATFORM INSTALLATION - 220V CEE7 POST GROUND 2X4 BOX (CE & UK CA SPECS) .....	276
FIGURE 8-8. AC BOX AT PLATFORM INSTALLATION - 220V CEE7 POST GROUND 70X70 BOX (CE & UK CA SPECS) ....	278
FIGURE 8-9. AC BOX AT PLATFORM INSTALLATION - 220V CEE7 SIDE GROUND 2X4 BOX (CE & UK CA SPECS) .....	280
FIGURE 8-10. AC BOX AT PLATFORM INSTALLATION - 220V CEE7 SIDE GROUND 70X70 BOX (CE & UK CA SPECS) ...	282
FIGURE 8-11. BATTERY CABLE KIT .....	284
FIGURE 8-12. BREAKER BOX KIT .....	286
FIGURE 8-13. CHASSIS HARNESS .....	288
FIGURE 8-14. ENGINE HARNESS - KUBOTA DIESEL .....	292
FIGURE 8-15. ENGINE HARNESS - KUBOTA GASOLINE .....	296
FIGURE 8-16. GENERATOR HARNESS - 7500W.....	300
FIGURE 8-17. GENERATOR HARNESS - 4000W.....	302
FIGURE 8-18. GENERATOR HARNESS - 4000W.....	304
FIGURE 8-19. GENERATOR JUNCTION BOX.....	306
FIGURE 8-20. GENERATOR JUNCTION BOX.....	308
FIGURE 8-21. LEVELING JACKS HARNESS.....	310
FIGURE 8-22. GROUND CONTROL BOX HARNESS (LOWER) .....	312
FIGURE 8-23. GROUND CONTROL BOX HARNESS (UPPER) .....	314
FIGURE 8-24. GROUND TO PLATFORM HARNESS (RT3394) .....	316
FIGURE 8-25. GROUND TO PLATFORM HARNESS (RT4394) .....	318
FIGURE 8-26. GROUND WIRE HARNESS (SN M200085628 to Present, SN M200085632 to Present) .....	320
FIGURE 8-27. LSS HARNESS .....	322
FIGURE 8-28. PLATFORM CONTROL BOX HARNESS .....	324
FIGURE 8-29. PLATFORM MODULE HARNESS .....	326
FIGURE 8-30. RECEPTACLE BOX KIT - 110V GFI.....	328
FIGURE 8-31. RECEPTACLE BOX KIT - 110V IEC YELLOW (CE & UK CA SPEC) .....	330
FIGURE 8-32. RECEPTACLE BOX KIT - 220V IEC BLUE (CE & UK CA SPEC) .....	332
FIGURE 8-33. RECEPTACLE BOX KIT - 220V AFSINT 107 (CE & UK CA SPEC).....	334

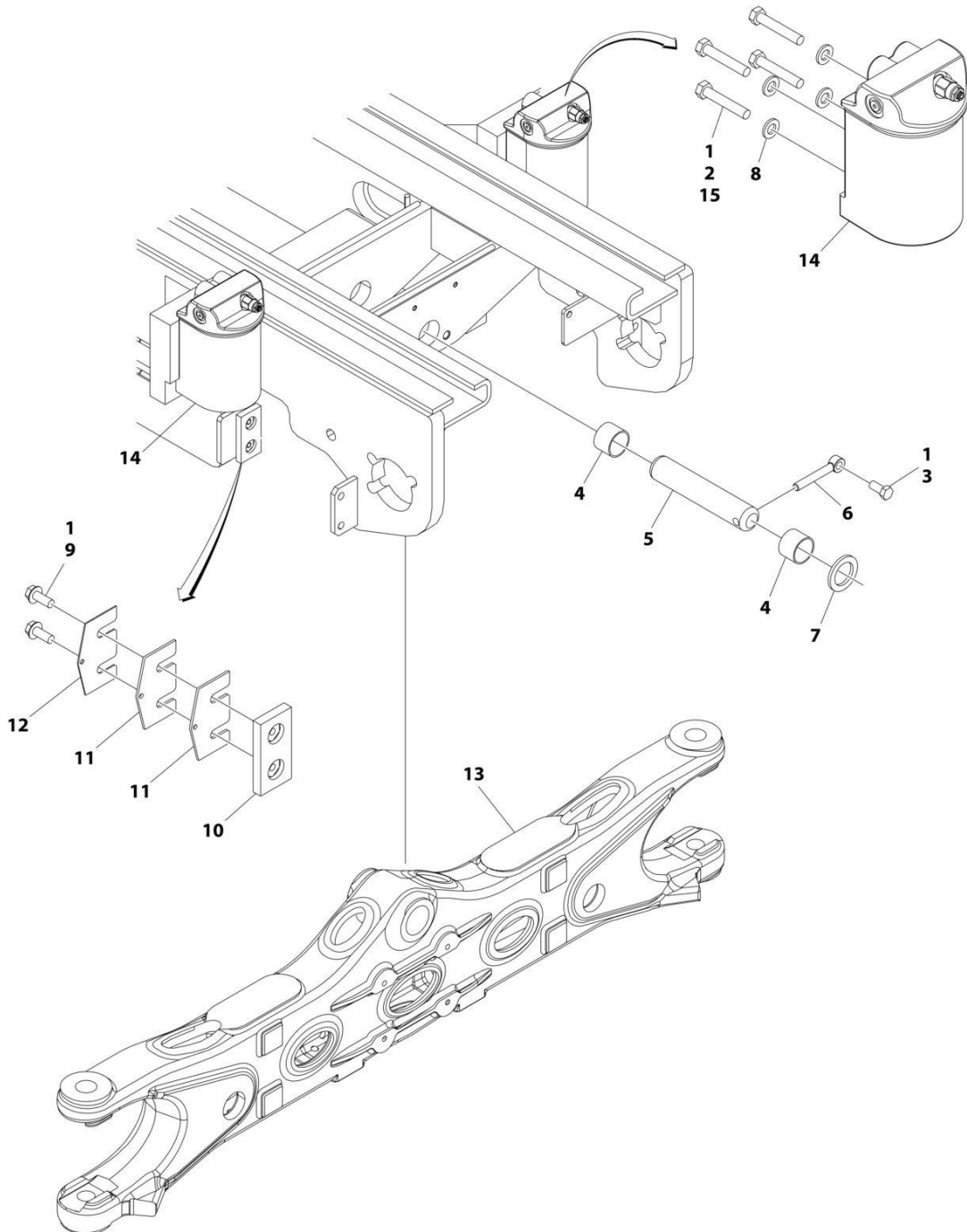
# TABLE OF CONTENTS

FIGURE 8-34. RECEPTACLE BOX KIT - 220V CEE7 POST GROUND (CE & UK CA SPEC) .....	336
FIGURE 8-35. RECEPTACLE BOX KIT - 220V CEE7 POST GROUND 70X70 BOX (CE & UK CA SPEC) .....	338
FIGURE 8-36. RECEPTACLE BOX KIT - 220V CEE7 SIDE GROUND (CE & UK CA SPEC) .....	340
FIGURE 8-37. RECEPTACLE BOX KIT - 220V CEE7 SIDE GROUND 70X70 BOX (CE & UK CA SPEC) .....	342
FIGURE 8-38. RECEPTACLE/BREAKER BOX ASSEMBLY - 220V GFI .....	344
SECTION 9 - DECALS .....	347
FIGURE 9-1. DECAL INSTALLATION - ANSI AND ANSI EXPORT SPECS (ENGLISH) .....	348
FIGURE 9-2. DECAL INSTALLATION - AUSTRALIAN, CE, JAPANESE & UK CA SPEC (ENGLISH) .....	350
FIGURE 9-3. DECAL INSTALLATION - BRAZIL SPECS (SPANISH/PORTUGUESE) .....	352
FIGURE 9-4. DECAL INSTALLATION - CHINESE SPECS (ENGLISH/CHINESE) .....	354
FIGURE 9-5. DECAL INSTALLATION - CSA SPECS (ENGLISH/FRENCH).....	356
FIGURE 9-6. DECAL INSTALLATION - KOREAN SPECS (ENGLISH/KOREAN).....	358
FIGURE 9-7. DECAL INSTALLATION - LATIN AMERICAN SPECS (ENGLISH/SPANISH) .....	360
FIGURE 9-8. DECAL INSTALLATION - OPTIONS .....	362
SECTION 10 - RECOMMENDED SERVICE PARTS STOCK .....	365
FIGURE 10-1. RECOMMENDED SERVICE PARTS STOCK .....	366
SECTION 11 - SPECIAL OPTIONS/ACCESSORIES/KITS .....	369
FIGURE 11-1. SPECIAL OPTIONS/ACCESSORIES/KITS.....	370
PART NUMBER INDEX.....	373

**SECTION 1 - FRAME**

# SECTION 1 - FRAME

## FIGURE 1-1. AXLE INSTALLATION



ART\_1001204606



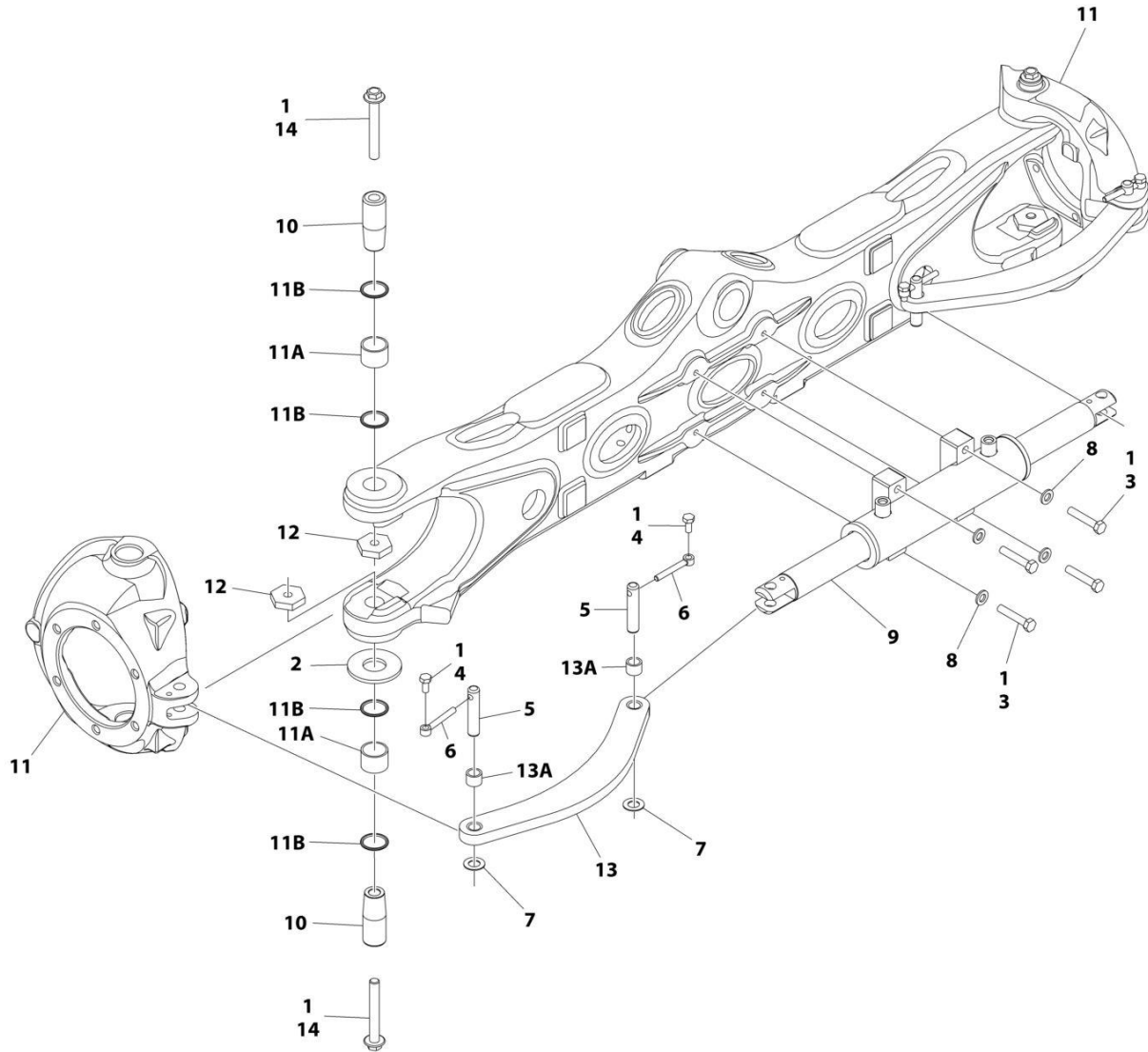
# SECTION 1 - FRAME

## FIGURE 1-1. AXLE INSTALLATION

ITEM	PART NUMBER	QTY	DESCRIPTION	REV
	1001204606	Ref	AXLE INSTALLATION	B
1	0100011	AR	Compound, Locking	
2	0701222	8	Bolt M12 x 70	
3	0642012	1	Bolt 5/8 x 1-1/2	
4	0961950	2	Bearing	
5	3422592	1	Pin	
6	3841258	1	Keeper, Pin	
7	4740158	1	Washer	
8	5241200	8	Washer M12	
9	5251012	4	Bolt M10 x 25	
10	1001118511	2	Pad	
11	1001118518	4	Shim, 11GA	
12	1001118519	2	Shim, 16GA	
13	1001162995	1	Axle	
14	1001163580	2	Axle Lockout Cylinder Assembly (See Separate Breakdown in CYLINDER SECTION)	
15	0100038	AR	Primer, Locking	

# SECTION 1 - FRAME

FIGURE 1-2. STEER INSTALLATION (ALL SPECS EXCEPT CE AND JAPANESE SPECS)



ART\_1001204611

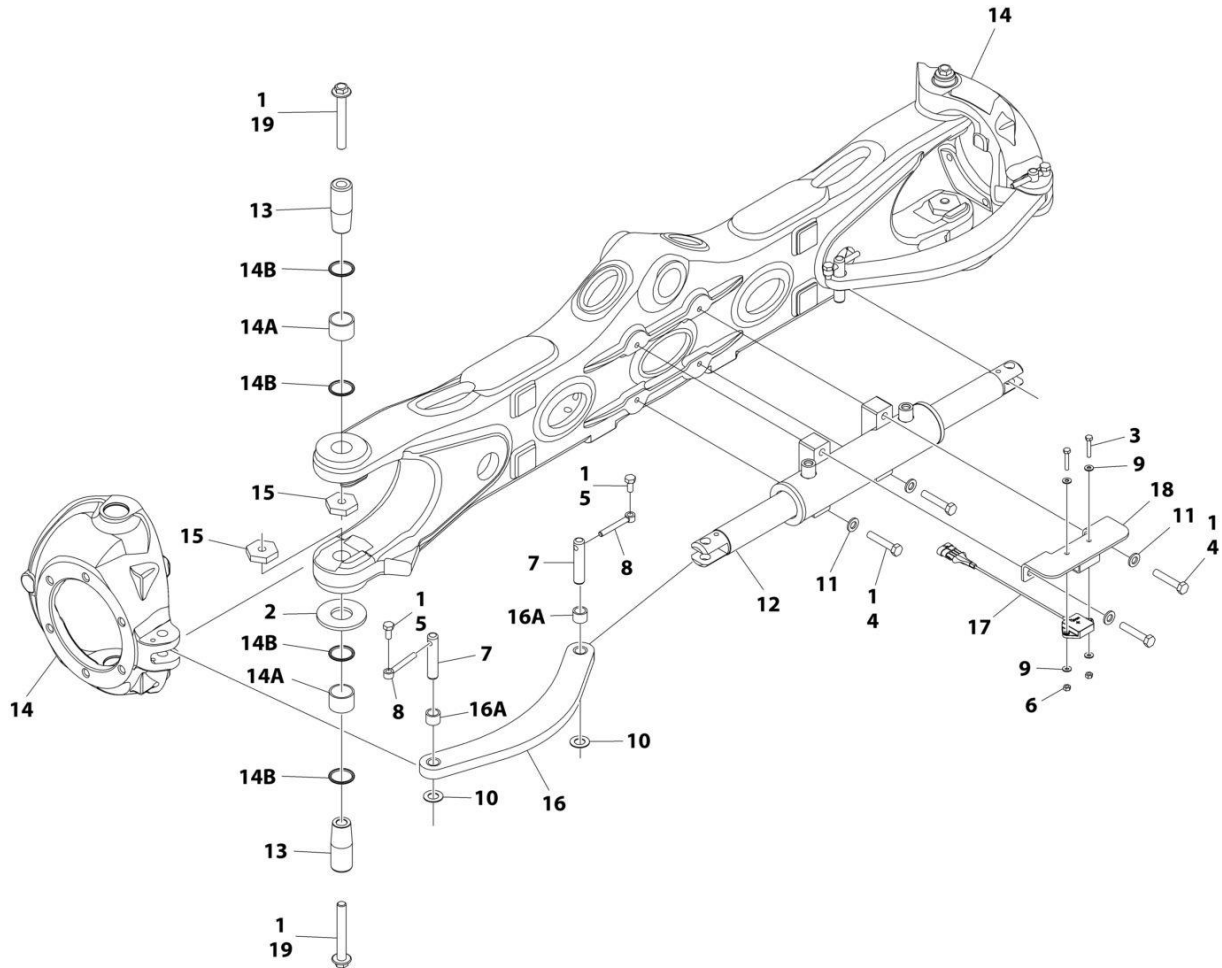
## SECTION 1 - FRAME

**FIGURE 1-2. STEER INSTALLATION (ALL SPECS EXCEPT CE AND JAPANESE SPECS)**

ITEM	PART NUMBER	QTY	DESCRIPTION	REV
	1001204611	Ref	STEER INSTALLATION	B
1	0100011	AR	Compound, Locking	
2	0440271	2	Bearing	
3	0711221	4	Bolt M12 x 65	
4	0761011	4	Bolt M10 x 22	
5	3423304	4	Pin	
6	3841143	4	Keeper, Pin	
7	4740086	4	Washer	
8	5241200	4	Washer M12	
9	1001163178	1	Steer Cylinder Assembly (See Separate Breakdown in CYLINDER SECTION)	
10	1001163405	4	Kingpin	
11	1001163715	2	Spindle	
11A	0961948	4	Bearing (2 Per Spindle)	
11B	1001163716	8	Seal (4 Per Spindle)	
12	1001176848	4	Nut M16	
13	1001163179	2	Link, Tierod	
13A	1001164209	4	Bearing (2 Per Link)	
14	1001190368	4	Bolt M16 x 120	

# SECTION 1 - FRAME

## FIGURE 1-3. STEER INSTALLTION (CE, JAPANESE & UK CA SPECS)



ART\_1001204612

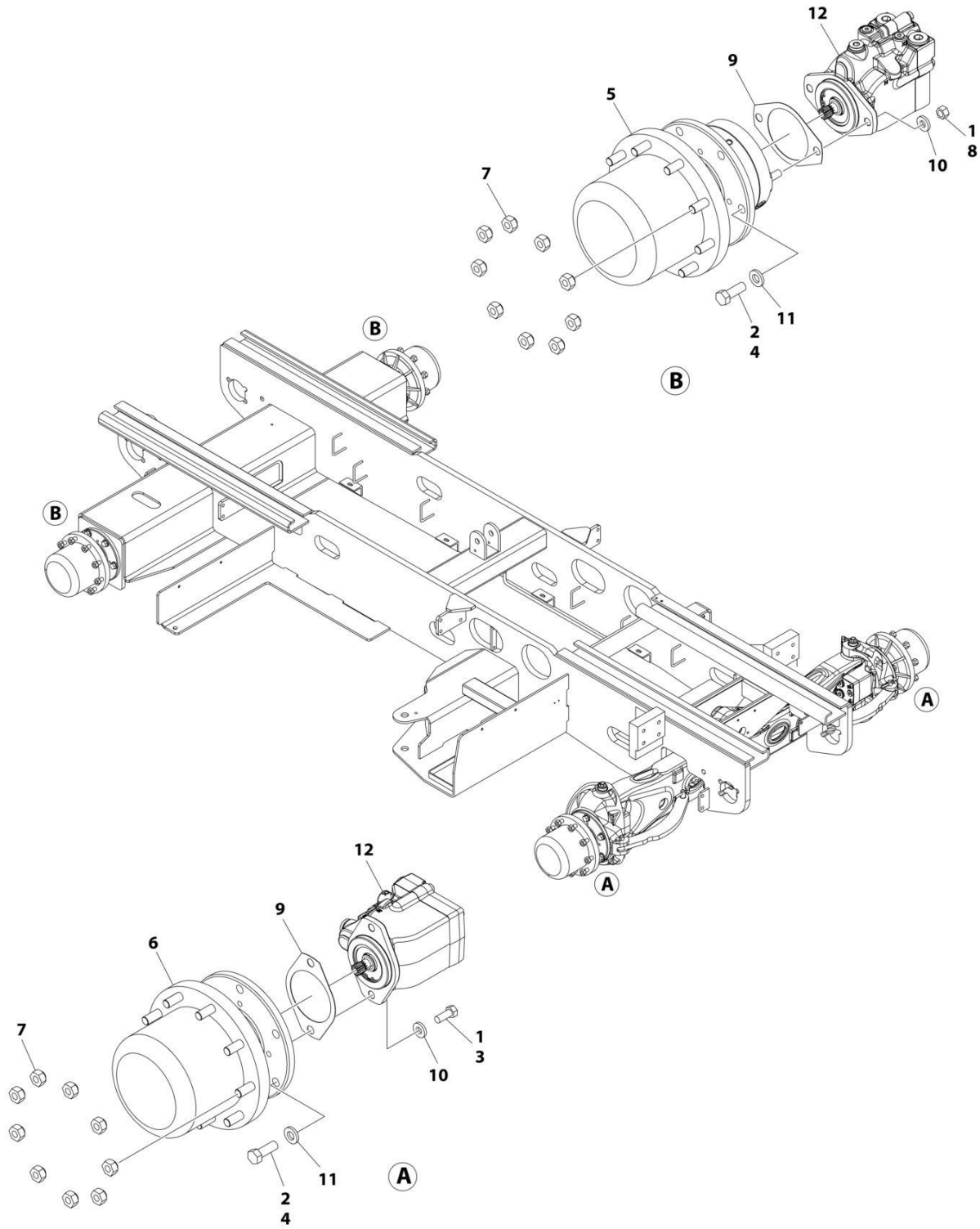
## SECTION 1 - FRAME

**FIGURE 1-3. STEER INSTALLTION (CE, JAPANESE & UK CA SPECS)**

ITEM	PART NUMBER	QTY	DESCRIPTION	REV
	1001204612	Ref	STEER INSTALLATION	C
1	0100011	AR	Compound, Locking	
2	0440271	2	Bearing	
3	0641412	2	Bolt 1/4 x 1-1/2	
4	0711221	4	Bolt M12 x 65	
5	0761011	4	Bolt M10 x 22	
6	3311405	2	Nut 1/4	
7	3423304	4	Pin	
8	3841143	4	Keeper, Pin	
9	4711400	4	Washer 1/4	
10	4740086	4	Washer	
11	5241200	4	Washer M12	
12	1001163178	1	Steer Cylinder Assembly (See Separate Breakdown in CYLINDER SECTION)	
13	1001163405	4	Kingpin	
14	1001163715	2	Spindle	
14A	0961948	4	Bearing (2 Per Spindle)	
14B	1001163716	8	Seal (4 Per Spindle)	
15	1001176848	4	Nut M16	
16	1001163179	2	Link, Tierod	
16A	1001164209	4	Bearing (2 Per Link)	
17	1001186467	1	Sensor, Dual Axis	
17	See Note	NSS	Receptacle, Female - 4 Position (Note: Not Available for Purchase)	
17	See Note	NSS	Terminal (Note: Not Available for Purchase)	
18	1001187695	1	Bracket	
19	1001190368	4	Bolt M16 x 120	

# SECTION 1 - FRAME

## FIGURE 1-4. WHEEL DRIVE INSTALLATION



ART\_1001286954

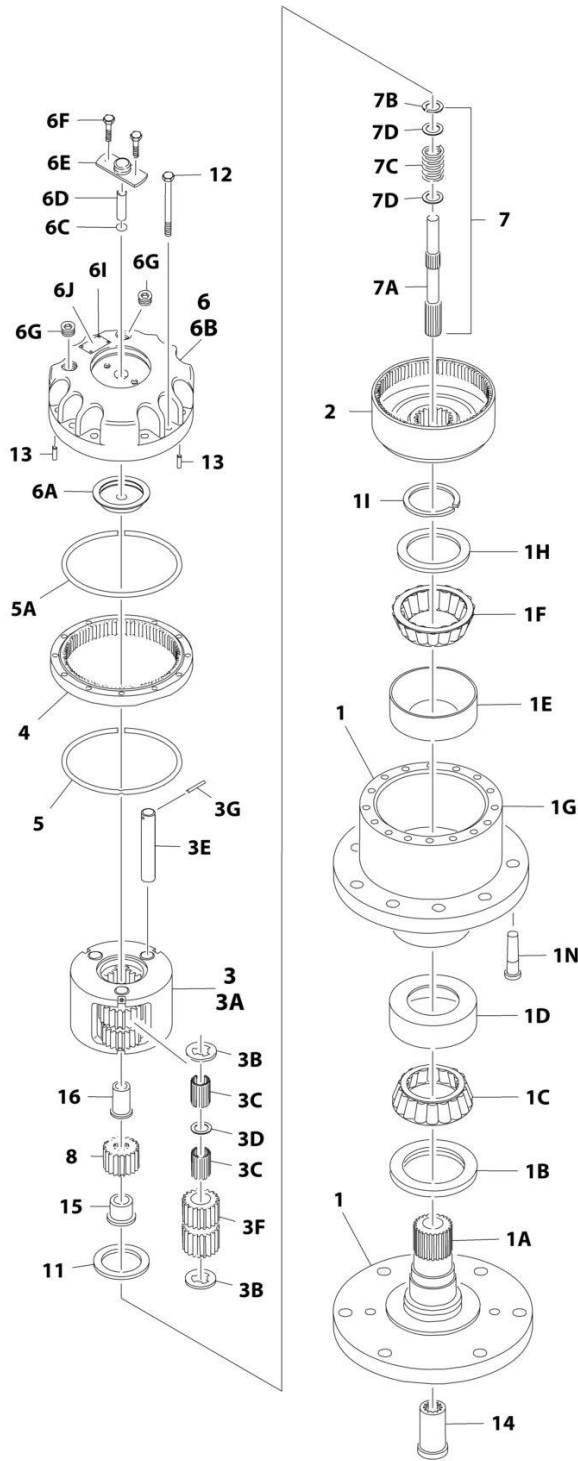
## SECTION 1 - FRAME

**FIGURE 1-4. WHEEL DRIVE INSTALLATION**

ITEM	PART NUMBER	QTY	DESCRIPTION	REV
	1001286954	Ref	WHEEL DRIVE INSTALLATION	A
1	0100011	AR	Compound, Locking	
2	0100019	AR	Compound, Locking	
3	0681810	4	Bolt 1/2 x 1-1/4	
4	0682014	24	Bolt 5/8 x 1-3/4	
5	2780267	2	Hub Assembly - Drive (Rear) (See Separate Breakdown in this Section)	
6	2780268	2	Hub Assembly - Drive (Front) (See Separate Breakdown in this Section)	
7	3300106	36	Nut, Wheel	
8	3311801	4	Nut 1/2	
9	3960526	4	Gasket	
10	4891800	8	Washer 1/2	
11	4892000	24	Washer 5/8	
12	1001286948	4	Motor Assembly - Drive (See Separate Breakdown in this Section)	

# SECTION 1 - FRAME

## FIGURE 1-5. DRIVE HUB ASSEMBLY - FRONT



ART\_2780268



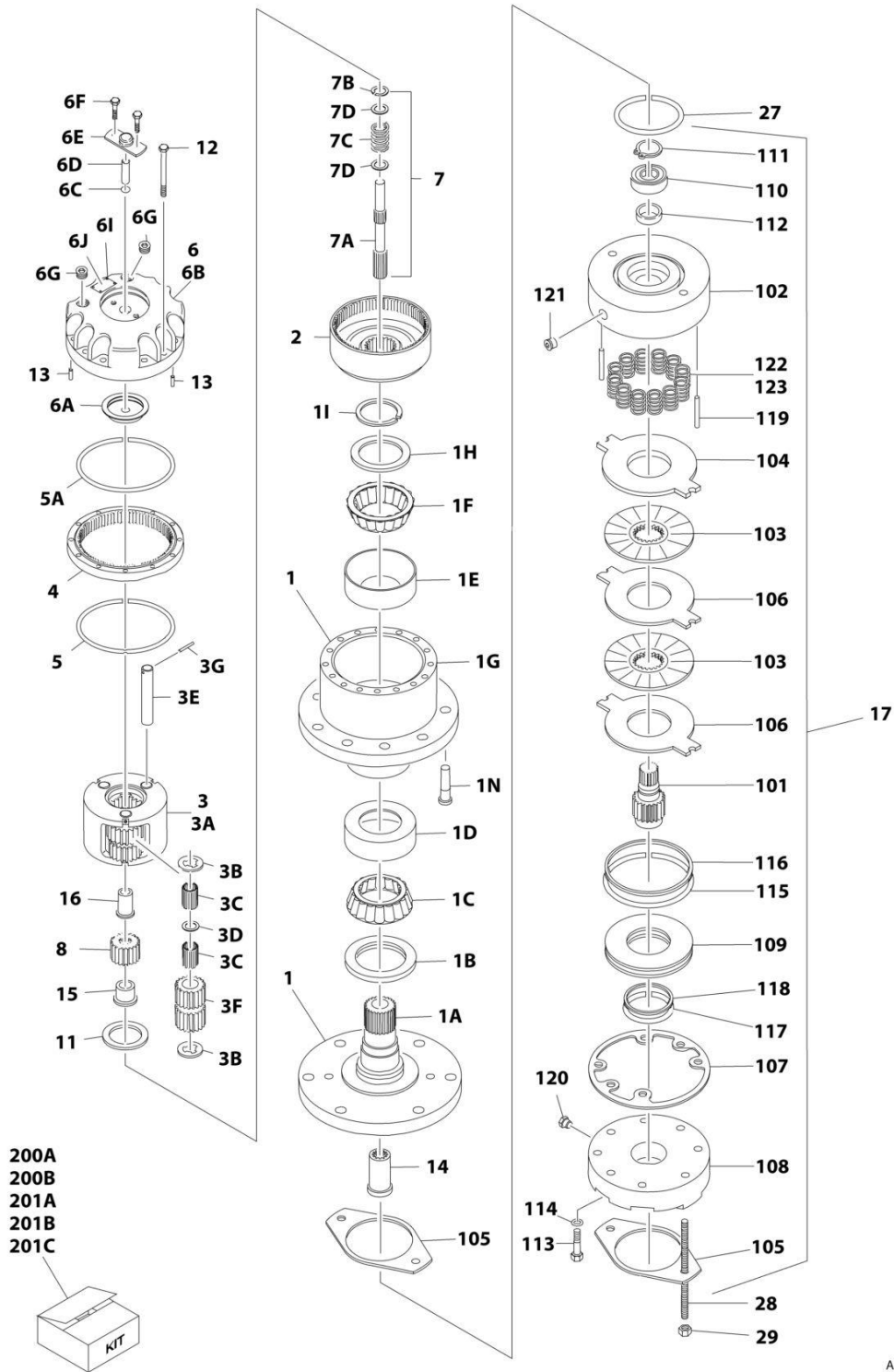
# SECTION 1 - FRAME

## FIGURE 1-5. DRIVE HUB ASSEMBLY - FRONT

ITEM	PART NUMBER	QTY	DESCRIPTION	REV
	2780268	Ref	DRIVE HUB ASSEMBLY - FRONT	F
1	See Note	1	Spindle/Housing Assembly (Note: Purchase Individual Components)	
1A	7017059	1	Spindle	
1B	7001998	1	Seal	
1C	7010429	1	Cone, Bearing (Includes Item 1D)	
1D	7010429	1	Cup, Bearing (Includes Item 1C)	
1E	7000257	1	Cup, Bearing	
1F	7000258	1	Cone, Bearing	
1G	7007601	1	Housing/Ring Gear	
1H	7000232	1	Washer, Thrust	
1I	7000229	1	Ring, Retaining	
1N	7007640	9	Stud, Wheel	
2	7000246	1	Gear, Internal	
3	7024712	1	Carrier Assembly	
3A	See Note	1	Carrier (Note: Use Item 3)	
3B	See Note	6	Ring, Retaining (Note: Use Item 3)	
3C	See Note	AR	Bearing, Needle (Note: Use Item 3)	
3D	See Note	3	Washer, Thrust (Note: Use Item 3)	
3E	See Note	3	Shaft, Planet (Note: Use Item 3)	
3F	See Note	3	Gear, Planet (Note: Use Item 3)	
3G	See Note	3	Roll Pin (Note: Use Item 3)	
4	7000248	1	Ring Gear	
5	7000230	1	O-Ring	
5A	7017070	1	O-Ring	
6	70001349	1	Cover Assembly Kit	
6A	See Note	1	Spacer, Thrust (Note: Use Item 6)	
6B	See Note	1	Plate, Cover (Note: Use Item 6)	
6C	See Note	1	O-Ring (Note: Use Item 6)	
6D	See Note	1	Rod, Disconnect (Note: Use Item 6)	
6E	See Note	1	Cap, Disengage (Note: Use Item 6)	
6F	See Note	2	Bolt (Note: Use Item 6)	
6G	See Note	1	Plug, Pipe (Note: Use Item 6)	
6I	See Note	4	Rivet (Note: Not Available for Purchase)	
6J	See Note	1	Plate, ID (Note: Not Available for Purchase)	
7		Ref	Input Shaft Assembly	
7A	7024714	1	Shaft	
7B	7000261	1	Ring, Retaining	
7C	7000262	1	Spring	
7D	7000263	2	Spacer, Thrust	
8	7024713	1	Gear, Sun	
11	7000253	1	Washer, Thrust	
12	7017067	12	Bolt	
13	7017080	4	Pin, Dowel	
14	7000206	1	Coupling	
15	7024715	1	Spacer, Input	
16	7024716	1	Spacer, Input	

# SECTION 1 - FRAME

## FIGURE 1-6. DRIVE HUB AND BRAKE ASSEMBLY - REAR



# SECTION 1 - FRAME

## FIGURE 1-6. DRIVE HUB AND BRAKE ASSEMBLY - REAR

ITEM	PART NUMBER	QTY	DESCRIPTION	REV
	2780267	Ref	DRIVE HUB AND BRAKE ASSEMBLY - REAR	I
1	See Note	1	Spindle/Housing Assembly (Note: Purchase Individual Components)	
1A	7017059	1	Spindle	
1B	7001998	1	Seal	
1C	7010429	1	Cone, Bearing (Includes Item 1D)	
1D	7010429	1	Cup, Bearing (Includes Item 1C)	
1E	7000257	1	Cup, Bearing	
1F	7000258	1	Cone, Bearing	
1G	7007601	1	Housing/Ring Gear	
1H	7000232	1	Washer, Thrust	
1I	7000229	1	Ring, Retaining	
1N	7007640	9	Stud, Wheel	
2	7000246	1	Gear, Internal	
3	7024712	1	Carrier Assembly	
3A	See Note	1	Carrier (Note: Use Item 3)	
3B	See Note	6	Ring, Retaining (Note: Use Item 3)	
3C	See Note	AR	Bearing, Needle (Note: Use Item 3)	
3D	See Note	3	Washer, Thrust (Note: Use Item 3)	
3E	See Note	3	Shaft, Planet (Note: Use Item 3)	
3F	See Note	3	Gear, Planet (Note: Use Item 3)	
3G	See Note	3	Roll Pin (Note: Use Item 3)	
4	7000248	1	Ring Gear	
5	7000230	1	O-Ring	
5A	7017070	1	O-Ring	
6	70001349	1	Cover Assembly Kit	
6A	See Note	1	Spacer, Thrust (Note: Use Item 6)	
6B	See Note	1	Plate, Cover (Note: Use Item 6)	
6C	See Note	1	O-Ring (Note: Use Item 6)	
6D	See Note	1	Rod, Disconnect (Note: Use Item 6)	
6E	See Note	1	Cap, Disengage (Note: Use Item 6)	
6F	See Note	2	Bolt (Note: Use Item 6)	
6G	See Note	1	Plug, Pipe (Note: Use Item 6)	
6I	See Note	4	Rivet (Note: Not Available for Purchase)	
6J	See Note	1	Plate, ID (Note: Not Available for Purchase)	
7		Ref	Input Shaft Assembly	
7A	7024714	1	Shaft	
7B	7000261	1	Ring, Retaining	
7C	7000262	1	Spring	
7D	7000263	2	Spacer, Thrust	
8	7024713	1	Gear, Sun	
11	7000253	1	Washer, Thrust	
12	7017067	12	Bolt	
13	7017080	4	Pin, Dowel	
14	7000206	1	Coupling	
15	7024715	1	Spacer, Input	
16	7024716	1	Spacer, Input	
17	7024182	1	Brake Assembly (See Items 101-123 for Breakdown)	
27	7024705	1	O-Ring	
28	7024717	2	Rod, Threaded	

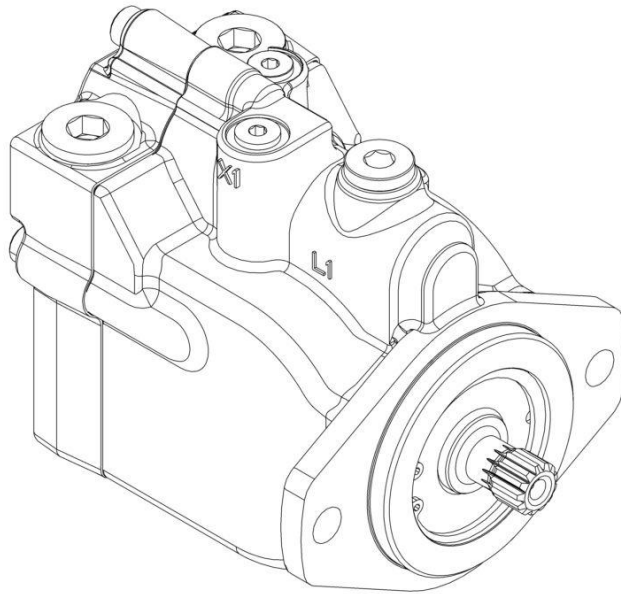
## SECTION 1 - FRAME

ITEM	PART NUMBER	QTY	DESCRIPTION	REV
29	7024718	2	Nut 1/2in-13NC	
	7024182	Ref	BRAKE ASSEMBLY	
101	7024189	1	Shaft	
102	See Note	1	Housing (Note: Use Item 17)	
103	See Note	2	Plate, Friction (Note: Use Item 201B)	
104	See Note	1	Plate, Pressure (Note: Use Item 201B)	
105	7000731	2	Gasket	
106	See Note	2	Plate, Outer (Note: Use Item 201B)	
107	See Note	1	Gasket (Note: Use Item 200A, 201B or 201C)	
108	7024191	1	Cylinder	
109	7024192	1	Piston	
110	See Note	1	Bearing, Ball (Note: Use Item 201C)	
111	See Note	1	Ring, Retaining (Note: Use Item 201C)	
112	See Note	1	Seal, Shaft (Note: Use Item 201C)	
113	See Note	6	Capscrew (Note: Use Item 17)	
114	See Note	6	Lockwasher (Note: Use Item 17)	
115	See Note	1	O-Ring (Note: Use Item 200B)	
116	See Note	1	Ring, Back-up (Note: Use Item 200B)	
117	See Note	1	O-Ring (Note: Use Item 200B)	
118	See Note	1	Ring, Back-up (Note: Use Item 200B)	
119	7024190	2	Pin, Dowel	
120	See Note	1	Plug (Note: Use Item 17)	
121	See Note	2	Plug (Note: Use Item 17)	
122	See Note	12	Spring Kit (Natural) (Note: Use Item 201A)	
123	See Note	2	Spring Kit (Blue) (Note: Use Item 201A)	
		Ref	Kit Options	
200		Ref	Seal Kit Options:	
200A	See Note	1	Hub Seal Kit (Note: Purchase Individual Components)	
200B	7024194	1	Brake Seal Kit (Includes Items 105, 107 & 115-118)	
201		Ref	Repair Kit Options:	
201A	7024196	1	Brake Spring Kit (Includes 12 Natural Colored and 2 Blue Colored Springs Items 122 & 123)	
201B	7024193	1	Brake Friction Disc Kit (Includes Items 103, 104, 106 & 107)	
201C	7024197	1	Brake Bearing Kit (Includes Items 107 & 110-112)	



# SECTION 1 - FRAME

FIGURE 1-7. DRIVE MOTOR ASSEMBLY



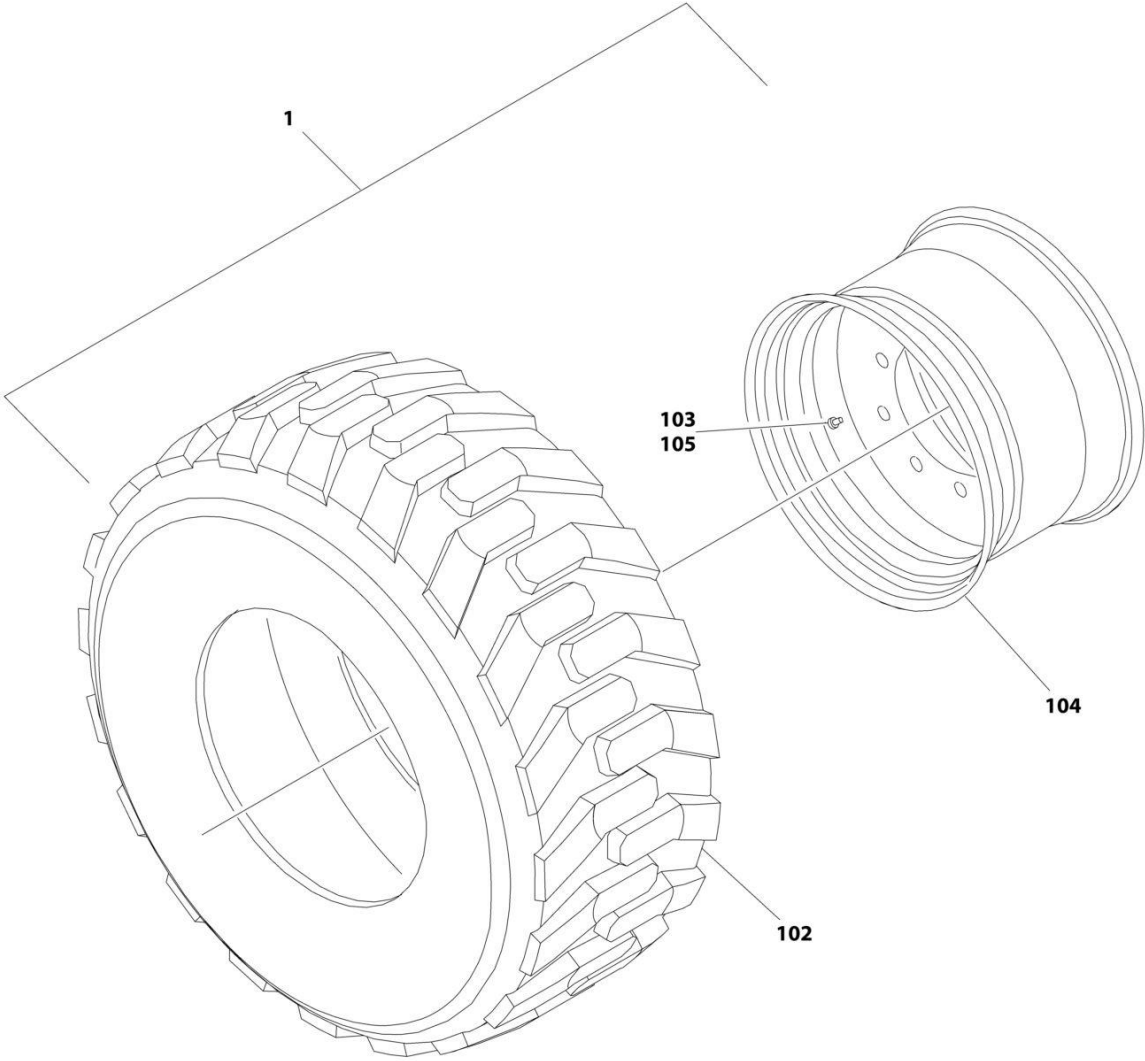
ART\_1001286948

**FIGURE 1-7. DRIVE MOTOR ASSEMBLY**

ITEM	PART NUMBER	QTY	DESCRIPTION	REV
	1001286948 See Note	Ref Ref	DRIVE MOTOR ASSEMBLY Note: No service Parts Available at Time of Printing	A

**SECTION 1 - FRAME**

**FIGURE 1-8. TIRE AND WHEEL INSTALLATION - 12 X 16.5 FOAM FILLED (AVAILABLE ON ALL SPECS)**



ART\_0270092



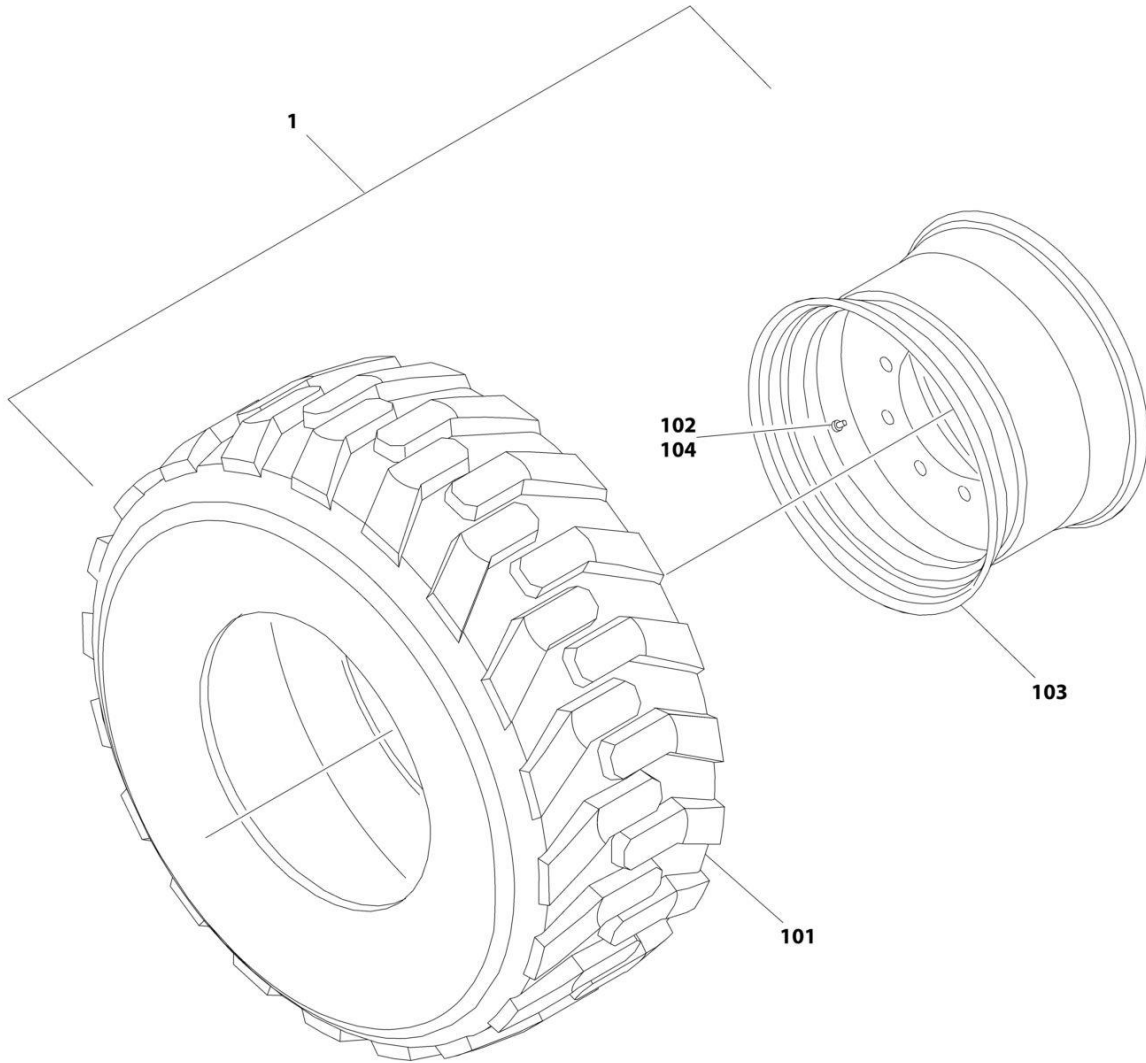
## SECTION 1 - FRAME

**FIGURE 1-8. TIRE AND WHEEL INSTALLATION - 12 X 16.5 FOAM FILLED (AVAILABLE ON ALL SPECS)**

ITEM	PART NUMBER	QTY	DESCRIPTION	REV
	0270092	Ref	TIRE AND WHEEL INSTALLATION - 12 X 16.5 FOAM FILLED  Note: Assemblies may require ballast/foam filling to manufacturer's specifications prior to installing on a machine. Refer to Operation and Safety or Service and Maintenance Manuals. Purchase individual tire and/or rim only if able to foam fill tire and wheel assembly, otherwise, purchase complete assembly.	C
		Ref		
1	1001148865	2	Tire and Wheel Assembly - 12 x 16.5 (RH Side)	H
1	1001148866	2	Tire and Wheel Assembly - 12 x 16.5 (LH Side)	H
102	4520216	4	Tire - 12 x 16.5	
103	4641122	4	Valve	
104	1001147274	4	Rim, Wheel	
105	1001149953	4	Cap, Valve Stem	

# SECTION 1 - FRAME

FIGURE 1-9. TIRE AND WHEEL INSTALLATION - 12 X 16.5 FOAM-FILLED NON MARKING



ART\_0270653

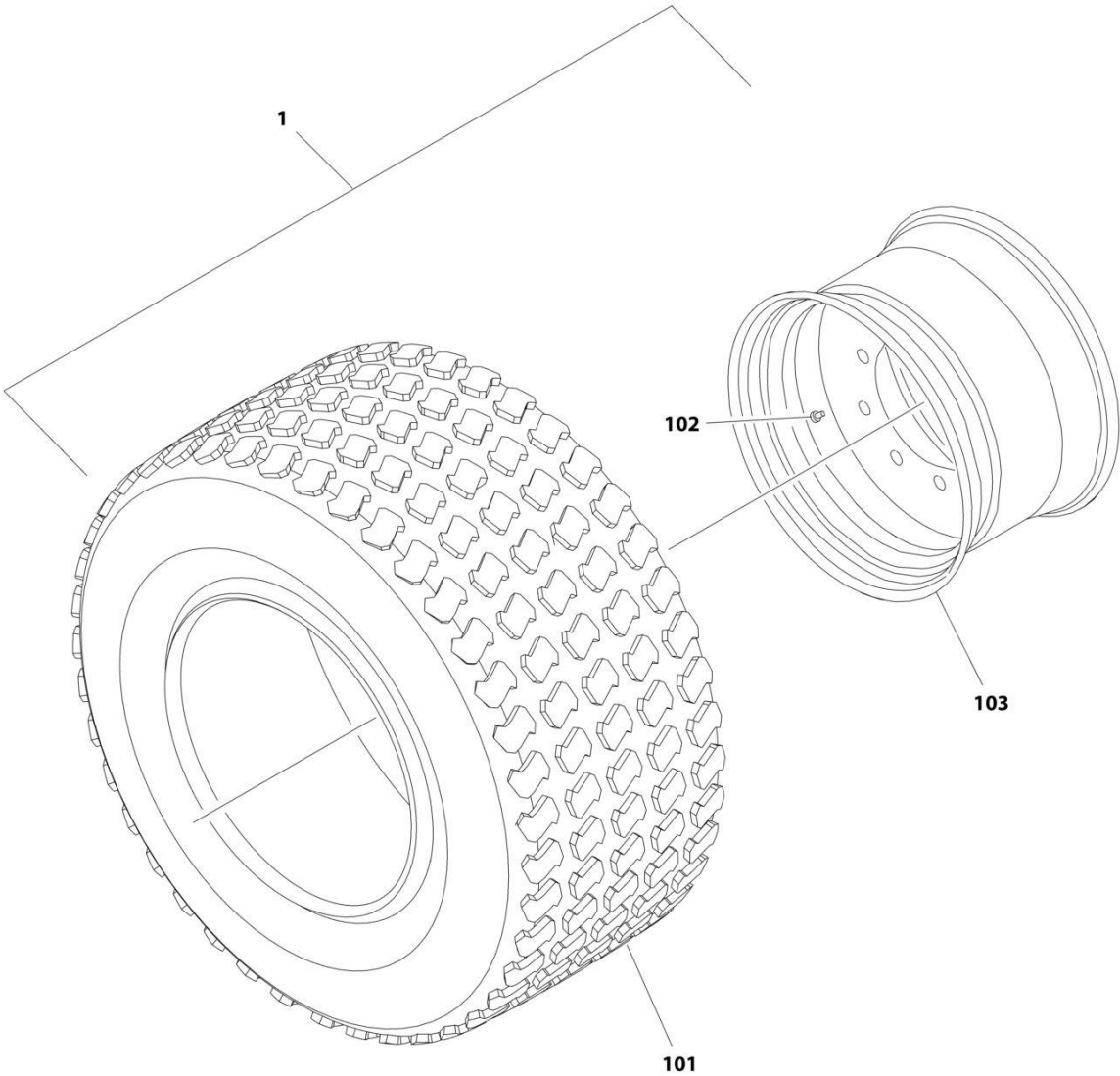
## SECTION 1 - FRAME

**FIGURE 1-9. TIRE AND WHEEL INSTALLATION - 12 X 16.5 FOAM-FILLED NON MARKING**

ITEM	PART NUMBER	QTY	DESCRIPTION	REV
	0270653	Ref	TIRE AND WHEEL INSTALLATION - 12 X 16.5 FOAM FILLED	B
		Ref	Note: Assemblies may require ballast/foam filling to manufacturer's specifications prior to installing on a machine. Refer to Operation and Safety or Service and Maintenance Manuals. Purchase individual tire and/or rim only if able to foam fill tire and wheel assembly, otherwise, purchase complete assembly.	
1	1001148869	1	Tire and Wheel Assembly - Right Side	H
1	1001148870	1	Tire and Wheel Assembly - Left Side	H
101	4520240	1	Tire 12 x 16.5 Non-Marking	
102	4641122	1	Valve	
103	1001147274	1	Rim, Wheel	
104	1001149953	1	Cap, Valve Stem	

**SECTION 1 - FRAME**

**FIGURE 1-10. TIRE AND WHEEL INSTALLATION - 33/16LL X 16.1 FOAM-FILLED**



ART\_0271785

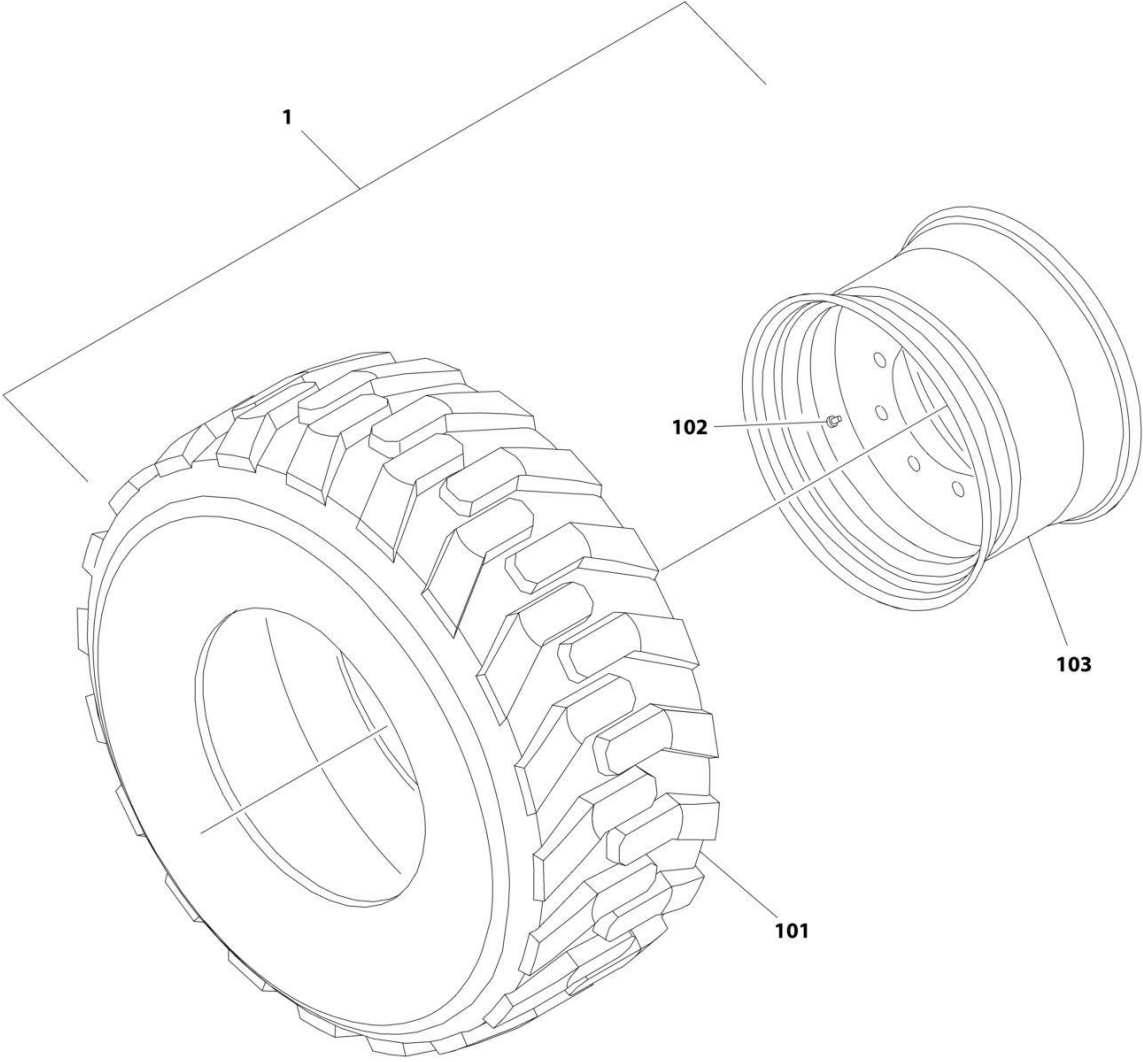
## SECTION 1 - FRAME

**FIGURE 1-10. TIRE AND WHEEL INSTALLATION - 33/16LL X 16.1 FOAM-FILLED**

ITEM	PART NUMBER	QTY	DESCRIPTION	REV
	0271785	Ref	TIRE AND WHEEL INSTALLATION - 33/16LL X 16.1 FOAM-FILLED	B
1	0272268	4	Tire and Wheel Assembly	E
101	4520262	1	Tire, 33 x 16LL500, Sand Tire	
102	4641122	1	Valve, Air	
103	4860237	1	Rim, Wheel - 19.5 x 14	

**SECTION 1 - FRAME**

**FIGURE 1-11. TIRE AND WHEEL INSTALLATION - 33/1550-16.5 FOAM-FILLED**



ART\_0271719

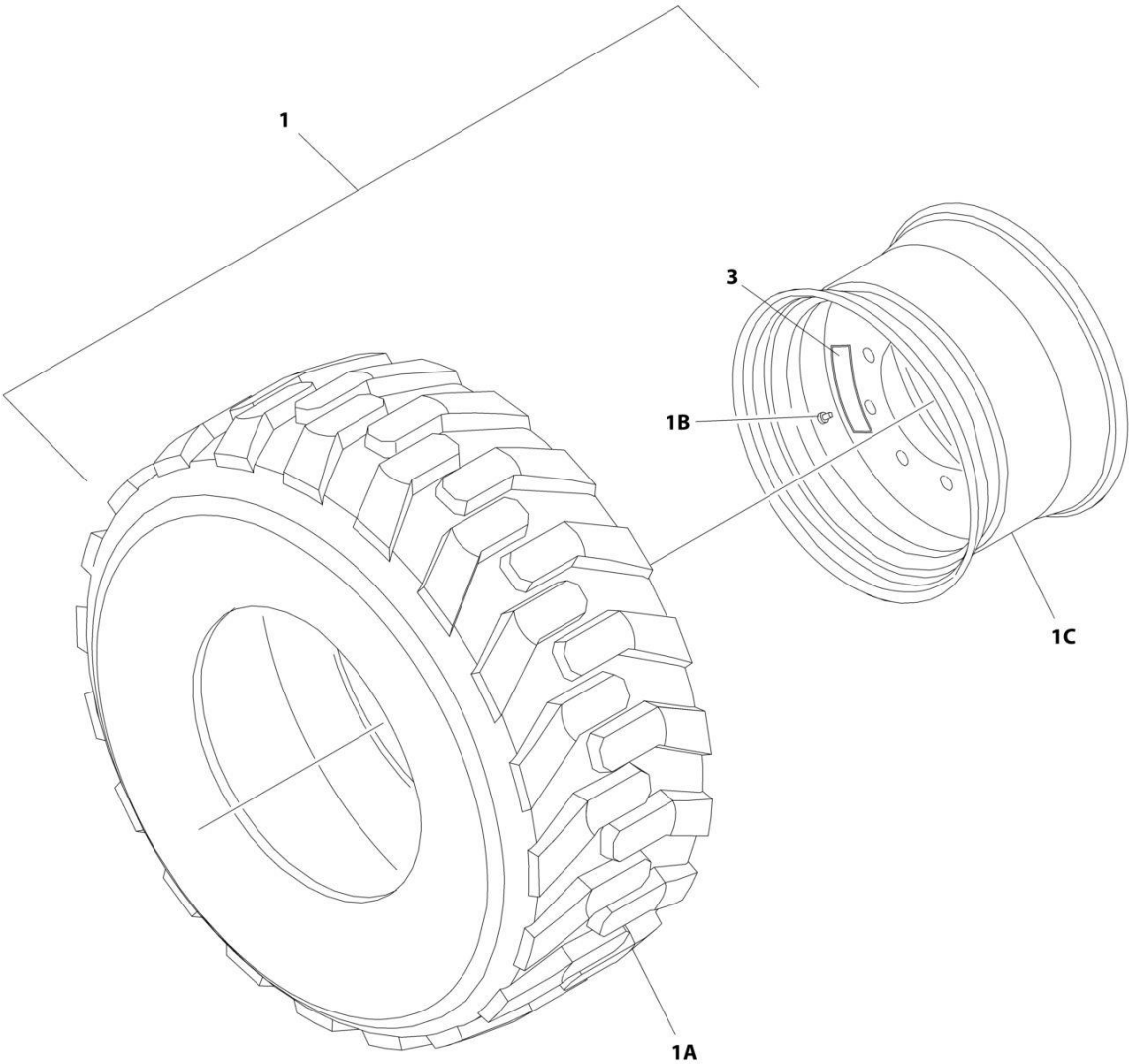
## SECTION 1 - FRAME

**FIGURE 1-11. TIRE AND WHEEL INSTALLATION - 33/1550-16.5 FOAM-FILLED**

ITEM	PART NUMBER	QTY	DESCRIPTION	REV
	0271719	Ref	TIRE AND WHEEL INSTALLATION - 33/1550-16.5 FOAM-FILLED	B
		Ref	Note: Assemblies may require ballast/foam filling to manufacturer's specifications prior to installing on a machine. Refer to Operation and Safety or Service and Maintenance Manuals. Purchase individual tire and/or rim only if able to foam fill tire and wheel assembly, otherwise, purchase complete assembly.	
1	0258011	2	Tire and Wheel Assembly - Right Side	I
1	0258012	2	Tire and Wheel Assembly - Left Side	I
101	4520217	1	Tire, 33/1550 x 16.5, Lug Tire	
102	8786514	1	Valve, Air	
103	4860179	1	Rim, Wheel - 16.5 x 12.0	

**SECTION 1 - FRAME**

**FIGURE 1-12. TIRE AND WHEEL INSTALLATION - IN315/55D20 FOAM-FILLED**



ART\_1001102196



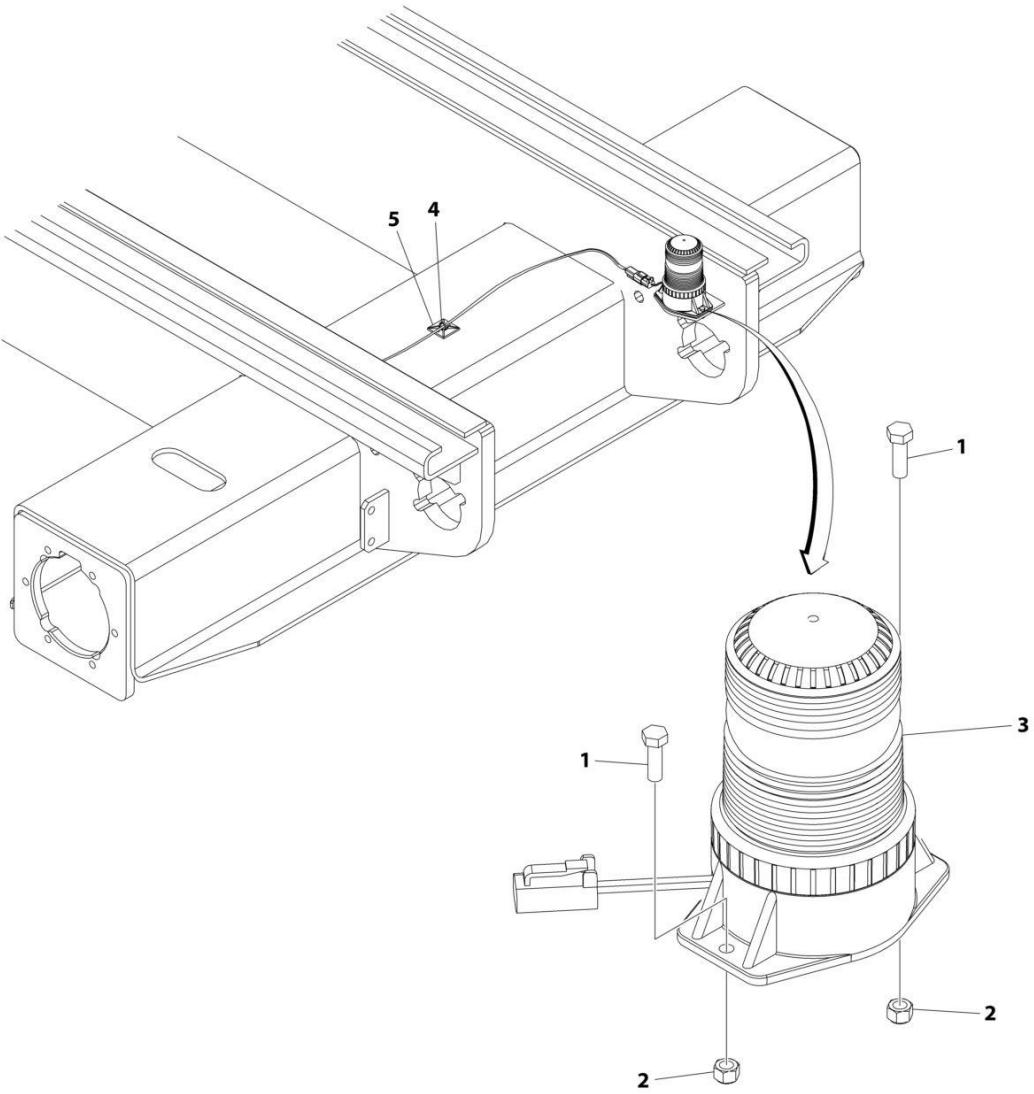
## SECTION 1 - FRAME

**FIGURE 1-12. TIRE AND WHEEL INSTALLATION - IN315/55D20 FOAM-FILLED**

ITEM	PART NUMBER	QTY	DESCRIPTION	REV
	1001102196	Ref	TIRE AND WHEEL INSTALLATION - IN315/55D20 FOAM-FILLED	C
		Ref	Note: Assemblies may require ballast/foam filling to manufacturer's specifications prior to installing on a machine. Refer to Operation and Safety or Service and Maintenance Manuals. Purchase individual tire and/or rim only if able to foam fill tire and wheel assembly, otherwise, purchase complete assembly.	
1	1001102194	2	Tire and Wheel Assembly - Left Side	C
1	1001102195	2	Tire and Wheel Assembly - Right Side	C
1A	4520608	1	Tire, IN315/55D20, Lug Tire	
1B	4641122	1	Valve, Air	
1C	1001101511	1	Rim, Wheel - 20 x 11	
3	1001105700	4	Decal - Transport Wheel Warning	

**SECTION 1 - FRAME**

**FIGURE 1-13. STROBE LIGHT INSTALLATION (AMBER)**



ART\_1001215697

# SECTION 1 - FRAME

## FIGURE 1-13. STROBE LIGHT INSTALLATION (AMBER)

ITEM	PART NUMBER	QTY	DESCRIPTION	REV
	1001215697	Ref	STROBE LIGHT INSTALLATION (AMBER)	B
1	0760508	2	Bolt M5 x 16	
2	3290505	2	Nut M5	
3	1001191139	1	Beacon Light Assembly	
3	4460891	1	Plug, Male - 2 Position	
3	4460465	2	Socket, Female	
4	4240032	1	Tie-Strap	
5	4460488	1	Mounting, Tie-Strap	



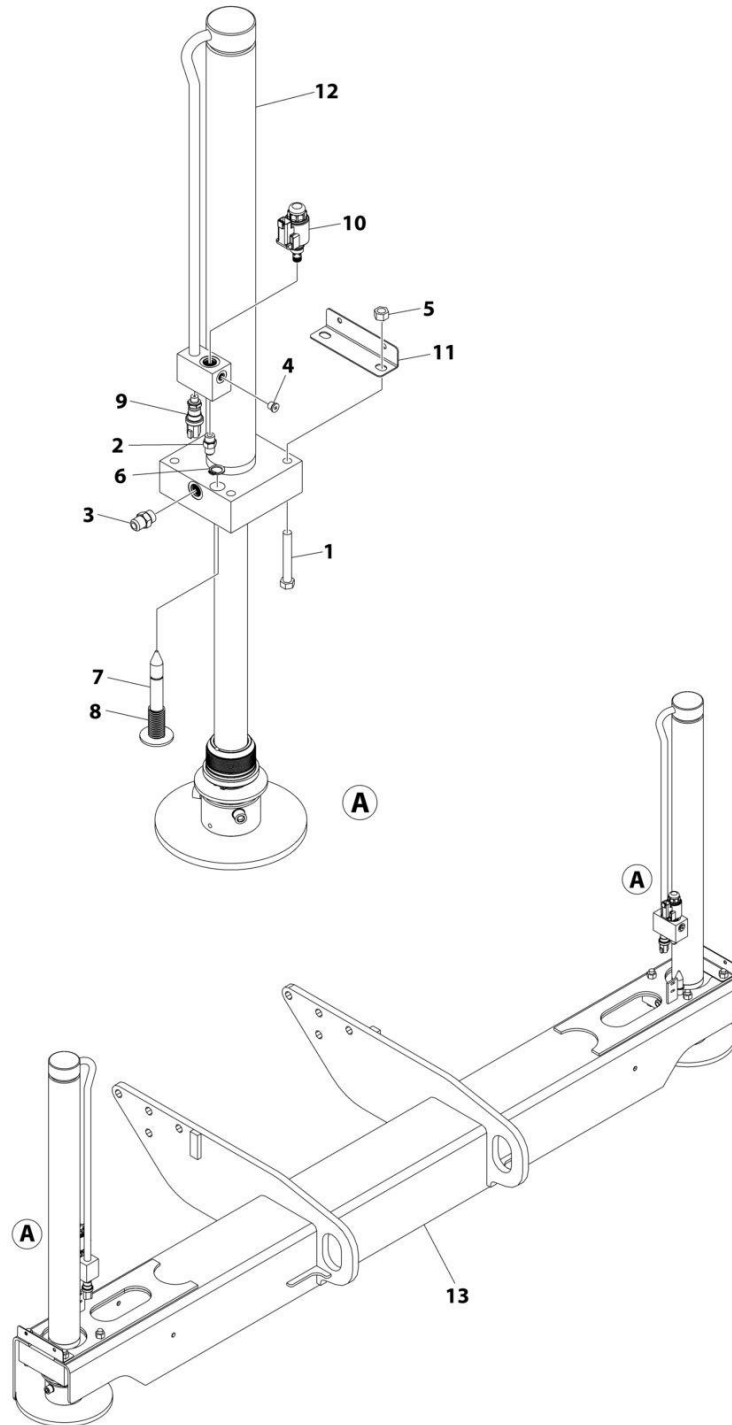
# SECTION 1 - FRAME

## FIGURE 1-14. LEVELING JACKS INSTALLATION

ITEM	PART NUMBER	QTY	DESCRIPTION	REV
	1001296278	Ref	LEVELING JACKS INSTALLATION	A
1	0100011	AR	Compound, Locking	
2	0641407	8	Bolt 1/4 x 7/8	
3	0641508	3	Bolt 5/16 x 1	
4	0682230	16	Bolt 3/4 x 3-3/4	
5	0701039	4	Bolt M10 x 220	
6	0760618	2	Bolt M6 x 50	
7	0760810	4	Bolt M8 x 20	
8	3272205	16	Nut 3/4	
9	3290601	2	Nut M6	
10	3290805	4	Nut M8	
11	3291005	4	Nut M10	
12	3300353	8	Nut, Tinnerman	
13	3310805	8	Nut #8	
14	3930820	8	Capscrew #8 x 1-1/4	
15	4420051	8 ft/3 m	Tape, Safety	
16	4711400	8	Washer 1/4	
17	4711500	3	Washer 5/16	
18	4750800	8	Washer #8	
19	4811700	AR	Washer M6	
20	4811900	4	Washer M8	
21	4812000	8	Washer M10	
22	4892200	32	Washer 3/4	
23	1001179200	4	Cover	
24	1001182481	1	Module, Control - Leveling Jack	
25	1001183328	4	Plate	
26	1001217108	1	Valve, Leveling Jack Directional (See Separate Breakdown in this Section)	
27	1001237453	1	Valve Assembly	
27	7023904	1	Cartridge, Valve Less Coil	
27	7012518	1	Seal Kit - 7023904 Valve	
27	70003789	1	Coil	
27	70006737	1	Nut, Coil	
27	70006738	1	Lockdown Kit	
28	1001237464	1	Hydraulic Diagram - Leveling Jack (Not Shown) (See Separate Breakdown in HYDRAULIC Section)	
29	1001296277	2	Leveling Jacks Assembly (See Separate Breakdown in this Section)	
30	1001297017	1	Harness, Leveling Jacks (See Separate Breakdown in ELECTRICAL Section)	

# SECTION 1 - FRAME

## FIGURE 1-15. LEVELING JACKS ASSEMBLY



ART\_1001296277

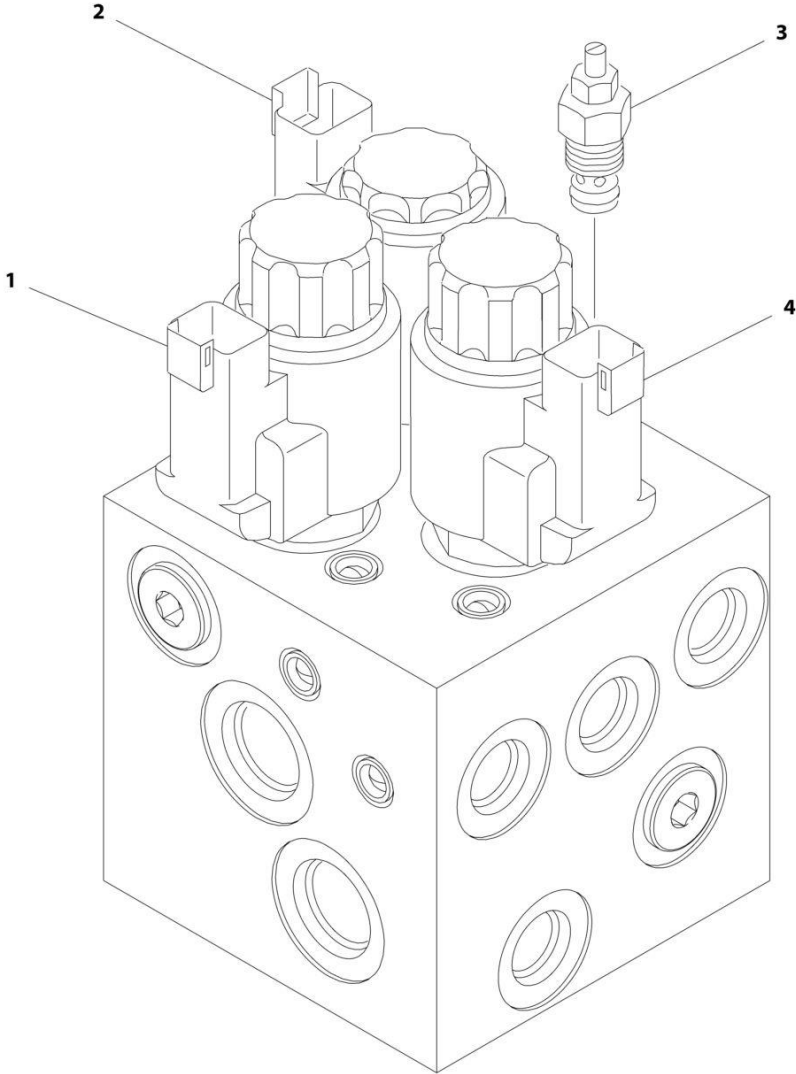
## SECTION 1 - FRAME

**FIGURE 1-15. LEVELING JACKS ASSEMBLY**

ITEM	PART NUMBER	QTY	DESCRIPTION	REV
	1001296277	Ref	LEVELING JACKS ASSEMBLY	A
1	0641828	8	Bolt 1/2 x 3	
2	2220371	2	Fitting, Straight JIC/ORB	
3	2220373	2	Fitting, Straight JIC/ORB	
4	2220883	2	Plug	
5	3311805	8	Nut 1/2	
6	3760348	2	Ring, Retaining	
7	3841564	2	Rod	
8	4160116	2	Spring	
9	4360518	2	Transducer, Pressure	
10	1001103761	2	Cartridge, Solenoid Valve	
10	7024497	1	Cartridge Less Coil	
10	7024502	1	Seal Kit - 7024497 Valve	
10	70001965	1	Coil	
10	7024506	1	Nut Kit	
11	1001191325	2	Bracket	
12	1001266742	2	Outrigger Cylinder Assembly (See Separate Breakdown in CYLINDER Section)	
13	1001293764	2	Mount, Leveling Jack	

**SECTION 1 - FRAME**

**FIGURE 1-16. LEVELING JACKS VALVE ASSEMBLY**



ART\_1001217108



## SECTION 1 - FRAME

**FIGURE 1-16. LEVELING JACKS VALVE ASSEMBLY**

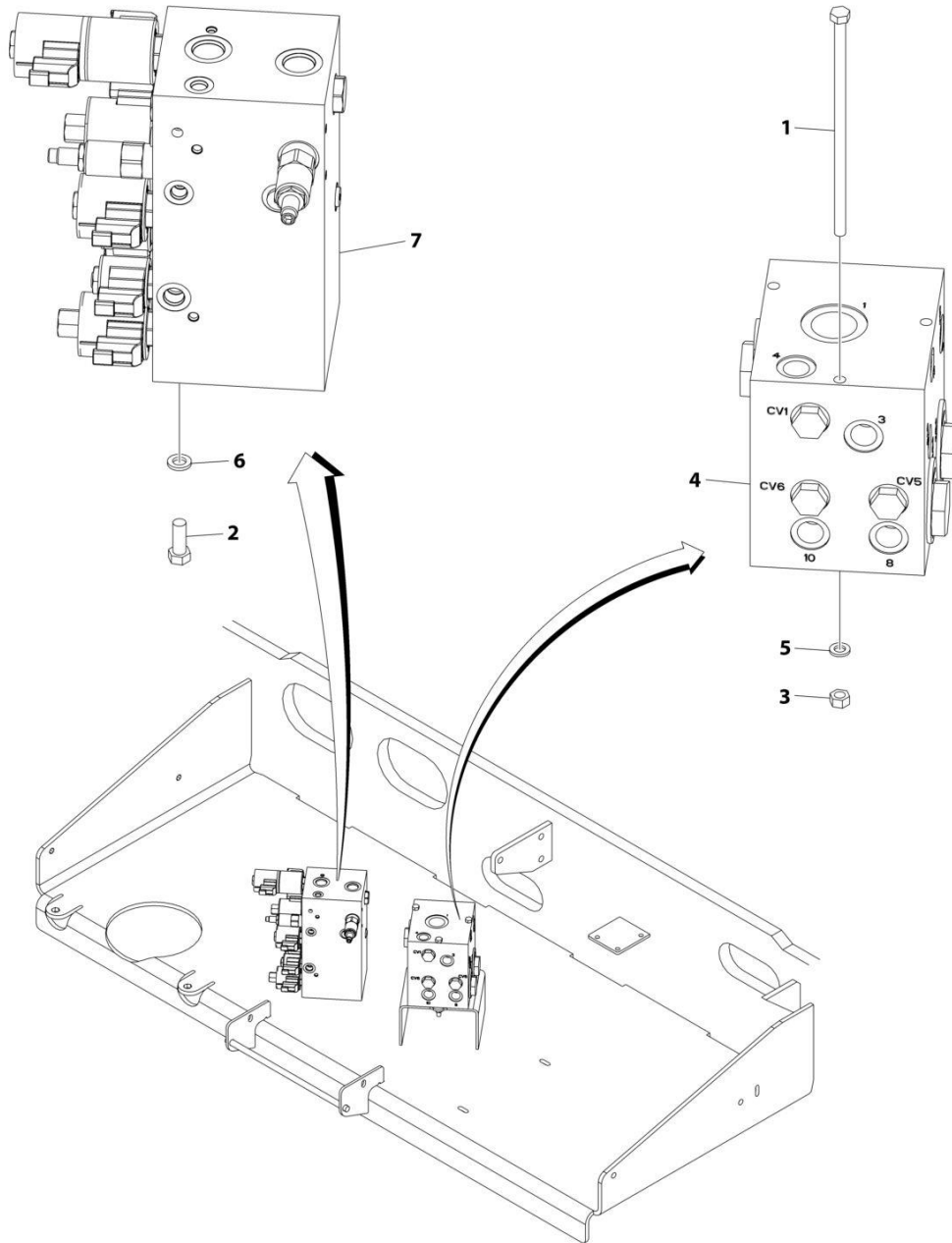
ITEM	PART NUMBER	QTY	DESCRIPTION	REV
	1001217108	Ref	LEVELING JACKS VALVE ASSEMBLY	B
1	7024497	1	Cartridge without Coil (Retract)	
1	7024502	1	Seal Kit - 7024497 Cartridge	
1	70001965	1	Coil	
1	7024506	1	Coil Nut Kit	
2	7024498	1	Cartridge without Coil (Extend)	
2	7024503	1	Seal Kit - 7024498 Cartridge	
2	70001965	1	Coil	
2	7024507	1	Coil Nut Kit	
3	70006292	1	Cartridge (Thermal Relief)	
3	7024504	1	Seal Kit - 70006292 Cartridge	
4	7024500	1	Cartridge without Coil	
4	7024505	1	Seal Kit - 7024500 Cartridge	
4	70001965	1	Coil	
4	7024506	1	Coil Nut Kit	



**SECTION 2 - GROUND CONTROLS**

# SECTION 2 - GROUND CONTROLS

FIGURE 2-1. VALVES INSTALLATION (ALL SPECS EXCEPT CE AND JAPANESE SPECS)



ART\_1001204614

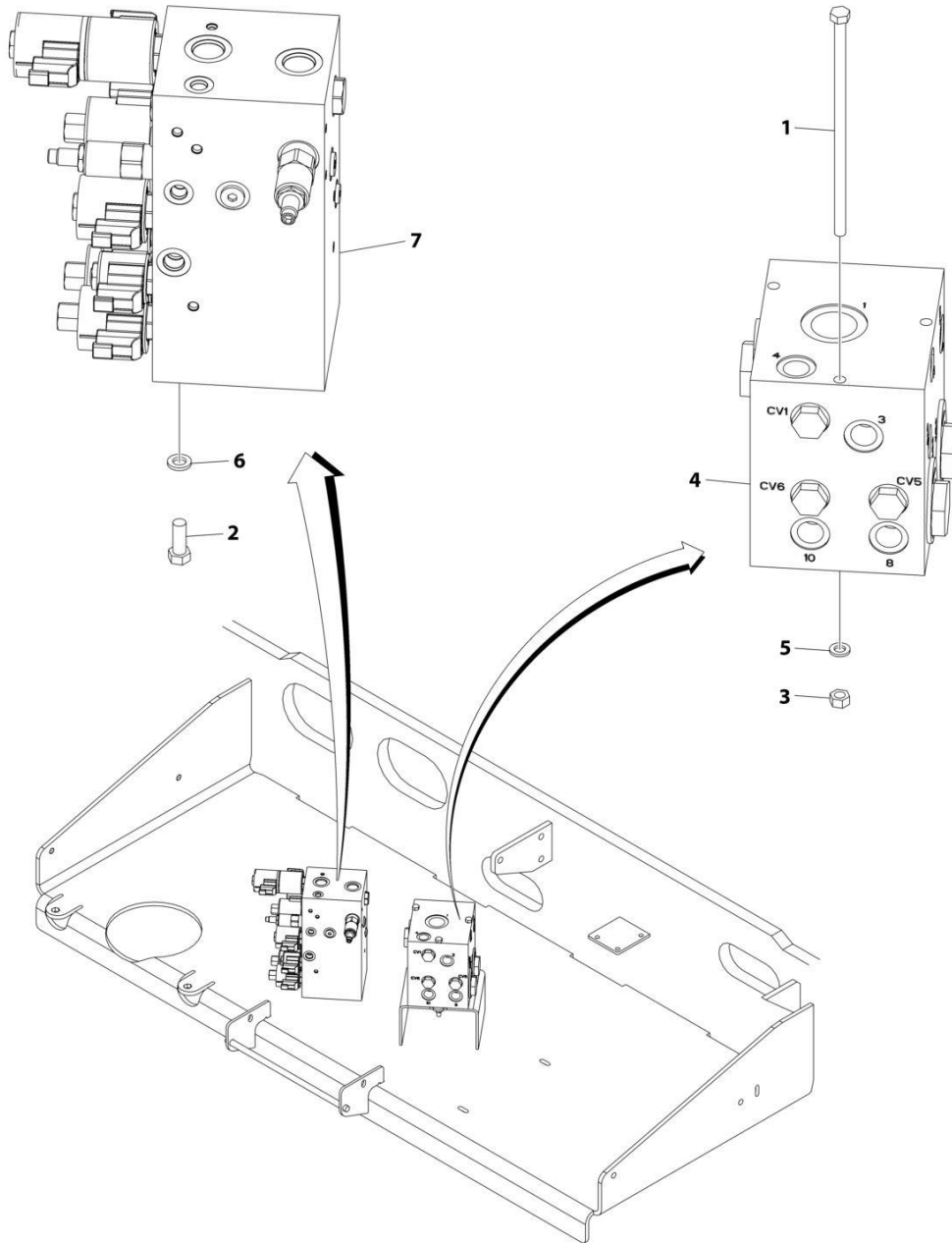
## SECTION 2 - GROUND CONTROLS

FIGURE 2-1. VALVES INSTALLATION (ALL SPECS EXCEPT CE AND JAPANESE SPECS)

ITEM	PART NUMBER	QTY	DESCRIPTION	REV
	1001204614	Ref	VALVES INSTALLATION	B
1	0641560	3	Bolt 5/16 x 7-1/2	
2	0641608	4	Bolt 3/8 x 1	
3	3311501	3	Nut 5/16	
4	4641303	1	Flow Divider Valve Assembly (See Separate Breakdown in this Section)	
5	4761500	3	Washer 5/16	
6	4761600	4	Washer 3/8	
7	1001209589	1	Main Valve Assembly (See Separate Breakdown in this Section)	

# SECTION 2 - GROUND CONTROLS

FIGURE 2-2. VALVES INSTALLATION (CE, JAPANESE & UK CA SPECS)



ART\_1001204615

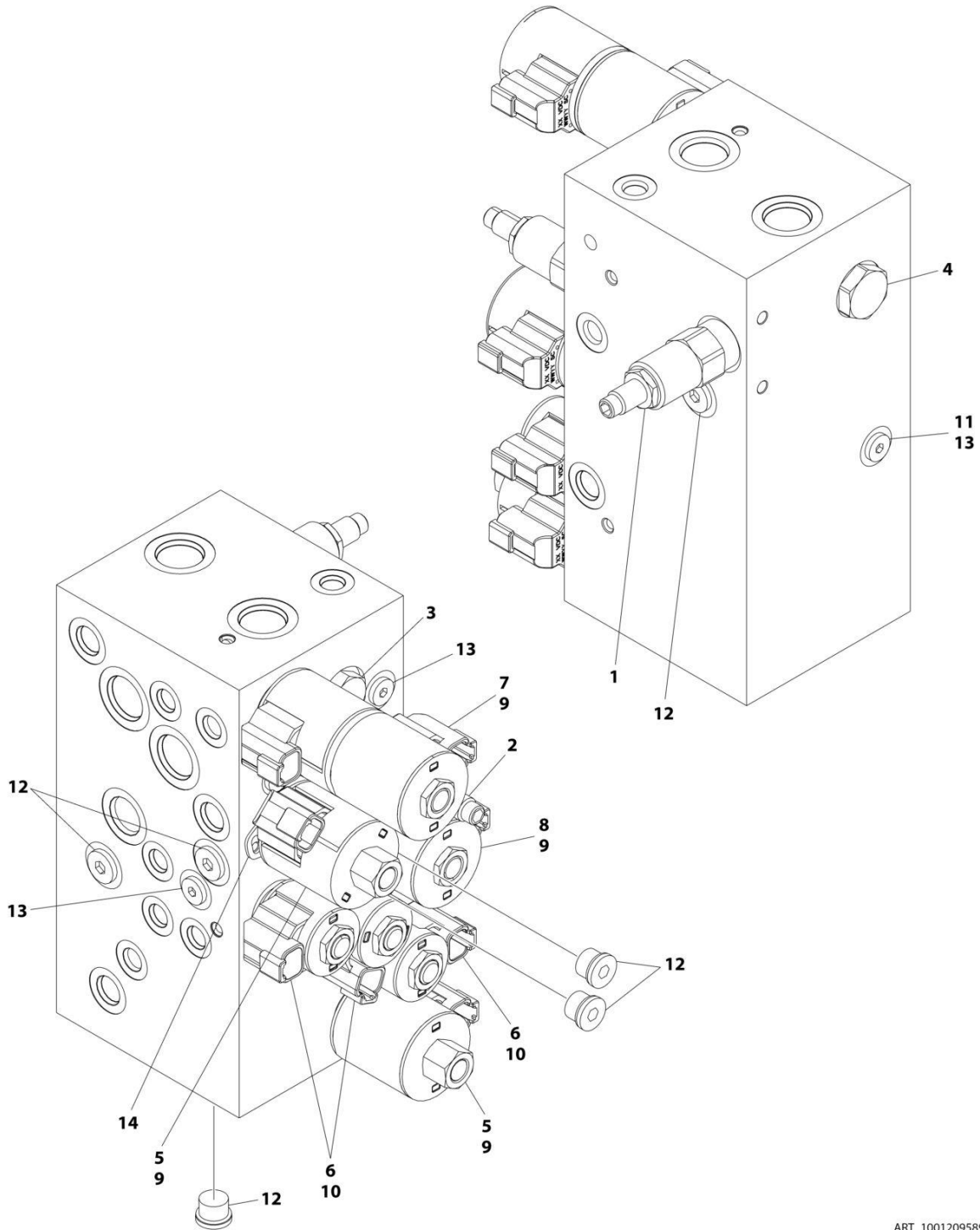
## SECTION 2 - GROUND CONTROLS

FIGURE 2-2. VALVES INSTALLATION (CE, JAPANESE & UK CA SPECS)

ITEM	PART NUMBER	QTY	DESCRIPTION	REV
	1001204615	Ref	VALVES INSTALLATION	B
1	0641560	3	Bolt 5/16 x 7-1/2	
2	0641608	4	Bolt 3/8 x 1	
3	3311501	3	Nut 5/16	
4	4641303	1	Flow Divider Valve Assembly (See Separate Breakdown in this Section)	
5	4761500	3	Washer 5/16	
6	4761600	4	Washer 3/8	
7	1001205979	1	Main Valve Assembly (See Separate Breakdown in this Section)	

# SECTION 2 - GROUND CONTROLS

FIGURE 2-3. MAIN VALVE ASSEMBLY (ALL SPECS EXCEPT CE, JAPANESE & UK CA SPECS)



ART\_1001209589



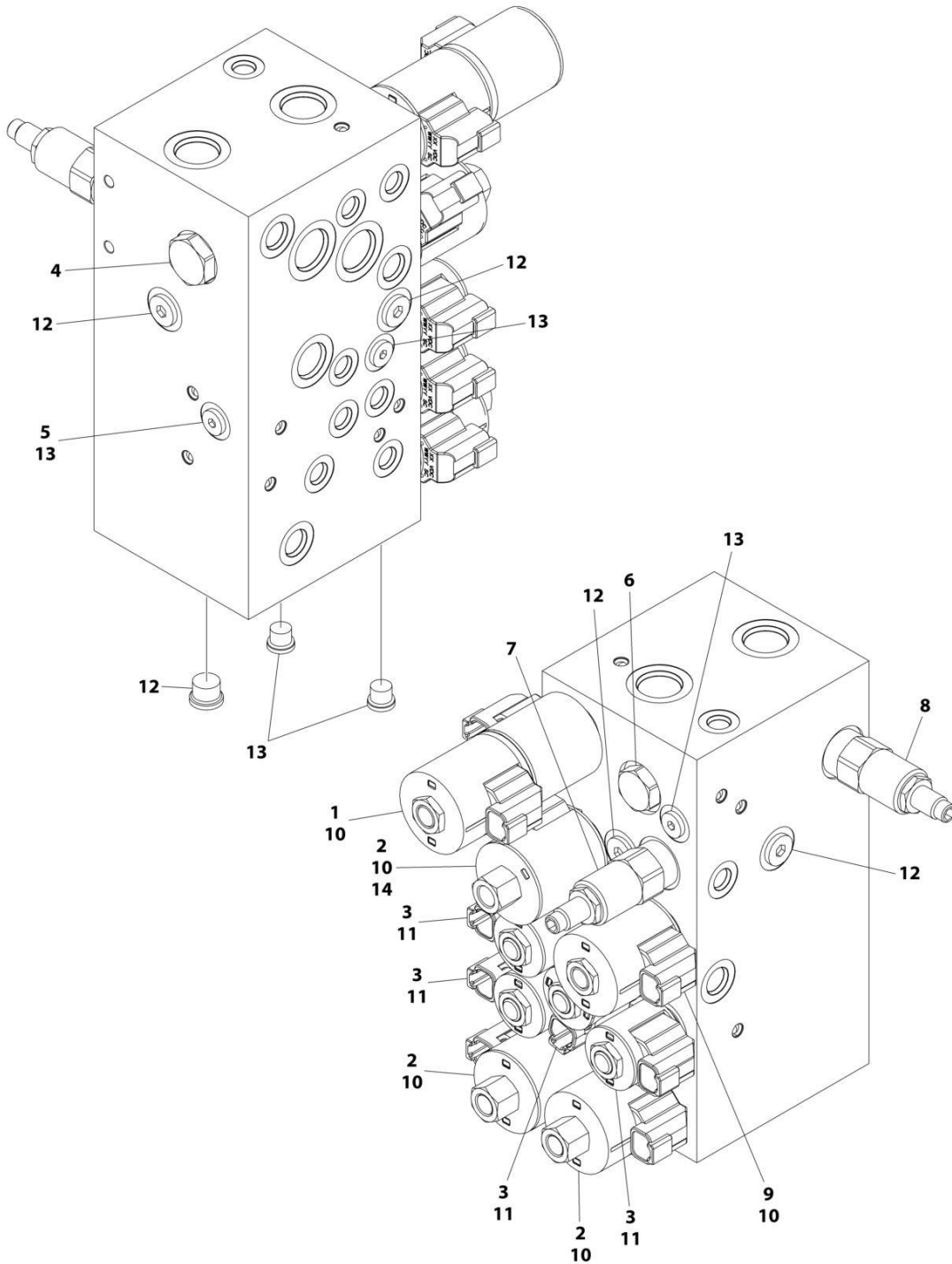
## SECTION 2 - GROUND CONTROLS

**FIGURE 2-3. MAIN VALVE ASSEMBLY (ALL SPECS EXCEPT CE, JAPANESE & UK CA SPECS)**

ITEM	PART NUMBER	QTY	DESCRIPTION	REV
	1001209589	Ref	MAIN VALVE ASSEMBLY	D
1	70005723	1	Cartridge, Valve - Relief (Steer)	
1	7023936	1	Seal Kit - 70005723 Valve	
2	70005165	1	Cartridge, Valve - Relief	
2	7022399	1	Seal Kit - 70005165 Valve	
3	7022398	1	Cartridge, Valve - Load Shuttle	
3	7023900	1	Seal Kit - 7022398 Valve	
4	70005100	1	Cartridge, Valve - Check	
4	7022399	1	Seal Kit - 70005100 Valve	
5	70005069	2	Cartridge, Solenoid Valve	
5	7022399	2	Seal Kit - 70005069 Valve	
5	70003977	2	Nut, Coil	
6	70005167	3	Cartridge, Solenoid Valve	
6	7023900	3	Seal Kit - 70005167 Valve	
6	7022390	3	Nut, Coil	
7	70005449	1	Cartridge, Solenoid Valve	
7	70005073	1	Seal Kit - 70005449 Valve	
7	7022390	1	Nut, Coil	
7	70003024	1	Spacer Coil	
8	70005448	1	Cartridge, Solenoid Valve	
8	70004580	1	Seal Kit - 70005448 Valve	
8	7022390	1	Nut, Coil	
9	70050516	5	Coil	
10	70002963	3	Coil	
11	70004883	1	Orifice	
12	2220885	6	Plug	
13	2220883	4	Plug	
14	70005724	1	Lockdown Kit	

# SECTION 2 - GROUND CONTROLS

## FIGURE 2-4. MAIN VALVE ASSEMBLY (CE, JAPANESE & UK CA SPECS)



ART\_1001205979

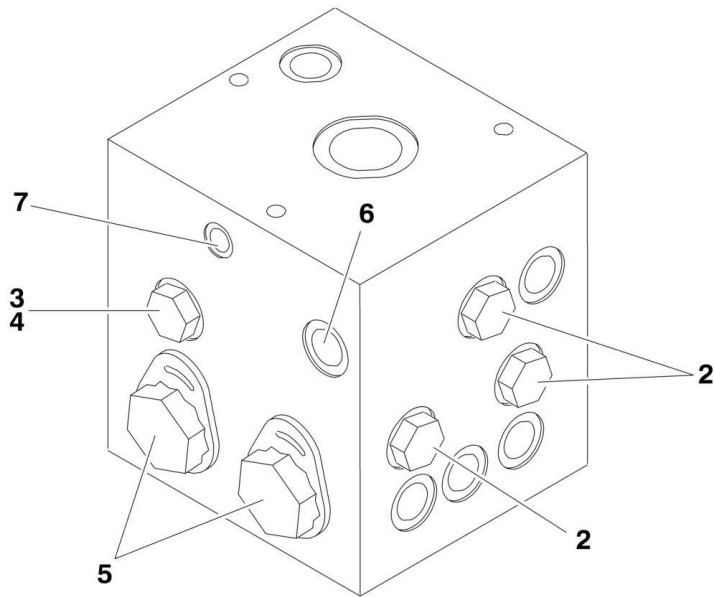
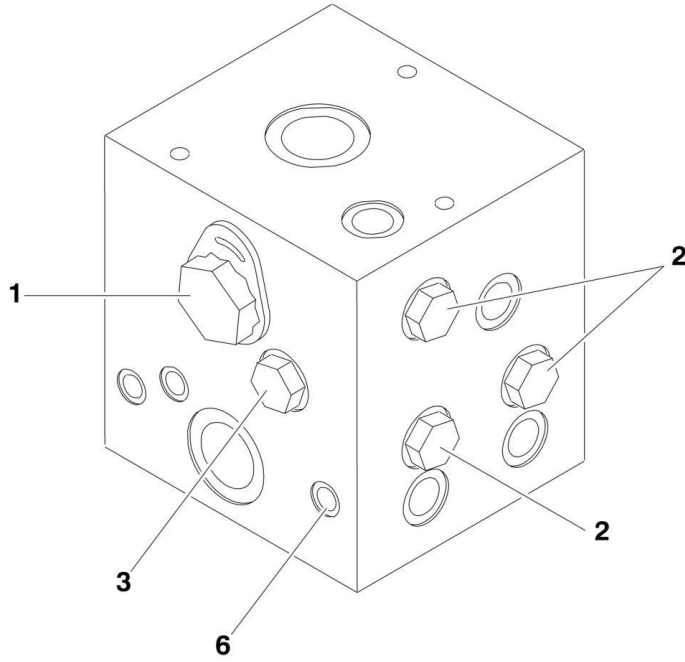
## SECTION 2 - GROUND CONTROLS

**FIGURE 2-4. MAIN VALVE ASSEMBLY (CE, JAPANESE & UK CA SPECS)**

ITEM	PART NUMBER	QTY	DESCRIPTION	REV
	1001205979	Ref	MAIN VALVE ASSEMBLY	C
1	70005449	1	Cartridge, Solenoid Valve	
1	70005073	1	Seal Kit - 70005449 Valve	
1	7022390	1	Nut, Coil	
1	70003024	1	Spacer Coil	
2	70005069	3	Cartridge, Solenoid Valve	
2	7022399	3	Seal Kit - 70005069 Valve	
2	70003977	3	Nut, Coil	
3	70005167	4	Cartridge, Solenoid Valve	
3	7023900	4	Seal Kit - 70005167 Valve	
3	7022390	4	Nut, Coil	
4	70005100	1	Cartridge, Valve - Check	
4	7022399	1	Seal Kit - 70005100 Valve	
5	70004883	1	Orifice	
6	7022398	1	Cartridge, Valve - Load Shuttle	
6	7023900	1	Seal Kit - 7022398 Valve	
7	70005165	1	Cartridge, Valve - Relief	
7	7022399	1	Seal Kit - 70005165 Valve	
8	70005723	1	Cartridge, Valve - Relief (Steer)	
8	7023936	1	Seal Kit - 70005723 Valve	
9	70005448	1	Cartridge, Solenoid Valve	
9	70004580	1	Seal Kit - 70005448 Valve	
9	7022390	1	Nut, Coil	
10	70050516	6	Coil	
11	70002963	4	Coil	
12	2220885	6	Plug	
13	2220883	6	Plug	
14	70005724	1	Lockdown Kit	

# SECTION 2 - GROUND CONTROLS

## FIGURE 2-5. FLOW DIVIDER VALVE ASSEMBLY



ART\_4641303

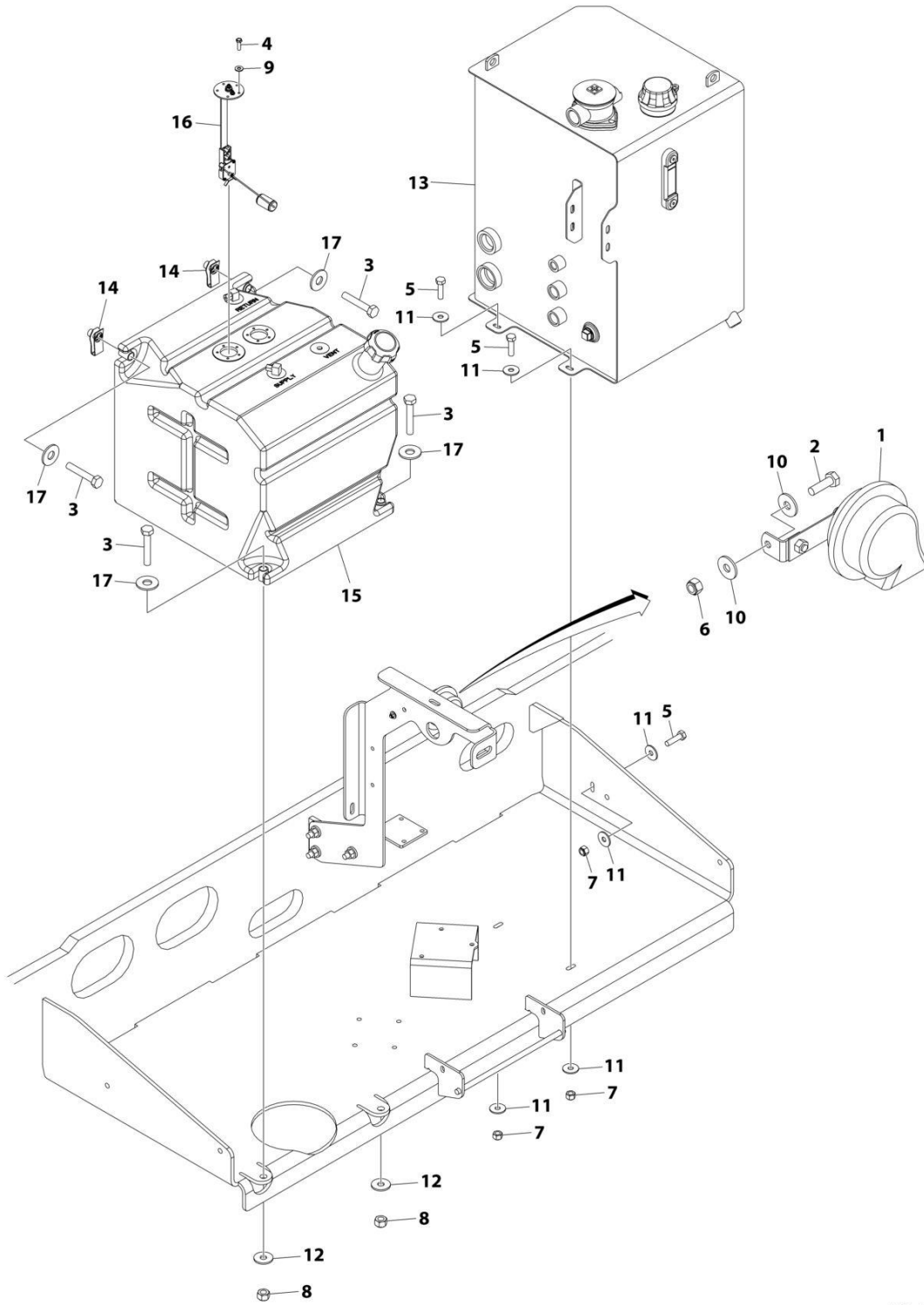
## SECTION 2 - GROUND CONTROLS

### FIGURE 2-5. FLOW DIVIDER VALVE ASSEMBLY

ITEM	PART NUMBER	QTY	DESCRIPTION	REV
	4641303	Ref	FLOW DIVIDER VALVE ASSEMBLY	C
1	7023933	1	Cartridge, Flow Divider	
1	7021625	1	Seal Kit - 7023933 Cartridge	
2	7022397	6	Cartridge, Check	
2	7022399	6	Seal Kit - 7022397 Cartridge	
3	7021639	2	Cartridge, Check Valves	
3	2900756	2	Seal Kit - 7022398 Cartridge	
4	7024881	1	Piston, Pilot	
5	7023917	2	Cartridge, Flow Divider	
5	7021625	2	Seal Kit - 7023917 Cartridge	
6	70003935	2	Orifice	
7	70003936	1	Orifice	

# SECTION 2 - GROUND CONTROLS

## FIGURE 2-6. TANKS AND HORN INSTALLATION (DIESEL MACHINES)



ART\_1001204617\_C

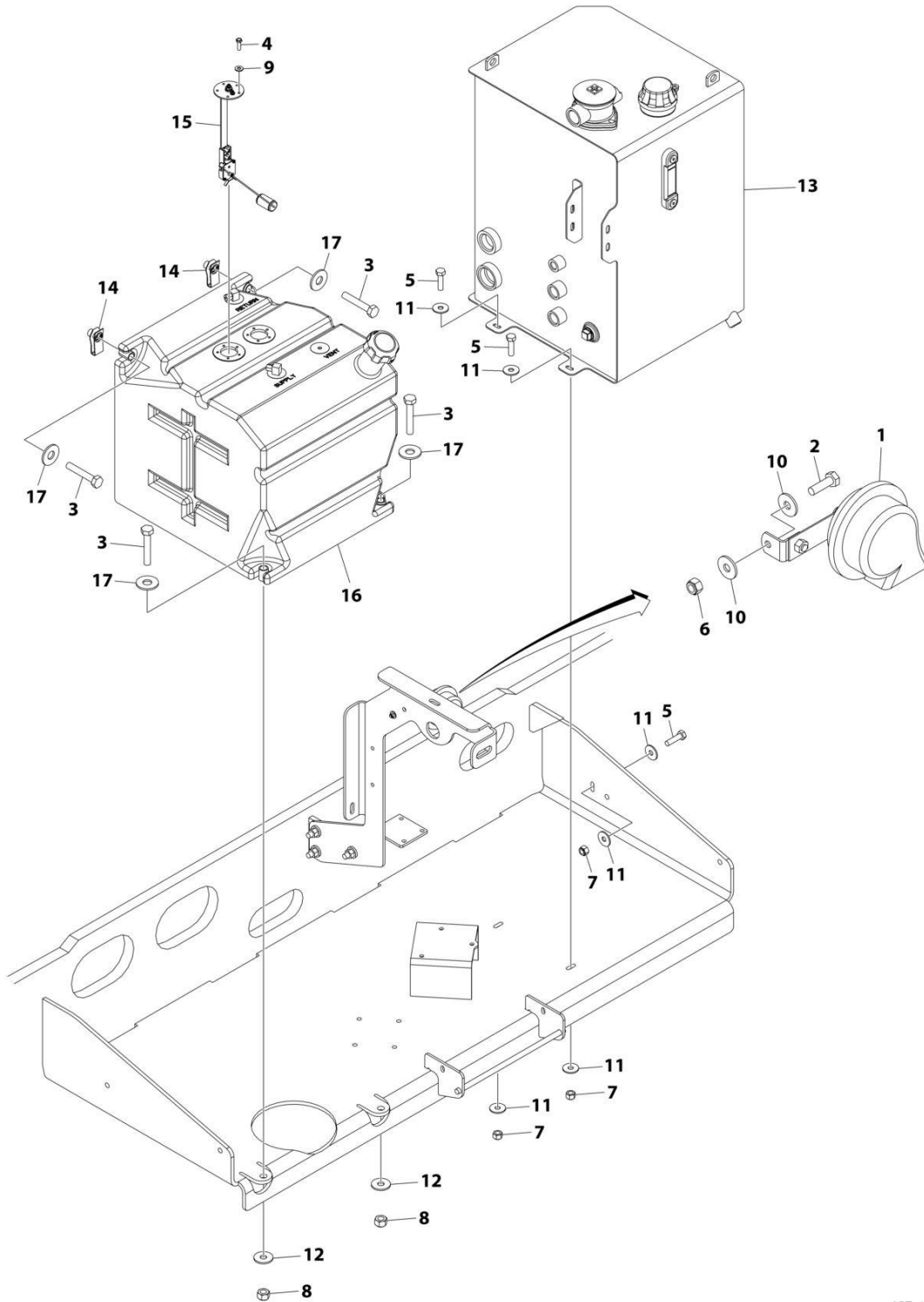
## SECTION 2 - GROUND CONTROLS

**FIGURE 2-6. TANKS AND HORN INSTALLATION (DIESEL MACHINES)**

ITEM	PART NUMBER	QTY	DESCRIPTION	REV
	1001204617	Ref	TANKS AND HORN INSTALLATION (DIESEL MACHINES)	C
1	0140001	1	Horn	
2	0700610	1	Bolt M6 x 20	
3	0701020	4	Bolt M10 x 60	
4	0731005	5	Screw #10 x 5/8	
5	0760814	3	Bolt M8 x 30	
6	3290605	1	Nut M6	
7	3290805	3	Nut M8	
8	3291005	2	Nut M10	
9	4751000	5	Washer #10	
10	4811702	2	Washer M6	
11	4811902	6	Washer M8	
12	4812002	2	Washer M12	
13	1001102823	1	Hydraulic Tank Assembly (See Separate Breakdown in this Section)	
14	1001118972	2	Nut, Tinnerman M10	
15	1001163418	1	Fuel Tank Assembly	
15	1001193336	1	Cap, Fuel	
15	70004794	1	Tube, Pick-up	
16	1001231195	1	Sensor, Fuel Level	
17	4751800	4	Washer 1/2	

# SECTION 2 - GROUND CONTROLS

## FIGURE 2-7. TANKS AND HORN INSTALLATION (GAS MACHINES)



ART\_1001204618\_C



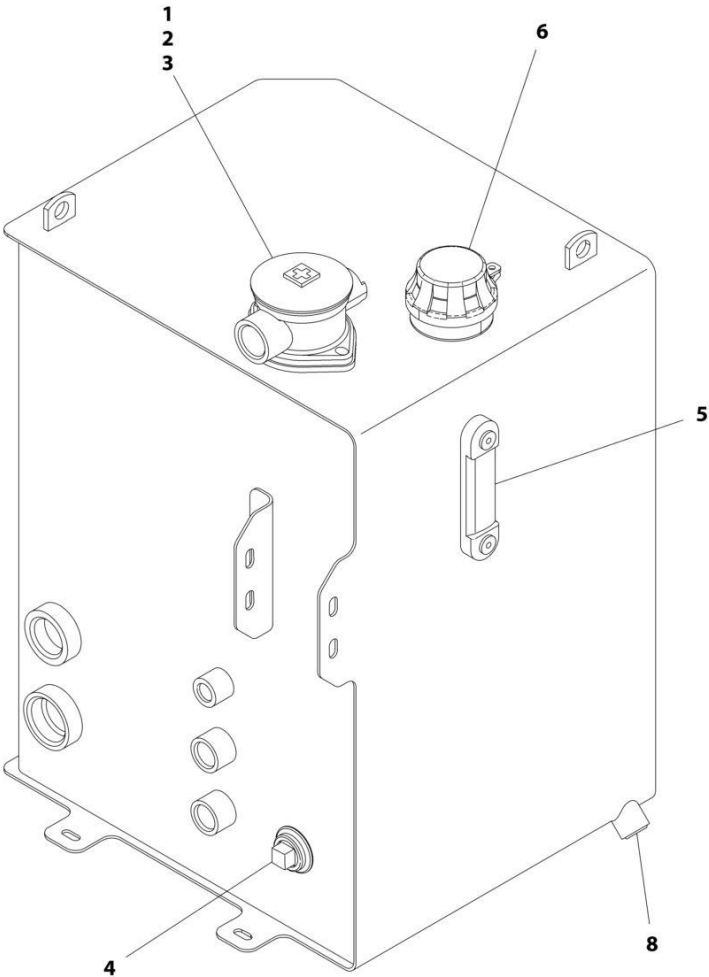
## SECTION 2 - GROUND CONTROLS

**FIGURE 2-7. TANKS AND HORN INSTALLATION (GAS MACHINES)**

ITEM	PART NUMBER	QTY	DESCRIPTION	REV
	1001204618	Ref	TANKS AND HORN INSTALLATION (GAS MACHINES)	C
1	0140001	1	Horn	
2	0700610	1	Bolt M6 x 20	
3	0701020	4	Bolt M10 x 60	
4	0731005	5	Screw #10 x 5/8	
5	0760814	3	Bolt M8 x 30	
6	3290605	1	Nut M6	
7	3290805	3	Nut M8	
8	3291005	2	Nut M10	
9	4751000	5	Washer #10	
10	4811702	2	Washer M6	
11	4811902	6	Washer M8	
12	4812002	2	Washer M10	
13	1001102823	1	Hydraulic Tank Assembly (See Separate Breakdown in this Section)	
14	1001118972	2	Nut, Tinnerman M10	
15	1001231195	1	Sensor, Fuel Level	
16	1001206896	1	Fuel Tank Assembly	
16	1001207109	1	Cap, Fuel	
16	70004794	1	Tube, Pick-up	
17	4751800	4	Washer 1/2	

**SECTION 2 - GROUND CONTROLS**

**FIGURE 2-8. HYDRAULIC TANK ASSEMBLY**



ART\_1001102823

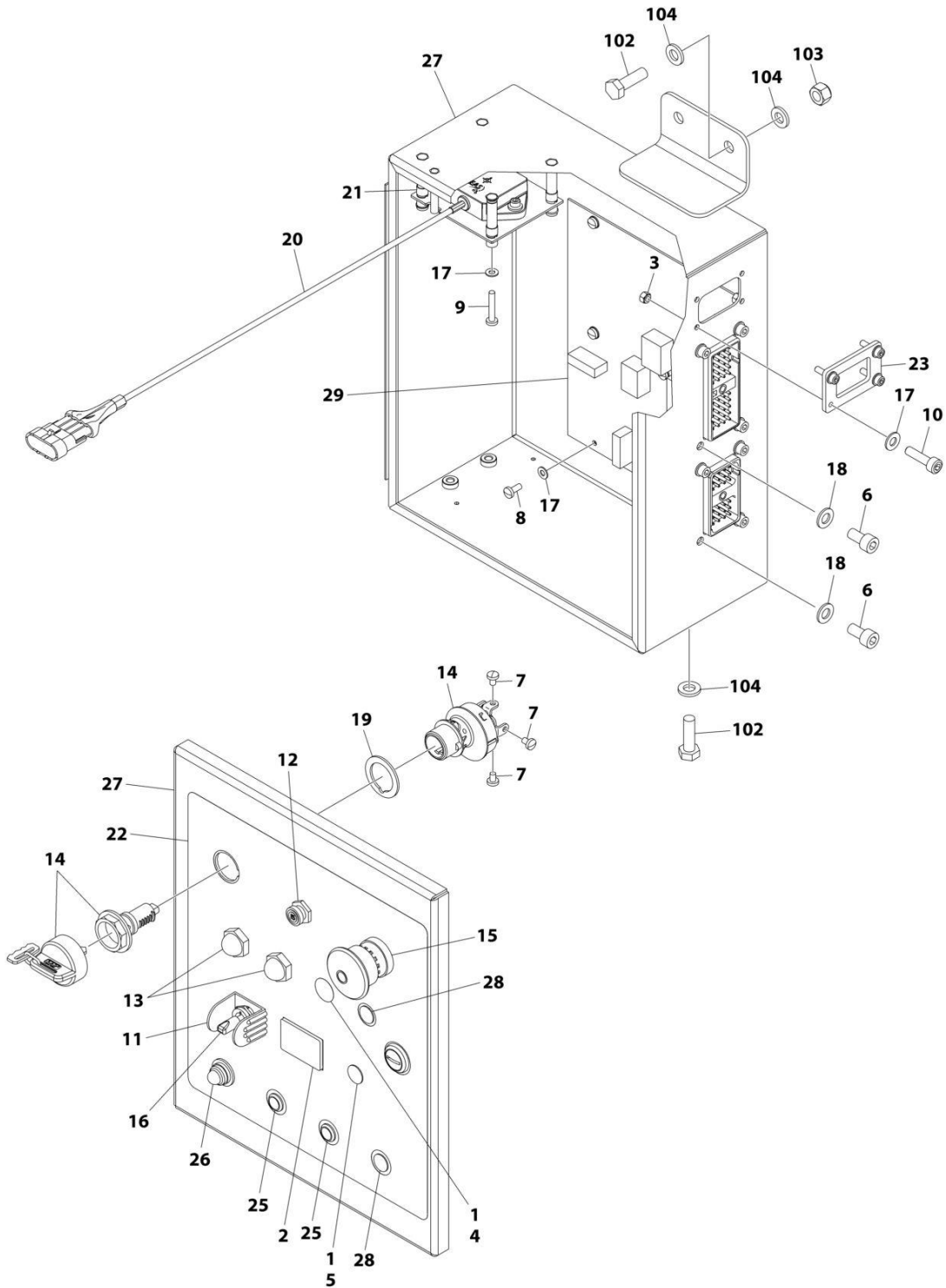
## SECTION 2 - GROUND CONTROLS

**FIGURE 2-8. HYDRAULIC TANK ASSEMBLY**

ITEM	PART NUMBER	QTY	DESCRIPTION	REV
	1001102823	Ref	HYDRAULIC TANK ASSEMBLY	C
1	70001959	1	Filter, Return	
1	70001960	1	Element, Filter	
1	70002768	1	Spring, Return Filter Assembly	
2	7023306	1	Seal Between Filter Cover and Head	
3	7023347	1	Gasket Between Tank and Filter Flange	
4	7024446	1	Plug, Magnetic 1in NPT	
5	7024441	1	Gauge, Fluid Level	
6	70002113	1	Breather/Fill Cap	
7	See Note	2	Strainer (Note: Not a serviceable Item per Vendor) (Not Shown)	
8	70002112	1	Plug, Magnetic	

# SECTION 2 - GROUND CONTROLS

## FIGURE 2-9. GROUND CONTROL BOX ASSEMBLY (DIESEL MACHINES)



ART\_1001236352

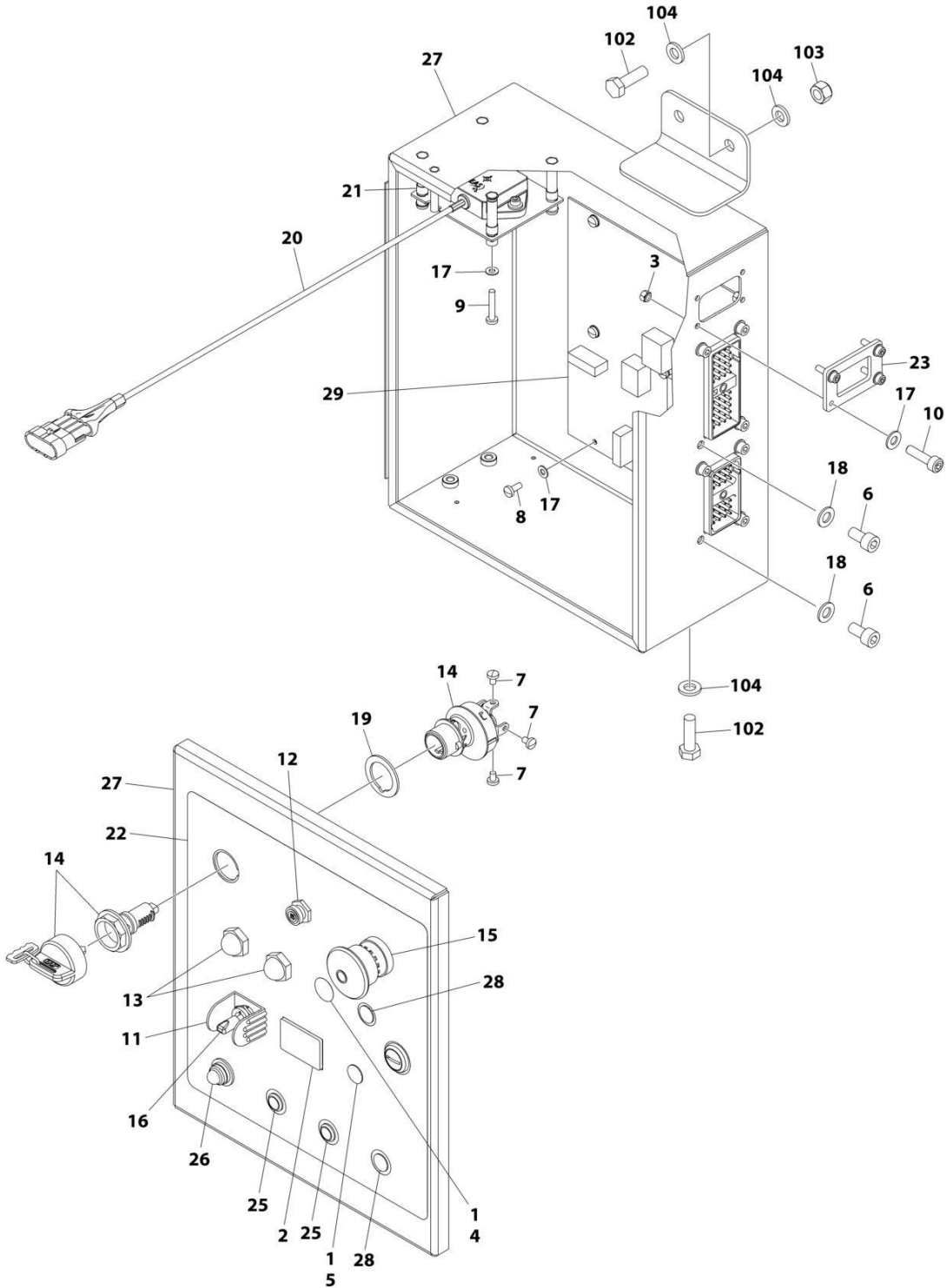
## SECTION 2 - GROUND CONTROLS

**FIGURE 2-9. GROUND CONTROL BOX ASSEMBLY (DIESEL MACHINES)**

ITEM	PART NUMBER	QTY	DESCRIPTION	REV
	1001236352	Ref	GROUND CONTROL BOX ASSEMBLY (DIESEL MACHINES)	C
1	0100009	AR	Sealant	
2	2420172	1	Hourmeter	
3	3290405	4	Nut M4	
4	3520026	1	Plug	
5	3250028	1	Plug	
6	3900300	8	Capscrew #10 x 3/8	
7	4010403	3	Screw M4 x 6	
8	4010405	4	Screw M4 x 10	
9	4010412	4	Screw M4 x 24	
10	4031507	4	Capscrew M4 x 16	
11	4060802	1	Guard, Switch	
12	4360070	1	Breaker, Circuit 15Amp	
13	4360387	2	Switch, Push Button	
14	4360469	1	Switch Key	
14	2860030	1 Set	Key, Replacement	
15	1001274559	1	Switch, Emergency Stop (Plastic)	
15	4360475	1	Switch, Emergency Stop (Metal)	
15	7020175	1	Cap	
15	7020176	1	Block, Contact	
16	4360524	1	Switch, Toggle	
17	4811400	12	Washer M4	
18	4811600	8	Washer M5	
19	1001151393	1	Shim, Nylon .063	
20	1001181330	1	Sensor	
20	See Note	NSS	Connector - 4 Position (Note: Not Available for Purchase)	
20	See Note	NSS	Terminal (Note: Not Available for Purchase)	
21	1001184730	4	Washer	
22	1001189773	1	Decal - Ground Control	
23	1001190002	1	Seal, Connector	
24	1001214989	1	Ground Control Box Harness (Not Shown) (Upper) (See Separate Breakdown in ELECTRICAL SECTION)	
25	1001215255	2	Light, LED with Harness (Yellow)	
26	1001221687	1	Light with Harness (Yellow)	
26	2920029	1	Bulb, Light	
27	1001222169	1	Box, Ground Control	
28	1001226421	2	Plug, Hole	
29	1001234735	1	Module, Ground Control (Note: Re-calibration Required when Replaced)	
30	1001236154	1	Ground Control Box Harness (Not Shown) (Lower) (See Separate Breakdown in ELECTRICAL SECTION)	
	1001210755	Ref	GROUND CONTROL BOX INSTALLATION (DIESEL MACHINES)	C
102	0760610	6	Bolt M6 x 20	
103	3290605	2	Nut M6	
104	4811700	8	Washer M6	

# SECTION 2 - GROUND CONTROLS

## FIGURE 2-10. GROUND CONTROL BOX ASSEMBLY (GAS MACHINES)



ART\_1001236351

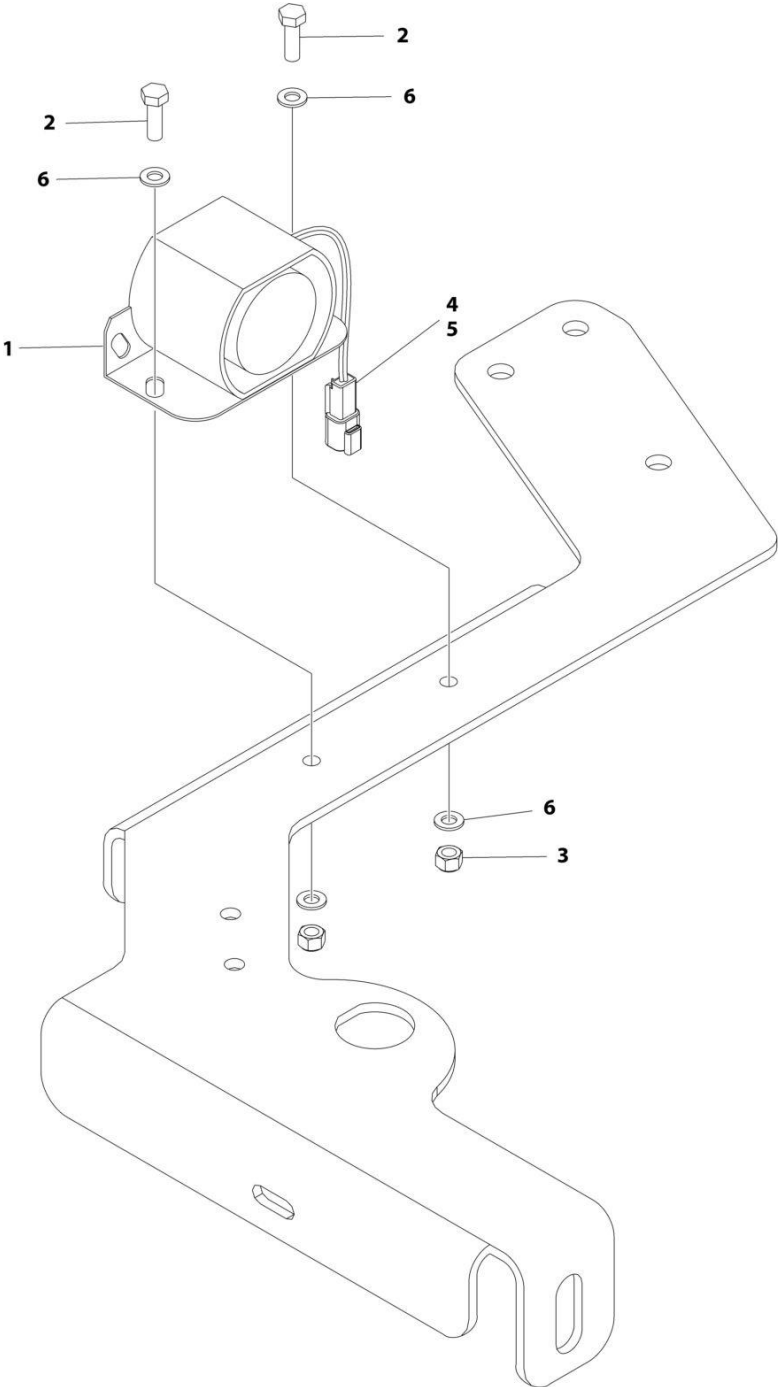
## SECTION 2 - GROUND CONTROLS

**FIGURE 2-10. GROUND CONTROL BOX ASSEMBLY (GAS MACHINES)**

ITEM	PART NUMBER	QTY	DESCRIPTION	REV
	1001236351	Ref	GROUND CONTROL BOX ASSEMBLY (GAS MACHINES)	C
1	0100009	AR	Sealant	
2	2420172	1	Hourmeter	
3	3290405	4	Nut M4	
4	3520026	2	Plug	
5	3250028	1	Plug	
6	3900300	8	Capscrew #10 x 3/8	
7	4010403	3	Screw M4 x 6	
8	4010405	4	Screw M4 x 10	
9	4010412	4	Screw M4 x 24	
10	4031507	4	Capscrew M4 x 16	
11	4060802	1	Guard, Switch	
12	4360070	1	Breaker, Circuit 15Amp	
13	4360387	1	Switch, Push Button	
14	4360469	1	Switch Key	
14	2860030	1 Set	Key, Replacement	
15	1001274559	1	Switch, Emergency Stop (Plastic)	
15	4360475	1	Switch, Emergency Stop (Metal)	
15	7020175	1	Cap	
15	7020176	1	Block, Contact	
16	4360524	1	Switch, Toggle	
17	4811400	12	Washer M4	
18	4811600	8	Washer M5	
19	1001151393	1	Shim, Nylon .063	
20	1001181330	1	Sensor	
20	See Note	NSS	Connector - 4 Position (Note: Not Available for Purchase)	
20	See Note	NSS	Terminal (Note: Not Available for Purchase)	
21	1001184730	4	Washer	
22	1001189773	1	Decal - Ground Control	
23	1001190002	1	Seal, Connector	
24	1001214989	1	Ground Control Box Harness (Not Shown) (Upper) (See Separate Breakdown in ELECTRICAL SECTION)	
25	1001215255	2	Light, LED with Harness (Yellow)	
26	1001221687	1	Light with Harness (Yellow)	
26	2920029	1	Bulb, Light	
27	1001222169	1	Box, Ground Control	
28	1001226421	2	Plug, Hole	
29	1001234735	1	Module, Ground Control (Note: Re-calibration Required when Replaced)	
30	1001236154	1	Ground Control Box Harness (Not Shown) (Lower) (See Separate Breakdown in ELECTRICAL SECTION)	
	1001210754	Ref	GROUND CONTROL BOX INSTALLATION (DIESEL MACHINES)	C
102	0760610	6	Bolt M6 x 20	
103	3290605	2	Nut M6	
104	4811700	8	Washer M6	

# SECTION 2 - GROUND CONTROLS

## FIGURE 2-11. MOTION ALARM INSTALLATION



ART\_1001206689



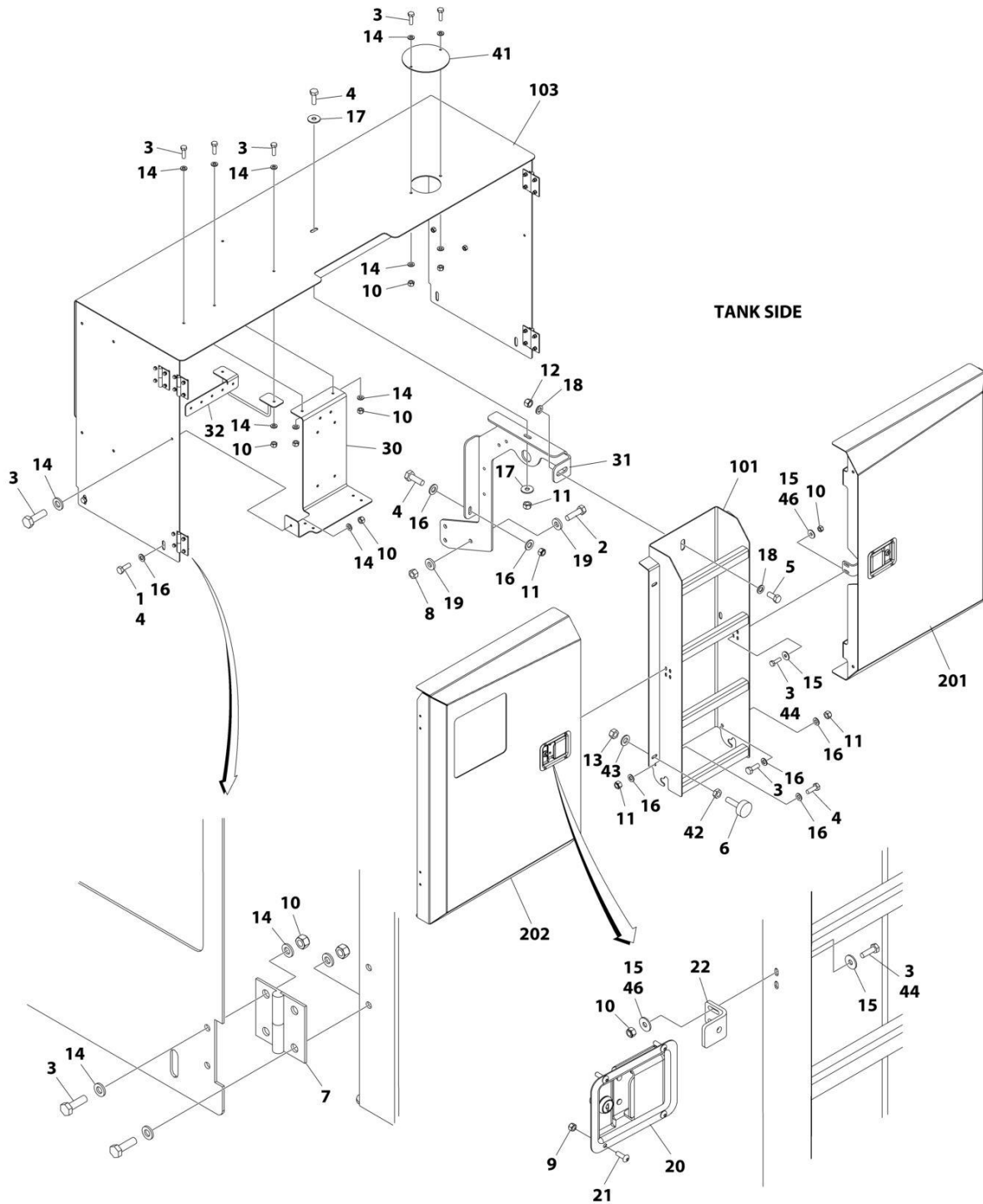
## SECTION 2 - GROUND CONTROLS

### FIGURE 2-11. MOTION ALARM INSTALLATION

ITEM	PART NUMBER	QTY	DESCRIPTION	REV
	1001206689	Ref	MOTION ALARM INSTALLATION	A
1	0140032	1	Alarm	
2	0770812	2	Bolt M8 x 25	
3	3290805	2	Nut M8	
4	4460464	2	Pin, Male	
5	4460897	1	Receptacle, Female - 2 Position	
6	4811900	4	Washer M8	

# SECTION 2 - GROUND CONTROLS

## FIGURE 2-12. HOODS INSTALLATION



ART\_1001204695\_M\_10F2



## SECTION 2 - GROUND CONTROLS

FIGURE 2-12. HOODS INSTALLATION

ITEM	PART NUMBER	QTY	DESCRIPTION	REV
	1001204695	Ref	HOODS AND LADDERS INSTALLATION	M
1	0100011	AR	Compound, Locking	
2	0681814	6	Bolt 1/2 x 1-3/4 Grade 8	
3	0760610	43	Bolt M6 x 20	
4	0761014	23	Bolt M10 x 30	
5	0761615	2	Bolt M16 x 35	
6	0940049	8	Stopper	
7	2600216	8	Hinge	
8	3271805	6	Nut 1/2 Grade 8	
9	3290505	AR	Nut M5	
10	3290605	51	Nut M6	
11	3291005	19	Nut M10	
12	3291605	2	Nut M16	
13	3311501	8	Nut 5/16	
14	4811700	86	Washer M6	
15	4811702	16	Washer M6	
16	4812000	40	Washer M10	
17	4812002	2	Washer M10	
18	4812300	4	Washer M16	
19	4891800	12	Washer 1/2	
20	1001257454	4	Latch	
21	1001099125	AR	Screw M5 x 16 Grade 10.9	
22	1001219882	4	Bracket, Latch	
23	1001183416	1	Tube, Exhaust	
30	1001204248	1	Bracket, Ground Control Box	
31	1001204382	AR	Support, Ladder	
32	1001209208	1	Support, Harness	
33	1001218727	1	Bracket, Generator	
36	1001110433	37.2 in/ 94.5cm	Seal	
37	1001218729	1	Bracket, Generator	
38	1001225258	1	Insulate (Right)	
39	1001225257	1	Insulate (Left)	
40	1001238471	1	Insulate	
41	1001226221	1	Plate, Access	
42	3311502	8	Nut 5/16 Grade 2	
43	4711500	16	Washer 5/16	
44	0760612	8	Bolt M6 x 25	
45	4060803	7.4 in /19cm	Shield, Flex Trim	
46	5240600	AR	Washer M6	
47	1001237907	1	Bracket, Ladder Support	
48	1001237908	1	Bracket, Hood Support	
100	1001219802	1	Hood Kit	
101	1001204140	2	Ladder	
102	1001239222	1	Cover (Engine Side)	
103	1001204236	1	Cover (Tank Side)	
200	1001258394	1	Door Kit	
201	1001258390	2	Door (Rear)	
202	1001258391	1	Door (Tank Side Front)	

## SECTION 2 - GROUND CONTROLS

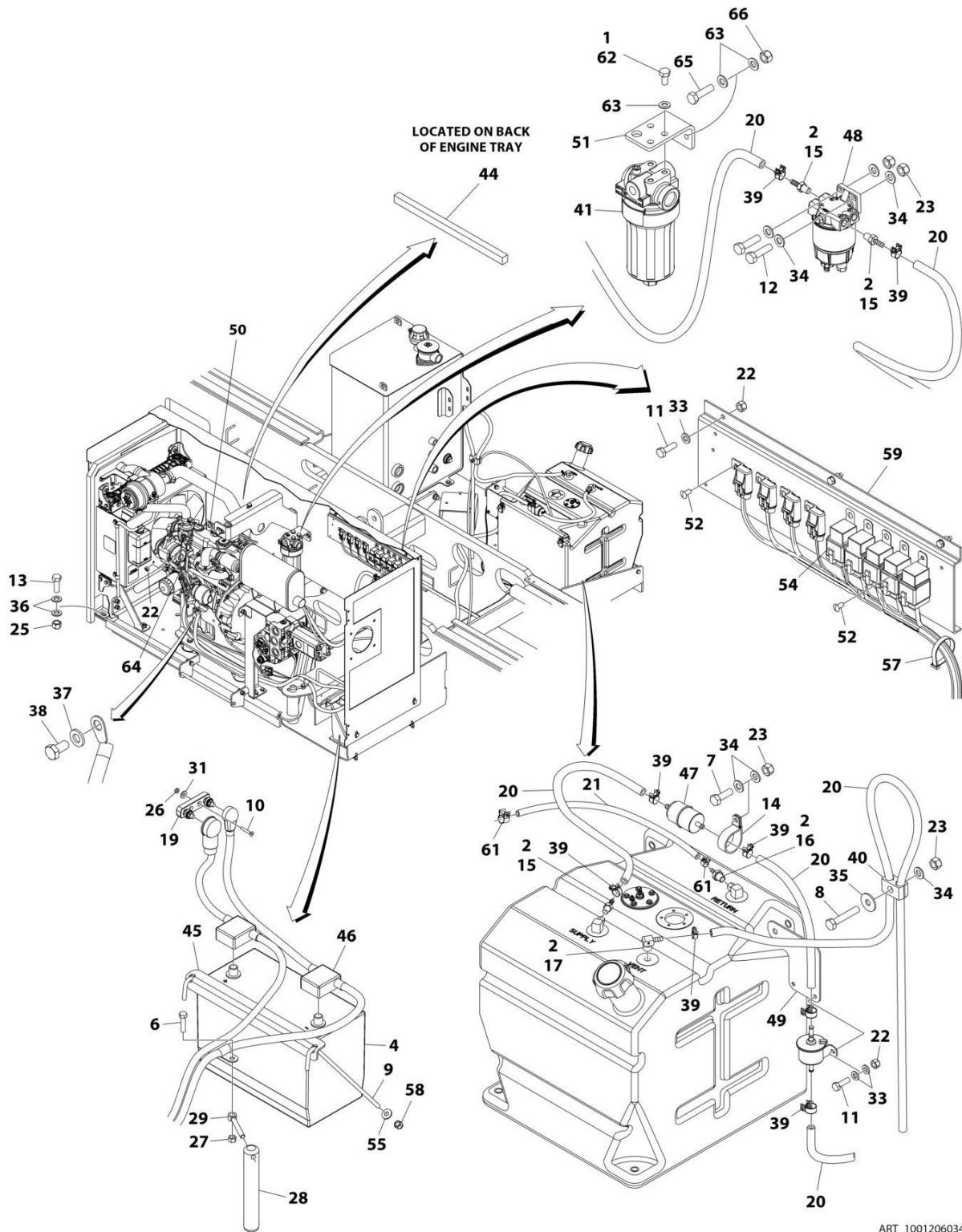
ITEM	PART NUMBER	QTY	DESCRIPTION	REV
203	1001258392	1	Door (Engine Side Front)	



**SECTION 3 - ENGINE**

# SECTION 3 - ENGINE

## FIGURE 3-1. ENGINE INSTALLATION - KUBOTA DIESEL T4F



ART\_1001206034\_O



## SECTION 3 - ENGINE

**FIGURE 3-1. ENGINE INSTALLATION - KUBOTA DIESEL T4F**

ITEM	PART NUMBER	QTY	DESCRIPTION	REV
	1001206034	Ref	ENGINE INSTALLATION - KUBOTA DIESEL T4F	O
1	0100011	AR	Compound, Locking	
2	0100020	AR	Sealant	
4	0400075	1	Battery	
6	0641612	1	Bolt 3/8 x 1-1/2	
7	0700812	1	Bolt M8 x 25	
8	0700817	1	Bolt M8 x 45	
9	1001093382	2	J-Bolt	
10	0741010	2	Screw #10 x 1-1/4	
11	0760610	5	Bolt M6 x 20	
12	0760814	2	Bolt M8 x 30	
13	0761617	1	Bolt M6 x 45	
14	1320265	1	Clamp	
15	2180348	3	Fitting, Straight NPT x Barbed	
16	2180666	1	Fitting, Straight NPT x Barbed	
17	1001208764	1	Fitting, 90 NPT x Barbed	
19	2400044	1	Block, Fuse Mounting	
20	2720058	242 in/ 6.2m	Hose	
21	2720271	136 in/ 3.5m	Hose	
22	3290605	6	Nut M6	
23	3290805	4	Nut M8	
25	3291605	1	Nut M16	
26	3300408	2	Nut	
27	3311605	1	Nut 3/8	
28	3422669	1	Pin	
29	3841143	1	Keeper, Pin	
31	4711400	2	Washer 1/4	
33	4811700	7	Washer M6	
34	4811900	7	Washer M8	
35	4811902	1	Washer M8	
36	4812300	2	Washer M16	
37	5241000	1	Washer M10	
38	8303511	1	Capscrew M10 x 20	
39	1001174486	9	Clamp	
40	8750014	1	Clamp	
41	1001208874	1	Filter, Change Pump	
41	70010383	1	Element, Filter	
44	1001183421	1	Foam, Baffle	
45	1001184065	1	Bracket, Hold Down	
46	1001186428	1	Battery Cable Kit (See Separate Breakdown in ELECTRICAL Section)	
47	1001190545	1	Filter, Fuel	
48	1001190609	1	Fuel/Water Separator Assembly - Diesel Engines (See Separate Breakdown in this Section)	
49	1001191146	1	Bracket	
50	1001238772	1	Engine and Pump Sub-Assembly – Kubota Diesel T4F (See Separate Breakdown in this Section)	
51	1001194836	1	Bracket	
52	3820020	9	Rivet	

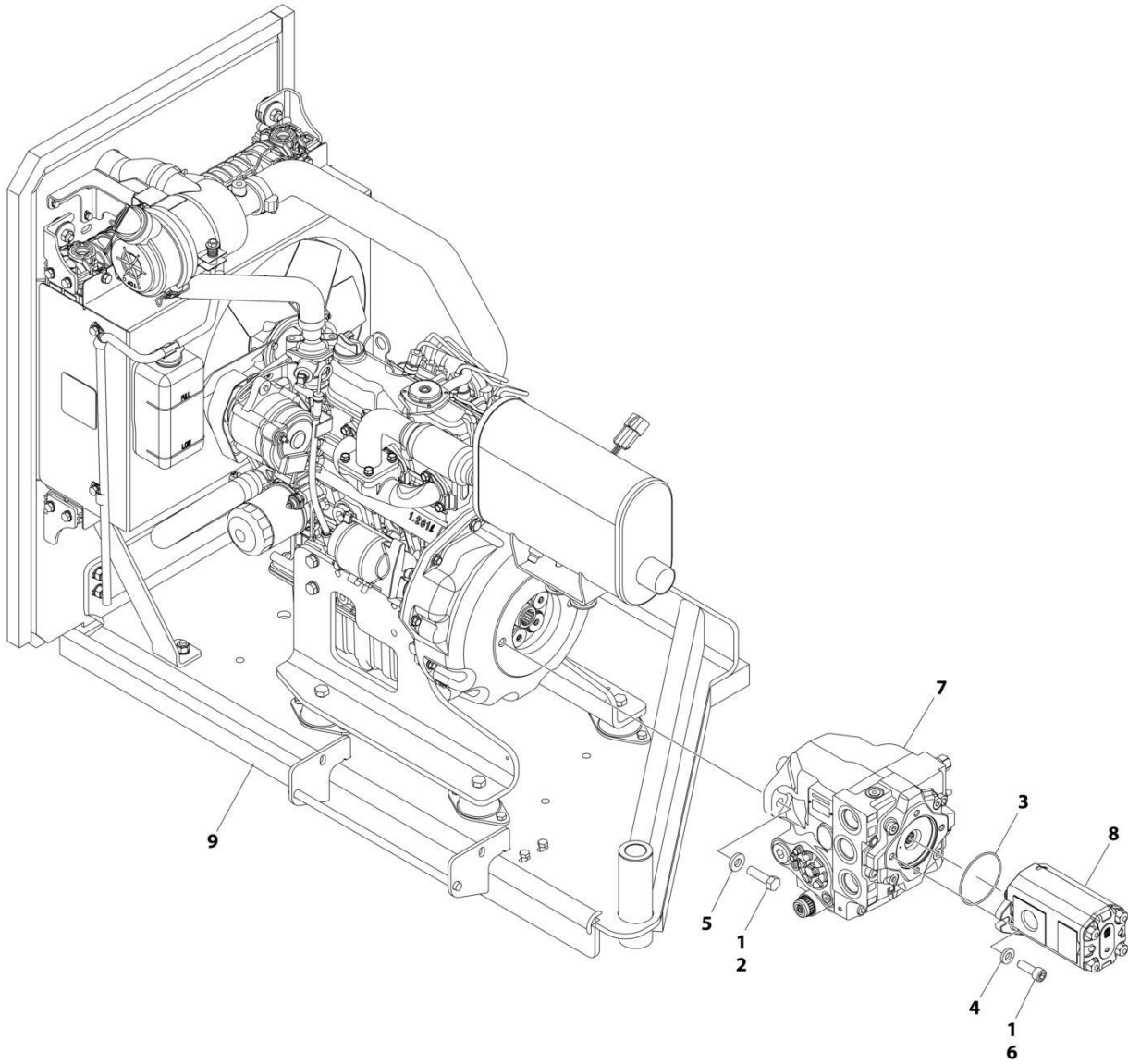
## SECTION 3 - ENGINE

ITEM	PART NUMBER	QTY	DESCRIPTION	REV
54	3740080	5	Relay	
55	4751500	2	Washer 5/16	
57	4240018	AR	Tie-Strap	
58	88521205	2	Nut 5/16	
59	1001185125	1	Plate	
60	1001236545	1	Engine Harness - Kubota Diesel T4F (Not Shown - See Separate Breakdown in ELECTRICAL Section)	
61	1001185585	2	Clamp	
62	0761010	3	Bolt M10 x 20	
63	4812000	7	Washer M10	
64	1001234069	1	Harness, Fusible Link	
65	0761014	2	Bolt M10 x 30	
66	3291005	2	Locknut M10	



# SECTION 3 - ENGINE

## FIGURE 3-2. ENGINE AND PUMP SUB-ASSEMBLY - KUBOTA DIESEL E4B



ART\_1001238772

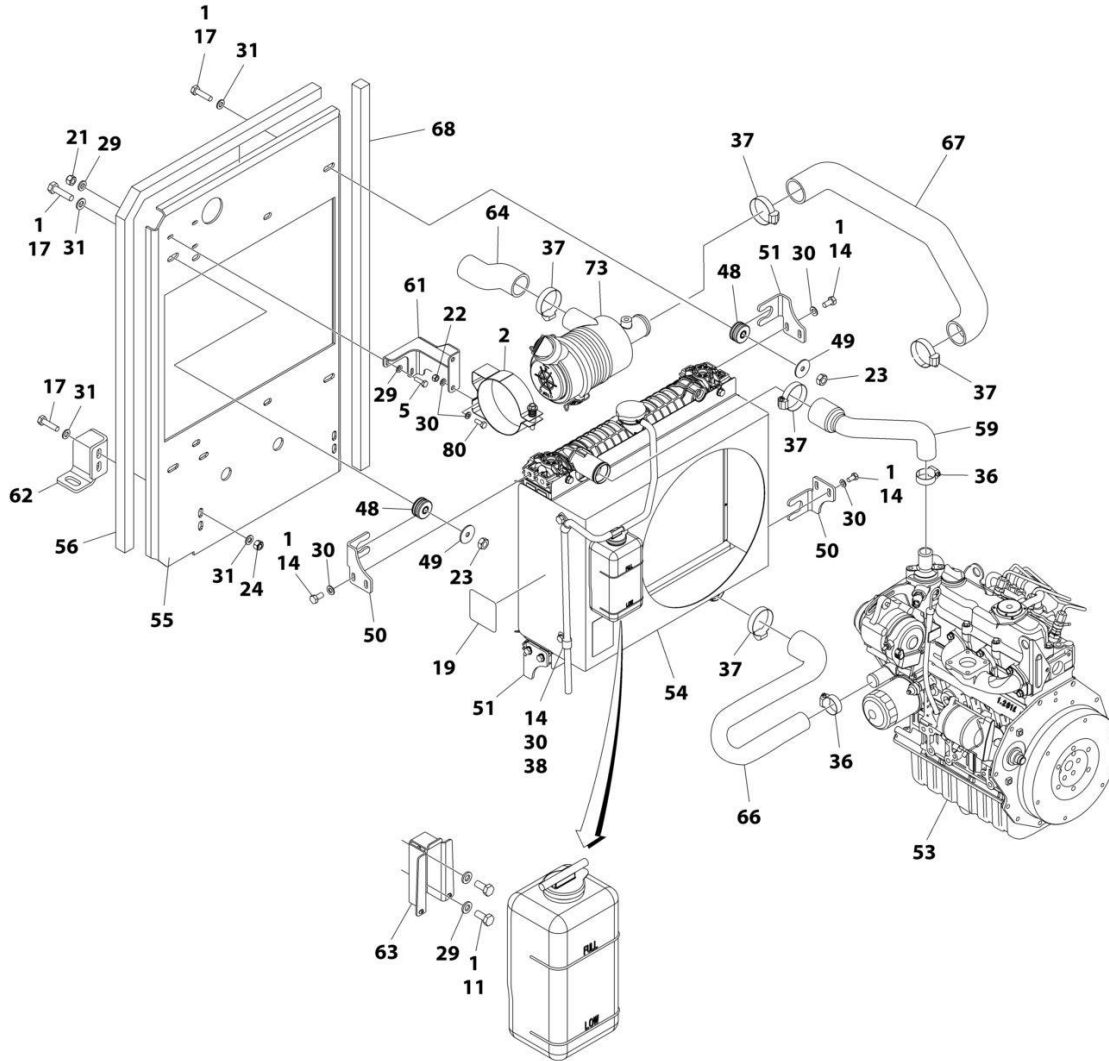
## SECTION 3 - ENGINE

**FIGURE 3-2. ENGINE AND PUMP SUB-ASSEMBLY - KUBOTA DIESEL E4B**

ITEM	PART NUMBER	QTY	DESCRIPTION	REV
	1001238772	Ref	ENGINE AND PUMP SUB-ASSEMBLY - KUBOTA DIESEL E4B	C
1	0100011	AR	Compound, Locking	
2	0641814	2	Bolt 1/2 x 1-3/4	
3	3790152	1	O-Ring	
4	4891600	2	Washer 3/8	
5	4891800	2	Washer 1/2	
6	0761014	2	Capscrew M10 x 30	
7	1001101331	1	Piston Pump Assembly (See Separate Breakdown in this Section)	
8	1001239200	1	Gear Pump Assembly	
8	7023929	1	Seal Kit - 1001239200 Pump (Note: Seal Kit is only service component available)	
9	1001238771	1	Engine Assembly - Kubota Diesel E4B (See Separate Breakdown in this Section)	

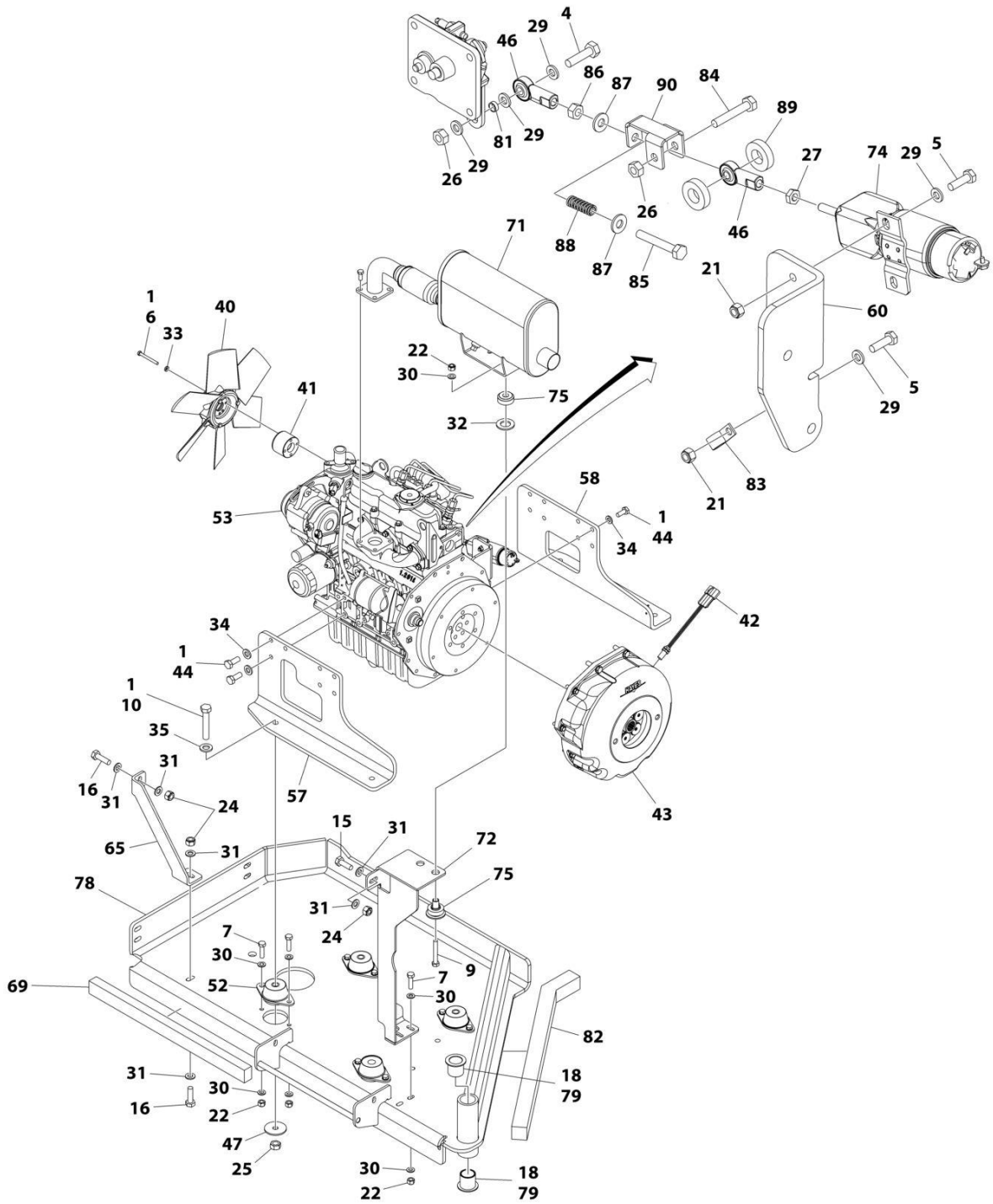
# SECTION 3 - ENGINE

## FIGURE 3-3. ENGINE ASSEMBLY - KUBOTA DIESEL E4B



ART\_1001238771\_B\_10F2

# SECTION 3 - ENGINE



ART\_1001238771\_B\_2OF2

## SECTION 3 - ENGINE

FIGURE 3-3. ENGINE ASSEMBLY - KUBOTA DIESEL E4B

ITEM	PART NUMBER	QTY	DESCRIPTION	REV
	1001238771	Ref	ENGINE ASSEMBLY - KUBOTA DIESEL E4B	B
1	0100011	AR	Compound, Locking	
2	0340045	1	Band, Mounting	
4	0641408	1	Bolt 1/4 x 1	
5	0700610	6	Bolt M6 x 20	
6	0700620	4	Bolt M6 x 60	
7	0700814	10	Bolt M8 x 30	
9	0700819	2	Bolt M8 x 55	
10	0701222	4	Bolt M12 x 70	
11	0760607	2	Bolt M6 x 14	
14	0760808	10	Bolt M8 x 16	
15	0761014	1	Bolt M10 x 30	
16	0761015	4	Bolt M10 x 35	
17	0761016	6	Bolt M10 x 40	
18	0961986	2	Bearing	
19	1703162	2	Decal - Fan Blade	
21	3290605	6	Nut M6	
22	3290805	14	Nut M8	
23	3291001	4	Nut M10	
24	3291005	7	Nut M10	
25	3291201	4	Nut M12	
26	3311405	2	Nut 1/4	
27	3321402	1	Nut 1/4	
29	4811700	14	Washer M6	
30	4811900	36	Washer M8	
31	4812000	18	Washer M10	
32	4812500	2	Washer M20	
33	5240600	4	Washer M6	
34	5241000	8	Washer M10	
35	5241200	4	Washer M12	
36	8405101	2	Clamp	
37	8405104	5	Clamp	
38	85941016	2	Clamp	
40	1001118538	1	Fan	
41	1001118539	1	Spacer, Fan	
42	1001118580	1	Sensor, Speed	
43	1001118675	1	Coupling Kit - Diesel Engines (See Separate Breakdown in this Section)	
44	1001118746	8	Bolt M10 x 25	
46	1001118925	2	End, Rod	
47	1001168018	4	Washer	
48	1001169054	4	Isolator	
49	1001169138	6	Pad	
50	1001169967	2	Bracket	
51	1001170035	2	Bracket	
52	1001187235	4	Mount, Motor	
53	1001238770	1	Engine, Kubota T4F (See Separate Breakdown in this Section)	
54	1001220957	1	Radiator & Shroud Assembly	
54	1001198726	1	Radiator	
54	70007502	1	Valve, Drain	

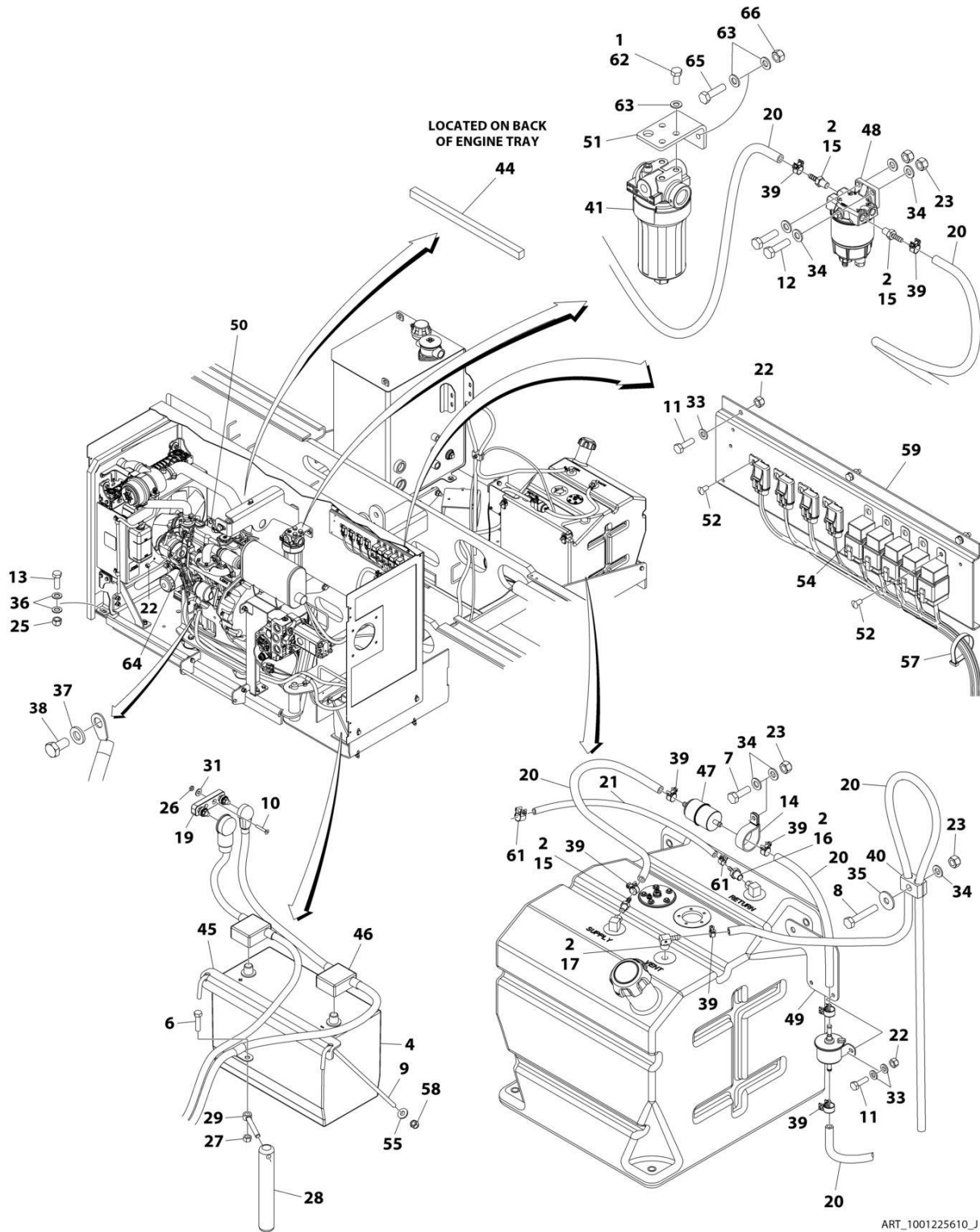


## SECTION 3 - ENGINE

ITEM	PART NUMBER	QTY	DESCRIPTION	REV
54	1001220959	1	Shroud	
55	1001181658	1	Plate, Radiator	
56	1001227285	1	Seal	
57	1001182976	1	Mount, Engine (LH)	
58	1001182977	1	Mount, Engine (RH)	
59	1001182978	1	Tube, Inlet	
60	1001272663	1	Bracket, Throttle Cylinder	
61	1001182980	1	Bracket, Air Cleaner	
62	1001182981	1	Bracket	
63	1001182982	1	Mount	
64	1001182983	1	Tube, Intake	
65	1001182984	1	Bracket, Support	
66	1001182985	1	Tube, Outlet	
67	1001182987	1	Tube, Air Intake	
68	1001183420	1	Foam, Baffle	
69	1001183424	1	Foam, Baffle	
71	1001234950	1	Muffler	
72	1001195600	1	Bracket, Muffler	
73	1001118280	1	Air Filter Assembly	
73	7015004	2	Element	
73	7015005	1	Cover Assembly	
73	1340069	1	Valve, Vacuator	
74	1001274140	1	Actuator, Throttle	
75	1001125248	2	Mount, Engine	
78	1001205968	1	Tray	
79	1001180620	AR	Adhesive	
80	0760810	2	Bolt M8 x 20	
81	1001128888	1	Washer	
82	1001184066	1	Foam, Baffle	
83	1320043	1	Clamp, Cable	
84	0641412	1	Bolt 1/4 x 1-1/2	
85	0651414	1	Bolt 1/4 x 1-3/4	
86	3321401	1	Nut 1/4	
87	4711400	2	Washer 1/4	
88	1001272948	1	Spring	
89	1001272950	2	Washer, Wool Felt	
90	1001273101	1	Bracket, Actuator Link	

# SECTION 3 - ENGINE

## FIGURE 3-4. ENGINE INSTALLATION - KUBOTA DIESEL STAGE T4F WITH GENERATOR



## SECTION 3 - ENGINE

**FIGURE 3-4. ENGINE INSTALLATION - KUBOTA DIESEL STAGE T4F WITH GENERATOR**

ITEM	PART NUMBER	QTY	DESCRIPTION	REV
	1001225610	Ref	ENGINE INSTALLATION - KUBOTA DIESEL T4F WITH GENERATOR	J
1	0100011	AR	Compound, Locking	
2	0100020	AR	Sealant	
4	0400075	1	Battery	
6	0641612	1	Bolt 3/8 x 1-1/2	
7	0700812	1	Bolt M8 x 25	
8	0700817	1	Bolt M8 x 45	
9	1001093382	2	J-Bolt	
10	0741010	2	Screw #10 x 1-1/4	
11	0760610	5	Bolt M6 x 20	
12	0760814	2	Bolt M8 x 30	
13	0761617	1	Bolt M6 x 45	
14	1320265	1	Clamp	
15	2180348	3	Fitting, Straight NPT x Barbed	
16	2180666	1	Fitting, Straight NPT x Barbed	
17	1001208764	1	Fitting, 90 NPT x Barbed	
19	2400044	1	Block, Fuse Mounting	
20	2720058	242 in/ 6.2m	Hose	
21	2720271	136 in/ 3.5m	Hose	
22	3290605	6	Nut M6	
23	3290805	4	Nut M8	
25	3291605	1	Nut M16	
26	3300408	2	Nut	
27	3311605	1	Nut 3/8	
28	3422669	1	Pin	
29	3841143	1	Keeper, Pin	
31	4711400	2	Washer 1/4	
33	4811700	7	Washer M6	
34	4811900	7	Washer M8	
35	4811902	1	Washer M8	
36	4812300	2	Washer M16	
37	5241000	1	Washer M10	
38	8303511	1	Capscrew M10 x 20	
39	1001174486	9	Clamp	
40	8750014	1	Clamp	
41	1001208874	1	Filter, Charge Pump	
41	70010383	1	Element, Filter	
44	1001183421	1	Foam, Baffle	
45	1001184065	1	Bracket, Hold Down	
46	1001186428	1	Battery Cable Kit (See Separate Breakdown in ELECTRICAL Section)	
47	1001190545	1	Filter, Fuel	
48	1001190609	1	Fuel/Water Separator Assembly - Diesel Engines (See Separate Breakdown in this Section)	
49	1001191146	1	Bracket	
50	1001238774	1	Engine and Pump Sub-Assembly - Kubota Diesel T4F with Generator (See Separate Breakdown in this Section)	
51	1001194836	1	Bracket	

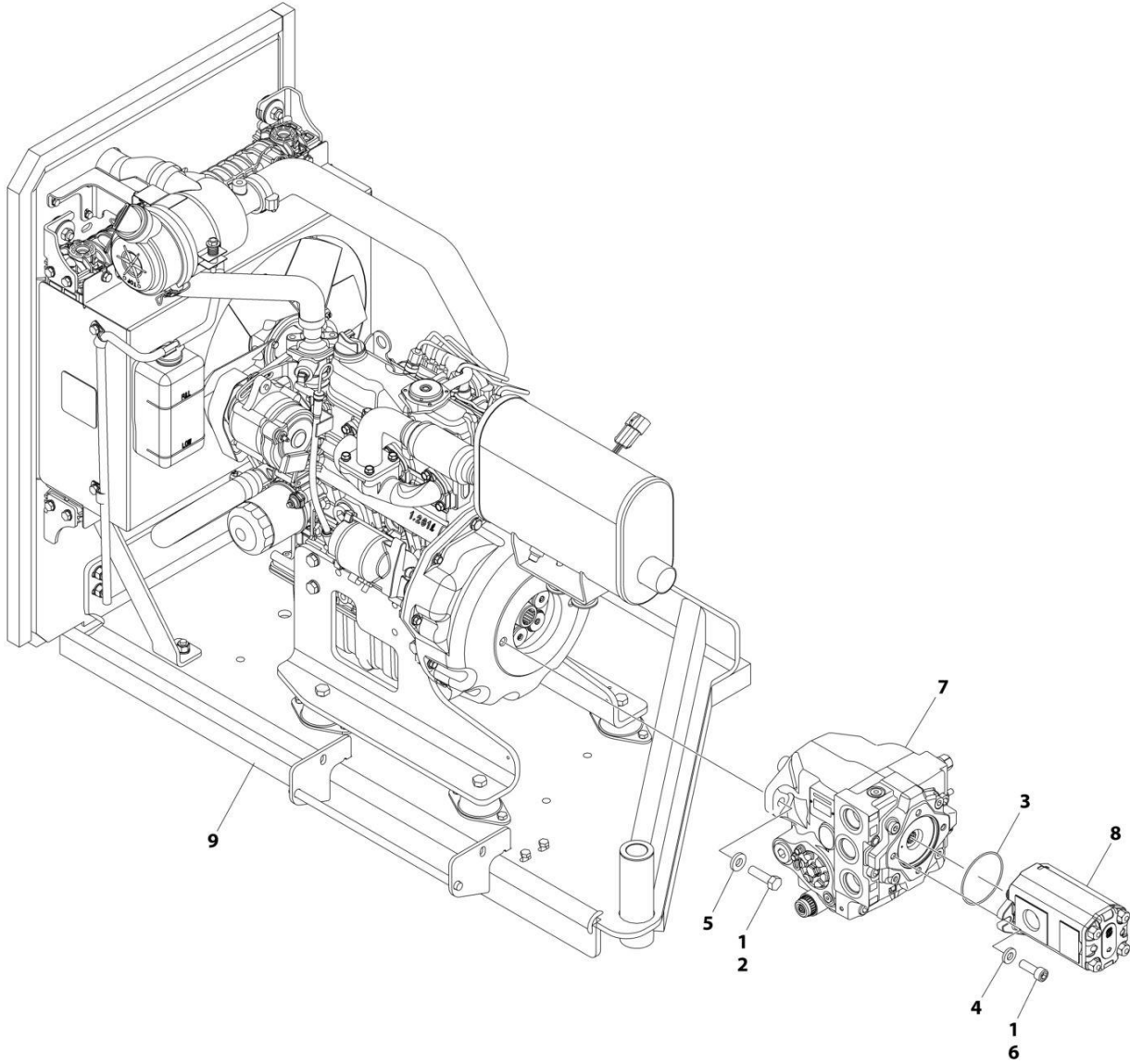
## SECTION 3 - ENGINE

ITEM	PART NUMBER	QTY	DESCRIPTION	REV
52	3820020	9	Rivet	
54	3740080	5	Relay	
55	4751500	2	Washer 5/16	
57	4240018	AR	Tie-Strap	
58	88521205	2	Nut 5/16	
59	1001185125	1	Plate	
60	1001236545	1	Engine Harness - Kubota Diesel T4F (Not Shown - See Separate Breakdown in ELECTRICAL Section)	
61	1001185585	2	Clamp	
62	0761010	3	Bolt M10 x 20	
63	4812000	7	Washer M10	
64	1001234069	1	Harness, Fusible Link	
65	0761014	2	Bolt M10 x 30	
66	3291005	2	Locknut M10	



# SECTION 3 - ENGINE

FIGURE 3-5. ENGINE AND PUMP SUB-ASSEMBLY - KUBOTA DIESEL E4B WITH GENERATOR



ART\_1001238774

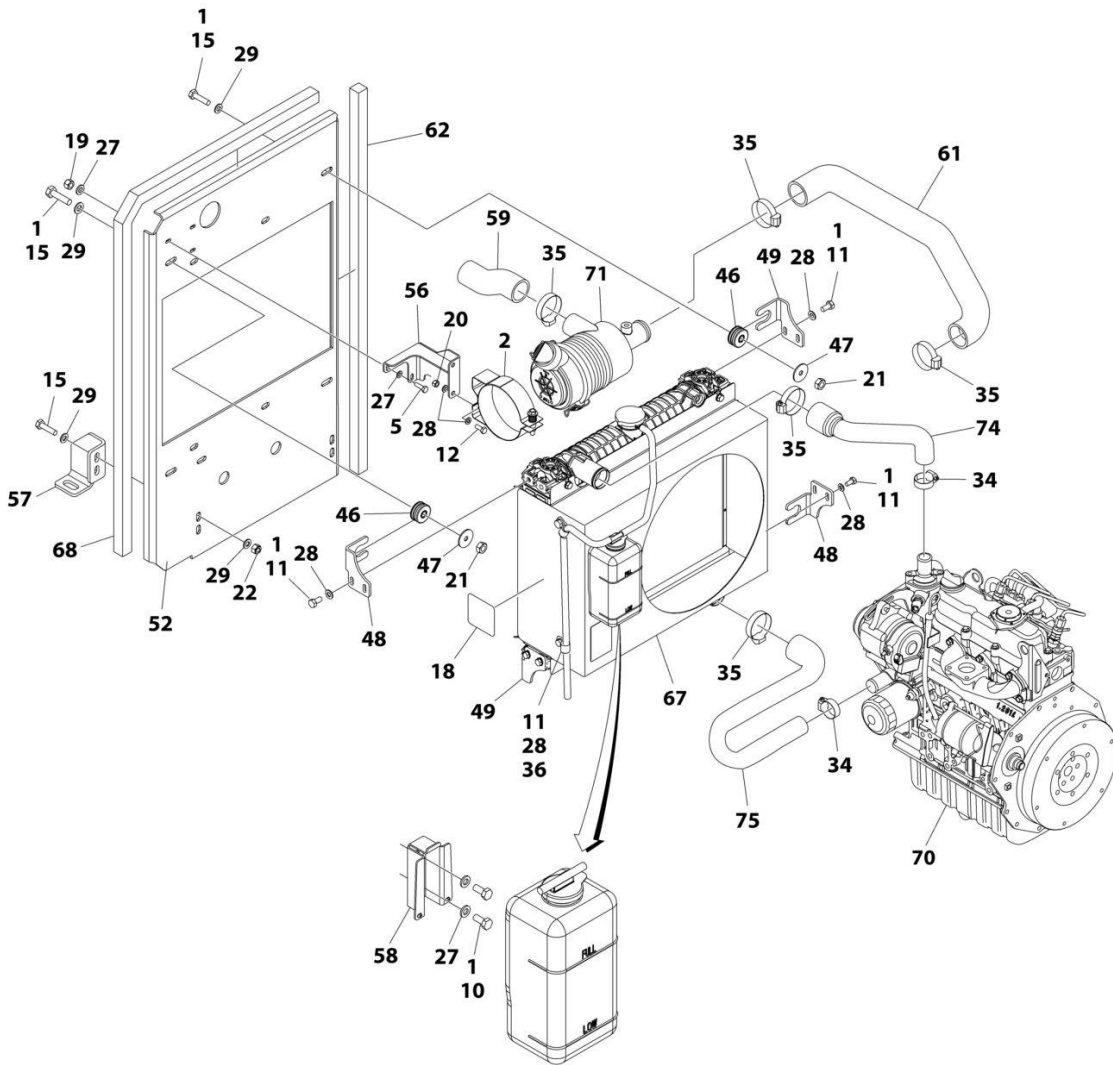
## SECTION 3 - ENGINE

**FIGURE 3-5. ENGINE AND PUMP SUB-ASSEMBLY - KUBOTA DIESEL E4B WITH GENERATOR**

ITEM	PART NUMBER	QTY	DESCRIPTION	REV
	1001238774	Ref	ENGINE AND PUMP SUB-ASSEMBLY - KUBOTA DIESEL E4B WITH GENERATOR	C
1	0100011	AR	Compound, Locking	
2	0641814	2	Bolt 1/2 x 1-3/4	
3	3790152	1	O-Ring	
4	4891600	2	Washer 3/8	
5	4891800	2	Washer 1/2	
6	0761014	2	Capscrew M10 x 30	
7	1001101331	1	Piston Pump Assembly (See Separate Breakdown in this Section)	
8	1001239200	1	Gear Pump Assembly	
8	7023929	1	Seal Kit – 1001239200 Pump (Note: Seal Kit is only service component available)	
9	1001238773	1	Engine Assembly - Kubota Diesel E4B with Generator (See Separate Breakdown in this Section)	

# SECTION 3 - ENGINE

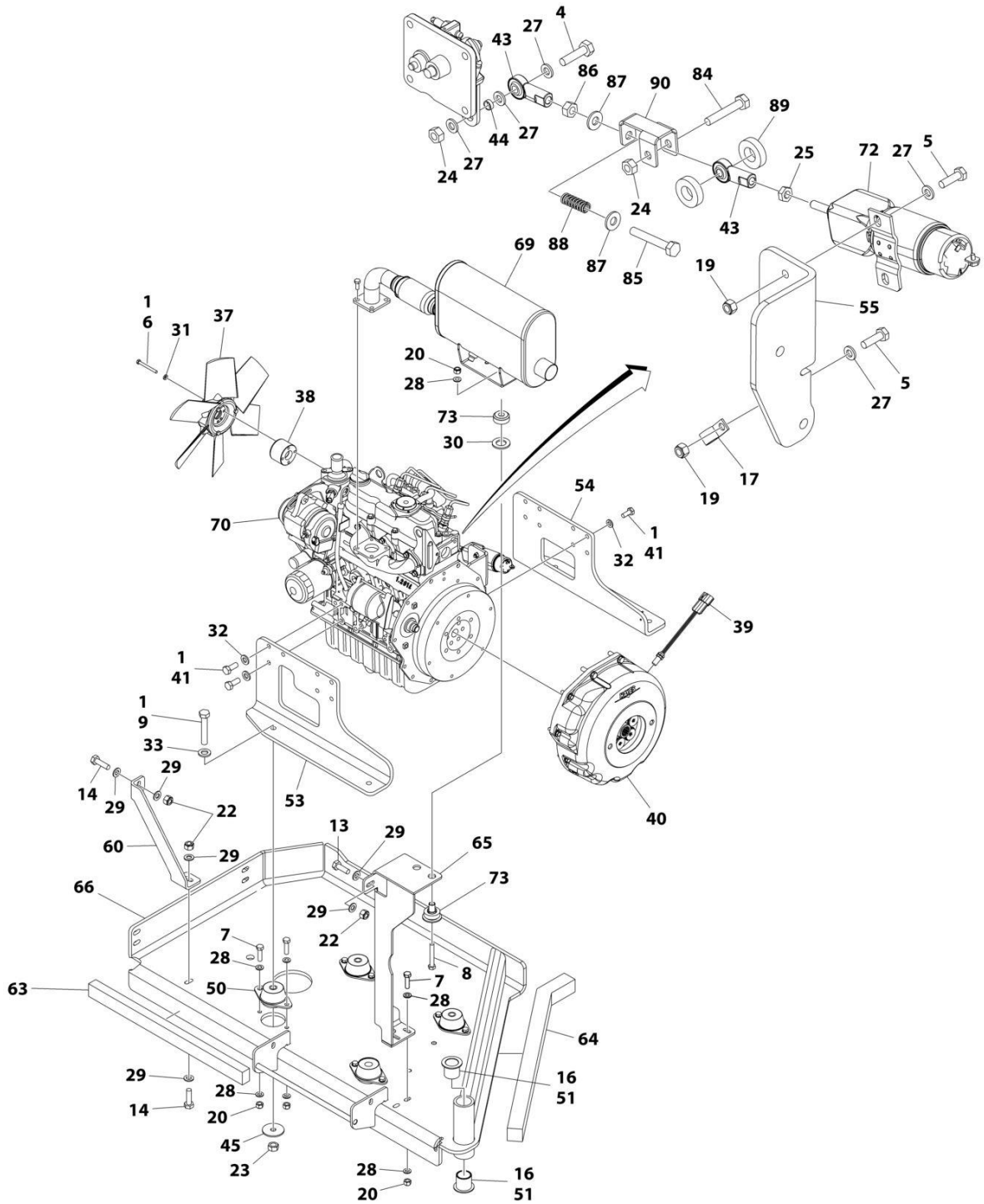
## FIGURE 3-6. ENGINE ASSEMBLY - KUBOTA DIESEL E4B WITH GENERATOR



ART\_1001238773\_B\_10F2



# SECTION 3 - ENGINE



ART\_1001238773\_B\_20F2

## SECTION 3 - ENGINE

**FIGURE 3-6. ENGINE ASSEMBLY - KUBOTA DIESEL E4B WITH GENERATOR**

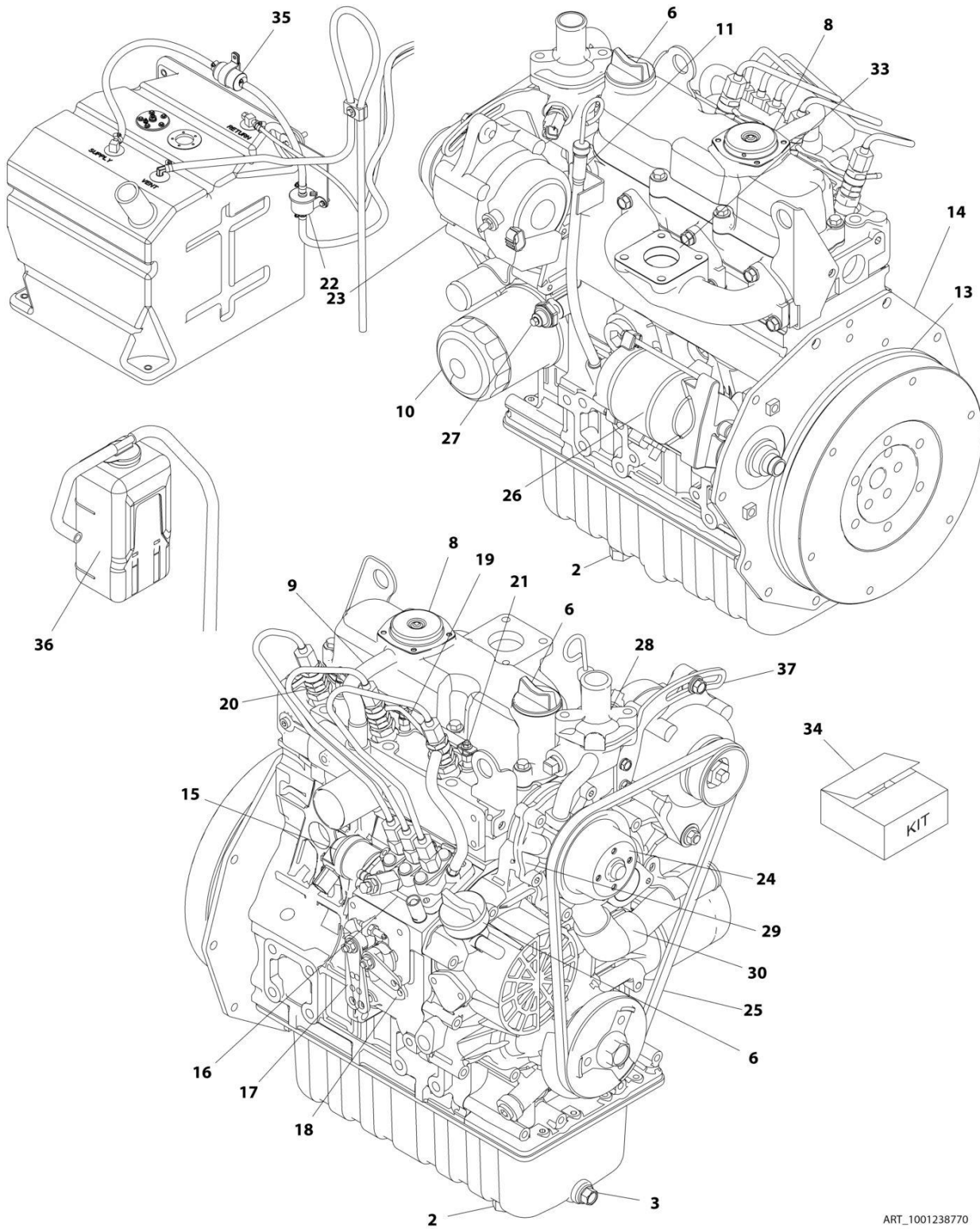
ITEM	PART NUMBER	QTY	DESCRIPTION	REV
	1001238773	Ref	ENGINE ASSEMBLY - KUBOTA DIESEL E4B WITH GENERATOR	B
1	0100011	AR	Compound, Locking	
2	0340045	1	Band, Mounting	
4	0641408	1	Bolt 1/4 x 1	
5	0700610	6	Bolt M6 x 20	
6	0700620	4	Bolt M6 x 60	
7	0700814	10	Bolt M8 x 30	
8	0700819	2	Bolt M8 x 55	
9	0701222	4	Bolt M12 x 70	
10	0760607	2	Bolt M6 x 14	
11	0760808	10	Bolt M8 x 16	
12	0760810	2	Bolt M8 x 20	
13	0761014	1	Bolt M10 x 30	
14	0761015	4	Bolt M10 x 35	
15	0761016	6	Bolt M10 x 40	
16	0961986	2	Bearing	
17	1320043	1	Clamp, Cable	
18	1703162	2	Decal - Fan Blade	
19	3290605	6	Nut M6	
20	3290805	14	Nut M8	
21	3291001	4	Nut M10	
22	3291005	7	Nut M10	
23	3291201	4	Nut M12	
24	3311405	2	Nut 1/4	
25	3321402	1	Nut 1/4	
27	4811700	14	Washer M6	
28	4811900	36	Washer M8	
29	4812000	18	Washer M10	
30	4812500	2	Washer M20	
31	5240600	4	Washer M6	
32	5241000	8	Washer M10	
33	5241200	4	Washer M12	
34	8405101	2	Clamp	
35	8405104	5	Clamp	
36	85941016	2	Clamp	
37	1001118538	1	Fan	
38	1001118539	1	Spacer, Fan	
39	1001118580	1	Sensor, Speed	
40	1001118675	1	Coupling Kit - Diesel Engines (See Separate Breakdown in this Section)	
41	1001118746	8	Bolt M10 x 25	
43	1001118925	2	End, Rod	
44	1001128888	1	Washer	
45	1001168018	4	Washer	
46	1001169054	4	Isolator	
47	1001169138	6	Pad	
48	1001169967	2	Bracket	
49	1001170035	2	Bracket	
50	1001175509	4	Mount, Engine	
51	1001180620	1	Adhesive	

## SECTION 3 - ENGINE

ITEM	PART NUMBER	QTY	DESCRIPTION	REV
52	1001181658	1	Plate, Radiator	
53	1001182976	1	Mount, Engine (LH)	
54	1001182977	1	Mount, Engine (RH)	
55	1001272663	1	Bracket, Throttle Cylinder	
56	1001182980	1	Bracket, Air Cleaner	
57	1001182981	1	Bracket	
58	1001182982	1	Mount	
59	1001182983	1	Tube, Intake	
60	1001182984	1	Bracket, Support	
61	1001182987	1	Tube, Air Intake	
62	1001183420	1	Foam, Baffle	
63	1001183424	1	Foam, Baffle	
64	1001184066	1	Foam, Baffle	
65	1001195600	1	Bracket, Muffler	
66	1001205968	1	Tray	
67	1001220957	1	Radiator & Shroud Assembly	
67	1001198726	1	Radiator	
67	70007502	1	Valve, Drain	
67	1001220959	1	Shroud	
68	1001227285	1	Seal	
69	1001234950	1	Muffler	
70	1001238770	1	Engine, Kubota T4F (See Separate Breakdown in this Section)	
71	1001118280	1	Air Filter Assembly	
71	7015004	1	Element	
71	7015005	1	Cover Assembly	
71	1340069	1	Valve, Vacuator	
72	1001274140	1	Actuator, Throttle	
73	1001125248	2	Mount, Engine	
74	1001182978	1	Tube, Inlet	
75	1001182985	1	Tube, Outlet	
84	0641412	1	Bolt 1/4 x 1-1/2	
85	0651414	1	Bolt 1/4 x 1-3/4	
86	3321401	1	Nut 1/4	
87	4711400	2	Washer 1/4	
88	1001272948	1	Spring	
89	1001272950	2	Washer, Wool Felt	
90	1001273101	1	Bracket, Actuator Link	

# SECTION 3 - ENGINE

## FIGURE 3-7. ENGINE COMPONENTS - KUBOTA DIESEL E4B



ART\_1001238770

## SECTION 3 - ENGINE

**FIGURE 3-7. ENGINE COMPONENTS - KUBOTA DIESEL E4B**

ITEM	PART NUMBER	QTY	DESCRIPTION	REV
	1001238770	Ref	ENGINE COMPONENTS - KUBOTA DIESEL T4F	A
1	70004524	1	Drain (Not Shown)	
2	7023154	1	Plug, Drain	
2	70002315	1	Seal, Plug	
3	70004525	1	Plug, Drain	
3	70004526	1	Gasket	
4	70005220	1	Gasket, Cylinder Head (Not Shown)	
5	7017922	1	Seal, Front Main (Not Shown)	
6	70002318	2	Cap, Oil Fill	
6	70004311	2	O-Ring	
7	70005221	1	Gasket, Valve Cover (Not Shown)	
8	70003060	1	Comp Valve, Breather	
8	70003061	1	Cover, Breather	
8	7017934	4	Screw	
9	70002316	1	Pipe, Water Return	
9	70002317	1	Tube, Breather	
9	70004530	1	Clamp, Hose	
9	70004531	1	Band, Pipe	
10	70004395	1	Filter, Oil	
11	70005222	1	Dipstick	
11	70005223	1	Tube, Dipstick	
12	7017928	1	Seal, Rear Main (Not Shown)	
13	70005224	1	Gear, Ring	
14	70002419	1	Plate, Rear End	
15	7025479	1	Solenoid, Stop	
16	7023164	1	Pump, Injection	
16	70002319	1	Shim, Injection	
16	70002320	1	Shim, Injection	
16	70002321	1	Shim, Injection Pump	
16	70002322	1	Shim, Injection Pump	
16	70002323	1	Shim, Injection Pump	
16	7017945	1	Joint, Eye	
17	70004396	1	Control, Speed	
17	70004397	1	Gasket	
18	7023165	1	Gasket	
19	70004536	1	Pipe, Over Flow	
19	70004537	1	Screw, Air Bleeder	
19	70004538	1	Gasket	
19	70004539	1	Pipe, Over Flow	
20	70004399	3	Holder, Nozzle	
20	70004540	3	Nut	
20	7023167	3	Gasket	
20	7023168	3	Seal, Heat	
21	70004398	3	Plug, Glow	
21	70004544	1	Cord, Glow Plug	
22	70005228	1	Electric Fuel Feed Pump	
23	70006661	1	Alternator - 60Amp	
24	7023140	1	Pulley, Fan	
25	70006665	1	V-Belt	
26	7023144	1	Starter	

## SECTION 3 - ENGINE

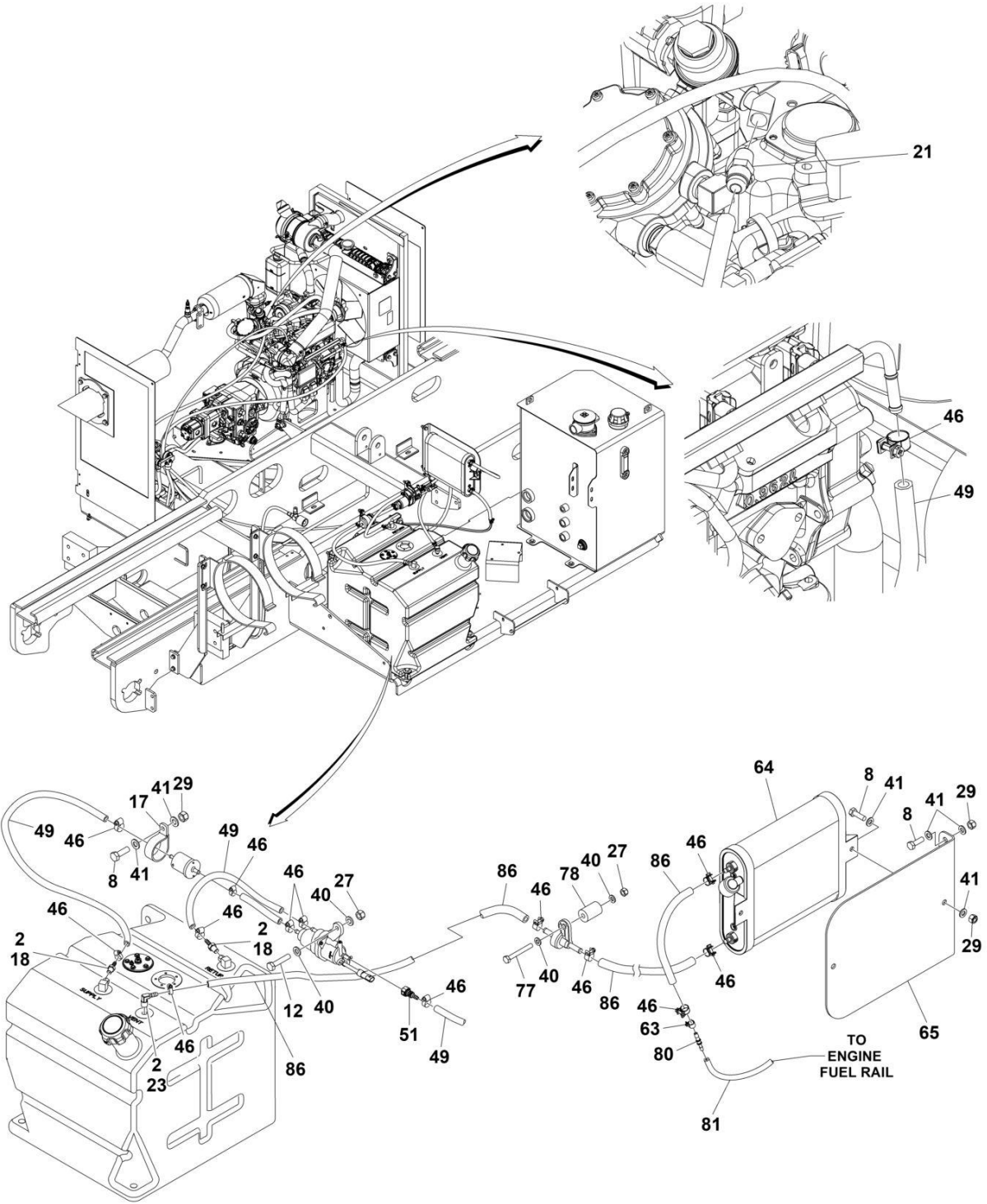
ITEM	PART NUMBER	QTY	DESCRIPTION	REV
27	7017901	1	Switch, Oil	
28	70004829	1	Pipe, Water Return	
28	7023145	1	Gasket, Flange	
28	7017958	1	Hose, Water Return	
28	7023170	1	Thermostat	
28	70002326	1	Gasket, Thermostat	
28	70003064	1	Sensor, Water Temperature	
28	70003063	1	Washer, Seal	
29	70002327	1	Pump, Water	
29	70002328	1	Gasket, Water Pump	
30	7017963	1	Pipe, Water	
30	70002330	1	Pipe, Water	
31	7023149	1	Gasket, Inlet Manifold (Not Shown)	
32	7023148	1	Gasket, Exhaust Manifold (Not Shown)	
33	7023124	1	Gasket (Muffler)	
33	70004415	4	Bolt, Sems	
34	70005226	1	Upper Gasket Kit	
34	70005227	1	Lower Gasket Kit	
35	7017992	1	Fuel Filter	
36	70005229	1	Tank, Coolant Reserve	
37	70006664	1	Arm, Adjustment	







# SECTION 3 - ENGINE



ART\_1001206032\_W\_2OF2

## SECTION 3 - ENGINE

FIGURE 3-8. ENGINE INSTALLATION - KUBOTA GASOLINE

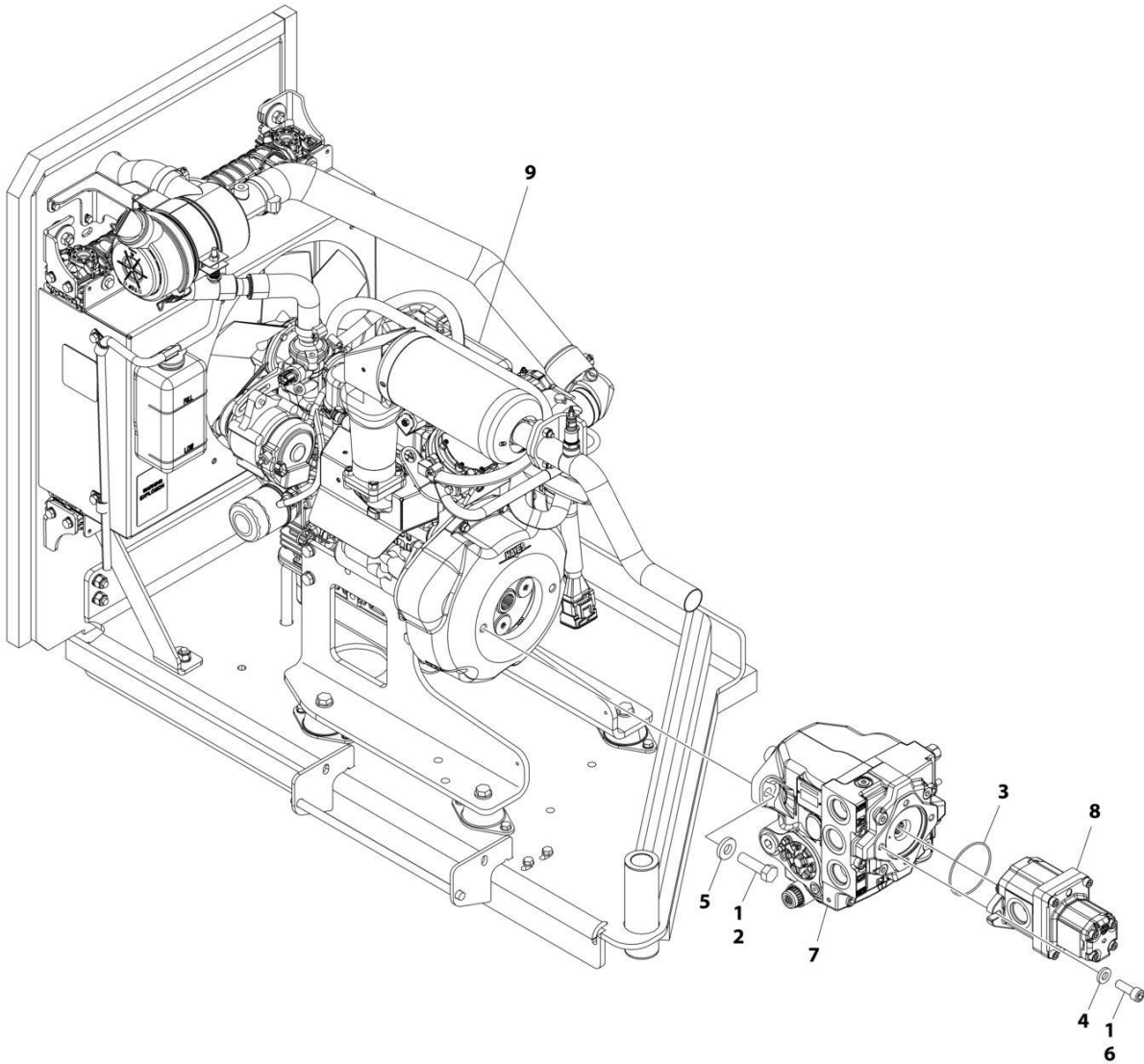
ITEM	PART NUMBER	QTY	DESCRIPTION	REV
	1001206032	Ref	ENGINE INSTALLATION - KUBOTA GASOLINE	W
1	0100011	AR	Compound, Locking	
2	0100020	AR	Sealant	
4	0400075	1	Battery	
6	0641610	5	Bolt 3/8 x 1-1/4	
7	0641612	1	Bolt 3/8 x 1-1/2	
8	0700812	5	Bolt M8 x 25	
10	1001093382	2	J-Bolt	
11	0741010	2	Screw #10 x 1-1/4	
12	0760614	3	Bolt M6 x30	
14	0761617	1	Bolt M16 x 45	
15	1320061	1	Clamp	
16	1320220	1	LP Clamp Kit	
17	1320265	1	Clamp	
18	2180348	2	Fitting, Straight NPT x Barbed	
19	2180387	1	Fitting, Tank Connector	
20	2180389	1	Fitting, Relief Valve	
21	2180418	2	Fitting, Straight	
22	2220290	1	Fitting, Tee	
23	2221176	1	Fitting, 90 NPT x Barbed	
25	2400044	1	Block, Fuse Mounting	
26	2720611	1	Hose	
27	3290605	8	Nut M6	
29	3290805	5	Nut M8	
30	88521205	2	Nut 5/16	
31	3291605	1	Nut M16	
32	3300408	2	Nut	
33	3311605	6	Nut 3/8	
34	3422669	1	Pin	
35	3573440	2	Plate, LP Tank Mount	
36	3841143	1	Keeper, Pin	
38	4711400	2	Washer 1/4	
39	4711600	10	Washer 3/8	
40	4811700	11	Washer M6	
41	4811900	10	Washer M8	
43	4812300	2	Washer M16	
44	5241000	1	Washer M10	
45	8303511	1	Capscrew M10 x 20	
46	1001174486	14	Clamp	
48	1001208874	1	Filter, Charge Pump	
48	70010383	1	Element, Filter	
49	1001300357	14 ft / 5 m	Hose	
51	1001174093	1	Coupling, Quick Connect	
52	1001183421	1	Foam, Baffle	
53	1001184065	1	Bracket, Hold Down	
56	1001206049	1	Engine and Pump Sub-Assembly - Kubota Gasoline (See Separate Breakdown in this Section)	
57	1001194836	1	Bracket	
63	1001185585	2	Clamp	
64	1001225420	1	Filter, Carbon Canister	

## SECTION 3 - ENGINE

ITEM	PART NUMBER	QTY	DESCRIPTION	REV
65	1001225421	1	Bracket	
68	1001262941	1	Decal - EPA Evaporation 2020 Standards	
68	1001274101	1	Decal - EPA Evaporation 2021 Standards	
68	1001288395	1	Decal - EPA Evaporation 2022 Standards	
68	1001299769	1	Decal - EPA Evaporation 2023 Standards	
69	3820020	7	Rivet	
70	3740080	4	Relay	
73	4240018	AR	Tie-Strap	
74	1001185125	1	Plate	
75	1001236546	1	Engine Harness - Kubota Gasoline (See Separate Breakdown in ELECTRICAL Section)	
76	4751500	2	Washer 5/16	
77	0700618	1	Bolt M6 x 50	
78	3860111	1	Roller	
79	0760610	3	Bolt M6 x 20	
80	1001131391	1	Fitting, Coupling	
81	1001129256	10 ft / 3 m	Hose	
83	1001146588	1	Tie-Strap (Not Shown)	
84	0760814	2	Bolt M8 x 30	
85	1001186428	1	Battery Cable Kit (See Separate Breakdown in ELECTRICAL Section)	
86	1001129255	5 ft / 2 m	Hose	
87	0641812	4	Bolt 1/2 x 1-1/2	
88	3311801	4	Nut 1/2	
89	4711800	8	Washer 1/2	
90	0761010	3	Bolt M10 x 20	
91	4812000	7	Washer M10	
92	1001234069	1	Harness, Fusible Link	
93	3291005	2	Lock Nut M10	

# SECTION 3 - ENGINE

## FIGURE 3-9. ENGINE AND PUMP SUB-ASSEMBLY - KUBOTA GASOLINE



ART\_1001206049

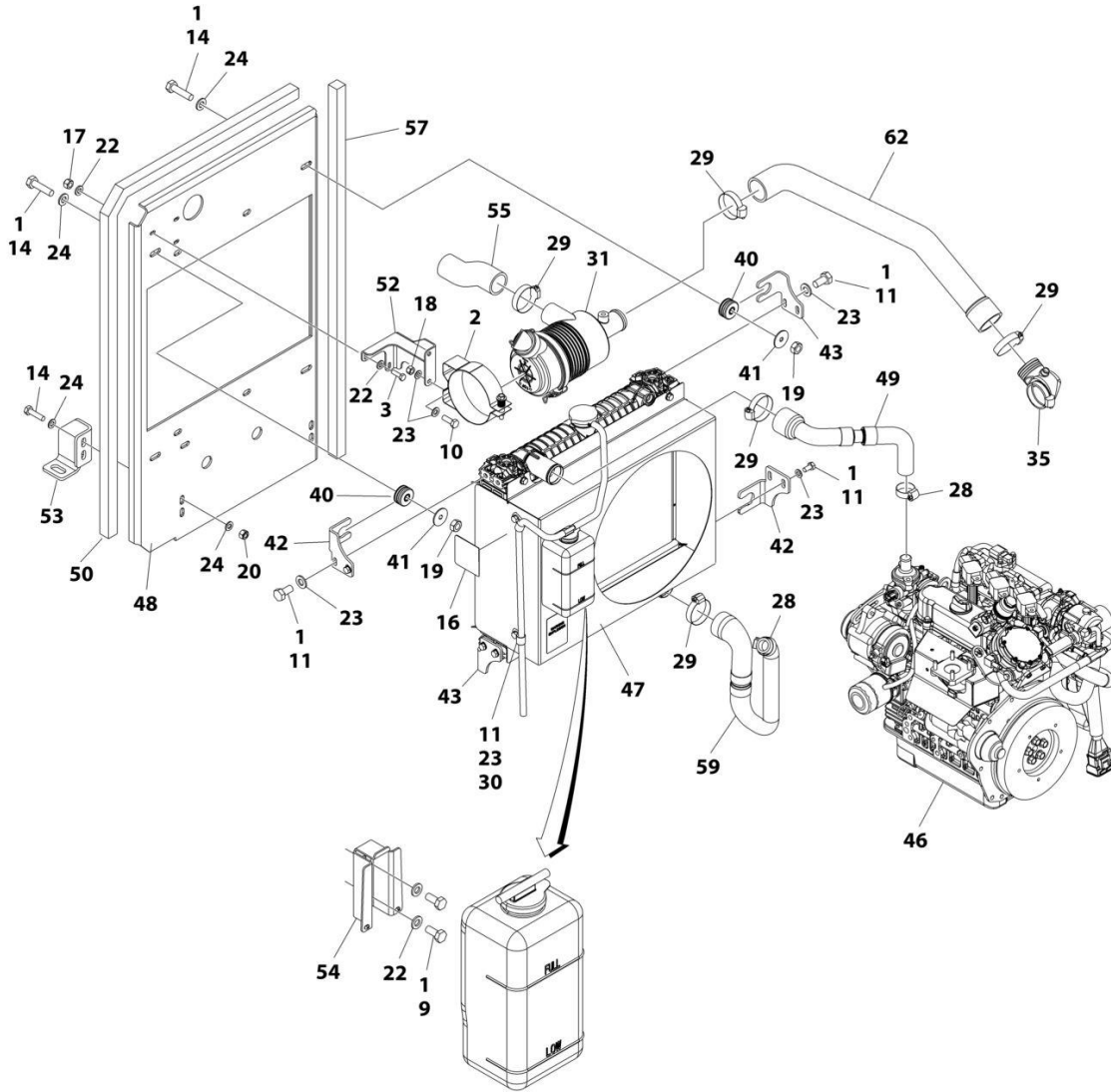
## SECTION 3 - ENGINE

**FIGURE 3-9. ENGINE AND PUMP SUB-ASSEMBLY - KUBOTA GASOLINE**

ITEM	PART NUMBER	QTY	DESCRIPTION	REV
	1001206049	Ref	ENGINE AND PUMP SUB-ASSEMBLY - KUBOTA GASOLINE	F
1	0100011	AR	Compound, Locking	
2	0641814	2	Bolt 1/2 x 1-3/4	
3	3790152	1	O-Ring	
4	4711600	2	Washer 3/8	
5	4891800	2	Washer 1/2	
6	83191040	2	Capscrew M10 x 30	
7	1001101331	1	Piston Pump Assembly (See Separate Breakdown in this Section)	
8	1001217291	1	Gear Pump Assembly	
8	70002861	1	Seal Kit - 1001217291 Pump (Note: Seal Kit is only service component available)	
9	1001205973	1	Engine Assembly - Kubota Gasoline (See Separate Breakdown in this Section)	

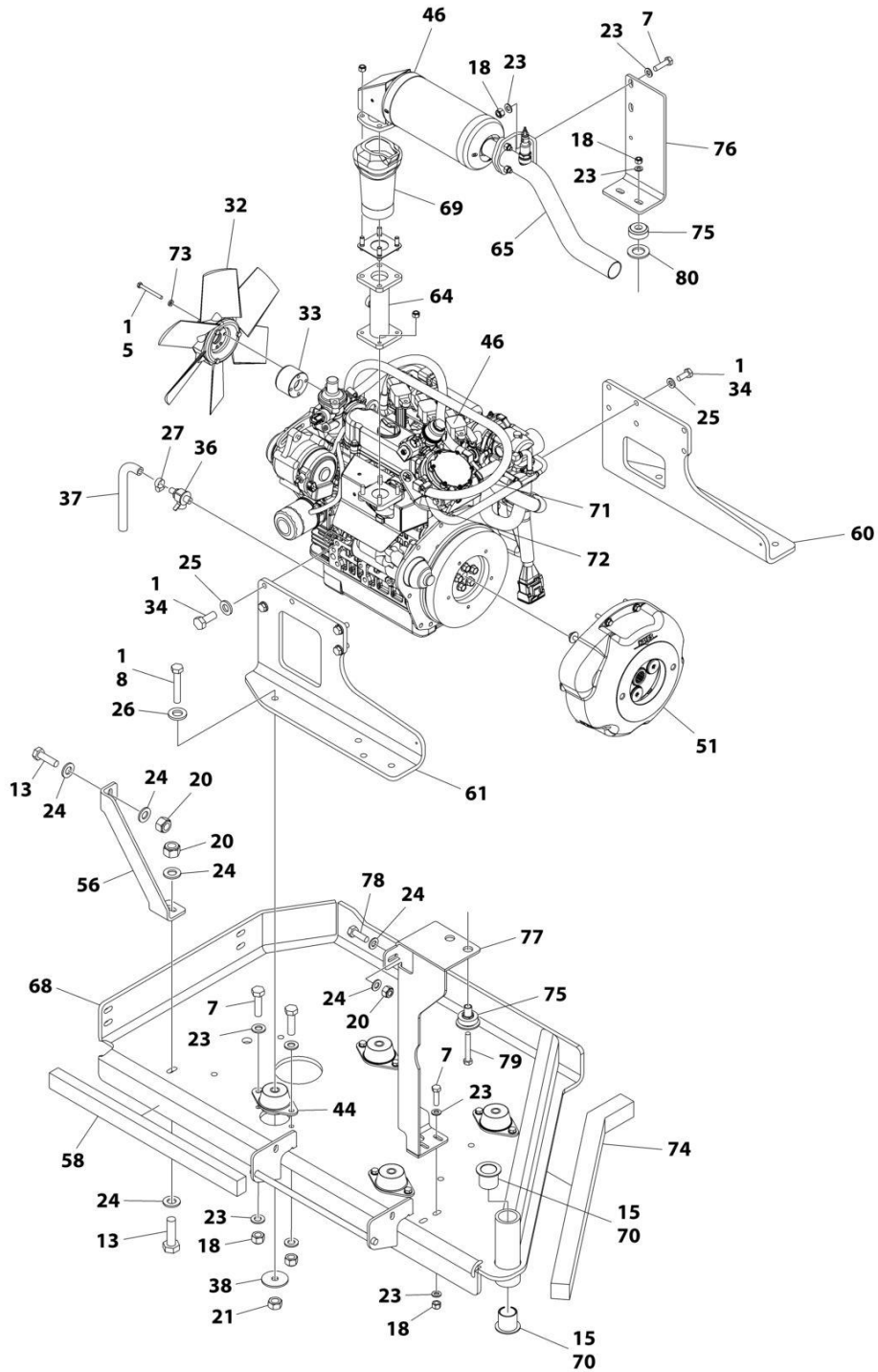
# SECTION 3 - ENGINE

## FIGURE 3-10. ENGINE ASSEMBLY - KUBOTA GASOLINE



ART\_1001205973\_10F2

# SECTION 3 - ENGINE



ART\_1001205973\_2OF2

## SECTION 3 - ENGINE

FIGURE 3-10. ENGINE ASSEMBLY - KUBOTA GASOLINE

ITEM	PART NUMBER	QTY	DESCRIPTION	REV
	1001205973	Ref	ENGINE ASSEMBLY - KUBOTA GASOLINE	H
1	0100011	AR	Compound, Locking	
2	0340045	1	Band, Mounting	
3	0700610	3	Bolt M6 x 20	
5	0700620	4	Bolt M6 x 60	
7	0700814	12	Bolt M8 x 30	
8	0701222	4	Bolt M12 x 70	
9	0760607	2	Bolt M6 x 14	
10	0760810	2	Bolt M8 x 20	
11	0760808	8	Bolt M8 x 16	
13	0761015	4	Bolt M10 x 35	
14	0761016	6	Bolt M10 x 40	
15	0961986	2	Bearing	
16	1703162	2	Decal - Fan Blade	
17	3290605	3	Nut M6	
18	3290805	16	Nut M8	
19	3291001	4	Nut M10	
20	3291005	7	Nut M10	
21	3291201	4	Nut M12	
22	4811700	8	Washer M6	
23	4811900	40	Washer M8	
24	4812000	18	Washer M10	
25	5241000	8	Washer M10	
26	5241200	4	Washer M12	
27	8405009	1	Clamp	
28	8405101	2	Clamp	
29	8405104	5	Clamp	
30	85941016	2	Clamp	
31	1001118280	1	Air Filter Assembly	
31	7015004	2	Element	
31	7015005	1	Cover Assembly	
31	1340069	1	Valve, Vacuator	
32	1001118538	1	Fan	
33	1001118539	1	Spacer, Fan	
34	1001118746	8	Bolt M10 x 25	
35	1001146043	1	Coupling, 90	
36	1001161497	1	Valve, Oil Drain	
37	1001165035	8 in/ 20cm	Hose	
38	1001168018	4	Washer	
40	1001169054	4	Isolator	
41	1001169138	6	Pad	
42	1001169967	2	Bracket	
43	1001170035	2	Bracket	
44	1001187235	4	Mount, Motor	
46	1001224493	1	Engine, Kubota Gasoline (See Separate Breakdown in this Section)	
47	1001220957	1	Radiator & Shroud Assembly	
47	1001198726	1	Radiator	
47	70007502	1	Valve, Drain	
47	1001220959	1	Shroud	

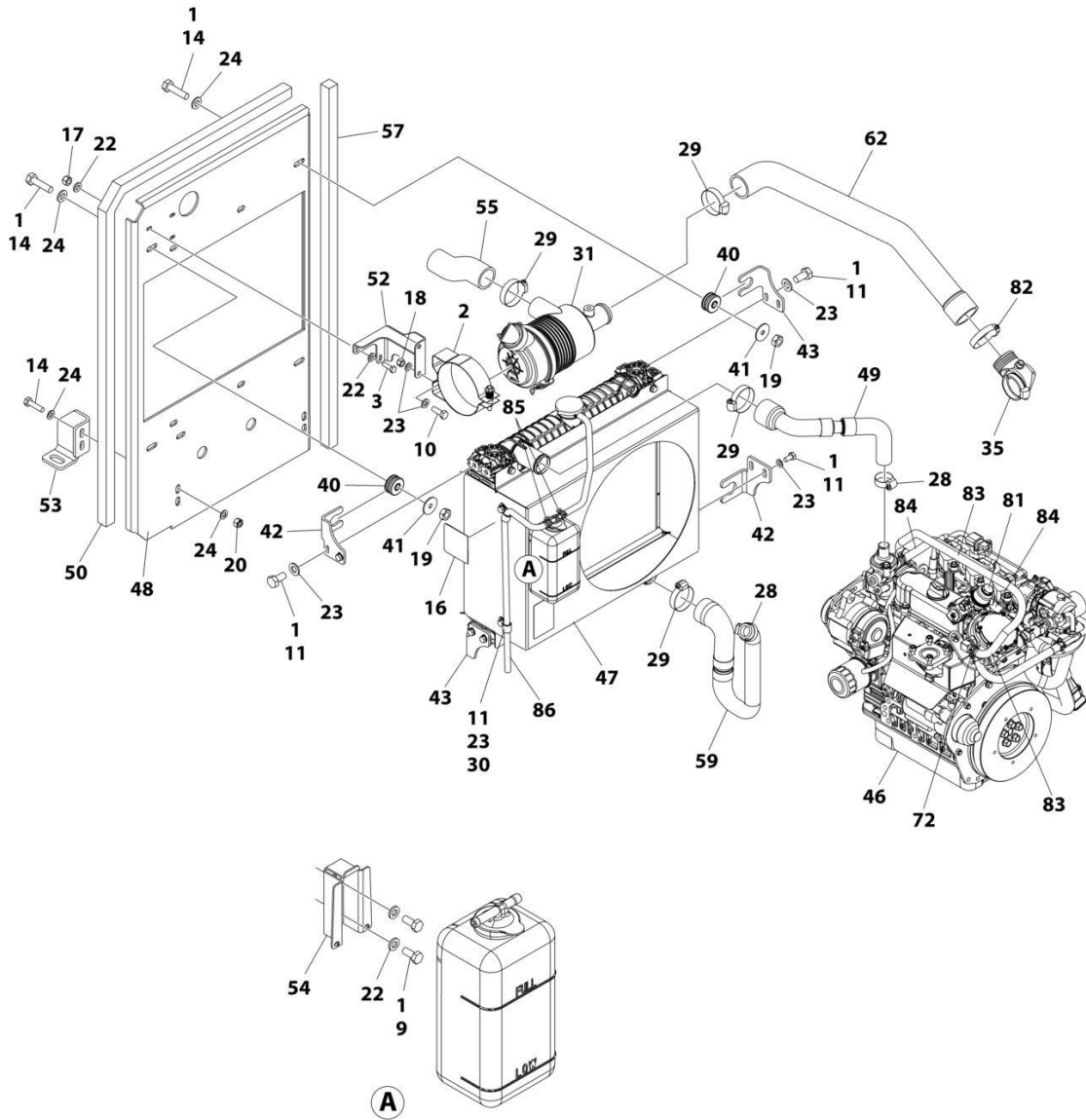


## SECTION 3 - ENGINE

ITEM	PART NUMBER	QTY	DESCRIPTION	REV
48	1001181658	1	Plate, Radiator	
49	1001181659	1	Hose, Radiator (Upper)	
50	1001227285	1	Seal	
51	1001181829	1	Coupling Kit - Gasoline Engines (See Separate Breakdown in this Section)	
52	1001182980	1	Bracket	
53	1001182981	1	Bracket	
54	1001182982	1	Mount	
55	1001182983	1	Tube, Intake	
56	1001182984	1	Support	
57	1001183420	1	Foam, Baffle	
58	1001183424	1	Foam, Baffle	
59	1001183427	1	Tube, Coolant	
60	1001183428	1	Mount, Engine (RH)	
61	1001215543	1	Mount, Engine (LH)	
62	1001184064	1	Tube, Intake	
64	1001213847	1	Tube, Exhaust	
65	1001186833	1	Tube, Exhaust	
68	1001205968	1	Tray	
69	1001210708	1	Insulate, Exhaust	
70	0100062	AR	Adhesive	
71	1001181625	50 in/ 127cm	Hose	
72	8410013	4	Clamp	
73	5240600	4	Washer M6	
74	1001184066	1	Foam, Baffle	
75	1001125248	2	Mount, Engine	
76	1001226420	1	Support	
77	1001195600	1	Bracket, Muffler	
78	0761014	1	Bolt M10 x 30	
79	0700819	2	Bolt M8 x 55	
80	4812500	2	Washer M20	

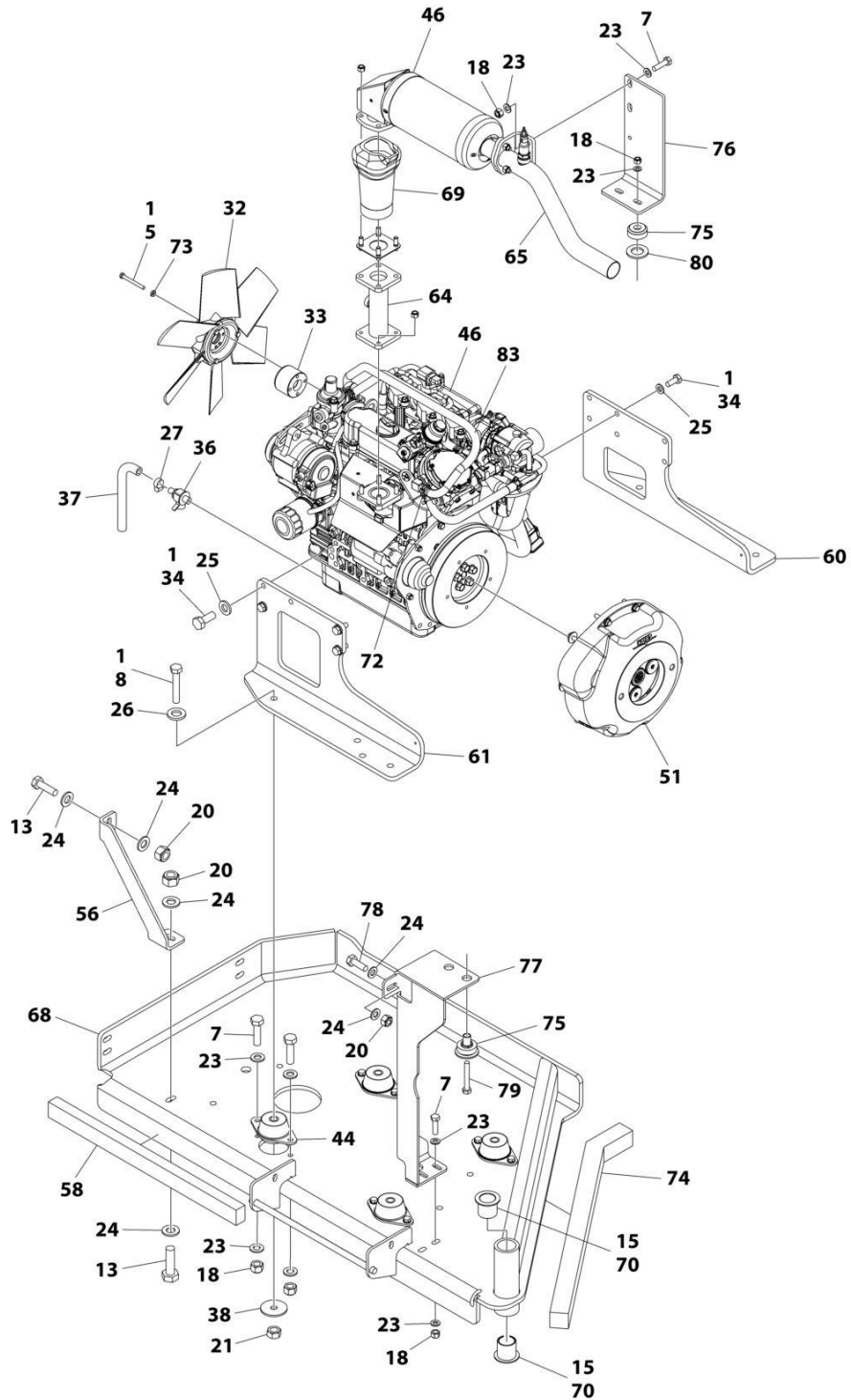
# SECTION 3 - ENGINE

FIGURE 3-11. ENGINE ASSEMBLY - KUBOTA GASOLINE (SN M200085013 to Present, SN M200085096 to Present)



ART\_1001205973\_I\_10F2

# SECTION 3 - ENGINE



ART\_1001205973\_1\_2OF2

## SECTION 3 - ENGINE

**FIGURE 3-11. ENGINE ASSEMBLY - KUBOTA GASOLINE (SN M200085013 to Present, SN M200085096 to Present)**

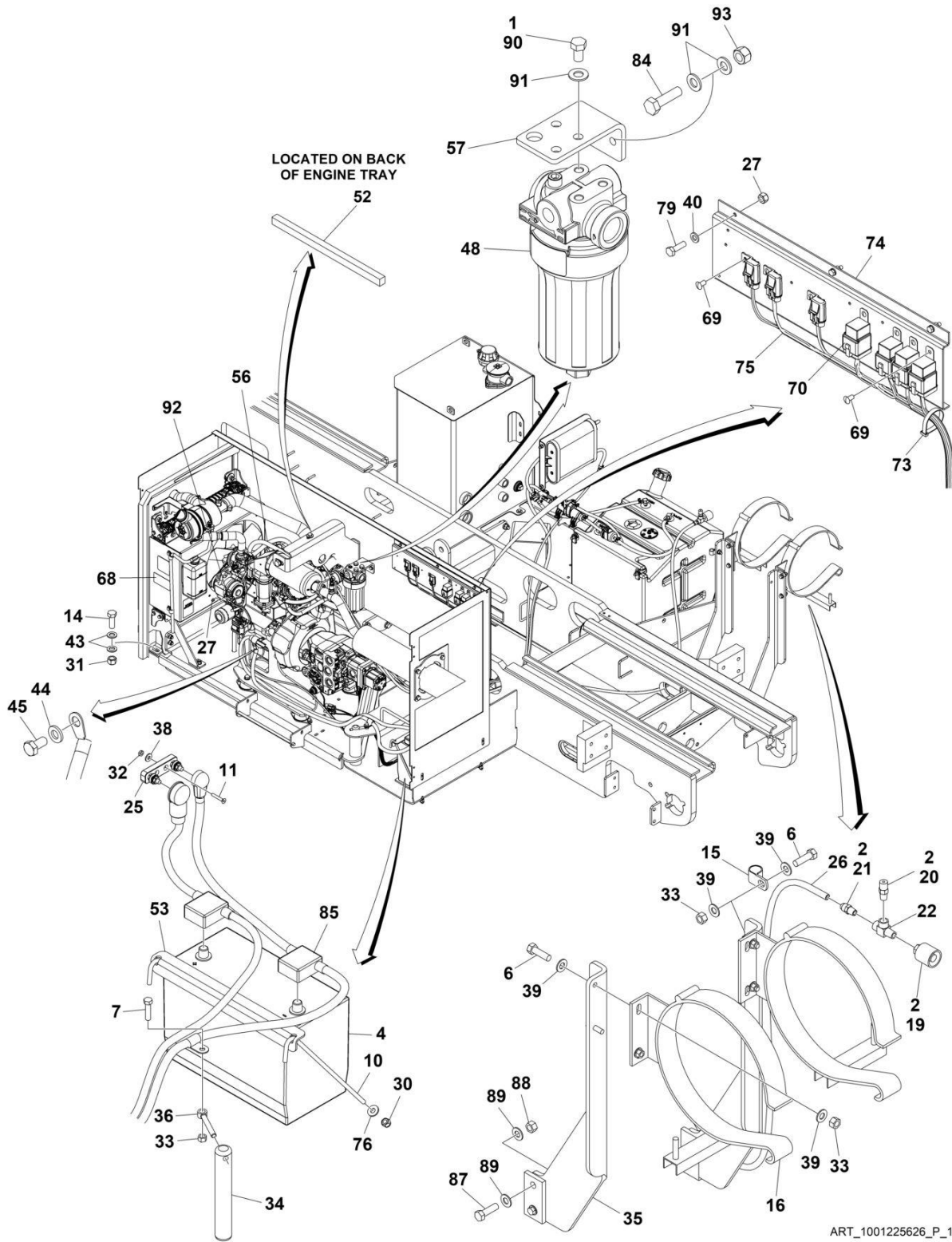
ITEM	PART NUMBER	QTY	DESCRIPTION	REV
	1001205973	Ref	ENGINE ASSEMBLY - KUBOTA GASOLINE	I
1	0100011	AR	Compound, Locking	
2	0340045	1	Band, Mounting	
3	0700610	3	Bolt M6 x 20	
5	0700620	4	Bolt M6 x 60	
7	0700814	12	Bolt M8 x 30	
8	0701222	4	Bolt M12 x 70	
9	0760607	2	Bolt M6 x 14	
10	0760810	2	Bolt M8 x 20	
11	0760808	10	Bolt M8 x 16	
13	0761015	4	Bolt M10 x 35	
14	0761016	6	Bolt M10 x 40	
15	0961986	2	Bearing	
16	1703162	2	Decal - Fan Blade	
17	3290605	3	Nut M6	
18	3290805	16	Nut M8	
19	3291001	4	Nut M10	
20	3291005	7	Nut M10	
21	3291201	4	Nut M12	
22	4811700	8	Washer M6	
23	4811900	40	Washer M8	
24	4812000	18	Washer M10	
25	5241000	8	Washer M10	
26	5241200	4	Washer M12	
27	8405009	1	Clamp	
28	8405101	2	Clamp	
29	8405104	4	Clamp	
30	85941016	2	Clamp	
31	1001118280	1	Air Filter Assembly	
31	7015004	2	Element	
31	7015005	1	Cover Assembly	
31	1340069	1	Valve, Vacuator	
32	1001118538	1	Fan	
33	1001118539	1	Spacer, Fan	
34	1001118746	8	Bolt M10 x 25	
35	1001146043	1	Coupling, 90	
36	1001161497	1	Valve, Oil Drain	
37	1001165035	8 in/ 20cm	Hose	
38	1001168018	4	Washer	
40	1001169054	4	Isolator	
41	1001169138	6	Pad	
42	1001169967	2	Bracket	
43	1001170035	2	Bracket	
44	1001187235	4	Mount, Motor	
46	1001288350	1	Engine, Kubota Gasoline (See Separate Breakdown in this Section)	
47	1001220957	1	Radiator & Shroud Assembly	
47	1001198726	1	Radiator	
47	70007502	1	Valve, Drain	

## SECTION 3 - ENGINE

ITEM	PART NUMBER	QTY	DESCRIPTION	REV
47	1001220959	1	Shroud	
48	1001181658	1	Plate, Radiator	
49	1001181659	1	Hose, Radiator (Upper)	
50	1001227285	1	Seal	
51	1001181829	1	Coupling Kit - Gasoline Engines (See Separate Breakdown in this Section)	
52	1001182980	1	Bracket	
53	1001182981	1	Bracket	
54	1001182982	1	Mount	
55	1001182983	1	Tube, Intake	
56	1001182984	1	Support	
57	1001183420	1	Foam, Baffle	
58	1001183424	1	Foam, Baffle	
59	1001183427	1	Tube, Coolant	
60	1001183428	1	Mount, Engine (RH)	
61	1001215543	1	Mount, Engine (LH)	
62	1001184064	1	Tube, Intake	
64	1001213847	1	Tube, Exhaust	
65	1001186833	1	Tube, Exhaust	
68	1001205968	1	Tray	
69	1001210708	1	Insulate, Exhaust	
70	0100062	AR	Adhesive	
72	1001152729	4	Clamp	
73	5240600	4	Washer M6	
74	1001184066	1	Foam, Baffle	
75	1001125248	2	Mount, Engine	
76	1001226420	1	Support	
77	1001195600	1	Bracket, Muffler	
78	0761014	1	Bolt M10 x 30	
79	0700819	2	Bolt M8 x 55	
80	4812500	2	Washer M20	
81	1001255529	1	Regulator	
82	8405201	1	Clamp	
83	1001249122	1	Tube	
84	1001249123	1	Tube	
85	1001213010	3	Clamp	
86	1001263476	3 ft /1 m	Hose	

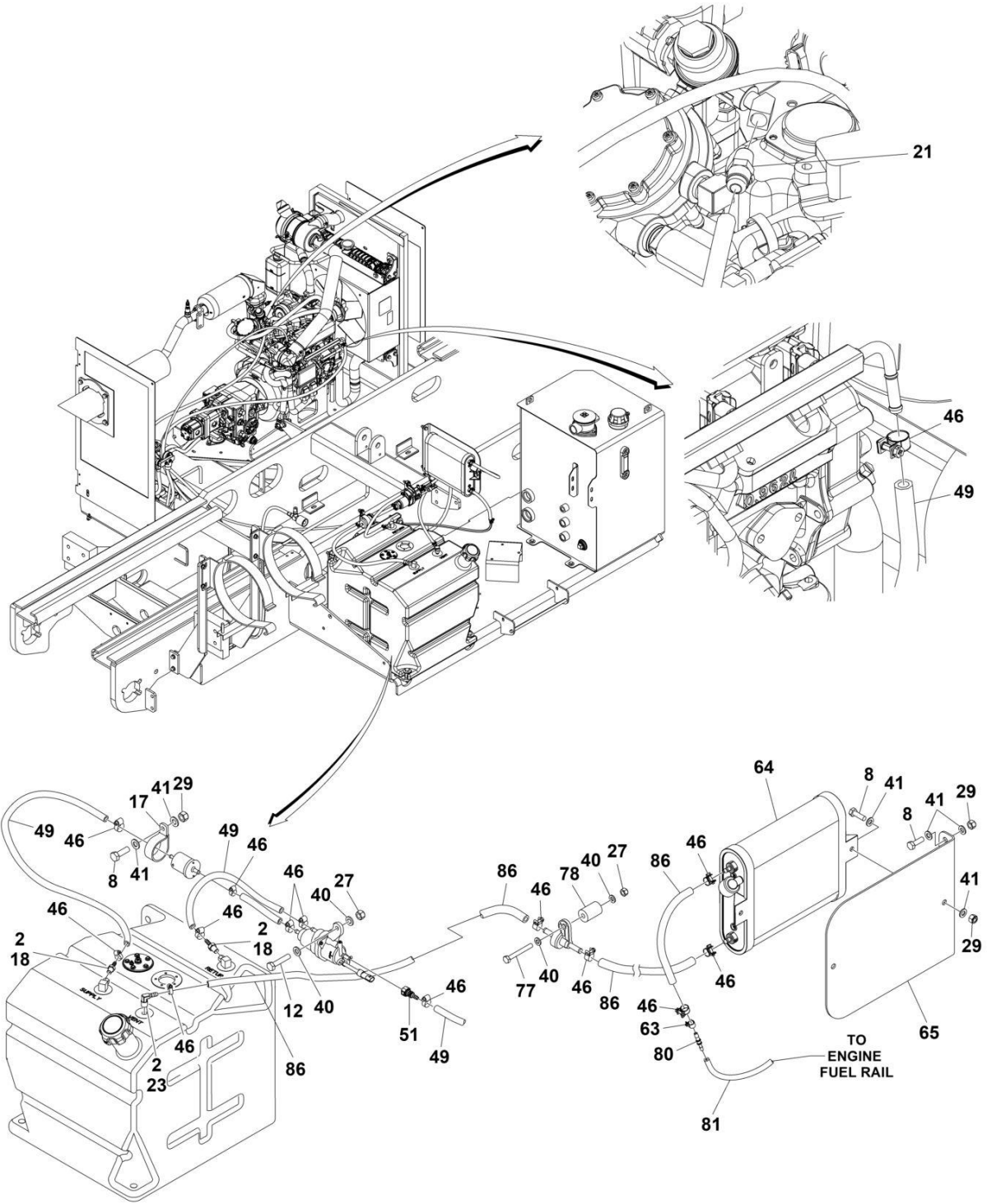
# SECTION 3 - ENGINE

## FIGURE 3-12. ENGINE INSTALLATION - KUBOTA GASOLINE WITH GENERATOR



ART\_1001225626\_P\_10F2

# SECTION 3 - ENGINE



ART\_1001225626\_P\_2OF2

## SECTION 3 - ENGINE

FIGURE 3-12. ENGINE INSTALLATION - KUBOTA GASOLINE WITH GENERATOR

ITEM	PART NUMBER	QTY	DESCRIPTION	REV
	1001225626	Ref	ENGINE INSTALLATION - KUBOTA GASOLINE WITH GENERATOR	P
1	0100011	AR	Compound, Locking	
2	0100020	AR	Sealant	
4	0400075	1	Battery	
6	0641610	5	Bolt 3/8 x 1-1/4	
7	0641612	1	Bolt 3/8 x 1-1/2	
8	0700812	5	Bolt M8 x 25	
10	1001093382	2	J-Bolt	
11	0741010	2	Screw #10 x 1-1/4	
12	0760614	3	Bolt M6 x 30	
14	0761617	1	Bolt M16 x 45	
15	1320061	1	Clamp	
16	1320220	1	LP Clamp Kit	
16	4400420	1	Tank, LP - Steel (Not Shown)	
16	4400275	1	Tank, LP - Aluminum (Not Shown)	
17	1320265	1	Clamp	
18	2180348	2	Fitting, Straight NPT x Barbed	
19	2180387	1	Fitting, Tank Connector	
20	2180389	1	Fitting, Relief Valve	
21	2180418	2	Fitting, Straight	
22	2220290	1	Fitting, Tee	
23	2221176	1	Fitting, 90 NPT x Barbed	
25	2400044	1	Block, Fuse Mounting	
26	2720611	1	Hose	
27	3290605	8	Nut M6	
29	3290805	5	Nut M8	
30	88521205	2	Nut 5/16	
31	3291605	1	Nut M16	
32	3300408	2	Nut	
33	3311605	6	Nut 3/8	
34	3422669	1	Pin	
35	3573440	2	Plate, LP Tank Mount	
36	3841143	1	Keeper, Pin	
38	4711400	2	Washer 1/4	
39	4711600	10	Washer 3/8	
40	4811700	11	Washer M6	
41	4811900	10	Washer M8	
43	4812300	2	Washer M16	
44	5241000	1	Washer M10	
45	8303511	1	Capscrew M10 x 20	
46	1001174486	14	Clamp	
48	1001208874	1	Filter, Charge Pump	
48	70010383	1	Element, Filter	
49	1001300357	14 ft / 5 m	Hose	
51	1001174093	1	Coupling, Quick Connect	
52	1001183421	1	Foam, Baffle	
53	1001184065	1	Bracket, Hold Down	
56	1001225627	1	Engine and Pump Sub-Assembly - Kubota Gasoline with Generator (See Separate Breakdown in this Section)	

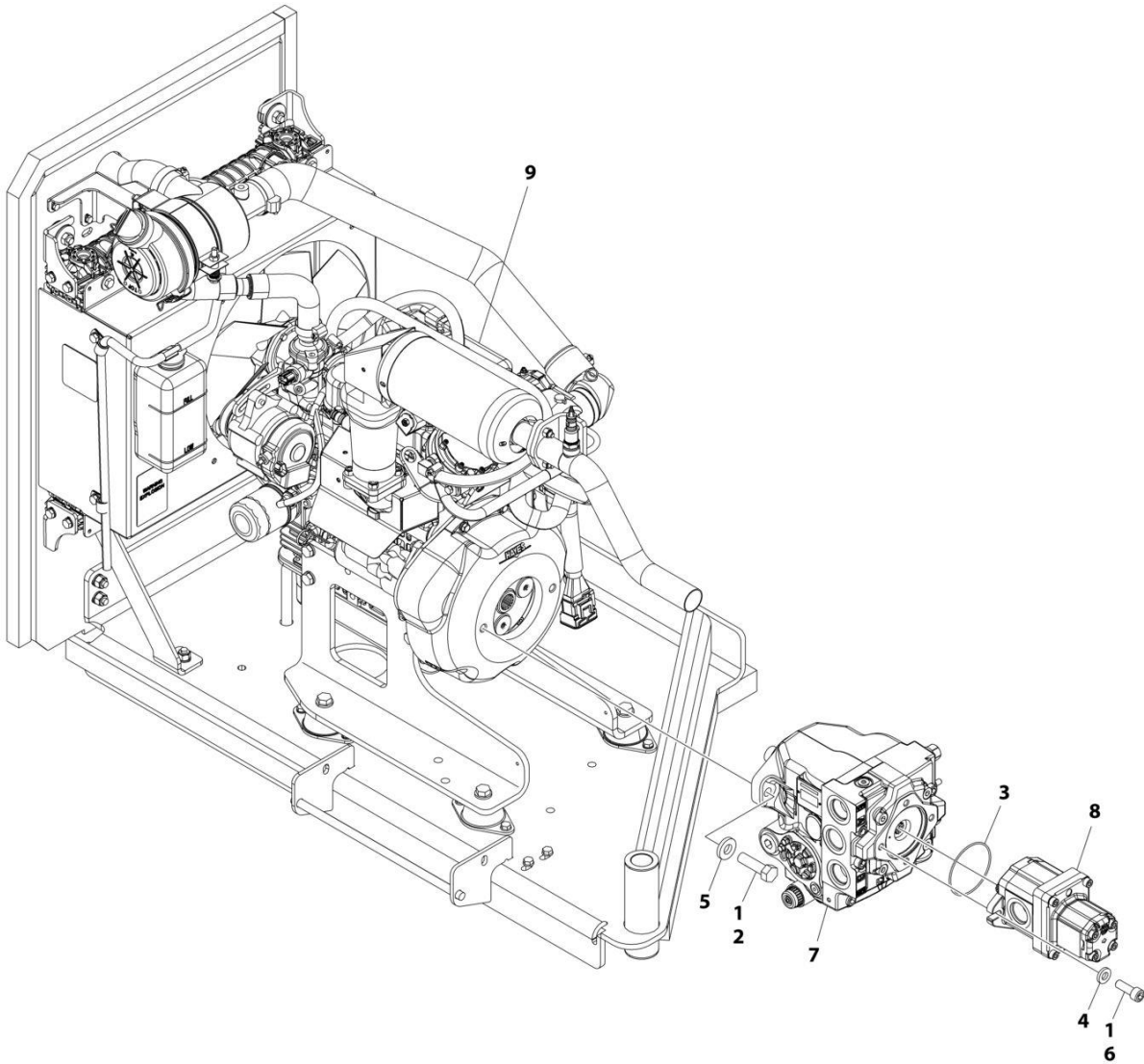


## SECTION 3 - ENGINE

ITEM	PART NUMBER	QTY	DESCRIPTION	REV
57	1001194836	1	Bracket	
63	1001185585	2	Clamp	
64	1001225420	1	Filter, Carbon Canister	
65	1001225421	1	Bracket	
68	1001262941	1	Decal - EPA Evaporation 2020 Standards	
68	1001274101	1	Decal - EPA Evaporation 2021 Standards	
68	1001288395	1	Decal - EPA Evaporation 2022 Standards	
68	1001299769	1	Decal - EPA Evaporation 2023 Standards	
69	3820020	7	Rivet	
70	3740080	4	Relay	
73	4240018	AR	Tie-Strap	
74	1001185125	1	Plate	
75	1001236546	1	Engine Harness - Kubota Gasoline (See Separate Breakdown in ELECTRICAL Section)	
76	4751500	2	Washer 5/16	
77	0700618	1	Bolt M6 x 50	
78	3860111	1	Roller	
79	0760610	3	Bolt M6 x 20	
80	1001131391	1	Fitting, Coupling	
81	1001129256	10 ft / 3 m	Hose	
83	1001146588	1	Tie-Strap (Not Shown)	
84	0761014	2	Bolt M10 x 30	
85	1001186428	1	Battery Cable Kit (See Separate Breakdown in ELECTRICAL Section)	
86	1001129255	5 ft / 2 m	Hose	
87	0641812	4	Bolt 1/2 x 1-1/2	
88	3311801	4	Nut 1/2	
89	4711800	8	Washer 1/2	
90	0761010	3	Bolt M10 x 20	
91	4812000	7	Washer M10	
92	1001234069	1	Harness, Fusible Link	
93	3291005	2	Locknut M10	

# SECTION 3 - ENGINE

FIGURE 3-13. ENGINE AND PUMP SUB-ASSEMBLY - KUBOTA GASOLINE WITH GENERATOR



ART\_1001225627

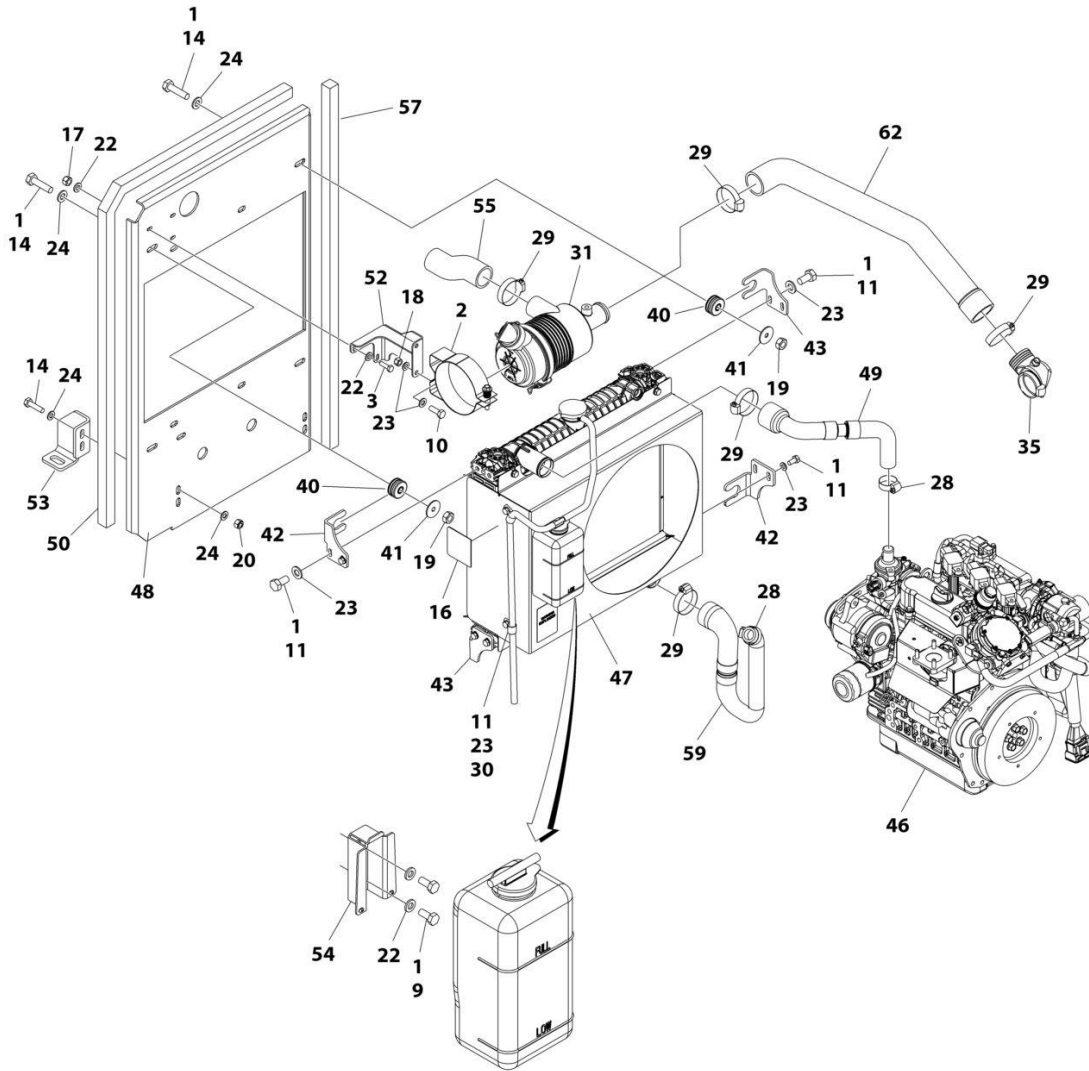
## SECTION 3 - ENGINE

**FIGURE 3-13. ENGINE AND PUMP SUB-ASSEMBLY - KUBOTA GASOLINE WITH GENERATOR**

ITEM	PART NUMBER	QTY	DESCRIPTION	REV
	1001225627	Ref	ENGINE AND PUMP SUB-ASSEMBLY - KUBOTA GASOLINE WITH GENERATOR	C
1	0100011	AR	Compound, Locking	
2	0641814	2	Bolt 1/2 x 1-3/4	
3	3790152	1	O-Ring	
4	4711600	2	Washer 3/8	
5	4891800	2	Washer 1/2	
6	83191040	2	Capscrew M10 x 30	
7	1001101331	1	Piston Pump Assembly (See Separate Breakdown in this Section)	
8	1001217291	1	Gear Pump Assembly	
8	70002861	1	Seal Kit - 1001217291 Pump (Note: Seal Kit is only service component available)	
9	1001225628	1	Engine Assembly - Kubota Gasoline with Generator (See Separate Breakdown in this Section)	

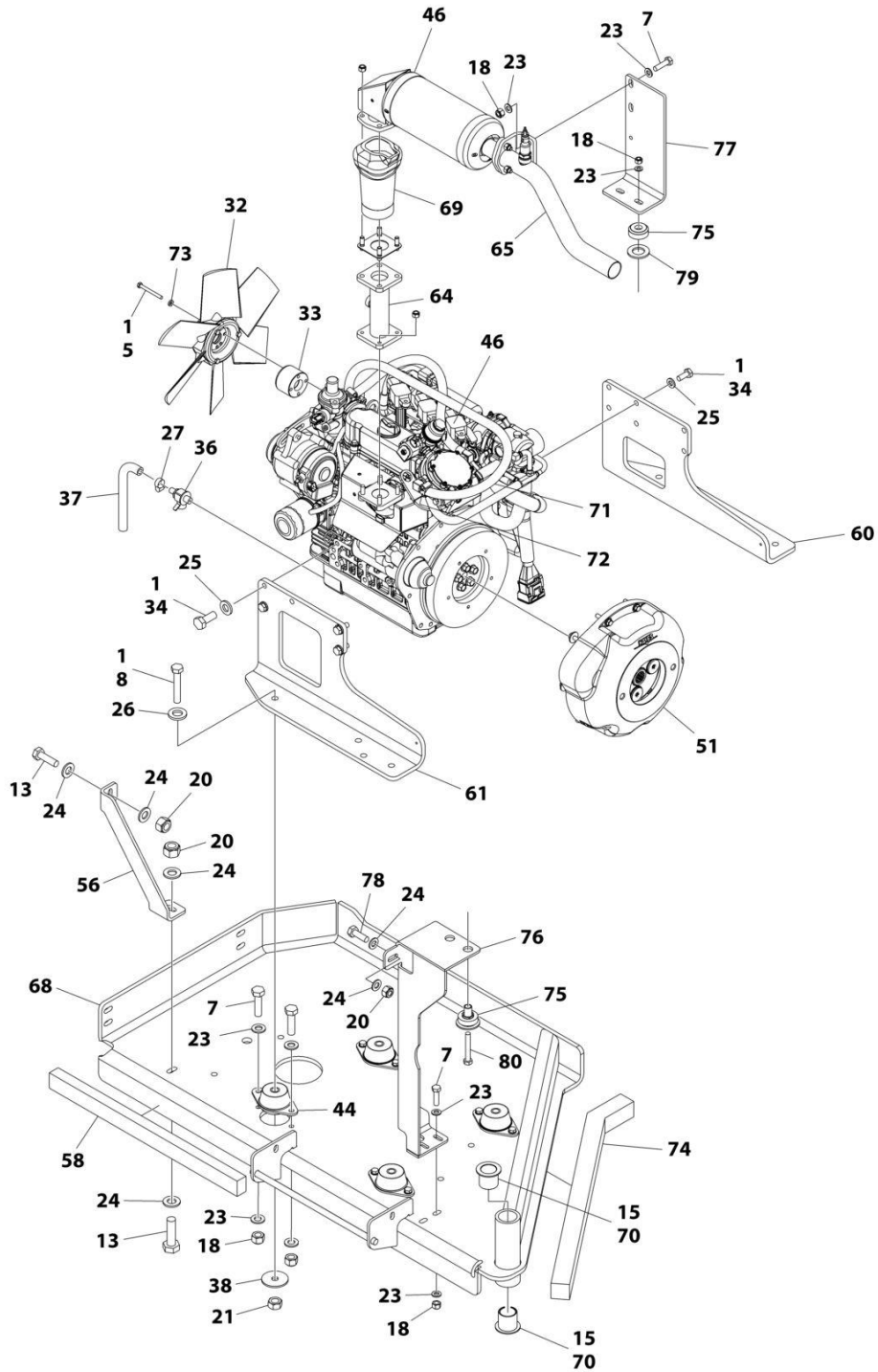
# SECTION 3 - ENGINE

## FIGURE 3-14. ENGINE ASSEMBLY - KUBOTA GASOLINE WITH GENERATOR



ART\_1001225628\_10F2

# SECTION 3 - ENGINE



ART\_1001225628\_2OF2

## SECTION 3 - ENGINE

FIGURE 3-14. ENGINE ASSEMBLY - KUBOTA GASOLINE WITH GENERATOR

ITEM	PART NUMBER	QTY	DESCRIPTION	REV
	1001225628	Ref	ENGINE ASSEMBLY - KUBOTA GASOLINE WITH GENERATOR	D
1	0100011	AR	Compound, Locking	
2	0340045	1	Band, Mounting	
3	0700610	3	Bolt M6 x 20	
5	0700620	4	Bolt M6 x 60	
7	0700814	12	Bolt M8 x 30	
8	0701222	4	Bolt M12 x 70	
9	0760607	2	Bolt M6 x 14	
10	0760810	2	Bolt M8 x 20	
11	0760808	10	Bolt M8 x 16	
13	0761015	4	Bolt M10 x 35	
14	0761016	6	Bolt M10 x 40	
15	0961986	2	Bearing	
16	1703162	2	Decal - Fan Blade	
17	3290605	3	Nut M6	
18	3290805	16	Nut M8	
19	3291001	4	Nut M10	
20	3291005	7	Nut M10	
21	3291201	4	Nut M12	
22	4811700	8	Washer M6	
23	4811900	40	Washer M8	
24	4812000	18	Washer M10	
25	5241000	8	Washer M10	
26	5241200	4	Washer M12	
27	8405009	1	Clamp	
28	8405101	2	Clamp	
29	8405104	5	Clamp	
30	85941016	2	Clamp	
31	1001118280	1	Air Filter Assembly	
31	7015004	2	Element	
31	7015005	1	Cover Assembly	
31	1340069	1	Valve, Vacuator	
32	1001118538	1	Fan	
33	1001118539	1	Spacer, Fan	
34	1001118746	8	Bolt M10 x 25	
35	1001146043	1	Coupling, 90	
36	1001161497	1	Valve, Oil Drain	
37	1001165035	8 in/ 20cm	Hose	
38	1001168018	4	Washer	
40	1001169054	4	Isolator	
41	1001169138	AR	Pad	
42	1001169967	2	Bracket	
43	1001170035	2	Bracket	
44	1001175509	4	Mount, Motor	
46	1001224493	1	Engine, Kubota Gasoline with Generator (See Separate Breakdown in this Section)	
47	1001220957	1	Radiator & Shroud Assembly	
47	1001198726	1	Radiator	
47	70007502	1	Valve, Drain	
47	1001220959	1	Shroud	

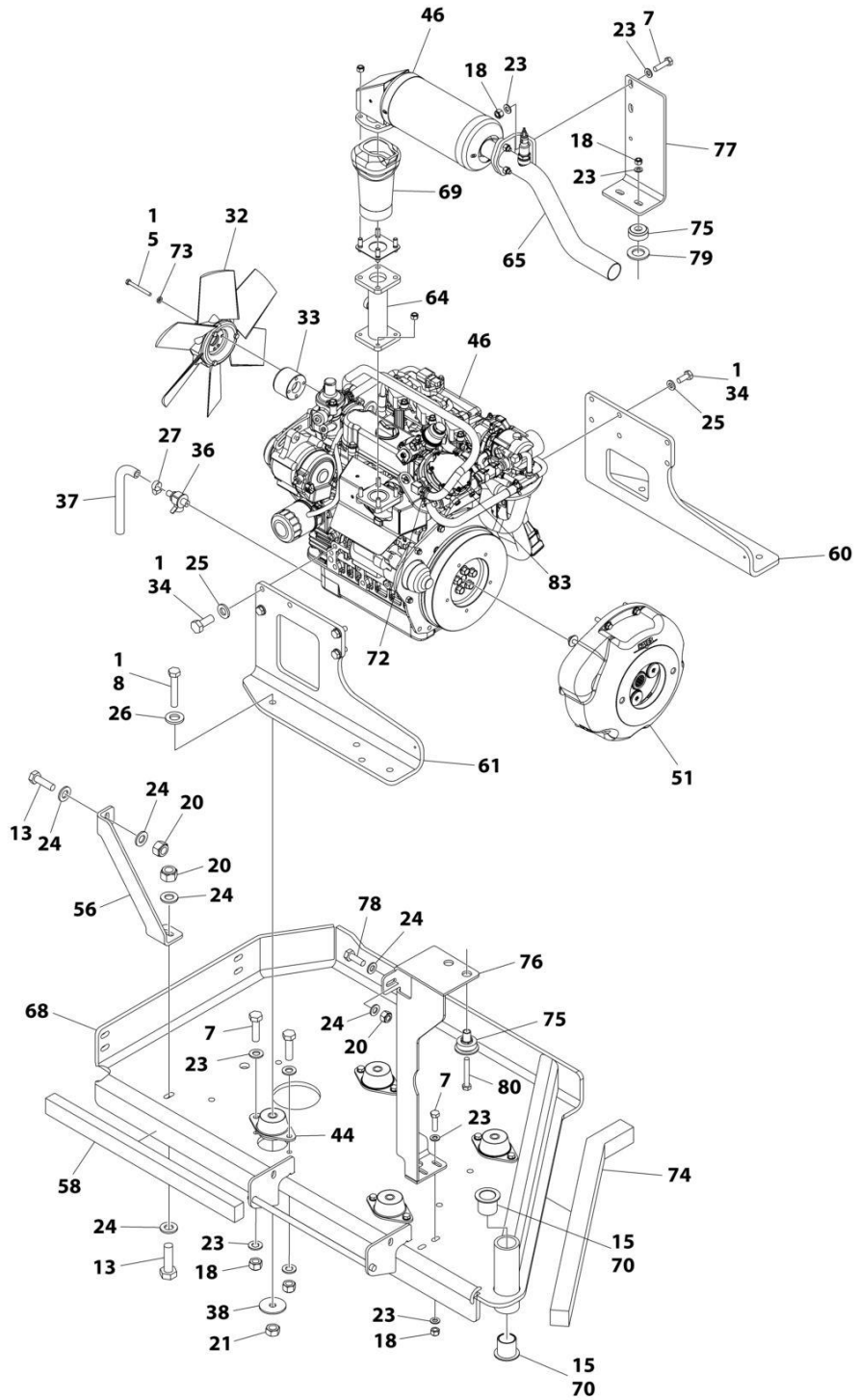
## SECTION 3 - ENGINE

ITEM	PART NUMBER	QTY	DESCRIPTION	REV
48	1001181658	1	Plate, Radiator	
49	1001181659	1	Hose, Radiator (Upper)	
50	1001227285	1	Seal	
51	1001181829	1	Coupling Kit - Gasoline Engines (See Separate Breakdown in this Section)	
52	1001182980	1	Bracket	
53	1001182981	1	Bracket	
54	1001182982	1	Mount	
55	1001182983	1	Tube, Intake	
56	1001182984	1	Support	
57	1001183420	1	Foam, Baffle	
58	1001183424	1	Foam, Baffle	
59	1001183427	1	Tube, Coolant	
60	1001183428	1	Mount, Engine (RH)	
61	1001215543	1	Mount, Engine (LH)	
62	1001184064	1	Tube, Intake	
64	1001213847	1	Tube, Exhaust	
65	1001186833	1	Tube, Exhaust	
68	1001205968	1	Tray	
69	1001210708	1	Insulate, Exhaust	
70	0100062	AR	Adhesive	
71	1001181625	50 in/ 127cm	Hose	
72	8410013	4	Clamp	
73	5240600	4	Washer M6	
74	1001184066	1	Foam, Baffle	
75	1001125248	2	Mount, Engine	
76	1001195600	1	Bracket, Muffler	
77	1001226420	1	Support	
78	0761014	1	Bolt M10 x 30	
79	4812500	2	Washer M20	
80	0700819	2	Bolt M8 x 55	





# SECTION 3 - ENGINE



ART\_1001225628\_E\_20F2

## SECTION 3 - ENGINE

**FIGURE 3-15. ENGINE ASSEMBLY - KUBOTA GASOLINE WITH GENERATOR (SN M200085013 to Present, SN M200085096 to Present)**

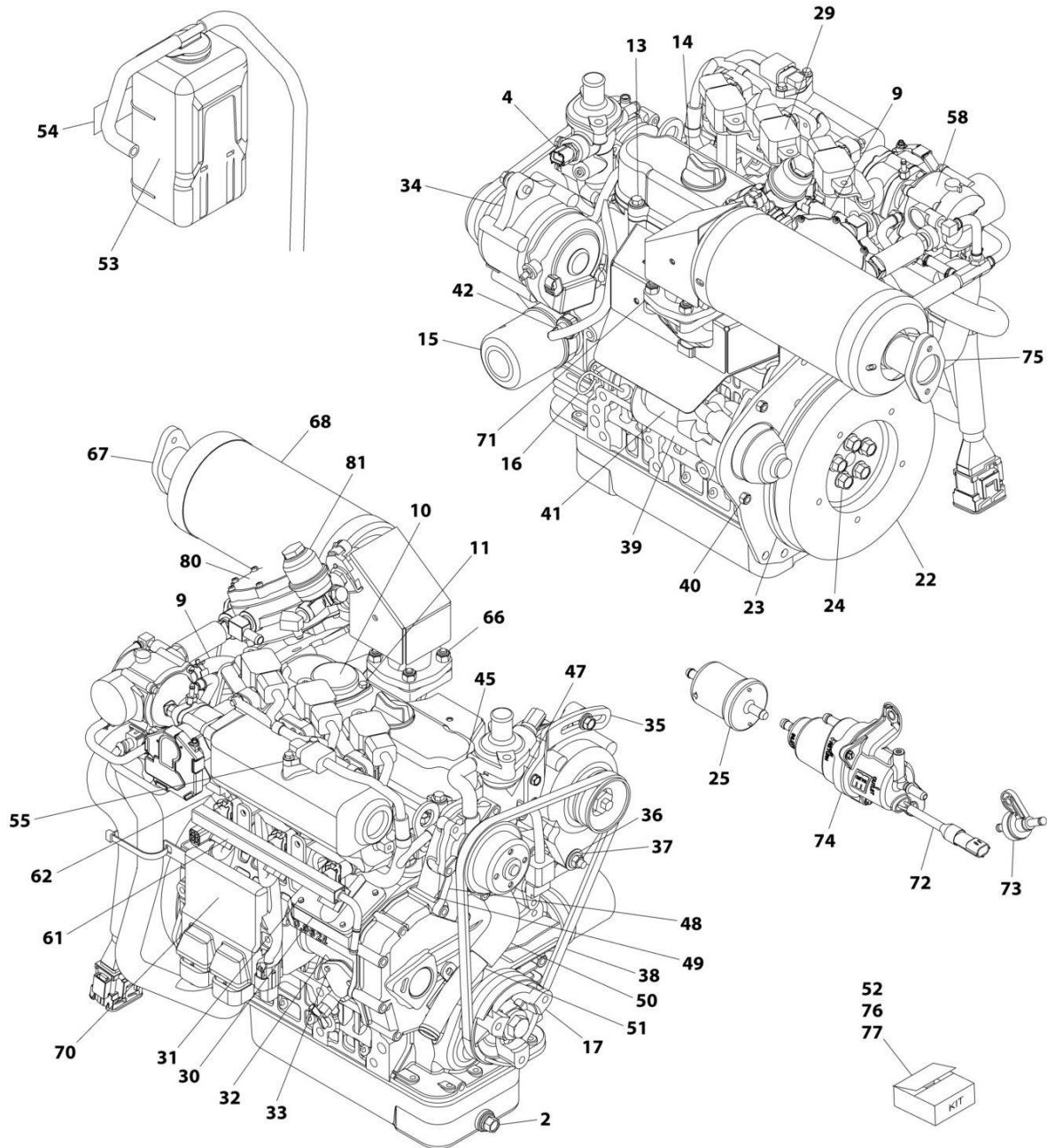
ITEM	PART NUMBER	QTY	DESCRIPTION	REV
	1001225628	Ref	ENGINE ASSEMBLY - KUBOTA GASOLINE WITH GENERATOR	E
1	0100011	AR	Compound, Locking	
2	0340045	1	Band, Mounting	
3	0700610	3	Bolt M6 x 20	
5	0700620	4	Bolt M6 x 60	
7	0700814	12	Bolt M8 x 30	
8	0701222	4	Bolt M12 x 70	
9	0760607	2	Bolt M6 x 14	
10	0760810	2	Bolt M8 x 20	
11	0760808	10	Bolt M8 x 16	
13	0761015	4	Bolt M10 x 35	
14	0761016	6	Bolt M10 x 40	
15	0961986	2	Bearing	
16	1703162	2	Decal - Fan Blade	
17	3290605	3	Nut M6	
18	3290805	16	Nut M8	
19	3291001	4	Nut M10	
20	3291005	7	Nut M10	
21	3291201	4	Nut M12	
22	4811700	8	Washer M6	
23	4811900	40	Washer M8	
24	4812000	18	Washer M10	
25	5241000	8	Washer M10	
26	5241200	4	Washer M12	
27	8405009	1	Clamp	
28	8405101	2	Clamp	
29	8405104	4	Clamp	
30	85941016	2	Clamp	
31	1001118280	1	Air Filter Assembly	
31	7015004	2	Element	
31	7015005	1	Cover Assembly	
31	1340069	1	Valve, Vacuator	
32	1001118538	1	Fan	
33	1001118539	1	Spacer, Fan	
34	1001118746	8	Bolt M10 x 25	
35	1001146043	1	Coupling, 90	
36	1001161497	1	Valve, Oil Drain	
37	1001165035	8 in/ 20cm	Hose	
38	1001168018	4	Washer	
40	1001169054	4	Isolator	
41	1001169138	AR	Pad	
42	1001169967	2	Bracket	
43	1001170035	2	Bracket	
44	1001175509	4	Mount, Motor	
46	1001288350	1	Engine, Kubota Gasoline with Generator (See Separate Breakdown in this Section)	
47	1001220957	1	Radiator & Shroud Assembly	
47	1001198726	1	Radiator	
47	70007502	1	Valve, Drain	

## SECTION 3 - ENGINE

ITEM	PART NUMBER	QTY	DESCRIPTION	REV
47	1001220959	1	Shroud	
48	1001181658	1	Plate, Radiator	
49	1001181659	1	Hose, Radiator (Upper)	
50	1001227285	1	Seal	
51	1001181829	1	Coupling Kit - Gasoline Engines (See Separate Breakdown in this Section)	
52	1001182980	1	Bracket	
53	1001182981	1	Bracket	
54	1001182982	1	Mount	
55	1001182983	1	Tube, Intake	
56	1001182984	1	Support	
57	1001183420	1	Foam, Baffle	
58	1001183424	1	Foam, Baffle	
59	1001183427	1	Tube, Coolant	
60	1001183428	1	Mount, Engine (RH)	
61	1001215543	1	Mount, Engine (LH)	
62	1001184064	1	Tube, Intake	
64	1001213847	1	Tube, Exhaust	
65	1001186833	1	Tube, Exhaust	
68	1001205968	1	Tray	
69	1001210708	1	Insulate, Exhaust	
70	0100062	AR	Adhesive	
72	1001152729	4	Clamp	
73	5240600	4	Washer M6	
74	1001184066	1	Foam, Baffle	
75	1001125248	2	Mount, Engine	
76	1001195600	1	Bracket, Muffler	
77	1001226420	1	Support	
78	0761014	1	Bolt M10 x 30	
79	4812500	2	Washer M20	
80	0700819	2	Bolt M8 x 55	
81	1001255529	1	Regulator	
82	8405201	1	Clamp	
83	1001249122	1	Tube	
84	1001249123	1	Tube	
85	1001213010	3	Clamp	
86	1001263476	3 ft / 1 m	Hose	

# SECTION 3 - ENGINE

## FIGURE 3-16. ENGINE COMPONENTS - KUBOTA GASOLINE



ART\_1001224493

## SECTION 3 - ENGINE

**FIGURE 3-16. ENGINE COMPONENTS - KUBOTA GASOLINE**

ITEM	PART NUMBER	QTY	DESCRIPTION	REV
	1001224493	Ref	ENGINE COMPONENTS - KUBOTA GASOLINE	C
1	70004524	1	Drain (Not Shown)	
2	70004525	1	Plug, Drain	
2	70004526	1	Gasket	
3	7017906	2	Bolt (Not Shown)	
4	70005726	1	Sensor, Water Temperature	
4	70005727	1	Gasket	
5	70005728	1	Gasket, Head (Not Shown)	
6	7017914	1	Joint, Pipe (Not Shown)	
7	70005729	1	Seal, Oil (Not Shown)	
8	70005730	1	Sensor, Revolution (Not Shown)	
9	7017959	2	Band, Pipe	
10	70005731	1	O-Ring, Breather	
10	70005732	1	Cover, Breather	
11	7017934	4	Screw	
12	70005733	1	Gasket, Head Cover (Not Shown)	
13	70004831	4	Bolt	
14	70002318	1	Plug, Oil Filler	
14	70004311	1	O-Ring	
15	7017980	1	Filter, Oil	
16	70005734	1	Gauge, Oil	
17	70004294	1	Pump, Oil	
17	70004295	1	Gasket, Oil	
18	70004296	1	Key, Feather (Not Shown)	
19	7017982	1	Gasket, Bearing Case (Not Shown)	
20	7017983	1	Seal, Oil (Not Shown)	
21	7017984	1	Gasket, Case Cover (Not Shown)	
22	70005735	1	Gear, Ring	
23	70005736	1	Rotor	
24	70004834	5	Bolt	
25	7017992	1	Fuel, Filter	
26	70005737	1	Sensor, Stick (Not Shown)	
27	70005738	1	Holder, Sensor (Not Shown)	
28	70005739	3	Spark Plug (Not Shown)	
29	70005740	3	Coil, Ignition	
30	7017986	1	Gasket	
31	70004538	2	Packing	
32	7017995	1	Gasket, Fuel Pump	
33	70004848	2	Bolt	
34	70006661	1	Alternator - 60Amp	
35	70006662	1	Bracket, Adjustment	
36	70004557	1	Washer	
37	70004558	1	Washer, Spring Lock	
38	7023107	1	V-Belt	
39	70005743	1	Starter	
40	70005329	5	Nut	
41	70005744	1	Magnetic, Switch	
42	70005745	1	Switch, Oil Pressure	
43	70004829	1	Pipe, Water Return (Not Shown)	
44	70004306	1	Gasket, Water Flange (Not Shown)	

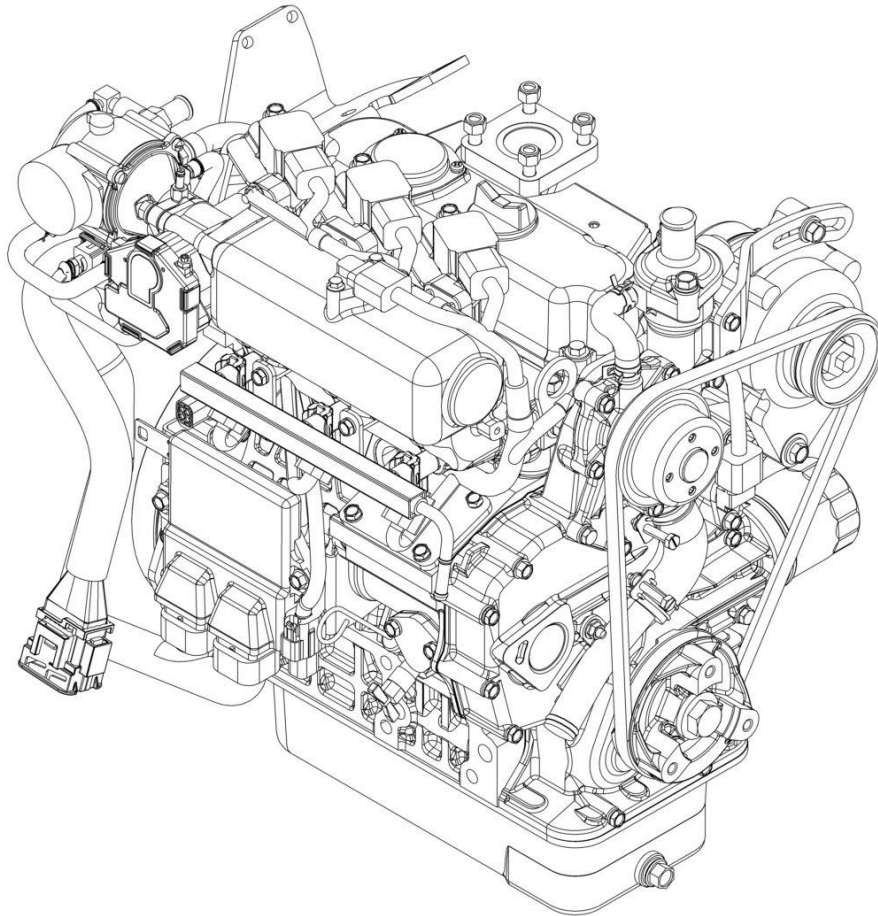
## SECTION 3 - ENGINE

ITEM	PART NUMBER	QTY	DESCRIPTION	REV
45	70004851	1	Pipe, Water Return	
46	7023170	1	Thermostat (Not Shown)	
47	70002326	1	Gasket, Thermostat	
48	70004853	1	Pump, Water	
49	70004854	1	Gasket, Water Pump	
50	70004912	1	Hose, Water	
51	70004913	2	Band, Pipe	
52	70005229	1	Coolant Tank Kit	
53	4400498	1	Tank, Coolant	
54	70004401	1	Decal - Instruction	
55	70005746	1	Sensor (TMAP)	
56	70005747	1	O-Ring (Not Shown)	
57	7017994	2	Gasket, Air Cleaner (Not Shown)	
58	70005748	1	Mixer	
59	70004537	1	Screw, Air Bleeder (Not Shown)	
60	70005749	1	Gasket, In-Manifold (Not Shown)	
61	70005750	1	Rail, Fuel Ignition	
62	70005751	3	Injector	
63	70005752	1	Gasket, Exhaust Manifold (Not Shown)	
64	70005753	3	Bolt, Stud (Not Shown)	
65	70005327	6	Nut (Not Shown)	
66	70005754	4	Bolt, Stud	
67	70005755	1	Muffler	
68	70005756	1	Cover, Muffler	
69	70005757	1	Harness, Wire (ECU) (Not Shown)	
70	70005758	1	Module, Engine Control (ECU)	
71	70005759	2	Gasket, Muffler	
72	70005760	2	Sensor, O2	
73	70005762	1	Valve, 2 Way	
74	70005761	1	Pump, Fuel	
75	70005763	1	Gasket, Muffler	
76	70005764	1	Upper Gasket Kit	
77	70005765	1	Lower Gasket Kit	
78	70005766	1	Cable Assembly (ECOM) (Not Shown)	
79	70005767	1	Adapter (ECOM) (Not Shown)	
80	70005768	1	Regulator	
81	70005769	1	Valve, Lockoff	



## SECTION 3 - ENGINE

FIGURE 3-17. ENGINE COMPONENTS - KUBOTA GASOLINE (SN M200085013 to Present, SN M200085096 to Present)



ART\_1001288350



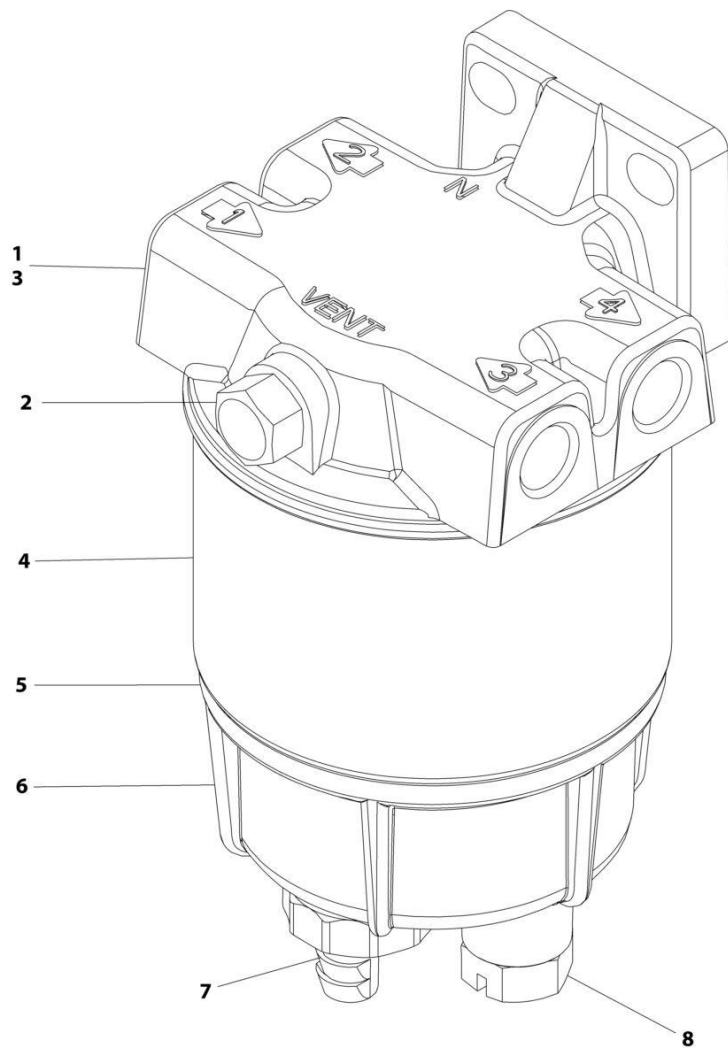
## SECTION 3 - ENGINE

**FIGURE 3-17. ENGINE COMPONENTS - KUBOTA GASOLINE (SN M200085013 to Present, SN M200085096 to Present)**

ITEM	PART NUMBER	QTY	DESCRIPTION	REV
	1001288350 See Note	Ref NSS	ENGINE COMPONENTS - KUBOTA GASOLINE Note: No Service Parts Available at Time of Printing	A

# SECTION 3 - ENGINE

## FIGURE 3-18. FUEL/WATER SEPARATOR ASSEMBLY - DIESEL ENGINES



ART\_1001190609

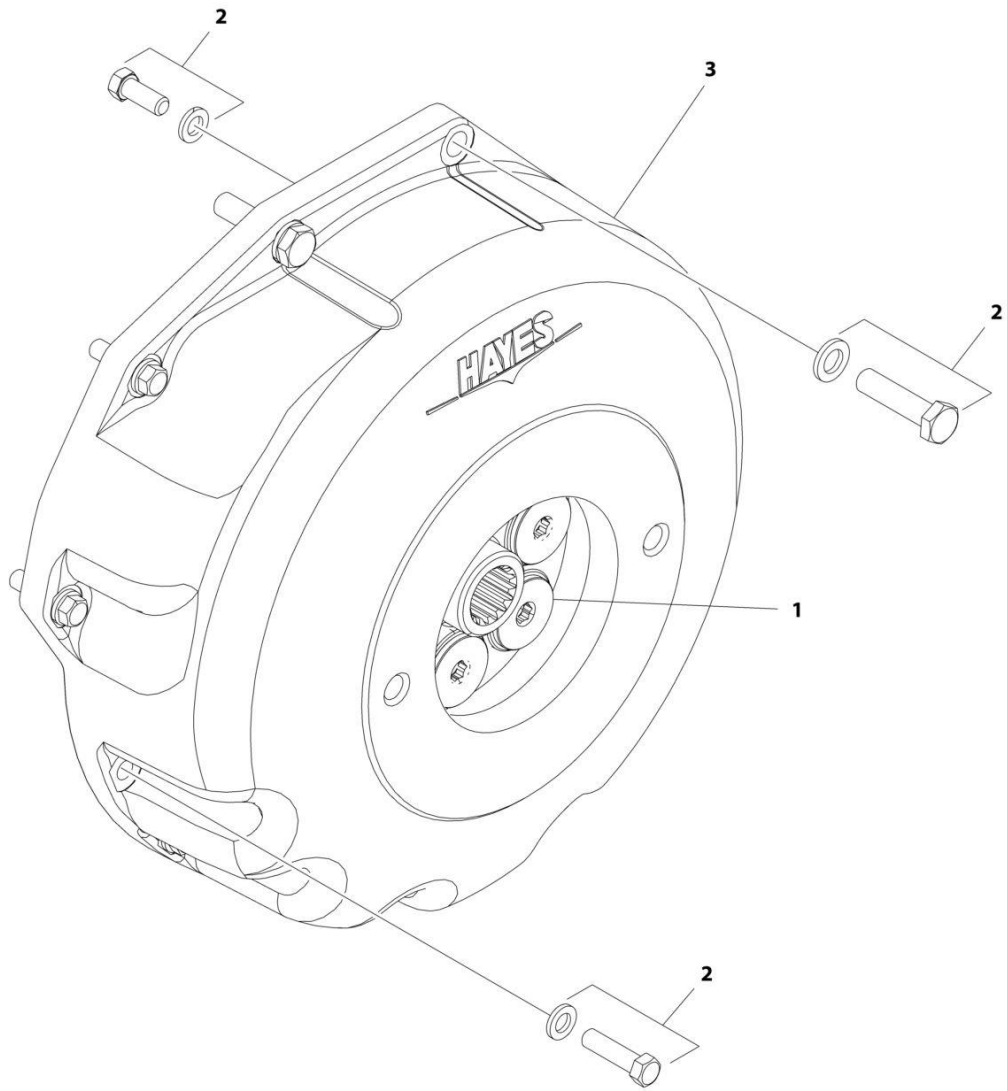
## SECTION 3 - ENGINE

**FIGURE 3-18. FUEL/WATER SEPARATOR ASSEMBLY - DIESEL ENGINES**

ITEM	PART NUMBER	QTY	DESCRIPTION	REV
	1001190609	Ref	FUEL/WATER SEPARATOR ASSEMBLY - DIESEL ENGINES	B
1	70005293	1	Head, Mounting	
2	70005294	1	Plug	
3	70005295	1	Gasket, Head	
4	70005296	1	Element	
5	70005297	1	O-Ring	
6	70002901	1	Bowl	
7	70004070	1	Drain, Self Venting	
8	70004069	1	Plug	

# SECTION 3 - ENGINE

## FIGURE 3-19. COUPLING KIT - DIESEL ENGINES



ART\_1001118675

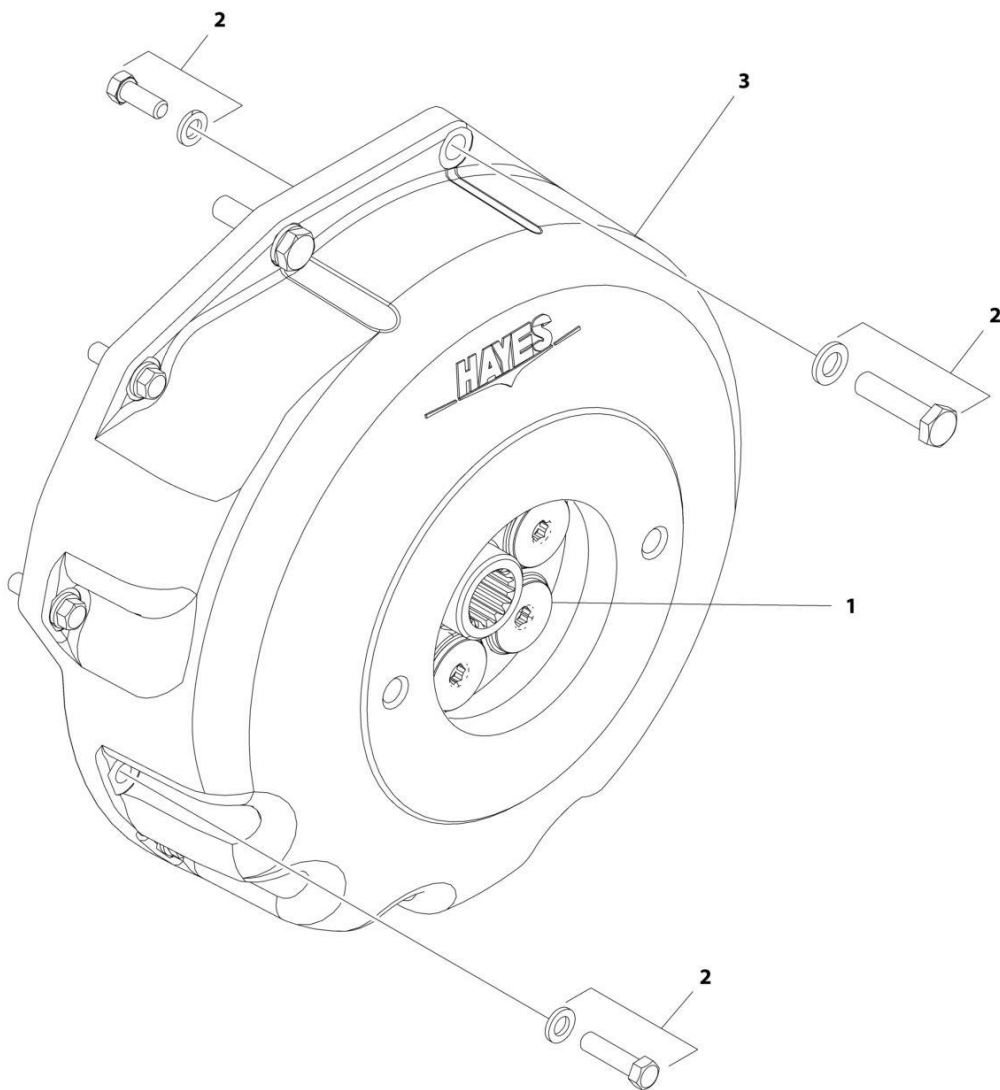
## SECTION 3 - ENGINE

### FIGURE 3-19. COUPLING KIT - DIESEL ENGINES

ITEM	PART NUMBER	QTY	DESCRIPTION	REV
	1001118675	Ref	COUPLING KIT - DIESEL ENGINES	A
1	70001933	1	Coupling Assembly	
2	70005453	1	Bolt Kit	
3	See Note	NSS	Housing (Note: Use p/n 1001118675)	

# SECTION 3 - ENGINE

## FIGURE 3-20. COUPLING KIT - GASOLINE ENGINES



ART\_1001181829

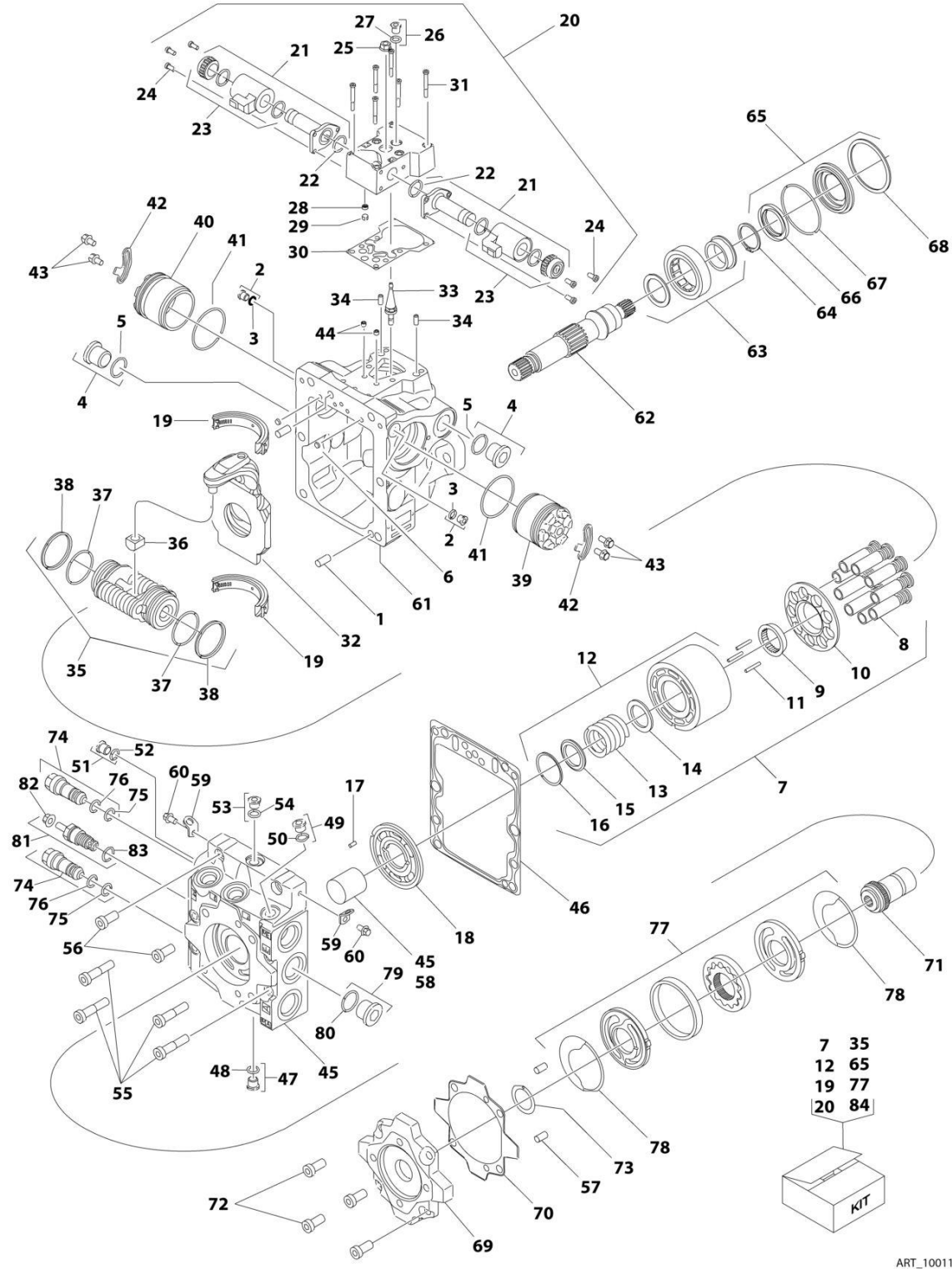
## SECTION 3 - ENGINE

### FIGURE 3-20. COUPLING KIT - GASOLINE ENGINES

ITEM	PART NUMBER	QTY	DESCRIPTION	REV
	1001181829	Ref	COUPLING KIT - GASOLINE ENGINES	B
1	70005455	1	Coupling Assembly	
2	70005454	1	Bolt Kit	
3	See Note	NSS	Housing (Note: Use p/n 1001181829)	

# SECTION 3 - ENGINE

## FIGURE 3-21. PISTON PUMP ASSEMBLY



ART\_1001101331



## SECTION 3 - ENGINE

### FIGURE 3-21. PISTON PUMP ASSEMBLY

ITEM	PART NUMBER	QTY	DESCRIPTION	REV
	1001101331	Ref	PISTON PUMP ASSEMBLY	E
1	70002132	2	Pin	
2	70002133	2	Plug Assembly (Includes Item 3)	
3	7007207	2	O-Ring (Part of Item 2)	
4	7007419	2	Plug Assembly (Includes Item 5)	
5	7007418	2	O-Ring (Part of Item 4)	
6	70002134	2	Screen	
7	70002135	1	Cylinder Block Kit (Includes Items 8-16)	
8	70002136	1	Piston Assembly Kit (Includes Qty 9 Piston Assemblies) (Part of Item 7)	
9	70002137	1	Guide, Slipper Retainer (Part of Item 7)	
10	70002138	1	Retainer, Slipper (Part of Item 7)	
11	7021275	3	Pin, Slipper Retainer Hold Down (Part of Item 7)	
12	70002143	1	Cylinder Block Assembly (Includes Items 13-16) (Part of Item 7)	
13	70002139	1	Spring (Part of Item 12)	
14	70002140	1	Washer (Part of Item 12)	
15	70002141	1	Washer (Part of Item 12)	
16	70002142	1	Ring, Retaining (Part of Item 12)	
17	7007446	1	Pin	
18	70002144	1	Plate, CW Valve	
19	70002145	1	Swash Plate Bearing Kit (Includes Qty 2 Bearings)	
20	70002146	1	EDC Kit (Includes Items 21-31)	
21	70002147	2	Solenoid Valve Assembly (Includes Item 22 & 23) (Part of Item 20)	
22	70002148	2	O-Ring (1 Per Valve Assembly) (Part of Item 21)	
23	70002149	2	Coil, Nut and Seals Kit (1 Per Valve Assembly) (Part of Item 21)	
24	70002150	6	Screw (Part of Item 20)	
25	7022301	1	Nut, Seal (Part of Item 20)	
26	70002151	1	Plug Assembly (Part of Item 20) (Includes Item 27)	
27	7007207	1	O-Ring (Part of Item 26)	
28	70002134	1	Screen (Part of Item 20)	
29	70002153	1	Ring, Locking (Part of Item 20)	
30	70002154	1	Gasket, Control (Part of Item 20)	
31	70002156	6	Capscrew (Part of Item 20)	
32	70002152	1	Swash Plate	
33	70002155	1	Link, Swash Plate	
34	70002157	2	Pin, Dowel	
35	70002158	1	Servo Piston Assembly (Includes Items 36-38)	
36	70002159	1	Block, Slider (Part of Item 35)	
37	70002160	2	O-Ring (Part of Item 35)	
38	70002161	2	Ring, Piston (Part of Item 35)	
39	70002162	1	Cylinder, Servo	
40	70002162	1	Cylinder, Servo	
41	70002163	2	O-Ring	
42	70002164	2	Plate, Locking	
43	70002165	4	Screw	
44	70002166	2	Orifice	
45	70002167	1	Cap, End (Includes Item 58)	
46	70002168	1	Gasket, End Cap	
47	70002158	1	Plug Assembly (Includes Item 48)	

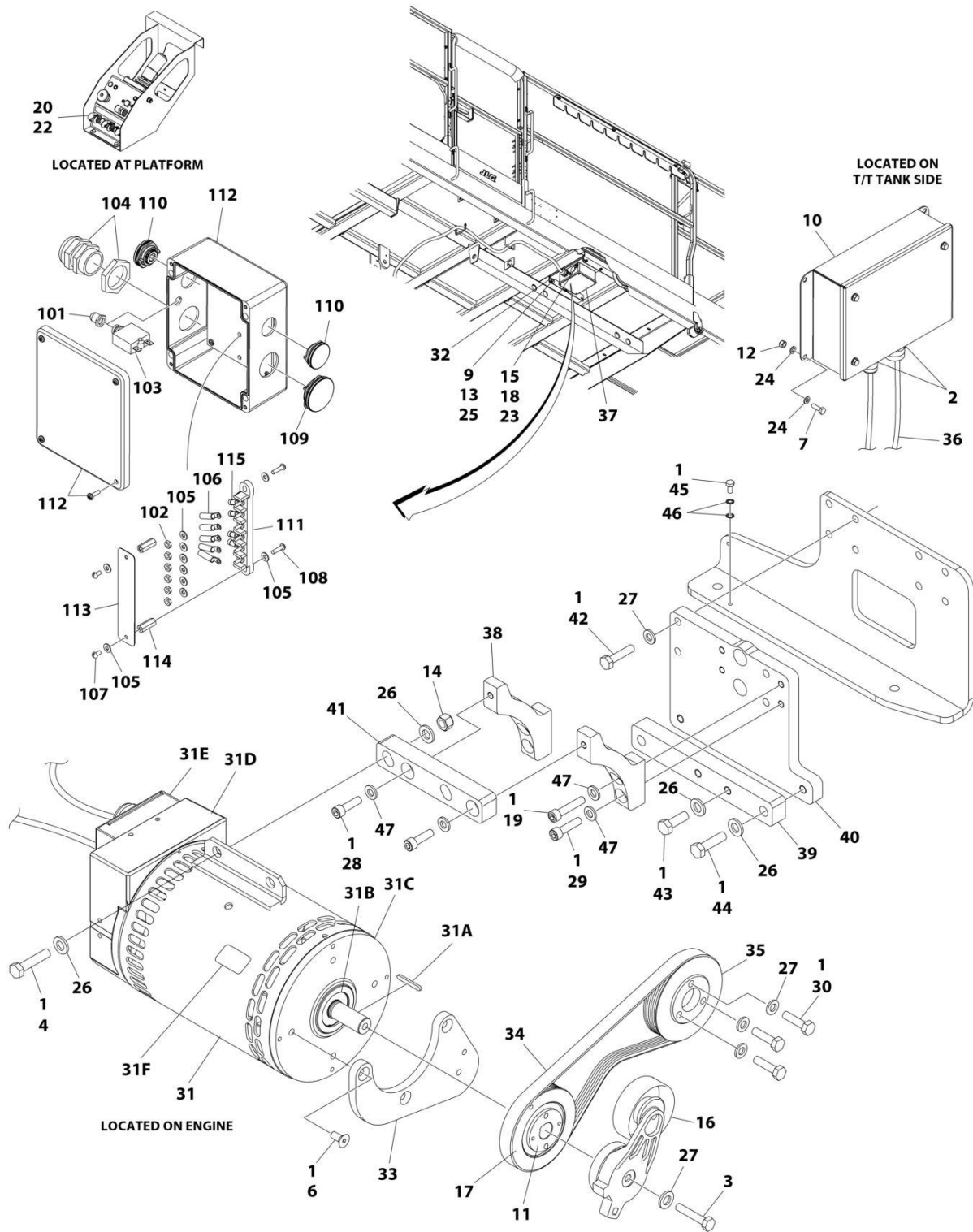
## SECTION 3 - ENGINE

ITEM	PART NUMBER	QTY	DESCRIPTION	REV
48	7021256	1	O-Ring (Part of Item 47)	
49	70001958	1	Plug Assembly (Includes Item 50)	
50	7021256	1	O-Ring (Part of Item 49)	
51	70001958	1	Plug Assembly (Includes Item 52)	
52	7021256	1	O-Ring (Part of Item 51)	
53	70001958	1	Plug Assembly (Includes Item 54)	
54	7021256	1	O-Ring (Part of Item 53)	
55	70002169	4	Capscrew	
56	70002170	2	Capscrew	
57	70002132	2	Pin	
58	70002172	1	Bearing, Journal (Part of Item 45)	
59	7022340	2	Bracket, Lifting	
60	70002165	2	Screw	
61	See Note	1	Housing (Note: Purchase p/n 1001101331)	
62	70002175	1	Shaft	
63	70002176	1	Ball Bearing Kit	
64	70007439	1	Ring, Retaining	
65	70002174	1	Shaft Seal Kit (Includes Items 66-68) (Note: This is a universal kit and will contain extra pieces that are not used on this pump assembly.)	
66	70002177	1	Seal, Lip	
67	70002178	1	O-Ring	
68	70002179	1	Ring, Retaining	
69	70002180	1	Adapter	
70	70002181	1	Seal, Adapter	
71	70002182	1	Coupling	
72	70002185	4	Capscrew	
73	70002186	1	Plate, Thrust	
74	70002188	2	High Pressure Relief Valve Cartridge Assembly (Includes Item 75 & 76)	
75	70002187	2	O-Ring (1 Per Cartridge) (Part of Item 74)	
76	7007415	2	O-Ring (1 Per Cartridge) (Part of Item 74)	
77	70002189	1	Charge Pump Kit (Includes Item 78)	
78	70002190	2	Ring, Seal (Part of Item 77)	
79	7023964	1	Plug Assembly (Includes Item 80)	
80	7007415	1	O-Ring (Part of Item 79)	
81	70002191	1	Charge Relief Valve Cartridge Assembly (Includes Item 82 & 83)	
82	70002187	1	Nut, Seal (Part of Item 81)	
83	7007415	1	O-Ring (Part of Item 81)	
84	70002192	1	Overhaul Seal Kit (Includes Items 3, 5, 22, 27, 30, 37, 38, 41, 48, 50, 52, 54, 66, 67, 70, 75, 76, 78, 82 & 83)	



# SECTION 3 - ENGINE

## FIGURE 3-22. 7500W GENERATOR INSTALLATION - 50HZ (KUBOTA DIESEL)



ART\_1001208752\_F

## SECTION 3 - ENGINE

**FIGURE 3-22. 7500W GENERATOR INSTALLATION - 50HZ (KUBOTA DIESEL)**

ITEM	PART NUMBER	QTY	DESCRIPTION	REV
	1001208752	Ref	75000W GENERATOR INSTALLATION - KUBOTA DIESEL STAGE III	F
1	0100011	AR	Compound, Locking	
2	0100048	AR	Grease, Silicone	
3	0701019	1	Bolt M10 x 55	
4	0701219	2	Bolt M12 x 55	
6	0741607	3	Screw 3/8 x 7/8	
7	0760610	4	Bolt M6 x 20	
9	0780810	4	Bolt M8 x 20	
10	0861572	1	Box, Generator Control	
10	7024488	1	Card, Circuit - Generator Power (Not Shown)	
10	See Note	1	Fuse (Note: Not Available - Purchase Locally)	
10	7024489	1	Card, Circuit - Control (Not Shown)	
		Ref	Note: When replacing card, rocker switch on card must be set for required application.	
10	70000619	1	Harness, Circuit Card	
11	0962520	1	Bushing, Taper	
12	3290605	4	Nut M6	
13	3290805	4	Nut M8	
14	3291201	2	Nut M12	
15	3311005	4	Nut #10	
16	3580317	1	Tensioner, Belt	
17	3580318	1	Pulley	
18	3931016	4	Capscrew #10 x 1	
19	4032014	2	Capscrew M10 x 50	
20	4060802	1	Guard, Switch	
21	4240017	AR	Tie-Strap (Not Shown)	
22	4360482	1	Switch, Toggle	
23	4751000	4	Washer #10	
24	4811700	8	Washer M6	
25	4811900	4	Washer M8	
26	5241200	8	Washer M12	
27	5241000	8	Washer M10	
28	5272011	2	Capscrew M10 x 35	
29	5272012	2	Capscrew M10 x 40	
30	1001119929	3	Bolt M10 x 35	
31	1001212223	1	Generator Assembly - 7500W	
31	70001100	1	Rotor (Includes p/n 70001384 & 70000863) (Not Shown)	
31	70001384	1	Bearing, Shaft (Rear) (Not Shown)	
31	70000863	1	Fan, Generator (Not Shown)	
31	70006093	1	Stator (Not Shown)	
31	70002297	2	Stud 1/4 x 12-7/8 (Not Shown)	
31	70003631	1	Brushholder Assembly (Not Shown) (was p/n 7024484)	
31A	70004099	1	Key	
31B	70001966	1	Bearing, Ball Radial (Located in Belt Tensioner Endbell)	
31B	70003709	1	Ring, Retaining (Small)	
31B	70003708	1	Ring, Retaining (Large)	
31C	70004092	1	Endbell, Belt Tensioner	
31D	70004094	1	Endbell, Brush Block	
31E	70006094	1	Shroud	

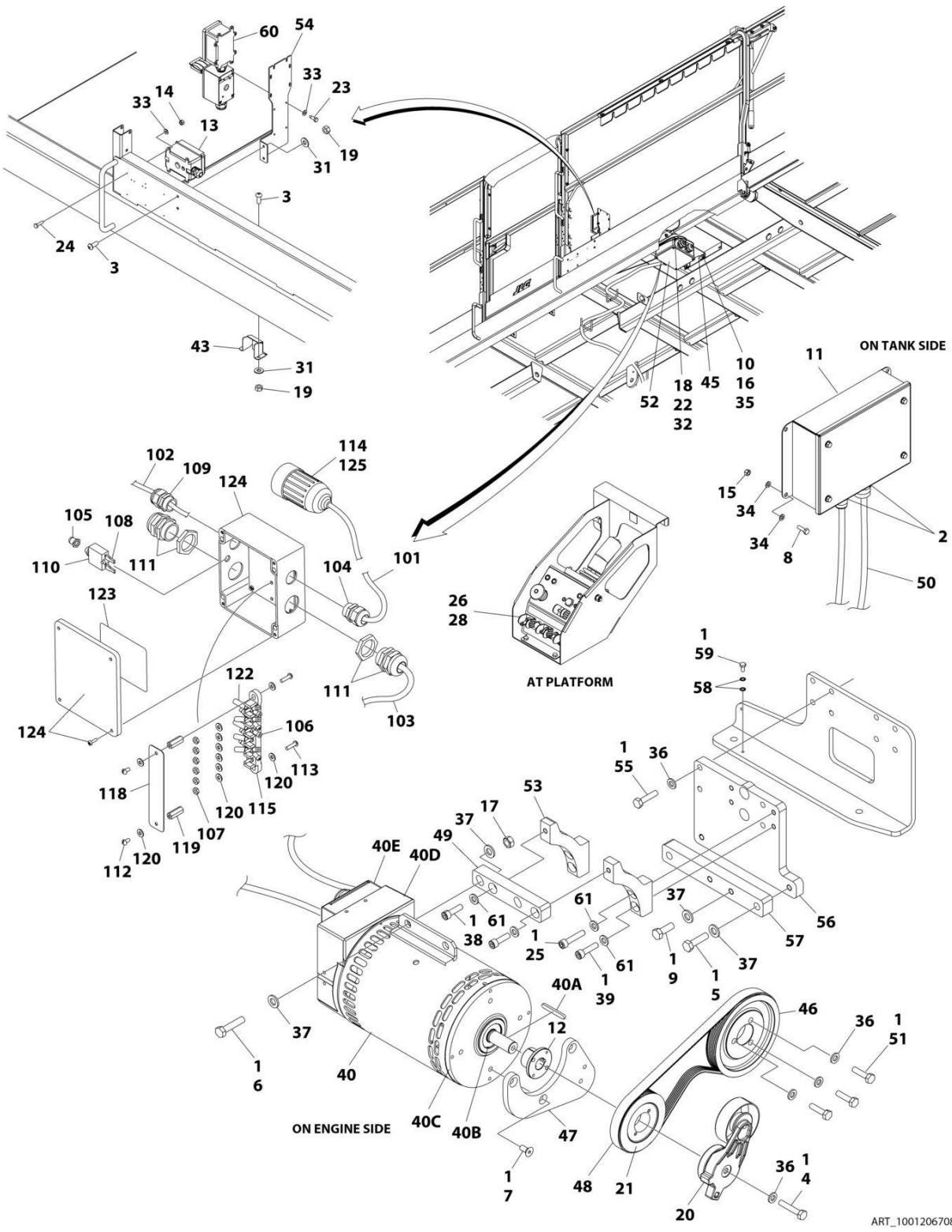
## SECTION 3 - ENGINE

ITEM	PART NUMBER	QTY	DESCRIPTION	REV
31E	7027799	1	Block, Connector - 6 Position (Not Shown)	
31E	70002460	1	Nut, Brass (Attaches p/n 7027799 to Cover) (Not Shown)	
31E	70006095	1	Breaker, Circuit 30Amp (Not Shown)	
31E	70006096	1	Boot, Breaker (Not Shown)	
31E	7026597	1	Connector with Leads (Not Shown)	
31E	7026626	1	Connector with Pins (Not Shown)	
31E	70004098	1	Clamp, Cable (Not Shown)	
31E	70006097	1	Plate, End Panel (Not Shown)	
31E	70002291	1	Insulator, Endbell (Not Shown)	
31E	70001974	1	Decal - Terminal Connections (Not Shown)	
31F	70001973	1	Decal - Warning Moving Parts	
32	1001166732	1	Support	
33	1001184162	1	Mount, Tensioner	
34	1001244939	1	Belt	
35	1001244937	1	Pulley	
36	1001236442	1	Generator Harness - 7500W (See Separate Breakdown in ELECTRICAL SECTION)	
37	1001187197	1	Junction Box Assembly (See Items 101-115 for Breakdown)	
38	1001202532	2	Arm	
39	1001208340	1	Bar (Lower)	
40	1001208339	1	Plate, Mounting	
41	1001202536	1	Bar (Upper)	
42	1001207285	4	Bolt M10 x 45 Grade 10.9	
43	0701215	2	Bolt M12 x 35	
44	0701217	2	Bolt M12 x 45	
45	0760606	1	Bolt M6 x 12	
46	4871700	2	Washer M6	
47	4891600	6	Washer M10	
	1001187197	Ref	JUNCTION BOX ASSEMBLY	A
101	3300396	1	Cover, Fuse	
102	3311001	6	Nut #10	
103	4360070	1	Breaker, Circuit - 15Amp	
104	4460426	1	Connector, Strain Relief	
105	4711000	10	Washer #10	
106	8220022	5	Terminal, Ring	
107	10702077	2	Screw #10 x 3/8	
108	10702082	2	Screw #10 x 3/4	
109	1001148648	1	Plug	
110	1001152525	2	Plug	
111	1001157520	1	Block, Terminal - 6 Pole	
112	1001157521	1	Box, Junction	
113	1001158007	1	Cover	
114	1001158008	2	Stand-Off	
115	4460068	4	Terminal, Ring	



# SECTION 3 - ENGINE

## FIGURE 3-23. 7500W GENERATOR INSTALLATION - 60HZ (KUBOTA DIESEL)



ART\_1001206708\_H



## SECTION 3 - ENGINE

**FIGURE 3-23. 7500W GENERATOR INSTALLATION - 60HZ (KUBOTA DIESEL)**

ITEM	PART NUMBER	QTY	DESCRIPTION	REV
	1001206708	Ref	7500W GENERATOR INSTALLATION - KUBOTA DIESEL T4F	H
1	0100011	AR	Compound, Locking	
2	0100048	AR	Grease, Silicone	
3	0630407	4	Screw 1/4 x 5/8	
4	0701019	1	Bolt M10 x 55	
5	0701217	2	Bolt M12 x 45	
6	0701219	2	Bolt M12 x 55	
7	0741607	3	Screw 3/8 x 7/8	
8	0760610	4	Bolt M6 x 20	
9	0701215	2	Bolt M12 x 35	
10	0780810	4	Bolt M8 x 20	
11	0861538	1	Box, Generator Control	
11	7024488	1	Card, Circuit - Generator Power (Not Shown)	
11	See Note	1	Fuse (Note: Not Available - Purchase Locally)	
11	7024489	1	Card, Circuit - Control (Not Shown)	
		Ref	Note: When replacing card, rocker switch on card must be set for required application.	
11	70000619	1	Harness, Circuit Card	
12	0962520	1	Bushing, Taper	
13	2902431	1	Receptacle Box Kit - 110V GFI (See Separate Breakdown in ELECTRICAL Section)	
14	3290405	4	Nut M4	
15	3290605	4	Nut M6	
16	3290805	4	Nut M8	
17	3291201	2	Nut M12	
18	3311005	4	Nut #10	
19	3311405	4	Nut 1/4	
20	3580317	1	Tensioner, Belt	
21	3580318	1	Pulley	
22	3931016	4	Capscrew #10 x 1	
23	3940804	4	Screw	
24	4010408	4	Screw M4 x 16	
25	4032014	2	Capscrew M10 x 50	
26	4060802	1	Guard, Switch	
27	4240017	AR	Tie-Strap (Not Shown)	
28	4360482	1	Switch, Toggle	
29	4460315	AR	Terminal (Not Shown)	
31	4711400	4	Washer 1/4	
32	4751000	4	Washer #10	
33	4811400	8	Washer M4	
34	4811700	8	Washer M6	
35	4811900	4	Washer M8	
36	5241000	8	Washer M10	
37	5241200	8	Washer M12	
38	5272011	2	Capscrew M10 x 35	
39	5272012	2	Capscrew M10 x 40	
40	1001212223	1	Generator Assembly - 7500W	
40	70001100	1	Rotor (Includes p/n 70001384 & 70000863) (Not Shown)	
40	70001384	1	Bearing, Shaft (Rear) (Not Shown)	
40	70000863	1	Fan, Generator (Not Shown)	

## SECTION 3 - ENGINE

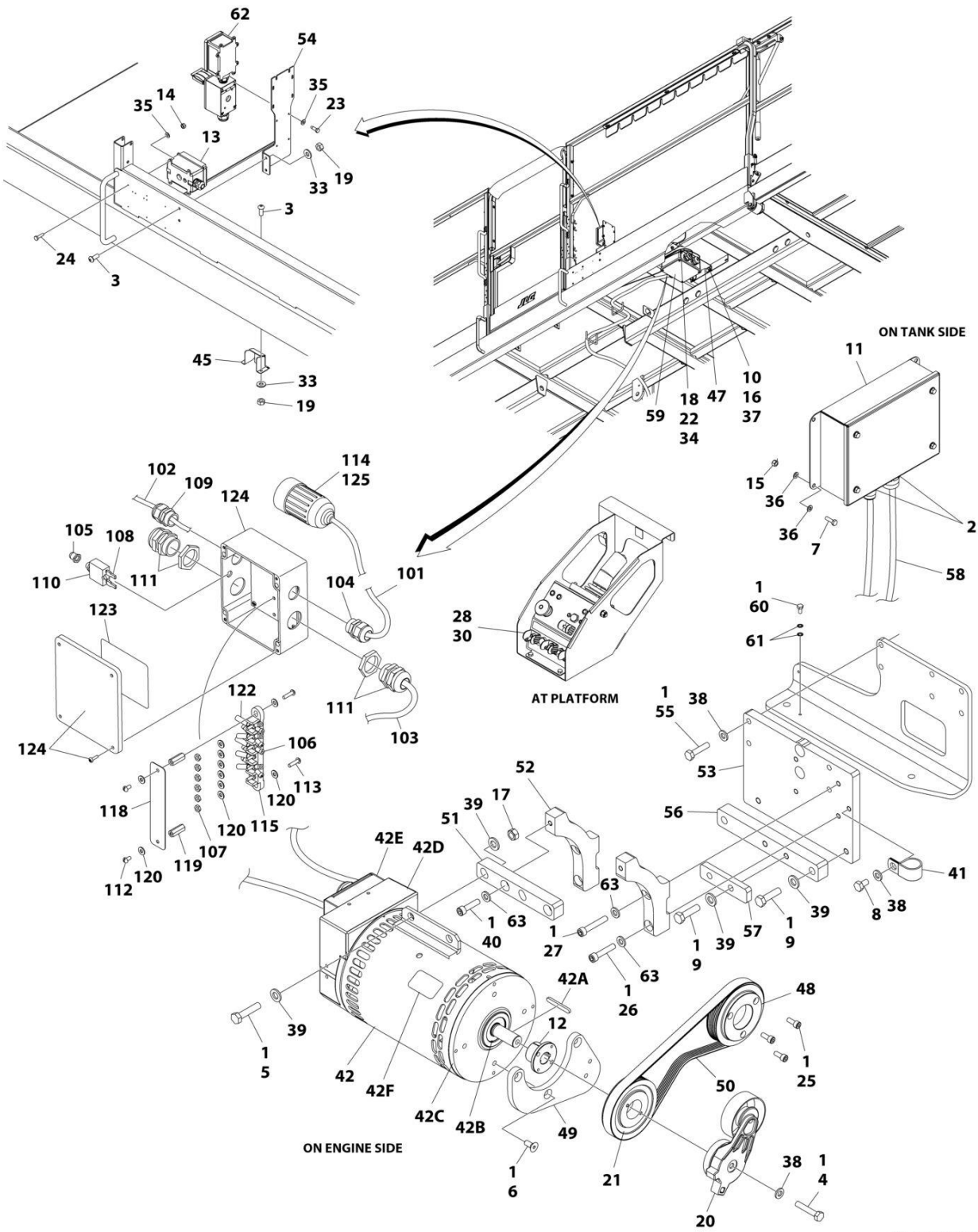
ITEM	PART NUMBER	QTY	DESCRIPTION	REV
40	70006093	1	Stator (Not Shown)	
40	70002297	2	Stud 1/4 x 12-7/8 (Not Shown)	
40	70003631	1	Brushholder Assembly (Not Shown) (was p/n 7024484)	
40A	70004099	1	Key	
40B	70001966	1	Bearing, Ball Radial (Located in Belt Tensioner Endbell)	
40B	70003709	1	Ring, Retaining (Small)	
40B	70003708	1	Ring, Retaining (Large)	
40C	70004092	1	Endbell, Belt Tensioner	
40D	70004094	1	Endbell, Brush Block	
40E	70006094	1	Shroud	
40E	7027799	1	Block, Connector - 6 Position (Not Shown)	
40E	70002460	1	Nut, Brass (Attaches p/n 7027799 to Cover) (Not Shown)	
40E	70006095	1	Breaker, Circuit 30Amp (Not Shown)	
40E	70006096	1	Boot, Breaker (Not Shown)	
40E	7026597	1	Connector with Leads (Not Shown)	
40E	7026626	1	Connector with Pins (Not Shown)	
40E	70004098	1	Clamp, Cable (Not Shown)	
40E	70006097	1	Plate, End Panel (Not Shown)	
40E	70002291	1	Insulator, Endbell (Not Shown)	
40E	70001974	1	Decal - Terminal Connections (Not Shown)	
40F	70001973	1	Decal - Warning Moving Parts	
43	1001148844	1	Support	
45	1001166732	1	Support	
46	1001183726	1	Pulley	
47	1001184162	1	Mount	
48	1001184235	1	Belt	
49	1001202536	1	Bar (Upper)	
50	1001236442	1	Generator Harness - 7500W (See Separate Breakdown in ELECTRICAL Section)	
51	1001186919	3	Bolt M10 x 40	
52	1001187228	1	Junction Box Assembly (See Items 101-125 for Breakdown)	
53	1001202532	2	Arm	
54	1001293077	1	Support	
55	1001207285	4	Bolt M10 x 45 Grade 10.9	
56	1001208339	1	Plate	
57	1001208340	1	Bar (Lower)	
58	4871700	2	Washer M6	
59	0760606	1	Bolt M6 x 12	
60	1001216162	1	Receptacle/Breaker Assembly (See Separate Breakdown in ELECTRICAL Section)	
61	4891600	6	Washer 3/8	
	1001187228	Ref	JUNCTION BOX ASSEMBLY	A
101	1060343	6.8 ft/2m	Cable, Electrical - 10/4	
102	1060494	6.8 ft/2m	Cable, Electrical - 12/3	
103	1060708	6.8 ft/2m	Cable, Electrical - 10/3	
104	1321692	1	Strain Relief, Terminal	
105	3300396	1	Cover, Fuse	
106	4460068	10	Terminal	
107	3311001	6	Nut #10	
108	4460483	2	Terminal	
109	4460425	1	Strain Relief, Terminal	
110	4360070	1	Breaker, Circuit - 15Amp	

## SECTION 3 - ENGINE

ITEM	PART NUMBER	QTY	DESCRIPTION	REV
111	4460426	2	Connector, Strain Relief	
112	10702077	2	Screw #10 x 3/8	
113	10702082	2	Screw #10 x 3/4	
114	4460963	1	Connector, Turnlock	
115	1001157520	1	Block, Terminal - 6 Pole	
118	1001158007	1	Cover	
119	1001158008	2	Stand-Off	
120	4711000	10	Washer #10	
122	8220022	5	Terminal, Ring	
123	1001157528	1	Decal - Wiring Schematic	
124	1001187232	1	Box, Junction	
125	1671092	1	Cover, Connector	

# SECTION 3 - ENGINE

## FIGURE 3-24. 7500W GENERATOR INSTALLATION - 60HZ (KUBOTA GASOLINE)



ART\_1001208751\_J

## SECTION 3 - ENGINE

**FIGURE 3-24. 7500W GENERATOR INSTALLATION - 60HZ (KUBOTA GASOLINE)**

ITEM	PART NUMBER	QTY	DESCRIPTION	REV
	1001208751	Ref	7500W GENERATOR INSTALLATION - KUBOTA GASOLINE	I
1	0100011	AR	Compound, Locking	
2	0100048	AR	Grease, Silicone	
3	0630407	4	Screw 1/4 x 5/8	
4	0701019	1	Bolt M10 x 55	
5	0701219	2	Bolt M12 x 55	
6	0741607	3	Screw 3/8 x 7/8	
7	0760610	4	Bolt M6 x 20	
8	0761009	1	Bolt M10 x 18	
9	0701217	4	Bolt M12 x 45	
10	0780810	4	Bolt M8 x 20	
11	0861538	1	Box, Generator Control	
11	7024488	1	Card, Circuit - Generator Power (Not Shown)	
11	See Note	1	Fuse (Note: Not Available - Purchase Locally)	
11	7024489	1	Card, Circuit - Control (Not Shown)	
		Ref	Note: When replacing card, rocker switch on card must be set for required application.	
11	70000619	1	Harness, Circuit Card	
12	0962520	1	Bushing, Taper	
13	2902431	1	Receptacle Box Kit - 110V GFI (See Separate Breakdown in ELECTRICAL Section)	
14	3290405	4	Nut M4	
15	3290605	4	Nut M6	
16	3290805	4	Nut M8	
17	3291201	2	Nut M12	
18	3311005	4	Nut #10	
19	3311405	4	Nut 1/4	
20	3580317	1	Tensioner, Belt	
21	3580318	1	Pulley	
22	3931016	4	Capscrew #10 x 1	
23	3940804	4	Screw	
24	4010408	4	Screw M4 x 16	
25	4031908	3	Cascrew M8 x 20	
26	4032014	2	Capscrew M10 x 50	
27	4032016	2	Capscrew M10 x 60	
28	4060802	1	Guard, Switch	
29	4240017	AR	Tie-Strap (Not Shown)	
30	4360482	1	Switch, Toggle	
31	4460315	3	Terminal (Not Shown)	
33	4711400	4	Washer 1/4	
34	4751000	4	Washer #10	
35	4811400	8	Washer M4	
36	4811700	8	Washer M6	
37	4811900	4	Washer M8	
38	5241000	6	Washer M10	
39	5241200	8	Washer M12	
40	5272012	2	Capscrew M10 x 40	
41	8406302	1	Clamp	
42	1001212223	1	Generator Assembly - 7500W	
42	70001100	1	Rotor (Includes p/n 70001384 & 70000863) (Not Shown)	

## SECTION 3 - ENGINE

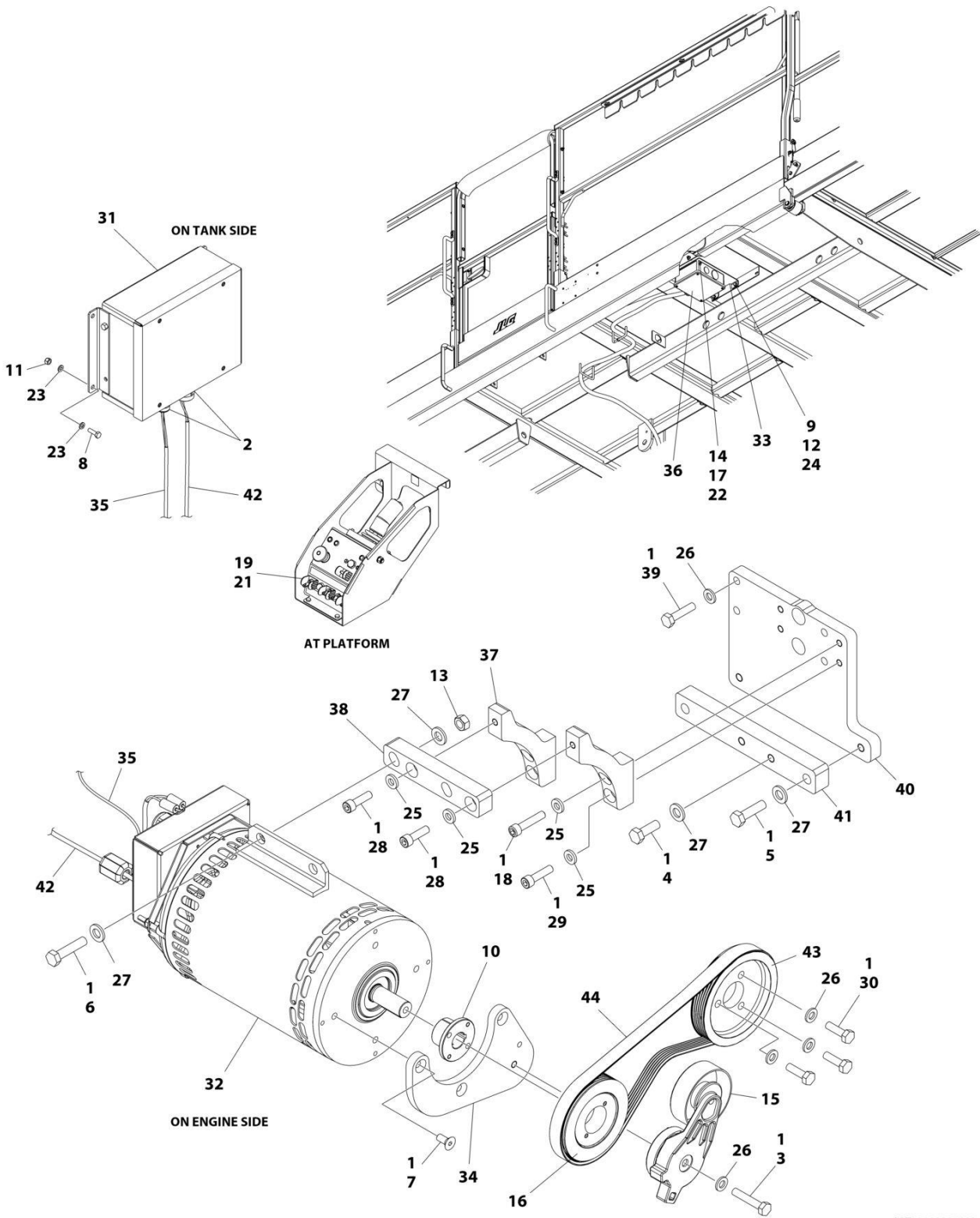
ITEM	PART NUMBER	QTY	DESCRIPTION	REV
42	70001384	1	Bearing, Shaft (Rear) (Not Shown)	
42	70000863	1	Fan, Generator (Not Shown)	
42	70006093	1	Stator (Not Shown)	
42	70002297	2	Stud 1/4 x 12-7/8 (Not Shown)	
42	70003631	1	Brushholder Assembly (Not Shown)	
42A	70004099	1	Key	
42B	70001966	1	Bearing, Ball Radial (Located in Belt Tensioner Endbell)	
42B	70003709	1	Ring, Retaining (Small)	
42B	70003708	1	Ring, Retaining (Large)	
42C	70004092	1	Endbell, Belt Tensioner	
42D	70004094	1	Endbell, Brush Block	
42E	70006094	1	Shroud	
42E	7027799	1	Block, Connector - 6 Position (Not Shown)	
42E	70002460	1	Nut, Brass (Attaches p/n 7027799 to Cover) (Not Shown)	
42E	70006095	1	Breaker, Circuit 30Amp (Not Shown)	
42E	70006096	1	Boot, Breaker (Not Shown)	
42E	7026597	1	Connector with Leads (Not Shown)	
42E	7026626	1	Connector with Pins (Not Shown)	
42E	70004098	1	Clamp, Cable (Not Shown)	
42E	70006097	1	Plate, End Panel (Not Shown)	
42E	70002291	1	Insulator, Endbell (Not Shown)	
42E	70001974	1	Decal - Terminal Connections (Not Shown)	
42F	70001973	1	Decal - Warning Moving Parts	
45	1001148844	1	Support	
47	1001166732	1	Support	
48	1001181211	1	Pulley	
49	1001184162	1	Mount	
50	1001184163	1	Belt	
51	1001202759	1	Bar (Upper)	
52	1001202760	2	Arm	
53	1001202764	1	Plate	
54	1001293077	1	Support	
55	1001207285	4	Bolt M10 x 45 Grade 10.9	
56	1001208340	1	Bar (Lower)	
57	1001210645	1	Bar	
58	1001236442	1	Generator Harness - 7500W (See Separate Breakdown in ELECTRICAL Section)	
59	1001187228	1	Junction Box Assembly (See Items 101-125 for Breakdown)	
60	0760606	1	Bolt M6 x 12	
61	4871700	2	Washer M6	
62	1001216162	1	Receptacle/Breaker Assembly (See Separate Breakdown in ELECTRICAL Section)	
63	4891600	1	Washer 3/8	
	1001187228	Ref	JUNCTION BOX ASSEMBLY	A
101	1060343	6.8 ft/2m	Cable, Electrical - 10/4	
102	1060494	6.8 ft/2m	Cable, Electrical - 12/3	
103	1060708	6.8 ft/2m	Cable, Electrical - 10/3	
104	1321692	1	Strain Relief, Terminal	
105	3300396	1	Cover, Fuse	
106	4460068	10	Terminal	
107	3311001	6	Nut #10	
108	4460483	2	Terminal	

## SECTION 3 - ENGINE

ITEM	PART NUMBER	QTY	DESCRIPTION	REV
109	4460425	1	Strain Relief, Terminal	
110	4360070	1	Breaker, Circuit - 15Amp	
111	4460426	2	Connector, Strain Relief	
112	10702077	2	Screw #10 x 3/8	
113	10702082	2	Screw #10 x 3/4	
114	4460963	1	Connector, Turnlock	
115	1001157520	1	Block, Terminal - 6 Pole	
118	1001158007	1	Cover	
119	1001158008	2	Stand-Off	
120	4711000	10	Washer #10	
122	8220022	5	Terminal, Ring	
123	1001157528	1	Decal - Wiring Schematic	
124	1001187232	1	Box, Junction	
125	1671092	1	Cover, Connector	

# SECTION 3 - ENGINE

## FIGURE 3-25. 4000W GENERATOR INSTALLATION - 50HZ (KUBOTA DIESEL)



ART\_1001283491



## SECTION 3 - ENGINE

**FIGURE 3-25. 4000W GENERATOR INSTALLATION - 50HZ (KUBOTA DIESEL)**

ITEM	PART NUMBER	QTY	DESCRIPTION	REV
	1001283491	Ref	4000W GENERATOR INSTALLATION - 50HZ (KUBOTA DIESEL)	A
1	0100011	AR	Compound, Locking	
2	0100048	AR	Grease, Silicone	
3	0701019	1	Bolt M10 x 55	
4	0701215	2	Bolt M12 x 35	
5	0701217	2	Bolt M12 x 45	
6	0701219	2	Bolt M12 x 55	
7	0741607	3	Screw 3/8 x 7/8	
8	0760610	4	Bolt M6 x 20	
9	0780810	4	Bolt M8 x 20	
10	0962520	1	Bushing, Taper	
11	3290605	4	Nut M6	
12	3290805	4	Nut M8	
13	3291201	2	Nut M12	
14	3311005	4	Nut #10	
15	3580317	1	Tensioner, Belt	
16	3580318	1	Pulley	
17	3931016	4	Capscrew #10 x 1	
18	4032014	2	Capscrew M10 x 50	
19	4060802	1	Guard, Switch	
20	4240017	AR	Tie-Strap (Not Shown)	
21	4360482	1	Switch, Toggle	
22	4751000	4	Washer #10	
23	4811700	8	Washer M6	
24	4811900	4	Washer M8	
25	4891600	6	Washer M10	
26	5241000	8	Washer M10	
27	5241200	8	Washer M12	
28	5272011	2	Capscrew M10 x 35	
29	5272012	2	Capscrew M10 x 40	
30	1001119929	3	Bolt M10 x 35	
31	1001138566	1	Box, Control	
31	70006552	1	Capacitor	
31	70006553	1	Relay	
32	1001140347	1	Generator Assembly - 50Hz	
32	70003709	1	Ring, Retaining (External)	
32	70003708	1	Ring, Retaining (Internal)	
32	70001966	1	Bearing	
32	70004092	1	Endbell (Shaft End)	
32	70004099	1	Key	
32	70004676	1	Rotor	
32	70004686	1	Stator	
32	70004678	1	Endbell (Rear)	
32	70004679	1	Cover, Endbell (Rear)	
32	70004680	1	Enclosure, Wiring	
32	70004681	1	Cover, Enclosure	
32	70004682	1	Switch, Reset (Located on Enclosure Cover)	
32	70004683	1	Connector, Strain Relief (Located on Enclosure Cover)	
32	4460224	1	Connector - 6 Position (Located on Enclosure Cover)	
32	4460294	1	Pin, Male (Located on Enclosure Cover)	

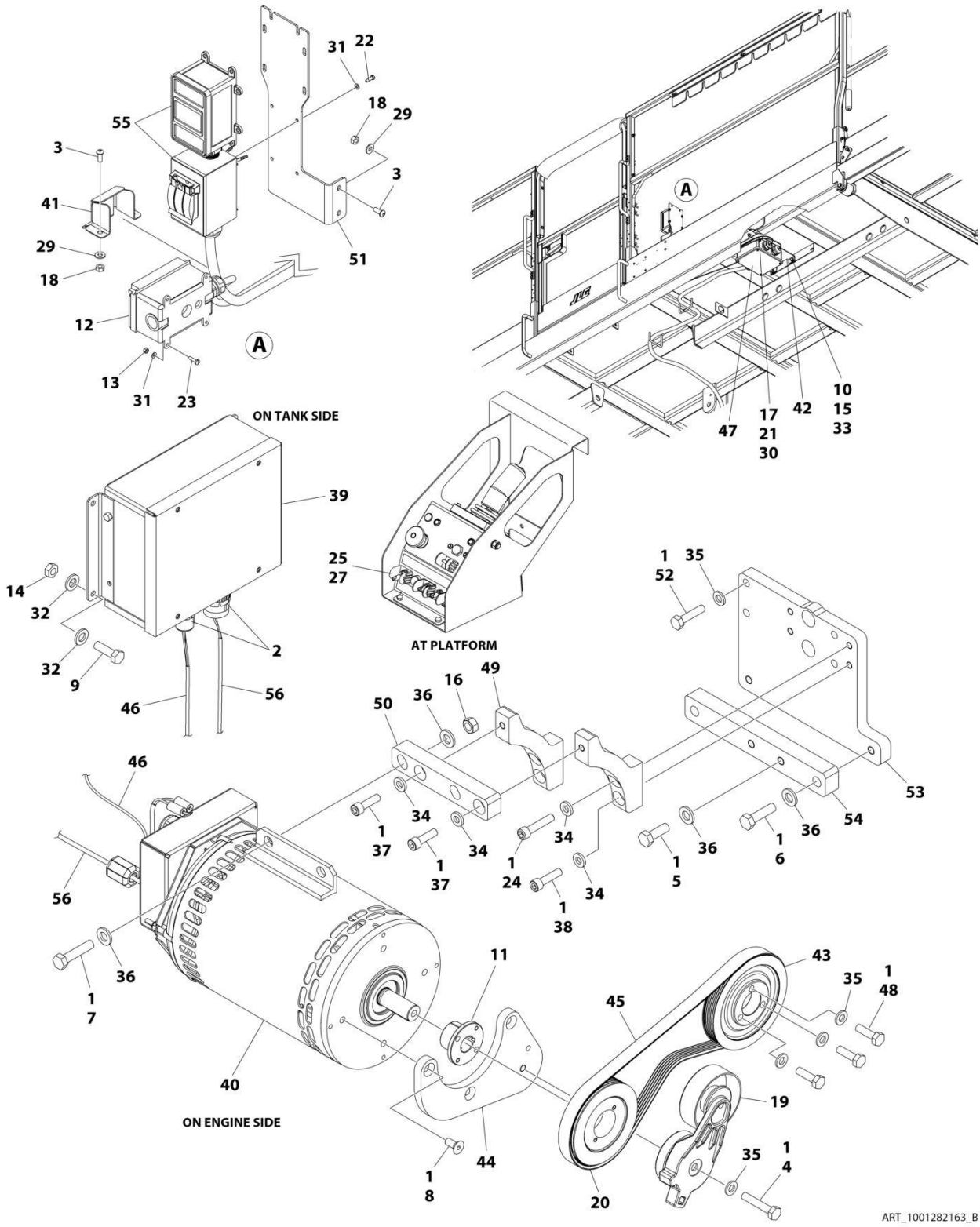
## SECTION 3 - ENGINE

ITEM	PART NUMBER	QTY	DESCRIPTION	REV
33	1001166732	1	Support	
34	1001184162	1	Mount, Tensioner	
35	1001186826	1	Harness, 4000W Generator Control - Control Box to Generator Control (See Separate Breakdown in ELECTRICAL Section)	
36	1001187197	1	Junction Box Assembly (See Separate Breakdown in ELECTRICAL Section)	
37	1001202532	2	Arm	
38	1001202536	1	Bar (Upper)	
39	1001207285	4	Bolt M10 x 45 Grade 10.9	
40	1001208339	1	Plate, Mounting	
41	1001208340	1	Bar (Lower)	
42	1001236444	1	Harness, 4000W Generator Control - Generator to Control Box (See Separate Breakdown in ELECTRICAL Section)	
43	1001244937	1	Pulley	
44	1001244939	1	Belt	



# SECTION 3 - ENGINE

## FIGURE 3-26. 4000W GENERATOR INSTALLATION - 60HZ (KUBOTA DIESEL)



ART\_1001282163\_B

## SECTION 3 - ENGINE

**FIGURE 3-26. 4000W GENERATOR INSTALLATION - 60HZ (KUBOTA DIESEL)**

ITEM	PART NUMBER	QTY	DESCRIPTION	REV
	1001282163	Ref	4000W GENERATOR INSTALLATION - 60HZ (KUBOTA DIESEL)	B
1	0100011	AR	Compound, Locking	
2	0100048	AR	Grease, Silicone	
3	0630407	4	Screw 1/4 x 5/8	
4	0701019	1	Bolt M10 x 55	
5	0701215	2	Bolt M12 x 35	
6	0701217	2	Bolt M12 x 45	
7	0701219	2	Bolt M12 x 55	
8	0741607	3	Screw 3/8 x 7/8	
9	0760610	4	Bolt M6 x 20	
10	0780810	4	Bolt M8 x 20	
11	0962520	1	Bushing, Taper	
12	2902431	1	Receptacle Box Kit - 110V GFI (See Separate Breakdown in ELECTRICAL Section)	
13	3290405	4	Nut M4	
14	3290605	4	Nut M6	
15	3290805	4	Nut M8	
16	3291201	2	Nut M12	
17	3311005	4	Nut #10	
18	3311405	4	Nut 1/4	
19	3580317	1	Tensioner, Belt	
20	3580318	1	Pulley	
21	3931016	4	Capscrew #10 x 1	
22	3940804	4	Screw	
23	4010408	4	Screw M4 x 16	
24	4032014	2	Capscrew M10 x 50	
25	4060802	1	Guard, Switch	
26	4240017	AR	Tie-Strap (Not Shown)	
27	4360482	1	Switch, Toggle	
28	4460315	4	Terminal (Not Shown)	
29	4711400	4	Washer 1/4	
30	4751000	4	Washer #10	
31	4811400	8	Washer M4	
32	4811700	8	Washer M6	
33	4811900	4	Washer M8	
34	4891600	6	Washer 3/8	
35	5241000	8	Washer M10	
36	5241200	8	Washer M12	
37	5272011	2	Capscrew M10 x 35	
38	5272012	2	Capscrew M10 x 40	
39	1001138566	1	Box, Control	
39	70006552	1	Capacitor	
39	70006553	1	Relay	
40	1001140346	1	Generator Assembly (60Hz)	
40	70003709	1	Ring, Retaining (External)	
40	70003708	1	Ring, Retaining (Internal)	
40	70001966	1	Bearing	
40	70004092	1	Endbell (Shaft End)	
40	70004099	1	Key	
40	70004676	1	Rotor	

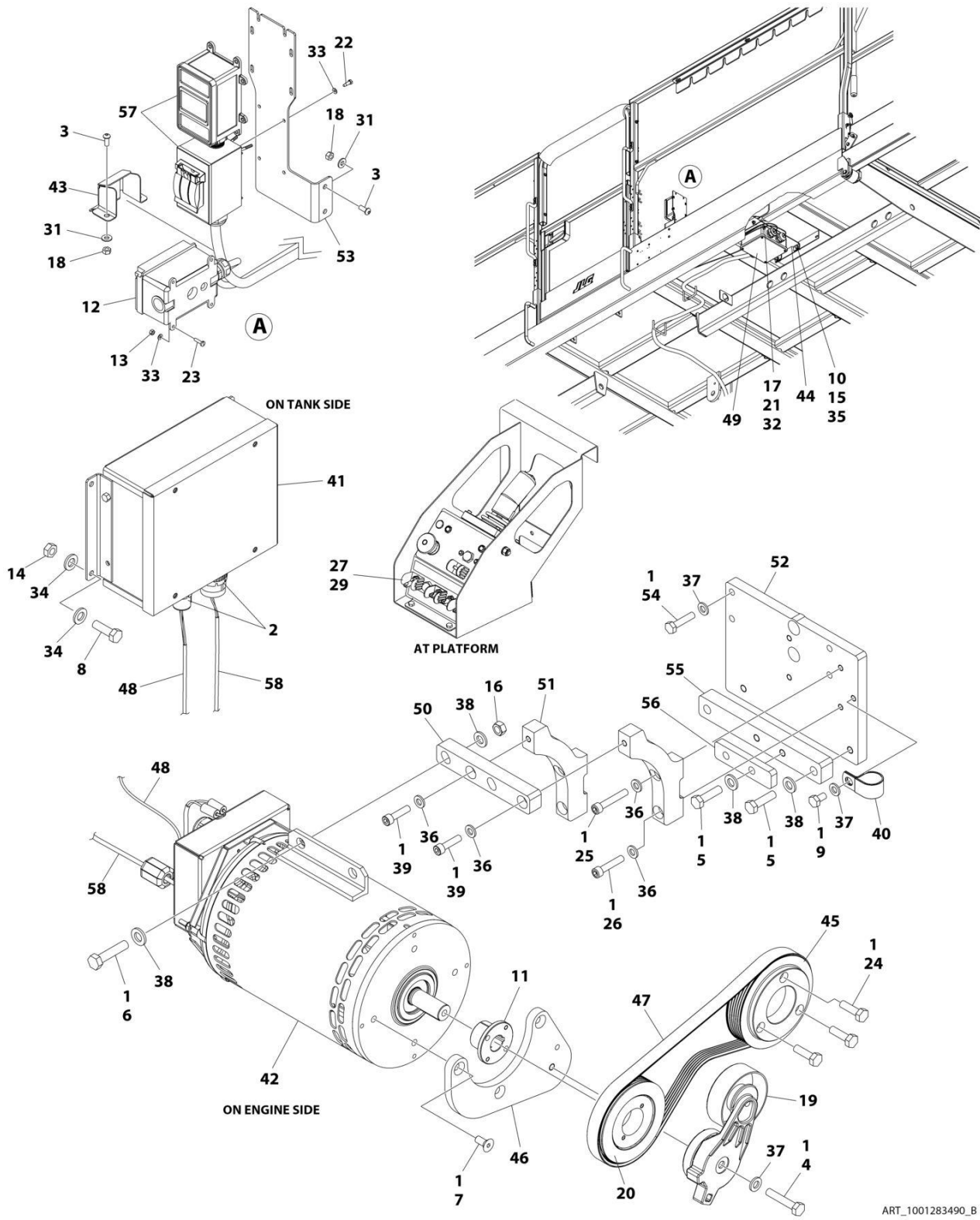
## SECTION 3 - ENGINE

ITEM	PART NUMBER	QTY	DESCRIPTION	REV
40	70004687	1	Stator	
40	70004678	1	Endbell (Rear)	
40	70004679	1	Cover, Endbell (Rear)	
40	70004680	1	Enclosure, Wiring	
40	70004685	1	Cover, Enclosure	
40	70004682	1	Switch, Reset (Located on Enclosure Cover)	
40	70004098	1	Connector, Strain Relief (Located on Enclosure Cover)	
41	1001148844	1	Support	
42	1001166732	1	Support	
43	1001183726	1	Pulley	
44	1001184162	1	Mount	
45	1001184235	1	Belt	
46	1001186826	1	Harness, 4000W Generator Control - Control Box to Generator Control (See Separate Breakdown in ELECTRICAL Section)	
47	1001186828	1	Junction Box Assembly (See Separate Breakdown in ELECTRICAL Section)	
48	1001186919	3	Bolt M10 x 40	
49	1001202532	2	Arm	
50	1001202536	1	Bar (Upper)	
51	1001293077	1	Support	
52	1001207285	4	Bolt M10 x 45 Grade 10.9	
53	1001208339	1	Plate	
54	1001208340	1	Bar (Lower)	
55	1001216162	1	Receptacle/Breaker Assembly (See Separate Breakdown in ELECTRICAL Section)	
56	1001236444	1	Harness, 4000W Generator Control - Generator to Control Box (See Separate Breakdown in ELECTRICAL Section)	



# SECTION 3 - ENGINE

FIGURE 3-27. 4000W GENERATOR INSTALLATION - 60HZ (KUBOTA DUAL FUEL)



ART\_1001283490\_B



## SECTION 3 - ENGINE

**FIGURE 3-27. 4000W GENERATOR INSTALLATION - 60HZ (KUBOTA DUAL FUEL)**

ITEM	PART NUMBER	QTY	DESCRIPTION	REV
	1001283490	Ref	4000W GENERATOR INSTALLATION - 60HZ (KUBOTA DUAL FUEL)	B
1	0100011	AR	Compound, Locking	
2	0100048	AR	Grease, Silicone	
3	0630407	4	Screw 1/4 x 5/8	
4	0701019	1	Bolt M10 x 55	
5	0701217	4	Bolt M12 x 45	
6	0701219	2	Bolt M12 x 55	
7	0741607	3	Screw 3/8 x 7/8	
8	0760610	4	Bolt M6 x 20	
9	0761009	1	Bolt M10 x 18	
10	0780810	4	Bolt M8 x 20	
11	0962520	1	Bushing, Taper	
12	2902431	1	Receptacle Box Kit - 110V GFI (See Separate Breakdown in ELECTRICAL Section)	
13	3290405	4	Nut M4	
14	3290605	4	Nut M6	
15	3290805	4	Nut M8	
16	3291201	2	Nut M12	
17	3311005	4	Nut #10	
18	3311405	4	Nut 1/4	
19	3580317	1	Tensioner, Belt	
20	3580318	1	Pulley	
21	3931016	4	Capscrew #10 x 1	
22	3940804	4	Screw	
23	4010408	4	Screw M4 x 16	
24	4031908	3	Capscrew M8 x 10	
25	4032014	2	Capscrew M10 x 50	
26	4032016	2	Capscrew M10 x 60	
27	4060802	1	Guard, Switch	
28	4240017	AR	Tie-Strap (Not Shown)	
29	4360482	1	Switch, Toggle	
30	4460315	4	Terminal (Not Shown)	
31	4711400	4	Washer 1/4	
32	4751000	4	Washer #10	
33	4811400	8	Washer M4	
34	4811700	8	Washer M6	
35	4811900	4	Washer M8	
36	4891600	6	Washer 3/8	
37	5241000	6	Washer M10	
38	5241200	8	Washer M12	
39	5272012	2	Capscrew M10 x 40	
40	8406302	1	Clamp	
41	1001138566	1	Box, Control	
41	70006552	1	Capacitor	
41	70006553	1	Relay	
42	1001140346	1	Generator Assembly (60Hz)	
42	70003709	1	Ring, Retaining (External)	
42	70003708	1	Ring, Retaining (Internal)	
42	70001966	1	Bearing	

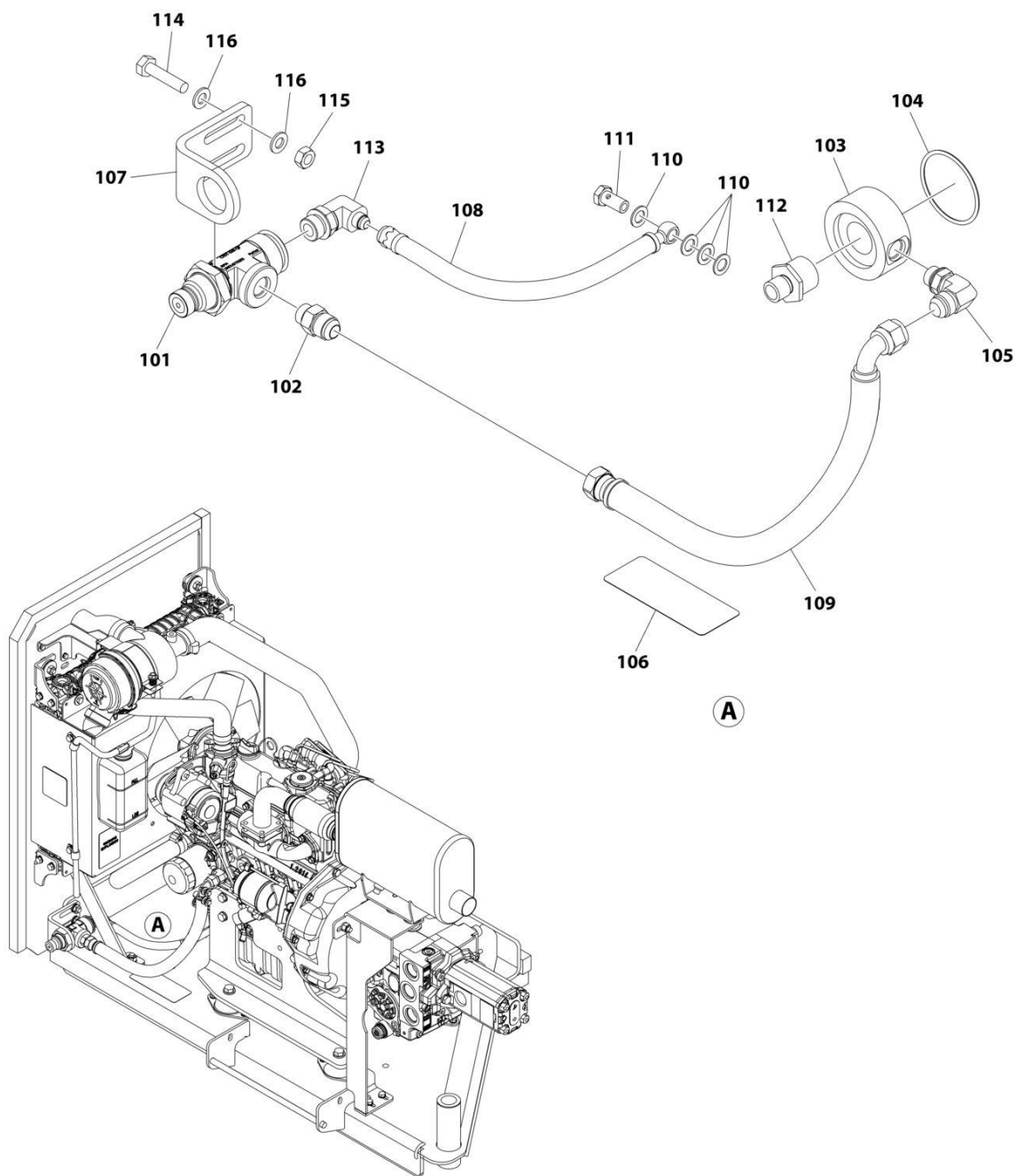
## SECTION 3 - ENGINE

ITEM	PART NUMBER	QTY	DESCRIPTION	REV
42	70004092	1	Endbell (Shaft End)	
42	70004099	1	Key	
42	70004676	1	Rotor	
42	70004687	1	Stator	
42	70004678	1	Endbell (Rear)	
42	70004679	1	Cover, Endbell (Rear)	
42	70004680	1	Enclosure, Wiring	
42	70004685	1	Cover, Enclosure	
42	70004682	1	Switch, Reset (Located on Enclosure Cover)	
42	70004098	1	Connector, Strain Relief (Located on Enclosure Cover)	
43	1001148844	1	Support	
44	1001166732	1	Support	
45	1001181211	1	Pulley	
46	1001184162	1	Mount, Tensloner	
47	1001184163	1	Belt	
48	1001186826	1	Harness, 4000W Generator Control - Control Box to Generator Control (See Separate Breakdown in ELECTRICAL Section)	
49	1001186828	1	Junction Box Assembly (See Separate Breakdown in ELECTRICAL Section)	
50	1001202759	1	Plate	
51	1001202760	2	Bracket	
52	1001202764	1	Plate	
53	1001293077	1	Support	
54	1001207285	4	Bolt M10 x 45 Grade 10.9	
55	1001208340	1	Bar (Lower)	
56	1001210645	1	Plate	
57	1001216162	1	Receptacle/Breaker Assembly (See Separate Breakdown in ELECTRICAL Section)	
58	1001236444	1	Harness, 4000W Generator Control - Generator to Control Box (See Separate Breakdown in ELECTRICAL Section)	



# SECTION 3 - ENGINE

## FIGURE 3-28. QUICKFIT OIL DRAIN INSTALLATION - KUBOTA DIESEL ENGINE



ART\_1001291577

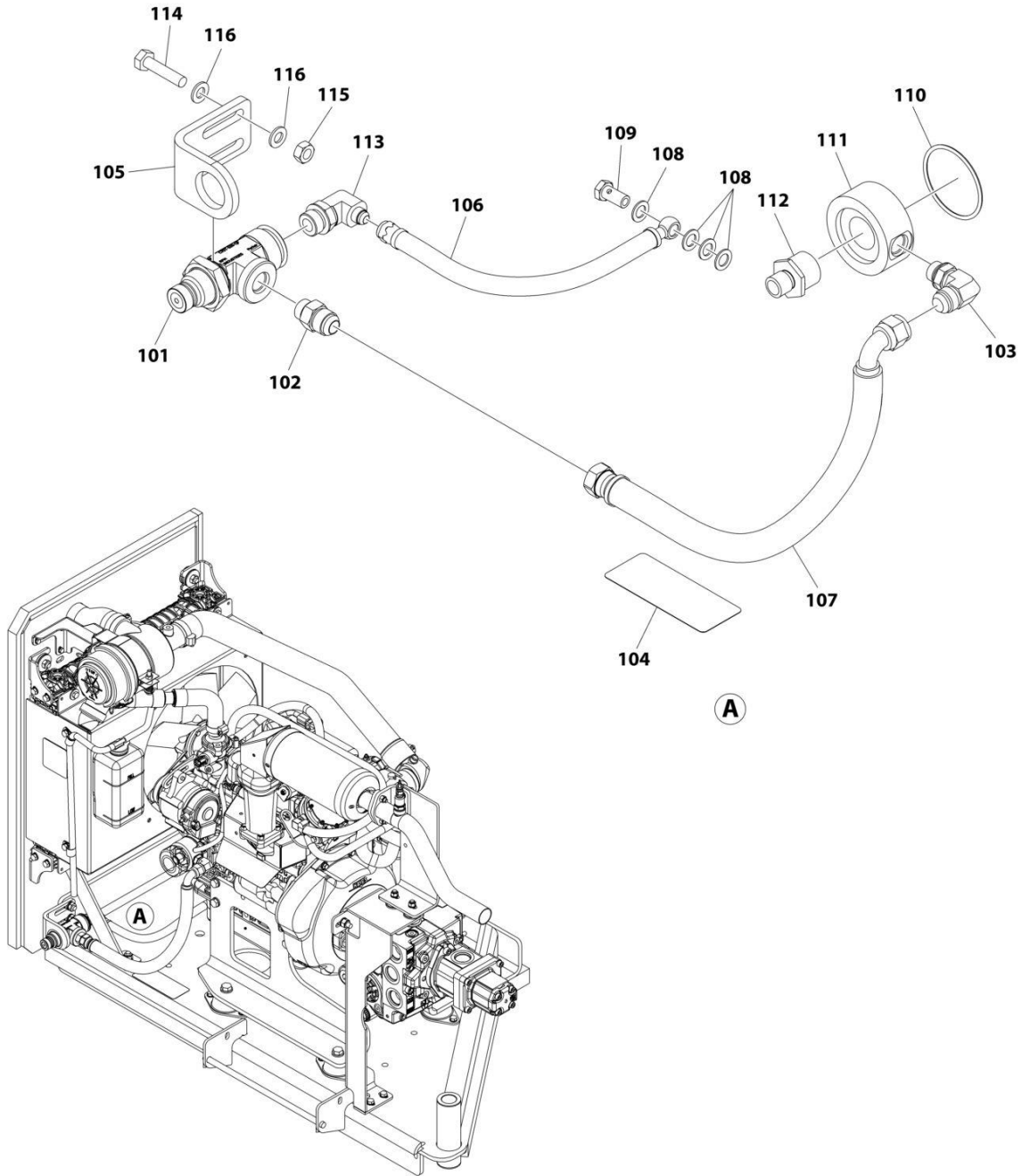
## SECTION 3 - ENGINE

**FIGURE 3-28. QUICKFIT OIL DRAIN INSTALLATION - KUBOTA DIESEL ENGINE**

ITEM	PART NUMBER	QTY	DESCRIPTION	REV
	1001291577	Ref	QUICKFIT OIL DRAIN INSTALLATION	A
100	1001291576	Ref	Valve, Quickfit Kit (Not Shown)	
101	1001281298	1	Valve, Quickfit	
102	1001281302	1	Adapter, Quickfit	
103	1001281309	1	Filter, Ring	
104	1001281311	1	O-Ring	
105	1001281359	1	Valve, Check	
106	1001281360	1	Decal - Quickfit	
107	1001290239	1	Bracket	
108	1001290240	1	Hose, Suction	
109	1001290241	1	Hose, Pressure	
110	1001290244	4	Washer, (Copper)	
111	1001290246	1	Screw	
112	1001290257	1	Fitting, Straight	
113	1001290258	1	Fitting, 90	
114	1001290378	2	Bolt M10 x 45	
115	1001290381	2	Nut M10	
116	1001290384	4	Washer M10	

# SECTION 3 - ENGINE

## FIGURE 3-29. QUICKFIT OIL DRAIN INSTALLATION - KUBOTA GASOLINE ENGINE



ART\_1001291579

## SECTION 3 - ENGINE

**FIGURE 3-29. QUICKFIT OIL DRAIN INSTALLATION - KUBOTA GASOLINE ENGINE**

ITEM	PART NUMBER	QTY	DESCRIPTION	REV
	1001291579	Ref	QUICKFIT OIL DRAIN INSTALLATION	A
100	1001291578	Ref	Valve, Quickfit Kit (Not Shown)	
101	1001281298	1	Valve, Quickfit	
102	1001281302	1	Adapter, Quickfit	
103	1001281359	1	Valve, Check	
104	1001281360	1	Decal - Quickfit	
105	1001290239	1	Bracket	
106	1001290240	1	Hose, Suction	
107	1001290241	1	Hose, Pressure	
108	1001290244	4	Washer, (Copper)	
109	1001290246	1	Screw	
110	1001290247	1	O-Ring	
111	1001290249	1	Filter	
112	1001290257	1	Fitting, Straight	
113	1001290258	1	Fitting, 90	
114	1001290378	2	Bolt M10 x 45	
115	1001290381	2	Nut M10	
116	1001290384	4	Washer M10	

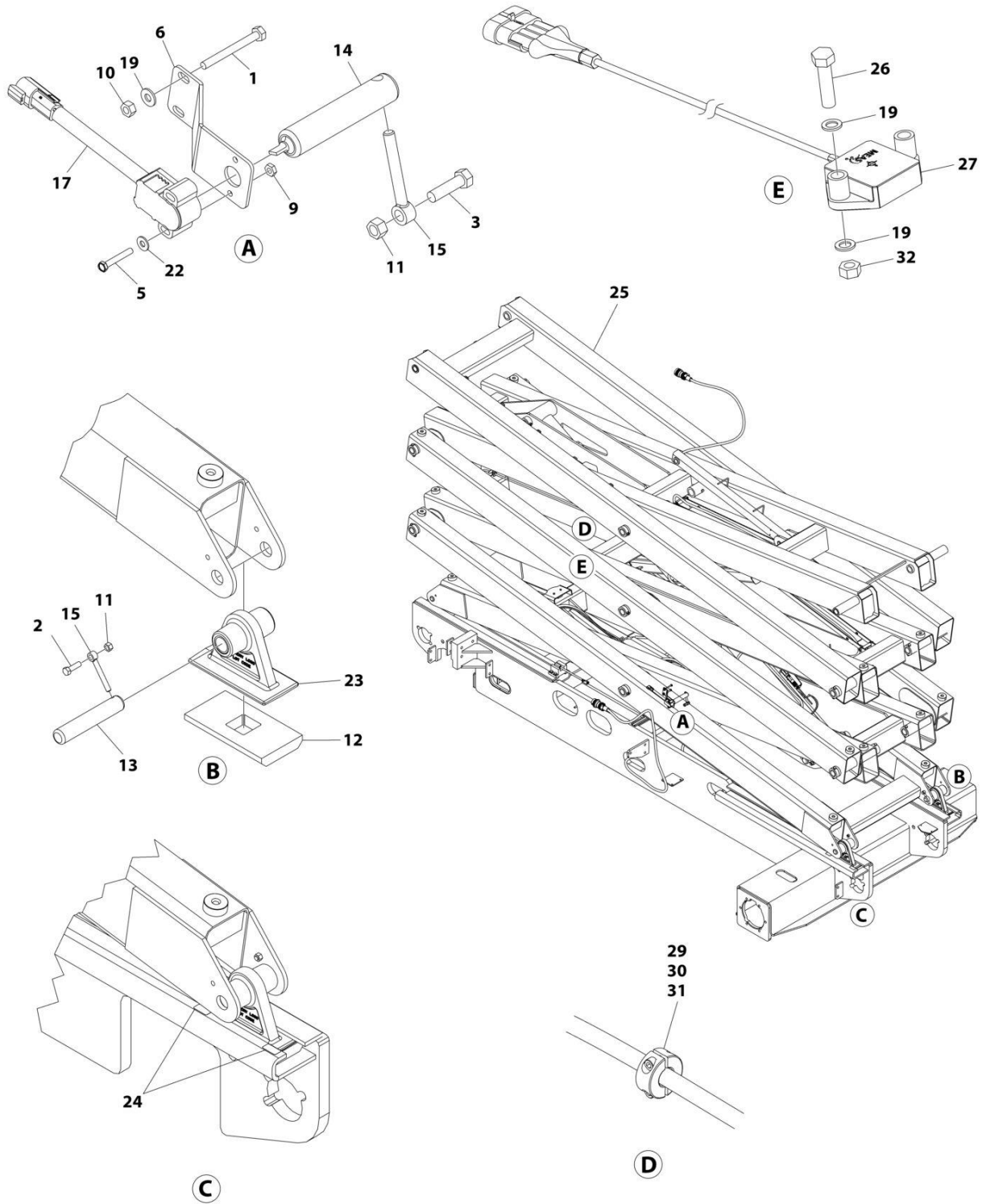




**SECTION 4 - SCISSORS ARMS**

# SECTION 4 - SCISSORS ARMS

## FIGURE 4-1. SCISSORS ARMS INSTALLATION (RT3394)



ART\_1001220081\_G

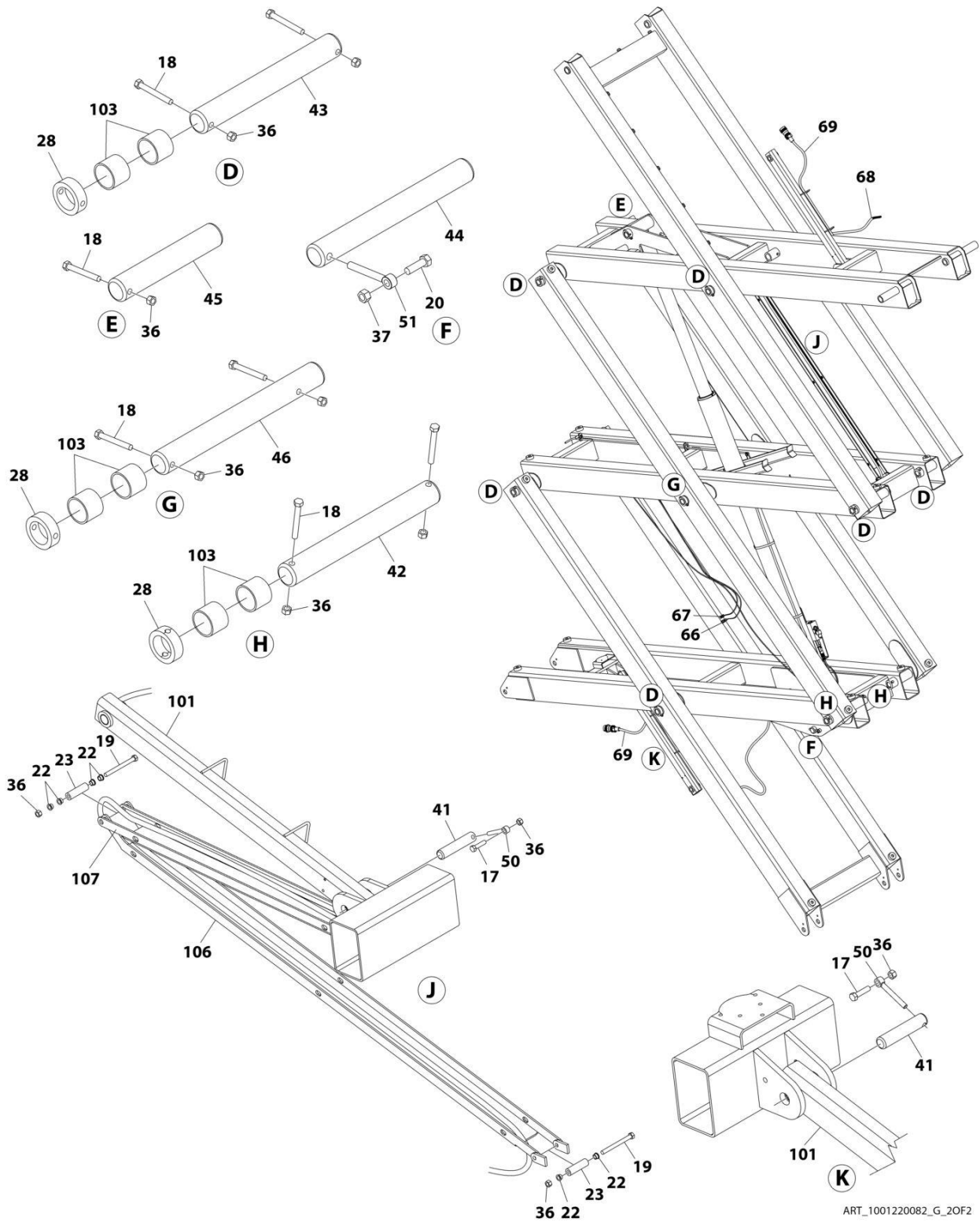
## SECTION 4 - SCISSORS ARMS

**FIGURE 4-1. SCISSORS ARMS INSTALLATION (RT3394)**

ITEM	PART NUMBER	QTY	DESCRIPTION	REV
	1001220081	Ref	SCISSORS ARMS INSTALLATION	G
1	0641420	2	Bolt 1/4 x 2-1/2	
2	0641610	4	Bolt 3/8 x 1-1/4	
3	0641611	1	Bolt 3/8 x 1-3/8	
5	0721010	2	Screw #10 x 1-1/4	
6	0902774	1	Bracket	
9	3311005	2	Nut #10	
10	3311405	2	Nut 1/4	
11	3311605	5	Nut 3/8	
12	3340935	4	Pad	
13	3422961	4	Pin	
14	3422963	1	Pin	
15	3841143	5	Keeper, Pin	
17	4360500	1	Switch, Angle Sensor	
19	4711400	4	Washer 1/4	
22	4751000	2	Washer #10	
23	1001099623	4	Support, Slider	
24	1001125243	1	Decal - Calibration	
25	1001220082	1	Scissors Arms Assembly (See Separate Breakdown in this Section)	
26	0641412	2	Bolt 1/4 x 1-1/2	
27	1001187857	1	Sensor	
28	4240018	AR	Tie-Strap (Not Shown)	
29	0100081	AR	Adhesive	
30	1001238626	1	Clamp, Collar (2 pieces)	
31	0100035	AR	Adhesive	
32	8310382	2	Nut, Flange	



# SECTION 4 - SCISSORS ARMS



ART\_1001220082\_G\_20F2

## SECTION 4 - SCISSORS ARMS

FIGURE 4-2. SCISSORS ARMS ASSEMBLY (RT3394)

ITEM	PART NUMBER	QTY	DESCRIPTION	REV
	1001220082	Ref	SCISSORS ARMS ASSEMBLY	G
1	0080190	1	Adapter, Cable	
2	0100011	AR	Compound, Locking	
3	2220883	2	Plug	
11	0363050	1	Bar, Prop	
14	0641505	2	Bolt 5/16 x 5/8	
16	0681607	2	Bolt 3/8 x 7/8	
17	0681612	2	Bolt 3/8 x 1-1/2	
18	0681624	29	Bolt 3/8 x 3	
19	0681632	3	Bolt 3/8 x 4	
20	0681813	1	Bolt 1/2 x 1-5/8	
21	0902773	1	Bracket	
22	0962031	8	Bushing	
23	0962446	3	Spacer	
24	1060929	1	Cable, Manual Descent	
24	7020218	1	Handle	
24	7019602	1	Bellows	
24	7020219	1	Washer	
27	1001216251	3	Clamp	
28	1440331	14	Collar	
29	1670995	3	Cover, Hose/Cable	
30	1001217085	1	Lift Cylinder Assembly (See Separate Breakdown in CYLINDER SECTION)	
31	2220373	1	Fitting, Straight JIC/ORB	
32	2221042	1	Fitting, 90 JIC/ORB	
34	1001216383	1	Hose	
35	1001216384	1	Hose	
36	3271605	36	Nut 3/8	
37	3271805	1	Nut 1/2	
39	3321402	2	Nut 1/4	
41	3422943	2	Pin	
42	3422944	2	Pin	
43	3422945	10	Pin	
44	3422946	1	Pin	
45	3422954	1	Pin	
46	3422965	2	Pin	
47	3450304	1	Pin 3/32 x 1	
48	3450405	1	Pin 1/8 x 1-1/4	
49	3573370	1	Plate	
50	3841143	2	Keeper, Pin	
51	3841203	1	Keeper, Pin	
52	3841556	1	Rod, Prop	
53	4240033	AR	Tie-Strap (Not Shown)	
54	4280295	18 in/ 46cm	Strip, Protector	
55	4641193	1	Cartridge, Check Valve	
55	2900756	1	Seal Kit - 4641193 Valve	
56	4641205	1	Cartridge, Holding Valve	
56	7017496	1	Seal Kit - 4641205 Valve	
57	4641254	1	Cartridge, Proportional Valve	

## SECTION 4 - SCISSORS ARMS

ITEM	PART NUMBER	QTY	DESCRIPTION	REV
57	7024829	1	Cartridge Less Cartridge	
57	7012925	1	Seal Kit - 7024829 & 4641254 Valves	
57	7017451	1	Coil	
58	4711400	2	Washer 1/4	
60	4711600	1	Washer 3/8	
61	4740455	2	Washer	
63	1001103760	1	Cartridge, Solenoid Valve	
63	7023923	1	Cartridge Less Cartridge	
63	7023919	1	Seal Kit - 7023923 & 1001103760 Valves	
63	70001967	1	Coil	
66	1001209182	1	Lift Cylinder Prop Harness	
66	4460499	1	Connector, DIN (HV9 - Proportional Valve)	
66	4460897	1	Receptacle, Female - 2 Position (X14B - Chassis Harness)	
66	4460464	2	Pin, Male	
67	1001209183	1	Lift Cylinder Holding Valve Harness	
67	4460891	2	Plug, Male - 2 Position (X13A - Chassis Harness & HV10 Holding Valve)	
67	4460465	4	Socket, Female	
68	1060866	1	Cable, Ground to AC Box (12/3) (Not Shown)	
69	1001209181	1	Ground to Platform Harness (See Separate Breakdown in ELECTRICAL SECTION)	
100	1001220020	1	Arms and Attach Link Kit (Not Shown)	
101	0272209	2	Link	
101	0962474	4	Bushing	
102	0272211	2	Prop, Safety	
103	0440236	28	Bearing	
104	0440250	4	Bearing	
105	0641507	17	Bolt 5/16 x 7/8	
106	1180371	1	Carrier, Cable	
107	1180372	1	Carrier, Cable	
108	3311505	17	Nut 5/16	
109	3340929	16	Pad	
110	4711500	16	Washer 5/16	
200	1001220010	1	Arms Kit (Not Shown)	
201	0200713	1	Arm, Lower Mid Inboard	
201	1001200412	6	Bushing (Not Shown)	
202	0200716	1	Arm, Lower Outboard	
202	1001200506	4	Bushing (Not Shown)	
203	0200717	1	Arm, Upper Inboard	
203	1001200401	2	Bushing - 8-1/2 Length (Not Shown)	
203	1001200402	1	Bushing - 1-1/8 Length (Not Shown)	
203	1001200412	2	Bushing - 6-1/2 Length (Not Shown)	
203	1001200510	2	Bushing - 11-1/2 Length (Not Shown)	
204	0200718	1	Arm, Lower Mid Outboard (LH)	
204	1001200506	3	Bushing (Not Shown)	
205	0200719	1	Arm, Lower Mid Outboard (RH)	
205	1001200506	3	Bushing (Not Shown)	
206	0200723	1	Arm, Upper Outboard	
206	1001200528	2	Bushing (Not Shown)	
207	1001215305	1	Arm, Lower Inboard	
207	1001200400	2	Bushing - 7-1/2 Length (Not Shown)	
207	1001200401	2	Bushing - 8-1/2 Length (Not Shown)	

## SECTION 4 - SCISSORS ARMS

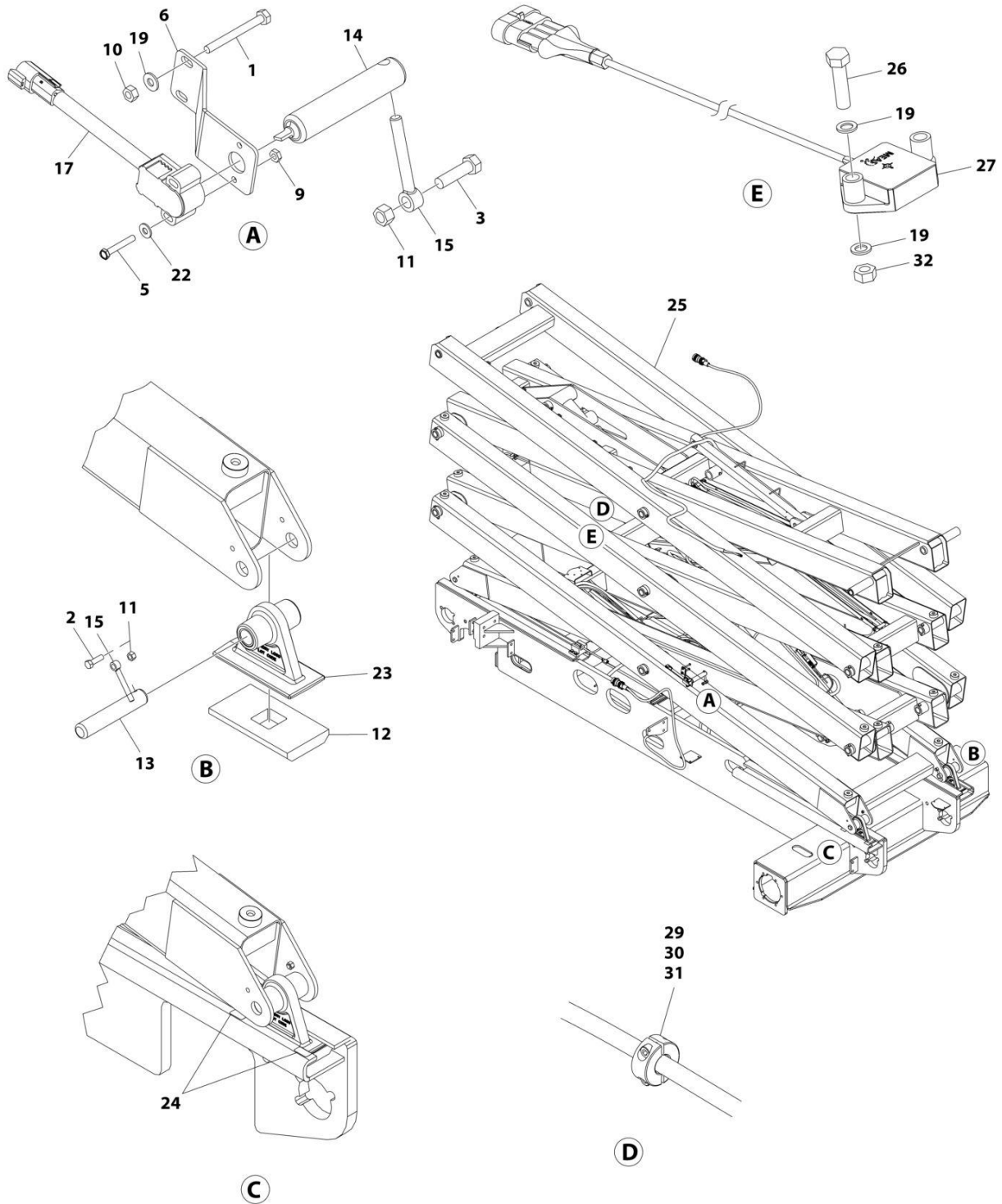
ITEM	PART NUMBER	QTY	DESCRIPTION	REV
207	1001200402	2	Bushing - 1-1/8 Length (Not Shown)	





# SECTION 4 - SCISSORS ARMS

## FIGURE 4-3. SCISSORS ARMS INSTALLATION - WITH GENERATOR (RT3394)



ART\_1001220085\_G

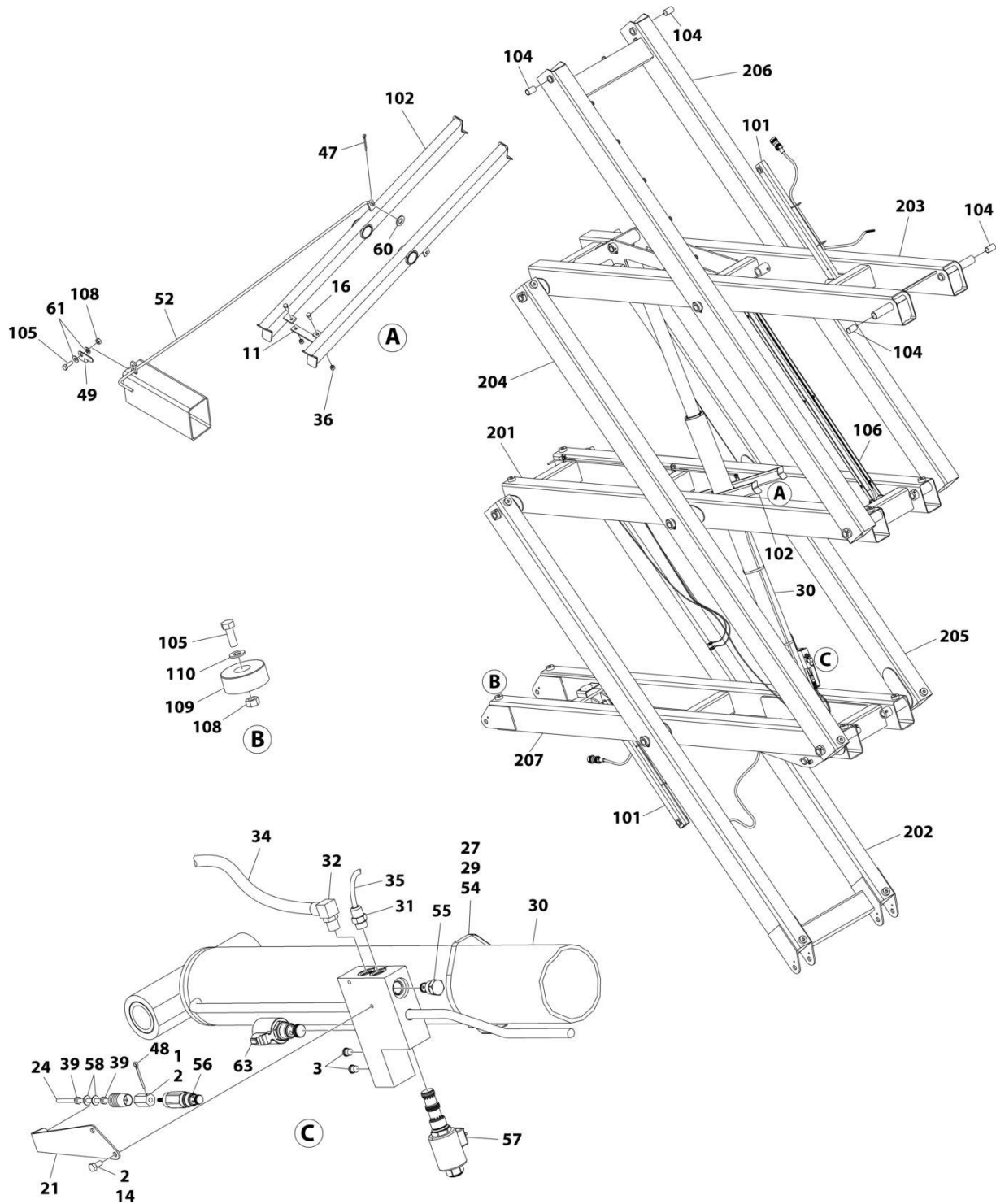
## SECTION 4 - SCISSORS ARMS

**FIGURE 4-3. SCISSORS ARMS INSTALLATION - WITH GENERATOR (RT3394)**

ITEM	PART NUMBER	QTY	DESCRIPTION	REV
	1001220085	Ref	SCISSORS ARMS INSTALLATION - WITH GENERATOR	G
1	0641420	2	Bolt 1/4 x 2-1/2	
2	0641610	4	Bolt 3/8 x 1-1/4	
3	0641611	1	Bolt 3/8 x 1-3/8	
5	0721010	2	Screw #10 x 1-1/4	
6	0902774	1	Bracket	
9	3311005	2	Nut #10	
10	3311405	2	Nut 1/4	
11	3311605	5	Nut 3/8	
12	3340935	4	Pad	
13	3422961	4	Pin	
14	3422963	1	Pin	
15	3841143	5	Keeper, Pin	
17	4360500	1	Switch, Angle Sensor	
19	4711400	4	Washer 1/4	
22	4751000	2	Washer #10	
23	1001099623	4	Support, Slider	
24	1001125243	1	Decal - Calibration	
25	1001220087	1	Scissors Arms Assembly - with Generator (See Separate Breakdown in this Section)	
26	0641412	2	Bolt 1/4 x 1-1/2	
27	1001187857	1	Sensor	
28	4240018	AR	Tie-Strap (Not Shown)	
29	0100081	AR	Adhesive	
30	1001238626	1	Clamp, Collar (2 pieces)	
31	0100035	AR	Adhesive	
32	8310382	2	Nut, Flange	

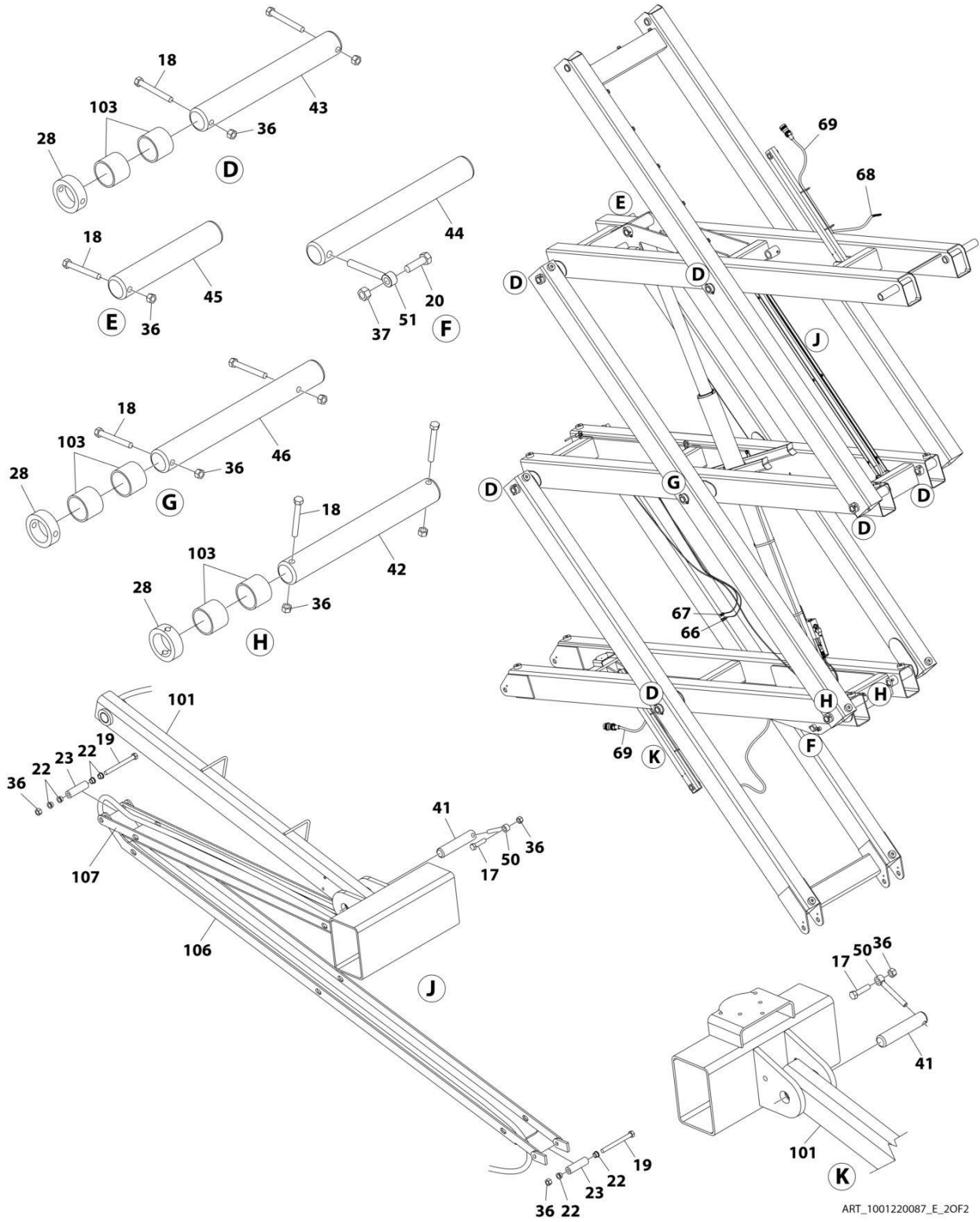
# SECTION 4 - SCISSORS ARMS

FIGURE 4-4. SCISSORS ARMS ASSEMBLY - WITH GENERATOR (RT3394)



ART\_1001220087\_E\_10F2

# SECTION 4 - SCISSORS ARMS



## SECTION 4 - SCISSORS ARMS

FIGURE 4-4. SCISSORS ARMS ASSEMBLY - WITH GENERATOR (RT3394)

ITEM	PART NUMBER	QTY	DESCRIPTION	REV
	1001220087	Ref	SCISSORS ARMS ASSEMBLY - WITH GENERATOR	I
1	0080190	1	Adapter, Cable	
2	0100011	AR	Compound, Locking	
3	2220883	2	Plug	
11	0363050	1	Bar, Prop	
14	0641505	2	Bolt 5/16 x 5/8	
16	0681607	2	Bolt 3/8 x 7/8	
17	0681612	2	Bolt 3/8 x 1-1/2	
18	0681624	29	Bolt 3/8 x 3	
19	0681632	3	Bolt 3/8 x 4	
20	0681813	1	Bolt 1/2 x 1-5/8	
21	0902773	1	Bracket	
22	0962031	8	Bushing	
23	0962446	3	Spacer	
24	1060929	1	Cable, Manual Descent	
24	7020218	1	Handle	
24	7019602	1	Bellows	
24	7020219	1	Washer	
27	1001216251	3	Clamp	
28	1440331	14	Collar	
29	1670995	3	Cover, Hose/Cable	
30	1001217085	1	Lift Cylinder Assembly (See Separate Breakdown in CYLINDER SECTION):	
31	2220373	1	Fitting, Straight JIC/ORB	
32	2221042	1	Fitting, 90 JIC/ORB	
34	1001216383	1	Hose	
35	1001216384	1	Hose	
36	3271605	36	Nut 3/8	
37	3271805	1	Nut 1/2	
39	3321402	2	Nut 1/4	
41	3422943	2	Pin	
42	3422944	2	Pin	
43	3422945	10	Pin	
44	3422946	1	Pin	
45	3422954	1	Pin	
46	3422965	2	Pin	
47	3450304	1	Pin 3/32 x 1	
48	3450405	1	Pin 1/8 x 1-1/4	
49	3573370	1	Plate	
50	3841143	2	Keeper, Pin	
51	3841203	1	Keeper, Pin	
52	3841556	1	Rod, Prop	
53	4240033	AR	Tie-Strap (Not Shown)	
54	4280295	18 in/ 46cm	Strip, Protector	
55	4641193	1	Cartridge, Check Valve	
55	2900756	1	Seal Kit - 4641193 Valve	
56	4641205	1	Cartridge, Holding Valve	
56	7017496	1	Seal Kit - 4641205 Valve	
57	4641254	1	Cartridge, Proportional Valve	

## SECTION 4 - SCISSORS ARMS

ITEM	PART NUMBER	QTY	DESCRIPTION	REV
57	7024829	1	Cartridge Less Cartridge	
57	7012925	1	Seal Kit - 7024829 & 4641254 Valves	
57	7017451	1	Coil	
58	4711400	2	Washer 1/4	
60	4711600	1	Washer 3/8	
61	4740455	2	Washer	
63	1001103760	1	Cartridge, Solenoid Valve	
63	7023923	1	Cartridge Less Cartridge	
63	7023919	1	Seal Kit - 7023923 & 1001103760 Valves	
63	70001967	1	Coil	
66	1001209182	1	Lift Cylinder Prop Harness	
66	4460499	1	Connector, DIN (HV9 - Proportional Valve)	
66	4460897	1	Receptacle, Female - 2 Position (X14B - Chassis Harness)	
66	4460464	2	Pin, Male	
67	1001209183	1	Lift Cylinder Holding Valve Harness	
67	4460891	2	Plug, Male - 2 Position (X13A - Chassis Harness & HV10 Holding Valve)	
67	4460465	4	Socket, Female	
68	1001237293	1	Cable, Generator to Platform (8/5)	
69	1001209181	1	Ground to Platform Harness - (See Separate Breakdown in ELECTRICAL SECTION)	
100	1001220020	1	Arms and Attach Link Kit (Not Shown)	
101	0272209	2	Link	
101	0962474	4	Bushing	
102	0272211	2	Prop, Safety	
103	0440236	28	Bearing	
104	0440250	4	Bearing	
105	0641507	17	Bolt 5/16 x 7/8	
106	1180371	1	Carrier, Cable	
107	1180372	1	Carrier, Cable	
108	3311505	17	Nut 5/16	
109	3340929	16	Pad	
110	4711500	16	Washer 5/16	
200	1001220010	1	Arms Kit (Not Shown)	
201	0200713	1	Arm, Lower Mid Inboard	
201	1001200412	6	Bushing (Not Shown)	
202	0200716	1	Arm, Lower Outboard	
202	1001200506	4	Bushing (Not Shown)	
203	0200717	1	Arm, Upper Inboard	
203	1001200401	2	Bushing - 8-1/2 Length (Not Shown)	
203	1001200402	1	Bushing - 1-1/8 Length (Not Shown)	
203	1001200412	2	Bushing - 6-1/2 Length (Not Shown)	
203	1001200510	2	Bushing - 11-1/2 Length (Not Shown)	
204	0200718	1	Arm, Lower Mid Outboard (LH)	
204	1001200506	3	Bushing (Not Shown)	
205	0200719	1	Arm, Lower Mid Outboard (RH)	
205	1001200506	3	Bushing (Not Shown)	
206	0200723	1	Arm, Upper Outboard	
206	1001200528	2	Bushing (Not Shown)	
207	1001215305	1	Arm, Lower Inboard	
207	1001200400	2	Bushing - 7-1/2 Length (Not Shown)	
207	1001200401	2	Bushing - 8-1/2 Length (Not Shown)	

## SECTION 4 - SCISSORS ARMS

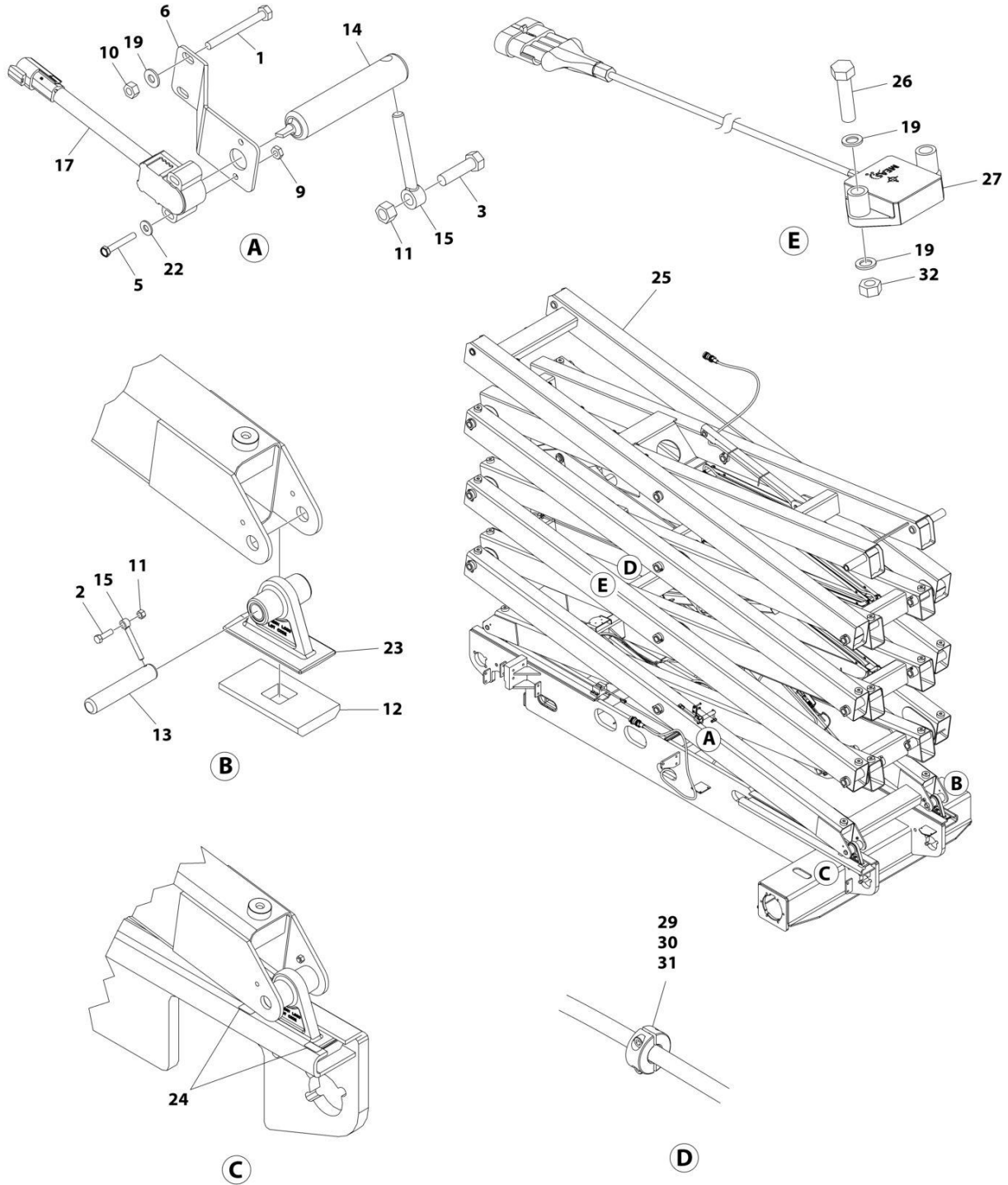
ITEM	PART NUMBER	QTY	DESCRIPTION	REV
207	1001200402	2	Bushing - 1-1/8 Length (Not Shown)	





# SECTION 4 - SCISSORS ARMS

## FIGURE 4-5. SCISSORS ARMS INSTALLATION (RT4394)



ART\_1001220083\_G

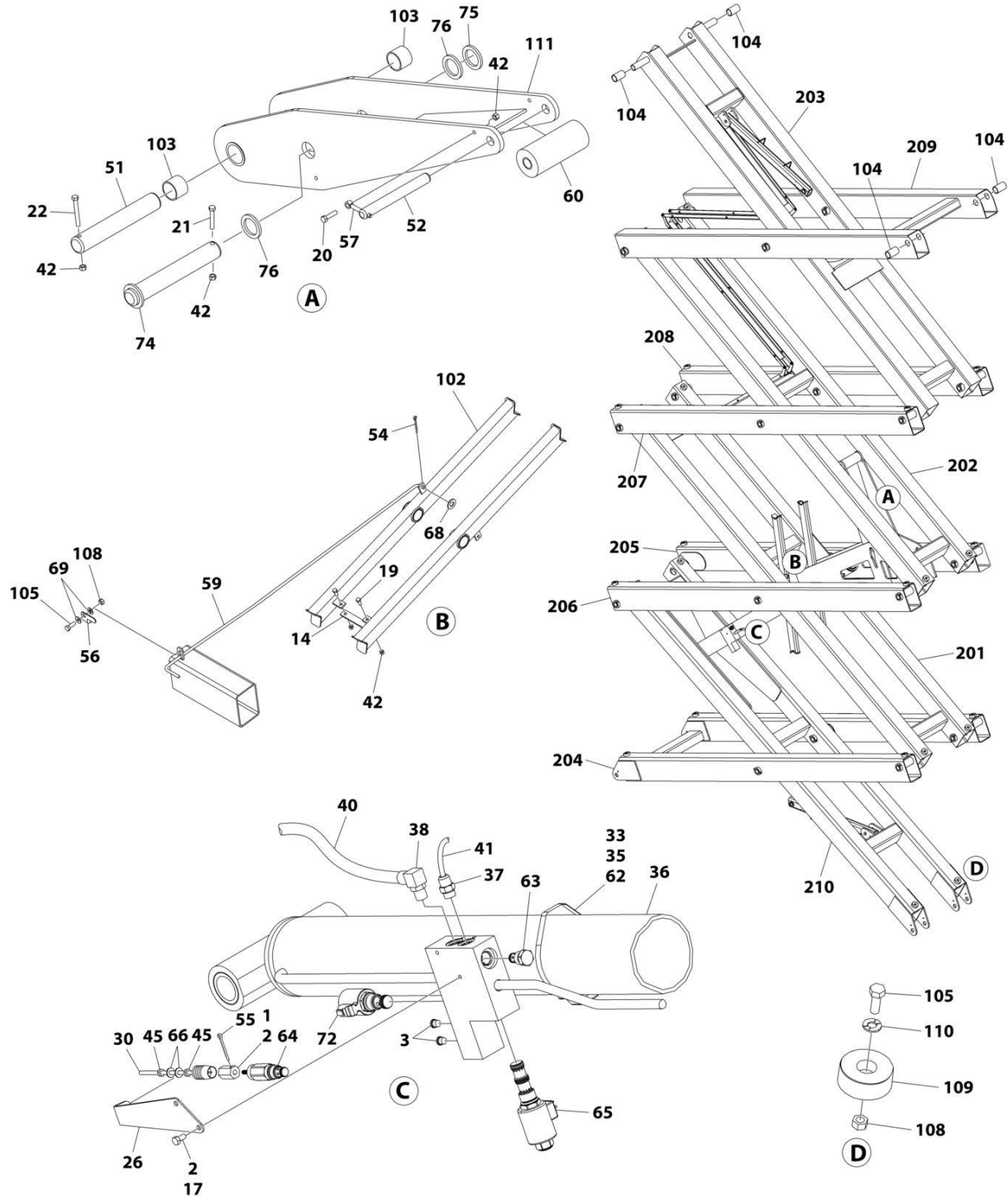
## SECTION 4 - SCISSORS ARMS

**FIGURE 4-5. SCISSORS ARMS INSTALLATION (RT4394)**

ITEM	PART NUMBER	QTY	DESCRIPTION	REV
	1001220083	Ref	SCISSORS ARMS INSTALLATION	G
1	0641420	2	Bolt 1/4 x 2-1/2	
2	0641610	4	Bolt 3/8 x 1-1/4	
3	0641611	1	Bolt 3/8 x 1-3/8	
5	0721010	2	Screw #10 x 1-1/4	
6	0902774	1	Bracket	
9	3311005	2	Nut #10	
10	3311405	4	Nut 1/4	
11	3311605	5	Nut 3/8	
12	3340935	4	Pad	
13	3422961	4	Pin	
14	3422963	1	Pin	
15	3841143	5	Keeper, Pin	
17	4360500	1	Switch, Angle Sensor	
19	4711400	4	Washer 1/4	
20	4711600	2	Washer 3/8	
22	4751000	2	Washer #10	
23	1001099623	4	Support, Slider	
24	1001125242	1	Decal - Calibration	
25	1001220084	1	Scissors Arms Assembly (See Separate Breakdown in this Section)	
26	0641412	2	Bolt 1/4 x 1-1/2	
27	1001187857	1	Sensor	
28	4240018	AR	Tie-Strap (Not Shown)	
29	0100081	AR	Adhesive	
30	1001238626	1	Clamp, Collar (2 pieces)	
31	0100035	AR	Adhesive	
32	8310382	2	Nut, Flange	

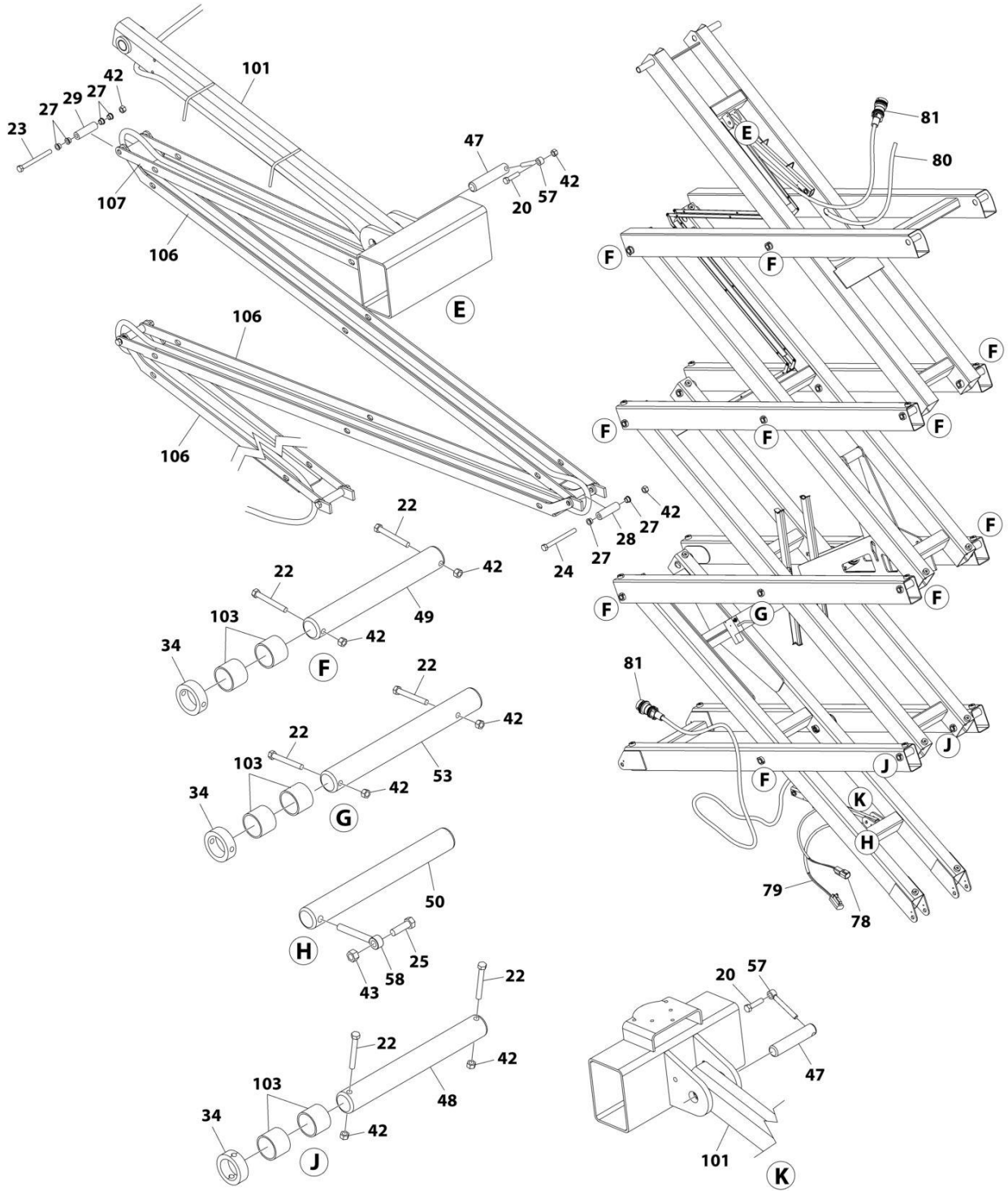
# SECTION 4 - SCISSORS ARMS

## FIGURE 4-6. SCISSORS ARMS ASSEMBLY (RT4394)



ART\_1001220084\_G\_10F2

# SECTION 4 - SCISSORS ARMS



ART\_1001220084\_G\_2OF2

## SECTION 4 - SCISSORS ARMS

FIGURE 4-6. SCISSORS ARMS ASSEMBLY (RT4394)

ITEM	PART NUMBER	QTY	DESCRIPTION	REV
	1001220084	Ref	SCISSORS ARMS ASSEMBLY	G
1	0080190	1	Adapter, Cable	
2	0100011	AR	Compound, Locking	
3	2220883	2	Plug	
14	0363050	1	Bar, Prop	
17	0641505	2	Bolt 5/16 x 5/8	
19	0681607	2	Bolt 3/8 x 7/8	
20	0681612	3	Bolt 3/8 x 1-1/2	
21	0681618	1	Bolt 3/8 x 2-1/4	
22	0681624	41	Bolt 3/8 x 3	
23	0681632	4	Bolt 3/8 x 4	
24	0681636	1	Bolt 3/8 x 4-1/2	
25	0681813	1	Bolt 1/2 x 1-5/8	
26	0902773	1	Bracket	
27	0962031	16	Bushing	
28	0962445	1	Spacer	
29	0962446	4	Spacer	
30	1060929	1	Cable, Manual Descent	
30	7020218	1	Handle	
30	7019602	1	Bellows	
30	7020219	1	Washer	
33	1001216251	3	Clamp	
34	1440331	20	Collar	
35	1670995	3	Cover, Hose/Cable	
36	1001217085	1	Lift Cylinder Assembly (See Separate Breakdown in CYLINDER SECTION):	
37	2220373	1	Fitting, Straight JIC/ORB	
38	2221042	1	Fitting, 90 JIC/ORB	
40	1001216383	1	Hose	
41	1001216384	1	Hose	
42	3271605	52	Nut 3/8	
43	3271805	1	Nut 1/2	
45	3321402	2	Nut 1/4	
47	3422943	2	Pin	
48	3422944	2	Pin	
49	3422945	16	Pin	
50	3422946	1	Pin	
51	3422948	1	Pin	
52	3422964	1	Pin	
53	3422965	2	Pin	
54	3450304	1	Pin 3/32 x 1	
55	3450405	1	Pin 1/8 x 1-1/4	
56	3573370	1	Plate	
57	3841143	3	Keeper, Pin	
58	3841203	1	Keeper, Pin	
59	3841556	1	Rod, Prop	
60	3860102	1	Roller	
60	0962356	2	Bearing	
61	4240033	AR	Tie-Strap (Not Shown)	

## SECTION 4 - SCISSORS ARMS

ITEM	PART NUMBER	QTY	DESCRIPTION	REV
62	4280295	18 in/ 46cm	Strip, Protector	
63	4641193	1	Cartridge, Check Valve	
63	2900756	1	Seal Kit - 4641193 Valve	
64	4641205	1	Cartridge, Holding Valve	
64	7017496	1	Seal Kit - 4641205 Valve	
65	4641254	1	Cartridge, Proportional Valve	
65	7024829	1	Cartridge Less Cartridge	
65	7012925	1	Seal Kit - 7024829 & 4641254 Valves	
65	7017451	1	Coil	
66	4711400	2	Washer 1/4	
68	4711600	1	Washer 3/8	
69	4740455	2	Washer	
72	1001103760	1	Cartridge, Solenoid Valve	
72	7023923	1	Cartridge Less Cartridge	
72	7023919	1	Seal Kit - 7023923 & 1001103760 Valves	
72	70001967	1	Coil	
74	1001174384	1	Pin	
75	1001174386	1	Plate	
76	1001174387	2	Pad	
78	1001209182	1	Lift Cylinder Prop Harness	
78	4460499	1	Connector, DIN (HV9 - Proportional Valve)	
78	4460897	1	Receptacle, Female - 2 Position (X14B - Chassis Harness)	
78	4460464	2	Pin, Male	
79	1001209183	1	Lift Cylinder Holding Valve Harness	
79	4460891	2	Plug, Male - 2 Position (X13A - Chassis Harness & HV10 Holding Valve)	
79	4460465	4	Socket, Female	
80	1060907	1	Ground to AC Box (12/3) (Not Shown)	
81	1001210080	1	Ground to Platform Harness (See Separate Breakdown in ELECTRICAL SECTION)	
100	1001220040	1	Arms and Attach Link Kit (Not Shown)	
101	0272209	2	Link	
101	0962474	4	Bushing	
102	0272211	2	Prop, Safety	
103	0440236	42	Bearing	
104	0440250	4	Bearing	
105	0641507	25	Bolt 5/16 x 7/8	
106	1180371	3	Carrier, Cable	
107	1180372	1	Carrier, Cable	
108	3311505	25	Nut 5/16	
109	3340929	24	Pad	
110	4711500	24	Washer 5/16	
111	4846460	1	Kicker	
200	1001220030	1	Arms Kit (Not Shown)	
201	0200713	1	Arm, Lower Mid Inboard	
201	1001200412	6	Bushing (Not Shown)	
202	0200714	1	Arm, Upper Mid Inboard	
202	1001200401	2	Bushing - 8-1/2 Length (Not Shown)	
202	1001200402	1	Bushing - 1-1/8 Length (Not Shown)	
202	1001200412	4	Bushing - 6-1/2 Length (Not Shown)	
203	0200715	1	Arm, Upper Inboard	

## SECTION 4 - SCISSORS ARMS

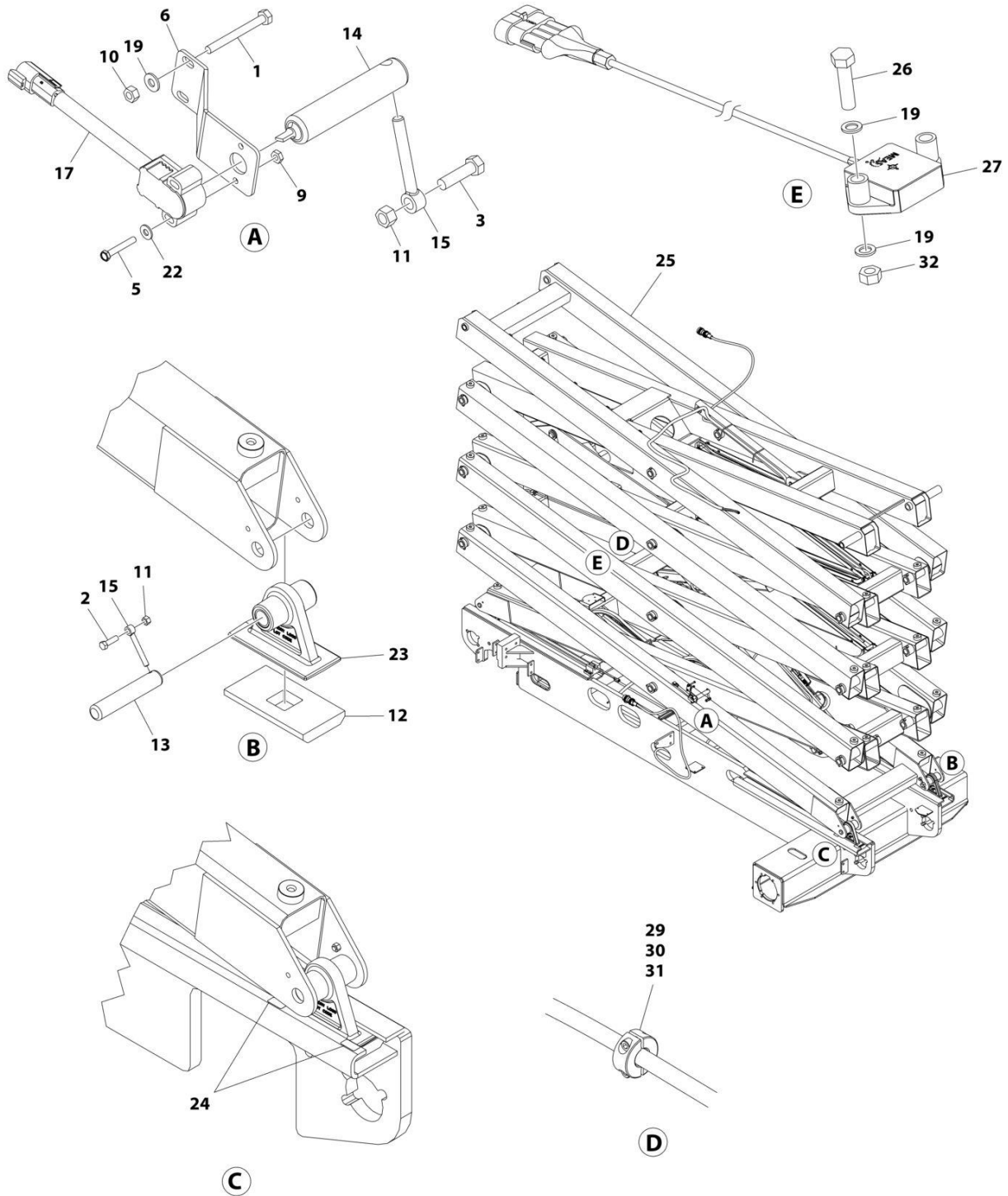
ITEM	PART NUMBER	QTY	DESCRIPTION	REV
203	1001200412	4	Bushing - 6-1/2 Length (Not Shown)	
203	1001200510	2	Bushing - 11-1/2 Length (Not Shown)	
204	0200716	1	Arm, Lower Outboard	
204	1001200506	4	Bushing (Not Shown)	
205	0200718	1	Arm, Lower Mid Outboard (LH)	
205	1001200506	3	Bushing (Not Shown)	
206	0200719	1	Arm, Lower Mid Outboard (RH)	
206	1001200506	3	Bushing (Not Shown)	
207	0200720	1	Arm, Upper Mid Outboard (LH)	
207	1001200506	3	Bushing (Not Shown)	
208	0200721	1	Arm, Upper Mid Outboard (RH)	
208	1001200506	3	Bushing (Not Shown)	
209	0200722	1	Arm, Upper Outboard	
209	1001200506	4	Bushing - 2 ID (Not Shown)	
209	1001200528	2	Bushing - 1-5/16 ID (Not Shown)	
210	1001215305	1	Arm, Lower Inboard	
210	1001200400	2	Bushing - 7-1/2 Length (Not Shown)	
210	1001200401	2	Bushing - 8-1/2 Length (Not Shown)	
210	1001200402	2	Bushing - 1-1/8 Length (Not Shown)	





# SECTION 4 - SCISSORS ARMS

## FIGURE 4-7. SCISSORS ARMS INSTALLATION - WITH GENERATOR (RT4394)



ART\_1001220088\_G

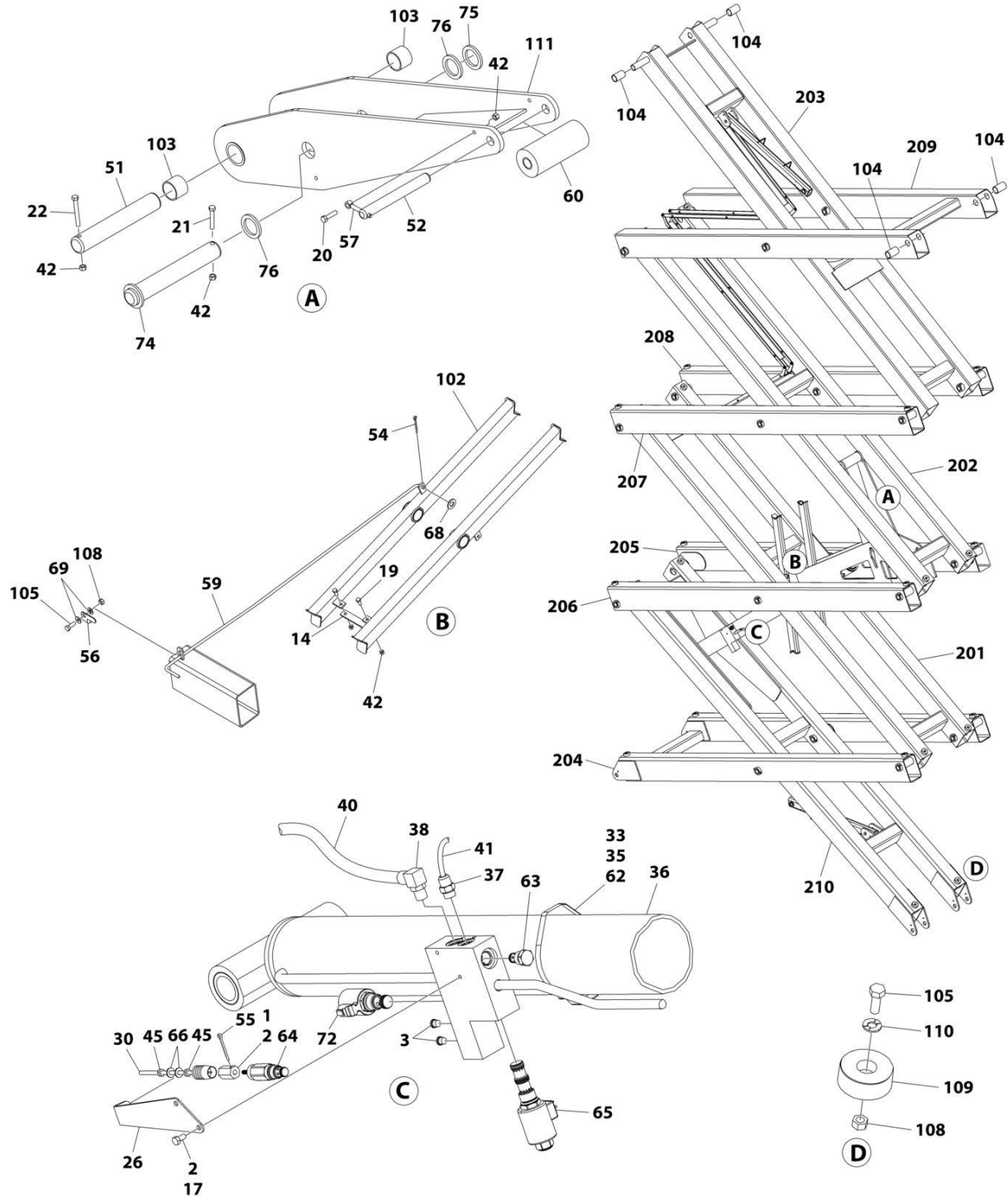
## SECTION 4 - SCISSORS ARMS

**FIGURE 4-7. SCISSORS ARMS INSTALLATION - WITH GENERATOR (RT4394)**

ITEM	PART NUMBER	QTY	DESCRIPTION	REV
	1001220088	Ref	SCISSORS ARMS INSTALLATION - WITH GENERATOR	G
1	0641420	2	Bolt 1/4 x 2-1/2	
2	0641610	4	Bolt 3/8 x 1-1/4	
3	0641611	1	Bolt 3/8 x 1-3/8	
5	0721010	2	Screw #10 x 1-1/4	
6	0902774	1	Bracket	
9	3311005	2	Nut #10	
10	3311405	4	Nut 1/4	
11	3311605	5	Nut 3/8	
12	3340935	4	Pad	
13	3422961	4	Pin	
14	3422963	1	Pin	
15	3841143	5	Keeper, Pin	
17	4360500	1	Switch, Angle Sensor	
19	4711400	4	Washer 1/4	
22	4751000	2	Washer #10	
23	1001099623	4	Support, Slider	
24	1001125242	1	Decal - Calibration	
25	1001220089	1	Scissors Arms Assembly - with Generator (See Separate Breakdown in this Section)	
26	0641412	2	Bolt 1/4 x 1-1/2	
27	1001187857	1	Sensor	
28	4240018	AR	Tie-Strap (Not Shown)	
29	0100081	AR	Adhesive	
30	1001238626	1	Clamp, Collar (2 pieces)	
31	0100035	AR	Adhesive	
32	8310382	2	Nut, Flange	

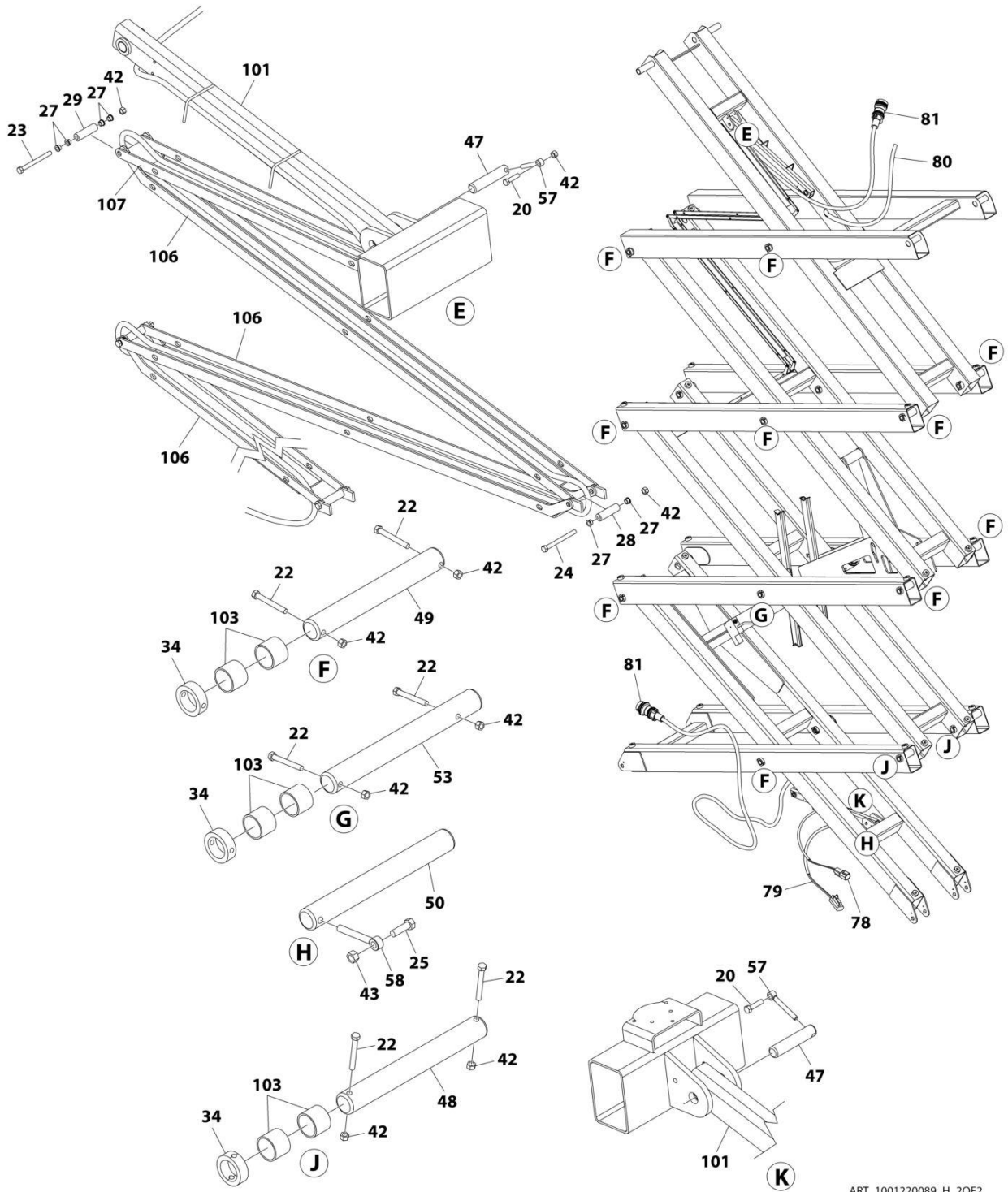
# SECTION 4 - SCISSORS ARMS

FIGURE 4-8. SCISSORS ARMS ASSEMBLY - WITH GENERATOR (RT4394)



ART\_1001220089\_H\_10F2

# SECTION 4 - SCISSORS ARMS



ART\_1001220089\_H\_20F2

## SECTION 4 - SCISSORS ARMS

FIGURE 4-8. SCISSORS ARMS ASSEMBLY - WITH GENERATOR (RT4394)

ITEM	PART NUMBER	QTY	DESCRIPTION	REV
	1001220089	Ref	SCISSORS ARMS ASSEMBLY - WITH GENERATOR	H
1	0080190	1	Adapter, Cable	
2	0100011	AR	Compound, Locking	
3	2220883	2	Plug	
14	0363050	1	Bar, Prop	
17	0641505	2	Bolt 5/16 x 5/8	
19	0681607	2	Bolt 3/8 x 7/8	
20	0681612	3	Bolt 3/8 x 1-1/2	
21	0681618	1	Bolt 3/8 x 2-1/4	
22	0681624	41	Bolt 3/8 x 3	
23	0681632	4	Bolt 3/8 x 4	
24	0681636	1	Bolt 3/8 x 4-1/2	
25	0681813	1	Bolt 1/2 x 1-5/8	
26	0902773	1	Bracket	
27	0962031	16	Bushing	
28	0962445	1	Spacer	
29	0962446	4	Spacer	
30	1060929	1	Cable, Manual Descent	
30	7020218	1	Handle	
30	7019602	1	Bellows	
30	7020219	1	Washer	
33	1001216251	3	Clamp	
34	1440331	20	Collar	
35	1670995	3	Cover, Hose/Cable	
36	1001217085	1	Lift Cylinder Assembly Options (See Separate Breakdown in CYLINDER SECTION):	
37	2220373	1	Fitting, Straight JIC/ORB	
38	2221042	1	Fitting, 90 JIC/ORB	
40	1001216383	1	Hose	
41	1001216384	1	Hose	
42	3271605	52	Nut 3/8	
43	3271805	1	Nut 1/2	
45	3321402	2	Nut 1/4	
47	3422943	2	Pin	
48	3422944	2	Pin	
49	3422945	16	Pin	
50	3422946	1	Pin	
51	3422948	1	Pin	
52	3422964	1	Pin	
53	3422965	2	Pin	
54	3450304	1	Pin 3/32 x 1	
55	3450405	1	Pin 1/8 x 1-1/4	
56	3573370	1	Plate	
57	3841143	3	Keeper, Pin	
58	3841203	1	Keeper, Pin	
59	3841556	1	Rod, Prop	
60	3860102	1	Roller	
60	0962356	2	Bearing	
61	4240033	AR	Tie-Strap (Not Shown)	

## SECTION 4 - SCISSORS ARMS

ITEM	PART NUMBER	QTY	DESCRIPTION	REV
62	4280295	18 in/ 46cm	Strip, Protector	
63	4641193	1	Cartridge, Check Valve	
63	2900756	1	Seal Kit - 4641193 Valve	
64	4641205	1	Cartridge, Holding Valve	
64	7017496	1	Seal Kit - 4641205 Valve	
65	4641254	1	Cartridge, Proportional Valve	
65	7024829	1	Cartridge Less Cartridge	
65	7012925	1	Seal Kit - 7024829 & 4641254 Valves	
65	7017451	1	Coil	
66	4711400	2	Washer 1/4	
68	4711600	1	Washer 3/8	
69	4740455	2	Washer	
72	1001103760	1	Cartridge, Solenoid Valve	
72	7023923	1	Cartridge Less Cartridge	
72	7023919	1	Seal Kit - 7023923 & 1001103760 Valves	
72	70001967	1	Coil	
74	1001174384	1	Pin	
75	1001174386	1	Plate	
76	1001174387	2	Pad	
78	1001209182	1	Lift Cylinder Prop Harness	
78	4460499	1	Connector, DIN (HV9 - Proportional Valve)	
78	4460897	1	Receptacle, Female - 2 Position (X14B - Chassis Harness)	
78	4460464	2	Pin, Male	
79	1001209183	1	Lift Cylinder Holding Valve Harness	
79	4460891	2	Plug, Male - 2 Position (X13A - Chassis Harness & HV10 Holding Valve)	
79	4460465	4	Socket, Female	
80	1001237292	1	Cable, Generator to Platform (8/5)	
81	1001210080	1	Ground to Platform Harness (See Separate Breakdown in ELECTRICAL SECTION)	
100	1001220040	1	Arms and Attach Link Kit (Not Shown)	
101	0272209	2	Link	
101	0962474	4	Bushing	
102	0272211	2	Prop, Safety	
103	0440236	42	Bearing	
104	0440250	4	Bearing	
105	0641507	25	Bolt 5/16 x 7/8	
106	1180371	3	Carrier, Cable	
107	1180372	1	Carrier, Cable	
108	3311505	25	Nut 5/16	
109	3340929	24	Pad	
110	4711500	24	Washer 5/16	
111	4846460	1	Kicker	
200	1001220030	1	Arms Kit (Not Shown)	
201	0200713	1	Arm, Lower Mid Inboard	
201	1001200412	6	Bushing (Not Shown)	
202	0200714	1	Arm, Upper Mid Inboard	
202	1001200401	2	Bushing - 8-1/2 Length (Not Shown)	
202	1001200402	1	Bushing - 1-1/8 Length (Not Shown)	
202	1001200412	4	Bushing - 6-1/2 Length (Not Shown)	
203	0200715	1	Arm, Upper Inboard	

## SECTION 4 - SCISSORS ARMS

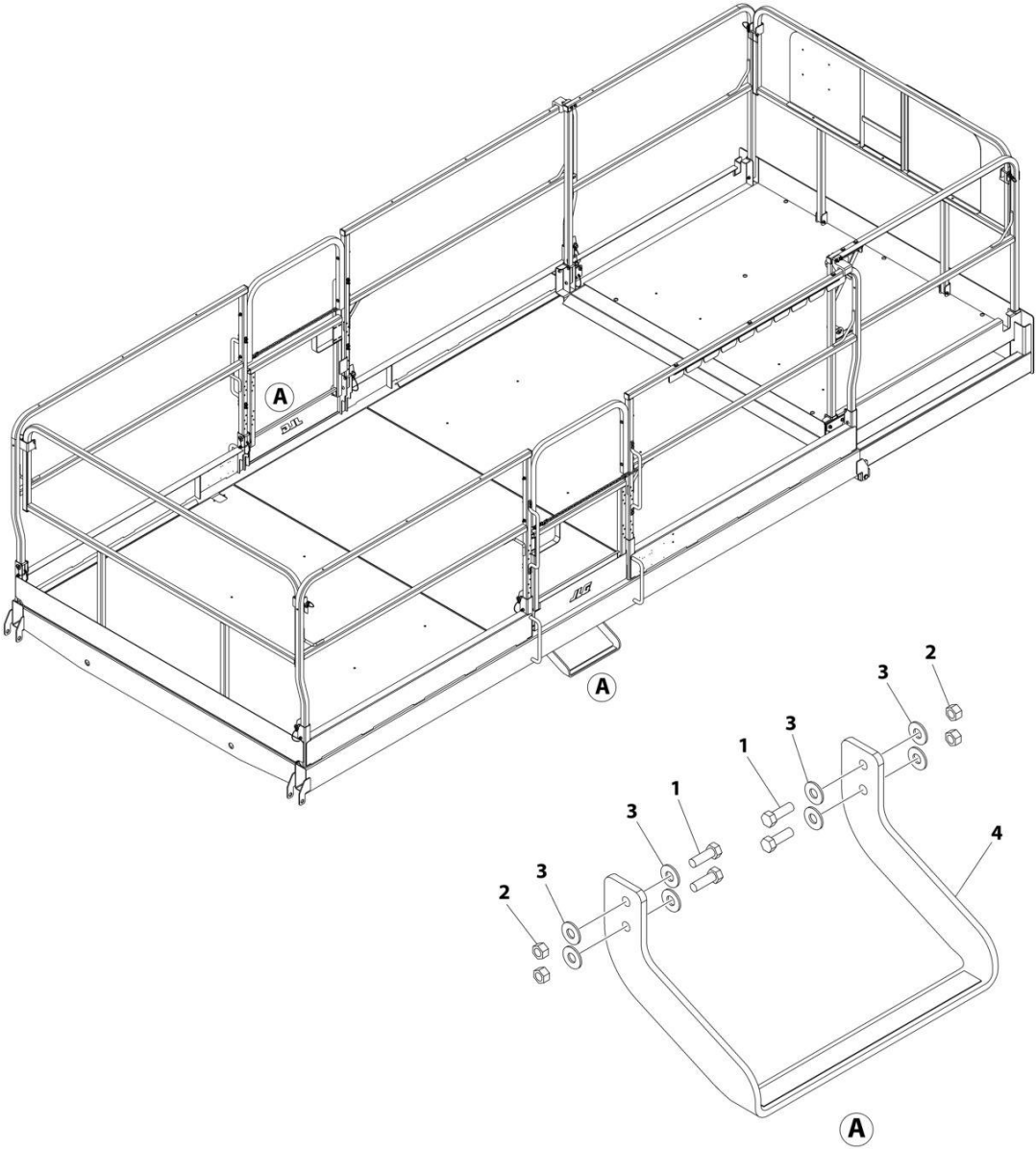
ITEM	PART NUMBER	QTY	DESCRIPTION	REV
203	1001200412	4	Bushing - 6-1/2 Length (Not Shown)	
203	1001200510	2	Bushing - 11-1/2 Length (Not Shown)	
204	0200716	1	Arm, Lower Outboard	
204	1001200506	4	Bushing (Not Shown)	
205	0200718	1	Arm, Lower Mid Outboard (LH)	
205	1001200506	3	Bushing (Not Shown)	
206	0200719	1	Arm, Lower Mid Outboard (RH)	
206	1001200506	3	Bushing (Not Shown)	
207	0200720	1	Arm, Upper Mid Outboard (LH)	
207	1001200506	3	Bushing (Not Shown)	
208	0200721	1	Arm, Upper Mid Outboard (RH)	
208	1001200506	3	Bushing (Not Shown)	
209	0200722	1	Arm, Upper Outboard	
209	1001200506	4	Bushing - 2 ID (Not Shown)	
209	1001200528	2	Bushing - 1-5/16 ID (Not Shown)	
210	1001215305	1	Arm, Lower Inboard	
210	1001200400	2	Bushing - 7-1/2 Length (Not Shown)	
210	1001200401	2	Bushing - 8-1/2 Length (Not Shown)	
210	1001200402	2	Bushing - 1-1/8 Length (Not Shown)	



**SECTION 5 - PLATFORM**

**SECTION 5 - PLATFORM**

**FIGURE 5-1. LADDER INSTALLATION (RT4394)**



ART\_1001296721

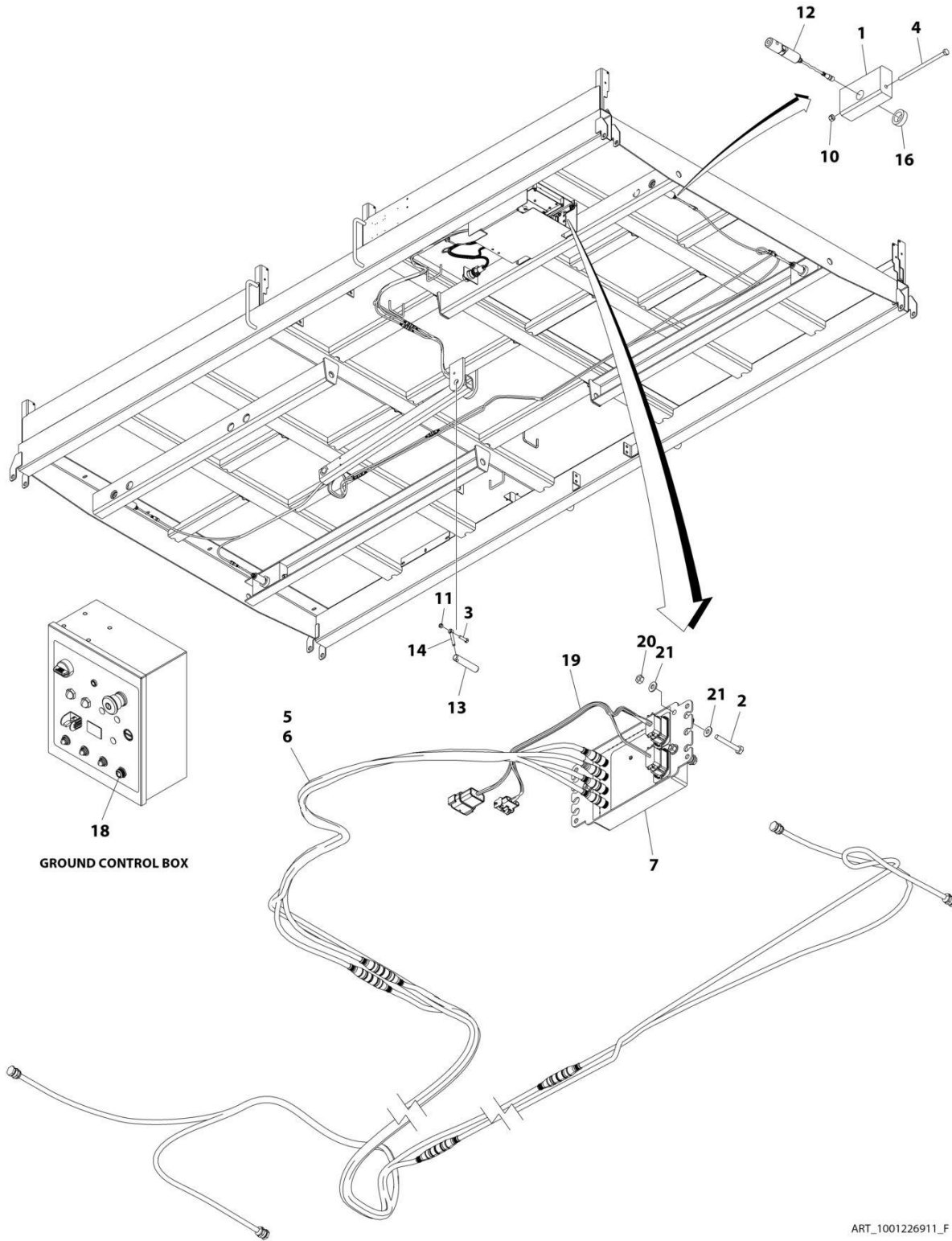
## SECTION 5 - PLATFORM

**FIGURE 5-1. LADDER INSTALLATION (RT4394)**

ITEM	PART NUMBER	QTY	DESCRIPTION	REV
	1001296721	Ref	LADDER INSTALLATION	A
1	0641609	8	Bolt 3/8 x 1-1/8	
2	3311605	8	Nut 3/8	
3	4751600	16	Washer 3/8	
4	1001167469	2	Ladder	

# SECTION 5 - PLATFORM

## FIGURE 5-2. PLATFORM MOUNT INSTALLATION (LSS)



ART\_1001226911\_F

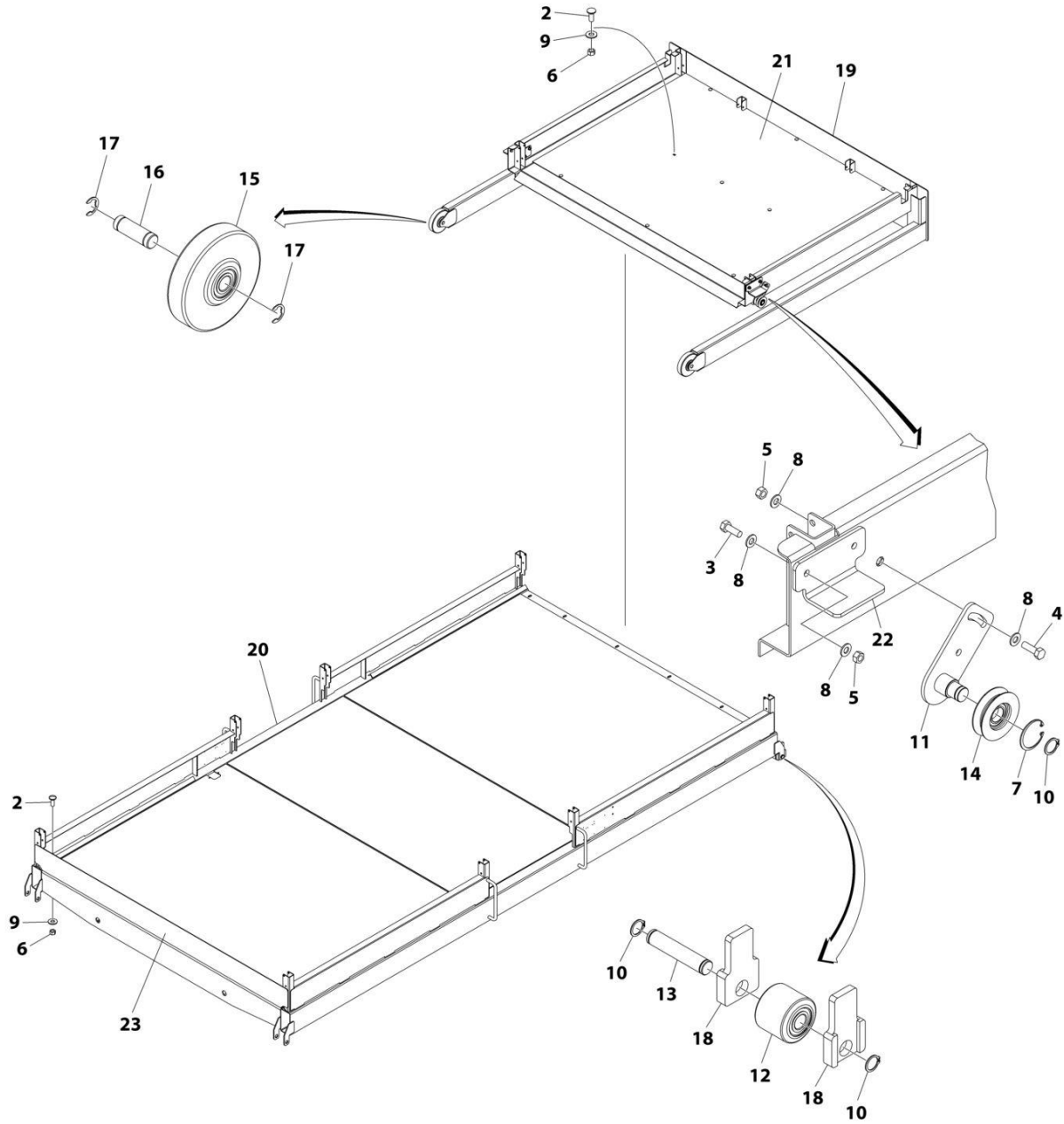
## SECTION 5 - PLATFORM

**FIGURE 5-2. PLATFORM MOUNT INSTALLATION (LSS)**

ITEM	PART NUMBER	QTY	DESCRIPTION	REV
	1001226911	Ref	PLATFORM MOUNT INSTALLATION (LSS)	F
1	0561489	4	Block, Slide	
2	0641415	3	Bolt 1/4 x 1-7/8	
3	0641611	1	Bolt 3/8 x 1-3/8	
4	0701037	4	Bolt M10 x 200	
5	1061020	2	Cable, Sensor (1.5m Length)	
6	1061021	2	Cable, Sensor (3m Length)	
7	1600387	1	Module, LSS (Note: Re-calibration Required when Replaced)	
10	3291005	4	Nut M10	
11	3311605	1	Nut 3/8	
12	3422938	4	Pin	
13	3422943	1	Pin	
14	3841143	1	Keeper, Pin	
15	4240033	AR	Tie-Strap (Not Shown)	
16	4568295	4	Tube, Spacer	
18	1001239350	1	Lamp, LED	
19	1001226830	1	LSS Harness (See Separate Breakdown in ELECTRICAL Section)	
20	3311405	3	Nut 1/4	
21	4711400	6	Washer 1/4	

# SECTION 5 - PLATFORM

## FIGURE 5-3. PLATFORM WITH SINGLE EXTENSION INSTALLATION



ART\_1001205640

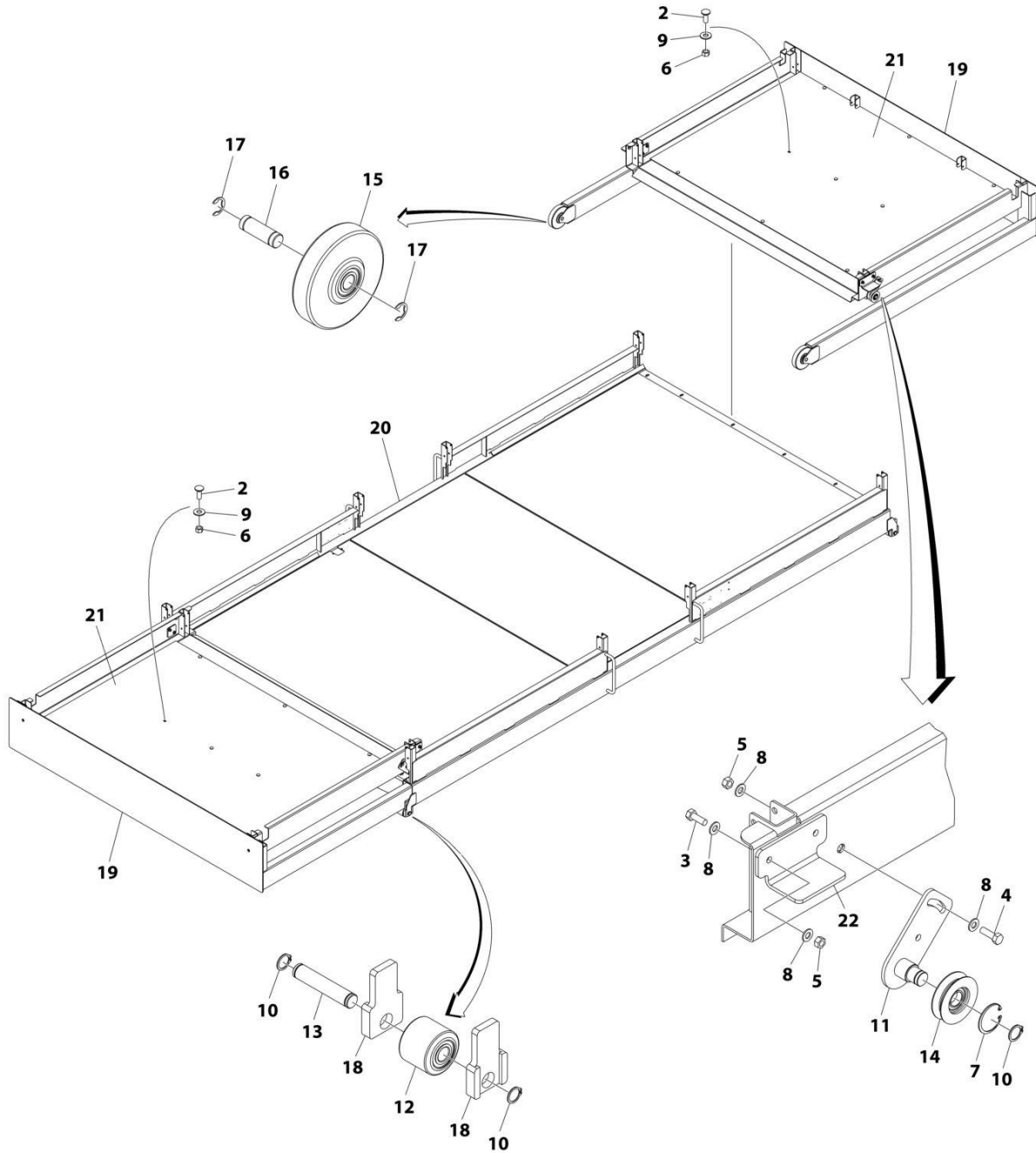
## SECTION 5 - PLATFORM

**FIGURE 5-3. PLATFORM WITH SINGLE EXTENSION INSTALLATION**

ITEM	PART NUMBER	QTY	DESCRIPTION	REV
	1001205640	Ref	PLATFORM WITH SINGLE EXTENSION INSTALLATION	H
2	0630485	15	Bolt	
3	0641507	4	Bolt 5/16 x 7/8	
4	0641508	4	Bolt 5/16 x 1	
5	3311505	8	Nut 5/16	
6	3311601	15	Nut 3/8	
7	3760257	2	Ring, Retaining	
8	4711500	16	Washer 5/16	
9	4751600	15	Washer 3/8	
10	1001149581	6	Ring, Retaining	
11	1001166729	2	Plate, Mounting	
12	1001167269	2	Roller	
13	1001210278	2	Pin	
14	1001167272	2	Roller	
15	1001167274	2	Roller	
16	1001167275	2	Pin	
17	1001167696	4	Clip	
18	1001215224	4	Bumper	
19	1001205642	1	Extension, Platform	
20	1001205643	1	Platform	
21	1001205765	1	Plate, Floor	
22	1001205896	2	Plate, Stop	
23	1001206182	1	Kickplate	

# SECTION 5 - PLATFORM

## FIGURE 5-4. PLATFORM (12.6FT/3.84M LENGTH) WITH DUAL EXTENSION INSTALLATION



ART\_1001205638



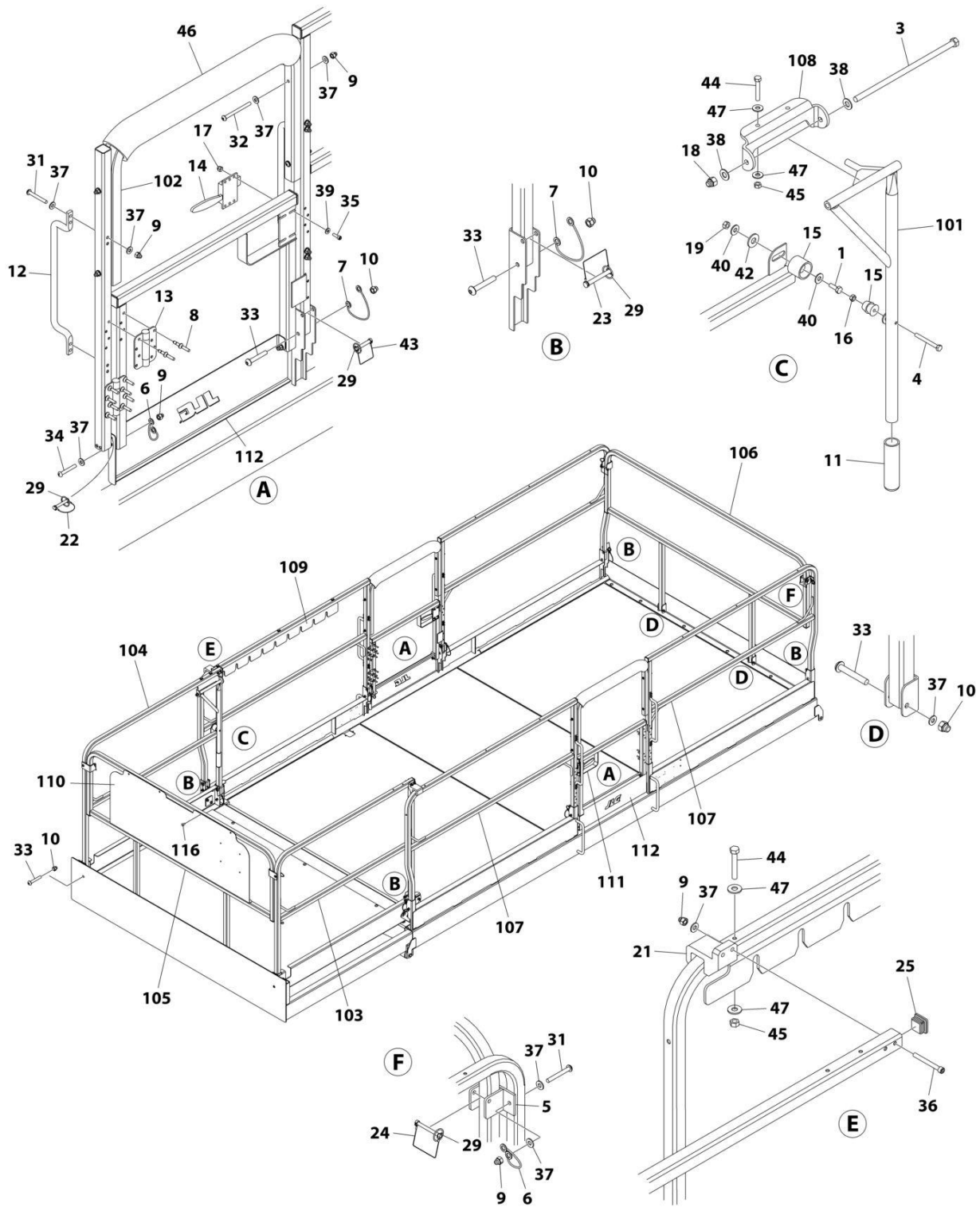
## SECTION 5 - PLATFORM

**FIGURE 5-4. PLATFORM (12.6FT/3.84M LENGTH) WITH DUAL EXTENSION INSTALLATION**

ITEM	PART NUMBER	QTY	DESCRIPTION	REV
	1001205638	Ref	PLATFORM (12.6FT/3.84M LENGTH) WITH DUAL EXTENSION INSTALLATION	H
2	0630485	18	Bolt	
3	0641507	8	Bolt 5/16 x 7/8	
4	0641508	8	Bolt 5/16 x 1	
5	3311505	16	Nut 5/16	
6	3311601	18	Nut 3/8	
7	3760257	4	Ring, Retaining	
8	4711500	32	Washer 5/16	
9	4751600	18	Washer 3/8	
10	1001149581	12	Ring, Retaining	
11	1001166729	4	Plate, Mounting	
12	1001167269	4	Roller	
13	1001210278	4	Pin	
14	1001167272	4	Roller	
15	1001167274	4	Roller	
16	1001167275	4	Pin	
17	1001167696	8	Clip	
18	1001215224	8	Bumper	
19	1001205642	2	Extension, Platform	
20	1001205643	1	Platform	
21	1001205765	2	Plate, Floor	
22	1001205896	4	Plate, Stop	

# SECTION 5 - PLATFORM

## FIGURE 5-5. RAIL INSTALLATION - PLATFORM WITH SINGLE EXTENSION



ART\_1001206190

## SECTION 5 - PLATFORM

**FIGURE 5-5. RAIL INSTALLATION - PLATFORM WITH SINGLE EXTENSION**

ITEM	PART NUMBER	QTY	DESCRIPTION	REV
	1001206190	Ref	RAIL INSTALLATION - PLATFORM WITH SINGLE EXTENSION	F
1	0641406	1	Bolt 1/4 x 3/4	
3	0641676	1	Bolt 3/8 x 9-1/2	
4	0700619	1	Bolt M6 x 55	
5	0901870	4	Bracket	
6	1060379	6	Lanyard	
7	1060808	10	Lanyard	
8	2080040	32	Fastener	
9	2080063	36	Nut 1/4	
10	2080064	16	Nut 5/16	
11	2560088	1	Grip, Handle	
12	2560176	4	Handle	
13	2600285	4	Hinge	
14	2940074	2	Latch	
15	2940127	1	Latch	
16	3290601	1	Nut M6	
17	3300432	8	Nut #10	
18	3300467	1	Nut 3/8	
19	3311405	1	Nut 1/4	
21	3340937	2	Pad, Rail Slide	
22	3421453	2	Pin, Snap	
23	3421565	6	Pin, Snap	
24	3422219	4	Pin, Snap	
25	3520072	14	Plug	
29	3760170	16	Ring, Split	
31	3900318	20	Screw 1/4 x 2	
32	3900319	8	Screw 1/4 x 3	
33	3900323	16	Screw 5/16 x 2	
34	3911428	4	Screw 1/4 x 1-3/4	
35	3931010	8	Capscrew #10 x 5/8	
36	3931436	4	Capscrew 1/4 x 2-1/4	
37	4711400	70	Washer 1/4	
38	4711600	2	Washer 3/8	
39	4751000	8	Washer #10	
40	4751400	2	Washer 1/4	
42	4751600	1	Washer 3/8	
43	1001145292	4	Pin, Snap	
44	0641516	5	Bolt 5/16 x 2	
45	3311505	5	Nut 5/16	
46	3340612	36 in/ 90cm	Cover	
47	4751500	10	Washer 5/16	
100	1001206065	1	Rail Kit (Not Shown)	
101	2560172	1	Handle (RH)	
102	3641452	2	Rail, Door	
103	4846532	1	Rail, Extension (LH)	
104	4846537	1	Rail, Extension (RH)	
105	1001167055	1	Rail, Extension (Front)	
106	1001167058	1	Rail (Rear)	
107	1001213495	4	Rail	

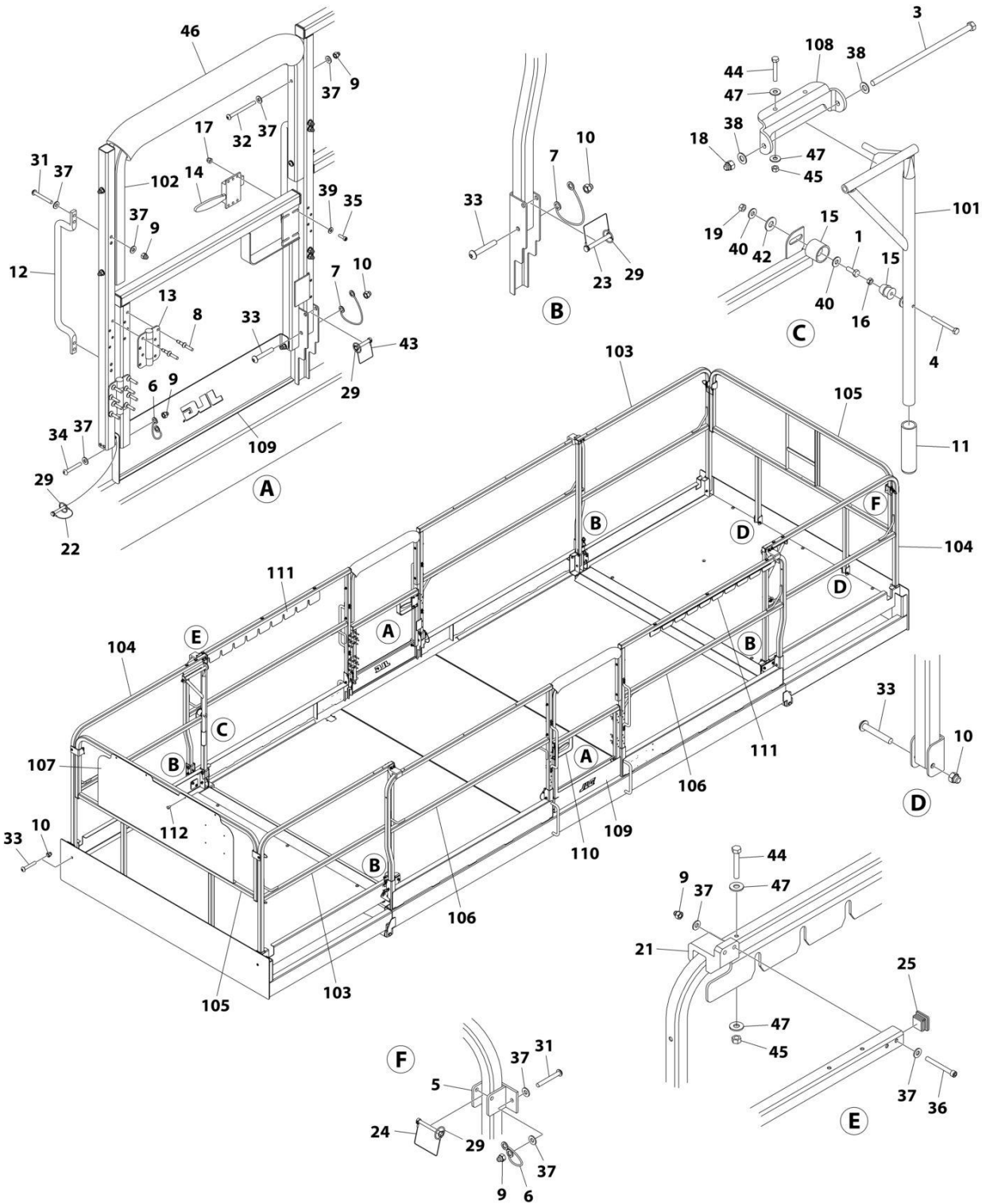
## SECTION 5 - PLATFORM

ITEM	PART NUMBER	QTY	DESCRIPTION	REV
108	3537609	1	Plate, Pivot	
109	1001206025	1	Plate, Latch	
110	3571862	1	Plate, Placard	
111	4846570	2	Gate	
112	3573472	2	Kickplate	
116	3820020	7	Rivet	



# SECTION 5 - PLATFORM

## FIGURE 5-6. RAIL INSTALLATION - 12.6FT/3.84M LENGTH PLATFORM WITH DUAL EXTENSION



ART\_1001206097

## SECTION 5 - PLATFORM

**FIGURE 5-6. RAIL INSTALLATION - 12.6FT/3.84M LENGTH PLATFORM WITH DUAL EXTENSION**

ITEM	PART NUMBER	QTY	DESCRIPTION	REV
	1001206097	Ref	RAIL INSTALLATION - 12.6FT/3.84M LENGTH PLATFORM WITH DUAL EXTENSION	E
1	0641406	2	Bolt 1/4 x 3/4	
3	0641676	2	Bolt 3/8 x 9-1/2	
4	0700619	2	Bolt M6 x 55	
5	0901870	4	Bracket	
6	1060379	6	Lanyard	
7	1060808	12	Lanyard	
8	2080040	32	Fastener	
9	2080063	40	Nut 1/4	
10	2080064	20	Nut 5/16	
11	2560088	2	Grip, Handle	
12	2560176	4	Handle	
13	2600285	4	Hinge	
14	2940074	2	Latch	
15	2940127	2	Latch	
16	3290601	2	Nut M6	
17	3300432	8	Nut #10	
18	3300467	2	Nut 3/8	
19	3311405	2	Nut 1/4	
21	3340937	4	Pad, Rail Slide	
22	3421453	2	Pin, Snap	
23	3421565	8	Pin, Snap	
24	3422219	4	Pin, Snap	
25	3520072	16	Plug	
29	3760170	18	Ring, Split	
31	3900318	20	Screw 1/4 x 2	
32	3900319	8	Screw 1/4 x 3	
33	3900323	20	Screw 5/16 x 2	
34	3911428	4	Screw 1/4 x 1-3/4	
35	3931010	8	Capscrew #10 x 5/8	
36	3931436	8	Capscrew 1/4 x 2-1/4	
37	4711400	78	Washer 1/4	
38	4711600	4	Washer 3/8	
39	4751000	8	Washer #10	
40	4751400	4	Washer 1/4	
42	4751600	2	Washer 3/8	
43	1001145292	4	Pin, Snap	
44	0641516	10	Bolt 5/16 x 2	
45	3311505	10	Nut 5/16	
46	3340612	36 in/ 90cm	Cover	
47	4751500	20	Washer 5/16	
100	1001206009	1	Rail Kit (Not Shown)	
101	2560172	2	Handle (RH)	
102	3641452	2	Rail, Door	
103	4846532	2	Rail, Extension (LH)	
104	4846537	2	Rail, Extension (RH)	
105	1001167055	2	Rail, Extension (Front)	
106	1001213495	4	Rail	

## SECTION 5 - PLATFORM

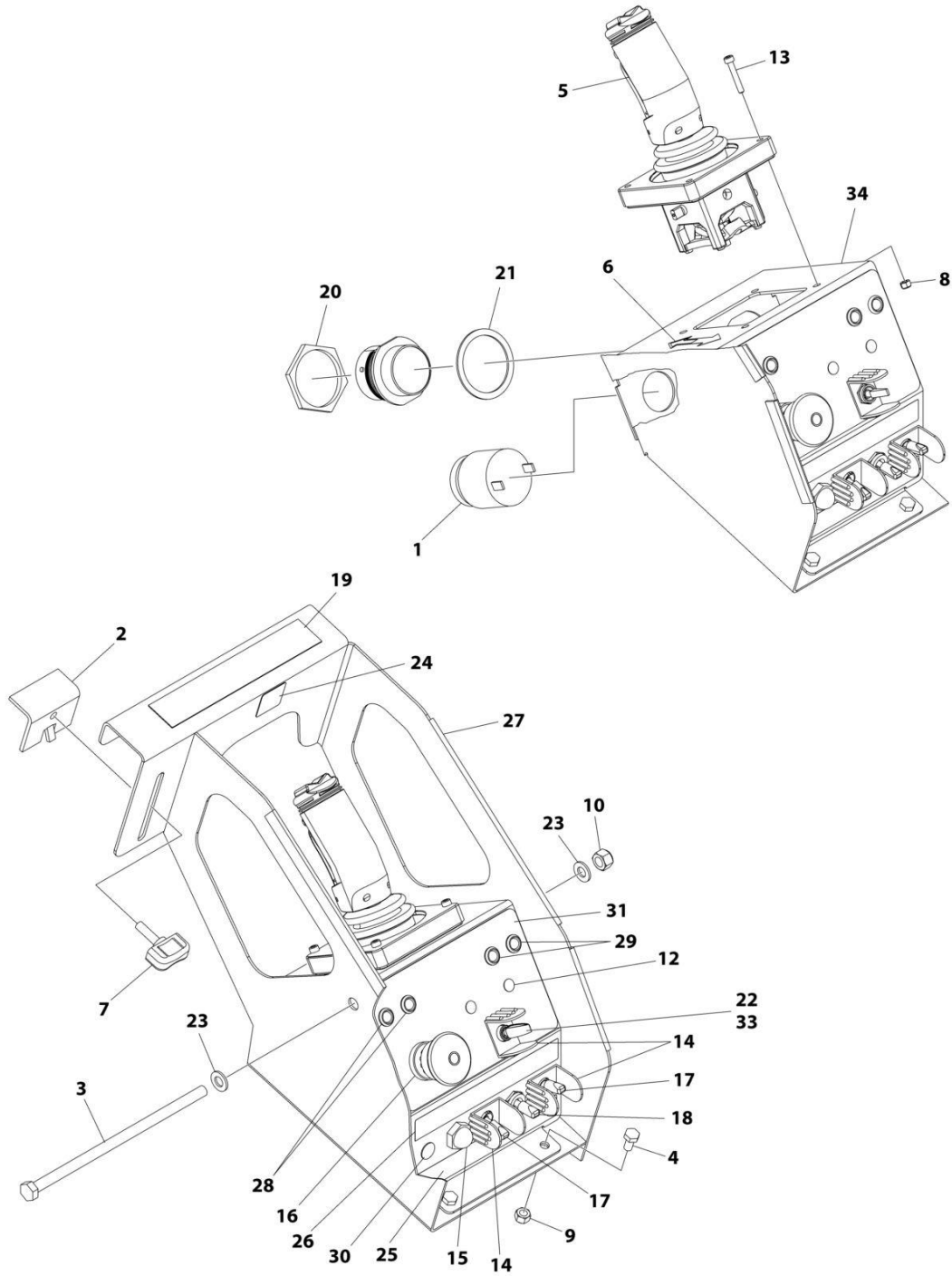
ITEM	PART NUMBER	QTY	DESCRIPTION	REV
107	3571862	1	Plate, Placard	
108	3537609	2	Plate, Pivot	
109	3573472	2	Kickplate	
110	4846570	2	Gate	
111	1001206025	2	Plate, Latch	
112	3820020	7	Rivet	





# SECTION 5 - PLATFORM

## FIGURE 5-7. PLATFORM CONSOLE BOX INSTALLATION - DIESEL MACHINES (WITHOUT LEVELING JACKS)



ART\_1001236266\_H

## SECTION 5 - PLATFORM

**FIGURE 5-7. PLATFORM CONSOLE BOX INSTALLATION - DIESEL MACHINES (WITHOUT LEVELING JACKS)**

ITEM	PART NUMBER	QTY	DESCRIPTION	REV
	1001236266	Ref	PLATFORM CONSOLE BOX INSTALLATION - DIESEL MACHINES	H
1	0140030	1	Alarm	
2	0181847	1	Angle, Clamp	
3	0700835	1	Bolt M8 x 180	
4	0760606	3	Bolt M6 x 12	
5	1001247682	1	Drive/Steer Controller Assembly (See Separate Breakdown in this Section)	
6	1703819	1	Decal - Direction Arrow	
7	2560141	1	Thumbscrew	
8	3290405	4	Nut M4	
9	3290605	3	Nut M6	
10	3290805	1	Nut M8	
12	3520034	2	Plug	
13	4031509	4	Capscrew M4 x 25	
14	4060802	3	Guard, Switch	
15	4360387	1	Switch, Push Button	
16	1001274559	1	Switch, Emergency Stop (Plastic)	
16	4360475	1	Switch, Emergency Stop (Metal)	
16	7020175	1	Cap	
16	7020176	1	Block, Contact	
17	4360483	2	Switch, Toggle	
18	4360525	1	Switch, Toggle	
19	4420076	3	Tape	
20	4460470	1	Nut, Terminal	
21	4460471	1	Washer, Terminal	
22	4711700	2	Washer 7/16	
23	4811900	2	Washer M8	
24	1001132358	1	Decal - Steer	
25	1001181622	1	Decal - Platform Diesel	
26	1001181623	1	Decal - Platform Diesel	
27	1001190270	1	Bracket	
28	1001190472	2	Lamp, LED with Harness	
29	1001190473	2	Lamp, LED with Harness	
30	1001226421	1	Plug	
31	1001237754	1	Decal - Platform Function	
32	1001236230	1	Platform Box Harness (Not Shown - See Separate Breakdown in ELECTRICAL Section)	
33	1001258446	1	Switch, Toggle	
34	1001235922	1	Plate	



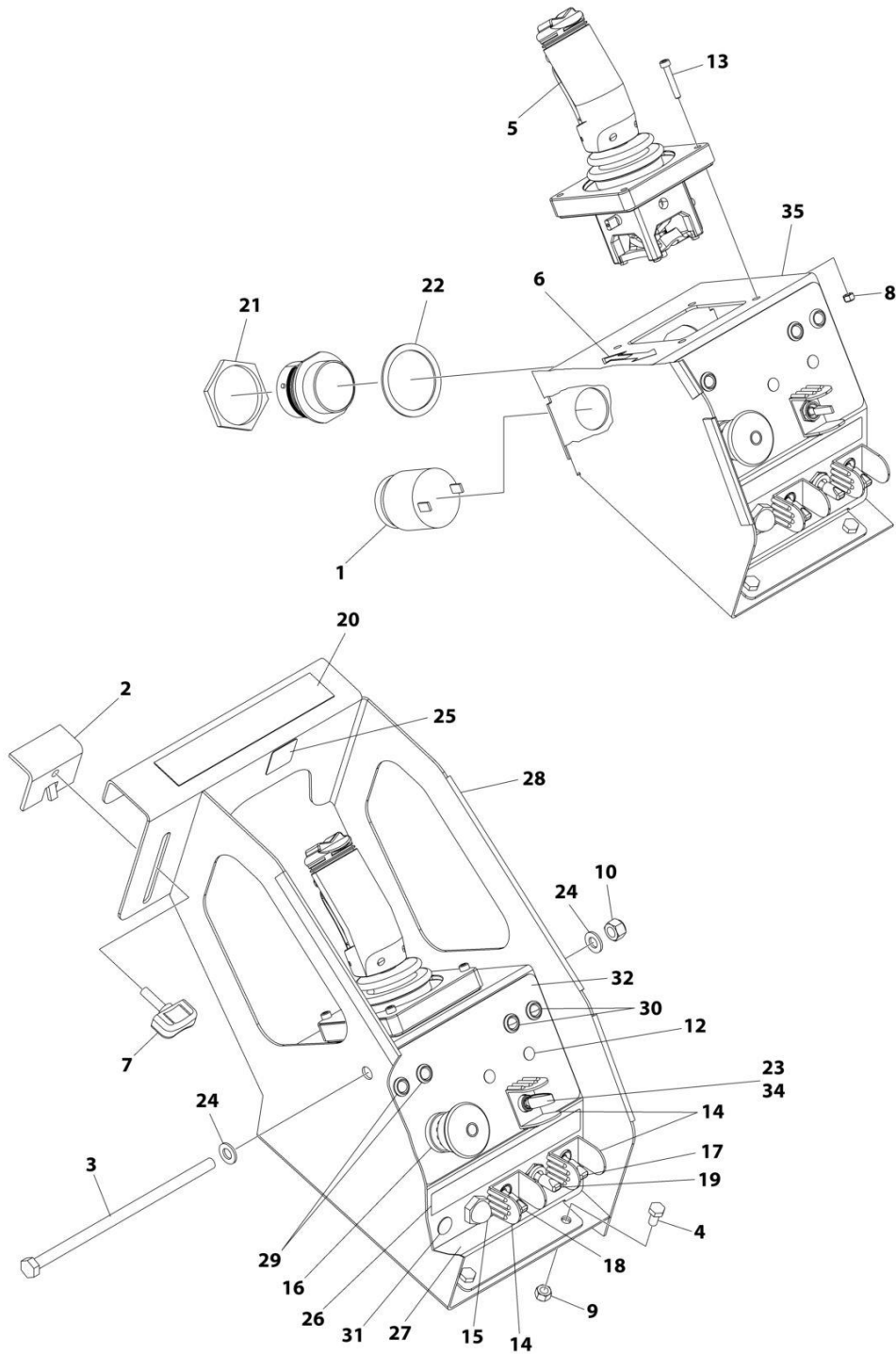
## SECTION 5 - PLATFORM

**FIGURE 5-8. PLATFORM CONSOLE BOX INSTALLATION - DIESEL MACHINES (WITH LEVELING JACKS)**

ITEM	PART NUMBER	QTY	DESCRIPTION	REV
	1001241363	Ref	PLATFORM CONSOLE BOX INSTALLATION - DIESEL MACHINES	F
1	0140030	1	Alarm	
2	0181847	1	Angle, Clamp	
3	0700835	1	Bolt M8 x 180	
4	0760606	3	Bolt M6 x 12	
5	1001247682	1	Drive/Steer Controller Assembly (See Separate Breakdown in this Section)	
6	1703819	1	Decal - Direction Arrow	
7	2560141	1	Thumbscrew	
8	3290405	4	Nut M4	
9	3290605	3	Nut M6	
10	3290805	1	Nut M8	
12	1001226421	1	Plug	
13	4031509	4	Capscrew M4 x 25	
14	4060802	3	Guard, Switch	
15	4360387	1	Switch, Push Button	
16	1001274559	1	Switch, Emergency Stop (Plastic)	
16	4360475	1	Switch, Emergency Stop (Metal)	
16	7020175	1	Cap	
16	7020176	1	Block, Contact	
17	4360483	2	Switch, Toggle	
18	4360525	1	Switch, Toggle	
19	4420076	3	Tape	
20	4460470	1	Nut, Terminal	
21	4460471	1	Washer, Terminal	
22	4711700	2	Washer 7/16	
23	4811900	2	Washer M8	
24	1001132358	1	Decal - Steer	
25	1001181622	1	Decal - Platform Diesel	
26	1001181623	1	Decal - Platform Diesel	
27	1001190270	1	Bracket	
28	1001190472	2	Lamp, LED with Harness	
29	1001190473	2	Lamp, LED with Harness	
30	1001190474	2	Lamp, LED with Harness	
31	1001235922	1	Plate	
32	1001236199	1	Decal - Platform Function	
33	1001236230	1	Platform Box Harness (Not Shown - See Separate Breakdown in ELECTRICAL Section)	
34	1001236560	1	Switch, Toggle	

# SECTION 5 - PLATFORM

## FIGURE 5-9. PLATFORM CONSOLE BOX INSTALLATION - GASOLINE MACHINES (WITHOUT LEVELING JACKS)



ART\_1001236267\_H

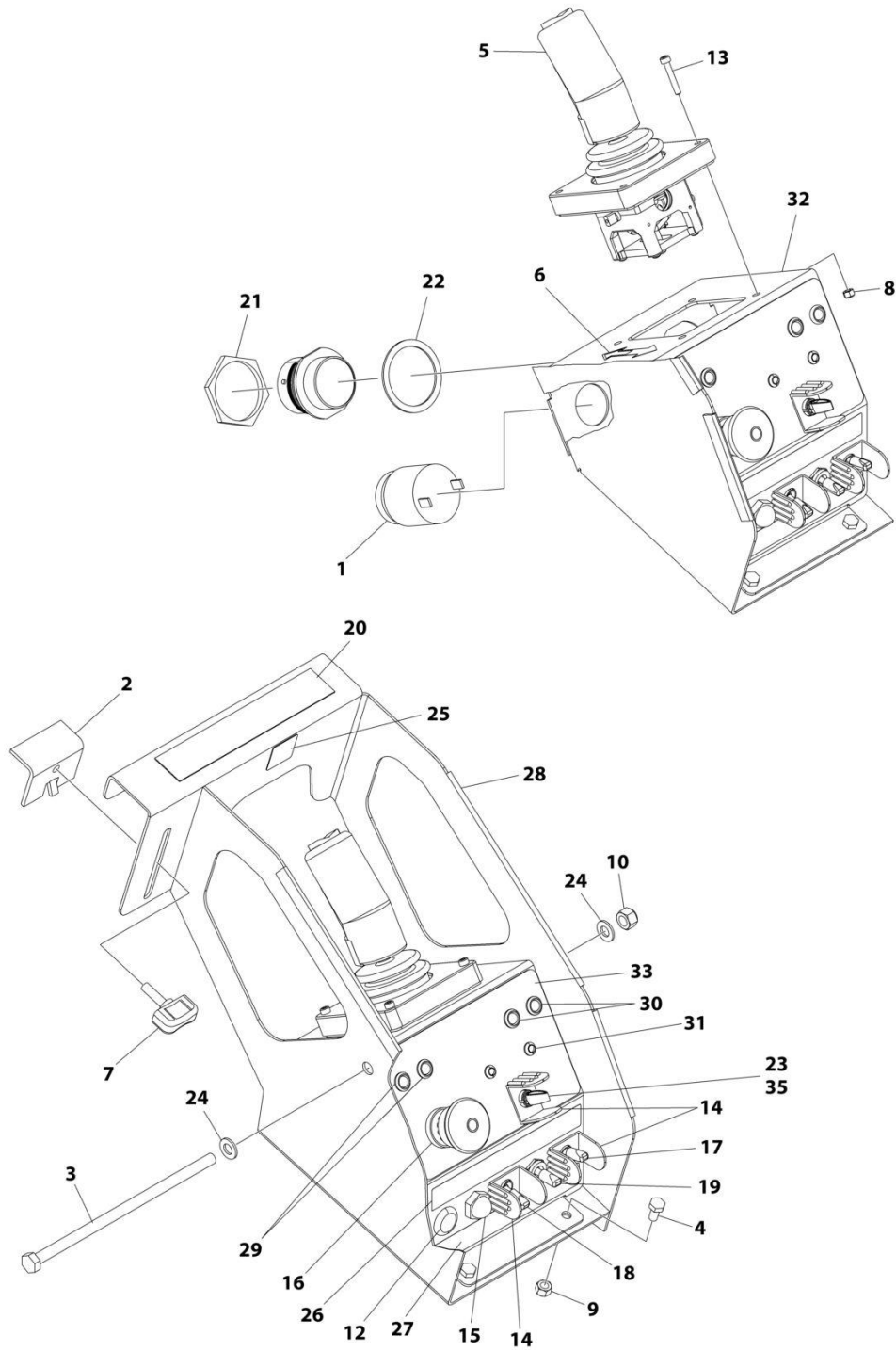
## SECTION 5 - PLATFORM

**FIGURE 5-9. PLATFORM CONSOLE BOX INSTALLATION - GASOLINE MACHINES (WITHOUT LEVELING JACKS)**

ITEM	PART NUMBER	QTY	DESCRIPTION	REV
	1001236267	Ref	PLATFORM CONSOLE BOX INSTALLATION - GASOLINE MACHINES	H
1	0140030	1	Alarm	
2	0181847	1	Angle, Clamp	
3	0700835	1	Bolt M8 x 180	
4	0760606	3	Bolt M6 x 12	
5	1001247682	1	Drive/Steer Controller Assembly (See Separate Breakdown in this Section)	
6	1703819	1	Decal - Direction Arrow	
7	2560141	1	Thumbscrew	
8	3290405	4	Nut M4	
9	3290605	3	Nut M6	
10	3290805	1	Nut M8	
12	3520034	2	Plug	
13	4031509	4	Capscrew M4 x 25	
14	4060802	3	Guard, Switch	
15	4360387	1	Switch, Push Button	
16	1001274559	1	Switch, Emergency Stop (Plastic)	
16	4360475	1	Switch, Emergency Stop (Metal)	
16	7020175	1	Cap	
16	7020176	1	Block, Contact	
17	4360482	1	Switch, Toggle	
18	4360483	1	Switch, Toggle	
19	4360525	1	Switch, Toggle	
20	4420076	3	Tape	
21	4460470	1	Nut, Terminal	
22	4460471	1	Washer, Terminal	
23	4711700	2	Washer 7/16	
24	4811900	2	Washer M8	
25	1001132358	1	Decal - Steer	
26	1001181626	1	Decal - Platform Dual Fuel	
27	1001181627	1	Decal - Platform Dual Fuel	
28	1001190270	1	Bracket	
29	1001190472	2	Lamp, LED with Harness	
30	1001190473	2	Lamp, LED with Harness	
31	1001226421	1	Plug	
32	1001237754	1	Decal - Platform Function	
33	1001236230	1	Platform Box Harness (Not Shown - See Separate Breakdown in ELECTRICAL Section)	
34	1001258446	1	Switch, Toggle	
35	1001235922	1	Plate	

# SECTION 5 - PLATFORM

## FIGURE 5-10. PLATFORM CONSOLE BOX INSTALLATION - GASOLINE MACHINES (WITH LEVELING JACKS)



ART\_1001241364\_F



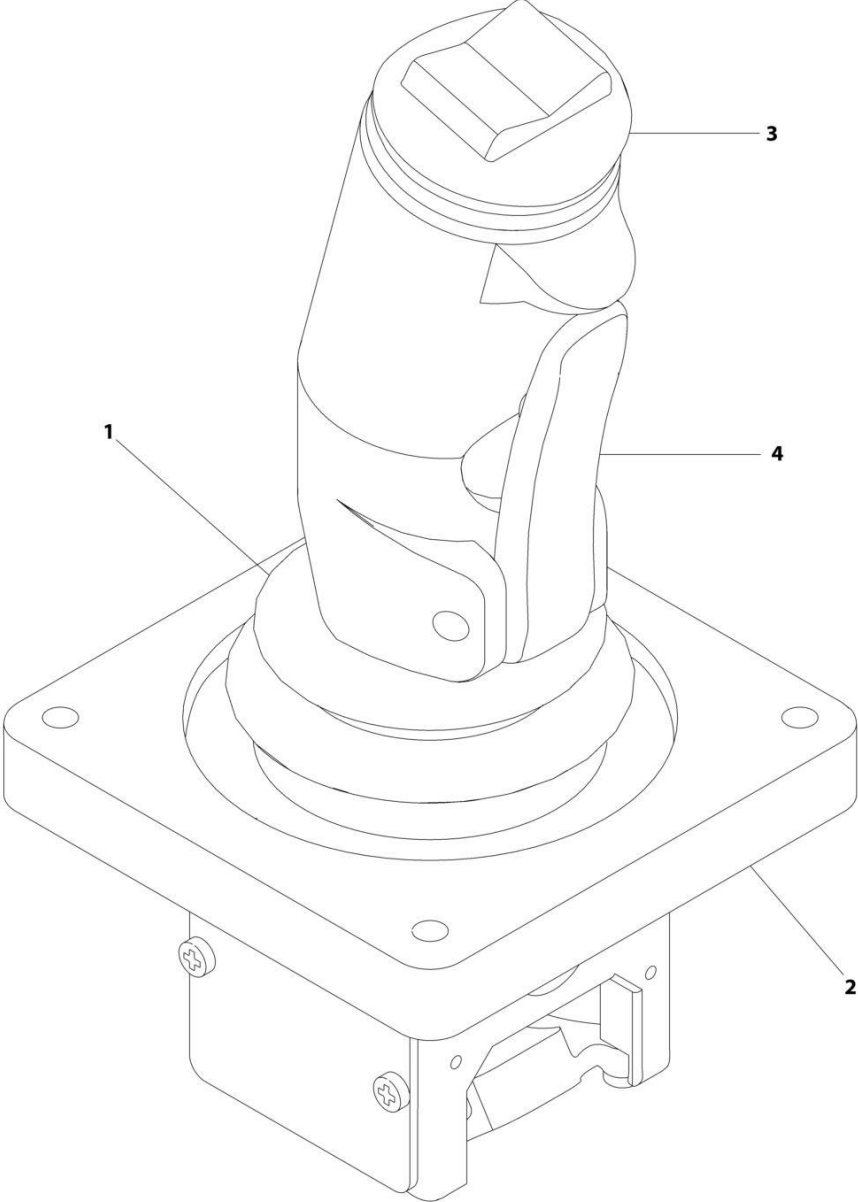
## SECTION 5 - PLATFORM

**FIGURE 5-10. PLATFORM CONSOLE BOX INSTALLATION - GASOLINE MACHINES (WITH LEVELING JACKS)**

ITEM	PART NUMBER	QTY	DESCRIPTION	REV
	1001241364	Ref	PLATFORM CONSOLE BOX INSTALLATION - GASOLINE MACHINES	F
1	0140030	1	Alarm	
2	0181847	1	Angle, Clamp	
3	0700835	1	Bolt M8 x 180	
4	0760606	3	Bolt M6 x 12	
5	1001247682	1	Drive/Steer Controller Assembly (See Separate Breakdown in this Section)	
6	1703819	1	Decal - Direction Arrow	
7	2560141	1	Thumbscrew	
8	3290405	4	Nut M4	
9	3290605	3	Nut M6	
10	3290805	1	Nut M8	
12	1001226421	1	Plug	
13	4031509	4	Capscrew M4 x 25	
14	4060802	3	Guard, Switch	
15	4360387	1	Switch, Push Button	
16	1001274559	1	Switch, Emergency Stop (Plastic)	
16	4360475	1	Switch, Emergency Stop (Metal)	
16	7020175	1	Cap	
16	7020176	1	Block, Contact	
17	4360482	1	Switch, Toggle	
18	4360483	1	Switch, Toggle	
19	4360525	1	Switch, Toggle	
20	4420076	3	Tape	
21	4460470	1	Nut, Terminal	
22	4460471	1	Washer, Terminal	
23	4711700	2	Washer 7/16	
24	4811900	2	Washer M8	
25	1001132358	1	Decal - Steer	
26	1001181626	1	Decal - Platform Dual Fuel	
27	1001181627	1	Decal - Platform Dual Fuel	
28	1001190270	1	Bracket	
29	1001190472	2	Lamp, LED with Harness	
30	1001190473	2	Lamp, LED with Harness	
31	1001190474	2	Lamp, LED with Harness	
32	1001235922	1	Plate	
33	1001236199	1	Decal - Platform Function	
34	1001236230	1	Platform Box Harness (Not Shown - See Separate Breakdown in ELECTRICAL Section)	
35	1001236560	1	Switch, Toggle	

**SECTION 5 - PLATFORM**

**FIGURE 5-11. DRIVE/STEER CONTROLLER ASSEMBLY**



ART\_1001247682

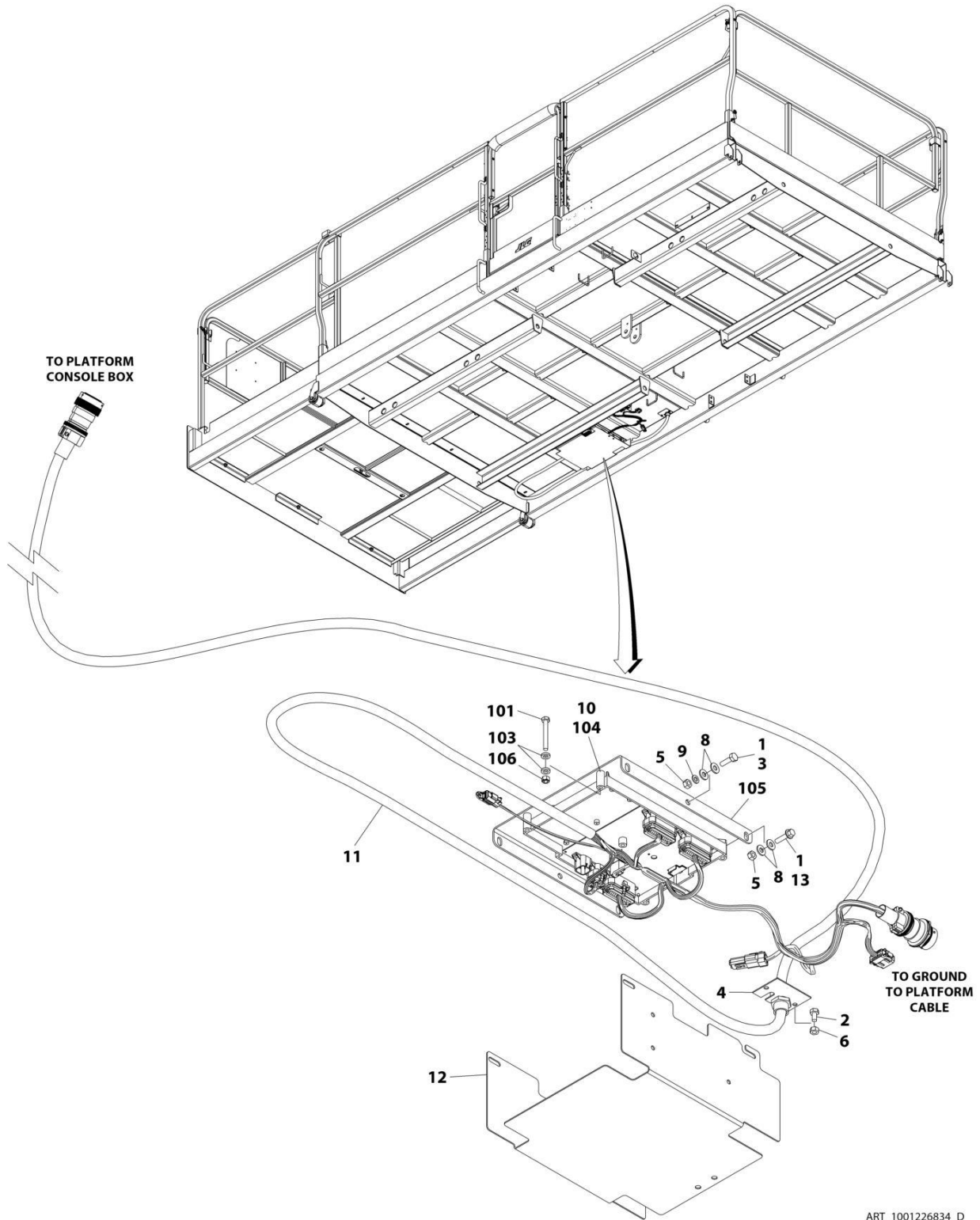
## SECTION 5 - PLATFORM

**FIGURE 5-11. DRIVE/STEER CONTROLLER ASSEMBLY**

ITEM	PART NUMBER	QTY	DESCRIPTION	REV
	1001247682	Ref	DRIVE/STEER CONTROLLER ASSEMBLY (LCD)	B
1	70001250	1	Boot, Panel	
2	70001252	1	Gasket, Mounting	
2	70001251	1	Bezel, Mounting	
3	70007506	1	Handle Repair Kit (Includes handle gasket, item#4 push button and item #4 lever installed in front handle half, back handle half, top actuator, boot and hardware.)	
3	70000084	1	Cap, Rubber	
3	70000082	1	Microswitch	
3	7027766	1	Ring, Retaining	
3	7027365	1	Actuator, Handle	
3	70001253	1	Gasket, Handle	
3	70000683	4	Washer, Neoprene	
3	70000685	2	Spacer, Plastic	
3	70000686	2	Screw (Top)	
3	70000684	2	Screw (Bottom)	
4	7027367	1	Switch, Push Button	
4	7027765	1	Lever, Enable	

# SECTION 5 - PLATFORM

## FIGURE 5-12. PLATFORM MODULE INSTALLATION (LSS)



ART\_1001226834\_D

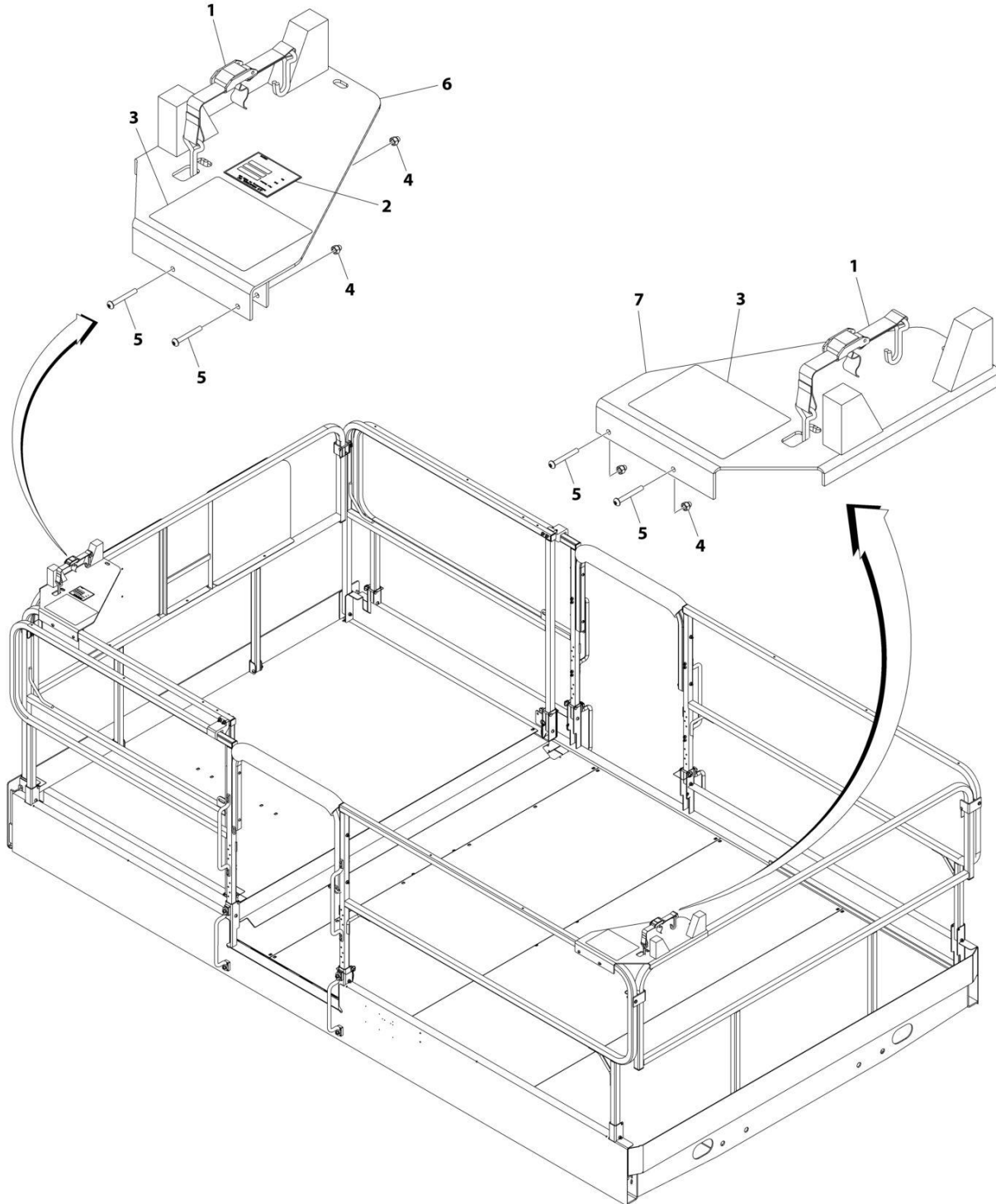
## SECTION 5 - PLATFORM

**FIGURE 5-12. PLATFORM MODULE INSTALLATION (LSS)**

ITEM	PART NUMBER	QTY	DESCRIPTION	REV
	1001226834	Ref	PLATFORM MODULE INSTALLATION (LSS)	D
1	0100011	AR	Compound, Locking	
2	0641404	2	Bolt 1/4 x 1/2	
3	0641407	2	Bolt 1/4 x 7/8	
4	1670988	1	Cover	
5	3311401	AR	Nut 1/4	
6	3311405	AR	Nut 1/4	
7	4240033	AR	Tie-Strap (Not Shown)	
8	4711400	8	Washer 1/4	
9	4761400	AR	Washer 1/4	
10	1001206832	1	Control Module Assembly (See Items 101-106 for Breakdown)	
11	1001236163	1	Platform Module Harness (See Separate Breakdown in ELECTRICAL SECTION)	
12	1001223646	1	Cover	
13	0791408	4	Screw 1/4 x 1	
	1001206832	Ref	CONTROL MODULE ASSEMBLY	C
101	0760618	4	Bolt M6 x 50	
103	5240600	8	Washer M6	
104	1001235098	1	Module, Control - Platform (Note: Re-calibration Required when Replaced)	
105	1001194115	1	Bracket	
106	3290605	4	Nut M6	

# SECTION 5 - PLATFORM

## FIGURE 5-13. PIPE RACKS INSTALLATION (OPTIONAL)



ART\_0272829

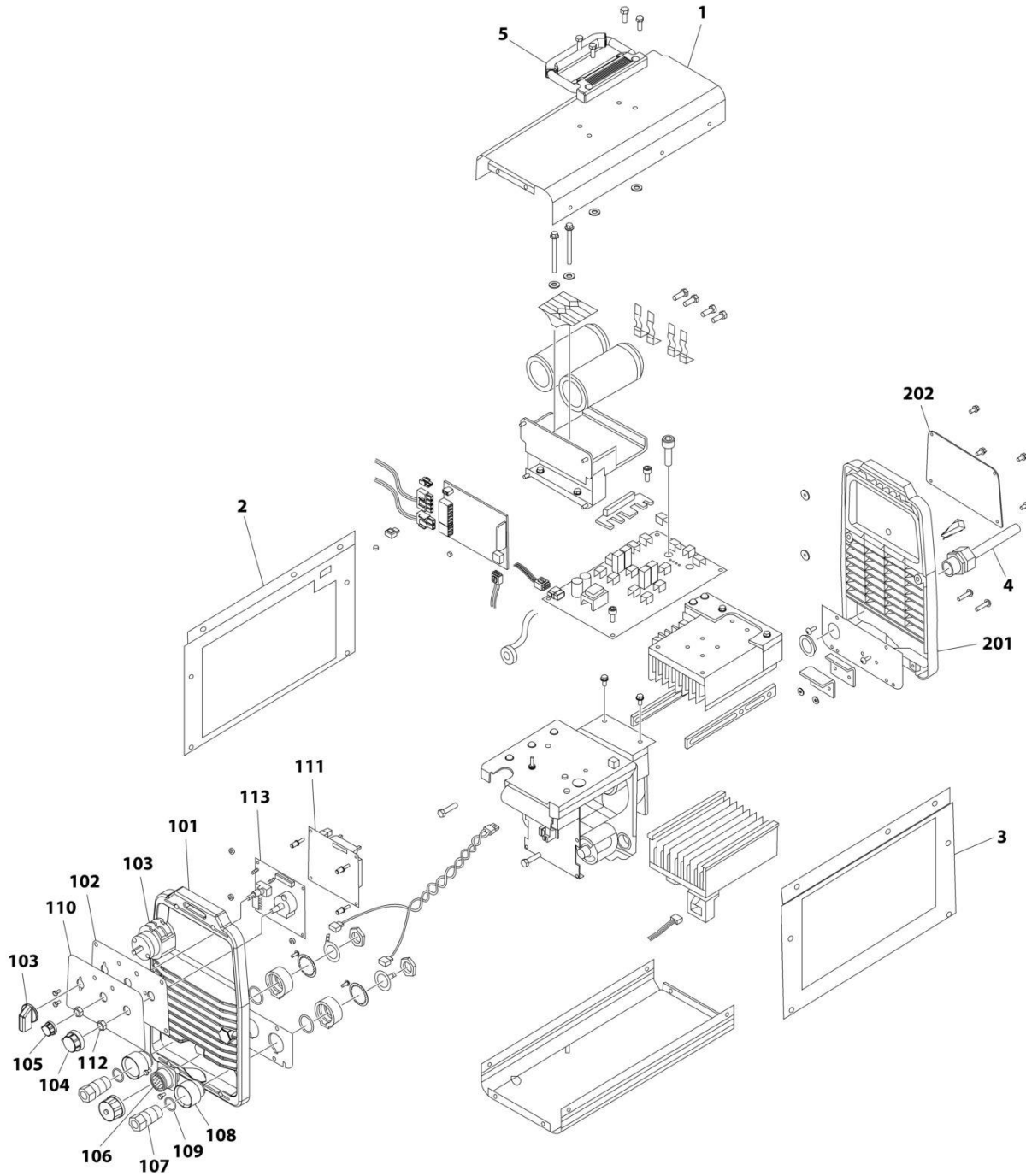
## SECTION 5 - PLATFORM

### FIGURE 5-13. PIPE RACKS INSTALLATION (OPTIONAL)

ITEM	PART NUMBER	QTY	DESCRIPTION	REV
	0272829	Ref	PIPE RACKS INSTALLATION (OPTIONAL)	C
1	0480100	2	Belt, Tie Down	
2	See Note	NSS	Nameplate (Note: Not Available for Purchase)	
3	1705637	2	Decal - Pipe Rack Capacity	
4	2080063	4	Fastener 1/4	
5	3900318	4	Screw 1/4 x 2	
6	4845441	1	Support, Pipe Rack	
7	4845442	1	Support, Pipe Rack	

# SECTION 5 - PLATFORM

## FIGURE 5-14. WELDER ASSEMBLY



ART\_4530028



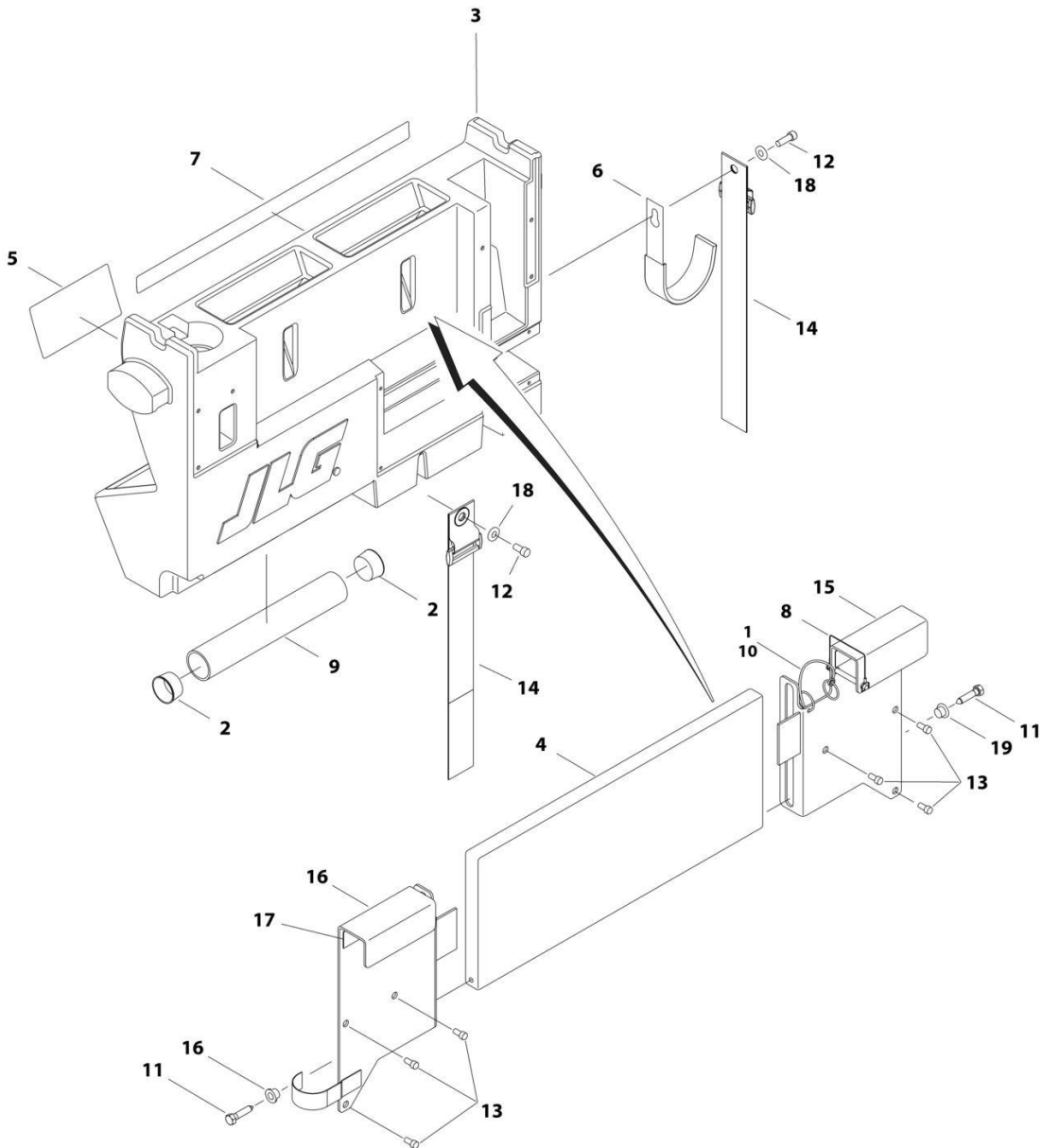
## SECTION 5 - PLATFORM

### FIGURE 5-14. WELDER ASSEMBLY

ITEM	PART NUMBER	QTY	DESCRIPTION	REV
	4530028	Ref	WELDER ASSEMBLY	B
		Ref	Note: For Other Components, contact your Miller Welder Dealer.	
1	7027773	1	Cover, Top	
1	7027774	1	Decal - Static Precautionary Warning	
2	See Note	NSS	Panel, LH Side (Note: Part of Item 1. Purchase Item 1)	
3	See Note	NSS	Panel, RH Side (Note: Part of Item 1. Purchase Item 1)	
4	7024467	1	Cable, Power	
4	7027775	1	Decal - Electrical Shock Warning (Not Shown)	
5	7027776	1	Handle, Carrying	
101	7024462	1	Panel, Front	
102	7024463	1	Panel, Console	
103	7024469	1	Switch with Lead	
104	7024470	1	Knob	
105	7024471	1	Knob	
106	7024472	1	Receptacle with Leads and Plugs	
107	7024473	2	Receptacle, Twistlock Female	
108	7024474	2	Insulator	
109	7024475	2	O-Ring	
110	7027777	1	Nameplate	
111	7027779	1	Circuit Card Assembly (Process Control)	
112	7024478	2	Nut	
113	7027778	1	Circuit Card Assembly (Operator Interface)	
201	7024462	1	Panel, Rear	
202	7027780	1	Panel, Cover	

# SECTION 5 - PLATFORM

## FIGURE 5-15. WORKSTATION INSTALLATION (OPTIONAL)



ART\_0274260\_C

## SECTION 5 - PLATFORM

**FIGURE 5-15. WORKSTATION INSTALLATION (OPTIONAL)**

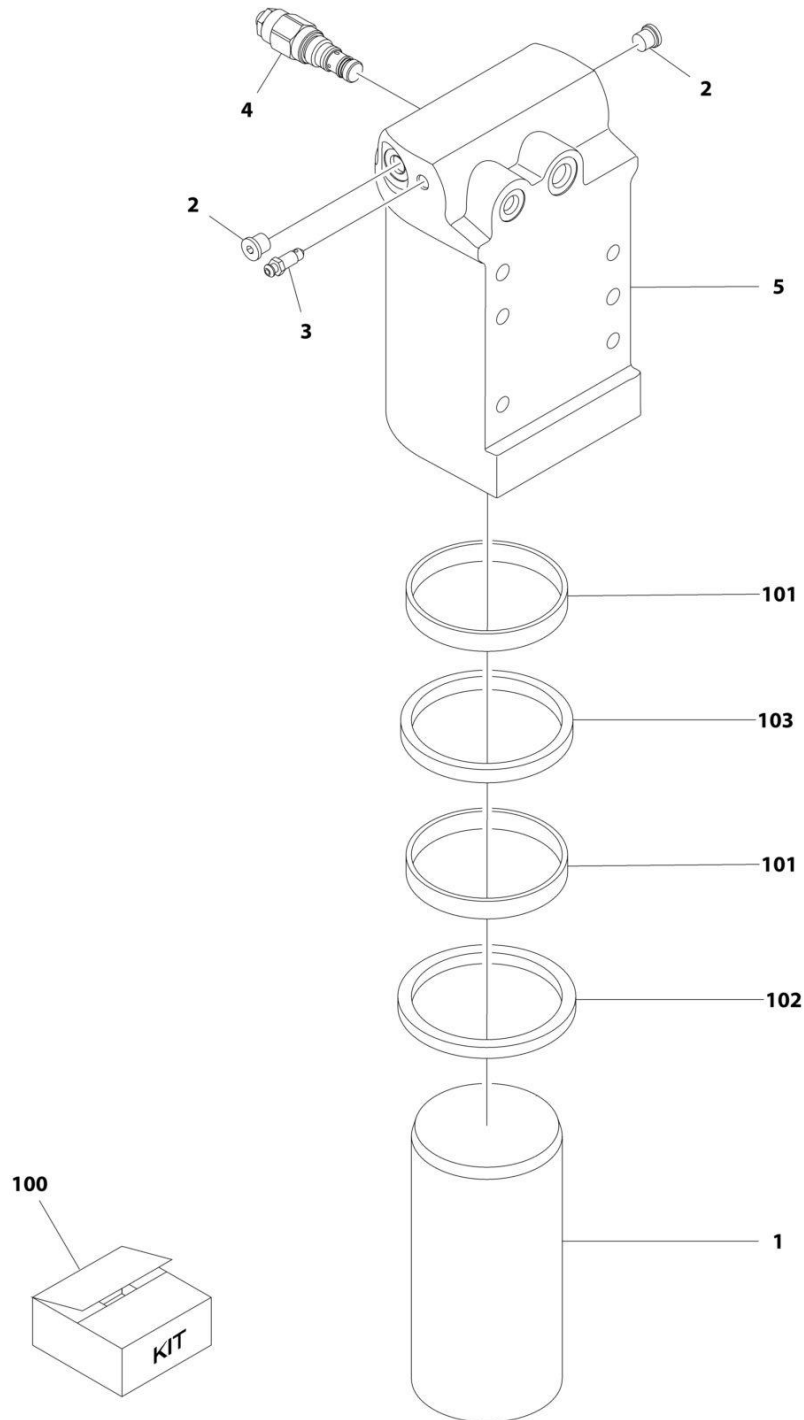
ITEM	PART NUMBER	QTY	DESCRIPTION	REV
	0274260	Ref	WORKSTATION INSTALLATION - REFERENCE CHART	C
	1001246392	Ref	WORKSTATION INSTALLATION (OPTIONAL)	B
1	1060379	1	Cable, Lanyard	
2	1120555	2	Cap, Manual Storage	
3	1580023	1	Container	
4	1580024	1	Tray	
5	1705997	1	Decal - Workstation	
6	2700100	1	Hook, Hanger	
7	1001246395	1	Decal - Workstation Kit	
8	3422219	1	Pin	
9	3460334	1	PVC Pipe	
10	3760170	2	Ring	
11	3900355	2	Screw 5/16 x 1-1/2	
12	3931412	2	Bolt 1/4 x 3/4	
13	3931508	6	Bolt 5/16 x 1/2	
14	4240003	2	Strap	
15	4340853	1	Mount, RH Channel	
16	4340854	1	Mount, LH Channel	
17	4420062	3 ft/0.9m	Tape	
18	4711400	2	Washer 1/4	
19	4740480	2	Insert, Plastic	



**SECTION 6 - CYLINDER**

# SECTION 6 - CYLINDER

## FIGURE 6-1. AXLE LOCKOUT CYLINDER ASSEMBLY



ART\_1001163580

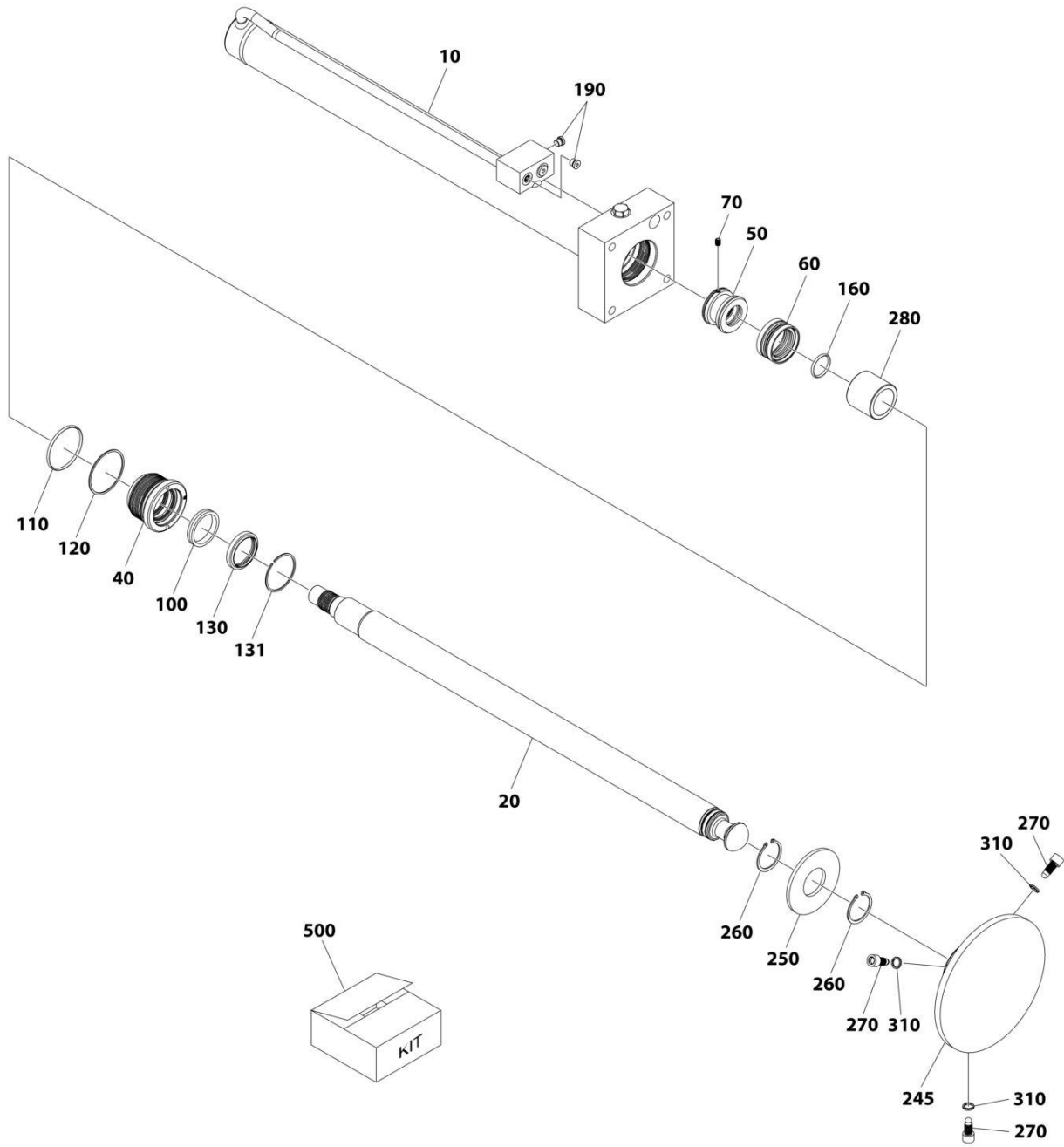
## SECTION 6 - CYLINDER

**FIGURE 6-1. AXLE LOCKOUT CYLINDER ASSEMBLY**

ITEM	PART NUMBER	QTY	DESCRIPTION	REV
	1001163580	Ref	AXLE LOCKOUT CYLINDER ASSEMBLY	I
		Ref	Note: Original Cylinder May Have Been Replaced with Service Replacement. Identify PN Stamped on Cylinder Before Ordering Parts.	
1	1684290	1	Rod	
2	2220883	2	Plug #4	
3	4640858	1	Valve, Bleeder	
4	1001117372	1	Cartridge, Valve	
4	70002842	1	Seal Kit - 1001117372 Valve	
5	1001164817	1	Barrel	
100	2902266	NLA	Seal Kit - 1001163590 Cylinder (Includes Items 101-103)	
101	See Note	NSS	Ring, Wear (Note: Use Item 100)	
102	See Note	NSS	Seal (Note: Use Item 100)	
103	See Note	NSS	Wiper (Note: Use Item 100)	

# SECTION 6 - CYLINDER

## FIGURE 6-2. LEVELING JACK CYLINDER ASSEMBLY



ART\_1001266742



## SECTION 6 - CYLINDER

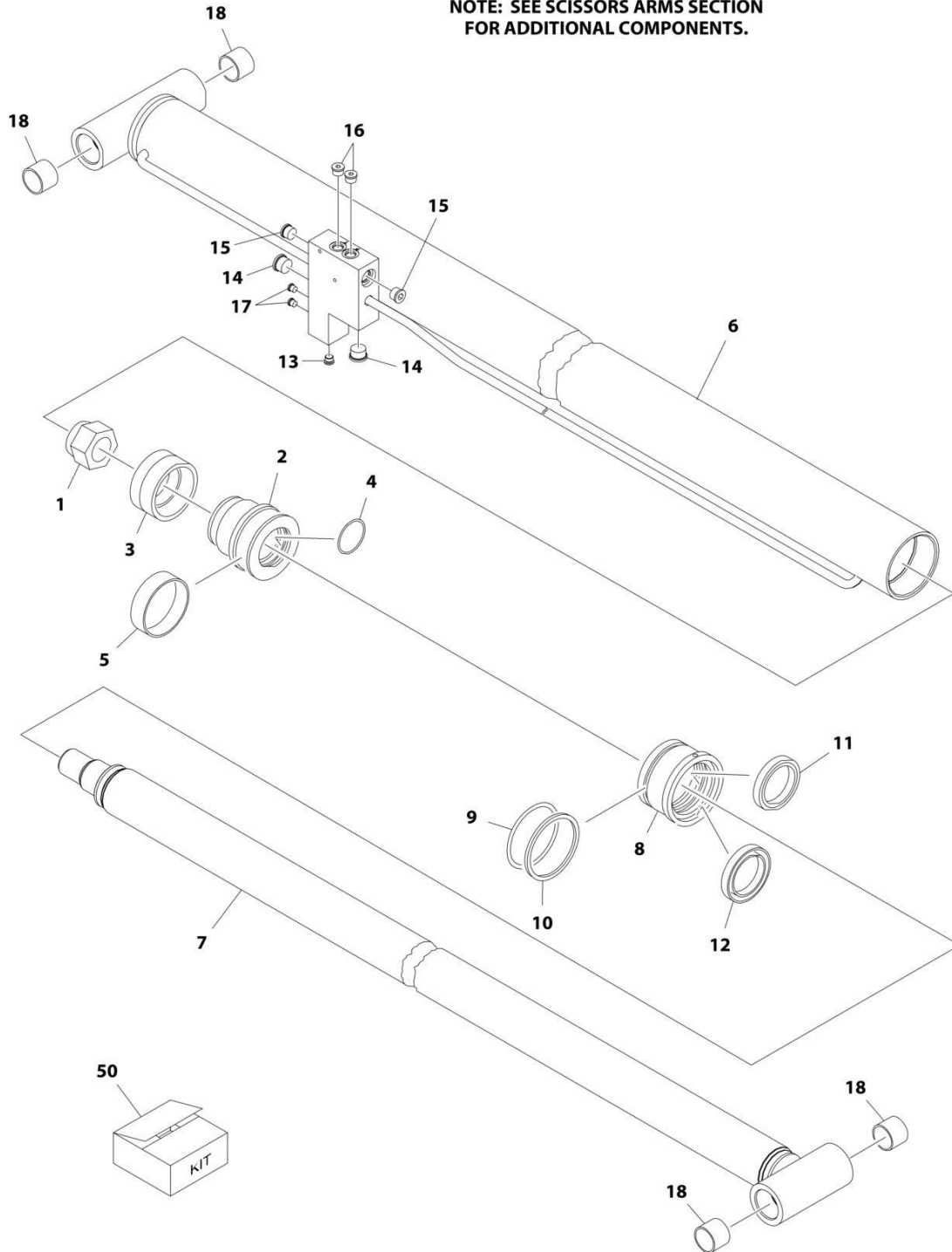
**FIGURE 6-2. LEVELING JACK CYLINDER ASSEMBLY**

ITEM	PART NUMBER	QTY	DESCRIPTION	REV
	1001266742	Ref	CYLINDER ASSEMBLY	B
		Ref	Note: Original Cylinder May Have Been Replaced with Service Replacement. Identify PN Stamped on Cylinder Before Ordering Parts.	
10	See Note	NSS	Barrel (Note: Use PN 1001266742)	
20	See Note	NSS	Rod (Note: Use PN 1001266742)	
40	70008630	1	Head	
50	70008631	1	Piston	
60	See Note	NSS	Seal (Note: Use Item 500)	
70	70027088	1	Setscrew M8 x 12	
100	See Note	NSS	Seal, Rod (Note: Use Item 500)	
110	See Note	NSS	O-Ring (Note: Use Item 500)	
120	See Note	NSS	Ring, Backup (Note: Use Item 500)	
130	See Note	NSS	Wiper (Note: Use Item 500)	
131	70023101	1	Ring, Retaining	
160	See Note	NSS	O-Ring (Note: Use Item 500)	
190	70025619	2	Plug	
245	70008632	1	Pad	
250	70003821	1	Plate	
260	70003822	2	Circlip	
270	70003823	3	Capscrew M12 x 29	
280	70008633	1	Spacer	
310	70003825	3	Washer M12	
500	70008634	1	Kit, Seal (Includes Items 60, 100, 110, 120, 130 & 160)	

# SECTION 6 - CYLINDER

## FIGURE 6-3. LIFT CYLINDER ASSEMBLY

NOTE: SEE SCISSORS ARMS SECTION FOR ADDITIONAL COMPONENTS.



ART\_1001217085

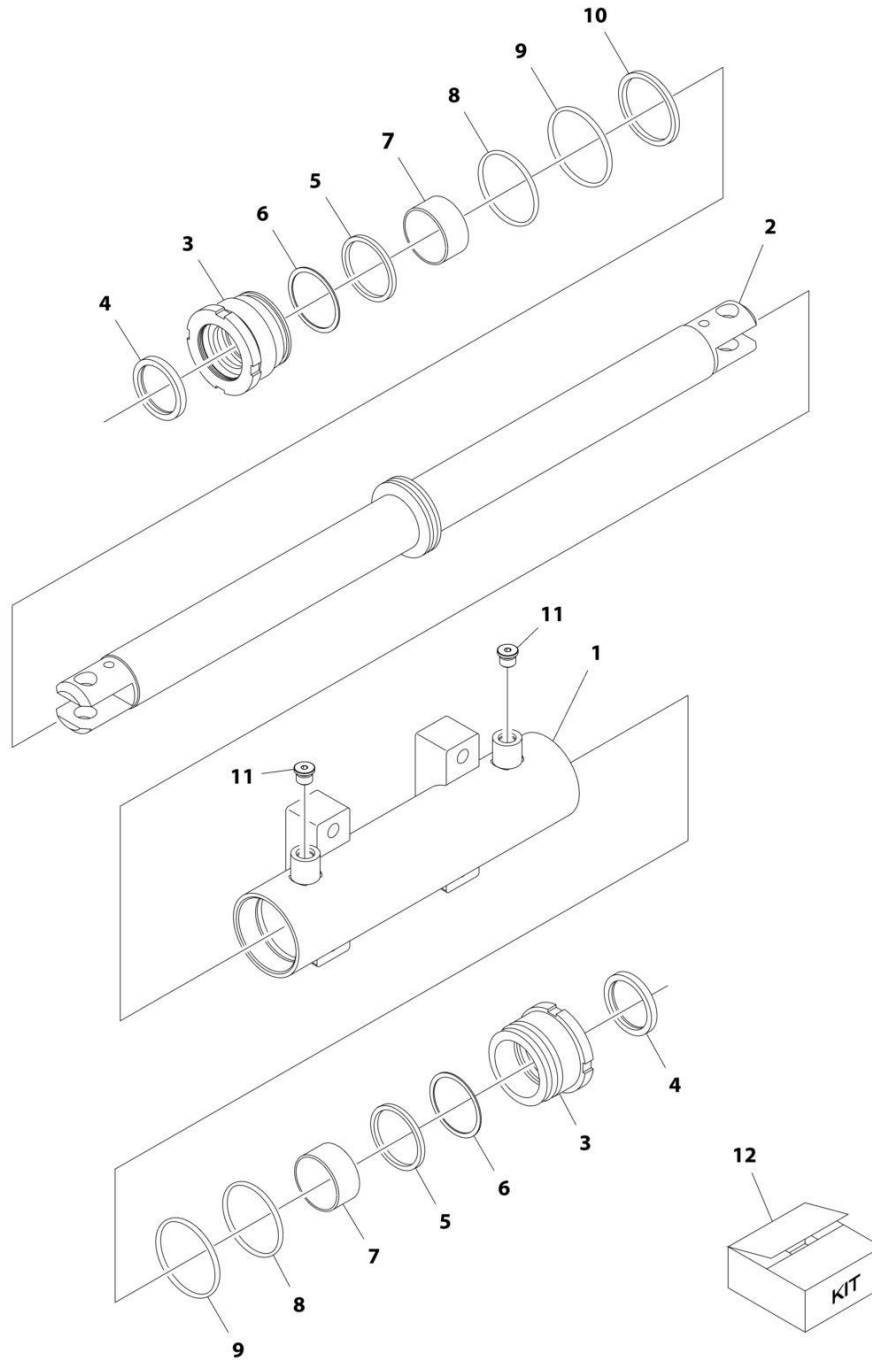
## SECTION 6 - CYLINDER

### FIGURE 6-3. LIFT CYLINDER ASSEMBLY

ITEM	PART NUMBER	QTY	DESCRIPTION	REV
	1001217085	Ref	LIFT CYLINDER ASSEMBLY	C
		Ref	Note: Machines were built with one of 2 cylinders. Identify cylinder by p/n stamped on valve block before ordering parts.	
1	70006285	1	Nut	
2	70006286	1	Piston	
3	See Note	NSS	Seal (Note: Use Item 50)	
4	See Note	NSS	O-Ring (Note: Use Item 50)	
5	See Note	NSS	Ring, Wear (Note: Use Item 50)	
6	70006287	1	Barrel	
7	70006288	1	Rod	
8	70006289	1	Head	
9	See Note	NSS	O-Ring (Note: Use Item 50)	
10	See Note	NSS	Ring, Back-up (Note: Use Item 50)	
11	See Note	NSS	Seal (Note: Use Item 50)	
12	See Note	NSS	Wiper (Note: Use Item 50)	
13	2220885	1	Plug #6	
14	2220888	2	Plug #12	
15	2220887	2	Plug #10	
16	2220886	2	Plug #8	
17	2220883	2	Plug #4	
18	70006290	4	Bushing	
50	70006284	1	Seal Kit - 1001217085 Cylinder (Includes Items 5-11)	

# SECTION 6 - CYLINDER

## FIGURE 6-4. STEER CYLINDER ASSEMBLY



ART\_1001163178

## SECTION 6 - CYLINDER

**FIGURE 6-4. STEER CYLINDER ASSEMBLY**

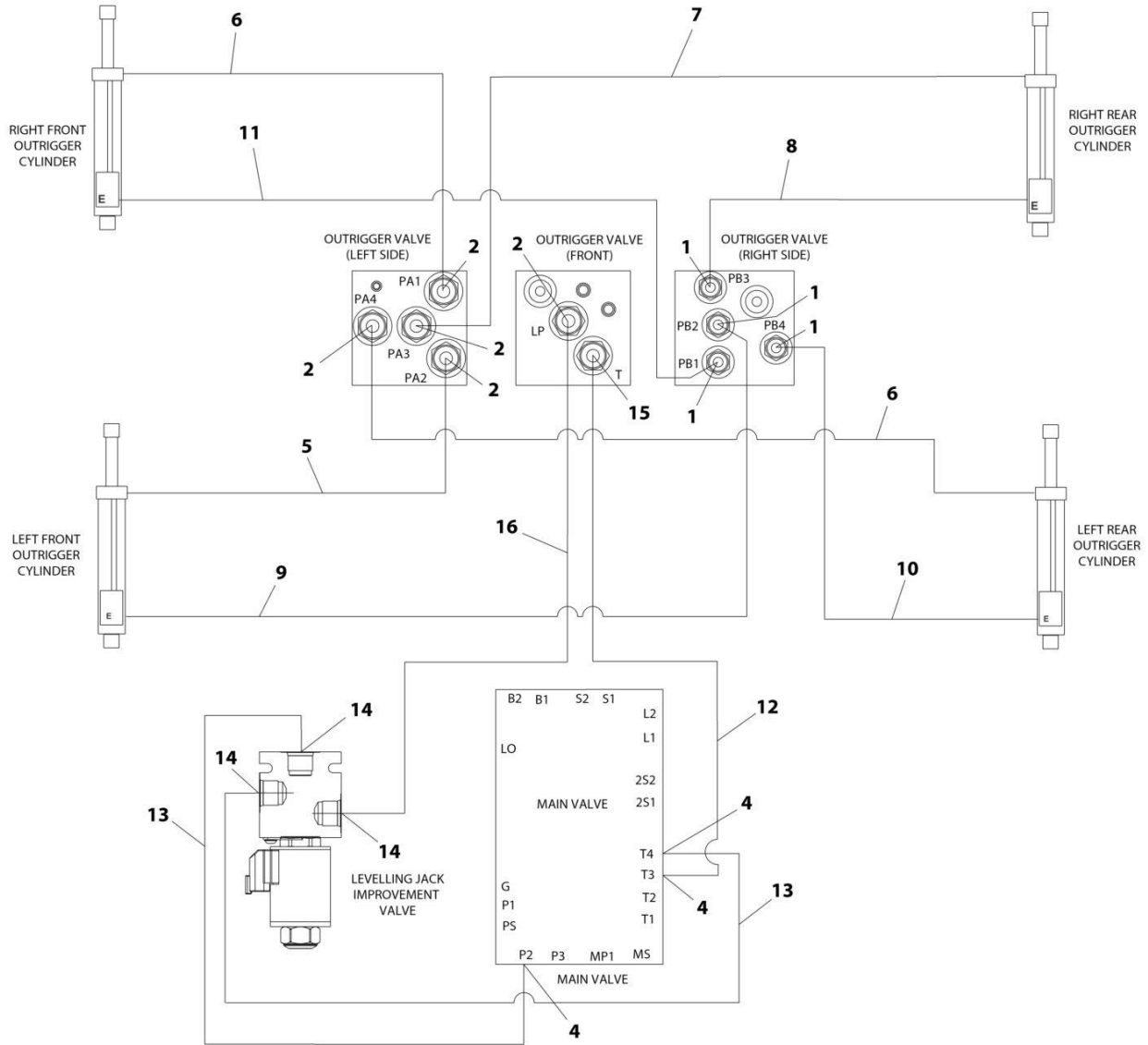
ITEM	PART NUMBER	QTY	DESCRIPTION	REV
	1001163178	Ref	STEER CYLINDER ASSEMBLY	E
		Ref	Note: Original Cylinder May Have Been Replaced with Service Replacement. Identify PN Stamped on Cylinder Before Ordering Parts.	
1	70005150	1	Barrel	
2	70005151	1	Rod	
3	70005152	2	Head	
4	See Note	NSS	Wiper (Note: Use Item 12)	
5	See Note	NSS	Seal, Rod (Note: Use Item 12)	
6	See Note	NSS	Ring, Back-up (Note: Use Item 12)	
7	70005153	2	Bearing, Dry	
8	See Note	NSS	O-Ring (Note: Use Item 12)	
9	See Note	NSS	O-Ring (Note: Use Item 12)	
10	See Note	NSS	Seal, Piston (Note: Use Item 12)	
11	See Note	2	Plug 9/16 (Note: Not Available for Purchase)	
12	70005154	1	Seal Kit - 1001163178 Cylinder (Includes Items 4-6 & 8-10)	



**SECTION 7 - HYDRAULIC**

# SECTION 7 - HYDRAULIC

## FIGURE 7-1. HYDRAULIC DIAGRAM - LEVELING JACKS



ART\_1001237464\_C



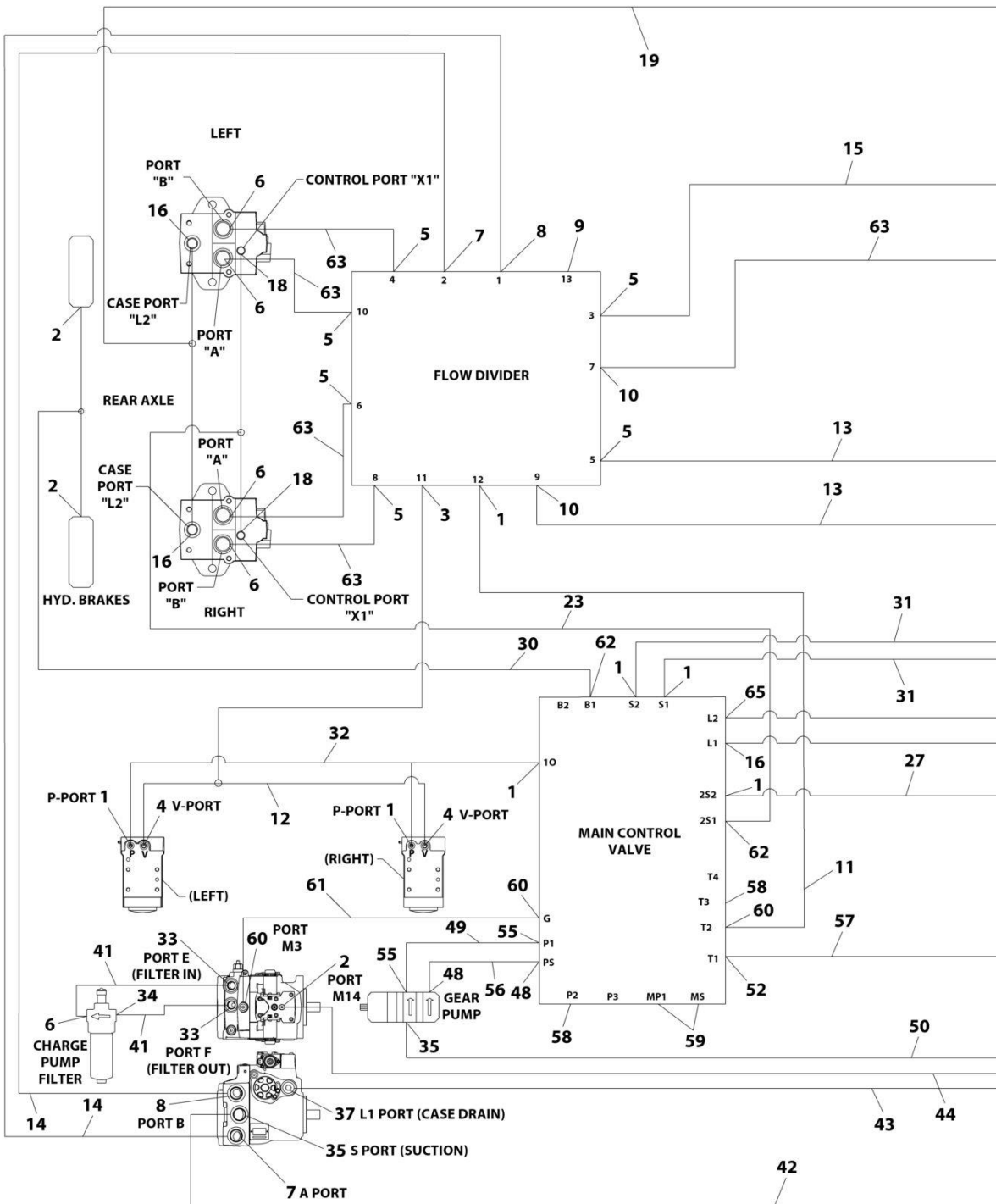
## SECTION 7 - HYDRAULIC

**FIGURE 7-1. HYDRAULIC DIAGRAM - LEVELING JACKS**

ITEM	PART NUMBER	QTY	DESCRIPTION	REV
	1001237464	Ref	HYDRAULIC DIAGRAM - LEVELING JACKS	C
1	2220371	4	Fitting, Straight JIC/ORB	
2	2220373	5	Fitting, Straight JIC/ORB	
4	2220600	3	Fitting, Straight JIC/ORB	
5	1001214864	1	Hose	
6	1001194384	2	Hose	
7	1001182051	1	Hose	
8	1001194385	1	Hose	
9	1001194386	1	Hose	
10	1001194387	1	Hose	
11	1001194388	1	Hose	
12	1001237915	1	Hose	
13	1001237916	2	Hose	
14	2220596	3	Fitting, 90 JIC/ORB	
15	2220500	1	Fitting, 45 JIC/ORB	
16	1001239088	1	Hose	

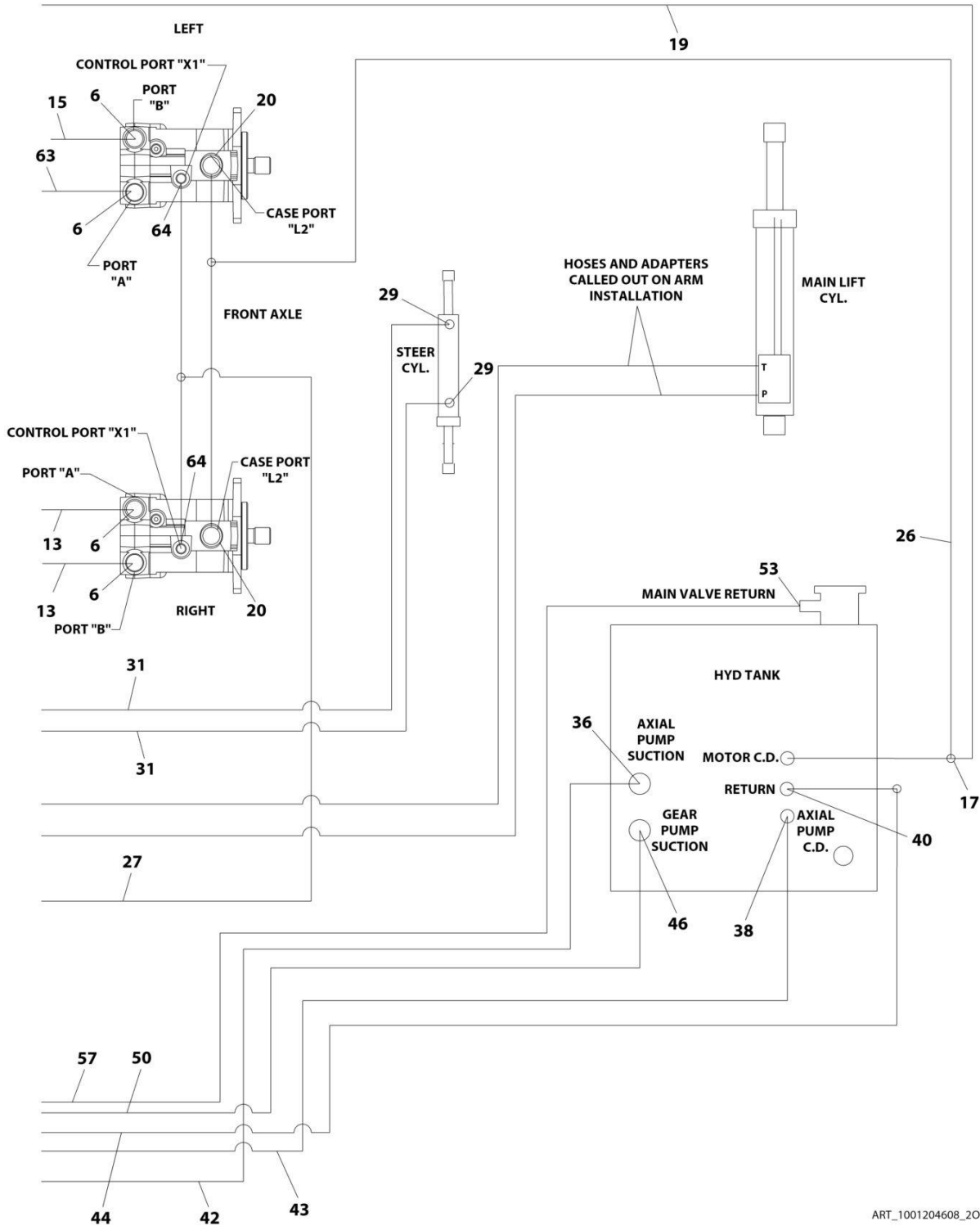
# SECTION 7 - HYDRAULIC

FIGURE 7-2. HYDRAULIC DIAGRAM - STANDARD (ALL SPECS EXCEPT CE, JAPANESE & UK CA SPECS)



ART\_1001204608\_10F2

# SECTION 7 - HYDRAULIC



ART\_1001204608\_2OF2

## SECTION 7 - HYDRAULIC

**FIGURE 7-2. HYDRAULIC DIAGRAM - STANDARD (ALL SPECS EXCEPT CE, JAPANESE & UK CA SPECS)**

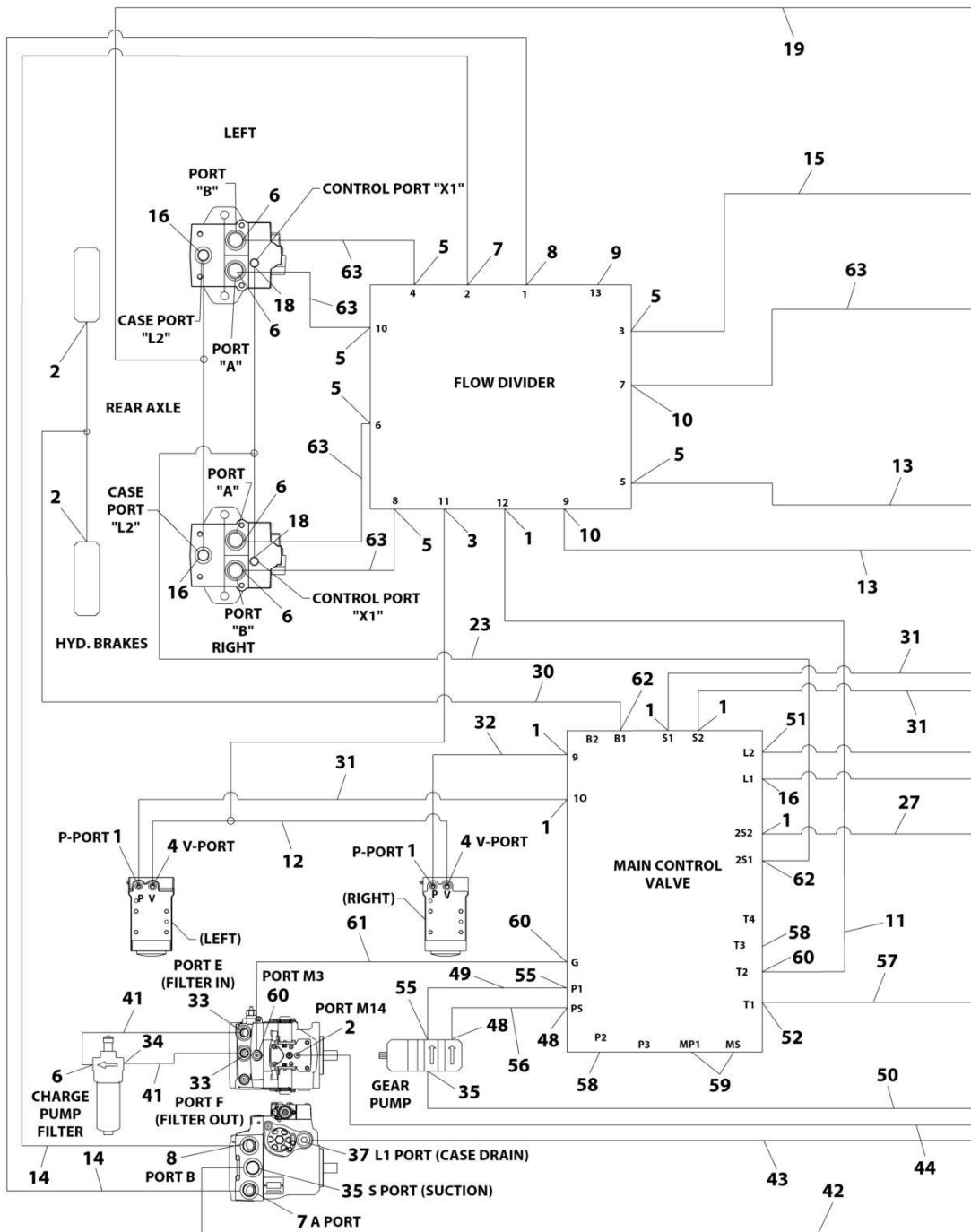
ITEM	PART NUMBER	QTY	DESCRIPTION	REV
	1001204608	Ref	HYDRAULIC DIAGRAM - STANDARD	F
1	2220415	7	Fitting, Straight JIC/ORB	
2	2220466	3	Fitting, 90 JIC/ORB	
3	2220473	1	Fitting, 90 JIC/ORB	
4	2220371	2	Fitting, Straight JIC/ORB	
5	2130808	6	Fitting, 90 ORFS/ORB	
6	2110812	9	Fitting, Straight ORFS/ORB	
7	2111216	2	Fitting, Straight ORFS/ORB	
8	2131216	2	Fitting, 90 ORFS/ORB	
9	2220238	1	Plug	
10	2110808	2	Fitting, Straight ORFS/ORB	
11	1001151351	1	Hose	
12	1001213672	1	Hose	
13	2753791	2	Hose	
14	1001213673	2	Hose	
15	2753970	1	Hose	
16	2220373	3	Fitting, Straight JIC/ORB	
17	2220602	1	Fitting, Tee JIC/ORB/JIC	
18	2220582	2	Fitting, Straight JIC/ORB	
19	1001194383	1	Hose	
20	2220500	2	Fitting, 45 JIC/ORB	
23	1001213674	1	Hose	
26	1001213684	1	Hose	
27	1001213676	1	Hose	
29	2221040	2	Fitting, 45 JIC/ORB	
30	1001213677	1	Hose	
31	1001158199	2	Hose	
32	1001213678	1	Hose	
33	2110810	2	Fitting, Straight ORFS/ORB	
34	2130812	1	Fitting, 90 ORFS/ORB	
35	2220479	2	Fitting, Straight JIC/ORB	
36	2221081	1	Fitting, 45 JIC/ORB	
37	2220451	1	Fitting, Straight JIC/ORB	
38	2220578	1	Fitting, 90 JIC/ORB	
40	2220577	1	Fitting, Straight JIC/ORB	
41	2754244	2	Hose	
42	1001213679	1	Hose	
43	1001194381	1	Hose	
44	1001213680	1	Hose	
46	8760351	1	Fitting, 45 JIC/ORB	
48	2220497	2	Fitting, Straight JIC/ORB	
49	1001146311	1	Hose	
50	1001108128	1	Hose	
52	2220408	1	Fitting, Straight JIC/ORB	
53	2220435	1	Fitting, Straight JIC/ORB	
55	2221036	2	Fitting, 90 JIC/ORB	
56	1001206648	1	Hose	
57	1001194378	1	Hose	
58	2220237	2	Plug	

## SECTION 7 - HYDRAULIC

ITEM	PART NUMBER	QTY	DESCRIPTION	REV
59	2221086	2	Fitting, Test Port	
60	2220472	3	Fitting, 90 JIC/ORB	
61	2755023	1	Hose	
62	2220502	2	Fitting, 45 JIC/ORB	
63	1001213681	5	Hose	
64	2221040	2	Fitting, 45 JIC/ORB	
65	2221050	1	Fitting, 45 JIC/ORB	

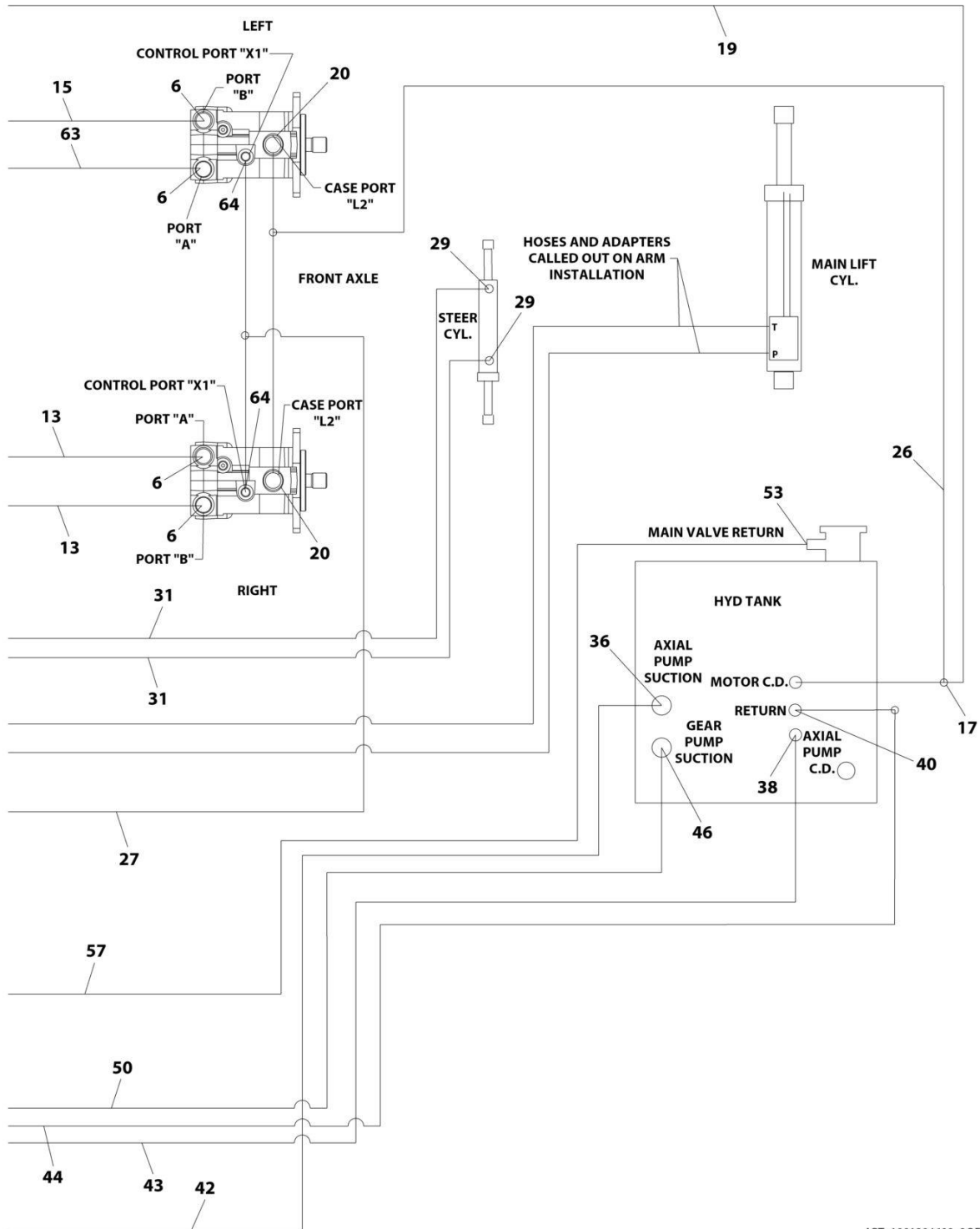
# SECTION 7 - HYDRAULIC

FIGURE 7-3. HYDRAULIC DIAGRAM - STANDARD (CE, JAPANESE & UK CA SPECS)



ART\_1001204609\_10F2

# SECTION 7 - HYDRAULIC



ART\_1001204609\_20F2

# SECTION 7 - HYDRAULIC

FIGURE 7-3. HYDRAULIC DIAGRAM - STANDARD (CE, JAPANESE & UK CA SPECS)

ITEM	PART NUMBER	QTY	DESCRIPTION	REV
	1001204609	Ref	HYDRAULIC DIAGRAM - STANDARD	E
1	2220415	8	Fitting, Straight JIC/ORB	
2	2220466	3	Fitting, 90 JIC/ORB	
3	2220473	1	Fitting, 90 JIC/ORB	
4	2220371	2	Fitting, Straight JIC/ORB	
5	2130808	6	Fitting, 90 ORFS/ORB	
6	2110812	9	Fitting, Straight ORFS/ORB	
7	2111216	2	Fitting, Straight ORFS/ORB	
8	2131216	2	Fitting, 90 ORFS/ORB	
9	2220238	1	Plug	
10	2110808	2	Fitting, Straight ORFS/ORB	
11	1001151351	1	Hose	
12	1001213672	1	Hose	
13	2753791	2	Hose	
14	1001213673	2	Hose	
15	2753970	1	Hose	
16	2220373	3	Fitting, Straight JIC/ORB	
17	2220602	1	Fitting, Tee JIC/ORB/JIC	
18	2220582	2	Fitting, Straight JIC/ORB	
19	1001194383	1	Hose	
20	2220500	2	Fitting, 45 JIC/ORB	
23	1001213674	1	Hose	
26	1001213684	1	Hose	
27	1001213676	1	Hose	
29	2221040	2	Fitting, 45 JIC/ORB	
30	1001213677	1	Hose	
31	1001158199	3	Hose	
32	1001173043	1	Hose	
33	2110810	2	Fitting, Straight ORFS/ORB	
34	2130812	1	Fitting, 90 ORFS/ORB	
35	2220479	2	Fitting, Straight JIC/ORB	
36	2221081	1	Fitting, 45 JIC/ORB	
37	2220451	1	Fitting, Straight JIC/ORB	
38	2220578	1	Fitting, 90 JIC/ORB	
40	2220577	1	Fitting, Straight JIC/ORB	
41	2754244	2	Hose	
42	1001213679	1	Hose	
43	1001194381	1	Hose	
44	1001213680	1	Hose	
46	8760351	1	Fitting, 45 JIC/ORB	
48	2220497	2	Fitting, Straight JIC/ORB	
49	1001146311	1	Hose	
50	1001108128	1	Hose	
51	2221050	1	Fitting, 45 JIC/ORB	
52	2220408	1	Fitting, Straight JIC/ORB	
53	2220435	1	Fitting, Straight JIC/ORB	
55	2221036	2	Fitting, 90 JIC/ORB	
56	1001206648	1	Hose	
57	1001194378	1	Hose	
58	2220237	2	Plug	



## SECTION 7 - HYDRAULIC

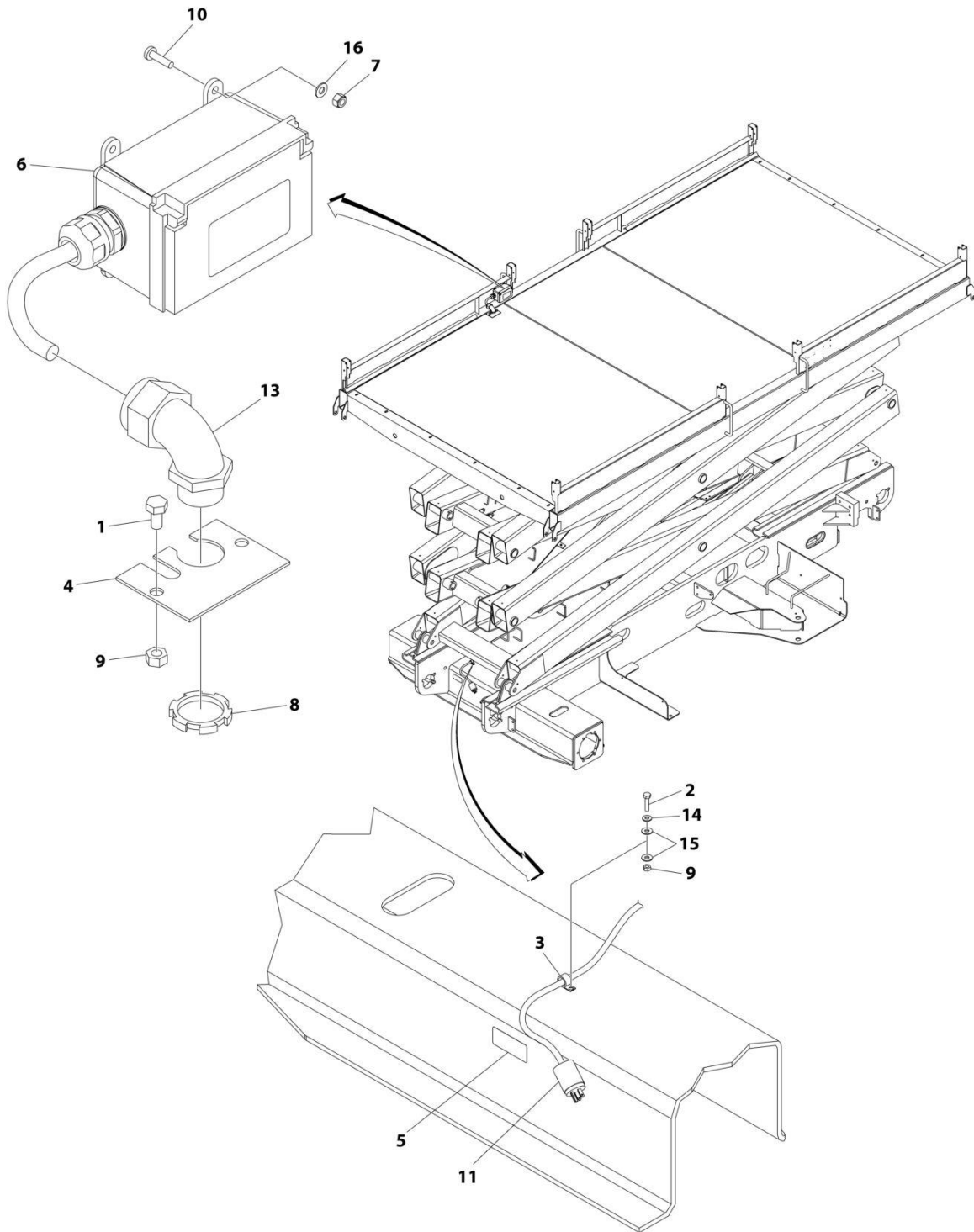
ITEM	PART NUMBER	QTY	DESCRIPTION	REV
59	2221086	2	Fitting, Test Port	
60	2220472	3	Fitting, 90 JIC/ORB	
61	2755023	1	Hose	
62	2220502	2	Fitting, 45 JIC/ORB	
63	1001213681	5	Hose	
64	2221040	2	Fitting, 45 JIC/ORB	



**SECTION 8 - ELECTRICAL**

# SECTION 8 - ELECTRICAL

FIGURE 8-1. AC BOX AT PLATFORM INSTALLATION - 110V GFI (ALL SPECS EXCEPT AUSTRALIAN, CE & UK CA SPECS)



ART\_1001206776

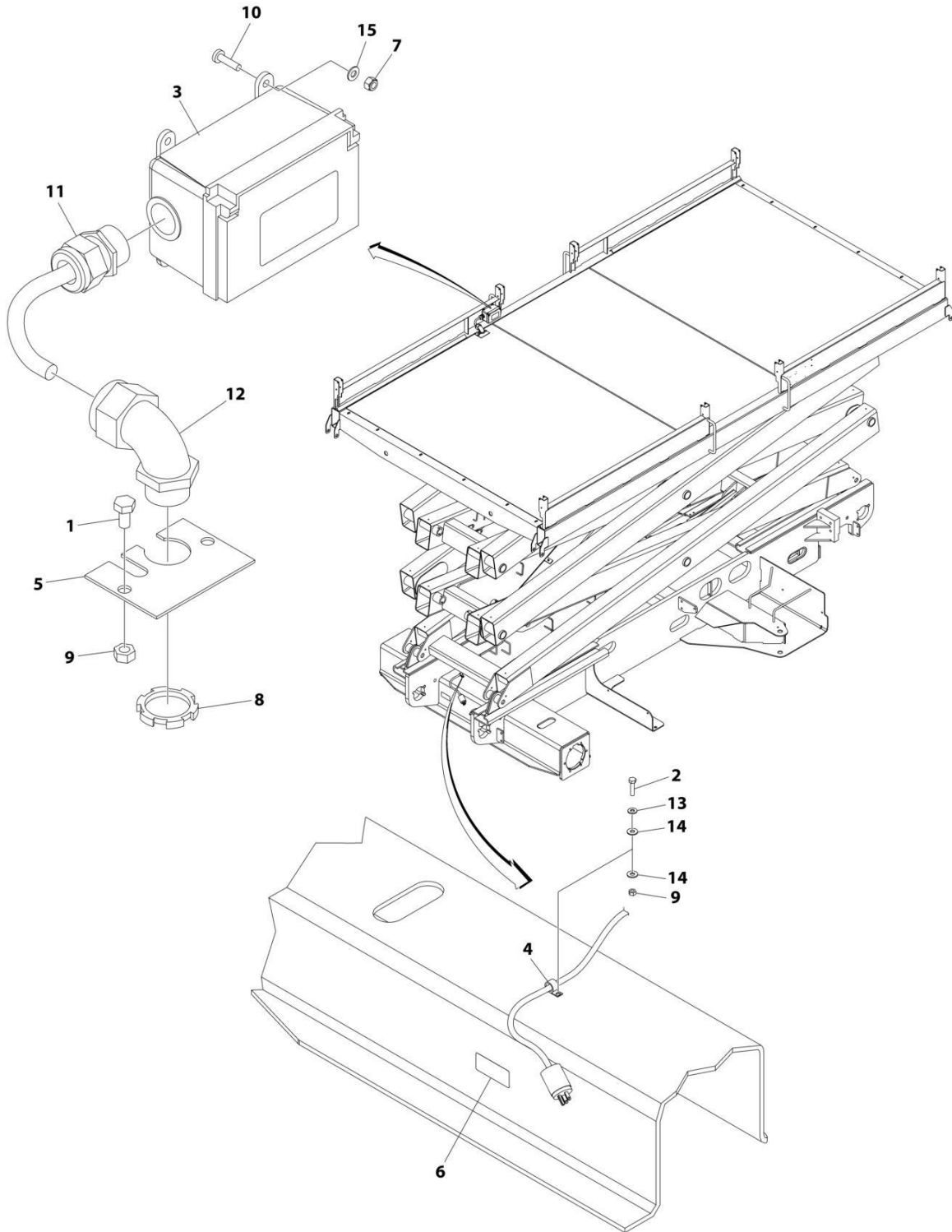
## SECTION 8 - ELECTRICAL

**FIGURE 8-1. AC BOX AT PLATFORM INSTALLATION - 110V GFI (ALL SPECS EXCEPT AUSTRALIAN, CE & UK CA SPECS)**

ITEM	PART NUMBER	QTY	DESCRIPTION	REV
	1001206776	Ref	AC BOX AT PLATFORM INSTALLATION - 110V GFI	B
1	0641404	2	Bolt 1/4 x 1/2	
2	0641409	1	Bolt 1/4 x 1-1/8	
3	1320224	1	Clamp	
4	1670988	1	Cover	
5	1703464	1	Decal - AC Power	
6	2902431	1	Receptacle Box Kit - 110V GFI (See Separate Breakdown in this Section)	
7	3290405	4	Nut M4	
8	3300048	1	Nut 3/4	
9	3311405	3	Nut 1/4	
10	4010408	4	Screw M4 x 16	
11	4460138	1	Plug, Male	
12	4460315	3	Terminal, Spade (Not Shown)	
13	4460422	1	Connector, Strain Relief	
14	4711400	1	Washer 1/4	
15	4751400	2	Washer 1/4	
16	4811400	4	Washer M4	

## SECTION 8 - ELECTRICAL

FIGURE 8-2. AC BOX AT PLATFORM INSTALLATION - 220V (PLUG AND RECEPTACLE SUPPLY LOCALLY) (ALL SPECS EXCEPT AUSTRALIAN, CE & UK CA SPECS)



ART\_1001206777

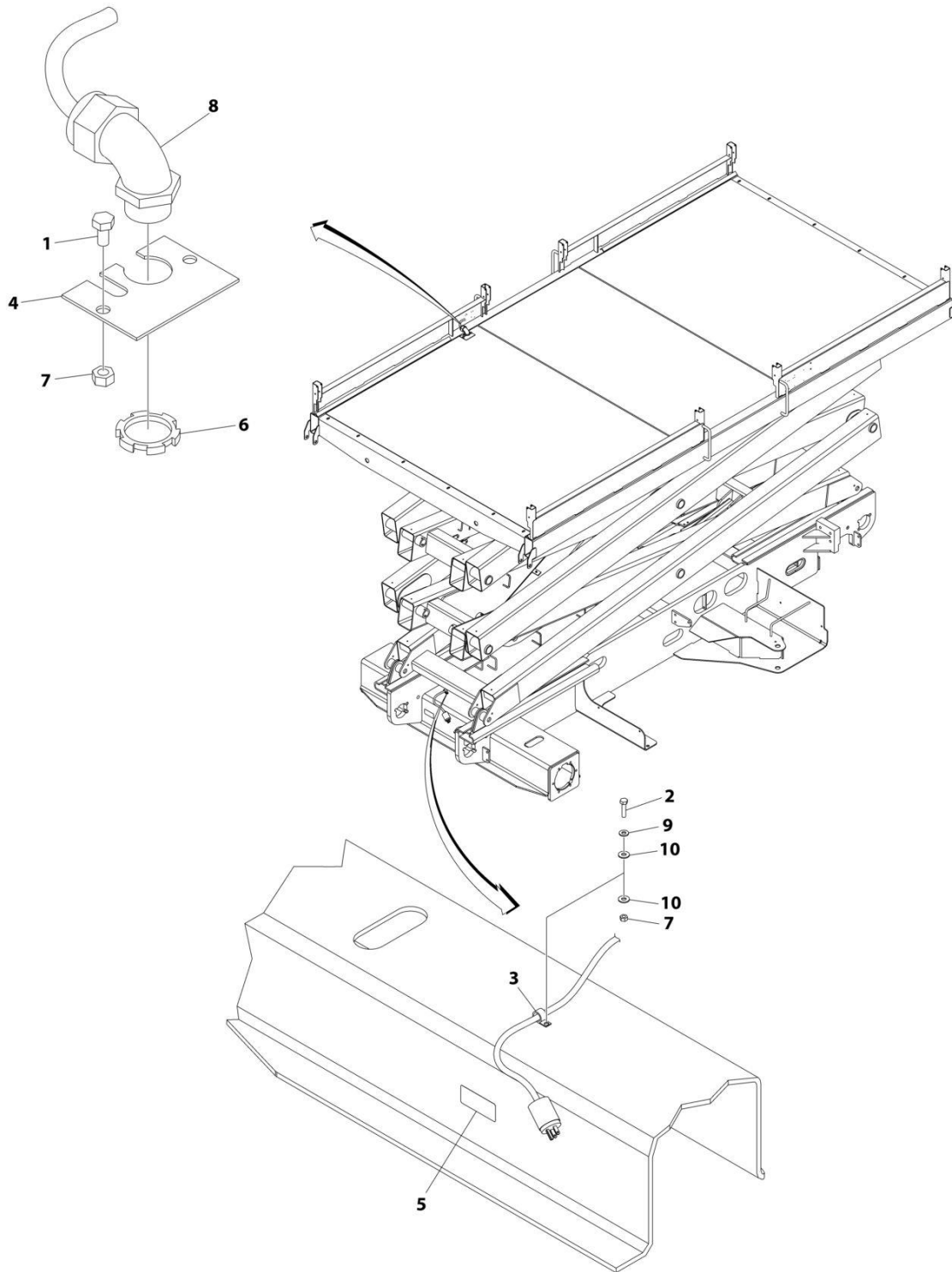
## SECTION 8 - ELECTRICAL

**FIGURE 8-2. AC BOX AT PLATFORM INSTALLATION - 220V (PLUG AND RECEPTACLE SUPPLY LOCALLY) (ALL SPECS EXCEPT AUSTRALIAN, CE & UK CA SPECS)**

ITEM	PART NUMBER	QTY	DESCRIPTION	REV
	1001206777	Ref	AC BOX AT PLATFORM INSTALLATION - 220V	B
1	0641404	2	Bolt 1/4 x 1/2	
2	0641409	1	Bolt 1/4 x 1-1/8	
3	0861731	1	Box	
4	1320224	1	Clamp	
5	1670988	1	Cover	
6	3252507	1	Decal - 220 Volt	
7	3290405	4	Nut M4	
8	3300048	1	Nut 3/4	
9	3311405	3	Nut 1/4	
10	4010408	4	Screw M4 x 16	
11	4460071	1	Connector. Strain Relief	
12	4460422	1	Connector, Strain Relief	
13	4711400	1	Washer 1/4	
14	4751400	2	Washer 1/4	
15	4811400	4	Washer M4	

# SECTION 8 - ELECTRICAL

FIGURE 8-3. AC BOX AT PLATFORM INSTALLATION - 220V (PLUG AND RECEPTACLE BOX SUPPLY LOCALLY) (ALL SPECS EXCEPT JAPANESE SPECS)



ART\_1001206778



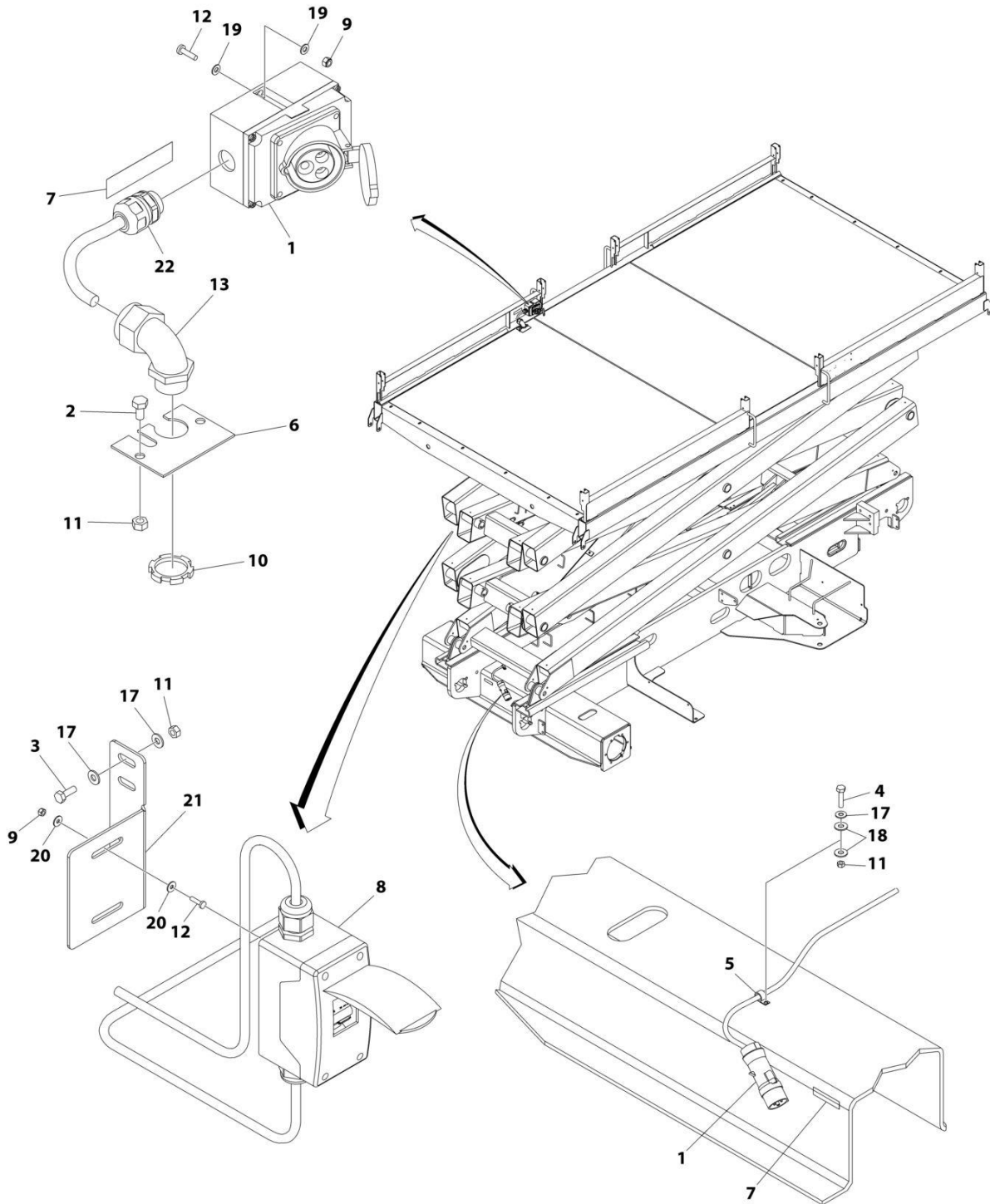
## SECTION 8 - ELECTRICAL

**FIGURE 8-3. AC BOX AT PLATFORM INSTALLATION - 220V (PLUG AND RECEPTACLE BOX  
SUPPLY LOCALLY) (ALL SPECS EXCEPT JAPANESE SPECS)**

ITEM	PART NUMBER	QTY	DESCRIPTION	REV
	1001206778	Ref	AC BOX AT PLATFORM INSTALLATION - 220V	B
1	0641404	2	Bolt 1/4 x 1/2	
2	0641409	1	Bolt 1/4 x 1-1/8	
3	1320224	1	Clamp	
4	1670988	1	Cover	
5	3252507	1	Decal - 220 Volt	
6	3300048	1	Nut 3/4	
7	3311405	3	Nut 1/4	
8	4460422	1	Connector, Strain Relief	
9	4711400	1	Washer 1/4	
10	4751400	2	Washer 1/4	

# SECTION 8 - ELECTRICAL

## FIGURE 8-4. AC BOX AT PLATFORM INSTALLATION - 110V IEC YELLOW (CE & UK CA SPECS)



ART\_1001206782\_F

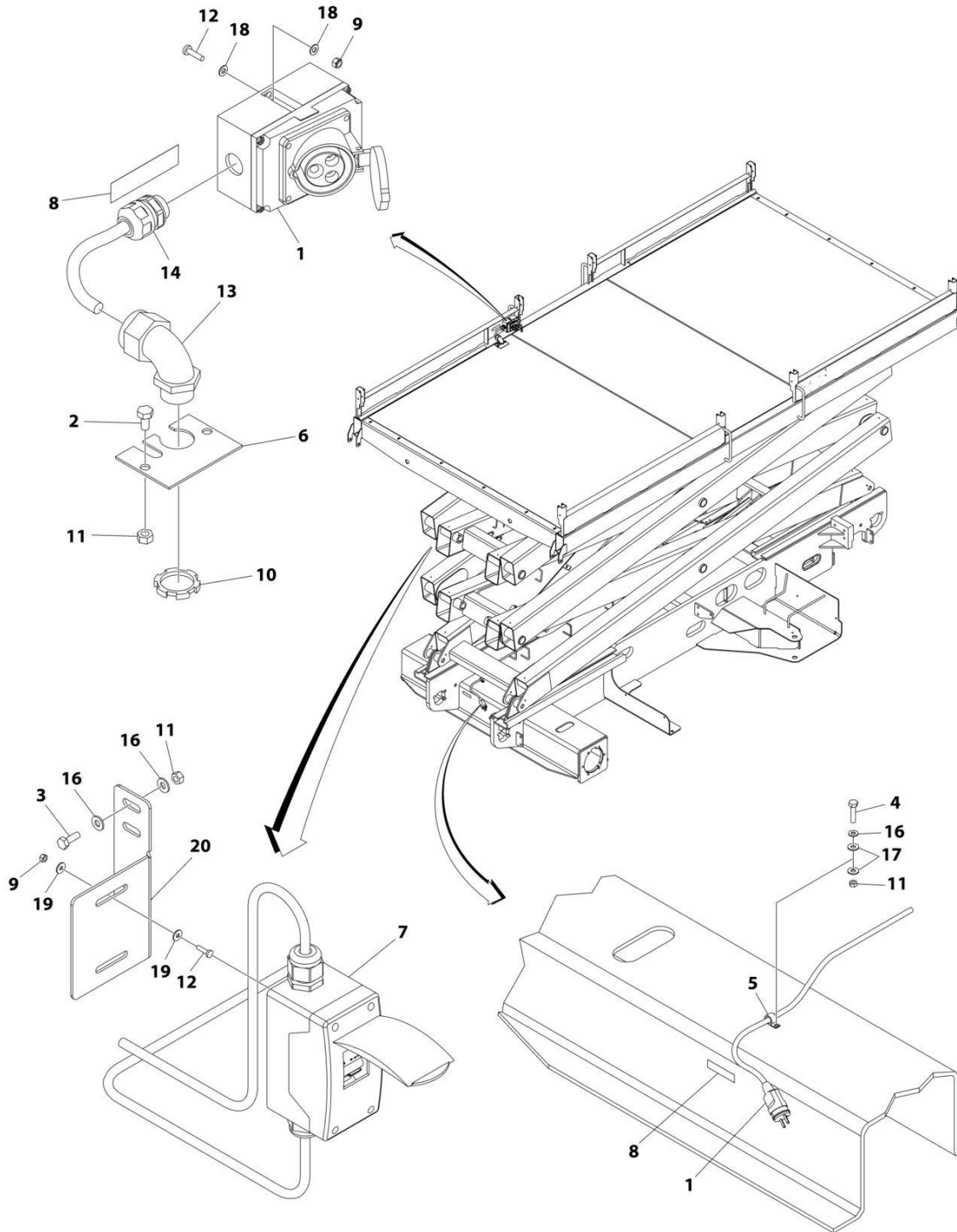
## SECTION 8 - ELECTRICAL

**FIGURE 8-4. AC BOX AT PLATFORM INSTALLATION - 110V IEC YELLOW (CE & UK CA SPECS)**

ITEM	PART NUMBER	QTY	DESCRIPTION	REV
	1001206782	Ref	AC BOX AT PLATFORM INSTALLATION - 110V IEC YELLOW	F
1	0275216	1	Receptacle Box Kit - 110V IEC Yellow (See Separate Breakdown in this Section)	
2	0641404	2	Bolt 1/4 x 1/2	
3	0641406	2	Bolt 1/4 x 3/4	
4	0641409	1	Bolt 1/4 x 1-1/8	
5	1320224	1	Clamp	
6	1670988	1	Cover	
7	1705325	2	Decal - 110 Volt	
8	1001096070	1	Breaker Box Kit (See Separate Breakdown in this Section)	
9	3290405	4	Nut M4	
10	3300048	1	Nut 3/4	
11	3311405	5	Nut 1/4	
12	4010408	4	Screw M4 x 16	
13	4460422	1	Connector, Strain Relief	
17	4711400	5	Washer 1/4	
18	4751400	2	Washer 1/4	
19	4811400	AR	Washer M4	
20	1001091102	4	Washer M4	
21	1001206928	1	Bracket	
22	4460968	1	Connector, Strain Relief	

# SECTION 8 - ELECTRICAL

## FIGURE 8-5. AC BOX AT PLATFORM INSTALLATION - 220V IEC BLUE (CE & UK CA SPECS)



ART\_1001206783\_F

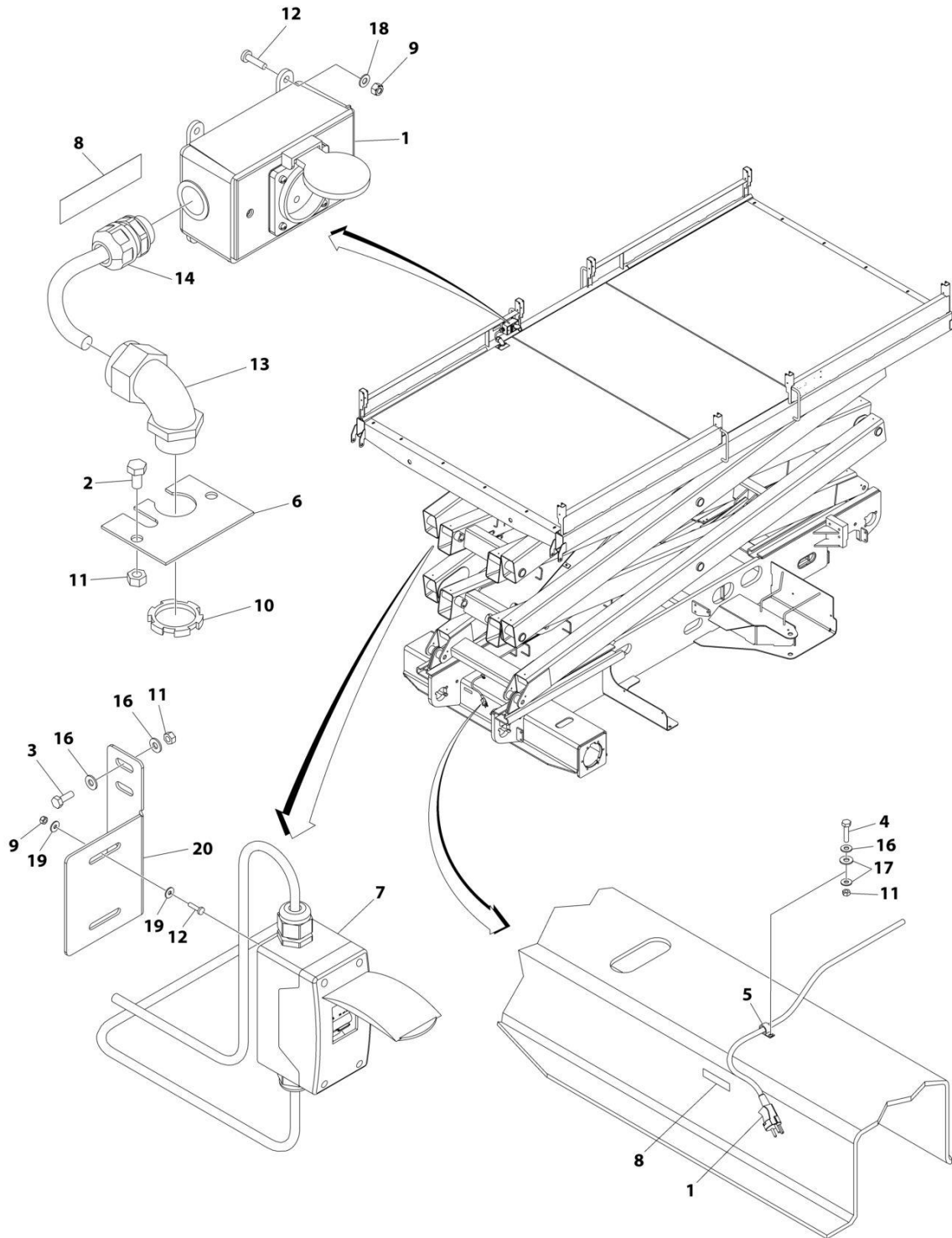
## SECTION 8 - ELECTRICAL

**FIGURE 8-5. AC BOX AT PLATFORM INSTALLATION - 220V IEC BLUE (CE & UK CA SPECS)**

ITEM	PART NUMBER	QTY	DESCRIPTION	REV
	1001206783	Ref	AC BOX AT PLATFORM INSTALLATION - 220V IEC BLUE	F
1	0275217	1	Receptacle Box Kit - 220V IEC Blue (CE Specs) (See Separate Breakdown in this Section)	
2	0641404	2	Bolt 1/4 x 1/2	
3	0641406	2	Bolt 1/4 x 3/4	
4	0641409	1	Bolt 1/4 x 1-1/8	
5	1320224	1	Clamp	
6	1670988	1	Cover	
7	1001096070	1	Breaker Box Kit (See Separate Breakdown in this Section)	
8	3252507	2	Decal - 220 Volt	
9	3290405	4	Nut M4	
10	3300048	1	Nut 3/4	
11	3311405	5	Nut 1/4	
12	4010408	4	Screw M4 x 16	
13	4460422	1	Connector, Strain Relief	
14	4460968	1	Connector, Strain Relief	
16	4711400	5	Washer 1/4	
17	4751400	2	Washer 1/4	
18	4811400	4	Washer M4	
19	1001091102	4	Washer M4	
20	1001206928	1	Bracket	

# SECTION 8 - ELECTRICAL

FIGURE 8-6. AC BOX AT PLATFORM INSTALLATION - 220V AFSINT 107 (CE & UK CA SPECS)



ART\_1001206781\_E

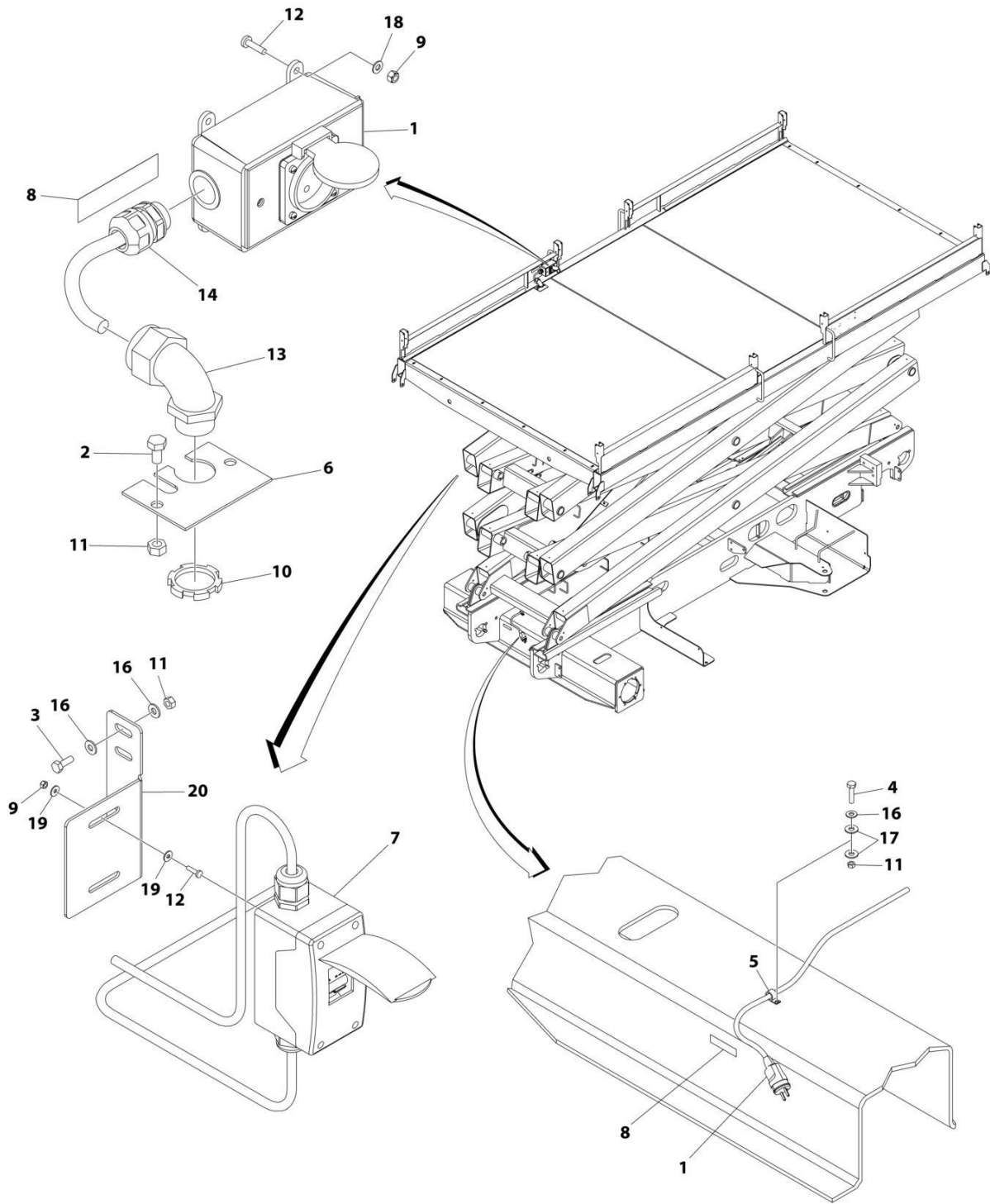
## SECTION 8 - ELECTRICAL

**FIGURE 8-6. AC BOX AT PLATFORM INSTALLATION - 220V AFSINT 107 (CE & UK CA SPECS)**

ITEM	PART NUMBER	QTY	DESCRIPTION	REV
	1001206781	Ref	AC BOX AT PLATFORM INSTALLATION - 220V AFSINT 107	E
1	0275454	1	Receptacle Box Kit - 220V AFSINT 107 (CE Specs) (See Separate Breakdown in this Section)	
2	0641404	2	Bolt 1/4 x 1/2	
3	0641406	2	Bolt 1/4 x 3/4	
4	0641409	1	Bolt 1/4 x 1-1/8	
5	1320224	1	Clamp	
6	1670988	1	Cover	
7	1001096070	1	Breaker Box Kit (See Separate Breakdown in this Section)	
8	3252507	2	Decal - 220 Volt	
9	3290405	6	Nut M4	
10	3300048	1	Nut 3/4	
11	3311405	5	Nut 1/4	
12	4010408	6	Screw M4 x 16	
13	4460422	1	Connector, Strain Relief	
14	4460968	1	Connector, Strain Relief	
16	4711400	5	Washer 1/4	
17	4751400	2	Washer 1/4	
18	4811400	4	Washer M4	
19	1001091102	4	Washer M4	
20	1001206928	1	Bracket	

# SECTION 8 - ELECTRICAL

FIGURE 8-7. AC BOX AT PLATFORM INSTALLATION - 220V CEE7 POST GROUND 2X4 BOX (CE & UK CA SPECS)



ART\_1001206779\_E



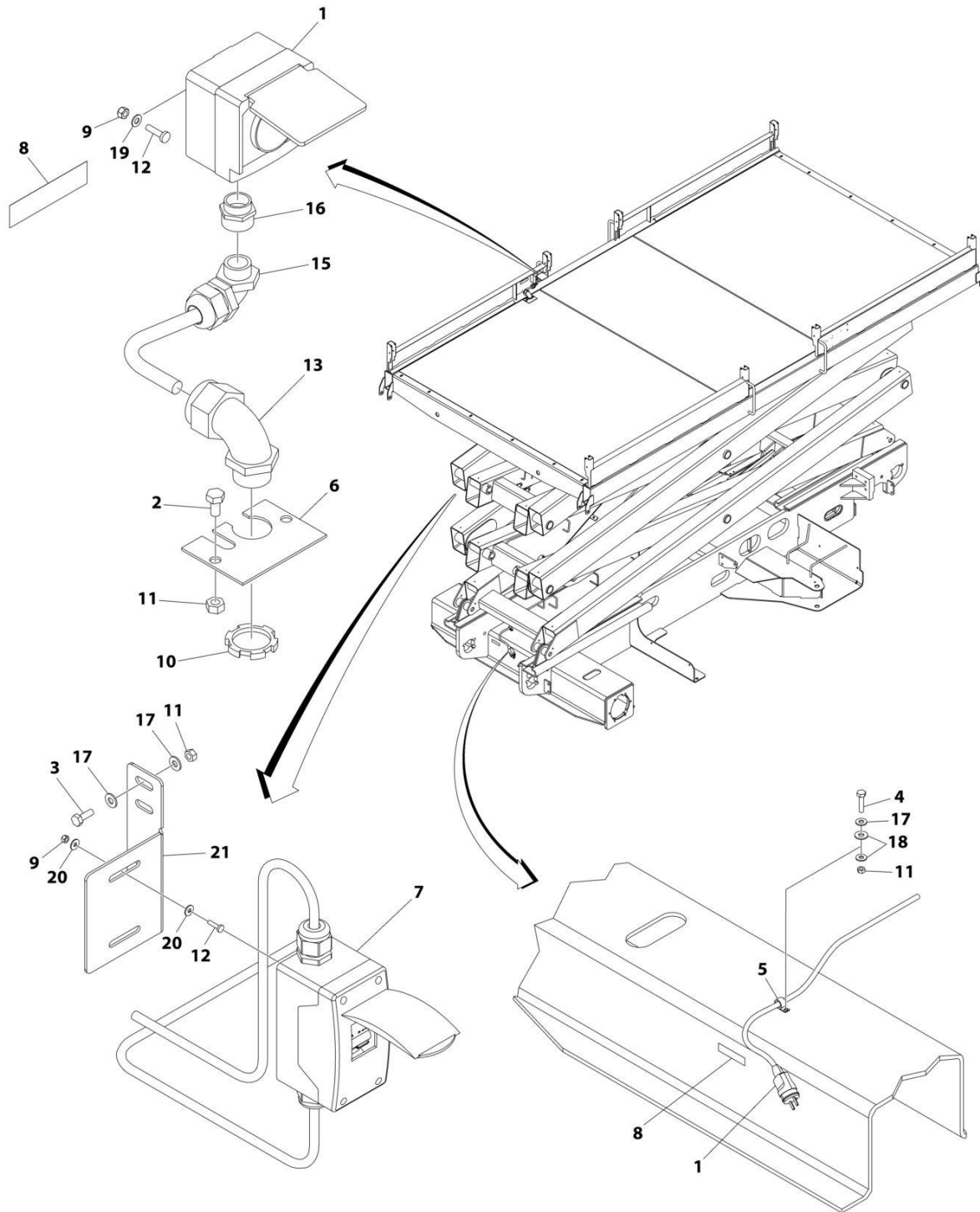
## SECTION 8 - ELECTRICAL

**FIGURE 8-7. AC BOX AT PLATFORM INSTALLATION - 220V CEE7 POST GROUND 2X4 BOX (CE & UK CA SPECS)**

ITEM	PART NUMBER	QTY	DESCRIPTION	REV
	1001206779	Ref	AC BOX AT PLATFORM INSTALLATION - 220V CEE7 POST GROUND 2X4 BOX	E
1	0275452	1	Receptacle Box Kit - 220V CEE7 Post Ground 2X4 Box (See Separate Breakdown in this Section)	
2	0641404	2	Bolt 1/4 x 1/2	
3	0641406	2	Bolt 1/4 x 3/4	
4	0641409	1	Bolt 1/4 x 1-1/8	
5	1320224	1	Clamp	
6	1670988	1	Cover	
7	1001096070	1	Breaker Box Kit (See Separate Breakdown in this Section)	
8	3252507	2	Decal - 220 Volt	
9	3290405	6	Nut M4	
10	3300048	1	Nut 3/4	
11	3311405	5	Nut 1/4	
12	4010408	6	Screw M4 x 16	
13	4460422	1	Connector, Strain Relief	
14	4460968	1	Connector, Strain Relief	
16	4711400	5	Washer 1/4	
17	4751400	2	Washer 1/4	
18	4811400	4	Washer M4	
19	1001091102	4	Washer M4	
20	1001206928	1	Bracket	

# SECTION 8 - ELECTRICAL

FIGURE 8-8. AC BOX AT PLATFORM INSTALLATION - 220V CEE7 POST GROUND 70X70 BOX (CE & UK CA SPECS)



ART\_1001206784\_E

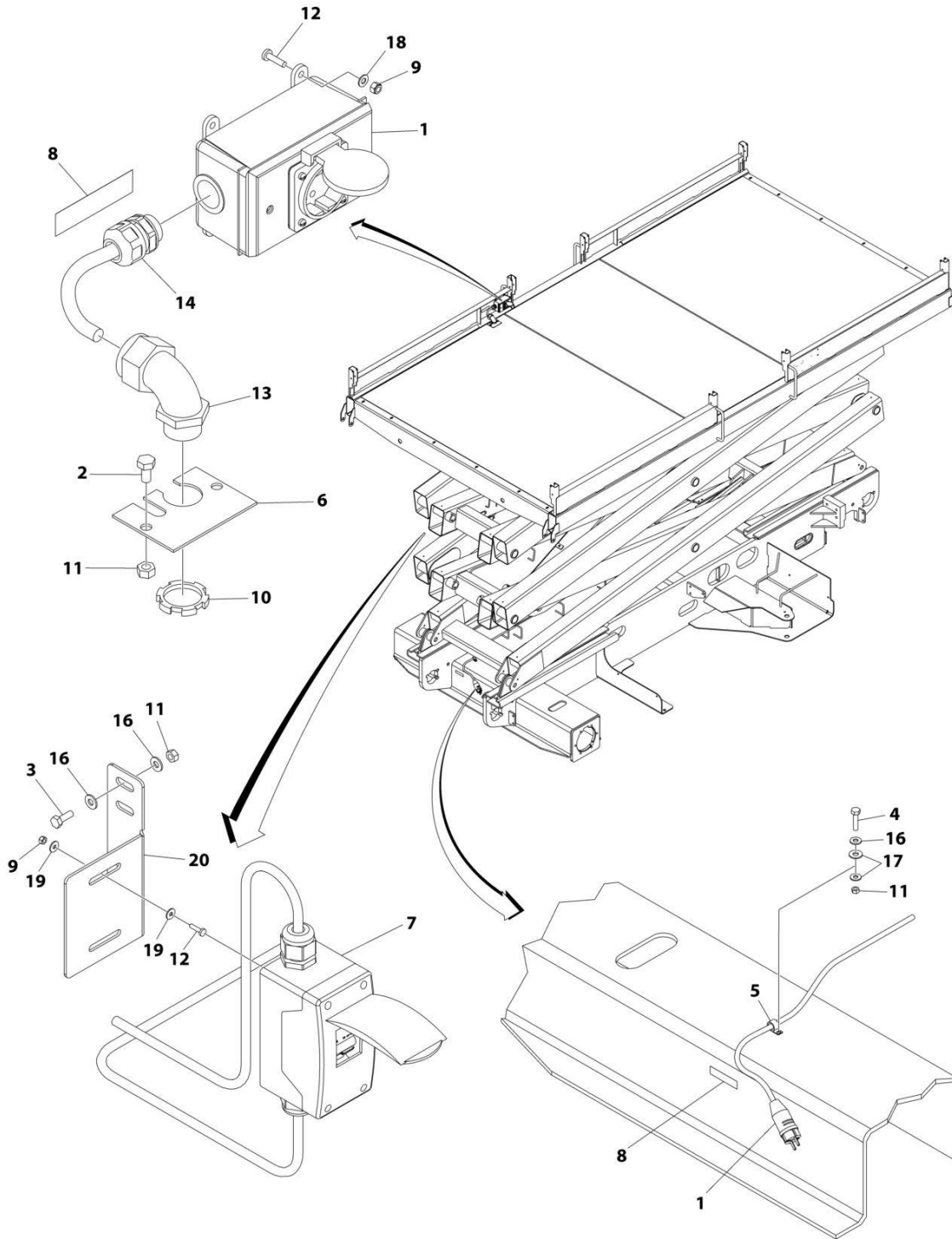
## SECTION 8 - ELECTRICAL

**FIGURE 8-8. AC BOX AT PLATFORM INSTALLATION - 220V CEE7 POST GROUND 70X70 BOX (CE & UK CA SPECS)**

ITEM	PART NUMBER	QTY	DESCRIPTION	REV
	1001206784	Ref	AC BOX AT PLATFORM INSTALLATION - 220V CEE7 POST GROUND 70X70 BOX (CE SPECS)	E
1	0275218	1	Receptacle Box Kit - 220V CEE7 Post Ground 70X70 Box (See Separate Breakdown in this Section)	
2	0641404	2	Bolt 1/4 x 1/2	
3	0641406	2	Bolt 1/4 x 3/4	
4	0641409	1	Bolt 1/4 x 1-1/8	
5	1320224	1	Clamp	
6	1670988	1	Cover	
7	1001096070	1	Breaker Box Kit (See Separate Breakdown in this Section)	
8	3252507	2	Decal - 220 Volt	
9	3290405	4	Nut M4	
10	3300048	1	Nut 3/4	
11	3311405	5	Nut 1/4	
12	4010408	4	Screw M4 x 16	
13	4460422	1	Connector, Strain Relief	
15	4461257	1	Connector, Strain Relief	
16	4461258	1	Adapter	
17	4711400	5	Washer 1/4	
18	4751400	2	Washer 1/4	
19	4811400	2	Washer M4	
20	1001091102	4	Washer M4	
21	1001206928	1	Bracket	

# SECTION 8 - ELECTRICAL

## FIGURE 8-9. AC BOX AT PLATFORM INSTALLATION - 220V CEE7 SIDE GROUND 2X4 BOX (CE & UK CA SPECS)



ART\_1001206780\_E

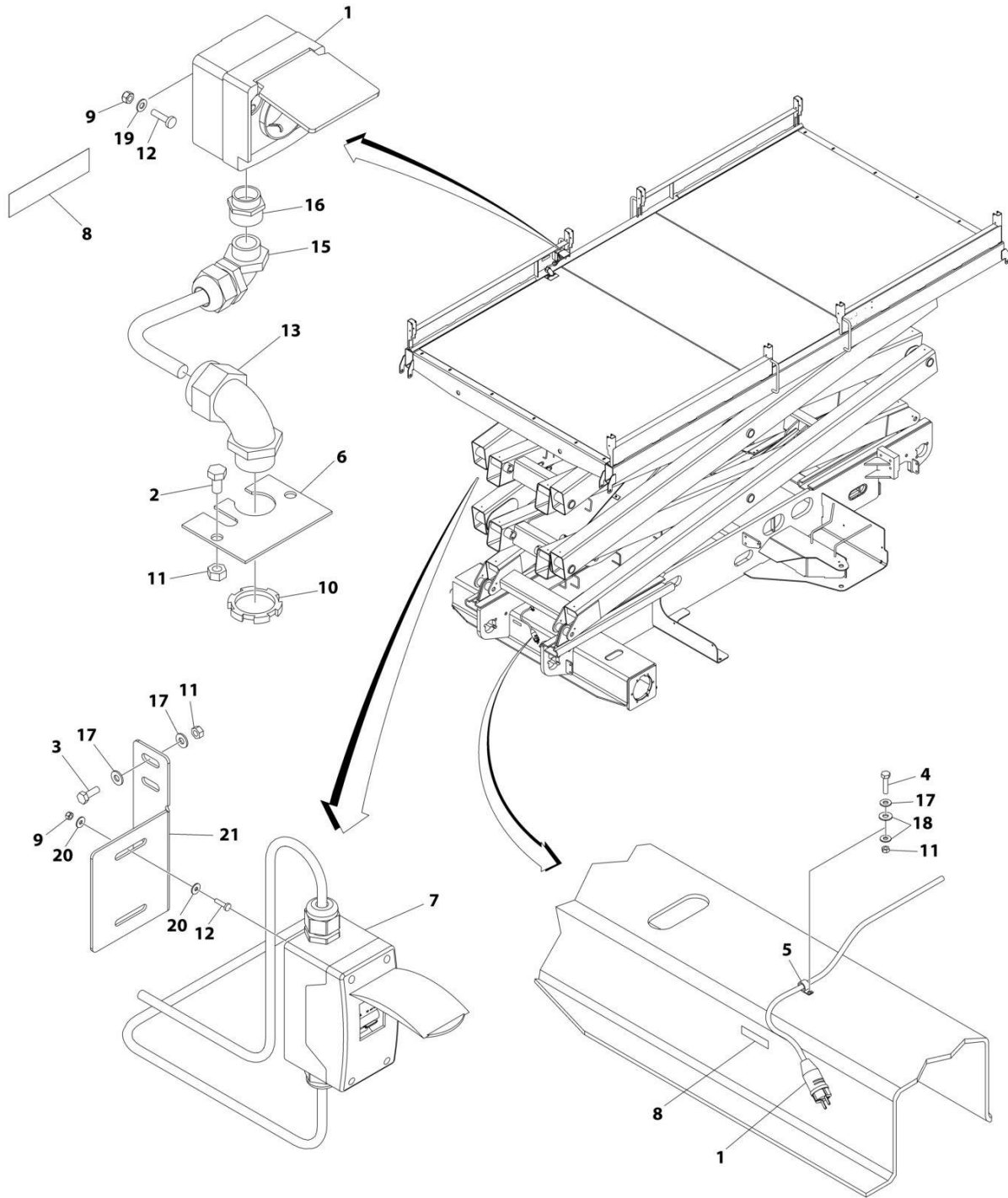
## SECTION 8 - ELECTRICAL

**FIGURE 8-9. AC BOX AT PLATFORM INSTALLATION - 220V CEE7 SIDE GROUND 2X4 BOX (CE & UK CA SPECS)**

ITEM	PART NUMBER	QTY	DESCRIPTION	REV
	1001206780	Ref	AC BOX AT PLATFORM INSTALLATION - 220V CEE7 SIDE GROUND 2X4 BOX	E
1	0275453	1	Receptacle Box Kit - 220V CEE7 Side Ground 2X4 Box (See Separate Breakdown in this Section)	
2	0641404	2	Bolt 1/4 x 1/2	
3	0641406	2	Bolt 1/4 x 3/4	
4	0641409	1	Bolt 1/4 x 1-1/8	
5	1320224	1	Clamp	
6	1670988	1	Cover	
7	1001096070	1	Breaker Box Kit (See Separate Breakdown in this Section)	
8	3252507	2	Decal - 220 Volt	
9	3290405	6	Nut M4	
10	3300048	1	Nut 3/4	
11	3311405	5	Nut 1/4	
12	4010408	6	Screw M4 x 16	
13	4460422	1	Connector, Strain Relief	
14	4460968	1	Connector, Strain Relief	
16	4711400	5	Washer 1/4	
17	4751400	2	Washer 1/4	
18	4811400	4	Washer M4	
19	1001091102	4	Washer M4	
20	1001206928	1	Bracket	

# SECTION 8 - ELECTRICAL

FIGURE 8-10. AC BOX AT PLATFORM INSTALLATION - 220V CEE7 SIDE GROUND 70X70 BOX (CE & UK CA SPECS)



ART\_1001206785\_E

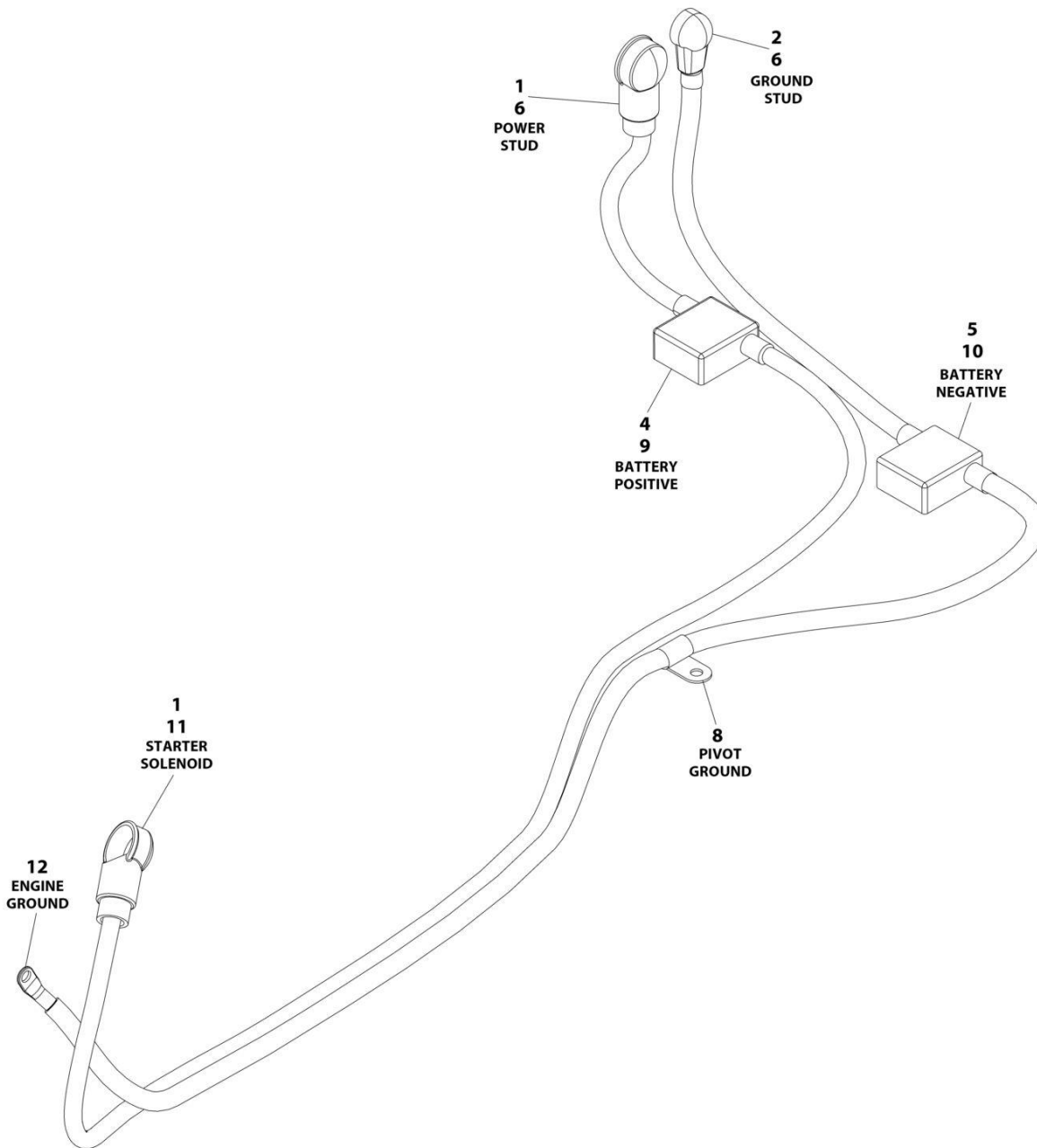
## SECTION 8 - ELECTRICAL

**FIGURE 8-10. AC BOX AT PLATFORM INSTALLATION - 220V CEE7 SIDE GROUND 70X70 BOX (CE & UK CA SPECS)**

ITEM	PART NUMBER	QTY	DESCRIPTION	REV
	1001206785	Ref	AC BOX AT PLATFORM INSTALLATION - 220V CEE7 SIDE GROUND 70X70 BOX	E
1	0275219	1	Receptacle Box Kit - 220V CEE7 Side Ground 70X70 Box (See Separate Breakdown in this Section)	
2	0641404	2	Bolt 1/4 x 1/2	
3	0641406	2	Bolt 1/4 x 3/4	
4	0641409	1	Bolt 1/4 x 1-1/8	
5	1320224	1	Clamp	
6	1670988	1	Cover	
7	1001096070	1	Breaker Box Kit (See Separate Breakdown in this Section)	
8	3252507	2	Decal - 220 Volt	
9	3290405	4	Nut M4	
10	3300048	1	Nut 3/4	
11	3311405	5	Nut 1/4	
12	4010408	4	Screw M4 x 16	
13	4460422	1	Connector, Strain Relief	
15	4461257	1	Connector, Strain Relief	
16	4461258	1	Adapter	
17	4711400	5	Washer 1/4	
18	4751400	2	Washer 1/4	
19	4811400	2	Washer M4	
20	1001091102	4	Washer M4	
21	1001206928	1	Bracket	

# SECTION 8 - ELECTRICAL

## FIGURE 8-11. BATTERY CABLE KIT



ART\_1001186428\_E



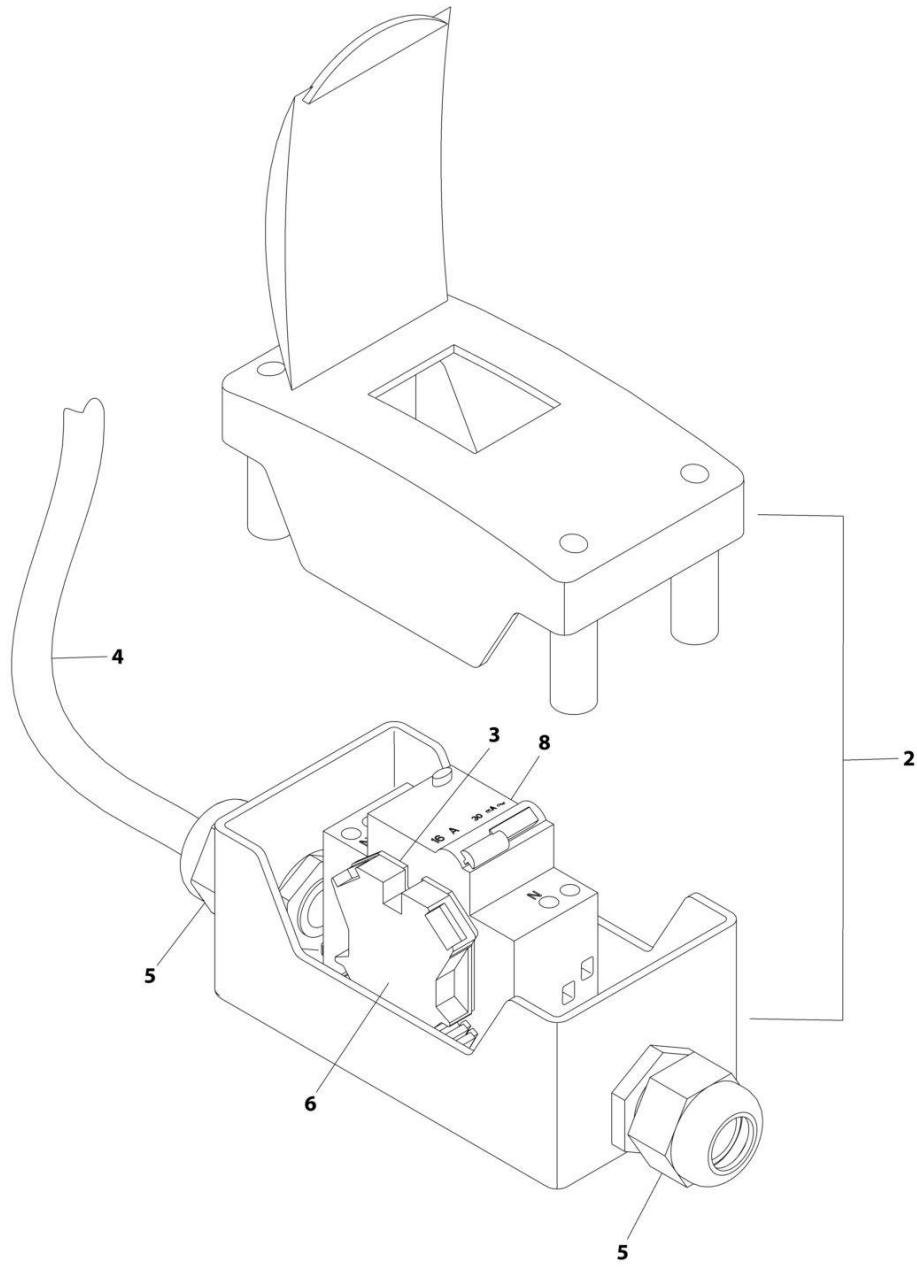
## SECTION 8 - ELECTRICAL

### FIGURE 8-11. BATTERY CABLE KIT

ITEM	PART NUMBER	QTY	DESCRIPTION	REV
	1001186428	Ref	BATTERY CABLE KIT	E
1	0840052	2	Boot	
2	1001098765	1	Boot	
3	1001137304	AR	Conduit (Red) (Not Shown)	
4	1001186483	1	Boot (Red)	
5	1001186484	1	Boot (Black)	
6	1001181804	2	Terminal, Ring	
8	1001186480	1	Terminal	
9	1001186481	1	Terminal, Battery +	
10	1001186482	1	Terminal, Battery -	
11	1001230006	1	Terminal, Angle 45, 5/16	
12	1001230007	1	Terminal, Angle 45, 3/8	

# SECTION 8 - ELECTRICAL

## FIGURE 8-12. BREAKER BOX KIT



ART\_1001096070\_E

## SECTION 8 - ELECTRICAL

### FIGURE 8-12. BREAKER BOX KIT

ITEM	PART NUMBER	QTY	DESCRIPTION	REV
	1001096070	Ref	BREAKER BOX KIT	E
2	0861880	1	Box	
3	4460956	1	Barrier, Terminal Block End	
4	1060908	12 ft/ 3.6m	Cable, 12/3	
5	1001097150	2	Connector, Strain Relief	
6	4460957	1	Block, Terminal	
8	1001181045	1	Breaker, 16Amp	



## SECTION 8 - ELECTRICAL

### FIGURE 8-13. CHASSIS HARNESS

ITEM	PART NUMBER	QTY	DESCRIPTION	REV
	1001283871	Ref	CHASSIS HARNESS	A
1	0840056	1	Boot	
2	0840057	1	Boot	
3	0840059	1	Boot	
4	0840061	2	Boot	
5	4460466	3	Plug, Terminal	
6	4460837	1	Bussbar - 12 Position	
7	4460852	2	Bussbar - 8 Position	
8	4460892	1	Bussbar - 6 Position	
9	4460945	2	Receptacle, 3 Way	
10	1001103013	AR	Receptacle, Female - 4 Position	
11	1001106736	1	Cap, Dust	
12	1001116698	4	Plug, Terminal	
13	1001116816	1	Connector, Diode	
14	1001119020	1	Bussbar	
15	1001152266	1	Connector, Diode	
16	1001154726	1	Connector - 3 Position	
17	1001155806	2	Cap, Dust	
18	1001174455	2	Boot	
19	1001192401	1	Cap, Dust	
20	1001215898	1	Cap, Dust	
101	4460812	1	Connector - 24 Position	
101	4460465	15	Socket, Female	
101	4460944	3	Socket, Female	
101	4460942	2	Socket, Female	
101	4460466	4	Plug, Terminal	
102	4460814	1	Connector - 40 Position	
102	4460465	25	Socket, Female	
102	4460944	3	Socket, Female	
102	4460942	5	Socket, Female	
102	4460466	7	Plug, Terminal	
103	1001112612	1	Connector - 9 Position	
103	4460943	3	Pin, Male	
103	4460464	3	Pin, Male	
103	4460466	3	Plug, Terminal	
104	4460933	4	Plug, Male - 12 Position	
104	4460465	38	Socket, Female	
104	4460944	3	Socket, Female	
104	4460466	7	Plug, Terminal	
105	8220007	2	Terminal, Ring	
106	1001117078	2	Fuseholder with 5Amp Fuse	
106	See Note	NSS	Fuse - 5Amp ATO (Note: Purchase Locally)	
106	1001191599	2	Cover	
106	1001117019	2	Bracket	
106	1001116732	1	Terminal	
106	1001116733	1	Terminal	
107	1001117023	1	Fuseholder with 10Amp Fuse	
107	See Note	NSS	Fuse - 10Amp ATO (Note: Purchase Locally)	
107	1001191599	1	Cover	
107	1001117019	1	Bracket	

## SECTION 8 - ELECTRICAL

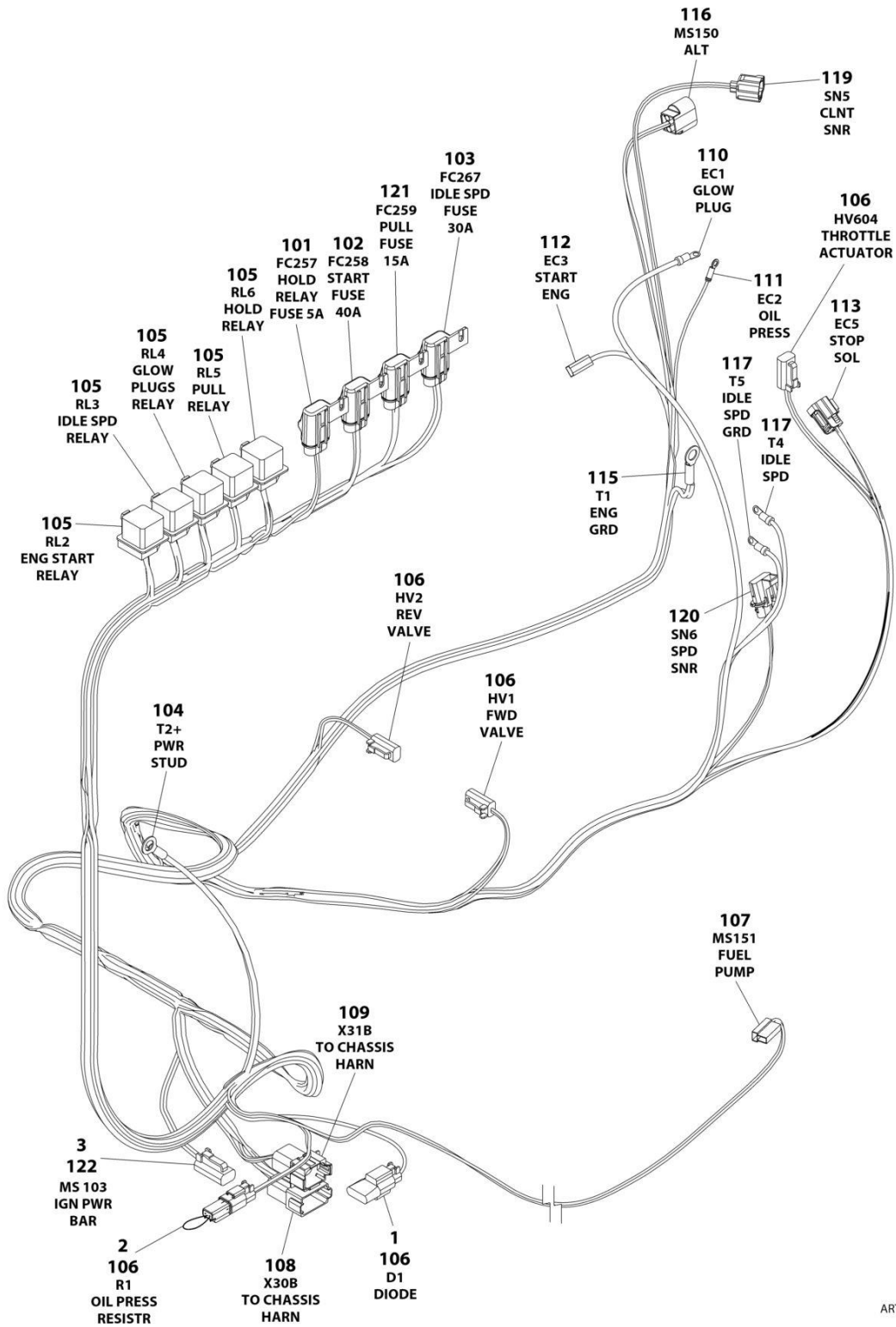
ITEM	PART NUMBER	QTY	DESCRIPTION	REV
107	1001116734	2	Terminal	
108	1001117069	1	Fuseholder with 20Amp Fuse	
108	See Note	NSS	Fuse - 20Amp ATO (Note: Purchase Locally)	
108	1001191599	1	Cover	
108	1001117019	1	Bracket	
108	1001116734	2	Terminal	
110	4460836	1	Plug, Male - 12 Position	
110	4460465	10	Socket, Female	
110	4460466	2	Plug, Terminal	
111	4460851	3	Plug, Male - 8 Position	
111	4460465	21	Socket, Female	
111	4460944	3	Socket, Female	
112	4460894	1	Plug, Male - 6 Position	
112	4460465	6	Socket, Female	
113	1001201642	1	Fuseholder with 10Amp Fuse	
113	See Note	NSS	Fuse - 10Amp ATO (Note: Purchase Locally)	
113	1001191599	1	Cover	
113	See Note	NSS	Bracket (Note: Use p/n 1001201642)	
113	1001116733	2	Terminal	
114	1001117057	4	Plug, Relay	
114	1001116732	8	Terminal	
114	1001116733	8	Terminal	
115	1001116926	1	Connector - 21 Position	
115	4460465	4	Socket, Female	
115	4460944	3	Socket, Female	
115	4460509	4	Socket, Female	
115	4460466	10	Plug, Terminal	
116	4460967	1	Connector - 3 Position	
116	4460465	3	Socket, Female	
117	4460260	2	Cover, Terminal	
117	4460259	2	Terminal	
118	1001103012	2	Plug, Male - 4 Position	
118	1001107854	8	Socket, Female	
118	1001104498	4	Seal	
118	1001106763	4	Seal	
119	4460891	15	Plug, Male - 4 Position	
119	4460465	28	Socket, Female	
120	3990010	1	Diode	
121	4460884	2	Plug, Male - 4 Position	
121	4460465	7	Socket, Female	
121	4460466	1	Plug, Terminal	
122	1001116812	4	Plug, Male - 3 Position	
122	4460944	12	Socket, Female	
123	4460539	3	Plug, Male - 3 Position	
123	4460944	6	Socket, Female	
123	4460465	3	Socket, Female	
124	4460930	2	Plug, Male - 8 Position	
124	4460465	15	Socket, Female	
124	4460466	1	Plug, Terminal	
125	4460897	2	Receptacle, Female - 2 Position	
125	4460464	4	Pin, Male	

## SECTION 8 - ELECTRICAL

ITEM	PART NUMBER	QTY	DESCRIPTION	REV
126	4460761	1	Receptacle, Female - 4 Position	
126	4460267	4	Pin, Male	
127	1001116808	1	Plug, Male - 12 Position	
127	1001126008	4	Terminal	
127	4460518	8	Plug, Terminal	
128	1001116774	1	Plug, Male - 12 Position	
128	1001126008	7	Terminal	
128	1001126009	2	Terminal	
128	4460518	3	Plug, Terminal	
129	4460019	2	Terminal, Ring	
130	1001118938	1	Fuesholder with 40Amp Fuse	
130	See Note	NSS	Fuse - 40Amp ATO (Note: Purchase Locally)	
130	1001191599	1	Cover	
130	See Note	NSS	Bracket (Note: Use p/n 1001118938)	
130	1001116734	2	Terminal	
131	4460256	1	Terminal, Ring	
	1001209619	Ref	CHASSIS HARNESS INSTALLATION	H
204	3740080	4	Relay	
212	1001234736	1	Module, Control	
213	1001308688	1	Ground Wire Harness (See Separate Breakdown in this Section)	

# SECTION 8 - ELECTRICAL

## FIGURE 8-14. ENGINE HARNESS - KUBOTA DIESEL



ART\_1001236545



## SECTION 8 - ELECTRICAL

### FIGURE 8-14. ENGINE HARNESS - KUBOTA DIESEL

ITEM	PART NUMBER	QTY	DESCRIPTION	REV
	1001236545	Ref	ENGINE HARNESS - KUBOTA DIESEL	C
1	1001116816	3	Receptacle, Female with Diode	
2	1001195684	1	Resistor	
3	4460893	1	Terminal, 4 Position Buss Bar	
101	1001119412	1	Fuseholder with 5Amp Fuse	
101	See Note	NSS	Fuse - 5Amp ATO (Note: Purchase Locally)	
101	1001191599	1	Cover	
101	See Note	NSS	Bracket (Note: Use p/n 1001119412)	
101	1001116732	1	Terminal	
101	1001116733	1	Terminal	
102	1001118938	1	Fuseholder with 40Amp Fuse	
102	See Note	NSS	Fuse - 40Amp ATO (Note: Purchase Locally)	
102	1001191599	1	Cover	
102	See Note	NSS	Bracket (Note: Use p/n 1001118938)	
102	1001116734	2	Terminal	
103	1001117070	1	Fuseholder with 30Amp Fuse	
103	See Note	NSS	Fuse - 30Amp ATO (Note: Purchase Locally)	
103	1001191599	1	Cover	
103	See Note	NSS	Bracket (Note: Use p/n 1001117070)	
103	1001116734	2	Terminal	
104	8220164	2	Terminal, Ring	
105	1001117057	5	Plug, Relay	
105	1001116732	12	Terminal	
105	1001116734	8	Terminal	
106	4460891	6	Plug, Male - 4 Position	
106	4460465	10	Socket, Female	
106	4460942	2	Socket, Female	
107	1001118744	1	Receptacle, Female - 2 Position	
107	1001118745	2	Terminal	
108	4460970	1	Receptacle, Female - 12 Position	
108	4460464	11	Pin, Male	
108	4460941	1	Pin, Male	
109	1001116813	1	Receptacle, Female - 8 Position	
109	4460464	5	Pin, Male	
109	4460466	3	Plug, Terminal	
110	4460142	1	Terminal, Ring	
111	4460247	1	Terminal, Ring	
112	1001118743	1	Cover, Terminal	
112	1001230488	1	Terminal	
113	1001223432	1	Receptacle, Female - 2 Position	
113	1001223795	2	Terminal	
113	1001223796	2	Seal	
115	8220164	1	Terminal, Ring	
116	1001125748	1	Receptacle, Female - 2 Position	
116	1001125773	2	Terminal	
116	1001129772	2	Seal	
117	4460042	2	Terminal, Ring	
119	1001118657	1	Receptacle, Female - 2 Position	
119	1001118658	2	Terminal	
119	1001200250	2	Seal	

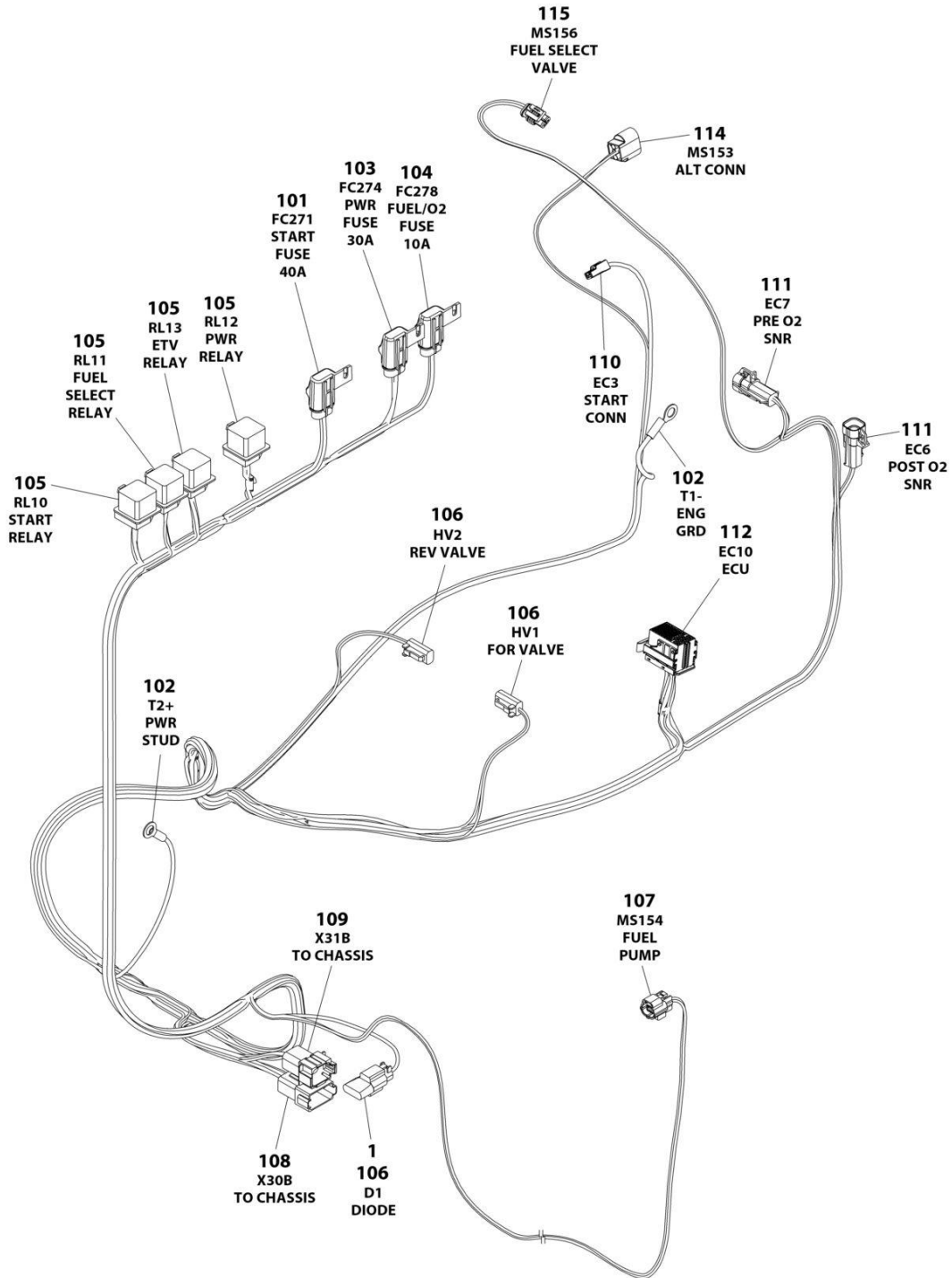
## SECTION 8 - ELECTRICAL

ITEM	PART NUMBER	QTY	DESCRIPTION	REV
120	1001117055	1	Receptacle, Female - 2 Position	
120	4460746	2	Terminal	
120	1001175265	2	Seal	
121	1001117024	1	Fuseholder with 15Amp Fuse	
121	See Note	NSS	Fuse - 15Amp ATO (Note: Purchase Locally)	
121	1001191599	1	Cover	
121	See Note	NSS	Bracket (Note: Use p/n 1001117024)	
121	1001116734	2	Terminal	
122	4460884	1	Plug, Male - 4 Position	
122	4460465	3	Socket, Female	
122	4460466	1	Plug, Terminal	



# SECTION 8 - ELECTRICAL

## FIGURE 8-15. ENGINE HARNESS - KUBOTA GASOLINE



ART\_1001236546

## SECTION 8 - ELECTRICAL

### FIGURE 8-15. ENGINE HARNESS - KUBOTA GASOLINE

ITEM	PART NUMBER	QTY	DESCRIPTION	REV
	1001236546	Ref	ENGINE HARNESS - KUBOTA GASOLINE	C
1	1001116816	1	Receptacle, Female with Diode	
101	1001118938	1	Fuseholder with 40Amp Fuse	
101	See Note	NSS	Fuse - 40Amp ATO (Note: Purchase Locally)	
101	1001191599	1	Cover	
101	See Note	NSS	Bracket (Note: Use p/n 1001118938)	
101	1001116734	2	Terminal	
102	8220164	2	Terminal, Ring	
103	1001117070	1	Fuseholder with 30Amp Fuse	
103	See Note	NSS	Fuse - 30Amp ATO (Note: Purchase Locally)	
103	1001191599	1	Cover	
103	See Note	NSS	Bracket (Note: Use p/n 1001117070)	
103	1001116734	2	Terminal	
104	1001117023	1	Fuseholder with 10Amp Fuse	
104	See Note	NSS	Fuse - 10Amp ATO (Note: Purchase Locally)	
104	1001191599	1	Cover	
104	See Note	NSS	Bracket (Note: Use p/n 1001201642)	
104	1001116734	2	Terminal	
105	1001117057	4	Plug, Relay	
105	1001116732	6	Terminal	
105	1001116733	2	Terminal	
105	1001116734	7	Terminal	
105	1001116752	1	Terminal	
106	4460891	3	Plug, Male - 4 Position	
106	4460465	6	Socket, Female	
107	1001184832	1	Receptacle, Female - 2 Position	
107	1001118658	2	Terminal	
108	4460970	1	Receptacle, Female - 12 Position	
108	4460464	7	Pin, Male	
108	4460466	5	Plug, Terminal	
109	1001116813	1	Receptacle, Female - 8 Position	
109	4460464	1	Pin, Male	
109	4460943	3	Pin, Male	
109	4460466	4	Plug, Terminal	
110	1001184768	1	Cover, Terminal	
110	1001184769	2	Terminal	
111	4461124	2	Plug, Male - 4 Position	
111	1001116749	8	Terminal	
111	4460608	8	Seal	
112	1001184705	1	Connector - 42 Position	
112	1001187455	5	Terminal	
112	1001184716	10	Terminal	
112	1001184717	2	Terminal	
112	1001184718	4	Terminal	
112	4461054	6	Seal	
112	1001167690	3	Seal	
112	1001126393	10	Seal	
112	1001223459	2	Seal	
112	1001116691	20	Plug, Terminal	
112	1001116696	1	Plug, Terminal	

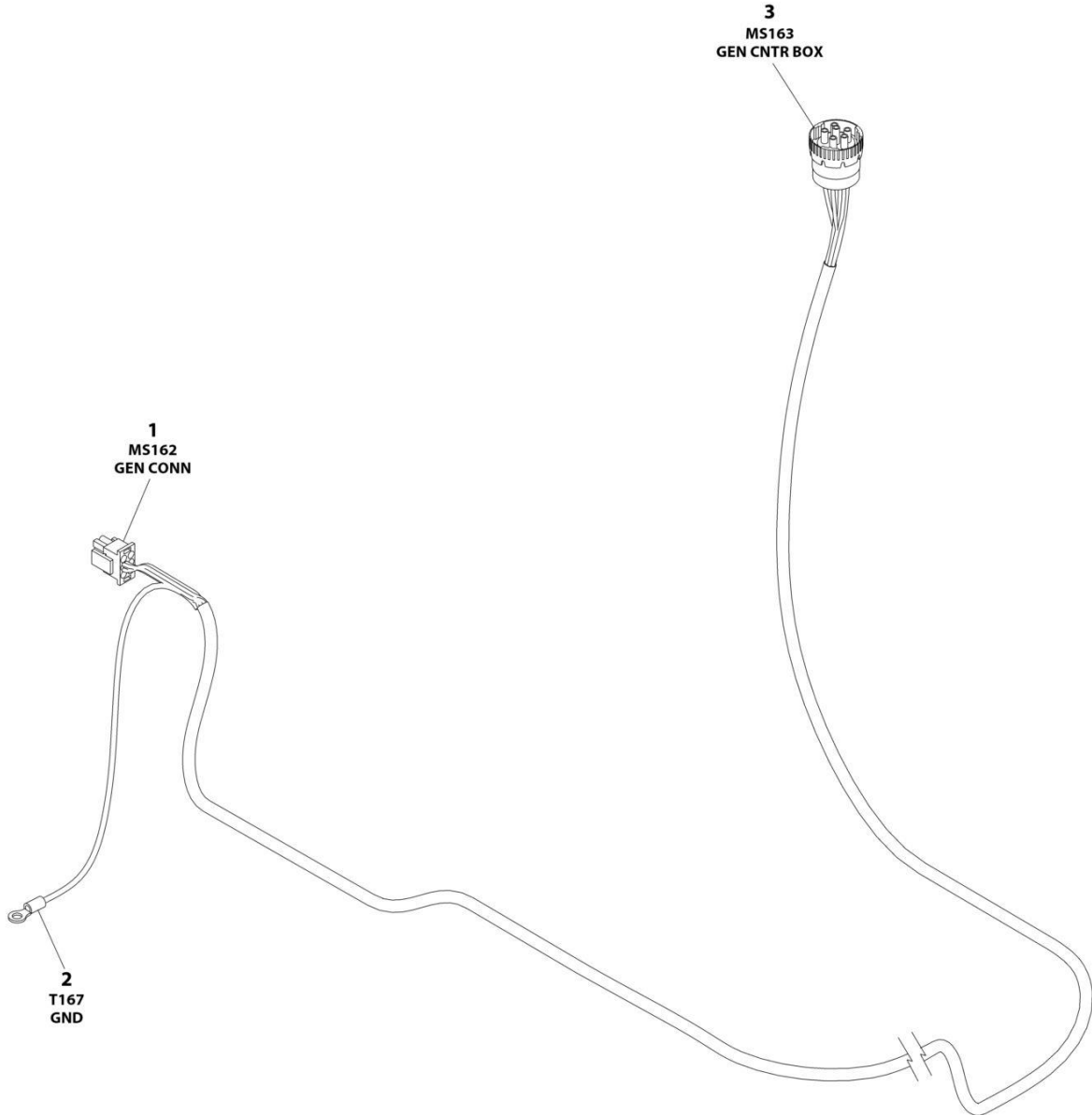
## SECTION 8 - ELECTRICAL

ITEM	PART NUMBER	QTY	DESCRIPTION	REV
114	1001125748	1	Receptacle, Female - 2 Position	
114	1001125773	2	Terminal	
114	1001129772	2	Seal	
115	4461118	1	Plug, Male - 2 Position	
115	1001107854	2	Terminal	
115	1001116763	2	Seal	



# SECTION 8 - ELECTRICAL

## FIGURE 8-16. GENERATOR HARNESS - 7500W



ART\_1001236442



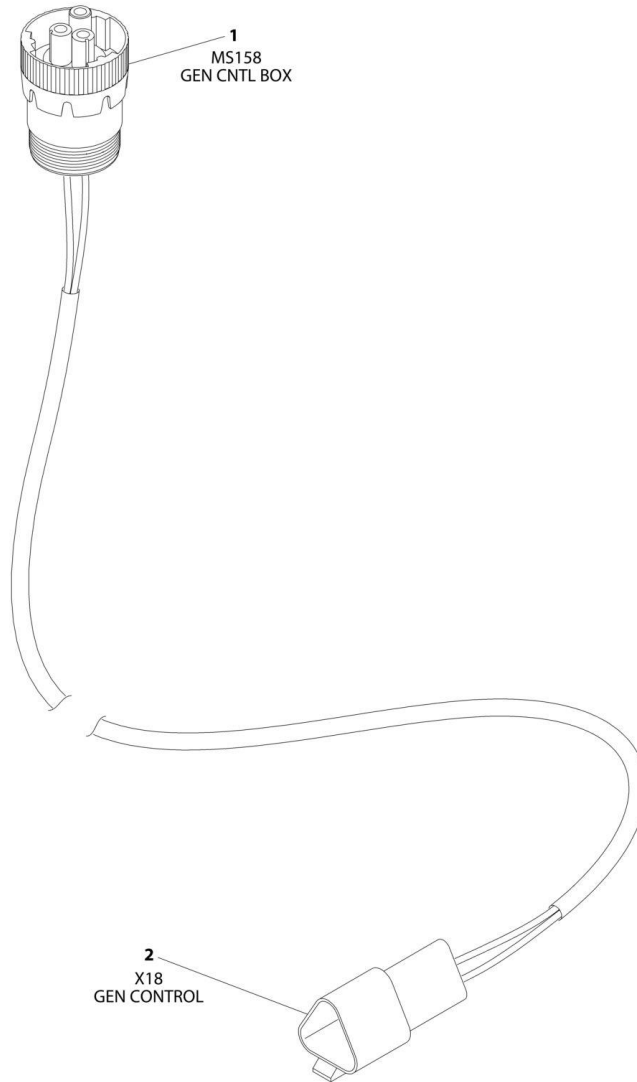
## SECTION 8 - ELECTRICAL

### FIGURE 8-16. GENERATOR HARNESS - 7500W

ITEM	PART NUMBER	QTY	DESCRIPTION	REV
	1001236442	Ref	GENERATOR CONTROL HARNESS - 7500W	A
1	4460225	1	Plug, Male - 6 Position	
1	4460808	1	Seal, Terminal	
1	4460268	6	Socket, Female	
2	4460043	1	Terminal, Ring	
3	77363233	1	Connector - 6 Position	
3	4460465	6	Socket, Female	

# SECTION 8 - ELECTRICAL

## FIGURE 8-17. GENERATOR HARNESS - 4000W



ART\_1001186826

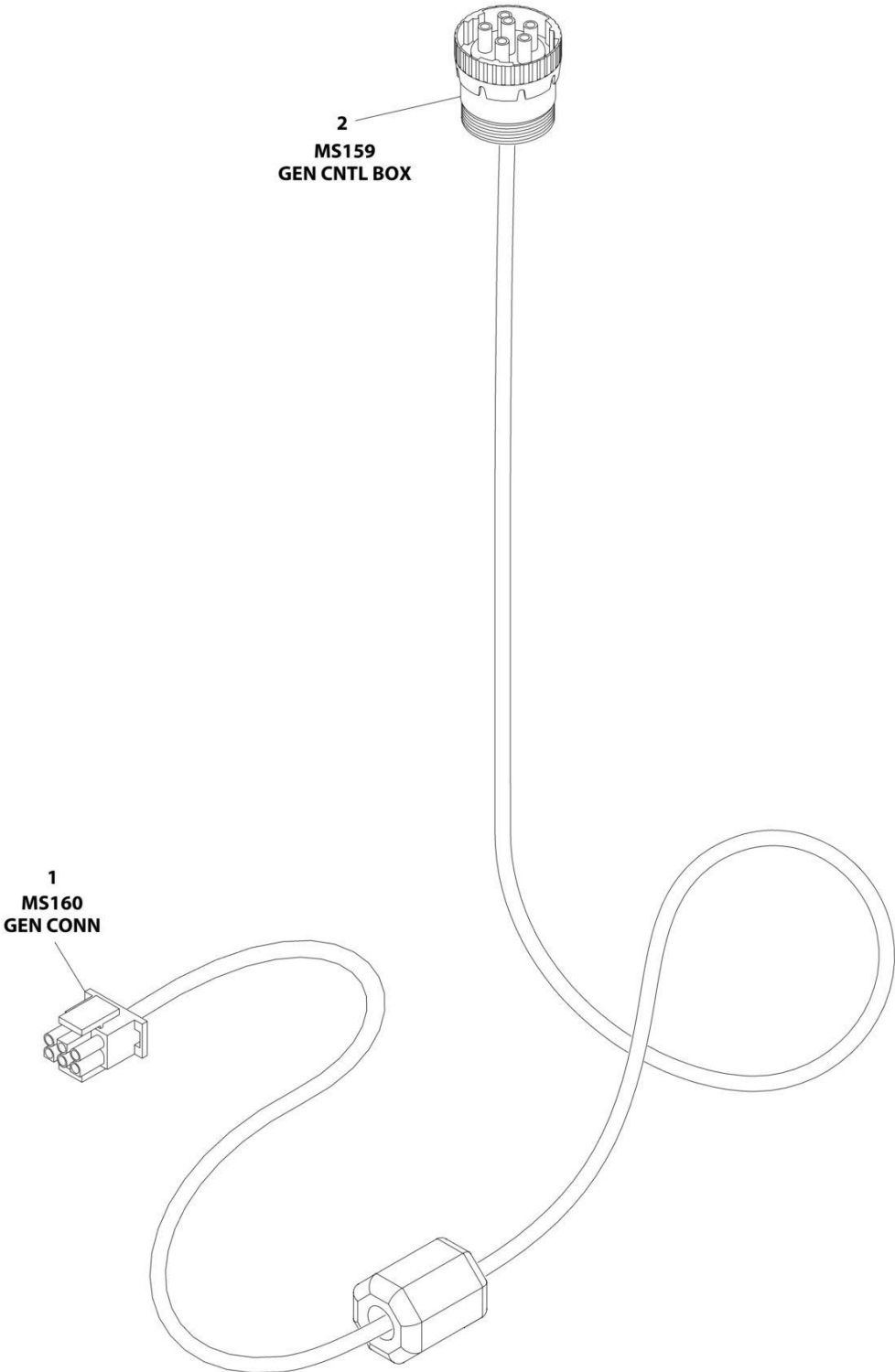
## SECTION 8 - ELECTRICAL

### FIGURE 8-17. GENERATOR HARNESS - 4000W

ITEM	PART NUMBER	QTY	DESCRIPTION	REV
	1001186826	Ref	GENERATOR CONTROL HARNESS - 4000W GENERATOR (CONTROL BOX TO GENERATOR CONTROL)	C
1	4460967	1	Connector - 3 Position	
1	4460465	2	Socket, Female	
1	4460466	1	Plug, Terminal	
2	4460536	1	Receptacle, Female - 3 Position	
2	4460464	2	Pin, Male	
2	4460466	1	Plug, Terminal	

**SECTION 8 - ELECTRICAL**

**FIGURE 8-18. GENERATOR HARNESS - 4000W**



ART\_1001236444

## SECTION 8 - ELECTRICAL

### FIGURE 8-18. GENERATOR HARNESS - 4000W

ITEM	PART NUMBER	QTY	DESCRIPTION	REV
	1001236444	Ref	GENERATOR CONTROL HARNESS - 4000W GENERATOR (GENERATOR TO CONTROL BOX)	A
1	4460225	1	Plug, Male - 6 Position	
1	4460268	2	Socket, Female	
1	4460808	1	Seal, Connector	
1	4460807	1	Seal, Terminal	
2	77363233	1	Connector - 6 Position	
2	4460465	2	Socket, Female	
2	4460466	4	Plug, Terminal	



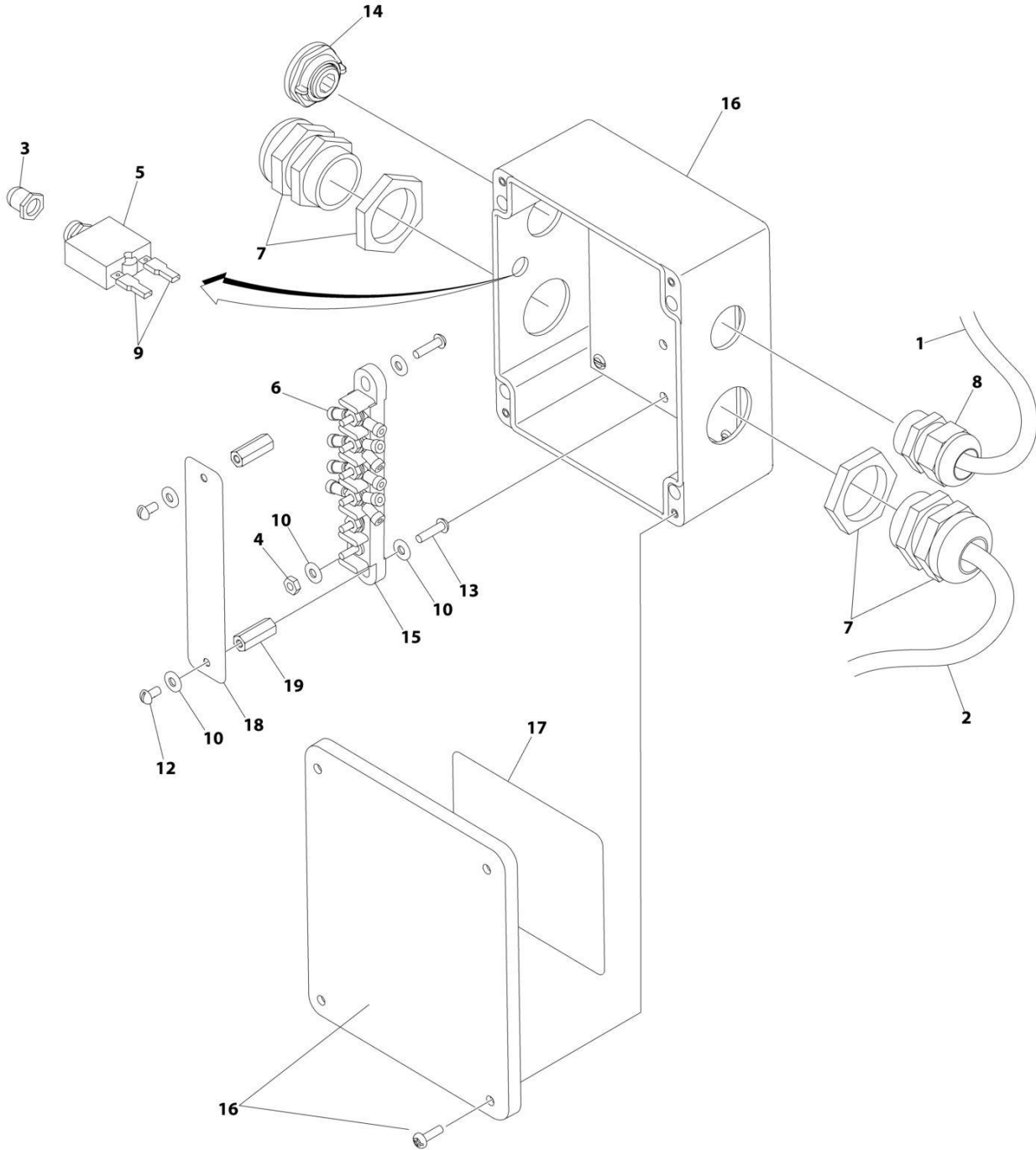
## SECTION 8 - ELECTRICAL

**FIGURE 8-19. GENERATOR JUNCTION BOX**

ITEM	PART NUMBER	QTY	DESCRIPTION	REV
	1001187197	Ref	JUNCTION BOX ASSEMBLY - 4000W/7500W GENERATOR	A
1	3300396	1	Cover, Fuse	
2	3311001	6	Nut, #10-24	
3	4360070	1	Circuit Breaker - 15Amp	
4	4460426	1	Connector, Strain Relief	
5	4711000	10	Washer, #10	
6	8220022	5	Terminal, #10 Stud	
7	10702077	2	Screw, #10-32 X 3/8	
8	10702082	2	Screw, #10-32 X 3/4	
9	1001148648	1	Plug	
10	1001152525	2	Plug	
11	1001157520	1	Block, Terminal - 6 Pole	
12	1001157521	1	Box, Junction	
13	1001158007	1	Cover	
14	1001158008	2	Stand-Off	
15	4460068	4	Terminal	

# SECTION 8 - ELECTRICAL

## FIGURE 8-20. GENERATOR JUNCTION BOX



ART\_1001186828



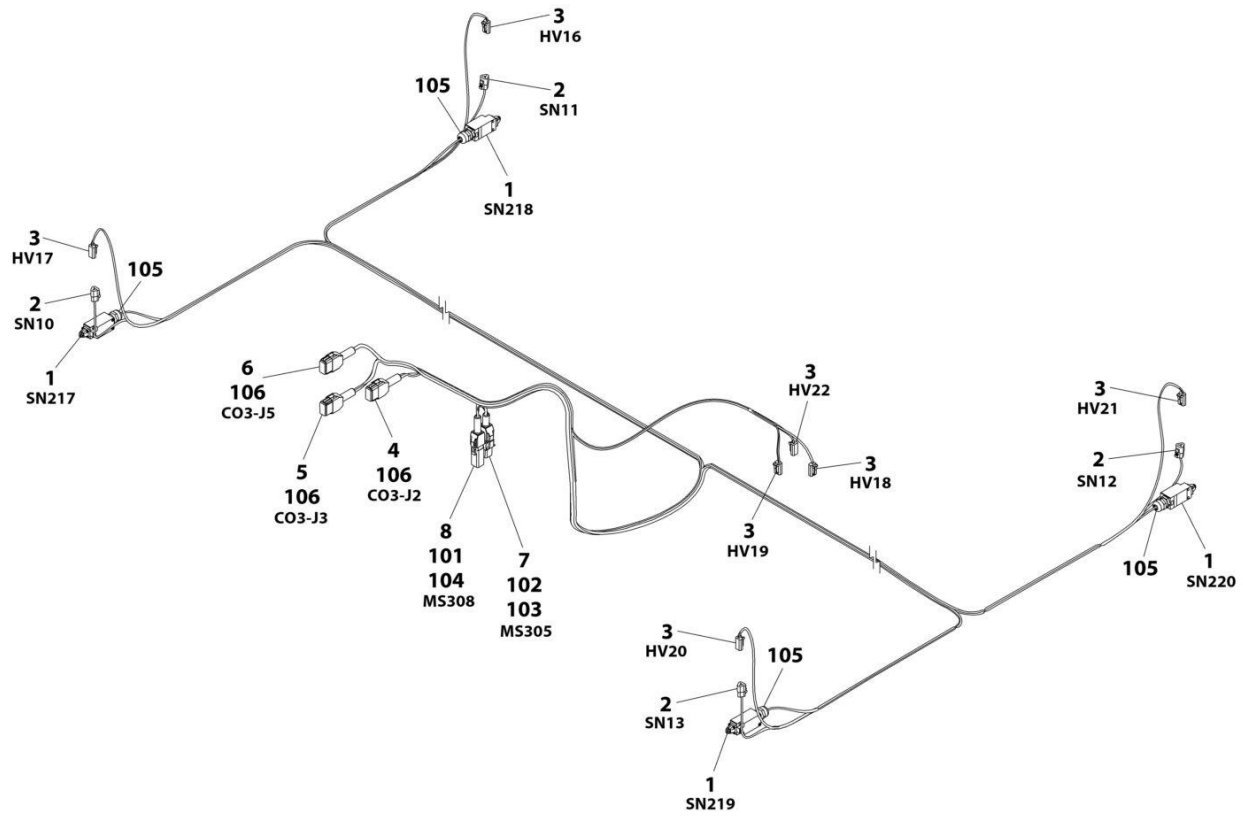
## SECTION 8 - ELECTRICAL

### FIGURE 8-20. GENERATOR JUNCTION BOX

ITEM	PART NUMBER	QTY	DESCRIPTION	REV
	1001186828	Ref	JUNCTION BOX ASSEMBLY - 4000W GENERATOR	B
1	1060494	6.8 ft/ 2m	Cable, Electrical - 12/3	
2	1060708	6.8 ft/ 2m	Cable, Electrical - 10/3	
3	3300396	1	Cover, Fuse	
4	3311001	6	Nut, #10-24	
5	4360070	1	Circuit Breaker - 15Amp	
6	4460068	10	Terminal	
7	4460426	2	Connector, Strain Relief	
8	4460425	1	Strain Relief, Terminal	
9	4460483	2	Terminal	
10	4711000	10	Washer, #10	
12	10702077	2	Screw, #10-32 X 3/8	
13	10702082	2	Screw, #10-32 X 3/4	
14	1001152525	1	Plug	
15	1001157520	1	Block, Terminal - 6 Pole	
16	1001157521	1	Box, Junction	
17	1001195517	1	Decal - Wiring Schematic	
18	1001158007	1	Cover	
19	1001158008	2	Stand-Off	

# SECTION 8 - ELECTRICAL

## FIGURE 8-21. LEVELING JACKS HARNESS



ART\_1001297017

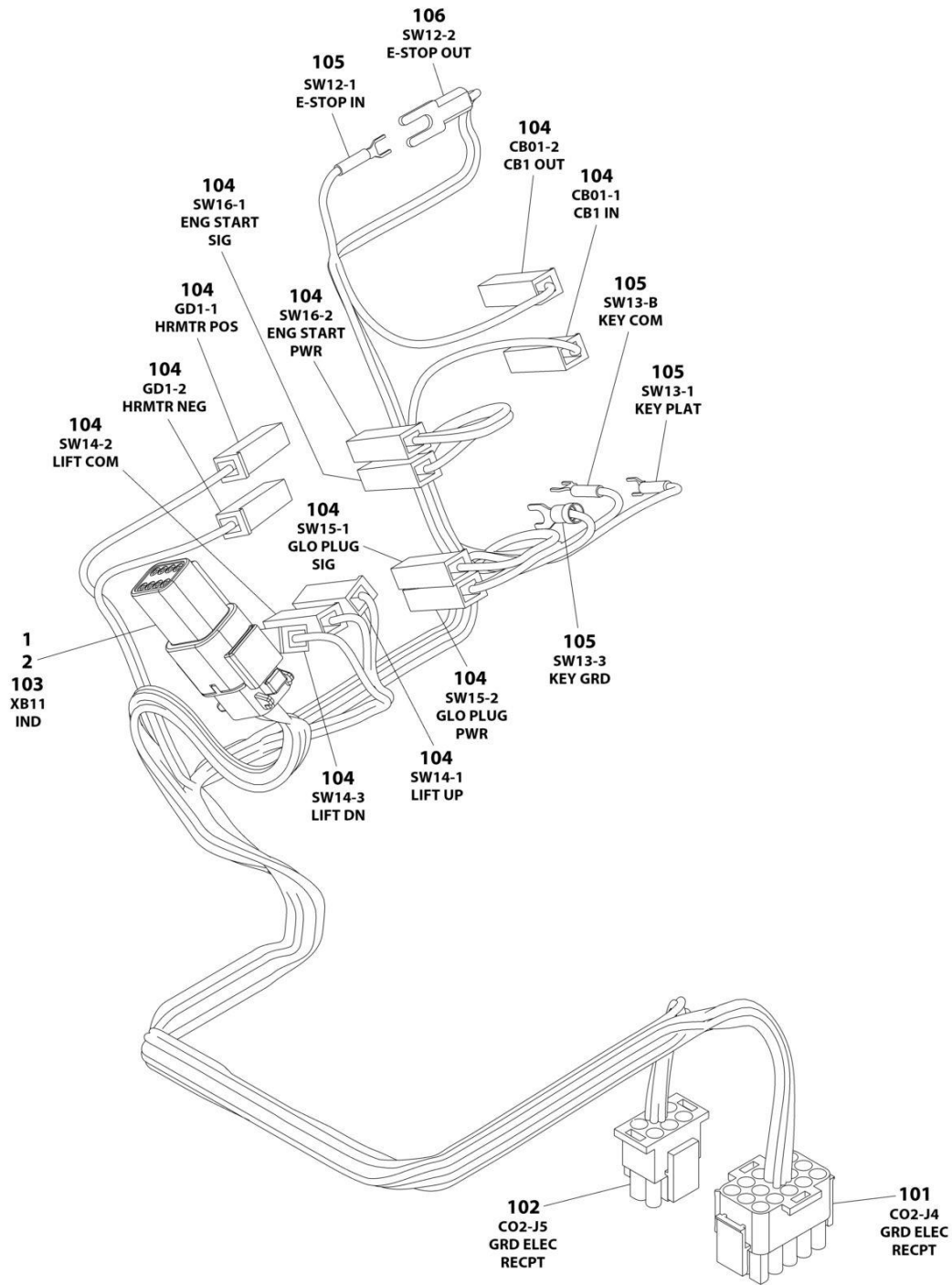
## SECTION 8 - ELECTRICAL

**FIGURE 8-21. LEVELING JACKS HARNESS**

ITEM	PART NUMBER	QTY	DESCRIPTION	REV
	1001297017	Ref	LEVELING JACKS HARNESS	A
1	4360548	4	Switch, Limit	
2	4460539	4	Plug, Male - 3 Position	
2	4460465	12	Socket, Female	
3	4460891	7	Plug, Male - 2 Position	
3	4460465	14	Socket, Female	
4	4460836	1	Plug, Male - 12 Position	
4	4460465	8	Socket, Female	
4	4460466	4	Plug, Terminal	
5	4460934	1	Plug, Male - 12 Position	
5	4460465	12	Socket, Female	
6	4460935	1	Plug, Male -12 Position	
6	4460465	5	Socket, Female	
6	4460466	7	Plug, Terminal	
7	4460851	1	Connector - 8 Position	
8	4460894	1	Connector - 6 Position	
101	0840059	1	Boot	
102	0840061	1	Boot	
103	4460852	1	Connector - 8 Position	
104	4460892	1	Bussbar - 6 Position	
105	1001243778	4	Connector, Strain Relief	
106	1001174455	3	Boot	

# SECTION 8 - ELECTRICAL

## FIGURE 8-22. GROUND CONTROL BOX HARNESS (LOWER)



ART\_1001236154

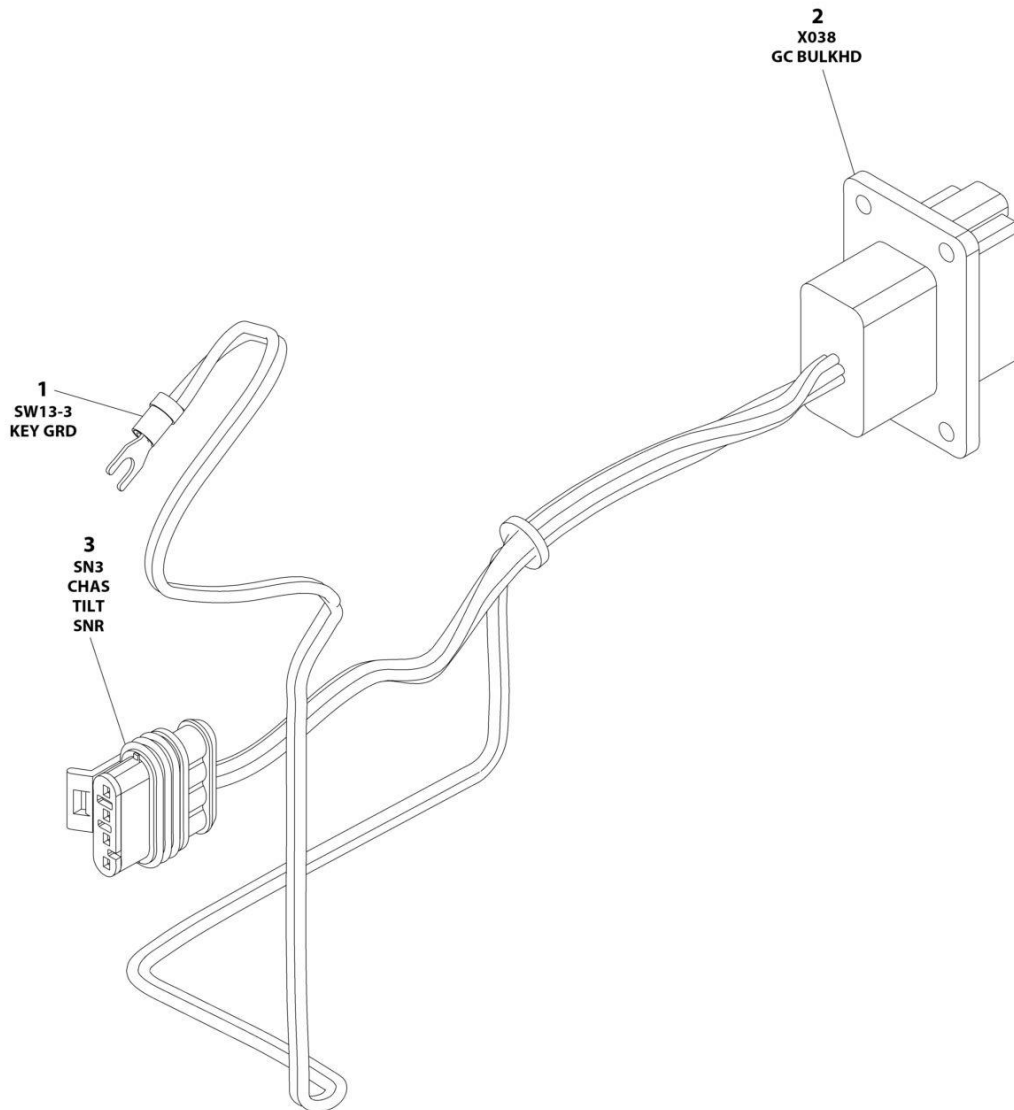
## SECTION 8 - ELECTRICAL

**FIGURE 8-22. GROUND CONTROL BOX HARNESS (LOWER)**

ITEM	PART NUMBER	QTY	DESCRIPTION	REV
	1001236154	Ref	GROUND CONTROL BOX HARNESS (LOWER)	B
1	4460518	8	Plug, Terminal	
2	1001190578	1	Receptacle, Female - 8 Position	
101	4460434	1	Plug, Male -15 Position	
101	4460268	10	Socket, Female	
102	4460225	1	Plug, Male - 6 Position	
102	4460268	6	Socket, Female	
103	1001190577	1	Plug, Male - 8 Position	
103	4460928	8	Socket, Female	
104	4460260	11	Cover, Terminal	
104	4460259	11	Terminal	
105	4460115	4	Terminal, Fork	
106	4460144	1	Terminal, Fork	

# SECTION 8 - ELECTRICAL

## FIGURE 8-23. GROUND CONTROL BOX HARNESS (UPPER)



ART\_1001214989

## SECTION 8 - ELECTRICAL

### FIGURE 8-23. GROUND CONTROL BOX HARNESS (UPPER)

ITEM	PART NUMBER	QTY	DESCRIPTION	REV
	1001214989	Ref	GROUND CONTROL BOX HARNESS (UPPER)	B
1	4460115	1	Terminal, Fork	
2	4460939	1	Receptacle, Female - 12 Position	
2	4460464	4	Pin, Male	
2	4460943	2	Pin, Male	
2	4460466	6	Plug, Terminal	
3	1001103012	1	Plug, Male - 4 Position	
3	1001107854	4	Socket, Female	
3	1001104498	4	Seal	

# SECTION 8 - ELECTRICAL

## FIGURE 8-24. GROUND TO PLATFORM HARNESS (RT3394)



ART\_1001209181



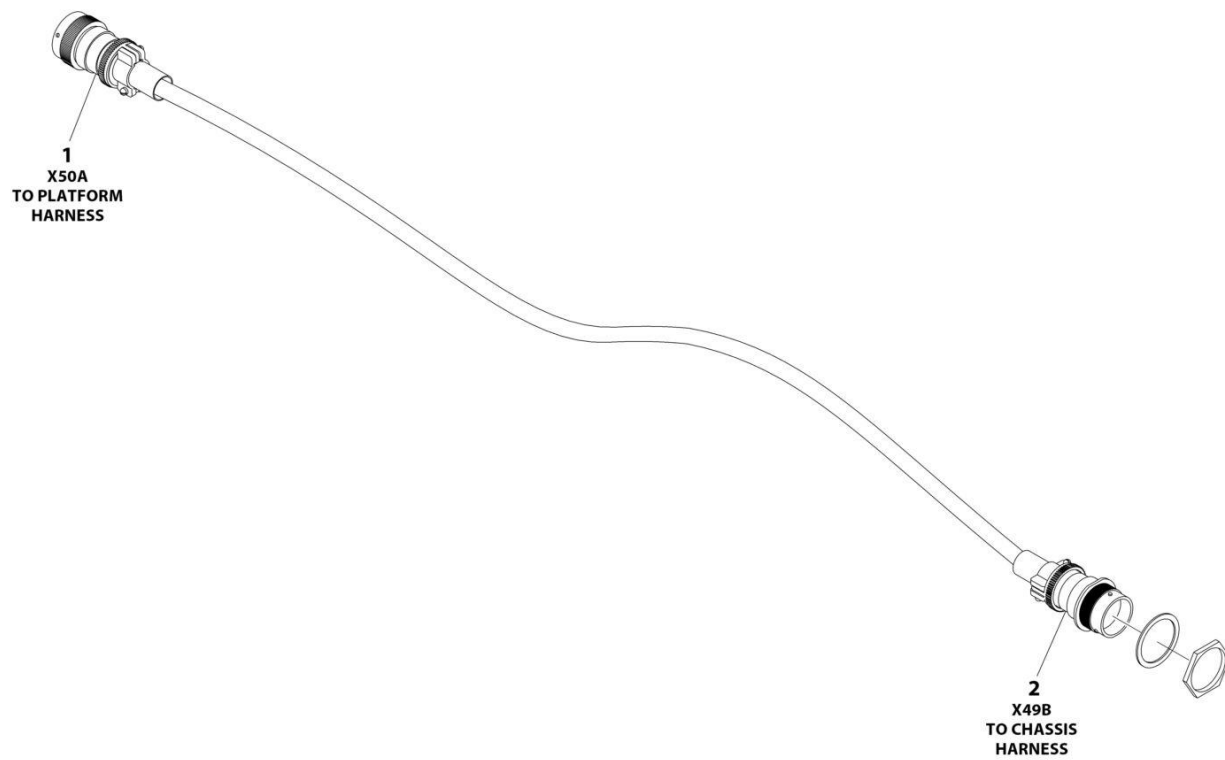
## SECTION 8 - ELECTRICAL

**FIGURE 8-24. GROUND TO PLATFORM HARNESS (RT3394)**

ITEM	PART NUMBER	QTY	DESCRIPTION	REV
	1001209181	Ref	GROUND TO PLATFORM HARNESS	C
1	1001116926	1	Connector - 21 Position	
1	4460465	8	Socket, Female	
1	4460509	4	Socket, Female	
1	4460944	2	Socket, Female	
1	4460466	7	Plug, Terminal	
2	1001116930	1	Connector - 21 Position	
2	4460464	8	Pin, Male	
2	4460508	4	Pin, Male	
2	4460943	2	Pin, Male	
2	4460466	7	Plug, Terminal	

# SECTION 8 - ELECTRICAL

## FIGURE 8-25. GROUND TO PLATFORM HARNESS (RT4394)



ART\_1001210080

## SECTION 8 - ELECTRICAL

**FIGURE 8-25. GROUND TO PLATFORM HARNESS (RT4394)**

ITEM	PART NUMBER	QTY	DESCRIPTION	REV
	1001210080	Ref	GROUND TO PLATFORM HARNESS	C
1	1001116926	1	Connector - 21 Position	
1	4460465	8	Socket, Female	
1	4460509	4	Socket, Female	
1	4460944	2	Socket, Female	
1	4460466	7	Plug, Terminal	
2	1001116930	1	Connector - 21 Position	
2	4460464	8	Pin, Male	
2	4460508	4	Pin, Male	
2	4460943	2	Pin, Male	
2	4460466	7	Plug, Terminal	

# SECTION 8 - ELECTRICAL

FIGURE 8-26. GROUND WIRE HARNESS (SN M200085628 to Present, SN M200085632 to Present)



ART\_1001308688

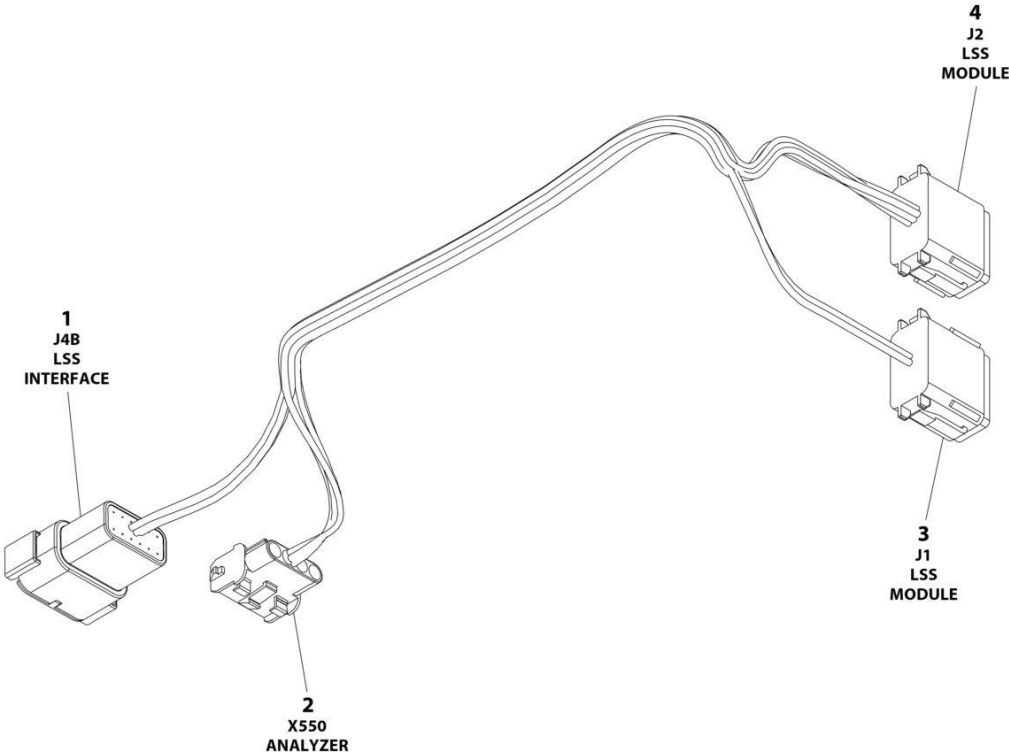
## SECTION 8 - ELECTRICAL

**FIGURE 8-26. GROUND WIRE HARNESS (SN M200085628 to Present, SN M200085632 to Present)**

ITEM	PART NUMBER	QTY	DESCRIPTION	REV
	1001308688	Ref	GROUND WIRE HARNESS	A
1	1001126008	1	Socket	
2	4460256	1	Terminal, Ring	

**SECTION 8 - ELECTRICAL**

**FIGURE 8-27. LSS HARNESS**



ART\_1001226830

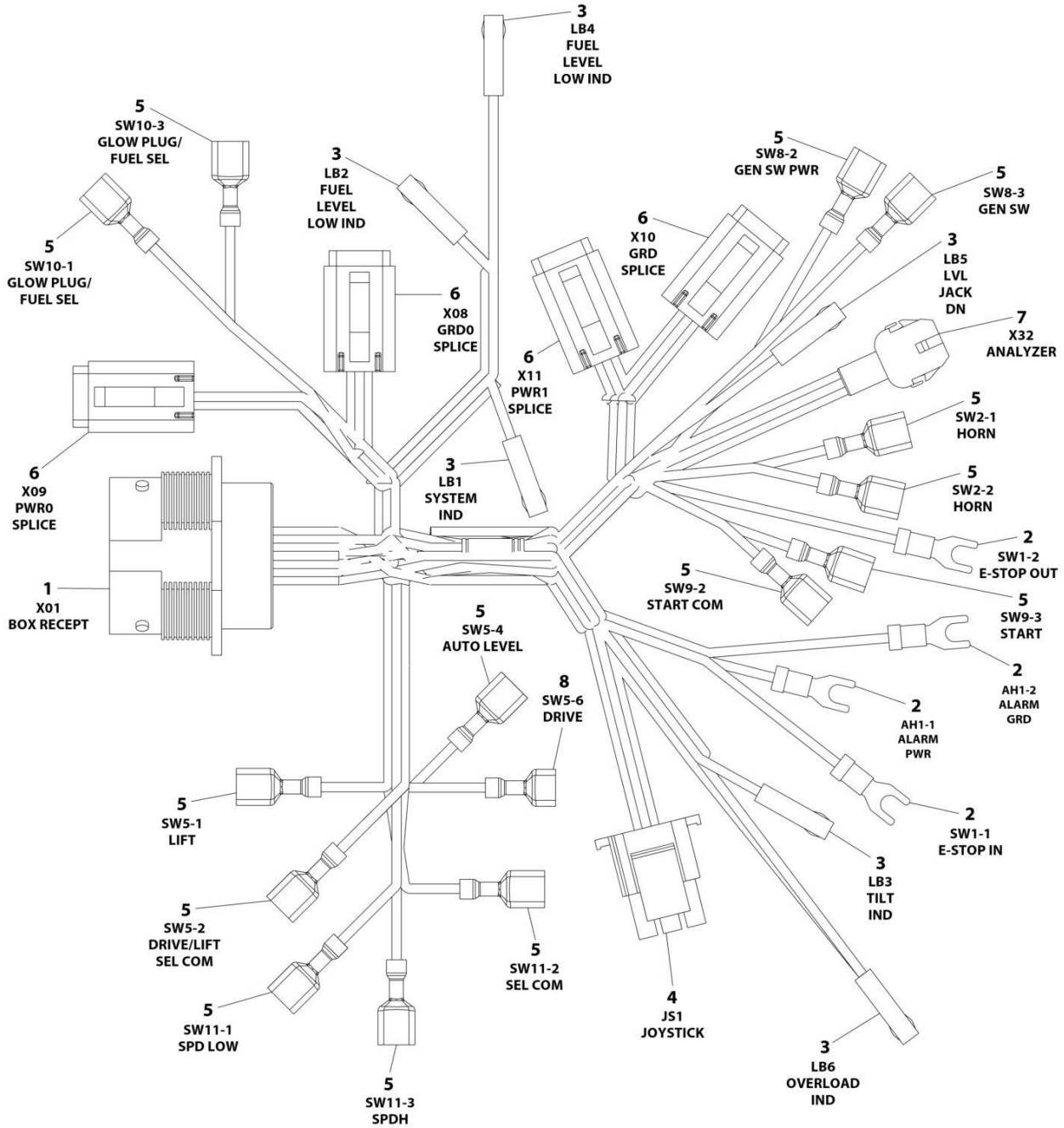
## SECTION 8 - ELECTRICAL

**FIGURE 8-27. LSS HARNESS**

ITEM	PART NUMBER	QTY	DESCRIPTION	REV
	1001226830	Ref	LSS HARNESS	A
1	1001132170	1	Connector - 12 Position	
1	4460929	2	Pin, Male	
1	4460917	2	Pin, Male	
1	4460518	8	Plug, Terminal	
2	4460761	1	Receptacle, Female - 4 Position	
2	4460294	4	Pin, Male	
3	4460933	1	Connector - 12 Position	
3	4460465	2	Socket, Female	
3	4460466	10	Plug, Terminal	
4	4460836	1	Connector - 12 Position	
4	4460465	5	Socket, Female	
4	4460944	2	Socket, Female	
4	4460466	5	Plug, Terminal	

# SECTION 8 - ELECTRICAL

## FIGURE 8-28. PLATFORM CONTROL BOX HARNESS



ART\_1001236230



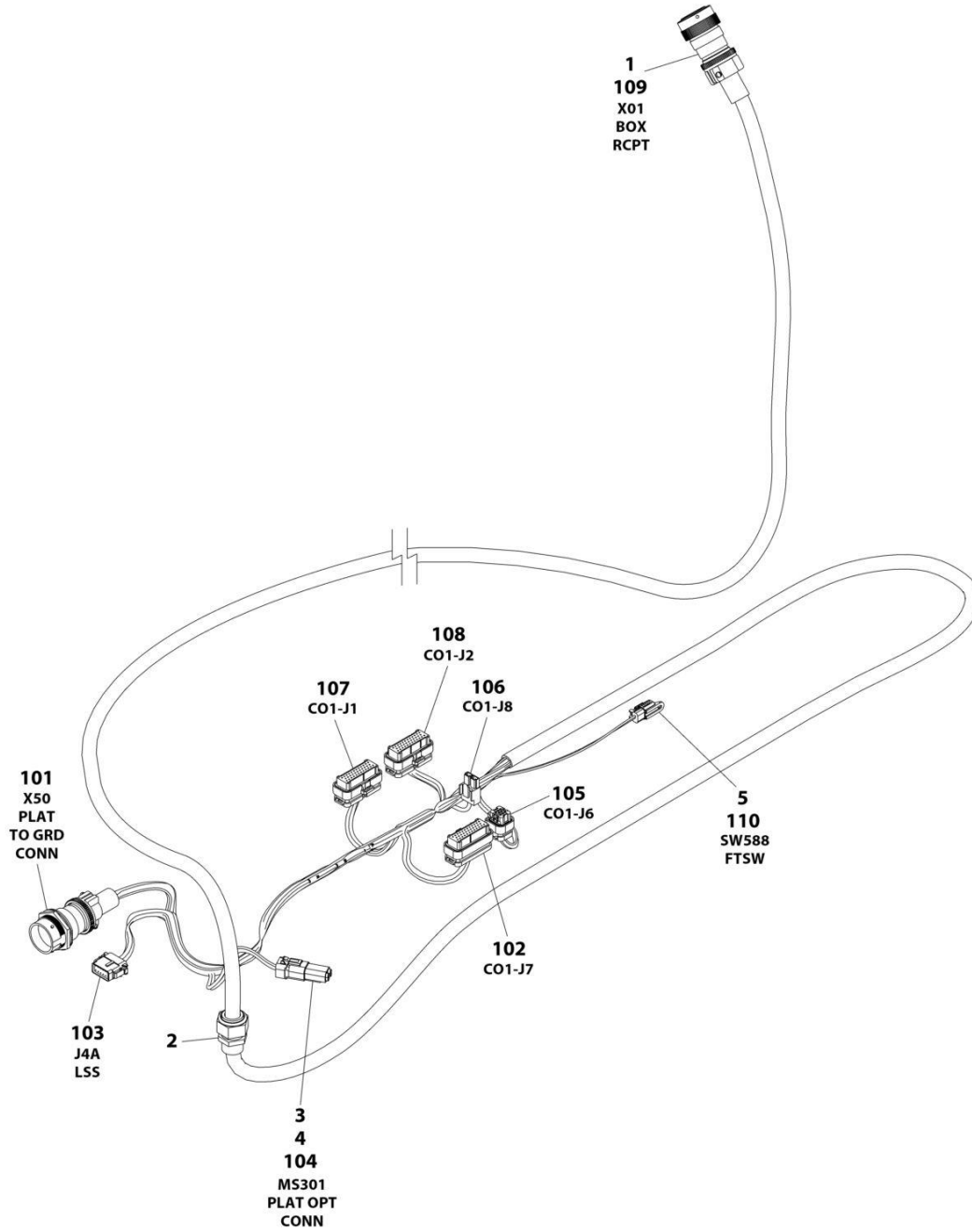
## SECTION 8 - ELECTRICAL

**FIGURE 8-28. PLATFORM CONTROL BOX HARNESS**

ITEM	PART NUMBER	QTY	DESCRIPTION	REV
	1001236230	Ref	PLATFORM CONSOLE BOX HARNESS	C
1	1001116934	1	Connector - 31 Position	
1	4460464	31	Pin, Male	
2	4460183	4	Terminal, Fork	
3	1001190469	6	Connector - 2 Position	
3	1001190471	12	Terminal	
4	4460265	1	Plug, Male - 9 Position	
4	4460267	7	Terminal	
5	1001194421	13	Terminal	
6	4460894	4	Plug, Male - 6 Position	
6	4460465	20	Socket, Female	
6	4460466	4	Plug, Terminal	
6	4460892	4	Bussbar	
7	4460761	1	Plug, Male - 4 Position	
7	4460267	4	Terminal	
8	1001194221	1	Terminal	

# SECTION 8 - ELECTRICAL

## FIGURE 8-29. PLATFORM MODULE HARNESS



ART\_1001236163

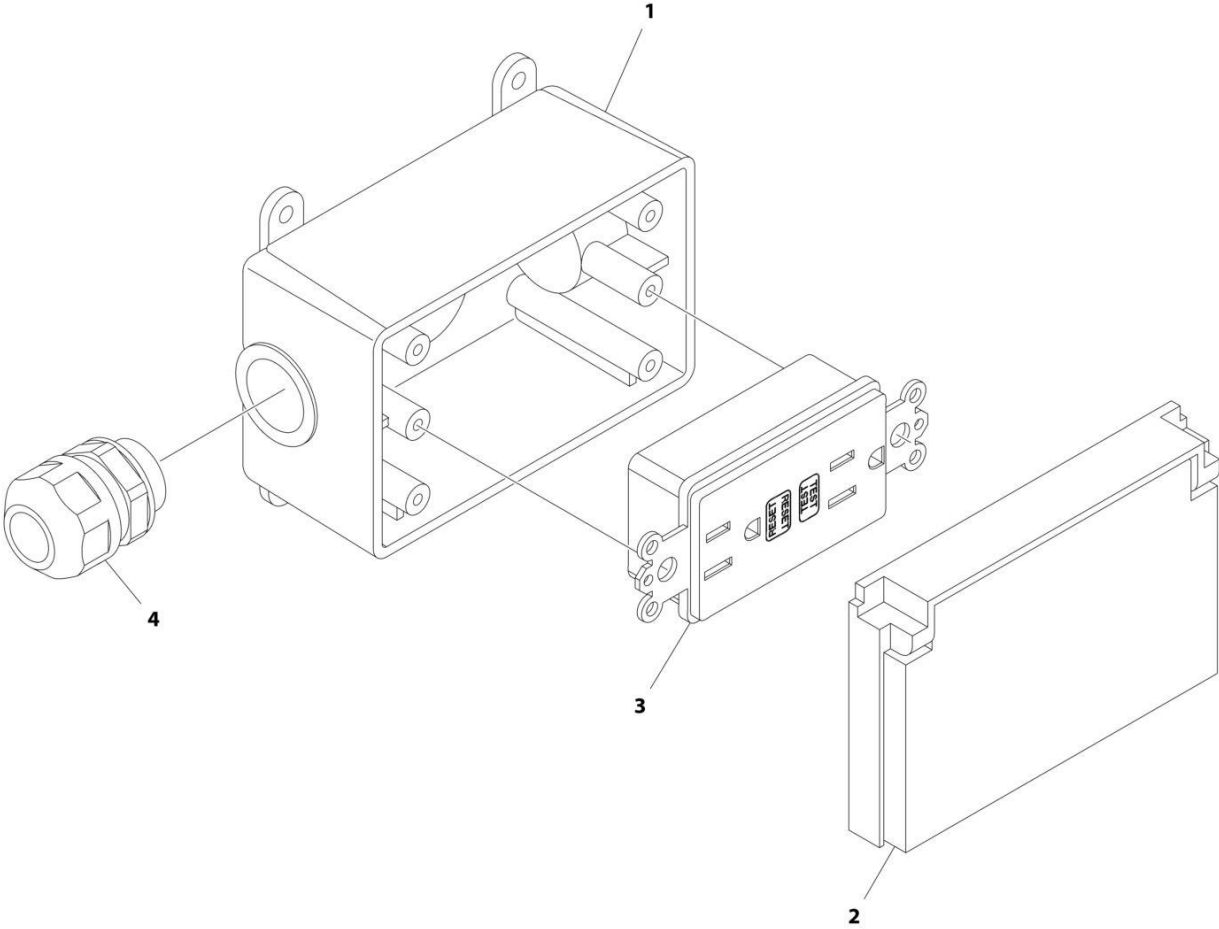
## SECTION 8 - ELECTRICAL

### FIGURE 8-29. PLATFORM MODULE HARNESS

ITEM	PART NUMBER	QTY	DESCRIPTION	REV
	1001236163	Ref	PLATFORM MODULE HARNESS	B
1	2820031	AR	Heatshrink	
2	4460051	1	Connector, Strain Relief	
3	4460466	4	Plug, Terminal	
4	1001116811	1	Receptacle, Female - 4 Position	
5	1001144295	1	Cap, Female - 2 Position	
101	1001116930	1	Connector - 21 Position	
101	4460508	4	Pin, Male	
101	4460464	6	Pin, Male	
101	4460466	11	Plug, Terminal	
102	4460873	1	Connector - 35 Position	
102	4460871	10	Socket, Female	
102	4460905	25	Plug, Terminal	
103	1001116808	1	Plug, Male - 12 Position	
103	4460928	2	Socket, Female	
103	4460918	2	Socket, Female	
103	4460518	8	Plug, Terminal	
104	1001116810	1	Plug, Male - 4 Position	
104	4460509	2	Socket, Female	
104	4460466	2	Plug, Terminal	
105	1001113961	1	Connector - 8 Position	
105	4460871	2	Socket, Female	
105	4460905	6	Plug, Terminal	
106	4460879	1	Plug, Male - 2 Position	
106	4461271	2	Socket, Female	
107	4460874	1	Connector - 35 Position	
107	4460871	12	Socket, Female	
107	4460905	23	Plug, Terminal	
108	4460876	1	Connector - 35 Position	
108	4460871	15	Socket, Female	
108	4460905	20	Plug, Terminal	
109	1001195123	1	Connector - 31 Position	
109	4460465	31	Socket, Female	
110	4460891	1	Plug, Male - 2 Position	
110	4460465	2	Socket, Female	

**SECTION 8 - ELECTRICAL**

**FIGURE 8-30. RECEPTACLE BOX KIT - 110V GFI**



ART\_2902431

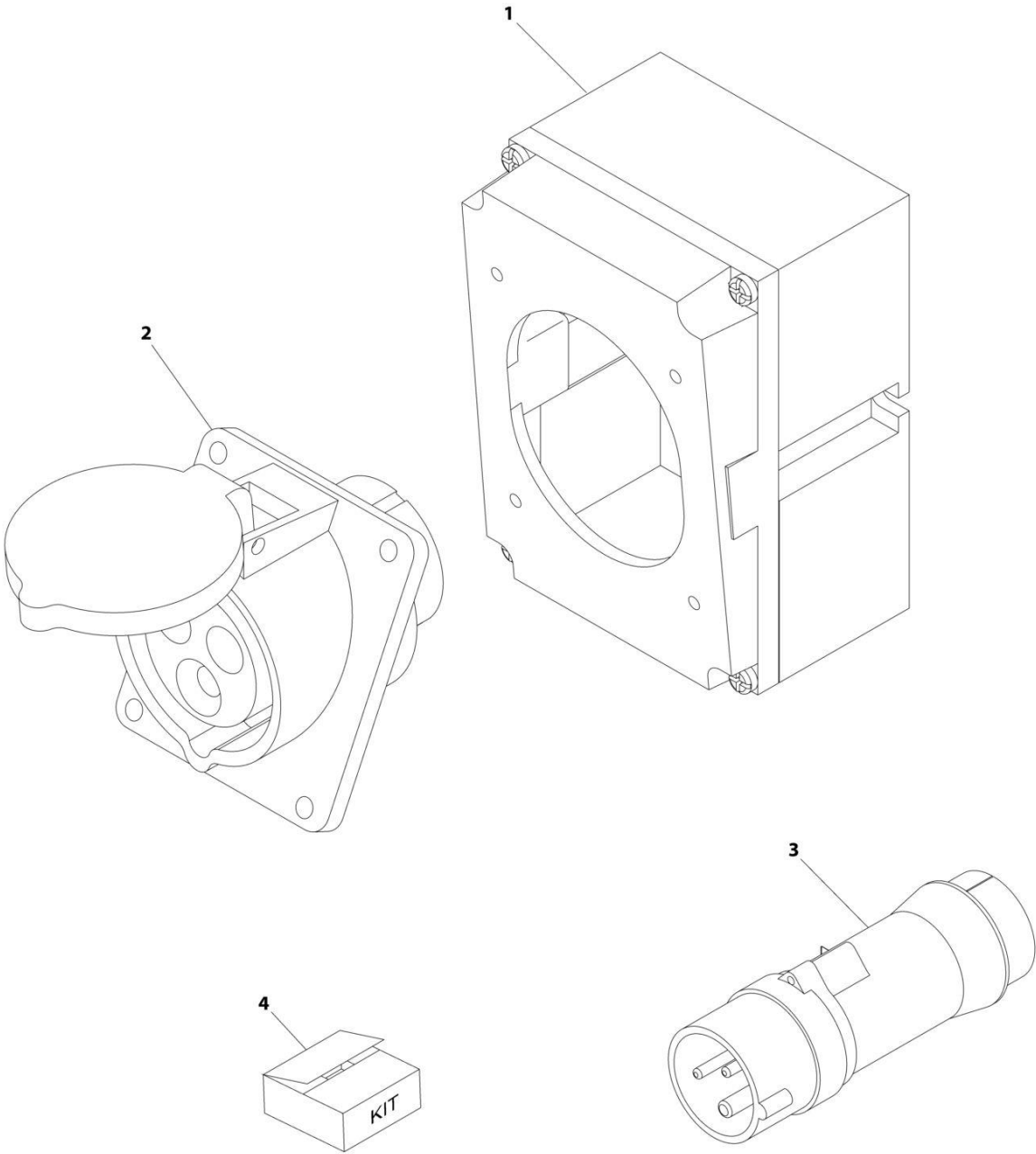
## SECTION 8 - ELECTRICAL

### FIGURE 8-30. RECEPTACLE BOX KIT - 110V GFI

ITEM	PART NUMBER	QTY	DESCRIPTION	REV
	2902431	Ref	RECEPTACLE BOX KIT - 110V GFI	D
1	0861731	1	Box, Receptacle	
2	1671207	1	Cover, Receptacle	
3	4460346	1	Receptacle	
4	4460662	1	Connector, Strain Relief	

**SECTION 8 - ELECTRICAL**

**FIGURE 8-31. RECEPTACLE BOX KIT - 110V IEC YELLOW (CE & UK CA SPEC)**



ART\_0275216

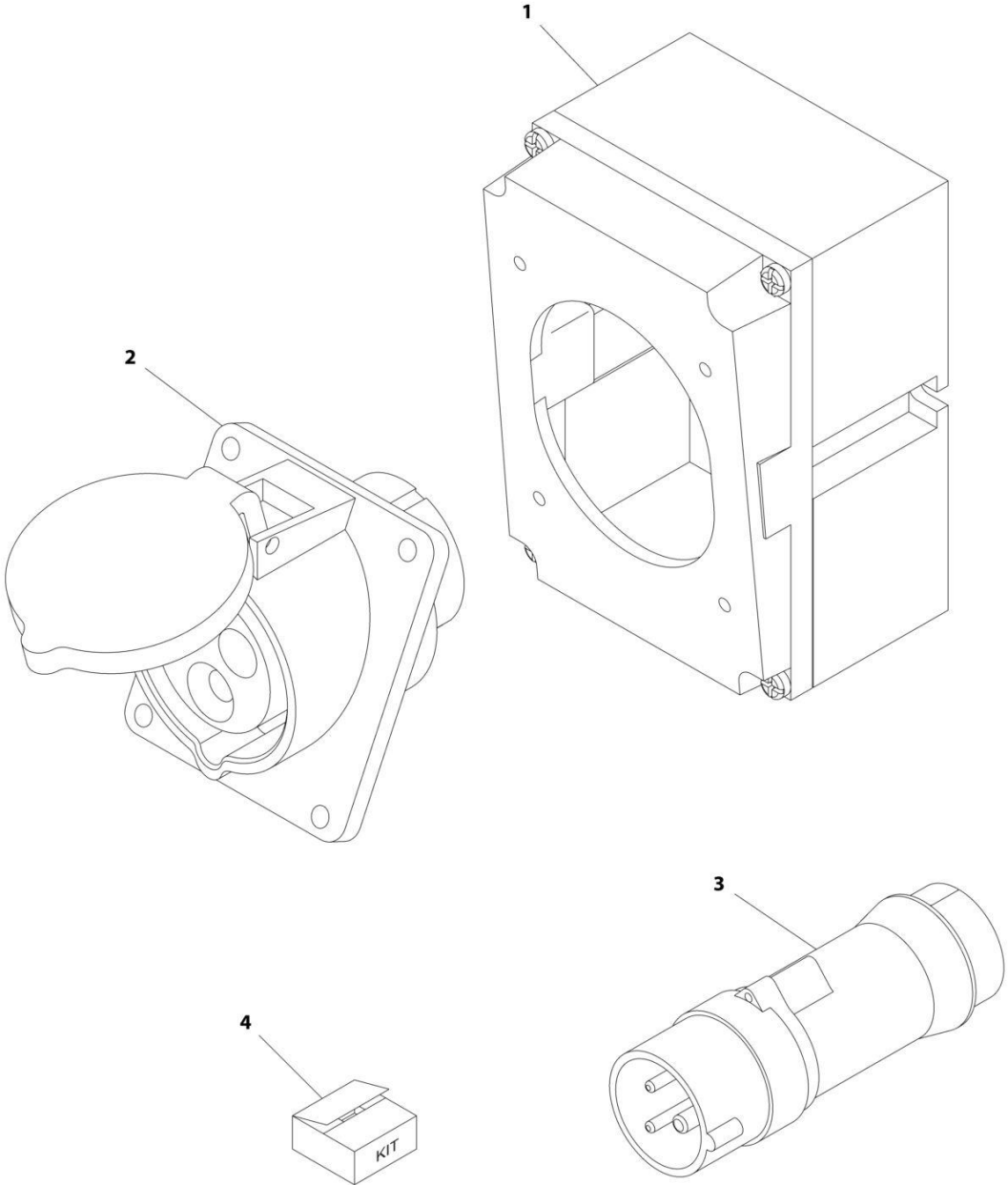
## SECTION 8 - ELECTRICAL

**FIGURE 8-31. RECEPTACLE BOX KIT - 110V IEC YELLOW (CE & UK CA SPEC)**

ITEM	PART NUMBER	QTY	DESCRIPTION	REV
	0275216	Ref	RECEPTACLE BOX KIT - 110V IEC YELLOW	B
1	0861781	1	Box, Switch	
2	4461198	1	Receptacle	
3	4461196	1	Plug, Male	
4	1001100341	1	Plug and Socket Kit (Includes Items 1-3 and Female Plug p/n 4461197)	

**SECTION 8 - ELECTRICAL**

**FIGURE 8-32. RECEPTACLE BOX KIT - 220V IEC BLUE (CE & UK CA SPEC)**



ART\_0275217



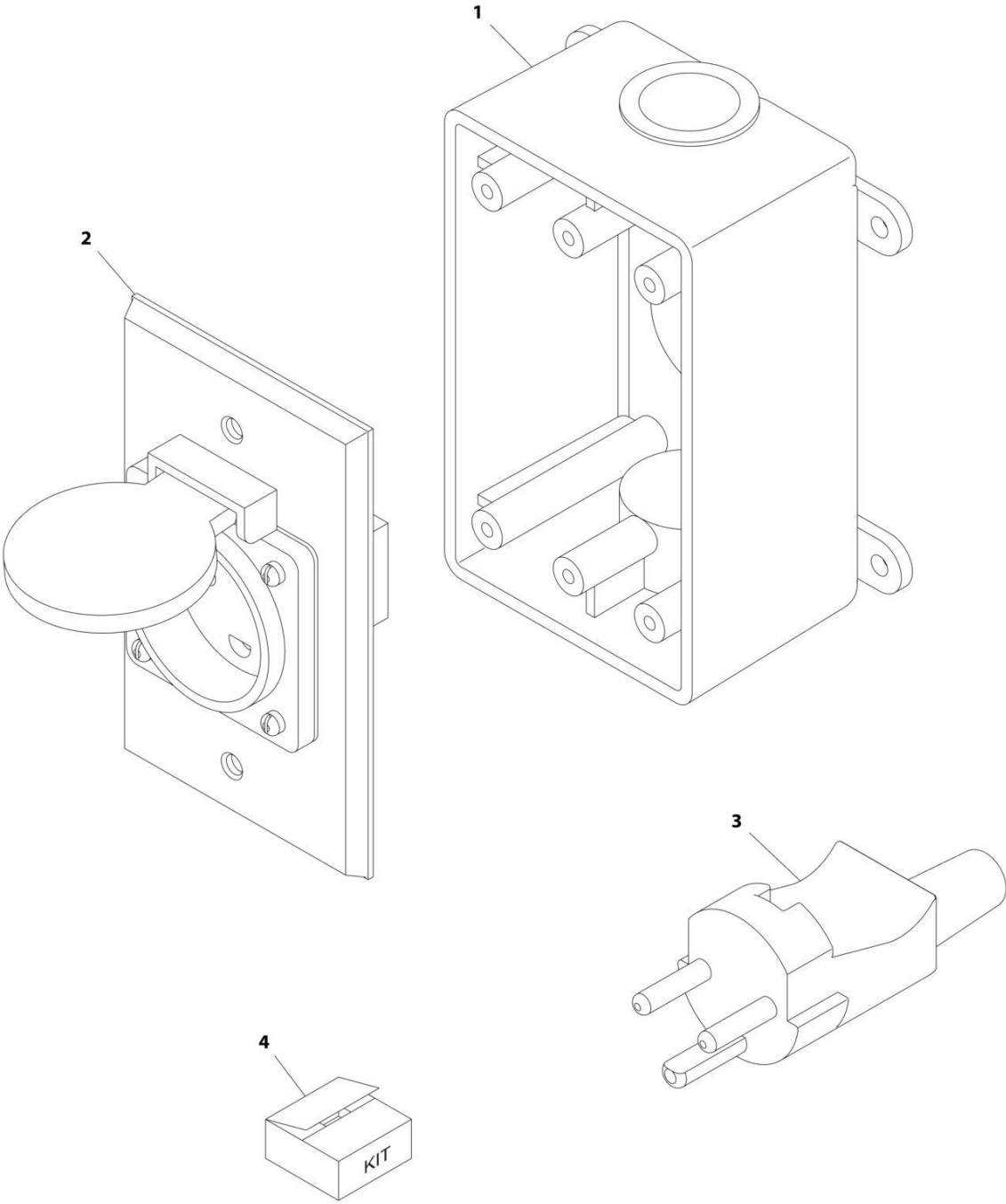
## SECTION 8 - ELECTRICAL

**FIGURE 8-32. RECEPTACLE BOX KIT - 220V IEC BLUE (CE & UK CA SPEC)**

ITEM	PART NUMBER	QTY	DESCRIPTION	REV
	0275217	Ref	RECEPTACLE BOX KIT - 220V IEC BLUE	B
1	0861781	1	Box, Switch	
2	4461201	1	Receptacle	
3	4461199	1	Plug, Male	
4	1001100342	1	Plug and Socket Kit (Includes Items 1-3 and Female Plug p/n 4461200)	

**SECTION 8 - ELECTRICAL**

**FIGURE 8-33. RECEPTACLE BOX KIT - 220V AFSINT 107 (CE & UK CA SPEC)**



ART\_0275454

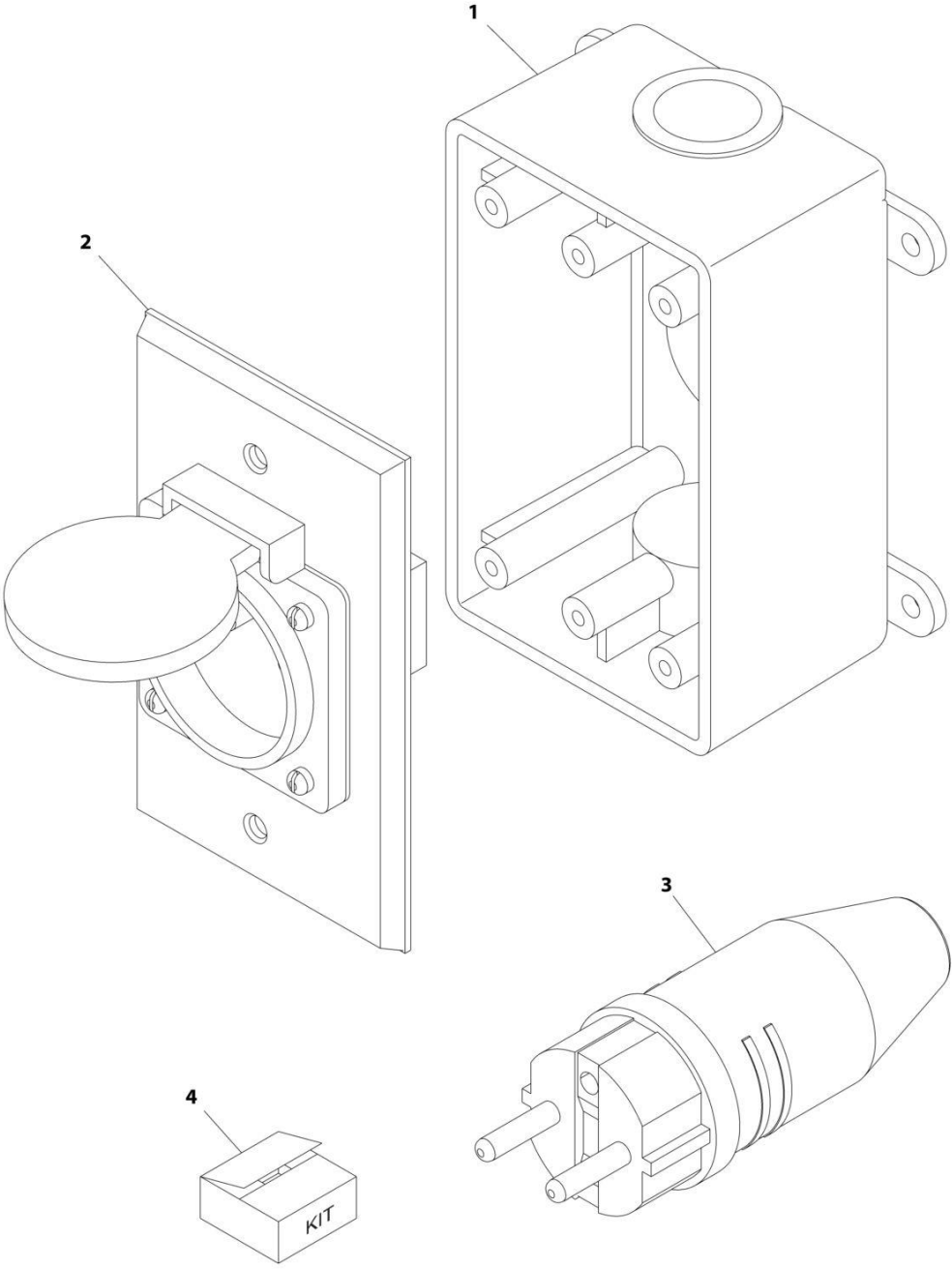
## SECTION 8 - ELECTRICAL

**FIGURE 8-33. RECEPTACLE BOX KIT - 220V AFSINT 107 (CE & UK CA SPEC)**

ITEM	PART NUMBER	QTY	DESCRIPTION	REV
	0275454	Ref	RECEPTACLE BOX KIT - 220V AFSINT 107	B
1	0861731	1	Box, Switch	
2	4461246	1	Receptacle	
3	4461249	1	Plug, Male	
4	1001100346	1	Plug and Socket Kit (Includes Items 1-3 and Female Plug p/n 4461250)	

**SECTION 8 - ELECTRICAL**

**FIGURE 8-34. RECEPTACLE BOX KIT - 220V CEE7 POST GROUND (CE & UK CA SPEC)**



ART\_0275452-C

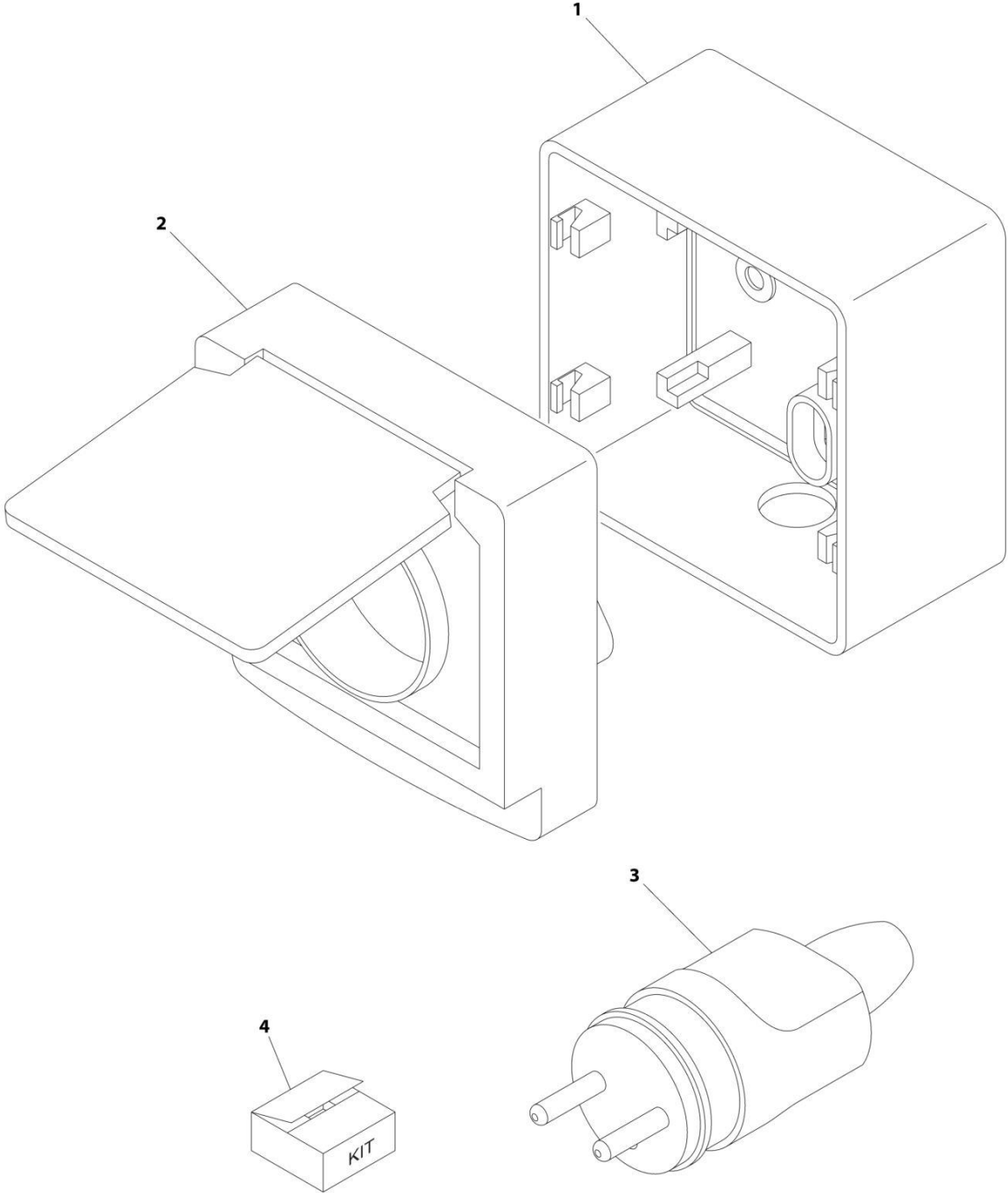
## SECTION 8 - ELECTRICAL

**FIGURE 8-34. RECEPTACLE BOX KIT - 220V CEE7 POST GROUND (CE & UK CA SPEC)**

ITEM	PART NUMBER	QTY	DESCRIPTION	REV
	0275452	Ref	RECEPTACLE BOX KIT - 220V CEE7 POST GROUND 2IN X 4IN BOX	C
1	0861731	1	Box, Switch	
2	4461244	1	Receptacle	
3	4461205	1	Plug, Male	
4	1001100345	1	Plug and Socket Kit (Includes Items 1-3 and Female Plug p/n 4461203)	

**SECTION 8 - ELECTRICAL**

**FIGURE 8-35. RECEPTACLE BOX KIT - 220V CEE7 POST GROUND 70X70 BOX (CE & UK CA SPEC)**



ART\_0275218

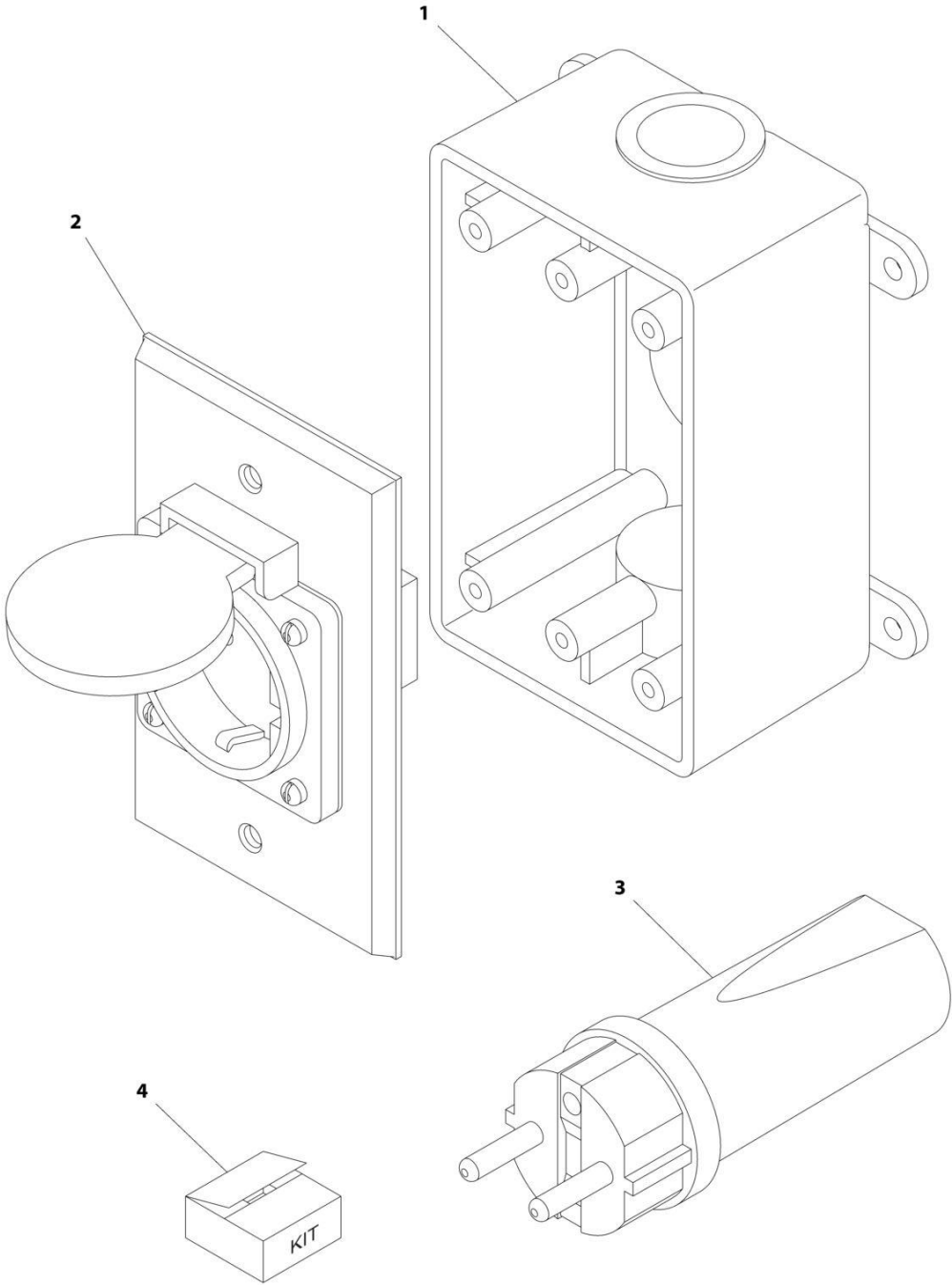
## SECTION 8 - ELECTRICAL

**FIGURE 8-35. RECEPTACLE BOX KIT - 220V CEE7 POST GROUND 70X70 BOX (CE & UK CA SPEC)**

ITEM	PART NUMBER	QTY	DESCRIPTION	REV
	0275218	Ref	RECEPTACLE BOX KIT - 220V CEE7 POST GROUND 70X70 BOX	C
1	1001141967	1	Box, Switch	
2	1001141968	1	Receptacle	
3	4461205	1	Plug, Male	
4	1001141971	1	Plug and Socket Kit (Includes Items 1-3 and Female Plug p/n 4461206)	

**SECTION 8 - ELECTRICAL**

**FIGURE 8-36. RECEPTACLE BOX KIT - 220V CEE7 SIDE GROUND (CE & UK CA SPEC)**



ART\_0275453



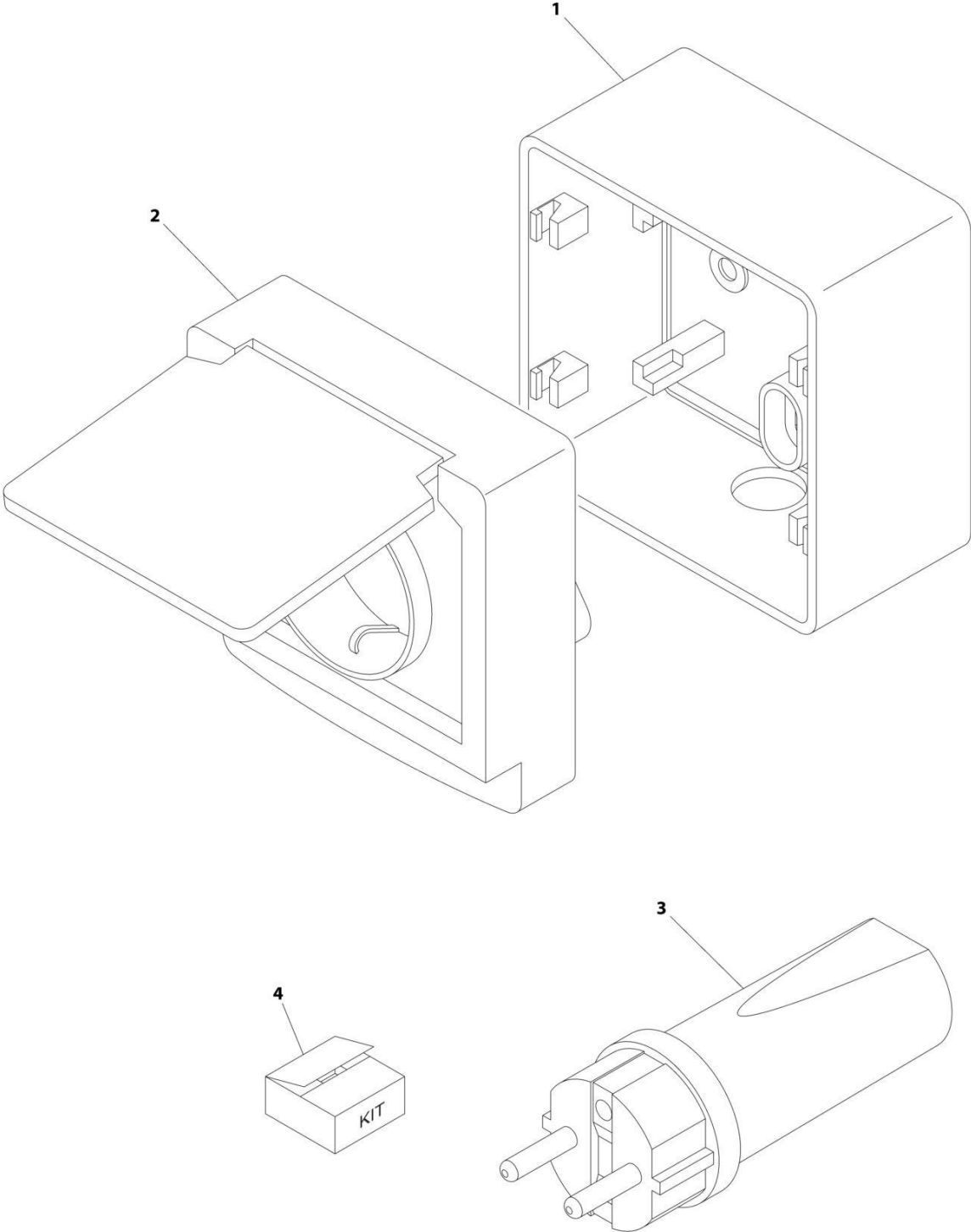
## SECTION 8 - ELECTRICAL

**FIGURE 8-36. RECEPTACLE BOX KIT - 220V CEE7 SIDE GROUND (CE & UK CA SPEC)**

ITEM	PART NUMBER	QTY	DESCRIPTION	REV
	0275453	Ref	RECEPTACLE BOX KIT - 220V CEE7 SIDE GROUND	B
1	0861731	1	Box, Switch	
2	4461245	1	Receptacle	
3	4461205	1	Plug, Male	
4	1001100347	1	Plug and Socket Kit (Includes Items 1-3 and Female Plug p/n 4461206)	

**SECTION 8 - ELECTRICAL**

**FIGURE 8-37. RECEPTACLE BOX KIT - 220V CEE7 SIDE GROUND 70X70 BOX (CE & UK CA SPEC)**



ART\_0275219

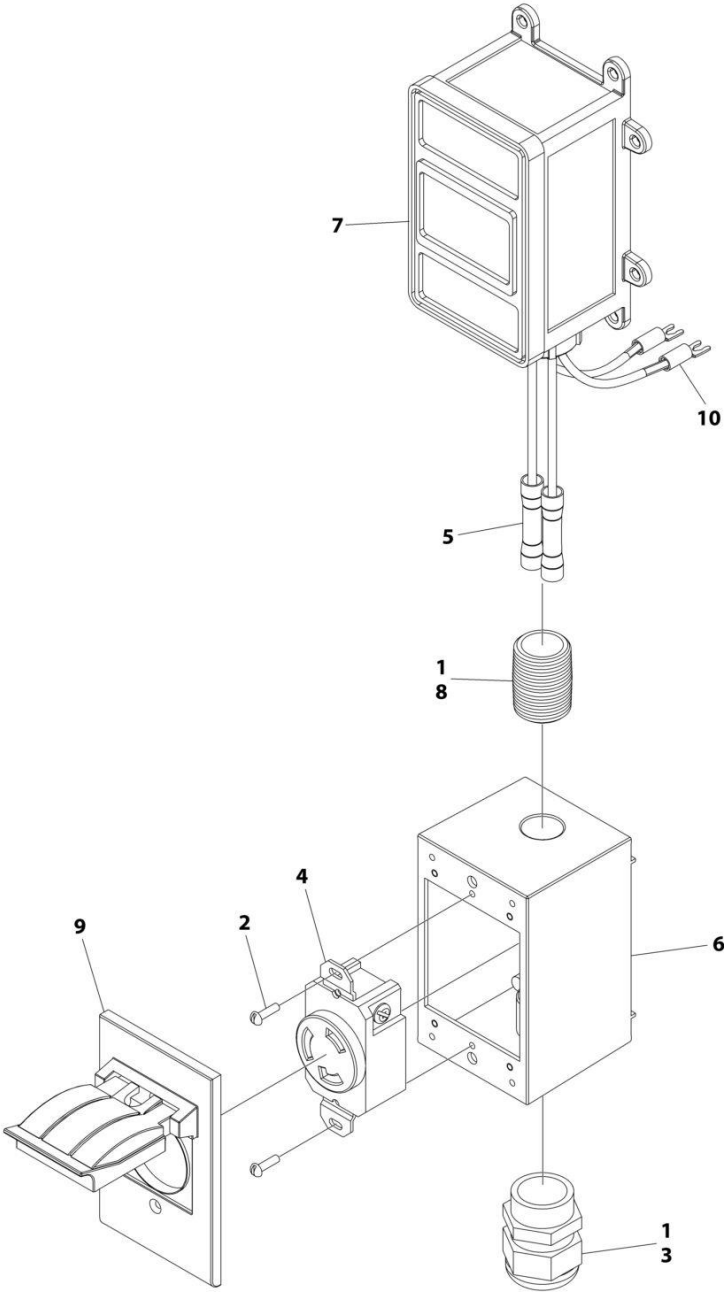
## SECTION 8 - ELECTRICAL

**FIGURE 8-37. RECEPTACLE BOX KIT - 220V CEE7 SIDE GROUND 70X70 BOX (CE & UK CA SPEC)**

ITEM	PART NUMBER	QTY	DESCRIPTION	REV
	0275219	Ref	RECEPTACLE BOX KIT - 220V CEE7 SIDE GROUND 70MM X 70MM BOX	B
1	1001141967	1	Box, Switch	
2	1001141969	1	Receptacle	
3	4461205	1	Plug, Male	
4	1001141970	1	Plug and Socket Kit (Includes Items 1-3 and Female Plug p/n 4461206)	

**SECTION 8 - ELECTRICAL**

**FIGURE 8-38. RECEPTACLE/BREAKER BOX ASSEMBLY - 220V GFI**



ART\_1001216162\_C

## SECTION 8 - ELECTRICAL

**FIGURE 8-38. RECEPTACLE/BREAKER BOX ASSEMBLY - 220V GFI**

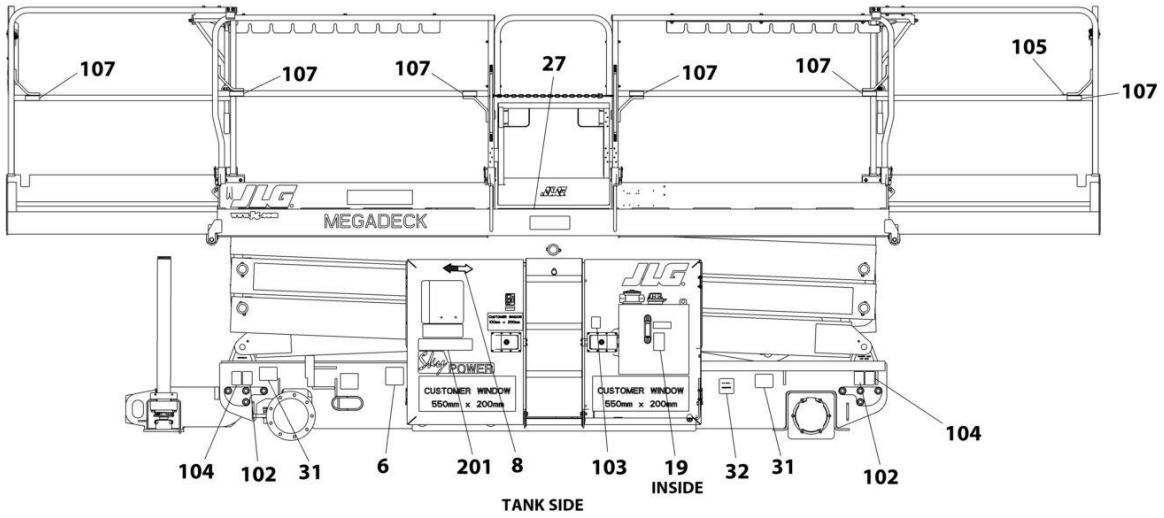
ITEM	PART NUMBER	QTY	DESCRIPTION	REV
	1001216162	Ref	RECEPTACLE/BREAKER BOX ASSEMBLY - 220V GFI	C
1	0100020	AR	Sealant	
2	3910608	2	Screw #6 x 1/2	
3	4460612	1	Connector, Strain Relief	
4	4460958	1	Receptacle, Turnlok	
5	1001099670	2	Terminal, Splice	
6	1001148675	1	Box, Receptacle	
7	1001159118	1	Breaker, 30A 240V	
8	1001159119	1	Fitting, Conduit	
9	1001110872	1	Cover	
10	4460315	2	Terminal	



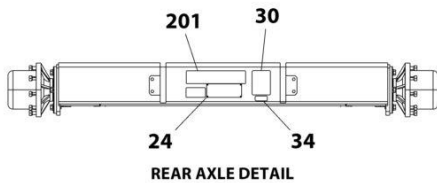
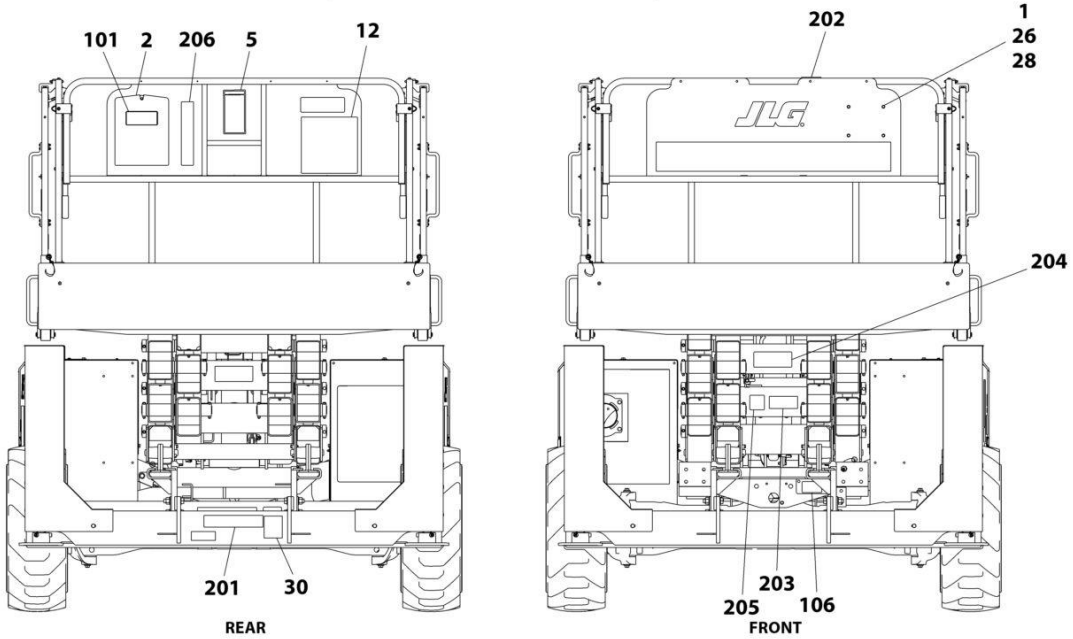
**SECTION 9 - DECALS**

# SECTION 9 - DECALS

## FIGURE 9-1. DECAL INSTALLATION - ANSI AND ANSI EXPORT SPECS (ENGLISH)



(NOTE: SOME DECALS TYPICAL BOTH SIDES)



(NOTE: SOME DECALS MOVE TO LEVELING JACKS WHEN EQUIPPED)

(NOTE: ADDITIONAL DECALS CALLED OUT ON DECAL INSTALLATION - OPTIONS)

ART\_1001207678\_J



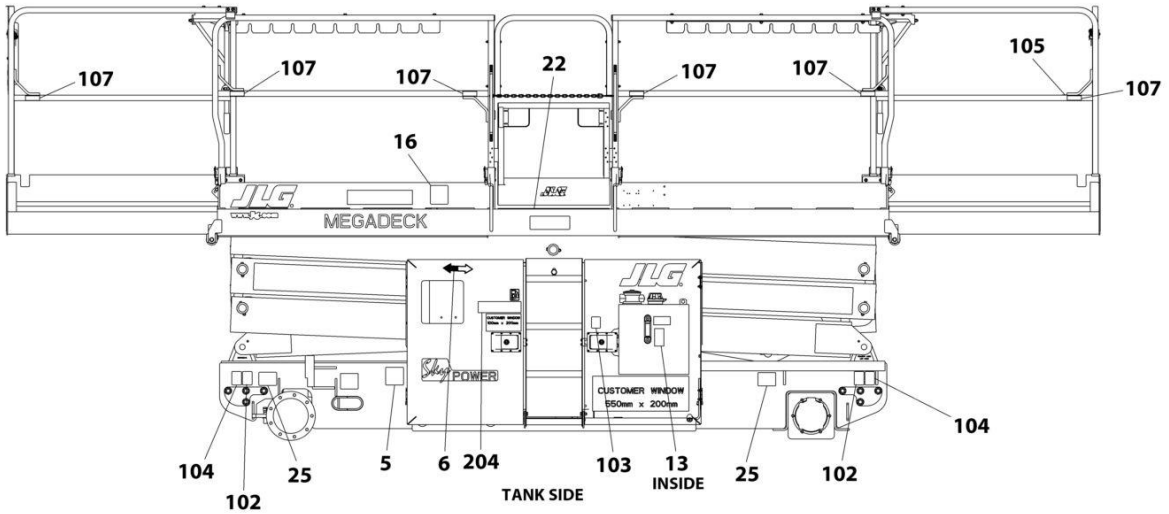
## SECTION 9 - DECALS

**FIGURE 9-1. DECAL INSTALLATION - ANSI AND ANSI EXPORT SPECS (ENGLISH)**

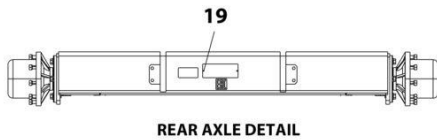
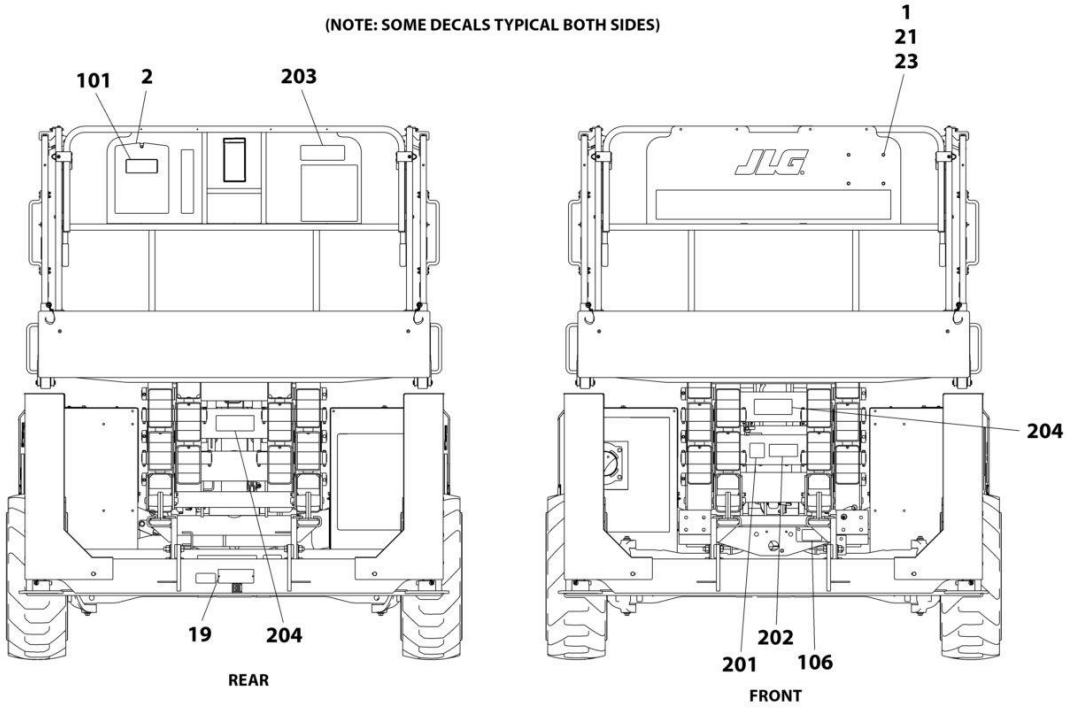
ITEM	PART NUMBER	QTY	DESCRIPTION	REV
	1001207678	Ref	DECAL INSTALLATION	J
1	0641407	4	Bolt 1/4 x 7/8	
2	0860520	1	Box, Manual Storage	
5	1705679	1	Decal - Inspection	
6	See Note	NSS	Decal - Bar Code (Note: Not Available for Purchase)	
8	1703687	2	Decal - Direction Arrow	
12	1703816	1	Decal - Danger/Warning	
19	1704412	1	Decal - Hydraulic Oil	
24	2080057	4	Fastener	
26	3311405	4	Nut 1/4	
27	4420067	48 in/1.2m	Tape, Tread	
28	4711400	8	Washer 1/4	
30	1001131270	1	Decal - Patent	
31	1703493	4	Decal - Maximum Wheel Load	
32	1001223055	1	Decal - Inspection	
34	1001223453	1	Decal - ICES	
100	1001216012	1	Master Decal Kit (Not Shown)	A
101	1701509	1	Decal - Manual	
102	1703811	4	Decal - Lifting Lug	
103	1703812	1	Decal - Hydraulic Oil	
104	1703814	4	Decal - Tie Down	
105	1703819	1	Decal - Direction Arrow	
106	1703822	1	Decal - Manual Descent Instruction	
107	1704277	12	Decal - Lanyard Attach	
200	1001216020	1	Country Specs Decal Kit - ANSI & ANSI Export (English) (Not Shown)	A
201	1703818	3	Decal - Warning	
202	1703821	1	Decal - Control Box Location	
203	1703823	1	Decal - Danger	
204	1704432	1	Decal - Warning/Danger	
205	1705019	1	Decal - Safety Prop	
206	1001192853	1	Decal - Legend	

# SECTION 9 - DECALS

FIGURE 9-2. DECAL INSTALLATION - AUSTRALIAN, CE, JAPANESE & UK CA SPEC (ENGLISH)



(NOTE: SOME DECALS TYPICAL BOTH SIDES)



(NOTE: ADDITIONAL DECALS CALLED OUT ON DECAL INSTALLATION - OPTIONS)

(NOTE: SOME DECALS MOVE TO LEVELING JACKS WHEN EQUIPPED)

ART\_1001207680\_I

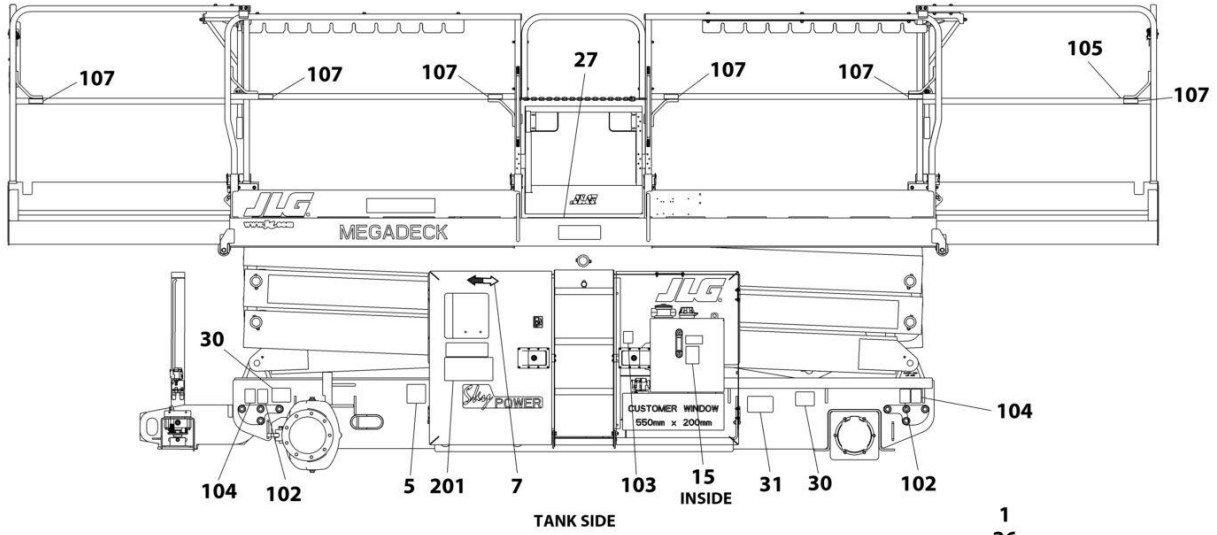
## SECTION 9 - DECALS

**FIGURE 9-2. DECAL INSTALLATION - AUSTRALIAN, CE, JAPANESE & UK CA SPEC (ENGLISH)**

ITEM	PART NUMBER	QTY	DESCRIPTION	REV
	1001207680	Ref	DECAL INSTALLATION	I
1	0641407	4	Bolt 1/4 x 7/8	
2	0860520	1	Box, Manual Storage	
5	See Note	NSS	Decal - Bar Code (Note: Not Available for Purchase)	
6	1703687	2	Decal - Direction Arrow	
13	1704412	1	Decal - Hydraulic Oil	
16	80463053	2	Decal - Sound Power (106dB)	
19	2080057	2	Fastener	
21	3311405	4	Nut 1/4	
22	4420067	48 in/ 1.2m	Tape, Tread	
23	4711400	8	Washer 1/4	
25	1703493	4	Decal - Maximum Wheel Load	
100	1001216012	1	Master Decal Kit (Not Shown)	A
101	1701509	1	Decal - Manual	
102	1703811	4	Decal - Lifting Lug	
103	1703812	1	Decal - Hydraulic Oil	
104	1703814	4	Decal - Tie Down	
105	1703819	1	Decal - Direction Arrow	
106	1703822	1	Decal - Manual Descent Instruction	
107	1704277	12	Decal - Lanyard Attach	
200	2902498	1	Country Specs Decal Kit - Australian, CE & UK CA Specs (English) (Not Shown)	1
201	1705019	1	Decal - Safety Prop	
202	1705372	1	Decal - Warning/Danger	
203	1705671	1	Decal - Electrocutation	
204	1706338	4	Decal - Electrocutation/Crushing	

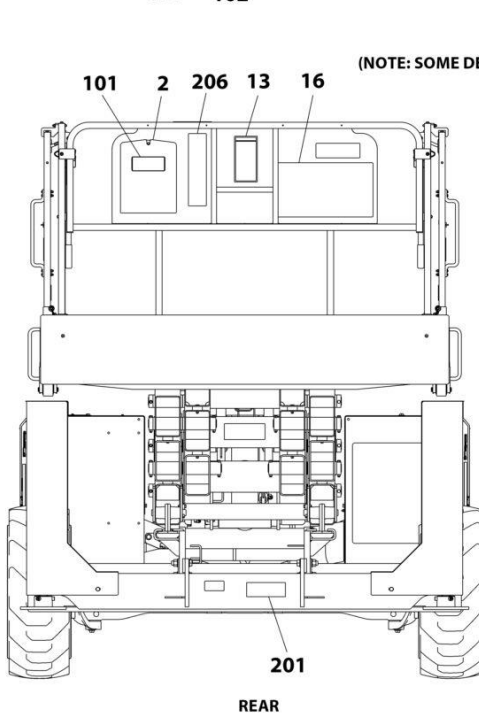
# SECTION 9 - DECALS

## FIGURE 9-3. DECAL INSTALLATION - BRAZIL SPECS (SPANISH/PORTUGUESE)

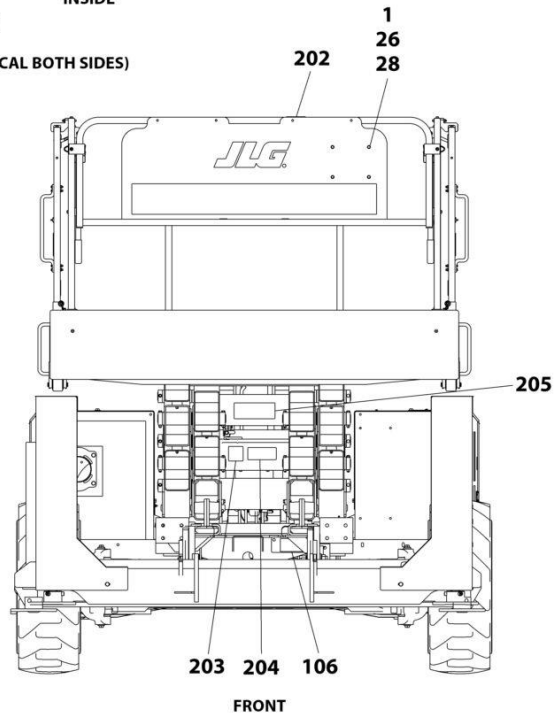


TANK SIDE

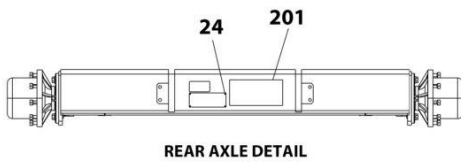
(NOTE: SOME DECALS TYPICAL BOTH SIDES)



REAR



FRONT



REAR AXLE DETAIL

(NOTE: ADDITIONAL DECALS CALLED OUT ON DECAL INSTALLATION - OPTIONS)

(NOTE: SOME DECALS MOVE TO LEVELING JACKS WHEN EQUIPPED)

ART\_1001207683\_G

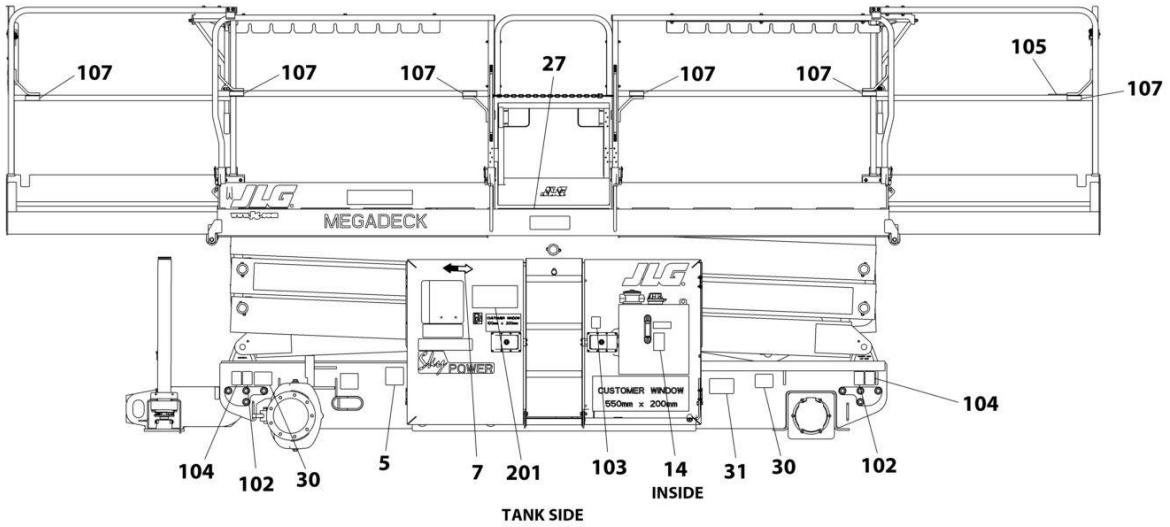
## SECTION 9 - DECALS

**FIGURE 9-3. DECAL INSTALLATION - BRAZIL SPECS (SPANISH/PORTUGUESE)**

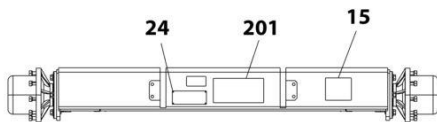
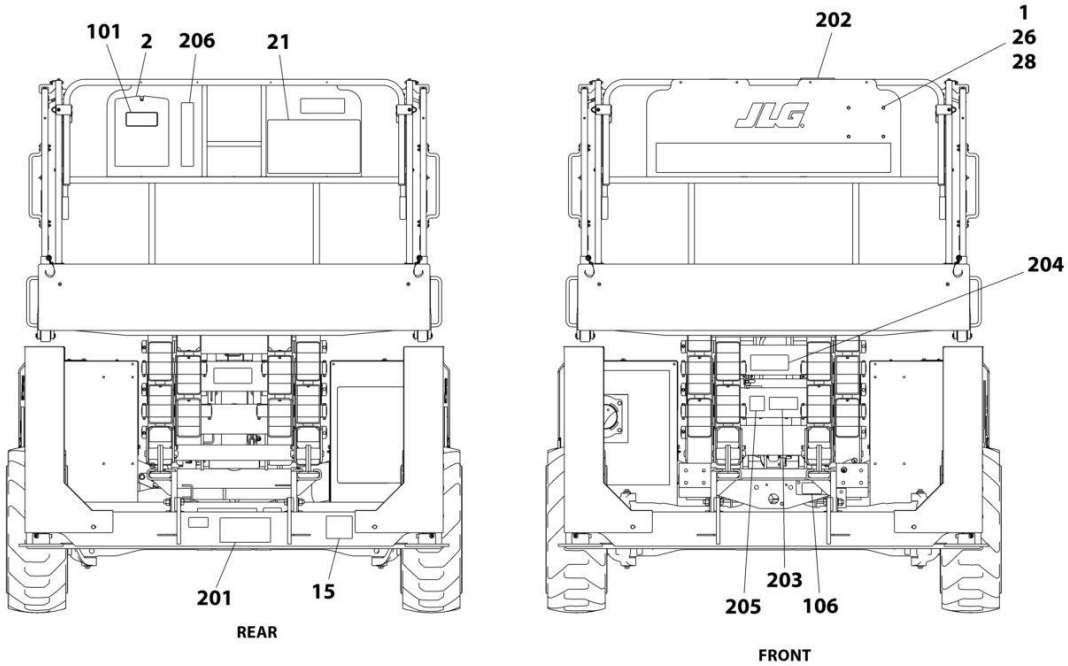
ITEM	PART NUMBER	QTY	DESCRIPTION	REV
	1001207683	Ref	DECAL INSTALLATION	G
1	0641407	4	Bolt 1/4 x 7/8	
2	0860520	1	Box, Manual Storage	
5	See Note	NSS	Decal - Bar Code (Note: Not Available for Purchase)	
7	1703687	2	Decal - Direction Arrow	
13	1705727	1	Decal - Inspection	
15	1704412	1	Decal - Hydraulic Oil	
16	1704699	1	Decal - Danger/Warning	
24	2080057	4	Fastener	
26	3311405	4	Nut 1/4	
27	4420067	48 in/1.2m	Tape, Tread	
28	4711400	8	Washer 1/4	
30	1703493	4	Decal - Maximum Wheel Load	
31	1001224052	1	Decal - Inspection	
100	1001216012	1	Master Decal Kit (Not Shown)	A
101	1701509	1	Decal - Manual	
102	1703811	4	Decal - Lifting Lug	
103	1703812	1	Decal - Hydraulic Oil	
104	1703814	4	Decal - Tie Down	
105	1703819	1	Decal - Direction Arrow	
106	1703822	1	Decal - Manual Descent Instruction	
107	1704277	12	Decal - Lanyard Attach	
200	1001216726	1	Country Specs Decal Kit - Brazil Specs (Spanish/Portuguese) (Not Shown)	A
201	1704701	3	Decal - Electrocution/Crushing	
202	1704702	1	Decal - Control Box Location	
203	1705019	1	Decal - Safety Prop	
204	1705043	1	Decal - Danger Electrical Hazard	
205	1705318	1	Decal - Warning/Crushing	
206	1001203077	1	Decal - Legend	

# SECTION 9 - DECALS

FIGURE 9-4. DECAL INSTALLATION - CHINESE SPECS (ENGLISH/CHINESE)



(NOTE: SOME DECALS TYPICAL BOTH SIDES)



REAR AXLE DETAIL

(NOTE: ADDITIONAL DECALS CALLED OUT ON DECAL INSTALLATION - OPTIONS)

(NOTE: SOME DECALS MOVE TO LEVELING JACKS WHEN EQUIPPED)

ART\_1001207681\_G

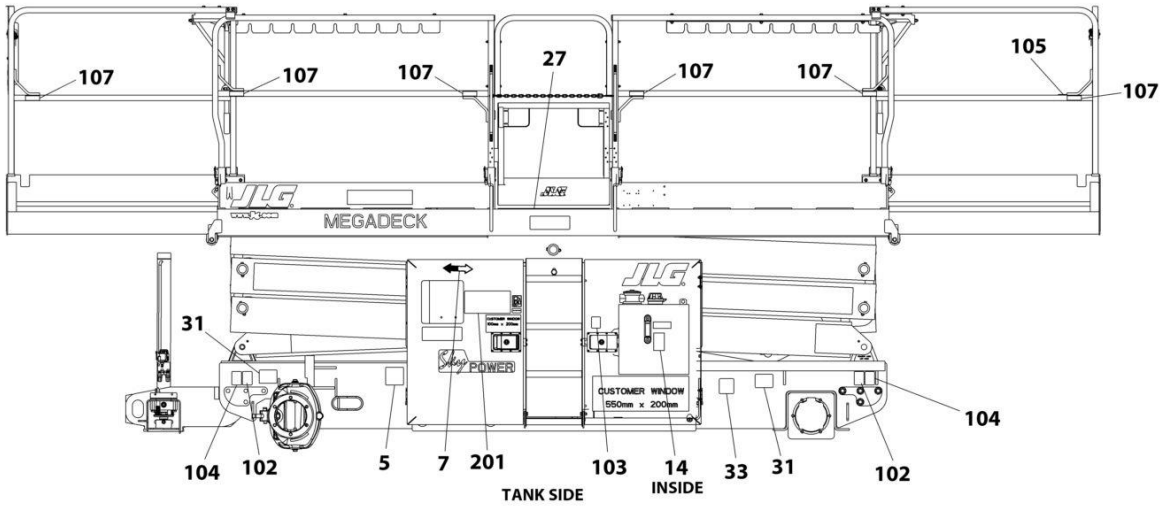
## SECTION 9 - DECALS

**FIGURE 9-4. DECAL INSTALLATION - CHINESE SPECS (ENGLISH/CHINESE)**

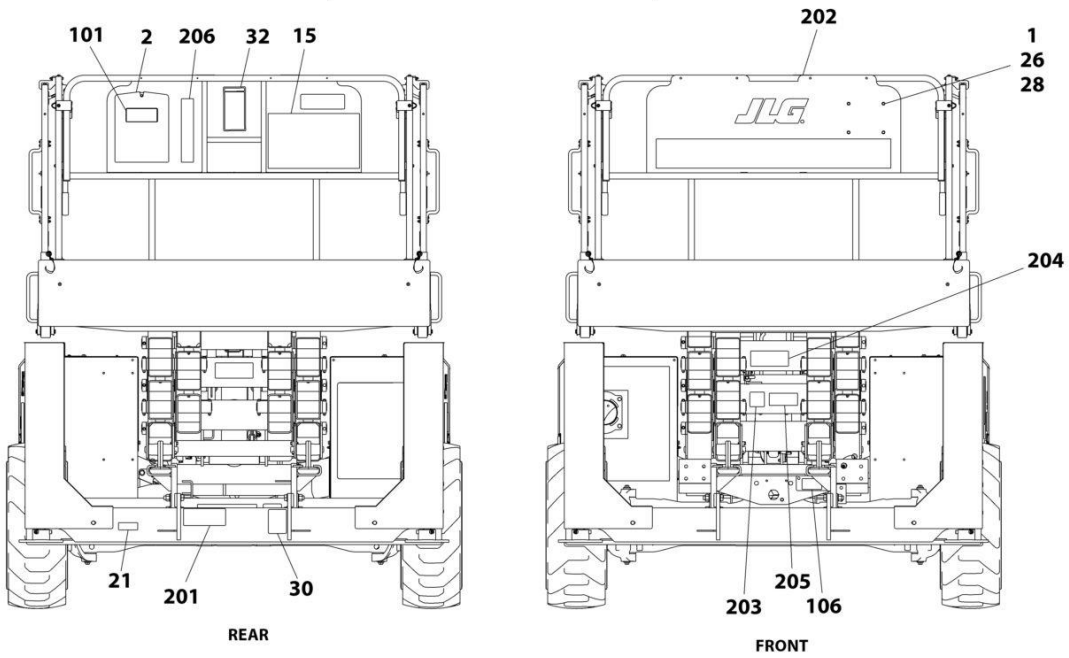
ITEM	PART NUMBER	QTY	DESCRIPTION	REV
	1001207681	Ref	DECAL INSTALLATION	G
1	0641407	4	Bolt 1/4 x 7/8	
2	0860520	1	Box, Manual Storage	
5	See Note	NSS	Decal - Bar Code (Note: Not Available for Purchase)	
7	1703687	2	Decal - Direction Arrow	
14	1704412	1	Decal - Hydraulic Oil	
15	1704607	1	Decal - Inspection	
21	1705195	1	Decal - Danger/Warning	
24	2080057	4	Fastener	
26	3311405	4	Nut 1/4	
27	4420067	48 in/1.2m	Tape, Tread	
28	4711400	8	Washer 1/4	
30	1703493	4	Decal - Maximum Wheel Load	
31	1001224050	1	Decal - Inspection	
100	1001216012	1	Master Decal Kit (Not Shown)	A
101	1701509	1	Decal - Manual	
102	1703811	4	Decal - Lifting Lug	
103	1703812	1	Decal - Hydraulic Oil	
104	1703814	4	Decal - Tie Down	
105	1703819	1	Decal - Direction Arrow	
106	1703822	1	Decal - Manual Descent Instruction	
107	1704277	12	Decal - Lanyard Attach	
200	1001217067	1	Country Specs Decal Kit - Chinese Specs (English/Chinese) (Not Shown)	A
201	1705193	3	Decal - Warning/Crushing/Danger	
202	1705194	1	Decal - Control Box Location	
203	1705944	1	Decal - Danger Electrocution	
204	1705943	1	Decal - Crushing	
205	1705019	1	Decal - Safety Prop	
206	1001192853	1	Decal - Legend	

# SECTION 9 - DECALS

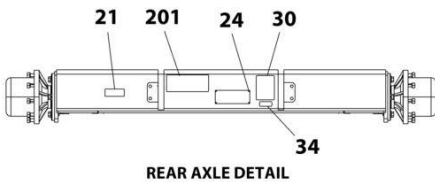
## FIGURE 9-5. DECAL INSTALLATION - CSA SPECS (ENGLISH/FRENCH)



(NOTE: SOME DECALS TYPICAL BOTH SIDES)



(NOTE: ADDITIONAL DECALS CALLED OUT ON DECAL INSTALLATION - OPTIONS)



(NOTE: SOME DECALS MOVE TO LEVELING JACKS WHEN EQUIPPED)

ART\_1001207679\_1



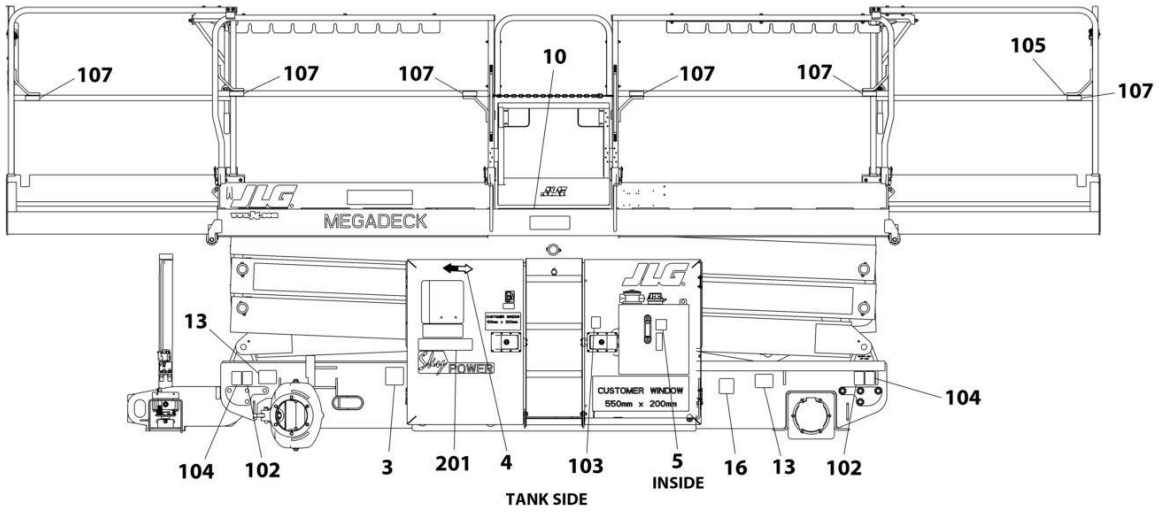
## SECTION 9 - DECALS

**FIGURE 9-5. DECAL INSTALLATION - CSA SPECS (ENGLISH/FRENCH)**

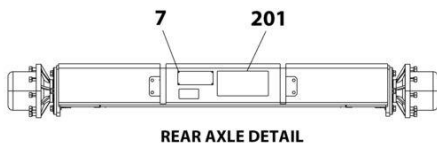
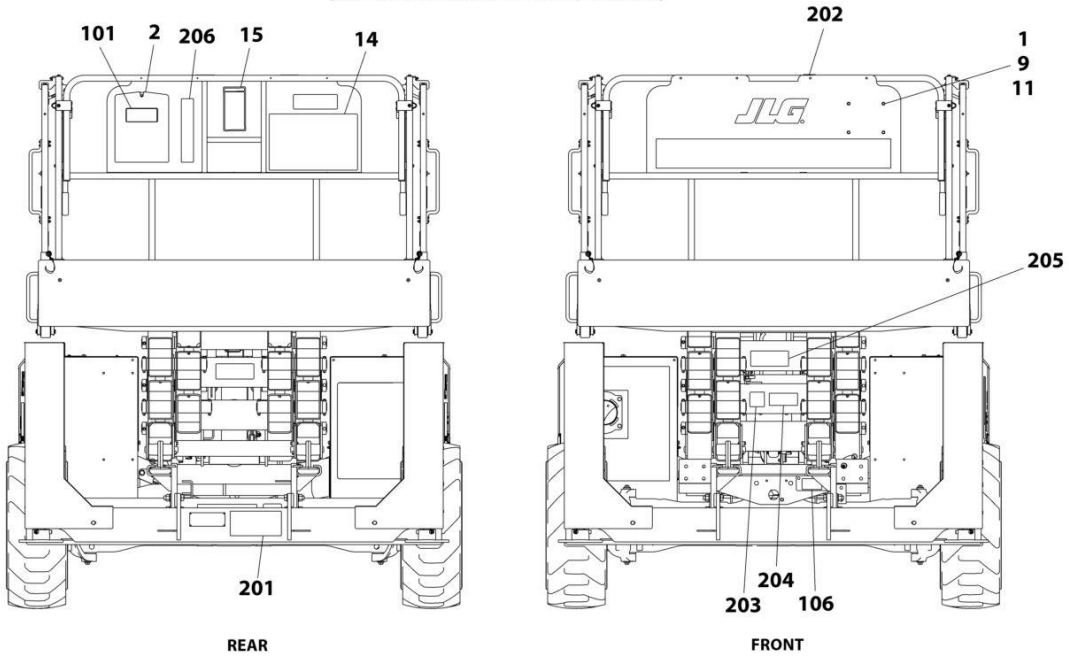
ITEM	PART NUMBER	QTY	DESCRIPTION	REV
	1001207679	Ref	DECAL INSTALLATION	I
1	0641407	1	Bolt 1/4 x 7/8	
2	0860520	1	Box, Manual Storage	
5	See Note	NSS	Decal - Bar Code (Note: Not Available for Purchase)	
7	1703687	2	Decal - Direction Arrow	
14	1704412	1	Decal - Hydraulic Oil	
15	1704684	1	Decal - Danger/Warning	
21	1705303	1	Decal - CSA	
24	2080057	4	Fastener	
26	3311405	4	Nut 1/4	
27	4420067	48 in/1.2m	Tape, Tread	
28	4711400	8	Washer 1/4	
30	1001131270	1	Decal - Patent	
31	1703493	4	Decal - Maximum Wheel Load	
32	1705679	1	Decal - Inspection	
33	1001223971	1	Decal - Inspection	
34	1001223453	1	Decal - ICES	
100	1001216012	1	Master Decal Kit (Not Shown)	A
101	1701509	1	Decal - Manual	
102	1703811	4	Decal - Lifting Lug	
103	1703812	1	Decal - Hydraulic Oil	
104	1703814	4	Decal - Tie Down	
105	1703819	1	Decal - Direction Arrow	
106	1703822	1	Decal - Manual Descent Instruction	
107	1704277	12	Decal - Lanyard Attach	
200	1001216299	1	Country Specs Decal Kit - CSA Specs (English/French) (Not Shown)	A
201	1704686	3	Decal - Warning/Crushing/Danger	
202	1704687	1	Decal - Control Box Location	
203	1705019	1	Decal - Safety Prop	
204	1705040	1	Decal - Danger Electrocution	
205	1705311	1	Decal - Crushing	
206	1001203075	1	Decal - Legend	

# SECTION 9 - DECALS

FIGURE 9-6. DECAL INSTALLATION - KOREAN SPECS (ENGLISH/KOREAN)



(NOTE: SOME DECALS TYPICAL BOTH SIDES)



(NOTE: ADDITIONAL DECALS CALLED OUT ON DECAL INSTALLATION - OPTIONS)

(NOTE: SOME DECALS MOVE TO LEVELING JACKS WHEN EQUIPPED)

ART\_1001216811\_G

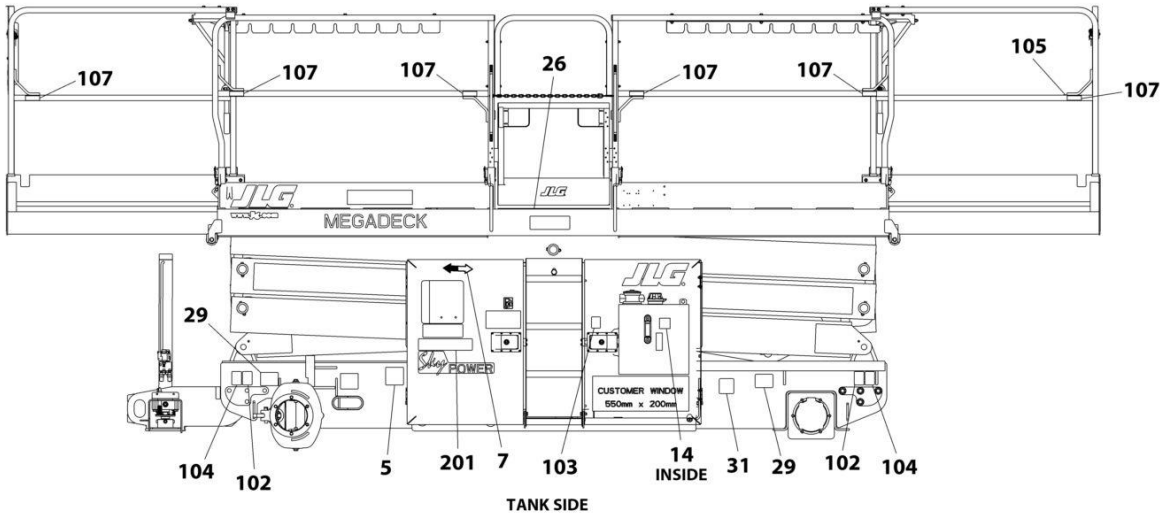
## SECTION 9 - DECALS

**FIGURE 9-6. DECAL INSTALLATION - KOREAN SPECS (ENGLISH/KOREAN)**

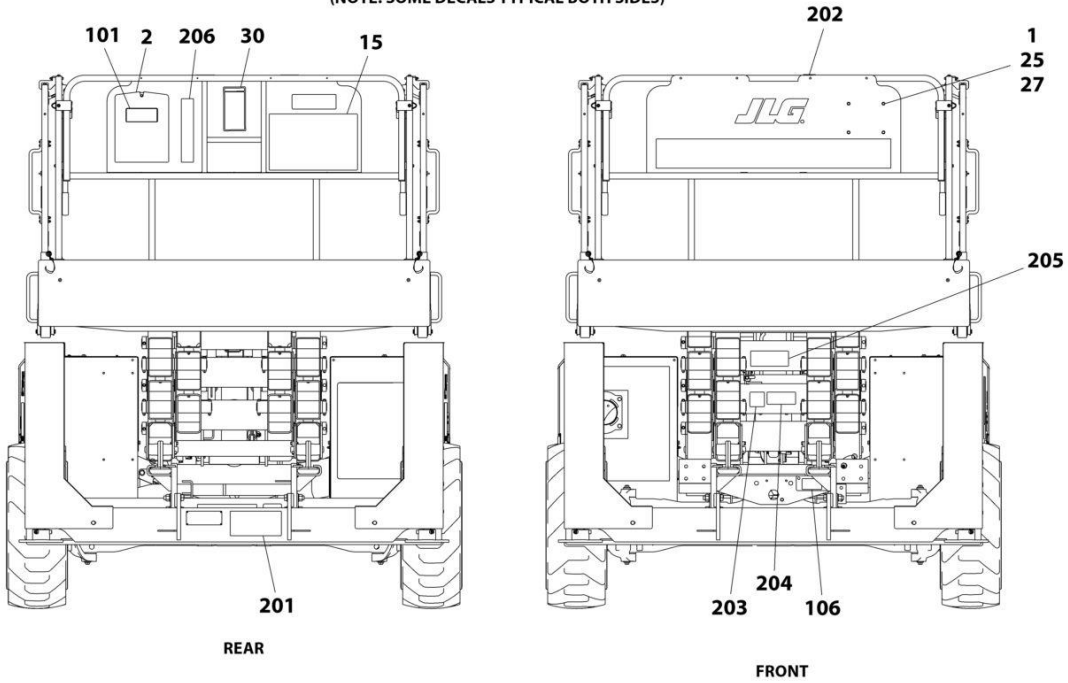
ITEM	PART NUMBER	QTY	DESCRIPTION	REV
	1001216811	Ref	DECAL INSTALLATION	G
1	0641407	4	Bolt 1/4 x 7/8	
2	0860520	1	Box, Manual Storage	
3	See Note	NSS	Decal - Bar Code (Note: Not Available for Purchase)	
4	1703687	2	Decal - Direction Arrow	
5	1704412	1	Decal - Hydraulic Oil	
7	2080057	4	Fastener	
9	3311405	4	Nut 1/4	
10	4420067	48 in/ 2 m	Tape, Tread	
11	4711400	8	Washer 1/4	
13	1703493	4	Decal - Maximum Wheel Load	
14	1001162115	1	Decal - Danger/Warning	
15	1705679	1	Decal - Inspection	
16	1001224048	1	Decal - Inspection	
100	1001216012	1	Master Decal Kit (Not Shown)	A
101	1701509	1	Decal - Manual	
102	1703811	4	Decal - Lifting Lug	
103	1703812	1	Decal - Hydraulic Oil	
104	1703814	4	Decal - Tie Down	
105	1703819	1	Decal - Direction Arrow	
106	1703822	1	Decal - Manual Descent Instruction	
107	1704277	12	Decal - Lanyard Attach	
200	1001217026	1	Country Specs Decal Kit - Korean Specs (English/Korean) (Not Shown)	A
201	1001162111	3	Decal - Warning/Crushing/Danger	
202	1001162112	1	Decal - Control Box Location	
203	1705019	1	Decal - Safety Prop	
204	1001162114	1	Decal - Danger Electrical Hazard	
205	1001162113	1	Decal - Warning/Crushing	
206	1001192853	1	Decal - Legend	

# SECTION 9 - DECALS

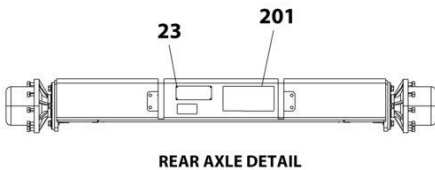
FIGURE 9-7. DECAL INSTALLATION - LATIN AMERICAN SPECS (ENGLISH/SPANISH)



(NOTE: SOME DECALS TYPICAL BOTH SIDES)



(NOTE: ADDITIONAL DECALS CALLED OUT ON DECAL INSTALLATION - OPTIONS)



(NOTE: SOME DECALS MOVE TO LEVELING JACKS WHEN EQUIPPED)

ART\_1001207682\_G

## SECTION 9 - DECALS

**FIGURE 9-7. DECAL INSTALLATION - LATIN AMERICAN SPECS (ENGLISH/SPANISH)**

ITEM	PART NUMBER	QTY	DESCRIPTION	REV
	1001207682	Ref	DECAL INSTALLATION	G
1	0641407	4	Bolt 1/4 x 7/8	
2	0860520	1	Box, Manual Storage	
5	See Note	NSS	Decal - Bar Code (Note: Not Available for Purchase)	
7	1703687	2	Decal - Direction Arrow	
14	1704412	1	Decal - Hydraulic Oil	
15	1704691	1	Decal - Danger/Warning	
23	2080057	4	Fastener	
25	3311405	4	Nut 1/4	
26	4420067	48 in/1.2m	Tape, Tread	
27	4711400	8	Washer 1/4	
29	1703493	4	Decal, Maximum Wheel Load	
30	1705679	1	Decal - Inspection	
31	1001224049	1	Decal - Inspection	
100	1001216012	1	Master Decal Kit (Not Shown)	A
101	1701509	1	Decal - Manual	
102	1703811	4	Decal - Lifting Lug	
103	1703812	1	Decal - Hydraulic Oil	
104	1703814	4	Decal - Tie down	
105	1703819	1	Decal - Direction Arrow	
106	1703822	1	Decal - Manual Descent Instruction	
107	1704277	12	Decal - Lanyard Attach	
200	1001216738	1	Country Specs Decal Kit - Latin American Specs (English/Spanish) (Not Shown)	A
201	1704693	3	Decal - Warning/Crushing/Danger	
202	1704694	1	Decal - Control Box Location	
203	1705019	1	Decal - Safety Prop	
204	1705041	1	Decal - Danger Electrical Hazard	
205	1705316	1	Decal - Warning/Crushing	
206	1001203076	1	Decal - Legend	



## SECTION 9 - DECALS

**FIGURE 9-8. DECAL INSTALLATION - OPTIONS**

ITEM	PART NUMBER	QTY	DESCRIPTION	REV
		Ref	DECAL INSTALLATION - OPTIONS	
	1001264334	Ref	DECAL INSTALLATION - REFERENCE CHART	D
20	1701214	8	Decal - Outrigger Warning (ANSI & ANSI Export Specs) (English)	
20	1701785	8	Decal - Outrigger Warning (Australian, CE, Japanese & UK CA Specs) (English)	
20	1704698	8	Decal - Outrigger Warning (Brazilian Spec) (Spanish/Portuguese)	
20	1704690	8	Decal - Outrigger Warning (CSA Specs) (English/French)	
20	1001215447	8	Decal - Outrigger Warning (Korean Specs) (English/Korean)	
20	1704697	8	Decal - Outrigger Warning (Latin American Spec) (English/Spanish)	
25	1001216420	Ref	Decal - Warning Stripes Installation (Single Deck Extension)	A
25	1001216421	Ref	Decal - Warning Stripes Installation (Dual Deck Extension)	A
25	4420051	10 ft/3.1m	Tape, Safety (Single Deck Extension)	
25	4420051	12 ft/3.7m	Tape, Safety (Dual Deck Extension)	
29	1001231801	1	Decal - Warning Prop65 (Diesel)	
30	1001269842	1	Decal - Capacity 2250lbs/1020kg (with Single Deck Extension) (All Specs Except Australian, CE & UK CA Specs) (RT3394)	
30	1705034	1	Decal - Capacity 1020kg (with Single Deck Extension) (Australian, CE & UK CA Specs) (RT3394)	
30	1001269841	1	Decal - Capacity 2000lbs/905kg (with Dual Deck Extension) (All Specs Except Australian, CE & UK CA Specs) (RT3394)	
30	1705035	1	Decal - Capacity 905kg (with Dual Deck Extension) (Australian, CE & UK CA Specs) (RT3394)	
30	1001269840	1	Decal - Capacity 1500lbs/680kg (with Single Deck Extension) (All Specs Except Australian, CE & UK CA Specs) (RT4394)	
30	1705036	1	Decal - Capacity 680kg (with Single Deck Extension) (Australian, CE & UK CA Specs) (RT4394)	
30	1001269839	1	Decal - Capacity 1250lbs/568kg (with Dual Deck Extension) (All Specs Except Australian, CE & UK CA Specs) (RT4394)	
30	1705037	1	Decal - Capacity 565kg (with Dual Deck Extension) (Australian, CE & UK CA Specs) (RT4394)	
31	1701505	1	Decal - Fuel (Diesel)	
31	1701542	1	Decal - Fuel (Dual Fuel)	
41	1700818	1	Decal - LP Gas (ANSI, ANSI Export and CSA Specs) (English)	
41	1702720	1	Decal - LP Gas (ANSI Export Specs) (Spanish)	
41	1704271	1	Decal - LP Gas (CSA Spec) (English/French)	
43	1001264307	1	Decal - Model (RT3394)	
43	1001264308	1	Decal - Model (RT4394)	
71	See Note	NSS	Nameplate - Manufacturer Serial Number (Australian, CE & UK CA Specs) (Note: Not Available for Purchase)	
110	1001170869	Ref	JLG Logo Decal Installation (Not Shown)	A
110A	1702773	5	Decal - JLG	
110B	1704885	2	Decal - Website	
130	1704972	1	Decal - Warning Explosion/Fire (English) (ANSI and ANSI Export Specs) (Not Shown - Located on Radiator Shroud)	
130	1706098	1	Decal - Warning Explosion/Fire (Pictogram) (Australian, CE, Japanese & UK CA Specs) (Not Shown - Located on Radiator Shroud)	
130	1706059	1	Decal - Warning Explosion/Fire (English/Portuguese) (Brazil Specs) (Not Shown - Located on Radiator Shroud)	
130	1706060	1	Decal - Warning Explosion/Fire (English/Chinese) (China Specs) (Not Shown - Located on Radiator Shroud)	

## SECTION 9 - DECALS

ITEM	PART NUMBER	QTY	DESCRIPTION	REV
130	1706064	1	Decal - Warning Explosion/Fire (English/French) (CSA Specs) (Not Shown - Located on Radiator Shroud)	
130	1706061	1	Decal - Warning Explosion/Fire (English/Korean) (Korean Specs) (Not Shown - Located on Radiator Shroud)	
130	1706063	1	Decal - Warning Explosion/Fire (English/Spanish) (Latin American Specs) (Not Shown - Located on Radiator Shroud)	
136	1001125387	1	Decal - Ultra Low Sulfur Fuel (ANSI, CSA & Japanese Specs) (Kubota T4F Only)	
136	1001139654	1	Decal - Ultra Low Sulfur Fuel (CE & UK CA Specs)	
156	1001214029	1	EAC Decal Installation (Russian/CIS Specs)	A
156	1001173703	1	Decal - EAC	
245	1001236881	Ref	Decal Installation - ClearSky	
245A	1001116208	1	Decal - ClearSky	
245B	1001120989	1	Decal - Radio Frequency	
245	1001294764	Ref	Decal Installation - ClearSky (ANSI & CSA SPECS)	A
245A	1001120989	1	Decal - Radio Frequency	
245B	1001294815	1	Decal - ClearSky	
640	1001143852	1	Decal - Emission Compliance (Diesel Only) (ANSI Export, Australian, CE, Japanese & UK CA Specs)	



## **SECTION 10 - RECOMMENDED SERVICE PARTS STOCK**

## **SECTION 10 - RECOMMENDED SERVICE PARTS STOCK**

# SECTION 10 - RECOMMENDED SERVICE PARTS STOCK

## FIGURE 10-1. RECOMMENDED SERVICE PARTS STOCK

ITEM	PART NUMBER	QTY	DESCRIPTION	REV
		Ref	Note: The following list will service one machine (built to current production per date on the front cover) with emergency repair parts which can be installed in the field. Parts from the list should be replaced when inventory is depleted to keep service parts stock supplied. For further information, contact your JLG dealer or the JLG Industries Parts Department.	
	1001181045	1	Breaker, 16Amp (CE & UK CA Specs Machines with AC Box at Platform)	
	1001159118	1	Breaker, 30Amp (Machines with SkyPower 7500W Generator)	
	4360070	1	Breaker, Circuit (7500W Generator)	
	70006095	1	Breaker, Circuit - 30Amp (Machines with Generator)	
	70002113	1	Breather, Hydraulic Tank	
	70002963	1	Coil (Main Control Valve)	
	7017451	1	Coil (Lift Cylinder)	
	70050516	1	Coil Coil (Main Control Valve)	
	70001967	1	Coil Coil (Lift Cylinder)	
	70003789	1	Coil (Machines with Leveling Jacks)	
	70001965	1	Coil (Machines with Leveling Jacks)	
	1600402	1	Controller, Drive/Steer (Platform Box)	
	70010383	1 dz	Element, Charge Filter	
	70001960	4	Element, Return Filter	
		Ref	<b>Engine - Diesel Engine</b>	
	70005296	12	Element, Fuel/Water Separator Filter (Diesel Engines)	
	1001190545	12 dz	Filter, Fuel (Diesel Engines)	
	7017992	12 dz	Filter, Fuel (Diesel Engines)	
	70004395	12 dz	Filter, Oil (Diesel Engines)	
	7015004	12	Filter, Air (Diesel Engines)	
		Ref	<b>Engine - Gasoline Engine</b>	
	7017992	12	Filter, Fuel (Gasoline Engines)	
	7017980	12	Filter, Oil (Gasoline Engines)	
	7015004	12 dz	Filter, Air (Gasoline Engines)	
	70005758	1	Module, Engine Control (ECU) (Gasoline Engines)	
	1001225420	1 dz	Filter, Carbon Cannister (Gasoline Engines)	
	2860030	1	Key, Replacement (Ground Controls)	
	2940074	1	Latch	
	1001234736	1	Module, Control - Chassis Module	
	1001234735	1	Module, Control - Ground Control	
	1001182481	1	Module, Control - Leveling Jacks (Machines with Leveling Jacks)	
	1600387	1	Module, Control - LSS (Machines with LSS)	
	1001235098	1	Module, Control - Platform	
	3740080	1	Relay (Engine)	
	1001187857	1	Sensor (Scissors Arms)	
	4360475	1	Switch, Emergency Stop (Ground Controls & Platform Box)	
	4360469	1	Switch, Key (Ground Controls)	
	4360548	1	Switch, Limit (With Leveling Jacks)	
	4360387	1	Switch, Push Button (Platform Box)	
	4360500	1	Switch, Rotary Angle Sensor (Scissors Arms)	
	4360524	1	Switch, Toggle (Ground Controls)	
	1001258446	1	Switch, Toggle (Platform Box)	
	1001236560	1	Switch, Toggle (Platform Box)	

## SECTION 10 - RECOMMENDED SERVICE PARTS STOCK

ITEM	PART NUMBER	QTY	DESCRIPTION	REV
	4360525	1	Switch, Toggle (Platform Box)	
	4360483	1	Switch, Toggle (Platform Box)	
	4360482	1	Switch, Toggle (Gas Machines) (Platform Box)	
	4360482	1	Switch, Toggle (Machines with Generator)	



**SECTION 11 - SPECIAL OPTIONS/ACCESSORIES/KITS**

**SECTION 11 - SPECIAL OPTIONS/ACCESSORIES/KITS**

# SECTION 11 - SPECIAL OPTIONS/ACCESSORIES/KITS

FIGURE 11-1. SPECIAL OPTIONS/ACCESSORIES/KITS

ITEM	PART NUMBER	QTY	DESCRIPTION	REV
		Ref	Note: This list is to accommodate machines ordered with special equipment. Options may not be applicable to all models. For more specific parts information contact JLG Parts Department.	
		Ref	SPECIAL OPTIONS/ACCESSORIES/KITS	
	1001227835	Ref	Airline Add-on Kit (Dealer Installed)	
		Ref	ClearSky (Telematics) Installation (Factory Installed) Options:	
	1001276919	Ref	ClearSky (Telematics) Installation - 3 Wire	
	1001236021	Ref	ClearSky (Telematics) Installation - Canbus (ANSI and CSA Specs)	
	1001236869	Ref	ClearSky (Telematics) Installation - Canbus (ANSI Export, CE & UK CA Specs)	
	1001246528	Ref	ClearSky (Telematics) Installation – Canbus (Australian Specs)	
	1001293729	Ref	ClearSky (Telematics) CS550 Installation	
		Ref	ClearSky Telematic Add-on Kit (Dealer Installed) Options:	
	1001276923	Ref	ClearSky (Telematics) Installation - 3 Wire	
	1001230504	Ref	ClearSky (Telematics) Installation - 3 Wire (ANSI and CSA Specs)	
	1001234102	Ref	ClearSky (Telematics) Installation - 3 Wire (ANSI Export, CE & UK CA Specs)	
	1001265374	Ref	ClearSky (Telematics) Installation - Canbus (ANSI and CSA Specs)	
	1001247539	Ref	ClearSky (Telematics) Installation - Canbus (Australian Specs)	
	1001237255	Ref	ClearSky (Telematics) Installation - Canbus (ANSI Export, CE & UK CA Specs)	
	1001247788	Ref	ClearSky (Telematics) Installation - Canbus (China Specs)	
	1001243580	Ref	ClearSky Telematics Access Control Kit (Dealer Installed) (ANSI, ANSI Export, CE, CSA & UK CA Specs)	
	1001265379	Ref	ClearSky Telematics Access Control Kit – Single Can (Dealer Installed) (ANSI and CSA Specs)	
	1001243186	Ref	ClearSky Telematics Access Control Kit – Single Can (Dealer Installed) (CE & UK CA Specs)	
	1001177763	Ref	Cold Weather Package - 120V (Diesel Engine)	
	1001215968	Ref	Cold Weather Package Add-on Kit - 120V (Diesel Engine)	
	1001216866	Ref	Cold Weather Package Add-on Kit - 120V (Gas Engine)	
	1001188785	Ref	Cold Weather Package - 240V (Diesel Engine)	
	1001215969	Ref	Cold Weather Package Add-on Kit - 240V (Diesel Engine)	
	1001215977	Ref	Container Shipment Preparation	
	1001241633	Ref	Control Box Cover Kit	
	1001287779	Ref	Kit, Decal (RT3394)	
	1001287780	Ref	Kit, Decal (RT4394)	
	1001233631	Ref	Door Bumpers Kit	
	1001233817	Ref	Door Retention Kit	
	1001254492	Ref	Drive/Steer Hardware and Software Replacement Kit	
		Ref	Electrical Connector Kits	
	1001148902	Ref	Electrical Connector Kit - Amp/Tyco Electrical Connectors	
	1001148903	Ref	Electrical Connector Kit - Deutsch DT Electrical Connectors	
	1001148904	Ref	Electrical Connector Kit - Deutsch HD Electrical Connectors	
	1001148905	Ref	Electrical Connector Kit - Packard Electrical Connectors	
	1001148906	Ref	Electrical Connector Kit - Various Electrical Connectors	
	1001253708	Ref	Fan and Pulley Guard Kit (Australian Specs)	
	1001175145	Ref	Fire Extinguisher Installation	

## SECTION 11 - SPECIAL OPTIONS/ACCESSORIES/KITS

ITEM	PART NUMBER	QTY	DESCRIPTION	REV
	1001233320	Ref	Footswitch Installation (Factory Installed) (Korean Spec Only)	
	1001234574	Ref	Footswitch Add-on Kit (Dealer Installed) (Korean Spec Only)	
	1001293776	Ref	Frame Plug Installation	
		Ref	Fuel Cap Cover Installation Options:	
	1001202749	Ref	Fuel Cap Cover Installation (Black) (All Specs) (Note: Lock p/n 1001102157 must be Purchased Separately)	
	1001191395	Ref	Fuel Cap Cover Installation (Green) (Diesel Machines) (ANSI, ANSI Export & CSA Specs) (Note: Lock p/n 1001102157 must be Purchased Separately)	
		Ref	Generator Add-on Kit (Dealer Installed)	
	1001227833	Ref	Generator Add-on Kit (7500W - 50Hz) (KUBOTA Stage III)	
	1001227831	Ref	Generator Add-on Kit (7500W - 60Hz) (KUBOTA T4F)	
	1001227832	Ref	Generator Add-on Kit (7500W - 60Hz) (KUBOTA Gasoline)	
	1001227836	Ref	Headlights and Taillights Add-on Kit (All Specs except CE & UK CA Specs)	
	1001227838	Ref	Machine Service Kits	T
	1001223282	Ref	Oil Cooler Installation (Factory Installed)	
	1001227837	Ref	Oil Cooler Add-on Kit (Dealer Installed)	
		Ref	Platform Lights Options:	
	1001227834	Ref	Platform Lights Add-on Kit - Flood Lights (Dealer Installed)	
	1001234830	Ref	Platform Lights Installation – Worklights (Factory Installed)	
	1001235702	Ref	Platform Lights Installation - Worklights (Dealer Installed)	
	1001243600	Ref	Platform Portable Lights Installation	
		Ref	Platform Padding Options:	
	1001206575	Ref	Platform Padding Installation - Top Rail Only/No Switches (Single Extension)	
	1001206579	Ref	Platform Padding Installation - Top Rail Only/No Switches (Dual Extension)	
	1001206580	Ref	Platform Padding Installation - Soft Touch Switches (ANSI & ANSI Export Specs)	
	1001262561	Ref	Platform Self Closing Gate (Add-On) (Dealer Installed)	
		Ref	Rack Options:	
	1001229316	Ref	Pipe Rack Installation (Dealer Installed)	
	1001292999	Ref	Heavy Duty Pipe Rack Kit (Dealer Installed)	
	1001238488	Ref	Large Material Tray (Single Extension) (Factory Installed)	
	1001236784	Ref	Large Material Tray (Dual Extension) (Factory Installed)	
	1001231858	Ref	Material Tray Kit (Dual and Mega Deck Extension) (Dealer Installed)	
	1001238484	Ref	Material Tray Kit (Single Deck Extension) (Dealer Installed)	
	1001239226	Ref	Service Kit - Hoods	
	1001274390	Ref	Skysense, Level 3 Installation - (Factory Installed)	
	1001286662	Ref	Skysense, Level 3 Kit - (Dealer Installed)	
		Ref	Tools for Service	
	7002821	Ref	Crimper, Wire	
	7002823	Ref	Pin Extractor - Universal (For Electrical Connectors with Pins and Sockets)	
	4460510	Ref	Pin Extractor - 12-14 Gauge (For Removal of Pin/Sockets from Deutsch Connectors)	
	4460467	Ref	Pin Extractor - 16-18 Gauge (For Removal of Pin/Sockets from Deutsch Connectors)	
	7016654	Ref	Screwdriver, Magnetic	
	7002822	Ref	Screwdriver, Potentiometer	
	7004275	Ref	Tools - Seal Tool 1in (For Cylinders)	
	7004276	Ref	Seal Tool 1-1/2in (For Cylinders)	

## SECTION 11 - SPECIAL OPTIONS/ACCESSORIES/KITS

ITEM	PART NUMBER	QTY	DESCRIPTION	REV
	7002828	Ref	Stripper, Wire	



# SECTION 11 - SPECIAL OPTIONS/ACCESSORIES/KITS

## PART NUMBER INDEX

## SECTION 11 - SPECIAL OPTIONS/ACCESSORIES/KITS

0080190.... 178, 186, 194, 202	0400075.77, 87, 102, 116	0700618 ..... 103, 117	0840057.....289
0100009.....65, 67	0440236... 179, 187, 195, 203	0700619 ..... 215, 219	0840059.....289, 311
0100011.... 13, 15, 17, 19, 41, 72, 77, 81, 84, 87, 91, 94, 102, 105, 108, 112, 116, 119, 122, 126, 145, 149, 153, 157, 161, 165, 178, 186, 194, 202, 233	0440250... 179, 187, 195, 203	0700620 84, 94, 108, 112, 122, 126	0840061..... 289, 311
0100019..... 19	0440271 ..... 15, 17	0700812 77, 87, 102, 116	0860520.... 349, 351, 353, 355, 357, 359, 361
0100020 77, 87, 102, 116, 345	0480100 ..... 235	0700814 84, 94, 108, 112, 122, 126	0861538..... 149, 153
0100035.... 175, 183, 191, 199	0561489 ..... 209	0700817 ..... 77, 87	0861572..... 145
0100038..... 13	0630407 ... 149, 153, 161, 165	0700819 84, 94, 109, 113, 123, 127	0861731.... 267, 329, 335, 337, 341
0100048.... 145, 149, 153, 157, 161, 165	0630485 ..... 211, 213	0700835 ... 223, 225, 227, 229	0861781..... 331, 333
0100062.... 109, 113, 123, 127	0641404 ... 233, 265, 267, 269, 271, 273, 275, 277, 279, 281, 283	0701019 ... 145, 149, 153, 157, 161, 165	0861880..... 287
0100081.... 175, 183, 191, 199	0641406 ... 215, 219, 271, 273, 275, 277, 279, 281, 283	0701020 ..... 59, 61	0901870..... 215, 219
0140001..... 59, 61	0641407 .... 41, 233, 349, 351, 353, 355, 357, 359, 361	0701037 ..... 209	0902773.... 178, 186, 194, 202
0140030.... 223, 225, 227, 229	0641408 ..... 84, 94	0701039 ..... 41	0902774.... 175, 183, 191, 199
0140032..... 69	0641409 ... 265, 267, 269, 271, 273, 275, 277, 279, 281, 283	0701215 ... 146, 149, 157, 161	0940049..... 72
0181847 .... 223, 225, 227, 229	0641412 . 17, 85, 95, 175, 183, 191, 199	0701217 ... 146, 149, 153, 157, 161, 165	0961948..... 15, 17
0200713.... 179, 187, 195, 203	0641415 ..... 209	0701219 ... 145, 149, 153, 157, 161, 165	0961950..... 13
0200714..... 195, 203	0641420 ... 175, 183, 191, 199	0701222 . 13, 84, 94, 108, 112, 122, 126	0961986 84, 94, 108, 112, 122, 126
0200715..... 195, 203	0641505 ... 178, 186, 194, 202	0711221 ..... 15, 17	0962031.... 178, 186, 194, 202
0200716.... 179, 187, 196, 204	0641507 ... 179, 187, 195, 203, 211, 213	0721010 ... 175, 183, 191, 199	0962356..... 194, 202
0200717..... 179, 187	0641508 ..... 41, 211, 213	0731005 ..... 59, 61	0962445..... 194, 202
0200718.... 179, 187, 196, 204	0641516 ..... 215, 219	0741010 77, 87, 102, 116	0962446.... 178, 186, 194, 202
0200719.... 179, 187, 196, 204	0641518 ..... 49, 51	0741607 ... 145, 149, 153, 157, 161, 165	0962474.... 179, 187, 195, 203
0200720..... 196, 204	0641560 ..... 49, 51	0760508 ..... 39	0962520.... 145, 149, 153, 157, 161, 165
0200721..... 196, 204	0641609 ..... 207	0760606 ... 146, 150, 154, 223, 225, 227, 229	1001091102..... 271, 273, 275, 277, 279, 281, 283
0200722..... 196, 204	0641610 ... 102, 116, 175, 183, 191, 199	0760607 84, 94, 108, 112, 122, 126	1001093382.. 77, 87, 102, 116
0200723..... 179, 187	0641611 ... 175, 183, 191, 199, 209	0760610 ... 65, 67, 72, 77, 87, 103, 117, 145, 149, 153, 157, 161, 165	1001096070..... 271, 273, 275, 277, 279, 281, 283, 287
0258011..... 35	0641612 . 77, 87, 102, 116	0760612 ..... 72	1001097150..... 287
0258012..... 35	0641676 ..... 215, 219	0760614 ..... 102, 116	1001098765..... 285
0270092..... 29	0641812 ..... 103, 117	0760618 ..... 41, 233	1001099125..... 72
0270653..... 31	0641814 . 81, 91, 105, 119	0760808 84, 94, 108, 112, 122, 126	1001099623..... 175, 183, 191, 199
0271719..... 35	0641828 ..... 43	0760810 . 41, 85, 94, 108, 112, 122, 126	1001099670..... 345
0271785..... 33	0642012 ..... 13	0760814 ... 59, 61, 77, 87, 103	1001100341..... 331
0272209.... 179, 187, 195, 203	0651414 ..... 85, 95	0761009 ..... 153, 165	1001100342..... 333
0272211 .... 179, 187, 195, 203	0681607 ... 178, 186, 194, 202	0761010 78, 88, 103, 117	1001100345..... 337
0272268..... 33	0681612 ... 178, 186, 194, 202	0761011 ..... 15, 17	1001100346..... 335
0272829..... 235	0681618 ..... 194, 202	0761014 ... 72, 78, 81, 84, 88, 91, 94, 109, 113, 117, 123, 127	1001100347..... 341
0274260..... 239	0681624 ... 178, 186, 194, 202	0761015 84, 94, 108, 112, 122, 126	1001101331.. 81, 91, 105, 119, 141
0275216..... 271, 331	0681632 ... 178, 186, 194, 202	0761016 84, 94, 108, 112, 122, 126	1001101511..... 37
0275217 ..... 273, 333	0681636 ..... 194, 202	0761018 84, 94, 108, 112, 122, 126	1001102194..... 37
0275218..... 279, 339	0681810 ..... 19	0761018 84, 94, 108, 112, 122, 126	1001102195..... 37
0275219..... 283, 343	0681813 ... 178, 186, 194, 202	0761018 84, 94, 108, 112, 122, 126	1001102196..... 37
0275452..... 277, 337	0681814 ..... 72	0761018 84, 94, 108, 112, 122, 126	1001102823..... 59, 61, 63
0275453..... 281, 341	0682014 ..... 19	0761018 84, 94, 108, 112, 122, 126	1001103012..... 290, 315
0275454..... 275, 335	0682230 ..... 41	0761018 84, 94, 108, 112, 122, 126	1001103013..... 289
0340045 84, 94, 108, 112, 122, 126	0700610 ... 59, 61, 84, 94, 108, 112, 122, 126	0761615 ..... 72	1001103070..... 179, 187, 195, 203
0363050.... 178, 186, 194, 202		0761617 77, 87, 102, 116	1001103761..... 43
		0770812 ..... 69	1001104498..... 290, 315
		0780810 ... 145, 149, 153, 157, 161, 165	1001105700..... 37
		0791408 ..... 233	1001106736..... 289
		0840052 ..... 285	1001106763..... 290
		0840056 ..... 289	1001107854..... 290, 298, 315

## SECTION 11 - SPECIAL OPTIONS/ACCESSORIES/KITS

1001108128 ..... 256, 260	1001125242..... 191, 199	1001158007..... 146, 151,	1001181330 ..... 65, 67
1001110433 ..... 72	1001125243..... 175, 183	155, 307, 309	1001181622 ..... 223, 225
1001110872 ..... 345	1001125248.. 85, 95, 109,	1001158008..... 146, 151,	1001181623 ..... 223, 225
1001112612 ..... 289	113, 123, 127	155, 307, 309	1001181625 ..... 109, 123
1001113961 ..... 327	1001125387..... 364	1001158199..... 256, 260	1001181626 ..... 227, 229
1001116208 ..... 364	1001125748..... 293, 298	1001159118..... 345, 366	1001181627 ..... 227, 229
1001116691 ..... 297	1001125773..... 293, 298	1001159119..... 345	1001181658.. 85, 95, 109,
1001116696 ..... 297	1001126008..... 291, 321	1001161497..... 108, 112,	113, 123, 127
1001116698 ..... 289	1001126009..... 291	122, 126	1001181659..... 109, 113,
1001116732 ..... 289, 290,	1001126393..... 297	1001162111..... 359	123, 127
293, 297	1001128888..... 85, 94	1001162112..... 359	1001181804 ..... 285
1001116733 ..... 289, 290,	1001129255..... 103, 117	1001162113..... 359	1001181829 ..... 109, 113,
293, 297	1001129256..... 103, 117	1001162114..... 359	123, 127, 139
1001116734 ..... 290, 291,	1001129772..... 293, 298	1001162115..... 359	1001182051 ..... 253
293, 294, 297	1001131270..... 349, 357	1001162995..... 13	1001182481 ..... 41, 366
1001116749 ..... 297	1001131391..... 103, 117	1001163178... 15, 17, 249	1001182976 ..... 85, 95
1001116752 ..... 297	1001132170..... 323	1001163179..... 15, 17	1001182977 ..... 85, 95
1001116763 ..... 298	1001132358..... 223, 225,	1001163405..... 15, 17	1001182978 ..... 85, 95
1001116774 ..... 291	227, 229	1001163418..... 59	1001182980.. 85, 95, 109,
1001116808 ..... 291, 327	1001137304..... 285	1001163580..... 13, 243	113, 123, 127
1001116810 ..... 327	1001138566..... 157, 161,	1001163715..... 15, 17	1001182981.. 85, 95, 109,
1001116811 ..... 327	165	1001163716..... 15, 17	113, 123, 127
1001116812 ..... 290	1001139654..... 364	1001164209..... 15, 17	1001182982.. 85, 95, 109,
1001116813 ..... 293, 297	1001140346..... 161, 165	1001164817..... 243	113, 123, 127
1001116816 ..... 289, 293,	1001140347..... 157	1001165035..... 108, 112,	1001182983.. 85, 95, 109,
297	1001141967..... 339, 343	122, 126	113, 123, 127
1001116926 ..... 290, 317,	1001141968..... 339	1001166729..... 211, 213	1001182984.. 85, 95, 109,
319	1001141969..... 343	1001166732..... 146, 150,	113, 123, 127
1001116930 ..... 317, 319,	1001141970..... 343	154, 158, 162, 166	1001182985 ..... 85, 95
327	1001141971..... 339	1001167055..... 215, 219	1001182987 ..... 85, 95
1001116934 ..... 325	1001143852..... 364	1001167058..... 215	1001183328 ..... 41
1001117019 ..... 289, 290	1001144295..... 327	1001167269..... 211, 213	1001183416 ..... 72
1001117023 ..... 289, 297	1001145292..... 215, 219	1001167272..... 211, 213	1001183420.. 85, 95, 109,
1001117024 ..... 294	1001146043..... 108, 112,	1001167274..... 211, 213	113, 123, 127
1001117055 ..... 294	122, 126	1001167275..... 211, 213	1001183421.. 77, 87, 102,
1001117057 ..... 290, 293,	1001146311..... 256, 260	1001167469..... 207	116
297	1001146588..... 103, 117	1001167690..... 297	1001183424.. 85, 95, 109,
1001117069 ..... 290	1001147274..... 29, 31	1001167696..... 211, 213	113, 123, 127
1001117070 ..... 293, 297	1001148648..... 146, 307	1001168018.. 84, 94, 108,	1001183427 ..... 109, 113,
1001117078 ..... 289	1001148675..... 345	112, 122, 126	123, 127
1001117372 ..... 243	1001148844..... 150, 154,	1001169054.. 84, 94, 108,	1001183428 ..... 109, 113,
1001118280.. 85, 95, 108,	162, 166	112, 122, 126	123, 127
112, 122, 126	1001148865..... 29	1001169138.. 84, 94, 108,	1001183726 ..... 150, 162
1001118511 ..... 13	1001148866..... 29	112, 122, 126	1001184064 ..... 109, 113,
1001118518 ..... 13	1001148869..... 31	1001169967.. 84, 94, 108,	123, 127
1001118519 ..... 13	1001148870..... 31	112, 122, 126	1001184065.. 77, 87, 102,
1001118538.. 84, 94, 108,	1001148902..... 370	1001170035.. 84, 94, 108,	116
112, 122, 126	1001148903..... 370	112, 122, 126	1001184066.. 85, 95, 109,
1001118539.. 84, 94, 108,	1001148904..... 370	1001170869..... 363	113, 123, 127
112, 122, 126	1001148905..... 370	1001173043..... 260	1001184162 ..... 146, 150,
1001118580 ..... 84, 94	1001148906..... 370	1001173703..... 364	154, 158, 162, 166
1001118657 ..... 293	1001149581..... 211, 213	1001174093..... 102, 116	1001184163 ..... 154, 166
1001118658 ..... 293, 297	1001149953..... 29, 31	1001174384..... 195, 203	1001184235 ..... 150, 162
1001118675.. 84, 94, 137	1001151351..... 256, 260	1001174386..... 195, 203	1001184705 ..... 297
1001118743 ..... 293	1001151393..... 65, 67	1001174387..... 195, 203	1001184716 ..... 297
1001118744 ..... 293	1001152266..... 289	1001174455..... 289, 311	1001184717 ..... 297
1001118745 ..... 293	1001152525..... 146, 307,	1001174486.. 77, 87, 102,	1001184718 ..... 297
1001118746.. 84, 94, 108,	309	116	1001184730 ..... 65, 67
112, 122, 126	1001152729..... 113, 127	1001175145..... 370	1001184768 ..... 297
1001118925 ..... 84, 94	1001154726..... 289	1001175265..... 294	1001184769 ..... 297
1001118938 ..... 291, 293,	1001155806..... 289	1001175509.. 94, 122, 126	1001184832 ..... 297
297	1001157520..... 146, 151,	1001176848..... 15, 17	1001185125.. 78, 88, 103,
1001118972 ..... 59, 61	155, 307, 309	1001177763..... 370	117
1001119020 ..... 289	1001157521..... 146, 307,	1001179200..... 41	1001185585.. 78, 88, 102,
1001119412 ..... 293	309	1001180620..... 85, 94	117
1001119929 ..... 145, 157	1001157528..... 151, 155	1001181045..... 287, 366	1001186428.. 77, 87, 103,
1001120989 ..... 364		1001181211 ..... 154, 166	117, 285

## SECTION 11 - SPECIAL OPTIONS/ACCESSORIES/KITS

1001186467.....17	1001198726 . 84, 95, 108, 112, 122, 126	1001206648 ..... 256, 260	1001213847..... 109, 113, 123, 127
1001186480.....285	1001200250..... 293	1001206689 ..... 69	1001214029.....364
1001186481.....285	1001200400 .... 179, 187, 196, 204	1001206708 ..... 149	1001214864.....253
1001186482.....285	1001200401 .... 179, 187, 195, 196, 203, 204	1001206776 ..... 265	1001214989... 65, 67, 315
1001186483.....285	1001200402 .... 179, 180, 187, 188, 195, 196, 203, 204	1001206777 ..... 267	1001215224.....211, 213
1001186484.....285	1001200412 .... 179, 187, 195, 196, 203, 204	1001206778 ..... 269	1001215255..... 65, 67
1001186826.....158, 162, 166, 303	1001200506 .... 179, 187, 196, 204	1001206779 ..... 277	1001215305..... 179, 187, 196, 204
1001186828.....162, 166, 309	1001200510 .... 179, 187, 196, 204	1001206780 ..... 281	1001215447.....363
1001186833.....109, 113, 123, 127	1001200528 .... 179, 187, 196, 204	1001206781 ..... 275	1001215543..... 109, 113, 123, 127
1001186919.....150, 162	1001201642 ..... 290	1001206782 ..... 271	1001215697.....39
1001187197.....146, 158, 307	1001202532 .... 146, 150, 158, 162	1001206783 ..... 273	1001215898.....289
1001187228.....150, 154	1001202536 .... 146, 150, 158, 162	1001206784 ..... 279	1001215968.....370
1001187232.....151, 155	1001202749 ..... 371	1001206785 ..... 283	1001215969.....370
1001187235.84, 108, 112	1001202759 ..... 154, 166	1001206832 ..... 233	1001215977.....370
1001187455 .....297	1001202760 ..... 154, 166	1001206896 ..... 61	1001216012.....349, 351, 353, 355, 357, 359, 361
1001187695 .....17	1001202764 ..... 154, 166	1001206928 .... 271, 273, 275, 277, 279, 281, 283	1001216020.....349
1001187857 .....175, 183, 191, 199, 366	1001203075 ..... 357	1001207109 ..... 61	1001216162..... 150, 154, 162, 166, 345
1001188785.....370	1001203076 ..... 361	1001207285 .... 146, 150, 154, 158, 162, 166	1001216251..... 178, 186, 194, 202
1001189773.....65, 67	1001203077 ..... 353	1001207678 ..... 349	1001216299.....357
1001190002.....65, 67	1001204140 ..... 72	1001207679 ..... 357	1001216383..... 178, 186, 194, 202
1001190270.....223, 225, 227, 229	1001204140 ..... 72	1001207680 ..... 351	1001216384..... 178, 186, 194, 202
1001190368.....15, 17	1001204236 ..... 72	1001207681 ..... 355	1001216420.....363
1001190469.....325	1001204248 ..... 72	1001207682 ..... 361	1001216421.....363
1001190471 .....325	1001204382 ..... 72	1001207683 ..... 353	1001216726.....353
1001190472.....223, 225, 227, 229	1001204606 ..... 13	1001208339 .... 146, 150, 158, 162	1001216738.....361
1001190473.....223, 225, 227, 229	1001204608 ..... 256	1001208340 .... 146, 150, 154, 158, 162, 166	1001216811.....359
1001190474.....225, 229	1001204609 ..... 260	1001208751 ..... 153	1001216866.....370
1001190545...77, 87, 366	1001204611 ..... 15	1001208752 ..... 145	1001216938.....361
1001190577 .....313	1001204612 ..... 17	1001208764 ..... 77, 87	1001216811.....359
1001190578 .....313	1001204614 ..... 49	1001208874 . 77, 87, 102, 116	1001217026.....359
1001190609...77, 87, 135	1001204615 ..... 51	1001209181 .... 179, 187, 317	1001217067.....355
1001191139.....39	1001204617 ..... 59	1001209182 .... 179, 187, 195, 203	1001217085..... 178, 186, 194, 202, 247
1001191146 .....77, 87	1001204618 ..... 61	1001209183 .... 179, 187, 195, 203	1001217108..... 41, 45
1001191325 .....43	1001204618 ..... 61	1001209208 ..... 72	1001217291..... 105, 119
1001191395 .....371	1001204695 ..... 72	1001209589 ..... 49, 53	1001218727..... 72
1001191599.....289, 290, 291, 293, 294, 297	1001205638 ..... 213	1001209619 ..... 291	1001218729..... 72
1001192401 .....289	1001205640 ..... 211	1001210080 .... 195, 203, 319	1001219802..... 72
1001192853.....349, 355, 359	1001205642 .... 211, 213	1001210278 ..... 211, 213	1001219882..... 72
1001193336.....59	1001205643 .... 211, 213	1001210645 ..... 154, 166	1001220010..... 179, 187
1001194115 .....233	1001205765 .... 211, 213	1001210708 .... 109, 113, 123, 127	1001220020..... 179, 187
1001194221 .....325	1001205896 .... 211, 213	1001210754 ..... 67	1001220030..... 195, 203
1001194378.....256, 260	1001205968 . 85, 95, 109, 113, 123, 127	1001210755 ..... 65	1001220040..... 195, 203
1001194381 .....256, 260	1001205973 .... 105, 108, 112	1001212223 .... 145, 149, 153	1001220081..... 175
1001194383.....256, 260	1001205979 ..... 51, 55	1001213010 ..... 113, 127	1001220082..... 175, 178
1001194384.....253	1001206009 ..... 219	1001213495 ..... 215, 219	1001220083..... 191
1001194385.....253	1001206025 ..... 216, 220	1001213672 ..... 256, 260	1001220084..... 191, 194
1001194386.....253	1001206032 ..... 102	1001213673 ..... 256, 260	1001220085..... 183
1001194387 .....253	1001206034 ..... 77	1001213674 ..... 256, 260	1001220087..... 183, 186
1001194388 .....253	1001206049 ..... 102, 105	1001213676 ..... 256, 260	1001220088..... 199
1001194421.....325	1001206065 ..... 215	1001213677 ..... 256, 260	1001220089..... 199, 202
1001194836..77, 87, 102, 117	1001206097 ..... 219	1001213678 ..... 256	1001220957.. 84, 95, 108, 112, 122, 126
1001195123 .....327	1001206182 ..... 211	1001213679 ..... 256, 260	1001220959.. 85, 95, 108, 113, 122, 127
1001195517 .....309	1001206190 ..... 215	1001213680 ..... 256, 260	1001221687..... 65, 67
1001195600..85, 95, 109, 113, 123, 127	1001206575 ..... 371	1001213681 ..... 257, 261	1001222169..... 65, 67
1001195684 .....293	1001206579 ..... 371	1001213684 ..... 256, 260	1001223055..... 349
	1001206580 ..... 371		1001223282.....371
			1001223432.....293
			1001223453..... 349, 357

## SECTION 11 - SPECIAL OPTIONS/ACCESSORIES/KITS

1001223459.....	297	1001236230.....	223, 225, 227, 229, 325	1001258392.....	73	1001293776.....	371
1001223646.....	233	1001236266.....	223	1001258394.....	72	1001294764.....	364
1001223795.....	293	1001236267.....	227	1001258446.....	223, 227, 366	1001294815.....	364
1001223796.....	293	1001236351.....	67	1001262561.....	371	1001296277.....	41, 43
1001223971.....	357	1001236352.....	65	1001262941.....	103, 117	1001296278.....	41
1001224048.....	359	1001236442.....	146, 150, 154, 301	1001262947.....	113, 127	1001296721.....	207
1001224049.....	361	1001236444.....	158, 162, 166, 305	1001263476.....	363	1001297017.....	41, 311
1001224050.....	355	1001236545.....	78, 88, 293	1001264307.....	363	1001299769.....	103, 117
1001224052.....	353	1001236546.....	103, 117, 297	1001264308.....	363	1001300357.....	102, 116
1001224493.....	108, 122, 129	1001236560.....	225, 229, 366	1001264334.....	363	1001308688.....	291, 321
1001225257.....	72	1001236784.....	371	1001265374.....	370	1060343.....	150, 154
1001225258.....	72	1001236869.....	370	1001265379.....	370	1060379.....	215, 219, 239
1001225420.....	102, 117, 366	1001236881.....	364	1001266742.....	43, 245	1060494.....	150, 154, 309
1001225421.....	103, 117	1001237255.....	370	1001269839.....	363	1060708.....	150, 154, 309
1001225610.....	87	1001237292.....	203	1001269840.....	363	1060808.....	215, 219
1001225626.....	116	1001237293.....	187	1001269841.....	363	1060866.....	179
1001225627.....	116, 119	1001237453.....	41	1001269842.....	363	1060907.....	195
1001225628.....	119, 122, 126	1001237464.....	41, 253	1001272663.....	85, 95	1060908.....	287
1001226221.....	72	1001237754.....	223, 227	1001272948.....	85, 95	1060929.....	178, 186, 194, 202
1001226420.....	109, 113, 123, 127	1001237907.....	72	1001272950.....	85, 95	1061020.....	209
1001226421.....	65, 67, 223, 225, 227, 229	1001237908.....	72	1001273101.....	85, 95	1061021.....	209
1001226830.....	209, 323	1001237915.....	253	1001274101.....	103, 117	10702077.....	146, 151, 155, 307, 309
1001226834.....	233	1001237916.....	253	1001274140.....	85, 95	10702082.....	146, 151, 155, 307, 309
1001226911.....	209	1001238471.....	72	1001274390.....	371	1120555.....	239
1001227285.....	85, 95, 109, 113, 123, 127	1001238484.....	371	1001274559.....	65, 67, 223, 225, 227, 229	1180371.....	179, 187, 195, 203
1001227831.....	371	1001238626.....	175, 183, 191, 199	1001276919.....	370	1180372.....	179, 187, 195, 203
1001227832.....	371	1001238770.....	84, 95, 97	1001276923.....	370	1320043.....	85, 94
1001227833.....	371	1001238771.....	81, 84	1001281298.....	169, 171	1320061.....	102, 116
1001227834.....	371	1001238772.....	77, 81	1001281302.....	169, 171	1320220.....	102, 116
1001227835.....	370	1001238773.....	91, 94	1001281309.....	169	1320224.....	265, 267, 269, 271, 273, 275, 277, 279, 281, 283
1001227836.....	371	1001238774.....	87, 91	1001281311.....	169	1320265.....	77, 87, 102, 116
1001227837.....	371	1001239088.....	253	1001281359.....	169, 171	1321692.....	150, 154
1001227838.....	371	1001239200.....	81, 91	1001281360.....	169, 171	134006985.....	95, 108, 112, 122, 126
1001229316.....	371	1001239222.....	72	1001282163.....	161	1440331.....	178, 186, 194, 202
1001230006.....	285	1001239226.....	371	1001283490.....	165	1580023.....	239
1001230007.....	285	1001239350.....	209	1001283491.....	157	1580024.....	239
1001230488.....	293	1001241363.....	225	1001283871.....	289	1600387.....	209, 366
1001230504.....	370	1001241364.....	229	1001286662.....	371	1600402.....	366
1001231195.....	59, 61	1001241633.....	370	1001286948.....	19, 27	1670988.....	233, 265, 267, 269, 271, 273, 275, 277, 279, 281, 283
1001231801.....	363	1001243186.....	370	1001286954.....	19	1670995.....	178, 186, 194, 202
1001231858.....	371	1001243580.....	370	1001287779.....	370	1671092.....	151, 155
1001233320.....	371	1001243600.....	371	1001287780.....	370	1671207.....	329
1001233631.....	370	1001243778.....	311	1001288350.....	112, 126, 133	1684290.....	243
1001233817.....	370	1001244937.....	146, 158	1001288395.....	103, 117	1700818.....	363
1001234069.....	78, 88, 103, 117	1001244939.....	146, 158	1001290239.....	169, 171	1701214.....	363
1001234102.....	370	1001246392.....	239	1001290240.....	169, 171	1701505.....	363
1001234574.....	371	1001246395.....	239	1001290241.....	169, 171	1701509.....	349, 351, 353, 355, 357, 359, 361
1001234735.....	65, 67, 366	1001246528.....	370	1001290244.....	169, 171	1701542.....	363
1001234736.....	291, 366	1001247539.....	370	1001290246.....	169, 171	1701785.....	363
1001234830.....	371	1001247682.....	223, 225, 227, 229, 231	1001290247.....	171	1702720.....	363
1001234950.....	85, 95	1001247788.....	370	1001290257.....	169, 171	1702773.....	363
1001235098.....	233, 366	1001249122.....	113, 127	1001290258.....	169, 171	170316284.....	94, 108, 112, 122, 126
1001235702.....	371	1001249123.....	113, 127	1001290378.....	169, 171	1703464.....	265
1001235922.....	223, 225, 227, 229	1001253708.....	370	1001290381.....	169, 171		
1001236021.....	370	1001254492.....	370	1001290384.....	169, 171		
1001236154.....	65, 67, 313	1001255529.....	113, 127	1001291576.....	169		
1001236163.....	233, 327	1001257454.....	72	1001291577.....	169		
1001236199.....	225, 229	1001258390.....	72	1001291578.....	171		
		1001258391.....	72	1001291579.....	171		
				1001292999.....	371		
				1001293077.....	150, 154, 162, 166		
				1001293729.....	370		
				1001293764.....	43		

## SECTION 11 - SPECIAL OPTIONS/ACCESSORIES/KITS

1703493.....349, 351, 353, 355, 357, 359, 361	1706060 ..... 363	2560172 ..... 215, 219	3300353.....41
1703687.....349, 351, 353, 355, 357, 359, 361	1706061 ..... 364	2560176 ..... 215, 219	3300396....146, 150, 154, 307, 309
1703811.....349, 351, 353, 355, 357, 359, 361	1706063 ..... 364	2600216 ..... 72	3300408.77, 87, 102, 116
1703812.....349, 351, 353, 355, 357, 359, 361	1706064 ..... 364	2600285 ..... 215, 219	3300432.....215, 219
1703814.....349, 351, 353, 355, 357, 359, 361	1706098 ..... 363	2700100 ..... 239	3300467.....215, 219
1703816.....349	1706338 ..... 351	2720058 ..... 77, 87	3310805.....41
1703818.....349	2080040 ..... 215, 219	2720271 ..... 77, 87	3311001....146, 150, 154, 307, 309
1703819....223, 225, 227, 229, 349, 351, 353, 355, 357, 359, 361	2080057 ... 349, 351, 353, 355, 357, 359, 361	2720611 ..... 102, 116	3311005....145, 149, 153, 157, 161, 165, 175, 183, 191, 199
1703821.....349	2080063 .... 215, 219, 235	2753791 ..... 256, 260	3311401.....233
1703822....349, 351, 353, 355, 357, 359, 361	2080064 ..... 215, 219	2753970 ..... 256, 260	3311405..17, 84, 94, 149, 153, 161, 165, 175, 183, 191, 199, 209,
1703823.....349	2110808 ..... 256, 260	2754244 ..... 256, 260	215, 219, 233, 265, 267, 269, 271, 273, 275, 277, 279, 281, 283, 349, 351, 353, 355, 357, 359, 361
1704271.....363	2110810 ..... 256, 260	2755023 ..... 257, 261	3311501.....49, 51, 72
1704277....349, 351, 353, 355, 357, 359, 361	2110812 ..... 256, 260	2780267 ..... 19, 23	3311502.....72
1704412....349, 351, 353, 355, 357, 359, 361	2111216 ..... 256, 260	2780268 ..... 19, 21	3311505....179, 187, 195, 203, 211, 213, 215, 219
1704432.....349	2130808 ..... 256, 260	2820031 ..... 327	3311601.....211, 213
1704607.....355	2130812 ..... 256, 260	2860030 ..... 65, 67, 366	331160577, 87, 102, 116, 175, 183, 191, 199, 207, 209
1704684.....357	2131216 ..... 256, 260	2900756 .... 57, 178, 186, 195, 203	3311801.....19, 103, 117
1704686.....357	2180348.77, 87, 102, 116	2902266 ..... 243	3311805.....43
1704687.....357	2180387 ..... 102, 116	2902431 ... 149, 153, 161, 165, 265, 329	3321401.....85, 95
1704690.....363	2180389 ..... 102, 116	2902498 ..... 351	332140284, 94, 178, 186, 194, 202
1704691.....361	2180418 ..... 102, 116	2920029 ..... 65, 67	3340612.....215, 219
1704693.....361	2180666 ..... 77, 87	2940074 .... 215, 219, 366	3340929....179, 187, 195, 203
1704694.....361	2220237 ..... 256, 260	2940127 ..... 215, 219	3340935....175, 183, 191, 199
1704697.....363	2220238 ..... 256, 260	3250028 ..... 65, 67	3340937.....215, 219
1704698.....363	2220290 ..... 102, 116	3252507 ... 267, 269, 273, 275, 277, 279, 281, 283	3421453.....215, 219
1704699.....353	2220371 .... 43, 253, 256, 260	3271605 ... 178, 186, 194, 202	3421565.....215, 219
1704701.....353	2220373 .... 43, 178, 186, 194, 202, 253, 256, 260	3271805 .... 72, 178, 186, 194, 202	3422219....215, 219, 239
1704702.....353	2220408 ..... 256, 260	3272205 ..... 41	3422592.....13
1704885.....363	2220415 ..... 256, 260	329040565, 67, 149, 153, 161, 165, 223, 225, 227, 229, 265, 267, 271, 273, 275, 277, 279, 281, 283	3422669.77, 87, 102, 116
1704972.....363	2220435 ..... 256, 260	3290505 ..... 39, 72	3422938.....209
1705019....349, 351, 353, 355, 357, 359, 361	2220451 ..... 256, 260	3290601 ..... 41, 215, 219	3422943....178, 186, 194, 202, 209
1705034.....363	2220466 ..... 256, 260	3290605 ... 59, 61, 65, 67, 72, 77, 84, 87, 94, 102, 108, 112, 116, 122, 126, 145, 149, 153, 157, 161, 165, 223, 225, 227, 229, 233	3422944....178, 186, 194, 202
1705035.....363	2220472 ..... 257, 261	3290805 ... 41, 59, 61, 69, 77, 84, 87, 94, 102, 108, 112, 116, 122, 126, 145, 149, 153, 157, 161, 165, 223, 225, 227, 229	3422945....178, 186, 194, 202
1705036.....363	2220473 ..... 256, 260	329100184, 94, 108, 112, 122, 126	3422946....178, 186, 194, 202
1705037.....363	2220479 ..... 256, 260	3291005 ... 41, 59, 61, 72, 78, 84, 88, 94, 103, 108, 112, 117, 122, 126, 209	3422948.....194, 202
1705040.....357	2220497 ..... 256, 260	329120184, 94, 108, 112, 122, 126, 145, 149, 153, 157, 161, 165	3422954.....178, 186
1705041.....361	2220500 .... 253, 256, 260	3291605 .72, 77, 87, 102, 116	3422961....175, 183, 191, 199
1705043.....353	2220502 ..... 257, 261	3300048 ... 265, 267, 269, 271, 273, 275, 277, 279, 281, 283	3422963....175, 183, 191, 199
1705193.....355	2220577 ..... 256, 260	3300106 ..... 19	3422964.....194, 202
1705194.....355	2220578 ..... 256, 260		3422965....178, 186, 194, 202
1705195.....355	2220582 ..... 256, 260		3423304.....15, 17
1705303.....357	2220596 ..... 253		3450304....178, 186, 194, 202
1705311.....357	2220600 ..... 253		
1705316.....361	2220602 ..... 256, 260		
1705318.....353	2220883 .43, 53, 55, 178, 186, 194, 202, 243, 247		
1705325.....271	2220885 ..... 53, 55, 247		
1705372.....351	2220886 ..... 247		
1705637.....235	2220887 ..... 247		
1705671.....351	2220888 ..... 247		
1705679....349, 357, 359, 361	2221036 ..... 256, 260		
1705727.....353	2221040 ... 256, 257, 260, 261		
1705943.....355	2221042 ... 178, 186, 194, 202		
1705944.....355	2221050 ..... 257, 260		
1705997.....239	2221081 ..... 256, 260		
1706059.....363	2221086 ..... 257, 261		
	2221176 ..... 102, 116		
	2400044.77, 87, 102, 116		
	2420172 ..... 65, 67		
	2560088 ..... 215, 219		
	2560141 ... 223, 225, 227, 229		

## SECTION 11 - SPECIAL OPTIONS/ACCESSORIES/KITS

3450405 ... 178, 186, 194, 202	4032014 ... 145, 149, 153, 157, 161, 165	4460267.....291, 325	4460894 .... 290, 311, 325
3460334 ..... 239	4032016 ..... 153, 165	4460268.....301, 305, 313	4460897 ..... 69, 179, 187, 195, 203, 290
3520026 ..... 65, 67	4060802 65, 67, 145, 149, 153, 157, 161, 165, 223, 225, 227, 229	4460294..... 157, 323	4460905 ..... 327
3520034 ..... 223, 227	4060803 ..... 72	4460315.... 149, 153, 161, 165, 265, 345	4460917 ..... 323
3520072 ..... 215, 219	4160116 ..... 43	4460346.....329	4460918 ..... 327
3537609 ..... 216, 220	4240003 ..... 239	4460422.... 265, 267, 269, 271, 273, 275, 277, 279, 281, 283	4460928 ..... 313, 327
3571862 ..... 216, 220	4240017 ... 145, 149, 153, 157, 161, 165	4460425..... 150, 155, 309	4460929 ..... 323
3573370 ... 178, 186, 194, 202	4240018 78, 88, 103, 117, 175, 183, 191, 199	4460426.... 146, 151, 155, 307, 309	4460930 ..... 290
3573440 ..... 102, 116	4240032 ..... 39	4460434.....313	4460933 ..... 289, 323
3573472 ..... 216, 220	4240033 ... 178, 186, 194, 202, 209, 233	4460464..... 69, 179, 187, 195, 203, 289, 290, 293, 297, 303, 315, 317, 319, 325, 327	4460934 ..... 311
3580317 ... 145, 149, 153, 157, 161, 165	4280295 ... 178, 186, 195, 203	4460465..... 39, 179, 187, 195, 203, 289, 290, 293, 294, 297, 301, 303, 305, 311, 317, 319, 323, 325, 327	4460935 ..... 311
3580318 ... 145, 149, 153, 157, 161, 165	4340853 ..... 239	4460466.... 289, 290, 293, 294, 297, 303, 305, 311, 315, 317, 319, 323, 325, 327	4460939 ..... 315
3641452 ..... 215, 219	4340854 ..... 239	4460467..... 371	4460941 ..... 293
3740080 78, 88, 103, 117, 291, 366	4360070 65, 67, 146, 150, 155, 307, 309, 366	4460470.... 223, 225, 227, 229	4460942 ..... 289, 293
3760170 .... 215, 219, 239	4360387 65, 67, 223, 225, 227, 229, 366	4460471.... 223, 225, 227, 229	4460943 ... 289, 297, 315, 317, 319
3760257 ..... 211, 213	4360469 ..... 65, 67, 366	4460483..... 39, 179, 187, 195, 203, 289, 290, 293, 294, 297, 301, 303, 305, 311, 317, 319, 323, 325, 327	4460944 ... 289, 290, 317, 319, 323
3760348 ..... 43	4360475 65, 67, 223, 225, 227, 229, 366	4460488..... 39	4460945 ..... 289
3790152 81, 91, 105, 119	4360482 ... 145, 149, 153, 157, 161, 165, 227, 229, 367	4460499.... 179, 187, 195, 203	4460956 ..... 287
3820020 77, 88, 103, 117, 216, 220	4360483 ... 223, 225, 227, 229, 367	4460508.... 317, 319, 327	4460957 ..... 287
3841143 ... 15, 17, 77, 87, 102, 116, 175, 178, 183, 186, 191, 194, 199, 202, 209	4360500 ... 175, 183, 191, 199, 366	4460509.... 290, 317, 319, 327	4460958 ..... 345
3841203 ... 178, 186, 194, 202	4360518 ..... 43	4460510..... 371	4460963 ..... 151, 155
3841258 ..... 13	4360524 ..... 65, 67, 366	4460518.... 291, 313, 323, 327	4460967 ..... 290, 303
3841556 ... 178, 186, 194, 202	4360525 ... 223, 225, 227, 229, 367	4460536..... 303	4460968 ... 271, 273, 275, 277, 281
3841564 ..... 43	4400275 ..... 116	4460539..... 290, 311	4460970 ..... 293, 297
3860102 ..... 194, 202	4400420 ..... 116	4460608..... 297	44611054 ..... 297
3860111 ..... 103, 117	4400498 ..... 130	4460612..... 345	4461118 ..... 298
3900300 ..... 65, 67	4420051 ..... 41, 363	4460662..... 329	4461124 ..... 297
3900318 .... 215, 219, 235	4420062 ..... 239	4460746..... 294	4461196 ..... 331
3900319 ..... 215, 219	4420067 ... 349, 351, 353, 355, 357, 359, 361	4460761.... 291, 323, 325	4461198 ..... 331
3900323 ..... 215, 219	4420076 ... 223, 225, 227, 229	4460807..... 305	4461199 ..... 333
3900355 ..... 239	4460019 ..... 291	4460808..... 301, 305	4461201 ..... 333
3910608 ..... 345	4460042 ..... 293	4460812..... 289	4461205 ... 337, 339, 341, 343
3911428 ..... 215, 219	4460043 ..... 301	4460814..... 289	4461244 ..... 337
3930820 ..... 41	4460051 ..... 327	4460836.... 290, 311, 323	4461245 ..... 341
3931010 ..... 215, 219	4460068 ... 146, 150, 154, 307, 309	4460837 ..... 289	4461246 ..... 335
3931016 ... 145, 149, 153, 157, 161, 165	4460071 ..... 267	4460851..... 290, 311	4461249 ..... 335
3931412 ..... 239	4460115 ..... 313, 315	4460852..... 289, 311	4461257 ..... 279, 283
3931436 ..... 215, 219	4460138 ..... 265	4460871..... 327	4461258 ..... 279, 283
3931508 ..... 239	4460142 ..... 293	4460873..... 327	4461271 ..... 327
3940804 ... 149, 153, 161, 165	4460144 ..... 313	4460874..... 327	4520216 ..... 29
3960526 ..... 19	4460183 ..... 325	4460876..... 327	4520217 ..... 35
3990010 ..... 290	4460224 ..... 157	4460879..... 327	4520240 ..... 31
4010403 ..... 65, 67	4460225 ... 301, 305, 313	4460884..... 290, 294	4520262 ..... 33
4010405 ..... 65, 67	4460247 ..... 293	4460891..... 39, 179, 187, 195, 203, 290, 293, 297, 311, 327	4520608 ..... 37
4010408 ... 149, 153, 161, 165, 265, 267, 271, 273, 275, 277, 279, 281, 283	4460256 ..... 291, 321	4460892.... 289, 311, 325	4530028 ..... 237
4010412 ..... 65, 67	4460259 ..... 290, 313	4460893..... 293	4568295 ..... 209
4031507 ..... 65, 67	4460260 ..... 290, 313		4640858 ..... 243
4031509 ... 223, 225, 227, 229	4460265 ..... 325		4641122 ... 29, 31, 33, 37
4031908 ..... 153, 165			4641193 ... 178, 186, 195, 203

## SECTION 11 - SPECIAL OPTIONS/ACCESSORIES/KITS

215, 219, 233, 239, 265, 267, 269, 271, 273, 275, 277, 279, 281, 283, 349, 351, 353, 355, 357, 359, 361	4871700 .... 146, 150, 154 489160081, 91, 146, 150, 154, 157, 161, 165 4891800 ... 19, 72, 81, 91, 105, 119 4892000 ..... 19 4892200 ..... 41 5240600 . 72, 84, 94, 109, 113, 123, 127, 233 5241000 ... 77, 84, 87, 94, 102, 108, 112, 116, 122, 126, 145, 149, 153, 157, 161, 165 5241200 ... 13, 15, 17, 84, 94, 108, 112, 122, 126, 145, 149, 153, 157, 161, 165 5251012 ..... 13 5272011 ... 145, 149, 157, 161 5272012 ... 145, 149, 153, 157, 161, 165 70000082 ..... 231 70000084 ..... 231 70000619 .. 145, 149, 153 70000683 ..... 231 70000684 ..... 231 70000685 ..... 231 70000686 ..... 231 70000863 .. 145, 149, 154 70001100 .. 145, 149, 153 70001250 ..... 231 70001251 ..... 231 70001252 ..... 231 70001253 ..... 231 70001349 ..... 21, 23 70001384 .. 145, 149, 154 70001933 ..... 137 70001958 ..... 142 70001959 ..... 63 70001960 ..... 63, 366 70001965 ..... 43, 45, 366 70001966 . 145, 150, 154, 157, 161, 165 70001967 . 179, 187, 195, 203, 366 70001973 .. 146, 150, 154 70001974 .. 146, 150, 154 7000206 ..... 21, 23 70002112 ..... 63 70002113 ..... 63, 366 70002132 ..... 141, 142 70002133 ..... 141 70002134 ..... 141 70002135 ..... 141 70002136 ..... 141 70002137 ..... 141 70002138 ..... 141 70002139 ..... 141 70002140 ..... 141 70002141 ..... 141 70002142 ..... 141 70002143 ..... 141 70002144 ..... 141 70002145 ..... 141 70002146 ..... 141 70002147 ..... 141	70002148 ..... 141 70002149 ..... 141 70002150 ..... 141 70002151 ..... 141 70002152 ..... 141 70002153 ..... 141 70002154 ..... 141 70002155 ..... 141 70002156 ..... 141 70002157 ..... 141 70002158 ..... 141 70002159 ..... 141 70002160 ..... 141 70002161 ..... 141 70002162 ..... 141 70002163 ..... 141 70002164 ..... 141 70002165 ..... 141, 142 70002166 ..... 141 70002167 ..... 141 70002168 ..... 141 70002169 ..... 142 70002170 ..... 142 70002172 ..... 142 70002174 ..... 142 70002175 ..... 142 70002176 ..... 142 70002177 ..... 142 70002178 ..... 142 70002179 ..... 142 70002180 ..... 142 70002181 ..... 142 70002182 ..... 142 70002185 ..... 142 70002186 ..... 142 70002187 ..... 142 70002188 ..... 142 70002189 ..... 142 70002190 ..... 142 70002191 ..... 142 70002192 ..... 142 7000229 ..... 21, 23 70002291 .. 146, 150, 154 70002297 .. 145, 150, 154 7000230 ..... 21, 23 70002315 ..... 97 70002316 ..... 97 70002317 ..... 97 70002318 ..... 97, 129 70002319 ..... 97 7000232 ..... 21, 23 70002320 ..... 97 70002321 ..... 97 70002322 ..... 97 70002323 ..... 97 70002326 ..... 98, 130 70002327 ..... 98 70002328 ..... 98 70002330 ..... 98 70002419 ..... 97 7000246 ..... 21, 23 70002460 .. 146, 150, 154 7000248 ..... 21, 23 7000253 ..... 21, 23 7000257 ..... 21, 23 7000258 ..... 21, 23 7000261 ..... 21, 23	7000262 ..... 21, 23 7000263 ..... 21, 23 70002768 ..... 63 70002842 ..... 243 70002861 ..... 105, 119 70002901 ..... 135 70002963 ..... 53, 55, 366 70003024 ..... 53, 55 70003060 ..... 97 70003061 ..... 97 70003063 ..... 98 70003064 ..... 98 70003631 .. 145, 150, 154 70003708 .. 145, 150, 154, 157, 161, 165 70003709 .. 145, 150, 154, 157, 161, 165 70003789 ..... 41, 366 70003821 ..... 245 70003822 ..... 245 70003823 ..... 245 70003825 ..... 245 70003935 ..... 57 70003936 ..... 57 70003977 ..... 53, 55 70004069 ..... 135 70004070 ..... 135 70004092 .. 145, 150, 154, 157, 161, 166 70004094 .. 145, 150, 154 70004098 .. 146, 150, 154, 162, 166 70004099 .. 145, 150, 154, 157, 161, 166 70004294 ..... 129 70004295 ..... 129 70004296 ..... 129 70004306 ..... 129 70004311 ..... 97, 129 70004395 ..... 97, 366 70004396 ..... 97 70004397 ..... 97 70004398 ..... 97 70004399 ..... 97 70004401 ..... 130 70004415 ..... 98 70004524 ..... 97, 129 70004525 ..... 97, 129 70004526 ..... 97, 129 70004530 ..... 97 70004531 ..... 97 70004536 ..... 97 70004537 ..... 97, 130 70004538 ..... 97, 129 70004539 ..... 97 70004540 ..... 97 70004544 ..... 97 70004557 ..... 129 70004558 ..... 129 70004580 ..... 53, 55 70004676 ... 157, 161, 166 70004678 ... 157, 162, 166 70004679 ... 157, 162, 166 70004680 ... 157, 162, 166 70004681 ..... 157 70004682 ... 157, 162, 166 70004683 ..... 157
---	--	--	--



## SECTION 11 - SPECIAL OPTIONS/ACCESSORIES/KITS

70004685 .....	162, 166	70005748 .....	130	7007207 .....	141	7023148 .....	98
70004686 .....	157	70005749 .....	130	7007415 .....	142	7023149 .....	98
70004687 .....	162, 166	70005750 .....	130	7007418 .....	141	7023154 .....	97
70004794 .....	59, 61	70005751 .....	130	7007419 .....	141	7023164 .....	97
70004829 .....	98, 129	70005752 .....	130	7007446 .....	141	7023165 .....	97
70004831 .....	129	70005753 .....	130	7007601 .....	21, 23	7023167 .....	97
70004834 .....	129	70005754 .....	130	7007640 .....	21, 23	7023168 .....	97
70004848 .....	129	70005755 .....	130	7010429 .....	21, 23	7023170 .....	98, 130
70004851 .....	130	70005756 .....	130	7012518 .....	41	7023306 .....	63
70004853 .....	130	70005757 .....	130	7012925 .....	179, 187, 195, 203	7023347 .....	63
70004854 .....	130	70005758 .....	130, 366	701500485, 95, 108, 112, 122, 126, 366		7023900 .....	53, 55
70004883 .....	53, 55	70005759 .....	130	701500585, 95, 108, 112, 122, 126		7023904 .....	41
70004912 .....	130	70005760 .....	130	7016654 .....	371	7023917 .....	57
70004913 .....	130	70005761 .....	130	7017059 .....	21, 23	7023919... ..	179, 187, 195, 203
70005069 .....	53, 55	70005762 .....	130	7017067 .....	21, 23	7023923... ..	179, 187, 195, 203
70005073 .....	53, 55	70005763 .....	130	7017070 .....	21, 23	7023929 .....	81, 91
70005100 .....	53, 55	70005764 .....	130	7017080 .....	21, 23	7023933 .....	57
70005150 .....	249	70005765 .....	130	7017451 .....	179, 187, 195, 203, 366	7023936 .....	53, 55
70005151 .....	249	70005766 .....	130	7017496 .....	178, 186, 195, 203	7023964 .....	142
70005152 .....	249	70005767 .....	130	7017901 .....	98	7024182 .....	23, 24
70005153 .....	249	70005768 .....	130	7017906 .....	129	7024189 .....	24
70005154 .....	249	70005769 .....	130	7017914 .....	129	7024190 .....	24
70005165 .....	53, 55	70006093 ..	145, 150, 154	7017922 .....	97	7024191 .....	24
70005167 .....	53, 55	70006094 ..	145, 150, 154	7017928 .....	97	7024192 .....	24
70005220 .....	97	70006095 ..	146, 150, 154, 366	7017934 .....	97, 129	7024193 .....	24
70005221 .....	97	70006096 ..	146, 150, 154	7017945 .....	97	7024194 .....	24
70005222 .....	97	70006097 ..	146, 150, 154	7017958 .....	98	7024196 .....	24
70005223 .....	97	70006284 .....	247	7017959 .....	129	7024197 .....	24
70005224 .....	97	70006285 .....	247	7017963 .....	98	7024441 .....	63
70005226 .....	98	70006286 .....	247	7017980 .....	129, 366	7024446 .....	63
70005227 .....	98	70006287 .....	247	7017982 .....	129	7024462 .....	237
70005228 .....	97	70006288 .....	247	7017983 .....	129	7024463 .....	237
70005229 .....	98, 130	70006289 .....	247	7017984 .....	129	7024467 .....	237
70005293 .....	135	70006290 .....	247	7017986 .....	129	7024469 .....	237
70005294 .....	135	70006292 .....	45	7017992 .....	98, 129, 366	7024470 .....	237
70005295 .....	135	70006552 ..	157, 161, 165	7017994 .....	130	7024471 .....	237
70005296 .....	135, 366	70006553 ..	157, 161, 165	7017995 .....	129	7024472 .....	237
70005297 .....	135	70006661 .....	97, 129	7019602 .....	178, 186, 194, 202	7024473 .....	237
70005327 .....	130	70006662 .....	129	702017565, 67, 223, 225, 227, 229		7024474 .....	237
70005329 .....	129	70006664 .....	98	702017665, 67, 223, 225, 227, 229		7024475 .....	237
70005448 .....	53, 55	70006665 .....	97	7020218 .....	178, 186, 194, 202	7024478 .....	237
70005449 .....	53, 55	70006737 .....	41	7020219 .....	178, 186, 194, 202	7024488 ....	145, 149, 153
70005453 .....	137	70006738 .....	41	7021256 .....	142	7024489 ....	145, 149, 153
70005454 .....	139	7000731 .....	24	7021275 .....	141	7024497 .....	43, 45
70005455 .....	139	70007439 .....	142	7021625 .....	57	7024498 .....	45
70005723 .....	53, 55	70007502 .....	84, 95, 108, 112, 122, 126	7021639 .....	57	7024500 .....	45
70005724 .....	53, 55	70007506 .....	231	7022301 .....	141	7024502 .....	43, 45
70005726 .....	129	70008630 .....	245	7022340 .....	142	7024503 .....	45
70005727 .....	129	70008631 .....	245	7022390 .....	53, 55	7024504 .....	45
70005728 .....	129	70008632 .....	245	7022397 .....	57	7024505 .....	45
70005729 .....	129	70008633 .....	245	7022398 .....	53, 55	7024506 .....	43, 45
70005730 .....	129	70008634 .....	245	7022399 .....	53, 55, 57	7024507 .....	45
70005731 .....	129	70010383 .....	77, 87, 102, 116, 366	7023107 .....	129	7024705 .....	23
70005732 .....	129	7001998 .....	21, 23	7023124 .....	98	7024712 .....	21, 23
70005733 .....	129	70023101 .....	245	7023140 .....	97	7024713 .....	21, 23
70005734 .....	129	70025619 .....	245	7023144 .....	97	7024714 .....	21, 23
70005735 .....	129	70027088 .....	245	7023145 .....	98	7024715 .....	21, 23
70005736 .....	129	7002821 .....	371			7024716 .....	21, 23
70005737 .....	129	7002822 .....	371			7024717 .....	23
70005738 .....	129	7002823 .....	371			7024718 .....	24
70005739 .....	129	7002828 .....	372			7024829 ...	179, 187, 195, 203
70005740 .....	129	7004275 .....	371			7024881 .....	57
70005743 .....	129	7004276 .....	371			7025479 .....	97
70005744 .....	129	70050516 .....	53, 55, 366			7026597 ....	146, 150, 154

## SECTION 11 - SPECIAL OPTIONS/ACCESSORIES/KITS

7026626.....	146, 150, 154	7027778 .....	237	8303511	77, 87, 102, 116	8405201.....	113, 127
7027365.....	231	7027779 .....	237	8310382 ...	175, 183, 191,	8406302.....	153, 165
7027367.....	231	7027780 .....	237		199	8410013.....	109, 123
7027765.....	231	7027799 ....	146, 150, 154	83191040 .....	105, 119	85941016.....	84, 94, 108,
7027766.....	231	77363233.....	301, 305	8405009 ...	108, 112, 122,		112, 122, 126
7027773.....	237	80463053 .....	351		126	8750014.....	77, 87
7027774.....	237	8220007 .....	289	840510184, 94, 108, 112,		8760351.....	256, 260
7027775.....	237	8220022 ...	146, 151, 155,		122, 126	8786514.....	35
7027776.....	237		307	840510484, 94, 108, 112,		88521205.....	78, 88, 102,
7027777.....	237	8220164 .....	293, 297		122, 126		116





**Corporate Office  
JLG Industries, Inc.  
1 JLG Drive  
McConnellsburg, PA 17233-9533 USA  
☎ (717) 485-5161 (Corporate)  
☎ (877) 554-5438 (Customer Support)  
📠 (717) 485-6417**

**Visit our website for JLG Worldwide Locations.  
[www.jlg.com](http://www.jlg.com)**



**OSHKOSH™**