



Illustrated Parts Manual

**Model
ES1330L**

**PVC
2304**

**P/N
31221555
March 30, 2024 - Rev D**

ANSI

CE



**UK
CA**

AS/NZS



An Oshkosh Corporation Company

REVISION LOG

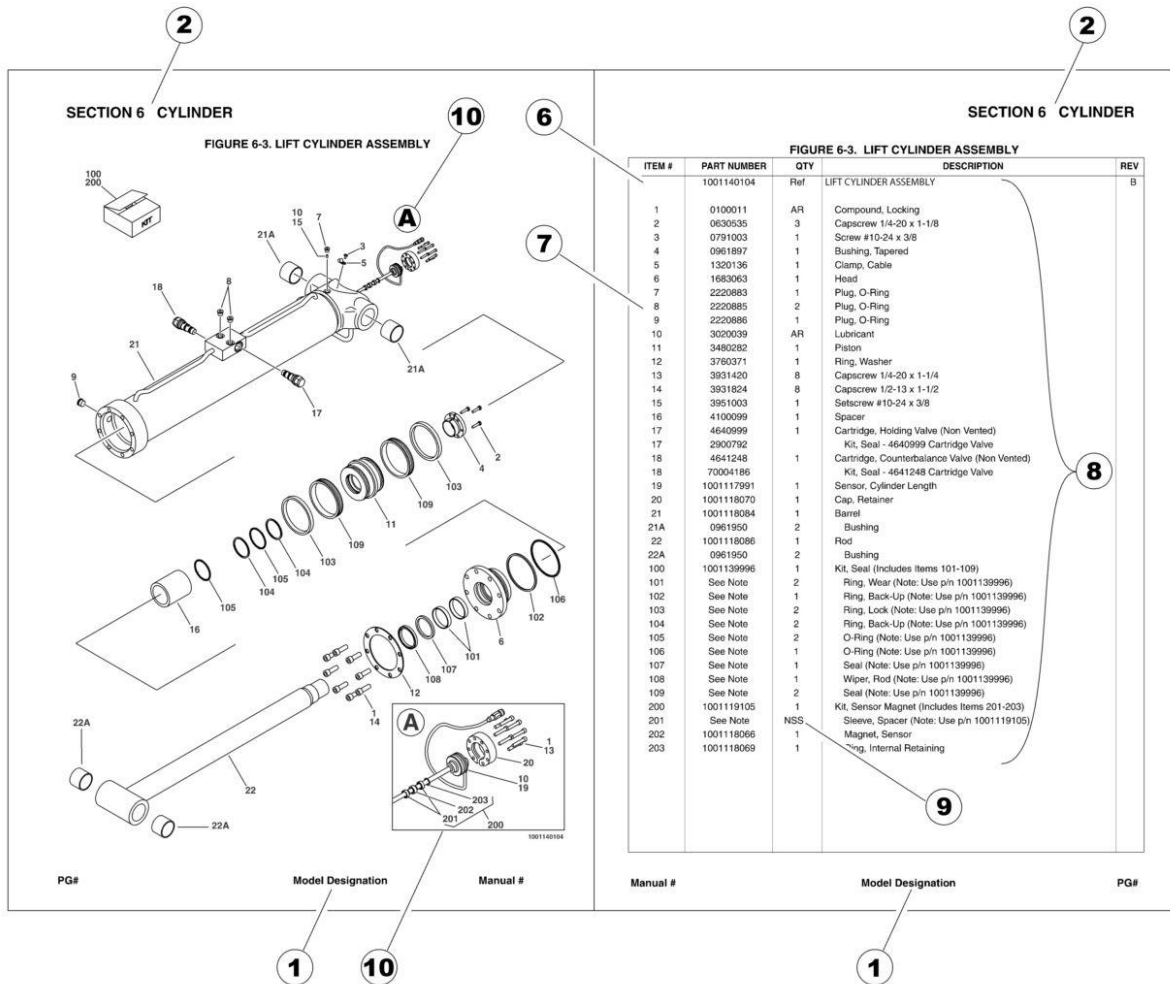
April 10, 2023 - A - Original Issue of Manual (Edited to 1001250000 Rev V)

September 7, 2023 - B - Revised Manual (1001250000 Rev X)

February 5, 2024 - C - Revised Manual (1001250000 Rev AA)

March 30, 2024 - D - Revised Manual (1001250000 Rev AA)

GENERAL INFORMATION



1) MACHINE IDENTIFICATION

Machines are identified by model and in some cases a combination of models, serial number (SN) or regional standard (i.e ANSI, CE, CSA). Components may also be identified by SN or manufacturer. Common components that may be identified by these characteristics are engines and hydraulic components.

2) PARTS MANUAL ORGANIZATION

Product information in this manual is organized under section titles. Frame, Cylinder, Hydraulic and Electrical are a few examples. Each section is organized by figure and page number. The information within the Figure is then organized by item number, part number, description and corresponding illustration (s).

3) TABLE OF CONTENTS (NOT SHOWN)

A table of contents is found toward the beginning of the manual. Figure number, description and page number are provided for quick reference to the page containing the related information.

4) RECOMMENDED SPARE PARTS (NOT SHOWN)

The Recommended Spare Parts List, located near the end of the manual, reference most frequently used maintenance parts.

5) PART NUMBER INDEX (NOT SHOWN)

A numerical index listing all part numbers and the corresponding page number(s) appears at the back of the manual.

GENERAL INFORMATION

6) NON-SERVICED PARTS

In some instances, it is necessary to display non-serviced parts, assemblies or installations. In the case of assemblies and installations there will be a Ref in the Qty. column. In case of parts that are not available for service within assemblies or components, there will be a NSS (Not Sold Separately) or NLA (No Longer Available) listed in the Qty. column of the manual.

7) PARTS LIST ITEM NUMBERS

Numbers shown in the item# column correspond to numbers used in the associated illustration (s). Item numbers which are missing from the sequence in the parts list are not used on that page.

8) INDENTED PARTS DESCRIPTION

An indented part description is included in the item under which it is indented.

9) ABBREVIATION AND SYMBOLS

AC.....	Alternating Current	L.....	Liter
ADE.....	Advanced Design Electronics	LB(LBS).....	Pounds
AG.....	Agricultural	LCD.....	Liquid Crystal Display
ANSI.....	American National Standards Institute	LED.....	Light Emitting Diodes
AR.....	As Required	LH.....	Left Hand
ASSY.....	Assembly	LRC.....	Low Rated Countries
AUS.....	Australia	LSS.....	Load Sensing System
AUX.....	Auxiliary	M(m).....	Metric/Meter
AWG.....	American Wire Gauge	MM(mm).....	Milimeter
B/M.....	Bill of Material	mA.....	Miliamps
CAC.....	Charge Air Cooler	NLA.....	No Longer Available
CE.....	European Conformity	NPT.....	National Pipe Threads
CCW.....	Counter Clockwise	NSS.....	Not Sold Separately
CM.....	Centimeter	OD.....	Outside Diameter
CW.....	Clockwise	ORB.....	O-Ring Boss
CSA.....	Canadian Standards Association	ORFS.....	O-Ring Face Seal
CYL.....	Cylinder	OZ (oz).....	Ounces
DIA.....	Diameter	PG.....	Page
DC.....	Direct Current	PN.....	Part Number
DEF.....	Diesel Exhaust Fluid	QT(qt.).....	Quarts
EMS.....	Emergency Stop	QTY.....	Quantity
ENG.....	Engine	REF.....	Reference
FT(ft).....	Feet	REV.....	Revision Level
GA(Ga).....	Gauge	RH.....	Right Hand
HRC.....	High Rated Countries	SAE.....	Society of Automotive Engineers
HVAC.....	Heating, Ventilating, and Air Conditioning	SN.....	Serial Number
HYD.....	Hydraulic	SPEC(S).....	Specifications
Hz.....	Hertz	T/T.....	Turntable
ID.....	Inside Diameter	UGM.....	Universal Ground Module
IN.....	inches	V.....	Volts
ISO.....	International Organization for Standards	W.....	Watts
JIC.....	Joint Industry Council	#.....	Number
KG.....	Kilogram		

10) ILLUSTRATION REFERENCE LETTERS

When necessary, illustrations may contain reference letters that are intended to track information (i. e. hoses, harnesses) from one point to another or to track visual enlargement of components to show details that may be located in another area on the illustration.

Note: Due to continuous product improvements, JLG Industries, Inc. reserves the right to make specification changes without prior notification. Contact JLG Industries, Inc. for updated information.

TABLE OF CONTENTS

SECTION 1 - FRAME.....	11
FIGURE 1-1. STEER INSTALLATION.....	12
FIGURE 1-2. DRIVE COMPONENTS INSTALLATION (OMNIGEAR)	14
FIGURE 1-3. DRIVE COMPONENTS INSTALLATION (DANA).....	16
FIGURE 1-4. DRIVE MOTOR ASSEMBLY (OMNIGEAR).....	18
FIGURE 1-5. DRIVE MOTOR ASSEMBLY (DANA)	20
FIGURE 1-6. DRIVE MOTOR ASSEMBLY (DANA)	22
FIGURE 1-7. TIRE/WHEEL INSTALLATION.....	24
FIGURE 1-8. POTHOLE PROTECTION SYSTEM INSTALLATION	26
FIGURE 1-9. TILT SENSOR INSTALLATION	28
FIGURE 1-10. BATTERY CHARGER INSTALLATION - DELTA-Q (LESS AC CABLE)	30
FIGURE 1-11. BATTERY CHARGER INSTALLATION - DELTA-Q WITH CAN TERMINAL (LESS AC CABLE).....	32
FIGURE 1-12. BATTERY CHARGER INSTALLATION - GREEN POWER (LESS AC CABLE).....	34
FIGURE 1-13. STROBE LIGHT INSTALLATION - SINGLE	36
FIGURE 1-14. STROBE LIGHT INSTALLATION - DUAL.....	38
FIGURE 1-15. STROBE LIGHT INSTALLATION - DUAL (WITH CLEARSKY)	40
FIGURE 1-16. ALARM INSTALLATION (AMBIENT/WHITE NOISE)	42
FIGURE 1-17. LADDER INSTALLATION	44
FIGURE 1-18. FRAME COVER INSTALLATION	46
SECTION 2 - GROUND CONTROLS	49
FIGURE 2-1. HYDRAULIC COMPONENT INSTALLATION.....	50
FIGURE 2-2. MOTOR/PUMP/TANK ASSEMBLY.....	52
FIGURE 2-3. CLEANGUARD INSTALLATION.....	54
FIGURE 2-4. ELECTRICAL COMPONENTS INSTALLATION (WITH PLATFORM DRIVE SELECT SWITCH) (MACHINES WITH SN STARTING WITH 12, B2, G2 & M2).....	56
FIGURE 2-5. MDI INSTALLATION	58
FIGURE 2-6. BATTERIES INSTALLATION - STANDARD BATTERIES WITHOUT DISCONNECT	60
FIGURE 2-7. BATTERIES INSTALLATION - STANDARD BATTERIES WITH DISCONNECT	62
FIGURE 2-8. BATTERIES INSTALLATION - AGM BATTERIES WITHOUT DISCONNECT	64
FIGURE 2-9. BATTERIES INSTALLATION - AGM VISION BATTERIES WITHOUT DISCONNECT	66
FIGURE 2-10. BATTERIES INSTALLATION - AGM BATTERIES WITH DISCONNECT	68
FIGURE 2-11. BATTERIES INSTALLATION - AGM VISION BATTERIES WITH DISCONNECT.....	70
FIGURE 2-12. DOORS INSTALLATION	72
SECTION 3 - SCISSOR ARMS.....	75
FIGURE 3-1. SCISSOR ARMS INSTALLATION (WITH LSS).....	76
FIGURE 3-2. SCISSOR ARMS INSTALLATION (WITH LSS) (SN B200087206 to Present, SN M200080321 to Present)	80
SECTION 4 - PLATFORM.....	85
FIGURE 4-1. PLATFORM INSTALLATION	86
FIGURE 4-2. PLATFORM EXTENSION INSTALLATION	88
FIGURE 4-3. RAILS INSTALLATION (1.0M TUBE IN TUBE) (Prior to SN B200091546, Prior to SN M200092801)	90
FIGURE 4-4. RAILS INSTALLATION (1.0M TUBE IN TUBE) (SN B200091546 to Present, SN M200092801 to Present)	92
FIGURE 4-5. RAILS INSTALLATION (1.1M TUBE IN TUBE) (Prior to SN B200091546, Prior to SN M200092801)	94
FIGURE 4-6. RAILS INSTALLATION (1.1M TUBE IN TUBE) (SN B200091546 to Present, SN M200092801 to Present)	96

TABLE OF CONTENTS

FIGURE 4-7. RAILS INSTALLATION (SIDE BY SIDE) (Prior to SN B200091546, Prior to SN M200092801).....	98
FIGURE 4-8. RAILS INSTALLATION (SIDE BY SIDE) (SN B200091546 to Present, SN M200092801 to Present)	100
FIGURE 4-9. GATE LATCH INSTALLATION.....	102
FIGURE 4-10. PLATFORM CONSOLE INSTALLATION (ALL SPECS)	104
FIGURE 4-11. PLATFORM CONTROL PLUG INSTALLATION	106
SECTION 5 - CYLINDER.....	109
FIGURE 5-1. LIFT CYLINDER ASSEMBLY	110
FIGURE 5-2. STEER CYLINDER ASSEMBLY	112
SECTION 6 - HYDRAULIC	115
FIGURE 6-1. HYDRAULIC DIAGRAM	116
SECTION 7 - ELECTRICAL.....	119
FIGURE 7-1. AC BOX AT PLATFORM INSTALLATION - 110V GFI (ALL SPECS EXCEPT CE & UK CA SPECS).....	120
FIGURE 7-2. AC BOX AT PLATFORM INSTALLATION - 110V IEC YELLOW (CE & UK CA SPECS).....	122
FIGURE 7-3. AC BOX AT PLATFORM INSTALLATION - 220V IEC BLUE (CE & UK CA SPECS)	124
FIGURE 7-4. AC BOX AT PLATFORM INSTALLATION - 220V CEE7 POST GROUND (CE & UK CA SPECS)	126
FIGURE 7-5. AC BOX AT PLATFORM INSTALLATION - 220V CEE7 SIDE GROUND (CE & UK CA SPECS).....	128
FIGURE 7-6. AC BOX AT PLATFORM INSTALLATION - 220V AFSINT 107 (CE & UK CA SPECS).....	130
FIGURE 7-7. AC BOX AT PLATFORM INSTALLATION - 220V AUSTRALIAN PLUG (AUSTRALIAN SPECS)	132
FIGURE 7-8. AC BOX AT PLATFORM INSTALLATION - 220V CHINA PLUG (CHINA SPECS).....	134
FIGURE 7-9. AC BOX AT PLATFORM INSTALLATION - 220V LOCALLY SUPPLIED	136
FIGURE 7-10. BREAKER BOX KIT WITH 1 DOUBLE BREAKER (AUSTRALIAN SPECS).....	138
FIGURE 7-11. BREAKER BOX KIT WITH 1 DOUBLE BREAKER (CE & UK CA SPECS).....	140
FIGURE 7-12. BREAKER BOX KIT WITH 3 BREAKER	142
FIGURE 7-13. CHARGER HARNESS	144
FIGURE 7-14. CHARGER PLUG INSTALLATION (LOCALLY SUPPLIED PLUG) (ALL SPECS EXCEPT ANSI & AUSTRALIAN SPECS).....	146
FIGURE 7-15. CHARGER PLUG INSTALLATION (110V PLUG) (ANSI & CSA SPECS).....	148
FIGURE 7-16. CHARGER PLUG INSTALLATION (AUSTRALIAN PLUG) (AUSTRALIAN SPECS)	150
FIGURE 7-17. CHARGER PLUG INSTALLATION (110V IEC YELLOW PLUG) (CE & UK CA SPECS).....	152
FIGURE 7-18. CHARGER PLUG INSTALLATION (220V IEC BLUE PLUG) (CE & UK CA SPECS)	154
FIGURE 7-19. CHARGER PLUG INSTALLATION (220V CEE7 PLUG) (CE & UK CA SPECS)	156
FIGURE 7-20. CHARGER PLUG INSTALLATION (220V AFSINT107 PLUG) (CE & UK CA SPECS).....	158
FIGURE 7-21. CHARGER PLUG INSTALLATION (CHINA PLUG) (CHINA SPECS).....	160
FIGURE 7-22. CHARGER PLUG INSTALLATION (KOREAN PLUG) (KOREAN SPECS).....	162
FIGURE 7-23. CHASSIS HARNESS (WITH PLATFORM DRIVE SELECT SWITCH) (MACHINES WITH SN STARTING WITH 12, B2, G2 & M2)	164
FIGURE 7-24. DRIVE CONTROL HARNESS.....	168
FIGURE 7-25. CLEARSKY INSTALLATION - 3 WIRE (ALL SPECS EXCEPT CHINA SPECS)	170
FIGURE 7-26. CLEARSKY INSTALLATION - 3G (ANSI EXPORT, CE & UK CA SPECS) (Prior to SN B200092144, Prior to SN M200087659)	172
FIGURE 7-27. CLEARSKY INSTALLATION - 3G (AUSTRALIAN SPECS) (Prior to SN B200092144, Prior to SN M200087659)	174
FIGURE 7-28. CLEARSKY INSTALLATION - 4G (ALL SPECS EXCEPT CHINA SPECS).....	176
FIGURE 7-29. CLEARSKY INSTALLATION - 4G (CHINA SPECS) (Prior to SN B200092144, Prior to SN M200087659)	178
FIGURE 7-30. CLEARSKY INSTALLATION - SMART FLEET (SN B200092144 to Present, SN M200087659 to Present)	180

TABLE OF CONTENTS

FIGURE 7-31. CLEARSKY HARNESS - 3 WIRE (ALL SPECS EXCEPT CHINA SPECS).....	182
FIGURE 7-32. CLEARSKY JUMPER HARNESS - 3 WIRE (ALL SPECS EXCEPT CHINA SPECS).....	184
FIGURE 7-33. CLEARSKY HARNESS - 3G & 4G (Prior to SN B200092144, Prior to SN M200087659).....	186
FIGURE 7-34. CLEARSKY SPLICE HARNESS - 3G & 4G (Prior to SN B200092144, Prior to SN M200087659).....	188
FIGURE 7-35. GROUND TO PLATFORM CABLE INSTALLATION - WITHOUT PLATFORM COIL CABLE/WITHOUT AC CABLE/WITHOUT FOOTSWITCH.....	190
FIGURE 7-36. GROUND TO PLATFORM CABLE INSTALLATION - WITHOUT PLATFORM COIL CABLE/WITH AC CABLE/WITHOUT FOOTSWITCH.....	192
FIGURE 7-37. GROUND TO PLATFORM CABLE INSTALLATION - WITHOUT PLATFORM COIL CABLE/WITH AC CABLE/WITHOUT FOOTSWITCH (AUSTRALIAN SPECS).....	194
FIGURE 7-38. GROUND TO PLATFORM CABLE INSTALLATION - WITHOUT PLATFORM COIL CABLE/WITHOUT AC CABLE/WITH FOOTSWITCH.....	196
FIGURE 7-39. GROUND TO PLATFORM CABLE INSTALLATION - WITHOUT PLATFORM COIL CABLE/WITH AC CABLE/WITH FOOTSWITCH.....	198
FIGURE 7-40. GROUND TO PLATFORM CABLE INSTALLATION - WITH PLATFORM COIL CABLE/WITHOUT AC CABLE/WITHOUT FOOTSWITCH.....	200
FIGURE 7-41. GROUND TO PLATFORM CABLE INSTALLATION - WITH PLATFORM COIL CABLE/WITH AC CABLE/WITHOUT FOOTSWITCH.....	202
FIGURE 7-42. GROUND TO PLATFORM CABLE INSTALLATION - WITH PLATFORM COIL CABLE/WITH AC CABLE/WITHOUT FOOTSWITCH (AUSTRALIAN SPECS).....	204
FIGURE 7-43. GROUND TO PLATFORM CABLE INSTALLATION - WITH PLATFORM COIL CABLE/WITHOUT AC CABLE/WITH FOOTSWITCH.....	206
FIGURE 7-44. GROUND TO PLATFORM CABLE INSTALLATION - WITH PLATFORM COIL CABLE/WITH AC CABLE/WITH FOOTSWITCH.....	208
FIGURE 7-45. LIFT DOWN HARNESS (WITH LSS).....	210
FIGURE 7-46. LIFT DOWN HARNESS (WITH LSS) (SN B200087206 to Present, SN M200080321 to Present).....	212
FIGURE 7-47. PLATFORM CONTROL BOX HARNESS.....	214
FIGURE 7-48. RECEPTACLE BOX KIT - 110V GFI.....	216
FIGURE 7-49. RECEPTACLE BOX KIT - 110V IEC YELLOW (CE & UK CA SPEC).....	218
FIGURE 7-50. RECEPTACLE BOX KIT - 220V IEC BLUE (CE & UK CA SPEC).....	220
FIGURE 7-51. RECEPTACLE BOX KIT - 220V CEE7 POST GROUND (CE & UK CA SPEC).....	222
FIGURE 7-52. RECEPTACLE BOX KIT - 220V CEE7 SIDE GROUND (CE & UK CA SPEC).....	224
FIGURE 7-53. RECEPTACLE BOX KIT - 220V AFSINT 107 (CE & UK CA SPEC).....	226
FIGURE 7-54. INVERTER INSTALLATION.....	228
FIGURE 7-55. HARNESS, AC EXTENSION.....	230
FIGURE 7-56. HARNESS, INVERTER.....	232
SECTION 8 - DECALS.....	235
FIGURE 8-1. DECAL INSTALLATION (ANSI SPECS).....	236
FIGURE 8-2. DECAL INSTALLATION (AUSTRALIAN SPECS).....	240
FIGURE 8-3. DECAL INSTALLATION (CE & UK CA SPECS).....	244
FIGURE 8-4. DECAL INSTALLATION (CHINA SPECS).....	248
FIGURE 8-5. DECAL INSTALLATION (CSA SPECS).....	252
FIGURE 8-6. DECAL INSTALLATION (KOREAN SPECS).....	256
FIGURE 8-7. DECAL INSTALLATION - OPTIONS.....	260
SECTION 9 - RECOMMENDED SERVICE PARTS STOCK.....	263
FIGURE 9-1. RECOMMENDED SERVICE PARTS STOCK.....	264
SECTION 10 - SPECIAL OPTIONS/ACCESSORIES/KITS.....	265

TABLE OF CONTENTS

FIGURE 10-1. SPECIAL OPTIONS/ACCESSORIES/KITS.....	266
PART NUMBER INDEX.....	269

SECTION 1 - FRAME

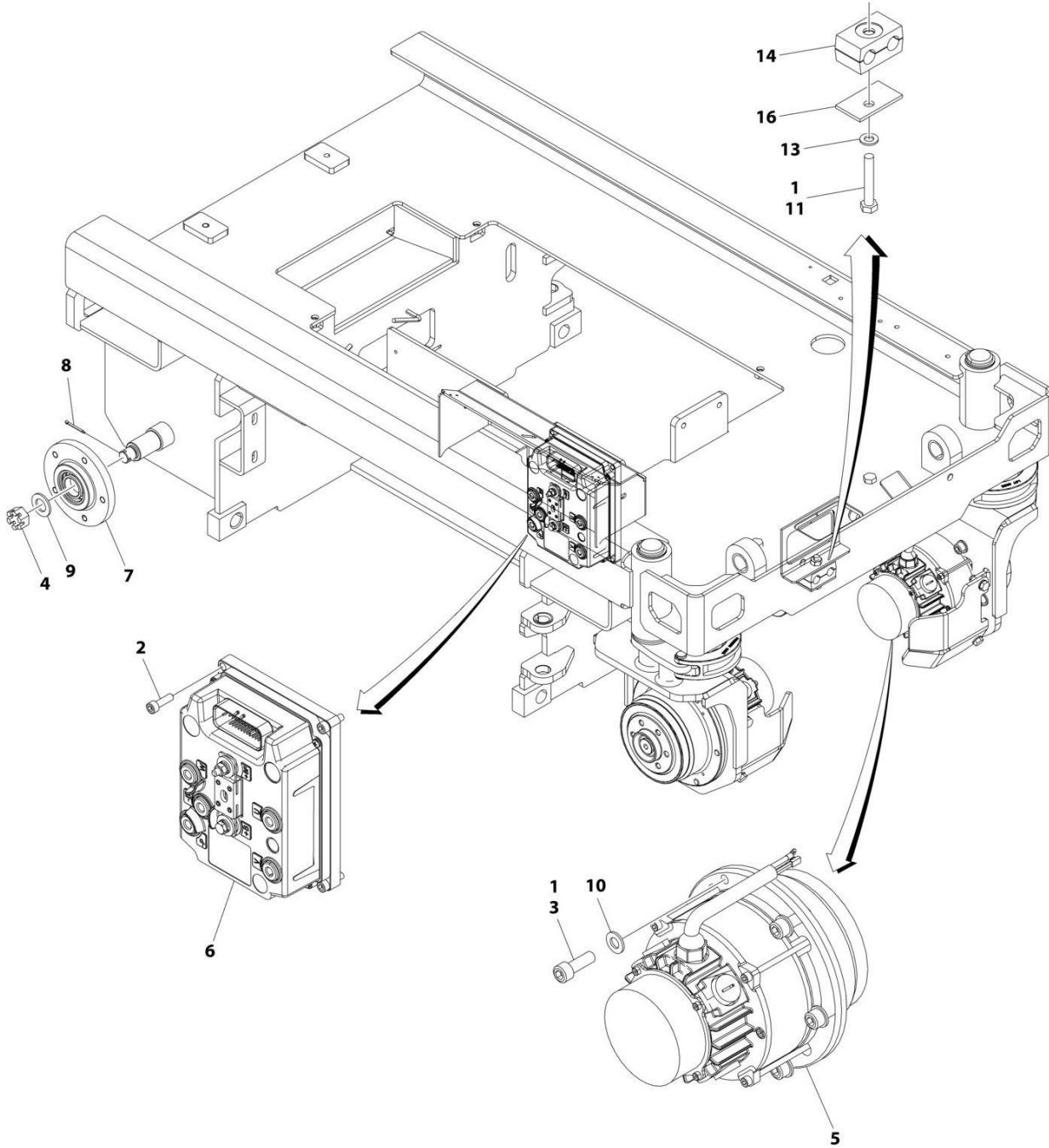
SECTION 1 - FRAME

FIGURE 1-1. STEER INSTALLATION

ITEM	PART NUMBER	QTY	DESCRIPTION	REV
	1001243106	Ref	STEER INSTALLATION	B
1	0100011	AR	Compound, Locking	
2	0440259	2	Bearing	
3	0761012	4	Bolt M10 x 25	
4	1380153	4	Clip	
5	3423037	4	Pin	
6	4812000	4	Washer M10	
7	4846757	2	Lug, Steering	
8	1001099560	2	Ring, Retaining	
9	1001233524	2	Washer	
10	1001233525	2	Washer	
11	1001234461	1	Steer Cylinder Assembly (See Separate Breakdown in CYLINDER SECTION)	
12	1001243248	1	Spindle (LH)	
13	1001243249	1	Spindle (RH)	
14	0760812	4	Bolt M8 x 25	
15	3290801	4	Nut M8	
16	4811900	8	Washer M8	
17	1001246920	1	Cover (LH)	
18	1001246921	1	Cover (RH)	
100	1001236834	4	Bearing (Part of Frame) (Not Shown)	

SECTION 1 - FRAME

FIGURE 1-2. DRIVE COMPONENTS INSTALLATION (OMNIGEAR)



ART_1001241599

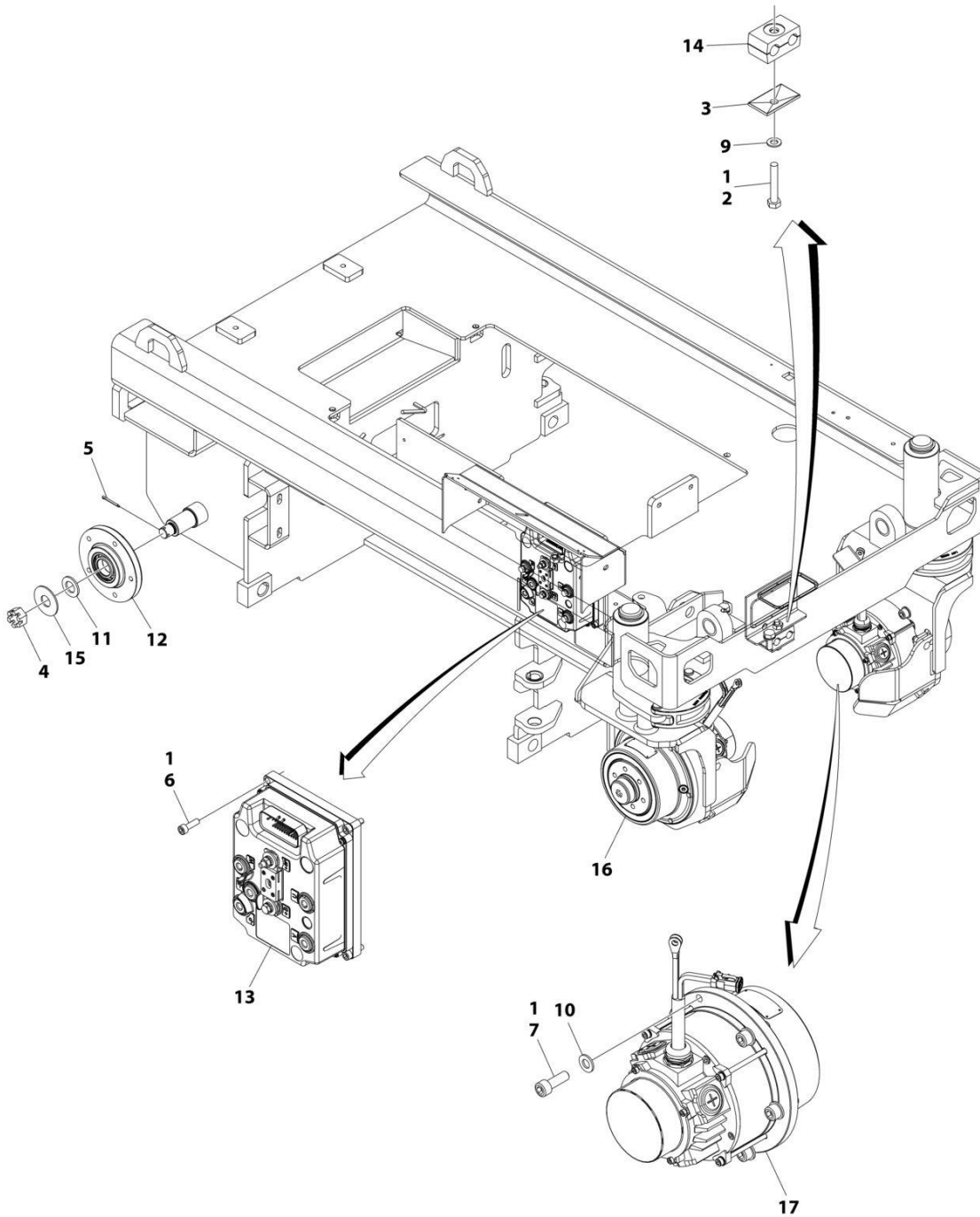
SECTION 1 - FRAME

FIGURE 1-2. DRIVE COMPONENTS INSTALLATION (OMNIGEAR)

ITEM	PART NUMBER	QTY	DESCRIPTION	REV
	1001241599	Ref	DRIVE COMPONENTS INSTALLATION	G
1	0100011	AR	Compound, Locking	
2	4031708	4	Capscrew M6 x 20	
3	4032010	12	Capscrew M10 x 30	
4	3322203	2	Nut 3/4	
5	1001243257	2	Drive Motor Assembly (See Separate Breakdown in this Section)	
6	1001243107	1	Module, Control (Drive) (Note: Recalibration Required when Replaced.)	
7	1001242978	2	Hub, Assembly	
7	1001242980	4	Bearing (2 Per Hub)	
8	3391210	2	Pin, Cotter 3.2 x 30	
9	4812500	2	Washer M20	
10	4812000	12	Washer M10	
11	0700818	1	Bolt M8 x 50	
13	4811900	1	Washer M8	
14	1001249667	1	Clamp	
15	4240017	AR	Tie-Strap (Not Shown)	
16	1321752	1	Plate, Clamp	

SECTION 1 - FRAME

FIGURE 1-3. DRIVE COMPONENTS INSTALLATION (DANA)



ART_1001288781

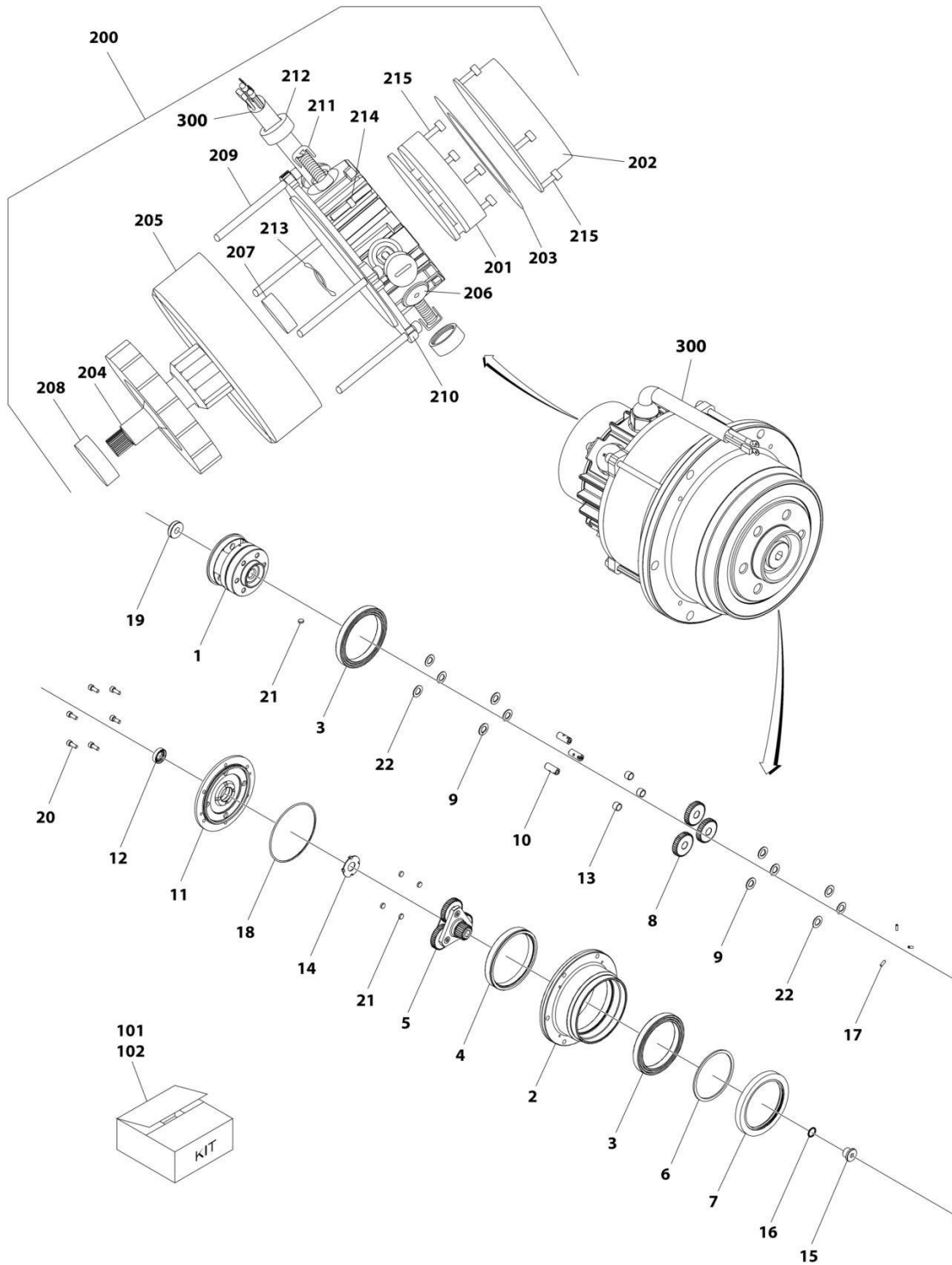
SECTION 1 - FRAME

FIGURE 1-3. DRIVE COMPONENTS INSTALLATION (DANA)

ITEM	PART NUMBER	QTY	DESCRIPTION	REV
	1001288781	Ref	DRIVE COMPONENTS INSTALLATION	A
1	0100011	AR	Compound, Locking	
2	0700818	1	Bolt M8 x 50	
3	1321752	1	Plate, Clamp	
4	3322203	2	Nut 3/4	
5	3391210	2	Pin, Cotter 3.2 x 30	
6	4031708	4	Capscrew M6 x 20	
7	4032010	12	Capscrew M10 x 30	
8	4240017	AR	Tie-Strap (Not Shown)	
9	4811900	1	Washer M8	
10	4812000	12	Washer M10	
11	4812500	2	Washer M20	
12	1001242978	2	Hub, Assembly	
12	1001242980	4	Bearing (2 Per Hub)	
13	1001243107	1	Module, Control (Drive) (Note: Recalibration Required when Replaced.)	
14	1001249667	1	Clamp	
15	1001255208	2	Washer M8	
16	1001270168	1	Drive Motor Assembly (See Separate Breakdown in this Section)	
17	1001270169	1	Drive Motor Assembly (See Separate Breakdown in this Section)	

SECTION 1 - FRAME

FIGURE 1-4. DRIVE MOTOR ASSEMBLY (OMNIGEAR)



ART_1001243257

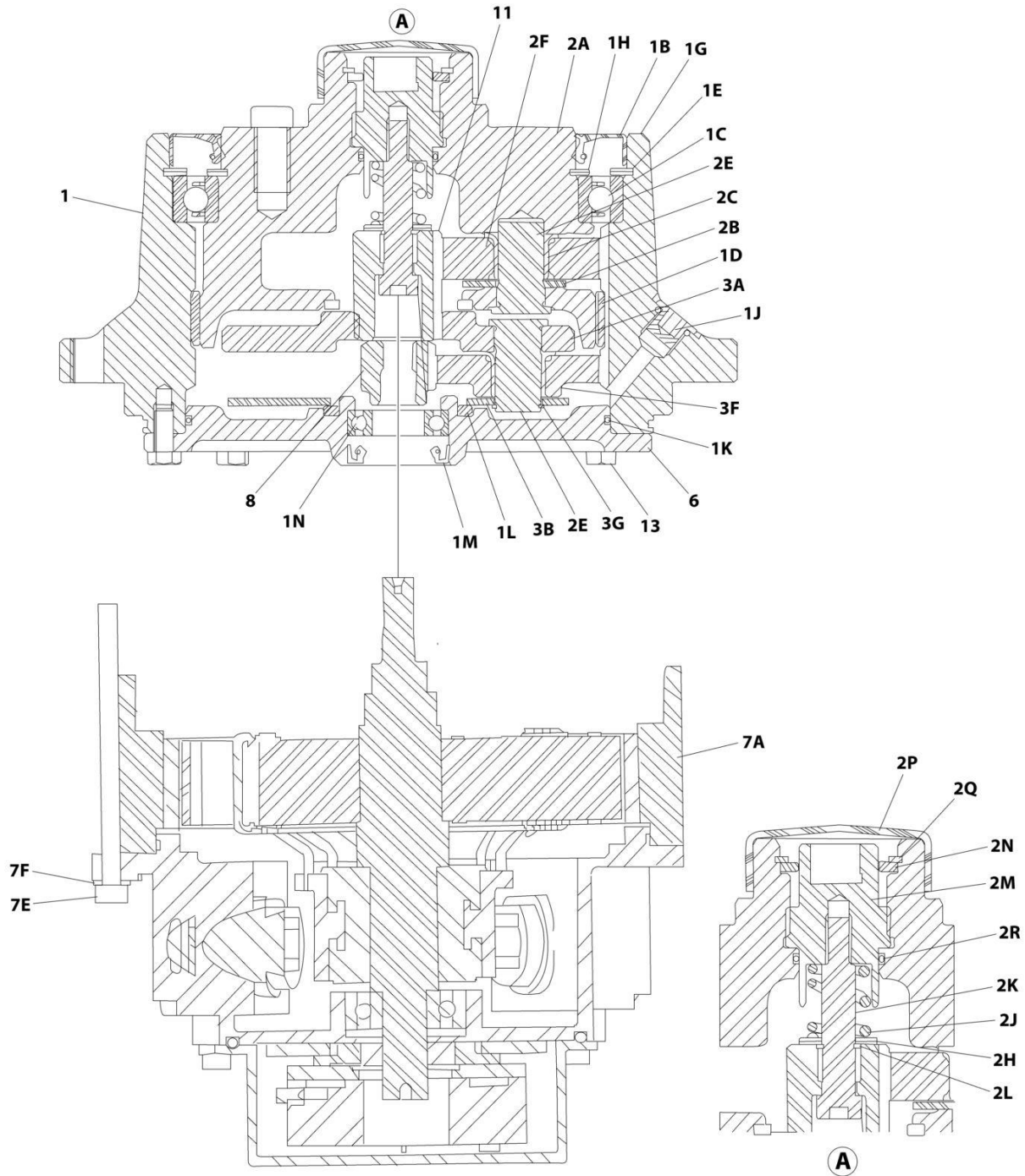
SECTION 1 - FRAME

FIGURE 1-4. DRIVE MOTOR ASSEMBLY (OMNIGEAR)

ITEM	PART NUMBER	QTY	DESCRIPTION	REV
	1001243257	Ref	DRIVE MOTOR ASSEMBLY	F
1	70007267	1	Spindle/Carrier	
2	70007266	1	Ring Gear	
3	See Note	NSS	Bearing (Note: Use Item 101)	
4	70007265	1	Ring Gear	
5	70007264	1	Carrier Sub-Assembly - Primary	
6	70007263	1	Ring, Retaining	
7	See Note	NSS	Seal, Lip (Note: Use Item 101 or 102)	
8	70007262	3	Gear, Planet - Secondary	
9	70007261	6	Washer	
10	70007260	3	Shaft, Planet	
11	70007259	1	Cap, End	
12	See Note	NSS	Seal, Lip (Note: Use Item 101 or 102)	
13	See Note	NSS	Bearing (Note: Use Item 101)	
14	70007258	1	Thrustwasher	
15	70007257	1	Plug	
16	See Note	NSS	O-Ring (Note: Use Item 101 or 102)	
17	70007256	3	Pin	
18	See Note	NSS	O-Ring (Note: Use Item 101 or 102)	
19	70007255	1	Thrustwasher	
20	70007254	6	Capscrew M6	
21	70007253	5	Magnet	
22	70007252	6	Washer	
101	70007269	1	Bearing Kit (Includes Items 3,7,12,13,16,18)	
102	70007268	1	Seal Kit (Includes Items 7,12,16,18)	
200	70007270	1	Motor Kit (Includes Items 201-215)	
201	70007271	1	ELECTRIC BRAKE	
202	See Note	NSS	Cover (Note: Use Item 200)	
203	70007273	1	Gasket	
204	See Note	NSS	Armature (Note: Use Item 200)	
205	See Note	NSS	Frame & Field (Note: Use Item 200)	
206	See Note	NSS	Plug (Note: Use Item 200)	
207	See Note	NSS	Bearing (Note: Use Item 200)	
208	See Note	NSS	Bearing (Note: Use Item 200)	
209	See Note	NSS	Capscrew (Note: Use Item 200)	
210	See Note	NSS	Commutator (Note: Use Item 200)	
211	70007272	4	Brush	
212	70007274	4	Cover, Brush	
213	See Note	NSS	Washer, Wavy (Note: Use Item 200)	
214	See Note	3	Capscrew	
215	70007275	8	Capscrew M4 x 12	
300	1001246639	1	Motor Harness	
300	4460891	1	Plug, Male - 2 Position	
300	4460465	2	Socket, Female	

SECTION 1 - FRAME

FIGURE 1-5. DRIVE MOTOR ASSEMBLY (DANA)



ART_1001270168

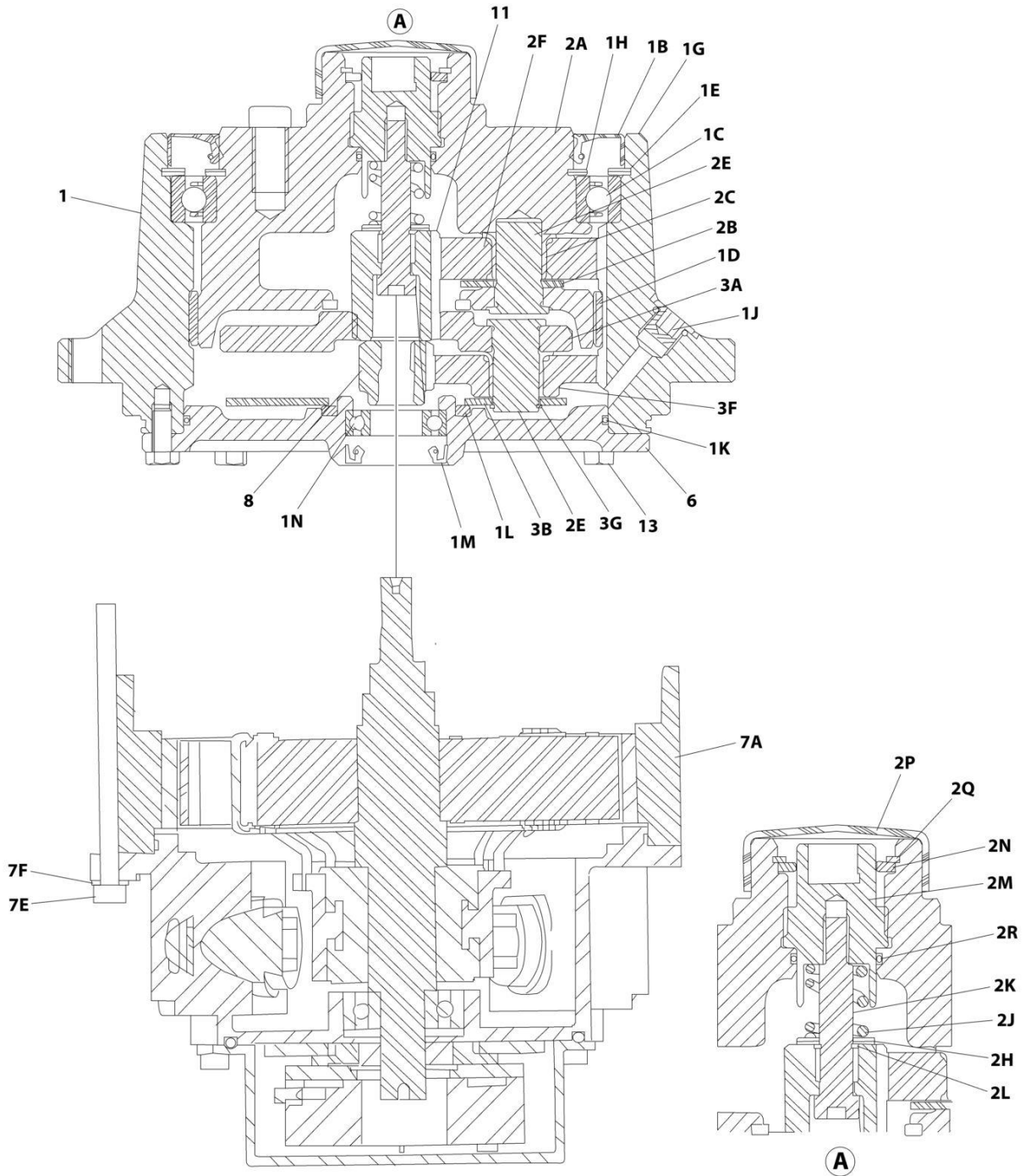
SECTION 1 - FRAME

FIGURE 1-5. DRIVE MOTOR ASSEMBLY (DANA)

ITEM	PART NUMBER	QTY	DESCRIPTION	REV
	1001270168	Ref	DRIVE MOTOR/HUB ASSEMBLY	C
1	See Note	NSS	Hub Assembly (Note: Purchase Individual Components)	
1B	70007915	1	Seal, Lip	
1C	70007911	1	Bearing	
1D	70007914	1	Bushing	
1E	70007920	1	Ring, Retaining	
1G	See Note	NSS	Housing/Ring Gear (Note: Use PN 1001270168)	
1H	70007921	1	Ring, Retaining	
1J	70007927	3	Plug	
1K	70007925	1	O-Ring	
1K	70007551	1	O-Ring	
1L	70007930	2	Washer, Thrust	
1M	70007916	1	Seal, Lip	
1N	70007913	1	Bearing	
2	See Note	NSS	Spindle/Carrier Assembly (Not Shown - Note: Purchase Individual Components)	
2A	See Note	NSS	Spindle/Carrier	
2B	70007931	2	Plate, Thrust	
2C	70007912	7	Bushing	
2E	70007905	7	Shaft, Planet	
2F	70007907	4	Gear, Planet	
2H	70007932	2	Washer, Thrust	
2J	70007917	1	Spring	
2K	70007923	1	Bolt 1/2 x 1-1/4	
2L	70007922	1	Ring, Retaining	
2M	70007909	1	Coupling	
2N	70007928	1	Washer	
2P	70007910	1	Cover	
2Q	70007919	1	Ring, Retaining	
2R	70007926	1	O-Ring	
3	See Note	NSS	Carrier Assembly (Not Shown - Note: Purchase Individual Components)	
3A	70007904	1	Carrier	
3B	70007929	1	Plate, Thrust	
3F	70007906	3	Gear, Planet	
3G	70007918	3	Ring, Retaining	
6	7000790	1	Cover	
7	See Note	NSS	Motor Assembly (Not Shown - Note: Purchase Individual Components)	
7A	70007935	1	Motor, Replacement	
7E	70007933	4	Bolt M5 x 75	
7F	70007934	4	Washer	
8	70007902	1	Gear, Sun	
11	70007903	1	Gear, Sun	
13	70007924	6	Bolt M5 x 12	

SECTION 1 - FRAME

FIGURE 1-6. DRIVE MOTOR ASSEMBLY (DANA)



ART_1001270169

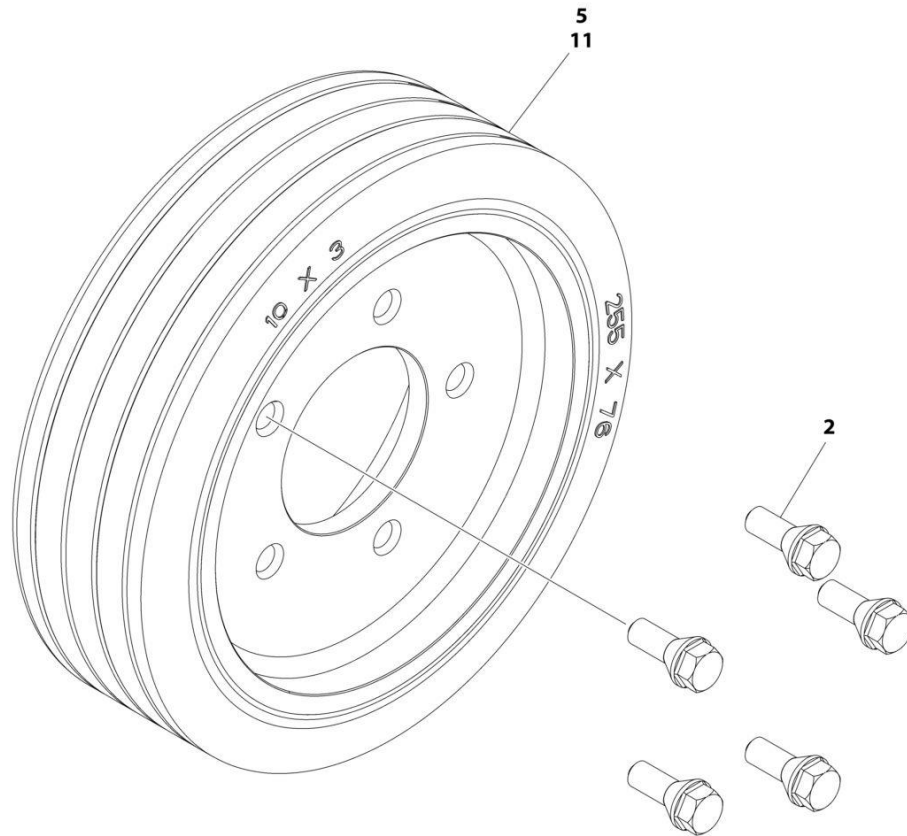
SECTION 1 - FRAME

FIGURE 1-6. DRIVE MOTOR ASSEMBLY (DANA)

ITEM	PART NUMBER	QTY	DESCRIPTION	REV
	1001270169	Ref	DRIVE MOTOR/HUB ASSEMBLY	C
1	See Note	NSS	Hub Assembly (Note: Purchase Individual Components)	
1B	70007915	1	Seal, Lip	
1C	70007911	1	Bearing	
1D	70007914	1	Bushing	
1E	70007920	1	Ring, Retaining	
1G	See Note	NSS	Housing/Ring Gear (Note: Use PN 1001270169)	
1H	70007921	1	Ring, Retaining	
1J	70007927	3	Plug	
1K	70007925	1	O-Ring	
1K	70007551	1	O-Ring	
1L	70007930	2	Washer, Thrust	
1M	70007916	1	Seal, Lip	
1N	70007913	1	Bearing	
2	See Note	NSS	Spindle/Carrier Assembly (Not Shown - Note: Purchase Individual Components)	
2A	See Note	NSS	Spindle/Carrier	
2B	70007931	2	Plate, Thrust	
2C	70007912	7	Bushing	
2E	70007905	7	Shaft, Planet	
2F	70007907	4	Gear, Planet	
2H	70007932	2	Washer, Thrust	
2J	70007917	1	Spring	
2K	70007923	1	Bolt 1/2 x 1-1/4	
2L	70007922	1	Ring, Retaining	
2M	70007909	1	Coupling	
2N	70007928	1	Washer	
2P	70007910	1	Cover	
2Q	70007919	1	Ring, Retaining	
2R	70007926	1	O-Ring	
3	See Note	NSS	Carrier Assembly (Not Shown - Note: Purchase Individual Components)	
3A	70007904	1	Carrier	
3B	70007929	1	Plate, Thrust	
3F	70007906	3	Gear, Planet	
3G	70007918	3	Ring, Retaining	
6	7000790	1	Cover	
7	See Note	NSS	Motor Assembly (Not Shown - Note: Purchase Individual Components)	
7A	70007936	1	Motor, Replacement	
7E	70007933	4	Bolt M5 x 75	
7F	70007934	4	Washer	
8	70007902	1	Gear, Sun	
11	70007903	1	Gear, Sun	
13	70007924	6	Bolt M5 x 12	

SECTION 1 - FRAME

FIGURE 1-7. TIRE/WHEEL INSTALLATION



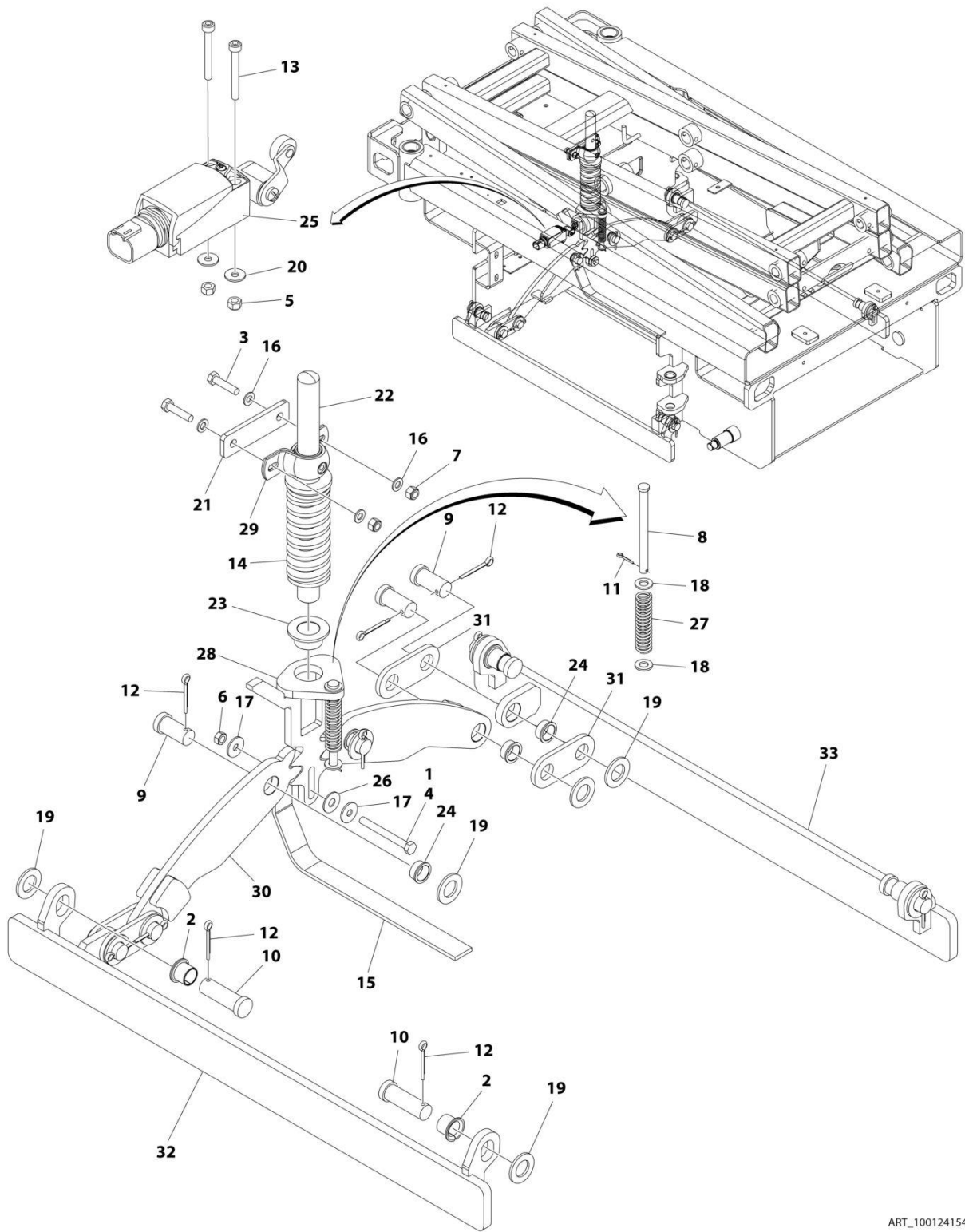
ART_1001241546

FIGURE 1-7. TIRE/WHEEL INSTALLATION

ITEM	PART NUMBER	QTY	DESCRIPTION	REV
	1001241546	Ref	TIRE/WHEEL INSTALLATION	E
		Ref	Note: Must Replace Tire and Wheel Assemblies in Pairs Per Axle	
2	1001245139	22	Bolt, Wheel M10 X 1.5	
5	1001241601	2	Tire and Wheel (Non - Marking) (Front)	
11	1001237518	2	Tire and Wheel (Non - Marking) (Rear)	

SECTION 1 - FRAME

FIGURE 1-8. POTHOLE PROTECTION SYSTEM INSTALLATION



ART_1001241542

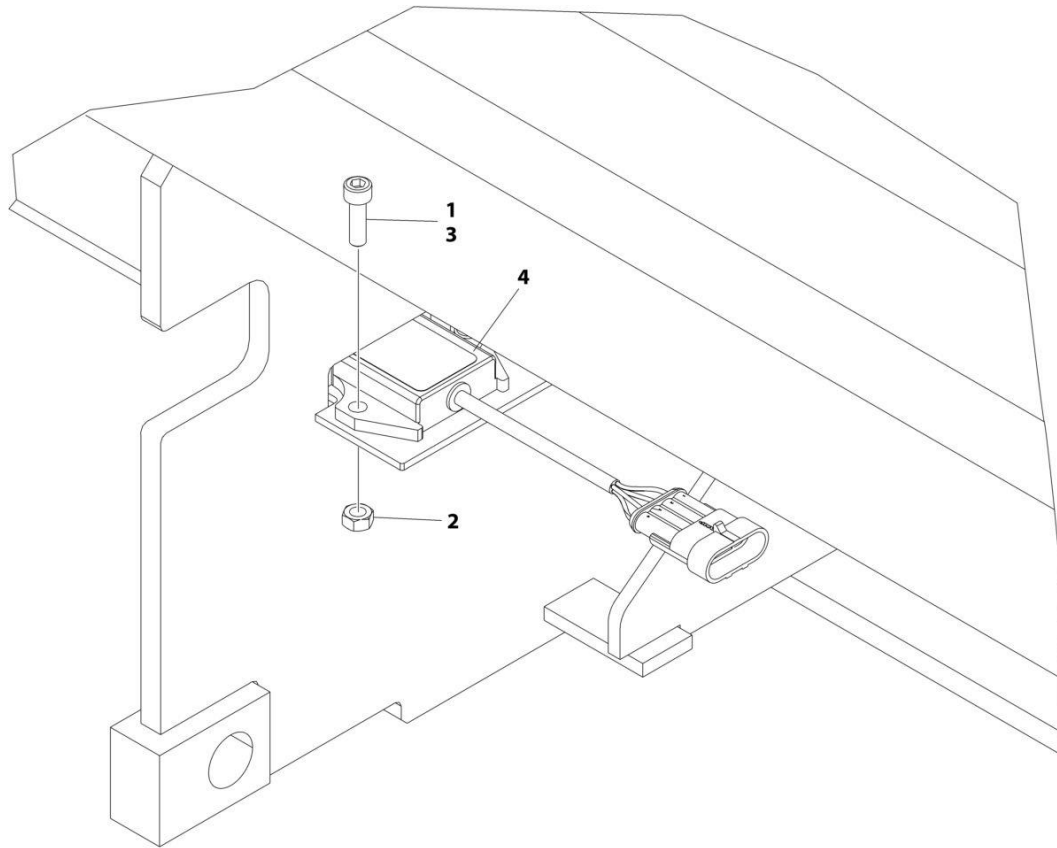
SECTION 1 - FRAME

FIGURE 1-8. POTHOLE PROTECTION SYSTEM INSTALLATION

ITEM	PART NUMBER	QTY	DESCRIPTION	REV
	1001241542	Ref	POTHOLE PROTECTION SYSTEM INSTALLATION	E
1	0100011	AR	Compound, Locking	
2	0440263	4	Bearing	
3	0700815	2	Bolt M8 x 35	
4	0700823	1	Bolt M8 x 75	
5	3290405	2	Nut M4	
6	3290801	1	Nut M8	
7	3290805	2	Nut M8	
8	3430636	1	Pin	
9	3431212	6	Pin	
10	3431218	4	Pin	
11	3450303	1	Pin, Cotter 3/32 x 3/4	
12	3450505	10	Pin, Cotter 5/32 x 1/2	
13	4031511	2	Capscrew M4 x 35	
14	4160202	1	Spring	
15	4240147	1	Strap, Anti-Static	
16	4811900	4	Washer M8	
17	4811902	2	Washer M8	
18	4812000	2	Washer M10	
19	4812500	14	Washer M20	
20	1001091102	2	Washer M4	
21	1001202987	1	Plate, Mounting	
22	1001202988	1	Actuator (Upper)	
23	1001203869	1	Bearing	
24	1001203870	6	Bearing	
25	1001203871	1	Switch, Limit	
26	1001203872	1	Washer 3/8	
27	1001212068	1	Spring	
28	1001214526	1	Actuator (Lower)	
29	1001215953	1	Bearing	
30	1001249846	2	Plate, Pinion	
31	1001236849	4	Link	
32	1001241543	1	Bar (LH)	
33	1001241544	1	Bar (RH)	

SECTION 1 - FRAME

FIGURE 1-9. TILT SENSOR INSTALLATION



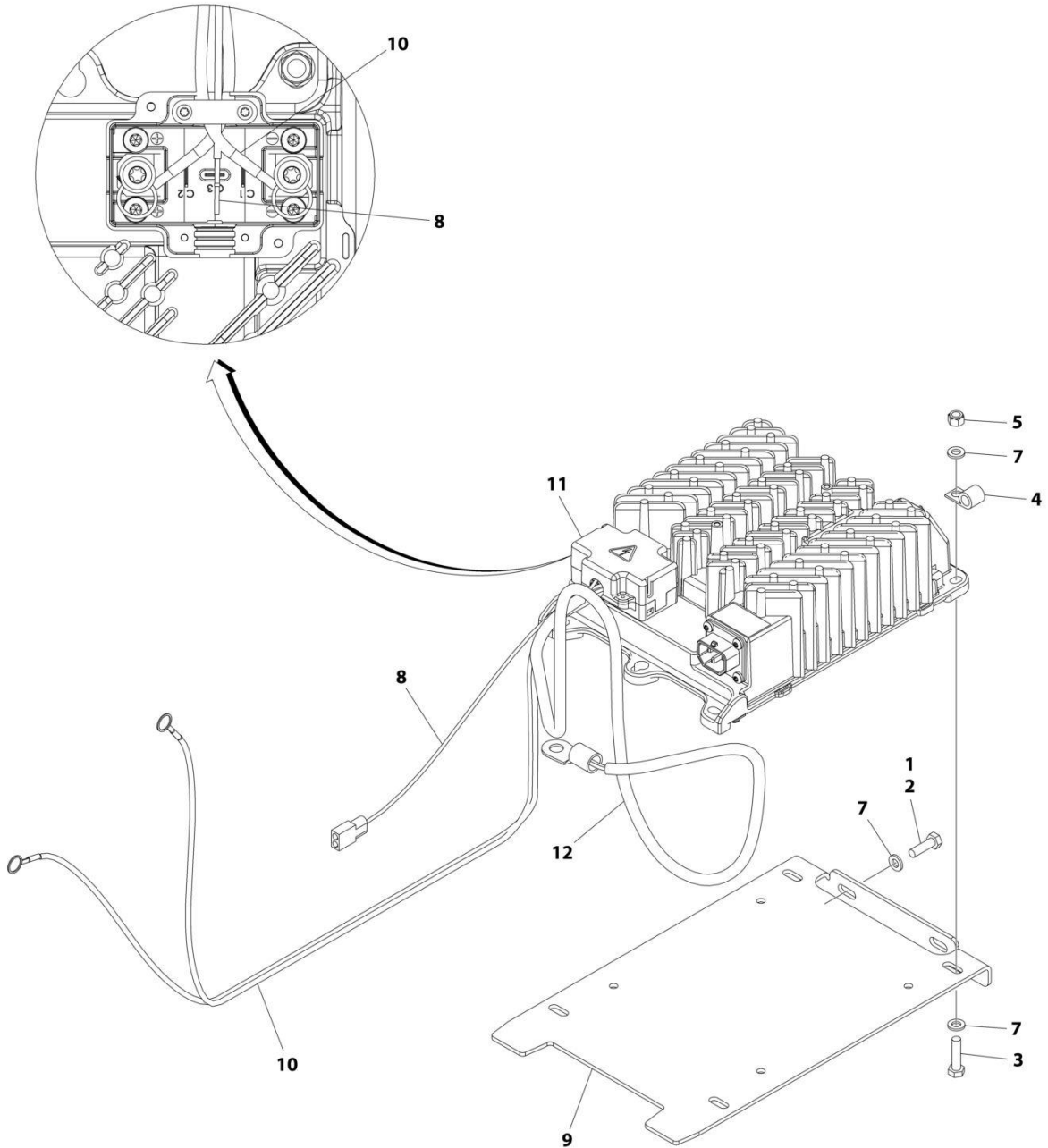
ART_1001237507

FIGURE 1-9. TILT SENSOR INSTALLATION

ITEM	PART NUMBER	QTY	DESCRIPTION	REV
	1001237507	Rev	TILT SENSOR INSTALLATION	D
1	0100011	1	Compound, Locking	
2	3290601	1	Nut M6 x 20	
3	4031708	1	Capscrew M6 x 20	
4	1001186466	1	Sensor, Tilt	

SECTION 1 - FRAME

FIGURE 1-10. BATTERY CHARGER INSTALLATION - DELTA-Q (LESS AC CABLE)



ART_1001264943

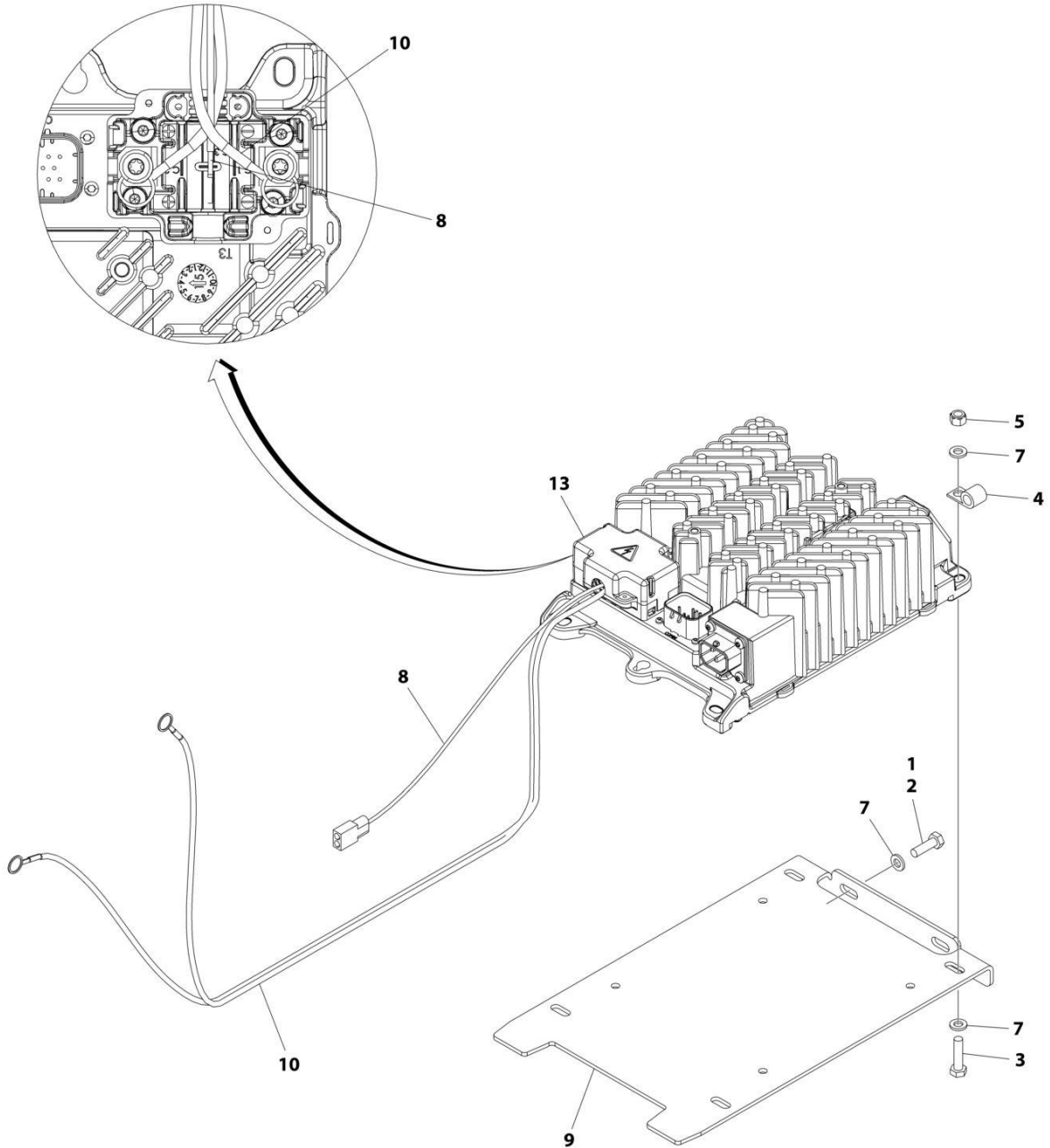
SECTION 1 - FRAME

FIGURE 1-10. BATTERY CHARGER INSTALLATION - DELTA-Q (LESS AC CABLE)

ITEM	PART NUMBER	QTY	DESCRIPTION	REV
	1001264943	Ref	BATTERY CHARGER INSTALLATION - DELTA-Q (LESS AC CABLE)	A
1	0100011	AR	Compound, Locking	
2	0760610	2	Bolt M6 x 20	
3	0760612	4	Bolt M6 x 25	
4	1321293	1	Clamp	
5	3290605	4	Nut M6	
6	4240017	AR	Tie-Strap (Not Shown)	
7	4811700	10	Washer M6	
8	1001207009	1	Charger Interlock Harness	
8	4460424	1	Receptacle, Female - 2 Position	
8	4460227	2	Pin, Male	
9	1001237462	1	Bracket	
10	1001241489	1	Charger DC Connection Harness	
11	1001249940	1	Charger, Battery - Delta-Q	
12	1001260628	1	Sensor, Temperature	

SECTION 1 - FRAME

FIGURE 1-11. BATTERY CHARGER INSTALLATION - DELTA-Q WITH CAN TERMINAL (LESS AC CABLE)



ART_1001264944

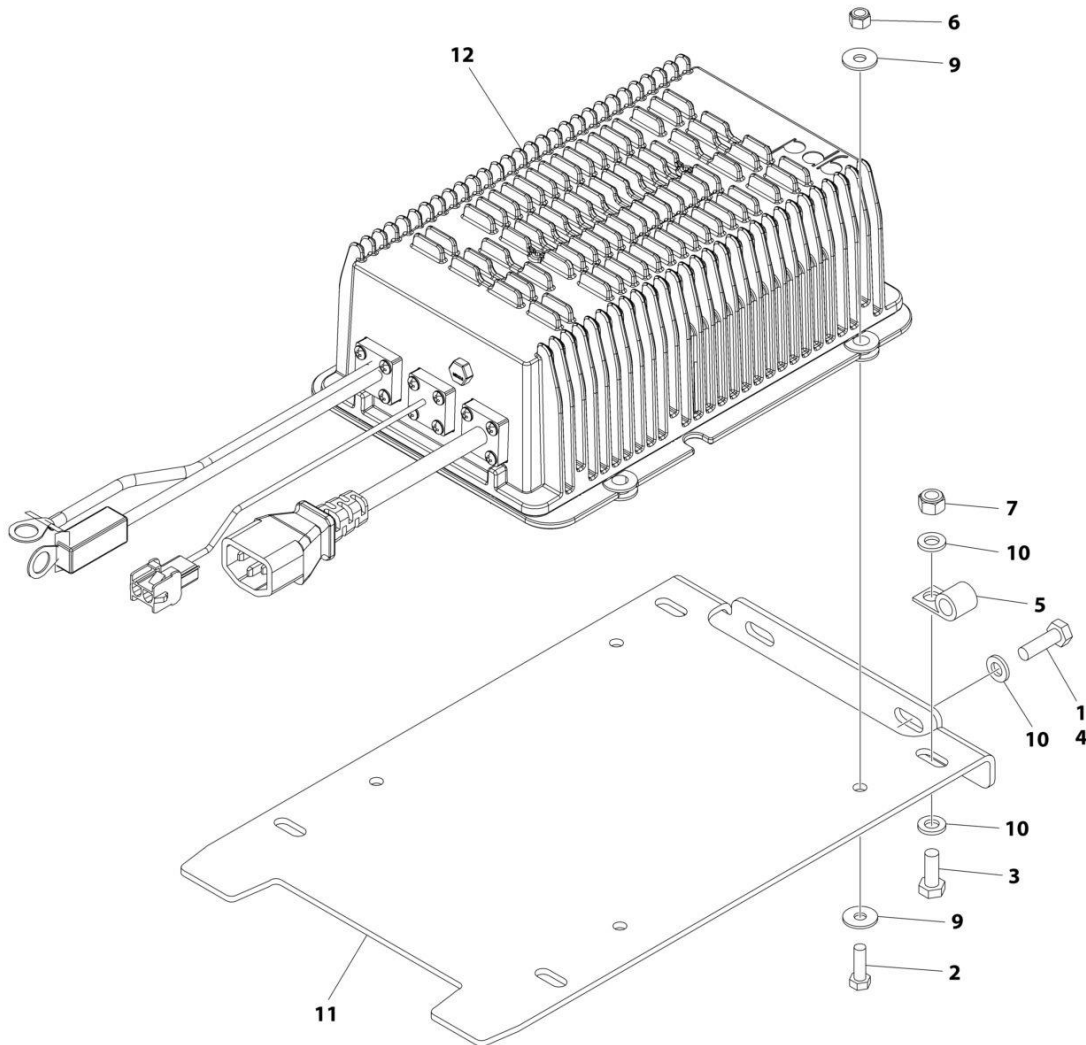
SECTION 1 - FRAME

FIGURE 1-11. BATTERY CHARGER INSTALLATION - DELTA-Q WITH CAN TERMINAL (LESS AC CABLE)

ITEM	PART NUMBER	QTY	DESCRIPTION	REV
	1001264944	Ref	BATTERY CHARGER INSTALLATION - DELTA-Q WITH CAN TERMINAL (LESS AC CABLE)	A
1	0100011	AR	Compound, Locking	
2	0760610	2	Bolt M6 x 20	
3	0760612	4	Bolt M6 x 25	
4	1321293	1	Clamp	
5	3290605	4	Nut M6	
6	4240017	AR	Tie-Strap (Not Shown)	
7	4811700	10	Washer M6	
8	1001207009	1	Charger Interlock Harness	
8	4460424	1	Receptacle, Female - 2 Position	
8	4460227	2	Pin, Male	
9	1001237462	1	Bracket	
10	1001241489	1	Charger DC Connection Harness	
11	1001254027	1	Can Splice Harness (Not Shown - See Separate Breakdown in ELECTRICAL Section)	
12	1001254028	1	Charger To Battery Harness (Not Shown - See Separate Breakdown in ELECTRICAL Section)	
13	1001264978	1	Charger, Battery - Delta-Q with Can Terminal	

SECTION 1 - FRAME

FIGURE 1-12. BATTERY CHARGER INSTALLATION - GREEN POWER (LESS AC CABLE)



ART_1001264945

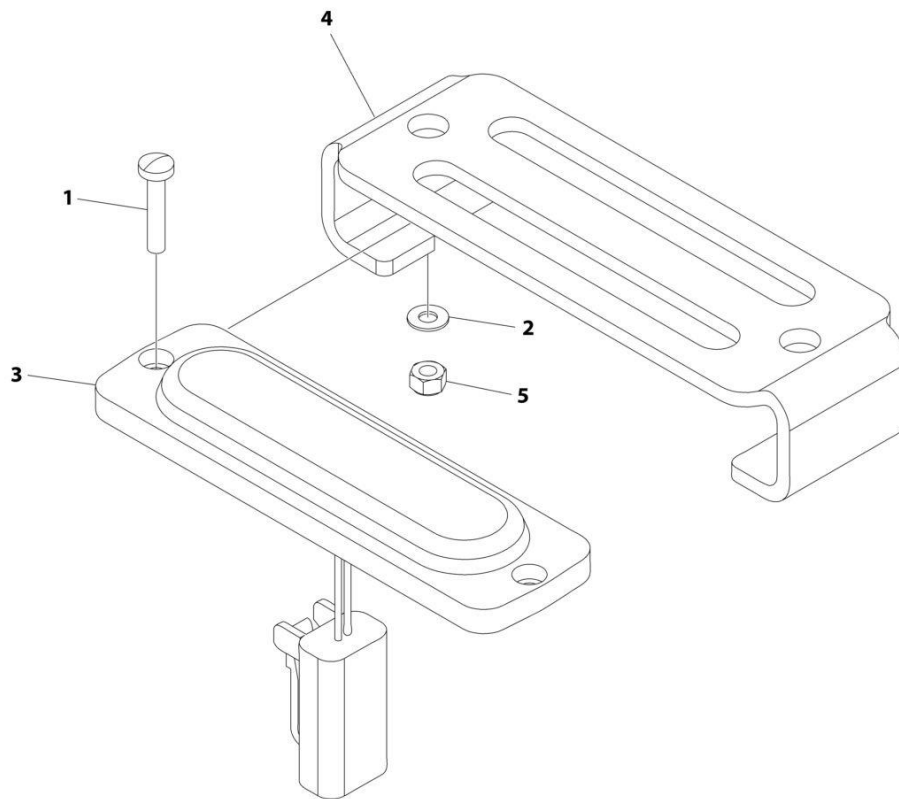
SECTION 1 - FRAME

FIGURE 1-12. BATTERY CHARGER INSTALLATION - GREEN POWER (LESS AC CABLE)

ITEM	PART NUMBER	QTY	DESCRIPTION	REV
	1001264945	Ref	BATTERY CHARGER INSTALLATION - GREEN POWER (LESS AC CABLE)	C
1	0100011	AR	Compound, Locking	
2	0760508	4	Bolt M5 x 16	
3	0760608	1	Bolt M6 x 16	
4	0760610	2	Bolt M5 x 20	
5	1321293	1	Clamp, Cable	
6	3290505	4	Nut M5	
7	3290605	1	Nut M6	
8	4240017	AR	Tie-Strap (Not Shown)	
9	4711000	8	Washer #10	
10	4811700	4	Washer M6	
11	1001237462	1	Bracket	
12	1001285138	1	Charger, Battery-Green Power	

SECTION 1 - FRAME

FIGURE 1-13. STROBE LIGHT INSTALLATION - SINGLE



ART_1001239314_D

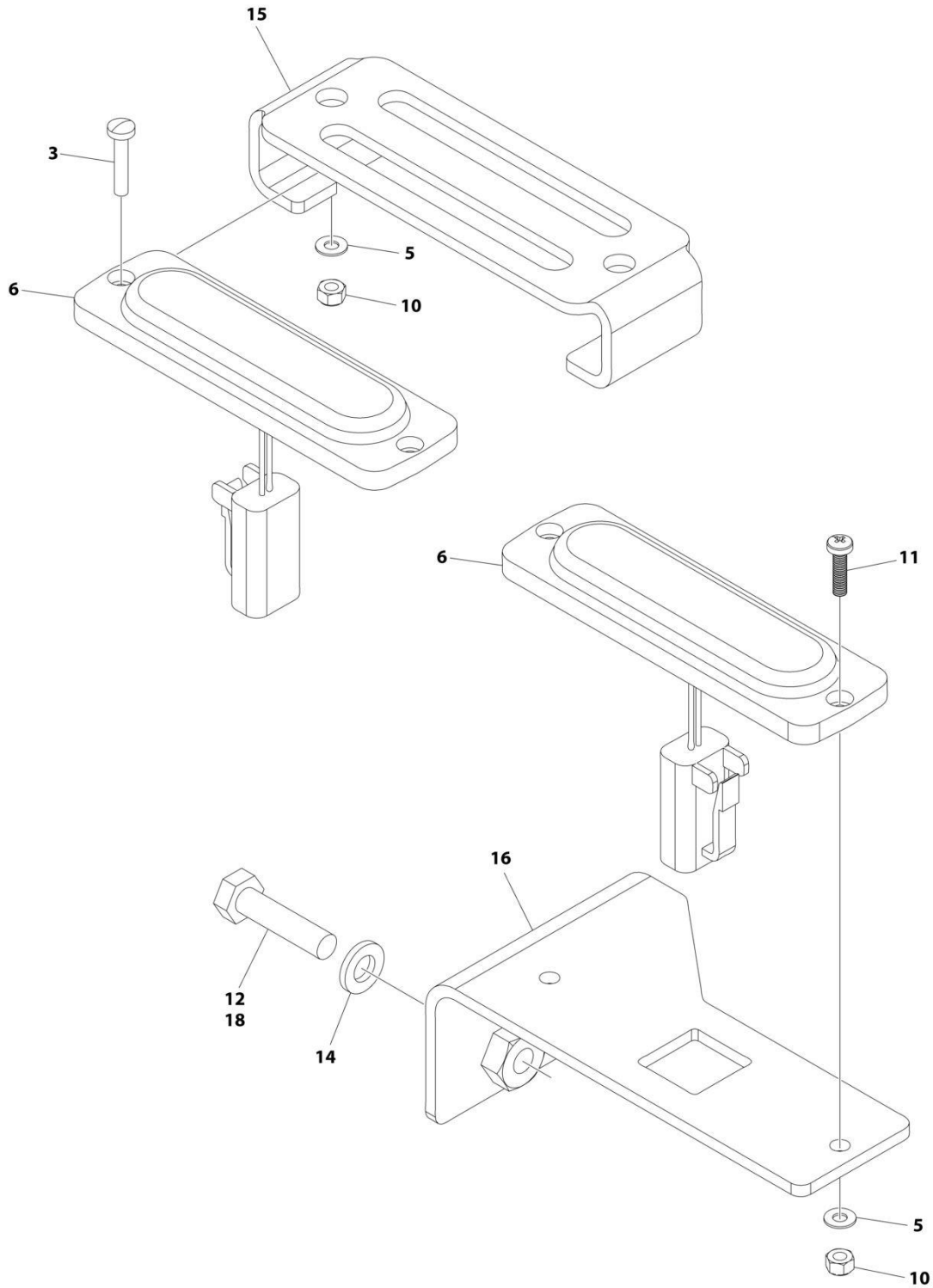
SECTION 1 - FRAME

FIGURE 1-13. STROBE LIGHT INSTALLATION - SINGLE

ITEM	PART NUMBER	QTY	DESCRIPTION	REV
	1001239314	Rev	STROBE LIGHT INSTALLATION - SINGLE (AMBER) (WITH GUARD)	D
1	4010308	2	Screw M3 x 16	
2	1001110544	2	Washer M3	
3	1001239224	1	Light, Strobe	
3	4460891	1	Plug, Male - 2 Position	
3	4460465	2	Socket, Female	
4	1001239661	1	Guard	
5	3290305	2	Nut M3	

SECTION 1 - FRAME

FIGURE 1-14. STROBE LIGHT INSTALLATION - DUAL



ART_1001239315_F

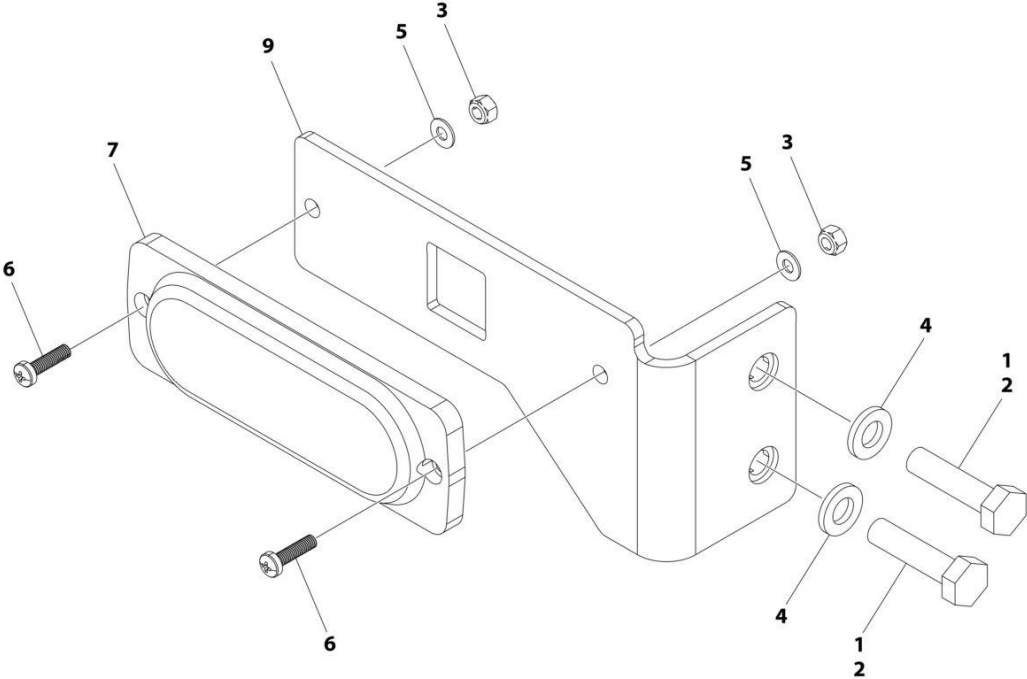
SECTION 1 - FRAME

FIGURE 1-14. STROBE LIGHT INSTALLATION - DUAL

ITEM	PART NUMBER	QTY	DESCRIPTION	REV
	1001239315	Ref	STROBE LIGHT INSTALLATION - DUAL (AMBER) (WITH GUARD)	F
3	4010308	2	Screw M3 x 16	
5	1001110544	4	Washer M3	
6	1001239224	2	Light, Strobe	
6	4460891	1	Plug, Male - 2 Position	
6	4460465	2	Socket, Female	
10	3290305	4	Nut M3	
11	1001198576	2	Screw	
12	0700612	2	Capscrew M6 x 25	
14	4811700	2	Washer M6	
15	1001239661	1	Guard	
16	1001256745	1	Bracket	
17	1001250078	1	Strobe Light Jumper Harness (Not Shown)	
17	4460897	2	Receptacle, Female - 2 Position	
17	4460464	4	Pin, Male	
17	4460891	1	Plug, Male - 2 Position	
17	4460465	2	Socket, Female	
18	0100011	AR	Compound, Locking	

SECTION 1 - FRAME

FIGURE 1-15. STROBE LIGHT INSTALLATION - DUAL (WITH CLEARSKY)



ART_1001296269

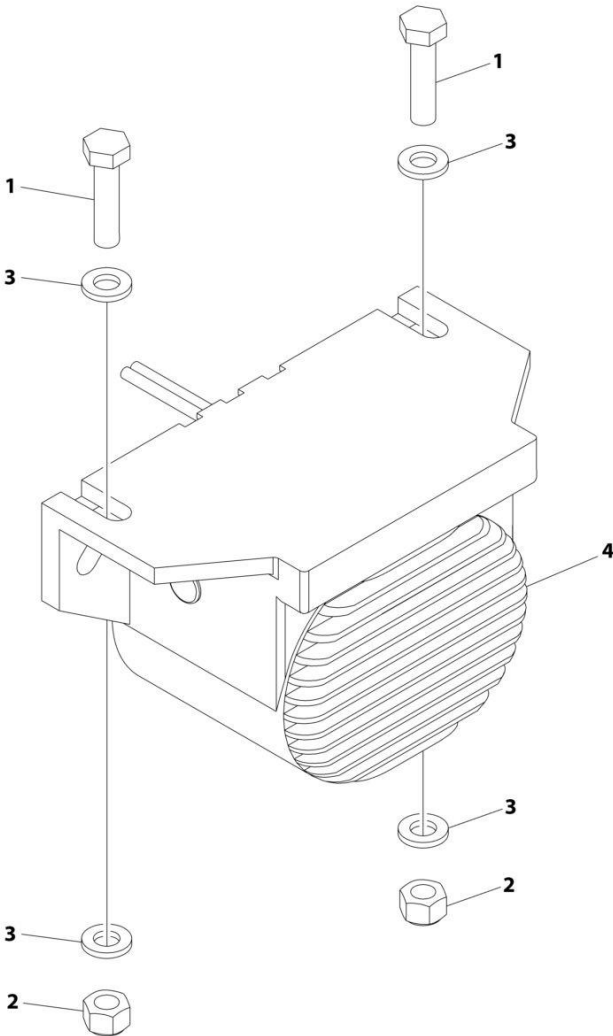
SECTION 1 - FRAME

FIGURE 1-15. STROBE LIGHT INSTALLATION - DUAL (WITH CLEARSKY)

ITEM	PART NUMBER	QTY	DESCRIPTION	REV
	1001296269	Ref	SECOND BEACON INSTALLATION	A
1	0100011	1	Compound, Locking	
2	0700612	2	Bolt M6 x 25	
3	3290305	2	Nut M3	
4	4811700	2	Washer M6	
5	1001110544	2	Washer M3	
6	1001198576	2	Screw M3	
7	1001239224	1	Light, Strobe	
7	4460891	2	Connector	
7	4460465	4	Socket	
8	1001250078	1	Strobe Light Jumper Harness (Not Shown)	
8	4460897	2	Connector	
8	4460464	4	Pin	
8	4460891	1	Connector	
8	4460465	2	Socket	
9	1001256745	1	Bracket	

SECTION 1 - FRAME

FIGURE 1-16. ALARM INSTALLATION (AMBIENT/WHITE NOISE)



ART_1001204495

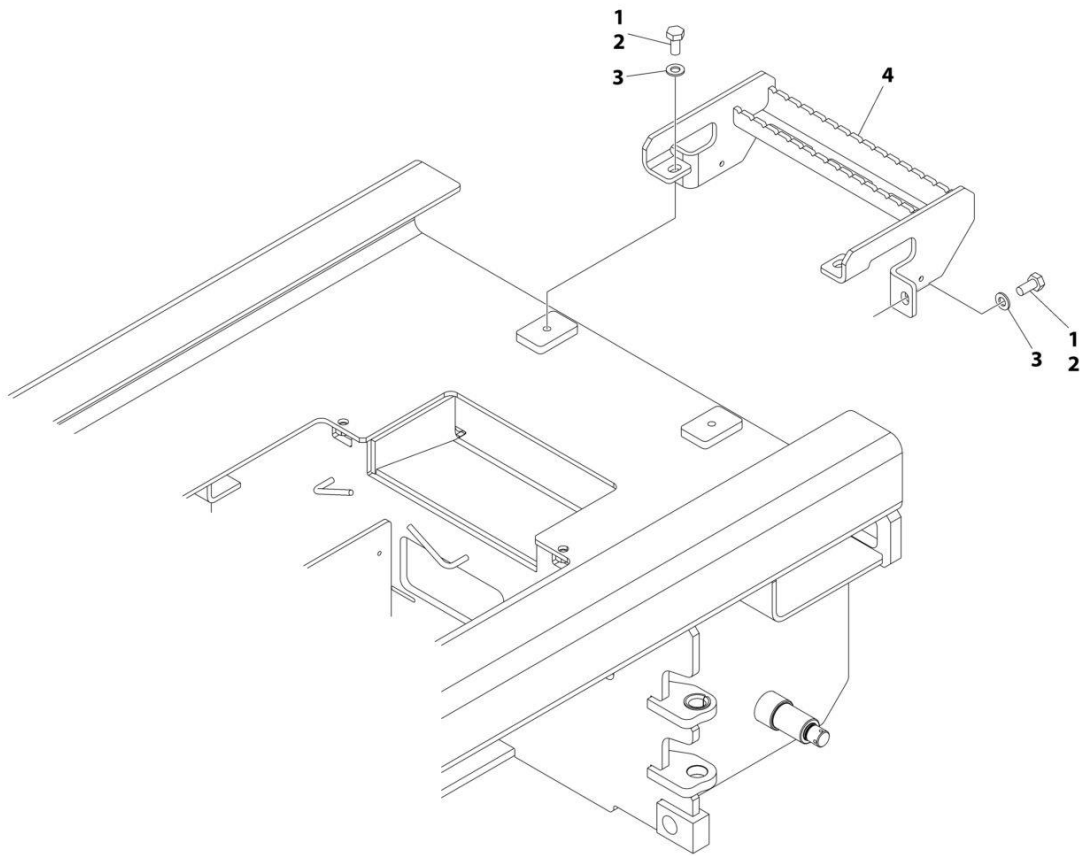
SECTION 1 - FRAME

FIGURE 1-16. ALARM INSTALLATION (AMBIENT/WHITE NOISE)

ITEM	PART NUMBER	QTY	DESCRIPTION	REV
	1001204495	Ref	ALARM INSTALLATION (AMBIENT/WHITE NOISE)	B
1	0760612	2	Bolt M6 x 25	
2	3290605	2	Nut M6	
3	4811700	4	Washer M6	
4	1001182806	1	Alarm	
4	4460897	1	Receptacle, Female - 2 Position	
4	4460464	2	Pin, Male	

SECTION 1 - FRAME

FIGURE 1-17. LADDER INSTALLATION



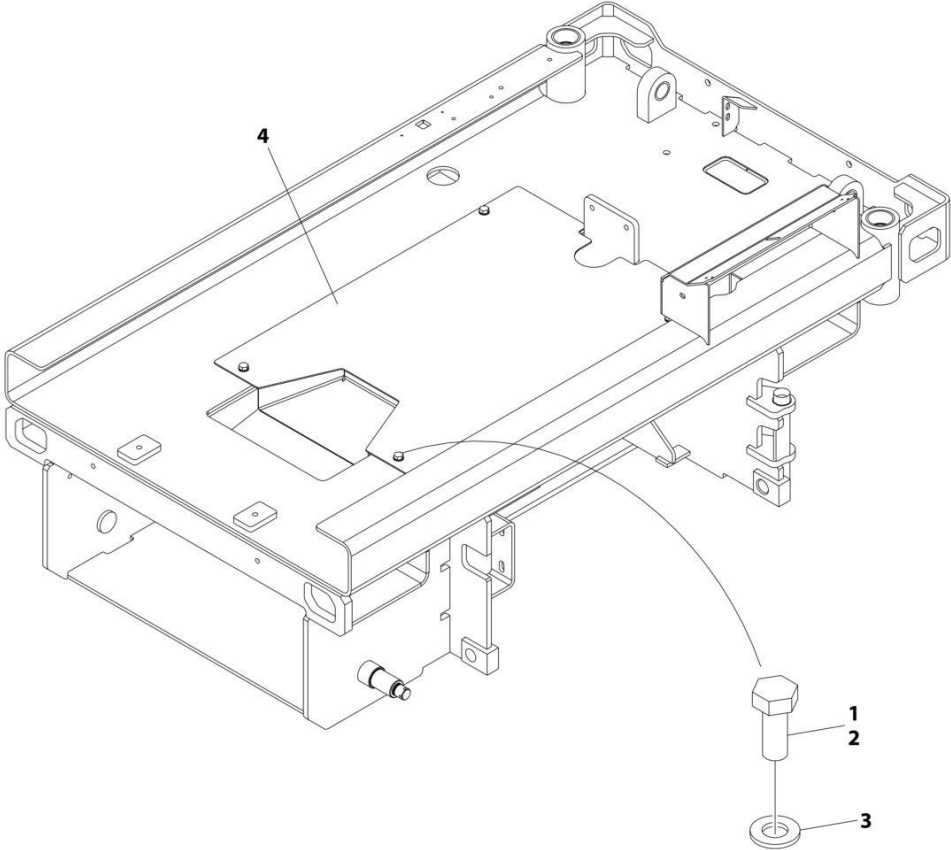
ART_1001244160

FIGURE 1-17. LADDER INSTALLATION

ITEM	PART NUMBER	QTY	DESCRIPTION	REV
	1001244160	Ref	LADDER INSTALLATION	E
1	0100011	AR	Compound, Locking	
2	0761011	4	Bolt M10 x 22	
3	4812000	4	Washer M10	
4	1001250403	1	Ladder	

SECTION 1 - FRAME

FIGURE 1-18. FRAME COVER INSTALLATION



ART_1001241589

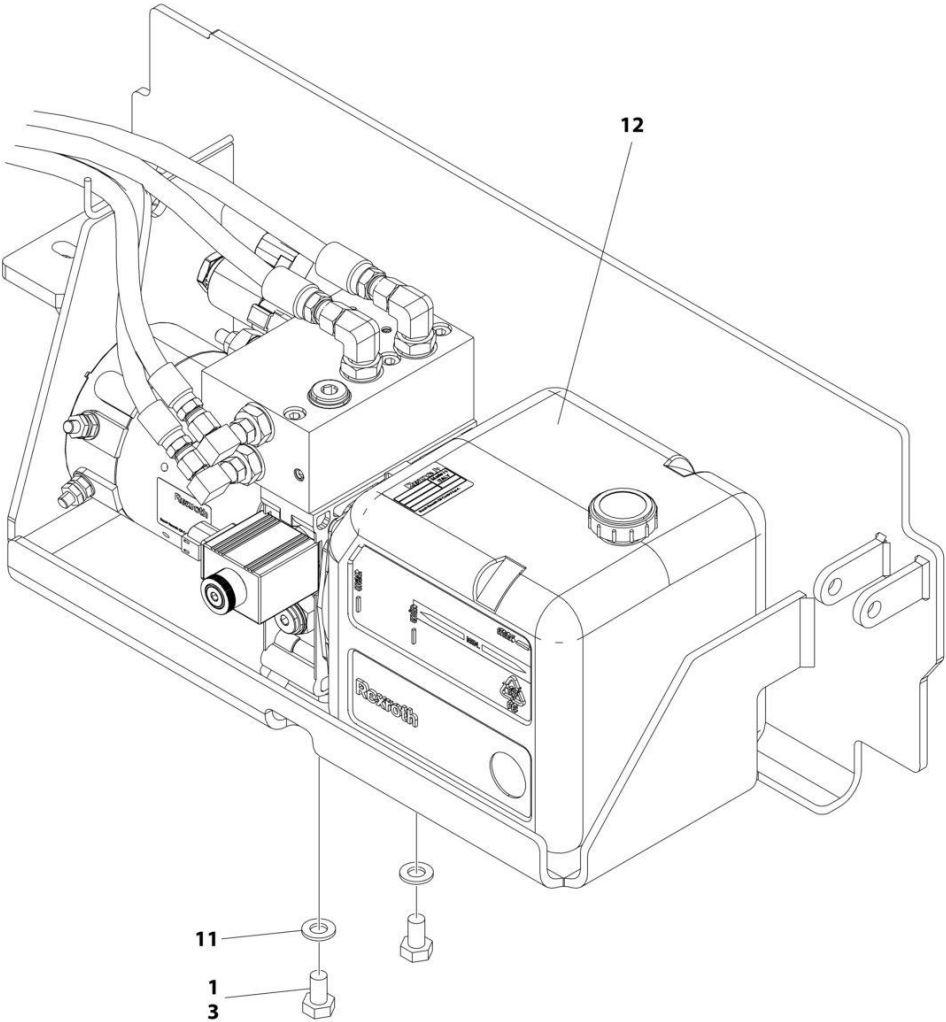
FIGURE 1-18. FRAME COVER INSTALLATION

ITEM	PART NUMBER	QTY	DESCRIPTION	REV
	1001241589	Ref	FRAME COVER INSTALLATION	D
1	0100011	AR	Compound, Locking	
2	0760810	4	Bolt M8 x 20	
3	4811900	4	Washer M8	
4	1001243838	1	Cover	

SECTION 2 - GROUND CONTROLS

SECTION 2 - GROUND CONTROLS

FIGURE 2-1. HYDRAULIC COMPONENT INSTALLATION



ART_1001235002_1OF2

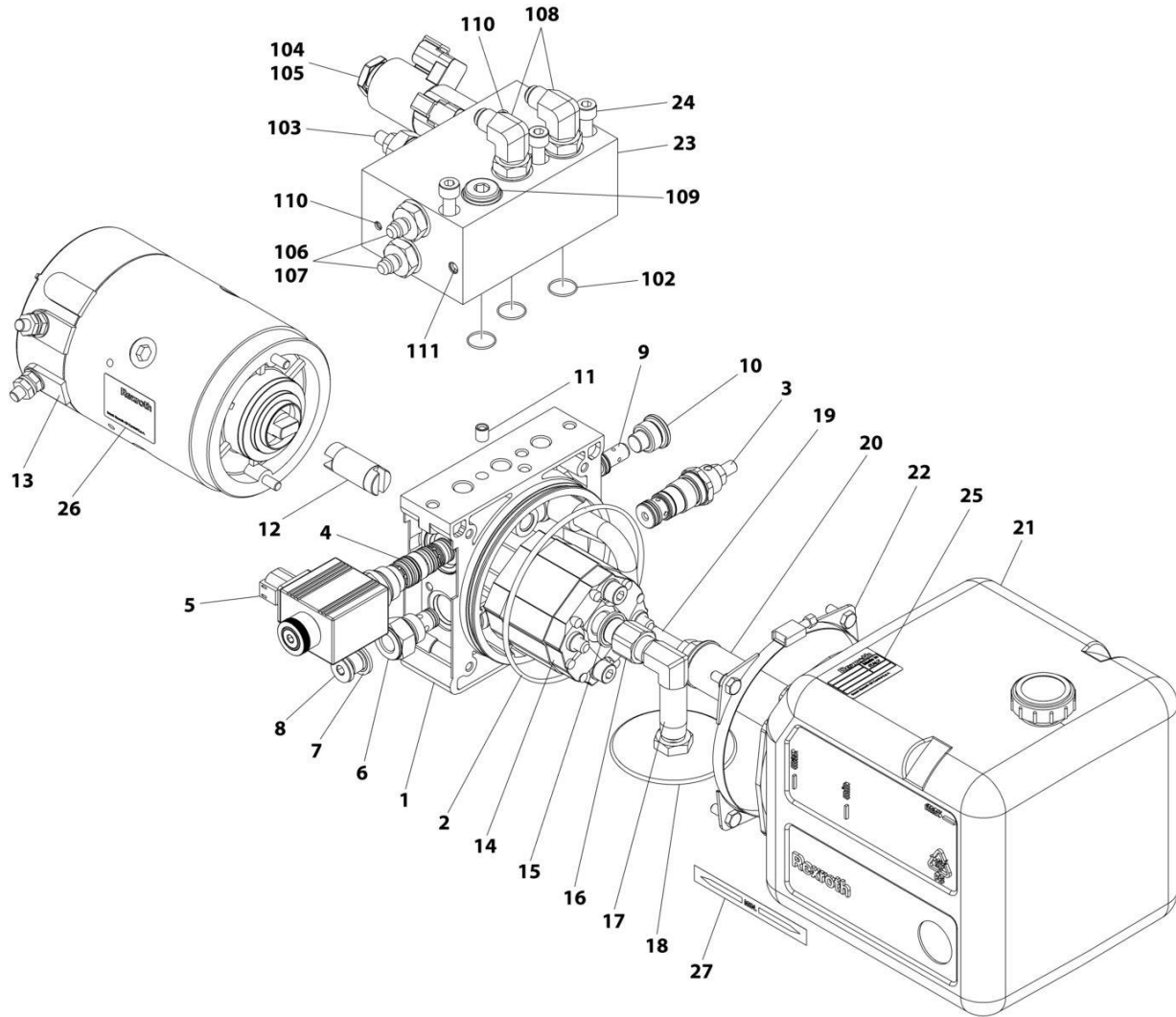
SECTION 2 - GROUND CONTROLS

FIGURE 2-1. HYDRAULIC COMPONENT INSTALLATION

ITEM	PART NUMBER	QTY	DESCRIPTION	REV
	1001235002	Rev	HYDRAULIC COMPONENTS INSTALLATION	I
1	0100011	AR	Compound, Locking	
3	0761009	2	Bolt M10 x 18	
11	4812000	AR	Washer M10	
12	1001245851	1	Motor/Pump/Tank Assembly (See Separate Breakdown in this Section)	

SECTION 2 - GROUND CONTROLS

FIGURE 2-2. MOTOR/PUMP/TANK ASSEMBLY



ART_1001245851

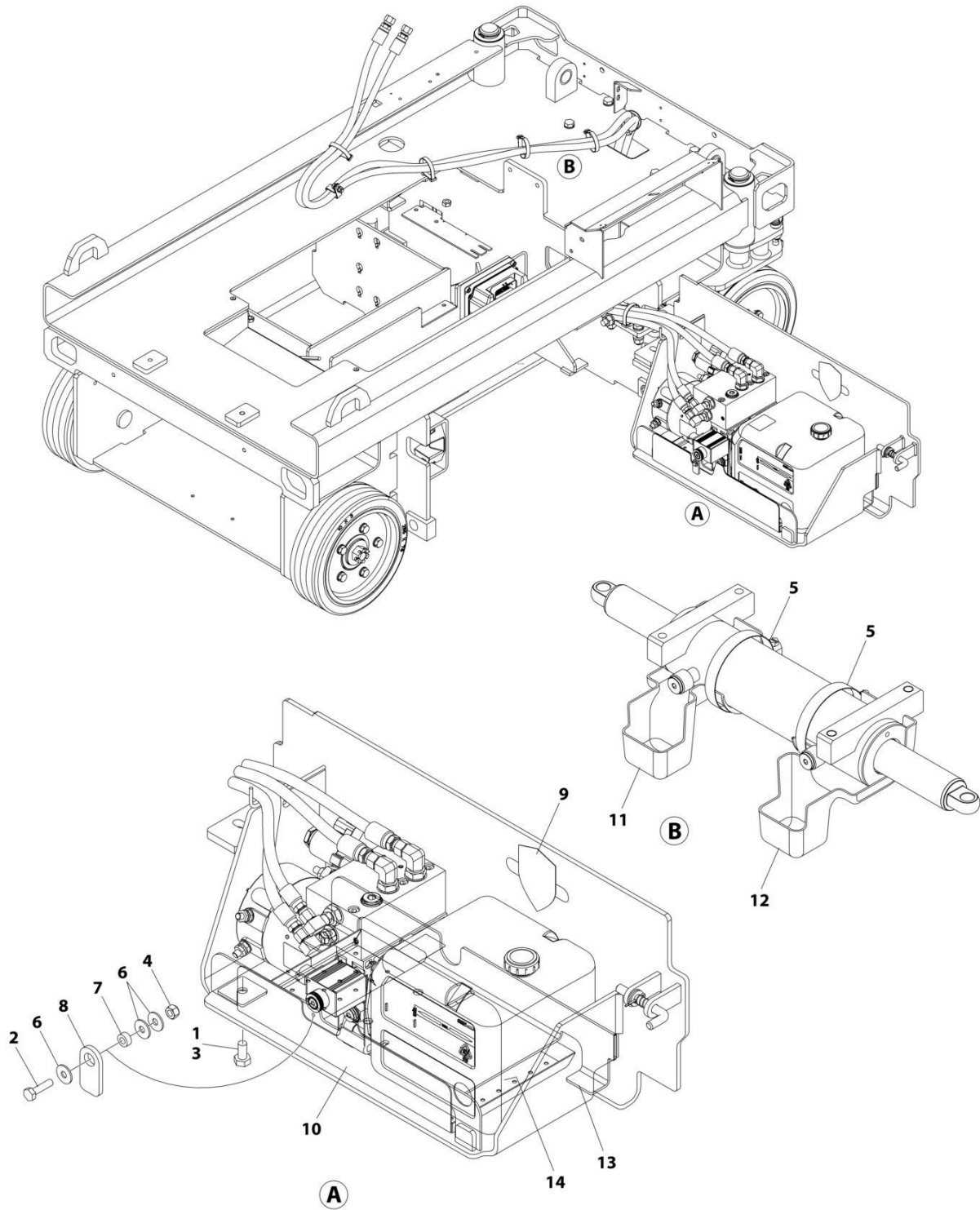
SECTION 2 - GROUND CONTROLS

FIGURE 2-2. MOTOR/PUMP/TANK ASSEMBLY

ITEM	PART NUMBER	QTY	DESCRIPTION	REV
	1001245851	Ref	MOTOR/PUMP/TANK ASSEMBLY	B
1	See Note	NSS	Manifold (Note: Purchase p/n 1001245851)	
2	70003690	1	O-Ring	
3	70007120	1	Cartridge, Valve (No Seal Kit Available)	
4	70003685	1	Cartridge, Valve (No Seal Kit Available)	
5	70003686	1	Coil	
6	See Note	NSS	Cartridge, Valve (No Seal Kit Available) (Note: Use p/n 70005636)	
7	See Note	NSS	Seal (Note: Use p/n 70005636)	
8	See Note	NSS	Plug (Note: Use p/n 70005636)	
9	70007121	1	Cartridge, Valve (No Seal Kit Available)	
10	See Note	NSS	Plug (Note: Not Available for Purchase)	
11	See Note	NSS	Plug (Note: Not Available for Purchase)	
12	70007122	1	Coupling (Pump to Motor)	
13	70007123	1	Motor, Replacement	
14	70007124	1	Pump, Replacement	
15	See Note	NSS	Seal (Note: Not Available for Purchase)	
16	See Note	NSS	Fitting (Note: Not Available for Purchase)	
17	See Note	NSS	Pipe, Suction (Note: Not Available for Purchase)	
18	70003696	1	Filter, Suction	
19	See Note	NSS	Pipe, Return (Note: Not Available for Purchase)	
20	70003734	1	Filter, Return	
21	70007125	1	Tank	
22	70007126	1	Clamp Kit - Tank	
23	70007127	1	Valve Assembly (Note: Sold as Assembly Only)	
24	See Note	NSS	Capscrew M8 x 55 (Note: Not Available - Purchase Locally)	
25	See Note	NSS	Nameplate - Identification (Note: Not Available for Purchase)	
26	See Note	NSS	Decal (Note: Not Available for Purchase)	
27	70007128	1	Decal - Oil Level	
102	70008248	3	Seal	
103	70005637	2	Valve, Relief	
104	70007589	1	Cartridge	
105	70008249	2	Coil	
106	70003706	2	Filter	
107	70008250	2	Adaptor, 3/8 - 7/16 JIC	
108	70005635	2	Adaptor, 3/8 90-Degree - 9/16 JIC	
109	70005632	1	Plug, 3/8	
110	70008251	8	Plug, Ball Seal - 6MM	
111	70008252	1	Plug, Ball Seal - 8MM	

SECTION 2 - GROUND CONTROLS

FIGURE 2-3. CLEANGUARD INSTALLATION



ART_1001265088

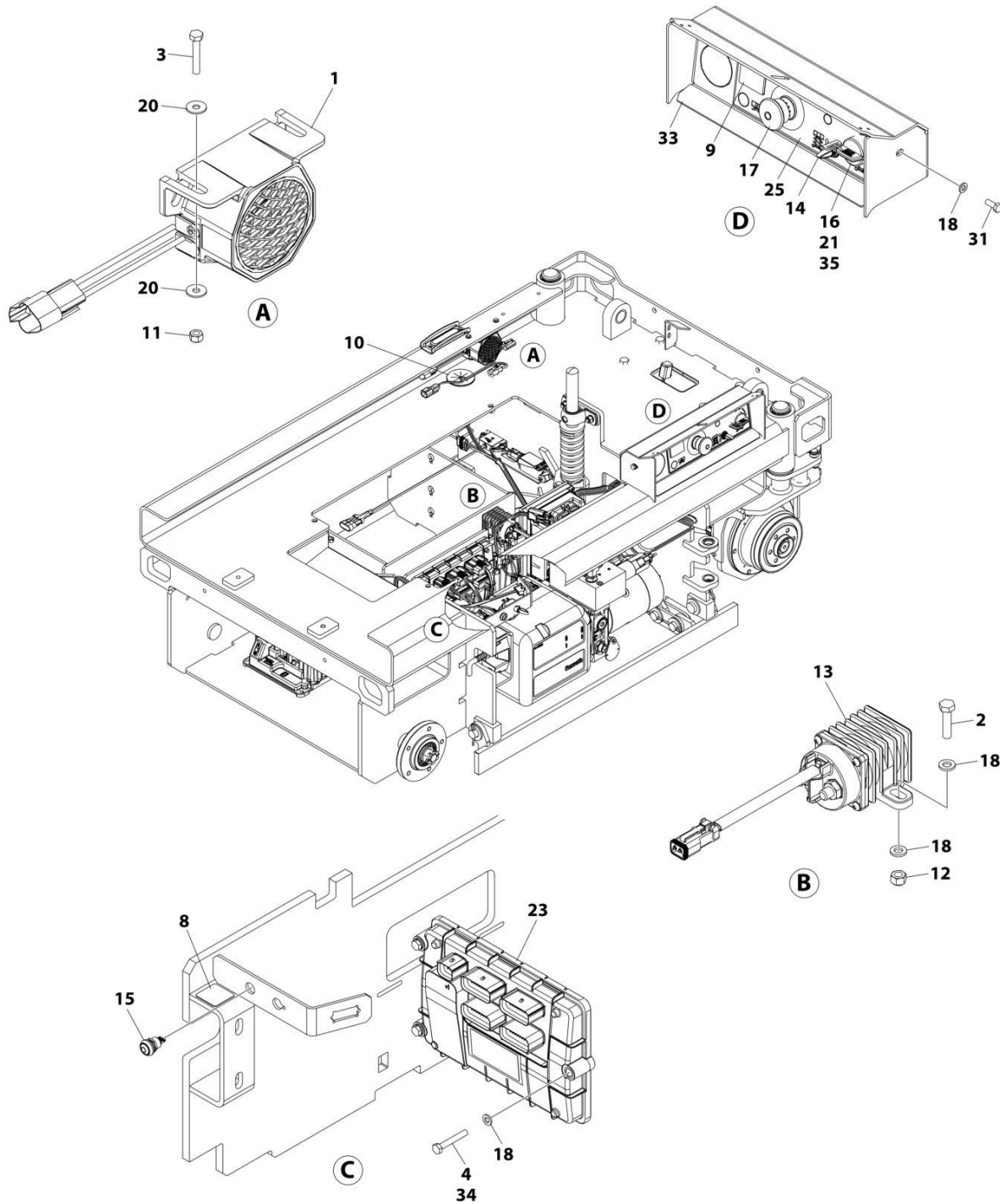
SECTION 2 - GROUND CONTROLS

FIGURE 2-3. CLEANGUARD INSTALLATION

ITEM	PART NUMBER	QTY	DESCRIPTION	REV
	1001265088	Ref	CLEANGUARD INSTALLATION	B
1	0100011	AR	Compound, Locking	
2	0760408	1	Bolt M4 x 16	
3	0761010	2	Bolt M10 x 20	
4	3290405	1	Nut M4	
5	8405204	2	Clamp	
6	1001091102	3	Washer M4	
7	1001260503	1	Tube	
8	1001260504	1	Plate, Stopper	
9	1001262581	1	Decal - Clean Guard	
10	1001265409	1	Tray	
11	1001266166	1	Tray (LH)	
12	1001266167	1	Tray (RH)	
13	1001266955	1	Bracket	
14	1001274560	1	Pad	

SECTION 2 - GROUND CONTROLS

FIGURE 2-4. ELECTRICAL COMPONENTS INSTALLATION (WITH PLATFORM DRIVE SELECT SWITCH) (MACHINES WITH SN STARTING WITH 12, B2, G2 & M2)



ART_1001243252_K

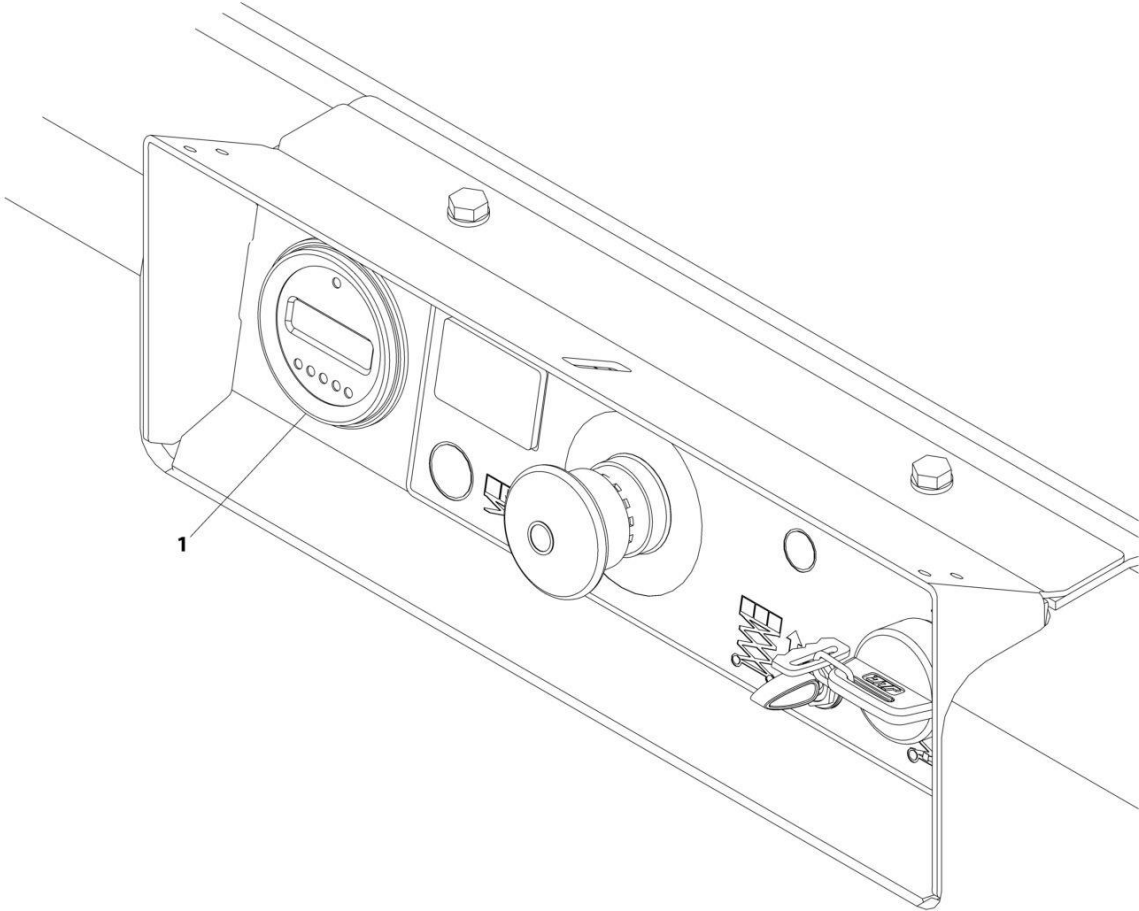
SECTION 2 - GROUND CONTROLS

FIGURE 2-4. ELECTRICAL COMPONENTS INSTALLATION (WITH PLATFORM DRIVE SELECT SWITCH) (MACHINES WITH SN STARTING WITH 12, B2, G2 & M2)

ITEM	PART NUMBER	QTY	DESCRIPTION	REV
	1001243252	Ref	ELECTRICAL COMPONENTS INSTALLATION (WITH LSS)	K
1	0140043	1	Alarm	
2	0700612	2	Bolt M6 x 25	
3	0700412	2	Bolt M6 x 25	
4	0700616	3	Bolt M6 x 40	
8	1706679	1	Decal - Brake Release	
9	2420172	1	Hourmeter	
10	2540045	2	Grommet	
11	3290405	2	Nut M4	
12	3290605	2	Nut M6	
13	3740150	1	Relay	
14	4360328	1	Switch, Toggle	
15	1001226749	1	Switch, Push Button	
16	4360469	1	Switch, Key	
16	2860030	1 Set	Key, Replacement	
17	1001274559	1	Switch, Emergency Stop (Plastic)	
17	4360475	1	Switch, Emergency Stop (Metal)	
17	7020175	1	Cap	
17	7020176	1	Block, Contact	
18	4811700	9	Washer M6	
20	1001091102	4	Washer M4	
21	1001130590	1	Plate, Key Switch	
23	1001200629	1	Module, Control (Note: Re-calibration Required when Replaced)	
25	1001209682	1	Decal - Ground Control	
28	1001283412	1	Chassis Harness (Not Shown - See Separate Breakdown in ELECTRICAL Section)	
29	1001243255	1	Drive Control Harness (Not Shown - See Separate Breakdown in ELECTRICAL Section)	
30	4240017	AR	Tie-Strap (Not Shown)	
31	0760608	2	Bolt M6 x 16	
33	1001249645	1	Bracket, Ground Control	
34	0100011	AR	Compound, Locking	
35	3910804	3	Screw #8 x 1/4	
36	0100048	AR	Grease, Dielectric (Not Shown)	

SECTION 2 - GROUND CONTROLS

FIGURE 2-5. MDI INSTALLATION



ART_1001207293

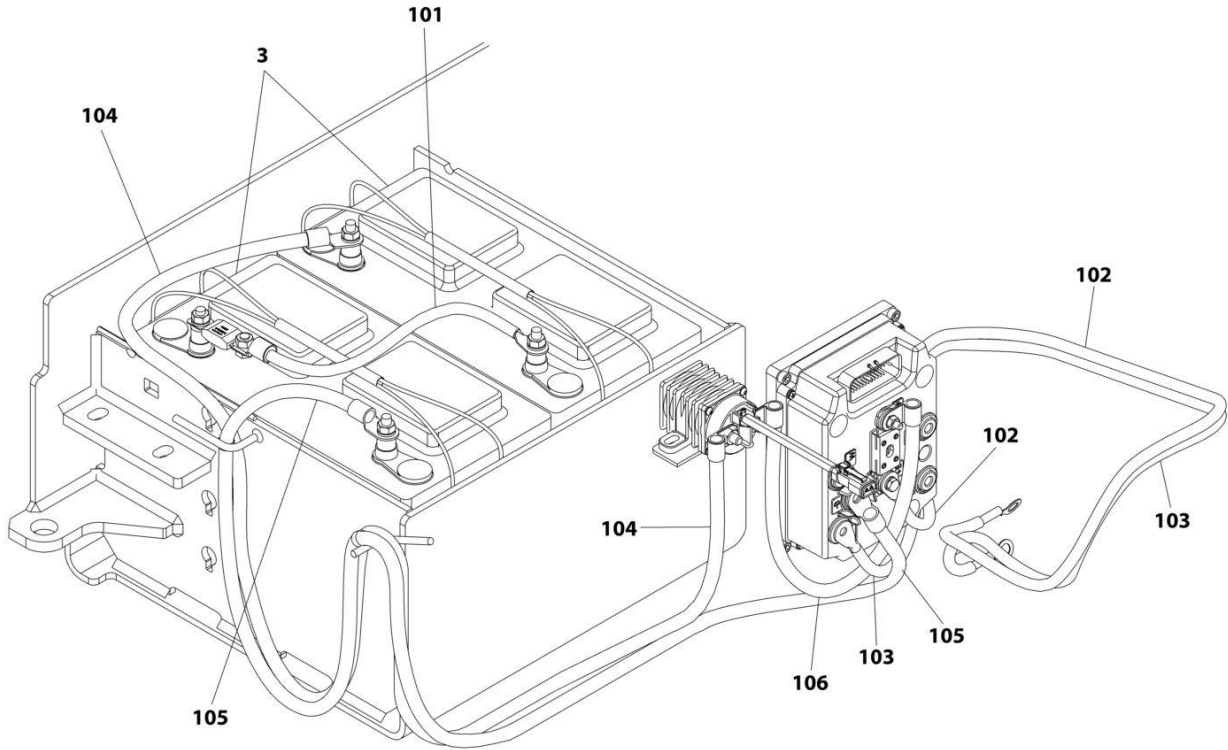
SECTION 2 - GROUND CONTROLS

FIGURE 2-5. MDI INSTALLATION

ITEM	PART NUMBER	QTY	DESCRIPTION	REV
1	1001207293 1001200632	Ref 1	MDI INSTALLATION Gauge, MDI	B

SECTION 2 - GROUND CONTROLS

FIGURE 2-6. BATTERIES INSTALLATION - STANDARD BATTERIES WITHOUT DISCONNECT



ART_1001243226

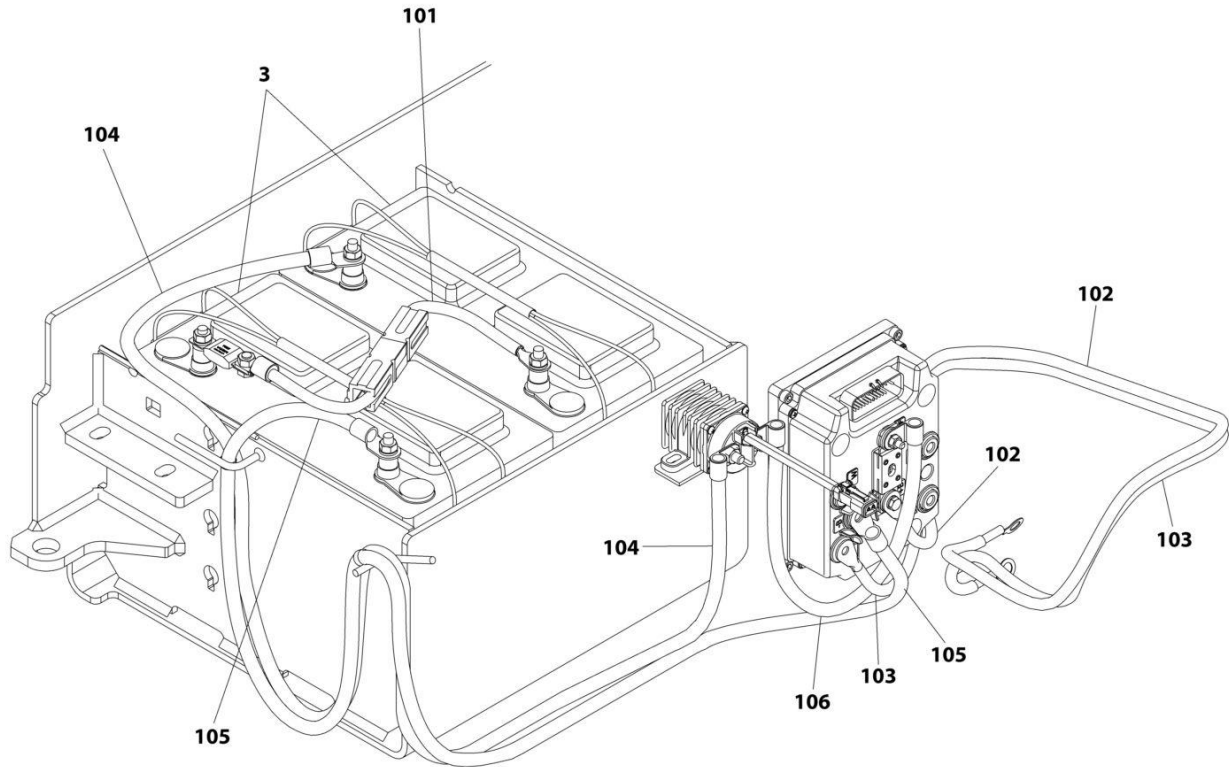
SECTION 2 - GROUND CONTROLS

FIGURE 2-6. BATTERIES INSTALLATION - STANDARD BATTERIES WITHOUT DISCONNECT

ITEM	PART NUMBER	QTY	DESCRIPTION	REV
	1001243226	Ref	BATTERIES INSTALLTION - STANDARD BATTERIES WITHOUT DISCONNECT	E
1	0100051	AR	Grease, Terminal (Not Shown)	
2	4240017	AR	Tie-Strap (Not Shown)	
3	1001233714	2	Battery	
100	1001243230	1	Battery Cable Kit (Not Shown)	
101	1001239303	1	Cable, Positive (+) to Negative (-)	
102	1001243232	1	Cable, Pump Motor (+) to Module (+B)	
103	1001243233	1	Cable, Pump Motor (-) to Module (-P)	
104	1001244338	1	Cable, Battery (+) to Relay	
105	1001243235	1	Cable, Battery (-) to Module (-B)	
106	1001244339	1	Cable, Relay to Module (+BF)	

SECTION 2 - GROUND CONTROLS

FIGURE 2-7. BATTERIES INSTALLATION - STANDARD BATTERIES WITH DISCONNECT



ART_1001243227

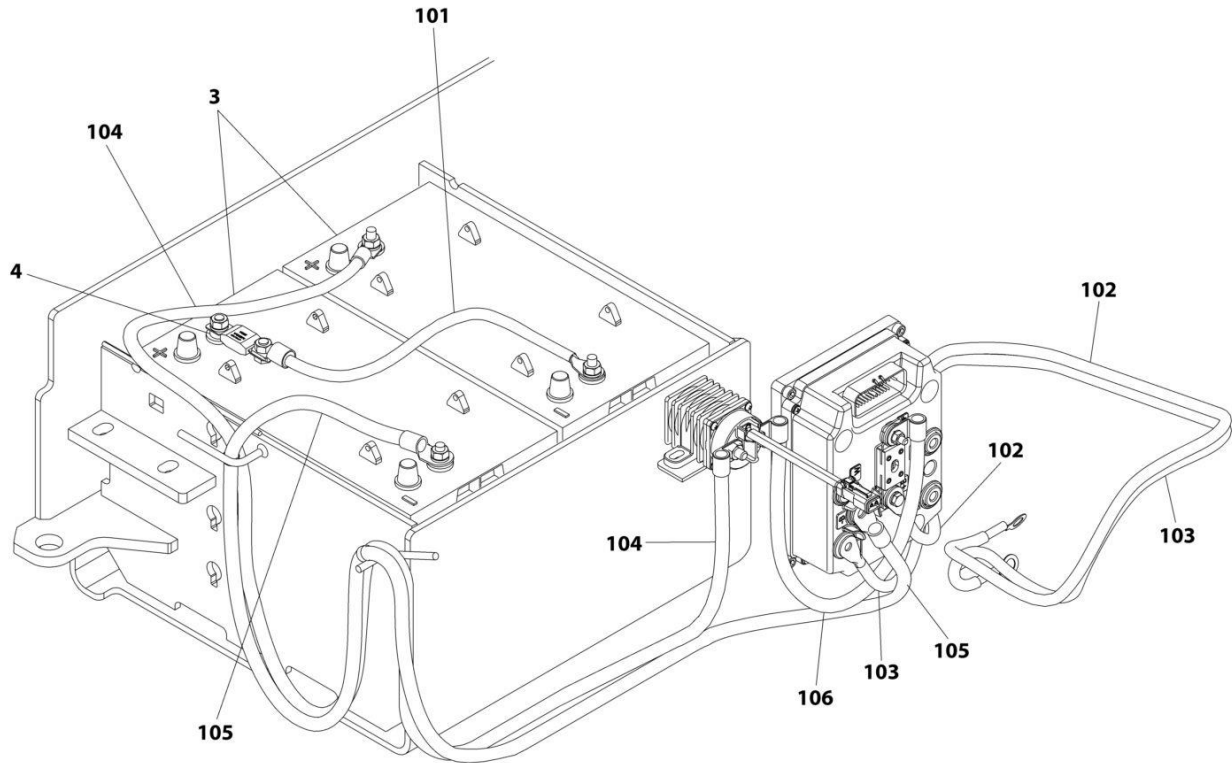
SECTION 2 - GROUND CONTROLS

FIGURE 2-7. BATTERIES INSTALLATION - STANDARD BATTERIES WITH DISCONNECT

ITEM	PART NUMBER	QTY	DESCRIPTION	REV
	1001243227	Ref	BATTERIES INSTALLATION - STANDARD BATTERIES WITH DISCONNECT	E
1	0100051	AR	Grease, Terminal (Not Shown)	
2	4240017	AR	Tie-Strap (Not Shown)	
3	1001233714	2	Battery	
100	1001243231	1	Battery Cable Kit (Not Shown)	
101	1001238060	1	Cable, Positive (+) to Negative (-)	
102	1001243232	1	Cable, Pump Motor (+) to Module (+B)	
103	1001243233	1	Cable, Pump Motor (-) to Module (-P)	
104	1001244338	1	Cable, Battery (+) to Relay	
105	1001243235	1	Cable, Battery (-) to Module (-B)	
106	1001244339	1	Cable, Relay to Module (+BF)	

SECTION 2 - GROUND CONTROLS

FIGURE 2-8. BATTERIES INSTALLATION - AGM BATTERIES WITHOUT DISCONNECT



ART_1001243228

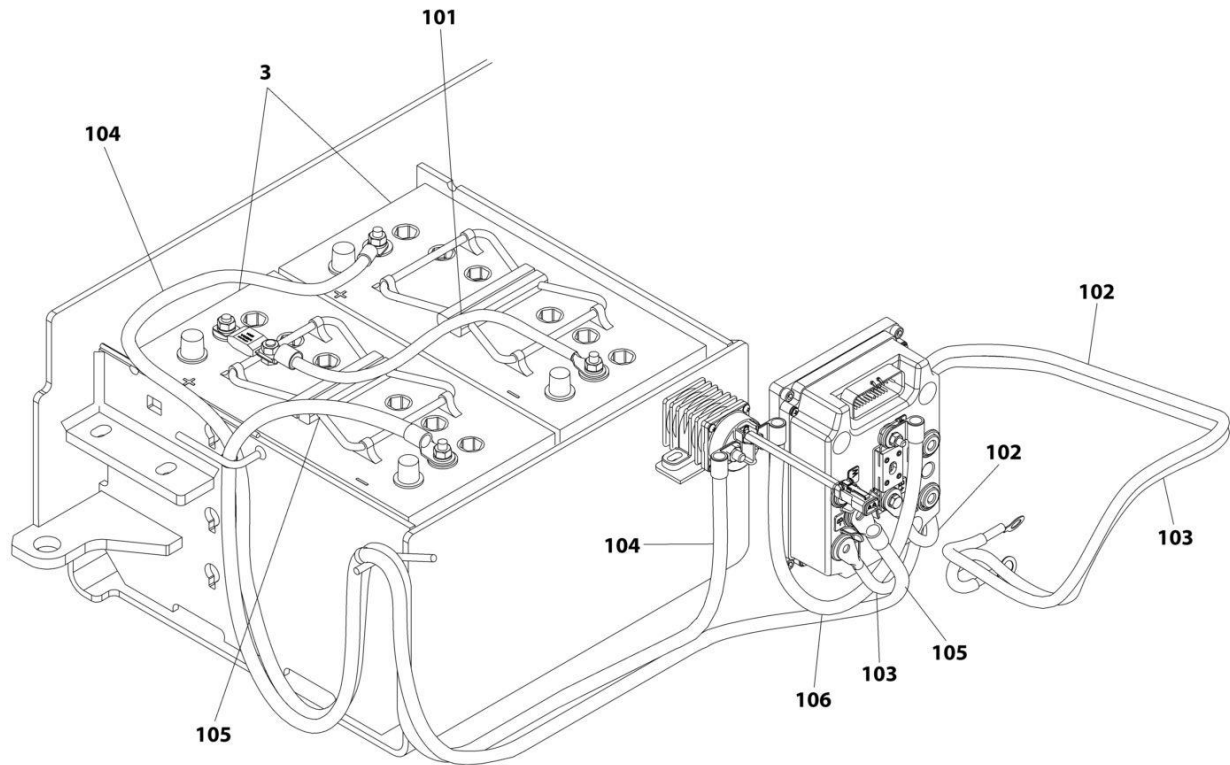
SECTION 2 - GROUND CONTROLS

FIGURE 2-8. BATTERIES INSTALLATION - AGM BATTERIES WITHOUT DISCONNECT

ITEM	PART NUMBER	QTY	DESCRIPTION	REV
	1001243228	Ref	BATTERIES INSTALLATION - AGM BATTERIES WITHOUT DISCONNECT	E
1	0100051	AR	Grease, Terminal (Not Shown)	
2	4240017	AR	Tie-Strap (Not Shown)	
3	1001125916	2	Battery	
4	1001249668	1	Washer	
100	1001243230	1	Battery Cable Kit (Not Shown)	
101	1001239303	1	Cable, Positive (+) to Negative (-)	
102	1001243232	1	Cable, Pump Motor (+) to Module (+B)	
103	1001243233	1	Cable, Pump Motor (-) to Module (-P)	
104	1001244338	1	Cable, Battery (+) to Relay	
105	1001243235	1	Cable, Battery (-) to Module (-B)	
106	1001244339	1	Cable, Relay to Module (+BF)	

SECTION 2 - GROUND CONTROLS

FIGURE 2-9. BATTERIES INSTALLATION - AGM VISION BATTERIES WITHOUT DISCONNECT



ART_1001255263

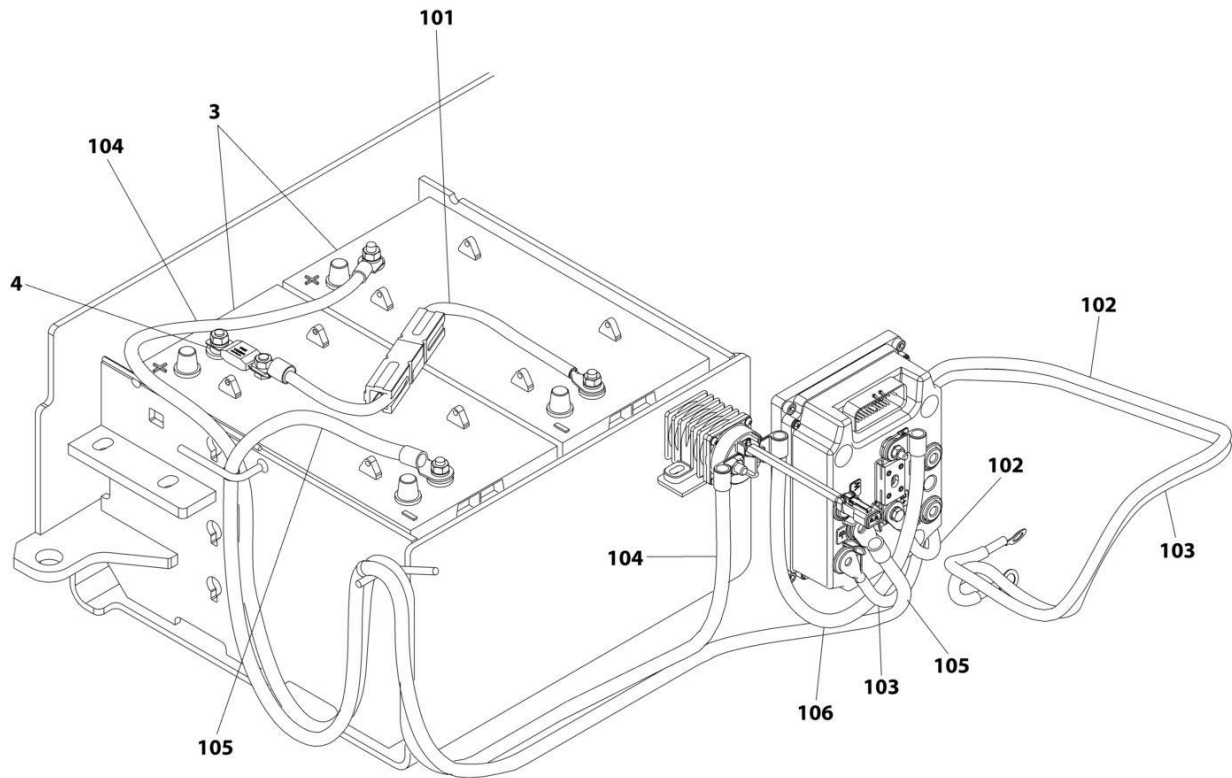
SECTION 2 - GROUND CONTROLS

FIGURE 2-9. BATTERIES INSTALLATION - AGM VISION BATTERIES WITHOUT DISCONNECT

ITEM	PART NUMBER	QTY	DESCRIPTION	REV
	1001255263	Ref	BATTERIES INSTALLATION - AGM VISION BATTERIES WITHOUT DISCONNECT	A
1	0100051	AR	Grease, Terminal (Not Shown)	
2	4240017	AR	Tie-Strap (Not Shown)	
3	1001254633	2	Battery	
100	1001243230	1	Battery Cable Kit (Not Shown)	
101	1001239303	1	Cable, Positive (+) to Negative (-)	
102	1001243232	1	Cable, Pump Motor (+) to Module (+B)	
103	1001243233	1	Cable, Pump Motor (-) to Module (-P)	
104	1001244338	1	Cable, Battery (+) to Relay	
105	1001243235	1	Cable, Battery (-) to Module (-B)	
106	1001244339	1	Cable, Relay to Module (+BF)	

SECTION 2 - GROUND CONTROLS

FIGURE 2-10. BATTERIES INSTALLATION - AGM BATTERIES WITH DISCONNECT



ART_1001243229

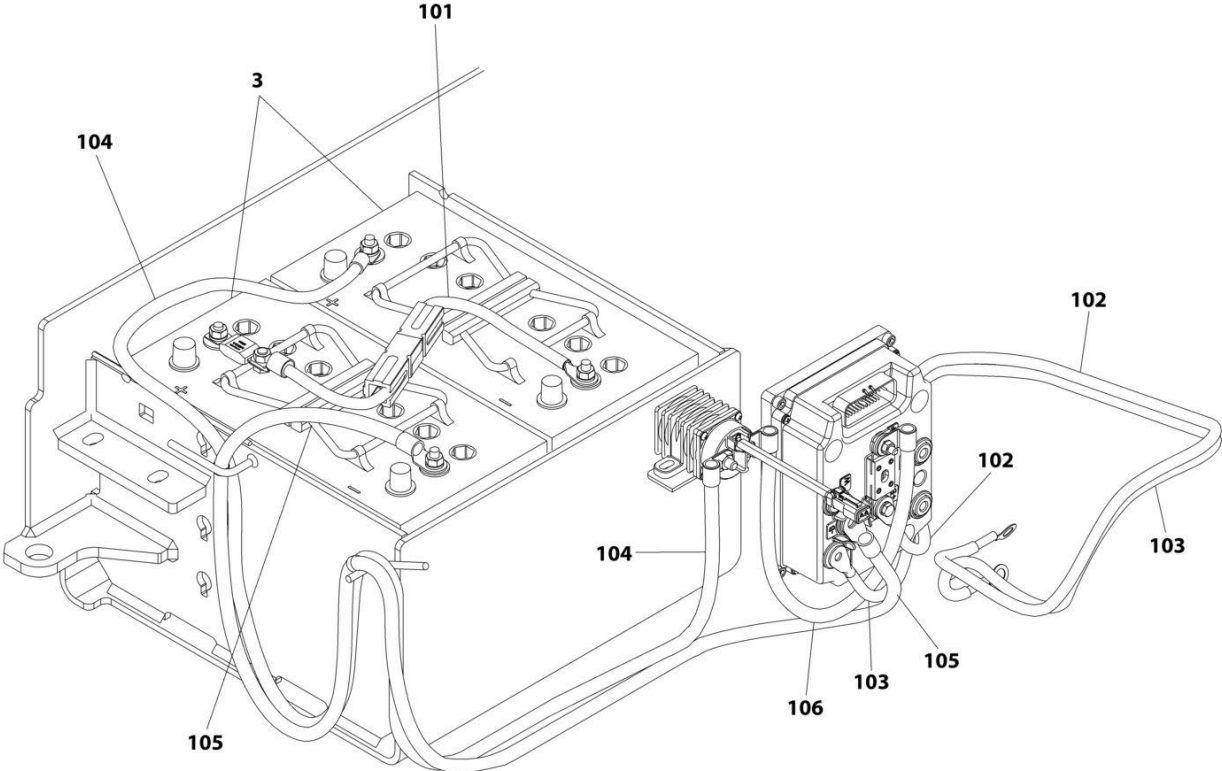
SECTION 2 - GROUND CONTROLS

FIGURE 2-10. BATTERIES INSTALLATION - AGM BATTERIES WITH DISCONNECT

ITEM	PART NUMBER	QTY	DESCRIPTION	REV
	1001243229	Rev	BATTERIES INSTALLATION - AGM BATTERIES WITH DISCONNECT	E
1	0100051	AR	Grease, Terminal (Not Shown)	
2	4240017	AR	Tie-Strap (Not Shown)	
3	1001125916	2	Battery	
4	1001249668	1	Washer	
100	1001243231	1	Battery Cable Kit (Not Shown)	
101	1001238060	1	Cable, Positive (+) to Negative (-)	
102	1001243232	1	Cable, Pump Motor (+) to Module (+B)	
103	1001243233	1	Cable, Pump Motor (-) to Module (-P)	
104	1001244338	1	Cable, Battery (+) to Relay	
105	1001243235	1	Cable, Battery (-) to Module (-B)	
106	1001244339	1	Cable, Relay to Module (+BF)	

SECTION 2 - GROUND CONTROLS

FIGURE 2-11. BATTERIES INSTALLATION - AGM VISION BATTERIES WITH DISCONNECT



ART_1001255264

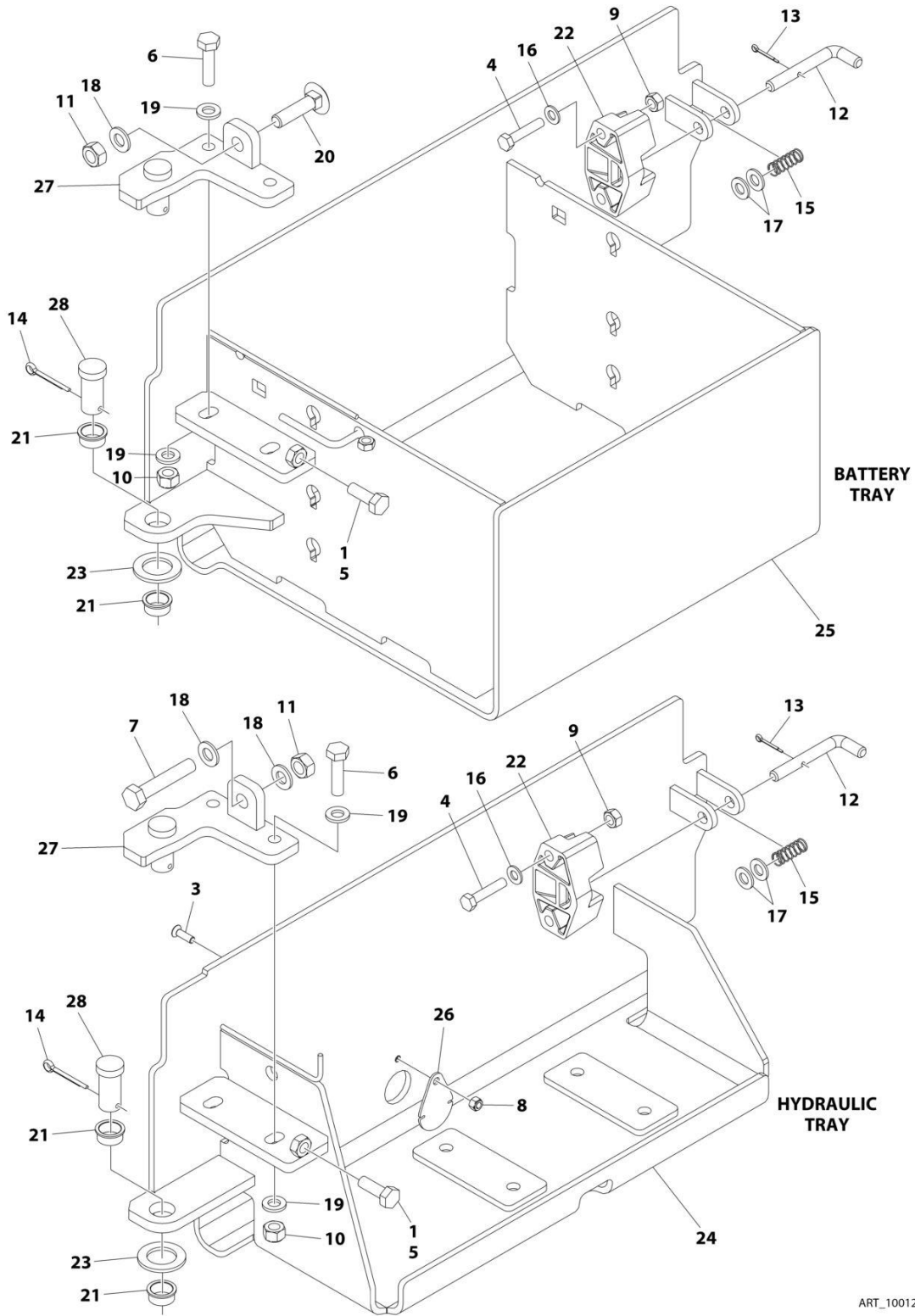
SECTION 2 - GROUND CONTROLS

FIGURE 2-11. BATTERIES INSTALLATION - AGM VISION BATTERIES WITH DISCONNECT

ITEM	PART NUMBER	QTY	DESCRIPTION	REV
	1001255264	Rev	BATTERIES INSTALLATION - AGM VISION BATTERIES WITH DISCONNECT	A
1	0100051	AR	Grease, Terminal (Not Shown)	
2	4240017	AR	Tie-Strap (Not Shown)	
3	1001254633	2	Battery	
100	1001243231	1	Battery Cable Kit (Not Shown)	
101	1001238060	1	Cable, Positive (+) to Negative (-)	
102	1001243232	1	Cable, Pump Motor (+) to Module (+B)	
103	1001243233	1	Cable, Pump Motor (-) to Module (-P)	
104	1001244338	1	Cable, Battery (+) to Relay	
105	1001243235	1	Cable, Battery (-) to Module (-B)	
106	1001244339	1	Cable, Relay to Module (+BF)	

SECTION 2 - GROUND CONTROLS

FIGURE 2-12. DOORS INSTALLATION



ART_1001236861

SECTION 2 - GROUND CONTROLS

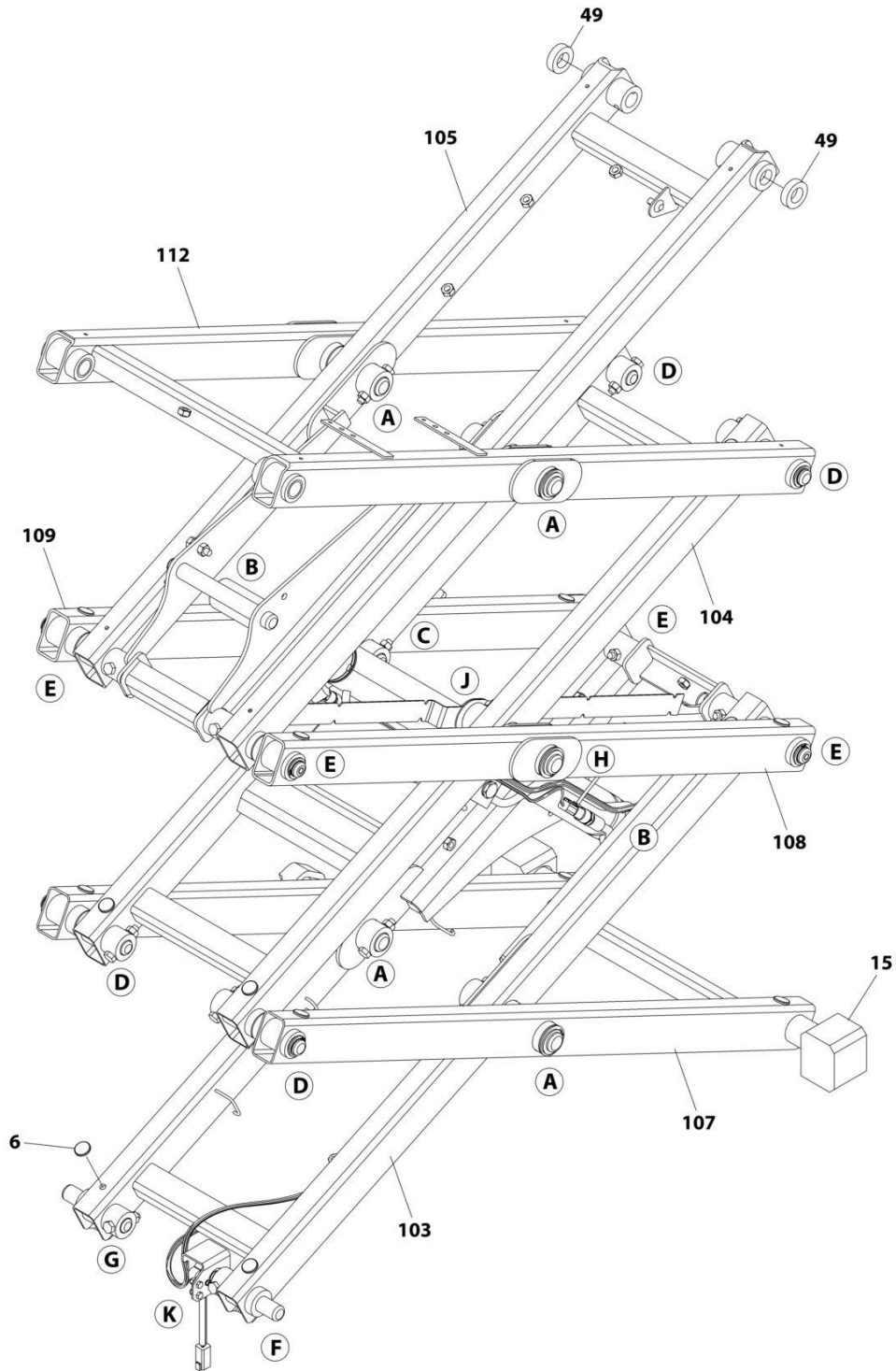
FIGURE 2-12. DOORS INSTALLATION

ITEM	PART NUMBER	QTY	DESCRIPTION	REV
	1001236861	Rev	DOORS INSTALLATION	C
1	0100011	AR	Compound, Locking	
3	0630576	1	Screw M6 x 20	
4	0700816	4	Bolt M8 x 40	
5	0761014	2	Bolt M10 x 30	
6	0761016	4	Bolt M10 x 40	
7	0761221	1	Bolt M12 x 65	
8	3290605	1	Nut M6	
9	3290805	4	Nut M8	
10	3291005	4	Nut M10	
11	3291201	2	Nut M12	
12	3423243	2	Pin, Latch	
13	3450303	2	Pin, Cotter 3/32 x 3/4	
14	3450505	2	Pin Cotter 5/32 x 1/2	
15	4160214	2	Spring	
16	4811900	4	Washer M8	
17	4812000	4	Washer M10	
18	4812100	3	Washer M12	
19	5241000	8	Washer M10	
20	1001245750	1	Bolt M12 x 50	
21	1001203870	4	Bearing	
22	1001214810	2	Support Latch	
23	1001229792	2	Washer	
24	1001236856	1	Tray, Hydraulic	
25	1001236860	1	Tray, Battery	
26	1001239457	1	Cover	
27	1001244672	2	Bracket	
28	3431212	2	Pin	

SECTION 3 - SCISSOR ARMS

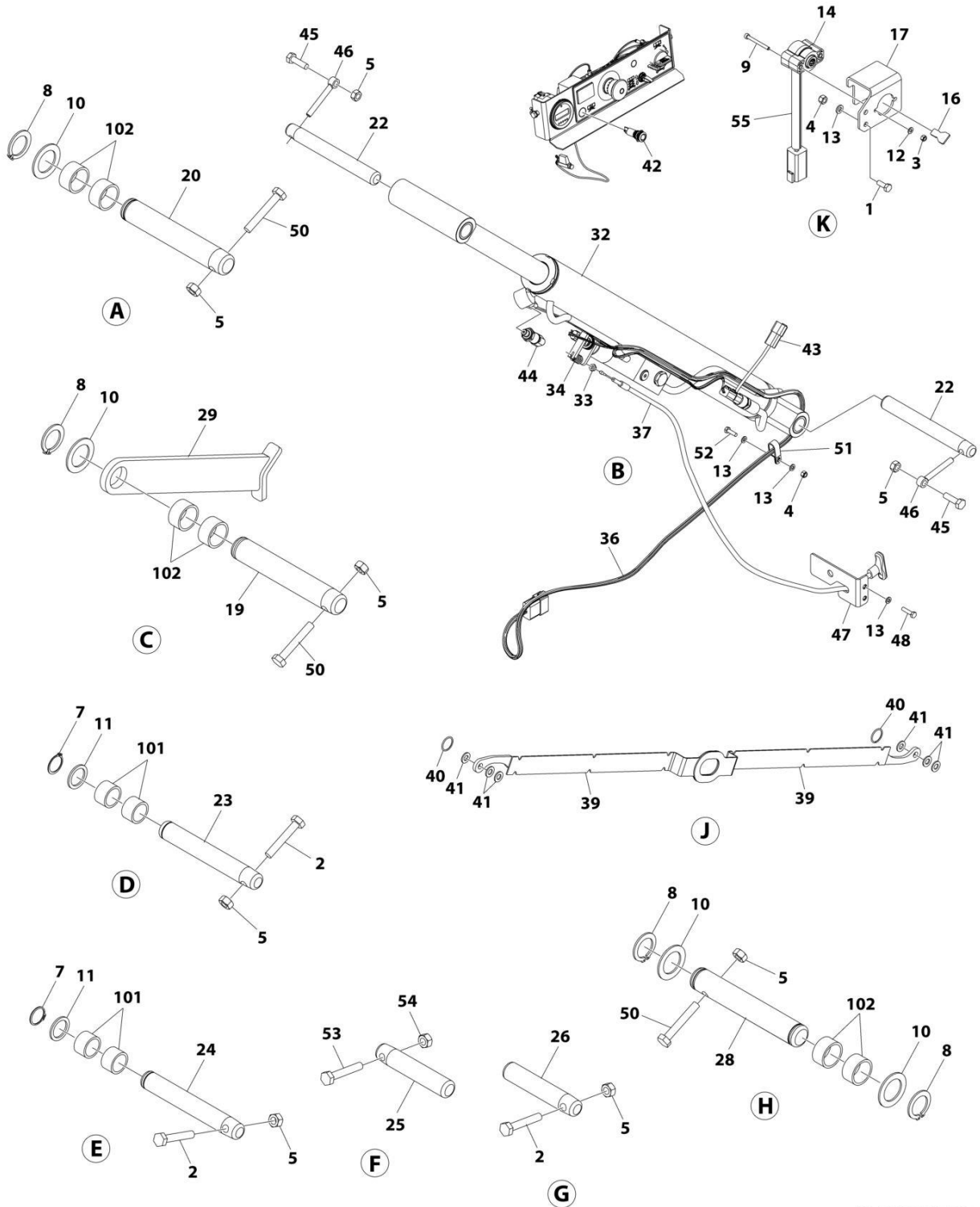
SECTION 3 - SCISSOR ARMS

FIGURE 3-1. SCISSOR ARMS INSTALLATION (WITH LSS)



ART_1001249876_10F2

SECTION 3 - SCISSOR ARMS



ART_1001249876_2OF2

SECTION 3 - SCISSOR ARMS

FIGURE 3-1. SCISSOR ARMS INSTALLATION (WITH LSS)

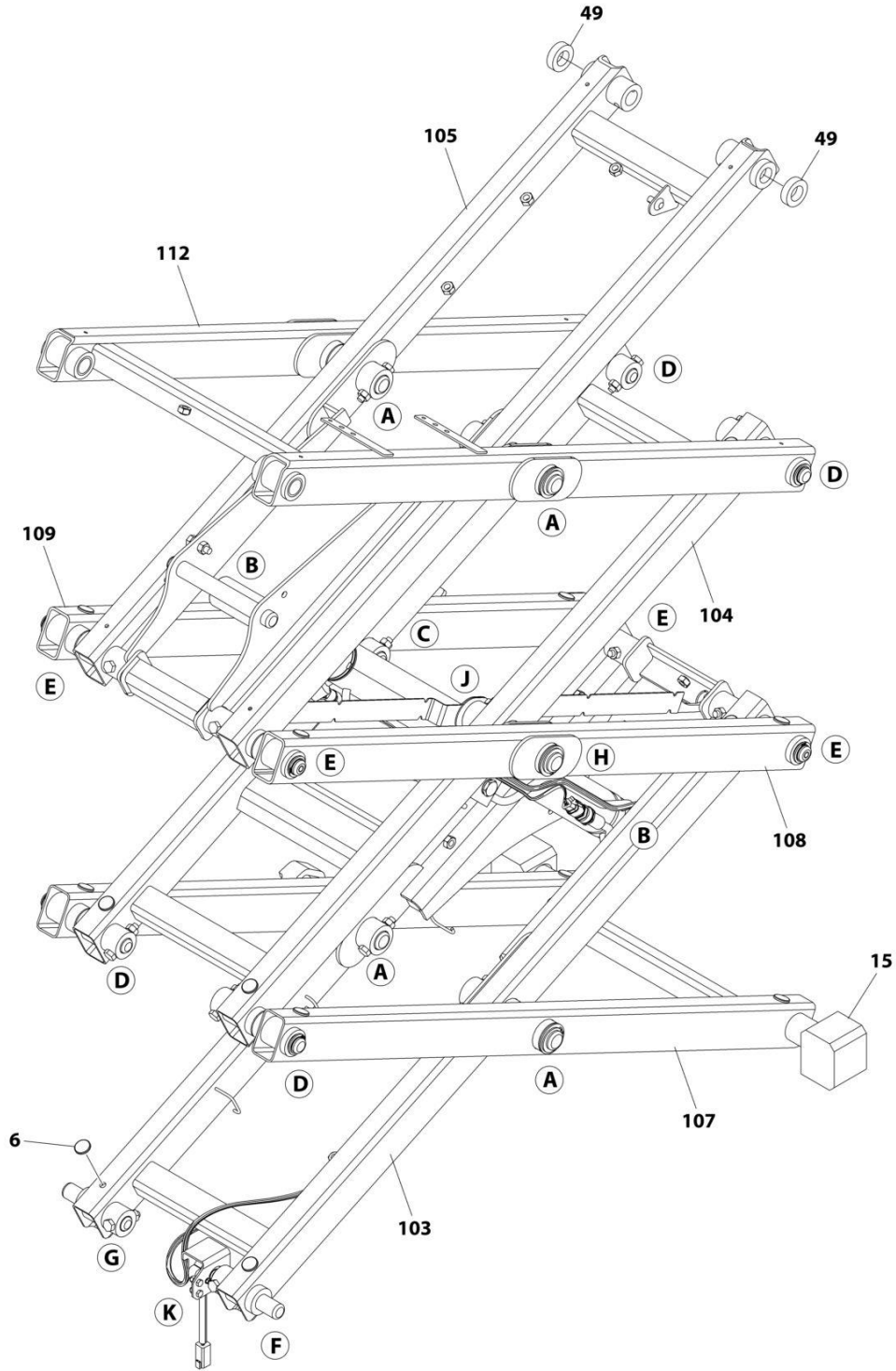
ITEM	PART NUMBER	QTY	DESCRIPTION	REV
	1001249876	Ref	SCISSOR ARMS INSTALLATION (WITH LSS)	L
1	0760608	2	Bolt M6 x 16	
2	0701020	9	Bolt M10 x 60	
3	3290405	2	Nut M4	
4	3290605	3	Nut M6	
5	3291007	17	Nut M10	
6	3340962	16	Pad	
7	3760115	8	Ring, Retaining	
8	3760387	7	Ring, Retaining	
9	4031512	2	Capscrew M4 x 40	
10	4740438	7	Washer	
11	4740531	8	Washer	
12	4811400	2	Washer M4	
13	4811700	6	Washer M6	
14	1001146963	1	Sensor, Angle	
15	1001204311	2	Block, Lower Slide	
16	1001234204	1	Key	
17	1001231268	1	Mount	
19	1001233860	1	Pin	
20	1001233861	4	Pin	
22	1001233863	2	Pin	
23	1001233864	4	Pin	
24	1001233865	4	Pin	
25	1001233866	1	Pin	
26	1001233867	1	Pin	
28	1001239737	1	Pin	
29	1001244144	1	Prop, Arm	
31	1001244320	1	Arm Kit (Not Shown - See Item 101-112)	
32	1001236222	1	Lift Cylinder Assembly (See Separate Breakdown in Cylinder Section)	
33	3321402	1	Nut 1/4	
34	4160078	1	Spring	
35	4240017	AR	Tie-Strap (Not Shown)	
36	1001239374	1	Liftdown Harness (See Separate Breakdown in Electrical Section)	
37	1001239404	1	Cable, Manual Descent	
39	1001245790	2	Support	
40	3760170	2	Ring	
41	4812000	6	Washer M10	
42	1001200631	1	Light, Indicator	
43	1001235104	1	Transducer, Pressure	
44	1001225164	1	Transducer, Pressure	
45	0701015	2	Bolt M10 x 35	
46	3841143	2	Keeper, Pin	
47	1001263443	1	Mount	
48	0760612	2	Bolt M6 x 25	
49	1001246303	2	Sleeve	
50	0701021	6	Bolt M10 x 65	
51	1321385	1	Clamp	
52	0760610	1	Bolt M6 x 20	
53	1001258226	1	Bolt M8 x 40 (M10 Shoulder)	

SECTION 3 - SCISSOR ARMS

ITEM	PART NUMBER	QTY	DESCRIPTION	REV
54	3290807	1	Nut M8	
55	1001262299	1	Conduit	
100	0440263	2	Bushing (Part of Frame)	
	1001244320	Ref	ARM KIT	
101	0440264	20	Bearing	
102	0440265	12	Bearing	
103	1001245386	1	Arm, Bottom Inside	
104	1001233834	1	Arm, Mid Inside	
105	1001245388	1	Arm, Top Inside	
107	1001233837	1	Arm, Bottom Outside	
108	1001245634	1	Arm, Mid Outside	
109	1001245635	1	Arm, Mid Outside with Prop Mount	
112	1001245451	1	Arm, Top Outside	

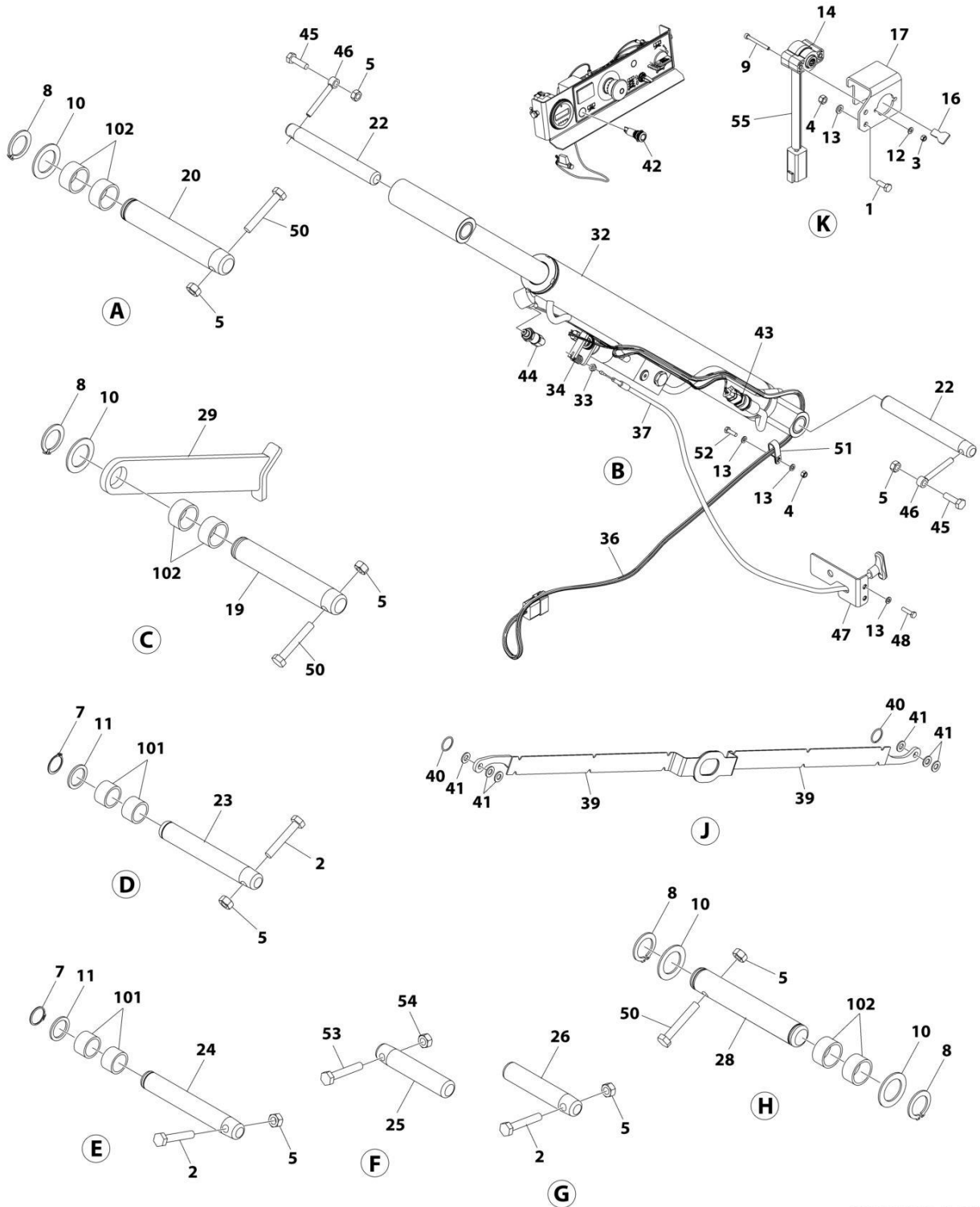
SECTION 3 - SCISSOR ARMS

FIGURE 3-2. SCISSOR ARMS INSTALLATION (WITH LSS) (SN B200087206 to Present, SN M200080321 to Present)



ART_1001249876_M_10F2

SECTION 3 - SCISSOR ARMS



ART_1001249876_M_20F2

SECTION 3 - SCISSOR ARMS

FIGURE 3-2. SCISSOR ARMS INSTALLATION (WITH LSS) (SN B200087206 to Present, SN M200080321 to Present)

ITEM	PART NUMBER	QTY	DESCRIPTION	REV
	1001249876	Ref	SCISSOR ARMS INSTALLATION (WITH LSS)	M
1	0760608	2	Bolt M6 x 16	
2	0701020	9	Bolt M10 x 60	
3	3290405	2	Nut M4	
4	3290605	3	Nut M6	
5	3291007	17	Nut M10	
6	3340962	16	Pad	
7	3760115	8	Ring, Retaining	
8	3760387	7	Ring, Retaining	
9	4031512	2	Capscrew M4 x 40	
10	4740438	7	Washer	
11	4740531	8	Washer	
12	4811400	2	Washer M4	
13	4811700	6	Washer M6	
14	1001146963	1	Sensor, Angle	
15	1001204311	2	Block, Lower Slide	
16	1001234204	1	Key	
17	1001231268	1	Mount	
19	1001233860	1	Pin	
20	1001233861	4	Pin	
22	1001233863	2	Pin	
23	1001233864	4	Pin	
24	1001233865	4	Pin	
25	1001233866	1	Pin	
26	1001233867	1	Pin	
28	1001239737	1	Pin	
29	1001244144	1	Prop, Arm	
31	1001244320	1	Arm Kit (Not Shown - See Item 101-112)	
32	1001236222	1	Lift Cylinder Assembly (See Separate Breakdown in Cylinder Section)	
33	3321402	1	Nut 1/4	
34	4160078	1	Spring	
35	4240017	AR	Tie-Strap (Not Shown)	
36	1001294314	1	Liftdown Harness (See Separate Breakdown in Electrical Section)	
37	1001239404	1	Cable, Manual Descent	
39	1001245790	2	Support	
40	3760170	2	Ring	
41	4812000	6	Washer M10	
42	1001200631	1	Light, Indicator	
43	1001285320	1	Transducer, Pressure	
44	1001225164	1	Transducer, Pressure	
45	0701015	2	Bolt M10 x 35	
46	3841143	2	Keeper, Pin	
47	1001263443	1	Mount	
48	0760612	2	Bolt M6 x 25	
49	1001246303	2	Sleeve	
50	0701021	6	Bolt M10 x 65	
51	1321385	1	Clamp	
52	0760610	1	Bolt M6 x 20	

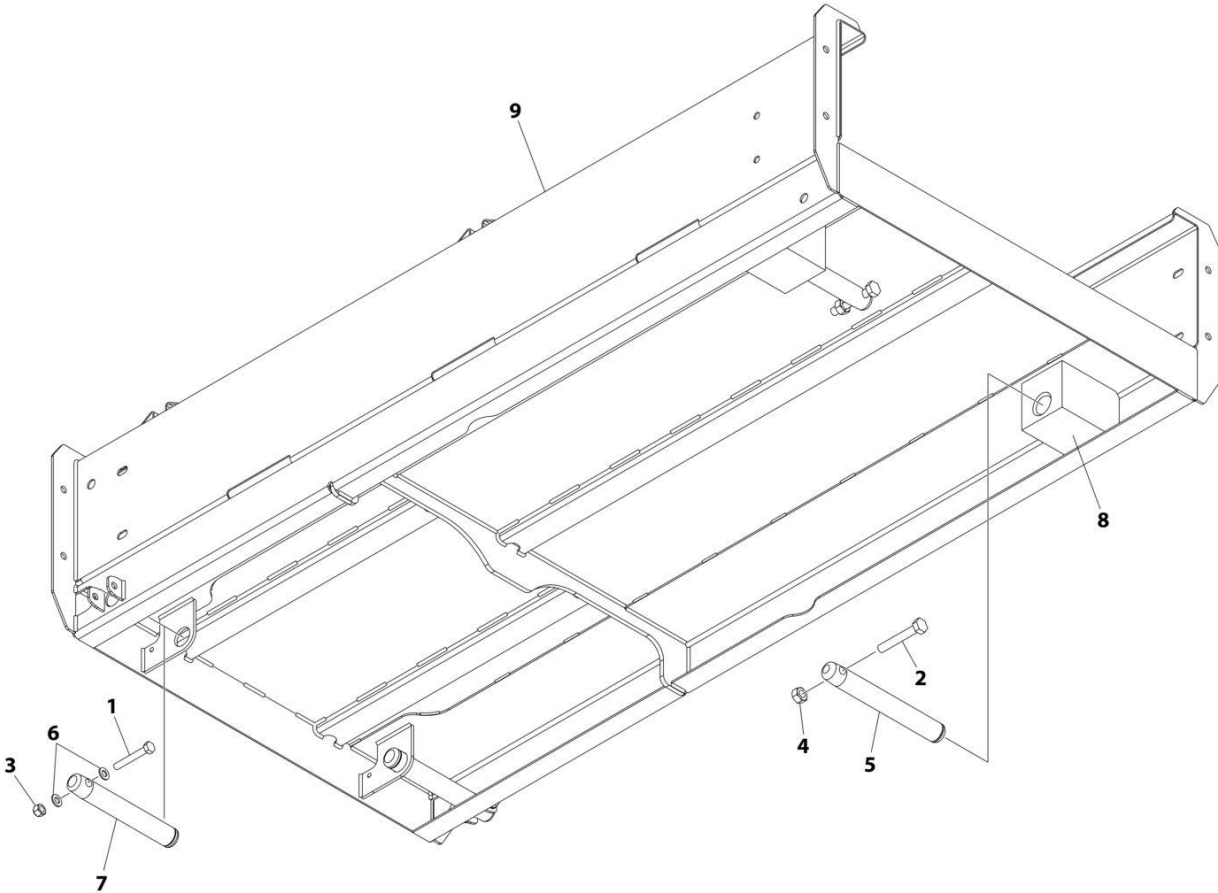
SECTION 3 - SCISSOR ARMS

ITEM	PART NUMBER	QTY	DESCRIPTION	REV
53	1001258226	1	Bolt M8 x 40 (M10 Shoulder)	
54	3290807	1	Nut M8	
55	1001262299	1	Conduit	
100	0440263	2	Bushing (Part of Frame) (Not Shown)	
	1001244320	Ref	ARM KIT	
101	0440264	20	Bearing	
102	0440265	12	Bearing	
103	1001245386	1	Arm, Bottom Inside	
104	1001233834	1	Arm, Mid Inside	
105	1001245388	1	Arm, Top Inside	
107	1001233837	1	Arm, Bottom Outside	
108	1001245634	1	Arm, Mid Outside	
109	1001245635	1	Arm, Mid Outside with Prop Mount	
112	1001245451	1	Arm, Top Outside	

SECTION 4 - PLATFORM

SECTION 4 - PLATFORM

FIGURE 4-1. PLATFORM INSTALLATION



ART_1001248157

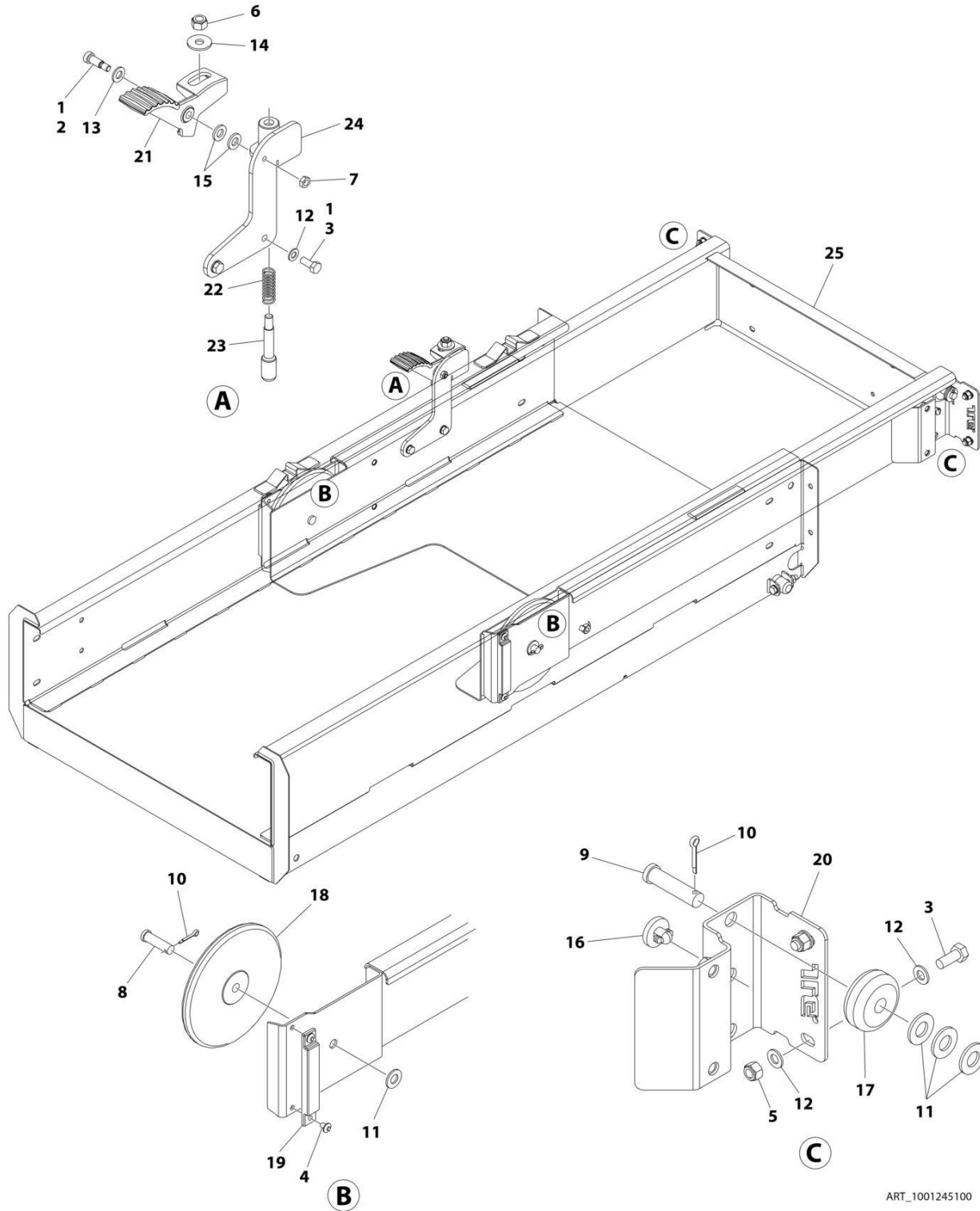
SECTION 4 - PLATFORM

FIGURE 4-1. PLATFORM INSTALLATION

ITEM	PART NUMBER	QTY	DESCRIPTION	REV
	1001248157	Ref	PLATFORM INSTALLATION	A
1	0700819	2	Bolt M8 x 55	
2	0701021	2	Bolt M10 x 65	
3	3290805	2	Nut M8	
4	3291007	2	Nut M10	
5	3423032	2	Pin	
6	4811900	4	Washer M8	
7	1001203443	2	Pin	
8	1001205156	2	Block, Slide	
9	1001248155	1	Platform	

SECTION 4 - PLATFORM

FIGURE 4-2. PLATFORM EXTENSION INSTALLATION



ART_1001245100

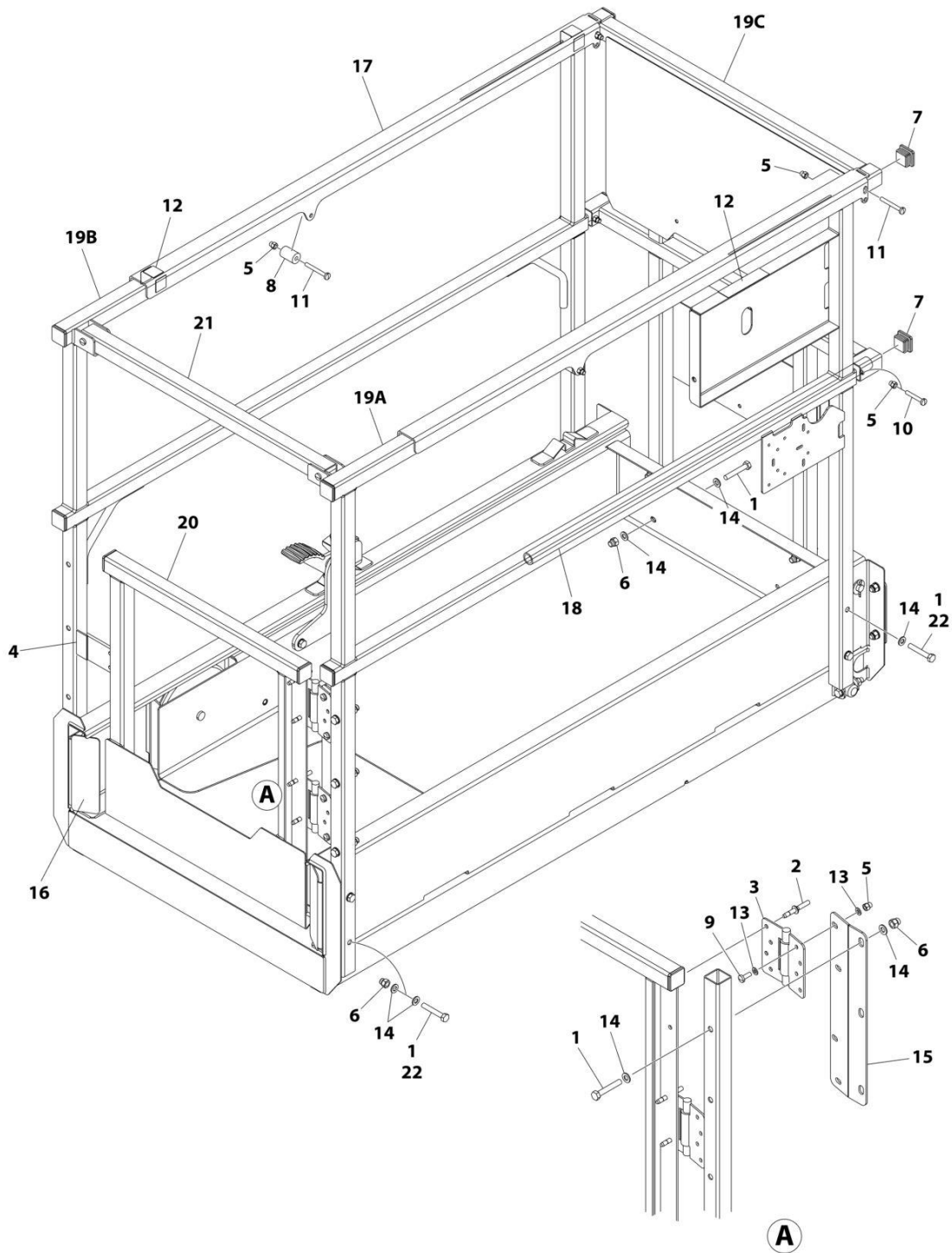
SECTION 4 - PLATFORM

FIGURE 4-2. PLATFORM EXTENSION INSTALLATION

ITEM	PART NUMBER	QTY	DESCRIPTION	REV
	1001245100	Ref	PLATFORM EXTENSION INSTALLATION	C
1	0100011	AR	Compound, Locking	
2	0630183	1	Screw 3/8 x 1	
3	0760810	6	Bolt M8 x 20	
4	2080040	4	Fastener	
5	3290805	4	Nut M8	
6	3291005	1	Nut M10	
7	3311502	1	Nut 5/16	
8	3430814	2	Pin	
9	3430816	2	Pin	
10	3450403	4	Pin, Cotter 1/8 x 3/4	
11	4711800	8	Washer 1/2	
12	4811900	10	Washer M8	
13	4812000	1	Washer M10	
14	4812002	1	Washer M10	
15	5241000	2	Washer M10	
16	1001137675	2	Bumper	
17	1001205422	2	Roller (Front)	
18	1001205430	2	Roller (Rear)	
19	1001208852	2	Pad	
20	1001210064	2	Support	
21	1001217043	1	Plate	
22	1001221475	1	Spring	
23	1001221476	1	Rod	
24	1001236129	1	Bracket	
25	1001245099	1	Extension, Platform	

SECTION 4 - PLATFORM

FIGURE 4-3. RAILS INSTALLATION (1.0M TUBE IN TUBE) (Prior to SN B200091546, Prior to SN M200092801)



ART_1001245103

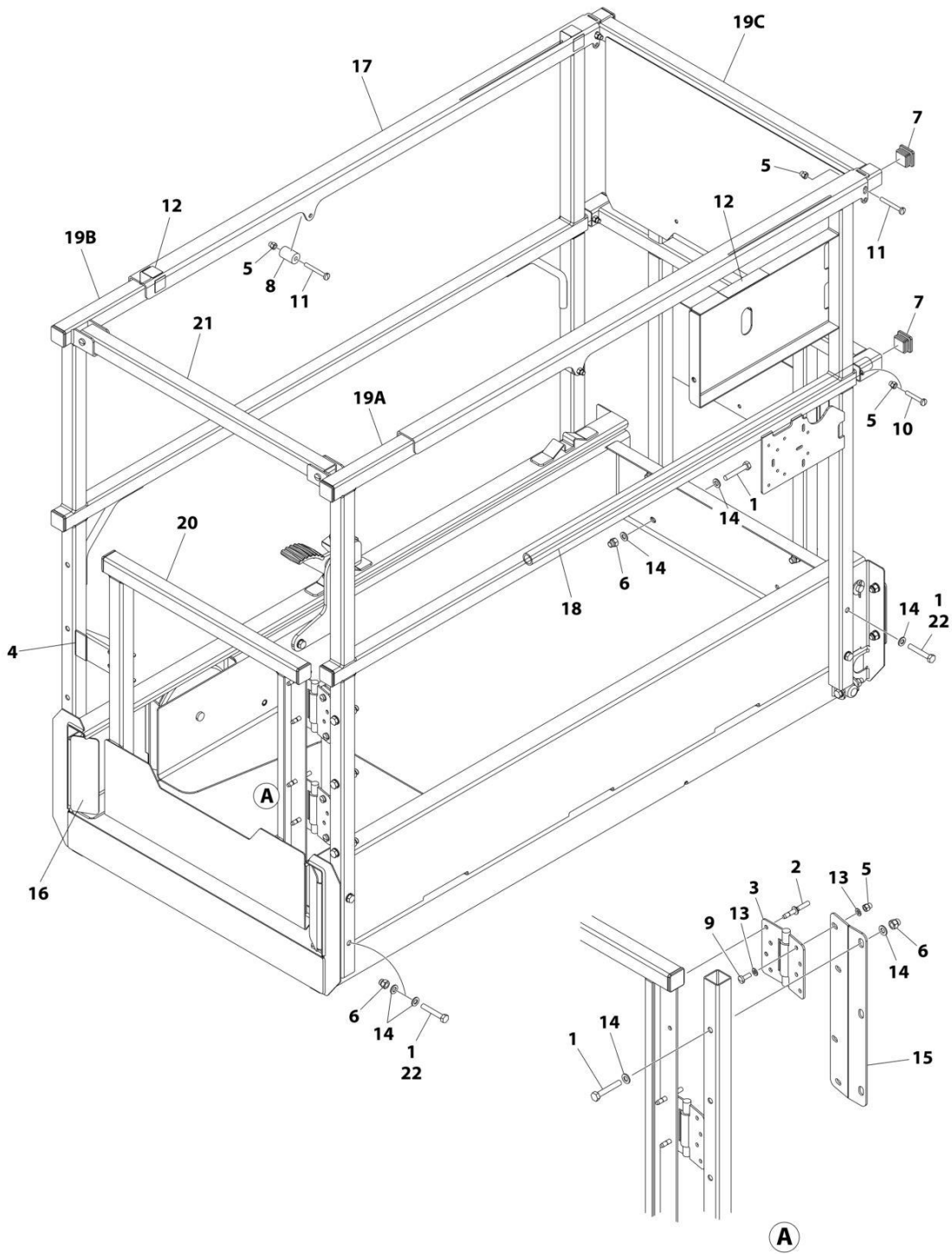
SECTION 4 - PLATFORM

FIGURE 4-3. RAILS INSTALLATION (1.0M TUBE IN TUBE) (Prior to SN B200091546, Prior to SN M200092801)

ITEM	PART NUMBER	QTY	DESCRIPTION	REV
	1001245103	Ref	RAILS INSTALLATION (1.0M TUBE IN TUBE)	B
1	0700818	15	Bolt M8 x 50	
2	2080040	4	Fastener	
3	2600281	2	Hinge	
4	3080007	1	Latch, Magnetic Gate	
5	3290606	12	Nut M6	
6	3290806	11	Nut M8	
7	3520072	10	Plug	
8	3860111	2	Roller	
9	4010608	4	Screw M6 x 16	
10	4010616	2	Screw M6 x 40	
11	4010618	6	Screw M6 x 50	
12	4420062	16 in /40cm	Tape	
13	4811700	8	Washer M6	
14	4811900	26	Washer M8	
15	1001210586	1	Support	
16	1001210963	2	Cover	
17	1001244095	2	Rail, Top Slide	
18	1001244096	2	Rod	
19	1001245102	1	Rail, Kit (Not Shown)	
19A	1001244045	1	Rail, Side (RH)	
19B	1001244047	1	Rail, Side (LH)	
19C	1001245101	1	Rail, Front Extension	
20	1001245110	1	Gate	
21	1001245138	1	Rail, Rear	
22	0100011	AR	Compound, Locking	

SECTION 4 - PLATFORM

FIGURE 4-4. RAILS INSTALLATION (1.0M TUBE IN TUBE) (SN B200091546 to Present, SN M200092801 to Present)



ART_1001245103_C

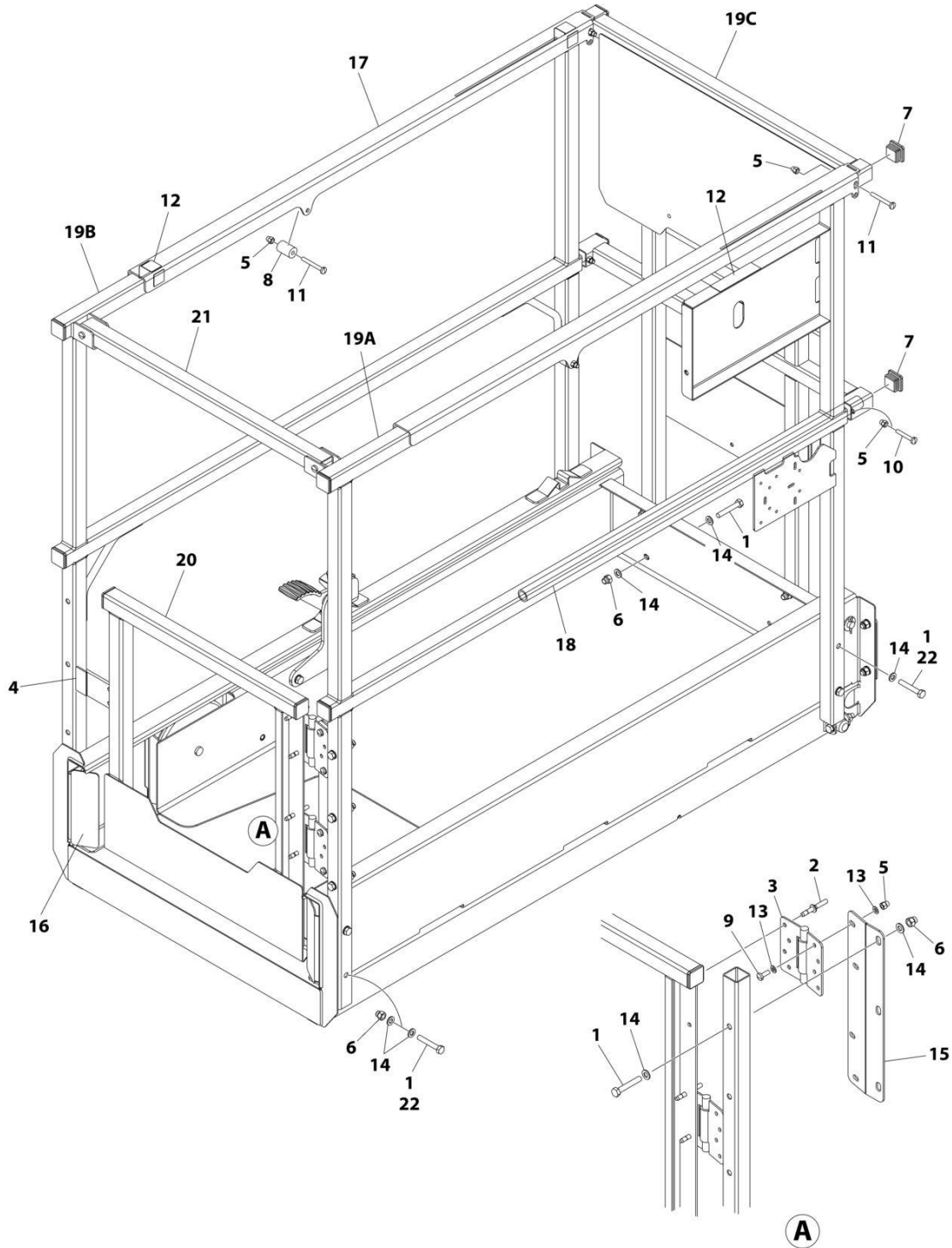
SECTION 4 - PLATFORM

FIGURE 4-4. RAILS INSTALLATION (1.0M TUBE IN TUBE) (SN B200091546 to Present, SN M200092801 to Present)

ITEM	PART NUMBER	QTY	DESCRIPTION	REV
	1001245103	Ref	RAILS INSTALLATION (1.0M TUBE IN TUBE)	C
1	0700818	15	Bolt M8 x 50	
2	2080040	4	Fastener	
3	2600281	2	Hinge	
4	3080007	1	Latch, Magnetic Gate	
5	3290606	12	Nut M6	
6	3290806	11	Nut M8	
7	3520072	10	Plug	
8	3860111	2	Roller	
9	4010608	4	Screw M6 x 16	
10	4010616	2	Screw M6 x 40	
11	4010618	6	Screw M6 x 50	
12	4420062	16 in /40cm	Tape	
13	4811700	8	Washer M6	
14	4811900	26	Washer M8	
15	1001210586	1	Support	
16	1001210963	2	Cover	
17	1001244095	2	Rail, Top Slide	
18	1001244096	2	Rod	
19	1001245102	1	Rail, Kit (Not Shown)	
19A	1001244045	1	Rail, Side (RH)	
19B	1001244047	1	Rail, Side (LH)	
19C	1001245101	1	Rail, Front Extension	
20	1001307629	1	Gate	
21	1001245138	1	Rail, Rear	
22	0100011	AR	Compound, Locking	

SECTION 4 - PLATFORM

FIGURE 4-5. RAILS INSTALLATION (1.1M TUBE IN TUBE) (Prior to SN B200091546, Prior to SN M200092801)



ART_1001245107

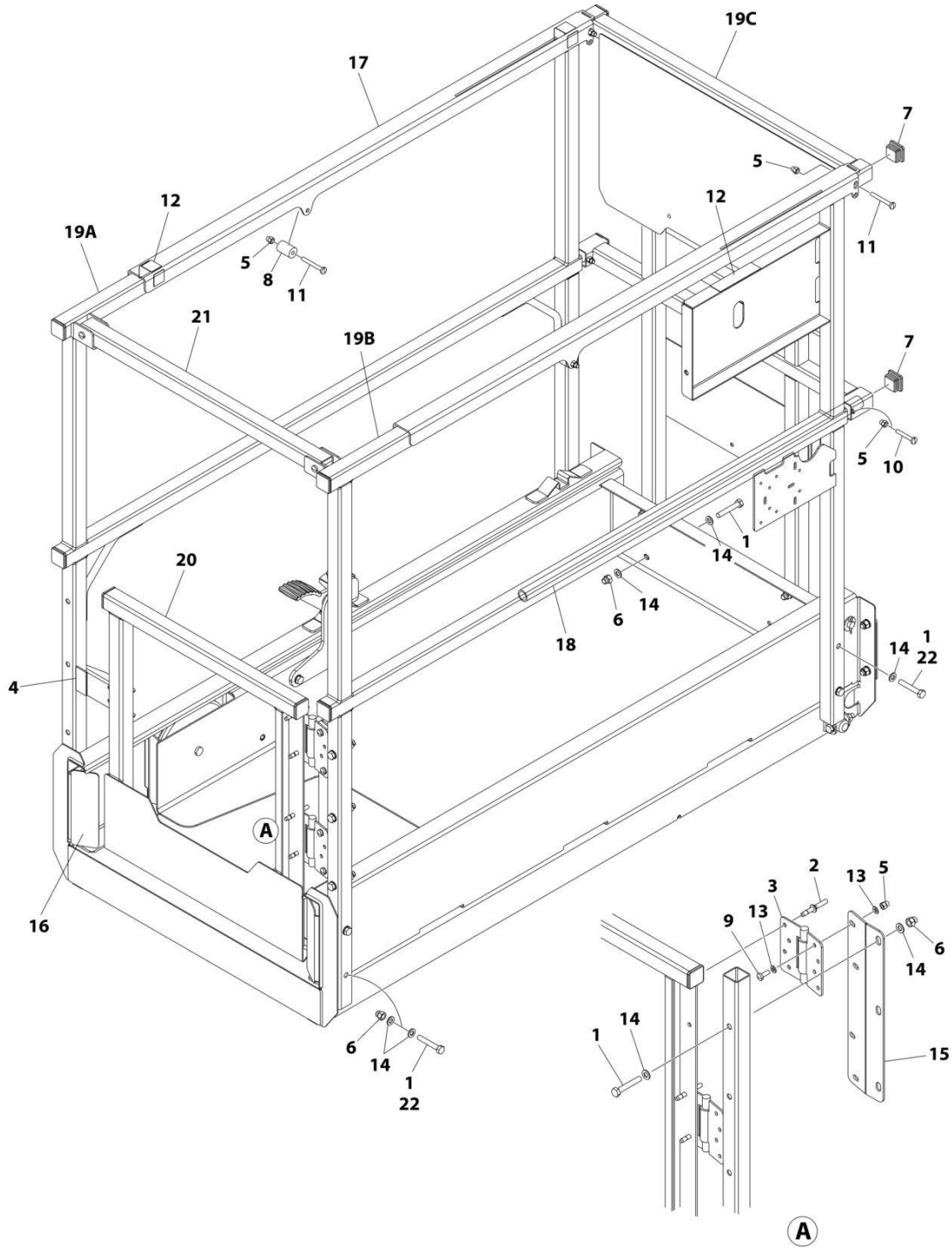
SECTION 4 - PLATFORM

FIGURE 4-5. RAILS INSTALLATION (1.1M TUBE IN TUBE) (Prior to SN B200091546, Prior to SN M200092801)

ITEM	PART NUMBER	QTY	DESCRIPTION	REV
	1001245107	Ref	RAILS INSTALLATION (1.1M TUBE IN TUBE)	B
1	0700818	15	Bolt M8 x 50	
2	2080040	4	Fastener	
3	2600281	2	Hinge	
4	3080007	1	Latch, Magnetic Gate	
5	3290606	12	Nut M6	
6	3290806	11	Nut M8	
7	3520072	10	Plug	
8	3860111	2	Roller	
9	4010608	4	Screw M6 x 16	
10	4010616	2	Screw M6 x 40	
11	4010618	6	Screw M6 x 50	
12	4420062	16 in /40cm	Tape	
13	4811700	8	Washer M6	
14	4811900	26	Washer M8	
15	1001210586	1	Support	
16	1001210963	2	Cover	
17	1001244095	2	Rail, Top Slide	
18	1001244096	2	Rod	
19	1001245108	1	Rail, Kit (Not Shown)	
19A	1001244093	1	Rail, Side (RH)	
19B	1001244092	1	Rail, Side (LH)	
19C	1001245106	1	Rail, Front Extension	
20	1001245110	1	Gate	
21	1001245138	1	Rail, Rear	
22	0100011	AR	Compound, Locking	

SECTION 4 - PLATFORM

FIGURE 4-6. RAILS INSTALLATION (1.1M TUBE IN TUBE) (SN B200091546 to Present, SN M200092801 to Present)



ART_1001245107_C

SECTION 4 - PLATFORM

FIGURE 4-6. RAILS INSTALLATION (1.1M TUBE IN TUBE) (SN B200091546 to Present, SN M200092801 to Present)

ITEM	PART NUMBER	QTY	DESCRIPTION	REV
	1001245107	Ref	RAILS INSTALLATION (1.1M TUBE IN TUBE)	C
1	0700818	15	Bolt M8 x 50	
2	2080040	4	Fastener	
3	2600281	2	Hinge	
4	3080007	1	Latch, Magnetic Gate	
5	3290606	12	Nut M6	
6	3290806	11	Nut M8	
7	3520072	10	Plug	
8	3860111	2	Roller	
9	4010608	4	Screw M6 x 16	
10	4010616	2	Screw M6 x 40	
11	4010618	6	Screw M6 x 50	
12	4420062	16 in /40cm	Tape	
13	4811700	8	Washer M6	
14	4811900	26	Washer M8	
15	1001210586	1	Support	
16	1001210963	2	Cover	
17	1001244095	2	Rail, Top Slide	
18	1001244096	2	Rod	
19	1001245108	1	Rail, Kit (Not Shown)	
19A	1001244092	1	Rail, Side (LH)	
19B	1001244093	1	Rail, Side (RH)	
19C	1001245106	1	Rail, Front Extension	
20	1001307629	1	Gate	
21	1001245138	1	Rail, Rear	
22	0100011	AR	Compound, Locking	

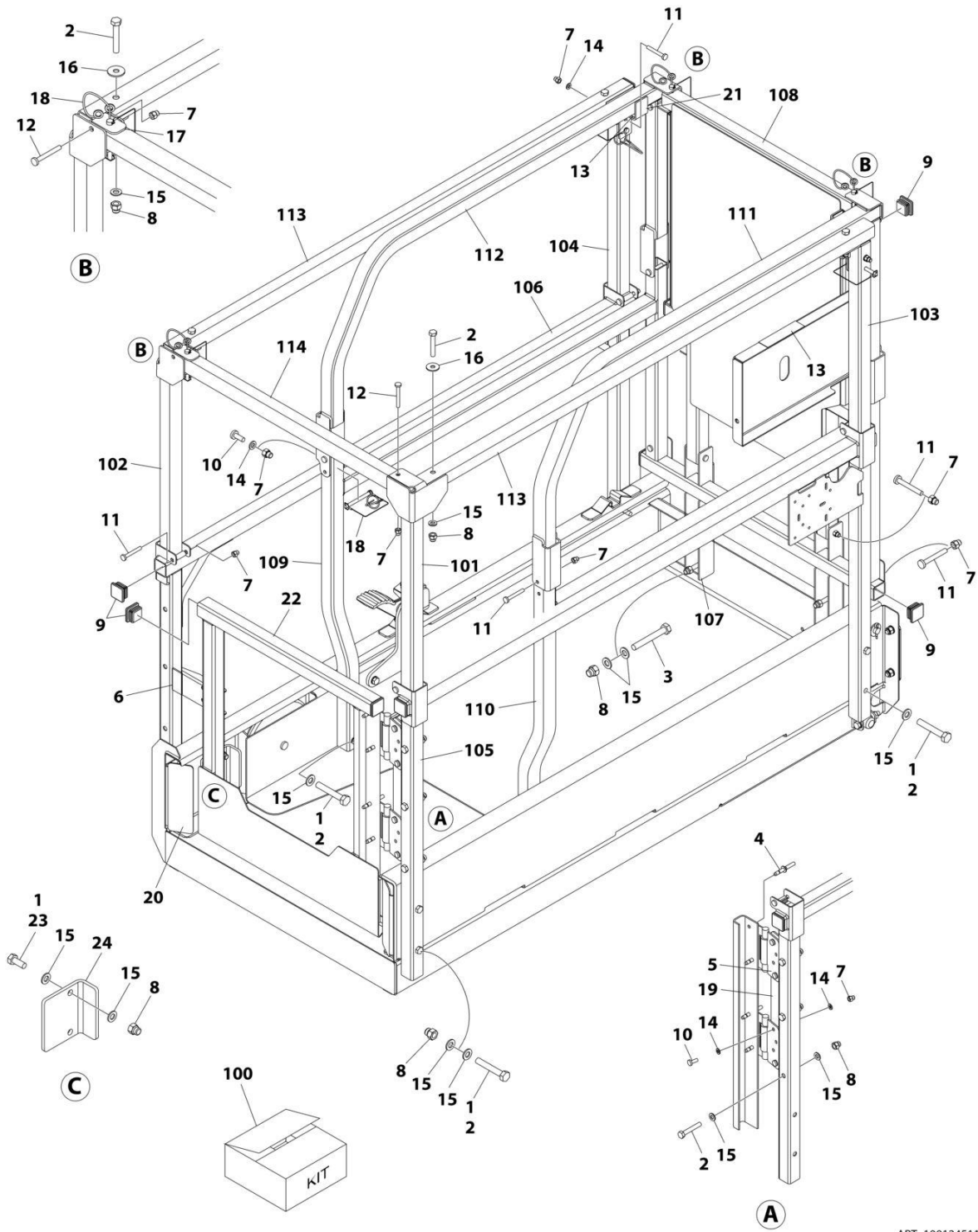
SECTION 4 - PLATFORM

FIGURE 4-7. RAILS INSTALLATION (SIDE BY SIDE) (Prior to SN B200091546, Prior to SN M200092801)

ITEM	PART NUMBER	QTY	DESCRIPTION	REV
	1001245119	Ref	RAILS INSTALLATION (SIDE BY SIDE)	B
1	0100011	AR	Compound, Locking	
2	0700818	19	Bolt M8 x 50	
3	0700820	4	Bolt M8 x 60	
4	2080040	4	Fastener	
5	2600281	2	Hinge	
6	3080007	1	Latch, Magnetic Gate	
7	3290606	23	Nut M6	
8	3290806	17	Nut M8	
9	3520072	12	Plug	
10	4010608	5	Screw M6 x 16	
11	4010617	16	Screw M6 x 45	
12	4010618	2	Screw M6 x 50	
13	4420062	15 in/ 37cm	Tape	
14	4811700	13	Washer M6	
15	4811900	38	Washer M8	
16	4811902	4	Washer M8	
17	1001154378	1	Bracket	
18	1001187587	6	Pin, With Lanyard	
19	1001210586	1	Support	
20	1001210963	2	Cover	
21	1001232257	2	Brace	
22	1001245110	1	Gate	
23	0760810	2	Bolt M8 x 20	
24	1001232622	1	Bracket	
100	1001245120	1	Rail, Kit (Not Shown)	
101	1001229739	1	Rail (RH Upper Rear)	
102	1001229740	1	Rail (LH Upper Rear)	
103	1001229741	1	Rail (RH Upper Front)	
104	1001229742	1	Rail (LH Upper Front)	
105	1001245121	1	Rail (RH Lower)	
106	1001245122	1	Rail (LH Lower)	
107	1001245123	1	Rail (Lower Extension)	
108	1001245125	1	Rail (Upper Front Extension)	
109	1001245129	1	Rail (Extension LH Side Upper)	
110	1001245131	1	Rail (Extension RH Side Upper)	
111	1001245132	1	Rail (Extension RH Side Lower)	
112	1001245134	1	Rail (Extension LH Side Lower)	
113	1001245135	2	Rail (RH and LH Side Upper)	
114	1001245136	1	Rail (Rear Top)	

SECTION 4 - PLATFORM

FIGURE 4-8. RAILS INSTALLATION (SIDE BY SIDE) (SN B200091546 to Present, SN M200092801 to Present)



ART_1001245119_C

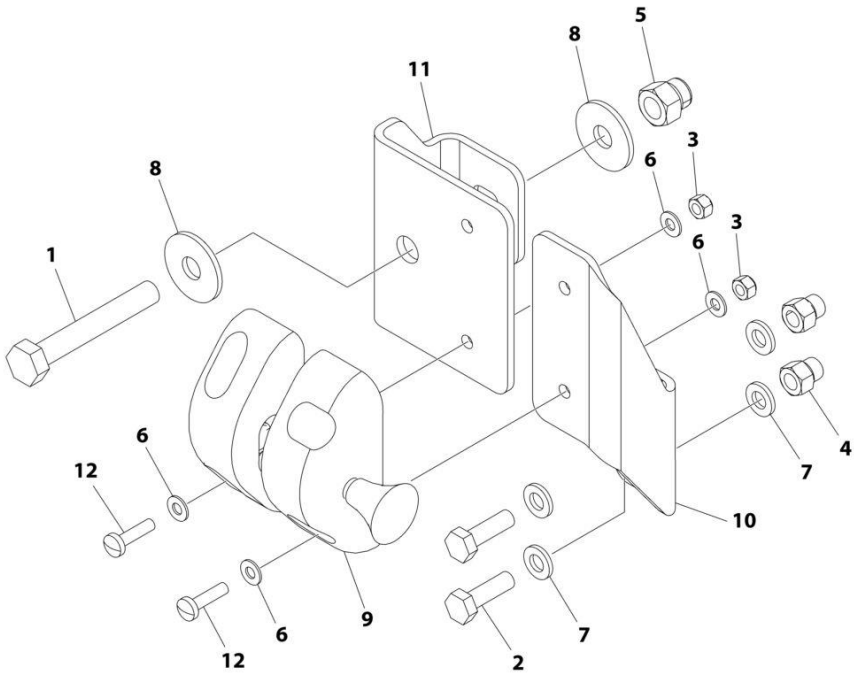
SECTION 4 - PLATFORM

FIGURE 4-8. RAILS INSTALLATION (SIDE BY SIDE) (SN B200091546 to Present, SN M200092801 to Present)

ITEM	PART NUMBER	QTY	DESCRIPTION	REV
	1001245119	Ref	RAILS INSTALLATION (SIDE BY SIDE)	C
1	0100011	AR	Compound, Locking	
2	0700818	19	Bolt M8 x 50	
3	0700820	4	Bolt M8 x 60	
4	2080040	4	Fastener	
5	2600281	2	Hinge	
6	3080007	1	Latch, Magnetic Gate	
7	3290606	23	Nut M6	
8	3290806	17	Nut M8	
9	3520072	12	Plug	
10	4010608	5	Screw M6 x 16	
11	4010617	16	Screw M6 x 45	
12	4010618	2	Screw M6 x 50	
13	4420062	15 in/ 37cm	Tape	
14	4811700	13	Washer M6	
15	4811900	38	Washer M8	
16	4811902	4	Washer M8	
17	1001154378	1	Bracket	
18	1001187587	6	Pin, With Lanyard	
19	1001210586	1	Support	
20	1001210963	2	Cover	
21	1001232257	2	Brace	
22	1001307629	1	Gate	
23	0760810	2	Bolt M8 x 20	
24	1001232622	1	Bracket	
100	1001245120	1	Rail, Kit (Not Shown)	
101	1001229739	1	Rail (RH Upper Rear)	
102	1001229740	1	Rail (LH Upper Rear)	
103	1001229741	1	Rail (RH Upper Front)	
104	1001229742	1	Rail (LH Upper Front)	
105	1001245121	1	Rail (RH Lower)	
106	1001245122	1	Rail (LH Lower)	
107	1001245123	1	Rail (Lower Extension)	
108	1001245125	1	Rail (Upper Front Extension)	
109	1001245129	1	Rail (Extension LH Side Upper)	
110	1001245131	1	Rail (Extension RH Side Upper)	
111	1001245132	1	Rail (Extension RH Side Lower)	
112	1001245134	1	Rail (Extension LH Side Lower)	
113	1001245135	2	Rail (RH and LH Side Upper)	
114	1001245136	1	Rail (Rear Top)	

SECTION 4 - PLATFORM

FIGURE 4-9. GATE LATCH INSTALLATION



ART_1001220995

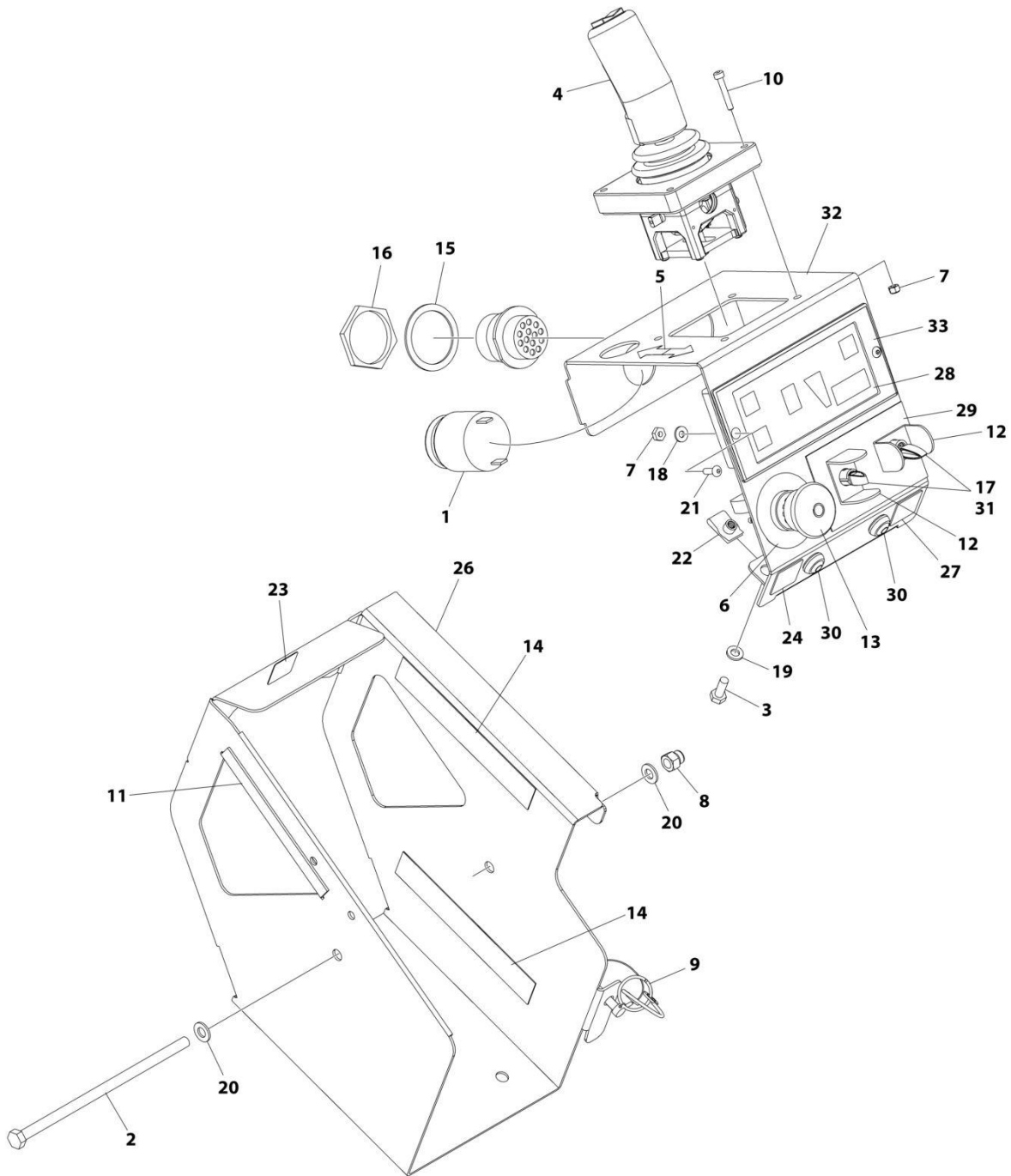
SECTION 4 - PLATFORM

FIGURE 4-9. GATE LATCH INSTALLATION

ITEM	PART NUMBER	QTY	DESCRIPTION	REV
	1001220995	Ref	GATE LATCH INSTALLATION	B
1	0700819	1	Bolt M8 x 55	
2	0760610	2	Bolt M6 x 20	
3	3290405	4	Nut M4	
4	3290606	2	Nut M6	
5	3290806	1	Nut M8	
6	4811400	8	Washer M4	
7	4811700	4	Washer M6	
8	4811902	2	Washer M8	
9	1001134821	1	Latch	
10	1001220409	1	Mount	
11	1001220410	1	Plate	
12	4010408	4	Screw M4 x 16	

SECTION 4 - PLATFORM

FIGURE 4-10. PLATFORM CONSOLE INSTALLATION (ALL SPECS)



ART_1001274604

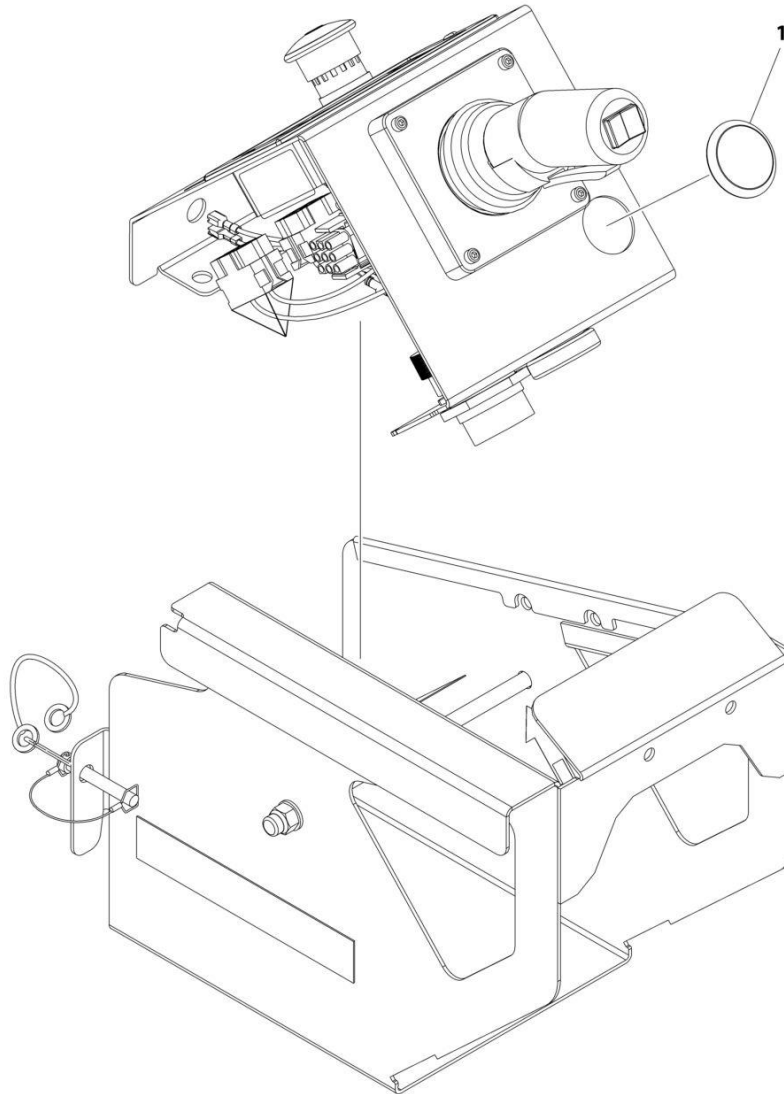
SECTION 4 - PLATFORM

FIGURE 4-10. PLATFORM CONSOLE INSTALLATION (ALL SPECS)

ITEM	PART NUMBER	QTY	DESCRIPTION	REV
	1001274604	Ref	PLATFORM CONSOLE INSTALLATION	B
1	0140030	1	Alarm	
2	0700835	1	Bolt M8 x 180	
3	0760610	2	Bolt M6 x 20	
4	1600402	1	Controller Assembly	
5	1703819	1	Decal - Arrow	
6	1704260	1	Decal - Emergency Stop	
7	3290405	6	Nut M4	
8	3290806	1	Nut M8	
9	3423278	1	Pin, Snap with Lanyard	
10	4031509	4	Capscrew M4 x 25	
11	4060803	6 in/14cm	Flex-Trim	
12	4060906	2	Guard, Switch	
13	4360475	1	Switch, Emergency Stop	
13	7020175	1	Cap	
13	7020176	1	Block, Contact	
14	4420062	12 in/ 30cm	Tape	
15	4460496	1	Washer, Terminal	
16	4460497	1	Nut, Terminal	
17	4711700	2	Washer 7/16	
18	4811400	2	Washer M4	
19	4811700	2	Washer M6	
20	4811900	2	Washer M8	
21	1001047064	2	Screw M4 x 15	
22	1001130220	2	Nut, Tinnerman M6	
23	1001132358	1	Decal - Steer	
24	1001132361	1	Decal - Horn	
25	1001200819	1	Platform Control Box Harness (Not Shown) (See Separate Breakdown in ELELCTRICAL Section)	
26	1001209596	1	Plate, Box (Outside)	
27	1001213886	1	Decal - Indoor/Outdoor	
28	1001218285	1	Decal - Platform Control	
29	1001220893	1	Decal - Lift/Drive Function	
30	1001226749	2	Switch - Push Button Yellow	
31	1001258446	2	Switch, Toggle	
32	1001262655	1	Plate, Box (Inside)	
33	1001274605	1	Module, Platform Control	

SECTION 4 - PLATFORM

FIGURE 4-11. PLATFORM CONTROL PLUG INSTALLATION



ART_1001274661

SECTION 4 - PLATFORM

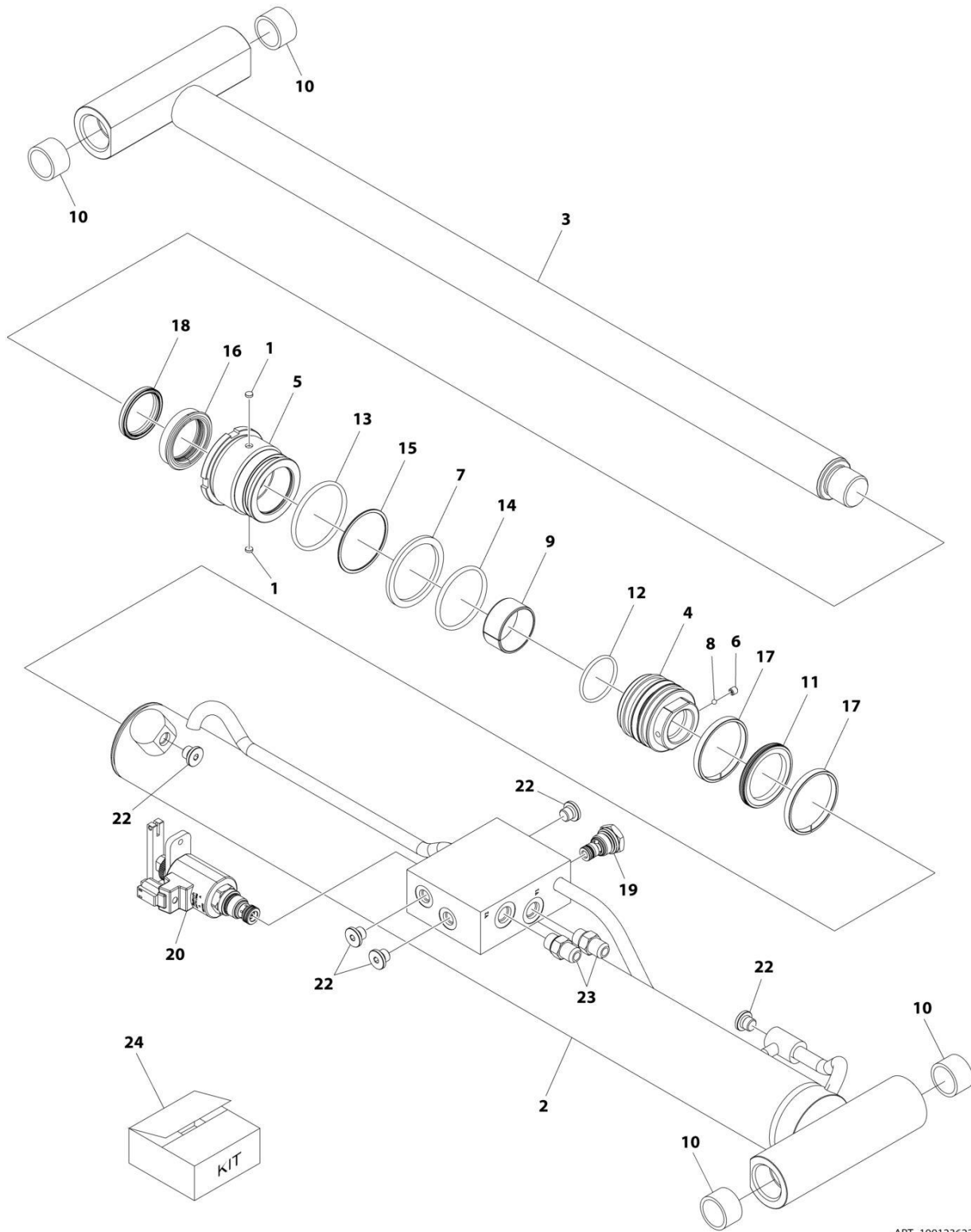
FIGURE 4-11. PLATFORM CONTROL PLUG INSTALLATION

ITEM	PART NUMBER	QTY	DESCRIPTION	REV
1	1001274661 1001262221	Ref 1	PLATFORM CONTROL PLUG INSTALLATION Plug	A

SECTION 5 - CYLINDER

SECTION 5 - CYLINDER

FIGURE 5-1. LIFT CYLINDER ASSEMBLY



ART_1001236222

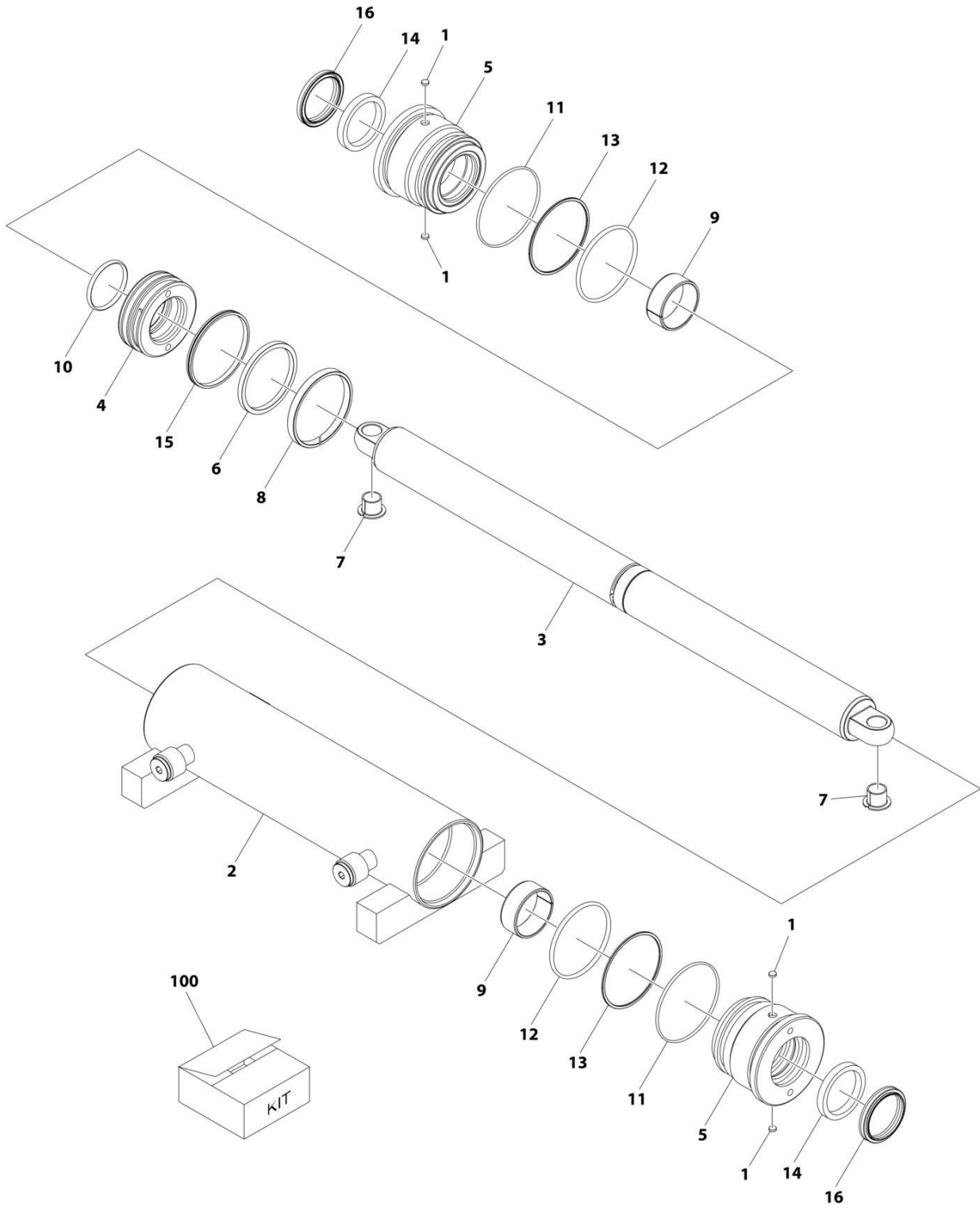
SECTION 5 - CYLINDER

FIGURE 5-1. LIFT CYLINDER ASSEMBLY

ITEM	PART NUMBER	QTY	DESCRIPTION	REV
	1001236222	Ref	LIFT CYLINDER ASSEMBLY	B
		Ref	Note: Original Cylinder May Have Been Replaced with Service Replacement. Identify PN Stamped on Cylinder Before Ordering Parts.	
1	70003636	2	Insert, Locking	
2	See Note	NSS	Barrel (Note: Use p/n 1001236222)	
3	70007129	1	Rod	
4	70007130	1	Piston	
5	70007131	1	Head	
6	See Note	NSS	Setscrew (Note: Use Item 24)	
7	70007132	1	Ring, Back-up	
8	See Note	NSS	Ball (Note: Use Item 24)	
9	70007133	1	Ring, Wear	
10	0962292	4	Bearing	
11	See Note	NSS	Ring, Wear (Note: Use Item 24)	
12	See Note	NSS	O-Ring (Note: Use Item 24)	
13	See Note	NSS	O-Ring (Note: Use Item 24)	
14	See Note	NSS	O-Ring (Note: Use Item 24)	
15	See Note	NSS	Ring, Back-up (Note: Use Item 24)	
16	See Note	NSS	Seal, Rod (Note: Use Item 24)	
17	See Note	NSS	Seal, Piston (Note: Use Item 24)	
18	See Note	NSS	Wiper (Note: Use Item 24)	
19	70004585	1	Valve, Check (Bosch Rexroth)	
19	70008142	1	Valve, Check (Sant - Valvole)	
20	70005236	1	Valve, Manual Descent (Bosch Rexroth)	
20	70008143	1	Valve, Manual Descent (Sant - Valvole)	
21	70007134	2	Fitting, Straight (Not Shown)	
22	2220883	5	Plug	
23	70007135	2	Fitting, Straight	
24	70007136	1	Seal Kit - Cylinder (Includes Items 6, 8 & 11-18)	

SECTION 5 - CYLINDER

FIGURE 5-2. STEER CYLINDER ASSEMBLY



ART_1001234461

SECTION 5 - CYLINDER

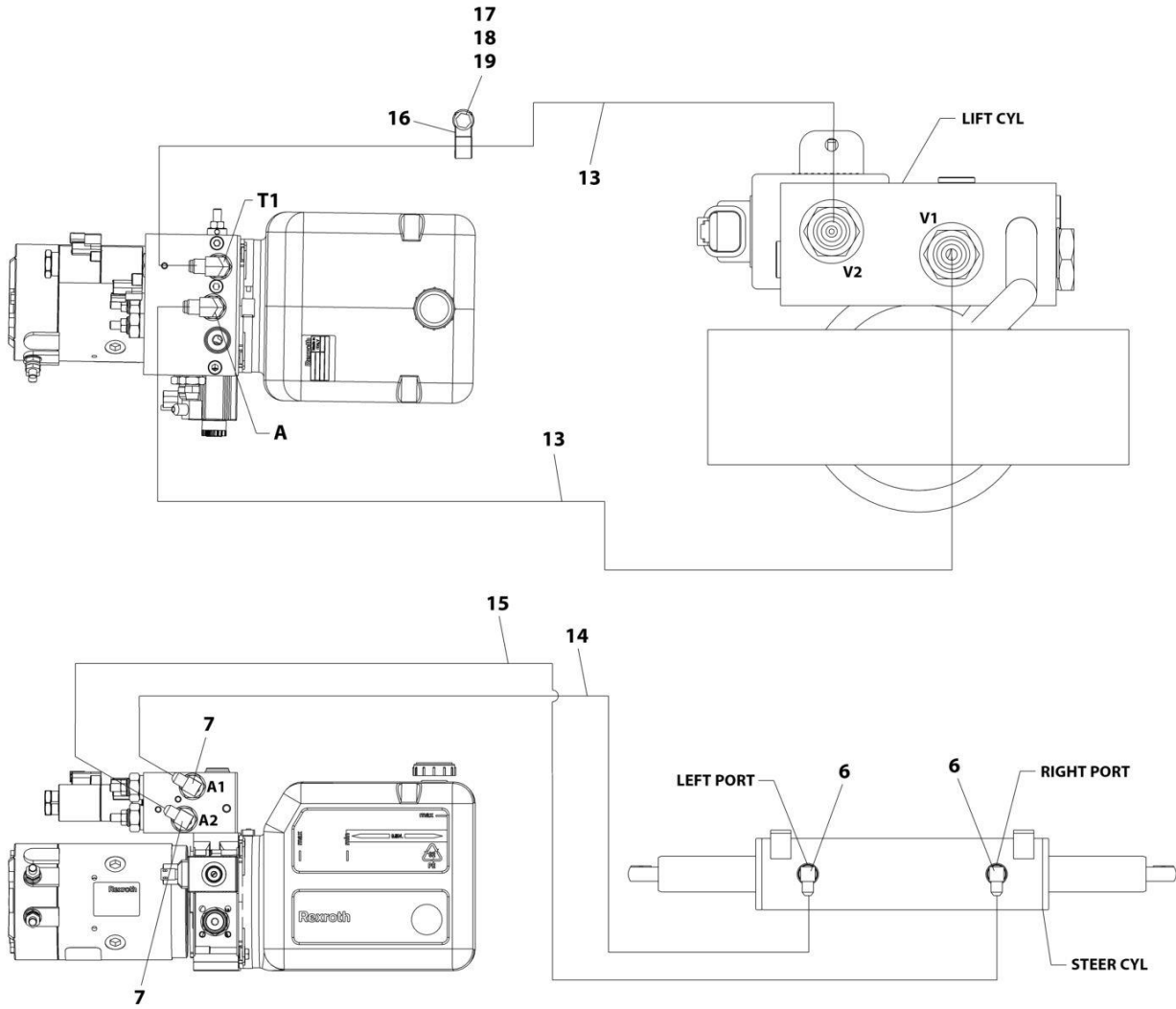
FIGURE 5-2. STEER CYLINDER ASSEMBLY

ITEM	PART NUMBER	QTY	DESCRIPTION	REV
	1001234461	Ref	STEER CYLINDER ASSEMBLY	A
		Ref	Note: Original Cylinder May Have Been Replaced with Service Replacement. Identify PN Stamped on Cylinder Before Ordering Parts.	
1	70003636	4	Insert, Locking	
2	See Note	NSS	Barrel (Note: Use p/n 1001234461)	
3	70007074	1	Rod	
4	70007075	1	Piston	
5	70007076	2	Head	
6	70007077	1	Ring, Retaining	
7	0440259	2	Bushing	
8	See Note	NSS	Ring, Wear (Note: Use Item 100)	
9	See Note	NSS	Ring, Wear (Note: Use Item 100)	
10	See Note	NSS	O-Ring (Note: Use Item 100)	
11	See Note	NSS	O-Ring (Note: Use Item 100)	
12	See Note	NSS	O-Ring (Note: Use Item 100)	
13	See Note	NSS	Ring, Back-up (Note: Use Item 100)	
14	See Note	NSS	Seal, Rod (Note: Use Item 100)	
15	See Note	NSS	Seal, Piston (Note: Use Item 100)	
16	See Note	NSS	Wiper (Note: Use Item 100)	
100	70007118	1	Seal Kit - Cylinder (Includes Items 8-16)	

SECTION 6 - HYDRAULIC

SECTION 6 - HYDRAULIC

FIGURE 6-1. HYDRAULIC DIAGRAM



ART_1001235002_2OF2

SECTION 6 - HYDRAULIC

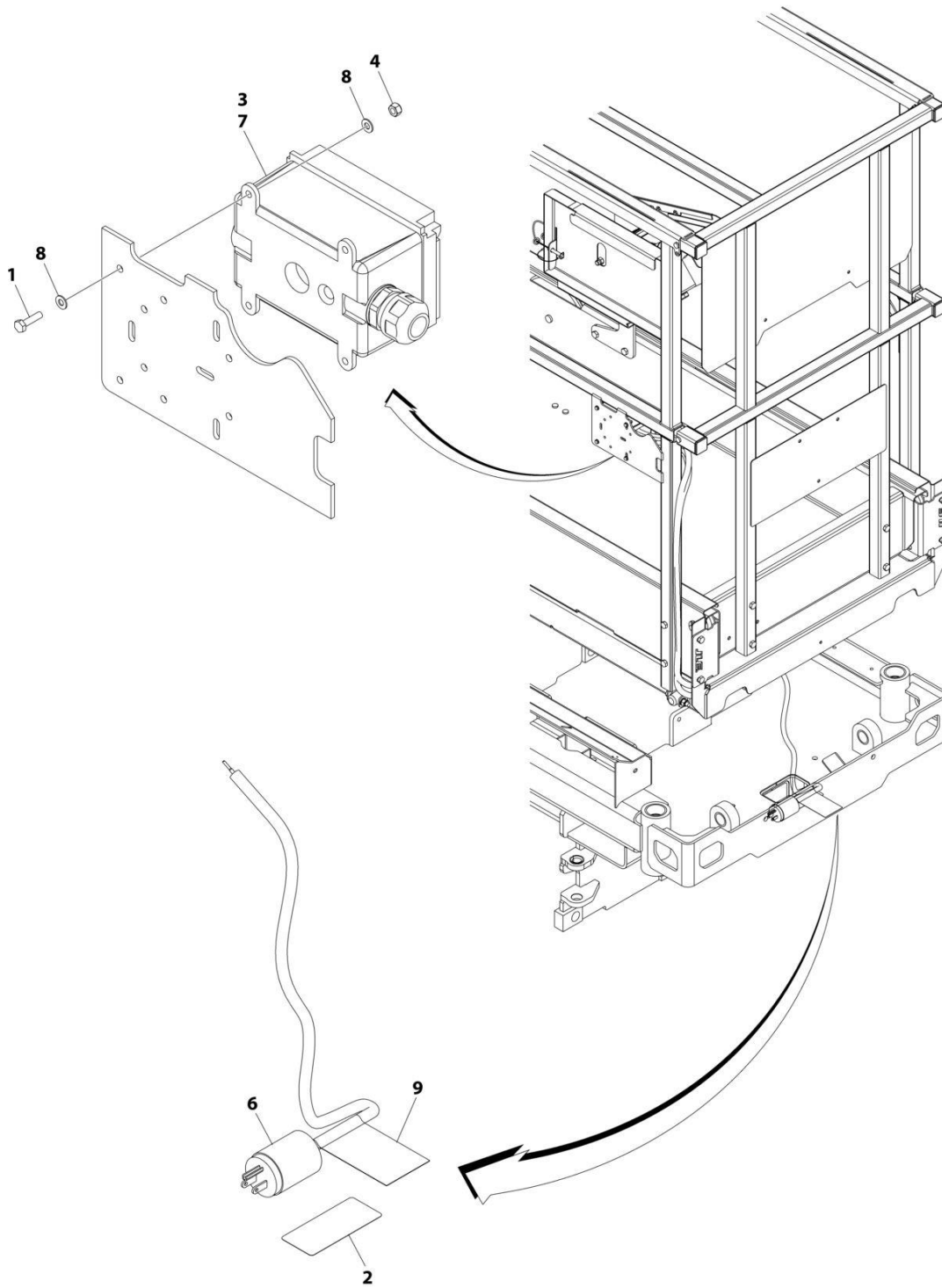
FIGURE 6-1. HYDRAULIC DIAGRAM

ITEM	PART NUMBER	QTY	DESCRIPTION	REV
	1001235002	Rev	HYDRAULIC DIAGRAM	I
6	2220466	2	Adapter, 90	
7	2220654	2	Adapter, 90	
9	4240018	8	Tie-Strap (Not Shown)	
13	1001249887	2	Hose	
14	1001238025	1	Hose	
15	1001238026	1	Hose	
16	1001247924	1	Clamp, Hoses	
18	3290601	1	Nut M6	
20	0700610	1	Screw M6 x 20	
21	4811700	2	Washer M6	

SECTION 7 - ELECTRICAL

SECTION 7 - ELECTRICAL

FIGURE 7-1. AC BOX AT PLATFORM INSTALLATION - 110V GFI (ALL SPECS EXCEPT CE & UK CA SPECS)



ART_1001244911

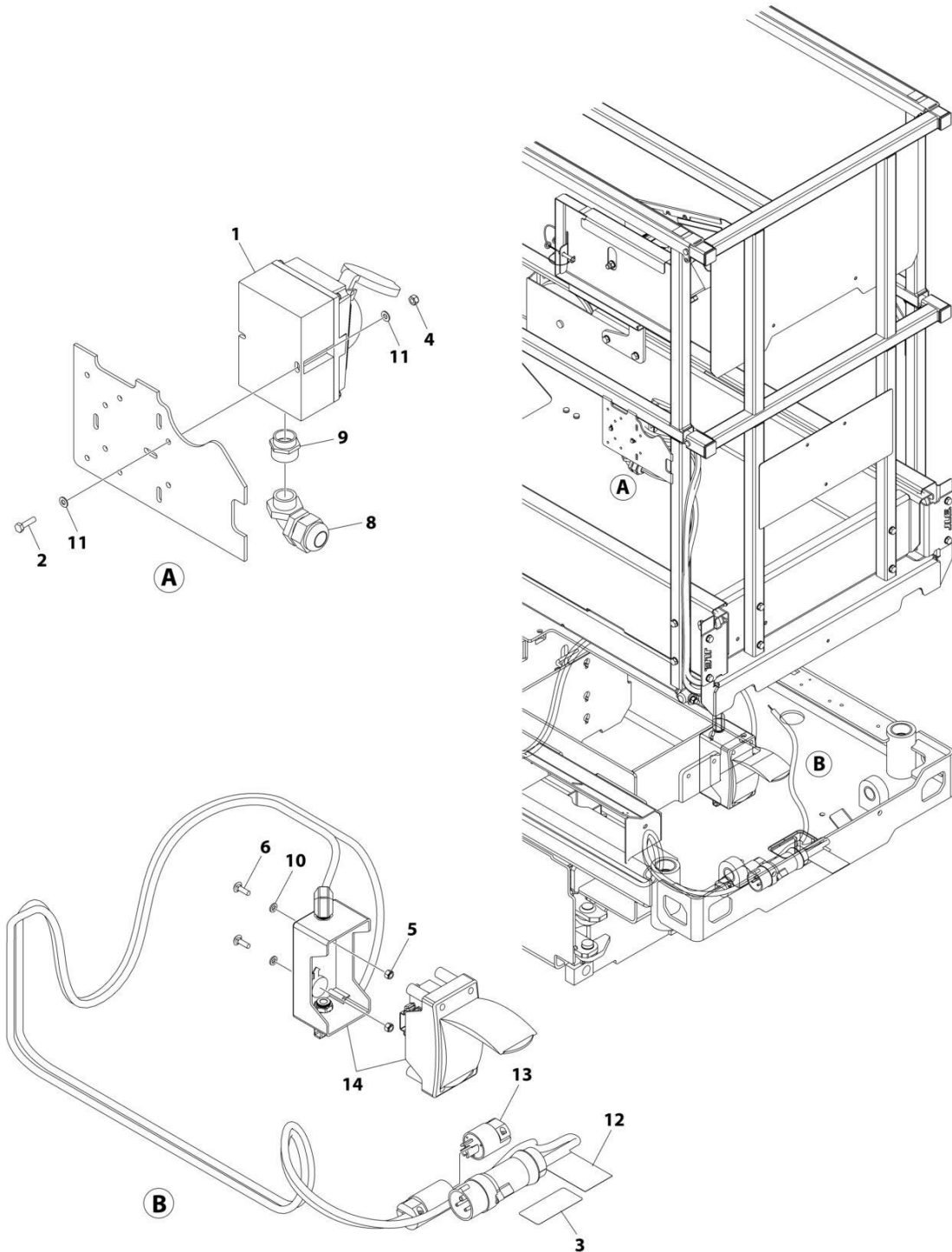
SECTION 7 - ELECTRICAL

FIGURE 7-1. AC BOX AT PLATFORM INSTALLATION - 110V GFI (ALL SPECS EXCEPT CE & UK CA SPECS)

ITEM	PART NUMBER	QTY	DESCRIPTION	REV
	1001244911	Ref	AC BOX AT PLATFORM INSTALLATION - 110V GFI	A
1	0760408	4	Bolt M4 x 16	
2	1703464	1	Decal - AC Power	
3	2902431	1	Receptacle Box Kit (See Separate Breakdown in this Section)	
4	3290405	4	Nut M4	
5	4240017	AR	Tie-Strap (Not Shown)	
6	4460138	1	Plug, Male - AC	
7	4460315	1	Terminal	
8	4811400	8	Washer M4	
9	1001102258	1	Decal - AC Label	

SECTION 7 - ELECTRICAL

FIGURE 7-2. AC BOX AT PLATFORM INSTALLATION - 110V IEC YELLOW (CE & UK CA SPECS)



ART_1001244916

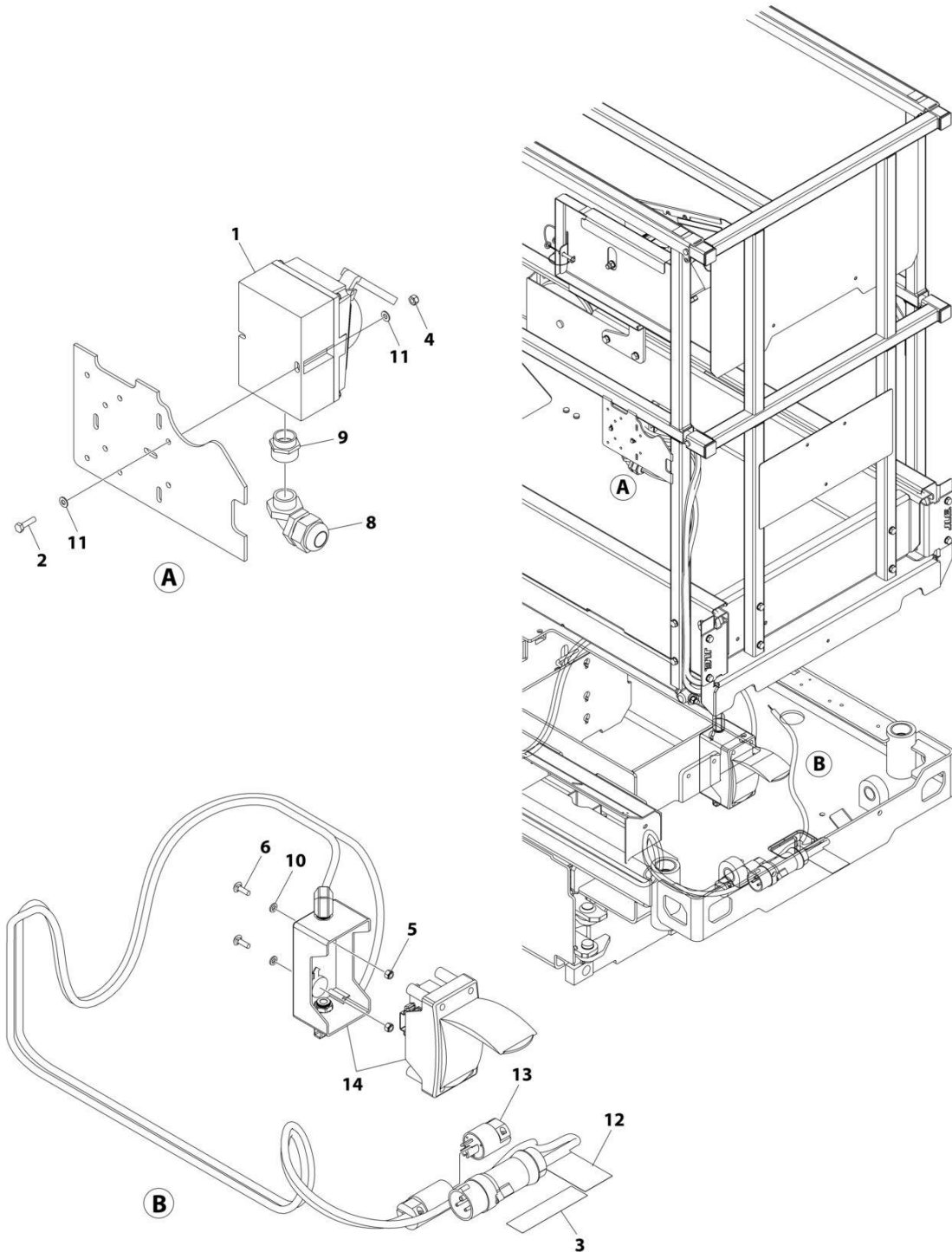
SECTION 7 - ELECTRICAL

FIGURE 7-2. AC BOX AT PLATFORM INSTALLATION - 110V IEC YELLOW (CE & UK CA SPECS)

ITEM	PART NUMBER	QTY	DESCRIPTION	REV
	1001244916	Ref	AC BOX AT PLATFORM INSTALLATION - 110V IEC YELLOW	B
1	0275216	1	Receptacle Box Kit - 110V IEC Yellow (See Separate Breakdown in this Section)	
2	0760408	2	Bolt M4 x 16	
3	1703464	1	Decal - AC Power	
4	3290405	2	Nut M4	
5	3290605	2	Nut M6	
6	1001100451	2	Bolt M6 x 20	
7	4240017	AR	Tie-Strap (Not Shown)	
8	4461257	1	Connector, Strain Relief	
9	4461258	1	Connector, Adapter	
10	4811700	2	Washer M6	
11	4811400	4	Washer M4	
12	1001102258	1	Decal - AC Label	
13	1001120204	1	Plug, Male Twist	
14	1001244909	1	Breaker Box Kit (See Separate Breakdown in this Section)	

SECTION 7 - ELECTRICAL

FIGURE 7-3. AC BOX AT PLATFORM INSTALLATION - 220V IEC BLUE (CE & UK CA SPECS)



ART_1001244917

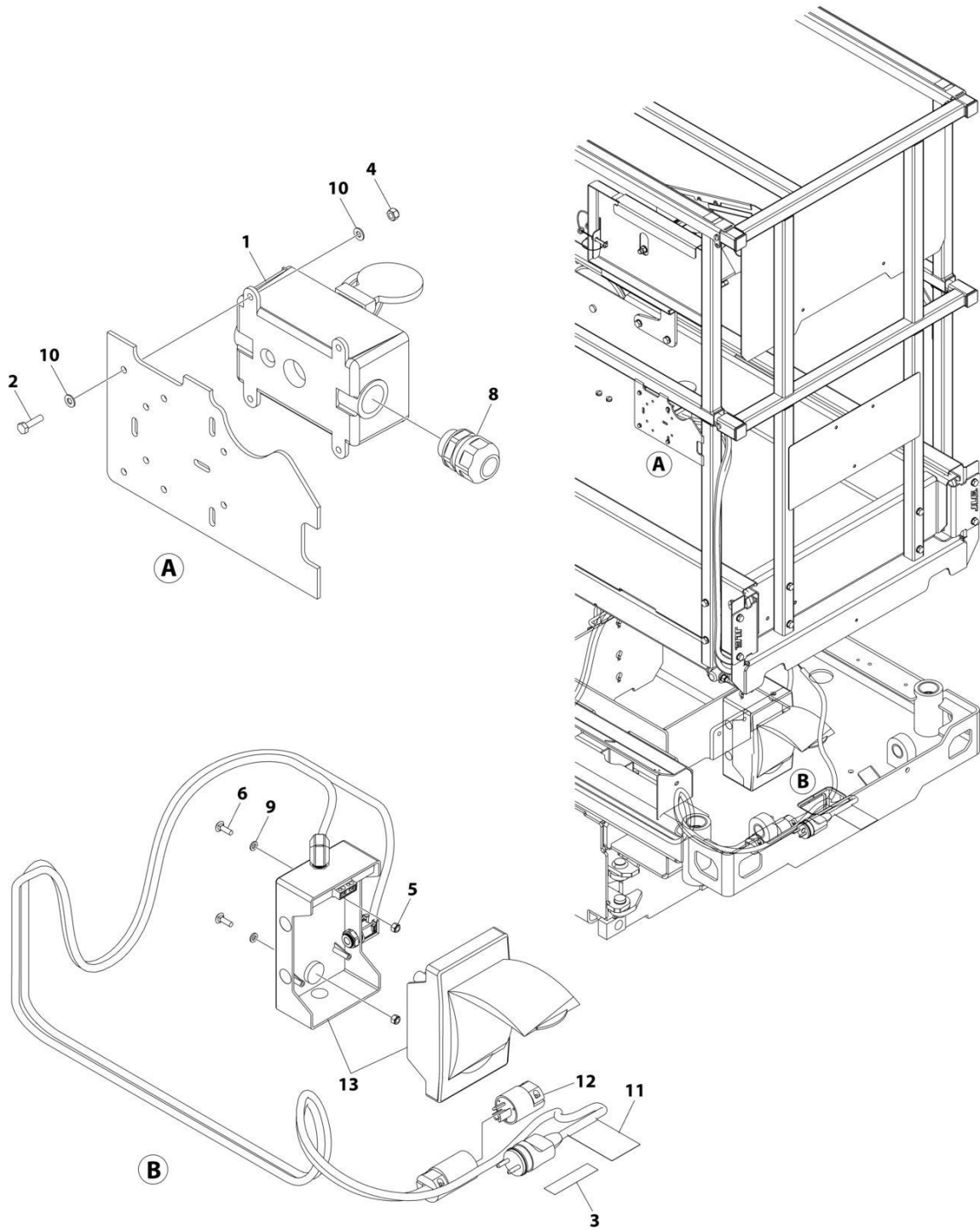
SECTION 7 - ELECTRICAL

FIGURE 7-3. AC BOX AT PLATFORM INSTALLATION - 220V IEC BLUE (CE & UK CA SPECS)

ITEM	PART NUMBER	QTY	DESCRIPTION	REV
	1001244917	Ref	AC BOX AT PLATFORM INSTALLATION - 220V IEC BLUE	B
1	0275217	1	Receptacle Box Kit - 220V IEC Blue (See Separate Breakdown in this Section)	
2	0760408	2	Bolt M4 x 16	
3	3252507	1	Decal - AC Power	
4	3290405	2	Nut M4	
5	3290605	2	Nut M6	
6	1001100451	2	Bolt M6 x 20	
7	4240017	AR	Tie-Strap (Not Shown)	
8	4461257	1	Connector, Strain Relief	
9	4461258	1	Connector, Adapter	
10	4811700	2	Washer M6	
11	4811400	4	Washer M4	
12	1001102258	1	Decal - AC Label	
13	1001120204	1	Plug, Male Twist	
14	1001244909	1	Breaker Box Kit (See Separate Breakdown in this Section)	

SECTION 7 - ELECTRICAL

FIGURE 7-4. AC BOX AT PLATFORM INSTALLATION - 220V CEE7 POST GROUND (CE & UK CA SPECS)



ART_1001244913

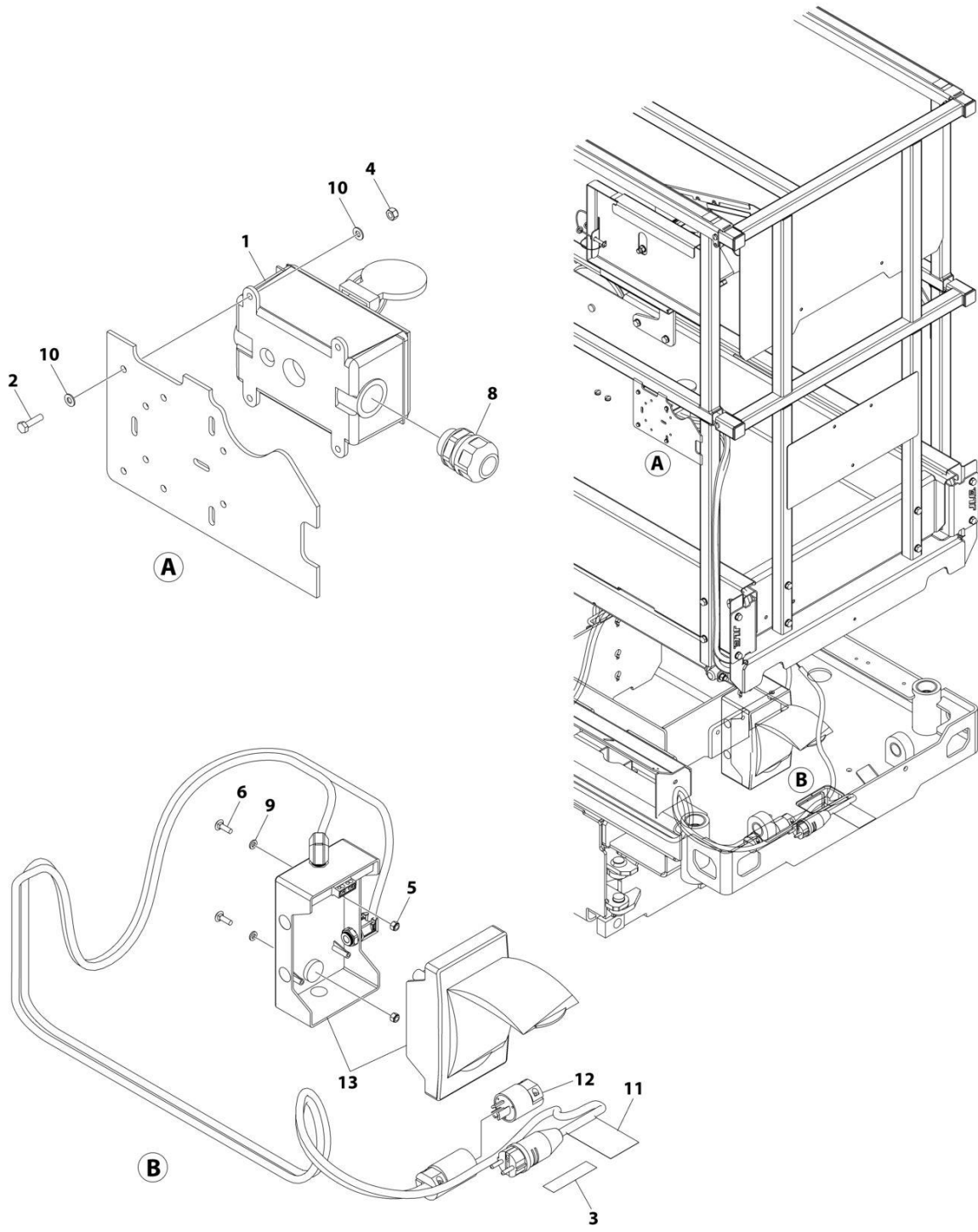
SECTION 7 - ELECTRICAL

FIGURE 7-4. AC BOX AT PLATFORM INSTALLATION - 220V CEE7 POST GROUND (CE & UK CA SPECS)

ITEM	PART NUMBER	QTY	DESCRIPTION	REV
	1001244913	Ref	AC BOX AT PLATFORM INSTALLATION - 220V CEE7 POST GROUND	B
1	0275452	1	Receptacle Box Kit - 220V CEE7 Post Ground (See Separate Breakdown in this Section)	
2	0760408	4	Bolt M4 x 16	
3	3252507	1	Decal - AC Power	
4	3290405	4	Nut M4	
5	3290605	2	Nut M6	
6	1001100451	2	Bolt M6 x 20	
7	4240017	AR	Tie-Strap (Not Shown)	
8	4460662	1	Connector, Strain Relief	
9	4811700	2	Washer M6	
10	4811400	8	Washer M4	
11	1001102258	1	Decal - AC Label	
12	1001120204	1	Plug, Male Twist	
13	1001244908	1	Breaker Box Kit (See Separate Breakdown in this Section)	

SECTION 7 - ELECTRICAL

FIGURE 7-5. AC BOX AT PLATFORM INSTALLATION - 220V CEE7 SIDE GROUND (CE & UK CA SPECS)



ART_1001244914

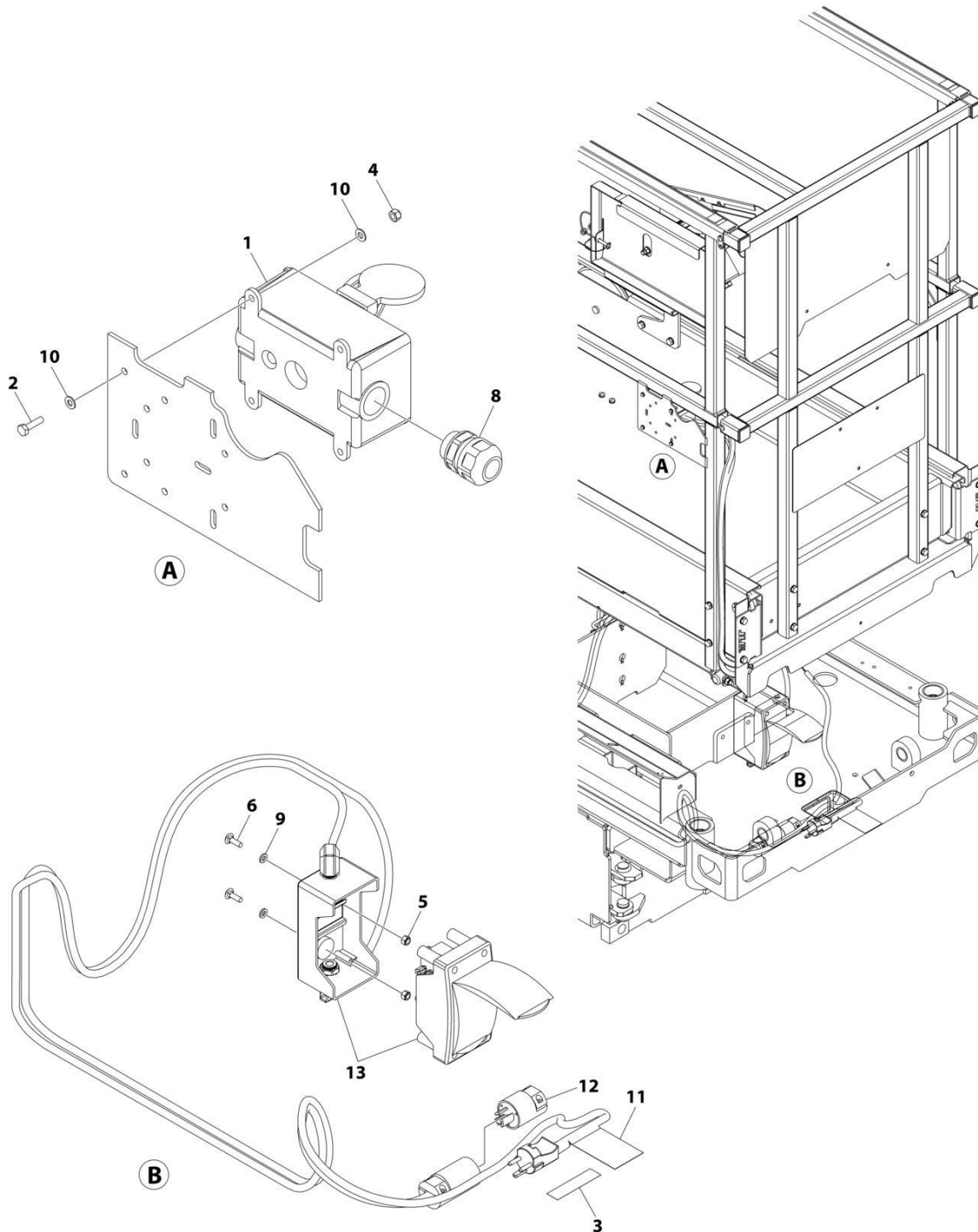
SECTION 7 - ELECTRICAL

FIGURE 7-5. AC BOX AT PLATFORM INSTALLATION - 220V CEE7 SIDE GROUND (CE & UK CA SPECS)

ITEM	PART NUMBER	QTY	DESCRIPTION	REV
	1001244914	Ref	AC BOX AT PLATFORM INSTALLATION - 220V CEE7 SIDE GROUND	B
1	0275453	1	Receptacle Box Kit - 220V CEE7 Side Ground (See Separate Breakdown in this Section)	
2	0760408	4	Bolt M4 x 16	
3	3252507	1	Decal - AC Power	
4	3290405	4	Nut M4	
5	3290605	2	Nut M6	
6	1001100451	2	Bolt M6 x 20	
7	4240017	AR	Tie-Strap (Not Shown)	
8	4460662	1	Connector, Strain Relief	
9	4811700	2	Washer M6	
10	4811400	8	Washer M4	
11	1001102258	1	Decal - AC Label	
12	1001120204	1	Plug, Male Twist	
13	1001244908	1	Breaker Box Kit (See Separate Breakdown in this Section)	

SECTION 7 - ELECTRICAL

FIGURE 7-6. AC BOX AT PLATFORM INSTALLATION - 220V AFSINT 107 (CE & UK CA SPECS)



ART_1001244915

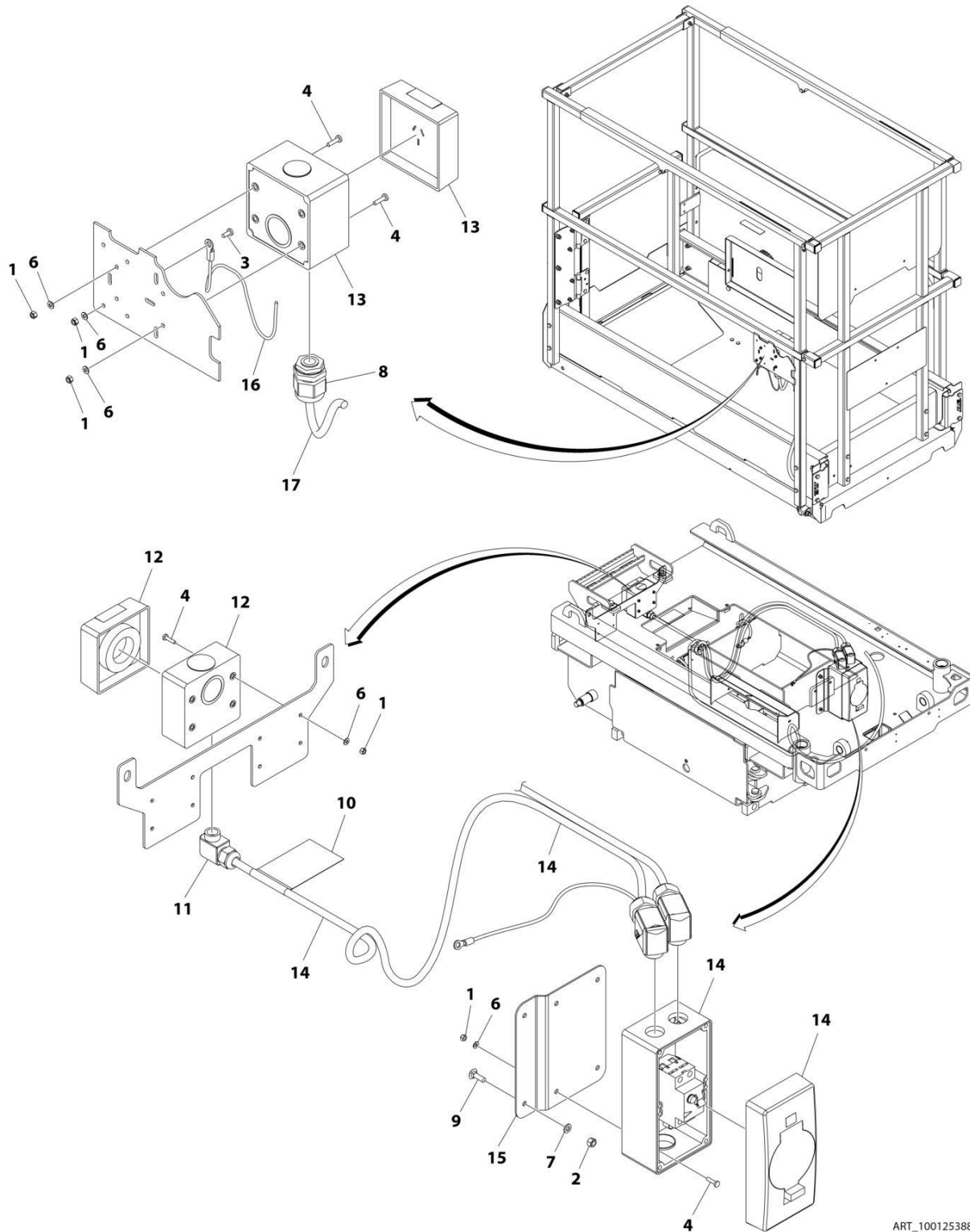
SECTION 7 - ELECTRICAL

FIGURE 7-6. AC BOX AT PLATFORM INSTALLATION - 220V AFSINT 107 (CE & UK CA SPECS)

ITEM	PART NUMBER	QTY	DESCRIPTION	REV
	1001244915	Ref	AC BOX AT PLATFORM INSTALLATION - 220V AFSINT 107	B
1	0275454	1	Receptacle Box Kit - 220V AFSINT 107 (See Separate Breakdown in this Section)	
2	0760408	4	Bolt M4 x 16	
3	3252507	1	Decal - AC Power	
4	3290405	4	Nut M4	
5	3290605	2	Nut M6	
6	1001100451	2	Bolt M6 x 20	
7	4240017	AR	Tie-Strap (Not Shown)	
8	4460662	1	Connector, Strain Relief	
9	4811700	2	Washer M6	
10	4811400	8	Washer M4	
11	1001102258	1	Decal - AC Label	
12	1001120204	1	Plug, Male Twist	
13	1001244909	1	Breaker Box Kit (See Separate Breakdown in this Section)	

SECTION 7 - ELECTRICAL

FIGURE 7-7. AC BOX AT PLATFORM INSTALLATION - 220V AUSTRALIAN PLUG (AUSTRALIAN SPECS)



ART_1001253885

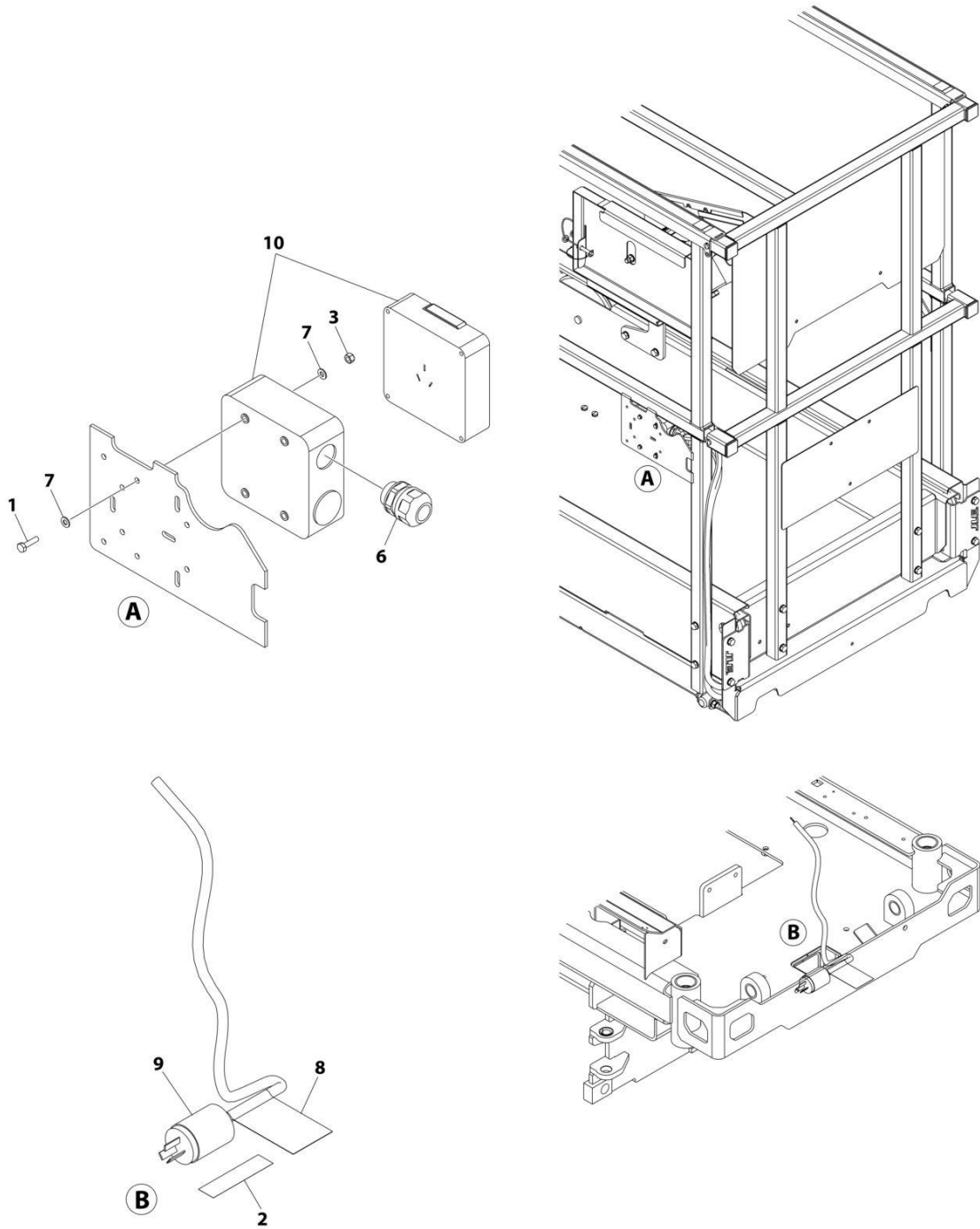
SECTION 7 - ELECTRICAL

FIGURE 7-7. AC BOX AT PLATFORM INSTALLATION - 220V AUSTRALIAN PLUG (AUSTRALIAN SPECS)

ITEM	PART NUMBER	QTY	DESCRIPTION	REV
	1001253885	Ref	AC BOX AT PLATFORM INSTALLATION - 220V	A
1	3290405	13	Nut M4	
2	3290605	2	Nut M6	
3	4010405	1	Screw M4 x 10	
4	4010408	12	Screw M4 x 16	
5	4240017	AR	Tie-Starp (Not Shown)	
6	4811400	13	Washer M4	
7	4811700	2	Washer M6	
8	1001097150	1	Connector, Strain Relief	
9	1001100451	2	Bolt M6 x 20	
10	1001102258	1	Decal - AC Label	
11	1001103471	1	Connector, Strain Relief 90	
12	1001227267	1	Receptacle, Female	
13	1001227268	1	Receptacle, Female	
14	1001253969	1	Breaker Box Assembly (See Separate Breakdown in this Section)	
15	1001253972	1	Bracket	
16	1001245744	1	Harness, Earth/Ground	
17	1001245747	1	Conduit	

SECTION 7 - ELECTRICAL

FIGURE 7-8. AC BOX AT PLATFORM INSTALLATION - 220V CHINA PLUG (CHINA SPECS)



ART_1001244918

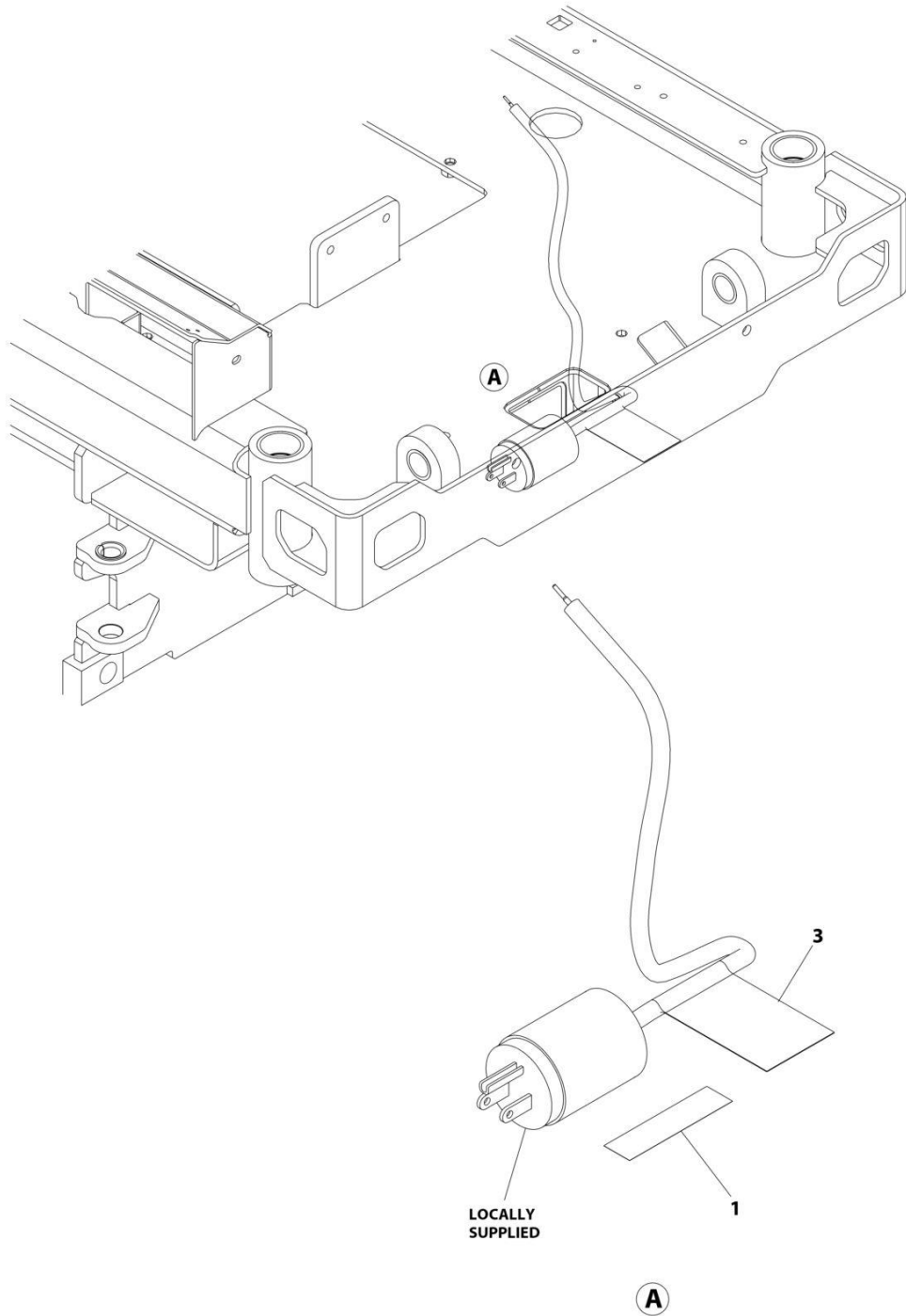
SECTION 7 - ELECTRICAL

FIGURE 7-8. AC BOX AT PLATFORM INSTALLATION - 220V CHINA PLUG (CHINA SPECS)

ITEM	PART NUMBER	QTY	DESCRIPTION	REV
	1001244918	Ref	AC BOX AT PLATFORM INSTALLATION - 220V CHINA PLUG	A
1	0760408	4	Bolt M4 x 16	
2	3252507	1	Decal - 220 Volt	
3	3290405	4	Nut M4	
4	4240017	AR	Tie-Strap (Not Shown)	
5	4460315	1	Terminal (Not Shown)	
6	4460968	1	Connector, Strain Relief	
7	4811400	8	Washer M4	
8	1001102258	1	Decal - AC Label	
9	1001187816	1	Plug	
10	1001188116	1	Box	

SECTION 7 - ELECTRICAL

FIGURE 7-9. AC BOX AT PLATFORM INSTALLATION - 220V LOCALLY SUPPLIED



ART_1001244912

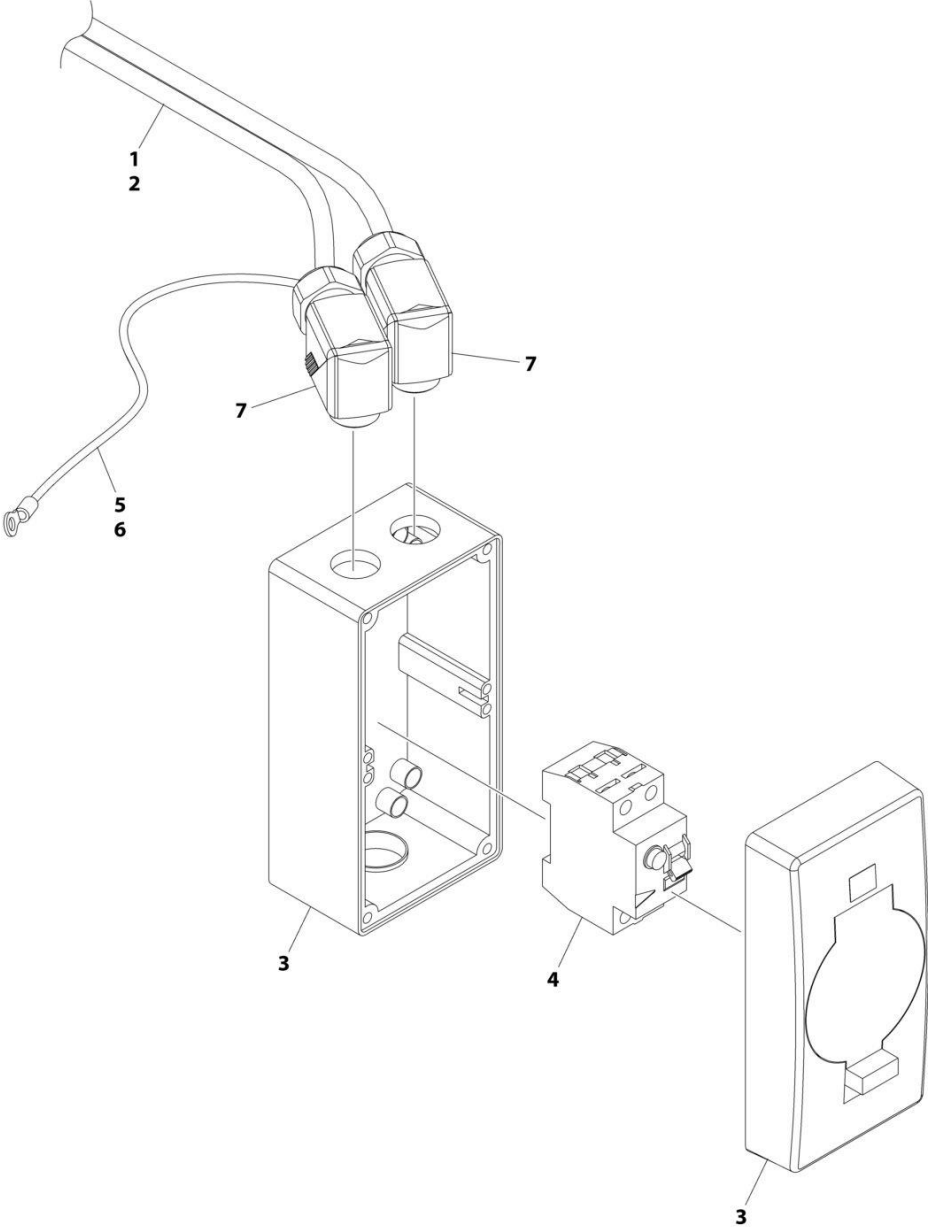
SECTION 7 - ELECTRICAL

FIGURE 7-9. AC BOX AT PLATFORM INSTALLATION - 220V LOCALLY SUPPLIED

ITEM	PART NUMBER	QTY	DESCRIPTION	REV
	1001244912	Ref	AC BOX AT PLATFORM INSTALLATION - 220V LOCALLY SUPPLIED COMPONENTS	A
1	3252507	1	Decal - 220 Volt	
2	4240017	AR	Tie-Strap (Not Shown)	
3	1001102258	1	Decal - AC Label	

SECTION 7 - ELECTRICAL

FIGURE 7-10. BREAKER BOX KIT WITH 1 DOUBLE BREAKER (AUSTRALIAN SPECS)



ART_1001253969

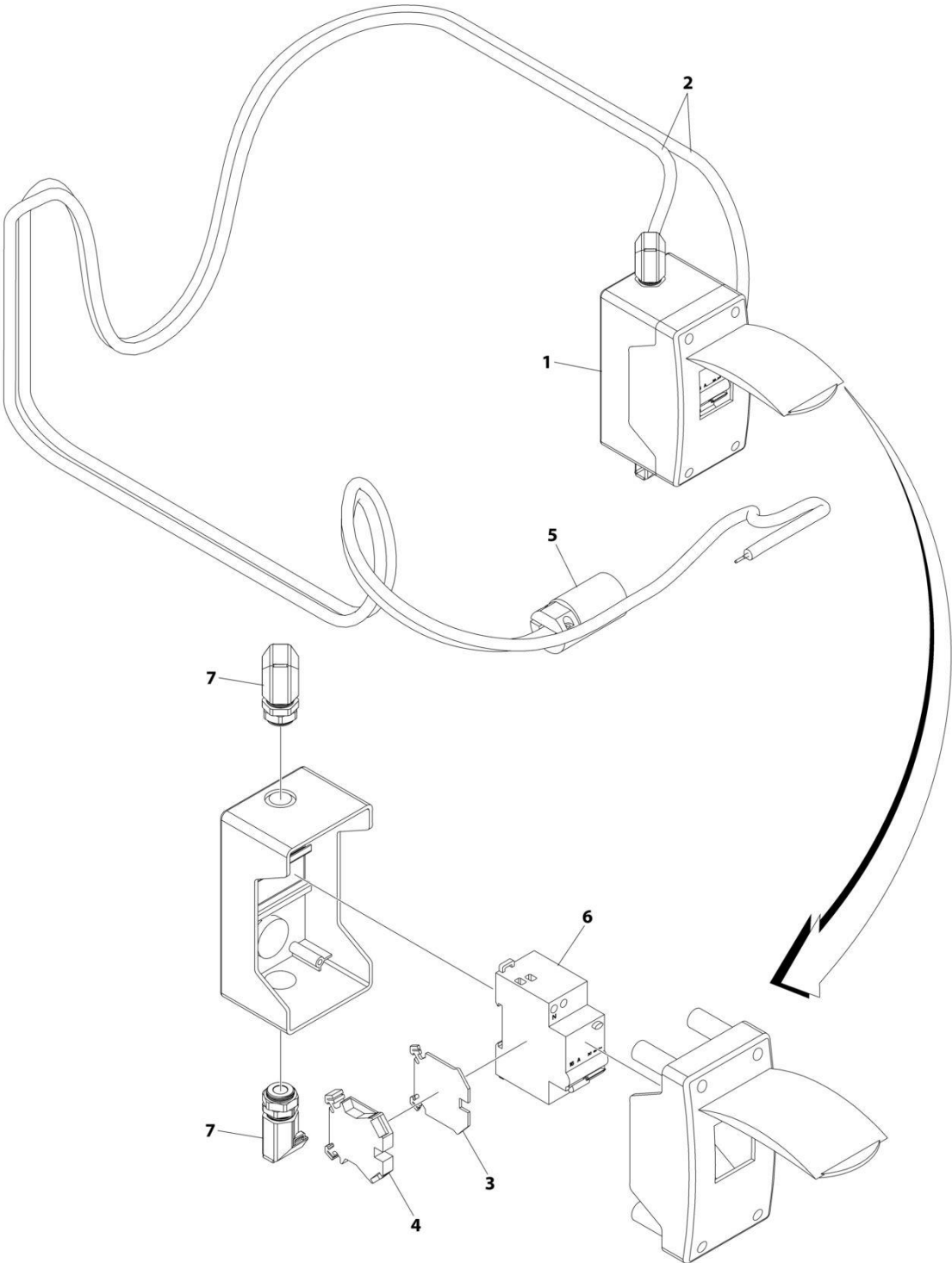
SECTION 7 - ELECTRICAL

FIGURE 7-10. BREAKER BOX KIT WITH 1 DOUBLE BREAKER (AUSTRALIAN SPECS)

ITEM	PART NUMBER	QTY	DESCRIPTION	REV
1	1001253969	1	BREAKER BOX KIT WITH 1 DOUBLE BREAKER	A
	1060908	59 in /1.5m	Cable	
2	1001125927	44cm	Conduit, Dia 16	
3	1001227269	1	Box, Breaker with Cover	
4	1001228191	1	Breaker, 250V Double Pole	
5	1001245743	1	Block, Terminal	
6	1001245744	1	Harness, Earth/Ground	
7	1001245917	2	Connector, Strain Relief 90	

SECTION 7 - ELECTRICAL

FIGURE 7-11. BREAKER BOX KIT WITH 1 DOUBLE BREAKER (CE & UK CA SPECS)



ART_1001244909

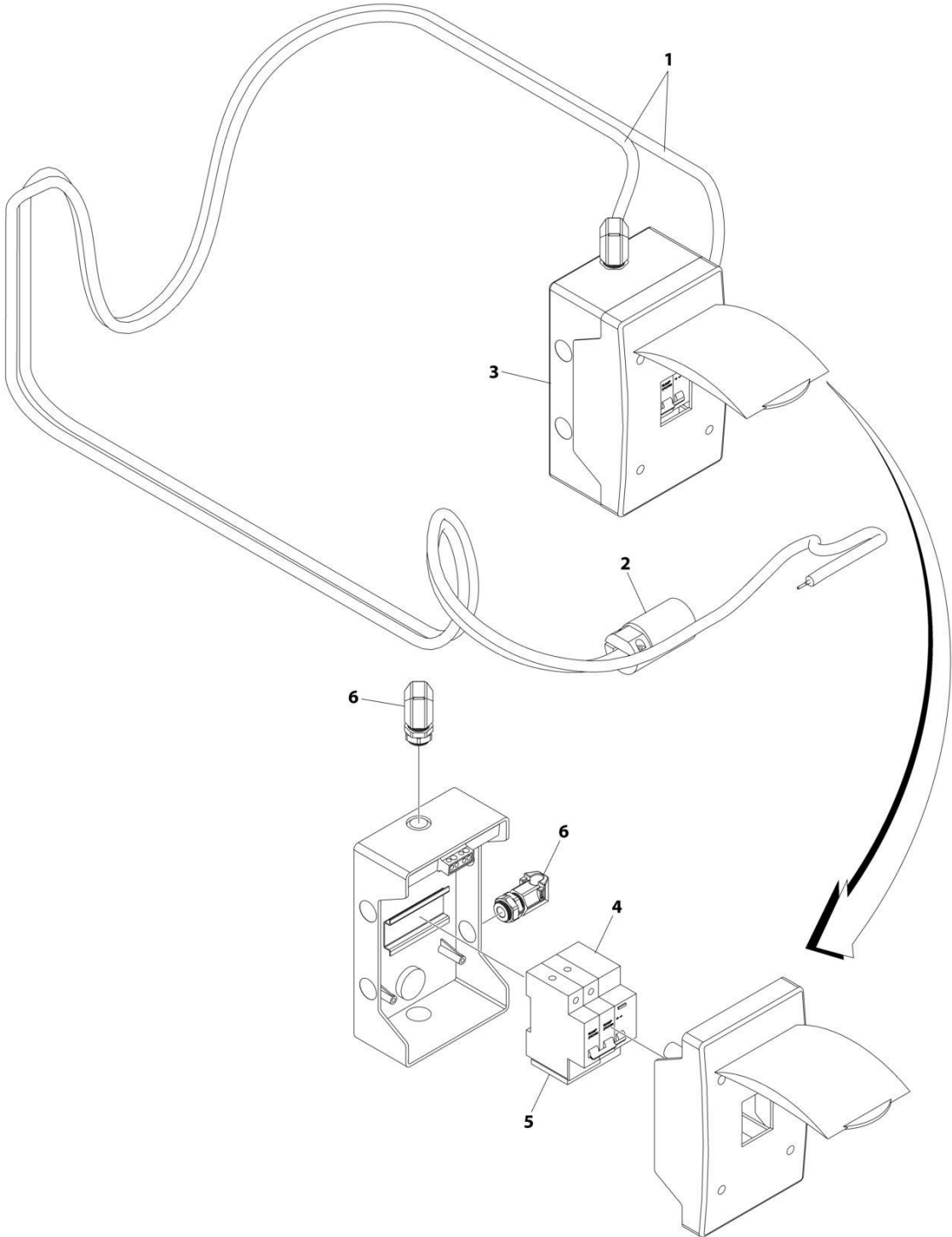
SECTION 7 - ELECTRICAL

FIGURE 7-11. BREAKER BOX KIT WITH 1 DOUBLE BREAKER (CE & UK CA SPECS)

ITEM	PART NUMBER	QTY	DESCRIPTION	REV
	1001244909	1	BREAKER BOX KIT WITH 1 DOUBLE BREAKER	A
1	0861880	1	Box, Breaker	
2	1060908	19 ft/5.7m	Cable, 12/3	
3	4460956	1	Barrier, Terminal	
4	4460957	1	Block, Terminal	
5	1001120205	1	Connector, Female	
6	1001181045	1	Breaker - 30mA/16Amp	
7	1001217164	2	Connector, Strain Relief - 90	

SECTION 7 - ELECTRICAL

FIGURE 7-12. BREAKER BOX KIT WITH 3 BREAKER



ART_1001244908

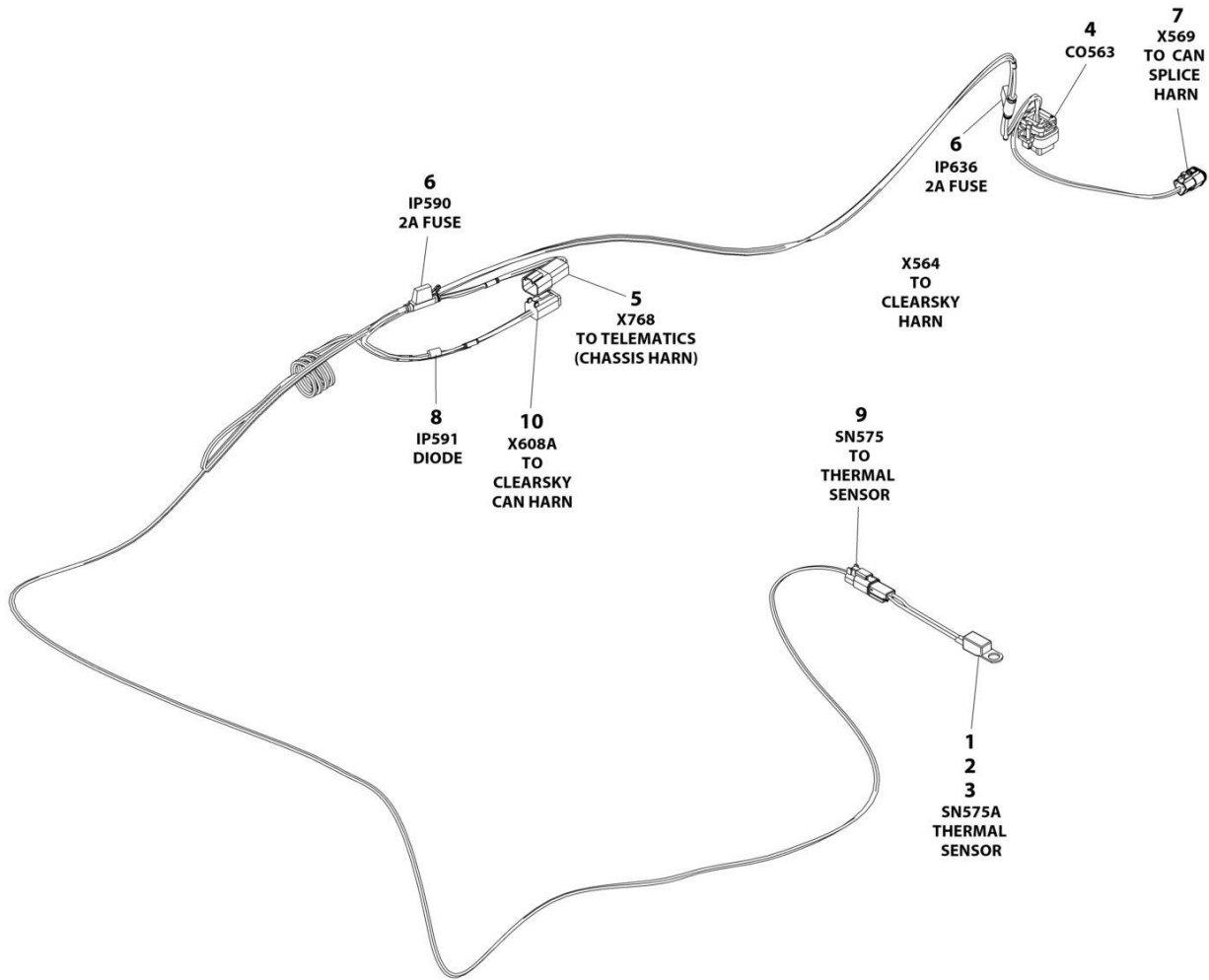
SECTION 7 - ELECTRICAL

FIGURE 7-12. BREAKER BOX KIT WITH 3 BREAKER

ITEM	PART NUMBER	QTY	DESCRIPTION	REV
	1001244908	1	BREAKER BOX KIT WITH 3 BREAKERS	B
1	1060908	19 ft/5.7m	Cable, 12/3 Receptacle	
2	1001120205	1	Connector, Female	
3	1001152483	1	Box, Breaker	
4	1001189171	1	Breaker, 30mA	
5	1001189172	1	Breaker - 16Amp Double	
6	1001217164	2	Connector, Strain Relief - 90	

SECTION 7 - ELECTRICAL

FIGURE 7-13. CHARGER HARNESS



ART_1001254028_C

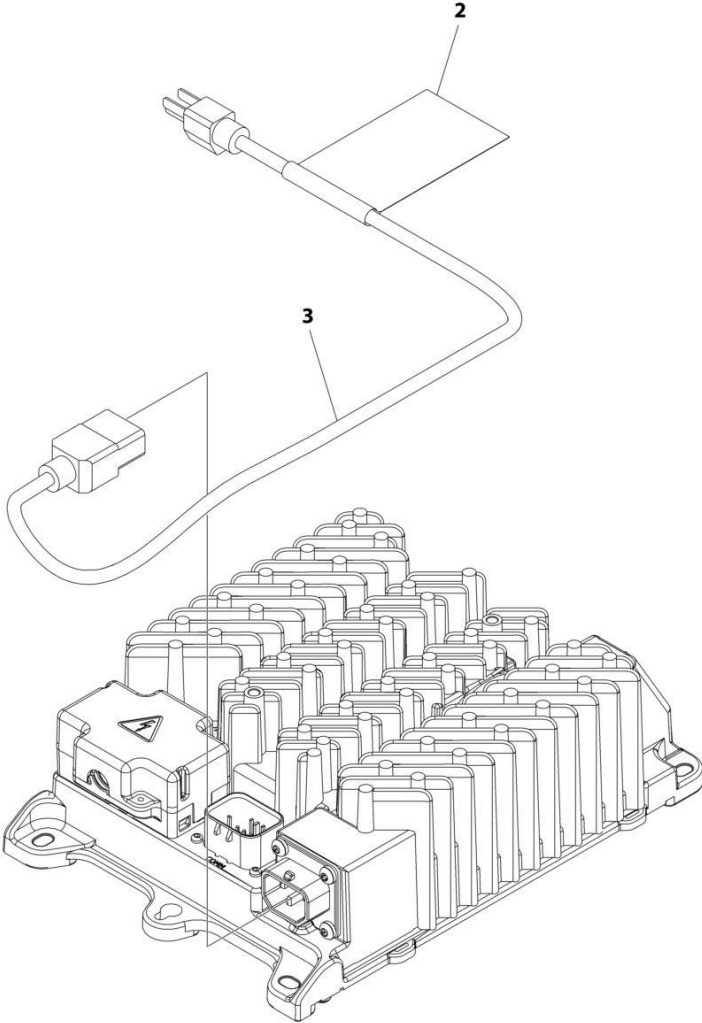
SECTION 7 - ELECTRICAL

FIGURE 7-13. CHARGER HARNESS

ITEM	PART NUMBER	QTY	DESCRIPTION	REV
	1001254028	Ref	CHARGER HARNESS	C
1	4460464	2	Pin, Male	
2	4460897	1	Receptacle, Female - 2 Position	
3	1001102771	1	Sensor, Temperature	
4	4460872	1	Connector - 14 Position	
4	4460871	6	Terminal	
4	4460905	8	Plug, Terminal	
5	4460932	1	Receptacle, Female - 4 Position	
5	4460464	1	Pin, Male	
6	2400060	2	Fuseholder With Cover	
6	1001196634	2	Fuse 2A	
7	1001116812	1	Plug, Male - 3 Position	
7	4460944	2	Socket, Female	
7	4460466	1	Plug, Terminal	
8	3990001	1	Diode	
9	4460891	1	Plug, Male - 2 Position	
9	4460465	2	Socket, Female	
10	4460884	1	Plug, Male - 4 Position	
10	4460465	4	Socket, Female	

SECTION 7 - ELECTRICAL

FIGURE 7-14. CHARGER PLUG INSTALLATION (LOCALLY SUPPLIED PLUG) (ALL SPECS EXCEPT ANSI & AUSTRALIAN SPECS)



ART_1001264946

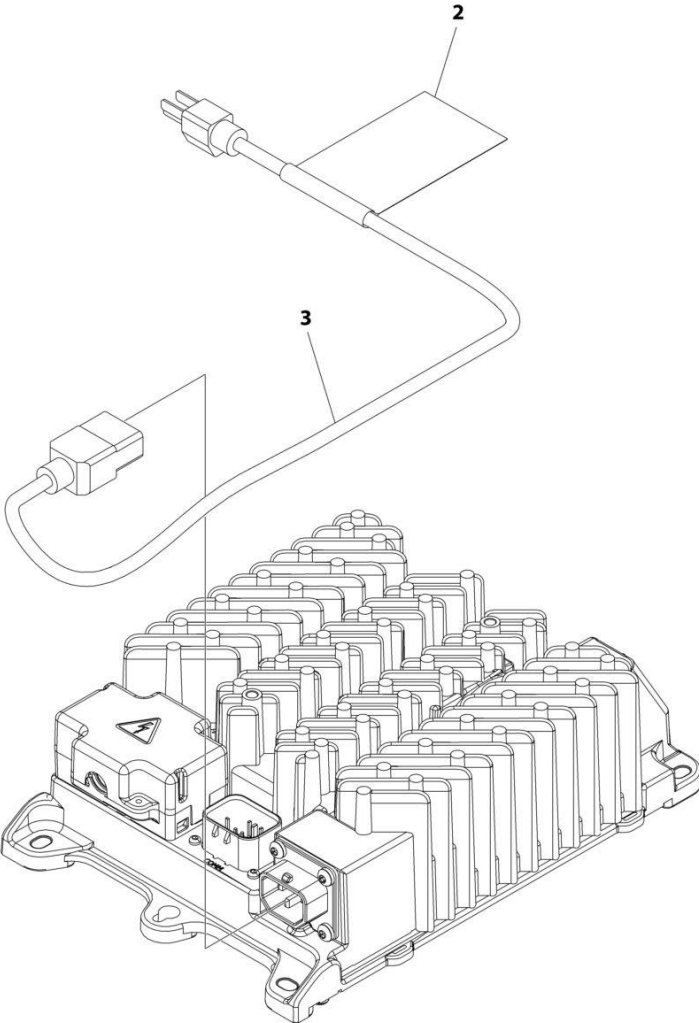
SECTION 7 - ELECTRICAL

FIGURE 7-14. CHARGER PLUG INSTALLATION (LOCALLY SUPPLIED PLUG) (ALL SPECS EXCEPT ANSI & AUSTRALIAN SPECS)

ITEM	PART NUMBER	QTY	DESCRIPTION	REV
	1001264946	Ref	CHARGER PLUG INSTALLATION (LOCALLY SUPPLIED PLUG)	A
1	4240017	AR	Tie-Strap (Not Shown)	
2	1001102489	1	Decal - Charger	
3	1001207974	1	Cable, Charger AC Input	

SECTION 7 - ELECTRICAL

FIGURE 7-15. CHARGER PLUG INSTALLATION (110V PLUG) (ANSI & CSA SPECS)



ART_1001264947

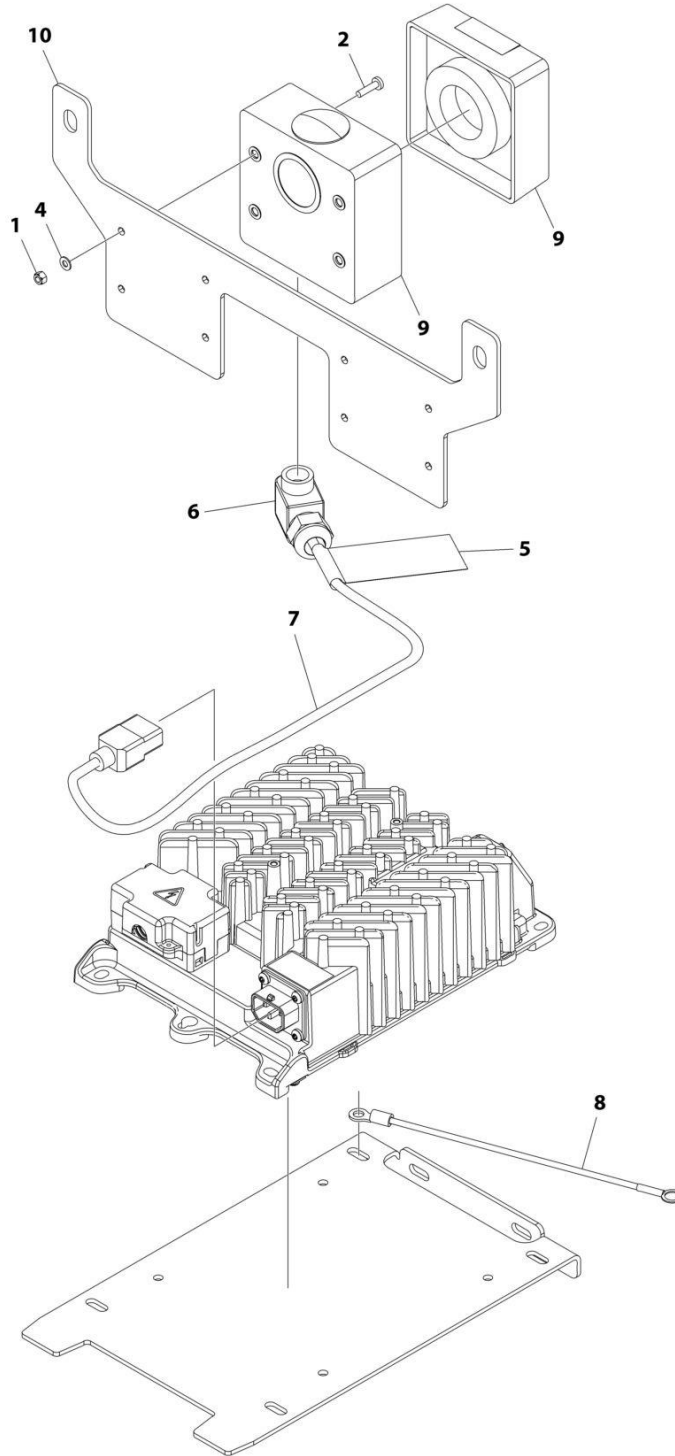
SECTION 7 - ELECTRICAL

FIGURE 7-15. CHARGER PLUG INSTALLATION (110V PLUG) (ANSI & CSA SPECS)

ITEM	PART NUMBER	QTY	DESCRIPTION	REV
	1001264947	Ref	CHARGER PLUG INSTALLATION (110V PLUG)	A
1	4240017	AR	Tie-Strap (Not Shown)	
2	1001102489	1	Decal - Charger	
3	1001207970	1	Cable, Charger AC Input	

SECTION 7 - ELECTRICAL

FIGURE 7-16. CHARGER PLUG INSTALLATION (AUSTRALIAN PLUG) (AUSTRALIAN SPECS)



ART_1001264954

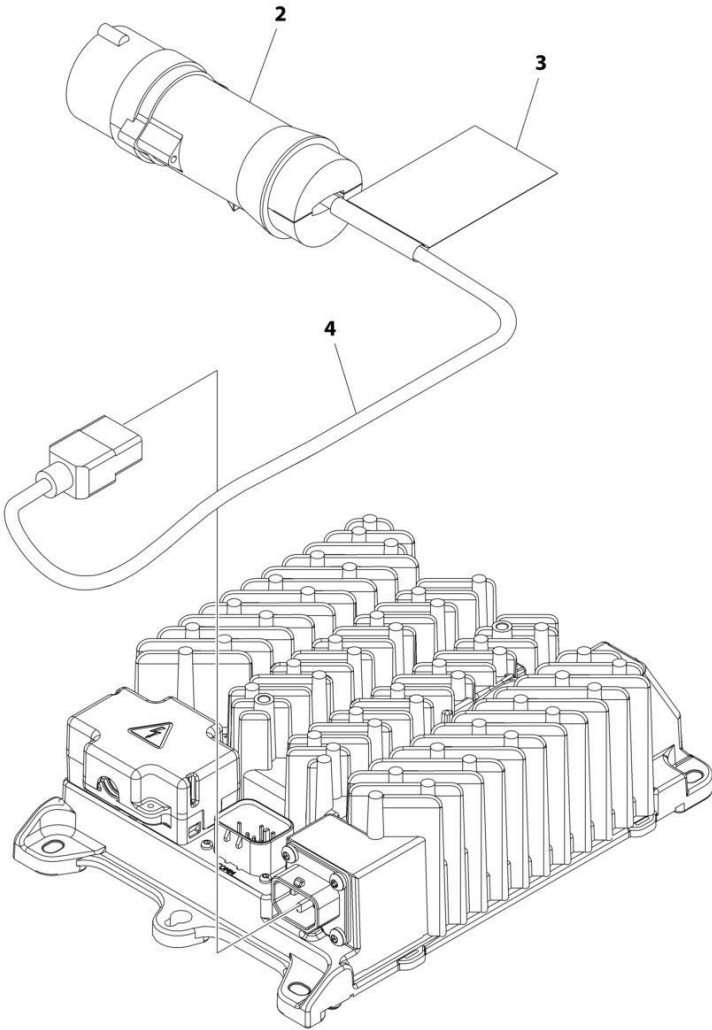
SECTION 7 - ELECTRICAL

FIGURE 7-16. CHARGER PLUG INSTALLATION (AUSTRALIAN PLUG) (AUSTRALIAN SPECS)

ITEM	PART NUMBER	QTY	DESCRIPTION	REV
	1001264954	Ref	CHARGER PLUG INSTALLATION (AUSTRALIAN PLUG)	A
1	3290405	4	Nut M4	
2	4010408	4	Screw M4 x 16	
3	4240017	AR	Tie-Strap (Not Shown)	
4	4811400	4	Washer M4	
5	1001102489	1	Decal - Charger Label	
6	1001103471	1	Connector, Strain Relief 90	
7	1001207974	1	Cable, AC Input	
8	1001227219	1	Harness, Earth/Ground Link	
9	1001227267	1	Receptacle, Australian	
10	1001253626	1	Bracket	

SECTION 7 - ELECTRICAL

FIGURE 7-17. CHARGER PLUG INSTALLATION (110V IEC YELLOW PLUG) (CE & UK CA SPECS)



ART_1001264951

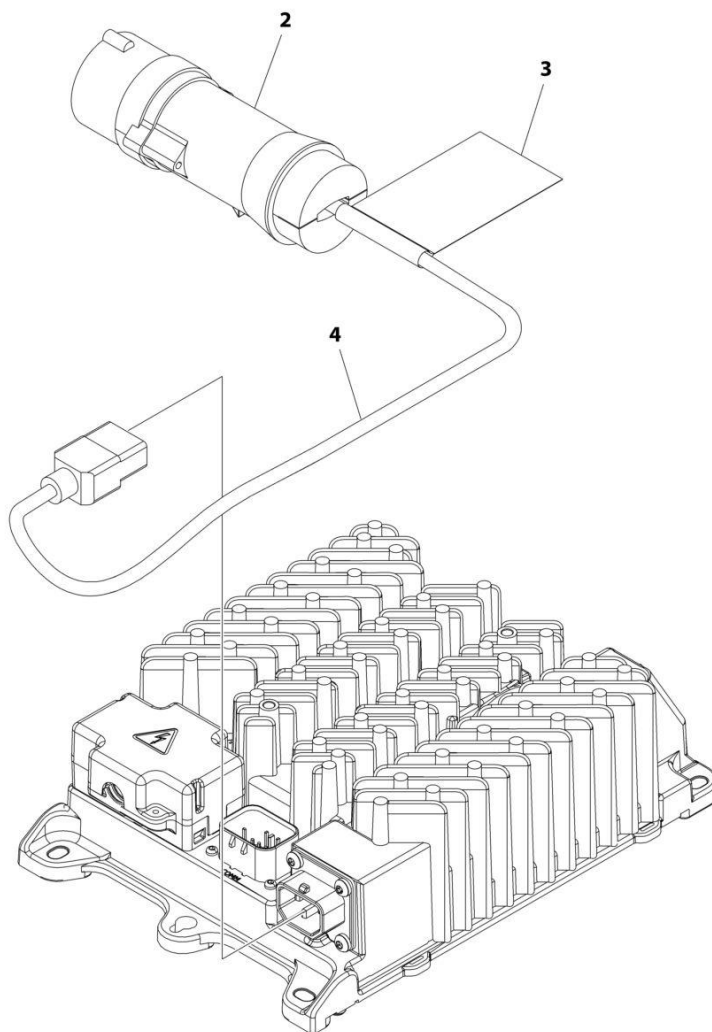
SECTION 7 - ELECTRICAL

FIGURE 7-17. CHARGER PLUG INSTALLATION (110V IEC YELLOW PLUG) (CE & UK CA SPECS)

ITEM	PART NUMBER	QTY	DESCRIPTION	REV
	1001264951	Ref	CHARGER PLUG INSTALLATION (110V IEC YELLOW PLUG)	A
1	4240017	AR	Tie-Strap (Not Shown)	
2	4461196	1	Plug, Male	
3	1001102489	1	Decal - Charger	
4	1001207974	1	Cable, Charger AC Input	

SECTION 7 - ELECTRICAL

FIGURE 7-18. CHARGER PLUG INSTALLATION (220V IEC BLUE PLUG) (CE & UK CA SPECS)



ART_1001264952

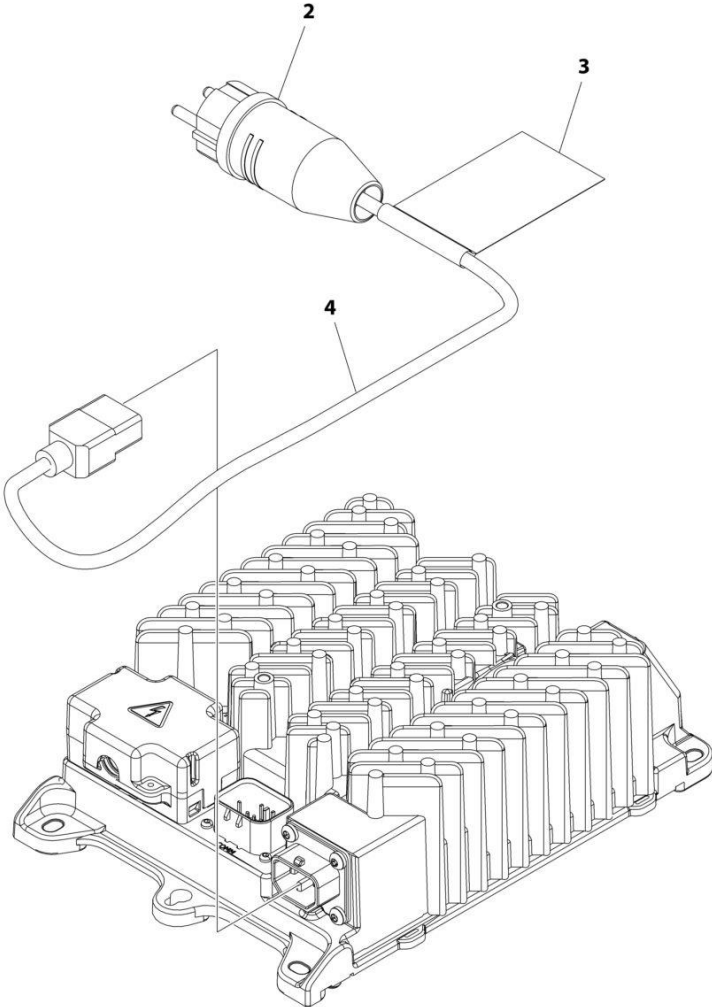
SECTION 7 - ELECTRICAL

FIGURE 7-18. CHARGER PLUG INSTALLATION (220V IEC BLUE PLUG) (CE & UK CA SPECS)

ITEM	PART NUMBER	QTY	DESCRIPTION	REV
	1001264952	Ref	CHARGER PLUG INSTALLATION (220V IEC BLUE PLUG)	A
1	4240017	AR	Tie-Strap (Not Shown)	
2	4461199	1	Plug, Male	
3	1001102489	1	Decal - Charger	
4	1001207974	1	Cable, Charger AC Input	

SECTION 7 - ELECTRICAL

FIGURE 7-19. CHARGER PLUG INSTALLATION (220V CEE7 PLUG) (CE & UK CA SPECS)



ART_1001264949

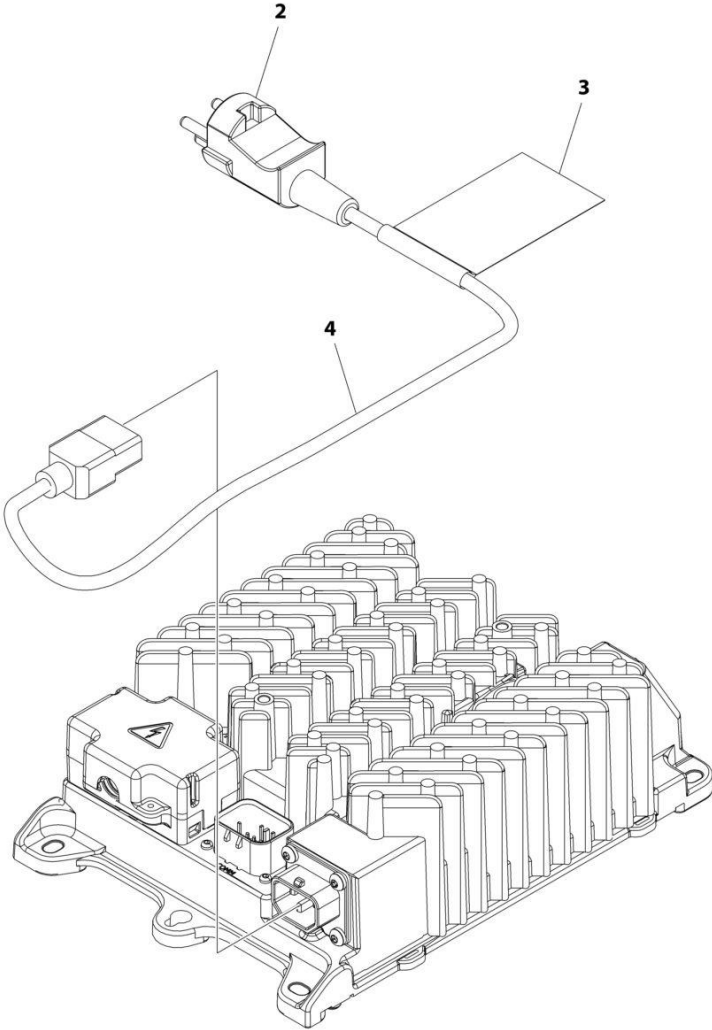
SECTION 7 - ELECTRICAL

FIGURE 7-19. CHARGER PLUG INSTALLATION (220V CEE7 PLUG) (CE & UK CA SPECS)

ITEM	PART NUMBER	QTY	DESCRIPTION	REV
	1001264949	Ref	CHARGER PLUG INSTALLATION (220V CEE7 PLUG)	A
1	4240017	AR	Tie-Strap (Not Shown)	
2	4461205	1	Plug, Male	
3	1001102489	1	Decal - Charger	
4	1001207974	1	Cable, Charger AC Input	

SECTION 7 - ELECTRICAL

FIGURE 7-20. CHARGER PLUG INSTALLATION (220V AFSINT107 PLUG) (CE & UK CA SPECS)



ART_1001264950

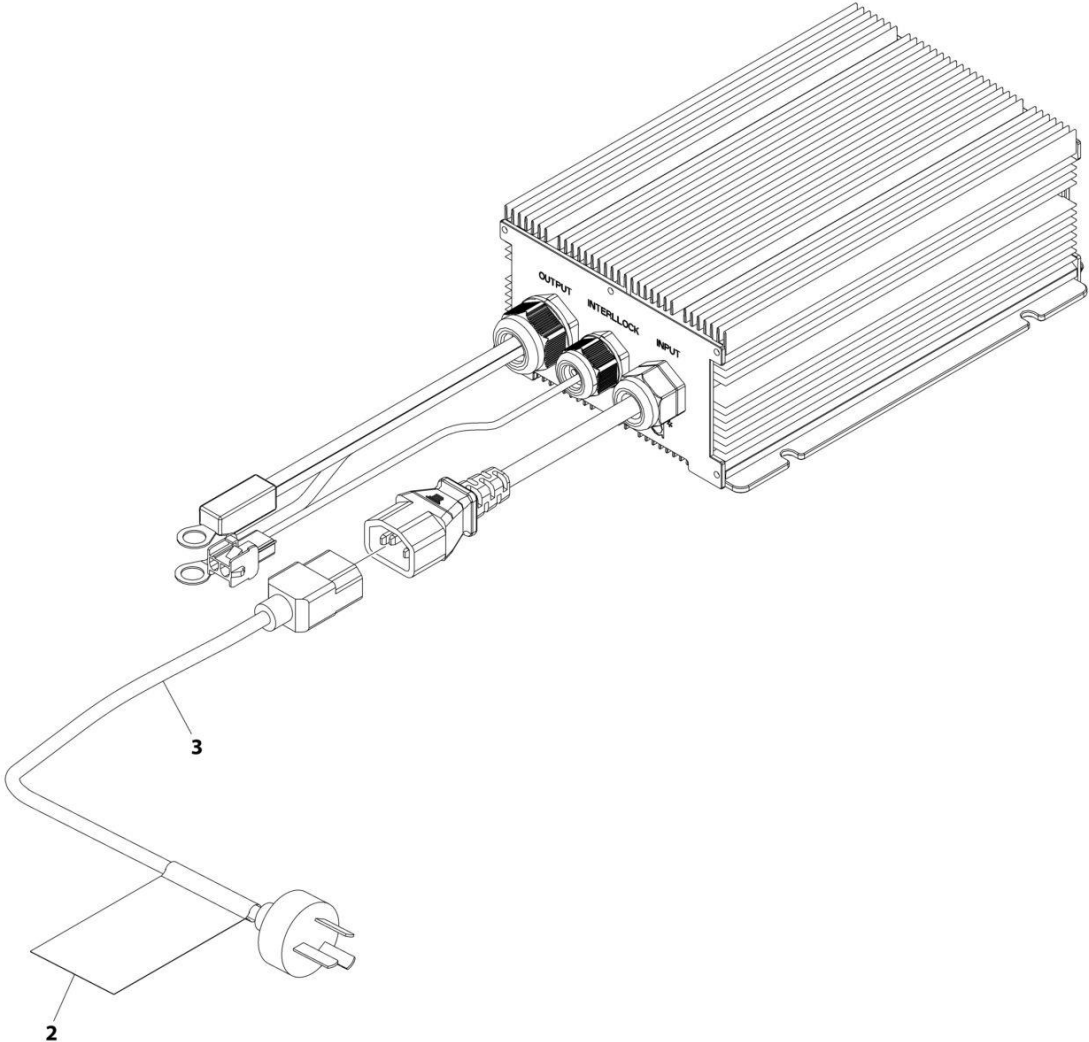
SECTION 7 - ELECTRICAL

FIGURE 7-20. CHARGER PLUG INSTALLATION (220V AFSINT107 PLUG) (CE & UK CA SPECS)

ITEM	PART NUMBER	QTY	DESCRIPTION	REV
	1001264950	Ref	CHARGER PLUG INSTALLATION (220V AFSINT107 PLUG)	A
1	4240017	AR	Tie-Strap (Not Shown)	
2	4461249	1	Plug, Male	
3	1001102489	1	Decal - Charger	
4	1001207974	1	Cable, Charger AC Input	

SECTION 7 - ELECTRICAL

FIGURE 7-21. CHARGER PLUG INSTALLATION (CHINA PLUG) (CHINA SPECS)



ART_1001264953

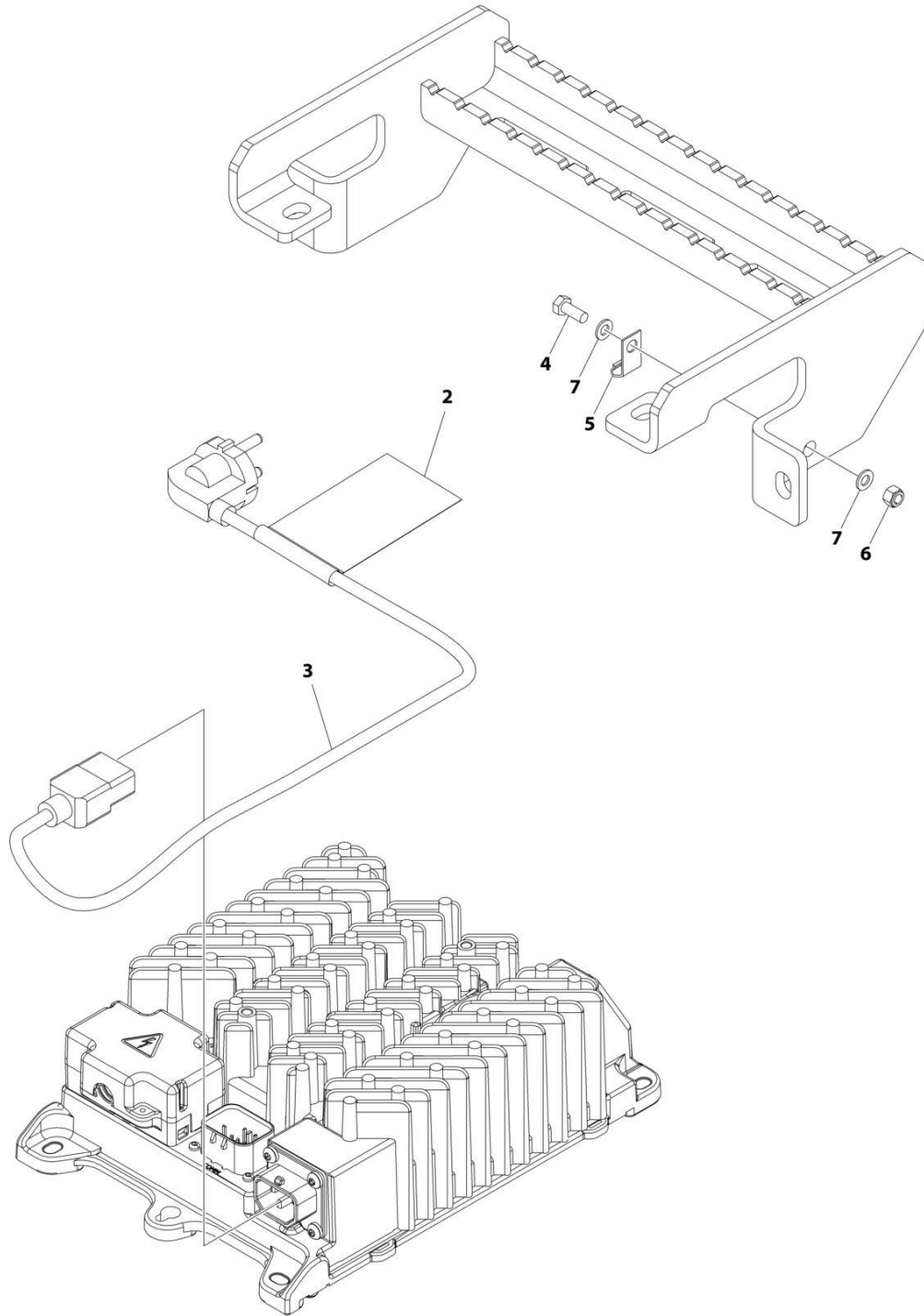
SECTION 7 - ELECTRICAL

FIGURE 7-21. CHARGER PLUG INSTALLATION (CHINA PLUG) (CHINA SPECS)

ITEM	PART NUMBER	QTY	DESCRIPTION	REV
	1001264953	Ref	CHARGER PLUG INSTALLATION (CHINA PLUG)	A
1	4240017	AR	Tie-Strap (Not Shown)	
2	1001102489	1	Decal - Charger	
3	1001207973	1	Cable, Charger AC Input	

SECTION 7 - ELECTRICAL

FIGURE 7-22. CHARGER PLUG INSTALLATION (KOREAN PLUG) (KOREAN SPECS)



ART_1001264948

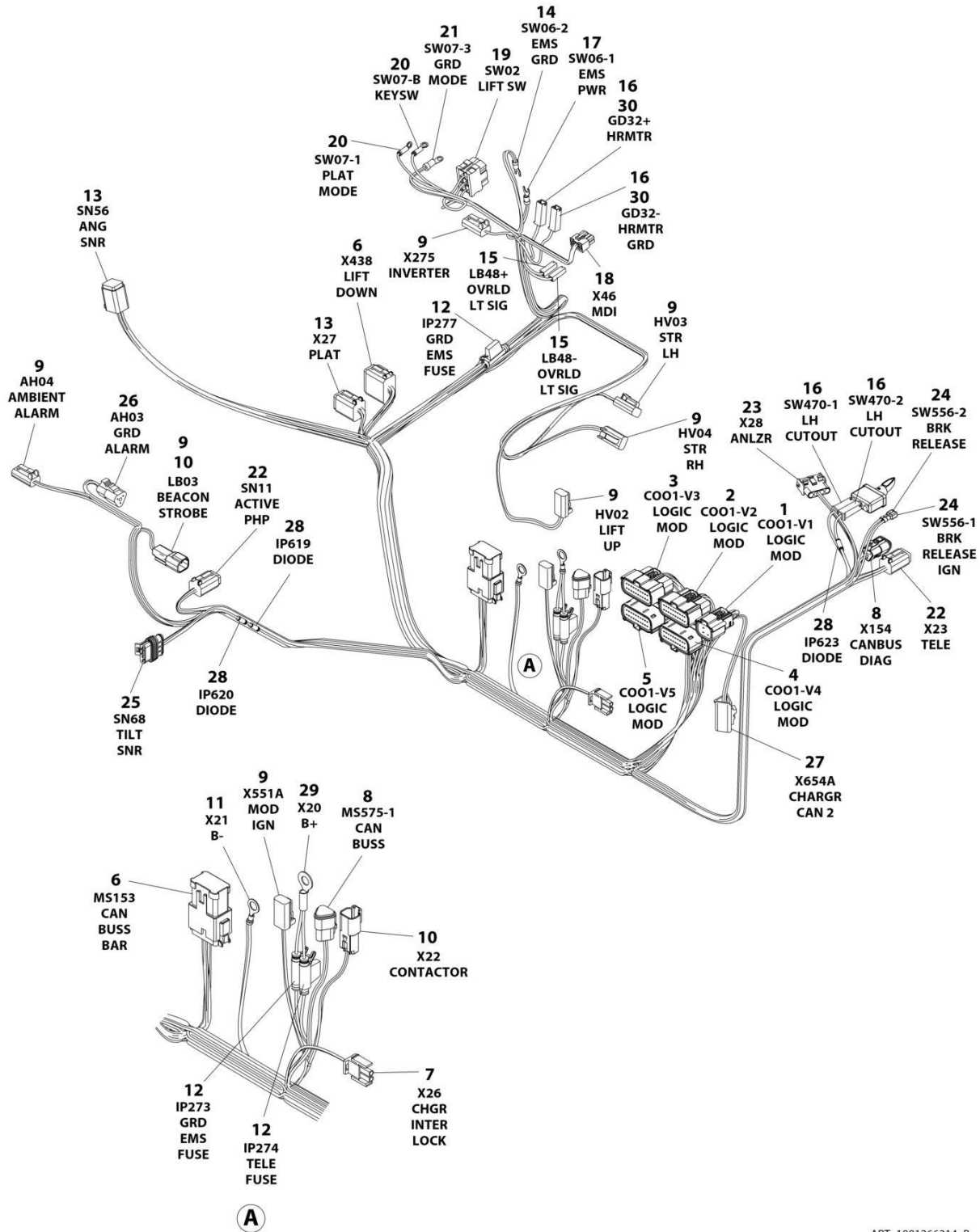
SECTION 7 - ELECTRICAL

FIGURE 7-22. CHARGER PLUG INSTALLATION (KOREAN PLUG) (KOREAN SPECS)

ITEM	PART NUMBER	QTY	DESCRIPTION	REV
	1001264948	Ref	CHARGER PLUG INSTALLATION (KOREAN PLUG)	B
1	4240017	AR	Tie-Strap (Not Shown)	
2	1001102489	1	Decal - Charger	
3	1001221949	1	Cable, Charger AC Input	
4	0760810	1	Bolt M8 x 20	
5	1320223	1	Clamp	
6	3290805	1	Nut M8	
7	4811900	2	Washer M8	

SECTION 7 - ELECTRICAL

FIGURE 7-23. CHASSIS HARNESS (WITH PLATFORM DRIVE SELECT SWITCH) (MACHINES WITH SN STARTING WITH 12, B2, G2 & M2)



ART_1001266214_B

SECTION 7 - ELECTRICAL

FIGURE 7-23. CHASSIS HARNESS (WITH PLATFORM DRIVE SELECT SWITCH) (MACHINES WITH SN STARTING WITH 12, B2, G2 & M2)

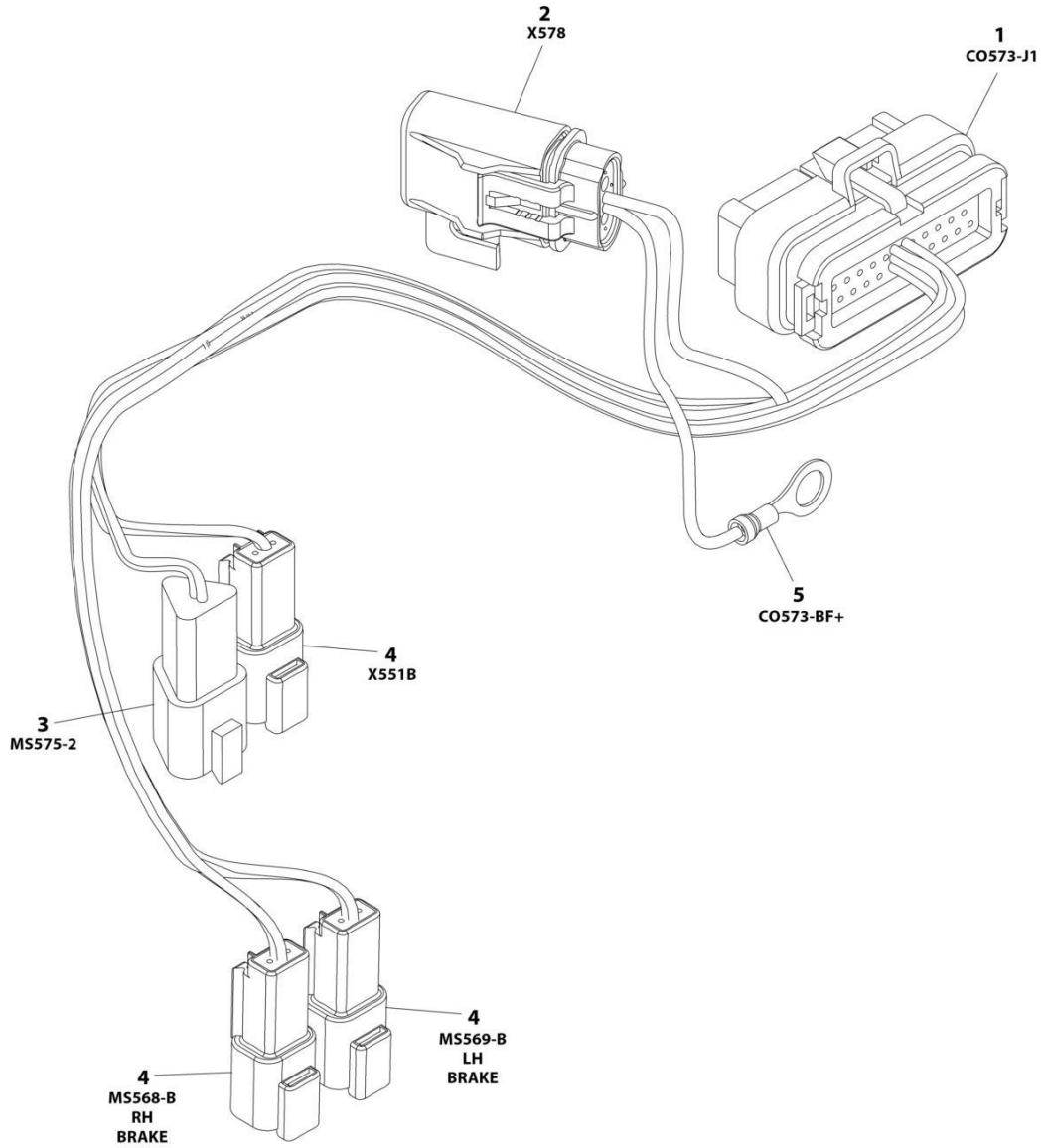
ITEM	PART NUMBER	QTY	DESCRIPTION	REV
	1001266214	Ref	CHASSIS HARNESS (WITH LSS)	B
1	1001205409	1	Connector - 8 Position	
1	1001162887	8	Terminal	
2	1001205410	1	Connector - 20 Position	
2	1001162887	13	Terminal	
2	1001163340	7	Plug, Terminal	
3	1001162886	1	Connector - 20 Position	
3	1001162887	15	Terminal	
3	1001163340	5	Plug, Terminal	
4	1001205411	1	Connector - 20 Position	
4	1001162887	16	Terminal	
4	1001163340	4	Plug, Terminal	
5	1001205412	1	Connector - 20 Position	
5	1001162887	14	Terminal	
5	1001163340	6	Plug, Terminal	
6	4460933	2	Plug, Male - 12 Position	
6	4460465	22	Socket, Female	
6	4460466	2	Plug, Terminal	
6	1001125677	1	Bussbar - 12 Position	
7	4460320	1	Plug, Male - 2 Position	
7	4460226	1	Socket, Female	
8	1001116812	2	Plug, Male - 3 Position	
8	4460944	4	Socket, Female	
8	4460466	1	Plug, Terminal	
8	1001144296	1	Cap	
9	4460891	7	Plug, Male- 3 Position	
9	4460465	11	Socket, Female	
9	4460466	2	Plug, Terminal	
9	1001144295	2	Cap	
10	4460897	2	Receptacle, Female - 2 Position	
10	4460464	4	Pin, Male	
11	4460670	1	Terminal, Ring	
12	2400060	3	Fuseholder with Cover	
12		Ref	Fuse 5Amp	
12		Ref	Fuse 15Amp	
13	4460894	2	Plug, Male - 6 Position	
13	4460465	10	Socket, Female	
13	4460944	2	Socket, Female	
14	4460115	1	Terminal, Fork	
15	1001117000	2	Cover, Terminal	
15	1001118387	2	Terminal	
16	4460260	4	Cover, Terminal	
16	4460259	2	Terminal	
17	4460183	1	Terminal, Fork	
18	1001151629	1	Connector- 8 Position	
18	4461023	2	Terminal	
18	4460877	2	Terminal	
19	4460418	1	Connector, Switch	
19	1001159186	3	Terminal	

SECTION 7 - ELECTRICAL

ITEM	PART NUMBER	QTY	DESCRIPTION	REV
20	4460247	2	Terminal, Ring	
21	4460042	1	Terminal, Ring	
22	4460884	2	Plug, Male - 4 Position	
22	4460465	8	Socket, Female	
22	1001192401	1	Cap	
23	4460761	1	Receptacle, Female- 4 Position	
23	4460227	4	Pin, Male	
24	1001201885	2	Terminal	
25	1001103012	1	Plug, Male- 4 Position	
25	1001196589	4	Terminal	
25	1001104498	4	Seal	
26	4460539	1	Plug, Male -2 Position	
26	4460465	3	Socket, Female	
27	4460965	1	Plug, Male - 3 Position	
27	4460944	2	Socket, Female	
27	4460966	1	Plug, Terminal	
27	1001144296	1	Cap	
28	8229031	3	Diode - 6Amp	
29	8220045	1	Terminal, Ring	
30	1001272868	2	Terminal	

SECTION 7 - ELECTRICAL

FIGURE 7-24. DRIVE CONTROL HARNESS



ART_1001243255

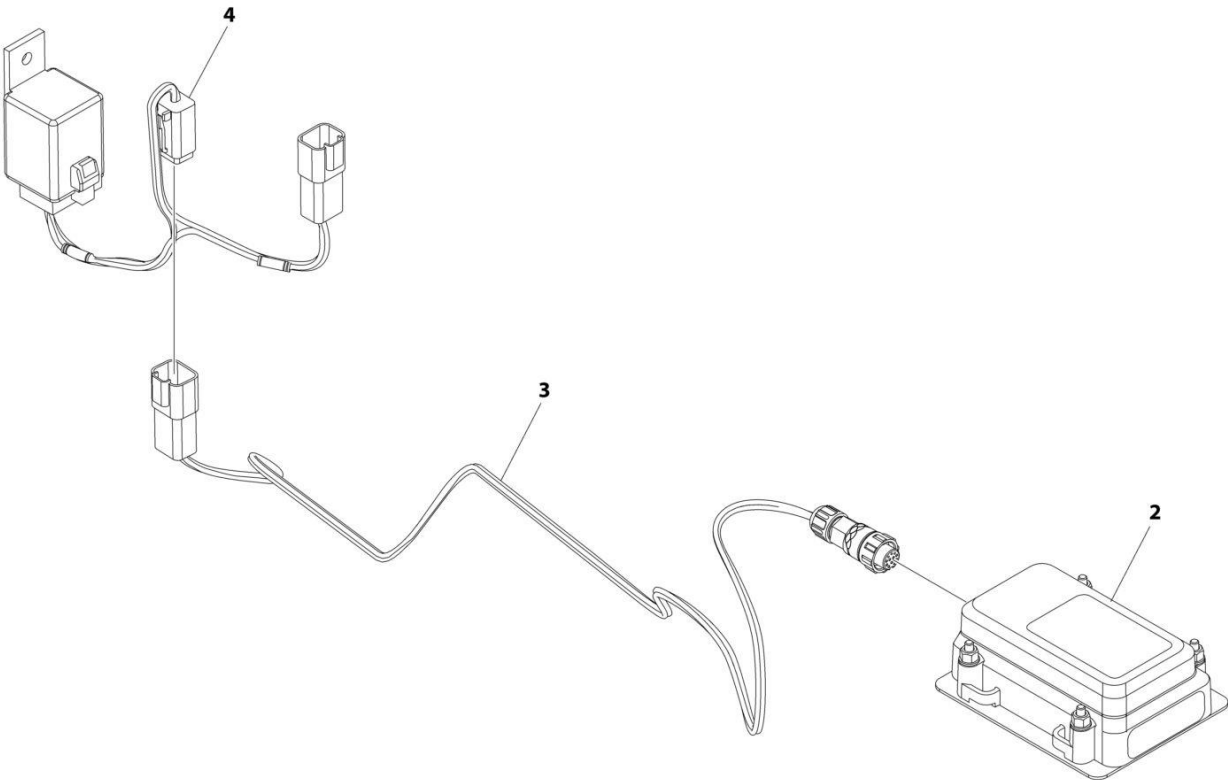
SECTION 7 - ELECTRICAL

FIGURE 7-24. DRIVE CONTROL HARNESS

ITEM	PART NUMBER	QTY	DESCRIPTION	REV
	1001243255	Ref	DRIVE CONTROL HARNESS	C
1	4460873	1	Connector- 35 Position	
1	4460871	8	Socket, Female	
1	4460905	27	Plug, Terminal	
2	1001217843	1	Connector, Fuseholder	
2	1001116733	2	Terminal	
2	8229234	1	Fuse 10Amp ATO	
2	1001217842	1	Cover, Fuse	
3	1001144147	1	Receptacle, Female - 3 Position	
3	4460943	2	Pin, Male	
3	4460466	1	Plug, Terminal	
4	4460897	3	Receptacle, Female - 2 Position	
4	4460464	6	Pin, Male	
5	4460670	1	Terminal, Ring	

SECTION 7 - ELECTRICAL

FIGURE 7-25. CLEARSKY INSTALLATION - 3 WIRE (ALL SPECS EXCEPT CHINA SPECS)



ART_1001278847

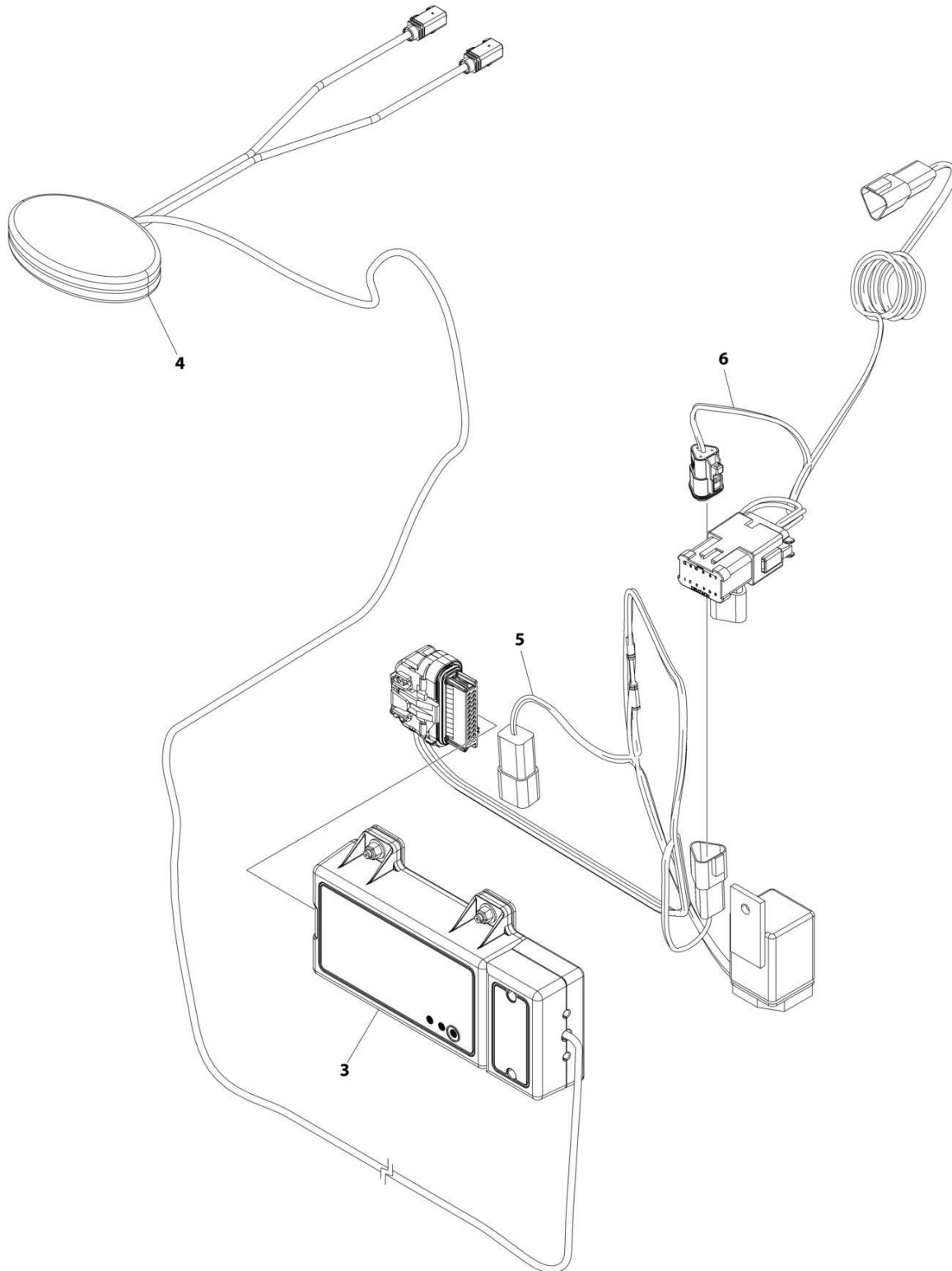
SECTION 7 - ELECTRICAL

FIGURE 7-25. CLEARSKY INSTALLATION - 3 WIRE (ALL SPECS EXCEPT CHINA SPECS)

ITEM	PART NUMBER	QTY	DESCRIPTION	REV
	1001278847	Ref	CLEARSKY INSTALLATION	A
1	4240032	AR	Tie-strap (Not Shown)	
2	1001272659	1	Module, ClearSky	
3	1001273012	1	Harness, ClearSky (See Separate Breakdown in this Section)	
4	1001278513	1	Harness, ClearSky Jumper (See Separate Breakdown in this Section)	

SECTION 7 - ELECTRICAL

FIGURE 7-26. CLEARSKY INSTALLATION - 3G (ANSI EXPORT, CE & UK CA SPECS) (Prior to SN B200092144, Prior to SN M200087659)



ART_1001247532

SECTION 7 - ELECTRICAL

FIGURE 7-26. CLEARSKY INSTALLATION - 3G (ANSI EXPORT, CE & UK CA SPECS) (Prior to SN B200092144, Prior to SN M200087659)

ITEM	PART NUMBER	QTY	DESCRIPTION	REV
	1001247532	Ref	CLEARSKY INSTALLATION	A
1	4240032	AR	Tie-strap (Not Shown)	
2	4460234	AR	Mount, Tie-strap (Not Shown)	
3	1001228954	1	Module, ClearSky	
4	1001236144	1	Antenna, ClearSky	
5	1001254026	1	Harness, ClearSky (See Separate Breakdown in this Section)	
6	1001254027	1	Harness, ClearSky Splice (See Separate Breakdown in this Section)	

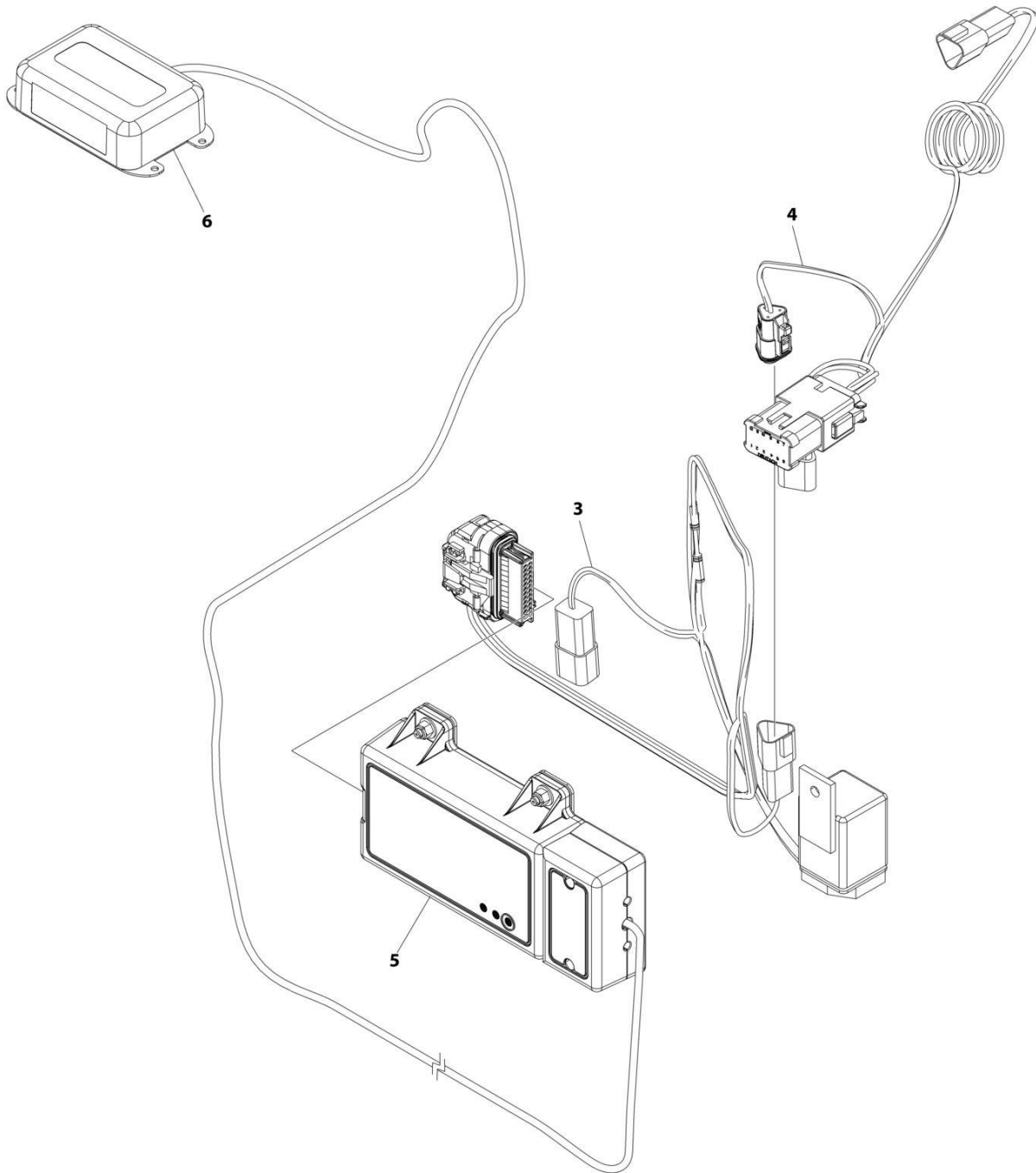
SECTION 7 - ELECTRICAL

**FIGURE 7-27. CLEARSKY INSTALLATION - 3G (AUSTRALIAN SPECS) (Prior to SN B200092144,
Prior to SN M200087659)**

ITEM	PART NUMBER	QTY	DESCRIPTION	REV
	1001247533	Ref	CLEARSKY INSTALLATION	A
1	4240032	AR	Tie-strap (Not Shown)	
2	4460234	AR	Mount, Tie-strap (Not Shown)	
3	1001254026	1	Harness, ClearSky (See Separate Breakdown in this Section)	
4	1001254027	1	Harness, ClearSky Splice (See Separate Breakdown in this Section)	
5	1001236144	1	Antenna, ClearSky	
6	1001246144	1	Module, ClearSky	

SECTION 7 - ELECTRICAL

FIGURE 7-28. CLEARSKY INSTALLATION - 4G (ALL SPECS EXCEPT CHINA SPECS)



ART_1001247531

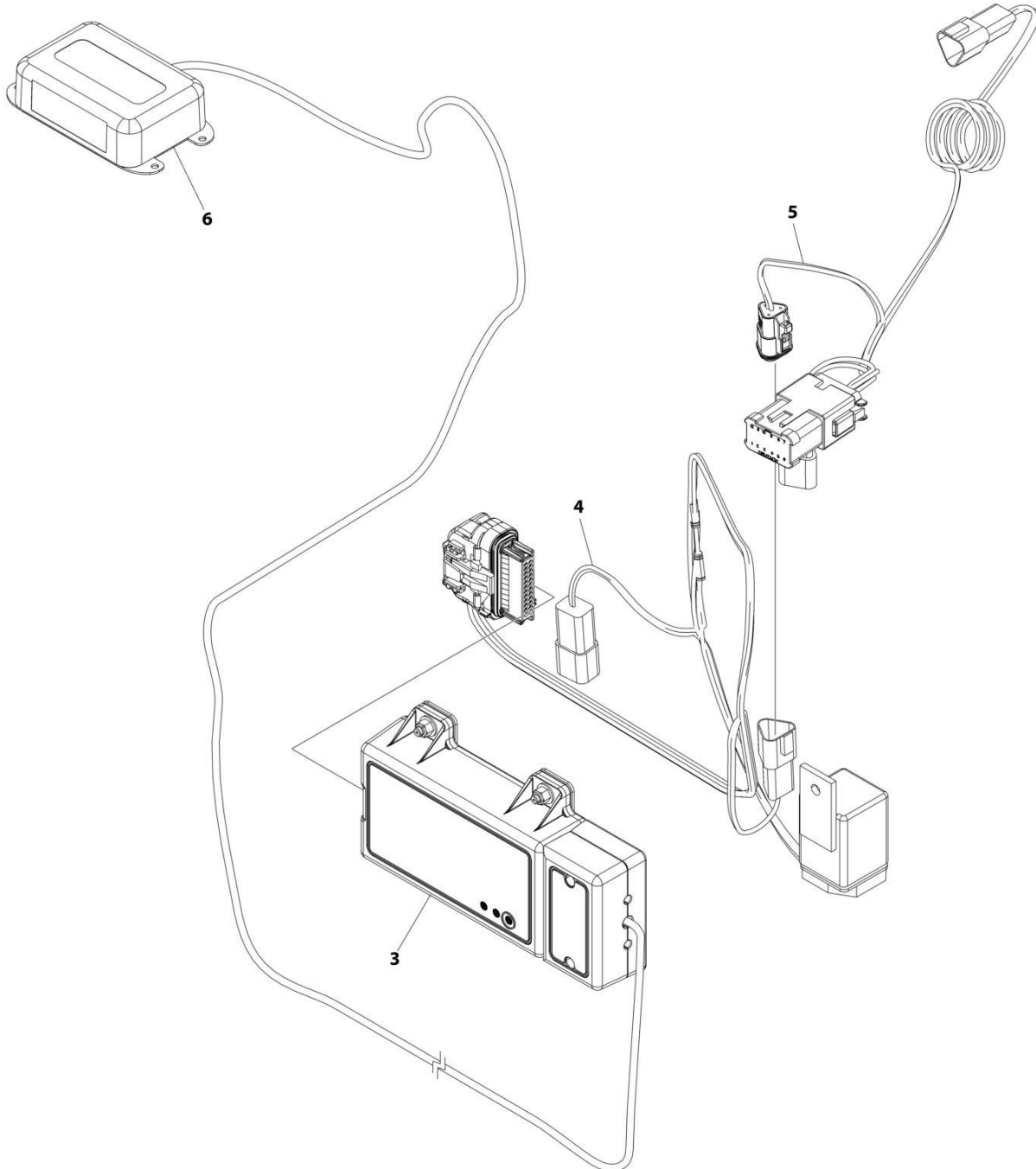
SECTION 7 - ELECTRICAL

FIGURE 7-28. CLEARSKY INSTALLATION - 4G (ALL SPECS EXCEPT CHINA SPECS)

ITEM	PART NUMBER	QTY	DESCRIPTION	REV
	1001247531	Ref	CLEARSKY INSTALLATION	A
1	4240032	AR	Tie-strap (Not Shown)	
2	4460234	AR	Mount, Tie-strap (Not Shown)	
3	1001254026	1	Harness, ClearSky (See Separate Breakdown in this Section)	
4	1001254027	1	Harness, ClearSky Splice (See Separate Breakdown in this Section)	
5	1001262322	1	Module, ClearSky	
6	1001262327	1	Antenna, ClearSky	

SECTION 7 - ELECTRICAL

FIGURE 7-29. CLEARSKY INSTALLATION - 4G (CHINA SPECS) (Prior to SN B200092144, Prior to SN M200087659)



ART_1001247534

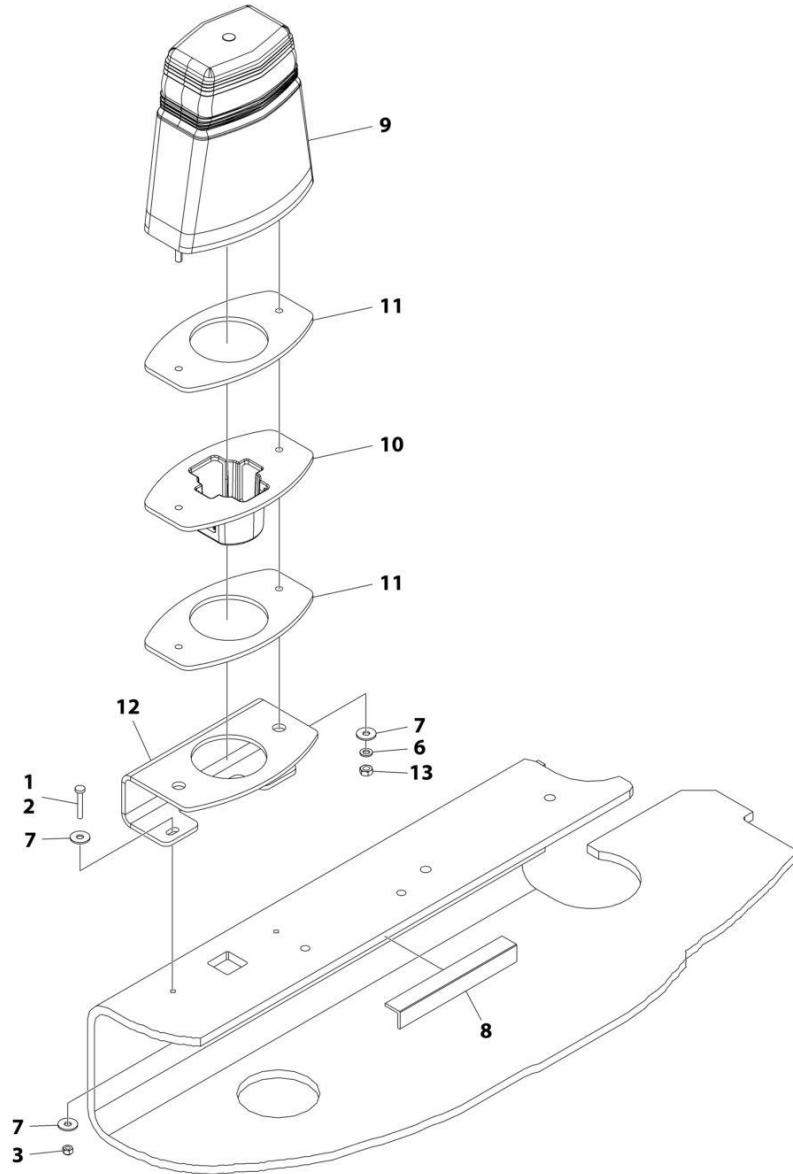
SECTION 7 - ELECTRICAL

FIGURE 7-29. CLEARSKY INSTALLATION - 4G (CHINA SPECS) (Prior to SN B200092144, Prior to SN M200087659)

ITEM	PART NUMBER	QTY	DESCRIPTION	REV
	1001247534	Ref	CLEARSKY INSTALLATION	A
1	4240032	AR	Tie-strap (Not Shown)	
2	4460234	AR	Mount, Tie-strap (Not Shown)	
3	1001246145	1	Module, ClearSky	
4	1001254026	1	Harness, ClearSky (See Separate Breakdown in this Section)	
5	1001254027	1	Harness, ClearSky Splice (See Separate Breakdown in this Section)	
6	1001262327	1	Antenna, ClearSky	

SECTION 7 - ELECTRICAL

FIGURE 7-30. CLEARSKY INSTALLATION - SMART FLEET (SN B200092144 to Present, SN M200087659 to Present)



ART_1001296268

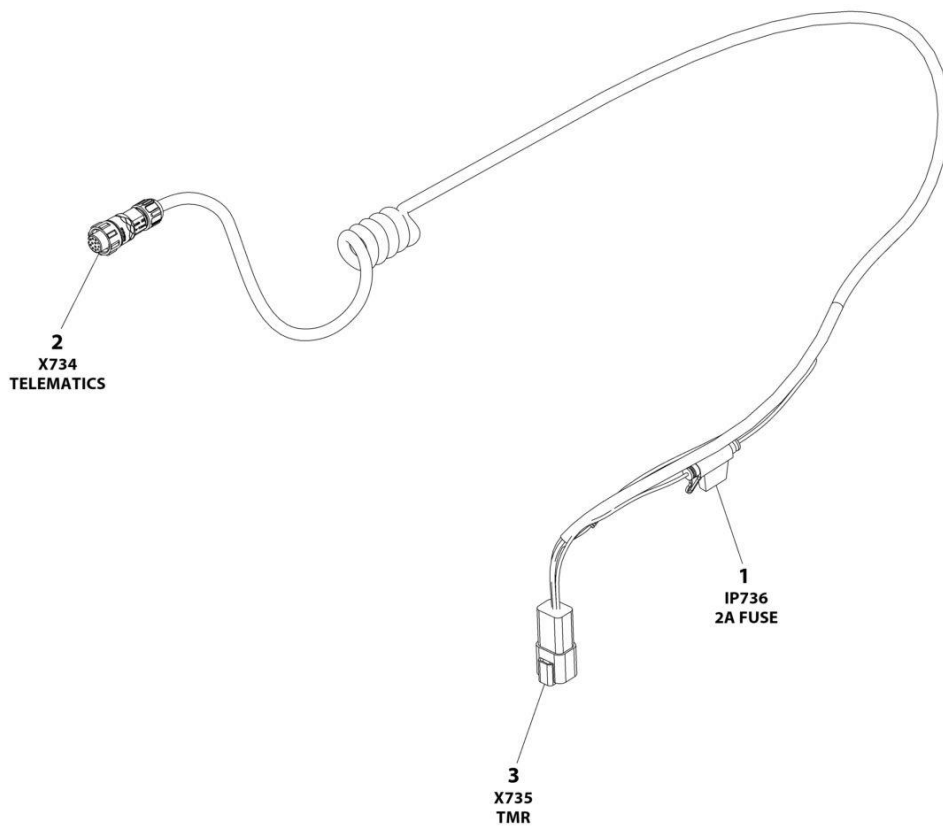
SECTION 7 - ELECTRICAL

FIGURE 7-30. CLEARSKY INSTALLATION - SMART FLEET (SN B200092144 to Present, SN M200087659 to Present)

ITEM	PART NUMBER	QTY	DESCRIPTION	REV
	1001296268	Ref	CLEARSKY INSTALLATION	C
1	0100011	AR	Compound, Locking	
2	4010310	2	Screw M3 x 20	
3	3290305	2	Nut M3	
5	4240018	1	Tie-Strap (Not Shown)	
6	4831400	2	Washer M4	
7	1001091102	6	Washer M4	
8	4060805	1	Flex-Trim	
9	1001280661	1	Module/Beacon	
10	1001289648	1	Mount	
11	1001291056	2	Gasket	
12	1001293890	1	Bracket	
13	3290401	2	Nut M4	

SECTION 7 - ELECTRICAL

FIGURE 7-31. CLEARSKY HARNESS - 3 WIRE (ALL SPECS EXCEPT CHINA SPECS)



ART_1001273012

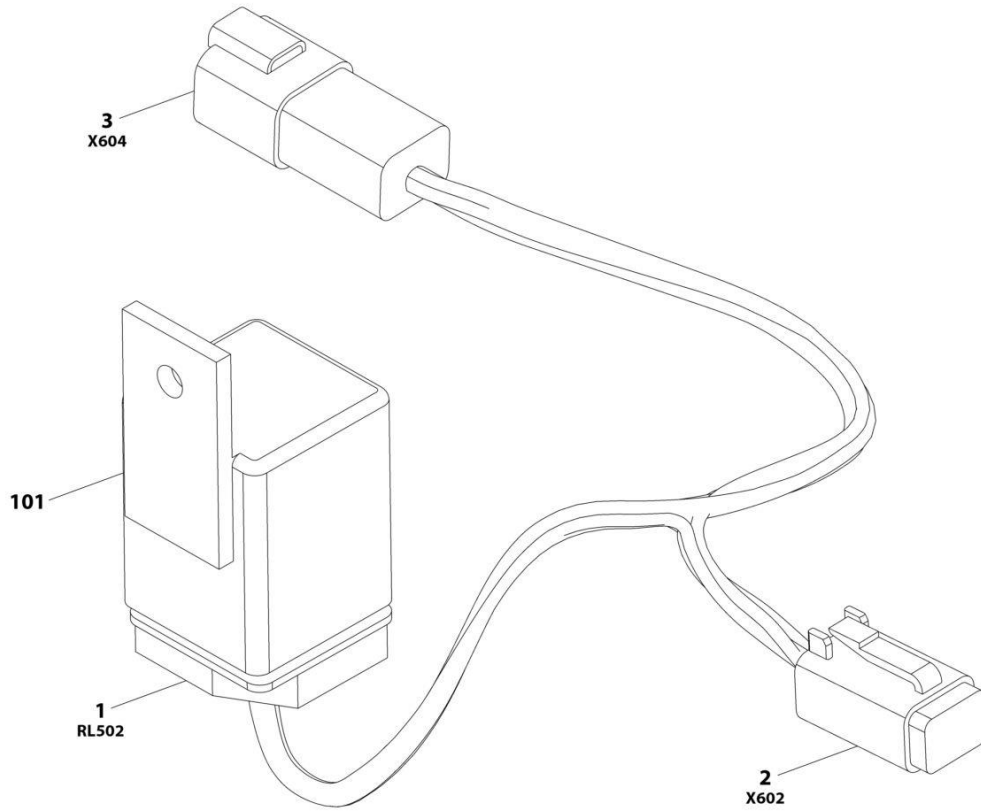
SECTION 7 - ELECTRICAL

FIGURE 7-31. CLEARSKY HARNESS - 3 WIRE (ALL SPECS EXCEPT CHINA SPECS)

ITEM	PART NUMBER	QTY	DESCRIPTION	REV
	1001273012	Ref	CLEARSKY TELEMATICS HARNESS - GT1030	D
1	1001255901	1	Fuseholder	
1	1001196634	1	Fuse - 2Amp	
2	1001272997	1	Connector - 12 Position	
2		Ref	Terminal	
3	4460932	1	Receptacle, Female - 4 Position	
3	4460464	4	Pin, Male	

SECTION 7 - ELECTRICAL

FIGURE 7-32. CLEARSKY JUMPER HARNESS - 3 WIRE (ALL SPECS EXCEPT CHINA SPECS)



ART_1001278513

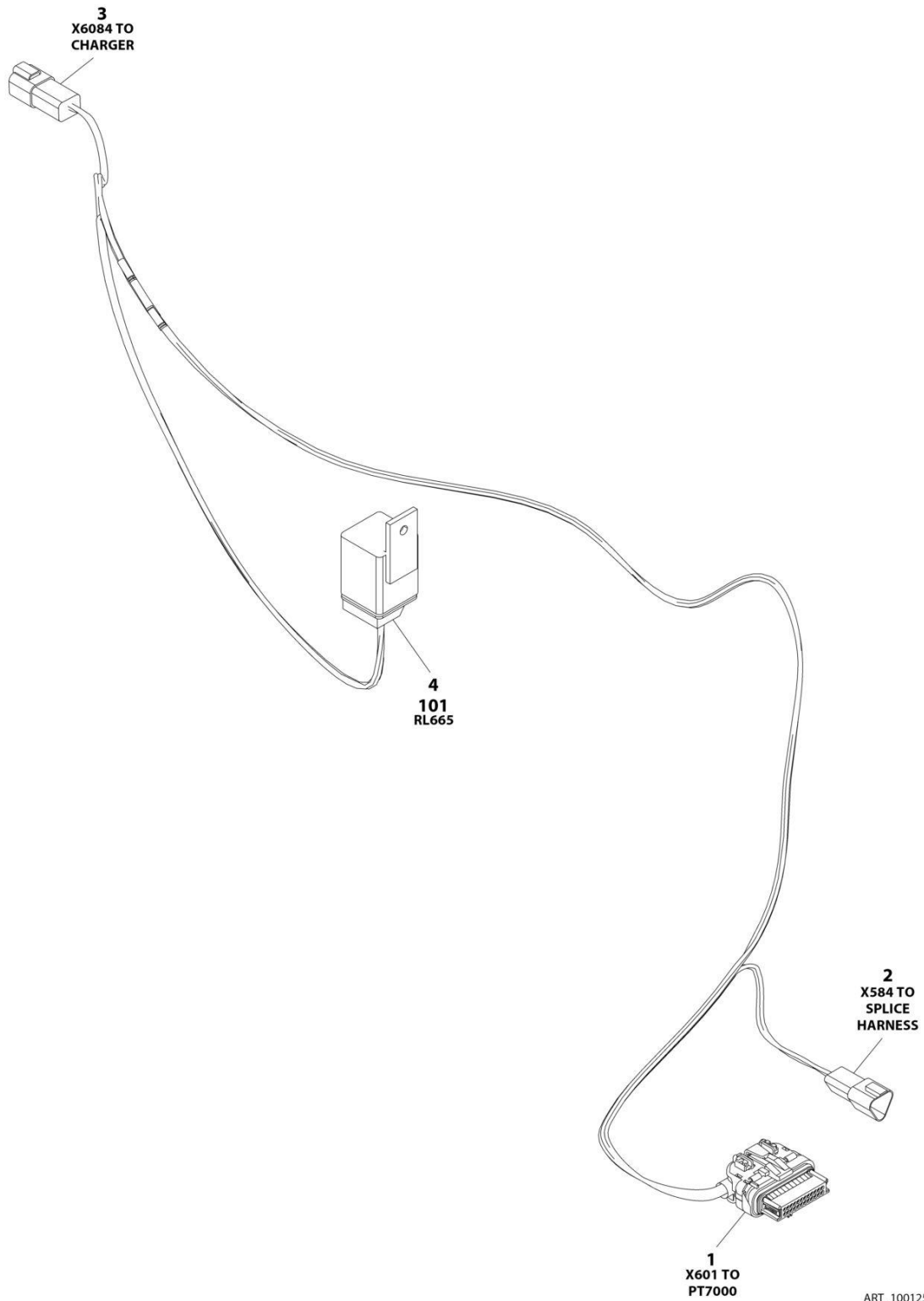
SECTION 7 - ELECTRICAL

FIGURE 7-32. CLEARSKY JUMPER HARNESS - 3 WIRE (ALL SPECS EXCEPT CHINA SPECS)

ITEM	PART NUMBER	QTY	DESCRIPTION	REV
	1001278513	Ref	CLEARSKY JUMPER HARNESS	A
1	1001117057	1	Connector - 4 Position	
1	1001116732	4	Terminal	
2	4460884	1	Connector - 4 Position	
2	4460465	4	Terminal	
3	4460932	1	Connector - 4 Position	
3	4460464	4	Terminal	
101	1001097347	1	Relay	

SECTION 7 - ELECTRICAL

FIGURE 7-33. CLEARSKY HARNESS - 3G & 4G (Prior to SN B200092144, Prior to SN M200087659)



ART_1001254026

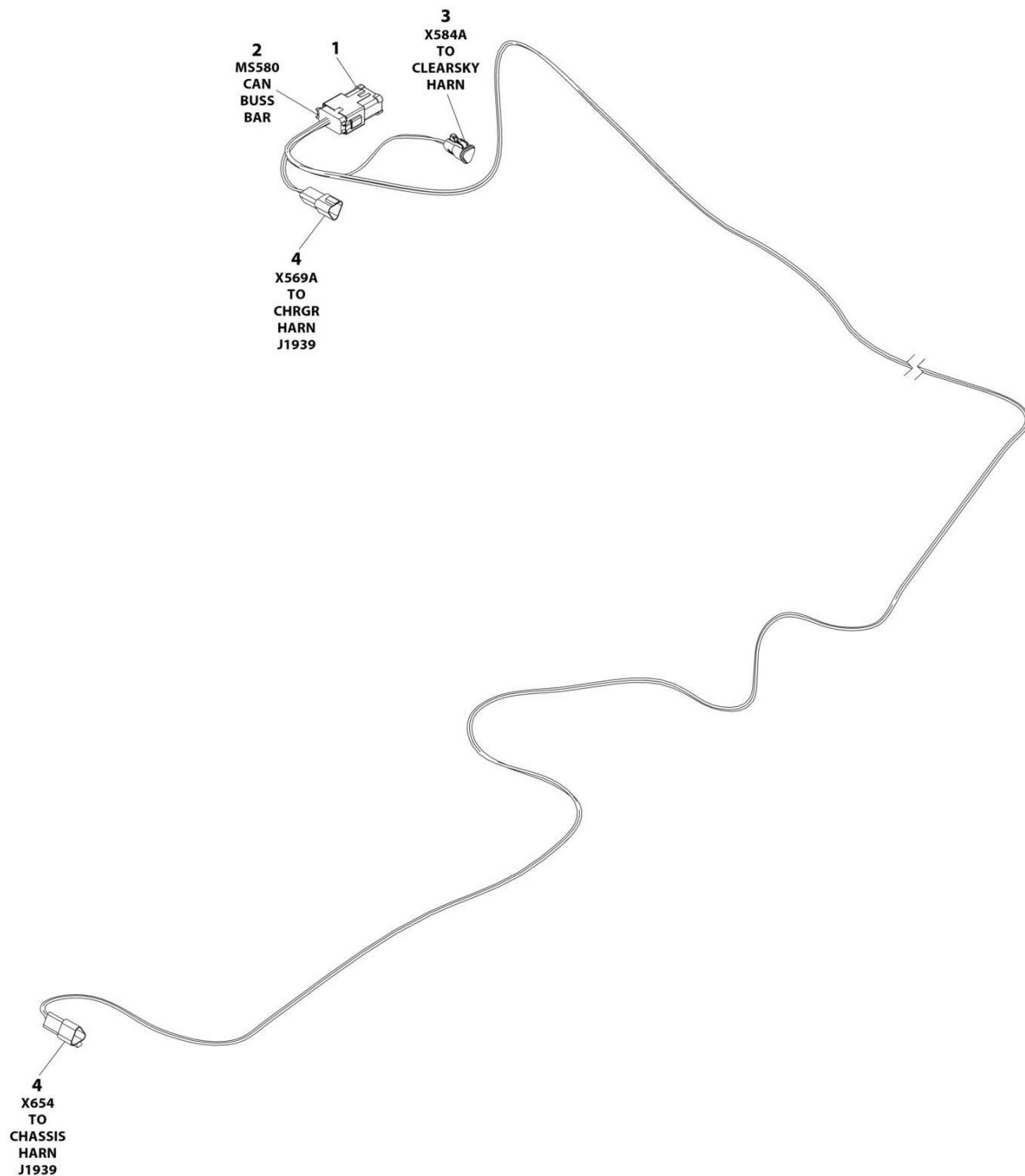
SECTION 7 - ELECTRICAL

FIGURE 7-33. CLEARSKY HARNESS - 3G & 4G (Prior to SN B200092144, Prior to SN M200087659)

ITEM	PART NUMBER	QTY	DESCRIPTION	REV
	1001254026	Ref	CLEARSKY HARNESS	B
1	1001226636	1	Connector	
1	1001226637	5	Socket	
1	1001116731	19	Plug	
2	1001144147	1	Connector	
2	4460943	2	Pin	
2	4460466	1	Plug	
3	4460932	1	Connector	
3	4460464	3	Pin	
3	4460466	1	Plug	
4	1001117057	1	Connector	
4	1001116732	4	Socket	
101	1001097347	1	Relay	

SECTION 7 - ELECTRICAL

FIGURE 7-34. CLEARSKY SPLICE HARNESS - 3G & 4G (Prior to SN B200092144, Prior to SN M200087659)



ART_1001254027

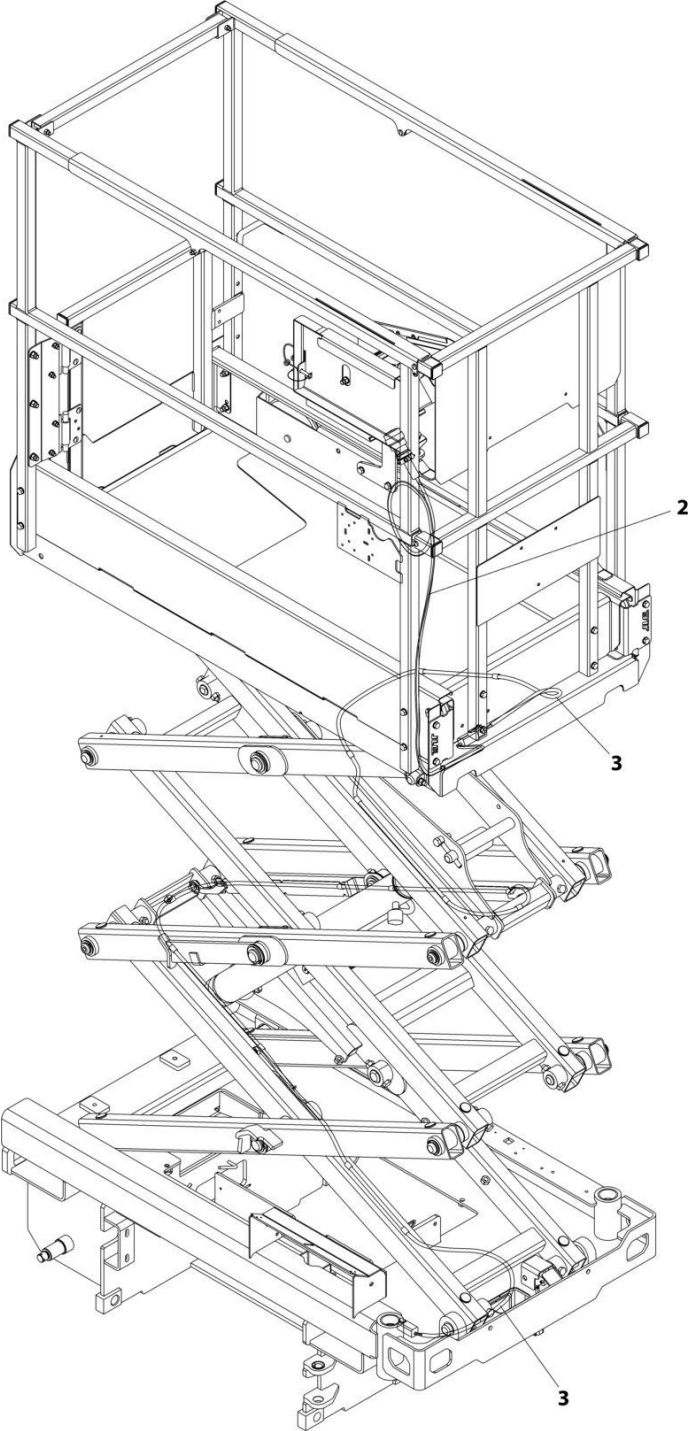
SECTION 7 - ELECTRICAL

FIGURE 7-34. CLEARSKY SPLICE HARNESS - 3G & 4G (Prior to SN B200092144, Prior to SN M200087659)

ITEM	PART NUMBER	QTY	DESCRIPTION	REV
	1001254027	Ref	CAN SPLICE HARNESS	A
1	1001125677	1	Connector, Bus Bar - 12 Position	
2	4460933	1	Plug, Male - 12 Position	
2	4460944	6	Socket, Female	
2	4460466	6	Plug, Terminal	
3	1001118812	1	Plug, Male - 3 Position	
3	4460944	2	Socket, Female	
3	4460466	1	Plug, Terminal	
4	1001144147	2	Receptacle, Female - 3 Position	
4	4460943	4	Pin, Male	
4	4460466	2	Plug, Terminal	

SECTION 7 - ELECTRICAL

FIGURE 7-35. GROUND TO PLATFORM CABLE INSTALLATION - WITHOUT PLATFORM COIL CABLE/WITHOUT AC CABLE/WITHOUT FOOTSWITCH



ART_1001244437

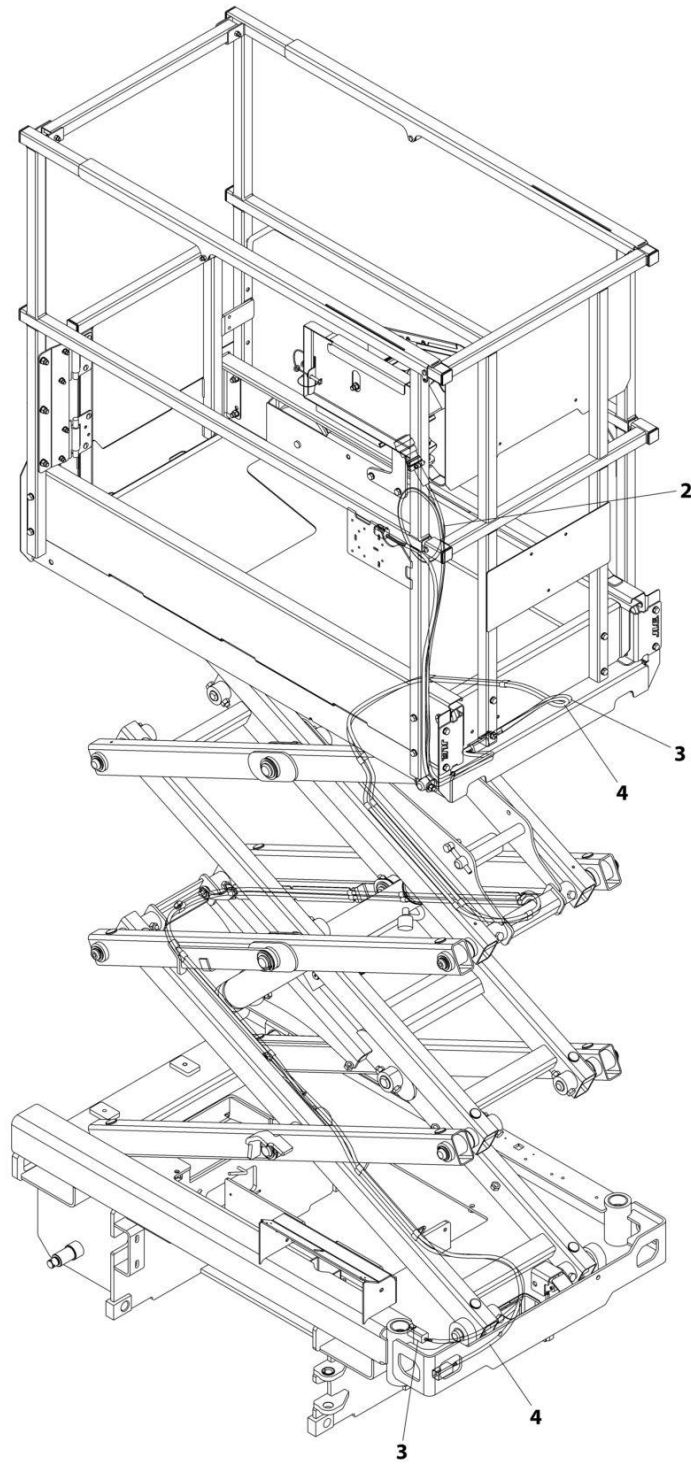
SECTION 7 - ELECTRICAL

**FIGURE 7-35. GROUND TO PLATFORM CABLE INSTALLATION - WITHOUT PLATFORM COIL
CABLE/WITHOUT AC CABLE/WITHOUT FOOTSWITCH**

ITEM	PART NUMBER	QTY	DESCRIPTION	REV
	1001244437	Ref	GROUND TO PLATFORM CABLE INSTALLATION	C
1	4240017	AR	Tie-Strap (Not Shown)	
2	1001241320	1	Platform Harness	
2	4460754	1	Connector - 14 Position (x61 Platform Box)	
2	4460465	6	Socket, Female	
2	4460944	2	Socket, Female	
2	4460466	6	Plug, Terminal	
2	4460899	1	Receptacle, Female - 6 Position (x60 Platform)	
2	4460464	4	Pin, Male	
2	4460943	2	Pin, Male	
3	1001244444	1	Cable Assembly - Ground to Platform	
3	4460899	1	Receptacle, Female - 6 Position (x58 Chassis)	
3	4460464	4	Pin, Male	
3	4460943	2	Pin, Male	
3	4460894	1	Plug, Male - 6 Position (x59 Platform)	
3	4460465	4	Socket, Female	
3	4460944	2	Socket, Female	

SECTION 7 - ELECTRICAL

FIGURE 7-36. GROUND TO PLATFORM CABLE INSTALLATION - WITHOUT PLATFORM COIL CABLE/WITH AC CABLE/WITHOUT FOOTSWITCH



ART_100124438

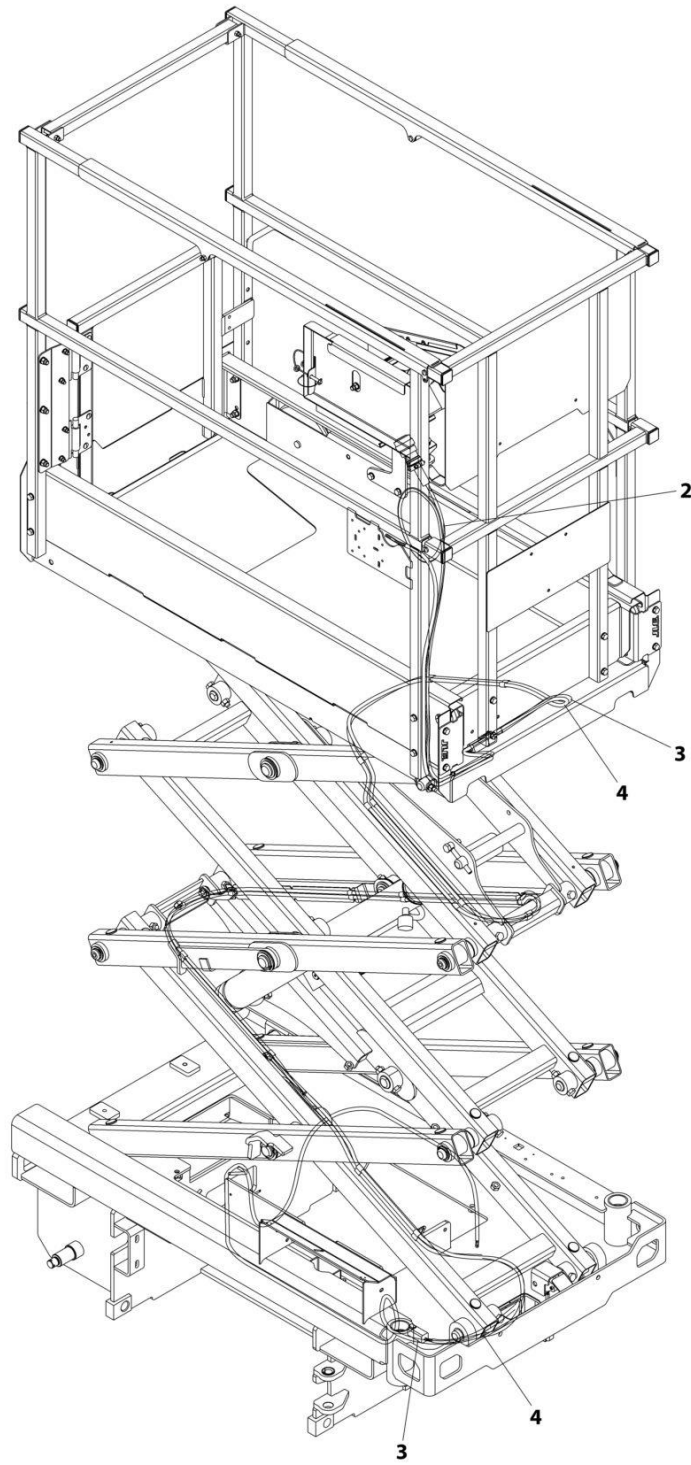
SECTION 7 - ELECTRICAL

**FIGURE 7-36. GROUND TO PLATFORM CABLE INSTALLATION - WITHOUT PLATFORM COIL
CABLE/WITH AC CABLE/WITHOUT FOOTSWITCH**

ITEM	PART NUMBER	QTY	DESCRIPTION	REV
	1001244438	Ref	GROUND TO PLATFORM CABLE INSTALLATION	C
1	4240017	AR	Tie-Strap (Not Shown)	
2	1001241320	1	Platform Harness	
2	4460754	1	Connector - 14 Position (x61 Platform Box)	
2	4460465	6	Socket, Female	
2	4460944	2	Socket, Female	
2	4460466	6	Plug, Terminal	
2	4460899	1	Receptacle, Female - 6 Position (x60 Platform)	
2	4460464	4	Pin, Male	
2	4460943	2	Pin, Male	
3	1001244444	1	Cable Assembly - Ground to Platform	
3	4460899	1	Receptacle, Female - 6 Position (x58 Chassis)	
3	4460464	4	Pin, Male	
3	4460943	2	Pin, Male	
3	4460894	1	Plug, Male - 6 Position (x59 Platform)	
3	4460465	4	Socket, Female	
3	4460944	2	Socket, Female	
4	1001244445	1	Cable, AC	

SECTION 7 - ELECTRICAL

FIGURE 7-37. GROUND TO PLATFORM CABLE INSTALLATION - WITHOUT PLATFORM COIL CABLE/WITH AC CABLE/WITHOUT FOOTSWITCH (AUSTRALIAN SPECS)



ART_1001253887

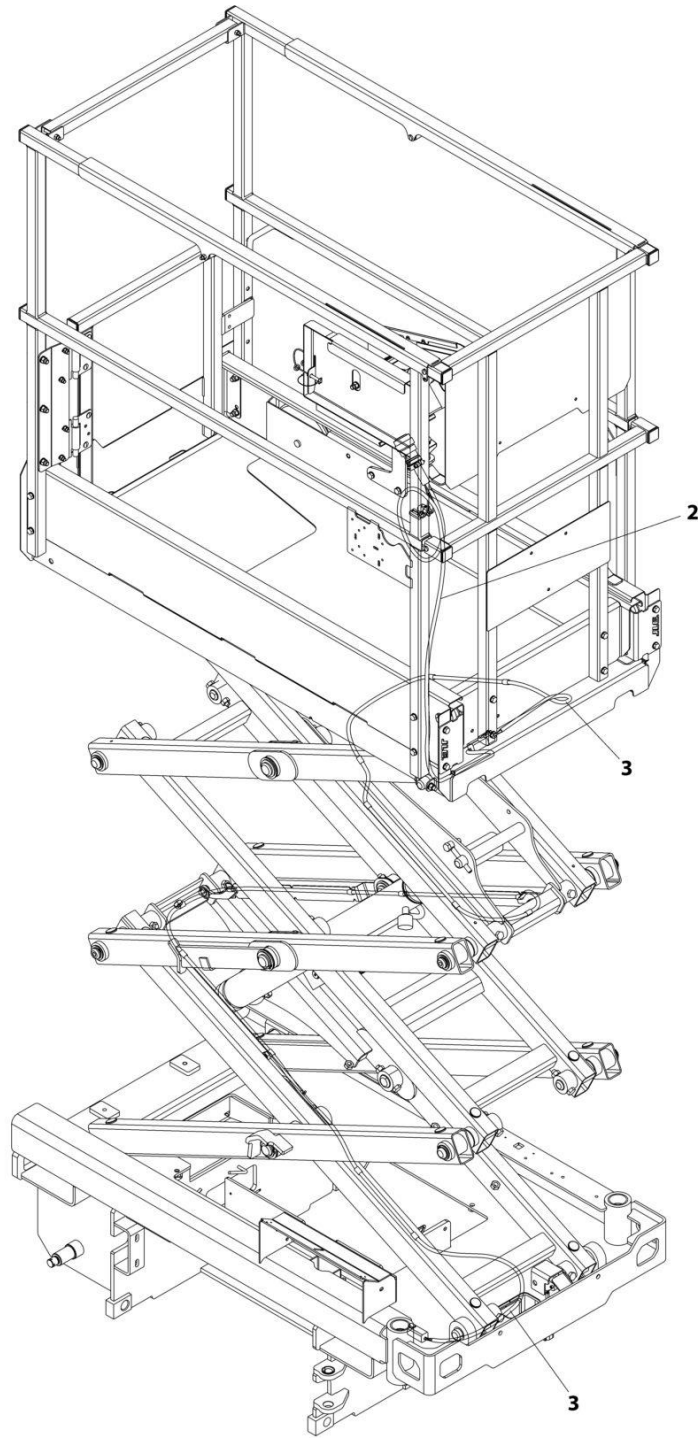
SECTION 7 - ELECTRICAL

**FIGURE 7-37. GROUND TO PLATFORM CABLE INSTALLATION - WITHOUT PLATFORM COIL
CABLE/WITH AC CABLE/WITHOUT FOOTSWITCH (AUSTRALIAN SPECS)**

ITEM	PART NUMBER	QTY	DESCRIPTION	REV
	1001253887	Ref	GROUND TO PLATFORM CABLE INSTALLATION	A
1	4240017	AR	Tie-Strap (Not Shown)	
2	1001241320	1	Platform Harness	
2	4460754	1	Connector - 14 Position (x61 Platform Box)	
2	4460465	6	Socket, Female	
2	4460944	2	Socket, Female	
2	4460466	6	Plug, Terminal	
2	4460899	1	Receptacle, Female - 6 Position (x60 Platform)	
2	4460464	4	Pin, Male	
2	4460943	2	Pin, Male	
3	1001244444	1	Cable Assembly - Ground to Platform	
3	4460899	1	Receptacle, Female - 6 Position (x58 Chassis)	
3	4460464	4	Pin, Male	
3	4460943	2	Pin, Male	
3	4460894	1	Plug, Male - 6 Position (x59 Platform)	
3	4460465	4	Socket, Female	
3	4460944	2	Socket, Female	
4	1001253889	1	Cable, AC	

SECTION 7 - ELECTRICAL

FIGURE 7-38. GROUND TO PLATFORM CABLE INSTALLATION - WITHOUT PLATFORM COIL CABLE/WITHOUT AC CABLE/WITH FOOTSWITCH



ART_100124439

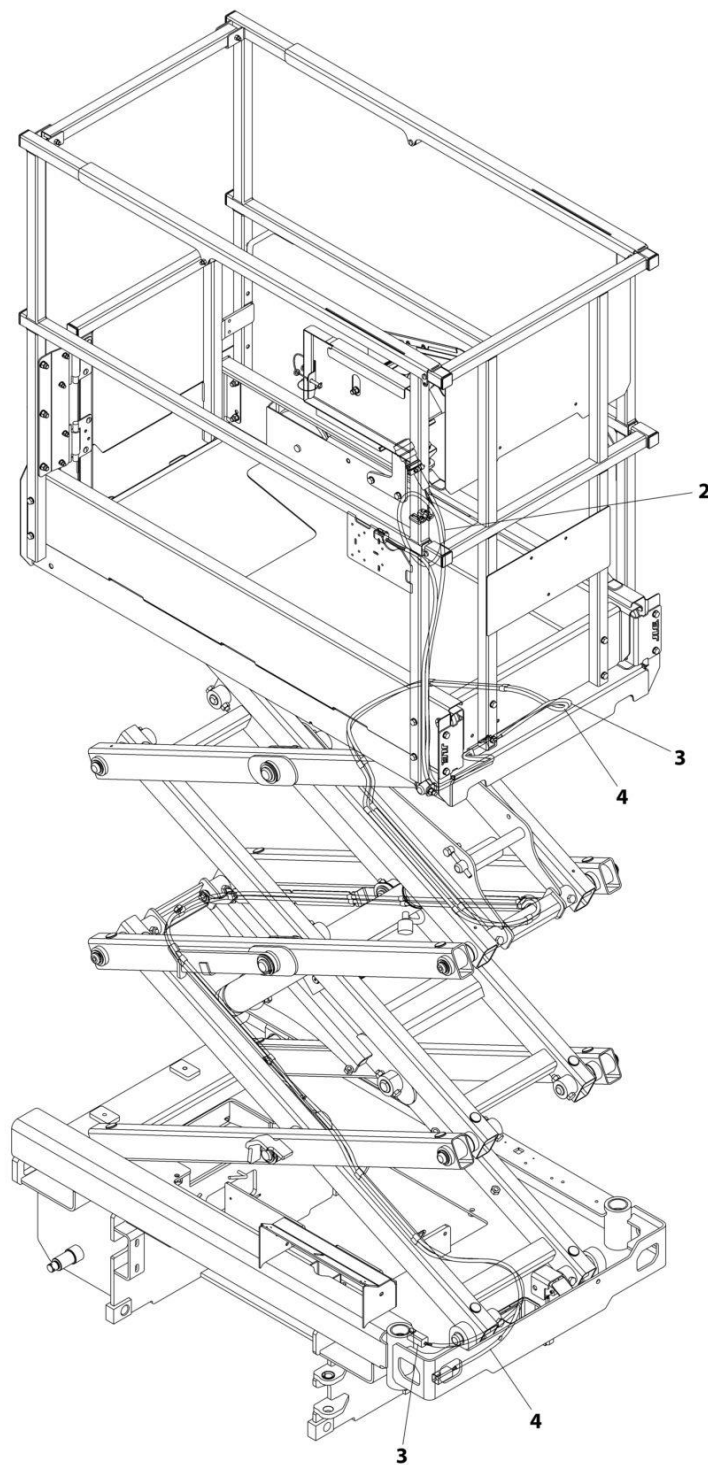
SECTION 7 - ELECTRICAL

**FIGURE 7-38. GROUND TO PLATFORM CABLE INSTALLATION - WITHOUT PLATFORM COIL
CABLE/WITHOUT AC CABLE/WITH FOOTSWITCH**

ITEM	PART NUMBER	QTY	DESCRIPTION	REV
	1001244439	Ref	GROUND TO PLATFORM CABLE INSTALLATION	C
1	4240017	AR	Tie-Strap (Not Shown)	
2	1001241321	1	Platform Harness	
2	4460754	1	Connector - 14 Position (x61 Platform Box)	
2	4460465	6	Socket, Female	
2	4460944	2	Socket, Female	
2	4460466	6	Plug, Terminal	
2	4460899	1	Receptacle, Female - 6 Position (x60 Platform)	
2	4460464	4	Pin, Male	
2	4460943	2	Pin, Male	
2	4460891	1	Plug, Male - 2 Position (SW63 Footswitch)	
2	4460465	2	Socket, Female	
2	4460539	1	Plug, Male - 3 Position (SW475 Overhead Switch)	
2	4460465	2	Socket, Female	
2	4460466	1	Plug, Terminal	
3	1001244444	1	Cable Assembly - Ground to Platform	
3	4460899	1	Receptacle, Female - 6 Position (x58 Chassis)	
3	4460464	4	Pin, Male	
3	4460943	2	Pin, Male	
3	4460894	1	Plug, Male - 6 Position (x59 Platform)	
3	4460465	4	Socket, Female	
3	4460944	2	Socket, Female	

SECTION 7 - ELECTRICAL

FIGURE 7-39. GROUND TO PLATFORM CABLE INSTALLATION - WITHOUT PLATFORM COIL CABLE/WITH AC CABLE/WITH FOOTSWITCH



ART_100124440

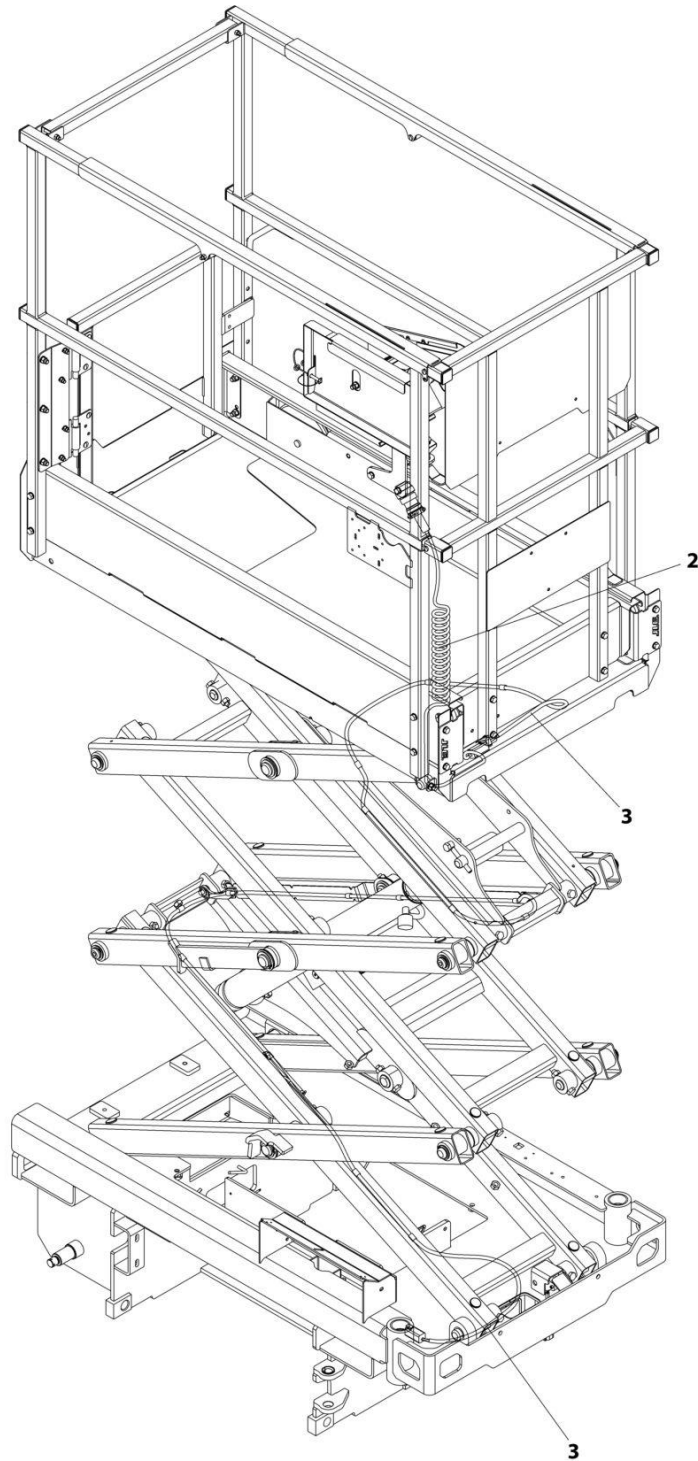
SECTION 7 - ELECTRICAL

**FIGURE 7-39. GROUND TO PLATFORM CABLE INSTALLATION - WITHOUT PLATFORM COIL
CABLE/WITH AC CABLE/WITH FOOTSWITCH**

ITEM	PART NUMBER	QTY	DESCRIPTION	REV
	1001244440	Ref	GROUND TO PLATFORM CABLE INSTALLATION	C
1	4240017	AR	Tie-Strap (Not Shown)	
2	1001241321	1	Platform Harness	
2	4460754	1	Connector - 14 Position (x61 Platform Box)	
2	4460465	6	Socket, Female	
2	4460944	2	Socket, Female	
2	4460466	6	Plug, Terminal	
2	4460899	1	Receptacle, Female - 6 Position (x60 Platform)	
2	4460464	4	Pin, Male	
2	4460943	2	Pin, Male	
2	4460891	1	Plug, Male - 2 Position (SW63 Footswitch)	
2	4460465	2	Socket, Female	
2	4460539	1	Plug, Male - 3 Position (SW475 Overhead Switch)	
2	4460465	2	Socket, Female	
2	4460466	1	Plug, Terminal	
3	1001244444	1	Cable Assembly - Ground to Platform	
3	4460899	1	Receptacle, Female - 6 Position (x58 Chassis)	
3	4460464	4	Pin, Male	
3	4460943	2	Pin, Male	
3	4460894	1	Plug, Male - 6 Position (x59 Platform)	
3	4460465	4	Socket, Female	
3	4460944	2	Socket, Female	
4	1001244445	1	Cable, AC	

SECTION 7 - ELECTRICAL

FIGURE 7-40. GROUND TO PLATFORM CABLE INSTALLATION - WITH PLATFORM COIL CABLE/WITHOUT AC CABLE/WITHOUT FOOTSWITCH



ART_1001261046

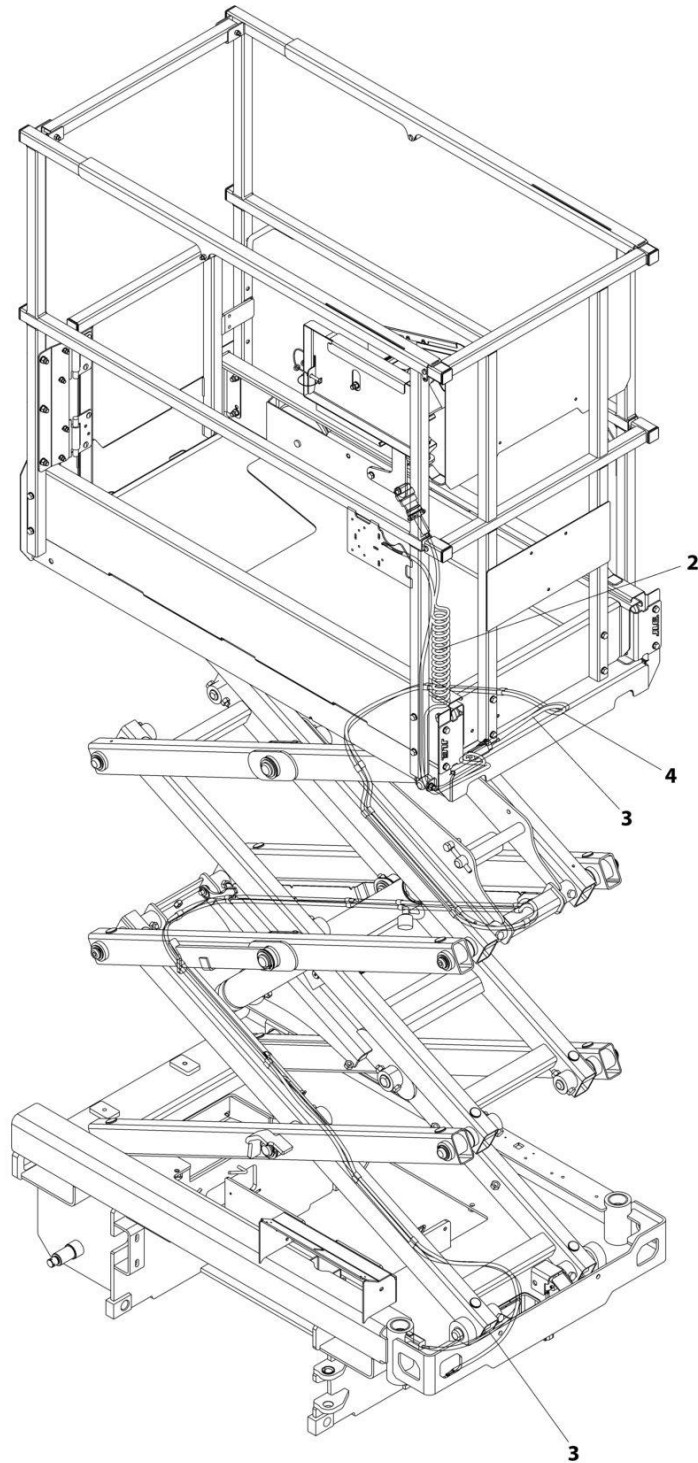
SECTION 7 - ELECTRICAL

**FIGURE 7-40. GROUND TO PLATFORM CABLE INSTALLATION - WITH PLATFORM COIL
CABLE/WITHOUT AC CABLE/WITHOUT FOOTSWITCH**

ITEM	PART NUMBER	QTY	DESCRIPTION	REV
	1001261046	Ref	GROUND TO PLATFORM CABLE INSTALLATION	B
1	4240017	AR	Tie-Strap (Not Shown)	
2	1001265533	1	Platform Harness	
2	4460754	1	Connector - 14 Position (x61 Platform Box)	
2	4460465	6	Socket, Female	
2	4460944	2	Socket, Female	
2	4460466	6	Plug, Terminal	
2	4460899	1	Receptacle, Female - 6 Position (x60 Platform)	
2	4460464	4	Pin, Male	
2	4460943	2	Pin, Male	
3	1001244444	1	Cable Assembly - Ground to Platform	
3	4460899	1	Receptacle, Female - 6 Position (x58 Chassis)	
3	4460464	4	Pin, Male	
3	4460943	2	Pin, Male	
3	4460894	1	Plug, Male - 6 Position (x59 Platform)	
3	4460465	4	Socket, Female	
3	4460944	2	Socket, Female	

SECTION 7 - ELECTRICAL

FIGURE 7-41. GROUND TO PLATFORM CABLE INSTALLATION - WITH PLATFORM COIL CABLE/WITH AC CABLE/WITHOUT FOOTSWITCH



ART_1001261047

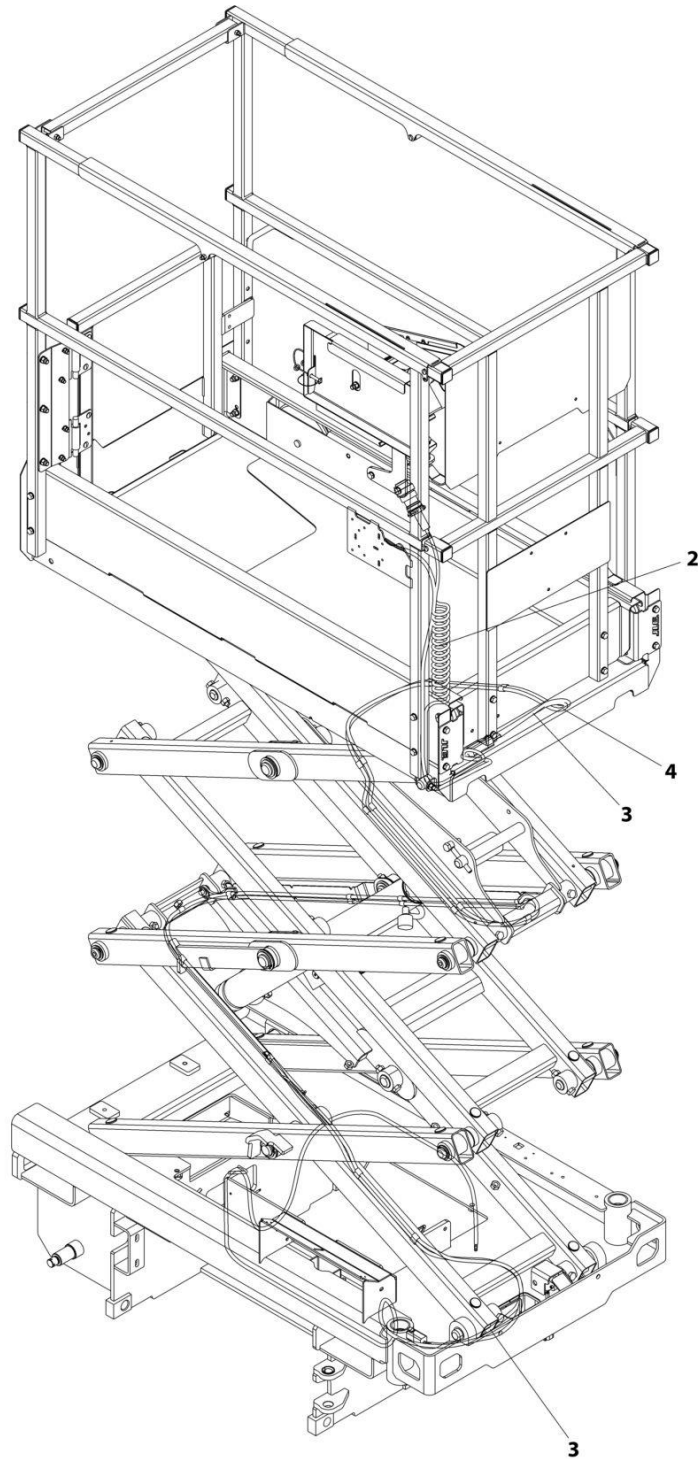
SECTION 7 - ELECTRICAL

**FIGURE 7-41. GROUND TO PLATFORM CABLE INSTALLATION - WITH PLATFORM COIL
CABLE/WITH AC CABLE/WITHOUT FOOTSWITCH**

ITEM	PART NUMBER	QTY	DESCRIPTION	REV
	1001261047	Ref	GROUND TO PLATFORM CABLE INSTALLATION	A
1	4240017	AR	Tie-Strap (Not Shown)	
2	1001265533	1	Platform Harness	
2	4460754	1	Connector - 14 Position (x61 Platform Box)	
2	4460465	6	Socket, Female	
2	4460944	2	Socket, Female	
2	4460466	6	Plug, Terminal	
2	4460899	1	Receptacle, Female - 6 Position (x60 Platform)	
2	4460464	4	Pin, Male	
2	4460943	2	Pin, Male	
3	1001244444	1	Cable Assembly - Ground to Platform	
3	4460899	1	Receptacle, Female - 6 Position (x58 Chassis)	
3	4460464	4	Pin, Male	
3	4460943	2	Pin, Male	
3	4460894	1	Plug, Male - 6 Position (x59 Platform)	
3	4460465	4	Socket, Female	
3	4460944	2	Socket, Female	
4	1001244445	1	Cable, AC	

SECTION 7 - ELECTRICAL

FIGURE 7-42. GROUND TO PLATFORM CABLE INSTALLATION - WITH PLATFORM COIL CABLE/WITH AC CABLE/WITHOUT FOOTSWITCH (AUSTRALIAN SPECS)



ART_1001261051

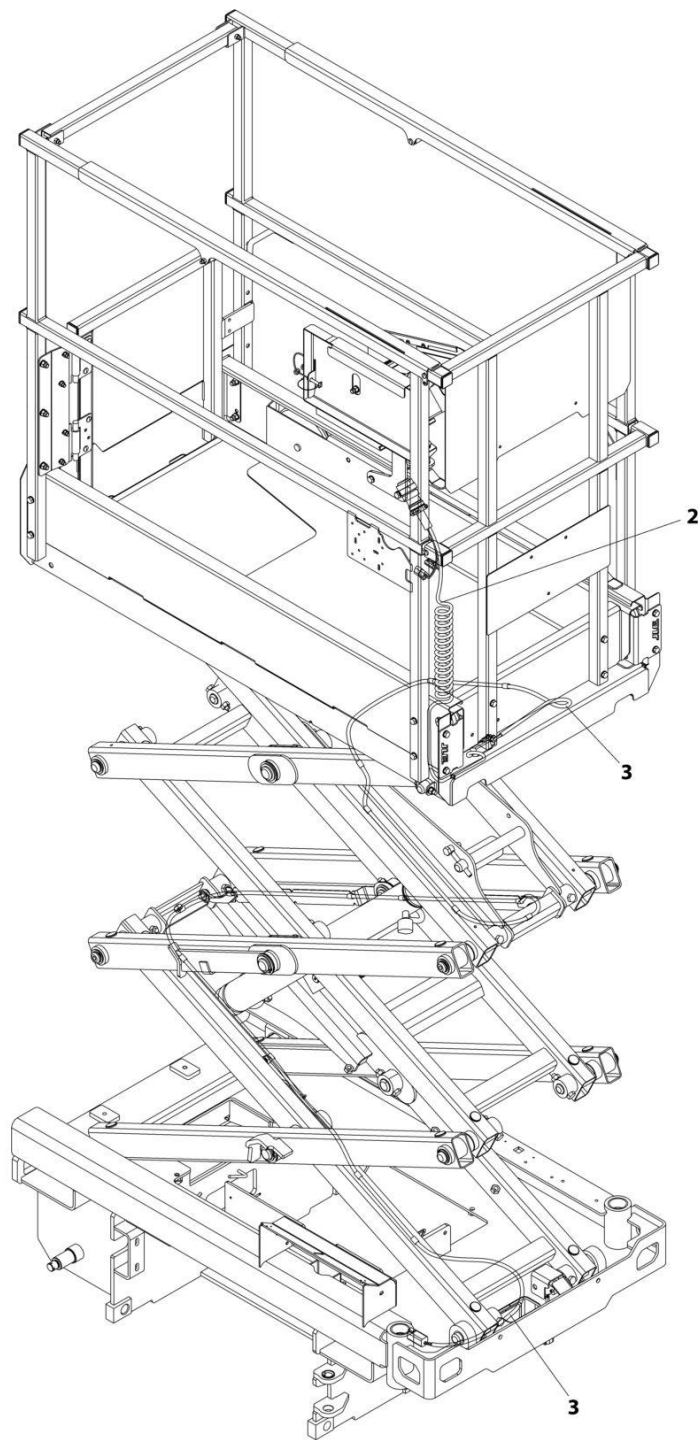
SECTION 7 - ELECTRICAL

**FIGURE 7-42. GROUND TO PLATFORM CABLE INSTALLATION - WITH PLATFORM COIL
CABLE/WITH AC CABLE/WITHOUT FOOTSWITCH (AUSTRALIAN SPECS)**

ITEM	PART NUMBER	QTY	DESCRIPTION	REV
	1001261051	Ref	GROUND TO PLATFORM CABLE INSTALLATION	B
1	4240017	AR	Tie-Strap (Not Shown)	
2	1001265534	1	Platform Harness	
2	4460754	1	Connector - 14 Position (x61 Platform Box)	
2	4460465	6	Socket, Female	
2	4460944	2	Socket, Female	
2	4460466	6	Plug, Terminal	
2	4460899	1	Receptacle, Female - 6 Position (x60 Platform)	
2	4460464	4	Pin, Male	
2	4460943	2	Pin, Male	
3	1001244444	1	Cable Assembly - Ground to Platform	
3	4460899	1	Receptacle, Female - 6 Position (x58 Chassis)	
3	4460464	4	Pin, Male	
3	4460943	2	Pin, Male	
3	4460894	1	Plug, Male - 6 Position (x59 Platform)	
3	4460465	4	Socket, Female	
3	4460944	2	Socket, Female	
4	1001253889	1	Cable, AC	

SECTION 7 - ELECTRICAL

FIGURE 7-43. GROUND TO PLATFORM CABLE INSTALLATION - WITH PLATFORM COIL CABLE/WITHOUT AC CABLE/WITH FOOTSWITCH



ART_1001261048

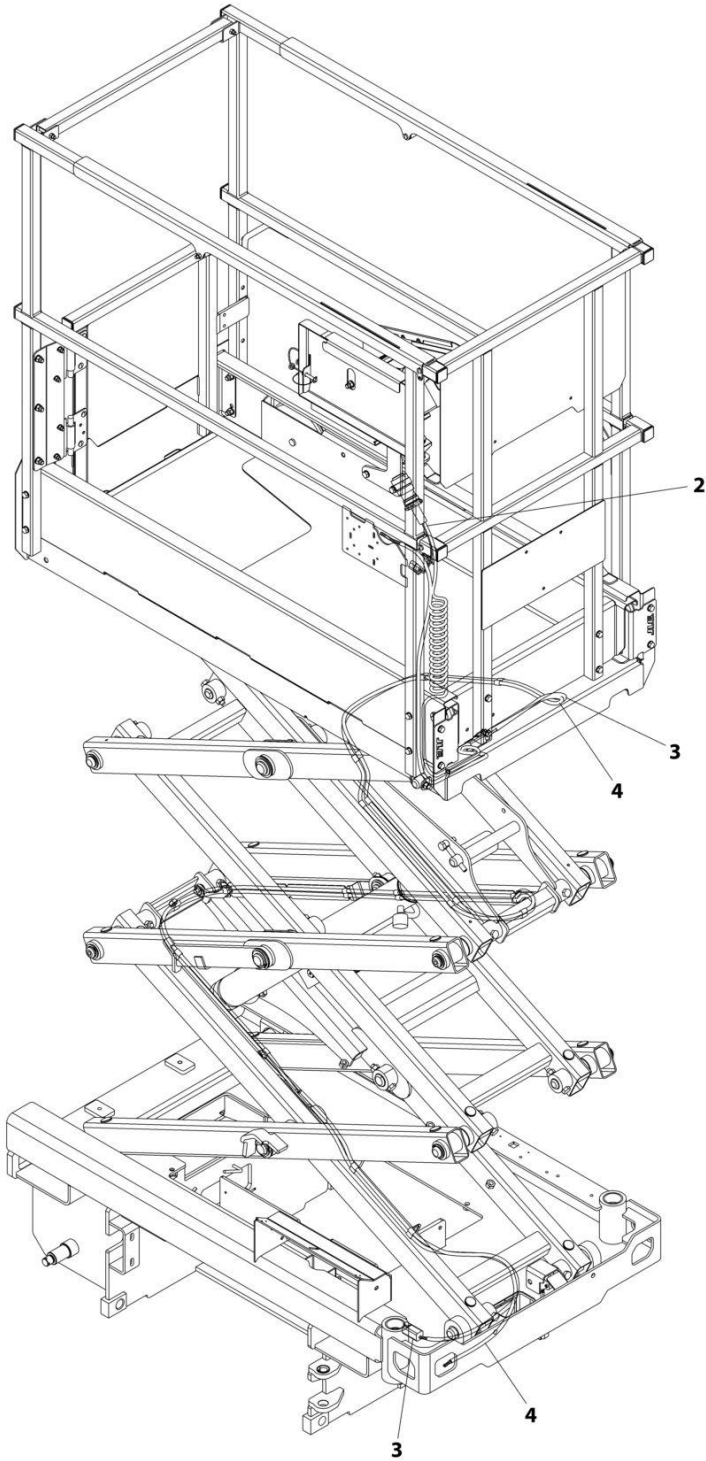
SECTION 7 - ELECTRICAL

**FIGURE 7-43. GROUND TO PLATFORM CABLE INSTALLATION - WITH PLATFORM COIL
CABLE/WITHOUT AC CABLE/WITH FOOTSWITCH**

ITEM	PART NUMBER	QTY	DESCRIPTION	REV
	1001261048	Ref	GROUND TO PLATFORM CABLE INSTALLATION	B
1	4240017	AR	Tie-Strap (Not Shown)	
2	1001265534	1	Platform Harness	
2	4460754	1	Connector - 14 Position (x61 Platform Box)	
2	4460465	8	Socket, Female	
2	4460944	2	Socket, Female	
2	4460466	4	Plug, Terminal	
2	4460899	1	Receptacle, Female - 6 Position (x60 Platform)	
2	4460464	4	Pin, Male	
2	4460943	2	Pin, Male	
2	4460891	1	Plug, Male - 2 Position (SW63 Footswitch)	
2	4460465	2	Socket, Female	
2	4460539	1	Plug, Male - 3 Position (SW475 Overhead Switch)	
2	4460465	2	Socket, Female	
2	4460466	1	Plug, Terminal	
3	1001244444	1	Cable Assembly - Ground to Platform	
3	4460899	1	Receptacle, Female - 6 Position (x58 Chassis)	
3	4460464	4	Pin, Male	
3	4460943	2	Pin, Male	
3	4460894	1	Plug, Male - 6 Position (x59 Platform)	
3	4460465	4	Socket, Female	
3	4460944	2	Socket, Female	

SECTION 7 - ELECTRICAL

FIGURE 7-44. GROUND TO PLATFORM CABLE INSTALLATION - WITH PLATFORM COIL CABLE/WITH AC CABLE/WITH FOOTSWITCH



ART_1001261049

SECTION 7 - ELECTRICAL

**FIGURE 7-44. GROUND TO PLATFORM CABLE INSTALLATION - WITH PLATFORM COIL
CABLE/WITH AC CABLE/WITH FOOTSWITCH**

ITEM	PART NUMBER	QTY	DESCRIPTION	REV
	1001261049	Ref	GROUND TO PLATFORM CABLE INSTALLATION	B
1	4240017	AR	Tie-Strap (Not Shown)	
2	1001223262	1	Platform Harness	
2	4460754	1	Connector - 14 Position (x61 Platform Box)	
2	4460465	8	Socket, Female	
2	4460944	2	Socket, Female	
2	4460466	4	Plug, Terminal	
2	4460899	1	Receptacle, Female - 6 Position (x60 Platform)	
2	4460464	4	Pin, Male	
2	4460943	2	Pin, Male	
2	4460891	1	Plug, Male - 2 Position (SW63 Footswitch)	
2	4460465	2	Socket, Female	
2	4460539	1	Plug, Male - 3 Position (SW475 Overhead Switch)	
2	4460465	2	Socket, Female	
2	4460466	1	Plug, Terminal	
3	1001244444	1	Cable Assembly - Ground to Platform	
3	4460899	1	Receptacle, Female - 6 Position (x58 Chassis)	
3	4460464	4	Pin, Male	
3	4460943	2	Pin, Male	
3	4460894	1	Plug, Male - 6 Position (x59 Platform)	
3	4460465	4	Socket, Female	
3	4460944	2	Socket, Female	
4	1001244445	1	Cable, AC	

SECTION 7 - ELECTRICAL

FIGURE 7-45. LIFT DOWN HARNESS (WITH LSS)



ART_1001239374

SECTION 7 - ELECTRICAL

FIGURE 7-45. LIFT DOWN HARNESS (WITH LSS)

ITEM	PART NUMBER	QTY	DESCRIPTION	REV
	1001239374	Ref	LIFT DOWN HARNESS (WITH LSS)	E
1	4460970	1	Receptacle, Female - 12 Position	
1	4460464	9	Pin, Male	
1	4460466	3	Plug, Terminal	
2	4460891	1	Plug, Male - 2 Position	
2	4460465	2	Socket, Female	
3	4460884	1	Plug, Male - 4 Position	
3	4460465	4	Socket, Female	
4	4460539	1	Plug, Male - 3 Position	
4	4460465	3	Socket, Female	

SECTION 7 - ELECTRICAL

FIGURE 7-46. LIFT DOWN HARNESS (WITH LSS) (SN B200087206 to Present, SN M200080321 to Present)



ART_1001294314

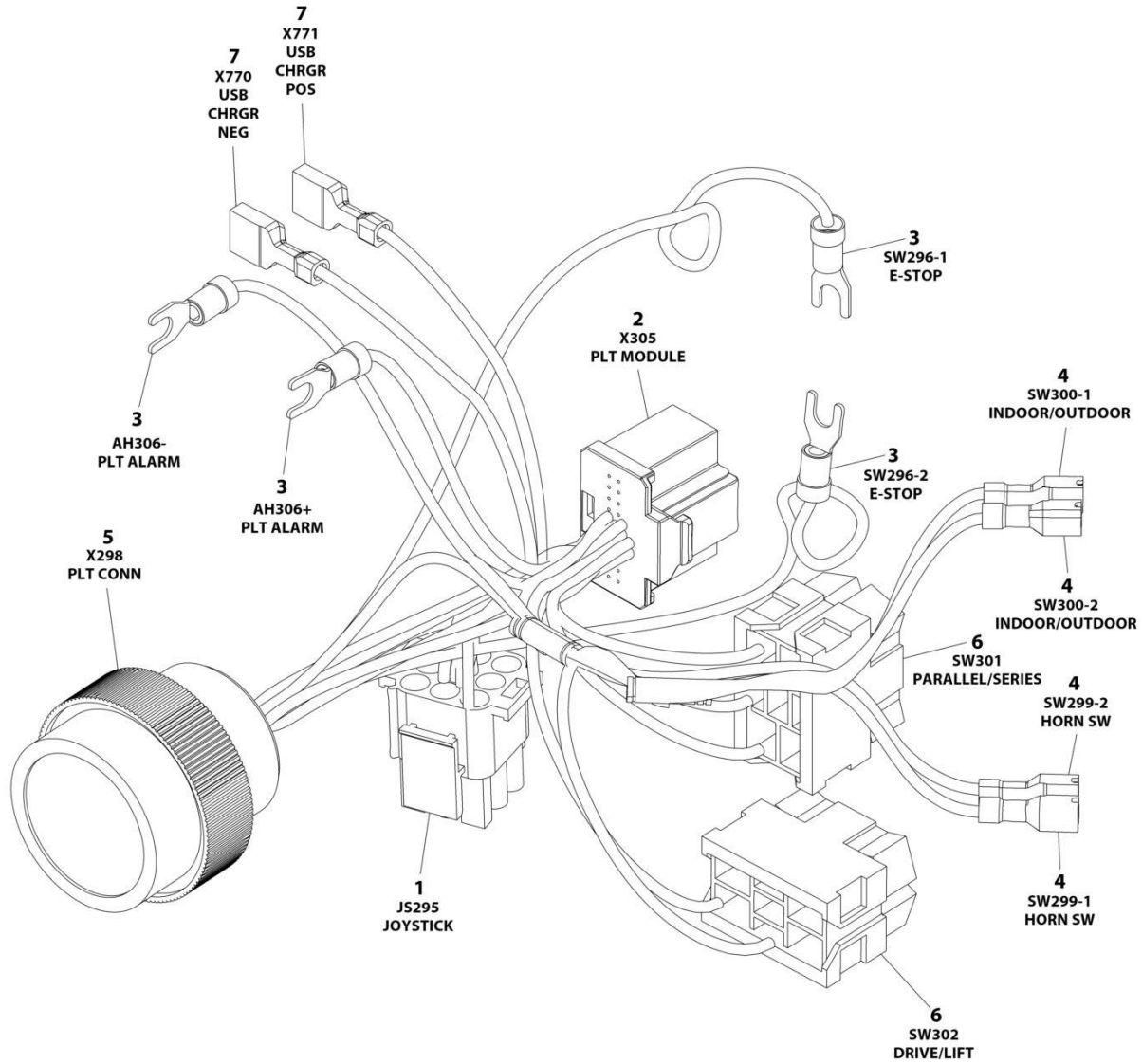
SECTION 7 - ELECTRICAL

FIGURE 7-46. LIFT DOWN HARNESS (WITH LSS) (SN B200087206 to Present, SN M200080321 to Present)

ITEM	PART NUMBER	QTY	DESCRIPTION	REV
	1001294314	Ref	LIFT DOWN HARNESS (WITH LSS)	A
1	4460970	1	Receptacle, Female - 12 Position	
1	4460464	7	Pin, Male	
1	4460466	5	Plug, Terminal	
2	4460891	1	Plug, Male - 2 Position	
2	4460465	2	Socket, Female	
3	4460539	1	Plug, Male - 3 Position	
3	4460465	2	Socket, Female	
3	4460466	1	Plug, Terminal	
4	4460539	1	Plug, Male - 3 Position	
4	4460465	3	Socket, Female	

SECTION 7 - ELECTRICAL

FIGURE 7-47. PLATFORM CONTROL BOX HARNESS



ART_1001200819

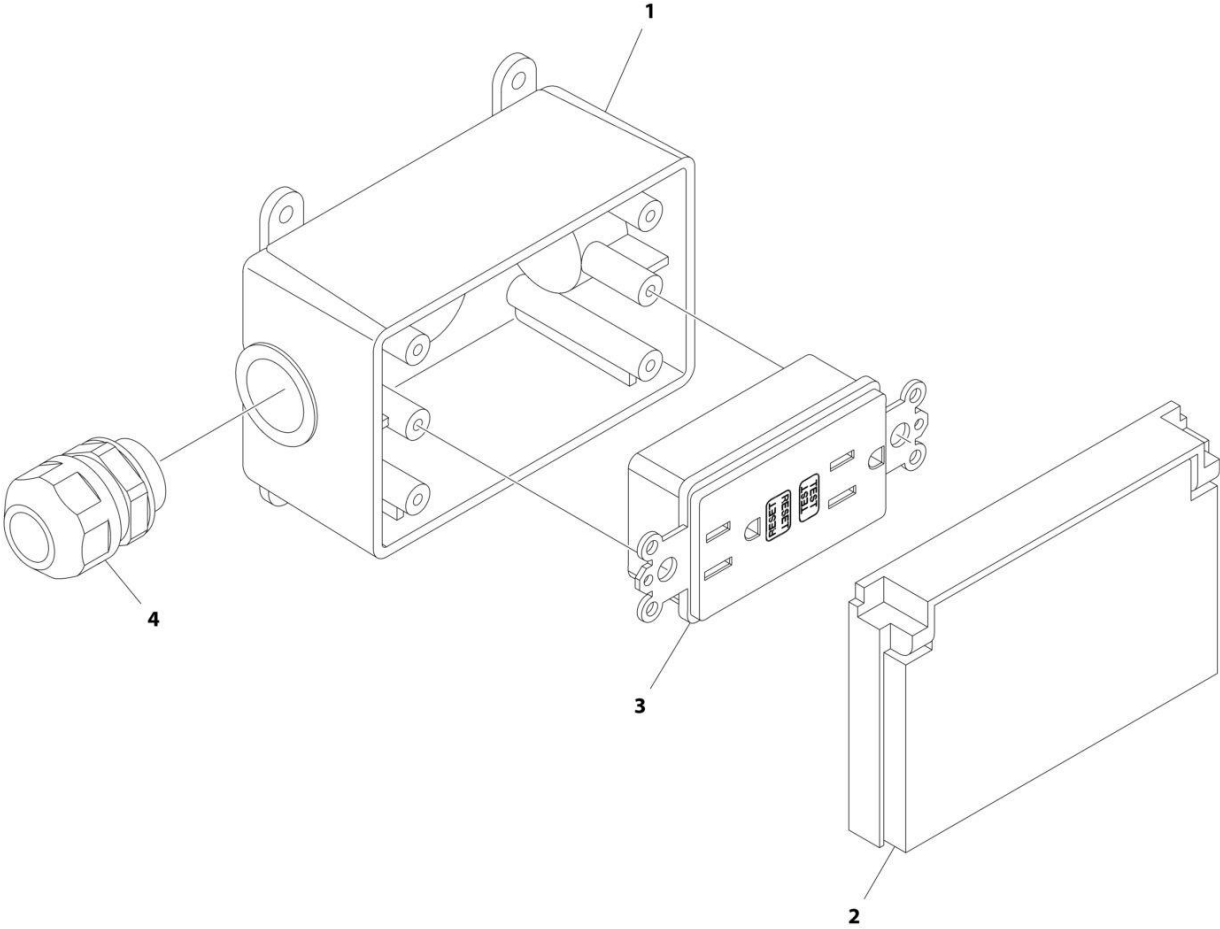
SECTION 7 - ELECTRICAL

FIGURE 7-47. PLATFORM CONTROL BOX HARNESS

ITEM	PART NUMBER	QTY	DESCRIPTION	REV
	1001200819	Ref	PLATFORM CONTROL BOX HARNESS	E
1	4460265	1	Plug, Male - 9 Position	
1	4460267	6	Pin, Male	
2	1001212036	1	Connector - 20 Position	
2	1001212035	16	Terminal	
3	4460183	4	Terminal, Fork	
4	1001201885	4	Terminal with Cover	
5	4461016	1	Connector - 14 Position	
5	4460464	8	Pin, Male	
5	4460466	6	Plug, Terminal	
6	4460418	2	Connector - 6 Position	
6	1001159186	5	Terminal	
7	1001194421	2	Terminal	

SECTION 7 - ELECTRICAL

FIGURE 7-48. RECEPTACLE BOX KIT - 110V GFI



ART_2902431

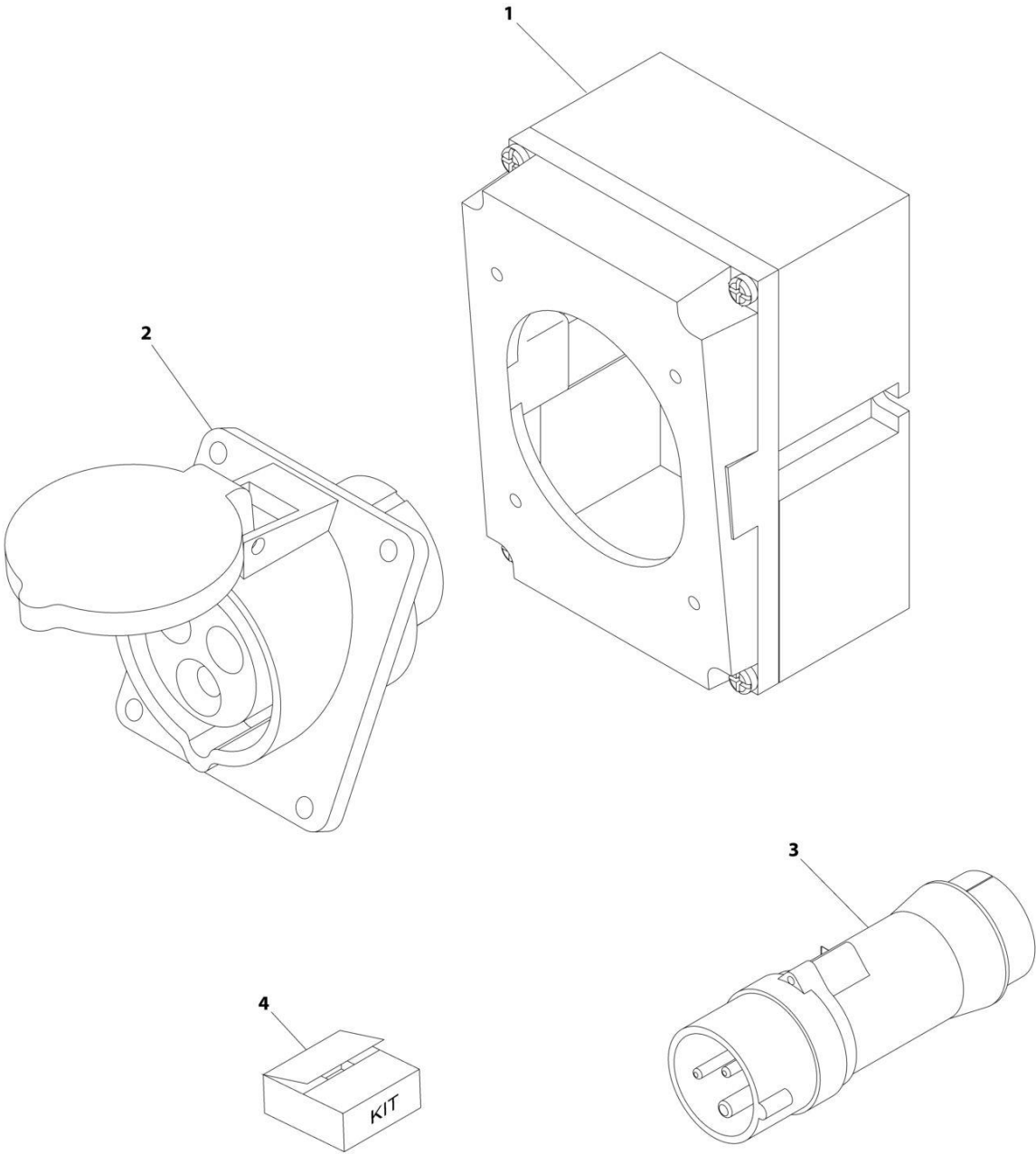
SECTION 7 - ELECTRICAL

FIGURE 7-48. RECEPTACLE BOX KIT - 110V GFI

ITEM	PART NUMBER	QTY	DESCRIPTION	REV
	2902431	Ref	RECEPTACLE BOX KIT - 110V GFI	D
1	0861731	1	Box, Receptacle	
2	1671207	1	Cover, Receptacle	
3	4460346	1	Receptacle	
4	4460662	1	Connector, Strain Relief	

SECTION 7 - ELECTRICAL

FIGURE 7-49. RECEPTACLE BOX KIT - 110V IEC YELLOW (CE & UK CA SPEC)



ART_0275216

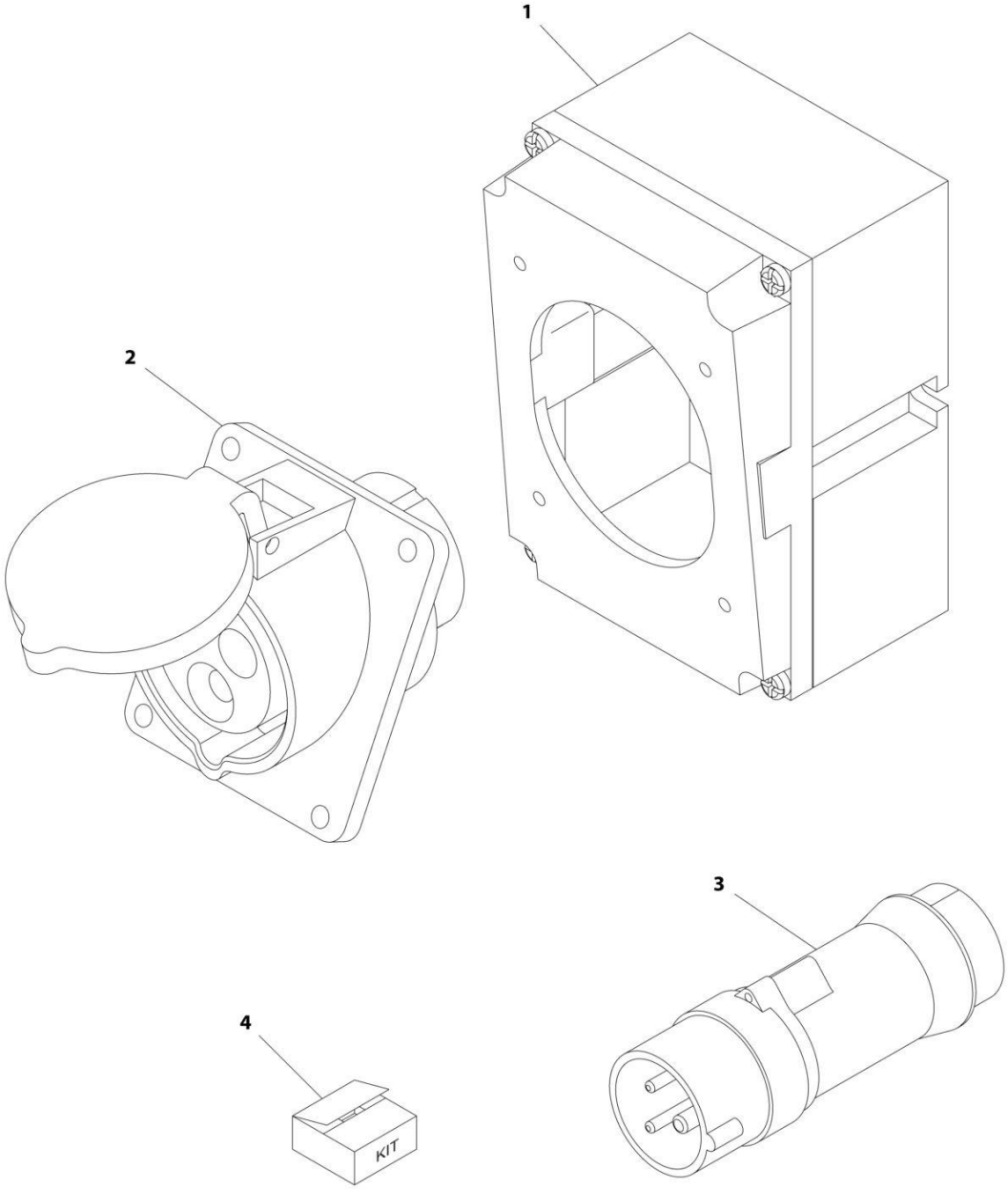
SECTION 7 - ELECTRICAL

FIGURE 7-49. RECEPTACLE BOX KIT - 110V IEC YELLOW (CE & UK CA SPEC)

ITEM	PART NUMBER	QTY	DESCRIPTION	REV
	0275216	Ref	RECEPTACLE BOX KIT - 110V IEC YELLOW	B
1	0861781	1	Box, Switch	
2	4461198	1	Receptacle	
3	4461196	1	Plug, Male	
4	1001100341	1	Plug and Socket Kit (Includes Items 1-3 and Female Plug p/n 4461197)	

SECTION 7 - ELECTRICAL

FIGURE 7-50. RECEPTACLE BOX KIT - 220V IEC BLUE (CE & UK CA SPEC)



ART_0275217

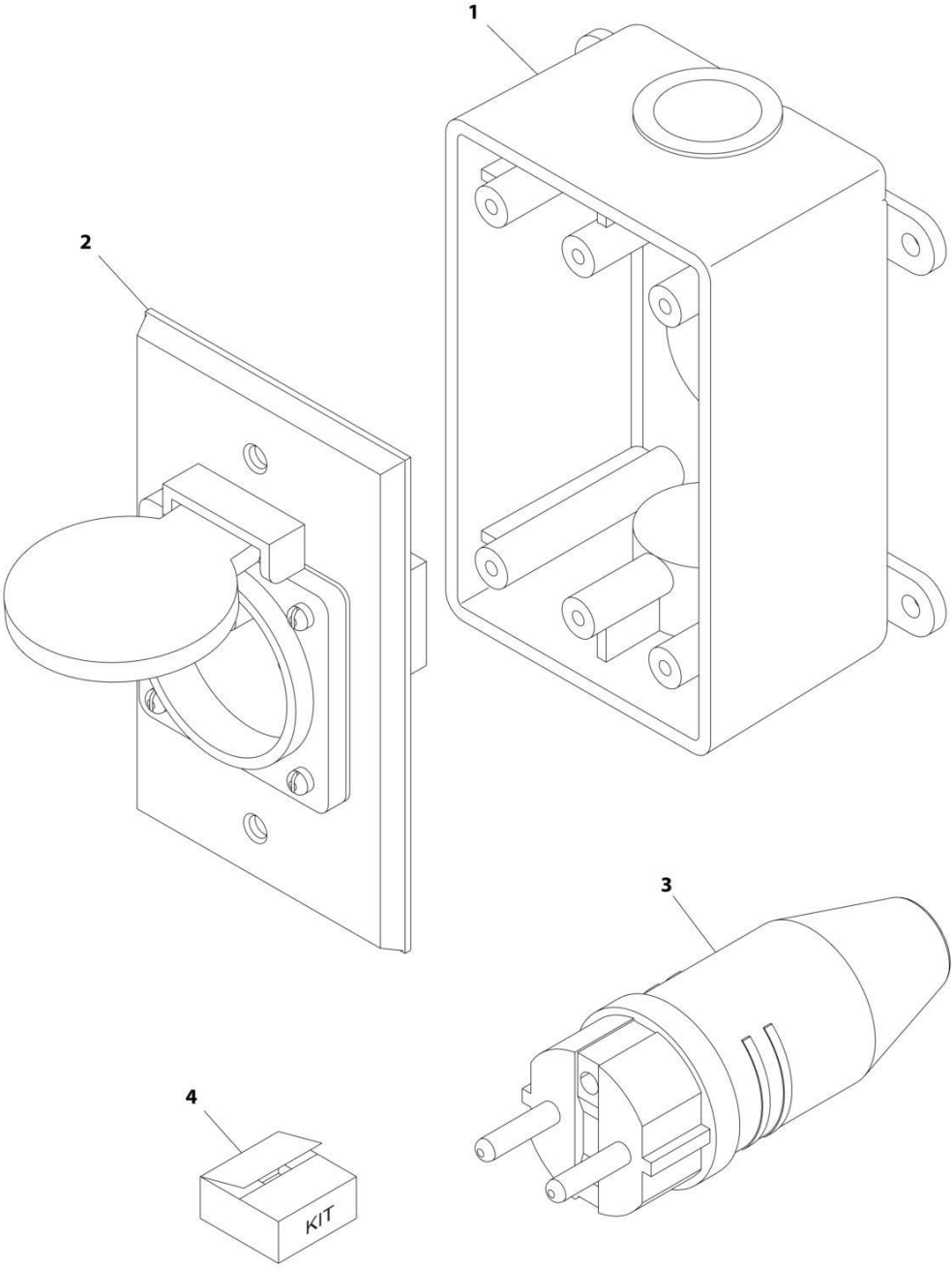
SECTION 7 - ELECTRICAL

FIGURE 7-50. RECEPTACLE BOX KIT - 220V IEC BLUE (CE & UK CA SPEC)

ITEM	PART NUMBER	QTY	DESCRIPTION	REV
	0275217	Ref	RECEPTACLE BOX KIT - 220V IEC BLUE	B
1	0861781	1	Box, Switch	
2	4461201	1	Receptacle	
3	4461199	1	Plug, Male	
4	1001100342	1	Plug and Socket Kit (Includes Items 1-3 and Female Plug p/n 4461200)	

SECTION 7 - ELECTRICAL

FIGURE 7-51. RECEPTACLE BOX KIT - 220V CEE7 POST GROUND (CE & UK CA SPEC)



ART_0275452-C

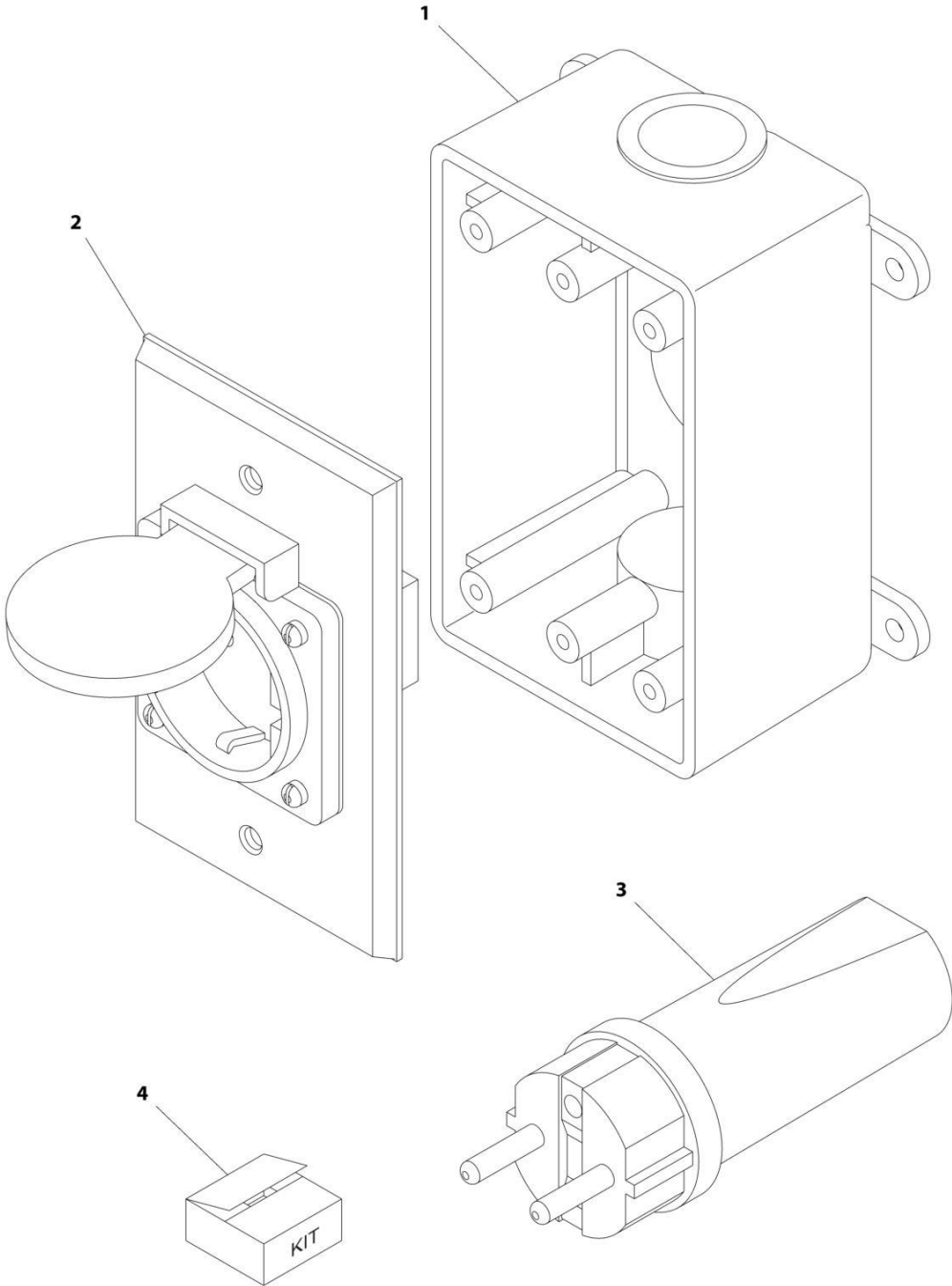
SECTION 7 - ELECTRICAL

FIGURE 7-51. RECEPTACLE BOX KIT - 220V CEE7 POST GROUND (CE & UK CA SPEC)

ITEM	PART NUMBER	QTY	DESCRIPTION	REV
	0275452	Ref	RECEPTACLE BOX KIT - 220V CEE7 POST GROUND 2IN X 4IN BOX	C
1	0861731	1	Box, Switch	
2	4461244	1	Receptacle	
3	4461205	1	Plug, Male	
4	1001100345	1	Plug and Socket Kit (Includes Items 1-3 and Female Plug p/n 4461203)	

SECTION 7 - ELECTRICAL

FIGURE 7-52. RECEPTACLE BOX KIT - 220V CEE7 SIDE GROUND (CE & UK CA SPEC)



ART_0275453

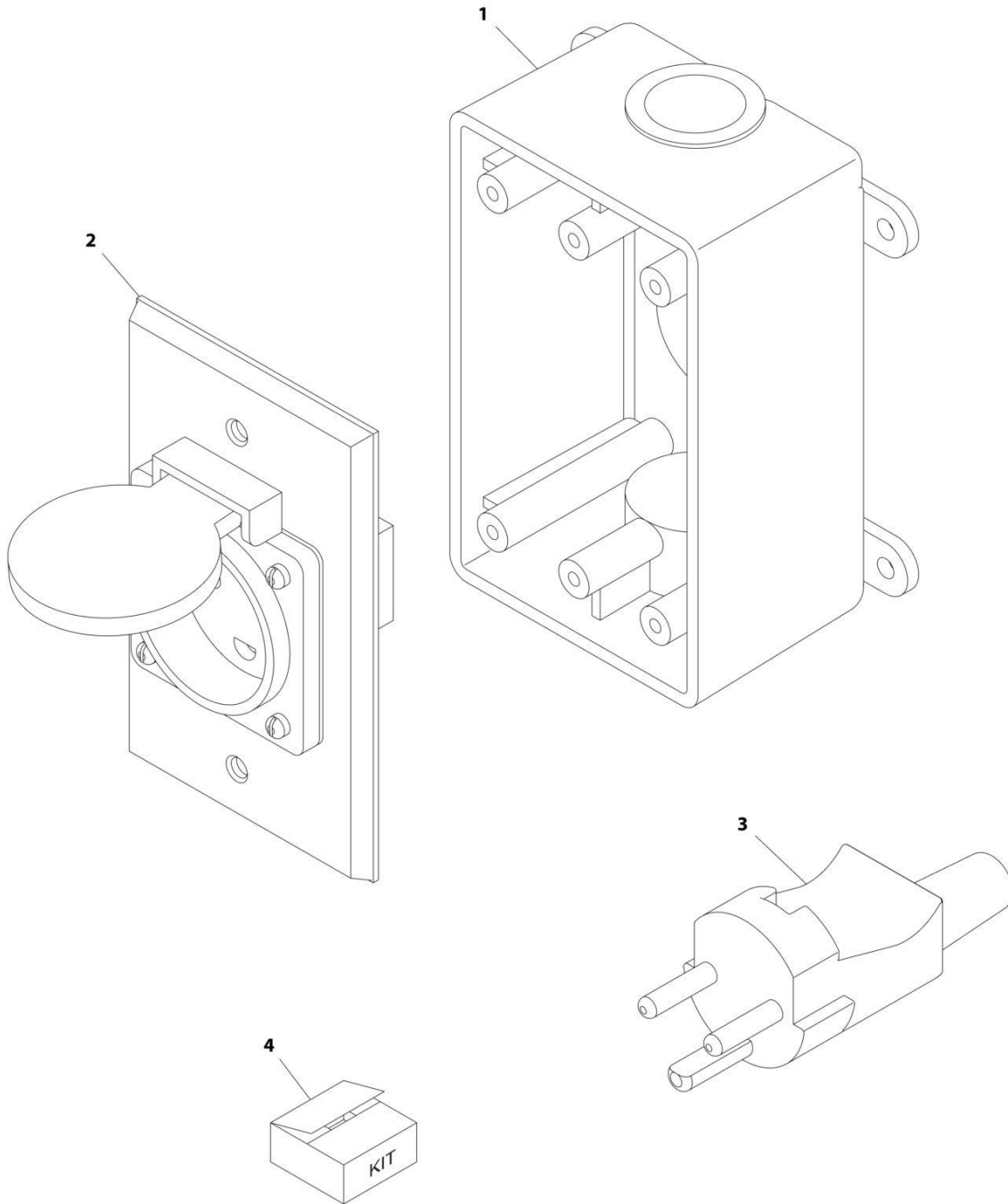
SECTION 7 - ELECTRICAL

FIGURE 7-52. RECEPTACLE BOX KIT - 220V CEE7 SIDE GROUND (CE & UK CA SPEC)

ITEM	PART NUMBER	QTY	DESCRIPTION	REV
	0275453	Ref	RECEPTACLE BOX KIT - 220V CEE7 SIDE GROUND	B
1	0861731	1	Box, Switch	
2	4461245	1	Receptacle	
3	4461205	1	Plug, Male	
4	1001100347	1	Plug and Socket Kit (Includes Items 1-3 and Female Plug p/n 4461206)	

SECTION 7 - ELECTRICAL

FIGURE 7-53. RECEPTACLE BOX KIT - 220V AFSINT 107 (CE & UK CA SPEC)



ART_0275454

SECTION 7 - ELECTRICAL

FIGURE 7-53. RECEPTACLE BOX KIT - 220V AFSINT 107 (CE & UK CA SPEC)

ITEM	PART NUMBER	QTY	DESCRIPTION	REV
	0275454	Ref	RECEPTACLE BOX KIT - 220V AFSINT 107	B
1	0861731	1	Box, Switch	
2	4461246	1	Receptacle	
3	4461249	1	Plug, Male	
4	1001100346	1	Plug and Socket Kit (Includes Items 1-3 and Female Plug p/n 4461250)	

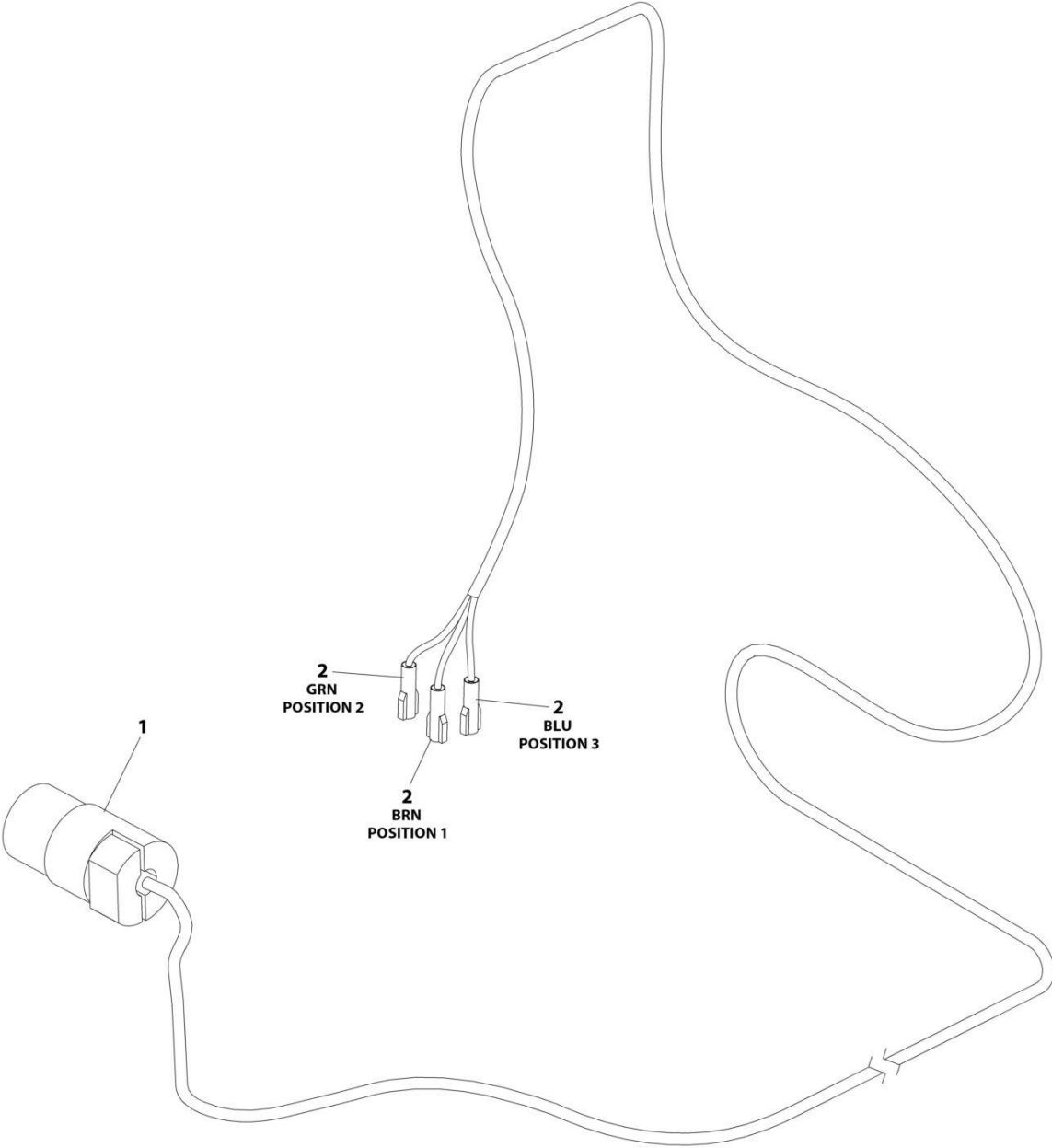
SECTION 7 - ELECTRICAL

FIGURE 7-54. INVERTER INSTALLATION

ITEM	PART NUMBER	QTY	DESCRIPTION	REV
	1001274502	Ref	INVERTER INSTALLATION	B
1	0760408	4	Bolt M4 x 16	
2	0760612	2	Bolt M6 x 25	
3	3290405	4	Nut M4	
4	3290605	4	Nut M6	
5	3740150	1	Relay	
6	4240017	AR	Tie-Strap	
7	4360336	1	Switch, Toggle	
9	4811400	8	Washer M4	
10	4811700	6	Washer M6	
11	1001100451	2	Bolt M6 x 20	
12	1001125483	1	Decal - Pressure Wash	
13	1001136757	1	Inverter	
14	1001142173	1	Insulate	
15	1001143009	1	Decal - Inverter	
16	1001143010	1	Decal - On/Off Inverter	
17	1001145762	1	Cable, Inverter +ve to Relay	
18	1001145881	1	Harness, AC Extension	
19	1001157547	1	Filter, AC	
20	1001274556	1	Support	
21	1001275545	1	Harness, AC Extension (See Separate Breakdown in this Section)	
22	1001275546	1	Harness, Inverter (See Separate Breakdown in this Section)	
23	1001275547	1	Cable, Pump Control B- to Inverter	
24	1001275548	1	Cable, Battery +ve to Relay	
25	1001146794	1	Decal - Battery Charger	
26	1001226400	1	Insulate	

SECTION 7 - ELECTRICAL

FIGURE 7-55. HARNESS, AC EXTENSION



ART_1001275545

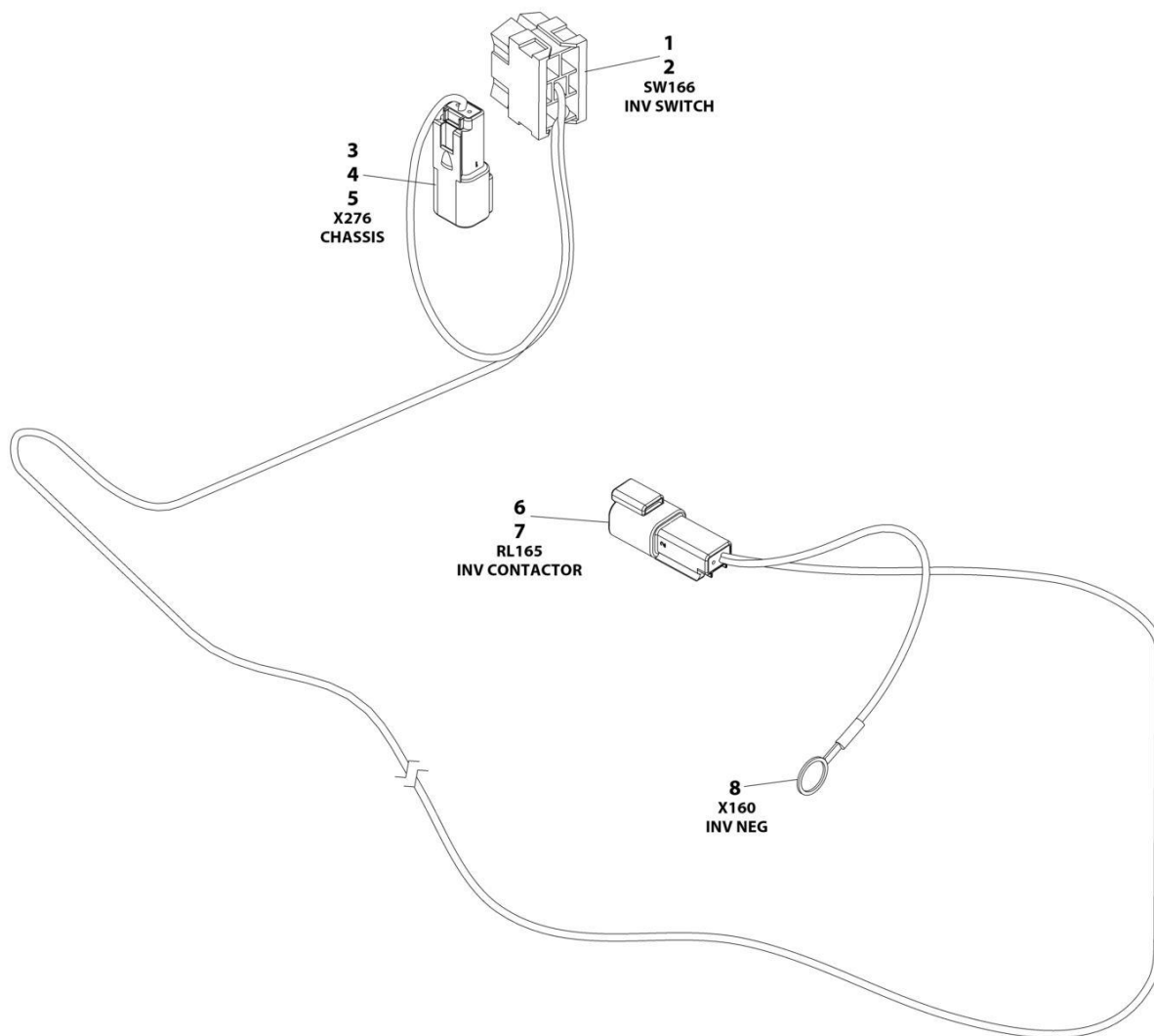
SECTION 7 - ELECTRICAL

FIGURE 7-55. HARNESS, AC EXTENSION

ITEM	PART NUMBER	QTY	DESCRIPTION	REV
	1001275545	Ref	HARNESS, AC EXTENSION	A
1	4460779	1	Receptacle, Female	
2	1001117096	3	Connector	

SECTION 7 - ELECTRICAL

FIGURE 7-56. HARNESS, INVERTER



ART_1001275546

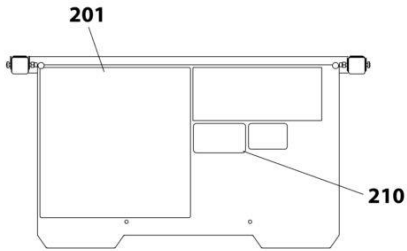
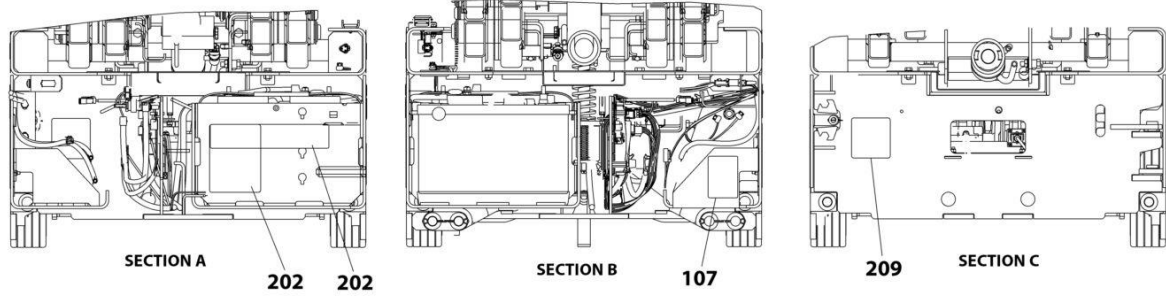
SECTION 7 - ELECTRICAL

FIGURE 7-56. HARNESS, INVERTER

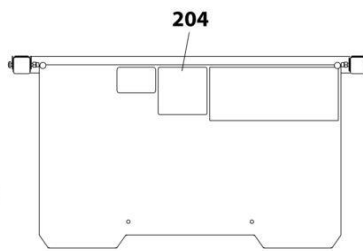
ITEM	PART NUMBER	QTY	DESCRIPTION	REV
	1001275546	Ref	HARNESS, INVERTER	A
1	4460418	1	Connector, Switch	
2	4460419	2	Terminal	
3	4460897	1	Receptacle, Female - 2 Position	
4	4460464	1	Pin, Male	
5	4460466	1	Plug, Terminal	
6	4460897	1	Receptacle, Female - 2 Position	
7	4460464	2	Pin, Male	
8	4460722	1	Terminal, Ring	

SECTION 8 - DECALS

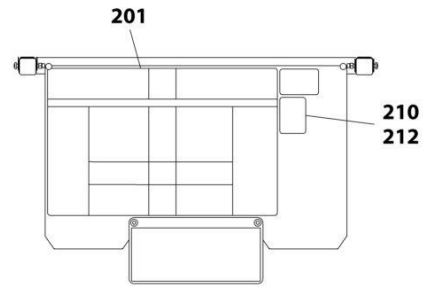
SECTION 8 - DECALS



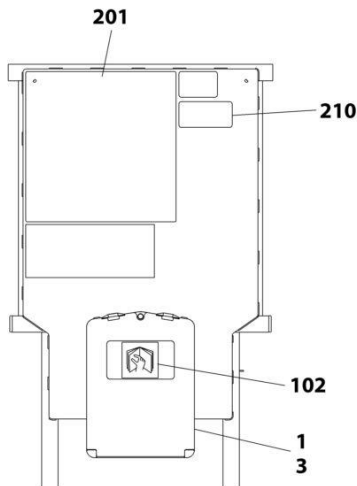
FIXED RAIL (ANSI SPECS)



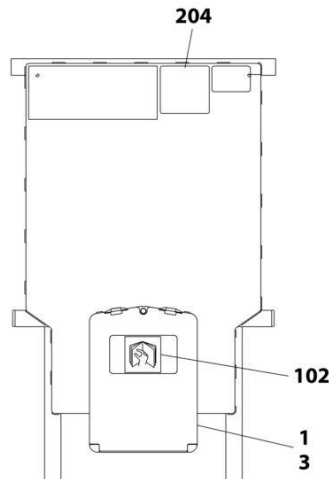
FIXED RAIL (CE AND JAPANESE SPECS)



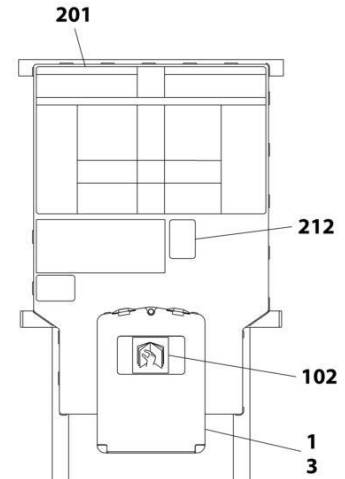
FIXED RAIL (CHINA, CSA AND KOREAN SPECS)



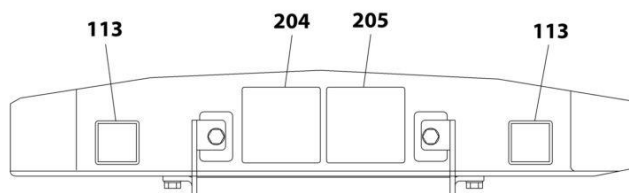
FOLDING RAIL (ANSI SPECS)



FOLDING RAIL (CE SPECS)



FOLDING RAIL (CHINA AND KOREAN SPECS)



DETAIL D
TOP REAR OF FRAME

NOTE: ITEMS SHOWN MAY NOT BE REQUIRED FOR ALL SPECS. REFER TO PARTS LISTS FOR USAGE.
NOTE: ADDITIONAL DECALS CALLED OUT ON DECAL INSTALLATION - OPTIONS.

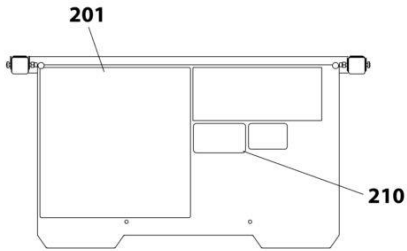
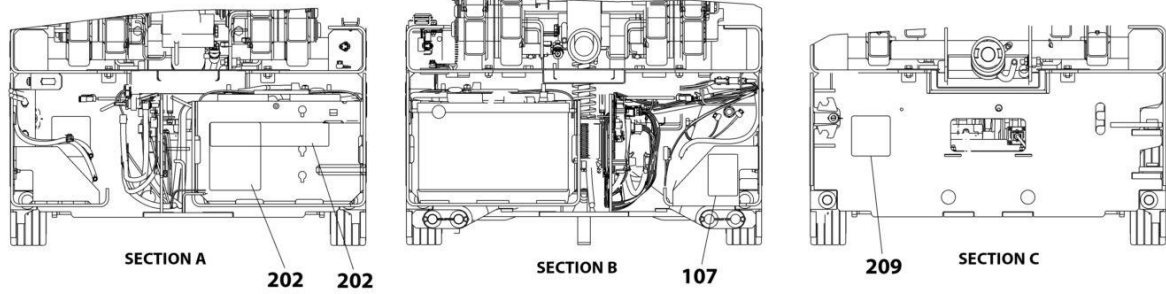
ART_1001247301_20F2

SECTION 8 - DECALS

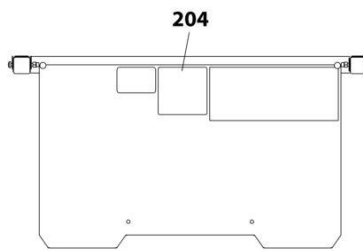
FIGURE 8-1. DECAL INSTALLATION (ANSI SPECS)

ITEM	PART NUMBER	QTY	DESCRIPTION	REV
	1001247301	Ref	DECALS INSTALLATION (ANSI SPECS)	E
	1001247399	Ref	DECALS CHART DRAWING	K
1	2080040	3	Fastener	
2	2080057	4	Fastener	
3	8990147	1	Holder Manual	
100	1001247296	1	Master Decal Kit (Not Shown)	F
101	1701504	1	Decal - Hydraulic Oil	
102	1701640	1	Decal - Manual	
103	1703819	4	Decal - Directional Arrow	
104	1001248126	1	Decal - Manual Descent Instructions	
105	1704016	4	Decal - Fork Lift	
107	1704412	1	Decal - Hydraulic Oil Chart	
108	1001132359	1	Decal - Control Box Locate	
109	1001162864	2	Decal - Lift Point/Tie Down	
110	1001220430	1	Decal - Safety Prop	
112	1001212290	1	Decal - Tie Down	
113	1001212291	1	Decal - Lifting Lug	
201	1703816	1	Decal - Danger/Warning	
202	1001146794	1	Decal - Battery/Charger Service	
203	1001211777	4	Decal - Crushing Hazard	
204	1001211779	4	Decal - Electrocution	
206	1703813	2	Decal - Warning Battery Ventilation	
208	1001131270	1	Decal - Patent	
209	1001223055	1	Decal - Yearly Inspection	
210	1001231801	1	Decal - Warning Prop 65	
211	1001228370	1	Decal - ICES	
214	1704277	2	Decal - Lanyard Attach	
215	1702155	1	Decal - Battery Disconnect	

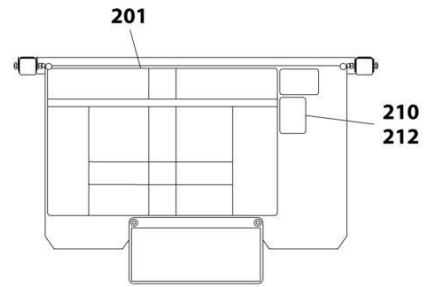
SECTION 8 - DECALS



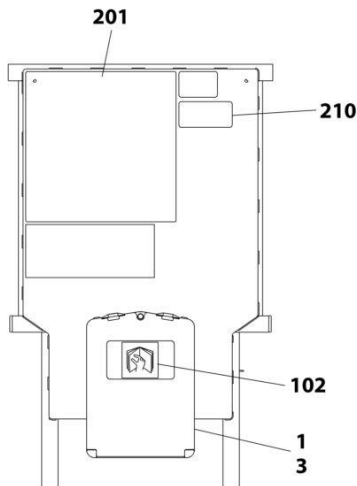
FIXED RAIL (ANSI SPECS)



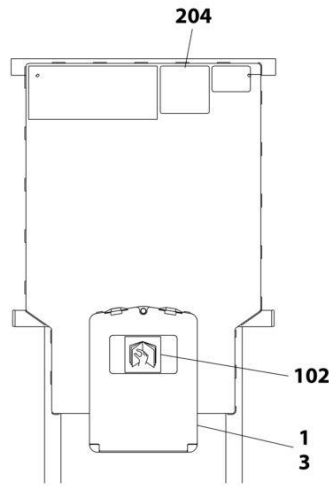
FIXED RAIL (CE AND JAPANESE SPECS)



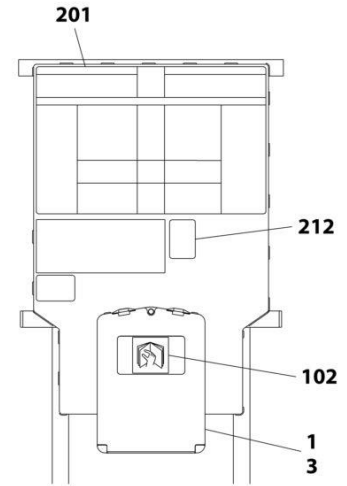
FIXED RAIL (CHINA, CSA AND KOREAN SPECS)



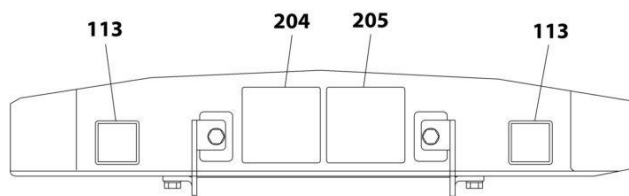
FOLDING RAIL (ANSI SPECS)



FOLDING RAIL (CE SPECS)



FOLDING RAIL (CHINA AND KOREAN SPECS)



DETAIL D
TOP REAR OF FRAME

NOTE: ITEMS SHOWN MAY NOT BE REQUIRED FOR ALL SPECS. REFER TO PARTS LISTS FOR USAGE.
NOTE: ADDITIONAL DECALS CALLED OUT ON DECAL INSTALLATION - OPTIONS.

ART_1001256628_20F2

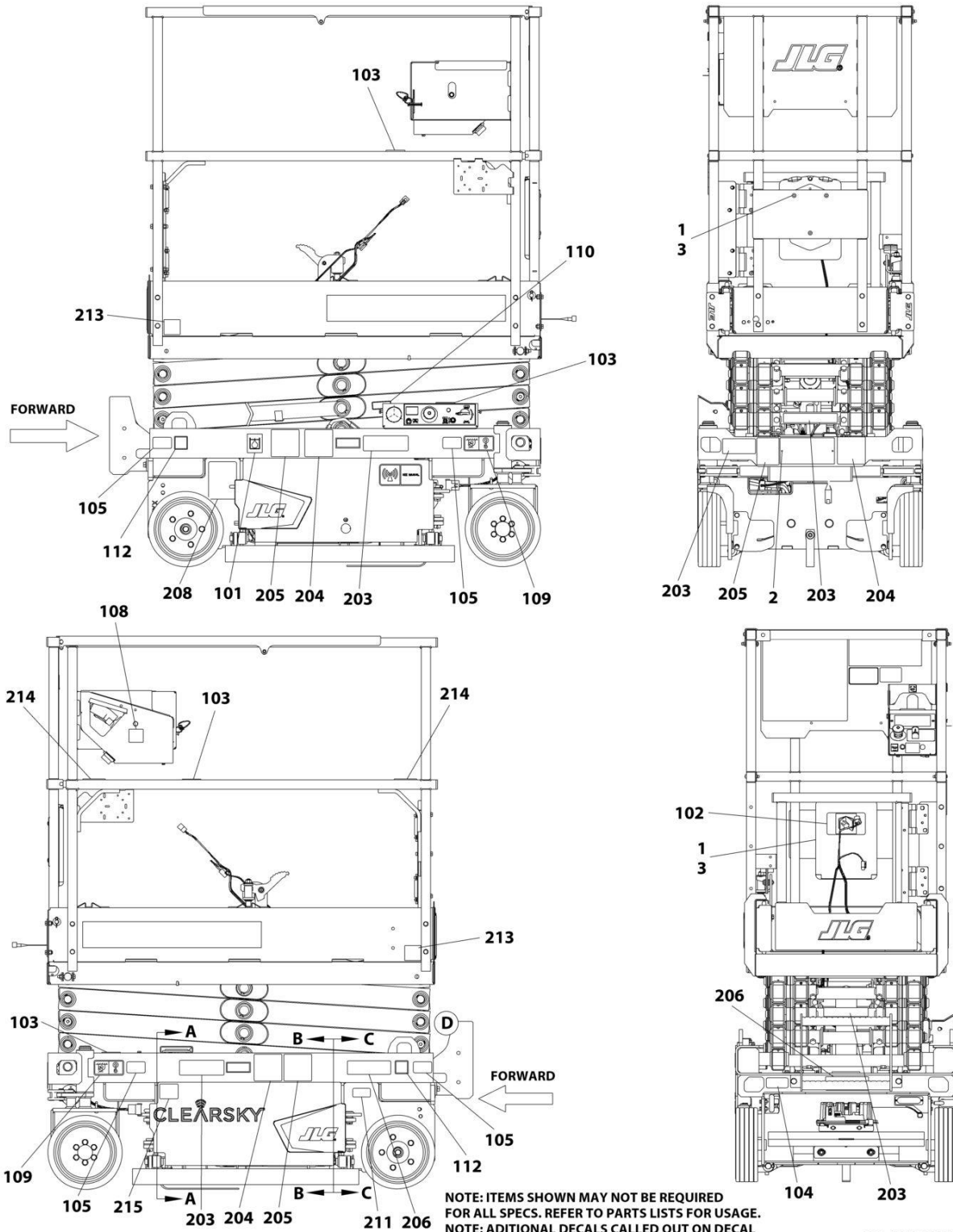
SECTION 8 - DECALS

FIGURE 8-2. DECAL INSTALLATION (AUSTRALIAN SPECS)

ITEM	PART NUMBER	QTY	DESCRIPTION	REV
	1001256628	Ref	DECALS INSTALLATION	B
	1001247399	Ref	DECALS CHART DRAWING	I
1	2080040	3	Fastener	
2	2080057	4	Fastener	
3	8990147	1	Holder Manual	
100	1001247296	1	Master Decal Kit (Not Shown)	F
101	1701504	1	Decal - Hydraulic Oil	
102	1701640	1	Decal - Manual	
103	1703819	4	Decal - Directional Arrow	
104	1001248126	1	Decal - Manual Descent	
105	1704016	4	Decal - Fork Lift	
107	1704412	1	Decal - Hydraulic Oil Chart	
108	1001132359	1	Decal - Control Box Locate	
109	1001162864	4	Decal - Lift Point/Tie Down	
110	1001220430	1	Decal - Safety Prop	
112	1001212290	1	Decal - Tie Down	
113	1001212291	1	Decal - Lifting Lug	
202	1001146794	1	Decal - See Manual	
203	1001219172	4	Decal - Crushing	
204	1001219171	5	Decal - Electrocution	
206	1705670	2	Decal - Fire Hazard	
214	1704277	2	Decal - Lanyard Attach	
215	1702155	1	Decal - Battery Disconnect	

SECTION 8 - DECALS

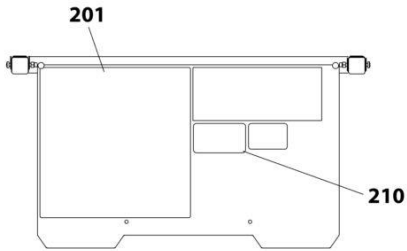
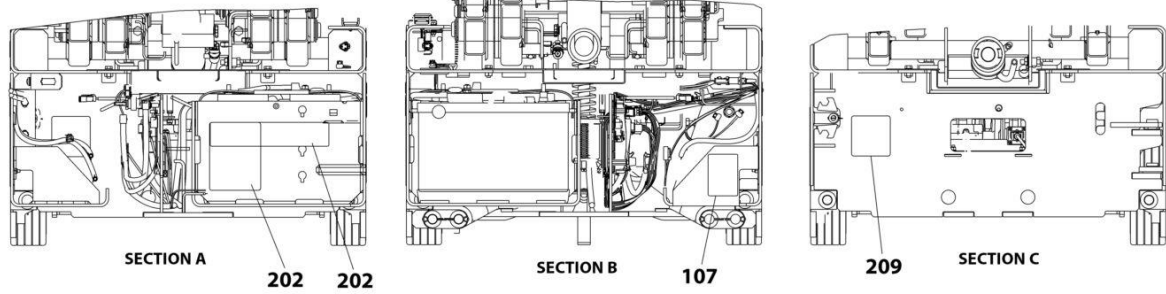
FIGURE 8-3. DECAL INSTALLATION (CE & UK CA SPECS)



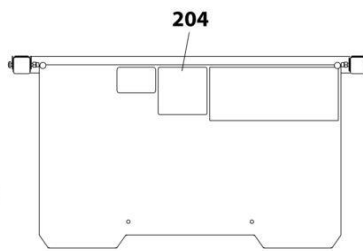
NOTE: ITEMS SHOWN MAY NOT BE REQUIRED FOR ALL SPECS. REFER TO PARTS LISTS FOR USAGE.
 NOTE: ADDITIONAL DECALS CALLED OUT ON DECAL INSTALLATION - OPTIONS.

ART_1001247305_1OF2

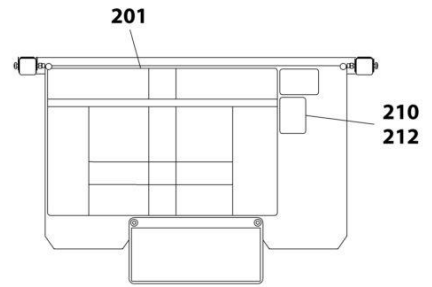
SECTION 8 - DECALS



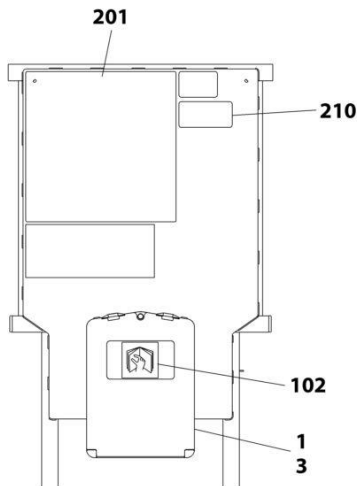
FIXED RAIL (ANSI SPECS)



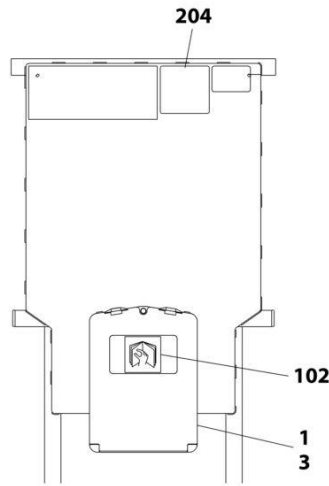
FIXED RAIL (CE AND JAPANESE SPECS)



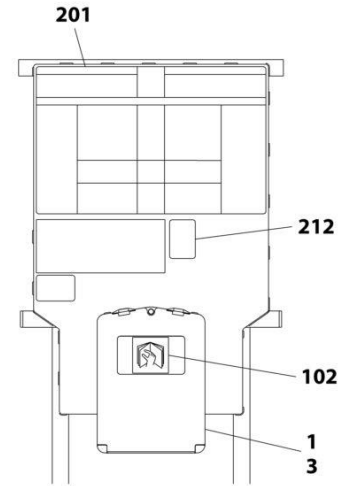
FIXED RAIL (CHINA, CSA AND KOREAN SPECS)



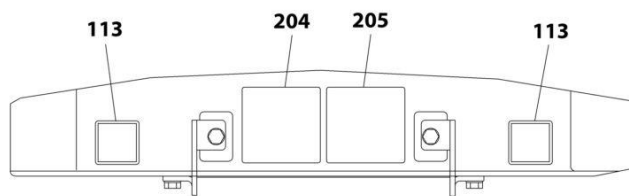
FOLDING RAIL (ANSI SPECS)



FOLDING RAIL (CE SPECS)



FOLDING RAIL (CHINA AND KOREAN SPECS)



DETAIL D
TOP REAR OF FRAME

NOTE: ITEMS SHOWN MAY NOT BE REQUIRED FOR ALL SPECS. REFER TO PARTS LISTS FOR USAGE.
NOTE: ADDITIONAL DECALS CALLED OUT ON DECAL INSTALLATION - OPTIONS.

ART_1001247305_20F2

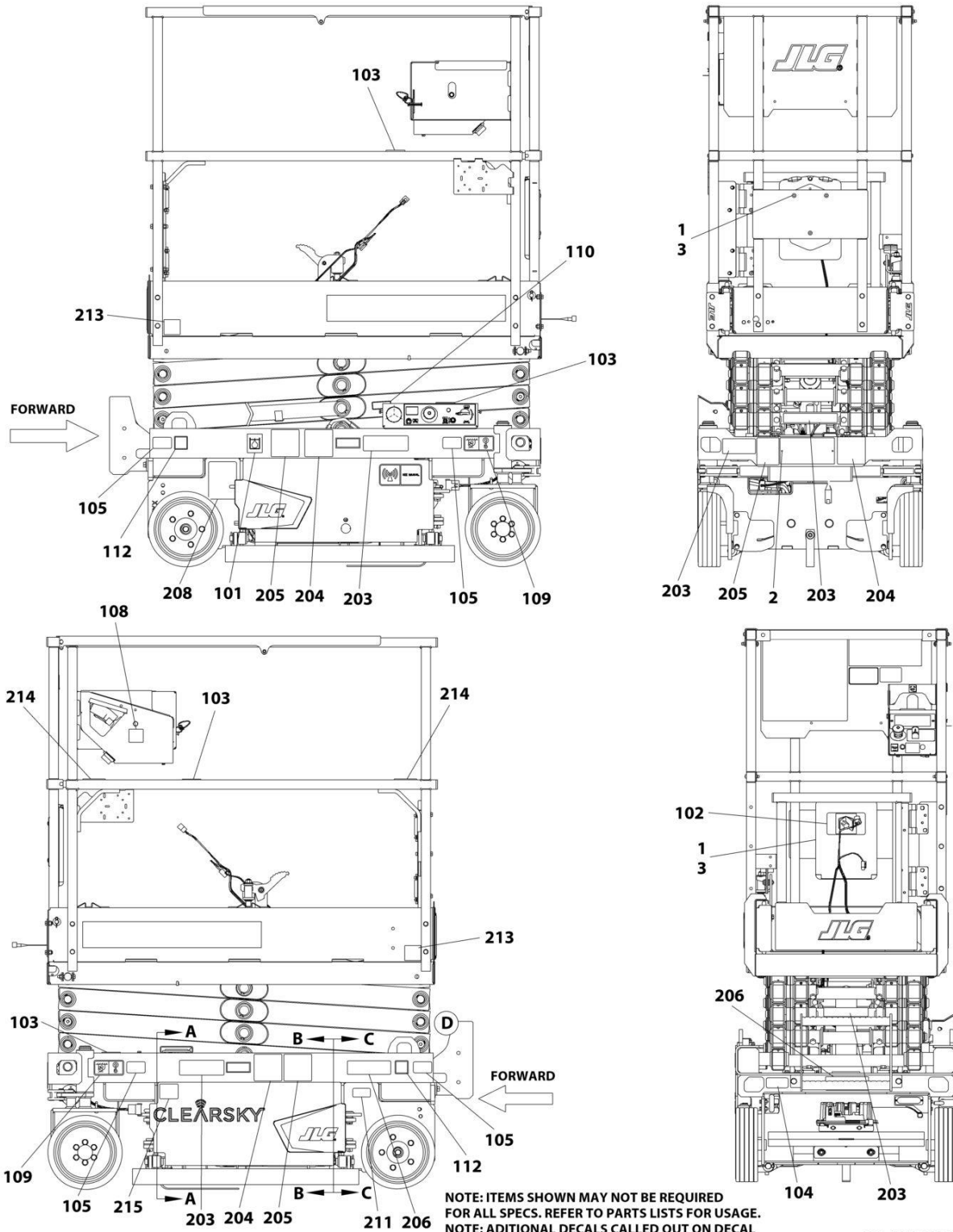
SECTION 8 - DECALS

FIGURE 8-3. DECAL INSTALLATION (CE & UK CA SPECS)

ITEM	PART NUMBER	QTY	DESCRIPTION	REV
	1001247305	Ref	DECALS INSTALLATION (CE & UK CA SPECS)	E
	1001247399	Ref	DECALS CHART DRAWING	L
1	2080040	3	Fastener	
2	2080057	4	Fastener	
3	8990147	1	Holder Manual	
100	1001247296	1	Master Decal Kit (Not Shown)	F
101	1701504	1	Decal - Hydraulic Oil	
102	1701640	1	Decal - Manual	
103	1703819	4	Decal - Directional Arrow	
104	1001248126	1	Decal - Manual Descent	
105	1704016	4	Decal - Fork Lift	
107	1704412	1	Decal - Hydraulic Oil Chart	
108	1001132359	1	Decal - Control Box Locate	
109	1001162864	4	Decal - Lift Point/Tie Down	
110	1001220430	1	Decal - Safety Prop	
112	1001212290	1	Decal - Tie Down	
113	1001212291	1	Decal - Lifting Lug	
202	1001247310	1	Decal - See Manual	
203	1001219172	4	Decal - Crushing	
204	1001219171	5	Decal - Electrocution	
206	1705670	2	Decal - Fire Hazard	
214	1704277	2	Decal - Lanyard Attach	
215	1702155	1	Decal - Battery Disconnect	

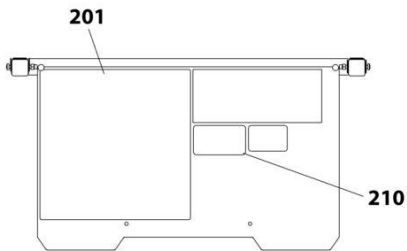
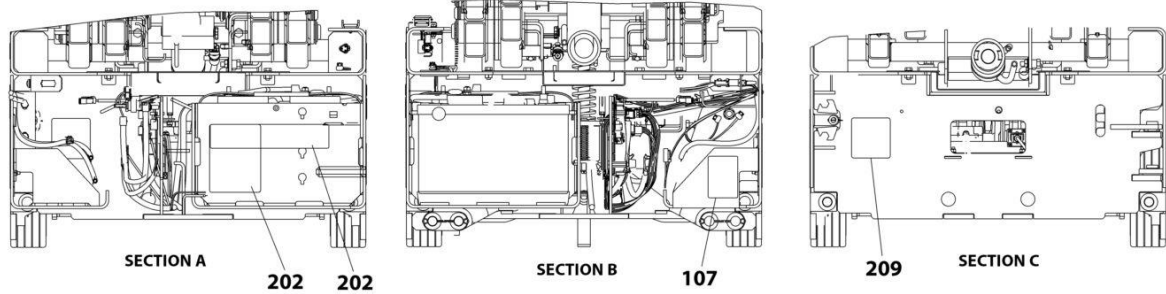
SECTION 8 - DECALS

FIGURE 8-4. DECAL INSTALLATION (CHINA SPECS)

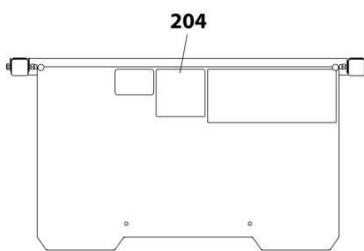


ART_1001247303_1OF2

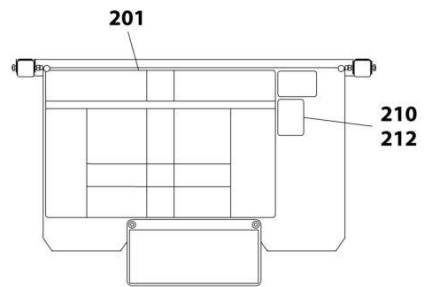
SECTION 8 - DECALS



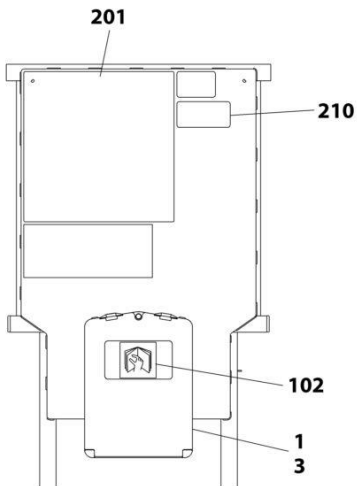
FIXED RAIL (ANSI SPECS)



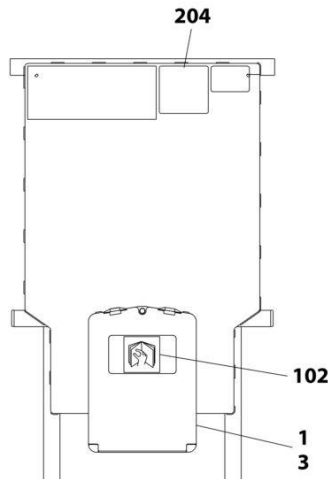
FIXED RAIL (CE AND JAPANESE SPECS)



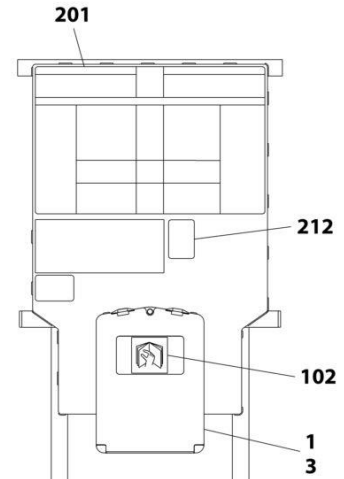
FIXED RAIL (CHINA, CSA AND KOREAN SPECS)



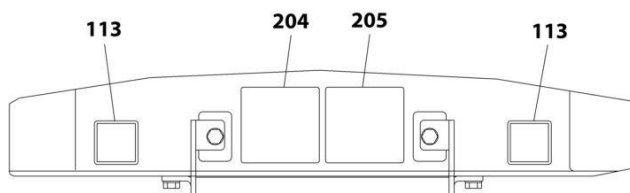
FOLDING RAIL (ANSI SPECS)



FOLDING RAIL (CE SPECS)



FOLDING RAIL (CHINA AND KOREAN SPECS)



DETAIL D
TOP REAR OF FRAME

NOTE: ITEMS SHOWN MAY NOT BE REQUIRED FOR ALL SPECS. REFER TO PARTS LISTS FOR USAGE.
NOTE: ADDITIONAL DECALS CALLED OUT ON DECAL INSTALLATION - OPTIONS.

ART_1001247303_20F2

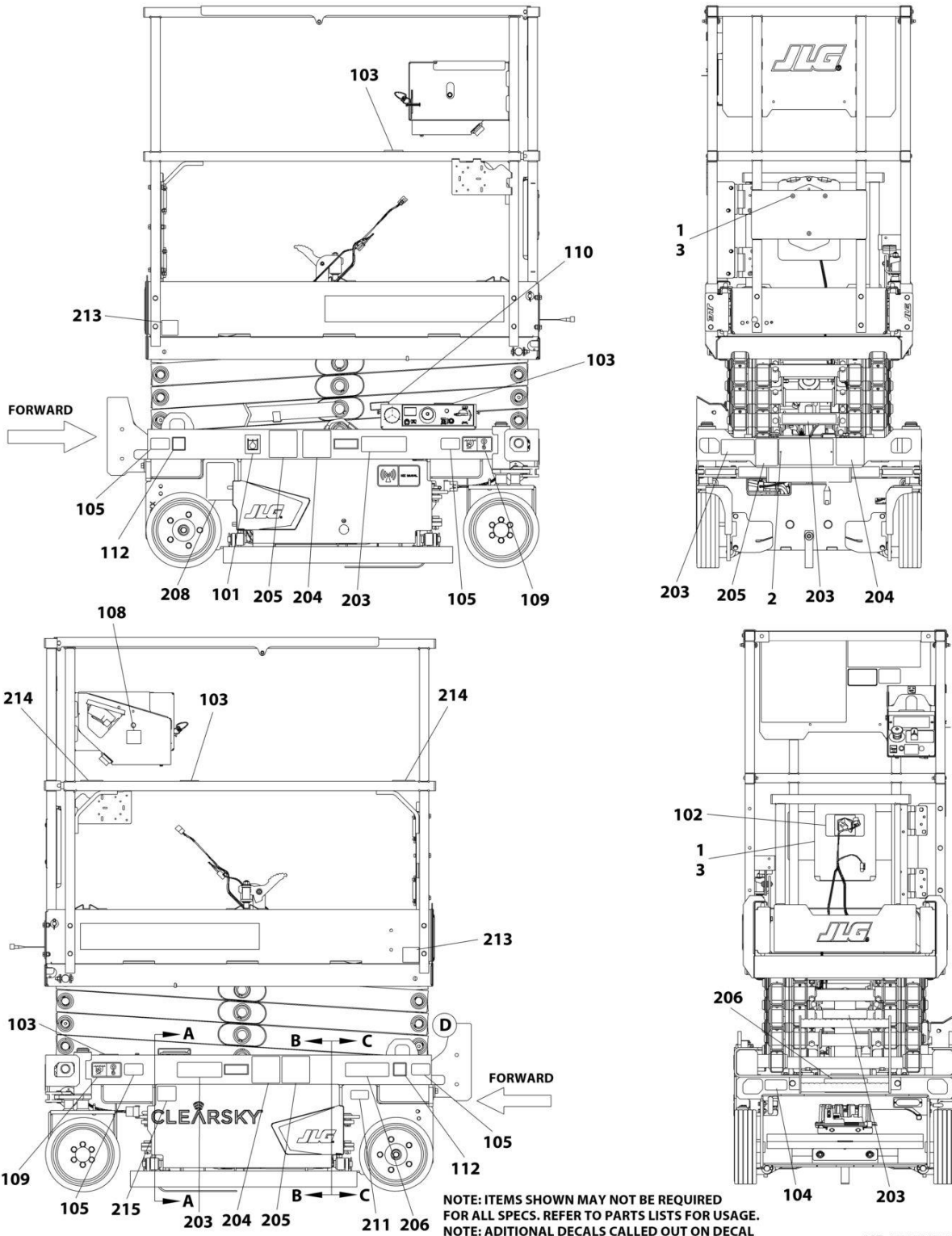
SECTION 8 - DECALS

FIGURE 8-4. DECAL INSTALLATION (CHINA SPECS)

ITEM	PART NUMBER	QTY	DESCRIPTION	REV
	1001247303	Ref	DECALS INSTALLATION (CHINA SPECS)	E
	1001247399	Ref	DECALS CHART DRAWING	L
1	2080040	3	Fastener	
2	2080057	4	Fastener	
3	8990147	1	Holder Manual	
100	1001247296	1	Master Decal Kit (Not Shown)	F
101	1701504	1	Decal - Hydraulic Oil	
102	1701640	1	Decal - Manual	
103	1703819	4	Decal - Directional Arrow	
104	1001248126	1	Decal - Manual Descent	
105	1704016	4	Decal - Fork Lift	
107	1704412	1	Decal - Hydraulic Oil Chart	
108	1001132359	1	Decal - Control Box Locate	
109	1001162864	4	Decal - Lift Point/Tie Down	
110	1001220430	1	Decal - Safety Prop	
112	1001212290	1	Decal - Tie Down	
113	1001212291	1	Decal - Lifting Lug	
201	1001247311	1	Decal - Danger/Warning	
202	1001146794	1	Decal - Battery/Charger Service	
203	1001249894	4	Decal - Crushing Hazard	
204	1001211779	4	Decal - Electrocution	
205	1001215747	4	Decal - Danger Electrocution	
206	1704344	2	Decal - Warning Battery Ventilation	
209	1001224051	1	Decal - Yearly Inspection	
212	1001244301	1	Decal - NO Platform to Ground	
213	1001244298	2	Decal - App	
214	1704277	2	Decal - Lanyard Attach	
215	1702155	1	Decal - Battery Disconnect	

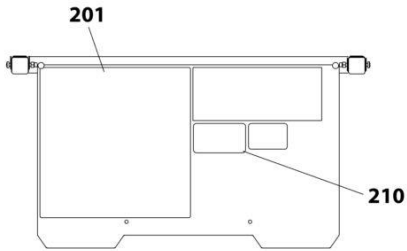
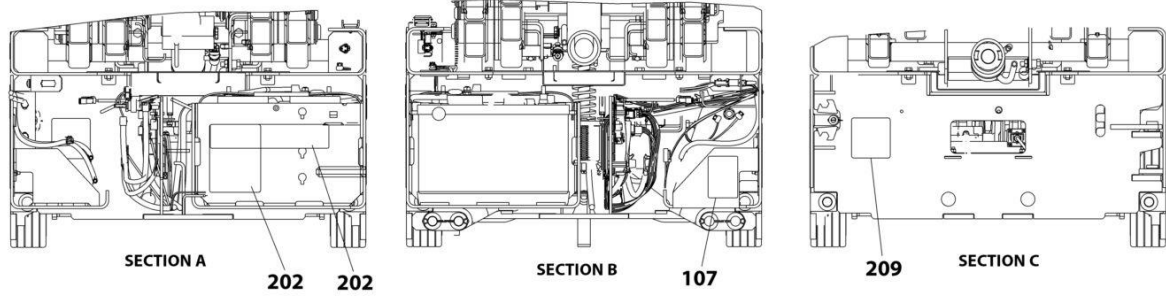
SECTION 8 - DECALS

FIGURE 8-5. DECAL INSTALLATION (CSA SPECS)

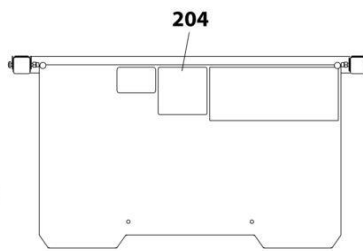


ART_1001254501_1OF2

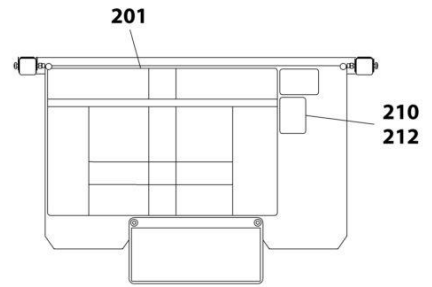
SECTION 8 - DECALS



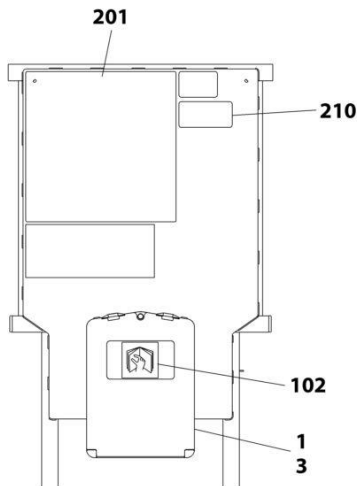
FIXED RAIL (ANSI SPECS)



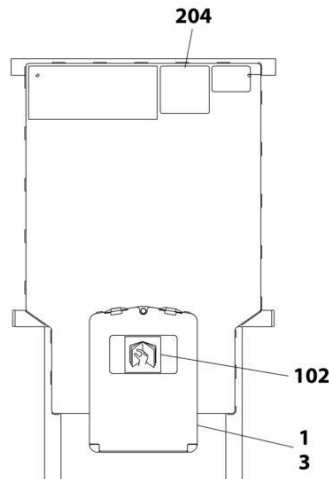
FIXED RAIL (CE AND JAPANESE SPECS)



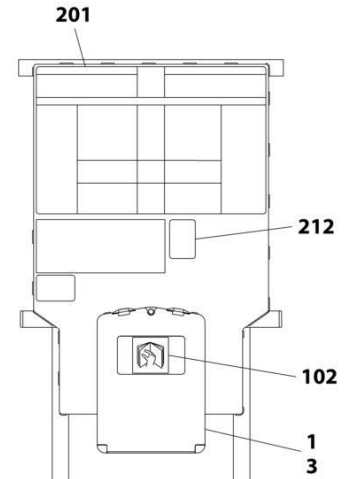
FIXED RAIL (CHINA, CSA AND KOREAN SPECS)



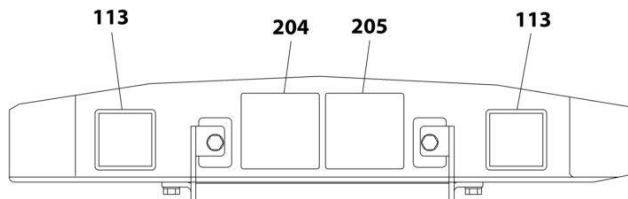
FOLDING RAIL (ANSI SPECS)



FOLDING RAIL (CE SPECS)



FOLDING RAIL (CHINA AND KOREAN SPECS)



DETAIL D
TOP REAR OF FRAME

NOTE: ITEMS SHOWN MAY NOT BE REQUIRED FOR ALL SPECS. REFER TO PARTS LISTS FOR USAGE.
NOTE: ADDITIONAL DECALS CALLED OUT ON DECAL INSTALLATION - OPTIONS.

ART_1001254501_20F2

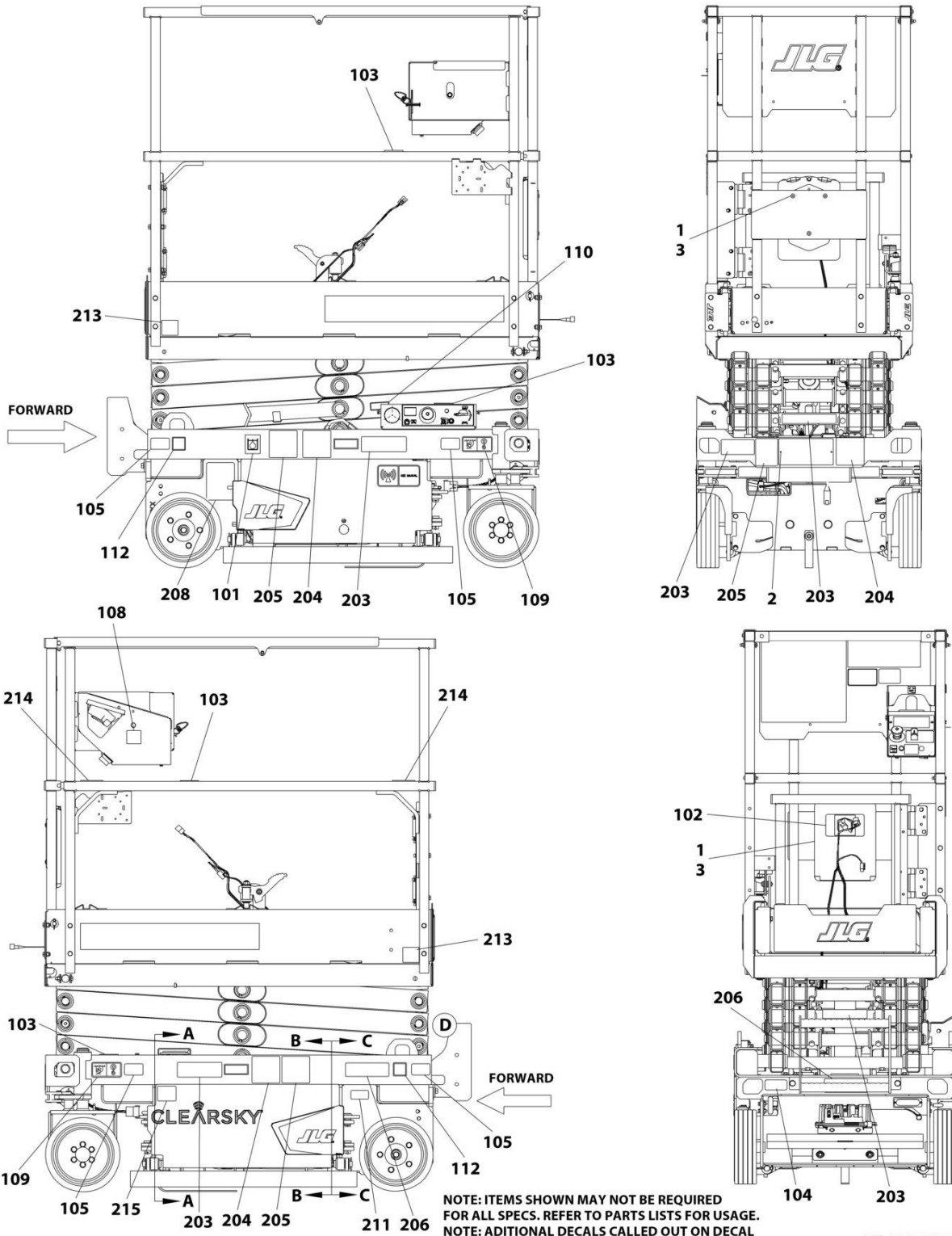
SECTION 8 - DECALS

FIGURE 8-5. DECAL INSTALLATION (CSA SPECS)

ITEM	PART NUMBER	QTY	DESCRIPTION	REV
	1001254501	Ref	DECALS INSTALLATION (CSA SPECS)	D
	1001247399	Ref	DECALS CHART DRAWING	L
1	2080040	3	Fastener	
2	2080057	4	Fastener	
3	8990147	1	Holder Manual	
100	1001247296	1	Master Decal Kit (Not Shown)	F
101	1701504	1	Decal - Hydraulic Oil	
102	1701640	1	Decal - Manual	
103	1703819	4	Decal - Directional Arrow	
104	1001248126	1	Decal - Manual Descent Instructions	
105	1704016	4	Decal - Fork Lift	
107	1704412	1	Decal - Hydraulic Oil Chart	
108	1001132359	1	Decal - Control Box Locate	
109	1001162864	4	Decal - Lift Point/Tie Down	
110	1001220430	1	Decal - Safety Prop	
112	1001212290	1	Decal - Tie Down	
113	1001212291	1	Decal - Lifting Lug	
201	1704684	1	Decal - Danger/Warning	
202	1001146794	1	Decal - Battery/Charger Service	
203	1705311	4	Decal - Crushing Hazard	
204	1001211779	4	Decal - Electrocution	
206	1704340	2	Decal - Warning Battery Ventilation	
208	1001131270	1	Decal - Patent	
209	1001223971	1	Decal - Yearly Inspection	
210	1001231801	1	Decal - Warning Prop 65	
211	1001228370	1	Decal - ICES	
214	1704277	2	Decal - Lanyard Attach	
215	1702155	1	Decal - Battery Disconnect	

SECTION 8 - DECALS

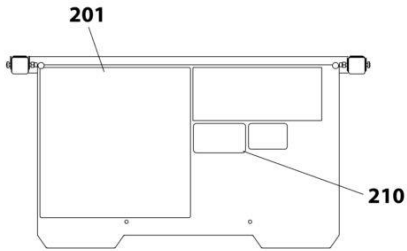
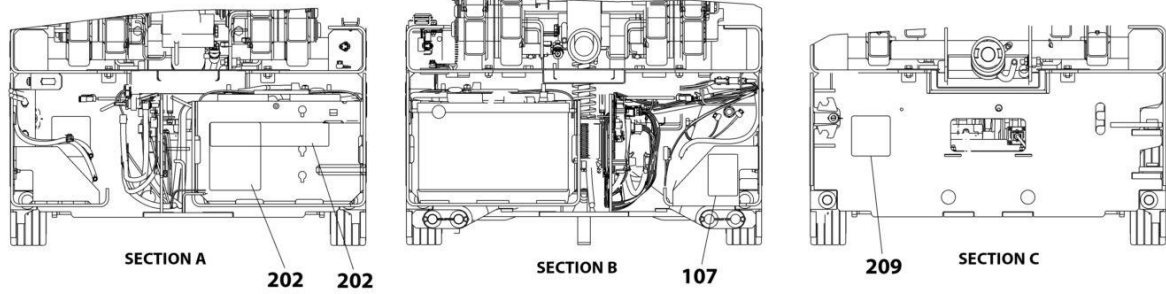
FIGURE 8-6. DECAL INSTALLATION (KOREAN SPECS)



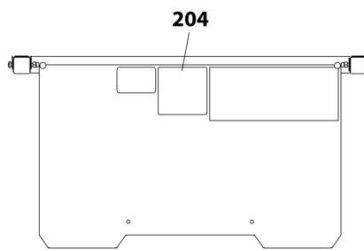
NOTE: ITEMS SHOWN MAY NOT BE REQUIRED FOR ALL SPECS. REFER TO PARTS LISTS FOR USAGE.
 NOTE: ADDITIONAL DECALS CALLED OUT ON DECAL INSTALLATION - OPTIONS.

ART_1001247302_10F2

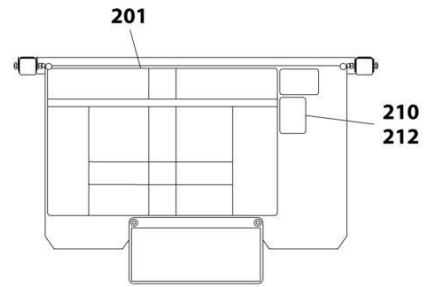
SECTION 8 - DECALS



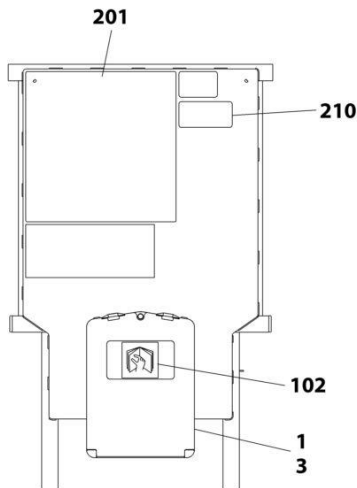
FIXED RAIL (ANSI SPECS)



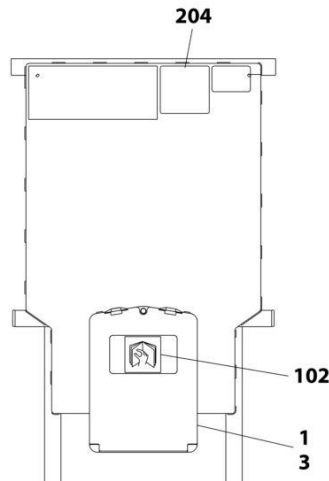
FIXED RAIL (CE AND JAPANESE SPECS)



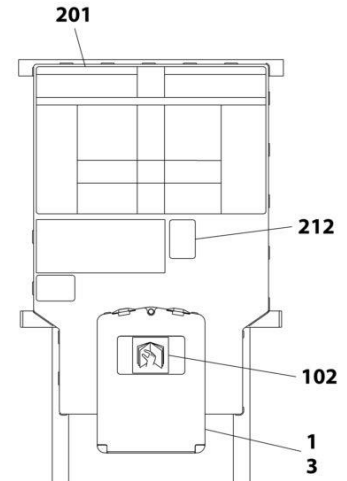
FIXED RAIL (CHINA, CSA AND KOREAN SPECS)



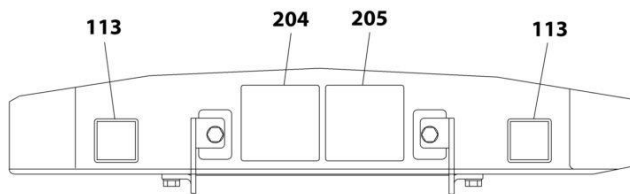
FOLDING RAIL (ANSI SPECS)



FOLDING RAIL (CE SPECS)



FOLDING RAIL (CHINA AND KOREAN SPECS)



DETAIL D
TOP REAR OF FRAME

NOTE: ITEMS SHOWN MAY NOT BE REQUIRED FOR ALL SPECS. REFER TO PARTS LISTS FOR USAGE.
NOTE: ADDITIONAL DECALS CALLED OUT ON DECAL INSTALLATION - OPTIONS.

ART_1001247302_20F2

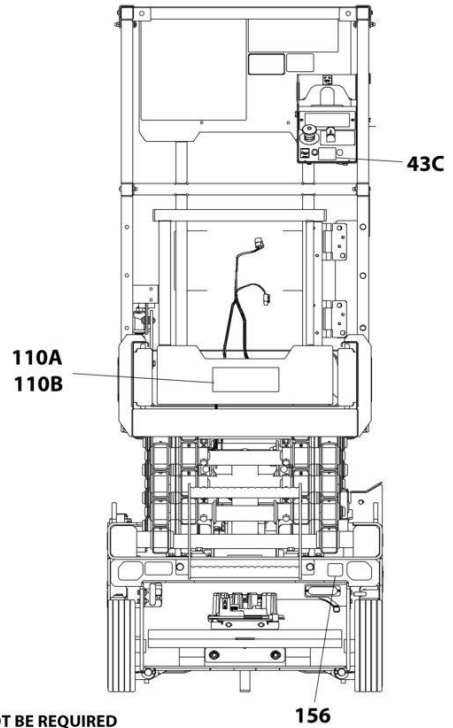
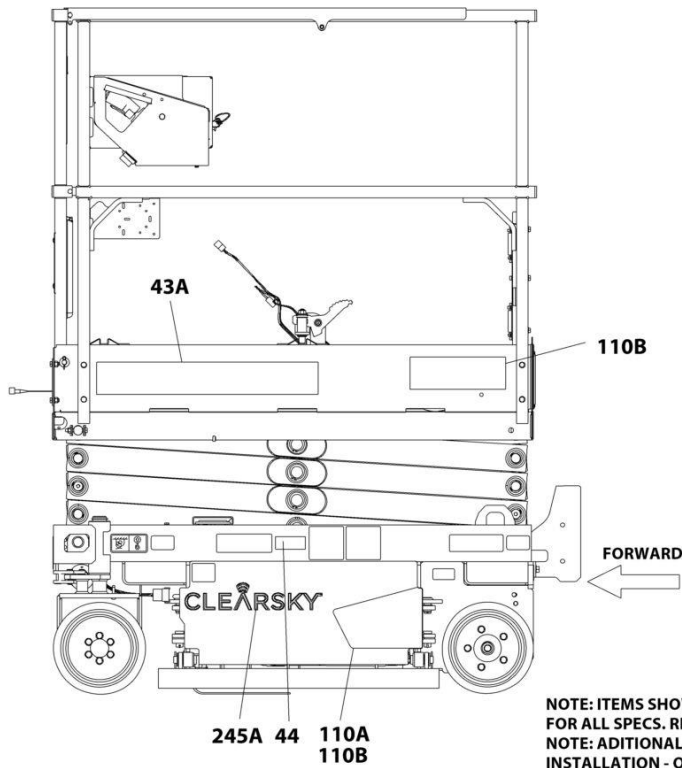
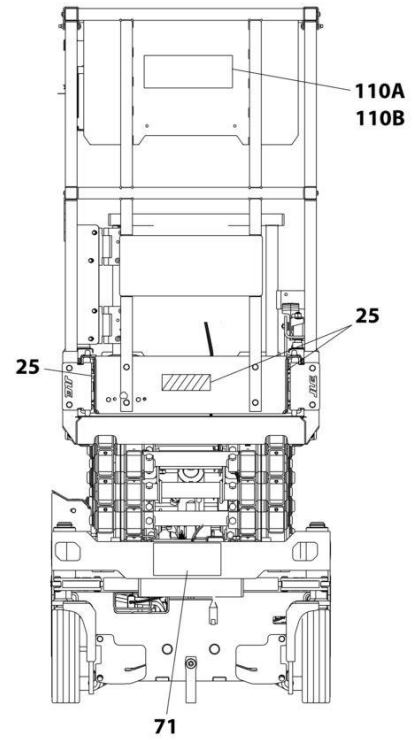
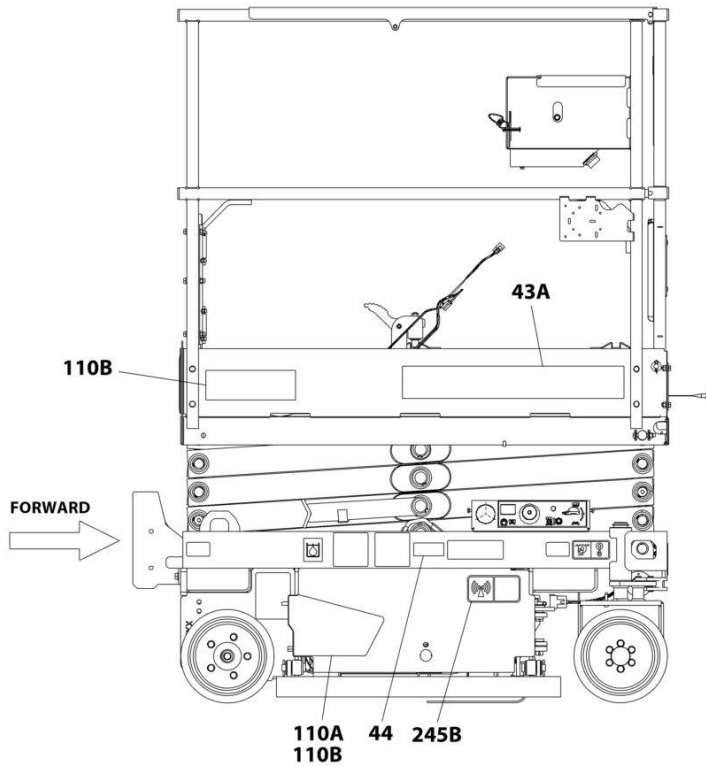
SECTION 8 - DECALS

FIGURE 8-6. DECAL INSTALLATION (KOREAN SPECS)

ITEM	PART NUMBER	QTY	DESCRIPTION	REV
	1001247302	Ref	DECALS INSTALLATION (KOREAN SPECS)	E
	1001247399	Ref	DECAL CHART DRAWING	L
1	2080040	3	Fastener	
2	2080057	4	Fastener	
3	8990147	1	Holder Manual	
100	1001247296	1	Master Decal Kit (Not Shown)	F
101	1701504	1	Decal - Hydraulic Oil	
102	1701640	1	Decal - Manual	
103	1703819	4	Decal - Directional Arrow	
104	1001248126	1	Decal - Manual Descent	
105	1704016	4	Decal - Fork Lift	
107	1704412	1	Decal - Hydraulic Oil Chart	
108	1001132359	1	Decal - Control Box Locate	
109	1001162864	4	Decal - Lift Point/Tie Down	
110	1001220430	1	Decal - Safety Prop	
112	1001212290	1	Decal - Tie Down	
113	1001212291	1	Decal - Lifting Lug	
201	1001247309	1	Decal - Danger/Warning	
202	1001146794	1	Decal - Battery/Charger Service	
203	1001249893	4	Decal - Crushing Hazard	
204	1001211779	4	Decal - Electrocution	
205	1001215750	4	Decal - Danger Electrocution	
206	1707022	2	Decal - Warning Battery Ventilation	
209	1001224048	1	Decal - Yearly Inspection	
214	1704277	2	Decal - Lanyard Attach	
215	1702155	1	Decal - Battery Disconnect	

SECTION 8 - DECALS

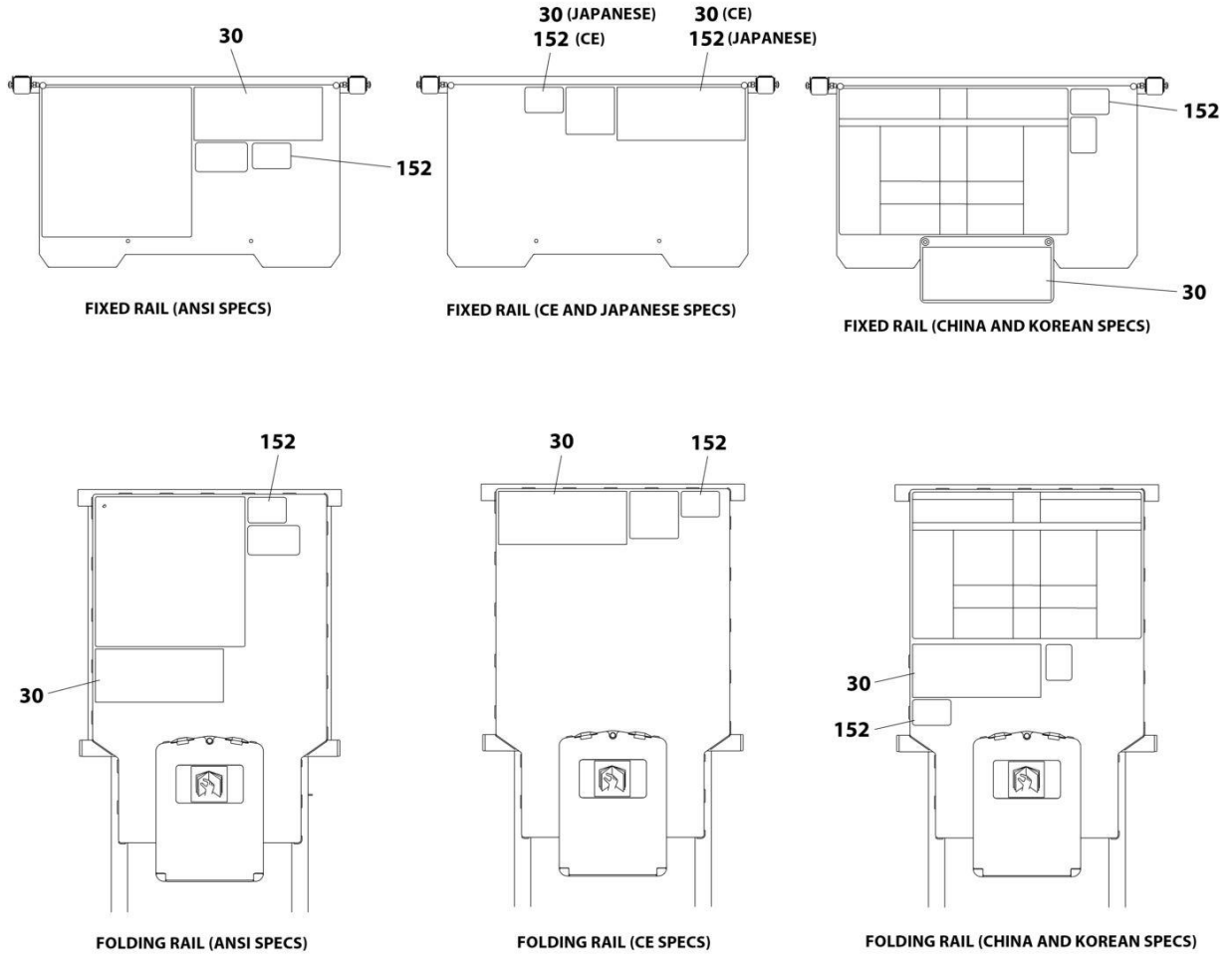
FIGURE 8-7. DECAL INSTALLATION - OPTIONS



NOTE: ITEMS SHOWN MAY NOT BE REQUIRED FOR ALL SPECS. REFER TO PARTS LISTS FOR USAGE.
NOTE: ADDITIONAL DECALS CALLED OUT ON DECAL INSTALLATION - OPTIONS.

ART_DECAL_OPTIONS_10F2

SECTION 8 - DECALS



**NOTE: ITEMS SHOWN MAY NOT BE REQUIRED FOR ALL SPECS. REFER TO PARTS LISTS FOR USAGE.
NOTE: ADDITIONAL DECALS CALLED OUT ON DECAL INSTALLATION - OPTIONS.**

ART_DECAL_OPTIONS_2OF2

SECTION 8 - DECALS

FIGURE 8-7. DECAL INSTALLATION - OPTIONS

ITEM	PART NUMBER	QTY	DESCRIPTION	REV
		Ref	DECAL INSTALLATION - OPTIONS	
	1001247399	Ref	DECAL CHART DRAWING	I
25	1001247712	Ref	Corner Stripes Installation	
25	4420051	3 ft/ 92cm	Tape, Safety	
30		Ref	Decal - Capacity Options:	
30	1001246677	1	Decal - Capacity (500lb/227kg) (Indoor Only Machines) (ANSI, ANSI Export, CE, China, Korean & UK CA Specs)	
30	1001265839	1	Decal - Capacity (500lb/227kg) (Indoor/Outdoor Machines) (ANSI, ANSI Export, CE, China, Korean & UK CA Specs)	
30	1001247537	1	Decal - Capacity (China, CSA and Korean Specs)	B
30	1001246677	1	Decal - Capacity (500lb/227kg) (500lb/227kg) (Indoor Only Machines) (China, CSA and Korean Specs)	
30	1001265839	1	Decal - Capacity (500lb/227kg) (500lb/227kg) (Indoor/Outdoor Machines) (China, CSA and Korean Specs)	
30	1001247344	1	Plate, Decal Mounting (Indoor Only Machines)	
30	1001216865	1	Plate, Decal Mounting (Indoor/Outdoor Machines)	
30	2080040	2	Fastener	
43	1001247536	1	Decal - Model Designation	D
43A	1001246681	1	Decal - Model Designation	
43C	1001249939	1	Decal - Model Designation	
44	1001247660	2	Decal - Maximum Tire Load	
71	See Note	NSS	Decal - Manufacturers Serial Number (Note: Not Available for Purchase)	
110A	1001256603	1	JLG Decals Installation (All Specs Except China Specs)	B
110A	1001256675	1	Decal - JLG (3-5/16 wide)	
110A	1001256676	1	Decal - JLG (2-5/8 wide)	
110A	1001256677	1	Decal - Door (LH)	
110A	1001256678	1	Decal - Door (RH)	
110B	1001287766	1	Decal - JLG (China Specs)	
110B	1001256677	1	Decal - Door (LH)	
110B	1001256678	1	Decal - Door (RH)	
110B	1001287762	1	Decal - Billboard	
110B	1001287763	1	Decal - Gate	
110B	1001288212	2	Decal - Platform	
152		Ref	Decal - No Pipe Racks Allowed Options:	
152	1001092071	1	Decal - No Pipe Racks Allowed (English) (ANSI, ANSI Export and China Specs)	
152	1001092497	1	Decal - No Pipe Racks Allowed (English) (CE, Japanese & UK CA Specs)	
152	1001120622	1	Decal - No Pipe Racks Allowed (English/Chinese) (China Specs)	
152	1001092580	1	Decal - No Pipe Racks Allowed (English/French) (CSA Specs)	
152	1001120621	1	Decal - No Pipe Racks Allowed (English/Korean) (Korean Specs)	
156	1001173703	1	Decal - EAC (Russian/CIS Specs)	
245	1001236984	Ref	Decal - Clear Sky (3 Wire, 3G & 4G)	
245	1001296855	Ref	Decal - Clear Sky (Smart Fleet)	
245A	1001116208	1	Decal - Clear Sky (3 Wire, 3G & 4G)	
245A	1001294815	1	Decal - Clear Sky (Smart Fleet)	
245B	1001120989	1	Decal - Clear Sky Frequency	

SECTION 9 - RECOMMENDED SERVICE PARTS STOCK

SECTION 9 - RECOMMENDED SERVICE PARTS STOCK

SECTION 9 - RECOMMENDED SERVICE PARTS STOCK

FIGURE 9-1. RECOMMENDED SERVICE PARTS STOCK

ITEM	PART NUMBER	QTY	DESCRIPTION	REV
		Ref	Note: The following list will service one machine (built to current production per date on the front cover) with emergency repair parts which can be installed in the field. Parts from the list should be replaced when inventory is depleted to keep service parts stock supplied. For further information, contact your JLG dealer or the JLG Industries Parts Department.	
	1001189172	1	Breaker 16Amp Double (AC Box CE & UK CA Specs Machines)	
	1001189171	1	Breaker 30mAmp (AC Box CE & UK CA Specs Machines)	
	1001181045	1	Breaker 30mAmp/16Amp (AC Box CE & UK CA Specs Machines)	
	1600402	1	Controller, Drive/Steer (Platform Console)	
	8229234	2	Fuse - 10AMP ATO (Drive Control Harness)	
	2860030	1	Key, Replacement (Ground Control)	
	3080007	1	Latch, Magnetic (Platform)	
	1001200629	1	Module, Control (Ground Control)	
	1001243107	1	Module, Control (Drive)	
	1001224873	1	Module, Platform	
	3740150	1	Relay (Ground Control)	
	1001146963	1	Sensor, Angle (Machines with LSS)	
	1001200746	1	Sensor, Angle (Machines without LSS)	
	1001186466	1	Sensor, Tilt (Frame)	
	4360475	1	Switch, Emergency Stop (Ground Controls/Platform Console)	
	4360469	1	Switch, Key (Ground Control)	
	1001200633	1	Switch, Push Button (Platform Console)	
	1001226749	1	Switch, Push Button (Ground Control)	
	1001203871	1	Switch, Roller (Pothole Protection)	
	4360328	1	Switch, Toggle (Ground Control)	
	4360345	1	Switch, Toggle (Platform Console)	
	1001258446	1	Switch, Toggle (Platform Console)	

SECTION 10 - SPECIAL OPTIONS/ACCESSORIES/KITS

SECTION 10 - SPECIAL OPTIONS/ACCESSORIES/KITS

SECTION 10 - SPECIAL OPTIONS/ACCESSORIES/KITS

FIGURE 10-1. SPECIAL OPTIONS/ACCESSORIES/KITS

ITEM	PART NUMBER	QTY	DESCRIPTION	REV
		Ref	Note: This list is to accommodate machines ordered with special equipment. Options may not be applicable to all models. For more specific parts information contact the JLG Parts Department.	
		Ref	MISCELLANEOUS SPECIAL OPTIONS/ACCESSORIES/KITS	
	1001209921	Ref	Antivandalism Package (Factory Installed)	
	1001225173	Ref	Antivandalism Add-On Kit (Dealer Installed)	
	1001255129	Ref	Beacon Light (Single) Add-On Kit (Dealer Installed)	
	1001274645	Ref	Beacon Light (Dual) Add-On Kit (Dealer Installed)	
	1001269174	Ref	Cleanguard Add-on Kit (Dealer Installed)	
		Ref	ClearSky Telematics Add-on Kit (Dealer Installed)	
	1001278848	Ref	ClearSky Telematics Add-on Kit - 3 Wire GT1030 (Dealer Installed)	
	1001293899	Ref	Cover Installation (Without ClearSky)	
		Ref	Decal Kit Options:	
	1001274821	Ref	Decal Kit - Common	
		Ref	Electrical Connector Kits	
	1001148902	Ref	Amp/Tyco Electrical Connector Kit	
	1001148903	Ref	Deutsch DT Electrical Connector Kit	
	1001148904	Ref	Deutsch HD Electrical Connector Kit	
	1001148905	Ref	Packard Electrical Connector Kit	
	1001148906	Ref	Various Electrical Connector Kit	
	1001236533	Ref	Footswitch Installation (Factory Installed) (ANSI Export & Japanese Specs Only)	
	1001210670	1	Footswitch Assembly (ANSI Export & Japanese Specs Only)	
	1705828	1	Decal - Footswitch (ANSI Export & Japanese Specs Only)	
	1001255128	Ref	Footswitch Add-On Kit (Dealer Installed)	
	1001268465	Ref	Hostile Environment Package Installation	
	1001273633	Ref	Indoor/Outdoor Kit (CE & UK CA Specs)	
	1001246444	Ref	Low Height Retriktion System Installation (ANSI Export, Japan & Korean Specs)	
	1001294780	Ref	Pressure Transducer Kit	
	1001269479	Ref	SkySense (Level 1) Installation	
	1001282355	Ref	Telematics Installation (Dealer Installed)	
	1001254661	Ref	Service Kits/Tools	G
		Ref	Tools for Service	
	2901443	1	Analyzer Kit	
	1001232474	1	Benchtop Harness	
	8896941	1	Wire Stripper	
	7002821	1	Wire Crimper (To install wire ends to wires)	
	7002823	1	Pin/Socket Extractor - Universal (To Remove Pins/Sockets from Connectors)	
	4460467	1	Extractor - 16-18 Gauge (For Removal Pins/Sockets from Deutsch Connectors)	
	4460510	1	Extractor - 12-14 Gauge (For Removal of Pins/Sockets from Deutsch Connectors)	
	7002822	1	Screwdriver, Potentiometer (To Adjust Drive Controllers)	
	7016654	1	Screwdriver, Magnetic	
	7004275	1	Seal Installation Tool - 1in	
	7004276	1	Seal Installation Tool - 1-1/2in	
	7002826	1	Seal Installation Tool - 2in	

SECTION 10 - SPECIAL OPTIONS/ACCESSORIES/KITS

ITEM	PART NUMBER	QTY	DESCRIPTION	REV
	1001281951	Ref	USB & Phone Cradle Kit	
	1001281944	Ref	White Noise Ambient Alarm Kit	

SECTION 10 - SPECIAL OPTIONS/ACCESSORIES/KITS

PART NUMBER INDEX

SECTION 10 - SPECIAL OPTIONS/ACCESSORIES/KITS

0100011.....13, 15, 17, 27, 29, 31, 33, 35, 39, 41, 45, 47, 51, 55, 57, 73, 89, 91, 93, 95, 97, 99, 101, 181	1001097347 185, 187	1001151629 165	1001212036.....215
0100048.....57	1001099560 13	1001152483 143	1001212068.....27
0100051.....61, 63, 65, 67, 69, 71	1001100341 219	1001154378 99, 101	1001212290.....238, 242, 246, 250, 254, 258
0140030.....105	1001100342 221	1001157547 229	1001212291.....238, 242, 246, 250, 254, 258
0140043.....57	1001100345 223	1001159186 165, 215	1001213886.....105
0275216.....123, 219	1001100346 227	1001162864 238, 242, 246, 250, 254, 258	1001214526.....27
0275217 125, 221	1001100347 225	1001162886 165	1001214810.....73
0275452 127, 223	1001100451 123, 125, 127, 129, 131, 133, 229	1001162887 165	1001215747.....250
0275453 129, 225	1001102258 121, 123, 125, 127, 129, 131, 133, 135, 137	1001163340 165	1001215750.....258
0275454 131, 227	1001102489 147, 149, 151, 153, 155, 157, 159, 161, 163	1001173703 262	1001215953.....27
0440259 13, 113	1001102771 145	1001181045 141, 264	1001215953.....27
0440263 27, 79, 83	1001103012 166	1001182806 43	1001216865.....262
0440264 79, 83	1001103471 133, 151	1001186466 29, 264	1001217043.....89
0440265 79, 83	1001104498 166	1001187587 99, 101	1001217164.....141, 143
0630183.....89	1001110544 37, 39, 41	1001187816 135	1001217842.....169
0630576.....73	1001116208 262	1001188116 135	1001217843.....169
0700412.....57	1001116731 187	1001189171 143, 264	1001218285.....105
0700610.....117	1001116732 185, 187	1001189172 143, 264	1001219171.....242, 246
0700612.....39, 41, 57	1001116733 169	1001192401 166	1001219172.....242, 246
0700616.....57	1001116812 145, 165	1001194421 215	1001220409.....103
0700815.....27	1001117000 165	1001196589 166	1001220410.....103
0700816.....73	1001117057 185, 187	1001196634 145, 183	1001220430.....238, 242, 246, 250, 254, 258
0700818.....15, 17, 91, 93, 95, 97, 99, 101	1001117096 231	1001198576 39, 41	1001220893.....105
0700819.....87, 103	1001118387 165	1001200629 57, 264	1001220995.....103
0700820.....99, 101	1001118812 189	1001200631 78, 82	1001221475.....89
0700823.....27	1001120204 123, 125, 127, 129, 131	1001200632 59	1001221476.....89
0700835.....105	1001120205 141, 143	1001200633 264	1001221949.....163
0701015.....78, 82	1001120621 262	1001200746 264	1001222055.....238
0701020.....78, 82	1001120622 262	1001200819 105, 215	10012223262.....209
0701021.....78, 82, 87	1001120989 262	1001201885 166, 215	1001223971.....254
0760408.....55, 121, 123, 125, 127, 129, 131, 135, 229	1001125483 229	1001202987 27	1001224048.....258
0760508.....35	1001125677 165, 189	1001202988 27	1001224051.....250
0760608.....35, 57, 78, 82	1001125916 65, 69	1001203443 87	1001224873.....264
0760610.....31, 33, 35, 78, 82, 103, 105	1001125927 139	1001203869 27	1001225164.....78, 82
0760612.....31, 33, 43, 78, 82, 229	1001130220 105	1001203870 27, 73	1001225173.....266
0760810.....47, 89, 99, 101, 163	1001130590 57	1001203871 27, 264	1001226400.....229
0760812.....13	1001131270 238, 254	1001203872 27	1001226636.....187
0761009.....51	1001132358 105	1001204311 78, 82	1001226637.....187
0761010.....55	1001132359 238, 242, 246, 250, 254, 258	1001204495 43	1001226749.....57, 105, 264
0761011.....45	1001132361 105	1001205156 87	1001227219.....151
0761012.....13	1001134821 103	1001205410 165	1001227267.....133, 151
0761014.....73	1001136757 229	1001205411 165	1001227268.....133
0761016.....73	1001137675 89	1001205412 165	1001227269.....139
0761221.....73	1001142173 229	1001205422 89	1001228191.....139
0861731.....217, 223, 225, 227	1001143009 229	1001205430 89	1001228370.....238, 254
0861781.....219, 221	1001144147 169, 187, 189	1001207009 31, 33	1001228954.....173
0861880.....141	1001144295 165	1001207293 59	1001229739.....99, 101
0962292.....111	1001144296 165, 166	1001207970 149	1001229740.....99, 101
1001047064.....105	1001145762 229	1001207973 161	1001229741.....99, 101
1001091102.....27, 55, 57, 181	1001145881 229	1001207974 147, 151, 153, 155, 157, 159	1001229742.....99, 101
1001092071.....262	1001146794 229, 238, 242, 250, 254, 258	1001208852 89	1001229792.....73
1001092497.....262	1001146963 78, 82, 264	1001209596 105	1001231268.....78, 82
1001092580.....262	1001148902 266	1001209682 57	1001231801.....238, 254
1001097150.....133	1001148903 266	1001209921 266	1001232257.....99, 101
	1001148904 266	1001210064 89	1001232474.....266
	1001148905 266	1001210586 91, 93, 95, 97, 99, 101	1001232622.....99, 101
	1001148906 266	1001210670 266	1001233525.....13
		1001210963 91, 93, 95, 97, 99, 101	1001233714.....61, 63
		1001211777 238	1001233834.....79, 83
		1001211779 238, 250, 254, 258	1001233837.....79, 83
		1001212035 215	1001233860.....78, 82
			1001233861.....78, 82
			1001233863.....78, 82
			1001233864.....78, 82

SECTION 10 - SPECIAL OPTIONS/ACCESSORIES/KITS

1001233865..... 78, 82	1001244092..... 95, 97	1001245743..... 139	1001255128..... 266
1001233866..... 78, 82	1001244093..... 95, 97	1001245744..... 133, 139	1001255129..... 266
1001233867..... 78, 82	1001244095..... 91, 93, 95, 97	1001245747..... 133	1001255208..... 17
1001234204..... 78, 82	1001244096..... 91, 93, 95, 97	1001245750..... 73	1001255263..... 67
1001234461..... 13, 113	1001244144..... 78, 82	1001245790..... 78, 82	1001255264..... 71
1001235002..... 51, 117	1001244160..... 45	1001245851..... 51, 53	1001255901..... 183
1001235104..... 78	1001244298..... 250	1001245917..... 139	1001256603..... 262
1001236129..... 89	1001244301..... 250	1001246144..... 175	1001256628..... 242
1001236144..... 173, 175	1001244320..... 78, 79, 82, 83	1001246145..... 179	1001256675..... 262
1001236222 .. 78, 82, 111	1001244338..... 61, 63, 65, 67, 69, 71	1001246303..... 78, 82	1001256676..... 262
1001236533..... 266	1001244339..... 61, 63, 65, 67, 69, 71	1001246444..... 266	1001256677..... 262
1001236834..... 13	1001244437..... 191	1001246639..... 19	1001256678..... 262
1001236849..... 27	1001244438..... 193	1001246677..... 262	1001256745..... 39, 41
1001236856..... 73	1001244439..... 197	1001246681..... 262	1001258226..... 78, 83
1001236860..... 73	1001244440..... 199	1001246920..... 13	1001258446..... 105, 264
1001236861..... 73	1001244444..... 191, 193, 195, 197, 199, 201, 203, 205, 207, 209	1001246921..... 13	1001260503..... 55
1001236984..... 262	1001244445..... 193, 199, 203, 209	1001247296..... 238, 242, 246, 250, 254, 258	1001260504..... 55
1001237462..... 31, 33, 35	1001244672..... 73	1001247301..... 238	1001260628..... 31
1001237507..... 29	1001244908..... 127, 129, 143	1001247302..... 258	1001261046..... 201
1001237518..... 25	1001244909..... 123, 125, 131, 141	1001247303..... 250	1001261047..... 203
1001238025..... 117	1001244911..... 121	1001247305..... 246	1001261048..... 207
1001238026..... 117	1001244912..... 137	1001247309..... 258	1001261049..... 209
1001238060..... 63, 69, 71	1001244913..... 127	1001247310..... 246	1001261051..... 205
1001239224..... 37, 39, 41	1001244914..... 129	1001247311..... 250	1001262221..... 107
1001239303..... 61, 65, 67	1001244915..... 131	1001247344..... 262	1001262299..... 79, 83
1001239314..... 37	1001244916..... 123	1001247399..... 238, 242, 246, 250, 254, 258, 262	1001262322..... 177
1001239315..... 39	1001244917..... 125	1001247531..... 177	1001262327..... 177, 179
1001239374..... 78, 211	1001244918..... 135	1001247532..... 173	1001262581..... 55
1001239404..... 78, 82	1001245099..... 89	1001247533..... 175	1001262655..... 105
1001239457..... 73	1001245100..... 89	1001247534..... 179	1001263443..... 78, 82
1001239661..... 37, 39	1001245101..... 91, 93	1001247536..... 262	1001264943..... 31
1001239737..... 78, 82	1001245102..... 91, 93	1001247537..... 262	1001264944..... 33
1001241320..... 191, 193, 195	1001245103..... 91, 93	1001247660..... 262	1001264945..... 35
1001241321..... 197, 199	1001245106..... 95, 97	1001247712..... 262	1001264946..... 147
1001241489..... 31, 33	1001245107..... 95, 97	1001247924..... 117	1001264947..... 149
1001241542..... 27	1001245108..... 95, 97	1001248126..... 238, 242, 246, 250, 254, 258	1001264948..... 163
1001241543..... 27	1001245110..... 91, 95, 99	1001248155..... 87	1001264949..... 157
1001241544..... 27	1001245119..... 99, 101	1001248157..... 87	1001264950..... 159
1001241546..... 25	1001245120..... 99, 101	1001249645..... 57	1001264951..... 153
1001241589..... 47	1001245121..... 99, 101	1001249667..... 15, 17	1001264952..... 155
1001241599..... 15	1001245122..... 99, 101	1001249668..... 65, 69	1001264953..... 161
1001241601..... 25	1001245123..... 99, 101	1001249846..... 27	1001264954..... 151
1001242978..... 15, 17	1001245125..... 99, 101	1001249876..... 78, 82	1001264978..... 33
1001242980..... 15, 17	1001245129..... 99, 101	1001249887..... 117	1001265088..... 55
1001243106..... 13	1001245131..... 99, 101	1001249893..... 258	1001265409..... 55
1001243107 .. 15, 17, 264	1001245132..... 99, 101	1001249894..... 250	1001265533..... 201, 203
1001243226..... 61	1001245134..... 99, 101	1001249939..... 262	1001265534..... 205, 207
1001243227..... 63	1001245135..... 99, 101	1001249940..... 31	1001265839..... 262
1001243228..... 65	1001245136..... 99, 101	1001250078..... 39, 41	1001266166..... 55
1001243229..... 69	1001245138..... 91, 93, 95, 97	1001250403..... 45	1001266167..... 55
1001243230..... 61, 65, 67	1001245139..... 25	1001253626..... 151	1001266214..... 165
1001243231..... 63, 69, 71	1001245386..... 79, 83	1001253885..... 133	1001266955..... 55
1001243232 .. 61, 63, 65, 67, 69, 71	1001245388..... 79, 83	1001253887..... 195	1001268465..... 266
1001243233 .. 61, 63, 65, 67, 69, 71	1001245451..... 79, 83	1001253889..... 195, 205	1001269174..... 266
1001243235 .. 61, 63, 65, 67, 69, 71	1001245634..... 79, 83	1001253969..... 133, 139	1001269479..... 266
1001243248..... 13	1001245635..... 79, 83	1001253972..... 133	1001270168..... 17, 21
1001243249..... 13		1001254026..... 173, 175, 177, 179, 187	1001270169..... 17, 23
1001243252..... 57		1001254027..... 33, 173, 175, 177, 179, 189	1001272659..... 171
1001243255..... 57, 169		1001254028..... 33, 145	1001272868..... 166
1001243257..... 15, 19		1001254501..... 254	1001272997..... 183
1001243838..... 47		1001254633..... 67, 71	1001273012..... 171, 183
1001244045..... 91, 93		1001254661..... 266	1001273633..... 266
1001244047..... 91, 93			1001274502..... 229
			1001274556..... 229
			1001274559..... 57
			1001274560..... 55
			1001274604..... 105

SECTION 10 - SPECIAL OPTIONS/ACCESSORIES/KITS

1001274605.....105	1707022.....258	3841143.....78, 82	4460464..39, 41, 43, 145,
1001274645.....266	2080040... 89, 91, 93, 95,	3860111 91, 93, 95, 97	165, 169, 183, 185,
1001274661.....107	97, 99, 101, 238, 242,	3910804.....57	187, 191, 193, 195,
1001274821.....266	246, 250, 254, 258, 262	3990001.....145	197, 199, 201, 203,
1001275545.....229, 231	2080057 ... 238, 242, 246,	4010308.....37, 39	205, 207, 209, 211,
1001275546.....229, 233	250, 254, 258	4010310.....181	213, 215, 233
1001275547.....229	2220466.....117	4010405.....133	4460465....19, 37, 39, 41,
1001275548.....229	2220654.....117	4010408 103, 133, 151	145, 165, 166, 185,
1001278513.....171, 185	2220883.....111	4010608 ... 91, 93, 95, 97,	191, 193, 195, 197,
1001278847.....171	2400060.....145, 165	99, 101	199, 201, 203, 205,
1001278848.....266	2420172.....57	4010616 91, 93, 95, 97	207, 209, 211, 213
1001280661.....181	2540045.....57	401061799, 101	4460466....145, 165, 169,
1001281944.....267	2600281 ... 91, 93, 95, 97,	4010618 ... 91, 93, 95, 97,	187, 189, 191, 193,
1001281951.....267	99, 101	99, 101	195, 197, 199, 201,
1001282355.....266	2860030.....57, 264	4031509.....105	203, 205, 207, 209,
1001283412.....57	2901443.....266	4031511.....27	211, 213, 215, 233
1001285138.....35	2902431.....121, 217	4031512.....78, 82	4460467.....266
1001285320.....82	3080007 ... 91, 93, 95, 97,	403170815, 17, 29	4460496.....105
1001287762.....262	99, 101, 264	4032010.....15, 17	4460497.....105
1001287763.....262	3252507 ... 125, 127, 129,	4060803.....105	4460510.....266
1001287766.....262	131, 135, 137	4060805.....181	4460539....166, 197, 199,
1001288212.....262	3290305 ...37, 39, 41, 181	4060906.....105	207, 209, 211, 213
1001288781.....17	3290401.....181	4160078.....78, 82	4460662....127, 129, 131,
1001289648.....181	3290405 ... 27, 55, 57, 78,	4160202.....27	217
1001291056.....181	82, 103, 105, 121, 123,	4160214.....73	4460670.....165, 169
1001293890.....181	125, 127, 129, 131,	4240017 ... 15, 17, 31, 33,	4460722.....233
1001293899.....266	133, 135, 151, 229	35, 57, 61, 63, 65, 67,	4460754....191, 193, 195,
1001294314.....82, 213	3290505.....35	69, 71, 78, 82, 121,	197, 199, 201, 203,
1001294780.....266	3290601.....29, 117	123, 125, 127, 129,	205, 207, 209
1001294815.....262	3290605 ... 31, 33, 35, 43,	131, 133, 135, 137,	4460761.....166
1001296268.....181	57, 73, 78, 82, 123,	147, 149, 151, 153,	4460779.....231
1001296269.....41	125, 127, 129, 131,	155, 157, 159, 161,	4460871.....145, 169
1001296855.....262	133, 229	163, 191, 193, 195,	4460872.....145
1001307629...93, 97, 101	3290606 ... 91, 93, 95, 97,	197, 199, 201, 203,	4460873.....169
1060908.....139, 141, 143	99, 101, 103	205, 207, 209, 229	4460877.....165
1320223.....163	3290801.....13, 27	4240018117, 181	4460884....145, 166, 185,
1321293.....31, 33, 35	3290805 ... 27, 73, 87, 89,	4240032 ... 171, 173, 175,	211
1321385.....78, 82	163	177, 179	4460891....19, 37, 39, 41,
1321752.....15, 17	3290806... 91, 93, 95, 97,	424014727	145, 165, 197, 199,
1380153.....13	99, 101, 103, 105	4360328.....57, 264	207, 209, 211, 213
1600402.....105, 264	329080779, 83	4360336.....229	4460894....165, 191, 193,
1671207.....217	329100573, 89	4360345.....264	195, 197, 199, 201,
1701504....238, 242, 246,	329100778, 82, 87	436046957, 264	203, 205, 207, 209
250, 254, 258	3291201.....73	436047557, 105, 264	4460897..39, 41, 43, 145,
1701640....238, 242, 246,	3311502.....89	4420051.....262	165, 169, 233
250, 254, 258	3321402.....78, 82	4420062 ... 91, 93, 95, 97,	4460899....191, 193, 195,
1702155....238, 242, 246,	3322203.....15, 17	99, 101, 105	197, 199, 201, 203,
250, 254, 258	3340962.....78, 82	4460042.....166	205, 207, 209
1703464.....121, 123	3391210.....15, 17	4460115.....165	4460905.....145, 169
1703813.....238	3423032.....87	4460138.....121	4460932....145, 183, 185,
1703816.....238	3423037.....13	4460183.....165, 215	187
1703819....105, 238, 242,	3423243.....73	4460226.....165	4460933.....165, 189
246, 250, 254, 258	3423278.....105	446022731, 33, 166	4460943....169, 187, 189,
1704016....238, 242, 246,	3430636.....27	4460234 ... 173, 175, 177,	191, 193, 195, 197,
250, 254, 258	3430814.....89	179	199, 201, 203, 205,
1704260.....105	3430816.....89	4460247.....166	207, 209
1704277....238, 242, 246,	3431212.....27, 73	4460259.....165	4460944....145, 165, 166,
250, 254, 258	3431218.....27	4460260.....165	189, 191, 193, 195,
1704340.....254	3450303.....27, 73	4460265.....215	197, 199, 201, 203,
1704344.....250	3450403.....89	4460267.....215	205, 207, 209
1704412....238, 242, 246,	3450505.....27, 73	4460315.....121, 135	4460956.....141
250, 254, 258	3520072 ... 91, 93, 95, 97,	4460320.....165	4460957.....141
1704684.....254	99, 101	4460346.....217	4460965.....166
1705311.....254	3740150.....57, 229, 264	4460418 ... 165, 215, 233	4460966.....166
1705670.....242, 246	3760115.....78, 82	4460419.....233	4460968.....135
1705828.....266	3760170.....78, 82	4460424.....31, 33	4460970.....211, 213
1706679.....57	3760387.....78, 82		4461016.....215

SECTION 10 - SPECIAL OPTIONS/ACCESSORIES/KITS

4461023 165	70003636 111, 113	70007258.....19	70007922..... 21, 23
4461196 153, 219	70003685 53	70007259.....19	70007923..... 21, 23
4461198 219	70003686 53	70007260.....19	70007924..... 21, 23
4461199 155, 221	70003690 53	70007261.....19	70007925..... 21, 23
4461201 221	70003696 53	70007262.....19	70007926..... 21, 23
4461205 157, 223, 225	70003706 53	70007263.....19	70007927..... 21, 23
4461244 223	70003734 53	70007264.....19	70007928..... 21, 23
4461245 225	70004585 111	70007265.....19	70007929..... 21, 23
4461246 227	70005236 111	70007266.....19	70007930..... 21, 23
4461249 159, 227	70005632 53	70007267.....19	70007931..... 21, 23
4461257 123, 125	70005635 53	70007268.....19	70007932..... 21, 23
4461258 123, 125	70005637 53	70007269.....19	70007933..... 21, 23
4711000 35	70007074 113	70007270.....19	70007934..... 21, 23
4711700 105	70007075 113	70007271.....19	70007935..... 21
4711800 89	70007076 113	70007272.....19	70007936..... 23
4740438 78, 82	70007077 113	70007273.....19	70008142..... 111
4740531 78, 82	70007118 113	70007274.....19	70008143..... 111
481140078, 82, 103, 105, 121, 123, 125, 127, 129, 131, 133, 135, 151, 229	70007120 53	70007275.....19	70008248..... 53
4811700 ... 31, 33, 35, 39, 41, 43, 57, 78, 82, 91, 93, 95, 97, 99, 101, 103, 105, 117, 123, 125, 127, 129, 131, 133, 229	70007121 53	70007551.....21, 23	70008249..... 53
4811900 ... 13, 15, 17, 27, 47, 73, 87, 89, 91, 93, 95, 97, 99, 101, 105, 163	70007122 53	70007589.....53	70008250..... 53
4811902 27, 99, 101, 103	70007123 53	7000790.....21, 23	70008251..... 53
4812000 ... 13, 15, 17, 27, 45, 51, 73, 78, 82, 89	70007124 53	70007902.....21, 23	70008252..... 53
4812002 89	70007125 53	70007903.....21, 23	7002821 266
4812100 73	70007126 53	70007904.....21, 23	7002822 266
4812500 15, 17, 27	70007127 53	70007905.....21, 23	7002823 266
4831400 181	70007128 53	70007906.....21, 23	7002826 266
4846757 13	70007129 111	70007907.....21, 23	7004275 266
5241000 73, 89	70007130 111	70007909.....21, 23	7004276 266
	70007131 111	70007910.....21, 23	7016654 266
	70007132 111	70007911.....21, 23	7020175 57, 105
	70007133 111	70007912.....21, 23	7020176 57, 105
	70007134 111	70007913.....21, 23	8220045 166
	70007135 111	70007914.....21, 23	8229031 166
	70007136 111	70007915.....21, 23	8229234 169, 264
	70007252 19	70007916.....21, 23	8405204 55
	70007253 19	70007917.....21, 23	8896941 266
	70007254 19	70007918.....21, 23	8990147 ... 238, 242, 246, 250, 254, 258
	70007255 19	70007919.....21, 23	
	70007256 19	70007920.....21, 23	
	70007257 19	70007921.....21, 23	



**Corporate Office
JLG Industries, Inc.
1 JLG Drive
McConnellsburg, PA 17233-9533 USA
☎ (717) 485-5161 (Corporate)
☎ (877) 554-5438 (Customer Support)
📠 (717) 485-6417**

**Visit our website for JLG Worldwide Locations.
www.jlg.com**



OSHKOSH™