



Illustrated Parts Manual

Model **ES2646**

PVC
2304

P/N
31221567
May 1, 2024 - Rev E

ANSI

CE



**UK
CA**

AS/NZS



An Oshkosh Corporation Company

REVISION LOG

April 10, 2023 - A - Original Issue of Manual (Edited to B/M 1001500000 Rev F and 1001274475 Rev D)

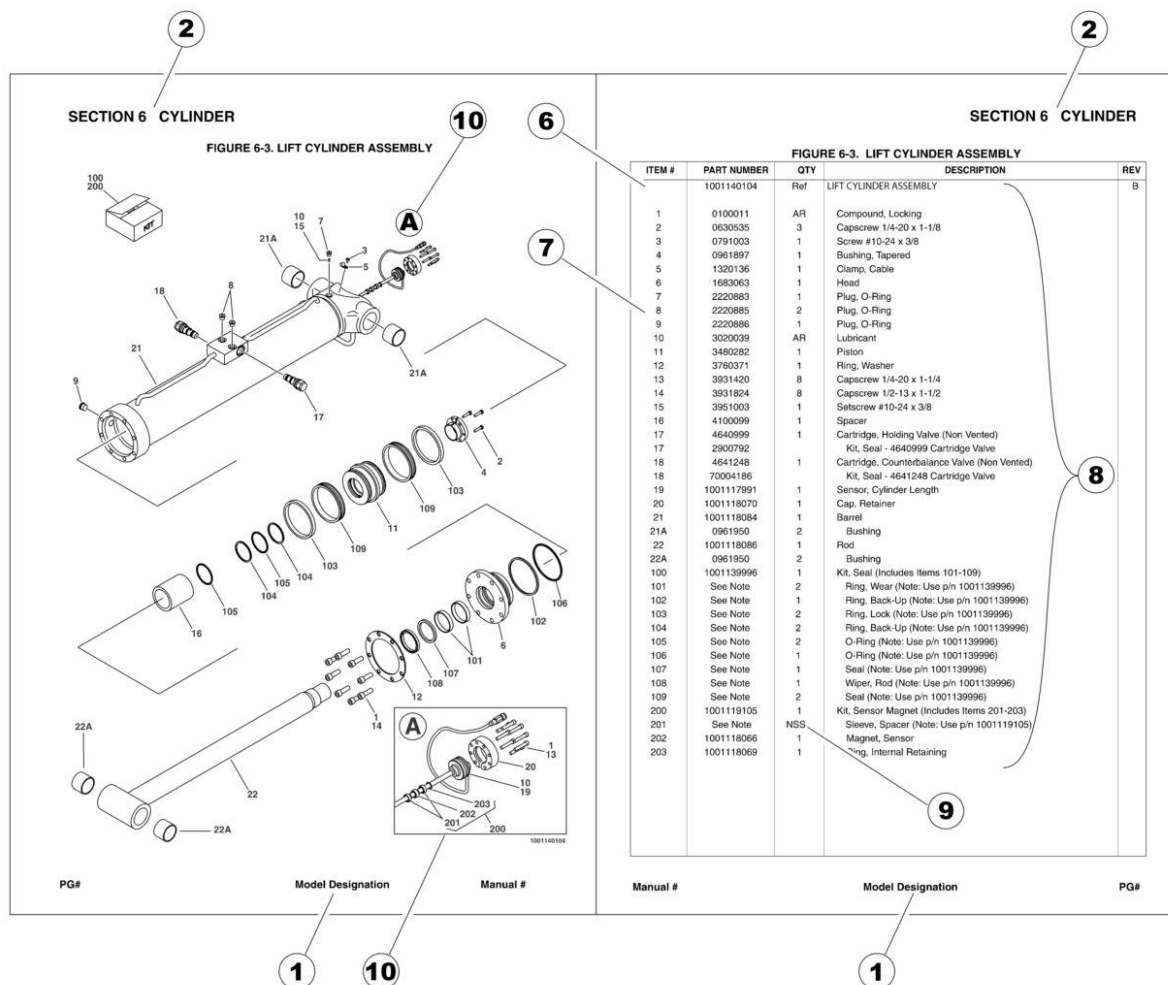
September 7, 2023 - B - Revised Manual (Edited to B/M 1001500000 Rev Q and 1001274475 Rev J)

February 5, 2024 - C - Revised Manual (Edited to B/M 1001500000 Rev Q and 1001274475 Rev J)

March 1, 2024 - D - Revised Manual (Edited to B/M 1001500000 Rev Q and 1001274475 Rev J)

May 1, 2024 - E - Revised Manual (Edited to B/M 1001500000 Rev Q and 1001274475 Rev J)

GENERAL INFORMATION



1) MACHINE IDENTIFICATION

Machines are identified by model and in some cases a combination of models, serial number (SN) or regional standard (i.e ANSI, CE, CSA). Components may also be identified by SN or manufacturer. Common components that may be identified by these characteristics are engines and hydraulic components.

2) PARTS MANUAL ORGANIZATION

Product information in this manual is organized under section titles. Frame, Cylinder, Hydraulic and Electrical are a few examples. Each section is organized by figure and page number. The information within the Figure is then organized by item number, part number, description and corresponding illustration (s).

3) TABLE OF CONTENTS (NOT SHOWN)

A table of contents is found toward the beginning of the manual. Figure number, description and page number are provided for quick reference to the page containing the related information.

4) RECOMMENDED SPARE PARTS (NOT SHOWN)

The Recommended Spare Parts List, located near the end of the manual, reference most frequently used maintenance parts.

5) PART NUMBER INDEX (NOT SHOWN)

A numerical index listing all part numbers and the corresponding page number(s) appears at the back of the manual.

GENERAL INFORMATION

6) NON-SERVICED PARTS

In some instances, it is necessary to display non-serviced parts, assemblies or installations. In the case of assemblies and installations there will be a Ref in the Qty. column. In case of parts that are not available for service within assemblies or components, there will be a NSS (Not Sold Separately) or NLA (No Longer Available) listed in the Qty. column of the manual.

7) PARTS LIST ITEM NUMBERS

Numbers shown in the item# column correspond to numbers used in the associated illustration (s). Item numbers which are missing from the sequence in the parts list are not used on that page.

8) INDENTED PARTS DESCRIPTION

An indented part description is included in the item under which it is indented.

9) ABBREVIATION AND SYMBOLS

AC.....	Alternating Current	L.....	Liter
ADE.....	Advanced Design Electronics	LB(LBS).....	Pounds
AG.....	Agricultural	LCD.....	Liquid Crystal Display
ANSI.....	American National Standards Institute	LED.....	Light Emitting Diodes
AR.....	As Required	LH.....	Left Hand
ASSY.....	Assembly	LRC.....	Low Rated Countries
AUS.....	Australia	LSS.....	Load Sensing System
AUX.....	Auxiliary	M(m).....	Metric/Meter
AWG.....	American Wire Gauge	MM(mm).....	Milimeter
B/M.....	Bill of Material	mA.....	Miliamps
CAC.....	Charge Air Cooler	NLA.....	No Longer Available
CE.....	European Conformity	NPT.....	National Pipe Threads
CCW.....	Counter Clockwise	NSS.....	Not Sold Separately
CM.....	Centimeter	OD.....	Outside Diameter
CW.....	Clockwise	ORB.....	O-Ring Boss
CSA.....	Canadian Standards Association	ORFS.....	O-Ring Face Seal
CYL.....	Cylinder	OZ (oz).....	Ounces
DIA.....	Diameter	PG.....	Page
DC.....	Direct Current	PN.....	Part Number
DEF.....	Diesel Exhaust Fluid	QT(qt.).....	Quarts
EMS.....	Emergency Stop	QTY.....	Quantity
ENG.....	Engine	REF.....	Reference
FT(ft).....	Feet	REV.....	Revision Level
GA(Ga).....	Gauge	RH.....	Right Hand
HRC.....	High Rated Countries	SAE.....	Society of Automotive Engineers
HVAC.....	Heating, Ventilating, and Air Conditioning	SN.....	Serial Number
HYD.....	Hydraulic	SPEC(S).....	Specifications
Hz.....	Hertz	T/T.....	Turntable
ID.....	Inside Diameter	UGM.....	Universal Ground Module
IN.....	inches	V.....	Volts
ISO.....	International Organization for Standards	W.....	Watts
JIC.....	Joint Industry Council	#.....	Number
KG.....	Kilogram		

10) ILLUSTRATION REFERENCE LETTERS

When necessary, illustrations may contain reference letters that are intended to track information (i. e. hoses, harnesses) from one point to another or to track visual enlargement of components to show details that may be located in another area on the illustration.

Note: Due to continuous product improvements, JLG Industries, Inc. reserves the right to make specification changes without prior notification. Contact JLG Industries, Inc. for updated information.

TABLE OF CONTENTS

SECTION 1 - FRAME.....	11
FIGURE 1-1. DRIVE MOTOR AND STEER INSTALLATION (ALL SPECS EXCEPT JAPANESE SPEC)	12
FIGURE 1-2. DRIVE MOTOR AND STEER INSTALLATION (JAPANESE SPEC)	14
FIGURE 1-3. MOTOR & SPINDLE ASSEMBLY - LEFT (JAPANESE SPEC)	16
FIGURE 1-4. MOTOR & SPINDLE ASSEMBLY - RIGHT (JAPANESE SPEC).....	18
FIGURE 1-5. DRIVE MOTOR ASSEMBLY	20
FIGURE 1-6. REAR WHEEL HUB INSTALLATION	24
FIGURE 1-7. HUB ASSEMBLY - REAR.....	26
FIGURE 1-8. TIRE AND WHEEL INSTALLATION	28
FIGURE 1-9. POTHOLE PROTECTION SYSTEM INSTALLATION	30
FIGURE 1-10. TILT SENSOR INSTALLATION	32
FIGURE 1-11. BATTERY CHARGER INSTALLATION - DELTA-Q.....	34
FIGURE 1-12. BATTERY CHARGER INSTALLATION - EAGLE PERFORMANCE	36
FIGURE 1-13. BATTERY CHARGER INSTALLATION - GREEN POWER	38
FIGURE 1-14. STROBE LIGHT INSTALLATION - SINGLE (AMBER).....	40
FIGURE 1-15. STROBE LIGHT INSTALLATION - DUAL (AMBER).....	42
FIGURE 1-16. STROBE LIGHT INSTALLATION - DUAL (AMBER) (WITH CLEARSKY).....	44
FIGURE 1-17. ALARM INSTALLATION (AMBIENT/WHITE NOISE)	46
FIGURE 1-18. LADDER INSTALLATION	48
FIGURE 1-19. FRAME COVERS INSTALLATION	50
SECTION 2 - GROUND CONTROLS	53
FIGURE 2-1. PUMP/MOTOR/TANK AND HOSES INSTALLATION	54
FIGURE 2-2. PUMP/MOTOR/TANK ASSEMBLY.....	56
FIGURE 2-3. CLEAN GUARD INSTALLATION.....	58
FIGURE 2-4. ELECTRICAL COMPONENTS INSTALLATION (MACHINES WITH SN STARTING WITH B2 & M2).....	60
FIGURE 2-5. ELECTRICAL COMPONENTS INSTALLATION #1 (MACHINES WITH SN STARTING WITH 12)	62
FIGURE 2-6. ELECTRICAL COMPONENTS INSTALLATION #2 (MACHINES WITH SN STARTING WITH 12)	64
FIGURE 2-7. ACCESS CONTROL KEYPAD INSTALLATION.....	66
FIGURE 2-8. MOBILE CONTROL INSTALLATION.....	68
FIGURE 2-9. MDI INSTALLATION.....	70
FIGURE 2-10. BATTERIES INSTALLATION - STANDARD 220AH BATTERIES (MACHINES WITH SN STARTING WITH M2 & 12).....	72
FIGURE 2-11. BATTERIES INSTALLATION - TROJAN 220AH BATTERIES (MACHINES WITH SN STARTING WITH B2).....	74
FIGURE 2-12. BATTERIES INSTALLATION - AGM 220AH BATTERIES (MACHINES WITH SN STARTING WITH B2).....	76
FIGURE 2-13. BATTERIES INSTALLATION - AGM EVCG 220AH BATTERIES (MACHINES WITH SN STARTING WITH G2 & 12)	78
FIGURE 2-14. INVERTER INSTALLATION (OPTIONAL).....	80
FIGURE 2-15. DOORS INSTALLATION	82
SECTION 3 - SCISSORS ARMS	85
FIGURE 3-1. SCISSORS ARMS INSTALLATION.....	86
FIGURE 3-2. ARMS INSTALLATION (ANSI, ANSI EXPORT, JAPANESE & CSA SPECS).....	90
FIGURE 3-3. ARMS INSTALLATION (ANSI, ANSI EXPORT, JAPANESE & CSA SPECS) (SN B200087311 to Present, SN M200080362 to Present)	94
FIGURE 3-4. ARM GUARDS INSTALLATION	98

TABLE OF CONTENTS

SECTION 4 - PLATFORM	101
FIGURE 4-1. PLATFORM INSTALLATION.....	102
FIGURE 4-2. PLATFORM EXTENSION INSTALLATION.....	104
FIGURE 4-3. RAILS INSTALLATION (SIDE BY SIDE).....	106
FIGURE 4-4. RAILS INSTALLATION (TUBE IN TUBE) (MACHINES WITH SN STARTING WITH B2).....	108
FIGURE 4-5. RAILS INSTALLATION (TUBE IN TUBE) (MACHINES WITH SN STARTING WITH M2).....	110
FIGURE 4-6. EXTENSION HANDLES INSTALLATION (OPTIONAL).....	112
FIGURE 4-7. GATE LATCH INSTALLATION - OPTIONAL.....	114
FIGURE 4-8. PLATFORM CONSOLE BOX INSTALLATION.....	116
FIGURE 4-9. DRIVE/STEER CONTROLLER ASSEMBLY.....	118
FIGURE 4-10. ELECTRICIAN TREE INSTALLATION.....	120
FIGURE 4-11. ELECTRICIANS PACKAGE INSTALLATION.....	122
FIGURE 4-12. ELECTRICIANS TREE ACCESSORY.....	124
FIGURE 4-13. MACHINIST VISE ACCESSORY.....	126
FIGURE 4-14. PIPE RACK ASSEMBLY ACCESSORY.....	128
FIGURE 4-15. WORKSTATION ACCESSORY.....	130
FIGURE 4-16. OVERHEAD PROTECTION INSTALLATION (KOREAN SPECS).....	132
FIGURE 4-17. PANEL CARRIER INSTALLATION.....	134
FIGURE 4-18. PIPE RACKS INSTALLATION (OPTIONAL).....	136
FIGURE 4-19. PLUMBER PACKAGE INSTALLATION.....	138
FIGURE 4-20. USB/PHONE CRADLE INSTALLATION.....	140
FIGURE 4-21. WORKLIGHT INSTALLATION.....	142
FIGURE 4-22. WORKSTATION INSTALLATION.....	144
SECTION 5 - CYLINDER.....	147
FIGURE 5-1. LIFT CYLINDER ASSEMBLY.....	148
FIGURE 5-2. STEER CYLINDER ASSEMBLY.....	150
SECTION 6 - ELECTRICAL.....	153
FIGURE 6-1. AC BOX AT PLATFORM INSTALLATION - 110V GFI (ALL SPECS EXCEPT AUSTRALIAN, CE & UK CA SPECS).....	154
FIGURE 6-2. AC BOX AT PLATFORM INSTALLATION - 110V IEC YELLOW (CE & UK CA SPECS).....	156
FIGURE 6-3. AC BOX AT PLATFORM INSTALLATION - 220V IEC BLUE (CE & UK CA SPECS).....	158
FIGURE 6-4. AC BOX AT PLATFORM INSTALLATION - 220V CEE7 POST GROUND (CE & UK CA SPECS).....	160
FIGURE 6-5. AC BOX AT PLATFORM INSTALLATION - 220V CEE7 SIDE GROUND (CE & UK CA SPECS).....	162
FIGURE 6-6. AC BOX AT PLATFORM INSTALLATION - 220V AFSINT 107 (CE & UK CA SPECS).....	164
FIGURE 6-7. AC BOX AT PLATFORM INSTALLATION - 220V LOCALLY SUPPLIED.....	166
FIGURE 6-8. AC BOX AT PLATFORM INSTALLATION - 220V (AUSTRALIAN SPECS).....	168
FIGURE 6-9. AC BOX AT PLATFORM INSTALLATION - 220V CHINA PLUG (CHINA SPECS).....	170
FIGURE 6-10. ACTUATOR POWER CABLE (SN M200079816 to Present).....	172
FIGURE 6-11. BREAKER BOX KIT (AUSTRALIAN SPEC).....	174
FIGURE 6-12. BREAKER BOX KIT WITH 1 DOUBLE BREAKER (CE & UK CA SPECS).....	176
FIGURE 6-13. BREAKER BOX KIT WITH 3 BREAKERS (CE & UK CA SPECS).....	178
FIGURE 6-14. CHARGER HARNESS (CHARGER WITH COMMUNICATION PORT).....	180
FIGURE 6-15. CHARGER PLUG INSTALLATION - CUSTOMER SUPPLIED PLUG (ALL SPECS).....	182
FIGURE 6-16. CHARGER PLUG INSTALLATION - 110V PLUG (ANSI, ANSI EXPORT, CSA & JAPANESE SPECS).....	184

TABLE OF CONTENTS

FIGURE 6-17. CHARGER PLUG INSTALLATION - 110V IEC YELLOW PLUG (CE & UK CA SPECS)	186
FIGURE 6-18. CHARGER PLUG INSTALLATION - 220V IEC BLUE PLUG (CE & UK CA SPECS).....	188
FIGURE 6-19. CHARGER PLUG INSTALLATION - 220V AFSINT 107 PLUG (CE & UK CA SPECS)	190
FIGURE 6-20. CHARGER PLUG INSTALLATION - 220V CEE7 PLUG (CE & UK CA SPECS).....	192
FIGURE 6-21. CHARGER PLUG INSTALLATION (AUSTRALIAN PLUG)	194
FIGURE 6-22. CHARGER PLUG INSTALLATION (CHINA PLUG).....	196
FIGURE 6-23. CHARGER PLUG INSTALLATION (KOREAN PLUG).....	198
FIGURE 6-24. CHASSIS HARNESS	200
FIGURE 6-25. CHASSIS HARNESS WITH CLEARSKY	204
FIGURE 6-26. CLEARSKY INSTALLATION - 3 WIRE (Prior to SN B200092381, Prior to SN M200089777, Prior to SN 1200045806)	208
FIGURE 6-27. CLEARSKY INSTALLATION - 4G CANBUS (Prior to SN B200092381, Prior to SN M200089777, Prior to SN 1200045806)	210
FIGURE 6-28. CLEARSKY INSTALLATION - SMART FLEET (SN B200092381 to Present, SN M200089777 to Present, SN 1200045806 to Present)	212
FIGURE 6-29. CLEARSKY HARNESS - 3 WIRE (Prior to SN B200092381, Prior to SN M200089777, Prior to SN 1200045806)	214
FIGURE 6-30. CLEARSKY JUMPER HARNESS - 3 WIRE (Prior to SN B200092381, Prior to SN M200089777, Prior to SN 1200045806)	216
FIGURE 6-31. CLEARSKY HARNESS - 4G CANBUS (Prior to SN B200092381, Prior to SN M200089777, Prior to SN 1200045806)	218
FIGURE 6-32. CLEARSKY SPLICE HARNESS - 4G (CHARGER WITH COMMUNICATION PORT) (Prior to SN B200092381, Prior to SN M200089777, Prior to SN 1200045806).....	220
FIGURE 6-33. CLEARSKY HARNESS (SN B200092381 to Present, SN M200089777 to Present, SN 1200045806 to Present)	222
FIGURE 6-34. DRIVE HARNESS.....	224
FIGURE 6-35. GROUND TO PLATFORM CABLE INSTALLATION - WITHOUT PLATFORM COIL CABLE (MACHINES WITH SN STARTING WITH B2 & M2)	226
FIGURE 6-36. GROUND TO PLATFORM CABLE INSTALLATION - WITHOUT PLATFORM COIL CABLE & WITH FOOTSWITCH (MACHINES WITH SN STARTING WITH B2).....	228
FIGURE 6-37. GROUND TO PLATFORM CABLE INSTALLATION - WITH PLATFORM COIL CABLE (MACHINES WITH SN STARTING WITH B2 & M2)	230
FIGURE 6-38. GROUND TO PLATFORM CABLE INSTALLATION - WITH PLATFORM COIL CABLE & FOOTSWITCH (MACHINES WITH SN STARTING WITH B2).....	232
FIGURE 6-39. GROUND TO PLATFORM CABLE INSTALLATION - PLATFORM STRAIGHT CABLE ONLY (MACHINES WITH SN STARTING WITH 12)	234
FIGURE 6-40. GROUND TO PLATFORM CABLE INSTALLATION - PLATFORM COIL CABLE ONLY (MACHINES WITH SN STARTING WITH 12)	236
FIGURE 6-41. GROUND TO PLATFORM CABLE INSTALLATION - SCISSORS ARMS CABLE ONLY (MACHINES WITH SN STARTING WITH 12)	238
FIGURE 6-42. LIFT DOWN HARNESS	240
FIGURE 6-43. LIFT DOWN HARNESS (SN B200087311 to Present, SN M200080362 to Present)	242
FIGURE 6-44. JUMPER HARNESS TO LIFT DOWN	244
FIGURE 6-45. PLATFORM CONTROL BOX HARNESS	246
FIGURE 6-46. SKYSENSE BOX HARNESS (SN M200079816 to Present)	248
FIGURE 6-47. RECEPTACLE BOX KIT - 110V GFI.....	250
FIGURE 6-48. RECEPTACLE BOX KIT - 110V IEC YELLOW (CE & UK CA SPEC)	252
FIGURE 6-49. RECEPTACLE BOX KIT - 220V IEC BLUE (CE & UK CA SPEC).....	254
FIGURE 6-50. RECEPTACLE BOX KIT - 220V AFSINT 107 (CE & UK CA SPEC).....	256
FIGURE 6-51. RECEPTACLE BOX KIT - 220V CEE7 POST GROUND (CE & UK CA SPEC)	258

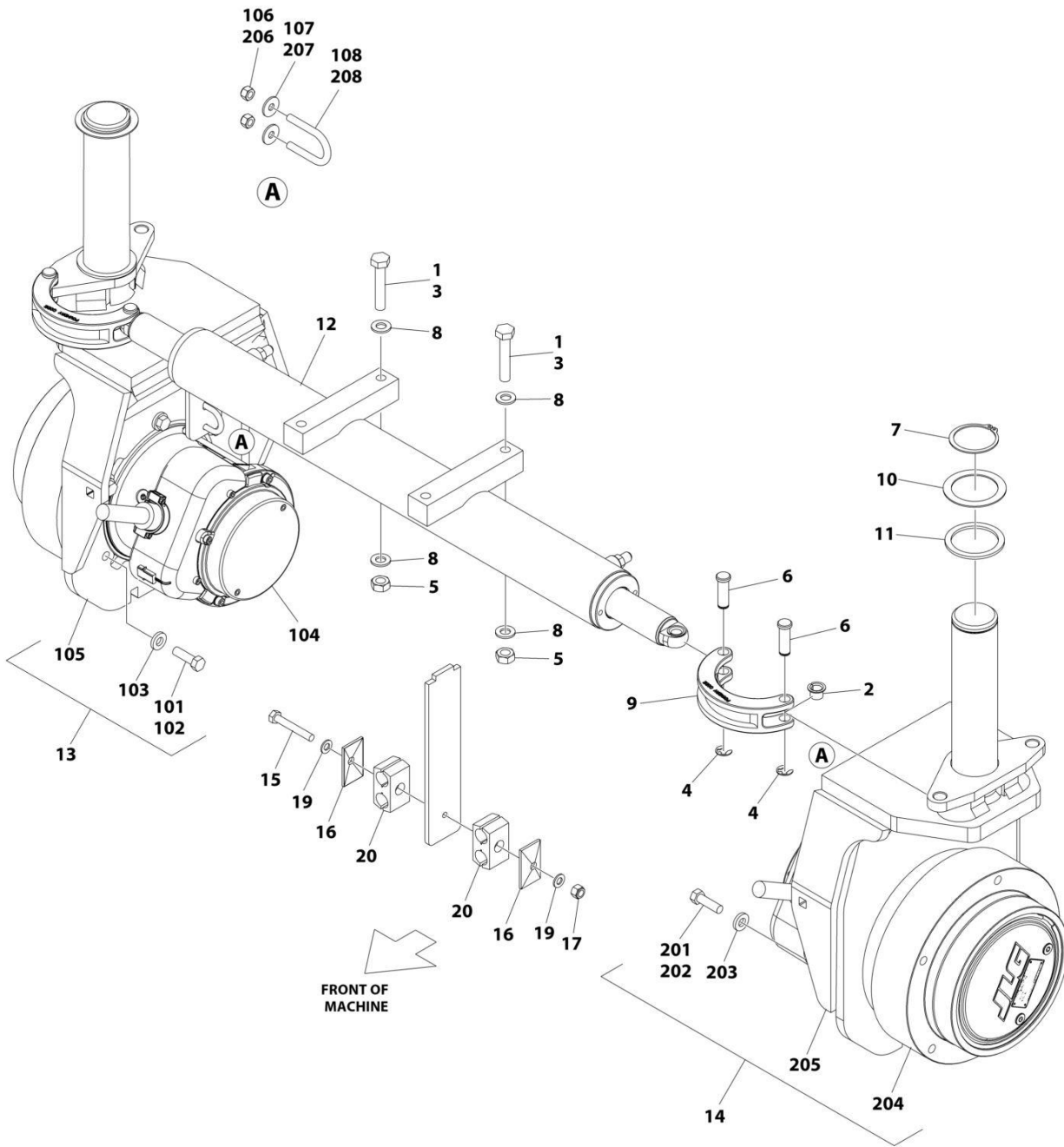
TABLE OF CONTENTS

FIGURE 6-52. RECEPTACLE BOX KIT - 220V CEE7 SIDE GROUND (CE & UK CA SPEC)	260
SECTION 7 - DECALS	263
FIGURE 7-1. DECAL INSTALLATION (ANSI SPECS)	264
FIGURE 7-2. DECAL INSTALLATION (AUSTRALIAN SPECS)	266
FIGURE 7-3. DECAL INSTALLATION (BRAZIL SPECS)	268
FIGURE 7-4. DECAL INSTALLATION (CE & UK CA SPECS)	270
FIGURE 7-5. DECAL INSTALLATION (CHINA SPECS).....	272
FIGURE 7-6. DECAL INSTALLATION (CSA SPECS)	274
FIGURE 7-7. DECAL INSTALLATION (KOREAN SPECS).....	276
FIGURE 7-8. DECAL INSTALLATION (LATIN AMERICAN SPECS).....	278
FIGURE 7-9. DECAL INSTALLATIONS - OPTIONS.....	280
SECTION 8 - RECOMMENDED SERVICE PARTS STOCK.....	283
FIGURE 8-1. RECOMMENDED SERVICE PARTS STOCK.....	284
SECTION 9 - SPECIAL OPTIONS	285
FIGURE 9-1. SPECIAL OPTIONS/ACCESSORIES/KITS.....	286
PART NUMBER INDEX.....	289

SECTION 1 - FRAME

SECTION 1 - FRAME

FIGURE 1-1. DRIVE MOTOR AND STEER INSTALLATION (ALL SPECS EXCEPT JAPANESE SPEC)



ART_1001260650

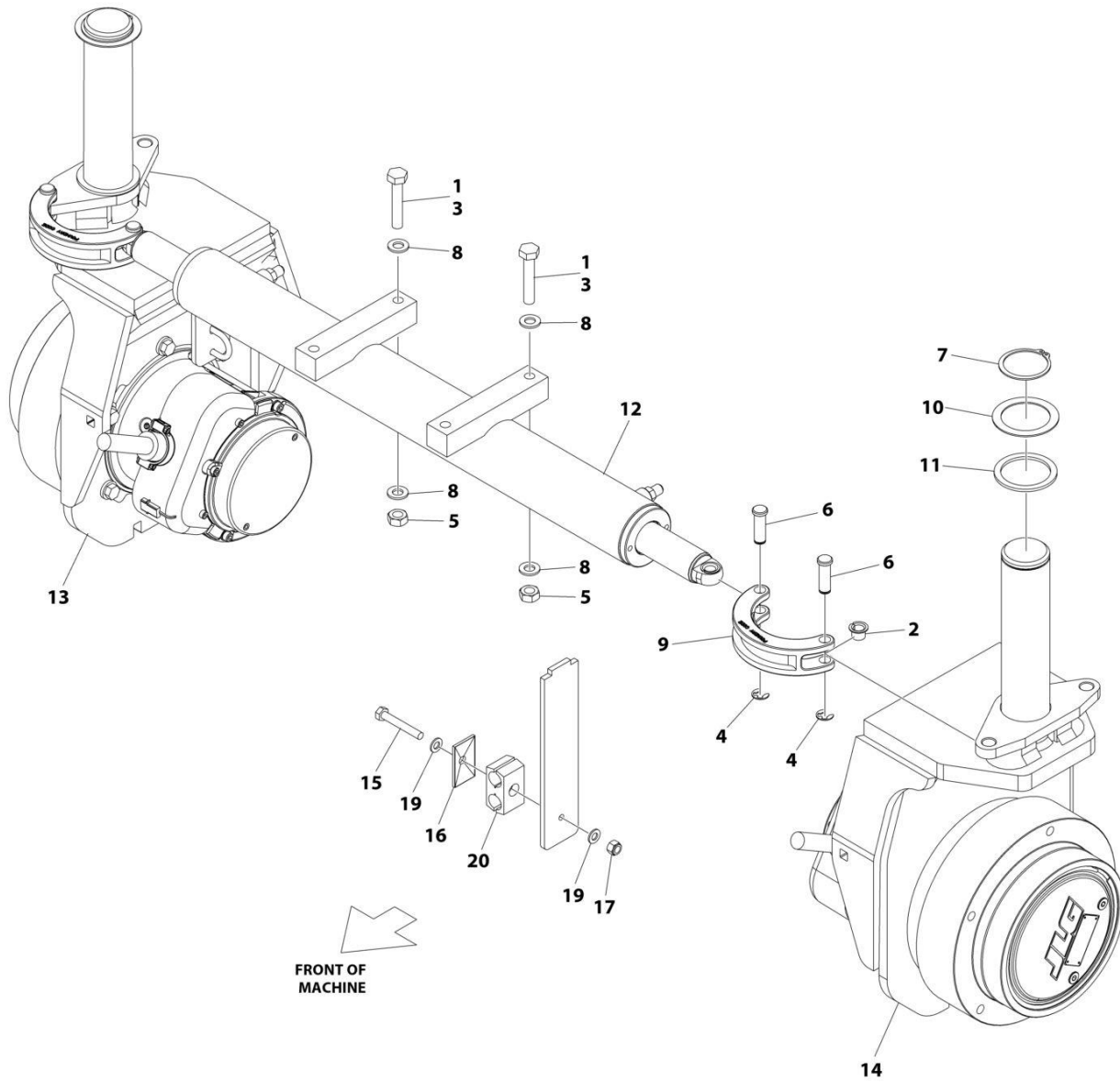
SECTION 1 - FRAME

FIGURE 1-1. DRIVE MOTOR AND STEER INSTALLATION (ALL SPECS EXCEPT JAPANESE SPEC)

ITEM	PART NUMBER	QTY	DESCRIPTION	REV
	1001260650	Ref	DRIVE MOTOR AND STEER INSTALLATION	B
1	0100011	AR	Compound, Locking	
2	0440259	2	Bearing	
3	0761019	4	Bolt M10 x 55	
4	1380153	4	E-Clip	
5	3291001	4	Nut M10	
6	3423037	4	Pin	
7	3760217	2	Ring, Retaining	
8	4812000	8	Washer M10	
9	4846757	2	Lug, Steering	
10	1001197396	2	Washer	
11	1001205751	2	Washer, Thrust	
12	1001233449	1	Steer Cylinder Assembly (See Separate Breakdown in CYLINDER Section)	
13	1001262500	1	Motor/Spindle Assembly (See item 101-108 for Breakdown)	
14	1001262658	1	Motor/Spindle Assembly (See item 201-208 for Breakdown)	
15	0700819	3	Bolt M8 x 55	
16	1321752	3	Cover, Clamp	
17	3290805	3	Nut M8	
18	4240017	AR	Tie-Strap (Not Shown)	
19	4811900	6	Washer M8	
20	8750015	3	Clamp	
	1001262500	Ref	MOTOR/SPINDLE ASSEMBLY	D
101	0100011	AR	Compound, Locking	
102	0681610	6	Bolt 3/8 x 1-1/4 Grade 8	
103	4891600	6	Washer 3/8	
104	1001256944	1	Drive Motor Assembly (See Separate Breakdown in this Section)	
105	1001262539	1	Spindle	
106	3290605	2	Nut M6	
107	4811702	2	Washer M6	
108	1001259015	1	U-Bolt	
	1001262658	Ref	MOTOR/SPINDLE ASSEMBLY	D
201	0100011	AR	Compound, Locking	
202	0681610	6	Bolt 3/8 x 1-1/4 Grade 8	
203	4891600	6	Washer 3/8	
204	1001256944	1	Drive Motor Assembly (See Separate Breakdown in this Section)	
205	1001262539	1	Spindle	
206	3290605	2	Nut M6	
207	4811702	2	Washer M6	
208	1001259015	1	U-Bolt	

SECTION 1 - FRAME

FIGURE 1-2. DRIVE MOTOR AND STEER INSTALLATION (JAPANESE SPEC)



ART_1001288498

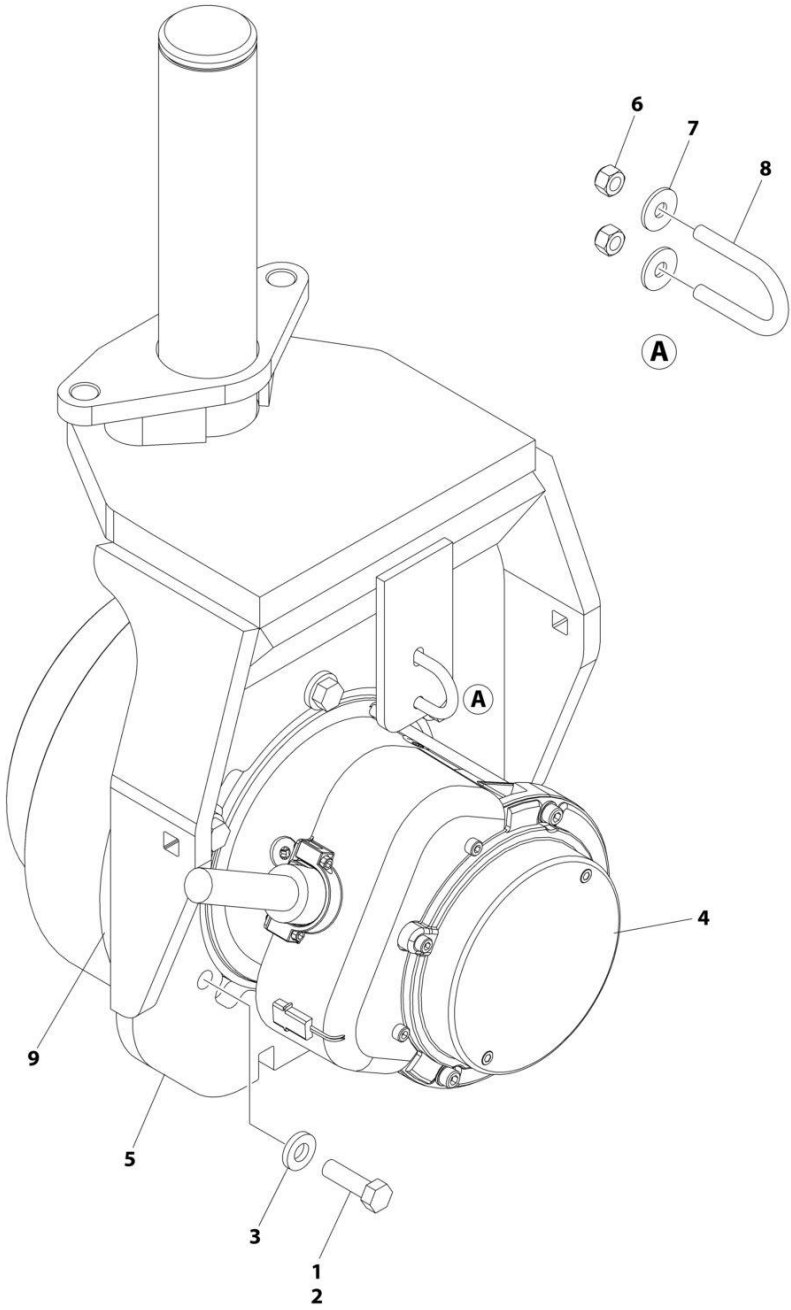
SECTION 1 - FRAME

FIGURE 1-2. DRIVE MOTOR AND STEER INSTALLATION (JAPANESE SPEC)

ITEM	PART NUMBER	QTY	DESCRIPTION	REV
	1001288498	Ref	DRIVE MOTOR AND STEER INSTALLATION	A
1	0100011	AR	Compound, Locking	
2	0440259	2	Bushing	
3	0761019	4	Bolt M10 x 55	
4	1380153	4	E-Clip	
5	3291001	4	Nut M10	
6	3423037	4	Pin	
7	3760217	2	Ring, Retaining	
8	4812000	8	Washer M10	
9	4846757	2	Lug, Steering	
10	1001197396	2	Washer	
11	1001205751	2	Washer, Thrust	
12	1001233449	1	Steer Cylinder Assembly (See Separate Breakdown in CYLINDER Section)	
13	1001288496	1	Motor/Spindle Assembly - Left (See Separate Breakdown in this Section)	
14	1001288497	1	Motor/Spindle Assembly - Right (See Separate Breakdown in this Section)	
15	0700819	3	Bolt M8 x 55	
16	1321752	3	Cover, Clamp	
17	3290805	3	Nut M8	
18	4240017	AR	Tie-Strap (Not Shown)	
19	4811900	6	Washer M8	
20	8750015	3	Clamp	

SECTION 1 - FRAME

FIGURE 1-3. MOTOR & SPINDLE ASSEMBLY - LEFT (JAPANESE SPEC)



ART_1001288496

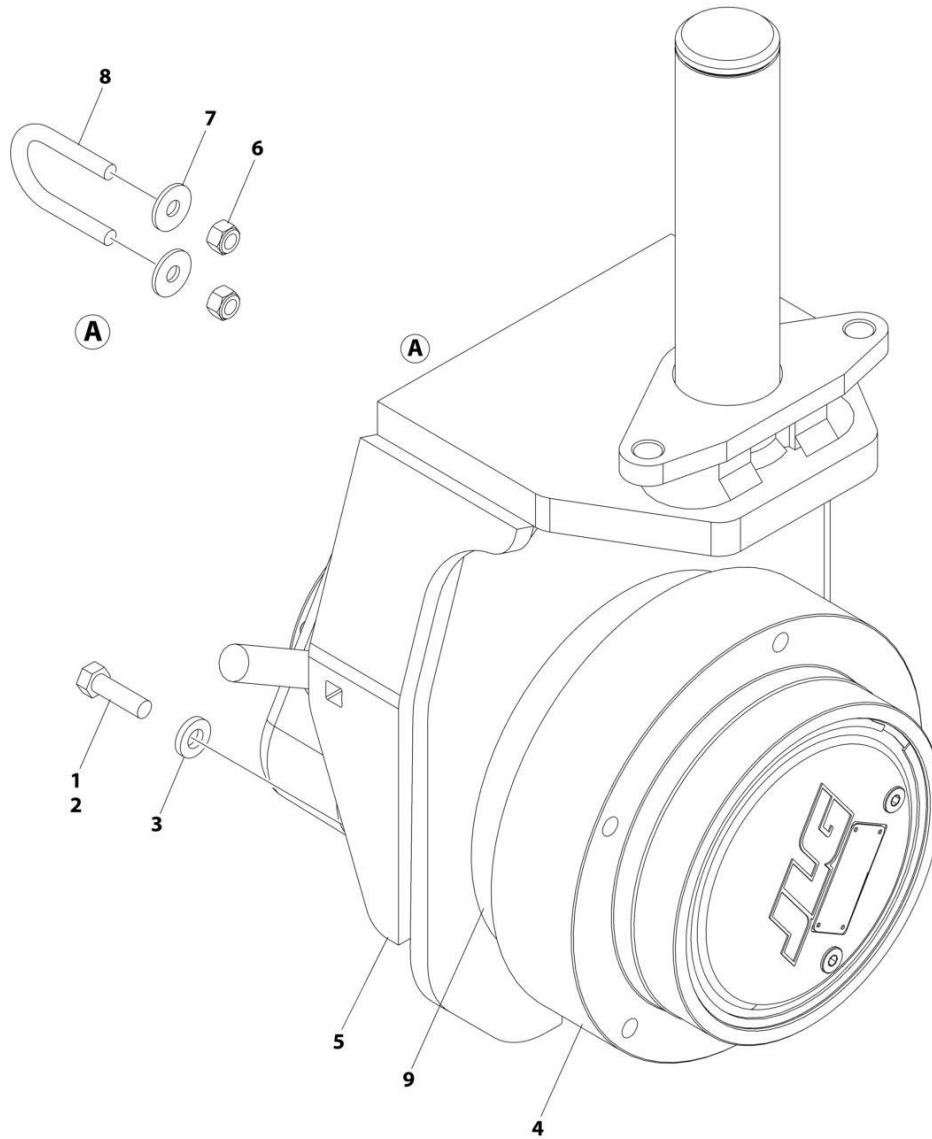
SECTION 1 - FRAME

FIGURE 1-3. MOTOR & SPINDLE ASSEMBLY - LEFT (JAPANESE SPEC)

ITEM	PART NUMBER	QTY	DESCRIPTION	REV
	1001288496	Ref	MOTOR/SPINDLE ASSEMBLY	B
1	0100011	AR	Compound, Locking	
2	0681610	6	Bolt 3/8 x 1-1/4 Grade 8	
3	4891600	6	Washer 3/8	
4	1001256944	1	Drive Motor Assembly (See Separate Breakdown in this Section)	
5	1001262539	1	Spindle	
6	3290605	2	Nut M6	
7	4811702	2	Washer M6	
8	1001259015	1	U-Bolt	
9	1001288492	1	Seal	

SECTION 1 - FRAME

FIGURE 1-4. MOTOR & SPINDLE ASSEMBLY - RIGHT (JAPANESE SPEC)



ART_1001288497

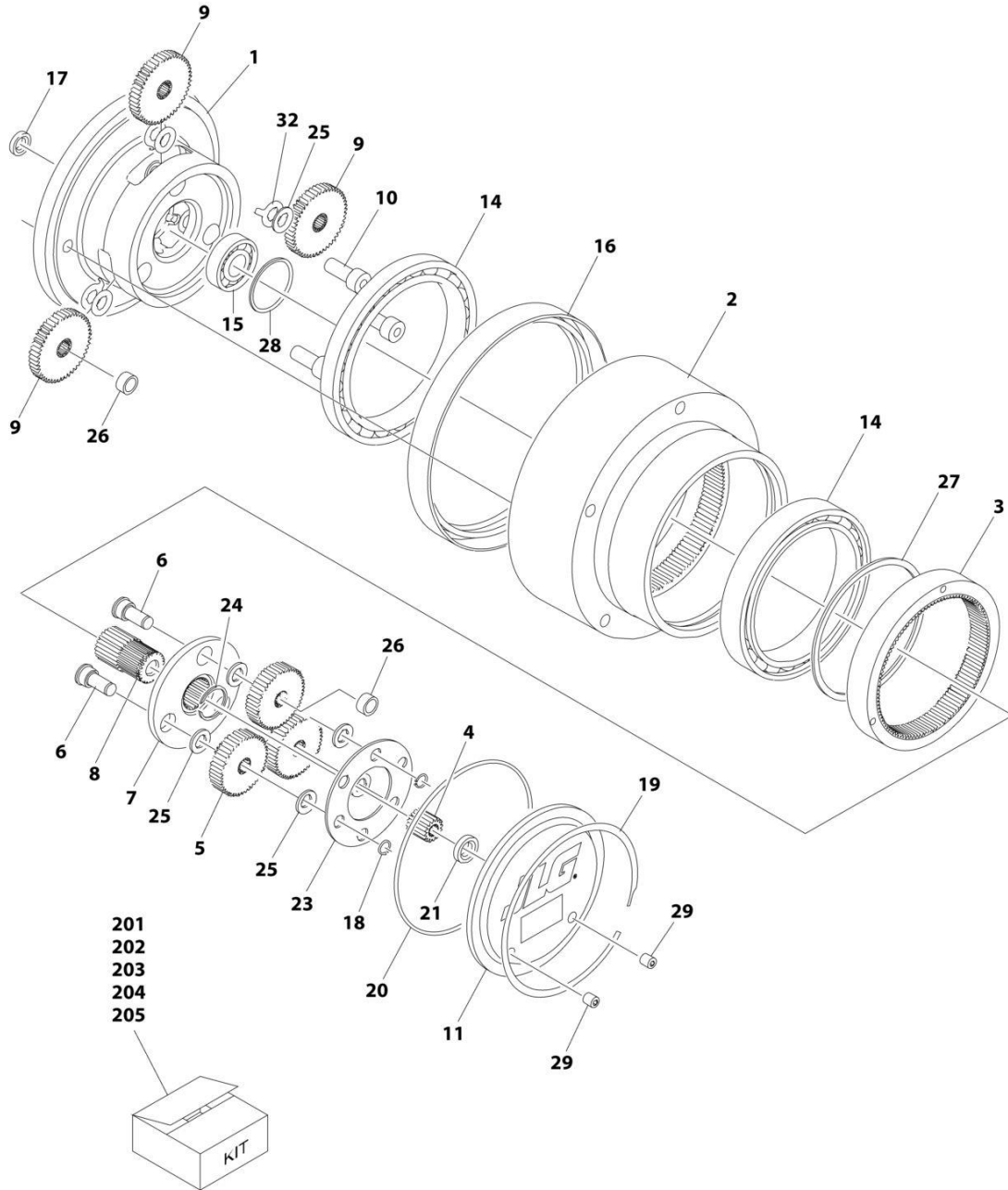
SECTION 1 - FRAME

FIGURE 1-4. MOTOR & SPINDLE ASSEMBLY - RIGHT (JAPANESE SPEC)

ITEM	PART NUMBER	QTY	DESCRIPTION	REV
	1001288497	Ref	MOTOR/SPINDLE ASSEMBLY	B
1	0100011	AR	Compound, Locking	
2	0681610	6	Bolt 3/8 x 1-1/4 Grade 8	
3	4891600	6	Washer 3/8	
4	1001256944	1	Drive Motor Assembly (See Separate Breakdown in this Section)	
5	1001262539	1	Spindle	
6	3290605	2	Nut M6	
7	4811702	2	Washer M6	
8	1001259015	1	U-Bolt	
9	1001288492	1	Seal	

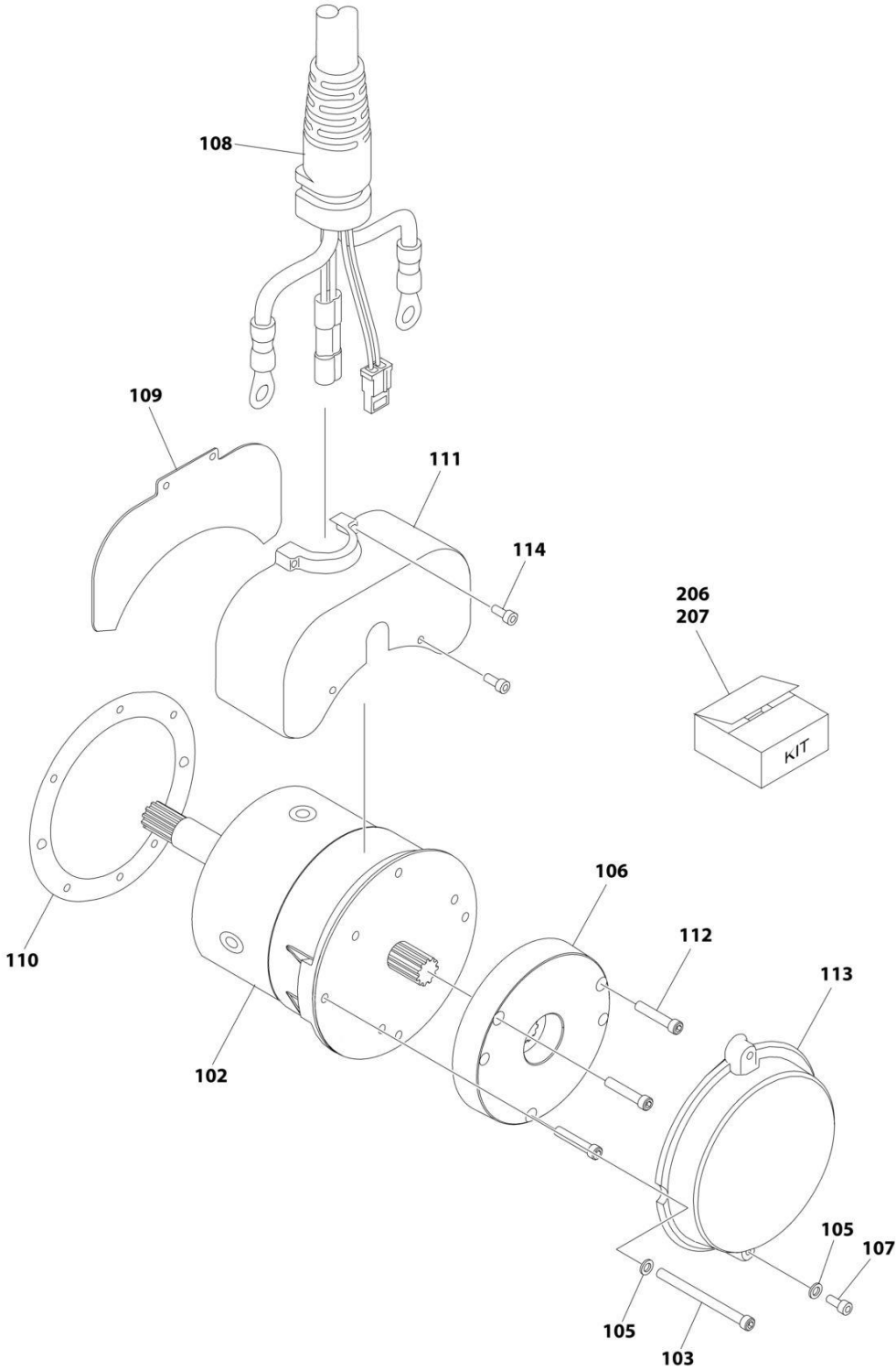
SECTION 1 - FRAME

FIGURE 1-5. DRIVE MOTOR ASSEMBLY



ART_1001256944_10F2

SECTION 1 - FRAME



ART_1001256944_20F2

SECTION 1 - FRAME

FIGURE 1-5. DRIVE MOTOR ASSEMBLY

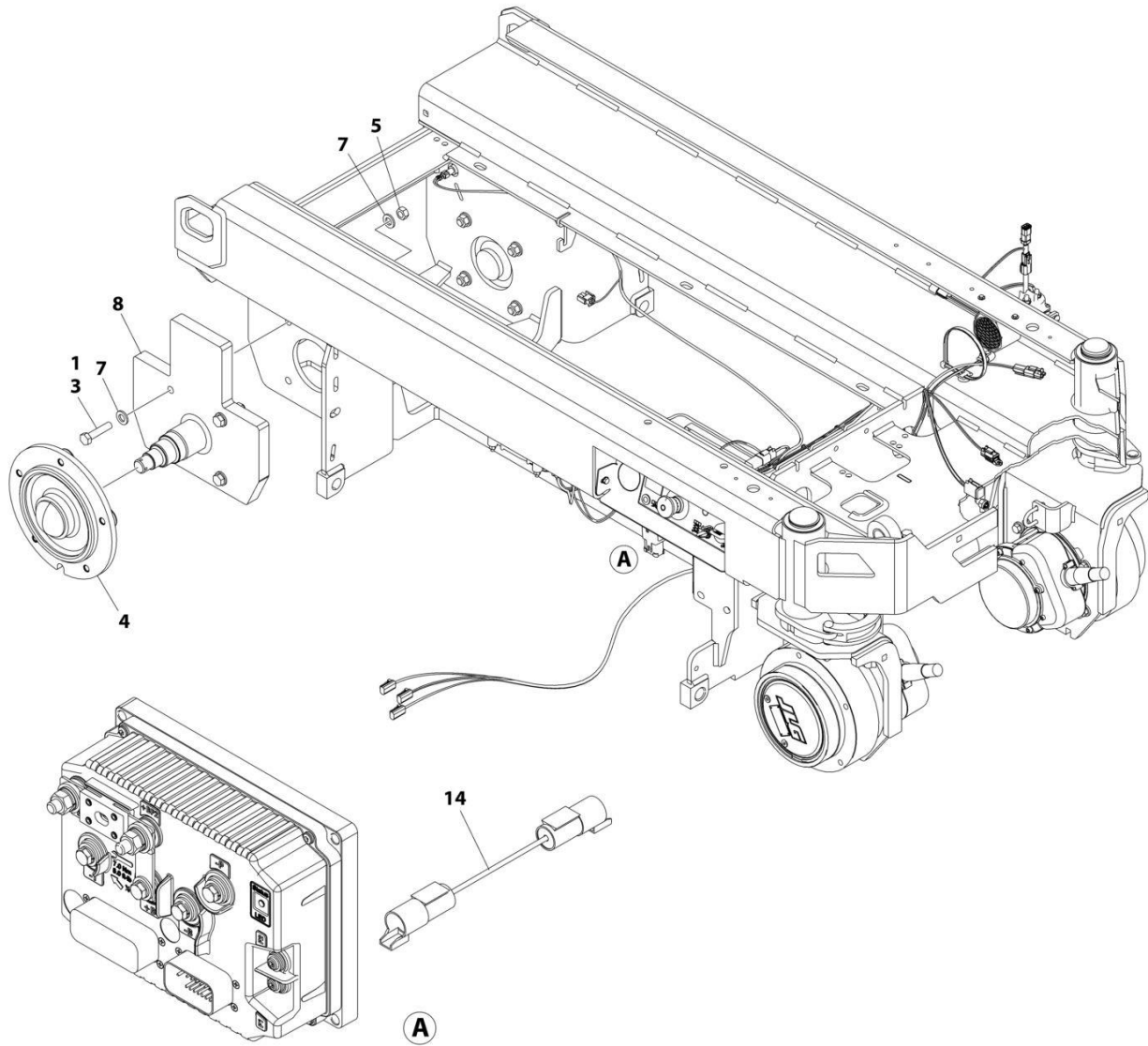
ITEM	PART NUMBER	QTY	DESCRIPTION	REV
	1001256944	Ref	DRIVE MOTOR ASSEMBLY	D
		Ref	HUB ASSEMBLY	
1	See Note	NSS	Spindle (Note: Purchase Complete Assembly)	
2	See Note	NSS	Hub (Note: Use Item 203)	
3	See Note	NSS	Ring, Input (Note: Use Item 204)	
4	See Note	NSS	Gear, Input Sun (Note: Use Item 202)	
5	70007490	3	Gear, Input Planet (Includes Item 26)	
6	See Note	NSS	Pin, Planet Gear (Note: Use Item 202)	
7	See Note	NSS	Carrier (Note: Use Item 202)	
8	See Note	NSS	Gear, Output Sun (Note: Use Item 202)	
9	70007193	3	Gear, Output Planet (Includes Item 26) (Note: Included in Item 205)	
10	70007199	3	Pin, Output Planet (Note: Included in Item 205)	
11	See Note	NSS	Cover (Note: Use Item 201)	
14	70007541	2	Bearing, Main (Note: Included in Items 203 or 204 or 205)	
15	See Note	NSS	Bearing , Shaft (Note: Use Item 205)	
16	70001739	1	Seal, Lip (Note: Included in Items 203)	
17	7024786	1	Seal, Lip	
18	See Note	NSS	Ring, Retaining (Note: Use Item 202)	
19	See Note	NSS	Ring, Retaining (Note: Use Item 201)	
20	70000191	1	O-Ring (Note: Included in Items 201 or 202 or 203 or 204 or 205)	
21	See Note	NSS	Washer, Thrust (Note: Use Item 201)	
23	See Note	NSS	Plate, Thrust (Note: Use Item 202)	
24	See Note	NSS	Ring, Retaining (Note: Use Item 202)	
25	See Note	NSS	Washer, Thrust (Note: Use Item 202)	
26	See Note	NSS	Bushing (Note: Use Item 202 or 205)	
27	70007544	1	Ring, Retaining (Note: Included in Items 203 or 204 or 205)	
28	See Note	NSS	Ring, Retaining (Note: Use Item 205)	
29	See Note	NSS	Plug (Note: Use Item 201)	
32	70007205	3	Washer, Tanged (Note: Included in Item 205)	
		Ref	BRAKE AND MOTOR	
102	70007782	1	Motor Electric	
103	70007495	2	Bolt M6 x 100	
103		Ref	Bolt M6 x 140	
105	70007546	4	Washer 1/4	
106	See Note	NSS	Brake, Input (Note: Use Item 206)	
107	70007191	2	Bolt M6 x 20	
108	70007676	1	Harness, Motor	
109	See Note	NSS	Plate, Cover (Note: Use Item 207)	
110	See Note	NSS	Gasket (Note: Use Item 207)	
111	See Note	NSS	Cover (Note: Use Item 207)	
112	See Note	NSS	Capscrew (Note: Use Item 206)	
113	See Note	NSS	Cover (Note: Use Item 207)	
114	See Note	NSS	Capscrew (Note: Use Item 207)	
		Ref	KIT OPTIONS	
201	7024747	1	Cover Kit - Hub (Includes Items 11, 19, 20, 21 & 29)	
202	7024749	1	Input Carrier Kit (Includes Items 4-8, 18, 20 & 23-26)	
203	7024756	1	Hub Kit (Includes Items 2, 16, 20, 27 & Qty 1 of Item 14)	
204	7024758	1	Input Ring Kit (Includes Items 3, 14, 20 & 27)	
205	70007670	1	Carrier Kit (Includes Items 9, 10, 14, 15, 20, 26-28 & 32)	

SECTION 1 - FRAME

ITEM	PART NUMBER	QTY	DESCRIPTION	REV
206	7024759	1	Brake Kit (Includes Items 106, 112 and O-Ring)	
207	70007844	1	Cover Kit - Electric Motor (Includes Items 107, 109, 110, 111, 113 & 114)	

SECTION 1 - FRAME

FIGURE 1-6. REAR WHEEL HUB INSTALLATION



ART_1001256130_F

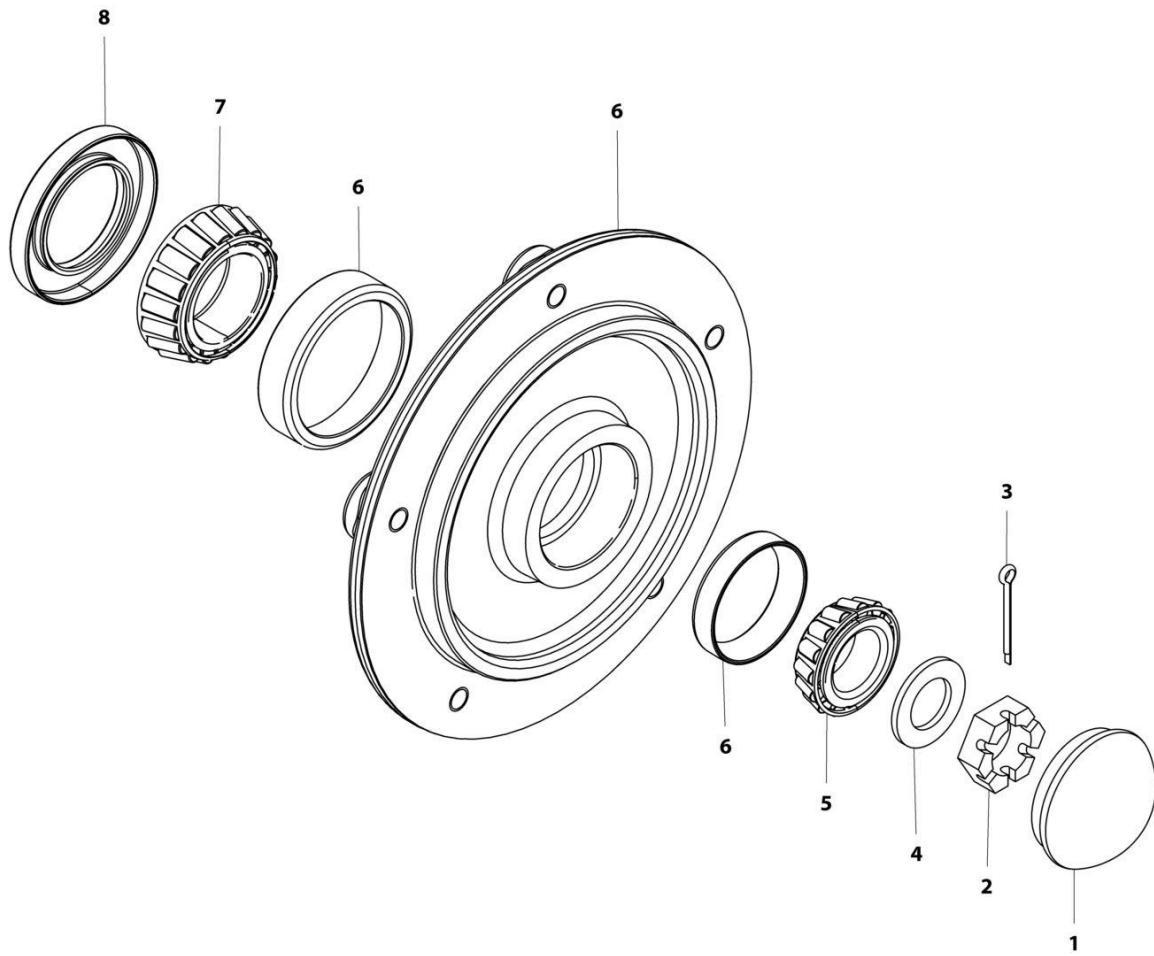
SECTION 1 - FRAME

FIGURE 1-6. REAR WHEEL HUB INSTALLATION

ITEM	PART NUMBER	QTY	DESCRIPTION	REV
	1001256130	Ref	REAR WHEEL HUB INSTALLATION	F
1	0100011	AR	Compound, Locking	
3	0711219	8	Bolt M12 x 55	
4	2780266	2	Hub Assembly - Rear (See Separate Breakdown in this Section)	
5	3331211	8	Nut M12	
7	5241200	16	Washer M12	
8	1001226423	2	Spindle Rear	
14	4923602	1	Harness, Field Wire Connection	

SECTION 1 - FRAME

FIGURE 1-7. HUB ASSEMBLY - REAR



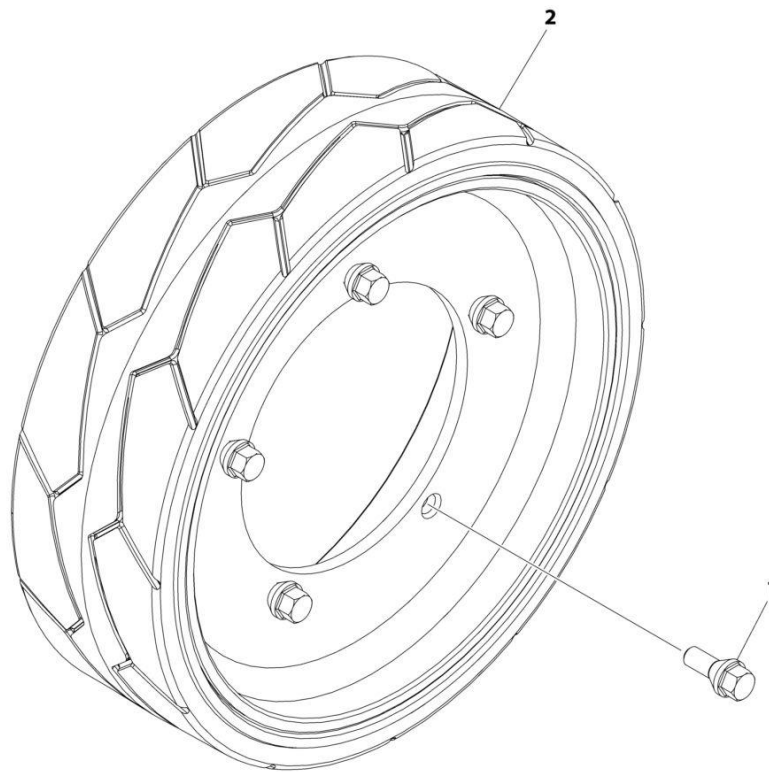
ART_2780266

FIGURE 1-7. HUB ASSEMBLY - REAR

ITEM	PART NUMBER	QTY	DESCRIPTION	REV
	2780266	Ref	HUB ASSEMBLY - REAR	E
1	1001102354	1	Cap, Dust (was p/n 7012524)	
2	3300423	1	Nut, Slotted (was p/n 7010641)	
3	3450406	1	Pin, Cotter 2 x 3/16 (was p/n 7010642)	
4	4740468	1	Washer (was p/n 7019697)	
5	1001102351	1	Bearing, Cone - Outer (was p/n 7026185)	
6	See Note	NSS	Hub (Note: Purchase Complete Assembly p/n 2780266)	
7	1001102353	1	Bearing, Cone - Inner (was p/n 7026183)	
8	1001102349	1	Seal (was p/n 7026184)	

SECTION 1 - FRAME

FIGURE 1-8. TIRE AND WHEEL INSTALLATION



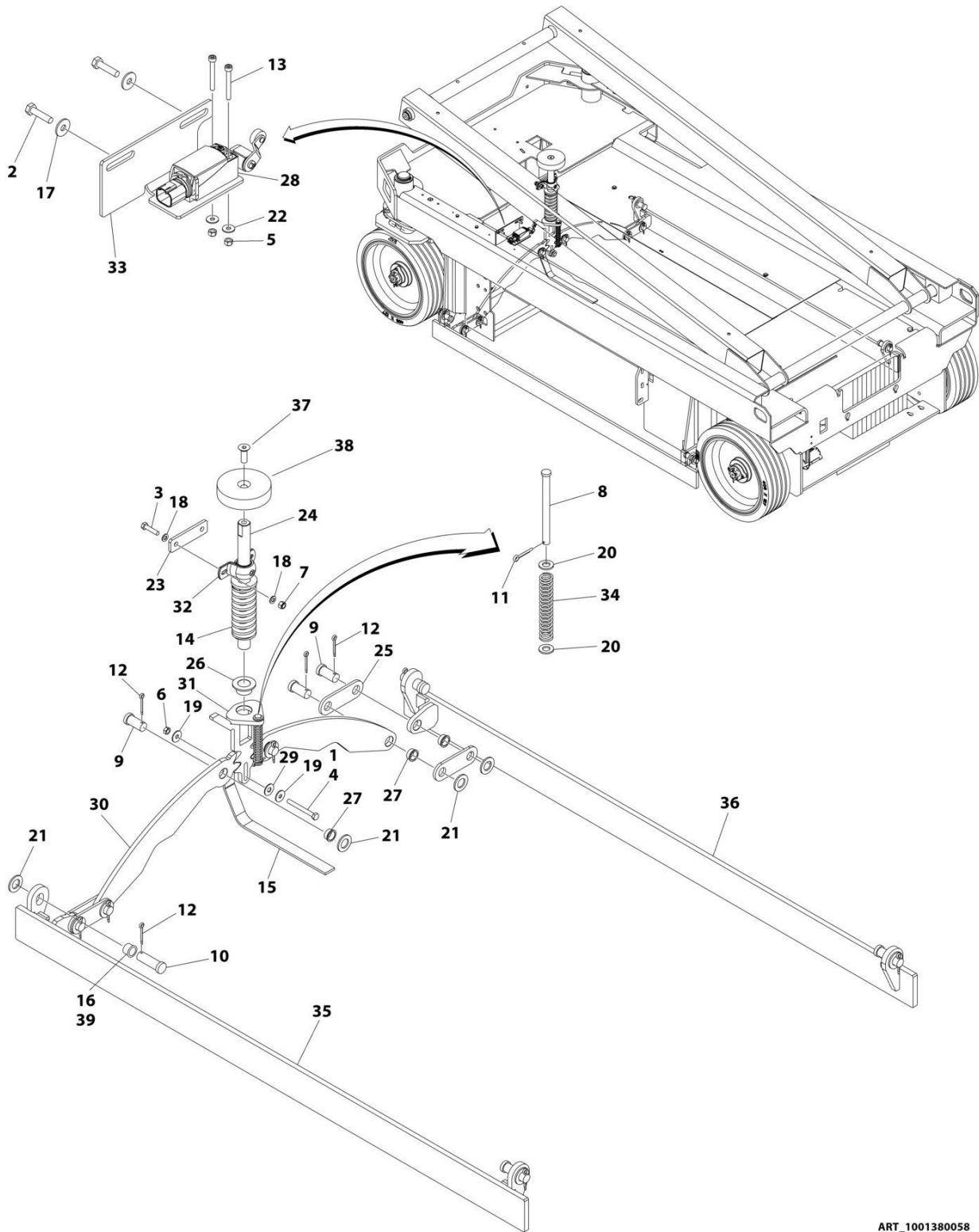
ART_1001256694

FIGURE 1-8. TIRE AND WHEEL INSTALLATION

ITEM	PART NUMBER	QTY	DESCRIPTION	REV
	1001256694	Ref	TIRE AND WHEEL ASSEMBLY	A
1	0630580	20	Bolt	
2	1001114466	4	Tire, 125 x 406	

SECTION 1 - FRAME

FIGURE 1-9. POTHOLE PROTECTION SYSTEM INSTALLATION



ART_1001380058

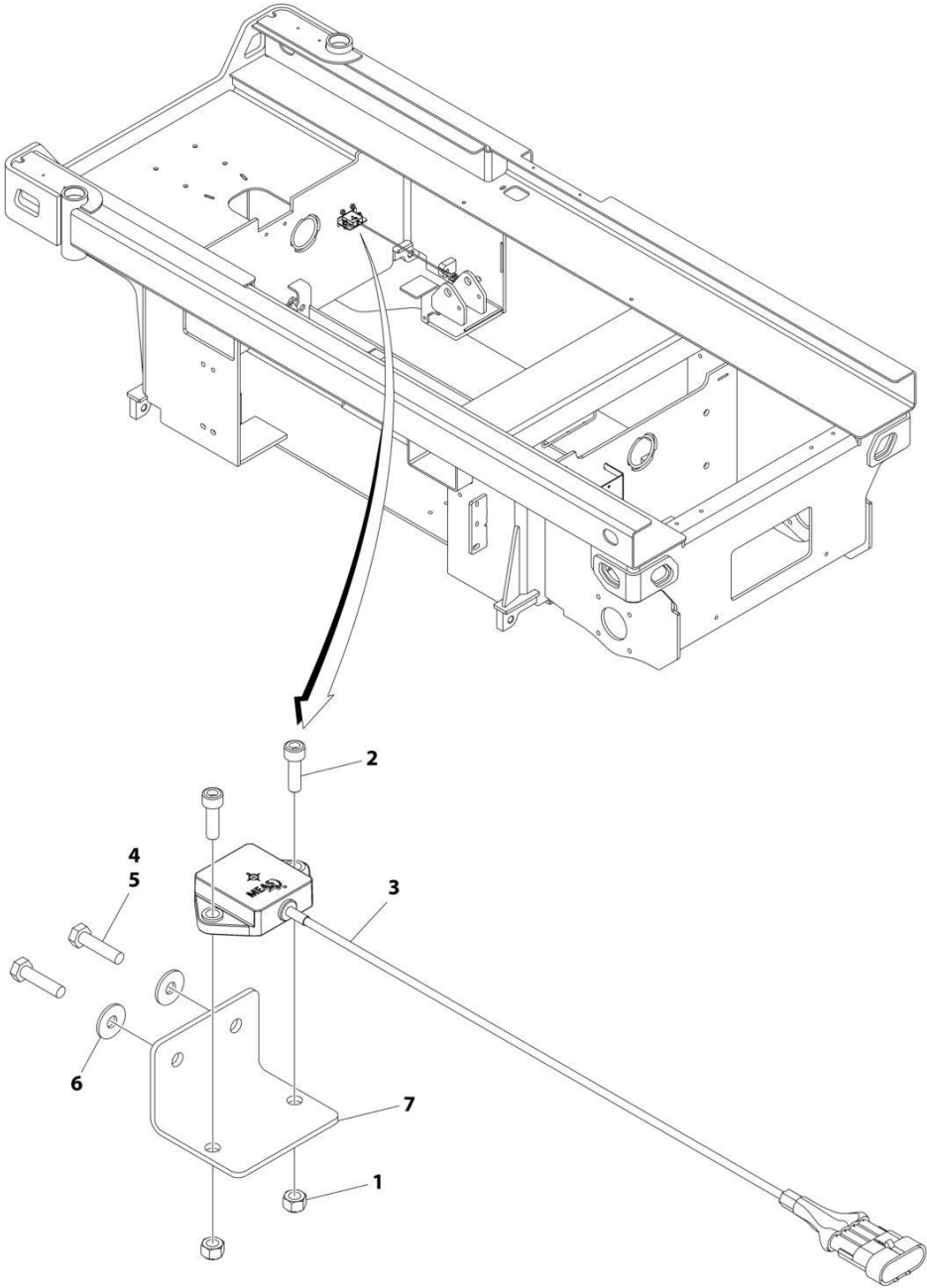
SECTION 1 - FRAME

FIGURE 1-9. POTHOLE PROTECTION SYSTEM INSTALLATION

ITEM	PART NUMBER	QTY	DESCRIPTION	REV
	1001380058	Ref	POTHOLE PROTECTION SYSTEM INSTALLATION	D
1	0100011	AR	Compound, Locking	
2	0700612	2	Bolt M6 x 25	
3	0700815	2	Bolt M8 x 35	
4	0700823	1	Bolt M8 x 75	
5	3290405	2	Nut M4	
6	3290801	1	Nut M8	
7	3290805	2	Nut M8	
8	3430636	1	Pin	
9	3431212	6	Pin	
10	3431218	4	Pin	
11	3450403	1	Pin, Cotter 1/8 x 3/4	
12	3450505	10	Pin, Cotter 5/32 x 1/2	
13	4031511	2	Capscrew M4 x 35	
14	4160202	1	Spring	
15	4240147	1	Strap, Anti-Static	
16	4740086	NLA	Washer (Use Item 39)	
17	4811702	2	Washer M6	
18	4811900	4	Washer M8	
19	4811902	2	Washer M8	
20	4812000	2	Washer M10	
21	4812500	10	Washer M20	
22	1001091102	2	Washer M4	
23	1001202987	1	Plate, Mounting	
24	1001214528	1	Actuator (Upper) (Cylindrical Shaft Machined at Top - as Shown)	
24	1001202988	1	Actuator (Upper) (Full Length Cylindrical Shaft - Not Shown)	
25	1001202999	4	Link	
26	1001203869	1	Bearing	
27	1001203870	6	Bearing	
28	1001203871	1	Switch, Limit	
29	1001203872	1	Washer	
30	1001213597	2	Plate, Pinion	
31	1001214526	1	Actuator (Lower)	
32	1001215953	1	Bearing	
33	1001218307	1	Plate, Sensor Mounting	
34	1001227855	1	Spring	
35	1001234797	1	Bar (LH)	
36	1001234798	1	Bar (RH)	
37	1001110302	1	Screw M12 x 35	
38	1001214534	1	Pad	
39	0440263	4	Bearing, Flange	

SECTION 1 - FRAME

FIGURE 1-10. TILT SENSOR INSTALLATION



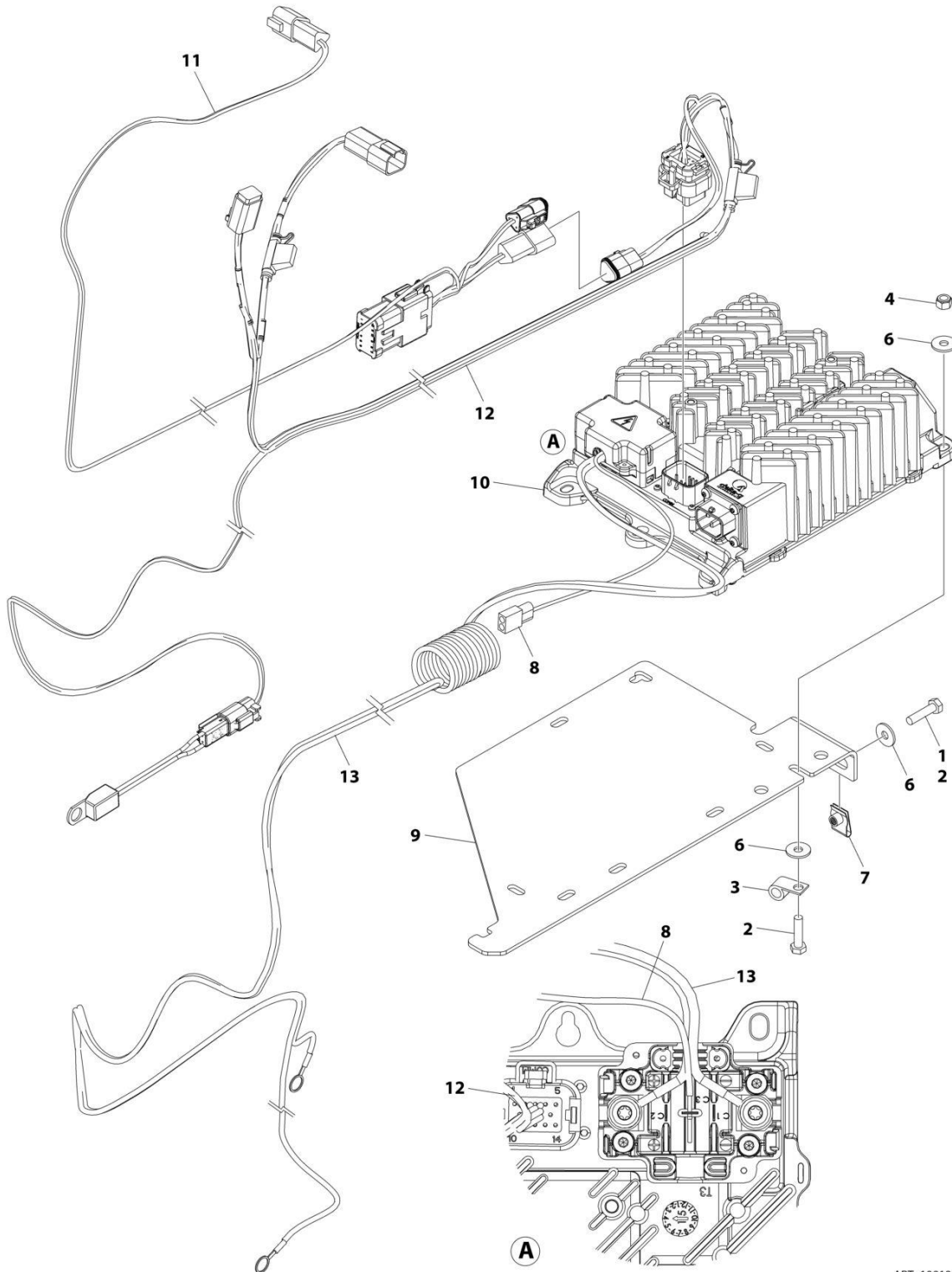
ART_1001214217

FIGURE 1-10. TILT SENSOR INSTALLATION

ITEM	PART NUMBER	QTY	DESCRIPTION	REV
	1001214217	Ref	TILT SENSOR INSTALLATION	D
1	3290601	2	Nut M6	
2	4031708	2	Capscrew M6 x 20	
3	1001186466	1	Sensor, Tilt	
4	0100011	AR	Compound, Locking	
5	0700612	2	Bolt M6 x 25	
6	4811702	2	Washer M6	
7	1001217059	1	Plate, Mounting	

SECTION 1 - FRAME

FIGURE 1-11. BATTERY CHARGER INSTALLATION - DELTA-Q



ART_1001263257

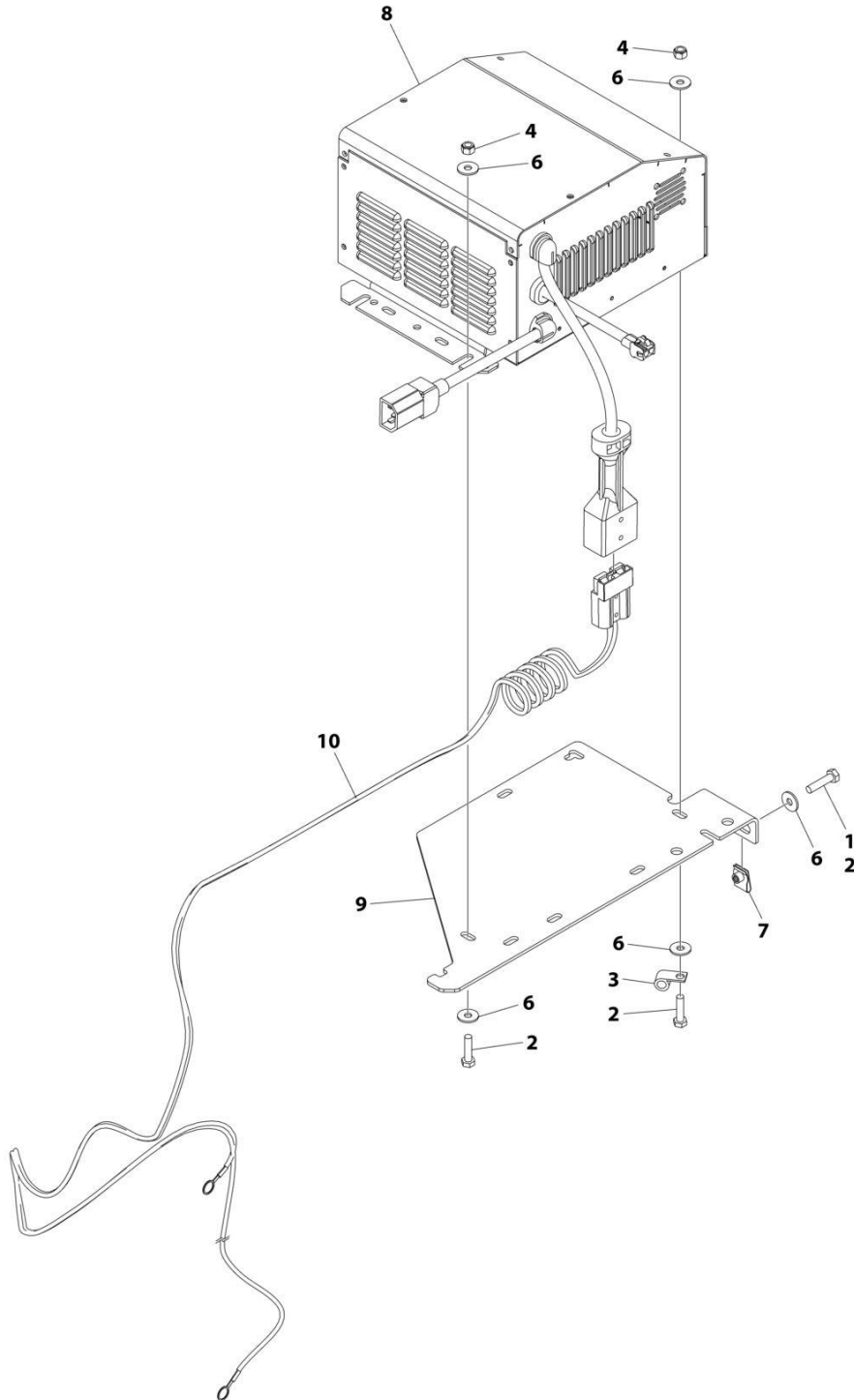
SECTION 1 - FRAME

FIGURE 1-11. BATTERY CHARGER INSTALLATION - DELTA-Q

ITEM	PART NUMBER	QTY	DESCRIPTION	REV
	1001263257	Ref	BATTERY CHARGER INSTALLATION - DELTA-Q	A
1	0100011	AR	Compound, Locking	
2	0760612	5	Bolt M6 x 25	
3	1321293	1	Clamp	
4	3290605	3	Nut M6	
5	4240017	AR	Tie-Strap (Not Shown)	
6	4811702	8	Washer M6	
7	1001130220	2	Nut, Tinnerman M6	
8	1001207009	1	Charger Interlock Harness	
8	4460424	1	Receptacle, Female - 2 Position	
8	4460227	2	Pin, Male	
9	1001236139	1	Bracket	
10	1001253952	1	Charger, Battery - Delta-Q	
11	1001254027	1	Can Splice Harness (See Separate Breakdown in ELECTRICAL Section)	
12	1001254028	1	Charger To Battery Harness (See Separate Breakdown in ELECTRICAL Section)	
13	1001256642	1	Battery Charger to DC Connection Cable	

SECTION 1 - FRAME

FIGURE 1-12. BATTERY CHARGER INSTALLATION - EAGLE PERFORMANCE



ART_1001263258

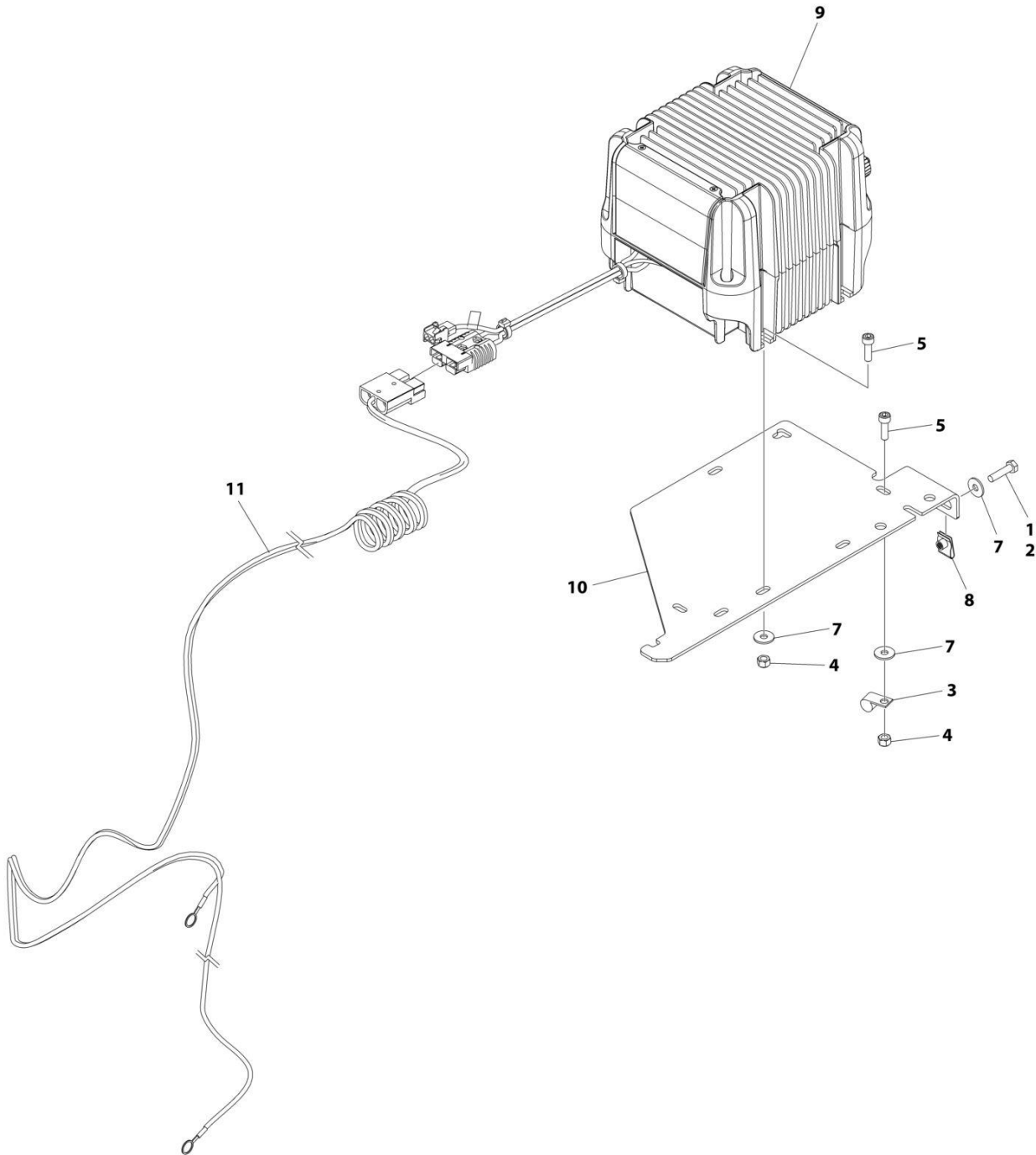
SECTION 1 - FRAME

FIGURE 1-12. BATTERY CHARGER INSTALLATION - EAGLE PERFORMANCE

ITEM	PART NUMBER	QTY	DESCRIPTION	REV
	1001263258	Ref	BATTERY CHARGER INSTALLATION - EAGLE PERFORMANCE	A
1	0100011	AR	Compound, Locking	
2	0760612	5	Bolt M6 x 20	
3	1321293	1	Clamp	
4	3290605	3	Nut M6	
5	4240017	AR	Tie-Strap (Not Shown)	
6	4811702	8	Washer M6	
7	1001130220	2	Nut, Tinnerman M6	
8	1001206995	1	Charger, Battery - Eagle Performance	
9	1001236139	1	Bracket	
10	1001256643	1	Charger DC Connection Harness	

SECTION 1 - FRAME

FIGURE 1-13. BATTERY CHARGER INSTALLATION - GREEN POWER



ART_1001263259

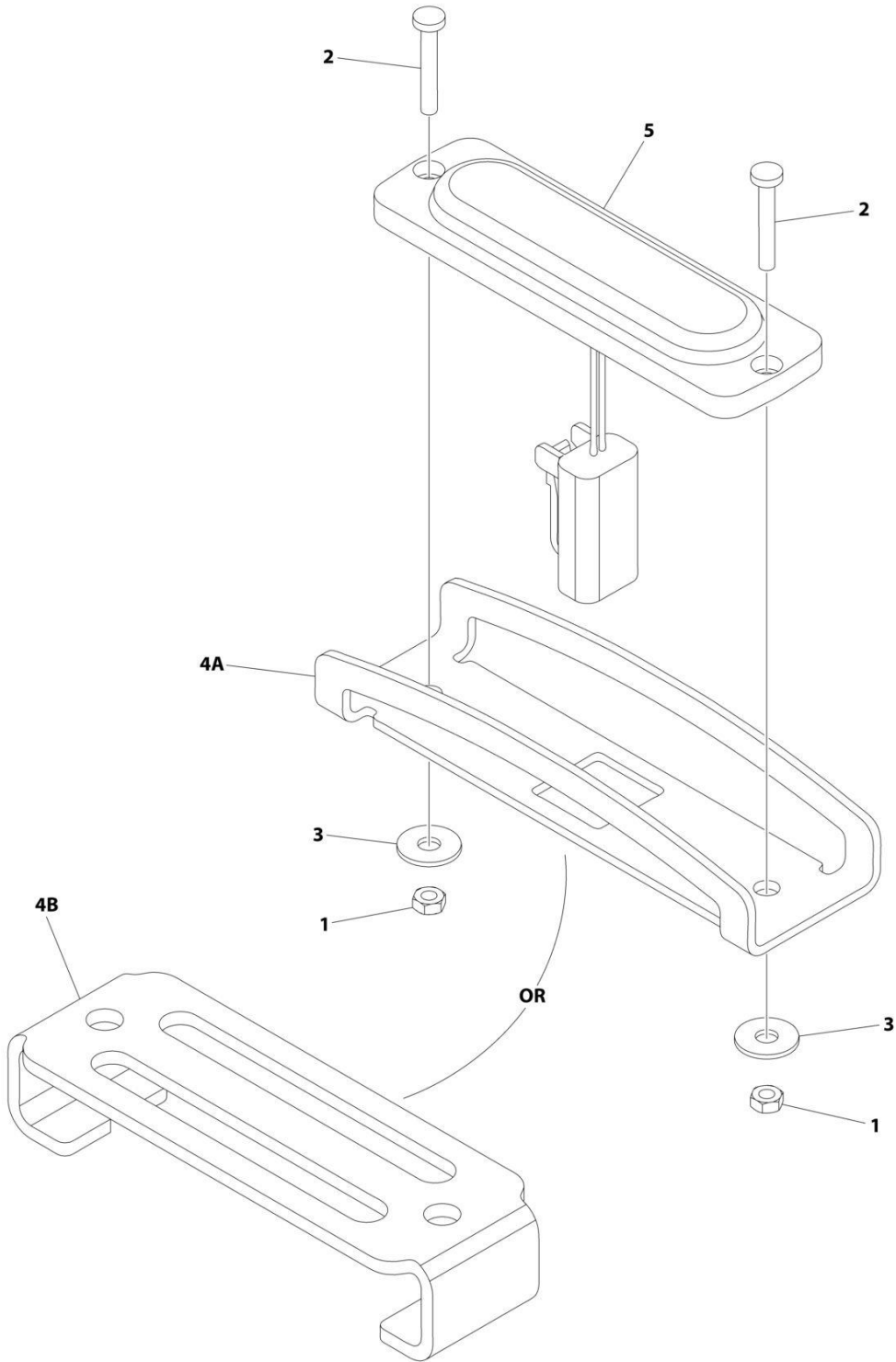
SECTION 1 - FRAME

FIGURE 1-13. BATTERY CHARGER INSTALLATION - GREEN POWER

ITEM	PART NUMBER	QTY	DESCRIPTION	REV
	1001263259	Ref	BATTERY CHARGER INSTALLATION - GREEN POWER	A
1	0100011	AR	Compound, Locking	
2	0700612	2	Bolt M6 x 25	
3	1321293	1	Clamp, Cable	
4	3290605	4	Nut M6	
5	4031708	4	Capscrew M6 x 20	
6	4240017	AR	Tie-Strap (Not Shown)	
7	4811702	6	Washer M6	
8	1001130220	2	Nut, Tinnerman M6	
9	1001205598	1	Charger, Battery Green Power	
10	1001236139	1	Bracket	
11	1001256643	1	Charger DC Connection Harness	

SECTION 1 - FRAME

FIGURE 1-14. STROBE LIGHT INSTALLATION - SINGLE (AMBER)



ART_1001242697

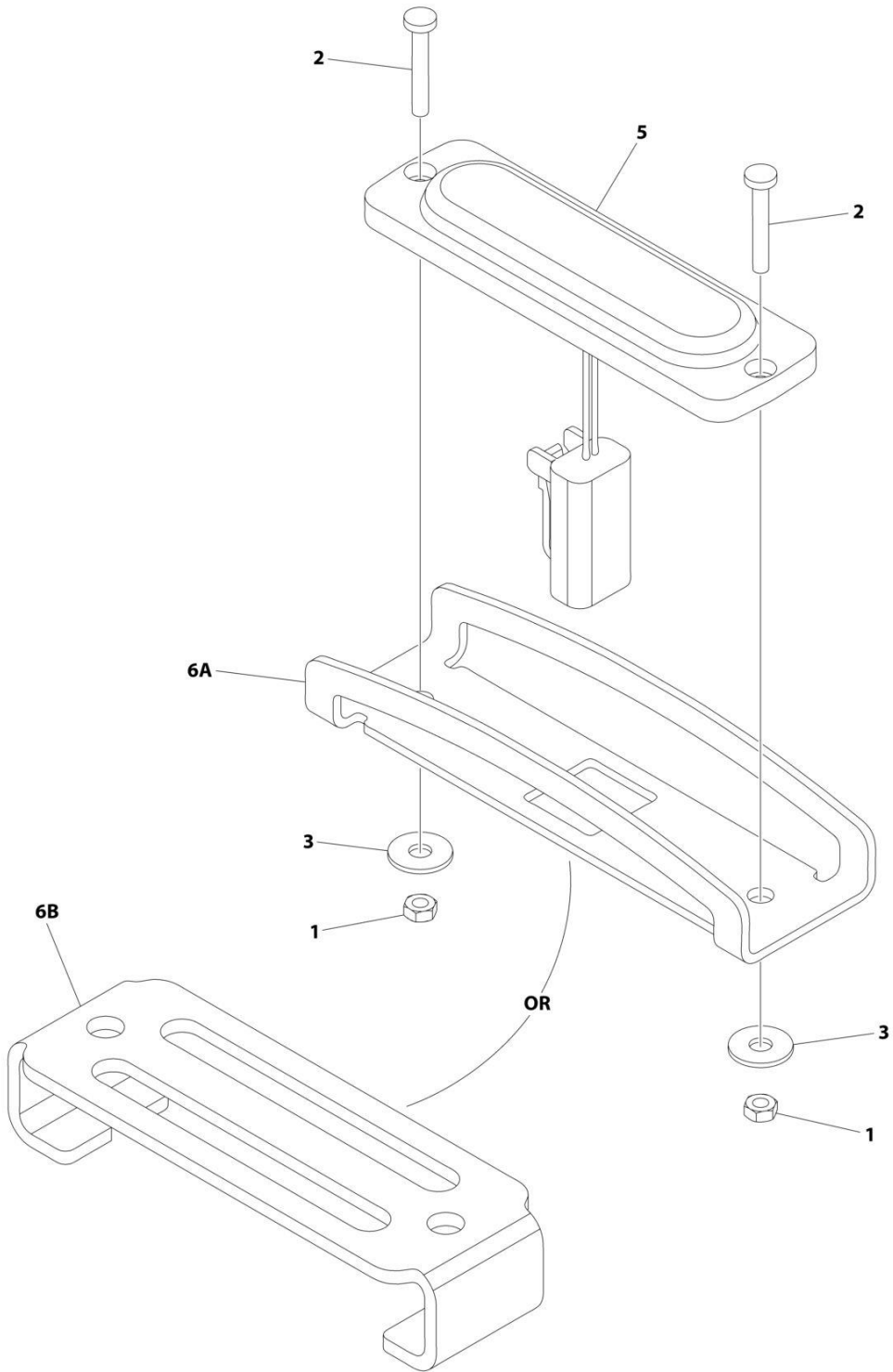
SECTION 1 - FRAME

FIGURE 1-14. STROBE LIGHT INSTALLATION - SINGLE (AMBER)

ITEM	PART NUMBER	QTY	DESCRIPTION	REV
	1001242697	Ref	STROBE LIGHT INSTALLATION - SINGLE (AMBER) (WITH GUARD)	D
1	3290305	2	Nut M3	
2	4010310	2	Screw M3 x 20	
3	1001091102	2	Washer M4	
4A	1001242539	1	Guard	
4B	1001239661	1	Cover	
5	1001239224	1	Light, Strobe	
5	4460891	1	Plug, Male - 2 Position	
5	4460465	2	Socket, Female	

SECTION 1 - FRAME

FIGURE 1-15. STROBE LIGHT INSTALLATION - DUAL (AMBER)



ART_1001242990

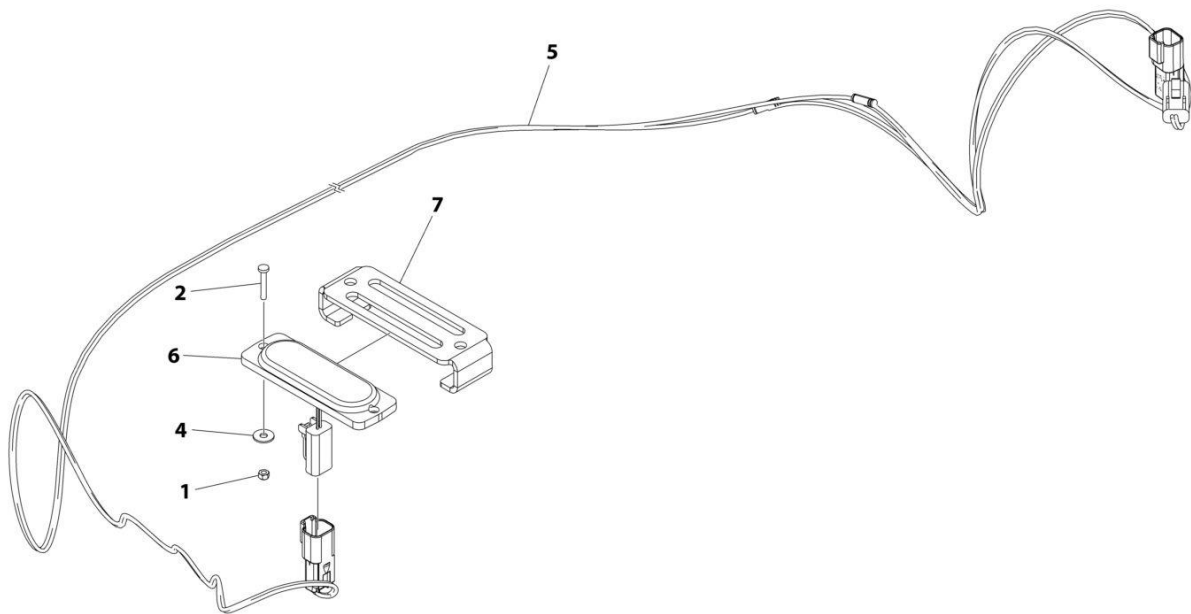
SECTION 1 - FRAME

FIGURE 1-15. STROBE LIGHT INSTALLATION - DUAL (AMBER)

ITEM	PART NUMBER	QTY	DESCRIPTION	REV
	1001242990	Ref	STROBE LIGHT INSTALLATION - DUAL (AMBER) (WITH GUARD)	D
1	3290305	4	Nut M3	
2	4010310	4	Screw M3 x 20	
3	1001091102	4	Washer M4	
4	1001215216	1	Strobe Light Jumper Harness (Not Shown)	
4	4460897	2	Receptacle, Female - 2 Position	
4	4460464	4	Pin, Male	
4	4460891	1	Plug, Male - 2 Position	
4	4460465	2	Socket, Female	
5	1001239224	2	Light, Strobe	
5	4460891	1	Plug, Male - 2 Position	
5	4460465	2	Socket, Female	
6A	1001242539	2	Guard	
6B	1001239661	2	Cover	
7	4240018	AR	Tie-Strap (Not Shown)	

SECTION 1 - FRAME

FIGURE 1-16. STROBE LIGHT INSTALLATION - DUAL (AMBER) (WITH CLEARSKY)



ART_1001294027

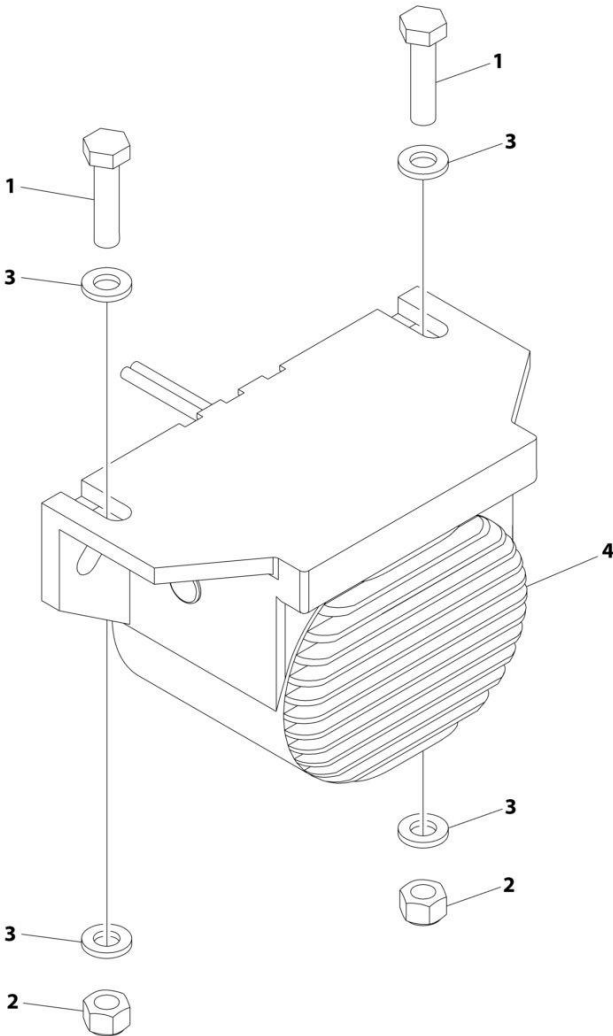
SECTION 1 - FRAME

FIGURE 1-16. STROBE LIGHT INSTALLATION - DUAL (AMBER) (WITH CLEARSKY)

ITEM	PART NUMBER	QTY	DESCRIPTION	REV
	1001294027	Ref	BEACON INSTALLATION	A
1	3290305	2	Nut, Lock M3	
2	4010310	2	Screw M3 x 20	
3	4240018	AR	Tie-Strap (Not-Shown)	
4	1001091102	2	Washer M4	
5	1001215216	1	Harness, Beacon (See Separate Breakdown in ELECTRICAL Section)	
6	1001239224	1	Lamp, Beacon	
7	1001239661	1	Cover, Beacon	

SECTION 1 - FRAME

FIGURE 1-17. ALARM INSTALLATION (AMBIENT/WHITE NOISE)



ART_1001204495

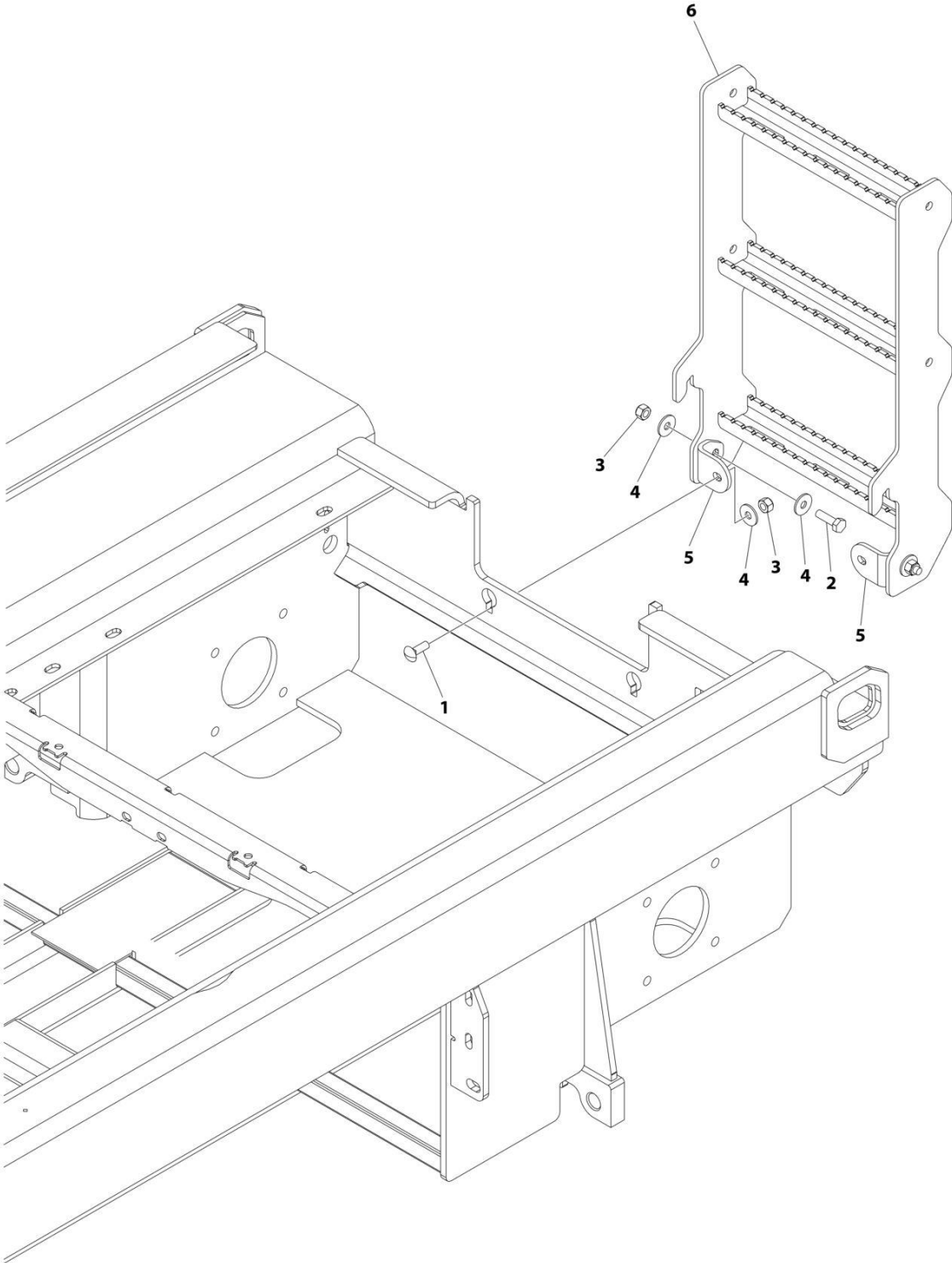
SECTION 1 - FRAME

FIGURE 1-17. ALARM INSTALLATION (AMBIENT/WHITE NOISE)

ITEM	PART NUMBER	QTY	DESCRIPTION	REV
	1001204495	Ref	ALARM INSTALLATION (AMBIENT/WHITE NOISE)	B
1	0760612	2	Bolt M6 x 25	
2	3290605	2	Nut M6	
3	4811700	4	Washer M6	
4	1001182806	1	Alarm	
4	4460897	1	Receptacle, Female - 2 Position	
4	4460464	2	Pin, Male	

SECTION 1 - FRAME

FIGURE 1-18. LADDER INSTALLATION



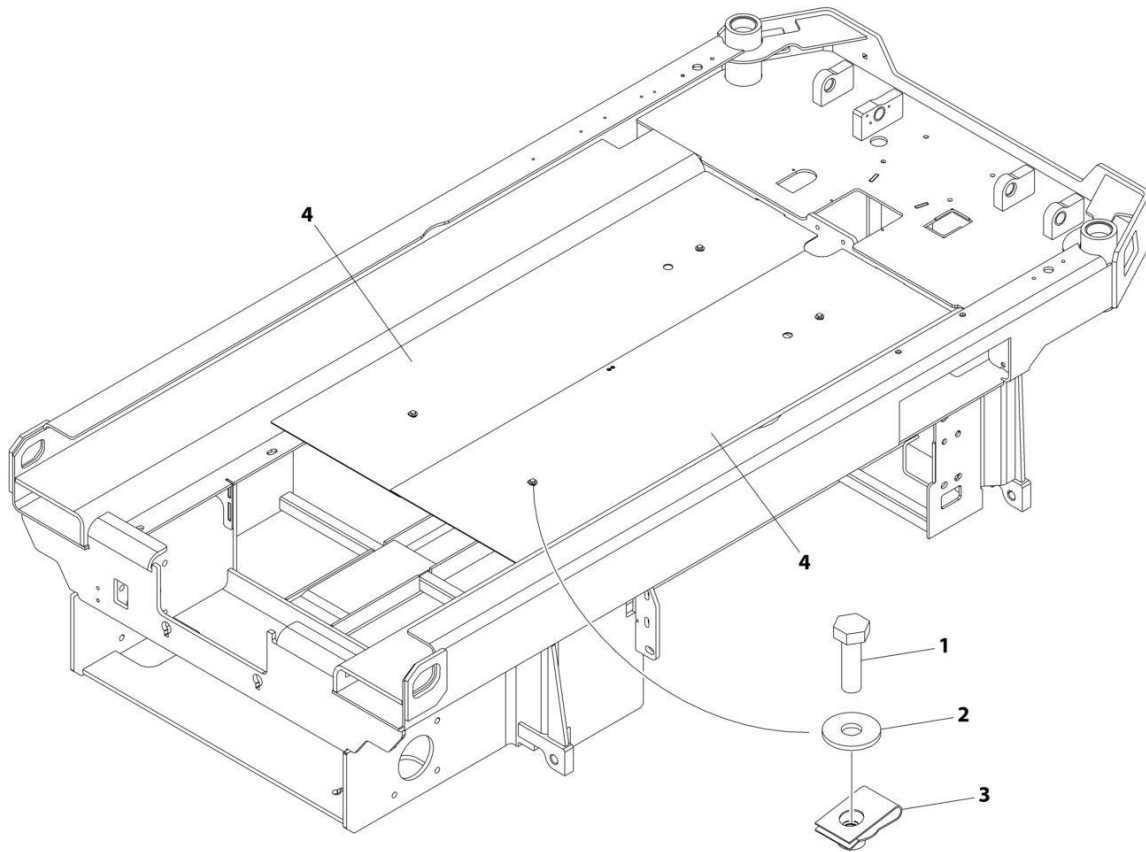
ART_1001272192

FIGURE 1-18. LADDER INSTALLATION

ITEM	PART NUMBER	QTY	DESCRIPTION	REV
	1001272192	Ref	LADDER INSTALLATION	B
1	0630613	2	Bolt M10 x 30	
2	0761015	2	Bolt M10 x 35	
3	3291005	4	Nut M10	
4	4812002	6	Washer M10	
5	1001235955	2	Bracket	
6	1001272189	1	Ladder	

SECTION 1 - FRAME

FIGURE 1-19. FRAME COVERS INSTALLATION



ART_1001236968

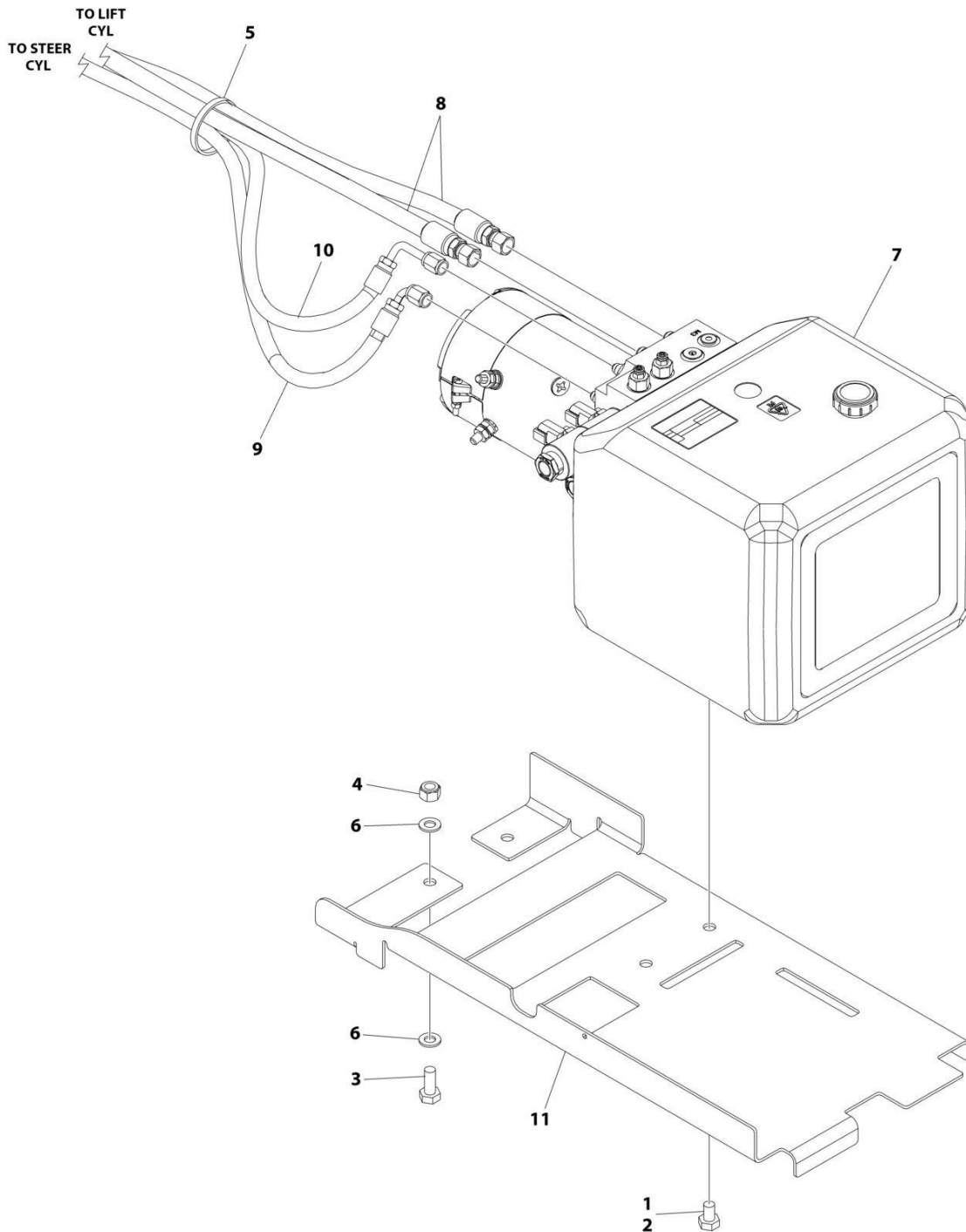
FIGURE 1-19. FRAME COVERS INSTALLATION

ITEM	PART NUMBER	QTY	DESCRIPTION	REV
	1001236968	Ref	FRAME COVERS INSTALLATION	A
1	0760610	4	Bolt M6 x 20	
2	4811702	4	Washer M6	
3	1001130220	4	Nut, Tinnerman M6	
4	1001236531	2	Cover	

SECTION 2 - GROUND CONTROLS

SECTION 2 - GROUND CONTROLS

FIGURE 2-1. PUMP/MOTOR/TANK AND HOSES INSTALLATION



ART_1001260651

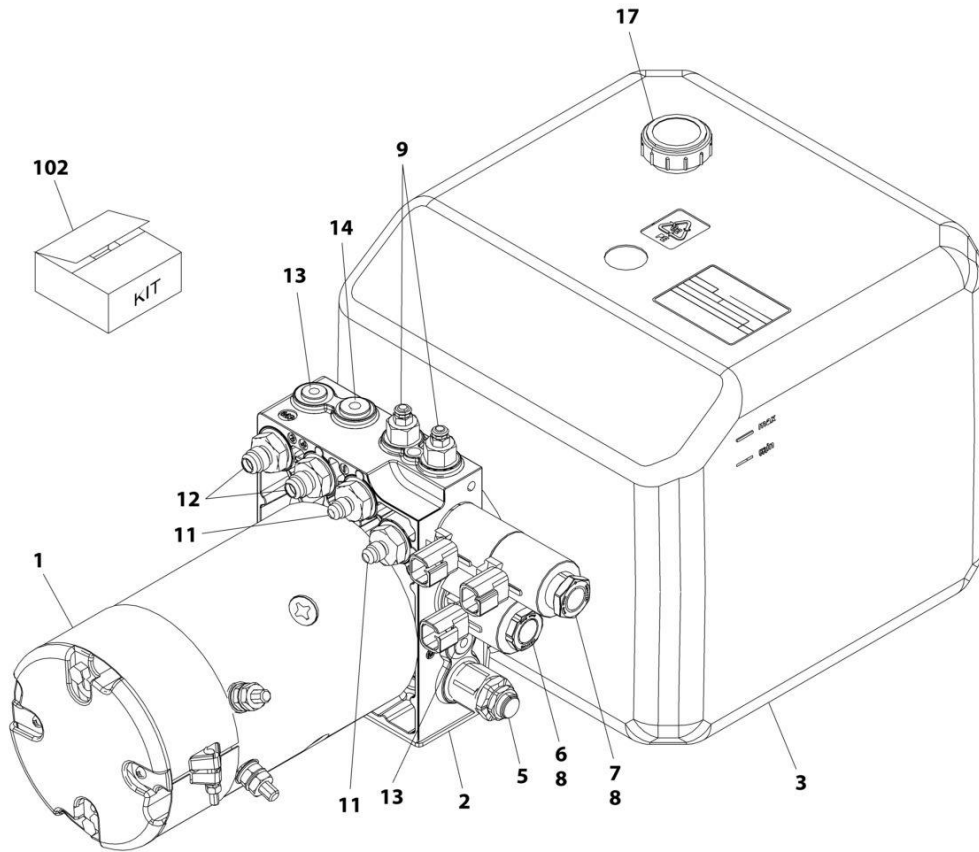
SECTION 2 - GROUND CONTROLS

FIGURE 2-1. PUMP/MOTOR/TANK AND HOSES INSTALLATION

ITEM	PART NUMBER	QTY	DESCRIPTION	REV
	1001260651	Ref	PUMP/MOTOR/TANK AND HOSES INSTALLATION	C
1	0100011	AR	Compound, Locking	
2	0761008	2	Bolt M10 x 16	
3	0761012	2	Bolt M10 x 25	
4	3291005	2	Nut M10	
5	4240018	AR	Tie-Strap	
6	4812000	4	Washer M10	
7	1001274485	1	Pump/Motor/Tank Assembly (See Separate Breakdown in this Section)	
8	1001260691	2	Hose	
9	1001260692	1	Hose	
10	1001260693	1	Hose	
11	1001262201	1	Bracket	

SECTION 2 - GROUND CONTROLS

FIGURE 2-2. PUMP/MOTOR/TANK ASSEMBLY



ART_1001274485

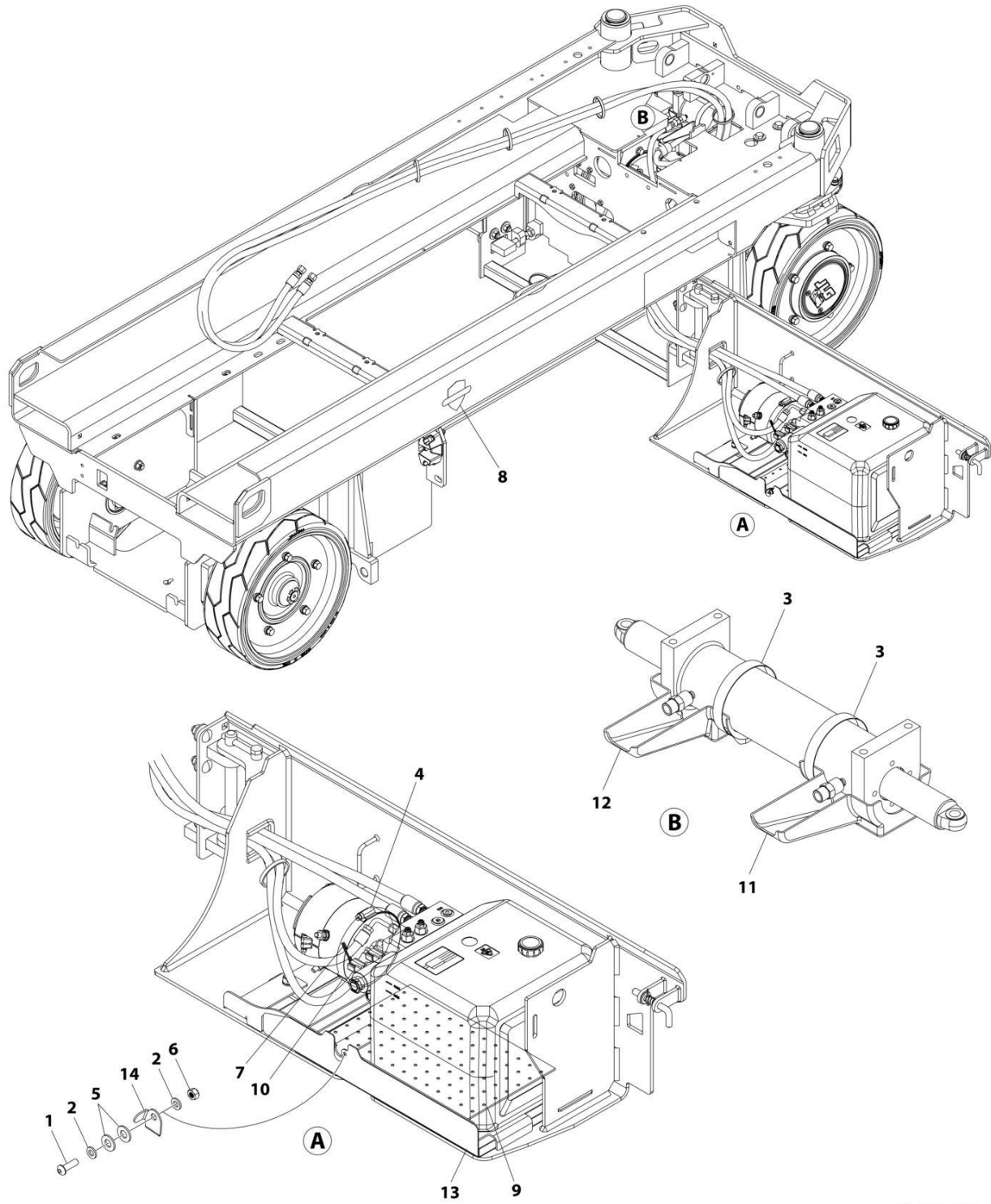
SECTION 2 - GROUND CONTROLS

FIGURE 2-2. PUMP/MOTOR/TANK ASSEMBLY

ITEM	PART NUMBER	QTY	DESCRIPTION	REV
	1001274485	Ref	PUMP/MOTOR/TANK ASSEMBLY	A
1	70007584	1	Motor, Replacement	
2	See Note	1	Manifold	
3	70007612	1	Tank Kit (Includes Tank, Tie-Strap, Bracket, Support and Hardware)	
4	See Note	1	Filter - 500 Micro (Not Shown - Located Inside Tank Area) (Note: Use Item 102)	
5	70007614	1	Valve, Cartridge (Relief)	
6	70007588	1	Valve, Solenoid Cartridge (Less Coil)	
7	70007589	1	Valve, Solenoid Cartridge (Less Coil)	
8	70007590	3	Coil	
9	70007615	2	Valve, Cartridge	
10	See Note	2	Screen, Screw-in - 400 Micro (Not Shown - Located Inside Tank Area) (Note: Use Item 102)	
11	See Note	2	Fitting, Straight JIC/UNF (Note: Use Item 102)	
12	See Note	2	Fitting, Straight JIC/UNF (Note: Use Item 102)	
13	See Note	2	Plug 7/16 (Note: Use Item 102)	
14	See Note	1	Plug 1/4 (Note: Use Item 102)	
15	70004935	1	Filter, Return (20 Micron) (Not Shown - Located Inside Tank Area)	
16	70007616	1	Pump Kit (Includes Pump & Hardware) (Not Shown - Located Inside Tank Area)	
17	70003700	1	Cap, Oil Fill	
102	70007613	1	Filter & Fitting Kit (Includes Items 4, & 10-14)	

SECTION 2 - GROUND CONTROLS

FIGURE 2-3. CLEANGUARD INSTALLATION



ART_1001269714

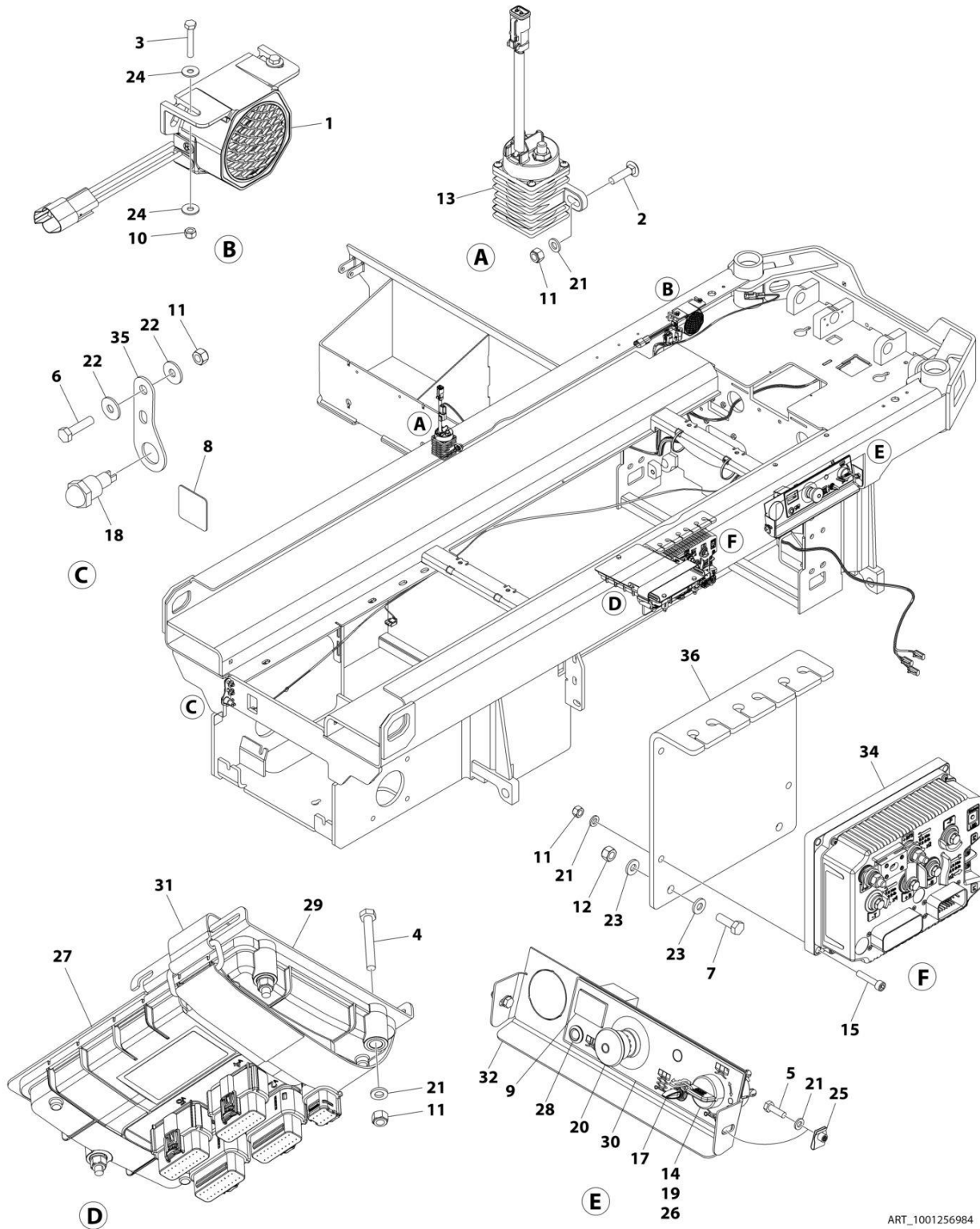
SECTION 2 - GROUND CONTROLS

FIGURE 2-3. CLEANGUARD INSTALLATION

ITEM	PART NUMBER	QTY	DESCRIPTION	REV
	1001269714	Ref	CLEANGUARD INSTALLATION	B
1	3900364	1	Screw M6 x 20	
2	4811700	2	Washer M6	
3	8405204	2	Clamp	
4	8405402	1	Clamp	
5	1001108581	2	Washer M8	
6	1001170310	1	Nut M6	
7	1001260887	2	Plate, Diverting	
8	1001262581	1	Decal - Clean Guard	
9	1001263359	1	Pad	
10	1001263785	1	Pad	
11	1001265635	1	Tray (LH)	
12	1001265636	1	Tray (RH)	
13	1001269746	1	Tray	
14	1001269747	1	Plate, Stopper	

SECTION 2 - GROUND CONTROLS

FIGURE 2-4. ELECTRICAL COMPONENTS INSTALLATION (MACHINES WITH SN STARTING WITH B2 & M2)



ART_1001256984

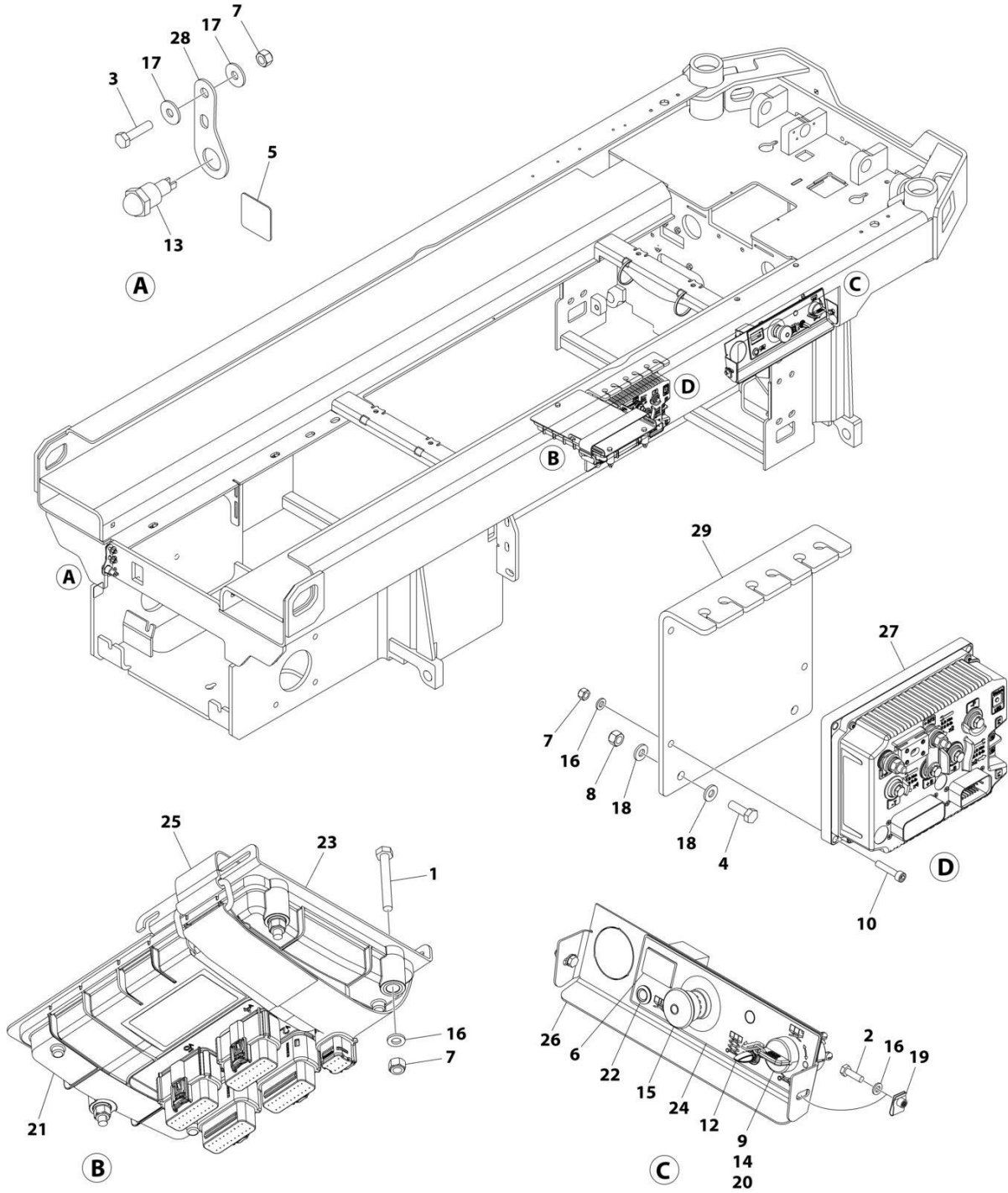
SECTION 2 - GROUND CONTROLS

FIGURE 2-4. ELECTRICAL COMPONENTS INSTALLATION (MACHINES WITH SN STARTING WITH B2 & M2)

ITEM	PART NUMBER	QTY	DESCRIPTION	REV
	1001256984	Ref	ELECTRICAL COMPONENTS INSTALLATION	D
1	0140043	1	Alarm	
2	0630587	2	Bolt M6 x 25	
3	0700412	2	Bolt M4 x 25	
4	0700617	3	Bolt M6 x 45	
5	0760610	2	Bolt M6 x 20	
6	0760612	2	Bolt M6 x 25	
7	0760812	2	Bolt M8 x 25	
8	1706679	1	Decal - Brake Release	
9	2420172	1	Hourmeter	
10	3290405	2	Nut M4	
11	3290605	11	Nut M6	
12	3290805	2	Nut M8	
13	3740150	1	Relay	
14	3910804	3	Screw #8 x 1/4	
15	4031710	4	Capscrew M6 x 30	
16	4240017	AR	Tie-Strap (Not Shown)	
17	4360328	1	Switch, Toggle	
18	4360387	1	Switch, Push Button	
19	4360469	1	Switch, Key	
19	2860030	1 Set	Key, Replacement	
20	4360475	1	Switch, Emergency Stop (Metal)	
20	7020175	1	Cap	
20	7020176	1	Block, Contact	
20	1001274559	1	Switch, Emergency Stop (Plastic)	
21	4811700	11	Washer M6	
22	4811702	4	Washer M6	
23	4811900	4	Washer M8	
24	1001091102	4	Washer M4	
25	1001130220	2	Nut, Tinnerman M6	
26	1001130590	1	Plate, Key Switch	
27	1001200629	1	Module, Control (Note: Re-calibration Required when Replaced)	
28	1001200631	1	Light, Indicator	
29	1001207494	1	Bracket	
30	1001209682	1	Decal - Ground Control	
31	1001215762	1	Strap, Cinch	
32	1001235559	1	Support	
33	1001255934	1	Drive Harness (Not Shown - See Separate Breakdown in ELECTRICAL Section)	
34	See Note	Ref	Module, System (Note: Identify PN on Label Before Purchasing. Re-calibration Required when Replaced)	
34	1001256876	1	Module, System (Note: Re-calibration Required when Replaced)	
34	1001268506	1	Module, System (Note: Re-calibration Required when Replaced)	
35	1001257138	1	Bracket	
36	1001257139	1	Bracket	
37	1001261064	1	Chassis Harness (Not Shown - See Separate Breakdown in ELECTRICAL Section)	

SECTION 2 - GROUND CONTROLS

FIGURE 2-5. ELECTRICAL COMPONENTS INSTALLATION #1 (MACHINES WITH SN STARTING WITH 12)



ART_1001263350

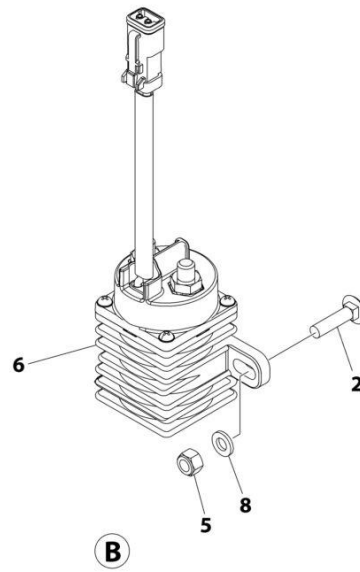
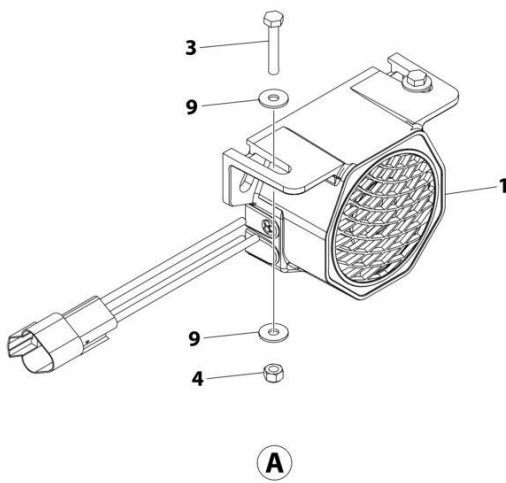
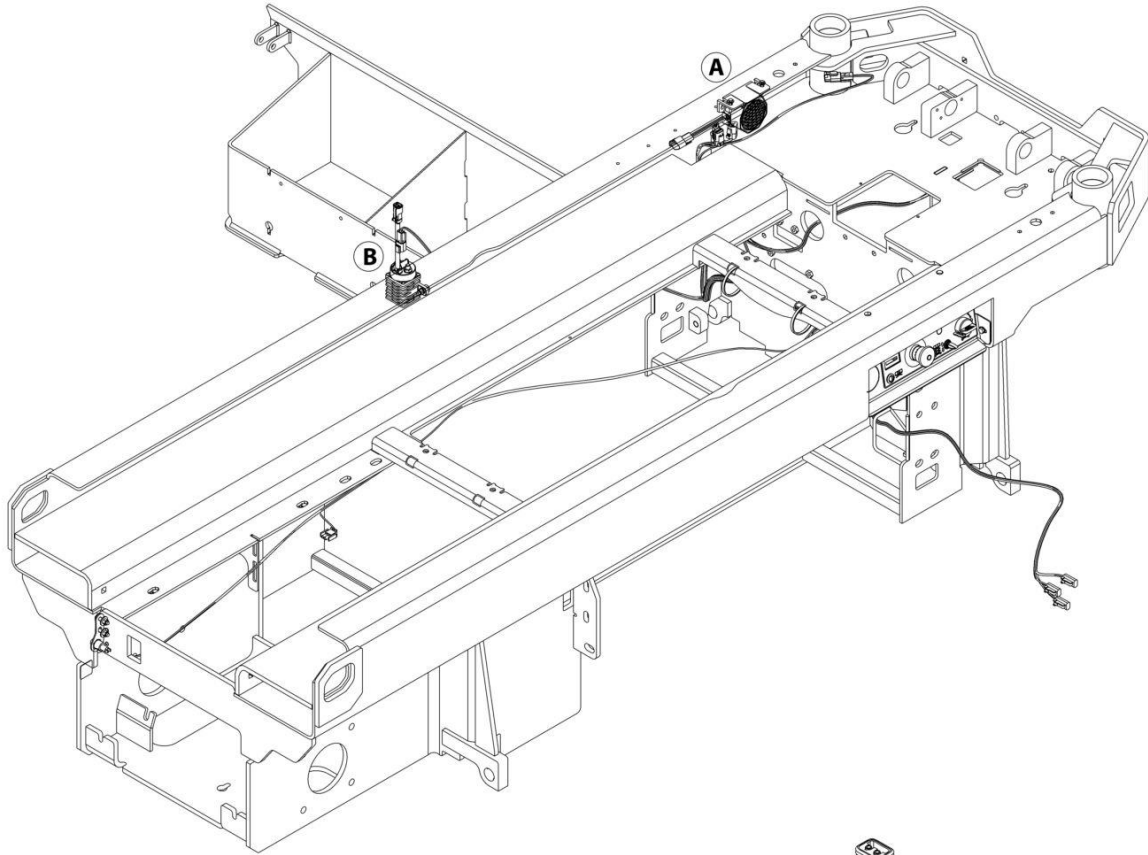
SECTION 2 - GROUND CONTROLS

FIGURE 2-5. ELECTRICAL COMPONENTS INSTALLATION #1 (MACHINES WITH SN STARTING WITH 12)

ITEM	PART NUMBER	QTY	DESCRIPTION	REV
	1001263350	Ref	ELECTRICAL COMPONENTS INSTALLATION	C
1	0700617	3	Bolt M6 x 45	
2	0760610	2	Bolt M6 x 20	
3	0760612	2	Bolt M6 x 25	
4	0760812	2	Bolt M8 x 25	
5	1706679	1	Decal - Brake Release	
6	2420172	1	Hourmeter	
7	3290605	9	Nut M6	
8	3290805	2	Nut M8	
9	3910804	3	Screw #8 x 1/4	
10	4031710	4	Capscrew M6 x 30	
11	4240017	AR	Tie-Strap (Not Shown)	
12	4360328	1	Switch, Toggle	
13	4360387	1	Switch, Push Button	
14	4360469	1	Switch, Key	
14	2860030	1 Set	Key, Replacement	
15	4360475	1	Switch, Emergency Stop (Metal)	
15	7020175	1	Cap	
15	7020176	1	Block, Contact	
15	1001274559	1	Switch, Emergency Stop (Plastic)	
16	4811700	9	Washer M6	
17	4811702	4	Washer M6	
18	4811900	4	Washer M8	
19	1001130220	2	Nut, Tinnerman M6	
20	1001130590	1	Plate, Key Switch	
21	1001200629	1	Module, Control (Note: Re-calibration Required when Replaced)	
22	1001200631	1	Lamp	
23	1001207494	1	Bracket	
24	1001209682	1	Decal - Ground Control	
25	1001215762	1	Strap, Cinch	
26	1001235559	1	Support	
27	See Note	Ref	Module, System (Note: Identify PN on Label Before Ordering. Re-Calibration Required when Replaced)	
27	1001256876	1	Module, System (Note: Re-Calibration Required when Replaced)	
27	1001268506	1	Module, System (Note: Re-Calibration Required when Replaced)	
28	1001257138	1	Bracket	
29	1001257139	1	Bracket	

SECTION 2 - GROUND CONTROLS

FIGURE 2-6. ELECTRICAL COMPONENTS INSTALLATION #2 (MACHINES WITH SN STARTING WITH 12)



ART_1001263967

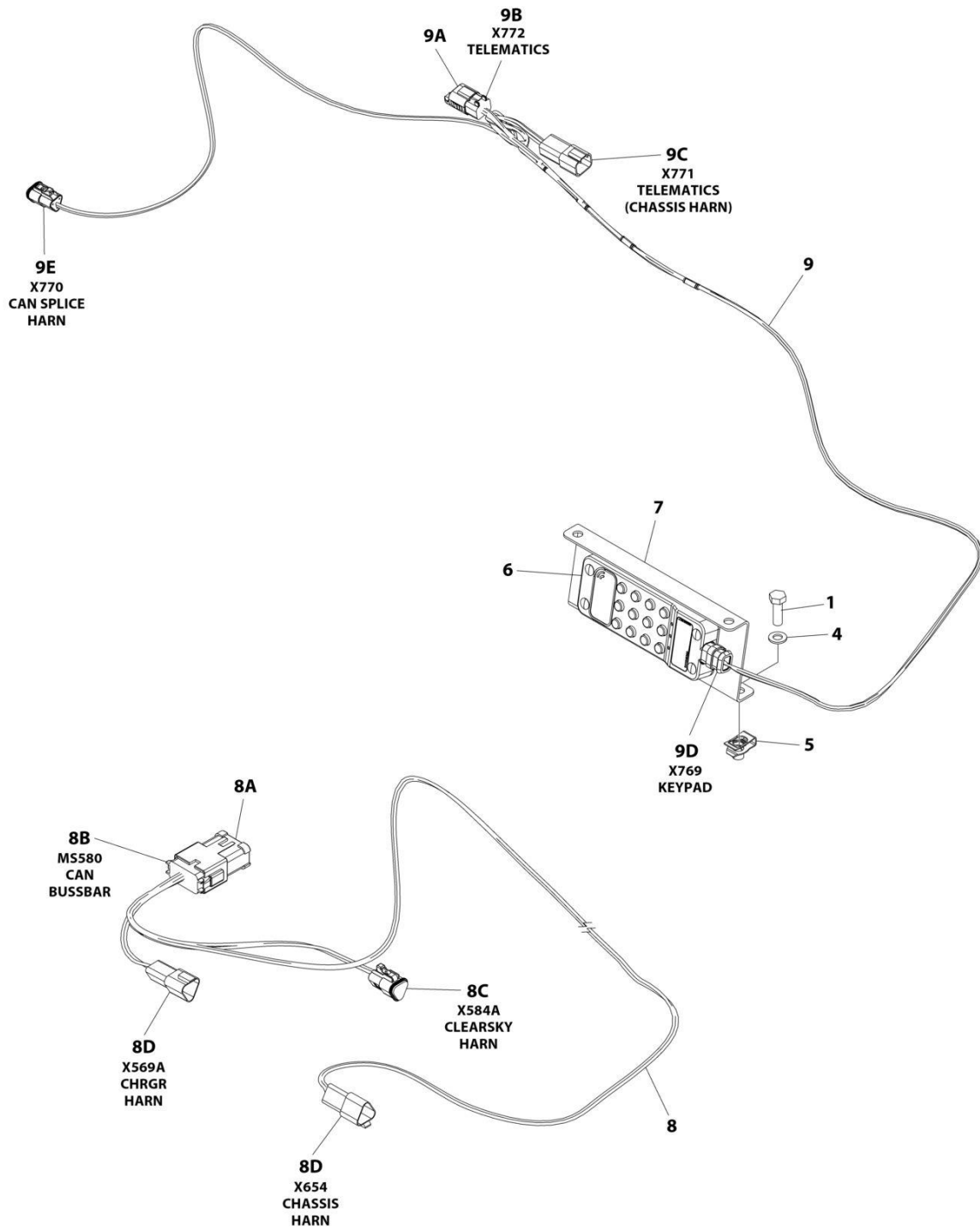
SECTION 2 - GROUND CONTROLS

FIGURE 2-6. ELECTRICAL COMPONENTS INSTALLATION #2 (MACHINES WITH SN STARTING WITH 12)

ITEM	PART NUMBER	QTY	DESCRIPTION	REV
	1001263967	Ref	ELECTRICAL COMPONENTS INSTALLATION	A
1	0140043	1	Alarm	
2	0630587	2	Bolt M6 x 25	
3	0700412	2	Bolt M4 x 25	
4	3290405	2	Nut M4	
5	3290605	2	Nut M6	
6	3740150	1	Relay	
7	4240017	AR	Tie-Strap (Not Shown)	
8	4811700	2	Washer M6	
9	1001091102	4	Washer M4	
10	1001255934	1	Drive Harness (Not Shown - See Separate Breakdown in ELECTRICAL Section)	
11	1001261064	1	Chassis Harness (Not Shown - See Separate Breakdown in ELECTRICAL Section)	

SECTION 2 - GROUND CONTROLS

FIGURE 2-7. ACCESS CONTROL KEYPAD INSTALLATION



ART_1001258356

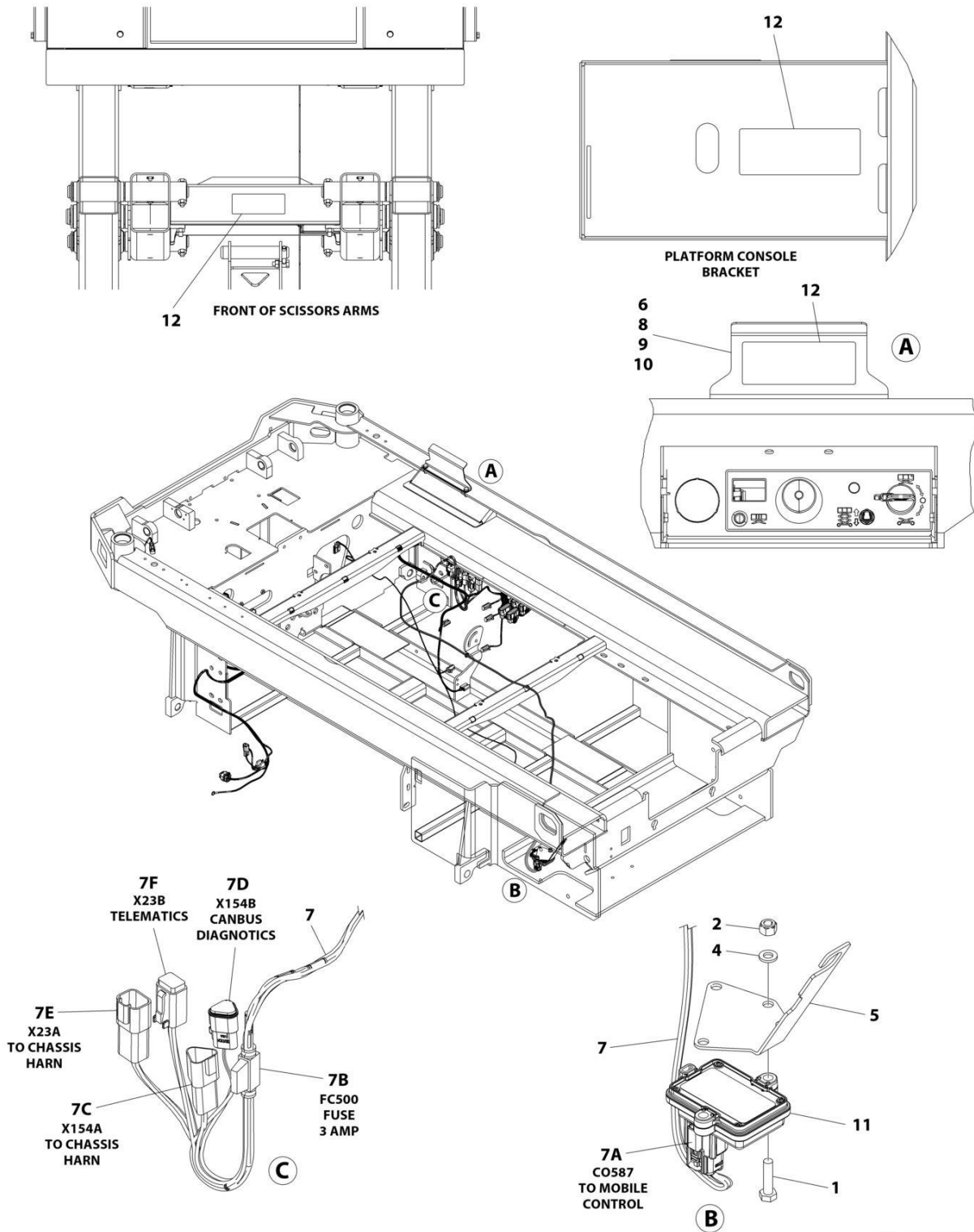
SECTION 2 - GROUND CONTROLS

FIGURE 2-7. ACCESS CONTROL KEYPAD INSTALLATION

ITEM	PART NUMBER	QTY	DESCRIPTION	REV
	1001258356	Ref	ACCESS CONTROL KEYPAD INSTALLATION	A
1	0760812	2	Bolt, M8 x 25	
2	1062255	AR	Tie-Strap (Not Shown)	
3	4240032	AR	Tie-Strap (Not Shown)	
4	4811900	2	Washer M8	
5	1001118274	2	Nut, Tinnerman	
6	1001238392	1	Keypad	
7	1001248773	1	Bracket	
8	1001254027	1	Access Control Keypad Can Splice Harness	
8A	1001125677	AR	Connector, Bus Bar - 12 Position	
8B	4460933	1	Plug, Male - 12 Position	
8B	4460944	6	Socket, Female	
8B	4460466	6	Plug, Terminal	
8C	1001118812	1	Plug, Male - 3 Position	
8C	4460944	2	Socket, Female	
8C	4460466	1	Plug, Terminal	
8D	1001144147	2	Receptacle, Female - 3 Position	
8D	4460943	4	Pin, Male	
8D	4460466	2	Plug, Terminal	
9	1001258691	1	Access Control Keypad Harness	
9A	1001192401	1	Dustcap	
9B	4460884	1	Plug, Male - 4 Position	
9B	4460465	4	Socket, Female	
9C	4460932	1	Receptacle, Female - 4 Position	
9C	4460464	4	Pin, Male	
9D	1001210079	1	Plug, Male - 4 Position	
9D	4460465	2	Socket, Female	
9D	4460944	2	Socket, Female	
9E	1001116812	1	Plug, Male - 3 Position	
9E	4460944	2	Socket, Female	
9E	4460466	1	Plug, Terminal	

SECTION 2 - GROUND CONTROLS

FIGURE 2-8. MOBILE CONTROL INSTALLATION



ART_1001245353

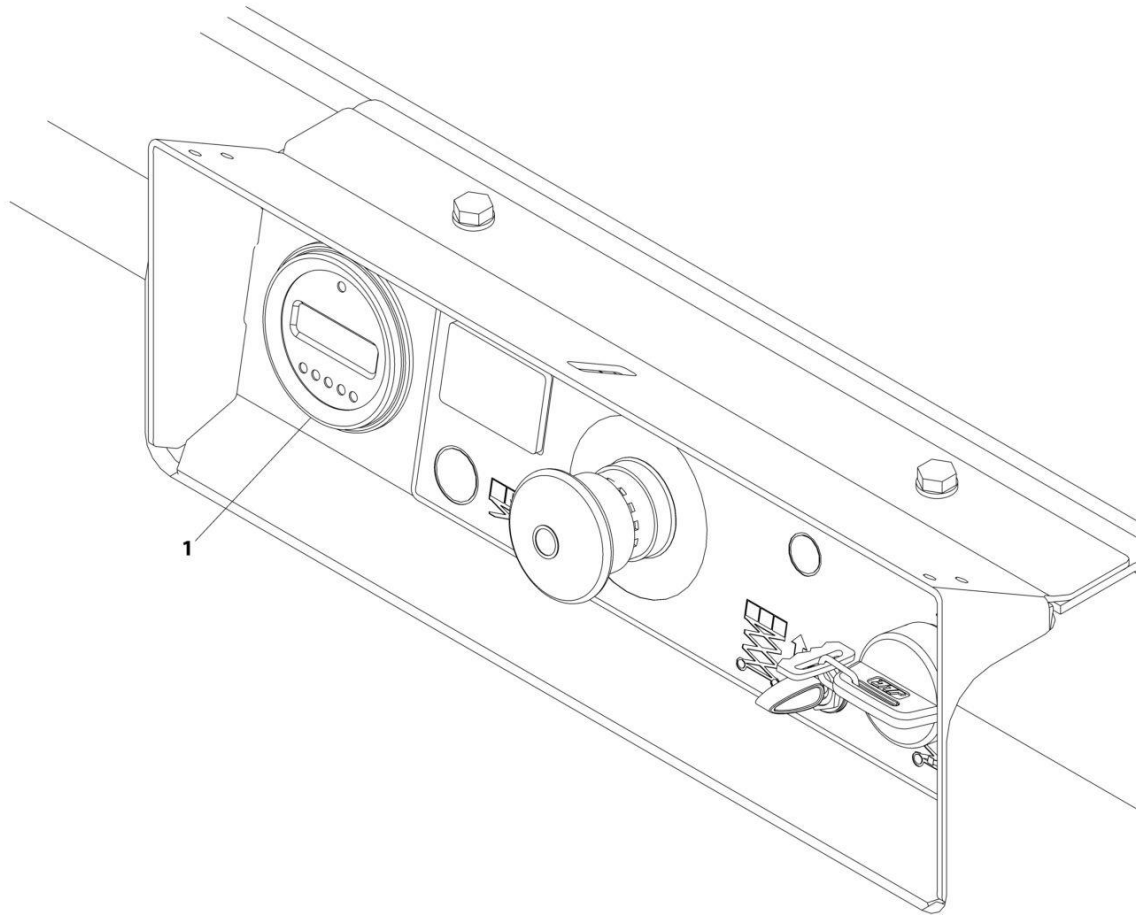
SECTION 2 - GROUND CONTROLS

FIGURE 2-8. MOBILE CONTROL INSTALLATION

ITEM	PART NUMBER	QTY	DESCRIPTION	REV
	1001245353	Ref	MOBILE CONTROL INSTALLATION	C
1	0700612	2	Bolt M6 x 25	
2	3290605	2	Nut M6	
3	4240017	AR	Tie-Strap (Not Shown)	
4	4811700	2	Washer M6	
5	1001244394	1	Bracket, Module	
6	1001244885	1	Plate, Decal	
7	1001245299	1	Mobile Control Harness	
7A	1001205409	1	Connector - 8 Position	
7A	1001162887	4	Terminal	
7A	1001163340	4	Plug, Terminal	
7B	2400060	1	Fuseholder with Cap	
7B	1001196635	1	Fuse 3 Amp	
7C	1001144147	1	Receptacle, Female - 3 Position	
7C	4460943	2	Pin, Male	
7C	4460466	1	Plug, Terminal	
7D	1001116812	1	Plug, Male - 3 Position	
7D	4460944	2	Socket, Female	
7D	4460466	1	Plug, Terminal	
7E	4460932	1	Receptacle, Female - 4 Position	
7E	4460464	4	Pin, Terminal	
7F	4460884	1	Pin, Male	
7F	4460465	4	Socket, Female	
8	0760810	2	Bolt M8 x 20	
9	4811900	2	Washer M8	
10	1001118274	2	Nut Tinnerman M8	
11	1001245293	1	Control, Mobile	
12	1001248768	3	Decal, Mobile Control	
13	3121792	1	Manual, Mobile Control (Not Shown)	

SECTION 2 - GROUND CONTROLS

FIGURE 2-9. MDI INSTALLATION



ART_1001207293

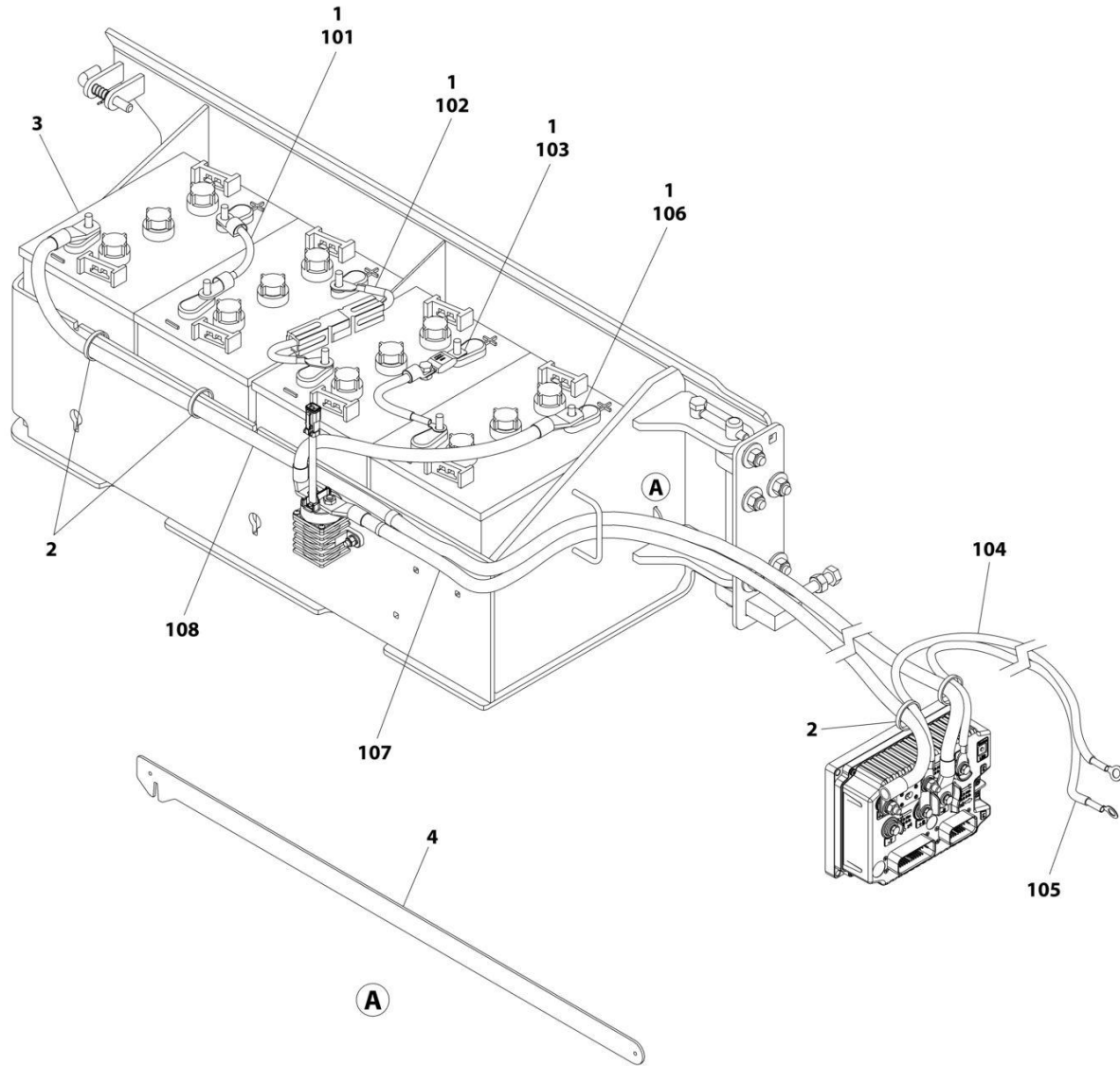
SECTION 2 - GROUND CONTROLS

FIGURE 2-9. MDI INSTALLATION

ITEM	PART NUMBER	QTY	DESCRIPTION	REV
1	1001207293 1001200632	Ref 1	MDI INSTALLATION Gauge, MDI	B

SECTION 2 - GROUND CONTROLS

FIGURE 2-10. BATTERIES INSTALLATION - STANDARD 220AH BATTERIES (MACHINES WITH SN STARTING WITH M2 &12)



ART_1001262995

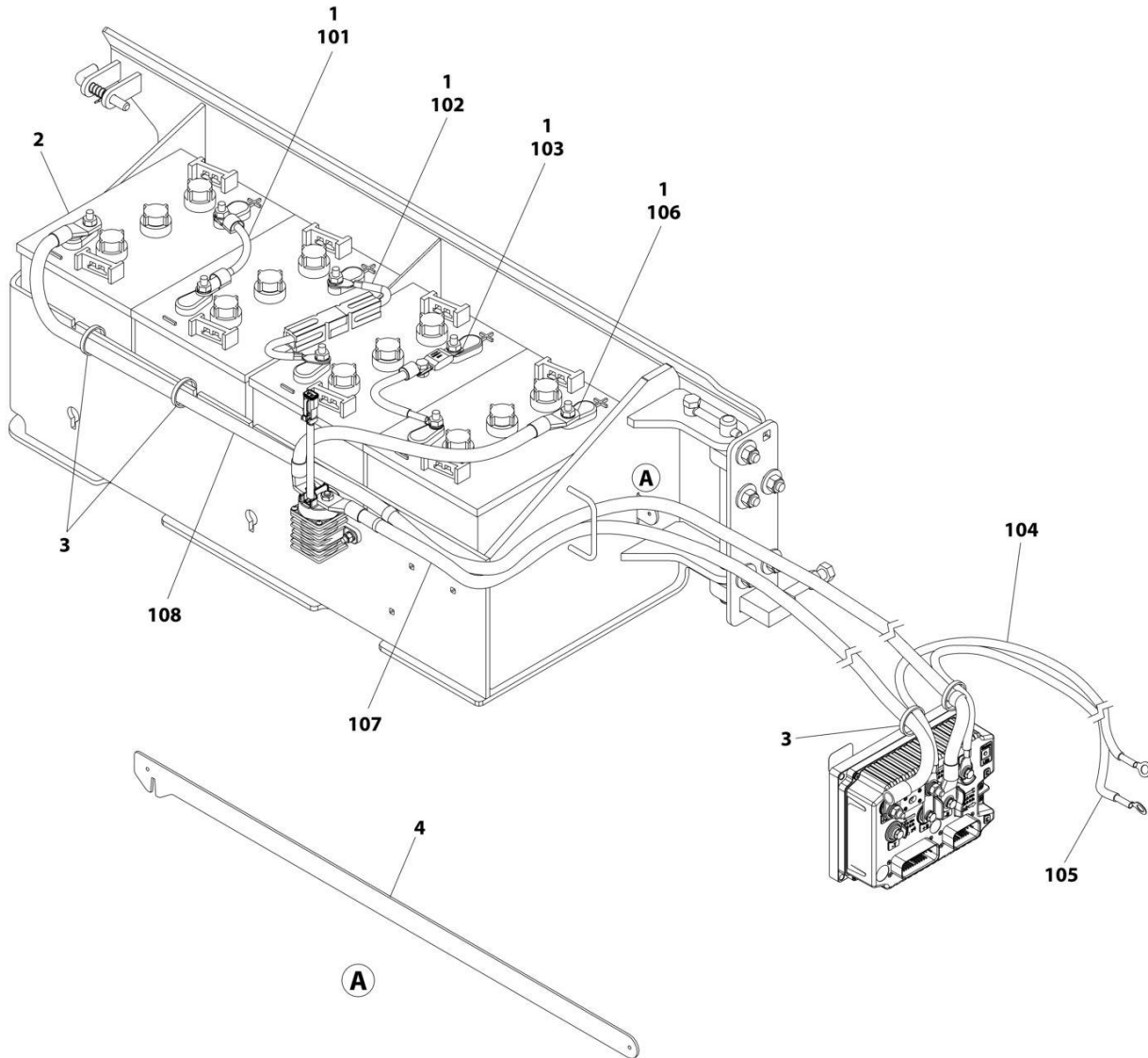
SECTION 2 - GROUND CONTROLS

FIGURE 2-10. BATTERIES INSTALLATION - STANDARD 220AH BATTERIES (MACHINES WITH SN STARTING WITH M2 &12)

ITEM	PART NUMBER	QTY	DESCRIPTION	REV
	1001262995	Ref	BATTERIES INSTALLATION - STANDARD BATTERIES	B
1	0100051	AR	Grease, Terminal	
2	4240017	AR	Tie-Strap	
3	1001216180	4	Battery	
4	1001239269	1	Bar	
100	1001262094	1	Cable, Electrical Kit	
101	1060998	1	Cable, Positive to Negative	
102	4923328	1	Cable, Positive to Negative	
103	1001264310	1	Cable, Battery Fuse	
104	1001243232	1	Cable, Pump Positive	
105	1001243233	1	Cable, Pump Negative	
106	1001259017	1	Cable, Battery to Contactor	
107	1001262092	1	Cable, Contactor to Module B+	
108	1001262093	1	Cable, Battery- to Module B-	

SECTION 2 - GROUND CONTROLS

FIGURE 2-11. BATTERIES INSTALLATION - TROJAN 220AH BATTERIES (MACHINES WITH SN STARTING WITH B2)



ART_1001263002

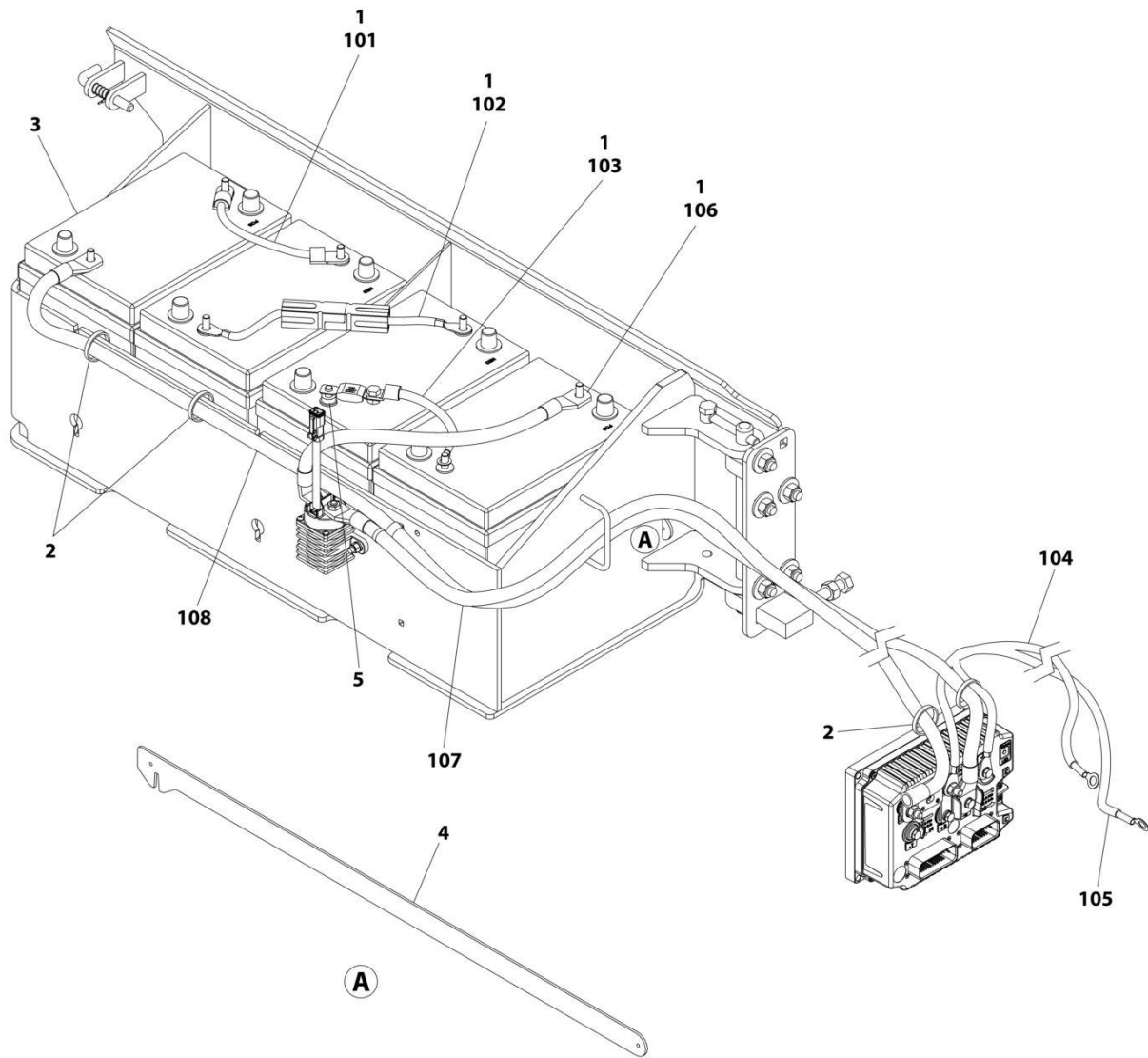
SECTION 2 - GROUND CONTROLS

FIGURE 2-11. BATTERIES INSTALLATION - TROJAN 220AH BATTERIES (MACHINES WITH SN STARTING WITH B2)

ITEM	PART NUMBER	QTY	DESCRIPTION	REV
	1001263002	Ref	BATTERIES INSTALLATION - STANDARD BATTERIES	C
1	0100051	AR	Grease, Terminal	
2	1001258498	4	Battery	
3	4240017	AR	Tie-Strap	
4	1001239269	1	Bar	
100	1001262094	1	Cable, Electrical Kit	
101	1060998	1	Cable, Positive to Negative	
102	4923328	1	Cable, Positive to Negative	
103	1001264310	1	Cable, Battery Fuse	
104	1001243232	1	Cable, Pump Positive	
105	1001243233	1	Cable, Pump Negative	
106	1001259017	1	Cable, Battery to Contactor	
107	1001262092	1	Cable, Contactor to Module B+	
108	1001262093	1	Cable, Battery- to Module B-	

SECTION 2 - GROUND CONTROLS

FIGURE 2-12. BATTERIES INSTALLATION - AGM 220AH BATTERIES (MACHINES WITH SN STARTING WITH B2)



ART_1001262998

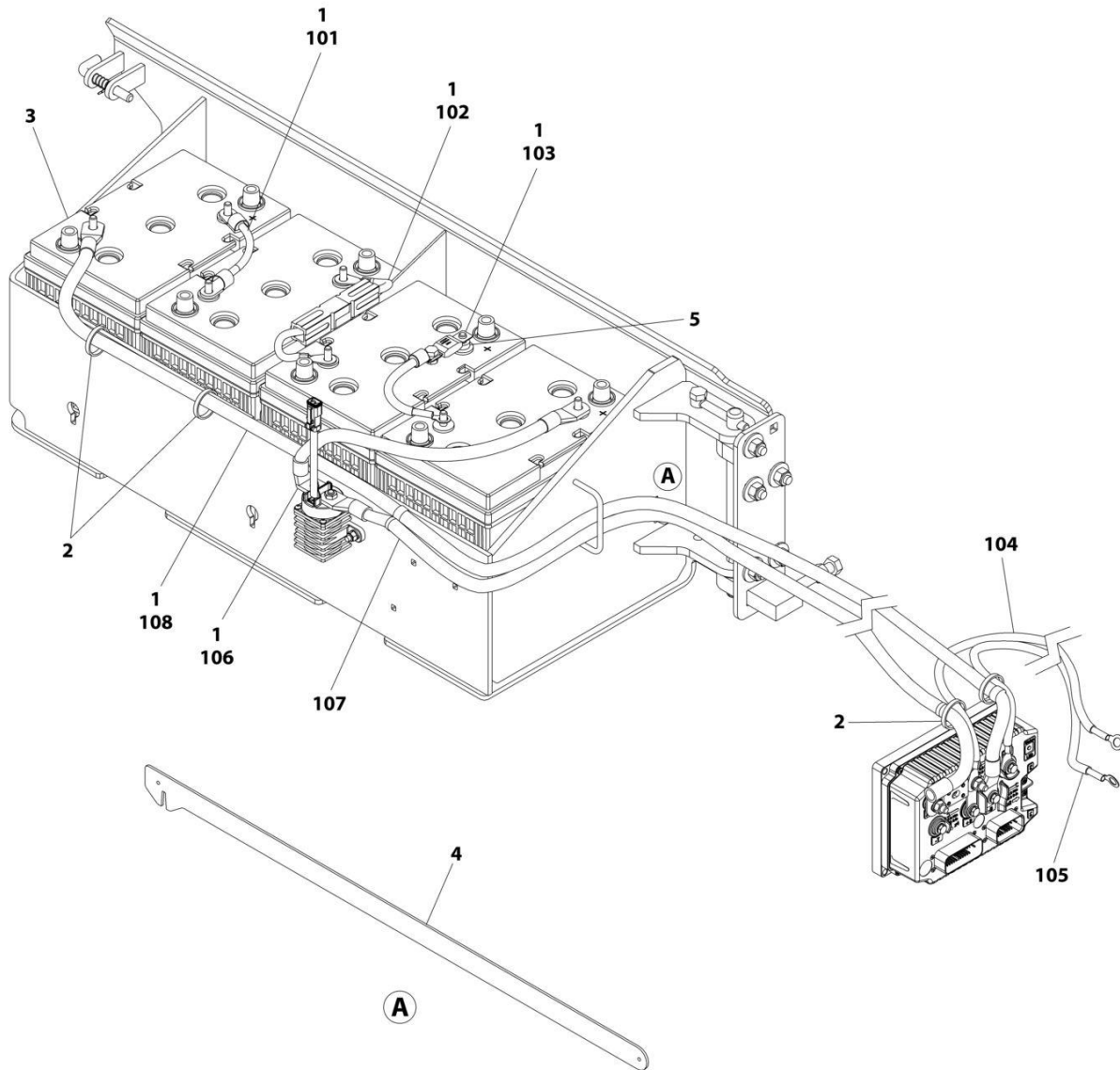
SECTION 2 - GROUND CONTROLS

FIGURE 2-12. BATTERIES INSTALLATION - AGM 220AH BATTERIES (MACHINES WITH SN STARTING WITH B2)

ITEM	PART NUMBER	QTY	DESCRIPTION	REV
	1001262998	Ref	BATTERIES INSTALLATION - AGM BATTERIES	B
1	0100051	AR	Grease, Terminal	
2	4240017	AR	Tie-Strap	
3	1001112112	4	Battery	
4	1001239269	1	Bar	
5	1001249668	1	Washer	
100	1001262094	1	Cable, Electrical Kit	
101	1060998	1	Cable, Positive to Negative	
102	4923328	1	Cable, Positive to Negative	
103	1001264310	1	Cable, Battery Fuse	
104	1001243232	1	Cable, Pump Positive	
105	1001243233	1	Cable, Pump Negative	
106	1001259017	1	Cable, Battery to Contactor	
107	1001262092	1	Cable, Contactor to Module B+	
108	1001262093	1	Cable, Battery- to Module B-	

SECTION 2 - GROUND CONTROLS

FIGURE 2-13. BATTERIES INSTALLATION - AGM EVCG 220AH BATTERIES (MACHINES WITH SN STARTING WITH G2 & 12)



ART_1001262999

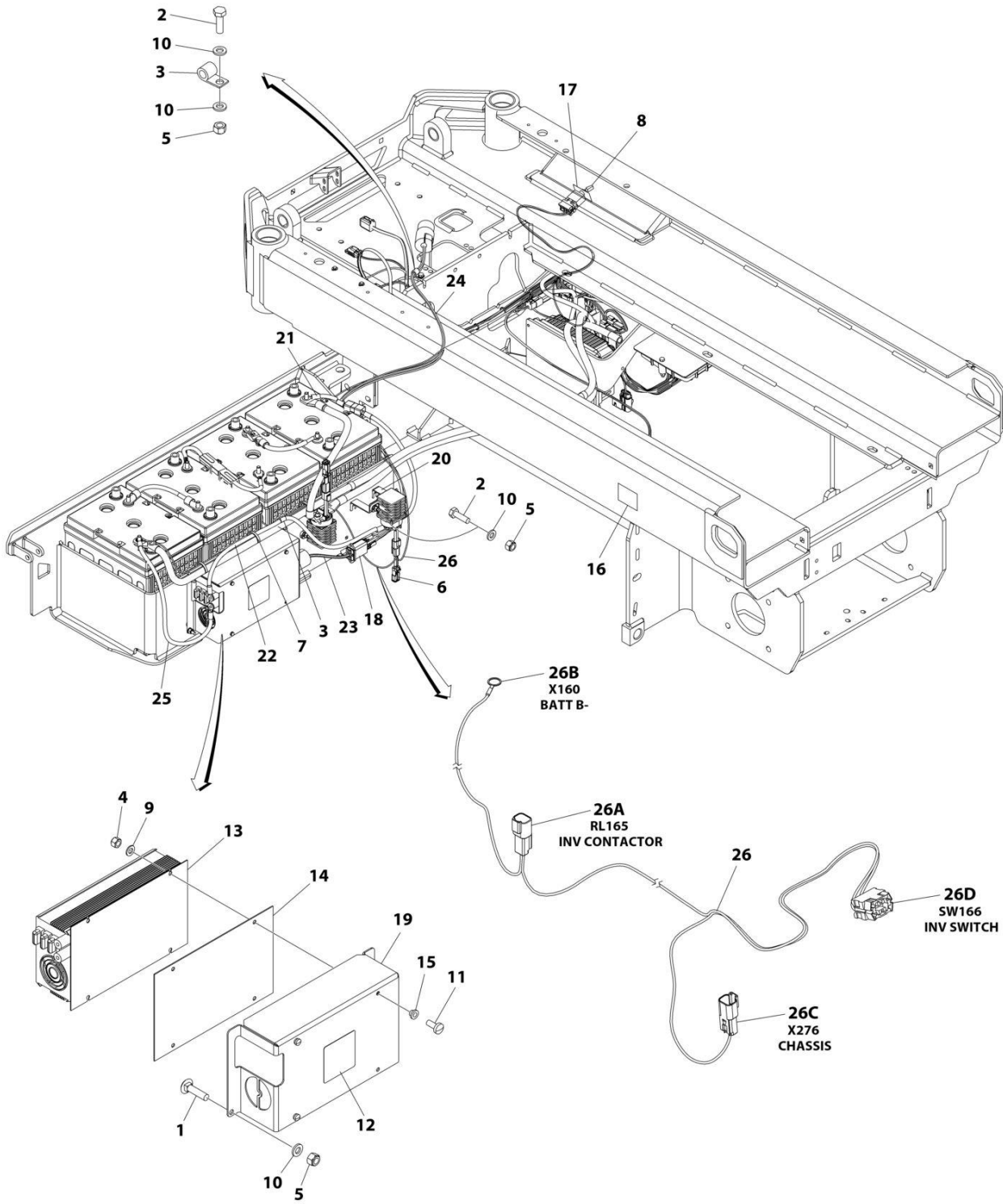
SECTION 2 - GROUND CONTROLS

FIGURE 2-13. BATTERIES INSTALLATION - AGM EVCG 220AH BATTERIES (MACHINES WITH SN STARTING WITH G2 & 12)

ITEM	PART NUMBER	QTY	DESCRIPTION	REV
	1001262999	Ref	BATTERIES INSTALLATION - AGM EVCG BATTERIES	B
1	0100051	AR	Grease, Terminal	
2	4240017	AR	Tie-Strap	
3	1001214347	4	Battery	
4	1001239269	1	Bar	
5	1001249668	1	Washer	
100	1001262094	1	Cable, Electrical Kit	
101	1060998	1	Cable, Positive to Negative	
102	4923328	1	Cable, Positive to Negative	
103	1001264310	1	Cable, Battery Fuse	
104	1001243232	1	Cable, Pump Positive	
105	1001243233	1	Cable, Pump Negative	
106	1001259017	1	Cable, Battery to Contactor	
107	1001262092	1	Cable, Contactor to Module B+	
108	1001262093	1	Cable, Battery- to Module B-	

SECTION 2 - GROUND CONTROLS

FIGURE 2-14. INVERTER INSTALLATION (OPTIONAL)



ART_1001257121

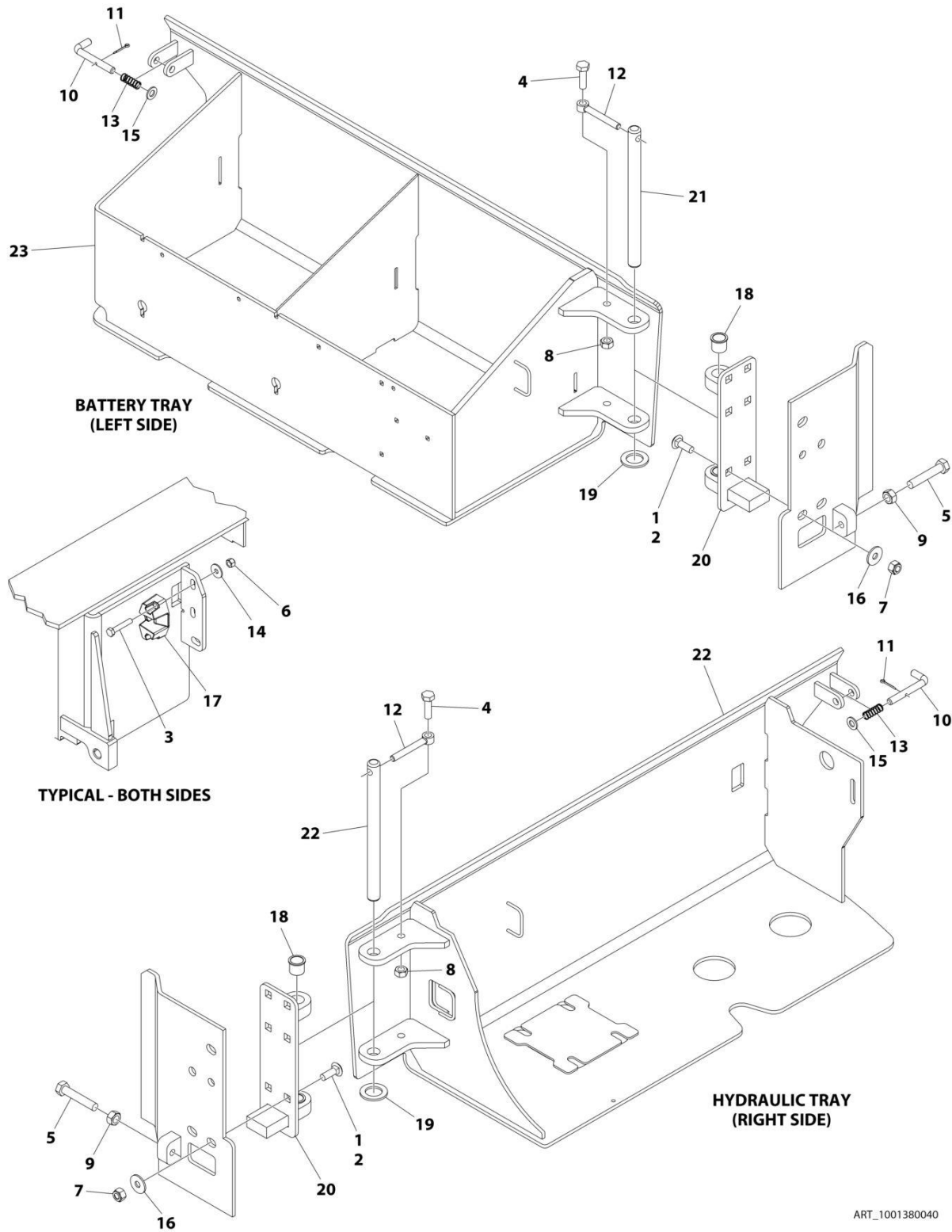
SECTION 2 - GROUND CONTROLS

FIGURE 2-14. INVERTER INSTALLATION (OPTIONAL)

ITEM	PART NUMBER	QTY	DESCRIPTION	REV
	1001257121	Ref	INVERTER INSTALLATION (OPTIONAL)	B
1	0630587	4	Bolt M6 x 25	
2	0760610	3	Bolt M6 x 20	
3	1321293	2	Clamp	
4	3290405	3	Nut M4	
5	3290605	7	Nut M6	
6	3740150	1	Relay	
8	4240017	AR	Tie-Strap	
9	4360336	1	Switch, Toggle	
10	4811400	3	Washer M4	
11	4811700	8	Washer M6	
7	1001101540	3	Screw M4 x 14	
12	1001125483	1	Decal - Pressure Wash	
13	1001136757	1	Inverter	
14	1001142173	1	Insulate	
15	1001142174	3	Washer 1/8	
16	1001143009	1	Decal - Inverter	
17	1001143010	1	Decal - On/Off Inverter	
18	1001157547	1	Filter, AC	
19	1001210440	1	Support	
20	1001210605	1	Support	
21	1001210878	1	Cable, Battery + to Inverter Contactor	
22	1001210879	1	Cable, Inverter Contactor to Inverter +	
23	1001210881	1	Cable, Inverter to AC Filter	
24	1001210882	1	Cable, AC Filter to AC Plug	
25	1001256744	1	Cable, Pump Control B- to Inverter-	
26	1001256746	1	Harness, Inverter	C
26A	4460897	1	Connector	
26A	4460464	2	Terminal	
26B	4460722	1	Connector	
26C	4460897	1	Connector	
26C	4460464	1	Terminal	
26C	4460466	1	Terminal	
26D	4460418	1	Connector	
26D	1001159186	2	Terminal	

SECTION 2 - GROUND CONTROLS

FIGURE 2-15. DOORS INSTALLATION



ART_1001380040

SECTION 2 - GROUND CONTROLS

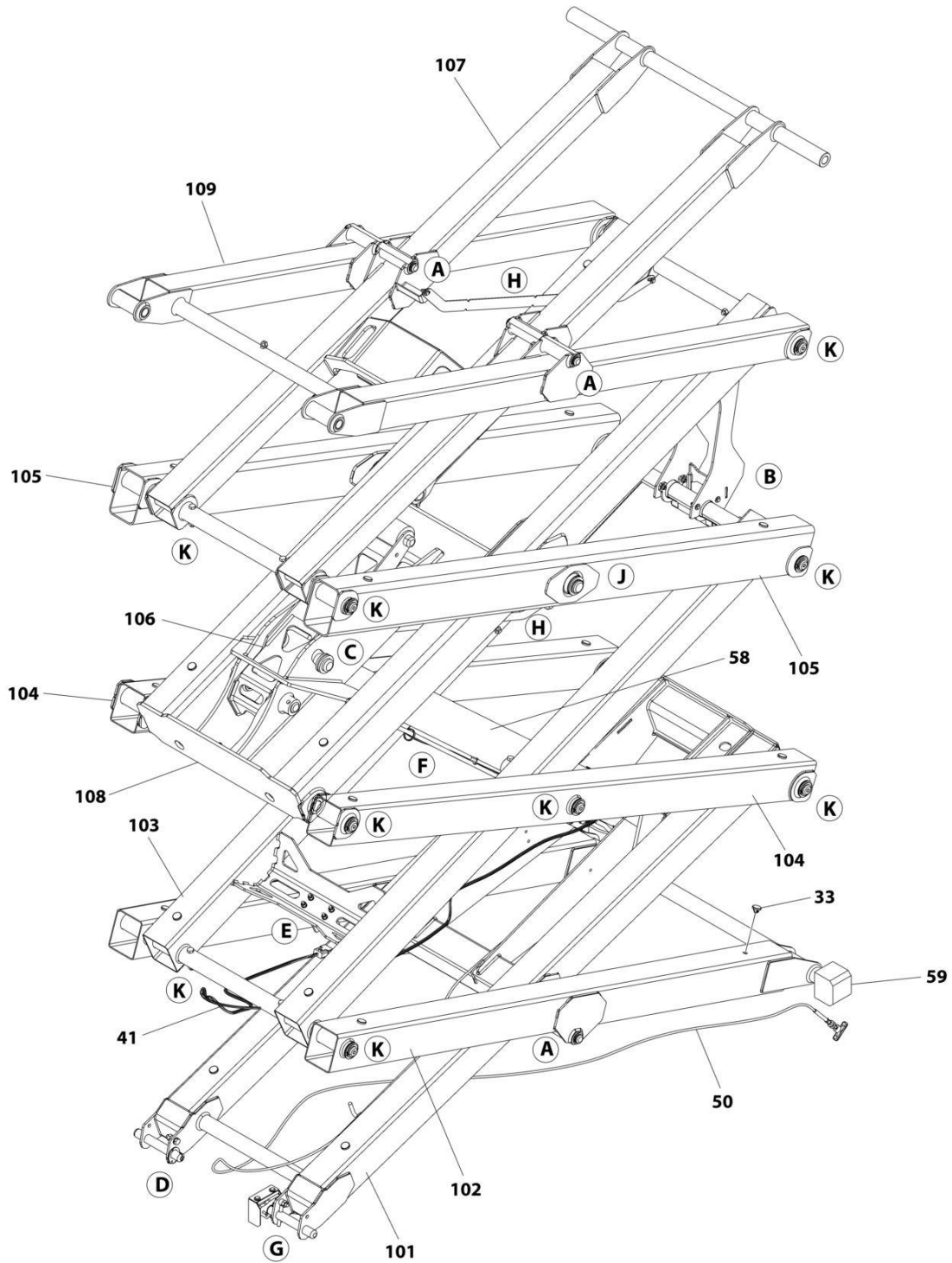
FIGURE 2-15. DOORS INSTALLATION

ITEM	PART NUMBER	QTY	DESCRIPTION	REV
	1001380040	Ref	DOORS INSTALLATION	B
1	0100011	AR	Compound, Locking	
2	0630613	10	Bolt M10 x 30	
3	0700817	4	Bolt M8 x 45	
4	0701015	2	Bolt M10 x 35	
5	0761221	2	Bolt M12 x 65	
6	3290805	4	Nut M8	
7	3291005	10	Nut M10	
8	3291007	2	Nut M10	
9	3291201	2	Nut M12	
10	3423243	2	Pin	
11	3450303	2	Pin, Cotter 3/32 x 3/4	
12	3841143	2	Keeper, Pin	
13	4160214	2	Spring	
14	4811902	4	Washer M8	
15	4812000	AR	Washer M10	
16	4812002	10	Washer M10	
17	1001214810	2	Support	
18	1001218573	4	Bearing	
19	1001229792	2	Washer	
20	1001234858	2	Hinge	
21	1001234862	2	Pin	
22	1001380041	1	Tray, Hydraulic	
23	1001380042	1	Tray, Battery	

SECTION 3 - SCISSORS ARMS

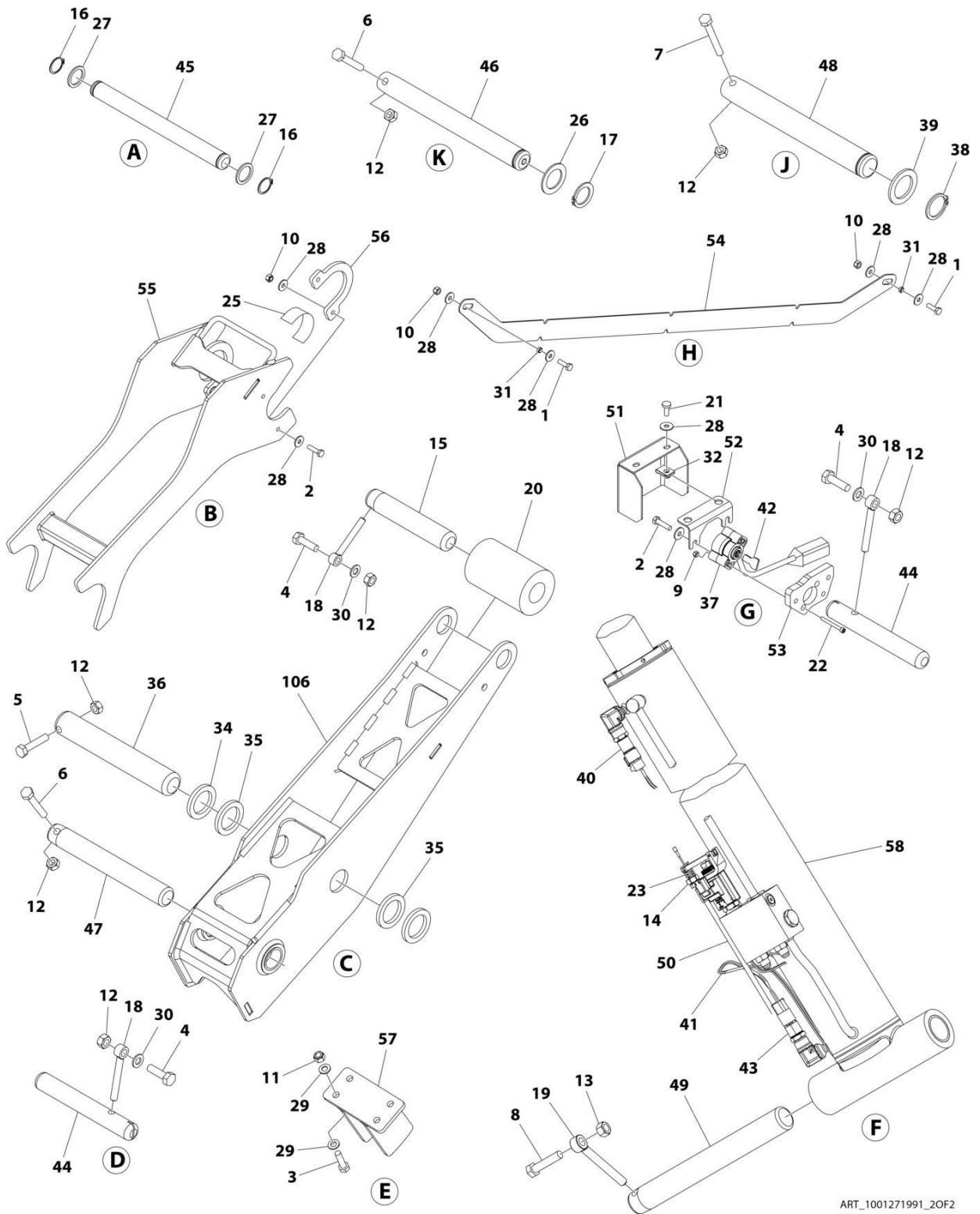
SECTION 3 - SCISSORS ARMS

FIGURE 3-1. SCISSORS ARMS INSTALLATION



ART_1001271991_10F2

SECTION 3 - SCISSORS ARMS



ART_1001271991_2OF2

SECTION 3 - SCISSORS ARMS

FIGURE 3-1. SCISSORS ARMS INSTALLATION

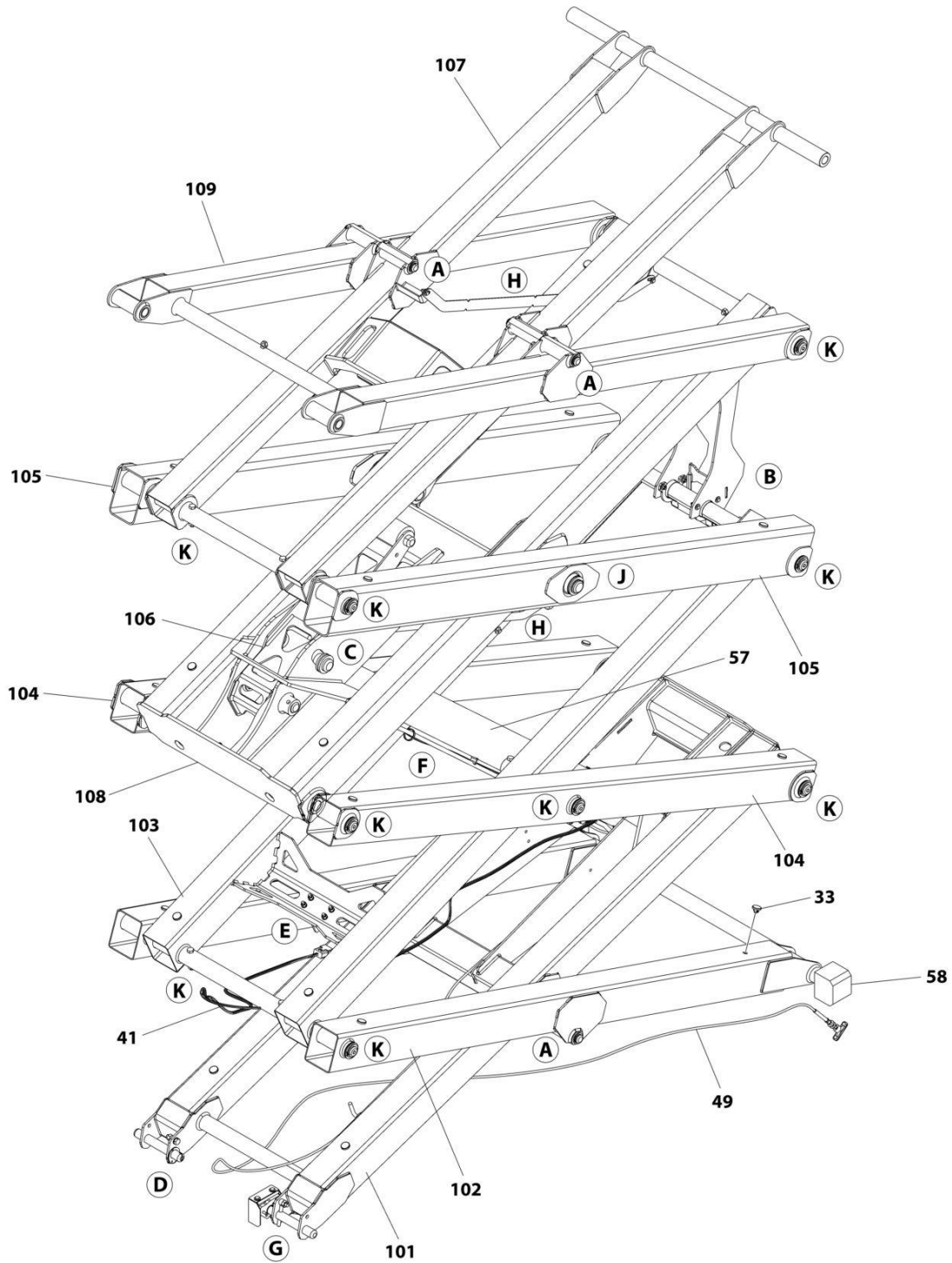
ITEM	PART NUMBER	QTY	DESCRIPTION	REV
	1001271991	Ref	SCISSORS ARMS INSTALLATION	B
1	0700610	4	Bolt M6 x 20	
2	0700612	7	Bolt M6 x 25	
3	0700814	4	Bolt M8 x 30	
4	0701015	3	Bolt M10 x 35	
5	0701018	1	Bolt M10 x 50	
6	0701021	15	Bolt M10 x 65	
7	0701024	2	Bolt M10 x 80	
8	0701219	1	Bolt M12 x 55	
9	3290405	2	Nut M4	
10	3290605	8	Nut M6	
11	3290805	4	Nut M8	
12	3291007	21	Nut M10	
13	3291207	1	Nut M12	
14	3321402	1	Nut 1/4	
15	3422998	1	Pin	
16	3760115	8	Ring, Retaining	
17	3760387	14	Ring, Retaining	
18	3841143	3	Keeper, Pin	
19	3841203	1	Keeper, Pin	
20	3860104	1	Roller	
21	4010608	2	Screw M6 x 16	
22	4031512	2	Capscrew M4 x 40	
23	4160078	1	Spring	
24	4240017	AR	Tie-Strap (Not Shown)	
25	4420062	15 in/ 37cm	Tape	
26	4740438	14	Washer	
27	4740531	8	Washer	
28	4811702	21	Washer M6	
29	4811900	8	Washer M8	
30	4812000	3	Washer M10	
31	1001128888	4	Washer	
32	1001130220	2	Nut Tinnerman M6	
33	1001137675	24	Bumper	
34	1001139000	1	Plate	
35	1001139002	2	Pad	
36	1001139003	1	Pin	
37	1001146963	1	Sensor, Angle	
38	1001214689	2	Ring, Retaining	
39	1001217457	2	Washer	
40	1001225164	1	Sensor, Pressure Transducer	
41	1001233795	1	Lift Down Harness (See Separate Breakdown in ELECTRICAL Section)	
42	1001234204	1	Key (Aluminun)	
43	1001235104	1	Sensor, Pressure Transducer	
44	1001236165	2	Pin	
45	1001236167	4	Pin	
46	1001236169	14	Pin	
47	1001236170	1	Pin	

SECTION 3 - SCISSORS ARMS

ITEM	PART NUMBER	QTY	DESCRIPTION	REV
48	1001236171	2	Pin	
49	1001236172	1	Pin	
50	1001236269	1	Cable, Manual Descent	
51	1001236486	1	Cover	
52	1001236487	1	Plate	
53	1001236488	1	Plate	
54	1001237824	2	Plate	
55	1001238684	1	Arm, Prop	
56	1001239479	2	Plate	
57	1001243348	1	Adapter	
58	1001244417	1	Lift Cylinder Assembly (See Separate Breakdown in CYLINDER Section)	
59	1001247707	2	Block, Side	
100	1001271866	1	Arm Kit	
101	1001241662	1	Arm - Inner 1	
101	0440264	4	Bushing	
102	1001241663	1	Arm - Outer 1	
102	0440264	2	Bushing (Center)	
102	0440265	2	Bushing (End)	
103	1001241664	1	Arm - Inner 2	
104	1001241665	2	Arm - Outer 2	
104	0440265	12	Bushing (6 per Arm)	
105	1001241667	2	Arm - Outer 3 and Outer 4	
105	0440265	8	Bushing (End) (4 per Arm)	
105	0962272	4	Bushing (Center) (2 per Arm)	
106	1001241671	1	Kicker	
106	0440265	2	Bushing	
107	1001271651	1	Arm - Inboard Assembly	
107	0440264	2	Bushing (Center)	
108	1001271839	1	Arm - Inboard 3 Assembly	
108	0440264	4	Bushing (Center & Connected End)	
108	0440265	2	Bushing (Independent End)	
109	1001272456	1	Arm - Outboard Assembly	

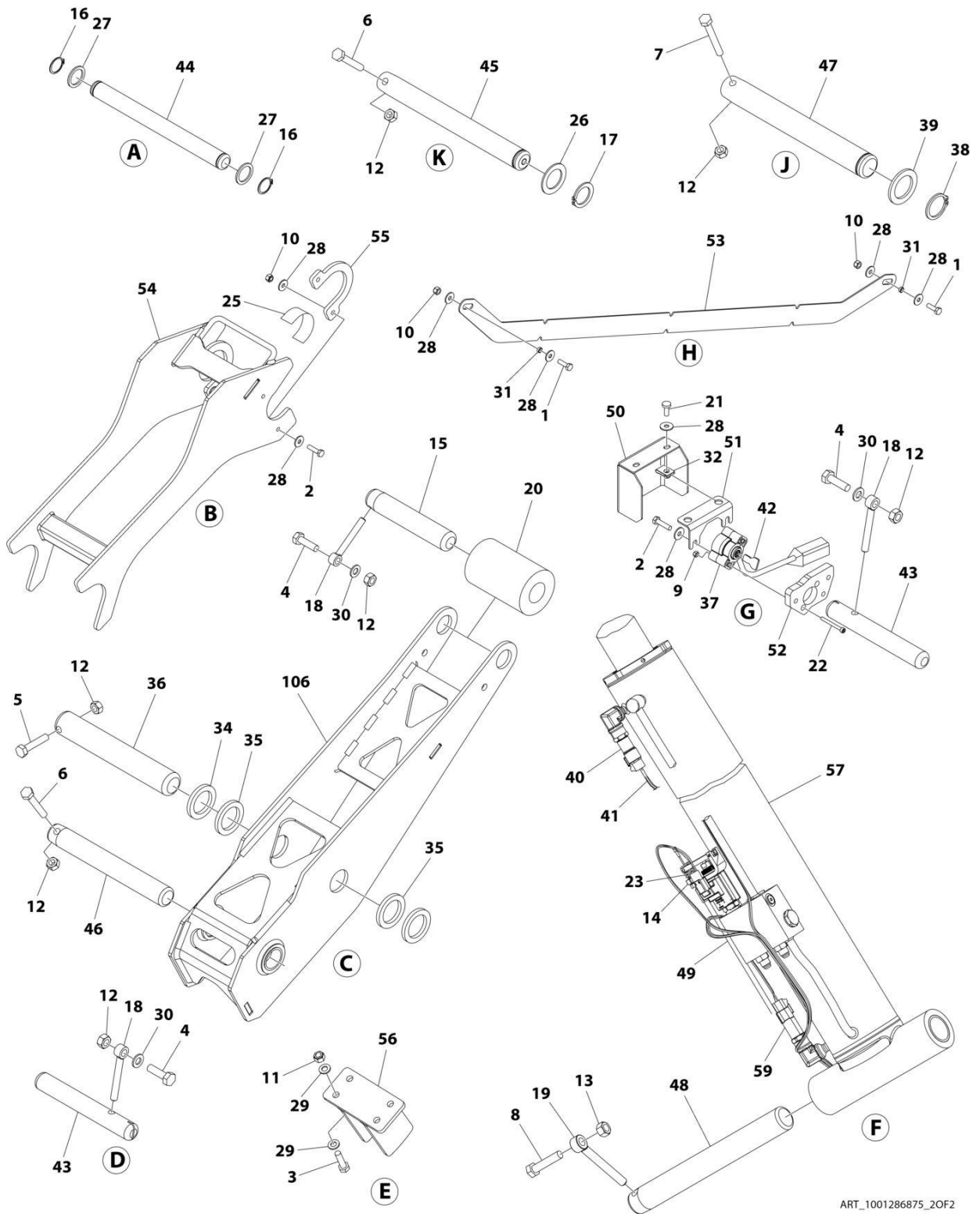
SECTION 3 - SCISSORS ARMS

FIGURE 3-2. ARMS INSTALLATION (ANSI, ANSI EXPORT, JAPANESE & CSA SPECS)



ART_1001286875_10F2

SECTION 3 - SCISSORS ARMS



ART_1001286875_2OF2

SECTION 3 - SCISSORS ARMS

FIGURE 3-2. ARMS INSTALLATION (ANSI, ANSI EXPORT, JAPANESE & CSA SPECS)

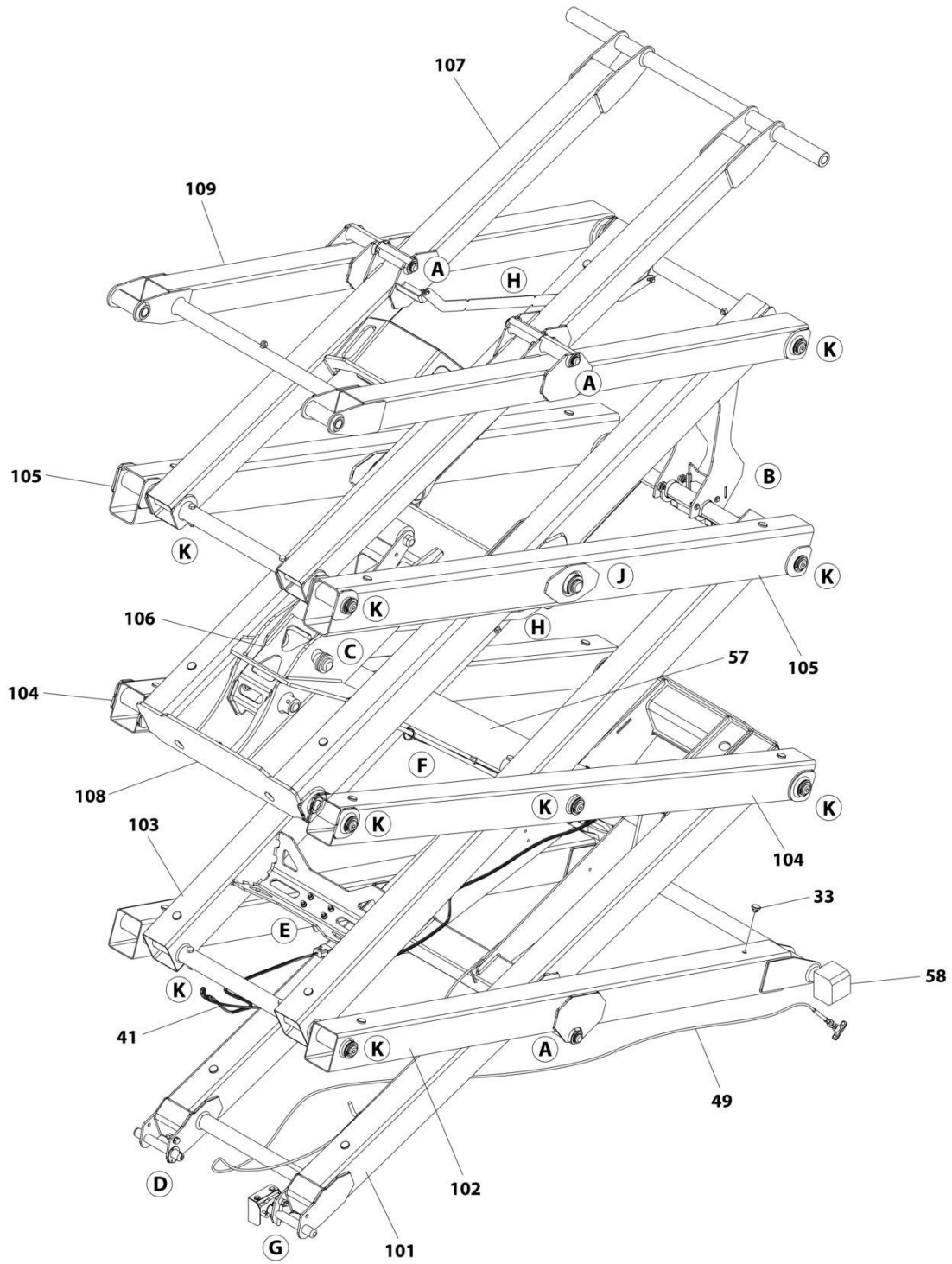
ITEM	PART NUMBER	QTY	DESCRIPTION	REV
	1001286875	Ref	SCISSORS ARMS INSTALLATION	A
1	0700610	4	Bolt M6 x 20	
2	0700612	7	Bolt M6 x 25	
3	0700814	4	Bolt M8 x 30	
4	0701015	3	Bolt M10 x 35	
5	0701018	1	Bolt M10 x 50	
6	0701021	15	Bolt M10 x 65	
7	0701024	2	Bolt M10 x 80	
8	0701219	1	Bolt M12 x 55	
9	3290405	2	Nut M4	
10	3290605	8	Nut M6	
11	3290805	4	Nut M8	
12	3291007	21	Nut M10	
13	3291207	1	Nut M12	
14	3321402	1	Nut 1/4	
15	3422998	1	Pin	
16	3760115	8	Ring, Retaining	
17	3760387	14	Ring, Retaining	
18	3841143	3	Keeper, Pin	
19	3841203	1	Keeper, Pin	
20	3860104	1	Roller	
21	4010608	2	Screw M6 x 16	
22	4031512	2	Capscrew M4 x 40	
23	4160078	1	Spring	
24	4240017	AR	Tie-Strap (Not Shown)	
25	4420062	15 in/ 37cm	Tape	
26	4740438	14	Washer	
27	4740531	8	Washer	
28	4811702	21	Washer M6	
29	4811900	8	Washer M8	
30	4812000	3	Washer M10	
31	1001128888	4	Washer	
32	1001130220	2	Nut Tinnerman M6	
33	1001137675	24	Bumper	
34	1001139000	1	Plate	
35	1001139002	2	Pad	
36	1001139003	1	Pin	
37	1001146963	1	Sensor, Angle	
38	1001214689	2	Ring, Retaining	
39	1001217457	2	Washer	
40	1001225164	1	Sensor, Pressure Transducer	
41	1001233795	1	Lift Down Harness (See Separate Breakdown in ELECTRICAL Section)	
42	1001234204	1	Key (Aluminun)	
43	1001236165	2	Pin	
44	1001236167	4	Pin	
45	1001236169	14	Pin	
46	1001236170	1	Pin	
47	1001236171	2	Pin	

SECTION 3 - SCISSORS ARMS

ITEM	PART NUMBER	QTY	DESCRIPTION	REV
48	1001236172	1	Pin	
49	1001236269	1	Cable, Manual Descent	
50	1001236486	1	Cover	
51	1001236487	1	Plate	
52	1001236488	1	Plate	
53	1001237824	2	Plate	
54	1001238684	1	Arm, Prop	
55	1001239479	2	Plate	
56	1001243348	1	Adapter	
57	1001244417	1	Lift Cylinder Assembly (See Separate Breakdown in CYLINDER Section)	
58	1001247707	2	Block, Side	
59	1001285320	1	Sensor, Pressure Transducer	
60	1001285829	1	Harness, Jumper to Lift Down (Not Shown) (See Separate Breakdown in ELECTRICAL Section)	
100	1001271866	1	Arm Kit	
101	1001241662	1	Arm - Inner 1	
101	0440264	4	Bushing	
102	1001241663	1	Arm - Outer 1	
102	0440264	4	Bushing (Center)	
102	0440265	4	Bushing (End)	
103	1001241664	1	Arm - Inner 2	
104	1001241665	2	Arm - Outer 2	
104	0440265	6	Bushing (6 per Arm)	
105	1001241667	2	Arm - Outer 3 and Outer 4	
105	0440265	4	Bushing (End) (4 per Arm)	
105	0962272	2	Bushing (Center) (2 per Arm)	
106	1001241671	1	Kicker	
106	0440265	2	Bushing	
107	1001271651	1	Arm - Inboard Assembly	
107	0440264	4	Bushing (Center)	
108	1001271839	1	Arm - Inboard 3 Assembly	
109	1001272456	1	Arm - Outboard Assembly	
109	0440264	8	Bushing (Center & Connected End)	
109	0440265	4	Bushing (Independent End)	

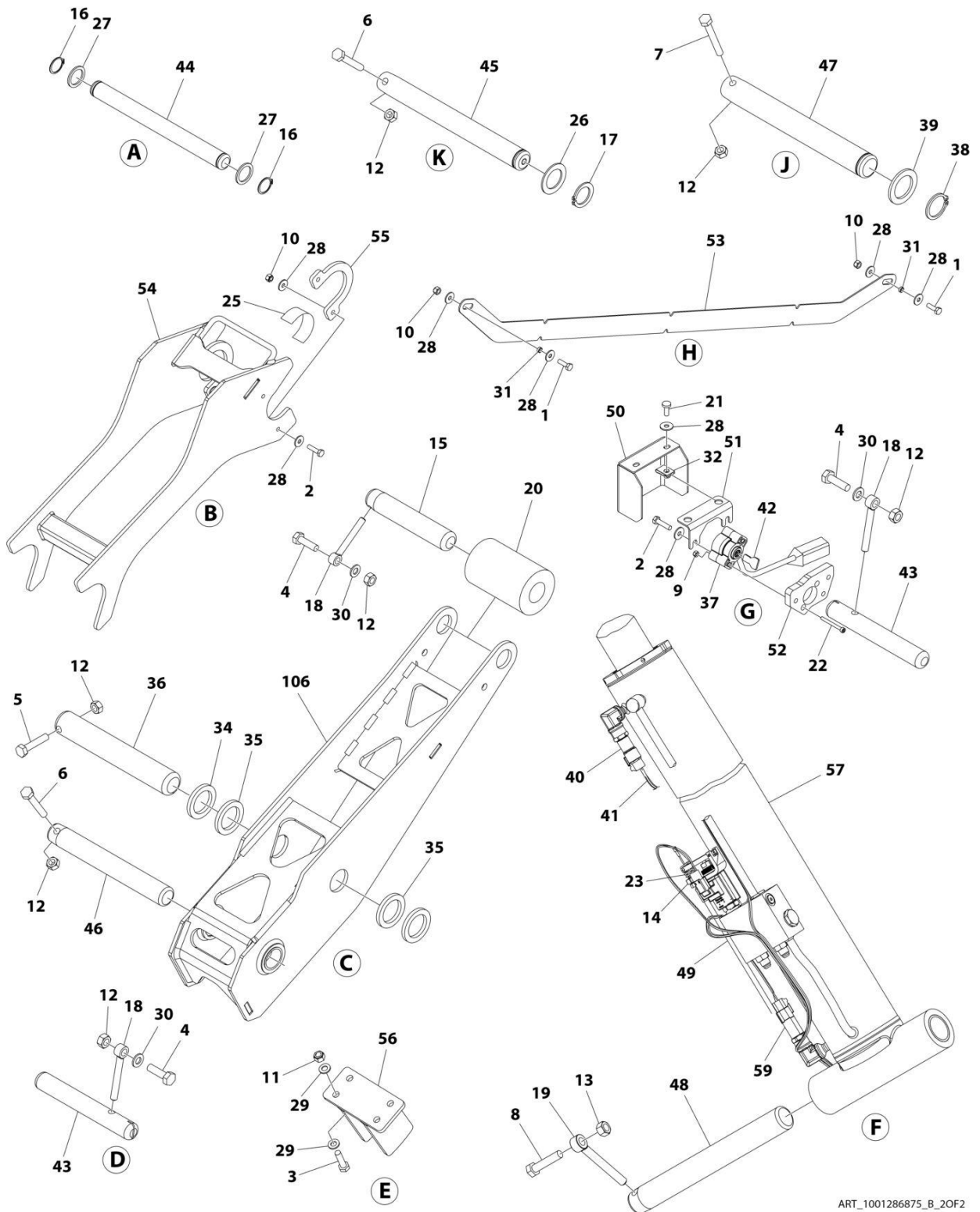
SECTION 3 - SCISSORS ARMS

FIGURE 3-3. ARMS INSTALLATION (ANSI, ANSI EXPORT, JAPANESE & CSA SPECS) (SN B200087311 to Present, SN M200080362 to Present)



ART_1001286875_B_10F2

SECTION 3 - SCISSORS ARMS



ART_1001286875_B_20F2

SECTION 3 - SCISSORS ARMS

FIGURE 3-3. ARMS INSTALLATION (ANSI, ANSI EXPORT, JAPANESE & CSA SPECS) (SN B200087311 to Present, SN M200080362 to Present)

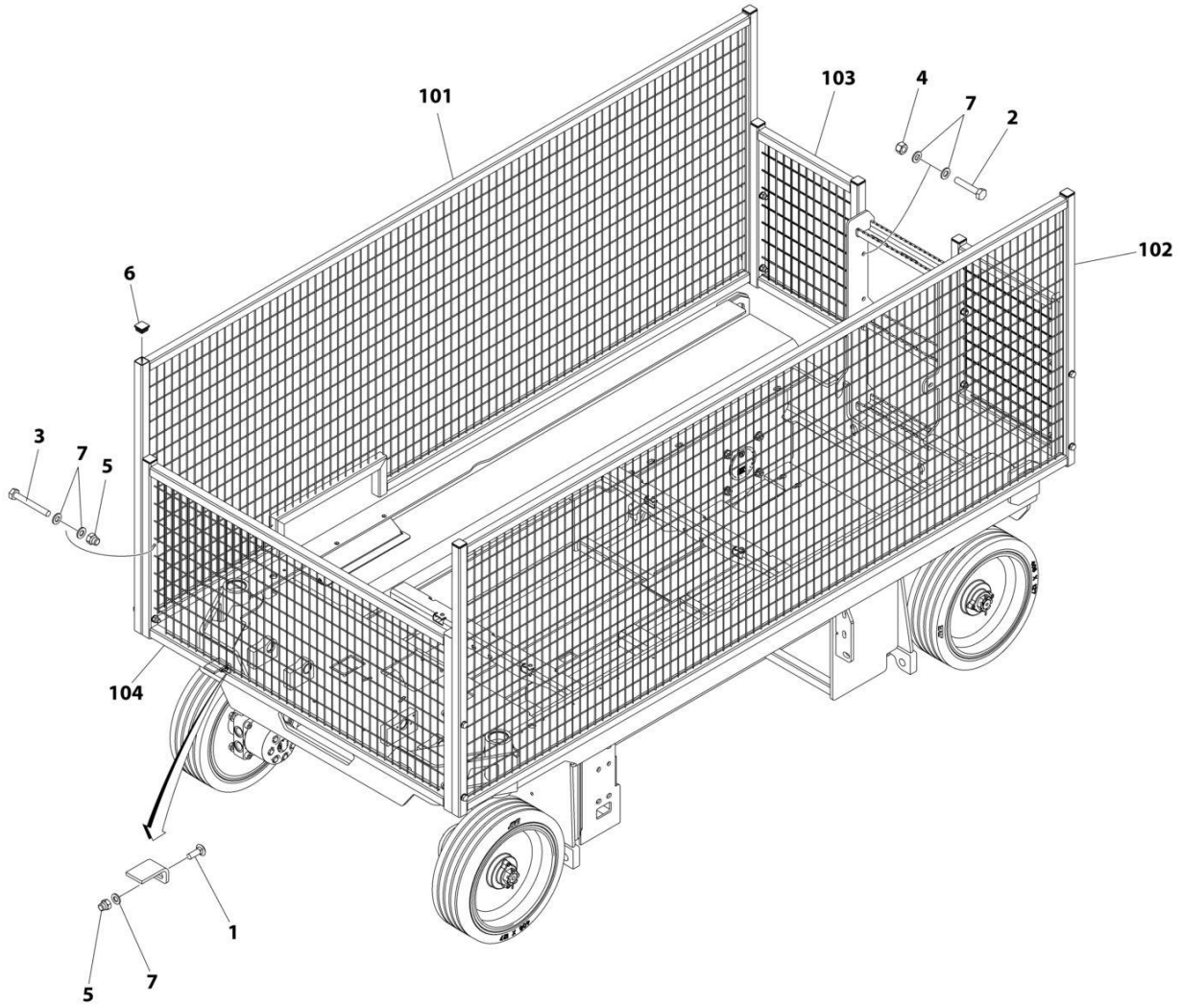
ITEM	PART NUMBER	QTY	DESCRIPTION	REV
	1001286875	Ref	SCISSORS ARMS INSTALLATION	B
1	0700610	4	Bolt M6 x 20	
2	0700612	7	Bolt M6 x 25	
3	0700814	4	Bolt M8 x 30	
4	0701015	3	Bolt M10 x 35	
5	0701018	1	Bolt M10 x 50	
6	0701021	15	Bolt M10 x 65	
7	0701024	2	Bolt M10 x 80	
8	0701219	1	Bolt M12 x 55	
9	3290405	2	Nut M4	
10	3290605	8	Nut M6	
11	3290805	4	Nut M8	
12	3291007	21	Nut M10	
13	3291207	1	Nut M12	
14	3321402	1	Nut 1/4	
15	3422998	1	Pin	
16	3760115	8	Ring, Retaining	
17	3760387	14	Ring, Retaining	
18	3841143	3	Keeper, Pin	
19	3841203	1	Keeper, Pin	
20	3860104	1	Roller	
21	4010608	2	Screw M6 x 16	
22	4031512	2	Capscrew M4 x 40	
23	4160078	1	Spring	
24	4240017	AR	Tie-Strap (Not Shown)	
25	4420062	15 in/ 37cm	Tape	
26	4740438	14	Washer	
27	4740531	8	Washer	
28	4811702	21	Washer M6	
29	4811900	8	Washer M8	
30	4812000	3	Washer M10	
31	1001128888	4	Washer	
32	1001130220	2	Nut Tinnerman M6	
33	1001137675	24	Bumper	
34	1001139000	1	Plate	
35	1001139002	2	Pad	
36	1001139003	1	Pin	
37	1001146963	1	Sensor, Angle	
38	1001214689	2	Ring, Retaining	
39	1001217457	2	Washer	
40	1001225164	1	Sensor, Pressure Transducer	
41	1001294243	1	Lift Down Harness (See Separate Breakdown in ELECTRICAL Section)	
42	1001234204	1	Key (Aluminun)	
43	1001236165	2	Pin	
44	1001236167	4	Pin	
45	1001236169	14	Pin	
46	1001236170	1	Pin	

SECTION 3 - SCISSORS ARMS

ITEM	PART NUMBER	QTY	DESCRIPTION	REV
47	1001236171	2	Pin	
48	1001236172	1	Pin	
49	1001236269	1	Cable, Manual Descent	
50	1001236486	1	Cover	
51	1001236487	1	Plate	
52	1001236488	1	Plate	
53	1001237824	2	Plate	
54	1001238684	1	Arm, Prop	
55	1001239479	2	Plate	
56	1001243348	1	Adapter	
57	1001244417	1	Lift Cylinder Assembly (See Separate Breakdown in CYLINDER Section)	
58	1001247707	2	Block, Side	
59	1001285320	1	Sensor, Pressure Transducer	
100	1001271866	1	Arm Kit	
101	1001241662	1	Arm - Inner 1	
101	0440264	4	Bushing	
102	1001241663	1	Arm - Outer 1	
102	0440264	4	Bushing (Center)	
102	0440265	4	Bushing (End)	
103	1001241664	1	Arm - Inner 2	
104	1001241665	2	Arm - Outer 2	
104	0440265	6	Bushing (6 per Arm)	
105	1001241667	2	Arm - Outer 3 and Outer 4	
105	0440265	4	Bushing (End) (4 per Arm)	
105	0962272	2	Bushing (Center) (2 per Arm)	
106	1001241671	1	Kicker	
106	0440265	2	Bushing	
107	1001271651	1	Arm - Inboard Assembly	
107	0440264	4	Bushing (Center)	
108	1001271839	1	Arm - Inboard 3 Assembly	
109	1001272456	1	Arm - Outboard Assembly	
109	0440264	8	Bushing (Center & Connected End)	
109	0440265	4	Bushing (Independent End)	

SECTION 3 - SCISSORS ARMS

FIGURE 3-4. ARM GUARDS INSTALLATION



ART_1001380024

SECTION 3 - SCISSORS ARMS

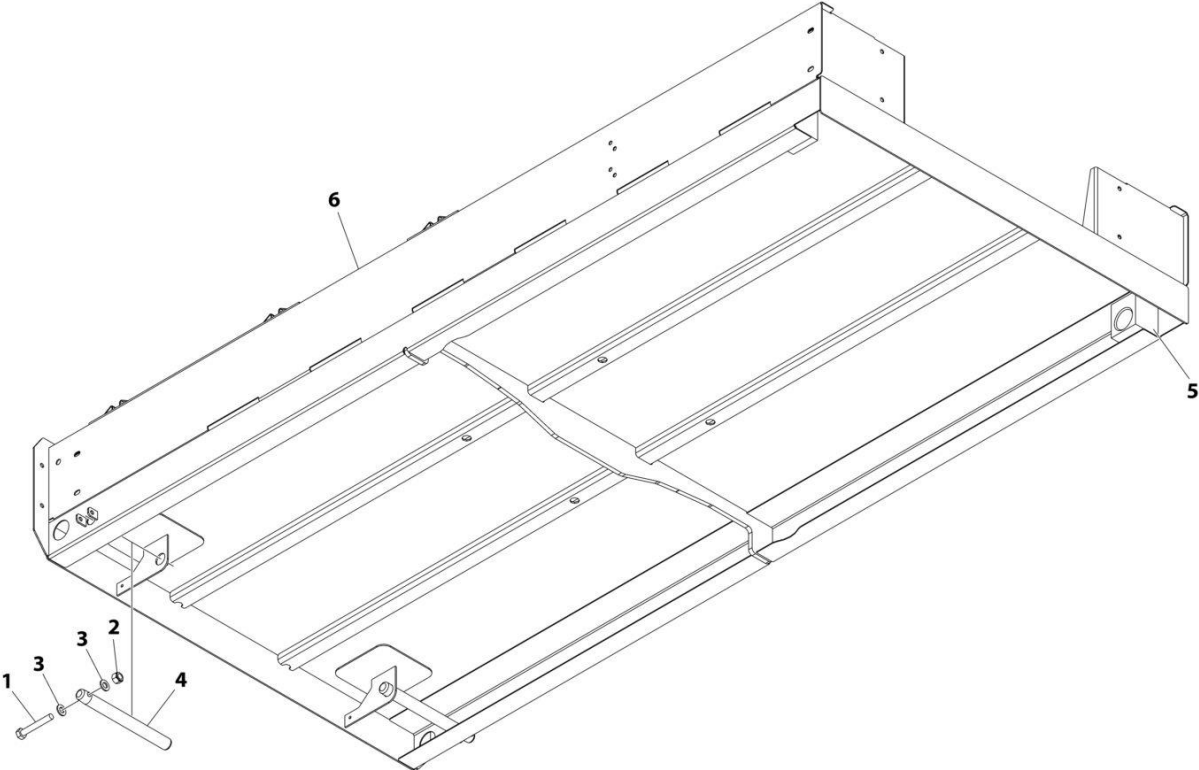
FIGURE 3-4. ARM GUARDS INSTALLATION

ITEM	PART NUMBER	QTY	DESCRIPTION	REV
	1001380024	Ref	ARM GUARD INSTALLATION	A
1	0630613	2	Bolt M10 x 30	
2	0701019	4	Bolt M10 x 55	
3	0701024	8	Bolt M10 x 80	
4	3291005	4	Nut M10	
5	3291006	10	Nut M10	
6	3520072	10	Plug	
7	4812000	26	Washer M10	
100	1001239943	1	Arm Guard Kit (Not Shown)	
101	1001239892	1	Guard, Arm (RH)	
102	1001239894	1	Guard, Arm (LH)	
103	1001239899	2	Guard, Arm (Rear)	
104	1001239904	1	Guard, Arm (Front)	

SECTION 4 - PLATFORM

SECTION 4 - PLATFORM

FIGURE 4-1. PLATFORM INSTALLATION



ART_1001271886

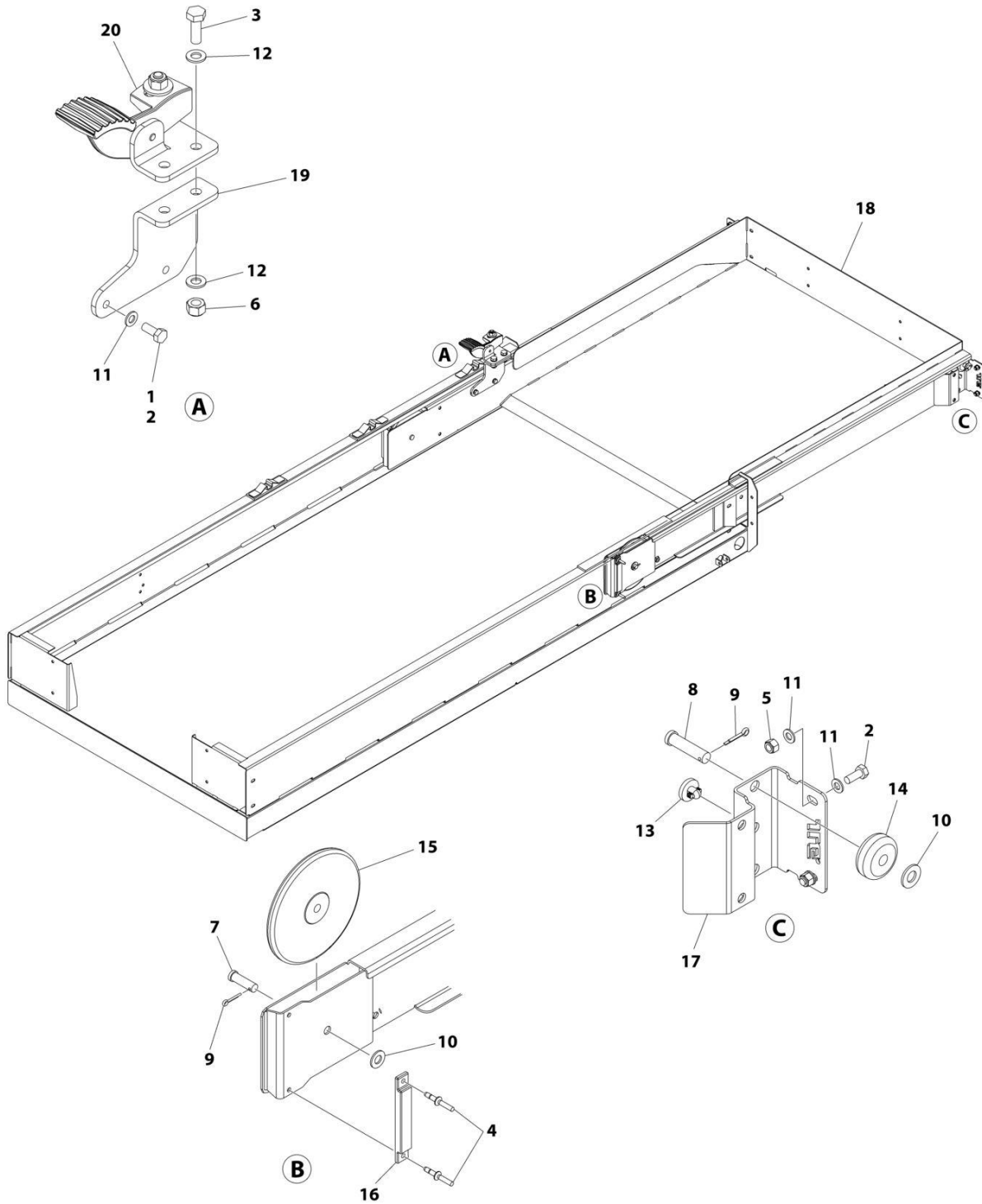
SECTION 4 - PLATFORM

FIGURE 4-1. PLATFORM INSTALLATION

ITEM	PART NUMBER	QTY	DESCRIPTION	REV
	1001271886	Ref	PLATFORM INSTALLATION	B
1	0700819	2	Bolt M8 x 55	
2	3290805	2	Nut M8	
3	4811900	4	Washer M8	
4	1001235590	2	Pin	
5	1001247706	2	Block, Slide	
6	1001271615	1	Platform	

SECTION 4 - PLATFORM

FIGURE 4-2. PLATFORM EXTENSION INSTALLATION



ART_1001234381

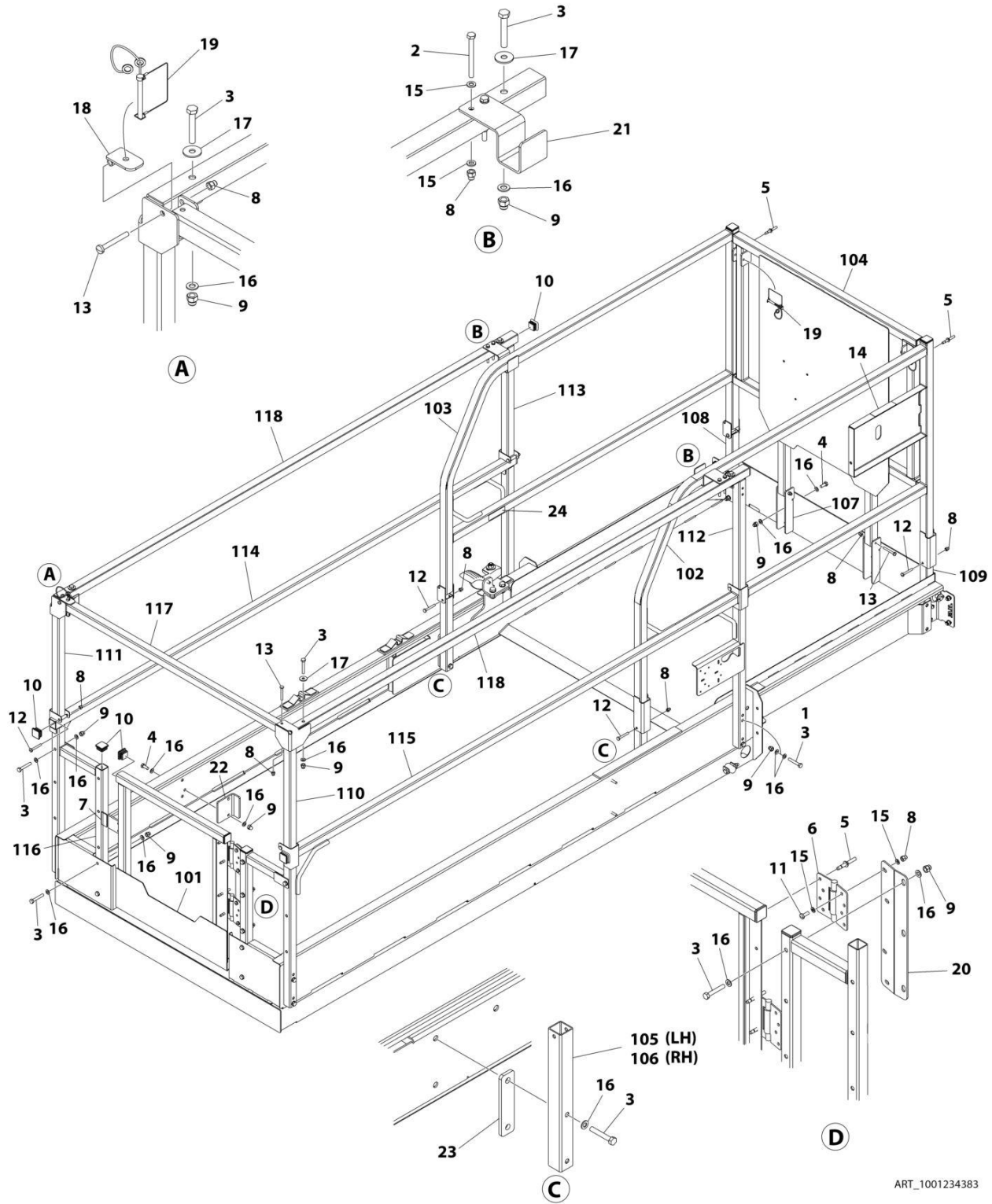
SECTION 4 - PLATFORM

FIGURE 4-2. PLATFORM EXTENSION INSTALLATION

ITEM	PART NUMBER	QTY	DESCRIPTION	REV
	1001234381	Ref	PLATFORM EXTENSION INSTALLATION	C
1	0100011	AR	Compound, Locking	
2	0760810	6	Bolt M8 x 20	
3	0761014	2	Bolt M10 x 30	
4	2080040	4	Fastener	
5	3290805	4	Nut M8	
6	3291005	2	Nut M10	
7	3430813	2	Pin	
8	3430816	2	Pin	
9	3450403	4	Pin, Cotter	
10	4711800	4	Washer 1/2	
11	4811900	10	Washer M8	
12	4812000	4	Washer M10	
13	1001137675	2	Bumper	
14	1001205422	2	Roller (Front)	
15	1001205430	2	Roller (Rear)	
16	1001208852	2	Pad	
17	1001210064	2	Support	
18	1001213470	1	Extension, Platform	
19	1001213838	1	Latch Assembly	
20	1001234407	1	Bracket	

SECTION 4 - PLATFORM

FIGURE 4-3. RAILS INSTALLATION (SIDE BY SIDE)



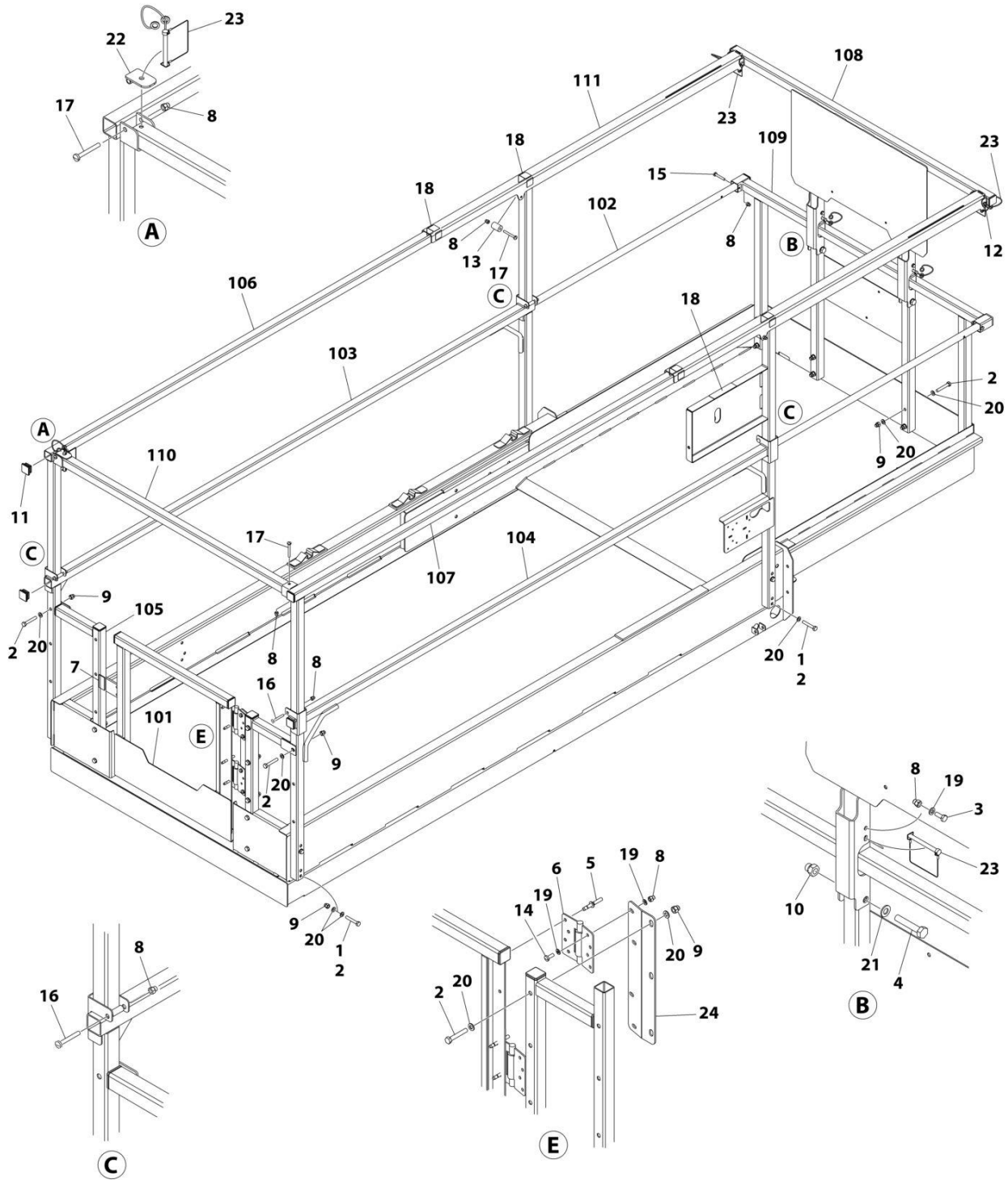
SECTION 4 - PLATFORM

FIGURE 4-3. RAILS INSTALLATION (SIDE BY SIDE)

ITEM	PART NUMBER	QTY	DESCRIPTION	REV
	1001234383	Ref	RAILS INSTALLATION (SIDE BY SIDE)	G
1	0100011	AR	Compound, Locking	
2	0700621	AR	Bolt M6 x 65	
2	0700618	AR	Bolt M6 x 50	
3	0700818	29	Bolt M8 x 50	
4	0760810	6	Bolt M8 x 20	
5	2080040	6	Fastener	
6	2600281	2	Hinge	
7	3080007	1	Magnet, Gate	
8	3290606	20	Nut M6	
9	3290806	31	Nut M8	
10	3520072	18	Plug	
11	4010608	4	Screw M6 x 16	
12	4010617	8	Screw M6 x 45	
13	4010618	4	Screw M6 x 50	
14	4420062	4 in/ 10cm	Tape	
15	4811700	16	Washer M6	
16	4811900	66	Washer M8	
17	4811902	4	Washer M8	
18	1001154378	1	Bracket	
19	1001187587	3	Pin, Snap with Lanyard	
20	1001210586	1	Support	
21	1001237911	2	Bracket	
22	1001232622	1	Bracket	
23	1001235287	2	Plate	
24	1704277	2	Decal - Lanyard Attach Graphic	
100	1001235960	1	Rail Kit (Not Shown)	
101	1001210302	1	Gate	
102	1001213915	1	Rail, Extension Side (RH)	
103	1001213916	1	Rail, Extension Side (LH)	
104	1001213931	1	Rail, Extension Front	
105	1001222861	1	Tube Rail (Lower LH)	
106	1001222869	1	Tube Rail (Lower RH)	
107	1001223053	2	Bracket	
108	1001223165	1	Tube, Extension (Lower LH)	
109	1001223166	1	Tube, Extension (Lower RH)	
110	1001229739	1	Rail Rear (Upper RH)	
111	1001229740	1	Rail Rear (Upper LH)	
112	1001229741	1	Rail Front (Upper RH)	
113	1001229742	1	Rail Front (Upper LH)	
114	1001234006	1	Rail Rear (Lower LH)	
115	1001234007	1	Rail Rear (Lower RH)	
116	1001234008	2	Rail, Gate Mount	
117	1001234268	1	Tube, Rear Top	
118	1001235286	2	Rail, Side Top	

SECTION 4 - PLATFORM

FIGURE 4-4. RAILS INSTALLATION (TUBE IN TUBE) (MACHINES WITH SN STARTING WITH B2)



ART_1001289977

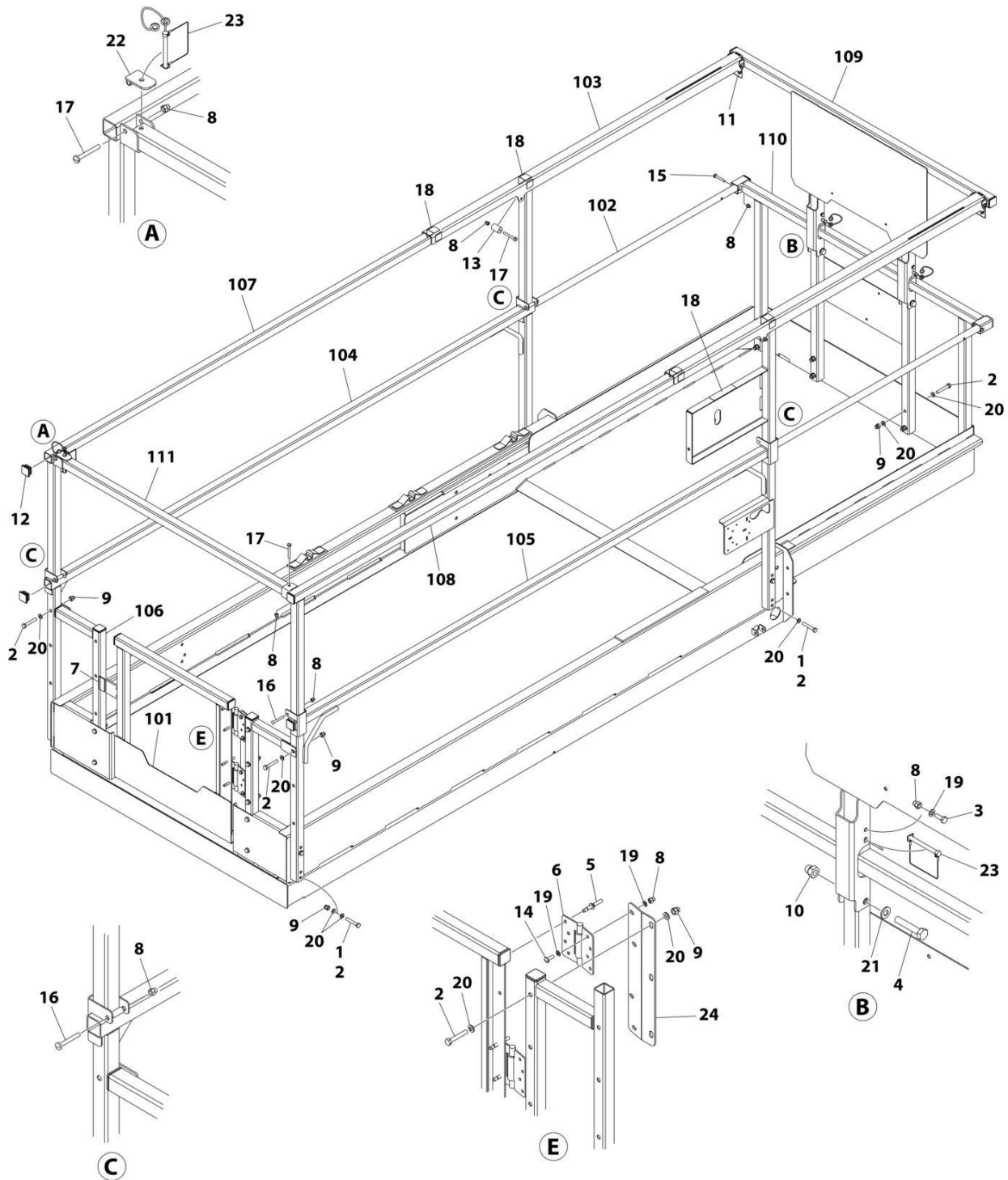
SECTION 4 - PLATFORM

FIGURE 4-4. RAILS INSTALLATION (TUBE IN TUBE) (MACHINES WITH SN STARTING WITH B2)

ITEM	PART NUMBER	QTY	DESCRIPTION	REV
	1001289977	Ref	RAILS INSTALLATION (TUBE IN TUBE)	A
1	0100011	AR	Compound, Locking	
2	0700818	25	Bolt M8 x 50	
3	0760608	2	Bolt M6 x 16	
4	0761019	2	Bolt M10 x 55	
5	2080040	4	Fastener	
6	2600281	2	Hinge	
7	3080007	1	Magnet, Gate	
8	3290606	16	Nut M6	
9	3290806	21	Nut M8	
10	3291006	2	Nut M10	
11	3520072	14	Plug	
12	3760170	2	Ring, Split	
13	3860111	2	Roller	
14	4010608	4	Screw M6 x 16	
15	4010616	2	Screw M6 x 40	
16	4010617	4	Screw M6 x 45	
17	4010618	4	Screw M6 x 50	
18	4420062	16 in/ 40cm	Tape	
19	4811700	10	Washer M6	
20	4811900	50	Washer M8	
21	4812000	2	Washer M10	
22	1001154378	1	Bracket	
23	1001187587	3	Pin, Snap with Lanyard	
24	1001210586	1	Support	
100	1001289976	1	Rail Kit (Not Shown)	
101	1001210302	1	Gate	
102	1001213415	2	Rod, Extension MID	
103	1001234006	1	Rail, Side MID (LH)	
104	1001234007	1	Rail, Side MID (RH)	
105	1001234008	2	Rail, Rear	
106	1001234141	1	Rail, Side Top (LH)	
107	1001234142	1	Rail, Side Top (RH)	
108	1001234266	1	Rail, Extension Top Front	
109	1001234267	1	Rail, Extension MID Front	
110	1001234268	1	Tube, Rear Top	
111	1001289052	2	Rail, Extension Top	

SECTION 4 - PLATFORM

FIGURE 4-5. RAILS INSTALLATION (TUBE IN TUBE) (MACHINES WITH SN STARTING WITH M2)



ART_1001234382

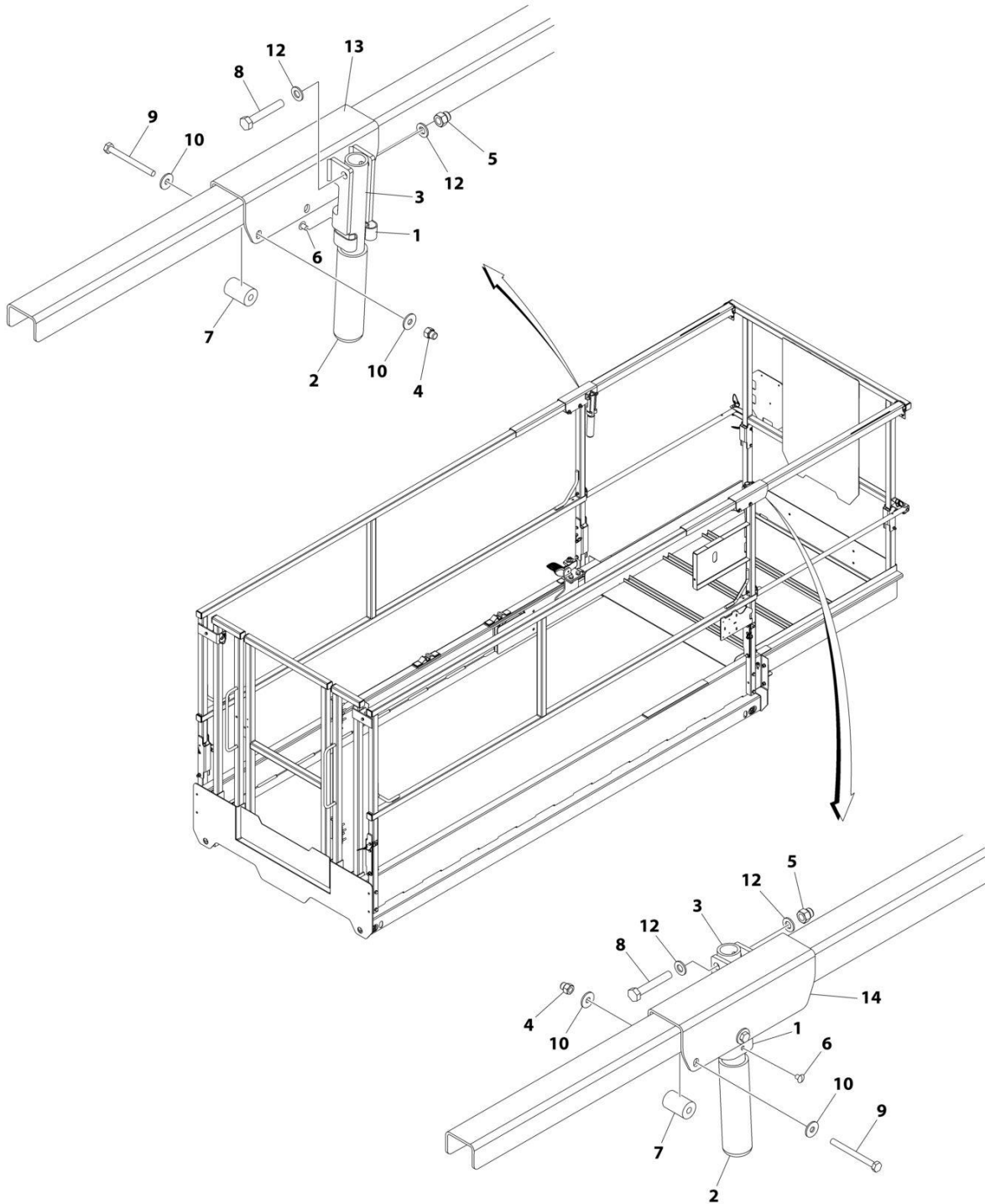
SECTION 4 - PLATFORM

FIGURE 4-5. RAILS INSTALLATION (TUBE IN TUBE) (MACHINES WITH SN STARTING WITH M2)

ITEM	PART NUMBER	QTY	DESCRIPTION	REV
	1001234382	Ref	RAILS INSTALLATION (TUBE IN TUBE)	D
1	0100011	AR	Compound, Locking	
2	0700818	25	Bolt M8 x 50	
3	0760608	2	Bolt M6 x 16	
4	0761019	2	Bolt M10 x 55	
5	2080040	4	Fastener	
6	2600281	2	Hinge	
7	3080007	1	Magnet, Gate	
8	3290606	16	Nut M6	
9	3290806	21	Nut M8	
10	3291006	2	Nut M10	
11	3422219	2	Pin, Snap	
12	3520072	14	Plug	
13	3860111	2	Roller	
14	4010608	4	Screw M6 x 16	
15	4010616	2	Screw M6 x 40	
16	4010617	4	Screw M6 x 45	
17	4010618	4	Screw M6 x 50	
18	4420062	16 in/ 40cm	Tape	
19	4811700	10	Washer M6	
20	4811900	50	Washer M8	
21	4812000	2	Washer M10	
22	1001154378	1	Bracket	
23	1001187587	3	Pin, Snap with Lanyard	
24	1001210586	1	Support	
100	1001235959	1	Rail Kit (Not Shown)	
101	1001210302	1	Gate	
102	1001213415	2	Rod, Extension MID	
103	1001213416	2	Rail, Extension Top	
104	1001234006	1	Rail, Side MID (LH)	
105	1001234007	1	Rail, Side MID (RH)	
106	1001234008	2	Rail, Rear	
107	1001234141	1	Rail, Side Top (LH)	
108	1001234142	1	Rail, Side Top (RH)	
109	1001234266	1	Rail, Extension Top Front	
110	1001234267	1	Rail, Extension MID Front	
111	1001234268	1	Tube, Rear Top	

SECTION 4 - PLATFORM

FIGURE 4-6. EXTENSION HANDLES INSTALLATION (OPTIONAL)



ART_1001215446_E

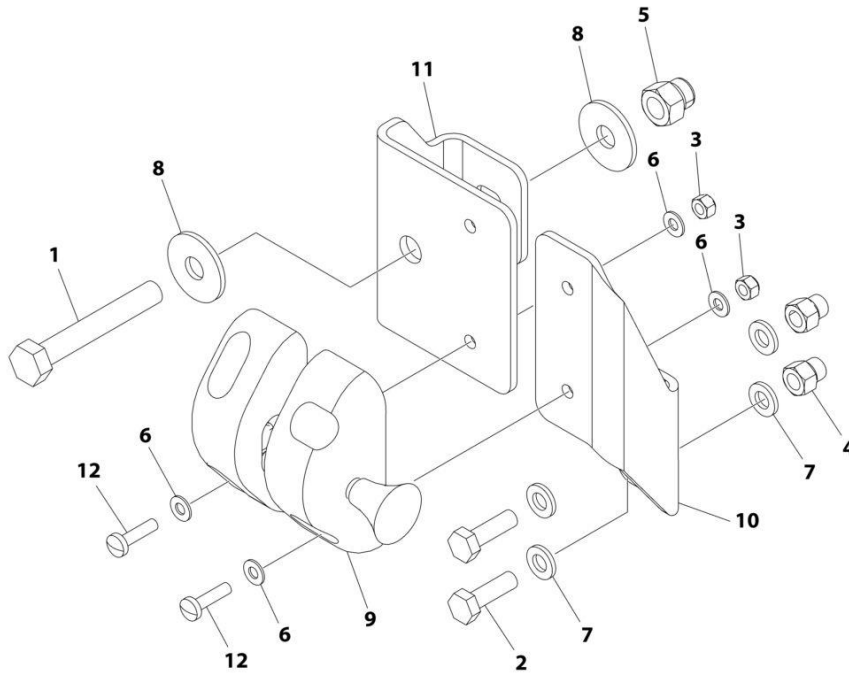
SECTION 4 - PLATFORM

FIGURE 4-6. EXTENSION HANDLES INSTALLATION (OPTIONAL)

ITEM	PART NUMBER	QTY	DESCRIPTION	REV
	1001215446	Ref	EXTENSION HANDLES INSTALLATION (OPTIONAL)	E
1	1380132	2	Clip	
2	2560088	2	Grip	
3	2560190	2	Handle	
4	3290606	2	Nut M6	
5	3290806	2	Nut M8	
6	3820019	2	Rivet	
7	3860111	2	Roller	
8	0700818	AR	Bolt M8 x 50	
9	0700621	AR	Bolt M6 x 65	
10	4811702	AR	Washer M6	
12	4811900	AR	Washer M8	
13	1001235560	1	Bracket (LH)	
14	1001235561	1	Bracket (RH)	

SECTION 4 - PLATFORM

FIGURE 4-7. GATE LATCH INSTALLATION - OPTIONAL



ART_1001220995

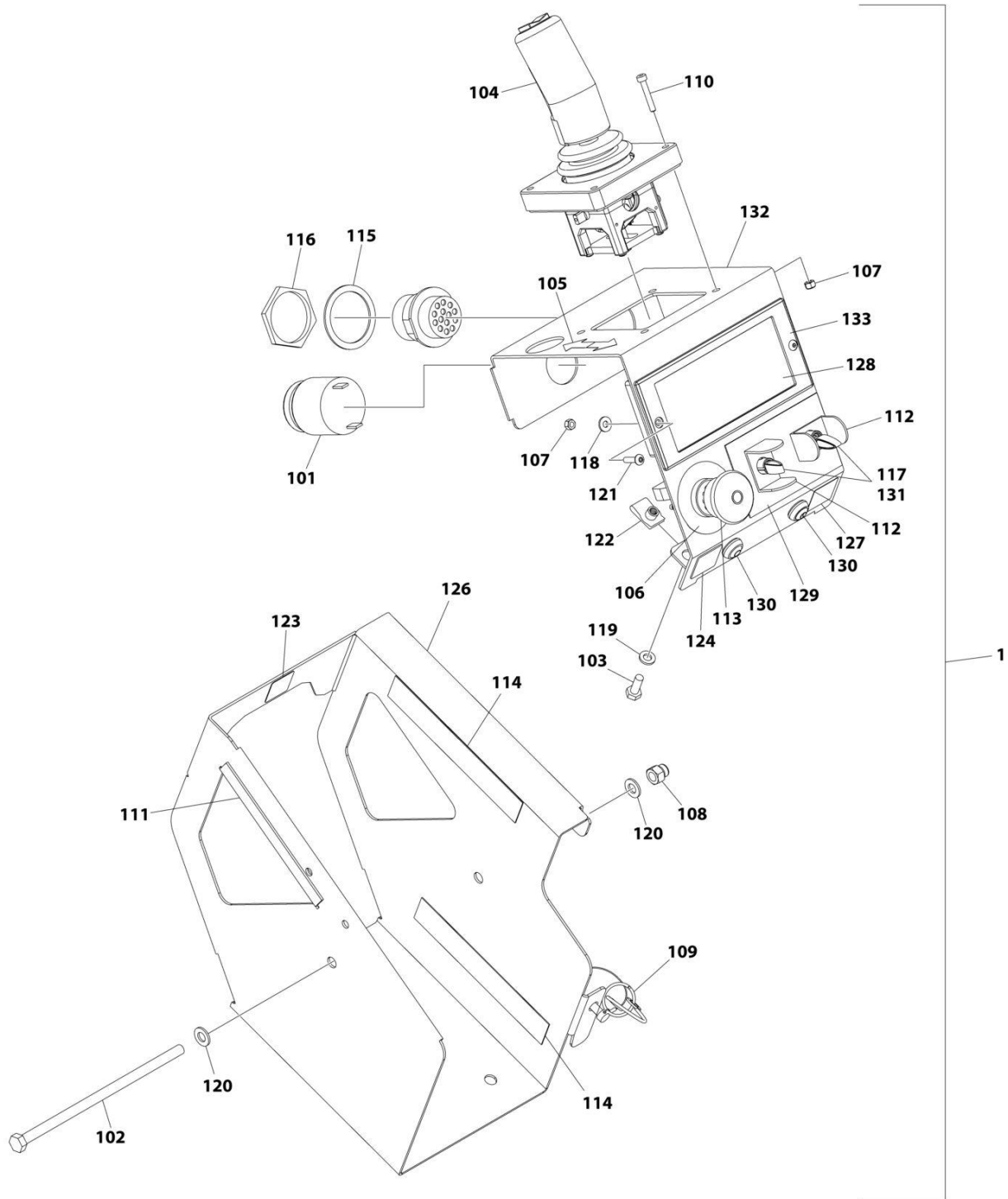
SECTION 4 - PLATFORM

FIGURE 4-7. GATE LATCH INSTALLATION - OPTIONAL

ITEM	PART NUMBER	QTY	DESCRIPTION	REV
	1001220995	Ref	GATE LATCH INSTALLATION	B
1	0700819	1	Bolt M8 x 55	
2	0760610	2	Bolt M6 x 20	
3	3290405	4	Nut M4	
4	3290606	2	Nut M6	
5	3290806	1	Nut M8	
6	4811400	8	Washer M4	
7	4811700	4	Washer M6	
8	4811902	2	Washer M8	
9	1001134821	1	Latch	
10	1001220409	1	Mount	
11	1001220410	1	Plate	
12	4010408	4	Screw M4 x 16	

SECTION 4 - PLATFORM

FIGURE 4-8. PLATFORM CONSOLE BOX INSTALLATION



ART_1001274659

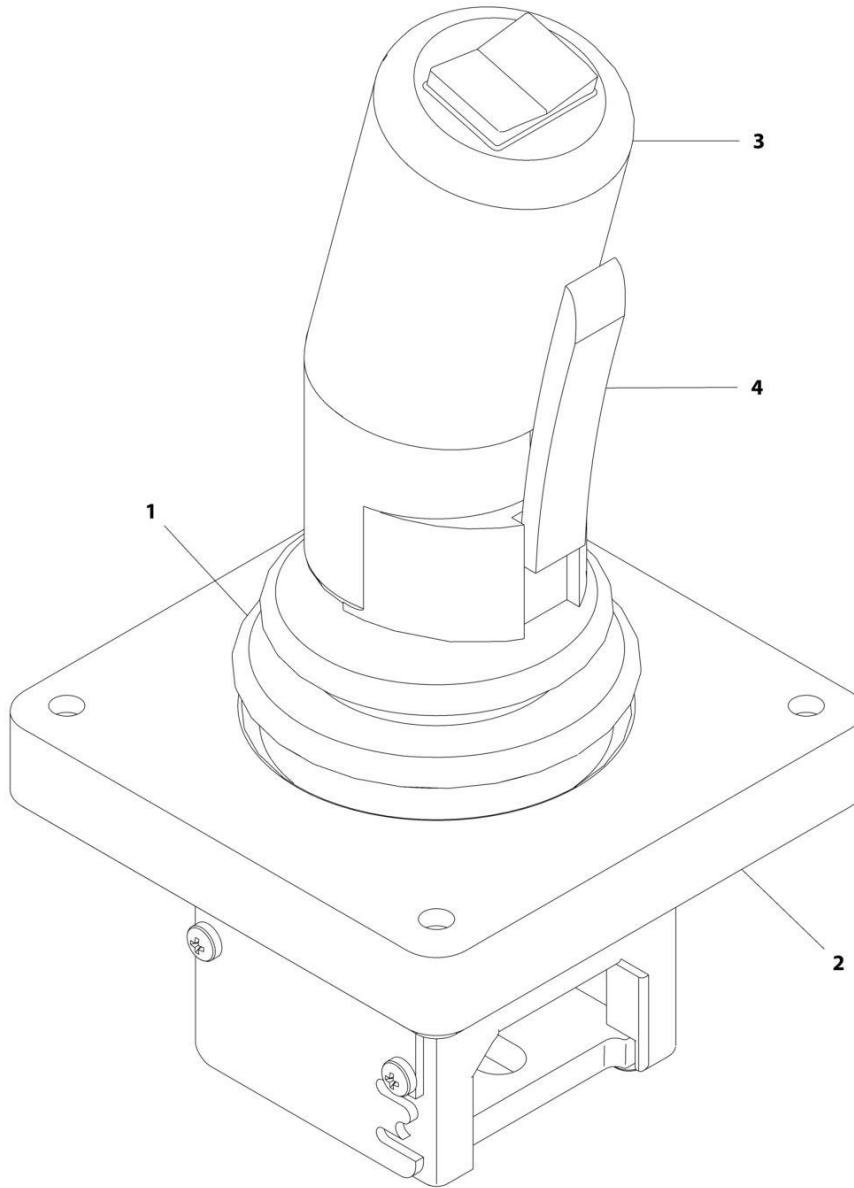
SECTION 4 - PLATFORM

FIGURE 4-8. PLATFORM CONSOLE BOX INSTALLATION

ITEM	PART NUMBER	QTY	DESCRIPTION	REV
	1001274659	Ref	PLATFORM CONTROL INSTALLATION (LED)	A
1	1001274604	1	Platform Control Box	B
101	0140030	1	Alarm	
102	0700835	1	Bolt M8 x 180	
103	0760610	2	Bolt M6 x 20	
104	1600402	1	Controller Assembly (See Separate Breakdown in this Section)	
105	1703819	1	Decal - Arrow	
106	1704260	1	Decal - Emergency Stop	
107	3290405	6	Nut M4	
108	3290806	1	Nut M8	
109	3423278	1	Pin, Snap with Lanyard	
110	4031509	4	Capscrew M4 x 25	
111	4060803	6 in/ 14cm	Flex-Trim	
112	4060906	2	Guard, Switch	
113	4360475	1	Switch, Emergency Stop	
113	7020175	1	Cap	
113	7020176	1	Block, Contact	
114	4420062	12 in/ 30cm	Tape	
115	4460496	1	Washer, Terminal	
116	4460497	1	Nut, Terminal	
117	4711700	2	Washer 7/16	
118	4811400	2	Washer M4	
119	4811700	2	Washer M6	
120	4811900	2	Washer M8	
121	1001047064	2	Screw M4 x 15	
122	1001130220	2	Nut, Tinnerman M6	
123	1001132358	1	Decal - Steer	
124	1001132361	1	Decal - Horn	
125	1001200819	1	Platform Control Box Harness (Not Shown) (See Separate Breakdown in ELECTRICAL Section)	
126	1001209596	1	Plate, Box (Outside)	
127	1001213886	1	Decal - Indoor/Outdoor	
128	1001218285	1	Decal - Platform Control	
129	1001220893	1	Decal - Lift/Drive Function	
130	1001226749	2	Switch, Push Button	
131	1001258446	2	Switch, Toggle	
132	1001262655	1	Plate, Box (Inside)	
133	1001274605	1	Module, Platform Control	

SECTION 4 - PLATFORM

FIGURE 4-9. DRIVE/STEER CONTROLLER ASSEMBLY



ART_1600402

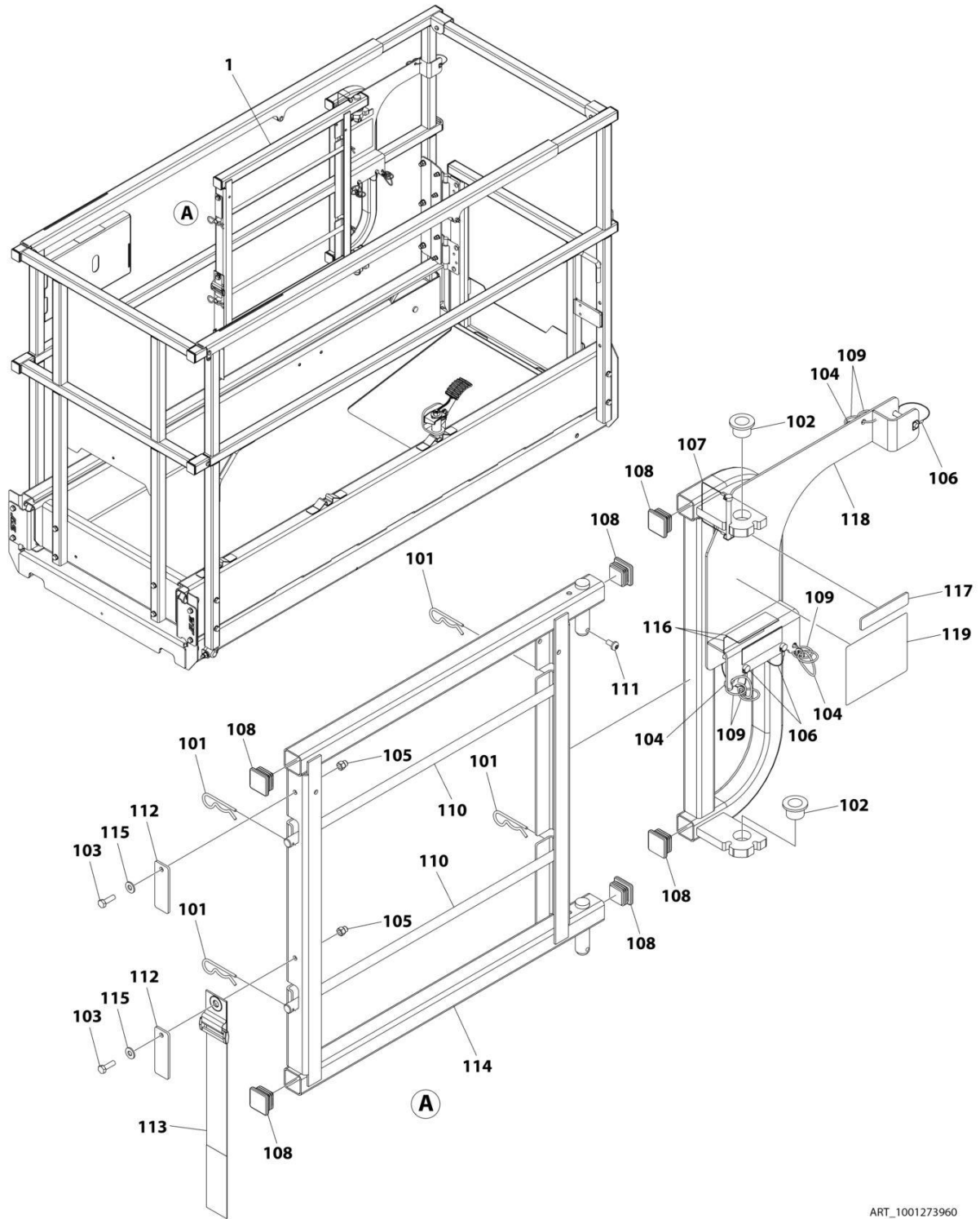
SECTION 4 - PLATFORM

FIGURE 4-9. DRIVE/STEER CONTROLLER ASSEMBLY

ITEM	PART NUMBER	QTY	DESCRIPTION	REV
	1600402	Ref	DRIVE/STEER CONTROLLER ASSEMBLY	B
1	70001250	1	Boot, Panel	
2	70001252	1	Gasket, Mounting	
2	70001251	1	Bezel, Mounting	
3	70003650	1	Handle Repair Kit (Includes handle gasket, item#4 push button and item #4 lever installed in front handle half, back handle half, top actuator, boot and hardware.)	
3	70000084	1	Cap, Rubber	
3	70000082	1	Microswitch	
3	7027766	1	Ring, Retaining	
3	7027365	1	Actuator, Handle	
3	70001253	1	Gasket, Handle	
3	70000683	4	Washer, Neoprene	
3	70000685	2	Spacer, Plastic	
3	70000686	2	Screw (Top)	
3	70000684	2	Screw (Bottom)	
4	7027367	1	Switch, Push Button	
4	7027765	1	Lever, Enable	

SECTION 4 - PLATFORM

FIGURE 4-10. ELECTRICIAN TREE INSTALLATION



ART_1001273960

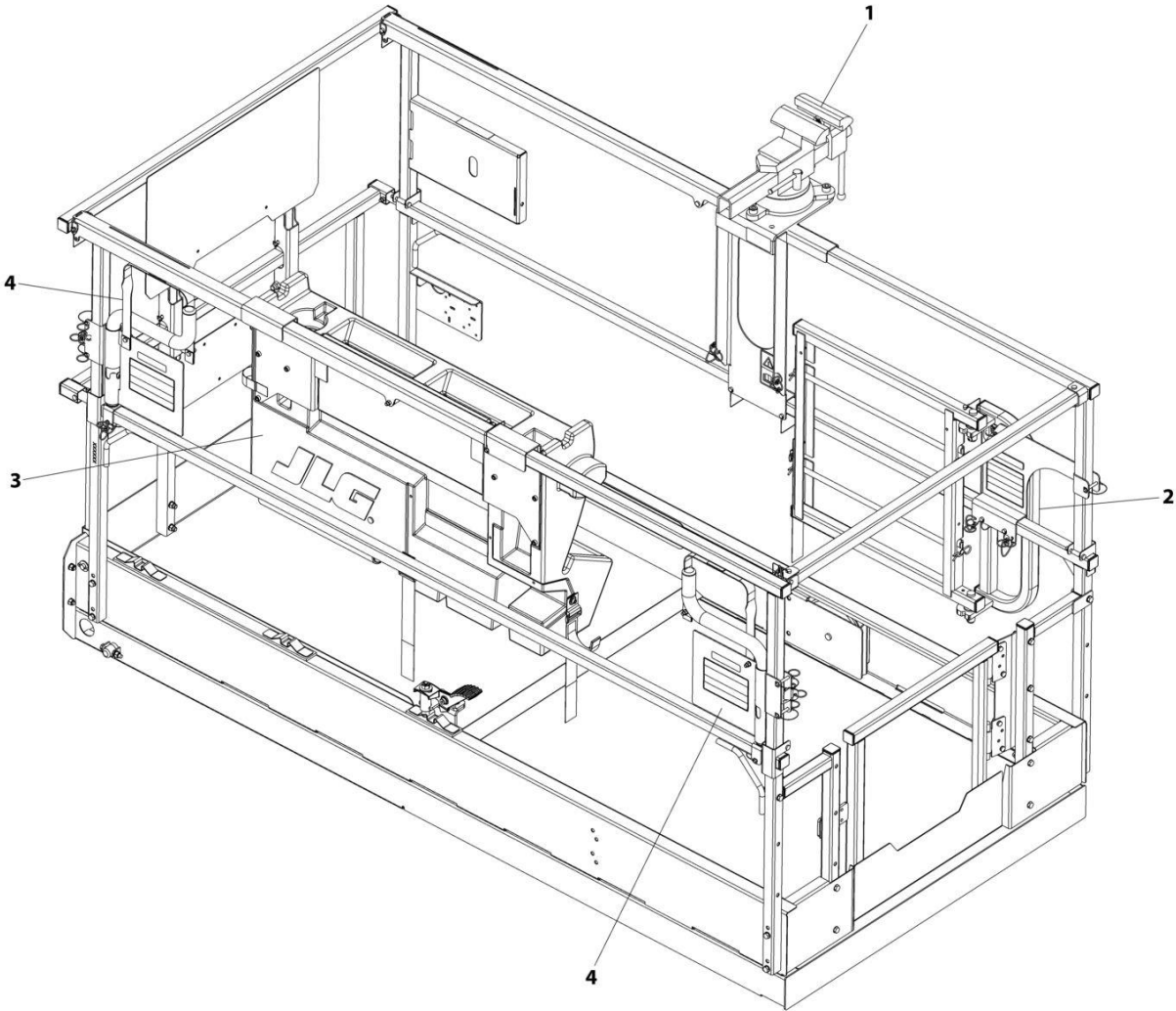
SECTION 4 - PLATFORM

FIGURE 4-10. ELECTRICIAN TREE INSTALLATION

ITEM	PART NUMBER	QTY	DESCRIPTION	REV
	1001273960	Ref	ELECTRICIAN TREE INSTALLATION	A
1	1001273907	1	Electrician Tree Accessory	A
101	80325	4	Hairpin, Cotter	
102	0440223	2	Bushing	
103	0700610	2	Bolt M6 x 20	
104	1060379	4	Lanyard	
105	3290606	2	Cap, Nut M6 x 1	
106	3421453	3	Pin	
107	3422219	1	Pin	
108	3520072	6	Plug, Cap	
109	3760170	8	Ring	
110	3841675	2	Rod	
111	4191706	1	Screw M6 x 12	
112	4220227	2	Stop, Spool Rod	
113	4240003	1	Strap	
114	4340947	1	Mount, Spool Rack	
115	4711400	2	Washer 1/4	
116	1001189762	3	Tape	
117	1001252626	1	Decal - ACCY Weight	
118	1001273909	1	Support	
119	1001274838	1	Decal	

SECTION 4 - PLATFORM

FIGURE 4-11. ELECTRICIANS PACKAGE INSTALLATION



ART_1001273844

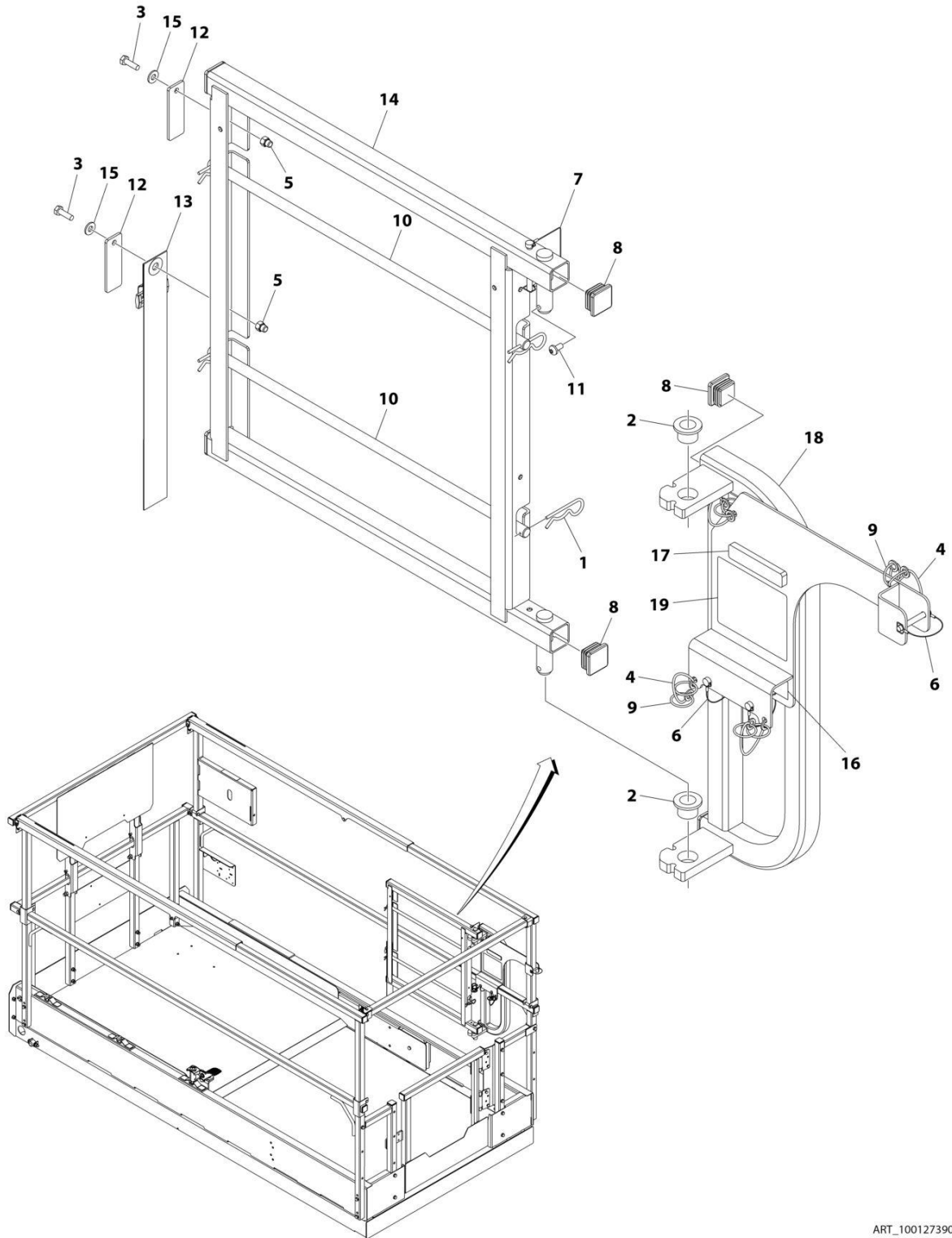
SECTION 4 - PLATFORM

FIGURE 4-11. ELECTRICIANS PACKAGE INSTALLATION

ITEM	PART NUMBER	QTY	DESCRIPTION	REV
	1001273844	Ref	ELECTRICIANS PACKAGE INSTALLATION	A
1	1001273453	1	Machinist Vise Accessory (See Separate Breakdown in this Section)	
2	1001273907	1	Electrician Tree Accessory (See Separate Breakdown in this Section)	
3	1001273957	1	Workstation Accessory (See Separate Breakdown in this Section)	
4	1001273959	2	Pipe Rack Assembly Accessory (See Separate Breakdown in this Section)	

SECTION 4 - PLATFORM

FIGURE 4-12. ELECTRICIANS TREE ACCESSORY



ART_1001273907

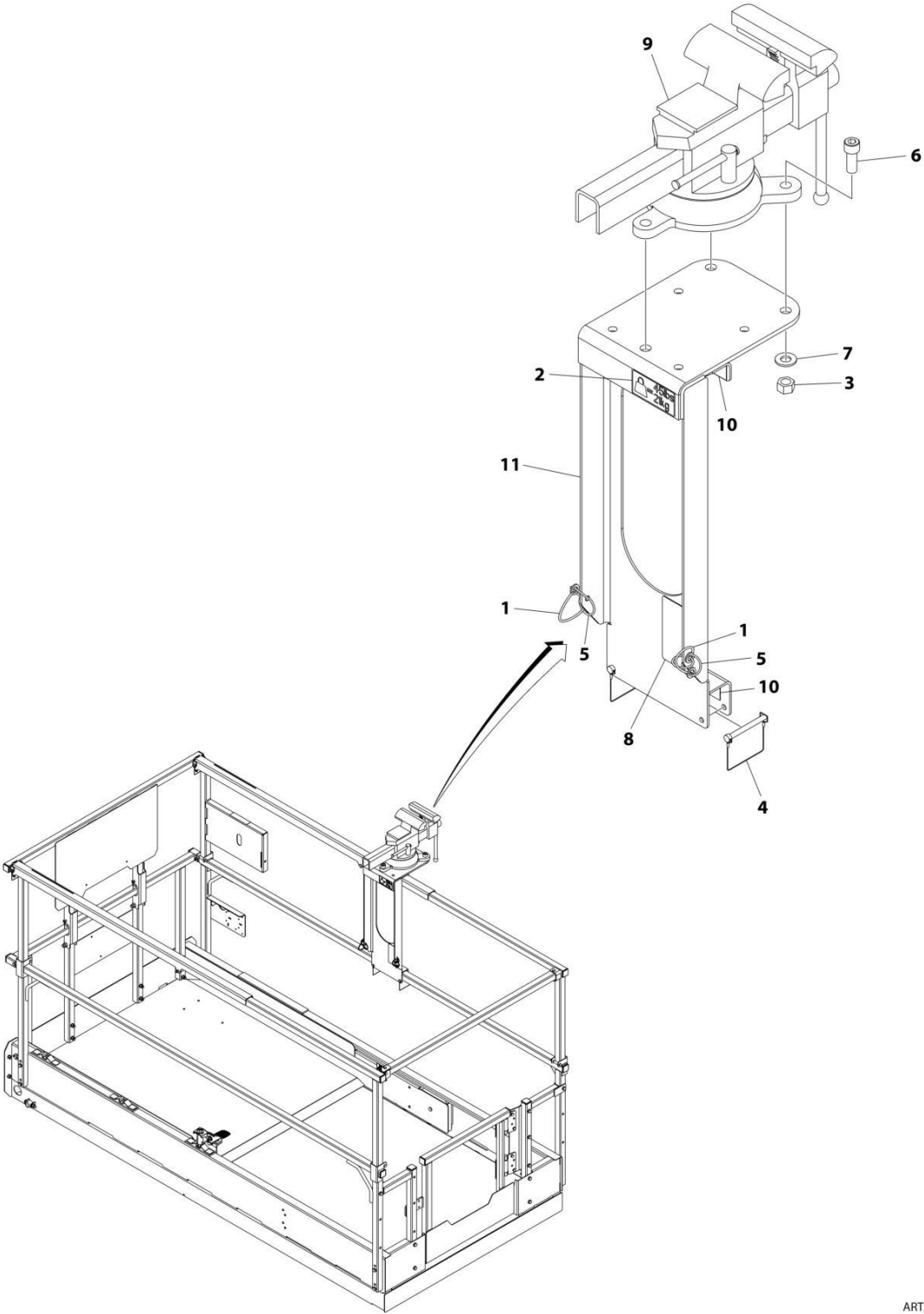
SECTION 4 - PLATFORM

FIGURE 4-12. ELECTRICIANS TREE ACCESSORY

ITEM	PART NUMBER	QTY	DESCRIPTION	REV
	1001273907	Ref	ELECTRICIANS TREE ACCESSORY	A
1	80325	4	Hairpin, Cotter	
2	0440223	2	Bearing, Oilite Flange	
3	0700610	2	Bolt M6 x 20	
4	1060379	4	Lanyard	
5	3290606	2	Nut M6	
6	3421453	3	Pin	
7	3422219	1	Pin	
8	3520072	6	Plug	
9	3760170	8	Ring, Split	
10	3841675	2	Rod	
11	4191706	1	Bolt M6 x 12	
12	4220227	2	Stop, Spool Rod	
13	4240003	1	Strap	
14	4340947	1	Mount, Spool Rack	
15	4711400	2	Washer 1/4	
16	1001189762	3 ft	Tape	
17	1001252626	1	Decal - Accessory Weight	
18	1001273909	1	Support, Base Pivot	
19	1001274838	1	Decal - Electrical Tree Capacity	

SECTION 4 - PLATFORM

FIGURE 4-13. MACHINIST VISE ACCESSORY



ART_1001273453

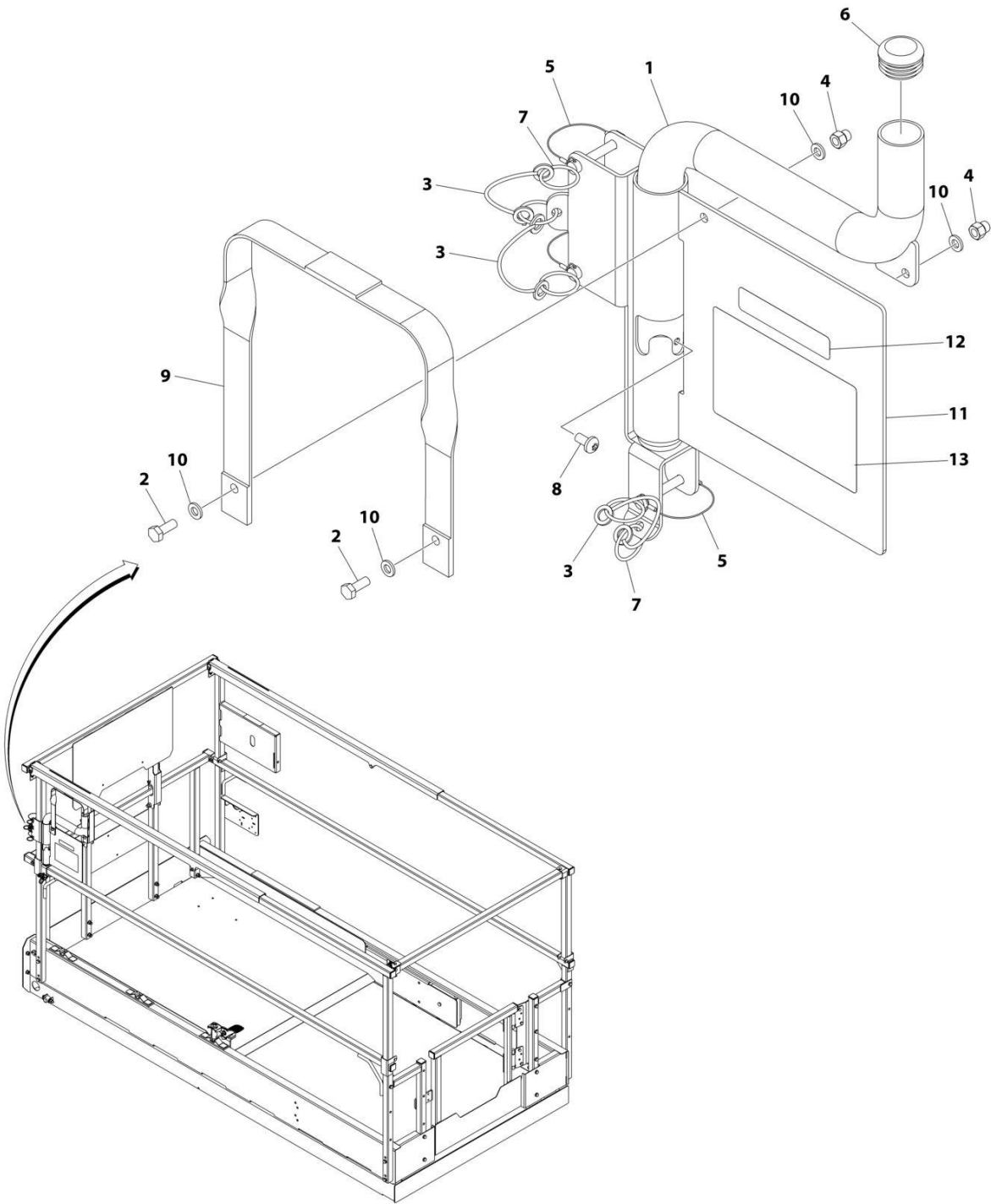
SECTION 4 - PLATFORM

FIGURE 4-13. MACHINIST VISE ACCESSORY

ITEM	PART NUMBER	QTY	DESCRIPTION	REV
	1001273453	Ref	MACHINIST VISE ACCESSORY	A
1	1060379	2	Lanyard	
2	1705985	1	Decal - Weight	
3	3271805	3	Nut 1/2	
4	3422219	2	Pin, Snap	
5	3760170	4	Ring, Split	
6	3931820	3	Bolt 1/2 x 1	
7	4711800	3	Washer 1/2	
8	8005670	1	Decal - Instruction Read Operators Manual	
9	1001157050	1	Attachment, Machinists Vise	
10	1001189762	6 ft	Tape	
11	1001273470	1	Mount, Vise	

SECTION 4 - PLATFORM

FIGURE 4-14. PIPE RACK ASSEMBLY ACCESSORY



ART_1001273959

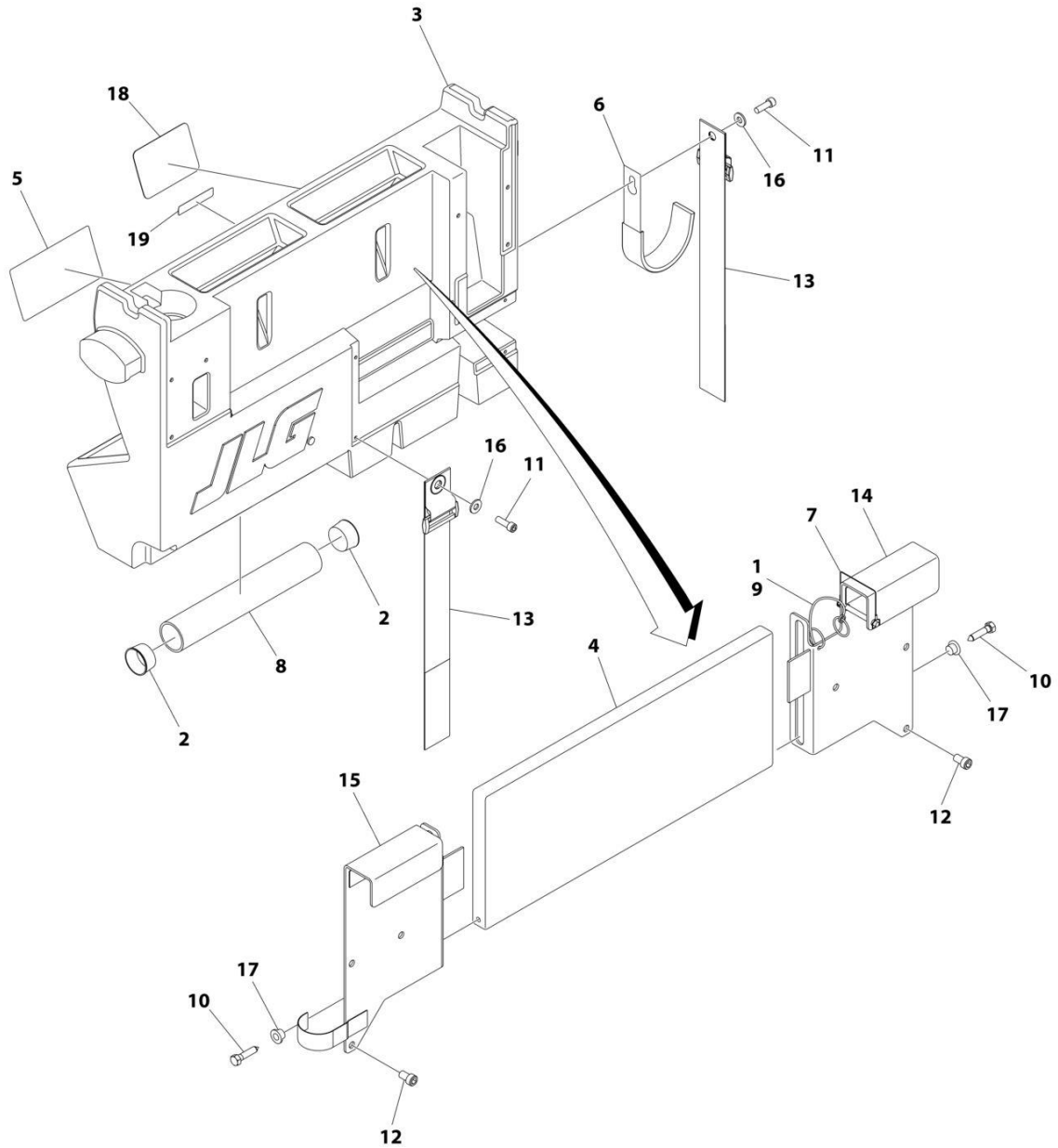
SECTION 4 - PLATFORM

FIGURE 4-14. PIPE RACK ASSEMBLY ACCESSORY

ITEM	PART NUMBER	QTY	DESCRIPTION	REV
	1001273959	Ref	PIPE RACK ASSEMBLY ACCESSORY	A
1	0240054	1	Pipe	
2	0700608	2	Bolt M6 x 16	
3	1060379	3	Lanyard	
4	3290606	2	Nut M6	
5	3421453	3	Pin	
6	3520176	2	Plug	
7	3760170	5	Ring	
8	4191706	1	Bolt M6 x 12	
9	4240164	1	Strap	
10	4811700	4	Washer M6	
11	1001180205	1	Pipe Rack Weldment	
12	1001251855	2	Decal - Accessory Weight	
13	1001275538	2	Decal - Pipe Rack Capacity	

SECTION 4 - PLATFORM

FIGURE 4-15. WORKSTATION ACCESSORY



ART_1001273957

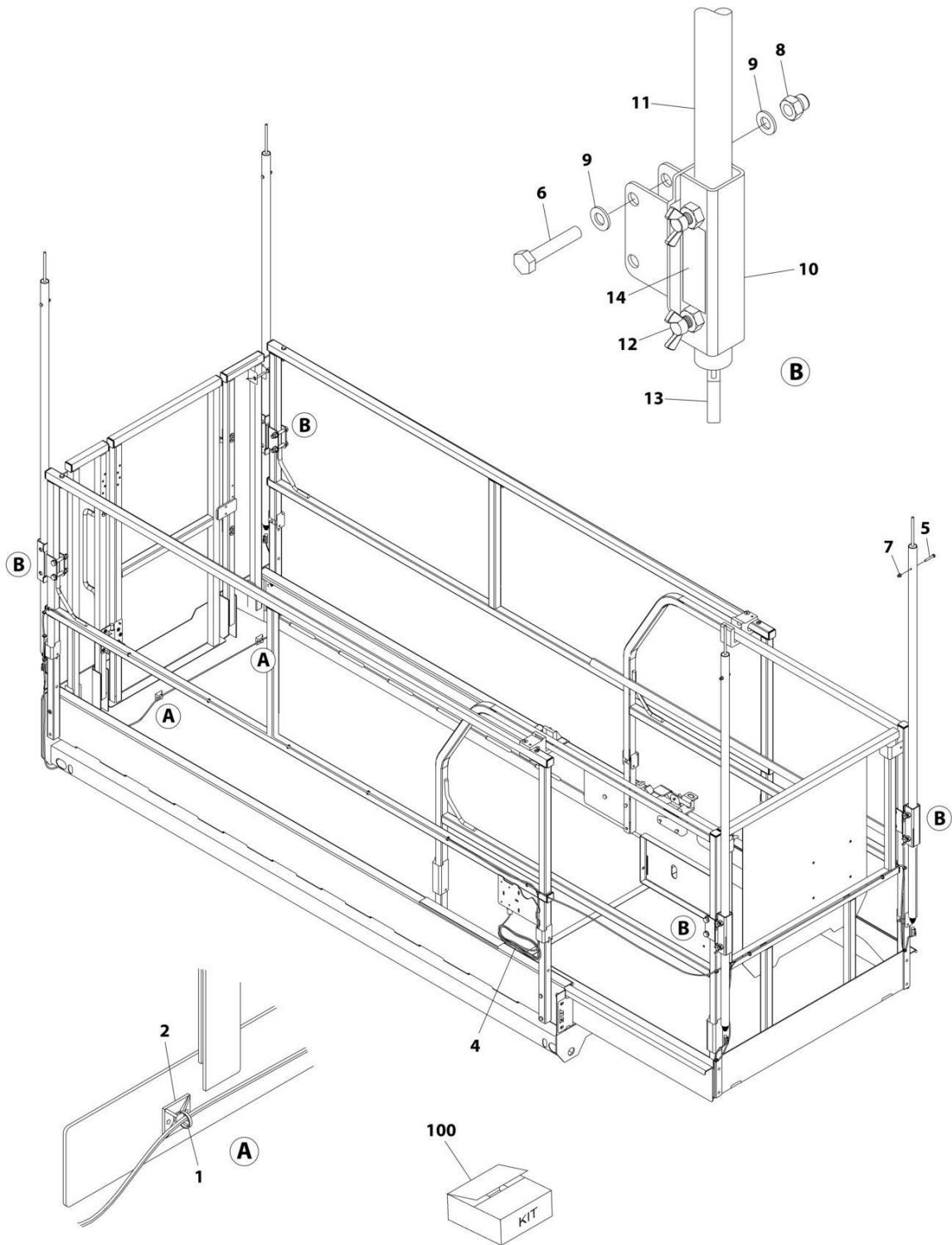
SECTION 4 - PLATFORM

FIGURE 4-15. WORKSTATION ACCESSORY

ITEM	PART NUMBER	QTY	DESCRIPTION	REV
	1001273957	Ref	WORKSTATION ACCESSORY	A
1	1060379	1	Lanyard	
2	1120555	2	Cap	
3	1580023	1	Container, Work Bench	
4	1580024	1	Tray, Work Surface	
5	1705997	1	Decal - Workstation	
6	2700100	1	Hook	
7	3422219	1	Pin	
8	3460334	1	Pipe	
9	3760170	2	Ring	
10	3900355	2	Bolt 5/16	
11	3931412	2	Bolt 1/4 x 3/4	
12	3931508	6	Bolt 5/16 x 1/2	
13	4240003	2	Strap	
14	4340853	1	Mount, RH Channel	
15	4340854	1	Mount, LH Channel	
16	4711400	2	Washer 1/4	
17	4740480	2	Washer	
18	1001274837	1	Decal - Workstation Capacity	
19	1001275631	1	Decal - Accessory Weight	

SECTION 4 - PLATFORM

FIGURE 4-16. OVERHEAD PROTECTION INSTALLATION (KOREAN SPECS)



ART_1001226901

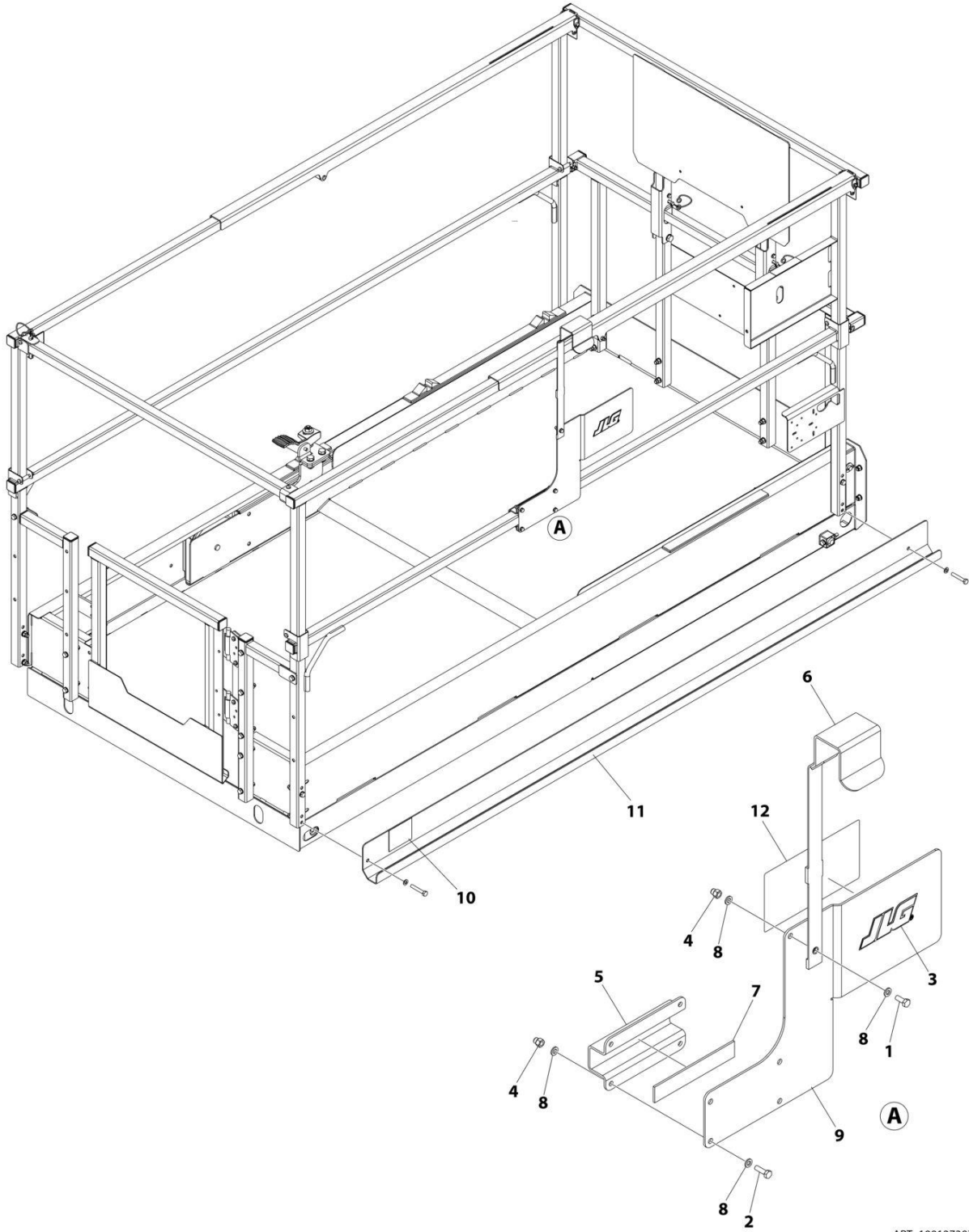
SECTION 4 - PLATFORM

FIGURE 4-16. OVERHEAD PROTECTION INSTALLATION (KOREAN SPECS)

ITEM	PART NUMBER	QTY	DESCRIPTION	REV
	1001226901	Ref	OVERHEAD PROTECTION INSTALLATION (KOREAN SPECS)	A
1	4240017	AR	Tie-Strap	
2	4460234	2	Mount, Tie-Strap	
4	1001227728	1	Overhead Protection Harness	A
4	4460891	4	Plug, Male - 2 Position (X503-X506)	
4	4460465	8	Socket, Female	
4	4460536	1	Receptacle, Female - 3 Position (X507)	
4	4460464	2	Pin, Male	
4	4460466	1	Plug, Terminal	
5	0700616	4	Bolt M6 x 40	
6	0701019	8	Bolt M10 x 55	
7	3290606	4	Nut M6	
8	3291006	8	Nut M10	
9	4812000	16	Washer M10	
10	1001221275	4	Bracket	
11	1001221276	4	Tube	
12	1001222914	8	Thumb Screw	
13	1001226277	4	Switch, Overhead Protection	
14	1001228184	1	Decal - Overhaed Protection Weight	
100	1001221244	1	Overhead Protection Kit (Includes Items 5-14)	

SECTION 4 - PLATFORM

FIGURE 4-17. PANEL CARRIER INSTALLATION



ART_1001273970

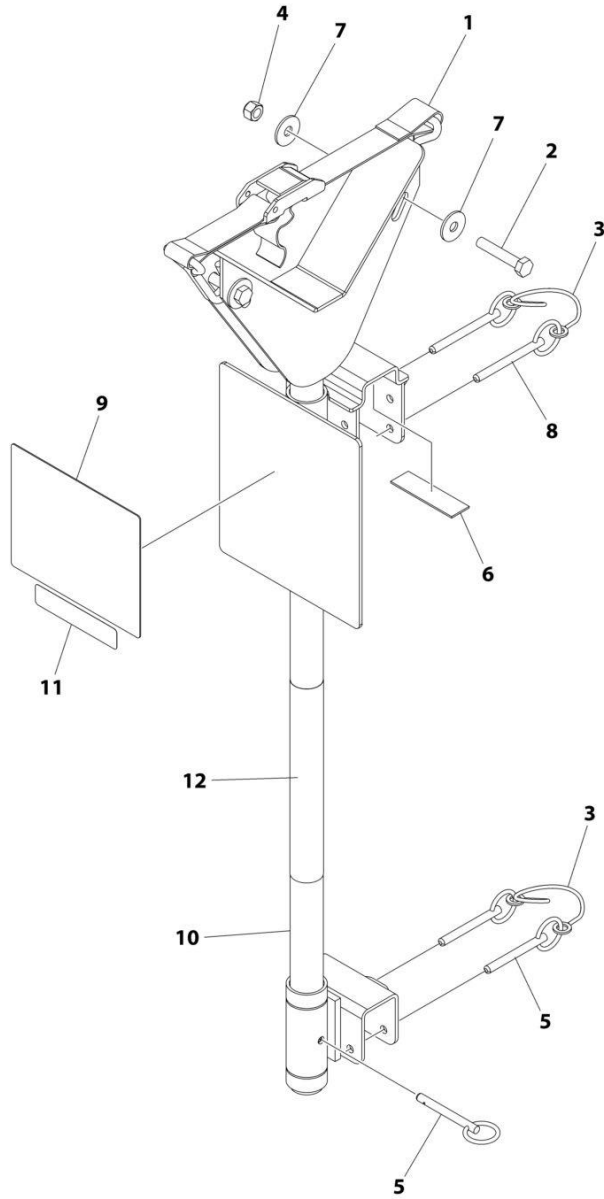
SECTION 4 - PLATFORM

FIGURE 4-17. PANEL CARRIER INSTALLATION

ITEM	PART NUMBER	QTY	DESCRIPTION	REV
	1001273970	Ref	PANEL CARRIER INSTALLATION	A
1	0760608	1	Bolt M6 x 16	
2	0760610	4	Bolt M6 x 20	
3	1702010	1	Decal - JLG	
4	3290606	5	Nut M6	
5	3574505	1	Bracket	
6	4240165	1	Tie Strap	
7	4420037	150 mm	Tape	
8	4811700	10	Washer M6	
9	1001235863	1	Plate	
10	1001253726	1	Decal - Accessory	
11	1001273968	1	Channel, Panel Carrier	
12	1001275539	1	Decal - Panel Carrier Capacity	

SECTION 4 - PLATFORM

FIGURE 4-18. PIPE RACKS INSTALLATION (OPTIONAL)



ART_1001270855

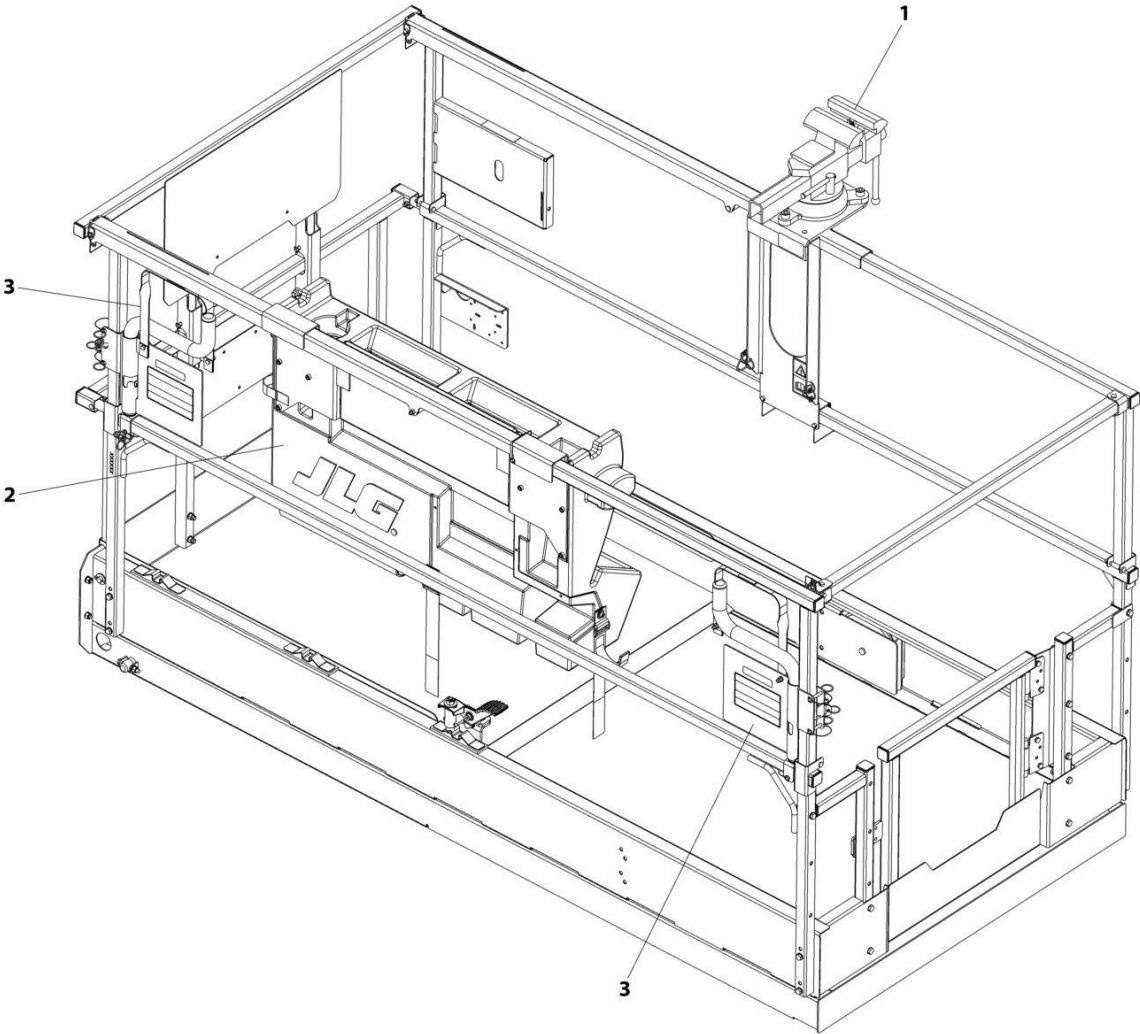
SECTION 4 - PLATFORM

FIGURE 4-18. PIPE RACKS INSTALLATION (OPTIONAL)

ITEM	PART NUMBER	QTY	DESCRIPTION	REV
	1001270855	Ref	PIPE RACK INSTALLATION	C
1	0480100	2	Tie-Strap	
2	0700817	4	Bolt M8 x 45	
3	1060379	4	Lanyard	
4	3290805	4	Nut M8	
5	3422661	6	Pin	
6	4420062	AR	Tape	
7	4811902	8	Washer M8	
8	1001235941	4	Pin	
9	1001287711	2	Decal - Pipe Rack Capacity	
10	1001270533	2	Rack Pipe	
11	1001270631	2	Decal - ACCY Weight	
12	1001271412	2	Decal - JLG	

SECTION 4 - PLATFORM

FIGURE 4-19. PLUMBER PACKAGE INSTALLATION



ART_1001273845

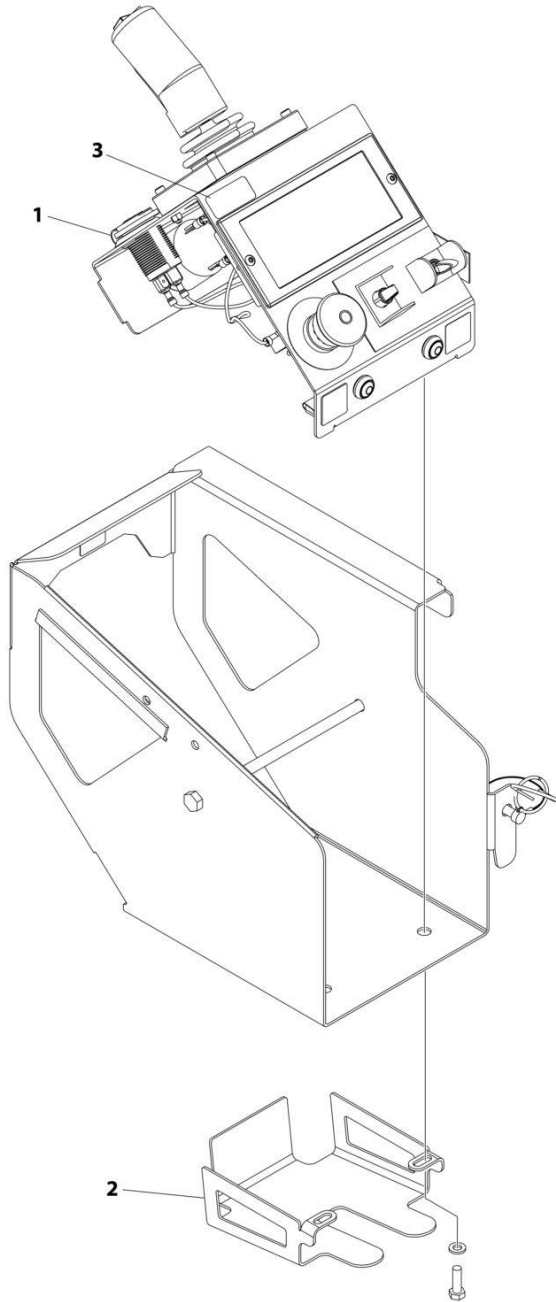
SECTION 4 - PLATFORM

FIGURE 4-19. PLUMBER PACKAGE INSTALLATION

ITEM	PART NUMBER	QTY	DESCRIPTION	REV
	1001273845	Ref	PLUMBERS PACKAGE INSTALLATION	A
1	1001273453	1	Machinist Vise Accessory	
2	1001273957	1	Workstation Accessory	
3	1001273959	2	Pipe Rack Assembly Accessory	

SECTION 4 - PLATFORM

FIGURE 4-20. USB/PHONE CRADLE INSTALLATION



ART_1001262150

SECTION 4 - PLATFORM

FIGURE 4-20. USB/PHONE CRADLE INSTALLATION

ITEM	PART NUMBER	QTY	DESCRIPTION	REV
	1001262150	Ref	USB/PHONE CRADLE INSTALLATION	B
1	1001253800	1	Terminal, USB Receptacle	
2	1001261131	1	Bracket, Phone	
3	1001274168	1	Decal, USB Charge	

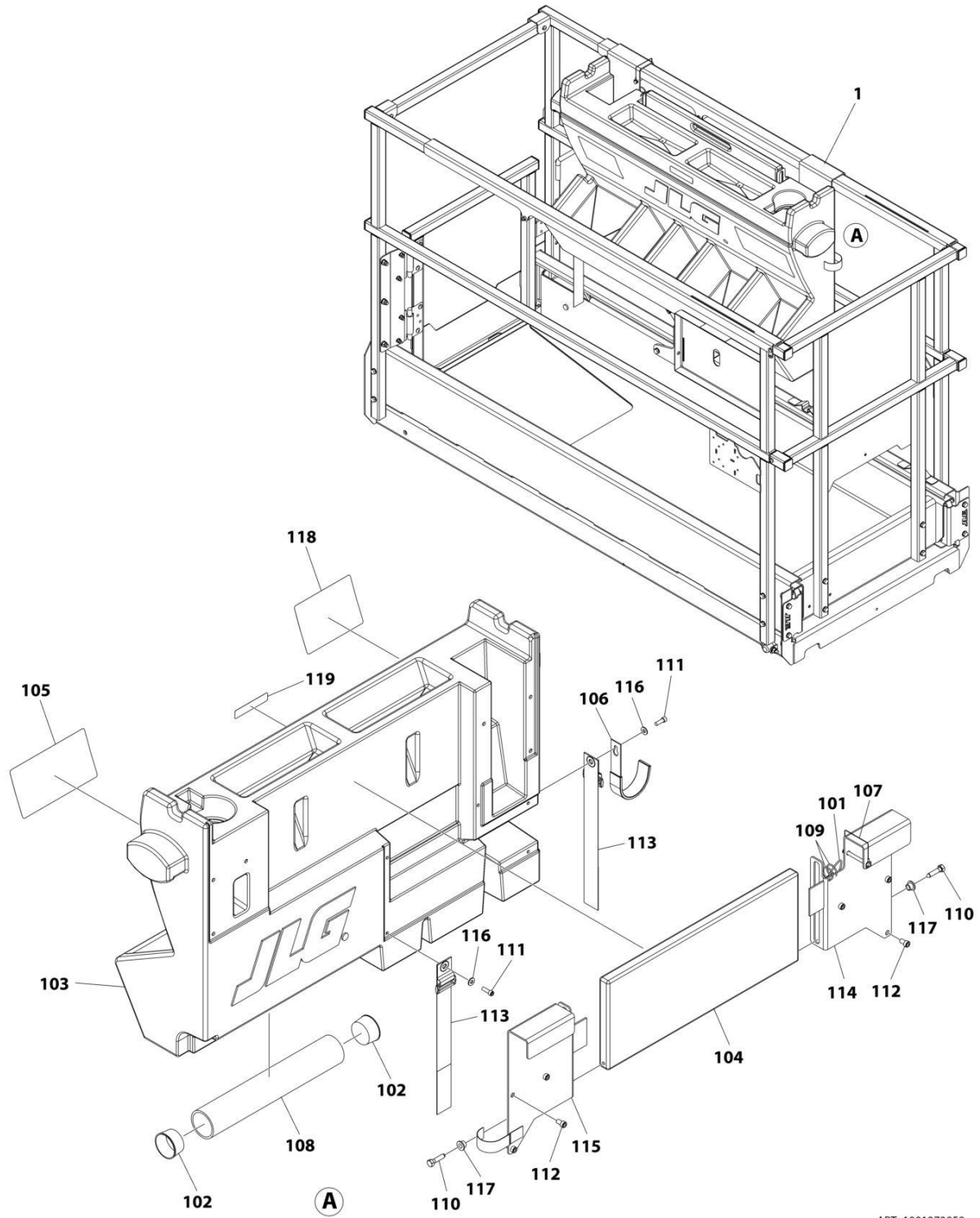
SECTION 4 - PLATFORM

FIGURE 4-21. WORKLIGHT INSTALLATION

ITEM	PART NUMBER	QTY	DESCRIPTION	REV
	1001273967	Ref	WORKLIGHT INSTALLATION	A
1	0760810	2	Bolt M8 x 20	
2	0760820	2	Bolt M8 x 60	
3	1061044	1	Cable, Worklight	
4	3290801	4	Nut M8	
5	4240033	AR	Tie-Strap (Not Shown)	
6	4811902	8	Washer M8	
7	1001273961	2	Bracket	
8	1001273962	2	Bracket	
9	1001273964	2	Lamp, Worklight Kit	
9	1001232586	1	Lamp, Work Light LED W/ Switch	
9	1001274026	1	Harness, Light	

SECTION 4 - PLATFORM

FIGURE 4-22. WORKSTATION INSTALLATION



ART_1001273958

SECTION 4 - PLATFORM

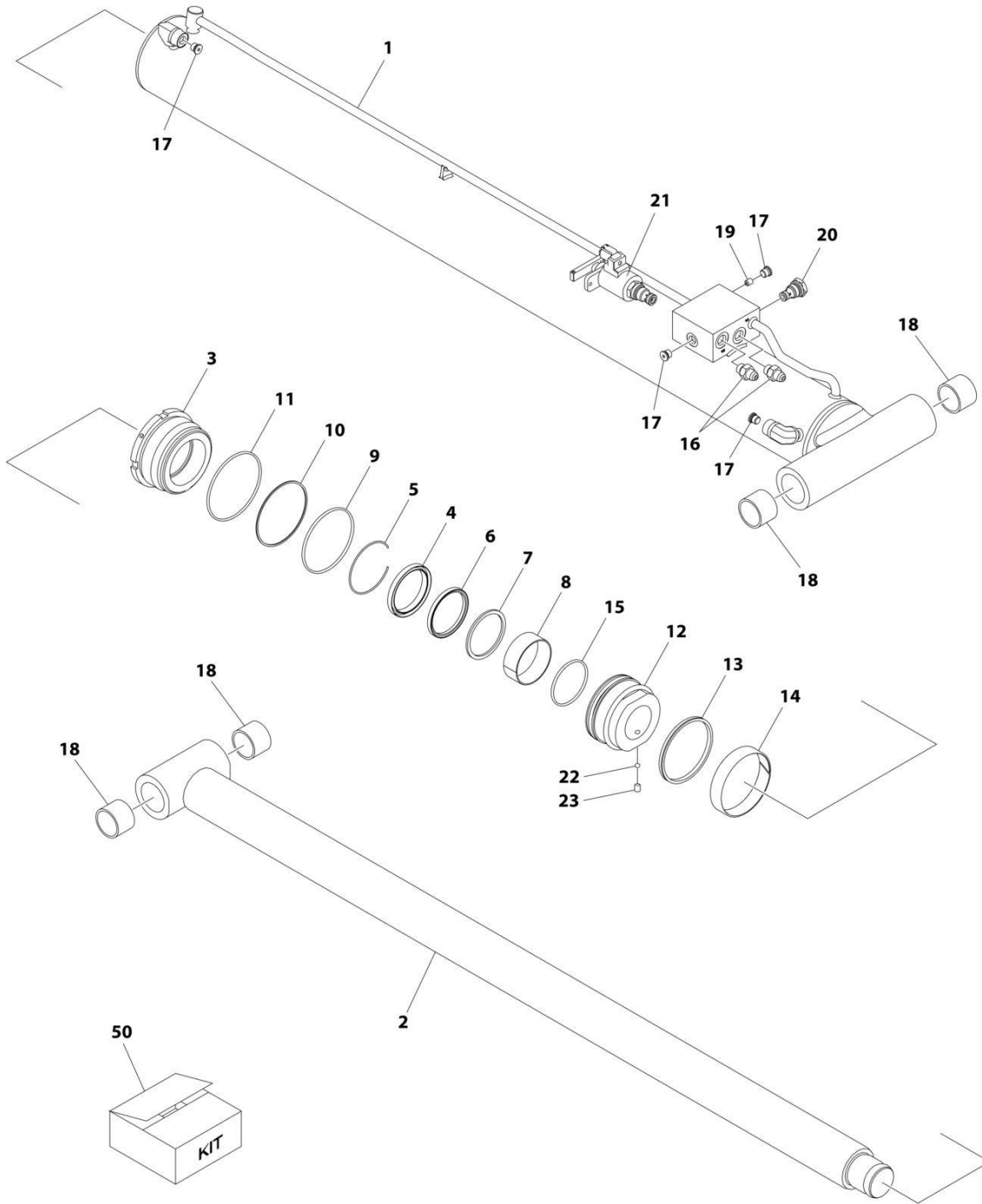
FIGURE 4-22. WORKSTATION INSTALLATION

ITEM	PART NUMBER	QTY	DESCRIPTION	REV
	1001273958	Ref	WORKSTATION INSTALLATION	B
1	1001273957	1	Workstation Accessory	B
101	1060379	1	Lanyard	
102	1120555	2	Cap	
103	1580023	1	Container, Work Bench	
104	1580024	1	Tray, Work Surface	
105	1705997	1	Decal - Workstation	
106	2700100	1	Hook, Hanger	
107	3422219	1	Pin	
108	3460334	1	Pipe	
109	3760170	2	Ring	
110	3900355	2	Screw	
111	3931412	2	Bolt 1/4 x 3/4	
112	3931508	6	Bolt 5/16 x 1/2	
113	4240003	2	Strap	
114	4340853	1	Mount, Channel (RH)	
115	4340854	1	Mount, Channel (LH)	
116	4711400	2	Washer 1/4	
117	4740480	2	Washer, Plastic Insert	
118	1001274837	1	Decal - Workstation Capacity	
119	1001275631	1	Decal - ACCY Weight	

SECTION 5 - CYLINDER

SECTION 5 - CYLINDER

FIGURE 5-1. LIFT CYLINDER ASSEMBLY



ART_1001244417

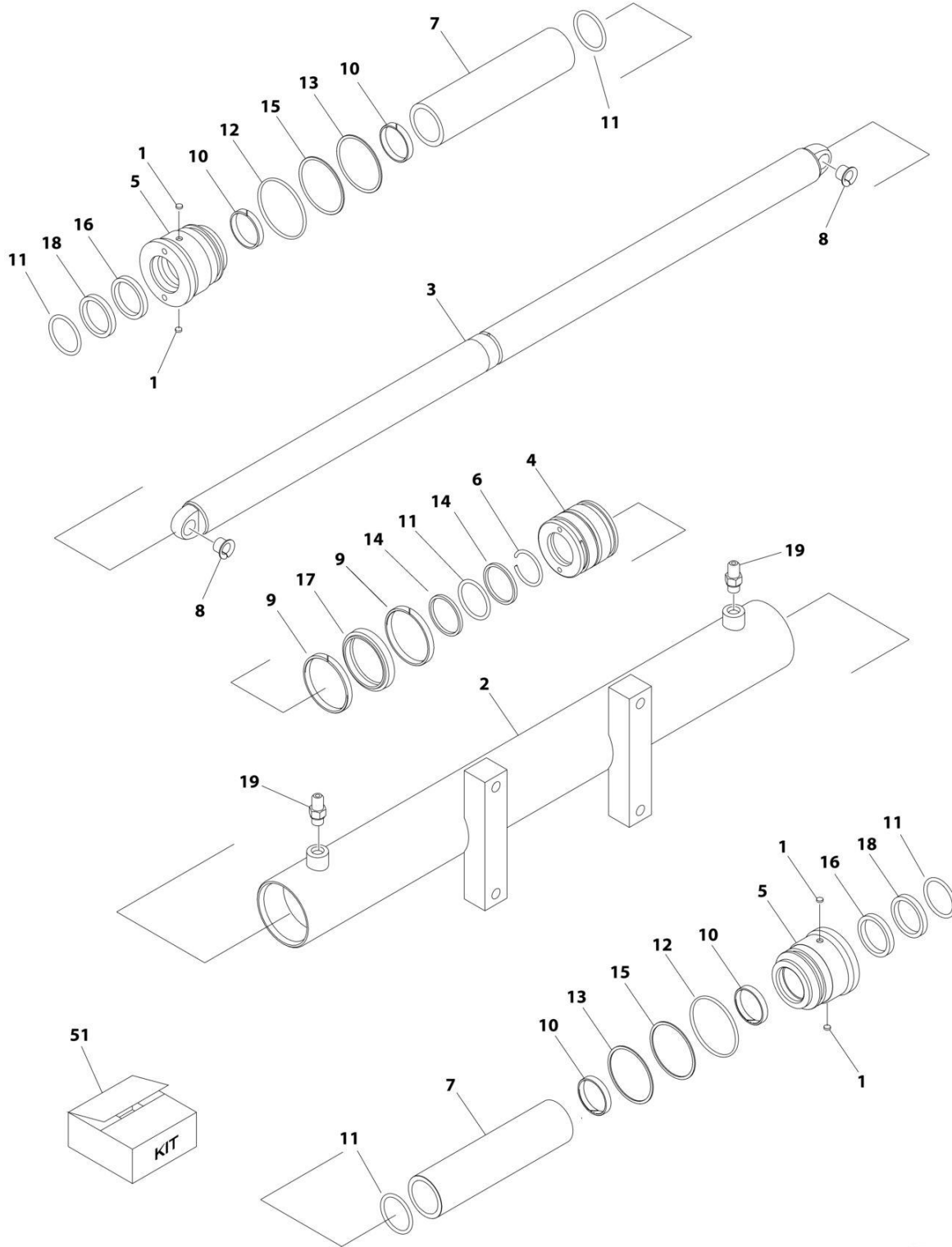
SECTION 5 - CYLINDER

FIGURE 5-1. LIFT CYLINDER ASSEMBLY

ITEM	PART NUMBER	QTY	DESCRIPTION	REV
	1001244417	Ref	LIFT CYLINDER ASSEMBLY	C
		Ref	Note: Original Cylinder May Have Been Replaced with Service Replacement. Identify PN Stamped on Cylinder Before Ordering Parts.	
1	See Note:	NSS	Barrel (Note: Purchase Complete Part)	
2	70007050	1	Rod	
3	70007051	1	Head	
4	See Note	NSS	Wiper (Note: Use Item 50)	
5	70050795	1	Ring, Retaining	
6	See Note	NSS	Seal, Rod (Note: Use Item 50)	
7	See Note	NSS	Ring, Back-up (Note: Use Item 50)	
8	70007052	1	Bearing	
9	See Note	NSS	O-Ring (Note: Use Item 50)	
10	See Note	NSS	Ring, Back-up (Note: Use Item 50)	
11	See Note	NSS	O-Ring (Note: Use Item 50)	
12	70007053	1	Piston	
13	See Note	NSS	Seal, Piston (Note: Use Item 50)	
14	See Note	NSS	Ring, Wear (Note: Use Item 50)	
15	See Note	NSS	O-Ring (Note: Use Item 50)	
16	70007054	2	Fitting	
17	2220883	4	Plug	
18	0961948	4	Bearing	
19	70007055	1	Orifice	
20	70004585	1	Cartridge, Valve	
21	70005236	1	Cartridge, Solenoid Valve	
22	70022564	1	Ball	
23	70023369	1	Setscrew	
50	70007056	1	Seal Kit - 1001244417 Cylinder (Includes Items 4, 6, 7, 9-11 & 13-15)	

SECTION 5 - CYLINDER

FIGURE 5-2. STEER CYLINDER ASSEMBLY



ART_1001233449

SECTION 5 - CYLINDER

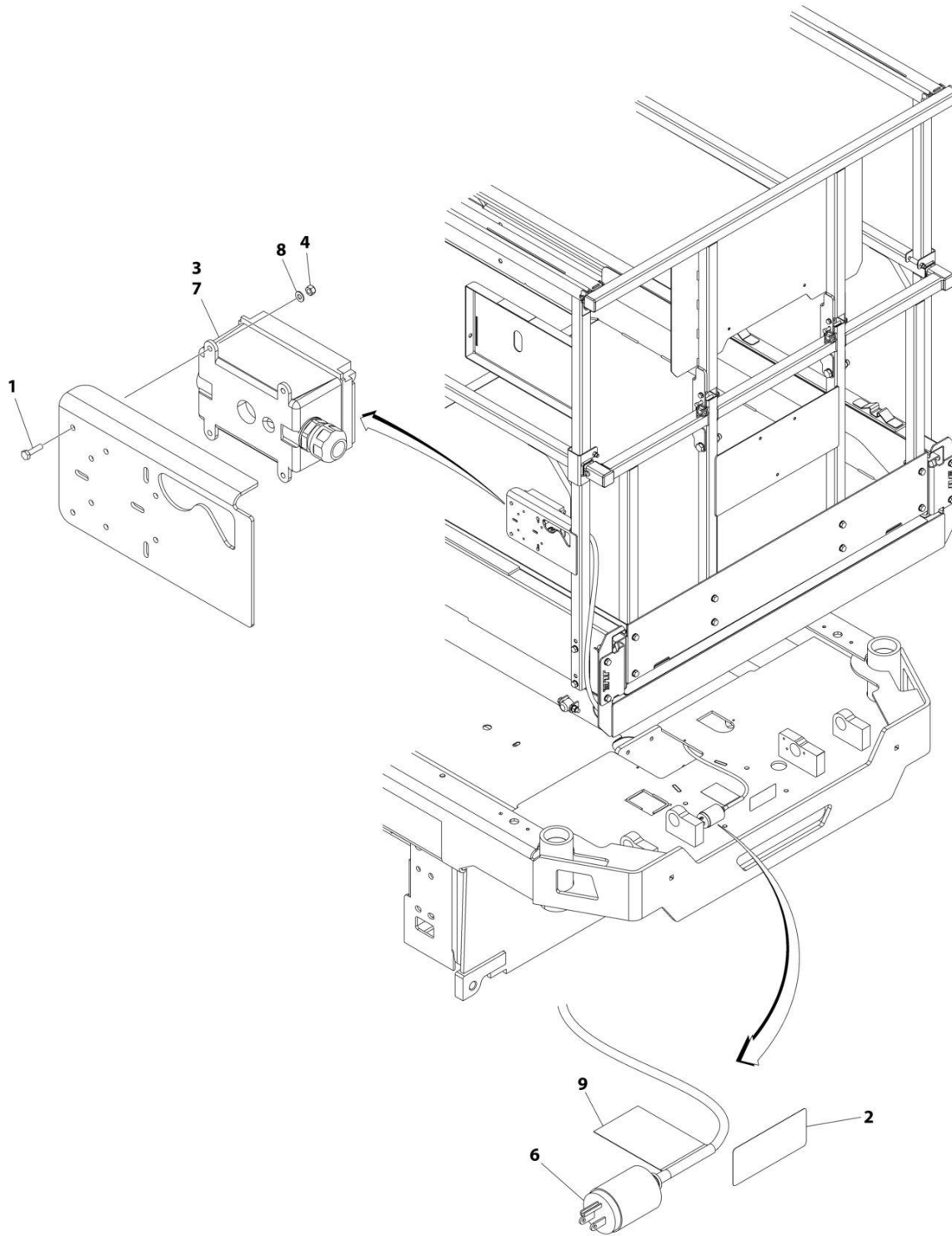
FIGURE 5-2. STEER CYLINDER ASSEMBLY

ITEM	PART NUMBER	QTY	DESCRIPTION	REV
	1001233449	Ref	STEER CYLINDER ASSEMBLY	C
		Ref	Note: Original Cylinder May Have Been Replaced with Service Replacement. Identify PN Stamped on Cylinder Before Ordering Parts.	
1	70003636	4	Lock	
2	See Note	NSS	Barrel (Note: Purchase Complete Assembly)	
3	70007074	1	Rod	
4	70007075	1	Piston	
5	70007076	2	Head	
6	70007077	1	Ring	
7	70007078	2	Spacer	
8	0440259	2	Bearing	
9	See Note	NSS	Ring, Wear (Note: Use Item 51)	
10	See Note	NSS	Ring, Wear (Note: Use Item 51)	
11	See Note	NSS	O-Ring (Note: Use Item 51)	
12	See Note	NSS	O-Ring (Note: Use Item 51)	
13	See Note	NSS	O-Ring (Note: Use Item 51)	
14	See Note	NSS	Ring, Back-Up (Note: Use Item 51)	
15	See Note	NSS	Ring, Back-Up (Note: Use Item 51)	
16	See Note	NSS	Seal (Note: Use Item 51)	
17	See Note	NSS	Seal, Stop (Not Shown) (Note: Use Item 51)	
18	See Note	NSS	Wiper (Note: Use Item 51)	
19	70007079	2	Fitting, Straight	
51	70007080	1	Seal Kit - 1001233449 Cylinder (Includes Items 9-18)	

SECTION 6 - ELECTRICAL

SECTION 6 - ELECTRICAL

FIGURE 6-1. AC BOX AT PLATFORM INSTALLATION - 110V GFI (ALL SPECS EXCEPT AUSTRALIAN, CE & UK CA SPECS)



ART_1001237400

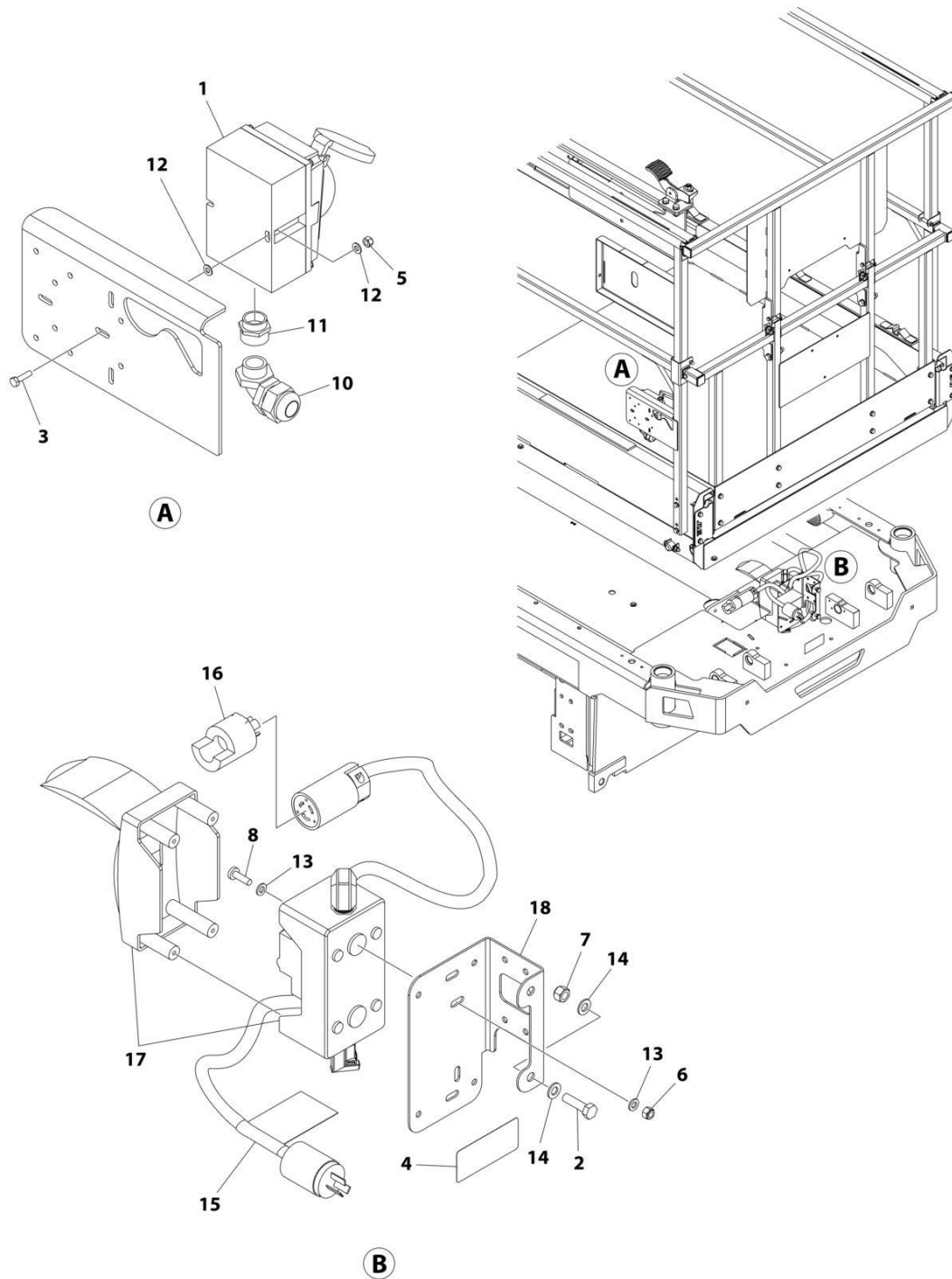
SECTION 6 - ELECTRICAL

FIGURE 6-1. AC BOX AT PLATFORM INSTALLATION - 110V GFI (ALL SPECS EXCEPT AUSTRALIAN, CE & UK CA SPECS)

ITEM	PART NUMBER	QTY	DESCRIPTION	REV
	1001237400	Ref	AC BOX AT PLATFORM INSTALLATION - 110V GFI	C
1	0760408	4	Bolt M4 x 16	
2	1703464	1	Decal - AC Power	
3	2902431	1	Receptacle Box Kit (See Separate Breakdown in this Section)	
4	3290405	4	Nut M4	
5	4240017	AR	Tie-Strap (Not Shown)	
6	4460138	1	Plug, Male - AC	
7	4460315	1	Terminal	
8	4811400	4	Washer M4	
9	1001102258	1	Decal - AC Label	

SECTION 6 - ELECTRICAL

FIGURE 6-2. AC BOX AT PLATFORM INSTALLATION - 110V IEC YELLOW (CE & UK CA SPECS)



ART_1001238133

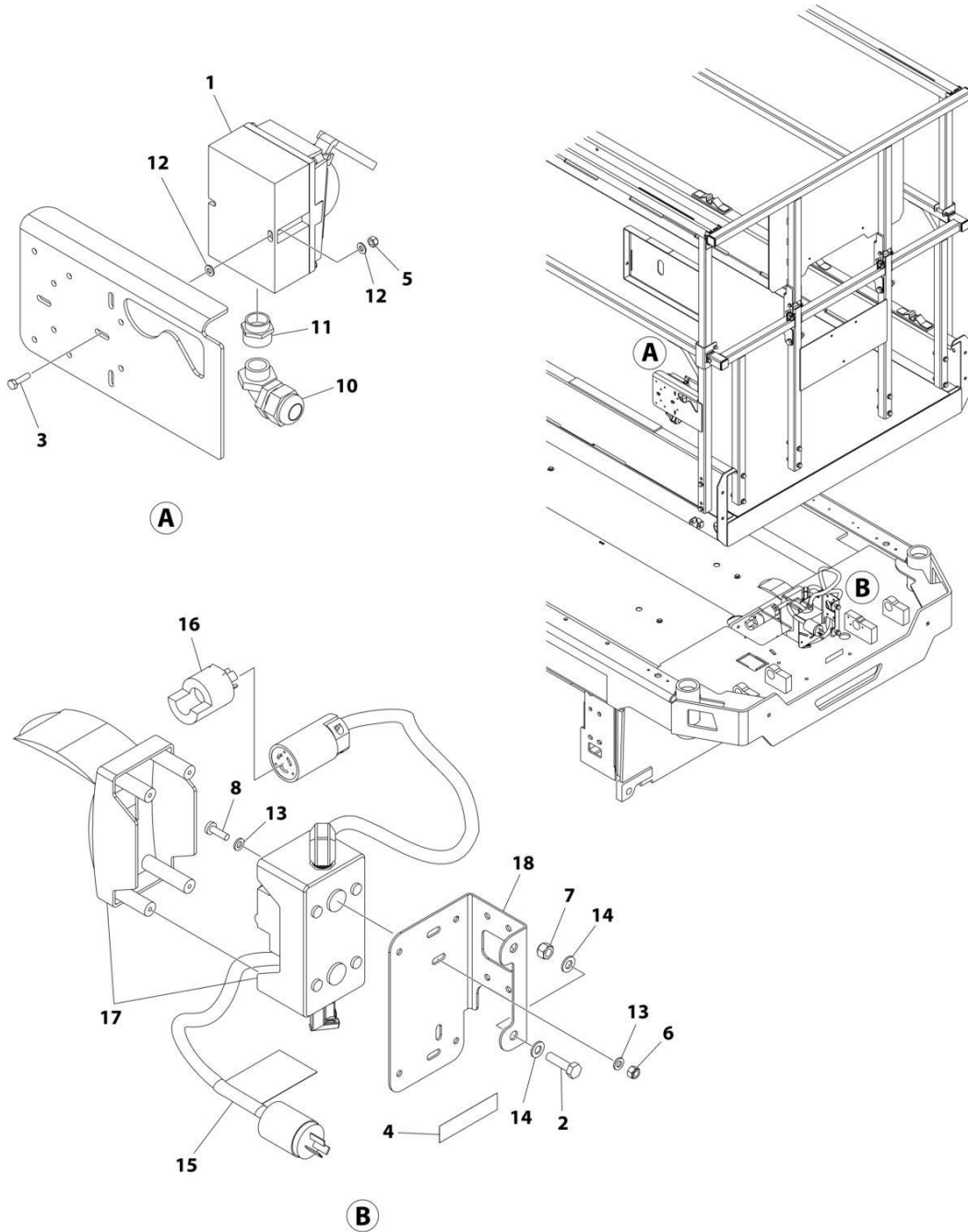
SECTION 6 - ELECTRICAL

FIGURE 6-2. AC BOX AT PLATFORM INSTALLATION - 110V IEC YELLOW (CE & UK CA SPECS)

ITEM	PART NUMBER	QTY	DESCRIPTION	REV
	1001238133	Ref	AC BOX AT PLATFORM INSTALLATION - 110V IEC YELLOW	B
1	0275216	1	Receptacle Box Kit - 110V IEC Yellow (See Separate Breakdown in this Section)	
2	0700814	2	Bolt M8 x 30	
3	0760408	2	Bolt M4 x 16	
4	1703464	1	Decal - AC Power	
5	3290405	2	Nut M4	
6	3290605	2	Nut M6	
7	3290805	2	Nut M8	
8	4010610	2	Screw M6 x 20	
9	4240017	AR	Tie-Strap (Not Shown)	
10	4461257	1	Connector, Strain Relief	
11	4461258	1	Connector, Adapter	
12	4811400	4	Washer M4	
13	4811700	4	Washer M6	
14	4811900	4	Washer M8	
15	1001102258	1	Decal - AC Label	
16	1001120204	1	Plug, Male Twist	
17	1001209776	1	Breaker Box Kit (See Separate Breakdown in this Section)	
18	1001238198	1	Bracket	

SECTION 6 - ELECTRICAL

FIGURE 6-3. AC BOX AT PLATFORM INSTALLATION - 220V IEC BLUE (CE & UK CA SPECS)



ART_1001238134

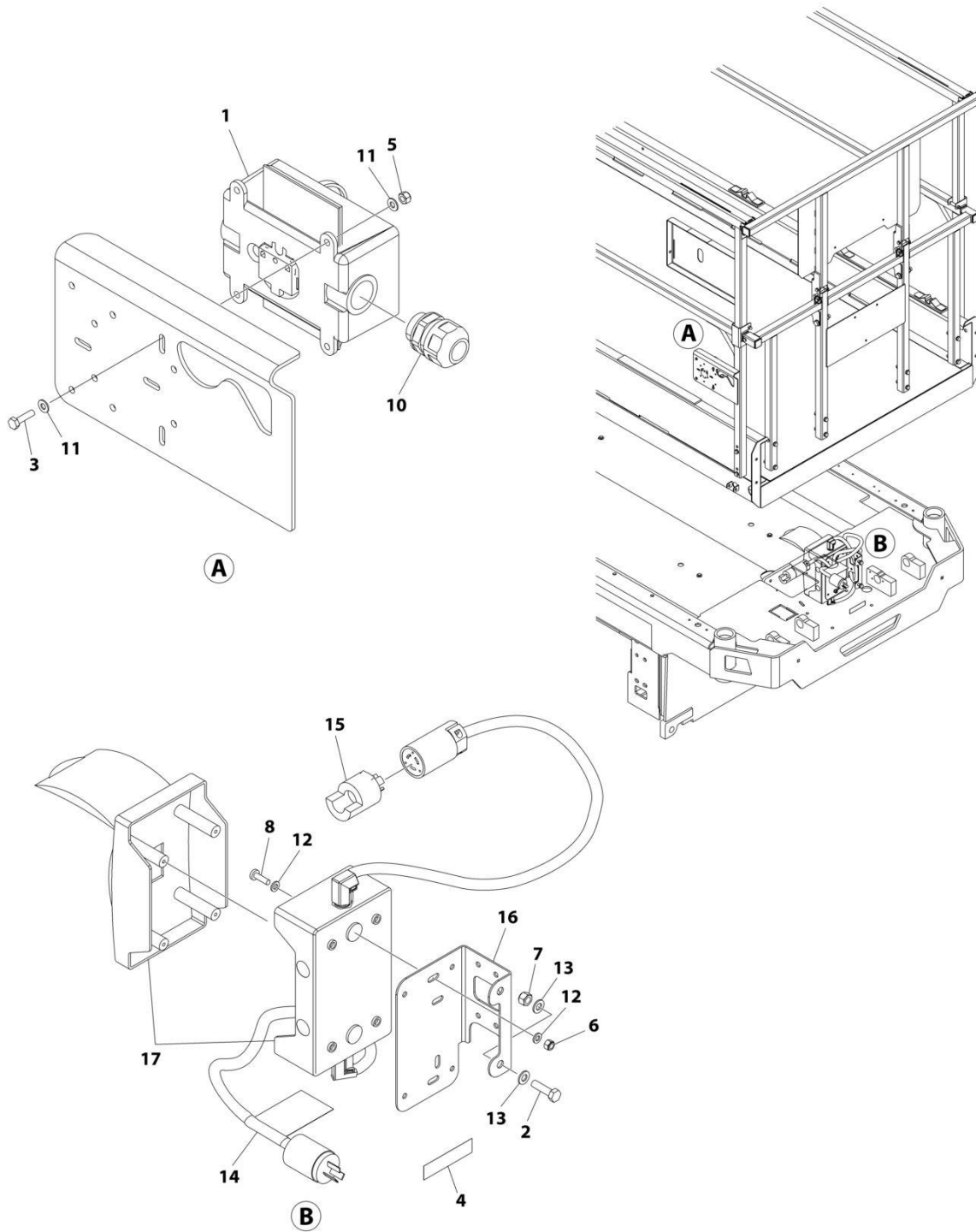
SECTION 6 - ELECTRICAL

FIGURE 6-3. AC BOX AT PLATFORM INSTALLATION - 220V IEC BLUE (CE & UK CA SPECS)

ITEM	PART NUMBER	QTY	DESCRIPTION	REV
	1001238134	Ref	AC BOX AT PLATFORM INSTALLATION - 220V IEC BLUE	A
1	0275217	1	Receptacle Box Kit - 220V IEC Blue (See Separate Breakdown in this Section)	
2	0700814	2	Bolt M8 x 30	
3	0760408	2	Bolt M4 x 16	
4	3252507	1	Decal - AC Power	
5	3290405	2	Nut M4	
6	3290605	2	Nut M6	
7	3290805	2	Nut M8	
8	4010610	2	Screw M6 x 20	
9	4240017	AR	Tie-Strap (Not Shown)	
10	4461257	1	Connector, Strain Relief	
11	4461258	1	Connector, Adapter	
12	4811400	4	Washer M4	
13	4811700	4	Washer M6	
14	4811900	4	Washer M8	
15	1001102258	1	Decal - AC Label	
16	1001120204	1	Plug, Male Twist	
17	1001209776	1	Breaker Box Kit (See Separate Breakdown in this Section)	
18	1001238198	1	Bracket	

SECTION 6 - ELECTRICAL

FIGURE 6-4. AC BOX AT PLATFORM INSTALLATION - 220V CEE7 POST GROUND (CE & UK CA SPECS)



ART_1001238130

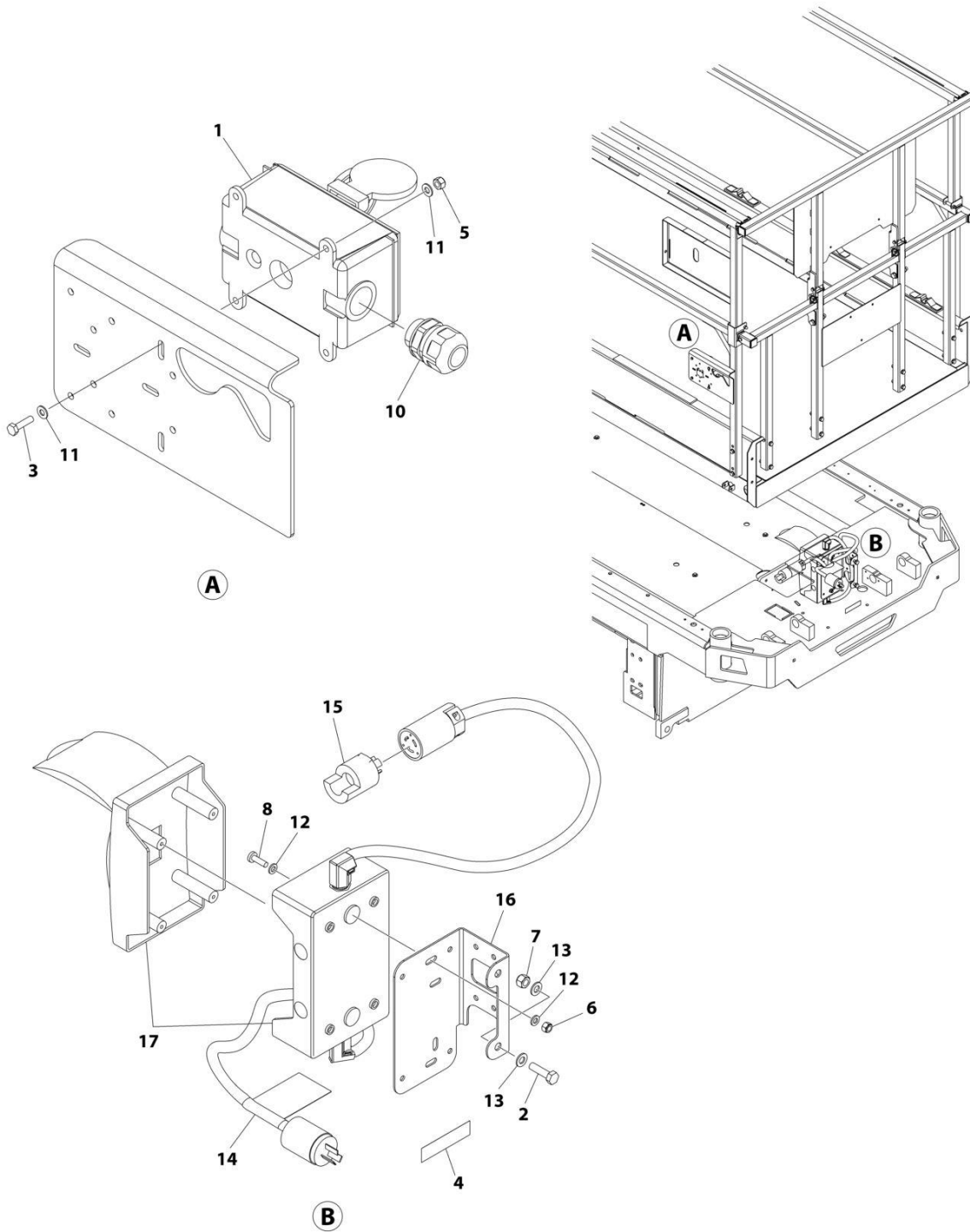
SECTION 6 - ELECTRICAL

FIGURE 6-4. AC BOX AT PLATFORM INSTALLATION - 220V CEE7 POST GROUND (CE & UK CA SPECS)

ITEM	PART NUMBER	QTY	DESCRIPTION	REV
	1001238130	Ref	AC BOX AT PLATFORM INSTALLATION - 220V CEE7 POST GROUND	B
1	0275452	1	Receptacle Box Kit - 220V CEE7 Post Ground (See Separate Breakdown in this Section)	
2	0700814	2	Screw M8 x 30	
3	0760408	4	Bolt M4 x 16	
4	3252507	1	Decal - AC Power	
5	3290405	4	Nut M4	
6	3290605	2	Nut M6	
7	3290805	2	Nut M8	
8	4010610	2	Screw M6 x 20	
9	4240017	AR	Tie-Strap (Not Shown)	
10	4460662	1	Connector, Strain Relief	
11	4811400	8	Washer M4	
12	4811700	4	Washer M6	
13	4811900	4	Washer M8	
14	1001102258	1	Decal - AC Label	
15	1001120204	1	Plug, Male Twist	
16	1001238198	1	Bracket	
17	1001209482	1	Breaker Box Kit (See Separate Breakdown in this Section)	

SECTION 6 - ELECTRICAL

FIGURE 6-5. AC BOX AT PLATFORM INSTALLATION - 220V CEE7 SIDE GROUND (CE & UK CA SPECS)



ART_1001238131

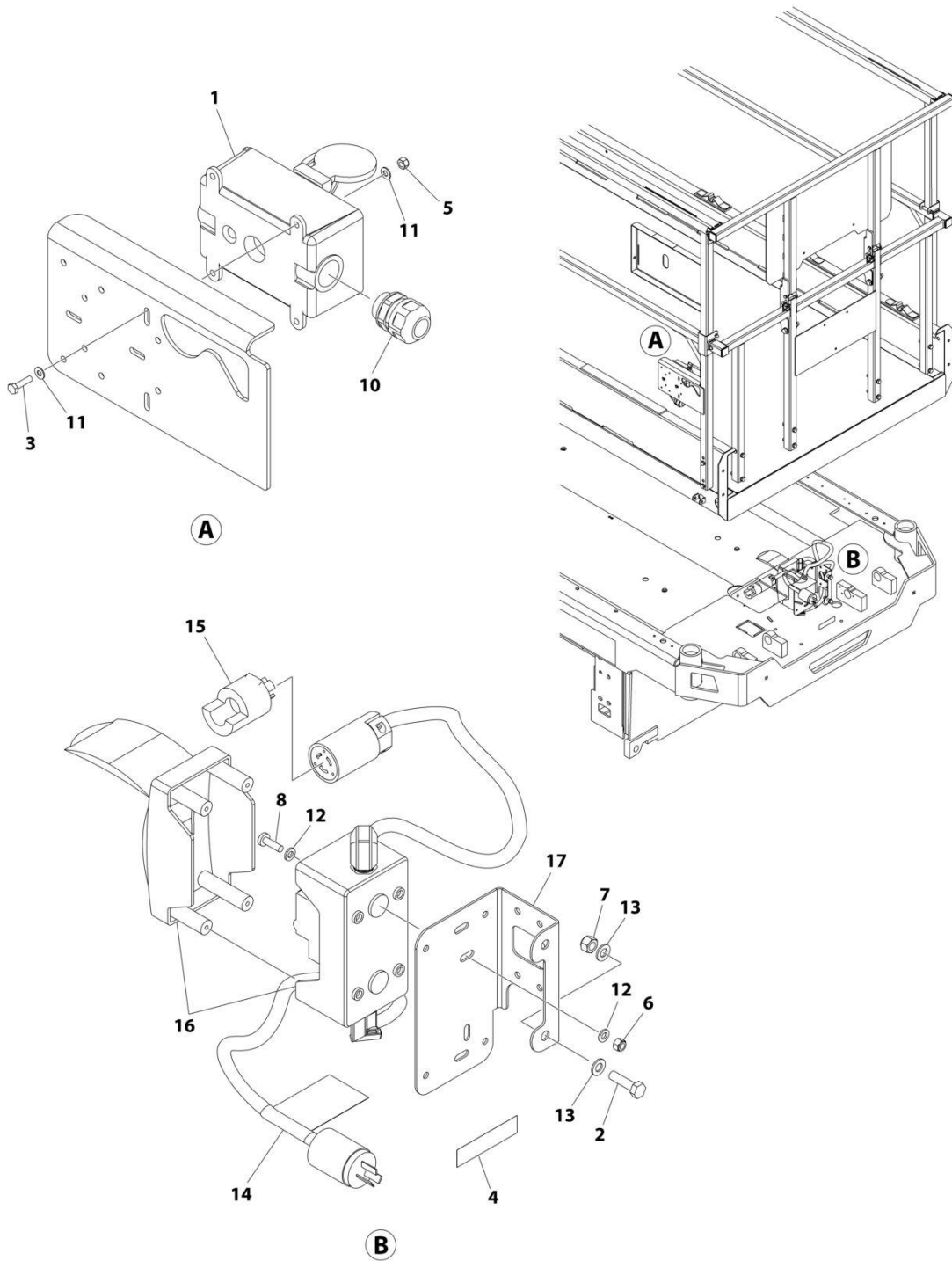
SECTION 6 - ELECTRICAL

FIGURE 6-5. AC BOX AT PLATFORM INSTALLATION - 220V CEE7 SIDE GROUND (CE & UK CA SPECS)

ITEM	PART NUMBER	QTY	DESCRIPTION	REV
	1001238131	Ref	AC BOX AT PLATFORM INSTALLATION - 220V CEE7 SIDE GROUND	B
1	0275453	1	Receptacle Box Kit - 220V CEE7 Side Ground (See Separate Breakdown in this Section)	
2	0700814	2	Bolt M8 x 30	
3	0760408	4	Bolt M4 x 16	
4	3252507	1	Decal - AC Power	
5	3290405	4	Nut M4	
6	3290605	2	Nut M6	
7	3290805	2	Nut M8	
8	4010610	2	Screw M6 x 20	
9	4240017	AR	Tie-Strap (Not Shown)	
10	4460662	1	Connector, Strain Relief	
11	4811400	8	Washer M4	
12	4811700	4	Washer M6	
13	4811900	4	Washer M8	
14	1001102258	1	Decal - AC Label	
15	1001120204	1	Plug, Male Twist	
16	1001238198	1	Bracket	
17	1001209482	1	Breaker Box Kit (See Separate Breakdown in this Section)	

SECTION 6 - ELECTRICAL

FIGURE 6-6. AC BOX AT PLATFORM INSTALLATION - 220V AFSINT 107 (CE & UK CA SPECS)



ART_1001238132

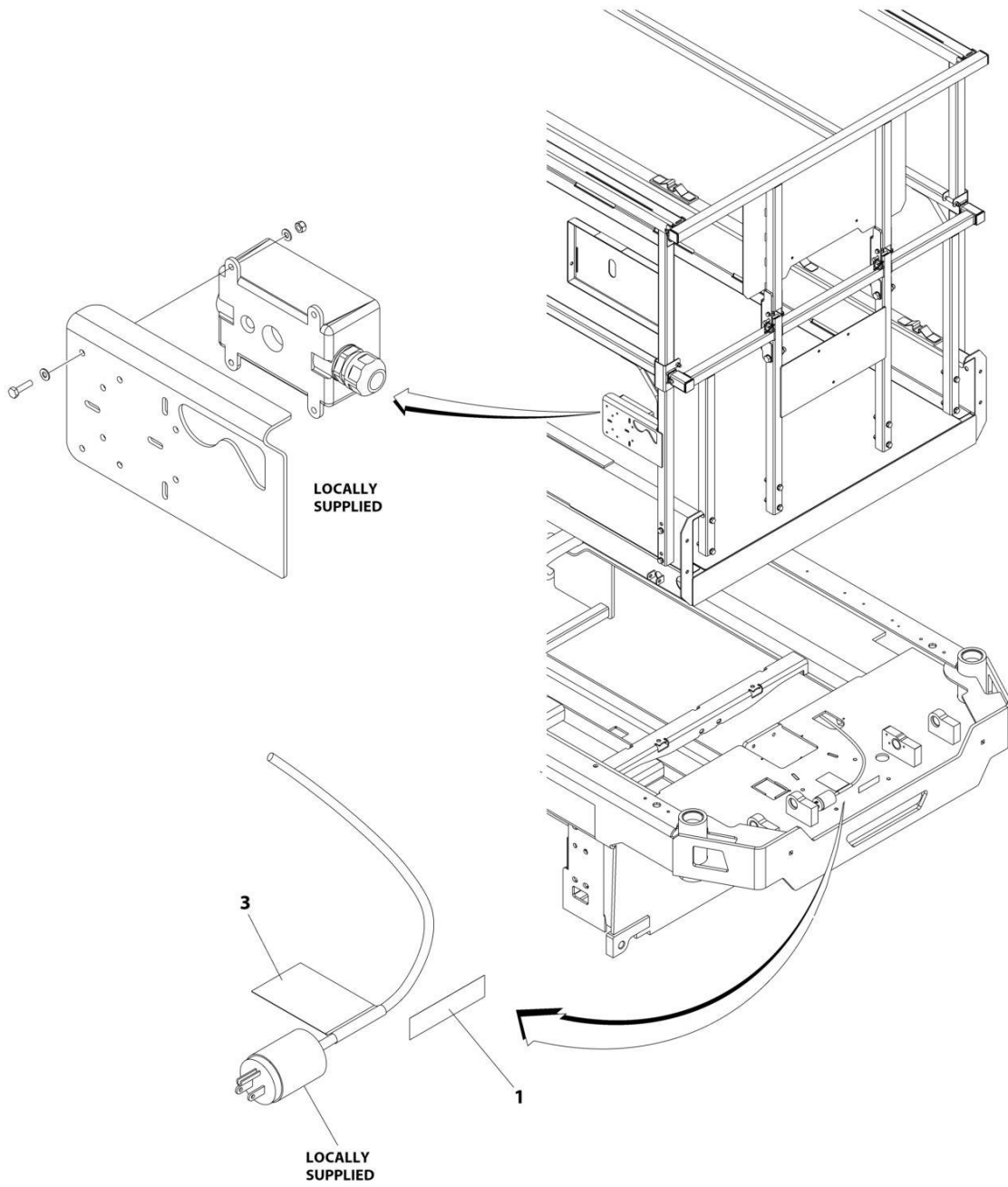
SECTION 6 - ELECTRICAL

FIGURE 6-6. AC BOX AT PLATFORM INSTALLATION - 220V AFSINT 107 (CE & UK CA SPECS)

ITEM	PART NUMBER	QTY	DESCRIPTION	REV
	1001238132	Ref	AC BOX AT PLATFORM INSTALLATION - 220V AFSINT 107	B
1	0275454	1	Receptacle Box Kit - 220V AFSINT 107 (See Separate Breakdown in this Section)	
2	0700814	2	Bolt M8 x 30	
3	0760408	4	Bolt M4 x 16	
4	3252507	1	Decal - AC Power	
5	3290405	4	Nut M4	
6	3290605	2	Nut M6	
7	3290805	2	Nut M8	
8	4010610	2	Screw M6 x 20	
9	4240017	AR	Tie-Strap (Not Shown)	
10	4460662	1	Connector, Strain Relief	
11	4811400	8	Washer M4	
12	4811700	4	Washer M6	
13	4811900	4	Washer M8	
14	1001102258	1	Decal - AC Label	
15	1001120204	1	Plug, Male Twist	
16	1001209776	1	Breaker Box Kit (See Separate Breakdown in this Section)	
17	1001238198	1	Bracket	

SECTION 6 - ELECTRICAL

FIGURE 6-7. AC BOX AT PLATFORM INSTALLATION - 220V LOCALLY SUPPLIED



ART_1001237401

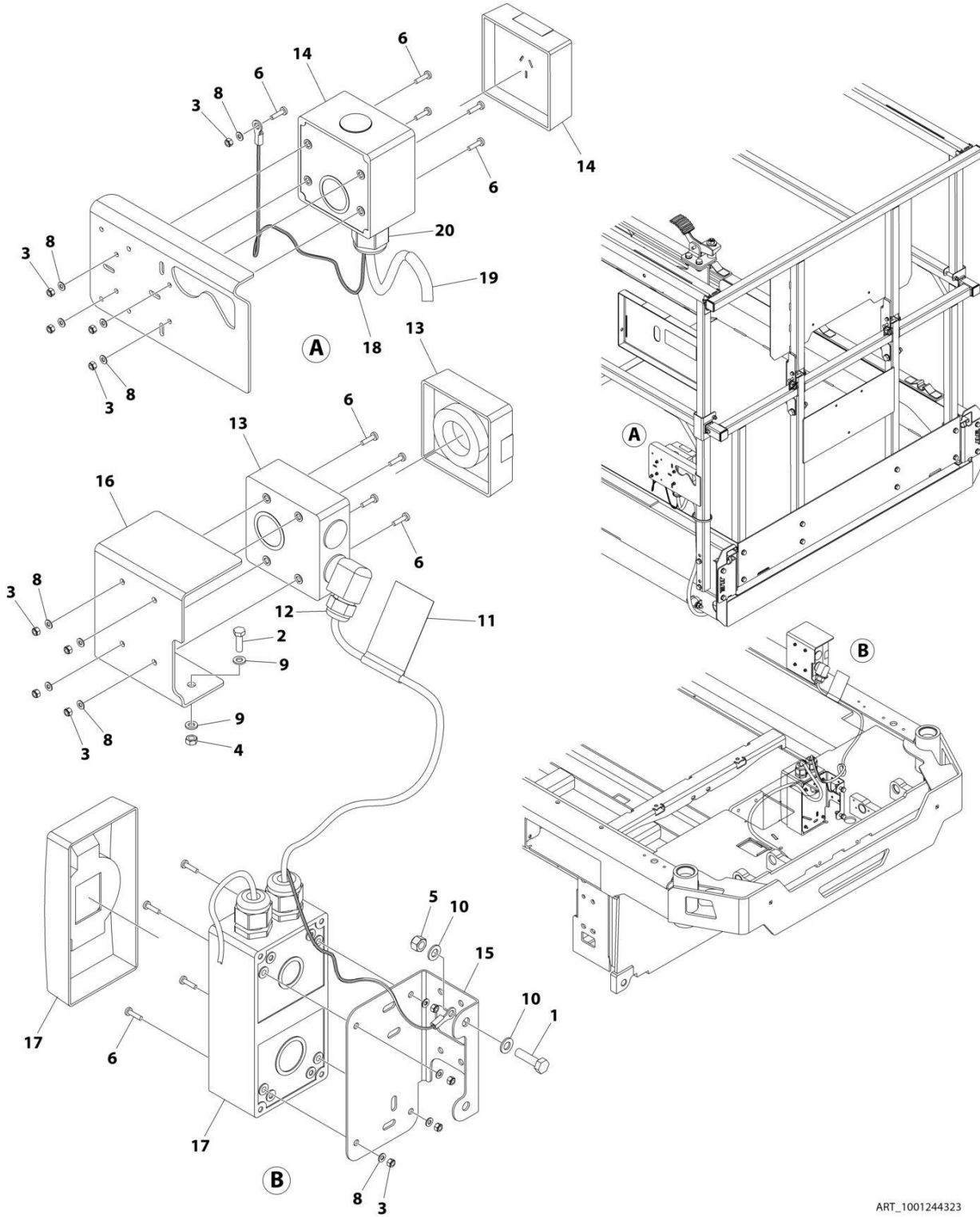
SECTION 6 - ELECTRICAL

FIGURE 6-7. AC BOX AT PLATFORM INSTALLATION - 220V LOCALLY SUPPLIED

ITEM	PART NUMBER	QTY	DESCRIPTION	REV
	1001237401	Ref	AC BOX AT PLATFORM INSTALLATION - 220V LOCALLY SUPPLIED COMPONENTS (ALL SPECS)	C
1	3252507	1	Decal - 220 Volt	
2	4240017	AR	Tie-Strap (Not Shown)	
3	1001102258	1	Decal - AC Label	

SECTION 6 - ELECTRICAL

FIGURE 6-8. AC BOX AT PLATFORM INSTALLATION - 220V (AUSTRALIAN SPECS)



ART_1001244323

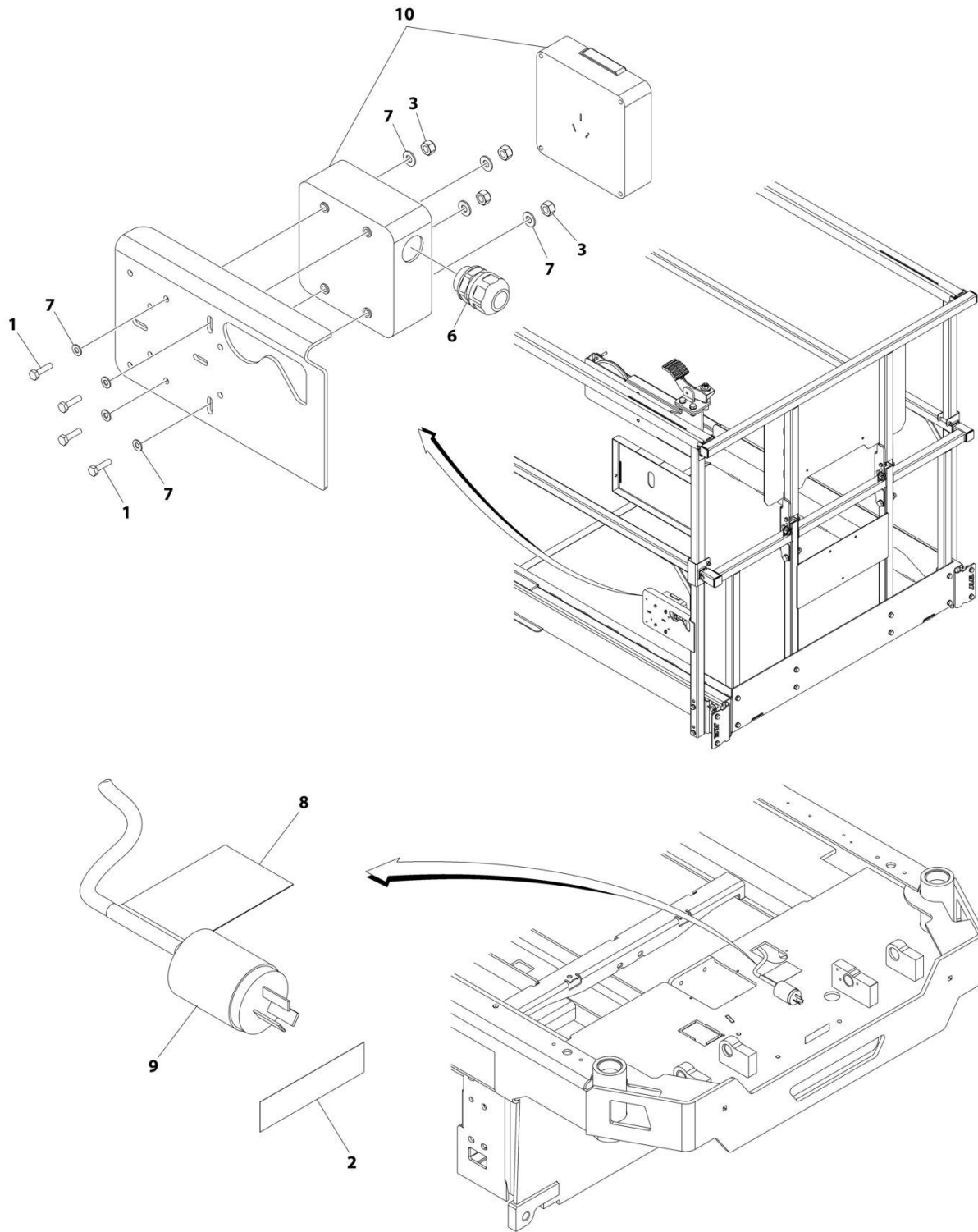
SECTION 6 - ELECTRICAL

FIGURE 6-8. AC BOX AT PLATFORM INSTALLATION - 220V (AUSTRALIAN SPECS)

ITEM	PART NUMBER	QTY	DESCRIPTION	REV
	1001244323	Ref	AC BOX AT PLATFORM INSTALLATION - 220V (AUSTRALIAN SPECS)	B
1	0700814	2	Bolt M8 x 30	
2	0760610	2	Bolt M6 x 20	
3	3290405	13	Nut M4	
4	3290601	2	Nut M6	
5	3290805	2	Nut M8	
6	4010408	13	Screw M4 x 16	
7	4240017	AR	Tie-Strap (Not Shown)	
8	4811400	13	Washer M4	
9	4811700	4	Washer M6	
10	4811900	4	Washer M8	
11	1001102258	1	Decal - AC Label	
12	1001103471	1	Connector Strain Relief 90	
13	1001227267	1	Receptacle Australian - 230V	
14	1001227268	1	Receptacle Australian - 230V	
15	1001238198	1	Bracket	
16	1001244900	1	Bracket	
17	1001245739	1	Box and Breaker Electrical Assembly (See Separate Breakdown in this Section)	
18	1001245744	1	Earth/Ground Link Harness	
19	1001245747	1	Conduit	
20	1001097150	1	Terminal	

SECTION 6 - ELECTRICAL

FIGURE 6-9. AC BOX AT PLATFORM INSTALLATION - 220V CHINA PLUG (CHINA SPECS)



ART_1001238135

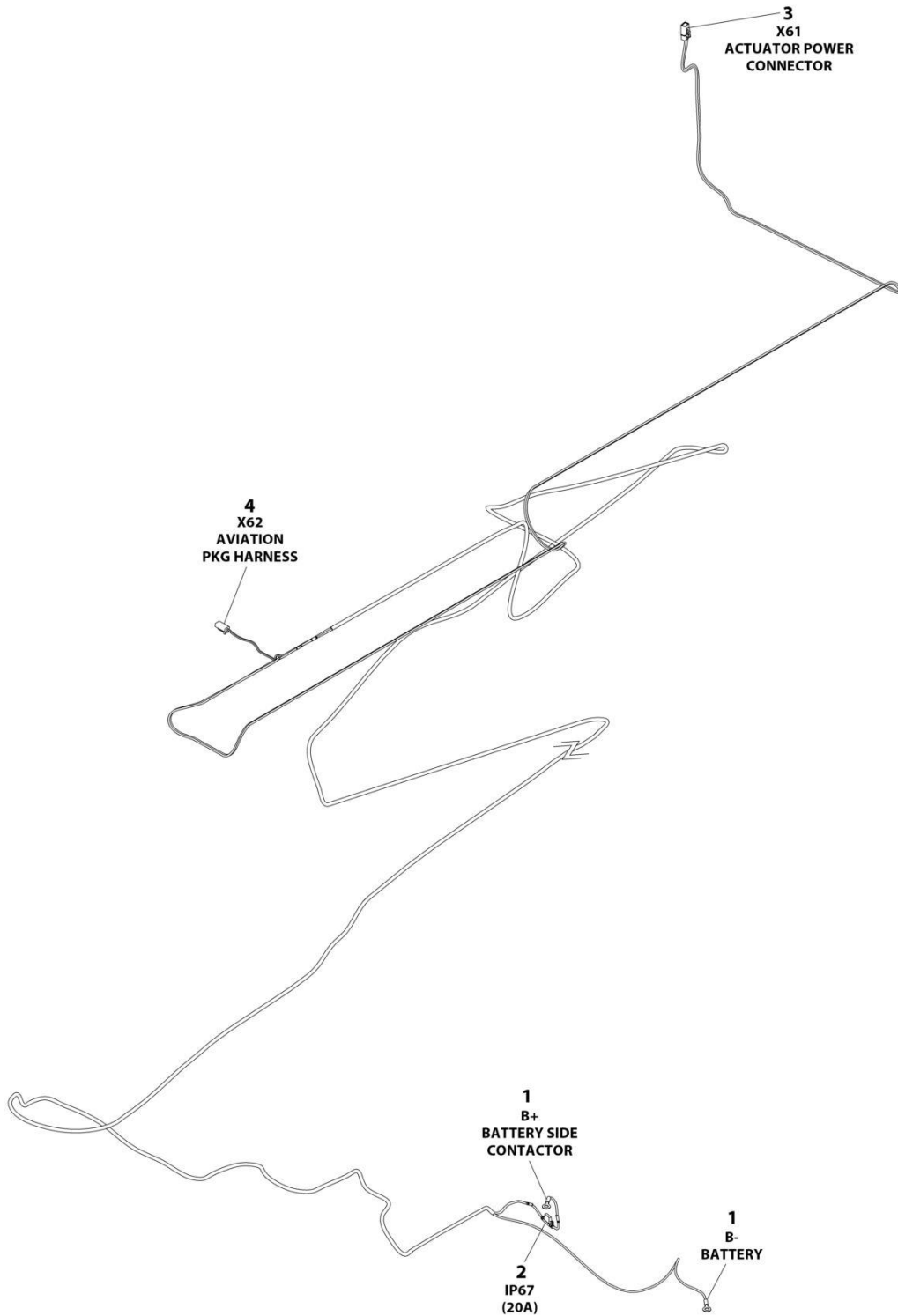
SECTION 6 - ELECTRICAL

FIGURE 6-9. AC BOX AT PLATFORM INSTALLATION - 220V CHINA PLUG (CHINA SPECS)

ITEM	PART NUMBER	QTY	DESCRIPTION	REV
	1001238135	Ref	AC BOX AT PLATFORM INSTALLATION - 220V CHINA PLUG (CHINA SPECS)	A
1	0760408	4	Bolt M4 x 16	
2	3252507	1	Decal - 220 Volt	
3	3290405	4	Nut M4	
4	4240017	AR	Tie-Strap (Not Shown)	
5	4460315	1	Terminal (Not Shown)	
6	4460968	1	Connector, Strain Relief	
7	4811400	8	Washer M4	
8	1001102258	1	Decal - AC Label	
9	1001187816	1	Plug	
10	1001188116	1	Box	

SECTION 6 - ELECTRICAL

FIGURE 6-10. ACTUATOR POWER CABLE (SN M200079816 to Present)



ART_1001303296

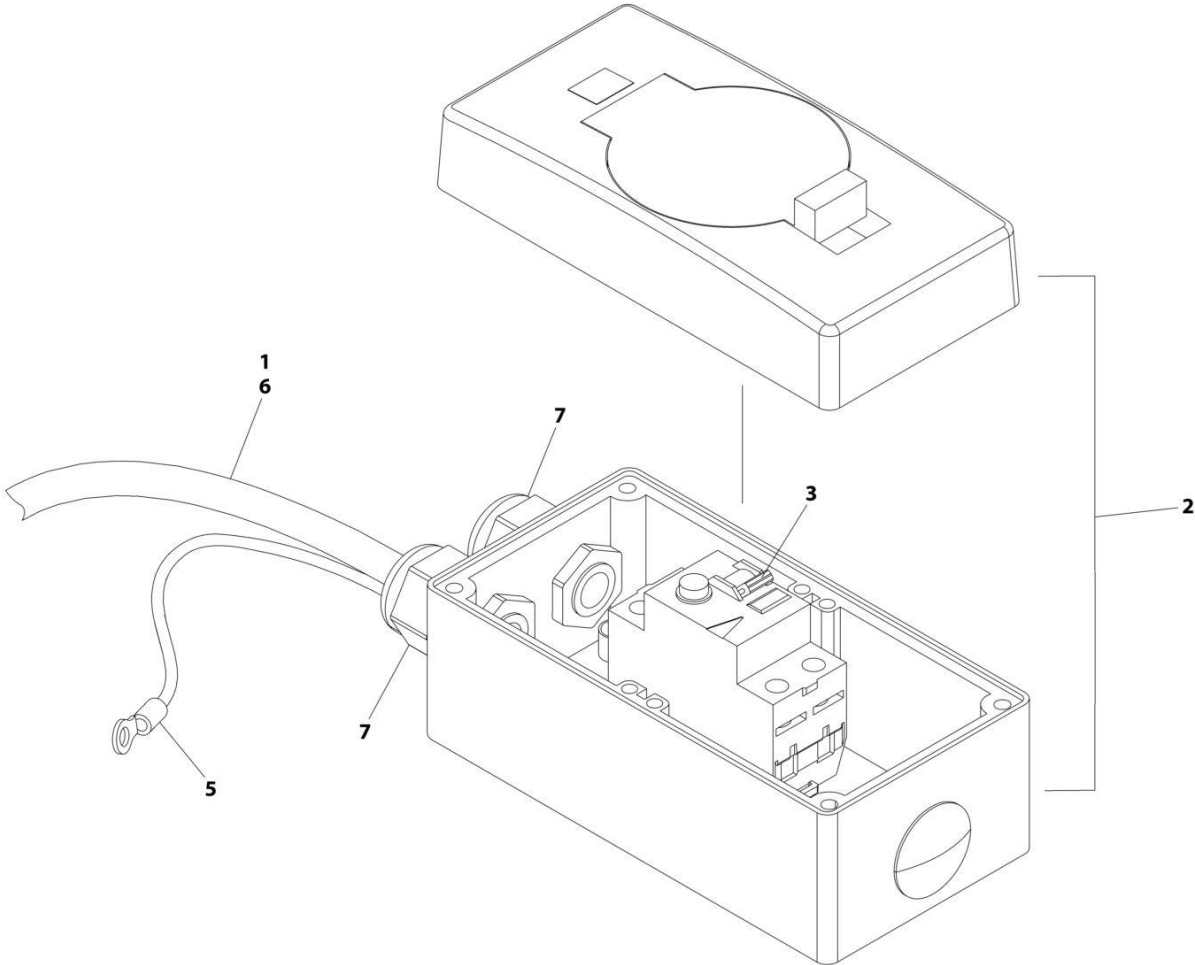
SECTION 6 - ELECTRICAL

FIGURE 6-10. ACTUATOR POWER CABLE (SN M200079816 to Present)

ITEM	PART NUMBER	QTY	DESCRIPTION	REV
	1001303296	Ref	ACTUATOR POWER CABLE	A
1	4460986	2	Terminal, Ring	
2	2400066	1	Fuseholder	
2	8229246	1	Fuse 20AMP	
3	4461018	1	Connector	
3	4460509	2	Socket	
4	4460891	1	Connector	
4	4460465	2	Socket	

SECTION 6 - ELECTRICAL

FIGURE 6-11. BREAKER BOX KIT (AUSTRALIAN SPEC)



ART_1001245739

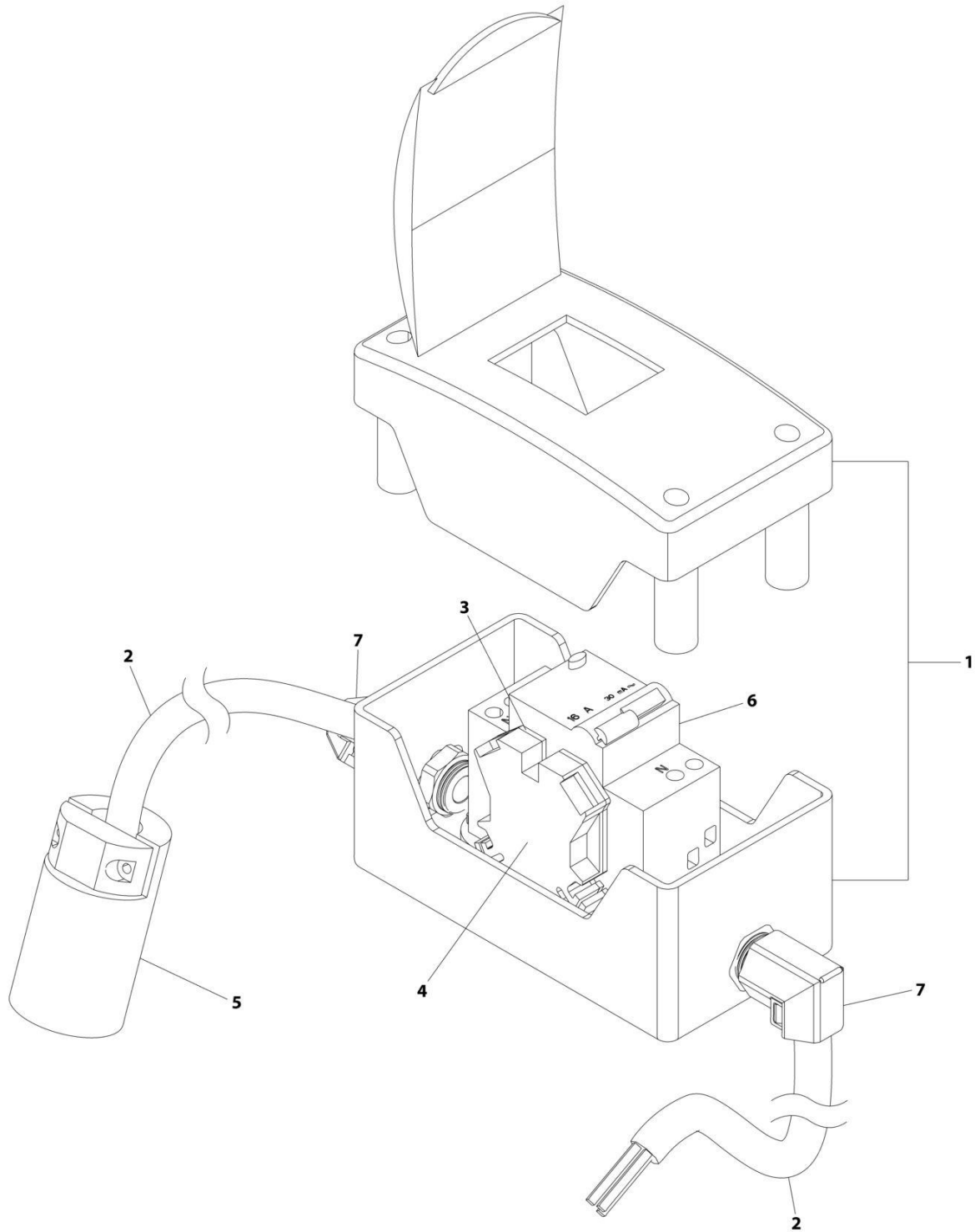
SECTION 6 - ELECTRICAL

FIGURE 6-11. BREAKER BOX KIT (AUSTRALIAN SPEC)

ITEM	PART NUMBER	QTY	DESCRIPTION	REV
1	1001245739	Ref	BREAKER BOX KIT	B
	1060908	825 mm/ 32.5in	Cable	
2	1001227269	1	Enclosure	
3	1001228191	1	Breaker	
4	1001245743	1	Terminal (Not Shown)	
5	1001245744	1	Earth/Ground Link Harness	
6	1001125927	1	Conduit	
7	1001097150	2	Connector	

SECTION 6 - ELECTRICAL

FIGURE 6-12. BREAKER BOX KIT WITH 1 DOUBLE BREAKER (CE & UK CA SPECS)



ART_1001209776

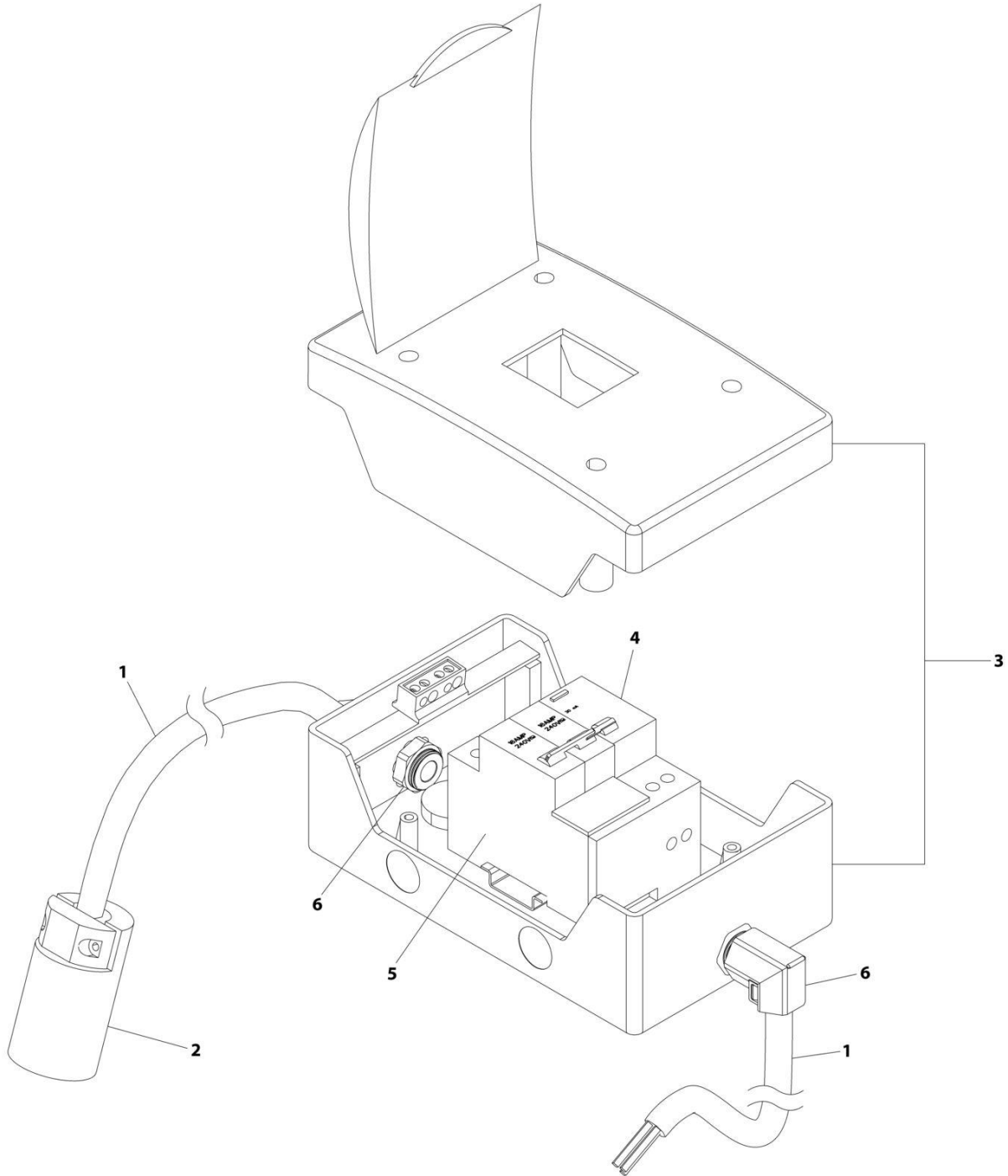
SECTION 6 - ELECTRICAL

FIGURE 6-12. BREAKER BOX KIT WITH 1 DOUBLE BREAKER (CE & UK CA SPECS)

ITEM	PART NUMBER	QTY	DESCRIPTION	REV
	1001209776	Ref	BREAKER BOX KIT WITH 1 DOUBLE BREAKER	F
1	0861880	1	Box	
2	1060908	126 in /3.2m	Cable, 12/3	
3	4460956	1	Barrier, Terminal	
4	4460957	1	Block, Terminal	
5	1001120205	1	Connector, Female Twist	
6	1001181045	1	Breaker 30mAmp/16 Amp	
7	1001217164	2	Connector, Strain Relief 90	

SECTION 6 - ELECTRICAL

FIGURE 6-13. BREAKER BOX KIT WITH 3 BREAKERS (CE & UK CA SPECS)



ART_1001209482

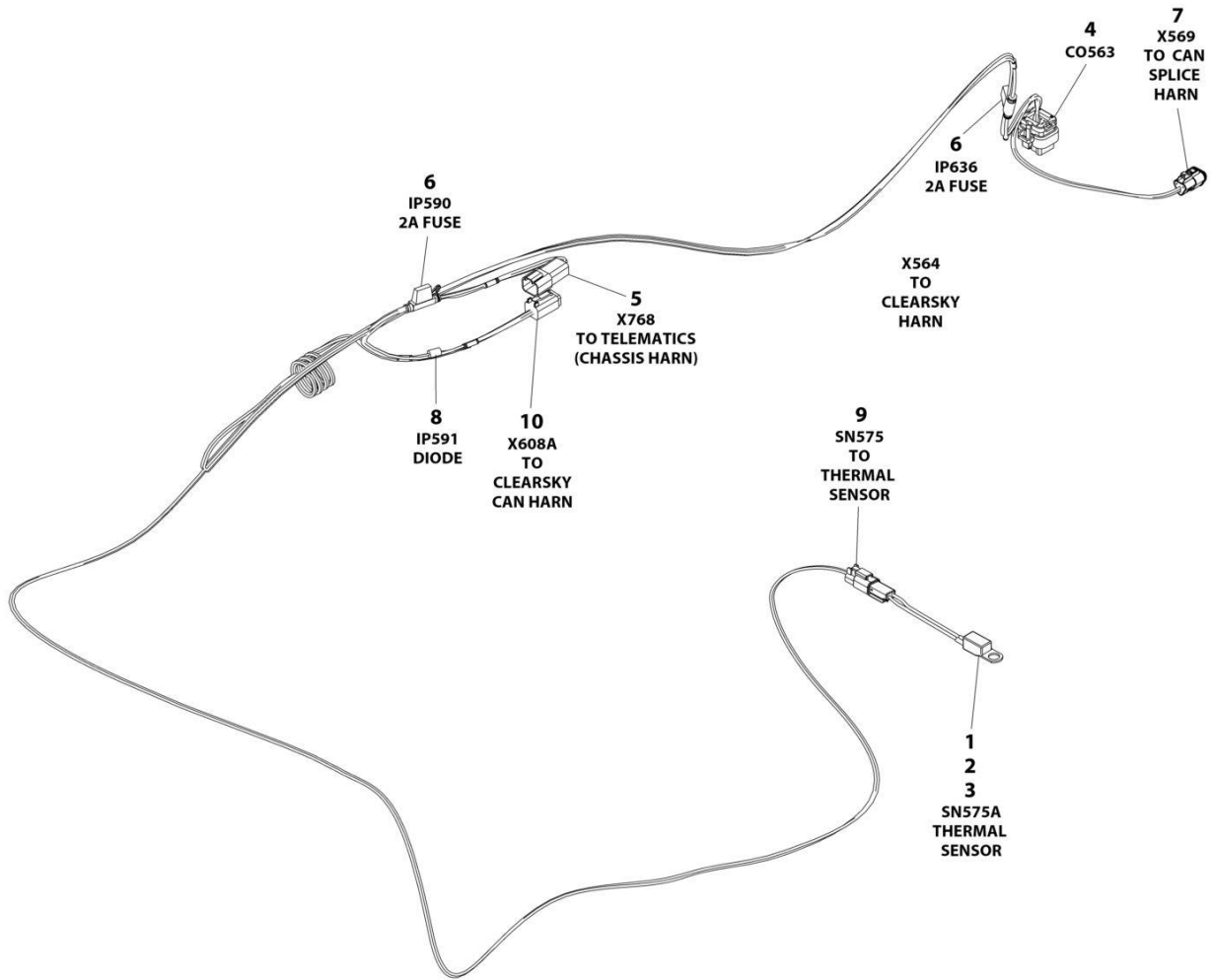
SECTION 6 - ELECTRICAL

FIGURE 6-13. BREAKER BOX KIT WITH 3 BREAKERS (CE & UK CA SPECS)

ITEM	PART NUMBER	QTY	DESCRIPTION	REV
1	1001209482	Ref	BREAKER BOX KIT WITH 3 BREAKERS	G
	1060908	126 in /3.2m	Cable, 12/3	
2	1001120205	1	Connector, Female Twist	
3	1001152483	1	Box	
4	1001189171	1	Breaker, 30mAmp	
5	1001189172	1	Breaker 16 Amp, Double	
6	1001217164	2	Connector, Strain Relief 90	

SECTION 6 - ELECTRICAL

FIGURE 6-14. CHARGER HARNESS (CHARGER WITH COMMUNICATION PORT)



ART_1001254028_C

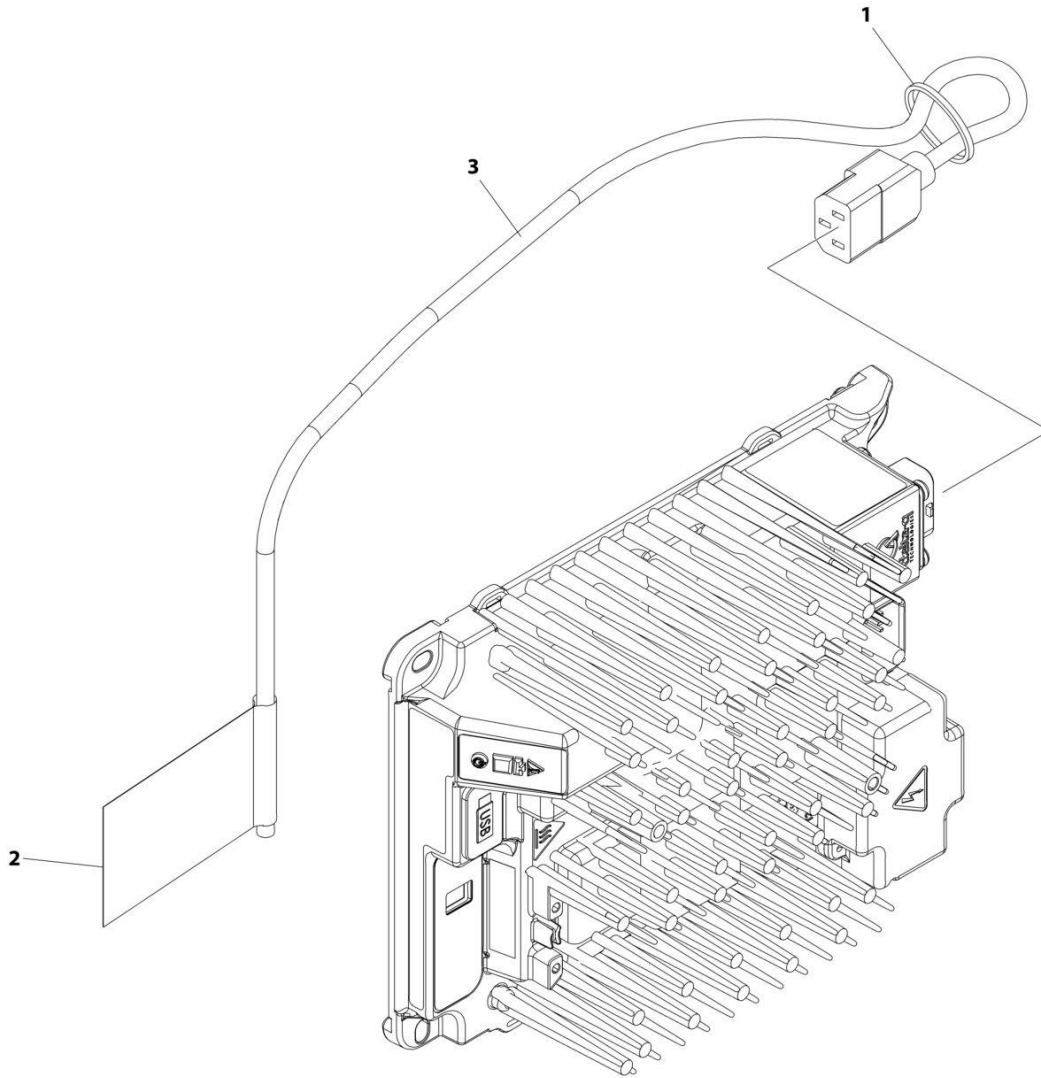
SECTION 6 - ELECTRICAL

FIGURE 6-14. CHARGER HARNESS (CHARGER WITH COMMUNICATION PORT)

ITEM	PART NUMBER	QTY	DESCRIPTION	REV
	1001254028	Ref	CHARGER HARNESS	C
1	4460464	2	Pin, Male	
2	4460897	1	Receptacle, Female - 2 Position	
3	1001102771	1	Sensor, Temperature	
4	4460872	1	Connector - 14 Position	
4	4460871	6	Terminal	
4	4460905	8	Plug, Terminal	
5	4460932	1	Receptacle, Female - 4 Position	
5	4460464	1	Pin, Male	
6	2400060	2	Fuseholder With Cover	
6	1001196634	2	Fuse 2A	
7	1001116812	1	Plug, Male - 3 Position	
7	4460944	2	Socket, Female	
7	4460466	1	Plug, Terminal	
8	3990001	1	Diode	
9	4460891	1	Plug, Male - 2 Position	
9	4460465	2	Socket, Female	
10	4460884	1	Plug, Male - 4 Position	
10	4460465	4	Socket, Female	

SECTION 6 - ELECTRICAL

FIGURE 6-15. CHARGER PLUG INSTALLATION - CUSTOMER SUPPLIED PLUG (ALL SPECS)



ART_1001248631

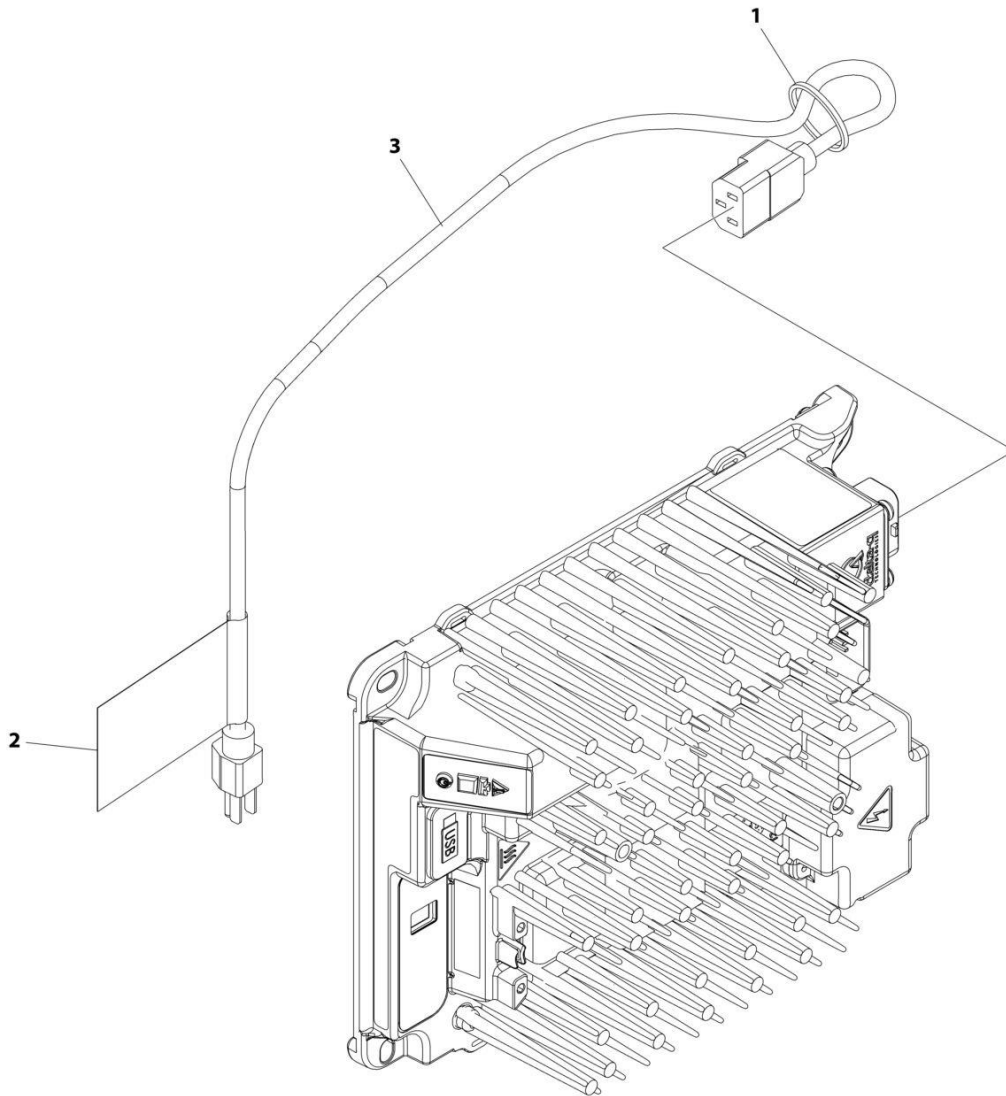
SECTION 6 - ELECTRICAL

FIGURE 6-15. CHARGER PLUG INSTALLATION - CUSTOMER SUPPLIED PLUG (ALL SPECS)

ITEM	PART NUMBER	QTY	DESCRIPTION	REV
	1001248631	Ref	CHARGER PLUG INSTALLATION	B
1	4240017	AR	Tie-Strap	
2	1001102489	1	Decal - Charger	
3	1001207974	1	Cable, Charger Plug (No Plug)	

SECTION 6 - ELECTRICAL

FIGURE 6-16. CHARGER PLUG INSTALLATION - 110V PLUG (ANSI, ANSI EXPORT, CSA & JAPANESE SPECS)



ART_1001248632

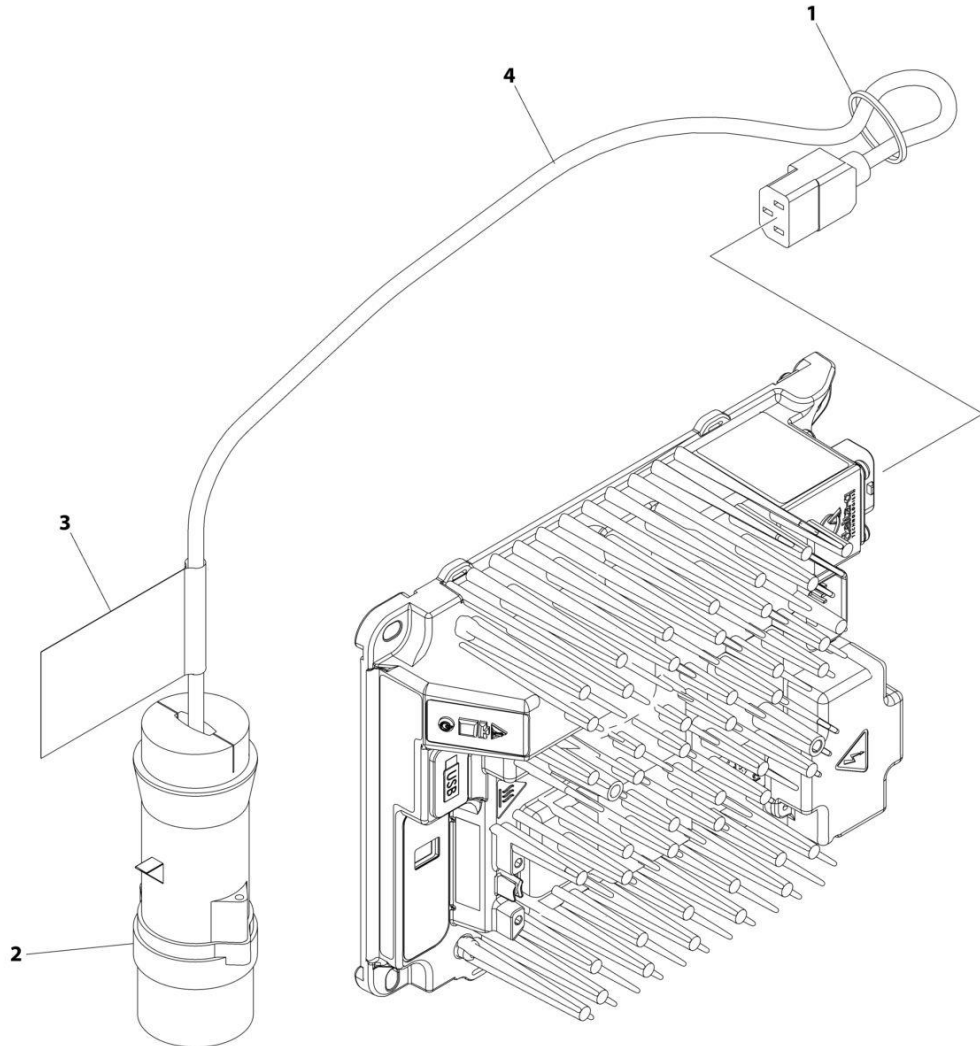
SECTION 6 - ELECTRICAL

FIGURE 6-16. CHARGER PLUG INSTALLATION - 110V PLUG (ANSI, ANSI EXPORT, CSA & JAPANESE SPECS)

ITEM	PART NUMBER	QTY	DESCRIPTION	REV
	1001248632	Ref	CHARGER PLUG INSTALLATION	B
1	4240017	AR	Tie-Strap	
2	1001102489	1	Decal - Charger	
3	1001207970	1	Cable, Charger Plug	

SECTION 6 - ELECTRICAL

FIGURE 6-17. CHARGER PLUG INSTALLATION - 110V IEC YELLOW PLUG (CE & UK CA SPECS)



ART_1001258771

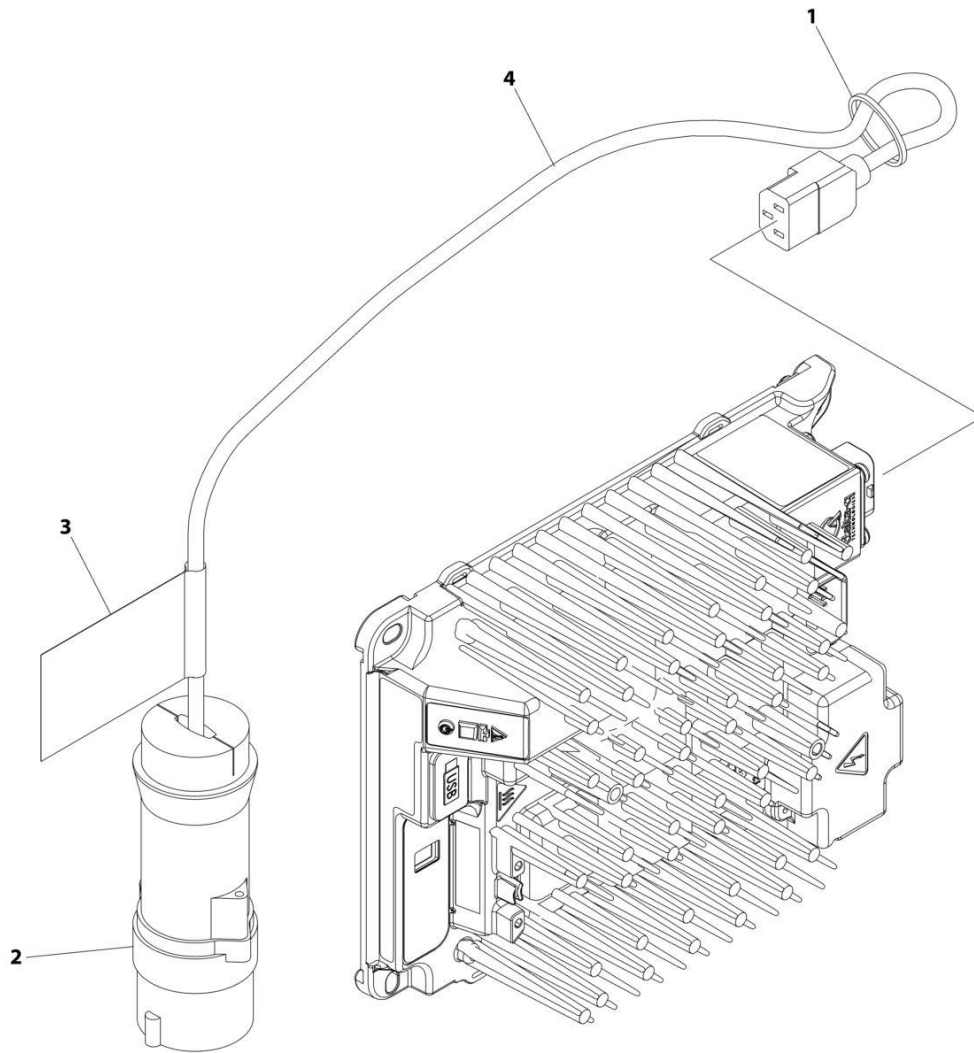
SECTION 6 - ELECTRICAL

FIGURE 6-17. CHARGER PLUG INSTALLATION - 110V IEC YELLOW PLUG (CE & UK CA SPECS)

ITEM	PART NUMBER	QTY	DESCRIPTION	REV
	1001258771	Ref	CHARGER PLUG INSTALLATION	A
1	4240017	AR	Tie-Strap	
2	4461196	1	Terminal	
3	1001102489	1	Decal - Charger	
4	1001207974	1	Cable, Charger Plug (No Plug)	

SECTION 6 - ELECTRICAL

FIGURE 6-18. CHARGER PLUG INSTALLATION - 220V IEC BLUE PLUG (CE & UK CA SPECS)



ART_1001258772

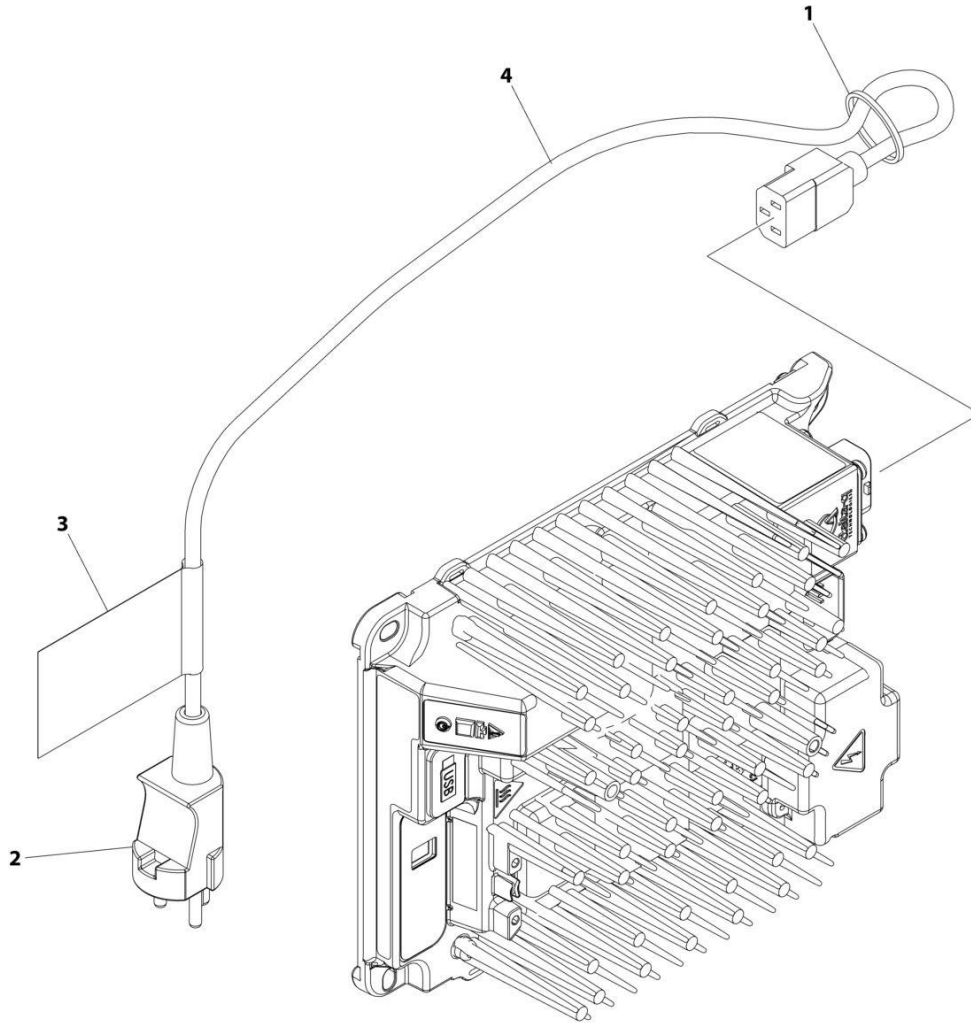
SECTION 6 - ELECTRICAL

FIGURE 6-18. CHARGER PLUG INSTALLATION - 220V IEC BLUE PLUG (CE & UK CA SPECS)

ITEM	PART NUMBER	QTY	DESCRIPTION	REV
	1001258772	Ref	CHARGER PLUG INSTALLATION	A
1	4240017	AR	Tie-Strap	
2	4461199	1	Terminal	
3	1001102489	1	Decal - Charger	
4	1001207974	1	Cable, Charger Plug (No Plug)	

SECTION 6 - ELECTRICAL

FIGURE 6-19. CHARGER PLUG INSTALLATION - 220V AFSINT 107 PLUG (CE & UK CA SPECS)



ART_1001258770

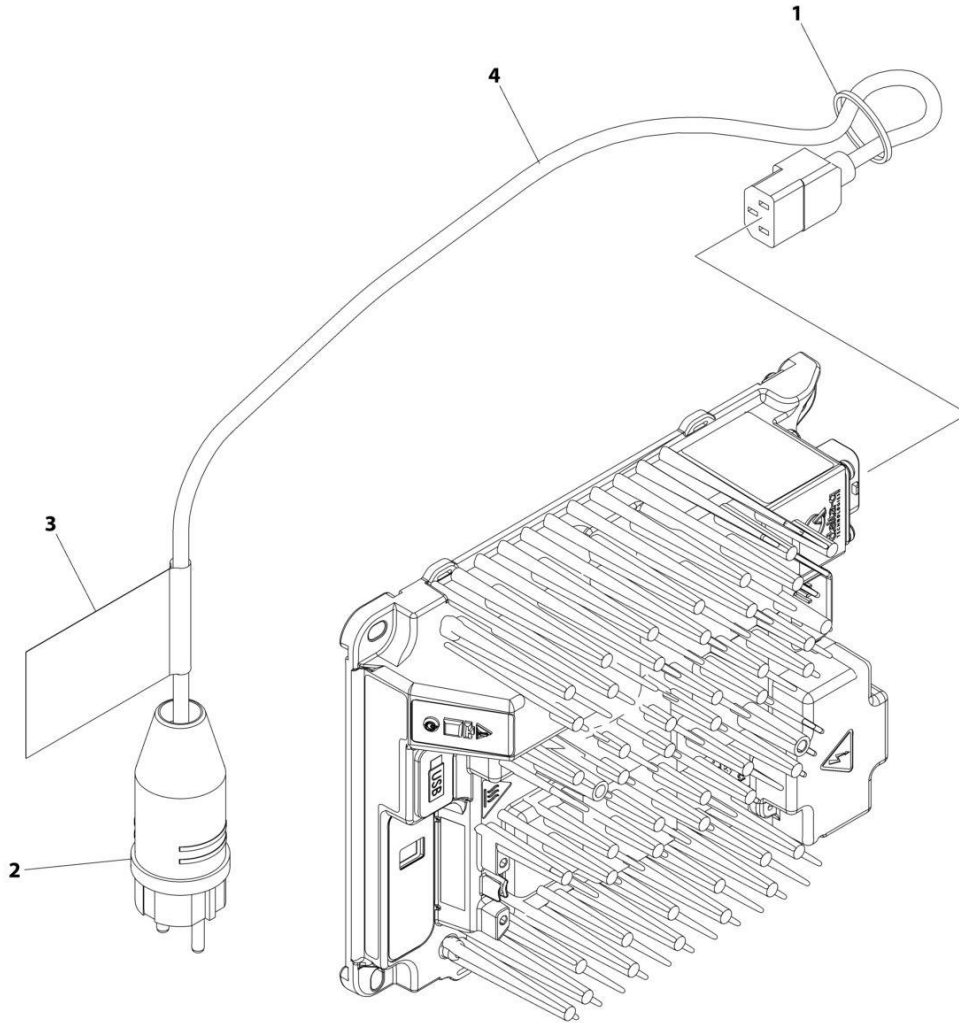
SECTION 6 - ELECTRICAL

FIGURE 6-19. CHARGER PLUG INSTALLATION - 220V AFSINT 107 PLUG (CE & UK CA SPECS)

ITEM	PART NUMBER	QTY	DESCRIPTION	REV
	1001258770	Ref	CHARGER PLUG INSTALLATION	A
1	4240017	AR	Tie-Strap	
2	4461249	1	Terminal	
3	1001102489	1	Decal - Charger	
4	1001207974	1	Cable, Charger Plug (No Plug)	

SECTION 6 - ELECTRICAL

FIGURE 6-20. CHARGER PLUG INSTALLATION - 220V CEE7 PLUG (CE & UK CA SPECS)



ART_1001258768

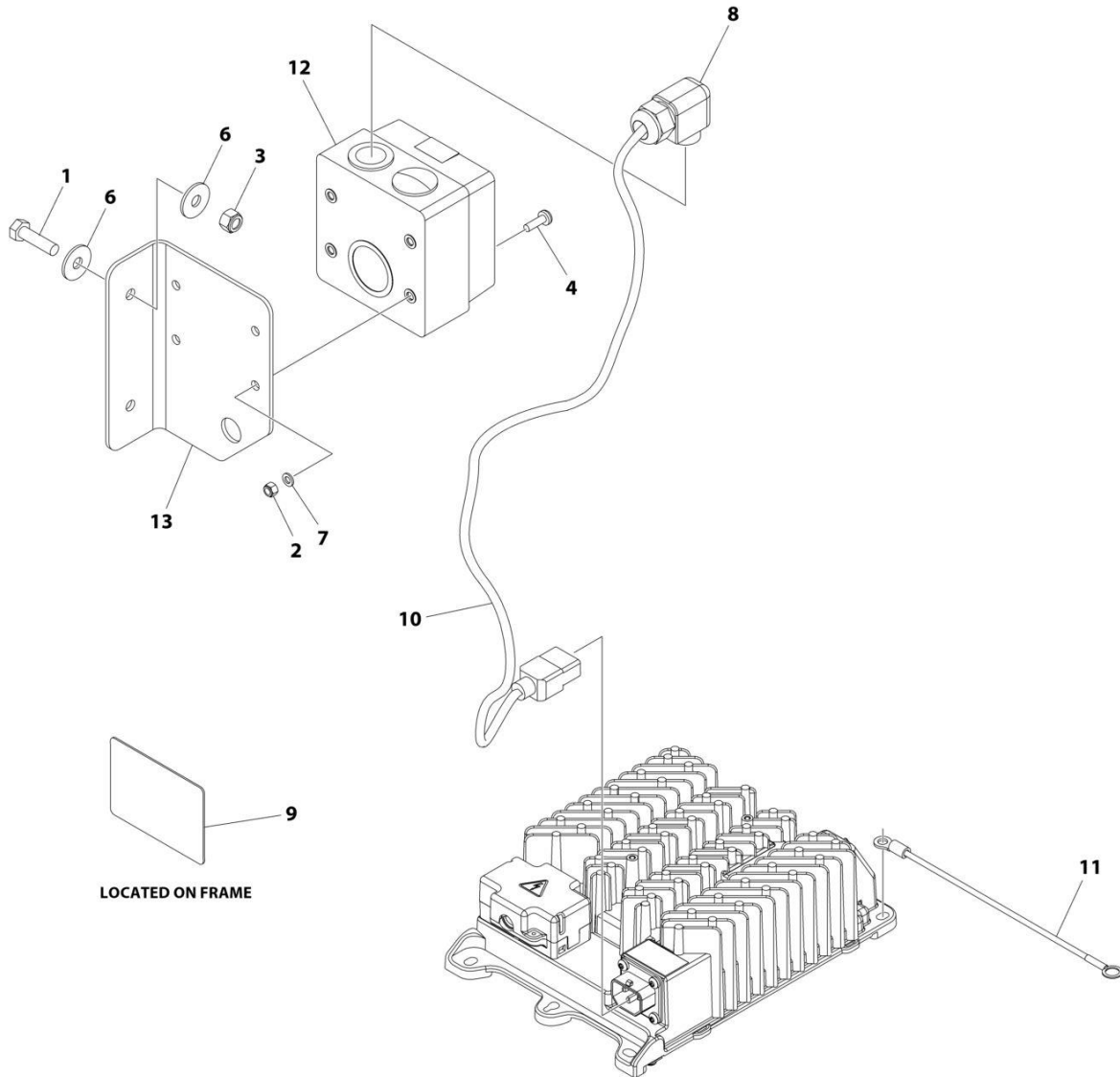
SECTION 6 - ELECTRICAL

FIGURE 6-20. CHARGER PLUG INSTALLATION - 220V CEE7 PLUG (CE & UK CA SPECS)

ITEM	PART NUMBER	QTY	DESCRIPTION	REV
	1001258768	Ref	CHARGER PLUG INSTALLATION	A
1	4240017	AR	Tie-Strap	
2	4461205	1	Terminal	
3	1001102489	1	Decal - Charger	
4	1001207974	1	Cable, Charger Plug (No Plug)	

SECTION 6 - ELECTRICAL

FIGURE 6-21. CHARGER PLUG INSTALLATION (AUSTRALIAN PLUG)



ART_1001263295

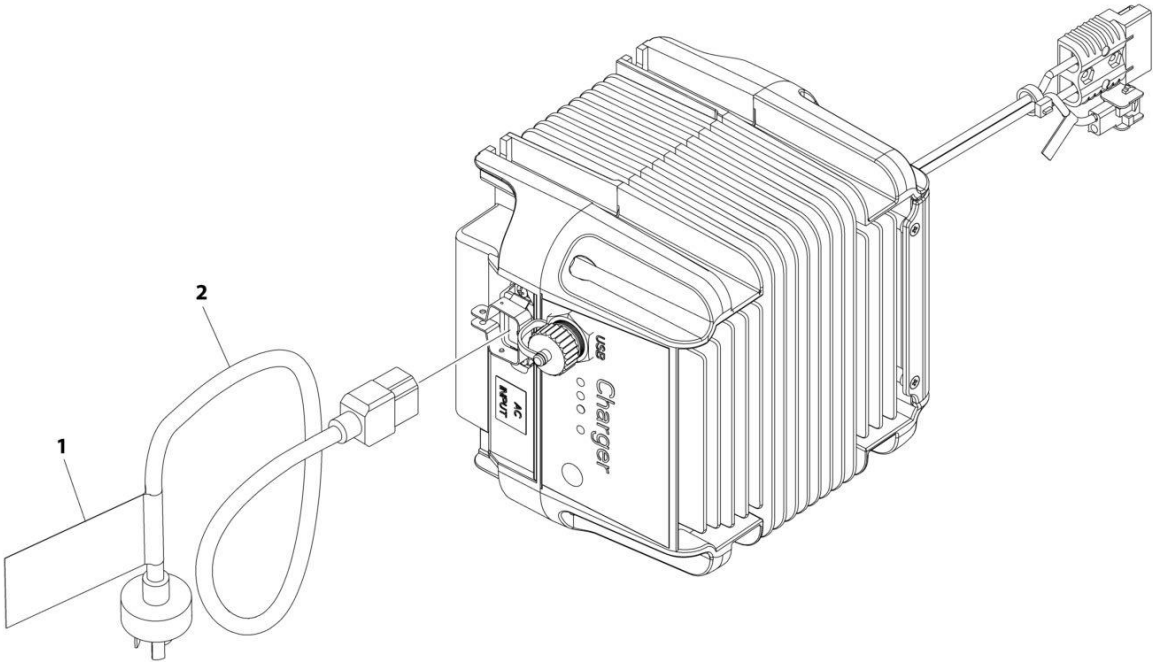
SECTION 6 - ELECTRICAL

FIGURE 6-21. CHARGER PLUG INSTALLATION (AUSTRALIAN PLUG)

ITEM	PART NUMBER	QTY	DESCRIPTION	REV
	1001263295	Ref	CHARGER PLUG INSTALLATION	A
1	0700814	2	Bolt M8 x 30	
2	3290505	4	Nut M5	
3	3290805	2	Nut M8	
4	3900381	4	Screw M5 x 16	
5	4240017	AR	Tie Strap (Not Shown)	
6	4811902	4	Washer M8	
7	4831600	4	Washer M5	
8	1001103471	1	Connector Strain Relief 90	
9	1001134280	1	Decal - Charger	
10	1001207974	1	Cable, Charger AC Input	
11	1001227219	1	Ground Harness	
12	1001227267	1	Receptacle Australian - 230V	
13	1001249890	1	Bracket	

SECTION 6 - ELECTRICAL

FIGURE 6-22. CHARGER PLUG INSTALLATION (CHINA PLUG)



ART_1001263294

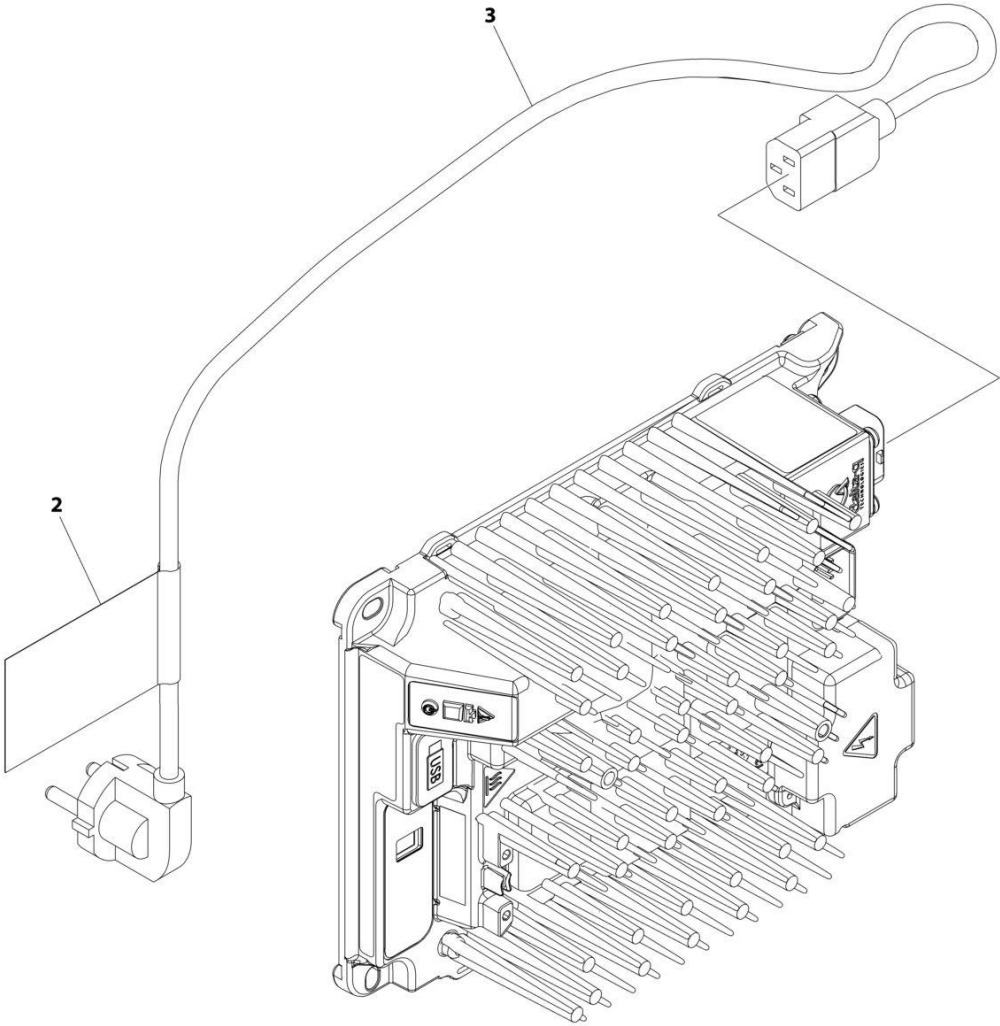
SECTION 6 - ELECTRICAL

FIGURE 6-22. CHARGER PLUG INSTALLATION (CHINA PLUG)

ITEM	PART NUMBER	QTY	DESCRIPTION	REV
	1001263294	Ref	CHARGER PLUG INSTALLATION	A
1	1001102489	1	Decal - Charger Label	
2	1001207973	1	Cable, Charger AC Input	

SECTION 6 - ELECTRICAL

FIGURE 6-23. CHARGER PLUG INSTALLATION (KOREAN PLUG)



ART_1001248634

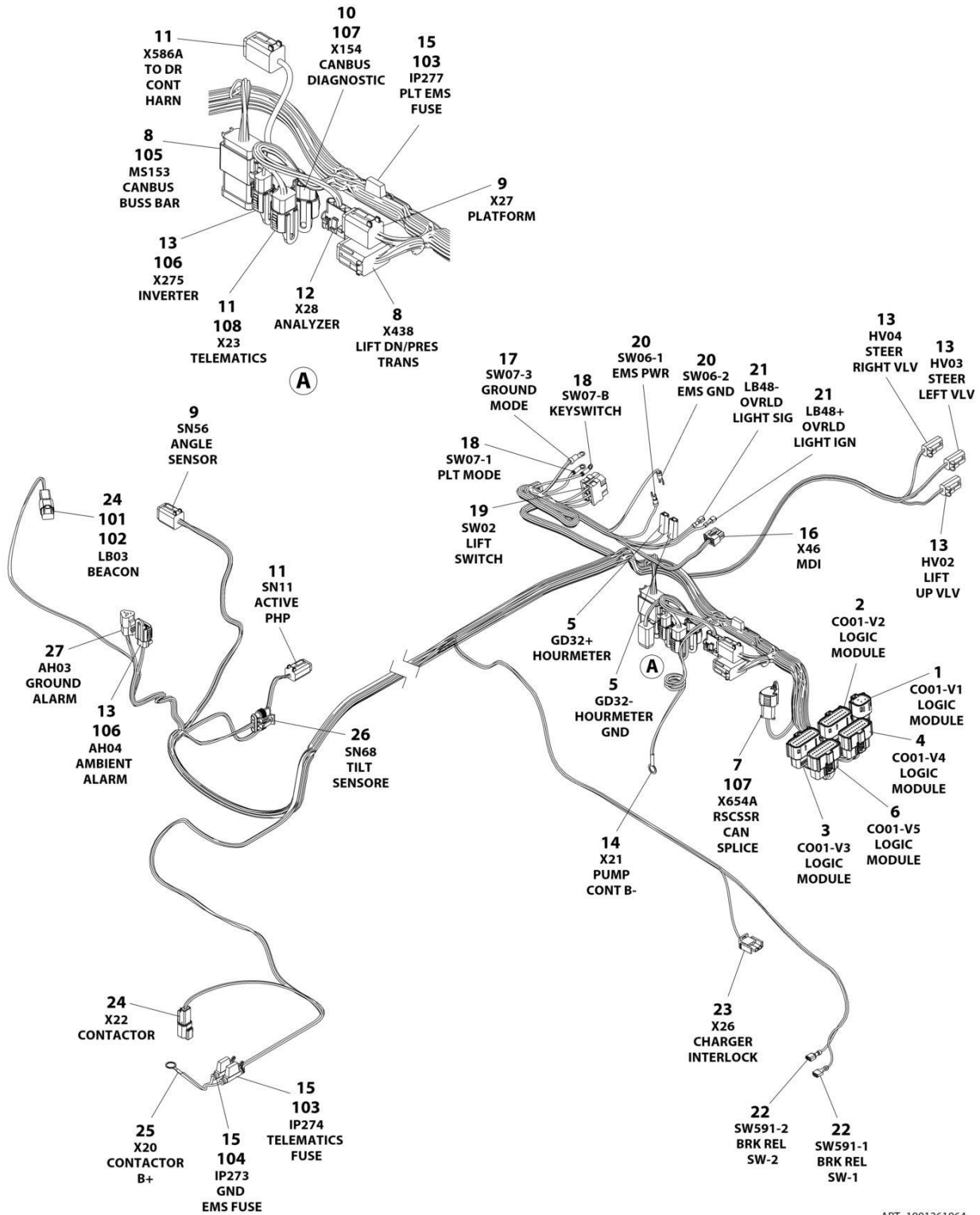
SECTION 6 - ELECTRICAL

FIGURE 6-23. CHARGER PLUG INSTALLATION (KOREAN PLUG)

ITEM	PART NUMBER	QTY	DESCRIPTION	REV
	1001248634	Ref	CHARGER PLUG INSTALLATION	A
1	4240017	AR	Tie-Strap (Not Shown)	
2	1001102489	1	Decal - Charger Label	
3	1001221949	1	Cable, Charger AC Input	

SECTION 6 - ELECTRICAL

FIGURE 6-24. CHASSIS HARNESS



ART_1001261064

SECTION 6 - ELECTRICAL

FIGURE 6-24. CHASSIS HARNESS

ITEM	PART NUMBER	QTY	DESCRIPTION	REV
	1001261064	Ref	CHASSIS HARNESS	B
1	1001205409	1	Connector - 8 Position	
1	1001162887	8	Terminal	
2	1001205410	1	Connector - 20 Position	
2	1001162887	13	Terminal	
2	1001163340	7	Plug, Terminal	
3	1001162886	1	Connector - 20 Position	
3	1001162887	16	Terminal	
3	1001163340	4	Plug, Terminal	
4	1001205411	1	Connector - 20 Position	
4	1001162887	16	Terminal	
4	1001163340	4	Plug, Terminal	
5	4460260	4	Cover, Terminal	
5	4460259	4	Terminal	
6	1001205412	1	Connector - 20 Position	
6	1001162887	14	Terminal	
6	1001163340	6	Plug, Terminal	
7	4460965	1	Plug, Male - 3 Position	
7	4460944	2	Socket, Female	
7	4460466	1	Plug, Terminal	
8	4460933	2	Plug, Male - 12 Position	
8	4460465	10	Socket, Female	
8	4460944	12	Socket, Female	
8	4460466	2	Plug, Terminal	
9	4460894	2	Plug, Male - 6 Position	
9	4460465	8	Socket, Female	
9	4460944	2	Socket, Female	
9	4460466	2	Plug, Terminal	
10	1001116812	1	Receptacle, Female - 3 Position	
10	4060944	2	Socket, Female	
10	4460466	1	Plug, Terminal	
11	4460884	3	Plug, Male - 4 Position	
11	4460465	10	Socket, Female	
11	4460944	2	Socket, Female	
12	4460761	1	Plug, Male - 4 Position	
12	4460227	4	Socket, Female	
13	4460891	5	Plug, Male - 2 Position	
13	4460465	9	Socket, Female	
13	4460466	1	Plug, Terminal	
14	4460256	2	Terminal	
15	2400060	3	Holder/Cover, Fuse	
16	1001151629	1	Plug, Male - 8 Position	
16	4461023	2	Terminal	
16	4460877	2	Terminal	
17	4460042	1	Terminal, Ring	
18	4460247	2	Terminal, Ring	
19	4460418	1	Connector - 6 Position	
19	1001159186	3	Terminal	
20	4460115	1	Terminal, Ring	
21	1001201885	2	Terminal	

SECTION 6 - ELECTRICAL

ITEM	PART NUMBER	QTY	DESCRIPTION	REV
22	1001194421	2	Terminal	
23	4460320	1	Plug, Male - 2 Position	
23	4460226	1	Socket, Female	
24	4460897	2	Receptacle, Female - 2 Position	
24	4460464	4	Pin, Male	
25	4460019	1	Terminal, Ring	
26	1001103012	1	Plug, Male - 4 Position	
26	1001196589	4	Terminal	
26	1001104498	4	Seal Terminal	
27	4460539	1	Plug, Male - 3 Position	
27	4460465	3	Socket, Female	
101	4460466	2	Plug, Terminal	
102	4460891	1	Plug, Male - 4 Position	
103	8229242	2	Fuse 5 Amp	
104	8229244	1	Fuse, 15 Amp	
105	1001125677	1	Connector, Bussbar	
106	1001144295	2	Cap - 2 Position	
107	1001144296	2	Cap - 3 Position	
108	1001192401	1	Cap, Dust	

SECTION 6 - ELECTRICAL

FIGURE 6-25. CHASSIS HARNESS WITH CLEARSKY

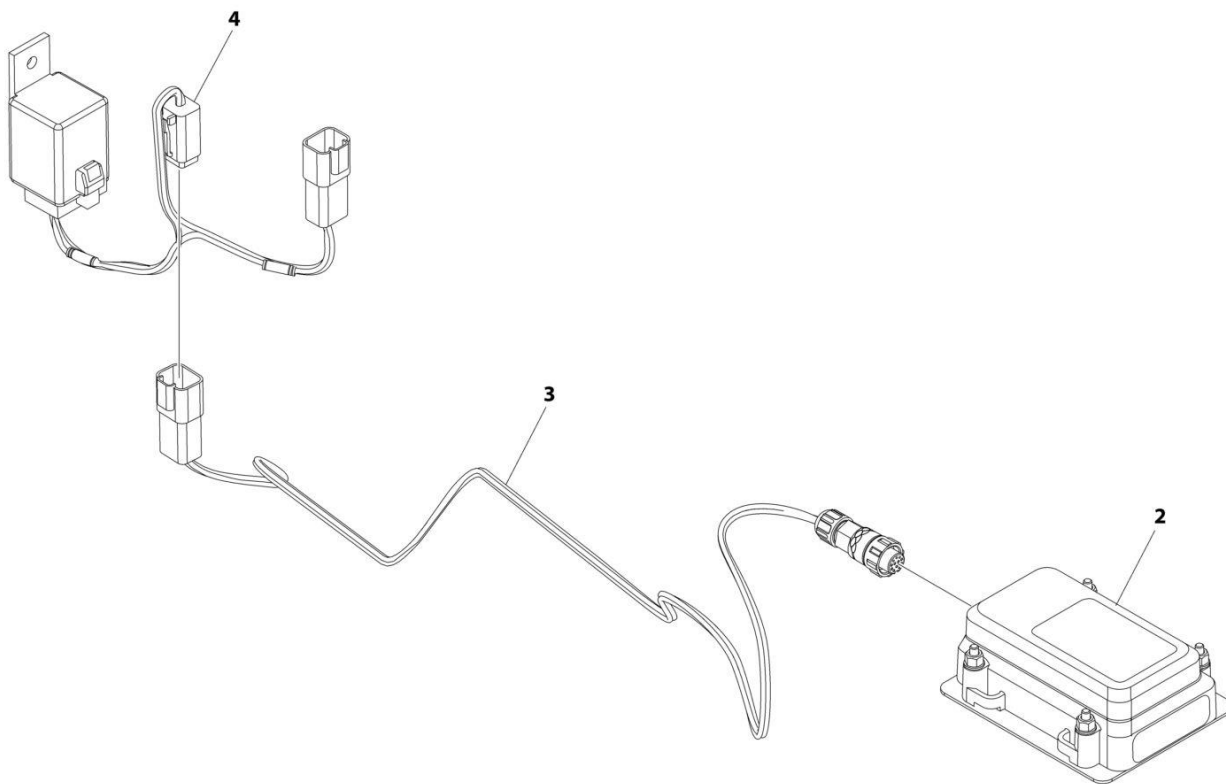
ITEM	PART NUMBER	QTY	DESCRIPTION	REV
	1001283416	Ref	CHASSIS HARNESS	B
1	1001205409	1	Connector - 8 Position	
1	1001162887	8	Terminal	
2	1001205410	1	Connector - 20 Position	
2	1001162887	13	Terminal	
2	1001163340	7	Plug, Terminal	
3	1001162886	1	Connector - 20 Position	
3	1001162887	15	Terminal	
3	1001163340	5	Plug, Terminal	
4	1001205411	1	Connector - 20 Position	
4	1001162887	16	Terminal	
4	1001163340	4	Plug, Terminal	
5	4460260	4	Connector	
5	4460259	4	Terminal	
6	1001205412	1	Connector - 20 Position	
6	1001162887	14	Terminal	
6	1001163340	6	Plug, Terminal	
7	4460965	1	Plug, Male - 3 Position	
7	4460944	2	Socket, Female	
7	4460466	1	Plug, Terminal	
8	4460933	1	Plug, Male - 12 Position	
8	4460465	10	Socket, Female	
8	4460466	2	Plug, Terminal	
9	4460894	1	Plug, Male - 6 Position	
9	4460465	4	Socket, Female	
9	4460944	2	Socket, Female	
10	1001116812	1	Receptacle, Female - 3 Position	
10	4060944	2	Socket, Female	
10	4460466	1	Plug, Terminal	
11	4460884	3	Plug, Male - 4 Position	
11	4460465	12	Socket, Female	
12	4460761	1	Plug, Male - 4 Position	
12	4460227	4	Socket, Female	
13	4460891	4	Plug, Male - 2 Position	
13	4460465	8	Socket, Female	
14	4460019	2	Terminal, Ring	
15	2400060	3	Holder/Cover, Fuse	
16	1001151629	1	Plug, Male - 8 Position	
16	4461023	2	Terminal	
16	4460877	2	Terminal	
17	4460042	1	Terminal, Ring	
18	4460247	2	Terminal, Ring	
19	4460418	1	Connector - 6 Position	
19	1001159186	3	Terminal	
20	4460115	2	Terminal, Ring	
21	1001201885	2	Terminal	
22	1001194421	2	Terminal	
23	4460320	1	Plug, Male - 2 Position	
23	4460226	1	Socket, Female	
24	4460897	2	Receptacle, Female - 2 Position	

SECTION 6 - ELECTRICAL

ITEM	PART NUMBER	QTY	DESCRIPTION	REV
24	4460464	4	Pin, Male	
25	4460891	1	Connector	
25	4460465	1	Socket	
25	4460466	1	Plug	
26	1001103012	1	Plug, Male - 4 Position	
26	1001196589	4	Terminal	
26	1001104498	4	Seal Terminal	
27	4460539	1	Plug, Male - 3 Position	
27	4460465	3	Socket, Female	
28	4460933	3	Connector	
28	4460944	26	Socket	
28	4460466	12	Plug	
29	4460894	1	Connector	
29	4460465	6	Socket	
30	4460884	1	Connector	
30	4460944	2	Socket (Gold)	
30	4460465	2	Socket (Nickel)	
31	4460930	1	Connector	
31	4460465	8	Socket	
101	4460466	2	Plug	
102	4460891	1	Plug, Male - 4 Position	
103	8229242	2	Fuse 5 Amp	
104	8229244	1	Fuse, 15 Amp	
105	1001125677	3	Connector, Bussbar	
106	1001144295	2	Cap - 2 Position	
107	1001144296	2	Cap - 3 Position	
108	1001152266	1	Connector	
109	1001192401	1	Cap, Dust	

SECTION 6 - ELECTRICAL

FIGURE 6-26. CLEARSKY INSTALLATION - 3 WIRE (Prior to SN B200092381, Prior to SN M200089777, Prior to SN 1200045806)



ART_1001278847

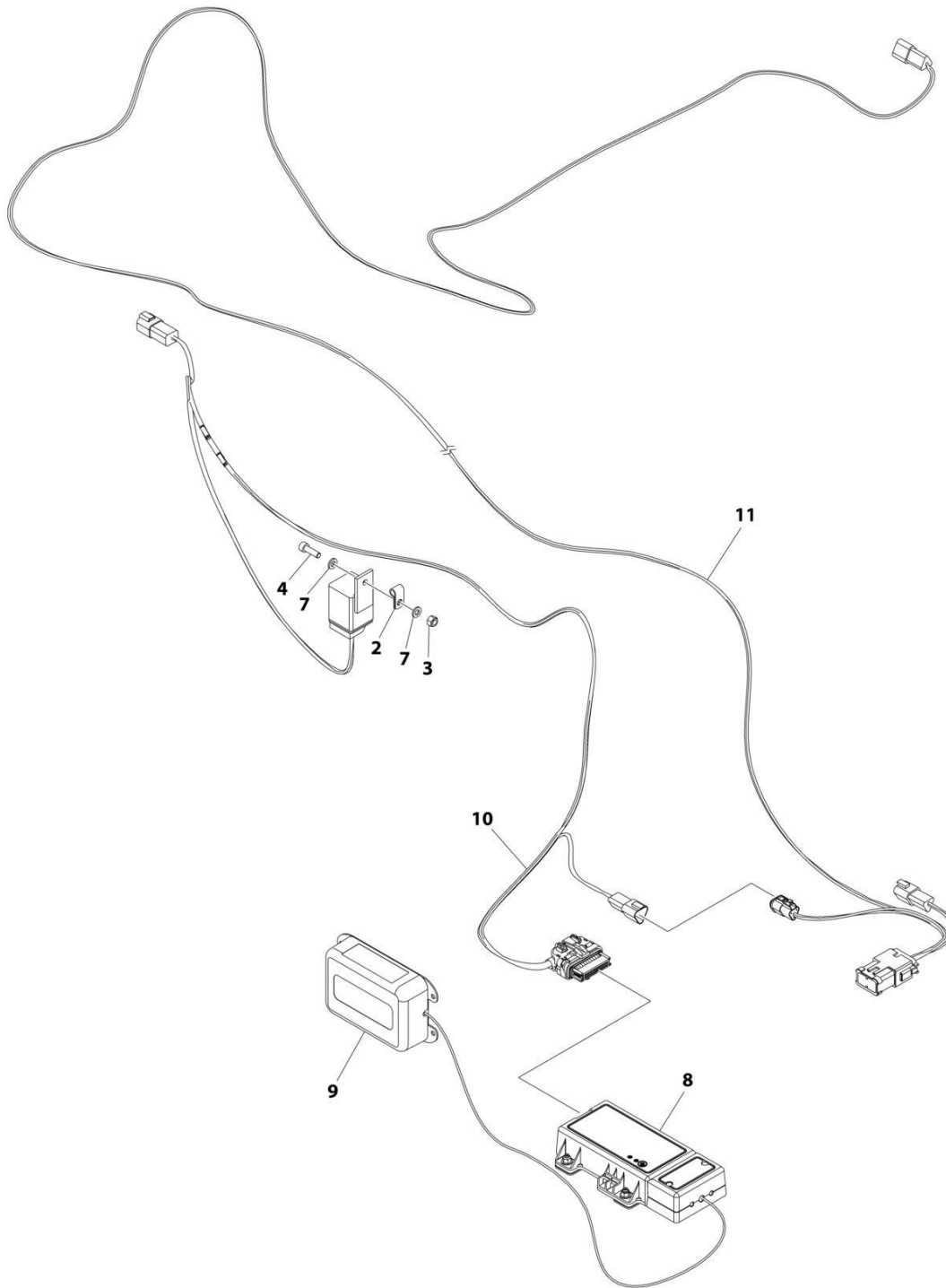
SECTION 6 - ELECTRICAL

FIGURE 6-26. CLEARSKY INSTALLATION - 3 WIRE (Prior to SN B200092381, Prior to SN M200089777, Prior to SN 1200045806)

ITEM	PART NUMBER	QTY	DESCRIPTION	REV
	1001278847	Ref	CLEARSKY INSTALLATION	A
1	4240032	AR	Tie-strap (Not Shown)	
2	1001272659	1	Module, ClearSky	
3	1001273012	1	Harness, ClearSky (See Separate Breakdown in this Section)	
4	1001278513	1	Harness, ClearSky Jumper (See Separate Breakdown in this Section)	

SECTION 6 - ELECTRICAL

FIGURE 6-27. CLEARSKY INSTALLATION - 4G CANBUS (Prior to SN B200092381, Prior to SN M200089777, Prior to SN 1200045806)



ART_1001251144

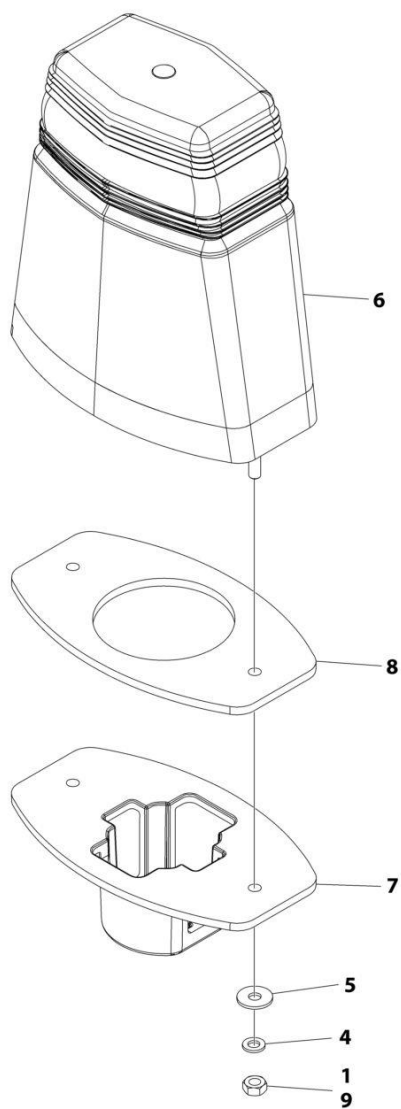
SECTION 6 - ELECTRICAL

FIGURE 6-27. CLEARSKY INSTALLATION - 4G CANBUS (Prior to SN B200092381, Prior to SN M200089777, Prior to SN 1200045806)

ITEM	PART NUMBER	QTY	DESCRIPTION	REV
	1001251144	Ref	CLEARSKY INSTALLATION	E
1	1062255	AR	Tie-strap (365mm) (Not Shown)	
2	1320136	1	Clamp	
3	3290605	1	Nut, Lock M6	
4	4031708	1	Capscrew M6 x 20	
5	4240032	AR	Tie-strap (3-5/8in to 4in) (Not Shown)	
6	4460234	AR	Mount, Tie-strap (Not Shown)	
7	4811700	2	Washer M6	
8	1001262322	1	Module, ClearSky	
9	1001262327	1	Antenna, ClearSky	
10	1001254026	1	Harness, ClearSky (See Separate Breakdown in this Section)	
11	1001254027	1	Harness, ClearSky Splice (See Separate Breakdown in this Section)	

SECTION 6 - ELECTRICAL

FIGURE 6-28. CLEARSKY INSTALLATION - SMART FLEET (SN B200092381 to Present, SN M200089777 to Present, SN 1200045806 to Present)



ART_1001293998

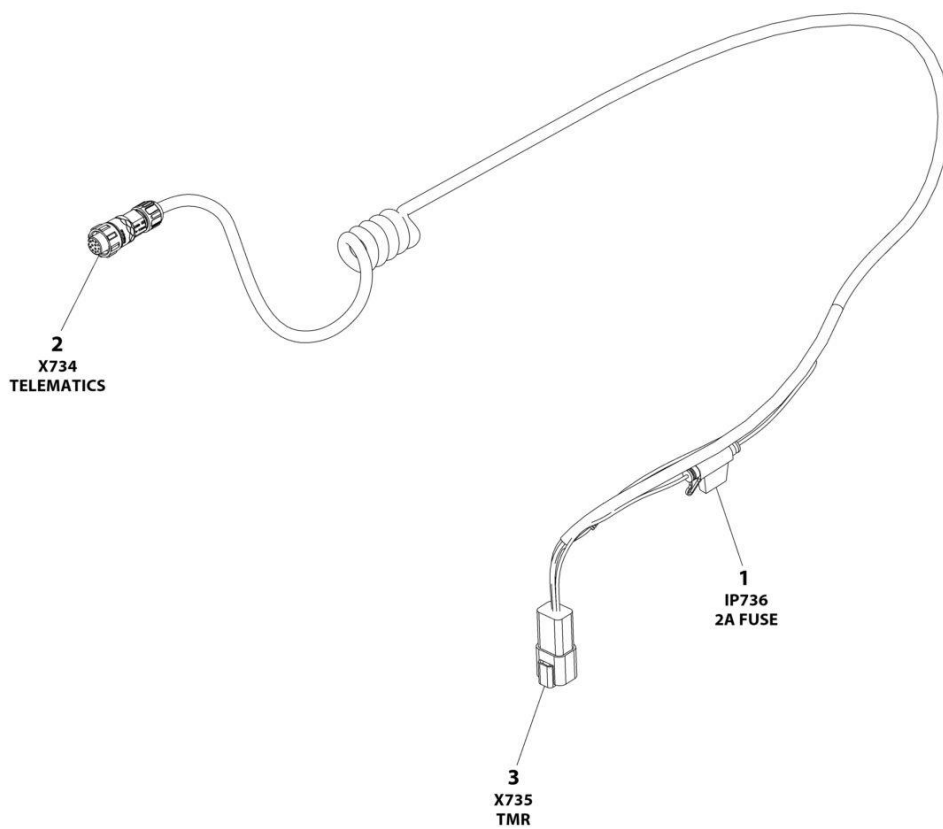
SECTION 6 - ELECTRICAL

FIGURE 6-28. CLEARSKY INSTALLATION - SMART FLEET (SN B200092381 to Present, SN M200089777 to Present, SN 1200045806 to Present)

ITEM	PART NUMBER	QTY	DESCRIPTION	REV
	1001293998	Ref	CLEARSKY INSTALLATION	C
1	0100011	AR	Compound, Locking	
4	4831400	1	Washer, Lock M4	
5	1001091102	1	Washer M4	
6	1001280661	1	Module, Control - ClearSky (Note: Re-calibration required when replaced)	
7	1001289648	1	Plate, Anti-Tamper	
8	1001291056	2	Gasket	
9	3290401	1	Nut M4	

SECTION 6 - ELECTRICAL

FIGURE 6-29. CLEARSKY HARNESS - 3 WIRE (Prior to SN B200092381, Prior to SN M200089777, Prior to SN 1200045806)



ART_1001273012

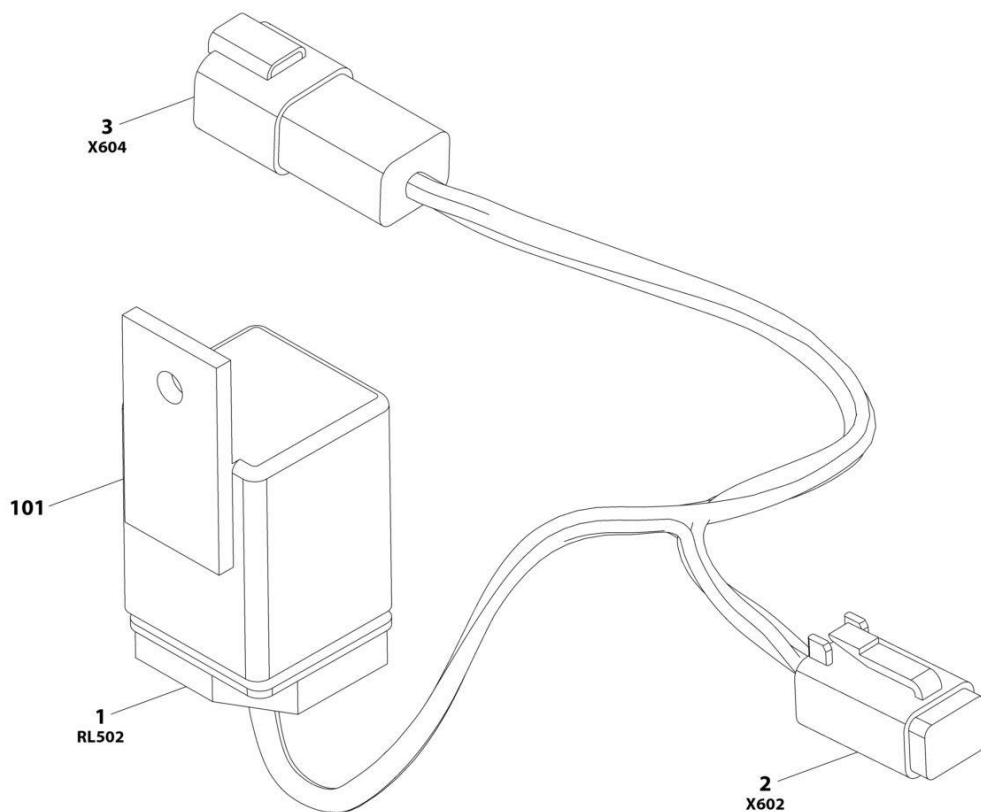
SECTION 6 - ELECTRICAL

FIGURE 6-29. CLEARSKY HARNESS - 3 WIRE (Prior to SN B200092381, Prior to SN M200089777, Prior to SN 1200045806)

ITEM	PART NUMBER	QTY	DESCRIPTION	REV
	1001273012	Ref	CLEARSKY TELEMATICS HARNESS - GT1030	D
1	1001255901	1	Fuseholder	
1	1001196634	1	Fuse - 2Amp	
2	1001272997	1	Connector - 12 Position	
2		Ref	Terminal	
3	4460932	1	Receptacle, Female - 4 Position	
3	4460464	4	Pin, Male	

SECTION 6 - ELECTRICAL

FIGURE 6-30. CLEARSKY JUMPER HARNESS - 3 WIRE (Prior to SN B200092381, Prior to SN M200089777, Prior to SN 1200045806)



ART_1001278513

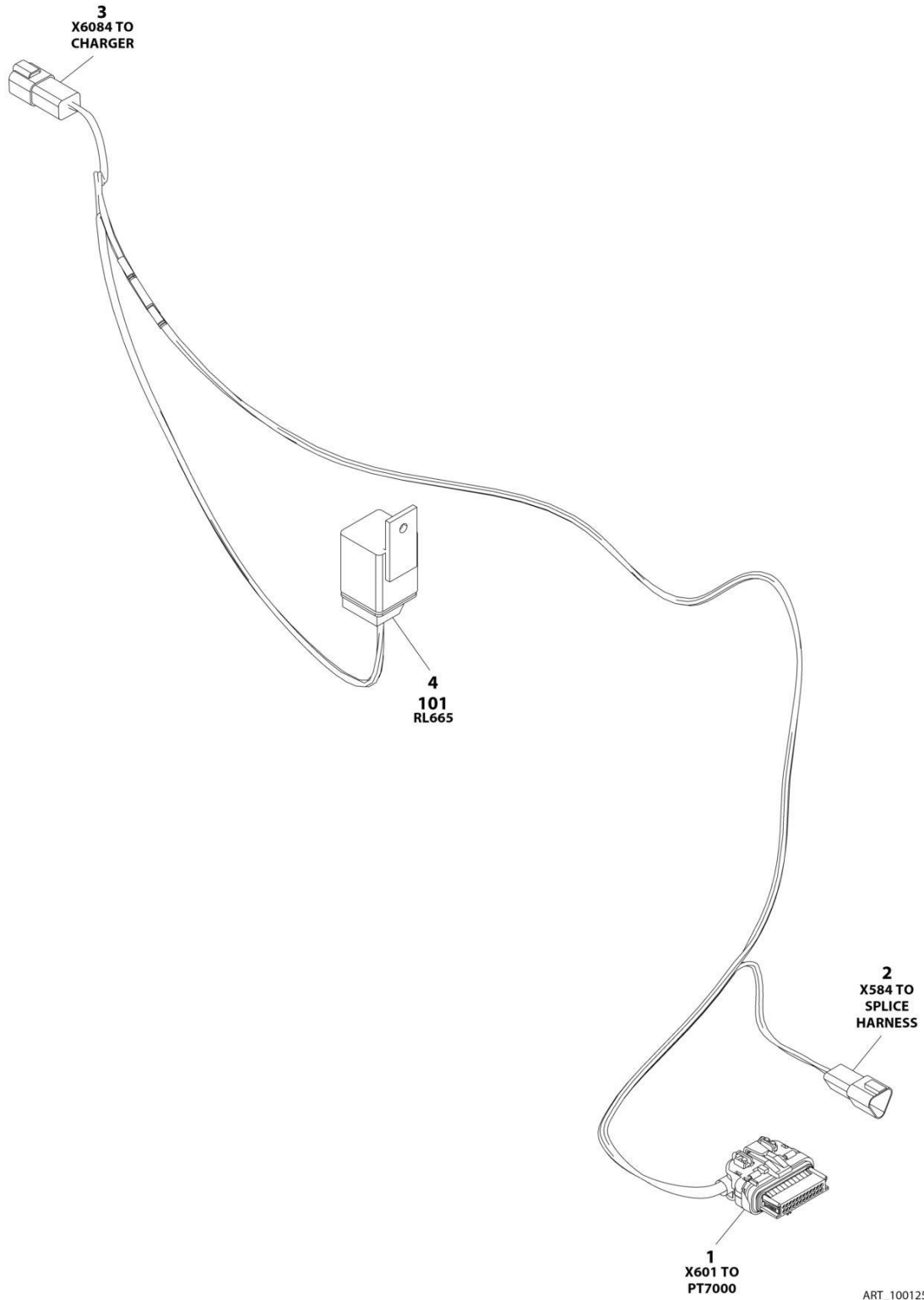
SECTION 6 - ELECTRICAL

FIGURE 6-30. CLEARSKY JUMPER HARNESS - 3 WIRE (Prior to SN B200092381, Prior to SN M200089777, Prior to SN 1200045806)

ITEM	PART NUMBER	QTY	DESCRIPTION	REV
	1001278513	Ref	CLEARSKY JUMPER HARNESS	A
1	1001117057	1	Connector - 4 Position	
1	1001116732	4	Terminal	
2	4460884	1	Connector - 4 Position	
2	4460465	4	Terminal	
3	4460932	1	Connector - 4 Position	
3	4460464	4	Terminal	
101	1001097347	1	Relay	

SECTION 6 - ELECTRICAL

FIGURE 6-31. CLEARSKY HARNESS - 4G CANBUS (Prior to SN B200092381, Prior to SN M200089777, Prior to SN 1200045806)



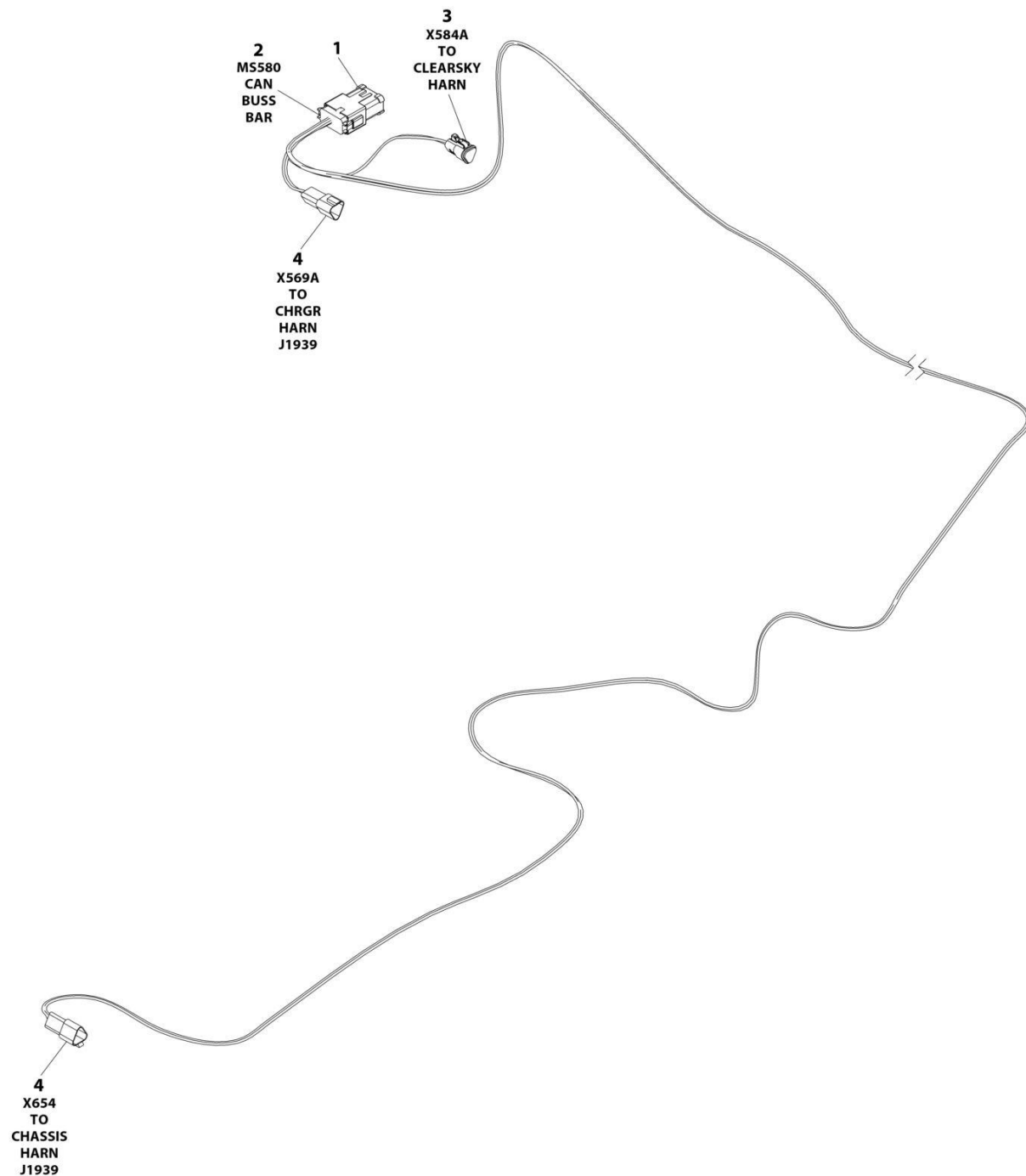
SECTION 6 - ELECTRICAL

FIGURE 6-31. CLEARSKY HARNESS - 4G CANBUS (Prior to SN B200092381, Prior to SN M200089777, Prior to SN 1200045806)

ITEM	PART NUMBER	QTY	DESCRIPTION	REV
	1001254026	Ref	CLEARSKY HARNESS	B
1	1001226636	1	Connector	
1	1001226637	5	Socket	
1	1001116731	19	Plug	
2	1001144147	1	Connector	
2	4460943	2	Pin	
2	4460466	1	Plug	
3	4460932	1	Connector	
3	4460464	3	Pin	
3	4460466	1	Plug	
4	1001117057	1	Connector	
4	1001116732	4	Socket	
101	1001097347	1	Relay	

SECTION 6 - ELECTRICAL

FIGURE 6-32. CLEARSKY SPLICE HARNESS - 4G (CHARGER WITH COMMUNICATION PORT) (Prior to SN B200092381, Prior to SN M200089777, Prior to SN 1200045806)



ART_1001254027

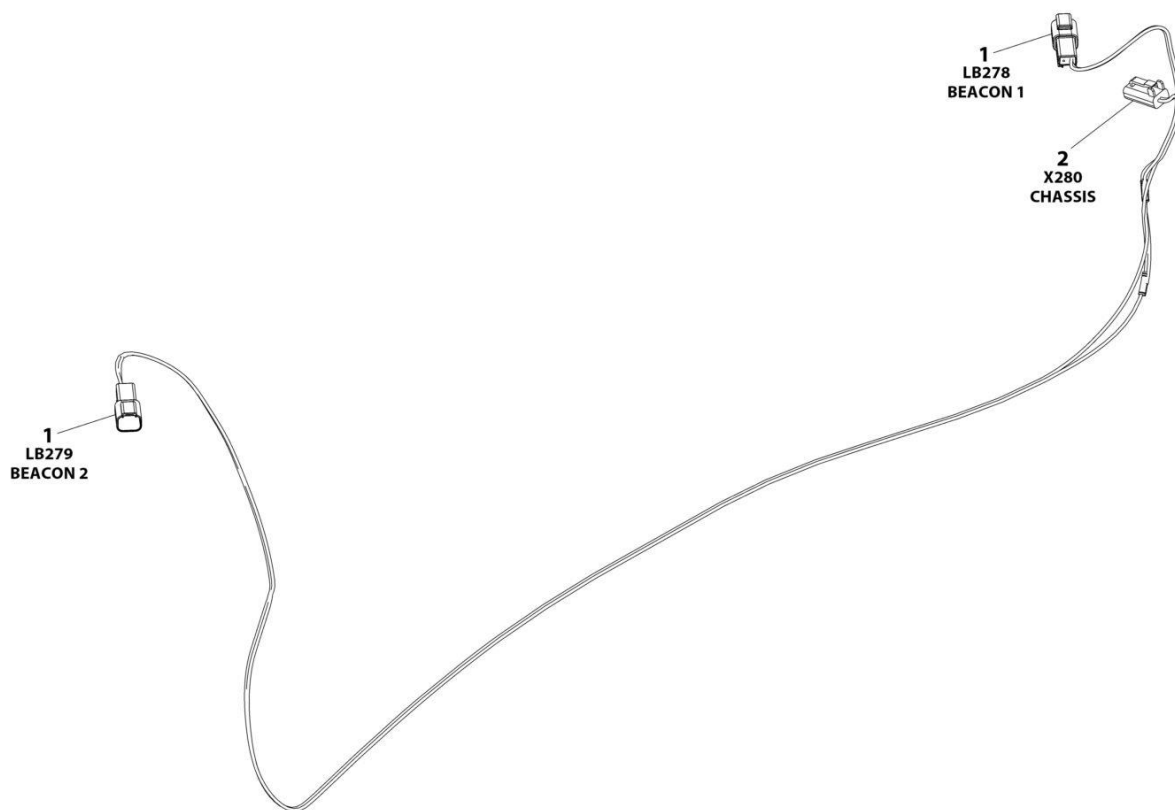
SECTION 6 - ELECTRICAL

FIGURE 6-32. CLEARSKY SPLICE HARNESS - 4G (CHARGER WITH COMMUNICATION PORT) (Prior to SN B200092381, Prior to SN M200089777, Prior to SN 1200045806)

ITEM	PART NUMBER	QTY	DESCRIPTION	REV
	1001254027	Ref	CAN SPLICE HARNESS	A
1	1001125677	1	Connector, Bus Bar - 12 Position	
2	4460933	1	Plug, Male - 12 Position	
2	4460944	6	Socket, Female	
2	4460466	6	Plug, Terminal	
3	1001118812	1	Plug, Male - 3 Position	
3	4460944	2	Socket, Female	
3	4460466	1	Plug, Terminal	
4	1001144147	2	Receptacle, Female - 3 Position	
4	4460943	4	Pin, Male	
4	4460466	2	Plug, Terminal	

SECTION 6 - ELECTRICAL

FIGURE 6-33. CLEARSKY HARNESS (SN B200092381 to Present, SN M200089777 to Present, SN 1200045806 to Present)



ART_1001215216

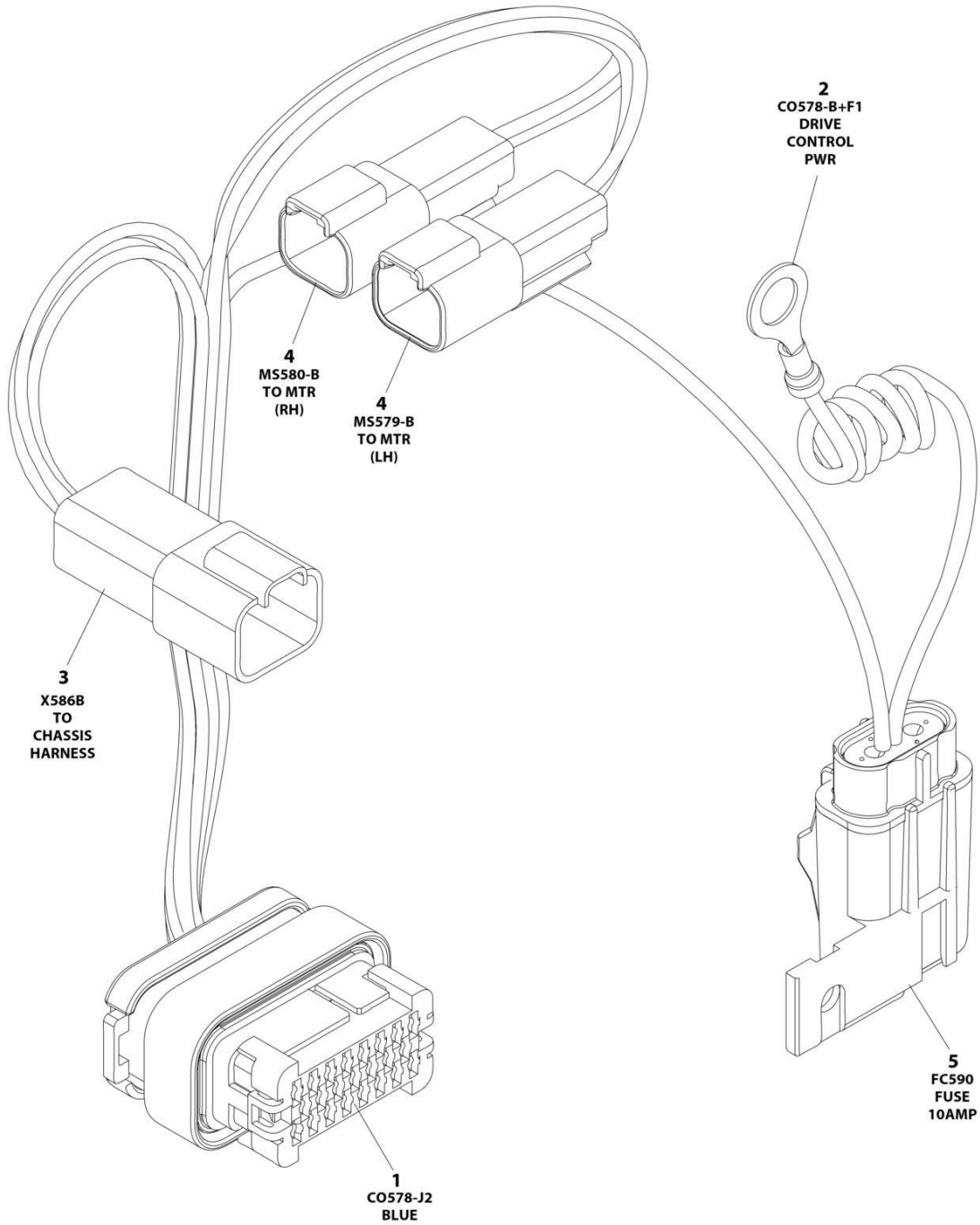
SECTION 6 - ELECTRICAL

FIGURE 6-33. CLEARSKY HARNESS (SN B200092381 to Present, SN M200089777 to Present, SN 1200045806 to Present)

ITEM	PART NUMBER	QTY	DESCRIPTION	REV
	1001215216	Ref	BEACON HARNESS	C
1	4460897	2	Connector	
1	4460464	4	Pin	
2	4460891	1	Connector	
2	4460465	2	Socket	

SECTION 6 - ELECTRICAL

FIGURE 6-34. DRIVE HARNESS



ART_1001255934

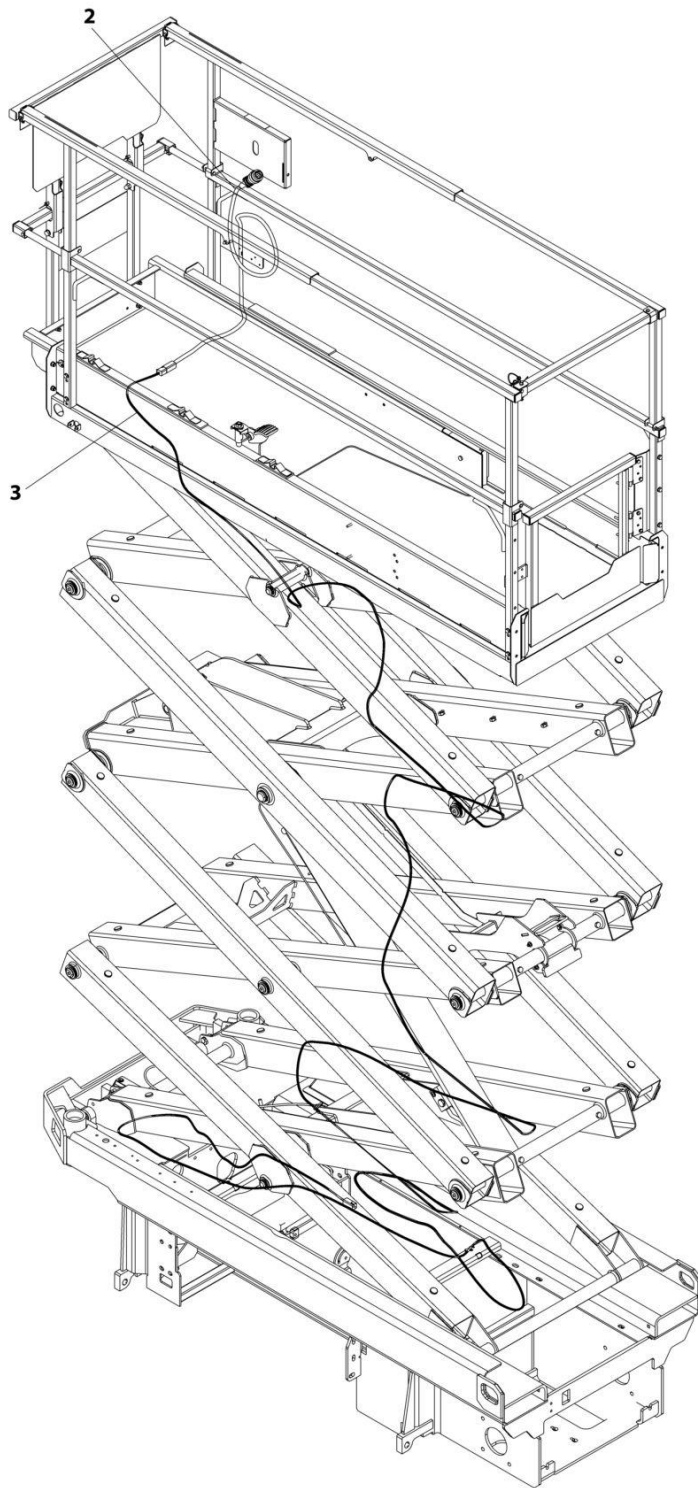
SECTION 6 - ELECTRICAL

FIGURE 6-34. DRIVE HARNESS

ITEM	PART NUMBER	QTY	DESCRIPTION	REV
	1001255934	Ref	DRIVE HARNESS	E
1	1001096138	1	Connector - 23 Position	
1	4460871	9	Terminal	
1	4460905	14	Plug, Terminal	
2	4460670	1	Terminal, Ring	
3	4460932	1	Receptacle, Female - 4 Position	
3	4460943	2	Pin, Male	
3	4460464	2	Pin, Male	
4	4460897	2	Receptacle, Female - 2 Position	
4	4460464	4	Pin, Male	
5	1001217843	1	Fuseholder with Cap	
5	1001217842	1	Cap, Cover	
5	8229234	1	Fuse - 10Amp	
5	1001116733	2	Terminal	

SECTION 6 - ELECTRICAL

FIGURE 6-35. GROUND TO PLATFORM CABLE INSTALLATION - WITHOUT PLATFORM COIL CABLE
(MACHINES WITH SN STARTING WITH B2 & M2)



ART_1001239675

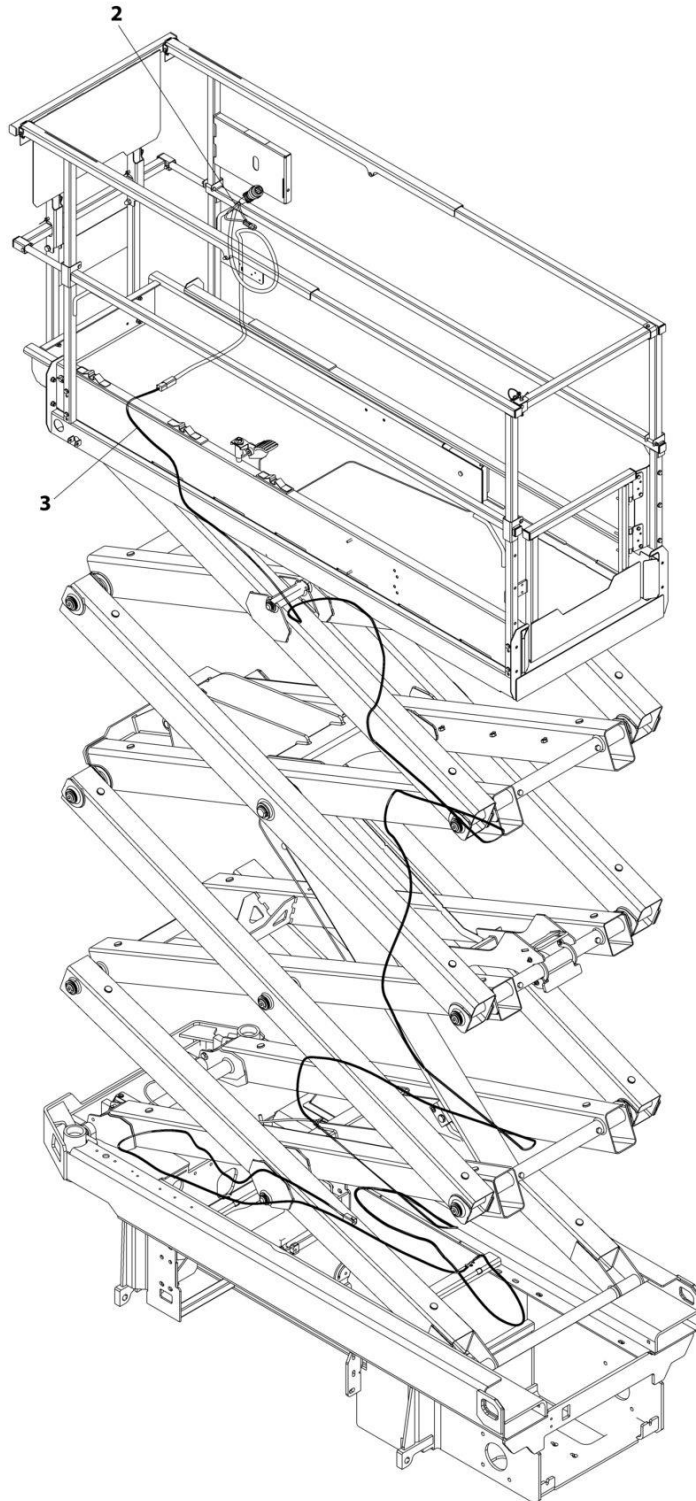
SECTION 6 - ELECTRICAL

**FIGURE 6-35. GROUND TO PLATFORM CABLE INSTALLATION - WITHOUT PLATFORM COIL CABLE
(MACHINES WITH SN STARTING WITH B2 & M2)**

ITEM	PART NUMBER	QTY	DESCRIPTION	REV
	1001239675	Ref	GROUND TO PLATFORM CABLE INSTALLATION - WITHOUT PLATFORM COIL CABLE	F
1	4240017	AR	Tie-Strap (Not Shown)	
2	1001200812	1	Platform Harness	
2	4460899	1	Receptacle, Female - 6 Position (To Item 3)	
2	4460464	4	Pin, Male	
2	4460943	2	Pin, Male	
2	4460754	1	Connector - 14 Position (To Console Box)	
2	4460465	8	Socket, Female	
2	4460466	6	Plug, Terminal	
3	1001237132	1	Cable Assembly - Ground to Platform	
3	4460894	1	Plug, Male - 6 Position (To Platform Harness Item 2)	
3	4460465	4	Socket, Female	
3	4460944	2	Socket, Female	
3	4460899	1	Receptacle, Female - 6 Position (To Chassis Harness)	
3	4460464	4	Pin, Male	
3	4460943	2	Pin, Male	

SECTION 6 - ELECTRICAL

FIGURE 6-36. GROUND TO PLATFORM CABLE INSTALLATION - WITHOUT PLATFORM COIL CABLE & WITH FOOTSWITCH (MACHINES WITH SN STARTING WITH B2)



ART_1001239677

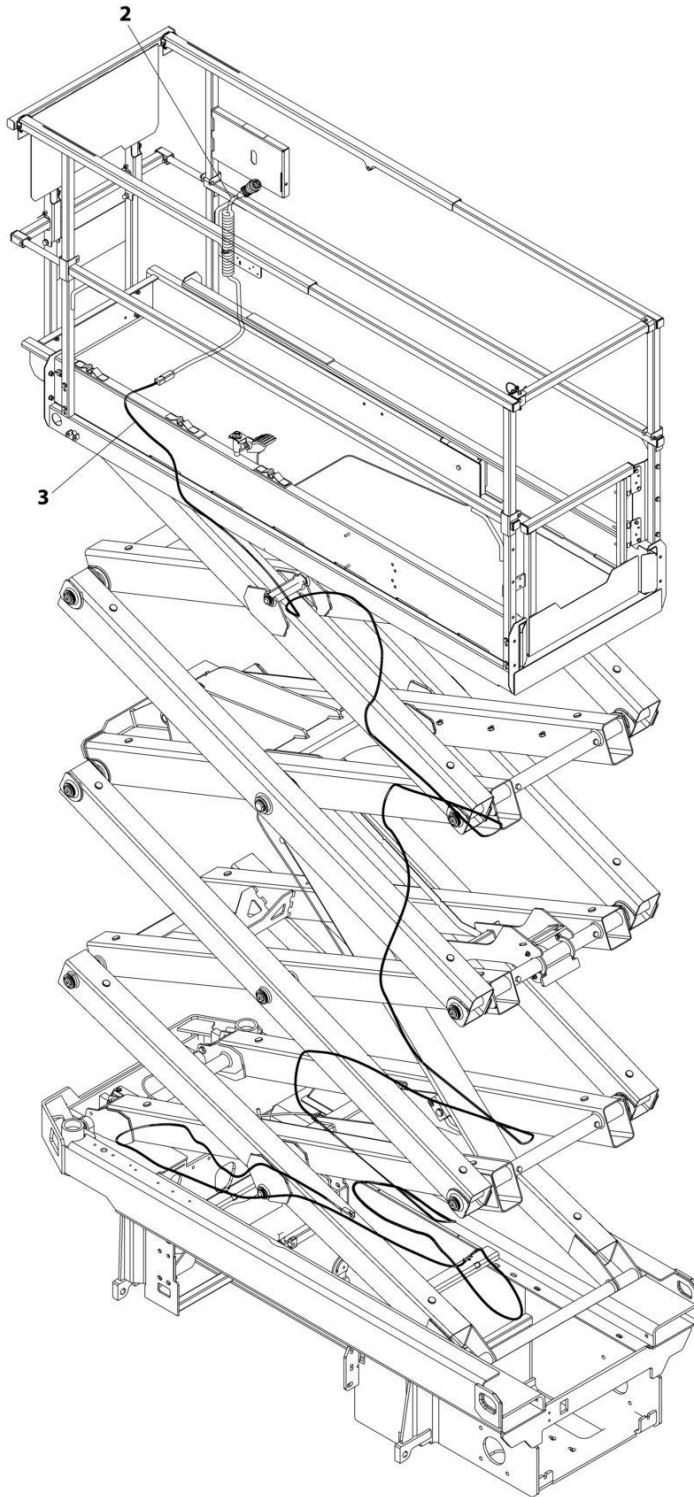
SECTION 6 - ELECTRICAL

FIGURE 6-36. GROUND TO PLATFORM CABLE INSTALLATION - WITHOUT PLATFORM COIL CABLE & WITH FOOTSWITCH (MACHINES WITH SN STARTING WITH B2)

ITEM	PART NUMBER	QTY	DESCRIPTION	REV
	1001239677	Ref	GROUND TO PLATFORM CABLE INSTALLATION - WITHOUT PLATFORM COIL CABLE AND WITH FOOTSWITCH	F
1	4240017	AR	Tie-Strap (Not Shown)	
2	1001223263	1	Platform Harness	
2	4460899	1	Receptacle, Female - 6 Position (To Item 3)	
2	4460464	4	Pin, Male	
2	4460943	2	Pin, Male	
2	4460754	1	Connector - 14 Position (To Console Box)	
2	4460465	8	Socket, Female	
2	4460944	2	Socket, Female	
2	4460466	4	Plug, Terminal	
2	4460891	1	Plug, Male - 2 Position (To Footswitch)	
2	4460465	2	Socket, Female	
2	4460897	1	Receptacle, Female - 2 Position (Footswitch Jumper)	
2	4460464	2	Pin, Male	
2	4460539	1	Plug, Male - 3 Position (To Overhead Switches)	
2	4460465	2	Socket, Female	
2	4460466	1	Plug, Terminal	
3	1001237132	1	Cable Assembly - Ground to Platform	
3	4460894	1	Plug, Male - 6 Position (To Platform Harness Item 2)	
3	4460465	4	Socket, Female	
3	4460944	2	Socket, Female	
3	4460899	1	Receptacle, Female - 6 Position (To Chassis Harness)	
3	4460464	4	Pin, Male	
3	4460943	2	Pin, Male	

SECTION 6 - ELECTRICAL

FIGURE 6-37. GROUND TO PLATFORM CABLE INSTALLATION - WITH PLATFORM COIL CABLE
(MACHINES WITH SN STARTING WITH B2 & M2)



ART_1001239676

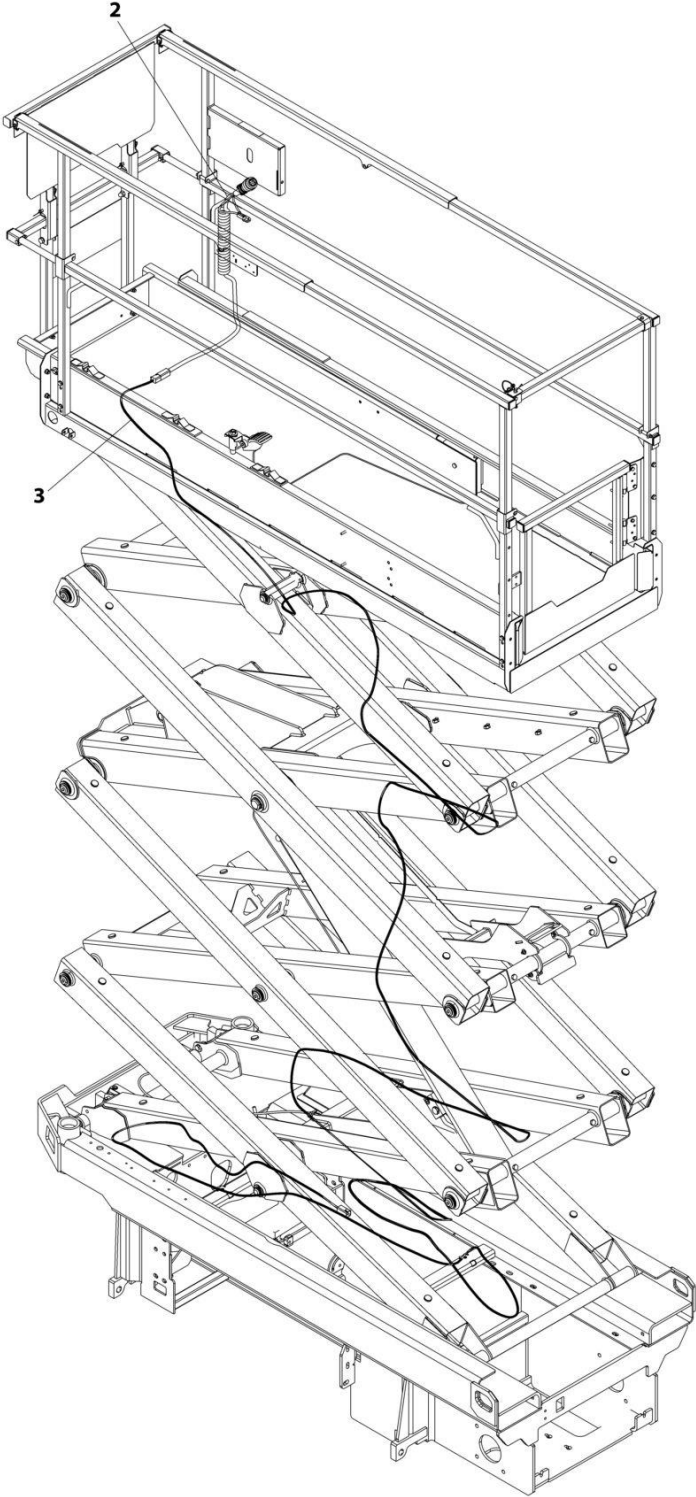
SECTION 6 - ELECTRICAL

**FIGURE 6-37. GROUND TO PLATFORM CABLE INSTALLATION - WITH PLATFORM COIL CABLE
(MACHINES WITH SN STARTING WITH B2 & M2)**

ITEM	PART NUMBER	QTY	DESCRIPTION	REV
	1001239676	Ref	GROUND TO PLATFORM CABLE INSTALLATION - WITH PLATFORM COIL CABLE	F
1	4240017	AR	Tie-Strap (Not Shown)	
2	1001202184	1	Platform Harness	
2	4460899	1	Receptacle, Female - 6 Position (To Item 3)	
2	4460464	4	Pin, Male	
2	4460943	2	Pin, Male	
2	4460754	1	Connector - 14 Position (To Console Box)	
2	4460465	8	Socket, Female	
2	4460466	6	Plug, Terminal	
3	1001237132	1	Cable Assembly - Ground to Platform	
3	4460894	1	Plug, Male - 6 Position (To Platform Harness Item 2)	
3	4460465	4	Socket, Female	
3	4460944	2	Socket, Female	
3	4460899	1	Receptacle, Female - 6 Position (To Chassis Harness)	
3	4460464	4	Pin, Male	
3	4460943	2	Pin, Male	

SECTION 6 - ELECTRICAL

FIGURE 6-38. GROUND TO PLATFORM CABLE INSTALLATION - WITH PLATFORM COIL CABLE & FOOTSWITCH (MACHINES WITH SN STARTING WITH B2)



ART_1001239678

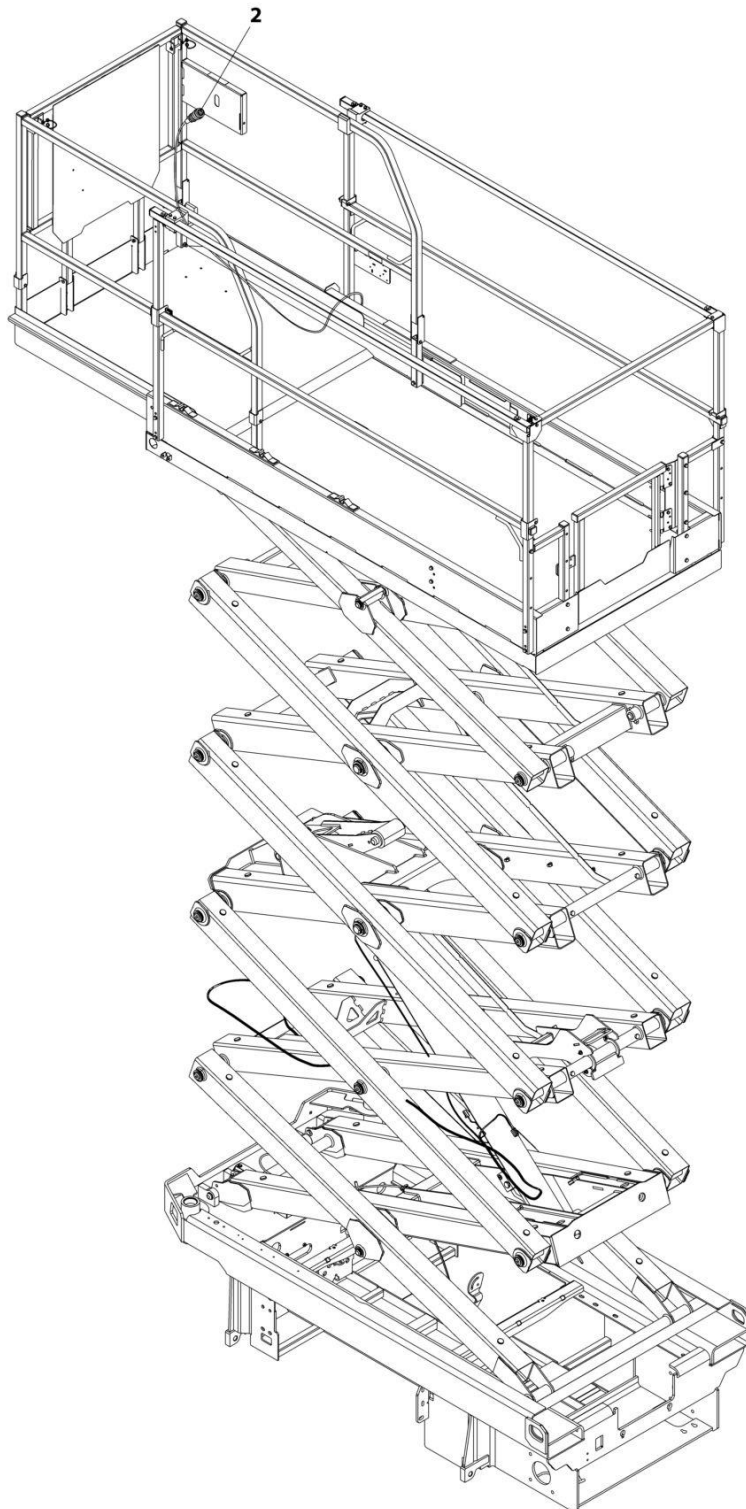
SECTION 6 - ELECTRICAL

FIGURE 6-38. GROUND TO PLATFORM CABLE INSTALLATION - WITH PLATFORM COIL CABLE & FOOTSWITCH (MACHINES WITH SN STARTING WITH B2)

ITEM	PART NUMBER	QTY	DESCRIPTION	REV
	1001239678	Ref	GROUND TO PLATFORM CABLE INSTALLATION - WITH PLATFORM COIL CABLE AND FOOTSWITCH	F
1	4240017	AR	Tie-Strap (Not Shown)	
2	1001223262	1	Platform Harness	
2	4460899	1	Receptacle, Female - 6 Position (To Item 3)	
2	4460464	4	Pin, Male	
2	4460943	2	Pin, Male	
2	4460754	1	Connector - 14 Position (To Console Box)	
2	4460465	8	Socket, Female	
2	4460944	2	Socket, Female	
2	4460466	4	Plug, Terminal	
2	4460891	1	Plug, Male - 2 Position (To Footswitch)	
2	4460465	2	Socket, Female	
2	4460897	1	Receptacle, Female - 2 Position (Footswitch Jumper)	
2	4460464	2	Pin, Male	
2	4460539	1	Plug, Male - 3 Position (To Overhead Switches)	
2	4460465	2	Socket, Female	
2	4460466	1	Plug, Terminal	
3	1001237132	1	Cable Assembly - Ground to Platform	
3	4460894	1	Plug, Male - 6 Position (To Platform Harness Item 2)	
3	4460465	4	Socket, Female	
3	4460944	2	Socket, Female	
3	4460899	1	Receptacle, Female - 6 Position (To Chassis Harness)	
3	4460464	4	Pin, Male	
3	4460943	2	Pin, Male	

SECTION 6 - ELECTRICAL

FIGURE 6-39. GROUND TO PLATFORM CABLE INSTALLATION - PLATFORM STRAIGHT CABLE ONLY (MACHINES WITH SN STARTING WITH 12)



ART_1001223650

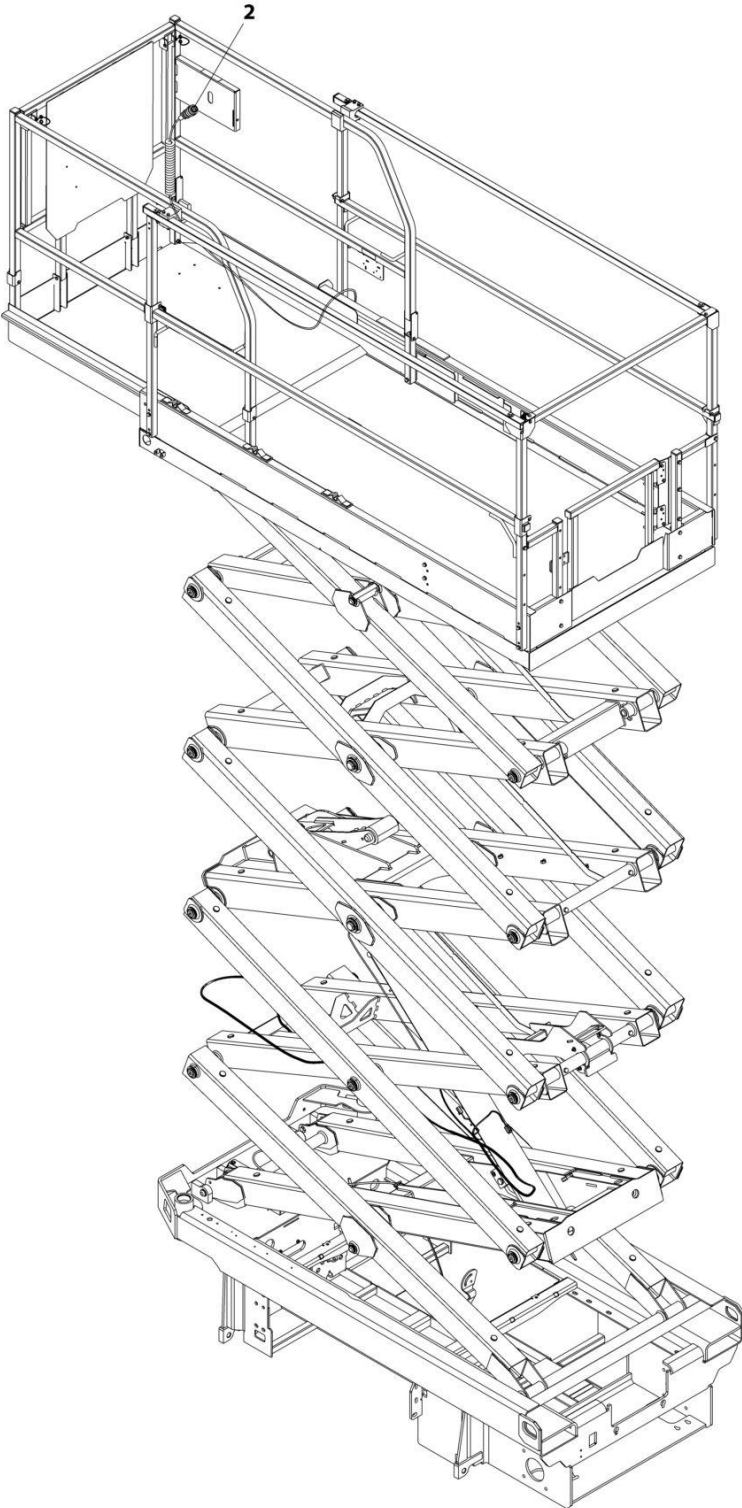
SECTION 6 - ELECTRICAL

FIGURE 6-39. GROUND TO PLATFORM CABLE INSTALLATION - PLATFORM STRAIGHT CABLE ONLY (MACHINES WITH SN STARTING WITH 12)

ITEM	PART NUMBER	QTY	DESCRIPTION	REV
	1001223650	Ref	GROUND TO PLATFORM CABLE INSTALLATION	A
1	4240017	AR	Tie-Strap (Not Shown)	
2	1001200812	1	Platform Harness	
2	4460899	1	Receptacle, Female - 6 position (To Platform/AC Cable Connector)	
2	4460464	4	Pin, Male	
2	4460943	2	Pin, Male	
2	4460754	1	Connector - 14 Position (To Console Box)	
2	4460465	8	Socket, Female	
2	4460466	6	Plug, Terminal	

SECTION 6 - ELECTRICAL

**FIGURE 6-40. GROUND TO PLATFORM CABLE INSTALLATION - PLATFORM COIL CABLE ONLY
(MACHINES WITH SN STARTING WITH 12)**



ART_1001223651

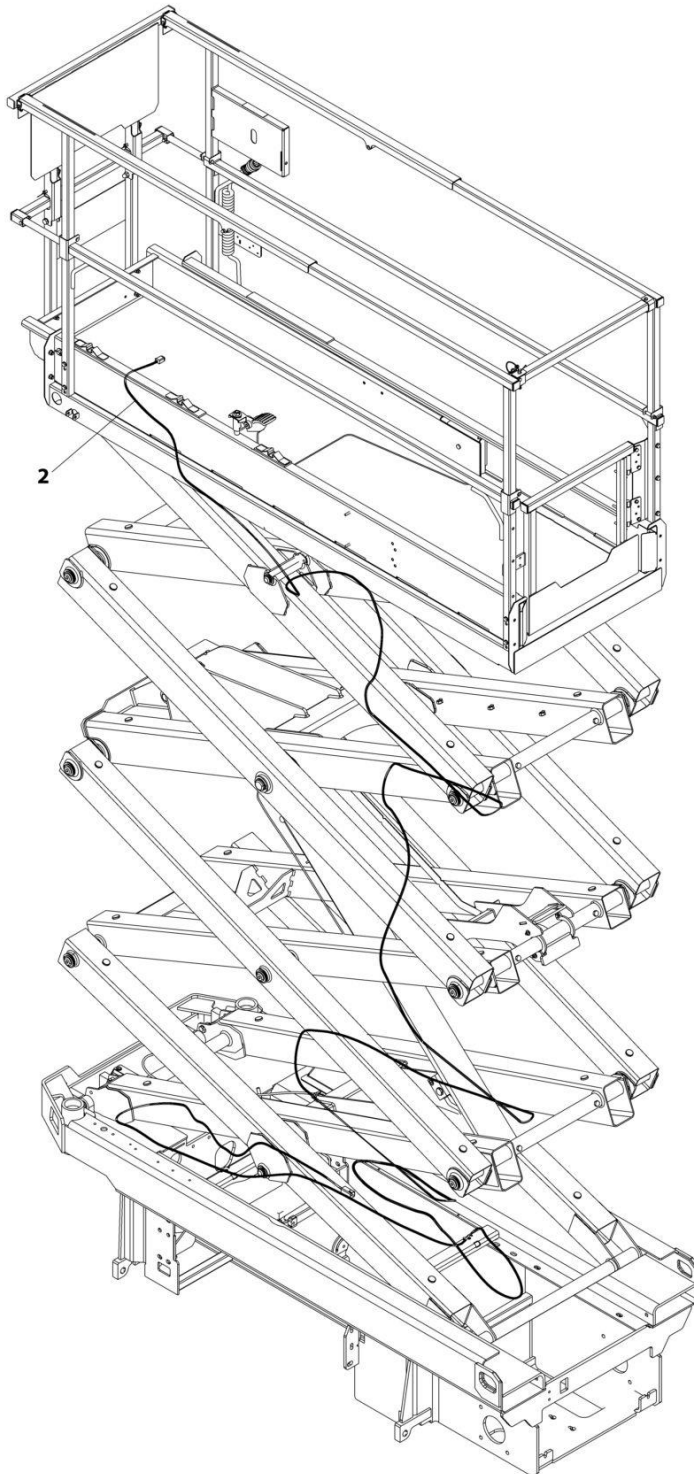
SECTION 6 - ELECTRICAL

**FIGURE 6-40. GROUND TO PLATFORM CABLE INSTALLATION - PLATFORM COIL CABLE ONLY
(MACHINES WITH SN STARTING WITH 12)**

ITEM	PART NUMBER	QTY	DESCRIPTION	REV
	1001223651	Ref	GROUND TO PLATFORM CABLE INSTALLATION	A
1	4240017	AR	Tie-Strap (Not Shown)	
2	1001202184	1	Platform Harness	
2	4460899	1	Receptacle, Female - 6 position (To Platform/AC Cable Connector)	
2	4460464	4	Pin, Male	
2	4460943	2	Pin, Male	
2	4460754	1	Connector - 14 Position (To Console Box)	
2	4460465	8	Socket, Female	
2	4460466	6	Plug, Terminal	

SECTION 6 - ELECTRICAL

FIGURE 6-41. GROUND TO PLATFORM CABLE INSTALLATION - SCISSORS ARMS CABLE ONLY
(MACHINES WITH SN STARTING WITH 12)



ART_1001239679

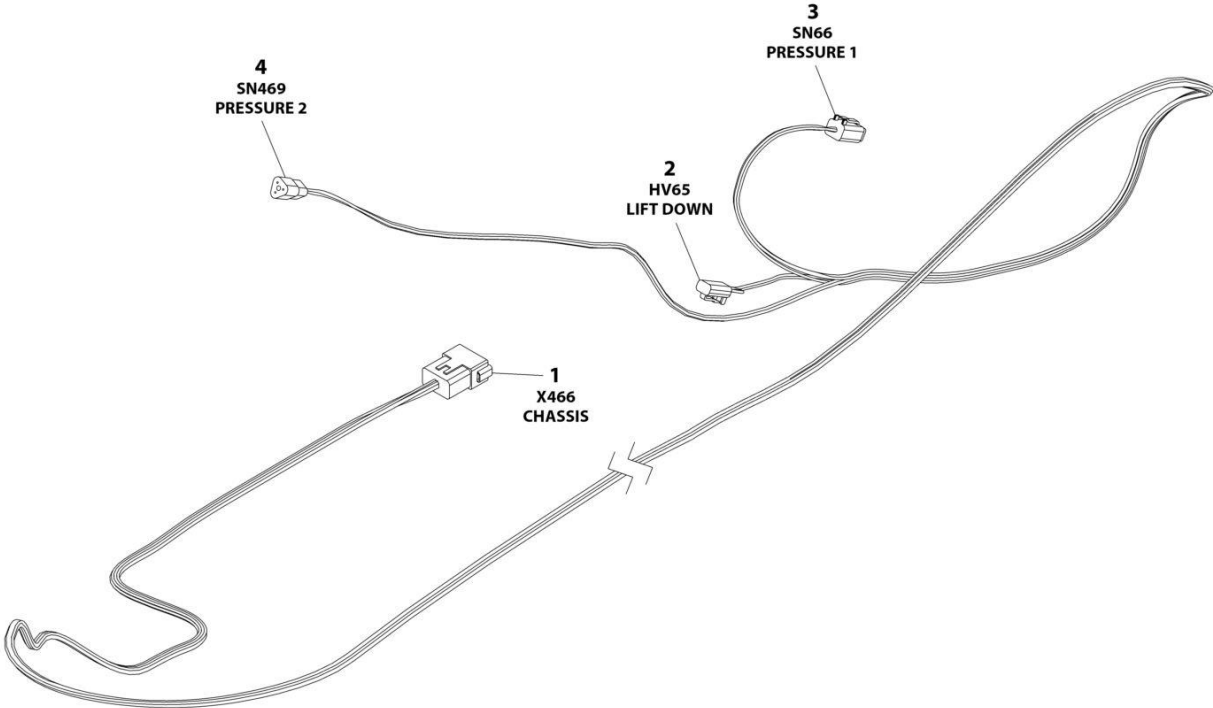
SECTION 6 - ELECTRICAL

**FIGURE 6-41. GROUND TO PLATFORM CABLE INSTALLATION - SCISSORS ARMS CABLE ONLY
(MACHINES WITH SN STARTING WITH 12)**

ITEM	PART NUMBER	QTY	DESCRIPTION	REV
	1001239679	Ref	GROUND TO PLATFORM CABLE INSTALLATION	F
1	4240017	AR	Tie-Strap (Not Shown)	
2	1001237132	1	Cable Assembly - Ground to Platform	
2	4460894	1	Plug, Male - 6 Position (To Platform Harness Item 2)	
2	4460465	4	Socket, Female	
2	4460944	2	Socket, Female	
2	4460899	1	Receptacle, Female - 6 Position (To Chassis Harness)	
2	4460464	4	Pin, Male	
2	4460943	2	Pin, Male	

SECTION 6 - ELECTRICAL

FIGURE 6-42. LIFT DOWN HARNESS



ART_1001233795

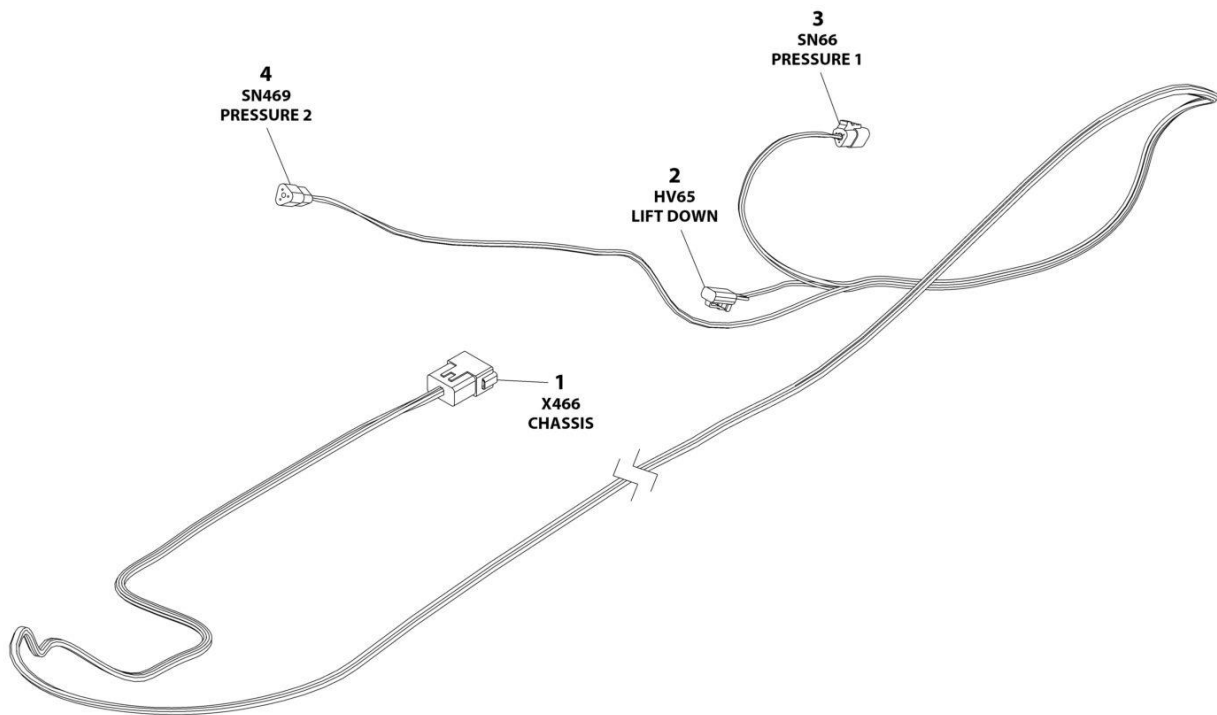
SECTION 6 - ELECTRICAL

FIGURE 6-42. LIFT DOWN HARNESS

ITEM	PART NUMBER	QTY	DESCRIPTION	REV
	1001233795	Ref	LIFT DOWN HARNESS	D
1	4460970	1	Receptacle, Female - 12 Position	
1	4460464	9	Pin, Male	
1	4460466	3	Plug, Terminal	
2	4460891	1	Plug, Male - 4 Position	
2	4460465	2	Socket, Female	
3	4460884	1	Plug, Male - 4 Position	
3	4460465	4	Socket, Female	
4	4460539	1	Plug, Male - 3 Position	
4	4460465	3	Socket, Female	

SECTION 6 - ELECTRICAL

FIGURE 6-43. LIFT DOWN HARNESS (SN B200087311 to Present, SN M200080362 to Present)



ART_1001294243

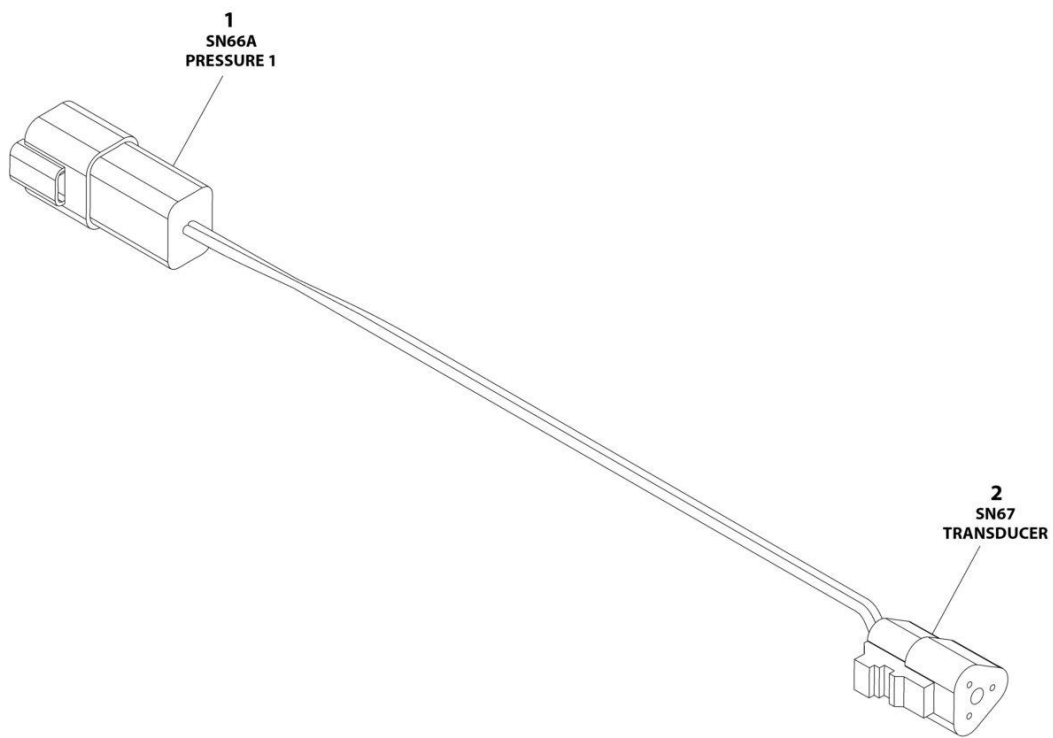
SECTION 6 - ELECTRICAL

FIGURE 6-43. LIFT DOWN HARNESS (SN B200087311 to Present, SN M200080362 to Present)

ITEM	PART NUMBER	QTY	DESCRIPTION	REV
	1001294243	Ref	LIFT DOWN HARNESS	A
1	4460970	1	Connector	
1	4460464	7	Pin	
1	4460466	5	Plug	
2	4460891	1	Connector	
2	4460465	2	Socket	
3	4460539	1	Connector	
3	4460465	2	Socket	
3	4460466	1	Plug	
4	4460539	1	Connector	
4	4460465	3	Socket	

SECTION 6 - ELECTRICAL

FIGURE 6-44. JUMPER HARNESS TO LIFT DOWN



ART_1001285829

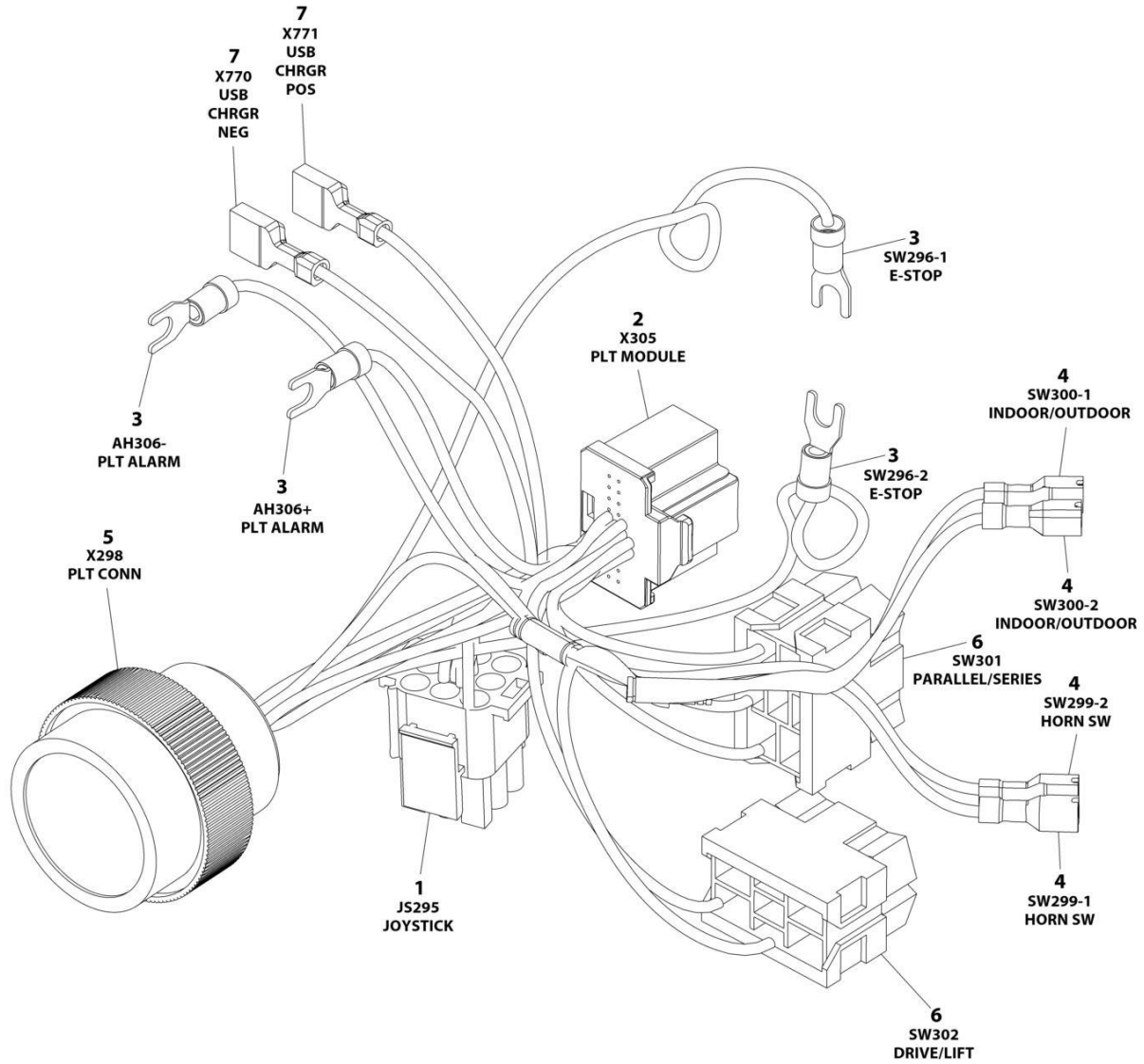
SECTION 6 - ELECTRICAL

FIGURE 6-44. JUMPER HARNESS TO LIFT DOWN

ITEM	PART NUMBER	QTY	DESCRIPTION	REV
	1001285829	Ref	JUMPER HARNESS TO LIFT DOWN	C
1	4460932	1	Connector	
1	4460464	2	Pin	
1	4460466	2	Plug	
2	4460539	1	Connector	
2	4460465	2	Pin	
2	4460466	1	Plug	

SECTION 6 - ELECTRICAL

FIGURE 6-45. PLATFORM CONTROL BOX HARNESS



ART_1001200819

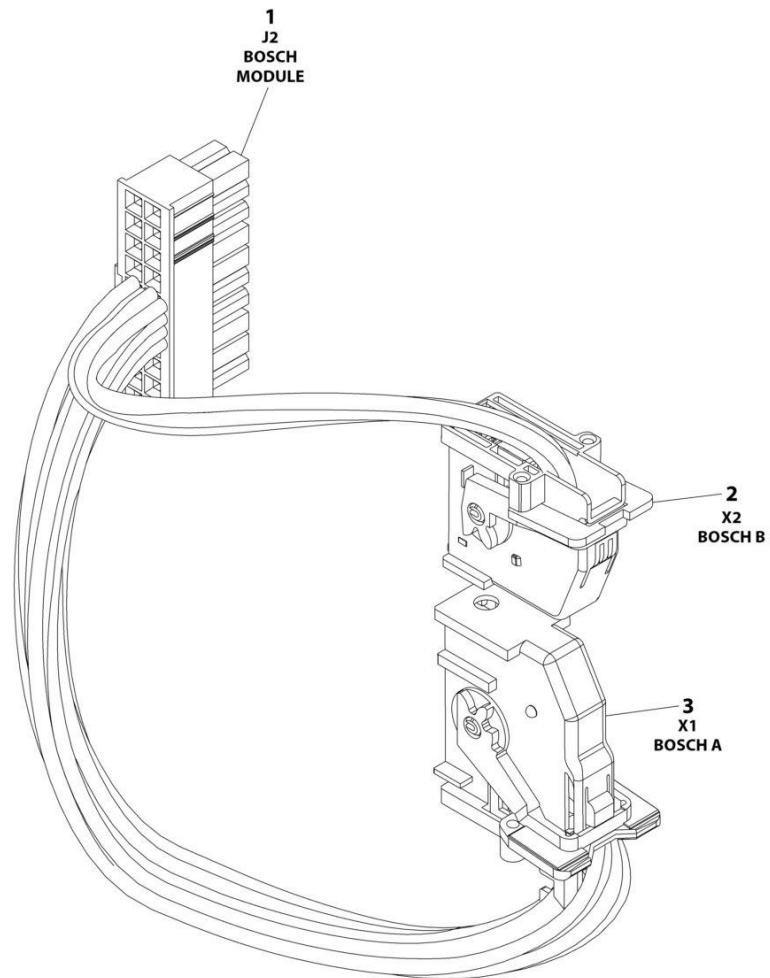
SECTION 6 - ELECTRICAL

FIGURE 6-45. PLATFORM CONTROL BOX HARNESS

ITEM	PART NUMBER	QTY	DESCRIPTION	REV
	1001200819	Ref	PLATFORM CONTROL BOX HARNESS	F
1	4460265	1	Plug, Male - 9 Position	
1	4460267	6	Pin, Male	
2	1001212036	1	Connector - 20 Position	
2	1001212035	16	Terminal	
3	4460183	4	Terminal, Fork	
4	1001201885	4	Terminal with Cover	
5	4461016	1	Connector - 14 Position	
5	4460464	8	Pin, Male	
5	4460466	6	Plug, Terminal	
6	4460418	2	Connector - 6 Position	
6	1001159186	5	Terminal	
7	1001194421	2	Terminal	

SECTION 6 - ELECTRICAL

FIGURE 6-46. SKYSENSE BOX HARNESS (SN M200079816 to Present)



ART_1001300776

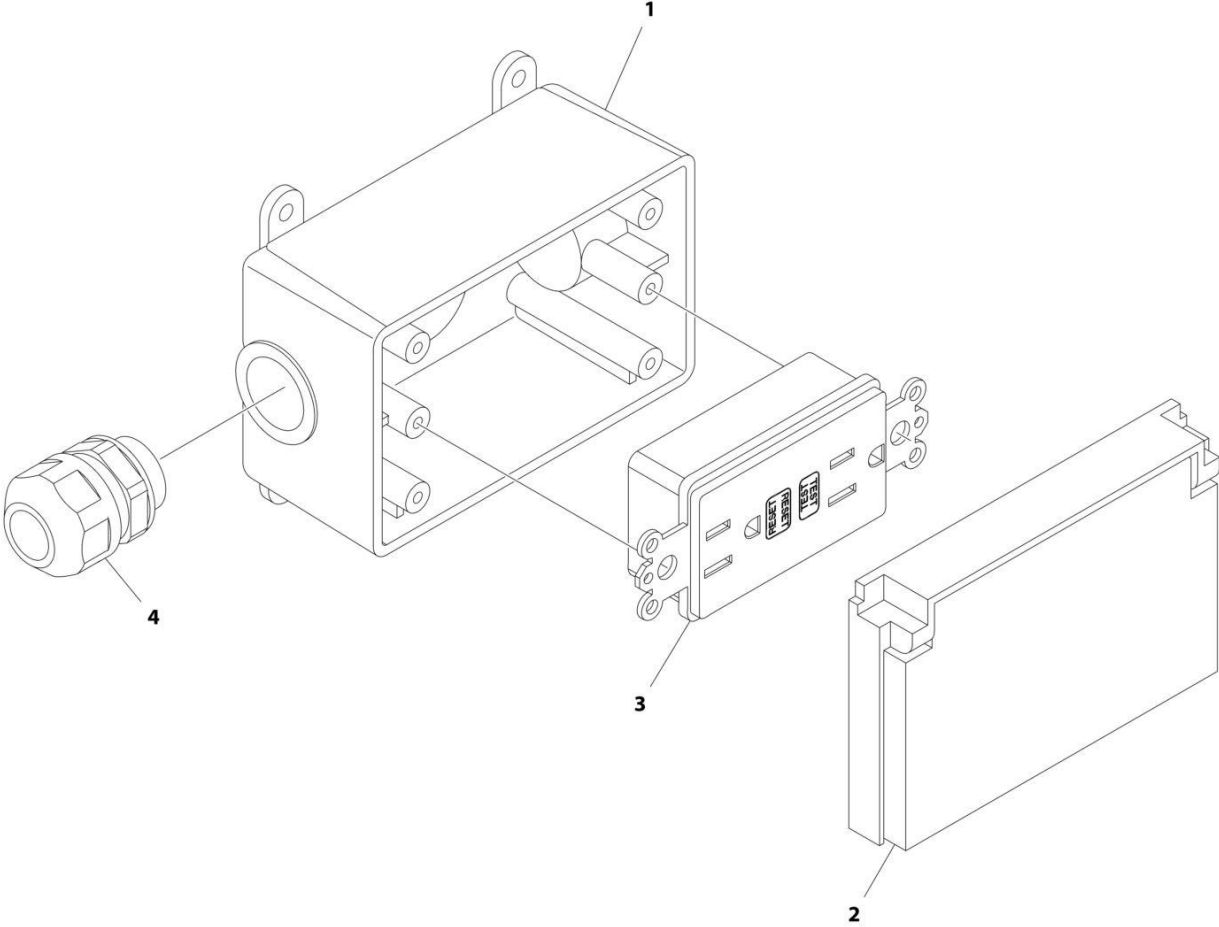
SECTION 6 - ELECTRICAL

FIGURE 6-46. SKYSENSE BOX HARNESS (SN M200079816 to Present)

ITEM	PART NUMBER	QTY	DESCRIPTION	REV
	1001300776	Ref	SKYSENSE BOX HARNESS	A
1	4460919	1	Connector	
1	4461023	20	Socket	
2	1001249628	1	Connector	
2	1001249627	1	Housing Connector	
2	1001250593	4	Socket	
3	1001249626	1	Connector	
3	1001249623	1	Housing Connector	
3	1001250593	16	Socket	

SECTION 6 - ELECTRICAL

FIGURE 6-47. RECEPTACLE BOX KIT - 110V GFI



ART_2902431

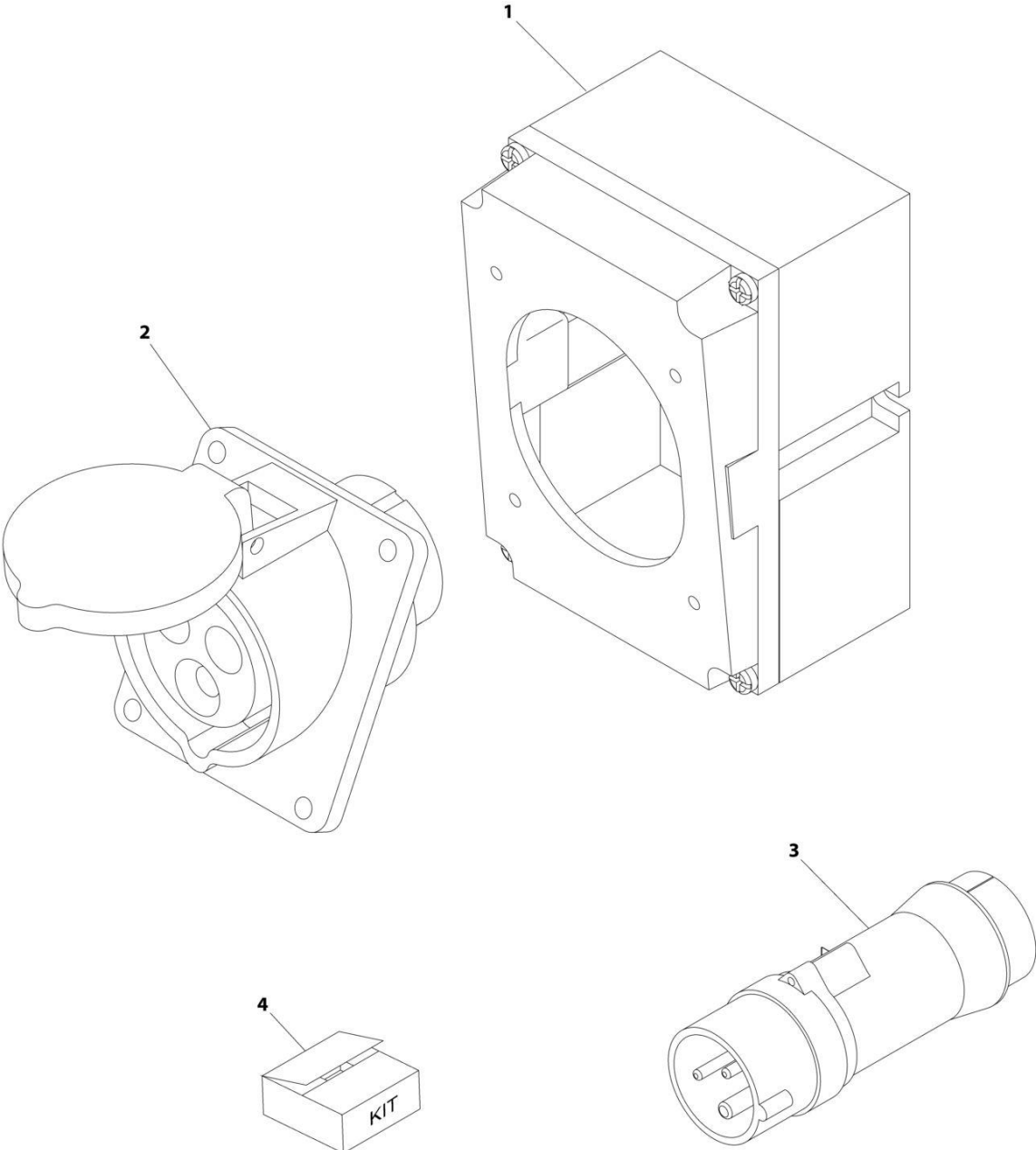
SECTION 6 - ELECTRICAL

FIGURE 6-47. RECEPTACLE BOX KIT - 110V GFI

ITEM	PART NUMBER	QTY	DESCRIPTION	REV
	2902431	Ref	RECEPTACLE BOX KIT - 110V GFI	D
1	0861731	1	Box, Receptacle	
2	1671207	1	Cover, Receptacle	
3	4460346	1	Receptacle	
4	4460662	1	Connector, Strain Relief	

SECTION 6 - ELECTRICAL

FIGURE 6-48. RECEPTACLE BOX KIT - 110V IEC YELLOW (CE & UK CA SPEC)



ART_0275216

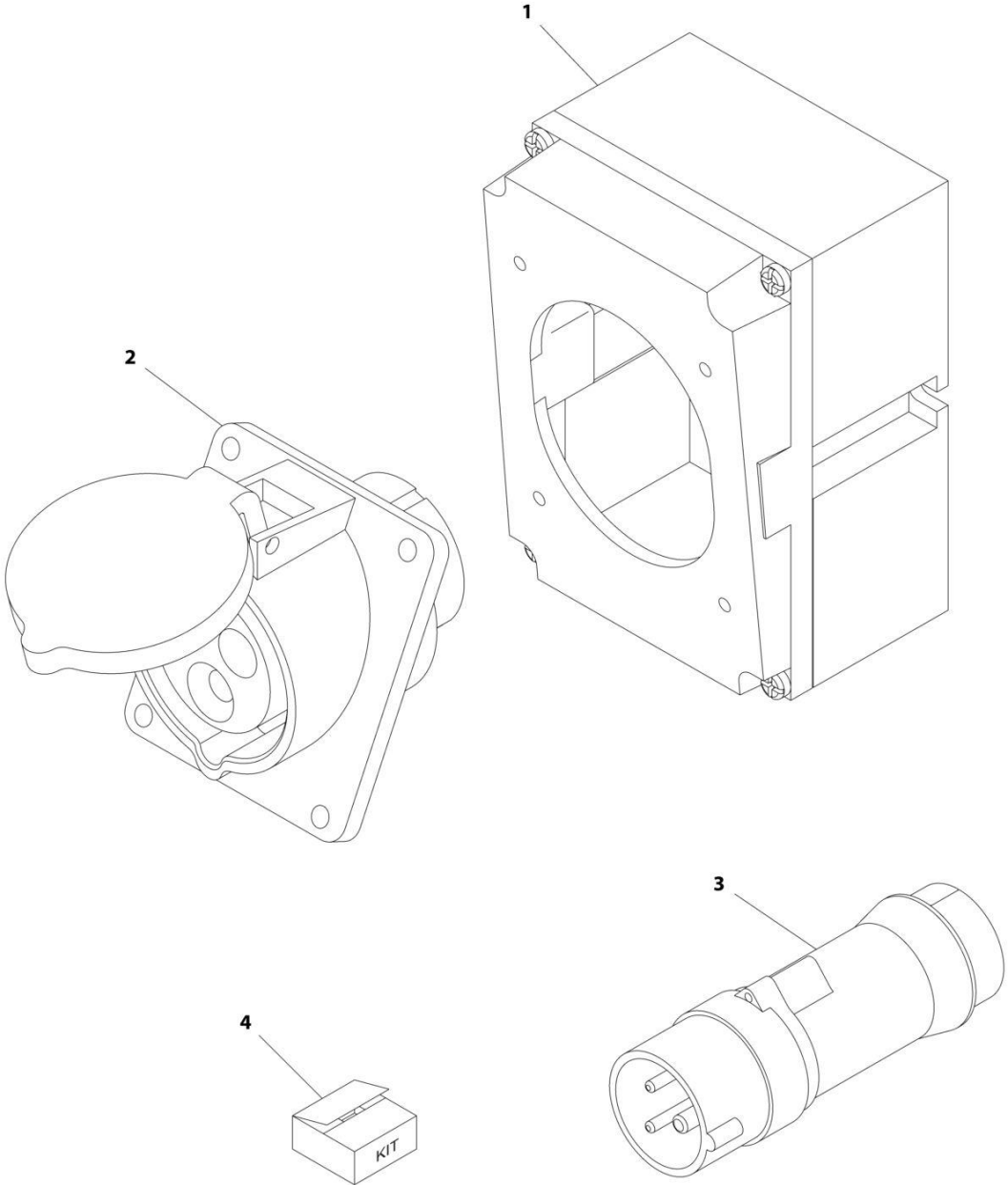
SECTION 6 - ELECTRICAL

FIGURE 6-48. RECEPTACLE BOX KIT - 110V IEC YELLOW (CE & UK CA SPEC)

ITEM	PART NUMBER	QTY	DESCRIPTION	REV
	0275216	Ref	RECEPTACLE BOX KIT - 110V IEC YELLOW	B
1	0861781	1	Box, Switch	
2	4461198	1	Receptacle	
3	4461196	1	Plug, Male	
4	1001100341	1	Plug and Socket Kit (Includes Items 1-3 and Female Plug p/n 4461197)	

SECTION 6 - ELECTRICAL

FIGURE 6-49. RECEPTACLE BOX KIT - 220V IEC BLUE (CE & UK CA SPEC)



ART_0275217

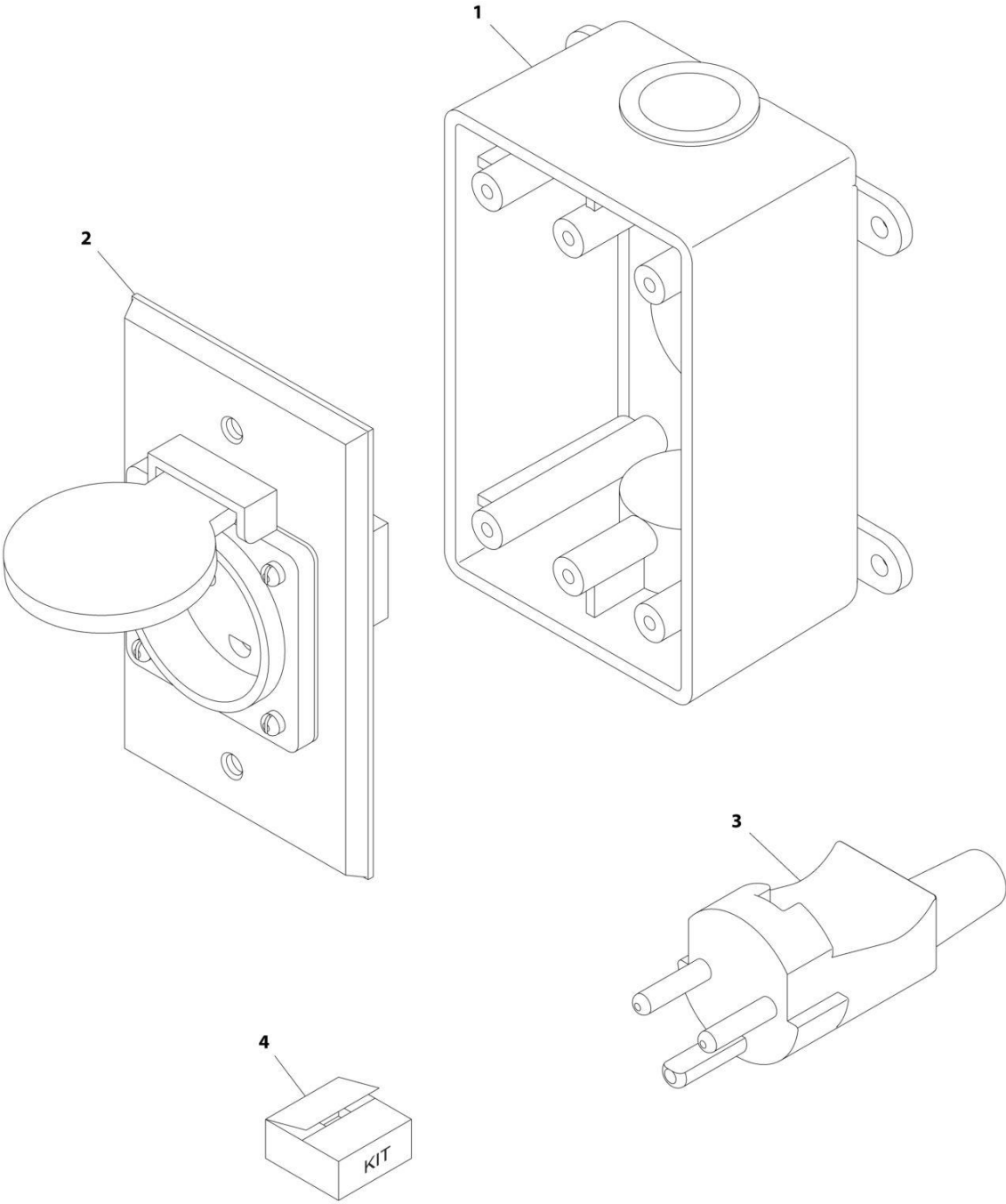
SECTION 6 - ELECTRICAL

FIGURE 6-49. RECEPTACLE BOX KIT - 220V IEC BLUE (CE & UK CA SPEC)

ITEM	PART NUMBER	QTY	DESCRIPTION	REV
	0275217	Ref	RECEPTACLE BOX KIT - 220V IEC BLUE	B
1	0861781	1	Box, Switch	
2	4461201	1	Receptacle	
3	4461199	1	Plug, Male	
4	1001100342	1	Plug and Socket Kit (Includes Items 1-3 and Female Plug p/n 4461200)	

SECTION 6 - ELECTRICAL

FIGURE 6-50. RECEPTACLE BOX KIT - 220V AFSINT 107 (CE & UK CA SPEC)



ART_0275454

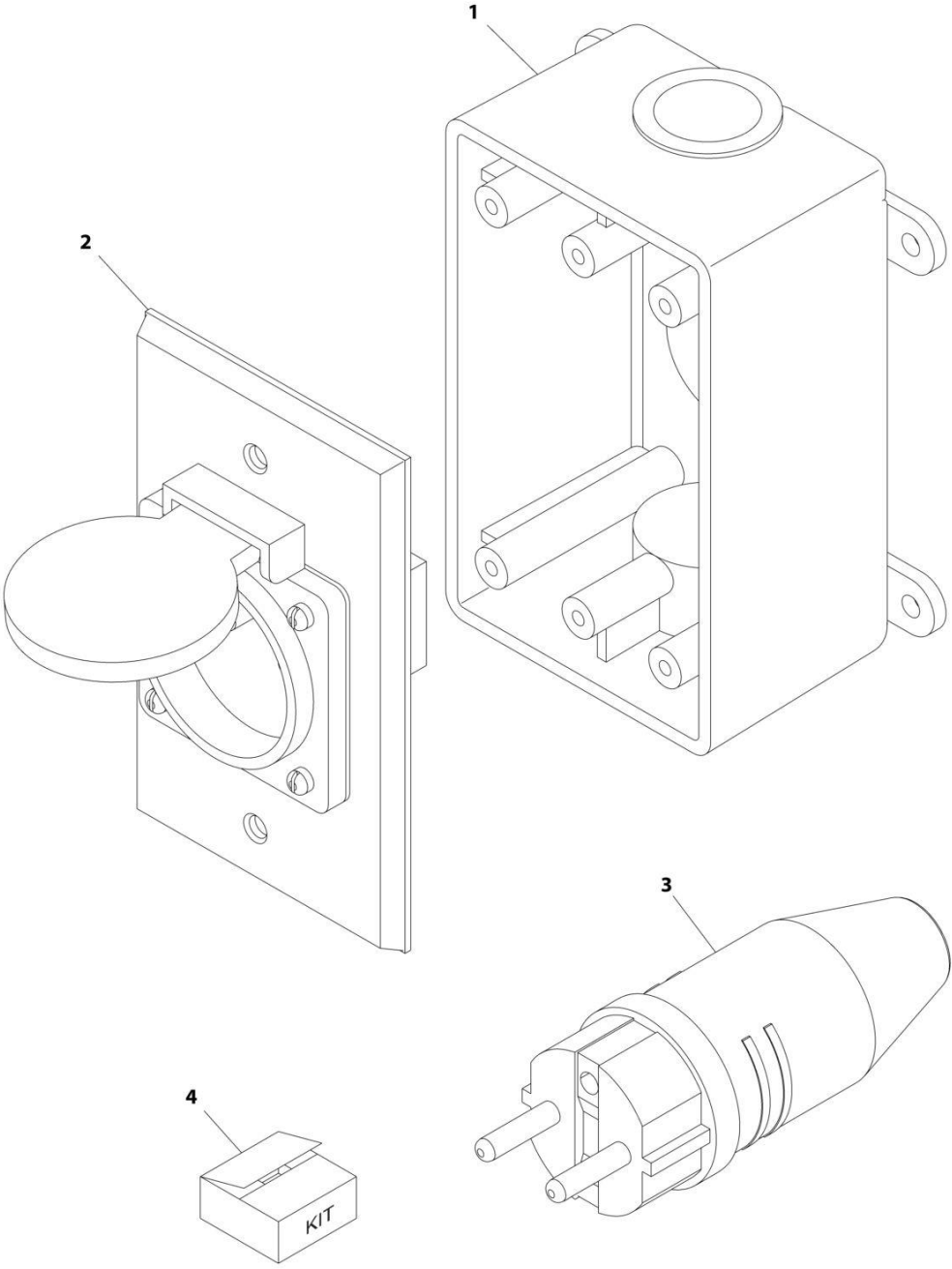
SECTION 6 - ELECTRICAL

FIGURE 6-50. RECEPTACLE BOX KIT - 220V AFSINT 107 (CE & UK CA SPEC)

ITEM	PART NUMBER	QTY	DESCRIPTION	REV
	0275454	Ref	RECEPTACLE BOX KIT - 220V AFSINT 107	B
1	0861731	1	Box, Switch	
2	4461246	1	Receptacle	
3	4461249	1	Plug, Male	
4	1001100346	1	Plug and Socket Kit (Includes Items 1-3 and Female Plug p/n 4461250)	

SECTION 6 - ELECTRICAL

FIGURE 6-51. RECEPTACLE BOX KIT - 220V CEE7 POST GROUND (CE & UK CA SPEC)



ART_0275452-C

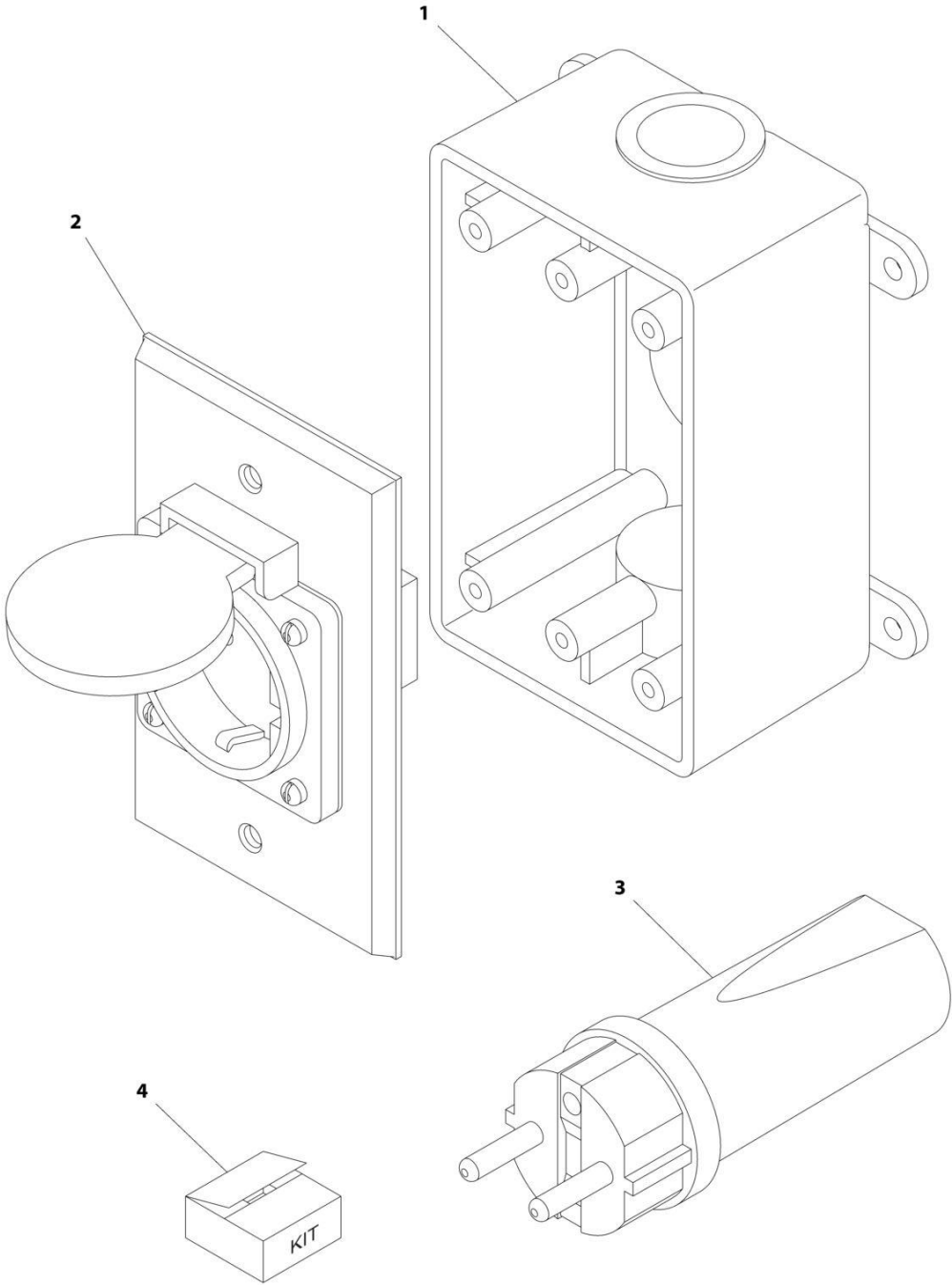
SECTION 6 - ELECTRICAL

FIGURE 6-51. RECEPTACLE BOX KIT - 220V CEE7 POST GROUND (CE & UK CA SPEC)

ITEM	PART NUMBER	QTY	DESCRIPTION	REV
	0275452	Ref	RECEPTACLE BOX KIT - 220V CEE7 POST GROUND 2IN X 4IN BOX	C
1	0861731	1	Box, Switch	
2	4461244	1	Receptacle	
3	4461205	1	Plug, Male	
4	1001100345	1	Plug and Socket Kit (Includes Items 1-3 and Female Plug p/n 4461203)	

SECTION 6 - ELECTRICAL

FIGURE 6-52. RECEPTACLE BOX KIT - 220V CEE7 SIDE GROUND (CE & UK CA SPEC)



ART_0275453

SECTION 6 - ELECTRICAL

FIGURE 6-52. RECEPTACLE BOX KIT - 220V CEE7 SIDE GROUND (CE & UK CA SPEC)

ITEM	PART NUMBER	QTY	DESCRIPTION	REV
	0275453	Ref	RECEPTACLE BOX KIT - 220V CEE7 SIDE GROUND	B
1	0861731	1	Box, Switch	
2	4461245	1	Receptacle	
3	4461205	1	Plug, Male	
4	1001100347	1	Plug and Socket Kit (Includes Items 1-3 and Female Plug p/n 4461206)	

SECTION 7 - DECALS

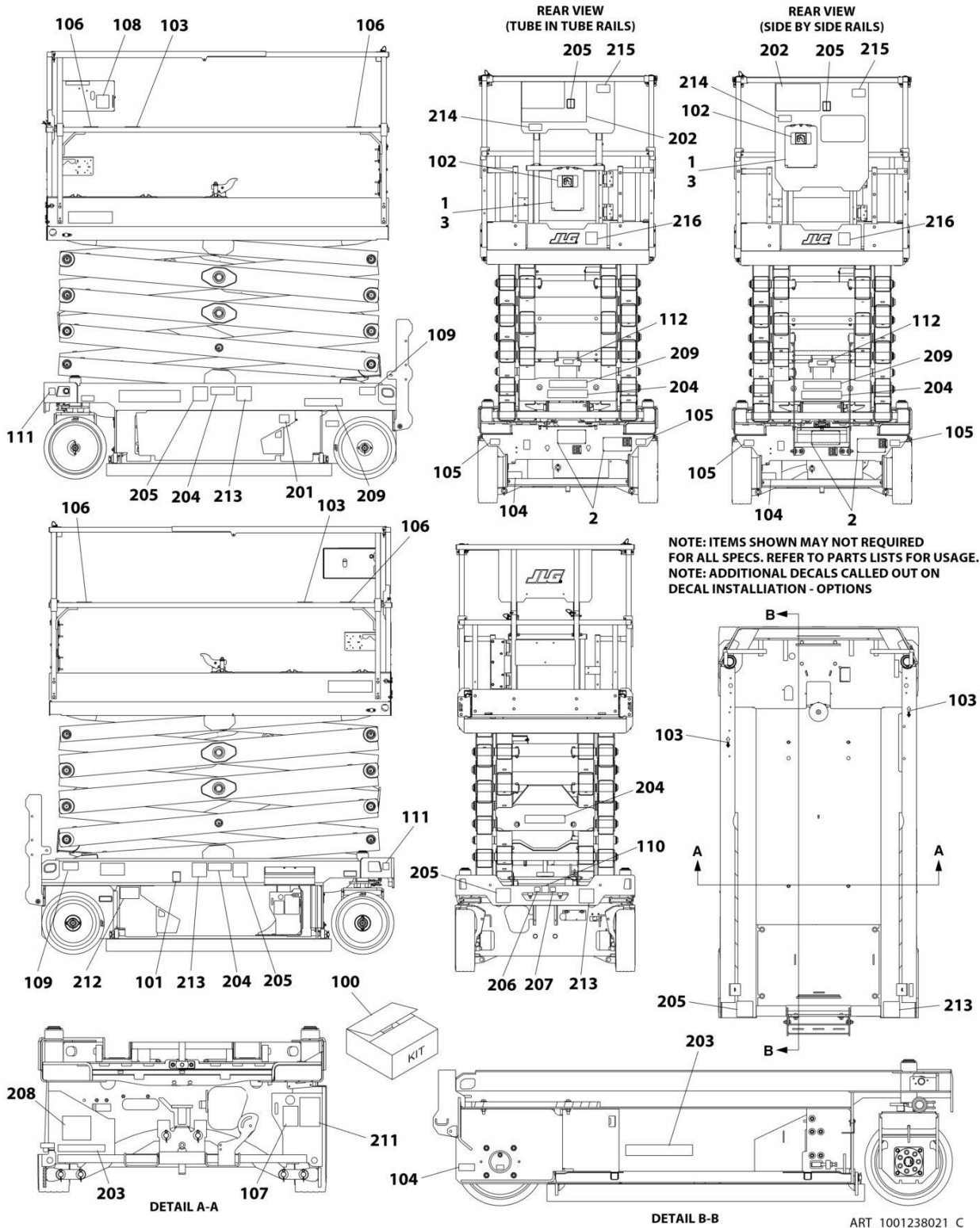
SECTION 7 - DECALS

FIGURE 7-1. DECAL INSTALLATION (ANSI SPECS)

ITEM	PART NUMBER	QTY	DESCRIPTION	REV
	1001238014	Ref	DECAL INSTALLATION (ENGLISH LANGUAGE)	D
	1001237749	Ref	DECAL REFERENCE CHART	H
1	2080040	3	Fastener	
2	2080057	4	Fastener	
3	8990147	1	Holder, Manual	
100	1001239270	1	Master Decal Kit	D
101	1701504	1	Decal - Hydraulic Oil	
102	1701640	1	Decal - Manual	
103	1703819	4	Decal - Direction Arrow	
104	1001248126	1	Decal - Manual Descent Instructions	
105	1704016	2	Decal - Fork Lift	
106	1704277	4	Decal - Lanyard Attach	
107	1704412	1	Decal - Hydraulic Oil	
108	1001132359	1	Decal - Control Box Locate	
109	1001162864	2	Decal - Lift Point/Tie Down	
110	1001212290	1	Decal - Tie Down	
111	1001212291	2	Decal - Lifting Lug	
112	1001237899	1	Decal - Arms Prop	
201	1702155	1	Decal - Battery Disconnect	
202	1703816	1	Decal - Danger/Warning	
203	1001146794	1	Decal - Battery/Charger Service	
204	1001211777	4	Decal - Crushing Hazard	
205	1001211779	4	Decal - Electrocution	
206	1001212292	1	Decal - No Lifting	
207	1001212293	1	Decal - No Forklift	
208	1001237538	1	Decal - Battery Spacer	
209	1703813	2	Decal - Warning Battery Ventilation	
211	1001131270	1	Decal - Patent	
212	1001223055	1	Decal - Yearly Inspection	
214	1001228370	1	Decal - ICES	
215	1001231801	1	Decal - Warning Prop 65	

SECTION 7 - DECALS

FIGURE 7-2. DECAL INSTALLATION (AUSTRALIAN SPECS)



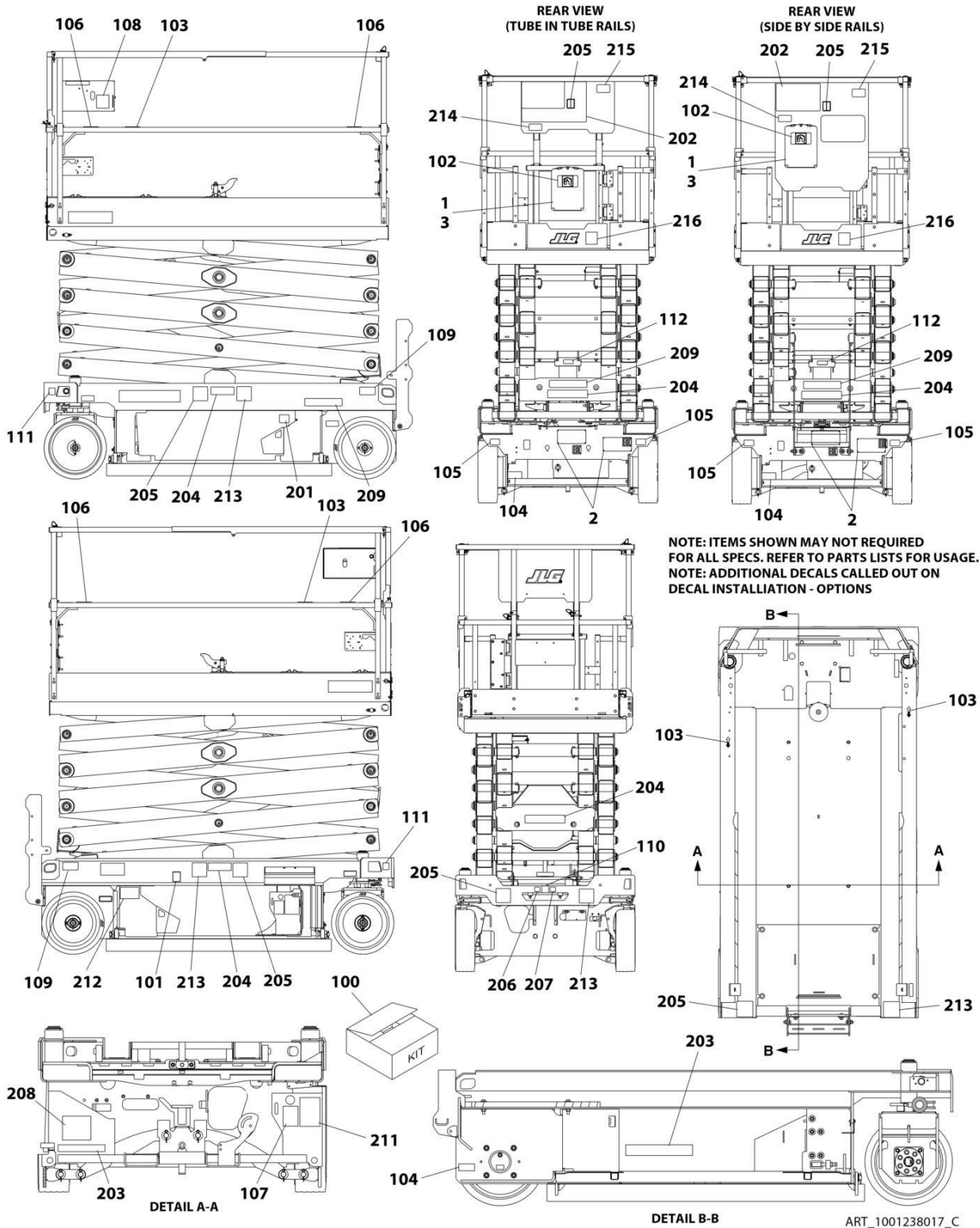
SECTION 7 - DECALS

FIGURE 7-2. DECAL INSTALLATION (AUSTRALIAN SPECS)

ITEM	PART NUMBER	QTY	DESCRIPTION	REV
	1001238021	Ref	DECAL INSTALLATION (ENGLISH LANGUAGE)	C
	1001237749	Ref	DECAL REFERENCE CHART	H
1	2080040	3	Fasteners	
2	2080057	4	Fasteners	
3	8990147	1	Holder, Manual	
100	1001239270	1	Master Decal Kit	D
101	1701504	1	Decal - Hydraulic Oil	
102	1701640	1	Decal - Manual	
103	1703819	4	Decal - Direction Arrow	
104	1001248126	1	Decal - Manual Descent Instructions	
105	1704016	2	Decal - Fork Lift	
106	1704277	4	Decal - Lanyard Attach Graphic	
107	1704412	1	Decal - Hydraulic Oil	
108	1001132359	1	Decal - Control Box Locate	
109	1001162864	2	Decal - Lift Point/Tie Down	
110	1001212290	1	Decal - Tie Down	
111	1001212291	2	Decal - Lifting Lug	
112	1001237899	1	Decal - Arms Prop	
201	1702155	1	Decal - Battery Disconnect	
203	1001146794	1	Decal - Battery/Charger Service	
204	1705673	4	Decal - Crushing	
205	1705671	5	Decal - Electrocution	
206	1001212292	1	Decal - No Lifting	
207	1001212293	1	Decal - No Forklift	
208	1001237538	1	Decal - Battery Spacer	
209	1705670	2	Decal - Fire Hazard	

SECTION 7 - DECALS

FIGURE 7-3. DECAL INSTALLATION (BRAZIL SPECS)



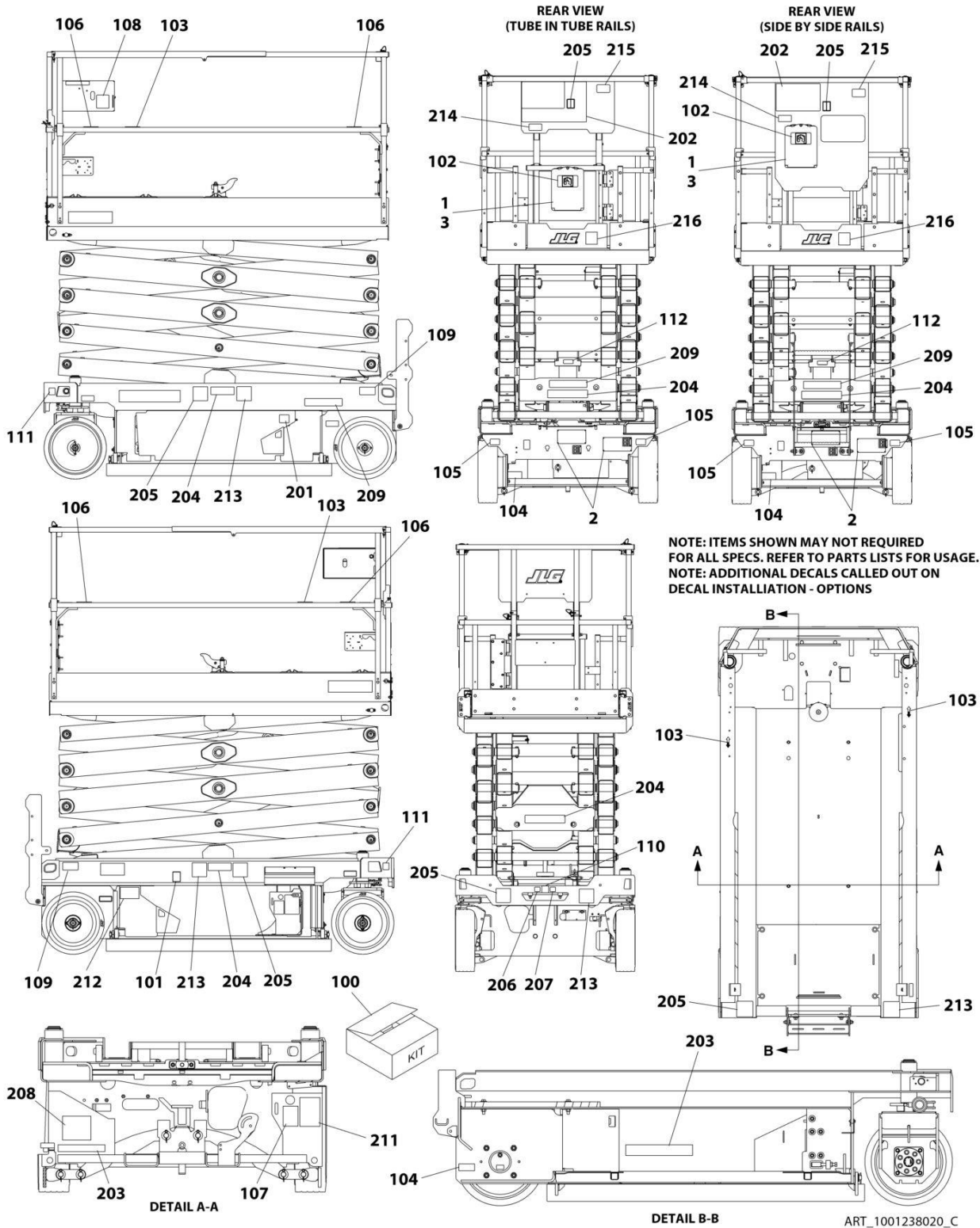
SECTION 7 - DECALS

FIGURE 7-3. DECAL INSTALLATION (BRAZIL SPECS)

ITEM	PART NUMBER	QTY	DESCRIPTION	REV
	1001238017	Ref	DECAL INSTALLATION (SPANISH/PORTUGUESE LANGUAGE)	C
	1001237749	Ref	DECAL REFERENCE CHART	H
1	2080040	3	Fastener	
2	2080057	4	Fastener	
3	8990147	1	Holder, Manual	
100	1001239270	1	Master Decal Kit	D
101	1701504	1	Decal - Hydraulic Oil	
102	1701640	1	Decal - Manual	
103	1703819	4	Decal - Direction Arrow	
104	1001248126	1	Decal - Manual Descent Instructions	
105	1704016	2	Decal - Fork Lift	
106	1704277	4	Decal - Lanyard Attach	
107	1704412	1	Decal - Hydraulic Oil	
108	1001132359	1	Decal - Control Box Locate	
109	1001162864	2	Decal - Lift Point/Tie Down	
110	1001212290	1	Decal - Tie Down	
111	1001212291	2	Decal - Lifting Lug	
112	1001237899	1	Decal - Arms Prop	
201	1702155	1	Decal - Battery Disconnect	
202	1704699	1	Decal - Danger/Warning	
203	1001146794	1	Decal - Battery/Charger Service	
204	1001216650	4	Decal - Crushing Hazard	
205	1001215748	4	Decal - Electrocution	
206	1001212292	1	Decal - No Lifting	
207	1001212293	1	Decal - No Forklift	
208	1001237538	1	Decal - Battery Spacer	
209	1704341	2	Decal - Warning Battery Ventilation	
212	1001224052	1	Decal - Yearly Inspection	
213	1001216648	4	Decal - Danger Electrocution	

SECTION 7 - DECALS

FIGURE 7-4. DECAL INSTALLATION (CE & UK CA SPECS)



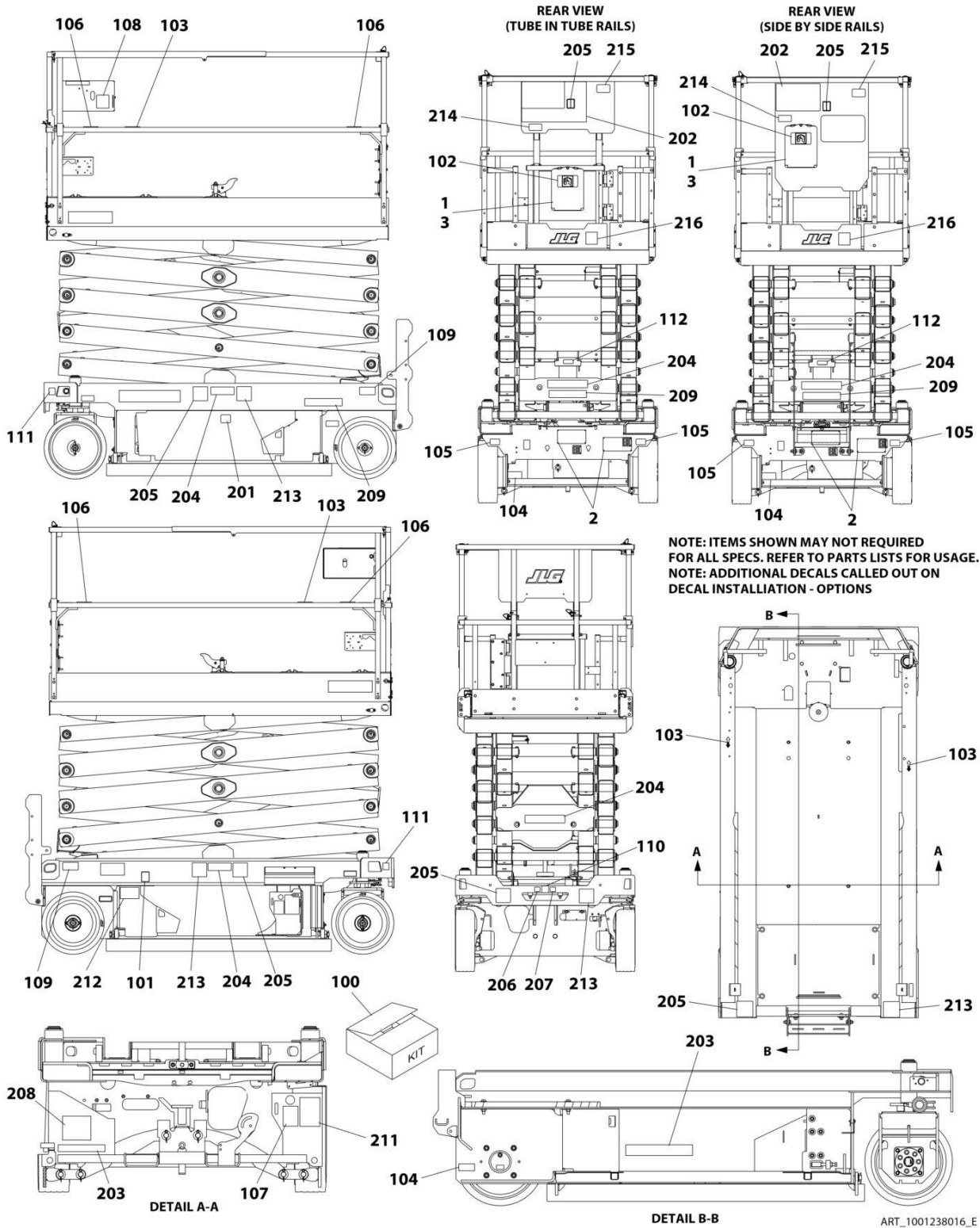
SECTION 7 - DECALS

FIGURE 7-4. DECAL INSTALLATION (CE & UK CA SPECS)

ITEM	PART NUMBER	QTY	DESCRIPTION	REV
	1001238020	Ref	DECAL INSTALLATION (ENGLISH LANGUAGE)	C
	1001237749	Ref	DECAL REFERENCE CHART	H
1	2080040	3	Fastener	
2	2080057	4	Fastener	
3	8990147	1	Holder, Manual	
100	1001239270	1	Master Decal Kit	D
101	1701504	1	Decal - Hydraulic Oil	
102	1701640	1	Decal - Manual	
103	1703819	4	Decal - Direction Arrow	
104	1001248126	1	Decal - Manual Descent Instructions	
105	1704016	2	Decal - Fork Lift	
106	1704277	4	Decal - Lanyard Attach	
107	1704412	1	Decal - Hydraulic Oil	
108	1001132359	1	Decal - Control Box Locate	
109	1001162864	2	Decal - Lift Point/Tie Down	
110	1001212290	1	Decal - Tie Down	
111	1001212291	2	Decal - Lifting Lug	
112	1001237899	1	Decal - Arms Prop	
201	1702155	1	Decal - Battery Disconnect	
203	1001146795	1	Decal - Battery/Charger Service	
204	1705673	4	Decal - Crushing	
205	1705671	5	Decal - Electrocution	
206	1001212292	1	Decal - No Lifting	
207	1001212293	1	Decal - No Forklift	
208	1001237538	1	Decal - Battery Spacer	
209	1705670	2	Decal - Fire Hazard	

SECTION 7 - DECALS

FIGURE 7-5. DECAL INSTALLATION (CHINA SPECS)



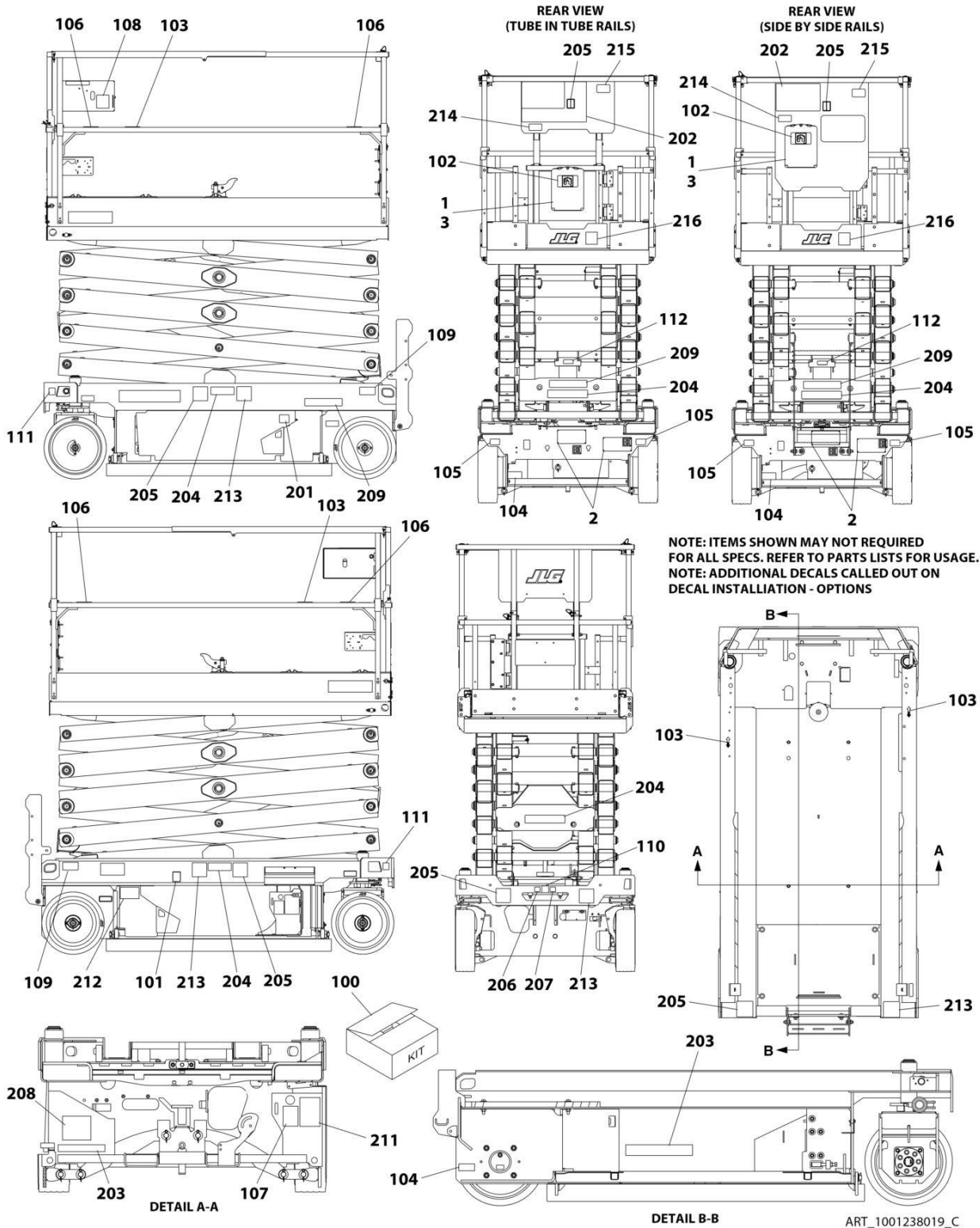
SECTION 7 - DECALS

FIGURE 7-5. DECAL INSTALLATION (CHINA SPECS)

ITEM	PART NUMBER	QTY	DESCRIPTION	REV
	1001238016	Ref	DECAL INSTALLATION (ENGLISH/CHINESE LANGUAGE)	E
	1001237749	Ref	DECAL REFERENCE CHART	H
1	2080040	3	Fastener	
2	2080057	4	Fastener	
3	8990147	1	Holder, Manual	
100	1001239270	1	Master Decal Kit	D
101	1701504	1	Decal - Hydraulic Oil	
102	1701640	1	Decal - Manual	
103	1703819	4	Decal - Direction Arrow	
104	1001248126	1	Decal - Manual Descent Instructions	
105	1704016	2	Decal - Fork Lift	
106	1704277	4	Decal - Lanyard Attach	
107	1704412	1	Decal - Hydraulic Oil	
108	1001132359	1	Decal - Control Box Locate	
109	1001162864	2	Decal - Lift Point/Tie Down	
110	1001212290	1	Decal - Tie Down	
111	1001212291	2	Decal - Lifting Lug	
112	1001237899	1	Decal - Arms Prop	
201	1702155	1	Decal - Battery Disconnect	
202	1705195	1	Decal - Danger/Warning	
203	1001146794	1	Decal - Battery/Charger Service	
204	1001215752	4	Decal - Crushing Hazard	
205	1001211779	4	Decal - Electrocution	
206	1001212292	1	Decal - No Lifting	
207	1001212293	1	Decal - No Forklift	
208	1001237538	1	Decal - Battery Spacer	
209	1704344	2	Decal - Warning Battery Ventilation	
212	1001224051	1	Decal - Yearly Inspection	
213	1001215747	4	Decal - Danger Electrocution	
216	1001244298	1	Decal - Wechat QR Code	

SECTION 7 - DECALS

FIGURE 7-6. DECAL INSTALLATION (CSA SPECS)



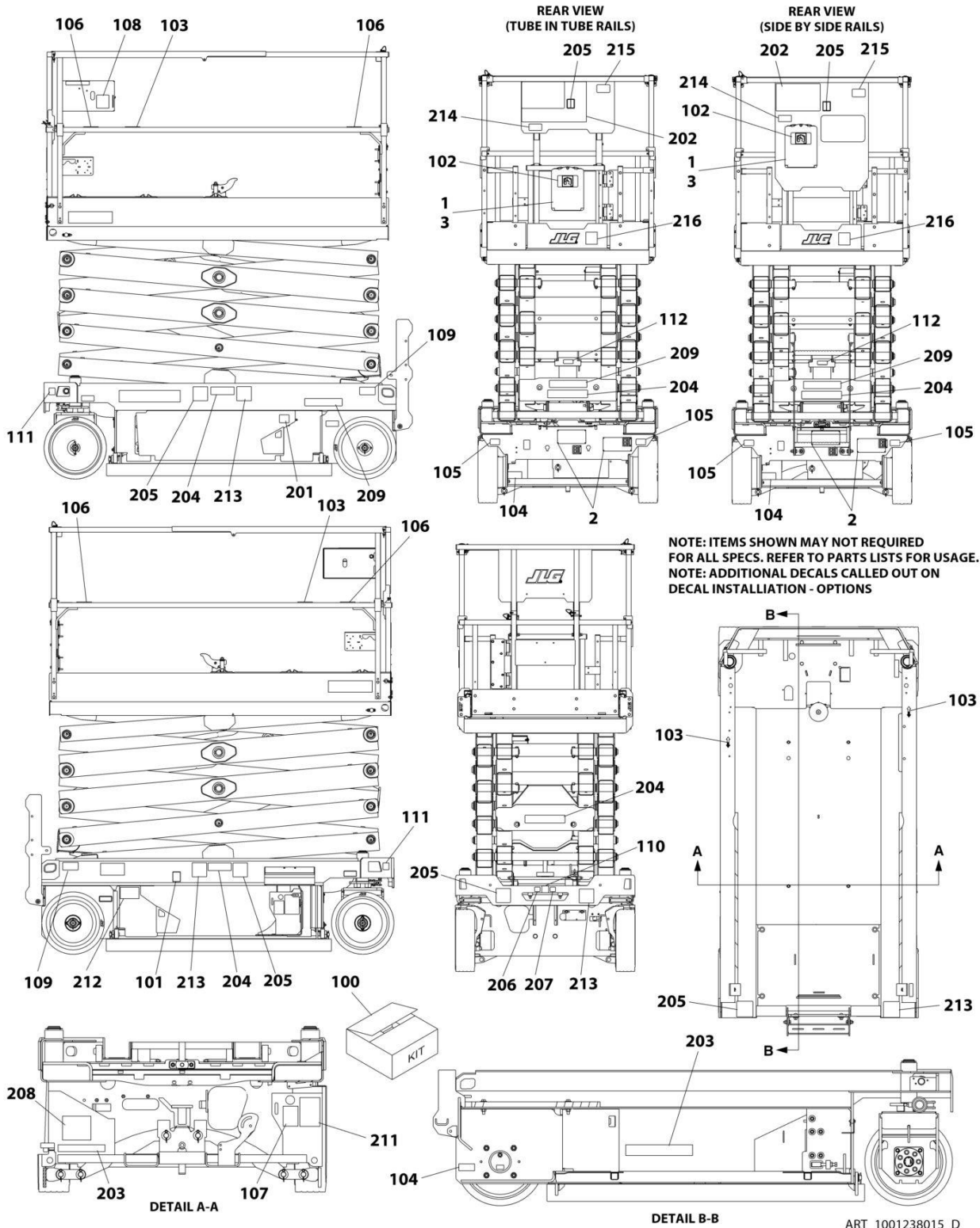
SECTION 7 - DECALS

FIGURE 7-6. DECAL INSTALLATION (CSA SPECS)

ITEM	PART NUMBER	QTY	DESCRIPTION	REV
	1001238019	Ref	DECAL INSTALLATION (ENGLISH/FRENCH LANGUAGE)	C
	1001237749	Ref	DECAL REFERENCE CHART	F
1	2080040	3	Fastener	
2	2080057	4	Fastener	
3	8990147	1	Holder, Manual	
100	1001239270	1	Master Decal Kit	D
101	1701504	1	Decal - Hydraulic Oil	
102	1701640	1	Decal - Manual	
103	1703819	4	Decal - Direction Arrow	
104	1001248126	1	Decal - Manual Descent Instructions	
105	1704016	2	Decal - Fork Lift	
106	1704277	4	Decal - Lanyard Attach	
107	1704412	1	Decal - Hydraulic Oil	
108	1001132359	1	Decal - Control Box Locate	
109	1001162864	2	Decal - Lift Point/Tie Down	
110	1001212290	1	Decal - Tie Down	
111	1001212291	2	Decal - Lifting Lug	
112	1001237899	1	Decal - Arms Prop	
201	1702155	1	Decal - Battery Disconnect	
202	1704684	1	Decal - Danger/Warning	
203	1001146794	1	Decal - Battery/Charger Service	
204	1705311	4	Decal - Crushing Hazard	
205	1001211779	4	Decal - Electrocution	
206	1001212292	1	Decal - No Lifting	
207	1001212293	1	Decal - No Forklift	
208	1001237538	2	Decal - Battery Spacer	
209	1704340	1	Decal - Warning Battery Ventilation	
211	1001131270	1	Decal - Patent	
212	1001223971	1	Decal - Yearly Inspection	
213	1001215749	4	Decal - Danger Electrocution	
214	1001228370	1	Decal - ICES	
215	1001231801	1	Decal - Warning Prop 65	

SECTION 7 - DECALS

FIGURE 7-7. DECAL INSTALLATION (KOREAN SPECS)



ART_1001238015_D

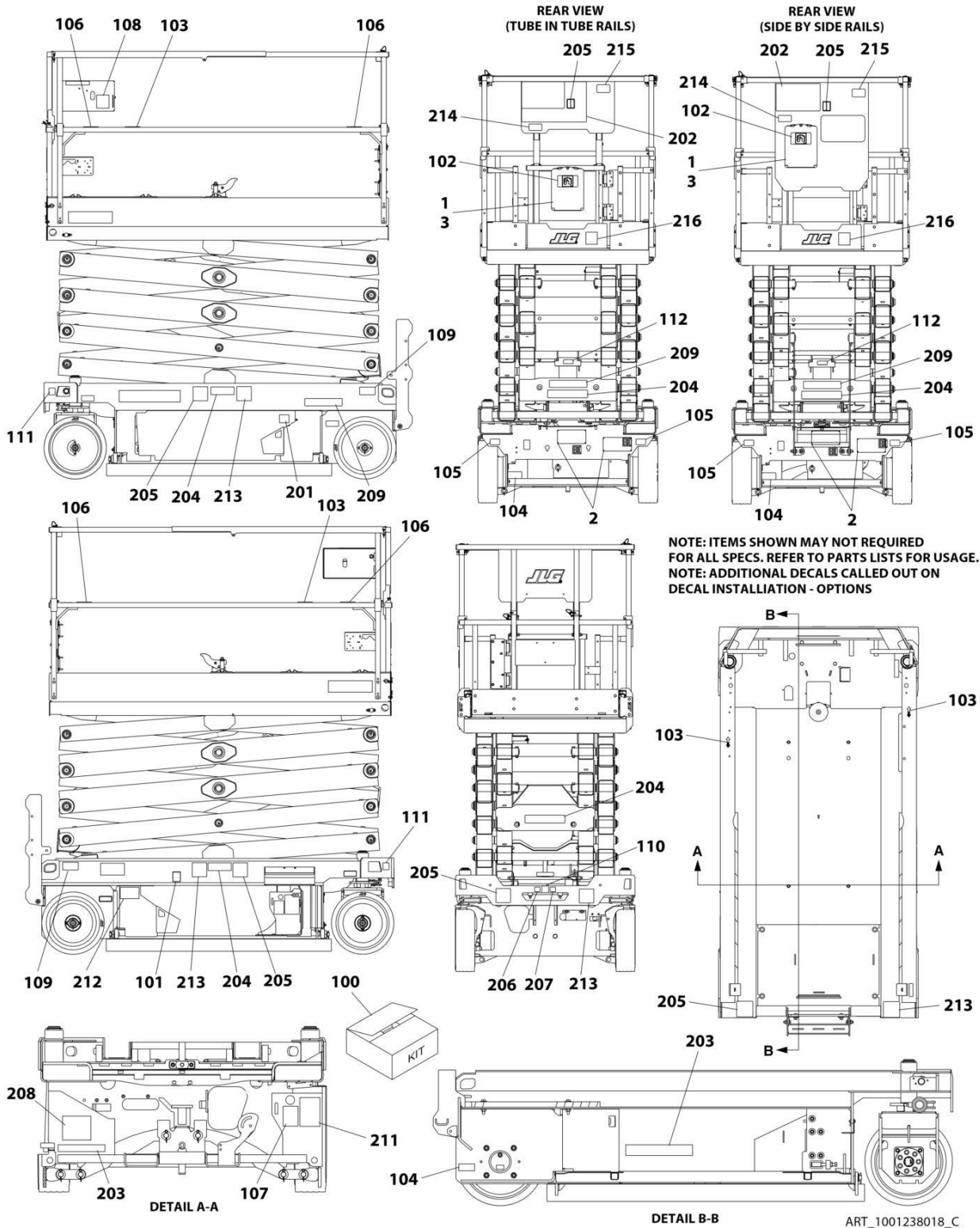
SECTION 7 - DECALS

FIGURE 7-7. DECAL INSTALLATION (KOREAN SPECS)

ITEM	PART NUMBER	QTY	DESCRIPTION	REV
	1001238015	Ref	DECAL INSTALLATION (ENGLISH/KOREAN LANGUAGES)	D
	1001237749	Ref	DECAL REFERENCE CHART	H
1	2080040	3	Fastener	
2	2080057	4	Fastener	
3	8990147	1	Holder, Manual	
100	1001239270	1	Master Decal Kit	D
101	1701504	1	Decal - Hydraulic Oil	
102	1701640	1	Decal - Manual	
103	1703819	4	Decal - Direction Arrow	
104	1001248126	1	Decal - Manual Descent Instructions	
105	1704016	2	Decal - Fork Lift	
106	1704277	4	Decal - Lanyard Attach	
107	1704412	1	Decal - Hydraulic Oil	
108	1001132359	1	Decal - Control Box Locate	
109	1001162864	2	Decal - Lift Point/Tie Down	
110	1001212290	1	Decal - Tie Down	
111	1001212291	2	Decal - Lifting Lug	
112	1001237899	1	Decal - Arms Prop	
201	1702155	1	Decal - Battery Disconnect	
202	1001162115	1	Decal - Danger/Warning	
203	1001146794	1	Decal - Battery/Charger Service	
204	1001215751	4	Decal - Crushing Hazard	
205	1001211779	4	Decal - Electrocution	
206	1001212292	1	Decal - No Lifting	
207	1001212293	1	Decal - No Forklift	
208	1001237538	1	Decal - Battery Spacer	
209	1707022	2	Decal - Warning Battery Ventilation	
212	1001224048	1	Decal - Yearly Inspection	
213	1001215750	4	Decal - Danger Electrocution	

SECTION 7 - DECALS

FIGURE 7-8. DECAL INSTALLATION (LATIN AMERICAN SPECS)



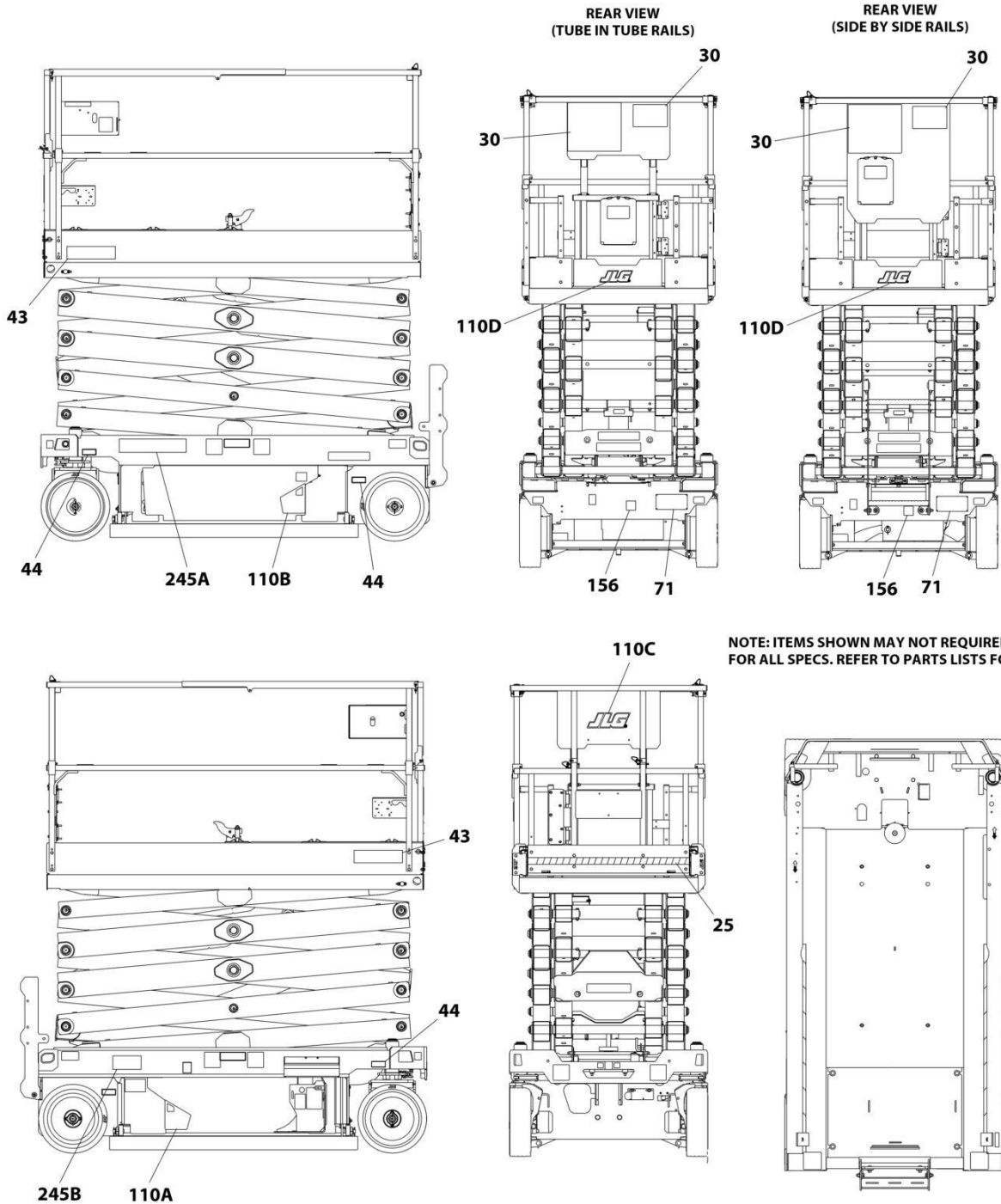
SECTION 7 - DECALS

FIGURE 7-8. DECAL INSTALLATION (LATIN AMERICAN SPECS)

ITEM	PART NUMBER	QTY	DESCRIPTION	REV
	1001238018	Ref	DECAL INSTALLATION (ENGLISH/SPANISH LANGUAGES)	C
	1001237749	Ref	DECAL REFERENCE CHART	F
1	2080040	3	Fastener	
2	2080057	4	Fastener	
3	8990147	1	Holder, Manual	
100	1001239270	1	Master Decal Kit	D
101	1701504	1	Decal - Hydraulic Oil	
102	1701640	1	Decal - Manual	
103	1703819	4	Decal - Direction Arrow	
104	1001248126	1	Decal - Manual Descent Instructions	
105	1704016	2	Decal - Fork Lift	
106	1704277	4	Decal - Lanyard Attach	
107	1704412	1	Decal - Hydraulic Oil	
108	1001132359	1	Decal - Control Box Locate	
109	1001162864	2	Decal - Lift Point/Tie Down	
110	1001212290	1	Decal - Tie Down	
111	1001212291	2	Decal - Lifting Lug	
112	1001237899	1	Decal - Arms Prop	
201	1702155	1	Decal - Battery Disconnect	
202	1704691	1	Decal - Danger/Warning	
203	1001146794	1	Decal - Battery/Charger Service	
204	1705316	4	Decal - Crushing Hazard	
205	1001211779	4	Decal - Electrocution	
206	1001212292	1	Decal - No Lifting	
207	1001212293	1	Decal - No Forklift	
208	1001237538	1	Decal - Battery Spacer	
209	1704339	2	Decal - Warning Battery Ventilation	
212	1001224049	1	Decal - Yearly Inspection	
213	1001215748	4	Decal - Danger Electrocution	

SECTION 7 - DECALS

FIGURE 7-9. DECAL INSTALLATIONS - OPTIONS



NOTE: ITEMS SHOWN MAY NOT REQUIRED FOR ALL SPECS. REFER TO PARTS LISTS FOR USAGE.

ART_DECAL_OPTIONS

SECTION 7 - DECALS

FIGURE 7-9. DECAL INSTALLATIONS - OPTIONS

ITEM	PART NUMBER	QTY	DESCRIPTION	REV
		Ref	DECAL INSTALLATION - OPTIONS:	
25	1001217894	Ref	Corner Stripes Installation	
25	4420051	43 in/ 110cm	Tape, Safety	
30		Ref	Decal - Capacity Options	
30	1001274210	1	Decal - Capacity (1200 LB/ 5440 KG) (All Specs except Japanese & Korean Specs)	
30	1001274211	1	Decal - Capacity (1200 LB/ 5440 KG) (Japanese & Korean Specs)	
30	1001274242	Ref	Decal - Capacity Installation with Backing Plate (China Specs)	
30	1001274243	Ref	Decal - Capacity Installation with Backing Plate (Korean Specs)	
30	1001216865	1	Plate, Decal Mounting (Not Shown)	
43	1001271690	2	Decal - Model Designation - ES2646	
44	1706312	4	Decal - Maximum Tire Load	
71	See Note	NSS	Decal - Manufacturing Serial Number (Note: Not Available for Purchase)	
110	1001263940	Ref	JLG Decal Installation	A
110A	1001264281	1	Decal - Door (RH)	
110B	1001264282	1	Decal - Door (LH)	
110C	1001256675	1	Decal - JLG	
110D	1001256676	1	Decal - JLG	
156	1001173703	1	Decal - EAC (Russian/CIS Specs)	
245	1001236984	Ref	Decal Installation - ClearSky	B
245A	1001116208	1	Decal - ClearSky	
245A	1001120989	1	Decal - Radio Frequency	
245B	1001296855	Ref	ClearSky Smart Fleet Decal Installation	A
245B	1001120989	1	Decal - Radio Frequency	
245B	1001294815	1	Decal - Clearsky	

SECTION 8 - RECOMMENDED SERVICE PARTS STOCK

SECTION 8 - RECOMMENDED SERVICE PARTS STOCK

SECTION 8 - RECOMMENDED SERVICE PARTS STOCK

FIGURE 8-1. RECOMMENDED SERVICE PARTS STOCK

ITEM	PART NUMBER	QTY	DESCRIPTION	REV
		Ref	Note: The following list will service one machine (built to current production per date on the front cover) with emergency repair parts which can be installed in the field. Parts from the list should be replaced when inventory is depleted to keep service parts stock supplied. For further information, contact your JLG dealer or the JLG Industries Parts Department.	
		Ref	STANDARD PARTS	
	3740150	1	Relay	
	4360328	1	Switch, Toggle	
	4360387	1	Switch, Push Button	
	4360469	1	Switch, Key	
	2860030	1	Key, Replacement	
	4360475	1	Switch, Mushroom	
	3080007	1	Magnet, Latch	
	1600402	1	Controller, Drive/Steer	
	4360345	1	Switch, Toggle	
	1001226749	1	Switch, Push Button	
	1001196634	2	Fues -2Amp	
	8229242	2	Fuse 5Amp	
	8229244	2	Fuse 15 Amp	
	8229234	2	Fuse 10 Amp	
		Ref	VARIABLE PARTS	
	1001203871	1	Switch, Roller	
	1001186466	1	Sensor, Tilt	
	1001200629	1	Module, Control	
	1001268506	1	Module, System	
	1001238392	1	Keypad (Access Control)	
	1001245293	1	Module, Mobile COntrl	
	4360336	1	Switch, Toggle (Machines with Inverter)	
	1001146963	1	Sensor, Angle	
	1001225164	1	Sensor, Pressure Transducer	
	1001235104	1	Sensor, Pressure Transducer	
	1001228112	1	Module, Platform	
	1001228191	1	Breaker 10Amp/30mAmp (Australian Specs Machines)	
	1001181045	1	Breaker 30mAmp/16Amp (CE & UK CA Specs Machines)	
	1001189171	1	Breaker 30mAmp (CE & UK CA Specs Machines)	
	1001189172	1	Breaker 16Amp Double (CE & UK CA Specs Machines)	

SECTION 9 - SPECIAL OPTIONS

SECTION 9 - SPECIAL OPTIONS

FIGURE 9-1. SPECIAL OPTIONS/ACCESSORIES/KITS

ITEM	PART NUMBER	QTY	DESCRIPTION	REV
		Ref	Note: This list is to accommodate machines ordered with special equipment. Options may not be applicable to all models. For more specific parts information contact the JLG Parts Department.	
		Ref	SPECIAL OPTIONS	
	1001299653	Ref	Air Line Installation	
	1001236903	Ref	Antivandalism Package (Factory Installed)	
	1001249639	Ref	Antivandalism Add-on Kit (Dealer Installed)	
	1001289564	1	Anticorrosion Kit	
		Ref	Aviation Package (SN M200079816 to Present Only)	
	1001272008	Ref	Aviation Package Installation	
	1001270049	Ref	Extension Installation	
	1001294024	Ref	Platform Installation	
	1001302313	Ref	Platform Control Installation	
	1001270050	Ref	Rails Installation	
	1001255597	Ref	Battery Charger - Can (With Communication Port) Add-on Kit (Dealer Installed)	
	1001284956	Ref	Battery Heater Kit	
	1001271481	Ref	Cleanguard Kit (Dealer Installed)	
		Ref	ClearSky Add-on Kit Options (Dealer Installed):	
	1001265376	Ref	ClearSky Add-on Kit - Canbus (ANSI, ANSI Export & CSA Specs) (Dealer Installed):	
	1001237257	Ref	ClearSky Add-on Kit - Canbus (ANSI Export, CE & UK CA Specs) (Dealer Installed):	
	1001248502	Ref	ClearSky Add-on Kit - Canbus (Australian Specs) (Dealer Installed):	
	1001248503	Ref	ClearSky Add-on Kit - Canbus (China Specs) (Dealer Installed):	
	1001248689	Ref	ClearSky Add-on Kit - Access Control (Dealer Installed):	
	1001276923	Ref	ClearSky Add-on Kit - GT1030 (Dealer Installed) (Contact JLG for Approved Countries)	
	1001278848	Ref	ClearSky Add-on Kit - GT1030 (Dealer Installed) (Contact JLG for Approved Countries)	
	1001287778	Ref	Decal Kit - Master	
	1001256831	Ref	Drive Motor Covers installation	
		Ref	Electrical Connector Kits	
	1001148902	Ref	Amp/Tyco Electrical Connector Kit	
	1001148903	Ref	Deutsch DT Electrical Connector Kit	
	1001148904	Ref	Deutsch HD Electrical Connector Kit	
	1001148905	Ref	Packard Electrical Connector Kit	
	1001148906	Ref	Various Electrical Connector Kit	
	1001274474	Ref	European Subassembly Kit	
	1001288457	Ref	Extension Cord Kit	
	1001218728	Ref	Fire Extinguisher Installation	
	1001248843	Ref	Foot Latch Add-on Kit (Dealer Installed)	
	1001236547	Ref	Footswitch Installation (Japanese & Korean Specs Only)	
	1001292999	Ref	Heavy Duty Pipe Rack Kit	
	1001293528	Ref	Heavy Duty Tool Tray Kit	
	1001220933	Ref	Height Restrictor Switch Installation	
	1001270121	Ref	Hostile Environment Package	
	1001249638	Ref	Inverter Add-on Kit (Dealer Installed)	

SECTION 9 - SPECIAL OPTIONS

ITEM	PART NUMBER	QTY	DESCRIPTION	REV
	1001250532	Ref	Mobile Control Add-on Kit (Dealer Installed)	
	1001229076	Ref	Noise Reduction Add-on Kit (Dealer Installed)	
	1001229728	Ref	Overhead Protection Add-on Kit (Dealer Installed)	
	1001281413	Ref	Panel Carrier Kit	
	1001300331	Ref	Perimeter Lighting Kit	
	1001301553	Ref	Perimeter Light Cover Kit	
	1001270721	Ref	Pipe Racks Kit (Dealer Installed)	
	1001269651	Ref	Platform Control Box Cover Add-on Kit (Dealer Installed)	
	1001225790	Ref	Platform Extension Handles Add-on Kit (Dealer Installed)	
	1001299235	Ref	Platform Rail Padding Kit	
	1001262557	Ref	Platform Self Closing Gate Add-on Kit (Dealer Installed)	
	1001262558	Ref	Platform Self Closing Gate Add-on Kit (Dealer Installed)	
	1001281416	Ref	Platform Worklights Kit	
	1001294780	Ref	Pressure Transducer Kit	
	1001224583	Ref	Service Kits List	AE
	1001254721	Ref	SkySense Level 1 Add-on Kit (Dealer Installed)	
	1001254542	Ref	SkySense Level 2 Add-on Kit (Dealer Installed)	
	1001255883	Ref	SkySense Level 1 Installation (Factory Installed)	
	1001255669	Ref	SkySense Level 2 Installation (Factory Installed)	
	1001249229	Ref	Strobe (Single) Light Add-on Kit (Dealer Installed)	
	1001249230	Ref	Strobe (Dual) Light Add-on Kit (Dealer Installed)	
	1001283676	Ref	Tool Tethering Kit	
		Ref	Tools for Service	
	2901443	1	Analyzer Kit	
	1001232474	1	Benchtop Harness	
	8896941	1	Wire Stripper	
	7002821	1	Wire Crimper (To install wire ends to wires)	
	7002823	1	Pin/Socket Extractor - Universal (To Remove Pins/Sockets from Connectors)	
	4460467	1	Extractor - 16-18 Gauge (For Removal Pins/Sockets from Deutsch Connectors)	
	4460510	1	Extractor - 12-14 Gauge (For Removal of Pins/Sockets from Deutsch Connectors)	
	7002822	1	Screwdriver, Potentiometer (To Adjust Drive Controllers)	
	7016654	1	Screwdriver, Magnetic	
	7004275	1	Seal Installation Tool - 1in	
	7004276	1	Seal Installation Tool - 1-1/2in	
	7002826	1	Seal Installation Tool - 2in	
	1001269646	Ref	Tool Tray/Work Surface Heavy Duty Add-on Kit (Dealer Installed)	
	1001281951	Ref	USB Power Port Kit	
	1001262959	Ref	Voltage Regulator Re-Location Add-on Kit (Dealler Installed)	
	1001281944	Ref	White Noise Alarm Kit	

PART NUMBER INDEX

SECTION 9 - SPECIAL OPTIONS

0100011.....13, 15, 17, 19, 25, 31, 33, 35, 37, 39, 55, 83, 105, 107, 109, 111, 213	0861731 ... 251, 257, 259, 261	1001137675 ... 88, 92, 96, 105	1001201885.....201, 205, 247
0100051.....73, 75, 77, 79	0861781 253, 255	1001139000 88, 92, 96	1001202184.....231, 237
0140030.....117	0861880 177	1001139002 88, 92, 96	1001202987.....31
0140043.....61, 65	0961948 149	1001139003 88, 92, 96	1001202988.....31
0240054.....129	0962272 89, 93, 97	1001142173 81	1001202999.....31
0275216.....157, 253	1001047064 117	1001142174 81	1001203869.....31
0275217.....159, 255	1001091102 ... 31, 41, 43, 45, 61, 65, 213	1001143009 81	1001203870.....31, 284
0275452.....161, 259	1001096138 225	1001143010 81	1001203872.....31
0275453.....163, 261	1001097150 169, 175	1001144147 . 67, 69, 219, 221	1001204495.....47
0275454.....165, 257	1001097347 217, 219	1001144295 202, 206	1001205409.69, 201, 205
0440223.....121, 125	1001100341 253	1001144296 202, 206	1001205410.....201, 205
0440259.....13, 15, 151	1001100342 255	1001146794 265, 267, 269, 273, 275, 277, 279	1001205411.....201, 205
0440263.....31	1001100345 259	1001146795 271	1001205412.....201, 205
0440264.....89, 93, 97	1001100347 261	1001146963 ... 88, 92, 96, 284	1001205422.....105
0440265.....89, 93, 97	1001101540 81	1001148902 286	1001205430.....105
0480100.....137	1001102258 155, 157, 159, 161, 163, 165, 167, 169, 171	1001148903 286	1001205598.....39
0630580.....29	1001102349 27	1001148904 286	1001205751.....13, 15
0630587.....61, 65, 81	1001102351 27	1001148905 286	1001206995.....37
0630613.....49, 83, 99	1001102353 27	1001148906 286	1001207009.....35
0681610.....13, 17, 19	1001102354 27	1001151629 201, 205	1001207293.....71
0700412.....61, 65	1001102489 183, 185, 187, 189, 191, 193, 197, 199	1001152266 206	1001207494.....61, 63
0700608.....129	1001102771 181	1001152483 179	1001207970.....185
0700610..88, 92, 96, 121, 125	1001103012 202, 206	1001154378 107, 109, 111	1001207973.....197
0700612....31, 33, 39, 69, 88, 92, 96	1001103471 169, 195	1001157050 127	1001207974.....183, 187, 189, 191, 193, 195
0700616.....133	1001104498 202, 206	1001157547 81	1001208852.....105
0700617.....61, 63	1001108581 59	1001159186.81, 201, 205, 247	1001209482.....161, 163, 179
0700618.....107	1001110302 31	1001162115 277	1001209596.....117
0700621.....107, 113	1001110302 31	1001162864 265, 267, 269, 271, 273, 275, 277, 279	1001209682.....61, 63
0700814..88, 92, 96, 157, 159, 161, 163, 165, 169, 195	1001111212 77	1001162886 201, 205	1001209776.....157, 159, 165, 177
0700815.....31	1001111466 29	1001162887 69, 201, 205	1001210064.....105
0700817.....83, 137	1001116208 281	1001163340 69, 201, 205	1001210079.....67
0700818....107, 109, 111, 113	1001116731 219	1001170310 59	1001210302.....107, 109, 111
0700819.13, 15, 103, 115	1001116732 217, 219	1001173703 281	1001210440.....81
0700823.....31	1001116733 225	1001180205 129	1001210586.....107, 109, 111
0700835.....117	1001116812 . 67, 69, 181, 201, 205	1001181045 177, 284	1001210605.....81
0701015.....83, 88, 92, 96	1001117057 217, 219	1001181045 177, 284	1001210878.....81
0701018.....88, 92, 96	1001118274 67, 69	1001182806 47	1001210879.....81
0701019.....99, 133	1001118812 67, 221	1001186466 33, 284	1001210881.....81
070102188, 92, 96	1001120204 157, 159, 161, 163, 165	1001187587 107, 109, 111	1001210882.....81
0701024.....88, 92, 96, 99	1001120205 177, 179	1001187816 171	1001211777.....265
0701219.....88, 92, 96	1001120989 281	1001188116 171	1001211779.....265, 273, 275, 277, 279
0711219.....25	1001125483 81	1001189171 179, 284	1001212035.....247
0760408....155, 157, 159, 161, 163, 165, 171	1001125677.67, 202, 206, 221	1001189172 179, 284	1001212036.....247
0760608....109, 111, 135	1001125927 175	1001189762 121, 125, 127	1001212290.....265, 267, 269, 271, 273, 275, 277, 279
0760610....51, 61, 63, 81, 115, 117, 135, 169	1001128888 88, 92, 96	1001192401 67, 202, 206	1001212291.....265, 267, 269, 271, 273, 275, 277, 279
0760612....35, 37, 47, 61, 63	1001130220 ... 35, 37, 39, 51, 61, 63, 88, 92, 96, 117	1001194421 202, 205, 247	1001212292.....265, 267, 269, 271, 273, 275, 277, 279
0760810.....69, 105, 107, 143	1001130590 61, 63	1001196589 202, 206	1001212293.....265, 267, 269, 271, 273, 275, 277, 279
0760812.....61, 63, 67	1001131270 265, 275	1001196634 181, 215, 284	1001212299.....265, 267, 269, 271, 273, 275, 277, 279
0760820.....143	1001132358 117	1001196635 69	1001213415.....109, 111
0761008.....55	1001132359 265, 267, 269, 271, 273, 275, 277, 279	1001197396 13, 15	1001213416.....111
0761012.....55	1001132361 117	1001200629 .. 61, 63, 284	1001213470.....105
0761014.....105	1001134280 195	1001200631 61, 63	1001213597.....31
0761015.....49	1001134821 115	1001200632 71	
0761019.13, 15, 109, 111	1001136757 81	1001200812 227, 235	
0761221.....83		1001200819 117, 247	

SECTION 9 - SPECIAL OPTIONS

1001213838	105	1001226636.....	219	1001236269.....	89, 93, 97	1001242539	41, 43
1001213886	117	1001226637.....	219	1001236486.....	89, 93, 97	1001242697	41
1001213915	107	1001226749.....	117, 284	1001236487.....	89, 93, 97	1001242990	43
1001213916	107	1001226901.....	133	1001236488.....	89, 93, 97	1001243232 ...	73, 75, 77,
1001213931	107	1001227219.....	195	1001236531.....	51	79	
1001214217	33	1001227267.....	169, 195	1001236547.....	286	1001243233 ...	73, 75, 77,
1001214347	79	1001227268.....	169	1001236903.....	286	79	
1001214526	31	1001227269.....	175	1001236968.....	51	1001243348 ...	89, 93, 97
1001214528	31	1001227728.....	133	1001236984.....	281	1001244298	273
1001214534	31	1001227855.....	31	1001237132.....	227, 229,	1001244323	169
1001214689 ...	88, 92, 96	1001228112.....	284	231, 233, 239		1001244394	69
1001214810	83	1001228184.....	133	1001237257.....	286	1001244417 ...	89, 93, 97,
1001215216 ..	43, 45, 223	1001228191.....	175, 284	1001237400.....	155	149	
1001215446	113	1001228370.....	265, 275	1001237401.....	167	1001244885	69
1001215747	273	1001229076.....	287	1001237538.....	265, 267,	1001244900	169
1001215748	269, 279	1001229728.....	287	269, 271, 273, 275,		1001245293	69, 284
1001215749	275	1001229739.....	107	277, 279		1001245299	69
1001215750	277	1001229740.....	107	1001237749.....	265, 267,	1001245353	69
1001215751	277	1001229741.....	107	269, 271, 273, 275,		1001245739	169, 175
1001215752	273	1001229742.....	107	277, 279		1001245743	175
1001215762	61, 63	1001229792.....	83	1001237824.....	89, 93, 97	1001245744	169, 175
1001215953	31	1001231801.....	265, 275	1001237899.....	265, 267,	1001245747	169
1001216180	73	1001232474.....	287	269, 271, 273, 275,		1001247706	103
1001216648	269	1001232586.....	143	277, 279		1001247707 ...	89, 93, 97
1001216650	269	1001232622.....	107	1001237911.....	107	1001248126	265, 267,
1001216865	281	1001233449... 13, 15, 151		1001238014.....	265	269, 271, 273, 275,	
1001217059	33	1001233795... 88, 92, 241		1001238015.....	277	277, 279	
1001217164	177, 179	1001234006.....	107, 109,	1001238016.....	273	1001248502	286
1001217457 ...	88, 92, 96	111		1001238017.....	269	1001248503	286
1001217842	225	1001234007.....	107, 109,	1001238018.....	279	1001248631	183
1001217843	225	111		1001238019.....	275	1001248632	185
1001217894	281	1001234008.....	107, 109,	1001238020.....	271	1001248634	199
1001218285	117	111		1001238021.....	267	1001248689	286
1001218307	31	1001234141.....	109, 111	1001238130.....	161	1001248768	69
1001218573	83	1001234142.....	109, 111	1001238131.....	163	1001248773	67
1001218728	286	1001234204.....	88, 92, 96	1001238132.....	165	1001248843	286
1001220409	115	1001234266.....	109, 111	1001238133.....	157	1001249229	287
1001220410	115	1001234267.....	109, 111	1001238134.....	159	1001249230	287
1001220893	117	1001234268.....	107, 109,	1001238135.....	171	1001249623	249
1001220933	286	111		1001238198.....	157, 159,	1001249626	249
1001220995	115	1001234381.....	105	161, 163, 165, 169		1001249627	249
1001221244	133	1001234382.....	111	1001238392.....	67, 284	1001249628	249
1001221275	133	1001234383.....	107	1001238684.....	89, 93, 97	1001249638	286
1001221276	133	1001234407.....	105	1001239224.....	41, 43, 45	1001249639	286
1001221949	199	1001234797.....	31	1001239269 ...	73, 75, 77,	1001249668	77, 79
1001222861	107	1001234798.....	31	79		1001249890	195
1001222869	107	1001234858.....	83	1001239270.....	265, 267,	1001250532	287
1001222914	133	1001234862.....	83	269, 271, 273, 275,		1001250593	249
1001223053	107	1001235104.....	88, 284	277, 279		1001251144	211
1001223055	265	1001235286.....	107	1001239479.....	89, 93, 97	1001251855	129
1001223165	107	1001235287.....	107	1001239661 ...	41, 43, 45	1001252626	121, 125
1001223166	107	1001235559.....	61, 63	1001239675.....	227	1001253726	135
1001223262	233	1001235560.....	113	1001239676.....	231	1001253800	141
1001223263	229	1001235561.....	113	1001239677.....	229	1001253952	35
1001223650	235	1001235590.....	103	1001239678.....	233	1001254026	211, 219
1001223651	237	1001235863.....	135	1001239679.....	239	1001254027 .	35, 67, 211,
1001223971	275	1001235941.....	137	1001239892.....	99	221	
1001224048	277	1001235955.....	49	1001239894.....	99	1001254028	35, 181
1001224049	279	1001235959.....	111	1001239899.....	99	1001254542	287
1001224051	273	1001235960.....	107	1001239904.....	99	1001254721	287
1001224052	269	1001236139.....	35, 37, 39	1001239943.....	99	1001255597	286
1001224583	287	1001236165.....	88, 92, 96	1001241662.....	89, 93, 97	1001255669	287
1001225164 ...	88, 92, 96,	1001236167.....	88, 92, 96	1001241663.....	89, 93, 97	1001255883	287
284		1001236169.....	88, 92, 96	1001241664.....	89, 93, 97	1001255901	215
1001225790	287	1001236170.....	88, 92, 96	1001241665.....	89, 93, 97	1001255934 ..	61, 65, 225
1001226277	133	1001236171.....	89, 92, 97	1001241667.....	89, 93, 97	1001256130	25
1001226423	25	1001236172.....	89, 93, 97	1001241671.....	89, 93, 97	1001256642	35

SECTION 9 - SPECIAL OPTIONS

1001256643.....37, 39	1001264310 ... 73, 75, 77, 79	1001274838 121, 125	1600402.....117, 119, 284
1001256675.....281	1001265376.....286	1001275538 129	1671207.....251
1001256676.....281	1001265635.....59	1001275539 135	1701504....265, 267, 269, 271, 273, 275, 277, 279
1001256694.....29	1001265636.....59	1001275631 131, 145	1701640....265, 267, 269, 271, 273, 275, 277, 279
1001256744.....81	1001268506.. 61, 63, 284	1001276923 286	1702010.....135
1001256746.....81	1001269646 287	1001278513 209, 217	1702155....265, 267, 269, 271, 273, 275, 277, 279
1001256831286	1001269651 287	1001278847 209	1703464.....155, 157
1001256876.....61, 63	1001269714 59	1001278848 286	1703813.....265
1001256944....13, 17, 19, 22	1001269746.....59	1001280661 213	1703816.....265
1001256984.....61	1001269747 59	1001281413 287	1703819....117, 265, 267, 269, 271, 273, 275, 277, 279
100125712181	1001269747 59	1001281416 287	1704016....265, 267, 269, 271, 273, 275, 277, 279
1001257138.....61, 63	1001270049 286	1001281944 287	1704260.....117
1001257139.....61, 63	1001270050 286	1001281951 287	1704277....107, 265, 267, 269, 271, 273, 275, 277, 279
1001258356.....67	1001270121 286	1001283416 205	1704339.....279
1001258446.....117	1001270533 137	1001283676 287	1704340.....275
1001258498.....75	1001270631 137	1001284956 286	1704341.....269
1001258691.....67	1001270721 287	1001285320 93, 97	1704344.....273
1001258768.....193	1001270855 137	1001285829 93, 245	1704412....265, 267, 269, 271, 273, 275, 277, 279
1001258770.....191	1001271412 137	1001286875 92, 96	1704684.....275
1001258771187	1001271481 286	1001287711 137	1704691.....279
1001258772189	1001271615 103	1001287778 286	1704699.....269
1001259015....13, 17, 19	1001271651 89, 93, 97	1001288457 286	1705195.....273
1001259017....73, 75, 77, 79	1001271690 281	1001288492 17, 19	1705311.....275
1001260650.....13	1001271839 89, 93, 97	1001288496 15, 17	1705316.....279
1001260651.....55	1001271866 89, 93, 97	1001288497 15, 19	1705670.....267, 271
1001260691.....55	1001271886 103	1001288498 15	1705671.....267, 271
1001260692.....55	1001271991 88	1001289052 109	1705673.....267, 271
1001260693.....55	1001272008 286	1001289564 286	1705985.....127
1001260887.....59	1001272189 49	1001289648 213	1705997.....131, 145
1001261064....61, 65, 201	1001272192 49	1001289976 109	1706312.....281
1001261131141	1001272456 89, 93, 97	1001289977 109	1706679.....61, 63
1001262092....73, 75, 77, 79	1001272659 209	1001291056 213	1707022.....277
1001262093....73, 75, 77, 79	1001272997 215	1001292999 286	2080040....105, 107, 109, 111, 265, 267, 269, 271, 273, 275, 277, 279
1001262094....73, 75, 77, 79	1001273012 209, 215	1001293528 286	2080057....265, 267, 269, 271, 273, 275, 277, 279
1001262150.....141	1001273453 123, 127, 139	1001293998 213	2220883.....149
100126220155	1001273470 127	1001294024 286	2400060.....69, 181, 201, 205
1001262322211	1001273844 123	1001294027 45	2400066.....173
1001262327211	1001273845 139	1001294243 96, 243	2420172.....61, 63
1001262500.....13	1001273907 121, 123, 125	1001294780 287	2560088.....113
1001262539....13, 17, 19	1001273909 121, 125	1001294815 281	2560190.....113
1001262557287	1001273957 123, 131, 139, 145	1001296855 281	2600281....107, 109, 111
1001262558287	1001273958 145	1001299235 287	2700100.....131, 145
100126258159	1001273959 123, 129, 139	1001299653 286	2780266.....25, 27
1001262655117	1001273960 121	1001300331 287	2860030.....61, 63, 284
100126265813	1001273961 143	1001300776 249	2901443.....287
1001262659287	1001273962 143	1001301553 287	2902431.....155, 251
1001262959287	1001273964 143	1001302313 286	3080007....107, 109, 111, 284
100126299573	1001273967 143	1001303296 173	3121792.....69
100126299877	1001273968 135	1001380024 99	3252507....159, 161, 163, 165, 167, 171
100126299979	1001273970 135	1001380040 83	3271805.....127
100126300275	1001274026 143	1001380041 83	3290305.....41, 43, 45
100126325735	1001274168 141	1001380042 83	3290401.....213
100126325837	1001274210 281	1001380058 31	
100126325939	1001274211 281	1060379 ... 121, 125, 127, 129, 131, 137, 145	
1001263294197	1001274242 281	1060908 175, 177, 179	
1001263295195	1001274243 281	1060998 73, 75, 77, 79	
1001263350.....63	1001274474 286	1061044 143	
1001263359.....59	1001274485 55, 57	1062255 67, 211	
1001263785.....59	1001274559 61, 63	1120555 131, 145	
1001263940.....281	1001274604 117	1320136 211	
100126396765	1001274605 117	1321293 35, 37, 39, 81	
1001264281281	1001274659 117	1321752 13, 15	
1001264282281	1001274837 131, 145	1380132 113	
		1380153 13, 15	
		1580023 131, 145	
		1580024 131, 145	

SECTION 9 - SPECIAL OPTIONS

3290405 ... 31, 61, 65, 81, 88, 92, 96, 115, 117, 155, 157, 159, 161, 163, 165, 169, 171	3900381 195	4460256.....201	446094367, 69, 219, 221, 225, 227, 229, 231, 233, 235, 237, 239
3290505 195	3910804 61, 63	4460259.....201, 205	446094467, 69, 181, 201, 205, 206, 221, 227, 229, 231, 233, 239
3290601 33, 169	3931412 131, 145	4460260.....201, 205	4460956 177
3290605 ... 13, 17, 19, 35, 37, 39, 47, 61, 63, 65, 69, 81, 88, 92, 96, 157, 159, 161, 163, 165, 211	3931508 131, 145	4460265.....247	4460957 177
3290606 ... 107, 109, 111, 113, 115, 121, 125, 129, 133, 135	3931820 127	4460267.....247	4460965 201, 205
3290801 31, 143	3990001 181	4460315.....155, 171	4460968 171
3290805 ... 13, 15, 31, 61, 63, 83, 88, 92, 96, 103, 105, 137, 157, 159, 161, 163, 165, 169, 195	4010310 41, 43, 45	4460320.....202, 205	4460970 241, 243
3290806 ... 107, 109, 111, 113, 115, 117	4010408 115, 169	4460346.....251	4460986 173
3291001 13, 15	4010608 .88, 92, 96, 107, 109, 111	4460418.....81, 201, 205, 247	4461016 247
3291005 ... 49, 55, 83, 99, 105	4010610 ... 157, 159, 161, 163, 165	4460424.....35	4461018 173
3291006 99, 109, 111, 133	4010616 109, 111	4460464....43, 47, 67, 69, 81, 133, 181, 202, 206, 215, 217, 219, 223, 225, 227, 229, 231, 233, 235, 237, 239, 241, 243, 245, 247	4461023.... 201, 205, 249
3291007 83, 88, 92, 96	4010617 107, 109, 111	4460465....41, 43, 67, 69, 133, 173, 181, 201, 202, 205, 206, 217, 223, 227, 229, 231, 233, 235, 237, 239, 241, 243, 245	4461196 187, 253
3291201 83	4010618 107, 109, 111	4460466..67, 69, 81, 133, 181, 201, 202, 205, 206, 219, 221, 227, 229, 231, 233, 235, 237, 241, 243, 245, 247	4461198 253
3291207 88, 92, 96	4031509 117	4460467.....287	4461199 189, 255
3300423 27	4031511 31	4460496.....117	4461201 255
3321402 88, 92, 96	4031512 88, 92, 96	4460497 117	4461205 193, 259, 261
3331211 25	4031708 33, 39, 211	4460509.....173	4461244 259
3421453 121, 125, 129	4031710 61, 63	4460510.....287	4461245 261
3422219... 111, 121, 125, 127, 131, 145	4060803 117	4460536.....133	4461246 257
3422661 137	4060906 117	4460539....202, 206, 229, 233, 241, 243, 245	4461249 191, 257
3422998 88, 92, 96	4060944 201, 205	4460662....161, 163, 165, 251	4461257 157, 159
3423037 13, 15	4160078 88, 92, 96	4460670.....225	4461258 157, 159
3423243 83	4160202 31	4460722.....81	4711400... 121, 125, 131, 145
3423278 117	4160214 83	4460754....227, 229, 231, 233, 235, 237	4711700 117
3430636 31	4191706 121, 125, 129	4460761.....201, 205	4711800 105, 127
3430813 105	4220227 121, 125	4460871.....181, 225	4740086 31
3430816 105	4240003 ... 121, 125, 131, 145	4460872.....181	4740438 88, 92, 96
3431212 31	4240017 ... 13, 15, 35, 37, 39, 61, 63, 65, 69, 73, 75, 77, 79, 81, 88, 92, 96, 133, 155, 157, 159, 161, 163, 165, 167, 169, 171, 183, 185, 187, 189, 191, 193, 195, 199, 227, 229, 231, 233, 235, 237, 239	4460877.....201, 205	4740468 27
3431218 31	4240018 43, 45, 55	446088467, 69, 181, 201, 205, 206, 217, 241	4740480 131, 145
3450303 83	4240032 67, 209, 211	446089141, 43, 133, 173, 181, 201, 202, 205, 206, 223, 229, 233, 241, 243	4740531 88, 92, 96
3450403 31, 105	4240033 143	4460894....201, 205, 206, 227, 229, 231, 233, 239	4811400 81, 115, 117, 155, 157, 159, 161, 163, 165, 169, 171
3450406 27	4240147 31	4460897..43, 47, 81, 181, 202, 205, 223, 225, 229, 233	4811700 ... 47, 59, 61, 63, 65, 69, 81, 107, 109, 111, 115, 117, 129, 135, 157, 159, 161, 163, 165, 169, 211
3450505 31	4240164 129	4460899....227, 229, 231, 233, 235, 237, 239	4811702... 13, 17, 19, 31, 33, 35, 37, 39, 51, 61, 63, 88, 92, 96, 113
3460334 131, 145	4240165 135	4460905.....181, 225	4811900... 13, 15, 31, 61, 63, 67, 69, 88, 92, 96, 103, 105, 107, 109, 111, 113, 117, 157, 159, 161, 163, 165, 169
3520072 99, 107, 109, 111, 121, 125	4340853 131, 145	4460919.....249	481190231, 83, 107, 115, 137, 143, 195
3520176 129	4340854 131, 145	4460930.....206	4812000 ... 13, 15, 31, 55, 83, 88, 92, 96, 99, 105, 109, 111, 133
3574505 135	4340947 121, 125	446093267, 69, 181, 215, 217, 219, 225, 245	4812002 49, 83
3740150.. 61, 65, 81, 284	4360328 61, 63, 284	4460933.....67, 201, 205, 206, 221	4812500 31
3760115 88, 92, 96	4360336 81, 284		4831400 213
3760170 ... 109, 121, 125, 127, 129, 131, 145	4360345 284		4831600 195
3760217 13, 15	4360387 61, 63, 284		4846757 13, 15
3760387 88, 92, 96	4360469 61, 63, 284		4891600 13, 17, 19
3820019 113	4360475 61, 63, 117, 284		4923328 73, 75, 77, 79
3841143 83, 88, 92, 96	4420037 135		4923602 25
3841203 88, 92, 96	4420051 281		5241200 25
3841675 121, 125	4420062 .88, 92, 96, 107, 109, 111, 117, 137		70000082 119
3860104 88, 92, 96	4460019 202, 205		70000084 119
3860111 109, 111, 113	4460042 201, 205		
3900355 131, 145	4460115 201, 205		
3900364 59	4460138 155		
	4460183 247		
	4460226 202, 205		
	4460227 35, 201, 205		
	4460234 133, 211		
	4460247 201, 205		

SECTION 9 - SPECIAL OPTIONS

70000191.....	22	70007056.....	149	70007613.....	57	7024756.....	22
70000683.....	119	70007074.....	151	70007614.....	57	7024758.....	22
70000684.....	119	70007075.....	151	70007615.....	57	7024759.....	23
70000685.....	119	70007076.....	151	70007616.....	57	7024786.....	22
70000686.....	119	70007077.....	151	70007670.....	22	7027365.....	119
70001250.....	119	70007078.....	151	70007676.....	22	7027367.....	119
70001251.....	119	70007079.....	151	70007782.....	22	7027765.....	119
70001252.....	119	70007080.....	151	70007844.....	23	7027766.....	119
70001253.....	119	70007191.....	22	70022564.....	149	8005670.....	127
70001739.....	22	70007193.....	22	70023369.....	149	80325.....	121, 125
70003636.....	151	70007199.....	22	7002821.....	287	8229234.....	225, 284
70003650.....	119	70007205.....	22	7002822.....	287	8229242.....	202, 206, 284
70003700.....	57	70007490.....	22	7002823.....	287	8229244.....	202, 206, 284
70004585.....	149	70007495.....	22	7002826.....	287	8229246.....	173
70004935.....	57	70007541.....	22	7004275.....	287	8405204.....	59
70005236.....	149	70007544.....	22	7004276.....	287	8405402.....	59
70007050.....	149	70007546.....	22	70050795.....	149	8750015.....	13, 15
70007051.....	149	70007584.....	57	7016654.....	287	8896941.....	287
70007052.....	149	70007588.....	57	7020175.....	61, 63, 117	8990147.....	265, 267, 269, 271, 273, 275, 277, 279
70007053.....	149	70007589.....	57	7020176.....	61, 63, 117		
70007054.....	149	70007590.....	57	7024747.....	22		
70007055.....	149	70007612.....	57	7024749.....	22		



**Corporate Office
JLG Industries, Inc.
1 JLG Drive
McConnellsburg, PA 17233-9533 USA**
☎ **(717) 485-5161 (Corporate)**
☎ **(877) 554-5438 (Customer Support)**
📠 **(717) 485-6417**

**Visit our website for JLG Worldwide Locations.
www.jlg.com**



OSHKOSH™