



Illustrated Parts Manual

**Model
ES2632**

**PVC
2304**

**P/N
31221579
March 1, 2024 - Rev D**

ANSI

CE



**UK
CA**

AS/NZS



An Oshkosh Corporation Company

REVISION LOG

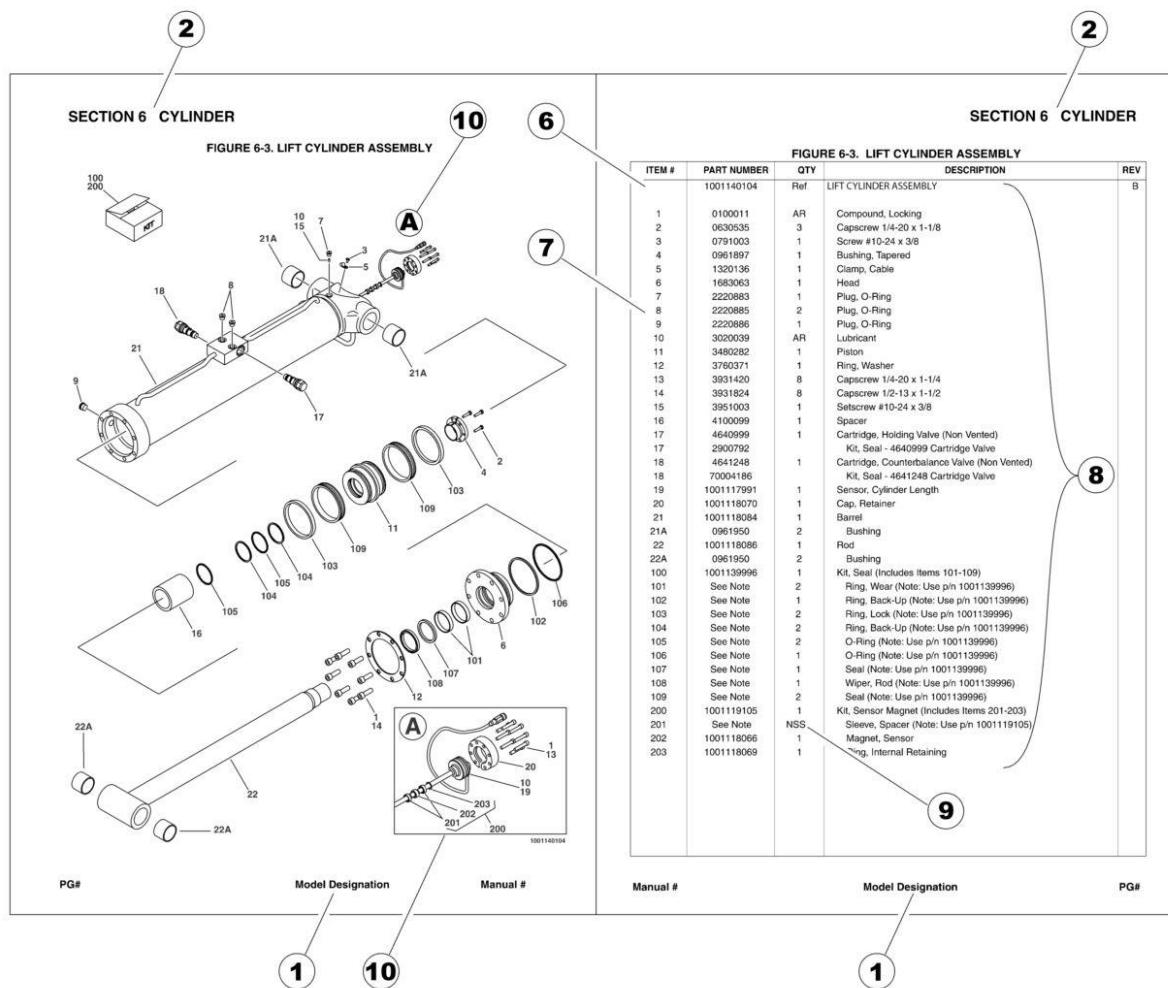
April 10, 2023 - A - Original Issue of Manual (Edited to B/M 1001370000 Rev AE & 1001263968 Rev B)

September 7, 2023 - B - Revised Manual (1001370000 Rev AF & 1001263968 Rev C)

February 5, 2024 - C - Revised Manual (1001370000 Rev AJ & 1001263968 Rev C)

March 1, 2024 - D - Revised Manual (1001370000 Rev AJ & 1001263968 Rev C)

GENERAL INFORMATION



1) MACHINE IDENTIFICATION

Machines are identified by model and in some cases a combination of models, serial number (SN) or regional standard (i.e ANSI, CE, CSA). Components may also be identified by SN or manufacturer. Common components that may be identified by these characteristics are engines and hydraulic components.

2) PARTS MANUAL ORGANIZATION

Product information in this manual is organized under section titles. Frame, Cylinder, Hydraulic and Electrical are a few examples. Each section is organized by figure and page number. The information within the Figure is then organized by item number, part number, description and corresponding illustration (s).

3) TABLE OF CONTENTS (NOT SHOWN)

A table of contents is found toward the beginning of the manual. Figure number, description and page number are provided for quick reference to the page containing the related information.

4) RECOMMENDED SPARE PARTS (NOT SHOWN)

The Recommended Spare Parts List, located near the end of the manual, reference most frequently used maintenance parts.

5) PART NUMBER INDEX (NOT SHOWN)

A numerical index listing all part numbers and the corresponding page number(s) appears at the back of the manual.

GENERAL INFORMATION

6) NON-SERVICED PARTS

In some instances, it is necessary to display non-serviced parts, assemblies or installations. In the case of assemblies and installations there will be a Ref in the Qty. column. In case of parts that are not available for service within assemblies or components, there will be a NSS (Not Sold Separately) or NLA (No Longer Available) listed in the Qty. column of the manual.

7) PARTS LIST ITEM NUMBERS

Numbers shown in the item# column correspond to numbers used in the associated illustration (s). Item numbers which are missing from the sequence in the parts list are not used on that page.

8) INDENTED PARTS DESCRIPTION

An indented part description is included in the item under which it is indented.

9) ABBREVIATION AND SYMBOLS

AC.....	Alternating Current	L.....	Liter
ADE.....	Advanced Design Electronics	LB(LBS).....	Pounds
AG.....	Agricultural	LCD.....	Liquid Crystal Display
ANSI.....	American National Standards Institute	LED.....	Light Emitting Diodes
AR.....	As Required	LH.....	Left Hand
ASSY.....	Assembly	LRC.....	Low Rated Countries
AUS.....	Australia	LSS.....	Load Sensing System
AUX.....	Auxiliary	M(m).....	Metric/Meter
AWG.....	American Wire Gauge	MM(mm).....	Milimeter
B/M.....	Bill of Material	mA.....	Miliamps
CAC.....	Charge Air Cooler	NLA.....	No Longer Available
CE.....	European Conformity	NPT.....	National Pipe Threads
CCW.....	Counter Clockwise	NSS.....	Not Sold Separately
CM.....	Centimeter	OD.....	Outside Diameter
CW.....	Clockwise	ORB.....	O-Ring Boss
CSA.....	Canadian Standards Association	ORFS.....	O-Ring Face Seal
CYL.....	Cylinder	OZ (oz).....	Ounces
DIA.....	Diameter	PG.....	Page
DC.....	Direct Current	PN.....	Part Number
DEF.....	Diesel Exhaust Fluid	QT(qt.).....	Quarts
EMS.....	Emergency Stop	QTY.....	Quantity
ENG.....	Engine	REF.....	Reference
FT(ft).....	Feet	REV.....	Revision Level
GA(Ga).....	Gauge	RH.....	Right Hand
HRC.....	High Rated Countries	SAE.....	Society of Automotive Engineers
HVAC.....	Heating, Ventilating, and Air Conditioning	SN.....	Serial Number
HYD.....	Hydraulic	SPEC(S).....	Specifications
Hz.....	Hertz	T/T.....	Turntable
ID.....	Inside Diameter	UGM.....	Universal Ground Module
IN.....	inches	V.....	Volts
ISO.....	International Organization for Standards	W.....	Watts
JIC.....	Joint Industry Council	#.....	Number
KG.....	Kilogram		

10) ILLUSTRATION REFERENCE LETTERS

When necessary, illustrations may contain reference letters that are intended to track information (i. e. hoses, harnesses) from one point to another or to track visual enlargement of components to show details that may be located in another area on the illustration.

Note: Due to continuous product improvements, JLG Industries, Inc. reserves the right to make specification changes without prior notification. Contact JLG Industries, Inc. for updated information.

TABLE OF CONTENTS

SECTION 1 - FRAME.....	11
FIGURE 1-1. DRIVE MOTOR AND STEER INSTALLATION (ALL SPECS).....	12
FIGURE 1-2. DRIVE MOTOR AND STEER INSTALLATION (JAPANESE SPEC).....	14
FIGURE 1-3. MOTOR & SPINDLE ASSEMBLY - LEFT (JAPANESE SPEC).....	16
FIGURE 1-4. MOTOR & SPINDLE ASSEMBLY - RIGHT (JAPANESE SPEC).....	18
FIGURE 1-5. DRIVE MOTOR ASSEMBLY.....	20
FIGURE 1-6. REAR WHEEL HUB INSTALLATION.....	24
FIGURE 1-7. HUB ASSEMBLY - REAR.....	26
FIGURE 1-8. POTHOLE PROTECTION SYSTEM INSTALLATION.....	28
FIGURE 1-9. TIRE AND WHEEL INSTALLATION.....	30
FIGURE 1-10. TILT SENSOR INSTALLATION.....	32
FIGURE 1-11. BATTERY CHARGER INSTALLATION - DELTA-Q.....	34
FIGURE 1-12. BATTERY CHARGER INSTALLATION - EAGLE PERFORMANCE.....	36
FIGURE 1-13. BATTERY CHARGER INSTALLATION - GREEN POWER.....	38
FIGURE 1-14. STROBE LIGHT INSTALLATION - SINGLE (AMBER).....	40
FIGURE 1-15. STROBE LIGHT INSTALLATION - DUAL (AMBER).....	42
FIGURE 1-16. STROBE LIGHT INSTALLATION - DUAL (AMBER) (WITH CLEARSKY).....	44
FIGURE 1-17. ALARM INSTALLATION (AMBIENT/WHITE NOISE).....	46
FIGURE 1-18. LADDER INSTALLATION.....	48
FIGURE 1-19. FRAME COVERS INSTALLATION.....	50
SECTION 2 - GROUND CONTROLS.....	53
FIGURE 2-1. PUMP/MOTOR/TANK AND HOSES INSTALLATION.....	54
FIGURE 2-2. PUMP/MOTOR/TANK ASSEMBLY.....	56
FIGURE 2-3. CLEANGUARD INSTALLATION.....	58
FIGURE 2-4. ELECTRICAL COMPONENTS INSTALLATION (MACHINES WITH SN STARTING WITH B2 & M2).....	60
FIGURE 2-5. ELECTRICAL COMPONENTS INSTALLATION #1 (MACHINES WITH SN STARTING WITH G2).....	62
FIGURE 2-6. ELECTRICAL COMPONENTS INSTALLATION #2 (MACHINES WITH SN STARTING WITH 12).....	64
FIGURE 2-7. ACCESS CONTROL KEYPAD INSTALLATION.....	66
FIGURE 2-8. MOBILE CONTROL INSTALLATION.....	68
FIGURE 2-9. MDI INSTALLATION.....	70
FIGURE 2-10. BATTERIES INSTALLATION -STANDARD BATTERIES (MACHINES WITH SN STARTING WITH 12, B2 & G2).....	72
FIGURE 2-11. BATTERIES INSTALLATION - STANDARD BATTERIES (MACHINES WITH SN STARTING WITH 12, B2, G2 & M2).....	74
FIGURE 2-12. BATTERIES INSTALLATION - AGM BATTERIES.....	76
FIGURE 2-13. BATTERIES INSTALLATION - AGM EVCG BATTERIES.....	78
FIGURE 2-14. INVERTER INSTALLATION (OPTIONAL).....	80
FIGURE 2-15. DOORS INSTALLATION.....	82
SECTION 3 - SCISSORS ARMS.....	85
FIGURE 3-1. SCISSORS ARMS INSTALLATION (ALL SPECS).....	86
FIGURE 3-2. SCISSORS ARMS INSTALLATION (ALL SPECS) (SN B200087213 to Present, SN M200080311 to Present).....	90
FIGURE 3-3. ARM GUARDS INSTALLATION.....	94
SECTION 4 - PLATFORM.....	97
FIGURE 4-1. PLATFORM INSTALLATION.....	98

TABLE OF CONTENTS

FIGURE 4-2. PLATFORM EXTENSION INSTALLATION	100
FIGURE 4-3. RAILS INSTALLATION (SIDE BY SIDE)	102
FIGURE 4-4. RAILS INSTALLATION (TUBE IN TUBE)	104
FIGURE 4-5. RAILS INSTALLATION (TUBE IN TUBE) (SN B200087213 to Present, SN M200080311 to Present)	106
FIGURE 4-6. EXTENSION HANDLES INSTALLATION (OPTIONAL)	108
FIGURE 4-7. GATE LATCH INSTALLATION - OPTIONAL	110
FIGURE 4-8. PLATFORM CONSOLE BOX INSTALLATION (SIDE MOUNT)	112
FIGURE 4-9. PLATFORM CONSOLE BOX INSTALLATION (FRONT MOUNT)	114
FIGURE 4-10. DRIVE/STEER CONTROLLER ASSEMBLY	116
FIGURE 4-11. USB/PHONE CRADLE INSTALLATION	118
FIGURE 4-12. PIPE RACKS INSTALLATION (OPTIONAL)	120
FIGURE 4-13. OVERHEAD PROTECTION INSTALLATION (KOREAN SPECS)	122
FIGURE 4-14. WORKSTATION INSTALLATION	124
FIGURE 4-15. ELECTRICIAN TREE INSTALLATION	126
FIGURE 4-16. WORKLIGHT INSTALLATION	128
FIGURE 4-17. PANEL CARRIER INSTALLATION	130
SECTION 5 - CYLINDER	133
FIGURE 5-1. LIFT CYLINDER ASSEMBLY	134
FIGURE 5-2. STEER CYLINDER ASSEMBLY	136
SECTION 6 - ELECTRICAL	139
FIGURE 6-1. AC BOX AT PLATFORM INSTALLATION - 110V GFI (ALL SPECS EXCEPT AUSTRALIAN, CE & UK CA SPECS)	140
FIGURE 6-2. AC BOX AT PLATFORM INSTALLATION - 110V IEC YELLOW (CE & UK CA SPECS)	142
FIGURE 6-3. AC BOX AT PLATFORM INSTALLATION - 220V IEC BLUE (CE & UK CA SPECS)	144
FIGURE 6-4. AC BOX AT PLATFORM INSTALLATION - 220V CEE7 POST GROUND (CE & UK CA SPECS)	146
FIGURE 6-5. AC BOX AT PLATFORM INSTALLATION - 220V CEE7 SIDE GROUND (CE & UK CA SPECS)	148
FIGURE 6-6. AC BOX AT PLATFORM INSTALLATION - 220V AFSINT 107 (CE & UK CA SPECS)	150
FIGURE 6-7. AC BOX AT PLATFORM INSTALLATION - 220V LOCALLY SUPPLIED	152
FIGURE 6-8. AC BOX AT PLATFORM INSTALLATION - 220V (AUSTRALIAN SPECS)	154
FIGURE 6-9. AC BOX AT PLATFORM INSTALLATION - 220V CHINA PLUG (CHINA SPECS)	156
FIGURE 6-10. BREAKER BOX KIT (AUSTRALIAN SPEC)	158
FIGURE 6-11. BREAKER BOX KIT WITH 1 DOUBLE BREAKER (CE & UK CA SPECS)	160
FIGURE 6-12. BREAKER BOX KIT WITH 3 BREAKERS (CE & UK CA SPECS)	162
FIGURE 6-13. CHARGER HARNESS (CHARGER WITH COMMUNICATION PORT)	164
FIGURE 6-14. CHARGER PLUG INSTALLATION - CUSTOMER SUPPLIED PLUG (ALL SPECS)	166
FIGURE 6-15. CHARGER PLUG INSTALLATION - 110V PLUG (ANSI, ANSI EXPORT & CSA SPECS)	168
FIGURE 6-16. CHARGER PLUG INSTALLATION - 110V IEC YELLOW PLUG (CE & UK CA SPECS)	170
FIGURE 6-17. CHARGER PLUG INSTALLATION - 220V IEC BLUE PLUG (CE & UK CA SPECS)	172
FIGURE 6-18. CHARGER PLUG INSTALLATION - 220V AFSINT 107 PLUG (CE & UK CA SPECS)	174
FIGURE 6-19. CHARGER PLUG INSTALLATION - 220V CEE7 PLUG (CE & UK CA SPECS)	176
FIGURE 6-20. CHARGER PLUG INSTALLATION (AUSTRALIAN PLUG)	178
FIGURE 6-21. CHARGER PLUG INSTALLATION (CHINA PLUG)	180
FIGURE 6-22. CHARGER PLUG INSTALLATION (KOREAN PLUG)	182
FIGURE 6-23. CHASSIS HARNESS	184

TABLE OF CONTENTS

FIGURE 6-24. CLEARSKY INSTALLATION - 3 WIRE (ALL SPECS EXCEPT CHINA SPECS) (Prior to SN B200091892, Prior to SN 1200045611, Including M200088825)	188
FIGURE 6-25. CLEARSKY INSTALLATION - 3G (AUSTRALIAN SPECS) (Prior to SN B200091892, Prior to SN 1200045611, Including M200088825)	190
FIGURE 6-26. CLEARSKY INSTALLATION - 4G (ALL SPECS EXCEPT CHINA SPECS) (Prior to SN B200091892, Prior to SN 1200045611, Including M200088825)	192
FIGURE 6-27. CLEARSKY INSTALLATION - 4G (CHINA SPECS) (Prior to SN B200091892, Prior to SN 1200045611, Including M200088825)	194
FIGURE 6-28. CLEARSKY INSTALLATION - SMART FLEET (SN B200091892 through M200088825, SN 1200045611 to Present)	196
FIGURE 6-29. CLEARSKY HARNESS - 3 WIRE (ALL SPECS EXCEPT CHINA SPECS) (Prior to SN B200091892, Prior to SN 1200045611, Including M200088825)	198
FIGURE 6-30. CLEARSKY JUMPER HARNESS - 3 WIRE (ALL SPECS EXCEPT CHINA SPECS) (Prior to SN B200091892, Prior to SN 1200045611, Including M200088825)	200
FIGURE 6-31. CLEARSKY HARNESS - 3G & 4G (ALL SPECS EXCEPT CHINA SPECS) (Prior to SN B200091892, Prior to SN 1200045611, Including M200088825)	202
FIGURE 6-32. CLEARSKY HARNESS - 4G (CHINA SPECS) (Prior to SN B200091892, Prior to SN 1200045611, Including M200088825)	204
FIGURE 6-33. CLEARSKY SPLICE HARNESS - 3G & 4G (ALL SPECS EXCEPT CHINA SPECS) (Prior to SN B200091892, Prior to SN 1200045611, Including M200088825)	206
FIGURE 6-34. CLEARSKY HARNESS (SN B200091892 through M200088825, SN 1200045611 to Present)	208
FIGURE 6-35. DRIVE HARNESS.....	210
FIGURE 6-36. GROUND TO PLATFORM CABLE INSTALLATION - WITHOUT PLATFORM COIL CABLE (MACHINES WITH SN STARTING WITH 12, B2 & G2).....	212
FIGURE 6-37. GROUND TO PLATFORM CABLE INSTALLATION - WITHOUT PLATFORM COIL CABLE & WITH FOOTSWITCH (MACHINES WITH SN STARTING WITH 12, B2 & G2).....	214
FIGURE 6-38. GROUND TO PLATFORM CABLE INSTALLATION - WITH PLATFORM COIL CABLE (MACHINES WITH SN STARTING WITH 12, B2 & G2).....	216
FIGURE 6-39. GROUND TO PLATFORM CABLE INSTALLATION - WITH PLATFORM COIL CABLE & FOOTSWITCH (MACHINES WITH SN STARTING WITH 12, B2 & G2).....	218
FIGURE 6-40. GROUND TO PLATFORM CABLE INSTALLATION - PLATFORM STRAIGHT CABLE ONLY (MACHINES WITH SN STARTING WITH 12, B2, G2 & M2).....	220
FIGURE 6-41. GROUND TO PLATFORM CABLE INSTALLATION - PLATFORM COIL CABLE ONLY (MACHINES WITH SN STARTING WITH 12, B2, G2 & M2).....	222
FIGURE 6-42. GROUND TO PLATFORM CABLE INSTALLATION - SCISSORS ARMS CABLE ONLY (MACHINES WITH SN STARTING WITH 12, B2, G2 & M2).....	224
FIGURE 6-43. JUMPER HARNESS TO LIFT DOWN	226
FIGURE 6-44. LIFT DOWN HARNESS	228
FIGURE 6-45. LIFT DOWN HARNESS (SN B200087213 to Present, SN M200080311 to Present)	230
FIGURE 6-46. PLATFORM CONTROL BOX HARNESS	232
FIGURE 6-47. RECEPTACLE BOX KIT - 110V GFI.....	234
FIGURE 6-48. RECEPTACLE BOX KIT - 110V IEC YELLOW (CE & UK CA SPEC)	236
FIGURE 6-49. RECEPTACLE BOX KIT - 220V AFSINT 107 (CE & UK CA SPEC).....	238
FIGURE 6-50. RECEPTACLE BOX KIT - 220V CEE7 POST GROUND (CE & UK CA SPEC)	240
FIGURE 6-51. RECEPTACLE BOX KIT - 220V CEE7 SIDE GROUND (CE & UK CA SPEC).....	242
FIGURE 6-52. RECEPTACLE BOX KIT - 220V IEC BLUE (CE & UK CA SPEC)	244
SECTION 7 - DECALS.....	247
FIGURE 7-1. DECAL INSTALLATION (ANSI SPECS).....	248
FIGURE 7-2. DECAL INSTALLATION (AUSTRALIAN SPECS).....	250
FIGURE 7-3. DECAL INSTALLATION (BRAZIL SPECS).....	252

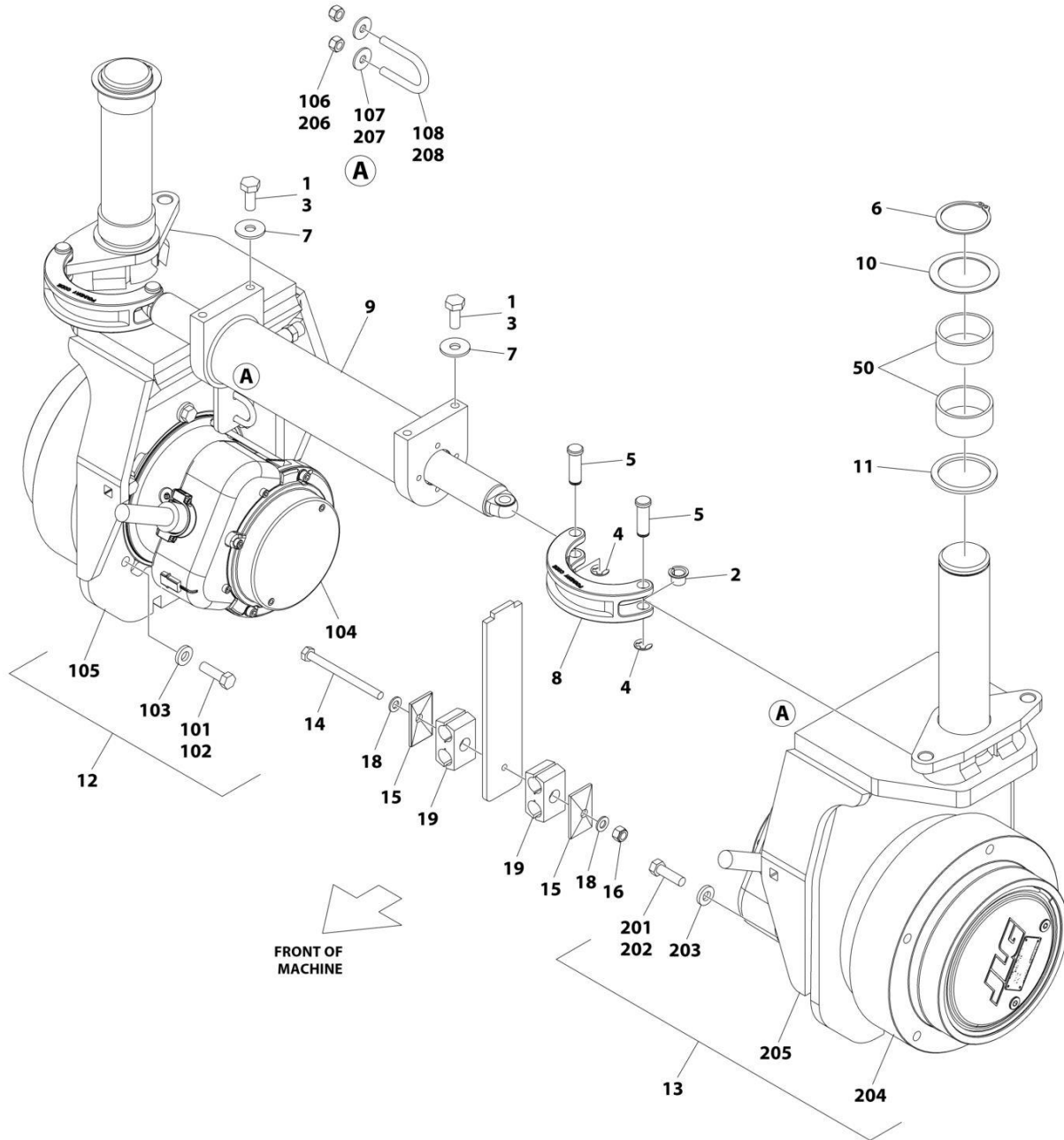
TABLE OF CONTENTS

FIGURE 7-4. DECAL INSTALLATION (CE & UK CA SPECS)	254
FIGURE 7-5. DECAL INSTALLATION (CHINA SPECS).....	256
FIGURE 7-6. DECAL INSTALLATION (CSA SPECS)	258
FIGURE 7-7. DECAL INSTALLATION (KOREAN SPECS).....	260
FIGURE 7-8. DECAL INSTALLATION (LATIN AMERICAN SPECS).....	262
FIGURE 7-9. DECAL INSTALLATIONS - OPTIONS.....	264
SECTION 8 - RECOMMENDED SERVICE PARTS STOCK.....	267
FIGURE 8-1. RECOMMENDED SERVICE PARTS STOCK.....	268
SECTION 9 - SPECIAL OPTIONS	269
FIGURE 9-1. SPECIAL OPTIONS/ACCESSORIES/KITS.....	270
PART NUMBER INDEX.....	273

SECTION 1 - FRAME

SECTION 1 - FRAME

FIGURE 1-1. DRIVE MOTOR AND STEER INSTALLATION (ALL SPECS)



ART_1001256704

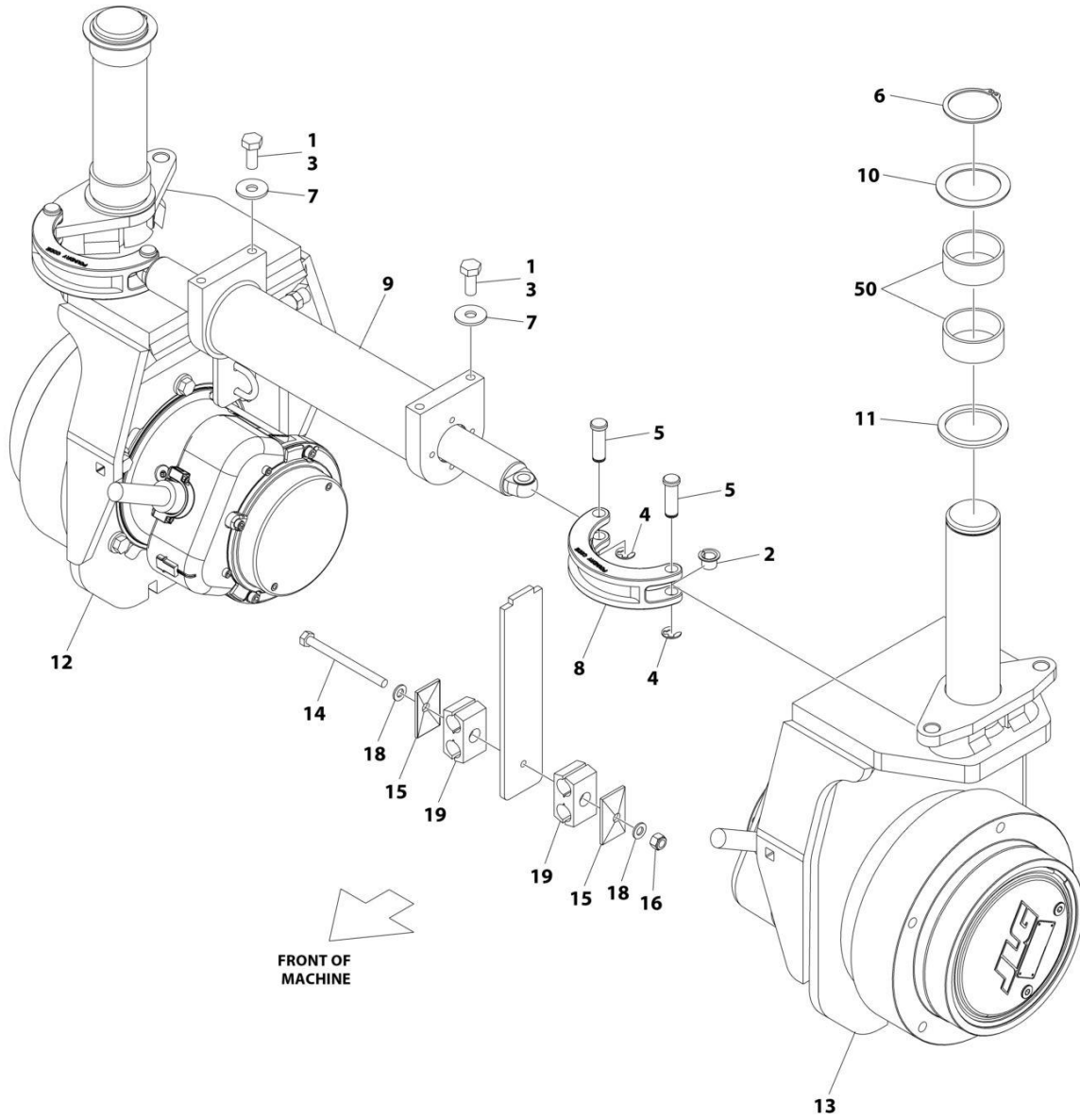
SECTION 1 - FRAME

FIGURE 1-1. DRIVE MOTOR AND STEER INSTALLATION (ALL SPECS)

ITEM	PART NUMBER	QTY	DESCRIPTION	REV
	1001256704	Ref	STEER INSTALLATION	B
1	0100011	AR	Compound, Locking	
2	0440259	2	Bearing	
3	0701012	4	Bolt M10 x 25	
4	1380153	4	E-Clip	
5	3423037	4	Pin	
6	3760217	2	Ring, Retaining	
7	4812002	4	Washer M10	
8	4846757	2	Lug, Steering	
9	1001179447	1	Steer Cylinder Assembly (See Separate Breakdown in CYLINDER Section)	
10	1001197396	2	Washer	
11	1001205751	2	Washer	
12	1001262500	1	Motor/Spindle Assembly (See item 101-108 for Breakdown)	
13	1001262658	1	Motor/Spindle Assembly (See item 201-208 for Breakdown)	
14	0760827	1	Bolt M8 x 100	
15	1321752	2	Cover, Clamp	
16	3290805	1	Nut M8	
17	4240017	AR	Tie-Strap (Not Shown)	
18	4811900	2	Washer M8	
19	8750015	2	Clamp	
50	1001153785	4	Bearing (Part of Frame)	
	1001262500	Ref	MOTOR/SPINDLE ASSEMBLY	D
101	0100011	AR	Compound, Locking	
102	0681610	6	Bolt 3/8 x 1-1/4 Grade 8	
103	4891600	6	Washer 3/8	
104	1001256944	1	Drive Motor Assembly (See Separate Breakdown in this Section)	
105	1001262539	1	Spindle	
106	3290605	2	Nut M6	
107	4811702	2	Washer M6	
108	1001259015	1	U-Bolt	
	1001262658	Ref	MOTOR/SPINDLE ASSEMBLY	D
201	0100011	AR	Compound, Locking	
202	0681610	6	Bolt 3/8 x 1-1/4 Grade 8	
203	4891600	6	Washer 3/8	
204	1001256944	1	Drive Motor Assembly (See Separate Breakdown in this Section)	
205	1001262539	1	Spindle	
206	3290605	2	Nut M6	
207	4811702	2	Washer M6	
208	1001259015	1	U-Bolt	

SECTION 1 - FRAME

FIGURE 1-2. DRIVE MOTOR AND STEER INSTALLATION (JAPANESE SPEC)



ART_1001288499

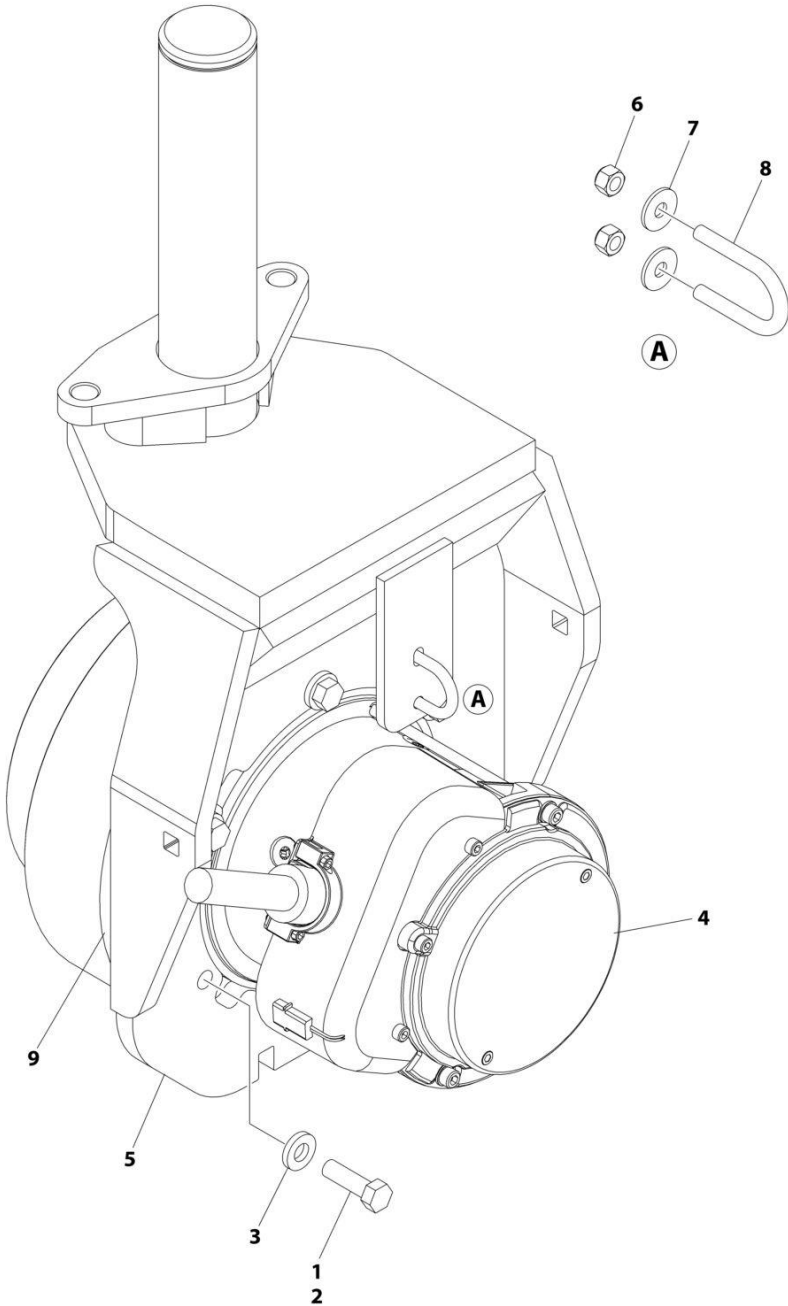
SECTION 1 - FRAME

FIGURE 1-2. DRIVE MOTOR AND STEER INSTALLATION (JAPANESE SPEC)

ITEM	PART NUMBER	QTY	DESCRIPTION	REV
	1001288499	Ref	STEER INSTALLATION	A
1	0100011	AR	Compound, Locking	
2	0440259	2	Bushing	
3	0701012	4	Bolt M10 x 25	
4	1380153	4	E-Clip	
5	3423037	4	Pin	
6	3760217	2	Ring, Retaining	
7	4812002	4	Washer M10	
8	4846757	2	Lug, Steering	
9	1001179447	1	Steer Cylinder Assembly (See Separate Breakdown in CYLINDER Section)	
10	1001197396	2	Washer	
11	1001205751	2	Washer	
12	1001288496	1	Motor/Spindle Assembly - Left (See Separate Breakdown in this Section)	
13	1001288497	1	Motor/Spindle Assembly - Right (See Separate Breakdown in this Section)	
14	0760827	1	Bolt M8 x 100	
15	1321752	2	Cover, Clamp	
16	3290805	1	Nut M8	
17	4240017	AR	Tie-Strap (Not Shown)	
18	4811900	2	Washer M8	
19	8750015	2	Clamp	
50	1001153785	4	Bearing (Part of Frame)	

SECTION 1 - FRAME

FIGURE 1-3. MOTOR & SPINDLE ASSEMBLY - LEFT (JAPANESE SPEC)



ART_1001288496

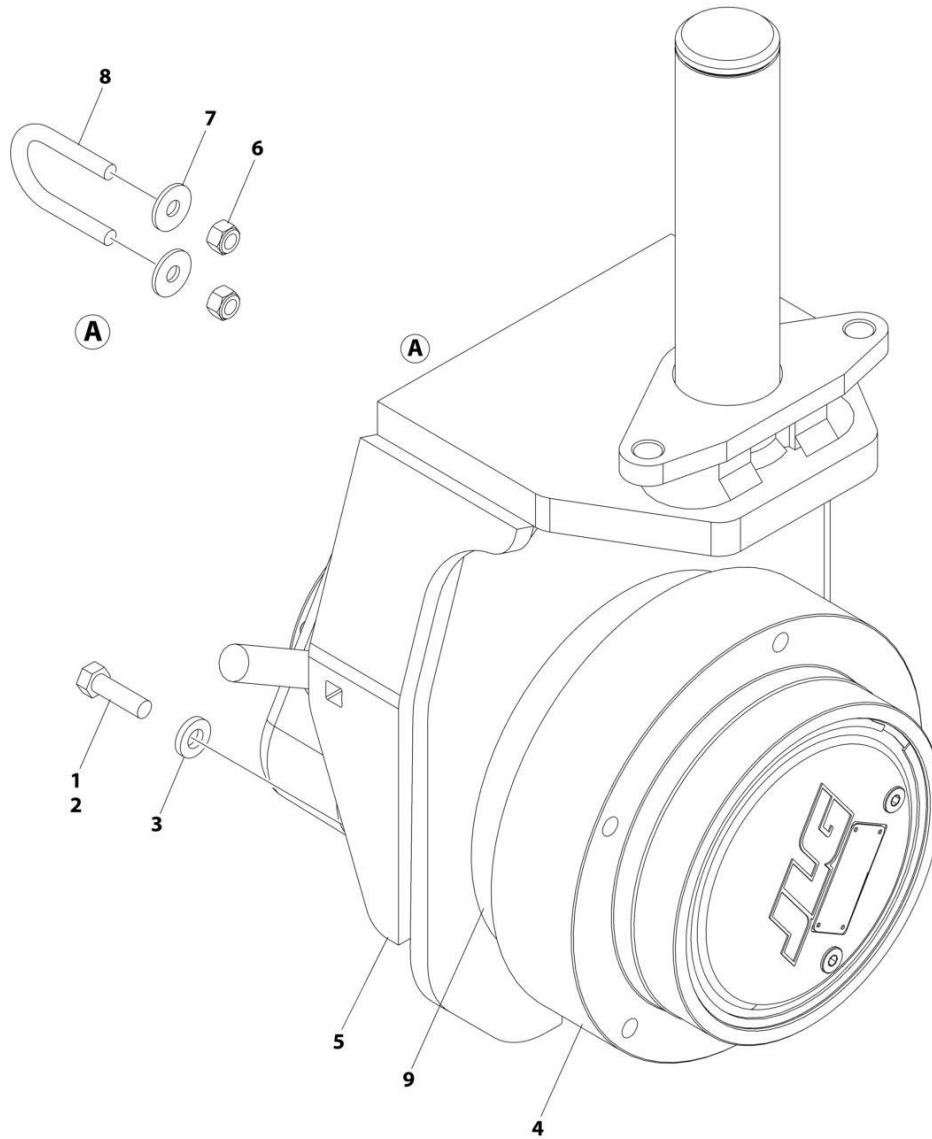
SECTION 1 - FRAME

FIGURE 1-3. MOTOR & SPINDLE ASSEMBLY - LEFT (JAPANESE SPEC)

ITEM	PART NUMBER	QTY	DESCRIPTION	REV
	1001288496	Ref	MOTOR/SPINDLE ASSEMBLY	B
1	0100011	AR	Compound, Locking	
2	0681610	6	Bolt 3/8 x 1-1/4 Grade 8	
3	4891600	6	Washer 3/8	
4	1001256944	1	Drive Motor Assembly (See Separate Breakdown in this Section)	
5	1001262539	1	Spindle	
6	3290605	2	Nut M6	
7	4811702	2	Washer M6	
8	1001259015	1	U-Bolt	
9	1001288492	1	Seal	

SECTION 1 - FRAME

FIGURE 1-4. MOTOR & SPINDLE ASSEMBLY - RIGHT (JAPANESE SPEC)



ART_1001288497

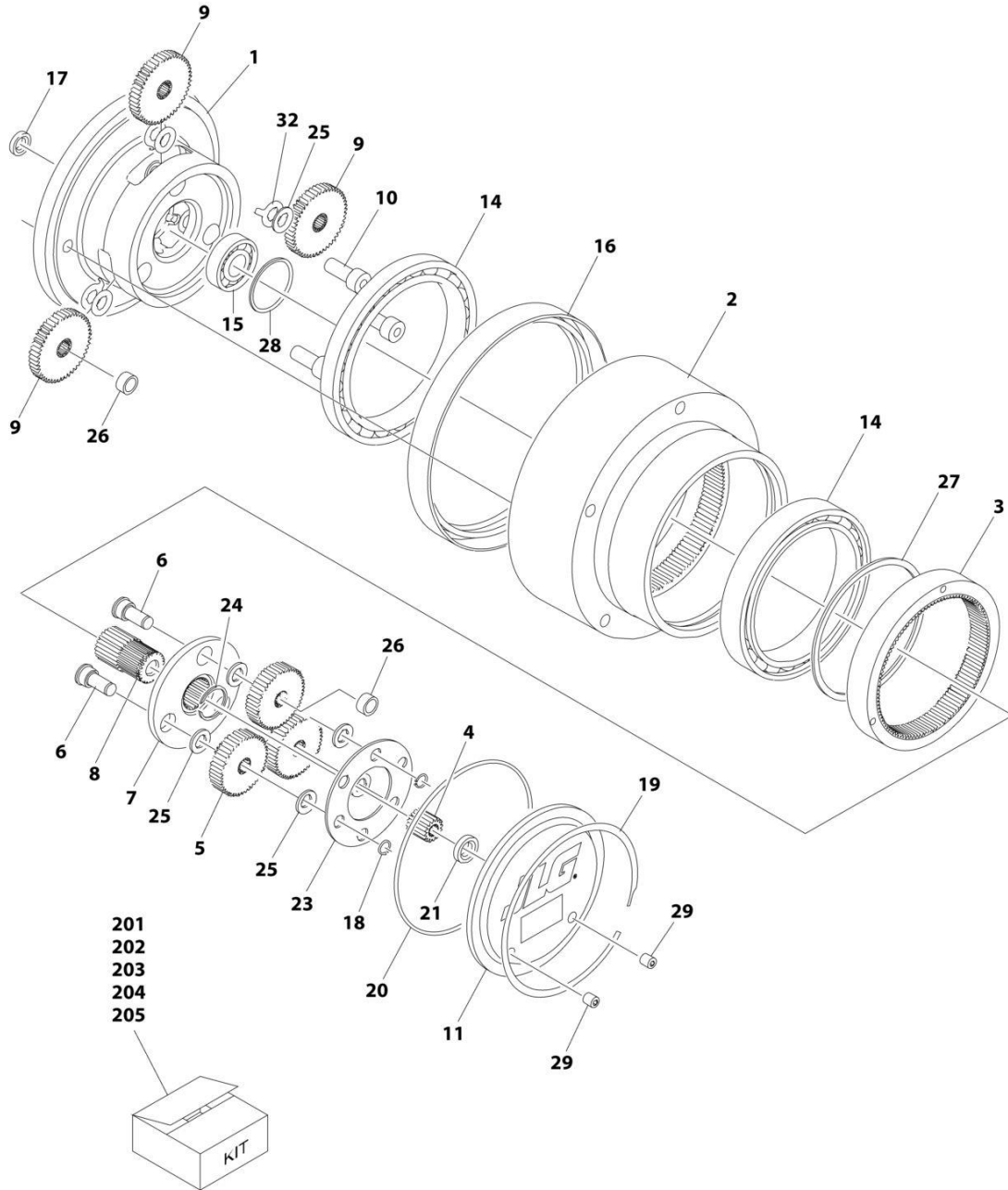
SECTION 1 - FRAME

FIGURE 1-4. MOTOR & SPINDLE ASSEMBLY - RIGHT (JAPANESE SPEC)

ITEM	PART NUMBER	QTY	DESCRIPTION	REV
	1001288497	Ref	MOTOR/SPINDLE ASSEMBLY	B
1	0100011	AR	Compound, Locking	
2	0681610	6	Bolt 3/8 x 1-1/4 Grade 8	
3	4891600	6	Washer 3/8	
4	1001256944	1	Drive Motor Assembly (See Separate Breakdown in this Section)	
5	1001262539	1	Spindle	
6	3290605	2	Nut M6	
7	4811702	2	Washer M6	
8	1001259015	1	U-Bolt	
9	1001288492	1	Seal	

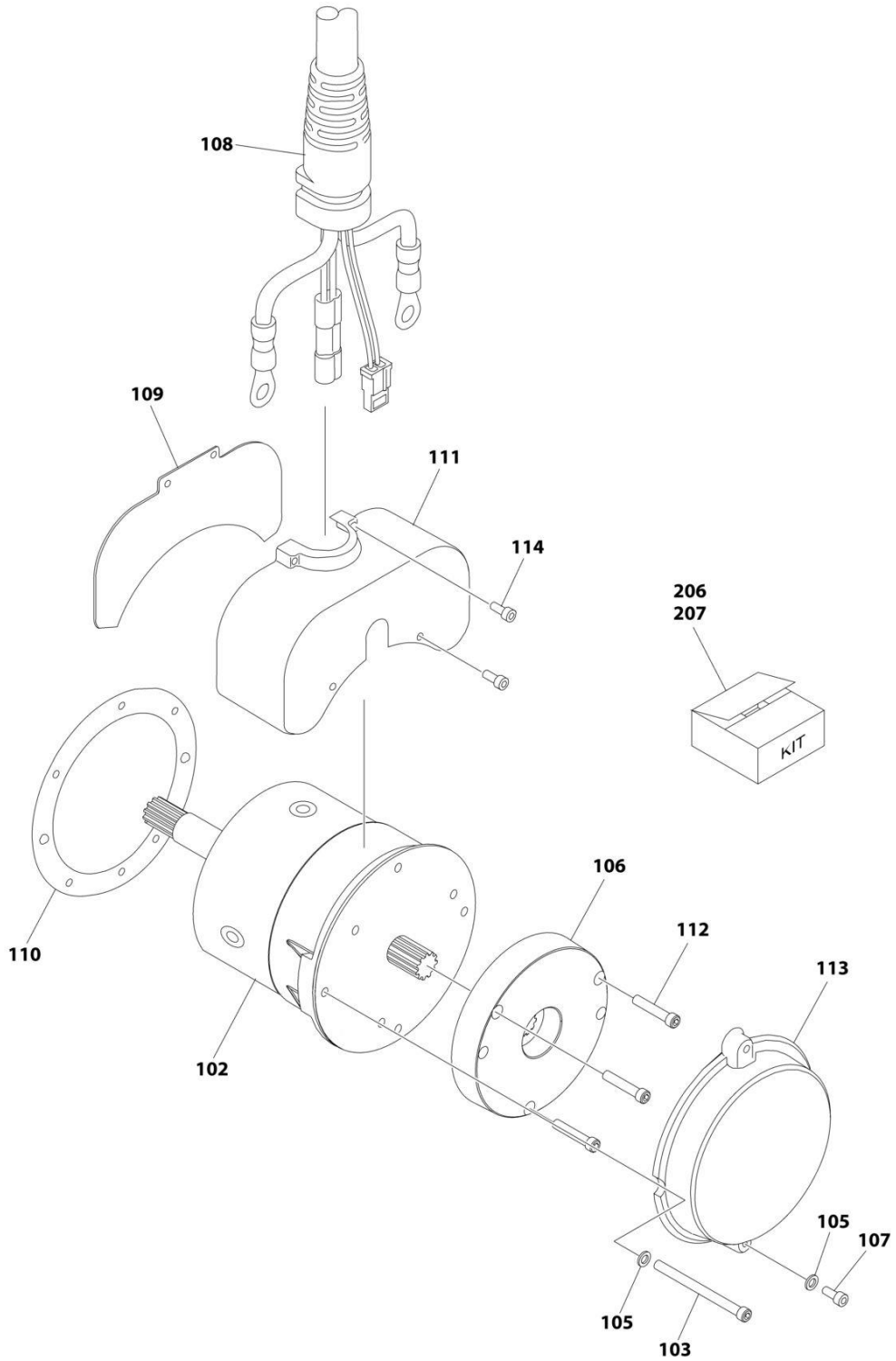
SECTION 1 - FRAME

FIGURE 1-5. DRIVE MOTOR ASSEMBLY



ART_1001256944_10F2

SECTION 1 - FRAME



ART_1001256944_20F2

SECTION 1 - FRAME

FIGURE 1-5. DRIVE MOTOR ASSEMBLY

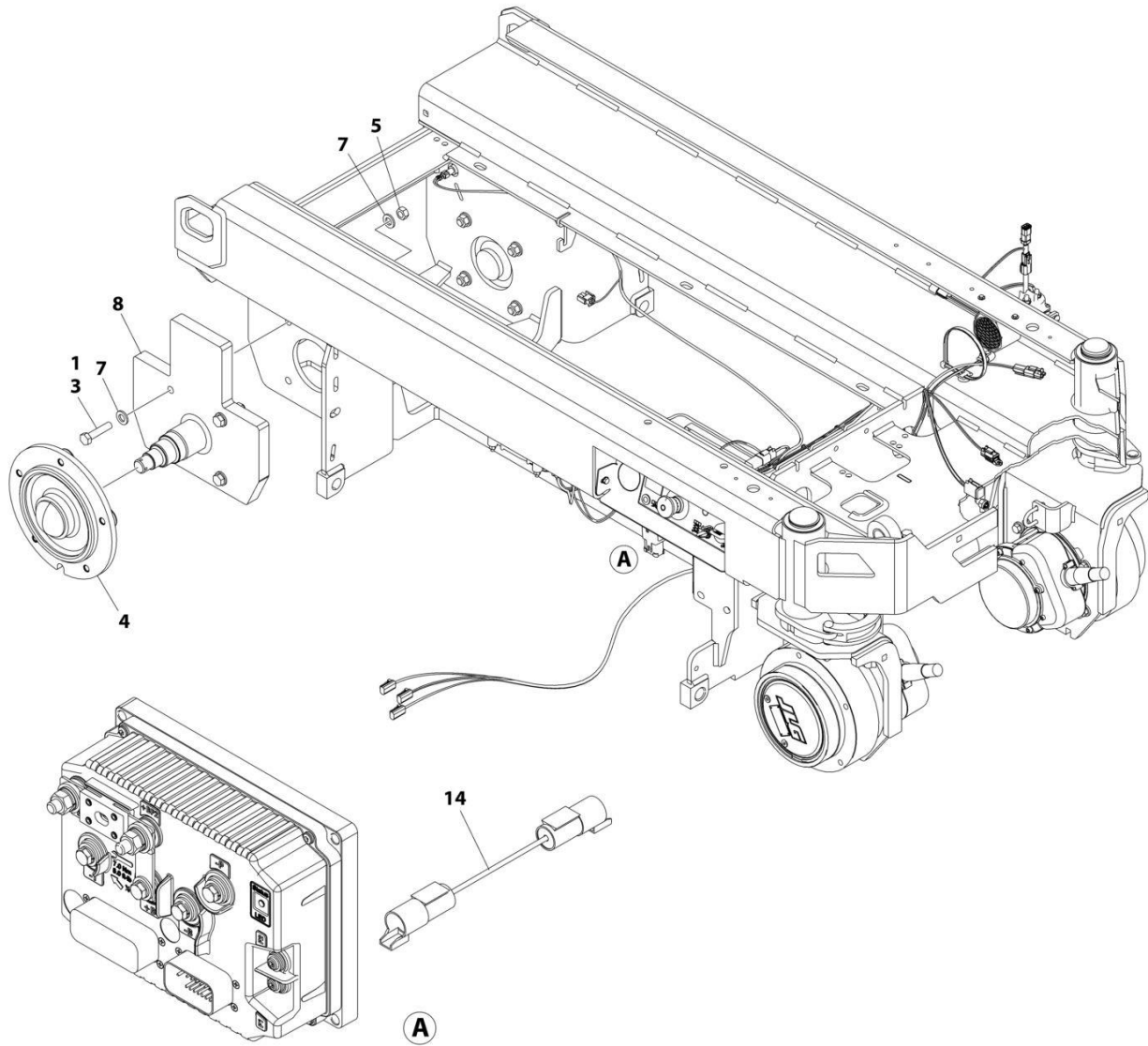
ITEM	PART NUMBER	QTY	DESCRIPTION	REV
	1001256944	Ref	DRIVE MOTOR ASSEMBLY	D
		Ref	HUB ASSEMBLY	
1	See Note	NSS	Spindle (Note: Purchase Complete Assembly)	
2	See Note	NSS	Hub (Note: Use Item 203)	
3	See Note	NSS	Ring, Input (Note: Use Item 204)	
4	See Note	NSS	Gear, Input Sun (Note: Use Item 202)	
5	70007490	3	Gear, Input Planet (Includes Item 26)	
6	See Note	NSS	Pin, Planet Gear (Note: Use Item 202)	
7	See Note	NSS	Carrier (Note: Use Item 202)	
8	See Note	NSS	Gear, Output Sun (Note: Use Item 202)	
9	70007193	3	Gear, Output Planet (Includes Item 26) (Note: Included in Item 205)	
10	70007199	3	Pin, Output Planet (Note: Included in Item 205)	
11	See Note	NSS	Cover (Note: Use Item 201)	
14	70007541	2	Bearing, Main (Note: Included in Items 203 or 204 or 205)	
15	See Note	NSS	Bearing , Shaft (Note: Use Item 205)	
16	70001739	1	Seal, Lip (Note: Included in Items 203)	
17	7024786	1	Seal, Lip	
18	See Note	NSS	Ring, Retaining (Note: Use Item 202)	
19	See Note	NSS	Ring, Retaining (Note: Use Item 201)	
20	70000191	1	O-Ring (Note: Included in Items 201 or 202 or 203 or 204 or 205)	
21	See Note	NSS	Washer, Thrust (Note: Use Item 201)	
23	See Note	NSS	Plate, Thrust (Note: Use Item 202)	
24	See Note	NSS	Ring, Retaining (Note: Use Item 202)	
25	See Note	NSS	Washer, Thrust (Note: Use Item 202)	
26	See Note	NSS	Bushing (Note: Use Item 202 or 205)	
27	70007544	1	Ring, Retaining (Note: Included in Items 203 or 204 or 205)	
28	See Note	NSS	Ring, Retaining (Note: Use Item 205)	
29	See Note	NSS	Plug (Note: Use Item 201)	
32	70007205	3	Washer, Tanged (Note: Included in Item 205)	
		Ref	BRAKE AND MOTOR	
102	70007782	1	Motor Electric	
103	70007495	2	Bolt M6 x 100	
103		Ref	Bolt M6 x 140	
105	70007546	4	Washer 1/4	
106	See Note	NSS	Brake, Input (Note: Use Item 206)	
107	70007191	2	Bolt M6 x 20	
108	70007676	1	Harness, Motor	
109	See Note	NSS	Plate, Cover (Note: Use Item 207)	
110	See Note	NSS	Gasket (Note: Use Item 207)	
111	See Note	NSS	Cover (Note: Use Item 207)	
112	See Note	NSS	Capscrew (Note: Use Item 206)	
113	See Note	NSS	Cover (Note: Use Item 207)	
114	See Note	NSS	Capscrew (Note: Use Item 207)	
		Ref	KIT OPTIONS	
201	7024747	1	Cover Kit - Hub (Includes Items 11, 19, 20, 21 & 29)	
202	7024749	1	Input Carrier Kit (Includes Items 4-8, 18, 20 & 23-26)	
203	7024756	1	Hub Kit (Includes Items 2, 16, 20, 27 & Qty 1 of Item 14)	
204	7024758	1	Input Ring Kit (Includes Items 3, 14, 20 & 27)	
205	70007670	1	Carrier Kit (Includes Items 9, 10, 14, 15, 20, 26-28 & 32)	

SECTION 1 - FRAME

ITEM	PART NUMBER	QTY	DESCRIPTION	REV
206	7024759	1	Brake Kit (Includes Items 106, 112 and O-Ring)	
207	70007844	1	Cover Kit - Electric Motor (Includes Items 107, 109, 110, 111, 113 & 114)	

SECTION 1 - FRAME

FIGURE 1-6. REAR WHEEL HUB INSTALLATION



ART_1001256130_F

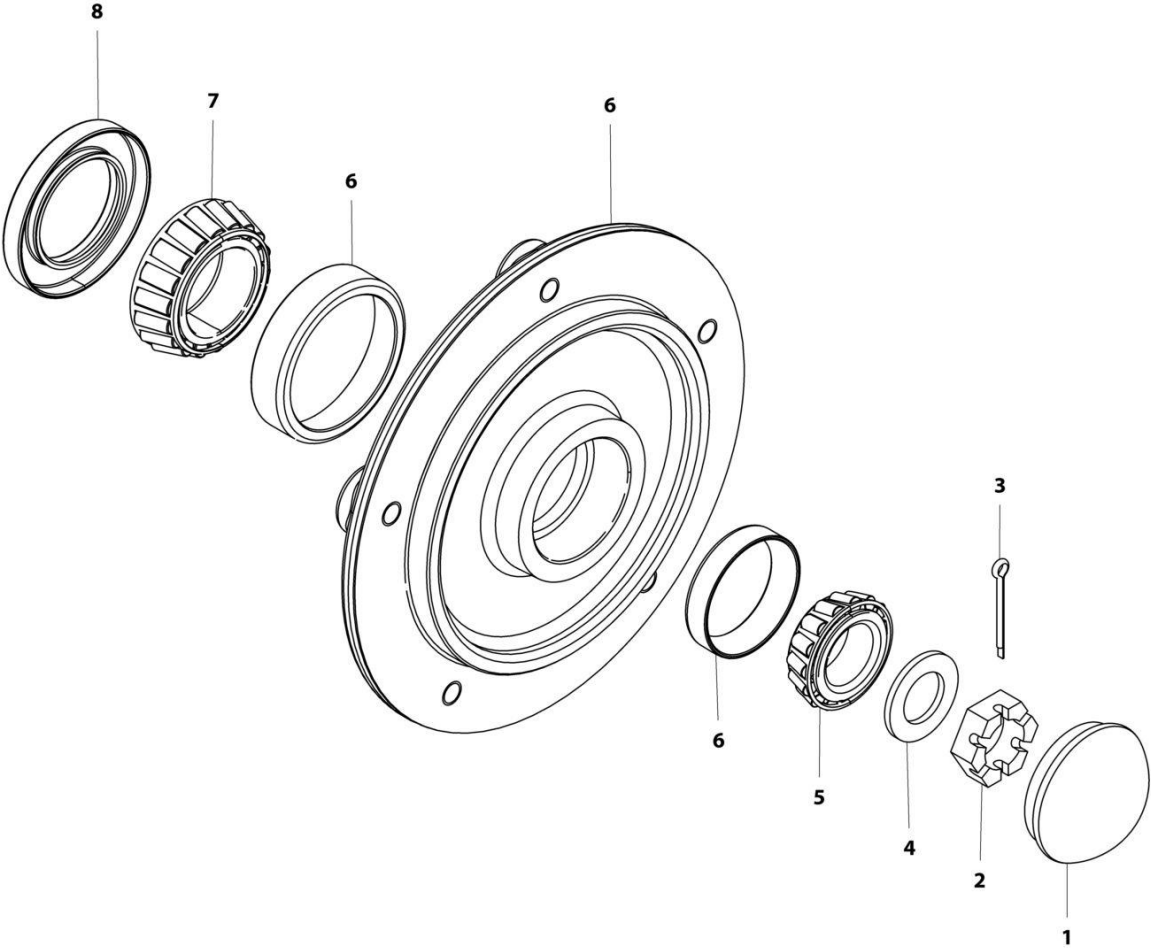
SECTION 1 - FRAME

FIGURE 1-6. REAR WHEEL HUB INSTALLATION

ITEM	PART NUMBER	QTY	DESCRIPTION	REV
	1001256130	Ref	REAR WHEEL HUB INSTALLATION	F
1	0100011	AR	Compound, Locking	
3	0711219	8	Bolt M12 x 55	
4	2780266	2	Hub Assembly - Rear (See Separate Breakdown in this Section)	
5	3331211	8	Nut M12	
7	5241200	16	Washer M12	
8	1001226423	2	Spindle Rear	
14	4923602	1	Harness, Field Wire Connection	

SECTION 1 - FRAME

FIGURE 1-7. HUB ASSEMBLY - REAR



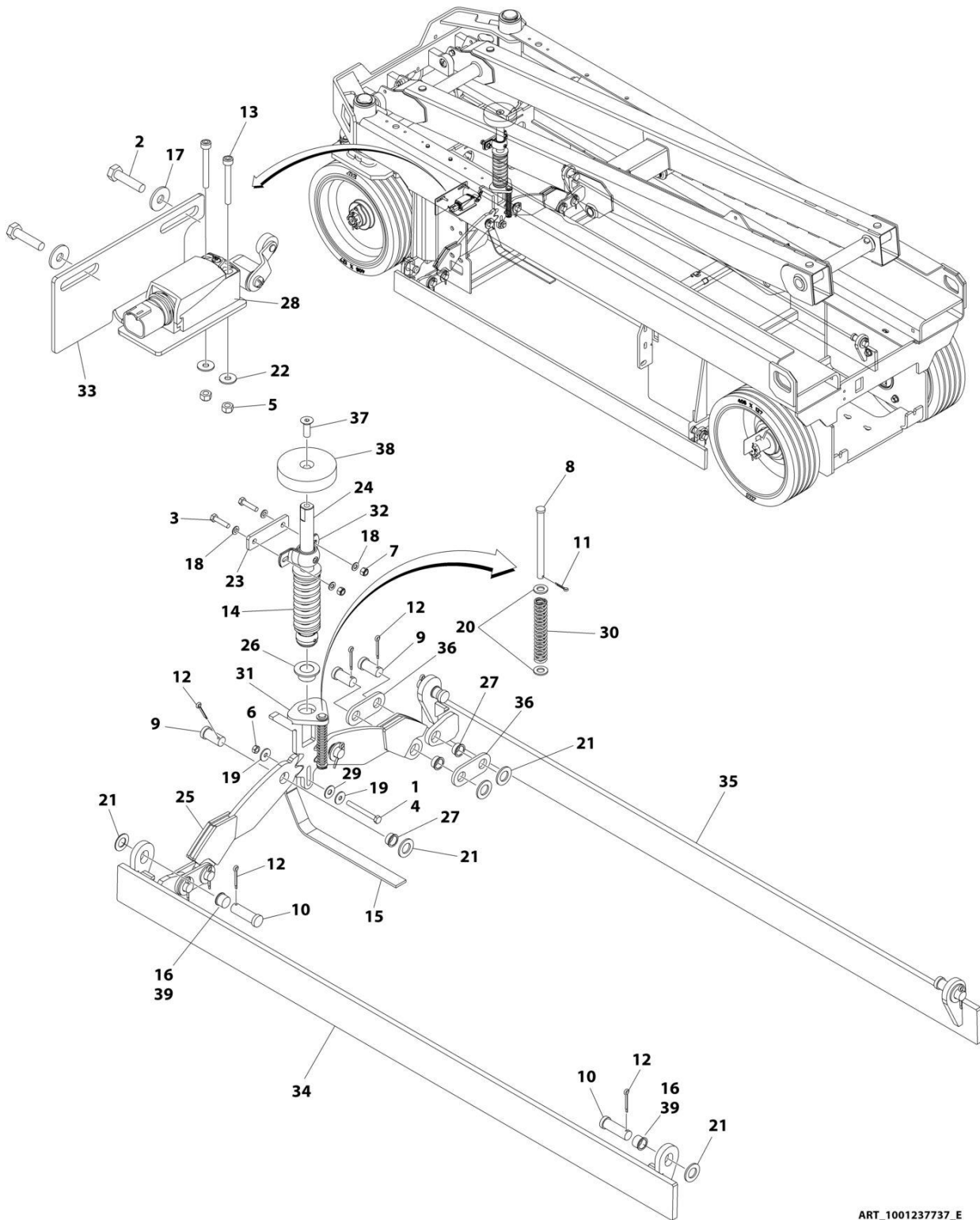
ART_2780266

FIGURE 1-7. HUB ASSEMBLY - REAR

ITEM	PART NUMBER	QTY	DESCRIPTION	REV
	2780266	Ref	HUB ASSEMBLY - REAR	E
1	1001102354	1	Cap, Dust (was p/n 7012524)	
2	3300423	1	Nut, Slotted (was p/n 7010641)	
3	3450406	1	Pin, Cotter 2 x 3/16 (was p/n 7010642)	
4	4740468	1	Washer (was p/n 7019697)	
5	1001102351	1	Bearing, Cone - Outer (was p/n 7026185)	
6	See Note	NSS	Hub (Note: Purchase Complete Assembly p/n 2780266)	
7	1001102353	1	Bearing, Cone - Inner (was p/n 7026183)	
8	1001102349	1	Seal (was p/n 7026184)	

SECTION 1 - FRAME

FIGURE 1-8. POTHOLE PROTECTION SYSTEM INSTALLATION



ART_1001237737_E

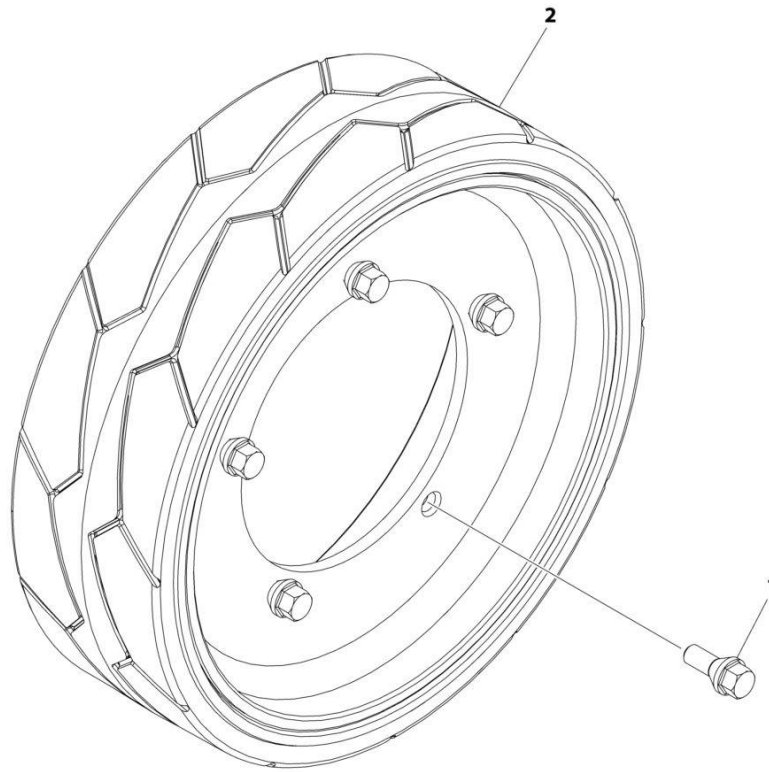
SECTION 1 - FRAME

FIGURE 1-8. POTHOLE PROTECTION SYSTEM INSTALLATION

ITEM	PART NUMBER	QTY	DESCRIPTION	REV
	1001237737	Ref	POTHOLE PROTECTION SYSTEM INSTALLATION	E
1	0100011	AR	Compound, Locking	
2	0700612	2	Bolt M6 x 25	
3	0700815	2	Bolt M8 x 35	
4	0700823	1	Bolt M8 x 75	
5	3290405	2	Nut M4	
6	3290801	1	Nut M8	
7	3290805	2	Nut M8	
8	3430636	1	Pin	
9	3431212	6	Pin	
10	3431218	4	Pin	
11	3450302	1	Pin, Cotter 7/8 x 1/2	
12	3450505	10	Pin, Cotter 5/32 x 1/2	
13	4031511	2	Capscrew M4 x 35	
14	4160202	1	Spring	
15	4240147	1	Strap, Anti-Static	
16	4740086	NLA	Washer (Use Item 39)	
17	4811702	2	Washer M6	
18	4811900	4	Washer M8	
19	4811902	2	Washer M8	
20	4812000	2	Washer M10	
21	4812500	10	Washer M20	
22	1001091102	2	Washer M4	
23	1001202987	1	Plate, Mounting	
24	1001214528	1	Actuator (Upper)	
25	1001243781	2	Plate, Pinion	
26	1001203869	1	Bearing	
27	1001203870	6	Bearing	
28	1001203871	1	Switch, Limit	
29	1001203872	1	Washer 3/8	
30	1001227855	1	Spring	
31	1001214526	1	Actuator (Lower)	
32	1001215953	1	Bearing	
33	1001218307	1	Plate, Sensor Mounting	
34	1001234797	1	Bar (LH)	
35	1001234798	1	Bar (RH)	
36	1001236849	4	Link	
37	1001110302	1	Bolt M12 x 35	
38	1001214534	1	Pad, Actuator	
39	0440263	4	Bushing, Flange	

SECTION 1 - FRAME

FIGURE 1-9. TIRE AND WHEEL INSTALLATION



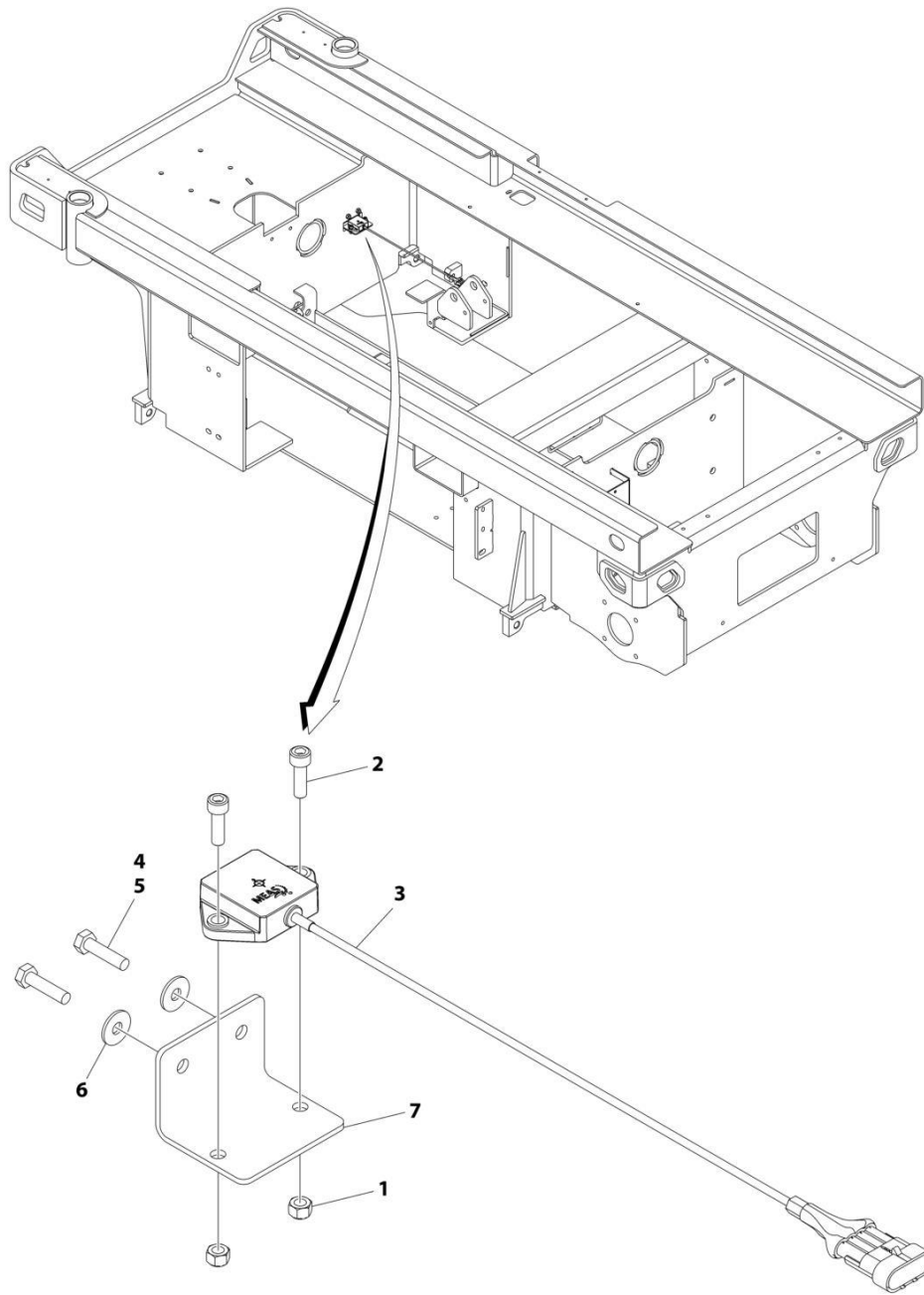
ART_1001256694

FIGURE 1-9. TIRE AND WHEEL INSTALLATION

ITEM	PART NUMBER	QTY	DESCRIPTION	REV
	1001256694	Ref	TIRE AND WHEEL ASSEMBLY	A
1	0630580	20	Bolt	
2	1001114466	4	Tire, 125 x 406	

SECTION 1 - FRAME

FIGURE 1-10. TILT SENSOR INSTALLATION



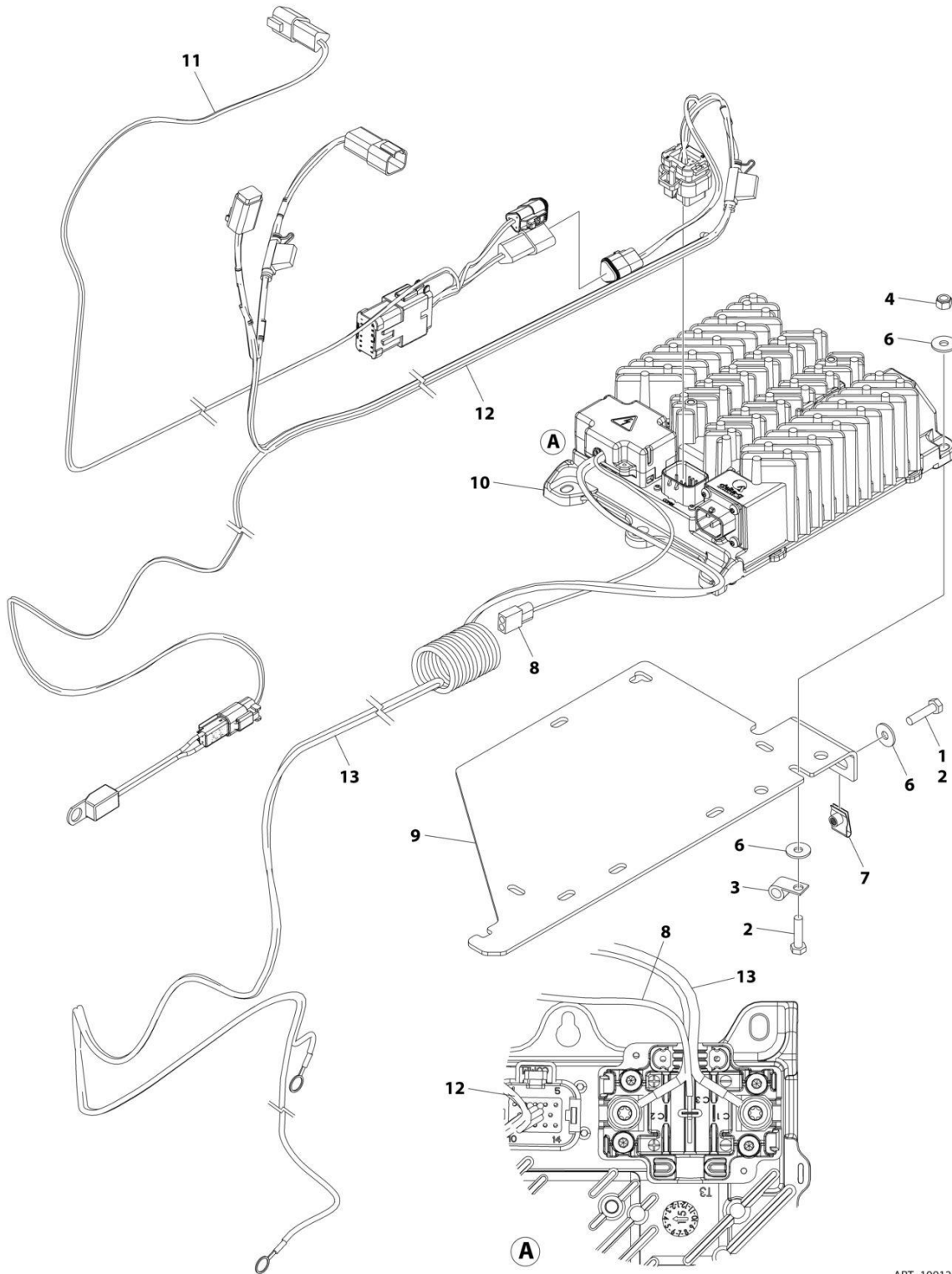
ART_1001214217

FIGURE 1-10. TILT SENSOR INSTALLATION

ITEM	PART NUMBER	QTY	DESCRIPTION	REV
	1001214217	Ref	TILT SENSOR INSTALLATION	D
1	3290601	2	Nut M6	
2	4031708	2	Capscrew M6 x 20	
3	1001186466	1	Sensor, Tilt	
4	0100011	AR	Compound, Locking	
5	0700612	2	Bolt M6 x 25	
6	4811702	2	Washer M6	
7	1001217059	1	Plate, Mounting	

SECTION 1 - FRAME

FIGURE 1-11. BATTERY CHARGER INSTALLATION - DELTA-Q



ART_1001263257

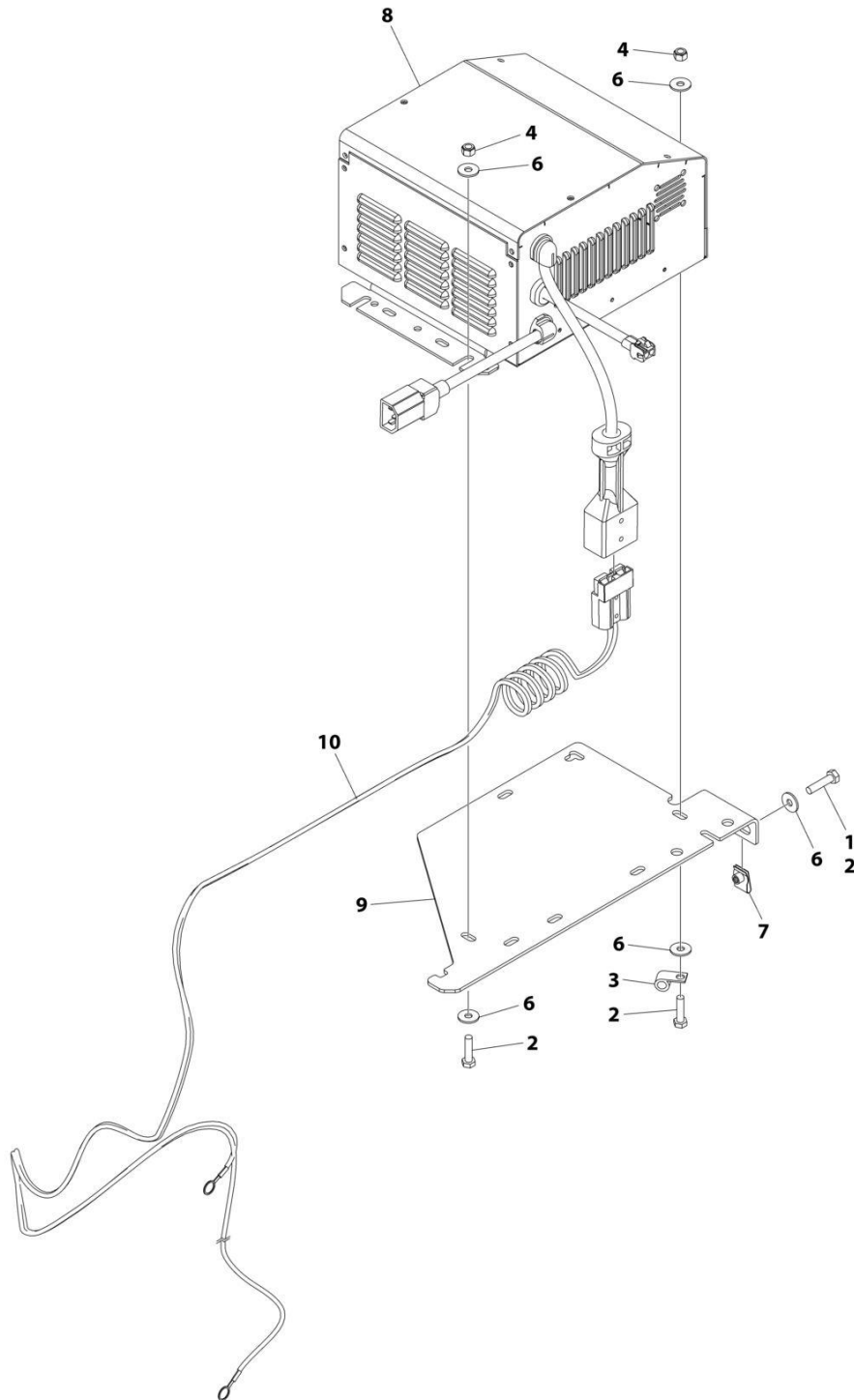
SECTION 1 - FRAME

FIGURE 1-11. BATTERY CHARGER INSTALLATION - DELTA-Q

ITEM	PART NUMBER	QTY	DESCRIPTION	REV
	1001263257	Ref	BATTERY CHARGER INSTALLATION - DELTA-Q	A
1	0100011	AR	Compound, Locking	
2	0760612	5	Bolt M6 x 25	
3	1321293	1	Clamp	
4	3290605	3	Nut M6	
5	4240017	AR	Tie-Strap (Not Shown)	
6	4811702	8	Washer M6	
7	1001130220	2	Nut, Tinnerman M6	
8	1001207009	1	Charger Interlock Harness	
8	4460424	1	Receptacle, Female - 2 Position	
8	4460227	2	Pin, Male	
9	1001236139	1	Bracket	
10	1001253952	1	Charger, Battery - Delta-Q	
11	1001254027	1	Can Splice Harness (See Separate Breakdown in ELECTRICAL Section)	
12	1001254028	1	Charger To Battery Harness (See Separate Breakdown in ELECTRICAL Section)	
13	1001256642	1	Battery Charger to DC Connection Cable	

SECTION 1 - FRAME

FIGURE 1-12. BATTERY CHARGER INSTALLATION - EAGLE PERFORMANCE



ART_1001263258

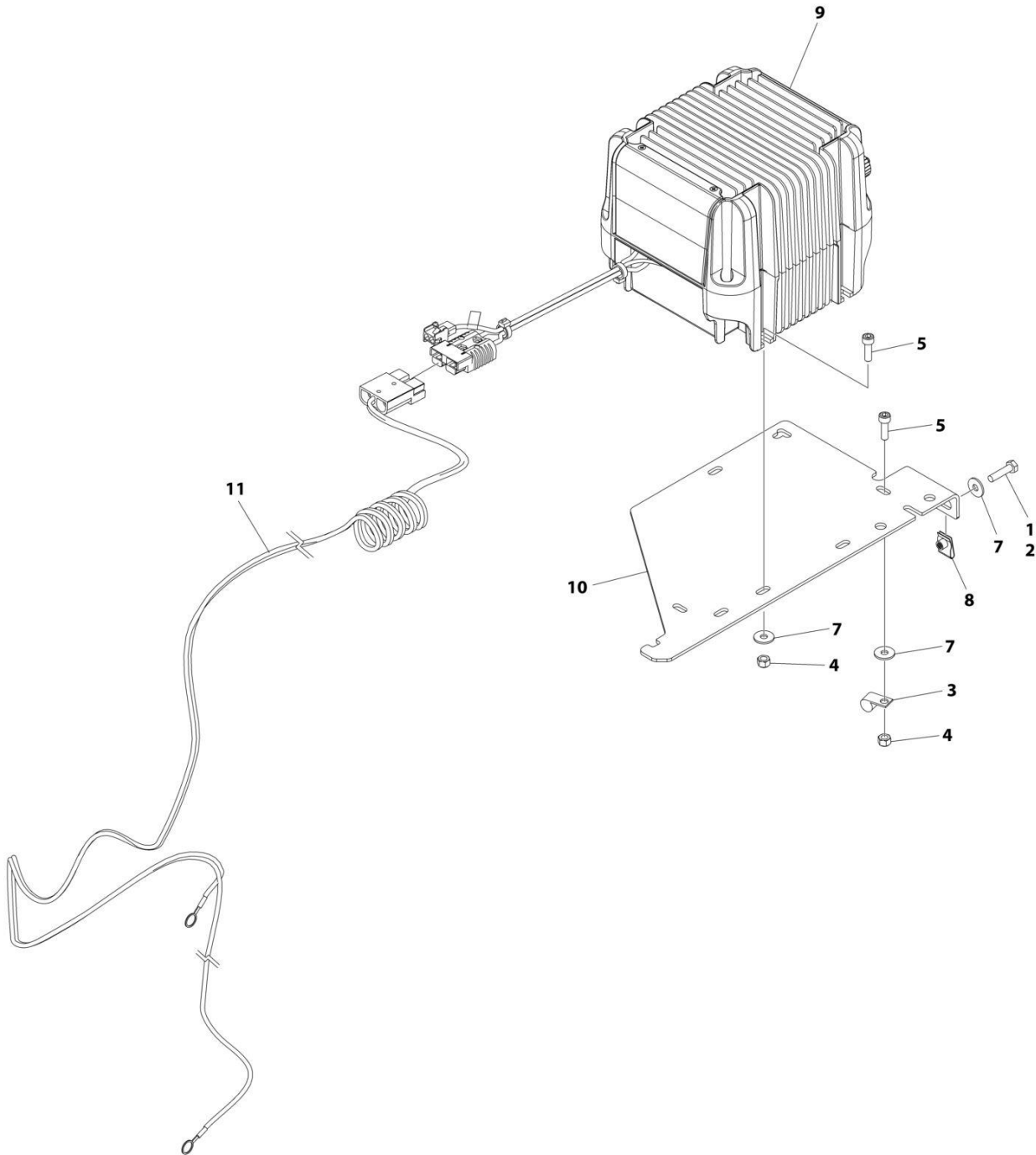
SECTION 1 - FRAME

FIGURE 1-12. BATTERY CHARGER INSTALLATION - EAGLE PERFORMANCE

ITEM	PART NUMBER	QTY	DESCRIPTION	REV
	1001263258	Ref	BATTERY CHARGER INSTALLATION - EAGLE PERFORMANCE	A
1	0100011	AR	Compound, Locking	
2	0760612	5	Bolt M6 x 20	
3	1321293	1	Clamp	
4	3290605	3	Nut M6	
5	4240017	AR	Tie-Strap (Not Shown)	
6	4811702	8	Washer M6	
7	1001130220	2	Nut, Tinnerman M6	
8	1001206995	1	Charger, Battery - Eagle Performance	
9	1001236139	1	Bracket	
10	1001256643	1	Charger DC Connection Harness	

SECTION 1 - FRAME

FIGURE 1-13. BATTERY CHARGER INSTALLATION - GREEN POWER



ART_1001263259

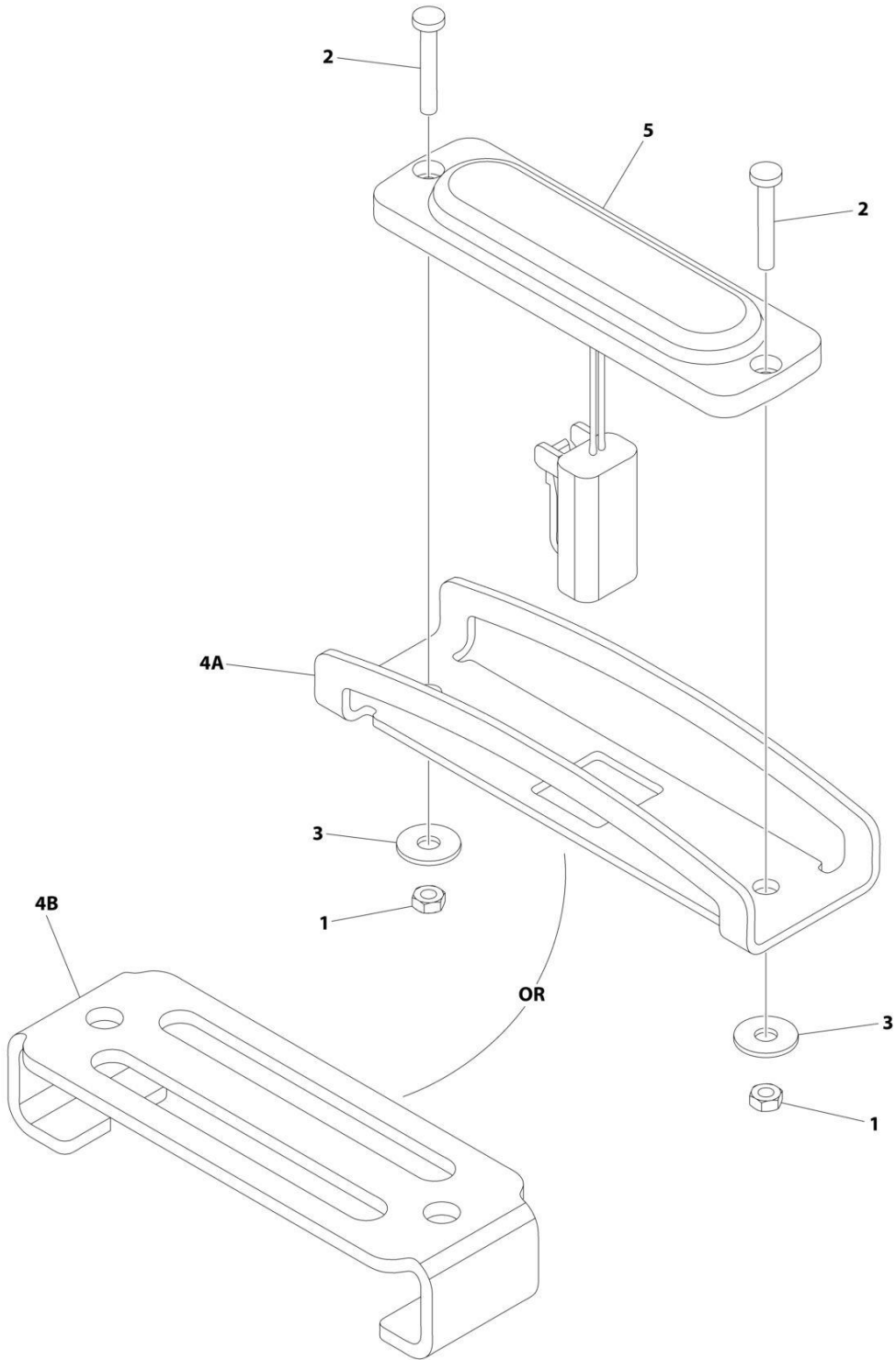
SECTION 1 - FRAME

FIGURE 1-13. BATTERY CHARGER INSTALLATION - GREEN POWER

ITEM	PART NUMBER	QTY	DESCRIPTION	REV
	1001263259	Ref	BATTERY CHARGER INSTALLATION - GREEN POWER	A
1	0100011	AR	Compound, Locking	
2	0700612	2	Bolt M6 x 25	
3	1321293	1	Clamp, Cable	
4	3290605	4	Nut M6	
5	4031708	4	Capscrew M6 x 20	
6	4240017	AR	Tie-Strap (Not Shown)	
7	4811702	6	Washer M6	
8	1001130220	2	Nut, Tinnerman M6	
9	1001205598	1	Charger, Battery Green Power	
10	1001236139	1	Bracket	
11	1001256643	1	Charger DC Connection Harness	

SECTION 1 - FRAME

FIGURE 1-14. STROBE LIGHT INSTALLATION - SINGLE (AMBER)



ART_1001242697

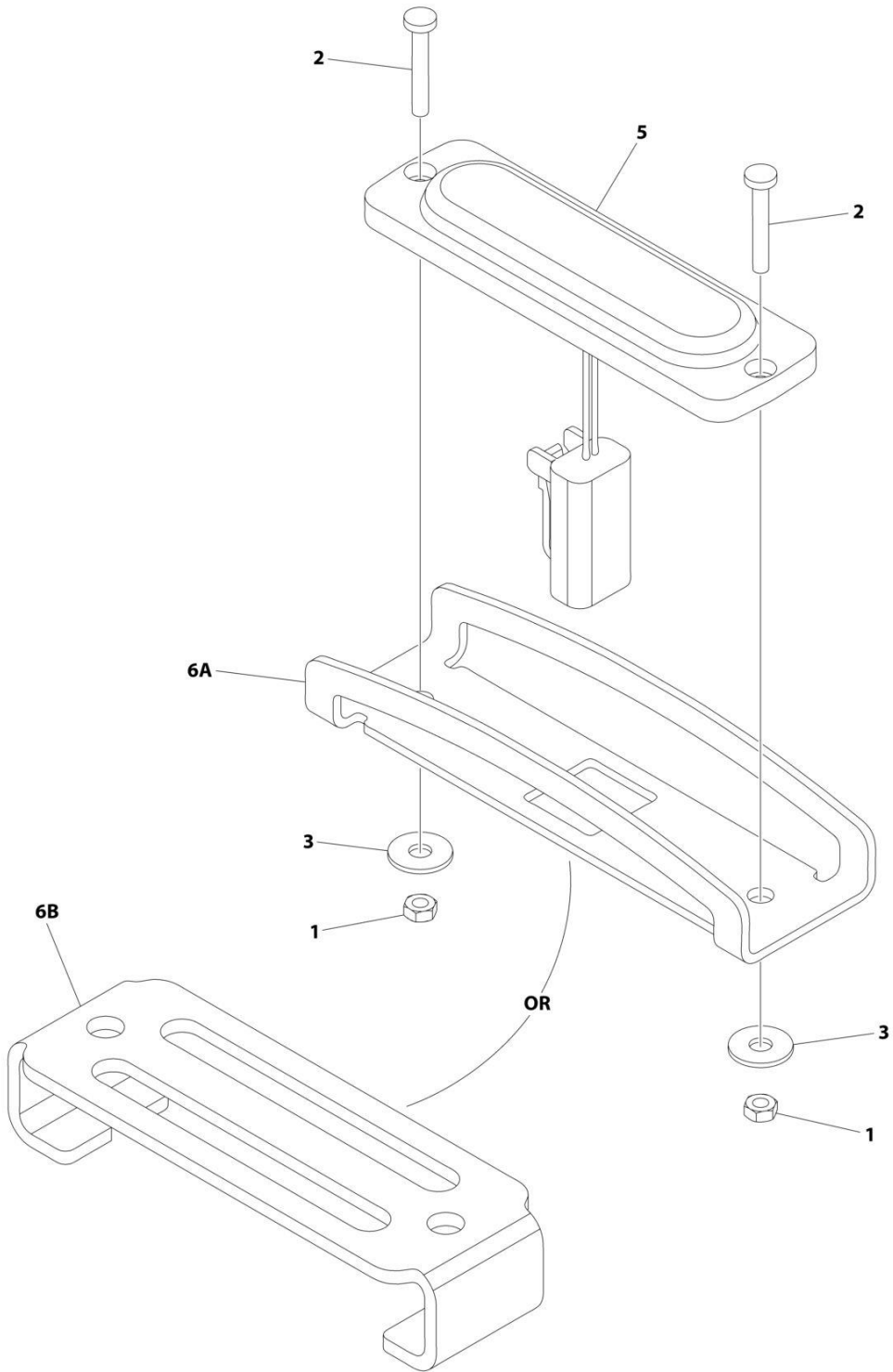
SECTION 1 - FRAME

FIGURE 1-14. STROBE LIGHT INSTALLATION - SINGLE (AMBER)

ITEM	PART NUMBER	QTY	DESCRIPTION	REV
	1001242697	Ref	STROBE LIGHT INSTALLATION - SINGLE (AMBER) (WITH GUARD)	D
1	3290305	2	Nut M3	
2	4010310	2	Screw M3 x 20	
3	1001091102	2	Washer M4	
4A	1001242539	1	Guard	
4B	1001239661	1	Cover	
5	1001239224	1	Light, Strobe	
5	4460891	1	Plug, Male - 2 Position	
5	4460465	2	Socket, Female	

SECTION 1 - FRAME

FIGURE 1-15. STROBE LIGHT INSTALLATION - DUAL (AMBER)



ART_1001242990

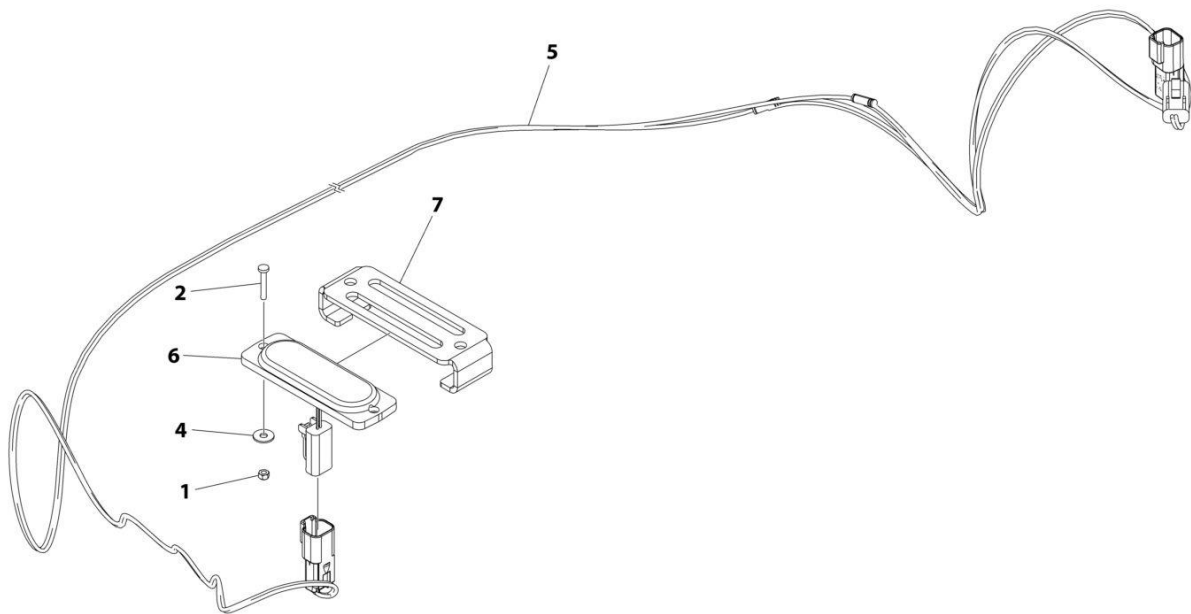
SECTION 1 - FRAME

FIGURE 1-15. STROBE LIGHT INSTALLATION - DUAL (AMBER)

ITEM	PART NUMBER	QTY	DESCRIPTION	REV
	1001242990	Ref	STROBE LIGHT INSTALLATION - DUAL (AMBER) (WITH GUARD)	D
1	3290305	4	Nut M3	
2	4010310	4	Screw M3 x 20	
3	1001091102	4	Washer M4	
4	1001215216	1	Strobe Light Jumper Harness (Not Shown)	
4	4460897	2	Receptacle, Female - 2 Position	
4	4460464	4	Pin, Male	
4	4460891	1	Plug, Male - 2 Position	
4	4460465	2	Socket, Female	
5	1001239224	2	Light, Strobe	
5	4460891	1	Plug, Male - 2 Position	
5	4460465	2	Socket, Female	
6A	1001242539	2	Guard	
6B	1001239661	2	Cover	
7	4240018	AR	Tie-Strap (Not Shown)	

SECTION 1 - FRAME

FIGURE 1-16. STROBE LIGHT INSTALLATION - DUAL (AMBER) (WITH CLEARSKY)



ART_1001294027

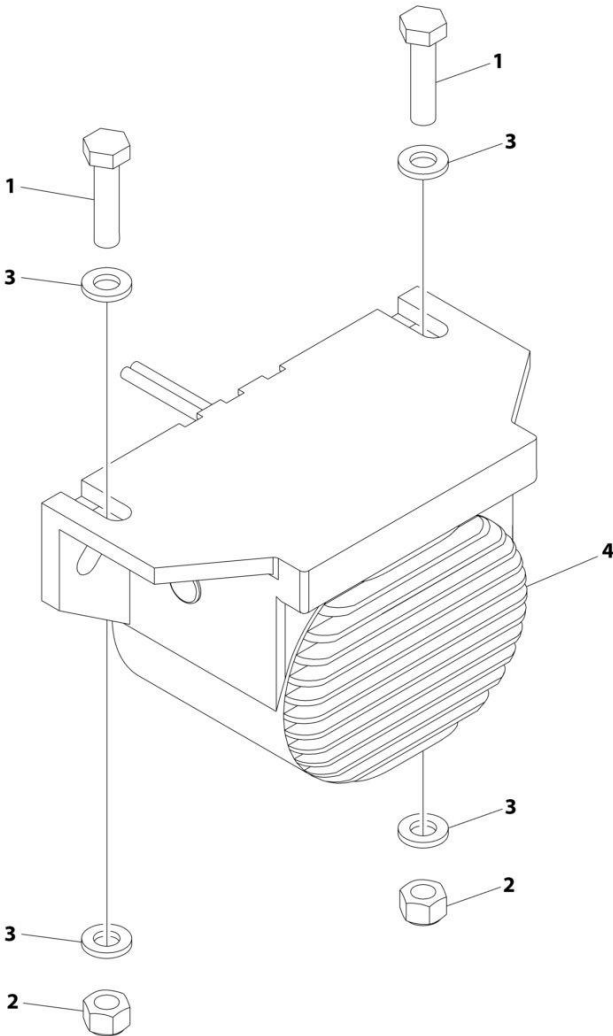
SECTION 1 - FRAME

FIGURE 1-16. STROBE LIGHT INSTALLATION - DUAL (AMBER) (WITH CLEARSKY)

ITEM	PART NUMBER	QTY	DESCRIPTION	REV
	1001294027	Ref	BEACON INSTALLATION	A
1	3290305	2	Nut, Lock M3	
2	4010310	2	Screw M3 x 20	
3	4240018	AR	Tie-Strap (Not-Shown)	
4	1001091102	2	Washer M4	
5	1001215216	1	Harness, Beacon (See Separate Breakdown in ELECTRICAL Section)	
6	1001239224	1	Lamp, Beacon	
7	1001239661	1	Cover, Beacon	

SECTION 1 - FRAME

FIGURE 1-17. ALARM INSTALLATION (AMBIENT/WHITE NOISE)



ART_1001204495

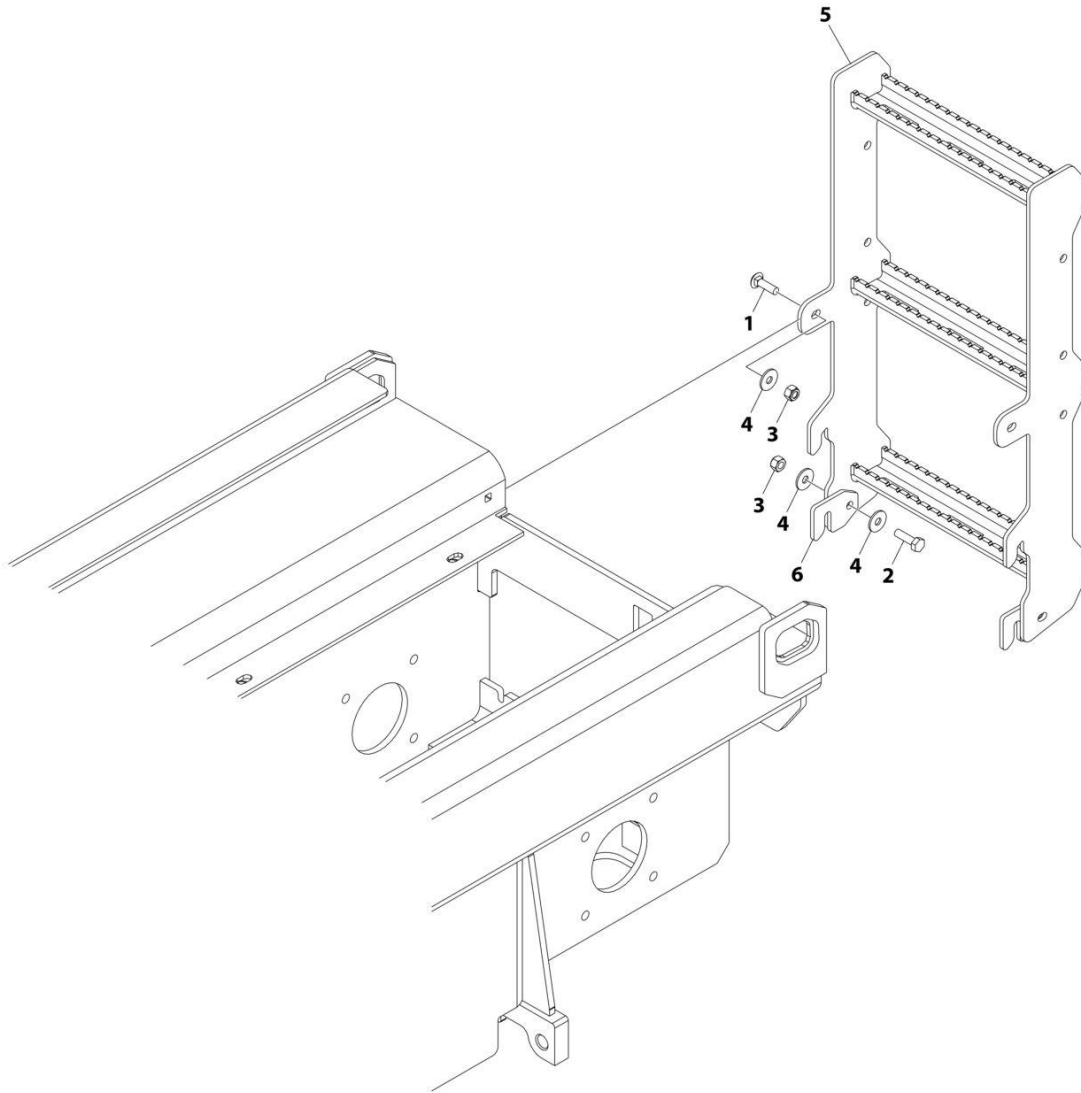
SECTION 1 - FRAME

FIGURE 1-17. ALARM INSTALLATION (AMBIENT/WHITE NOISE)

ITEM	PART NUMBER	QTY	DESCRIPTION	REV
	1001204495	Ref	ALARM INSTALLATION (AMBIENT/WHITE NOISE)	B
1	0760612	2	Bolt M6 x 25	
2	3290605	2	Nut M6	
3	4811700	4	Washer M6	
4	1001182806	1	Alarm	
4	4460897	1	Receptacle, Female - 2 Position	
4	4460464	2	Pin, Male	

SECTION 1 - FRAME

FIGURE 1-18. LADDER INSTALLATION



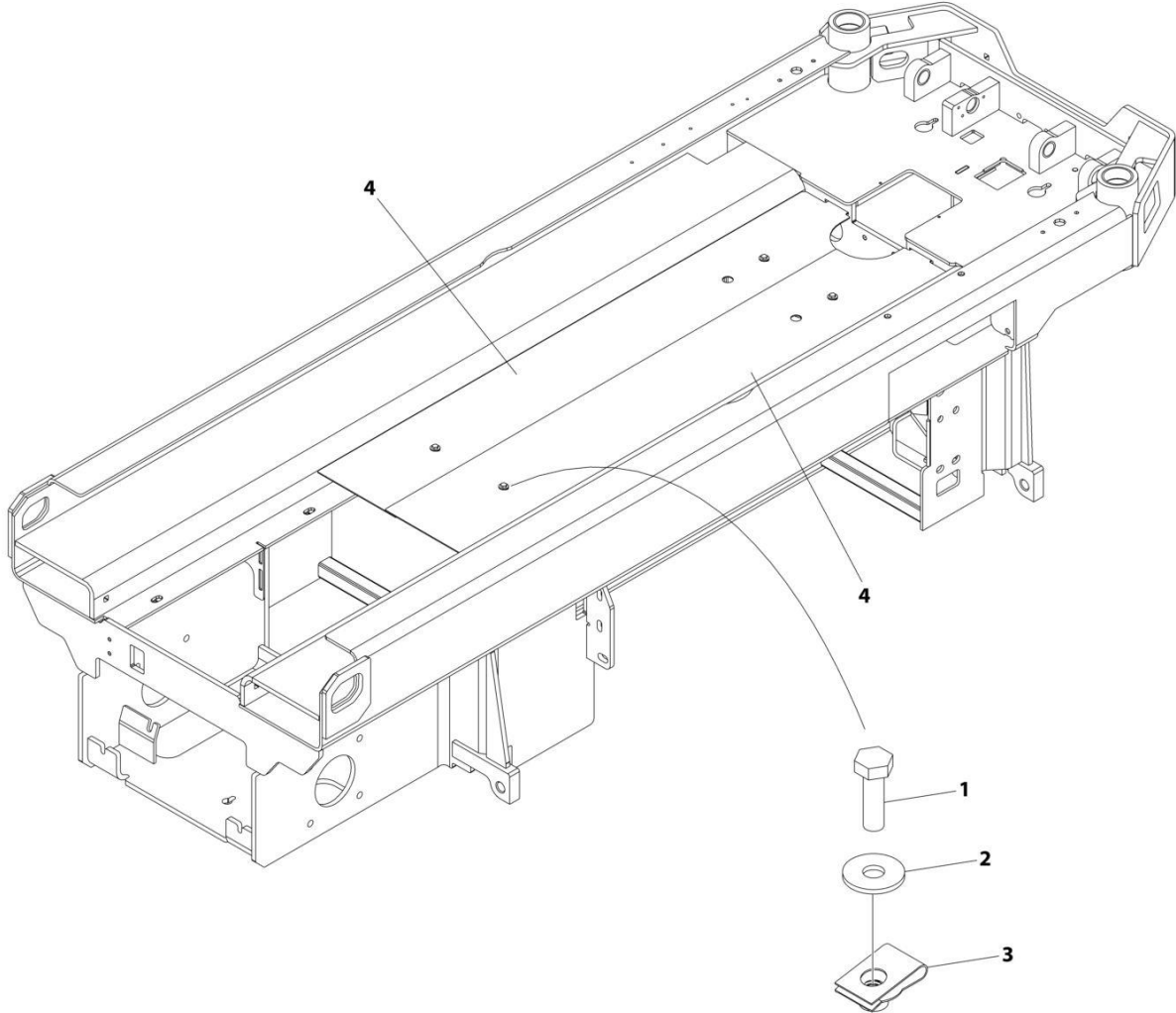
ART_1001237707

FIGURE 1-18. LADDER INSTALLATION

ITEM	PART NUMBER	QTY	DESCRIPTION	REV
	1001237707	Ref	LADDER INSTALLATION	B
1	1001228406	2	Bolt M10 x 35	
2	0761015	2	Bolt M10 x 35	
3	3291005	4	Nut M10	
4	4812002	6	Washer M10	
5	1001234842	1	Ladder	
6	1001235955	2	Bracket	
6	1001237708	2	Bracket	

SECTION 1 - FRAME

FIGURE 1-19. FRAME COVERS INSTALLATION



ART_1001237855

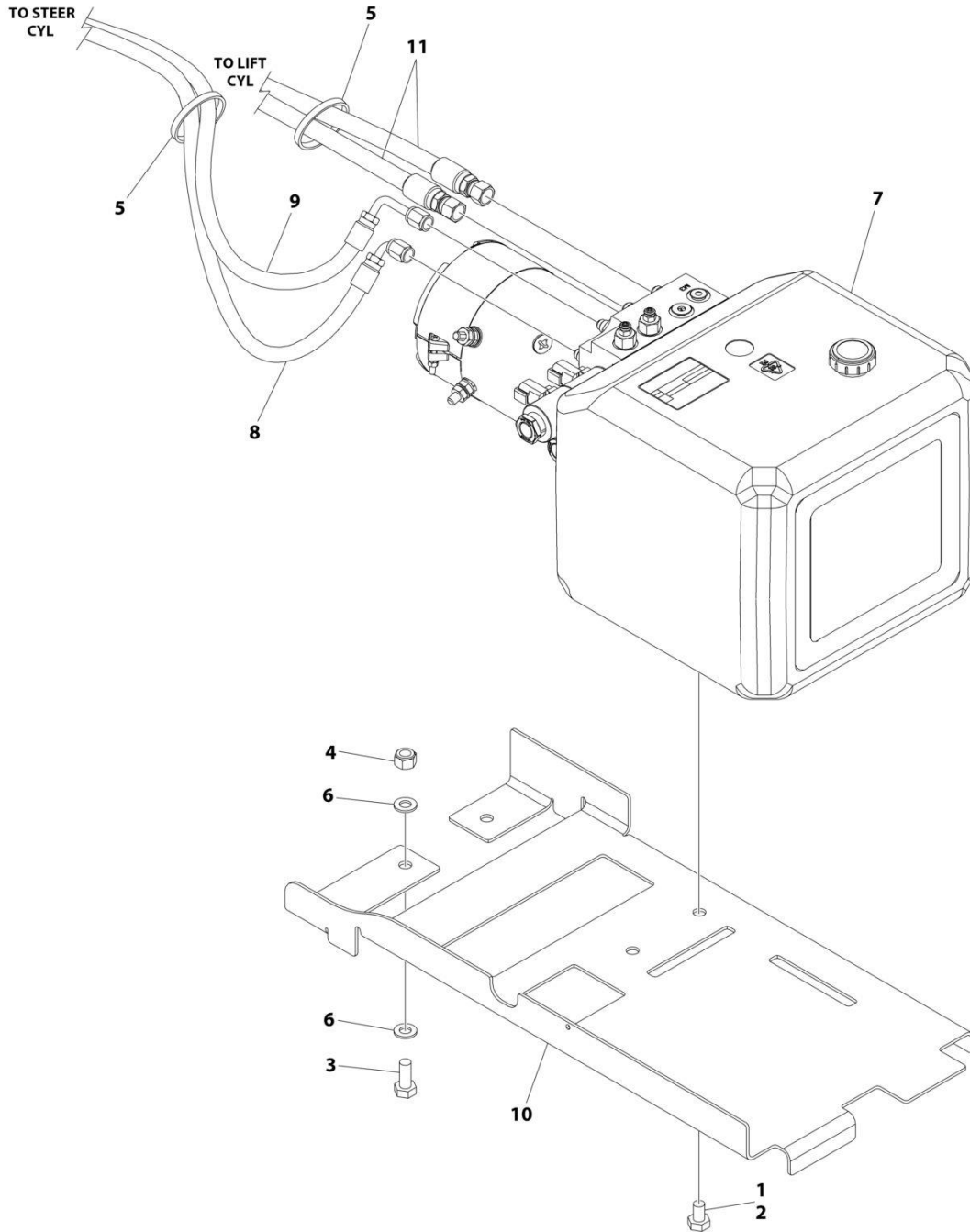
FIGURE 1-19. FRAME COVERS INSTALLATION

ITEM	PART NUMBER	QTY	DESCRIPTION	REV
	1001237855	Ref	FRAME COVERS INSTALLATION	A
1	0760610	4	Bolt M6 x 20	
2	4811702	4	Washer M6	
3	1001130220	4	Nut, Tinnerman M6	
4	1001237856	2	Cover	

SECTION 2 - GROUND CONTROLS

SECTION 2 - GROUND CONTROLS

FIGURE 2-1. PUMP/MOTOR/TANK AND HOSES INSTALLATION



ART_1001256872

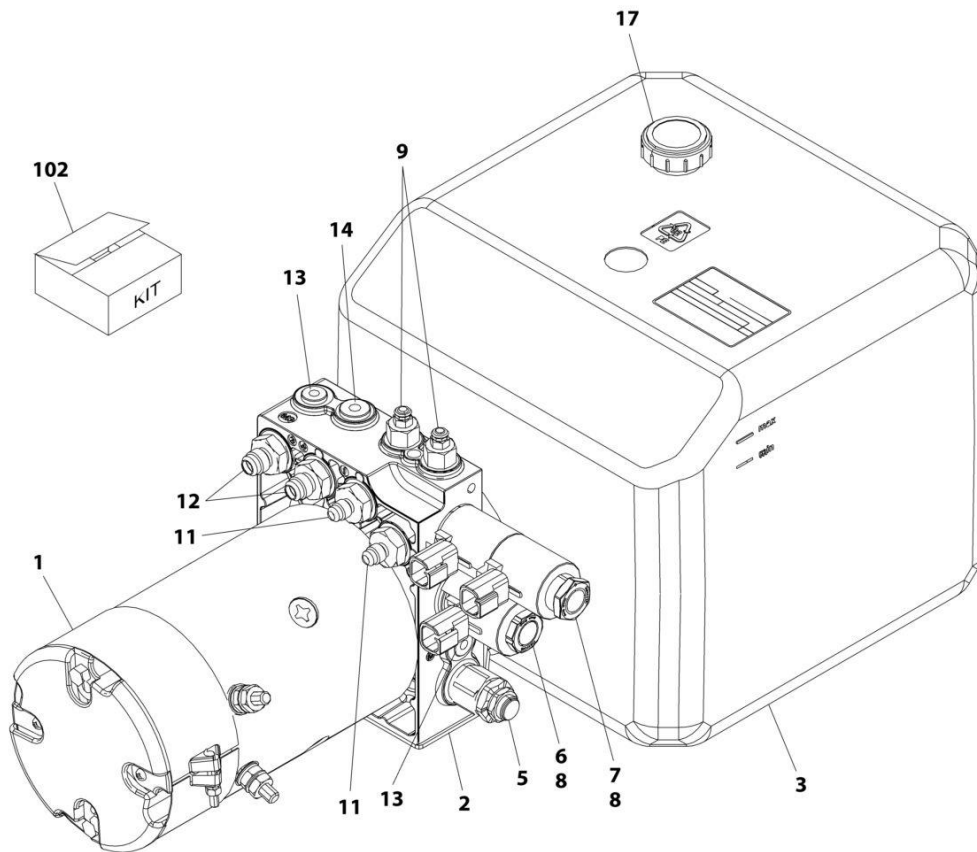
SECTION 2 - GROUND CONTROLS

FIGURE 2-1. PUMP/MOTOR/TANK AND HOSES INSTALLATION

ITEM	PART NUMBER	QTY	DESCRIPTION	REV
	1001256872	Ref	PUMP/MOTOR/TANK AND HOSES INSTALLATION	B
1	0100011	AR	Compound, Locking	
2	0761008	2	Bolt M10 x 16	
3	0761012	2	Bolt M10 x 25	
4	3291005	2	Nut M10	
5	4240018	AR	Tie-Strap	
6	4812000	4	Washer M10	
7	1001274485	1	Pump/Motor/Tank Assembly (See Separate Breakdown in this Section)	
8	1001260689	1	Hose	
9	1001260690	1	Hose	
10	1001262201	1	Bracket	
11	1001262667	2	Hose	

SECTION 2 - GROUND CONTROLS

FIGURE 2-2. PUMP/MOTOR/TANK ASSEMBLY



ART_1001274485

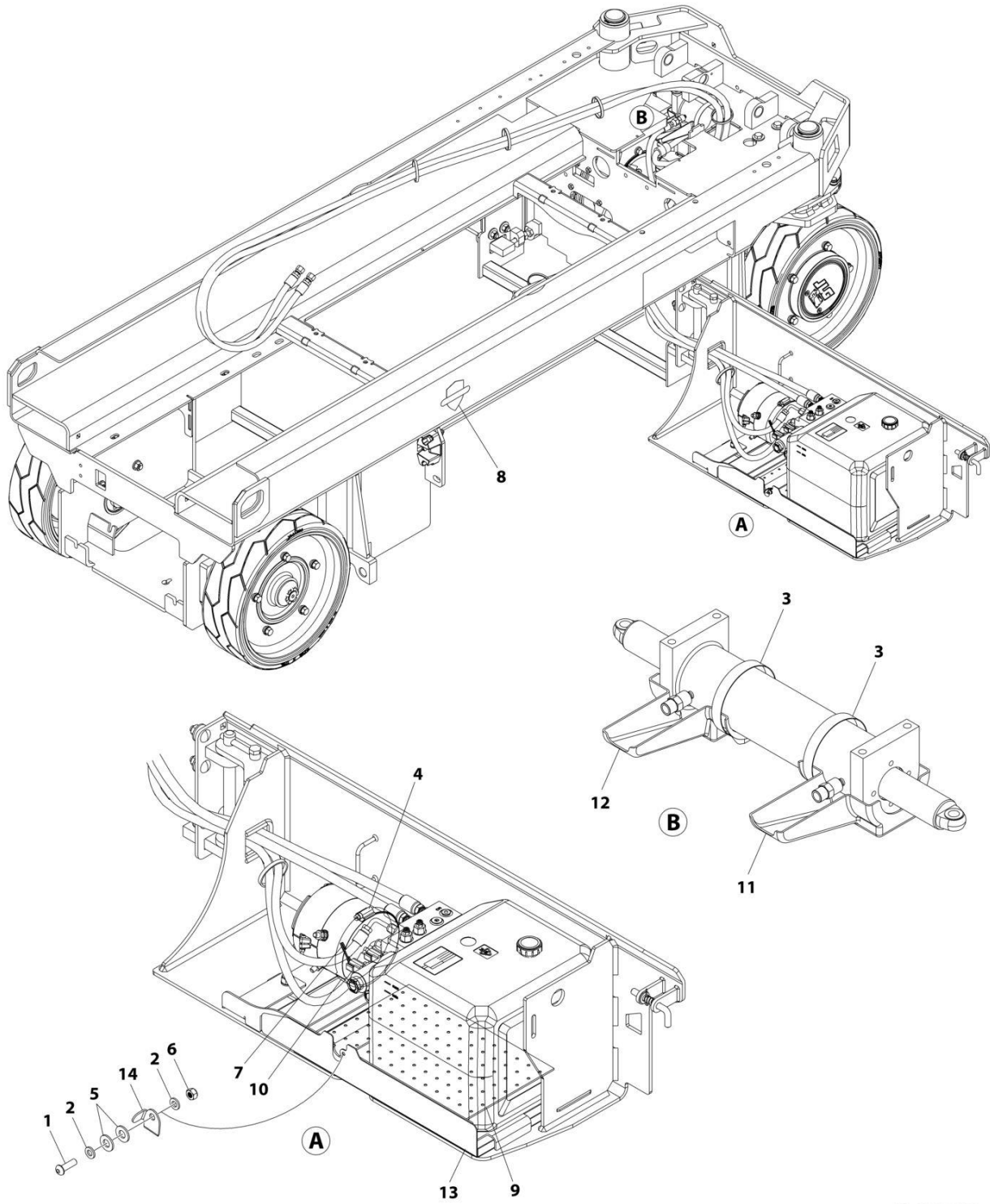
SECTION 2 - GROUND CONTROLS

FIGURE 2-2. PUMP/MOTOR/TANK ASSEMBLY

ITEM	PART NUMBER	QTY	DESCRIPTION	REV
	1001274485	Ref	PUMP/MOTOR/TANK ASSEMBLY	A
1	70007584	1	Motor, Replacement	
2	See Note	1	Manifold	
3	70007612	1	Tank Kit (Includes Tank, Tie-Strap, Bracket, Support and Hardware)	
4	See Note	1	Filter - 500 Micro (Not Shown - Located Inside Tank Area) (Note: Use Item 102)	
5	70007614	1	Valve, Cartridge (Relief)	
6	70007588	1	Valve, Solenoid Cartridge (Less Coil)	
7	70007589	1	Valve, Solenoid Cartridge (Less Coil)	
8	70007590	3	Coil	
9	70007615	2	Valve, Cartridge	
10	See Note	2	Screen, Screw-in - 400 Micro (Not Shown - Located Inside Tank Area) (Note: Use Item 102)	
11	See Note	2	Fitting, Straight JIC/UNF (Note: Use Item 102)	
12	See Note	2	Fitting, Straight JIC/UNF (Note: Use Item 102)	
13	See Note	2	Plug 7/16 (Note: Use Item 102)	
14	See Note	1	Plug 1/4 (Note: Use Item 102)	
15	70004935	1	Filter, Return (20 Micron) (Not Shown - Located Inside Tank Area)	
16	70007616	1	Pump Kit (Includes Pump & Hardware) (Not Shown - Located Inside Tank Area)	
17	70003700	1	Cap, Oil Fill	
102	70007613	1	Filter & Fitting Kit (Includes Items 4, & 10-14)	

SECTION 2 - GROUND CONTROLS

FIGURE 2-3. CLEANGUARD INSTALLATION



ART_1001269714

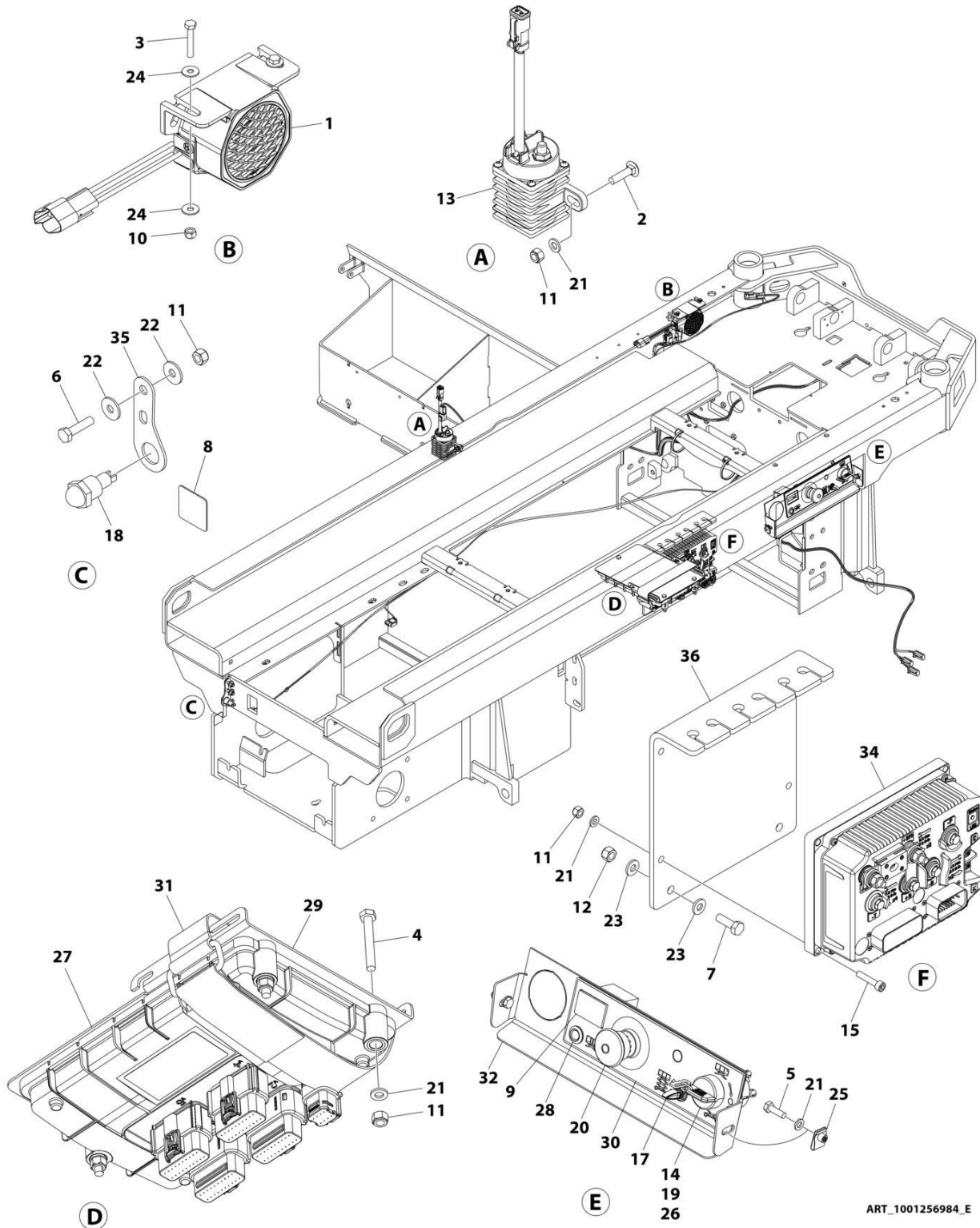
SECTION 2 - GROUND CONTROLS

FIGURE 2-3. CLEANGUARD INSTALLATION

ITEM	PART NUMBER	QTY	DESCRIPTION	REV
	1001269714	Ref	CLEANGUARD INSTALLATION	B
1	3900364	1	Screw M6 x 20	
2	4811700	2	Washer M6	
3	8405204	2	Clamp	
4	8405402	1	Clamp	
5	1001108581	2	Washer M8	
6	1001170310	1	Nut M6	
7	1001260887	2	Plate, Diverting	
8	1001262581	1	Decal - Clean Guard	
9	1001263359	1	Pad	
10	1001263785	1	Pad	
11	1001265635	1	Tray (LH)	
12	1001265636	1	Tray (RH)	
13	1001269746	1	Tray	
14	1001269747	1	Plate, Stopper	

SECTION 2 - GROUND CONTROLS

FIGURE 2-4. ELECTRICAL COMPONENTS INSTALLATION (MACHINES WITH SN STARTING WITH B2 & M2)



ART_1001256984_E

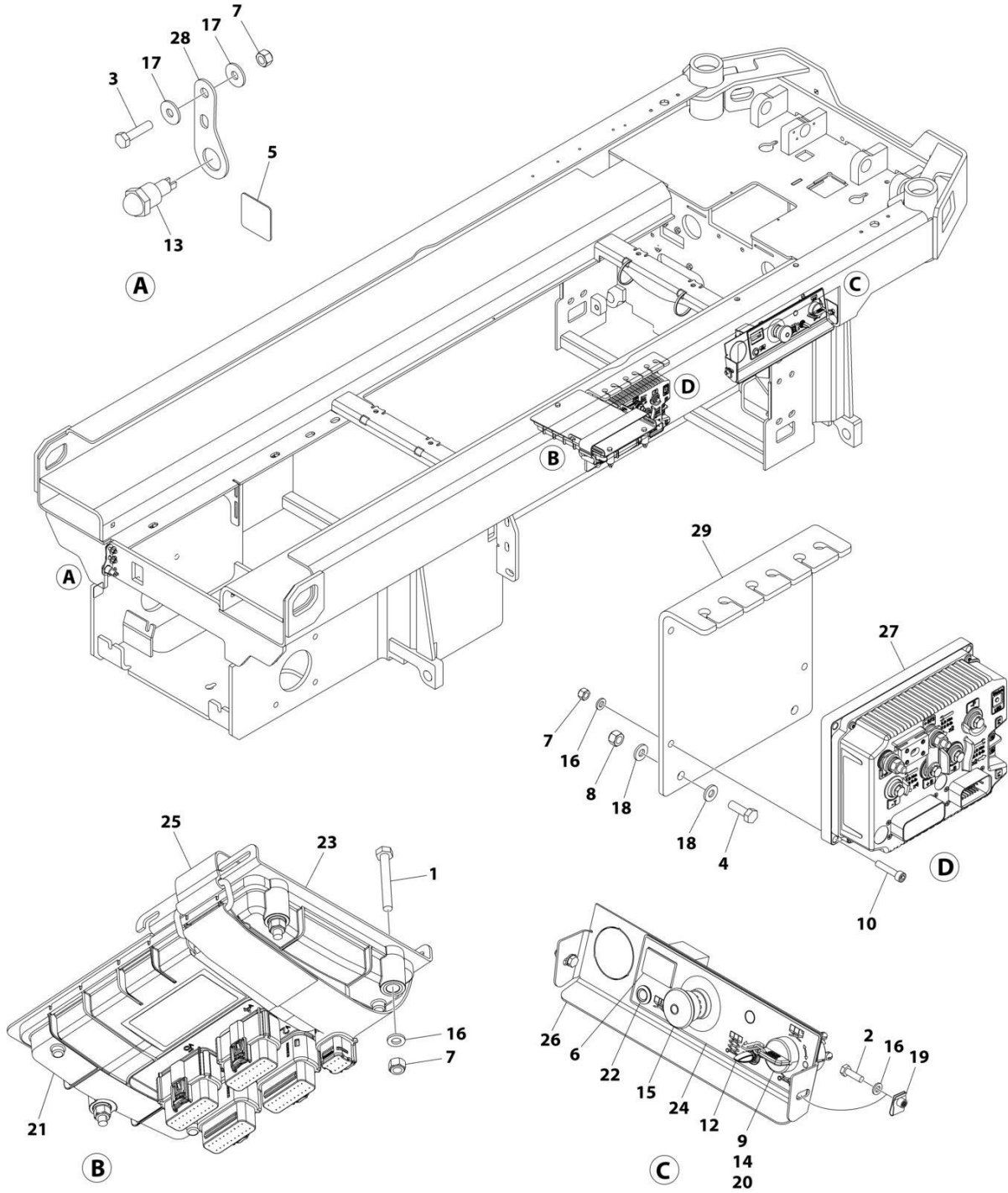
SECTION 2 - GROUND CONTROLS

FIGURE 2-4. ELECTRICAL COMPONENTS INSTALLATION (MACHINES WITH SN STARTING WITH B2 & M2)

ITEM	PART NUMBER	QTY	DESCRIPTION	REV
	1001256984	Ref	ELECTRICAL COMPONENTS INSTALLATION	E
1	0140043	1	Alarm	
2	0630587	2	Bolt M6 x 25	
3	0700412	2	Bolt M4 x 25	
4	0700617	3	Bolt M6 x 45	
5	0760610	2	Bolt M6 x 20	
6	0760612	2	Bolt M6 x 25	
7	0760812	2	Bolt M8 x 25	
8	1706679	1	Decal - Brake Release	
9	2420172	1	Hourmeter	
10	3290405	2	Nut M4	
11	3290605	11	Nut M6	
12	3290805	2	Nut M8	
13	3740150	1	Relay	
14	3910804	3	Screw #8 x 1/4	
15	4031710	4	Capscrew M6 x 30	
16	4240017	AR	Tie-Strap (Not Shown)	
17	4360328	1	Switch, Toggle	
18	4360387	1	Switch, Push Button	
19	4360469	1	Switch, Key	
19	2860030	1 Set	Key, Replacement	
20	4360475	1	Switch, Emergency Stop (Metal)	
20	7020175	1	Cap	
20	7020176	1	Block, Contact	
20	1001274559	1	Switch, Emergency Stop (Plastic)	
21	4811700	11	Washer M6	
22	4811702	4	Washer M6	
23	4811900	4	Washer M8	
24	1001091102	4	Washer M4	
25	1001130220	2	Nut, Tinnerman M6	
26	1001130590	1	Plate, Key Switch	
27	1001200629	1	Module, Control (Note: Re-calibration Required when Replaced)	
28	1001200631	1	Light, Indicator	
29	1001207494	1	Bracket	
30	1001209682	1	Decal - Ground Control	
31	1001215762	1	Strap, Cinch	
32	1001235559	1	Support	
33	1001255934	1	Drive Harness (Not Shown - See Separate Breakdown in ELECTRICAL Section)	
34	See Note	Ref	Module, System (Note: Identify PN on Label Before Purchasing. Re-calibration Required when Replaced)	
34	1001256876	1	Module, System (Note: Re-calibration Required when Replaced)	
34	1001268506	1	Module, System (Note: Re-calibration Required when Replaced)	
35	1001257138	1	Bracket	
36	1001257139	1	Bracket	
37	1001283416	1	Chassis Harness (Not Shown - See Separate Breakdown in ELECTRICAL Section)	

SECTION 2 - GROUND CONTROLS

FIGURE 2-5. ELECTRICAL COMPONENTS INSTALLATION #1 (MACHINES WITH SN STARTING WITH G2)



ART_1001263350

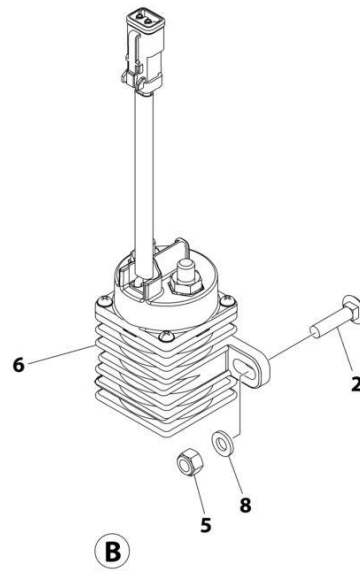
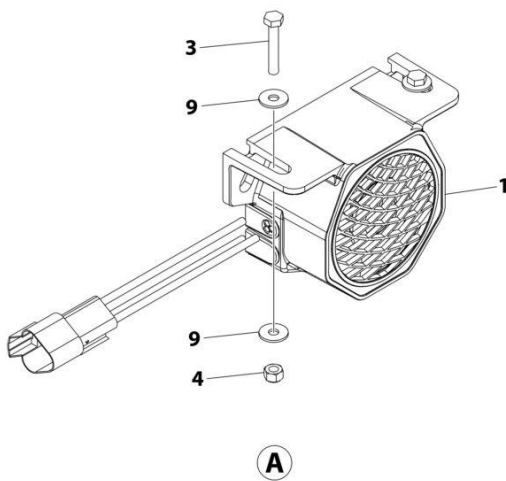
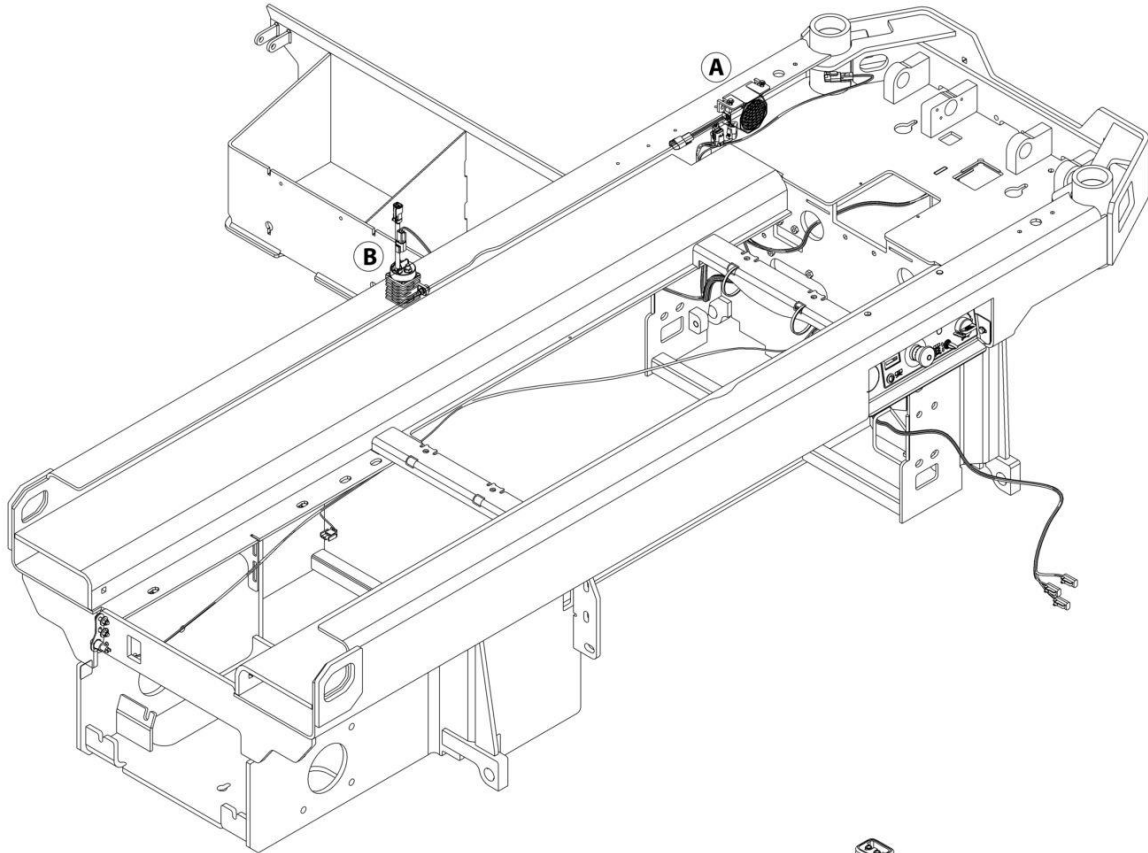
SECTION 2 - GROUND CONTROLS

FIGURE 2-5. ELECTRICAL COMPONENTS INSTALLATION #1 (MACHINES WITH SN STARTING WITH G2)

ITEM	PART NUMBER	QTY	DESCRIPTION	REV
	1001263350	Ref	ELECTRICAL COMPONENTS INSTALLATION	C
1	0700617	3	Bolt M6 x 45	
2	0760610	2	Bolt M6 x 20	
3	0760612	2	Bolt M6 x 25	
4	0760812	2	Bolt M8 x 25	
5	1706679	1	Decal - Brake Release	
6	2420172	1	Hourmeter	
7	3290605	9	Nut M6	
8	3290805	2	Nut M8	
9	3910804	3	Screw #8 x 1/4	
10	4031710	4	Capscrew M6 x 30	
11	4240017	AR	Tie-Strap (Not Shown)	
12	4360328	1	Switch, Toggle	
13	4360387	1	Switch, Push Button	
14	4360469	1	Switch, Key	
14	2860030	1 Set	Key, Replacement	
15	4360475	1	Switch, Emergency Stop (Metal)	
15	7020175	1	Cap	
15	7020176	1	Block, Contact	
15	1001274559	1	Switch, Emergency Stop (Plastic)	
16	4811700	9	Washer M6	
17	4811702	4	Washer M6	
18	4811900	4	Washer M8	
19	1001130220	2	Nut, Tinnerman M6	
20	1001130590	1	Plate, Key Switch	
21	1001200629	1	Module, Control (Note: Re-calibration Required when Replaced)	
22	1001200631	1	Lamp	
23	1001207494	1	Bracket	
24	1001209682	1	Decal - Ground Control	
25	1001215762	1	Strap, Cinch	
26	1001235559	1	Support	
27	See Note	Ref	Module, System (Note: Identify PN on Label Before Ordering. Re-Calibration Required when Replaced)	
27	1001256876	1	Module, System (Note: Re-Calibration Required when Replaced)	
27	1001268506	1	Module, System (Note: Re-Calibration Required when Replaced)	
28	1001257138	1	Bracket	
29	1001257139	1	Bracket	

SECTION 2 - GROUND CONTROLS

FIGURE 2-6. ELECTRICAL COMPONENTS INSTALLATION #2 (MACHINES WITH SN STARTING WITH 12)



ART_1001263967_B

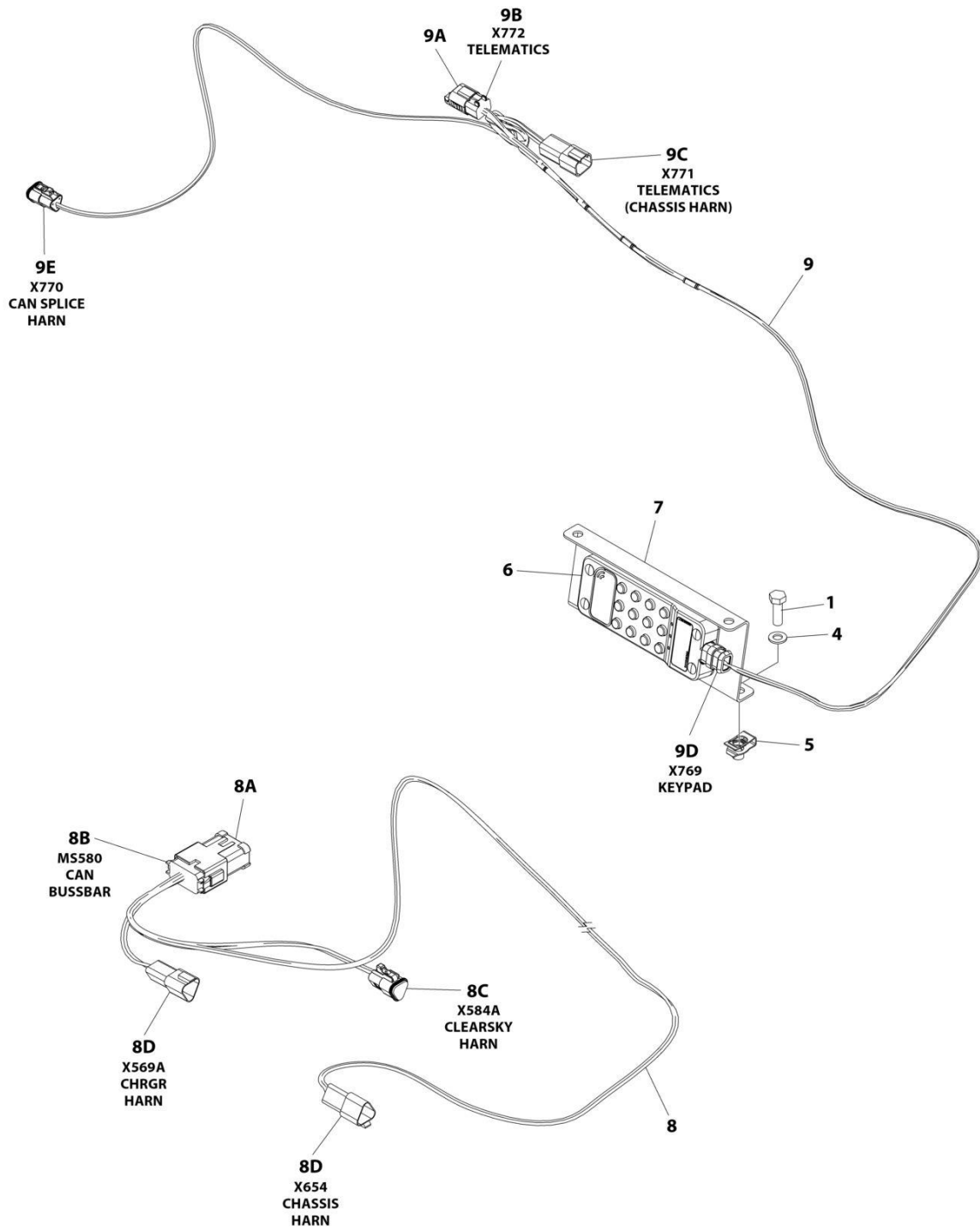
SECTION 2 - GROUND CONTROLS

FIGURE 2-6. ELECTRICAL COMPONENTS INSTALLATION #2 (MACHINES WITH SN STARTING WITH 12)

ITEM	PART NUMBER	QTY	DESCRIPTION	REV
	1001263967	Ref	ELECTRICAL COMPONENTS INSTALLATION	B
1	0140043	1	Alarm	
2	0630587	2	Bolt M6 x 25	
3	0700412	2	Bolt M4 x 25	
4	3290405	2	Nut M4	
5	3290605	2	Nut M6	
6	3740150	1	Relay	
7	4240017	AR	Tie-Strap (Not Shown)	
8	4811700	2	Washer M6	
9	1001091102	4	Washer M4	
10	1001255934	1	Drive Harness (Not Shown - See Separate Breakdown in ELECTRICAL Section)	
11	1001283416	1	Chassis Harness (Not Shown - See Separate Breakdown in ELECTRICAL Section)	

SECTION 2 - GROUND CONTROLS

FIGURE 2-7. ACCESS CONTROL KEYPAD INSTALLATION



ART_1001258356

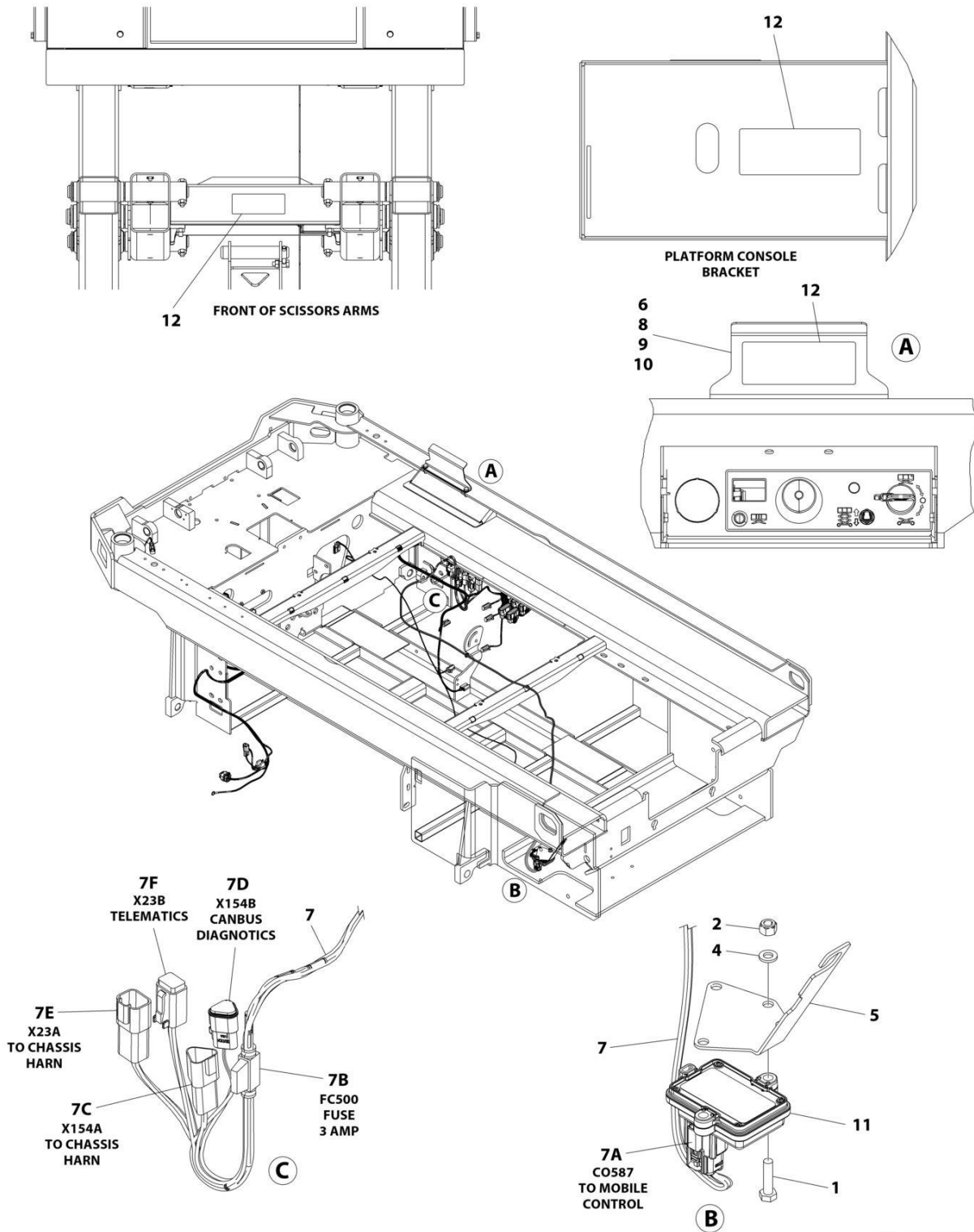
SECTION 2 - GROUND CONTROLS

FIGURE 2-7. ACCESS CONTROL KEYPAD INSTALLATION

ITEM	PART NUMBER	QTY	DESCRIPTION	REV
	1001258356	Ref	ACCESS CONTROL KEYPAD INSTALLATION	A
1	0760812	2	Bolt, M8 x 25	
2	1062255	AR	Tie-Strap (Not Shown)	
3	4240032	AR	Tie-Strap (Not Shown)	
4	4811900	2	Washer M8	
5	1001118274	2	Nut, Tinnerman	
6	1001238392	1	Keypad	
7	1001248773	1	Bracket	
8	1001254027	1	Access Control Keypad Can Splice Harness	
8A	1001125677	AR	Connector, Bus Bar - 12 Position	
8B	4460933	1	Plug, Male - 12 Position	
8B	4460944	6	Socket, Female	
8B	4460466	6	Plug, Terminal	
8C	1001118812	1	Plug, Male - 3 Position	
8C	4460944	2	Socket, Female	
8C	4460466	1	Plug, Terminal	
8D	1001144147	2	Receptacle, Female - 3 Position	
8D	4460943	4	Pin, Male	
8D	4460466	2	Plug, Terminal	
9	1001258691	1	Access Control Keypad Harness	
9A	1001192401	1	Dustcap	
9B	4460884	1	Plug, Male - 4 Position	
9B	4460465	4	Socket, Female	
9C	4460932	1	Receptacle, Female - 4 Position	
9C	4460464	4	Pin, Male	
9D	1001210079	1	Plug, Male - 4 Position	
9D	4460465	2	Socket, Female	
9D	4460944	2	Socket, Female	
9E	1001116812	1	Plug, Male - 3 Position	
9E	4460944	2	Socket, Female	
9E	4460466	1	Plug, Terminal	

SECTION 2 - GROUND CONTROLS

FIGURE 2-8. MOBILE CONTROL INSTALLATION



ART_1001245353

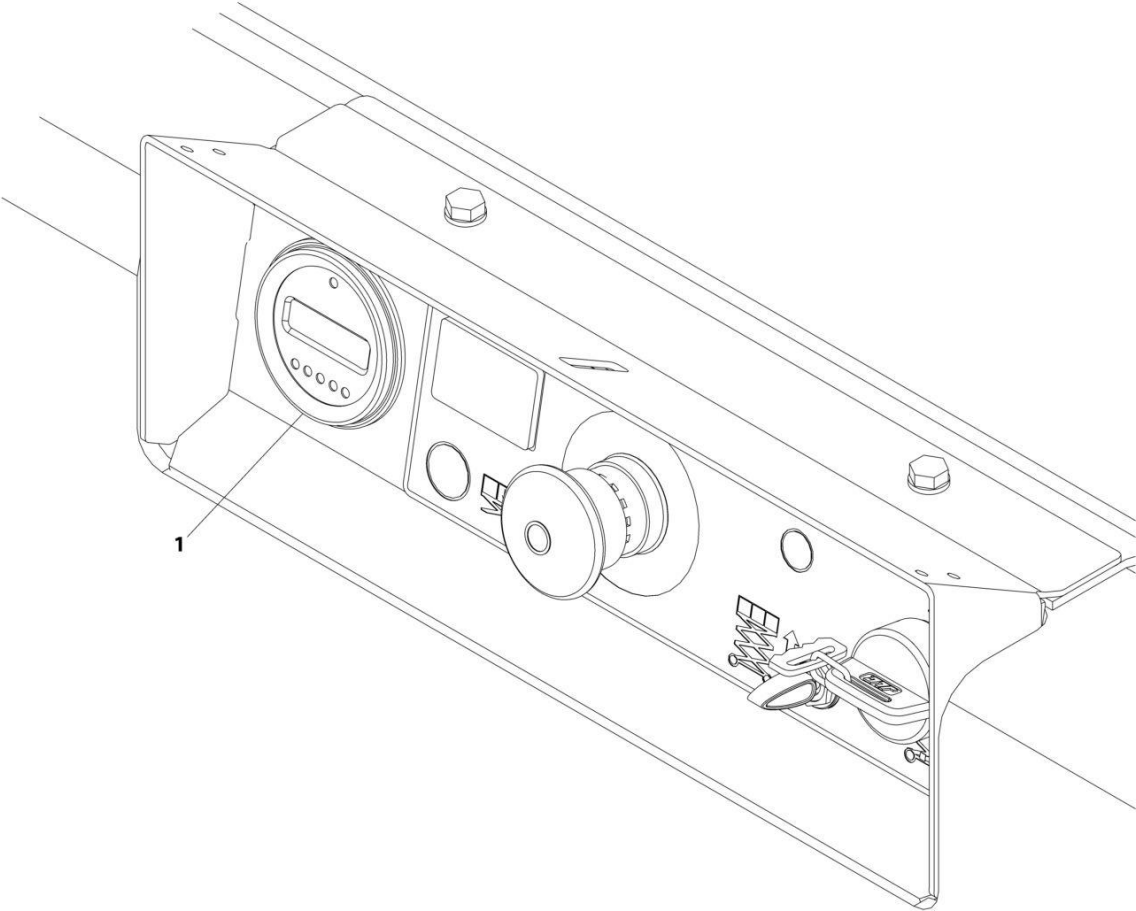
SECTION 2 - GROUND CONTROLS

FIGURE 2-8. MOBILE CONTROL INSTALLATION

ITEM	PART NUMBER	QTY	DESCRIPTION	REV
	1001245353	Ref	MOBILE CONTROL INSTALLATION	C
1	0700612	2	Bolt M6 x 25	
2	3290605	2	Nut M6	
3	4240017	AR	Tie-Strap (Not Shown)	
4	4811700	2	Washer M6	
5	1001244394	1	Bracket, Module	
6	1001244885	1	Plate, Decal	
7	1001245299	1	Mobile Control Harness	
7A	1001205409	1	Connector - 8 Position	
7A	1001162887	4	Terminal	
7A	1001163340	4	Plug, Terminal	
7B	2400060	1	Fuseholder with Cap	
7B	1001196635	1	Fuse 3 Amp	
7C	1001144147	1	Receptacle, Female - 3 Position	
7C	4460943	2	Pin, Male	
7C	4460466	1	Plug, Terminal	
7D	1001116812	1	Plug, Male - 3 Position	
7D	4460944	2	Socket, Female	
7D	4460466	1	Plug, Terminal	
7E	4460932	1	Receptacle, Female - 4 Position	
7E	4460464	4	Pin, Terminal	
7F	4460884	1	Pin, Male	
7F	4460465	4	Socket, Female	
8	0760810	2	Bolt M8 x 20	
9	4811900	2	Washer M8	
10	1001118274	2	Nut Tinnerman M8	
11	1001245293	1	Control, Mobile	
12	1001248768	3	Decal, Mobile Control	
13	3121792	1	Manual, Mobile Control (Not Shown)	

SECTION 2 - GROUND CONTROLS

FIGURE 2-9. MDI INSTALLATION



ART_1001207293

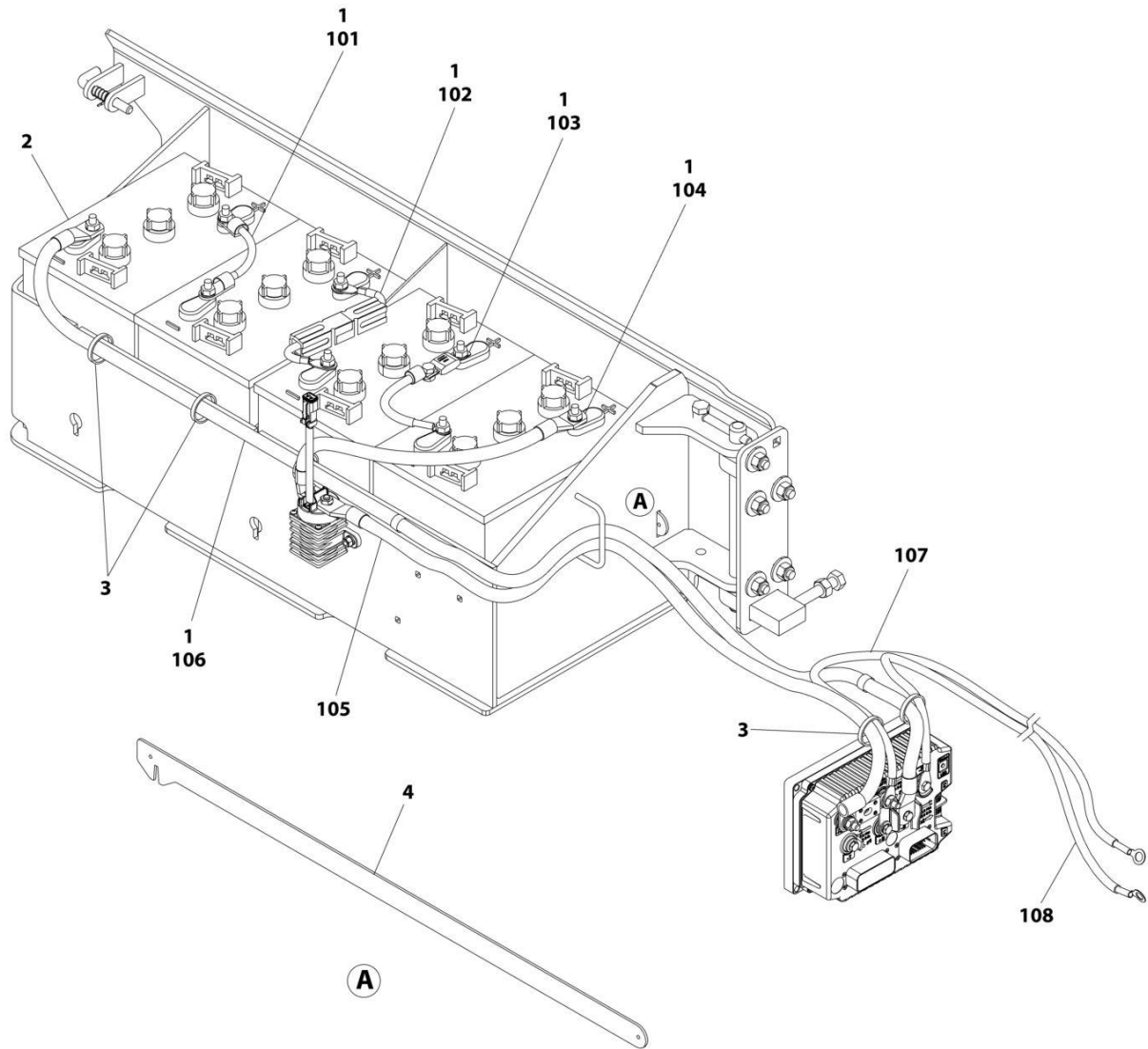
SECTION 2 - GROUND CONTROLS

FIGURE 2-9. MDI INSTALLATION

ITEM	PART NUMBER	QTY	DESCRIPTION	REV
1	1001207293 1001200632	Ref 1	MDI INSTALLATION Gauge, MDI	B

SECTION 2 - GROUND CONTROLS

FIGURE 2-10. BATTERIES INSTALLATION -STANDARD BATTERIES (MACHINES WITH SN STARTING WITH 12, B2 & G2)



ART_1001263423

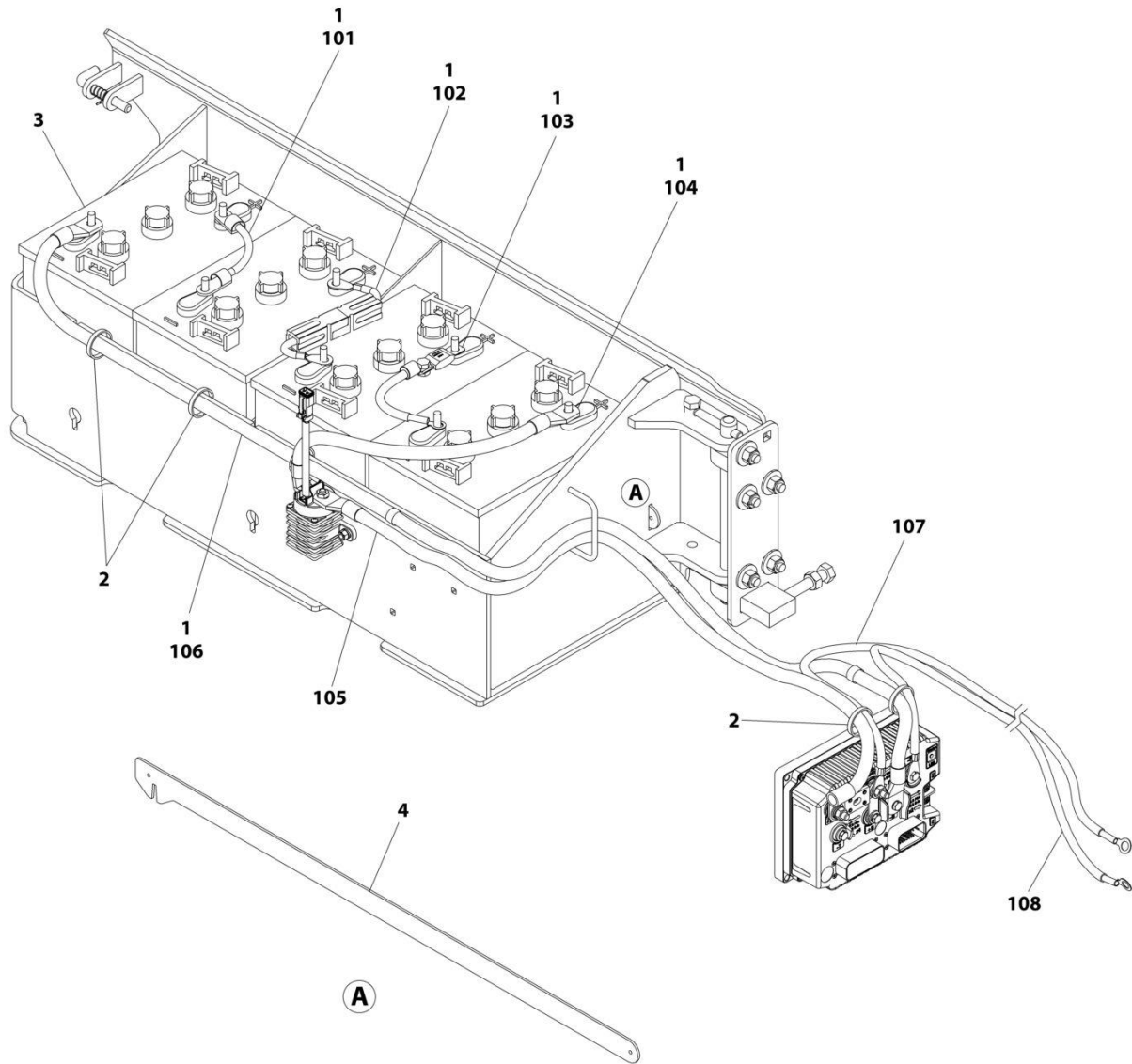
SECTION 2 - GROUND CONTROLS

FIGURE 2-10. BATTERIES INSTALLATION -STANDARD BATTERIES (MACHINES WITH SN STARTING WITH 12, B2 & G2)

ITEM	PART NUMBER	QTY	DESCRIPTION	REV
	1001263423	Ref	BATTERIES INSTALLATION - STANDARD BATTERIES	C
1	0100051	AR	Grease, Terminal	
2	1001258498	4	Battery	
3	4240017	AR	Tie-Strap	
4	1001239269	1	Bar	
100	1001256327	1	Cable, Electrical Kit	
101	1060998	1	Cable, Positive to Negative	
102	4923328	1	Cable, Positive to Negative	
103	1001264310	1	Cable, Battery Fuse	
104	1001259017	1	Cable, Battery to Contactor	
105	1001256328	1	Cable, Contactor to Module B+	
106	1001256329	1	Cable, Battery- to Module B-	
107	1001243232	1	Cable, Pump Positive	
108	1001243233	1	Cable, Pump Negative	

SECTION 2 - GROUND CONTROLS

FIGURE 2-11. BATTERIES INSTALLATION - STANDARD BATTERIES (MACHINES WITH SN STARTING WITH 12, B2, G2 & M2)



ART_1001263419

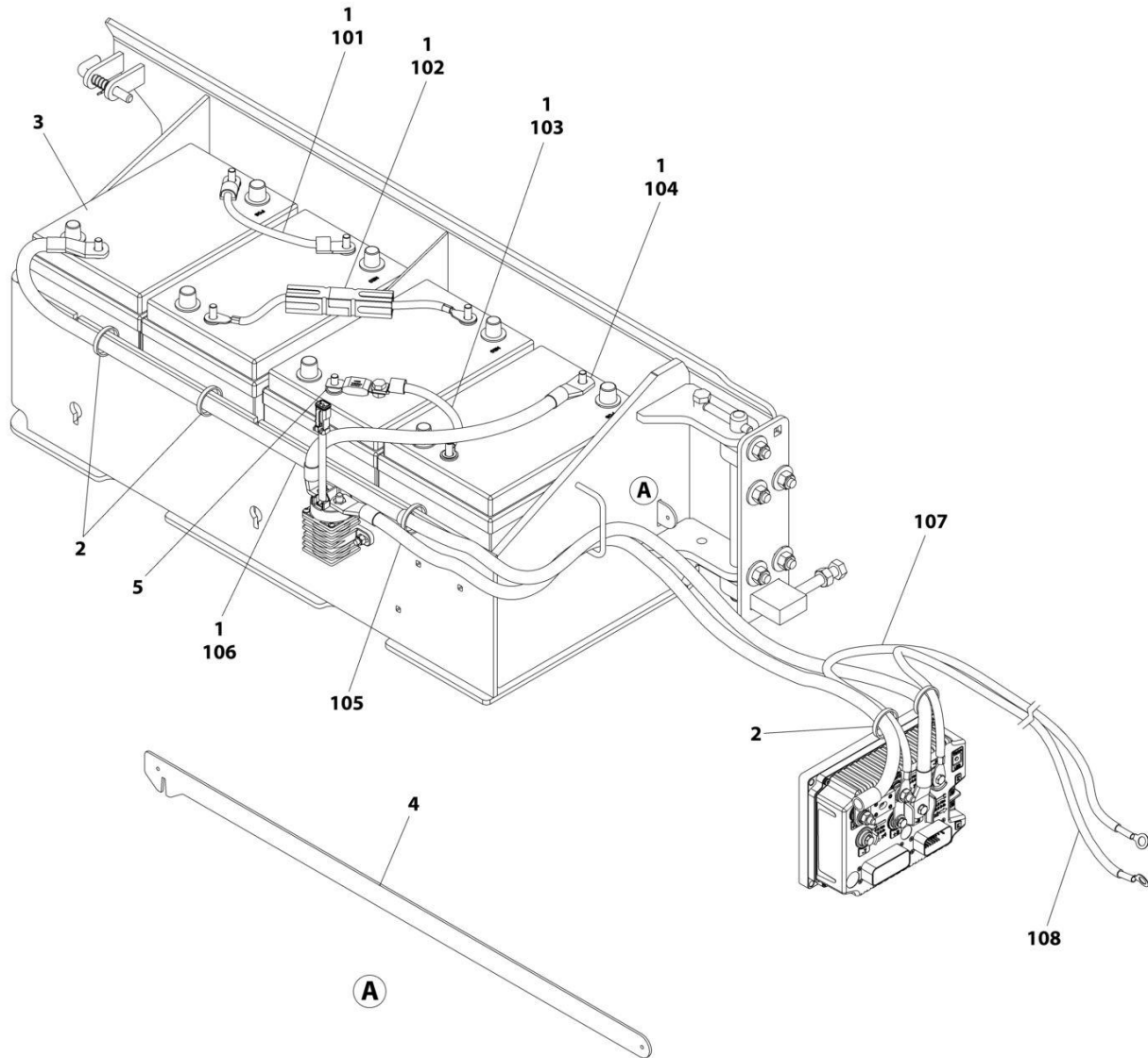
SECTION 2 - GROUND CONTROLS

FIGURE 2-11. BATTERIES INSTALLATION - STANDARD BATTERIES (MACHINES WITH SN STARTING WITH 12, B2, G2 & M2)

ITEM	PART NUMBER	QTY	DESCRIPTION	REV
	1001263419	Ref	BATTERIES INSTALLATION - STANDARD BATTERIES	B
1	0100051	AR	Grease, Terminal	
2	4240017	AR	Tie-Strap	
3	1001216180	4	Battery	
4	1001239269	1	Bar	
100	1001256327	1	Cable, Electrical Kit	
101	1060998	1	Cable, Positive to Negative	
102	4923328	1	Cable, Positive to Negative	
103	1001264310	1	Cable, Battery Fuse	
104	1001259017	1	Cable, Battery to Contactor	
105	1001256328	1	Cable, Contactor to Module B+	
106	1001256329	1	Cable, Battery- to Module B-	
107	1001243232	1	Cable, Pump Positive	
108	1001243233	1	Cable, Pump Negative	

SECTION 2 - GROUND CONTROLS

FIGURE 2-12. BATTERIES INSTALLATION - AGM BATTERIES



ART_1001263420

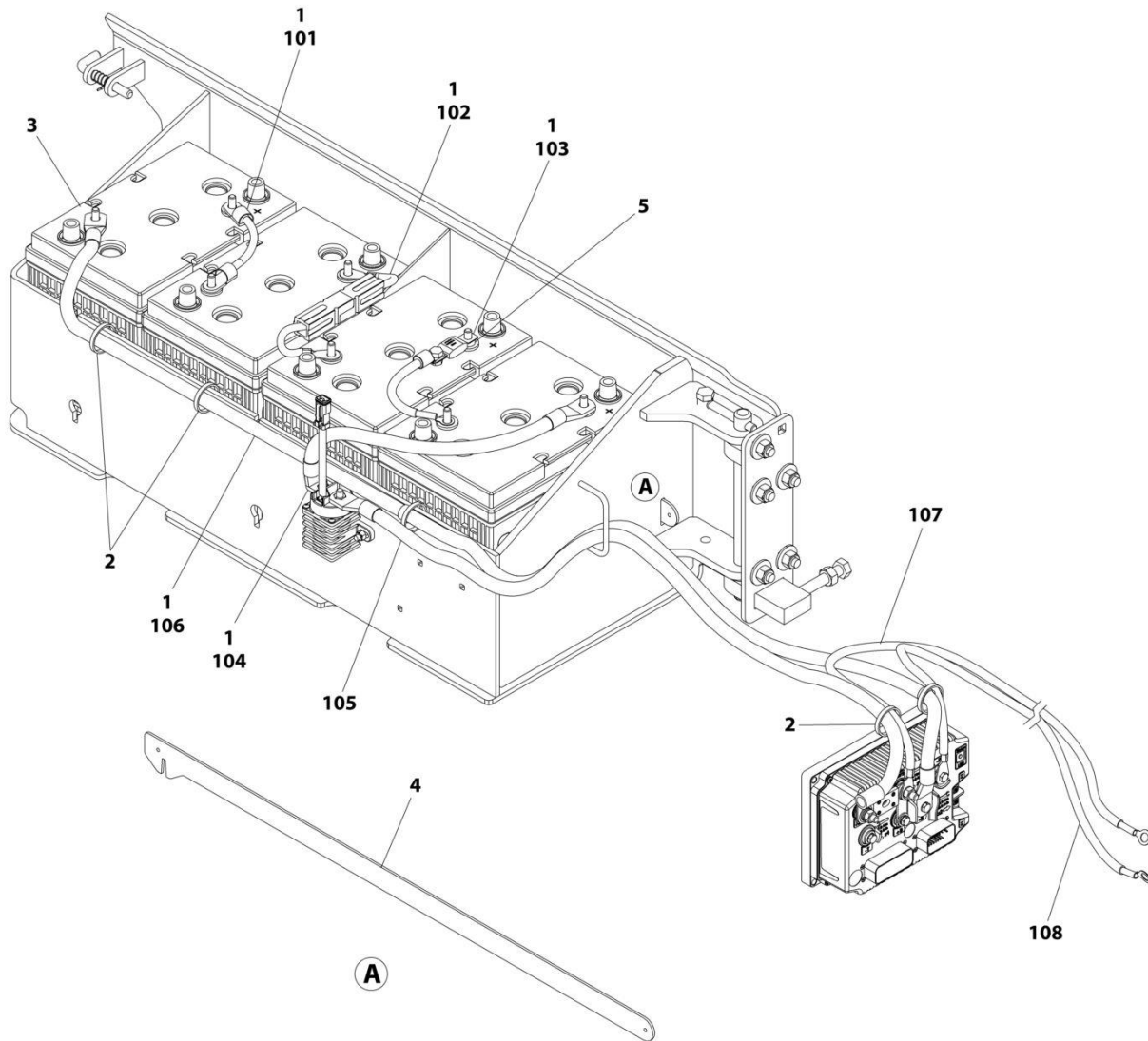
SECTION 2 - GROUND CONTROLS

FIGURE 2-12. BATTERIES INSTALLATION - AGM BATTERIES

ITEM	PART NUMBER	QTY	DESCRIPTION	REV
	1001263420	Ref	BATTERIES INSTALLATION - AGM BATTERIES	B
1	0100051	AR	Grease, Terminal	
2	4240017	AR	Tie-Strap	
3	1001112112	4	Battery	
4	1001239269	1	Bar	
5	1001249668	1	Washer	
100	1001256327	1	Cable, Electrical Kit	
101	1060998	1	Cable, Positive to Negative	
102	4923328	1	Cable, Positive to Negative	
103	1001264310	1	Cable, Battery Fuse	
104	1001259017	1	Cable, Battery to Contactor	
105	1001256328	1	Cable, Contactor to Module B+	
106	1001256329	1	Cable, Battery- to Module B-	
107	1001243232	1	Cable, Pump Positive	
108	1001243233	1	Cable, Pump Negative	

SECTION 2 - GROUND CONTROLS

FIGURE 2-13. BATTERIES INSTALLATION - AGM EVCG BATTERIES



ART_1001263421

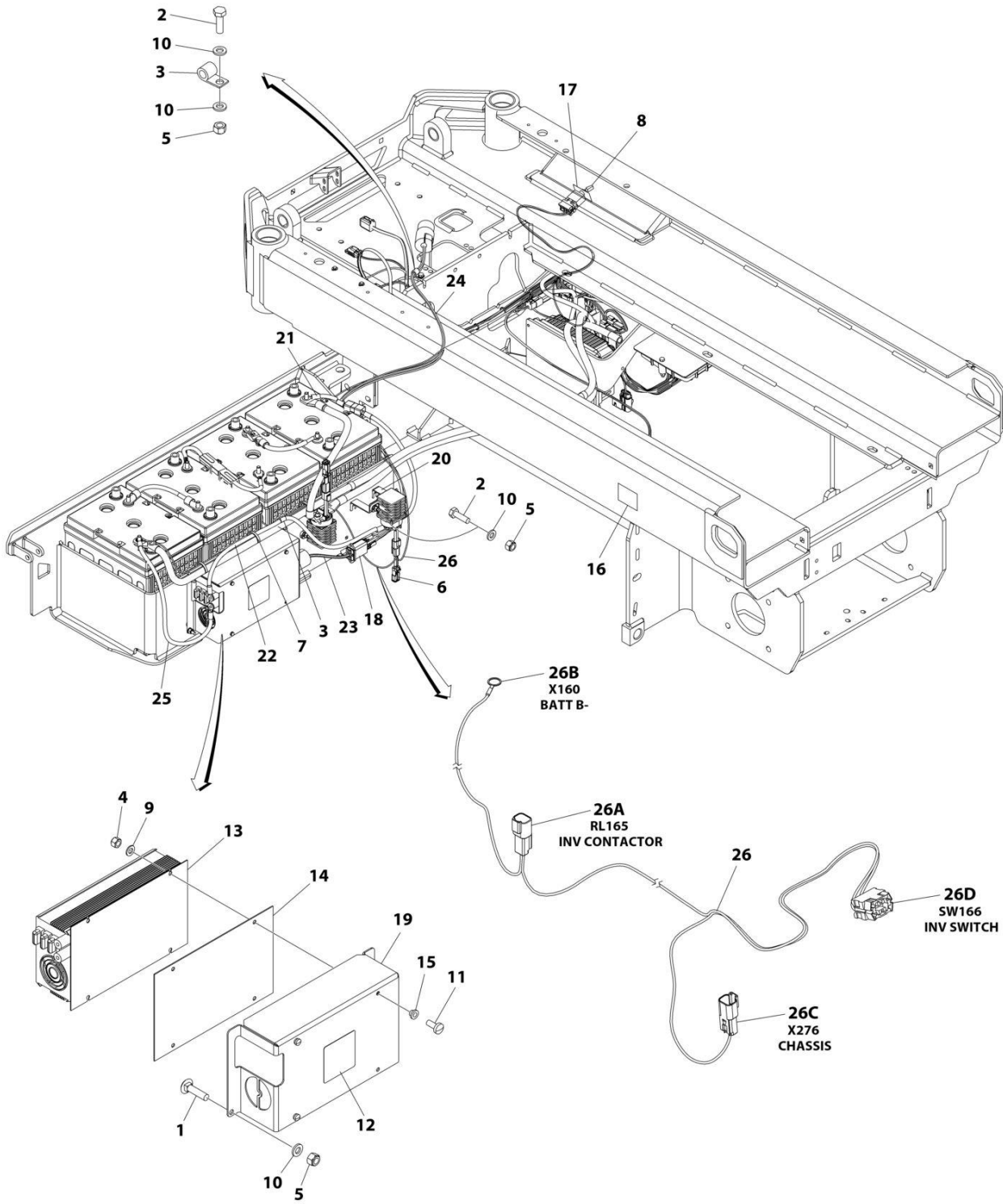
SECTION 2 - GROUND CONTROLS

FIGURE 2-13. BATTERIES INSTALLATION - AGM EVCG BATTERIES

ITEM	PART NUMBER	QTY	DESCRIPTION	REV
	1001263421	Ref	BATTERIES INSTALLATION - AGM EVCG BATTERIES	B
1	0100051	AR	Grease, Terminal	
2	4240017	AR	Tie-Strap	
3	1001214347	4	Battery	
4	1001239269	1	Bar	
5	1001249668	1	Washer	
100	1001256327	1	Cable, Electrical Kit	
101	1060998	1	Cable, Positive to Negative	
102	4923328	1	Cable, Positive to Negative	
103	1001264310	1	Cable, Battery Fuse	
104	1001259017	1	Cable, Battery to Contactor	
105	1001256328	1	Cable, Contactor to Module B+	
106	1001256329	1	Cable, Battery- to Module B-	
107	1001243232	1	Cable, Pump Positive	
108	1001243233	1	Cable, Pump Negative	

SECTION 2 - GROUND CONTROLS

FIGURE 2-14. INVERTER INSTALLATION (OPTIONAL)



ART_1001257121

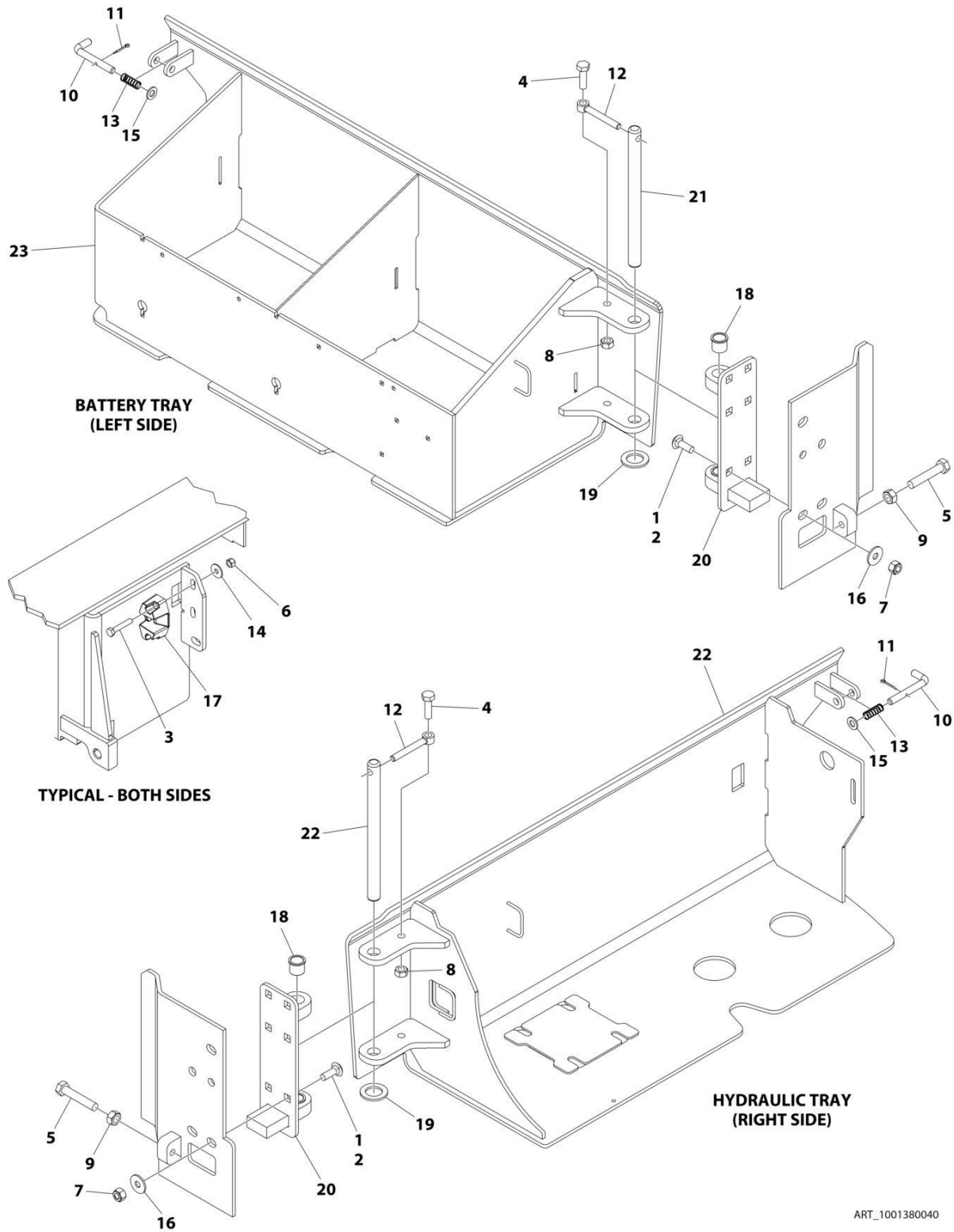
SECTION 2 - GROUND CONTROLS

FIGURE 2-14. INVERTER INSTALLATION (OPTIONAL)

ITEM	PART NUMBER	QTY	DESCRIPTION	REV
	1001257121	Ref	INVERTER INSTALLATION (OPTIONAL)	B
1	0630587	4	Bolt M6 x 25	
2	0760610	3	Bolt M6 x 20	
3	1321293	2	Clamp	
4	3290405	3	Nut M4	
5	3290605	7	Nut M6	
6	3740150	1	Relay	
8	4240017	AR	Tie-Strap	
9	4360336	1	Switch, Toggle	
10	4811400	3	Washer M4	
11	4811700	8	Washer M6	
7	1001101540	3	Screw M4 x 14	
12	1001125483	1	Decal - Pressure Wash	
13	1001136757	1	Inverter	
14	1001142173	1	Insulate	
15	1001142174	3	Washer 1/8	
16	1001143009	1	Decal - Inverter	
17	1001143010	1	Decal - On/Off Inverter	
18	1001157547	1	Filter, AC	
19	1001210440	1	Support	
20	1001210605	1	Support	
21	1001210878	1	Cable, Battery + to Inverter Contactor	
22	1001210879	1	Cable, Inverter Contactor to Inverter +	
23	1001210881	1	Cable, Inverter to AC Filter	
24	1001210882	1	Cable, AC Filter to AC Plug	
25	1001256744	1	Cable, Pump Control B- to Inverter-	
26	1001256746	1	Harness, Inverter	C
26A	4460897	1	Connector	
26A	4460464	2	Terminal	
26B	4460722	1	Connector	
26C	4460897	1	Connector	
26C	4460464	1	Terminal	
26C	4460466	1	Terminal	
26D	4460418	1	Connector	
26D	1001159186	2	Terminal	

SECTION 2 - GROUND CONTROLS

FIGURE 2-15. DOORS INSTALLATION



ART_1001380040

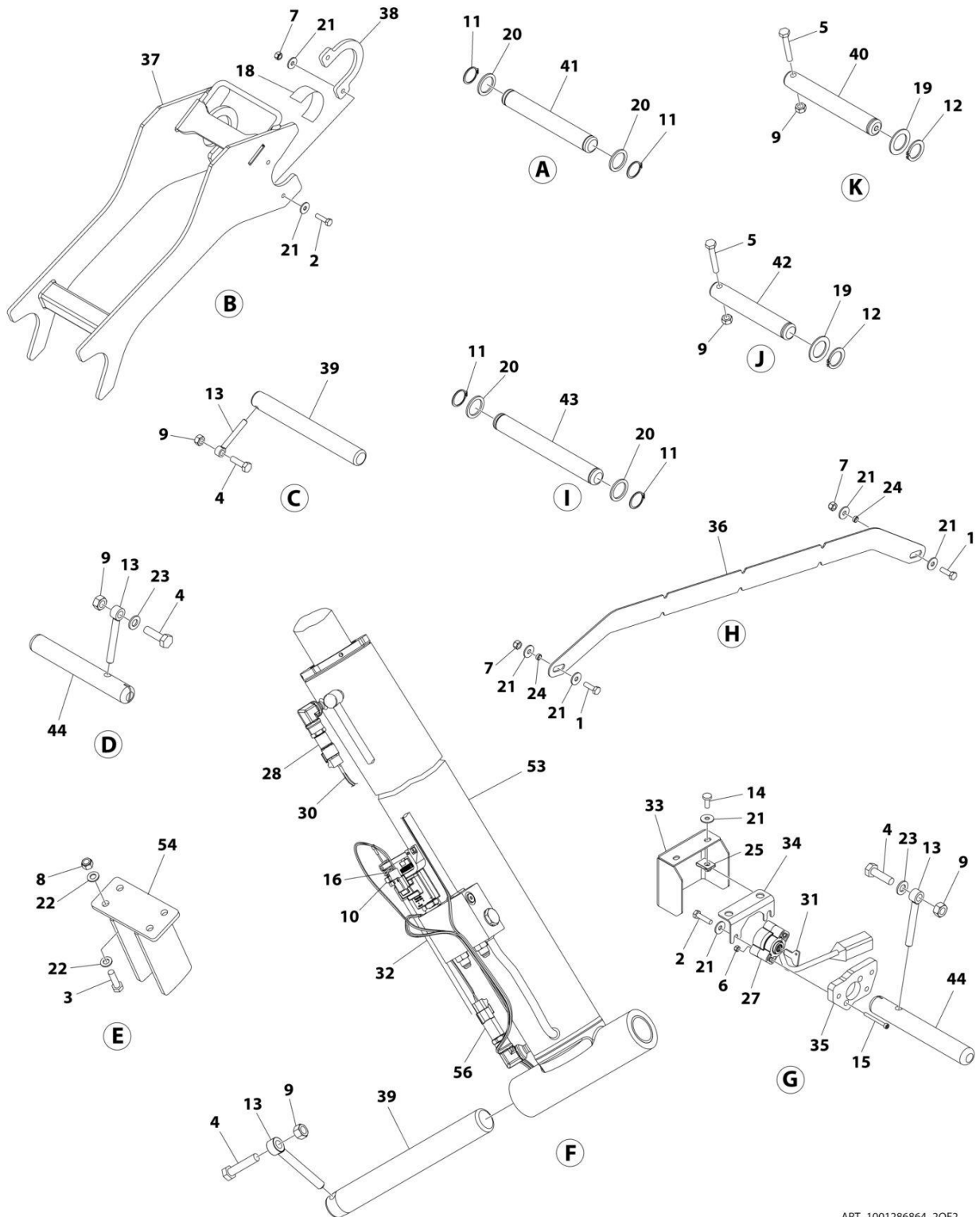
SECTION 2 - GROUND CONTROLS

FIGURE 2-15. DOORS INSTALLATION

ITEM	PART NUMBER	QTY	DESCRIPTION	REV
	1001380040	Ref	DOORS INSTALLATION	B
1	0100011	AR	Compound, Locking	
2	0630613	10	Bolt M10 x 30	
3	0700817	4	Bolt M8 x 45	
4	0701015	2	Bolt M10 x 35	
5	0761221	2	Bolt M12 x 65	
6	3290805	4	Nut M8	
7	3291005	10	Nut M10	
8	3291007	2	Nut M10	
9	3291201	2	Nut M12	
10	3423243	2	Pin	
11	3450303	2	Pin, Cotter 3/32 x 3/4	
12	3841143	2	Keeper, Pin	
13	4160214	2	Spring	
14	4811902	4	Washer M8	
15	4812000	AR	Washer M10	
16	4812002	10	Washer M10	
17	1001214810	2	Support	
18	1001218573	4	Bearing	
19	1001229792	2	Washer	
20	1001234858	2	Hinge	
21	1001234862	2	Pin	
22	1001380041	1	Tray, Hydraulic	
23	1001380042	1	Tray, Battery	

SECTION 3 - SCISSORS ARMS

SECTION 3 - SCISSORS ARMS



ART_1001286864_2OF2

SECTION 3 - SCISSORS ARMS

FIGURE 3-1. SCISSORS ARMS INSTALLATION (ALL SPECS)

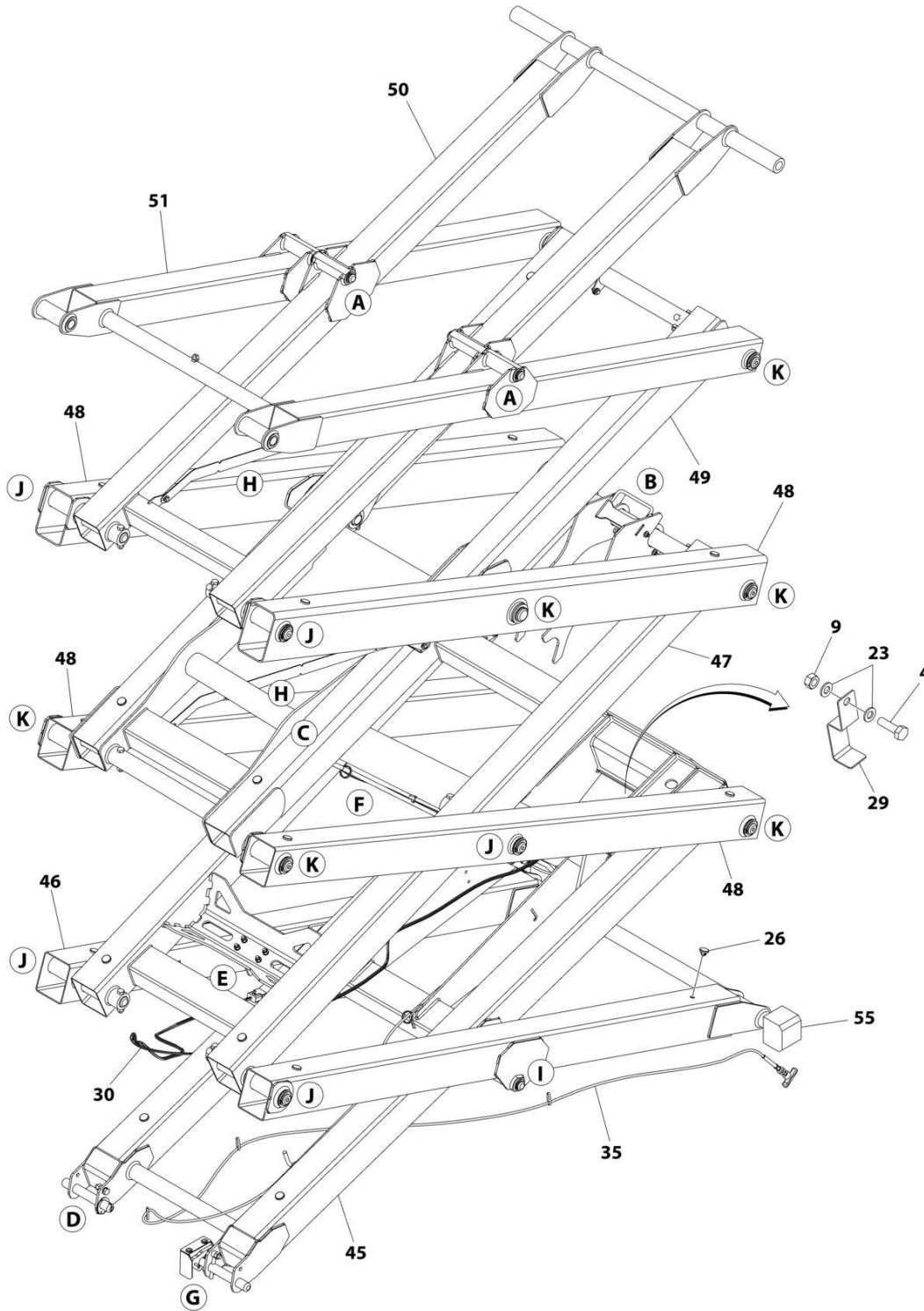
ITEM	PART NUMBER	QTY	DESCRIPTION	REV
	1001286864	Ref	SCISSOR ARMS INSTALLATION	B
1	0700610	4	Bolt M6 x 20	
2	0700612	7	Bolt M6 x 25	
3	0700814	4	Bolt M8 x 30	
4	0701015	5	Bolt M10 x 35	
5	0701021	16	Bolt M10 x 65	
6	3290405	2	Nut M4	
7	3290605	8	Nut M6	
8	3290805	4	Nut M8	
9	3291007	21	Nut M10	
10	3321402	1	Nut 1/4	
11	3760115	8	Ring, Retaining	
12	3760387	16	Ring, Snap	
13	3841143	4	Keeper, Pin	
14	4010608	2	Screw M6 x 16	
15	4031512	2	Capscrew M4 x 40	
16	4160078	1	Spring	
17	4240017	AR	Tie-Strap (Not Shown)	
18	4420062	15 in/37cm	Tape	
19	4740438	16	Washer M33	
20	4740531	8	Washer M35	
21	4811702	21	Washer M6	
22	4811900	8	Washer M8	
23	4812000	4	Washer M10	
24	1001128888	4	Washer, Actuator Throttle	
25	1001130220	2	Nut M6	
26	1001137675	24	Bumper	
27	1001146963	1	Sensor, Angle	
28	1001225164	1	Sensor, Pressure	
29	1001226791	1	Bracket	
30	1001233795	1	Harness, Lift Down (See Separate Breakdown in ELECTRICAL Section)	
31	1001234204	1	Key, Angle Sensor	
32	1001236269	1	Cable, Manual Descent	
33	1001236486	1	Plate	
34	1001236487	1	Plate	
35	1001236488	1	Plate	
36	1001237824	2	Plate	
37	1001238684	1	Arm, Prop	
38	1001239479	2	Plate, Arm Prop Retainer	
39	1001239925	2	Pin	
40	1001239927	10	Pin	
41	1001239928	2	Pin	
42	1001239929	6	Pin	
43	1001291264	2	Pin	
44	1001239931	2	Pin	
45	1001241737	1	Arm, Inboard	D
45	0440264	4	Bushing	
46	1001241738	1	Arm, Outboard	E

SECTION 3 - SCISSORS ARMS

ITEM	PART NUMBER	QTY	DESCRIPTION	REV
46	0440264	4	Bushing (Inner)	
46	0440265	4	Bushing (Outter)	
47	1001241739	1	Arm, Inboard	
48	1001241740	4	Arm, Outboard	B
48	0440265	24	Bushing (6 per Arm)	
49	1001241741	1	Arm, Inboard	
50	1001241742	1	Arm, Inboard	D
50	0440264	4	Bushing	
51	1001241743	1	Arm, Outboard	C
51	0440264	8	Bushing (Inner)	
51	0440265	4	Bushing (Outter)	
52	1001241744	1	Arm, Weldment Kit (Includes items 45-51)	
53	1001244416	1	Lift Cylinder Assembly (See Separate Breakdown in CYLINDER Section)	
54	1001246674	1	Adapter	
55	1001247707	2	Block, Side	
56	1001285320	1	Sensor, Pressure Transducer	
57	1001285829	1	Harness, Jumper to Lift down (Not Shown) (See Separate Breakdown in ELECTRICAL Section)	

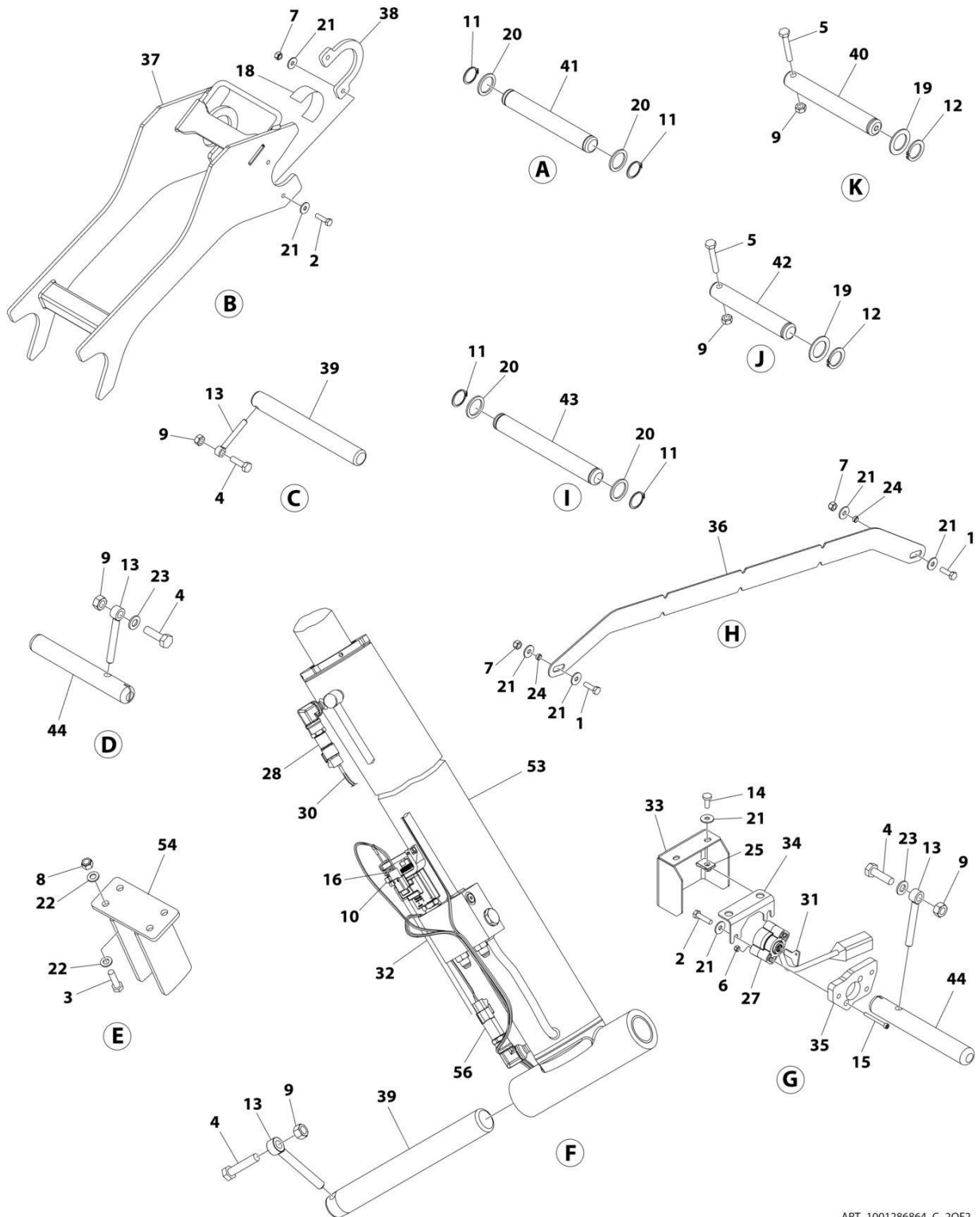
SECTION 3 - SCISSORS ARMS

FIGURE 3-2. SCISSORS ARMS INSTALLATION (ALL SPECS) (SN B200087213 to Present, SN M200080311 to Present)



ART_1001286864_C_10F2

SECTION 3 - SCISSORS ARMS



ART_1001286864_C_2OF2

SECTION 3 - SCISSORS ARMS

FIGURE 3-2. SCISSORS ARMS INSTALLATION (ALL SPECS) (SN B200087213 to Present, SN M200080311 to Present)

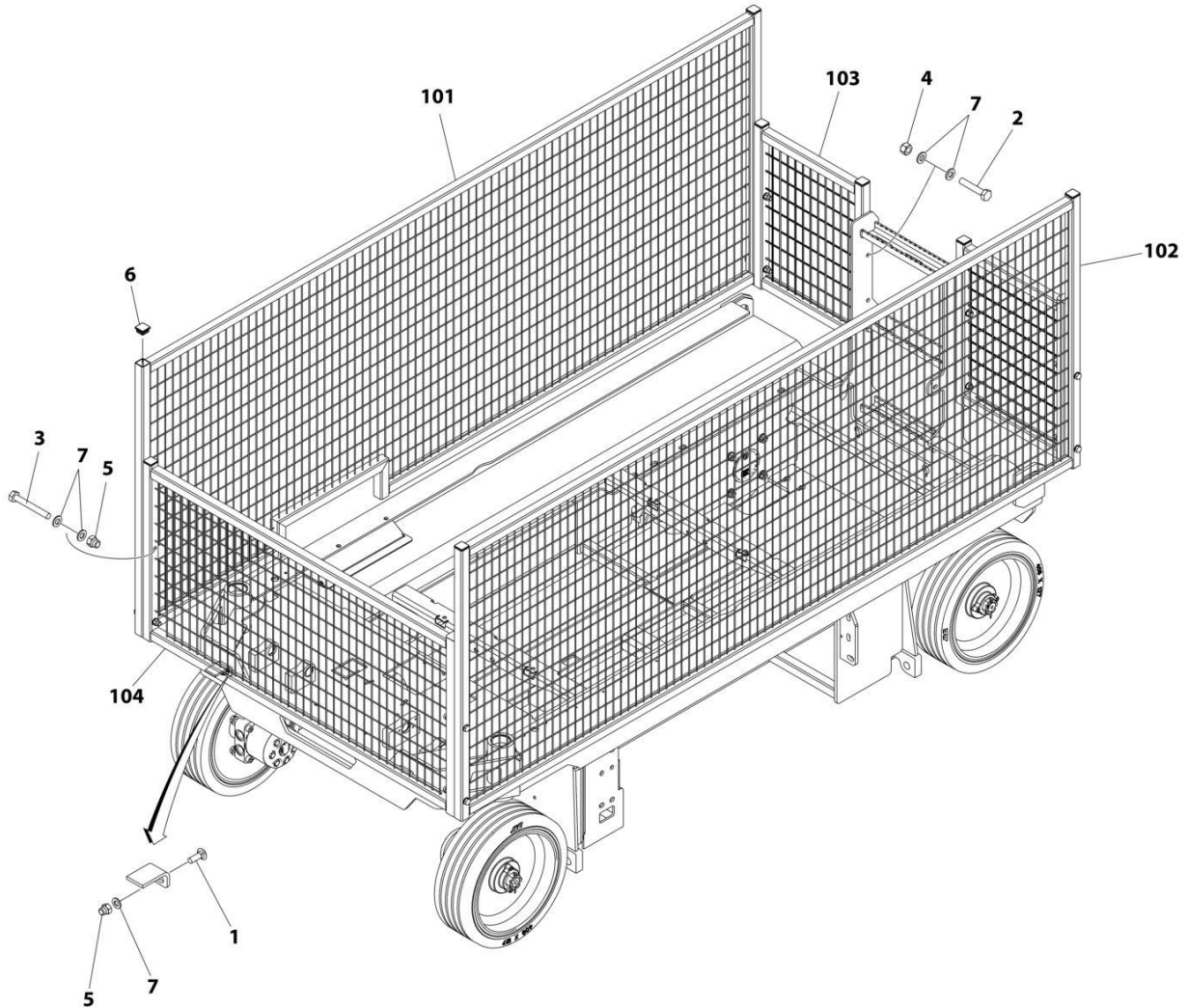
ITEM	PART NUMBER	QTY	DESCRIPTION	REV
	1001286864	Ref	SCISSOR ARMS INSTALLATION	C
1	0700610	4	Bolt M6 x 20	
2	0700612	7	Bolt M6 x 25	
3	0700814	4	Bolt M8 x 30	
4	0701015	5	Bolt M10 x 35	
5	0701021	16	Bolt M10 x 65	
6	3290405	2	Nut M4	
7	3290605	8	Nut M6	
8	3290805	4	Nut M8	
9	3291007	21	Nut M10	
10	3321402	1	Nut 1/4	
11	3760115	8	Ring, Retaining	
12	3760387	16	Ring, Snap	
13	3841143	4	Keeper, Pin	
14	4010608	2	Screw M6 x 16	
15	4031512	2	Capscrew M4 x 40	
16	4160078	1	Spring	
17	4240017	AR	Tie-Strap (Not Shown)	
18	4420062	15 in /37 cm	Tape	
19	4740438	16	Washer M33	
20	4740531	8	Washer M35	
21	4811702	21	Washer M6	
22	4811900	8	Washer M8	
23	4812000	4	Washer M10	
24	1001128888	4	Washer, Actuator Throttle	
25	1001130220	2	Nut M6	
26	1001137675	24	Bumper	
27	1001146963	1	Sensor, Angle	
28	1001225164	1	Sensor, Pressure	
29	1001226791	1	Bracket	
30	1001294243	1	Harness, Lift Down (See Separate Breakdown in ELECTRICAL Section)	
31	1001234204	1	Key, Angle Sensor	
32	1001236269	1	Cable, Manual Descent	
33	1001236486	1	Plate	
34	1001236487	1	Plate	
35	1001236488	1	Plate	
36	1001237824	2	Plate	
37	1001238684	1	Arm, Prop	
38	1001239479	2	Plate, Arm Prop Retainer	
39	1001239925	2	Pin	
40	1001239927	10	Pin	
41	1001239928	2	Pin	
42	1001239929	6	Pin	
43	1001291264	2	Pin	
44	1001239931	2	Pin	
45	1001241737	1	Arm, Inboard	D
45	0440264	4	Bushing	

SECTION 3 - SCISSORS ARMS

ITEM	PART NUMBER	QTY	DESCRIPTION	REV
46	1001241738	1	Arm, Outboard	E
46	0440264	4	Bushing (Inner)	
46	0440265	4	Bushing (Outter)	
47	1001241739	1	Arm, Inboard	
48	1001241740	4	Arm, Outboard	B
48	0440265	24	Bushing (6 per Arm)	
49	1001241741	1	Arm, Inboard	
50	1001241742	1	Arm, Inboard	D
50	0440264	4	Bushing	
51	1001241743	1	Arm, Outboard	C
51	0440264	8	Bushing (Inner)	
51	0440265	4	Bushing (Outter)	
52	1001241744	1	Arm, Weldment Kit (Includes items 45-51)	
53	1001244416	1	Lift Cylinder Assembly (See Separate Breakdown in CYLINDER Section)	
54	1001246674	1	Adapter	
55	1001247707	2	Block, Side	
56	1001285320	1	Sensor, Pressure Transducer	

SECTION 3 - SCISSORS ARMS

FIGURE 3-3. ARM GUARDS INSTALLATION



ART_1001239674

SECTION 3 - SCISSORS ARMS

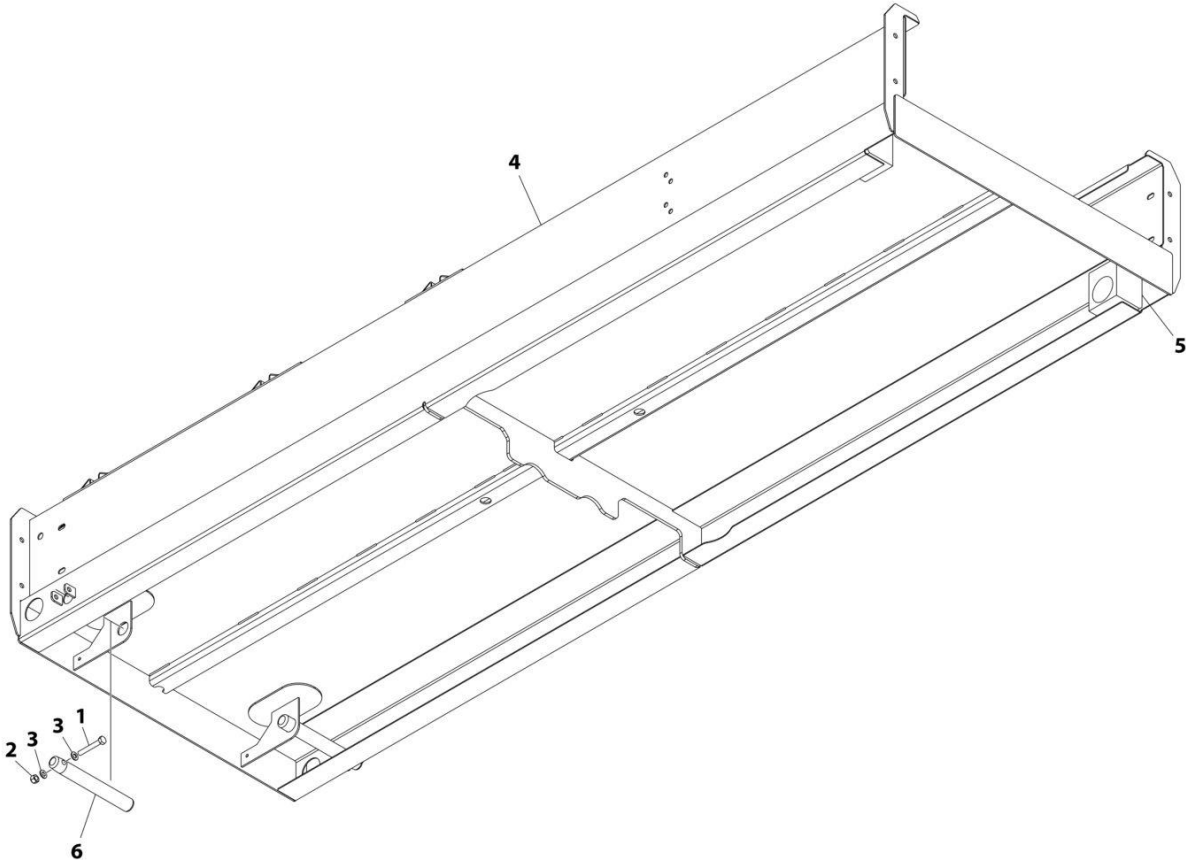
FIGURE 3-3. ARM GUARDS INSTALLATION

ITEM	PART NUMBER	QTY	DESCRIPTION	REV
	1001239674	Ref	ARM GUARD INSTALLATION	A
1	0630613	2	Bolt M10 x 30	
2	0701019	4	Bolt M10 x 55	
3	0701024	8	Bolt M10 x 80	
4	3291005	4	Nut M10	
5	3291006	10	Nut M10	
6	3520072	10	Plug	
7	4812000	26	Washer M10	
100	1001241352	1	Arm Guard Kit (Not Shown)	
101	1001239892	1	Guard, Arm (RH)	
102	1001239894	1	Guard, Arm (LH)	
103	1001241353	2	Guard, Arm (Rear)	
104	1001241358	1	Guard, Arm (Front)	

SECTION 4 - PLATFORM

SECTION 4 - PLATFORM

FIGURE 4-1. PLATFORM INSTALLATION



ART_1001234384_B

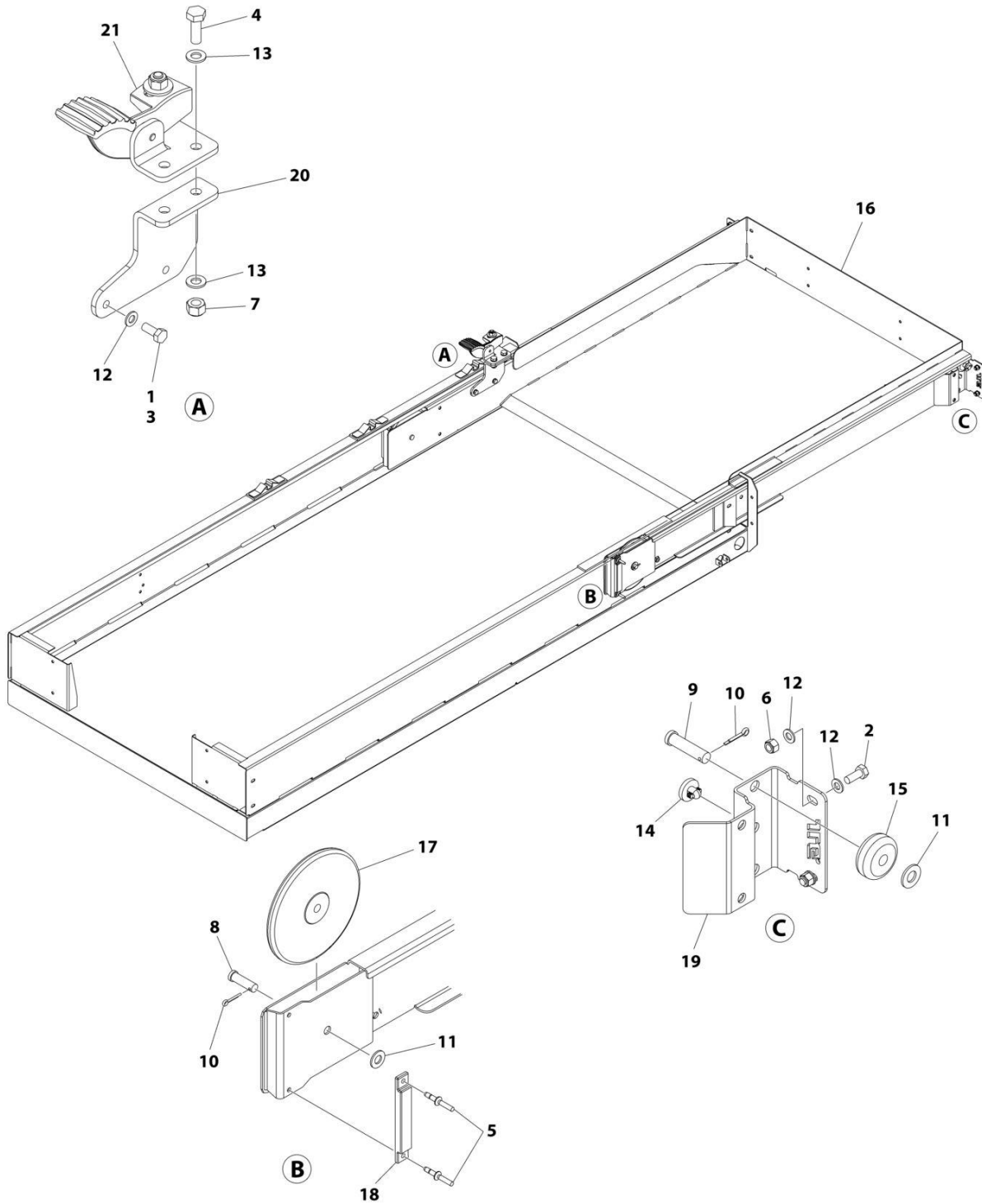
SECTION 4 - PLATFORM

FIGURE 4-1. PLATFORM INSTALLATION

ITEM	PART NUMBER	QTY	DESCRIPTION	REV
	1001234384	Ref	PLATFORM INSTALLATION	B
1	0700819	2	Bolt M8 x 55	
2	3290805	2	Nut M8	
3	4811900	4	Washer M8	
4	1001235555	1	Platform	
5	1001247706	2	Block, Slide	
6	1001239926	2	Pin	

SECTION 4 - PLATFORM

FIGURE 4-2. PLATFORM EXTENSION INSTALLATION



ART_1001234385

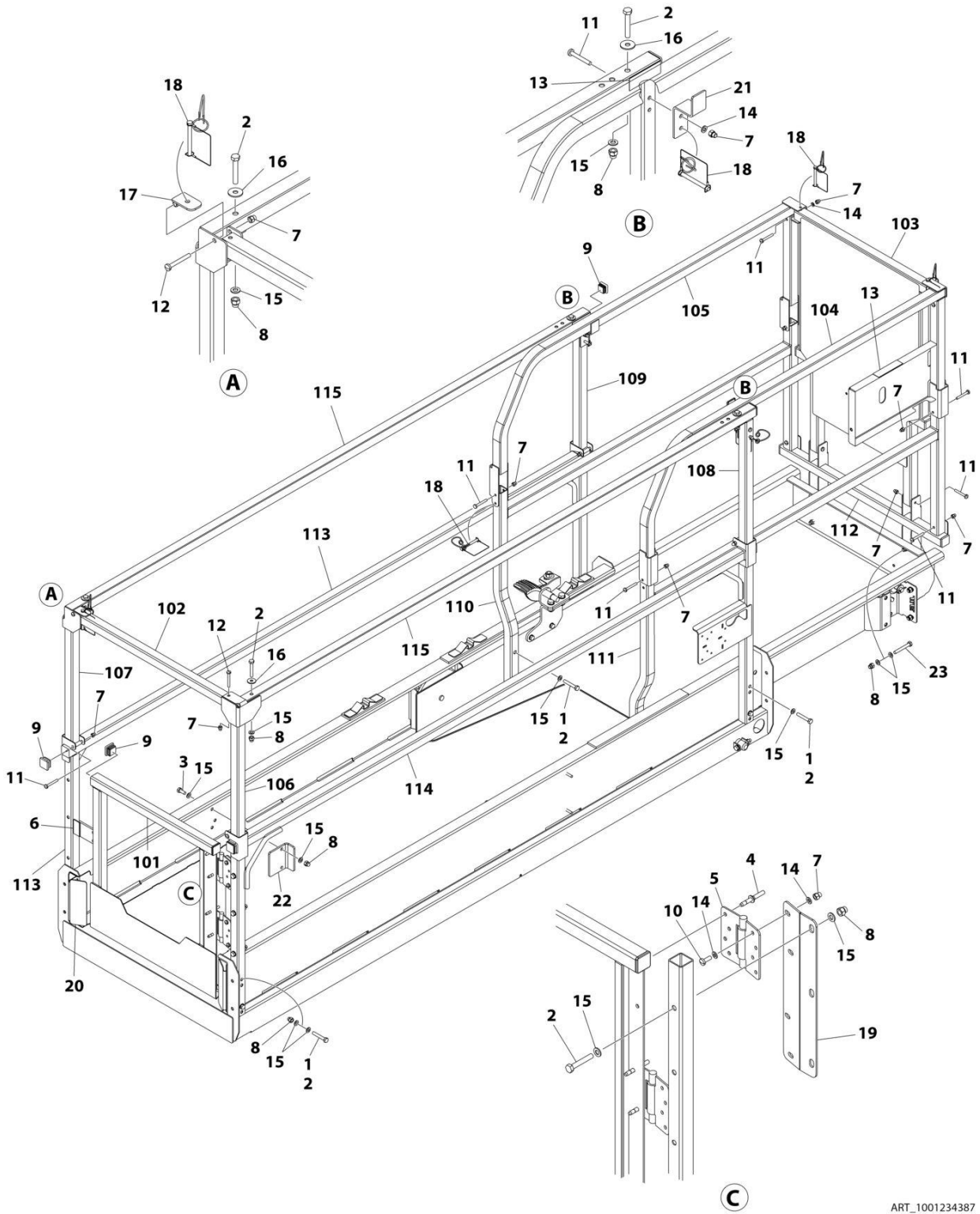
SECTION 4 - PLATFORM

FIGURE 4-2. PLATFORM EXTENSION INSTALLATION

ITEM	PART NUMBER	QTY	DESCRIPTION	REV
	1001234385	Ref	PLATFORM EXTENSION INSTALLATION	A
1	0100011	AR	Compound, Locking	
2	0760810	4	Bolt M8 x 20	
3	0760812	2	Bolt, M8 x 25	
4	0761014	2	Bolt M10 x 30	
5	2080040	4	Fastener	
6	3290805	4	Nut M8	
7	3291005	2	Nut M10	
8	3430814	2	Pin	
9	3430816	2	Pin	
10	3450403	4	Pin, Cotter	
11	4711800	4	Washer 1/2	
12	4811900	10	Washer M8	
13	4812000	4	Washer M10	
14	1001137675	2	Bumper	
15	1001205422	2	Roller (Front)	
16	1001205424	1	Extension, Platform	
17	1001205430	2	Roller (Rear)	
18	1001208852	2	Pad	
19	1001210064	2	Support	
20	1001213838	1	Bracket	
21	1001234407	1	Latch Assembly	

SECTION 4 - PLATFORM

FIGURE 4-3. RAILS INSTALLATION (SIDE BY SIDE)



ART_1001234387

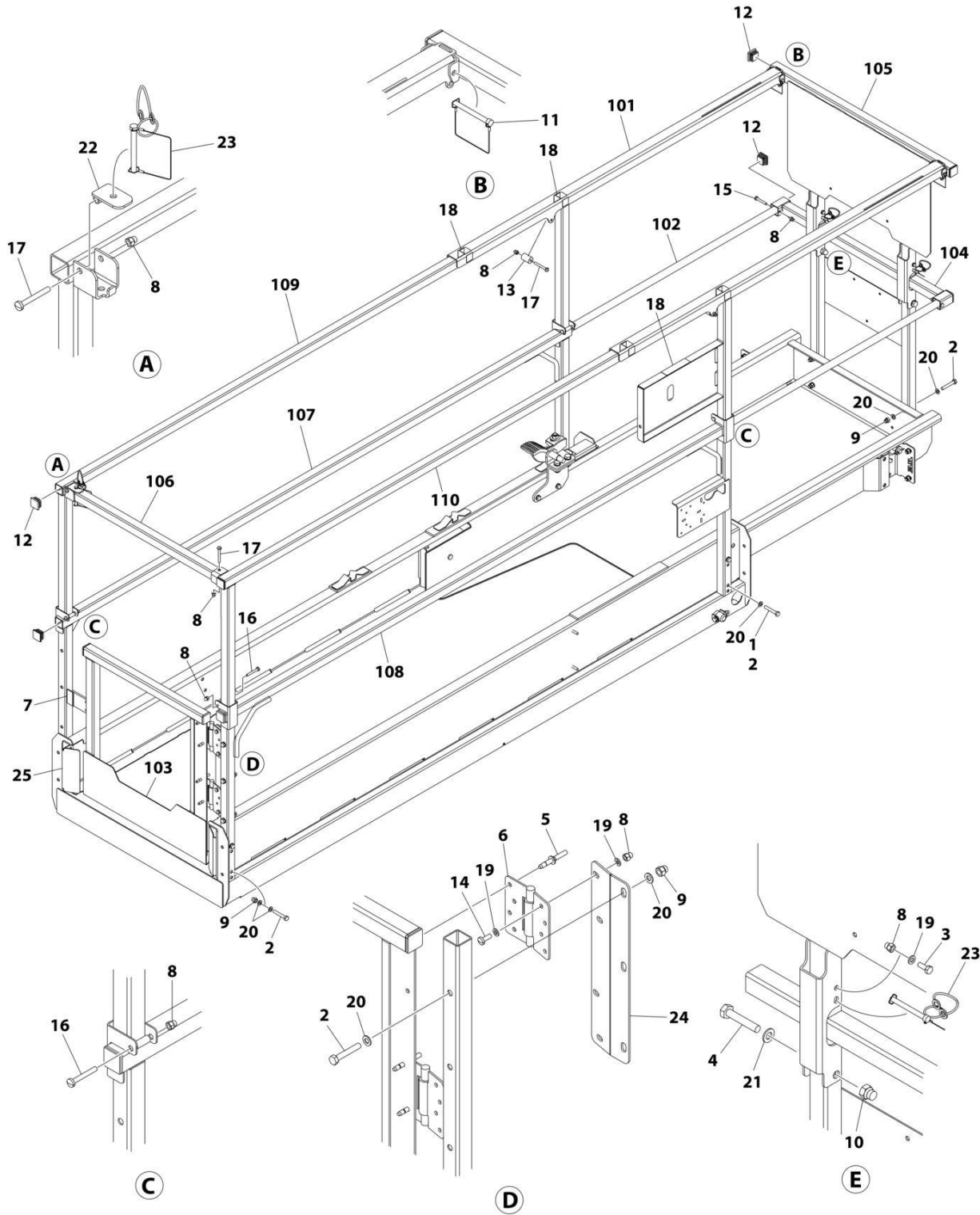
SECTION 4 - PLATFORM

FIGURE 4-3. RAILS INSTALLATION (SIDE BY SIDE)

ITEM	PART NUMBER	QTY	DESCRIPTION	REV
	1001234387	Ref	RAILS INSTALLATION (SIDE BY SIDE)	F
1	0100011	AR	Compound, Locking	
2	0700818	19	Bolt M8 x 50	
3	0760810	2	Bolt M8 x 20	
4	2080040	4	Fastener	
5	2600281	2	Hinge	
6	3080007	1	Magnet, Gate	
7	3290606	22	Nut M6	
8	3290806	17	Nut M8	
9	3520072	12	Plug	
10	4010608	4	Screw M6 x 16	
11	4010617	16	Screw M6 x 45	
12	4010618	2	Screw M6 x 50	
13	4420062	15 in/ 37cm	Tape	
14	4811700	12	Washer M6	
15	4811900	42	Washer M8	
16	4811902	4	Washer M8	
17	1001154378	1	Bracket	
18	1001187587	6	Pin, Snap with Lanyard	
19	1001210586	1	Support	
20	1001210963	2	Cover	
21	1001232257	2	Brace	
22	1001232622	1	Bracket	
23	0700820	4	Bolt M8 x 60	
24	1001156186	4	Plug, Hole	
100	1001236624	1	Rail Kit (Not Shown)	
101	1001210302	1	Gate	
102	1001210458	1	Tube, Rear Top	
103	1001229732	1	Rail, Extension Front (Upper)	
104	1001229733	1	Rail, Extension Side (RH)	
105	1001229734	1	Rail, Extension Side (LH)	
106	1001229739	1	Rail Rear (Upper RH)	
107	1001229740	1	Rail Rear (Upper LH)	
108	1001229741	1	Rail Front (Upper RH)	
109	1001229742	1	Rail Front (Upper LH)	
110	1001230248	1	Tube, Rail (Lower LH)	
111	1001230249	1	Tube, Rail (Lower RH)	
112	1001231405	1	Tube, Extension (Lower)	
113	1001234006	1	Rail Rear (Lower LH)	
114	1001234007	1	Rail Rear (Lower RH)	
115	1001235286	2	Rail, Side Top	

SECTION 4 - PLATFORM

FIGURE 4-4. RAILS INSTALLATION (TUBE IN TUBE)



ART_1001234386

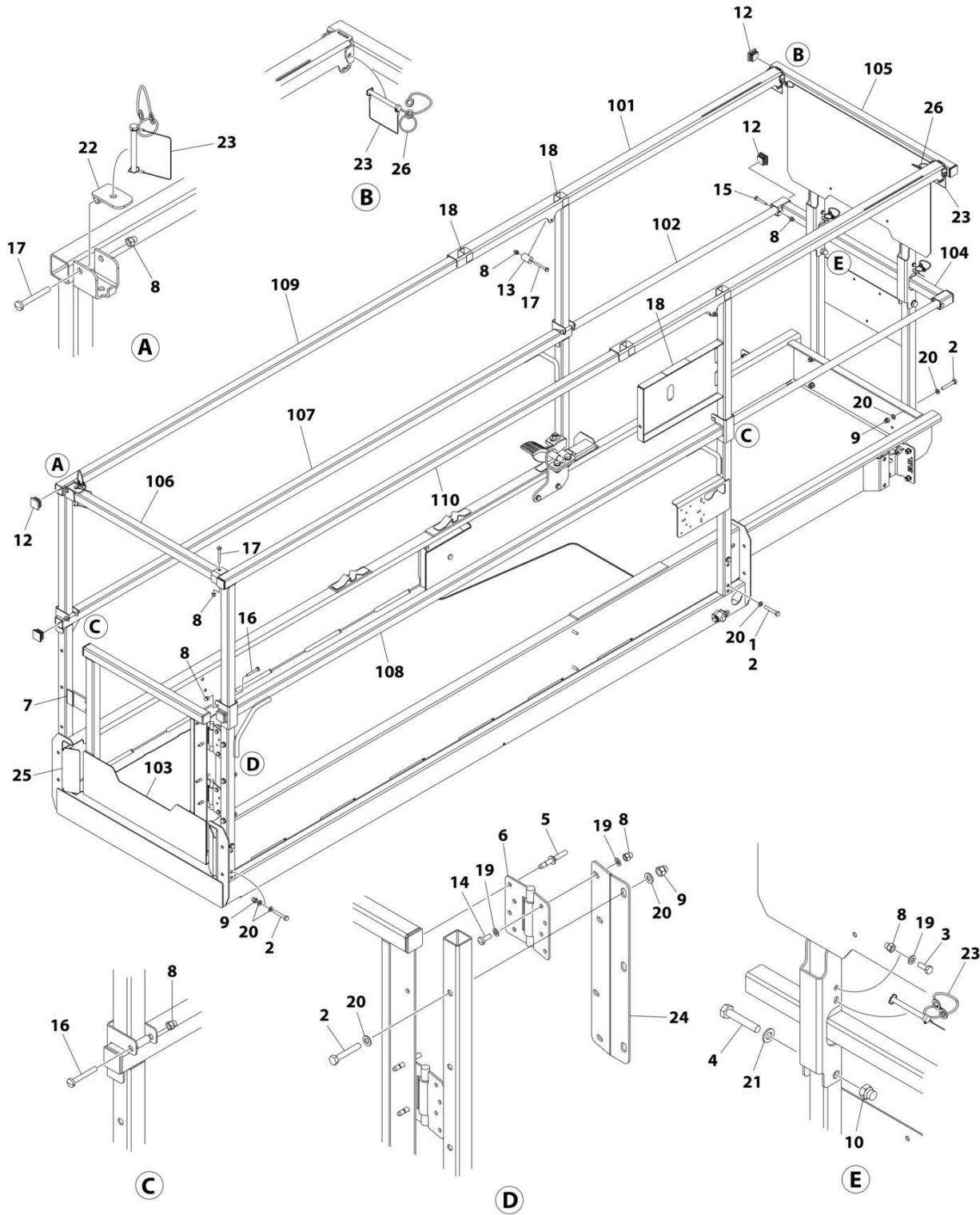
SECTION 4 - PLATFORM

FIGURE 4-4. RAILS INSTALLATION (TUBE IN TUBE)

ITEM	PART NUMBER	QTY	DESCRIPTION	REV
	1001234386	Ref	RAILS INSTALLATION (TUBE IN TUBE)	D
1	0100011	AR	Compound, Locking	
2	0700818	15	Bolt M8 x 50	
3	0760608	2	Bolt M6 x 16	
4	0761019	2	Bolt M10 x 55	
5	2080040	4	Fastener	
6	2600281	2	Hinge	
7	3080007	1	Magnet, Gate	
8	3290606	16	Nut M6	
9	3290806	11	Nut M8	
10	3291006	2	Nut M10	
11	3422219	2	Pin, Snap	
12	3520072	10	Plug	
13	3860111	2	Roller	
14	4010608	4	Screw M6 x 16	
15	4010616	2	Screw M6 x 40	
16	4010617	4	Screw M6 x 45	
17	4010618	4	Screw M6 x 50	
18	4420062	16 in/ 40cm	Tape	
19	4811700	10	Washer M6	
20	4811900	30	Washer M8	
21	4812000	2	Washer M10	
22	1001154378	1	Bracket	
23	1001187587	3	Pin, Snap with Lanyard	
24	1001210586	1	Support	
25	1001210963	2	Cover	
100	1001236623	1	Rail Kit (Not Shown)	
101	1001206225	1	Rail, Extension Top	
102	1001206226	1	Rail, Extension MID	
103	1001210302	1	Gate	
104	1001210446	1	Rail, Extension MID Front	
105	1001210447	1	Rail, Extension Top Front	
106	1001210458	1	Tube, Rear Top	
107	1001234006	1	Rail, Side MID (LH)	
108	1001234007	1	Rail, Side MID (RH)	
109	1001234141	1	Rail, Side Top (LH)	
110	1001234142	1	Rail, Side Top (RH)	

SECTION 4 - PLATFORM

FIGURE 4-5. RAILS INSTALLATION (TUBE IN TUBE) (SN B200087213 to Present, SN M200080311 to Present)



ART_1001234386_E

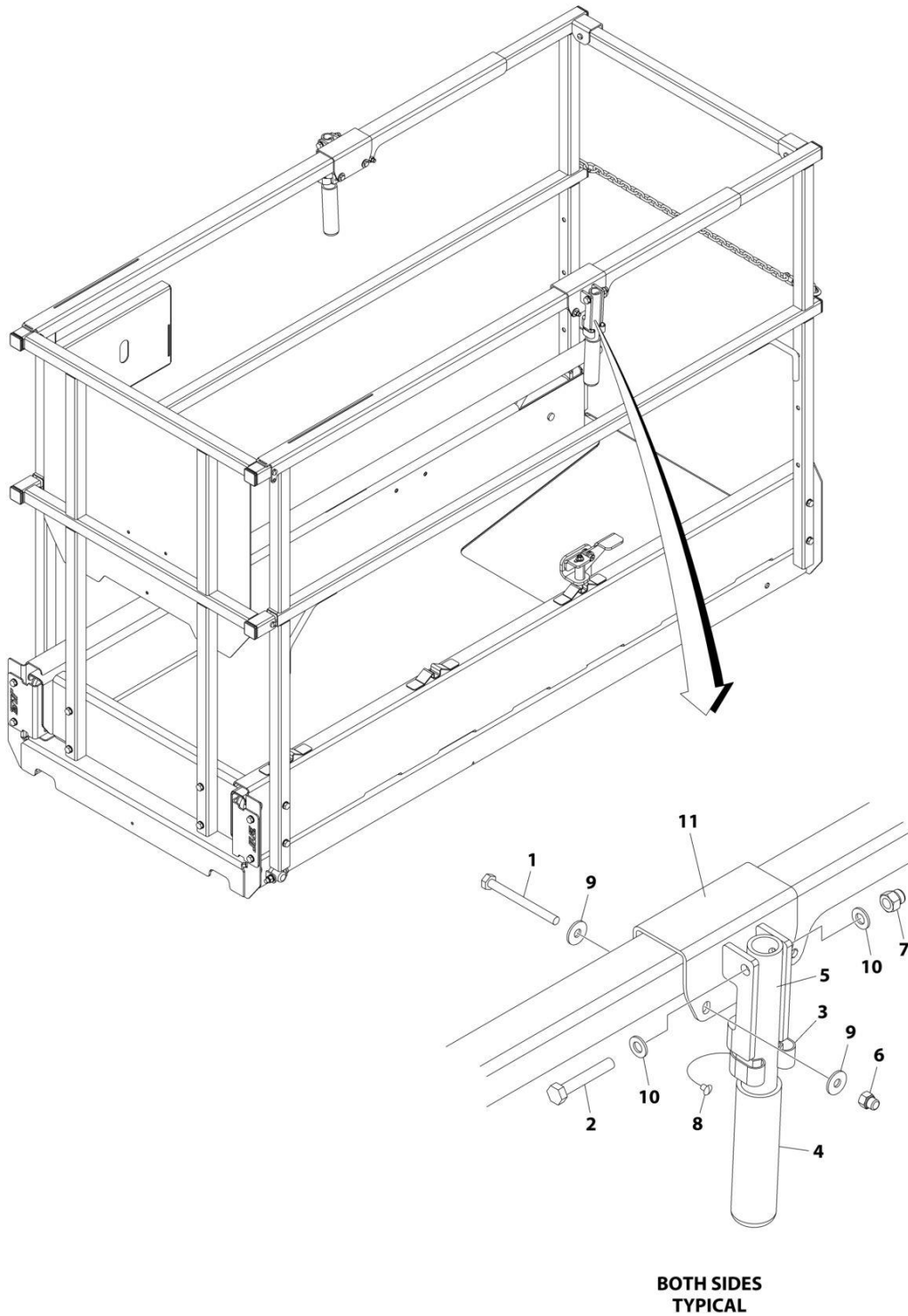
SECTION 4 - PLATFORM

FIGURE 4-5. RAILS INSTALLATION (TUBE IN TUBE) (SN B200087213 to Present, SN M200080311 to Present)

ITEM	PART NUMBER	QTY	DESCRIPTION	REV
	1001234386	Ref	RAILS INSTALLATION (TUBE IN TUBE)	E
1	0100011	AR	Compound, Locking	
2	0700818	15	Bolt M8 x 50	
3	0760608	2	Bolt M6 x 16	
4	0761019	2	Bolt M10 x 55	
5	2080040	4	Fastener	
6	2600281	2	Hinge	
7	3080007	1	Magnet, Gate	
8	3290606	16	Nut M6	
9	3290806	11	Nut M8	
10	3291006	2	Nut M10	
12	3520072	10	Plug	
13	3860111	2	Roller	
14	4010608	4	Screw M6 x 16	
15	4010616	2	Screw M6 x 40	
16	4010617	4	Screw M6 x 45	
17	4010618	4	Screw M6 x 50	
18	4420062	16 in/ 40cm	Tape	
19	4811700	10	Washer M6	
20	4811900	30	Washer M8	
21	4812000	2	Washer M10	
22	1001154378	1	Bracket	
23	1001187587	5	Pin, Snap with Lanyard	
24	1001210586	1	Support	
25	1001210963	2	Cover	
26	3760170	2	Ring, Split	
100	1001236623	1	Rail Kit (Not Shown)	
101	1001289052	1	Rail, Extension Top	
102	1001206226	1	Rail, Extension MID	
103	1001210302	1	Gate	
104	1001210446	1	Rail, Extension MID Front	
105	1001210447	1	Rail, Extension Top Front	
106	1001210458	1	Tube, Rear Top	
107	1001234006	1	Rail, Side MID (LH)	
108	1001234007	1	Rail, Side MID (RH)	
109	1001234141	1	Rail, Side Top (LH)	
110	1001234142	1	Rail, Side Top (RH)	

SECTION 4 - PLATFORM

FIGURE 4-6. EXTENSION HANDLES INSTALLATION (OPTIONAL)



ART_1001222587

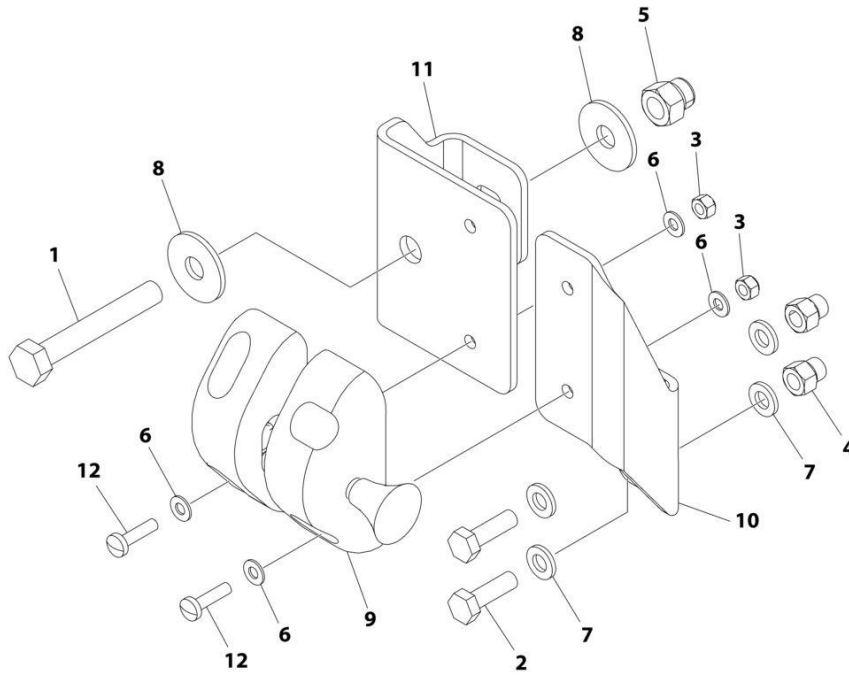
SECTION 4 - PLATFORM

FIGURE 4-6. EXTENSION HANDLES INSTALLATION (OPTIONAL)

ITEM	PART NUMBER	QTY	DESCRIPTION	REV
	1001222587	Ref	HANDLE EXTENSION INSTALLATION (OPTIONAL)	B
1	0700621	4	Bolt M6 x 65	
2	0700818	2	Bolt M8 x 50	
3	1380132	2	Clip	
4	2560088	2	Grip, Handle	
5	2560190	2	Handle	
6	3290606	2	Nut M6	
7	3290806	2	Nut M8	
8	3820019	2	Rivet	
9	4811702	8	Washer M6	
10	4811900	4	Washer M8	
11	1001216823	2	Bracket	

SECTION 4 - PLATFORM

FIGURE 4-7. GATE LATCH INSTALLATION - OPTIONAL



ART_1001220995

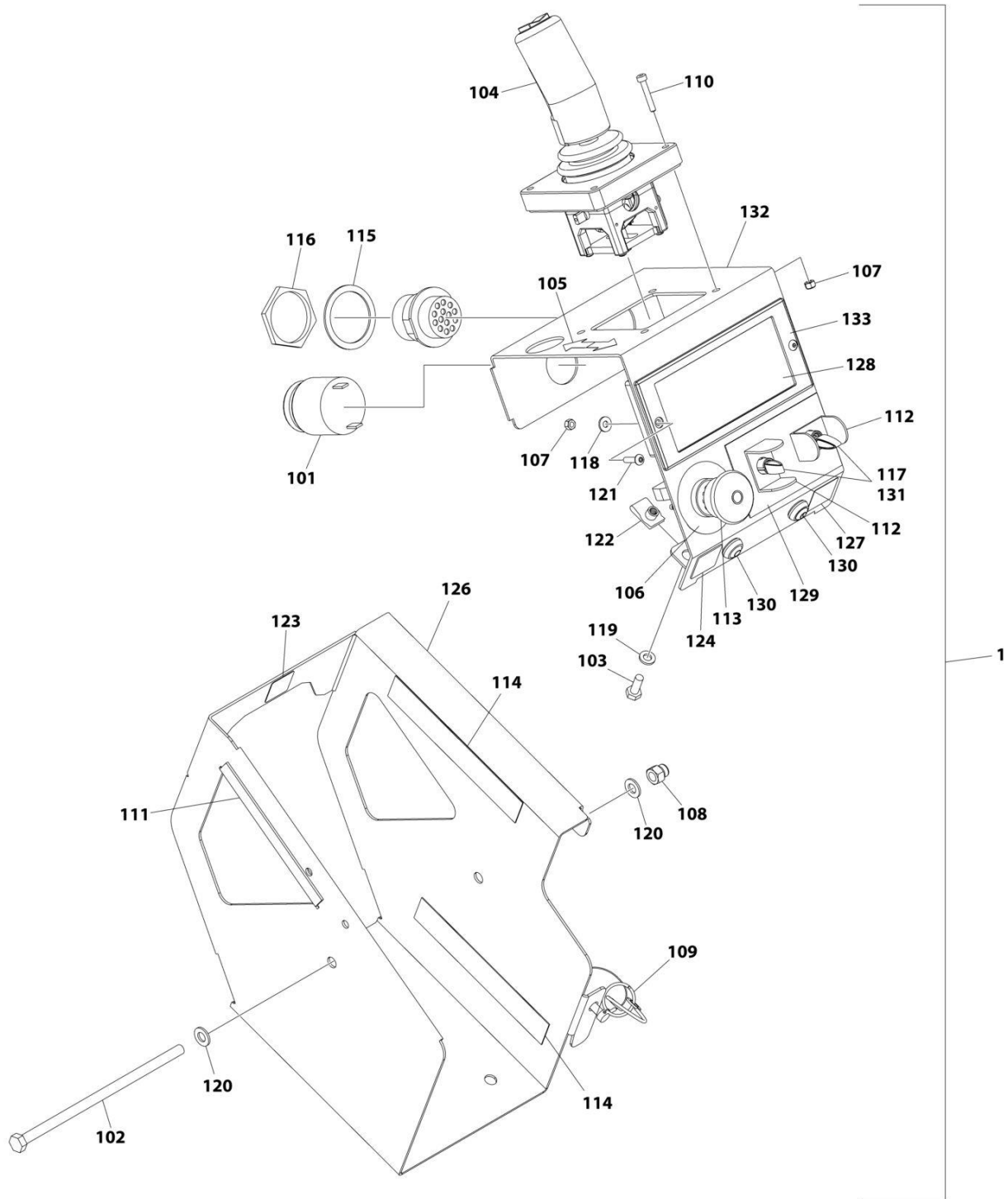
SECTION 4 - PLATFORM

FIGURE 4-7. GATE LATCH INSTALLATION - OPTIONAL

ITEM	PART NUMBER	QTY	DESCRIPTION	REV
	1001220995	Ref	GATE LATCH INSTALLATION	B
1	0700819	1	Bolt M8 x 55	
2	0760610	2	Bolt M6 x 20	
3	3290405	4	Nut M4	
4	3290606	2	Nut M6	
5	3290806	1	Nut M8	
6	4811400	8	Washer M4	
7	4811700	4	Washer M6	
8	4811902	2	Washer M8	
9	1001134821	1	Latch	
10	1001220409	1	Mount	
11	1001220410	1	Plate	
12	4010408	4	Screw M4 x 16	

SECTION 4 - PLATFORM

FIGURE 4-8. PLATFORM CONSOLE BOX INSTALLATION (SIDE MOUNT)



ART_1001274659

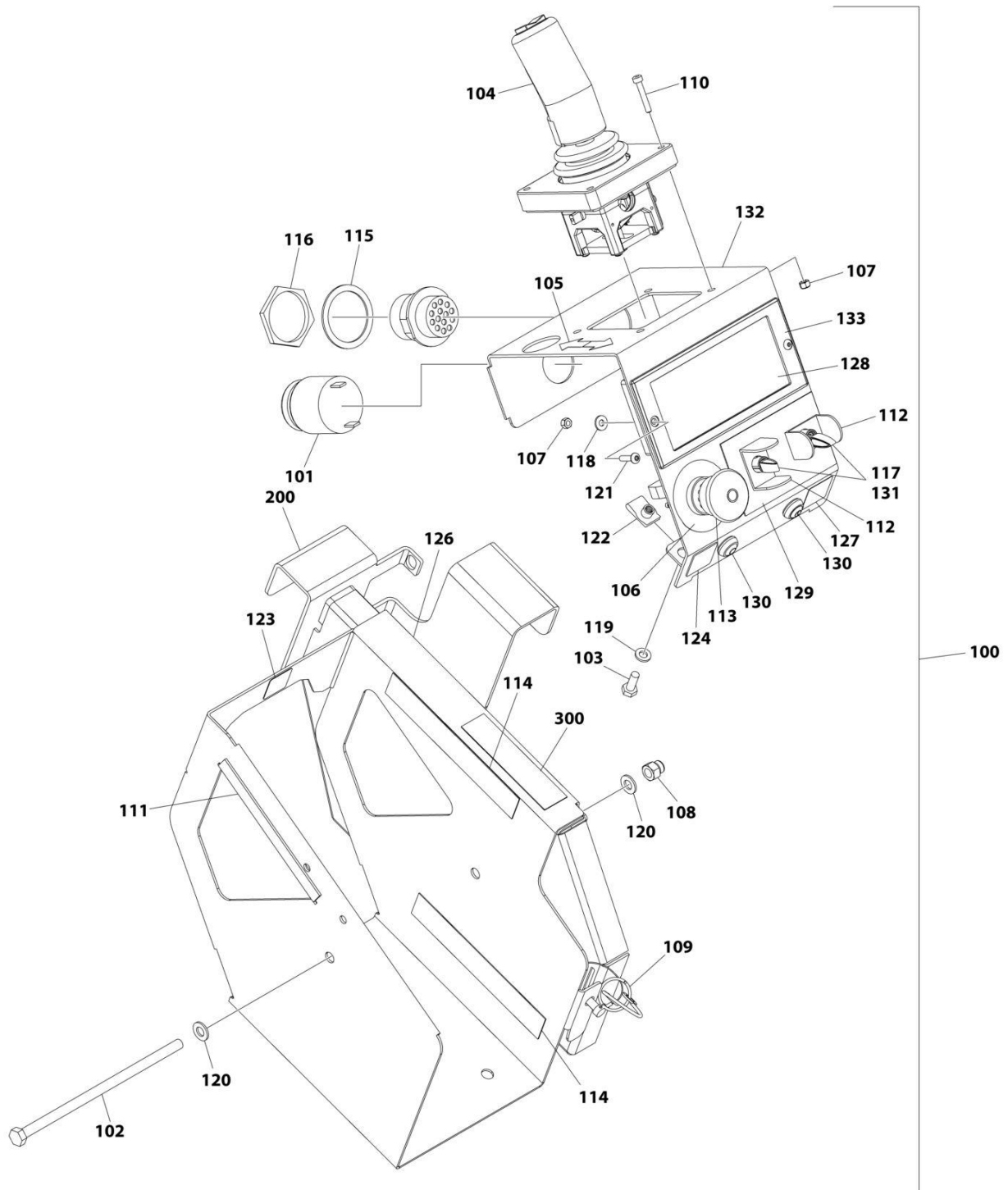
SECTION 4 - PLATFORM

FIGURE 4-8. PLATFORM CONSOLE BOX INSTALLATION (SIDE MOUNT)

ITEM	PART NUMBER	QTY	DESCRIPTION	REV
	1001274659	Ref	PLATFORM CONTROL INSTALLATION (LED)	A
1	1001274604	1	Platform Control Box	B
101	0140030	1	Alarm	
102	0700835	1	Bolt M8 x 180	
103	0760610	2	Bolt M6 x 20	
104	1600402	1	Controller Assembly (See Separate Breakdown in this Section)	
105	1703819	1	Decal - Arrow	
106	1704260	1	Decal - Emergency Stop	
107	3290405	6	Nut M4	
108	3290806	1	Nut M8	
109	3423278	1	Pin, Snap with Lanyard	
110	4031509	4	Capscrew M4 x 25	
111	4060803	6 in/ 14cm	Flex-Trim	
112	4060906	2	Guard, Switch	
113	4360475	1	Switch, Emergency Stop	
113	7020175	1	Cap	
113	7020176	1	Block, Contact	
114	4420062	12 in/ 30cm	Tape	
115	4460496	1	Washer, Terminal	
116	4460497	1	Nut, Terminal	
117	4711700	2	Washer 7/16	
118	4811400	2	Washer M4	
119	4811700	2	Washer M6	
120	4811900	2	Washer M8	
121	1001047064	2	Screw M4 x 15	
122	1001130220	2	Nut, Tinnerman M6	
123	1001132358	1	Decal - Steer	
124	1001132361	1	Decal - Horn	
125	1001200819	1	Platform Control Box Harness (Not Shown) (See Separate Breakdown in ELECTRICAL Section)	
126	1001209596	1	Plate, Box (Outside)	
127	1001213886	1	Decal - Indoor/Outdoor	
128	1001218285	1	Decal - Platform Control	
129	1001220893	1	Decal - Lift/Drive Function	
130	1001226749	2	Switch, Push Button	
131	1001258446	2	Switch, Toggle	
132	1001262655	1	Plate, Box (Inside)	
133	1001274605	1	Module, Platform Control	

SECTION 4 - PLATFORM

FIGURE 4-9. PLATFORM CONSOLE BOX INSTALLATION (FRONT MOUNT)



ART_1001283131

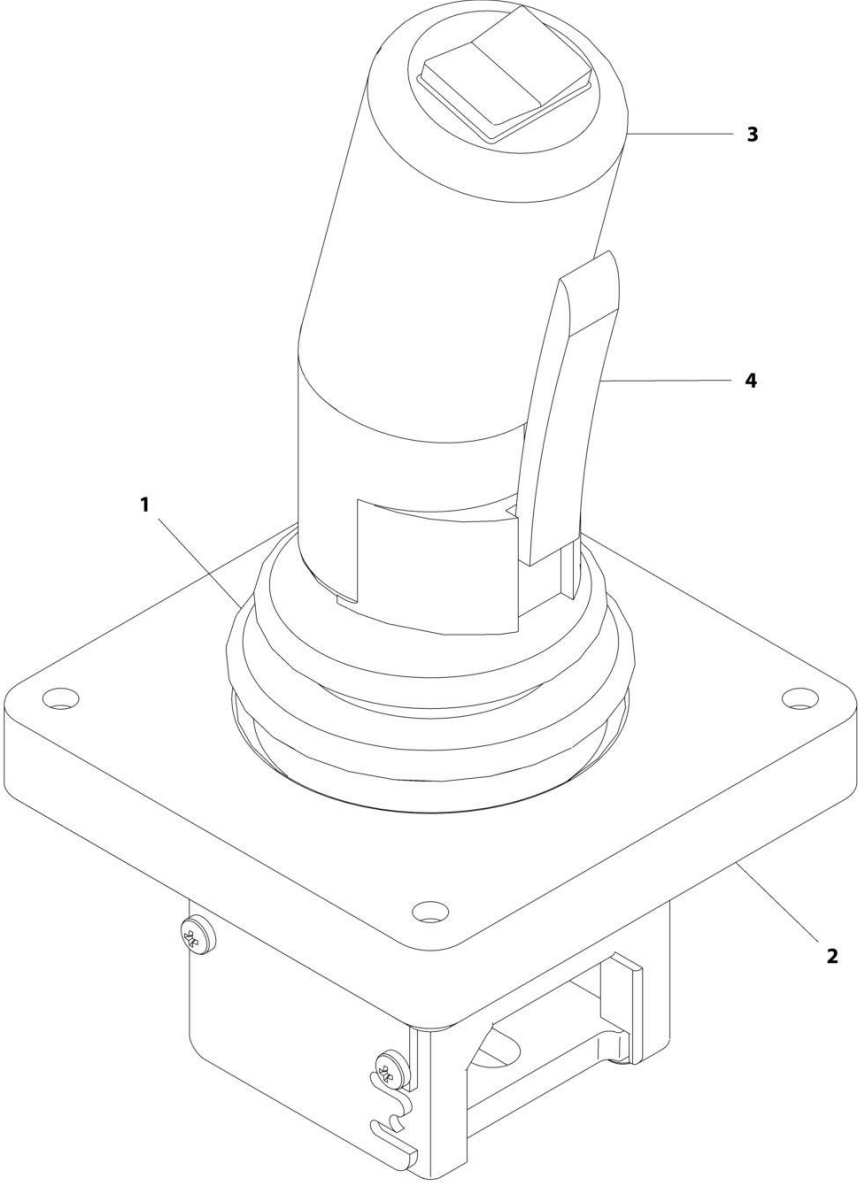
SECTION 4 - PLATFORM

FIGURE 4-9. PLATFORM CONSOLE BOX INSTALLATION (FRONT MOUNT)

ITEM	PART NUMBER	QTY	DESCRIPTION	REV
	1001283131	Ref	PLATFORM CONTROL INSTALLATION	A
100	1001274604	1	Platform Control Box	A
101	0140030	1	Alarm	
102	0700835	1	Bolt M8 x 180	
103	0760610	2	Bolt M6 x 20	
104	1600402	1	Controller Assembly (See Separate Breakdown in this Section)	
105	1703819	1	Decal - Arrow	
106	1704260	1	Decal - Emergency Stop	
107	3290405	6	Nut M4	
108	3290806	1	Nut M8	
109	3423278	1	Pin, Snap with Lanyard	
110	4031509	4	Capscrew M4 x 25	
111	4060803	6 in/14cm	Flex-Trim	
112	4060906	2	Guard, Switch	
113	4360475	1	Switch, Emergency Stop	
113	7020175	1	Cap	
113	7020176	1	Block, Contact	
114	4420062	12 in/30cm	Tape	
115	4460496	1	Washer, Terminal	
116	4460497	1	Nut, Terminal	
117	4711700	2	Washer 7/16	
118	4811400	2	Washer M4	
119	4811700	2	Washer M6	
120	4811900	2	Washer M8	
121	1001047064	2	Screw M4 x 15	
122	1001130220	2	Nut, Tinnerman M6	
123	1001132358	1	Decal - Steer	
124	1001132361	1	Decal - Horn	
125	1001200819	1	Platform Control Box Harness (Not Shown) (See Separate Breakdown in ELECTRICAL Section)	
126	1001209596	1	Plate, Box (Outside)	
127	1001213886	1	Decal - Indoor/Outdoor	
128	1001218285	1	Decal - Platform Control	
129	1001220893	1	Decal - Lift/Drive Function	
130	1001226749	2	Switch, Push Button	
131	1001258446	2	Switch, Toggle	
132	1001262655	1	Plate, Box (Inside)	
133	1001274605	1	Module, Platform Control	
200	1001283451	1	Bracket	
300	4420062	10 in/25cm	Tape	

SECTION 4 - PLATFORM

FIGURE 4-10. DRIVE/STEER CONTROLLER ASSEMBLY



ART_1600402

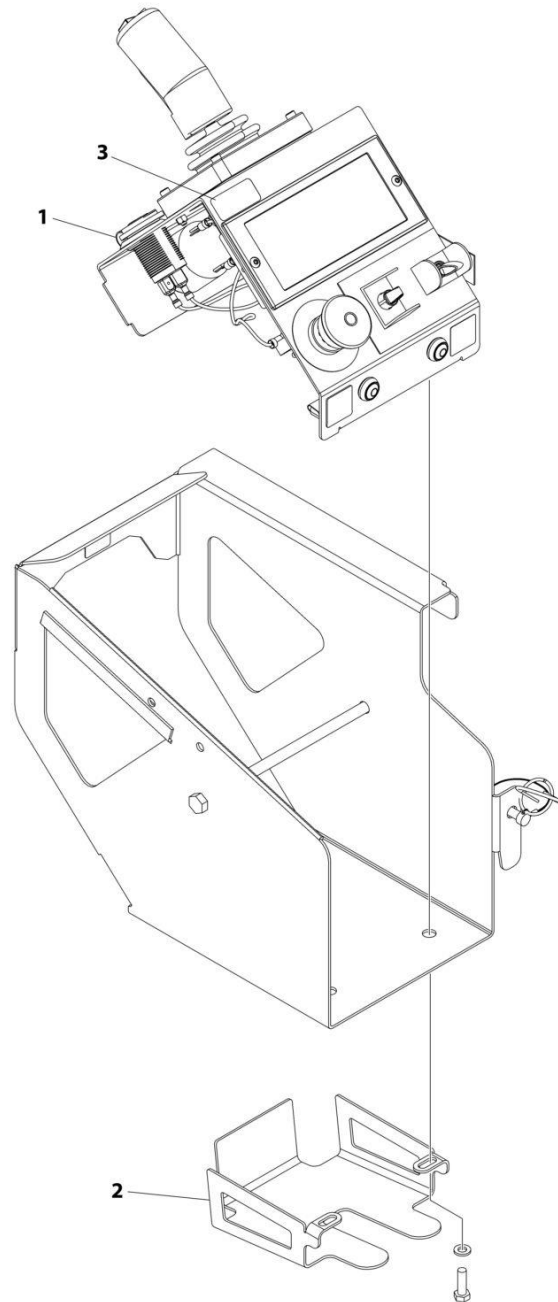
SECTION 4 - PLATFORM

FIGURE 4-10. DRIVE/STEER CONTROLLER ASSEMBLY

ITEM	PART NUMBER	QTY	DESCRIPTION	REV
	1600402	Ref	DRIVE/STEER CONTROLLER ASSEMBLY	A
1	70001250	1	Boot, Panel	
2	70001252	1	Gasket, Mounting	
2	70001251	1	Bezel, Mounting	
3	70003650	1	Handle Repair Kit (Includes handle gasket, item#4 push button and item #4 lever installed in front handle half, back handle half, top actuator, boot and hardware.)	
3	70000084	1	Cap, Rubber	
3	70000082	1	Microswitch	
3	7027766	1	Ring, Retaining	
3	7027365	1	Actuator, Handle	
3	70001253	1	Gasket, Handle	
3	70000683	4	Washer, Neoprene	
3	70000685	2	Spacer, Plastic	
3	70000686	2	Screw (Top)	
3	70000684	2	Screw (Bottom)	
4	7027367	1	Switch, Push Button	
4	7027765	1	Lever, Enable	

SECTION 4 - PLATFORM

FIGURE 4-11. USB/PHONE CRADLE INSTALLATION



ART_1001262150

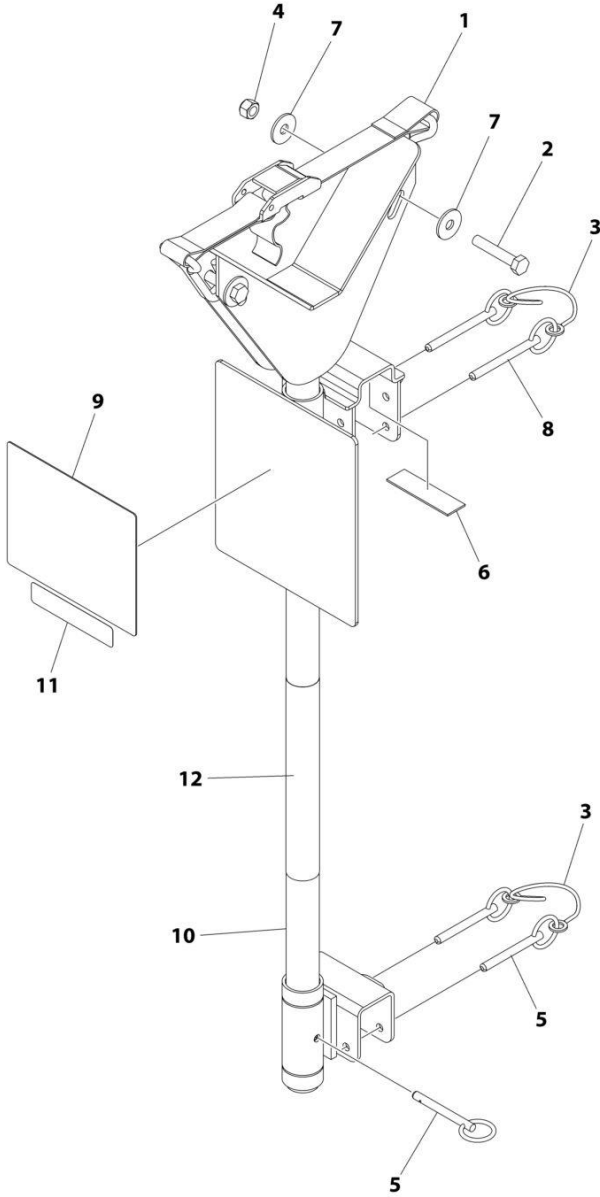
SECTION 4 - PLATFORM

FIGURE 4-11. USB/PHONE CRADLE INSTALLATION

ITEM	PART NUMBER	QTY	DESCRIPTION	REV
	1001262150	Ref	USB/PHONE CRADLE INSTALLATION	B
1	1001253800	1	Terminal, USB Receptacle	
2	1001261131	1	Bracket, Phone	
3	1001274168	1	Decal, USB Charge	

SECTION 4 - PLATFORM

FIGURE 4-12. PIPE RACKS INSTALLATION (OPTIONAL)



ART_1001270855

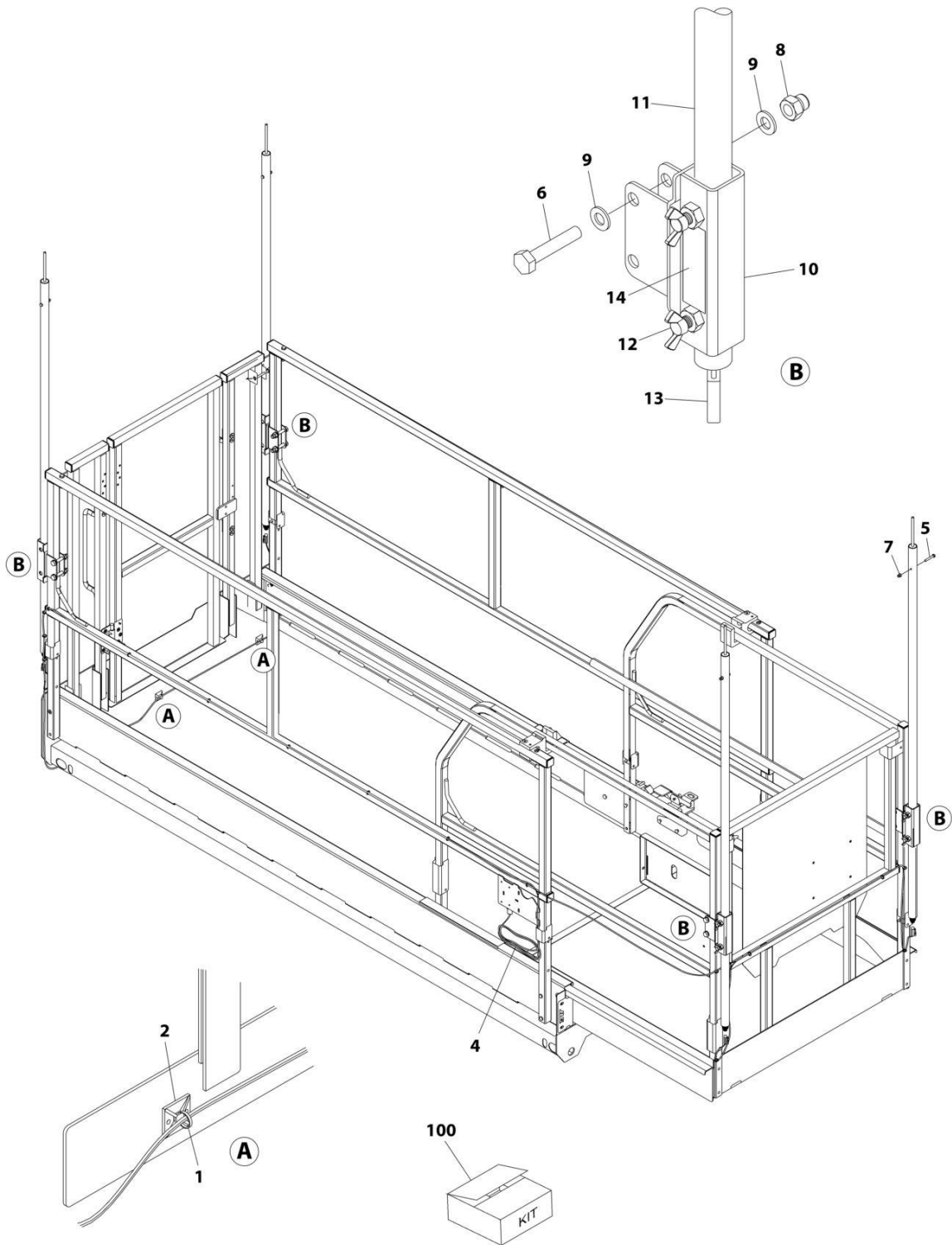
SECTION 4 - PLATFORM

FIGURE 4-12. PIPE RACKS INSTALLATION (OPTIONAL)

ITEM	PART NUMBER	QTY	DESCRIPTION	REV
	1001270855	Ref	PIPE RACK INSTALLATION	C
1	0480100	2	Tie-Strap	
2	0700817	4	Bolt M8 x 45	
3	1060379	4	Lanyard	
4	3290805	4	Nut M8	
5	3422661	6	Pin	
6	4420062	AR	Tape	
7	4811902	8	Washer M8	
8	1001235941	4	Pin	
9	1001287711	2	Decal - Pipe Rack Capacity	
10	1001270533	2	Rack Pipe	
11	1001270631	2	Decal - ACCY Weight	
12	1001271412	2	Decal - JLG	

SECTION 4 - PLATFORM

FIGURE 4-13. OVERHEAD PROTECTION INSTALLATION (KOREAN SPECS)



ART_1001226901

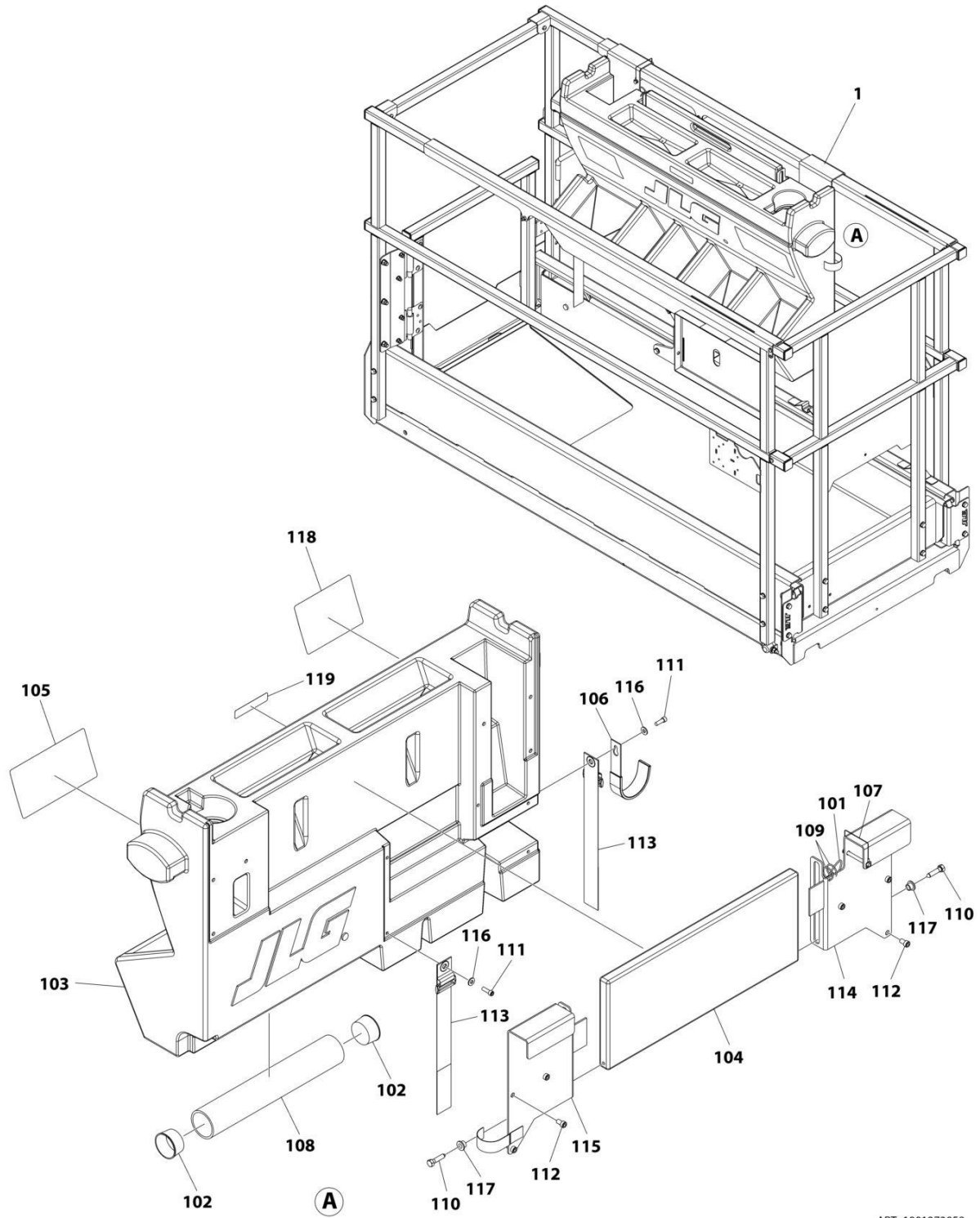
SECTION 4 - PLATFORM

FIGURE 4-13. OVERHEAD PROTECTION INSTALLATION (KOREAN SPECS)

ITEM	PART NUMBER	QTY	DESCRIPTION	REV
	1001226901	Ref	OVERHEAD PROTECTION INSTALLATION (KOREAN SPECS)	A
1	4240017	AR	Tie-Strap	
2	4460234	2	Mount, Tie-Strap	
4	1001227728	1	Overhead Protection Harness	A
4	4460891	4	Plug, Male - 2 Position (X503-X506)	
4	4460465	8	Socket, Female	
4	4460536	1	Receptacle, Female - 3 Position (X507)	
4	4460464	2	Pin, Male	
4	4460466	1	Plug, Terminal	
5	0700616	4	Bolt M6 x 40	
6	0701019	8	Bolt M10 x 55	
7	3290606	4	Nut M6	
8	3291006	8	Nut M10	
9	4812000	16	Washer M10	
10	1001221275	4	Bracket	
11	1001221276	4	Tube	
12	1001222914	8	Thumb Screw	
13	1001226277	4	Switch, Overhead Protection	
14	1001228184	1	Decal - Overhaed Protection Weight	
100	1001221244	1	Overhead Protection Kit (Includes Items 5-14)	

SECTION 4 - PLATFORM

FIGURE 4-14. WORKSTATION INSTALLATION



ART_1001273958

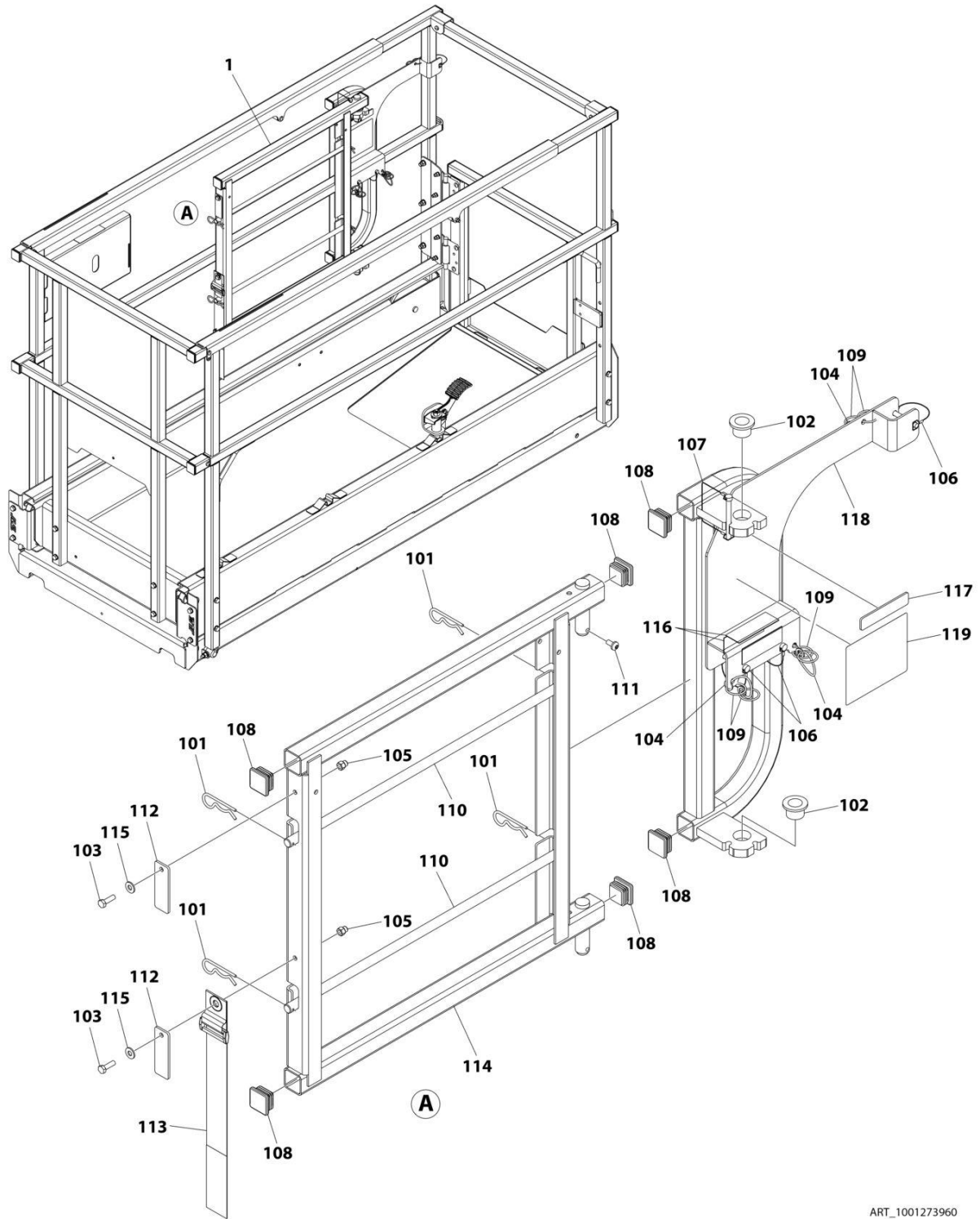
SECTION 4 - PLATFORM

FIGURE 4-14. WORKSTATION INSTALLATION

ITEM	PART NUMBER	QTY	DESCRIPTION	REV
	1001273958	Ref	WORKSTATION INSTALLATION	A
1	1001273957	1	Workstation Accessory	A
101	1060379	1	Lanyard	
102	1120555	2	Cap	
103	1580023	1	Container, Work Bench	
104	1580024	1	Tray, Work Surface	
105	1705997	1	Decal - Workstation	
106	2700100	1	Hook, Hanger	
107	3422219	1	Pin	
108	3460334	1	Pipe	
109	3760170	2	Ring	
110	3900355	2	Screw	
111	3931412	2	Bolt 1/4 x 3/4	
112	3931508	6	Bolt 5/16 x 1/2	
113	4240003	2	Strap	
114	4340853	1	Mount, Channel (RH)	
115	4340854	1	Mount, Channel (LH)	
116	4711400	2	Washer 1/4	
117	4740480	2	Washer, Plastic Insert	
118	1001274837	1	Decal - Workstation Capacity	
119	1001275631	1	Decal - ACCY Weight	

SECTION 4 - PLATFORM

FIGURE 4-15. ELECTRICIAN TREE INSTALLATION



ART_1001273960

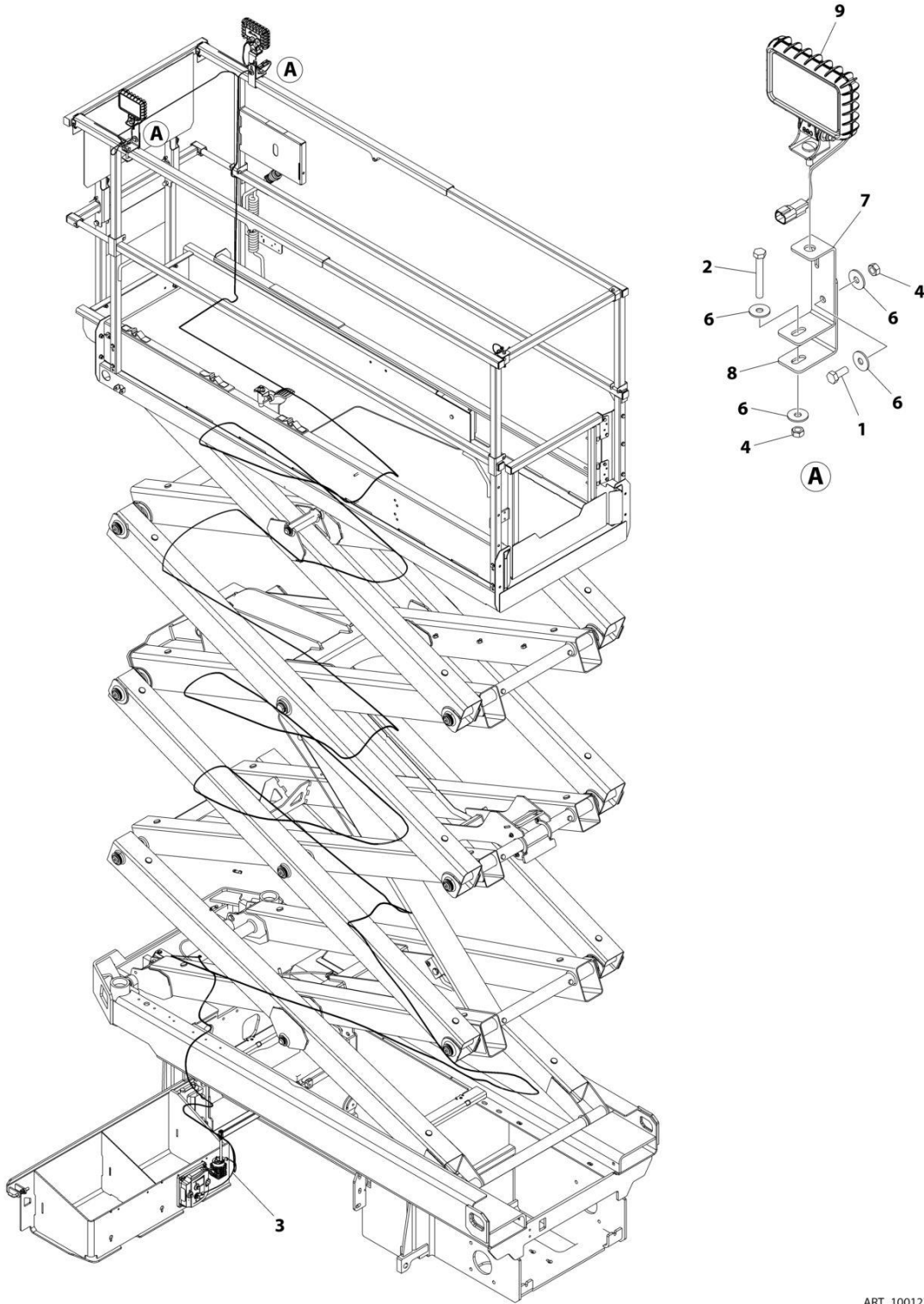
SECTION 4 - PLATFORM

FIGURE 4-15. ELECTRICIAN TREE INSTALLATION

ITEM	PART NUMBER	QTY	DESCRIPTION	REV
	1001273960	Ref	ELECTRICIAN TREE INSTALLATION	A
1	1001273907	1	Electrician Tree Accessory	A
101	80325	4	Hairpin, Cotter	
102	0440223	2	Bushing	
103	0700610	2	Bolt M6 x 20	
104	1060379	4	Lanyard	
105	3290606	2	Cap, Nut M6 x 1	
106	3421453	3	Pin	
107	3422219	1	Pin	
108	3520072	6	Plug, Cap	
109	3760170	8	Ring	
110	3841675	2	Rod	
111	4191706	1	Screw M6 x 12	
112	4220227	2	Stop, Spool Rod	
113	4240003	1	Strap	
114	4340947	1	Mount, Spool Rack	
115	4711400	2	Washer 1/4	
116	1001189762	3	Tape	
117	1001252626	1	Decal - ACCY Weight	
118	1001273909	1	Support	
119	1001274838	1	Decal	

SECTION 4 - PLATFORM

FIGURE 4-16. WORKLIGHT INSTALLATION



ART_1001273966

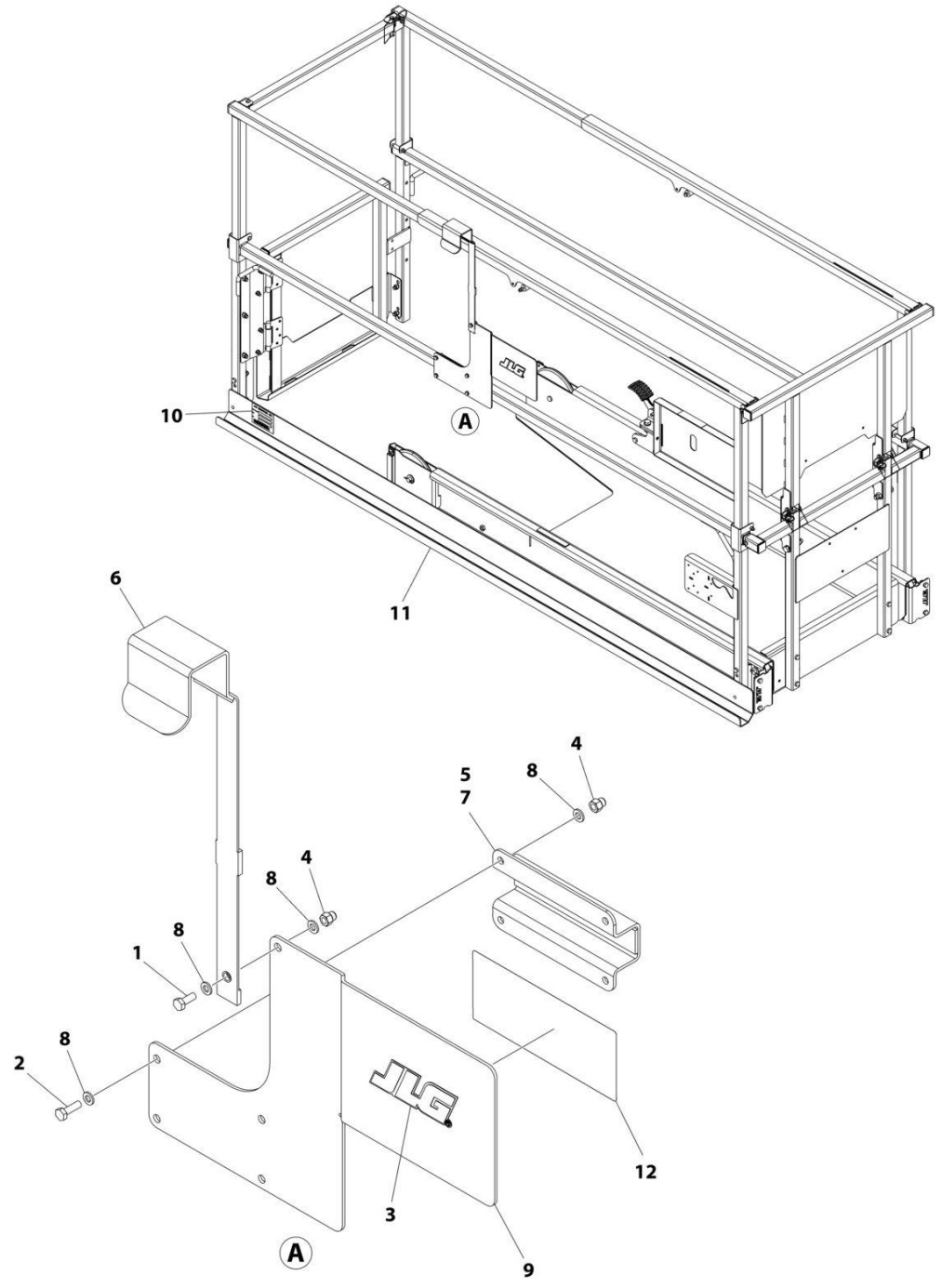
SECTION 4 - PLATFORM

FIGURE 4-16. WORKLIGHT INSTALLATION

ITEM	PART NUMBER	QTY	DESCRIPTION	REV
	1001273966	Ref	WORKLIGHTS INSTALLATION	A
1	0760810	2	Bolt M8 x 20	
2	0760820	2	Bolt M8 x 60	
3	1061042	1	Cable, Worklight	
4	3290801	4	Nut M8	
5	4240033	AR	Tie-Strap (Not Shown)	
6	4811902	8	Washer M8	
7	1001273961	2	Bracket	
8	1001273962	2	Bracket	
9	1001273964	2	Lamp, Worklight Kit	

SECTION 4 - PLATFORM

FIGURE 4-17. PANEL CARRIER INSTALLATION



ART_1001273969

SECTION 4 - PLATFORM

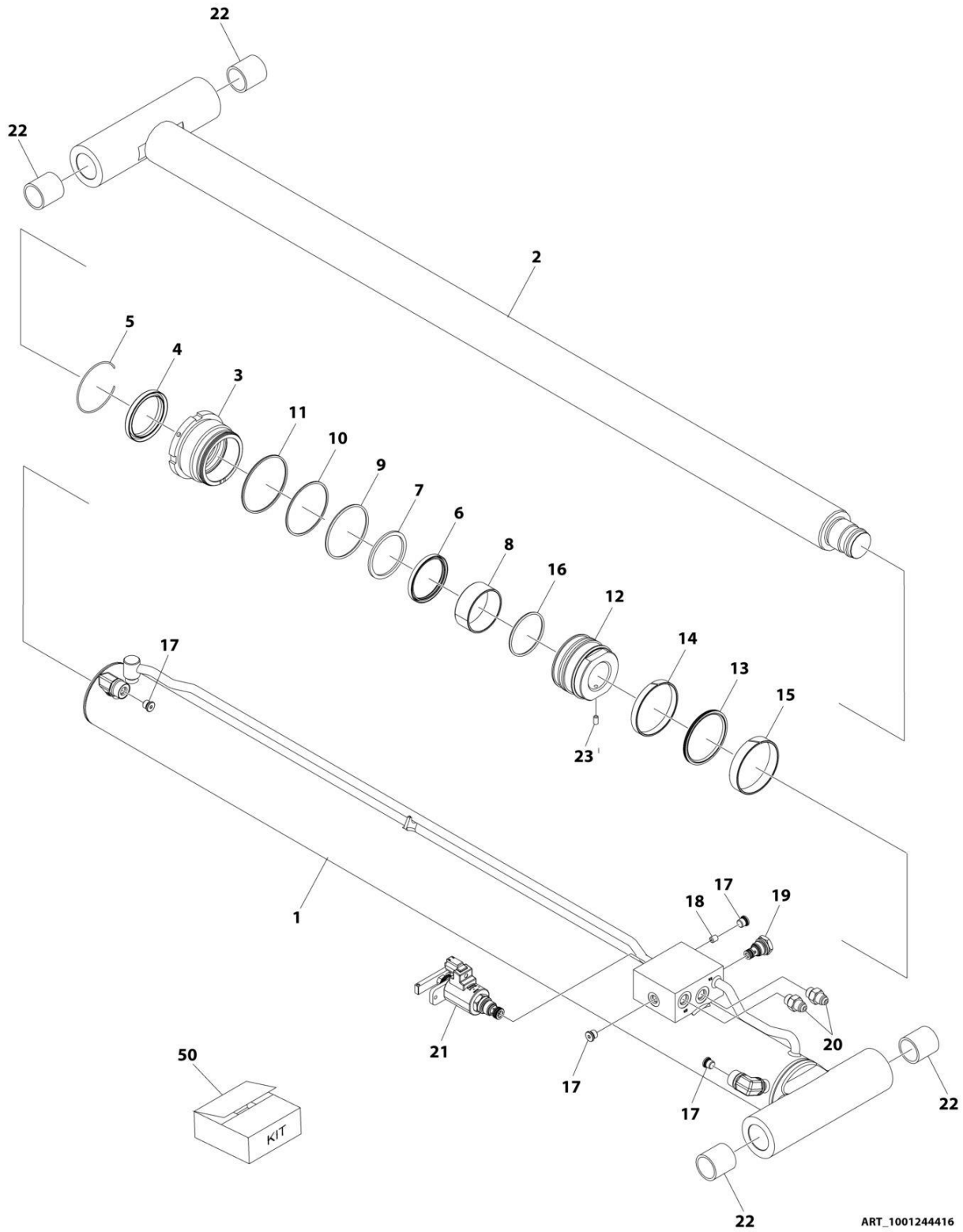
FIGURE 4-17. PANEL CARRIER INSTALLATION

ITEM	PART NUMBER	QTY	DESCRIPTION	REV
	1001273969	Ref	PANEL CARRIER INSTALLATION	A
1	0760608	1	Bolt M6 x 16	
2	0760610	4	Bolt M6 x 20	
3	1702010	1	Decal - JLG	
4	3290606	5	Nut M6	
5	3574505	1	Bracket	
6	4240165	1	Tie Strap	
7	4420037	150 mm	Tape	
8	4811700	10	Washer M6	
9	1001235863	1	Plate, Panel Carrier	
10	1001253726	1	Decal - Accessory	
11	1001273968	1	Channel, Panel Carrier	
12	1001274839	1	Decal - Panel Carrier Capacity	

SECTION 5 - CYLINDER

SECTION 5 - CYLINDER

FIGURE 5-1. LIFT CYLINDER ASSEMBLY



ART_1001244416

SECTION 5 - CYLINDER

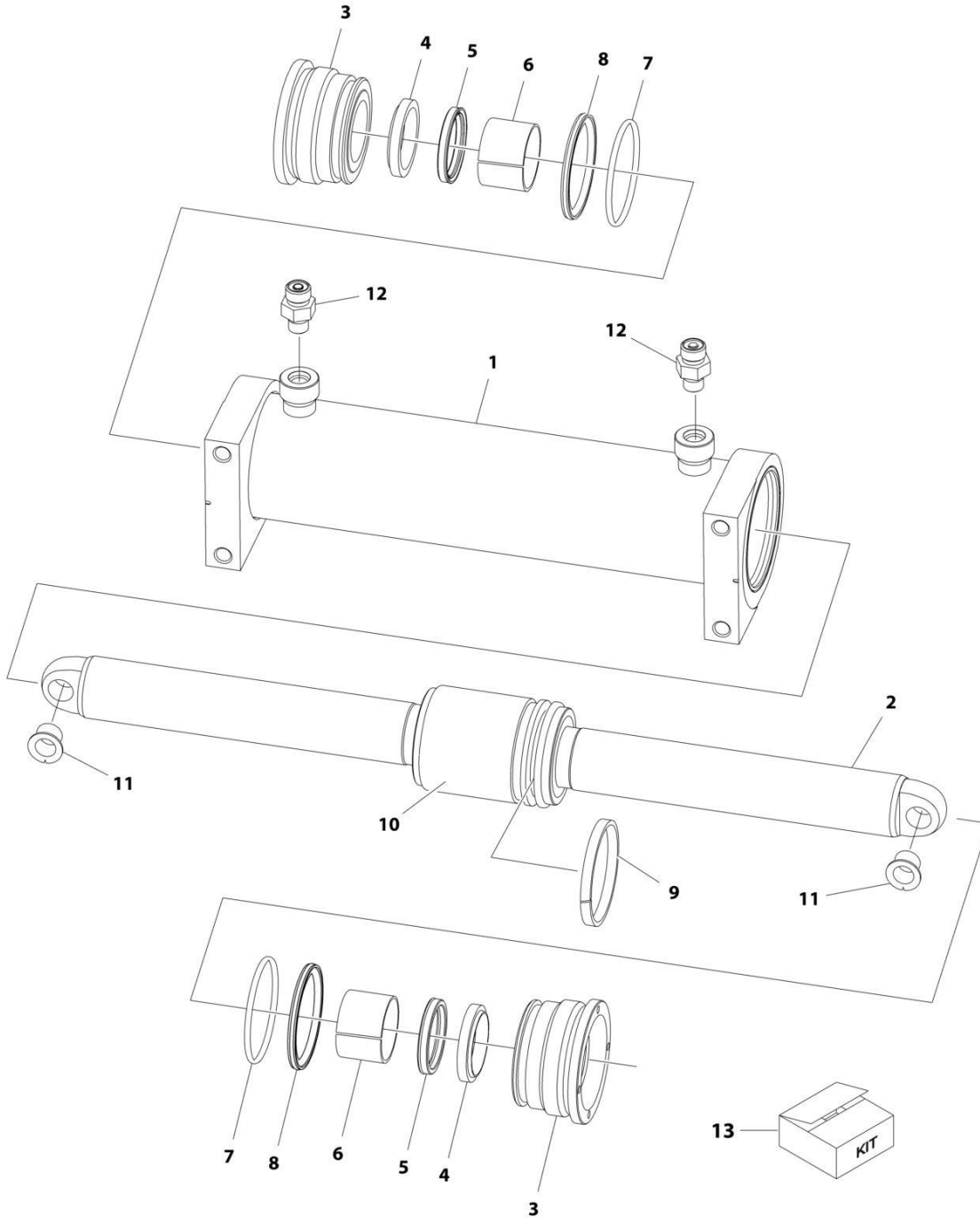
FIGURE 5-1. LIFT CYLINDER ASSEMBLY

ITEM	PART NUMBER	QTY	DESCRIPTION	REV
	1001244416	Ref	LIFT CYLINDER ASSEMBLY	D
		Ref	Note: Original Cylinder May Have Been Replaced with Service Replacement. Identify PN Stamped on Cylinder Before Ordering Parts.	
1	See Note	NSS	Barrel (Note: Purchase Complete Cylinder)	
2	70007101	1	Rod	
3	70007102	1	Head	
4	See Note	NSS	Wiper	
5	70027244	1	Ring, Retaining	
6	See Note	NSS	Seal	
7	See Note	NSS	Ring, Back-up	
8	70007103	1	Bearing	
9	See Note	NSS	O-Ring	
10	See Note	NSS	Ring, Back-up	
11	See Note	NSS	O-Ring	
12	70007104	1	Piston	
13	See Note	NSS	Seal, Piston	
14	See Note	NSS	Ring, Wear	
15	See Note	NSS	Ring, Wear	
16	See Note	NSS	O-Ring	
17	2220883	4	Plug	
18	70007055	1	Orifice	
19	70004585	1	Valve, Cartridge - Check	
20	2220371	1	Fitting, Straight - JIC/ORB	
21	70005236	1	Valve, Cartridge - Manual Descent (Includes Lever & Spring)	
22	0962006	4	Bearing	
23	70007105	1	Setscrew M6 x 12	
50	70007106	1	Seal Kit - 1001244416 Cylinder (Includes Items 4,,6,7, 9-11 & 13-16)	

SECTION 5 - CYLINDER

FIGURE 5-2. STEER CYLINDER ASSEMBLY

**NOTE: IDENTIFY THE PART NUMBER
STAMPED ON CYLINDER BEFORE ORDERING PARTS.**



ART_1001179447

SECTION 5 - CYLINDER

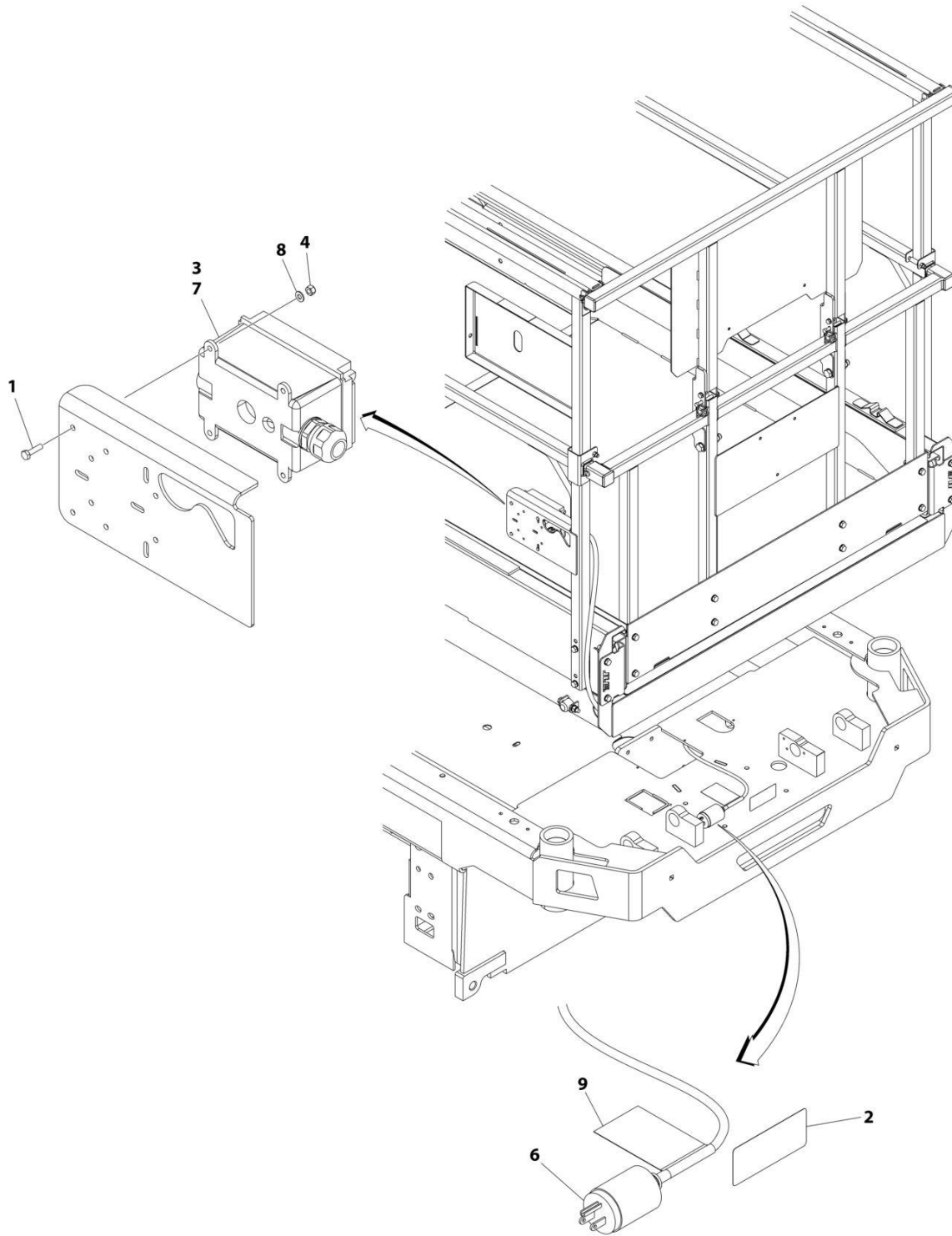
FIGURE 5-2. STEER CYLINDER ASSEMBLY

ITEM	PART NUMBER	QTY	DESCRIPTION	REV
	1001179447	Ref	STEER CYLINDER ASSEMBLY (SH-PAC)	A
		Ref	Note: Original Cylinder May Have Been Replaced with Service Replacement. Identify PN Stamped on Cylinder Before Ordering Parts.	
1	70005421	1	Barrel	
2	70005420	1	Rod	
3	70004241	2	Head	
4	See Note	NSS	Wiper (Note: Use Item 13)	
5	See Note	NSS	Seal, Rod (Note: Use Item 13)	
6	See Note	NSS	Ring, Wear (Note: Use Item 13)	
7	See Note	NSS	O-Ring (Note: Use Item 13)	
8	See Note	NSS	Ring, Back-up (Note: Use Item 13)	
9	See Note	NSS	Seal, Piston (Note: Use Item 13)	
10	70005419	1	Spacer	
11	0440259	2	Bearing, Flange	
12	2110404	2	Fitting, Straight ORFS/ORB	
13	70004239	1	Seal Kit - 1001179447 Cylinder (Includes Items 4-9)	

SECTION 6 - ELECTRICAL

SECTION 6 - ELECTRICAL

FIGURE 6-1. AC BOX AT PLATFORM INSTALLATION - 110V GFI (ALL SPECS EXCEPT AUSTRALIAN, CE & UK CA SPECS)



ART_1001237400

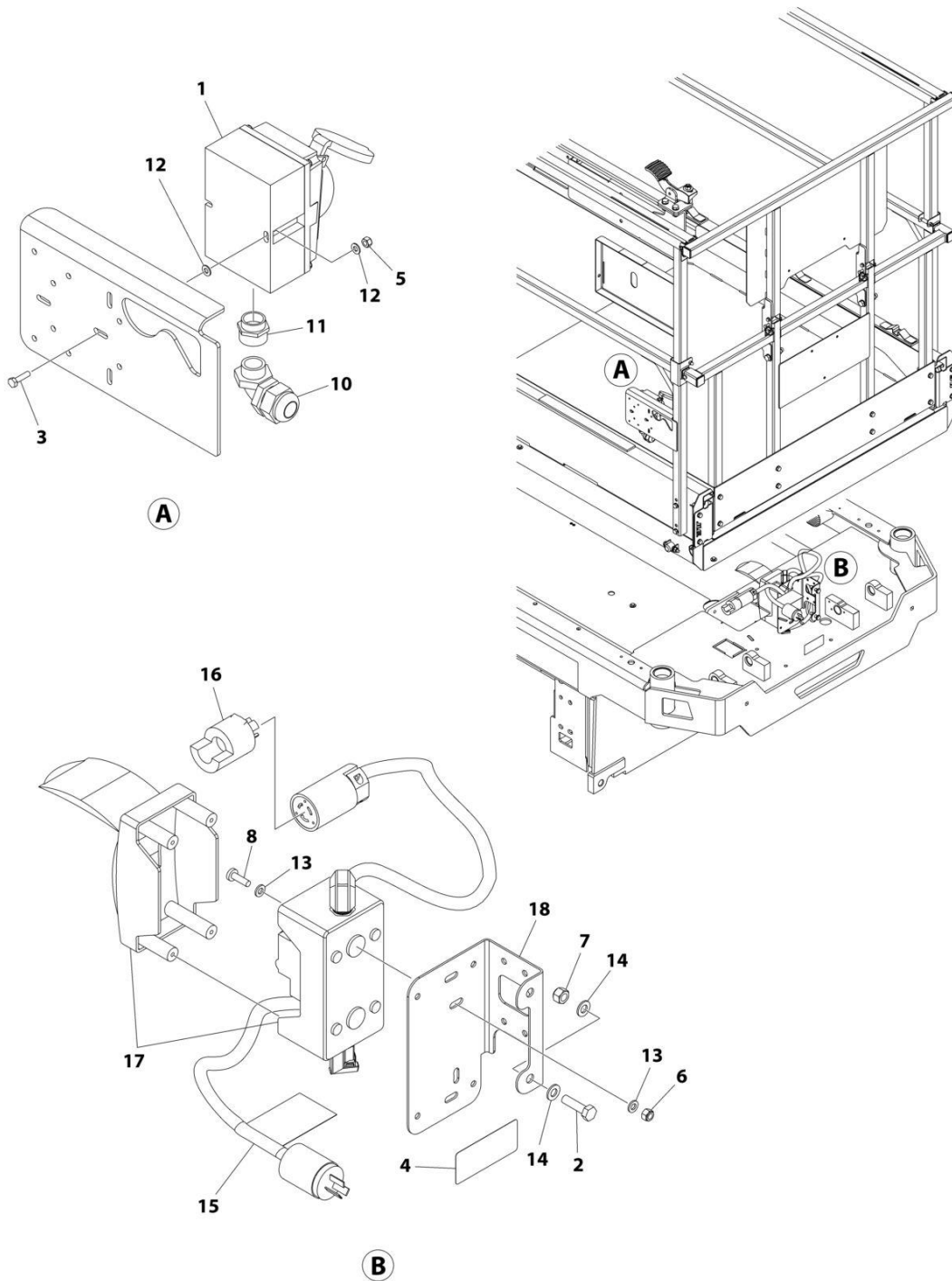
SECTION 6 - ELECTRICAL

FIGURE 6-1. AC BOX AT PLATFORM INSTALLATION - 110V GFI (ALL SPECS EXCEPT AUSTRALIAN, CE & UK CA SPECS)

ITEM	PART NUMBER	QTY	DESCRIPTION	REV
	1001237400	Ref	AC BOX AT PLATFORM INSTALLATION - 110V GFI	C
1	0760408	4	Bolt M4 x 16	
2	1703464	1	Decal - AC Power	
3	2902431	1	Receptacle Box Kit (See Separate Breakdown in this Section)	
4	3290405	4	Nut M4	
5	4240017	AR	Tie-Strap (Not Shown)	
6	4460138	1	Plug, Male - AC	
7	4460315	1	Terminal	
8	4811400	4	Washer M4	
9	1001102258	1	Decal - AC Label	

SECTION 6 - ELECTRICAL

FIGURE 6-2. AC BOX AT PLATFORM INSTALLATION - 110V IEC YELLOW (CE & UK CA SPECS)



ART_1001238133

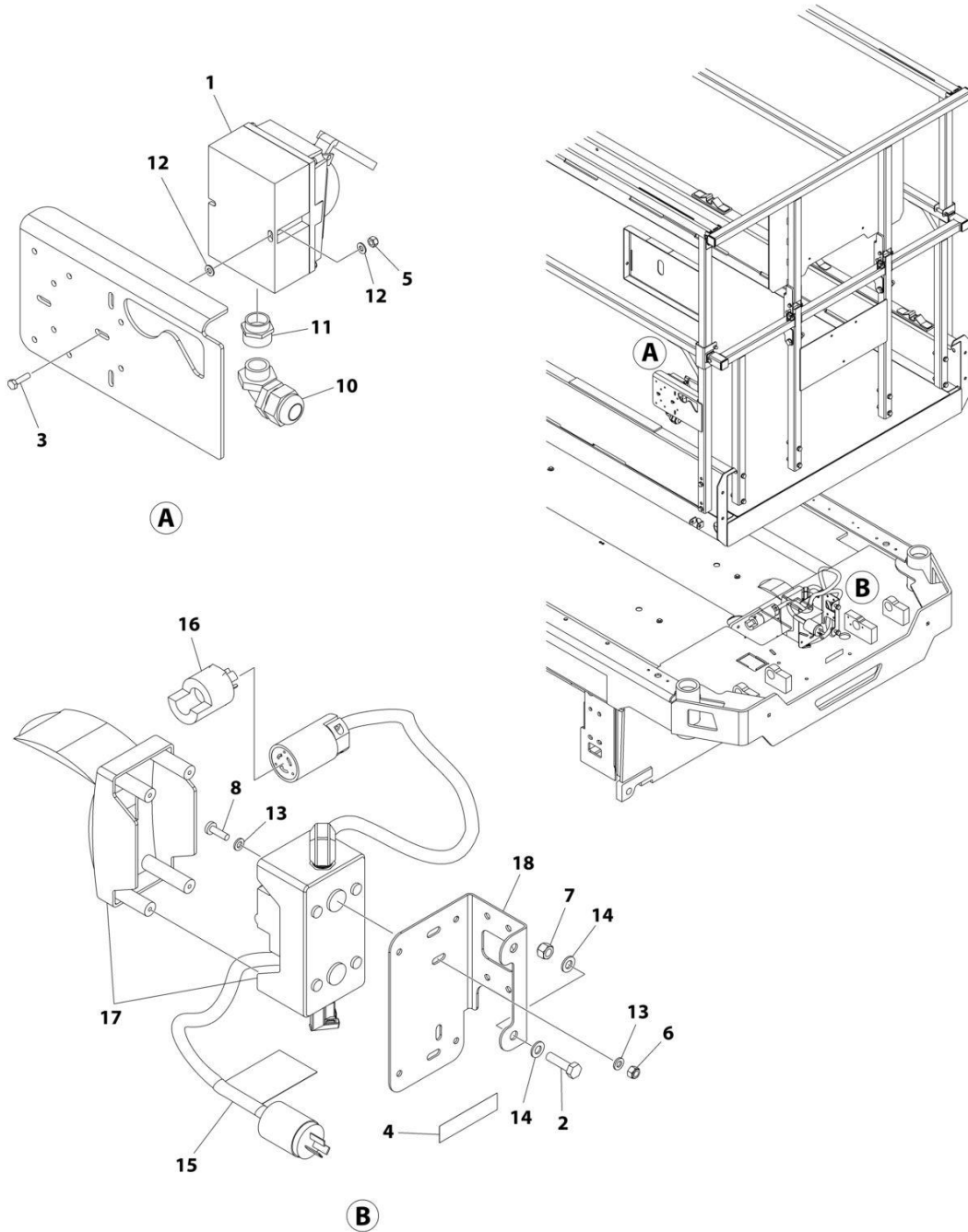
SECTION 6 - ELECTRICAL

FIGURE 6-2. AC BOX AT PLATFORM INSTALLATION - 110V IEC YELLOW (CE & UK CA SPECS)

ITEM	PART NUMBER	QTY	DESCRIPTION	REV
	1001238133	Ref	AC BOX AT PLATFORM INSTALLATION - 110V IEC YELLOW	B
1	0275216	1	Receptacle Box Kit - 110V IEC Yellow (See Separate Breakdown in this Section)	
2	0700814	2	Bolt M8 x 30	
3	0760408	2	Bolt M4 x 16	
4	1703464	1	Decal - AC Power	
5	3290405	2	Nut M4	
6	3290605	2	Nut M6	
7	3290805	2	Nut M8	
8	4010610	2	Screw M6 x 20	
9	4240017	AR	Tie-Strap (Not Shown)	
10	4461257	1	Connector, Strain Relief	
11	4461258	1	Connector, Adapter	
12	4811400	4	Washer M4	
13	4811700	4	Washer M6	
14	4811900	4	Washer M8	
15	1001102258	1	Decal - AC Label	
16	1001120204	1	Plug, Male Twist	
17	1001209776	1	Breaker Box Kit (See Separate Breakdown in this Section)	
18	1001238198	1	Bracket	

SECTION 6 - ELECTRICAL

FIGURE 6-3. AC BOX AT PLATFORM INSTALLATION - 220V IEC BLUE (CE & UK CA SPECS)



ART_1001238134

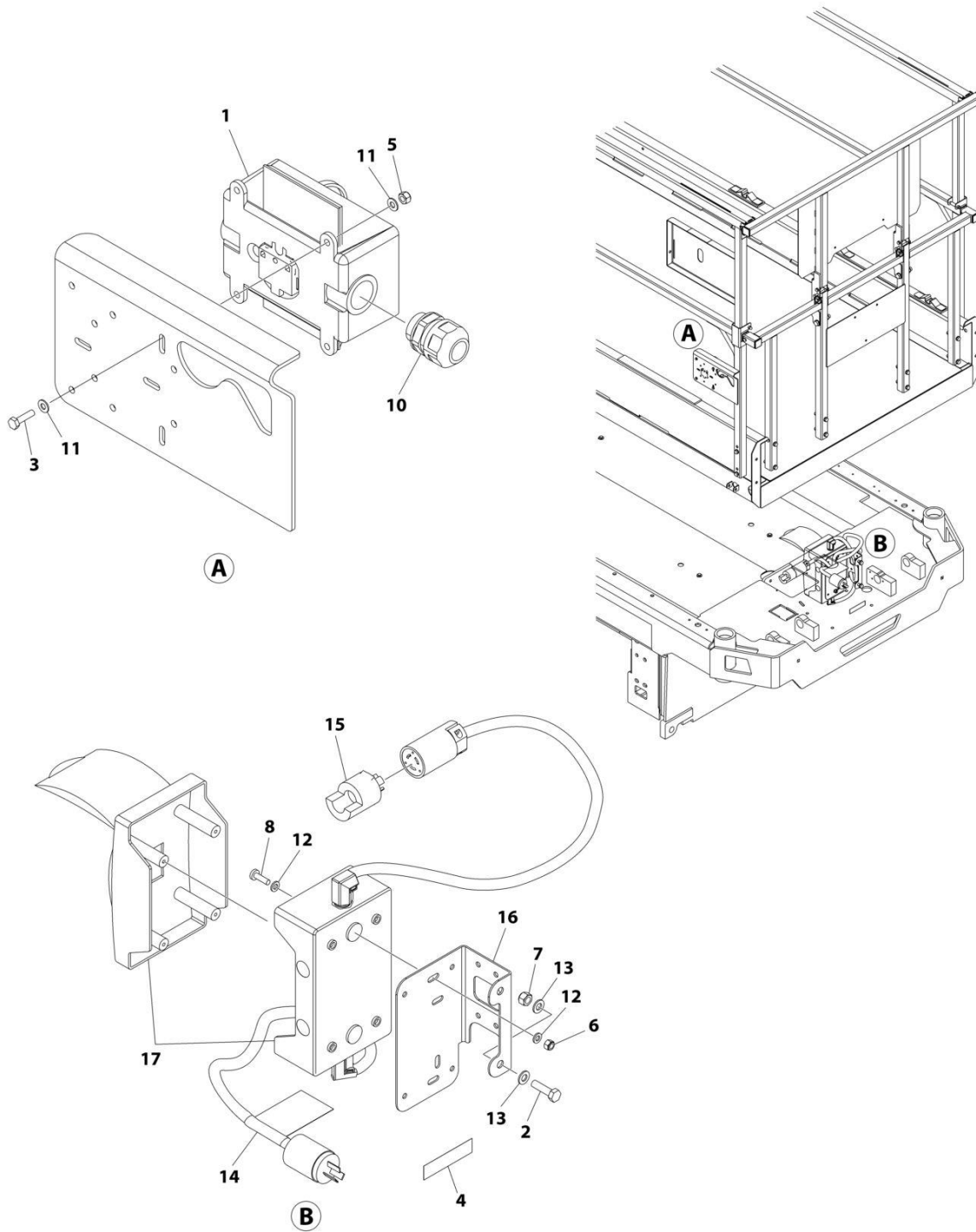
SECTION 6 - ELECTRICAL

FIGURE 6-3. AC BOX AT PLATFORM INSTALLATION - 220V IEC BLUE (CE & UK CA SPECS)

ITEM	PART NUMBER	QTY	DESCRIPTION	REV
	1001238134	Ref	AC BOX AT PLATFORM INSTALLATION - 220V IEC BLUE	A
1	0275217	1	Receptacle Box Kit - 220V IEC Blue (See Separate Breakdown in this Section)	
2	0700814	2	Bolt M8 x 30	
3	0760408	2	Bolt M4 x 16	
4	3252507	1	Decal - AC Power	
5	3290405	2	Nut M4	
6	3290605	2	Nut M6	
7	3290805	2	Nut M8	
8	4010610	2	Screw M6 x 20	
9	4240017	AR	Tie-Strap (Not Shown)	
10	4461257	1	Connector, Strain Relief	
11	4461258	1	Connector, Adapter	
12	4811400	4	Washer M4	
13	4811700	4	Washer M6	
14	4811900	4	Washer M8	
15	1001102258	1	Decal - AC Label	
16	1001120204	1	Plug, Male Twist	
17	1001209776	1	Breaker Box Kit (See Separate Breakdown in this Section)	
18	1001238198	1	Bracket	

SECTION 6 - ELECTRICAL

FIGURE 6-4. AC BOX AT PLATFORM INSTALLATION - 220V CEE7 POST GROUND (CE & UK CA SPECS)



ART_1001238130

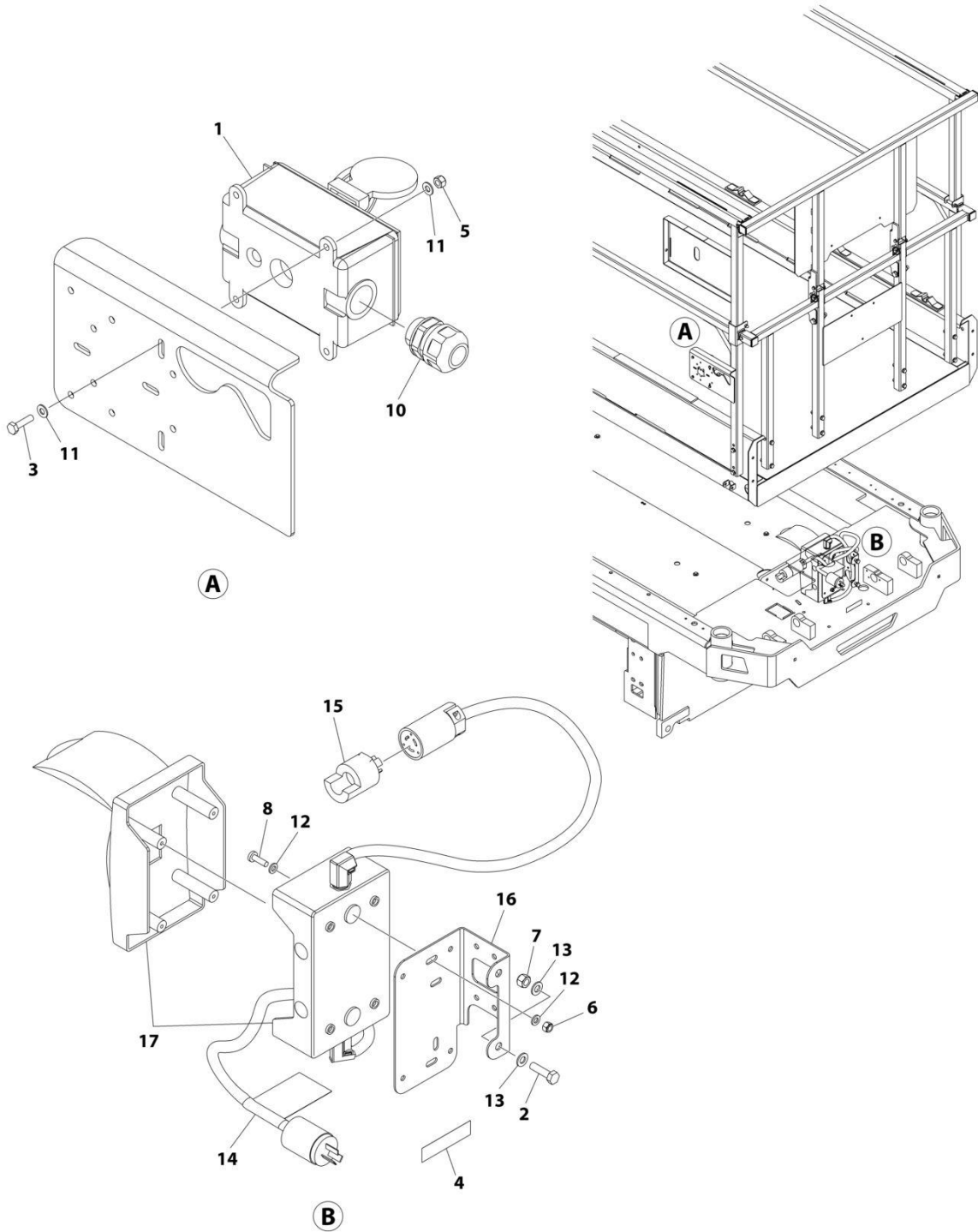
SECTION 6 - ELECTRICAL

FIGURE 6-4. AC BOX AT PLATFORM INSTALLATION - 220V CEE7 POST GROUND (CE & UK CA SPECS)

ITEM	PART NUMBER	QTY	DESCRIPTION	REV
	1001238130	Ref	AC BOX AT PLATFORM INSTALLATION - 220V CEE7 POST GROUND	B
1	0275452	1	Receptacle Box Kit - 220V CEE7 Post Ground (See Separate Breakdown in this Section)	
2	0700814	2	Screw M8 x 30	
3	0760408	4	Bolt M4 x 16	
4	3252507	1	Decal - AC Power	
5	3290405	4	Nut M4	
6	3290605	2	Nut M6	
7	3290805	2	Nut M8	
8	4010610	2	Screw M6 x 20	
9	4240017	AR	Tie-Strap (Not Shown)	
10	4460662	1	Connector, Strain Relief	
11	4811400	8	Washer M4	
12	4811700	4	Washer M6	
13	4811900	4	Washer M8	
14	1001102258	1	Decal - AC Label	
15	1001120204	1	Plug, Male Twist	
16	1001238198	1	Bracket	
17	1001209482	1	Breaker Box Kit (See Separate Breakdown in this Section)	

SECTION 6 - ELECTRICAL

FIGURE 6-5. AC BOX AT PLATFORM INSTALLATION - 220V CEE7 SIDE GROUND (CE & UK CA SPECS)



ART_1001238131

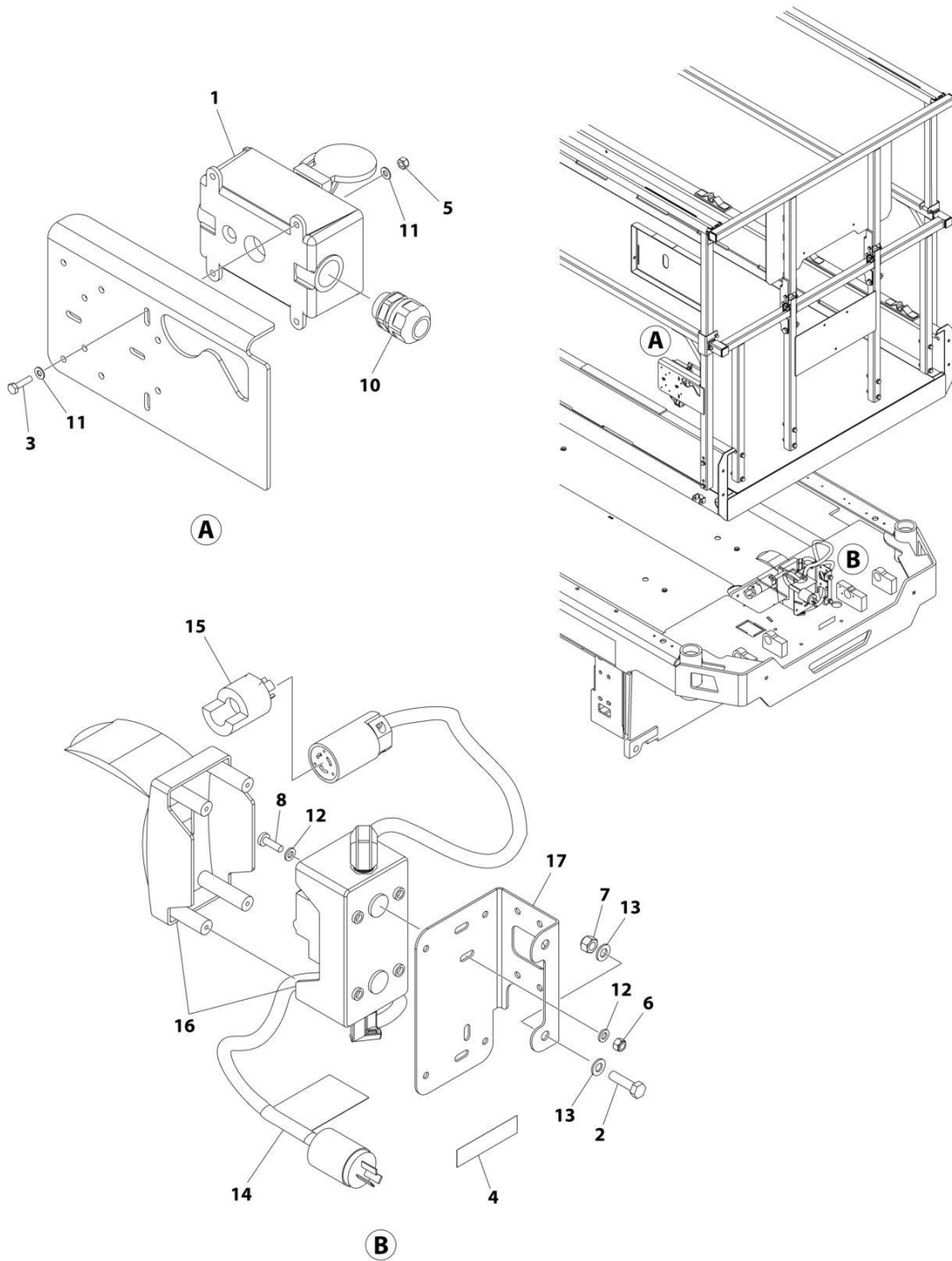
SECTION 6 - ELECTRICAL

FIGURE 6-5. AC BOX AT PLATFORM INSTALLATION - 220V CEE7 SIDE GROUND (CE & UK CA SPECS)

ITEM	PART NUMBER	QTY	DESCRIPTION	REV
	1001238131	Ref	AC BOX AT PLATFORM INSTALLATION - 220V CEE7 SIDE GROUND	B
1	0275453	1	Receptacle Box Kit - 220V CEE7 Side Ground (See Separate Breakdown in this Section)	
2	0700814	2	Bolt M8 x 30	
3	0760408	4	Bolt M4 x 16	
4	3252507	1	Decal - AC Power	
5	3290405	4	Nut M4	
6	3290605	2	Nut M6	
7	3290805	2	Nut M8	
8	4010610	2	Screw M6 x 20	
9	4240017	AR	Tie-Strap (Not Shown)	
10	4460662	1	Connector, Strain Relief	
11	4811400	8	Washer M4	
12	4811700	4	Washer M6	
13	4811900	4	Washer M8	
14	1001102258	1	Decal - AC Label	
15	1001120204	1	Plug, Male Twist	
16	1001238198	1	Bracket	
17	1001209482	1	Breaker Box Kit (See Separate Breakdown in this Section)	

SECTION 6 - ELECTRICAL

FIGURE 6-6. AC BOX AT PLATFORM INSTALLATION - 220V AFSINT 107 (CE & UK CA SPECS)



ART_1001238132

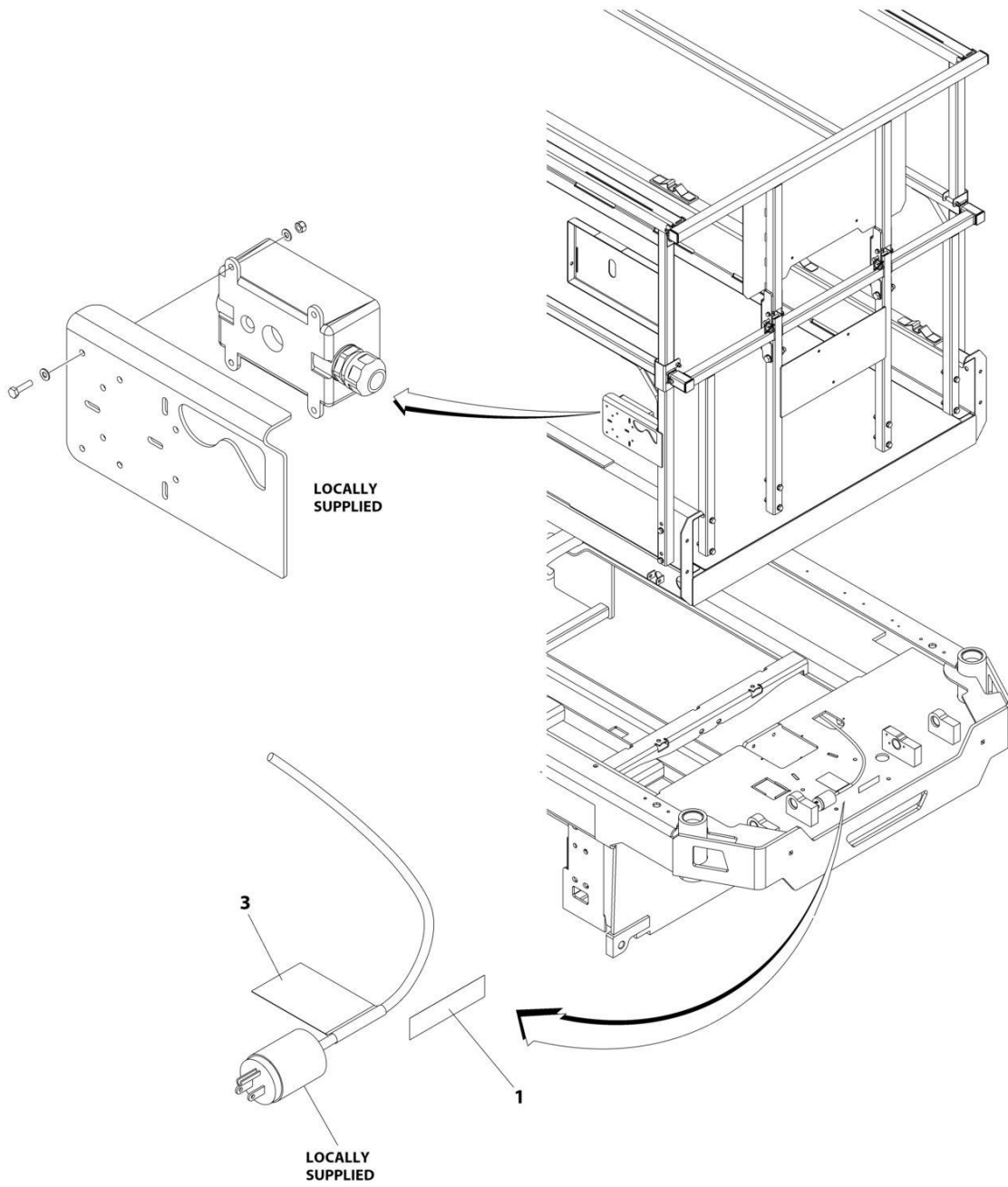
SECTION 6 - ELECTRICAL

FIGURE 6-6. AC BOX AT PLATFORM INSTALLATION - 220V AFSINT 107 (CE & UK CA SPECS)

ITEM	PART NUMBER	QTY	DESCRIPTION	REV
	1001238132	Ref	AC BOX AT PLATFORM INSTALLATION - 220V AFSINT 107	B
1	0275454	1	Receptacle Box Kit - 220V AFSINT 107 (See Separate Breakdown in this Section)	
2	0700814	2	Bolt M8 x 30	
3	0760408	4	Bolt M4 x 16	
4	3252507	1	Decal - AC Power	
5	3290405	4	Nut M4	
6	3290605	2	Nut M6	
7	3290805	2	Nut M8	
8	4010610	2	Screw M6 x 20	
9	4240017	AR	Tie-Strap (Not Shown)	
10	4460662	1	Connector, Strain Relief	
11	4811400	8	Washer M4	
12	4811700	4	Washer M6	
13	4811900	4	Washer M8	
14	1001102258	1	Decal - AC Label	
15	1001120204	1	Plug, Male Twist	
16	1001209776	1	Breaker Box Kit (See Separate Breakdown in this Section)	
17	1001238198	1	Bracket	

SECTION 6 - ELECTRICAL

FIGURE 6-7. AC BOX AT PLATFORM INSTALLATION - 220V LOCALLY SUPPLIED



ART_1001237401

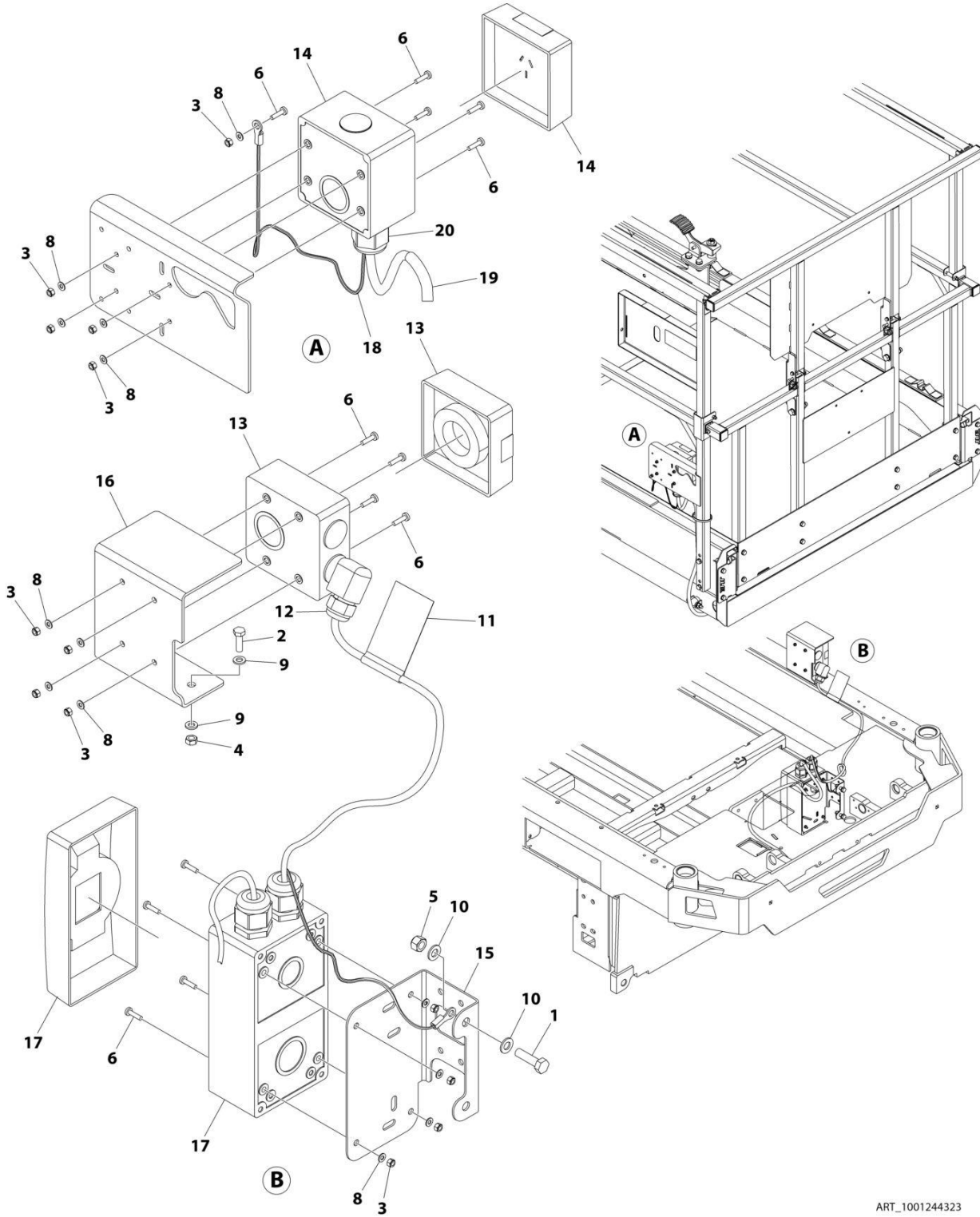
SECTION 6 - ELECTRICAL

FIGURE 6-7. AC BOX AT PLATFORM INSTALLATION - 220V LOCALLY SUPPLIED

ITEM	PART NUMBER	QTY	DESCRIPTION	REV
	1001237401	Ref	AC BOX AT PLATFORM INSTALLATION - 220V LOCALLY SUPPLIED COMPONENTS (ALL SPECS)	C
1	3252507	1	Decal - 220 Volt	
2	4240017	AR	Tie-Strap (Not Shown)	
3	1001102258	1	Decal - AC Label	

SECTION 6 - ELECTRICAL

FIGURE 6-8. AC BOX AT PLATFORM INSTALLATION - 220V (AUSTRALIAN SPECS)



ART_1001244323

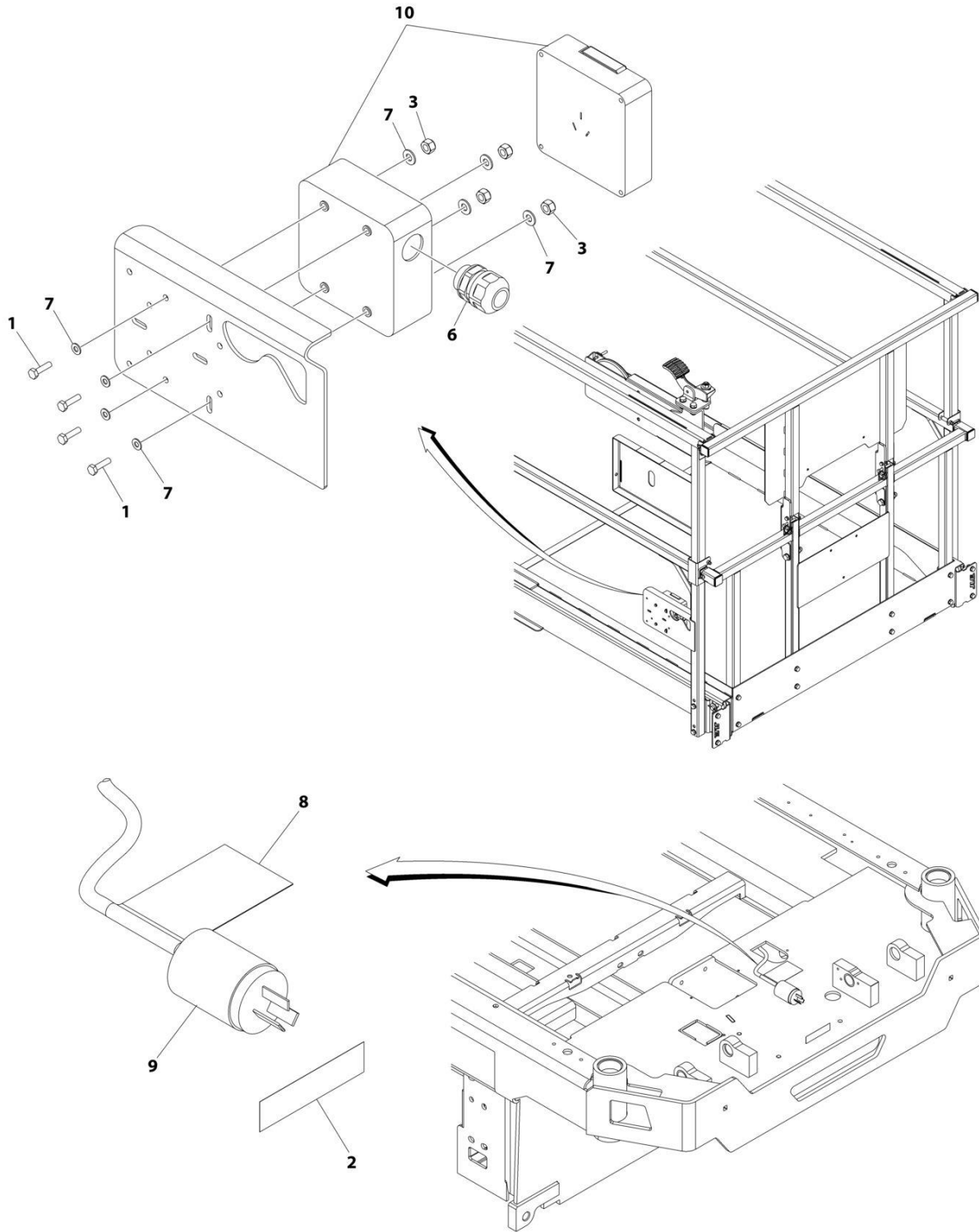
SECTION 6 - ELECTRICAL

FIGURE 6-8. AC BOX AT PLATFORM INSTALLATION - 220V (AUSTRALIAN SPECS)

ITEM	PART NUMBER	QTY	DESCRIPTION	REV
	1001244323	Ref	AC BOX AT PLATFORM INSTALLATION - 220V (AUSTRALIAN SPECS)	B
1	0700814	2	Bolt M8 x 30	
2	0760610	2	Bolt M6 x 20	
3	3290405	13	Nut M4	
4	3290601	2	Nut M6	
5	3290805	2	Nut M8	
6	4010408	13	Screw M4 x 16	
7	4240017	AR	Tie-Strap (Not Shown)	
8	4811400	13	Washer M4	
9	4811700	4	Washer M6	
10	4811900	4	Washer M8	
11	1001102258	1	Decal - AC Label	
12	1001103471	1	Connector Strain Relief 90	
13	1001227267	1	Receptacle Australian - 230V	
14	1001227268	1	Receptacle Australian - 230V	
15	1001238198	1	Bracket	
16	1001244900	1	Bracket	
17	1001245739	1	Box and Breaker Electrical Assembly (See Separate Breakdown in this Section)	
18	1001245744	1	Earth/Ground Link Harness	
19	1001245747	1	Conduit	
20	1001097150	1	Terminal	

SECTION 6 - ELECTRICAL

FIGURE 6-9. AC BOX AT PLATFORM INSTALLATION - 220V CHINA PLUG (CHINA SPECS)



ART_1001238135

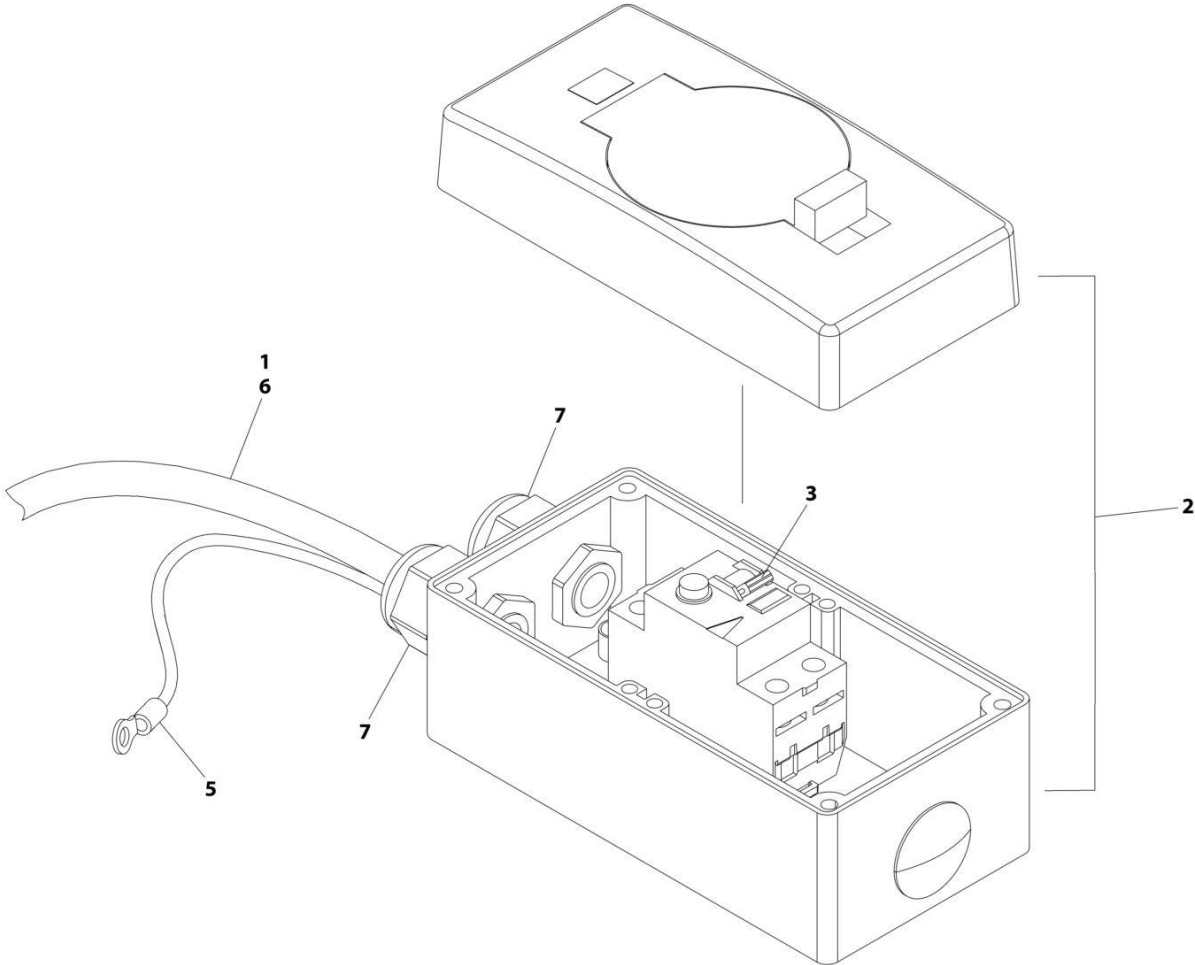
SECTION 6 - ELECTRICAL

FIGURE 6-9. AC BOX AT PLATFORM INSTALLATION - 220V CHINA PLUG (CHINA SPECS)

ITEM	PART NUMBER	QTY	DESCRIPTION	REV
	1001238135	Ref	AC BOX AT PLATFORM INSTALLATION - 220V CHINA PLUG (CHINA SPECS)	A
1	0760408	4	Bolt M4 x 16	
2	3252507	1	Decal - 220 Volt	
3	3290405	4	Nut M4	
4	4240017	AR	Tie-Strap (Not Shown)	
5	4460315	1	Terminal (Not Shown)	
6	4460968	1	Connector, Strain Relief	
7	4811400	8	Washer M4	
8	1001102258	1	Decal - AC Label	
9	1001187816	1	Plug	
10	1001188116	1	Box	

SECTION 6 - ELECTRICAL

FIGURE 6-10. BREAKER BOX KIT (AUSTRALIAN SPEC)



ART_1001245739

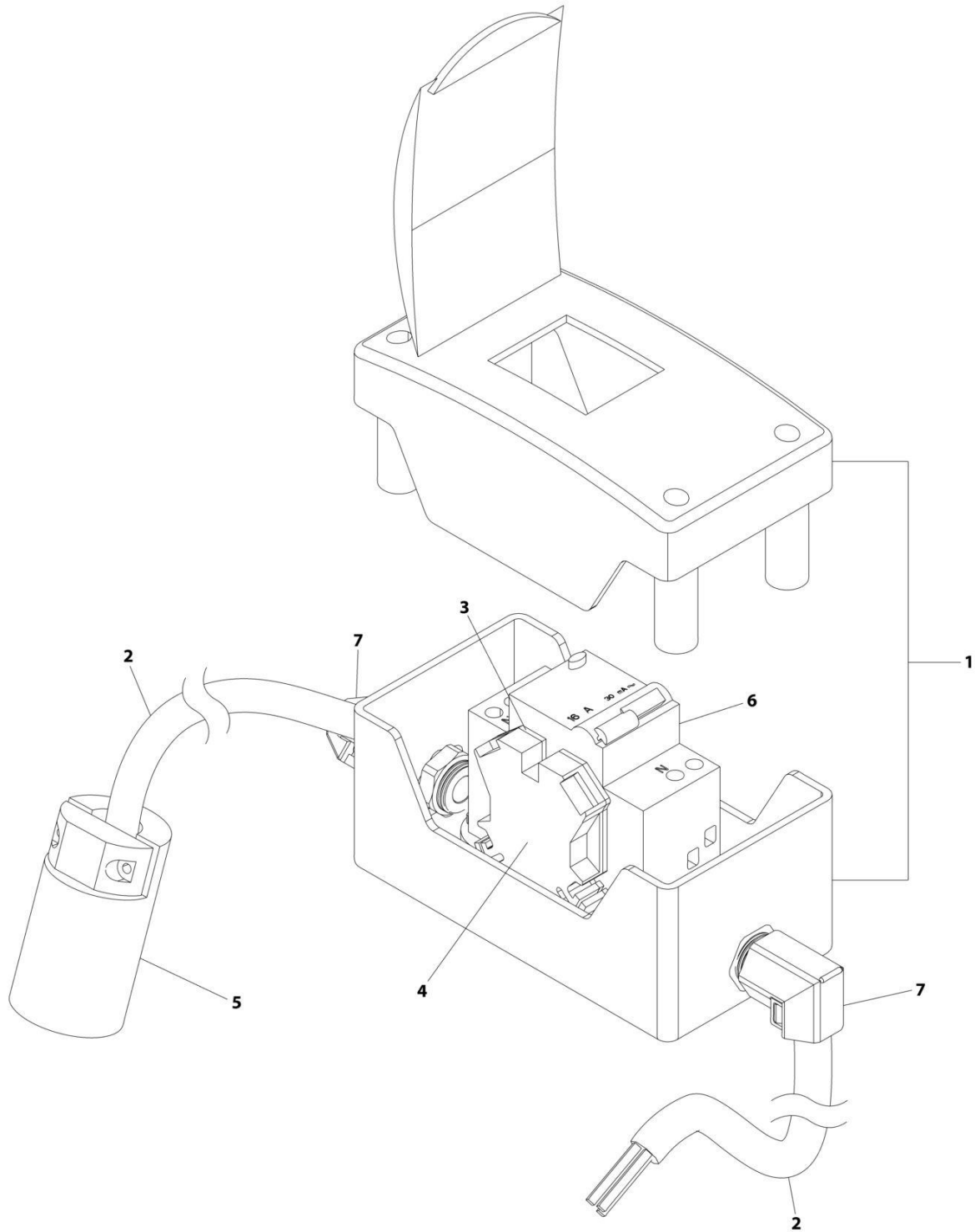
SECTION 6 - ELECTRICAL

FIGURE 6-10. BREAKER BOX KIT (AUSTRALIAN SPEC)

ITEM	PART NUMBER	QTY	DESCRIPTION	REV
1	1001245739	Ref	BREAKER BOX KIT	B
	1060908	825 mm/ 32.5in	Cable	
2	1001227269	1	Enclosure	
3	1001228191	1	Breaker	
4	1001245743	1	Terminal (Not Shown)	
5	1001245744	1	Earth/Ground Link Harness	
6	1001125927	1	Conduit	
7	1001097150	2	Connector	

SECTION 6 - ELECTRICAL

FIGURE 6-11. BREAKER BOX KIT WITH 1 DOUBLE BREAKER (CE & UK CA SPECS)



ART_1001209776

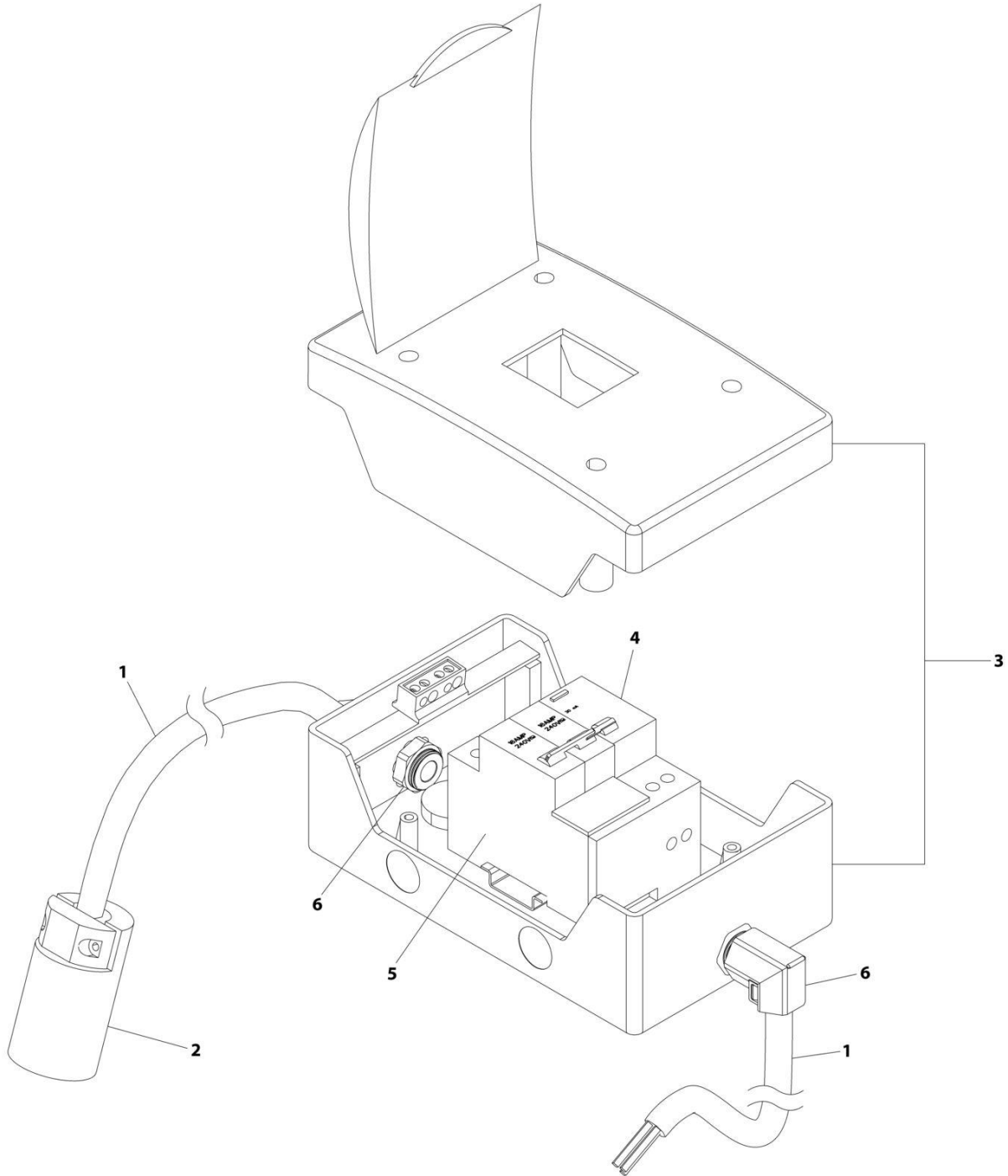
SECTION 6 - ELECTRICAL

FIGURE 6-11. BREAKER BOX KIT WITH 1 DOUBLE BREAKER (CE & UK CA SPECS)

ITEM	PART NUMBER	QTY	DESCRIPTION	REV
	1001209776	Ref	BREAKER BOX KIT WITH 1 DOUBLE BREAKER	F
1	0861880	1	Box	
2	1060908	126 in /3.2m	Cable, 12/3	
3	4460956	1	Barrier, Terminal	
4	4460957	1	Block, Terminal	
5	1001120205	1	Connector, Female Twist	
6	1001181045	1	Breaker 30mAmp/16 Amp	
7	1001217164	2	Connector, Strain Relief 90	

SECTION 6 - ELECTRICAL

FIGURE 6-12. BREAKER BOX KIT WITH 3 BREAKERS (CE & UK CA SPECS)



ART_1001209482

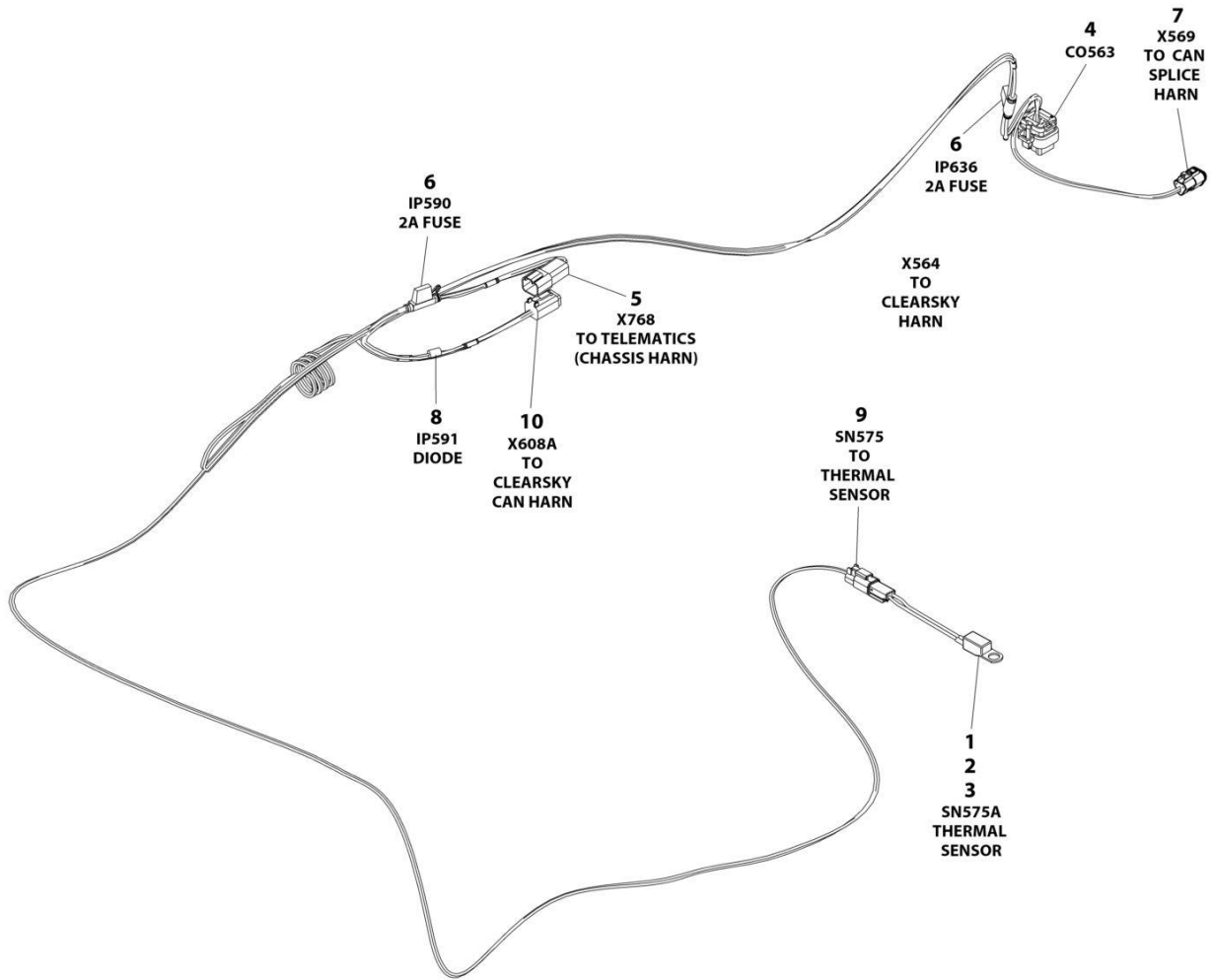
SECTION 6 - ELECTRICAL

FIGURE 6-12. BREAKER BOX KIT WITH 3 BREAKERS (CE & UK CA SPECS)

ITEM	PART NUMBER	QTY	DESCRIPTION	REV
1	1001209482	Ref	BREAKER BOX KIT WITH 3 BREAKERS	G
	1060908	126 in /3.2m	Cable, 12/3	
2	1001120205	1	Connector, Female Twist	
3	1001152483	1	Box	
4	1001189171	1	Breaker, 30mAmp	
5	1001189172	1	Breaker 16 Amp, Double	
6	1001217164	2	Connector, Strain Relief 90	

SECTION 6 - ELECTRICAL

FIGURE 6-13. CHARGER HARNESS (CHARGER WITH COMMUNICATION PORT)



ART_1001254028_C

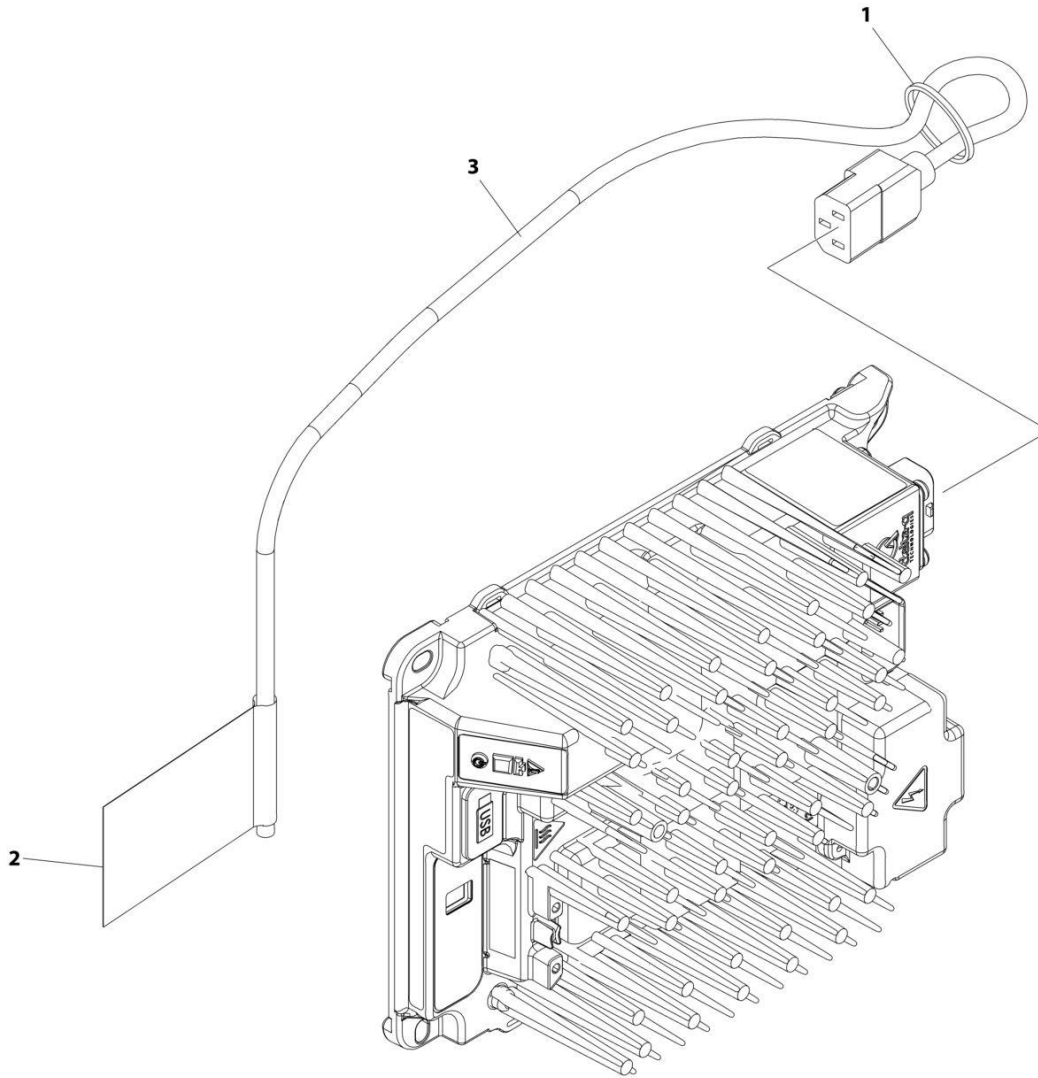
SECTION 6 - ELECTRICAL

FIGURE 6-13. CHARGER HARNESS (CHARGER WITH COMMUNICATION PORT)

ITEM	PART NUMBER	QTY	DESCRIPTION	REV
	1001254028	Ref	CHARGER HARNESS	C
1	4460464	2	Pin, Male	
2	4460897	1	Receptacle, Female - 2 Position	
3	1001102771	1	Sensor, Temperature	
4	4460872	1	Connector - 14 Position	
4	4460871	6	Terminal	
4	4460905	8	Plug, Terminal	
5	4460932	1	Receptacle, Female - 4 Position	
5	4460464	1	Pin, Male	
6	2400060	2	Fuseholder With Cover	
6	1001196634	2	Fuse 2A	
7	1001116812	1	Plug, Male - 3 Position	
7	4460944	2	Socket, Female	
7	4460466	1	Plug, Terminal	
8	3990001	1	Diode	
9	4460891	1	Plug, Male - 2 Position	
9	4460465	2	Socket, Female	
10	4460884	1	Plug, Male - 4 Position	
10	4460465	4	Socket, Female	

SECTION 6 - ELECTRICAL

FIGURE 6-14. CHARGER PLUG INSTALLATION - CUSTOMER SUPPLIED PLUG (ALL SPECS)



ART_1001248631

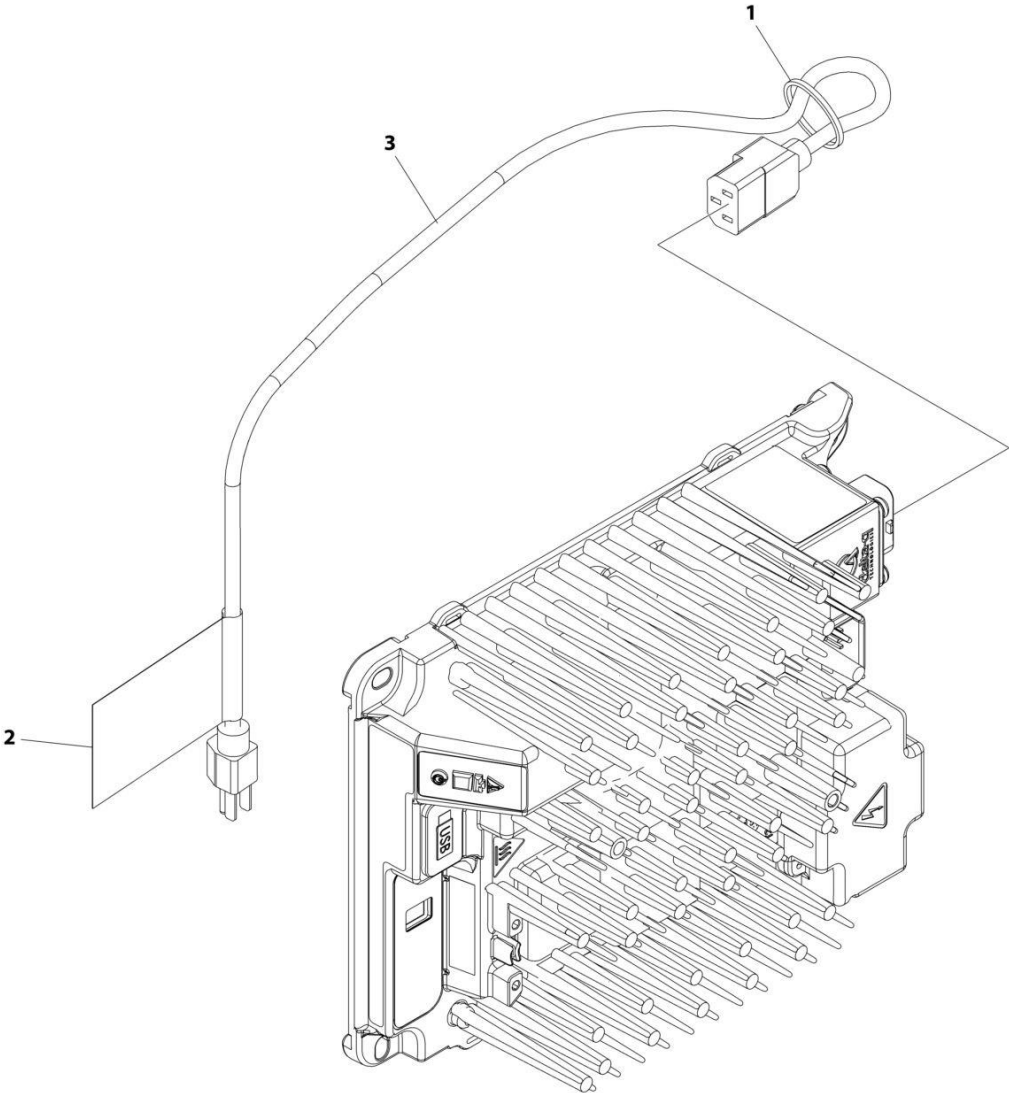
SECTION 6 - ELECTRICAL

FIGURE 6-14. CHARGER PLUG INSTALLATION - CUSTOMER SUPPLIED PLUG (ALL SPECS)

ITEM	PART NUMBER	QTY	DESCRIPTION	REV
	1001248631	Ref	CHARGER PLUG INSTALLATION	B
1	4240017	AR	Tie-Strap	
2	1001102489	1	Decal - Charger	
3	1001207974	1	Cable, Charger Plug (No Plug)	

SECTION 6 - ELECTRICAL

FIGURE 6-15. CHARGER PLUG INSTALLATION - 110V PLUG (ANSI, ANSI EXPORT & CSA SPECS)



ART_1001248632

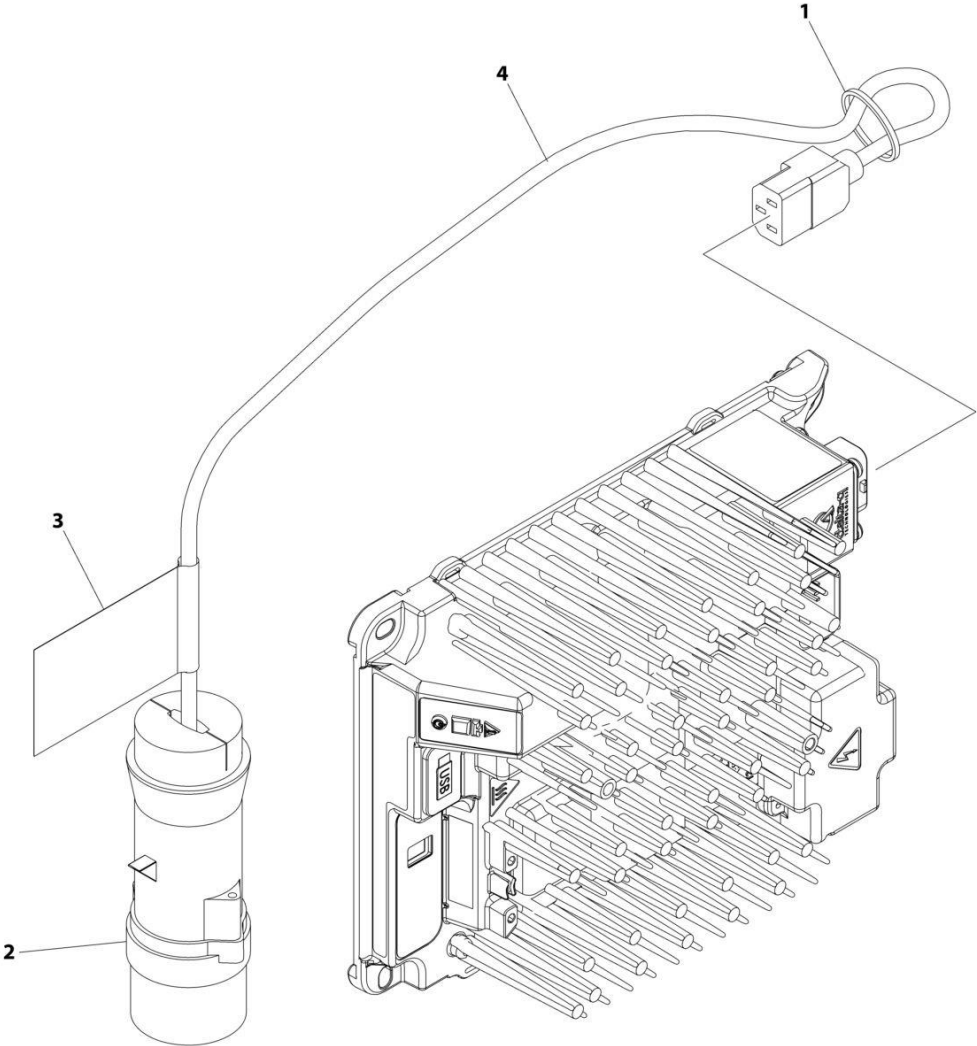
SECTION 6 - ELECTRICAL

FIGURE 6-15. CHARGER PLUG INSTALLATION - 110V PLUG (ANSI, ANSI EXPORT & CSA SPECS)

ITEM	PART NUMBER	QTY	DESCRIPTION	REV
	1001248632	Ref	CHARGER PLUG INSTALLATION	B
1	4240017	AR	Tie-Strap	
2	1001102489	1	Decal - Charger	
3	1001207970	1	Cable, Charger Plug	

SECTION 6 - ELECTRICAL

FIGURE 6-16. CHARGER PLUG INSTALLATION - 110V IEC YELLOW PLUG (CE & UK CA SPECS)



ART_1001258771

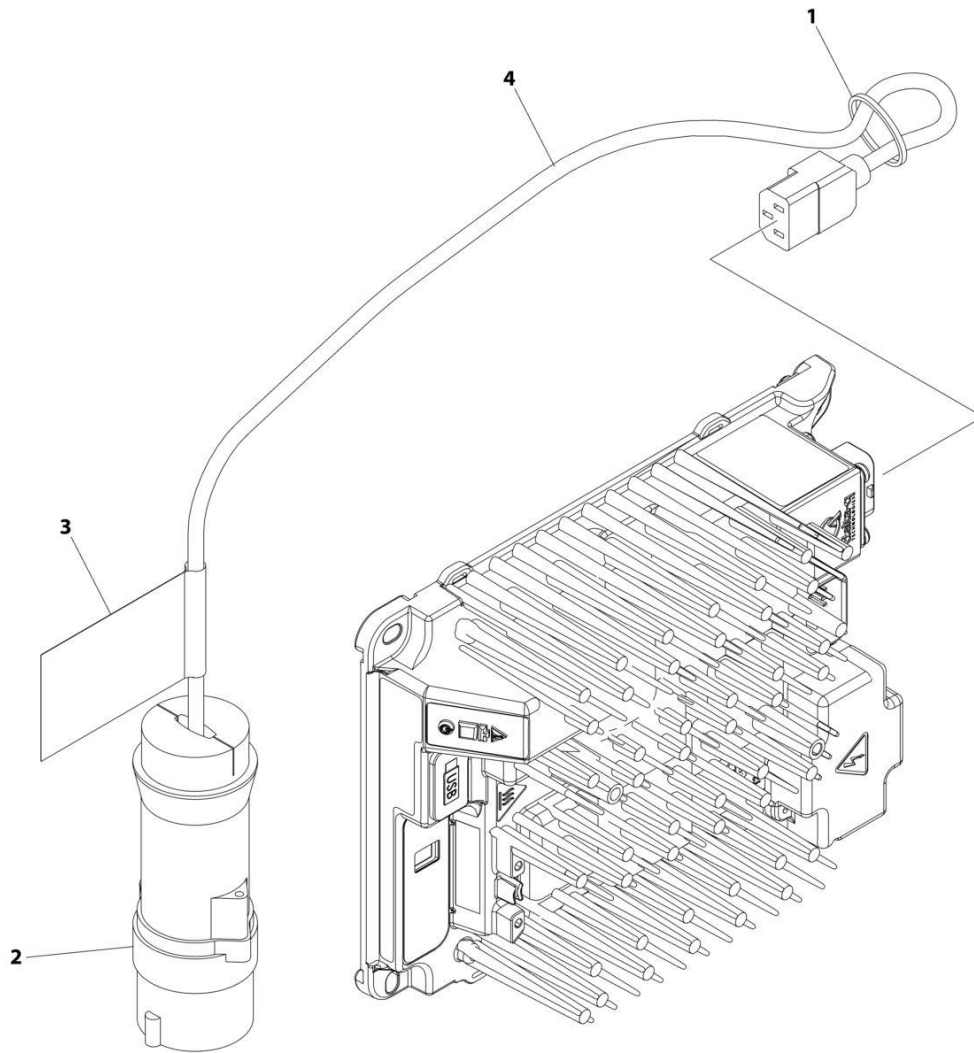
SECTION 6 - ELECTRICAL

FIGURE 6-16. CHARGER PLUG INSTALLATION - 110V IEC YELLOW PLUG (CE & UK CA SPECS)

ITEM	PART NUMBER	QTY	DESCRIPTION	REV
	1001258771	Ref	CHARGER PLUG INSTALLATION	A
1	4240017	AR	Tie-Strap	
2	4461196	1	Terminal	
3	1001102489	1	Decal - Charger	
4	1001207974	1	Cable, Charger Plug (No Plug)	

SECTION 6 - ELECTRICAL

FIGURE 6-17. CHARGER PLUG INSTALLATION - 220V IEC BLUE PLUG (CE & UK CA SPECS)



ART_1001258772

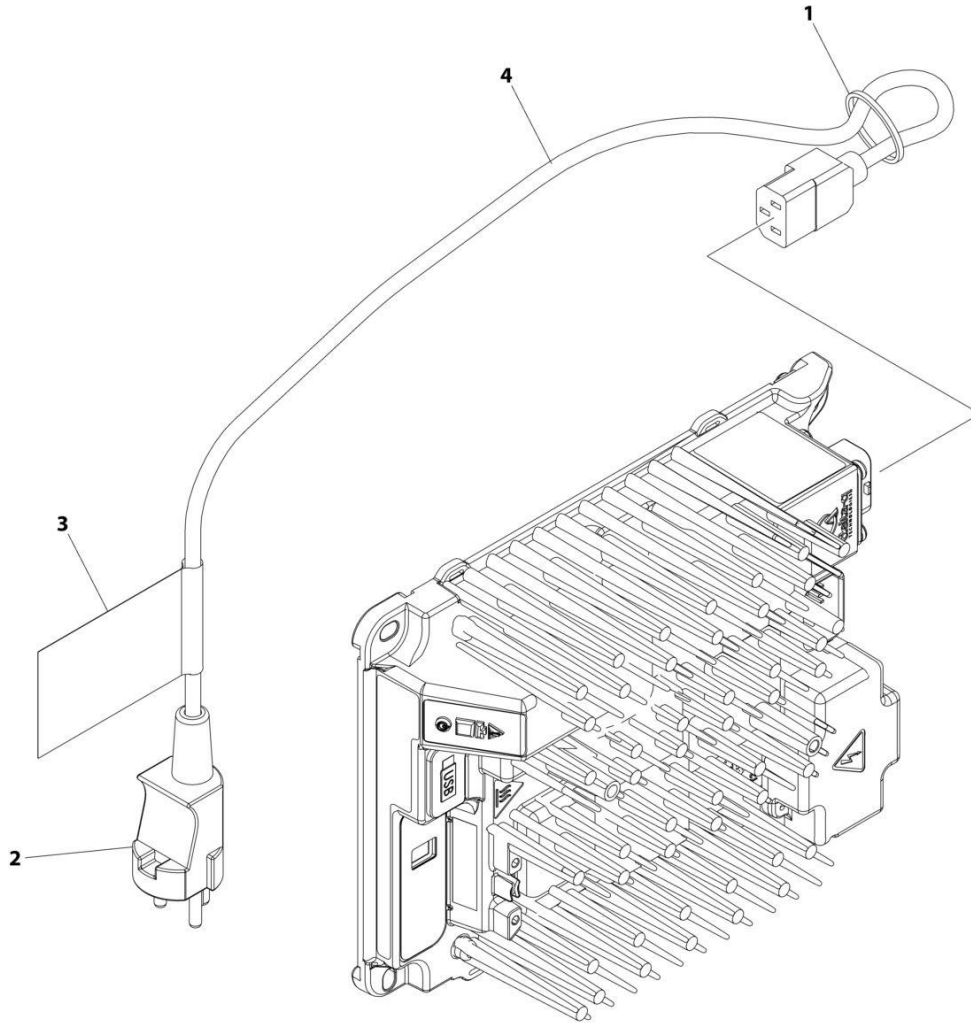
SECTION 6 - ELECTRICAL

FIGURE 6-17. CHARGER PLUG INSTALLATION - 220V IEC BLUE PLUG (CE & UK CA SPECS)

ITEM	PART NUMBER	QTY	DESCRIPTION	REV
	1001258772	Ref	CHARGER PLUG INSTALLATION	A
1	4240017	AR	Tie-Strap	
2	4461199	1	Terminal	
3	1001102489	1	Decal - Charger	
4	1001207974	1	Cable, Charger Plug (No Plug)	

SECTION 6 - ELECTRICAL

FIGURE 6-18. CHARGER PLUG INSTALLATION - 220V AFSINT 107 PLUG (CE & UK CA SPECS)



ART_1001258770

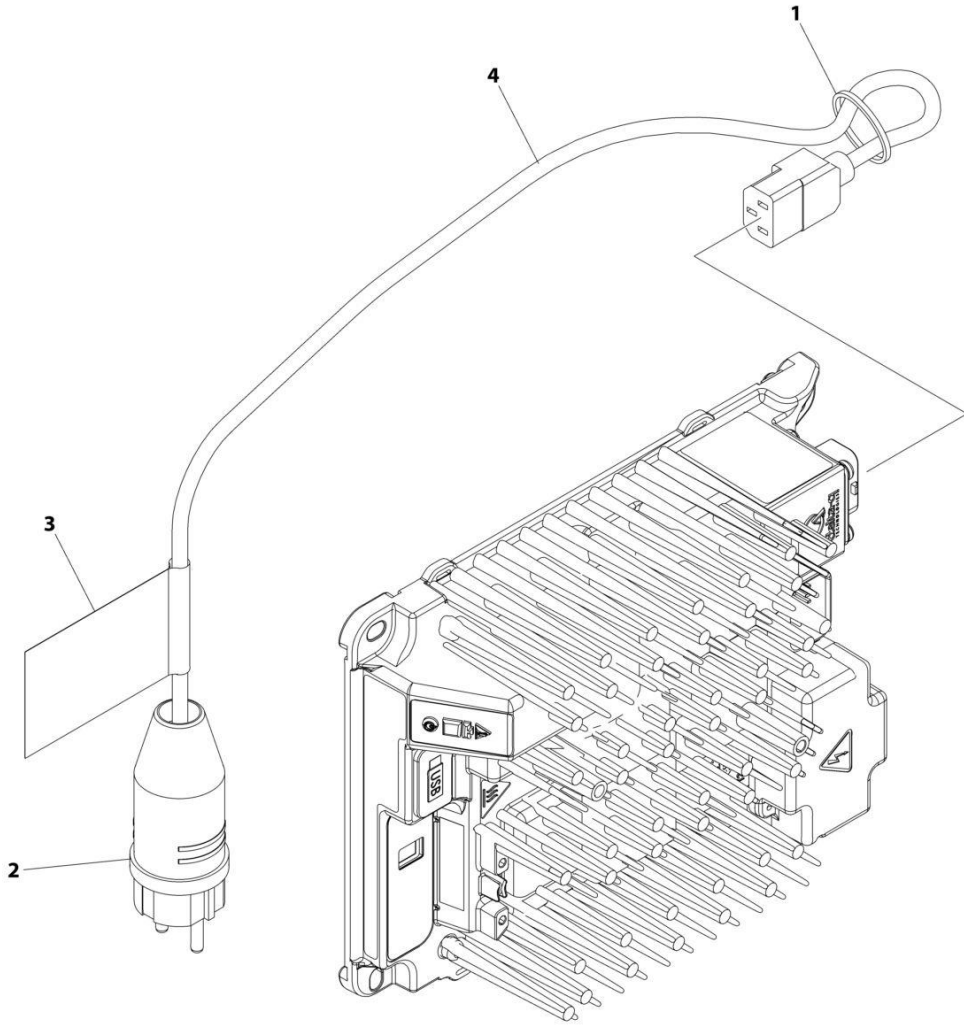
SECTION 6 - ELECTRICAL

FIGURE 6-18. CHARGER PLUG INSTALLATION - 220V AFSINT 107 PLUG (CE & UK CA SPECS)

ITEM	PART NUMBER	QTY	DESCRIPTION	REV
	1001258770	Ref	CHARGER PLUG INSTALLATION	A
1	4240017	AR	Tie-Strap	
2	4461249	1	Terminal	
3	1001102489	1	Decal - Charger	
4	1001207974	1	Cable, Charger Plug (No Plug)	

SECTION 6 - ELECTRICAL

FIGURE 6-19. CHARGER PLUG INSTALLATION - 220V CEE7 PLUG (CE & UK CA SPECS)



ART_1001258768

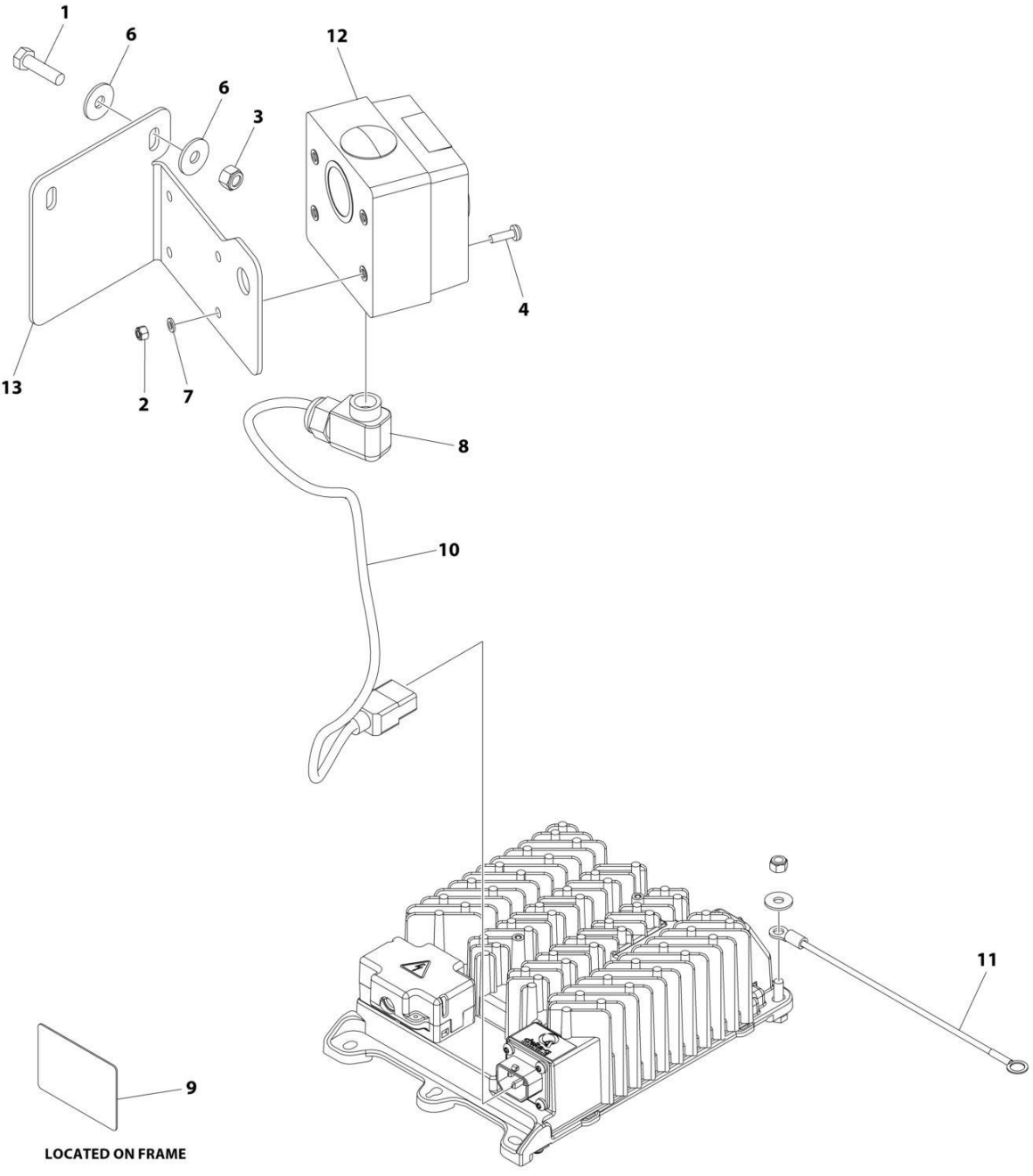
SECTION 6 - ELECTRICAL

FIGURE 6-19. CHARGER PLUG INSTALLATION - 220V CEE7 PLUG (CE & UK CA SPECS)

ITEM	PART NUMBER	QTY	DESCRIPTION	REV
	1001258768	Ref	CHARGER PLUG INSTALLATION	A
1	4240017	AR	Tie-Strap	
2	4461205	1	Terminal	
3	1001102489	1	Decal - Charger	
4	1001207974	1	Cable, Charger Plug (No Plug)	

SECTION 6 - ELECTRICAL

FIGURE 6-20. CHARGER PLUG INSTALLATION (AUSTRALIAN PLUG)



ART_1001263296

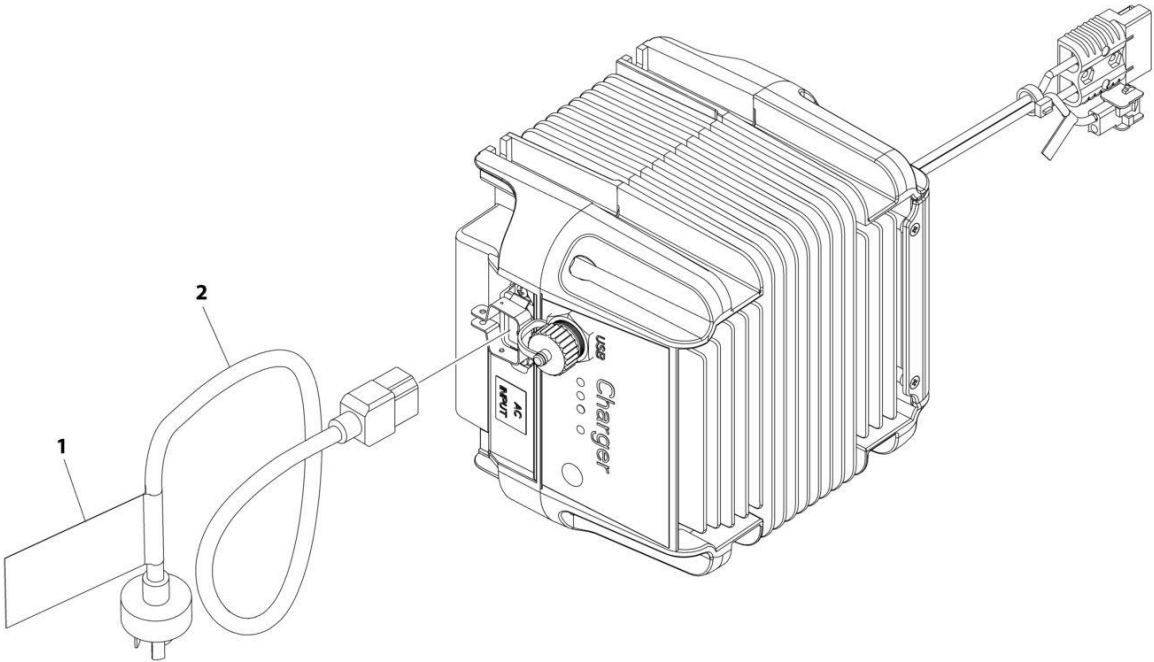
SECTION 6 - ELECTRICAL

FIGURE 6-20. CHARGER PLUG INSTALLATION (AUSTRALIAN PLUG)

ITEM	PART NUMBER	QTY	DESCRIPTION	REV
	1001263296	Ref	CHARGER PLUG INSTALLATION	A
1	0700814	2	Bolt M8 x 30	
2	3290505	4	Nut M5	
3	3290805	2	Nut M8	
4	3900381	4	Screw M5 x 16	
5	4240017	AR	Tie-Strap (Not Shown)	
6	4811902	4	Washer M8	
7	4831600	4	Washer M5	
8	1001103471	1	Connector Strain Relief 90	
9	1001134280	1	Decal - Charger	
10	1001207974	1	Cable, Charger AC Input	
11	1001227219	1	Ground Harness	
12	1001227267	1	Receptacle Australian - 230V	
13	1001244644	1	Bracket	

SECTION 6 - ELECTRICAL

FIGURE 6-21. CHARGER PLUG INSTALLATION (CHINA PLUG)



ART_1001263294

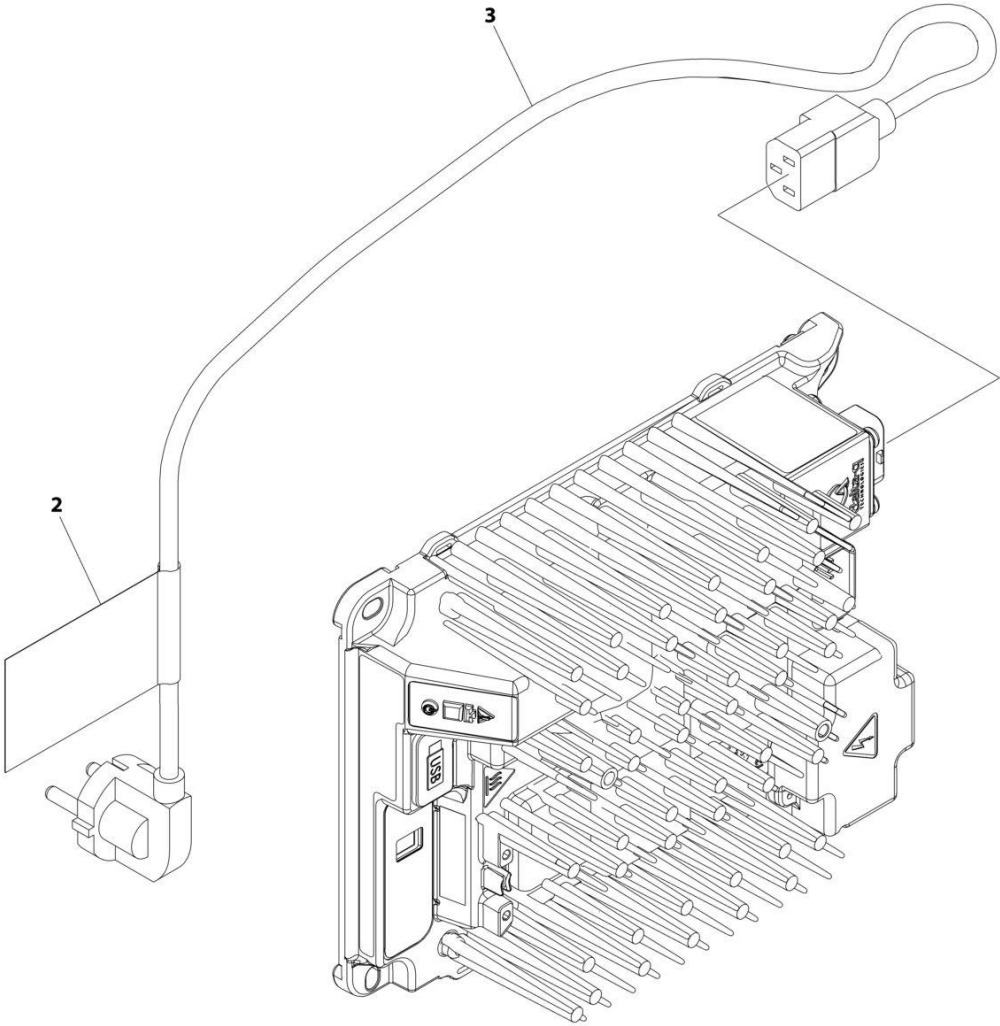
SECTION 6 - ELECTRICAL

FIGURE 6-21. CHARGER PLUG INSTALLATION (CHINA PLUG)

ITEM	PART NUMBER	QTY	DESCRIPTION	REV
	1001263294	Ref	CHARGER PLUG INSTALLATION	A
1	1001102489	1	Decal - Charger Label	
2	1001207973	1	Cable, Charger AC Input	

SECTION 6 - ELECTRICAL

FIGURE 6-22. CHARGER PLUG INSTALLATION (KOREAN PLUG)



ART_1001248634

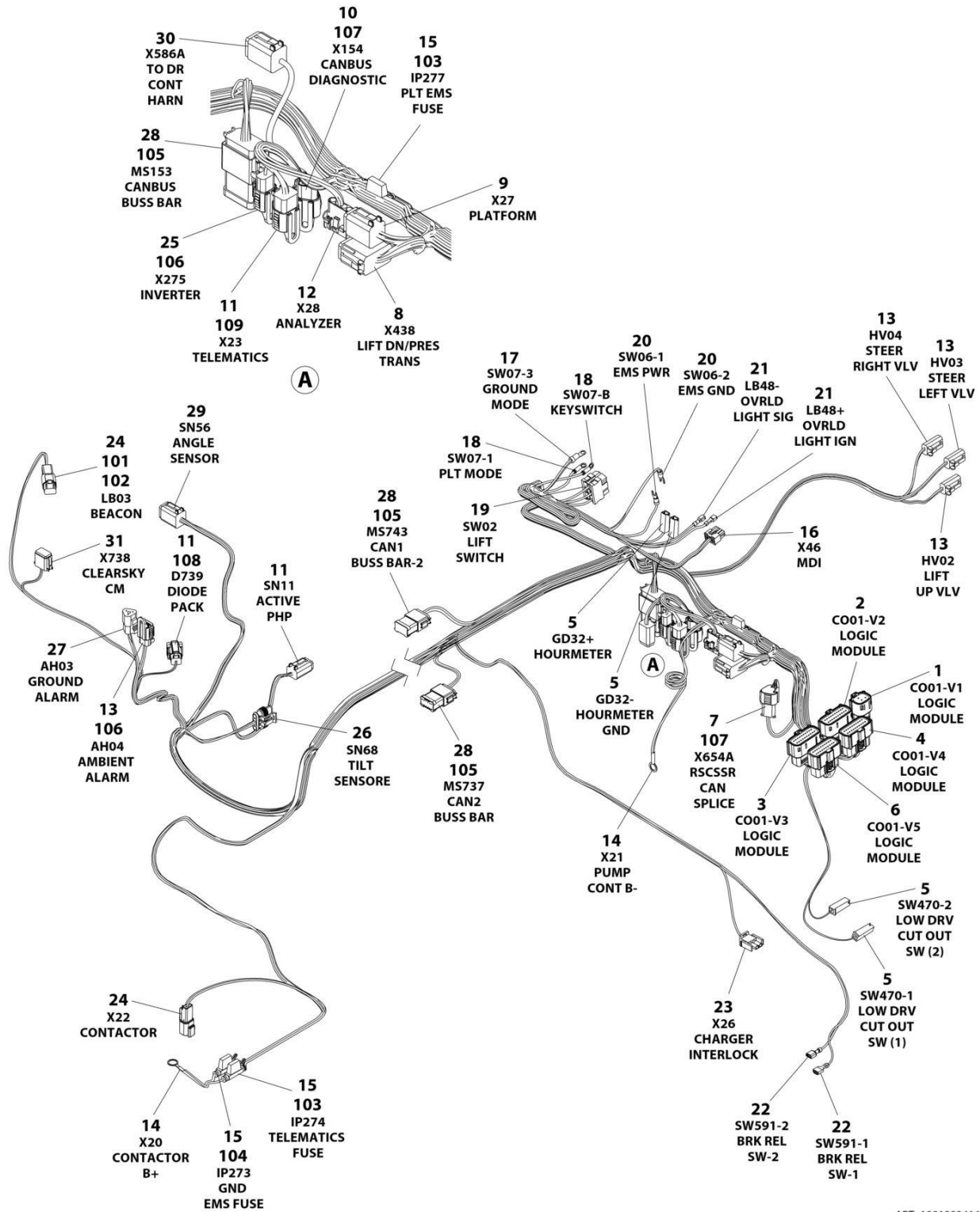
SECTION 6 - ELECTRICAL

FIGURE 6-22. CHARGER PLUG INSTALLATION (KOREAN PLUG)

ITEM	PART NUMBER	QTY	DESCRIPTION	REV
	1001248634	Ref	CHARGER PLUG INSTALLATION	A
1	4240017	AR	Tie-Strap (Not Shown)	
2	1001102489	1	Decal - Charger Label	
3	1001221949	1	Cable, Charger AC Input	

SECTION 6 - ELECTRICAL

FIGURE 6-23. CHASSIS HARNESS



ART_1001283416

SECTION 6 - ELECTRICAL

FIGURE 6-23. CHASSIS HARNESS

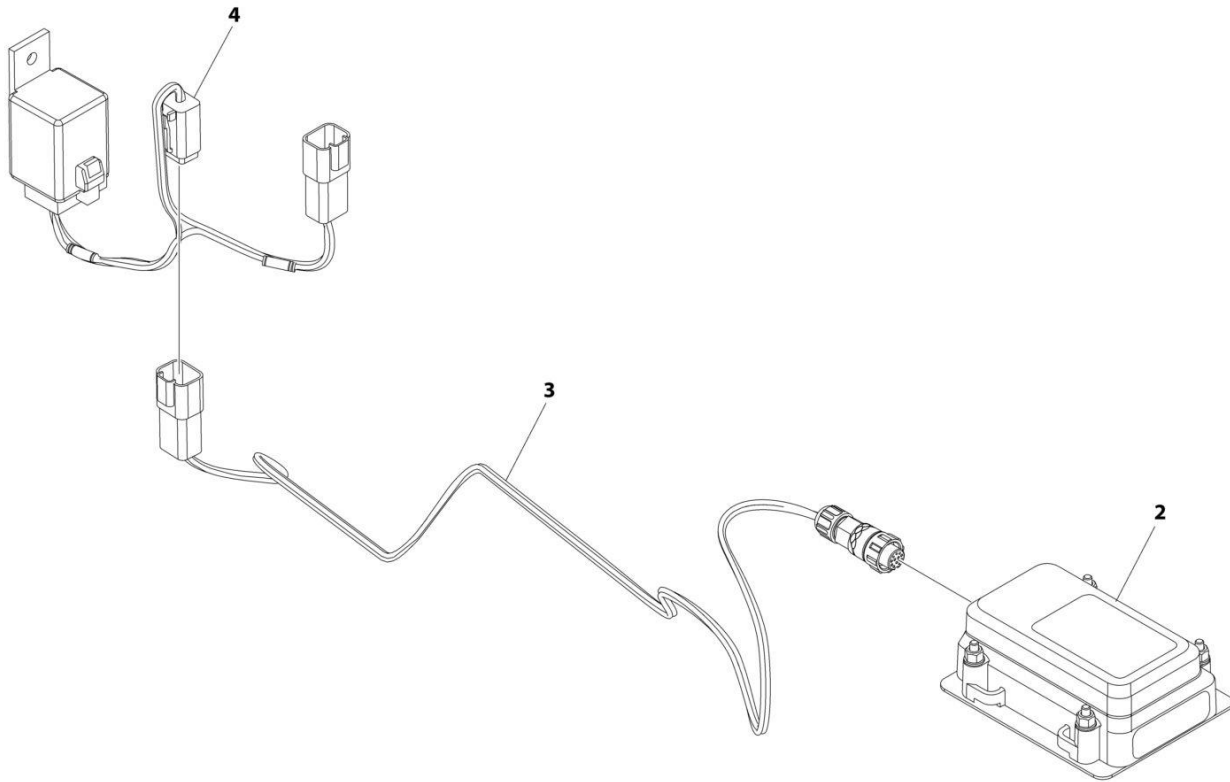
ITEM	PART NUMBER	QTY	DESCRIPTION	REV
	1001283416	Ref	CHASSIS HARNESS	B
1	1001205409	1	Connector - 8 Position	
1	1001162887	8	Terminal	
2	1001205410	1	Connector - 20 Position	
2	1001162887	13	Terminal	
2	1001163340	7	Plug, Terminal	
3	1001162886	1	Connector - 20 Position	
3	1001162887	15	Terminal	
3	1001163340	5	Plug, Terminal	
4	1001205411	1	Connector - 20 Position	
4	1001162887	16	Terminal	
4	1001163340	4	Plug, Terminal	
5	4460260	4	Connector	
5	4460259	4	Terminal	
6	1001205412	1	Connector - 20 Position	
6	1001162887	14	Terminal	
6	1001163340	6	Plug, Terminal	
7	4460965	1	Plug, Male - 3 Position	
7	4460944	2	Socket, Female	
7	4460466	1	Plug, Terminal	
8	4460933	1	Plug, Male - 12 Position	
8	4460465	10	Socket, Female	
8	4460466	2	Plug, Terminal	
9	4460894	1	Plug, Male - 6 Position	
9	4460465	4	Socket, Female	
9	4460944	2	Socket, Female	
10	1001116812	1	Receptacle, Female - 3 Position	
10	4060944	2	Socket, Female	
10	4460466	1	Plug, Terminal	
11	4460884	3	Plug, Male - 4 Position	
11	4460465	12	Socket, Female	
12	4460761	1	Plug, Male - 4 Position	
12	4460227	4	Socket, Female	
13	4460891	4	Plug, Male - 2 Position	
13	4460465	8	Socket, Female	
14	4460019	2	Terminal, Ring	
15	2400060	3	Holder/Cover, Fuse	
16	1001151629	1	Plug, Male - 8 Position	
16	4461023	2	Terminal	
16	4460877	2	Terminal	
17	4460042	1	Terminal, Ring	
18	4460247	2	Terminal, Ring	
19	4460418	1	Connector - 6 Position	
19	1001159186	3	Terminal	
20	4460115	2	Terminal, Ring	
21	1001201885	2	Terminal	
22	1001194421	2	Terminal	
23	4460320	1	Plug, Male - 2 Position	
23	4460226	1	Socket, Female	
24	4460897	2	Receptacle, Female - 2 Position	

SECTION 6 - ELECTRICAL

ITEM	PART NUMBER	QTY	DESCRIPTION	REV
24	4460464	4	Pin, Male	
25	4460891	1	Connector	
25	4460465	1	Socket	
25	4460466	1	Plug	
26	1001103012	1	Plug, Male - 4 Position	
26	1001196589	4	Terminal	
26	1001104498	4	Seal Terminal	
27	4460539	1	Plug, Male - 3 Position	
27	4460465	3	Socket, Female	
28	4460933	3	Connector	
28	4460944	26	Socket	
28	4460466	12	Plug	
29	4460894	1	Connector	
29	4460465	6	Socket	
30	4460884	1	Connector	
30	4460944	2	Socket (Gold)	
30	4460465	2	Socket (Nickel)	
31	4460930	1	Connector	
31	4460465	8	Socket	
101	4460466	2	Plug	
102	4460891	1	Plug, Male - 4 Position	
103	8229242	2	Fuse 5 Amp	
104	8229244	1	Fuse, 15 Amp	
105	1001125677	3	Connector, Bussbar	
106	1001144295	2	Cap - 2 Position	
107	1001144296	2	Cap - 3 Position	
108	1001152266	1	Connector	
109	1001192401	1	Cap, Dust	

SECTION 6 - ELECTRICAL

FIGURE 6-24. CLEARSKY INSTALLATION - 3 WIRE (ALL SPECS EXCEPT CHINA SPECS) (Prior to SN B200091892, Prior to SN 1200045611, Including M200088825)



ART_1001278847

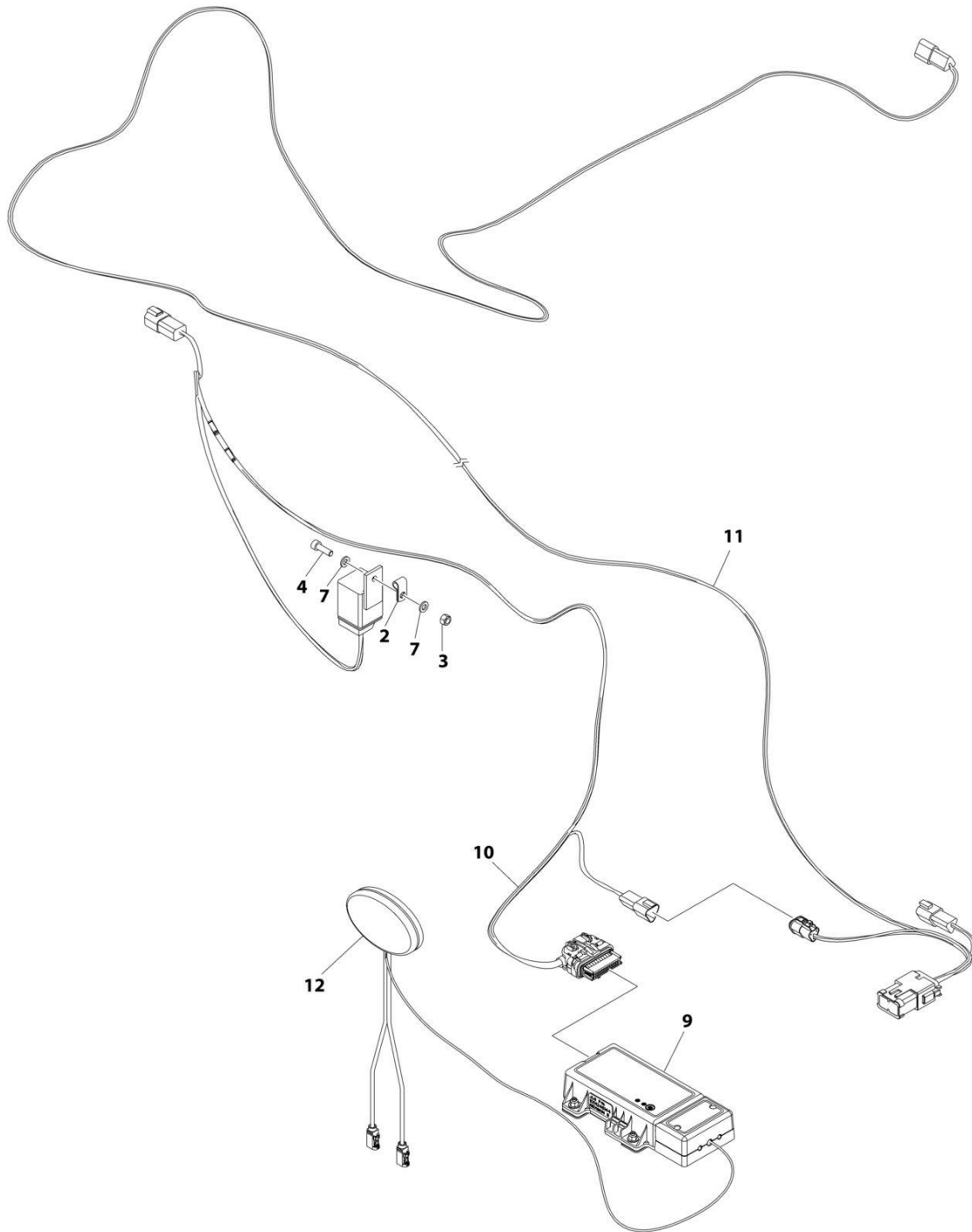
SECTION 6 - ELECTRICAL

FIGURE 6-24. CLEARSKY INSTALLATION - 3 WIRE (ALL SPECS EXCEPT CHINA SPECS) (Prior to SN B200091892, Prior to SN 1200045611, Including M200088825)

ITEM	PART NUMBER	QTY	DESCRIPTION	REV
	1001278847	Ref	CLEARSKY INSTALLATION	A
1	4240032	AR	Tie-strap (Not Shown)	
2	1001272659	1	Module, ClearSky	
3	1001273012	1	Harness, ClearSky (See Separate Breakdown in this Section)	
4	1001278513	1	Harness, ClearSky Jumper (See Separate Breakdown in this Section)	

SECTION 6 - ELECTRICAL

FIGURE 6-25. CLEARSKY INSTALLATION - 3G (AUSTRALIAN SPECS) (Prior to SN B200091892, Prior to SN 1200045611, Including M200088825)



ART_1001251146

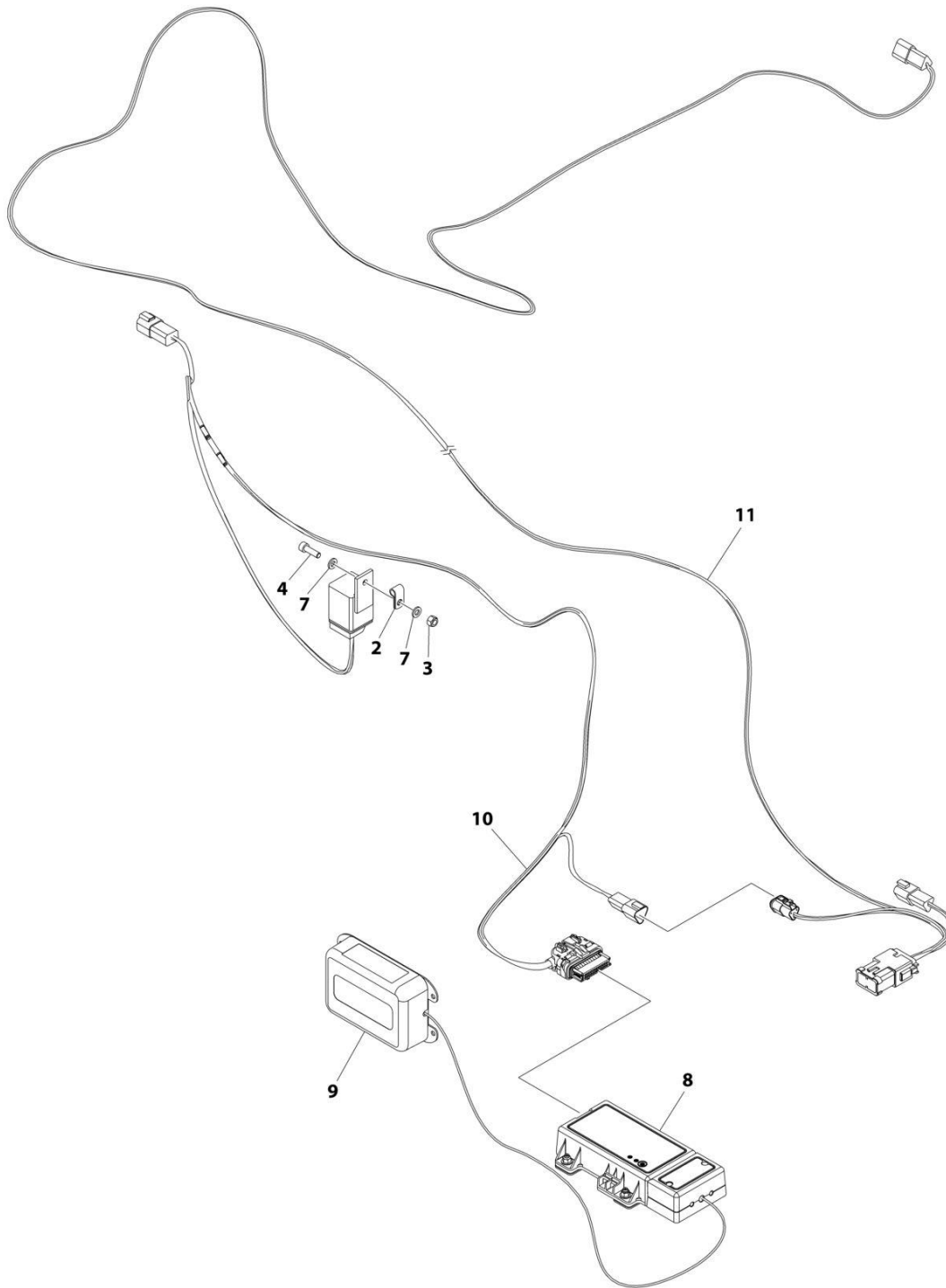
SECTION 6 - ELECTRICAL

**FIGURE 6-25. CLEARSKY INSTALLATION - 3G (AUSTRALIAN SPECS) (Prior to SN B200091892,
Prior to SN 1200045611, Including M200088825)**

ITEM	PART NUMBER	QTY	DESCRIPTION	REV
	1001251146	Ref	CLEARSKY INSTALLATION	D
1	1062255	AR	Tie-strap (365mm) (Not Shown)	
2	1320136	1	Clamp	
3	3290605	1	Nut, Lock M6	
4	4031708	1	Capscrew M6 x 20	
5	4240032	AR	Tie-strap (3-5/8in to 4in) (Not Shown)	
6	4460234	AR	Mount, Tie-strap (Not Shown)	
7	4811700	2	Washer M6	
9	1001246144	1	Module, ClearSky	
10	1001254026	1	Harness, ClearSky (See Separate Breakdown in this Section)	
11	1001254027	1	Harness, ClearSky Splice (See Separate Breakdown in this Section)	
12	1001236144	1	Antenna, ClearSky	

SECTION 6 - ELECTRICAL

FIGURE 6-26. CLEARSKY INSTALLATION - 4G (ALL SPECS EXCEPT CHINA SPECS) (Prior to SN B200091892, Prior to SN 1200045611, Including M200088825)



ART_1001251144

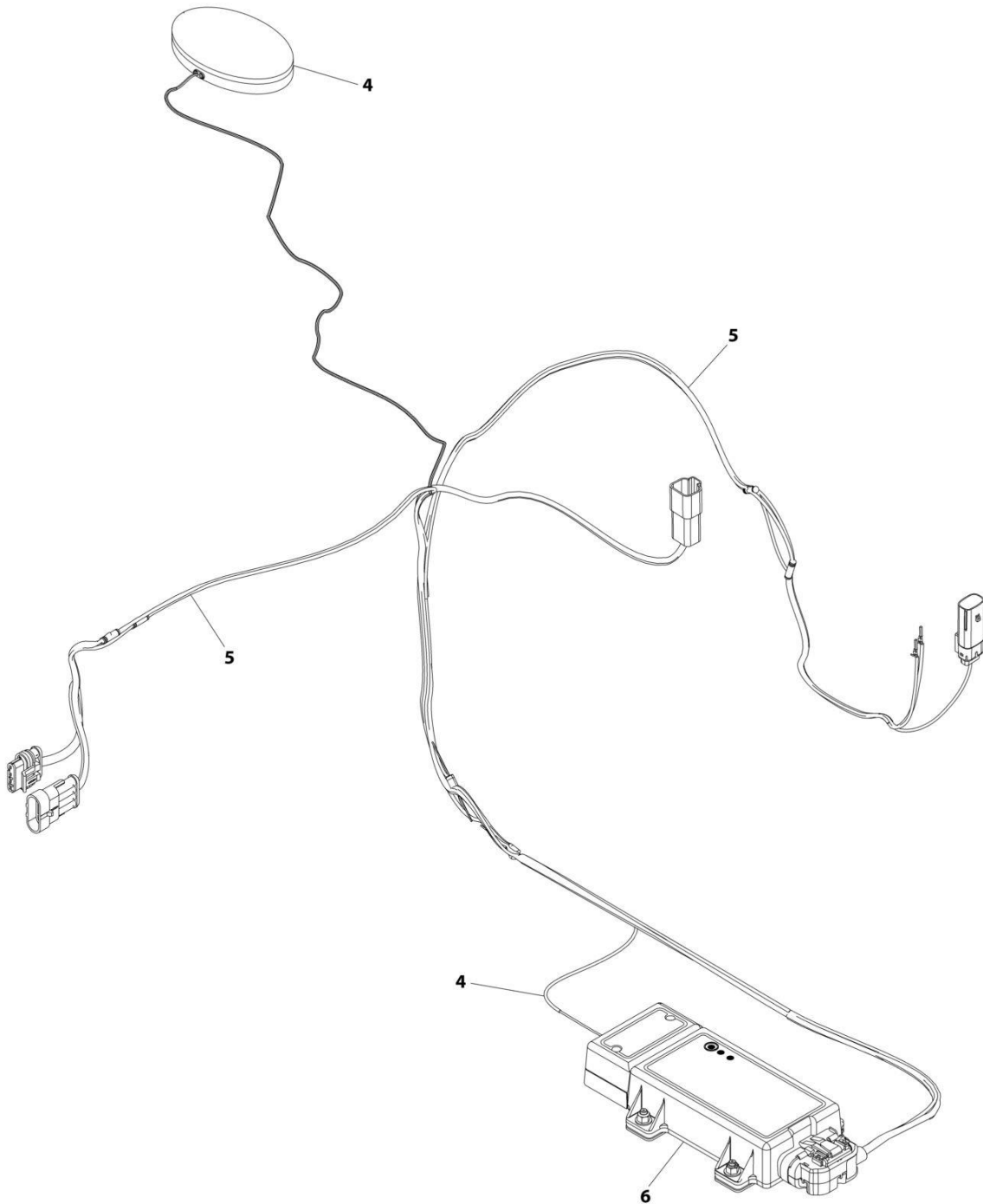
SECTION 6 - ELECTRICAL

FIGURE 6-26. CLEARSKY INSTALLATION - 4G (ALL SPECS EXCEPT CHINA SPECS) (Prior to SN B200091892, Prior to SN 1200045611, Including M200088825)

ITEM	PART NUMBER	QTY	DESCRIPTION	REV
	1001251144	Ref	CLEARSKY INSTALLATION	E
1	1062255	AR	Tie-strap (365mm) (Not Shown)	
2	1320136	1	Clamp	
3	3290605	1	Nut, Lock M6	
4	4031708	1	Capscrew M6 x 20	
5	4240032	AR	Tie-strap (3-5/8in to 4in) (Not Shown)	
6	4460234	AR	Mount, Tie-strap (Not Shown)	
7	4811700	2	Washer M6	
8	1001262322	1	Module, ClearSky	
9	1001262327	1	Antenna, ClearSky	
10	1001254026	1	Harness, ClearSky (See Separate Breakdown in this Section)	
11	1001254027	1	Harness, ClearSky Splice (See Separate Breakdown in this Section)	

SECTION 6 - ELECTRICAL

FIGURE 6-27. CLEARSKY INSTALLATION - 4G (CHINA SPECS) (Prior to SN B200091892, Prior to SN 1200045611, Including M200088825)



ART_1001246531

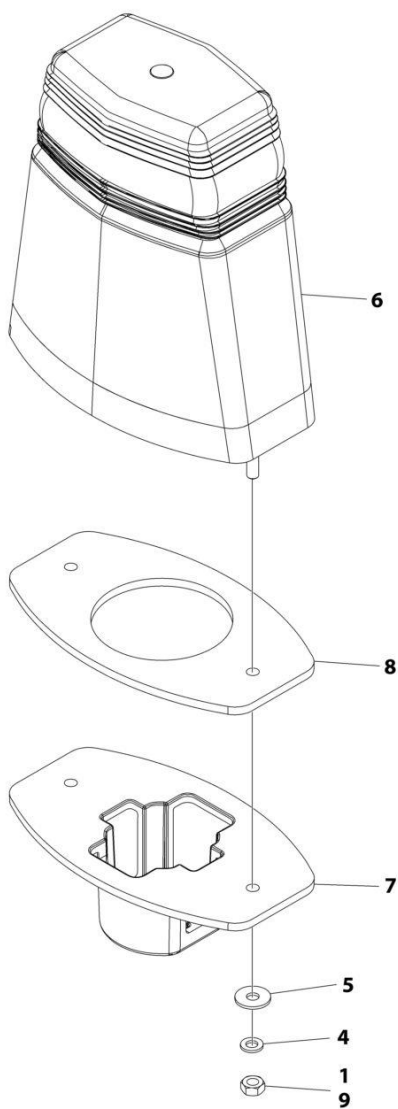
SECTION 6 - ELECTRICAL

FIGURE 6-27. CLEARSKY INSTALLATION - 4G (CHINA SPECS) (Prior to SN B200091892, Prior to SN 1200045611, Including M200088825)

ITEM	PART NUMBER	QTY	DESCRIPTION	REV
	1001246531	Ref	CLEARSKY INSTALLATION	A
1	1062255	AR	Tie-strap (365mm) (Not Shown)	
2	4240032	AR	Tie-strap (3-5/8in to 4in) (Not Shown)	
3	4460234	AR	Mount, Tie-strap (Not Shown)	
4	1001236144	1	Antenna, ClearSky	
5	1001238845	1	Harness, ClearSky (See Separate Breakdown in this Section)	
6	1001246145	1	Module, ClearSky	

SECTION 6 - ELECTRICAL

FIGURE 6-28. CLEARSKY INSTALLATION - SMART FLEET (SN B200091892 through M200088825, SN 1200045611 to Present)



ART_1001293998

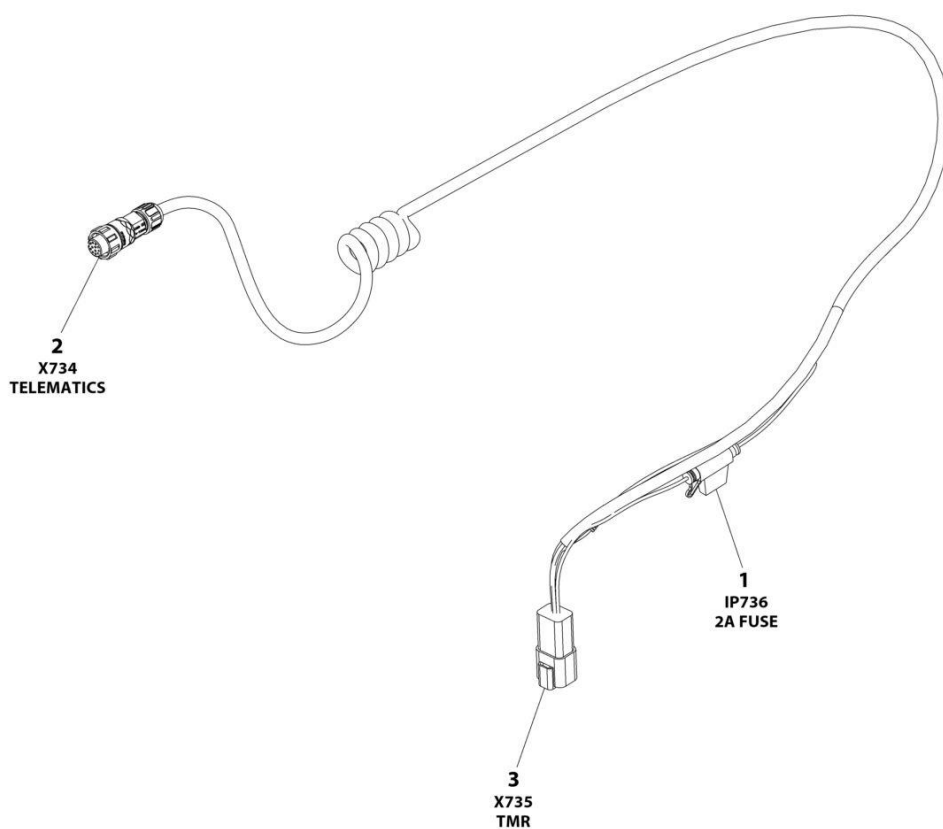
SECTION 6 - ELECTRICAL

FIGURE 6-28. CLEARSKY INSTALLATION - SMART FLEET (SN B200091892 through M200088825, SN 1200045611 to Present)

ITEM	PART NUMBER	QTY	DESCRIPTION	REV
	1001293998	Ref	CLEARSKY INSTALLATION	C
1	0100011	AR	Compound, Locking	
4	4831400	1	Washer, Lock M4	
5	1001091102	1	Washer M4	
6	1001280661	1	Module, Control - ClearSky (Note: Re-calibration required when replaced)	
7	1001289648	1	Plate, Anti-Tamper	
8	1001291056	2	Gasket	
9	3290401	1	Nut M4	

SECTION 6 - ELECTRICAL

FIGURE 6-29. CLEARSKY HARNESS - 3 WIRE (ALL SPECS EXCEPT CHINA SPECS) (Prior to SN B200091892, Prior to SN 1200045611, Including M200088825)



ART_1001273012

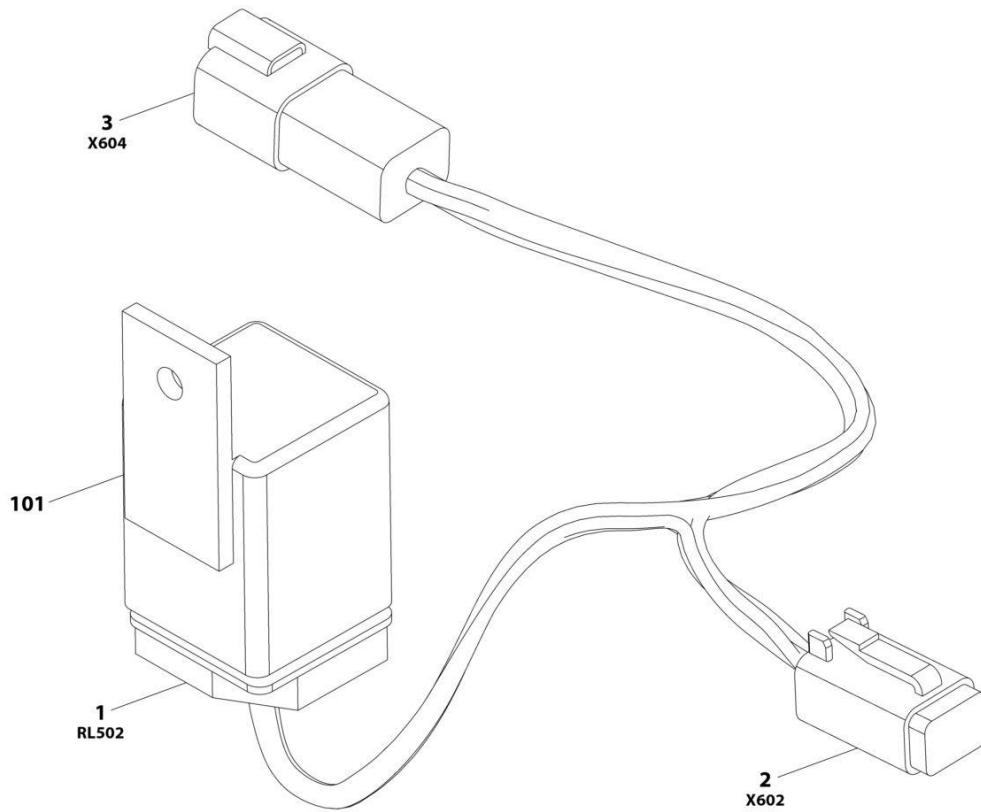
SECTION 6 - ELECTRICAL

FIGURE 6-29. CLEARSKY HARNESS - 3 WIRE (ALL SPECS EXCEPT CHINA SPECS) (Prior to SN B200091892, Prior to SN 1200045611, Including M200088825)

ITEM	PART NUMBER	QTY	DESCRIPTION	REV
	1001273012	Ref	CLEARSKY TELEMATICS HARNESS - GT1030	D
1	1001255901	1	Fuseholder	
1	1001196634	1	Fuse - 2Amp	
2	1001272997	1	Connector - 12 Position	
2		Ref	Terminal	
3	4460932	1	Receptacle, Female - 4 Position	
3	4460464	4	Pin, Male	

SECTION 6 - ELECTRICAL

FIGURE 6-30. CLEARSKY JUMPER HARNESS - 3 WIRE (ALL SPECS EXCEPT CHINA SPECS) (Prior to SN B200091892, Prior to SN 1200045611, Including M200088825)



ART_1001278513

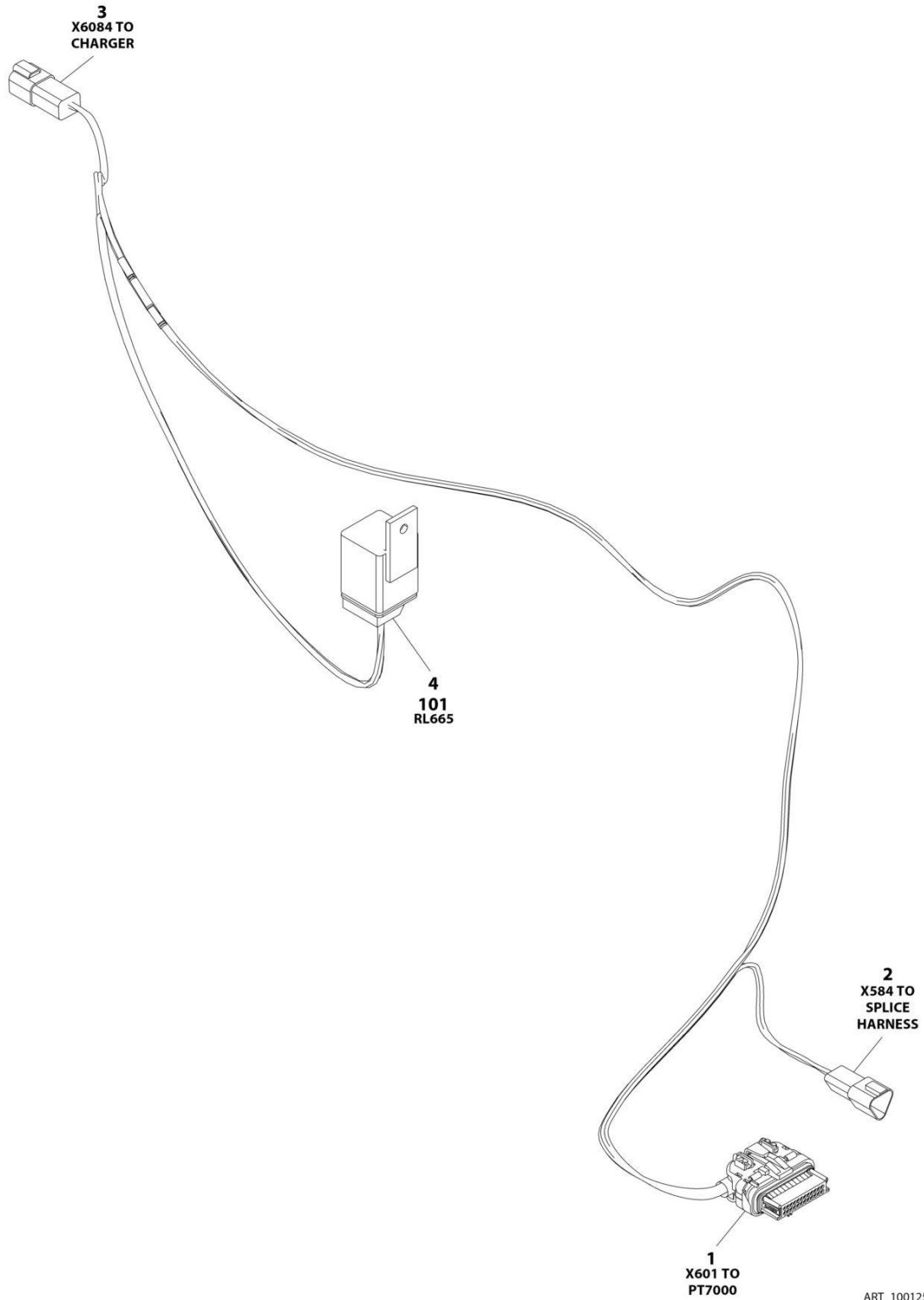
SECTION 6 - ELECTRICAL

FIGURE 6-30. CLEARSKY JUMPER HARNESS - 3 WIRE (ALL SPECS EXCEPT CHINA SPECS) (Prior to SN B200091892, Prior to SN 1200045611, Including M200088825)

ITEM	PART NUMBER	QTY	DESCRIPTION	REV
	1001278513	Ref	CLEARSKY JUMPER HARNESS	A
1	1001117057	1	Connector - 4 Position	
1	1001116732	4	Terminal	
2	4460884	1	Connector - 4 Position	
2	4460465	4	Terminal	
3	4460932	1	Connector - 4 Position	
3	4460464	4	Terminal	
101	1001097347	1	Relay	

SECTION 6 - ELECTRICAL

FIGURE 6-31. CLEARSKY HARNESS - 3G & 4G (ALL SPECS EXCEPT CHINA SPECS) (Prior to SN B200091892, Prior to SN 1200045611, Including M200088825)



ART_1001254026

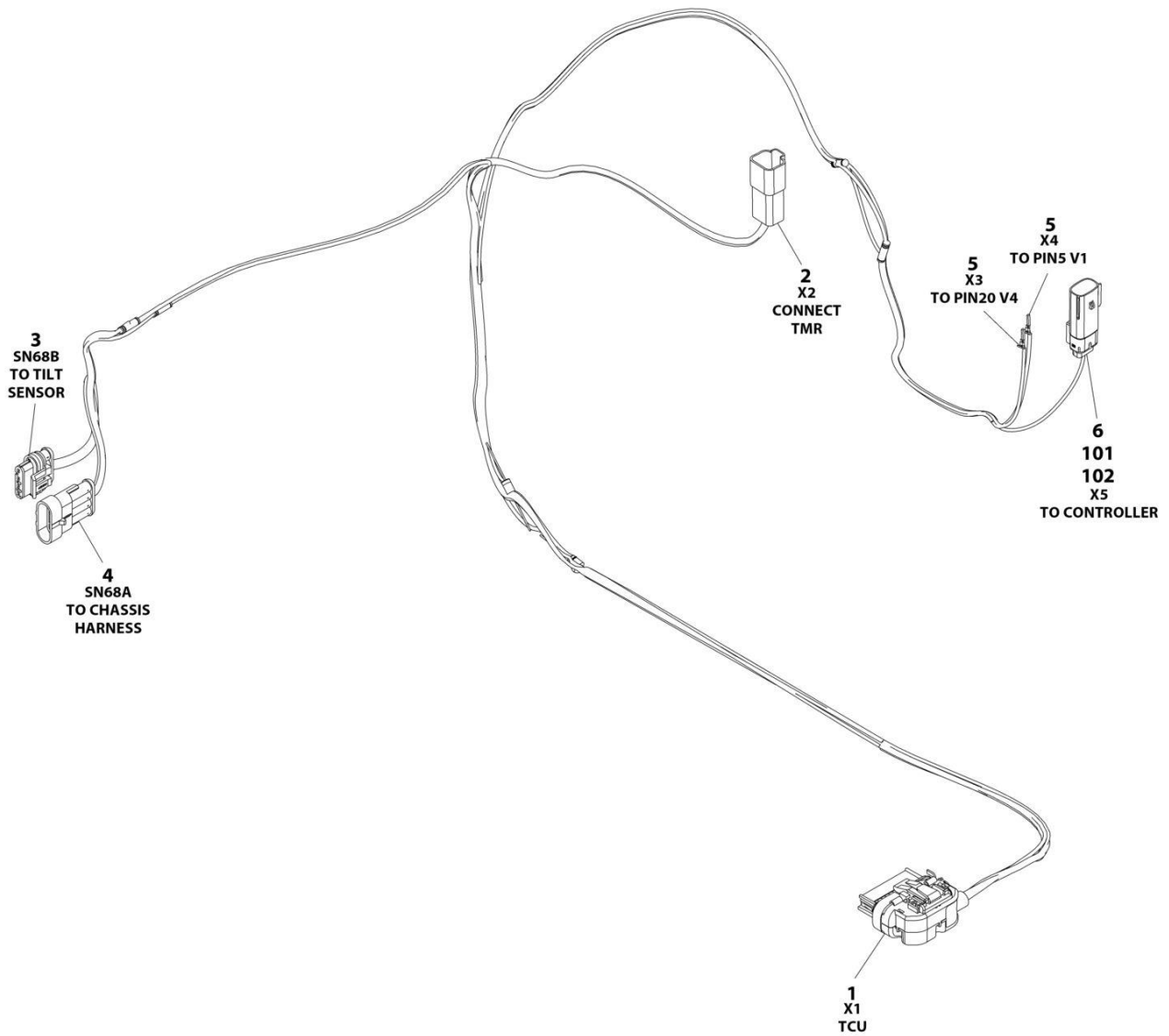
SECTION 6 - ELECTRICAL

FIGURE 6-31. CLEARSKY HARNESS - 3G & 4G (ALL SPECS EXCEPT CHINA SPECS) (Prior to SN B200091892, Prior to SN 1200045611, Including M200088825)

ITEM	PART NUMBER	QTY	DESCRIPTION	REV
	1001254026	Ref	CLEARSKY HARNESS	B
1	1001226636	1	Connector	
1	1001226637	5	Socket	
1	1001116731	19	Plug	
2	1001144147	1	Connector	
2	4460943	2	Pin	
2	4460466	1	Plug	
3	4460932	1	Connector	
3	4460464	3	Pin	
3	4460466	1	Plug	
4	1001117057	1	Connector	
4	1001116732	4	Socket	
101	1001097347	1	Relay	

SECTION 6 - ELECTRICAL

FIGURE 6-32. CLEARSKY HARNESS - 4G (CHINA SPECS) (Prior to SN B200091892, Prior to SN 1200045611, Including M200088825)



ART_1001238845

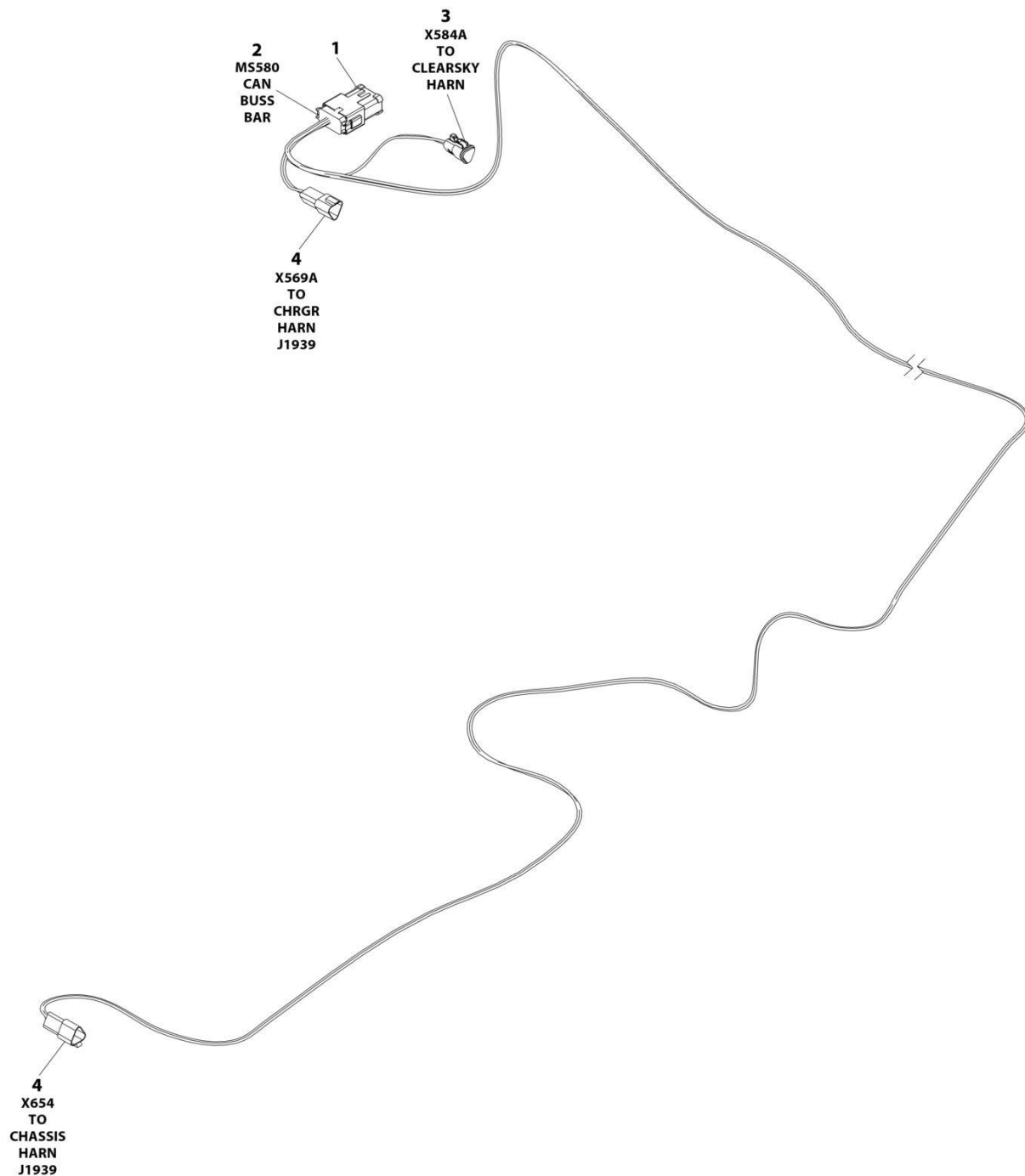
SECTION 6 - ELECTRICAL

FIGURE 6-32. CLEARSKY HARNESS - 4G (CHINA SPECS) (Prior to SN B200091892, Prior to SN 1200045611, Including M200088825)

ITEM	PART NUMBER	QTY	DESCRIPTION	REV
	1001238845	Ref	CLEARSKY HARNESS	C
1	1001226636	1	Connector	
1	1001226637	3	Socket - for 18AWG Wire	
1	1001237211	2	Socket - for 20AWG Wire	
1	1001116731	19	Plug	
2	4460932	1	Connector	
2	4460464	2	Pin	
2	4460466	2	Plug	
3	1001103012	1	Connector	
3	1001237212	4	Pin	
3	1001104498	4	Seal	
4	1001103013	1	Connector	
4	1001237213	4	Pin	
4	1001104498	4	Seal	
5	1001162887	2	Terminal	
6	1001238955	1	Connector	
6	1001238762	2	Pin	
6	1001163340	1	Plug	
101	1001163340	1	Plug	
102	1001238956	1	Connector	

SECTION 6 - ELECTRICAL

FIGURE 6-33. CLEARSKY SPLICE HARNESS - 3G & 4G (ALL SPECS EXCEPT CHINA SPECS) (Prior to SN B200091892, Prior to SN 1200045611, Including M200088825)



ART_1001254027

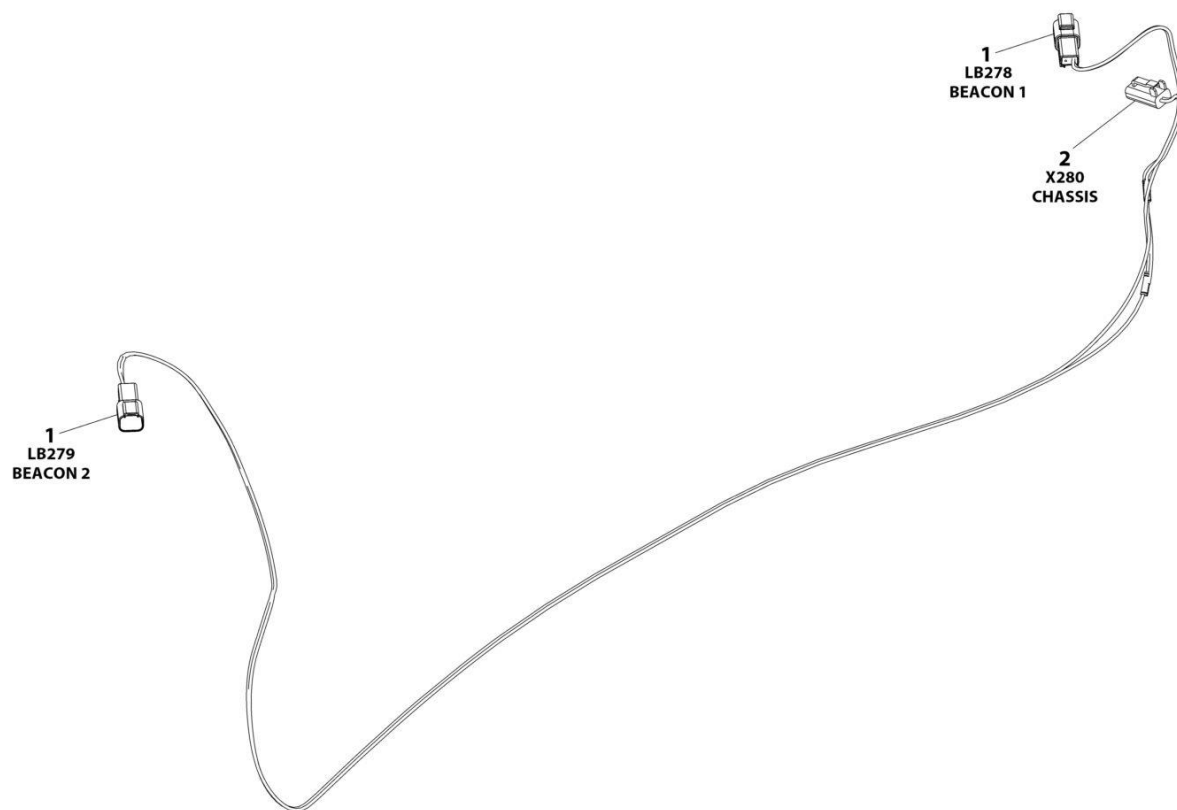
SECTION 6 - ELECTRICAL

FIGURE 6-33. CLEARSKY SPLICE HARNESS - 3G & 4G (ALL SPECS EXCEPT CHINA SPECS) (Prior to SN B200091892, Prior to SN 1200045611, Including M200088825)

ITEM	PART NUMBER	QTY	DESCRIPTION	REV
	1001254027	Ref	CAN SPLICE HARNESS	A
1	1001125677	1	Connector, Bus Bar - 12 Position	
2	4460933	1	Plug, Male - 12 Position	
2	4460944	6	Socket, Female	
2	4460466	6	Plug, Terminal	
3	1001118812	1	Plug, Male - 3 Position	
3	4460944	2	Socket, Female	
3	4460466	1	Plug, Terminal	
4	1001144147	2	Receptacle, Female - 3 Position	
4	4460943	4	Pin, Male	
4	4460466	2	Plug, Terminal	

SECTION 6 - ELECTRICAL

FIGURE 6-34. CLEARSKY HARNESS (SN B200091892 through M200088825, SN 1200045611 to Present)



ART_1001215216

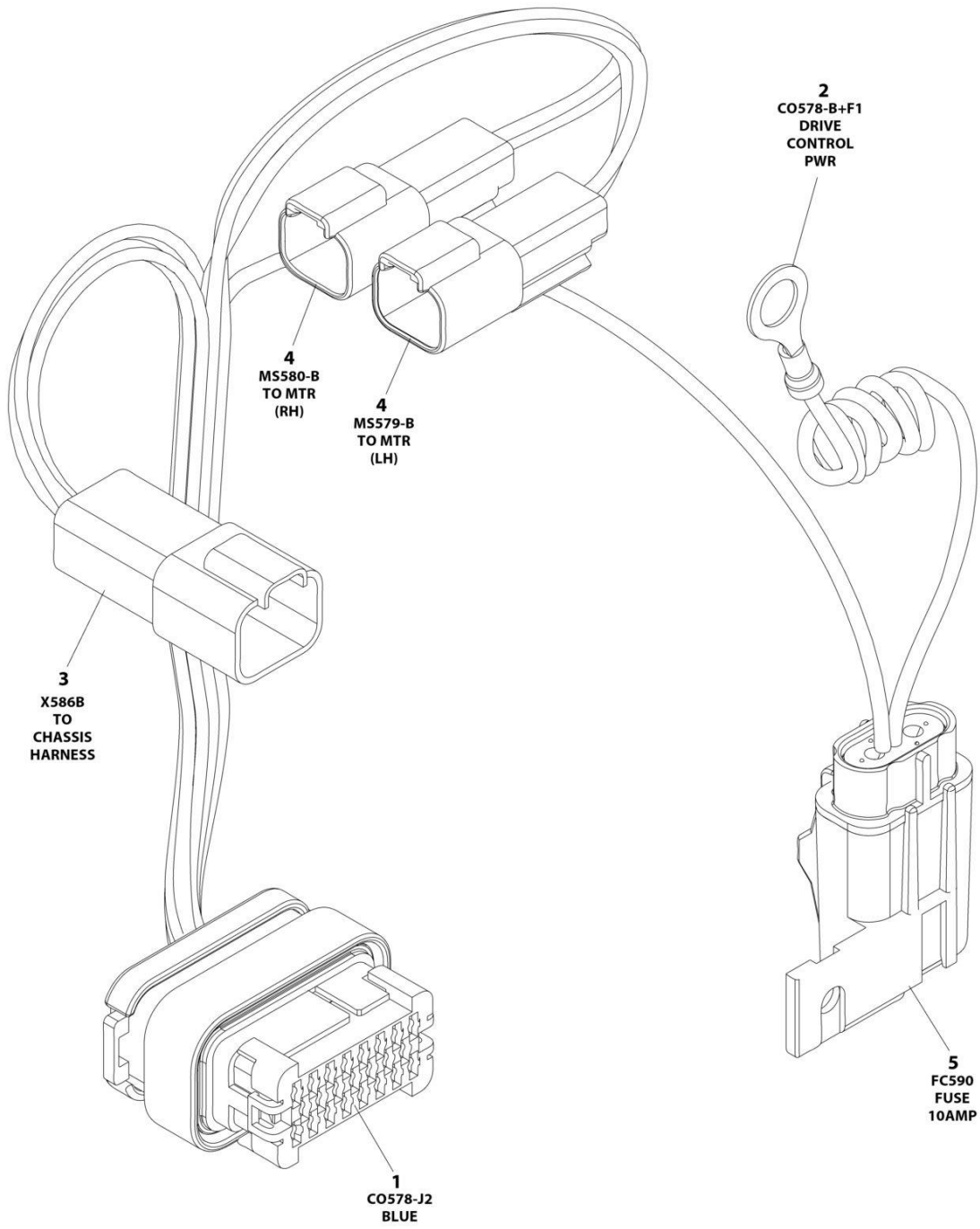
SECTION 6 - ELECTRICAL

FIGURE 6-34. CLEARSKY HARNESS (SN B200091892 through M200088825, SN 1200045611 to Present)

ITEM	PART NUMBER	QTY	DESCRIPTION	REV
	1001215216	Ref	BEACON HARNESS	C
1	4460897	2	Connector	
1	4460464	4	Pin	
2	4460891	1	Connector	
2	4460465	2	Socket	

SECTION 6 - ELECTRICAL

FIGURE 6-35. DRIVE HARNESS



ART_1001255934

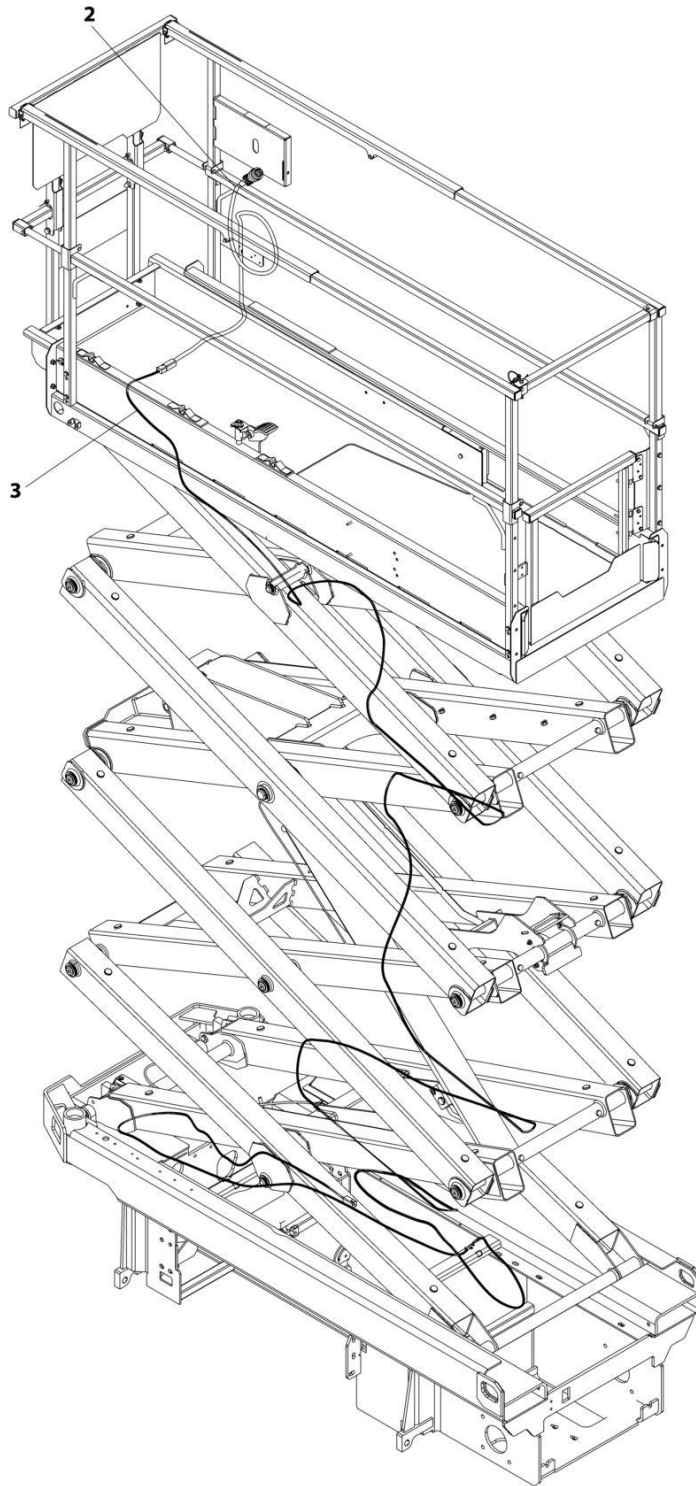
SECTION 6 - ELECTRICAL

FIGURE 6-35. DRIVE HARNESS

ITEM	PART NUMBER	QTY	DESCRIPTION	REV
	1001255934	Ref	DRIVE HARNESS	E
1	1001096138	1	Connector - 23 Position	
1	4460871	9	Terminal	
1	4460905	14	Plug, Terminal	
2	4460670	1	Terminal, Ring	
3	4460932	1	Receptacle, Female - 4 Position	
3	4460943	2	Pin, Male	
3	4460464	2	Pin, Male	
4	4460897	2	Receptacle, Female - 2 Position	
4	4460464	4	Pin, Male	
5	1001217843	1	Fuseholder with Cap	
5	1001217842	1	Cap, Cover	
5	8229234	1	Fuse - 10Amp	
5	1001116733	2	Terminal	

SECTION 6 - ELECTRICAL

FIGURE 6-36. GROUND TO PLATFORM CABLE INSTALLATION - WITHOUT PLATFORM COIL CABLE
(MACHINES WITH SN STARTING WITH 12, B2 & G2)



ART_1001239675

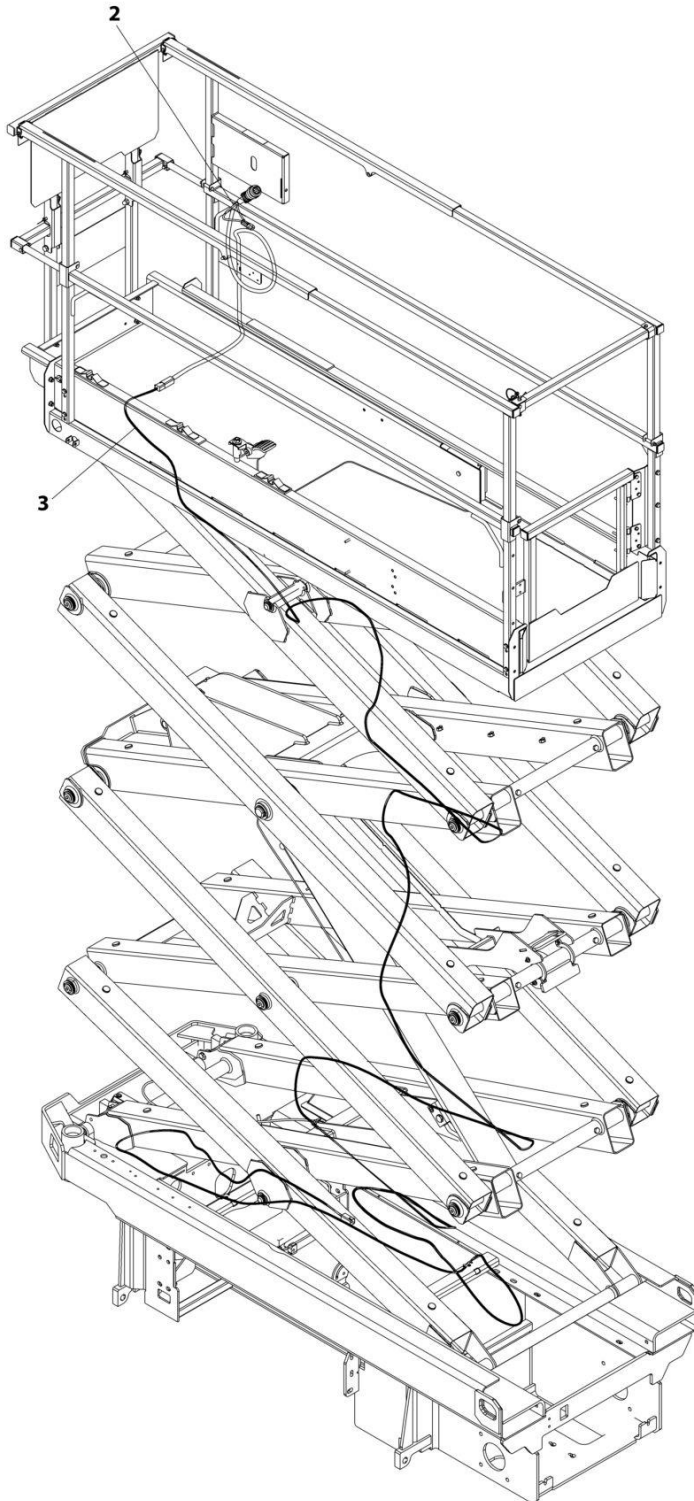
SECTION 6 - ELECTRICAL

**FIGURE 6-36. GROUND TO PLATFORM CABLE INSTALLATION - WITHOUT PLATFORM COIL CABLE
(MACHINES WITH SN STARTING WITH 12, B2 & G2)**

ITEM	PART NUMBER	QTY	DESCRIPTION	REV
	1001239675	Ref	GROUND TO PLATFORM CABLE INSTALLATION - WITHOUT PLATFORM COIL CABLE	F
1	4240017	AR	Tie-Strap (Not Shown)	
2	1001200812	1	Platform Harness	
2	4460899	1	Receptacle, Female - 6 Position (To Item 3)	
2	4460464	4	Pin, Male	
2	4460943	2	Pin, Male	
2	4460754	1	Connector - 14 Position (To Console Box)	
2	4460465	8	Socket, Female	
2	4460466	6	Plug, Terminal	
3	1001237132	1	Cable Assembly - Ground to Platform	
3	4460894	1	Plug, Male - 6 Position (To Platform Harness Item 2)	
3	4460465	4	Socket, Female	
3	4460944	2	Socket, Female	
3	4460899	1	Receptacle, Female - 6 Position (To Chassis Harness)	
3	4460464	4	Pin, Male	
3	4460943	2	Pin, Male	

SECTION 6 - ELECTRICAL

FIGURE 6-37. GROUND TO PLATFORM CABLE INSTALLATION - WITHOUT PLATFORM COIL CABLE & WITH FOOTSWITCH (MACHINES WITH SN STARTING WITH 12, B2 & G2)



ART_1001239677

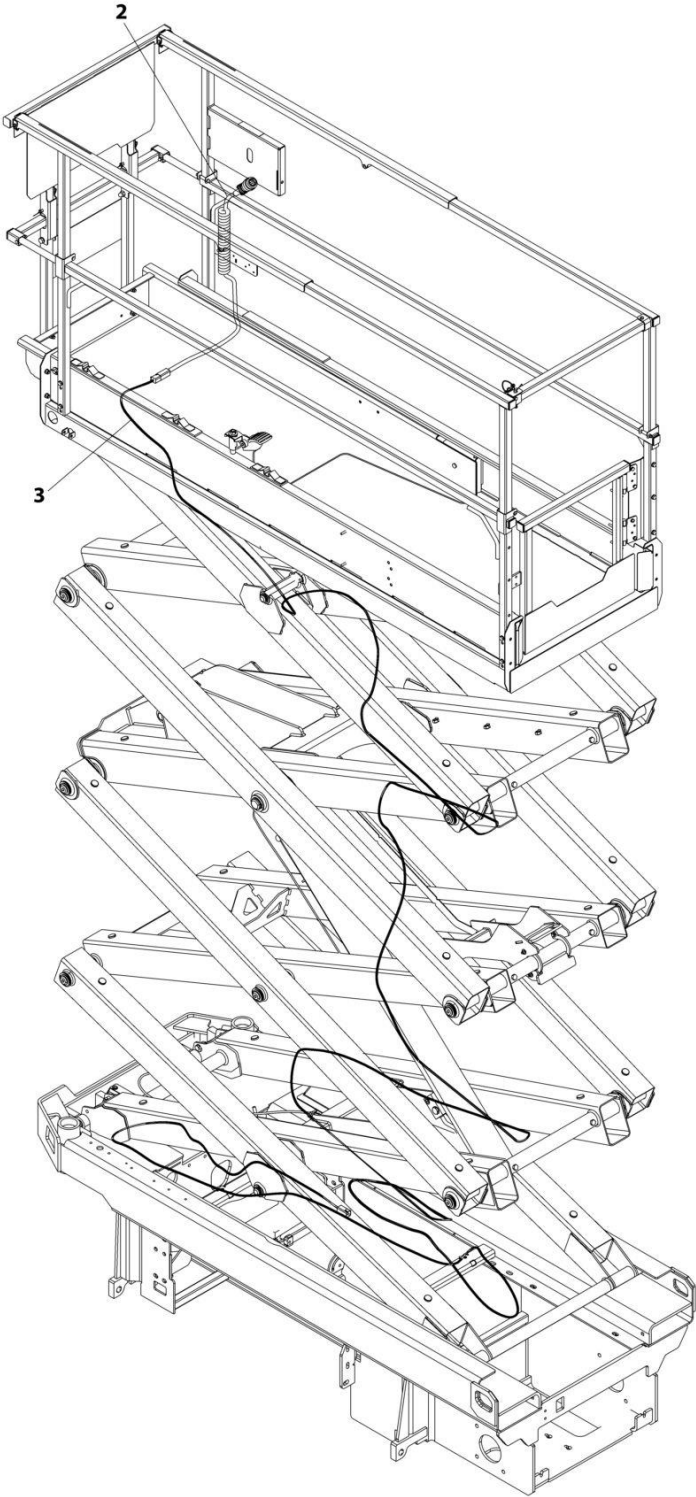
SECTION 6 - ELECTRICAL

**FIGURE 6-37. GROUND TO PLATFORM CABLE INSTALLATION - WITHOUT PLATFORM COIL CABLE
& WITH FOOTSWITCH (MACHINES WITH SN STARTING WITH 12, B2 & G2)**

ITEM	PART NUMBER	QTY	DESCRIPTION	REV
	1001239677	Ref	GROUND TO PLATFORM CABLE INSTALLATION - WITHOUT PLATFORM COIL CABLE AND WITH FOOTSWITCH	F
1	4240017	AR	Tie-Strap (Not Shown)	
2	1001223263	1	Platform Harness	
2	4460899	1	Receptacle, Female - 6 Position (To Item 3)	
2	4460464	4	Pin, Male	
2	4460943	2	Pin, Male	
2	4460754	1	Connector - 14 Position (To Console Box)	
2	4460465	8	Socket, Female	
2	4460944	2	Socket, Female	
2	4460466	4	Plug, Terminal	
2	4460891	1	Plug, Male - 2 Position (To Footswitch)	
2	4460465	2	Socket, Female	
2	4460897	1	Receptacle, Female - 2 Position (Footswitch Jumper)	
2	4460464	2	Pin, Male	
2	4460539	1	Plug, Male - 3 Position (To Overhead Switches)	
2	4460465	2	Socket, Female	
2	4460466	1	Plug, Terminal	
3	1001237132	1	Cable Assembly - Ground to Platform	
3	4460894	1	Plug, Male - 6 Position (To Platform Harness Item 2)	
3	4460465	4	Socket, Female	
3	4460944	2	Socket, Female	
3	4460899	1	Receptacle, Female - 6 Position (To Chassis Harness)	
3	4460464	4	Pin, Male	
3	4460943	2	Pin, Male	

SECTION 6 - ELECTRICAL

**FIGURE 6-38. GROUND TO PLATFORM CABLE INSTALLATION - WITH PLATFORM COIL CABLE
(MACHINES WITH SN STARTING WITH 12, B2 & G2)**



ART_1001239676

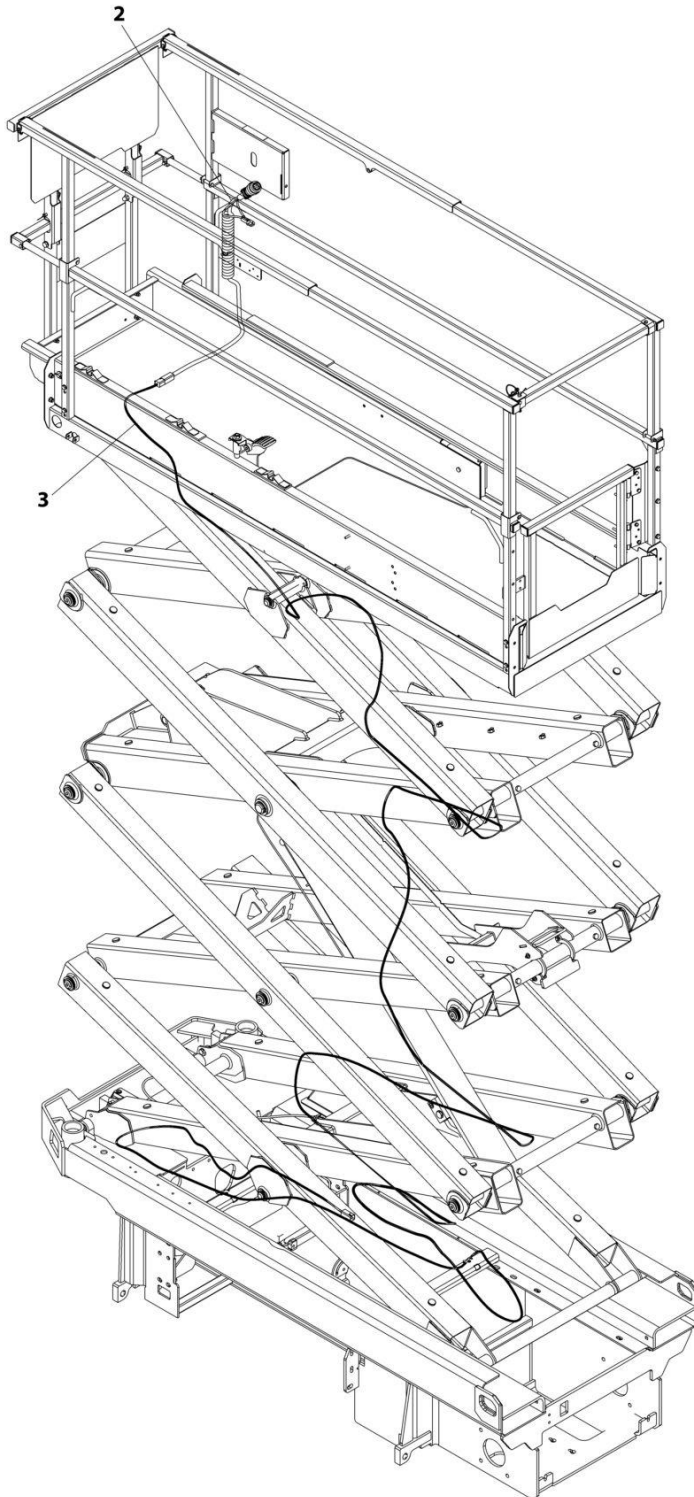
SECTION 6 - ELECTRICAL

**FIGURE 6-38. GROUND TO PLATFORM CABLE INSTALLATION - WITH PLATFORM COIL CABLE
(MACHINES WITH SN STARTING WITH 12, B2 & G2)**

ITEM	PART NUMBER	QTY	DESCRIPTION	REV
	1001239676	Ref	GROUND TO PLATFORM CABLE INSTALLATION - WITH PLATFORM COIL CABLE	F
1	4240017	AR	Tie-Strap (Not Shown)	
2	1001202184	1	Platform Harness	
2	4460899	1	Receptacle, Female - 6 Position (To Item 3)	
2	4460464	4	Pin, Male	
2	4460943	2	Pin, Male	
2	4460754	1	Connector - 14 Position (To Console Box)	
2	4460465	8	Socket, Female	
2	4460466	6	Plug, Terminal	
3	1001237132	1	Cable Assembly - Ground to Platform	
3	4460894	1	Plug, Male - 6 Position (To Platform Harness Item 2)	
3	4460465	4	Socket, Female	
3	4460944	2	Socket, Female	
3	4460899	1	Receptacle, Female - 6 Position (To Chassis Harness)	
3	4460464	4	Pin, Male	
3	4460943	2	Pin, Male	

SECTION 6 - ELECTRICAL

FIGURE 6-39. GROUND TO PLATFORM CABLE INSTALLATION - WITH PLATFORM COIL CABLE & FOOTSWITCH (MACHINES WITH SN STARTING WITH 12, B2 & G2)



ART_1001239678

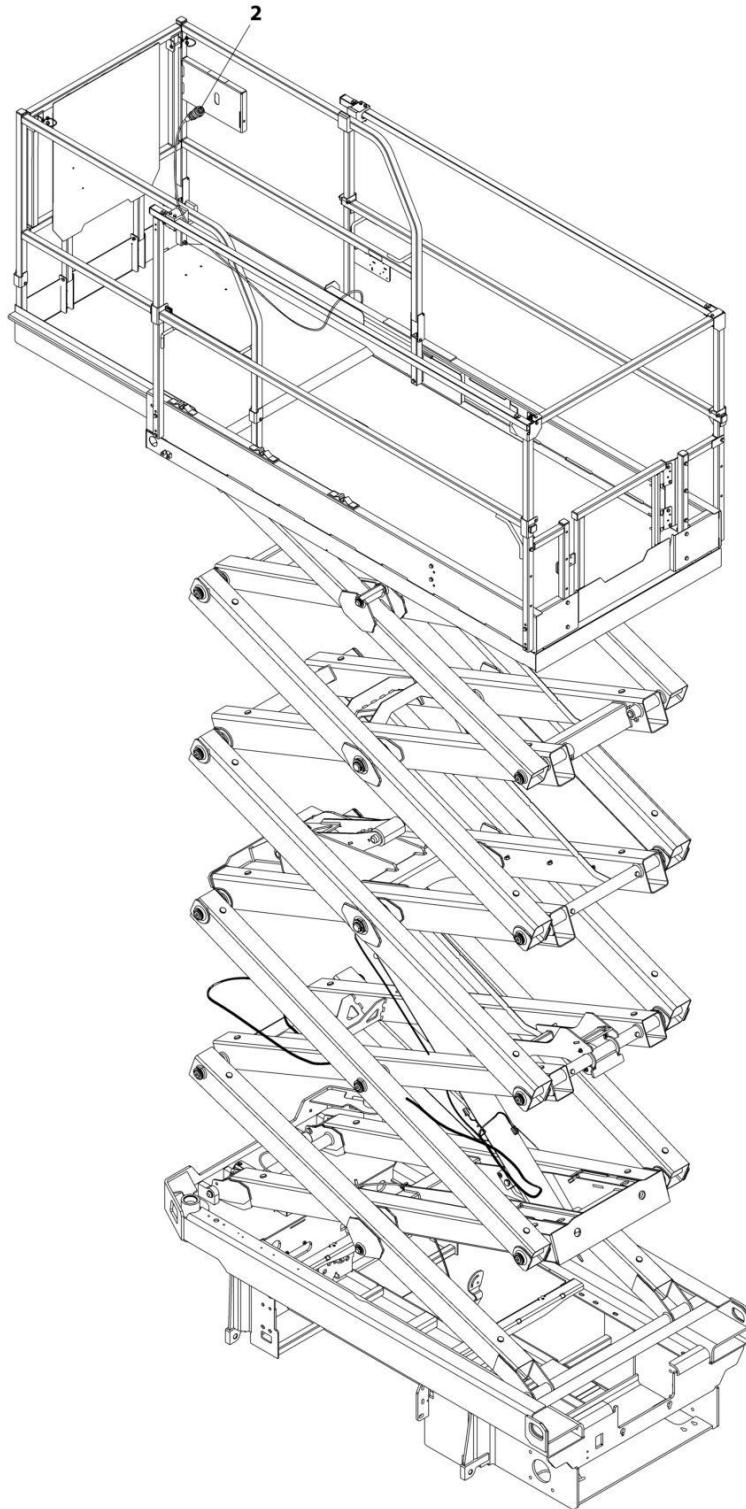
SECTION 6 - ELECTRICAL

FIGURE 6-39. GROUND TO PLATFORM CABLE INSTALLATION - WITH PLATFORM COIL CABLE & FOOTSWITCH (MACHINES WITH SN STARTING WITH 12, B2 & G2)

ITEM	PART NUMBER	QTY	DESCRIPTION	REV
	1001239678	Ref	GROUND TO PLATFORM CABLE INSTALLATION - WITH PLATFORM COIL CABLE AND FOOTSWITCH	F
1	4240017	AR	Tie-Strap (Not Shown)	
2	1001223262	1	Platform Harness	
2	4460899	1	Receptacle, Female - 6 Position (To Item 3)	
2	4460464	4	Pin, Male	
2	4460943	2	Pin, Male	
2	4460754	1	Connector - 14 Position (To Console Box)	
2	4460465	8	Socket, Female	
2	4460944	2	Socket, Female	
2	4460466	4	Plug, Terminal	
2	4460891	1	Plug, Male - 2 Position (To Footswitch)	
2	4460465	2	Socket, Female	
2	4460897	1	Receptacle, Female - 2 Position (Footswitch Jumper)	
2	4460464	2	Pin, Male	
2	4460539	1	Plug, Male - 3 Position (To Overhead Switches)	
2	4460465	2	Socket, Female	
2	4460466	1	Plug, Terminal	
3	1001237132	1	Cable Assembly - Ground to Platform	
3	4460894	1	Plug, Male - 6 Position (To Platform Harness Item 2)	
3	4460465	4	Socket, Female	
3	4460944	2	Socket, Female	
3	4460899	1	Receptacle, Female - 6 Position (To Chassis Harness)	
3	4460464	4	Pin, Male	
3	4460943	2	Pin, Male	

SECTION 6 - ELECTRICAL

FIGURE 6-40. GROUND TO PLATFORM CABLE INSTALLATION - PLATFORM STRAIGHT CABLE ONLY (MACHINES WITH SN STARTING WITH 12, B2, G2 & M2)



ART_1001223650

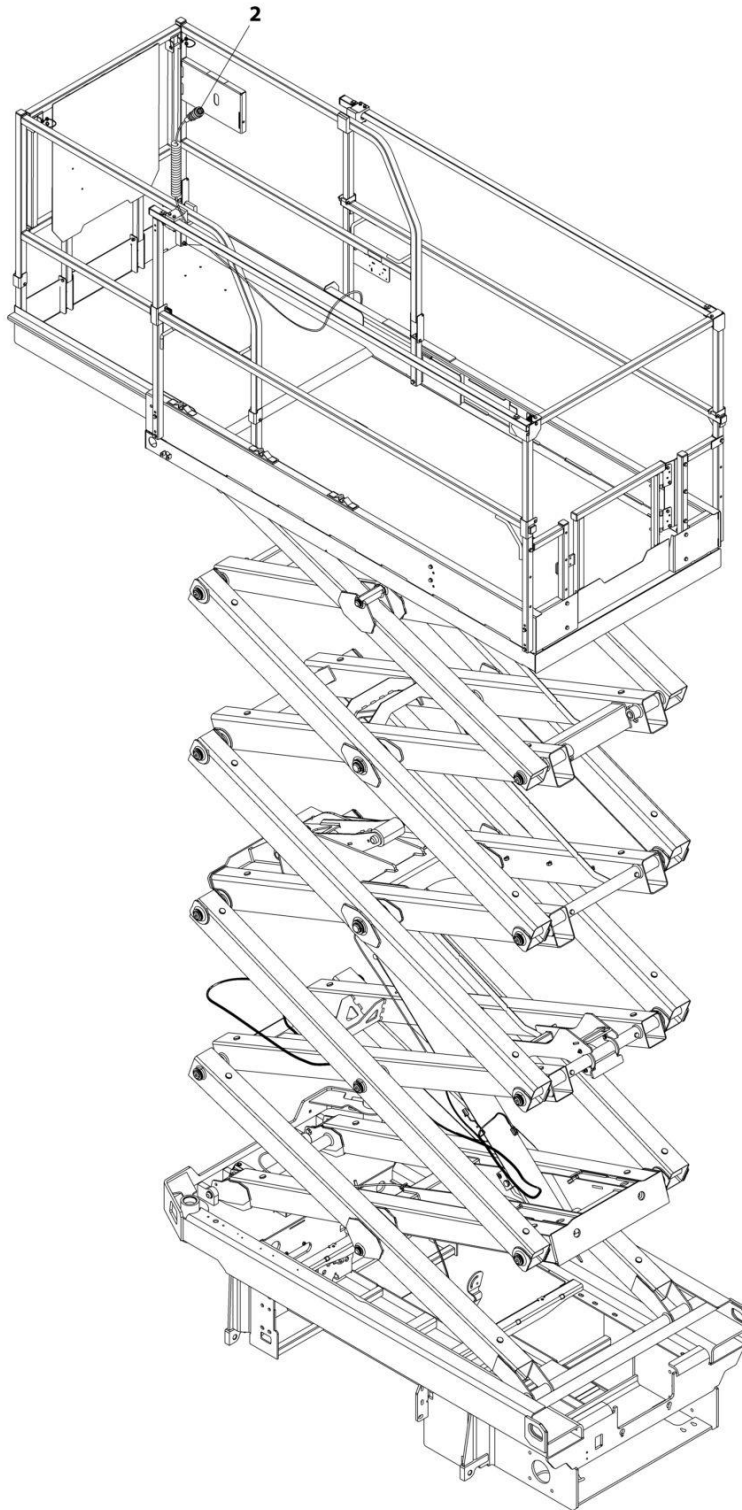
SECTION 6 - ELECTRICAL

FIGURE 6-40. GROUND TO PLATFORM CABLE INSTALLATION - PLATFORM STRAIGHT CABLE ONLY (MACHINES WITH SN STARTING WITH 12, B2, G2 & M2)

ITEM	PART NUMBER	QTY	DESCRIPTION	REV
	1001223650	Ref	GROUND TO PLATFORM CABLE INSTALLATION	A
1	4240017	AR	Tie-Strap (Not Shown)	
2	1001200812	1	Platform Harness	
2	4460899	1	Receptacle, Female - 6 position (To Platform/AC Cable Connector)	
2	4460464	4	Pin, Male	
2	4460943	2	Pin, Male	
2	4460754	1	Connector - 14 Position (To Console Box)	
2	4460465	8	Socket, Female	
2	4460466	6	Plug, Terminal	

SECTION 6 - ELECTRICAL

FIGURE 6-41. GROUND TO PLATFORM CABLE INSTALLATION - PLATFORM COIL CABLE ONLY
(MACHINES WITH SN STARTING WITH 12, B2, G2 & M2)



ART_1001223651

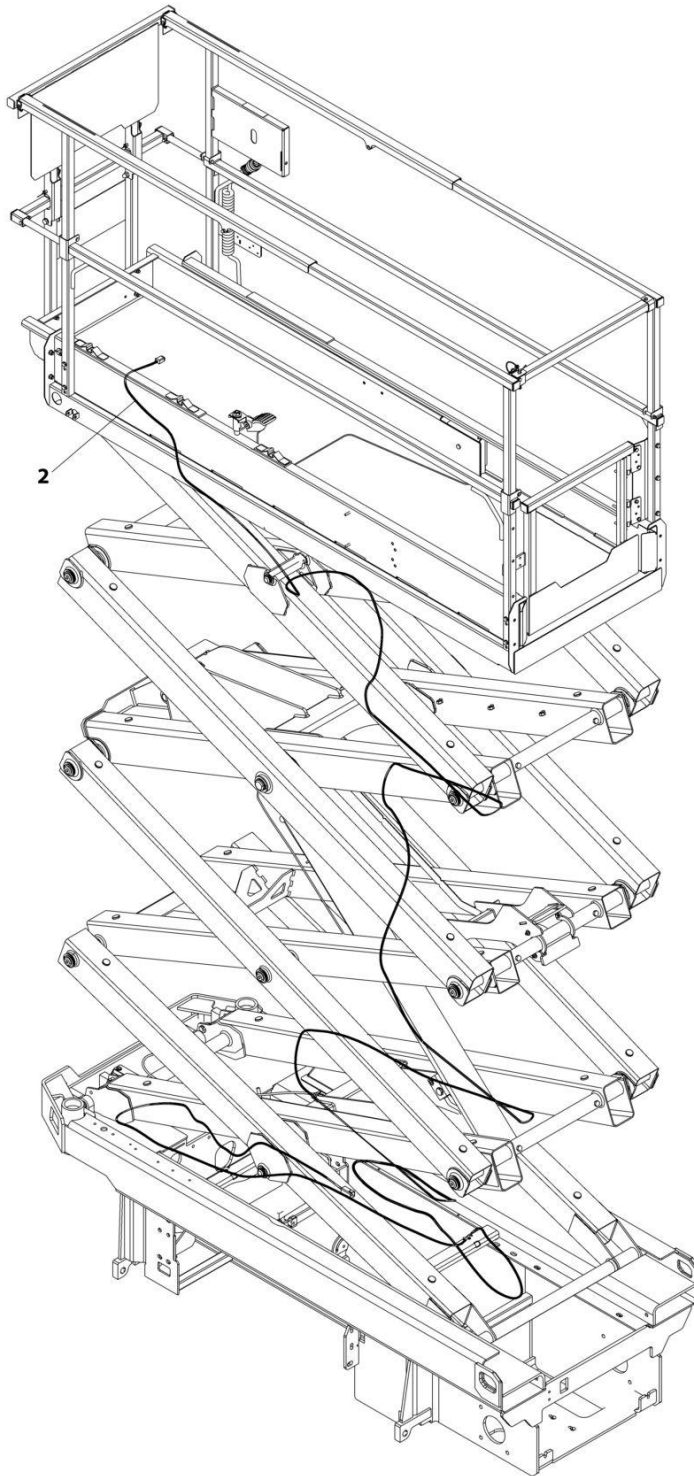
SECTION 6 - ELECTRICAL

**FIGURE 6-41. GROUND TO PLATFORM CABLE INSTALLATION - PLATFORM COIL CABLE ONLY
(MACHINES WITH SN STARTING WITH 12, B2, G2 & M2)**

ITEM	PART NUMBER	QTY	DESCRIPTION	REV
	1001223651	Ref	GROUND TO PLATFORM CABLE INSTALLATION	A
1	4240017	AR	Tie-Strap (Not Shown)	
2	1001202184	1	Platform Harness	
2	4460899	1	Receptacle, Female - 6 position (To Platform/AC Cable Connector)	
2	4460464	4	Pin, Male	
2	4460943	2	Pin, Male	
2	4460754	1	Connector - 14 Position (To Console Box)	
2	4460465	8	Socket, Female	
2	4460466	6	Plug, Terminal	

SECTION 6 - ELECTRICAL

**FIGURE 6-42. GROUND TO PLATFORM CABLE INSTALLATION - SCISSORS ARMS CABLE ONLY
(MACHINES WITH SN STARTING WITH 12, B2, G2 & M2)**



ART_1001239679

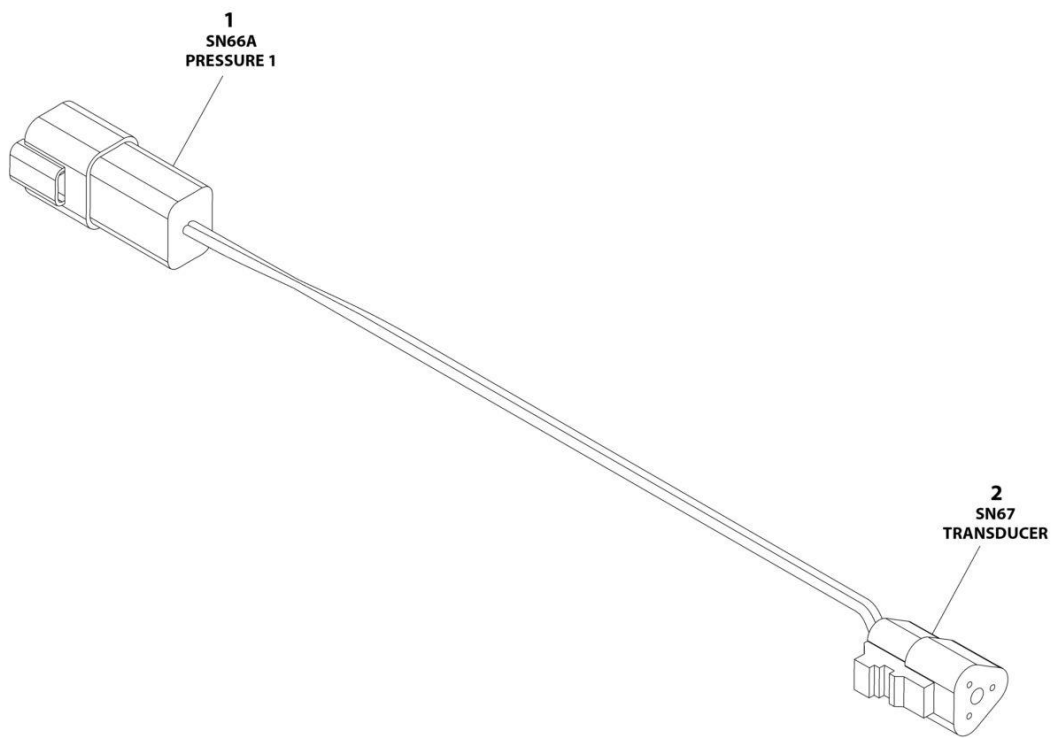
SECTION 6 - ELECTRICAL

**FIGURE 6-42. GROUND TO PLATFORM CABLE INSTALLATION - SCISSORS ARMS CABLE ONLY
(MACHINES WITH SN STARTING WITH 12, B2, G2 & M2)**

ITEM	PART NUMBER	QTY	DESCRIPTION	REV
	1001239679	Ref	GROUND TO PLATFORM CABLE INSTALLATION	F
1	4240017	AR	Tie-Strap (Not Shown)	
2	1001237132	1	Cable Assembly - Ground to Platform	
2	4460894	1	Plug, Male - 6 Position (To Platform Harness Item 2)	
2	4460465	4	Socket, Female	
2	4460944	2	Socket, Female	
2	4460899	1	Receptacle, Female - 6 Position (To Chassis Harness)	
2	4460464	4	Pin, Male	
2	4460943	2	Pin, Male	

SECTION 6 - ELECTRICAL

FIGURE 6-43. JUMPER HARNESS TO LIFT DOWN



ART_1001285829

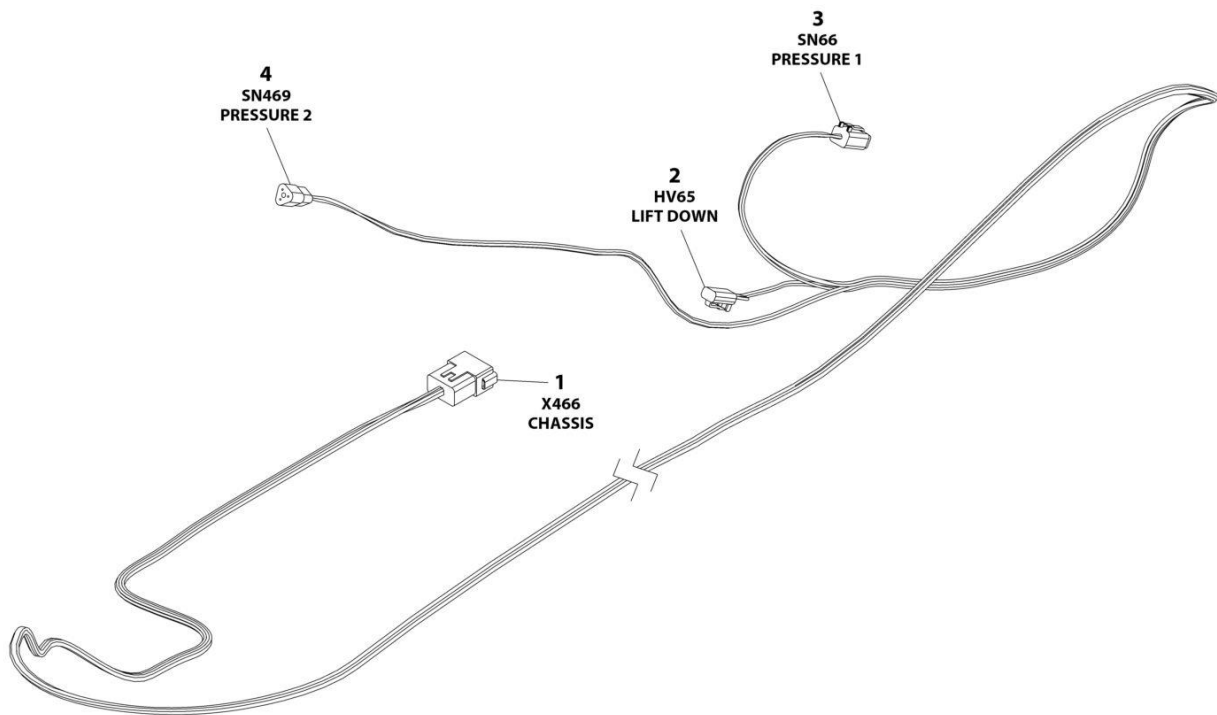
SECTION 6 - ELECTRICAL

FIGURE 6-43. JUMPER HARNESS TO LIFT DOWN

ITEM	PART NUMBER	QTY	DESCRIPTION	REV
	1001285829	Ref	JUMPER HARNESS TO LIFT DOWN	C
1	4460932	1	Connector	
1	4460464	2	Pin	
1	4460466	2	Plug	
2	4460539	1	Connector	
2	4460465	2	Pin	
2	4460466	1	Plug	

SECTION 6 - ELECTRICAL

FIGURE 6-44. LIFT DOWN HARNESS



ART_1001233795

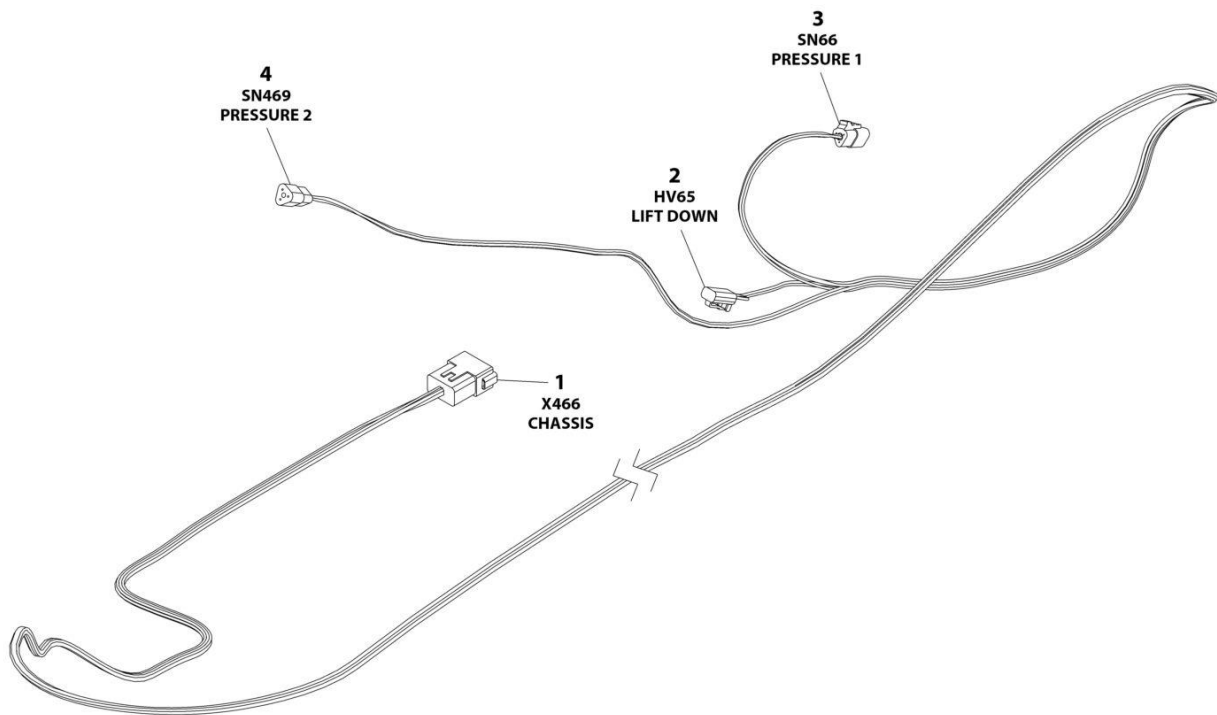
SECTION 6 - ELECTRICAL

FIGURE 6-44. LIFT DOWN HARNESS

ITEM	PART NUMBER	QTY	DESCRIPTION	REV
	1001233795	Ref	LIFT DOWN HARNESS	D
1	4460970	1	Receptacle, Female - 12 Position	
1	4460464	9	Pin, Male	
1	4460466	3	Plug, Terminal	
2	4460891	1	Plug, Male - 4 Position	
2	4460465	2	Socket, Female	
3	4460884	1	Plug, Male - 4 Position	
3	4460465	4	Socket, Female	
4	4460539	1	Plug, Male - 3 Position	
4	4460465	3	Socket, Female	

SECTION 6 - ELECTRICAL

FIGURE 6-45. LIFT DOWN HARNESS (SN B200087213 to Present, SN M200080311 to Present)



ART_1001294243

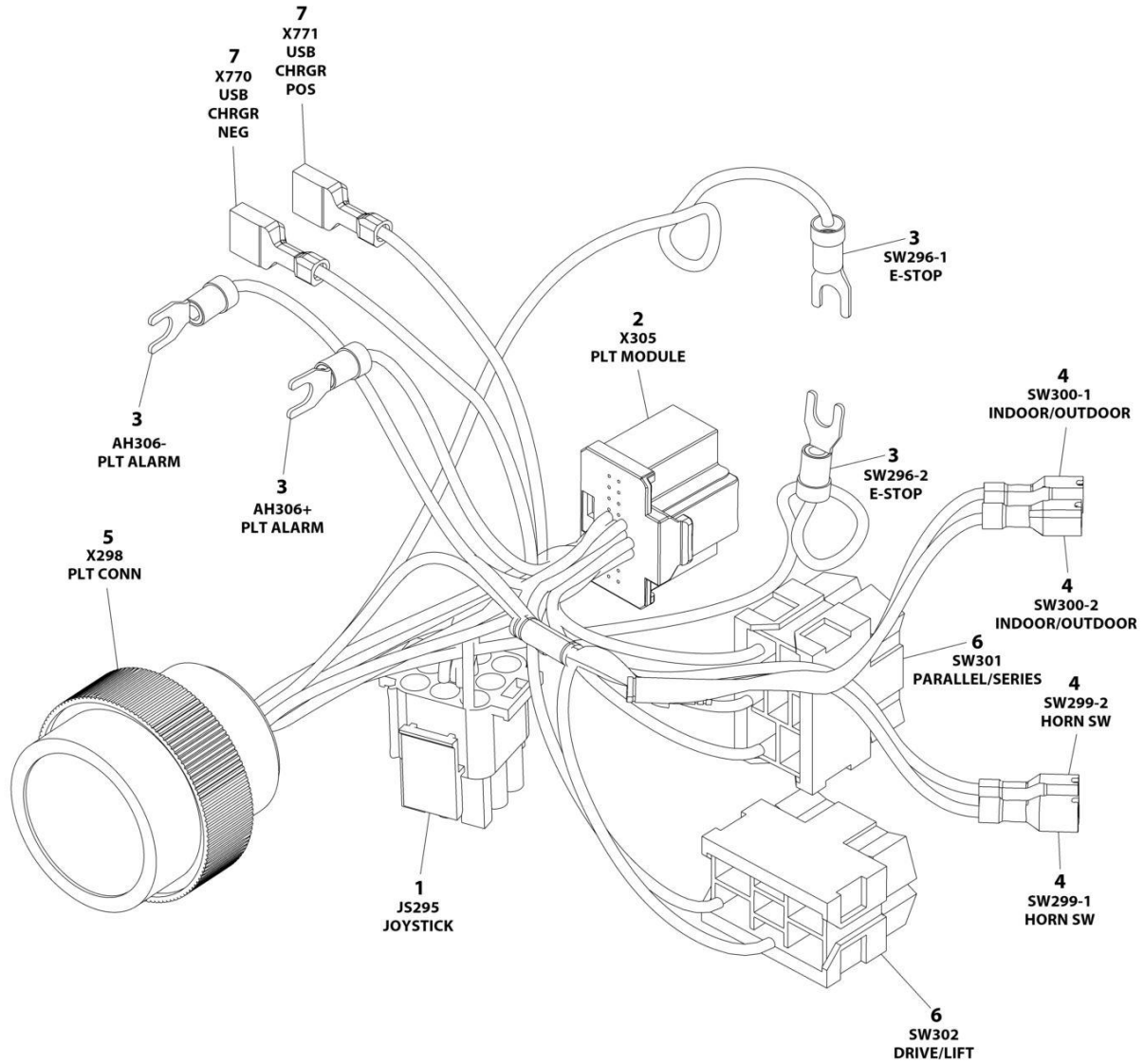
SECTION 6 - ELECTRICAL

FIGURE 6-45. LIFT DOWN HARNESS (SN B200087213 to Present, SN M200080311 to Present)

ITEM	PART NUMBER	QTY	DESCRIPTION	REV
	1001294243	Ref	LIFT DOWN HARNESS	A
1	4460970	1	Connector	
1	4460464	7	Pin	
1	4460466	5	Plug	
2	4460891	1	Connector	
2	4460465	2	Socket	
3	4460539	1	Connector	
3	4460465	2	Socket	
3	4460466	1	Plug	
4	4460539	1	Connector	
4	4460465	3	Socket	

SECTION 6 - ELECTRICAL

FIGURE 6-46. PLATFORM CONTROL BOX HARNESS



ART_1001200819

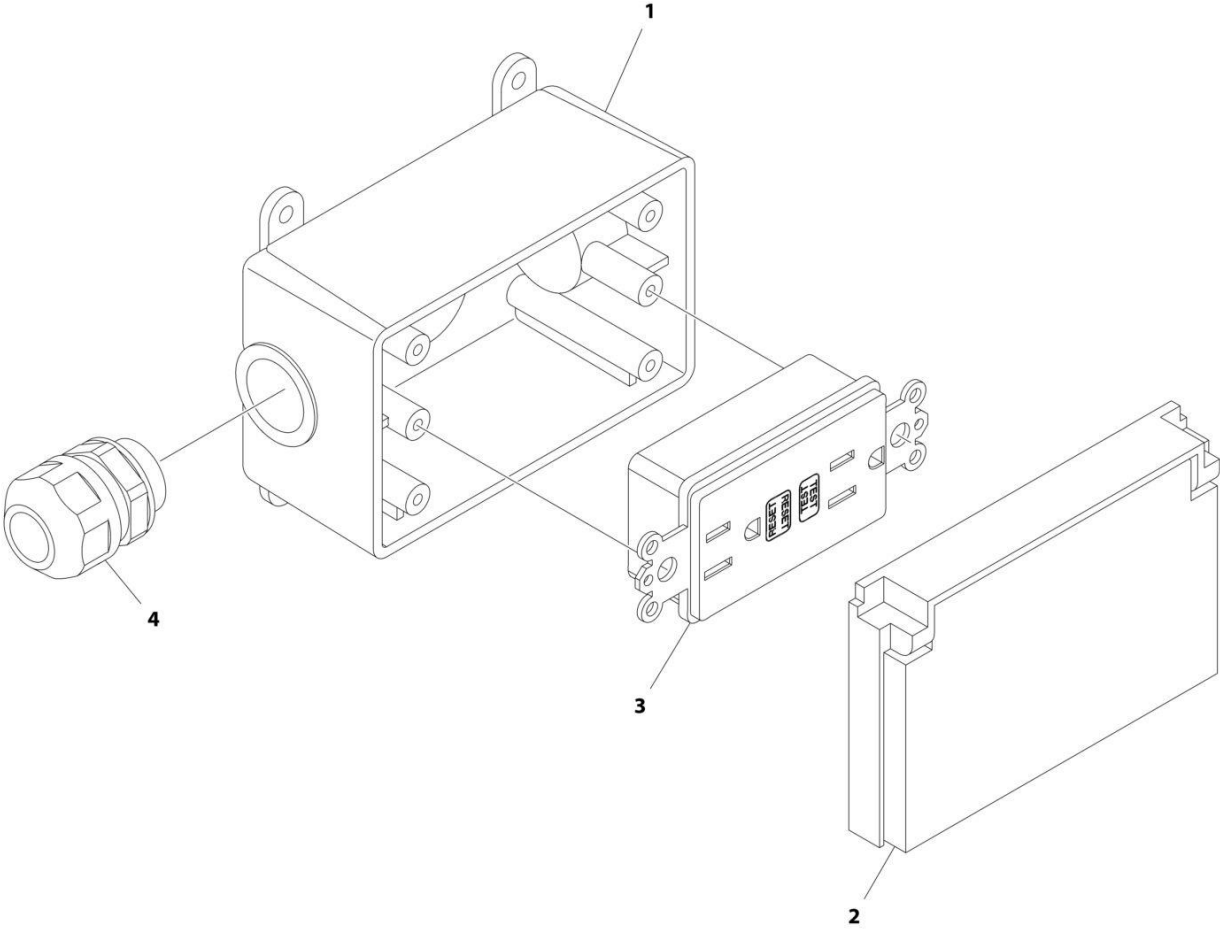
SECTION 6 - ELECTRICAL

FIGURE 6-46. PLATFORM CONTROL BOX HARNESS

ITEM	PART NUMBER	QTY	DESCRIPTION	REV
	1001200819	Ref	PLATFORM CONTROL BOX HARNESS	E
1	4460265	1	Plug, Male - 9 Position	
1	4460267	6	Pin, Male	
2	1001212036	1	Connector - 20 Position	
2	1001212035	16	Terminal	
3	4460183	4	Terminal, Fork	
4	1001201885	4	Terminal with Cover	
5	4461016	1	Connector - 14 Position	
5	4460464	8	Pin, Male	
5	4460466	6	Plug, Terminal	
6	4460418	2	Connector - 6 Position	
6	1001159186	5	Terminal	
7	1001194421	2	Terminal	

SECTION 6 - ELECTRICAL

FIGURE 6-47. RECEPTACLE BOX KIT - 110V GFI



ART_2902431

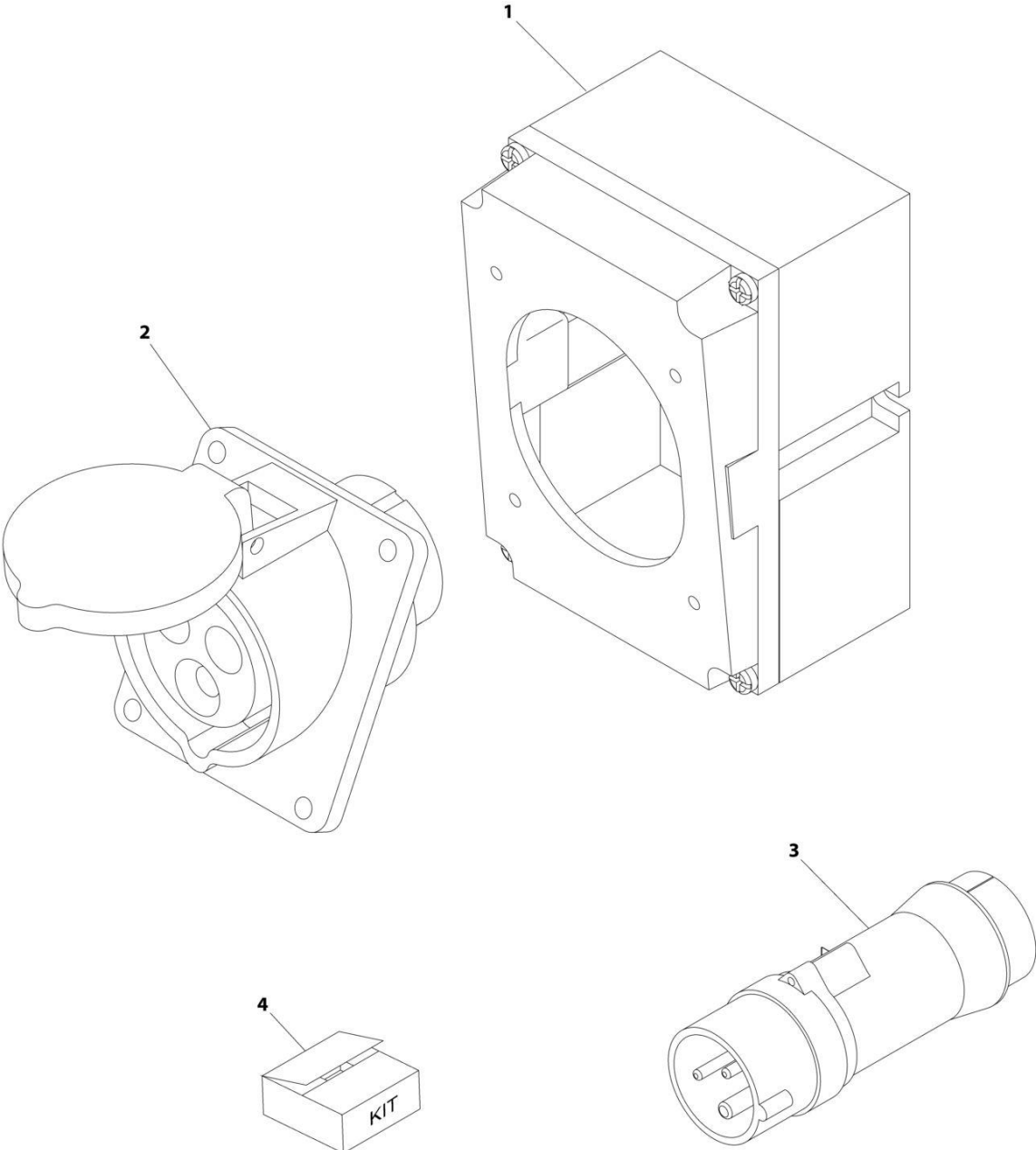
SECTION 6 - ELECTRICAL

FIGURE 6-47. RECEPTACLE BOX KIT - 110V GFI

ITEM	PART NUMBER	QTY	DESCRIPTION	REV
	2902431	Ref	RECEPTACLE BOX KIT - 110V GFI	D
1	0861731	1	Box, Receptacle	
2	1671207	1	Cover, Receptacle	
3	4460346	1	Receptacle	
4	4460662	1	Connector, Strain Relief	

SECTION 6 - ELECTRICAL

FIGURE 6-48. RECEPTACLE BOX KIT - 110V IEC YELLOW (CE & UK CA SPEC)



ART_0275216

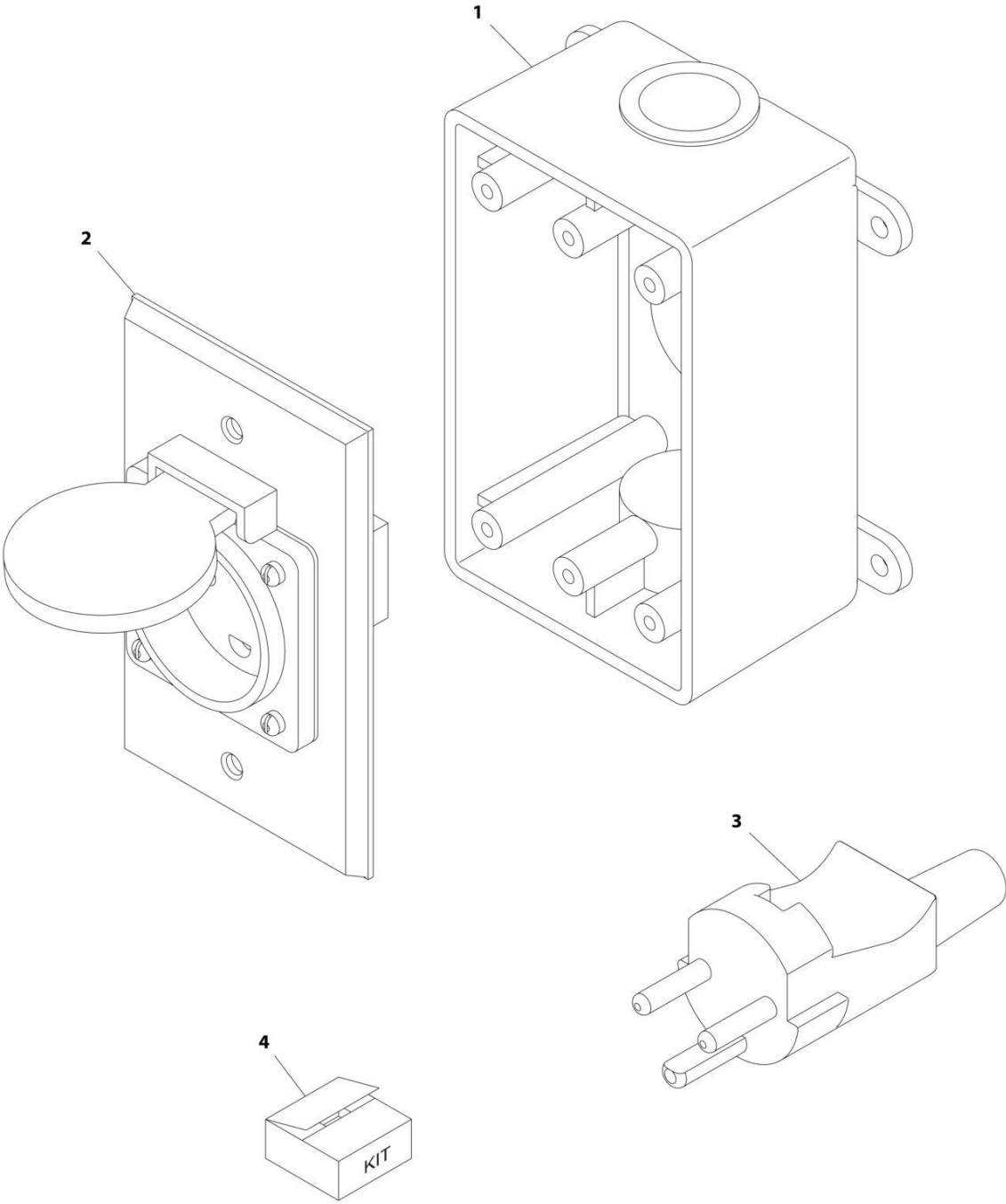
SECTION 6 - ELECTRICAL

FIGURE 6-48. RECEPTACLE BOX KIT - 110V IEC YELLOW (CE & UK CA SPEC)

ITEM	PART NUMBER	QTY	DESCRIPTION	REV
	0275216	Ref	RECEPTACLE BOX KIT - 110V IEC YELLOW	B
1	0861781	1	Box, Switch	
2	4461198	1	Receptacle	
3	4461196	1	Plug, Male	
4	1001100341	1	Plug and Socket Kit (Includes Items 1-3 and Female Plug p/n 4461197)	

SECTION 6 - ELECTRICAL

FIGURE 6-49. RECEPTACLE BOX KIT - 220V AFSINT 107 (CE & UK CA SPEC)



ART_0275454

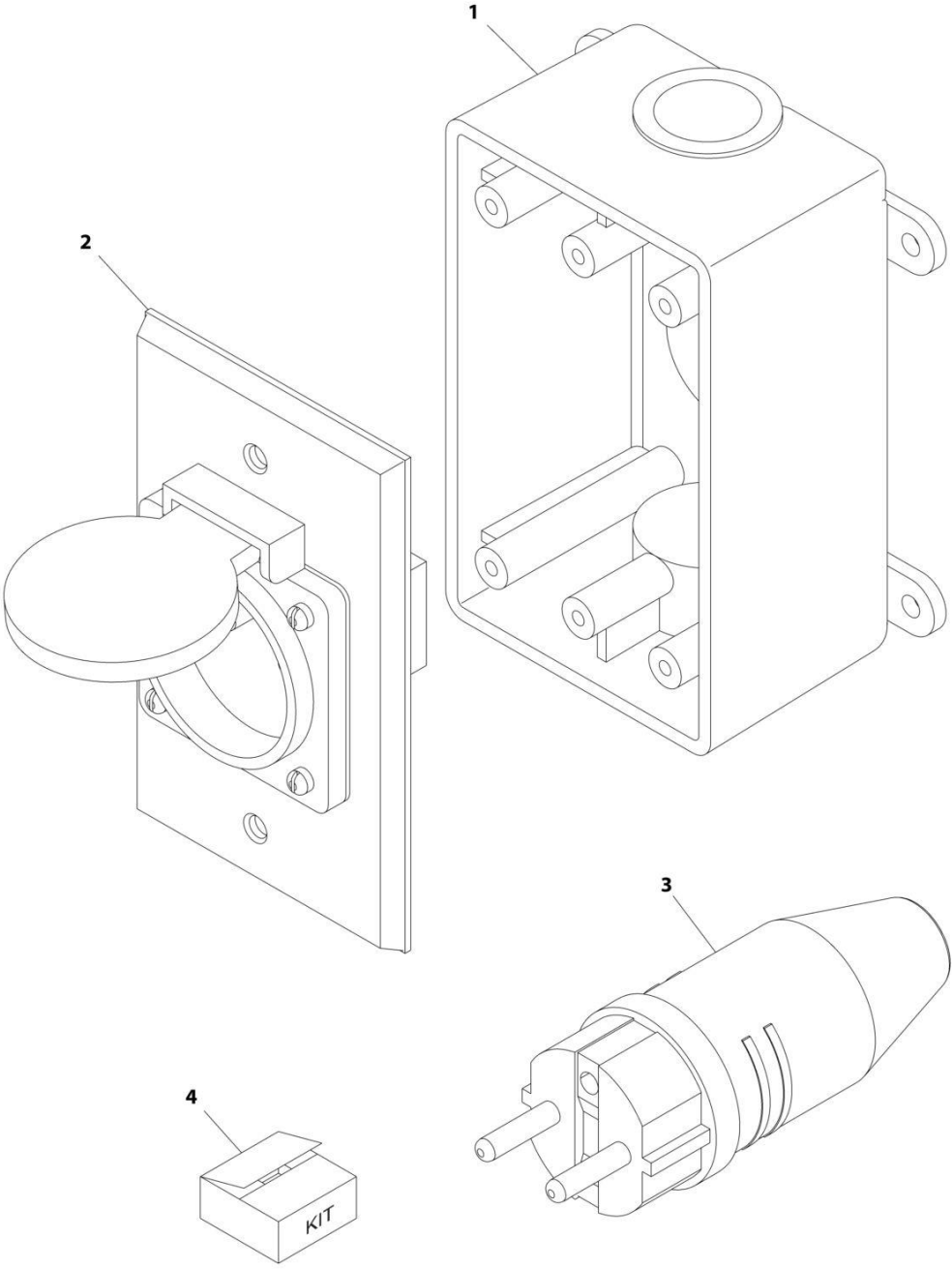
SECTION 6 - ELECTRICAL

FIGURE 6-49. RECEPTACLE BOX KIT - 220V AFSINT 107 (CE & UK CA SPEC)

ITEM	PART NUMBER	QTY	DESCRIPTION	REV
	0275454	Ref	RECEPTACLE BOX KIT - 220V AFSINT 107	B
1	0861731	1	Box, Switch	
2	4461246	1	Receptacle	
3	4461249	1	Plug, Male	
4	1001100346	1	Plug and Socket Kit (Includes Items 1-3 and Female Plug p/n 4461250)	

SECTION 6 - ELECTRICAL

FIGURE 6-50. RECEPTACLE BOX KIT - 220V CEE7 POST GROUND (CE & UK CA SPEC)



ART_0275452-C

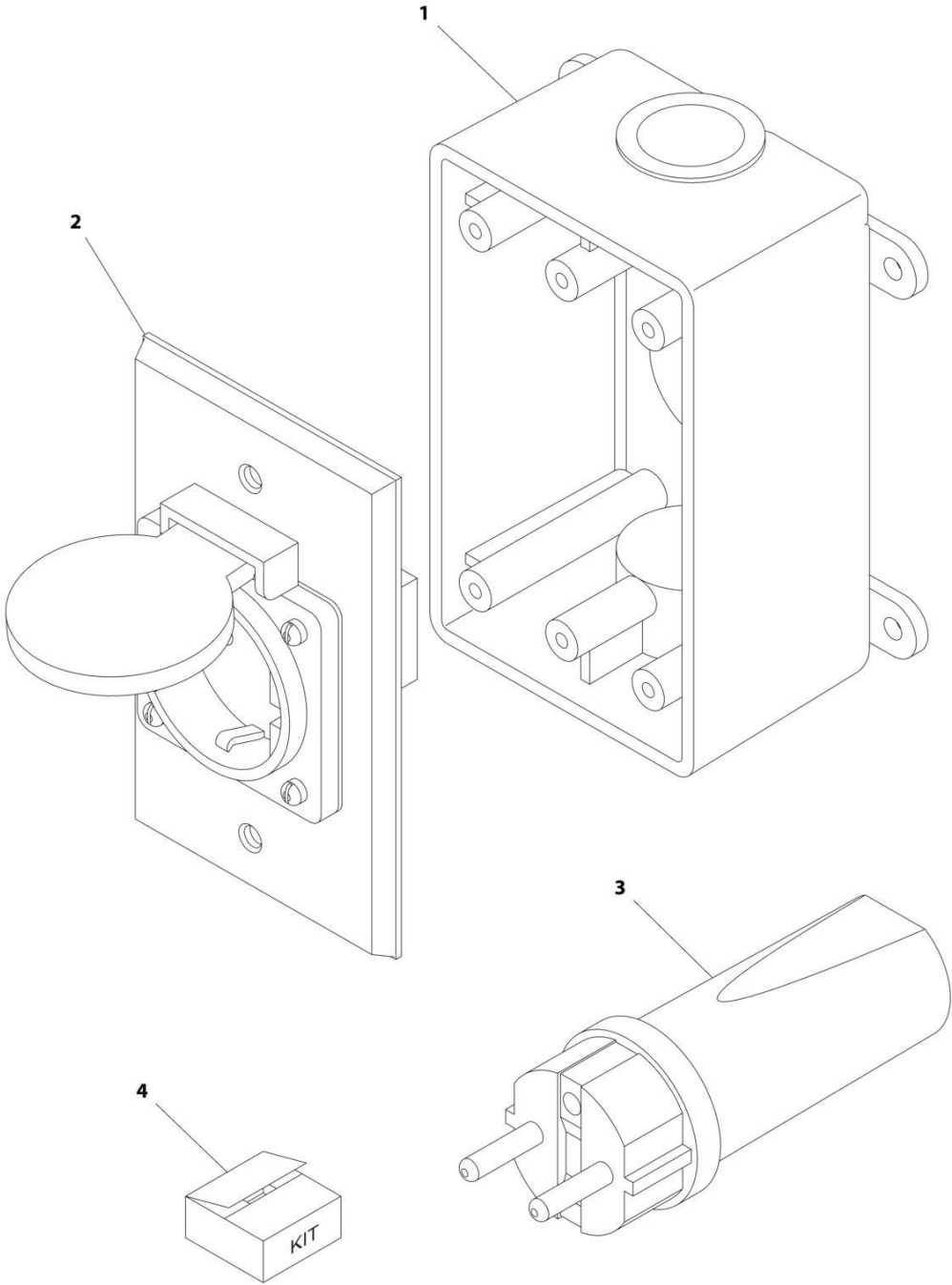
SECTION 6 - ELECTRICAL

FIGURE 6-50. RECEPTACLE BOX KIT - 220V CEE7 POST GROUND (CE & UK CA SPEC)

ITEM	PART NUMBER	QTY	DESCRIPTION	REV
	0275452	Ref	RECEPTACLE BOX KIT - 220V CEE7 POST GROUND 2IN X 4IN BOX	C
1	0861731	1	Box, Switch	
2	4461244	1	Receptacle	
3	4461205	1	Plug, Male	
4	1001100345	1	Plug and Socket Kit (Includes Items 1-3 and Female Plug p/n 4461203)	

SECTION 6 - ELECTRICAL

FIGURE 6-51. RECEPTACLE BOX KIT - 220V CEE7 SIDE GROUND (CE & UK CA SPEC)



ART_0275453

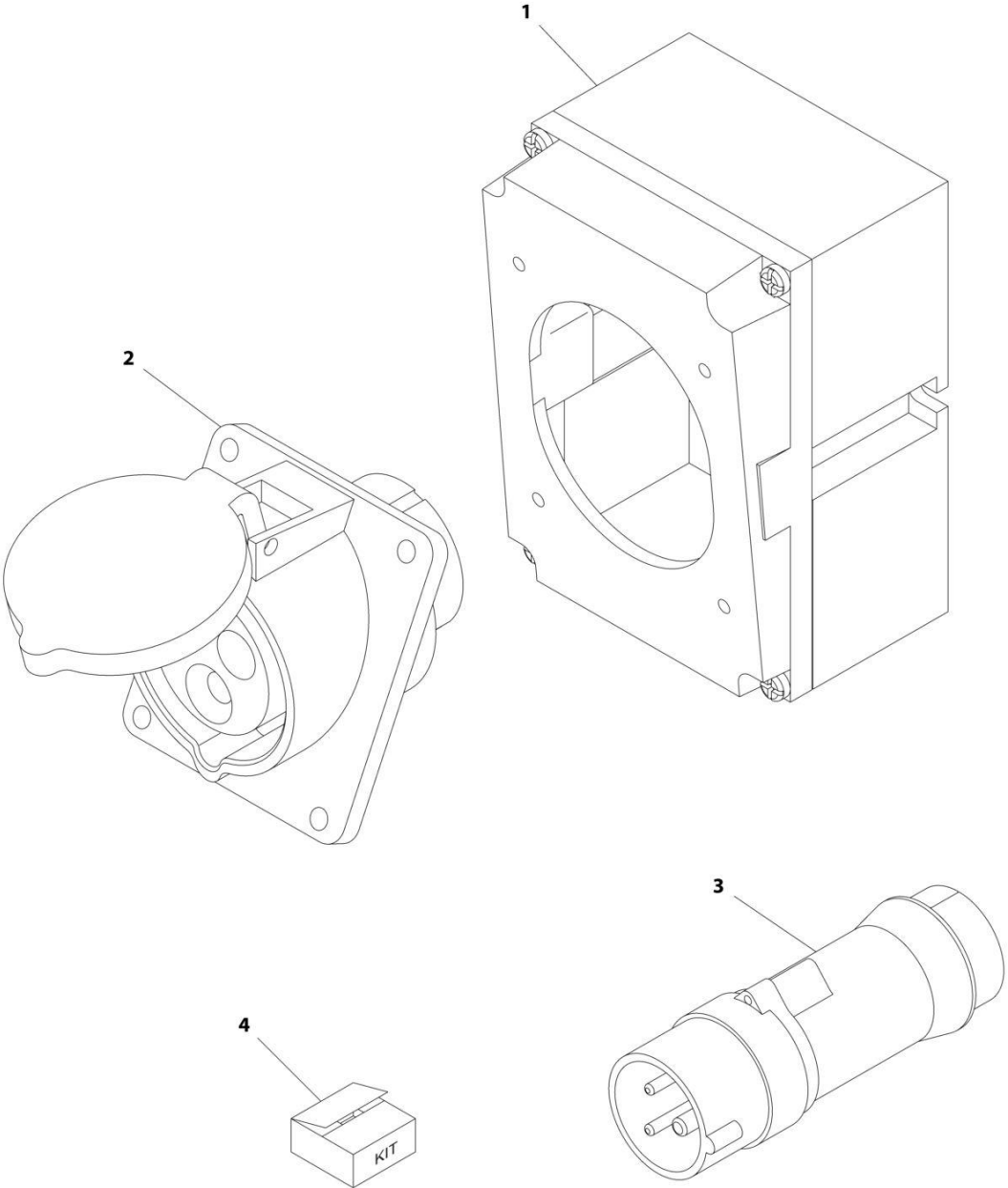
SECTION 6 - ELECTRICAL

FIGURE 6-51. RECEPTACLE BOX KIT - 220V CEE7 SIDE GROUND (CE & UK CA SPEC)

ITEM	PART NUMBER	QTY	DESCRIPTION	REV
	0275453	Ref	RECEPTACLE BOX KIT - 220V CEE7 SIDE GROUND	B
1	0861731	1	Box, Switch	
2	4461245	1	Receptacle	
3	4461205	1	Plug, Male	
4	1001100347	1	Plug and Socket Kit (Includes Items 1-3 and Female Plug p/n 4461206)	

SECTION 6 - ELECTRICAL

FIGURE 6-52. RECEPTACLE BOX KIT - 220V IEC BLUE (CE & UK CA SPEC)



ART_0275217

SECTION 6 - ELECTRICAL

FIGURE 6-52. RECEPTACLE BOX KIT - 220V IEC BLUE (CE & UK CA SPEC)

ITEM	PART NUMBER	QTY	DESCRIPTION	REV
	0275217	Ref	RECEPTACLE BOX KIT - 220V IEC BLUE	B
1	0861781	1	Box, Switch	
2	4461201	1	Receptacle	
3	4461199	1	Plug, Male	
4	1001100342	1	Plug and Socket Kit (Includes Items 1-3 and Female Plug p/n 4461200)	

SECTION 7 - DECALS

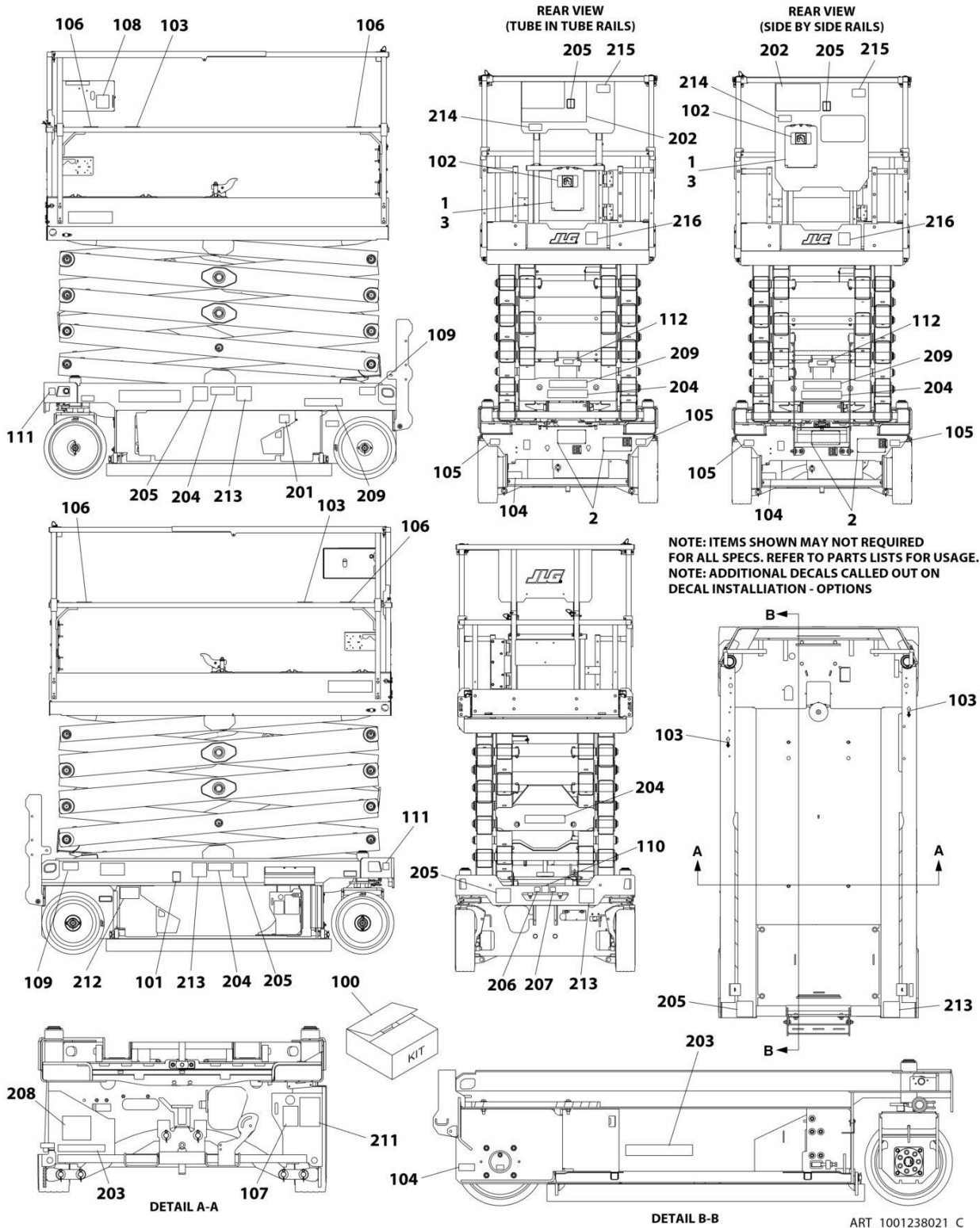
SECTION 7 - DECALS

FIGURE 7-1. DECAL INSTALLATION (ANSI SPECS)

ITEM	PART NUMBER	QTY	DESCRIPTION	REV
	1001238014	Ref	DECAL INSTALLATION (ENGLISH LANGUAGE)	D
	1001237749	Ref	DECAL REFERENCE CHART	H
1	2080040	3	Fastener	
2	2080057	4	Fastener	
3	8990147	1	Holder, Manual	
100	1001239270	1	Master Decal Kit	D
101	1701504	1	Decal - Hydraulic Oil	
102	1701640	1	Decal - Manual	
103	1703819	4	Decal - Direction Arrow	
104	1001248126	1	Decal - Manual Descent Instructions	
105	1704016	2	Decal - Fork Lift	
106	1704277	4	Decal - Lanyard Attach	
107	1704412	1	Decal - Hydraulic Oil	
108	1001132359	1	Decal - Control Box Locate	
109	1001162864	2	Decal - Lift Point/Tie Down	
110	1001212290	1	Decal - Tie Down	
111	1001212291	2	Decal - Lifting Lug	
112	1001237899	1	Decal - Arms Prop	
201	1702155	1	Decal - Battery Disconnect	
202	1703816	1	Decal - Danger/Warning	
203	1001146794	1	Decal - Battery/Charger Service	
204	1001211777	4	Decal - Crushing Hazard	
205	1001211779	4	Decal - Electrocution	
206	1001212292	1	Decal - No Lifting	
207	1001212293	1	Decal - No Forklift	
208	1001237538	1	Decal - Battery Spacer	
209	1703813	2	Decal - Warning Battery Ventilation	
211	1001131270	1	Decal - Patent	
212	1001223055	1	Decal - Yearly Inspection	
214	1001228370	1	Decal - ICES	
215	1001231801	1	Decal - Warning Prop 65	

SECTION 7 - DECALS

FIGURE 7-2. DECAL INSTALLATION (AUSTRALIAN SPECS)



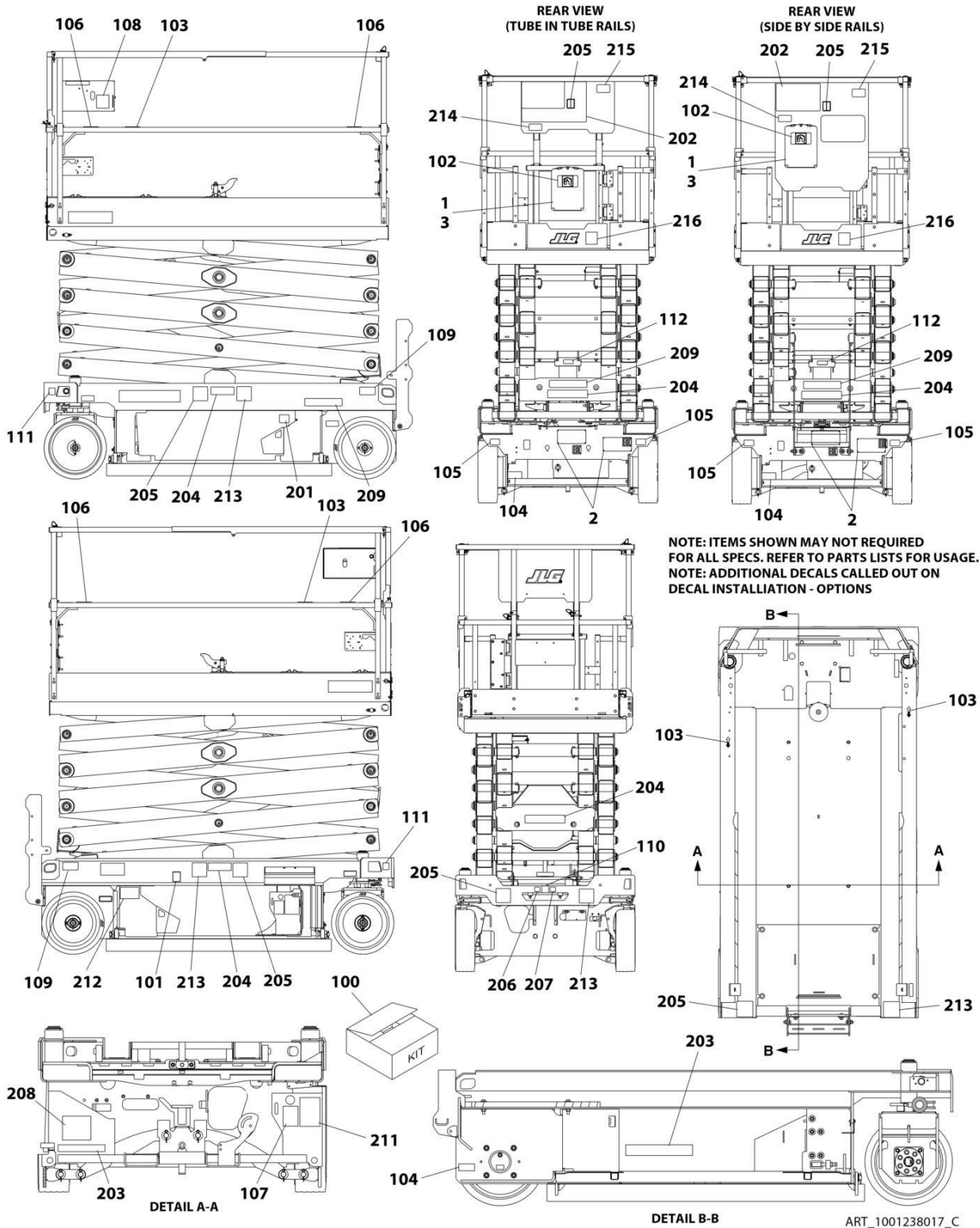
SECTION 7 - DECALS

FIGURE 7-2. DECAL INSTALLATION (AUSTRALIAN SPECS)

ITEM	PART NUMBER	QTY	DESCRIPTION	REV
	1001238021	Ref	DECAL INSTALLATION (ENGLISH LANGUAGE)	C
	1001237749	Ref	DECAL REFERENCE CHART	H
1	2080040	3	Fasteners	
2	2080057	4	Fasteners	
3	8990147	1	Holder, Manual	
100	1001239270	1	Master Decal Kit	D
101	1701504	1	Decal - Hydraulic Oil	
102	1701640	1	Decal - Manual	
103	1703819	4	Decal - Direction Arrow	
104	1001248126	1	Decal - Manual Descent Instructions	
105	1704016	2	Decal - Fork Lift	
106	1704277	4	Decal - Lanyard Attach Graphic	
107	1704412	1	Decal - Hydraulic Oil	
108	1001132359	1	Decal - Control Box Locate	
109	1001162864	2	Decal - Lift Point/Tie Down	
110	1001212290	1	Decal - Tie Down	
111	1001212291	2	Decal - Lifting Lug	
112	1001237899	1	Decal - Arms Prop	
201	1702155	1	Decal - Battery Disconnect	
203	1001146794	1	Decal - Battery/Charger Service	
204	1705673	4	Decal - Crushing	
205	1705671	5	Decal - Electrocution	
206	1001212292	1	Decal - No Lifting	
207	1001212293	1	Decal - No Forklift	
208	1001237538	1	Decal - Battery Spacer	
209	1705670	2	Decal - Fire Hazard	

SECTION 7 - DECALS

FIGURE 7-3. DECAL INSTALLATION (BRAZIL SPECS)



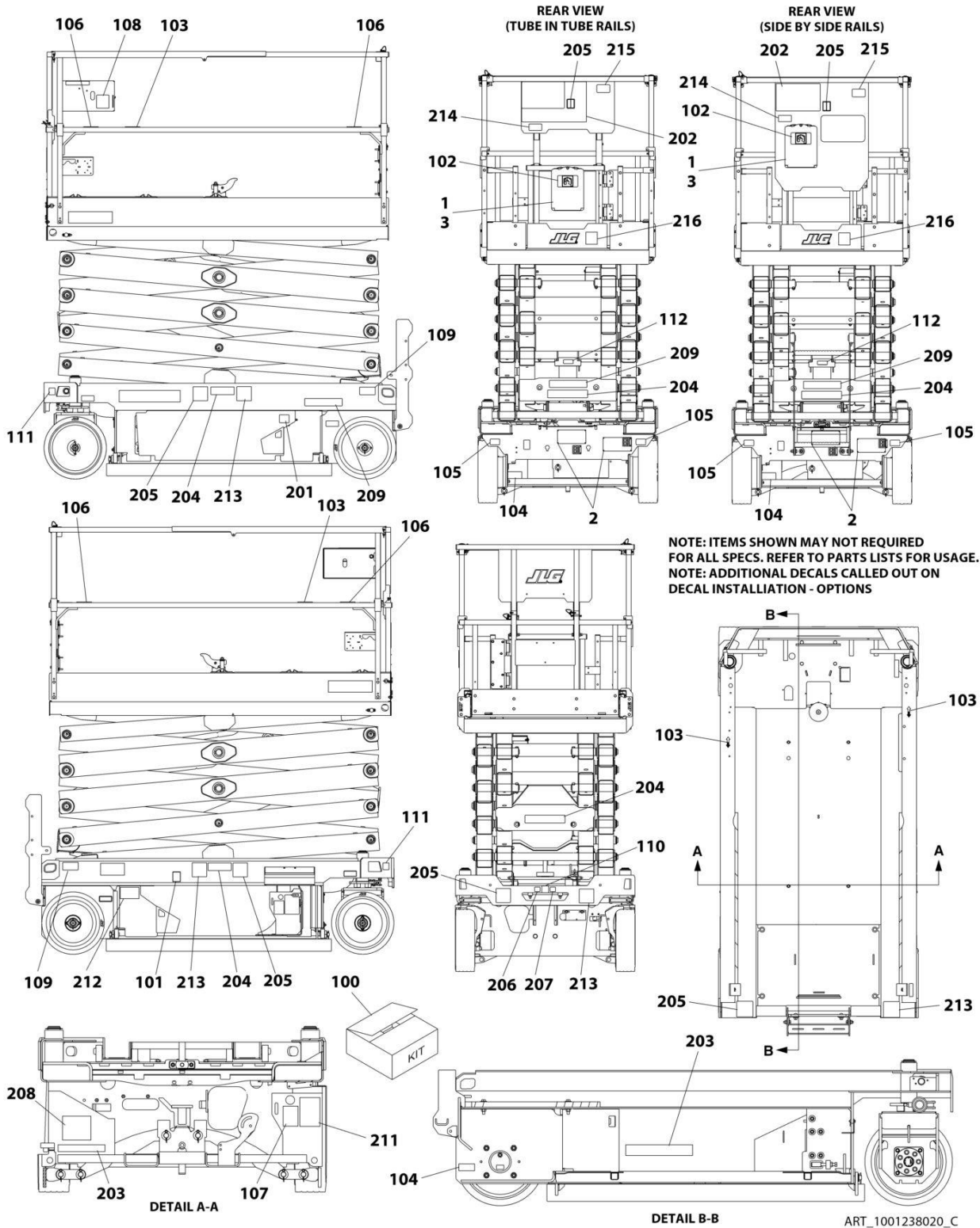
SECTION 7 - DECALS

FIGURE 7-3. DECAL INSTALLATION (BRAZIL SPECS)

ITEM	PART NUMBER	QTY	DESCRIPTION	REV
	1001238017	Ref	DECAL INSTALLATION (SPANISH/PORTUGUESE LANGUAGE)	C
	1001237749	Ref	DECAL REFERENCE CHART	H
1	2080040	3	Fastener	
2	2080057	4	Fastener	
3	8990147	1	Holder, Manual	
100	1001239270	1	Master Decal Kit	D
101	1701504	1	Decal - Hydraulic Oil	
102	1701640	1	Decal - Manual	
103	1703819	4	Decal - Direction Arrow	
104	1001248126	1	Decal - Manual Descent Instructions	
105	1704016	2	Decal - Fork Lift	
106	1704277	4	Decal - Lanyard Attach	
107	1704412	1	Decal - Hydraulic Oil	
108	1001132359	1	Decal - Control Box Locate	
109	1001162864	2	Decal - Lift Point/Tie Down	
110	1001212290	1	Decal - Tie Down	
111	1001212291	2	Decal - Lifting Lug	
112	1001237899	1	Decal - Arms Prop	
201	1702155	1	Decal - Battery Disconnect	
202	1704699	1	Decal - Danger/Warning	
203	1001146794	1	Decal - Battery/Charger Service	
204	1001216650	4	Decal - Crushing Hazard	
205	1001215748	4	Decal - Electrocution	
206	1001212292	1	Decal - No Lifting	
207	1001212293	1	Decal - No Forklift	
208	1001237538	1	Decal - Battery Spacer	
209	1704341	2	Decal - Warning Battery Ventilation	
212	1001224052	1	Decal - Yearly Inspection	
213	1001216648	4	Decal - Danger Electrocution	

SECTION 7 - DECALS

FIGURE 7-4. DECAL INSTALLATION (CE & UK CA SPECS)



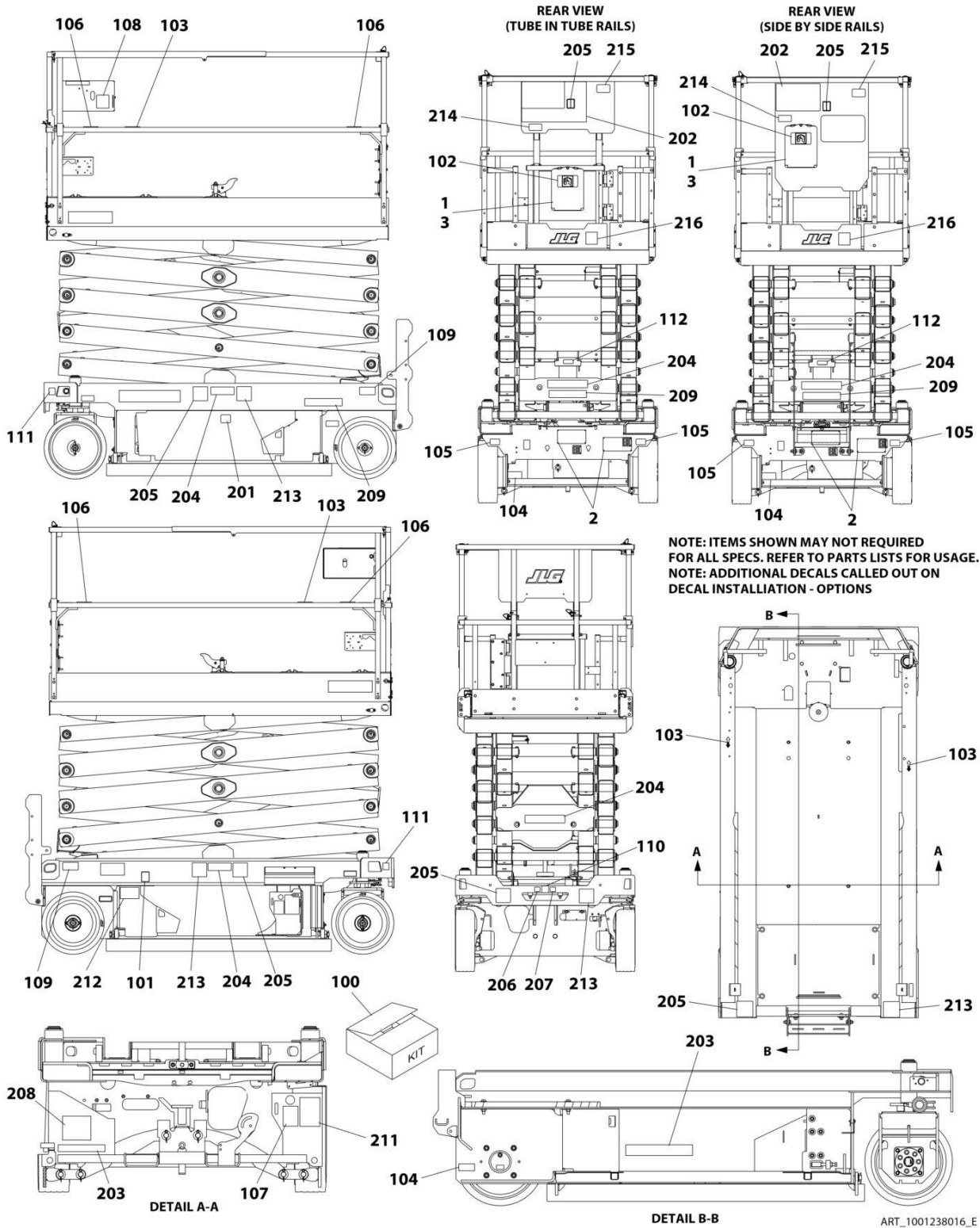
SECTION 7 - DECALS

FIGURE 7-4. DECAL INSTALLATION (CE & UK CA SPECS)

ITEM	PART NUMBER	QTY	DESCRIPTION	REV
	1001238020	Ref	DECAL INSTALLATION (ENGLISH LANGUAGE)	C
	1001237749	Ref	DECAL REFERENCE CHART	H
1	2080040	3	Fastener	
2	2080057	4	Fastener	
3	8990147	1	Holder, Manual	
100	1001239270	1	Master Decal Kit	D
101	1701504	1	Decal - Hydraulic Oil	
102	1701640	1	Decal - Manual	
103	1703819	4	Decal - Direction Arrow	
104	1001248126	1	Decal - Manual Descent Instructions	
105	1704016	2	Decal - Fork Lift	
106	1704277	4	Decal - Lanyard Attach	
107	1704412	1	Decal - Hydraulic Oil	
108	1001132359	1	Decal - Control Box Locate	
109	1001162864	2	Decal - Lift Point/Tie Down	
110	1001212290	1	Decal - Tie Down	
111	1001212291	2	Decal - Lifting Lug	
112	1001237899	1	Decal - Arms Prop	
201	1702155	1	Decal - Battery Disconnect	
203	1001146795	1	Decal - Battery/Charger Service	
204	1705673	4	Decal - Crushing	
205	1705671	5	Decal - Electrocution	
206	1001212292	1	Decal - No Lifting	
207	1001212293	1	Decal - No Forklift	
208	1001237538	1	Decal - Battery Spacer	
209	1705670	2	Decal - Fire Hazard	

SECTION 7 - DECALS

FIGURE 7-5. DECAL INSTALLATION (CHINA SPECS)



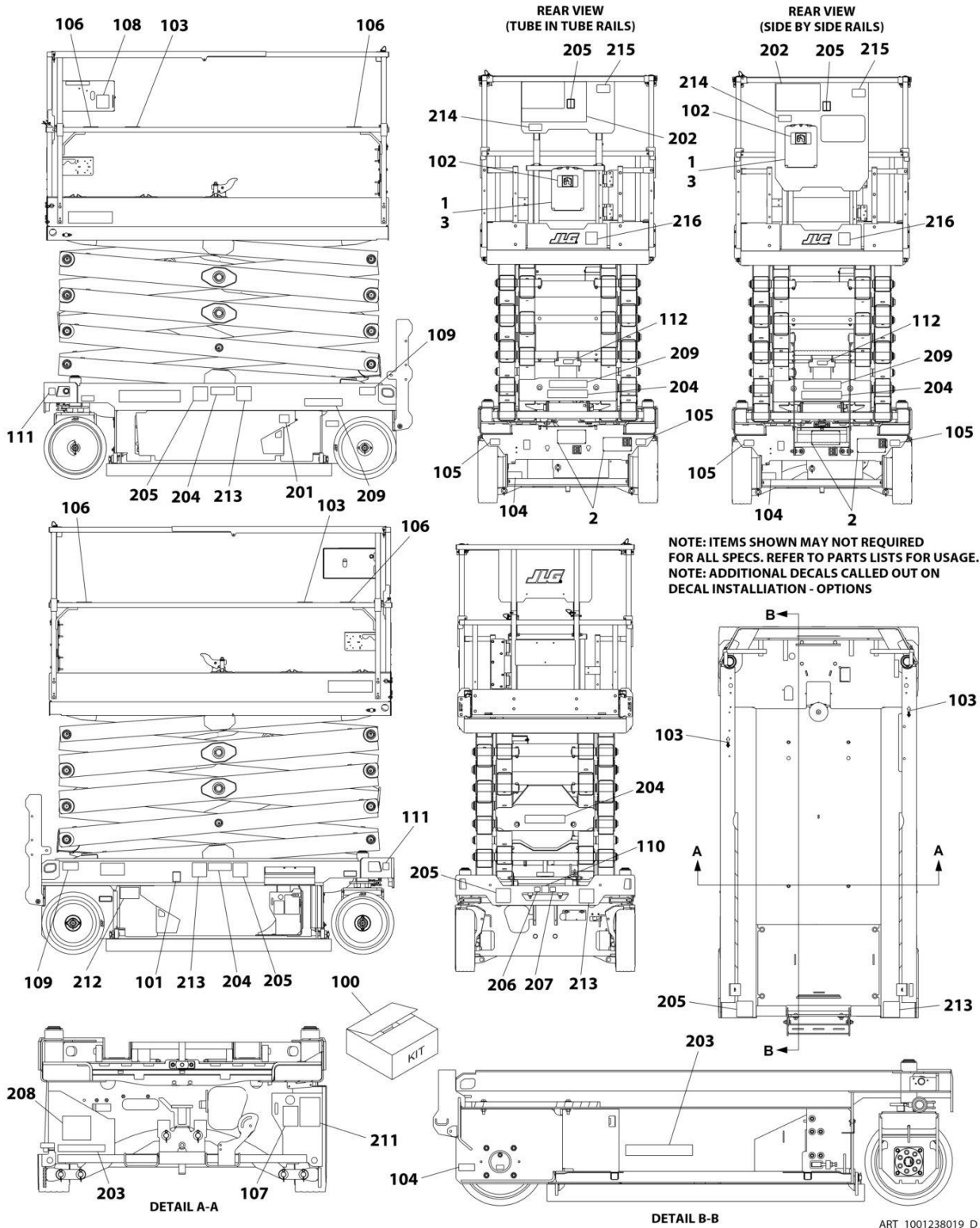
SECTION 7 - DECALS

FIGURE 7-5. DECAL INSTALLATION (CHINA SPECS)

ITEM	PART NUMBER	QTY	DESCRIPTION	REV
	1001238016	Ref	DECAL INSTALLATION (ENGLISH/CHINESE LANGUAGE)	E
	1001237749	Ref	DECAL REFERENCE CHART	H
1	2080040	3	Fastener	
2	2080057	4	Fastener	
3	8990147	1	Holder, Manual	
100	1001239270	1	Master Decal Kit	D
101	1701504	1	Decal - Hydraulic Oil	
102	1701640	1	Decal - Manual	
103	1703819	4	Decal - Direction Arrow	
104	1001248126	1	Decal – Manual Descent Instructions	
105	1704016	2	Decal - Fork Lift	
106	1704277	4	Decal - Lanyard Attach	
107	1704412	1	Decal - Hydraulic Oil	
108	1001132359	1	Decal - Control Box Locate	
109	1001162864	2	Decal - Lift Point/Tie Down	
110	1001212290	1	Decal - Tie Down	
111	1001212291	2	Decal - Lifting Lug	
112	1001237899	1	Decal - Arms Prop	
201	1702155	1	Decal - Battery Disconnect	
202	1705195	1	Decal - Danger/Warning	
203	1001146794	1	Decal - Battery/Charger Service	
204	1001215752	4	Decal - Crushing Hazard	
205	1001211779	4	Decal - Electrocution	
206	1001212292	1	Decal - No Lifting	
207	1001212293	1	Decal - No Forklift	
208	1001237538	1	Decal - Battery Spacer	
209	1704344	2	Decal - Warning Battery Ventilation	
212	1001224051	1	Decal - Yearly Inspection	
213	1001215747	4	Decal - Danger Electrocution	
216	1001244298	1	Decal - Wechat QR Code	

SECTION 7 - DECALS

FIGURE 7-6. DECAL INSTALLATION (CSA SPECS)



ART_1001238019_D

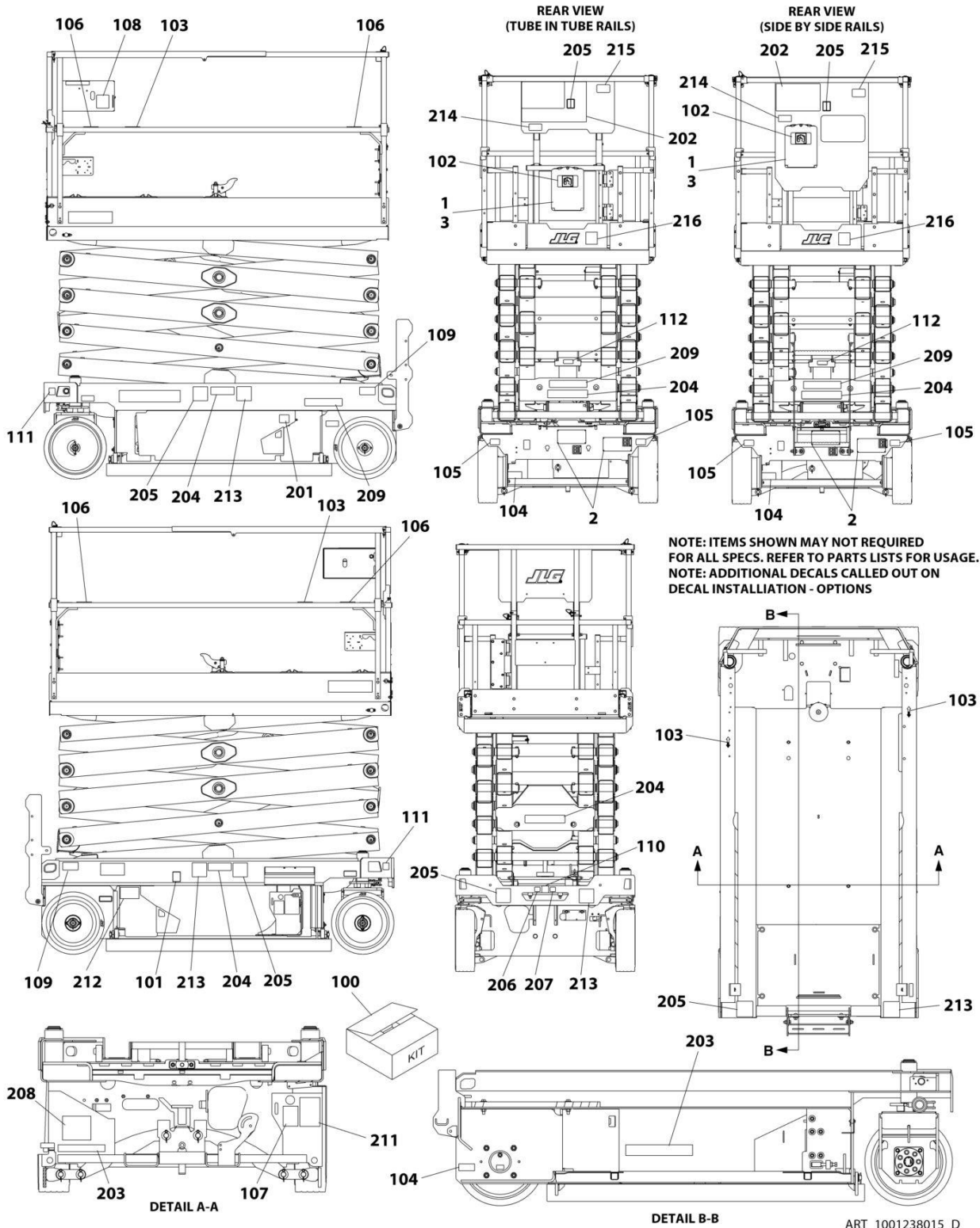
SECTION 7 - DECALS

FIGURE 7-6. DECAL INSTALLATION (CSA SPECS)

ITEM	PART NUMBER	QTY	DESCRIPTION	REV
	1001238019	Ref	DECAL INSTALLATION (ENGLISH/FRENCH LANGUAGE)	D
	1001237749	Ref	DECAL REFERENCE CHART	H
1	2080040	3	Fastener	
2	2080057	4	Fastener	
3	8990147	1	Holder, Manual	
100	1001239270	1	Master Decal Kit	D
101	1701504	1	Decal - Hydraulic Oil	
102	1701640	1	Decal - Manual	
103	1703819	4	Decal - Direction Arrow	
104	1001248126	1	Decal - Manual Descent Instructions	
105	1704016	2	Decal - Fork Lift	
106	1704277	4	Decal - Lanyard Attach	
107	1704412	1	Decal - Hydraulic Oil	
108	1001132359	1	Decal - Control Box Locate	
109	1001162864	2	Decal - Lift Point/Tie Down	
110	1001212290	1	Decal - Tie Down	
111	1001212291	2	Decal - Lifting Lug	
112	1001237899	1	Decal - Arms Prop	
201	1702155	1	Decal - Battery Disconnect	
202	1704684	1	Decal - Danger/Warning	
203	1001146794	1	Decal - Battery/Charger Service	
204	1001215755	4	Decal - Crushing Hazard	
205	1001211779	4	Decal - Electrocution	
206	1001212292	1	Decal - No Lifting	
207	1001212293	1	Decal - No Forklift	
208	1001237538	1	Decal - Battery Spacer	
209	1704340	2	Decal - Warning Battery Ventilation	
211	1001131270	1	Decal - Patent	
212	1001223971	1	Decal - Yearly Inspection	
213	1001215749	4	Decal - Danger Electrocution	
214	1001228370	1	Decal - ICES	
215	1001231801	1	Decal - Warning Prop 65	

SECTION 7 - DECALS

FIGURE 7-7. DECAL INSTALLATION (KOREAN SPECS)



ART_1001238015_D

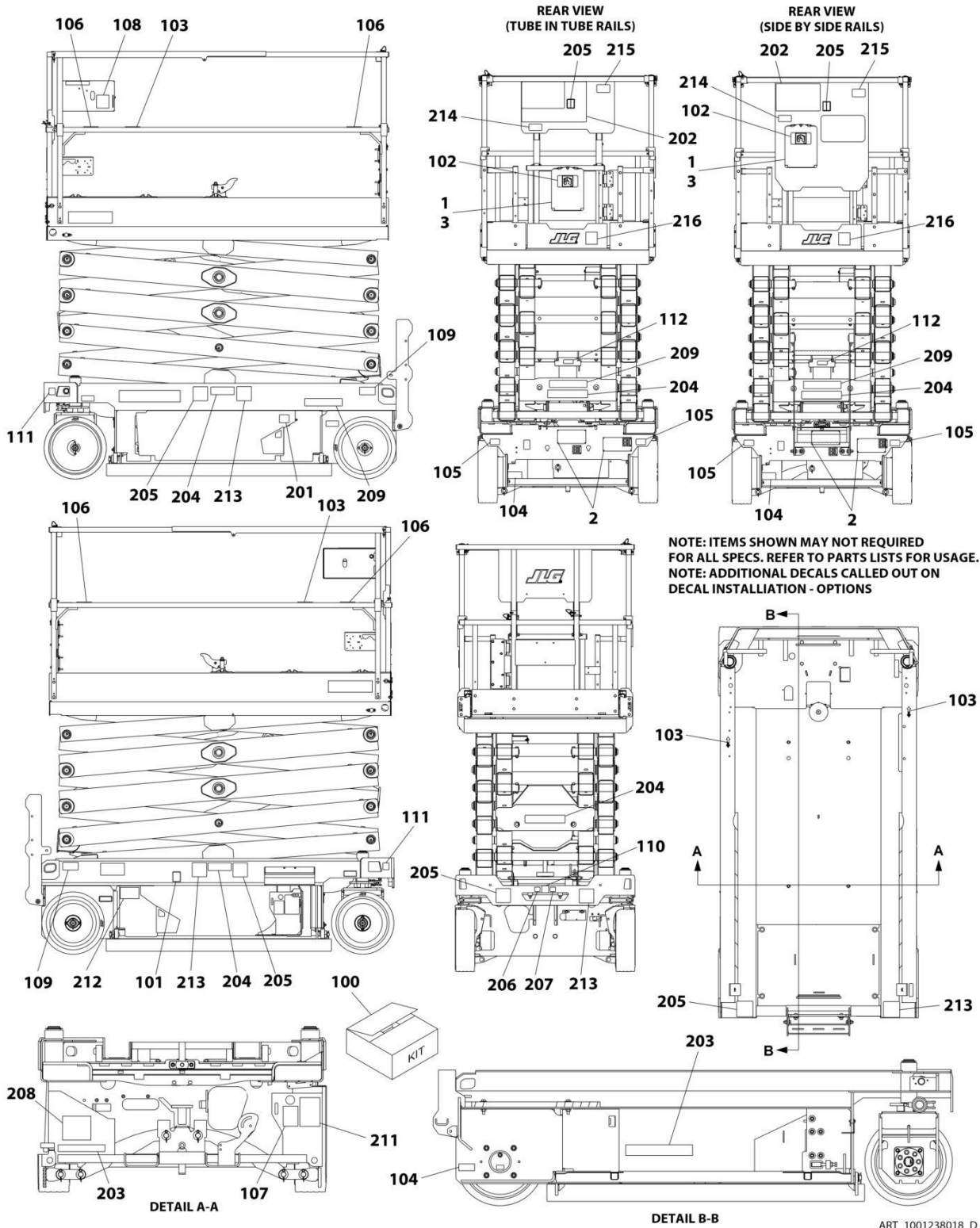
SECTION 7 - DECALS

FIGURE 7-7. DECAL INSTALLATION (KOREAN SPECS)

ITEM	PART NUMBER	QTY	DESCRIPTION	REV
	1001238015	Ref	DECAL INSTALLATION (ENGLISH/KOREAN LANGUAGES)	D
	1001237749	Ref	DECAL REFERENCE CHART	H
1	2080040	3	Fastener	
2	2080057	4	Fastener	
3	8990147	1	Holder, Manual	
100	1001239270	1	Master Decal Kit	D
101	1701504	1	Decal - Hydraulic Oil	
102	1701640	1	Decal - Manual	
103	1703819	4	Decal - Direction Arrow	
104	1001248126	1	Decal - Manual Descent Instructions	
105	1704016	2	Decal - Fork Lift	
106	1704277	4	Decal - Lanyard Attach	
107	1704412	1	Decal - Hydraulic Oil	
108	1001132359	1	Decal - Control Box Locate	
109	1001162864	2	Decal - Lift Point/Tie Down	
110	1001212290	1	Decal - Tie Down	
111	1001212291	2	Decal - Lifting Lug	
112	1001237899	1	Decal - Arms Prop	
201	1702155	1	Decal - Battery Disconnect	
202	1001162115	1	Decal - Danger/Warning	
203	1001146794	1	Decal - Battery/Charger Service	
204	1001215751	4	Decal - Crushing Hazard	
205	1001211779	4	Decal - Electrocution	
206	1001212292	1	Decal - No Lifting	
207	1001212293	1	Decal - No Forklift	
208	1001237538	1	Decal - Battery Spacer	
209	1707022	2	Decal - Warning Battery Ventilation	
212	1001224048	1	Decal - Yearly Inspection	
213	1001215750	4	Decal - Danger Electrocution	

SECTION 7 - DECALS

FIGURE 7-8. DECAL INSTALLATION (LATIN AMERICAN SPECS)



ART_1001238018_D

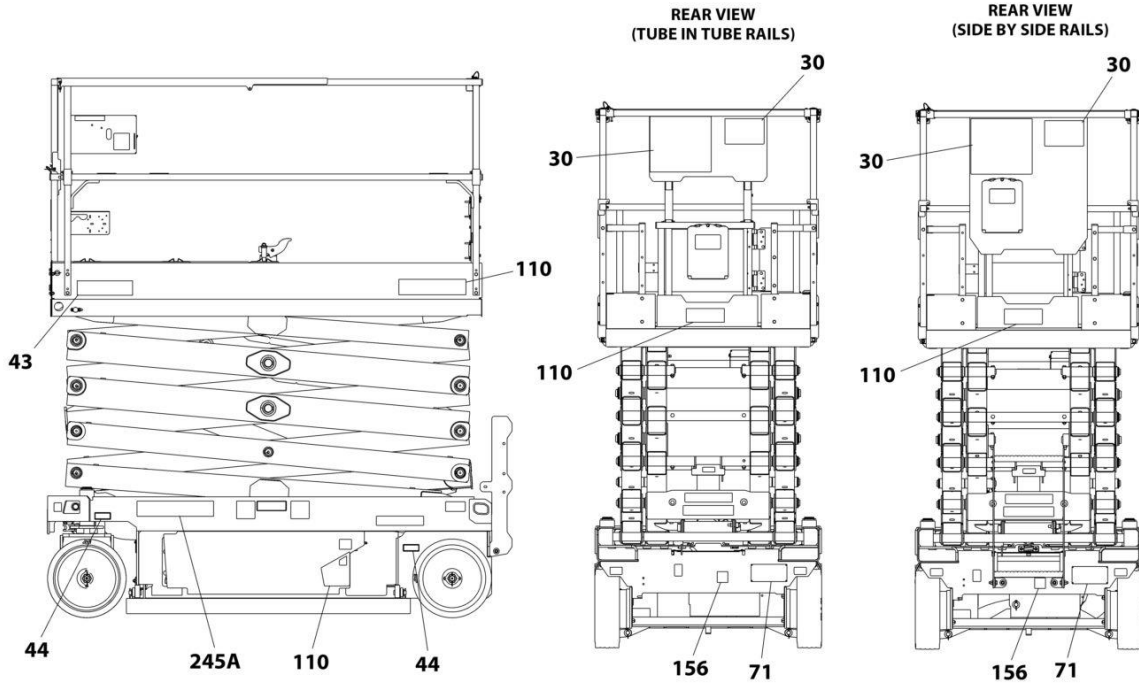
SECTION 7 - DECALS

FIGURE 7-8. DECAL INSTALLATION (LATIN AMERICAN SPECS)

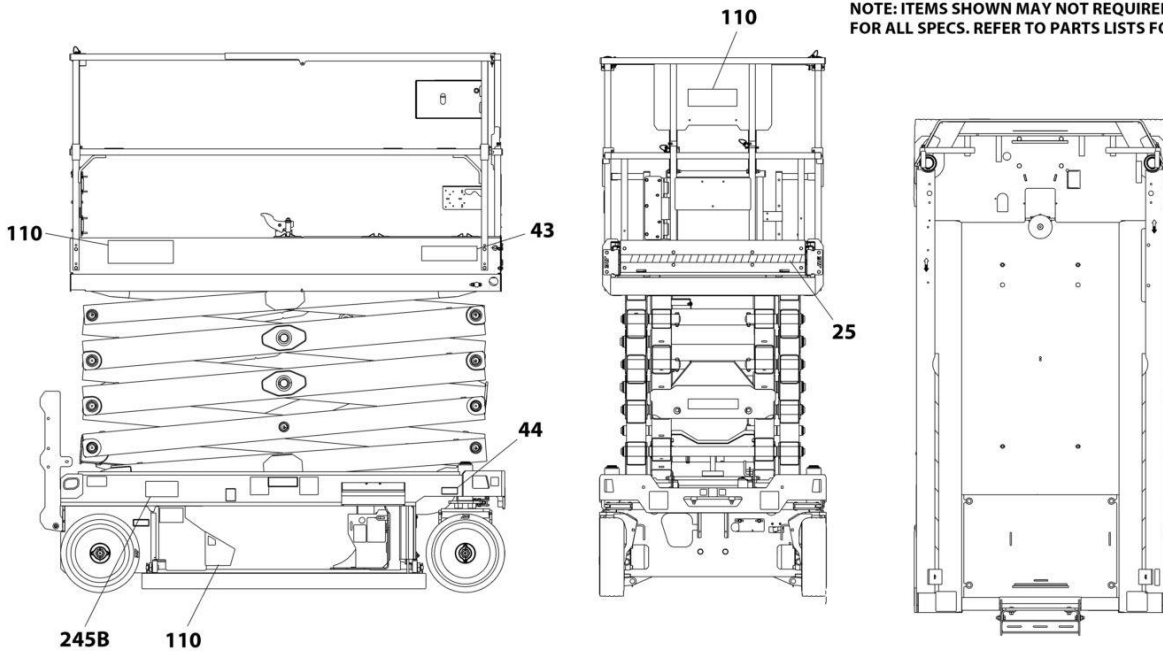
ITEM	PART NUMBER	QTY	DESCRIPTION	REV
	1001238018	Ref	DECAL INSTALLATION (ENGLISH/SPANISH LANGUAGES)	D
	1001237749	Ref	DECAL REFERENCE CHART	H
1	2080040	3	Fastener	
2	2080057	4	Fastener	
3	8990147	1	Holder, Manual	
100	1001239270	1	Master Decal Kit	D
101	1701504	1	Decal - Hydraulic Oil	
102	1701640	1	Decal - Manual	
103	1703819	4	Decal - Direction Arrow	
104	1001248126	1	Decal - Manual Descent Instructions	
105	1704016	2	Decal - Fork Lift	
106	1704277	4	Decal - Lanyard Attach	
107	1704412	1	Decal - Hydraulic Oil	
108	1001132359	1	Decal - Control Box Locate	
109	1001162864	2	Decal - Lift Point/Tie Down	
110	1001212290	1	Decal - Tie Down	
111	1001212291	2	Decal - Lifting Lug	
112	1001237899	1	Decal - Arms Prop	
201	1702155	1	Decal - Battery Disconnect	
202	1704691	1	Decal - Danger/Warning	
203	1001146794	1	Decal - Battery/Charger Service	
204	1001215754	4	Decal - Crushing Hazard	
205	1001211779	4	Decal - Electrocution	
206	1001212292	1	Decal - No Lifting	
207	1001212293	1	Decal - No Forklift	
208	1001237538	1	Decal - Battery Spacer	
209	1704339	2	Decal - Warning Battery Ventilation	
212	1001224049	1	Decal - Yearly Inspection	
213	1001215748	4	Decal - Danger Electrocution	

SECTION 7 - DECALS

FIGURE 7-9. DECAL INSTALLATIONS - OPTIONS



NOTE: ITEMS SHOWN MAY NOT REQUIRED FOR ALL SPECS. REFER TO PARTS LISTS FOR USAGE.



ART_DECAL OPTIONS

SECTION 7 - DECALS

FIGURE 7-9. DECAL INSTALLATIONS - OPTIONS

ITEM	PART NUMBER	QTY	DESCRIPTION	REV
		Ref	DECAL INSTALLATION - OPTIONS:	
25	1001209906	Ref	Corner Stripes Installation	
25	4420051	30 in/ 75 cm	Tape, Safety	
30		Ref	Decal - Capacity Options	
30	1001239684	1	Decal - Capacity (507 LB/ 230 KG)	
30	1001244506	Ref	Decal - Capacity (with Dual Languages)	
30	1001239684	1	Decal - Capacity (507 LB/ 230 KG)	
30	1001216865	1	Plate, Decal Mounting (Not Shown)	
30	1001248681	1	Decal - Capacity (507 LB/ 230 KG) (Indoor Only) (Australian Specs)	
30	1001269706	1	Decal - Capacity (507 LB/ 230 KG) (Japanese Specs)	
30	1001269726	1	Decal - Capacity (507 LB/ 230 KG) (Korean Specs)	
43	1001264283	2	Decal - Model Designation - ES2632	
44	1706310	4	Decal - Maximum Tire Load	
71	See Note	NSS	Decal - Manufacturing Serial Number (Note: Not Available for Purchase)	
110A	1001263940	Ref	JLG Decal Installation (All Specs Except China Specs)	A
110A	1001264281	1	Decal - Door (RH)	
110A	1001264282	1	Decal - Door (LH)	
110A	1001256675	1	Decal - JLG (3-5/16 wide)	
110A	1001256676	1	Decal - JLG (2-5/8 wide)	
110B	1001288467	1	Decal - JLG (China Specs) (Tube In Tube Platform)	
110B	1001264281	1	Decal - Door (RH)	
110B	1001264282	1	Decal - Door (LH)	
110B	1001287763	1	Decal - Gate	
110B	1001288432	2	Decal - Platform	
110B	1001288434	1	Decal - Billboard	
110C	1001288506	1	Decal - JLG (China Specs) (Side By Side Platform)	
110C	1001264281	1	Decal - Door (RH)	
110C	1001264282	1	Decal - Door (LH)	
110C	1001287763	1	Decal - Gate	
110C	1001288432	2	Decal - Platform	
110C	1001288435	1	Decal - Billboard	
156	1001173703	1	Decal - EAC (Russian/CIS Specs)	
245	1001236984	Ref	Decal Installation - ClearSky	B
245A	1001116208	1	Decal - ClearSky	
245A	1001120989	1	Decal - Radio Frequency	
245B	1001296855	Ref	ClearSky Smart Fleet Decal Installation	A
245B	1001120989	1	Decal - Radio Frequency	
245B	1001294815	1	Decal - Clearsky	

SECTION 8 - RECOMMENDED SERVICE PARTS STOCK

SECTION 8 - RECOMMENDED SERVICE PARTS STOCK

SECTION 8 - RECOMMENDED SERVICE PARTS STOCK

FIGURE 8-1. RECOMMENDED SERVICE PARTS STOCK

ITEM	PART NUMBER	QTY	DESCRIPTION	REV
		Ref	Note: The following list will service one machine (built to current production per date on the front cover) with emergency repair parts which can be installed in the field. Parts from the list should be replaced when inventory is depleted to keep service parts stock supplied. For further information, contact your JLG dealer or the JLG Industries Parts Department.	
		Ref	STANDARD PARTS	
	3740150	1	Relay	
	4360328	1	Switch, Toggle	
	4360387	1	Switch, Push Button	
	4360469	1	Switch, Key	
	2860030	1	Key, Replacement	
	4360475	1	Switch, Mushroom	
	3080007	1	Magnet, Latch	
	1600402	1	Controller, Drive/Steer	
	4360345	1	Switch, Toggle	
	1001226749	1	Switch, Push Button	
	1001196634	2	Fues -2Amp	
	8229242	2	Fuse 5Amp	
	8229244	2	Fuse 15 Amp	
	8229234	2	Fuse 10 Amp	
		Ref	VARIABLE PARTS	
	1001203871	1	Switch, Roller	
	1001186466	1	Sensor, Tilt	
	1001200629	1	Module, Control	
	1001268506	1	Module, System	
	1001238392	1	Keypad (Access Control)	
	1001245293	1	Module, Mobile COntrl	
	4360336	1	Switch, Toggle (Machines with Inverter)	
	1001146963	1	Sensor, Angle	
	1001225164	1	Sensor, Pressure Transducer	
	1001235104	1	Sensor, Pressure Transducer	
	1001228112	1	Module, Platform	
	1001228191	1	Breaker 10Amp/30mAmp (Australian Specs Machines)	
	1001181045	1	Breaker 30mAmp/16Amp (CE & UK CA Specs Machines)	
	1001189171	1	Breaker 30mAmp (CE & UK CA Specs Machines)	
	1001189172	1	Breaker 16Amp Double (CE & UK CA Specs Machines)	

SECTION 9 - SPECIAL OPTIONS

SECTION 9 - SPECIAL OPTIONS

FIGURE 9-1. SPECIAL OPTIONS/ACCESSORIES/KITS

ITEM	PART NUMBER	QTY	DESCRIPTION	REV
		Ref	Note: This list is to accommodate machines ordered with special equipment. Options may not be applicable to all models. For more specific parts information contact the JLG Parts Department.	
		Ref	MISCELLANEOUS SPECIAL OPTIONS/ACCESSORIES/KITS	
	1001289564	Ref	Anti-Corrosion Kit (Japanese Specs)	
	1001236903	Ref	Antivandalism Package (Factory Installed)	
	1001249639	Ref	Antivandalism Add-on Kit (Dealer Installed)	
	1001255597	Ref	Battery Charger - Can (With Communication Port) Add-on Kit (Dealer Installed)	
	1001271481	Ref	Cleanguard Kit (Dealer Installed)	
		Ref	ClearSky Add-on Kit Options (Dealer Installed):	
	1001278848	Ref	ClearSky Add-on Kit - 3-Wire GT1030 (All Specs) (Dealer Installed)	
	1001265376	Ref	ClearSky Add-on Kit - Canbus (ANSI, ANSI Export & CSA Specs) (Dealer Installed):	
	1001237257	Ref	ClearSky Add-on Kit - Canbus (ANSI Export, CE & UK CA Specs) (Dealer Installed):	
	1001248502	Ref	ClearSky Add-on Kit - Canbus (Australian Specs) (Dealer Installed):	
	1001248503	Ref	ClearSky Add-on Kit - Canbus (China Specs) (Dealer Installed):	
	1001248689	Ref	ClearSky Add-on Kit - Access Control (Dealer Installed):	
	1001287775	Ref	Decal Kit	
	1001256831	Ref	Drive Motor Covers installation	
		Ref	Electrical Connector Kits	
	1001148902	Ref	Amp/Tyco Electrical Connector Kit	
	1001148903	Ref	Deutsch DT Electrical Connector Kit	
	1001148904	Ref	Deutsch HD Electrical Connector Kit	
	1001148905	Ref	Packard Electrical Connector Kit	
	1001148906	Ref	Various Electrical Connector Kit	
	1001263968	Ref	European Subassembly Kit	
	1001288457	Ref	Extension Cord Kit	
	1001218728	Ref	Fire Extinguisher Installation	
	1001248843	Ref	Foot Latch Add-on Kit (Dealer Installed)	
	1001208061	Ref	Footswitch Installation (Japanese & Korean Specs Only)	
	1001220933	Ref	Height Restrictor Switch Installation	
	1001249638	Ref	Inverter Add-on Kit (Dealer Installed)	
	1001250532	Ref	Mobile Control Add-on Kit (Dealer Installed)	
	1001229076	Ref	Noise Reduction Add-on Kit (Dealer Installed)	
	1001229728	Ref	Overhead Protection Add-on Kit (Dealer Installed)	
	1001281412	Ref	Panel Carrier Kit	
	1001300331	Ref	Perimeter Lighting Kit	
	1001301553	Ref	Perimeter Light Cover Kit	
	1001270721	Ref	Pipe Racks Kit (Dealer Installed)	
	1001269651	Ref	Platform Control Box Cover Add-on Kit (Dealer Installed)	
	1001225790	Ref	Platform Extension Handles Add-on Kit (Dealer Installed)	
	1001262557	Ref	Platform Self Closing Gate Add-on Kit (Dealer Installed)	
	1001262558	Ref	Platform Self Closing Gate Add-on Kit (Dealer Installed)	
	1001294780	Ref	Pressure Transducer Kit	
	1001224583	Ref	Service Kits List	

AC

SECTION 9 - SPECIAL OPTIONS

ITEM	PART NUMBER	QTY	DESCRIPTION	REV
	1001254721	Ref	SkySense Level 1 Add-on Kit (Dealer Installed)	
	1001254542	Ref	SkySense Level 2 Add-on Kit (Dealer Installed)	
	1001255883	Ref	SkySense Level 1 Installation (Factory Installed)	
	1001255669	Ref	SkySense Level 2 Installation (Factory Installed)	
	1001249229	Ref	Strobe (Single) Light Add-on Kit (Dealer Installed)	
	1001249230	Ref	Strobe (Dual) Light Add-on Kit (Dealer Installed)	
	1001283676	Ref	Tool Tethering Kit	
		Ref	Tools for Service	
	2901443	1	Analyzer Kit	
	1001232474	1	Benchtop Harness	
	8896941	1	Wire Stripper	
	7002821	1	Wire Crimper (To install wire ends to wires)	
	7002823	1	Pin/Socket Extractor - Universal (To Remove Pins/Sockets from Connectors)	
	4460467	1	Extractor - 16-18 Gauge (For Removal Pins/Sockets from Deutsch Connectors)	
	4460510	1	Extractor - 12-14 Gauge (For Removal of Pins/Sockets from Deutsch Connectors)	
	7002822	1	Screwdriver, Potentiometer (To Adjust Drive Controllers)	
	7016654	1	Screwdriver, Magnetic	
	7004275	1	Seal Installation Tool - 1in	
	7004276	1	Seal Installation Tool - 1-1/2in	
	7002826	1	Seal Installation Tool - 2in	
	1001269646	Ref	Tool Tray/Work Surface Heavy Duty Add-on Kit (Dealer Installed)	
	1001262959	Ref	Voltage Regulator Re-Location Add-on Kit (Dealler Installed)	
	1001281944	Ref	White Noise Ambient Alarm Kit	
	1001281415	Ref	Worklights Kit	

PART NUMBER INDEX

SECTION 9 - SPECIAL OPTIONS

0100011.....13, 15, 17, 19, 25, 29, 33, 35, 37, 39, 55, 83, 101, 103, 105, 107, 197	0962006..... 135 1001047064..... 113, 115 1001091102... 29, 41, 43, 45, 61, 65, 197	1001144147 . 67, 69, 203, 207 1001144295 186 1001144296 186 1001146794 249, 251, 253, 257, 259, 261, 263 1001146795 255 1001146963 .. 88, 92, 268 1001148902 270 1001148903 270 1001148904 270 1001148905 270 1001148906 270 1001151629 185 1001152266 186 1001152483 163 1001153785 13, 15 1001154378 103, 105, 107	1001205422.....101 1001205424.....101 1001205430..... 101 1001205598..... 39 1001205751..... 13, 15 1001206225..... 105 1001206226..... 105, 107 1001206995..... 37 1001207009..... 35 1001207293..... 71 1001207494..... 61, 63 1001207970..... 169 1001207973..... 181 1001207974..... 167, 171, 173, 175, 177, 179 1001208061..... 270 1001208852..... 101 1001209482..... 147, 149, 163 1001209596..... 113, 115 1001209682..... 61, 63 1001209776..... 143, 145, 151, 161 1001209906..... 265 1001210064..... 101 1001210079..... 67 1001210302..... 103, 105, 107 1001210440..... 81 1001210446..... 105, 107 1001210447..... 105, 107 1001210458..... 103, 105, 107 1001210586..... 103, 105, 107 1001210605..... 81 1001210878..... 81 1001210879..... 81 1001210881..... 81 1001210882..... 81 1001210963..... 103, 105, 107 1001211777..... 249 1001211779..... 249, 257, 259, 261, 263 1001212035..... 233 1001212036..... 233 1001212290..... 249, 251, 253, 255, 257, 259, 261, 263 1001212291..... 249, 251, 253, 255, 257, 259, 261, 263 1001212292..... 249, 251, 253, 255, 257, 259, 261, 263 1001212293..... 249, 251, 253, 255, 257, 259, 261, 263 1001213838..... 101 1001213886..... 113, 115 1001214217..... 33 1001214347..... 79 1001214526..... 29 1001214528..... 29 1001214534..... 29 1001214810..... 83
0100051.....73, 75, 77, 79 0140030..... 113, 115 0140043..... 61, 65 0275216..... 143, 237 0275217..... 145, 245 0275452..... 147, 241 0275453..... 149, 243 0275454..... 151, 239 0440223..... 127 0440259..... 13, 15, 137 0440263..... 29 0440264..... 88, 89, 92, 93 0440265..... 89, 93 0480100..... 121 0630580..... 31 0630587..... 61, 65, 81 0630613..... 83, 95 0681610..... 13, 17, 19 0700412..... 61, 65 0700610..... 88, 92, 127 0700612..... 29, 33, 39, 69, 88, 92 0700616..... 123 0700617..... 61, 63 0700621..... 109 070081488, 92, 143, 145, 147, 149, 151, 155, 179 0700815..... 29 0700817..... 83, 121 0700818..... 103, 105, 107, 109 0700819..... 99, 111 0700820..... 103 0700823..... 29 0700835..... 113, 115 0701012..... 13, 15 0701015..... 83, 88, 92 0701019..... 95, 123 0701021..... 88, 92 0701024..... 95 0711219..... 25 0760408..... 141, 143, 145, 147, 149, 151, 157 0760608..... 105, 107, 131 0760610..... 51, 61, 63, 81, 111, 113, 115, 131, 155 0760612..... 35, 37, 47, 61, 63 0760810..... 69, 101, 103, 129 0760812..... 61, 63, 67, 101 0760820..... 129 0760827..... 13, 15 0761008..... 55 0761012..... 55 0761014..... 101 0761015..... 49 0761019..... 105, 107 0761221..... 83 0861731..... 235, 239, 241, 243 0861781..... 237, 245 0861880..... 161	10011096138 211 1001097150 155, 159 1001097347 201, 203 1001100341 237 1001100342 245 1001100345 241 1001100346 239 1001100347 243 1001101540 81 1001102258 141, 143, 145, 147, 149, 151, 153, 155, 157 1001102349 27 1001102351 27 1001102353 27 1001102354 27 1001102489 167, 169, 171, 173, 175, 177, 181, 183 1001102771 165 1001103012 186, 205 1001103013 205 1001103471 155, 179 1001104498 186, 205 1001108581 59 1001110302 29 1001112112 77 1001114466 31 1001116208 265 1001116731 203, 205 1001116732 201, 203 1001116733 211 1001116812 . 67, 69, 165, 185 1001117057 201, 203 1001118274 67, 69 1001118812 67, 207 1001120204 143, 145, 147, 149, 151 1001120205 161, 163 1001120989 265 1001125483 81 1001125677 67, 186, 207 1001125927 159 1001128888 88, 92 1001130220 ... 35, 37, 39, 51, 61, 63, 88, 92, 113, 115 1001130590 61, 63 1001131270 249, 259 1001132358 113, 115 1001132359 249, 251, 253, 255, 257, 259, 261, 263 1001132361 113, 115 1001134280 179 1001134821 111 1001136757 81 1001137675 .. 88, 92, 101 1001142173 81 1001142174 81 1001143009 81 1001143010 81	1001156186 103 1001157547 81 1001159186 81, 185, 233 1001162115 261 1001162864 249, 251, 253, 255, 257, 259, 261, 263 1001162886 185 1001162887 69, 185, 205 1001163340 69, 185, 205 1001170310 59 1001173703 265 1001179447 .. 13, 15, 137 1001181045 161, 268 1001182806 47 1001186466 33, 268 1001187587 103, 105, 107 1001187816 157 1001188116 157 1001189171 163, 268 1001189172 163, 268 1001189762 127 1001192401 67, 186 1001194421 185, 233 1001196589 186 1001196634 165, 199, 268 1001196635 69 1001197396 13, 15 1001200629 .. 61, 63, 268 1001200631 61, 63 1001200632 71 1001200812 213, 221 1001200819 113, 115, 233 1001201885 185, 233 1001202184 217, 223 1001202987 29 1001203869 29 1001203870 29 1001203871 29, 268 1001203872 29 1001204495 47 1001205409 69, 185 1001205410 185 1001205411 185 1001205412 185	

SECTION 9 - SPECIAL OPTIONS

1001215216 .. 43, 45, 209	1001229076.....270	1001237749.....249, 251, 253, 255, 257, 259, 261, 263	1001242990 43
1001215747 257	1001229728.....270	1001237824.....88, 92	1001243232 ... 73, 75, 77, 79
1001215748 253, 263	1001229732.....103	1001237855.....51	1001243233 ... 73, 75, 77, 79
1001215749 259	1001229733.....103	1001237856.....51	1001243781 29
1001215750 261	1001229734.....103	1001237899.....249, 251, 253, 255, 257, 259, 261, 263	1001244298 257
1001215751 261	1001229739.....103	1001238014.....249	1001244323 155
1001215752 257	1001229740.....103	1001238015.....261	1001244394 69
1001215754 263	1001229741.....103	1001238016.....257	1001244416 .. 89, 93, 135
1001215755 259	1001229742.....103	1001238017253	1001244506 265
1001215762 61, 63	1001229792.....83	1001238018.....263	1001244644 179
1001215953 29	1001230248.....103	1001238019.....259	1001244885 69
1001216180 75	1001230249.....103	1001238020.....255	1001244900 155
1001216648 253	1001231405.....103	1001238021.....251	1001245293 69, 268
1001216650 253	1001231801.....249, 259	1001238130.....147	1001245299 69
1001216823 109	1001232257.....103	1001238131.....149	1001245353 69
1001216865 265	1001232474.....271	1001238132.....151	1001245739 155, 159
1001217059 33	1001232622.....103	1001238133.....143	1001245743 159
1001217164 161, 163	1001233795.....88, 229	1001238134.....145	1001245744 155, 159
1001217842 211	1001234006.....103, 105, 107	1001238135.....157	1001245747 155
1001217843 211	1001234007.....103, 105, 107	1001238198.....143, 145, 147, 149, 151, 155	1001246144 191
1001218285 113, 115	1001234141.....105, 107	1001238392.....67, 268	1001246145 195
1001218307 29	1001234142.....105, 107	1001238684.....88, 92	1001246531 195
1001218573 83	1001234204.....88, 92	1001238762.....205	1001246674 89, 93
1001218728 270	1001234384.....99	1001238845.....195, 205	1001247706 99
1001220409 111	1001234385.....101	1001238955.....205	1001247707 89, 93
1001220410 111	1001234386.....105, 107	1001238956.....205	1001248126 249, 251, 253, 255, 257, 259, 261, 263
1001220893 113, 115	1001234387.....103	1001239224.....41, 43, 45	1001248502 270
1001220933 270	1001234407.....101	1001239269....73, 75, 77, 79	1001248503 270
1001220995 111	1001234797.....29	1001239270.....249, 251, 253, 255, 257, 259, 261, 263	1001248631 167
1001221244 123	1001234798.....29	1001239479.....88, 92	1001248632 169
1001221275 123	1001234842.....49	1001239661.....41, 43, 45	1001248634 183
1001221276 123	1001234858.....83	1001239674.....95	1001248681 265
1001221949 183	1001234862.....83	1001239675.....213	1001248689 270
1001222587 109	1001235104.....268	1001239676.....217	1001249229 271
1001222914 123	1001235286.....103	1001239677.....215	1001249230 271
1001223055 249	1001235555.....99	1001239678.....219	1001249638 270
1001223262 219	1001235559.....61, 63	1001239679.....225	1001249639 270
1001223263 215	1001235863.....131	1001239684.....265	1001249668 77, 79
1001223650 221	1001235941.....121	1001239892.....95	1001250532 270
1001223651 223	1001235955.....49	1001239894.....95	1001251144 193
1001223971 259	1001236139....35, 37, 39	1001239925.....88, 92	1001251146 191
1001224048 261	1001236144.....191, 195	1001239926.....99	1001252626 127
1001224049 263	1001236269.....88, 92	1001239927.....88, 92	1001253726 131
1001224051 257	1001236486.....88, 92	1001239928.....88, 92	1001253800 119
1001224052 253	1001236487.....88, 92	1001239929.....88, 92	1001253952 35
1001224583 270	1001236488.....88, 92	1001239931.....88, 92	1001254026 191, 193, 203
1001225164 .. 88, 92, 268	1001236623.....105, 107	1001241352.....95	1001254027 . 35, 67, 191, 193, 207
1001225790 270	1001236624.....103	1001241353.....95	1001254028 35, 165
1001226277 123	1001236849.....29	1001241358.....95	1001254542 271
1001226423 25	1001236903.....270	1001241737.....88, 92	1001254721 271
1001226636 203, 205	1001236984.....265	1001241738.....88, 93	1001255597 270
1001226637 203, 205	1001237132.....213, 215, 217, 219, 225	1001241739.....89, 93	1001255669 271
1001226749 113, 115, 268	1001237211.....205	1001241740.....89, 93	1001255883 271
1001226791 88, 92	1001237212.....205	1001241741.....89, 93	1001255901 199
1001226901 123	1001237213.....205	1001241742.....89, 93	1001255934 .. 61, 65, 211
1001227219 179	1001237257.....270	1001241743.....89, 93	1001256130 25
1001227267 155, 179	1001237400.....141	1001241744.....89, 93	1001256327 ... 73, 75, 77, 79
1001227268 155	1001237401.....153	1001242539.....41, 43	
1001227269 159	1001237538.....249, 251, 253, 255, 257, 259, 261, 263	100124269741	
1001227728 123	1001237707.....49		
1001227855 29	1001237708.....49		
1001228112 268	1001237737.....29		
1001228184 123			
1001228191 159, 268			
1001228370 249, 259			
1001228406 49			

SECTION 9 - SPECIAL OPTIONS

1001256328....73, 75, 77, 79	1001264310 ... 73, 75, 77, 79	1001288497 15, 19	1705997.....125
1001256329....73, 75, 77, 79	1001265376 270	1001288499 15	1706310.....265
1001256642.....35	1001265635 59	1001288506 265	1706679.....61, 63
1001256643.....37, 39	1001265636 59	1001289052 107	1707022.....261
1001256675.....265	1001268506 .. 61, 63, 268	1001289564 270	2080040.... 101, 103, 105, 107, 249, 251, 253,
1001256676.....265	1001269646 271	1001289648 197	255, 257, 259, 261, 263
1001256694.....31	1001269651 270	1001291056 197	2080057....249, 251, 253, 255, 257, 259, 261, 263
1001256704.....13	1001269706 265	1001291264 88, 92	2110404.....137
1001256744.....81	1001269714 59	1001293998 197	2220371.....135
1001256746.....81	1001269726 265	1001294027 45	2220883.....135
1001256831.....270	1001269746 59	1001294243 92, 231	2400060..... 69, 165, 185
1001256872.....55	1001269747 59	1001294780 270	2420172.....61, 63
1001256876.....61, 63	1001269747 59	1001294815 265	2560088.....109
1001256944....13, 17, 19, 22	1001270533 121	1001296855 265	2560190.....109
1001256984.....61	1001270631 121	1001300331 270	2600281.... 103, 105, 107
1001257121.....81	1001270721 270	1001301553 270	2700100.....125
1001257138.....61, 63	1001270855 121	1001380040 83	2780266.....25, 27
1001257139.....61, 63	1001271412 121	1001380041 83	2860030..... 61, 63, 268
1001258356.....67	1001271481 270	1001380042 83	2901443.....271
1001258446.....113, 115	1001272659 189	1060379 ... 121, 125, 127	2902431..... 141, 235
1001258498.....73	1001272997 199	1060908 ... 159, 161, 163	3080007.... 103, 105, 107, 268
1001258691.....67	1001273012 189, 199	1060998 ... 73, 75, 77, 79	3121792..... 69
1001258768.....177	1001273907 127	1061042 129	3252507.... 145, 147, 149, 151, 153, 157
1001258770.....175	1001273909 127	1062255 67, 191, 193, 195	3290305.....41, 43, 45
1001258771.....171	1001273957 125	1120555 125	3290401.....197
1001258772.....173	1001273958 125	1320136 191, 193	3290405....29, 61, 65, 81, 88, 92, 111, 113, 115, 141, 143, 145, 147, 149, 151, 155, 157
1001259015....13, 17, 19	1001273960 127	1321293 35, 37, 39, 81	3290505.....179
1001259017....73, 75, 77, 79	1001273961 129	1321752 13, 15	3290601.....33, 155
1001260689.....55	1001273962 129	1380132 109	3290605....13, 17, 19, 35, 37, 39, 47, 61, 63, 65, 69, 81, 88, 92, 143, 145, 147, 149, 151, 191, 193
1001260690.....55	1001273964 129	1380153 13, 15	3290606.... 103, 105, 107, 109, 111, 123, 127, 131
1001260887.....59	1001273966 129	1580023 125	3290801.....29, 129
1001261131.....119	1001273968 131	1580024 125	3290805....13, 15, 29, 61, 63, 83, 88, 92, 99, 101, 121, 143, 145, 147, 149, 151, 155, 179
1001262150.....119	1001273969 131	1600402 ... 113, 115, 117, 268	3290806.... 103, 105, 107, 109, 111, 113, 115
1001262201.....55	1001274168 119	1671207 235	3291005....49, 55, 83, 95, 101
1001262322.....193	1001274485 55, 57	1701504 ... 249, 251, 253, 255, 257, 259, 261, 263	3291006....95, 105, 107, 123
1001262327.....193	1001274559 61, 63	1701640 ... 249, 251, 253, 255, 257, 259, 261, 263	3291007..... 83, 88, 92
1001262500.....13	1001274604 113, 115	1702010 131	3291201..... 83
1001262539....13, 17, 19	1001274605 113, 115	1702155 ... 249, 251, 253, 255, 257, 259, 261, 263	3300423.....27
1001262557270	1001274659 113	1703464 141, 143	3321402.....88, 92
1001262558270	1001274837 125	1703813 249	3331211.....25
100126258159	1001274838 127	1703816 249	3421453.....127
1001262655....113, 115	1001274839 131	1703819 ... 113, 115, 249, 251, 253, 255, 257, 259, 261, 263	3422219.... 105, 125, 127
1001262658.....13	1001275631 125	1704016 ... 249, 251, 253, 255, 257, 259, 261, 263	3422661..... 121
100126266755	1001278513 189, 201	1704260 113, 115	3423037..... 13, 15
1001262959.....271	1001278847 189	1704277 ... 249, 251, 253, 255, 257, 259, 261, 263	3423243..... 83
100126325735	1001278848 270	1704339 263	3423278..... 113, 115
1001263258.....37	1001280661 197	1704340 259	3430636.....29
1001263259.....39	1001281412 270	1704341 253	3430814.....101
1001263294.....181	1001281415 271	1704344 257	3430816.....101
1001263296.....179	1001281944 271	1704412 ... 249, 251, 253, 255, 257, 259, 261, 263	
1001263350.....63	1001283131 115	1704684 259	
1001263359.....59	1001283416 .. 61, 65, 185	1704691 263	
1001263419.....75	1001283451 115	1704699 253	
1001263420.....77	1001283676 271	1705195 257	
100126342179	1001285320 89, 93	1705670 251, 255	
1001263423.....73	1001285829 89, 227	1705671 251, 255	
1001263785.....59	1001286864 88, 92	1705673 251, 255	
1001263940.....265	1001287711 121		
100126396765	1001287763 265		
1001263968.....270	1001287775 270		
1001264281265	1001288432 265		
1001264282265	1001288434 265		
1001264283265	1001288435 265		
	1001288457 270		
	1001288467 265		
	1001288492 17, 19		
	1001288496 15, 17		

SECTION 9 - SPECIAL OPTIONS

3431212	29	4340947	127	4460891 41, 43, 123, 165,		4812000 ... 29, 55, 83, 88,	
3431218	29	4360328	61, 63, 268	185, 186, 209, 215,		92, 95, 101, 105, 107,	
3450302	29	4360336	81, 268	219, 229, 231		123	
3450303	83	4360345	268	4460894....185, 186, 213,		4812002 13, 15, 49, 83	
3450403	101	4360387	61, 63, 268	215, 217, 219, 225		4812500	29
3450406	27	4360469	61, 63, 268	4460897..43, 47, 81, 165,		4831400	197
3450505	29	4360475 61, 63, 113, 115,		185, 209, 211, 215, 219		4831600	179
3460334	125	268		4460899....213, 215, 217,		4846757	13, 15
3520072 95, 103, 105,		4420037	131	219, 221, 223, 225		4891600	13, 17, 19
107, 127		4420051	265	4460905.....165, 211		4923328 73, 75, 77, 79	
3574505	131	4420062 88, 92, 103, 105,		4460930.....186		4923602	25
3740150 .. 61, 65, 81, 268		107, 113, 115, 121		4460932 67, 69, 165, 199,		5241200	25
3760115	88, 92	4460019	185	201, 203, 205, 211, 227		70000082	117
3760170 107, 125, 127		4460042	185	4460933.....67, 185, 186,		70000084	117
3760217	13, 15	4460115	185	207		70000191	22
3760387	88, 92	4460138	141	4460943 67, 69, 203, 207,		70000683	117
3820019	109	4460183	233	211, 213, 215, 217,		70000684	117
3841143	83, 88, 92	4460226	185	219, 221, 223, 225		70000685	117
3841675	127	4460227	35, 185	4460944 67, 69, 165, 185,		70000686	117
3860111	105, 107	4460234 ... 123, 191, 193,		186, 207, 213, 215,		70001250	117
3900355	125	195		217, 219, 225		70001251	117
3900364	59	4460247	185	4460956.....161		70001252	117
3900381	179	4460259	185	4460957.....161		70001253	117
3910804	61, 63	4460260	185	4460965.....185		70001739	22
3931412	125	4460265	233	4460968.....157		70003650	117
3931508	125	4460267	233	4460970.....229, 231		70003700	57
3990001	165	4460315	141, 157	4461016.....233		70004239	137
4010310	41, 43, 45	4460320	185	4461023.....185		70004241	137
4010408	111, 155	4460346	235	4461196.....171, 237		70004585	135
4010608 88, 92, 103, 105,		4460418 81, 185, 233		4461198.....237		70004935	57
107		4460424	35	4461199.....173, 245		70005236	135
4010610 ... 143, 145, 147,		4460464 ... 43, 47, 67, 69,		4461201.....245		70005419	137
149, 151		81, 123, 165, 186, 199,		4461205.....177, 241, 243		70005420	137
4010616	105, 107	201, 203, 205, 209,		4461244.....241		70005421	137
4010617 103, 105, 107		211, 213, 215, 217,		4461245.....243		70007055	135
4010618 103, 105, 107		219, 221, 223, 225,		4461246.....239		70007101	135
4031509	113, 115	227, 229, 231, 233		4461249.....175, 239		70007102	135
4031511	29	4460465 ... 41, 43, 67, 69,		4461257.....143, 145		70007103	135
4031512	88, 92	123, 165, 185, 186,		4461258.....143, 145		70007104	135
4031708 33, 39, 191, 193		201, 209, 213, 215,		4711400.....125, 127		70007105	135
4031710	61, 63	217, 219, 221, 223,		4711700.....113, 115		70007106	135
4060803	113, 115	225, 227, 229, 231		4711800.....101		70007191	22
4060906	113, 115	4460466 . 67, 69, 81, 123,		4740086.....29		70007193	22
4060944	185	165, 185, 186, 203,		4740438.....88, 92		70007199	22
4160078	88, 92	205, 207, 213, 215,		4740468.....27		70007205	22
4160202	29	217, 219, 221, 223,		4740480.....125		70007490	22
4160214	83	227, 229, 231, 233		4740531.....88, 92		70007495	22
4191706	127	4460467	271	4811400.....81, 111, 113,		70007541	22
4220227	127	4460496	113, 115	115, 141, 143, 145,		70007544	22
4240003	125, 127	4460497	113, 115	147, 149, 151, 155, 157		70007546	22
4240017 ... 13, 15, 35, 37,		4460510	271	4811700....47, 59, 61, 63,		70007584	57
39, 61, 63, 65, 69, 73,		4460536	123	65, 69, 81, 103, 105,		70007588	57
75, 77, 79, 81, 88, 92,		4460539 ... 186, 215, 219,		107, 111, 113, 115,		70007589	57
123, 141, 143, 145,		227, 229, 231		131, 143, 145, 147,		70007590	57
147, 149, 151, 153,		4460662 ... 147, 149, 151,		149, 151, 155, 191, 193		70007612	57
155, 157, 167, 169,		235		4811702....13, 17, 19, 29,		70007613	57
171, 173, 175, 177,		4460670	211	33, 35, 37, 39, 51, 61,		70007614	57
179, 183, 213, 215,		4460722	81	63, 88, 92, 109		70007615	57
217, 219, 221, 223, 225		4460754 ... 213, 215, 217,		4811900....13, 15, 29, 61,		70007616	57
4240018	43, 45, 55	219, 221, 223		63, 67, 69, 88, 92, 99,		70007670	22
4240032 67, 189, 191,		4460761	185	101, 103, 105, 107,		70007676	22
193, 195		4460871	165, 211	109, 113, 115, 143,		70007782	22
4240033	129	4460872	165	145, 147, 149, 151, 155		70007844	23
4240147	29	4460877	185	4811902 29, 83, 103, 111,		70027244	135
4240165	131	4460884 67, 69, 165, 185,		121, 129, 179		7002821	271
4340853	125	186, 201, 229				7002822	271
4340854	125					7002823	271

SECTION 9 - SPECIAL OPTIONS

7002826.....	271	7024749	22	7027765	117	8405402.....	59
7004275.....	271	7024756	22	7027766	117	8750015.....	13, 15
7004276.....	271	7024758	22	80325	127	8896941.....	271
7016654.....	271	7024759	23	8229234	211, 268	8990147....	249, 251, 253, 255, 257, 259, 261, 263
7020175.61, 63, 113, 115		7024786	22	8229242	186, 268		
7020176.61, 63, 113, 115		7027365	117	8229244	186, 268		
7024747	22	7027367	117	8405204	59		



**Corporate Office
JLG Industries, Inc.
1 JLG Drive
McConnellsburg, PA 17233-9533 USA
☎ (717) 485-5161 (Corporate)
☎ (877) 554-5438 (Customer Support)
📠 (717) 485-6417**

**Visit our website for JLG Worldwide Locations.
www.jlg.com**



OSHKOSH™